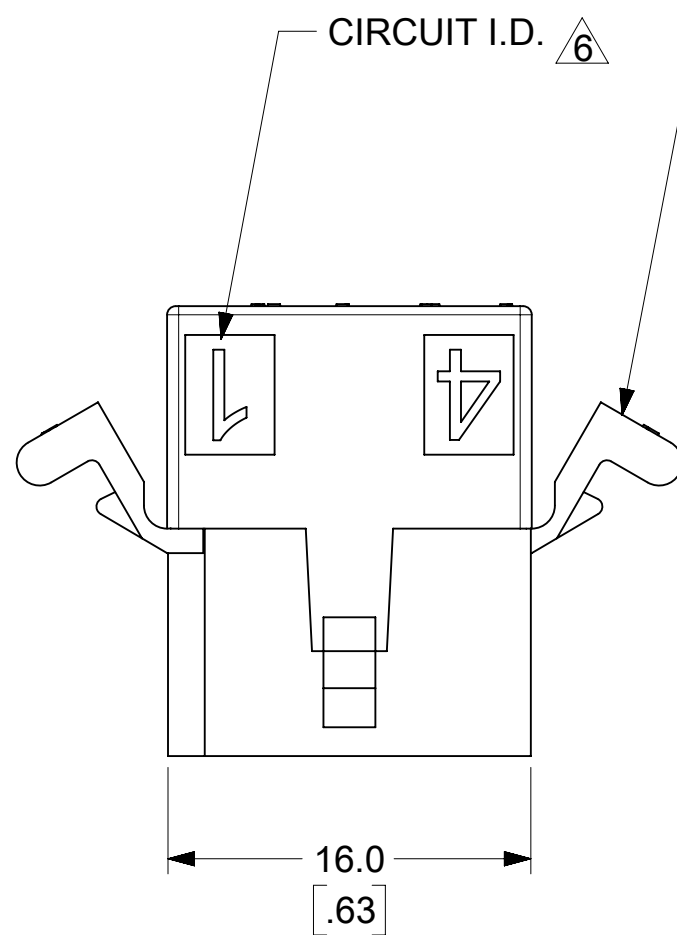
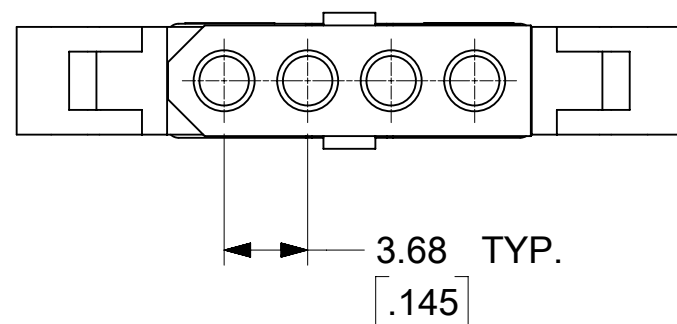
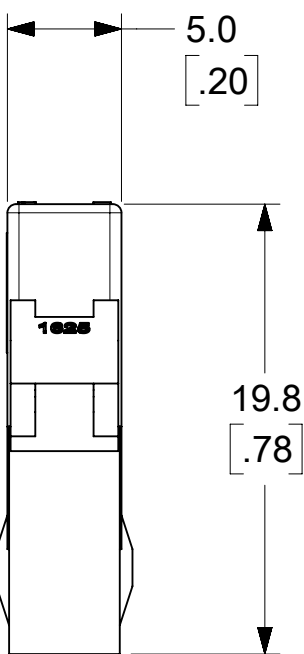


CIRCUIT NUMBERS, (4 PL.)

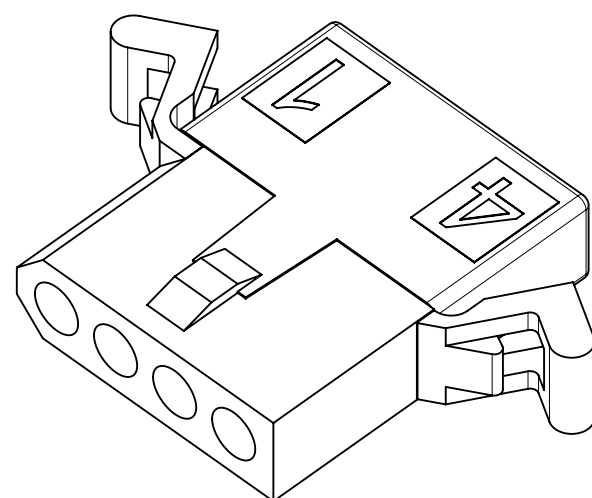


MOUNTING EARS
(WHEN SPECIFIED)
SEE DETAIL A OR C

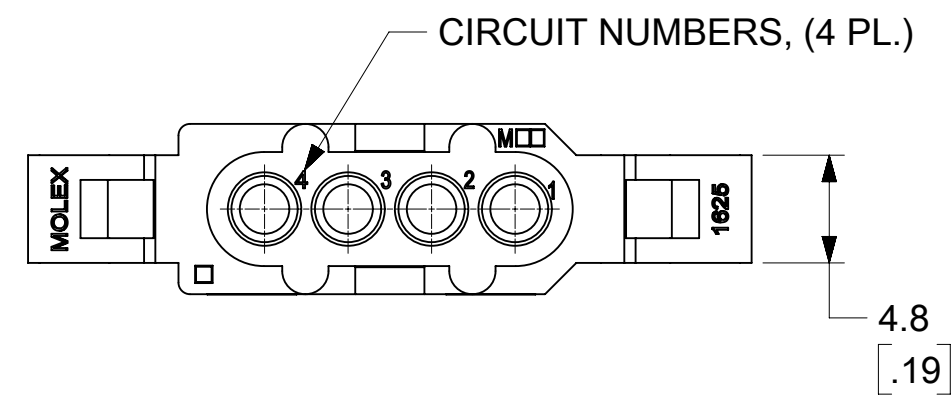
PASSIVE LOCK



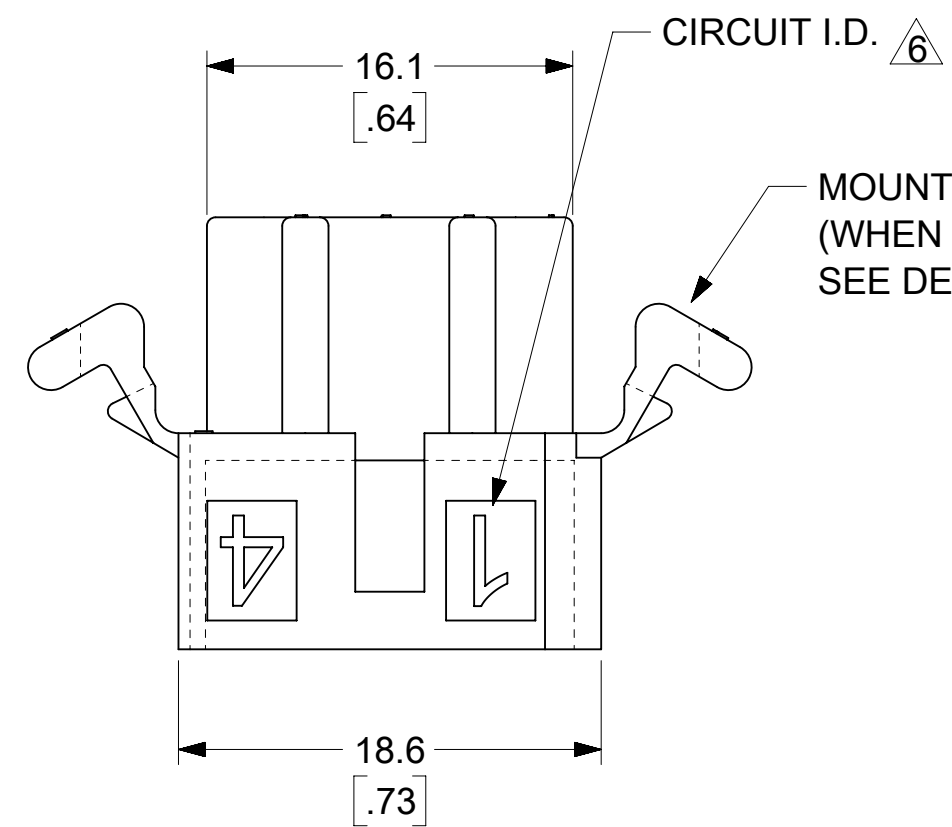
3.68 TYP.
.145



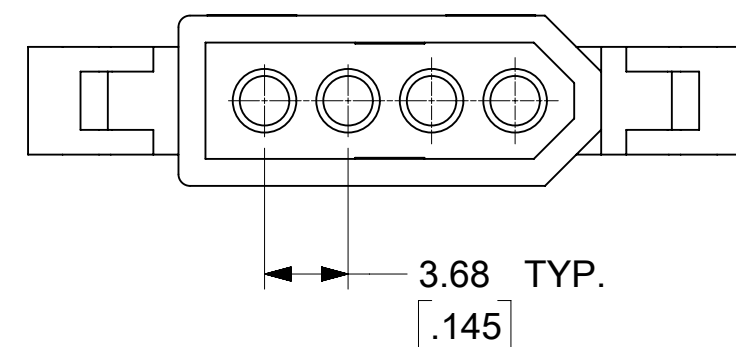
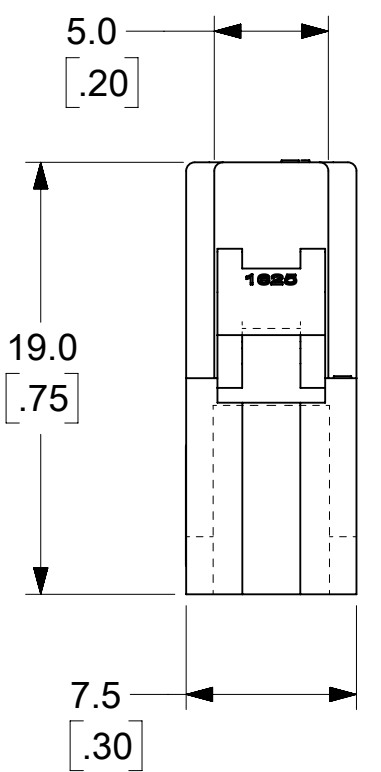
RECEPTACLE HOUSING



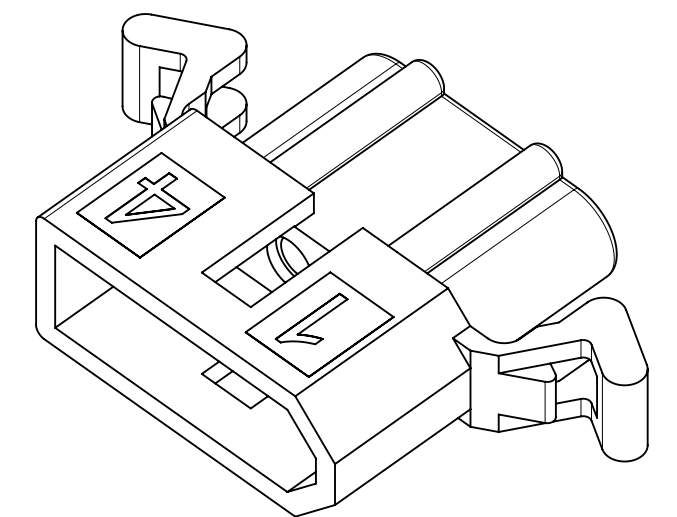
CIRCUIT NUMBERS, (4 PL.)



MOUNTING EARS
(WHEN SPECIFIED)
SEE DETAIL A OR C



3.68 TYP.
.145



PLUG HOUSING

SYMBOLS										THIS DRAWING CONTAINS INFORMATION THAT IS PROPRIETARY TO MOLEX ELECTRONIC TECHNOLOGIES, LLC AND SHOULD NOT BE USED WITHOUT WRITTEN PERMISSION									
DIMENSION UNITS					SCALE					CURRENT REV DESC: REVISE NOTE 3									
= 0					MM/IN					NTS					<p>molex</p> <p>.062 4 CKT PLUG AND RECEPTACLE HOUSINGS</p> <p>PRODUCT CUSTOMER DRAWING</p> <p>DOCUMENT NUMBER: 16250400-SD DOC TYPE: PSD DOC PART: 000 REVISION: A1</p> <p>MATERIAL NUMBER: SEE CHART CUSTOMER: SHEET NUMBER: 1 OF 2</p>				
GENERAL TOLERANCES (UNLESS SPECIFIED)										EC NO: 613316									
4 PLACES ±					±					DRWN: JEHRISMAN 2019/03/06									
3 PLACES ±					± 0.01					CHK'D: MKIPPER 2019/03/27									
2 PLACES ±					± 0.25 ± 0.014					APPR: FSMITH 2019/04/01									
1 PLACE ±					± 0.36 ±					INITIAL REVISION:									
0 PLACES ±					±					DRWN: MKIPPER 2017/08/11									
ANGULAR TOL ± °					°					APPR: FSMITH-ROEMER 2017/09/30									
DRAFT WHERE APPLICABLE MUST REMAIN WITHIN DIMENSIONS					THIRD ANGLE PROJECTION					DRAWING SERIES: C-SIZE 1625									

PLUG		
PART NO.	ENG. NO.	
03-06-2041	1625-4P	
46999-0267	1625-4P-1	
03-06-7041	1625-4PBK	OBSOLETE
03-06-2042	1625-4P1	
03-06-7042	1625-4P1BK	
46999-0355	1625-4P2	
NOT TOOLED	1625-4P2BK	
46999-0353	1625-4P2-1	

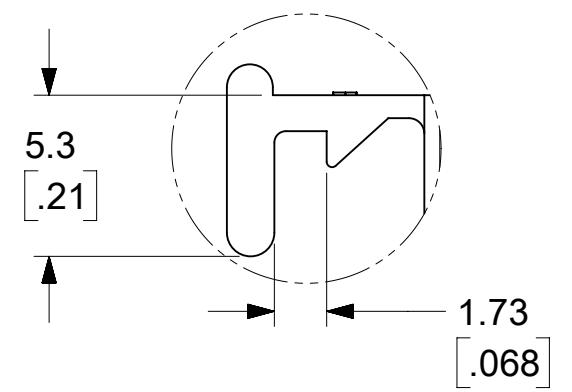
RECEPTACLE		
PART NO.	ENG. NO.	
03-06-1041	1625-4R	
03-06-6041	1625-4RBK	OBSOLETE
03-06-1042	1625-4R1	
03-06-6042	1625-4R1BK	
50-29-1758	1625-4R2	
46999-0266	1625-4R2-1	
46999-0354	1625-4R1-1	

LEGEND:
 1625-4***- *
 CIRCUI T SIZE
 R = RECEPTACLE
 P = PLUG

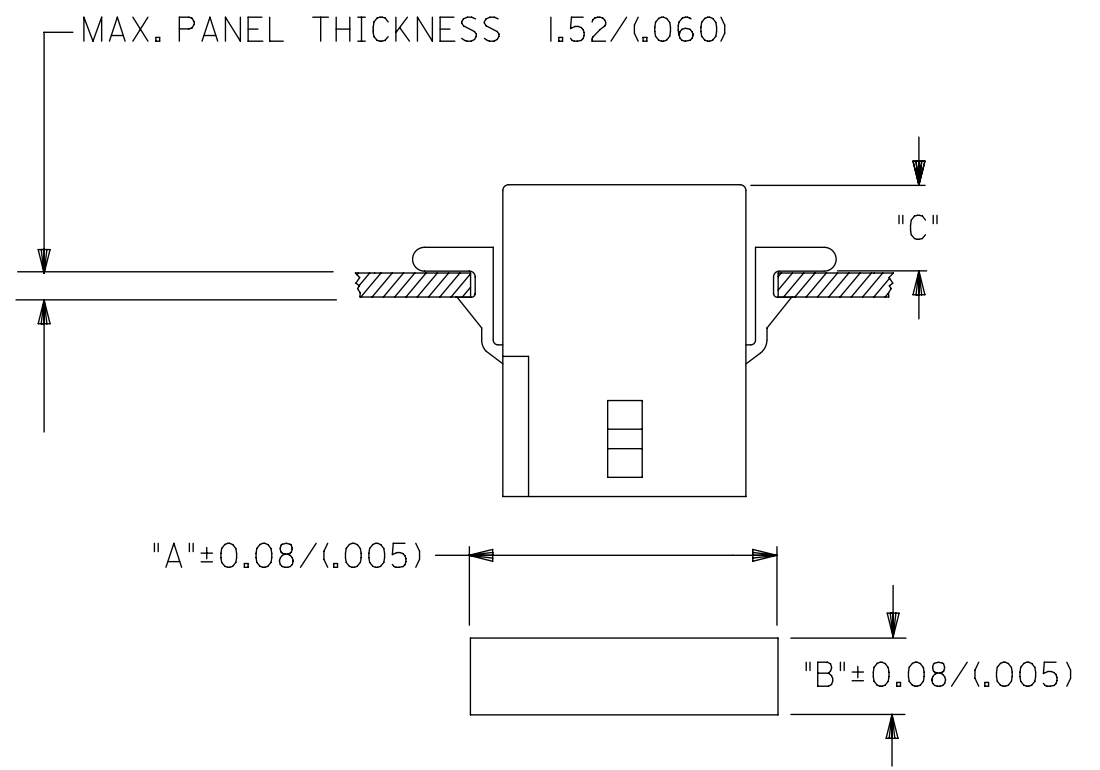
BLANK = WITH STANDARD MTG. EARS
 1 = WITHOUT EARS
 2 = WITH PREBENT MTG. EARS

BLANK = NOT DYED
 AM=AMBER BK=BLACK BU=BLUE
 BN=BROWN GY=GRAY GN=GREEN
 OR=ORANGE RD=RED YW=YELLOW

BLANK = MATERIAL CODE A
 1 = MATERIAL CODE B

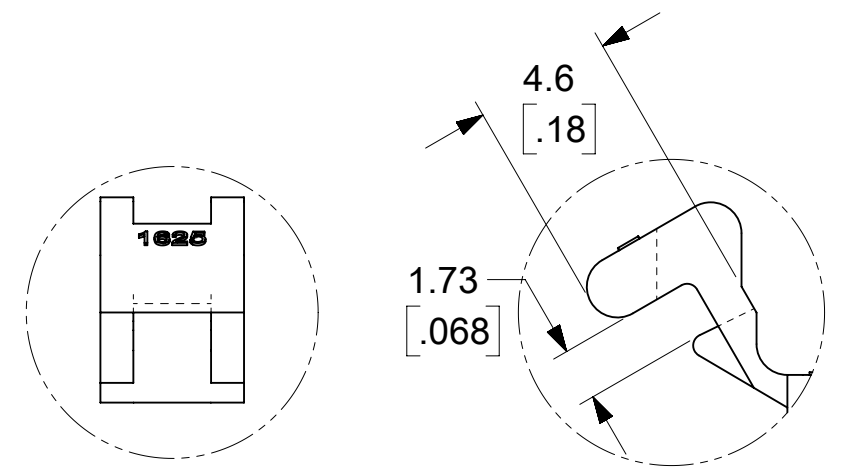


DETAIL C
 SCALE 4:1
 STANDARD MOUNTING EARS



RECOMMENDED PANEL OPENING

HOUSING	DIM. "A"	DIM. "B"	"C" PREBENT EAR	"C" STANDARD EAR
PLUG	21.97/(.865)	7.92/(.312)	4.8/(.19)	4.6/(.18)
RECEPT.	19.94/(.785)	6.60/(.260)	5.3/(.21)	5.1/(.20)



DETAIL B SCALE 4:1
 DETAIL A SCALE 4:1
 PREBENT MOUNTING EARS

- NOTES:**
- MATERIAL:
 A = NYLON TYPE 6/6, UL94V-2, COLOR: NATURAL (TRANSLUCENT)
 B = NYLON PA6, UL94V-2, COLOR: NATURAL (WHITE)
 GLOW WIRE CAPABLE PER IEC 60335-1
 - FINISH: N/A
 - THIS PRODUCT COMPLIES WITH MOLEX PRODUCT SPECIFICATION PS-02-06, WITH EXCEPTION THAT TERMINAL RETENTION FOR MATERIAL B PARTS IS 15 LBS / 66.7 N MIN.
 - PACKAGING: PK-1625-003.
 - HOUSING FOR USE WITH MOLEX .062/(1.57) DIA. SERIES TERMINALS.
 - CIRCUIT I.D. NUMBERS ON SIDE OF HOUSING APPEAR ON PARTS FROM TOOLS BUILT AFTER 8/10/92. PARTS FROM TOOLS BUILT BEFORE THIS DATE WILL HAVE CIRCUIT I.D. RIBS ON HOUSING.
 - PARTS CONFORM TO CLASS 'B' REQUIREMENTS OF COSMETIC SPECIFICATION PS-45499-002 EXCEPT MATERIAL OPTION B PARTS MEET CLASS 'C' FOR SINK.
 - THIS DRAWING REPLACES SD-1625-4*.

SYMBOLS	THIS DRAWING CONTAINS INFORMATION THAT IS PROPRIETARY TO MOLEX ELECTRONIC TECHNOLOGIES, LLC AND SHOULD NOT BE USED WITHOUT WRITTEN PERMISSION			
	DIMENSION UNITS	SCALE		CURRENT REV DESC: REVISE NOTE 3
▽ = 0	MM/IN	NTS		molex .062 4 CKT PLUG AND RECEPTACLE HOUSINGS PRODUCT CUSTOMER DRAWING
▽ = 0	GENERAL TOLERANCES (UNLESS SPECIFIED)			
▽ = 0		MM	INCH	
▽ = 0	4 PLACES	±	±	
▽ = 0	3 PLACES	±	± 0.01	EC NO: 613316 DRWN: JEHRISMAN 2019/03/06 CHK'D: MKIPPER 2019/03/27 APPR: FSMITH 2019/04/01
▽ = 0	2 PLACES	± 0.25	± 0.014	INITIAL REVISION:
▽ = 0	1 PLACE	± 0.36	±	DRWN: MKIPPER 2017/08/11
▽ = 0	0 PLACES	±	±	APPR: FSMITH-ROEMER 2017/09/30
▽ = 0	ANGULAR TOL	± °		DRAFT WHERE APPLICABLE MUST REMAIN WITHIN DIMENSIONS THIRD ANGLE PROJECTION DRAWING SERIES C-SIZE 1625
▽ = 0				DOCUMENT NUMBER: 16250400-SD DOC TYPE: PSD DOC PART: 000 REVISION: A1 MATERIAL NUMBER: SEE CHART CUSTOMER: SEE CHART SHEET NUMBER: 2 OF 2