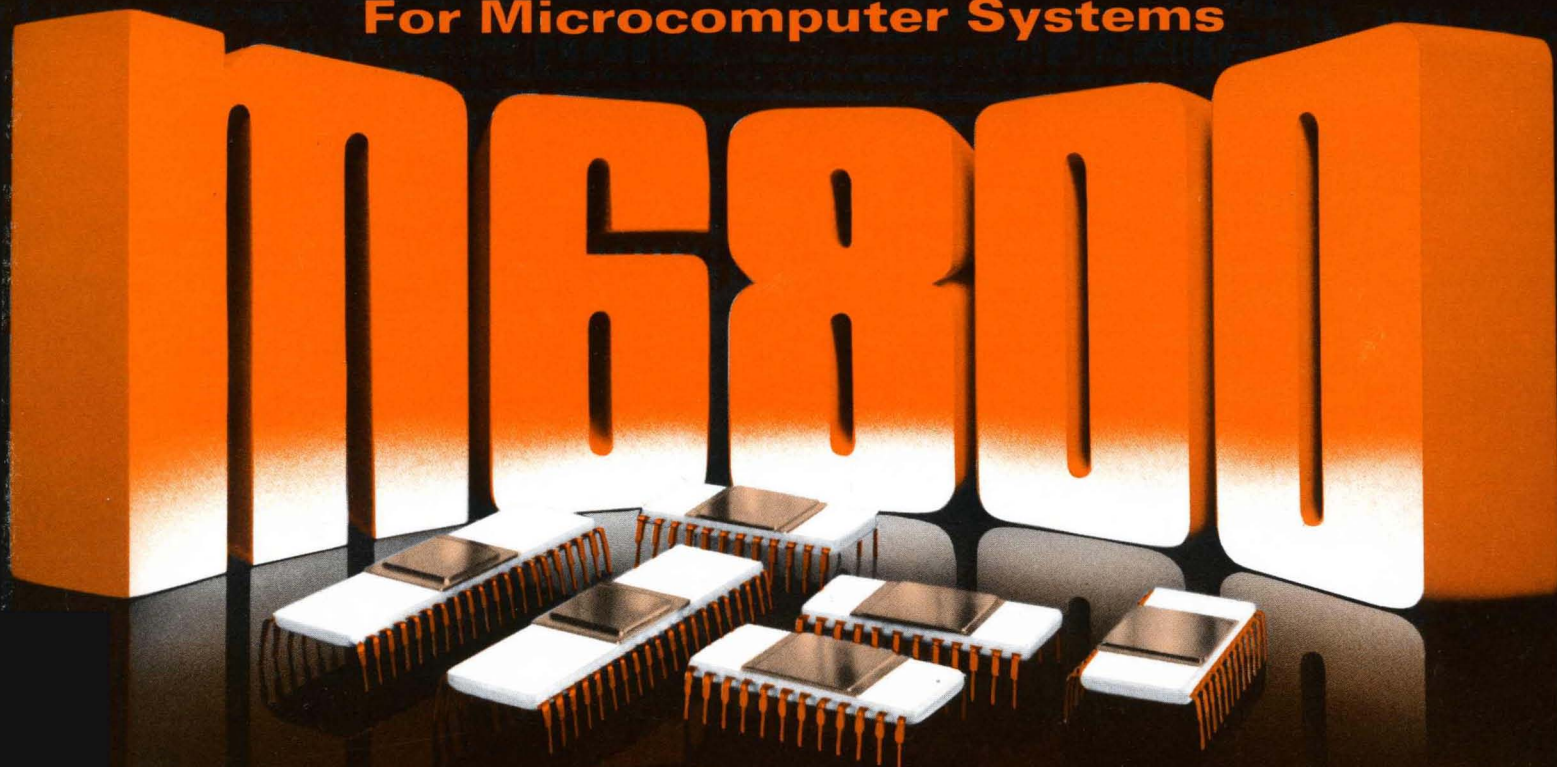


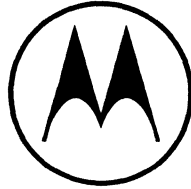


M6800 EXORciser User's Guide

**Benchmark Family
For Microcomputer Systems**



by Microsystems Group



MOTOROLA
Semiconductor Products Inc.

M6800 EXORciser User's Guide

Circuit diagrams external to Motorola products are included as a means of illustrating typical Microprocessor applications; consequently, complete information sufficient for construction purposes is not necessarily given. The information in this manual has been carefully checked and is believed to be entirely reliable. However, no responsibility is assumed for inaccuracies. Furthermore, such information does not convey to the purchaser of the semiconductor devices described any license under the patent rights of Motorola Inc. or others.

Motorola reserves the right to change specifications without notice.

The schematics in this manual are for reference only. Refer to your M6800 EXORciser Manual for the schematic diagrams for your EXORciser.

EXORciser MIKBUG and EXbug are trademarks of Motorola Inc.

Second Edition
© MOTOROLA INC., 1975
"All Rights Reserved"

Printed in U.S.A.

TABLE OF CONTENTS

CHAPTER 1: GENERAL DESCRIPTION	1-1
1-1 Introduction	1-1
1-2 EXORciser Features	1-1
1-3 EXORciser Specifications	1-1
1-4 Functional Description	1-2
1-5 Basic EXORciser System	1-2
1-6 EXORciser Options	1-6
1-6.1 Universal Wirewrap Module	1-6
1-6.1.1 Features	1-6
1-6.1.2 Specifications	1-6
1-6.1.3 Description	1-6
1-6.2 Extender Module	1-6
1-6.2.1 Features	1-6
1-6.2.2 Specifications	1-6
1-6.2.3 Description	1-6
1-6.3 Flatribbon Interconnect Cable	1-6
1-6.4 Rackmounting Kit	1-6
1-6.5 Table Top Kit	1-6
CHAPTER 2: INSTALLATION INSTRUCTIONS	2-1
2-1 Introduction	2-1
2-2 Unpacking Instructions	2-1
2-3 Inspection	2-1
2-4 Preparation For Use	2-1
2-4.1 Data Terminal Connections	2-1
2-4.1.1 TTY Compatible Terminal Preparation and Interface Connections	2-1
2-4.1.2 RS-232C Compatible Terminal Interface Connections	2-1
2-4.2 Preparation of Optional Modules	2-2
2-5 Installation Instructions	2-2
2-5.1 Rack Mounting Installation Instructions	2-2
2-5.2 Table Top Installation Instructions	2-2
2-5.3 Printed Circuit Board Installation	2-3
2-6 Switches and Indicators	2-4
2-7 Table Top To Rack Mounting Conversion	2-6
2-8 Rack Mounting To Table Top Conversion	2-6
2-9 EXORciser Bus Signal Designations	2-6
CHAPTER 3: M6800 SYSTEM EMULATION	3-1
3-1 Introduction	3-1
3-2 M6800 EXORciser and System Development	3-1
3-2.1 Developing Microcomputer Systems	3-1
3-2.2 M6800 EXORciser In Systems Development	3-1
3-3 Hardware Preparation	3-2
3-4 Programming Preparation	3-2
3-4.1 Programming Constraints	3-2
3-4.1.1 EXbug Firmware	3-2
3-4.1.2 SWI (Software Interrupt) Capability	3-3
3-4.1.3 NMI (Non-Maskable Interrupt) Capability	3-3

TABLE OF CONTENTS (continued)

3-4.2	Unique Programming Considerations	3-3
3-4.3	Memory Assignments	3-3
3-4.4	IRQ (Interrupt ReQuest) and Interrupt Priorities	3-4
3-4.5	MC6820 PIA Programming Information	3-4
3-4.6	MC6850 ACIA Programming Information	3-4
3-4.7	Program Preparation	3-5
3-5	System Design and Development	3-5
CHAPTER 4: PROGRAM EVALUATION AND DEBUG PROCEDURES		4-1
4-1	General	4-1
4-2	Operating Procedures	4-1
4-3	Abort Function	4-1
4-4	Memory Loader Function	4-2
4-5	Memory Verify Function	4-3
4-6	Tape Search Function	4-4
4-7	Punch Memory Dump Function	4-4
4-8	Print Memory Dump Function	4-5
4-9	Maid Function Procedures	4-6
4-10	Entering MAID Function	4-6
4-11	Examine and Change Memory Data Function	4-7
4-12	Calculate Relative Mode Offset Function	4-9
4-13	Examine and Change MPU Program Register Function	4-9
4-14	Insert; Display; and Remove Breakpoint Function	4-11
4-15	Stop-On-Address Function	4-12
4-16	Scope Trigger Function	4-12
4-17	Execute User's Program Function	4-12
4-18	Freerunning User's Program Function	4-13
4-19	Trace User's Program Function	4-13
4-19.1	Trace N Instructions	4-13
4-19.2	Trace To Ending Address	4-14
4-20	Bit Pattern Trace Function	4-14
4-20.1	Set Search Mask	4-14
4-20.2	Start Bit Search	4-14
4-21	Numerical Conversion Function	4-14
CHAPTER 5: THEORY OF OPERATION		5-1
5-1	Introduction	5-1
5-2	Basic EXORciser Block Diagram Description	5-1
5-3	MPU Module	5-3
5-3.1	General Description	5-3
5-3.2	Block Diagram Description	5-3
5-4	EXORciser Bus	5-4
5-5	Debug Module	5-4
5-5.1	General Description	5-4
5-5.2	Debug Module Block Diagram Description	5-5
5-5.2.1	Debug Module Operations	5-5
5-5.2.2	Debug Module Circuits	5-10
5-6	Baud Rate Module	5-11
5-6.1	General Description	5-11
5-6.2	Block Diagram Description	5-13
5-7	Power Supply	5-13
5-8	Wirewrap Module	5-13
APPENDIX A: Hexadecimal Numbering System		A1
APPENDIX B: TTY Modification		B1

LIST OF ILLUSTRATIONS

1-1	M6800 EXORciser	iv
1-2	EXORciser Simplified Block Diagram	1-2
1-3	Basic EXORciser System	1-3
1-4	MPU Module	1-3
1-5	Debug Module	1-4
1-6	Baud Rate Module	1-5
1-7	Power Supply	1-5
1-8	Wirewrap Module	1-7
1-9	Extender Module	1-7
2-1	TTY/EXORciser Interconnection Cable	2-1
2-2	RS-232C/EXORciser Interconnection Cable	2-2
2-3	EXORciser Card Rack	2-4
2-4	EXORciser Switches and Indicators	2-5
2-5	MPU Module Switch Location	2-5
2-6	Debug Module Switch Location	2-6
2-7	Table Top Kit	2-6
2-8	Rack Mounting Kit	2-7
3-1	EXORciser Map	3-4
4-1	Paper Tape Format	4-2
4-2	Typical Memory Loader Function	4-3
4-3	Typical Memory Verify Function	4-3
4-4	Typical Tape Search Function	4-4
4-5	Typical Punch Memory Dump Function	4-5
4-6	Typical Print Memory Dump Function	4-5
4-7	Typical Examine and Change Memory Data Operation	4-7
4-8	Calculate Relative Mode Offset Operation	4-9
4-9	Typical Examine and Change User Program Register Function	4-10
4-10	Insert; Display; and Remove Breakpoint Functions	4-11
4-11	Typical Stop-On-Address Function	4-12
4-12	Typical Scope Trigger Function	4-12
4-13	Freerunning User Program Function	4-13
4-14	Trace User's Program Function	4-13
4-15	Typical Bit Pattern Search Function	4-14
4-16	Typical Numerical Conversions Function	4-14
5-1	Basic EXORciser Block Diagram	5-2
5-2	MPU Module Block Diagram	5-3
5-3	Debug Module Block Diagram	5-7
5-4	Baud Rate Module Block Diagram	5-12
5-5	MPU Module Schematic Diagram	5-15
5-6	Debug Module Schematic Diagram	5-17
5-7	Baud Rate Module Schematic Diagram	5-19
5-8	Motherboard Schematic Diagram	5-21
5-9	Power Supply Schematic	5-23

LIST OF TABLES

1-1	Basic EXORciser Specifications	1-1
1-2	Basic EXORciser Versions	1-4
1-3	EXORciser Options	1-6
1-4	Universal Wirewrap Module Specifications	1-6
1-5	Extender Module Specifications	1-6
2-1	TTY/EXORciser Interconnections	2-2
2-2	RS-232C/EXORciser Interconnections	2-3
2-3	EXORciser Switches and Indicators	2-7
2-4	MPU Module Switch Functions	2-7
2-5	Debug Module Switch Functions	2-8
2-6	EXORciser Bus Signals	2-8
4-1	Tape Search Program Character Section	4-4
4-2	MAID Program Control Commands	4-7
4-3	M6800 Instruction Map	4-8
4-4	Condition Code Register Status	4-10
4-5	Changing User Program Data	4-10
4-6	Freerunning User Program Function Commands	4-13
4-7	Trace to Ending Address Commands	4-14
5-1	EXbug Firmware Memory Addresses	5-6



FIGURE 1-1. M6800 EXORciser (M68SDT)

CHAPTER 1 GENERAL DESCRIPTION

1-1 INTRODUCTION

The M6800 EXORciser (M68SDT) is a system development tool used in the design and development of M6800 Microcomputer Systems. The EXORciser Debug and the user's system are built around the M6800 Microcomputer Family of Parts. The M6800 Microcomputer Family of Parts are discussed in the following documents.

- M6800 Microprocessor Programming Manual
- M6800 Microprocessor Applications Manual
- M6800 Microprocessor Family of Parts Data Sheets

The EXORciser may be configured in a variety of applications and with various EXORciser options. This manual, rather than discussing every possible configuration and option, discusses only the basic EXORciser with each option except the Wirewrap and Extender Modules discussed in a supplement to this manual. The basic EXORciser is discussed in Paragraph 1.5 and the options are identified in Paragraph 1.6.

This manual provides general information, installation instructions, applications information, operat-

ing procedures, and theory of operation, for Motorola's M6800 EXORciser. The M6800 EXORciser is illustrated in Figure 1-1.

1-2 EXORciser FEATURES

The features of the basic EXORciser include:

- Flexible, adaptable, and expandable design development tool
- Easy to use
- Provides the Microprocessing Unit capability for both the EXORciser and the user's system
- Saves system design and development time
- Decreases system design and development costs
- Evaluates and debugs the user's program
- Evaluates and debugs the user's system hardware.

1-3 EXORciser SPECIFICATIONS

Table 1-1 identifies the basic EXORciser specifications.

TABLE 1-1. Basic EXORciser Specifications

CHARACTERISTICS	SPECIFICATIONS
Power Requirements	95-135/205-250 VAC 47-420 Hz, 250W
Word Size	
Data	8 bits
Address	16 bits
Instructions	8, 16, or 24 bits
Memory Size	64k bytes
Instruction Set	72 variable length instructions
Clock cycle time	Selectable, 1 μ s or an external clock between 1 and 10 μ s
Interrupt	Maskable real time interrupt
Physical Characteristics	
Table top	
Length	19.25 in.
Depth	17.50 in.
Height	7.00 in.
Rack Mountable	
Length	19.00 in.
Depth	17.00 in.
Height	7.00 in.
Baud Rates (Switch Selectable)	110, 150, 300, 600, 1200, 2400, 4800, and 9600

1-4 FUNCTIONAL DESCRIPTION

The M6800 EXORciser, illustrated in Figure 1-2, is an efficient and economical off-the-shelf systems development tool for the M6800 Microcomputer Family of Parts. The EXORciser may be easily tailored to meet the user's needs in the design and development of his system. Its modular design reduces the time required to develop a system and at the same time, provides great flexibility in configuring an emulation (functional representation) of the user's system. The EXORciser's EXbug Firmware, through its debug and program control features, minimizes the time required to develop user's systems. The EXbug firmware provides the EXORciser with the capability to:

- Display the contents of the MPU registers
- Step through the program
- Trace through user's programs to locate problem areas
- Stop the program on a selected program step
- Provide an oscilloscope trigger signal on a selected program step
- Abort from the user's program and return to the EXbug control program on command
- Reinitialize the EXORciser on command
- Change the contents of memory

The user communicates with the EXORciser in one of two ways.

- Through a RS-232C or TTY terminal
- Through the EXORciser front panel controls and indicators

The terminal device permits the user to communicate directly with the EXORciser's EXbug Firmware. The EXORciser's front panel permits the user to apply power to the EXORciser, to abort (exit) the EXORciser from a routine, and to initialize and restart the EXORciser. The EXORciser's unique front panel was designed to incorporate future EXORciser options such as data keys and displays.

1-5 BASIC EXORciser SYSTEM (FIGURES 1-2 AND 1-3)

The basic EXORciser (M68SDT) consists of the MPU Module, the Debug Module, the Baud Rate Module, the Power Supply, and the chassis. These modules are built around the M6800 Microcomputer Family of Parts (MC6800 Microprocessing Unit, MC6820 Peripheral Interface Adapter, MC6850 Asynchronous Communications Interface Adapter, MCM6810 Random Access Memory, and MCM6830 Read Only Memory devices).

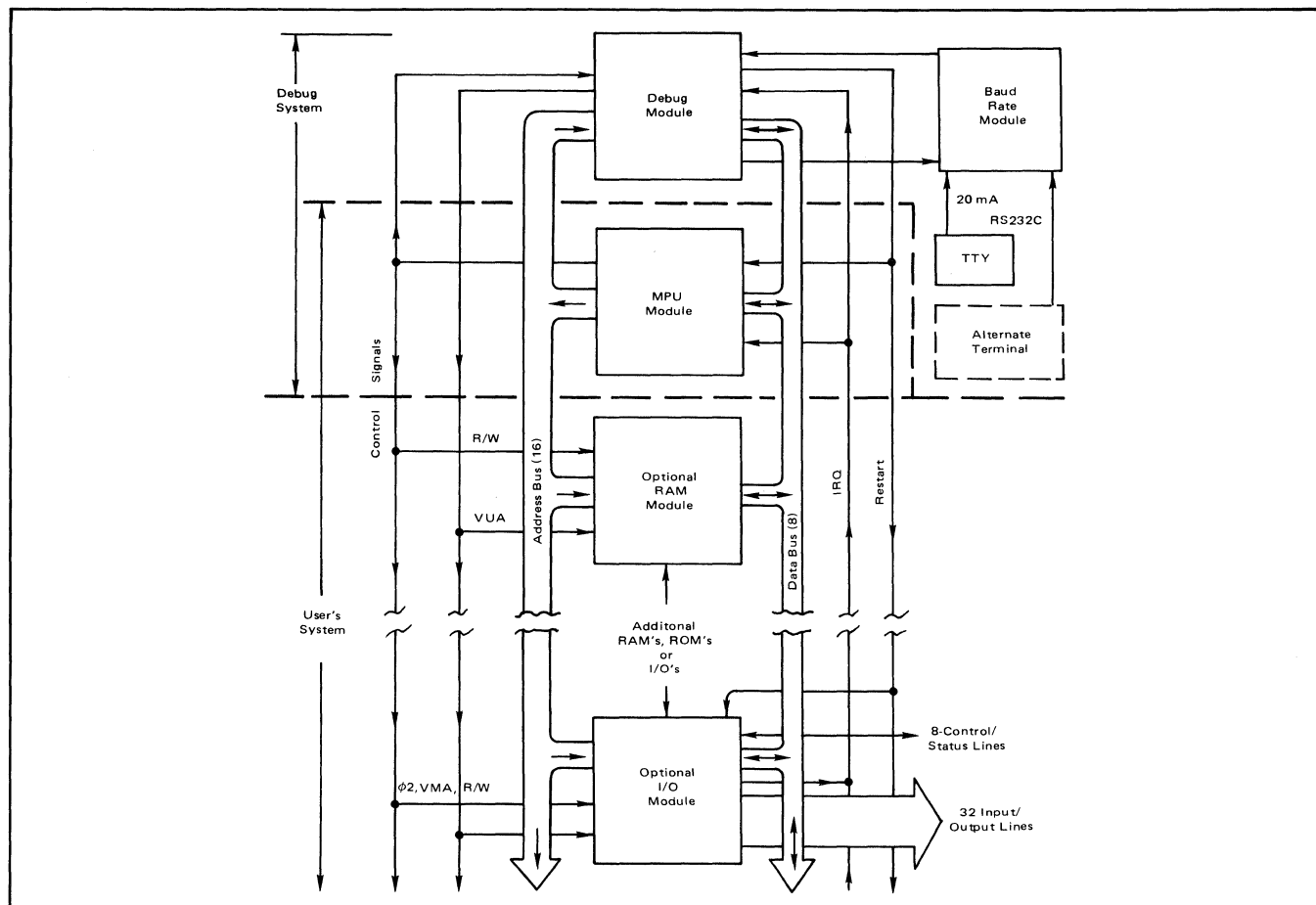


FIGURE 1-2. EXORciser Simplified Block Diagram

The MPU Module (Figure 1-4) incorporates the MC6800 Microcomputer Unit (MPU) and the system clock. This module, as illustrated in Figure 1-2, serves a dual function in that the module provides the MPU and clock for both the EXORciser Debug and the user's system. The MPU Module also initiates an EXORciser restart operation and initializes the EXORciser. The MC6800 Microprocessing Unit is an 8-bit parallel device capable of addressing 64k bytes of memory. In addition,

the MPU addresses its input and output devices as memory. The MPU also provides the EXORciser with 72 variable length instructions and the capability of responding to real time interrupt signals. With the exception of the EXORciser clock, the system restart, and the DBE signal (delayed); the MPU Module appears exactly like a MC6800 Microprocessing Unit with unlimited TTL bus drive capability.

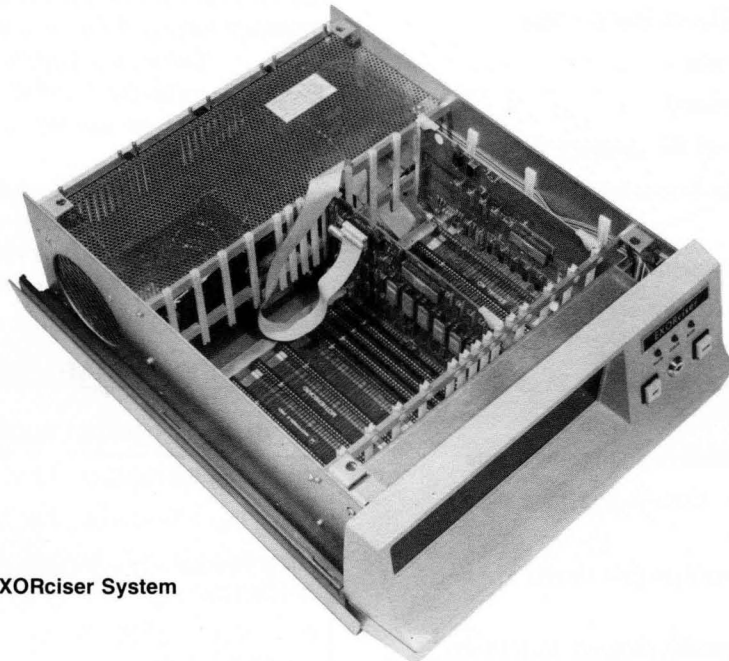


FIGURE 1-3. Basic EXORciser System

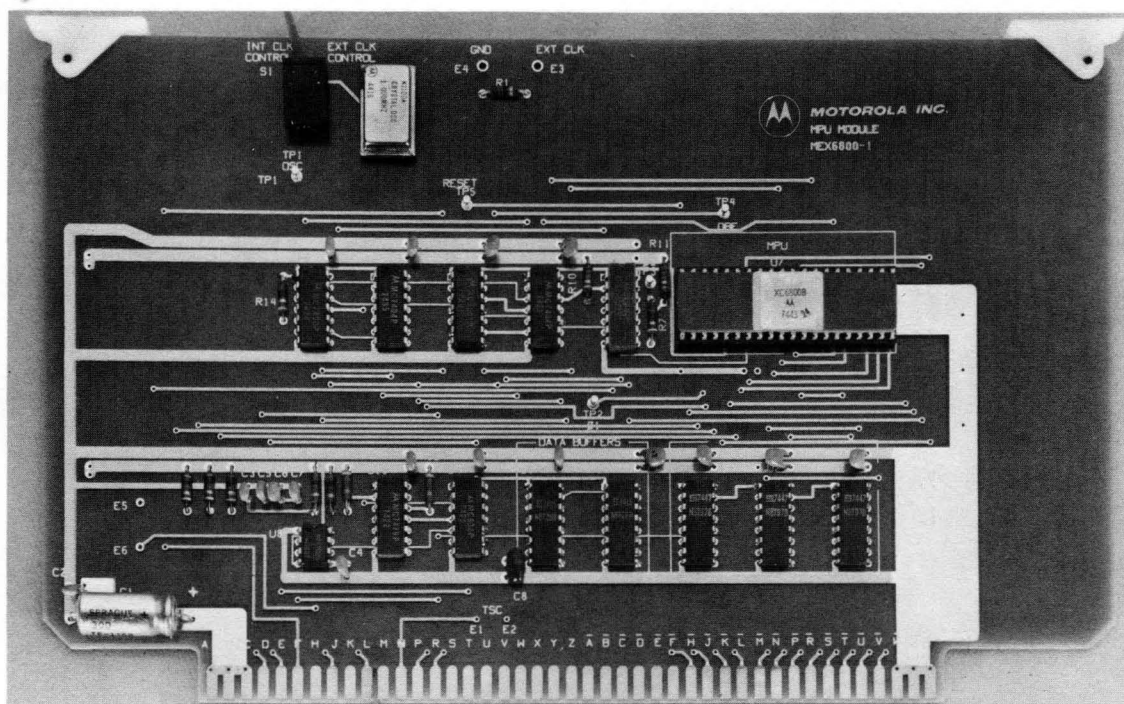


FIGURE 1-4. MPU Module

The Debug Module (Figure 1-5) provides the EXORciser with its capability to evaluate and debug the user's program. The MCM6830 ROM memory on this module contains the EXbug Firmware that provides the EXORciser with its unique software and hardware control features. The module also has a MCM6810 RAM memory to provide a scratch-pad memory to the EXbug Firmware. The EXbug Firmware enables the EXORciser to:

- Load data into the EXORciser
- Verify that the data in the EXORciser is valid
- Search a tape for a specific file
- Print the contents of the memory
- Punch (record) the contents of the memory on tape
- Perform the MAID (Motorola Active Interface Debug) functions

The MAID functions enable the EXORciser to:

- Examine and, if required, change the contents in a memory location
- Examine and, if required, change the data in an MPU register
- Calculate the offset in the relative addressing mode
- Insert, display, and remove breakpoints in a user's program
- Freerun or trace through a user's program under MAID control
- Stop the EXORciser on a specific program step in the user's program

- Provide an oscilloscope trigger pulse at a selected program step
- Search memory for a specific bit pattern
- Perform decimal-octal-hexadecimal conversions

The Debug Module working with the Baud Rate Module (Figure 1-6) provides the EXORciser with eight standard baud rates between 110 and 9600 Baud (refer to Table 1-1). These modules also interface the EXORciser with a TTY or RS-232C compatible terminal and provide a reader control signal for remote control of modified manual TTY terminals.

The Power Supply (Figure 1-7) provides the EXORciser with the +5VDC, +12VDC, and -12VDC power sources to support a full EXORciser rack of modules.

The chassis is capable of holding 14 plug-in modules. The Power Supply and Baud Rate Module are not plug-in modules but mounted directly to the chassis. The four versions of the basic EXORciser are identified in Table 1-2.

TABLE 1-2 BASIC EXORciser VERSIONS

EXORciser CONFIGURATION	PART NUMBER
Table Top EXORciser, 110/120 volts	M68SDTT1
Table Top EXORciser, 220/240 volts	M68SDTT2
Rack Mounted EXORciser, 110/120 volts	M68SDTR1
Rack Mounted EXORciser, 220/240 volts	M68SDTR2

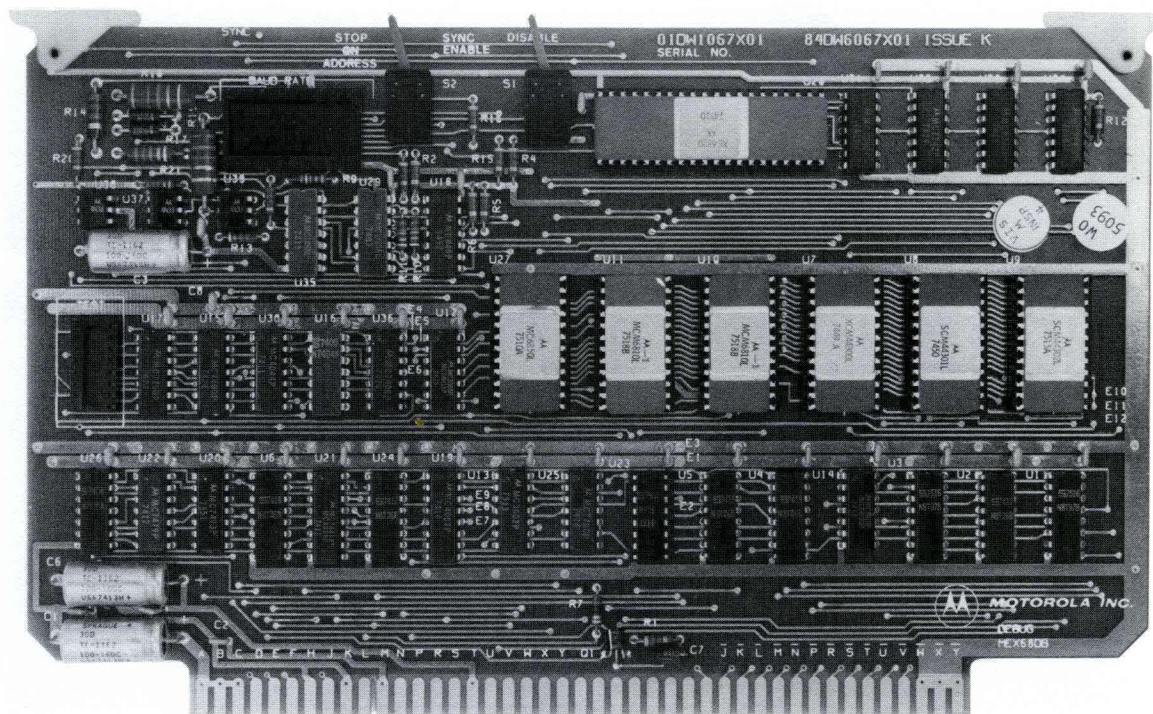


FIGURE 1-5. Debug Module

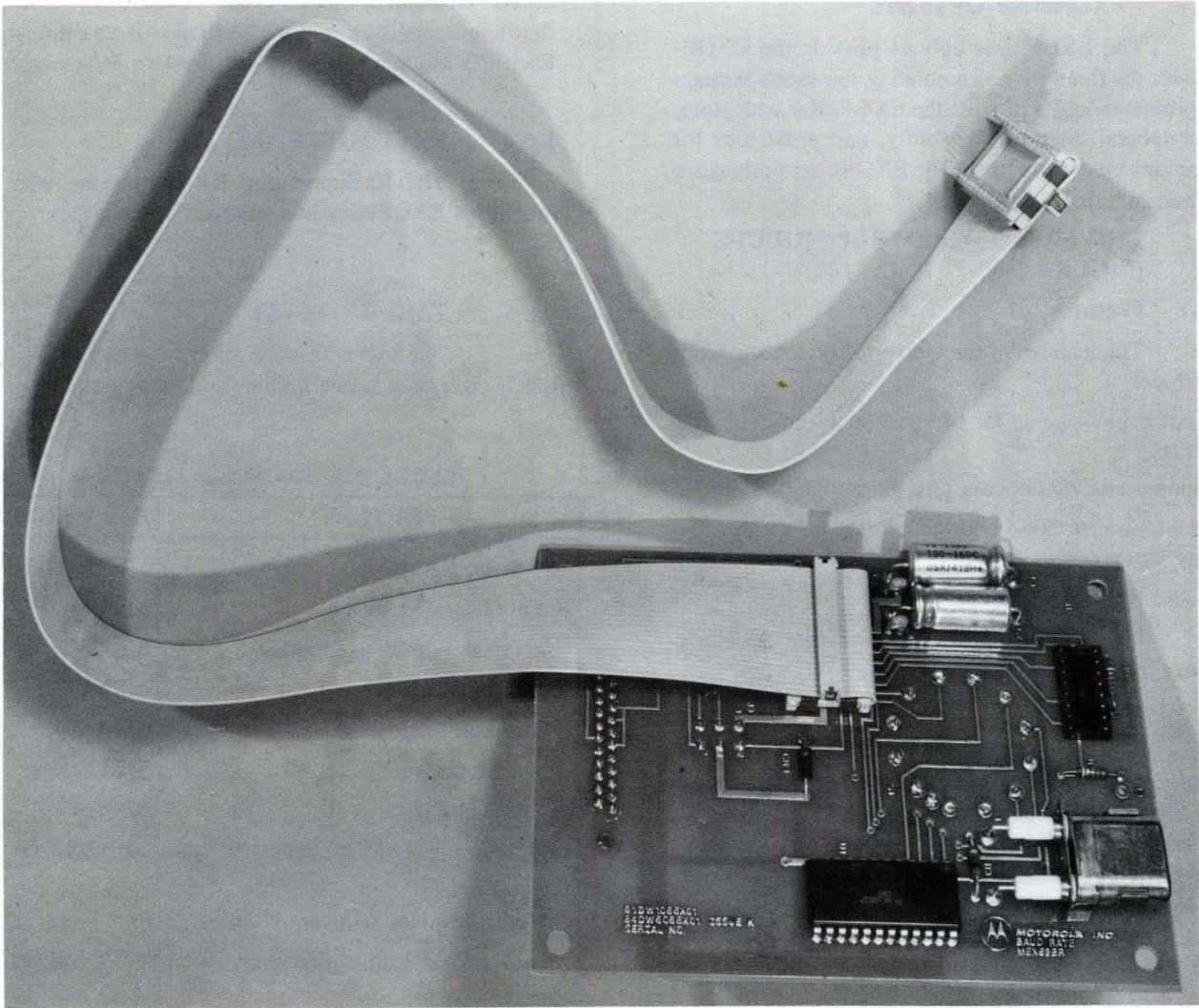


FIGURE 1-6. Baud Rate Module

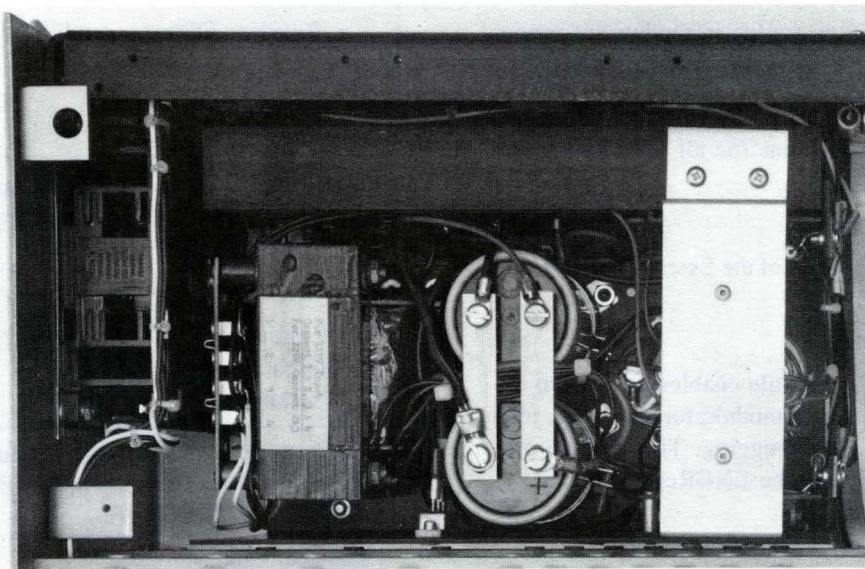


FIGURE 1-7. Power Supply

1-6 EXORciser OPTIONS

The EXORciser options provide the EXORciser with the flexibility of emulating the user's system. The optional modules provide the EXORciser with memory, peripheral interface capability, and provisions for constructing custom circuits. The EXORciser options are identified in Table 1-3.

1-6.1 UNIVERSAL WIREWRAP MODULE (FIGURE 1-8)

1-6.1.1 Features

The features of the Universal Wirewrap Module include:

- Standard pin spacing for 14, 16, and 24-pin wirewrap sockets
- Standard size EXORciser plug-in module
- Permits user to build and incorporate his custom circuits into a system

1-6.1.2 Specifications

The Universal Wirewrap Module Specifications are identified in Table 1-4.

1-6.1.3 Description

The Universal Wirewrap Module permits the user to construct and incorporate his customized circuits into a M6800 Microcomputer System. This module is the standard size EXORciser plug-in module. The power bus and ground bus printed wiring are incorporated in the module. Also, the module has standard pin spacing for 75 14-pin wirewrap sockets and two 50-pin flatribbon cable connectors.

1-6.2 EXTENDER MODULE (FIGURE 1-9)

1-6.2.1 Features

The features of the Extender Module include:

- Extending any EXORciser plug-in module for servicing
- Interfacing with all EXORciser plug-in modules
- Providing clip-on test point for all EXORciser bus signals

1-6.2.2 Specifications

The Specifications of the Extender Module are identified in Table 1-5.

1-6.2.3 Description

The Extender Module enables the user to extend any EXORciser plug-in module for servicing, testing, troubleshooting, and debugging. This module provides clip-on test points for the EXORciser bus.

1-6.3 FLATRIBBON INTERCONNECT CABLE

The Flatribbon Interconnect Cable permits the user to connect an Input/Output Module to a peripheral

device. One end of this cable is terminated with a 50-pin flatribbon connector and the other end is unterminated. Each I/O Module has provisions for two cables.

1-6.4 RACKMOUNTING KIT

The Rackmounting Kit allows the user to mount his EXORciser in a standard 19-inch rack.

1-6.5 TABLE TOP KIT

The Table Top Kit allows the user to use his EXORciser on a bench top or similar location.

TABLE 1-3. EXORciser OPTIONS

OPTION	PART NUMBER
2K Static RAM Module	MEX6812-1
Input/Output Module	MEX6820
Universal Wirewrap Module	MEX68WW
Extender Module	MEX68XT
Flatribbon Interconnect Cable	MEX68IC
Rack Mounting Kit	MEX68RK
Table Top Kit	MEX68TT
8K Dynamic RAM Module	MEX6815-1
M6800 Resident Software Cassette	
• Resident Editor/Assembler	M68XAE6812A
Paper Tape	
• Resident Editor/Assembler	M68XAE6812B
G.E. Timeshare	
• Resident Editor/Assembler	M68XAE6812C
Floppy Disk	
• Resident Editor/Assembler	M68XAE6812D

TABLE 1-4. Universal Wirewrap Module Specifications

CHARACTERISTICS	SPECIFICATIONS
Physical Characteristics	
Length	9.75 in.
Height	5.75 in.
Thickness	0.062 in.

TABLE 1-5. Extender Module Specifications

CHARACTERISTICS	SPECIFICATIONS
Physical Characteristics	
Length	9.75 in.
Height	9.00 in.
Thickness	0.062 in.

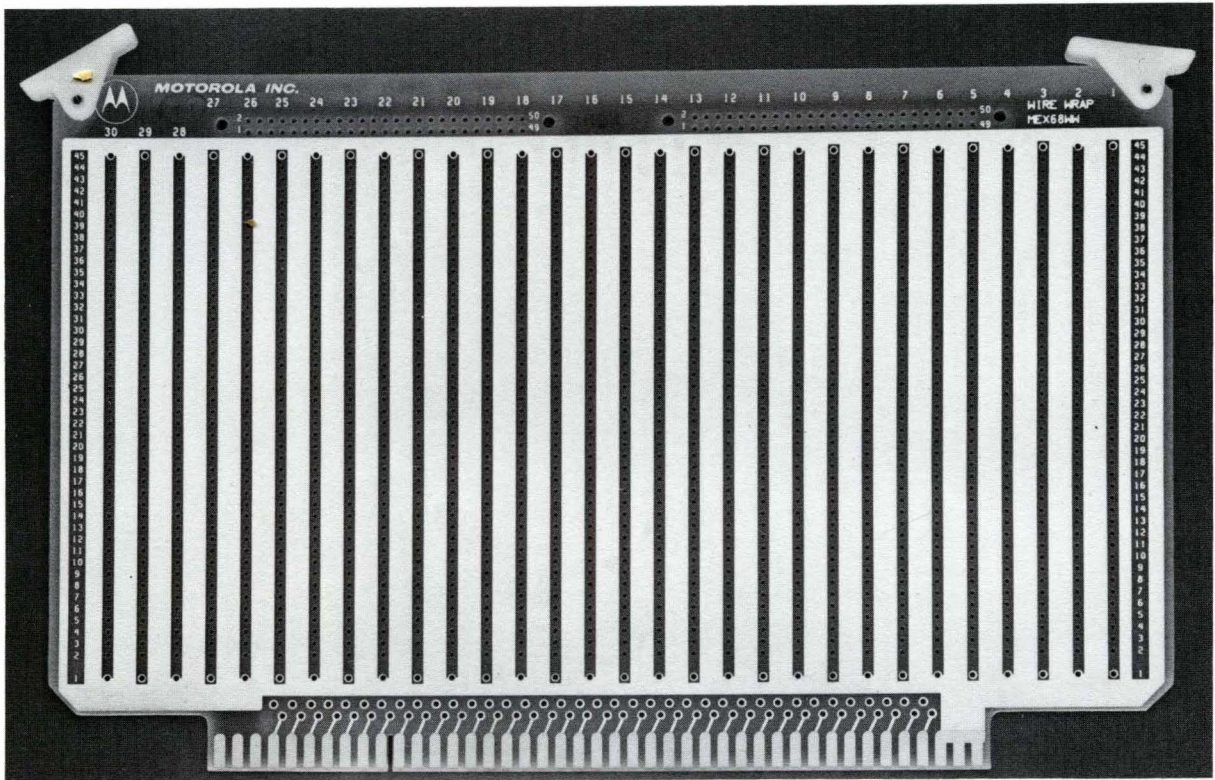


FIGURE 1-8. Universal Wirewrap Module

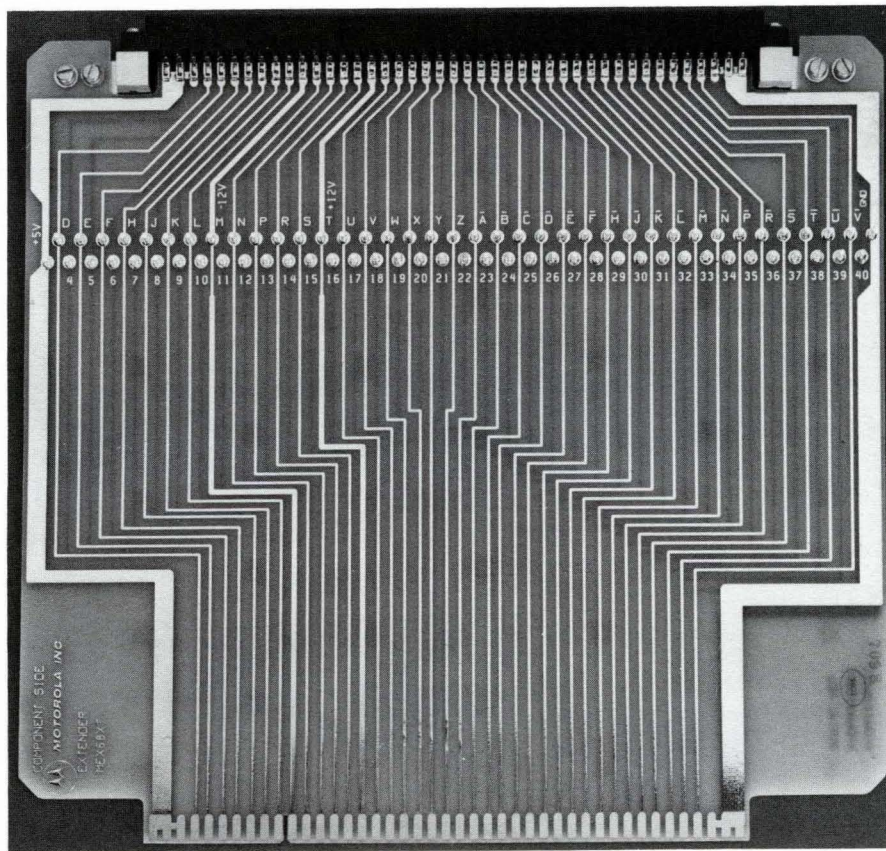


FIGURE 1-9. Extender Module

CHAPTER 2 INSTALLATION INSTRUCTIONS

2-1 INTRODUCTION

This chapter provides the unpacking, inspection, installation, and preparation for use instructions for the M6800 EXORciser. Also included in this chapter are instructions for connecting the selected data terminal to the EXORciser and the function of the EXORciser switches and indicators.

2-2 UNPACKING INSTRUCTIONS

No special unpacking instructions are required for the EXORciser. Unpack from the shipping carton and, referring to the packing list, verify that all of the parts are present. Save the packing material for storage or reshipping of the EXORciser. If the shipping carton is damaged upon receipt, request that the carrier's agent be present while the module is being unpacked and inspected.

2-3 INSPECTION

The EXORciser should be inspected upon receipt and at periodic intervals. Inspect the modules for broken, damaged, or missing parts and the printed circuit boards for physical damage. Inspect the connectors for damaged, bent, or missing pins. Inspect the cables for damaged insulation and broken wires.

2-4 PREPARATION FOR USE

The following paragraphs discuss connecting the selected data terminal to the EXORciser and preparing the optional modules.

2-4.1 DATA TERMINAL CONNECTIONS

The user has the option of interfacing the EXORciser with an ASR33 Teletypewriter (TTY) or an RS-232C terminal device. The TTY data terminal shall be configured for automatic reader/punch control, full-duplex operation, and 20mA neutral current loop operation. The RS-232C terminal device should be capable of 110 to 9600 baud operation and incorporate automatic reader/punch (record) control. Paragraph 2-4.1.1 discusses the TTY terminal preparation and interconnections to the terminal and Paragraph 2-4.1.2 discusses the RS-232C interconnections.

2-4.1.1 TTY Compatible Terminal Preparation and Interface Connections

The EXORciser is capable of working with a TTY not having automatic reader/punch control capability; however, this is a long and tedious operation where the user has to manually turn his terminal on and off as required. Also, this terminal is not capable of supporting

the resident assembler and editor. It is recommended, therefore, that a user use a TTY device with automatic reader/punch control capability. Appendix B presents a method of converting a TTY terminal for automatic reader/punch control operation.

- (a) Referring to the TTY terminals documentation, prepare the TTY terminal for full-duplex and 20 mA current loop operation. Appendix B also discusses preparing a TTY terminal for 20 mA current loop operation; however, it is recommended that you use the terminal's documentation, if available, to make this conversion.
- (b) Referring to Figure 2-1 and Table 2-1, construct the interconnection cable to be used between the EXORciser and the TTY terminal. Use the connector supplied with the EXORciser.

CAUTION

BEFORE YOU APPLY POWER TO THE EXORciser AND TTY TERMINAL, MAKE CERTAIN YOU HAVE NOT ACCIDENTLY CONNECTED AN INCORRECT VOLTAGE ON THE EXORciser DATA AND DATA RETURN LINES. THIS INCORRECT VOLTAGE WILL DAMAGE THE EXORciser POWER SUPPLY AND DEBUG MODULES.

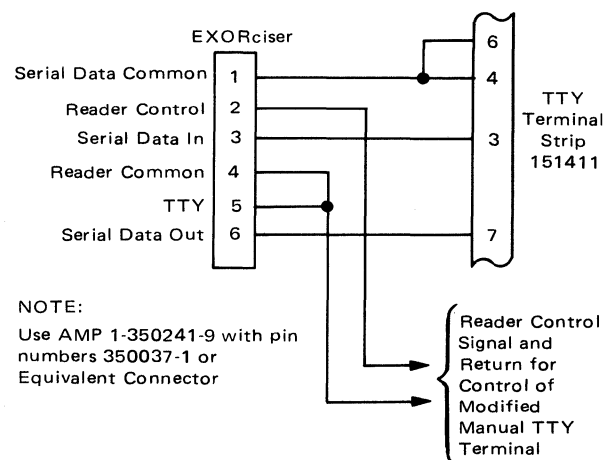


FIGURE 2-1. TTY/EXORciser Interconnection Cable

2-4.1.2 RS-232C Compatible Terminal Interface Connections

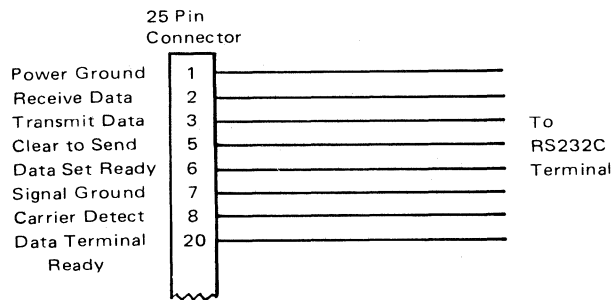
Referring to Figure 2-2 and Table 2-2, construct the interconnect cable to be used between the

TABLE 2-1. TTY/EXORciser Interconnections

PIN NUMBER	SIGNAL MNEMONIC	SIGNAL NAME AND DESCRIPTION
1	SERIAL DATA COMMON	SERIAL DATA COMMON — This -12 VDC signal provides the signal return for a TTY data terminal.
2	READER* CONTROL	READER CONTROL — This signal provides the control to operate the paper tape reader on a modified TTY data terminal under MPU control.
3	SERIAL* DATA IN	SERIAL DATA IN — This line accepts the input from a TTY data terminal.
4	READER COMMON	READER COMMON — This line is connected to EXORciser ground. This pin is also connected to pin 5 in the cable.
5	TTY	TTY — This line indicates when a TTY device is connected to the EXORciser. This pin is connected to pin 4 in the cable.
6	SERIAL* DATA OUT	SERIAL DATA OUT — This line transfers data to a TTY data terminal.

*The EXORciser provides the necessary drive for the TTY data transfer.

EXORciser and the RS-232C terminal. Use the 25-pin connector supplied with the EXORciser.



- NOTE:
1. All other pins are not used.
 2. Use cinch DB-25P or equivalent connector

FIGURE 2-2. RS-232C/EXORciser Interconnection Cable

2-4.2 PREPARATION OF OPTIONAL MODULES

The preparation of the optional modules is discussed in their supplements to this manual. Prepare the optional modules in accordance with their supplements.

2-5 INSTALLATION INSTRUCTIONS

The user has the option in purchasing his EXORciser of purchasing the desk top version or the rack mounting version. Paragraph 2-5.1 discusses setting up the table top version while Paragraph 2-5.2 discusses installing the rack mounted version. Paragraph 2-5.3 discusses installing the printed circuit module's into the EXORciser.

2-5.1 RACK MOUNTING INSTALLATION INSTRUCTIONS

In selecting the site to mount your EXORciser, make sure you provide adequate space in front of the rack to allow the EXORciser to be fully extended from the rack. Also, mount the EXORciser so that you have easy access to the EXORciser modules when the EXORciser is extended from the rack.

- Mount the EXORciser in a standard 19" retma rack.
- Connect the selected data terminal to the EXORciser, using the cable constructed in Paragraph 2-4. A TTY data terminal is connected to EXORciser connector J3 while a RS-232C data terminal is connected to EXORciser connector J2.
- With the EXORciser PWR switch OFF, connect the EXORciser to the selected power source.
- Install the optional modules in accordance with Paragraph 2-5.3.

2-5.2 TABLE TOP INSTALLATION INSTRUCTION

In selecting a site to place your EXORciser, select a site where you have easy access to the EXORciser front panel and to the EXORciser modules.

- Place the EXORciser in the selected location.
- Connect the selected data terminal to the EXORciser using the cable constructed in Paragraph 2-4. A TTY data terminal is connected to EXORciser connector J3 and a RS-232C device is connected to EXORciser connector J2.

TABLE 2-2. RS-232C/EXORciser Interconnections

PIN NUMBER	SIGNAL MNEMONIC	SIGNAL NAME AND DESCRIPTION
1	POWER GND	POWER GROUND — Common for the -12 volt source. This line provides a safety ground connection to the RS-232C compatible terminal.
2	RECEIVE DATA	RECEIVE DATA — This line accepts the input from an RS-232C compatible terminal.
3	TRANSMIT DATA	TRANSMIT DATA — This line transfers data to an RS-232C compatible terminal.
4		Not used
5	CLEAR TO SEND	CLEAR TO SEND — This line is a high level when an RS-232C data terminal is connected to the EXORciser and informs the terminal to transfer data.
6	DATA SET READY	DATA SET READY — This line is a high level when a RS-232C data terminal is connected to the EXORciser and indicates to the terminal that the EXORciser is operating.
7	SIGNAL GND	SIGNAL GROUND — This line provides a common signal connection to the RS-232C data terminal.
8	CARRIER DETECT	CARRIER DETECT — This line is a high level when a RS-232C data terminal is connected to the EXORciser and indicates that the EXORciser has detected the carrier signal.
9		Not used
10		Not used
11		Not used
12		Not used
13		Not used
14		Not used
15		Not used
16		Not used
17		Not used
18		Not used
19		Not used
20	DATA READY	DATA TERMINAL READY — This line from the RS-232C data terminal indicates that the data terminal is ready.
21		Not used
22		Not used
23		Not used
24		Not used
25		Not used

- (c) With the EXORciser PWR switch OFF, connect the EXORciser to the selected power source.
- (d) Install the optional modules in accordance with Paragraph 2-5.3

2-5.3 PRINTED CIRCUIT BOARD INSTALLATION

The installation of the optional EXORciser modules is discussed in their supplements to this manual.

Since each module is offset as well as keyed, there is little chance of installing the modules in backwards. The EXORciser bus permits the user to install the modules in any of the 14 card slots; however, modules having wire wrap sockets require additional spacing between card slots. The 14 card slots are illustrated in Figure 2-3. Install the modules as follows:

- (a) If the EXORciser is mounted in a rack, pull the EXORciser out on its extenders to gain full access to

the dust cover.

- (b) Remove the dust cover from the EXORciser. The rack mounted dust cover is held in place by four screw-lock fasteners while the table top dust cover is held in place by tension clips.
- (c) Install the MPU and Debug Modules into the EXORciser. Connect the Baud Rate Module cable to the Debug Module as shown in Figure 1-3.
- (d) Referring to the module supplements, install the optional modules into their selected card slots.

NOTE

It is recommended that the dust covers be placed on the EXORciser when you are not working on the EXORciser.

2-6 SWITCHES AND INDICATORS

The EXORciser switches and controls are divided into three categories, those on the EXORciser chassis, those used on the Debug and MPU Modules, and those used on the optional modules. Figure 2-4 and Table 2-3 identify the location and function of the switches and indicators on the EXORciser while Figures 2-5 and 2-6 along with Tables 2-4 and 2-5 identify the location and function of the MPU and Debug Module switches. The switches on the optional modules are identified in their respective supplements.

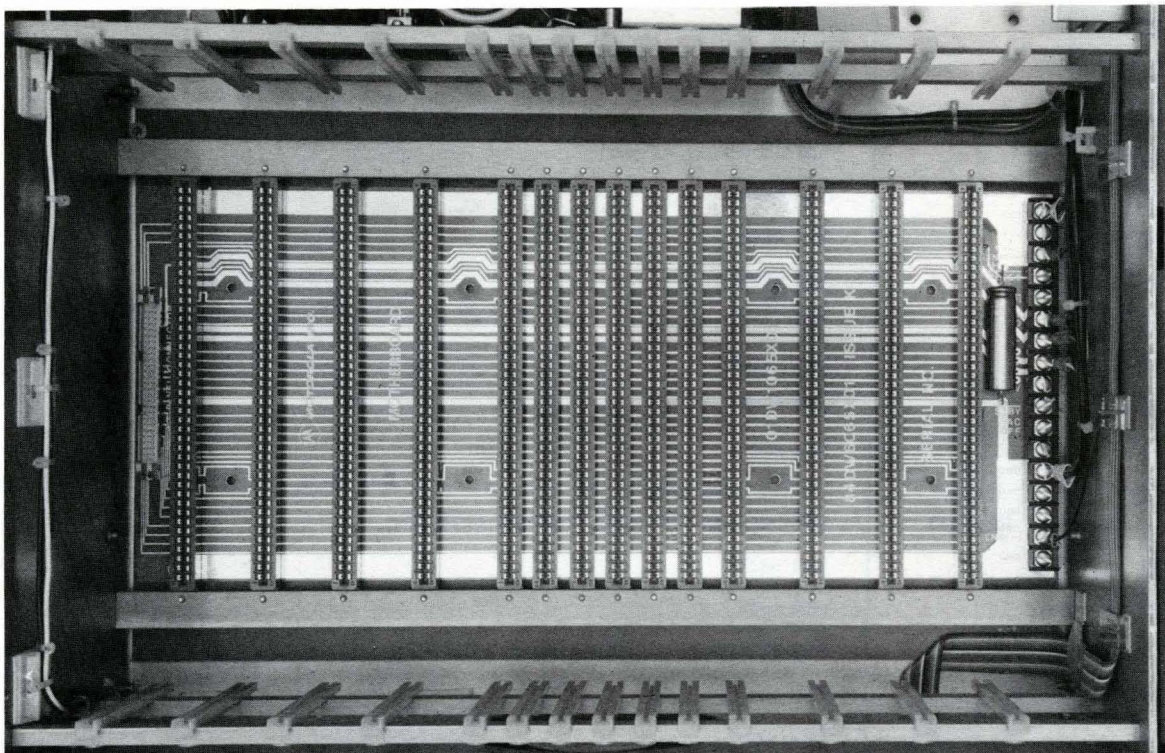


FIGURE 2-3. EXORciser Card Rack

Fig. 2-4 Front View



Fig. 2-4 Back View

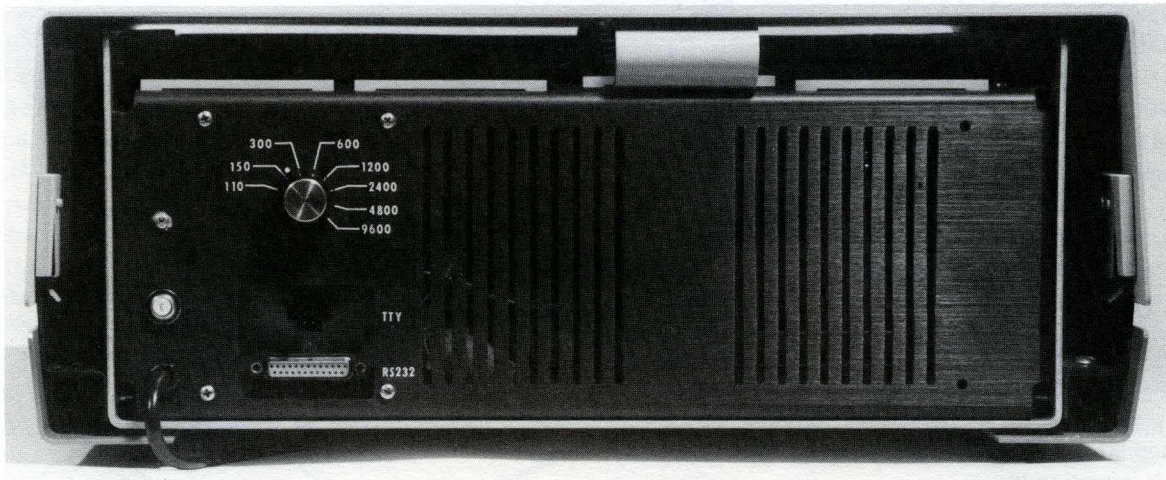


FIGURE 2-4. EXORciser Switches and Indicators

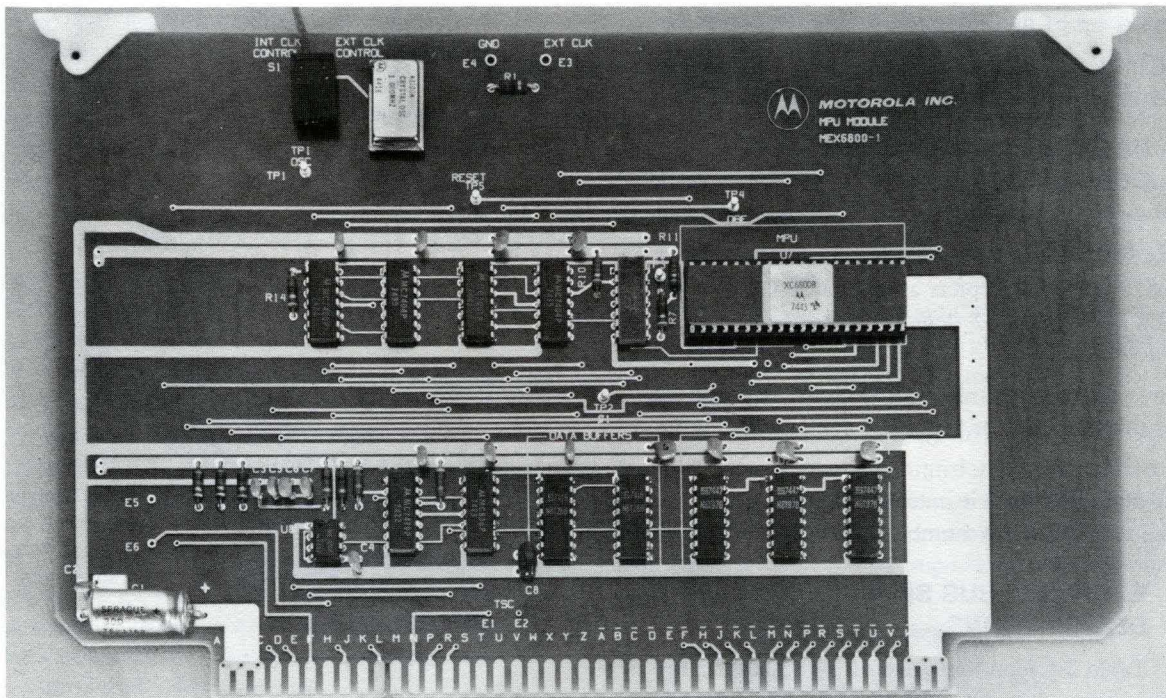


FIGURE 2-5. MPU Module Switch Locations

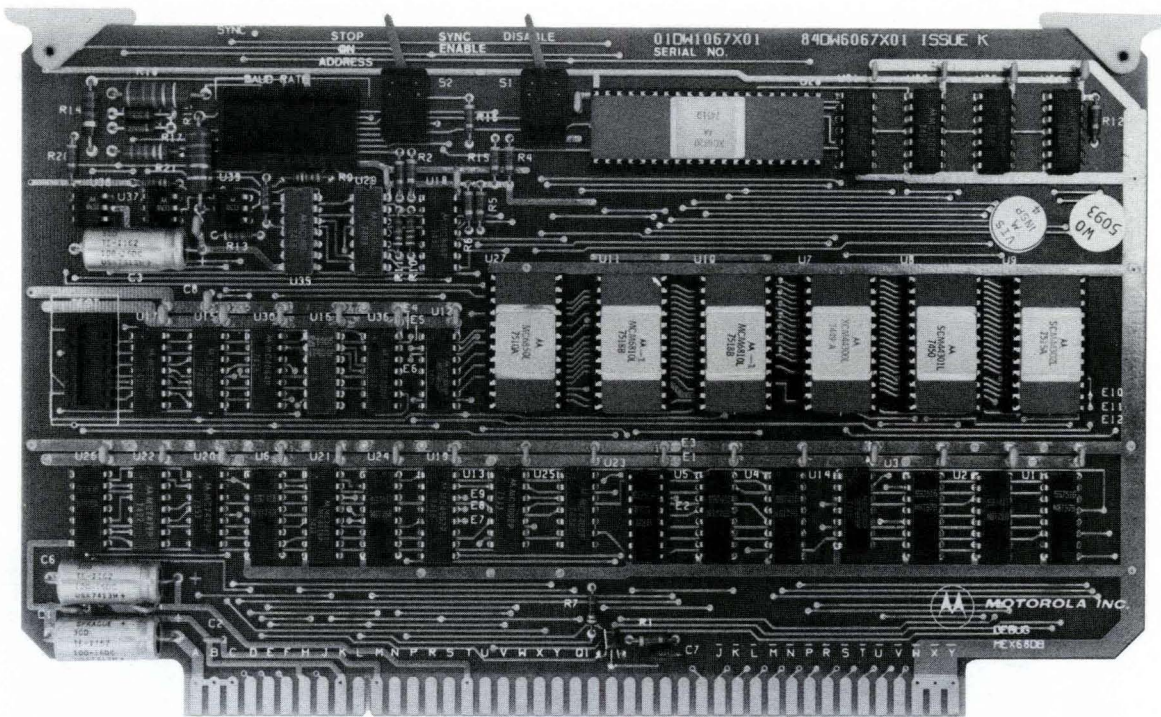


FIGURE 2-6. Debug Module Switch Locations

2-7 **TABLE TOP TO RACK MOUNTING CONVERSION**

The following procedures discuss converting the EXORciser from its table top version to its rack mounted version. Figure 2-7 depicts an exploded view of the table top kit and Figure 2-8 depicts an exploded view of the rack mounting kit.

- (a) Remove the Table Top Kit from the EXORciser in the reverse order of the index numbers in Figure 2-7.
- (b) Install the Rack Mounting Kit onto the EXORciser in the sequence of the index numbers in Figure 2-8.

2-8 **RACK MOUNTING TO TABLE TOP CONVERSION**

The following procedures discuss converting the EXORciser from its rack mounting version to its table top version. Figure 2-7 depicts an exploded view of the table top kit and Figure 2-8 depicts an exploded view of the rack mounting kit.

- (a) Remove the rack mounting kit from the EXORciser in the reverse order of the index numbers in Figure 2-8.
- (b) Install the table top kit onto the EXORciser in the sequence of the index numbers in Figure 2-7.

2-9 **EXORciser BUS SIGNAL DESIGNATIONS**

Table 2-6 identifies each of the signals on the EXORciser bus, the pin connection, the signal's mnemonics, and the signal's characteristics.

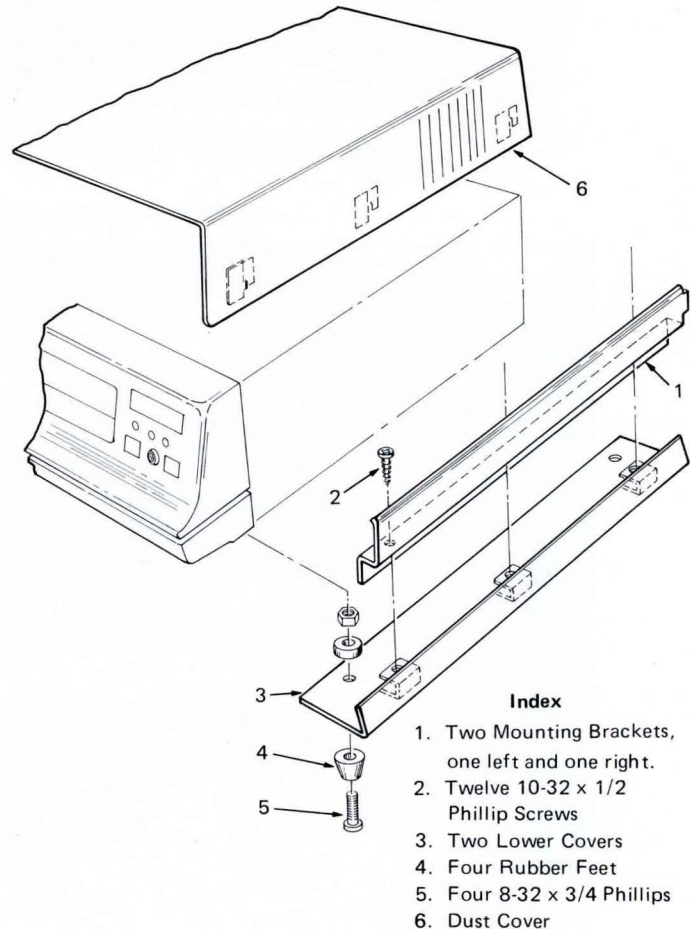


FIGURE 2-7. Table Top Kit

Index

- 1. Pair of slides
- 2. Six 10-32x½ Philips Screws
- 3. Dust Cover
- 4. Four Clip-on Receptacle
- 5. Four Flush Head Studs
- 6. Four split ring retainers.

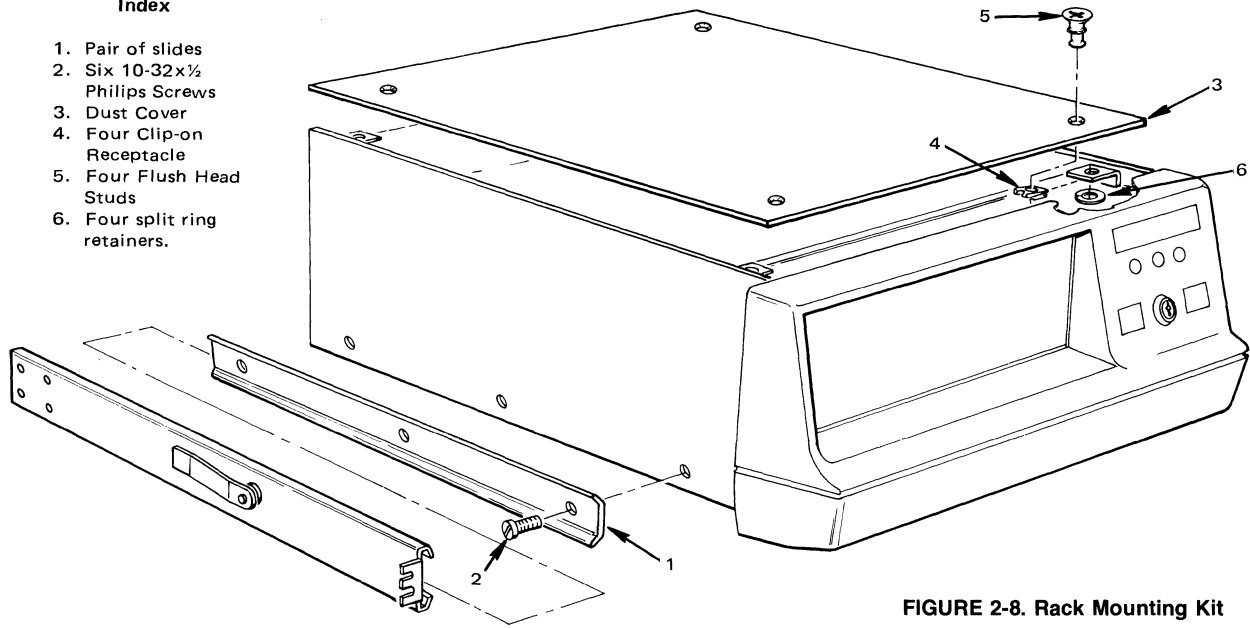


FIGURE 2-8. Rack Mounting Kit

TABLE 2-3. EXORciser Switches and Indicators

SWITCH/ INDICATOR	FUNCTION
RUN Indicator	The RUN indicator is on when the EXORciser is running the user's program and is not on when the EXORciser is in EXbug (Upper 4K of memory).
PWR Indicator	The PWR (PoWeR) indicator indicates the status of the EXORciser PWR keyswitch. The PWR indicator is ON when the PWR switch is ON.
AUX Indicator	The AUX (AUXiliary) indicator is not used at this time. (Wired in cable harness and available on the Baud Rate Module).
RESTART Switch	The RESTART pushbutton switch, when actuated, resets and initializes the EXORciser. The EXORciser on completing its initialization routine, goes to its EXbug control program.
PWR	The PWR (PoWeR) key switch, when on, applies primary power to the EXORciser.
ABORT	The ABORT pushbutton switch, when actuated, aborts or exits the EXORciser from the routine it is performing and returns the EXORciser to its EXbug control program.
BAUD RATE (Switch)	The BAUD RATE switch allows the user to select the data transfer rate between the EXORciser and the data terminal.

TABLE 2-4. MPU Module Switch Functions

SWITCH NAME	SWITCH FUNCTION
CLOCK Switch	This switch selects either the EXORciser's 1 MHz internal clock or an external clock. The external clock input is located on top of the MPU Model and provides a 50 ohm load.

TABLE 2-5. Debug Module Switch Functions

SWITCH NAME	SWITCH FUNCTION
EXbug Disable Switch	The EXbug Switch in the on position (to right facing module), enables the EXORciser to execute the EXbug Firmware.
SCOPE/STOP-ON-ADDRESS	The SCOPE/STOP-ON-ADDRESS switch, in the SCOPE position, provides a scope trigger pulse on a selected address. This switch, in the STOP-ON-ADDRESS position, instructs the EXORciser to stop on a selected memory address. The EXORciser will stop on the next program instruction.

TABLE 2-6. EXORciser BUS Signals

PIN NUMBER	SIGNAL MNEMONIC	SIGNAL NAME AND DESCRIPTION
A	+5 VDC	+5 VDC used for the module's logic circuits.
B	+5 VDC	+5 VDC used for the module's logic circuits.
C	+5 VDC	+5 VDC used for the module's logic circuits.
D	$\overline{\text{IRQ}}$	INTERRUPT REQUEST ($\overline{\text{IRQ}}$) — This signal requests that a MPU interrupt sequence be generated within the machine. The MPU will wait until it completes the current instruction that it is executing before it recognizes this request. At that time, if the interrupt mask bit in the MPU condition code register is not set (interrupt masked), the MPU will begin the interrupt sequence.
E	$\overline{\text{NMI}}$	NON-MASKABLE INTERRUPT ($\overline{\text{NMI}}$) — This signal requests that a non-maskable interrupt be generated within the machine. The MPU will wait until it completes the current instruction that it is executing before it recognizes the NMI signal. At that time, the MPU will begin its non-maskable interrupt sequence. The EXORciser EXbug Firmware uses the non-maskable interrupt for its Abort, Run-One-Instruction, and Stop-On-Address functions.
F	VMA	VALID MEMORY ADDRESS (VMA) — This output indicates to the Debug Module that there is a valid memory address on the address bus. This signal is not three-state.
H		Not used
J	$\phi 2$	Phase 2 ($\phi 2$) clock signal
K	GND	GROUND for ± 12 VDC
L	MEMCLK	MEMORY CLOCK (MEMCLK)—This signal is the basic clock frequency used by the MPU Module to generate its $\phi 1$ and $\phi 2$ clock signals. This signal also is used by the dynamic memory modules.
M	-12 VDC	-12 VDC for use with user's custom designed interface circuitry.
N	$\overline{\text{TSC}}$	THREE-STATE CONTROL ($\overline{\text{TSC}}$) — This input, when high, places all of the address lines in their off or high impedance state. The VMA and BA signals will be forced low. The data bus is not affected by the TSC input.

P	BA	BUS AVAILABLE (BA) — This bus available output signal will normally be a low level; when activated, it will go high indicating that the MPU has stopped and that the address bus is available. This will occur if the Go/Halt line is in the Halt (low) state or the MPU is in the WAIT state as a result of executing a WAIT instruction. At such time, all the MPU three-state output drivers will go to their off state and other outputs to their normally inactive state. A maskable interrupt, or actuating the RESTART or ABORT switches, removes the MPU from the WAIT state.
R	MEMRDY	MEMORY READY (MEMRDY) — This signal enables the EXORciser to work with slow memories. When low, this signal inhibits the EXORciser from generating $\phi 1$ and $\phi 2$ timing signals with $\phi 2$ present. At the completion of its memory operation, the slow memory returns the MEMRDY signal to a high level.
S	REFCLK	REFRESH CLOCK (REFCLK) — This signal is generated by the dynamic memory module being used as the master refresh module. This signal is used to initiate a memory operation on the dynamic modules used as slave refresh modules.
T	+12 VDC	+12 VDC for use with user's custom designed interface circuitry.
U	BAT +12	BATTERY +12 VOLTS (BAT +12) — This line in normal EXORciser operation is +12 VDC from the EXORciser power supply via the battery backup option. If the EXORciser is using battery backup and the power supply is turned off or a power-fail should occur, the power backup places +12 VDC on this line. If the EXORciser is not using battery backup, this line is open.
V	<u>STDBY</u>	STAND BY (<u>STDBY</u>) — This line is a low level during a power-fail condition and a high level during normal EXORciser operation.
W		Not used
X		Not used
Y		Not used
Z		Not used
\overline{A}		Not used
\overline{B}	GND	GROUND
\overline{C}		Not used
\overline{D}		Not used
\overline{E}	(BA)	BUS AVAILABLE (BA) — This line is present only when an Evaluation Module I is placed in the EXORciser chassis. Signal is same as BA on pin P1-P above.
\overline{F}	(G/H)	GO-HALT — This line is used only when an Evaluation Module is placed in the EXORciser chassis. Signal is same as G/H on P1-4.
\overline{H}	$\overline{D3}$	DATA BUS ($\overline{D3}$) — This bi-directional line, when enabled, provides a two-way data transfer between the MPU Module and all other plug-in modules in the EXORciser. The data bus drivers on these module are in their off or high-impedances state except when one of these modules is selected during a memory read operation.
\overline{J}	$\overline{D7}$	DATA BUS ($\overline{D7}$) — Same as $\overline{D3}$ on P1- \overline{H} .
\overline{K}	$\overline{D2}$	DATA BUS ($\overline{D2}$) — Same as $\overline{D3}$ on P1- \overline{H} .
\overline{L}	$\overline{D6}$	DATA BUS ($\overline{D6}$) — Same as $\overline{D3}$ on P1- \overline{H} .
\overline{M}	A14	ADDRESS BUS (A14) — This address line, when enabled, transfers the MPU program counter output to address the plug-in modules in the EXORciser.
\overline{N}	A13	ADDRESS BUS (A13) — Same as A14 on P1- \overline{M} .
\overline{P}	A10	ADDRESS BUS (A10) — Same as A14 on P1- \overline{M} .

\overline{R}	A9	ADDRESS BUS (A9) — Same as A14 on P1- \overline{M} .
\overline{S}	A6	ADDRESS BUS (A6) — Same as A14 on P1- \overline{M} .
\overline{T}	A5	ADDRESS BUS (A5) — Same as A14 on P1- \overline{M} .
\overline{U}	A2	ADDRESS BUS (A2) — Same as A14 on P1- \overline{M} .
\overline{V}	A1	ADDRESS BUS (A1) — Same as A14 on P1- \overline{M} .
\overline{W}	GND	GROUND
\overline{X}	GND	GROUND
\overline{Y}	GND	GROUND
1	+5 VDC	+5 VDC used for the module's logic circuits.
2	+5 VDC	+5 VDC used for the module's logic circuits.
3	+5 VDC	+5 VDC used for the module's logic circuits.
4	G/H	GO/HALT (G/H) — When this input is in the high state, the MPU will fetch the instruction addressed by the program counter and start execution. When low, all activity in the MPU will be halted. This input is level sensitive. In the halt mode, the MPU will stop at the end of an instruction, bus available will be at a high level, valid memory address will be at low level, and all other three-state lines will be in their off or high impedance state. The halt line must go low with the leading edge of the phase one clock ($\phi 1$) to insure single instruction operation. If the halt line does not go low with the leading edge of the phase one clock, one or two instruction operations may result, depending on when the halt line goes low relative to the phasing of the clock.
5	$\overline{\text{RESET}}$	RESET — This signal is used to start the MC6800 MPU and reset the EXORciser from a power down condition or when the EXORciser RESTART switch is actuated.
6	R/W	READ/WRITE (R/W) — This MPU output signal indicates to the EXORciser plug-in modules whether the MC6800 MPU is performing a memory read (high) or write (low) operation. The normal standby state of this signal is read (high). Also, when the MC6800 is halted, this signal will be in the read state.
7	$\phi 1$	Phase 1 ($\phi 1$) clock signal
8	GND	GROUND for ± 12 VDC
9	GND	GROUND for ± 12 VDC
10	VUA	VALID USER'S ADDRESS (VUA) — This signal, when high, indicates that the address on the address bus is valid and the EXORciser is not addressing its EXbug program.
11	-12 VDC	-12 VDC for use with the user's custom designed interface circuitry.
12	$\overline{\text{REFREQ}}$	REFRESH REQUEST ($\overline{\text{REFREQ}}$) — This signal, when low, initiates a memory refresh cycle of the dynamic memory modules. During the refresh operation the MPU Module is inhibited from generating its $\phi 1$ and $\phi 2$ clock signals.
13	REF GRANT	REFRESH GRANT (REF GRANT) — This signal, when high, instructs the dynamic memory modules to refresh their memories.
14		Not used
15		Not used
16	+12 VDC	+12 VDC for use with the user's custom designed interface circuitry.
17	BAT +12	BATTERY +12 VOLTS (BAT +12) — Same as BAT +12 on P1-U.
18	$\overline{\text{TSC}}$	Three-State Control ($\overline{\text{TSC}}$) — This line is present only when an Evaluation Module is placed in the EXORciser chassis. Signal is same as TSC on P1-N.
19		Not used

20		Not used
21	AC OFF	AC OFF — In a system using battery backup, this signal indicates when ac power is removed from the primary of the power supply transformer.
22		Not used
23		Not used
24	GND	GROUND
25		Not used
26		Not used
27		Not used
28		Not used
29	$\overline{D1}$	DATA BUS ($\overline{D1}$) — Same as D3 on P1- \overline{H}
30	$\overline{D5}$	DATA BUS ($\overline{D5}$) — Same as D3 on P1- \overline{H}
31	$\overline{D0}$	DATA BUS ($\overline{D0}$) — Same as D3 on P1- \overline{H}
32	$\overline{D4}$	DATA BUS ($\overline{D4}$) — Same as D3 on P1- \overline{H}
33	A15	ADDRESS BUS (A15) — Same as A14 on P1- \overline{M} .
34	A12	ADDRESS BUS (A12) — Same as A14 on P1- \overline{M} .
35	A11	ADDRESS BUS (A11) — Same as A14 on P1- \overline{M} .
36	A6	ADDRESS BUS (A8) — Same as A14 on P1- \overline{M} .
37	A7	ADDRESS BUS (A7) — Same as A14 on P1- \overline{M} .
38	A4	ADDRESS BUS (A4) — Same as A14 on P1- \overline{M} .
39	A3	ADDRESS BUS (A3) — Same as A14 on P1- \overline{M} .
40	A0	ADDRESS BUS (A0) — Same as A14 on P1- \overline{M} .
41	GND	GROUND
42	GND	GROUND
43	GND	GROUND

CHAPTER 3 M6800 SYSTEM EMULATION

3-1 INTRODUCTION

The M6800 EXORciser is a system development tool used in the design and development of M6800 Microprocessor Systems. It is assumed in this chapter that the user is designing his system as described in the M6800 Microprocessor Applications Manual and is preparing his programs in accordance with the M6800 Microprocessor Programming Manual. This chapter reviews in general terms developing the hardware, preparing the software, and the place of the EXORciser in this system development. This chapter also presents preparing the EXORciser to emulate (functionally duplicate) and debug the user's system.

This chapter discusses using the optional EXORciser modules in general terms. Refer to the optional module's supplements to this user's guide as required to assist you in preparing your EXORciser to emulate your system.

3-2 M6800 EXORciser AND SYSTEM DEVELOPMENT

To better understand using the EXORciser in the design and development of a M6800 Microprocessor system, let us first review the procedure followed by a typical engineer in developing a microprocessor system and, how the EXORciser will simplify the design effort. It should be noted that the system design procedures presented were developed for discussion purposes only.

3-2.1 DEVELOPING MICROCOMPUTER SYSTEMS

The following procedures are intended to illustrate how an engineer might develop a typical microcomputer system. The engineer:

- (1) Defines his system. In this definition he determines the software and hardware functions to be performed and the interfacing requirements.
- (2) Designs and constructs a hardware prototype of his system and at the same time,
- (3) Prepares his software programs around the hardware to accomplish the intended function.
- (4) Combines the software with his hardware and debugs both his hardware and his software until he has a working system.
- (5) Finalizes his system design and his software and builds a preproduction model of his system.
- (6) Combines the preproduction hardware with the system software and makes any necessary hardware and software adjustments.
- (7) Extensively tests and evaluates his system in an actual working environment. The user's program may be stored in PROMs.
- (8) Builds the production hardware of his system and has his ROMs made.
- (9) Combines the production hardware with the system software (in ROM) and makes the final system adjustments.
- (10) Releases his system to production.

3-2.2 M6800 EXORciser IN SYSTEM DEVELOPMENT

The EXORciser, through its ability to emulate a user's system hardware and debug a user's system, greatly reduces the time required for an engineer to construct a prototype of and debug his system. The engineer, rather than designing and building a prototype of his system, sets up the EXORciser to functionally represent his system. He may however, have to construct special circuitry to interface the EXORciser to his process or peripheral devices. The engineer now has developed his system using proven hardware with a minimum amount of design and construction time.

The EXORciser provides the programmer with a functional system on which to develop his system software. The advantages of the EXORciser to the programmer are that the EXORciser permits him to assemble, edit, and modify his program on the actual hardware and to evaluate his programs using the system input/output capabilities on a real-time basis.

The EXORciser's EXbug Firmware provides the engineer and the programmer with a system development program capability for debugging both the system hardware and the system software. This EXbug system development program is hardware compatible and enables the user to:

- Load his program into the EXORciser
- Verify that the program was correctly loaded
- Search a tape for a specific file
- Print the contents of the memory
- Punch (record) the contents of the memory on tape
- Debug his system hardware and software using MAID (Motorola Active Interface Debug) functions.

These MAID functions permit the user to debug his system through:

- Examining and, if required, changing the contents in a memory location

- Examining and, if required, changing the contents in the MPU registers
- Stopping the EXORciser on a specific memory address in a user's program
- Providing an oscilloscope trigger pulse at a selected memory address
- Calculating the offset in the relative addressing mode
- Inserting, displaying, and removing breakpoints in a user's program
- Freerunning or tracing through a user's program under development
- Searching the memory for a specific bit pattern
- Performing decimal-octal-hexadecimal conversions.

If the user were to develop his system without the EXORciser, he would be required to develop or purchase his own system development program using at least part of the EXbug functions.

Now, let us review the system development process using the EXORciser. The engineer:

- (1) Defines his system as before. In this definition he determines the software and hardware functions to be performed.
- (2) Sets up the EXORciser to emulate his system hardware. He will, if required, also design and build any special hardware interface circuitry.
- (3) Prepares his software programs on the EXORciser around the hardware required to accomplish the intended function.
- (4) Loads software into EXORciser and, using the EXbug Firmware, debugs both the hardware and the software until he has a working system.
- (5) Designs and builds a preproduction model of his system compatible with the EXORciser's bus.
- (6) Combines the preproduction hardware with the user's system software and, using the EXORciser's EXbug Firmware, debugs and makes any necessary system hardware and software adjustments.
- (7) Extensively tests and evaluates his system in an actual working environment. At this point the program may be stored in the PROMs.
- (8) Builds the production hardware of his system and has his ROMs made. This system should be compatible with the EXORciser bus if the EXORciser is to be used in testing and debugging the production systems.
- (9) Combines the production hardware with the system software and makes the final adjustments to his system. He again may use the EXORciser in evaluating his system.
- (10) Releases his system to production

3-3 **HARDWARE PREPARATION**

This paragraph discusses preparing the

EXORciser to emulate (functional represent) the user's system. This paragraph discusses preparing the EXORciser's optional modules in general terms. Refer to the options modules' supplements as required to prepare these modules. Prepare the EXORciser as follows:

- (a) Construct any required special circuitry, i.e. special interface circuitry on the appropriate modules.
- (b) Using the procedures in Chapter 2, install the EXORciser modules in the selected EXORciser card slots.
- (c) Determine whether you are going to use the EXORciser clock or an external clock in your system. Set the clock switch S1 on the MPU Module accordingly.
- (d) If you are using an external clock, determine the clock frequency to be used in your system.
- (e) Connect the external clock to the MPU Module.
- (f) Connect the EXORciser to the user's process or peripheral device.
- (g) Set the base memory addresses on the EXORciser's memory and peripheral interface modules.

3-4 **PROGRAMMING PREPARATION**

The following paragraphs are provided to assist you in preparing your program. These paragraphs are a supplement to the M6800 Microcomputer Programming Manual and are intended as a guide. Also, these paragraphs discuss the optional modules only in general terms. Each optional modules' unique programming considerations are discussed in their supplements to this manual. Refer to the Programming Manual and these supplements as required in preparing the user's program.

Also included in the following paragraphs are the EXORciser's programming constraints, the programming characteristics of the EXORciser, memory organization, special programming considerations, and the suggested procedures used in program preparation.

3-4.1 **PROGRAMMING CONSTRAINTS**

The EXORciser places the following constraints on the user while he is using the EXbug Firmware.

- He can not use memory locations F000 through FFFF.
- The EXbug Firmware uses the MC6800 MPU's NMI (Non-Maskable-Interrupt) capability.
- The EXbug Firmware uses the MC6800 MPU's SWI (SoftWare Interrupt) capability.

3-4.1.1 **EXbug Firmware**

The Debug switch on the Debug Module allows the user to use or not use the EXbug Firmware. This Firmware precludes the user from using memory locations F000 through FFFF. Now, the EXORciser may be operating with partially coded user's systems (not using all 16 address lines) and programs using addresses between F000 and FFFF. To prevent reading duplicate addressing, the EXORciser, on determining that it is reading an EXbug address, inhibits the reading of a user's program.

If you have a portion of your program above F000 and wish to debug it using EXbug, it is recommended that you assemble this program at another memory location, debug it, and, upon completion, reassemble the program at its original address.

3-4.1.2 SWI (Software Interrupt) Capability

The EXORciser EXbug Firmware uses the MC6800 MPU's SWI capability to insert breakpoints into the user's program (Paragraph 4-14). You can use the EXORciser to evaluate a user's software interrupt at the expense of losing the EXORciser's breakpoint function capability. If you wish to evaluate a software interrupt routine, proceed as follows:

- (a) Using the MAID Memory Change Function (Paragraphs 4-9 and 4-11), change the interrupt vector in memory location FFFA (MSB) and FFFB (LSB) to the address of your software interrupt routine.

NOTE

The EXORciser, on the actuation of the RESTART or ABORT switch, enters its MPU cold-start power-up routine and loads addresses FFFA and FFFB with the breakpoint vector address. If you are evaluating your software interrupt routine and are required to actuate one of these switches, repeat step a.

- (b) Initiate, run, and debug the user's software interrupt routine.
- (c) After you have completed evaluating the software interrupt routine, press the ABORT switch, and restore the EXbug breakpoint function.

3-4.1.3 NMI (Non-Maskable Interrupt) Capability

The EXORciser EXbug Firmware uses the MC6800 MPU's NMI capability in its Abort function, Stop-on-Address function, and Run-One-Instruction feature. You can use the EXORciser to evaluate a user's non-maskable interrupt routine at the expense of losing the EXORciser's Abort, Stop-On-Address, and Run-One-Instruction capabilities. If you wish to evaluate a non-maskable interrupt routine, proceed as follows:

- (a) Using the MAID Memory Change Function (Paragraphs 4-9 and 4-11), change the interrupt vector in memory locations FFFC (MSB) and FFFD (LSB) to the address of your non-maskable interrupt routine.

NOTE

The EXORciser, on the actuation of the RESTART switch, enters its MPU cold-start power-up routine and loads the addresses FFFC and FFFD with the EXbug non-maskable interrupt routine vector address. If you are evaluating your software interrupt routine and are required to actuate this switch, repeat step a.

- (b) Initiate, run, and debug the user's non-maskable interrupt routine.
- (c) After you have completed evaluating the non-maskable interrupt routine, press the RESTART switch and restore the EXbug NMI functions.

3-4.2 UNIQUE PROGRAMMING CONSIDERATIONS

The MC6800 Microprocessing Unit sets aside the top eight addresses of memory — FFF8 through FFFF — for its interrupt vectors as follows:

- IRQ uses addresses FFF8 and FFF9
- SWI uses addresses FFFA and FFFB
- NMI uses addresses FFFC and FFFD
- RESTART uses addresses FFFE and FFFF.

The user in designing his system, must make his top of memory addresses appear to the MC6800 MPU as addresses FFF8 through FFFF (refer to the M6800 Microprocessor Applications and Programming Manuals for details).

The EXbug Firmware assumes that the user is using 83FF as the top address in the user's program. That is, the EXbug Firmware assumes that the user is using only address lines 2¹⁵ and 2⁰ through 2⁹ in the user's system. Using this addressing configuration, the addresses 83FE and 83FF appear to the MC6800 MPU as addresses FFFE and FFFF (the MPU RESTART vector address). If you are using an address other than 83FF as the top of the user's system, you will have to enter the memory top of addresses as described in Paragraph 4-2. Also, each time the EXORciser RESTART switch is actuated, the EXORciser performs its cold-start power-up routine and initializes itself. If the user's system is using a top of memory address other than 83FF, you must reenter the user's system top of memory addresses in accordance with Paragraph 4-2.

3-4.3 MEMORY ASSIGNMENTS

The user, before he prepares his equipment and writes his program, must assign the memory locations to be used in his system. Figure 3-1 illustrates a typical EXORciser memory map. Prepare your map as follows:

- (a) Construct a basic memory map of your system. On this map indicate that the EXORciser is using memory addresses F000 through FFFF.
- (b) Assign the memory location for your MC6830 ROM's at the top of your memory. The top of memory of the ROMs must appear to the MPU as address FFFF.
- (c) Assign the memory addresses for your MC6810 RAM's. It is recommended that you place the RAM at the bottom of memory to take advantage of direct addressing mode.
- (d) If your system is using MC6820 Peripheral Interface Adapters (PIA) assign four addresses for each PIA as described in the M6800 Microprocessor Applications Manual.

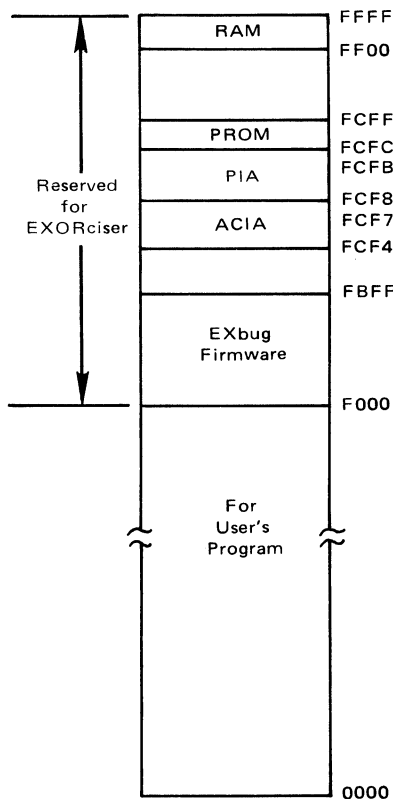


FIGURE 3-1. EXORciser Map

- (e) If your system is using MC6850 Asynchronous Communication Interface Adapters (ACIA) assign two addresses for each ACIA as described in the M6800 Microprocessor Applications Manual.
- (f) Determine the required address lines to be used in your system.

3-4.4 IRQ (INTERRUPT REQUEST) AND INTERRUPT PRIORITIES

In its initializing routine the EXORciser transfers the IRQ vector address from the user's program to memory locations FFF8 and FFF9. The EXORciser, through its bus, transfers IRQ (Interrupt ReQuest) inputs from a peripheral device to the MC6800 MPU. The MPU completes the instruction it is executing before it recognizes an IRQ input. Then, if the interrupt mask bit in the MPU's condition code register is not set, the EXORciser reads the vector address in memory locations FFF8 and FFF9 and jumps to the user's IRQ routine.

In setting up the user's system, you must determine whether you are going to use the MC6800 MPU's IRQ capability and, if you are, you must determine the interrupt command input level from the peripheral device to the EXORciser. Refer to the M6800 Microprocessor Applications Manual and M6800 Microprocessor Programming Manuals and the supplements to this user's guide to set up or inhibit the IRQ capabilities for the MC6820 PIA and MC6850 ACIA devices.

If you are using more than one peripheral device capable of interrupting the MC6800 MPU, you must prepare an interrupt polling routine to interrogate each of these devices and determine the device initiating the interrupt. This polling routine, on determining the IRQ initiated device, causes the MPU to jump to the appropriate service routine.

In preparing the interrogation routine, you must assign priorities to the devices. Assign priorities to these devices by assigning their position in the interrogation polling routine. The device that is interrogated first has the highest priority and the device interrogated last has the lowest priority.

3-4.5 MC6820 PIA PROGRAMMING INFORMATION

The MC6800 MPU addresses the MC6820 PIA as if it were memory. Therefore, all commands to the PIA are executed by the MPU as memory reference instructions. The M6800 Microprocessor Applications Manual illustrates the PIA addressing and the operation being performed on the selected PIA register. Note that bit 2 of PIA control registers is used in selecting between the PIA's peripheral interface registers and the data direction registers. The proper state of the CA2 and CB2 bit must be loaded into the corresponding PIA control register before addressing its peripheral interface or data direction register.

The M6800 Microprocessor Applications Manual also discusses the decoding of the PIA control registers in controlling the PIA's four interrupt lines — two of which may be used as peripheral control lines. Refer to the Applications Manual and determine the contents to be loaded into the control registers to meet your application needs. Note that the MC6800 MPU cannot write into bit 6 and bit 7 of the control registers, but checks the status of the flag bits stored at these register locations during a read operation. Note also that the flag bits are reset when they are read.

The MC6820 PIA data direction registers determine whether their respective peripheral lines (PA0 through PA7 and PBO through PB7) are to be used as input or output lines. A logic one in a data direction register bit position enables its corresponding peripheral line to function as an output and a logic zero causes this line to function as an input.

3-4.6 MC6850 ACIA PROGRAMMING INFORMATION

The MC6800 MPU addresses the MC6850 ACIA as if it were memory. Therefore, all commands to the ACIA are executed by the MPU as memory reference instructions. The M6800 Microprocessor Applications Manual illustrates the ACIA addressing and the operation being performed by the selected ACIA register. Note that the MPU can only read the receive data register and the status register and can only write into the transmit data register and control register.

The M6800 Microprocessor Applications Manual also discusses the function of each of the bits in

the control register and the function of the bits in the status register. Note that both flag bit 0 and bit 1 of the status register are reset when the status register is read.

3-4.7 PROGRAM PREPARATION

Prepare your program in accordance with the following procedures:

- (a) Using flowcharts or other means design the user's program.
- (b) Code the user's program as described in the M6800 Microprocessor Programming Manual
- (c) Assemble the user's program using either the resident assembler or a cross-assembler.

NOTE

The user may write his program in machine language and enter his program through his data terminal using the MAID Memory Change Function in Paragraphs 4-9 and 4-11 of this manual. This is, however, a long and tedious job, subject to error, and therefore not recommended.

- (d) Prepare the assembled user's program to be evaluated in the EXORciser.

3-5 SYSTEM DEBUG AND DEVELOPMENT

Now that you have set up the EXORciser and have assembled the user's program, you are ready to debug the user's system hardware and program. Debug the user's system as follows:

- (a) Load the user's program into the EXORciser and, using the procedures in Chapter 4, debug the user's system hardware and software.
- (b) Refer to the M6800 Microcomputer Applications Manual and design a preproduction model of the user's system. Refer to Chapter 5 of this manual and Chapter 3 of the supplements to get an overview of the user's system as emulated by the EXORciser. If you are going to use the EXORciser to debug the user's preproduction system, design this system's bus to be compatible with the EXORciser's bus except, connect the EXORciser's VUA (Valid User's Address) rather than its VMA (Valid Memory Address) signal line to VMA signal line on the user's system bus. The VUA signal is used to prevent duplicate addressing while the EXORciser is executing its EXbug Firmware.
- (c) Debug your preproduction system. If you are using the EXORciser, remove the MPU chip from the user's system and debug the user's system using the basic EXORciser (just the MPU and Debug Modules). Debug the user's system using the procedures in Chapter 4.
- (d) Design your production system. If you intend to use the EXORciser to debug this system to refer to step b for details.
- (e) Debug your production system using the procedures discussed in step c.

CHAPTER 4

PROGRAM EVALUATION AND DEBUG PROCEDURES

4-1 GENERAL

The EXORciser with its EXbug firmware is used to evaluate and debug a program or a system under development. The EXbug firmware enables the user to:

- Load his program into the EXORciser (Paragraph 4-4)
- Verify that his program was properly loaded into the EXORciser (Paragraph 4-5)
- Search the tape for a particular file (Paragraph 4-6)
- Print the program (Paragraph 4-7)
- Punch (record) the program on tape (Paragraph 4-8)
- Using the MAID (Motorola's Active Interface Debug) routine, test and debug his program or system under development. (Paragraph 4-9)

The operating procedures for each of these functions as well as the abort function are discussed in the following paragraphs. The EXORciser, while performing its EXbug program, is inhibited from performing the user's program except under specific MAID control routines.

It is assumed in this chapter that the EXORciser has been installed in accordance with Chapter 2 and the EXORciser is interfacing with a data terminal described in Chapter 2. It is also assumed that the user's programs have been prepared in accordance with the procedures described in Chapter 3 and the EXORciser hardware has been configured to emulate the user's system as described in Chapter 3.

4-2 OPERATING PROCEDURES

NOTE

The location and use of the EXORciser indicators and controls are discussed and locations identified in Chapter 2.

- (a) Set the EXbug switch S1 on the Debug Module to on (to the right facing the module).
- (b) Set the BAUD RATE switch to the selected transfer rate
- (c) Turn the terminal power switch to ON.
- (d) Using the power key, set the EXORciser POWER switch to ON. The EXORciser performs its EXbug control program and the terminal prints EXBUG x.x where x.x identifies the version of the EXbug program being used in the EXORciser. The EXORciser now waits for a four character command to be entered.

NOTE

The EXORciser is capable of operating with data terminals that record at one data transfer rate and print data at one fourth this data transfer rate by inserting the appropriate number of nulls between characters. If the EXORciser is interfacing with such a data terminal (i.e. TI Silent 700 at 1200 baud) enter S120X and pause before entering the X.

- (e) If the first few characters are missing from the displayed data and all of the other characters are correct, there is insufficient delay between the carriage return and the first character to be printed. Enter S30. (S30 period) and the EXbug program will insert an appropriate number of nulls (4).
- (f) If you are not using the address 83FF as the top memory address in your user's program, enter the top memory of your program address at memory location FF00 and FF01 using the MAID Examine and Change Memory Data Function in accordance with Paragraphs 4-10 and 4-11.

4-3 ABORT FUNCTION

If the EXORciser in debugging a user's program should lose control or you wish to exit from an EXORciser function, perform the following procedures.

- (a) Press the ABORT switch. The EXORciser should return to the EXbug control program and the data terminal should print the following message:
ABORTED AT P-0106 X-4000 A-04 B-00 C-C4
S-FF91
EXBUG x.x

where: P = program counter
X = index register
A = accumulator A
B = accumulator B
C = condition code register
S = stack pointer

NOTE

The values in the counters and registers are typical.

- (b) If the pressing of the ABORT switch does not regain program control, press the RESTART switch. This causes the EXORciser to initiate a power-on interrupt routine and initialize itself. Reenter the data terminal's baud rate and the top address of the user's program (if not 83FF) in accordance with Paragraph 4-2.

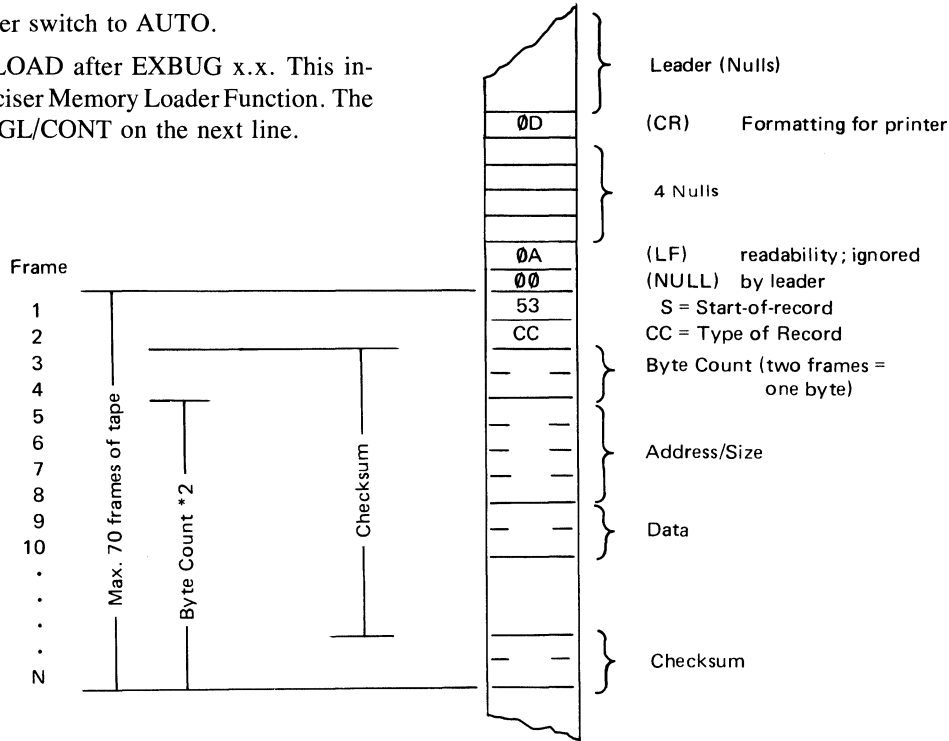
4-4 MEMORY LOADER FUNCTION (LOAD)

The Memory Loader Function of EXbug loads formatted binary object tapes into the EXORciser. Figure 4-1 depicts the paper tape format. It is assumed at the start of this procedure that the EXORciser is performing its EXbug control program and the last data printed by the terminal is EXBUG x.x. Figure 4-2 illustrates a typical Memory Loader Function.

- (a) Load the tape into the terminal tape reader.
- (b) Set the tape reader switch to AUTO.
- (c) Enter the word LOAD after EXBUG x.x. This initiates the EXORciser Memory Loader Function. The terminal prints SGL/CONT on the next line.

NOTE

To abort from the Memory Loader Function, enter the character X. The Memory Loader Function also may be aborted by pressing the ABORT switch. Should you make a typing error in entering the word LOAD, type in a sufficient number of characters to form a four character code. The EXORciser will remain in its EXbug control program and the terminal will print EXBUG x.x on the next line. Repeat step c.



Frames 3 through N are hexadecimal digits represented by a 7-bit ASCII character. Two hexadecimal digits are combined to make one 8-bit bytes.

The checksum is the one's complement of the summation of 8-bit bytes.

Frame	CC = 30 Header Record	CC = 31 Data Record	CC = 39 End-of-File Record
1. Start-of-Record	53	S	S
2. Type of Record	30	0	9
3.	31		30
4. Byte Count	32	12	33
5.	30		30
6. Address/Size	30	0000	30
7.	30		30
8.	30		30
9. Data	34	48-H	46
10.	38	44-D	43
.	34	52-R	(Checksum)
.	35		
.	32		
.			
N. Checksum	39	A8 (Checksum)	
	45		

FIGURE 4-1. Paper Tape Format

- (d) Enter the character S or the character C after SGL/CONT. The character S initiates the loading of one file into the EXORciser and then returns to the EXbug control program. The character C, on the other hand, initiates the loading of multiple files into the EXORciser. If the character S is entered, proceed to the following Checksum Error Detection paragraph below.

NOTE

If the EXORciser attempts to load the data into ROM, protected RAM, or non-existent memory locations, the tape reader stops, the terminal prints NO CHANGE, and the EXORciser returns to the EXbug control program.

- (e) If the character C was entered in step d, press the ABORT switch at the conclusion of the memory loader function. The EXORciser now returns to the EXbug control program and the terminal prints EXBUG x.x.

CHECKSUM ERROR DETECTION

If in the loading function, the EXORciser detects a checksum error, it instructs the teletypewriter to print CKSM nnnn and then it stops the tape reader. The nnnn in the checksum error is the hexadecimal address of the record found in error.

- (f) If a checksum error message is present, perform one of the following substeps:
- (X) Enter the character X and abort from the Memory Loader Function. The EXORciser will return to the EXbug control program and the terminal will print EXBUG x.x.
 - (L) Reposition the tape and enter the character R. The record causing the checksum error is reread.
 - (C) Ignore the checksum error and enter the character C. The EXORciser ignores the checksum error and continues the Memory Loader Function.

CAUTION

IF THE CHECKSUM ERROR IS ON AN ADDRESS AND THE CONTINUE OPTION IS SELECTED, THERE IS NO CERTAIN WAY TO DETERMINE WHERE THE DATA WILL BE LOADED INTO THE MEMORY.

NOTE

The underlined characters in the figures depicts operator entries.

```
EXBUG 1.1 LOAD
SGL/CONT S
X EXORF1
EXBUG 1.1
```

FIGURE 4-2. Typical Memory Loader Function

4-5 MEMORY VERIFY FUNCTION (VERF)

The Memory Verify Function of EXbug compares the contents of memory with the paper tape data and prints all locations that are not the same. Figure 4-1 depicts the paper tape format. It is assumed that the EXORciser is performing its EXbug control program and the last data printed by the terminal is EXBUG x.x. Figure 4-3 illustrates a typical Memory Verify Function.

- (a) Load the tape into the terminal tape reader.
- (b) Set the tape reader switch to AUTO.
- (c) Enter the word VERF after EXBUG X.X. This initiates the EXORciser Memory Verify Function. The terminal shall print SGL/CONT on the next line.

NOTE

To abort from the Memory Verify Function enter the character X. The Memory Verify Function also may be aborted by pressing the ABORT switch. Should you make a typing error in entering the word VERF, type in a sufficient number of characters to form a four character code. The EXORciser will remain in its EXbug control program and the terminal will print EXBUG x.x on the next line. Repeat step c.

- (d) Enter the character S or the character C after SGL/CONT. The character S initiates the verification of one memory file and stops at the end of the file. The character C, on the other hand, initiates the verification of multiple files in the EXORciser. If the character S was entered in step d, proceed to the checksum error detection paragraph.
- (e) If the character C was entered in step d, press the ABORT switch at the conclusion of the memory verify function. The EXORciser returns to the EXbug control program and the terminal prints EXBUG x.x.

```
EXBUG 1.1 VERF
SGL/CONT S
HDR
ADDR/MEM/TAPE
001B 8D DE
001C 12 08
EXBUG 1.1
```

FIGURE 4-3. Typical Memory Verify Function

CHECKSUM ERROR DETECTION

If, in the verification, the EXORciser detects a checksum error, it instructs the terminal to print CKSM nnnn and then stops the tape reader. The nnnn in the checksum error is the address of the record found in error.

- (f) If a checksum error message is printed, perform one of the following substeps:
 - (X) Enter the character X and abort the Memory Verify Function. The EXORciser returns to the

EXbug control program and the terminal prints EXBUG x.x.

- (R) Reposition the tape and enter the character R. The record causing the checksum error is reread.
- (C) Ignore checksum error and enter the character C. The EXORciser ignores the checksum error and continues the Memory Verify Function.

NOTE

If the checksum error is on an address and the continue option is selected, the verification process may be meaningless.

4-6 TAPE SEARCH FUNCTION (SRCH)

The EXORciser in the Tape Search Function searches the paper tape until it encounters a header record. The EXORciser, on detecting the header record, stops the tape reader and prints the header record. The operator now has the option of continuing the search, switching to the Memory Loader Function, or switching to the Verify Memory Function. Figure 4-4 illustrates a typical Tape Search Function.

```
EXBUG 1.1 SRCH
HDR
CONT/LOAD/VERF C
X EXORFS2
CONT/LOAD/VERF L
SGL/CONT S
EXBUG 1.1 VERF
SGL/CONT S
X EXORFS2
ADDR/MEM/TAPE
001B 8D 08
001C 12 08
002F DE 02
EXBUG 1.1
```

FIGURE 4-4. Typical Tape Search Function

- (a) Load the tape into the terminal tape reader.
- (b) Set the tape reader switch to AUTO.
- (c) Enter the word SRCH after EXBUG x.x. This initiates the Tape Search Function. The EXORciser advances tape until it detects a header record and then

stops the tape reader. The terminal now prints the text from the header and on the next line prints CONT-/LOAD/VERF. The operator now has the option of: (C) continuing the tape search, (L) loading the file into memory, (V) verifying the file, or (X) aborting the tape search program and returning to the EXbug control program.

NOTE

Should you make a typing error in entering the word SRCH, type in a sufficient number of characters to form a four character code. The EXORciser will remain in its EXbug control program and the data terminal will print EXBUG X.X on the next line. Repeat step c.

- (d) Refer to Table 4-1 and enter the appropriate character after CONT/LOAD/VERF to select the desired operation.

4-7 PUNCH MEMORY DUMP FUNCTION (PNCH)

The Punch Memory Dump Function instructs the EXORciser to punch an absolute formatted binary object tape. Figure 4-1 depicts the paper tape format. It is assumed that the EXORciser is performing its EXbug control program and the last data printed by the terminal is EXBUG x.x. Figure 4-5 illustrates a typical Punch Memory Dump Function.

NOTE

To abort from the Punch Memory Dump Function, enter the character X. The Punch Memory Dump Function also may be aborted by pressing the ABORT switch.

- (a) Prepare the tape reader to punch a tape.
- (b) Enter the word PNCH after EXBUG x.x. This initiates the EXORciser Punch Memory Dump Function. The terminal prints BEG ADDR nnnn on the next line.

NOTE

The nnnn in the BEG ADDR and END ADDR is the address used in the previous Punch Memory Dump Function. Also, should you make a typing error in entering the word PNCH, type in a sufficient number of characters to form a four character code. The EXORciser will remain in its EXbug control program and the terminal will print EXBUG x.x on the next line. Repeat step b.

TABLE 4-1. Tape Search Program Character Selection

CHARACTER	FUNCTION
C	Continues searching the tape.
L	Loads the file into memory. The EXORciser automatically transfers to the memory load program and prints SGL/CONT. Proceed from Paragraph 4-4 step d.
V	Verifies the file. The EXORciser automatically transfers to the memory verify program and prints SGL/CONT. Proceed from Paragraph 4-5 step d.
X	Aborts the tape search function. The EXORciser prints EXbug x.x and returns to the EXbug control program.

```

EXBUG 1.1 PUNCH
BEG ADDR 024A 10
END ADDR 0D9B 3B
HDR=X EXORT2
EXEC Y
300B0000582045584F525432B8
311300108E005086009708860F9709DE088DFASB7C
31130020A700A1002606098C000B26F17EF56402C8
310F00300018000E000312162223202BDF
39030000FC
BEG ADDR 0010 X
EXBUG 1.1

```

FIGURE 4-5. Typical Punch Memory Dump Function

- (c) Enter in hexadecimal the selected beginning address after BEG ADDR nnnn and then enter a CR (Carriage Return) character. The terminal prints END ADDR nnnn on the next line.

NOTE

Should you make a typing error in entering the hexadecimal beginning or ending address, type in a sufficient number of hexadecimal digits to form a five character code. Do not enter a carriage return as the fifth character. The EXORciser will disregard this address and the terminal will print BEG ADDR nnnn or END ADDR nnnn on the next line.

- (d) Enter in hexadecimal the selected end address after END ADDR nnnn and then enter a CR (Carriage Return) character. The terminal prints HDR = X on the next line.

NOTE

If the END ADDR is smaller than the BEG ADDR, the EXORciser will disregard these addresses and the terminal will print BEG ADDR nnnn. Repeat steps c and d.

- (e) Enter the six-character header record name after the HDR =X. The terminal prints EXEC on the next line.
- (f) Enter the character Y after EXEC. The EXORciser initiates the punching operation. At the conclusion of the punch operation the terminal prints BEG ADDR nnnn.

X

```

EXBUG 1.1 PRNT
BEG ADDR 1030 FBAD
END ADDR 1D05 FBB6
EXEC Y

```

```

FBA0 53 54 4F 50 20 41 44 44 52 20 04 41 42 4F 52 54 STOP ADDR .ABORT
FBB0 45 44 20 41 54 20 04 14 13 00 00 00 00 04 07 20 ED AT .....
BEG ADDR FBAD X
EXBUG 1.1

```

FIGURE 4-6. Typical Print Memory Dump Function

NOTE

The nnnn in the BEG ADDR nnnn now is the address entered in step c.

The user now must decide whether to punch another tape of this file, to punch another file, or to exit from this function.

- (g) At the conclusion of punching the tape, perform one of the following substeps:
- (1) To punch a second tape of the file, repeat steps b through e, however, enter only a CR (Carriage Return) character after the address in steps c and d.
 - (2) To punch another file on tape, repeat steps b through e and enter the beginning and concluding addresses of the new file in steps c and d.
 - (3) To exit from the punch memory dump function, enter a character X. The EXORciser will return to the EXbug control program and the terminal prints EXBUG x.x.

4-8 PRINT MEMORY DUMP FUNCTION (PRNT)

The Print Memory Dump Function instructs the terminal to print the contents of memory in a hexadecimal format followed by the literal ASC II characters. Figure 4-6 illustrates a typical Print Memory Dump Function. It is assumed that the EXORciser is performing its EXbug control program and the last data printed by the terminal is EXBUG x.x.

NOTE

To abort from the Print Memory Dump Function, enter the character X. The Print Memory Dump Function also may be aborted by pressing the ABORT switch.

- (a) Enter the word PRNT after EXBUG x.x. This initiates the EXORciser Print Memory Dump Function. The terminal prints BEG ADDR nnnn on the next line.

NOTE

The nnnn in the BEG ADDR and END ADDR is the address used in the previous Print Memory Dump Function. Also, should you make a typing error in entering the word PRNT, type in a sufficient number of characters to form a four character code. The EXORciser will remain in its EXbug control program and the terminal will print EXBUG x.x on the next line. Repeat step a.

- (b) Enter in hexadecimal the selected beginning address after BEG ADDR nnnn and then enter a CR (Carriage Return) character. The terminal prints END ADDR nnnn on the next line.

NOTE

Should you make a typing error in entering a hexadecimal beginning or ending address, type in a sufficient number of hexadecimal digits to form a five character code. Do not enter a carriage return as the fifth character. The EXORciser will disregard this address and the terminal will print BEG ADDR nnnn or END ADDR nnnn on the next line.

- (c) Enter in hexadecimal the selected end address after END ADDR nnnn and then enter a CR character. The terminal prints EXEC on the next line.

NOTE

If the END ADDR is smaller than the BEG ADDR, the EXORciser will disregard these addresses and the terminal will print BEG ADDR nnnn. Repeat steps b and c.

- (d) Enter the character Y after EXEC. The EXORciser initiates the memory printing operation. At the conclusion of the printing operation the terminal prints BEG ADDR nnnn.

NOTE

The nnnn in the BEG ADDR now is the address entered in step c.

The user now must decide whether to reprint the selected file, to print another file, or to exit from this function.

- (e) At the conclusion of printing the file perform one of the following substeps:

- (1) To print a second copy of the file, repeat steps a through e; however, enter only a CR (Carriage Return) character after the address in steps a and b.
- (2) To print another file, repeat steps a through e and enter the beginning and end addresses of the new file in steps b and c.
- (3) To exit from the print memory dump function, enter a character X. The EXORciser returns to the EXbug control program and the terminal prints EXBUG x.x on the next line.

4-9 MAID FUNCTION PROCEDURES

The MAID (Motorola Active Interface Debug) function of the EXORciser EXbug control program enables the user to perform the following functions in debugging his program.

- Examine and change data in a memory location. (Paragraph 4-11)
- Calculate the offset in the relative addressing mode. (Paragraph 4-12)
- Examine and change the data in the MPU program registers and counters. (Paragraph 4-13)
- Insert, display, and remove breakpoints in the program. (Paragraph 4-14)
- Stop the EXORciser on a selected memory address (Paragraph 4-15)
- Provide a scope trigger pulse on a selected memory address (Paragraph 4-16)
- Freerun or trace through the user's program under MAID control. (Paragraph 4-17 through 4-19)
- Perform decimal-octal-hexadecimal conversions. (Paragraph 4-21)
- Search memory for a bit pattern. (Paragraph 4-20)

Table 4-2 identifies each of the MAID Commands used in debugging the user's program. The following paragraphs discuss placing the EXORciser in the MAID function and performing each of the MAID function operations. It should be recalled that the EXORciser in EXbug is inhibited from performing the user's program except under specific MAID functions.

4-10 ENTERING MAID FUNCTION

It is assumed at the start of this function that the EXORciser is performing its EXbug control program and the last data printed by the terminal is EXBUG x.x.

Enter the word MAID after EXBUG x.x. This places the EXORciser in the MAID function. The terminal prints *(an asterisk) on the next line.

TABLE 4-2 . MAID Program Control Commands

MAID COMMAND	DESCRIPTION
n/	Print the contents of memory location n and enable the EXORciser to change the contents of this memory location.
n;O	Calculate the address offset (for relative addressing mode instructions).
(LF)	Print the contents of the next sequential memory location and enable the EXORciser to change the contents of this memory location. (LF — Line Feed character)
↑	Print the contents of the previous sequential memory location and enable the EXORciser to change the contents of this memory location. (↑ — up arrow character or SHIFT key and N character).
(CR)	Return the displayed contents to memory and accept next command (CR — Carriage Return character).
n;V	Enter a breakpoint at memory location n.
\$V	Display the memory location of each breakpoint
n;P	Continue executing from the selected breakpoint until this breakpoint is encountered n times.
n;U	Remove the breakpoint at memory location n.
;U	Remove all the breakpoints.
n;W	Search for the n bit pattern.
\$M	Display the search mask.
;G	Execute the user's program starting at the auto restart memory location.
n;G	Execute user's program starting at memory location n.
\$R	Display/change the user's program registers.
;P	Continue executing from the current program counter setting.
;N	Trace one instruction.
N	Trace one instruction.
n;N	Trace n instructions.
\$T	Set the trace mode.
;T	Reset the trace mode.
\$S	Display and set the stop-on-address compare — Scope trigger pulse.
;S	Reset the stop-on-address compare — Scope trigger pulse.
#n =	Convert the decimal number n to its hexadecimal equivalent.
#\$n =	Convert the hexadecimal number n to its decimal equivalent.
#@n =	Convert the octal number n to its hexadecimal equivalent.

4-11 **EXAMINE AND CHANGE MEMORY DATA FUNCTION**

The EXORciser performs this function in three steps: 1) examining the contents of a selected memory location (opening the memory location), 2) changing the contents of this location if required, and 3) closing the memory location. The EXORciser, in examining a memory location, instructs the terminal to print the contents of this memory location.

The EXORciser in this function displays the contents of each memory location in machine language. Table 4-3 is an M6800 instruction map to assist the user in reading and changing his program steps.

It is assumed at the start of this procedure that the EXORciser is performing its MAID control program and the last data printed by the terminal is an asterisk.

Figure 4-7 depicts a Typical Memory Change Function.

```

EXBUG 1.1 MAID
*800/00 12

NO CHANGE
*400/01 24
0401/89
0402/05 23
0403/1F
0402/23 66
0403/1F
*
```

FIGURE 4-7. Typical Examine and Change Memory Data Operation

TABLE 4-3. M6800 Instruction Map

LSB MSB	0	1	2	3	4	5	6	7	8	9	A	B	C	D	E	F
0	*	NOP (INH)	*	*	*	*	TAP (INH)	TPA (INH)	INX (INH)	DEX (INH)	CLV (INH)	SEV (INH)	CLC (INH)	SEC (INH)	CLI (INH)	SEI (INH)
1	SBA	CBA	*	*	*	*	TAB (INH)	TBA (INH)	*	DAA (INH)	*	ABA (INH)	*	*	*	*
2	BRA (REL)	*	BHI (REL)	BLS (REL)	BCC (REL)	BCS (REL)	BNE (REL)	BEQ (REL)	BVC (REL)	BVS (REL)	BPL (REL)	BMI (REL)	BGE (REL)	BLT (REL)	BGT (REL)	BLE (REL)
3	TSX (INH)	INS (INH)	PUL (A)	PUL (B)	DES (INH)	TXS (INH)	PSH (A)	PSH (B)	*	RTS (INH)	*	RTI (INH)	*	*	WAI (INH)	SWI (INH)
4	NEG (A)	*	*	COM (A)	LSR (A)	*	ROR (A)	ASR (A)	ASL (A)	ROL (A)	DEC (A)	*	INC (A)	TST (A)	*	CLR (A)
5	NEG (B)	*	*	COM (B)	LSR (B)	*	ROR (B)	ASR (B)	ASL (B)	ROL (B)	DEC (B)	*	INC (B)	TST (B)	*	CLR (B)
6	NEG (IND)	*	*	COM (IND)	LSR (IND)	*	ROR (IND)	ASR (IND)	ASL (IND)	ROL (IND)	DEC (IND)	*	INC (IND)	TST (IND)	JMP (IND)	CLR (IND)
7	NEG (EXT)	*	*	COM (EXT)	LSR (EXT)	*	ROR (EXT)	ASR (EXT)	ASL (EXT)	ROL (EXT)	DEC (EXT)	*	INC (EXT)	TST (EXT)	JMP (EXT)	CLR (EXT)
8	SUB _(A) (IMM)	CMP _(A) (IMM)	SBC _(A) (IMM)	*	AND _(A) (IMM)	BIT _(A) (IMM)	LDA _(A) (IMM)	*	EOR _(A) (IMM)	ADC _(A) (IMM)	ORA _(A) (IMM)	ADD _(A) (IMM)	CPX _(A) (IMM)	BSR (REL)	LDS (IMM)	*
9	SUB _(A) (DIR)	CMP _(A) (DIR)	SBC _(A) (DIR)	*	AND _(A) (DIR)	BIT _(A) (DIR)	LDA _(A) (DIR)	STA _(A) (DIR)	EOR _(A) (DIR)	ADC _(A) (DIR)	ORA _(A) (DIR)	ADD _(A) (DIR)	CPX _(A) (DIR)	*	LDS (DIR)	STS (DIR)
A	SUB _(A) (IND)	CMP _(A) (IND)	SBC _(A) (IND)	*	AND _(A) (IND)	BIT _(A) (IND)	LDA _(A) (IND)	STA _(A) (IND)	EOR _(A) (IND)	ADC _(A) (IND)	ORA _(A) (IND)	ADD _(A) (IND)	CPX _(A) (IND)	JSR (IND)	LDS (IND)	STS (IND)
B	SUB _(A) (EXT)	CMP _(A) (EXT)	SBC _(A) (EXT)	*	AND _(A) (EXT)	BIT _(A) (EXT)	LDA _(A) (EXT)	STA _(A) (EXT)	EOR _(A) (EXT)	ADC _(A) (EXT)	ORA _(A) (EXT)	ADD _(A) (EXT)	CPX _(A) (EXT)	JSR (EXT)	LDS (EXT)	STS (EXT)
C	SUB _(B) (IMM)	CMP _(B) (IMM)	SBC _(B) (IMM)	*	AND _(B) (IMM)	BIT _(B) (IMM)	LDA _(B) (IMM)	*	EOR _(B) (IMM)	ADC _(B) (IMM)	ORA _(B) (IMM)	ADD _(B) (IMM)	*	*	LDX (IMM)	*
D	SUB _(B) (DIR)	CMP _(B) (DIR)	SBC _(B) (DIR)	*	AND _(B) (DIR)	BIT _(B) (DIR)	LDA _(B) (DIR)	STA _(B) (DIR)	EOR _(B) (DIR)	ADC _(B) (DIR)	ORA _(B) (DIR)	ADD _(B) (DIR)	*	*	LDX _(B) (DIR)	STX _(B) (DIR)
E	SUB _(B) (IND)	CMP _(B) (IND)	SBC _(B) (IND)	*	AND _(B) (IND)	BIT _(B) (IND)	LDA _(B) (IND)	STA _(B) (IND)	EOR _(B) (IND)	ADC _(B) (IND)	ORA _(B) (IND)	ADD _(B) (IND)	*	*	LDX (IND)	STX (IND)
F	SUB _(B) (EXT)	CMP _(B) (EXT)	SBC _(B) (EXT)	*	AND _(B) (EXT)	BIT _(B) (EXT)	LDA _(B) (EXT)	STA _(B) (EXT)	EOR _(B) (EXT)	ADC _(B) (EXT)	ORA _(B) (EXT)	ADD _(B) (EXT)	*	*	LDX (EXT)	STX (EXT)

DIR = Direct Addressing Mode
 EXT = Extended Addressing Mode
 IMM = Immediate Addressing Mode

IND = Index Addressing Mode
 INH = Inherent Addressing Mode
 REL = Relative Addressing Mode

A = Accumulator A
 B = Accumulator B

NOTE

If the memory address selected is in ROM or protected RAM, the contents of this memory location cannot be changed.

- (a) Enter the address of the memory location to be examined and a / (slash character). The EXORciser examines this memory location and the terminal prints the contents of this memory location in hexadecimal.

NOTE

If the memory contents are not to be changed, proceed to step c.

- (b) If the contents of the memory location are to be changed, enter in hexadecimal the new data to be stored at this location.

The operator now must decide in closing this memory location whether to return to MAID control program, to examine the previous sequential memory location, or to examine the following sequential memory location.

- (c) Perform one of the following substeps and close this memory location.
 - (1) Enter a CR (Carriage Return) character. The EXORciser closes the memory location and returns to the MAID function. The terminal prints an asterisk character on the next line.
 - (2) Enter an ↑ (up arrow) character (or SHIFT key and N character). The EXORciser closes this memory location and examines the previous sequential memory location. The terminal now prints the new memory address, a / character and the contents of this memory location. Return to step b.
 - (3) Enter a LF (Line Feed) character. The EXORciser closes this memory location and examines the next sequential memory location. The terminal now prints the new memory address, a / character and the contents of this memory location. Return to step b.

NOTE

If the memory address selected to be changed is in ROM or protected RAM, the data can not be changed and the terminal prints NO CHANGE on the next line, and the EXORciser returns to the MAID control program. If there is no memory at the selected location, the terminal also prints NO CHANGE.

4-12 CALCULATE RELATIVE MODE OFFSET FUNCTION

The EXORciser in this function calculates whether the branch address in the second byte of a relative mode instruction is within a range of -127 to +128 bytes from the next location. It is assumed at the start of this procedure that the EXORciser is performing its MAID control program and the last data printed by the terminal is

as asterisk. Figure 4-8 depicts a Typical Relative Mode Offset Function.

```

X
EXBUG 1.1 MAID
*400/01 481;0 INVL
0400/01 480;0 7F
0400/01 7F
0401/89
*480/0B 400;0 INVL
0480/0B 401;0 80
0480/0B 80
0481/09
0482/05 ↑
0481/09 7
0482/05
*

```

FIGURE 4-8. Calculate Relative Mode Offset Operation

- (a) Enter the address of the memory location whose offset is to be calculated and then enter a / (slash) character. The EXORciser opens this memory location and the terminal prints the contents of this memory location in hexadecimal.
- (b) Enter the relative address you wish to branch to followed by a ;O (semi-colon and the letter O). The EXORciser calculates the offset to this address. The terminal prints the offset if it is within the -127 to +128 byte range or INVL (INValid) if it is not within range. In either case the terminal reprints the memory address, a / character, and the memory contents on the next line.
- (c) If the offset address entered in step b is within range, enter the offset calculated in step b followed by a CR character. If, however, the offset address entered in step b is INVL you will have to modify your program.

4-13 EXAMINE AND CHANGE MPU PROGRAM REGISTER FUNCTION

The EXORciser in each of the following procedures, performs a simulated powerfail routine and returns to the MAID function.

- Execute-one-instruction occurs.
- Breakpoints are reached.
- Stop-on-address is recognized.

The EXORciser at this time stores the contents of the MPU register in memory (pseudo stack), prints the data stored on the pseudo stack, and returns from the MAID masked user's program to the MAID control program. The user, through the Examine and Change MPU Program Register Function, has the capability of examining and changing the contents of the MPU registers stored on the pseudo stack. It is assumed at the start of this operation that the EXORciser is performing its MAID function and the last data printed by the terminal is an asterisk. Figure 4-9 depicts a Typical Examine and Change MPU Register Function.

EXBUG 1.1 MAID

*\$R

P-0106 X-4000 A-04 B-00 C-C4 S-FF91

P-0105 100

X-4000 2345

A-04

B-00 44

*

B = accumulator B

C = condition code register

S = stack pointer

NOTE

The values in the registers are typical. Table 4-4 depicts the status of the condition code register.

FIGURE 4-9. Typical Examine and Change User Program Register Function

- (a) Enter the characters \$R. The EXORciser now is enabled to perform the Examine and Change MPU Program Register Function and the terminal prints:
P-0106 X-4000 A-04 B-00 C-C4 S-FF91

where: P = program counter
X = index register
A = accumulator A

- (b) If none of the registers require change, enter a CR (Carriage Return) character. The EXORciser returns to the MAID function and the terminal prints an asterisk on the next line. If, however, one of the registers requires change, proceed to step c.
- (c) If the contents of one of the user program registers requires change, using Table 4-5, change the data in the selected MPU program register.

NOTE

Only a line feed or a carriage return character can be used in this function. The only way to go back to a register is to enter a carriage return character and repeat this function.

TABLE 4-4. Condition Code Register Status

CONDITION CODE REGISTER BITS								STATUS BIT BEING MONITORED
2 ⁷	2 ⁶	2 ⁵	2 ⁴	2 ³	2 ²	2 ¹	2 ⁰	
1	1	X	X	X	X	X	0	carry/borrow clear
1	1	X	X	X	X	X	1	carry/borrow set
1	1	X	X	X	X	0	X	overflow clear
1	1	X	X	X	X	1	X	overflow set
1	1	X	X	X	0	X	X	zero clear
1	1	X	X	X	1	X	X	zero set
1	1	X	X	0	X	X	X	negative clear
1	1	X	X	1	X	X	X	negative set
1	1	X	0	X	X	X	X	interrupt mask clear
1	1	X	1	X	X	X	X	interrupt mask set
1	1	0	X	X	X	X	X	half carry clear
1	1	1	X	X	X	X	X	half carry set

TABLE 4-5. Changing User Program Data

REGISTER	REQUIRE CHANGE	
	YES	NO
Program Counter	Enter new data and a LF character	Enter a LF character
Index Register	Enter new data and a LF character	Enter a LF character
Accumulator A	Enter new data and a LF character	Enter a LF character
Accumulator B	Enter new data and a LF character	Enter a LF character
Condition Code Register	Enter new data and a LF character	Enter a LF character
Stack Pointer	Enter new data and a CR character	Enter a CR character

4-14 **INSERT; DISPLAY; AND REMOVE
BREAKPOINT FUNCTION**

This function enables the EXORciser to insert up to eight breakpoints at specific points in the user program, to display the breakpoint addresses on command, and to remove the breakpoints. During a MAID execute function (Paragraph 4-17) the breakpoints are inserted into the user's program and instruct the EXORciser to stop at the selected breakpoint addresses. The breakpoint sequence is:

- User designates the breakpoint(s) address(es).
- User initiates the execute function.
- The EXORciser replaces the program instruction(s) with breakpoint(s) and transfers control to the user's program.
- The EXORciser on detecting a breakpoint instruction returns to the MAID program control routine.
- The MAID function inserts the program instruction and the terminal prints the contents of the MPU program registers.

It is assumed at the start of this function that the EXORciser is performing its MAID function and the last data printed by the terminal is an asterisk. Figure 4-10 depicts 1) the insertion of breakpoints, 2) the displaying of breakpoints, and 3) the resetting of breakpoints.

Entering a breakpoint (;V):

- (a) Enter the address of the selected breakpoint.

```

EXBJG 1.1 MAID
*20;V
*10;G
A
P-0020 X-000F A-41 B-F0 C-C0 S-0050
*2A;V
*20;U
*;P
P-002A X-000E A-41 B-F0 C-C0 S-0050
*3;PASD
P-002A X-000B A-44 B-F0 C-C4 S-0050
*$V
0000 002A 0000 0000 0000 0000 0000 0000
*;U
*$V
0000 0000 0000 0000 0000 0000 0000 0000
*
```

NOTE

A and ASD are entries required by the program being tested.

FIGURE 4-10. Insert; Display; and Remove Breakpoint Functions

NOTE

Memory address 0000 is used to indicate no breakpoints. Therefore, no breakpoints can be inserted at address 0000.

- (b) After the breakpoint address, enter a;V (semi-colon and the character V). The EXORciser enters the breakpoint in the user's program and returns to its MAID function. The terminal prints an asterisk on the next line.

Displaying a breakpoint (\$V):

- (c) Enter the characters \$V. The EXORciser displays the breakpoints and then returns to the MAID function. The terminal prints the memory address of each breakpoint.

NOTE

If no breakpoints have been entered, the terminal prints the address 0000.

Remove (reset) breakpoints (n;U or ;U)

The user has the option of removing just one breakpoint or of removing all breakpoints at one time. To remove all breakpoints, enter ;U (semicolon and then character U).

- (d) To remove one breakpoint, enter the memory address of the breakpoint to be removed.
- (e) After the selected breakpoint address, enter ;U (semi-colon) and the character U. The EXORciser removes the breakpoint from the user program and returns to the MAID function. The terminal prints an asterisk on the next line.

4-15 STOP-ON-ADDRESS FUNCTION

The EXORciser, on reaching the address entered in this function, stops the user program on this address and returns to the MAID control program. It is assumed at the start of this function that the EXORciser is performing the MAID function and the last data printed by the terminal is an asterisk. Figure 4-11 depicts a typical Stop-On-Address Function.

```
EXBUG 1.1 MAID
*$S
STOP ADDR 0114 109
*101;G
STOP-ON-ADDRESS P-010C X-FF8D A-00 B-FF C-D4 S-FF8A
*;S
*
```

FIGURE 4-11. Typical Stop-On-Address Function

Set Stop-On-Address (\$S):

- Set the SCOPE/STOP-ON-ADDRESS switch on the Debug Module to STOP-ON-ADDRESS.
- Enter the characters \$\$S. The EXORciser sets the Stop-On-Address Function and the terminal prints STOP ADDR nnnn on the next line where nnnn is the address being monitored.
- Enter the stop address and then a CR (Carriage Return) character. The EXORciser inserts the Stop-On-Address in the user program and returns to the MAID function. The terminal prints an asterisk on the next line.

NOTE

The EXORciser in executing the user's program with the stop-on-address routine enabled, monitors the EXORciser bus. On reaching the selected address in the users program the EXORciser, completes the instruction it is performing and then goes to the MAID control program. Since the MPU instructions are one, two, and three bytes long, the EXORciser may not stop on the selected address but stops on the address of the next instruction.

Reset Stop-On-Address (;S)

- Enter the characters ;S (semi-colon) S. The EXORciser disables the Stop-On-Address Function and returns to the MAID function. The terminal prints an asterisk on the next line.

4-16 SCOPE TRIGGER FUNCTION

The Scope Trigger Function enables the EXORciser to generate a scope trigger pulse on the selected memory address. The SYNC test point is located on the upper left hand side of the Debug Module. It is assumed at the start of this function that the EXORciser is performing the MAID function and the last data printed by the terminal is an asterisk. Figure 4-12 depicts a typical Scope Trigger Function.

```
EXBUG 1.1 MAID
*$S
STOP ADDR 0041 189
```

FIGURE 4-12. Typical Scope Trigger Function

Entering the Selected Scope Address (\$S)

- Set the SCOPE/STOP-ON-ADDRESS switch on the Debug Module to SCOPE.
- Enter the characters \$\$S. The EXORciser sets the Stop-On-Address Function and the terminal prints STOP ADDR nnnn on the next line where nnnn is the address being monitored.
- Enter the stop address and then a CR (Carriage Return) character. The EXORciser inserts the selected scope address in the program and returns to the MAID function. The terminal prints an asterisk on the next line.

Removing the Selected Scope Address

- Enter the characters ;S (semi-colon and the character S). The EXORciser disables the selected scope address and returns to the MAID function. The terminal prints an asterisk on the next line.

4-17 EXECUTE USER'S PROGRAM FUNCTION

The user has the option of executing his program in either the Freerunning User's Program Function or the Trace User's Program Function. The differences between these two functions is that in the Trace User's Program Function the EXORciser prints the contents of

the program registers after each program instruction. The Freerunning User's Program Function procedures are presented in Paragraph 4-18 and the Trace User's Program Function procedures are presented in Paragraph 4-19.

4-18 FREERUNNING USER'S PROGRAM FUNCTION

This function enables the EXORciser to perform the user's program or a portion of the user's program in real time. It is assumed at the start of this function that the EXORciser is performing its MAID function and the last data printed by the terminal is an asterisk. Figure 4-13 depicts a typical Freerunning User's Program Function.

```
EXBUG 1.1 MAID
*10;G
EXBUG 1.1
```

FIGURE 4-13. Freerunning User Program Function

Refer to Table 4-6 and enter the selected command. The EXORciser shall perform the user's program until it reaches one of the following conditions:

TABLE 4-6. Freerunning User Program Function Commands

COMMAND	OPERATION
;G	Initiate a restart interrupt and go.
n;G	Set the program counter to address n and go.
;P	Go from present address in the program counter.
n;P	Select number of times n EXORciser is to bypass the breakpoint and go.

- Detects a breakpoint (when the command n;P is entered the EXORciser on detecting a breakpoint decrement the count n by one and when n equals zero, exits the user's program.)
- Detects an interrupt wait (WAI) instruction. The program will restart on a non-masked I/O interrupt.
- Detects a stop-on-address compare.
- User's program loses control (recover control by pressing the ABORT or RESTART switch.)

4-19 TRACE USER'S PROGRAM FUNCTION

In the Trace User's Program Function the EXORciser prints the contents of the program register after the execution of each program step. There are two variations of the Trace User's Program Function — trace n instructions and trace to ending address. It is assumed at the start of this function that the EXORciser is performing the MAID function and the last data printed by the terminal is an asterisk.

Figure 4-14 depicts (1) trace n instructions and (2) trace to ending address.

```
EXBUG 1.1 MAID
*$R
P-001D X-000F A-0F B-00 C-D0 S-0050
P-001D 10
X-000F 0
*3;N
P-0013 X-0000 A-0F B-00 C-D0 S-0050
P-0015 X-0000 A-00 B-00 C-D4 S-0050
P-0016 X-0000 A-00 B-00 C-D4 S-0050
*$T
END ADDR 001D 17
*10;G
P-0013 X-0000 A-00 B-00 C-D0 S-0050
P-0015 X-0000 A-00 B-00 C-D4 S-0050
P-0017 X-0000 A-00 B-00 C-D4 S-0050
*;*T
*
```

FIGURE 4-14. Trace User Program Function

4-19.1 TRACE N INSTRUCTIONS

- (a) To trace one instruction, enter the character N or ; (semi-colon) N. The EXORciser traces one instruction and then returns to the MAID function. The terminal prints:

```
P-1003 X-0000 A-00 B-00 C-CO S-1100
```

- where:
- P = program counter
 - X = index register
 - A = accumulator A
 - B = accumulator B
 - C = condition code register
 - S = stack pointer

NOTE

The values in the registers are typical.

- (b) To trace a selected number of instructions, enter the selected number of instructions to be traced (n), a semi-colon, and the character N. The EXORciser will trace the selected number of instructions and then return to the MAID control program. The terminal prints the contents of the program registers for each instruction and an asterisk after the last instructions.

4-19.2 TRACE TO ENDING ADDRESS (\$T)

- (a) Enter the \$T. The EXORciser shall initiate the Trace to Ending Address Function and the terminal shall print END ADDR
- (b) Enter the last address to be traced and then a CR (Carriage Return) character. The terminal shall print an asterisk on the next line.
- (c) Refer to Table 4-7 and enter the appropriate trace command. The terminal prints the contents of the program registers for each instruction through the selected ending address.

TABLE 4-7. Trace to Ending Address Commands

COMMAND	OPERATION
;G	Start at the auto restart location and trace the user's program.
n;G	Start at memory location n and trace the user's program.
;P	Start at present memory address and trace the user's program.

- (d) Enter the characters ;T to remove the EXORciser from the trace mode. The EXORciser returns to the MAID function and the terminal prints an asterisk on the next line.

4-20 BIT PATTERN SEARCH FUNCTION

The Bit Pattern Search Function instructs the EXORciser to search a selected section of memory for a specific bit pattern. The user has the option of selecting the bits of the memory bytes to be searched by entering in hexadecimal a number to be ANDed with the byte. A high level in the number enables checking the particular bit and a low level inhibits (masks) checking of this bit. For example, the hexadecimal number FF enables the EXORciser to check the bit pattern of all eight bits in the byte while the number 0F enables the EXORciser to check the bit pattern of the four least significant bits of the byte. It is assumed at the start of this function that the EXORciser is in the MAID function and the last data printed by the terminal is an asterisk. Figure 4-15 depicts a typical bit search pattern function.

```
EXBUG 1.1 MAID
*$M 23 FF
BEG ADDR 0010
END ADDR 002E 3B
*BD;W
001D BD
0033 BD
0038 BD
*
```

FIGURE 4-15. Typical Bit Pattern Search Function

4-20.1 SET SEARCH MASK

- (a) Enter the character \$M. The EXORciser is placed in

the bit pattern search function and the terminal prints 00 on the same line.

- (b) Enter in hexadecimal the bits in the byte to be searched (i.e. FF for all eight bits or 0F for the four least significant bits) and then a CR (Carriage Return) character. The terminal shall print BEG ADDR nnnn on the next line.
- (c) Enter in hexadecimal the beginning address of the memory section to be searched and then enter a CR character. The terminal shall print END ADDR nnnn on the next line.

4-20.2 START BIT SEARCH (n;W)

- (a) Enter the bit pattern (n) to be searched for, a semicolon, and the character W. The EXORciser searches the selected portion of memory for the bit pattern and the terminal prints the address of matching bits. At the conclusion of this function, the EXORciser returns to its MAID control program and the terminal prints an asterisk.

4-21 NUMERICAL CONVERSION FUNCTION

The EXORciser has the capability of converting decimal numbers into their hexadecimal equivalent, octal numbers to their hexadecimal equivalents, and hexadecimal numbers to the decimal equivalents. It is assumed that the EXORciser is in the MAID function and the last data printed by the terminal is an asterisk. Figure 4-16 depicts typical numerical conversion functions.

```
EXBUG 1.1 MAID
*# 1024=0400
*#@200=0080
*# $400=01024
```

FIGURE 4-16. Typical Numerical Conversion Functions

Decimal-to-hexadecimal conversion.

- (a) Enter a pound sign (#) character and the decimal number to be converted.
- (b) Enter an equal sign (=) character. The EXORciser returns to the MAID function while the terminal prints the hexadecimal equivalent and on the following line an asterisk.

Octal-to-hexadecimal conversions.

- (c) Enter a pound sign (#) commercial at sign @, and the octal number to be converted.
- (d) Enter an equals sign. The EXORciser returns to the MAID function while the terminal prints the hexadecimal equivalent and on the following line an asterisk.

Hexadecimal-to-decimal conversion.

- (e) Enter a pound sign (#), a dollar sign (\$), and the hexadecimal number to be converted.
- (f) Enter an equals sign. The EXORciser returns to the MAID function while the terminal prints the decimal equivalent and on the following line an asterisk.

CHAPTER 5 THEORY OF OPERATION

5-1 INTRODUCTION

This chapter provides a block diagram description of the EXORciser (M685DT) and each of its printed circuit modules. The EXORciser as a system development tool may be configured in a variety of applications and with a variety of options. This chapter, rather than discussing each possible configuration, discusses the basic EXORciser with each option (except the Wirewrap Module) discussed in a supplement to this manual. The basic EXORciser comes equipped with an MPU Module (Paragraph 5-3), a Debug Module (Paragraph 5-5), the Baud Rate Module (Paragraph 5-6), and the Power Supply (Paragraph 5-7). The optional Wirewrap Module (Paragraph 5-8) is also discussed in this chapter.

The basic EXORciser and its optional modules provide the user with a system development tool for the M6800 Microcomputer Family of Parts. The user, through his configuration of the optional modules in the basic EXORciser unit, has the capability of emulating (functionally creating) a hardware prototype of his system. The user now loads his assembled program into the EXORciser and debugs his system hardware and software.

5-2 BASIC EXORciser BLOCK DIAGRAM DESCRIPTION

The basic EXORciser, as illustrated in Figure 5-1, consists of the MPU Module, the Debug Module, the Baud Rate Module, the power supply, the chassis, the EXORciser bus, and the EXbug Firmware. Each of these modules is built around the M6800 Microcomputer Family of Parts — MC6800 Microprocessing Unit (MPU), MC6820 Peripheral Interface Adapter (PIA), MCM6810 Random Access Memory (RAM), MCM6830 Read Only Memory (ROM), and MC6850 Asynchronous Communications Interface Adapter (ACIA).

The EXORciser EXbug Firmware, through its system debug and program control features, minimizes the time required to develop a user's system. The EXbug firmware provides the EXORciser with the capability to:

- Display the contents of the MPU registers at any time
- Step through the user's program one instruction at a time
- Trace through a user's program to locate problem areas
- Stop the program on a selected program step
- Abort from the user's program and return to the EXbug control program on command
- Reinitialize the EXORciser on command.

The user communicates with the EXORciser in one of two ways:

- Through a RS-232C or TTY data terminal
- Through the EXORciser front panel controls and indicators.

The data terminal permits the user to communicate directly with the EXbug Firmware. The EXORciser front panel permits the user to apply power to the EXORciser, to abort (exit) the EXORciser from a routine, and to initialize and reset the EXORciser.

The MPU Module incorporates the MC6800 Microprocessing Unit (MPU) and the system clock. This module, as illustrated, performs a dual function in that this module provides the MPU and the clock signals for both the EXORciser Debug and the user's prototype system. The MC6800 Microprocessing Unit is an 8-bit parallel processing unit capable of addressing 64k bytes of memory. In addition, the MPU addresses its input and output devices as memory. The MPU also provides the EXORciser with 72 variable length instructions and the capability of responding to real time interrupt signals.

The MPU Module controls the flow of commands, data, and addresses on the EXORciser bus. During a MPU memory read or write operation the MPU Module controls the transfer of command, status, addresses and data to the selected module by controlling the EXORciser bus.

With the exception of the EXORciser clock, the system restart, and the DBE signal (delayed); the MPU Module appears exactly like a MC6800 Microprocessing Unit with unlimited TTL bus drive capability.

The Debug Module provides the EXORciser with its capability to evaluate and debug the user's prototype hardware and software in an actual application. The EXbug Firmware, contained in the module's ROM memory, provides the EXORciser with its program control capabilities. The module's RAM memory is used as a scratch-pad memory for the EXbug Firmware. The EXbug Firmware enables the EXORciser to:

- Load data into the EXORciser
- Verify that the data in the EXORciser is valid
- Search a tape for a specific file
- Print the contents of the memory
- Punch (or record) the contents of the memory
- Perform the MAID (Motorola Active Interface Debug) functions.

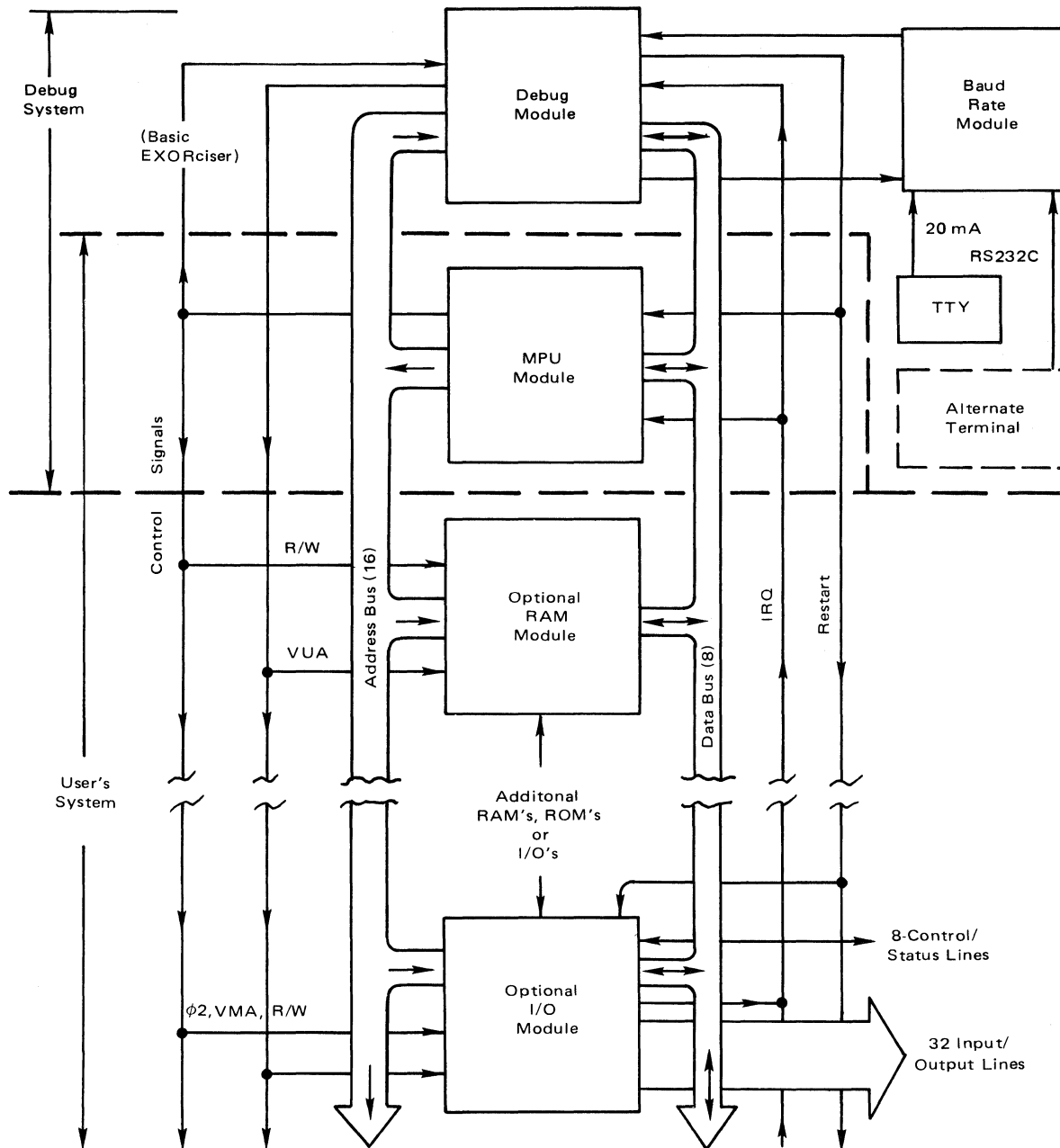


FIGURE 5-1. Basic EXORciser Block Diagram

The MAID function enables the EXORciser to:

- Examine and, if required, change the contents in a memory location
- Examine and, if required, change the contents of the MPU registers
- Calculate the offset in the relative addressing mode
- Insert, display, and remove breakpoints in the user's program
- Freerun or trace through a user's program under MAID control
- Search memory for a specific bit pattern
- Perform decimal-octal-hexadecimal conversions
- Stop the EXORciser on a selected memory address in the user's program
- Provide an oscilloscope trigger pulse at a selected memory address.

The Debug Module also incorporates the level converter circuits required to interface the EXORciser with a TTY or RS-232C data terminal.

The Baud Rate Module provides the EXORciser with eight standard baud rates — 110, 150, 300, 600, 1200, 2400, 4800, and 9600 baud. This module also interfaces the EXORciser with a TTY or RS-232C compatible data terminal.

The Power Supply provides the EXORciser with the +5 VDC, +12 VDC, and -12 VDC power sources required by the EXORciser and its modules. This power supply will support a full rack of modules.

The chassis is capable of holding 14 plug-in modules. These 14 sockets connect directly into the

EXORciser bus. The Power Supply and Baud Rate Module are not plug-in modules and are mounted directly to the EXORciser chassis.

5-3 MPU MODULE

5-3.1 GENERAL DESCRIPTION

The MPU Module serves a double function in the EXORciser. This module provides the timing and microprocessing unit for both the EXORciser and the user's prototype system. The module's timing circuit determines the EXORciser's clock frequency and provides the EXORciser with the capability to refresh dynamic memories. The module also interfaces the MC6800 Microprocessing Unit (MPU) with the EXORciser bus. The MPU performs all of the EXbug Firmware and user's program instructions. A block diagram of the MPU Module is presented in Figure 5-2 and the module's schematic diagram is illustrated in Figure 5-5.

5-3.2 BLOCK DIAGRAM DESCRIPTION

The MPU Module, as illustrated in Figure 5-2,

provides the user with the option of using its internal 1 MHz crystal clock or an external clock signal. The MPU module is capable of accepting an external clock input between 100k Hz and 1 MHz. The external clock signal is applied to the EXT CLK (EXTernal CLock) input terminals E3 and E4 of the external clock input circuit. Switch S1 selects the clock signal to be applied to the clock control circuit and to the EXORciser bus as the MEMCLK (MEMory CLock).

The clock control circuit converts its selected input clock signal into the two non-overlapping clock signals $\phi 1$ and $\phi 2$ required by the MC6800 Microprocessing Unit and the EXORciser. This circuit also applies the $\phi 2$ clock signal to the R/W control circuit and the data bus control circuit. The clock control circuit delays the $\phi 2$ clock pulse 100 to 250 ns and applies this signal to the MC6800 Microprocessing Unit and the data bus control circuit as the DBE (Data Bus Enable) signal. This signal enables the EXORciser to transfer data on its bus during time $\phi 2$ and holds the data present on the bus after the trailing edge of the $\phi 2$ pulse.

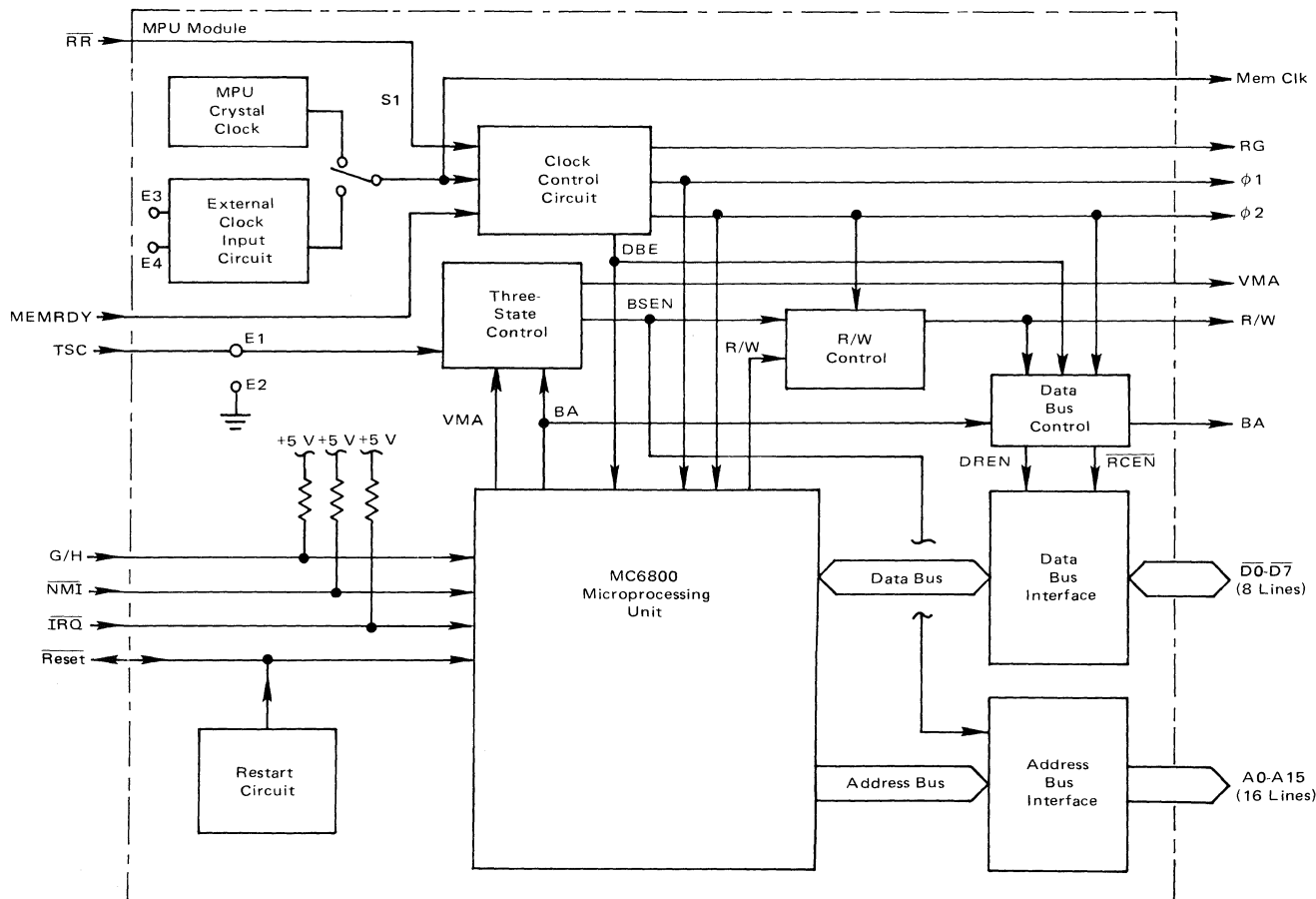


FIGURE 5-2. MPU Module Block Diagram

The clock control circuit also provides the MPU Module with a dynamic memory refresh capability. Any dynamic memory module in the EXORciser can initiate a memory refresh operation by placing a \overline{RR} (Refresh Request also called \overline{REFREQ}) command on the EXORciser bus. Assume that a dynamic memory module has just applied a \overline{RR} command to the timing control circuit. This \overline{RR} command inhibits the timing control from generating its ϕ_1 and ϕ_2 clock signals with ϕ_1 present and, at the same time, instructs the timing control circuit to generate a RG (Refresh Grant also called REF GRANT) command. The RG command instructs the requesting memory to refresh itself using the MEMCLK and remove the RR command. The memory control, on the removal of the RR command, is again enabled to generate ϕ_1 and ϕ_2 clock.

The MPU Module, through the MEMORY READY command, has the capability of working with slow memory modules. The MEMORY READY command on going low also inhibits the control logic from generating its ϕ_1 and ϕ_2 clock signals with ϕ_2 present. The clock control circuit now stretches the ϕ_2 pulse and waits for the initiating module to complete its memory operation. At the completion of this operation the initiating module returns the MEMORY READY to a high level enabling the clock control circuit to again generate the ϕ_1 and ϕ_2 clock.

The three state control circuit, on receiving a low level TSC (Three State Control) input is enabled to process the BA (Bus Available) signal. The TSC is made a low level by either using a jumper between E1 and E2 (making it permanently low) or by receiving a low level TSC signal from the EXORciser bus (no jumper between E1 and E2). When the BA signal is present, the three state control circuit applies a BSEN (BuS ENable) signal to the R/W control circuit and to the address bus interface. This signal enables the R/W control circuit and the address bus interface to place the R/W command and the selected memory address on the EXORciser bus. A high level TSC input or the absence of the BA signal inhibits the three state control from generating a BSEN signal. The absence of the BSEN signal forces the R/W control circuit drivers and the address bus interface drivers to their off or high impedance state. That is, these drivers place a high impedance output to the EXORciser bus.

The data bus control circuit decodes its inputs and determines whether to transfer data into or from the MC6800 Microprocessing Unit. This circuit also places the BA signal on the EXORciser bus. During a MPU write operation the data bus control receives a low level R/W command and AND's this signal with the DBE (ϕ_2 clock signal delayed 100 to 250 ns) signal and the BA signal forming a DREN (DRiver ENable) command. The DREN command instructs the data bus interface to transfer data from the MC6800 Microprocessing Unit to the EXORciser bus. During a MPU memory read operation the data bus control AND's the high level R/W command with the ϕ_2 clock signal forming a \overline{RCEN} (ReCeiver ENable) signal. The \overline{RCEN} signal instructs the data bus interface to

transfer data from the EXORciser bus to the MC6800 Microprocessing Unit.

The restart circuit generates a \overline{RESET} signal approximately 500 ms after power is applied to the EXORciser. This module also receives a \overline{RESET} signal each time the EXORciser's RESTART switch is actuated. The \overline{RESET} signal instructs the MC6800 Microprocessing Unit to perform its initialization routine. This signal also resets and initializes the EXORciser.

The MC6800 Microprocessing Unit is the central processing unit for the EXORciser and the user's prototype system under development. Refer to the MC6800 Microprocessing Applications Manual for a complete explanation of the MPU's operation.

5-4 EXORciser BUS

The EXORciser bus, as illustrated in Figure 5-1, interfaces the MPU Module with the other modules being used in the EXORciser. This bus, located on the EXORciser's mother board, provides the EXORciser with its flexibility in being configured to meet a user's specific application. The mother board schematic is depicted in Figure 5-8.

The MPU Module controls the operation of the EXORciser bus. This module, using the bus, is capable of addressing 64k bytes of memory. The MPU Module also addresses its peripheral devices as memory. This means that the MPU Module addresses each of the EXORciser's modules as memory. During a MPU memory read or write operation the MPU Module places on the bus the address of the memory location to be exorcised. This module also transfers on the bus the commands and timing signals required to perform the assigned operation. The bus, during time ϕ_2 , provides a two-way data transfer capability between the MPU Module and the selected memory location. Table 2-6 identifies and describes each of the bus signals.

It is possible for another module to gain control of the bus. This module would place a low level G/H (Go/Halt) on the bus and monitor the BA signal. When the MPU Module completes the instruction it is performing, it generates a high level BA signal. The module requesting control of the bus now must pull the TSC line low forcing the MPU Module address bus interface drivers to their high impedance state. The requesting module has gained control of the bus until it selects to relinquish control. To relinquish control this module must remove the TSC signal and, on the next ϕ_2 clock pulse, release the G/H line.

The user in preparing the EXORciser as a prototype of his system, sets the base memory location addresses for each of the memory and peripheral interface modules. The EXORciser bus permits the user to insert these modules in any of the EXORciser's 14 card slots and to move the module from card slot to card slot as required without changing his user's program. This bussing approach also permits the user to change the base memory address of a module without having to make any hardware design changes in his prototype system.

5-5 DEBUG MODULE

5-5.1 GENERAL DESCRIPTION

The Debug Module (refer to Figure 5-1) provides the EXORciser with the capability of evaluating and debugging a user's prototype system hardware and software. Its ROM memory contains the EXbug Firmware that provides the EXORciser with its unique system development capabilities. The module's RAM memory acts as a scratch-pad memory to the EXbug program. The EXbug Firmware enables the EXORciser to:

- Load data into the EXORciser
- Verify that the data in the EXORciser memory is valid
- Search a tape for a specific file
- Print the contents of the memory
- Punch the contents of the memory on tape (or record on a tape cassette)
- Perform the MAID (Motorola Active Interface Debug) functions.

The MAID functions enable the EXORciser to:

- Examine and, if required, change the contents in a memory location
- Examine and, if required, change the contents of the MPU registers
- Calculate the offset in the relative addressing mode
- Insert, display, and remove breakpoints in the user's program
- Freerun or trace through the user's program under MAID control
- Search the memory for a specific bit pattern
- Stop the EXORciser on a selected address in the user's program
- Provide an oscilloscope trigger pulse at a selected memory address
- Perform decimal-octal-hexadecimal conversions.

The Debug Module also incorporates the level converter circuits required to interface the EXORciser with a TTY or RS-232C data terminal.

A block diagram of the Debug Module is presented in Figure 5-3 and the modules schematic diagram is illustrated in Figure 5-6.

5-5.2 DEBUG MODULE BLOCK DIAGRAM DESCRIPTION

The Debug Module's block diagram description is divided into two parts. The first part (Paragraph 5-5.2.1) discusses the modules various operations and the second part (Paragraph 5-5.2.2) discusses briefly each of the circuits on the module.

5-5.2.1 Debug Module Operations

The following paragraphs discuss each of the operations performed by the Debug Module. These operations enable the EXORciser to perform its EXbug system development capabilities and are under EXbug control.

EXBUG ENABLE. The user, through the EXbug switch S1 on the Debug Module (refer to Figure 5-3), can select to use or to inhibit this modules EXbug Firmware and hardware capabilities. When the EXbug switch is in its on position, the Debug Module is enabled to perform its EXbug function and, in its DISABLE position, inhibits the module.

INITIALIZE AND RESTART OPERATION. Approximately 500 ns after power is applied to the EXORciser, the Debug Module receives a reset pulse from the MPU Module via the EXORciser bus. This RESET pulse instructs the MC6800 Microprocessing Unit on the MPU Module to perform its restart routine. The Debug Module applies this signal to the restart and master clear circuit which, in turn, generates a \overline{MR} pulse. The restart and master clear circuit also generates a \overline{MR} pulse each time the EXORciser RESTART switch is actuated. In this case, however, the restart and master clear circuit places a RESET pulse on the EXORciser bus to initiate the MPU Module restart routine.

The \overline{MR} pulse resets and initializes the EXbug control logic, the stop-on-address decoder, the NMI-ROI counter, the NMI initiate circuit, and the restart circuit. At this time the MC6800 Microprocessor is performing its cold-start power-up routine. In the first two steps of this routine the MPU Module reads memory address $FFFE_{16}$ (for the eight MSB's) and $FFFF_{16}$ (for the eight LSB's) to get the interrupt vector address ($F559_{16}$) in the following manner. The restart circuit, on being reset, applies a high level \overline{RAMEN} (RAM ENable) signal to the RAM and the PROM select circuits. This high level signal inhibits the RAM memory from being read and instructs the PROM select circuit to enable the MPU to read the PROM. The MPU Module during the reading of addresses $FFFE$ and $FFFF$, reads the cold-start power-up vector address from the PROM. The data bus enable circuit, in enabling the data bus interface to transfer restart vector address from the PROM to the MPU Module, applies two \overline{DRVENB} ($\overline{DRiVer ENaBle}$) pulses to the restart circuit and the data bus interface. The restart circuit counts the number of \overline{DRVENB} pulses and at the conclusion of the second pulse generates a low level \overline{RAMEN} signal. This low level signal enables the MPU to use the RAM in performing the EXbug Firmware.

The advantage of actuating the RESTART switch rather than removing power from the EXORciser to gain program control is that the initialize and restart operation simulates the removal of power to the MPU and yet does not destroy the data in the static RAM memory devices used in the system.

MEMORY READ AND WRITE OPERATIONS. During a MPU memory read or write function, the Debug Module receives the 16 address bits A0 through A15, the $\phi 2$ timing signal, the VMA (Valid Memory Address) signal, and the R/W command via the EXORciser bus. During a memory write operation, this module also receives the eight data bits $\overline{D0}$ through $\overline{D7}$. The module applies the 16 address bits to the address bus

interface and the $\phi 2$ timing signal, the VMA signal, and the R/W command to the control bus interface. The address bus interface, after buffering the input address, couples the address to the various circuits used on the module. The control bus interface, after buffering its inputs, also couples its inputs and their complements to the circuits on this module.

The EXbug control logic decodes its input address bits to determine whether the MPU Module is addressing the EXbug Firmware. The EXbug Firmware uses memory addresses F000₁₆ through FFFF₁₆. If the MPU Module is not addressing the EXbug Firmware, the EXbug control logic automatically places a VUA (Valid Users Address) signal on the EXORciser bus. This VUA signal enables the other modules in the EXORciser to process the address and commands on the EXORciser bus. The EXbug control logic, on determining that the MPU Module is addressing the EXbug Firmware, reads the position of the EXbug switch. This switch in its DISABLE position inhibits the EXbug control logic from generating the module's EXbug commands and instructs this circuit to generate a VUA signal for all MPU Module addresses. In the ON position, however, the EXbug switch enables the EXbug control logic to generate the module's EXbug commands and inhibits this circuit from generating a VUA signal during the execution of the EXbug Firmware. The using of the VUA signal rather than the VMA signal to enable the optional EXORciser Modules permits the user to operate his EXORciser with partially decoded systems (not using all 16 address lines) and not reading two addresses at the same time.

The EXbug control logic, on determining that the MPU Module is addressing the EXbug program, further decodes the address bits to determine whether the MPU Module is addressing the Debug Module's RAM, ROM, PROM, stop-on-address circuits PIA, or ACIA circuits. Table 5-1 depicts the addresses, selected circuits, and EXbug enabling commands.

TABLE 5-1. EXbug Firmware Memory Addresses

Memory Addresses		Selected Circuit	Enabling Command
To	From		
F000	F3FF	ROM1	FVMA
F400	F7FF	ROM2	FVMA
F800	FBFF	ROM3	FVMA
FCF4	FCF7	ACIA	IOEN
FCF8	FCFB	PIA	IOEN
FCFC	FCFF	PROM	IOEN
FF00	FF7F	RAM6	RAMS
FF80	FFFF	RAM7	RAMS

During an EXbug memory read operation, the control bus interface receives a high level R/W command and applies this command with its complement to the circuits as illustrated in Figure 5-3. The EXbug control logic AND's the R/W command with the $\phi 2$ timing signal and applies the resulting $\phi 2 \cdot R/W$ signal to the ROM and

the data bus enable circuit. Now, while the MPU is reading the selected memory location, the $\phi 2 \cdot R/W$ pulse instructs the data bus enable circuit to generate a DRVENB signal. This signal instructs the data bus interface to transfer data from the selected memory location on the Debug Module to the MPU Module via the EXORciser bus.

During a memory write operation of EXbug the control bus interface receives a low level R/W command and applies this command with its complement to the circuits illustrated in Figure 5-3. The EXbug control logic is inhibited by the R/W pulse from generating a $\phi 2 \cdot R/W$ pulse. Now, as the MPU Module writes into the selected memory location in the RAM, ACIA, or PIA in the stop-on-address circuit, the data bus enable circuit is enabled and applies a \overline{RECENB} signal to the data bus interface circuit. This signal enables the data bus interface to transfer data from the EXORciser bus to the memory location being addressed.

ABORT FUNCTION. The user, on pressing the EXORciser ABORT switch, instructs the EXORciser to abort or exit from the program it is running and return to the EXbug control program. Each time the ABORT switch is actuated, the abort flip-flop applies an \overline{ABT} (ABOrT) signal to the NMI initiate circuit and to the MC6820 Peripheral Interface Adapter (PIA) in the stop-on-address decoder. The NMI initiate circuit, through its NMI (Non-Maskable Interrupt) command, initiates a MC6800 MPU non-maskable interrupt routine. The NMI command is present as long as the user holds the ABORT switch in. The MC6800 MPU, on receiving a NMI command, completes the instruction it is performing and then jumps to its non-maskable interrupt routine. In this interrupt routine the MPU stores its register contents on the stack and then polls the MC6820 PIA in the stop-on-address decoder to determine the operation initiating the interrupt. In this case, the \overline{ABT} input to the MC6820 PIA instructs the MPU Module to print the statement "ABORTED AT" and the MPU register data stored on the stack. On completing the printing operation, the MPU Module goes to the EXbug control program.

STOP-ON-ADDRESS/SCOPE TRIGGER FUNCTION. The user in selecting the stop-on-address or scope trigger function loads an address into the EXORciser. The MPU Module, using two memory write operations, loads this address into the MC6820 PIA in the stop-on-address decoder. The eight least significant bits of the address are loaded into side A and the eight most significant bits are loaded into side B of the MC6820 PIA.

Now, each time the EXORciser performs an operation, the stop-on-address decoder compares the address on the bus with the address stored in its MC6820 PIA. When these two addresses compare, the stop-on-address decoder applies a \overline{SAD} (Stop on ADDRESS) pulse to the SCOPE/STOP-ON-ADDRESS switch, S2. This switch in the SCOPE position applies the \overline{SAD} pulse to the SCOPE TRIGGER jack. In the STOP-ON-ADDRESS position the switch applies the \overline{SAD} pulse to the NMI initiate circuit and to the MC6820 PIA in the stop-on-

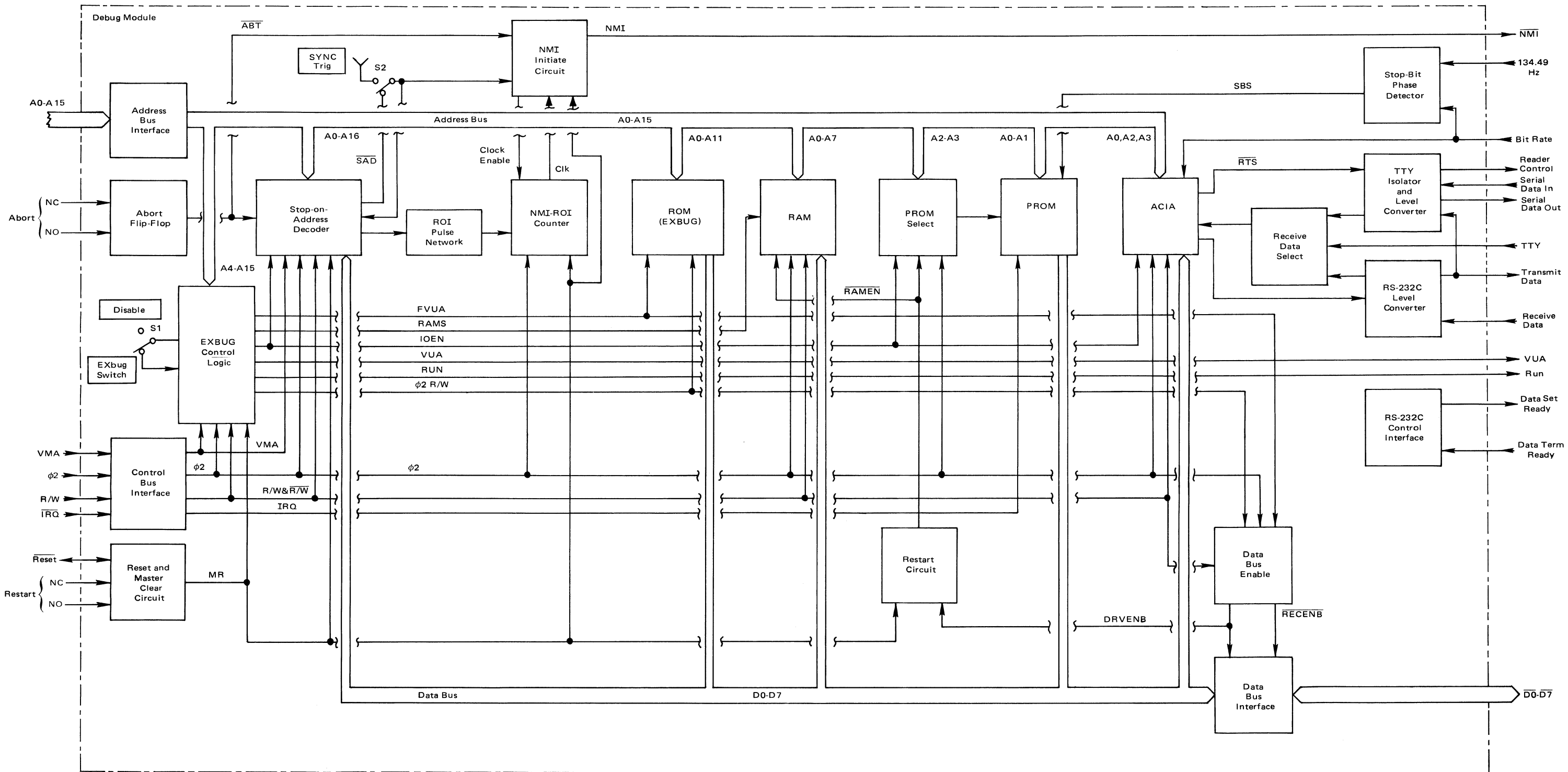


FIGURE 5-3. Debug Module Block Diagram

address decoder. The NMI initiate circuit through its $\overline{\text{NMI}}$ command, initiates a MC6800 MPU non-maskable interrupt routine and enables the NMI-ROI counter to count. The NMI-ROI counter applies two pulses to the NMI initiate circuit — one at the sixteenth ϕ_2 clock pulse after the $\overline{\text{NMI}}$ was initiated and the second at the thirty-second ϕ_2 clock pulse after the $\overline{\text{NMI}}$ was initiated. At the conclusion of the thirty-second ϕ_2 clock pulse, the NMI initiate circuit removes the $\overline{\text{NMI}}$ command and disables the NMI-ROI counter. The MC6800 MPU, on receiving a $\overline{\text{NMI}}$ command, completes the instruction it is performing and jumps to its non-maskable interrupt routine. The MPU in its NMI routine stores the MPU register contents on the stack and then polls the MC6820 PIA in the stop-on-address decoder. In this case, the SAD input to the MC6820 PIA instructs the MPU Module to print the statement "STOP-ON-ADDRESS" and the MPU register contents on the stack. On completing the printing operation, the MPU Module goes to the EXbug control program. It should be noted that the MPU completes the instruction it is processing before it processes the $\overline{\text{NMI}}$ command; therefore, the MPU may not stop on the select address but on the address of the next instruction.

RUN-ONE-INSTRUCTION FUNCTION. The user in the MAID function has the capability of instructing the EXORciser to run a predetermined number of instructions in either tracing through a user's program or free running through the user's program. The MPU Module on receiving the run-one-instruction input from the user, loads the run-one-instruction command into the stop-on-address MC6820 PIA. The MC6820 PIA on receiving this instruction, applies a $\overline{\text{RINST}}$ (Run-one-INSTRUCTION) signal to the ROI (Run One Instruction) pulse network. This network converts the $\overline{\text{RINST}}$ signal to a 3.5ns pulse. This pulse loads the binary number 1011 (decimal 11) into the NMI-ROI counter. At the conclusion of the eleventh ϕ_2 clock pulse, the counter instructs the NMI circuit to initiate a non-maskable interrupt routine. During the 11 ϕ_2 clock pulse period, the MPU Module transfers the contents of the user registers stored on the stack back into the MC6800 MPU registers and performs the next instruction in the user's program. The NMI initiate circuit and NMI-ROI counter now generate a 32 ϕ_2 long NMI pulse. In the non-maskable interrupt routine the MPU Module stores the contents in the MPU register on the stack and then polls the MC6820 PIA.

If the EXORciser was instructed to run this instruction in the freerunning mode, the MPU Module goes directly to the MAID control program. If, on the other hand, the EXORciser was instructed to trace through this program, the MPU Module prints the register contents on the stack and then goes to the MAID control program.

DATA TERMINAL INTERFACE. The data terminal interface circuit, working in conjunction with the Baud Rate Module provides a two-way transfer of data between EXORciser and the selected data terminal. The user in preparing the EXORciser for operation, selects the

data transfer baud rate between the EXORciser and the data terminal to be used. The Baud Rate Module applies the BIT RATE clock and the 134.49 Hz signal to the Debug Module. The BIT RATE clock is 16 times the data transfer rate. The phase detector compares the 134.49 Hz input with the BIT RATE clock and determines whether the data being transferred requires one or two stop bits. This circuit in comparing the 134.49 Hz signal with a 110 baud rate input, forms a high level SBS (Stop Bit Select) signal. This signal is used as address bit A2 on the PROM. In comparing the seven other baud rates (all above 135 Hz) used in the EXORciser with the 134.49 Hz signal, the phase detector generates a low level SBS signal. The EXORciser in preparing to transfer data, reads the PROM to determine whether to insert one or two stop bits on the data being transferred. This determination is made by the SBS signal addressing the PROM. The EXORciser now loads a control word into the ACIA instructing it to insert the appropriate number of stop bits.

When a TTY data terminal is connected to the EXORciser, the Debug Module receives a low level TTY signal. This signal enables the receive data select circuit to process the SERIAL DATA input from a TTY data terminal via the Baud Rate Module.

When the EXORciser is interfacing with a RS-232C data terminal, the RS-232C control interface circuit receives a high level DATA TERM READY signal. After double inverting this signal, the RS-232C control interface circuit transfers this signal to the Baud Rate Module as the DATA SET READY signal. The Baud Rate Module transfers this signal to the RS-232C data terminal as the DATA SET READY, CARRIER DETECT, and CLEAR TO SEND signals.

The EXORciser in transferring a character to the data terminal, loads in parallel the character into the MC6850 Asynchronous Communications Interface Adapter (ACIA). The MC6850 ACIA reformats this data; adds the start bit and the appropriate number of stop bits; and serial transfers the character to the RS-232C level converter at the BIT RATE clock frequency. The RS-232C level converter converts its TTL compatible input to the RS-232C compatible signal level. The TRANSMIT DATA output of this circuit is applied to the TTY isolator and level converter circuit and through the Baud Rate Module to a RS-232C data terminal (if used). The TTY converter at this time is receiving the READER CONTROL signal from the ACIA and the TRANSMIT DATA input. These two signals are optically isolated and then converted to be TTY compatible. The TTY level converter transfers the READER CONTROL and the SERIAL DATA OUT signals through the Baud Rate Module to the TTY data terminal. The READER CONTROL signal is used to control the operation of a modified manual TTY data terminal.

When the user enters a character into the TTY data terminal, this character is coupled through the Baud Rate Module to the TTY isolator and level converter on the SERIAL DATA INPUT line. The isolator and level

converter circuit optically isolates this input, converts it to be TTL compatible, and applies this signal to the receive data select circuit. This circuit also is receiving a low level TTY input and transfers the serial input data into the MC6850 ACIA. The MC6850 ACIA serially accepts the character, examines the bit for parity, overflow, and format errors; strips off the stop and start bits; reformats the data into a parallel format; and sets the interrupt flag. The EXORciser in its EXbug program, polls the ACIA to see if it has accepted a character. On determining that the MC6850 has accepted a character, the MPU Module reads the MC6850 ACIA and transfers the character to the MC6800 MPU.

When the user enters a character into the RS-232C data terminal, this character is coupled through the Baud Rate Module to the RS-232C level converter. This circuit converts this input to be TTL compatible and applies this signal to the receive data select circuit. The receive data select circuit at this time is also receiving a high level TTY input and transfers the serial input data to the MC6850 ACIA. The MC6850 processes this input in the same manner as the TTY data terminal input.

TRACE DURING IRQ OPERATION. The EXORciser has the capability in the trace mode of tracing through a maskable interrupt routine. Assume that the user is tracing through his program and a maskable interrupt routine (IRQ) is initiated. The control bus receives a $\overline{\text{IRQ}}$ (Interrupt ReQuest) command from the EXORciser bus and applies this command to the control bus interface. After buffering, the control bus interface applies the IRQ command to the PROM as address input A3. The EXORciser now uses the commands in the PROM to trace through the $\overline{\text{IRQ}}$ routine. At the conclusion of the IRQ routine, the $\overline{\text{IRQ}}$ command is removed and the EXORciser continues its tracing through the user's program.

5-5.2.2 Debug Module Circuits

The following paragraphs discuss the function of each of the circuits on the Debug Module.

ADDRESS BUS INTERFACE. The address bus interface circuit buffers the 16 address inputs A0 through A15 and applies these signals with their complements to the Debug Module address bus.

ABORT FLIP-FLOP. The abort flip-flop circuit receives a dual input from the ABORT switch on the EXORciser front panel. The prime function of this circuit is to remove the switch bounce as it initiates a non-maskable interrupt routine.

CONTROL BUS INTERFACE. The control bus interface circuit buffers its four input commands and applies these inputs to the appropriate circuits on the Debug Module as illustrated in Figure 5-3. This circuit also applies the complement of its VUA, R/W, and ϕ_2 inputs throughout the module.

RESET AND MASTER CLEAR CIRCUIT. The reset and master clear circuit is used to reset the Debug Module and, when the EXORciser's RESTART switch is actuated, resets and initializes the entire EXORciser. This circuit accepts the RESTART input, removes the switch

bounce from the input and then dot AND's this input onto the EXORciser RESET line. Now, each time the RESET line is actuated — either by the RESTART switch or the MPU Module restart circuit — the reset and master clear circuit through its $\overline{\text{MR}}$ (Master Clear) signal, resets the Debug Module circuitry.

EXbug CONTROL LOGIC. The EXbug control logic, through its decoding of the address lines, EXbug switch input, and command inputs, controls the operation of the Debug Module. Paragraph 5-5.2.1 discusses each of these operations.

STOP-ON-ADDRESS DECODER. The stop-on-address decoder consists of a MC6820 Peripheral Interface Adapter (PIA) and a 16-bit comparator circuit. The operation of the PIA is discussed in the M6800 Microprocessor Applications Manual. The control registers in the PIA are used in the stop-on-address, run-one-instruction, and abort operations. The 16-bit comparator circuit compares the 16 bits on the address bus with the 16 PIA data lines and, when they compare, generates a SAD (Stop-on-Address) signal. The SAD signal is used as a scope trigger pulse or to initiate a non-maskable interrupt routine.

ROI PULSE NETWORK. The ROI (Run-One-Instruction) pulse network circuit converts its $\overline{\text{RINST}}$ (Run-one-INSTRUCTION) input to a 35ns pulse. This pulse is applied to the NMI-ROI counter.

NMI-ROI COUNTER. The NMI-ROI counter is a 4-stage, 16-bit counter used to control the timing of a run-one-instruction operation and to determine the time the $\overline{\text{NMI}}$ command from the NMI initiate circuit is present — 32 ϕ_2 clock pulses. Each time the reset and master clear circuit receives a RESET signal or an input from the RESTART switch, this circuit, through its $\overline{\text{MR}}$ signal, resets the NMI-ROI counter to an all zero count.

Each time the NMI initiate circuit receives an instruction to initiate a non-maskable interrupt routine, this circuit enables the NMI-ROI counter to count. The counter records 16 clock pulses and then clocks the NMI initiate circuit. The counter records 16 additional clock pulses and clocks the NMI initiate circuit a second time. At the conclusion of this second clock pulse, the $\overline{\text{NMI}}$ initiate circuit disables the counter and removes the $\overline{\text{NMI}}$ instruction. The counter now remains at its zero count until it gets its next input command.

In a run-one-instruction operation, the NMI-ROI counter receives a $\overline{\text{RINST}}$ pulse from the ROI pulse network. This pulse loads the binary number 1011 into the NMI-ROI counter. This counter, at the conclusion of the eleventh ϕ_2 timing pulse, is at count 0000 and instructs the NMI initiate circuit through its clock pulse to initiate a non-maskable interrupt routine. The counter now controls the NMI initiate circuit operation as described in the previous paragraph.

NMI INITIATE CIRCUIT. The NMI initiate circuit consists primarily of a two-stage, two-bit counter and a bus driver circuit. This circuit initiates a non-maskable interrupt routine each time it receives an $\overline{\text{ABORT}}$, $\overline{\text{SAD}}$, or $\overline{\text{INT}}$ command. On receiving one of

these inputs, the circuit generates an NMI command and transfers an enabling signal to the NMI-ROI counter. The NMI-ROI counter clocks the NMI initiate circuit twice. At the conclusion of the second clock pulse from the counter, the NMI initiate circuit removes the $\overline{\text{NMI}}$ command and the NMI-ROI counter enabling signal.

ROM MEMORY. The ROM memory, consisting of three preprogrammed MCM6830 1024×8 bit ROM devices, stores the EXbug Firmware. The EXbug control logic, through its decoding of the address bits and the EXbug switch, determines when the MPU is addressing the ROM MEMORY. This memory uses addresses F000 through FBFF.

RAM MEMORY. The RAM memory, consisting of two MCM6810 128×8 bit RAM devices, is a scratch-pad memory for the EXbug program. The EXbug control circuit determines when the MPU is addressing this memory. During a restart operation, the restart circuit, through its $\overline{\text{RAMEN}}$ signal, inhibits the RAM memory from being read.

PROM SELECT. The PROM select circuit determines when the PROM memory is to be read. The restart circuit, during a restart operation, instructs the PROM select circuit to enable the PROM memory and read the two byte cold-start interrupt vector address located at memory locations FFFE and FFFF. The PROM select circuit also enables the PROM memory when the MPU Module is reading addresses FCFC through FCFF.

PROM MEMORY. The PROM memory contains the cold-start power-up vector address, the number of stop bits to be used in the data transfer with the selected data terminal, and the instructions to be used in tracing through a user's program IRQ interrupt routine.

ACIA. The MC6850 Asynchronous Communication Interface Adapter (ACIA) provides the parallel-to-serial and serial-to-parallel data conversions required to transfer data to and from the selected data terminal. The circuit also, in transferring data to the selected data terminal, inserts the start bit and the required stop bits on each character. This circuit tests each character it receives from the selected data terminal for formatting and parity errors. For further information about the operation of the MC6850 ACIA, refer to the M6800 Microprocessor Applications Manual.

STOP-BIT PHASE DETECTOR. The stop bit phase detector compares the BIT RATE clock signal with the 134.49 Hz signal to determine whether the data being transferred is using one or two stop bits. The stop-bit phase detector generates a high level SBS signal when the BIT RATE clock signal is at a frequency lower than the 134.49 Hz signal and a low level when it is at a higher frequency.

TTY ISOLATOR AND LEVEL CONVERTER. The TTY isolator and level converter optically isolates the TTY data terminal from the EXORciser and performs the voltage level conversions required to interface the EXORciser with the TTY data terminal.

RS-232C LEVEL CONVERTER. The RS-

232C level converter performs the voltage level conversions required to interface the EXORciser with a RS-232C data terminal.

RECEIVE DATA SELECT CIRCUIT. The receive data select circuit, on receiving a low level TTY signal is enabled to transfer the SERIAL DATA IN input from the TTY isolator and level converter to the ACIA. The TTY signal is a low level when the EXORciser is interfacing with a TTY data terminal. The TTY input goes high when the EXORciser is interfacing with a RS-232C data terminal. The receive data select circuit now transfers the input data from the RS-232C level converter to the ACIA.

RS-232C CONTROL INTERFACE. The RS-232C control interface enables the EXORciser to interface with RS-232C data terminal by generating the required data transfer commands. This circuit double inverts the DATA TERM READY signal and with the Baud Rate Module, transfers to the data terminal its input signal as the CARRIER DETECT, CLEAR TO SEND, and DATA SET READY commands.

RESTART CIRCUIT. The restart circuit is used during the MPU's initialization and reset operation to load the vector address of the cold-start, power-up routine into the MPU. This circuit, on receiving an $\overline{\text{MR}}$ signal is reset and applies a high level $\overline{\text{RAMEN}}$ signal to the RAM memory and the PROM select. This signal while high, inhibits the MPU from reading the RAM memory and instructs the PROM select to enable the PROM memory to be read. The restart circuit is clocked by the data bus enable circuit as the MPU reads addresses FFFE and FFFF of the PROM. At the conclusion of the second read operation, the restart circuit removes the high level $\overline{\text{RAMEN}}$ signal. The low level $\overline{\text{RAMEN}}$ signal enables the MPU to address the RAM and places the PROM select circuit under the control of the EXbug control circuit.

DATA BUS ENABLE. The data bus enable circuit through its decoding of the R/W command, determines the direction of data flow on the Debug Module's data bus. During a MPU memory read operation this circuit applies a DRVENB signal to the data bus interface circuit. The DRVENB signal instructs the data bus to transfer data from the selected memory location on the Debug Module to the MPU. During a memory write operation, the data bus enable circuit, through its $\overline{\text{REC-ENB}}$ signal, enables the data bus interface to transfer data from the MPU to the selected memory address on the Debug Module.

DATA BUS INTERFACE. The data bus interface provides a two-way transfer of data between the EXORciser's bus and the circuits on the Debug Module. When the driver and receivers are not enabled to transfer data, they provide a high impedance output to their respective busses.

5-6 BAUD RATE MODULE

5-6.1 GENERAL DESCRIPTION

The Baud Rate Module provides the EXOR-

ciser with eight standard baud rates between 110 and 9600 baud. The baud rates are 110, 150, 300, 600, 1200, 2400, 4800, and 9600. This module also interfaces the Debug Module with the EXORciser front panel and with a TTY

or RS-232C data terminal. A block diagram of the Baud Rate Module is presented in Figure 5-4 and the schematic diagram in Figure 5-7.

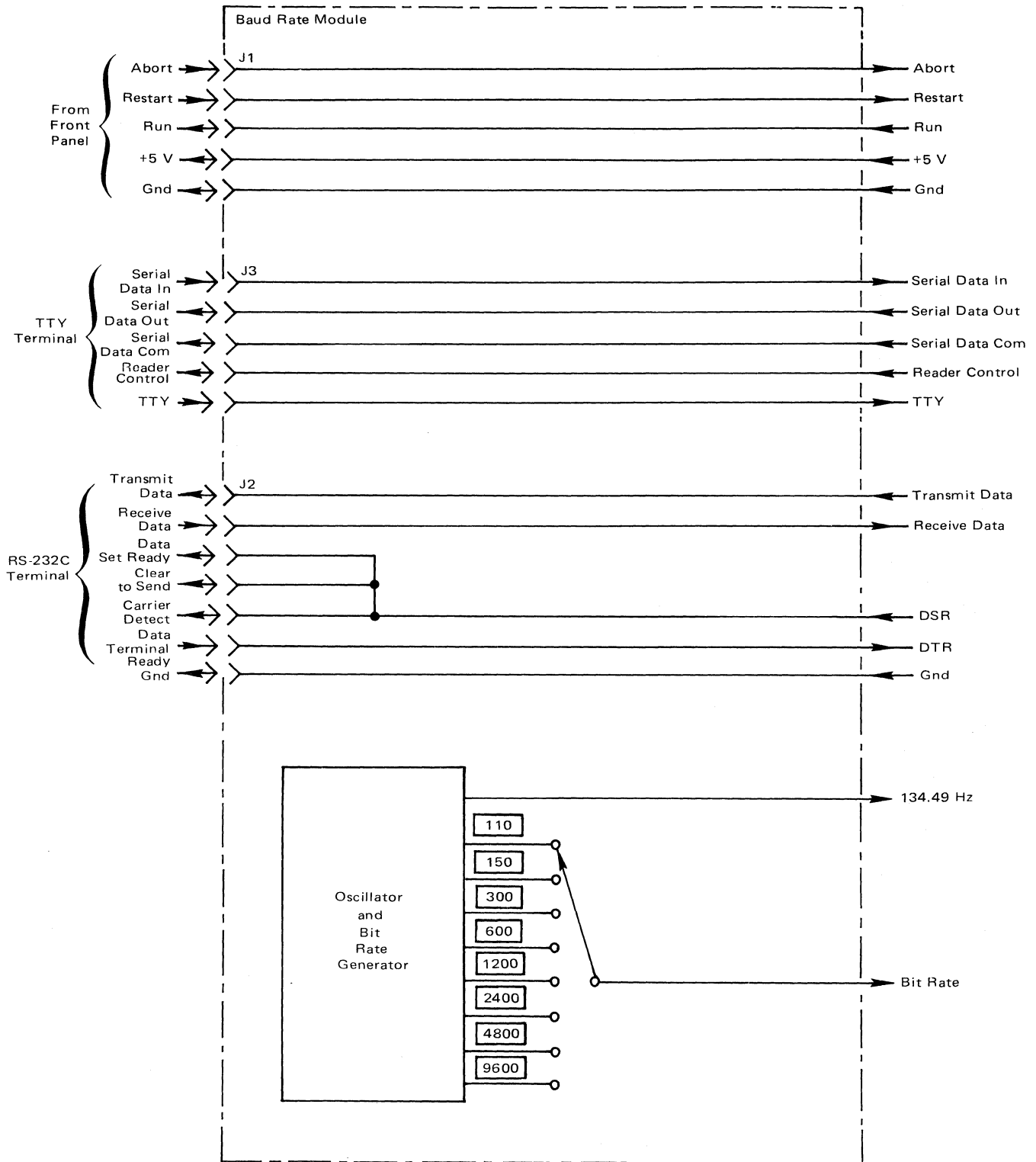


FIGURE 5-4. Baud Rate Module Block Diagram

5-6.2 **BLOCK DIAGRAM DESCRIPTION**

The Baud Rate module consists of the oscillator and bit rate generator, the BAUD RATE switch, and interconnection leads between the EXORciser front panel, a TTY data terminal, and a RS-232C data terminal.

The oscillator and bit rate generator circuit generates the eight baud rate frequencies used in the EXORciser. These eight frequencies are applied to the BAUD RATE switch. The user through the BAUD RATE switch selects the frequency to be transferred to the Debug Module. It should be noted that the bit rate clock signal is sixteen times the baud rate frequency data bit transfer rate. The oscillator and bit rate generator also applies the 134.49 Hz to the Debug Module. This Debug Module uses this signal to determine the number of stop bits to be used in the data transfer operation.

5-7 **POWER SUPPLY**

The power supply provides the EXORciser with +5 VDC, +12 VDC, and -12 VDC. The +5 VDC is used by the EXORcisers logic circuits and the +12 VDC and -12 VDC are used to interface the EXORciser

with the selected data terminal. These three voltages also may be used in the construction of the user's customized circuitry.

The power supply illustrated in Figure 5-9 provides both overload and short protection without damage to the power supply. In addition, the power supply provides overvoltage protection. In the case of power failure, the power supply provides all dc voltages for a minimum of 16 ms. This time interval provides the MC6800 MPU sufficient time to store its register contents before power is removed. Now, if the EXORciser is using a battery backup, the data in dynamic memory can be preserved.

5-8 **WIREWRAPE MODULE**

The optional Wirewrap Module allows the user to construct any customized circuitry required in his prototype system. This module incorporates the power bus and ground bus printed wiring, and has standard pin spacing for 75, 14 pin wirewrap sockets and provisions for two 50-pin flatribbon connectors.

REV	DATE	BY	REASON
001	12/21/74	EC	RELEASED TO PRODUCTION
002	1/15/75	EC	RELEASED TO PHOENIX

- NOTES: UNLESS OTHERWISE SPECIFIED
1. ALL RESISTORS ARE IN OHMS + 10 PCT, 1/4W. ALL CAPACITORS ARE IN UF.
 2. TO CONTROL TSC EXTERNAL, THE PRINTED CIRCUIT JUMPER MUST BE CUT.
 3. DENOTES EQUIPMENT MARKING.

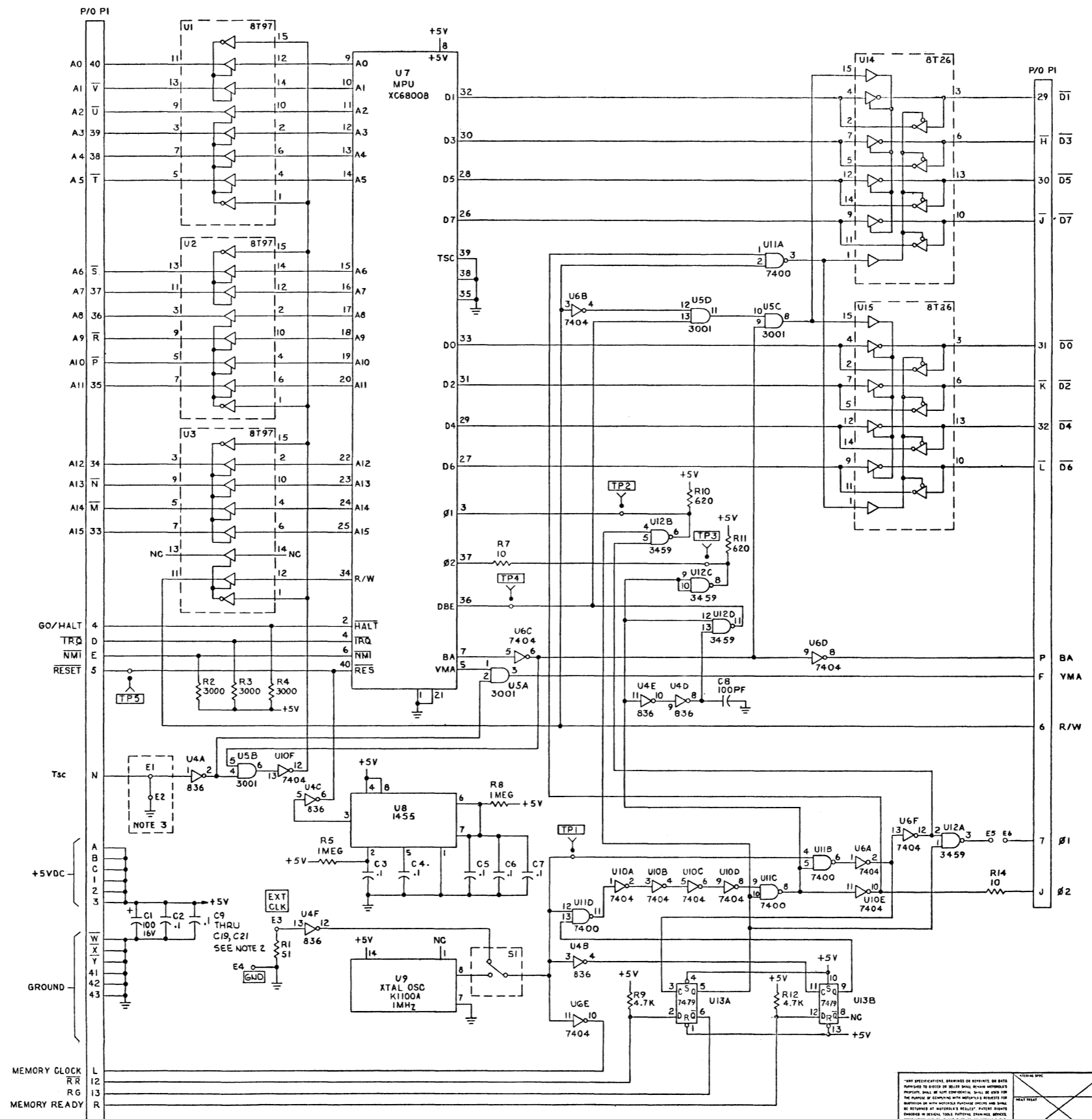


FIGURE 5-5. MPU Module Schematic Diagram

<p>ANY SPECIFICATIONS, DIMENSIONS OR REVISIONS OR DATA NOT SHOWN IN THIS DRAWING SHALL BE DEEMED TO BE THE PROPERTY OF MOTOROLA AND SHALL BE KEPT CONFIDENTIAL. THIS DRAWING IS THE PROPERTY OF MOTOROLA AND IS NOT TO BE REPRODUCED OR TRANSMITTED IN ANY FORM OR BY ANY MEANS, ELECTRONIC OR MECHANICAL, INCLUDING PHOTOCOPYING, RECORDING, OR BY ANY INFORMATION STORAGE AND RETRIEVAL SYSTEM. MOTOROLA ACCEPTS NO LIABILITY FOR THE USE OF THIS DRAWING IN ANY MANNER OTHER THAN THAT AUTHORIZED BY MOTOROLA.</p>		<p>DATE: 10/21/74 BY: [Signature] CHECKED: [Signature] REVISION: 1</p>	
<p>UNLESS OTHERWISE SPECIFIED: 1. ALL DIMENSIONS ARE IN INCHES. 2. DIMENSIONS ARE TO CENTER UNLESS OTHERWISE SPECIFIED. 3. DIMENSIONS ARE TO UNLESS OTHERWISE SPECIFIED. 4. DIMENSIONS ARE TO UNLESS OTHERWISE SPECIFIED. 5. DIMENSIONS ARE TO UNLESS OTHERWISE SPECIFIED.</p>		<p>TITLE: SCHEMATIC DIAGRAM MPU MODULE EXORCISER™ MODULE MOTOROLA INC. SEMICONDUCTOR PRODUCTS DIVISION 3501 MIDWAY AVENUE CHICAGO, ILLINOIS 60641 63EW1026X</p>	

REV	DATE	BY	CHANGE	NO
1	11/77	A	RELEASED	
2	1/78	M	RELEASED FOR PROD	
3	7/77	M	UIB WAS 7400	

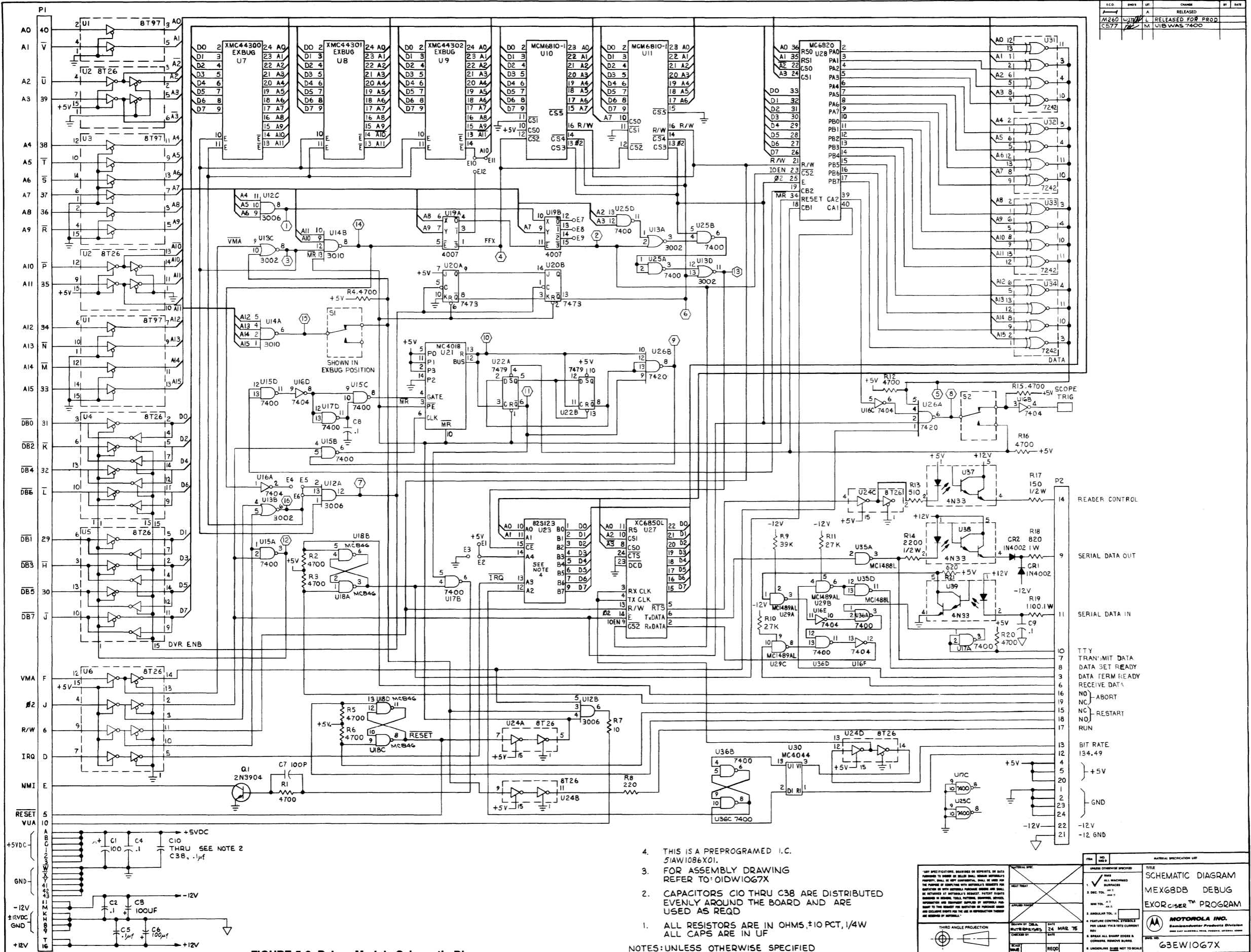


FIGURE 5-6. Debug Module Schematic Diagram

- THIS IS A PREPROGRAMED I.C. 51AW1086X01.
- FOR ASSEMBLY DRAWING REFER TO: 01DW1067X
- CAPACITORS C10 THRU C38 ARE DISTRIBUTED EVENLY AROUND THE BOARD AND ARE USED AS REQD
- ALL RESISTORS ARE IN OHMS, ±10 PCT, 1/4W ALL CAPS ARE IN UF

NOTES: UNLESS OTHERWISE SPECIFIED

1. ALL SPECIFICATIONS, DRAWINGS OR REPORTS OF DATA FURNISHED TO ORDER OR UNDER OTHER CONTRACTS ARE THE PROPERTY OF MOTOROLA AND SHALL BE KEPT CONFIDENTIAL AND NOT BE USED FOR THE PURPOSE OF REPRODUCING OR TRANSMITTING INFORMATION OR DATA IN ANY MANNER WITHOUT THE WRITTEN PERMISSION OF MOTOROLA. THIS AGREEMENT IS VALID FOR THE ENTIRE TERM OF THE CONTRACT AND SHALL BE EXTENDED TO ALL SUBSIDIARIES AND CONTRACTORS OF MOTOROLA. THIS AGREEMENT SHALL BE EXTENDED TO ALL SUBSIDIARIES AND CONTRACTORS OF MOTOROLA. THIS AGREEMENT SHALL BE EXTENDED TO ALL SUBSIDIARIES AND CONTRACTORS OF MOTOROLA.		TITLE SCHEMATIC DIAGRAM MEX68DB DEBUG EXORCISER™ PROGRAM
2. PART NUMBER 63EW1067X	3. DATE 24 MAR 78	4. MOTOROLA INC. SEMICONDUCTOR PRODUCTS DIVISION 605 WEST DURHAM AVENUE MESA, ARIZONA 85201
5. DRAWN BY U1	6. CHECKED BY U1	7. APPROVED BY U1
8. DATE 24 MAR 78	9. RECD U1	10. SCALE AS SHOWN

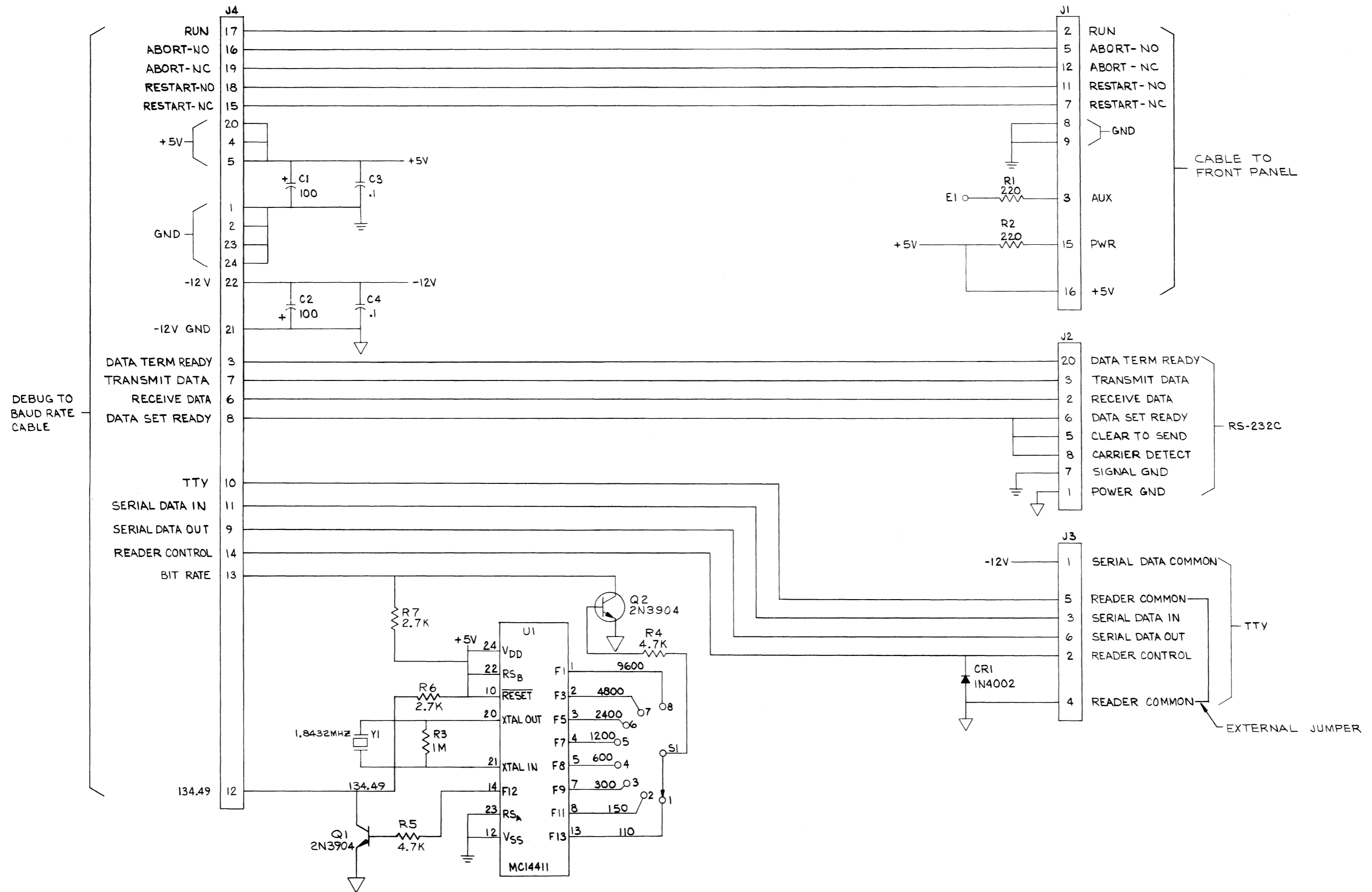


FIGURE 5-7. Baud Rate Module Schematic Diagram

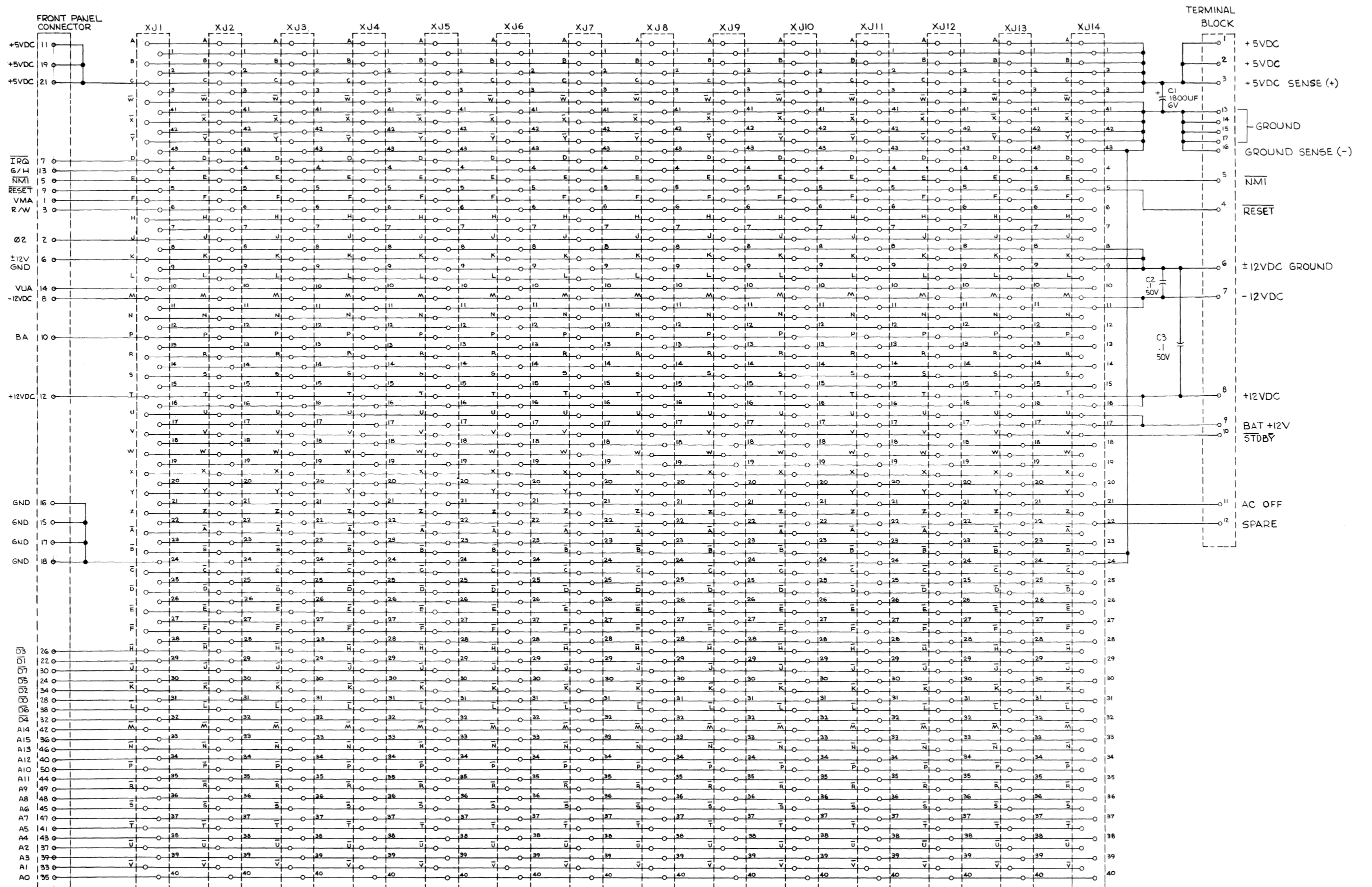
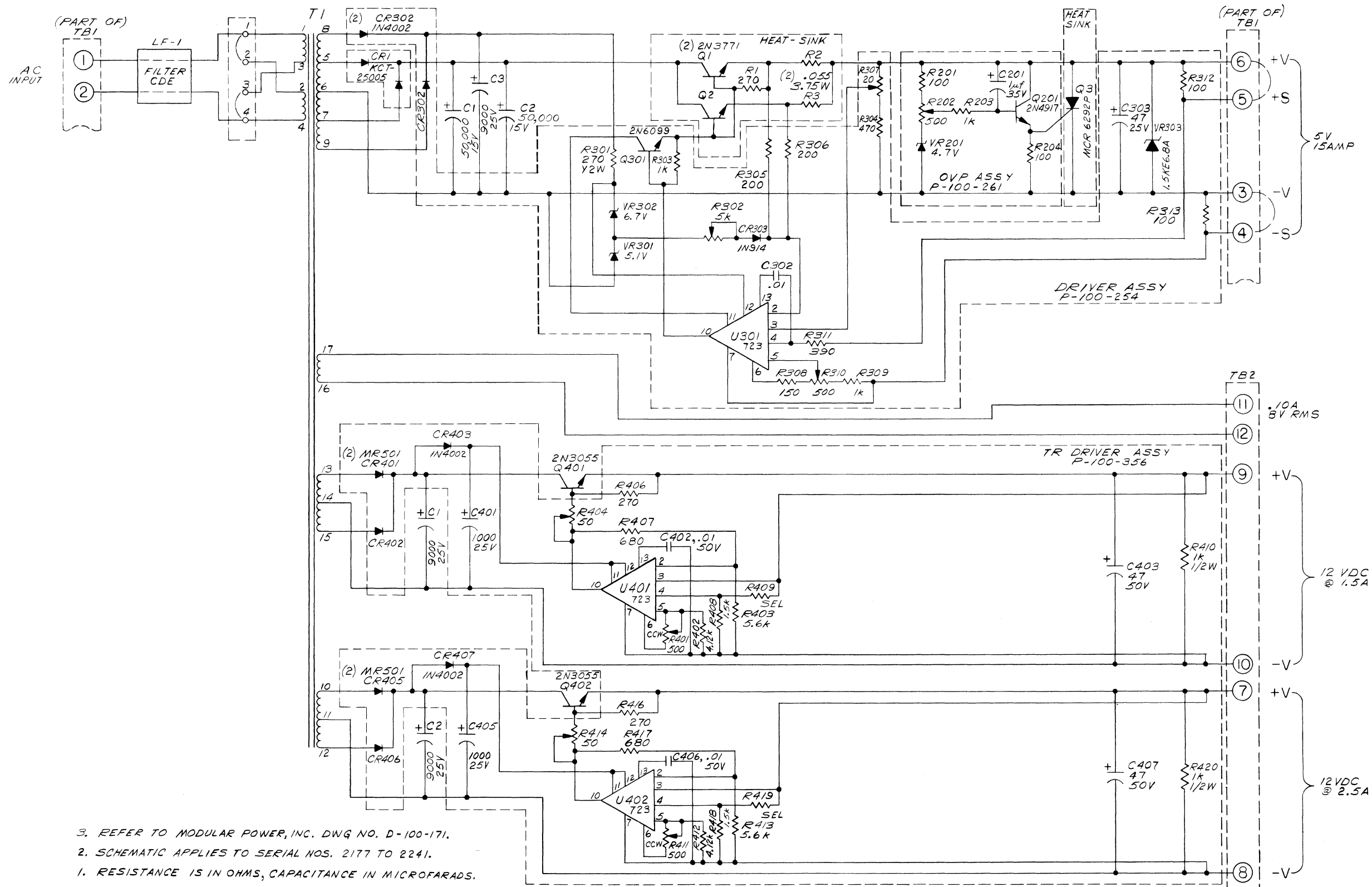


FIGURE 5-8. Motherboard Schematic Diagram



3. REFER TO MODULAR POWER, INC. DWG NO. D-100-171.
2. SCHEMATIC APPLIES TO SERIAL NOS. 2177 TO 2241.
1. RESISTANCE IS IN OHMS, CAPACITANCE IN MICROFARADS.

UNLESS OTHERWISE SPECIFIED;
NOTES:

FIGURE 5-9. Power Supply Schematic Diagram

A-3 DECIMAL-TO-HEXADECIMAL CONVERSION

Use the following procedures to convert a decimal number to its hexadecimal equivalent. In this procedure we will convert the decimal number 235 to its hexadecimal equivalent.

- (a) Divide the decimal number by 16 and record the remainder. In dividing 235 by 16 we get
 $16 \overline{) 235}$
 14 with a remainder of 11.
- (b) Repeat step a until 16 can no longer be divided into the decimal number. In dividing 14 by 16 we get
 $16 \overline{) 14}$
 0 with a remainder of 14.
- (c) Referring to Table A-1, convert the remainders to their hexadecimal equivalents. Converting 11 and 14 we get
 $11 = B$, and $14 = E$.
- (d) Arrange the remainders in the order indicated below. The remainders form the hexadecimal equivalent of the binary number.

$$16 \overline{) 235}$$

$$16 \overline{) 14} \text{ with remainder of } 11 = B \text{ LSB}$$

$$0 \text{ with remainder of } 14 = E \text{ MSB}$$

$$235_{10} = EB_{16}$$

A-4 HEXADECIMAL-TO-DECIMAL CONVERSION

Use the following procedures to convert a hexadecimal number to its decimal equivalent. In this procedure we will convert $80FB_{16}$ to its decimal equivalent.

- (a) Multiply each hexadecimal number by its position value. In multiplying the numbers in $80FB_{16}$ by their position value we get
 $8 \times 16^3 = 8 \times 16^3 = 8 \times 4096 = 32768$
 $0 \times 16^2 = 0 \times 16^2 = 0 \times 256 = 0$
 $F \times 16^1 = 15 \times 16^1 = 15 \times 16 = 240$
 $B \times 16^0 = 11 \times 16^0 = 11 \times 1 = 11$
- (b) Add the values found in step a. The sum is the decimal equivalent of the hexadecimal number. In adding the power values times $80FB_{16}$ we get
 $32768 + 0 + 240 + 11 = 33019$
or $80FB_{16} = 33019_{10}$

APPENDIX B TTY MODIFICATIONS

B-1 INTRODUCTION

This appendix discusses configuring a TTY terminal for full-duplex 20 mA neutral loop current operation and for modifying a TTY terminal for automatic reader/punch control. This appendix is intended for general information and it is recommended that the user refer the terminal manufacturer's documentation to make these changes.

BC-2 FULL-DUPLEX 20 mA LOOP CURRENT CONFIGURATION

Figure B-1 depicts the connections to be used for a full-duplex 20 mA neutral loop current TTY terminal. Refer to this figure and make the necessary following connections on your terminal.

- (a) Connect the white/blue wire to terminal 5.
- (b) Connect the brown/yellow wire to terminal 5.
- (c) Connect the violet wire to terminal 9.
- (d) Move the blue from the 750 ohm tap to the 1450 ohm tap on terminal power resistor. This resistor is located behind the terminal's power supply.

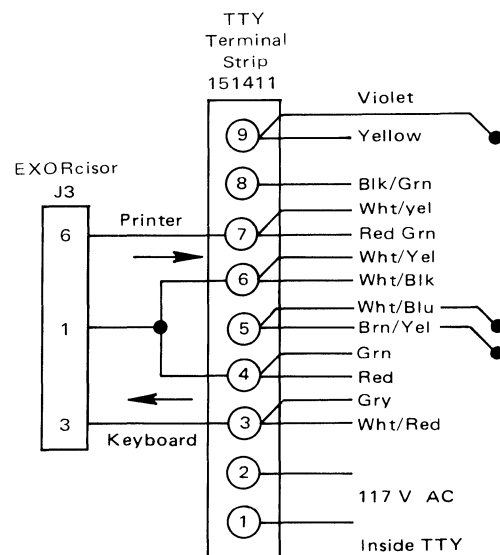


FIGURE B-1. TTY Full-Duplex 20 mA Neutral Loop Terminal Connections

B-3 AUTOMATIC READER/PUNCH CONTROL MODIFICATION

The M6800 EXORciser is designed to work with a TTY terminal having automatic reader/punch control or a manual TTY terminal modified for automatic reader/punch control. The following paragraphs discuss modifying a manual TTY terminal for automatic reader/punch control.

B-3.1 COMPONENTS REQUIRED

Table B-1 identifies the parts required to modify a TTY terminal.

TABLE B-1. Automatic Reader/Punch Modification Parts List

Component	Quantity	Description
Reed Relay	1	12 V, 600 ohm coil, Potter Brumfield Part Number JR-1005 or equivalent
Resistor	1	470 ohm, 1/2 watt
Capacitor	1	0.1 μF, 600 V
Component Board	1	Vector Board (2.5 x 3.8 inches)

B-3.2 MODIFICATION PROCEDURES

- (a) Install the resistor, capacitor, and relay on the component as depicted in Figure B-2.

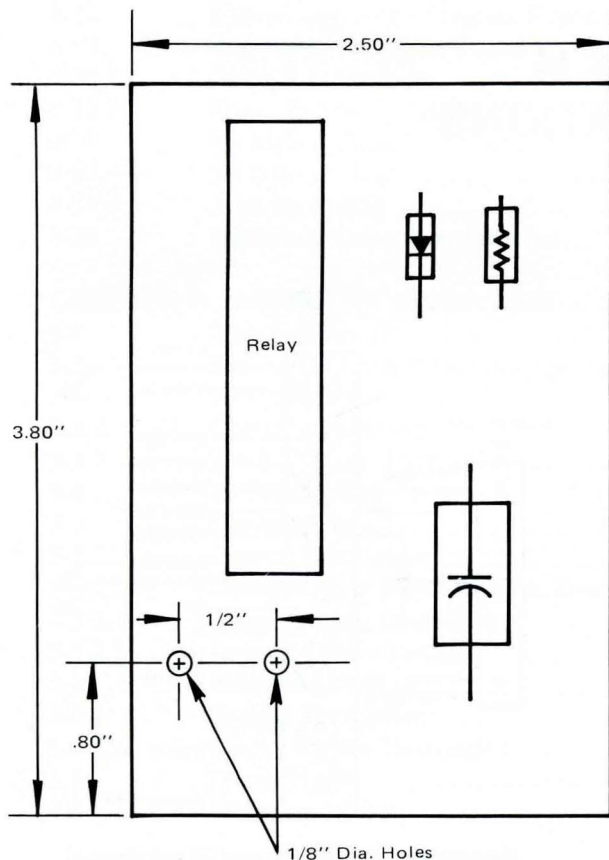


FIGURE B-2. Component Board

- (b) Mount the component board onto the TTY terminal using the holes in the terminals mounting plate. Refer to Figure B-3 for the component board location.
- (c) Referring to the schematic diagram in Figure B-4, connect the relay, capacitor, and resistor into the terminals circuitry. The wire A may be spliced into the brown wire near the connector plug. The LINE and LOCAL lines must be connected to the MODE switch as shown.

CAUTION

THE SYSTEM, MAKE CERTAIN NO VOLTAGES FROM THE TERMINAL ARE ACCIDENTALLY CONNECTED TO THE RELAY'S PRIMARY WINDINGS, SUCH A VOLTAGE MAY DAMAGE THE EXORciser's DEBUG MODULE AND POWER SUPPLY.

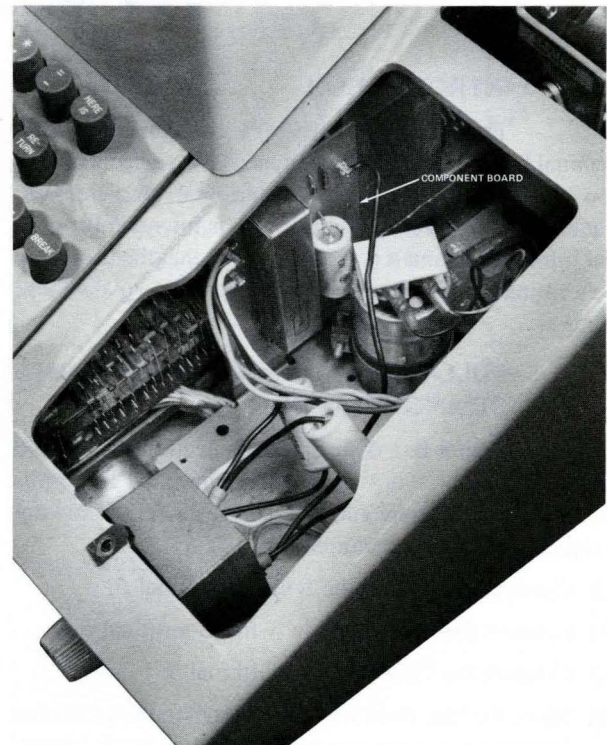


FIGURE B-3

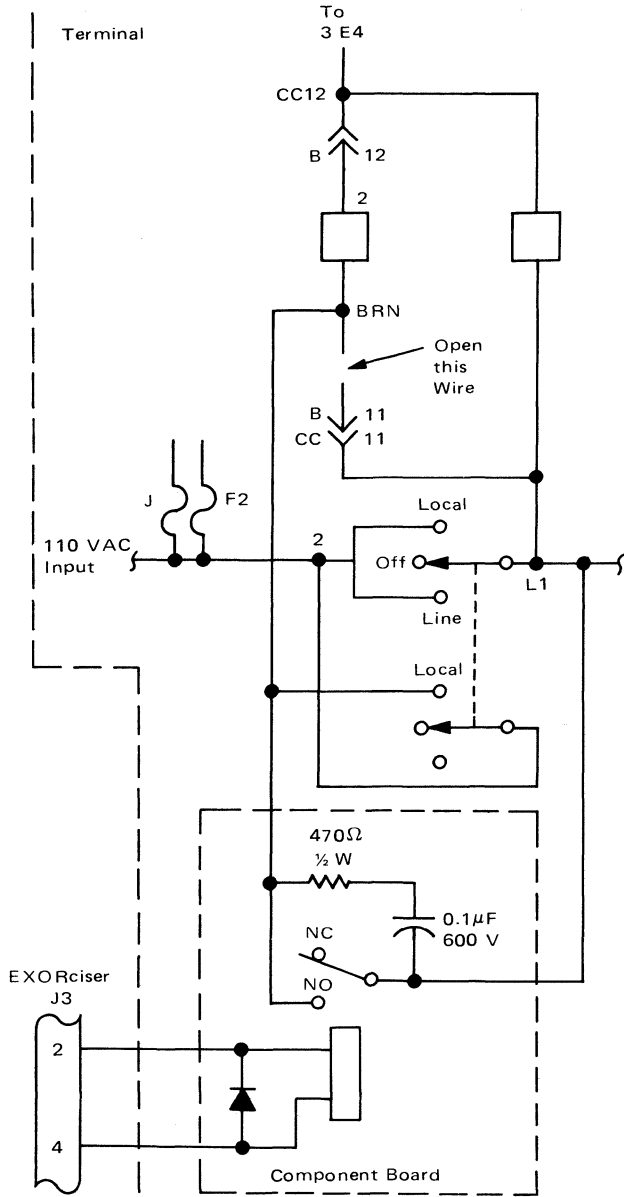


FIGURE B-4. TTY Terminal Schematic Incorporating Automatic Reader Control



MOTOROLA Semiconductor Products Inc.

BOX 20912 • PHOENIX, ARIZONA 85036 • A SUBSIDIARY OF MOTOROLA INC.