

Local Area Networks Databook

1993 Second Edition

Includes Ethernet and Token-Ring
Protocol Products



LOCAL AREA NETWORKS DATABOOK

1993 Second Edition

ETHERNET PRODUCTS

Integrated Network Interface Controllers
Physical Layer Transceivers and ENDECs
Repeater Interface Controllers

TOKEN-RING PRODUCTS

Token-Ring Interface Controllers

SUPPORT MATERIALS

LAN Hardware and Software Support
FDDI Products Summary
Glossary and Acronyms
Appendix/Physical Dimensions

1

2

3

4

5

6

7

8

TRADEMARKS

Following is the most current list of National Semiconductor Corporation's trademarks and registered trademarks.

ABIC TM	Embedded System Processor TM	MICROWIRE TM	SERIES/800 TM
Abuseable TM	EPT TM	MICROWIRE/PLUS TM	Sorios 32000 [®]
Anadig TM	E-Z-LINK TM	MOLE TM	SIMPLE SWITCHER TM
APPS TM	FACT TM	MPA TM	SNIT TM
ARi TM	FACT Quiet Series TM	MST TM	SNICT TM
ASPECT TM	FAIRCAD TM	Naked-8 TM	SoiChek TM
AT/LANTIC TM	Fairtech TM	National [®]	SONIC TM
Auto-Chem Deflasher TM	FAST [®]	National Semiconductor [®]	SPiKe TM
BCPT TM	FAST TM	National Semiconductor Corp. [®]	SPIRE TM
BI-FET TM	Flash TM	NAX 800 TM	Staggered Refresh TM
BI-FET IIT TM	GENIX TM	Nitride Plus TM	START TM
BI-LINE TM	GNXT TM	Nitride Plus Oxide TM	Starlink TM
BIPLAN TM	GTO TM	NML TM	STARPLEX TM
BLCT TM	HEX 3000 TM	NOBUST TM	ST-NICT TM
BLXT TM	HPC TM	NSC800 TM	SuperAT TM
BMACT TM	HyBal TM	NSCISE TM	SuperBlock TM
Brito-Lite TM	ISL [®]	NSX-16 TM	SuperChip TM
BSIT TM	ICM TM	NS-XC-16 TM	SuperI/O TM
BSI-2 TM	Integral ISET TM	NTERCOM TM	SuperScript TM
CDD TM	Intelisplay TM	NURAM TM	SYS32 TM
CDL TM	Inter-LERIC TM	OPAL TM	TapePak [®]
CGST TM	Inter-RIC TM	OXISS TM	TDST TM
CIM TM	ISET TM	P2CMOST TM	TeleGate TM
CIMBUST TM	ISE/06 TM	Perfect Watch TM	The National Anthem [®]
CLASIC TM	ISE/08 TM	PLAN TM	TLC TM
COMBO [®]	ISE/16 TM	PLANAR TM	Trapezoidal TM
COMBO I TM	ISE32 TM	PLAYER TM	TRI-CODE TM
COMBO IIT TM	ISOPLANAR TM	PLAYER + TM	TRI-POLY TM
COPST TM microcontrollers	ISOPLANAR-Z TM	Plus-2 TM	TRI-SAFE TM
CRD TM	LERIC TM	Polycraft TM	TRI-STATE [®]
CSNI TM	LMCMOST TM	POPT TM	TROPIC TM
CTI TM	M ² CMOST TM	Power + Control TM	Tropic Pele TM
CYCLONET TM	Macrobust TM	POWERplanar TM	Tropic Reef TM
DA4 TM	Macrocomponent TM	QST TM	TURBOTRANSCEIVER TM
DENSPAK TM	MACSIT TM	QUAD3000 TM	VIP TM
DIBT TM	MAPL TM	QUIKLOOK TM	VR32 TM
DISCERN TM	MAXI-ROM [®]	RAT TM	WATCHDOG TM
DISTILL TM	Microbus TM data bus	RIC TM	XMOST TM
DNR [®]	MICRO-DACT TM	RICKIT TM	XPUT TM
DPVMT TM	µtalker TM	RTX16 TM	Z START TM
E ² CMOST TM	Microtalker TM	SCANT TM	883B/RETS TM
ELSTAR TM		SCXT TM	883S/RETS TM

ABELTM is a trademark of Data I/O Corporation.
 Apple[®], Appletalk[®] and Macintosh[®] are registered trademarks of Apple Corporation.
 COMPAQ[®] is a registered trademark of COMPAQ Corporation.
 CP/MTM is a trademark of Digital Research Corporation.
 Dataphone[®] is a registered trademark of Dataphone Digital Service Corporation.
 DECNETTM and VAXTM are trademarks of Digital Equipment Corporation.
 EtherCard PLUSTM and EtherCard PLUS 16TM are trademarks of Standard Microsystems Corporation.
 Ethernet[®] is a registered trademark of Xerox Corporation.
 GAL[®] is a registered trademark of Lattice Semiconductor Corporation.
 General Motors[®] is a registered trademark of General Motors Corporation.
 IBM[®], MicroChannel[®], NETVIEW[®], OS/2[®], OS/2 Standard Edition[®], PC[®], PC-AT[®], PC-XT[®], PS/2[®], SNA[®] and System/2[®] are registered trademarks of International Business Machines Corporation.
 Intel[®] is a registered trademark of Intel Corporation.
 MicrosoftTM is a trademark of Microsoft Corporation.
 MS[®], MS-DOS[®] and Microsoft Windows for Workgroups[®] are registered trademarks of Microsoft Corporation.
 NE2000^{plus}TM and NetWareTM are trademarks of Novell, Inc.
 Novell[®] is a registered trademark of Novell, Inc.
 PAL[®] is a registered trademark of and used under license from Advanced Micro Devices, Inc.
 Sun[®] is a registered trademark of Sun Microsystems.
 Tandy[®] is a registered trademark of Tandy Corporation.
 UNIX[®] is a registered trademark of AT&T Bell Laboratories.
 Velcro[®] is a registered trademark of Velcro USA, Inc.
 3Com[®] is a registered trademark of 3Com Corporation.

LIFE SUPPORT POLICY

NATIONAL'S PRODUCTS ARE NOT AUTHORIZED FOR USE AS CRITICAL COMPONENTS IN LIFE SUPPORT DEVICES OR SYSTEMS WITHOUT THE EXPRESS WRITTEN APPROVAL OF THE PRESIDENT OF NATIONAL SEMICONDUCTOR CORPORATION. As used herein:

1. Life support devices or systems are devices or systems which, (a) are intended for surgical implant into the body, or (b) support or sustain life, and whose failure to perform, when properly used in accordance with instructions for use provided in the labeling, can be reasonably expected to result in a significant injury to the user.
2. A critical component is any component of a life support device or system whose failure to perform can be reasonably expected to cause the failure of the life support device or system, or to affect its safety or effectiveness.

National Semiconductor Corporation 2900 Semiconductor Drive, P.O. Box 58090, Santa Clara, California 95052-8090 1-800-272-9959 TWX (910) 339-9240

National does not assume any responsibility for use of any circuitry described, no circuit patent licenses are implied, and National reserves the right, at any time without notice, to change said circuitry or specifications.



Product Status Definitions

Definition of Terms

Data Sheet Identification	Product Status	Definition
Advance Information	Formative or In Design	This data sheet contains the design specifications for product development. Specifications may change in any manner without notice.
Preliminary	First Production	This data sheet contains preliminary data, and supplementary data will be published at a later date. National Semiconductor Corporation reserves the right to make changes at any time without notice in order to improve design and supply the best possible product.
No Identification Noted	Full Production	This data sheet contains final specifications. National Semiconductor Corporation reserves the right to make changes at any time without notice in order to improve design and supply the best possible product.
Obsolete	Not In Production	This data sheet contains specifications on a product that has been discontinued by National Semiconductor Corporation. The data sheet is printed for reference information only.

National Semiconductor Corporation reserves the right to make changes without further notice to any products herein to improve reliability, function or design. National does not assume any liability arising out of the application or use of any product or circuit described herein; neither does it convey any license under its patent rights, nor the rights of others.

Table of Contents

Alphanumeric Index	vi
An Introduction to Local Area Network (LAN) Standards and an Overview of National Semiconductor Products	viii
ETHERNET PROTOCOL PRODUCTS	
Section 1 Integrated Network Interface Controller Products	
8/16-Bit Network Interface Controllers	
DP83905 AT/LANTIC AT Local Area Network Twisted Pair Interface Controller	1-3
DP83902A ST-NIC Serial Network Interface Controller for Twisted Pair	1-82
DP83901A SNIC Serial Network Interface Controller	1-149
DP8390D/NS32490D NIC Network Interface Controller	1-211
AN-873 Architectural Choices for Network Performance	1-266
AN-842 The Design and Operation of a Low Cost 8-Bit PC-XT Compatible Ethernet Adapter Using the DP83902	1-281
AN-475 DP8390 Family Network Interface Controller: An Introductory Guide	1-295
AN-886 The Operation of the FIFOs in the DP8390, DP83901, DP83902 and DP83905	1-303
AN-858 Guide to Loopback Using the DP8390 Chip Set	1-323
AN-874 Writing Drivers for the DP8390 NIC Family of Ethernet Controllers	1-329
AN-875 DP83905EB-AT AT/LANTIC Evaluation Board	1-343
AN-897 DP83905EB-AT AT/LANTIC Hardware Users' Guide	1-361
AN-887 AT/LANTIC Software Developer's Guide	1-377
AN-752 DP83902EB-AT PC-AT Compatible DP83902 ST-NIC Ethernet Evaluation Board	1-391
AN-892 I/O Channel Ready Considerations for the DP83902EB-AT	1-406
AN-729 DP839EB-ATN IBM PC-AT Compatible DP83901 SNIC Serial Network Interface Controller Evaluation Board	1-410
AN-686 Ethernet Network Interface Adapter for the Apple Macintosh II NuBus	1-423
AN-792 NM95C12 Applications in a PC-AT Ethernet Adapter	1-453
16/32-Bit Systems-Oriented Network Interface Controller	
DP83934 SONIC-T Systems-Oriented Network Interface Controller with Twisted Pair Interface	1-457
DP83932B SONIC Systems-Oriented Network Interface Controller	1-557
DP83916 SONIC-16 Systems-Oriented Network Interface Controller	1-652
AN-745 DP83932 SONIC Bus Operations Guide	1-746
AN-746 Software Programmer's Guide for the DP83932 SONIC	1-758
AN-859 DP83932EB-EISA SONIC/EISA Packet Driver for PC/TCP	1-788
AN-747 Determining Arbitration and Threshold Levels in a SONIC Based MicroChannel Adapter	1-827
AN-877 DP83932EB-EISA SONIC EISA Bus Master Ethernet Adapter	1-834
AN-732 DP839EB-MCS SONIC MicroChannel Ethernet Adapter	1-845
AN-691 32-Bit Bus Master Ethernet Interface for the 68030 (Using the Macintosh SE/30)	1-870
AN-855 DP83916EB-AT: High Performance AT Compatible Bus Master Ethernet Adapter Card	1-879
Section 2 Physical Layer Transceivers and ENDECs	
DP8392C/DP8392C-1 CTI Coaxial Transceiver Interface	2-3
DP83910A CMOS SNI Serial Network Interface	2-13
DP8391A/NS32491A SNI Serial Network Interface	2-23
AN-442 Ethernet/CheaperNet Physical Layer Made Easy with DP8391/92	2-33
Reliability Data Summary for DP8392	2-42
AN-620 Interfacing the DP8392 to 93Ω and 75Ω Cable	2-44

Table of Contents (Continued)

Section 2 Physical Layer Transceivers and ENDECs (Continued)

AN-621 Designing the DP8392 for Longer Cable Applications	2-47
AN-757 Measuring Ethernet Tap Capacitance	2-51
AN-622 Low Power Ethernet with the CMOS DP83910 Serial Network Interface	2-54

Section 3 Repeater Interface Controller Products

DP83950B RIC Repeater Interface Controller	3-3
DP83955A/DP83956A LERIC Lite Repeater Interface Controller	3-82
AN-843 Introduction to Repeaters, the RIC and LERIC, and Their Applications	3-133
AN-781 DP83950EB-AT IEEE 802.3 Multi-Port Repeater Evaluation Kit	3-152
AN-782 RIC-SONIC Interface	3-165
AN-783 DP83950 Twisted Pair Parametric Evaluation	3-169
AN-888 RFI Suppression Techniques in DP83950 RIC Based Systems	3-177
AN-854 DP83956EB-AT LERIC (Lite Repeater Interface Controller) PC-AT Adapter ...	3-188
AN-896 DP83956EB-SA Stand Alone Hub	3-207

TOKEN-RING PROTOCOL PRODUCTS

Section 4 Token-Ring Interface Controllers

DP8025 TROPIC Token-Ring Protocol Interface Controller	4-3
DP802511 TROPIC RAM Relocation Register Decoder	4-48
DP802512 TROPIC Upper Memory Decoder	4-52
DP802513 TROPIC MEMCS__16 Signal Decoder	4-56
DP802514-1 TROPIC REEF +, DP802515-1 TROPIC PELE' +, TROPIC Microcode ROM	4-60
AN-857 An Introduction to Token Ring	4-65
AN-850 TROPIC—A Front End Description	4-72
AN-816 Layout Guideline for a Token Ring Adapter Using the DP8025 (TROPIC)	4-80
AN-848 ISA and MicroChannel Host Software Programmer's Guide for the DP8025 TROPIC (Token-Ring Protocol Interface Controller)	4-84

SUPPORT TOOLS AND REFERENCE MATERIALS

Section 5 LAN Hardware and Software Support Products

AN-846 LAN Driver Software Support	5-3
Ethernet Magnetics Vendors for 10BASE-T, 10BASE2 and 10BASE5	5-8

Section 6 Fiber Distributed Data Interface (FDDI) Products Summary

DP83266 MACSI Device (FDDI Media Access Controller and System Interface)	6-3
DP83256/DP83257 PLAYER + Device (FDDI Physical Layer Controller)	6-4
DP83220 CDL Twisted Pair FDDI Transceiver Device	6-5
DP83265 BSI Device (FDDI System Interface)	6-6
DP83261 BMAC Device (FDDI Media Access Controller)	6-7
DP83251/DP83255 PLAYER Device (FDDI Physical Layer Controller)	6-8
DP83241 CDD Device (FDDI Clock Distribution Device)	6-9
DP83231 CRD Device (FDDI Clock Recovery Device)	6-10

Section 7 Glossary and Acronyms

Glossary of Local Area Networking and Data Communications Terms	7-3
Ethernet and Networking Acronyms	7-17

Section 8 Appendix/Physical Dimensions

Physical Dimensions	8-3
Bookshelf	
Distributors	

Alpha-Numeric Index

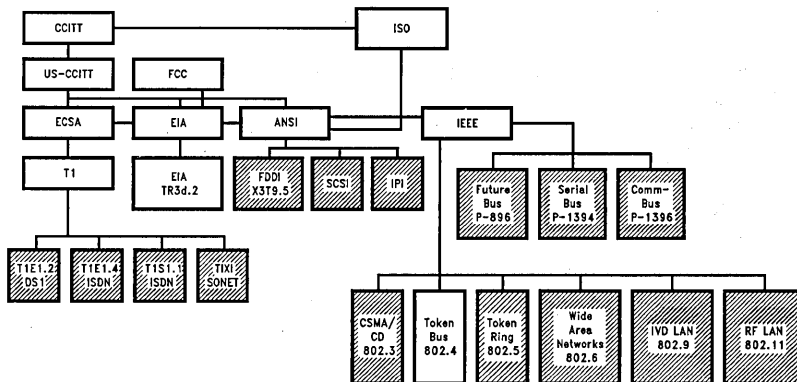
AN-442 Ethernet/Cheapernet Physical Layer Made Easy with DP8391/92	2-33
AN-475 DP8390 Family Network Interface Controller: An Introductory Guide	1-295
AN-620 Interfacing the DP8392 to 93Ω and 75Ω Cable	2-44
AN-621 Designing the DP8392 for Longer Cable Applications	2-47
AN-622 Low Power Ethernet with the CMOS DP83910 Serial Network Interface	2-54
AN-686 Ethernet Network Interface Adapter for the Apple Macintosh II NuBus	1-423
AN-691 32-Bit Bus Master Ethernet Interface for the 68030 (Using the Macintosh SE/30)	1-870
AN-729 DP839EB-ATN IBM PC-AT Compatible DP83901 SNIC Serial Network Interface Controller Evaluation Board	1-410
AN-732 DP839EB-MCS SONIC MicroChannel Ethernet Adapter	1-845
AN-745 DP83932 SONIC Bus Operations Guide	1-746
AN-746 Software Programmer's Guide for the DP83932 SONIC	1-758
AN-747 Determining Arbitration and Threshold Levels in a SONIC Based MicroChannel Adapter	1-827
AN-752 DP83902EB-AT PC-AT Compatible DP83902 ST-NIC Ethernet Evaluation Board	1-391
AN-757 Measuring Ethernet Tap Capacitance	2-51
AN-781 DP83950EB-AT IEEE 802.3 Multi-Port Repeater Evaluation Kit	3-152
AN-782 RIC-SONIC Interface	3-165
AN-783 DP83950 Twisted Pair Parametric Evaluation	3-169
AN-792 NM95C12 Applications in a PC-AT Ethernet Adapter	1-453
AN-816 Layout Guideline for a Token Ring Adapter Using the DP8025 (TROPIC)	4-80
AN-842 The Design and Operation of a Low Cost 8-Bit PC-XT Compatible Ethernet Adapter Using the DP83902	1-281
AN-843 Introduction to Repeaters, the RIC and LERIC, and Their Applications	3-133
AN-846 LAN Driver Software Support	5-3
AN-848 ISA and MicroChannel Host Software Programmer's Guide for the DP8025 TROPIC (Token-Ring Protocol Interface Controller)	4-84
AN-850 TROPIC—A Front End Description	4-72
AN-854 DP83956EB-AT LERIC (LitE Repeater Interface Controller) PC-AT Adapter	3-188
AN-855 DP83916EB-AT: High Performance AT Compatible Bus Master Ethernet Adapter Card	1-879
AN-857 An Introduction to Token Ring	4-65
AN-858 Guide to Loopback Using the DP8390 Chip Set	1-323
AN-859 DP83932EB-EISA SONIC/EISA Packet Driver for PC/TCP	1-788
AN-873 Architectural Choices for Network Performance	1-266
AN-874 Writing Drivers for the DP8390 NIC Family of Ethernet Controllers	1-329
AN-875 DP83905EB-AT AT/LANTIC Evaluation Board	1-343
AN-877 DP83932EB-EISA SONIC EISA Bus Master Ethernet Adapter	1-834
AN-886 The Operation of the FIFOs in the DP8390, DP83901, DP83902 and DP83905	1-303
AN-887 AT/LANTIC Software Developer's Guide	1-377
AN-888 RFI Suppression Techniques in DP83950 RIC Based Systems	3-177
AN-892 I/O Channel Ready Considerations for the DP83902EB-AT	1-406
AN-896 DP83956EB-SA Stand Alone Hub	3-207
AN-897 DP83905EB-AT AT/LANTIC Hardware Users' Guide	1-361
DP8025 TROPIC Token-Ring Protocol Interface Controller	4-3
DP8390D NIC Network Interface Controller	1-211
DP8391A SNI Serial Network Interface	2-23
DP8392C/DP8392C-1 CTI Coaxial Transceiver Interface	2-3
DP802511 TROPIC RAM Relocation Register Decoder	4-48
DP802512 TROPIC Upper Memory Decoder	4-52
DP802513 TROPIC MEMCS_16 Signal Decoder	4-56
DP802514-1 TROPIC REEF+, DP802515-1 TROPIC PELE'+, TROPIC Microcode ROM	4-60

Alpha-Numeric Index (Continued)

DP83220 CDL Twisted Pair FDDI Transceiver Device	6-5
DP83231 CRD Device (FDDI Clock Recovery Device)	6-10
DP83241 CDD Device (FDDI Clock Distribution Device)	6-9
DP83251 PLAYER Device (FDDI Physical Layer Controller)	6-8
DP83255 PLAYER Device (FDDI Physical Layer Controller)	6-8
DP83256 PLAYER + Device (FDDI Physical Layer Controller)	6-4
DP83257 PLAYER + Device (FDDI Physical Layer Controller)	6-4
DP83261 BMAC Device (FDDI Media Access Controller)	6-7
DP83265 BSI Device (FDDI System Interface)	6-6
DP83266 MACSI Device (FDDI Media Access Controller and System Interface)	6-3
DP83901A SNIC Serial Network Interface Controller	1-149
DP83902A ST-NIC Serial Network Interface Controller for Twisted Pair	1-82
DP83905 AT/LANTIC AT Local Area Network Twisted Pair Interface Controller	1-3
DP83910A CMOS SNI Serial Network Interface	2-13
DP83916 SONIC-16 Systems-Oriented Network Interface Controller	1-652
DP83932B SONIC Systems-Oriented Network Interface Controller	1-557
DP83934 SONIC-T Systems-Oriented Network Interface Controller with Twisted Pair Interface ...	1-457
DP83950B RIC Repeater Interface Controller	3-3
DP83955A LERIC LitE Repeater Interface Controller	3-82
DP83956A LERIC LitE Repeater Interface Controller	3-82
Ethernet and Networking Acronyms	7-17
Ethernet Magnetics Vendors for 10BASE-T, 10BASE2 and 10BASE5	5-8
Glossary of Local Area Networking and Data Communications Terms	7-3
NS32490D NIC Network Interface Controller	1-211
NS32491A SNI Serial Network Interface	2-23
Reliability Data Summary for DP8392	2-42



An Introduction to Local Area Network (LAN) Standards and an Overview of National Semiconductor Products



Note: See Glossary for Definitions of the various main organizations.

TL/F/11257-1

FIGURE 1. National Semiconductor's Participation in Industry Standards Committees

PRO-ACTIVE COMMUNICATIONS STANDARDS INVOLVEMENT

Standards are important in the development and growth of the communications industry. Several international committees and organizations define and promote standards to ensure interoperability and interconnectivity among multiple vendors' products.

National Semiconductor takes an active part in the development and definition of these standards (see *Figure 1*) and

produces a wide range of products that meet and exceed the requirements of these standards.

National's data communications portfolio includes complete silicon solutions for IEEE 802.3 Ethernet, IEEE 802.5 Token Ring, and ANSI X3T9.5 FDDI applications—the broadest portfolio in the industry. See Table I for a protocol characteristics summary.

TABLE I. Key Characteristics of Popular LAN Protocols

Characteristic	Ethernet	Token Ring	FDDI
Bandwidth	10 Mbps	16 Mbps or 4 Mbps	100 Mbps
Topology	Bus, Star	Ring, Star	Dual Ring, Star
Media	Twisted Pair, Coax Optical Fiber	Twisted Pair Optical Fiber	Optical Fiber Twisted Pair
Network Access	CSMA/CD	Token-Passing	Timed-Token-Passing
Frame Size (bytes)	1,500	18,000 (16), 4,500 (4)	4,500
Encoding	Manchester	Differential Manchester	4B /5B
Max. No. Nodes	1,024	260	1000
Distance (nodes)	2.8 km	100-300 m	2-3 km
Max. Network Span	2.8 km	Varies with configuration	200 km

TABLE II. IEEE 802.3 Physical Layer Specifications 10 Mbps Ethernet

Parameter	10BASE5	10BASE2	10BASE-T
Designator	Thick Coax	Thin Coax	Twisted Pair
Segment Length	500 Meters	185 Meters	100 Meters Nominal
Topology	Bus (Multi-Point)	Bus (Multi-Point)	Star (Point-to-Point)
Cable Type	0.4" Diam. 50Ω, Double Shield Coax (RG11)	0.2" Diam. 50Ω, Single Shield Coax (RG58)	24 Gauge, 100Ω Twisted Pair
Connection	Precision TAP	BNC "T"	8-Pin, RJ-45

ETHERNET: IEEE 802.3

Ethernet is the most widely installed LAN standard for connecting personal computers and workstations with information resources, servers and other peripherals.

The 10 Mbps Ethernet CSMA/CD (Carrier Sense Multiple Access with Collision Detection) protocol defines how a node will gain access to the network. The node first monitors the media to ensure that no transmissions are in progress (Carrier Sense). The node may then decide to transmit (Multiple Access). If more than one node decides to transmit simultaneously, then a collision will occur.

All nodes must be able to detect this condition (Collision Detection), stop their transmissions, and retry after a random period of time.

Physical Layer Specifications

Physical Layer Specifications define various media and topology options. Current specifications include 10BASE5 which defines the use of thick, double-shielded coax in a bus topology; 10BASE2 which defines the use of thin coax in a bus configuration; 10BASE-T which defines the use of unshielded twisted pair cable in a star configuration; and 10BASE-F which defines the use of optical fiber in a star configuration.

Because of its topology, 10BASE-T Ethernet LANs require both nodes and hubs or repeaters to extend the signals around the network. Network management becomes an issue or requirement in 10BASE-T as well. The IEEE 802.3 Repeater Specification defines basic, mandatory and optional management attributes to ensure interoperability in repeaters.

Comprehensive Ethernet Solutions

National's Ethernet products are grouped into four families: Network Interface Controllers (NIC Family); Systems Oriented Network Interface Controllers (SONIC™ Family); Physical Layers and Encoders/Decoders (PHYs and ENDECs Family); and Repeater Interface Controllers (RIC™ Family).

The NIC Family of 8/16-bit controllers provides value-based solutions for the node environment and designs. It consists of the DP8390 NIC, DP83901 SNIC™, DP83902 ST-NIC™, and DP83905 AT/LANTIC™. All are based on the industry standard DP8390 NIC core. The AT/LANTIC, the most highly integrated of the family, has an AT Bus Interface and twisted pair transceiver integrated on-chip making it well suited for motherboard designs. The ST-NIC also has an integrated twisted pair transceiver, but has no on-chip bus interface making it ideal for specialty I/O applications, such as PCMCIA, and non-AT buses. The SNIC provides a MAC and ENDEC only. The NIC is only a MAC.

The SONIC Family of 16/32-bit controllers provides full performance solutions for nodes and interconnect products. It consists of the DP83932 SONIC, DP83934 SONIC-T, and DP83916 SONIC-16. The SONIC is appropriate for 16- and 32-bit Ethernet network nodes and bridges for any of the standard media choices. The SONIC-T is ideal for 10BASE-T networks due to its integrated twisted pair transceiver. The SONIC-16 is for 16-bit designs using the standard media choices.

The PHYs and ENDECs consist of separate physical layer transceivers and encoder/decoders. The DP8392 CTI™ is the industry's most reliable and most popular transceiver. It is often used in Media Access Units.

The RIC Family of repeater devices offers solutions for both high and low end hubs. The DP83950 RIC provides full management capabilities for large, multi-port, expandable hubs while the DP83955/56 LERIC™ offers limited management for small, basic functionality hubs.

More detailed information, including specific datasheets and application notes for these products, are included in Sections 1-3 of this book.

TOKEN-RING: IEEE 802.5

Token Ring is a token-passing protocol which performs well under heavy network loading and easily integrates into existing synchronous networks. It supports either a 16 or 4 Mbps data rate.

In the token-passing protocol, a token circulates around the ring until a station requests permission to transmit. Once granted, the transmitting station sends its information over the network. Each station along the ring checks the destination address of the data frame to determine if the packet is to be copied into a local buffer or simply repeated onto the ring. The data frame is removed from the ring by the originator of that frame and the token is released.

Originally, Token Ring was designed for use with shielded twisted pair cable. However, a Physical Layer Specification is in development to standardize the use of unshielded twisted pair media.

National offers a highly integrated, single chip, Token-Ring controller, the DP8025 TROPIC™, designed and manufactured in cooperation with International Business Machines (IBM). Basic information is provided in Section 4 of this book. More detailed information is available through the Advanced Networks Division or your local National Semiconductor Sales Office.

FDDI (Fiber Distributed Data Interface): ANSI X3T9.5

Fiber Distributed Data Interface (FDDI) is a 100 Mbps networking standard that uses a token passing access method and dual rings of optical fiber or twisted pair cable.

Like Token Ring, FDDI utilizes a ring topology. However, FDDI has a dual-ring configuration providing greater fault tolerance and redundancy. Timed-token-passing for FDDI works in a manner similar to token-passing for Token Ring.

The standard defines fiber as the physical media, but a low cost physical media specification is in development to standardize the use of shielded and unshielded twisted pair media.

Originally used for backbone applications to connect multiple islands of lower speed LANs, FDDI has since migrated to the desktop. The inherent management capabilities and use of fiber offers a means with which to expand networks in a controlled manner. The use of twisted pair media for FDDI products provides a cost-effective means of bringing high-speed networking to the desktop.

National's FDDI DP83200 Series portfolio consists of a two chip set, a five chip set, and a MLT-3/NRZI transceiver for UTP/STP cabling. A brief overview of these products is included in Section 6 for your reference. More detailed information is available in the 1992 Desktop FDDI Handbook or through your local National Semiconductor Sales Office.

ation is available in the 1992 Desktop FDDI Handbook or through your local National Semiconductor Sales Office.

National's Commitment to Networking Standards

In support of current networking standards, National Semiconductor provides an extensive selection of networking silicon for Ethernet, Token Ring, and FDDI. Comprehensive evaluation platforms, demonstration software, application notes, and system briefs are also available to provide network product designers and manufactures optimal flexibility and ease of product development for today's networking needs.

National Semiconductor's active involvement in the development of communications standards and experience as a LAN user have resulted in the availability of a broad range of silicon solutions for the networking market. National understands the importance of preserving investments in existing standards while balancing participation in the innovation and development of emerging networking standards such as isochronous Ethernet, ATM, and FDDI-II. With continuing efforts on standards committees, product innovation, and market leadership, National is dedicated to serving the networking needs today and in the future.

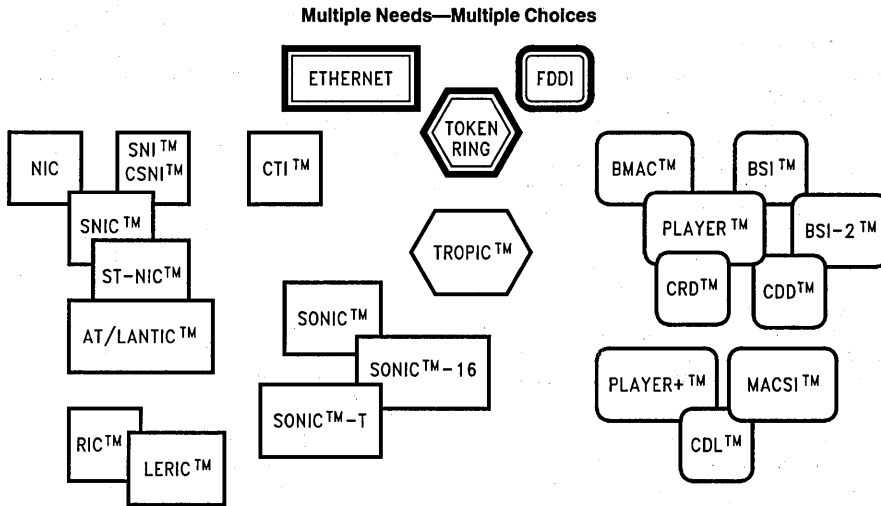


FIGURE 2. National Semiconductor LAN Silicon Solutions

TL/F/11257-3

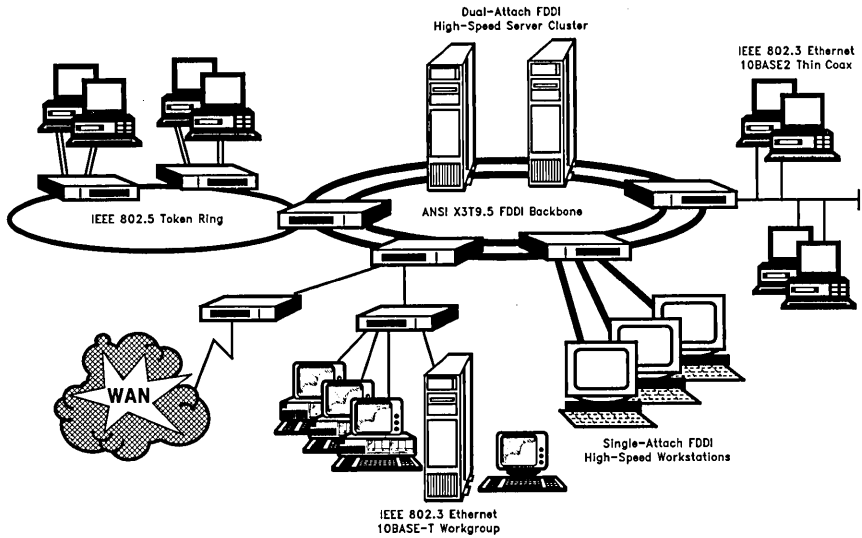


FIGURE 3. Mixed Protocol LAN Environment

TL/F/11257-2



Section 1

ETHERNET PROTOCOL PRODUCTS

Integrated Network Interface Controller Products



Section 1 Contents

8/16-Bit Network Interface Controllers

DP83905 AT/LANTIC AT Local Area Network Twisted Pair Interface Controller	1-3
DP83902A ST-NIC Serial Network Interface Controller for Twisted Pair	1-82
DP83901A SNIC Serial Network Interface Controller	1-149
DP8390D/NS32490D NIC Network Interface Controller	1-211
AN-873 Architectural Choices for Network Performance	1-266
AN-842 The Design and Operation of a Low Cost 8-Bit PC-XT Compatible Ethernet Adapter Using the DP83902	1-281
AN-475 DP8390 Family Network Interface Controller: An Introductory Guide	1-295
AN-886 The Operation of the FIFOs in the DP8390, DP83901, DP83902 and DP83905	1-303
AN-858 Guide to Loopback Using the DP8390 Chip Set	1-323
AN-874 Writing Drivers for the DP8390 NIC Family of Ethernet Controllers	1-329
AN-875 DP83905EB-AT AT/LANTIC Evaluation Board	1-343
AN-897 DP83905EB-AT AT/LANTIC Hardware Users' Guide	1-361
AN-887 AT/LANTIC Software Developer's Guide	1-377
AN-752 DP83902EB-AT PC-AT Compatible DP83902 ST-NIC Ethernet Evaluation Board	1-391
AN-892 I/O Channel Ready Considerations for the DP83902EB-AT	1-406
AN-729 DP839EB-ATN IBM PC-AT Compatible DP83901 SNIC Serial Network Interface Controller Evaluation Board	1-410
AN-686 Ethernet Network Interface Adapter for the Apple Macintosh II NuBus	1-423
AN-792 NM95C12 Applications in a PC-AT Ethernet Adapter	1-453
16/32-Bit Systems-Oriented Network Interface Controller	
DP83934 SONIC-T Systems-Oriented Network Interface Controller with Twisted Pair Interface	1-457
DP83932B SONIC Systems-Oriented Network Interface Controller	1-557
DP83916 SONIC-16 Systems-Oriented Network Interface Controller	1-652
AN-745 DP83932 SONIC Bus Operations Guide	1-746
AN-746 Software Programmer's Guide for the DP83932 SONIC	1-758
AN-859 DP83932EB-EISA SONIC/EISA Packet Driver for PC/TCP	1-788
AN-747 Determining Arbitration and Threshold Levels in a SONIC Based MicroChannel Adapter	1-827
AN-877 DP83932EB-EISA SONIC EISA Bus Master Ethernet Adapter	1-834
AN-732 DP839EB-MCS SONIC MicroChannel Ethernet Adapter	1-845
AN-691 32-Bit Bus Master Ethernet Interface for the 68030 (Using the Macintosh SE/30)	1-870
AN-855 DP83916EB-AT: High Performance AT Compatible Bus Master Ethernet Adapter Card	1-879

DP83905 AT/LANTIC™

AT Local Area Network Twisted-Pair Interface Controller

General Description

The AT/LANTIC AT Local Area Network Twisted-pair Interface Controller is a CMOS VLSI device designed for easy implementation of CSMA/CD local area networks.

Unique to the AT/LANTIC is the integration of the entire bus interface for PC-AT® ISA (Industry Standard Architecture) bus based systems. Hardware and software selectable options allow the AT/LANTIC's bus interface to be configured software compatible to either an NE2000 or Ethercard PLUS16™. All bus drivers and control logic are integrated to reduce board cost and area.

Supported network interfaces include 10BASE5 or 10BASE2 Ethernet via an external transceiver connected to its AUI port, and Twisted-pair Ethernet (10BASE-T) using the on-board transceiver. The AT/LANTIC provides the Ethernet Media Access Control (MAC), Encode-Decode (ENDEC) with an AUI interface, and 10BASE-T transceiver functions in accordance with the IEEE 802.3 standards.

The AT/LANTIC's integrated 10BASE-T transceiver fully complies with the IEEE standard. This functional block incorporates the receiver, transmitter, collision, heartbeat, loop-back, jabber, and link integrity blocks as defined in the standard. The transceiver when combined with equalization resistors, transmit/receive filters, and pulse transformers provides a complete physical interface from the AT/LANTIC Controller's ENDEC module and the twisted pair medium.

(Continued)

Features

- Controller and integrated bus interface solution for IEEE 802.3, 10BASE5, 10BASE2, and 10BASE-T
- Software compatible with *Novell®'s NE2000/Plus* industry standard Ethernet Adapters
- Selectable buffer memory size
- No external bus logic or drivers
- Integrated controller, ENDEC, and transceiver
- Full IEEE 802.3 AUI interface
- Single 5V supply

10BASE-T TRANSCEIVER MODULE:

- Integrates transceiver functionality:
 - Transmitter and receiver functions
 - Collision detect, heartbeat and jabber
 - Selectable link integrity test or link disable
 - Polarity Detection/Correction

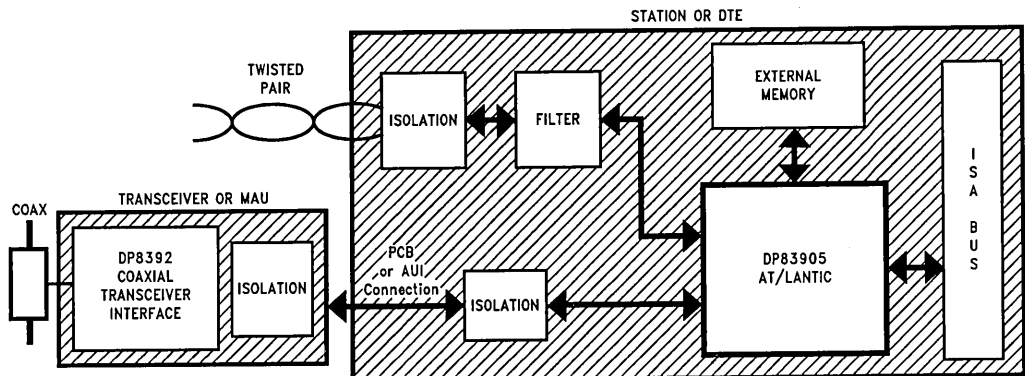
ENDEC MODULE:

- 10 Mbit/s Manchester encoding/decoding
- Squelch on receive and collision pairs

MAC/CONTROLLER MODULE:

- Software compatible with DP8390, DP83901, DP83902
- Efficient buffer management implementation

1.0 System Diagram



TL/F/11498-1

General Description (Continued)

The integrated ENDEC module allows Manchester encoding and decoding via a differential transceiver and phase lock loop decoder at 10 Mbit/sec. Also included are a collision detect translator and diagnostic loopback capability. The ENDEC module interfaces directly to the transceiver module, and also provides a fully IEEE compliant AUI (Attachment Unit Interface) for connection to other media transceivers.

The Media Access Control function which is provided by the Network Interface Control module (NIC) provides simple and efficient packet transmission and reception control by means of off-board memory which can be accessed either through an I/O port or mapped into the system memory.

AT/LANTIC Controller provides a comprehensive solution for 10BASE-T IEEE 802.3 networks. Due to the inherent constraints of CMOS processing, isolation is required at the AUI differential signal interface for 10BASE5 and 10BASE2 applications.

Table of Contents

1.0 SYSTEM DIAGRAM

- 1.1 Connection Diagram

2.0 PIN DESCRIPTION

3.0 SIMPLIFIED APPLICATION DIAGRAM

4.0 FUNCTIONAL DESCRIPTION

- 4.1 Bus Interface Block
- 4.2 Power on RESET operation
- 4.3 EEPROM Operation
- 4.4 Jumpered and Jumperless Operation Support
- 4.5 Low Power Operation
- 4.6 Boot PROM Operation
- 4.7 DP8390 Core (Network Interface Controller)
- 4.8 Twisted Pair Interface Module
- 4.9 Encoder/Decoder (ENDEC) Module

5.0 REGISTER DESCRIPTIONS

- 5.1 Configuration Registers
- 5.2 Shared Memory Mode Control Registers
- 5.3 NIC Core Registers
- 5.4 DP8390 Core DMA Registers

6.0 OPERATION OF AT/LANTIC CONTROLLER

- 6.1 Transmit/Receive Packet Encapsulation/Decapsulation
- 6.2 Buffer Memory Access Control (DMA)
- 6.3 Packet Reception
- 6.4 Packet Transmission
- 6.5 Loopback Diagnostics
- 6.6 Memory Arbitration and Bus Operation
- 6.7 Functional Bus Timing

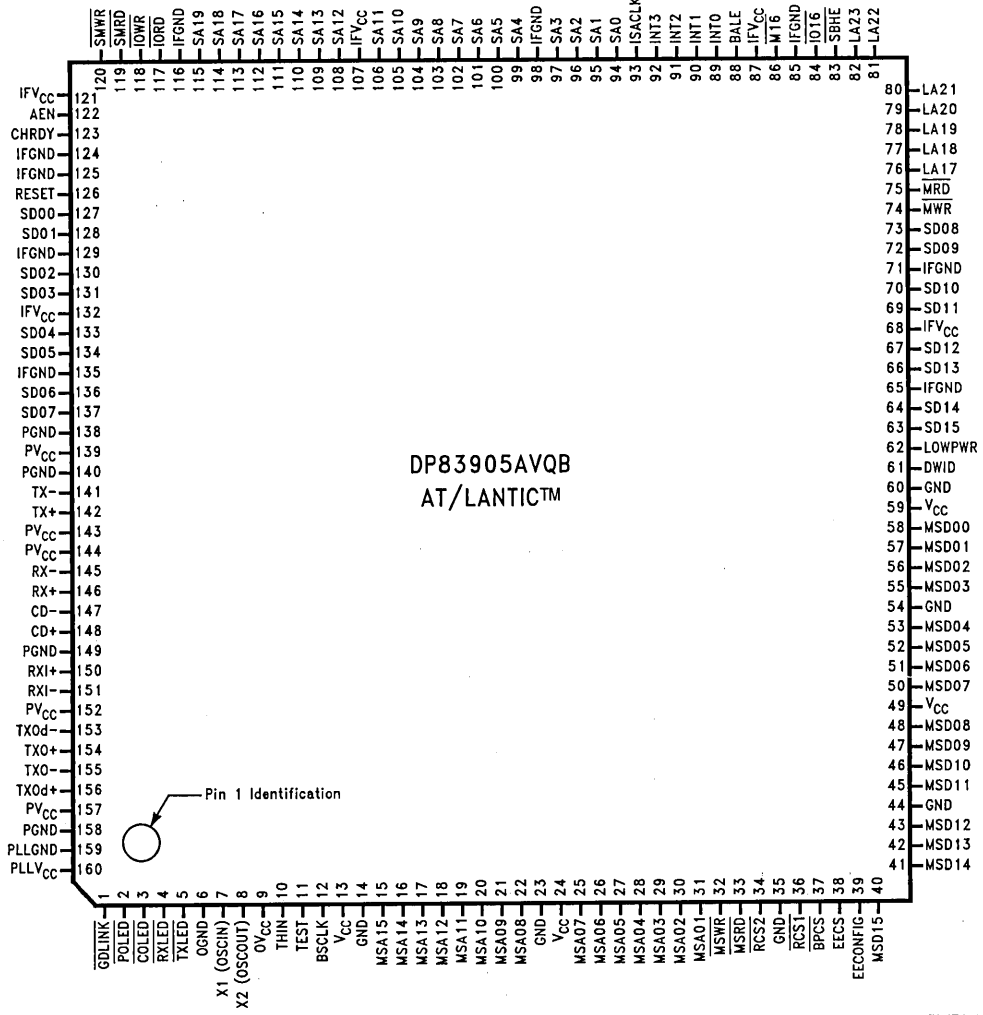
7.0 PRELIMINARY ELECTRICAL CHARACTERISTICS

8.0 PRELIMINARY SWITCHING CHARACTERISTICS

9.0 AC TIMING TEST CONDITIONS

1.0 System Diagram (Continued)

1.1 CONNECTION DIAGRAM



Order Number DP83905AVQB
See NS Package Number VJG100A

TL/F/11498-2

2.0 Pin Description

Pin No.	Pin Name	Type*	Description
ISA BUS INTERFACE PINS			
94-97 99-106 108-115	SA0-SA19	I TTL	LATCHED ADDRESS BUS: Low-order 20 bits of the system's 24 bit address bus. These lines are enabled onto the bus, by the system, when BALE is high and are latched when BALE returns low. These bits are used to decode accesses to the AT/LANTIC Controller's I/O map and to the boot PROM. In addition they are used to decode accesses to the AT/LANTIC Controller's memory in shared memory mode.
76-82	LA17-LA23	I TTL	UNLATCHED ADDRESS BUS: High order 7 bits of the 24-bit system address bus. These lines are valid on the falling edge of BALE. These bits are used to decode accesses to the AT/LANTIC Controller's memory in shared memory mode.
127, 128, 130, 131, 133, 134, 136, 137, 73, 72, 70, 69, 67, 66, 64, 63	SD0-SD15	I/O 3SH	SYSTEM DATA BUS: 16-bit system data bus. Used to transfer data between the system and the AT/LANTIC Controller.
88	BALE	I TTL	BUS ADDRESS LATCH ENABLE: This signal indicates when the system address lines are valid.
83	SBHE	I TTL	SYSTEM BUS HIGH ENABLE: This signal indicates that the system expects a transfer on the upper byte lane.
86	M16	O OCH	16-BIT MEMORY TRANSFER: In 16-bit shared memory mode this signal indicates that the AT/LANTIC Controller has decoded an address within the 128 kbyte space that it occupies part of.
84	I/O16	O OCH	16-BIT I/O TRANSFER: In I/O mode this signal indicates that the AT/LANTIC Controller is responding to a 16-bit I/O access by driving 16-bits of data on the bus.
74	MWR	I TTL	MEMORY WRITE STROBE: Strobe from system to write to AT/LANTIC Controller's memory map. <i>This pin should be connected to allow the CHRDY fix in 16-bit I/O mode to operate correctly. (See Section 6.0)</i>
75	MRD	I TTL	MEMORY READ STROBE: Strobe from system to read from AT/LANTIC Controller's memory map. <i>This pin should be connected to allow the CHRDY fix in 16-bit I/O mode to operate correctly. (See Section 6.0)</i>
119, 120	SMRD & SMWR	I TTL	LOW MEMORY STROBES: In Memory mode these signals strobe memory transfers in the same manner as MRD and MWR except that these signals only occur if the access is to the lowest 1 Megabyte. This partial address decode means that these signals can be used in an 8-bit slot to properly decode an access to this area. <i>The AT/LANTIC Controller will use MRD and MWR in 16-bit Memory mode and will use SMRD and SMWR in Memory mode when DWID is low (8-bit mode). SMRD and SMWR are also used to access the BOOT PROM.</i>
118	IOWR	I TTL	I/O WRITE STROBE: Strobe from system to write to the AT/LANTIC Controller's I/O map.
117	IORD	I TTL	I/O READ STROBE: Strobe from system to read from the AT/LANTIC Controller's I/O map.
126	RESET	I TTL	RESET: This signal is output by the system to reset all devices on the bus.

*Driver Types are: I = Input, O = Output, I/O = Bi-directional Output, OCH = Open Collector, 3SH = TRI-STATE Output, TTL = TTL Compatible, AUI = Attachment Unit Interface, TPI = Twisted Pair Interface, LED = LED Drive, MOS = CMOS Level Compatible, XTAL = Crystal.

2.0 Pin Description (Continued)

Pin No.	Pin Name	Type*	Description
ISA BUS INTERFACE PINS (Continued)			
123	CHRDY ^{ACT}	O OCH	CHANNEL READY: This signal is used to insert wait states into system accesses.
122	AEN	I TTL	DMA ACTIVE: This signal indicates that the system's DMA controller has control of the bus.
89–92	INT0–3	O 3SH	INTERRUPT REQUEST: The operation of these 4 outputs is determined by the Configuration registers. They can either be used to directly drive the interrupt lines or used as a 3-bit code with a strobe to generate up to 8 interrupts.
61	DWID	I MOS	DATA WIDTH: This input specifies whether the AT/LANTIC Controller is interfacing to an 8- or 16-bit ISA bus. When high it is in 16-bit mode. It has an internal pull-down resistor.
93	ISACLK	I TTL	ISA CLOCK: Clock from ISA bus. This signal is only required if CHRDY timing has to be altered, by changing the CHRDY bit of Configuration Register B.
NETWORK INTERFACE PINS			
156–153	TXOd+, TXO–, TXO+, TXOd–	O TPI	TWISTED PAIR TRANSMIT OUTPUTS: These high drive CMOS level outputs are resistively combined external to the chip to produce a differential output signal with equalization to compensate for Intersymbol Interference (ISI) on the twisted pair medium.
150, 151	RXI+, RXI–	I TPI	TWISTED PAIR RECEIVE INPUTS: These inputs feed a differential amplifier which passes valid data to the ENDEC module.
141, 142	TX– TX+	O AUI	AUI TRANSMIT OUTPUT: Differential driver which sends the encoded data to the transceiver. The outputs are source followers which require 270Ω pull-down resistors.
145, 146	RX– RX+	I AUI	AUI RECEIVE INPUT: Differential receive input pair from the transceiver.
147, 148	CD– CD+	I AUI	AUI COLLISION INPUT: Differential collision pair input from the transceiver.
5	TXLED	O LED	TRANSMIT: An open-drain active low output. It is asserted for approximately 50 ms whenever the AT/LANTIC Controller transmits data in either AUI or TPI modes.
4	RXLED	O LED	RECEIVE: An open-drain active low output. It is asserted for approximately 50 ms whenever receive data is detected in either AUI or TPI mode.
3	COLED	O LED	COLLISION: An open-drain active low output. It is asserted for approximately 50 ms whenever the AT/LANTIC Controller detects a collision in either AUI or TPI modes.
1	GDLNK	O LED	GOOD LINK: An open-drain active low output. This pin operates as an output to display link integrity status if this function has not been disabled by the GDLNK bit in Configuration Register B. This output is off if the AT/LANTIC Controller is in AUI mode or if link testing is enabled and the link integrity is bad (i.e. the twisted pair link has been broken). This output is on if the AT/LANTIC Controller is in Twisted Pair Interface (TPI) mode, link integrity checking is enabled and the link integrity is good (i.e. the twisted pair link has not been broken) or if the link testing is disabled.
2	POLED	O LED	POLARITY: An open-drain active low output. This signal is normally inactive. When the TPI module detects seven consecutive link pulses or three consecutive received packets with reversed polarity POLED is asserted.

*Driver Types are: I = Input, O = Output, I/O = Bi-directional Output, OCH = Open Collector, 3SH = TRI-STATE Output, TTL = TTL Compatible, AUI = Attachment Unit Interface, TPI = Twisted Pair Interface, LED = LED Drive, MOS = CMOS Level Compatible, XTAL = Crystal.

2.0 Pin Description (Continued)

Pin No.	Pin Name	Type*	Description
NETWORK INTERFACE PINS (Continued)			
7	X1 (OSCIN)	I XTAL	CRYSTAL OR EXTERNAL OSCILLATOR INPUT
8	X2 (OSCOU)	O XTAL	CRYSTAL FEEDBACK OUTPUT: Used in crystal connections only. Should be left completely unconnected when using an oscillator module.
10	THIN	O DCDC	THIN CABLE: This output is high if AT/LANTIC Controller is configured for thin cable. It can be used to enable the DC-DC converter required by the thin ethernet configuration.
EXTERNAL MEMORY SUPPORT			
58-55 53-50	MSD0-7, CA0-7, DO, DI, SK	I/O, I, O MOS	MEMORY SUPPORT DATA BUS—CONFIGURATION REGISTER A INPUT EEPROM SIGNALS: MSD0-7: When RESET is inactive these pins can be used to access external memory and boot PROM. CA0-7: When RESET is active Configuration Register A is loaded with the data value on these pins. If the user puts an external pull-up on any of these pins then the corresponding register bit is set to a 1. If the pin is left unconnected then the register bit is 0. DO, DI, SK: When RESET goes from an active to an inactive level AT/LANTIC Controller will read the contents of an EEPROM, using these signals, and load the contents into internal registers. These internal registers will then be mapped into the space taken up by the PROM in the NE2000 and Ethercard PLUS16. After the EEPROM read operation has completed these pins will revert to MSD0-2 (D0 = MSD0, DI = MSD1, SK = MSD2).
48-45 43-40	MSD8-15 or CB0-7	I/O, I MOS	MEMORY SUPPORT DATA BUS—CONFIGURATION REGISTER B INPUT: MSD8-15: When RESET is inactive these pins can be used to access external memory. CB0-7: When RESET is active Configuration Register B is loaded with the data value on these pins. If the user puts an external pull-up on any of these pins then the corresponding register bit is set to a 1. If the pin is left unconnected then the register bit is 0.
31-25, 22	MSA1-8 or CC0-7	O, I MOS	MEMORY SUPPORT ADDRESS BUS—CONFIGURATION REGISTER C INPUT: MSA1-8: When RESET is inactive these pins drive the memory support address bus. CC0-7: When RESET is active Configuration Register C is loaded with the data value on these pins. If the user puts an external pull-up on any of these pins then the corresponding register bit is set to a 1. If the pin is left unconnected then the register bit is 0.
21-15	MSA9-15	O MOS	MEMORY SUPPORT ADDRESS BUS: MSA9-15: When RESET is inactive these pins drive the memory support address bus. When the memory is only 8 bits wide A0 will appear on A13, in compatible mode, and on A15, in non-compatible mode.
33	$\overline{\text{MSRD}}$	O MOS	MEMORY SUPPORT BUS READ: Strokes data from the external RAM into the AT/LANTIC Controller via the memory support data bus.
32	$\overline{\text{MSWR}}$	O MOS	MEMORY SUPPORT BUS WRITE: Strokes data from the AT/LANTIC Controller into the external RAM via the memory support data bus.
37	$\overline{\text{BPCS}}$	O MOS	BOOT PROM CHIP SELECT: Selects the boot PROM on the memory support data bus.

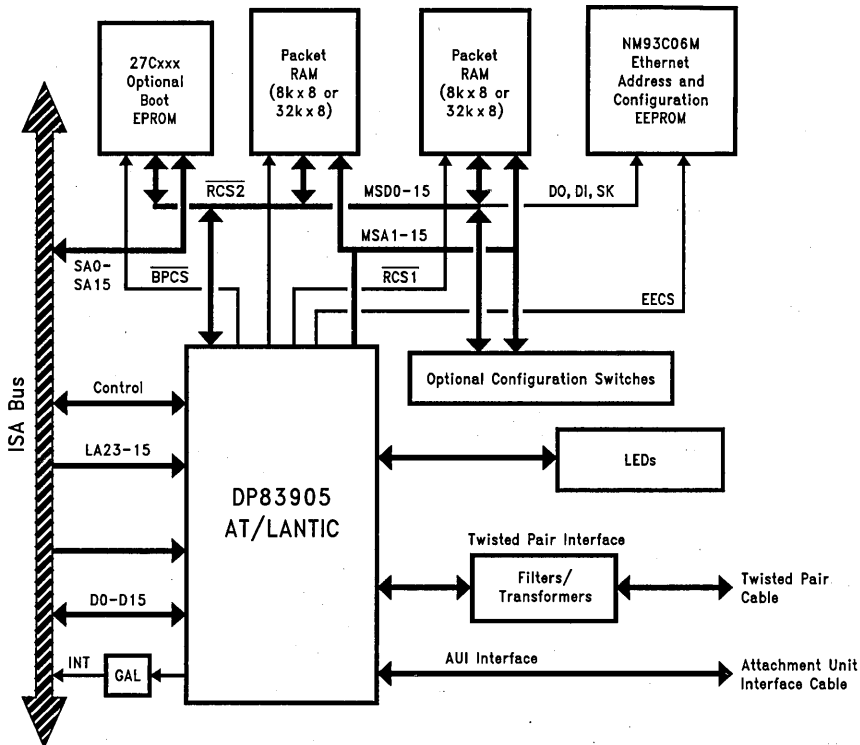
*Driver Types are: I = Input, O = Output, I/O = Bi-directional Output, OCH = Open Collector, 3SH = TRI-STATE Output, TTL = TTL Compatible, AUI = Attachment Unit Interface, TPI = Twisted Pair Interface, LED = LED Drive, MOS = CMOS Level Compatible, XTAL = Crystal.

2.0 Pin Description (Continued)

Pin No.	Pin Name	Type*	Description
EXTERNAL MEMORY SUPPORT (Continued)			
36	$\overline{RCS1}$	O MOS	RAM CHIP SELECT 1: Drives the chip select of the external RAM on the lower half of the memory support data bus.
34	$\overline{RCS2}$	O MOS	RAM CHIP SELECT 2: Drives the chip select of the external RAM on the upper half of the memory support data bus.
38	EECS	O MOS	EEPROM CHIP SELECT: Strobes data from the EEPROM onto the memory support data bus.
39	EECONFIG	I TTL	CONFIGURE FROM EEPROM: When this pin is tied high the AT/LANTIC Controller loads the configuration from an EEPROM.
12	BSCLK	I TTL	INTERNAL BUS CLOCK: This controls the speed of the NIC core if it is not running off of an internal clock (see Configuration Register C). This pin should be tied to ground if it is unused.
LOW POWER SUPPORT			
62	LOWPWR	I TTL	LOW POWER: Instructs AT/LANTIC Controller to enter its low power mode, as detailed in Section 4.5. Should be tied to ground for normal operation.
TEST SUPPORT			
11	TEST	I MOS	TEST: This input is only used for test mode. It should be left unconnected as it has an internal pull-down resistor which will enable correct operation.
POWER SUPPLY PINS			
160	PLL _{VCC}		PLL 5V SUPPLY PINS: This pin supplies 5V to the AT/LANTIC's analog PLL inside the ENDEC block. To maximize data recovery it is recommended that analog layout and decoupling rules be applied between this pin and PLLGND.
159	PLLGND		PLL NEGATIVE (GROUND) SUPPLY PINS
157, 152, 144, 143, 139	PV _{CC}		PHYSICAL MEDIA 5V SUPPLY PINS: These pins supply 5V to the AT/LANTIC's analog physical media interface circuitry.
158, 149, 140, 138	PGND		PHYSICAL LAYER NEGATIVE (GROUND) SUPPLY PINS: These pins are the ground to the AT/LANTIC's analog physical media interface circuitry.
9	OV _{CC}		OSCILLATOR 5V SUPPLY PINS: This pin supplies 5V to the AT/LANTIC's oscillator and LED circuitry.
6	OGND		OSCILLATOR NEGATIVE (GROUND) SUPPLY PINS: This pin is the ground to the AT/LANTIC's oscillator and LED circuitry.
59, 49, 24, 13	V _{CC}		POSITIVE 5V SUPPLY PINS: These pins supply power to the AT/LANTIC Controller's logic.
60, 54, 44, 35, 23, 14	GND		NEGATIVE (GROUND) SUPPLY PINS: These are the supply pins for the AT/LANTIC Controller's logic. It is suggested that decoupling capacitors be connected between the V _{CC} and GND pins. It is essential to provide a path to ground for the GND pins with the lowest possible impedance.
132, 121, 107, 87, 68	IFV _{CC}		INTERFACE POSITIVE 5V SUPPLY PINS: These pins supply power to the AT/LANTIC Controller's ISA interface.
135, 129, 125, 124, 116, 98, 85, 71, 65	IFGND		INTERFACE NEGATIVE (GROUND) SUPPLY PINS: These are the supply pins for the AT/LANTIC Controller's ISA interface. It is suggested that decoupling capacitors be connected between the IFV _{CC} and IFGND pins. It is essential to provide a path to ground for the IFGND pins with the lowest possible impedance.

*Driver Types are: I = Input, O = Output, I/O = Bi-directional Output, OCH = Open Collector, 3SH = TRI-STATE Output, TTL = TTL Compatible, AUI = Attachment Unit Interface, TPI = Twisted Pair Interface, LED = LED Drive, MOS = CMOS Level Compatible, XTAL = Crystal.

3.0 Simplified Application Diagram



TL/F/11498-3

4.0 Functional Description

The AT/LANTIC Controller is a highly integrated and configurable Ethernet controller making it suitable for most Ethernet applications. The AT/LANTIC Controller integrates the functions of the following blocks:

1. DP8390 Ethernet Controller Core and Media Access Control logic.
2. ISA Bus Interface containing all logic required to connect the DP8390 core to a packet buffer RAM and the ISA bus.
3. Media Interface which includes an Encoder/Decoder block with an AUI (Attachment Unit Interface) and a 10BASE-T Twisted Pair Interface.

4.1 BUS INTERFACE BLOCK

The AT/LANTIC Controller's Bus interface block provides the circuitry to interface the Ethernet controller logic, and the external packet buffer RAM to an ISA (Industry Standard Architecture) Bus. The bus interface provides several configuration modes which offer various different features depending on the designer's specific design requirements. The possible modes are:

1. 16-Bit or 8-Bit Shared Memory Compatible Mode
2. 16-Bit or 8-Bit Shared Memory Enhanced Mode
3. 16-Bit or 8-Bit I/O Port Compatible Mode
4. 16-Bit or 8-Bit I/O Port Enhanced Mode

This section describes the function of each of these modes.

4.0 Functional Description (Continued)

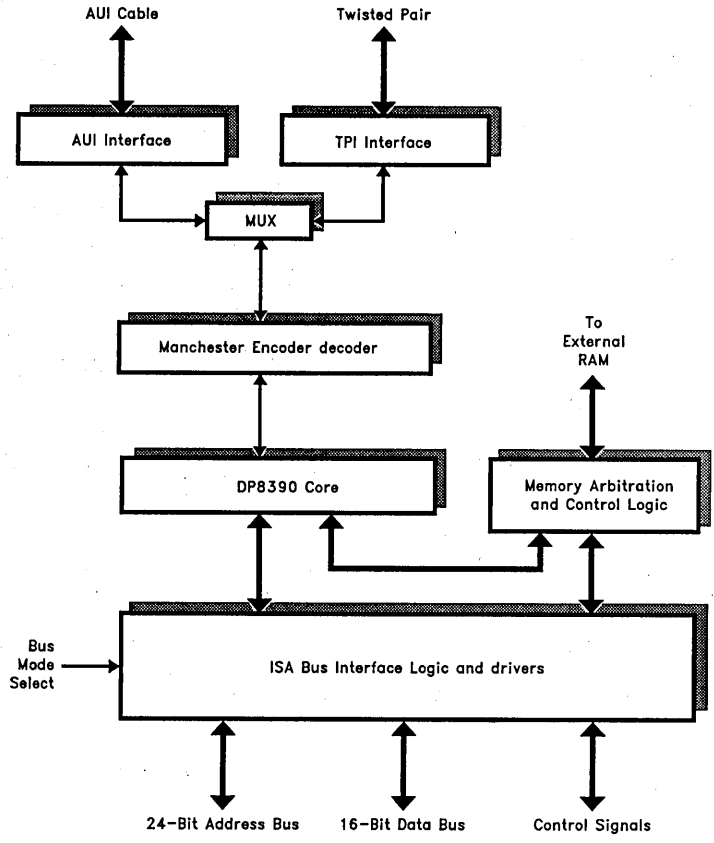


FIGURE 1. Block Diagram of AT/LANTIC Controller

TL/F/11498-4

DETERMINING 8- OR 16-BIT WIDE DATA

AT/LANTIC Controller can treat the system data bus and all internal data busses as 8 or 16 bits wide. 8- or 16-bit mode is determined by the DWID pin. For an adapter card this bit can be used to automatically detect if the card has been plugged into an 8- or 16-bit slot. If this pin is connected to a V_{DD} on the upper connector it will be high when plugged into a 16-bit slot, enabling 16-bit mode, and floating when plugged into an 8-bit slot. When floating the internal pull-down resistor will enable 8-bit mode.

In this mode the AT/LANTIC Controller's internal memory map, using external RAM devices, is mapped into the host system's memory map. Both the AT/LANTIC Controller and the host system can directly access this memory. The AT/LANTIC Controller controls the arbitration for this memory area, giving priority to its internal accesses. It also has an internal FIFO to allow for any latency on internal transfers introduced by system accesses. If a system access occurs while an internal access is current the AT/LANTIC Controller will insert wait states into the system cycle until the internal transfer is complete.

SHARED MEMORY ARCHITECTURE

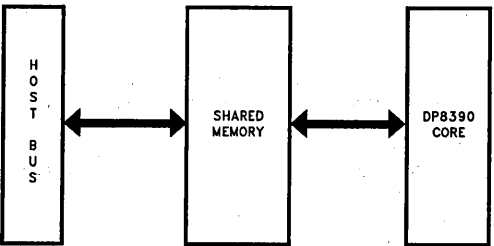


FIGURE 2. Shared Memory

TL/F/11498-5

In this mode the AT/LANTIC Controller's internal registers are accessed within the system's I/O map. The address within this I/O map is set by Configuration Register A. The user programs the address of the shared memory within the host systems memory map by writing to a register in AT/LANTIC Controller. The memory is not accessible by the user until after this register has been programmed.

There are two basic Shared Memory modes, compatible mode, and non-compatible mode, as described in the following text.

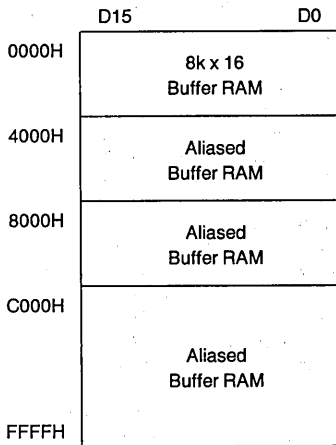
4.0 Functional Description (Continued)

Shared Memory Compatible Mode I/O Address Mapping

The shared memory is at an address decided by the Address Decode Register and the base I/O address of AT/LANTIC Controller is configured in Configuration Register A. At that address the following structure appears.

Addr	D7-0	
00	Control 1	
01	AT detect	(Read only)
02	Unused	
03	Unused	
04	Unused	
05	Control 2	
06	Unused	
07	Unused	
08	Node addr 0	(Read only)
09	Node addr 1	(Read only)
0A	Node addr 2	(Read only)
0B	Node addr 3	(Read only)
0C	Node addr 4	(Read only)
0D	Node addr 5	(Read only)
0E	05h	(Read only)
0F	Checksum	(Read only)
10 to 1F	NIC registers	

(a)



(b)

FIGURE 3. Shared Memory Mode a) Register Mapping and b) NIC Core Memory Map

The AT Detect Register indicates whether AT/LANTIC Controller is in an 8- or 16-bit slot. The least significant bit of this register is set high when AT/LANTIC Controller is in 16-bit mode and low in 8-bit mode. Addresses 08H to 10H are

specified as the PROM space for compatibility with the Ethernet PLUS16. This is actually an array of 8-bit registers which are loaded from an external EEPROM after AT/LANTIC Controller is initialized by a reset pulse. The user should program the EEPROM to contain these values.

The 8k words of memory can be accessed directly by the host system in the same manner as any other memory. Typically the programmer would remove data from this buffer using a "MOV" or "MOVSW" instruction.

8-BIT SHARED MEMORY COMPATIBLE MODE

In this mode the I/O map remains the same. The NIC core can still operate in 16-bit mode, if bit 6 of Control Register 2 is set high and the full 16 kbytes of RAM are still available. However, only 8-bit system accesses are allowed. If bit 6 of Control register 2 is low the NIC core must operate in 8-bit mode and only 8k of memory is available. The NIC Core data width is set by the WTS bit in the Data Configuration Register.

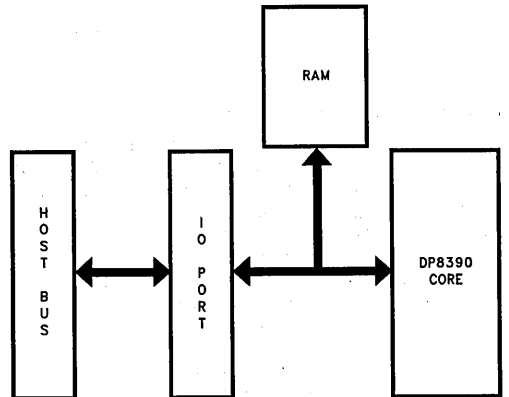
A low cost card, using only one 8 kbyte RAM, can be designed. If the DWID pin is left unconnected, or tied to GND, then the AT/LANTIC Controller will always operate in 8-bit mode, regardless of the slot the board is in.

If DWID is low the address bits of Control Register 2 should not be written to as they have no effect. In this mode the address comparator assumes that SA19 is to be compared to a logic high, with the other address comparisons programmed into Control Register 1.

SHARED MEMORY NON-COMPATIBLE MODE

These modes are similar to the compatible mode. The difference is that they map a full 64 kbytes of RAM into the PC's memory address space. The I/O map remains the same.

I/O PORT ARCHITECTURE



TL/F/11498-6

FIGURE 4. I/O Port

This is the architecture used by Novell's NE2000. In this mode the AT/LANTIC Controller's internal memory map is accessed byte or word at a time, via a port within the system's I/O space. AT/LANTIC Controller is programmed by the user to control the transfers between its internal memory and the I/O port.

In this mode the AT/LANTIC Controller's internal registers and the memory access port are accessed within the system's I/O map. The address within this I/O map is set by Configuration Register A.

4.0 Functional Description (Continued)

16-BIT I/O PORT COMPATIBLE MODE I/O ADDRESS MAPPING

This mode is compatible with Novell's NE2000. The base I/O address of the AT/LANTIC Controller is configured by Configuration Register A (either upon power up or by software writing to this register). At that address the following structure appears.

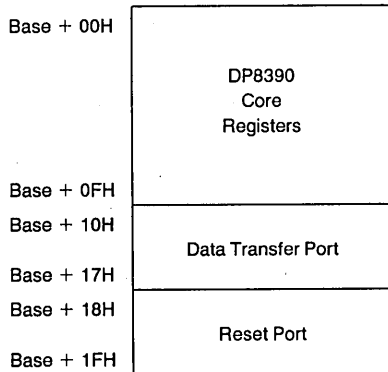
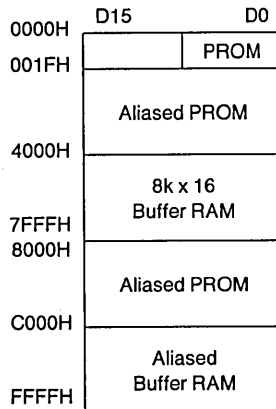


FIGURE 5. I/O Port Mode Register I/O Map

The registers within this area are 8 bits wide, but the data transfer port is 16 bits wide. The AT/LANTIC Controller's registers can be programmed to control the passing of data between its internal memory and the data transfer port. By accessing the data transfer port (using I/O instructions) the user can transfer data to or from the AT/LANTIC Controller's internal memory. The AT/LANTIC Controller's internal memory map is as shown in Figure 6.

AT/LANTIC Controller actually has a 64k address range but only does partial decoding on these devices. The PROM data is mirrored at all decodes up to 4000H and the entire map is repeated at 8000H. To access either the PROM or the RAM the user must initiate a Remote DMA transfer between the I/O port and memory.

On a remote read the AT/LANTIC Controller moves data from its internal memory map to the I/O port and the host system reads it by using an "INW" or "INSW" instruction from the I/O address of the data transfer port. If the system attempts to read the port before AT/LANTIC Controller has written the next word of data to it AT/LANTIC Controller will insert wait states into the system cycle, using the CHRDY



(a)

	D15	D0
1EH	00	57H
1CH	00	57H
	•	•
	00	RESERVED
	•	•
0AH	00	E'net Address 5
08H	00	E'net Address 4
06H	00	E'net Address 3
04H	00	E'net Address 2
02H	00	E'net Address 1
00H	00	E'net Address 0

(b)

FIGURE 6. a) NIC Core's Memory Map
b) 16 Bit Prom Map

4.0 Functional Description (Continued)

line. AT/LANTIC Controller will not begin the next memory read until the previous word of data has been read.

On a remote write the system writes data to the I/O port, using an "OUTW" or "OUTSW" instruction, and AT/LANTIC Controller moves it to its buffer memory. If the system attempts to write to the port before AT/LANTIC Controller has moved the data to memory AT/LANTIC Controller will insert wait states into the system cycle, using the CHRDY line. AT/LANTIC Controller will not begin the next memory write until a new word has been written to the I/O port.

Addresses 00H to 1FH are specified as the PROM space for compatibility with the NE2000. This is actually an array of 8-bit registers which are loaded from an external EEPROM after AT/LANTIC Controller is initialized by an ISA RESET. They should contain the same data as the PROM did in the NE2000 and in the same format. As can be seen the PROM registers are only 8-bits wide. To transfer the data out the user must initiate a 16-bit DMA read transfer and discard the most significant byte of data on each transfer.

At address 00H of the PROM is a six byte Ethernet address for this node. The upper two addresses of the PROM store contain bytes which identify whether the AT/LANTIC Controller is in 8- or 16-bit mode. For 16-bit mode these bytes both contain the value 57H, for 8-bit mode they both contain 42H.

8-BIT I/O PORT COMPATIBLE MODE

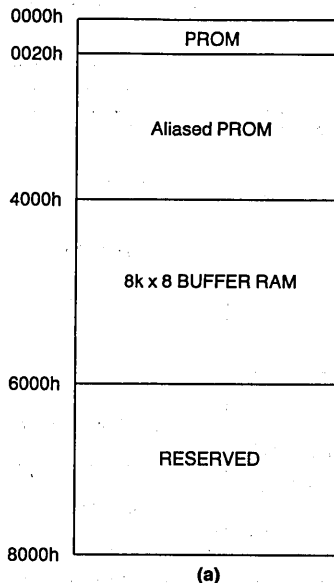
This mode is compatible with the 8-bit mode offered by Novell's NE2000. The NE2000 automatically detects whether it is in an 8- or 16-bit slot and configures itself appropriately. As explained in the previous paragraphs, the user can determine whether the board is in 8- or 16-bit mode by reading the PROM. In 8-bit mode only 8 kbytes of RAM are addressable, as in the 8-bit mode of the NE2000. The I/O map is the same as the 16-bit mode, the memory map is shown in *Figure 7*. Again the PROM has only a partial decode, so is mirrored at all addresses up to 4000H. The PROM still occupies 32 bytes of address space, although it only has 16 bytes of data, as the data at all odd address locations is merely a mirror of the data at the previous even address location. The RAM is mirrored at 6000H and the entire map mirrored at 8000H.

A low cost card, using only one 8 kbyte RAM, can be designed. If the DWID pin is left unconnected, or tied to GND, then the AT/LANTIC Controller will always operate in 8-bit mode, regardless of the slot the board is in.

I/O PORT NON-COMPATIBLE MODE

This mode is similar to Novell's NE2000, but this mode allows the user to use the full 64 kbytes of address space except for an initial page for the PROM. The memory map for this board is shown in *Figure 8*. The memory map is the same for both 8- and 16-bit modes. Although the PROM store occupies 256 bytes, it is only 16 bytes long. The entire map is mirrored at 8000H.

A low cost card, using only one 8 kbyte RAM, can be designed. If the DWID pin is left unconnected, or tied to GND, then the AT/LANTIC Controller will always operate in 8-bit mode, regardless of the slot the board is in.



(b)

	D15	D0
1EH	42H	42H
1CH	42H	42H
	• RESERVED •	• RESERVED •
0AH	E'net Address 5	E'net Address 5
08H	E'net Address 4	E'net Address 4
06H	E'net Address 3	E'net Address 3
04H	E'net Address 2	E'net Address 2
02H	E'net Address 1	E'net Address 1
00H	E'net Address 0	E'net Address 0

FIGURE 7. a) 8-Bit NIC Core's Memory Map
b) 8-Bit PROM Map

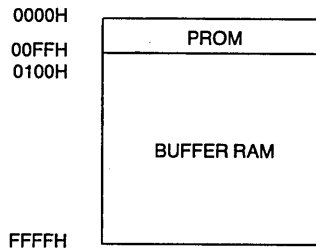


FIGURE 8. I/O Port Enhanced Mode
DP8390 Core Memory Map

4.0 Functional Description (Continued)

4.2 POWER ON RESET OPERATION

The AT/LANTIC Controller configures itself after a Reset signal is applied. To be recognized as a valid Power-On-Reset the Reset signal must be active for at least 415 μ s. Figure 9 shows how the RESET circuitry operates.

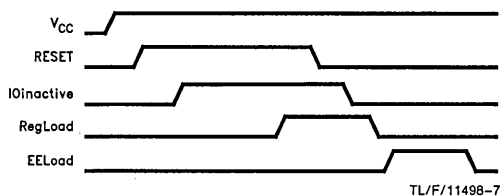


FIGURE 9. RESET Operation

The ISA standard determines that within 500 ns of RESET going active all devices should enter the appropriate reset condition. The AT/LANTIC Controller will generate the internal signal IOinactive after RESET has been active for 415 ns, which will disable all outputs and cause RESET to be the only input monitored. The AT/LANTIC Controller will not respond to a RESET pulse of shorter duration than this. An internal timer continues to monitor the amount of time RESET is active. After 415 μ s it is considered a valid Power-On-Reset and an internal signal called RegLoad is generated.

When a Power-On-Reset occurs the AT/LANTIC Controller latches in the values on the configuration pins and uses these to configure the internal registers and options. Internally these pins contain pull-down resistors, which are enabled when IOinactive goes active. If any pins are unconnected they default to a logic zero. The internal pull-down resistor has a high resistance to allow the external pull-up resistors to be of a high value. This limits the current taken by the memory support bus. The suggested external resistor value is 10 k Ω . The configuration registers are loaded from the memory support bus when RESET goes inactive if RegLoad is active. The internal pull-down resistors are enabled onto the bus until RegLoad has gone inactive.

A Power-On-Reset also causes the AT/LANTIC Controller to load the internal PROM store from the EEPROM, which can take up to 320 μ s. This occurs after RegLoad has gone inactive. The AT/LANTIC Controller will be inaccessible during this time. If EECONFIG is held high the configuration data loaded on the falling edge of RESET will be overwritten with data read from the serial EEPROM. Regardless of the level on EECONFIG the PROM store will always be loaded with data from the serial EEPROM during the time specified as EELoad.

4.3 EEPROM OPERATION

The AT/LANTIC Controller uses an NM93C06, or EEPROM with compatible timings. The NM93C06 is a 256-bit device, arranged as 16 words each 16 bits wide. The programmed contents of the EEPROM is shown in Figure 10.

Mapping EEPROM Into PROM Space

Data is read from the EEPROM at boot time and stored in registers within the AT/LANTIC Controller. While this operation takes place the AT/LANTIC Controller can not be ac-

	D15	D0
0FH	73H	Config. C
0EH	Config B	Config. A
	•	•
	•	•
	•	•
08H	42H	42H
07H	57H	57H
	•	•
	•	•
	•	•
03H	Reserved (Checksum)	Reserved (Board Type)
02H	E'net Address 5	E'net Address 4
01H	E'net Address 3	E'net Address 2
00H	E'net Address 1	E'net Address 0

Note 1: The contents of locations 03H and 04H differ between I/O Mode and Shared Memory Mode. The Shared Memory Mode values are shown in parentheses. For compatibility with both modes default to the shared memory mode values.

Note 2: Programming 73H into the upper address is not absolutely required but is strongly recommended for future compatibility of manufacturing process.

FIGURE 10. EEPROM Programming Map

cessed by the system. These registers are mapped into the space traditionally occupied by the PROM in the NE2000 or the EtherCard PLUS16. The size and format of this data read is determined by the mode of operation.

SHARED MEMORY MODE

In this mode, program the EEPROM to contain the node's Ethernet address in the first six bytes, a byte identifying the type of board AT/LANTIC Controller is emulating in byte 7 and a checksum byte in byte 8. The two's complement sum of these eight bytes should equal FFH.

In this Mode the AT/LANTIC Controller reads the first 4 words from the EEPROM and maps them into the I/O map at the appropriate address.

I/O PORT MODE

In this mode, program the EEPROM to contain the node's Ethernet address in the first six bytes. The user should then program 5757H and 4242H into the subsequent bytes. The AT/LANTIC Controller will decide which of these values should be loaded into the PROM store depending on the DWID pin. (The data width is programmed in this mode by setting the WTS bit in the Data Configuration Register and setting the DWID pin for the proper mode.) If some other numerical values are preferred to indicate the mode then they can be programmed at this location in the EEPROM and AT/LANTIC Controller will put them at the correct address.

In this mode the AT/LANTIC Controller reads the first 7 words from the EEPROM and maps them into the memory map at the appropriate address. If in 16-bit mode it also

4.0 Functional Description (Continued)

reads the next word in the EEPROM and appends this. If in 8-bit mode it skips a word, then reads and appends the next word.

Storing and Loading Configuration from EEPROM

If the EECONFIG pin is high during boot up the AT/LANTIC Controller's configuration is read from the EEPROM, before the PROM data is read. The configuration data is stored within the upper two words of the EEPROM's address space. Configuration Registers A and B are located in the lower of these words, Register C in the lower byte of the upper word, as shown in *Figure 10*.

To write this configuration into the EEPROM the user must follow the routine specified in the pseudo code below. This operation will work regardless of the level on EECONFIG. The EELoad bit of Configuration Register B being set starts the EEPROM write process. Care should be taken not to accidentally set the GDLINK bit and therefore disable link integrity checking. The next 3 writes to this register load the values that will be stored in the configuration register (note that the last 2 of these writes do not have to follow the normal practice of preceding a write to this register with a read to this address). The AT/LANTIC Controller will then commence the EEPROM write. The write has been completed when the EELoad bit goes to zero. This loading procedure should be followed exactly and interrupts should be disabled until it has completed, to prevent any accidental accesses to the AT/LANTIC Controller.

```
EEPROM_LOAD()
{
    DISABLE_INTERRUPTS();
    value = READ(CONFIG_B);
    value = value AND 1 GDLINK;
    value = value OR EELoad;
    WRITE(CONFIG_B, value);
    READ(CONFIG_B);
    WRITE(CONFIG_B, config_for_A);
    WRITE(CONFIG_B, config_for_B);
    WRITE(CONFIG_B, config_for_C);
    while (value AND EELoad)
    {
        value = READ(CONFIG_B);
        WAIT();
    }
    ENABLE_INTERRUPTS();
}
```

4.4 JUMPERED AND JUMPERLESS OPERATION SUPPORT

The AT/LANTIC Controller supports several options that enable the implementation of either a "jumpered" or "jumperless" power on configuration when installed into a standard PC compatible's ISA bus. A wide range of options are provided to ensure that the AT/LANTIC Controller can be configured by an end user to function in all possible PC-AT system configurations. Several types of configuration options can be implemented examples including:

1. Full jumper options: All programmable options are selected by utilizing jumpers on the board. Option selection requires no special software. An example of this is shown in the *Figure 11*.

2. I/O address jumpers only: All other options configurable via software. This option simplifies installation while maximizing compatibility.
3. Jumperless: Special scheme provides contention-free I/O address selection.

The AT/LANTIC Controller's Configuration Registers are the key to providing the ability to implement various configuration options. These registers are configured by the same method in shared memory and I/O port modes, 8- or 16-bit modes. The bit definitions of these registers are provided in Section 5. All three registers are configured by hardware selection during the Power-On-Reset of the system. Two of these registers can be configured via software (the Mode Configuration Registers A and B). The third register (Hardware Configuration Register C) is only configured during reset.

The following table indicates *most* of the AT/LANTIC Controller options that a designer may like to have user configurable. (This list does not represent the complete list. For the full list see the Configuration register descriptions in Section 5.)

TABLE I. Some Configuration Options for AT/LANTIC Controller

Option	Selections	
I/O Base Address	0300H	02C0H
	Software	0320H
	0240H	0340H
	0280H	0360H
Interrupt No.	4 Interrupts	8 Interrupts
Boot PROM Address	Disabled	0CC00H
	0C000H	0D000H
	0C400H	0D400H
	0C800H	0D800H
		0DC00H
Boot PROM Size	None	32k
	16k	64k
Media Selection	Twisted Pair AUI Port	Thin Ethernet
Architecture	I/O Mode	Shared RAM Mode
Bus Timing Options	IOCHRDY Mode	MEM16 Mode

The three basic options are described below. Because of the variety of programmable options there are a number of variations possible, only a few typical examples will be discussed.

FULLY JUMPERED OPERATION

This option is shown in *Figure 11*. In this configuration most options are selected by jumpers on the AT/LANTIC Controller's memory bus. For this option all configuration options are set upon power-on by the AT/LANTIC Controller as described in Section 4.2. Accessing the configuration registers is unnecessary and the EEPROM need only contain the

4.0 Functional Description (Continued)

JP1..JP3 I/O Address
 JP4..JP5 INTR Jumper
 JP6 IO OR Shared RAM
 JP7, JP8 Thin, Thick or TP Interface
 JP9, CHRDY Assertion
 JP10..JP13 EPROM Address and Size

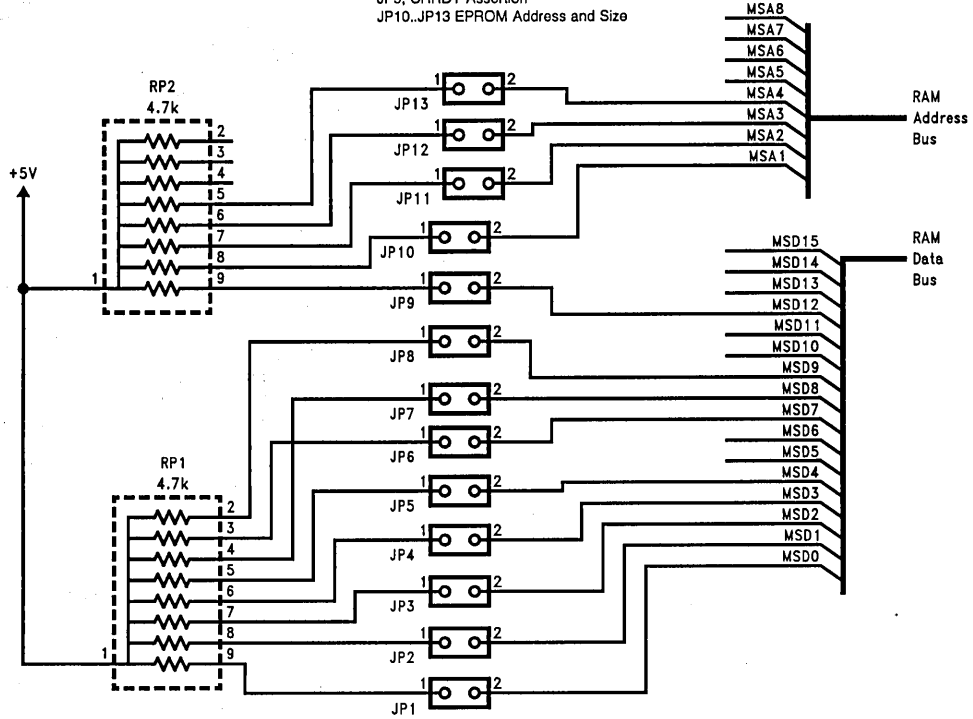


FIGURE 11. Example of Jumper Configuration

TL/F/11498-8

Ethernet ID address (Configuration Register B bit 7 should be set to disable EEPROM configuration mode, and Configuration Register C bit 7 could be set to disable software configuration completely).

MINIMAL JUMPERS

The AT/LANTIC Controller's configuration registers provide the capability to enable software to configure various options (some may be hardwired). For the one option that is not easily configured on the ISA bus is the I/O address options. The reason for this is that the I/O locations must first be known by the software in order for the software (usually a device driver) to access the AT/LANTIC Controller. However, upon power up, in order to access a register to configure the I/O base address to avoid conflicts some default location must be given (typically set in hardware on the memory bus). It is possible that this default location conflicts with an already installed device. If this is the case then one possible solution, is to provide a jumper option for only the I/O Addresses. A similar situation exists for the boot PROM memory addresses.

In this application all options except the I/O address and the boot PROM are hardwired on the memory bus to a default setting. After power up software can change the con-

figuration to avoid conflicts on these settings. The advantage of this approach is that for most systems the default I/O address setting is the correct one and no installation will be required in this case. This approach minimizes any compatibility issues.

NO JUMPERS

The conflicts possible in the I/O base selection can be overcome by a special mode for software configuration of the I/O base address. By using this mode, and by using the configuration storage capability of the EEPROM a fully software configurable design on the ISA bus can be realized without address conflict problems.

This mode is invoked by having the AT/LANTIC Controller default to jumperless software configuration option in the I/O base selection. This mode enables configuration register A to be mapped to address location 278H which is defined to be a printer port's data register. If software writes to this location four consecutive times on the fourth write the AT/LANTIC Controller will load the data written into the I/O address bits of Configuration Register A. This data should set the I/O base address to a known conflict-free value. The AT/LANTIC Controller can now be configured and operated



4.0 Functional Description (Continued)

at the desired base I/O address. If desired the configuration software could change the EEPROM content to the new values eliminating the need to reconfigure upon each power up. Alternately the software could leave the EEPROM alone and execute the configuration using the printer port's data register upon each power up. This configuration scheme will only work once after each power-up. Therefore the user cannot enable the AT/LANTIC Controller from reserved mode, change it back into reserved mode, and enable it again. A power-on reset must occur between the first time it is enabled from the reserved mode and the second.

A second consideration is the location of the boot PROM in the system memory map, which also has the same conflict and programming considerations as the I/O address selection. However the solution is different, primarily because the boot PROM must be configured before power up. This is because during normal usage of the boot PROM the PC's BIOS will look for the ROM immediately after reset, not allowing configuration software to first select the boot PROM addressing prior to usage.

To configure the boot PROM without jumpers the configuration software must first power up the AT/LANTIC Controller, configure the EEPROM to the desired location, then hardware reset the AT/LANTIC Controller. After the reset the AT/LANTIC Controller's EEPROM will load in the desired boot PROM configuration automatically during the reset. Now after reset when the PC scans for the boot PROM, the ROM will be correctly mapped in the memory space enabling the network boot operation to proceed.

Ethernet Cable Configuration

AT/LANTIC Controller offers the choice of all the possible Ethernet cabling options, that is Ethernet (10BASE5), Thin Ethernet (10BASE2) and Twisted-pair Ethernet (10BASE-T). The type of cabling used is controlled by Configuration Register B. AT/LANTIC Controller also supplies a THIN output signal which can be used to disable/enable an external DC-DC converter which is required for 10BASE2.

4.5 LOW POWER OPERATION

The AT/LANTIC Controller has a low power support mode that can be used to disable the Ethernet port and conserve power. It should be noted that the device is not operational in this mode and requires to be initialized after exiting this mode.

The power and ground pins to the AT/LANTIC Controller are split up into two groups, interface and core. By switching the power off to the core logic while still powering the interface logic the AT/LANTIC Controller can be powered down without crashing the ISA bus. The LOWPWR pin should be driven high to indicate that the device is about to go into low power then the power to the V_{DD} pins should be switched off. The same signal that is used to drive the LOWPWR pin can be used to drive a p-channel load switch to disable power to the core. This switch must have a very low on resistance to minimize the voltage difference between the V_{CC} and the IFV_{CC} . All devices on the memory support bus should also be powered from the V_{CC} supply.

4.6 BOOT PROM OPERATION

The AT/LANTIC Controller supports an optional boot PROM, the address and size of which can be set in Configuration Register C. This boot PROM can be any 8 bits wide storage device implemented with a non-volatile technology. Write cycles to this device can be enabled and disabled by programming Configuration Register B. This can be used to prevent unwanted write cycles to certain devices, such as a Flash EEPROM. **It should be noted that the address pins for the boot PROM should be connected directly to the ISA bus.** The AT/LANTIC Controller supplies the chip select to the device and buffers the data onto and from the ISA bus, so the memory support data bus should be connected to the boot PROM's data pins.

4.7 DP8390 CORE (NETWORK INTERFACE CONTROLLER)

The DP8390 Core logic, *Figure 12*, contains the Serializer/Deserializer which is controlled by the Protocol PLA, DMA Control, FIFO, Address Comparator, Multicast Hashing Register. The DP8390 core implements all of the IEEE 802.3 Media access control functions for the AT/LANTIC Controller, and interfaces to the internal ENDEC (on the left of the block diagram) and also interfaces to the Bus Interface and memory support bus via a number of address, data and control signal (and the right side of the block diagram). The following sections describe the functions of the DP8390 core.

Receive Deserializer

The Receive Deserializer is activated when the input signal Carrier Sense is asserted to allow incoming bits to be shifted into the shift register by the receive clock. The serial receive data is also routed to the CRC generator/checker. The Receive Deserializer includes a synch detector which detects the SFD (Start of Frame Delimiter) to establish where byte boundaries within the serial bit stream are located. After every eight receive clocks, the byte wide data is transferred to the 16-byte FIFO and the Receive Byte Count is incremented. The first six bytes after the SFD are checked for valid comparison by the Address Recognition Logic. If the Address Recognition Logic does not recognize the packet, the FIFO is cleared.

CRC Generator/Checker

During transmission, the CRC logic generates a local CRC field for the transmitted bit sequence. The CRC encodes all fields after the synch byte. The CRC is shifted out MSB first following the last transmit byte. During reception the CRC logic generates a CRC field from the incoming packet. This local CRC is serially compared to the incoming CRC appended to the end of the packet by the transmitting node. If the local and received CRC match, a specific pattern will be generated and decoded to indicate no data errors. Transmission errors result in different patterns and are detected, resulting in rejection of a packet.

4.0 Functional Description (Continued)

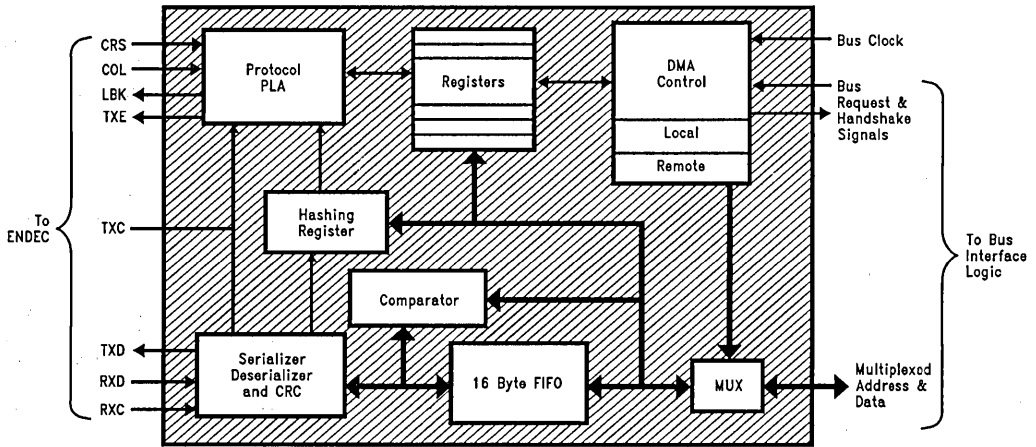


FIGURE 12. DP8390 Controller Core Simplified Block Diagram

TL/F/11498-9

Transmit Serializer

The Transmit Serializer reads parallel data from the FIFO and serializes it for transmission. The serializer is clocked by the transmit clock generated internally. The serial data is also shifted into the CRC generator/checker. At the beginning of each transmission, the Preamble and Synch Generator append 62 bits of 1,0 preamble and a 1,1 synch pattern. After the last data byte of the packet has been serialized the 32-bit FCS (Frame Check Sequence) field is shifted directly out of the CRC generator. In the event of a collision the Preamble and Synch generator is used to generate a 32-bit JAM pattern of all 1's.

Comparator-address Recognition Logic

The address recognition logic compares the Destination Address Field (first 6 bytes of the received packet) to the Physical address registers stored in the Address Register Array. If any one of the six bytes does not match the pre-programmed physical address, the Protocol Control Logic rejects the packet. All multicast destination addresses are filtered using a hashing technique. (See register description.) If the multicast address indexes a bit that has been set in the filter bit array of the Multicast Address Register Array the packet is accepted, otherwise it is rejected by the Protocol Control Logic. Each destination address is also checked for all 1's which is the reserved broadcast address.

FIFO and Packet Data Operations

OVERVIEW

To accommodate the different rates at which data comes from (or goes to) the network and goes to (or comes from) the packet buffer memory, the AT/LANTIC Controller contains a 16-byte FIFO for buffering data between the media and the buffer RAM located on the memory support bus. The FIFO threshold is programmable, allowing filling (or emptying) the FIFO at different rates. When the FIFO has filled to its programmed threshold, the local DMA channel transfers these bytes (or words) into local memory (via the

memory bus). It is crucial that the local DMA is given access to the bus within a minimum bus latency time; otherwise a FIFO underrun (or overrun) occurs.

FIFO underruns or overruns are caused when a local DMA request is issued while an ISA bus access is current and the ISA cycle takes longer to complete than the local DMA's tolerable latency. This tolerable latency depends on the FIFO threshold, whether it is in byte or word wide mode and the speed of the DMA clock (BSCLK frequency). Note that this refers to standard ISA cycles NOT those where the CHRDY is deasserted extending the cycle.

FIFO THRESHOLD DETECTION

To assure that there is no overwriting of data in the FIFO, the FIFO logic flags a FIFO overrun as the 13th byte is written into the FIFO, effectively shortening the FIFO to 13 bytes. The FIFO logic also operates differently in Byte Mode and in Word Mode. In Byte Mode, a threshold is indicated when the n+1 byte has entered the FIFO; thus, with an 8 byte threshold, the AT/LANTIC Controller issues a request to the buffer RAM when the 9th byte has entered the FIFO, making the effective threshold 9 bytes. For Word Mode, the request is not generated until the n+2 bytes have entered the FIFO. Thus, with a 4 word threshold (equivalent to 8 byte threshold), a request to the buffer RAM is issued when the 10th byte has entered the FIFO, making the effective threshold 10 bytes.

TOLERABLE LATENCY CALCULATION

To prevent a FIFO **overrun** a byte (or word) of data must be removed from the FIFO before the 13th byte is written. Therefore the worst case tolerable latency is the time from the effective threshold being reached to the time the 13th byte is written minus the time taken to load the first byte (or word) of data to the FIFO during a local DMA burst (8 BSCLKs).

$$\begin{aligned} \text{tolerable latency} &= ((\text{overrun} - \text{effective}) \text{ threshold} \\ &\quad \times \text{time to transfer byte on network}) \\ &\quad - \text{time to fill 1st FIFO location} \end{aligned}$$

4.0 Functional Description (Continued)

For the case of a 4 word threshold using a 20 MHz BSCLK:

$$\begin{aligned} \text{tolerable latency} &= ((13 - 10) \times 800) - (8 \times 50) \text{ ns} \\ &= 2 \mu\text{s} \end{aligned}$$

To prevent a FIFO **underrun** a byte (or word) of data must be **added** from the FIFO before the last byte is removed. Therefore the worst case tolerable latency is the time from the effective threshold being reached to the time the last byte is removed minus the time taken to load the first byte (or word) of data to the FIFO during a local DMA burst (8 BSCLKs).

$$\begin{aligned} \text{tolerable latency} &= (\text{threshold} \\ &\quad \times \text{time to transfer byte on network}) \\ &\quad - \text{time to fill 1st FIFO location} \end{aligned}$$

For the case of a 4 word threshold using a 20 MHz BSCLK:

$$\begin{aligned} \text{tolerable latency} &= (4 \times 800) - (8 \times 50) \text{ ns} \\ &= 2.8 \mu\text{s} \end{aligned}$$

The worst case latency, either overrun or underrun, ultimately limits the overall latency that the AT/LANTIC Controller can tolerate. If the standard ISA cycles are shorter than the worst case latency then no FIFO overruns or underruns will occur.

BEGINNING OF RECEIVE

At the beginning or reception, the AT/LANTIC Controller stores entire Address field of each incoming packet in the FIFO to determine whether the packet matches its Physical Address Registers or maps to one of its Multicast Registers. This causes the FIFO to accumulate 8 bytes.

Furthermore, there are some synchronization delays in the DMA PLA. Thus, the actual time that a request to access the buffer RAM is asserted from the time the Start of Frame Delimiter (SFD) is detected is 7.8 μs . This operation affects the bus latencies at 2 byte and 4 byte thresholds during the first receive request since the FIFO must be filled to 8 bytes (or 4 words) before issuing a request to the buffer RAM.

END OF RECEIVE

When the end of a packet is detected by the ENDEC module, the AT/LANTIC Controller enters its end of packet processing sequence, emptying its FIFO and writing the status information at the beginning of the packet. The AT/LANTIC Controller holds onto the memory bus for the entire sequence. The longest time that local DMA will hold the buffer RAM occurs when a packet ends just as the AT/LANTIC Controller performs its last FIFO burst. The AT/LANTIC Controller, in this case, performs a programmed burst transfer followed by flushing the remaining bytes in the FIFO, and completed by writing the header information to the buffer memory. The following steps occur during this sequence.

1. AT/LANTIC Controller issues request to access the RAM because the FIFO threshold has been reached.
2. During the burst, packet ends, resulting in the request being extended.
3. AT/LANTIC Controller flushes remaining bytes from FIFO.
4. AT/LANTIC Controller performs internal processing to prepare for writing the header.
5. AT/LANTIC Controller writes 4-byte (2-word) header
6. AT/LANTIC Controller de-asserts access to the buffer RAM.

BEGINNING OF TRANSMIT

Before transmitting, the AT/LANTIC Controller performs a prefetch from memory to load the FIFO. The number of bytes prefetched is the programmed FIFO threshold. The next request to the buffer RAM is not issued until after the AT/LANTIC Controller actually begins transmitting data, i.e., after SFD.

READING THE FIFO

If the FIFO is read during normal operation the AT/LANTIC Controller will "hang" the ISA bus by deasserting CHRDY and never asserting it. The FIFO should only be read during loopback diagnostics, when it will operate normally.

PROTOCOL PLA

The Protocol PLA is responsible for implementing the IEEE 802.3 protocol, including collision recovery with random backoff. The Protocol PLA also formats packets during transmission and strips preamble and synch during reception.

DMA AND BUFFER CONTROL LOGIC

The DMA and Buffer Control Logic is used to control two 16-bit DMA channels. During reception, the Local DMA stores packets in a receive buffer ring, located in buffer memory. During transmission the Local DMA uses programmed pointer and length registers to transfer a packet from local buffer memory to the FIFO.

A second DMA channel is used when the AT/LANTIC Controller is used in I/O Port mode. This DMA is used as a slave DMA to transfer data between the local buffer memory and the host system. The Local DMA and Remote DMA are internally arbitrated, with the Local DMA channel having highest priority. Both DMA channels use a common external bus clock to generate all required bus timing. External arbitration is performed with a standard bus request, bus acknowledge handshake protocol.

In the shared memory mode the Remote DMA is not used, because in this mode the system has direct read/write access to the buffer RAM.

4.0 Functional Description (Continued)

4.8 TWISTED PAIR INTERFACE MODULE

The TPI consists of five main logical functions:

- a) The Receiver/Smart Squelch, responsible for determining when valid data is present on the differential receive inputs (RXI±) and receiving the data.
- b) The Collision function checks for simultaneous transmission and reception of data on the TXO± and RXI± pins.
- c) The Link Detector/Generator checks the integrity of the cable connecting the two twisted pair MAUs.
- d) The Jabber disables the transmitter if it attempts to transmit a longer than legal packet.
- e) The TX Driver and Pre-emphasis transmits Manchester encoded data to the twisted pair network via the summing resistors and transformer/filter.

Receiver and Smart Squelch

The AT/LANTIC Controller implements an intelligent receive squelch on the RXI± differential inputs to ensure that impulse noise on the receive inputs will not be mistaken for a valid signal.

The squelch circuitry employs a combination of amplitude and timing measurements to determine the validity of data on the twisted pair inputs. There are two voltage level options for the smart squelch. One mode, 10BASE-T mode, uses levels that meet the 10BASE-T specification. The second mode, reduced squelch mode, uses a lower squelch threshold level, and can be used in longer cable applications where smaller signal levels may be applied. The squelch level mode can be selected in the AT/LANTIC Controller configuration registers.

Figure 14 shows the operation of the smart squelch in 10BASE-T mode.

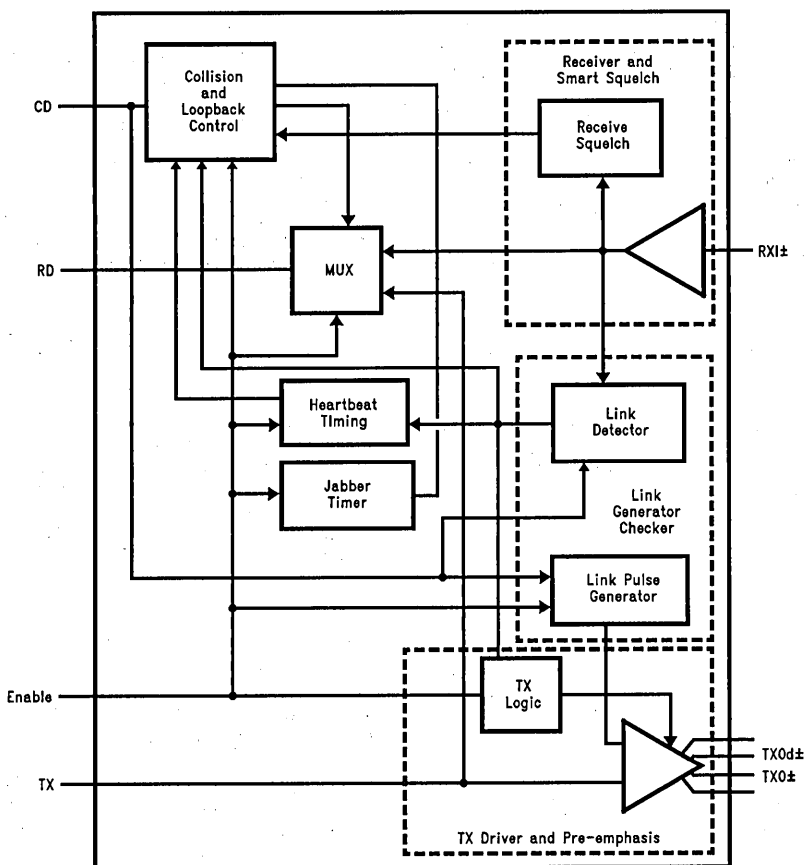


FIGURE 13. Twisted Pair Interface Module Block Diagram

TL/F/11498-10

4.0 Functional Description (Continued)

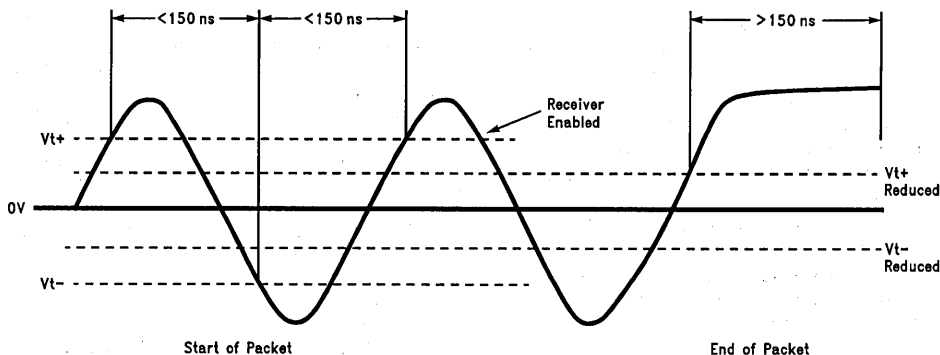


FIGURE 14. Twisted Pair Squelch Waveform

TL/F/11498-11

The signal at the start of packet is checked by the smart squelch and any pulses not exceeding the squelch level (either positive or negative, depending upon polarity) will be rejected. Once this first squelch level is overcome correctly the opposite squelch level must then be exceeded within 150 ns later. Finally the signal must exceed the original squelch level within a further 150 ns to ensure that the input waveform will not be rejected. The checking procedure results in the loss of typically three bits at the beginning of each packet.

Only after all these conditions have been satisfied will a control signal be generated to indicate to the remainder of the circuitry that valid data is present. At this time the smart squelch circuitry is reset.

In the reduced squelch mode the operation is identical except that the lower squelch levels shown in *Figure 14* are used.

Valid data is considered to be present until either squelch level has not been generated for a time longer than 150 ns, indicating End of Packet. Once good data has been detected the squelch levels are reduced to minimize the effect of noise causing premature End of Packet detection.

Collision

A collision is detected by the TPI module when the receive and transmit channels are active simultaneously. If the TPI is receiving when a collision is detected it is reported to the controller immediately. If, however, the TPI is transmitting when a collision is detected the collision is not reported until seven bits have been received while in the collision state. This prevents a collision being reported incorrectly due to noise on the network. The signal to the controller remains for the duration of the collision.

Approximately 1 μ s after the transmission of each packet a signal called the Signal Quality Error (SQE) consisting of typically 10 cycles of 10 MHz is generated. This 10 MHz signal, also called the Heartbeat, ensures the continued functioning of the collision circuitry.

Link Detector/Generator

The link generator is a timer circuit that generates a link pulse as defined by the 10 Base-T specification that will be generated by the transmitter section. The pulse which is 100 ns wide is transmitted on the TXO+ output, every 16 ms, in the absence of transmit data.

The pulse is used to check the integrity of the connection to the remote MAU. The link detection circuit checks for valid pulses from the remote MAU and if valid link pulses are not received the link detector will disable the transmit, receive and collision detection functions.

The $\overline{\text{GDLNK}}$ output can directly drive a LED to show that there is a good twisted pair link. For normal conditions the LED will be on. The link integrity function can be disabled by setting the GDLNK bit of Configuration Register B.

Jabber

The jabber timer monitors the transmitter and disables the transmission if the transmitter is active for greater than 26 ms. The transmitter is then disabled for the whole time that the Endec module's internal transmit enable is asserted. This signal has to be deasserted for approximately 750 ms (the unjab time) before the Jabber re-enables the transmit outputs.

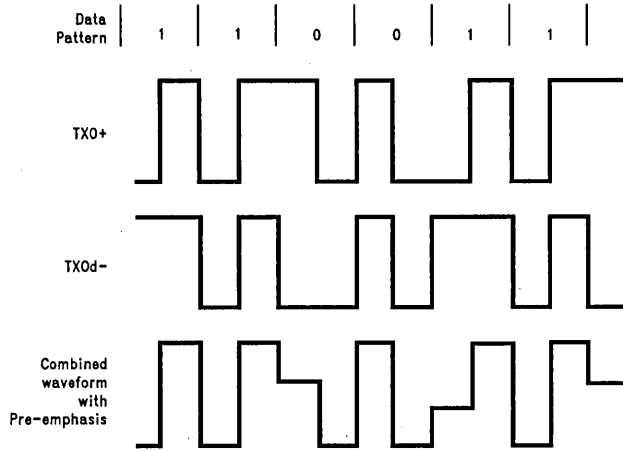
Transmitter

The transmitter consists of four signals, the true and complement Manchester encoded data (TXO \pm) and these signals delayed by 50 ns (TXOd \pm)

These four signals are resistively combined TXO+ with TXOd- and TXO- with TXOd+. This is known as digital pre-emphasis and is required to compensate for the twisted pair cable which acts like a low pass filter causing greater attenuation to the 10 MHz (50 ns) pulses of the Manchester encoded waveform than the 5 MHz (100 ns) pulses.

An example of how these signals are combined is shown in the following diagram.

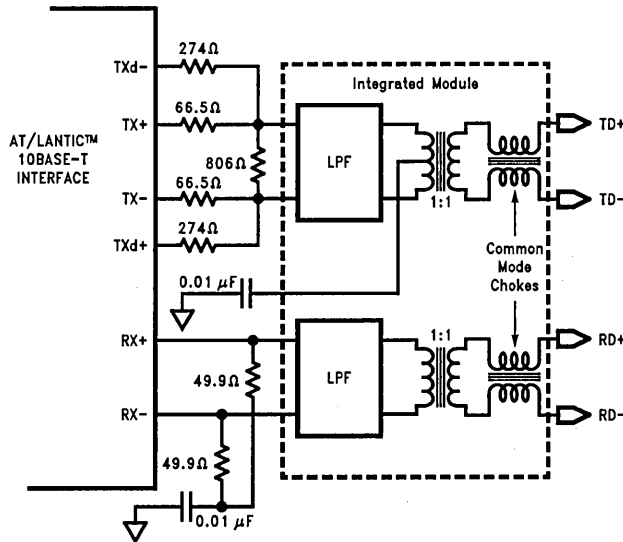
4.0 Functional Description (Continued)



TL/F/11498-12

FIGURE 15. Typical Summed Transmit Waveform

The signal with pre-emphasis shown above is generated by resistively combining TX0+ and TX0d-. This signal along with its complement is passed to the transmit filter.



TL/F/11498-13

FIGURE 16. External Circuitry to Connect AT/LANTIC Controller to Twisted Pair Cable

4.0 Functional Description (Continued)

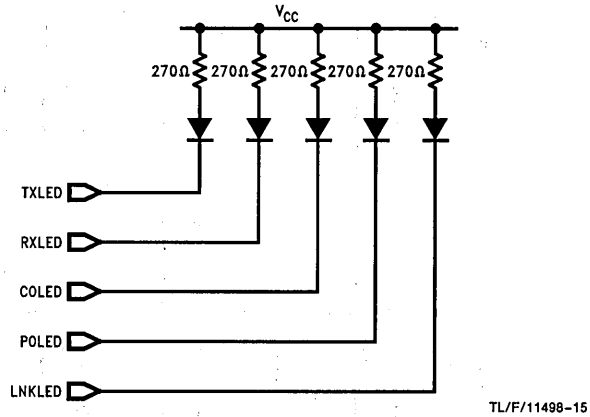


FIGURE 17. Typical AT/LANTIC Controller LED Connection

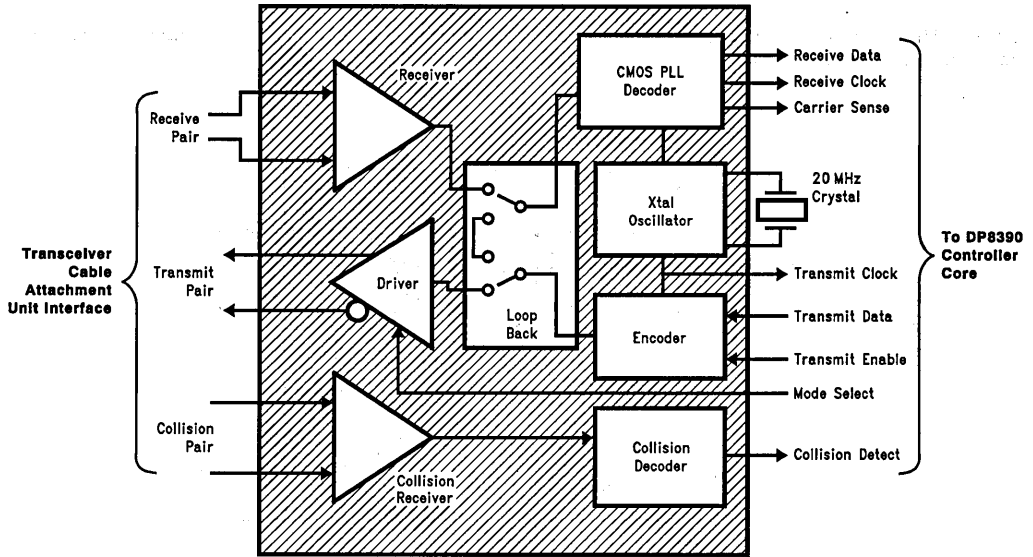


FIGURE 18. Encoder/Decode Block Diagram

4.0 Functional Description (Continued)

Status Information

Status information is provided by the AT/LANTIC Controller on the \overline{RXLED} , \overline{TXLED} , \overline{COLED} and \overline{POL} outputs as described in the pin description table. These outputs are suitable for driving status LED's as shown in *Figure 17*. All outputs are open drain.

Recommended integrated Filter-Transformer-choke modules:

1. Pulse Engineering PE65424
2. Valor FL1012 or FL1030.

4.9 ENCODER/DECODER (ENDEC) MODULE

The ENDEC consists of four main logical blocks:

- The oscillator generates the 10 MHz transmit clock signal for system timing.
- The Manchester encoder accepts NRZ data from the controller, encodes the data to Manchester, and transmits the data differentially to the transceiver, through the differential transmit driver.
- The Manchester decoder receives Manchester data from the transceiver, converts it to NRZ data and clock pulses, and sends it to the controller.
- The collision translator indicates to the controller the presence of a valid 10 MHz collision signal to the PLL.

Oscillator

The oscillator is controlled by a 20 MHz parallel resonant crystal connected between X1 and X2 or by an external clock on X1. The 20 MHz output of the oscillator is divided by 2 to generate the 10 MHz transmit clock for the controller. The oscillator also provides internal clock signals to the encoding and decoding circuits.

CRYSTAL OPERATION

If the crystal used with the internal oscillator circuit is not properly selected, the AT/LANTIC Controller oscillator may not reliably start oscillation under all conditions.

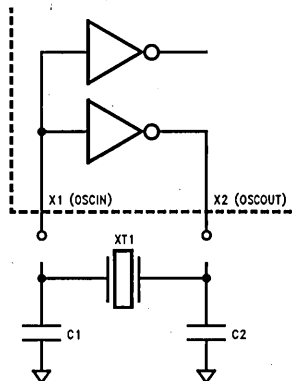
If this occurs, it could be deceiving to a designer, since his prototypes may work fine. However, when the designer does qualification testing or starts production, he may encounter a higher than expected board yield loss due to the oscillator not starting. The AT/LANTIC Controller's oscillator circuit clocks the Encoder-Decoder logic. The AT/LANTIC Controller's oscillator also clocks the twisted pair interface block. If the oscillator does not start, the AT/LANTIC Controller will not be able to transmit or receive.

If a crystal is connected to the AT/LANTIC Controller, it is recommended that the circuit shown in *Figure 19* be used and that the components used meet the following:

- Crystal XT1: AT cut parallel resonant crystal
- Series Resistance: $\leq 25\Omega$
 - Specified Load Capacitance: ≤ 20 pF
 - Accuracy: 0.005% (50 ppm)
 - Typical Load: 50 μ W–75 μ W

The recommended values for capacitors C1 and C2 are 26 pF minus the board capacitance on that pin. Therefore if both X1 and X2 have 4 pF of board capacitance, then a 22 pF capacitor should be used.

According to the IEEE 802.3 standard, the entire oscillator circuit (crystal and amplifier) must be accurate to 0.01%. When using a crystal, the X2 pin is not guaranteed to provide a TTL compatible logic output, and should not be used



TL/F/11498-16

FIGURE 19. Crystal Connection to AT/LANTIC Controller (see text for component values)

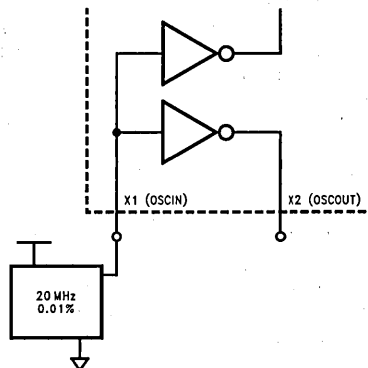
to drive external standard logic. If additional logic needs to be driven, then an external oscillator should be used, as described in the following section.

OSCILLATOR MODULE OPERATION

If the designer wishes to use a crystal clock oscillator, one that provides the following should be employed:

1. TTL or CMOS output with a 0.01% frequency tolerance
2. 40%–60% duty cycle

The circuit is shown in *Figure 20*. When using a clock oscillator it is recommended that the designer connect the oscillator output to the X1 pin and leave the X2 pin floating.



TL/F/11498-17

FIGURE 20. AT/LANTIC Controller Connection for Oscillator Module

Manchester Encoder and Differential Driver

The differential transmit pair, on the secondary of the employed transformer, drives up to 50 meters of twisted pair AUI cable. These outputs are source followers which require two 270 Ω pull-down resistors to ground (see *Figure 21*).

The AT/LANTIC Controller allows full-step to be compatible with IEEE 802.3. Transmit+ and Transmit- are equal in the idle state, providing zero differential voltage to operate with transformer coupled loads.

Manchester Decoder

The decoder consists of a differential receiver and a PLL to separate a Manchester encoded data stream into internal

4.0 Functional Description (Continued)

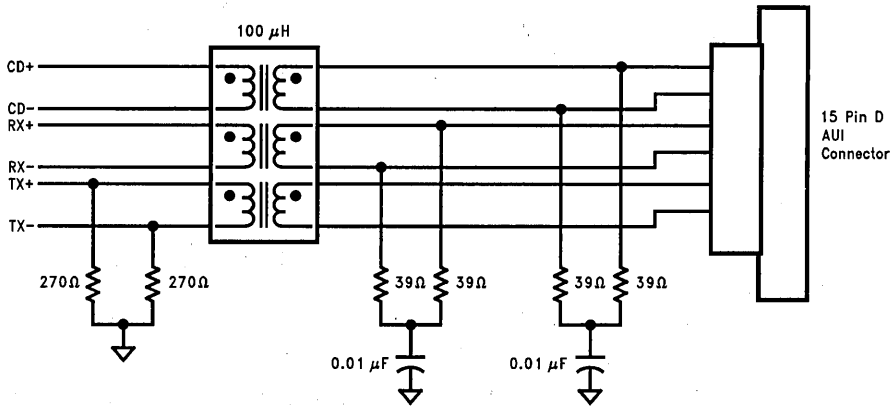


FIGURE 21. Connection from AT/LANTIC Controller's AUI Port to the AUI Connector

TL/F/11498-19

clock signals and data. The differential input must be externally terminated with two 39Ω resistors connected in series if the standard 78Ω transceiver drop cable is used, in thin Ethernet applications, these resistors are optional. To prevent noise from falsely triggering the decoder, a squelch circuit at the input rejects signals with levels less than -175 mV. Data becomes valid typically within 6 bit times. The AT/LANTIC Controller may tolerate bit jitter up to 20 ns in the received data. The decoder detects the end of a frame when no more mid-bit transitions are detected.

Collision Translator

When in AUI Mode, the Ethernet transceiver (DP8392 CTI) detects a collision, it generates a 10 MHz signal to the differential collision inputs (CD±) of the AT/LANTIC Controller. When these inputs are detected active, the AT/LANTIC Controller uses this signal to back off its current transmission and reschedule another one.

In this mode the $\overline{\text{COLED}}$ output will indicate when the CD± lines are active during activity on the network. This means it will correctly indicate any collision on the network, but will not be lit for heartbeat or if there is no cable connected.

The collision differential inputs are terminated the same way as the differential receive inputs. The squelch circuitry is also similar, rejecting pulse levels less than -175 mV.

PLL V_{CC} Power Supply Consideration

The PLL V_{CC} pin is the +5V power supply for the phase lock loop (PLL) of the ST-NIC ENDEC unit. Since this is an

analog circuit, excessive noise on the PLL V_{CC} pin can affect the performance of the PLL. This noise, if in the 10 kHz-400 kHz range, can reduce the jitter performance of the ENDEC, resulting in missing packets or CRC errors.

If the power supply noise is causing significant packet reception error, a low pass filter could be added to reduce the power supply noise and hence improve the jitter performance. Standard analog design techniques should be utilized when laying out the power supply traces on the board. If the digital power supply is used, it may be desirable to add a one pole RC filter (designed to have a cut-off frequency of 1 kHz) as shown in Figure 4 to improve the jitter performance. The PLL V_{CC} only draws 3 mA-4 mA so the voltage across the resistor is less than 90 mV, which will not affect the PLL's operation.

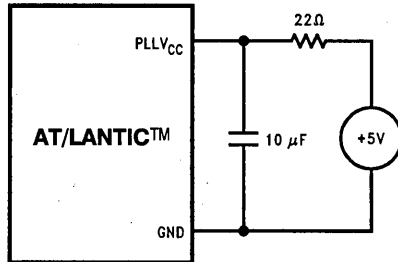


FIGURE 22. Filtering Power Supply Noise

TL/F/11498-18

5.0 Register Descriptions

5.1 CONFIGURATION REGISTERS

These registers are used to configure the operation of the AT/LANTIC Controller typically after power up. These registers control the configuration of bus interface, setting options like interrupt selection, I/O base address, and other specific modes.

MODE CONFIGURATION REGISTER A

To prevent any accidental writes of this register it is "hidden" behind a previously unused register. Register 0AH in the AT/LANTIC Controller's Page 0 of registers was previously reserved on a read. Now Configuration Register A can be read at that address and can be written to by following a read to 0AH with a write to 0AH. If any other AT/LANTIC Controller register accesses take place between the read and the write then the write to 0AH will access the Remote Byte Count Register 0.

7	6	5	4	3	2	1	0
MEMIO	FREAD	INT2	INT1	INT0	IOAD2	IOAD1	IOAD0

Bits	Symbols	Function																				
0-2	IOAD0- IOAD2	<p>I/O ADDRESS: These three bits determine the base I/O address of the AT/LANTIC Controller, within the system's I/O map. The AT/LANTIC Controller occupies 20H bytes of the system's address space.</p> <table> <tr><td>0 0 0</td><td>0300H</td></tr> <tr><td>0 0 1</td><td>Software (Note 1)</td></tr> <tr><td>0 1 0</td><td>0240H</td></tr> <tr><td>0 1 1</td><td>0280H</td></tr> <tr><td>1 0 0</td><td>02C0H</td></tr> <tr><td>1 0 1</td><td>0320H</td></tr> <tr><td>1 1 0</td><td>0340H</td></tr> <tr><td>1 1 1</td><td>0360H</td></tr> </table> <p>Note 1: When 001 is selected the AT/LANTIC controller will not respond to any I/O Addresses, but will allow 4 consecutive writes to 278H to write these three bits of this register. This sequence will only operate once after a power-on reset. This mode allows the AT/LANTIC Controller to be configured via software without conflicting with other peripherals.</p>	0 0 0	0300H	0 0 1	Software (Note 1)	0 1 0	0240H	0 1 1	0280H	1 0 0	02C0H	1 0 1	0320H	1 1 0	0340H	1 1 1	0360H				
0 0 0	0300H																					
0 0 1	Software (Note 1)																					
0 1 0	0240H																					
0 1 1	0280H																					
1 0 0	02C0H																					
1 0 1	0320H																					
1 1 0	0340H																					
1 1 1	0360H																					
3-5	INT0- INT2	<p>INTERRUPT LINE USED: There are two interrupt modes which can be enabled by setting bit 5 of Configuration Register C to the appropriate level.</p> <p>DIRECT DRIVE MODE: In this mode an interrupt output pin will be driven active on a valid interrupt condition. Only one pin may be driven, the other three will remain at TRI-STATE®. The pin driven is determined by the value in this register.</p> <table> <thead> <tr> <th>Bit 5</th> <th>Bit 4</th> <th>Bit 3</th> <th>Interrupt</th> </tr> </thead> <tbody> <tr><td>X</td><td>0</td><td>0</td><td>INT0</td></tr> <tr><td>X</td><td>0</td><td>1</td><td>INT1</td></tr> <tr><td>X</td><td>1</td><td>0</td><td>INT2</td></tr> <tr><td>X</td><td>1</td><td>1</td><td>INT3</td></tr> </tbody> </table> <p>CODED OUTPUT MODE: In this mode INT3 is the active interrupt output while pins INT0 to INT2 are programmable outputs reflecting the values on bits 3 to 5.</p>	Bit 5	Bit 4	Bit 3	Interrupt	X	0	0	INT0	X	0	1	INT1	X	1	0	INT2	X	1	1	INT3
Bit 5	Bit 4	Bit 3	Interrupt																			
X	0	0	INT0																			
X	0	1	INT1																			
X	1	0	INT2																			
X	1	1	INT3																			
6	FREAD	<p>FAST READ: When this bit is set high the AT/LANTIC Controller, in I/O mode, will begin the next port fetch before the current IORD has completed. In slow ISA systems this may cause the data in the port to be overwritten before the ISA cycle has been completed.</p>																				
7	MEMIO	<p>MEMORY OR I/O MODE: If this bit is set high then the AT/LANTIC Controller is in shared memory mode. If it is set low it is in I/O mode.</p>																				

5.0 Register Descriptions (Continued)

Mode Configuration Register B

To prevent any accidental writes of this register it is "hidden" behind a previously unused register. Register 0BH in the AT/LANTIC Controller's Page 0 of registers was previously reserved on a read. Now Configuration Register B can be read at that address and can be written to by following a read to 0BH with a write to 0BH. If any other AT/LANTIC Controller register accesses take place between the read and the write then the write to 0BH will access the Remote Byte Count Register 1. **Care should be taken when writing to this register as GDLINK and BE are not simple read/write bits**, e.g., the user cannot change the physical layer by reading B, or-ing the returned value with the bits to be set, and writing this value to B. This could inadvertently disable link integrity generation and clear a bus error indication before it was noted.

7	6	5	4	3	2	1	0
EELOAD	BPWR	BE	CHRDY	IO16CON	GDLINK	PHYS1	PHYS0

Bits	Symbols	Function
0-1	PHYS0- PHYS1	<p>PHYSICAL LAYER INTERFACE: These 2 bits determine which type of physical interface the AT/LANTIC Controller is using. The 2 TPI interfaces use twisted pair outputs and inputs, while the other 2 interfaces use the AUI outputs and inputs. In 10BASE5 mode the THICK/THIN output pin is driven low, in 10BASE2 mode it is driven high. This can be used to enable the DC-DC converter required by the 10BASE2 specification to provide electrical isolation. The Non spec TPI mode is a twisted pair mode with reduced receive squelch levels. This allows the use of longer cable lengths than specified in the twisted pair specification, or use of cable with higher losses.</p> <p>0 0 TPI (10BASE-T Compatible Squelch Level) 0 1 Thin Ethernet (10BASE2) 1 0 Thick Ethernet (10BASE5) (AUI Port) 1 1 TPI (Reduced Squelch Level)</p>
2	GDLNK	<p>GOOD LINK: When a 1 is written to this bit the link test pulse generation and integrity checking is disabled. When this bit is read it will indicate link status, reflecting the value shown on the LED output. It is 0 if the AT/LANTIC Controller is in AUI mode or if link testing is enabled and the link integrity is bad (i.e., the twisted pair link has been broken). It is 1 if the AT/LANTIC Controller is in TPI mode, link integrity checking is enabled and the link integrity is good (i.e., the twisted pair link has not been broken) or if the link testing is disabled.</p>
3	IO16CON	<p>IO16 CONTROL: When this bit is set high the AT/LANTIC Controller generates IO16 after IORD or IOWR go active. If low this output is generated only on address decode.</p>
4	CHRDY	<p>CHRDY FROM IORD OR IOWR OR FROM BALE: When this bit is low the AT/LANTIC Controller will generate CHRDY after the command strobe. When high it will generate it after BALE goes high.</p>
5	BE	<p>BUS ERROR: This bit shows that the AT/LANTIC Controller has detected a bus error condition. This will go high if the AT/LANTIC Controller attempts to insert wait states into a system access and the system terminates the cycle without inserting the wait states. Writing a one to this bit clears it to zero. Writing a zero has no effect.</p>
6	BPWR	<p>BOOT PROM WRITE: When this bit is low no write cycles are generated to the boot PROM.</p>
7	EELOAD	<p>EEPROM LOAD: Writing a 1 to this bit enables the EEPROM load algorithm as detailed in Section 4. This bit should not be configured to be high, either from switches or an EEPROM.</p>

5.0 Register Descriptions (Continued)

Hardware Configuration Register C

This register is configured during a RESET and can not be accessed by software.

7	6	5	4	3	2	1	0
SOFEN	CLKSEL	INTMOD	COMP	BPS3	BPS2	BPS1	BPS0

Bits	Symbols	Function																																																																																																
0-3	BPS0-3	<p>BOOT PROM SELECT: Selects address at which boot PROM begins and the size. When the system reads within the selected memory area AT/LANTIC Controller reads the data in through MSD0-7 and drives it onto the system data bus. The following are valid addresses and sizes:</p> <table border="1"> <thead> <tr> <th>Bit 3</th> <th>Bit 2</th> <th>Bit 1</th> <th>Bit 0</th> <th>Address</th> <th>Size (I/O / Shared Mem.)</th> </tr> </thead> <tbody> <tr> <td>0</td> <td>0</td> <td>0</td> <td>X</td> <td>X</td> <td>No boot PROM</td> </tr> <tr> <td>0</td> <td>0</td> <td>1</td> <td>0</td> <td>0C000H</td> <td>8k/16k</td> </tr> <tr> <td>0</td> <td>0</td> <td>1</td> <td>1</td> <td>0C400H</td> <td>8k/16k</td> </tr> <tr> <td>0</td> <td>1</td> <td>0</td> <td>0</td> <td>0C800H</td> <td>8k/16k</td> </tr> <tr> <td>0</td> <td>1</td> <td>0</td> <td>1</td> <td>0CC00H</td> <td>8k/16k</td> </tr> <tr> <td>0</td> <td>1</td> <td>1</td> <td>0</td> <td>0D000H</td> <td>8k/16k</td> </tr> <tr> <td>0</td> <td>1</td> <td>1</td> <td>1</td> <td>0D400H</td> <td>8k/16k</td> </tr> <tr> <td>1</td> <td>0</td> <td>0</td> <td>0</td> <td>0D800H</td> <td>8k/16k</td> </tr> <tr> <td>1</td> <td>0</td> <td>0</td> <td>1</td> <td>0DC00H</td> <td>8k/16k</td> </tr> <tr> <td>1</td> <td>0</td> <td>1</td> <td>0</td> <td>0C000H</td> <td>32k/32k</td> </tr> <tr> <td>1</td> <td>0</td> <td>1</td> <td>1</td> <td>0C800H</td> <td>32k/32k</td> </tr> <tr> <td>1</td> <td>1</td> <td>0</td> <td>0</td> <td>0D000H</td> <td>32k/32k</td> </tr> <tr> <td>1</td> <td>1</td> <td>0</td> <td>1</td> <td>0D800H</td> <td>32k/32k</td> </tr> <tr> <td>1</td> <td>1</td> <td>1</td> <td>0</td> <td>0C000H</td> <td>64k/64k</td> </tr> <tr> <td>1</td> <td>1</td> <td>1</td> <td>1</td> <td>0D000H</td> <td>64k/64k</td> </tr> </tbody> </table>	Bit 3	Bit 2	Bit 1	Bit 0	Address	Size (I/O / Shared Mem.)	0	0	0	X	X	No boot PROM	0	0	1	0	0C000H	8k/16k	0	0	1	1	0C400H	8k/16k	0	1	0	0	0C800H	8k/16k	0	1	0	1	0CC00H	8k/16k	0	1	1	0	0D000H	8k/16k	0	1	1	1	0D400H	8k/16k	1	0	0	0	0D800H	8k/16k	1	0	0	1	0DC00H	8k/16k	1	0	1	0	0C000H	32k/32k	1	0	1	1	0C800H	32k/32k	1	1	0	0	0D000H	32k/32k	1	1	0	1	0D800H	32k/32k	1	1	1	0	0C000H	64k/64k	1	1	1	1	0D000H	64k/64k
Bit 3	Bit 2	Bit 1	Bit 0	Address	Size (I/O / Shared Mem.)																																																																																													
0	0	0	X	X	No boot PROM																																																																																													
0	0	1	0	0C000H	8k/16k																																																																																													
0	0	1	1	0C400H	8k/16k																																																																																													
0	1	0	0	0C800H	8k/16k																																																																																													
0	1	0	1	0CC00H	8k/16k																																																																																													
0	1	1	0	0D000H	8k/16k																																																																																													
0	1	1	1	0D400H	8k/16k																																																																																													
1	0	0	0	0D800H	8k/16k																																																																																													
1	0	0	1	0DC00H	8k/16k																																																																																													
1	0	1	0	0C000H	32k/32k																																																																																													
1	0	1	1	0C800H	32k/32k																																																																																													
1	1	0	0	0D000H	32k/32k																																																																																													
1	1	0	1	0D800H	32k/32k																																																																																													
1	1	1	0	0C000H	64k/64k																																																																																													
1	1	1	1	0D000H	64k/64k																																																																																													
4	COMP	<p>COMPATIBLE: This bit determines if the AT/LANTIC Controller's memory and I/O maps are compatible with the EtherCard PLUS and Novell boards or if they use the full 64k address space available to the NIC. A low level indicates compatible mode.</p>																																																																																																
5	INTMOD	<p>INTERRUPT MODE: When this bit is low the AT/LANTIC Controller is in Direct Drive interrupt mode. When it is high Coded Output interrupt mode is used.</p>																																																																																																
6	CLKSEL	<p>CLOCK SELECT: If this bit is low the NIC core is clocked by the 20 MHz. If this bit is high the NIC core is clocked by the signal on the BSCLK pin.</p>																																																																																																
7	SOFEN	<p>SOFTWARE ENABLE: If this bit is set low then the user can program configuration registers A and B in software. If this bit is set high then the configuration registers are not accessible. If EECONFIG is high, the configuration from the switches will be overwritten by the configuration from the EEPROM even if this bit is pulled high.</p>																																																																																																

5.0 Register Descriptions (Continued)

5.2 SHARED MEMORY MODE CONTROL REGISTERS

The following tables describe the functionality of the two control registers and the 8/16 detection registers.

Shared Memory AT Detect Register (Read only)

7	6	5	4	3	2	1	0
x	x	x	x	x	x	x	ATDET

Bits	Symbols	Function
D0	ATDET	ATDET: This bit shows the value on the DWID pin and can be read by software to determine whether the AT/LANTIC Controller is operating in an 8- or 16-bit slot. When this bit is read as a 1 the AT/LANTIC Controller is in a 16-bit slot (PC-AT system bus) and when read as a 0 it is in an 8-bit slot.

Shared Memory Control Register 1

7	6	5	4	3	2	1	0
RESET	MEME	A18	A17	A16	A15	A14	A13

Bits	Symbols	Function
D0-D5	A13-A18	A13-18: Lower part of the address register used to determine the position of the AT/LANTIC Controller's memory within the system memory map.
D6	MEME	MEMORY ENABLE: Enables external memory accesses when held high. This bit will power up low, so the user must program the base memory address and set this bit high to enable the memory into the system's memory map.
D7	RESET	RESET: Resets NIC core of AT/LANTIC Controller.

Shared Memory Control Register 2

7	6	5	4	3	2	1	0
8/16	MEMW	Unused	LA23	LA22	LA21	LA20	LA19

Bits	Symbols	Function
D0-D4	LA19-LA23	LA19-23: Upper part of the address register used to determine the position of the AT/LANTIC Controller's memory within the system memory map.
D5		UNUSED
D6	MEMW	MEMORY WIDTH: Sets width of external memory. When set low external memory is accessed as byte wide, so only 8 kbytes of memory are available. When set high external memory is accessed as word wide, so 16 kbytes are available. In non-compatible mode up to 64 kbytes of external memory is allowed when this bit is set high, or 32 kbytes when low. When bit 7 is set high this bit must also be set high.
D7	8/16	8/16-BIT: Allows 16-bit system accesses to external memory when set high. When low only 8-bit accesses are allowed. When high the generation of the M16 output is allowed.

5.0 Register Descriptions (Continued)

5.3 NIC CORE REGISTERS

All registers are 8-bit wide and mapped into two pages which are selected in the Command Register (PS0, PS1). Pins SA0-SA3 are used to address registers within each page. Page 0 registers are those registers which are commonly accessed during AT/LANTIC Controller operation while page 1 registers are used primarily for initialization. The registers are partitioned to avoid having to perform two write/read cycles to access commonly used registers.

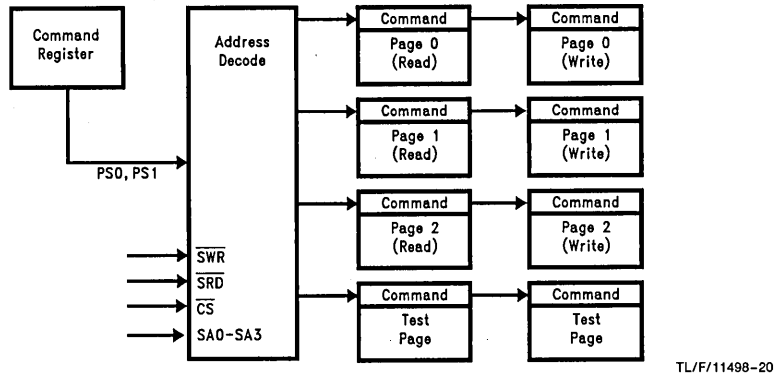


FIGURE 23. NIC Core Register Mapping

5.0 Register Descriptions (Continued)

Register Assignments

Page 0 Address Assignments (PS1 = 0, PS0 = 0)

SA0-SA3	RD	WR
00H	Command (CR)	Command (CR)
01H	Current Local DMA Address 0 (CLDA0)	Page Start Register (PSTART)
02H	Current Local DMA Address 1 (CLDA1)	Page Stop Register (PSTOP)
03H	Boundary Pointer (BNRY)	Boundary Pointer (BNRY)
04H	Transmit Status Register (TSR)	Transmit Page Start Address (TPSR)
05H	Number of Collisions Register (NCR)	Transmit Byte Count Register 0 (TBCR0)
06H	FIFO (FIFO)	Transmit Byte Count Register 1 (TBCR1)
07H	Interrupt Status Register (ISR)	Interrupt Status Register (ISR)
08H	Current Remote DMA Address 0 (CRDA0)	Remote Start Address Register 0 (RSAR0)
09H	Current Remote DMA Address 1 (CRDA1)	Remote Start Address Register 1 (RSAR1)
0AH	Reserved	Remote Byte Count Register 0 (RBCR0)
0BH	Reserved	Remote Byte Count Register 1 (RBCR1)
0CH	Receive Status Register (RSR)	Receive Configuration Register (RCR)
0DH	Tally Counter 0 (Frame Alignment Errors) (CNTR0)	Transmit Configuration Register (TCR)
0EH	Tally Counter 1 (CRC Errors) (CNTR1)	Data Configuration Register (DCR)
0FH	Tally Counter 2 Missed Packet Errors) (CNTR2)	Interrupt Mask Register (IMR)

5.0 Register Descriptions (Continued)

Page 1 Address Assignments (PS1 = 0, PS0 = 1)

SA0-SA3	RD	WR
00H	Command (CR)	Command (CR)
01H	Physical Address Register 0 (PAR0)	Physical Address Register 0 (PA R0)
02H	Physical Address Register 1 (PAR1)	Physical Address Register 1 (PA R1)
03H	Physical Address Register 2 (PAR2)	Physical Address Register 2 (PAR2)
04H	Physical Address Register 3 (PAR3)	Physical Address Register 3 (PAR3)
05H	Physical Address Register 4 (PAR4)	Physical Address Register 4 (PAR4)
06H	Physical Address Register 5 (PAR5)	Physical Address Register 5 (PAR5)
07H	Current Page Register (CURR)	Current Page Register (CURR)
08H	Multicast Address Register 0 (MAR0)	Multicast Address Register 0 (MAR0)
09H	Multicast Address Register 1 (MAR1)	Multicast Address Register 1 (MAR1)
0AH	Multicast Address Register 2 (MAR2)	Multicast Address Register 2 (MAR2)
0BH	Multicast Address Register 3 (MAR3)	Multicast Address Register 3 (MAR3)
0CH	Multicast Address Register 4 (MAR4)	Multicast Address Register 4 (MAR4)
0DH	Multicast Address Register 5 (MAR5)	Multicast Address Register 5 (MAR5)
0EH	Multicast Address Register 6 (MAR6)	Multicast Address Register 6 (MAR6)
0FH	Multicast Address Register 7 (MAR7)	Multicast Address Register 7 (MAR7)

5.0 Register Descriptions (Continued)

Page 2 Address Assignments (PS1 = 1, PS0 = 0)

SA0-SA3	RD	WR
00H	Command (CR)	Command (CR)
01H	Page Start Register (PSTART)	Current Local DMA Address 0 (CLDA0)
02H	Page Stop Register (PSTOP)	Current Local DMA Address 1 (CLDA1)
03H	Remote Next Packet Pointer	Remote Next Packet Pointer
04H	Transmit Page Start Address (TPSR)	Reserved
05H	Local Next Packet Pointer	Local Next Packet Pointer
06H	Address Counter (Upper)	Address Counter (Upper)
07H	Address Counter (Lower)	Address Counter (Lower)
08H	Reserved	Reserved
09H	Reserved	Reserved
0AH	Reserved	Reserved
0BH	Reserved	Reserved
0CH	Receive Configuration Register (RCR)	Reserved
0DH	Transmit Configuration Register (TCR)	Reserved
0EH	Data Configuration Register (DCR)	Reserved
0FH	Interrupt Mask Register (IMR)	Reserved

Note: Page 2 registers should only be accessed for diagnostic purposes. They should not be modified during normal operation.

Page 3 should never be modified.

5.0 Register Descriptions (Continued)

COMMAND REGISTER (CR) 00H (READ/WRITE)

The Command Register is used to initiate transmissions, enable or disable Remote DMA operations and to select register pages. To issue a command the microprocessor sets the corresponding bit(s) (RD2, RD1, RD0, TXP). Further commands may be overlapped, but with the following rules: (1) If a transmit command overlaps with a remote DMA operation, bits RD0, RD1, and RD2 must be maintained for the remote DMA command when setting the TXP bit. Note, if a remote DMA command is re-issued when giving the transmit command, the DMA will complete immediately if the remote byte count register has not been re-initialized. (2) If a remote DMA operation overlaps a transmission, RD0, RD1, and RD2 may be written with the desired values and a "0" written to the TXP bit. Writing a "0" to this bit has no effect. (3) A remote write DMA may not overlap remote read operation or visa versa. Either of these operations must either complete or be aborted before the other operation may start. Bits PS1, PS0, RD2, and STP may be set any time.

7	6	5	4	3	2	1	0
PS1	PS0	RD2	RD1	RD0	TXP	STA	STP

Bits	Symbols	Description																								
D0	STP	STOP: Software reset command, takes the controller offline, no packets will be received or transmitted. Any reception or transmission in progress will continue to completion before entering the reset state. To exit this state, the STP bit must be reset and the STA bit must be set high. To perform a software reset, this bit should be set high. The software reset has executed only when indicated by the RST bit in the ISR being set to at 1. STP powers up high. Note: If the AT/LANTIC Controller has previously been in start mode and the STP is set, both the STP and STA bits will remain set.																								
D1	STA	START: This bit is used to activate the NIC Core after either power up, or when the NIC Core has been placed in a reset mode by software command or error. STA powers up low.																								
D2	TXP	TRANSMIT PACKET: This bit must be set to initiate transmission of a packet. TXP is internally reset either after the transmission is completed or aborted. This bit should be set only after the Transmit Byte Count and Transmit Page Start registers have been programmed.																								
D3–D5	RD0–RD2	REMOTE DMA COMMAND: These three encoded bits control operation of the Remote DMA channel. RD2 can be set to abort any Remote DMA command in progress. The Remote Byte Count Registers should be cleared when a Remote DMA has been aborted. The Remote Start Addresses are not restored to the starting address if the Remote DMA is aborted. <table border="1"> <thead> <tr> <th>RD2</th> <th>RD1</th> <th>RD0</th> <th></th> </tr> </thead> <tbody> <tr> <td>0</td> <td>0</td> <td>0</td> <td>Not Allowed</td> </tr> <tr> <td>0</td> <td>0</td> <td>1</td> <td>Remote Read</td> </tr> <tr> <td>0</td> <td>1</td> <td>0</td> <td>Remote Write</td> </tr> <tr> <td>0</td> <td>1</td> <td>1</td> <td>Send Packet</td> </tr> <tr> <td>1</td> <td>X</td> <td>X</td> <td>Abort/Complete Remote DMA (Note 1)</td> </tr> </tbody> </table>	RD2	RD1	RD0		0	0	0	Not Allowed	0	0	1	Remote Read	0	1	0	Remote Write	0	1	1	Send Packet	1	X	X	Abort/Complete Remote DMA (Note 1)
RD2	RD1	RD0																								
0	0	0	Not Allowed																							
0	0	1	Remote Read																							
0	1	0	Remote Write																							
0	1	1	Send Packet																							
1	X	X	Abort/Complete Remote DMA (Note 1)																							
D6, D7	PS0, PS1	PAGE SELECT: These two encoded bits select which register page is to be accessed with addresses RAO–3. <table border="1"> <thead> <tr> <th>PS1</th> <th>PS0</th> <th></th> </tr> </thead> <tbody> <tr> <td>0</td> <td>0</td> <td>Register Page 0</td> </tr> <tr> <td>0</td> <td>1</td> <td>Register Page 1</td> </tr> <tr> <td>1</td> <td>0</td> <td>Register Page 2</td> </tr> <tr> <td>1</td> <td>1</td> <td>Reserved</td> </tr> </tbody> </table>	PS1	PS0		0	0	Register Page 0	0	1	Register Page 1	1	0	Register Page 2	1	1	Reserved									
PS1	PS0																									
0	0	Register Page 0																								
0	1	Register Page 1																								
1	0	Register Page 2																								
1	1	Reserved																								

Note 1: If a remote DMA operation is aborted and the remote byte count has not decremented to zero, the data transfer port should be read, for a remote read or send packet, or written to, for a remote write. This is required to ensure future correct operation.

5.0 Register Descriptions (Continued)

INTERRUPT STATUS REGISTER (ISR) 07H (READ/WRITE)

This register is accessed by the host processor to determine the cause of an interrupt. Any interrupt can be masked in the Interrupt Mask Register (IMR). Individual interrupt bits are cleared by writing a "1" into the corresponding bit of the ISR. The valid interrupt output is active as long as any unmasked signal is set, and will not go low until all unmasked bits in this register have been cleared. The ISR must be cleared after power up by writing it with all 1's.

7	6	5	4	3	2	1	0
RST	RDC	CNT	OVW	TXE	RXE	PTX	PRX

Bits	Symbols	Description
D0	PRX	PACKET RECEIVED: Indicates packet received with no errors.
D1	PTX	PACKET TRANSMITTED: Indicates packet transmitted with no errors.
D2	RXE	RECEIVE ERROR: Indicates that a packet was received with one or more of the following errors: —CRC Error —Frame Alignment Error —FIFO Overrun —Missed Packet
D3	TXE	TRANSMIT ERROR: Set when packet transmitted with one or more of the following errors: —Excessive Collisions —FIFO Underrun
D4	OVW	OVERWRITE WARNING: Set when receive buffer ring storage resources have been exhausted. (Local DMA has reached Boundary Pointer)
D5	CNT	COUNTER OVERFLOW: Set when MSB of one or more of the Network Tally Counters has been set.
D6	RDC	REMOTE DMA COMPLETE: Set when Remote DMA operation has been completed.
D7	RST	RESET STATUS: Set when AT/LANTIC Controller enters reset state and cleared when a Start Command is issued to the CR. This bit is also set when a Receive Buffer Ring overflow occurs and is cleared when one or more packets have been removed from the ring. Writing to this bit has no effect. Note: This bit does not generate an interrupt, it is merely a status indicator.

5.0 Register Descriptions (Continued)

INTERRUPT MASK REGISTER (IMR) 0FH (WRITE)

The Interrupt Mask Register is used to mask interrupts. Each interrupt mask bit corresponds to a bit in the Interrupt Status Register (ISR). If an interrupt mask bit is set, an interrupt will be issued whenever the corresponding bit in the ISR is set. If any bit in the IMR is set low, an interrupt will not occur when the bit in the ISR is set. **The IMR powers up all zeros.**

7	6	5	4	3	2	1	0
—	RDCE	CNTE	OVWE	TXEE	RXEE	PTXE	PRXE

Bits	Symbols	Description
D0	PRXE	PACKET RECEIVED INTERRUPT ENABLE 0: Interrupt Disabled 1: Enables Interrupt when packet received
D1	PTXE	PACKET TRANSMITTED INTERRUPT ENABLE 0: Interrupt Disabled 1: Enables Interrupt when packet is transmitted
D2	RXEE	RECEIVE ERROR INTERRUPT ENABLE 0: Interrupt Disabled 1: Enables Interrupt when packet received with error
D3	TXEE	TRANSMIT ERROR INTERRUPT ENABLE 0: Interrupt Disabled 1: Enables Interrupt when packet transmission results in error
D4	OVWE	OVERWRITE WARNING INTERRUPT ENABLE 0: Interrupt Disabled 1: Enables Interrupt when Buffer Management Logic lacks sufficient buffers to store incoming packet
D5	CNTE	COUNTER OVERFLOW INTERRUPT ENABLE 0: Interrupt Disabled 1: Enables Interrupt when MSB of one or more of the Network Statistics counters has been set
D6	RDCE	DMA COMPLETE INTERRUPT ENABLE 0: Interrupt Disabled 1: Enables Interrupt when Remote DMA transfer has been completed
D7	reserved	reserved

5.0 Register Descriptions (Continued)

DATA CONFIGURATION REGISTER (DCR) 0EH (WRITE)

This Register is used to program the AT/LANTIC Controller for 8- or 16-bit memory interface, select byte ordering in 16-bit applications and establish FIFO thresholds. **The DCR must be initialized prior to loading the Remote Byte Count Registers. LAS is set on power up.**

7	6	5	4	3	2	1	0
—	FT1	FT0	ARM	LS	LAS	BOS	WTS

Bits	Symbols	Description																				
D0	WTS	<p>WORD TRANSFER SELECT 0: Selects byte-wide DMA transfers 1: Selects word-wide DMA transfers ;WTS establishes byte or word transfers for both Remote and Local DMA transfers Note: When word-wide mode is selected, up to 32k words are addressable; A0 remains low.</p>																				
D1	BOS	<p>BYTE ORDER SELECT 0: MS byte placed on AD15–AD8 and LS byte on AD7–AD0. (32xxx, 80x86) 1: MS byte placed on AD7–AD0 and LS byte on AD15–AD8. (680x0) ;Ignored when WTS is low</p>																				
D2	LAS	<p>LONG ADDRESS SELECT 0: Dual 16-bit DMA mode 1: Single 32-bit DMA mode ;When LAS is high, the contents of the Remote DMA registers RSAR0, 1 are issued as A16–A31 Power up high</p>																				
D3	LS	<p>LOOPBACK SELECT 0: Loopback mode selected. Bits D1 and D2 of the TCR must also be programmed for Loopback operation 1: Normal Operation</p>																				
D4	ARM	<p>AUTO-INITIALIZE REMOTE 0: Send Command not executed, all packets removed from Buffer Ring under program control 1: Send Command executed, Remote DMA auto-initialized to remove packets from Buffer Ring Note: Send Command cannot be used with 680x0 byte processors.</p>																				
D5 and D6	FT0 and FT1	<p>FIFO THRESHOLD SELECT: Encoded FIFO threshold. Establishes point at which the memory bus is requested when filling or emptying the FIFO. During reception, the FIFO threshold indicates the number of bytes (or words) the FIFO has filled serially from the network before the FIFO is emptied onto the memory bus. Note: FIFO threshold setting determines the DMA burst length.</p> <p style="text-align: center;">Receive Thresholds</p> <table style="width: 100%; border-collapse: collapse;"> <thead> <tr> <th style="width: 10%;">FT1</th> <th style="width: 10%;">FT0</th> <th style="width: 30%;">Word Wide</th> <th style="width: 50%;">Byte Wide</th> </tr> </thead> <tbody> <tr> <td>0</td> <td>0</td> <td>1 Word</td> <td>2 Bytes</td> </tr> <tr> <td>0</td> <td>1</td> <td>2 Words</td> <td>4 Bytes</td> </tr> <tr> <td>1</td> <td>0</td> <td>4 Words</td> <td>8 Bytes</td> </tr> <tr> <td>1</td> <td>1</td> <td>6 Words</td> <td>12 Bytes</td> </tr> </tbody> </table> <p>During transmission, the FIFO threshold indicates the number of bytes (or words) the FIFO has filled from the Local DMA before being transferred to the memory. Thus, the transmission threshold is 13 bytes less the received threshold.</p>	FT1	FT0	Word Wide	Byte Wide	0	0	1 Word	2 Bytes	0	1	2 Words	4 Bytes	1	0	4 Words	8 Bytes	1	1	6 Words	12 Bytes
FT1	FT0	Word Wide	Byte Wide																			
0	0	1 Word	2 Bytes																			
0	1	2 Words	4 Bytes																			
1	0	4 Words	8 Bytes																			
1	1	6 Words	12 Bytes																			

5.0 Register Descriptions (Continued)

TRANSMIT CONFIGURATION REGISTER (TCR) ODH (WRITE)

The transmit configuration establishes the actions of the transmitter section of the AT/LANTIC Controller during transmission of a packet on the network. **LB1 and LB0** which select loopback mode power up as 0.

7	6	5	4	3	2	1	0
—	—	—	OFST	ATD	LB1	LB0	CRC

Bits	Symbols	Description																				
D0	CRC	INHIBIT CRC 0: CRC appended by transmitter 1: CRC inhibited by transmitter In loopback mode CRC can be enabled or disabled to test the CRC logic																				
D1 and D2	LB0 and LB1	ENCODED LOOPBACK CONTROL: These encoded configuration bits set the type of loopback that is to be performed. Note that loopback in mode 2 places the ENDEC Module in loopback mode and that D3 of the DCR must be set to zero for loopback operation. <table border="1" style="margin-left: 40px;"> <thead> <tr> <th></th> <th>LB1</th> <th>LB0</th> <th></th> </tr> </thead> <tbody> <tr> <td>Mode 0</td> <td>0</td> <td>0</td> <td>Normal Operation (LPBK = 0)</td> </tr> <tr> <td>Mode 1</td> <td>0</td> <td>1</td> <td>Internal NIC Module Loopback (LPBK = 0)</td> </tr> <tr> <td>Mode 2</td> <td>1</td> <td>0</td> <td>Internal ENDEC Module Loopback (LPBK = 1)</td> </tr> <tr> <td>Mode 3</td> <td>1</td> <td>1</td> <td>External Loopback (LPBK = 0)</td> </tr> </tbody> </table>		LB1	LB0		Mode 0	0	0	Normal Operation (LPBK = 0)	Mode 1	0	1	Internal NIC Module Loopback (LPBK = 0)	Mode 2	1	0	Internal ENDEC Module Loopback (LPBK = 1)	Mode 3	1	1	External Loopback (LPBK = 0)
	LB1	LB0																				
Mode 0	0	0	Normal Operation (LPBK = 0)																			
Mode 1	0	1	Internal NIC Module Loopback (LPBK = 0)																			
Mode 2	1	0	Internal ENDEC Module Loopback (LPBK = 1)																			
Mode 3	1	1	External Loopback (LPBK = 0)																			
D3	ATD	AUTO TRANSMIT DISABLE: This bit allows another station to disable the AT/LANTIC Controller's transmitter by transmission of a particular multicast packet. The transmitter can be re-enabled by resetting this bit or by reception of a second particular multicast packet. 0: Normal Operation 1: Reception of multicast address hashing to bit 62 disables transmitter, reception of multicast address hashing to bit 63 enables transmitter.																				
D4	OFST	COLLISION OFFSET ENABLE: This bit modifies the backoff algorithm to allow prioritization of nodes. 0: Backoff Logic implements normal algorithm. 1: Forces Backoff algorithm modification to 0 to $2^{\min(3+n, 10)}$ slot times for first three collisions, then follows standard backoff. (For the first three collisions, the station has higher average backoff delay making a low priority mode.)																				
D5	reserved	reserved																				
D6	reserved	reserved																				
D7	reserved	reserved																				

5.0 Register Descriptions (Continued)

TRANSMIT STATUS REGISTER (TSR) 04H (READ)

This register records events that occur on the media during transmission of a packet. It is cleared when the next transmission is initiated by the host. All bits remain low unless the event that corresponds to a particular bit occurs during transmission. Each transmission should be followed by a read of this register. The contents of this register are not specified until after the first transmission.

7	6	5	4	3	2	1	0
OWC	CDH	FU	CRS	ABT	COL	—	PTX

Bits	Symbols	Description
D0	PTX	PACKET TRANSMITTED: Indicates transmission without error. (No excessive collisions or FIFO underrun)(ABT = "0", FU = "0")
D1	reserved	reserved
D2	COL	TRANSMIT COLLIDED: Indicates that the transmission collided at least once with another station on the network. The number of collisions is recorded in the Number of Collisions Registers (NCR).
D3	ABT	TRANSMIT ABORTED: Indicates the AT/LANTIC Controller aborted transmission because of excessive collisions. (Total number of transmissions including original transmission attempt equals 16.)
D4	CRS	CARRIER SENSE LOST: This bit is set when carrier is lost during transmission of the packet. Transmission is not aborted on loss of carrier.
D5	FU	FIFO UNDERRUN: If the AT/LANTIC Controller cannot gain access of the bus before the FIFO empties, this bit is set. Transmission of the packet will be aborted.
D6	CDH	CD HEARTBEAT: Failure of the transceiver to transmit a collision signal after transmission of a packet will set this bit. The Collision Detect (CD) heartbeat signal must commence during the first 6.4 μ s of the Interframe Gap following a transmission. In certain collisions, the CD Heartbeat bit will be set even though the transceiver is not performing the CD heartbeat test.
D7	OWC	OUT OF WINDOW COLLISION: Indicates that a collision occurred after a slot time (51.2 μ s). Transmissions rescheduled as in normal collisions.

5.0 Register Descriptions (Continued)

RECEIVE CONFIGURATION REGISTER (RCR) 0CH (WRITE)

This register determines operation of the AT/LANTIC Controller during reception of a packet and is used to program what types of packets to accept.

7	6	5	4	3	2	1	0
—	—	MON	PRO	AM	AB	AR	SEP

Bits	Symbols	Description
D0	SEP	SAVE ERRORED PACKETS 0: Packets with receive errors are rejected. 1: Packets with receive errors are accepted. Receive errors are CRC and Frame Alignment errors.
D1	AR	ACCEPT RUNT PACKETS: This bit allows the receiver to accept packets that are smaller than 64 bytes. The packet must be at least 8 bytes long to be accepted as a runt. 0: Packets with fewer than 64 bytes rejected. 1: Packets with fewer than 64 bytes accepted.
D2	AB	ACCEPT BROADCAST: Enables the receiver to accept a packet with an all 1's destination address. 0: Packets with broadcast destination address rejected. 1: Packets with broadcast destination address accepted.
D3	AM	ACCEPT MULTICAST: Enables the receiver to accept a packet with a multicast address, all multicast addresses must pass the hashing array. 0: Packets with multicast destination address not checked. 1: Packets with multicast destination address checked.
D4	PRO	PROMISCUOUS PHYSICAL: Enables the receiver to accept all packets with a physical address. 0: Physical address of node must match the station address programmed in PAR0–PAR5. 1: All packets with physical addresses accepted.
D5	reserved	reserved (program to 0)
D6	reserved	reserved
D7	reserved	reserved

Note: D2 and D3 are "OR'd" together, i.e., if D2 and D3 are set the AT/LANTIC Controller will accept broadcast and multicast addresses as well as its own physical address. To establish full promiscuous mode, bits D2, D3, and D4 should be set. In addition the multicast hashing array must be set to all 1's in order to accept all multicast addresses.

5.0 Register Descriptions (Continued)

RECEIVE STATUS REGISTER (RSR) 0CH (READ)

This register records status of the received packet, including information on errors and the type of address match, either physical or multicast. The contents of this register are written to buffer memory by the DMA after reception of a good packet. If packets with errors are to be saved the receive status is written to memory at the head of the erroneous packet if an erroneous packet is received. If packets with errors are to be rejected the RSR will not be written to memory. The contents will be cleared when the next packet arrives. CRC errors, Frame Alignment errors and missed packets are counted internally by the AT/LAN-TIC Controller which relinquishes the Host from reading the RSR in real time to record errors for Network Management Functions. The contents of this register are not specified until after the first reception.

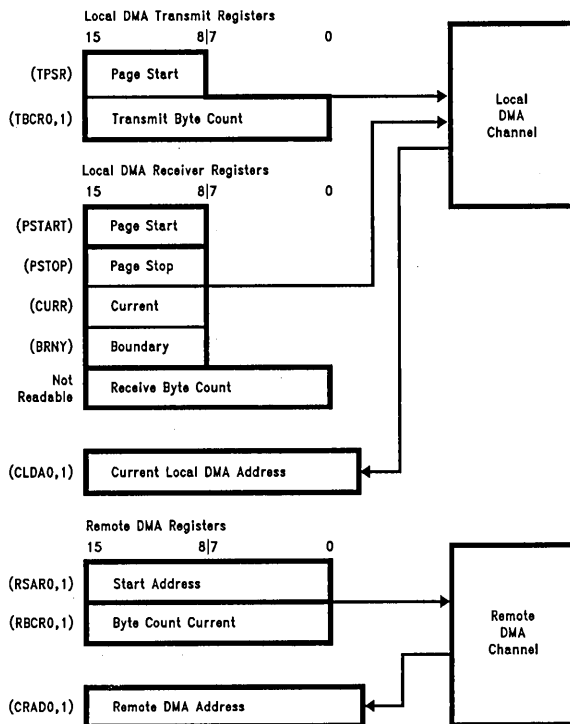
7	6	5	4	3	2	1	0
DFR	DIS	PHY	MPA	FO	FAE	CRC	PRX

Bits	Symbols	Description
D0	PRX	PACKET RECEIVED INTACT: Indicates packet received without error. (Bits CRC, FAE, FO, and MPA are zero for the received packet.)
D1	CRC	CRC ERROR: Indicates packet received with CRC error. Increments Tally Counter (CNTR1). This bit will also be set for Frame Alignment errors.
D2	FAE	FRAME ALIGNMENT ERROR: Indicates that the incoming packet did not end on a byte boundary and the CRC did not match at last byte boundary. Increments Tally Counter (CNTR0).
D3	FO	FIFO OVERRUN: This bit is set when the FIFO is not serviced causing overflow during reception. Reception of the packet will be aborted.
D4	MPA	MISSED PACKET: Set when packet intended for node cannot be accepted by SNIC because of a lack of receive buffers or if the controller is in monitor mode and did not buffer the packet to memory. Increments Tally Counter (CNTR2).
D5	PHY	PHYSICAL/MULTICAST ADDRESS: Indicates whether received packet had a physical or multicast address type. 0: Physical Address Match 1: Multicast/Broadcast Address Match
D6	DIS	RECEIVER DISABLED: Set when receiver disabled by entering Monitor mode. Reset when receiver is re-enabled when exiting Monitor mode.
D7	DFR	DEFERRING: Set when internal Carrier Sense or Collision signals are generated in the ENDEC module. If the transceiver has asserted the CD line as a result of the jabber, this bit will stay set indicating the jabber condition.

Note: Following coding applies to CRC and FAE bits

FAE	CRC	Type of Error
0	0	No Error (Good CRC and <6 Dribble Bits)
0	1	CRC Error
1	0	Illegal, will not occur
1	1	Frame Alignment Error and CRC Error

5.0 Register Descriptions (Continued)



TL/F/11498-21

FIGURE 24. DMA Register

Note: In the figure above, registers are shown as 8- or 16-bits wide. Although some registers are 16-bit internal registers, all registers are accessed as 8-bit registers. Thus the 16-bit Transmit Byte Count Register is broken into two 8-bit registers, TBCR0 and TBCR1. Also TPSR, PSTART, PSTOP, CURR and BRNY only check or control the upper 8 bits of address information on the bus. Thus they are shifted to positions 15–8 in the diagram above.

5.4 DP8390 Core DMA Registers

The DMA Registers are partitioned into groups; Transmit, Receive and Remote DMA Registers. The Transmit registers are used to initialize the Local DMA Channel for transmission of packets while the Receive Registers are used to initialize the Local DMA Channel for packet Reception. The Page Stop, Page Start, Current and Boundary Registers are used by the Buffer Management Logic to supervise the Receive Buffer Ring. The Remote DMA Registers are used to initialize the Remote DMA.

Transmit DMA Registers

TRANSMIT PAGE START REGISTER (TPSR)

This register points to the assembled packet to be transmitted. Only the eight higher order addresses are specified since all transmit packets are assembled on 256-byte page boundaries. The bit assignment is shown below. The values placed in bits D7–D0 will be used to initialize the higher order address (A8–A15) of the Local DMA for transmission. The lower order bits (A7–A0) are initialized to zero.

Bit Assignment

	7	6	5	4	3	2	1	0
TPSR	A15	A14	A13	A12	A11	A10	A9	A8

(A7–A0 Initialized to 0)

TRANSMIT BYTE COUNT REGISTER 0,1 (TBCR0, TBCR1)

These two registers indicate the length of the packet to be transmitted in bytes. The count must include the number of bytes in the source, destination, length and data fields. The maximum number of transmit bytes allowed is 64 kbytes. The AT/LANTIC Controller will not truncate transmissions longer than 1500 bytes. The bit assignment is shown below:

	7	6	5	4	3	2	1	0
TBCR1	L15	L14	L13	L12	L11	L10	L9	L8

	7	6	5	4	3	2	1	0
TBCR0	L7	L6	L5	L4	L3	L2	L1	L0

Local DMA Receive Registers

PAGE START STOP REGISTERS (PSTART, PSTOP)

The Page Start and Page Stop Registers program the starting and stopping address of the Receive Buffer Ring. Since

5.0 Register Descriptions (Continued)

the AT/LANTIC Controller uses fixed 256-byte buffers aligned on page boundaries only the upper eight bits of the start and stop address are specified.

PSTART, PSTOP bit assignment

	7	6	5	4	3	2	1	0
PSTART	A15	A14	A13	A12	A11	A10	A9	A8
PSTOP	A15	A14	A13	A12	A11	A10	A9	A8

BOUNDARY (BNRY) REGISTER

This register is used to prevent overflow of the Receive Buffer Ring. Buffer management compares the contents of this register to the next buffer address when linking buffers together. If the contents of this register match the next buffer address the Local DMA operation is aborted.

	7	6	5	4	3	2	1	0
BNRY	A15	A14	A13	A12	A11	A10	A9	A8

CURRENT PAGE REGISTER (CURR)

This register is used internally by the Buffer Management Logic as a backup register for reception. CURR contains the address of the first buffer to be used for a packet reception and is used to restore DMA pointers in the event of receive errors. This register is initialized to the same value as PSTART and should not be written to again unless the controller is Reset.

	7	6	5	4	3	2	1	0
CURR	A15	A14	A13	A12	A11	A10	A9	A8

CURRENT LOCAL DMA REGISTER 0,1 (CLDA0,1)

These two registers can be accessed to determine the current Local DMA Address.

	7	6	5	4	3	2	1	0
CLDA1	A15	A14	A13	A12	A11	A10	A9	A8

	7	6	5	4	3	2	1	0
CLDA0	A7	A6	A5	A4	A3	A2	A1	A0

Remote DMA Registers

REMOTE START ADDRESS REGISTERS (RSAR0,1)

Remote DMA operations are programmed via the Remote Start Address (RSAR0,1) and Remote Byte Count (RBCR0,1) registers. The Remote Start Address is used to point to the start of the block of data to be transferred and the Remote Byte Count is used to indicate the length of the block (in bytes).

	7	6	5	4	3	2	1	0
RSAR1	A15	A14	A13	A12	A11	A10	A9	A8

	7	6	5	4	3	2	1	0
RSAR0	A7	A6	A5	A4	A3	A2	A1	A0

REMOTE BYTE COUNT REGISTERS (RBC0,1)

	7	6	5	4	3	2	1	0
RBCR1	A15	A14	A13	A12	A11	A10	A9	A8

	7	6	5	4	3	2	1	0
RBCR0	A7	A6	A5	A4	A3	A2	A1	A0

Notes:

RSAR0 programs the start address bits A0-A7.

RSAR1 programs the start address bits A8-A15.

Address incremented by two for word transfers, and by one for byte transfers. Byte count decremented by two for word transfers and by one for byte transfers.

RBCR0 programs LSB byte count.

RBCR1 programs MSB byte count.

CURRENT REMOTE DMA ADDRESS (CRDA0, CRDA1)

The Current Remote DMA Registers contain the current address of the Remote DMA. The bit assignment is shown below:

	7	6	5	4	3	2	1	0
CRDA1	A15	A14	A13	A12	A11	A10	A9	A8

	7	6	5	4	3	2	1	0
CRDA0	A7	A6	A5	A4	A3	A2	A1	A0

Physical Address Registers (PAR0-PAR5)

The physical address registers are used to compare the destination address of incoming packets for rejecting or accepting packets. Comparisons are performed on a byte-wide basis. The bit assignment shown below relates the sequence in PAR0-PAR5 to the bit sequence of the received packet.

	D7	D6	D5	D4	D3	D2	D1	D0
PAR0	DA7	DA6	DA5	DA4	DA3	DA2	DA1	DA0
PAR1	DA15	DA14	DA13	DA12	DA11	DA10	DA9	DA8
PAR2	DA23	DA22	DA21	DA20	DA19	DA18	DA17	DA16
PAR3	DA31	DA30	DA29	DA28	DA27	DA26	DA25	DA24
PAR4	DA39	DA38	DA37	DA36	DA35	DA34	DA33	DA32
PAR5	DA47	DA46	DA45	DA44	DA43	DA42	DA41	DA40

Destination Address

Source

P/S	DA0	DA1	DA2	DA3	...	DA46	DA47	SA0	...
-----	-----	-----	-----	-----	-----	------	------	-----	-----

Note: P/S = Preamble, Synch

DA0 = Physical/Multicast Bit

Multicast Address Registers (MAR0-MAR7)

The multicast address registers provide filtering of multicast addresses hashed by the CRC logic. All destination addresses are fed through the CRC logic and as the last bit of the destination address enters the CRC, the 6 most significant bits of the CRC generator are latched. These 6 bits are then decoded by a 1 of 64 decode to index a unique filter bit (FB0-63) in the multicast address registers. If the filter bit selected is set, the multicast packet is accepted. The system designer would use a program to determine which filter

5.0 Register Descriptions (Continued)

bits to set in the multicast registers. All multicast filter bits that correspond to multicast address accepted by the node are then set to one. To accept all multicast packets all of the registers are set to all ones.

Note: Although the hashing algorithm does not guarantee perfect filtering of multicast address, it will perfectly filter up to 64 multicast addresses if these addresses are chosen to map into unique locations in the multicast filter.

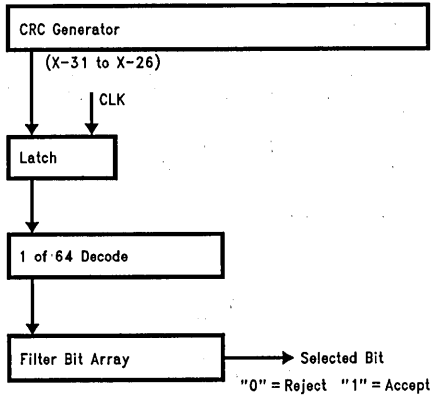


FIGURE 25. Multicast Addressing

TL/F/11498-22

6.0 Operation of AT/LANTIC Controller

This section details the operation of the AT/LANTIC Controller. The operations discussed are packet reception and transmission, bus operations, and loopback diagnostics.

6.1 TRANSMIT/RECEIVE PACKET ENCAPSULATION/DECAPSULATION

A standard IEEE 802.3 packet consists of the following fields: preamble, Start of Frame Delimiter (SFD), destination address, source address, length, data, and Frame Check Sequence (FCS). The typical format is shown in the figure following. The packets are Manchester encoded and decoded by the ENDEC module and transferred serially to the NIC module using NRZ data with a clock. All fields are of fixed length except for the data field. The AT/LANTIC Controller generates and appends the preamble, SFD and FCS field during transmission. The Preamble and SFD fields are stripped during reception. (The CRC is passed through to buffer memory during reception.)

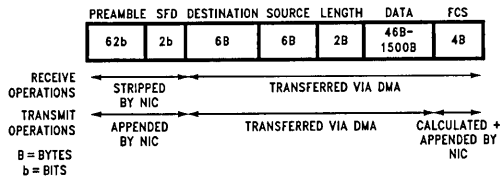


FIGURE 26. Ethernet Packet

TL/F/11498-23

PREAMBLE AND START OF FRAME DELIMITER (SFD)

The Manchester encoded alternating 1,0 preamble field is used by the ENDEC to acquire bit synchronization with an incoming packet. When transmitted each packet contains 62 bits of alternating 1,0 preamble. Some of this preamble will be lost as the packet travels through the network. The preamble field is stripped by the NIC module. Byte alignment is performed with the Start of Frame Delimiter (SFD) pattern which consists of two consecutive 1's. The AT/LANTIC Controller does not treat the SFD pattern as a byte, it detects only the two-bit pattern. This allows any preceding preamble within the SFD to be used for phase locking.

Destination Address

The destination address indicates the destination of the packet on the network and is used to filter unwanted packets from reaching a node. There are three types of address formats supported by the AT/LANTIC: physical, multicast and broadcast. The physical address is a unique address that corresponds only to a single node. All physical addresses have an MSB of "0". These addresses are compared to the internally stored physical address registers. Each bit in the destination address must match in order for the AT/LANTIC Controller to accept the packet. Multicast addresses begin with an MSB of "1". The AT/LANTIC Controller filters multicast addresses using a standard hashing algorithm that maps all multicast addresses into a 6-bit value. This 6-bit value indexes a 64-bit array that filters the value. If the address consists of all 1's it is a broadcast address, indicating that the packet is intended for all nodes. A promiscuous mode allows reception of all packets: the destination address is not required to match any filters. Physical, broadcast, multicast, and promiscuous address modes can be selected.

Source Address

The source address is the physical address of the node that sent the packet. Source addresses cannot be multicast or broadcast addresses. This field is simply passed to buffer memory.

Length Field

The 2-byte length field indicates the number of bytes that are contained in the data field of the packet. This field is not interpreted by the AT/LANTIC Controller.

Data Field

The data field consists of anywhere from 46 to 1500 bytes. Messages longer than 1500 bytes need to be broken into multiple packets. Messages shorter than 46 bytes will require appending a pad to bring the data field to the minimum length of 46 bytes. If the data field is padded, the number of valid data bytes is indicated in the length field. **The AT/LANTIC Controller does not strip or append pad bytes for short packets, or check for oversize packets.**

FCS Field

The Frame Check Sequence (FCS) is a 32-bit CRC field calculated and appended to a packet during transmission to allow detection of errors when a packet is received. During reception, error free packets result in a specific pattern in

6.0 Operation of AT/LANTIC Controller (Continued)

the CRC generator. Packets with improper CRC will be rejected. The AUTODIN II ($X^{32} + X^{26} + X^{23} + X^{22} + X^{16} + X^{12} + X^{11} + X^{10} + X^8 + X^7 + X^5 + X^4 + X^2 + X^1 + 1$) polynomial is used for the CRC calculations.

6.2 BUFFER MEMORY ACCESS CONTROL (DMA)

The buffer memory control capabilities of the AT/LANTIC Controller greatly simplify the use of the AT/LANTIC Controller in typical configurations. The local DMA channel transfers data between the FIFO and memory. On transmission, the packet is DMA'd from memory to the FIFO in bursts. Should a collision occur (up to 15 times), the packet is re-transmitted with no processor intervention. On reception, packets are moved via DMA from the FIFO to the receive buffer ring (as explained below).

A Remote DMA channel is also provided on the AT/LANTIC Controller to accomplish transfers between a buffer memory and an internal Data Port when using the AT/LANTIC Controller in I/O Mode. This Remote DMA channel is not used when the AT/LANTIC Controller is used in a shared Memory mode. In this second mode the buffer memory is dual ported, and directly mapped into the system memory. In this mode the system CPU directly accesses the RAM under software control to transfer packet data.

The following sections describe the operation of the Local DMA channel for packet reception which is used in both modes. For Shared Memory mode the description of the Remote DMA does not apply.

For reference an example configuration using the AT/LANTIC Controller is shown in Figure 27.

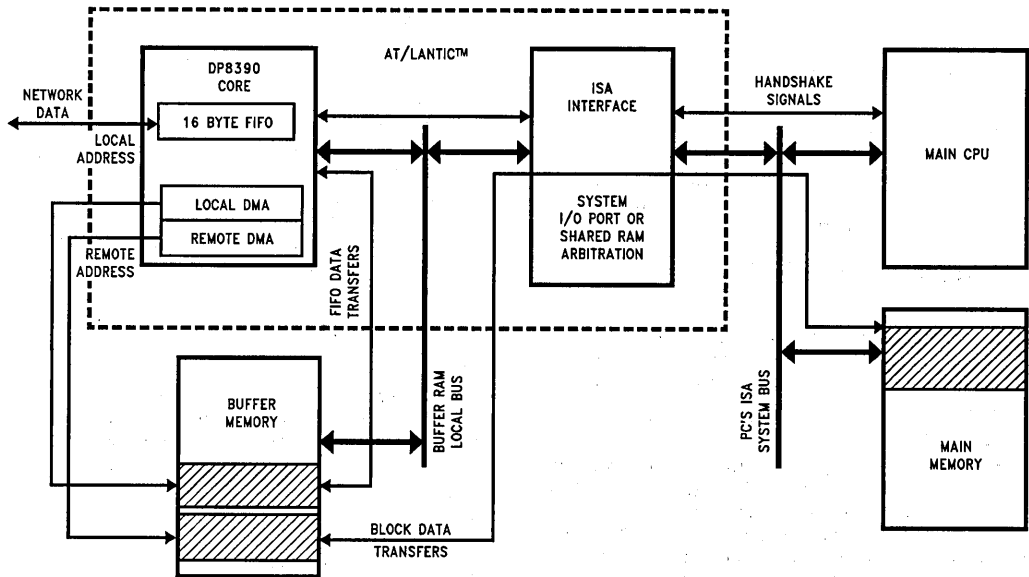
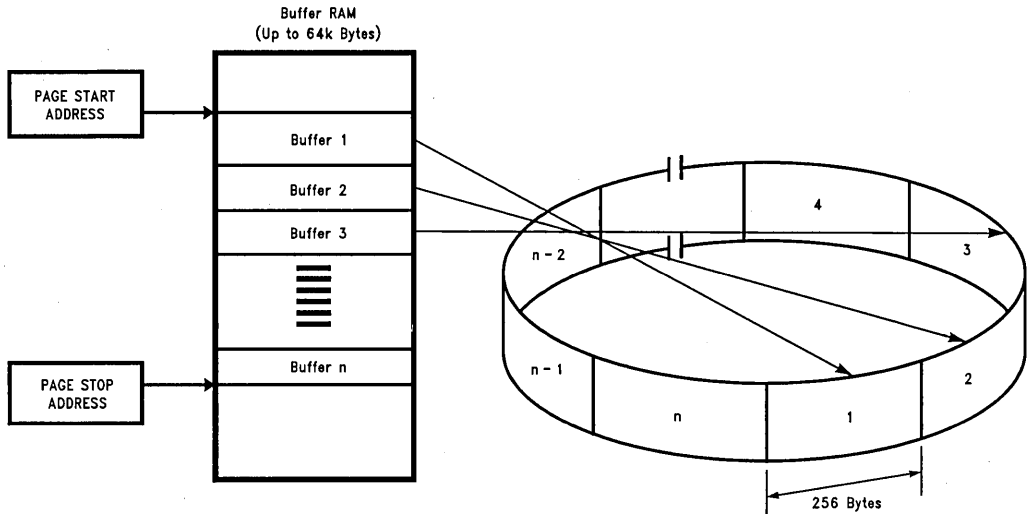


FIGURE 27. AT/LANTIC Controller Bus Architecture

TL/F/11498-24

6.0 Operation of AT/LANTIC Controller (Continued)



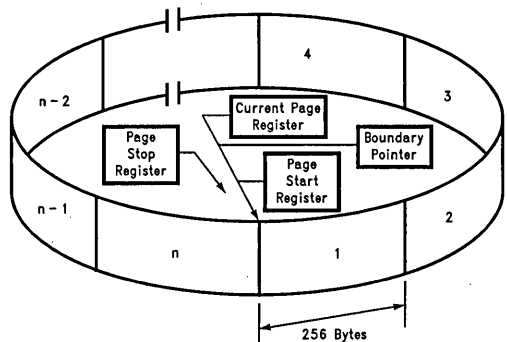
TL/F/11498-25

FIGURE 28. AT/LANTIC Controller Receiver Buffer Ring

6.3 PACKET RECEPTION

The Local DMA receive channel uses a Buffer Ring Structure comprised of a series of contiguous fixed length 256 byte (128 word) buffers for storage of received packets. The location of the Receive Buffer Ring is programmed in two registers, a Page Start and a Page Stop Register. Ethernet packets consist of a distribution of shorter link control packets and longer data packets, the 256 byte buffer length provides a good compromise between short packets and longer packets to most efficiently use memory. In addition these buffers provide memory resources for storage of back-to-back packets in loaded networks. The assignment of buffers for storing packets is controlled by Buffer Management Logic in the AT/LANTIC Controller. The Buffer Management Logic provides three basic functions: linking receive buffers for long packets, recovery of buffers when a packet is rejected, and recirculation of buffer pages that have been read by the host.

At initialization, a portion of the 64 kbyte (or 32 kword) address space is reserved for the receive buffer ring. Two eight bit registers, the Page Start Address Register (PSTART) and the Page Stop Address Register (PSTOP) define the physical boundaries of where the buffers reside. The AT/LANTIC Controller treats the list of buffers as a logical ring; whenever the DMA address reaches the Page Stop Address, the DMA is reset to the Page Start Address.



TL/F/11498-26

FIGURE 29. Buffer Ring at Initialization

Initialization of the Buffer Ring

Two static registers and two working registers control the operation of the Buffer Ring. These are the Page Start Register, Page Stop Register (both described previously), the Current Page Register and the Boundary Pointer Register. The Current Page Register points to the first buffer used to store a packet and is used to restore the DMA address for writing status to the Buffer Ring or for restoring the DMA address in the event of a Runt packet, a CRC, or Frame Alignment error. The Boundary Register points to the first packet in the

6.0 Operation of AT/LANTIC Controller (Continued)

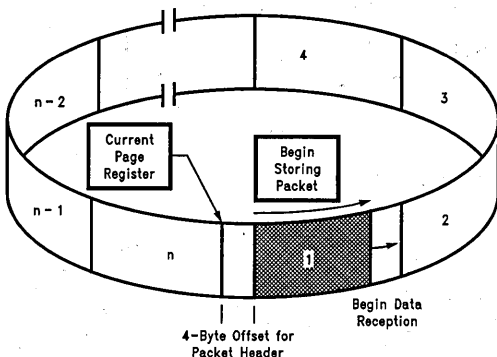
Ring not yet read by the host. If the local DMA address ever reaches the Boundary, reception is aborted. The Boundary Pointer is also used to initialize the Remote DMA for removing a packet and is advanced when a packet is removed. A simple analogy to remember the function of these registers is that the Current Page Register acts as a Write Pointer and the Boundary Pointer acts as a Read Pointer.

Note 1: At initialization, the Page Start Register value should be loaded into both the Current Page Register and the Boundary Pointer Register.

Note 2: The Page Start Register must not be initialized to 00H.

Beginning of Reception

When the first packet begins arriving the AT/LANTIC Controller begins storing the packet at the location pointed to by the Current Page Register. An offset of 4 bytes is saved in this first buffer to allow room for storing receive status corresponding to this packet.



TL/F/11498-27

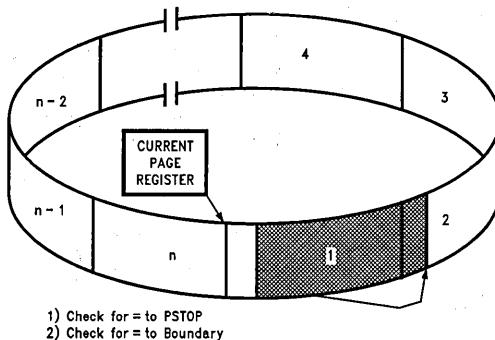
FIGURE 30. Received Packet Enters the Buffer Pages

Linking Receive Buffer Pages

If the length of the packet exhausts the first 256 byte buffer, the DMA performs a forward link to the next buffer to store the remainder of the packet. For a maximal length packet the buffer logic will link six buffers to store the entire packet. Buffers cannot be skipped when linking, a packet will always be stored in contiguous buffers. Before the next buffer can be linked, the Buffer Management Logic performs two comparisons. The first comparison tests for equality between the DMA address of the next buffer and the contents of the Page Stop Register. If the buffer address equals the Page Stop Register, the buffer management logic will restore the DMA to the first buffer in the Receive Buffer Ring value programmed in the Page Start Address Register. The second comparison tests for equality between the DMA address of the next buffer address and the contents of the Boundary Pointer Register. If the two values are equal the reception is aborted. The Boundary Pointer Register can be used to protect against overwriting any area in the receive buffer ring that has not yet been read. When linking buffers, buffer management will never cross this pointer, effectively avoiding any overwrites. If the buffer address does not match either the Boundary Pointer or Page Stop Address, the link to the next buffer is performed.

Linking Buffers

Before the DMA can enter the next contiguous 256 byte buffer, the address is checked for equality to PSTOP and to the Boundary Pointer. If neither are reached, the DMA is allowed to use the next buffer.



TL/F/11498-28

FIGURE 31. Linking Receive Buffer Pages

Buffer Ring Overflow

If the Buffer Ring has been filled and the DMA reaches the Boundary Pointer Address, reception of the incoming packet will be aborted by the AT/LANTIC Controller. Thus, the packets previously received and still contained in the Ring will not be destroyed.

In heavily loaded networks which cause overflows of the Receive Buffer Ring, the AT/LANTIC Controller may disable the local DMA and suspend further receptions even if the Boundary register is advanced beyond the Current register. In the event that the AT/LANTIC Controller should encounter a receive buffer overflow, it is necessary to implement the following routine. A receive buffer overflow is indicated by the AT/LANTIC Controller's assertion of the overflow bit (OVW) in the Interrupt Status Register (ISR).

If this routine is not adhered to, the AT/LANTIC Controller may act in an unpredictable manner. It should also be noted that it is not permissible to service an overflow interrupt by continuing to empty packets from the receive buffer without implementing the prescribed overflow routine. A flow chart of the AT/LANTIC™ Controller's overflow routine can be found in Figure 32.

Note: It is necessary to define a variable in the driver, which will be called "Resend".

1. Read and store the value of the TXP bit in the AT/LANTIC Controller's Command Register.
2. Issue the STOP command to the AT/LANTIC Controller. This is accomplished by setting the STP bit in the AT/LANTIC Controller's Command Register. Writing 21 H to the Command Register will stop the AT/LANTIC Controller.
3. Wait for at least 1.6 ms. Since the AT/LANTIC Controller will complete any transmission or reception that is in progress, it is necessary to time out for the maximum possible duration of an Ethernet transmission or reception. By waiting 1.6 ms this is achieved with some guard band added. Previously, it was recommended that the RST bit of the Interrupt Status Register be polled to insure that the pending transmission or reception is completed. This bit is not a reliable indicator and subsequently should be ignored.

6.0 Operation of AT/LANTIC Controller (Continued)

4. Clear the AT/LANTIC Controller's Remote Byte Count registers (RBCR0 and RBCR1).
5. Read the stored value of the TXP bit from step 1, above.

If this value is a 0, set the "Resend" variable to a 0 and jump to step 6.

If this value is a 1, read the AT/LANTIC Controller's Interrupt Status Register. If either the Packet Transmitted bit (PTX) or Transmit Error bit (TXE) is set to a 1, set the "Resend" variable to a 0 and jump to step 6. If neither of these bits is set, place a 1 in the "Resend" variable and jump to step 6.

This step determines if there was a transmission in progress when the stop command was issued in step 2. If there was a transmission in progress, the AT/LANTIC Controller's ISR is read to determine whether or not the packet was recognized by the AT/LANTIC Controller. If neither the PTX nor TXE bit was set, then the packet will essentially be lost and re-transmitted only after a time-out takes place in the upper level software. By determining that the packet was lost at the driver level, a transmit command can be reissued to the AT/LANTIC Controller once the overflow routine is completed (as in step 11). Also, it is possible for the AT/LANTIC Controller to defer indefinitely, when it is stopped on a busy network. Step 5 also alleviates this problem. Step 5 is essential and should not be omitted from the overflow routine, in order for the AT/LANTIC Controller to operate correctly.

6. Place the AT/LANTIC Controller in either mode 1 or mode 2 loopback. This can be accomplished by setting bits D2 and D1, of the Transmit Configuration Register, to 0,1 or 1,0 respectively.
7. Issue the START command to the AT/LANTIC Controller. This can be accomplished by Writing 22H to the Command Register. This is necessary to activate the AT/LANTIC Controller's Remote DMA channel.
8. Remove one or more packets from the receive buffer ring.
9. Reset the overwrite warning (OVW, overflow) bit in the Interrupt Status Register.
10. Take the AT/LANTIC Controller out of loopback. This is done by Writing the Transmit Configuration Register with the value it contains during normal operation. (Bits D2 and D1 should both be programmed to 0.)
11. If the "Resend" variable is set to a 1, reset the "Resend" variable and reissue the transmit command. This is done by writing a value of 26H to the Command Register. If the "Resend" variable is 0, nothing needs to be done.

Note 1: If Remote DMA is not being used, the AT/LANTIC Controller does not need to be started before packets can be removed from the receive buffer ring. Hence, step 8 could be done before step 7, eliminating or reducing the time spent polling in step 5.

Note 2: When the AT/LANTIC Controller is in STOP mode, the Missed Packet Tally counter is disabled.

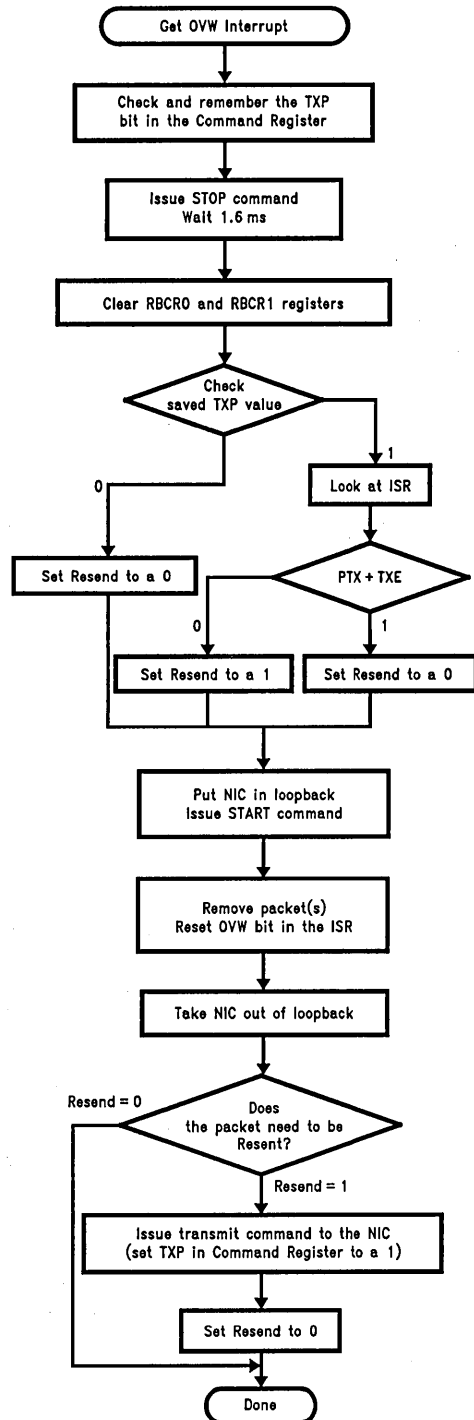


FIGURE 32. Overflow Routine

TL/F/11498-29

6.0 Operation of AT/LANTIC Controller (Continued)

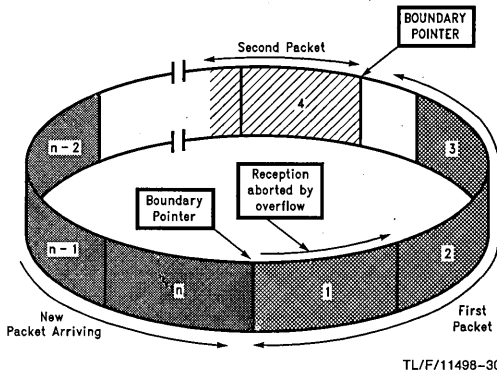


FIGURE 33. Received Packet Aborted if it Hits Boundary

Enabling the AT/LANTIC Controller on an Active Network

After the AT/LANTIC Controller has been initialized the procedure for disabling and then re-enabling the AT/LANTIC Controller on the network is similar to handling Receive Buffer Ring overflow as described previously.

1. Program Command Register for page 0 (Command Register = 21H)
2. Initialize Data Configuration Register (DCR)
3. Clear Remote Byte Count Registers (RBCR0, RBCR1) if using Remote DMA
4. Initialize Receive Configuration Register (RCR)
5. Place the AT/LANTIC Controller in LOOPBACK mode 1 or 2 (Transmit Configuration Register = 02H or 04H)
6. Initialize Receive Buffer Ring: Boundary Pointer (BNDRY), Page Start (PSTART), and Page Stop (PSTOP)
7. Clear Interrupt Status Register (ISR) by writing 0FFH to it
8. Initialize Interrupt Mask Register (IMR)
9. Program Command Register for page 1 (Command Register = 61H)
 - i) Initialize Physical Address Registers (PAR0-PAR5)
 - ii) Initialize Multicast Address Registers (MAR0-MAR7)
 - iii) Initialize CURRENT pointer
10. Put AT/LANTIC Controller in START mode (Command Register = 22H). The local receive DMA is still not active since the AT/LANTIC Controller is in LOOPBACK.
11. Initialize the Transmit Configuration for the intended value. The AT/LANTIC Controller is now ready for transmission and reception.

End of Packet Operations

At the end of the packet the AT/LANTIC Controller determines whether the received packet is to be accepted or rejected. It either branches to a routine to store the Buffer Header or to another routine that recovers the buffers used to store the packet.

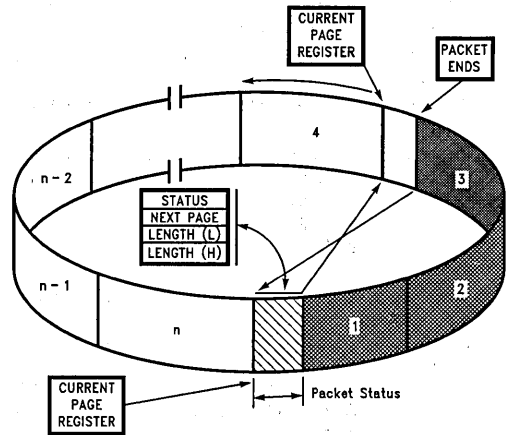


FIGURE 34. Termination of Received Packet—Packet Accepted

Successful Reception

If the packet is successfully received, the DMA is restored to the first buffer used to store the packet (pointed to by the Current Page Register). The DMA then stores the Receive Status, a Pointer to where the next packet will be stored (Buffer 4) and the number of received bytes. Note that the remaining bytes in the last buffer are discarded and reception of the next packet begins on the next empty 256-byte buffer boundary. The Current Page Register is then initialized to the next available buffer in the Buffer Ring. (The location of the next buffer had been previously calculated and temporarily stored in an internal scratchpad register.)

Buffer Recovery for Rejected Packets

If the packet is a runt packet or contains CRC or Frame Alignment errors, it is rejected. The buffer management logic resets the DMA back to the first buffer page used to store the packet (pointed to by CURR), recovering all buffers that had been used to store the rejected packet. This operation will not be performed if the AT/LANTIC Controller is programmed to accept either runt packets or packets with CRC or Frame Alignment errors. The received CRC is always stored in buffer memory after the last byte of received data for the packet.

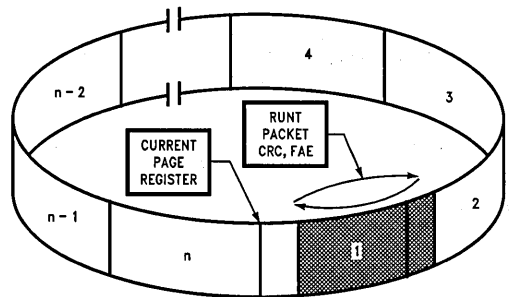


FIGURE 35. Termination of Receive Packet—Packet Reject

6.0 Operation of AT/LANTIC Controller (Continued)

Error Recovery

If the packet is rejected as shown, the DMA is restored by the AT/LANTIC Controller by reprogramming the DMA starting address pointed to by the Current Page Register.

Storage Format for Received Packets

The following diagrams describe the format for how received packets are placed into memory by the local DMA channel. These modes are selected in the Data Configuration Register.

AD15	AD8	AD7	AD0
Next Packet Pointer		Receive Status	
Receive Byte Count 1		Receive Byte Count 0	
Byte 2		Byte 1	

BOS = 0, WTS = 1 in Data Configuration Register. This format is used with Series 32xx, or 808xx processors.

AD15	AD8	AD7	AD0
Next Packet Pointer		Receive Status	
Receive Byte Count 0		Receive Byte Count 1	
Byte 1		Byte 2	

BOS = 1, WTS = 1 in Data Configuration Register. This format is used with 680x0 type processors. (Note: The Receiver Count ordering remains the same for BOS = 0 or 1.)

Receive Status
Next Packet Pointer
Receive Byte Count 0
Receive Byte Count 1
Byte 0
Byte 1

BOS = 0, WTS = 0 in Data Configuration Register. This format is used with general 8-bit processors.

6.4 PACKET TRANSMISSION

The Local DMA is also used during transmission of a packet. Three registers control the DMA transfer during transmission, a Transmit Page Start Address Register (TPSR) and the Transmit Byte Count Registers (TBCR0,1). When the AT/LANTIC Controller receives a command to transmit the packet pointed to by these registers, buffer memory data will be moved into the FIFO as required during transmission. The AT/LANTIC Controller will generate and append the preamble, synch and CRC fields.

General Transmit Packet Format

Transmit	Destination Address	6 Bytes
Byte	Source Address	6 Bytes
Count	Type/Length	2 Bytes
TBCR0, 1	Data	≥ 46 Bytes
	Pad (if data < 46 Bytes)	

Transmit Packet Assembly

The AT/LANTIC Controller requires a contiguous assembled packet with the format shown. The transmit byte count includes the Destination Address, Source Address, Length Field and Data. It does not include preamble and CRC.

When transmitting data smaller than 46 bytes, the packet must be padded to a minimum size of 64 bytes. The programmer is responsible for adding and stripping pad bytes.

The packets are placed in the buffer RAM by the system. In I/O Mode the system programs the NIC Core's Remote DMA to mode the data from the data port to the RAM handshaking with system transfers loading the I/O data port. In Shared Memory Mode the packets are written directly to the RAM by system using standard memory transfer instructions (MOV).

For I/O mode the data transfer must be 16 bits (1 word) when in 16-bit mode, and 8 bits when the AT/LANTIC Controller is set in 8-bit mode. The data width is selected by setting the WTS bit in the Data Configuration Register and setting the DWID pin for the proper mode.

In Shared Memory mode data transfer can be accomplished by using either 8- or 16-bit data transfer instructions, because this mode responds to 8/16-bit data signalling on the ISA bus. In this mode Shared Memory Control Register 2-bit 6 sets the bus interface data width, and the NIC Core's data width is set by the WTS bit in the Data Configuration Register.

Transmission

Prior to transmission, the TPSR (Transmit Page Start Register) and TBCR0, TBCR1 (Transmit Byte Count Registers) must be initialized. To initiate transmission of the packet the TXP bit in the Command Register is set. The Transmit Status Register (TSR) is cleared and the AT/LANTIC Controller begins to prefetch transmit data from memory (unless the AT/LANTIC Controller is currently receiving). If the inter-frame gap has timed out the AT/LANTIC Controller will begin transmission.

Conditions Required to Begin Transmission

In order to transmit a packet, the following three conditions must be met:

1. The Interframe Gap Timer has timed out the first 6.4 μ s of the Interframe Gap
2. At least one byte has entered the FIFO. (This indicates that the burst transfer has been started)
3. If a collision had been detected then before transmission the packet time must have timed out.

In typical systems the AT/LANTIC Controller prefetches the first burst of bytes before the 6.4 μ s timer expires. The time during which AT/LANTIC Controller transmits preamble can also be used to load the FIFO.

Note: If carrier sense is asserted before a byte has been loaded into the FIFO, the AT/LANTIC Controller will become a receiver.

Collision Recovery

During transmission, the Buffer Management logic monitors the transmit circuitry to determine if a collision has occurred. If a collision is detected, the Buffer Management logic will reset the FIFO and restore the Transmit DMA pointers for retransmission of the packet. The COL bit will be set in the TSR and the NCR (Number of Collisions Register) will be incremented. If 15 retransmissions each result in a collision the transmission will be aborted and the ABT bit in the TSR will be set.

Note: NCR reads as zeroes if excessive collisions are encountered.

6.0 Operation of AT/LANTIC Controller (Continued)

Transmit Packet Assembly Format

The following diagrams describe the format for how packets must be assembled prior to transmission for different byte ordering schemes. The various formats are selected in the Data Configuration Register.

D15	D8	D7	D0
Destination Address 1		Destination Address 0	
Destination Address 3		Destination Address 2	
Destination Address 5		Destination Address 4	
Source Address 1		Source Address 0	
Source Address 3		Source Address 2	
Source Address 5		Source Address 4	
Type/Length 1		Type Length 0	
Data 1		Data 0	

BOS = 1, WTS = 1 in Data Configuration Register.

This format is used with Series 32xxx, or 808xx processors.

D15	D8	D7	D0
Destination Address 0		Destination Address 1	
Destination Address 2		Destination Address 3	
Destination Address 4		Destination Address 5	
Source Address 0		Source Address 1	
Source Address 2		Source Address 3	
Source Address 4		Source Address 5	
Type/Length 0		Type Length 1	
Data 0		Data 1	

BOS = 1, WTS = 1 in Data Configuration Register.

This format is used with 680x0 type processors.

D7	D0
Destination Address 0	
Destination Address 1	
Destination Address 2	
Destination Address 3	
Destination Address 4	
Destination Address 5	
Source Address 0	
Source Address 1	
Source Address 2	
Source Address 3	
Source Address 4	
Source Address 5	

BOS = 0, WTS = 0 in a Data Configuration Register.

This format is used with 8-bit processors.

Note: All examples above will result in a transmission of a packet in order of DA0, DA1, DA3 . . . bits within each byte will be transmitted least significant bit first.

DA = Destination Address

6.5 LOOPBACK DIAGNOSTICS

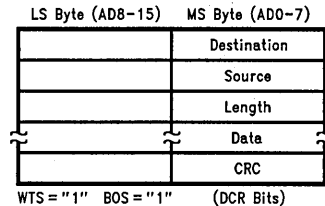
Three forms of local loopback are provided on the AT/LANTIC Controller. The user has the ability to loopback through the deserializer on the controller, through the ENDEC module or transceiver. **Because of the half duplex architecture of the AT/LANTIC Controller, loopback testing is a special mode of operation with the following restrictions:**

Restrictions during Loopback

The FIFO is split into two halves, one half is used for transmission the other for reception. Only 8-bit fields can be fetched from memory so two tests are required for 16-bit systems to verify integrity of the entire data path. During loopback the maximum latency to obtain access to the buffer memory is 2.0 μ s. Systems that wish to use the loopback test yet do not meet this latency can limit the loopback packet to 7 bytes without experiencing underflow. Only the last 8 bytes of the loopback packet are retained in the FIFO. The last 8 bytes can be read through the FIFO register which will advance through the FIFO to allow reading the receive packet sequentially.

Destination Address	= 6 bytes Station Physical Address
Source Address	= 6 bytes Station Physical Address
Length	2 bytes
Data	= 46 to 1500 bytes
CRC	Appended by AT/LANTIC Controller if CRC = 0 in TCR

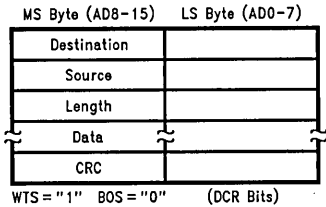
When in word-wide mode with Byte Order Select set, the loopback packet must be assembled in the even byte locations as shown below. (The loopback only operated with byte wide transfers.)



TL/F/11498-64

6.0 Operation of AT/LANTIC Controller (Continued)

When in word-wide mode with Byte Order Select low, the following format must be used for the loopback packet.



TL/F/11498-65

Note: When using loopback in word mode 2n bytes must be programmed in the TBCR0, 1. When n = actual number of bytes assembled in even or odd location.

To initiate a loopback the user first assembles the loopback packet then selects the type of loopback using the Transmit Configuration register bits LB0, LB1. The transmit configuration register must also be set to enable or disable CRC generation during transmission. The user then issues a normal transmit command to send the packet. During loopback the receiver checks for an address match and if CRC bit in the TCR is set, the receiver will also check the CRC. The last 8 bytes of the loopback packet are buffered and can read out of the FIFO using FIFO read port.

Loopback Modes

MODE 1: Loopback through the AT/LANTIC Controller Module (LB1 = 0, LB0 = 1): If this loopback is used, the AT/LANTIC Controller Module's serializer is connected to the deserializer.

MODE 2: Loopback through the ENDEC Module (LB1 = 1, LB0 = 0): If the loopback is to be performed through the SNI, the AT/LANTIC Controller provides a control (LPBK) that forces the ENDEC module to loopback all signals.

MODE 3: Loopback to the external coax interface or twisted pair interface module (LB1 = 1, LB0 = 1). Packets can be transmitted to the cable in loopback mode to check all of the transmit and receive paths and the cable itself. If, in twisted pair mode, there is a link fail the transmitter will be disabled which could give misleading results in Mode 3. The link integrity should be checked, by reading Configuration Register B, before this test.

Note: Collision and Carrier Sense can be generated by the ENDEC module and are masked by the NIC module. It is not possible to go directly between the loopback modes, it is necessary to return to normal operation (00H) when changing modes.

Reading the Loopback Packet

The last eight bytes of a received packet can be examined by 8 consecutive reads of the FIFO register. The FIFO pointer is increment after the rising edge of the CPU's read strobe by internally synchronizing and advancing the pointer. This may take up to four bus clock cycles, if the pointer has not been incremented by the time the CPU reads the FIFO register again, the AT/LANTIC Controller will insert wait states.

Note: The FIFO may only be read during Loopback. Reading the FIFO at any other time will cause the AT/LANTIC Controller to malfunction.

Alignment of the Received Packet in the FIFO

Reception of the packet in the FIFO begins at location zero, after the FIFO pointer reaches the last location in the FIFO, the pointer wraps to the top of the FIFO overwriting the previously received data.

This process is continued until the last byte is received. The AT/LANTIC Controller then appends the received byte count in the next two locations of the FIFO. The contents of the Upper Byte Count are also copied to the next FIFO location. The number of bytes used in the loopback packet determined the alignment of the packet in the FIFO. The alignment for a 64-byte packet is shown below.

FIFO Location	FIFO Contents	
0	Lower Byte Count	→ First Byte Read
1	Upper Byte count	→ Second Byte Read
2	Upper Byte Count	•
3	Last Byte	•
4	CRC1	•
5	CRC2	•
6	CRC3	•
7	CRC4	→ Last Byte Read

For the following alignment in the FIFO the packet length should be $(N \times 8) + 5$ Bytes. Note that if the CRC bit in the TCR is set, CRC will not be appended by the transmitter. If the CRC is appended by the transmitter, the 1st four bytes, bytes N-3 to N, correspond to the CRC.

FIFO Location	FIFO Contents	
0	Byte N-4	→ First Byte Read
1	Byte N-3 (CRC1)	→ Second Byte Read
2	Byte N-2 (CRC2)	•
3	Byte N-1 (CRC3)	•
4	Byte N (CRC4)	•
5	Lower Byte Count	•
6	Upper Byte Count	•
7	Upper Byte Count	→ Last Byte Read

Loopback Tests

Loopback capabilities are provided to allow certain tests to be performed to validate operation of the AT/LANTIC Controller prior to transmitting and receiving packets on a live network. Typically these tests may be performed during power up of a node. The diagnostic provides support to verify the following:

1. Verify integrity of data path. Received data is checked against transmitted data.
2. Verify CRC logic's capability to generate good CRC on transmit, verify CRC on receive (good or bad CRC).
3. Verify that the Address Recognition Logic can
 - a. Recognize address match packets
 - b. Reject packets that fail to match an address

Loopback Operation in the AT/LANTIC Controller

Loopback is a modified form of transmission using only half of the FIFO. This places certain restrictions on the use of

6.0 Operation of AT/LANTIC Controller (Continued)

loopback testing. When loopback mode is selected in the TCR, the FIFO is split. A packet should be assembled in memory with programming of TPSR and TBCR0, TBCR1 registers. When the transmit command is issued the following operations occur:

TRANSMITTER ACTIONS

1. Data is transferred from memory by the DMA until the FIFO is filled. For each transfer TBCR0 and TBCR1 are decremented. (Subsequent burst transfers are initiated when the number of bytes in the FIFO drops below the programmed threshold.)
2. The AT/LANTIC Controller generates 56 bits of preamble followed by an 8-bit synch pattern.
3. Data transferred from FIFO to serializer.
4. If CRC = 1 in TCR, no CRC calculated by AT/LANTIC Controller, the last byte transmitted is the last byte from the FIFO (allows software CRC to be appended). If CRC = 0, AT/LANTIC Controller calculates and appends four bytes of CRC.
5. At end of Transmission PTX bit set in ISR.

RECEIVER ACTIONS

1. Wait for synch, all preamble stripped.
2. Store packet in FIFO, increment receive byte count for each incoming byte.
3. If CRC = 0 in TRC, receiver checks incoming packet for CRC errors. If CRC = 1 in TCR, receiver does not check CRC errors, CRC error bit always set in RSR (for address matching packets).
4. At end of receive, receive byte count written into FIFO, receive status register is updated. The PRX bit is typically set in the RSR even if the address does not match. If CRC errors are forced, the packet must match the address filters in order for the CRC error bit in the RS to be set.

EXAMPLES

The following examples show what results can be expected from a properly operating AT/LANTIC Controller during loopback. The restrictions and results of each type of loopback are listed for reference. The loopback tests are divided into two sets of tests. One to verify the data path, CRC generation and byte count through all three paths. The second set of tests uses internal loopback to verify the receiver's CRC checking and address recognition. For all of the tests the DCR was programmed to 40H.

Path	TCR	RCR	TSR	RSR	ISR
AT/LANTIC Controller Internal	02	1F	53 (Note 1)	02 (Note 2)	02 (Note 3)

Note 1: Since carrier sense and collision detect are generated in the ENDEC module. They are blocked during internal loopback, carrier and CD heartbeat are not seen and the CRS and CDH bits are set.

Note 2: CRC errors are always indicated by receiver if CRC is appended by the transmitter.

Note 3: Only the PTX bit in the ISR is set, the PRX bit is only set if status is written to memory. In loopback this action does not occur and the PRx bit remains 0 for all loopback modes.

Note 4: All values are hex.

Path	TCR	RCR	TSR	RSR	ISR
AT/LANTIC Controller Internal	04	1F	43 (Note 1)	02	02

Note 1: CDH is set, CRS is not set since it is generated by the external encoder/decoder.

Path	TCR	RCR	TSR	RSR	ISR
AT/LANTIC Controller External	06	1F	03 (Note 1)	02	02 (Note 2)

Note 1: CDH and CRS should not be set. The TSR however, could also contain 01H,03H,07H and a variety of other values depending on whether collisions were encountered or the packet was deferred.

Note 2: Will contain 08H if packet is not transmittable.

Note 3: During external loopback the AT/LANTIC Controller is now exposed to network traffic, it is therefore possible for the contents of both the Receive portion of the FIFO and the RSR to be corrupted by any other packet on the network. Thus in a live network the contents of the FIFO and RSR should not be depended on. The AT/LANTIC Controller will still abide by the standard CSMA/CD protocol in external loopback mode (i.e. the network will not be disturbed by the loopback packet).

Note 4: All values are hex.

CRC and Address Recognition

The next three tests exercise the address recognition logic and CRC. These tests should be performed using internal loopback only so that the AT/LANTIC Controller is isolated from interference from the network. These tests also require the capability to generate CRC in software.

The address recognition logic cannot be directly tested. The CRC and FAE bits in the RSR are only set if the address in the packet matches the address filters. If errors are expected to be set and they are not set, the packet has been rejected on the basis of an address mismatch. The following sequence of packets will test the address recognition logic. The DCR should be set to 40H, the TCR should be set to 03H with a software generated CRC.

Packet Contents		Results	
Test	Address	CRC	RSR
Test A	Matching	Good	01 (Note 1)
Test B	Matching	Bad	02 (Note 2)
Test C	Non-Matching	Bad	01

Note 1: Status will read 21H if multicast address used.

Note 2: Status will read 22H if multicast address used.

Note 3: In test A, the RSR is set up. In test B the address is found to match since the CRC is flagged as bad. Test C proves that the address recognition logic can distinguish a bad address and does not notify the RSR of the bad CRC. The receiving CRC is proven to work in test A and test B.

Note 4: All values are hex.

6.0 Operation of AT/LANTIC Controller (Continued)

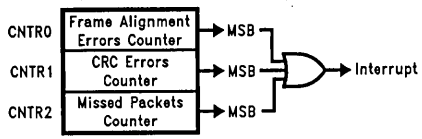


FIGURE 36. Tally Counters
TL/F/11498-33

Network Management Functions

Network management capabilities are required for maintenance and planning of a local area network. The AT/LANTIC Controller supports the minimum requirement for network management in hardware, the remaining requirements can be met with software. Software alone can not track during reception of packets: CRC errors, Frame Alignment errors, and missed packets, *Figure 36*.

Since errored packets can be rejected, the status associated with these packets is lost unless the CPU can access the Receive Status Register before the next packer arrives. In situations where another packet arrives very quickly, the CPU may have no opportunity to do this. The AT/LANTIC Controller counts the number of packets with CRC errors and Frame Alignment errors. 8-bit counters have been selected to reduce overhead. The counters will generate interrupts whenever their MSBs are set so that a software routine can accumulate the network statistics and reset the counter before overflow occurs. The counters are sticky so that when they reach a count of 192 (C0H) counting is halted. An additional counter is provided to count the number of packets the AT/LANTIC Controller misses due to buffer overflow or being offline.

The structure of the counters is shown in *Figure 36*.

Additional information required for network management is available in the Receive and Transmit Status Registers. Transmit status is available after each transmission for information regarding events during transmission.

Typically, the following statistics might be gathered in software:

- Traffic:
 - Frames Sent OK
 - Frames Received OK
 - Multicast Frames Received
 - Packets Lost Due to Lack of Resources
 - Retries/Packet
- Errors:
 - CRC Errors
 - Alignment Errors
 - Excessive Collisions
 - Packet with Length Errors
 - Heartbeat Failure

6.6 MEMORY ARBITRATION AND BUS OPERATION

The AT/LANTIC Controller will always operate as a slave device on its peripheral interface to the ISA bus. However on the memory bus, the AT/LANTIC Controller operates in three possible modes:

1. Bus Master of Local Packet Buffer RAM
2. Bus Slave when accessed by the CPU via the Bus Interface
3. Idle, when no activity is occurring.

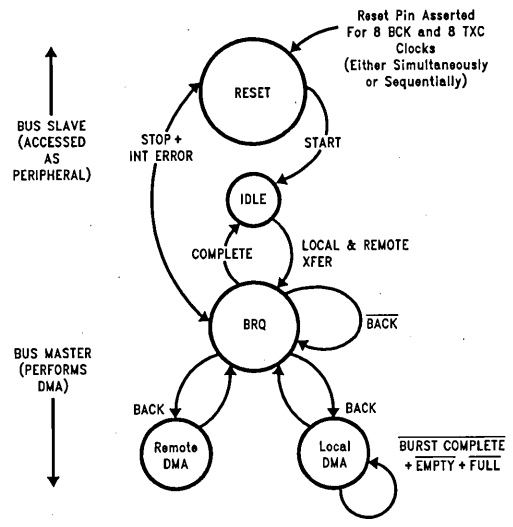


FIGURE 37. DP8390 Core Bus States
TL/F/11498-34

Upon power-up the AT/LANTIC Controller is in an indeterminate state. After receiving a hardware reset the AT/LANTIC Controller is a bus slave in the Reset State, the receiver and transmitter are both disabled in this state. The reset state can be re-entered under four conditions, soft reset (Stop Command), register reset (reset port in I/O mode, bit in Control Register 1 in shared memory mode), hard reset (RESET input) or an error that shuts down the receiver or transmitter (FIFO underflow or overflow, receive buffer ring overflow).

After initialization of registers, the AT/LANTIC Controller is issued a Start command and the AT/LANTIC Controller enters Idle state. Until the DMA is required the AT/LANTIC Controller remains in idle state.

The idle state is exited and the AT/LANTIC Controller will drive the local memory bus when a request from the FIFO in the DP8390 (NIC) core causes the memory bus interface logic to issue a read or write operation, such as when the AT/LANTIC Controller is transmitting or receiving data.

In I/O mode the NIC Core's Remote DMA also requests access from the memory bus. When software programs an I/O mode data transfer between the CPU and the buffer RAM, the Remote DMA controls this request.

In Shared Memory Mode, the memory bus is accessed via the CPU interface directly.

All Local DMA transfers are burst transfers, the DMA will transfer an exact burst of bytes programmed in the Data Configuration Register (DCR) then relinquish the memory bus. If there are remaining bytes in the FIFO the next burst will not be initiated until the FIFO threshold is exceeded.

I/O Mode Operation

In I/O mode the AT/LANTIC Controller transfers data to and from the packet buffer RAM by utilizing the Remote DMA logic which is programmed by the main system CPU to transfer data through the AT/LANTIC Controller's internal data port register.

6.0 Operation of AT/LANTIC Controller (Continued)

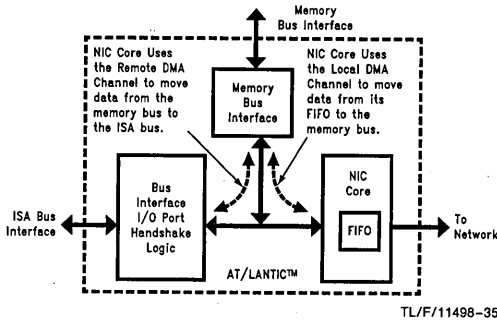


FIGURE 38. I/O Operation: All Data Transfers and Arbitration Is Controlled by the NIC Core

INTERLEAVED LOCAL/REMOTE OPERATION

When in I/O mode the remote DMA is used to transfer data to/from the main system. If a remote DMA transfer is initiated or in progress when a packet is being received or transmitted, the Remote DMA transfers will be interrupted for higher priority Local DMA transfers. When the Local DMA transfer is completed the Remote DMA will re-arbitrate for the bus and continue its transfers.

If the FIFO requires service while a remote DMA is in progress the Local DMA burst is appended to the Remote Transfer. When switching from a local transfer to a remote transfer there is a break to allow the CPU to fairly contend for the bus.

REMOTE DMA BI-DIRECTIONAL PORT

The Remote DMA transfers data between the local buffer memory and the internal bidirectional port (memory to I/O transfer).

This transfer is arbitrated on a transfer by transfer basis versus the burst transfer mode used for Local DMA transfers. This bidirectional port is integrated onto the AT/LANTIC Controller, and is read/written by the host. All transfers through this port are asynchronous. At any one time transfers are limited to one direction, either from the port to local buffer memory (Remote Write) or from local buffer memory to the port (Remote Read).

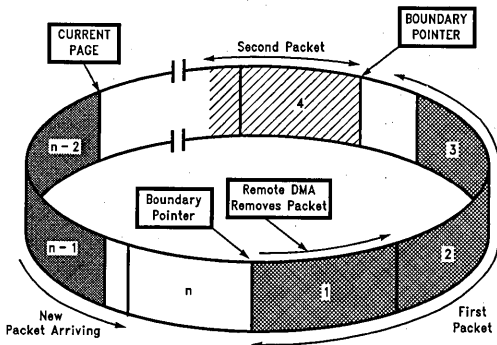


FIGURE 39. 1st Received Packet Removed by Remote DMA

I/O MODE REMOVING PACKETS FROM RING

Network activity is isolated on a local bus, where the AT/LANTIC Controller's local DMA channel performs burst transfers between the buffer memory and the AT/LANTIC Controller's FIFO. The Remote DMA transfers data between the buffer memory and the host memory via the internal bidirectional I/O port. The Remote DMA provides local addressing capability and is used as a slave DMA by the host. The host system reads the I/O port to transfer data between the system and I/O port. The AT/LANTIC Controller allows Local and Remote DMA operations to be interleaved.

Packets are removed from the ring using the Remote DMA. When using the Remote DMA the Send Packet command can be used. This programs the Remote DMA to automatically remove the received packet pointed to by the Boundary Pointer. At the end of the transfer, the AT/LANTIC Controller moves the Boundary Pointer, freeing additional buffers for reception. The Boundary Pointer can also be moved manually by programming the Boundary Register. Care should be taken to keep the Boundary Pointer at least one buffer behind the Current Page Pointer.

Data transfer by the Remote DMA to the integrated I/O data port is dependent on whether the AT/LANTIC Controller is set into 8-bit mode or 16-bit mode. In 8-bit mode all transfers are 8 bits (1 byte) wide. When in 16-bit mode all transfers are 16 bits (1 word) wide. The data width is selected by setting the WTS bit in the Data Configuration Register and setting the DWID pin for the proper mode.

The following is a suggested method for maintaining the Receive Buffer Ring pointers if in shared memory mode or if remote read is used in I/O mode.

1. At initialization, set up a software variable (`next_pkt`) to indicate where the next packet will be read. At the beginning of each Remote Read DMA operation, the value of `next_pkt` will be loaded into RSAR0 and RSAR1.

2. When initializing the AT/LANTIC Controller set:

```
BNDRY = PSTART
CURR = PSTART + 1
next_pkt = PSTART + 1
```

3. After a packet is DMAed from the Receive Buffer Ring, the Next Page Pointer (second byte in the AT/LANTIC Controller buffer header is used to update BNDRY and `next_pkt`.

```
next_pkt = Next Page Pointer
```

```
BNDRY = Next Page Pointer - 1
```

```
If BNDRY < PSTART then BNDRY = PSTOP - 1
```

Note the size of the Receive Buffer Ring is reduced by one 256 byte buffer, this will not, however, impede the operation of the AT/LANTIC Controller. The advantage of this scheme is that it easily differentiates between buffer full and buffer empty: it is full if $BNDRY = CURR$; empty when $BNDRY = CURR - 1$. If, in I/O mode, send packet is used to empty the buffer ring this scheme cannot be used. BNDRY must be initialized equal to CURR, or the first executed send packet will not return data from the received packet, which will be written at CURR. The Overwrite Warning bit of the Interrupt Status Register must be used in this mode to differentiate between buffer full and buffer empty.

6.0 Operation of AT/LANTIC Controller (Continued)

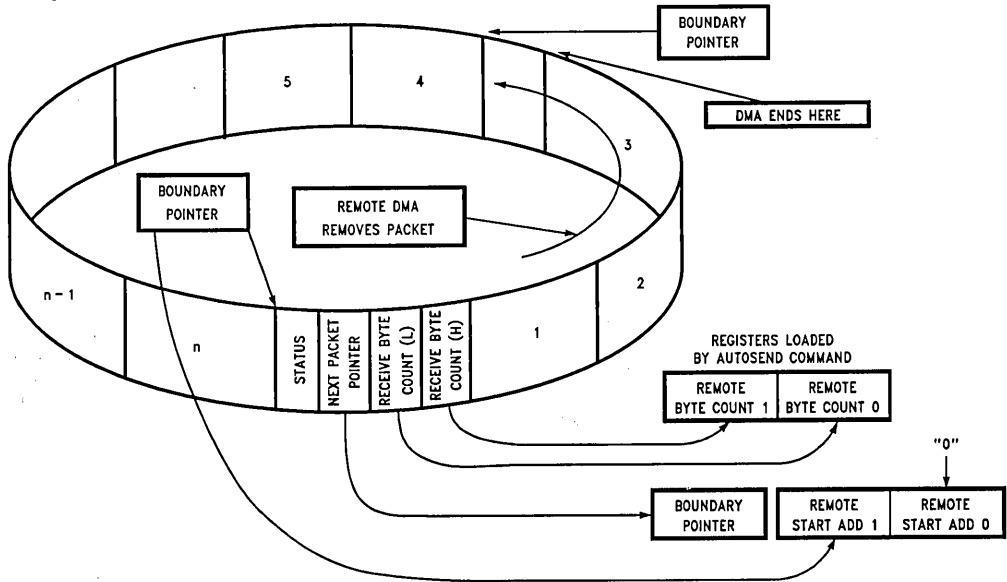


FIGURE 40. Remote DMA Autoinitialization from Buffer Ring

TL/F/11498-37

I/O MODE REMOTE DMA COMMANDS

The Remote DMA channel is used in the I/O Mode to both assemble packets for transmission, and to remove received packets from the Receive Buffer Ring. It may also be used for moving blocks of data or commands between host memory and local buffer memory. (In Shared Memory Mode, the Remote DMA should be disabled, and not used. Packet transfer to/from the system is accomplished by normal CPU read/write operations.)

There are three modes of Remote DMA operation: Remote Write, Remote Read, or Send Packet.

Two register pairs are used to control the Remote DMA, a Remote Start Address (RSAR0, RSAR1) and a Remote Byte Count (RBCR0, RBCR1) register pair. The Start Address Register pair points to the beginning of the block to be moved while the Byte Count Register pair is used to indicate the number of bytes to be transferred. Full handshake logic is provided to move data between local buffer memory and a bidirectional I/O port.

Remote Write: A Remote Write transfer is used to move a block of data from the host into local buffer memory. The Remote DMA will read data from the I/O port and sequentially write it to local buffer memory beginning at the Remote Start Address. The DMA Address will be incremented and the Byte Counter will be decremented after each transfer. The DMA is terminated when the Remote Byte Count Register reaches a count of zero.

Remote Read: A Remote Read transfer is used to move a block of data from local buffer memory to the host. The Remote DMA will sequentially read data from the local buffer memory, beginning at the Remote Start Address, and write data to the I/O port. The DMA Address will be incremented and the Byte Counter will be decremented after each transfer. The DMA is terminated when the Remote Byte Count Register reaches zero.

Send Packet Command: The Remote DMA channel can be automatically initialized to transfer a single packet from the Receive Buffer Ring. The CPU begins this transfer by issuing a "Send Packet" Command. The DMA will be initialized to the value of the Boundary Pointer Register and the Remote Byte Count Register pair (RBCR0, RBCR1) will be initialized to the value of the Receive Byte Count fields found in the Buffer Header of each packet. After the data is transferred, the Boundary Pointer is advanced to allow the buffers to be used for new receive packets. The Remote Read will terminate when the Byte Count equals zero. The Remote DMA is then prepared to read the next packet from the Receive Buffer Ring. If the DMA pointer crosses the Page Stop Register, it is reset to the Page Start Address. This allows the Remote DMA to remove packets that have wrapped around to the top of the Receive Buffer Ring.

Note 1: In order for the AT/LANTIC Controller to correctly execute the Send Packet command, the upper Remote Byte Count Register (RBCR1) must first be loaded with 0FH.

Note 2: The Send Packet command cannot be used with 680x0 type processors.

I/O MODE READ TIMING

1. The DMA reads a word from local buffer memory and writes the word into the internal latch, increments the DMA address and decrements the byte count (RBCR0,1).
2. Internally a request line is asserted to enable the system to read the port. If the system reads this port before the data has been written, then the system is sent a wait signal to wait until the data has been written to the port. Once written the system's read is allowed to complete.
3. The system reads the port, the read strobe for the port is used as an acknowledge to the Remote DMA and it goes back to step 1.

6.0 Operation of AT/LANTIC Controller (Continued)

Steps 1-3 are repeated until the remote DMA is complete (i.e. the byte count has gone to zero).

Note that in order for the Remote DMA to transfer a word from memory to the latch, it must arbitrate access to the local buffer RAM. After each word is transferred to the internal latch, access to the RAM is relinquished. If a Local DMA is in progress, the Remote DMA is held off until the local DMA is complete.

I/O MODE WRITE TIMING

A Remote Write operation transfers data from the I/O port to the local buffer RAM. The system transfers a byte-word to the latch via \overline{IOWR} . This write strobe is detected by the AT/LANTIC Controller and the byte/word is transferred to local buffer memory. The Remote DMA holds off further transfers into the latch until the current byte/word has been transferred from the latch.

1. AT/LANTIC Controller awaits data to be written by the system. System writes byte/word into latch.
2. Remote DMA reads contents of port and writes byte/word to local buffer memory, increments address and decrements byte count (RBCR0,1).
3. Go back to step 1.

Steps 1-3 are repeated until the remote DMA is complete.

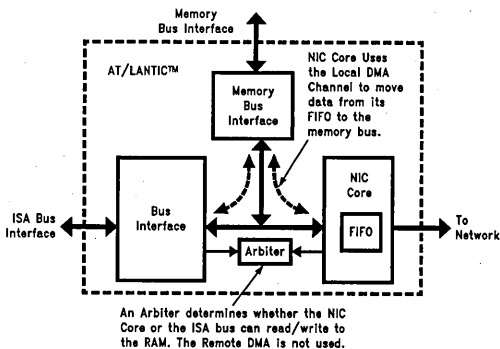


FIGURE 41. Shared Memory Mode the ISA Bus Directly Access the RAM

Shared Memory Mode Operation

In shared memory mode the AT/LANTIC Controller transfers data to or from the packet buffer RAM directly from or to the ISA bus. The buffer RAM is mapped into system memory with the AT/LANTIC Controller doing all address decoding, synchronization and handshaking.

INTERLEAVED SHARED/LOCAL OPERATION

When in shared memory mode the local DMA is used to transfer data to or from the FIFO in the NIC core and ultimately the network. If a local DMA transfer is in progress when a shared memory access occurs the system is sent a wait state signal until the local DMA has been completed. If the shared memory access begins first then it will be completed before any local DMA is allowed.

SHARED MEMORY HOST DATA TRANSFER

In Shared Memory Mode the system reads data from the RAM directly, usually using memory string move instructions. The memory is enabled by setting D6 of Shared Memory Control Register 1. The base address of the memory is programmed by writing to the Control Registers.

If DWID is low only Control Register 1 is used to program base address, so the memory must exist in the lower 1 Mbytes of system memory. A19 is always Compared to a 1 when DWID is low. The A13-18 bits are compared to the address lines, if there is 8k of memory. A13 is not compared in 16k mode, A13-14 are not compared in 32k mode (8-bit non-compatible) and A13-15 are not compare in 64k mode (16-bit non-compatible).

If DWID is high both Control Registers must be programmed to set the base address, so the memory can exist anywhere in up to 16 Gbytes of system memory. LA19 can be either 1 or 0. The same limited decode, as detailed above, also occurs depending on the memory size.

SHARED MEMORY READ TIMING

The system executes a normal memory read cycle which the AT/LANTIC Controller will complete immediately, if idle, or insert wait states into if local DMA is current. The byte or word of data is fetched from the buffer RAM via the memory support bus.

SHARED MEMORY WRITE TIMING

The system executes a normal memory write cycle which the AT/LANTIC Controller will complete immediately, if idle, or insert wait states into if local DMA is current. The byte or word of data is written to the buffer RAM via the memory support bus.

6.7 FUNCTIONAL BUS TIMING

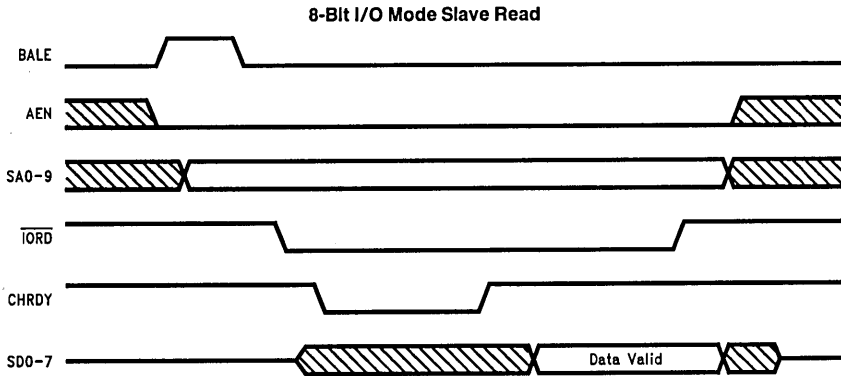
This section describes the bus cycles that the AT/LANTIC Controller performs. These timings can be subdivided into 3 basic categories:

1. ISA I/O Access: There are register accesses in both modes, and I/O data accesses in I/O mode.
2. Shared-RAM ISA Accesses: These are the timing for the ISA bus accesses through the AT/LANTIC Controller to the memory bus and buffer RAM.
3. Boot PROM ISA Accesses: These are the timing for the ISA bus accesses through the AT/LANTIC Controller to the memory bus and boot PROM.
4. Local and I/O RAM Accesses: This is the timing of the Local DMA, accesses from the NIC Core FIFO to the RAM, and the Remote DMA accesses to the RAM over the memory bus.

ISA Bus I/O Accesses

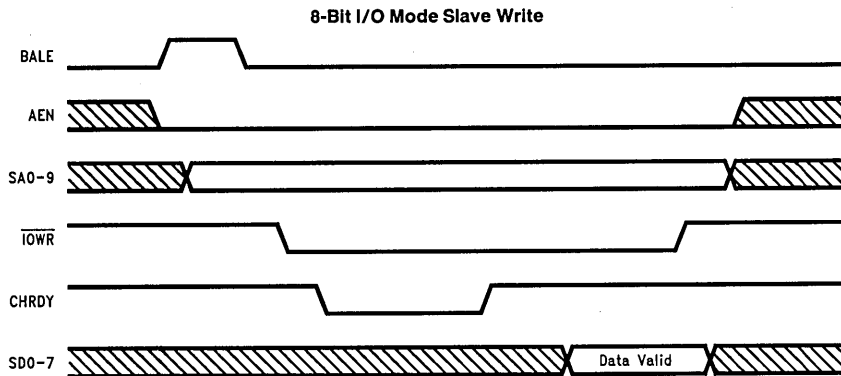
The AT/LANTIC Controller is designed to directly interface to the ISA bus (PC-AT backplane bus). The CPU can read or write any internal registers. All register accesses are byte wide. The functional timing for AT/LANTIC Controller accesses are shown in the following pages.

6.0 Operation of AT/LANTIC Controller (Continued)



TL/F/11498-39

This is the type of cycle used to read from a register or, in 8-bit I/O mode, from a data transfer port. These accesses are entirely asynchronous, with the AT/LANTIC Controller responding when it decodes the correct address on SA0-9 and an IORD. If AEN is high the cycle will be ignored. CHRDY is deasserted if the AT/LANTIC Controller is not ready to respond and asserted when ready. If it is ready immediately CHRDY is not deasserted. The data will always appear on SD0-7.

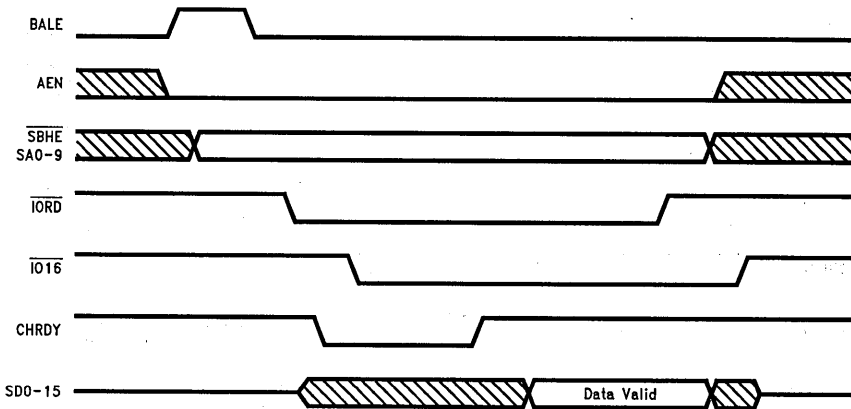


TL/F/11498-40

This is the type of cycle used to write to a register or, in 8-bit I/O mode, to a data transfer port. These accesses are entirely asynchronous, with the AT/LANTIC Controller responding when it decodes the correct address on SA0-9 and an IOWR. If AEN is high the cycle will be ignored. CHRDY is deasserted if the AT/LANTIC Controller is not ready to respond and asserted when ready. If it is ready immediately CHRDY is not deasserted. The data will always be taken from SD0-7.

6.0 Operation of AT/LANTIC Controller (Continued)

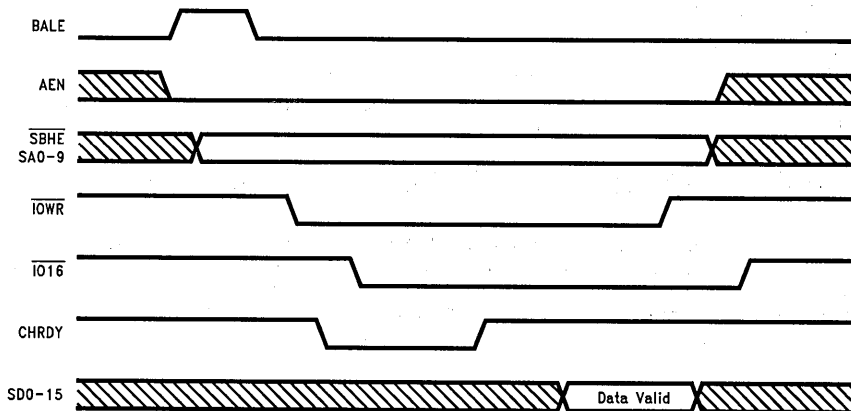
16-Bit I/O Mode Slave Read



TL/F/11498-41

This is the type of cycle used to read from a data transfer port in 16-bit I/O mode. These accesses are entirely asynchronous, with the AT/LANTIC Controller responding when it decodes the correct address on SA0-9 and an \overline{IORD} . If AEN is high the cycle will be ignored. CHRDY is deasserted if the AT/LANTIC Controller is not ready to respond and asserted when ready. If it is ready immediately CHRDY is not deasserted. $\overline{IO16}$ is generated, when an address within the AT/LANTIC Controller's data transfer port is decoded, to indicate to the system that this is a 16-bit transfer. If the IO16CON bit in Configuration Register B is low then it will be a straight decode of the SA0-9 lines. If that bit is high the $\overline{IO16}$ output will be generated after \overline{IORD} goes active. \overline{SBHE} must be low, to indicate that this is a 16-bit transfer, and the address should be even, SA0 low. The data will appear on SDO-15.

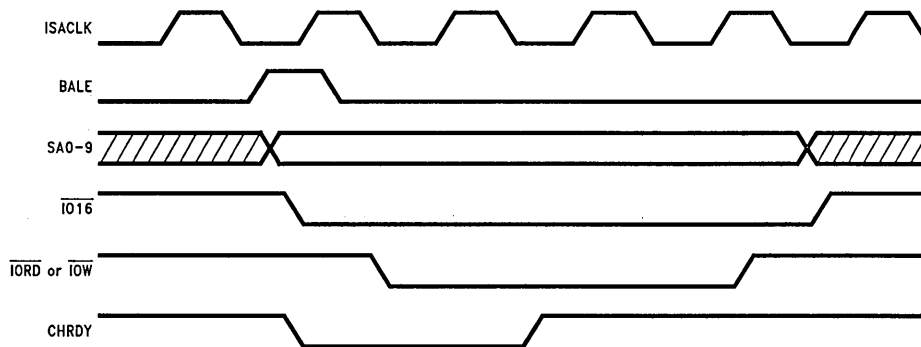
16-Bit I/O Mode Slave Write



TL/F/11498-42

This is the type of cycle used to write to a data transfer port in 16-bit I/O mode. These accesses are entirely asynchronous, with the AT/LANTIC Controller responding when it decodes the correct address on SA0-9 and an \overline{IOWR} . If AEN is high the cycle will be ignored. CHRDY is deasserted if the AT/LANTIC Controller is not ready to respond and asserted when ready. If it is ready immediately CHRDY is not deasserted. $\overline{IO16}$ is generated, when an address within the AT/LANTIC Controller's data transfer port is decoded, to indicate to the system that this is a 16-bit transfer. If the IO16CON bit in Configuration Register B is low then it will be a straight decode of the SA0-9 lines. If that bit is high the $\overline{IO16}$ output will be generated after \overline{IOWR} goes active. \overline{SBHE} must be low, to indicate that this is a 16-bit transfer, and the address should be even, SA0 low. The data will be taken from SDO-15.

6.0 Operation of AT/LANTIC Controller (Continued)



TL/F/11498-63

16-Bit I/O Cycle with CHRDY Fix

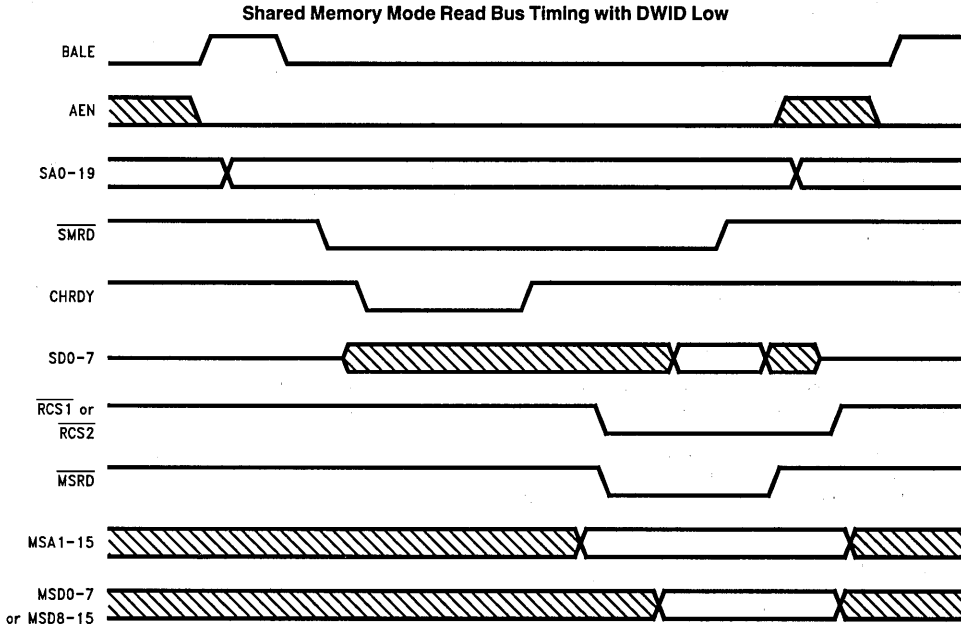
Some Chips and Technologies and VLSI Technologies PC-AT chip sets have timing requirements in 16-bit I/O cycles that cannot be achieved by the default AT/LANTIC cycle, described on the previous page. When that cycle is executed with these chip sets the system does not recognize the CHRDY signal and does not insert wait states. The system executes a standard cycle and deasserts IORD or IOW even if CHRDY is still deasserted. The AT/LANTIC recognizes if this situation has occurred, asserts CHRDY and sets a bus error bit in Configuration Register B to flag this error. Thus the user can test any new system to see if this error occurs and then take some remedial action. There are two ways of overcoming this problem, which are implemented by various board vendors. The AT/LANTIC supports both methods to allow the user to decide. Either fix can be selected by software, by writing to Configuration Register B.

The first fix is enabled by setting the IO16-bit of Configuration Register B. In normal operation any time a valid address exists on SA0-9 IO16 is generated. Delaying IO16 until after the IORD or IOW can cure the problem on non-compliant machines. The theory is that the system is fooled into thinking an 8-bit peripheral is responding, since IO16 is not generated for the valid address, and accepts 8-bit I/O cycle timings for CHRDY. It then rechecks IO16 after the IORD or IOW strobe and correctly determines it is a 16-bit peripheral. If a system did not recheck IO16 it would generate 2 8-bit cycles instead of 1 16-bit cycle. The AT/LANTIC would interpret each 8-bit access as a 16-bit transfer and decrement it's DMA byte count by 2. Eventually the system would attempt to access the data transfer port when the AT/LANTIC had finished transferring data and CHRDY would be deasserted indefinitely. To prevent misoperation, this fix should only be implemented on systems that require it.

The above figure shows the second fix to the problem with non-compliant machines. It is enabled by setting the CHRDY bit of Configuration Register B. This approach works on the theory that CHRDY deassertion is not fast enough and should be faster. In fact, it must be deasserted before the IORD or IOW strobe to operate correctly in some machines. All of the signals shown above are the same as a normal 16-bit I/O cycle, except CHRDY. BALE goes active and the address becomes valid after a falling edge of ISACK. This causes the AT/LANTIC to generate IO16 if the address decodes to the data transfer port. BALE goes inactive after the next rising edge of ISACK and IORD or IOW is asserted after the following falling edge. Normally CHRDY would be deasserted after the IORD or IOW strobe, if the AT/LANTIC was not ready. With this fix implemented CHRDY is deasserted as soon as the address becomes valid and BALE is active. If a memory cycle is in operation, instead of an I/O, CHRDY is asserted after the command strobe (MRD, MWR, SMRD or SMWR). If the address becomes invalid CHRDY is asserted. To prevent CHRDY being asserted for the half clock between BALE going inactive and IORD or IOW going active the AT/LANTIC holds CHRDY asserted as long as ISACK is high between these signals. If the delay between the falling edge of ISACK and the falling edge of IORD or IOW is too great, there may be a period where CHRDY is not held deasserted. This should not cause a problem. To prevent misoperation, this fix should only be implemented on systems that require it.

6.0 Operation of AT/LANTIC Controller (Continued)

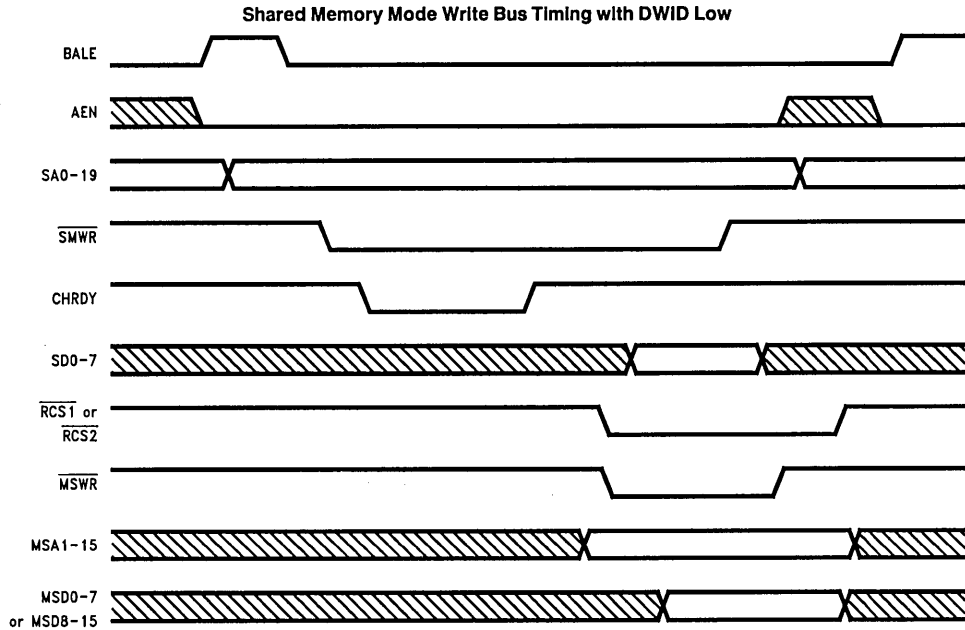
ISA Bus Shared Memory Access Timing



TL/F/11498-43

This is the type of cycle used to read from buffer RAM in shared memory mode when DWID is low. These accesses are entirely asynchronous, with the AT/LANTIC Controller responding when it decodes the address on SA0-19 matches Control Register 1 and an SMRD. If AEN is high the cycle will be ignored. CHRDY is deasserted if the AT/LANTIC Controller is not ready to respond and asserted when ready. If it is ready immediately CHRDY is not deasserted. If the memory width bit in Control Register 2 is low then 8 kbytes of RAM are accessible, so only RCS1 is used to strobe data and the data is always on MSD0-7. If this bit is high 16 kbytes of RAM are accessible, so both chip selects and byte lanes are used. If the memory address is even RCS1 and MSD0-7 are used, if odd RCS2 and MSD8-15 are used. System data is always output on SD0-7.

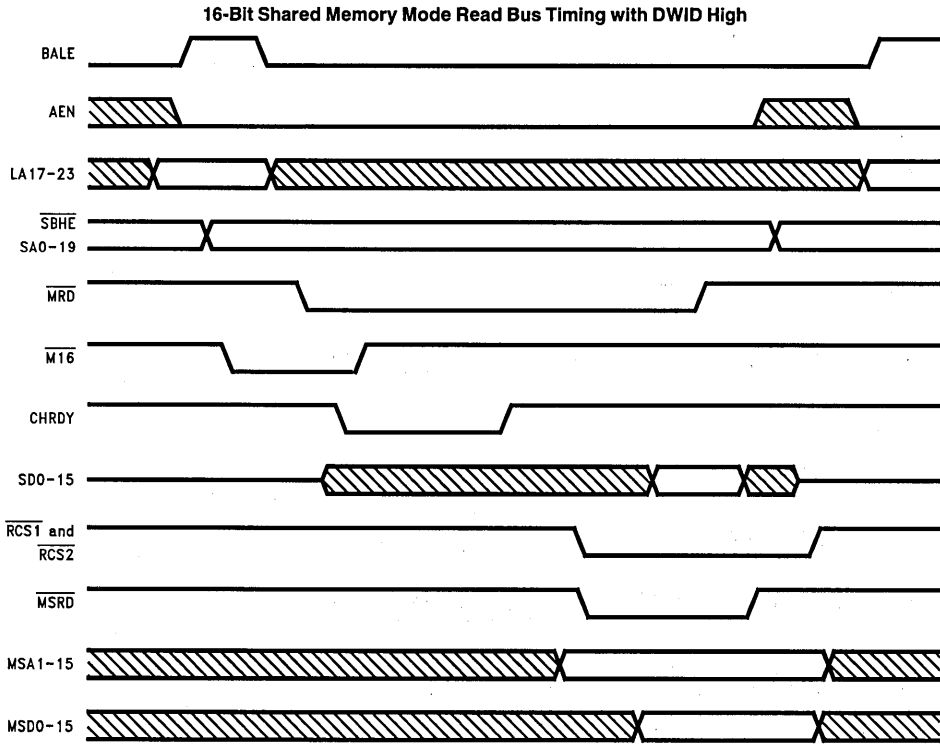
6.0 Operation of AT/LANTIC Controller (Continued)



TL/F/11498-44

This is the type of cycle used to write to buffer RAM in shared memory mode when DWID is low. These accesses are entirely asynchronous, with the AT/LANTIC Controller responding when it decodes the address on SA0-19 matches Control Register 1 and an \overline{SMWR} . If AEN is high the cycle will be ignored. CHRDY is deasserted if the AT/LANTIC Controller is not ready to respond and asserted when ready. If it is ready immediately CHRDY is not deasserted. If the memory width bit in Control Register 2 is low then 8 kbytes of RAM are accessible, so only $\overline{RCS1}$ is used to strobe data and the data is always on MSD0-7. If this bit is high 16 kbytes of RAM are accessible, so both chip selects and byte lanes are used. If the memory address is even $\overline{RCS1}$ and MSD0-7 are used, if odd $\overline{RCS2}$ and MSD8-15 are used. System data is always taken from SD0-7.

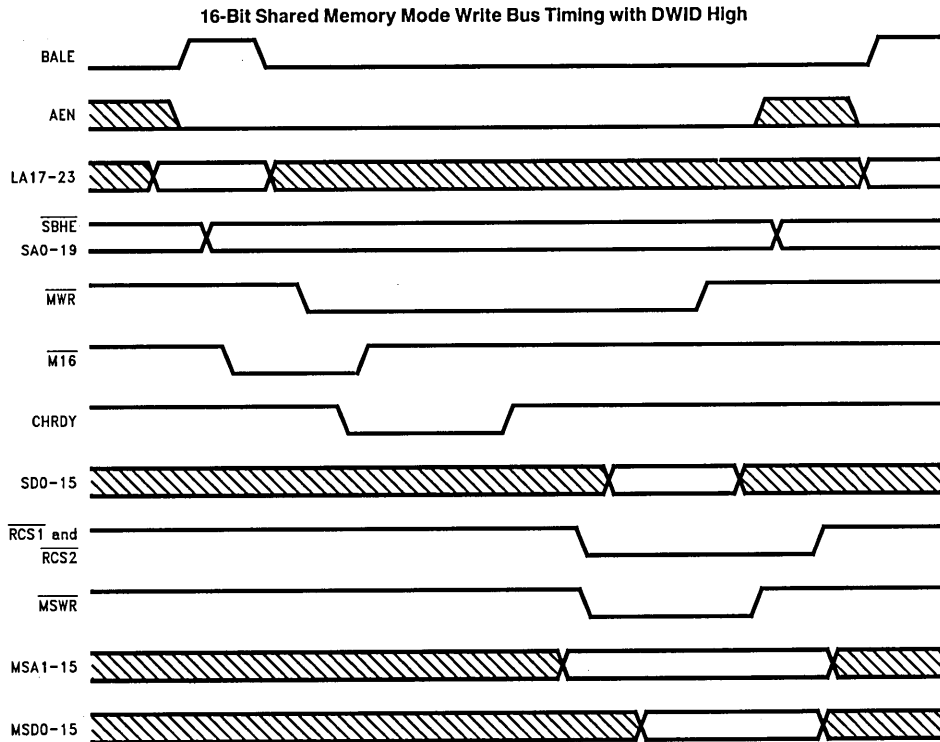
6.0 Operation of AT/LANTIC Controller (Continued)



TL/F/11498-45

This is the type of cycle used to read 16 bits from buffer RAM in shared memory mode when DWID is high. These accesses are entirely asynchronous, with the AT/LANTIC Controller responding when it decodes the correct address on LA17-23, SA0-19 and a \overline{MRD} . If AEN is high the cycle will be ignored. CHRDY is deasserted if the AT/LANTIC Controller is not ready to respond and asserted when ready. If it is ready immediately CHRDY is not deasserted. The 8/16-bit in Control Register 2 must be set to allow generation of $\overline{M16}$. This will be generated whenever the LA17-23 lines match the corresponding values in Control Register 2. It will therefore be generated for a full 128 kbytes of address space, although the AT/LANTIC Controller will occupy less than that. It may be preferable to only set the 8/16-bit for the duration of a transfer from the buffer RAM. The AT/LANTIC Controller will also compare the address line programmed in Control Register 1 before allowing accesses to buffer RAM and therefore do a complete decode. The system indicates that this is a 16-bit transfer by asserting \overline{SBHE} and accessing an even address, SA0 low. The full 16 bits of data bus are used on both system and memory support busses.

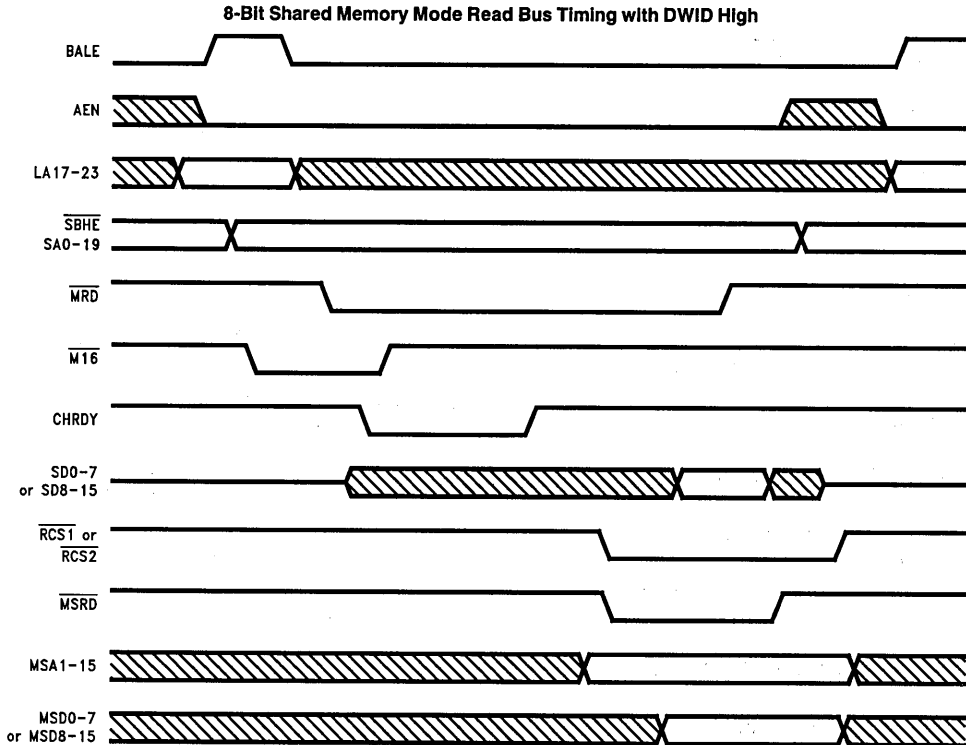
6.0 Operation of AT/LANTIC Controller (Continued)



TL/F/11498-46

This is the type of cycle used to write 16 bits to buffer RAM in shared memory mode when DWID is high. These accesses are entirely asynchronous, with the AT/LANTIC Controller responding when it decodes the correct address on LA17-23, SA0-19 and a \overline{MWR} . If AEN is high the cycle will be ignored. CHRDY is deasserted if the AT/LANTIC Controller is not ready to respond and asserted when ready. If it is ready immediately CHRDY is not deasserted. The 8/16-bit in Control Register 2 must be set to allow generation of $\overline{M16}$. This will be generated whenever the LA17-23 lines match the corresponding values in Control Register 2. It will therefore be generated for a full 128 kbytes of address space, although the AT/LANTIC Controller will occupy less than that. It may be preferable to only set the 8/16-bit for the duration of a transfer to the buffer RAM. The AT/LANTIC Controller will also compare the address line programmed in Control Register 1 before allowing accesses to buffer RAM and therefore do a complete decode. The system indicates that this is a 16-bit transfer by asserting SBHE and accessing an even address, SA0 low. The full 16 bits of data bus are used on both system and memory support busses.

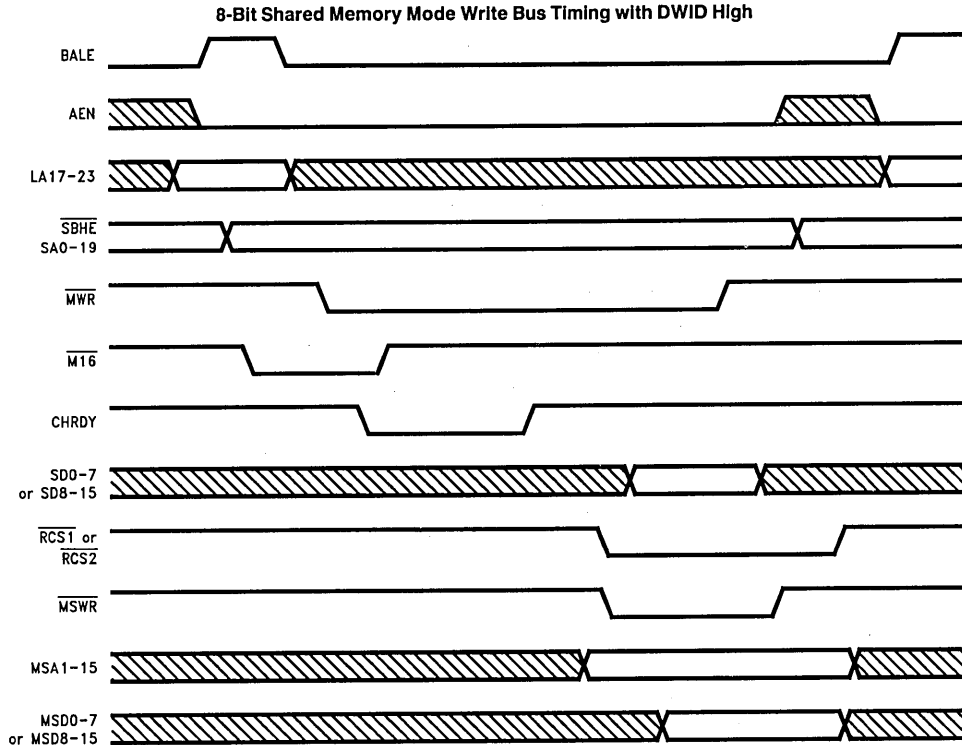
6.0 Operation of AT/LANTIC Controller (Continued)



TL/F11498-47

This is the type of cycle used to read 8 bits from buffer RAM in shared memory mode when DWID is high. These accesses are entirely asynchronous, with the AT/LANTIC Controller responding when it decodes the correct address on LA17-23, SA0-19 and a \overline{MRD} . If AEN is high the cycle will be ignored. CHRDY is deasserted if the AT/LANTIC Controller is not ready to respond and asserted when ready. If it is ready immediately CHRDY is not deasserted. The 8/16-bit in Control Register 2 must be set to allow generation of $\overline{M16}$. This will be generated whenever the LA17-23 lines match the corresponding values in Control Register 2. It will therefore be generated for a full 128 kbytes of address space, although the AT/LANTIC Controller will occupy less than that. It may be preferable to only set the 8/16-bit for the duration of a transfer from the buffer RAM. The AT/LANTIC Controller will also compare the address line programmed in Control Register 1 before allowing accesses to buffer RAM and therefore do a complete decode. The system indicates that this is an 8-bit transfer by not asserting SBHE for an even address, SA0 low, or by accessing an odd address, SA0 high. If the 8/16-bit is low the AT/LANTIC Controller will only drive data onto SD0-7. Even addresses will use $\overline{RCS1}$ and MSD0-7, odd addresses will use $\overline{RCS2}$ and MSD8-15. If 8/16-bit is high the AT/LANTIC Controller can drive either SD0-7 or SD8-15. Even addresses are fetched using $\overline{RCS1}$ and MSD0-7 and driven onto SD0-7. Odd addresses are fetched using $\overline{RCS2}$ and MSD8-15 and driven onto SD8-15.

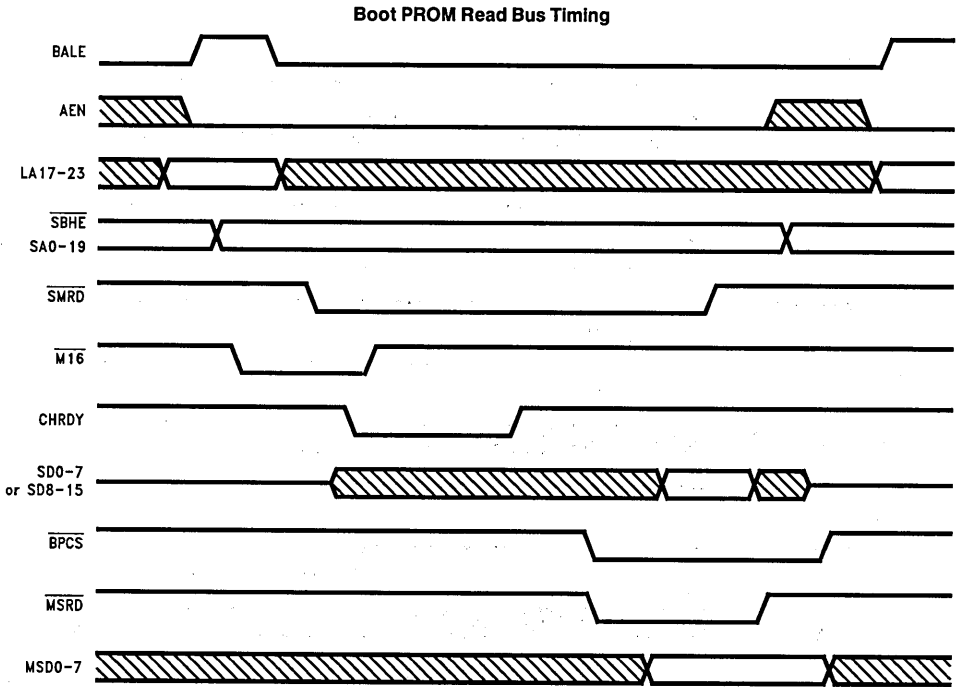
6.0 Operation of AT/LANTIC Controller (Continued)



This is the type of cycle used to write 8 bits to buffer RAM in shared memory mode when DWID is high. These accesses are entirely asynchronous, with the AT/LANTIC Controller responding when it decodes the correct address on LA17-23, SA0-19 and a $\overline{\text{ORD}}$. If AEN is high the cycle will be ignored. CHRDY is deasserted if the AT/LANTIC Controller is not ready to respond and asserted when ready. If it is ready immediately CHRDY is not deasserted. The 8/16-bit in Control Register 2 must be set to allow generation of $\overline{\text{M16}}$. This will be generated whenever the LA17-23 lines match the corresponding values in Control Register 2. It will therefore be generated for a full 128 kbytes of address space, although the AT/LANTIC Controller will occupy less than that. It may be preferable to only set the 8/16-bit for the duration of a transfer to the buffer RAM. The AT/LANTIC Controller will also compare the address line programmed in Control Register 1 before allowing accesses to buffer RAM and therefore do a complete decode. The system indicates that this is an 8-bit transfer by not asserting $\overline{\text{SBHE}}$ for an even address, SA0 low, or by accessing an odd address, SA0 high. If the 8/16-bit is low the AT/LANTIC Controller will only read data from SD0-7. Even addresses will use $\overline{\text{RCS1}}$ and MSD0-7, odd addresses will use $\overline{\text{RCS2}}$ and MSD8-15. If 8/16-bit is high the AT/LANTIC Controller can read from either SD0-7 or SD8-15. Even addresses are read from SD0-7 and written to RAM using $\overline{\text{RCS1}}$ and MSD0-7. Odd addresses are read from SD8-15 and written to RAM using $\overline{\text{RCS2}}$ and MSD8-15.

6.0 Operation of AT/LANTIC Controller (Continued)

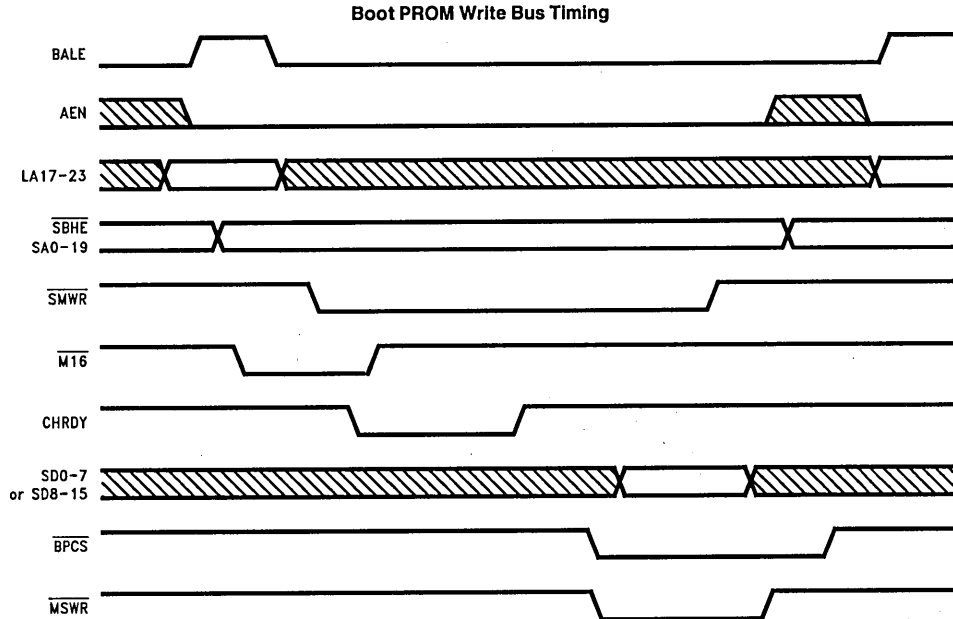
ISA Bus Boot PROM Access Timing



TL/F/11498-49

This is the type of cycle used to read the boot PROM. These accesses are entirely asynchronous, with the AT/LANTIC Controller responding when it decodes the correct address on SA0-19 and a \overline{SMRD} . If AEN is high the cycle will be ignored. CHRDY is deasserted if the AT/LANTIC Controller is not ready to respond and asserted when ready. If it is ready immediately CHRDY is not deasserted. $\overline{M16}$ is only generated if the AT/LANTIC Controller is 1) in shared memory mode AND 2) DWID is high AND 3) 8/16-bit in Control Register 2 is high AND 4) the LA17-23 lines match the corresponding values in Control Register 2. The data will normally be driven onto SD0-7. However, if $\overline{M16}$ is generated and the access is to an odd address the data will be driven onto SD8-15. The data will always be taken from MSD0-7.

6.0 Operation of AT/LANTIC Controller (Continued)

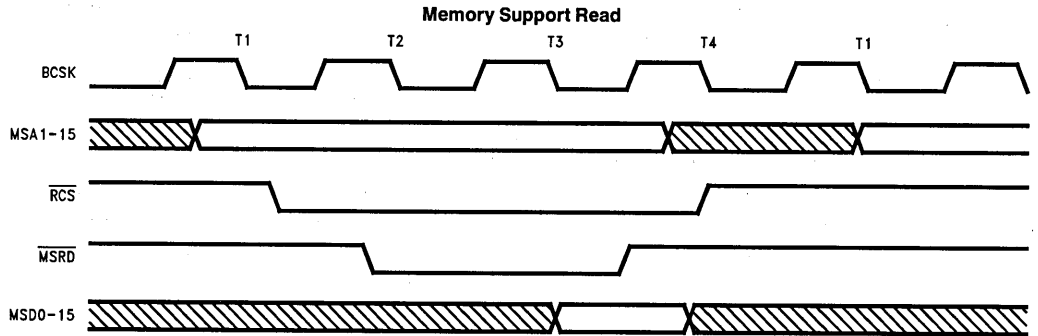


TL/F/11498-50

This is the type of cycle used to write to the boot PROM. These accesses are entirely asynchronous, with the AT/LANTIC Controller responding when it decodes the correct address on SA0-19 and a \overline{SMWR} . If AEN is high the cycle will be ignored. CHRDY is deasserted if the AT/LANTIC Controller is not ready to respond and asserted when ready. If it is ready immediately CHRDY is not deasserted. $\overline{M16}$ is only generated if the AT/LANTIC Controller is 1) in shared memory mode AND 2) DWID is high AND 3) 8/16-bit in Control Register 2 is high AND 4) the LA17-23 lines match the corresponding values in Control Register 2. The data will normally be taken from SD0-7. However, if $\overline{M16}$ is generated and the access is to an odd address the data will be taken from SD8-15. The data will always be driven onto MSD0-7. The BPWR bit of Configuration Register B must be high to allow write cycles to the boot PROM.

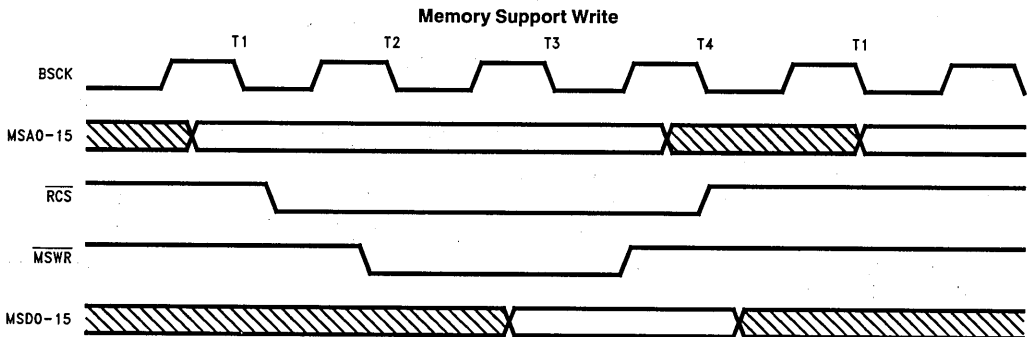
6.0 Operation of AT/LANTIC Controller (Continued)

RAM Access Timing



TL/F/11498-51

This is a memory read cycle executed by the AT/LANTIC Controller's internal DMA. This is used to either load the data transfer port, during a Remote Read in I/O mode, or to load the FIFO, for a transmission on the network, in both modes. This transfer is synchronized to BSCLK, which can be either driven from the 20 MHz input on X1 or by the BSCLK input. This is selected by the CLKSEL bit in Configuration Register C. If there is 8 kbytes of RAM only RCS1 is used, if 16 kbytes are available RCS1 and RCS2 are used.



TL/F/11498-52

This is a memory write cycle executed by the AT/LANTIC Controller's internal DMA. This is used to either write from the data transfer port, during a Remote Write in I/O mode, or to empty the FIFO, during a reception from the network, in both modes. This transfer is synchronized to BSCLK, which can be either driven from the 20 MHz input on X1 or by the BSCLK input. This is selected by the CLKSEL bit in Configuration Register C. If there is 8 kbytes of RAM only RCS1 is used, if 16 kbytes are available RCS1 and RCS2 are used.

7.0 Preliminary Electrical Characteristics

Operating Conditions

	Min	Max	Units
Supply Voltage (V_{CC})	4.75	5.25	V
Operating Temperature (T_A)	0	+70	°C
ESD Tolerance:	1.25		kV

$$C_{ZAP} = 100 \text{ pF}, R_{ZAP} = 1.5 \text{ k}\Omega$$

Absolute Maximum Ratings

If Military/Aerospace specified devices are required, please contact the National Semiconductor Sales Office/Distributors for availability and specifications.

Supply Voltage (V_{CC})	-0.5V to +7.0V
Storage Temperature (T_{STG})	-65°C to +150°C
Package Power Dissipation (P_D)	800 mW
Lead Temperature (T_L) (Soldering, 10 seconds)	260°C

Preliminary DC Specifications

Symbol	Description	Conditions	Min	Max	Units
SUPPLY CURRENT					
I_{CC}	Average Active (Transmitting/Receiving) Supply Current	$X1 = 20 \text{ MHz Clock}$ $V_{IN} = \text{Switching}$		100	mA
I_{CCIDLE}	Average Idle Supply Current	$X1 = 20 \text{ MHz Clock}$ $V_{IN} = V_{CC} \text{ or GND}$		80	mA
I_{CCLP}	Low Power Supply Current	$X1 = \text{Undriven}$ $V_{IN} = V_{CC} = \text{Undriven}$		35	μA
TTL INPUTS					
V_{IL}	Maximum Low Level Input Voltage			0.8	V
V_{IH}	Minimum High Level Input Voltage		2.0		V
I_{IN}	Input Current	$V_I = V_{CC} \text{ or GND}$	-1.0	+1.0	μA
3SH TRI-STATE HIGH DRIVE I/O					
V_{OH}	Minimum High Level Output Voltage	$I_{OH} = -3 \text{ mA}$	2.4		V
V_{OL}	Maximum Low Level Output Voltage	$I_{OL} = 24 \text{ mA}$		0.5	V
V_{IL}	Maximum Low Level Input Voltage			0.8	V
V_{IH}	Minimum High Level Input Voltage		2.0		V
I_{IN}	Input Current	$V_I = V_{CC} \text{ or GND}$	-1.0	+1.0	μA
I_{OZ}	Maximum TRI-STATE Output Leakage Current	$V_{OUT} = V_{CC} \text{ or GND}$	-10.0	+10.0	μA
MOS INPUTS, OUTPUTS AND I/O					
V_{OH}	Minimum High Level Output Voltage	$I_{OH} = -20 \mu\text{A}$	$V_{CC} - 0.1$		V
V_{OL}	Maximum Low Level Output Voltage	$I_{OL} = 20 \mu\text{A}$		0.1	V
V_{IL}	Maximum Low Level Input Voltage			0.8	V
V_{IH}	Minimum High Level Input Voltage		2.0		V
V_{ILD}	Maximum Low Level Input Voltage DWID			1.0	V
V_{IHD}	Minimum High Level Input Voltage DWID		4.0		V
I_{IN}	Input Current	$V_I = V_{CC} \text{ or GND}$	-1.0	+1.0	μA
I_{IND}	Input Current TEST, DWID Pull Down Resistor	$V_I = V_{CC}$		2000	μA
I_{IN2}	Input Current TEST, MSD0-7	$V_I = V_{CC} \text{ or GND}$		2000	μA
I_{IN3}	Input Current TEST, MSD8-15, MSA1-8	$V_I = V_{CC} \text{ or GND}$ RESET = Active		2000	μA
I_{OZ}	Maximum TRI-STATE Output Leakage Current	$V_{OUT} = V_{CC} \text{ or GND}$	-10.0	+10.0	μA

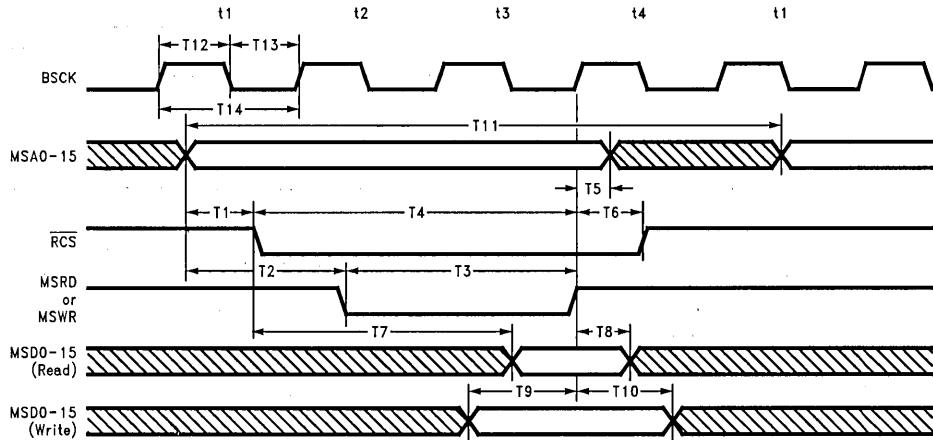
7.0 Preliminary Electrical Characteristics (Continued)**Preliminary DC Specifications** (Continued)

Symbol	Description	Conditions	Min	Max	Units
OCH OPEN COLLECTOR HIGH DRIVE OUTPUT					
V_{OL}	Maximum Low Level Output Voltage	$I_{OL} = 24 \text{ mA}$		0.5	V
LED DRIVER OUTPUT					
V_{OL}	Maximum Low Level Output Voltage	$I_{OL} = 16 \text{ mA}$		0.5	V
THIN DRIVER OUTPUT					
V_{OH}	Minimum High Level Output Voltage	$I_{OH} = -8 \text{ mA}$	2.4		V
V_{OL}	Maximum Low Level Output Voltage	$I_{OL} = 2 \text{ mA}$		0.5	V
OSCILLATOR PINS (X1 AND X2)					
V_{IH}	X1 Input High Voltage	X1 is Connected to an Oscillator	2.0		V
V_{IL}	X1 Input Low Voltage	X1 is Connected to an Oscillator		0.8	V
I_{OSC}	X1 Input Current	X1 is Connected to an Oscillator $V_{IN} = V_{CC}$ or GND		1	mA
AUI					
V_{OD}	Differential Output Voltage (TX \pm)	78 Ω Termination and 270 Ω from Each to GND (Note 1)	± 550	± 1200	mV
V_{OB}	Differential Idle Output Voltage Imbalance (TX \pm)	78 Ω Termination and 270 Ω from Each to GND (Note 1)	Typical: 40 mV		
V_U	Undershoot Voltage (TX \pm)	78 Ω Termination and 270 Ω from Each to GND (Note 1)	Typical: 80 mV		
V_{DS}	Diff. Squelch Threshold (RX \pm , CD \pm)		-175	-300	mV
V_{CM}	Diff. Input Common Mode Voltage (RX \pm , CD \pm)	(Note 1)	0	5.25	V
TPI					
R_{TOL}	TXO $d\pm$, TXO \pm Low Level Output Resistance	$I_{OL} = 25 \text{ mA}$		15	Ω
R_{TOH}	TXO $d\pm$, TXO \pm High Level Output Resistance	$I_{OH} = -25 \text{ mA}$		15	Ω
V_{SRON1}	Receive Threshold Turn-On Voltage 10BASE-T Mode		± 300	± 585	mV
V_{SRON2}	Receive Threshold Turn-On Voltage Reduced Threshold		± 175	± 300	mV
V_{SROFF}	Receive Threshold Turn-Off Voltage	(Note 1)	± 175	± 300	mV
V_{DIFF}	Differential Mode Input Voltage Range	$V_{CC} = 5.0 \text{ V}$ (Note 1)	-3.1	+3.1	V

Note 1: These parameters are not guaranteed by production testing.

8.0 Preliminary Switching Characteristics

Memory Support Bus Accesses (for I/O port or FIFO transfers)



TL/F/11498-53

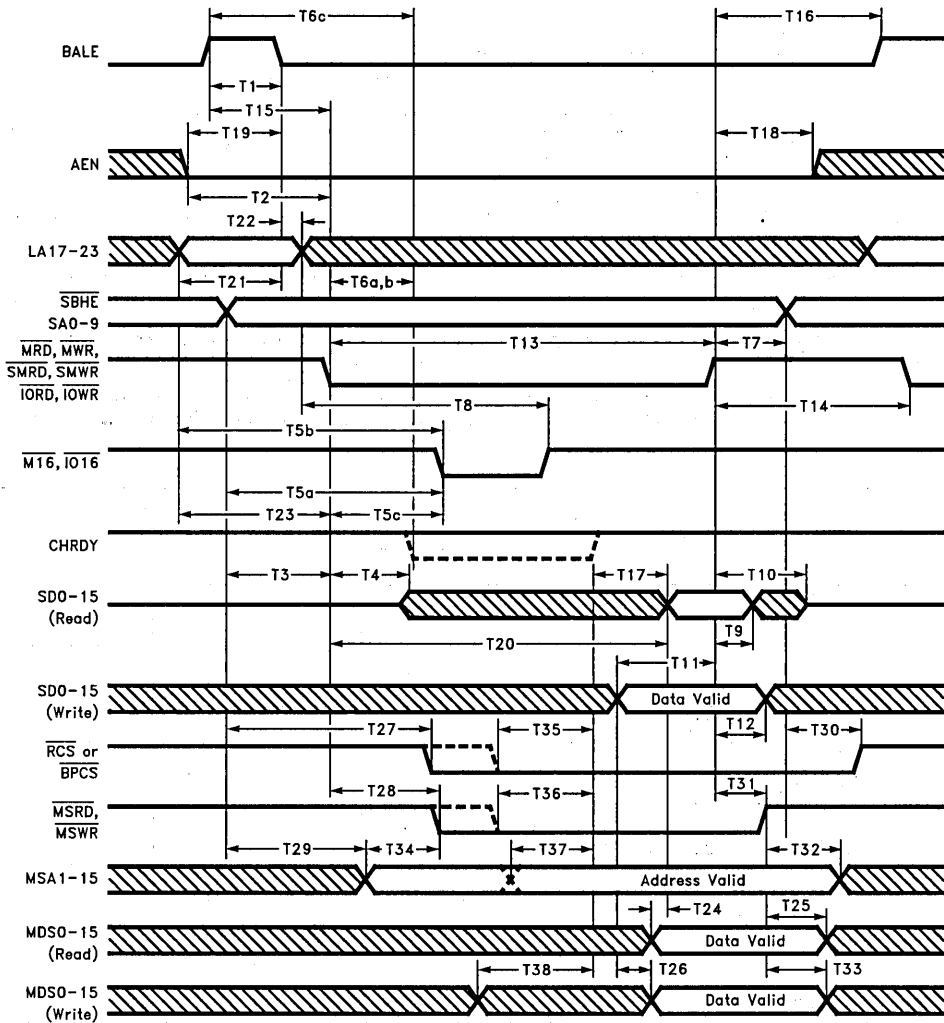
Symbol	Description	8-Bit Transfers		16-Bit Transfers		Units
		Min	Max	Min	Max	
T1	MSA1 – 15 Valid before \overline{RCS} Asserted (Note 1)		30	30		ns
T2	MSA1 – 15 Valid before \overline{MSRD} – WR Asserted	20		20		ns
T3	\overline{MSRD} – WR Width	70		70		ns
T4	\overline{RCS} and MSA1 – 15 Valid to \overline{MSWR} Deasserted (Note 1)	105		105		ns
T5	MSA1 – 15 Valid after \overline{MSRD} – WR Deasserted	10		10		ns
T6	\overline{RCS} Held after \overline{MSRD} – WR Deasserted (Note 1)	10		10		ns
T7	\overline{RCS} and MSA1 – 15 Valid to MSD0 – 15 Valid (Note 1)		100	100		ns
T8	Read Data Hold from \overline{MSRD} Deasserted	0		0		ns
T9	Write Data Set-Up to \overline{MSWR} Deasserted	50		50		ns
T10	Write Data Held from \overline{MSWR} Deasserted	10		10		ns
T11	Time Between Transfers	4		4		bcyc
T12	Minimum Bus Clock High Time (bch)	20		20		ns
T13	Minimum Bus Clock Low Time (bcl)	20		20		ns
T14	Minimum Bus Clock Cycle Time (bcyc)	50		50		ns

Note 1: In 8-bit mode \overline{RCS} refers to $\overline{RCS1}$ only. In 16-bit mode \overline{RCS} refers to both $\overline{RCS1}$ and $\overline{RCS2}$.

1

8.0 Preliminary Switching Characteristics (Continued)

ISA Slave Accesses



TL/F/11498-54

8.0 Preliminary Switching Characteristics (Continued)

ISA Slave Accesses

Symbol	Description	8-Bit Transfers		16-Bit Transfers		Units
		Min	Max	Min	Max	
T1	BALE Width	20		20		ns
T2	AEN Valid before Command Strobe Active	60		60		ns
T3a	\overline{SBHE} and SA0–9 Valid before \overline{IORD} , \overline{IOWR} Asserted	40		20		ns
T3b	SA0–9 Valid before \overline{MRD} , \overline{MWR} Asserted	32		32		ns
T4a	\overline{IORD} , \overline{MRD} Asserted to SD0–15 Driven (Note 3)	0		0		ns
T5a	\overline{SBHE} and SA0–9 Valid before $\overline{IO16}$ Valid (Notes 1, 9)				60	ns
T5b	LA17–23 Valid to $\overline{M16}$ Valid (Note 1)				55	ns
T5c	\overline{SBHE} and SA0–9 Valid and \overline{IORD} or \overline{IOWR} Active before $\overline{IO16}$ Valid (Notes 1, 10)				50	ns
T6a	\overline{IORD} , \overline{IOWR} Asserted to \overline{CHRDY} Deasserted (Notes 2, 5)		100		50	ns
T6b	\overline{MRD} , \overline{MWR} Asserted to \overline{CHRDY} Deasserted (Note 2)		45		45	ns
T6c	BALE Asserted and SA0–9 Valid to \overline{CHRDY} Deasserted (Notes 2, 4)		60		60	ns
T7	\overline{IORD} , \overline{IOWR} Deasserted before \overline{SBHE} and SA0–9 Invalid	15		15		ns
T8a	\overline{SBHE} and SA0–9 Invalid to $\overline{IO16}$ Invalid	0		0		ns
T8b	LA17–23 Invalid to $\overline{M16}$ Invalid (Note 1)			0		ns
T9	\overline{IORD} , \overline{MRD} Deasserted to SD0–15 Read Data Invalid (Note 3)	0		0		ns
T10	\overline{IORD} , \overline{MRD} Deasserted to SD0–15 Floating (Note 3)		45		45	ns
T11a	D0–15 Write Data Valid to \overline{IOWR} Deasserted (Note 3)	60		20		ns
T12	\overline{IOWR} , \overline{MWR} Deasserted to SD0–15 Write Data Invalid (Note 3)	20		20		ns
T13a	\overline{IORD} , \overline{IOWR} Active Width (Note 8)	300		140		ns
T14a	\overline{IORD} , \overline{IOWR} Inactive Width	85		85		ns
T14b	\overline{SMRD} , \overline{SMWR} , \overline{MRD} , \overline{MWR} Inactive Width					ns
T15	BALE Asserted before \overline{MRD} , \overline{MWR} Asserted			25		ns
T16	\overline{MRD} , \overline{MWR} Deasserted before Next BALE Asserted			20		ns
T17	\overline{CHRDY} Asserted to SD0–15 I/O Read Data Valid (Notes 2, 3, 6)		60		60	ns
T18	\overline{IORD} , \overline{IOWR} Deasserted before AEN Invalid	25		25		ns
T19	AEN Valid before BALE Deasserted	50		50		ns
T20	\overline{IORD} Asserted to SD0–15 Read Data Valid (Notes 3 and 7)		150		90	ns
T21	LA17–23 Valid before BALE Deasserted			40		ns

8.0 Preliminary Switching Characteristics (Continued)

ISA Slave Accesses

Symbol	Description	8-Bit Transfers		16-Bit Transfers		Units
		Min	Max	Min	Max	
T22	BALE Deasserted before LA17–23 Invalid			0		ns
T23	LA17–23 Valid before $\overline{\text{MRD}}$, $\overline{\text{MWR}}$ Asserted			40		ns
T24	Read Data Valid on MSD0–15 to Valid on SD0–15		70		70	ns
T25	$\overline{\text{MSRD}}$ Deasserted to MSD0–15 Read Data Invalid (Note 3)	0		0		ns
T26	Write Data Valid on SD0–15 to Valid on MSD0–15		65		65	ns
T27	SA0–19 Valid to $\overline{\text{RCS}}$ or $\overline{\text{BPCS}}$ Asserted (Note 11)		55		55	ns
T28a	$\overline{\text{MRD}}$ Asserted to $\overline{\text{MSRD}}$ Asserted		60		60	ns
T28b	$\overline{\text{MWR}}$ Asserted to $\overline{\text{MSWR}}$ Asserted		120		120	ns
T29	SA0–19 Valid to MSA1–15 Valid		60		60	ns
T30	SA0–19 Invalid to $\overline{\text{RCS}}$ or $\overline{\text{BPCS}}$ Deasserted (Note 11)	0		0		ns
T31	$\overline{\text{MRD}}$, $\overline{\text{SMRD}}$ Deasserted to $\overline{\text{MSRD}}$ Deasserted	0		0		ns
T32	$\overline{\text{MSWR}}$ Deasserted to MA1–15 Invalid	10		10		ns
T33	$\overline{\text{MSWR}}$ Deasserted to MSD0–15 Invalid (Note 3)	0		0		ns
T34	MSA1–15 valid before $\overline{\text{MSWR}}$ Asserted	20		20		ns
T35a	$\overline{\text{RCS}}$ Asserted to CHRDY Asserted (Note 11, 12)	80		80		ns
T35b	$\overline{\text{BPCS}}$ Asserted to CHRDY Asserted (Note 13)	175		175		ns
T36a	$\overline{\text{MSRD}}$, $\overline{\text{MSWR}}$ Asserted to CHRDY Asserted (Note 11)	15		15		ns
T36b	$\overline{\text{MSRD}}$, $\overline{\text{MSWR}}$ Asserted to CHRDY Asserted (Note 13)	150		150		ns
T37	MSA1–15 Valid to CHRDY Asserted (Note 11)	75		75		ns
T38a	Driving Data from SD0–15 on to MSD0–15 to CHRDY Asserted (Note 11)	60		60		ns
T38b	Driving Data from SD0–15 on to MSD0–15 to CHRDY Asserted (Note 13)	260		260		ns

Note 1: $\overline{\text{MT6}}$, $\overline{\text{IO16}}$ are only asserted for 16-bit transfers.

Note 2: CHRDY is only deasserted if the NIC core can not service the access immediately. It is held deasserted until the NIC core is ready, causing the system to insert wait states.

Note 3: On 8-bit transfers only 8 bits of MSD0–15 and D0–7 are driven.

Note 4: This is the early CHRDY timing, required by some machines, where CHRDY is referenced to BALE. In this mode of operation, under certain circumstances, CHRDY will be asserted for cycles which are not for this device, i.e. memory cycles or I/O cycles where SA0–9 match our address before reaching their valid state. In such a case the time to assert CHRDY, from $\overline{\text{MRD}}$, $\overline{\text{MWR}}$ or SA0–9 invalid, will be the same as the deassertion time specified.

Note 5: This is the standard CHRDY timing where CHRDY is asserted after $\overline{\text{ORD}}$ or $\overline{\text{OWR}}$.

Note 6: Read data valid is referenced to CHRDY when wait states have been inserted.

Note 7: If no wait states are inserted read data valid can be measured from $\overline{\text{ORD}}$.

Note 8: This is a minimum timing with no additional wait states.

Note 9: This is the standard $\overline{\text{IO16}}$ timing where $\overline{\text{IO16}}$ is asserted after a valid address decode.

Note 10: This is the late $\overline{\text{IO16}}$ timing, required by some machines, where $\overline{\text{IO16}}$ is asserted after a valid address decode and $\overline{\text{ORD}}$ or $\overline{\text{OWR}}$ going active.

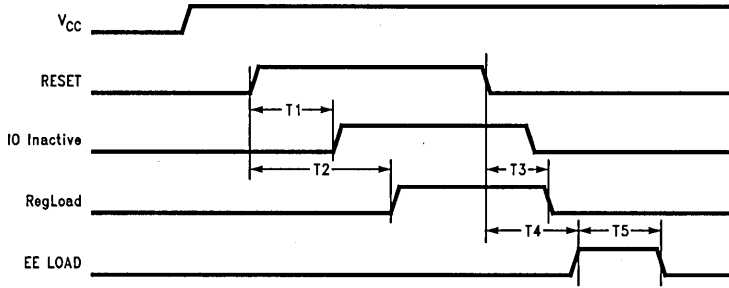
Note 11: This is a timing for a RAM access.

Note 12: RCS refers to $\overline{\text{RCS1}}$ and $\overline{\text{RCS2}}$. Depending on the mode of operation either or both can be asserted. See the Functional Bus Timing section for a further explanation.

Note 13: This is a timing for a Boot PROM access.

8.0 Preliminary Switching Characteristics (Continued)

RESET Timing



TL/F/11498-55

Symbol	Description	Min	Max	Units
T1	RESET Asserted Until IO Inactive Asserted (Note 1)	400		ns
T2	RESET Asserted Until RegLoad State Entered (Note 2)	415		μ S
T3	RESET Deasserted Until RegLoad Deasserted (Note 3)	100		ns
T4	RESET Deasserted Until EELoad State Entered (Note 4)	0		μ S
TS	EELoad Width (Note 4)		320	μ S

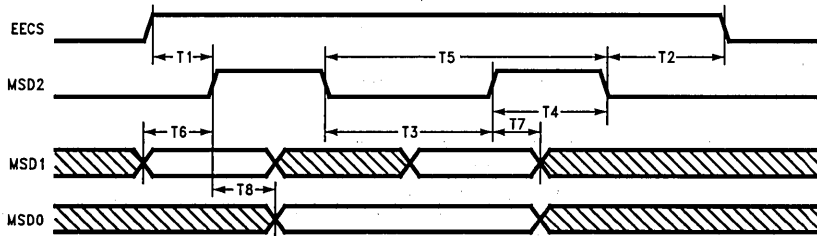
Note 1: I/O inactive is not an external signal. It is used here to indicate the length of time RESET must be active before the AT/LANTIC Controller recognizes it, begins to drive the ISA outputs to their inactive state and ignores ISA inputs except RESET.

Note 2: RegLoad is not an external signal. It is used here to indicate the length of time RESET must be active before the AT/LANTIC Controller begins configuring. When IOinactive goes active the internal pull-down resistors on the memory support buses are enabled.

Note 3: If RegLoad is high the values on the memory support buses are latched into the configuration registers when RESET is deasserted. The pull-down resistors on this bus are enabled until RegLoad is deasserted.

Note 4: EELoad is not an external signal, it is used here to indicate when the EEPROM store is loading.

Serial EEPROM Timing



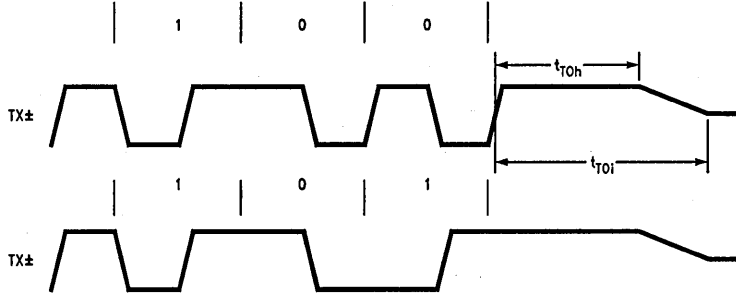
TL/F/11498-56

Symbol	Description	Min	Max	Units
T1	EECS Setup to SK	150		ns
T2	EECS Hold after SK	250		ns
T3	MSD2 Low Time	450		ns
T4	MSD2 High Time	450		ns
T5	MSD2 Clock Period (Note 1)	1		μ S
T6	Data In Setup to MSD2 High	100		ns
T7	Data In Hold from MSD2 High	100		ns
T8	Data Out Valid from MSD2 High		500	ns

Note 1: Derived from Crystal Oscillator Tolerance = $\pm 0.01\%$.

8.0 Preliminary Switching Characteristics (Continued)

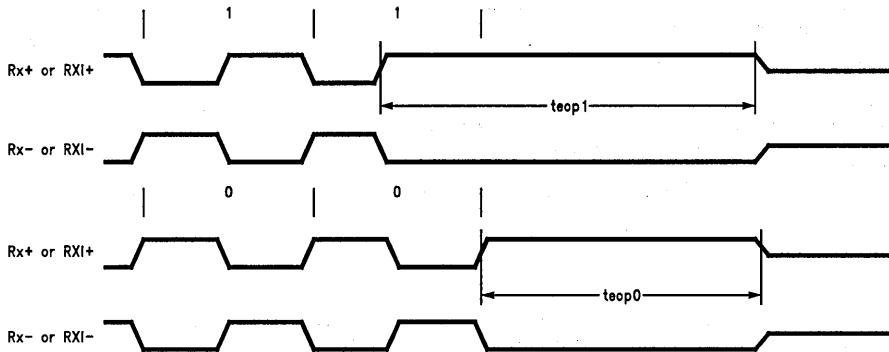
AUI Transmit Timing (End of Packet)



TL/F/11498-57

Symbol	Description	Min	Max	Units
t_{TOh}	Transmit Output High before Idle	200		ns
t_{TOi}	Transmit Output Idle Time	8000		ns

AUI/TPI Receive Timing (End of Packet)



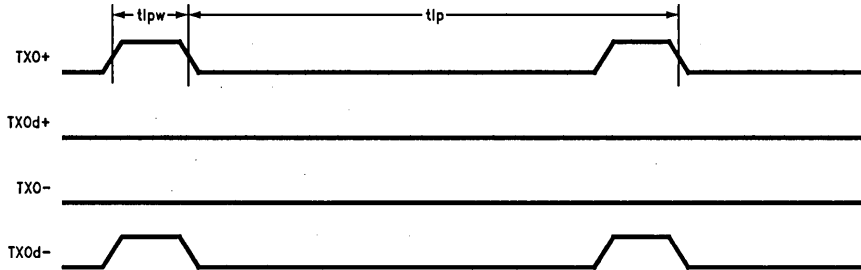
TL/F/11498-58

Symbol	Description	Min	Max	Units
t_{eop1}	Receive End of Packet Hold Time after Logic "1" (Note 1)	225		ns
t_{eop0}	Receive End of Packet Hold Time after Logic "0" (Note 1)	225		ns

Note 1: This parameter is guaranteed by design and is not tested.

8.0 Preliminary Switching Characteristics (Continued)

Link Pulse Timing

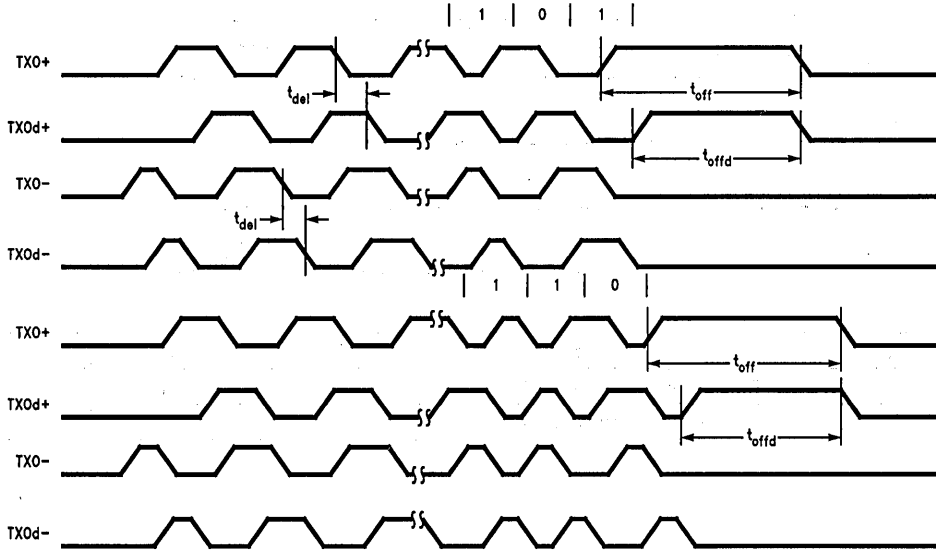


TL/F/11498-59

Symbol	Description	Min	Max	Units
t_{lp}	Time between Link Output Pulses	8	24	ns
t_{lpw}	Link Integrity Output Pulse Width	80	130	ns

8.0 Preliminary Switching Characteristics (Continued)

TPI Transmit Timing (End of Packet)



TL/F/11498-60

Symbol	Description	Min	Max	Units
t_{del}	Pre-Emphasis Output Delay (TXO± to TXOd±) (Note 1)	46	54	ns
t_{off}	Transmit Hold Time at End of Packet (TXO±) (Note 1)	250		ns
t_{offd}	Transmit Hold Time at End of Packet (TXOd±) (Note 1)	200		ns

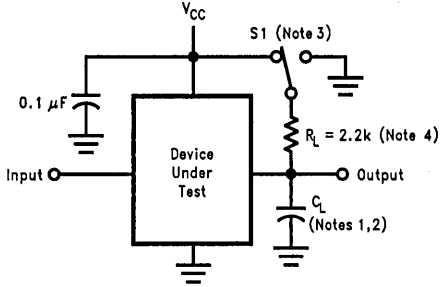
Note 1: This parameter is guaranteed by design and is not tested.

9.0 AC Timing Test Conditions

Input Pulse Levels (TTL/CMOS)	GND to 3.0V
Input Rise and Fall Times (TTL/CMOS)	5 ns
Input and Output Reference Levels (TTL/CMOS)	1.3V
Input Pulse Levels (Diff.)	-350 mV to -1315 mV
Input and Output Reference Levels (Diff.)	50% Point of the Differential
TRI-STATE Reference Levels	Float (ΔV) $\pm 0.5V$

Output Load (See Figure Below)
 All specifications are valid only if the mandatory isolation is employed and all differential signals are taken to be at the AUI side of the pulse transformer.

Output Load (See Figure Below)



TL/F/11498-61

Note 1: Load Capacitance used depends on output type (includes scope and jig capacitance):
 For 3SL, MOS, TPI, AUI: $C_L = 50$ pF.
 For 3SH, OCH: $C_L = 240$ pF.

Note 2: Specifications which measure delays from an active state to a high impedance state are not guaranteed by production test, but are characterized using 70 pF, and are correlated to determine true driver turn-off time by eliminating inherent R-C delay times in measurements.

Note 3: S1 = Open for timing test for push pull outputs.
 S1 = V_{CC} for V_{OL} test.
 S1 = GND for V_{OH} test.
 S1 = V_{CC} for High Impedance to active low and active low to High Impedance measurements.
 = GND for High Impedance to active high and active high to High Impedance measurements.

Note 4: Pull-up load for CHRDY = 1 k Ω .
 IO16 = 300 Ω .
 M16 = 300 Ω .

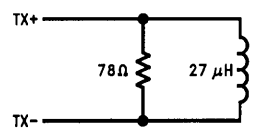
Pin Capacitance $T_A = 25^\circ C, f = 1$ MHz

Symbol	Parameter	Typ	Units
C_{IN}	Input Capacitance	7	pF
C_{OUT}	Output Capacitance	10	pF

DERATING FACTOR

Output timing is measured with a purely capacitive load of 50 pF, or 240 pF. The following correction factor can be used for other loads (**Note:** This factor is preliminary):
 Derating for 3SL, MOS = ~ 0.05 ns/pF
 Derating for 3SH, OCL, TPI = ~ 0.03 ns/pF

AUI Transmit Test Load



TL/F/11498-62

Note: In the above diagram, the TX+ and TX- signals are taken from the AUI side of the isolation (pulse transformer). The pulse transformer used for all testing is a 100 $\mu H \pm 0.1\%$ Pulse Engineering PE64103.

DP83902A ST-NIC™

Serial Network Interface Controller for Twisted Pair

General Description

The DP83902A Serial Network Interface Controller for Twisted Pair (ST-NIC) is a microCMOS VLSI device designed for easy implementation of CSMA/CD local area networks. These include Ethernet (10BASE5), Thin Ethernet (10BASE2) and Twisted-pair Ethernet (10BASE-T). The overall ST-NIC solution provides the Media Access Control (MAC) and Encode-Decode (ENDEC) with an AUI interface, and 10BASE-T transceiver functions in accordance with the IEEE 802.3 standards.

The DP83902A's 10BASE-T transceiver fully complies with the IEEE standard. This functional block incorporates the receiver, transmitter, collision, heartbeat, loopback, jabber, and link integrity blocks as defined in the standard. The transceiver when combined with equalization resistors, transmit/receive filters, and pulse transformers provides a complete physical interface from the DP83902A's ENDEC module and the twisted pair medium.

The integrated ENDEC module allows Manchester encoding and decoding via a differential transceiver and phase lock loop decoder at 10 Mbit/sec. Also included are collision detect translator and diagnostic loopback capability. The ENDEC module interfaces directly to the transceiver module, and also provides a fully IEEE compliant AUI (Attachment Unit Interface) for connection to other media transceivers.

(Continued)

Features

- Single chip solution for IEEE 802.3, 10BASE-T
- Integrated controller, ENDEC, and transceiver
- Full AUI interface
- No external precision components required
- 3 levels of loopback supported

Transceiver Module

- Integrates transceiver electronics, including:
 - Transmitter and receiver
 - Collision detect, heartbeat and jabber timer
 - Link integrity test
- Link disable and polarity detection/correction
- Integrated smart receive squelch
- Reduced squelch level for extended distance cable operation (100-pin QFP version)

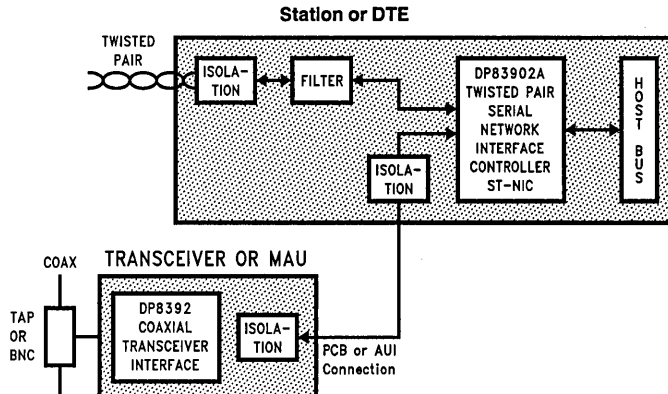
ENDEC Module

- 10 Mb/s Manchester encoding/decoding, plus clock recovery
- Transmitter half or full step mode
- Squelch on receive and collision pairs
- Lock time 5 bits typical
- Decodes Manchester data with up to ± 18 ns jitter

MAC/Controller Module

- 100% DP8390 software/hardware compatible
- Dual 16-bit DMA channels
- 16-byte internal FIFO
- Efficient buffer management implementation
- Independent system and network clocks
- Supports physical, multicast and broadcast address filtering
- Network statistics storage

1.0 System Diagram



TL/F/11157-1

General Description (Continued)

The Media Access Control function which is provided by the Network Interface Control module (NIC) provides simple and efficient packet transmission and reception control by means of unique dual DMA channels and an internal FIFO. Bus arbitration and memory control logic are integrated to reduce board cost and area overheads.

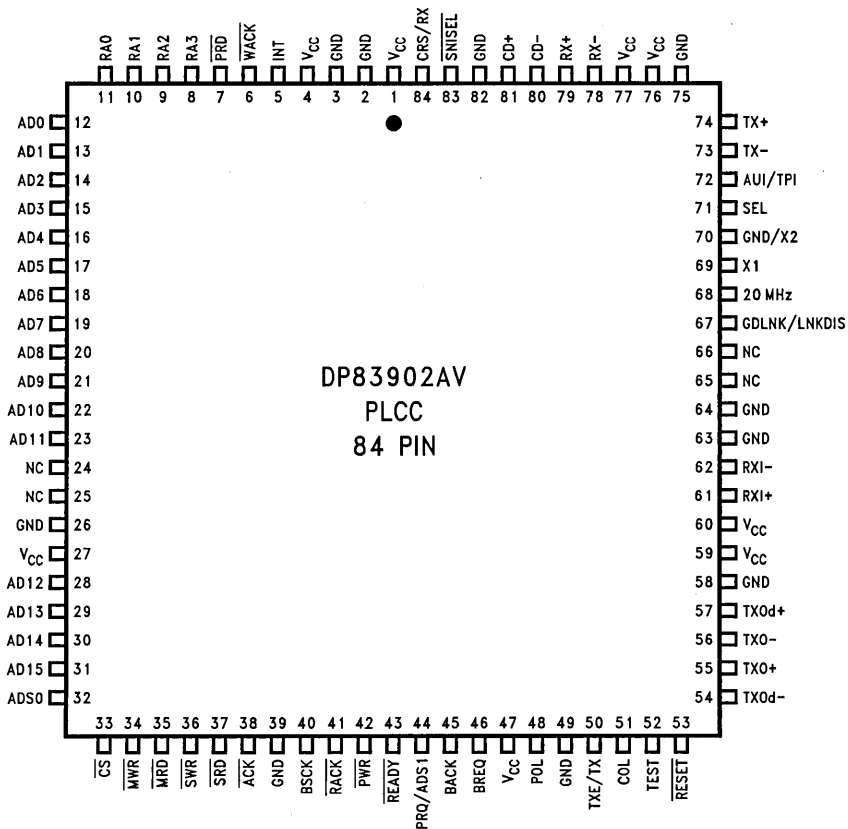
DP83902A provides a comprehensive single chip solution for 10BASE-T IEEE 802.3 networks and is designed for easy interface to other transceivers via the AUI interface.

Due to the inherent constraints of CMOS processing, isolation is required at the AUI differential signal interface for 10BASE5 and 10BASE2 applications. Capacitive or inductive isolation may be used.

Table Of Contents

- 1.0 SYSTEM DIAGRAM
- 2.0 PIN DESCRIPTION
- 3.0 BLOCK DIAGRAM
- 4.0 FUNCTIONAL DESCRIPTION
- 5.0 TRANSMIT/RECEIVE PACKET ENCAPSULATION/DECAPSULATION
- 6.0 DIRECT MEMORY ACCESS CONTROL (DMA)
- 7.0 PACKET RECEPTION
- 8.0 PACKET TRANSMISSION
- 9.0 REMOTE DMA
- 10.0 INTERNAL REGISTERS
- 11.0 INITIALIZATION PROCEDURES
- 12.0 LOOPBACK DIAGNOSTICS
- 13.0 BUS ARBITRATION AND TIMING
- 14.0 PRELIMINARY ELECTRICAL CHARACTERISTICS
- 15.0 SWITCHING CHARACTERISTICS
- 16.0 AC TIMING TEST CONDITIONS
- 17.0 PHYSICAL DIMENSIONS

Connection Diagrams

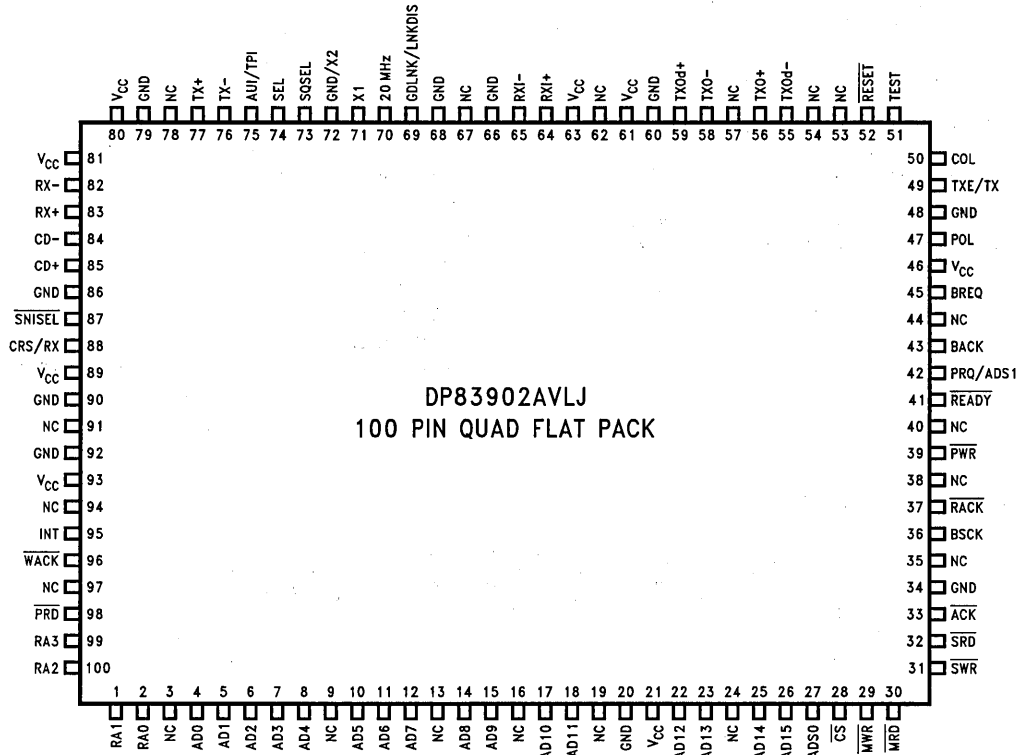


Order Number DP83902AV
See NS Package Number V84A

TL/F/11157-2



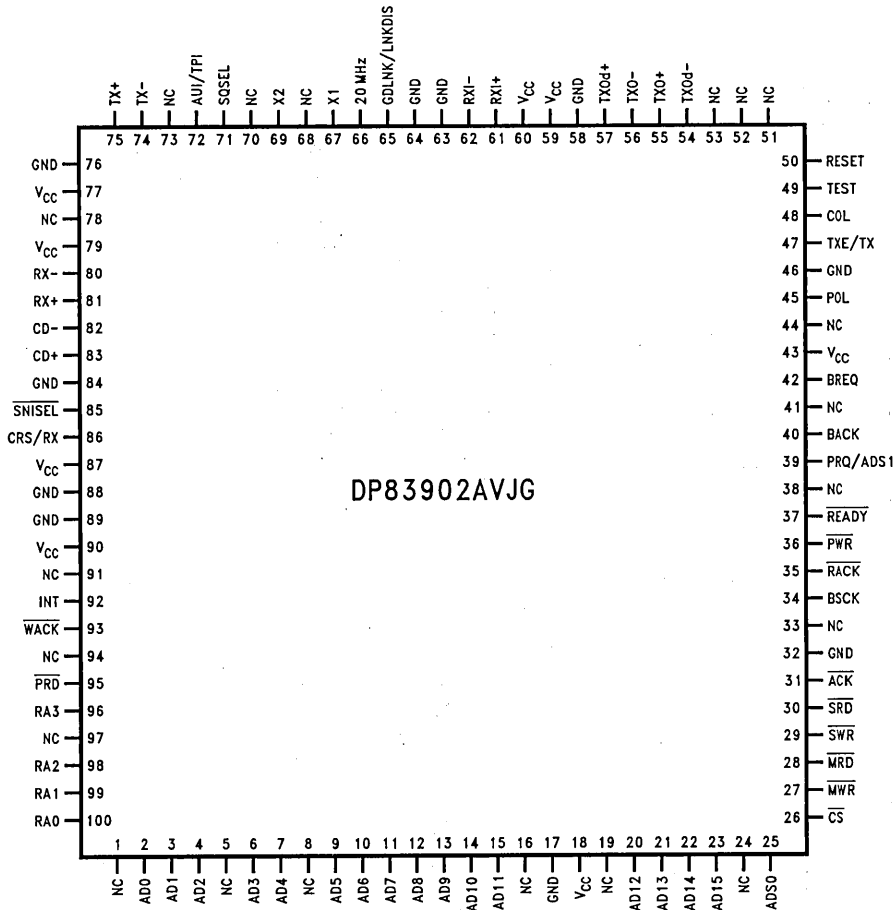
Connection Diagrams (Continued)



Order Number DP83902AVLJ
See NS Package Number VLJ100A

TL/F/11157-56

Connection Diagrams (Continued)



TL/F/11157-65

Order Number DP83902AVJG
See NS Package Number VJG100A

2.0 Pin Description

PQFP Pin No.	PLCC Pin No.	AVJG Pin No.	Pin Name	I/O	Description
BUS INTERFACE PINS					
95	5	92	INT	O	INTERRUPT: Indicates that the DP83902A requires CPU attention after reception transmission or completion of DMA transfers. The interrupt is cleared by writing to the ISR (Interrupt Status Register). All interrupts are maskable.
96	6	93	WACK	I	WRITE ACKNOWLEDGE: Issued from system to DP83902A to indicate that data has been written to the external latch. The DP83902A will begin a write cycle to place the data in local memory.
98	7	95	PRD	O	PORT READ: Enables data from external latch on to local bus during a memory write cycle to local memory (remote write operation). This allows asynchronous transfer of data from the system memory to local memory.
99, 100, 1, 2	8-11	96, 98-100	RA3-RA0	I	REGISTER ADDRESS: These four pins are used to select a register to be read or written. The state of these inputs is ignored when the DP83902A is not in slave mode (\overline{CS} high).



2.0 Pin Description (Continued)

PQFP Pin No.	PLCC Pin No.	AVJG Pin No.	Pin Name	I/O	Description
BUS INTERFACE PINS (Continued)					
4-8, 10-12, 14, 15, 17, 18, 22, 23, 25, 26	12-23, 28-31	2-4, 6, 7, 9-15, 20-23	AD0- AD15	I/O, Z	MULTIPLEXED ADDRESS/DATA BUS: <ul style="list-style-type: none"> Register Access, with DMA inactive, \overline{CS} low and \overline{ACK} returned from DP83902A, pins AD0-AD7 are used to read and write register data. AD8-AD15 float during I/O transfers, \overline{SRD}, \overline{SWR} pins are used to select direction of transfer. Bus Master with BACK input asserted. During t1 of memory cycle AD0-AD15 contain address. During t2, t3, t4 AD0-AD15 contain data (word transfer mode). During t2, t3, t4 AD0-AD7 contain data, AD8-AD15 contain address (byte transfer mode). Direction of transfer is indicated by DP83902A on \overline{MWR}, \overline{MRD} lines.
27	32	25	ADS0	I/O, Z	ADDRESS STROBE 0: <ul style="list-style-type: none"> Input: with DMA inactive and \overline{CS} low, latches RA0-RA3 inputs on falling edge. If high, data present on RA0-RA3 will flow through latch. Output: When Bus Master, latches address bits (AD0-AD15) to external memory during DMA transfers.
28	33	26	\overline{CS}	I	CHIP SELECT: Chip Select places controller in slave mode for μP access to internal registers. Must be valid through data portion of bus cycle. RA0-RA3 are used to select the internal register. \overline{SWR} and \overline{SRD} select direction of data transfer.
29	34	27	\overline{MWR}	O, Z	MASTER WRITE STROBE: (Strobe for DMA transfers) Active low during write cycles (t2, t3, tw) to buffer memory. Rising edge coincides with the presence of valid output data. TRI-STATE® until BACK asserted.
30	35	28	\overline{MRD}	O, Z	MASTER READ STROBE: (Strobe for DMA transfers) Active during read cycles (t2, t3, tw) to buffer memory. Input data must be valid on rising edge of \overline{MRD} . TRI-STATE until BACK asserted.
31	36	29	\overline{SWR}	I	SLAVE WRITE STROBE: Strobe from CPU to write an internal register selected by RA0-RA3. Data is latched into the DP83902A on the rising edge of this input.
32	37	30	\overline{SRD}	I	SLAVE READ STROBE: Strobe from CPU to read an internal register selected by RA0-RA3. The register data is output when \overline{SRD} goes low.
33	38	31	\overline{ACK}	O	ACKNOWLEDGE: Active low when DP83902A grants access to CPU. Used to insert WAIT states to CPU until DP83902A is synchronized for a register read or write operation.
36	40	34	BCLK	I	BUS CLOCK: This clock is used to establish the period of the DMA memory cycle. Four clock cycles (t1, t2, t3, t4) are used per DMA cycle. DMA transfers can be extended by one BCLK increment using the \overline{READY} input.
37	41	35	\overline{RACK}	I	READ ACKNOWLEDGE: Indicates that the system DMA or host CPU has read the data placed in the external latch by the DP83902A. The DP83902A will begin a read cycle to update the latch.
39	42	36	\overline{PWR}	O	PORT WRITE: Strobe used to latch data from the DP83902A into external latch for transfer to host memory during Remote Read transfers. The rising edge of \overline{PWR} coincides with the presence of valid data on the local bus.
41	43	37	\overline{READY}	I	READY: This pin is set high to insert wait states during a DMA transfer. The DP83902A will sample this signal at t3 during DMA transfers.
42	44	39	PRQ/ ADS1	O, Z	PORT REQUEST/ADDRESS STROBE 1 <ul style="list-style-type: none"> 32-BIT MODE: If LAS is set in the Data Configuration Register, this line is programmed as ADS1. It is used to strobe addresses A16-A31 into external latches. (A16-A31 are the fixed addresses stored in RSAR0, RSAR1). ADS1 will remain at TRI-STATE until BACK is received. 16-BIT MODE: If LAS is not set in the Data Configuration Register, this line is programmed as PRQ and is used for Remote DMA Transfers. The DP83902A initiates a single remote DMA read or write operation by asserting this pin. In this mode PRQ will be a standard logic output. <p>Note: This line will power up as TRI-STATE until the Data Configuration Register is programmed.</p>

2.0 Pin Description (Continued)

PQFP Pin No.	PLCC Pin No.	AVJG Pin No.	Pin Name	I/O	Description
BUS INTERFACE PINS (Continued)					
43	45	40	BACK	I	BUS ACKNOWLEDGE: Bus Acknowledge is an active high signal indicating that the CPU has granted the bus to the DP83902A. If immediate bus access is desired, BREQ should be tied to BACK. Tying BACK to V_{CC} will result in a deadlock.
45	46	42	BREQ	O	BUS REQUEST: Bus Request is an active high signal used to request the bus for DMA transfers. This signal is automatically generated when the FIFO needs servicing.
52	53	50	RESET	I	RESET: Reset is active low and places the DP83902A in a reset mode immediately. No packets are transmitted or received by the DP83902A until STA bit is set. Affects Command Register, Interrupt Mask Register, Data Configuration Register and Transmit Configuration Register. The DP83902A will execute reset within 10 BSCK cycles.
NETWORK INTERFACE PINS					
47	48	45	POL	O	POLARITY: A TTL/MOS active high output. This signal is normally in the low state. When the TPI module detects seven consecutive link pulses or three consecutive received packets with reversed polarity POL, is asserted.
49	50	47	TXE/TX	O	TRANSMIT ENABLE/TRANSMIT: A TTL/MOS active high output. It is asserted for approximately 50 ms whenever the DP83902A transmits data in either AUI or TPI modes.
50	51	48	COL	O	COLLISION: A TTL/MOS active high output. It is asserted for approximately 50 ms whenever the DP83902A detects a collision in either the AUI or TPI modes.
51	52	49	TEST	I	FACTORY TEST INPUT: Used to check the chip's internal functions. This should be tied low during normal operation.
55, 56, 58, 59	54, 55, 56, 57	54, 55, 56, 57	TXO _{d-} , TXO ₊ , TXO ₋ , TXO _{d+}	O	TWISTED PAIR TRANSMIT OUTPUTS: These high drive CMOS level outputs are resistively combined external to the chip to produce a differential output signal with equalization to compensate for Intersymbol Interference (ISI) on the twisted pair medium.
64, 65	61, 62	61, 62	RXI ₊ , RXI ₋	I	TWISTED PAIR RECEIVE INPUTS: These inputs feed a differential amplifier which passes valid data to the ENDEC module.
69	67	65	GDLNK/ LNKDIS	I/O	GOOD LINK/LINK DISABLE: This pin has a dual function both input and output. The function is latched by the DP83902A on the rising edge of the Reset signal i.e.: on the chip returning to normal operation after reset. As an output this pin is configured as an open drain N-channel device and is suitable for driving a LED. It will be latched as output on removal of chip reset if connected to a LED or left open circuit. Under normal conditions (the twisted pair link is not broken) the output will be low, and the LED will be lit. The open drain output will be switched off if the twisted pair link has been detected to be broken. It is recommended that the color of the LED be green. This output will be pulled high in AUI mode, by an internal resistor of approximately 15 k Ω . When this pin, which has an internal pull-up resistor to V _{DD} , is tied low it becomes an input and the link integrity checking is disabled.
73	—	71	SQSEL	I	TPI SQUELCH SELECT: This pin selects the TPI module input squelch thresholds. When tied low, the input squelch threshold on the RXI \pm inputs complies to 10BASE-T specification. When set high, the RXI \pm input operates with reduced squelch levels, allowing its use with longer lengths of cable or cable with higher losses. If this pin is left unconnected, an internal pulldown causes the ST-NIC's TPI to default to the higher squelch level.
70	68	66	20 MHz	O	20 MHz: This is a TTL/MOS level signal. It is a buffered version of the oscillator X2. It is suitable to drive external logic.
71	69	67	X1	I	EXTERNAL OSCILLATOR INPUT
72	70	69	GND/ X2	I	GROUND/X2: If an oscillator is used, this pin should be tied to ground and if a crystal is used, this pin should be tied directly to the crystal.
74	71	—	SEL	I	MODE SELECT: When high, TX ₊ and TX ₋ are the same voltage in the idle state. When low, Transmit ₊ is positive with respect to Transmit ₋ in the idle state, at the transformer's primary.

2.0 Pin Description (Continued)

PQFP Pin No.	PLCC Pin No.	AVJG Pin No.	Pin Name	I/O	Description
NETWORK INTERFACE PINS (Continued)					
75	72	72	AUI/ TPI	I	AUI/TPI SELECT: A TTL level active high input that selects either the AUI interface or the TPI module for interface with the ENDEC module. When high the AUI is selected, when low the TPI is selected.
76, 77	73, 74	74, 75	TX-, TX+	O	AUI TRANSMIT OUTPUT: Differential driver which sends the encoded data to the transceiver. The outputs are source followers which require 270Ω pulldown resistors.
82, 83	78, 79	80, 81	RX-, RX+	I	AUI RECEIVE INPUT: Differential receive input pair from the transceiver.
84, 85	80, 81	82, 83	CD-, CD+	I	AUI COLLISION INPUT: Differential collision pair input from the transceiver.
87	83	85	SNISEL	I	FACTORY TEST INPUT: For normal operation tied to V _{CC} . When low enables the ENDEC module to be tested independently of the DP83902A module.
88	84	86	CRS/ RX	O	CARRIER SENSE/RECEIVE: A TTL/MOS level active high signal. It is asserted for approximately 50 ms whenever valid transmit or receive data is detected while in AUI mode or receive data is detected while in TPI mode.
POWER SUPPLY PINS (DIGITAL)					
21, 46, 89	1, 27, 47	18, 43, 87	V _{CC}		POSITIVE 5V SUPPLY PINS
20, 34, 48, 68, 90	2, 26, 39, 49, 64	17, 32, 46, 64, 88	GND		NEGATIVE (GROUND) SUPPLY PINS: It is suggested that a decoupling capacitor be connected between the V _{CC} and GND pins.
POWER SUPPLY PINS (ANALOG)					
93	4	90	V _{CC}		VCO 5V SUPPLY PIN: Care should be taken to reduce noise on this pin as it supplies power to the analog VCO to the Phase Lock Loop.
92	3	89	GND		VCO GROUND SUPPLY PIN: Care should be taken to reduce noise on this pin as it supplies ground to the analog VCO to the Phase Lock Loop.
63	60	60	V _{CC}		TPI RECEIVE 5V SUPPLY: Power pin supplies 5V to the Twisted Pair Interface Receiver.
66	63	63	GND		TPI RECEIVE GROUND: Ground pin for the Twisted Pair Interface Receiver.
61	59	59	V _{CC}		TPI TRANSMIT 5V SUPPLY: Power pin supplies 5V to the Twisted Pair Interface Transmitter.
60	58	58	GND		TPI TRANSMIT GROUND: Ground pin for the Twisted Pair Interface Transmitter.
81	77	79	V _{CC}		AUI RECEIVE 5V SUPPLY: Power pin supplies 5V to the AUI Interface Receiver.
86	82	84	GND		AUI RECEIVE GROUND: Ground pin for the AUI Interface Receiver.
80	76	77	V _{CC}		AUI TRANSMIT 5V SUPPLY: Power pin supplies 5V to AUI Interface Transmitter.
79	75	76	GND		AUI TRANSMIT GROUND: Ground pin for the AUI Interface Transmitter.
NO CONNECTION					
3, 9, 13, 16, 19, 24, 35, 38, 40, 44, 53, 54, 57, 62, 67, 78, 91, 94, 97	24, 25, 65, 66	1, 5, 8, 16, 19, 24, 33, 38, 41, 44, 51, 52, 53, 68, 70, 73, 78, 91, 94, 97	NC		NO CONNECTION. Do not connect to these pins.

3.0 Block Diagram

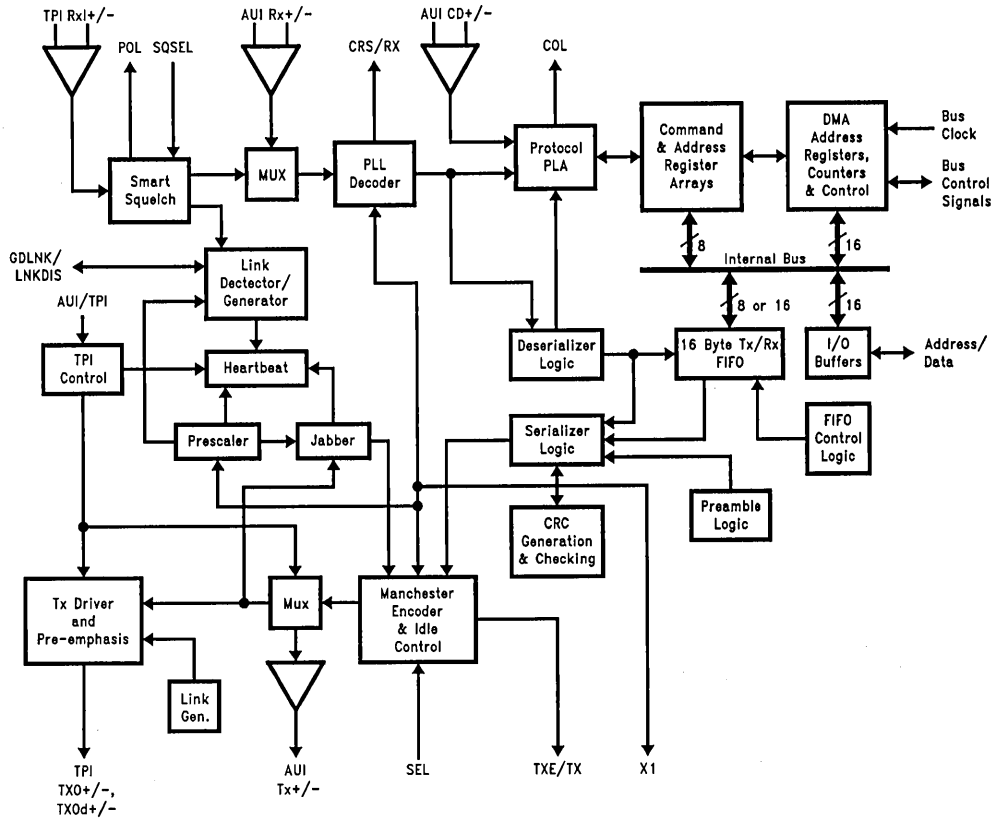
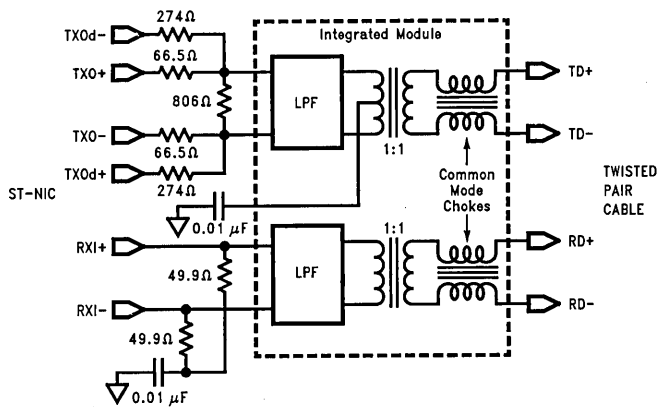


FIGURE 1

TL/F/11157-3

Typical Connection to Twisted Pair Cable



TL/F/11157-4

Recommended integrated modules are:

- 1) Pulse Engineering PE65431
- 2) Belfuse 0558-2006-01 or 0556-3392-00
- 3) Valor FL1012.

ST-NIC Twisted Pair Interface

4.0 Functional Description (Refer to Figure 1)

TWISTED PAIR INTERFACE (TPI) MODULE

The TPI consists of five main logical functions:

- The Smart Squelch, responsible for determining when valid data is present on the differential receive inputs (RXI±).
- The Collision function checks for simultaneous transmission and reception of data on the TXO± and RXI± pins.
- The Link Detector/Generator checks the integrity of the cable connecting the two twisted pair MAUs.
- The Jabber disables the transmitter if it attempts to transmit a longer than legal packet.
- The Tx Driver & Pre-emphasis transmits Manchester encoded data to the twisted pair network via the summing resistors and transformer/filter.

SMART SQUELCH

The ST-NIC implements an intelligent receive squelch on the RXI± differential inputs to ensure that impulse noise on the receive inputs will not be mistaken for a valid signal.

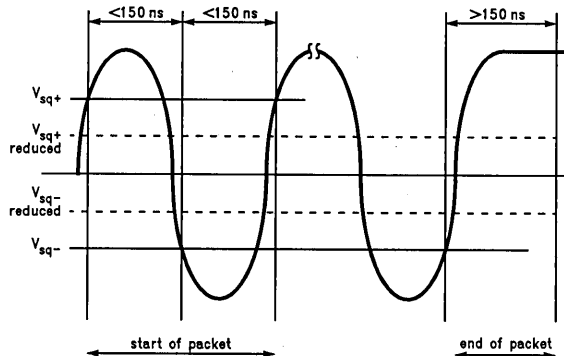
The squelch circuitry employs a combination of amplitude and timing measurements to determine the validity of data on the twisted pair inputs. There are two squelch levels which are selectable via the SQSEL pin. One mode is 10BASE-T compatible, and the second is reduced squelch mode.

The diagram shows the 10BASE-T mode operation of the smart squelch.

The signal at the start of packet is checked by the smart squelch and any pulses not exceeding the squelch level (either positive or negative, depending upon polarity) will be rejected. Once this first squelch level is overcome correctly the opposite squelch level must then be exceeded within 150 ns. Finally the signal must exceed the original squelch level within a further 150 ns to ensure that the input waveform will not be rejected. The checking procedure results in the loss of typically three bits at the beginning of each packet.

Only after all these conditions have been satisfied will a control signal be generated to indicate to the remainder of the circuitry that valid data is present. At this time the smart squelch circuitry is reset.

Valid data is considered to be present until either squelch level has not been generated for a time longer than 150 ns, indicating End of Packet. Once good data has been detected the squelch levels are reduced to minimize the effect of noise causing premature End of Packet detection.



TL/F/11157-5

The reduced squelch mode functions the same as the 10BASE-T mode except that only the lower level is used for both turn-on and turn-off.

COLLISION

A collision is detected by the TPI module when the receive and transmit channels are active simultaneously. If the TPI is receiving when a collision is detected it is reported to the controller immediately. If, however, the TPI is transmitting when a collision is detected the collision is not reported until seven bits have been received while in the collision state. This prevents a collision being reported incorrectly due to noise on the network. The signal to the controller remains for the duration of the collision.

Approximately $1 \mu\text{s}$ after the transmission of each packet a signal called the Signal Quality Error (SQE) consisting of typically 10 cycles of 10 MHz is generated. This 10 MHz signal, also called the Heartbeat, ensures the continued functioning of the collision circuitry.

LINK DETECTOR/GENERATOR

The link generator is a timer circuit that generates a link pulse as defined by the 10BASE-T specification that will be generated by the transmitter section. The pulse which is 100 ns wide is transmitted on the TXO+ output, every 16 ms, in the absence of transmit data.

The pulse is used to check the integrity of the connection to the remote MAU. The link detection circuit checks for valid pulses from the remote MAU and if valid link pulses are not received the link detector will disable the transmit, receive and collision detection functions.

The GDLNK output can directly drive a LED to show that there is a good twisted pair link. For normal conditions the LED will be on. The link integrity function can be disabled as described in the Pin Description Section.

JABBER

The jabber timer monitors the transmitter and disables the transmission if the transmitter is active for greater than 26 ms. The transmitter is then disabled for the whole time that the ENDEC module's internal transmit enable is asserted. This signal has to be deasserted for approximately 750 ms (the unjab time) before the Jabber re-enables the transmit outputs.

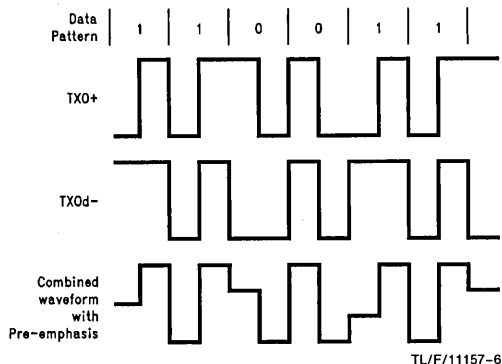
TRANSMIT DRIVER

The transmitter consists of four signals, the true and complement Manchester encoded data (TXO±) and these signals delayed by 50 ns (TXO±).

4.0 Functional Description (Continued)

These four signals are resistively combined, TXO+ with TXOd- and TXO- with TXOd+. This is known as digital pre-emphasis and is required to compensate for the twisted pair cable which acts like a low pass filter causing greater attenuation to the 10 MHz (50 ns) pulses of the Manchester encoded waveform than the 5 MHz (100 ns) pulses.

An example of how these signals are combined is shown in the following diagram.



The signal with pre-emphasis shown above is generated by resistively combining TXO+ and TXOd-. This signal along with its complement is passed to the transmit filter.

STATUS INFORMATION

Status information is provided by the ST-NIC on the CRS/RX, TXE/TX, COL and POL outputs as described in the pin description table. These outputs are suitable for driving status LEDs via an appropriate driver circuit.

The POL output is normally low, and will be driven high when seven consecutive link pulses or three consecutive receive packets are detected with reversed polarity. A polarity reversal can be caused by a wiring error at either end of the TPI cable. On detection of a polarity reversal the condition is latched and POL is asserted. The TPI corrects for this error internally and will decode received data correctly, eliminating the need to correct the wiring error.

ENCODER/DECODER (ENDEC) MODULE

The ENDEC consists of three main logical blocks:

- The Manchester encoder accepts NRZ data from the controller, encodes the data to Manchester, and transmits it differentially to the transceiver, through the differential transmit driver.
- The Manchester decoder receives Manchester data from the transceiver, converts it to NRZ data and clock pulses, and sends it to the controller.
- The collision translator indicates to the controller the presence of a valid 10 MHz collision signal to the PLL.

MANCHESTER ENCODER AND DIFFERENTIAL DRIVER

The differential transmit pair, on the secondary of the transformer, drives up to 50 meters of twisted pair AUI cable. These outputs are source followers which require two 270 Ω pull-down resistors to ground.

The DP83902A allows both half-step and full-step to be compatible with Ethernet and IEEE 802.3. With the SEL pin low (for Ethernet I). Transmit+ is positive with respect to

Transmit- during idle; with SEL high (for IEEE 802.3), Transmit+ and Transmit- are equal in the idle state. This provides zero differential voltage to operate with transformer coupled loads.

MANCHESTER DECODER

The decoder consists of a differential receiver and a PLL to separate a Manchester decoded data stream into internal clock signals and data. The differential input must be externally terminated with two 39 Ω resistors connected in series if the standard 78 Ω transceiver drop cable is used. In thin Ethernet applications, these resistors are optional. To prevent noise from falsely triggering the decoder, a squelch circuit at the input rejects signals with levels less than -175 mV. Signals more negative than -300 mV are decoded. Data becomes valid typically within 5 bit times. The DP83902A may tolerate bit jitter up to 18 ns in the received data. The decoder detects the end of a frame when no more mid-bit transitions are detected.

COLLISION TRANSLATOR

When in AUI mode, when the Ethernet transceiver (DP8392 CTI) detects a collision, it generates a 10 MHz signal to the differential collision inputs (CD \pm) of the DP83902A. When these inputs are detected active, the DP83902A uses this signal to back off its current transmission and reschedule another one.

The collision differential inputs are terminated the same way as the differential receive inputs. The squelch circuitry is also similar, rejecting pulses with levels less than -175 mV.

CRYSTAL/OSCILLATOR OPERATION

OSCILLATOR

The oscillator is controlled by a 20 MHz parallel resonant crystal connected between X1 and X2 or by an external clock on X1. The 20 MHz output of the oscillator is divided by 2 to generate the 10 MHz transmit clock for the controller. The oscillator also provides internal clock signals to the encoding and decoding circuits.

Note: When X1 is being driven by an external oscillator, X2 MUST be grounded.

Crystal Specifications

Resonant Frequency	20 MHz
Tolerance	$\pm 0.001\%$ at 25°C
Stability	$\pm 0.0005\%$ at 0°C-70°C
Type	AT Cut
Circuit	Parallel Resonance
Max ESR	20 Ω
Crystal Load Capacitor	20 pF

The 20 MHz crystal connection to the DP83902 requires special care. The IEEE 802.3 standard requires the transmitted signal frequency to be accurate within $\pm 0.01\%$. Stray capacitance can shift the crystal's frequency out of range and cause transmitted frequency to exceed its 0.01% tolerance. The frequency marked on the crystal is usually measured with a fixed load capacitance specified in the crystal's data sheet, typically 20 pF.

4.0 Functional Description (Continued)

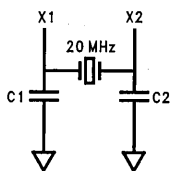
In order to prevent distortion on the transmitted frequency, the total capacitance seen by the crystal should equal the total load capacitance. On a standard parallel set-up as shown in the diagram below, the 2 load caps C1 and C2 should equal 2C1, the spec load cap, (due to the capacitors acting in series) less any stray capacitances.

Thus the trim capacitors required can be calculated as follows:

$$C1 = 2XC1 - (Cb1 + Cd1) \text{ Where } Cb1 = \text{Board cap on X1} \\ \text{and } Cd1 = X1 \text{ dev cap}$$

$$C2 = 2XC1 - (Cb2 + Cd2) \text{ Where } Cb2 = \text{Board cap on X2} \\ \text{and } Cd2 = X2 \text{ dev cap}$$

The value of STNIC pins X1 and X2 is in the region of 5 pF.



TL/F/11157-52

NIC (Media Access Control) MODULE

RECEIVE DESERIALIZER

The Receive Deserializer is activated when the input signal Carrier Sense is asserted to allow incoming bits to be shifted into the shift register by the receive clock. The serial receive data is also routed to the CRC generator/checker. The Receive Deserializer includes a synch detector which detects the SFD (Start of Frame Delimiter) to establish where byte boundaries within the serial bit stream are located. After every eight receive clocks, the byte wide data is transferred to the 16-byte FIFO and the Receive Byte Count is incremented. The first six bytes after the SFD are checked for valid comparison by the Address Recognition Logic. If the Address Recognition Logic does not recognize the packet, the FIFO is cleared.

CRC GENERATOR/CHECKER

During transmission, the CRC logic generates a local CRC field for the transmitted bit sequence. The CRC encodes all fields after the SFD. The CRC is shifted out MSB first following the last transmit byte. During reception the CRC logic generates a CRC field from the incoming packet. This local CRC is serially compared to the incoming CRC appended to the end of the packet by the transmitting node. If the local and received CRC match, a specific pattern will be generated and decoded to indicate no data errors. Transmission errors result in different pattern and are detected, resulting in rejection of a packet (if so programmed).

TRANSMIT SERIALIZER

The Transmit Serializer reads parallel data from the FIFO and serializes it for transmission. The serializer is clocked by the transmit clock generated internally. The serial data is also shifted into the CRC generator/checker. At the beginning of each transmission, the Preamble and Synch Generator append 62 bits of 1,0 preamble and a 1,1 synch pattern. After the last data byte of the packet has been serialized the 32-bit FCS field is shifted directly out of the CRC generator. In the event of a collision the Preamble and Synch generators are used to generate a 32-bit JAM pattern of all 1's.

ADDRESS RECOGNITION LOGIC

The address recognition logic compares the Destination Address Field (first 6 bytes of the received packet) to the Physical address registers stored in the Address Register Array. If any one of the six bytes does not match the pre-programmed physical address, the Protocol Control Logic rejects the packet. All multicast destination addresses are filtered using a hashing technique. (See register description.) If the multicast address indexes a bit that has been set in the filter bit array of the Multicast Address Register Array the packet is accepted, otherwise it is rejected by the Protocol Control Logic. Each destination address is also checked for all 1's which is the reserved broadcast address.

FIFO AND BUS OPERATIONS

Overview

To accommodate the different rates at which data comes from (or goes to) the network and goes to (or comes from) the system memory, the ST-NIC contains a 16-byte FIFO for buffering data between the media. The FIFO threshold is programmable. When the FIFO has filled to its programmed threshold, the local DMA channel transfers these bytes (or words) into local memory. It is crucial that the local DMA is given access to the bus within a minimum bus latency time; otherwise a FIFO underrun (or overrun) occurs.

FIFO underruns or overruns are caused by two conditions: (1) the bus latency is so long that the FIFO has filled (or emptied) from the network before the local DMA has serviced the FIFO and (2) the bus latency has slowed the throughput of the local DMA to a point where it is slower than the network data rate (10 Mbit/sec). This second condition is also dependent upon DMA clock and word width (byte wide or word wide). The worst case condition ultimately limits the overall bus latency which the ST-NIC can tolerate.

Beginning of Receive

At the beginning of reception, the ST-NIC stores the entire Address field of each incoming packet in the FIFO to determine whether the address matches the ST-NIC's Physical Address Registers or maps to one of its Multicast Registers. This causes the FIFO to accumulate 8 bytes. Furthermore, there are some synchronization delays in the DMA PLA. Thus, the actual time to when BREQ is asserted from the time the Start of Frame Delimiter (SFD) is detected is 7.8 μ s. This operation affects the bus latencies at 2- and 4-byte thresholds during the first receive BREQ since the FIFO must be filled to 8 bytes (or 4 words) before issuing a BREQ.

End of Receive

When the end of a packet is detected by the ENDEC module, the ST-NIC enters its end of packet processing sequence, emptying its FIFO and writing the status information at the beginning of the packet. The ST-NIC holds onto the bus for the entire sequence. The longest time BREQ may be extended occurs when a packet ends just as the ST-NIC performs its last FIFO burst. The ST-NIC, in this case, performs a programmed burst transfer followed by flushing the remaining bytes in the FIFO, and completes by writing the header information to memory. The following steps occur during this sequence.

1. ST-NIC issues BREQ because the FIFO threshold has been reached.
2. During the burst, packet ends, resulting in BREQ extended.

4.0 Functional Description (Continued)

3. ST-NIC flushes remaining bytes from FIFO.
4. ST-NIC performs internal processing to prepare for writing the header.
5. ST-NIC writes 4-byte (2-word) header.
6. ST-NIC de-asserts BREQ.

FIFO Threshold Detection

To assure that no overwriting of data in the FIFO, the FIFO logic flags a FIFO overrun as the 13th byte is written into the FIFO, effectively shortening the FIFO to 13 bytes. The FIFO logic also operates differently in Byte Mode and in Word Mode. In Byte Mode, a threshold is indicated when the $n + 1$ byte has entered the FIFO; thus, with an 8-byte threshold, the ST-NIC issues Bus Request (BREQ) when the 9th byte has entered the FIFO. For Word Mode, BREQ is not generated until $n + 2$ bytes have entered the FIFO. Thus, with a 4 word threshold (equivalent to an 8-byte threshold), BREQ is issued when the 10th byte has entered the FIFO.

Beginning of Transmit

Before transmitting, the ST-NIC performs a prefetch from memory to load the FIFO. The number of bytes prefetched is the programmed FIFO threshold. The next BREQ is not issued until after the ST-NIC actually begins transmitting data, i.e., after SFD.

Reading the FIFO

During normal operation, the FIFO must not be read. The ST-NIC will not issue an ACKnowledge back to the CPU if the FIFO is read. The FIFO should only be read during loop-back diagnostics.

PROTOCOL PLA

The protocol PLA is responsible for implementing the IEEE 802.3 protocol, including collision recovery with random backoff. The Protocol PLA also formats packets during transmission and strips preamble and synch during reception.

DMA AND BUFFER CONTROL LOGIC

The DMA and Buffer Control Logic is used to control two 16-bit DMA channels. During reception, the local DMA stores packets in a receive buffer ring, located in buffer memory. During transmission the Local DMA uses programmed pointer and length registers to transfer a packet from local buffer memory to the FIFO. A second DMA channel is used as a slave DMA to transfer data between the local buffer memory and the host system. The Local DMA and Remote DMA are internally arbitrated, with the Local DMA channel having highest priority. Both DMA channels use a common external bus clock to generate all required

bus timing. External arbitration is performed with a standard bus request, bus acknowledge handshake protocol.

5.0 Transmit/Receive Packet Encapsulation/Decapsulation

A standard IEEE 802.3 packet consists of the following fields: preamble, Start of Frame Delimiter (SFD), destination address, source address, length, data, and Frame Check Sequence (FCS). The typical format is shown in *Figure 2*. The packets are Manchester encoded and decoded by the ENDEC module and transferred serially to the NIC module using NRZ data with a clock. All fields are of fixed length except for the data field. The ST-NIC generates and appends the preamble, SFD and FCS field during transmission. The Preamble and SFD fields are stripped during reception. (The CRC is passed through to buffer memory during reception.)

PREAMBLE AND START OF FRAME DELIMITER (SFD)

The Manchester encoded alternating 1,0 preamble field is used by the ENDEC to acquire bit synchronization with an incoming packet. When transmitted each packet contains 62 bits of alternating 1,0 preamble. Some of this preamble will be lost as the packet travels through the network. The preamble field is stripped by the NIC module. Byte alignment is performed with the Start of Frame Delimiter (SFD) pattern which consists of two consecutive 1's. The ST-NIC does not treat the SFD pattern as a byte, it detects only the two bit pattern. This allows any preceding preamble within the SFD to be used for phase locking.

DESTINATION ADDRESS

The destination address indicates the destination of the packet on the network and is used to filter unwanted packets from reaching a node. There are three types of address formats supported by the ST-NIC: physical, multicast and broadcast. The physical address is a unique address that corresponds only to a single node. All physical addresses have an MSB of "0". These addresses are compared to the internally stored physical address registers. Each bit in the destination address must match in order for the ST-NIC to accept the packet. Multicast addresses begin with an MSB of "1". The ST-NIC filters multicast addresses using a standard hashing algorithm that maps all multicast addresses into a 6-bit value. This 6-bit value indexes a 64-bit array that filters the value. If the address consists of all 1's it is a broadcast address, indicating that the packet is intended for all nodes. A promiscuous mode allows reception of all packets: the destination address is not required to match any filters. Physical, broadcast, multicast, and promiscuous address modes can be selected.

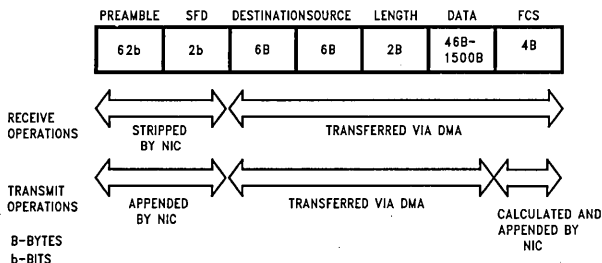


FIGURE 2

TL/F/11157-7

5.0 Transmit/Receive Packet Encapsulation/Decapsulation

(Continued)

SOURCE ADDRESS

The source address is the physical address of the node that sent the packet. Source addresses cannot be multicast or broadcast addresses. This field is simply passed to buffer memory.

LENGTH/TYPE FIELD

The 2-byte length field indicates the number of bytes that are contained in the data field of the packet. This field is not interpreted by the ST-NIC.

DATA FIELD

The data field consists of anywhere from 46 to 1500 bytes. Messages longer than 1500 bytes need to be broken into multiple packets. Messages shorter than 46 bytes will require appending a pad to bring the data field to the minimum length of 46 bytes. If the data field is padded, the number of valid data bytes is indicated in the length field. **The ST-NIC does not strip or append pad bytes for short packets, or check for oversize packets.**

FCS FIELD

The Frame Check Sequence (FCS) is a 32-bit CRC field calculated and appended to a packet during transmission to allow detection of errors when a packet is received. During reception, error free packets result in a specific pattern in the CRC generator. Packets with improper CRC will be rejected. The AUTODIN II ($X^{32} + X^{26} + X^{23} + X^{22} + X^{16} + X^{12} + X^{11} + X^{10} + X^8 + X^7 + X^5 + X^4 + X^2 + X^1 + 1$) polynomial is used for the CRC calculations.

6.0 Direct Memory Access Control (DMA)

The DMA capabilities of the ST-NIC greatly simplify the use of the DP83902A in typical configurations. The local DMA channel transfers data between the FIFO and memory. On transmission, the packet is DMAed from memory to the FIFO in bursts. Should a collision occur (up to 15 times), the packet is retransmitted with no processor intervention. On reception, packets are DMAed from the FIFO to the receive buffer ring (as explained below).

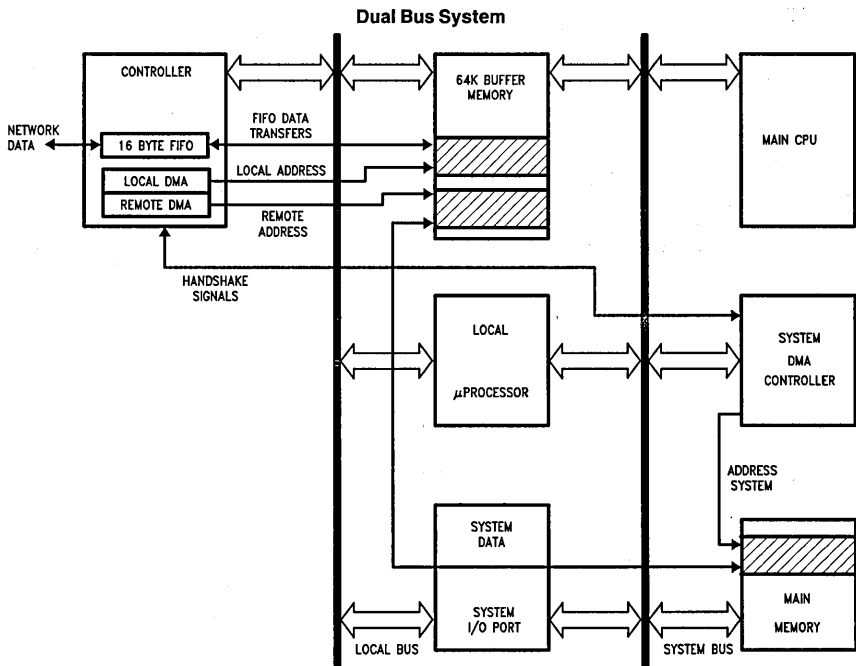
dA remote DMA channel is also provided on the ST-NIC to accomplish transfers between a buffer memory and system memory. The two DMA channels can alternatively be combined to form a single 32-bit address with 8- or 16-bit data.

DUAL DMA CONFIGURATION

An example configuration using both the local and remote DMA channels is shown below. Network activity is isolated on a local bus, where the ST-NIC's local DMA channel performs burst transfers between the buffer memory and the ST-NIC's FIFO. The Remote DMA transfers data between the buffer memory and the host memory via a bidirectional I/O port. The Remote DMA provides local addressing capability and is used as a slave DMA by the host. Host side addressing must be provided by a host DMA or the CPU. The ST-NIC allows Local and Remote DMA operations to be interleaved.

SINGLE CHANNEL DMA OPERATION

If desirable, the two DMA channels can be combined to provide a 32-bit DMA address. The upper 16 bits of the 32-bit address are static and are used to point to a 64 kbyte (or 32k word) page of memory where packets are to be received and transmitted.

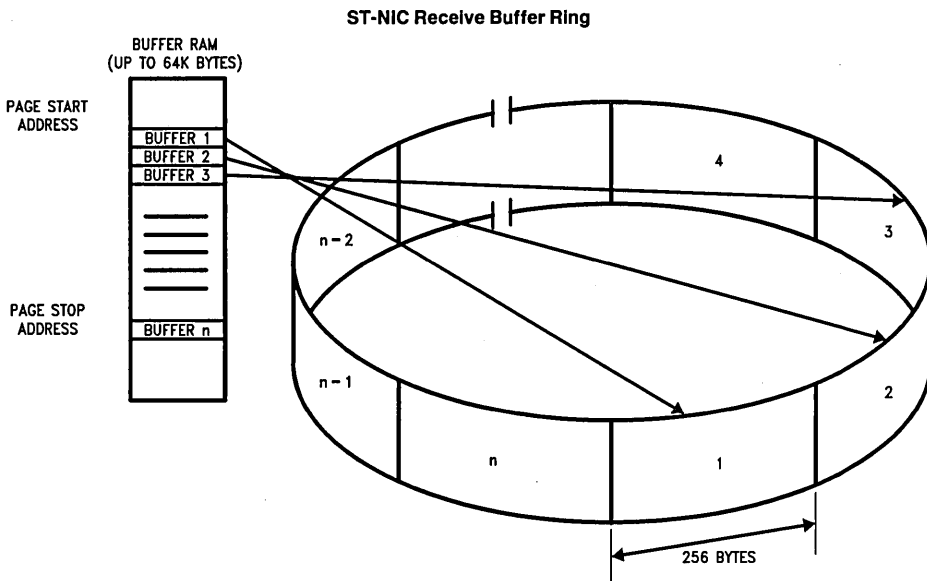


7.0 Packet Reception

The Local DMA receive channel uses a Buffer Ring Structure comprised of a series of contiguous fixed length 256-byte (128 word) buffers for storage of received packets. The location of the Receive Buffer Ring is programmed in two registers, a Page Start and a Page Stop Register. Ethernet packets consist of a distribution of shorter link control packets and longer data packets, the 256-byte buffer length provides a good compromise between short packets and longer packets to most efficiently use memory. In addition these buffers provide memory resources for storage of back-to-back packets in loaded networks. The assignment of buffers for storing packets is controlled by Buffer Management Logic in the ST-NIC. The Buffer Management Log-

ic provides three basic functions: linking receive buffers for long packets, recovery of buffers when a packet is rejected, and recirculation of buffer pages that have been read by the host.

At initialization, a portion of the 64 kbyte (or 32k word) address space is reserved for the receive buffer ring. Two 8-bit registers, the Page Start Address Register (PSTART) and the Page Stop Address Register (PSTOP) define the physical boundaries of where the buffers reside. The ST-NIC treats the list of buffers as a logical ring; whenever the DMA address reaches the Page Stop Address, the DMA is reset to the Page Start Address.



TL/F/11157-9

7.0 Packet Reception (Continued)

INITIALIZATION OF THE BUFFER RING

Two static registers and two working registers control the operation of the Buffer Ring. These are the Page Start Register, Page Stop Register (both described previously), the Current Page Register and the Boundary Pointer Register. The Current Page Register points to the first buffer used to store a packet and is used to restore the DMA for writing status to the Buffer Ring or for restoring the DMA address in the event of a Runt packet, a CRC, or Frame Alignment error. The Boundary Register points to the first packet in the Ring not yet read by the host. If the local DMA address ever reaches the Boundary, reception is aborted. The Boundary Pointer is also used to initialize the Remote DMA for remov-

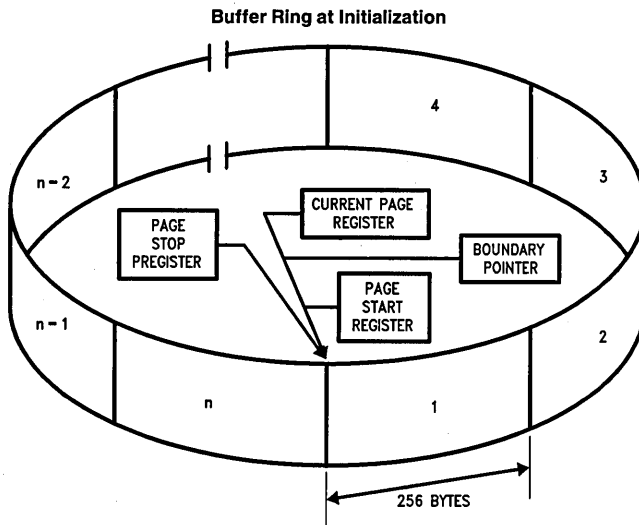
ing a packet and is advanced when a packet is removed. A simple analogy to remember the function of these registers is that the Current Page Register acts as a Write Pointer and the Boundary Pointer acts as a Read Pointer.

Note: At initialization, the Page Start Register value should be loaded into both Current Page Register and the Boundary Pointer Register.

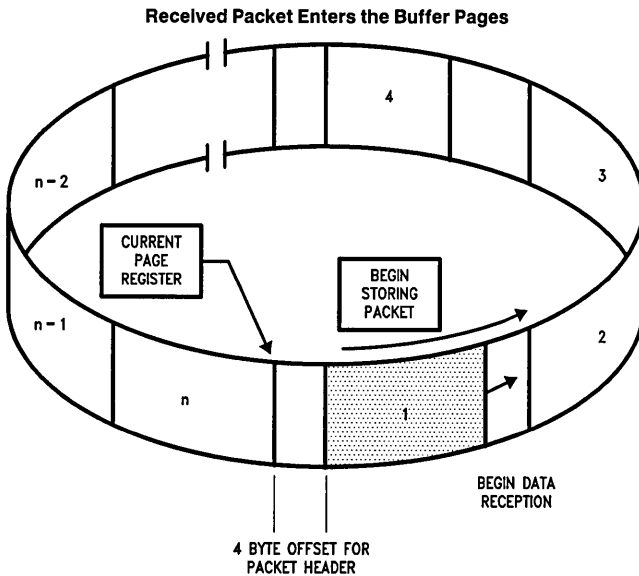
Note: The Page Start Register must not be initialized to 00H.

BEGINNING OF RECEPTION

When the first packet begins arriving the ST-NIC begins storing the packet at the location pointed to by the Current Page Register. An offset of 4 bytes is saved in this first buffer to allow room for storing receive status corresponding to this packet.



TL/F/11157-10



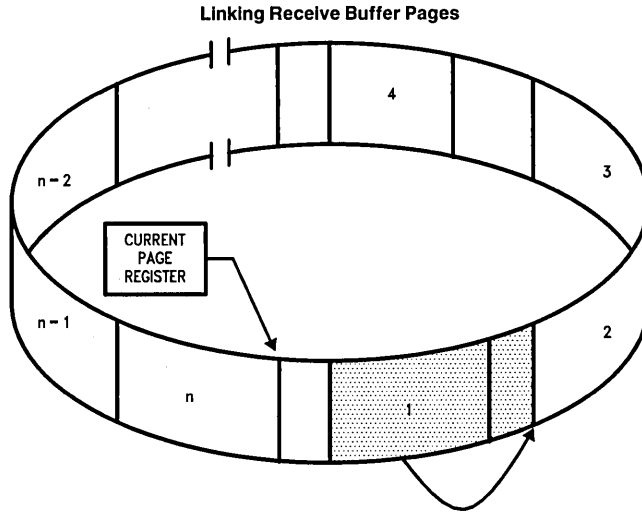
TL/F/11157-11

7.0 Packet Reception (Continued)

LINKING RECEIVE BUFFER PAGES

If the length of the packet exhausts the first 256-byte buffer, the DMA performs a forward link to the next buffer to store the remainder of the packet. For a maximum length packet the buffer logic will link six buffers to store the entire packet. Buffers cannot be skipped when linking, therefore a packet will always be stored in contiguous buffers. Before the next buffer can be linked, the Buffer Management Logic performs two comparisons. The first comparison tests for equality between the DMA address of the next buffer and the contents of the Page Stop Register. If the buffer address equals the Page Stop Register, the buffer management logic will restore the DMA to the first buffer in the

Receive Buffer Ring value programmed in the Page Start Address Register. The second comparison tests for equality between the DMA address of the next buffer address and the contents of the Boundary Pointer Register. If the two values are equal the reception is aborted. The Boundary Pointer Register can be used to protect against overwriting any area in the receive buffer ring that has not yet been read. When linking buffers, buffer management will never cross this pointer, effectively avoiding any overwrites. If the buffer address does not match either the Boundary Pointer or Page Stop Address, the link to the next buffer is performed.



TL/F/11157-12

- 1) Check for = to PSTOP
- 2) Check for = to Boundary

7.0 Packet Reception (Continued)

Buffer Ring Overflow

If the Buffer Ring has been filled and the DMA reaches the Boundary Pointer Address, reception of the incoming packet will be aborted by the ST-NIC. Thus, the packets previously received and still contained in the Ring will not be destroyed.

In heavily loaded network which cause overflows of the Receive Buffer Ring, the ST-NIC may disable the local DMA and suspend further receptions even if the Boundary register is advanced beyond the Current register. To guarantee this will not happen, a software reset must be issued during all Receive Buffer Ring overflows (indicated by the OVW bit in the Interrupt Status Register). The following procedure is required to recover from a Receiver Buffer Ring Overflow.

If this routine is not adhered to, the ST-NIC may act in an unpredictable manner. It should also be noted that it is not permissible to service an overflow interrupt by continuing to empty packets from the receive buffer without implementing the prescribed overflow routine. A flow chart of the ST-NIC's overflow routine follows.

Note: It is necessary to define a variable in the driver, which will be called "Resend".

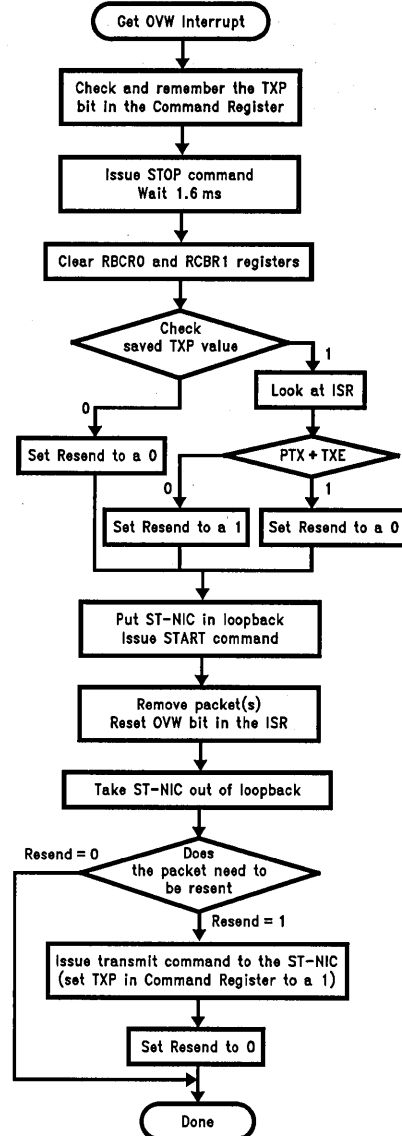
1. Read and store the value of the TXP bit in the ST-NIC Command Register.
2. Issue the STOP command to the ST-NIC. This is accomplished by setting the STP bit in the ST-NIC's Command Register. Writing 21H to the Command Register will stop the ST-NIC.
3. Wait for at least 1.6 ms. Since the ST-NIC will complete any transmission or reception that is in progress, it is necessary to time out for the maximum possible duration of an Ethernet transmission or reception. By waiting 1.6 ms this is achieved with some guard band added. Previously, it was recommended that the RST bit of the Interrupt Status Register be polled to insure that the pending transmission or reception is completed. This bit is not a reliable indicator and subsequently should be ignored.
4. Clear the ST-NIC's Remote Byte Count registers (RBCR0 and RBCR1).
5. Read the stored value of the TXP bit from step 1, above. If this value is a 0, set the "Resend" variable to a 0 and jump to step 6. If this value is a 1, read the ST-NIC's Interrupt Status Register. If either the Packet Transmitted bit (PTX) or Transmit Error bit (TXE) is set to a 1, set the "Resend" variable to a 1 and jump to step 6. If neither of these bits is set, place a 1 in the "Resend" variable and jump to step 6.

If this value is a 1, read the ST-NIC's Interrupt Status Register. If either the Packet Transmitted bit (PTX) or Transmit Error bit (TXE) is set to a 1, set the "Resend" variable to a 1 and jump to step 6. If neither of these bits is set, place a 1 in the "Resend" variable and jump to step 6.

This step determines if there was a transmission in progress when the stop command was issued in step 2. If there was a transmission in progress, the ST-NIC's ISR is read to determine whether or not the packet was recognized by the ST-NIC. If neither the PTX nor TXE bit was set, then the packet will essentially be lost and retransmitted only after a time-out takes place in the upper level software. By determining that the packet was lost at the driver level, a transmit command can be reissued to

the ST-NIC once the overflow routine is completed (as in step 11). Also, it is possible for the ST-NIC to defer indefinitely, when it is stopped on a busy network. Step 5 also alleviates this problem. Step 5 is essential and should not be omitted from the overflow routine, in order for the ST-NIC to operate correctly.

Overflow Routine Flow Chart



TL/F/11157-57

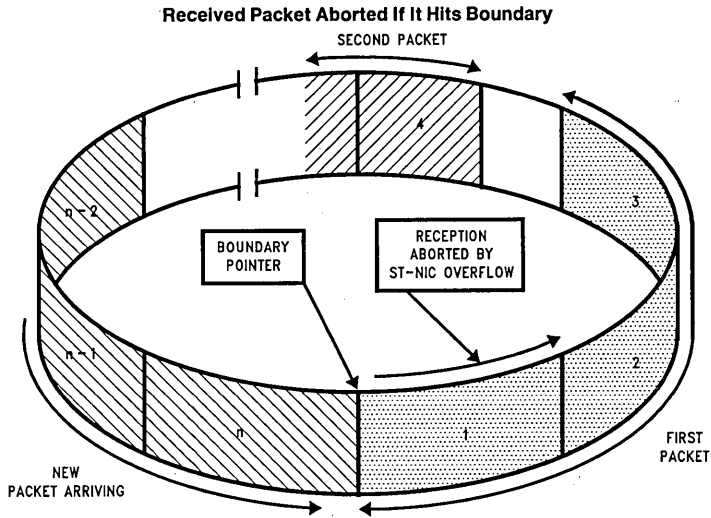
7.0 Packet Reception (Continued)

- 6. Place the ST-NIC in either mode 1 or mode 2 loopback. This can be accomplished by setting bits D2 and D1, of the Transmit Configuration Register, to "0,1" or "1,0", respectively.
- 7. Issue the START command to the ST-NIC. This can be accomplished by writing 22H to the Command Register. This is necessary to activate the ST-NIC's Remote DMA channel.
- 8. Remove one or more packets from the receive buffer ring.
- 9. Reset the overwrite warning (OVW, overflow) bit in the Interrupt Status Register.

- 10. Take the ST-NIC out of loopback. This is done by writing the Transmit Configuration Register with the value it contains during normal operation. (Bits D2 and D1 should both be programmed to 0.)
- 11. If the "Resend" variable is set to a 1, reset the "Resend" variable and reissue the transmit command. This is done by writing a value of 26H to the Command Register. If the "Resend" variable is 0, nothing needs to be done.

Note 1: If Remote DMA is not being used, the ST-NIC does not need to be started before packets can be removed from the receive buffer ring. Hence, step 8 could be done before step 7.

Note 2: When the ST-NIC is in STOP mode, the Missed Talley Counter is disabled



TL/F/11157-13

7.0 Packet Reception (Continued)

Enabling the ST-NIC On An Active Network

After the ST-NIC has been initialized the procedure for disabling and then re-enabling the ST-NIC on the network is similar to handling Receive Buffer Ring overflow as described previously.

1. Program Command Register for page 0 (Command Register = 21H)
2. Initialize Data Configuration Register (DCR)
3. Clear Remote Byte Count Registers (RBCR0, RBCR1)
4. Initialize Receive Configuration Register (RCR)
5. Place the ST-NIC in LOOPBACK mode 1 or 2 (Transmit Configuration Register = 02H or 04H)
6. Initialize Receive Buffer Ring: Boundary Pointer (BNDRY), Page Start (PSTART), and Page Stop (PSTOP)
7. Clear Interrupt Status Register (ISR) by writing 0FFH to it.
8. Initialize Interrupt Mask Register (IMR)
9. Program Command Register for page 1 (Command Register = 61H)
 - i. Initialize Physical Address Registers (PAR0-PAR5)
 - ii. Initialize Multicast Address Registers (MAR0-MAR7)
 - iii. Initialize CURRENT pointer

10. Put ST-NIC in START mode (Command Register = 22H). The local receive DMA is still not active since the ST-NIC is in LOOPBACK.

11. Initialize the Transmit Configuration for the intended value. The ST-NIC is now ready for transmission and reception.

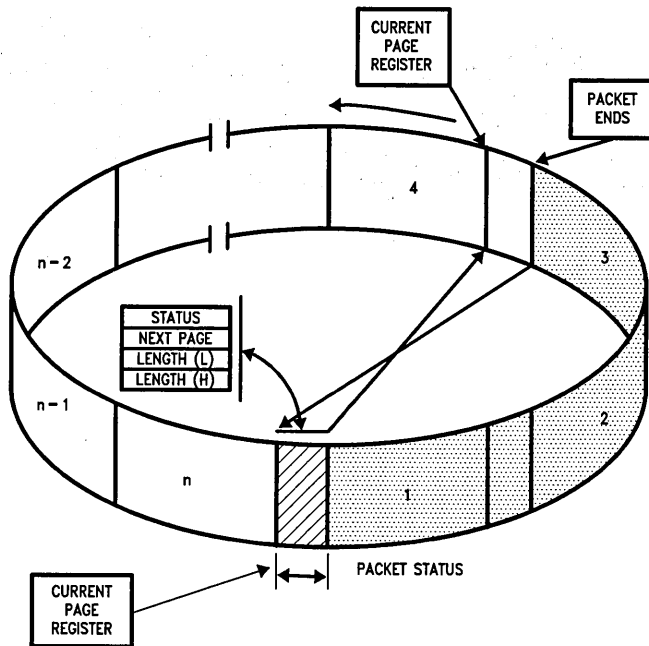
END OF PACKET OPERATIONS

At the end of the packet the ST-NIC determines whether the received packet is to be accepted or rejected. It either branches to a routine to store the Buffer Header or to another routine that recovers the buffers used to store the packet.

SUCCESSFUL RECEPTION

If the packet is successfully received, the DMA is restored to the first buffer used to store the packet (pointed to by the Current Page Register). The DMA then stores the Receive Status, a Pointer to where the next packet will be stored (Buffer 4) and the number of received bytes. Note that the remaining bytes in the last buffer are discarded and reception of the next packet begins on the next empty 256-byte buffer boundary. The Current Page Register is then initialized to the next available buffer in the Buffer Ring. (The location of the next buffer had been previously calculated and temporarily stored in an internal scratchpad register.)

Termination of Received Packet—Packet Accepted



TL/F/11157-14

7.0 Packet Reception (Continued)

BUFFER RECOVERY FOR REJECTED PACKETS

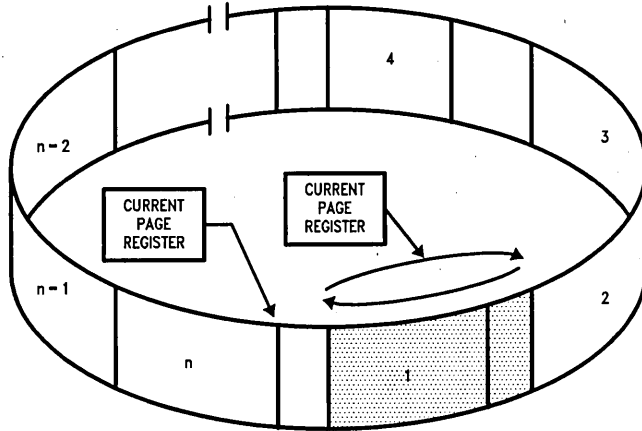
If the packet is a runt packet or contains CRC or Frame Alignment errors, it is rejected. The buffer management logic resets the DMA back to the first buffer page used to store the packet (pointed to by CURR), recovering all buffers that had been used to store the rejected packet. This operation will not be performed if the ST-NIC is programmed to accept either runt packets or packets with CRC or Frame Alignment

errors. The received CRC is always stored in buffer memory after the last byte of received data for the packet.

Error Recovery

If the packet is rejected as shown, the DMA is restored by the ST-NIC by reprogramming the DMA starting address pointed to by the Current Page Register.

Termination of Receive Packet—Packet Reject



TL/F/11157-15

7.0 Packet Reception (Continued)

REMOVING PACKETS FROM THE RING

Packets are removed from the ring using the Remote DMA or an external device. When using the Remote DMA the Send Packet command can be used. This programs the Remote DMA to automatically remove the received packet pointed to by the Boundary Pointer. At the end of the transfer, the ST-NIC moves the Boundary Pointer, freeing additional buffers for reception. The Boundary Pointer can also be moved manually by programming the Boundary Register.

The ST-NIC knows the difference between an empty buffer ring and a full buffer ring. This situation is seen when the Boundary Pointer (BNDRY) and the Current Page Pointer (CURR) point to the same address. If BNDRY caught up with CURR the buffer is empty and if CURR caught up with BNDRY the buffer is full.

STORAGE FORMAT FOR RECEIVED PACKETS

The following diagrams describe the format for how received packets are placed into memory by the local DMA channel. These modes are selected in the Data Configuration Register.

AD15	AD8	AD7	AD0
Next Packet Pointer		Receive Status	
Receive Byte Count 1		Receive Byte Count 0	
Byte 2		Byte 1	

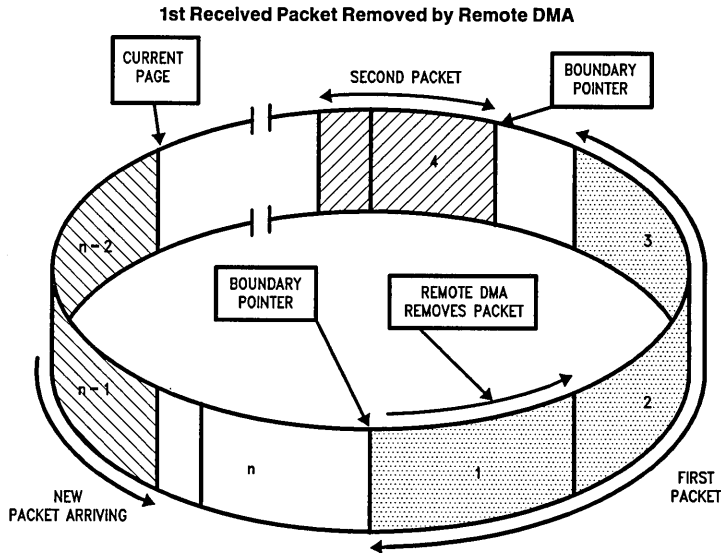
BOS = 0, WTS = 1 in Data Configuration Register. This format is used with Series 32xxx, or 680x0 processors.

AD15	AD8	AD7	AD0
Next Packet Pointer		Receive Status	
Receive Byte Count 0		Receive Byte Count 1	
Byte 1		Byte 2	

BOS = 1, WTS = 1 in Data Configuration Register. This format is used with 680x0 type processors. (Note: The Receive Count ordering remains the same for BOS = 0 or 1.)

Receive Status
Next Packet Pointer
Receive Byte Count 0
Receive Byte Count 1
Byte 0
Byte 1

BOS = 0, WTS = 0 in Data Configuration Register. This format is used with general 8-bit processors.



TL/F/11157-16

8.0 Packet Transmission

The Local DMA is also used during transmission of a packet. Three registers control the DMA transfer during transmission, a Transmit Page Start Address Register (TPSR) and the Transmit Byte Count Registers (TBCR0, 1). When the ST-NIC receives a command to transmit the packet pointed to by these registers, buffer memory data will be moved into the FIFO as required during transmission. The ST-NIC will generate and append the preamble, synch and CRC fields.

General Transmit Packet Format

Transmit	Destination Address	6 Bytes
Byte	Source Address	6 Bytes
Count	Type/Length	2 Bytes
TBCR0, 1	Data	≥ 46 Bytes
	Pad (If Data < 46 Bytes)	

TRANSMIT PACKET ASSEMBLY

The ST-NIC requires a contiguous assembled packet with the format shown. The transmit byte count includes the Destination Address, Source Address, Length Field and Data. It does not include preamble and CRC. When transmitting data smaller than 46 bytes, the packet must be padded to a minimum size of 64 bytes. The programmer is responsible for adding and stripping pad bytes.

TRANSMISSION

Prior to transmission, the TPSR (Transmit Page Start Register) and TBCR0, TBCR1 (Transmit Byte Count Registers) must be initialized. To initiate transmission of the packet the TXP bit in the Command Register is set. The Transmit Status Register (TSR) is cleared and the ST-NIC begins to prefetch transmit data from memory (unless the ST-NIC is currently receiving). If the interframe gap has timed out the ST-NIC will begin transmission.

CONDITIONS REQUIRED TO BEGIN TRANSMISSION

In order to transmit a packet, the following three conditions must be met:

1. The Interframe Gap Timer has timed out the first 6.4 μs of the Interframe Gap.
2. At least one byte has entered the FIFO. (This indicates that the burst transfer has been started.)
3. If a collision has been detected the backoff timer has expired.

In typical systems the ST-NIC prefetches the first burst of bytes before the 6.4 μs timer expires. The time during which ST-NIC transmits preamble can also be used to load the FIFO.

Note: If carrier sense is asserted before a byte has been loaded into the FIFO, the ST-NIC will become a receiver.

COLLISION RECOVERY

During transmission, the Buffer Management logic monitors the transmit circuitry to determine if a collision has occurred. If a collision is detected, the Buffer Management logic will reset the FIFO and restore the Transmit DMA pointers for retransmission of the packet. The COL bit will be set in the TSR and the NCR (Number of Collisions Register) will be incremented. If 15 retransmissions each result in a collision the transmission will be aborted and the ABT bit in the TSR will be set.

Note: NCR reads as zeroes if excessive collisions are encountered.

TRANSMIT PACKET ASSEMBLY FORMAT

The following diagrams describe the format for how packets must be assembled prior to transmission for different byte ordering schemes. The various formats are selected in the Data Configuration Register.

D15	D8 D7	D0
Destination Address 1		Destination Address 0
Destination Address 3		Destination Address 2
Destination Address 5		Destination Address 4
Source Address 1		Source Address 0
Source Address 3		Source Address 2
Source Address 5		Source Address 4
Type/Length 1		Type/Length 0
Data 1		Data 0

BOS = 0, WTS = 1 in Data Configuration Register.

This format is used with Series 32xxx, or 808xx processors.

D15	D8 D7	D0
Destination Address 0		Destination Address 1
Destination Address 2		Destination Address 3
Destination Address 4		Destination Address 5
Source Address 0		Source Address 1
Source Address 2		Source Address 3
Source Address 4		Source Address 5
Type/Length 0		Type/Length 1
Data 0		Data 1

BOS = 1, WTS = 1 in Data Configuration Register.

This format is used with 680x0 type processors.

D1	D0
	Destination Address 0
	Destination Address 1
	Destination Address 2
	Destination Address 3
	Destination Address 4
	Destination Address 5
	Source Address 0
	Source Address 1
	Source Address 2
	Source Address 3
	Source Address 4
	Source Address 5

BOS = 0, WTS = 0 in Data Configuration Register.

This format is used with general 8-bit processors.

Note: All examples above will result in a transmission of a packet in order of DA0, DA1, DA2, DA3 ... bits within each byte will be transmitted least significant bit first.

DA = Destination Address.

9.0 Remote DMA

The Remote DMA channel is used to both assemble packets for transmission, and to remove received packets from the Receive Buffer Ring. It may also be used as a general purpose slave DMA channel for moving blocks of data or commands between host memory and local buffer memory. There are three modes of operation, Remote Write, Remote Read, or Send Packet.

Two register pairs are used to control the Remote DMA, a Remote Start Address (RSAR0, RSAR1) register pair and a Remote Byte Count (RBCR0, RBCR1) register pair. The Start Address Register pair points to the beginning of the block to be moved while the Byte Count Register pair is used to indicate the number of bytes to be transferred. Full handshake logic is provided to move data between local buffer memory and a bidirectional I/O port.

REMOTE WRITE

A Remote Write transfer is used to move a block of data from the host into local buffer memory. The Remote DMA will read data from the I/O port and sequentially write it to local buffer memory beginning at the Remote Start Address. The DMA Address will be incremented and the Byte Counter will be decremented after each transfer. The DMA is terminated when the Remote Byte Count Register reaches zero.

REMOTE READ

A Remote Read transfer is used to move a block of data from local buffer memory to the host. The Remote DMA will

sequentially read data from the local buffer memory, beginning at the Remote Start Address, and write data to the I/O port. The DMA Address will be incremented and the Byte Counter will be decremented after each transfer. The DMA is terminated when the Remote Byte Count Register reaches zero.

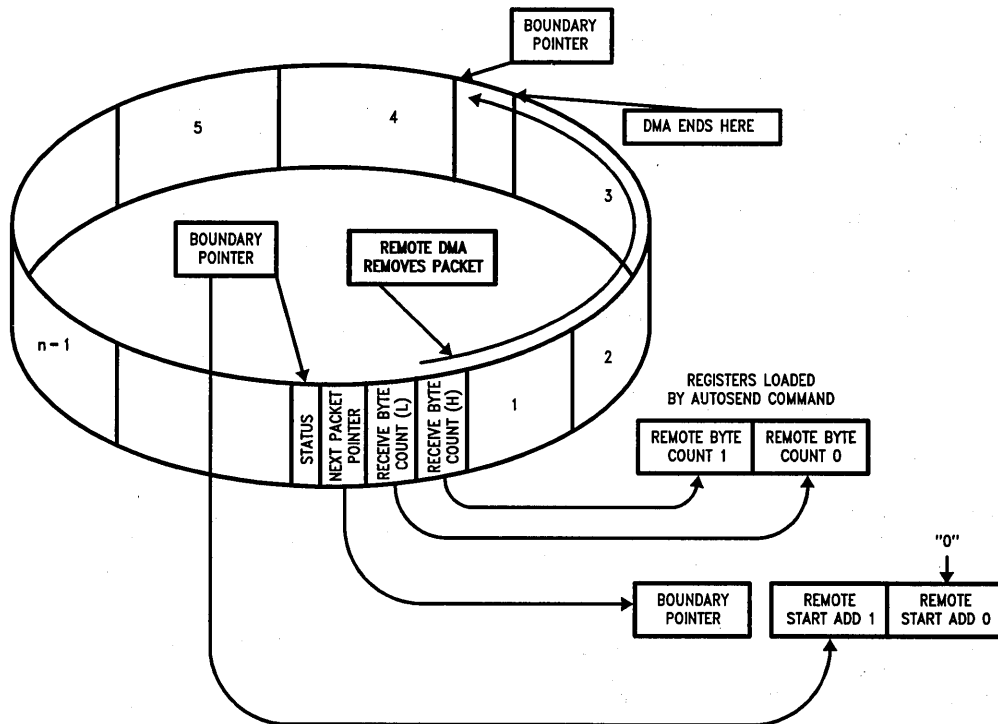
SEND PACKET COMMAND

The Remote DMA channel can be automatically initialized to transfer a single packet from the Receive Buffer Ring. The CPU begins this transfer by issuing a "Send Packet" Command. The DMA will be initialized to the value of the Boundary Pointer Register and the Remote Byte Count Register pair (RBCR0, RBCR1) will be initialized to the value of the Receive Byte Count fields found in the Buffer Header of each packet. After the data is transferred, the Boundary Pointer is advanced to allow the buffers to be used for new receive packets. The Remote Read will terminate when the Byte Count equals zero. The Remote DMA is then prepared to read the next packet from the Receive Buffer Ring. If the DMA pointer crosses the Page Stop Register, it is reset to the Page Start Address. This allows the Remote DMA to remove packets that have wrapped around to the top of the Receive Buffer Ring.

Note 1: In order for the ST-NIC to correctly execute the Send Packet Command, the upper Remote Byte Count Register (RBCR1) must first be loaded with 0FH.

Note 2: The Send Packet command cannot be used with 680x0 type processors.

Remote DMA Autoinitialization from Buffer Ring

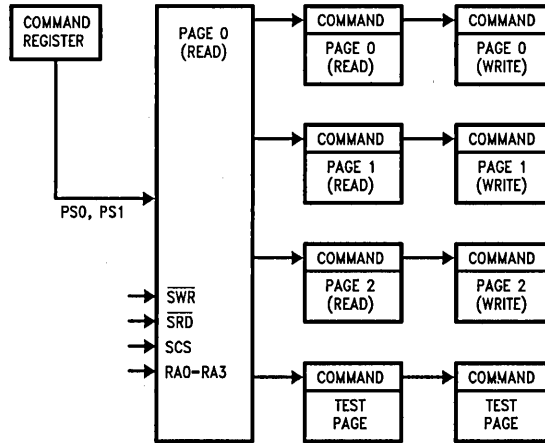


10.0 Internal Registers

All registers are 8-bit wide and mapped into four pages which are selected in the Command Register (PS0, PS1). Pins RA0-RA3 are used to address registers within each page. Page 0 registers are those registers which are com-

monly accessed during ST-NIC operation while page 1 registers are used primarily for initialization. The registers are partitioned to avoid having to perform two write/read cycles to access commonly used registers.

10.1 REGISTER ADDRESS MAPPING



TL/F/11157-18

10.2 REGISTER ADDRESS ASSIGNMENTS

Page 0 Address Assignments (PS1 = 0, PS0 = 0)

RA0-RA3	RD	WR
00H	Command (CR)	Command (CR)
01H	Current Local DMA Address 0 (CLDA0)	Page Start Register (PSTART)
02H	Current Local DMA Address 1 (CLDA1)	Page Stop Register (PSTOP)
03H	Boundary Pointer (BNRY)	Boundary Pointer (BNRY)
04H	Transmit Status Register (TSR)	Transmit Page Start Address (TPSR)
05H	Number of Collisions Register (NCR)	Transmit Byte Count Register 0 (TBCR0)
06H	FIFO (FIFO)	Transmit Byte Count Register 1 (TBCR1)
07H	Interrupt Status Register (ISR)	Interrupt Status Register (ISR)
08H	Current Remote DMA Address 0 (CRDA0)	Remote Start Address Register 0 (RSAR0)

RA0-RA3	RD	WR
09H	Current Remote DMA Address 1 (CRDA1)	Remote Start Address Register 1 (RSAR1)
0AH	Reserved	Remote Byte Count Register 0 (RBCR0)
0BH	Reserved	Remote Byte Count Register 1 (RBCR1)
0CH	Receive Status Register (RSR)	Receive Configuration Register (RCR)
0DH	Tally Counter 0 (Frame Alignment Errors) (CNTR0)	Transmit Configuration Register (TCR)
0EH	Tally Counter 1 (CRC Errors) (CNTR1)	Data Configuration Register (DCR)
0FH	Tally Counter 2 Missed Packet Errors) (CNTR2)	Interrupt Mask Register (IMR)

10.0 Internal Registers (Continued)

Page 1 Address Assignments (PS1 = 0, PS0 = 1)

RA0-RA3	RD	WR
00H	Command (CR)	Command (CR)
01H	Physical Address Register 0 (PAR0)	Physical Address Register 0 (PAR0)
02H	Physical Address Register 1 (PAR1)	Physical Address Register 1 (PAR1)
03H	Physical Address Register 2 (PAR2)	Physical Address Register 2 (PAR2)
04H	Physical Address Register 3 (PAR3)	Physical Address Register 3 (PAR3)
05H	Physical Address Register 4 (PAR4)	Physical Address Register 4 (PAR4)
06H	Physical Address Register 5 (PAR5)	Physical Address Register 5 (PAR5)
07H	Current Page Register (CURR)	Current Page Register (CURR)
08H	Multicast Address Register 0 (MAR0)	Multicast Address Register 0 (MAR0)
09H	Multicast Address Register 1 (MAR1)	Multicast Address Register 1 (MAR1)
0AH	Multicast Address Register 2 (MAR2)	Multicast Address Register 2 (MAR2)
0BH	Multicast Address Register 3 (MAR3)	Multicast Address Register 3 (MAR3)
0CH	Multicast Address Register 4 (MAR4)	Multicast Address Register 4 (MAR4)
0DH	Multicast Address Register 5 (MAR5)	Multicast Address Register 5 (MAR5)
0EH	Multicast Address Register 6 (MAR6)	Multicast Address Register 6 (MAR6)
0FH	Multicast Address Register 7 (MAR7)	Multicast Address Register 7 (MAR7)

Page 2 Address Assignments (PS1 = 1, PS0 = 0)

RA0-RA3	RD	WR
00H	Command (CR)	Command (CR)
01H	Page Start Register (PSTART)	Current Local DMA Address 0 (CLDA0)
02H	Page Stop Register (PSTOP)	Current Local DMA Address 1 (CLDA1)
03H	Remote Next Packet Pointer	Remote Next Packet Pointer
04H	Transmit Page Start Address (TPSR)	Reserved
05H	Local Next Packet Pointer	Local Next Packet Pointer
06H	Address Counter (Upper)	Address Counter (Upper)
07H	Address Counter (Lower)	Address Counter (Lower)
08H	Reserved	Reserved
09H	Reserved	Reserved
0AH	Reserved	Reserved
0BH	Reserved	Reserved
0CH	Receive Configuration Register (RCR)	Reserved
0DH	Transmit Configuration Register (TCR)	Reserved
0EH	Data Configuration Register (DCR)	Reserved
0FH	Interrupt Mask Register (IMR)	Reserved

Note: Page 2 registers should only be accessed for diagnostic purposes. They should not be modified during normal operation.
Page 3 should never be modified.

10.0 Internal Registers (Continued)

10.3 REGISTER DESCRIPTIONS

COMMAND REGISTER (CR) 00H (READ/WRITE)

The Command Register is used to initiate transmissions, enable or disable Remote DMA operations and to select register pages. To issue a command the microprocessor sets the corresponding bit(s) (RD2, RD1, RD0, TXP). Further commands may be overlapped, but with the following rules: (1) If a transmit command overlaps with a remote DMA operation, bits RD0, RD1, and RD2 must be maintained for the remote DMA command when setting the TXP bit. Note, if a remote DMA command is re-issued when giving the transmit command, the DMA will complete immediately if the remote byte count register has not been reinitialized. (2) If a remote DMA operation overlaps a transmission, RD0, RD1, and RD2 may be written with the desired values and a "0" written to the TXP bit. Writing a "0" to this bit has no effect. (3) A remote write DMA may not overlap remote read operation or vice versa. Either of these operations must either complete or be aborted before the other operation may start. Bits PS1, PS0, RD2, and STP may be set any time.

7	6	5	4	3	2	1	0
PS1	PS0	RD2	RD1	RD0	TXP	STA	STP

Bit	Symbol	Description																								
D0	STP	<p>Stop: Software reset command, takes the controller offline, no packets will be received or transmitted. Any reception or transmission in progress will continue to completion before entering the reset state. To exit this state, the STP bit must be reset and the STA bit must be set high. To perform a software reset, this bit should be set high. The software reset has executed only when indicated by the RST bit in the ISR being set to 1. STP powers up high.</p> <p>Note: If the ST-NIC has previously been in start mode and the STP is set, both the STP and STA bits will remain set.</p>																								
D1	STA	<p>Start: This bit is used to activate the ST-NIC after either power up, or when the ST-NIC has been placed in a reset mode by software command or error. STA powers up low.</p>																								
D2	TXP	<p>Transmit Packet: This bit must be set to initiate the transmission of a packet. TXP is internally reset either after the transmission is completed or aborted. This bit should be set only after the Transmit Byte Count and Transmit Page Start registers have been programmed.</p>																								
D3, D4, and D5	RD0, RD1, and RD2	<p>Remote DMA Command: These three encoded bits control operation of the Remote DMA channel. RD2 can be set to abort any Remote DMA command in progress. The Remote Byte Count Registers should be cleared when a Remote DMA has been aborted. The Remote Start Addresses are not restored to the starting address if the Remote DMA is aborted.</p> <table border="1"> <thead> <tr> <th>RD2</th> <th>RD1</th> <th>RD0</th> <th></th> </tr> </thead> <tbody> <tr> <td>0</td> <td>0</td> <td>0</td> <td>Not Allowed</td> </tr> <tr> <td>0</td> <td>0</td> <td>1</td> <td>Remote Read</td> </tr> <tr> <td>0</td> <td>1</td> <td>0</td> <td>Remote Write (Note 2)</td> </tr> <tr> <td>0</td> <td>1</td> <td>1</td> <td>Send Packet</td> </tr> <tr> <td>1</td> <td>X</td> <td>X</td> <td>Abort/Complete Remote DMA (Note 1)</td> </tr> </tbody> </table> <p>Note 1: If a remote DMA operation is aborted and the remote byte count has not decremented to zero. PRQ will remain high. A read acknowledge (RACK) on a write acknowledge (WACK) will reset PRQ low.</p> <p>Note 2: For proper operation of the Remote Write DMA, there are two steps which must be performed before using the Remote Write DMA. The steps are as follows:</p> <ol style="list-style-type: none"> I) Write a non-zero value into RBCR0. II) Set bits RD2, RD1, and RD0 to 0, 0, and 1. III) Set RBCR0, 1 and RSAR0, 1. IV) Issue the Remote Write DMA Command (RD2, RD1, RD0 = 0, 1, 0). 	RD2	RD1	RD0		0	0	0	Not Allowed	0	0	1	Remote Read	0	1	0	Remote Write (Note 2)	0	1	1	Send Packet	1	X	X	Abort/Complete Remote DMA (Note 1)
RD2	RD1	RD0																								
0	0	0	Not Allowed																							
0	0	1	Remote Read																							
0	1	0	Remote Write (Note 2)																							
0	1	1	Send Packet																							
1	X	X	Abort/Complete Remote DMA (Note 1)																							
D6 and D7	PS0 and PS1	<p>Page Select: These two encoded bits select which register page is to be accessed with addresses RA0-3.</p> <table border="1"> <thead> <tr> <th>PS1</th> <th>PS0</th> <th></th> </tr> </thead> <tbody> <tr> <td>0</td> <td>0</td> <td>Register Page 0</td> </tr> <tr> <td>0</td> <td>1</td> <td>Register Page 1</td> </tr> <tr> <td>1</td> <td>0</td> <td>Register Page 2</td> </tr> <tr> <td>1</td> <td>1</td> <td>Reserved</td> </tr> </tbody> </table>	PS1	PS0		0	0	Register Page 0	0	1	Register Page 1	1	0	Register Page 2	1	1	Reserved									
PS1	PS0																									
0	0	Register Page 0																								
0	1	Register Page 1																								
1	0	Register Page 2																								
1	1	Reserved																								

10.0 Internal Registers (Continued)

10.3 REGISTER DESCRIPTIONS (Continued)

INTERRUPT STATUS REGISTER (ISR) 07H (READ/WRITE)

This register is accessed by the host processor to determine the cause of an interrupt. Any interrupt can be masked in the Interrupt Mask Register (IMR). Individual interrupt bits are cleared by writing a "1" into the corresponding bit of the ISR. The INT signal is active as long as any unmasked signal is set, and will not go low until all unmasked bits in this register have been cleared. The ISR must be cleared after power up by writing it with all 1's.

7	6	5	4	3	2	1	0
RST	RDC	CNT	OVW	TXE	RXE	PTX	PRX

Bit	Symbol	Description
D0	PRX	Packet Received: Indicates packet received with no errors.
D1	PTX	Packet Transmitted: Indicates packet transmitted with no errors.
D2	RXE	Receive Error: Indicates that a packet was received with one or more of the following errors: — CRC Error — Frame Alignment Error — FIFO Overrun — Missed Packet
D3	TXE	Transmit Error: Set when packet transmitted with one or more of the following errors: — Excessive Collisions — FIFO Underrun
D4	OVW	Overwrite Warning: Set when receive buffer ring storage resources have been exhausted. (Local DMA has reached Boundary Pointer)
D5	CNT	Counter Overflow: Set when MSB of one or more of the Network Tally Counters has been set.
D6	RDC	Remote DMA Complete: Set when Remote DMA operation has been completed.
D7	RST	Reset Status: Set when ST-NIC enters reset state and cleared when a Start Command is issued to the CR. This bit is also set when a Receive Buffer Ring overflow occurs and is cleared when one or more packets have been removed from the ring. Writing to this bit has no effect. Note: This bit does not generate an interrupt, it is merely a status indicator.

10.0 Internal Registers (Continued)

10.3 REGISTER DESCRIPTIONS (Continued)

INTERRUPT MASK REGISTER (IMR) 0FH (WRITE)

The Interrupt Mask Register is used to mask interrupts. Each interrupt mask bit corresponds to a bit in the Interrupt Status Register (ISR). If an interrupt mask bit is set, an interrupt will be issued whenever the corresponding bit in the ISR is set. If any bit in the IMR is set low, an interrupt will not occur when the bit in the ISR is set. **The IMR powers up to all zeroes.**

7	6	5	4	3	2	1	0
—	RDCE	CNTE	OVWE	TXEE	RXEE	PTXE	PRXE

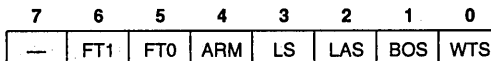
Bit	Symbol	Description
D0	PRXE	Packet Received Interrupt Enable 0: Interrupt Disabled 1: Enables Interrupt when packet received
D1	PTXE	Packet Transmitted Interrupt Enable 0: Interrupt Disabled 1: Enables Interrupt when packet is transmitted
D2	RXEE	Receive Error Interrupt Enable 0: Interrupt Disabled 1: Enables Interrupt when packet received with error
D3	TXEE	Transmit Error Interrupt Enable 0: Interrupt Disabled 1: Enables Interrupt when packet transmission results in error
D4	OVWE	Overwrite Warning Interrupt Enable 0: Interrupt Disabled 1: Enables Interrupt when Buffer Management Logic lacks sufficient buffers to store incoming packet
D5	CNTE	Counter Overflow Interrupt Enable 0: Interrupt Disabled 1: Enables Interrupt when MSB of one or more of the Network Statistics counters has been set
D6	RDCE	DMA Complete Interrupt Enable 0: Interrupt Disabled 1: Enables Interrupt when Remote DMA transfer has been completed
D7	Reserved	Reserved

10.0 Internal Registers (Continued)

10.3 REGISTER DESCRIPTIONS (Continued)

DATA CONFIGURATION REGISTER (DCR) 0EH (WRITE)

This Register is used to program the ST-NIC for 8- or 16-bit memory interface, select byte ordering in 16-bit applications and establish FIFO thresholds. **The DCR must be initialized prior to loading the Remote Byte Count Registers. LAS is set on power up.**



Bit	Symbol	Description																				
D0	WTS	<p>Word Transfer Select 0: Selects byte-wide DMA transfers 1: Selects word-wide DMA transfers</p> <p>; WTS establishes byte or word transfers for both Remote and Local DMA transfers Note: When word-wide mode is selected up to 32k words are addressable; A0 remains low.</p>																				
D1	BOS	<p>Byte Order Select 0: MS byte placed on AD15–AD8 and LS byte on AD7–AD0. (32xxx, 80x86) 1: MS byte placed on AD7–AD0 and LS byte on AD15–A8. (680x0)</p> <p>; Ignored when WTS is low</p>																				
D2	LAS	<p>Long Address Select 0: Dual 16-bit DMA mode 1: Single 32-bit DMA mode</p> <p>; When LAS is high, the contents of the Remote DMA registers RSAR0, 1 are issued as A16–A31 Power up high</p>																				
D3	LS	<p>Loopback Select 0: Loopback mode selected. Bits D1 and D2 of the TCR must also be programmed for Loopback operation 1: Normal Operation</p>																				
D4	ARM	<p>Auto-Initialize Remote 0: Send Command not executed, all packets removed from Buffer Ring under program control 1: Send Command executed, Remote DMA auto-initialized to remove packets from Buffer Ring Note: Send Command cannot be used with 680x0 byte processors.</p>																				
D5 and D6	FT0 and FT1	<p>FIFO Threshold Select: Encoded FIFO threshold. Establishes point at which bus is requested when filling or emptying the FIFO. During reception, the FIFO threshold indicates the number of bytes (or words) the FIFO has filled serially from the network before bus request (BREQ) is asserted.</p> <p>Note: FIFO threshold setting determines the DMA burst length.</p> <p style="text-align: center;">Receive Thresholds</p> <table style="margin-left: auto; margin-right: auto;"> <thead> <tr> <th style="text-align: center;">FT1</th> <th style="text-align: center;">FT0</th> <th style="text-align: center;">Word Wide</th> <th style="text-align: center;">Byte Wide</th> </tr> </thead> <tbody> <tr> <td style="text-align: center;">0</td> <td style="text-align: center;">0</td> <td style="text-align: center;">1 Word</td> <td style="text-align: center;">2 Bytes</td> </tr> <tr> <td style="text-align: center;">0</td> <td style="text-align: center;">1</td> <td style="text-align: center;">2 Words</td> <td style="text-align: center;">4 Bytes</td> </tr> <tr> <td style="text-align: center;">1</td> <td style="text-align: center;">0</td> <td style="text-align: center;">4 Words</td> <td style="text-align: center;">8 Bytes</td> </tr> <tr> <td style="text-align: center;">1</td> <td style="text-align: center;">1</td> <td style="text-align: center;">6 Words</td> <td style="text-align: center;">12 Bytes</td> </tr> </tbody> </table> <p>During transmission, the FIFO threshold indicates the number of bytes (or words) the FIFO has filled from the Local DMA before BREQ is asserted. Thus, the transmission threshold is 13 bytes less the received threshold.</p>	FT1	FT0	Word Wide	Byte Wide	0	0	1 Word	2 Bytes	0	1	2 Words	4 Bytes	1	0	4 Words	8 Bytes	1	1	6 Words	12 Bytes
FT1	FT0	Word Wide	Byte Wide																			
0	0	1 Word	2 Bytes																			
0	1	2 Words	4 Bytes																			
1	0	4 Words	8 Bytes																			
1	1	6 Words	12 Bytes																			

10.0 Internal Registers (Continued)

10.3 REGISTER DESCRIPTIONS (Continued)

TRANSMIT CONFIGURATION REGISTER (TCR) 0DH (WRITE)

The transmit configuration establishes the actions of the transmitter section of the ST-NIC during transmission of a packet on the network. **LB1** and **LB0** which select loopback mode power up as 0.

7	6	5	4	3	2	1	0
—	—	—	OFST	ATD	LB1	LB0	CRC

Bit	Symbol	Description																				
D0	CRC	Inhibit CRC 0: CRC appended by transmitter 1: CRC inhibited by transmitter In loopback mode CRC can be enabled or disabled to test the CRC logic																				
D1 and D2	LB0 and LB1	Encoded Loopback Control: These encoded configuration bits set the type of loopback that is to be performed. Note that loopback in mode 2 places the ENDEC Module in loopback mode and that D3 of the DCR must be set to zero for loopback operation. <table border="1"> <thead> <tr> <th></th> <th>LB1</th> <th>LB0</th> <th></th> </tr> </thead> <tbody> <tr> <td>Mode 0</td> <td>0</td> <td>0</td> <td>Normal Operation (LPBK = 0)</td> </tr> <tr> <td>Mode 1</td> <td>0</td> <td>1</td> <td>Internal NIC Module Loopback (LPBK = 0)</td> </tr> <tr> <td>Mode 2</td> <td>1</td> <td>0</td> <td>Internal ENDEC Module Loopback (LPBK = 1)</td> </tr> <tr> <td>Mode 3</td> <td>1</td> <td>1</td> <td>External Loopback (LPBK = 0)</td> </tr> </tbody> </table>		LB1	LB0		Mode 0	0	0	Normal Operation (LPBK = 0)	Mode 1	0	1	Internal NIC Module Loopback (LPBK = 0)	Mode 2	1	0	Internal ENDEC Module Loopback (LPBK = 1)	Mode 3	1	1	External Loopback (LPBK = 0)
	LB1	LB0																				
Mode 0	0	0	Normal Operation (LPBK = 0)																			
Mode 1	0	1	Internal NIC Module Loopback (LPBK = 0)																			
Mode 2	1	0	Internal ENDEC Module Loopback (LPBK = 1)																			
Mode 3	1	1	External Loopback (LPBK = 0)																			
D3	ATD	Auto Transmit Disable: This bit allows another station to disable the ST-NIC's transmitter by transmission of a particular multicast packet. The transmitter can be re-enabled by resetting this bit or by reception of a second particular multicast packet. 1: Reception of multicast address hashing to bit 62 disables transmitter, reception of multicast address hashing to bit 63 enables transmitter.																				
D4	OFST	Collision Offset Enable: This bit modifies the backoff algorithm to allow prioritization of nodes. 0: Backoff Logic implements normal algorithm. 1: Forces Backoff algorithm modification to 0 to $2^{\min(3+n, 10)}$ slot times for first three collisions, then follows standard backoff. (For the first three collisions, the station has higher average backoff delay making a low priority mode.)																				
D5	Reserved	Reserved																				
D6	Reserved	Reserved																				
D7	Reserved	Reserved																				

10.0 Internal Registers (Continued)

10.3 REGISTER DESCRIPTIONS (Continued)

TRANSMIT STATUS REGISTER (TSR) 04H (READ)

This register records events that occur on the media during transmission of a packet. It is cleared when the next transmission is initiated by the host. All bits remain low unless the event that corresponds to a particular bit occurs during transmission. Each transmission should be followed by a read of this register. The contents of this register are not specified until after the first transmission.

7	6	5	4	3	2	1	0
OWC	CDH	FU	CRS	ABT	COL	—	PTX

Bit	Symbol	Description
D0	PTX	Packet Transmitted: Indicates transmission without error. (No excessive collisions or FIFO underrun) (ABT = "0", FU = "0")
D1	Reserved	Reserved
D2	COL	Transmit Collided: Indicates that the transmission collided at least once with another station on the network. The number of collisions is recorded in the Number of Collisions Registers (NCR).
D3	ABT	Transmit Aborted: Indicates the ST-NIC aborted transmission because of excessive collisions. (Total number of transmissions including original transmission attempt equals 16.)
D4	CRS	Carrier Sense Lost: This bit is set when carrier is lost during transmission of the packet. Transmission is not aborted on loss of carrier.
D5	FU	FIFO Underrun: If the ST-NIC cannot gain access of the bus before the FIFO empties, this bit is set. Transmission of the packet will be aborted.
D6	CDH	CD Heartbeat: Failure of the transceiver to transmit a collision signal after transmission of a packet will set this bit. The Collision Detect (CD) heartbeat signal must commence during the first 6.4 μ s of the Interframe Gap following a transmission. In certain collisions, the CD Heartbeat bit will be set even though the transceiver is not performing the CD heartbeat test.
D7	OWC	Out of Window Collision: Indicates that a collision occurred after a slot time (51.2 μ s). Transmissions rescheduled as in normal collisions.

10.0 Internal Registers (Continued)

10.3 REGISTER DESCRIPTIONS (Continued)

RECEIVE CONFIGURATION REGISTER (RCR) 0CH (WRITE)

This register determines operation of the ST-NIC during reception of a packet and is used to program what types of packets to accept.

7	6	5	4	3	2	1	0
—	—	MON	PRO	AM	AB	AR	SEP

Bit	Symbol	Description
D0	SEP	Save Errored Packets 0: Packets with receive errors are rejected. 1: Packets with receive errors are accepted. Receive errors are CRC and Frame Alignment errors.
D1	AR	Accept Runt Packets: This bit allows the receiver to accept packets that are smaller than 64 bytes. The packet must be at least 8 bytes long to be accepted as a runt. 0: Packets with fewer than 64 bytes rejected. 1: Packets with fewer than 64 bytes accepted.
D2	AB	Accept Broadcast: Enables the receiver to accept a packet with an all 1's destination address. 0: Packets with broadcast destination address rejected. 1: Packets with broadcast destination address accepted.
D3	AM	Accept Multicast: Enables the receiver to accept a packet with a multicast address. All multicast addresses must pass the hashing array. 0: Packets with multicast destination address not checked. 1: Packets with multicast destination address checked.
D4	PRO	Promiscuous Physical: Enables the receiver to accept all packets with a physical address. 0: Physical address of node must match the station address programmed in PAR0–PAR5. 1: All packets with physical addresses accepted.
D5	MON	Monitor Mode: Enables the receiver to check addresses and CRC on incoming packets without buffering to memory. The Missed Packet Tally counter will be incremented for each recognized packet. 0: Packets buffered to memory. 1: Packets checked for address match, good CRC and Frame Alignment but not buffered to memory.
D6	Reserved	Reserved
D7	Reserved	Reserved

Note: D2 and D3 are "OR'd" together, i.e., if D2 and D3 are set the ST-NIC will accept broadcast and multicast addresses as well as its own physical address. To establish full promiscuous mode, bits D2, D3, and D4 should be set. In addition the multicast hashing array must be set to all 1's in order to accept all multicast addresses.

10.0 Internal Registers (Continued)

10.3 REGISTER DESCRIPTIONS (Continued)

RECEIVE STATUS REGISTER (RSR) OCH (READ)

This register records status of the received packet, including information on errors and the type of address match, either physical or multicast. The contents of this register are written to buffer memory by the DMA after reception of a good packet. If packets with errors are to be saved the receive status is written to memory at the head of the erroneous packet if an erroneous packet is received. If packets with errors are to be rejected the RSR will not be written to memory. The contents will be cleared when the next packet arrives. CRC errors, Frame Alignment errors and missed packets are counted internally by the ST-NIC which relinquishes the Host from reading the RSR in real time to record errors for Network Management Functions. The contents of this register are not specified until after the first reception.

7	6	5	4	3	2	1	0
DFR	DIS	PHY	MPA	FO	FAE	CRC	PRX

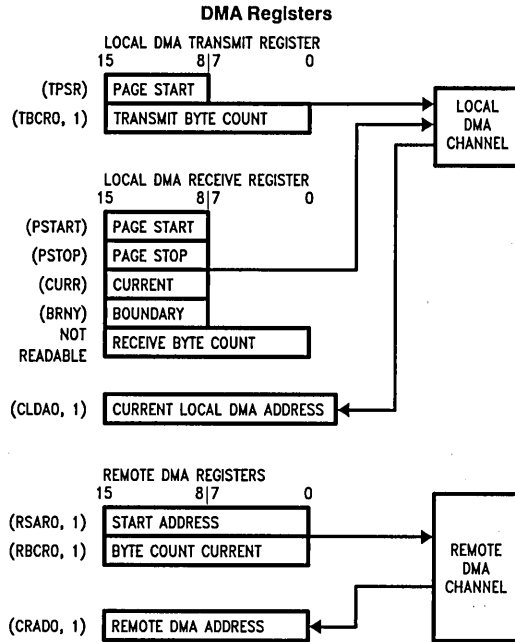
Bit	Symbol	Description
D0	PRX	Packet Received Intact: Indicates packet received without error. (Bits CRC, FAE, FO, and MPA are zero for the received packet.)
D1	CRC	CRC Error: Indicates packet received with CRC error. Increments Tally Counter (CNTR1). This bit will also be set for Frame Alignment errors.
D2	FAE	Frame Alignment Error: Indicates that the incoming packet did not end on a byte boundary and the CRC did not match at the last byte boundary. Increments Tally Counter (CNTR0).
D3	FO	FIFO Overrun: This bit is set when the FIFO is not serviced causing overflow during reception. Reception of the packet will be aborted.
D4	MPA	Missed Packet: Set when a packet intended for node cannot be accepted by ST-NIC because of a lack of receive buffers or if the controller is in monitor mode and did not buffer the packet to memory. Increments Tally Counter (CNTR2).
D5	PHY	Physical/Multicast Address: Indicates whether received packet had a physical or multicast address type. 0: Physical Address Match 1: Multicast/Physical Address Match
D6	DIS	Receiver Disabled: Set when receiver disabled by entering Monitor mode. Reset when receiver is re-enabled when exiting Monitor mode.
D7	DFR	Deferring: Set when internal Carrier Sense or Collision signals are generated in the ENDEC module. If the transceiver has asserted the CD line as a result of the jabber, this bit will stay set indicating the jabber condition.

Note: Following coding applies to CRC and FAE bits.

FAE	CRC	Type of Error
0	0	No Error (Good CRC and <6 Dribble Bits)
0	1	CRC Error
1	0	Illegal, Will Not Occur
1	1	Frame Alignment Error and CRC Error

10.0 Internal Registers (Continued)

10.4 DMA REGISTERS



TL/F/11157-19

The DMA Registers are partitioned into groups; Transmit, Receive and Remote DMA Registers. The Transmit registers are used to initialize the Local DMA Channel for transmission of packets while the Receive Registers are used to initialize the Local DMA Channel for packet Reception. The Page Stop, Page Start, Current and Boundary Registers are used by the Buffer Management Logic to supervise the Receive Buffer Ring. The Remote DMA Registers are used to initialize the Remote DMA.

Note: In the figure above, registers are shown as 8 or 16 bits wide. Although some registers are 16-bit internal registers, all registers are accessed as 8-bit registers. Thus the 16-bit Transmit Byte Count Register is broken into two 8-bit registers, TBCR0, TBCR1. Also TPSR, PSTART, PSTOP, CURR and BRNY only check or control the upper 8 bits of address information on the bus. Thus, they are shifted to positions 15-8 in the diagram above.

10.5 TRANSMIT DMA REGISTERS

TRANSMIT PAGE START REGISTER (TPSR)

This register points to the assembled packet to be transmitted. Only the eight higher order addresses are specified since all transmit packets are assembled on 256-byte page boundaries. The bit assignment is shown below. The values placed in bits D7-D0 will be used to initialize the higher order address (A8-A15) of the Local DMA for transmission. The lower order bits (A7-A0) are initialized to zero.

Bit Assignment

	7	6	5	4	3	2	1	0
TPSR	A15	A14	A13	A12	A11	A10	A9	A8

(A7-A0 Initialized to Zero)

TRANSMIT BYTE COUNT REGISTER 0, 1 (TBCR0, TBCR1)

These two registers indicate the length of the packet to be transmitted in bytes. The count must include the number of bytes in the source, destination, length and data fields. The maximum number of transmit bytes allowed is 64 Kbytes. The ST-NIC will not truncate transmissions longer than 1500 bytes. The bit assignment is shown below:

	7	6	5	4	3	2	1	0
TBCR1	L15	L14	L13	L12	L11	L10	L9	L8

	7	6	5	4	3	2	1	0
TBCR0	L7	L6	L5	L4	L3	L2	L1	L0



10.0 Internal Registers (Continued)

10.6 LOCAL DMA RECEIVE REGISTERS

PAGE START AND STOP REGISTERS (PSTART, PSTOP)

The Page Start and Page Stop Registers program the starting and stopping address of the Receive Buffer Ring. Since the ST-NIC uses fixed 256-byte buffers aligned on page boundaries only the upper 8 bits of the start and stop address are specified.

PSTART, PSTOP Bit Assignment

	7	6	5	4	3	2	1	0
PSTART,	A15	A14	A13	A12	A11	A10	A9	A8
PSTOP								

BOUNDARY (BNRY) REGISTER

This register is used to prevent overflow of the Receive Buffer Ring. Buffer management compares the contents of this register to the next buffer address when linking buffers together. If the contents of this register match the next buffer address the Local DMA operation is aborted.

	7	6	5	4	3	2	1	0
BNRY	A15	A14	A13	A12	A11	A10	A9	A8

CURRENT PAGE REGISTER (CURR)

This register is used internally by the Buffer Management Logic as a backup register for reception. CURR contains the address of the first buffer to be used for a packet reception and is used to restore DMA pointers in the event of receive errors. This register is initialized to the same value as PSTART and should not be written to again unless the controller is Reset.

	7	6	5	4	3	2	1	0
CURR	A15	A14	A13	A12	A11	A10	A9	A8

CURRENT LOCAL DMA REGISTER 0,1 (CLDA0, 1)

These two registers can be accessed to determine the current local DMA address.

	7	6	5	4	3	2	1	0
CLDA1	A15	A14	A13	A12	A11	A10	A9	A8

	7	6	5	4	3	2	1	0
CLDA0	A7	A6	A5	A4	A3	A2	A1	A0

10.7 REMOTE DMA REGISTERS

REMOTE START ADDRESS REGISTERS (RSAR0, 1)

Remote DMA operations are programmed via the Remote Start Address (RSAR0, 1) and Remote Byte Count (RBCR0, 1) registers. The Remote Start Address is used to point to the start of the block of data to be transferred and the Remote Byte Count is used to indicate the length of the block (in bytes).

	7	6	5	4	3	2	1	0
RSAR1	A15	A14	A13	A12	A11	A10	A9	A8

	7	6	5	4	3	2	1	0
RSAR0	A7	A6	A5	A4	A3	A2	A1	A0

REMOTE BYTE COUNT REGISTERS (RBCR0, 1)

	7	6	5	4	3	2	1	0
RBCR1	BC15	BC14	BC13	BC12	BC11	BC10	BC9	BC8

	7	6	5	4	3	2	1	0
RBCR0	BC7	BC6	BC5	BC4	BC3	BC2	BC1	BC0

Note: RSAR0 programs the start address bits A0-A7.
 RSAR1 programs the start address bits A8-A15.
 Address incremented by two for word transfers, and by one for byte transfers. Byte Count decremented by two for word transfers and by one for byte transfers.
 RBCR0 programs LSB byte count.
 RBCR1 programs MSB byte count.

CURRENT REMOTE DMA ADDRESS (CRDA0, CRDA1)

The Current Remote DMA Registers contain the current address of the Remote DMA. The bit assignment is shown below:

	7	6	5	4	3	2	1	0
CRDA1	A15	A14	A13	A12	A11	A10	A9	A8

	7	6	5	4	3	2	1	0
CRDA0	A7	A6	A5	A4	A3	A2	A1	A0

10.8 PHYSICAL ADDRESS REGISTERS (PAR0-PAR5)

The physical address registers are used to compare the destination address of incoming packets for rejecting or accepting packets. Comparisons are performed on a byte-wide basis. The bit assignment shown below relates the sequence in PAR0-PAR5 to the bit sequence of the received packet.

	D7	D6	D5	D4	D3	D2	D1	D0
PAR0	DA7	DA6	DA5	DA4	DA3	DA2	DA1	DA0
PAR1	DA15	DA14	DA13	DA12	DA11	DA10	DA9	DA8
PAR2	DA23	DA22	DA21	DA20	DA19	DA18	DA17	DA16
PAR3	DA31	DA30	DA29	DA28	DA27	DA26	DA25	DA24
PAR4	DA39	DA38	DA37	DA36	DA35	DA34	DA33	DA32
PAR5	DA47	DA46	DA45	DA44	DA43	DA42	DA41	DA40

	Destination Address						Source		
P/S	DA0	DA1	DA2	DA3	...	DA46	DA47	SA0	...

Note: P/S = Preamble, Synchron
 DA0 = Physical/Multicast Bit

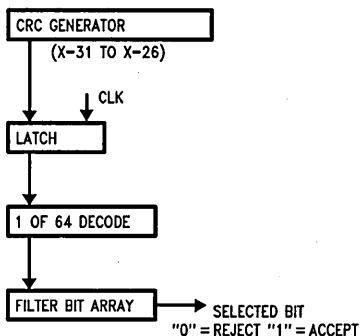
10.9 MULTICAST ADDRESS REGISTERS (MAR0-MAR7)

The multicast address registers provide filtering of multicast addresses hashed by the CRC logic. All destination addresses are fed through the CRC logic and as the last bit of the destination address enters the CRC, the 6 most signifi-

10.0 Internal Registers (Continued)

cant bits of the CRC generator are latched. These 6 bits are then decoded by a 1 of 64 decode to index a unique filter bit (FB0-63) in the multicast address registers. If the filter bit selected is set, the multicast packet is accepted. The system designer would use a program to determine which filter bits to set in the multicast registers. All multicast filter bits that correspond to multicast address accepted by the node are then set to one. To accept all multicast packets all of the registers are set to all ones.

Note: Although the hashing algorithm does not guarantee perfect filtering of multicast address, it will perfectly filter up to 64 multicast addresses if these addresses are chosen to map into unique locations in the multicast filter.



TL/F/11157-53

	D7	D6	D5	D4	D3	D2	D1	D0
MAR0	FB7	FB6	FB5	FB4	FB3	FB2	FB1	FB0
MAR1	FB15	FB14	FB13	FB12	FB11	FB10	FB9	FB8
MAR2	FB23	FB22	FB21	FB20	FB19	FB18	FB17	FB16
MAR3	FB31	FB30	FB29	FB28	FB27	FB26	FB25	FB24
MAR4	FB39	FB38	FB37	FB36	FB35	FB34	FB33	FB32
MAR5	FB47	FB46	FB45	FB44	FB43	FB42	FB41	FB40
MAR6	FB55	FB54	FB53	FB52	FB51	FB50	FB49	FB48
MAR7	FB63	FB62	FB61	FB60	FB59	FB58	FB57	FB56

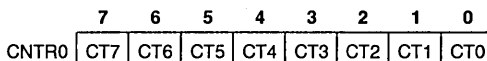
If address Y is found to hash to the value 32 (20H), then FB32 in MAR4 should be initialized to "1". This will cause the ST-NIC to accept any multicast packet with the address Y.

10.10 NETWORK TALLY COUNTERS

Three 8-bit counters are provided for monitoring the number of CRC errors, Frame Alignment Errors and Missed Packets. The maximum count reached by any counter is 192 (C0H). These registers will be cleared when read by the CPU. The count is recorded in binary in CT0-CT7 of each Tally Register.

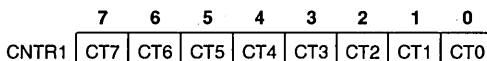
Frame Alignment Error Tally (CNTR0)

This counter increments every time a packet is received with a Frame Alignment Error. The packet must have been recognized by the address recognition logic. The counter is cleared after it is read by the processor.



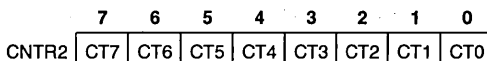
CRC Error Tally (CNTR1)

This counter is incremented every time a packet is received with a CRC error. The packet must first be recognized by the address recognition logic. The counter is cleared after it is read by the processor.



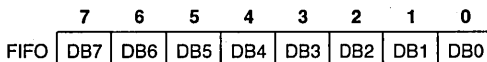
Frames Lost Tally Register (CNTR2)

This counter is incremented if a packet cannot be received due to lack of buffer resources. In monitor mode, this counter will count the number of packets that pass the address recognition logic.



FIFO

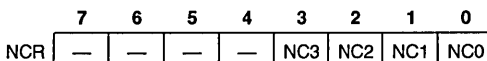
This is an 8-bit register that allows the CPU to examine the contents of the FIFO after loopback. The FIFO will contain the last 8 data bytes transmitted in the loopback packet. Sequential reads from the FIFO will advance a pointer in the FIFO and allow reading of all 8 bytes.



Note: The FIFO should only be read when the ST-NIC has been programmed in loopback mode.

NUMBER OF COLLISIONS (NCR)

This register contains the number of collisions a node experiences when attempting to transmit a packet. If no collisions are experienced during a transmission attempt, the COL bit of the TSR will not be set and the contents of NCR will be zero. If there are excessive collisions, the ABT bit in the TSR will be set and the contents of NCR will be zero. The NCR is cleared after the TXP bit in the CR is set.



11.0 Initialization Procedures

The ST-NIC must be initialized prior to transmission or reception of packets from the network. Power on reset is applied to the ST-NIC's reset pin. This clears/sets the following bits:

Register	Reset Bits	Set Bits
Command Register (CR)	TXP, STA	RD2, STP
Interrupt Status (ISR)		RST
Interrupt Mask (IMR)	All Bits	
Data Control (DCR)		LAS
Transmit Config. (TCR)	LB1, LB0	

The ST-NIC remains in its reset state until a Start Command is issued. This guarantees that no packets are transmitted or received and that the ST-NIC remains a bus slave until all appropriate internal registers have been programmed. After initialization the STP bit of the command register is reset and packets may be received and transmitted.

Initialization Sequence

The following initialization procedure is mandatory.

1. Program Command Register for Page 0 (Command Register = 21H)
2. Initialize Data Configuration Register (DCR)
3. Clear Remote Byte Count Registers (RBCR0, RBCR1)
4. Initialize Receive Configuration Register (RCR)
5. Place the ST-NIC in LOOPBACK mode 1 or 2 (Transmit Configuration Register = 02H or 04H)
6. Initialize Receive Buffer Ring: Boundary Pointer (BNDRY), Page Start (PSTART), and Page Stop (PSTOP)
7. Clear Interrupt Status Register (ISR) by writing 0FFH to it.
8. Initialize Interrupt Mask Register (IMR)
9. Program Command Register for page 1 (Command Register = 61H)
 - I) Initialize Physical Address Registers (PAR0-PAR5)
 - II) Initialize Multicast Address Registers (MAR0-MAR5)
 - III) Initialize CURRent pointer
10. Put ST-NIC in START mode (Command Register = 22H).
11. Initialize the Transmit Configuration Register for the intended value. The ST-NIC is now ready for transmission and reception.

Before receiving packets, the user must specify the location of the Receive Buffer Ring. This is programmed in the Page Start and Page Stop Registers. In addition, the Boundary and Current Page Register must be initialized to the value of the Page Start Register. These registers will be modified during reception of packets.

12.0 Loopback Diagnostics

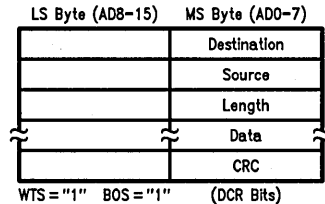
Three forms of local loopback are provided on the ST-NIC. The user has the ability to loopback through the deserializer on the controller, through the ENDEC module or the Transceiver. **Because of the half duplex architecture of the ST-NIC, loopback testing is a special mode of operation with the following restrictions:**

Restrictions During Loopback

The FIFO is split into two halves, one half is used for transmission and the other for reception. Only 8-bit fields can be fetched from memory so two tests are required for 16-bit systems to verify integrity of the entire data path. During loopback the maximum latency from the assertion of BREQ to BACK is 2.0 μ s. Systems that wish to use the loopback test but do not meet this latency can limit the loopback to 7 bytes without experiencing underflow. Only the last 8 bytes of the loopback packet are retained in the FIFO. The last 8 bytes can be read through the FIFO register which will advance through the FIFO to allow reading the receive packet sequentially.

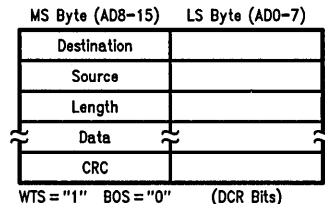
Destination Address	= (6 Bytes) Station Physical Address
Source Address	
Length	2 Bytes
Data	= 46 to 1500 Bytes
CRC	Appended by ST-NIC if CRC = "0" in TCR

When in word-wide mode with Byte Order Select set, the loopback packet must be assembled in the even byte location as shown below. (Loopback only operates with byte wide transfers.)



TL/F/11157-54

When in word-wide mode with Byte Order Select low, the following format must be used for the loopback packet.



TL/F/11157-55

Note: When using loopback in word mode 2n bytes must be programmed in TBCR0, 1. Where n = actual number of bytes assembled in even or odd location.

12.0 Loopback Diagnostics (Continued)

To initiate a loopback the user first assembles the loopback packet then selects the type of loopback using the Transmit Configuration register bits LB0, LB1. The transmit configuration register must also be set to enable or disable CRC generation during transmission. The user then issues a normal transmit command to send the packet. During loopback the receiver checks for an address match and if CRC bit in the TCR is set, the receiver will also check the CRC. The last 8 bytes of the loopback packet are buffered and can read out of the FIFO using the FIFO read port.

Loopback Modes

MODE 1: Loopback through the NIC Module (LB1 = 0, LB0 = 1): If this loopback is used, the NIC Modules's serializer is connected to the deserializer.

MODE 2: Loopback through the ENDEC Module (LB1 = 1, LB0 = 0): If the loopback is to be performed through the SNI, the ST-NIC provides a control (LPBK) that forces the ENDEC module to loopback all signals.

MODE 3: Loopback to cable (LB1 = 1, LB0 = 1). Packets can be transmitted to the cable in loopback mode to check all of the transmit and receive paths and the cable itself.

Note: Collision and Carrier Sense can be generated by the ENDEC module and are masked by the NIC module. It is not possible to go directly between the loopback modes, it is necessary to return to normal operation (00H) when changing modes.

Reading the Loopback Packet

The last 8 bytes of a received packet can be examined by 8 consecutive reads of the FIFO register. The FIFO pointer is incremented after the rising edge of the CPU's read strobe by internally synchronizing and advancing the pointer. This may take up to four bus clock cycles, if the pointer has not been incremented by the time the CPU reads the FIFO register again, the ST-NIC will insert wait states.

Note: The FIFO may only be read during Loopback. Reading the FIFO at any other time will cause the ST-NIC to malfunction.

Alignment of the Received Packet in the FIFO

Reception of the packet in the FIFO begins at location zero, after the FIFO pointer reaches the last location in the FIFO, the pointer wraps to the top of the FIFO overwriting the previously received data. This process is continued until the last byte is received. The ST-NIC then appends the received byte count in the next two locations of the FIFO. The contents of the Upper Byte Count are also copied to the next FIFO location. The number of bytes used in the loopback packet determines the alignment of the packet in the FIFO.

The alignment for a 64-byte packet is shown below.

FIFO Location	FIFO Contents	
0	Lower Byte Count	First Byte Read
1	Upper Byte Count	Second Byte Read
2	Upper Byte Count	•
3	Last Byte	•
4	CRC1	•
5	CRC2	•
6	CRC3	•
7	CRC4	Last Byte Read

For the following alignment in the FIFO the packet length should be $(N \times 8) + 5$ Bytes. Note that if the CRC bit in the TCR is set, CRC will not be appended by the transmitter. If the CRC is appended by the transmitter, the 1st four bytes, bytes N-3 to N, correspond to the CRC.

FIFO Location	FIFO Contents	
0	Byte N-4	First Byte Read
1	Byte N-3 (CRC1)	Second Byte Read
2	Byte N-2 (CRC2)	•
3	Byte N-1 (CRC3)	•
4	Byte N (CRC4)	•
5	Lower Byte Count	•
6	Upper Byte Count	Last Byte Read
7	Upper Byte Count	

LOOPBACK TESTS

Loopback capabilities are provided to allow certain tests to be performed to validate operation of the DP83902A ST-NIC prior to transmitting and receiving packets on a live network. Typically these tests may be performed during power up of a node. The diagnostic provides support to verify the following:

1. Verify integrity of data path. Received data is checked against transmitted data.
2. Verify the CRC logic's capability to generate good CRC on transmit, verify CRC on receive (good or bad CRC).

12.0 Loopback Diagnostics (Continued)

3. Verify that the Address Recognition Logic can
 - a) Recognize address match packets
 - b) Reject packets that fail to match an address

LOOPBACK OPERATION IN THE ST-NIC

Loopback is a modified form of transmission using only half of the FIFO. This places certain restrictions on the use of loopback testing. When loopback mode is selected in the TCR, the FIFO is split. A packet should be assembled in memory with programming of TPSR and TBCR0, TBCR1 registers. When the transmit command is issued the following operations occur:

Transmitter Actions

1. Data is transferred from memory by the DMA until the FIFO is filled. For each transfer TBCR0 and TBCR1 are decremented. (Subsequent burst transfers are initiated when the number of bytes in the FIFO drops below the programmed threshold.)
2. The ST-NIC generates 56 bits of preamble followed by an 8-bit synch pattern.
3. Data transferred from FIFO to serializer.
4. If CRC = 1 in TCR, the CRC is not calculated by ST-NIC, and the last byte transmitted is the last byte from the FIFO (Allows software CRC to be appended). If CRC = 0, ST-NIC calculates and appends four bytes of CRC.
5. At end of Transmission PTX bit set in ISR.

Receiver Actions

1. Wait for synch, all preamble stripped.
2. Store packet in FIFO, increment receive byte count for each incoming byte.
3. If CRC = 1 in TCR, receiver checks incoming packet for CRC errors. If CRC = 0 in TCR, receiver does not check CRC errors, CRC error bit always set in RSR (for address matching packets).
4. At the end of receive, the receive byte count is written into the FIFO, and the receive status register is updated. The PRX bit is typically set in the RSR even if the address does not match. If CRC errors are forced, the packet must match the address filters in order for the CRC error bit in the RSR to be set.

EXAMPLES

The following examples show what results can be expected from a properly operating ST-NIC during loopback. The restrictions and results of each type of loopback are listed for reference. The loopback tests are divided into two sets of tests. One to verify the data path, CRC generation and byte count through all three paths. The second set of tests uses internal loopback to verify the receiver's CRC checking and address recognition. For all of the tests the DCR was programmed to 40H.

Path	TCR	RCR	TSR	RSR	ISR
ST-NIC Internal	02	1F	53 (Note 1)	02 (Note 2)	02 (Note 3)

Note 1: Since carrier sense and collision detect are generated in the ENDEC module, they are blocked during NIC loopback. Carrier and CD heartbeat are not seen and the CRS and CDH bits are set.

Note 2: CRC errors are always indicated by the receiver if CRC is appended by the transmitter.

Note 3: Only the PTX bit in the ISR is set, the PRX bit is only set if status is written to memory. In loopback this action does not occur and the PRX bit remains 0 for all loopback modes.

Note 4: All values are hex.

Path	TCR	RCR	TSR	RSR	ISR
ST-NIC Internal	04	1F	43 (Note 1)	02	02

Note 1: CDH is set, CRS is not set since it is generated by the external encoder/decoder.

Path	TCR	RCR	TSR	RSR	ISR
ST-NIC External	06	1F	03 (Note 1)	02	02 (Note 2)

Note 1: CDH and CRS should not be set. The TSR however, could also contain 01H, 03H, 07H and a variety of other values depending on whether collisions were encountered or the packet was deferred.

Note 2: The ISR will contain 08H if packet is not transmittable.

Note 3: During external loopback the ST-NIC is now exposed to network traffic. It is therefore possible for the contents of both the Receive portion of the FIFO and the RSR to be corrupted by any other packet on the network. Thus in a live network the contents of the FIFO and RSR should not be depended on. The ST-NIC will still abide by the standard CSMA/CD protocol in external loopback mode. (i.e., The network will not be disturbed by the loopback packet.)

Note 4: All values are hex.

CRC AND ADDRESS RECOGNITION

The next three tests exercise the address recognition logic and CRC. These tests should be performed using internal loopback only so that the ST-NIC is isolated from interference from the network. These tests also require the capability to generate CRC in software.

The address recognition logic cannot be directly tested. The CRC and FAE bits in the RSR are only set if the address in the packet matches the address filters. If errors are expected to be set and they are not set, the packet has been rejected on the basis of an address mismatch. The following sequence of packets will test the address recognition logic. The DCR should be set to 40H and the TCR should be set to 03H with a software generated CRC.

Packet Contents			Results
Test	Address	CRC	RSR
Test A	Matching	Good	01 (Note 1)
Test B	Matching	Bad	02 (Note 2)
Test C	Non-Matching	Bad	01

Note 1: Status will read 21H if multicast address used.

Note 2: Status will read 22H if multicast address used.

Note 3: In test A, the RSR is set up. In test B the address is found to match since the CRC is flagged as bad. Test C proves that the address recognition logic can distinguish a bad address and does not notify the RSR of the bad CRC. The receiving CRC is proven to work in test A and test B.

Note 4: All values are hex.

NETWORK MANAGEMENT FUNCTIONS

Network management capabilities are required for maintenance and planning of a local area network. The ST-NIC supports the minimum requirement for network management in hardware, the remaining requirements can be met with software counts. There are three events that software alone can not track during reception of packets: CRC errors, Frame Alignment errors, and missed packets.

12.0 Loopback Diagnostics (Continued)

Since errored packets can be rejected, the status associated with these packets is lost unless the CPU can access the Receive Status Register before the next packer arrives. In situations where another packet arrives very quickly, the CPU may have no opportunity to do this. The ST-NIC counts the number of packets with CRC errors and Frame Alignment errors. 8-Bit counters have been selected to reduce overhead. The counters will generate interrupts whenever their MSBs are set so that a software routine can accumulate the network statistics and reset the counter before overflow occurs. The counters are sticky so that when they reach a count of 192 (COH) counting is halted. An additional counter is provided to count the number of packets the ST-NIC misses due to buffer overflow or being offline.

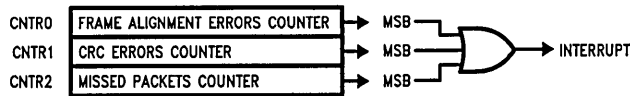
The structure of the counters is shown below:

Additional information required for network management is available in the Receive and Transmit Status Registers. Transmit status is available after each transmission for information regarding events during transmission.

Typically, the following statistics might be gathered in software:

Traffic: Frames Sent OK
 Frames Received OK
 Multicast Frames Received
 Packets Lost Due to Lack of Resources
 Retries/Packet

Errors: CRC Errors
 Alignment Errors
 Excessive Collisions
 Packet with Length Errors
 Heartbeat Failure

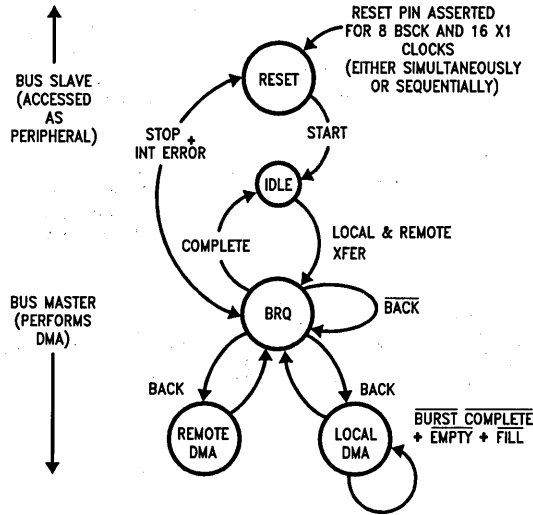


TL/F/11157-20

13.0 Bus Arbitration and Timing

The ST-NIC operates in three possible modes:

- BUS MASTER (WHILE PERFORMING DMA)
- BUS SLAVE (WHILE BEING ACCESSED BY CPU)
- IDLE



TL/F/11157-21

Upon power-up the ST-NIC is in an indeterminate state. After receiving a hardware reset the ST-NIC is a bus slave in the Reset State, the receiver and transmitter are both disabled in this state. The reset state can be re-entered under three conditions, soft reset (Stop Command), hard reset (RESET input) or an error that shuts down the receiver of transmitter (FIFO underflow or overflow). After initialization of registers, the ST-NIC is issued a Start command and the ST-NIC enters Idle state. Until the DMA is required the ST-NIC remains in idle state. The idle state is exited by a request from the FIFO on the case of receiver or transmit, or from the Remote DMA in the case of Remote DMA

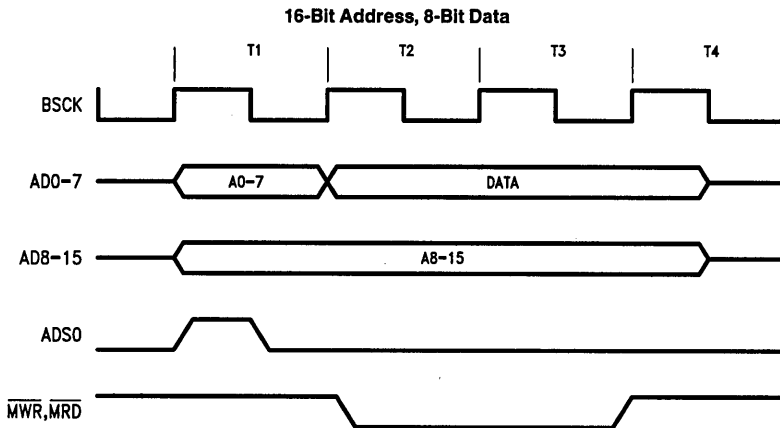
operation. After acquiring the bus in a BREQ/BACK handshake the Remote or Local DMA transfer is completed and the ST-NIC re-enters the idle state.

DMA TRANSFERS TIMING

The DMA can be programmed for the following types of transfers:

- 16-Bit Address, 8-bit Data Transfer
- 16-Bit Address, 16-bit Data Transfer
- 32-Bit Address, 8-bit Data Transfer
- 32-Bit Address, 16-bit Data Transfer

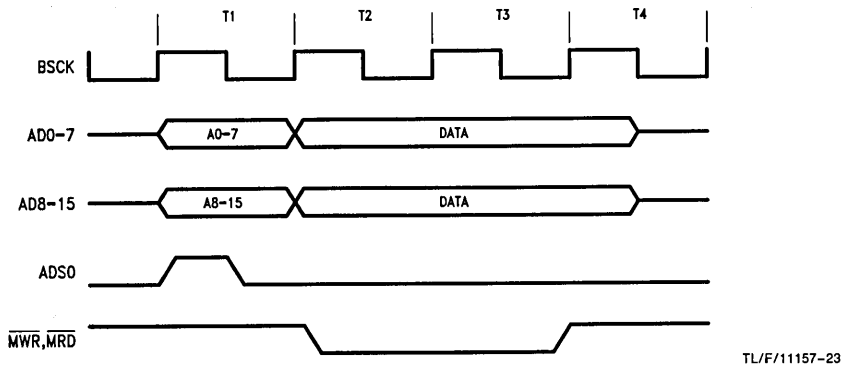
All DMA transfers use BSCK for timing. 16-Bit Address modes require 4 BSCK cycles as shown below:



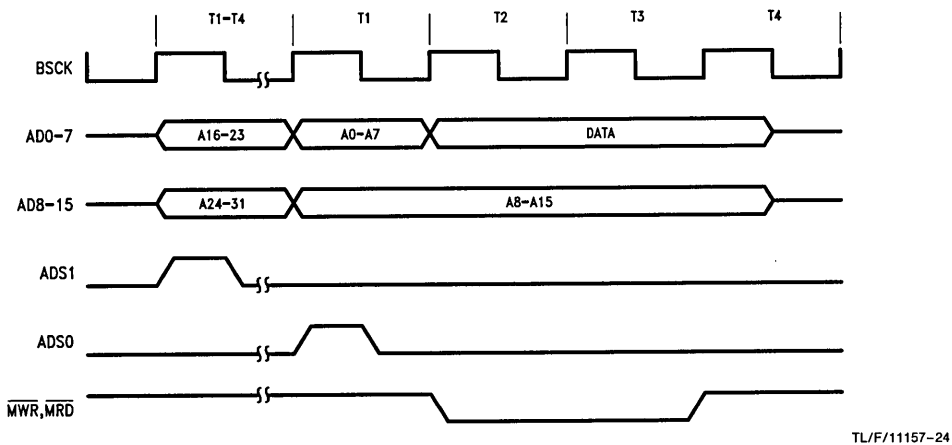
TL/F/11157-22

13.0 Bus Arbitration and Timing (Continued)

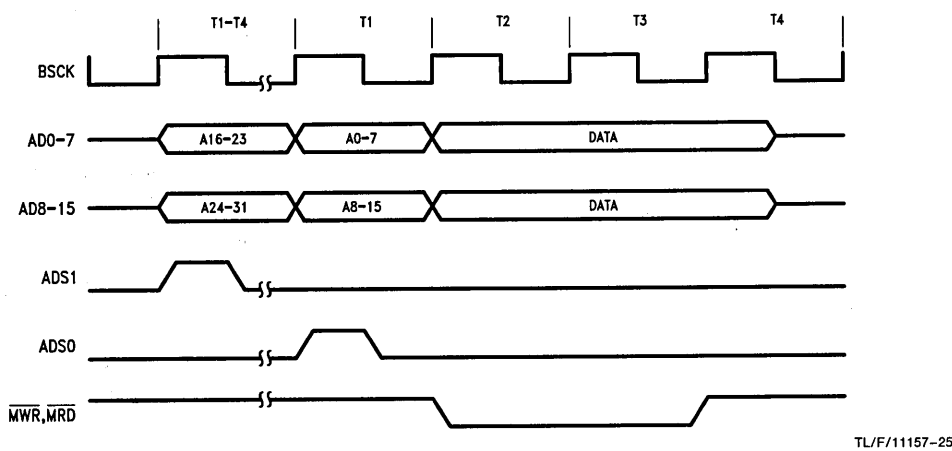
16-Bit Address, 16-Bit Data



32-Bit Address, 8-Bit Data



32-Bit Address, 16-Bit Data



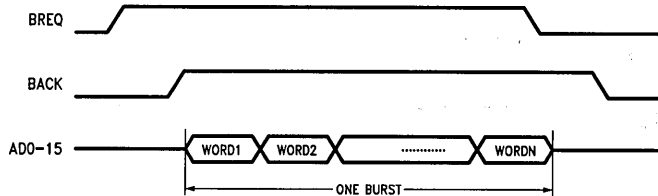
Note: In 32-bit address mode, ADS1 is at TRI-STATE after the first T1-T4 states; thus, a 4.7k pull-down resistor is required for 32-bit address.

13.0 Bus Arbitration and Timing (Continued)

When in 32-bit mode four additional BSCK cycles are required per burst. The first bus cycle (T1'-T4') of each burst is used to output the upper 16-bit addresses. This 16-bit address is programmed in RSAR0 and RSAR1 and points to a 64k page of system memory. All transmitted or received packets are constrained to reside within this 64k page.

FIFO BURST CONTROL

All Local DMA transfers are burst transfers, once the DMA requests the bus and the bus is acknowledged, the DMA will transfer an exact burst of bytes programmed in the Data Configuration Register (DCR) then relinquish the bus. If there are remaining bytes in the FIFO the next burst will not be initiated until the FIFO threshold is exceeded. If BACK is removed during the transfer, the burst transfer will be aborted. **(DROPPING BACK DURING A DMA CYCLE IS NOT RECOMMENDED.)**



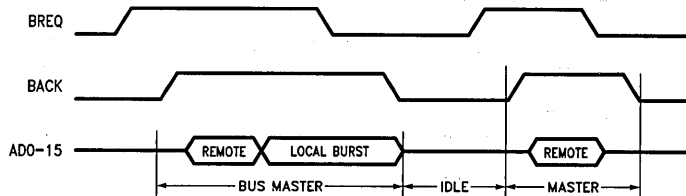
TL/F/11157-26

where N = 1, 2, 4, or 6 Words or N = 2, 4, 8, or 12 Bytes when in byte mode.

INTERLEAVED LOCAL OPERATION

If a remote DMA transfer is initiated or in progress when a packet is being received or transmitted, the Remote DMA transfer will be interrupted for higher priority Local DMA

transfers. When the Local DMA transfer is completed the Remote DMA will re-arbitrate for the bus and continue its transfers. This is illustrated below:



TL/F/11157-27

Note that if the FIFO requires service while a remote DMA is in progress, BREQ is not dropped and the Local DMA burst is appended to the Remote Transfer. When switching from a local transfer to a remote transfer, however, BREQ is dropped and raised again. This allows the CPU or other devices to fairly contend for the bus.

FIFO AND BUS OPERATIONS

Overview

To accommodate the different rates at which data comes from (or goes to) the network and goes to (or comes from) the system memory, the ST-NIC contains a 16-byte FIFO for buffering data between the bus and the media. The FIFO threshold is programmable, allowing filling (or emptying) the FIFO at different rates. When the FIFO has filled to its programmed threshold, the local DMA channel transfers these bytes (or words) into local memory. It is crucial that the local DMA is given access to the bus within a minimum bus latency time; otherwise a FIFO underrun (or overrun) occurs.

To understand FIFO underruns or overruns, there are two causes which produce this condition—

1. the bus latency is so long that the FIFO has filled (or emptied) from the network before the local DMA has serviced the FIFO.
2. the bus latency or bus data rate has slowed the throughput of the local DMA to a point where it is slower than the network data rate (10 Mb/s). This second condition is also dependent upon DMA clock and word width (byte wide or word wide).

The worst case condition ultimately limits the overall bus latency which the ST-NIC can tolerate.

FIFO Underrun and Transmit Enable

During transmission, if a FIFO underrun occurs, the Transmit enable (TXE) output may remain high (active). Generally, this will cause a very large packet to be transmitted onto the network. The jabber feature of the transceiver will terminate the transmission, and reset TXE.

To prevent this problem, a properly designed system will not allow FIFO underruns by giving the ST-NIC a bus acknowledge within time shown in the maximum bus latency curves shown and described later.

FIFO at the Beginning of Receive

At the beginning of reception, the ST-NIC stores entire Address field of each incoming packet in the FIFO to deter-

13.0 Bus Arbitration and Timing (Continued)

mine whether the packet matches its Physical Address Registers or maps to one of its Multicast Registers. This causes the FIFO to accumulate 8 bytes. Furthermore, there are some synchronization delays in the DMA PLA. Thus, the actual time that BREQ is asserted from the time the Start of Frame Delimiter (SFD) is detected is 7.8 μ s. This operation affects the bus latencies at 2- and 4-byte thresholds during the first receive BREQ since the FIFO must be filled to 8 bytes (or 4 words) before issuing a BREQ.

FIFO Operation at the End of Receive

When Carrier Sense goes low, the ST-NIC enters its end of packet processing sequence, emptying its FIFO and writing the status information at the beginning of the packet, *Figure 5*. The ST-NIC holds onto the bus for the entire sequence. The longest time BREQ may be extended occurs when a packet ends just as the ST-NIC performs its last FIFO burst. The ST-NIC, in this case, performs a programmed burst transfer followed by flushing the remaining bytes in the FIFO, and completes by writing the header information to memory. The following steps occur during this sequence.

1. ST-NIC issues BREQ because the FIFO threshold has been reached
2. During the burst, packet ends, resulting in BREQ extended.
3. ST-NIC flushes remaining bytes from FIFO
4. ST-NIC performs internal processing to prepare for writing the header.
5. ST-NIC writes 4-byte (2-word) header
6. ST-NIC deasserts BREQ

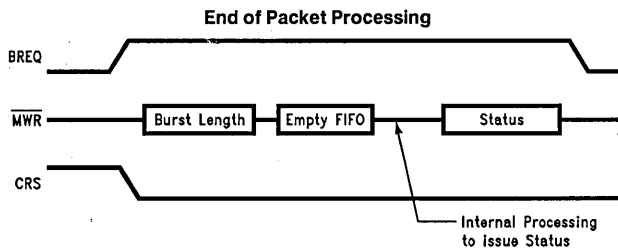
End of Packet Processing (EOPP) times for 10 MHz and 20 MHz have been tabulated in the table below.

Mode	Threshold	Bus Clock	EOPP
Byte	2 Bytes	10 MHz	7.0 μ s
	4 Bytes		8.6 μ s
	8 Bytes		11.0 μ s
Byte	2 Bytes	20 MHz	3.6 μ s
	4 Bytes		4.2 μ s
	8 Bytes		5.0 μ s
Word	2 Bytes	10 MHz	5.4 μ s
	4 Bytes		6.2 μ s
	8 Bytes		7.4 μ s
Word	2 Bytes	20 MHz	3.0 μ s
	4 Bytes		3.2 μ s
	8 Bytes		3.6 μ s

End of Packet Processing Times for Various FIFO Thresholds, Bus Clocks and Transfer Modes

Threshold Detection (Bus Latency)

To assure that no overwriting of data in the FIFO occurs, the FIFO logic flags a FIFO overrun as the 13th byte is written into the FIFO, effectively shortening the FIFO to 13 bytes. The FIFO logic also operates differently in Byte Mode and in Word Mode. In Byte Mode, a threshold is indicated when the $n + 1$ byte has entered the FIFO; thus, with an 8-byte threshold, the ST-NIC issues Bus Request (BREQ) when the 9th byte has entered the FIFO. For Word Mode, BREQ is not generated until the $n + 2$ bytes have entered the FIFO. Thus, with a 4-word threshold (equivalent to 8-byte threshold), BREQ is issued when the 10th byte has entered the FIFO. The two graphs, following, indicate the maximum allowable bus latency for Word and Byte transfer modes.



TL/F/11157-58

13.0 Bus Arbitration and Timing (Continued)

The FIFO at the Beginning of Transmit

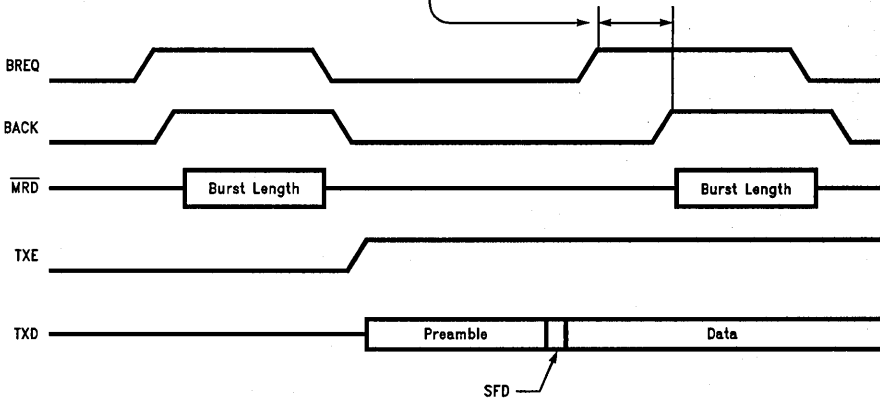
Before transmitting, the ST-NIC performs a prefetch from memory to load the FIFO. The number of bytes prefetched

is the programmed FIFO threshold. The next BREQ is not issued until after the ST-NIC actually begins transmitting data, i.e., after SFD. The Transmit Prefetch diagram illustrates this process.

Transmit Prefetch Timing

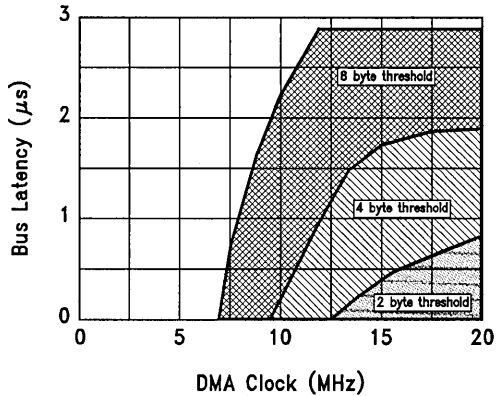
$$\text{Tolerated Bus Latency} = [(\text{No. of Bytes Stored in FIFO}) \times 800] - 400 \text{ ns}$$

or (12 Bytes - FIFO Threshold) whichever is less



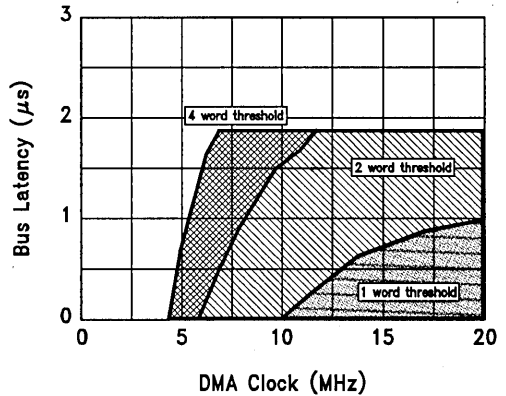
TL/F/11157-59

Maximum Bus Latency for Byte Mode



TL/F/11157-60

Maximum Bus Latency for Word Mode



TL/F/11157-61

13.0 Bus Arbitration and Timing (Continued)

REMOTE DMA-BIDIRECTIONAL PORT CONTROL

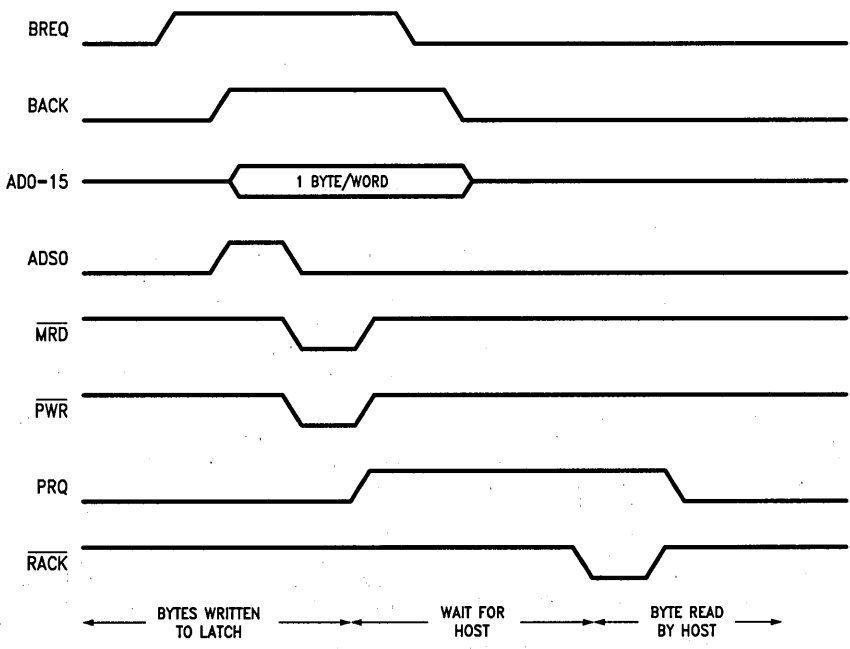
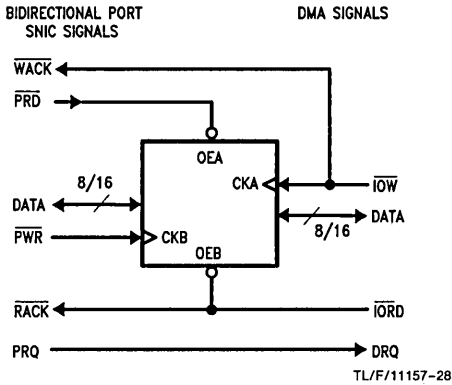
The Remote DMA transfers data between the local buffer memory and a bidirectional port (memory to I/O transfer). This transfer is arbitrated on a byte by byte basis versus the burst transfer used for Local DMA transfers. This bidirectional port is also read/written by the host. All transfers through this port are asynchronous. At any one time transfers are limited to one direction, either from the port to local buffer memory (Remote Write) or from local buffer memory to the port (Remote Read).

REMOTE READ TIMING

1. The DMA reads byte/word from local buffer memory and writes byte/word into latch, increments the DMA address and decrements the byte count (RBCR0, 1).
2. A Request Line (PRQ) is asserted to inform the system that a byte is available.
3. The system reads the port, the read strobe (\overline{RACK}) is used as an acknowledge by the Remote DMA and it goes back to step 1.

Steps 1-3 are repeated until the remote DMA is complete. Note that in order for the Remote DMA to transfer a byte from memory to the latch, it must arbitrate access to the local bus via a BREQ, BACK handshake. After each byte or word is transferred to the latch, BREQ is dropped. If a Local DMA is in progress, the Remote DMA is held off until the local DMA is complete.

Bus Handshake Signals for Remote DMA Transfers

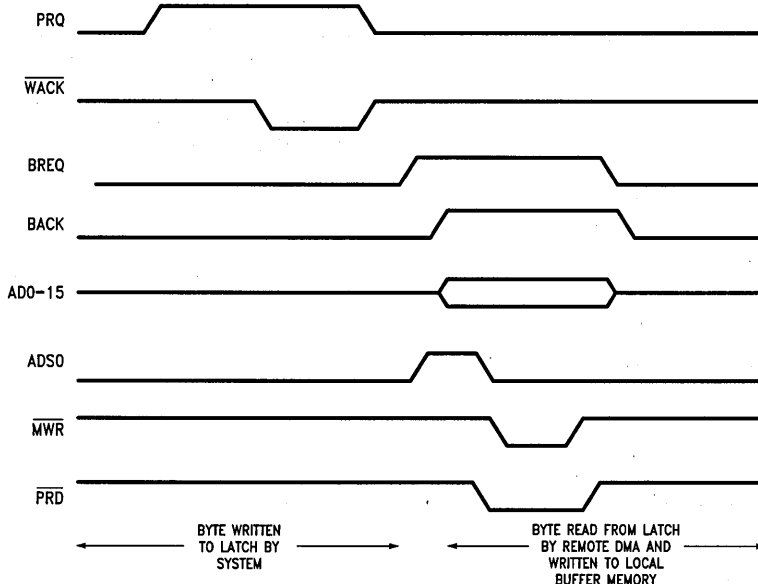


13.0 Bus Arbitration and Timing (Continued)

REMOTE WRITE TIMING

A Remote Write operation transfers data from the I/O port to the local buffer RAM. The ST-NIC initiates a transfer by requesting a byte/word via the PRQ. The system transfers a byte/word to the latch via \overline{IOW} . This write strobe is detected by the ST-NIC and PRQ is removed. By removing the PRQ, the Remote DMA holds off further transfers into the latch until the current byte/word has been transferred from the latch, PRQ is reasserted and the next transfer can begin.

1. ST-NIC asserts PRQ. System writes byte/word into latch. ST-NIC removes PRQ.
 2. Remote DMA reads contents of port and writes byte/word to local buffer memory, increments address and decrements byte count (RBCRO, 1).
 3. Go back to step 1.
- Steps 1–3 are repeated until the remote DMA is complete.



TL/F/11157-30

REMOTE DMA WRITE SPECIAL CONSIDERATIONS

Setting PRQ Using the Remote Read

Under certain conditions the ST-NIC bus state machine may issue \overline{MWR} and \overline{PRD} before PRQ for the first DMA transfer of a Remote Write Command. If this occurs this could cause data corruption, or cause the remote DMA count to be different from the main CPU count causing the system to "lock up".

To prevent this condition when implementing a Remote DMA Write, the Remote DMA Write command should first be preceded by a Remote DMA Read command to insure that the PRQ signal is asserted before the ST-NIC starts its port read cycle. The reason for this is that the state machine that asserts PRQ runs independently of the state machine that controls the DMA signals. The DMA machine assumes that PRQ is asserted, but actually may not be. To remedy this situation, a single Remote Read cycle should be inserted before the actual DMA Write Command is given. This will ensure that PRQ is asserted when the Remote DMA Write is subsequently executed. This single Remote Read cycle is called a "dummy Remote Read". In order for the dummy Remote Read cycle to operate correctly, the Start Address should be programmed to a known, safe location in the buffer memory space, and the Remote Byte count should be programmed to a value greater than 1. This will ensure that

the master read cycle is performed safely, eliminating the possibility of data corruption.

Remote Write with High Speed Buses

When implementing the Remote DMA Write solution with high speed buses and CPU's, timing may cause the system to hang. Therefore additional considerations are required.

A problem occurs when the system can execute the dummy Remote Read and then start the Remote Write before the ST-NIC has had a chance to execute the Remote Read. If this happens the PRQ signal will not get set, and the Remote Byte Count and Remote Start Address for the Remote Write operation could be corrupted. This is shown by the hatched waveforms in the following timing diagram. The execution of the Remote Read can be delayed by the local DMA operations (particularly during end-of-packet processing).

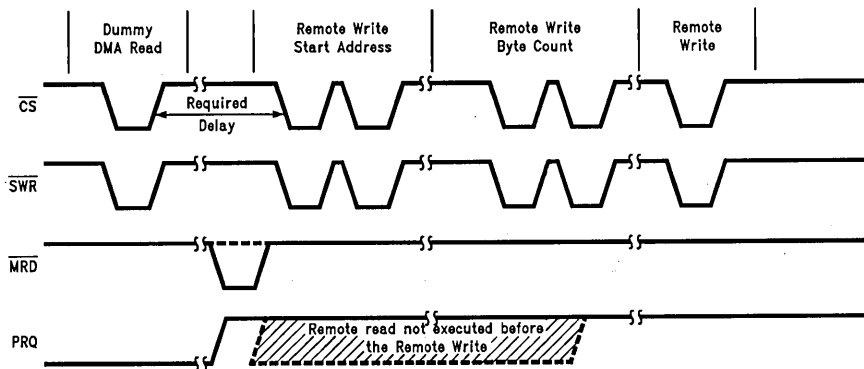
To ensure the dummy Remote Read does execute, a delay must be inserted between writing the Remote Read Command, and starting to write the Remote Write Start Address. (This time is designated in the next figure by the delay arrows.) The recommended method to avoid this problem is after the Remote Read command is given, to poll both bytes of the Current Remote DMA Address Registers. When the address has incremented PRQ has been set. Software should recognize this and then start the Remote Write.

13.0 Bus Arbitration and Timing (Continued)

An additional caution for high speed systems is that the polling must follow guidelines specified in the Time Between Chip Selects section. That is, there must be at least 4 bus clocks between chip selects. (For example when BSCK = 20 MHz, then this time should be 200 ns).

The general flow for executing a Remote Write is:

1. Set Remote Byte Count to a value > 1 and Remote Start Address to unused RAM (one location before the transmit start address is usually a safe location).
2. Issue the "dummy" Remote Read command.
3. Read the Current Remote DMA Address (CRDA) (both bytes).
4. Compare to previous CRDA value if different go to 6.
5. Delay and jump to 3.
6. Set up for the Remote Write command, by setting the Remote Byte Count and the Remote Start Address (note that if the Remote Byte count in step 1 can be set to the transmit byte count plus one, and the Remote Start Address to one less, these will now be incremented to the correct values.)
7. Issue the Remote Write command.



TL/F/11157-62

Note: The dashed lines indicate incorrect timing as described in text.

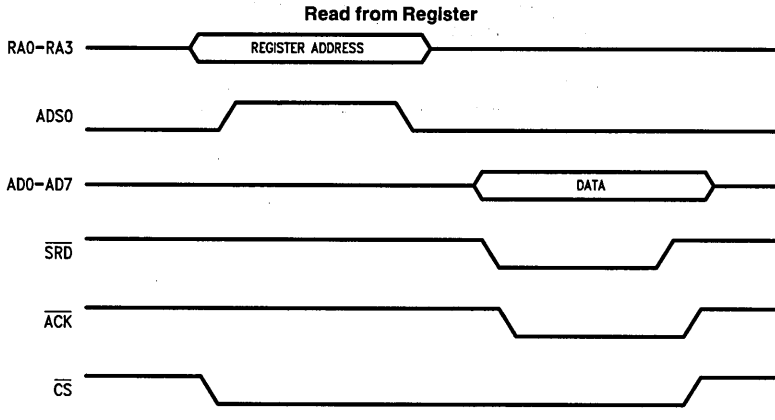
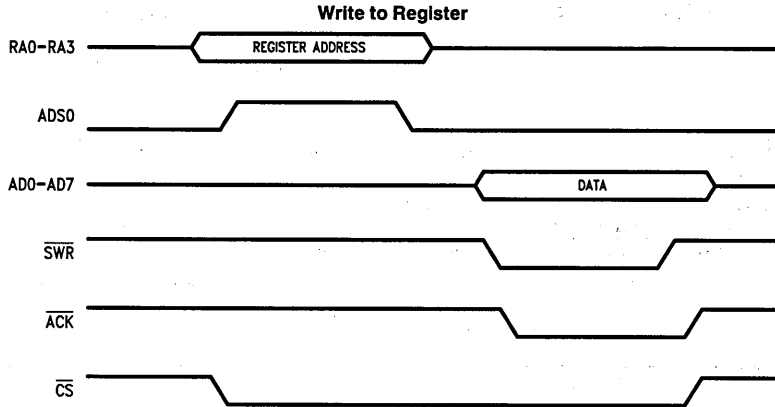
Timing Diagram for Dummy Remote Read

13.0 Bus Arbitration and Timing (Continued)

SLAVE MODE TIMING

When \overline{CS} is low, the ST-NIC becomes a bus slave. The CPU can then read or write any internal registers. All register accesses are byte wide. The timing for register access is shown below. The host CPU accesses internal registers with four address lines, RA0-RA3, SRD and SWR strobes.

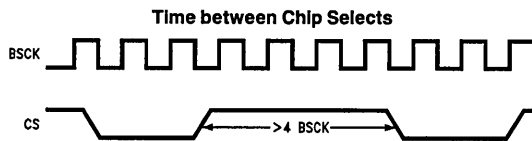
ADS0 is used to latch the address when interfacing to a multiplexed, address data bus. Since the ST-NIC may be a local bus master when the host CPU attempts to read or write to the controller, an \overline{ACK} line is used to hold off the CPU until the ST-NIC leaves master mode. Some number of BSCK cycles is also required to allow the ST-NIC to synchronize to the read or write cycles.



TIME BETWEEN CHIP SELECTS

The ST-NIC requires that successive chip selects be no closer than 4 bus clocks (BSCK) together. If the condition is violated, the ST-NIC may glitch \overline{ACK} . CPUs that operate from pipelined instructions (i.e., 386) or have a cache (i.e.,

486) can execute consecutive I/O cycles very quickly. The solution is to delay the execution of consecutive I/O cycles by either breaking the pipeline or forcing the CPU to access outside its cache.



14.0 Preliminary Electrical Characteristics

Absolute Maximum Ratings

If Military/Aerospace specified devices are required, please contact the National Semiconductor Sales Office/Distributors for availability and specifications.

Supply Voltage (V_{CC})	-0.5V to +7.0V
DC Input Voltage (V_{IN})	-0.5V to V_{CC} + 0.5V
DC Output Voltage (V_{OUT})	-0.5V to V_{CC} + 0.5V
Storage Temperature Range (T_{STG})	-65°C to +150°C
Power Dissipation (PD)	800 mW
Lead Temp. (TL) (Soldering, 10 sec.)	260°C
ESD Rating ($R_{ZAP} = 1.5k, C_{ZAP} = 100$ pF)	1.5 kV
Pin to Pin	
Pin to GND	
Pin to V_{CC} (± 1 ZAP)	
Clamp Diode Current	± 20 mA

Note: Absolute Maximum ratings are those values beyond which the safety of the device cannot be guaranteed. They are not meant to imply that the device should be operated at these limits.

Note: All specifications in this datasheet are valid only if the mandatory isolation is employed and all differential signals are taken to exist at the AUI or TPI side of the isolation.

Preliminary DC Specifications $T_A = 0^\circ\text{C}$ to 70°C , $V_{CC} = 5V \pm 5\%$, unless otherwise specified.

Symbol	Parameter	Conditions	Min	Max	Units
V_{OH}	Minimum High Level Output Voltage (Notes 1, 4)	$I_{OH} = -20 \mu\text{A}$	$V_{CC} - 0.1$		V
		$I_{OH} = -2.0 \text{ mA}$	3.5		V
V_{OL}	Minimum Low Level Output Voltage (Notes 1, 4)	$I_{OL} = 20 \mu\text{A}$		0.1	V
		$I_{OL} = 2.0 \text{ mA}$		0.4	V
V_{IH}	Minimum High Level Input Voltage (Note 2)		2.0		V
V_{IH2}	Minimum High Level Input Voltage For RACK WACK (Note 2)		2.7		V
V_{IL}	Maximum Low Level Input Voltage (Note 2)			0.8	V
V_{IL2}	Maximum Low Level Input Voltage For RACK, WACK (Note 2)			0.6	V
V_{LOL}	Good Link Output Voltage	$I_{OL} = 16 \text{ mA}$		0.4	V
I_{IN}	Input Current	$V_I = V_{CC}$ or GND	-1.0	+1.0	μA
I_{INSEL}	Input Current	$V_{IN} = V_{CC}$	50	2000	μA
		$V_{IN} = \text{GND}$	-1	+1	μA
I_{OZ}	Minimum TRI-STATE Output Leakage Current (Note 5)	$V_{OUT} = V_{CC}$ or GND	-10	+10	μA
I_{CC}	Average Supply Current (Note 3)	$X1 = 20 \text{ MHz}$ Clock $I_{OUT} = 0 \mu\text{A}$ $V_{IN} = V_{CC}$ or GND		140	mA

Note 1: These levels are tested dynamically using a limited amount of functional test patterns, please refer to AC test load.

Note 2: Limited functional test patterns are performed at these input levels. The majority of functional tests are performed at levels of 0V and 3V.

Note 3: This is measured with a 0.1 μF bypass capacitor between V_{CC} and GND.

Note 4: The low drive CMOS compatible V_{OH} and V_{OL} limits are not tested directly. Detailed device characterization validates that this specification can be guaranteed by testing the high drive TTL compatible V_{OL} and V_{OH} specification.

Note 5: RA0-RA3, PRD, WACK, BREQ and INT pins are used as outputs in test mode and as a result are tested as if they are TRI-STATE input/outputs. For these pins the input leakage specification is I_{OZ} .

14.0 Preliminary Electrical Characteristics (Continued)

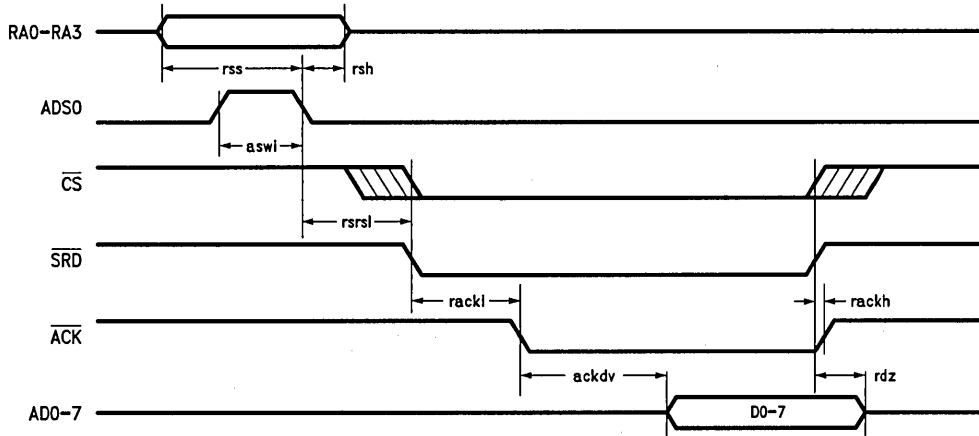
Preliminary DC Specifications $T_A = 0^\circ\text{C}$ to 70°C , $V_{CC} = 5V \pm 5\%$, unless otherwise specified. (Continued)

Symbol	Parameter	Conditions	Min	Max	Units
AUI INTERFACE PINS (TX\pm, RX\pm, and CD\pm)					
V _{OD}	Diff. Output Voltage (TX \pm)	78 Ω Termination, and 270 Ω from Each to GND	± 550	± 1200	mV
V _{OB}	Diff. Output Voltage Imbalance (TX \pm) (Note 1)	78 Ω Termination, and 270 Ω from Each to GND	Typical: 40 mV		
V _U	Undershoot Voltage (TX \pm) (Note 1)	78 Ω Termination, and 270 Ω from Each to GND	Typical: 80 mV		
V _{DS}	Diff. Squelch Threshold (RX \pm and CD \pm) (Note 1)		-175	-300	mV
V _{CM}	Diff. Input Common Mode Voltage (RX \pm and CD \pm) (Note 1)		0	5.25	V
OSCILLATOR PINS (X1 AND X2)					
V _{IH}	X1 Input High Voltage	X1 is Connected to an Oscillator and GND/X2 is Grounded	2.0		V
V _{IL}	X1 Input Low Voltage	X1 is Connected to an Oscillator and GND/X2 is Grounded		0.8	V
I _{OSC}	X1 Input Current	GND/X2 is Grounded V _{IN} = V _{CC} or GND		3	mA
I _{X2}	X2 Input Current	X2 Grounded (Driven Mode)		4	mA
TWISTED PAIR INTERFACE PINS (TXO\pm, TXOd\pm, and RXI\pm)					
R _{TOL}	TXOd \pm , TXO \pm Low Level Output Resistance	I _{OL} = 25 mA		15	Ω
R _{TOH}	TXOd \pm , TXO \pm High Level Output Resistance	I _{OH} = 25 mA		15	Ω
V _{SRON1}	Receive Threshold Turn-On Voltage (10BASE-T)		± 300	± 585	mV
V _{SRON2}	Receive Threshold Turn-On Voltage (Reduced Level)		± 175	± 300	mV
V _{SROFF}	Receive Threshold Turn-Off Voltage (Note 1)		± 175	V _{SRON} - 100	mV
V _{DIFF}	Differential Mode Input Voltage Range (Note 1)	V _{CC} = 5.0V	-3.1	+3.1	V

Note 1: This parameter is guaranteed by design and is not tested.

15.0 Switching Characteristics AC Specs DP83902A Note: All Timing is Preliminary

Register Read (Latched Using ADS0)



TL/F/11157-33

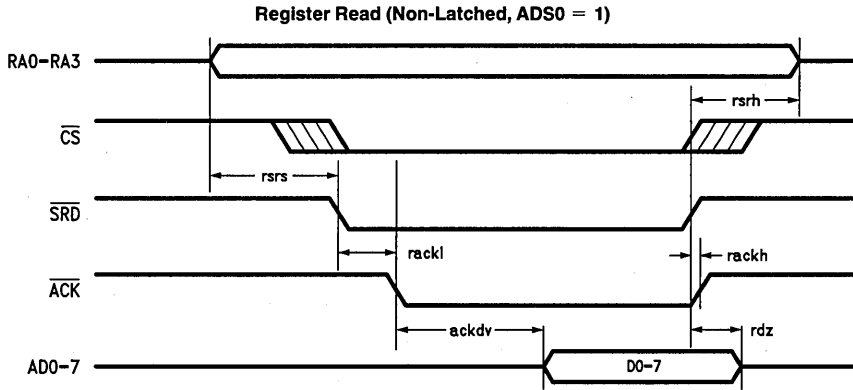
Symbol	Parameter	Min	Max	Units
rss	Register Select Setup to ADS0 Low	10		ns
rsh	Register Select Hold from ADS0 Low	13		ns
aswi	Address Strobe Width In	15		ns
ackdv	Acknowledge Low to Data Valid		55	ns
rdz	Read Strobe to Data TRI-STATE (Note 3)	15	70	ns
rackl	Read Strobe to \overline{ACK} Low (Notes 1, 2)		$n \cdot \text{bcyc} + 30$	ns
rackh	Read Strobe to \overline{ACK} High		30	ns
rsrs1	Register Select to Slave Read Low, Latched RS0-3	10		ns

Note 1: \overline{ACK} is not generated until \overline{CS} and \overline{SRD} are low and the ST-NIC has synchronized to the register access. The ST-NIC will insert an integral number of Bus Clock cycles until it is synchronized. In Dual Bus systems additional cycles will be used for a local or remote DMA to complete. Wait states must be issued to the CPU until \overline{ACK} is asserted low.

Note 2: \overline{CS} may be asserted before or after \overline{SRD} . If \overline{CS} is asserted after \overline{SRD} , rackl is referenced from falling edge of \overline{CS} . \overline{CS} can be de-asserted concurrently with \overline{SRD} or after \overline{SRD} is de-asserted.

Note 3: These limits include the RC delay inherent in our test method. These signals typically turn off within 15 ns, enabling other devices to drive these lines with no contention.

15.0 Switching Characteristics AC Specs DP83902A Note: All Timing is Preliminary (Continued)



TL/F/11157-34

Symbol	Parameter	Min	Max	Units
rsrs	Register Select to Read Setup (Notes 1, 3)	10		ns
rsrh	Register Select Hold from Read	0		ns
ackdv	$\overline{\text{ACK}}$ Low to Valid Data		55	ns
rdz	Read Strobe to Data TRI-STATE (Note 2)	15	70	ns
rackl	Read Strobe to $\overline{\text{ACK}}$ Low (Note 3)		$n \cdot \text{bcyc} + 30$	ns
rackh	Read Strobe to $\overline{\text{ACK}}$ High		30	ns

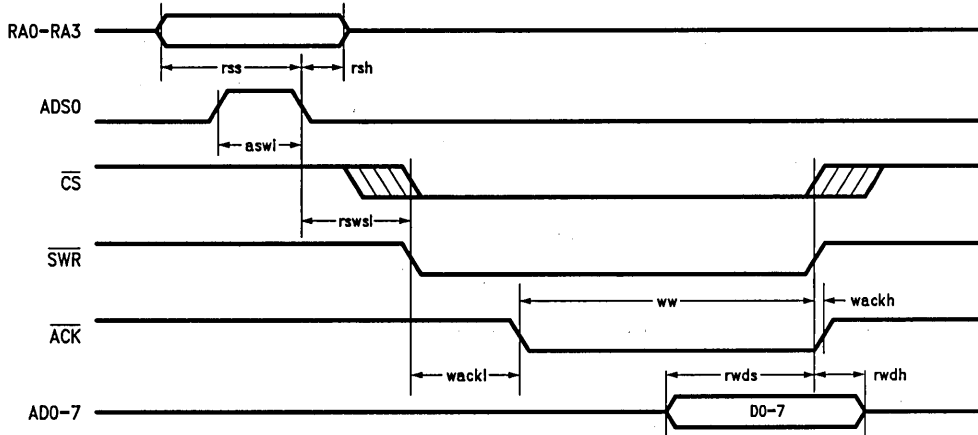
Note 1: rsrs includes flow-through time of latch.

Note 2: These limits include the RC delay inherent in our test method. These signals typically turn off within 15 ns enabling other devices to drive these lines with no contention.

Note 3: CS may be asserted before or after RA0-3, and SRD, since address decode begins when $\overline{\text{ACK}}$ is asserted. If CS is asserted after RA0-3, and SRD, rackl is referenced from falling edge of CS.

15.0 Switching Characteristics AC Specs DP83902A **Note:** All Timing is Preliminary (Continued)

Register Write (Latched Using ADS0)



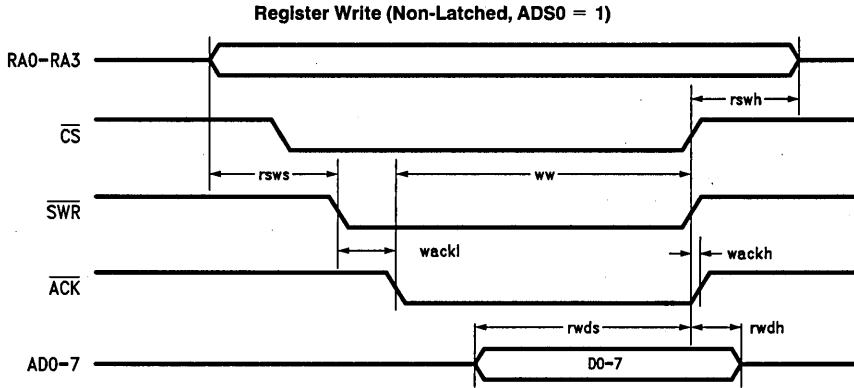
TL/F/11157-35

Symbol	Parameter	Min	Max	Units
rss	Register Select Setup to ADS0 Low	10		ns
rsh	Register Select Hold from ADS0 Low	17		ns
aswi	Address Strobe Width In	15		ns
rwds	Register Write Data Setup	20		ns
rwdh	Register Write Data Hold	21		ns
ww	Write Strobe Width from \overline{ACK}	50		ns
wackh	Write Strobe High to \overline{ACK} High		30	ns
wackl	Write Low to \overline{ACK} Low (Notes 1, 2)		$n \cdot \text{bcyc} + 30$	ns
rswsl	Register Select to Write Strobe Low	10		ns

Note 1: \overline{ACK} is not generated until \overline{CS} and \overline{SWR} are low and the ST-NIC has synchronized to the register access. In Dual Bus Systems additional cycles will be used for a local DMA or Remote DMA to complete.

Note 2: \overline{CS} may be asserted before or after \overline{SWR} . If \overline{CS} is asserted after \overline{SWR} , wackl is referenced from falling edge of \overline{CS} .

15.0 Switching Characteristics AC Specs DP83902A Note: All Timing is Preliminary (Continued)



TL/F/11157-36

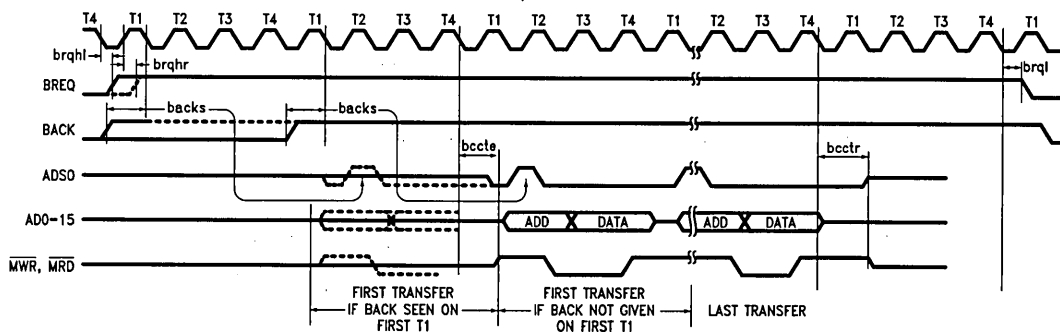
Symbol	Parameter	Min	Max	Units
rsws	Register Select to Write Setup (Note 1)	15		ns
rswh	Register Select Hold from Write	0		ns
rws	Register Write Setup	20		ns
rwdh	Register Write Data Hold	21		ns
wackl	Write Low to \overline{ACK} Low (Note 2)		$n \cdot \text{bcyc} + 30$	ns
wackh	Write High to \overline{ACK} High		30	ns
ww	Write Width from \overline{ACK}	50		ns

Note 1: Assumes ADS0 is high when RA0-3 changing.

Note 2: \overline{ACK} is not generated until \overline{CS} and \overline{SWR} are low and the ST-NIC has synchronized to the register access. In Dual Bus systems additional cycles will be used for a local DMA or remote DMA to complete.

15.0 Switching Characteristics AC Specs DP83902A Note: All Timing is Preliminary (Continued)

DMA Control, Bus Arbitration



TL/F/11157-37

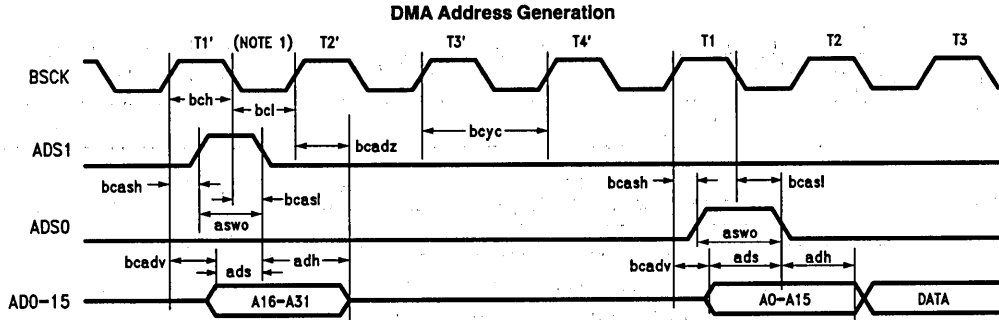
Symbol	Parameter	Min	Max	Units
brqhl	Bus Clock to Bus Request High for Local DMA		50	ns
brqhr	Bus Clock to Bus Request High for Remote DMA		45	ns
brql	Bus Request Low from Bus Clock		60	ns
backs	Acknowledge Setup to Bus Clock (Note 1)	2		ns
bccte	Bus Clock to Control Enable		60	ns
bcctr	Bus Clock to Control Release (Notes 2, 3)		70	ns

Note 1: BACK must be setup before T1 after BREQ is asserted. Missed setup will slip the beginning of the DMA by four bus clocks. The Bus Latency will influence the allowable FIFO threshold.

Note 2: During remote DMA transfers only, a single bus transfer is performed. During local DMA operations burst mode transfers are performed.

Note 3: These limits include the RC delay inherent in our test method. These signals typically turn off within 15 ns enabling other devices to drive these lines with no contention.

15.0 Switching Characteristics AC Specs DP83902A Note: All Timing is Preliminary (Continued)

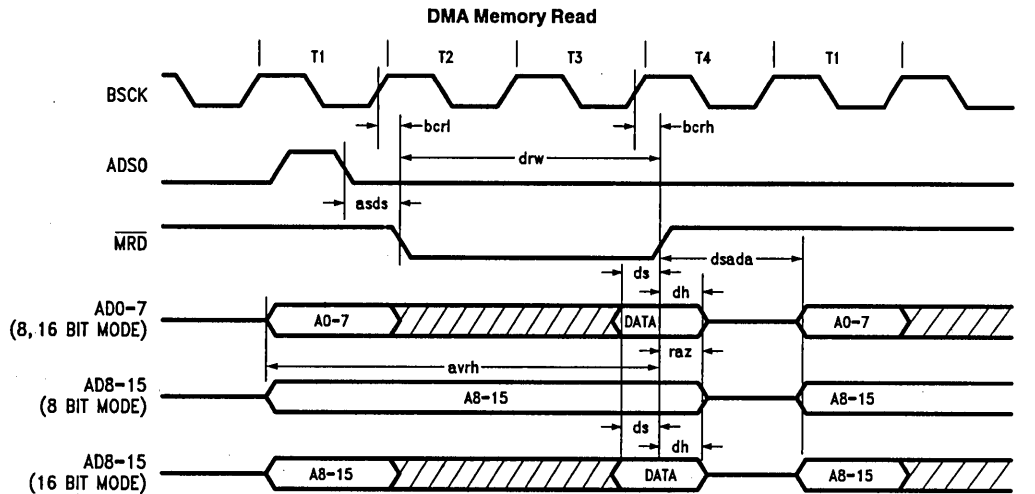


TL/F/11157-38

Symbol	Parameter	Min	Max	Units
bcyc	Bus Clock Cycle Time (Note 2)	50	125	ns
bch	Bus Clock High Time	20		ns
bcl	Bus Clock Low Time	20		ns
bcash	Bus Clock to Address Strobe High		34	ns
bcsasl	Bus Clock to Address Strobe Low		44	ns
aswo	Address Strobe Width Out	bch		ns
bcadv	Bus Clock to Address Valid		45	ns
bcadz	Bus Clock to Address TRI-STATE (Note 3)	15	55	ns
ads	Address Setup to ADS0/1 Low	bch - 15		ns
adh	Address Hold from ADS0/1 Low	bcl - 5		ns

Note 1: Cycles T1', T2', T3' and T4' are only issued for the first transfer in a burst when 32-bit mode has been selected.
Note 2: The rate of bus clock must be high enough to support transfers to/from the FIFO at a rate greater than the serial network transfers from/to the FIFO.
Note 3: These limits include the RC delay inherent in our test method. These signals typically turn off within 15 ns, enabling other devices to drive these lines with no contention.

15.0 Switching Characteristics AC Specs DP83902A Note: All Timing is Preliminary (Continued)



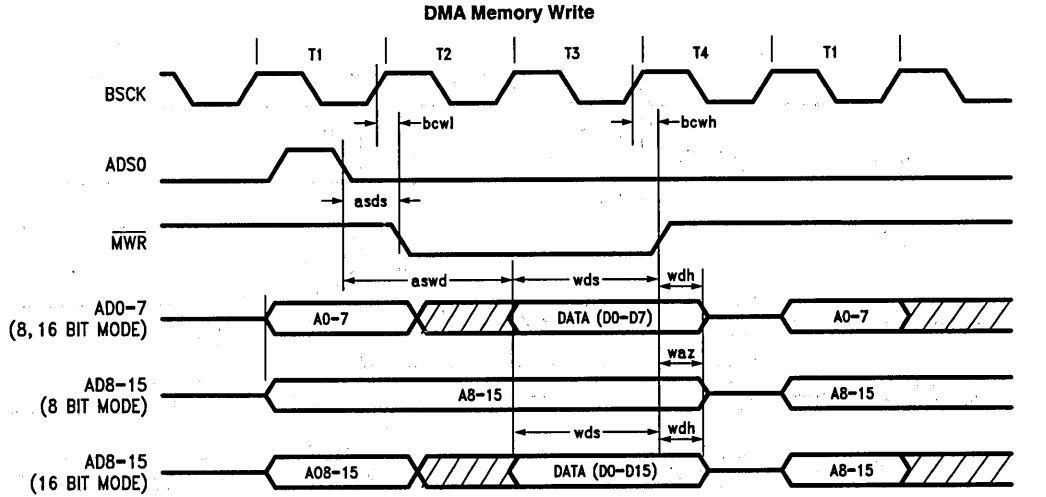
TL/F/11157-39

Symbol	Parameter	Min	Max	Units
bcr1	Bus Clock to Read Strobe Low		43	ns
bcrh	Bus Clock to Read Strobe High		40	ns
ds	Data Setup to Read Strobe High	22		ns
dh	Data Hold from Read Strobe High	0		ns
drw	DMA Read Strobe Width Out	$2 \cdot \text{bcyc} - 15$		ns
raz	Memory Read High to Address TRI-STATE (Notes 1, 2)		$\text{bch} + 40$	ns
asds	Address Strobe to Data Strobe		$\text{bcl} + 10$	ns
dsada	Data Strobe to Address Active	$\text{bcyc} - 10$		ns
avrh	Address Valid to Read Strobe High	$3 \cdot \text{bcyc} - 18$		ns

Note 1: During a burst A8-A15 are not TRI-STATE if byte wide transfers are selected. On the last transfer A8-A15 are TRI-STATE as shown above.

Note 2: These limits include the RC delay inherent in our test method. These signals typically turn off within $\text{bch} + 15$ ns, enabling other devices to drive these lines with no contention.

15.0 Switching Characteristics AC Specs DP83902A **Note:** All Timing is Preliminary (Continued)



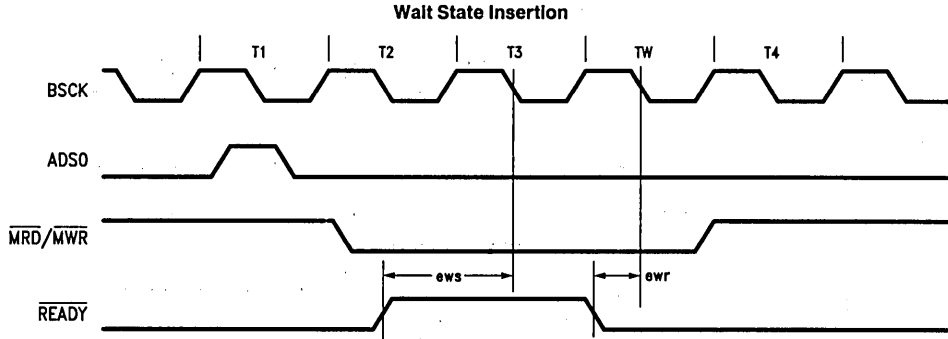
TL/F11157-40

Symbol	Parameter	Min	Max	Units
bcwl	Bus Clock to Write Strobe Low		40	ns
bcwh	Bus Clock to Write Strobe High		40	ns
wds	Data Setup to MWR High	$2 \cdot \text{bcyc} - 30$		ns
wdh	Data Hold from MWR Low	$\text{bch} + 7$		ns
waz	Write Strobe to Address TRI-STATE (Notes 1, 2)		$\text{bch} + 40$	ns
asds	Address Strobe to Data Strobe		$\text{bcl} + 10$	ns
aswd	Address Strobe to Write Data Valid		$\text{bcl} + 30$	ns

Note 1: When using byte mode transfers A8-A15 are only TRI-STATE on the last transfer, waz timing is only valid for last transfer in a burst.

Note 2: These limits include the RC delay inherent in our test method. These signals typically turn off within $\text{bch} + 15$ ns, enabling other devices to drive these lines with no contention.

15.0 Switching Characteristics AC Specs DP83902A **Note:** All Timing is Preliminary (Continued)



TL/F/11157-41

Symbol	Parameter	Min	Max	Units
ews	External Wait Setup to T3 0Clock (Note 1)	10		ns
ewr	External Wait Release Time (Note 1)	15		ns

Note 1: The addition of wait states affects the count of deserialized bytes and is limited to a number of bus clock cycles depending on the bus clock and network rates. The allowable wait states are found in the table below. (Assumes 10 Mbit/sec data rate.)

BSCCK (MHz)	Max # of Wait States	
	Byte Transfer	Word Transfer
8	0	1
10	0	1
12	1	2
14	1	2
16	1	3
18	2	3
20	2	4

Table assumes 10 MHz network clock.

The number of allowable wait states in byte mode can be calculated using:

$$\#W_{(\text{byte mode})} = \left(\frac{8 \text{tnw}}{4.5 \text{tbsck}} - 1 \right)$$

#W = Number of Wait States

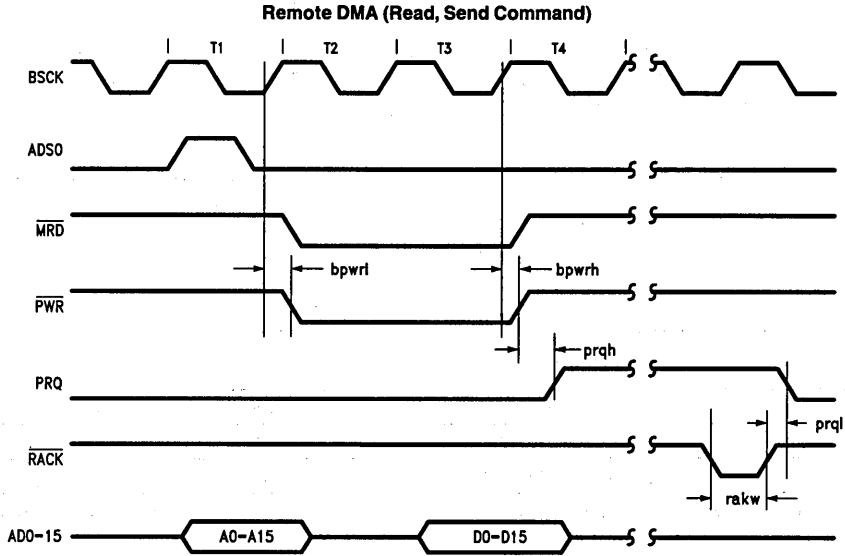
tnw = Network Clock Period

tbsck = BSCCK Period

The number of allowable wait states in word mode can be calculated using:

$$\#W_{(\text{word mode})} = \left(\frac{5 \text{tnw}}{2 \text{tbsck}} - 1 \right)$$

15.0 Switching Characteristics AC Specs DP83902A Note: All Timing is Preliminary (Continued)



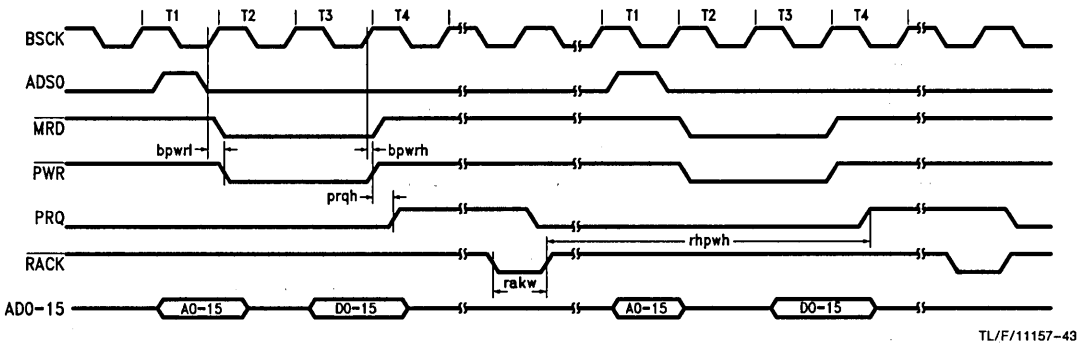
TL/F/11157-42

Symbol	Parameter	Min	Max	Units
bpwrl	Bus Clock to Port Write Low		43	ns
bpwrh	Bus Clock to Port Write High		40	ns
prqh	Port Write High to Port Request High (Note 1)		30	ns
prql	Port Request Low from Read Acknowledge High		60	ns
rakw	Remote Acknowledge Read Strobe Pulse Width	20		ns

Note 1: Start of next transfer is dependent on where RACK is generated relative to BSCK and whether a local DMA is pending.

15.0 Switching Characteristics AC Specs DP83902A **Note:** All Timing is Preliminary (Continued)

Remote DMA (Read, Send Command) Recovery Time



TL/F/11157-43

Symbol	Parameter	Min	Max	Units
bpwrl	Bus Clock to Port Write Low		43	ns
bpwrh	Bus Clock to Port Write High		40	ns
prqh	Port Write High to Port Request High (Note 1)		30	ns
prql	Port Request Low from Read Acknowledge High		60	ns
rakw	Remote Acknowledge Read Strobe Pulse Width	20		ns
rhpwh	Read Acknowledge High to Next Port Write Cycle (Notes 2, 3, 4)	11		BSCCK

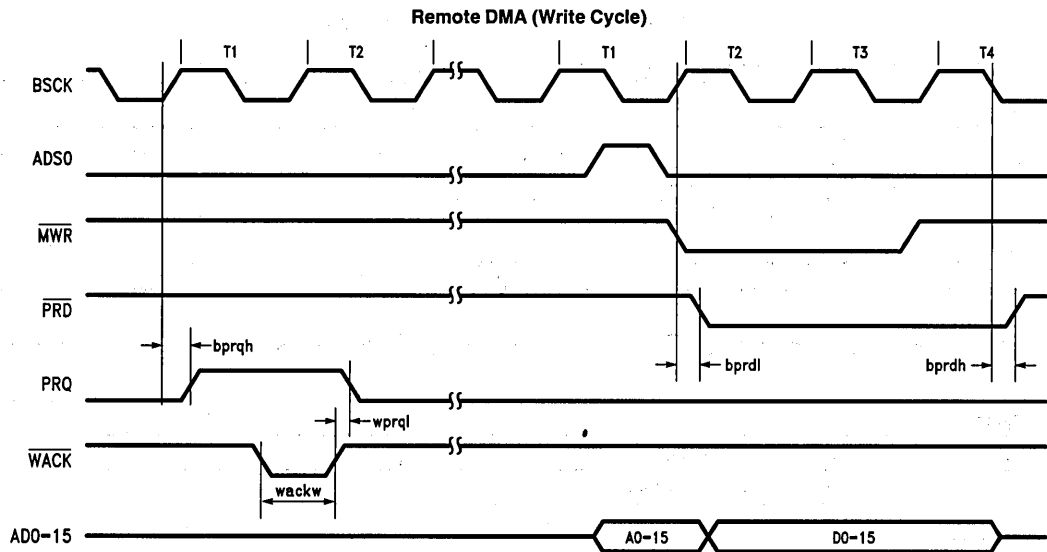
Note 1: Start of next transfer is dependent on where RACK is generated relative to BSCCK and whether or not a local DMA is pending.

Note 2: This is not a measured value but guaranteed by design.

Note 3: RACK must be high for a minimum of 7 BSCCK.

Note 4: Assumes no local DMA interleave, no CS, and immediate BACK.

15.0 Switching Characteristics AC Specs DP83902A **Note:** All Timing is Preliminary (Continued)



TL/F/11157-44

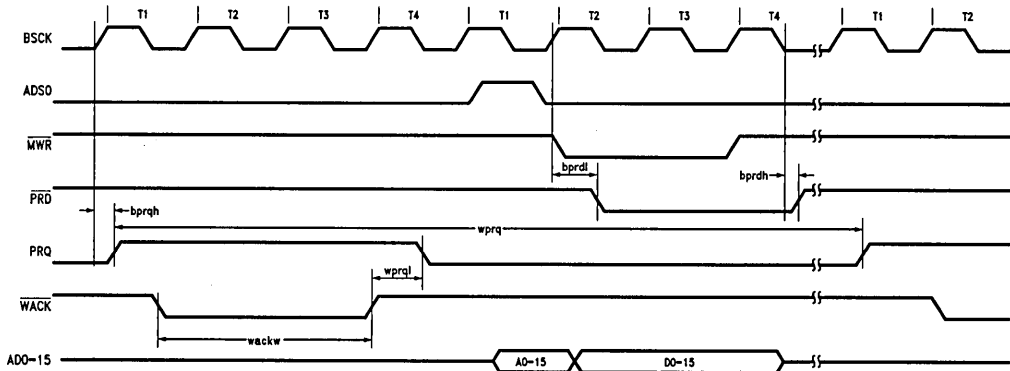
Symbol	Parameter	Min	Max	Units
bprqh	Bus Clock to Port Request High (Note 1)		42	ns
wprql	WACK to Port Request Low		52	ns
wackw	WACK Pulse Width	25		ns
bprdl	Bus Clock to Port Read Low (Note 2)		55	ns
bprdh	Bus Clock to Port Read High		40	ns

Note 1: The first port request is issued in response to the remote write command. It is subsequently issued on T1 clock cycles following completion of remote DMA cycles.

Note 2: The start of the remote DMA write following WACK is dependent on where WACK is issued relative to BSCCK and whether a local DMA is pending.

15.0 Switching Characteristics AC Specs DP83902A Note: All Timing is Preliminary (Continued)

Remote DMA (Write Cycle) Recovery Time



TL/F/11157-45

Symbol	Parameter	Min	Max	Units
bprqh	Bus Clock to Port Request High (Note 1)		42	ns
wprql	\overline{WACK} to Port Request Low		50	ns
wackw	\overline{WACK} Pulse Width	25		ns
bprdl	Bus Clock to Port Read Low (Note 2)		55	ns
bprdh	Bus Clock to Port Read High		40	ns
wprq	Remote Write Port Request to Port Request Time (Notes 3, 4, 5)	12		BSCCK

Note 1: The first port request is issued in response to the remote write command. It is subsequently issued on T1 clock cycles following completion of remote DMA cycles.

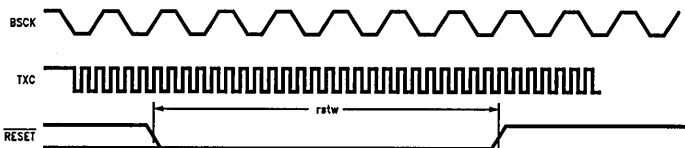
Note 2: The start of the remote DMA write following \overline{WACK} is dependent on where \overline{WACK} is issued relative to BSCCK and whether a local DMA is pending.

Note 3: Assuming wackw < 1 BSCCK, and no local DMA interleave, no \overline{CS} , immediate \overline{BACK} , and \overline{WACK} goes high before T4.

Note 4: \overline{WACK} must be high for a minimum of 7 BSCCK.

Note 5: This is not a measured value but guaranteed by design.

Reset Timing



TL/F/11157-64

Symbol	Parameter	Min	Max	Units
rstw	Reset Pulse Width (Note 1)	8		BSCCK Cycles or TXC Cycles (Note 2)

Note 1: The RESET pulse requires that BSCCK and TXC be stable. On power up, RESET should not be raised until BSCCK and TXC have become stable. Several registers are affected by RESET. Consult the register descriptions for details.

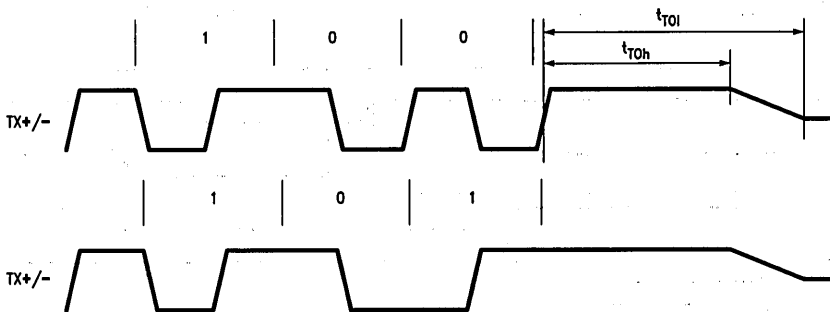
Note 2: The slower of BSCCK or TXC clocks will determine the minimum time for the RESET signal to be low.

If BSCCK < TXC then RESET = 8 × BSCCK

If TXC < BSCCK then RESET = 8 × TXC

15.0 Switching Characteristics AC Specs DP83902A **Note:** All Timing is Preliminary (Continued)

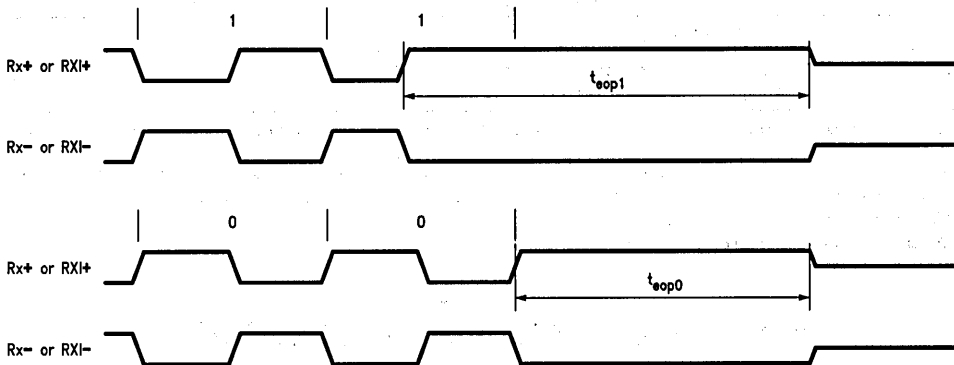
AUI Transmit Timing (End of Packet)



TL/F/11157-46

Symbol	Parameter	Min	Max	Units
t _{TOh}	Transmit Output High before Idle (Half Step)	200		ns
t _{TOl}	Transmit Output Idle Time (Half Step)		8000	ns

AUI/TPI Receive End of Packet Timing



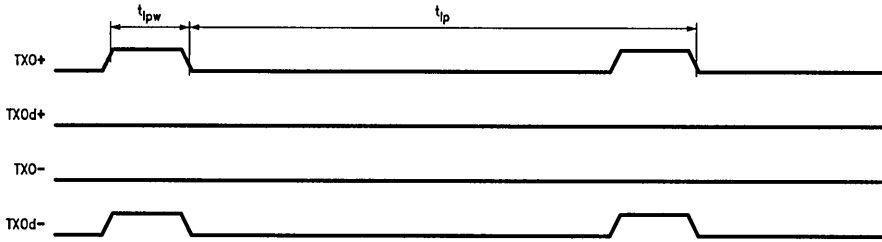
TL/F/11157-47

Symbol	Parameter	Min	Max	Units
teop1	Receive End of Packet Hold Time after Logic "1" (Note 1)	225		ns
teop0	Receive End of Packet Hold Time after Logic "0" (Note 1)	225		ns

Note 1: This parameter is guaranteed by design and is not tested.

15.0 Switching Characteristics AC Specs DP83902A **Note:** All Timing is Preliminary (Continued)

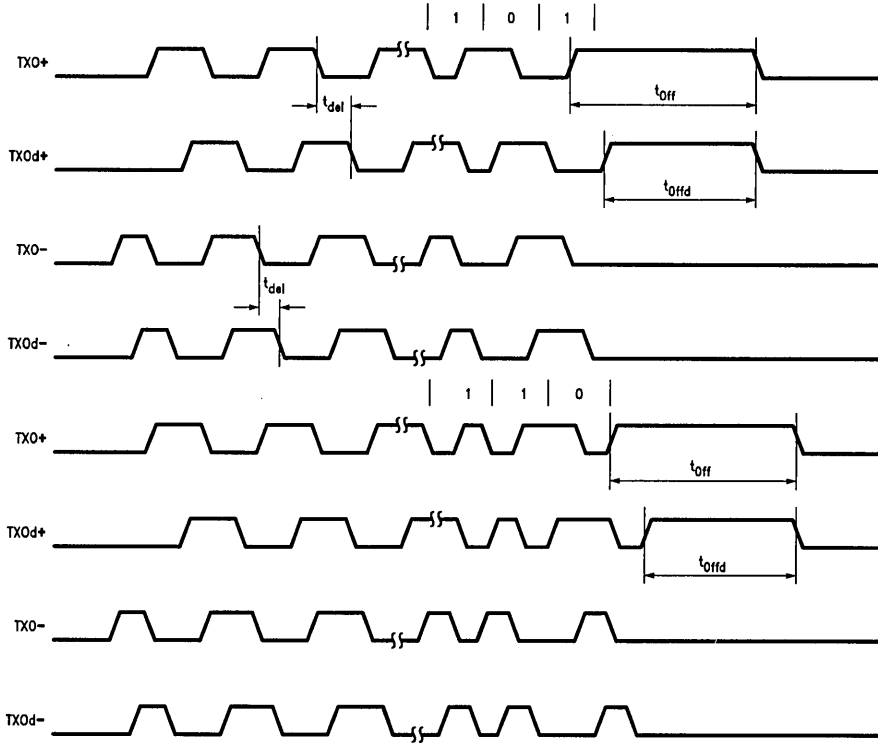
Link Pulse Timing



TL/F/11157-48

Symbol	Parameter	Min	Max	Units
tip	Time between Link Output Pulses	8	24	ms
tipw	Link Integrity Output Pulse Width	80	130	ns

TPI Transmit and End of Packet Timing



TL/F/11157-49

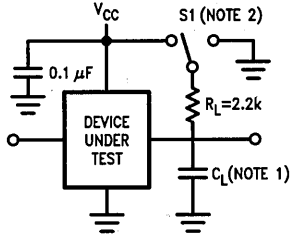
Symbol	Parameter	Min	Max	Units
tdel	Pre-Emphasis Output Delay (TXO± to TXOd±) (Note 1)	46	54	ns
toff	Transmit Hold Time at End of Packet (TXO±) (Note 1)	250		ns
toffd	Transmit Hold Time at End of Packet (TXOd±) (Note 1)	200		ns

Note 1: This parameter is guaranteed by design and is not tested.

16.0 AC Timing Test Conditions

All specifications are valid only if the mandatory isolation is employed and all differential signals are taken to be at the AUI side of the pulse transformer.

Input Pulse Levels (TTL/CMOS)	GND to 3.0V
Input Rise and Fall Times (TTL/CMOS)	5 ns
Input and Output Reference Levels (TTL/CMOS)	1.3V
Input Pulse Levels (Diff.)	-350 mV to -1315 mV
Input and Output Reference Levels (Diff.)	50% Point of the Differential
TRI-STATE Reference Levels	Float (ΔV) $\pm 0.5V$
Output Load (See Figure Below)	



TL/F/11157-50

Note 1: 50 pF, includes scope and jig capacitance.

Note 2: S1 = Open for timing tests for push pull outputs.

S1 = V_{CC} for V_{OL} test.

S1 = GND for V_{OH} test.

S1 = V_{CC} for High Impedance to active low and active low to High Impedance measurements.

S1 = GND for High Impedance to active high and active high to High Impedance measurements.

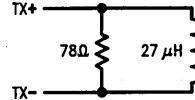
Pin Capacitance $T_A = 25^\circ C, f = 1 \text{ MHz}$

Symbol	Parameter	Typ	Units
C_{IN}	Input Capacitance	7	pF
C_{OUT}	Output Capacitance	7	pF

DERATING FACTOR

Output timing is measured with a purely capacitive load of 50 pF. The following correction factor can be used for other loads: $C_L \geq 50 \text{ pF} + 0.3 \text{ ns/pF}$.

AUI Transmit Test Load



TL/F/11157-51

Note: In the above diagram, the TX+ and TX- signals are taken from the AUI side of the isolation (pulse transformer). The pulse transformer used for all testing is the Pulse Engineering PE64103.

DP83901A SNIC

Serial Network Interface Controller

General Description

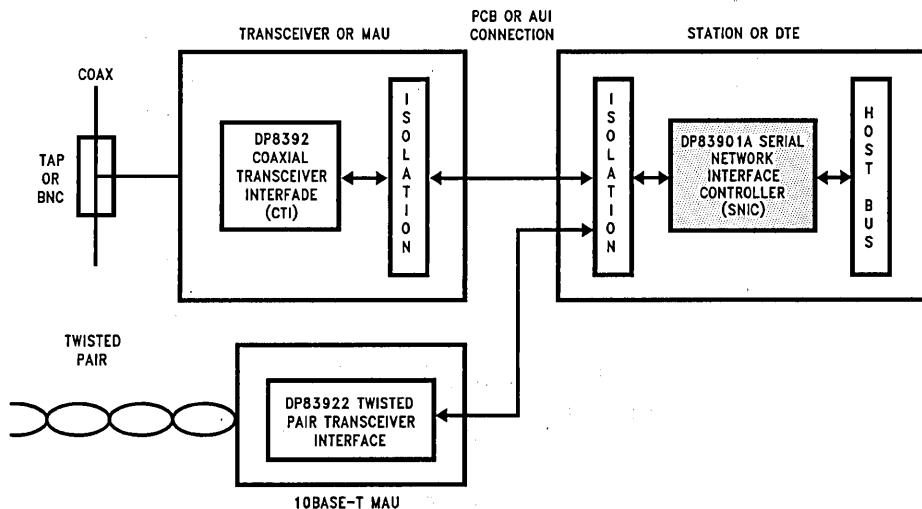
The DP83901A Serial Network Interface Controller (SNIC) is a microCMOS VLSI device designed for easy implementation of CSMA/CD local area networks. These include Ethernet (10BASE5), Thin Ethernet (10BASE2) and Twisted-pair Ethernet (10BASE-T). The overall SNIC solution provides the Media Access Control (MAC) and Encode-Decode (ENDEC) functions in accordance with the IEEE 802.3 standard.

The integrated ENDEC module allows Manchester encoding and decoding via a differential transceiver and phase lock loop at 10 Mbit/sec. Also included is a collision detect translator and diagnostic loopback capability. (Continued)

Features

- Compatible with IEEE 802.3, 10BASE5, 10BASE2, 10BASE-T
- Dual 16-byte DMA channels
- 16-byte internal FIFO
- Network statistics storage
- Supports physical, multicast and broadcast address filtering
- 10 Mbit/sec Manchester encoding and decoding plus clock recovery
- No external precision components required
- Efficient buffer management implementation
- Transmitter can be selected for half or full step mode
- Integrated squelch on receive and collision pairs
- 3 levels of loopback supported
- Utilizes independent system and network clocks
- Lock Time 5 bits typical
- Decodes Manchester data with up to ± 18 ns jitter

1.0 System Diagram



TL/F/10469-1

General Description (Continued)

The MAC function (NIC) provides simple and efficient packet transmission and reception control by means of unique dual DMA channels and an internal FIFO. Bus arbitration and memory control logic are integrated to reduce board cost and area overheads.

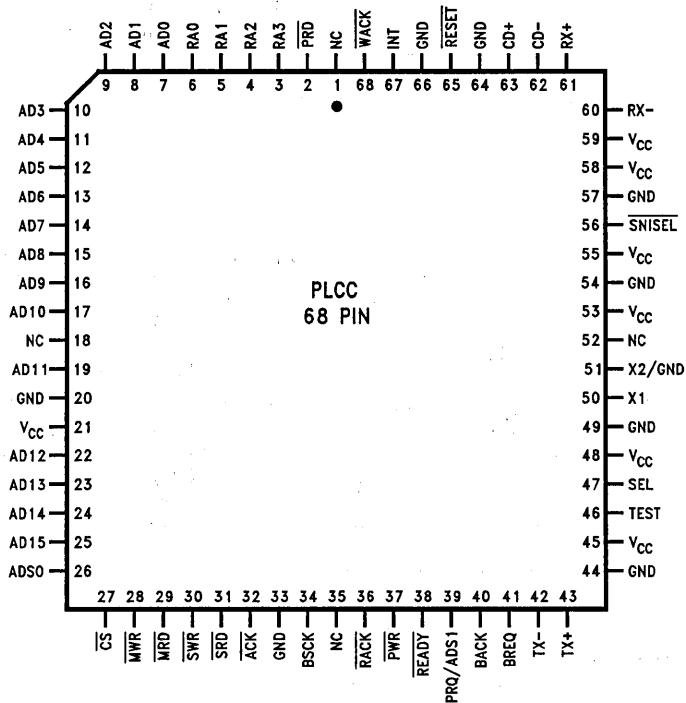
SNIC used in conjunction with the DP8392 Coaxial Transceiver Interface (CTI) provides a comprehensive 2 chip solution for IEEE 802.3 networks and is designed for easy interface to the latest 10BASE-T transceivers.

Due to the inherent constraints of CMOS processing, isolation is required at the differential signal interfaces for 10BASE5 and 10BASE2 applications. Capacitive or inductive isolation may be used.

Table Of Contents

- 1.0 SYSTEM DIAGRAM
- 2.0 PIN DESCRIPTION
- 3.0 BLOCK DIAGRAM
- 4.0 FUNCTIONAL DESCRIPTION
- 5.0 TRANSMIT/RECEIVE PACKET ENCAPSULATION/DECAPSULATION
- 6.0 DIRECT MEMORY ACCESS CONTROL (DMA)
- 7.0 PACKET RECEPTION
- 8.0 PACKET TRANSMISSION
- 9.0 REMOTE DMA
- 10.0 INTERNAL REGISTERS
- 11.0 INITIALIZATION PROCEDURE
- 12.0 LOOPBACK DIAGNOSTICS
- 13.0 BUS ARBITRATION
- 14.0 PRELIMINARY ELECTRICAL CHARACTERISTICS
- 15.0 SWITCHING CHARACTERISTICS
- 16.0 AC TIMING TEST CONDITIONS
- 17.0 PHYSICAL DIMENSIONS

Connection Diagram



Top View

Order Number DP83901AV
See NS Package Number V68A

TL/F/10469-2

Pin Description

Pin No	Pin Name	I/O	Description
BUS INTERFACE PINS			
2	PRD	O	PORT READ: Enables data from external latch on to local bus during a memory write cycle to local memory (remote write operation). This allows asynchronous transfer of data from the system memory to local memory.
3-6	RA0-RA3	I	REGISTER ADDRESS: These four pins are used to select a register to be read or written. The state of these inputs is ignored when the NIC is not in slave mode (\overline{CS} high).
7-17, 19, 22-25	AD0-AD15	I/O, Z	MULTIPLEXED ADDRESS/DATA BUS: <ul style="list-style-type: none"> Register Access, with DMA inactive, \overline{CS} low and \overline{ACK} returned from SNIC, pins AD0-AD7 are used to read and write register data. AD8-AD15 float during I/O transfers, \overline{SRD}, \overline{SWR} pins are used to select direction of transfer. Bus Master with BACK input asserted. <ul style="list-style-type: none"> During t1 of memory cycle AD0-AD15 contain address. During t2, t3, t4 AD0-AD15 contain data (word transfer mode). During t2, t3, t4 AD0-AD7 contain data, AD8-AD15 contain address (byte transfer mode). Direction of transfer is indicated by SNIC on \overline{MWR}, \overline{MRD} lines.
26	ADS0	I/O, Z	ADDRESS STROBE 0: <ul style="list-style-type: none"> Input: with DMA inactive and \overline{CS} low, latches RA0-RA3 inputs on falling edge. If high, data present on RA0-RA3 will flow through latch. Output: When Bus Master, latches address bits (A0-A15) to external memory during DMA transfers.
27	\overline{CS}	O	CHIP SELECT: Chip Select places controller in slave mode for μ P access to internal registers. Must be valid through data portion of bus cycle. RA0-RA3 are used to select the internal register. \overline{SWR} and \overline{SRD} select direction of data transfer.
28	\overline{MWR}	O, Z	MASTER WRITE STROBE: (Strobe for DMA transfers) Active low during write cycles (t2, t3, tw) to buffer memory. Rising edge coincides with the presence of valid output data. TRI-STATE® until BACK asserted.
29	\overline{MRD}	O, Z	MASTER READ STROBE: (Strobe for DMA transfers) Active during read cycles (t2, t3, tw) to buffer memory. Input data must be valid on rising edge of \overline{MRD} . TRI-STATE until BACK asserted.
30	\overline{SWR}	I	SLAVE WRITE STROBE: Strobe from CPU to write an internal register selected by RA0-RA3. Data is latched into the SNIC on the rising edge of this input.
31	\overline{SRD}	I	SLAVE READ STROBE: Strobe from CPU to read an internal register selected by RA0-RA3. The register data is output when \overline{SRD} goes low.
32	\overline{ACK}	O	ACKNOWLEDGE: Active low when SNIC grants access to CPU. Used to insert WAIT states to CPU until SNIC is synchronized for a register read or write operation.
34	BCK	I	BUS CLOCK: This clock is used to establish the period of the DMA memory cycle. Four clock cycles (t1, t2, t3, t4) are used per DMA cycle. DMA transfers can be extended by one BCK increments using the READY input.
36	\overline{RACK}	I	READ ACKNOWLEDGE: Indicates that the system DMA or host CPU has read the data placed in the external latch by the SNIC. The SNIC will begin a read cycle to update the latch.
37	\overline{PWR}	O	PORT WRITE: Strobe used to latch data from the SNIC into external latch for transfer to host memory during Remote Read transfers. The rising edge of \overline{PWR} coincides with the presence of valid data on the local bus.
38	READY	I	READY: This pin is set high to insert wait states during a DMA transfer. The SNIC will sample this signal at t3 during DMA transfers.

Pin Description (Continued)

Pin No	Pin Name	I/O	Description
BUS INTERFACE PINS (Continued)			
39	PRQ/ADS1	O, Z	<p>PORT REQUEST/ADDRESS STROBE 1</p> <ul style="list-style-type: none"> • 32-BIT MODE: If LAS is set in the Data Configuration Register, this line is programmed as $\overline{\text{ADS1}}$. It is used to strobe addresses A16–A31 into external latches. (A16–A31 are the fixed addresses stored in RSAR0, RSAR1). $\overline{\text{ADS1}}$ will remain at TRI-STATE until BACK is received. • 16-BIT MODE: If LAS is not set in the Data Configuration Register, this line is programmed as PRQ and is used for Remote DMA Transfers. The SNIC initiates a single remote DMA read or write operation by asserting this pin. In this mode PRQ will be a standard logic output. <p>Note: This line will power up as TRI-STATE until the Data Configuration Register is programmed.</p>
40	BACK	I	<p>BUS ACKNOWLEDGE: Bus Acknowledge is an active high signal indicating that the CPU has granted the bus to the SNIC. If immediate bus access is desired, BREQ should be tied to BACK. Tying BACK to V_{CC} will result in a deadlock.</p>
41	BREQ	O	<p>BUS REQUEST: Bus Request is an active high signal used to request the bus for DMA transfers. This signal is automatically generated when the FIFO needs servicing.</p>
65	$\overline{\text{RESET}}$	I	<p>RESET: Reset is active low and places the SNIC in a reset immediately, no packets are transmitted or received by the SNIC until STA bit is set. Affects Command Register, Interrupt Mask Register, Data Configuration Register and Transmit Configuration Register. The SNIC will execute reset within 10 BSCK cycles and TXC cycles.</p>
67	INT	O	<p>INTERRUPT: Indicates that the SNIC requires CPU attention after reception transmission or completion of DMA transfers. The interrupt is cleared by writing to the ISR (Interrupt Service Register). All interrupts are maskable.</p>
68	$\overline{\text{WACK}}$	I	<p>WRITE ACKNOWLEDGE: Issued from system to SNIC to indicate that data has been written to the external latch. The SNIC will begin a write cycle to place the data in local memory.</p>
NETWORK INTERFACE PINS			
42, 43	TX– TX+	O	<p>TRANSMIT OUTPUT: Differential driver which sends the encoded data to the transceiver. The outputs are source followers which require 270Ω pulldown resistors.</p>
46	TEST	I	<p>FACTORY TEST INPUT: Used to check the chip's internal functions. Tied low during normal operation.</p>
47	SEL	I	<p>MODE SELECT: When high, Transmit+ and Transmit– are the same voltage in the idle state. When low, Transmit+ is positive with respect to Transmit– in the idle state, at the transformer's primary.</p>
50	X1	I	<p>EXTERNAL OSCILLATOR INPUT</p>
51	GND/X2	O	<p>GROUND/X2: This in should normally be connected to ground. It is possible to use a crystal oscillator using X1 and GND/X2 if certain precautions are taken. Contact National Semiconductor for more information.</p>
56	$\overline{\text{SNISEL}}$	I	<p>FACTORY TEST INPUT: For normal operation tied to V_{CC}. When low enables the ENDEC module to be tested independently of the SNIC module.</p>
60, 61	RX– RX+	I	<p>RECEIVE INPUT: Differential receive input pair from the transceiver.</p>
62, 63	CD– CD+	I	<p>COLLISION INPUT: Differential collision pair input from the transceiver.</p>

Pin Description (Continued)

Pin No	Pin Name	I/O	Description
POWER SUPPLY PINS			
21, 48, 53, 55	V _{CC}		DIGITAL POSITIVE 5V SUPPLY PINS:
20, 33, 49, 54, 66	GND		DIGITAL NEGATIVE (GROUND) SUPPLY PINS: It is suggested that a decoupling capacitor be connected between the V _{CC} and GND pins.
59	V _{CC}		AUI RECEIVE 5V SUPPLY: Power pin supplies 5V to the AUI receiver.
64	GND		AUI RECEIVE GROUND: Ground pin for AUI receiver.
45	V _{CC}		AUI TRANSMIT 5V SUPPLY: Power pin supplies 5V to the AUI transmitter.
44	GND		AUI TRANSMIT GROUND: Ground pin for AUI transmitter
58	V _{CC}		VCO 5V SUPPLY: Care should be taken to reduce noise on this pin as it supplies 5V to the ENDEC's Phase Lock Loop.
57	GND		VCO GROUND PIN: Care should be taken to reduce noise on this pin as it is the ground to the ENDEC's Phase Lock Loop.
NO CONNECTION			
1, 18, 35, 52	NC		NO CONNECTION: Do not connect to these pins.

3.0 Block Diagram

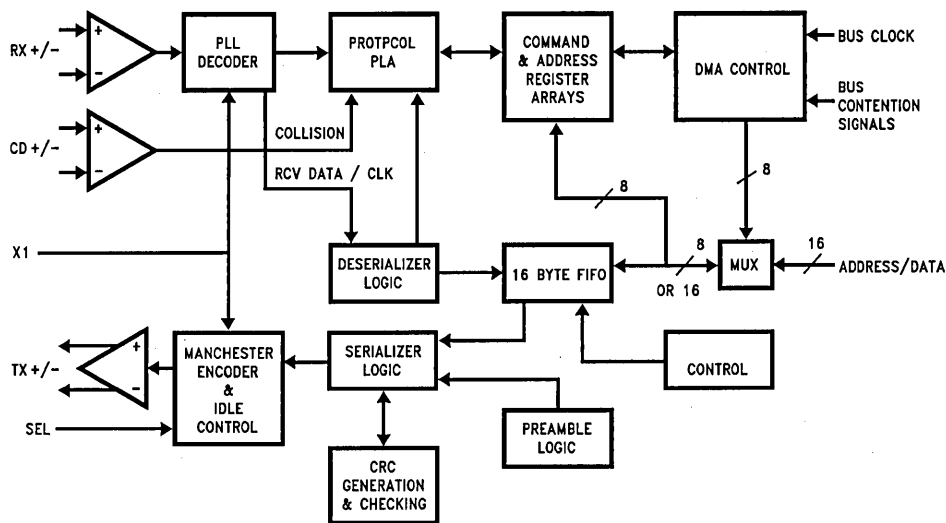


FIGURE 1

TL/F/10469-3

4.0 Functional Description (Refer to Figure 1)

ENCODER/DECODER (ENDEC) MODULE

The ENDEC consists of four main logical blocks:

- The Manchester encoder accepts NRZ data from the controller, encodes the data to Manchester, and transmits it differentially to the transceiver, through the differential transmit driver.
- The Manchester decoder receives Manchester data from the transceiver, converts it to NRZ data and clock pulses, and sends it to the controller.
- The collision translator indicates to the controller the presence of a valid 10 MHz collision signal to the PLL.

MANCHESTER ENCODER AND DIFFERENTIAL DRIVER

The differential transmit pair, on the secondary of the employed transformer, drives up to 50 meters of twisted pair AUJ cable. These outputs are source followers which require two 270 Ω pull-down resistors to ground.

The DP83901A allows both half-step and full-step to be compatible with Ethernet and IEEE 802.3. With the SEL pin low (for Ethernet I). Transmit+ is positive with respect to Transmit- during idle; with SEL high (for IEEE 802.3), Transmit+ and Transmit- are equal in the idle state. This provides zero differential voltage to operate with transformer coupled loads.

MANCHESTER DECODER

The decoder consists of a differential receiver and a PLL to separate a Manchester decoded data stream into internal clock signals and data. The differential input must be externally terminated with two 39 Ω resistors connected in series if the standard 78 Ω transceiver drop cable is used, in thin Ethernet applications, these resistors are optional. To prevent noise from falsely triggering the decoder, a squelch circuit at the input rejects signals with levels less than -175 mV. Signals more negative than -300 mV and a duration greater than 30 ns are decoded. Data becomes valid typically within 5 bit times. The DP83901A may tolerate bit jitter up to 18 ns in the received data. The decoder detects the end of a frame when no more mid-bit transitions are detected.

COLLISION TRANSLATOR

When the Ethernet transceiver (DP8392 CTI) detects a collision, it generates a 10 MHz signal to the differential collision inputs (CD \pm) of the DP83901A. When these inputs are detected active, the DP83901A uses this signal to back off its current transmission and reschedule another one.

The collision differential inputs are terminated the same way as the differential receive inputs. The squelch circuitry is also similar, rejecting pulses with levels less than -175 mV.

NIC (Media Access Control) MODULE

RECEIVE DESERIALIZER

The Receive Deserializer is activated when the input signal Carrier Sense is asserted to allow incoming bits to be shifted into the shift register by the receive clock. The serial receive data is also routed to the CRC generator/checker. The Receive Deserializer includes a synch detector which detects the SFD (Start of Frame Delimiter) to establish where byte boundaries within the serial bit stream are located. After every eight receive clocks, the byte wide data is transferred to the 16-byte FIFO and the Receive Byte Count is incremented. The first six bytes after the SFD are checked for valid comparison by the Address Recognition Logic. If the Address Recognition Logic does not recognize the packet, the FIFO is cleared.

CRC GENERATOR/CHECKER

During transmission, the CRC logic generates a local CRC field for the transmitted bit sequence. The CRC encodes all fields after the SFD. The CRC is shifted out MSB first following the last transmit byte. During reception the CRC logic generates a CRC field from the incoming packet. This local CRC is serially compared to the incoming CRC appended to the end of the packet by the transmitting node. If the local and received CRC match, a specific pattern will be generated and decoded to indicate no data errors. Transmission errors result in different pattern and are detected, resulting in rejection of a packet (if so programmed).

TRANSMIT SERIALIZER

The Transmit Serializer reads parallel data from the FIFO and serializes it for transmission. The serializer is clocked by the transmit clock generated internally. The serial data is also shifted into the CRC generator/checker. At the beginning of each transmission, the Preamble and Synch Generator append 62 bits of 1,0 preamble and a 1,1 synch pattern. After the last data byte of the packet has been serialized the 32-bit FCS field is shifted directly out of the CRC generator. In the event of a collision the Preamble and Synch generator is used to generate a 32-bit JAM pattern of all 1's.

ADDRESS RECOGNITION LOGIC

The address recognition logic compares the Destination Address Field (first 6 bytes of the received packet) to the Physical address registers stored in the Address Register Array. If any one of the six bytes does not match the pre-programmed physical address, the Protocol Control Logic rejects the packet. All multicast destination addresses are filtered using a hashing technique. (See register description.) If the multicast address indexes a bit that has been set in the filter bit array of the Multicast Address Register Array the packet is accepted, otherwise it is rejected by the Proto-

4.0 Functional Description (Continued)

col Control Logic. Each destination address is also checked for all 1's which is the reserved broadcast address.

FIFO AND BUS OPERATIONS

Overview

To accommodate the different rates at which data comes from (or goes to) the network and goes to (or comes from) the system memory, the SNIC contains a 16-byte FIFO for buffering data between the media. The FIFO threshold is programmable, allowing filling (or emptying) the FIFO at different rates. When the FIFO has filled to its programmed threshold, the local DMA channel transfers these bytes (or words) into local memory. It is crucial that the local DMA is given access to the bus within a minimum bus latency time; otherwise a FIFO underrun (or overrun) occurs.

FIFO underruns or overruns are caused by two conditions: (1) the bus latency is so long that the FIFO has filled (or emptied) from the network before the local DMA has serviced the FIFO and (2) the bus latency has slowed the throughput of the local DMA to point where it is slower than the network data rate (10 Mbit/sec). This second condition is also dependent upon DMA clock and word width (byte wide or word wide). The worst case condition ultimately limits the overall bus latency which the SNIC can tolerate.

Beginning of Receive

At the beginning or reception, the SNIC stores entire Address field of each incoming packet in the FIFO to determine whether the packet matches its Physical Address Registers or maps to one of its Multicast Registers. This causes the FIFO to accumulate 8 bytes. Furthermore, there are some synchronization delays in the DMA PLA. Thus, the actual time that BREQ is asserted from the time the Start of Frame Delimiter (SFD) is detected is 7.8 μ s. This operation affects the bus latencies at 2 and 4-byte thresholds during the first receive BREQ since the FIFO must be filled to 8 bytes (or 4 words) before issuing a BREQ.

End of Receive

When the end of a packet is detected by the ENDEC module, the SNIC enters its end of packet processing sequence, emptying its FIFO and writing the status information at the beginning of the packet. The SNIC holds onto the bus for the entire sequence. The longest time BREQ may be extended occurs when a packet ends just as the SNIC performs its last FIFO burst. The SNIC, in this case, performs a programmed burst transfer followed by flushing the remaining bytes in the FIFO, and completed by writing the header information to memory. The following steps occur during this sequence.

1. SNIC issues BREQ because the FIFO threshold has been reached.

2. During the burst, packet ends, resulting in BREQ extended.
3. SNIC flushes remaining bytes from FIFO.
4. SNIC performs internal processing to prepare for writing the header.
5. SNIC writes 4-byte (2-word) header.
6. SNIC de-asserts BREQ.

FIFO Threshold Detection

To assure that no overwriting of data in the FIFO, the FIFO logic flags a FIFO overrun as the 13th byte is written into the FIFO, effectively shortening the FIFO to 13 bytes. The FIFO logic also operates differently in Byte Mode and in Word Mode. In Byte Mode, a threshold is indicated when the $n + 1$ byte has entered the FIFO; thus, with an 8-byte threshold, the SNIC issues Bus Request (BREQ) when the 9th byte has entered the FIFO. For Word Mode, BREQ is not generated until the $n + 2$ bytes have entered the FIFO. Thus, with a 4 word threshold (equivalent to 8-byte threshold), BREQ is issued when the 10th byte has entered the FIFO.

Beginning of Transmit

Before transmitting, the SNIC performs a prefetch from memory to load the FIFO. The number of bytes prefetched is the programmed FIFO threshold. The next BREQ is not issued until after the SNIC actually begins transmitting data, i.e., after SFD.

Reading the FIFO

During normal operation, the FIFO must not be read. The SNIC will not issue an ACKnowledge back to the CPU if the FIFO is read. The FIFO should only be read during loopback diagnostics.

PROTOCOL PLA

The protocol PLA is responsible for implementing the IEEE 802.3 protocol, including collision recovery with random backoff. The Protocol PLA also formats packets during transmission and strips preamble and synch during reception.

DMA AND BUFFER CONTROL LOGIC

The DMA and Buffer Control Logic is used to control two 16-bit DMA channels. During reception, the local DMA stores packets in a receive buffer ring, located in buffer memory. During transmission the Local DMA uses programmed pointer and length registers to transfer a packet from local buffer memory to the FIFO. A second DMA channel is used as a slave DMA to transfer data between the local buffer memory and the host system. The Local DMA and Remote DMA are internally arbitrated, with the Local DMA channel having highest priority. Both DMA channels use a common external bus clock to generate all required bus timing. External arbitration is performed with a standard bus request, bus acknowledge handshake protocol.

5.0 Transmit/Receive Packet Encapsulation/Decapsulation

A standard IEEE 802.3 packet consists of the following fields: preamble, Start of Frame Delimiter (SFD), destination address, source address, length, data, and Frame Check Sequence (FCS). The typical format is shown in *Figure 2*. The packets are Manchester encoded and decoded by the ENDEC module and transferred serially to the NIC module using NRZ data with a clock. All fields are of fixed length except for the data field. The SNIC generates and appends the preamble, SFD and FCS field during transmission. The Preamble and SFD fields are stripped during reception. (The CRC is passed through to buffer memory during reception.)

PREAMBLE AND START OF FRAME DELIMITER (SFD)

The Manchester encoded alternating 1,0 preamble field is used by the ENDEC to acquire bit synchronization with an incoming packet. When transmitted each packet contains 62 bits of alternating 1,0 preamble. Some of this preamble will be lost as the packet travels through the network. The preamble field is stripped by the NIC module. Byte alignment is performed with the Start of Frame Delimiter (SFD) pattern which consists of two consecutive 1's. The SNIC does not treat the SFD pattern as a byte, it detects only the two bit pattern. This allows any preceding preamble within the SFD to be used for phase locking.

DESTINATION ADDRESS

The destination address indicates the destination of the packet on the network and is used to filter unwanted packets from reaching a node. There are three types of address formats supported by the SNIC: physical, multicast and broadcast. The physical address is a unique address that corresponds only to a single node. All physical addresses have an MSB of "0". These addresses are compared to the internally stored physical address registers. Each bit in the destination address must match in order for the SNIC to accept the packet. Multicast addresses begin with an MSB

of "1". The SNIC filters multicast addresses using a standard hashing algorithm that maps all multicast addresses into a 6-bit value. This 6-bit value indexes a 64-bit array that filters the value. If the address consists of all 1's it is a broadcast address, indicating that the packet is intended for all nodes. A promiscuous mode allows reception of all packets: the destination address is not required to match any filters. Physical, broadcast, multicast, and promiscuous address modes can be selected.

SOURCE ADDRESS

The source address is the physical address of the node that sent the packet. Source addresses cannot be multicast or broadcast addresses. This field is simply passed to buffer memory.

LENGTH FIELD

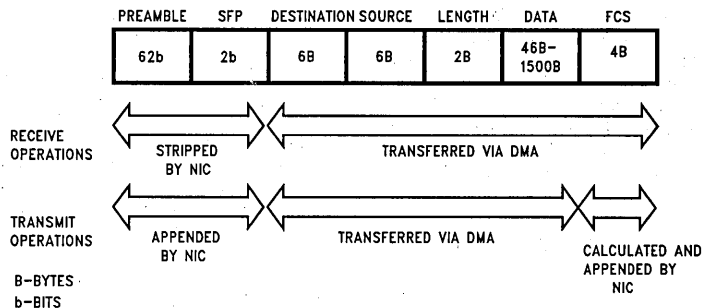
The 2-byte length field indicates the number of bytes that are contained in the data field of the packet. This field is not interpreted by the SNIC.

DATA FIELD

The data field consists of anywhere from 46 to 1500 bytes. Messages longer than 1500 bytes need to be broken into multiple packets. Messages shorter than 46 bytes will require appending a pad to bring the data field to the minimum length of 46 bytes. If the data field is padded, the number of valid data bytes is indicated in the length field. **The SNIC does not strip or append pad bytes for short packets, or check for oversized packets.**

FCS FIELD

The Frame Check Sequence (FCS) is a 32-bit CRC field calculated and appended to a packet during transmission to allow detection of errors when a packet is received. During reception, error free packets result in a specific pattern in the CRC generator. Packets with improper CRC will be rejected. The AUTODIN II ($X^{32} + X^{26} + X^{23} + X^{22} + X^{16} + X^{12} + X^{11} + X^{10} + X^8 + X^7 + X^5 + X^4 + X^2 + X^1 + 1$) polynomial is used for the CRC calculations.



TL/F/10469-5

FIGURE 2

6.0 Direct Memory Access Control (DMA)

The DMA capabilities of the SNIC greatly simplify the use of the DP83901A in typical configurations. The local DMA channel transfers data between the FIFO and memory. On transmission, the packet is DMA'd from memory to the FIFO in bursts. Should a collision occur (up to 15 times), the packet is retransmitted with no processor intervention. On reception, packets are DMAed from the FIFO to the receive buffer ring (as explained below).

A remote DMA channel is also provided on the SNIC to accomplish transfers between a buffer memory and system memory. The two DMA channels can alternatively be combined to form a single 32-bit address with 8- or 16-bit data.

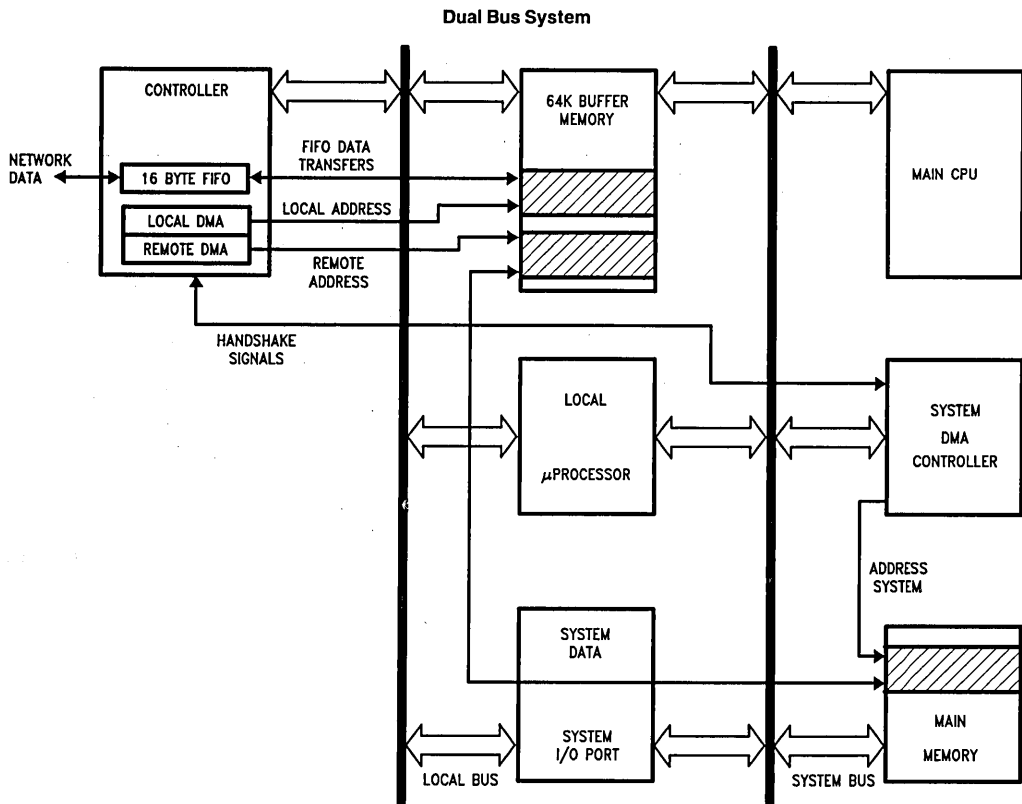
DUAL DMA CONFIGURATION

An example configuration using both the local and remote DMA channels is shown below. Network activity is isolated

on a local bus, where the SNIC's local DMA channel performs burst transfers between the buffer memory and the SNIC's FIFO. The Remote DMA transfers data between the buffer memory and the host memory via a bidirectional I/O port. The Remote DMA provides local addressing capability and is used as a slave DMA by the host. Host side addressing must be provided by a host DMA or the CPU. The SNIC allows Local and Remote DMA operations to be interleaved.

SINGLE CHANNEL DMA OPERATION

If desirable, the two DMA channels can be combined to provide a 32-bit DMA address. The upper 16 bits of the 32-bit address are static and are used to point to a 64 kbyte (or 32k word) page of memory where packets are to be received and transmitted.



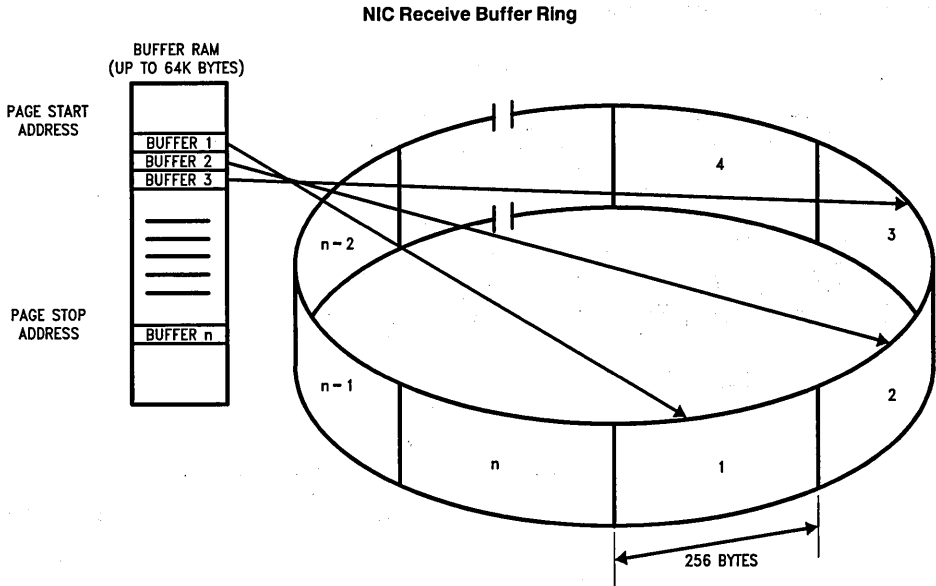
TL/F/10469-6

7.0 Packet Reception

The Local DMA receive channel uses a Buffer Ring Structure comprised of a series of contiguous fixed length 256-byte (128 word) buffers for storage of received packets. The location of the Receive Buffer Ring is programmed in two registers, a Page Start and a Page Stop Register. Ethernet packets consist of a distribution of shorter link control packets and longer data packets, the 256-byte buffer length provides a good compromise between short packets and longer packets to most efficiently use memory. In addition these buffers provide memory resources for storage of back-to-back packets in loaded networks. The assignment of buffers for storing packets is controlled by Buffer Management Logic in the SNIC. The Buffer Management Logic

provides three basic functions: linking receive buffers for long packets, recovery of buffers when a packet is rejected, and recirculation of buffer pages that have been read by the host.

At initialization, a portion of the 64 kbyte (or 32k word) address space is reserved for the receive buffer ring. Two 8-bit registers, The Page Start Address Register (PSTART) and the Page Stop Address Register (PSTOP) define the physical boundaries of where the buffers reside. The SNIC treats the list of buffers as a logical ring; whenever the DMA address reaches the Page Stop Address, the DMA is reset to the Page Start Address.



TL/F/10469-7

7.0 Packet Reception (Continued)

INITIALIZATION OF THE BUFFER RING

Two static registers and two working registers control the operation of the Buffer Ring. These are the Page Start Register, Page Stop Register (both described previously), the Current Page Register and the Boundary Pointer Register. The Current Page Register points to the first buffer used to store a packet and is used to restore the DMA for writing status to the Buffer Ring or for restoring the DMA address in the event of a Runt packet, a CRC, or Frame Alignment error. The Boundary Register points to the first packet in the Ring not yet read by the host. If the local DMA address ever reaches the Boundary, reception is aborted. The Boundary Pointer is also used to initialize the Remote DMA for removing a packet and is advanced when a packet is removed. A

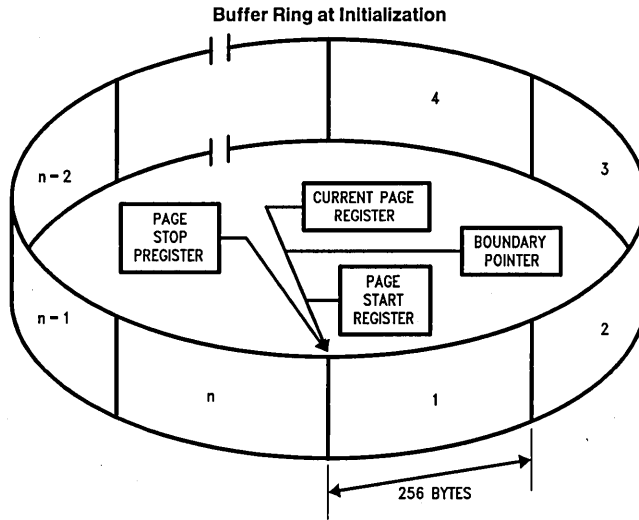
simple analogy to remember the function of these registers is that the Current Page Register acts as a Write Pointer and the Boundary Pointer acts as a Read Pointer.

Note: At initialization, the Page Start Register value should be loaded into both the Current Page Register and the Boundary Pointer Register.

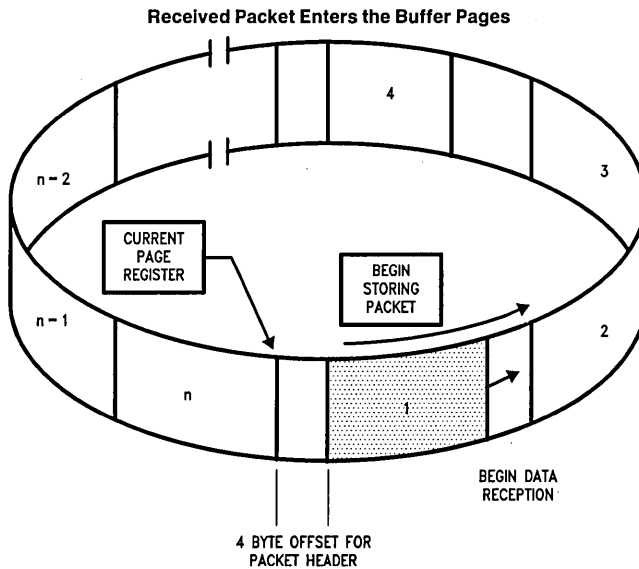
Note: The Page Start Register must not be initialized to 00H.

BEGINNING OF RECEPTION

When the first packet begins arriving the SNIC begins storing the packet at the location pointed to by the Current Page Register. An offset of 4 bytes is saved in this first buffer to allow room for storing receive status corresponding to this packet.



TL/F/10469-8



TL/F/10469-9

7.0 Packet Reception (Continued)

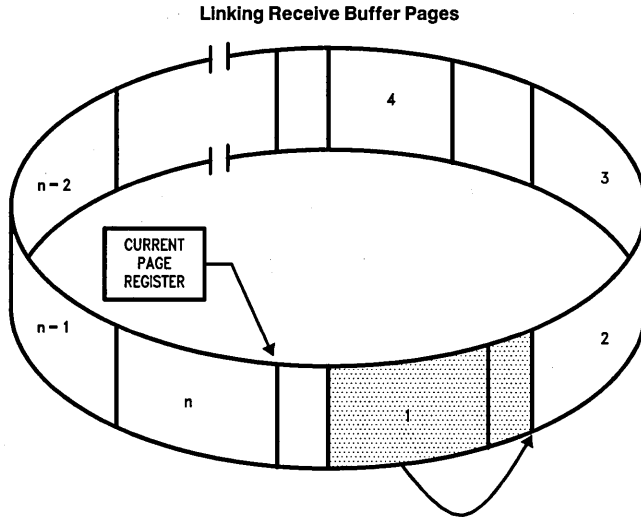
LINKING RECEIVE BUFFER PAGES

If the length of the packet exhausts the first 256-byte buffer, the DMA performs a forward link to the next buffer to store the remainder of the packet. For a maximal length packet the buffer logic will link six buffers to store the entire packet. Buffers cannot be skipped when linking, a packet will always be stored in contiguous buffers. Before the next buffer can be linked, the Buffer Management Logic performs two comparisons. The first comparison tests for equality between the DMA address of the next buffer and the contents of the Page Stop Register. If the buffer address equals the Page Stop Register, the buffer management logic will restore the DMA to the first buffer in the Receive Buffer Ring value programmed in the Page Start Address Register. The second comparison tests for equality between the DMA ad-

dress of the next buffer address and the contents of the Boundary Pointer Register. If the two values are equal the reception is aborted. The Boundary Pointer Register can be used to protect against overwriting any area in the receive buffer ring that has not yet been read. When linking buffers, buffer management will never cross this pointer, effectively avoiding any overwrites. If the buffer address does not match either the Boundary Pointer or Page Stop Address, the link to the next buffer is performed.

Linking Buffers

Before the DMA can enter the next contiguous 256-byte buffer, the address is checked for equality to PSTOP and to the Boundary Pointer. If neither are reached, the DMA is allowed to use the next buffer.



- 1) Check for = to PSTOP
- 2) Check for = to Boundary

TL/F/10469-10

7.0 Packet Reception (Continued)

Buffer Ring Overflow

If the Buffer Ring has been filled and the DMA reaches the Boundary Pointer Address, reception of the incoming packet will be aborted by the SNIC. Thus, the packets previously received and still contained in the Ring will not be destroyed.

In heavily loaded network which cause overflows of the Receive Buffer Ring, the SNIC may disable the local DMA and suspend further receptions even if the Boundary register is advanced beyond the Current register. To guarantee this will not happen, a software reset must be issued during all Receive Buffer Ring overflows (indicated by the OVW bit in the Interrupt Status Register). The following procedure is required to recover from a Receiver Buffer Ring Overflow.

If this routine is not adhered to, the SNIC may act in an unpredictable manner. It should also be noted that it is not permissible to service an overflow interrupt by continuing to empty packets from the receive buffer without implementing the prescribed overflow routine. A flow chart of the SNIC's overflow routine can be found on the next page.

Note: It is necessary to define a variable in the driver, which will be called "Resend".

1. Read and store the value of the TXP bit in the SNIC's Command Register.
2. Issue the STOP command to the SNIC. This is accomplished by setting the STP bit in the SNIC's Command Register. Writing 21H to the Command Register will stop the SNIC.
3. Wait for at least 1.6 ms. Since the SNIC will complete any transmission or reception that is in progress, it is necessary to time out for the maximum possible duration of an Ethernet transmission or reception. By waiting 1.6 ms this is achieved with some guard band added. Previously, it was recommended that the RST bit of the Interrupt Status Register be polled to insure that the pending transmission or reception is completed. This bit is not a reliable indicator and subsequently should be ignored.
4. Clear the SNIC's Remote Byte Count registers (RBCR0 and RBCR1).
5. Read the stored value of the TXP bit from step 1, above. If this value is a 0, set the "Resend" variable to a 0 and jump to step 6. If this value is a 1, read the SNIC's Interrupt Status Register. If either the Packet Transmitted bit (PTX) or Trans-

mit Error bit (TXE) is set to a 1, set the "Resend" variable to a 0 and jump to step 6. If neither of these bits is set, place a 1 in the "Resend" variable and jump to step 6.

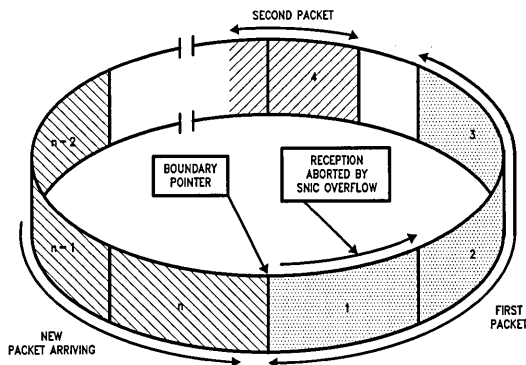
This step determines if there was a transmission in progress when the stop command was issued in step 2. If there was a transmission in progress, the SNIC's ISR is read to determine whether or not the packet was recognized by the SNIC. If neither the PTX nor TXE bit was set, then the packet will essentially be lost and re-transmitted only after a time-out takes place in the upper level software. By determining that the packet was lost at the driver level, a transmit command can be reissued to the SNIC once the overflow routine is completed (as in step 11). Also, it is possible for the SNIC to defer indefinitely, when it is stopped on a busy network. Step 5 also alleviates this problem. Step 5 is essential and should not be omitted from the overflow routine, in order for the SNIC to operate correctly.

6. Place the SNIC in either mode 1 or mode 2 loopback. This can be accomplished by setting bits D2 and D1, of the Transmit Configuration Register, to "0,1" or "1,0", respectively.
7. Issue the START command to the SNIC. This can be accomplished by writing 22H to the Command Register. This is necessary to activate the SNIC's Remote DMA channel.
8. Remove one or more packets from the receive buffer ring.
9. Reset the overwrite warning (OVW, overflow) bit in the Interrupt Status Register.
10. Take the SNIC out of loopback. This is done by writing the Transmit Configuration Register with the value it contains during normal operation. (Bits D2 and D1 should both be programmed to 0.)
11. If the "Resend" variable is set to a 1, reset the "Resend" variable and reissue the transmit command. This is done by writing a value of 26H to the Command Register. If the "Resend" variable is 0, nothing needs to be done.

Note 1: If Remote DMA is not being used, the SNIC does not need to be started before packets can be removed from the receive buffer ring. Hence, step 8 could be done before step 7.

Note 2: When the SNIC is in STOP mode, the Missed Talley Counter is disabled.

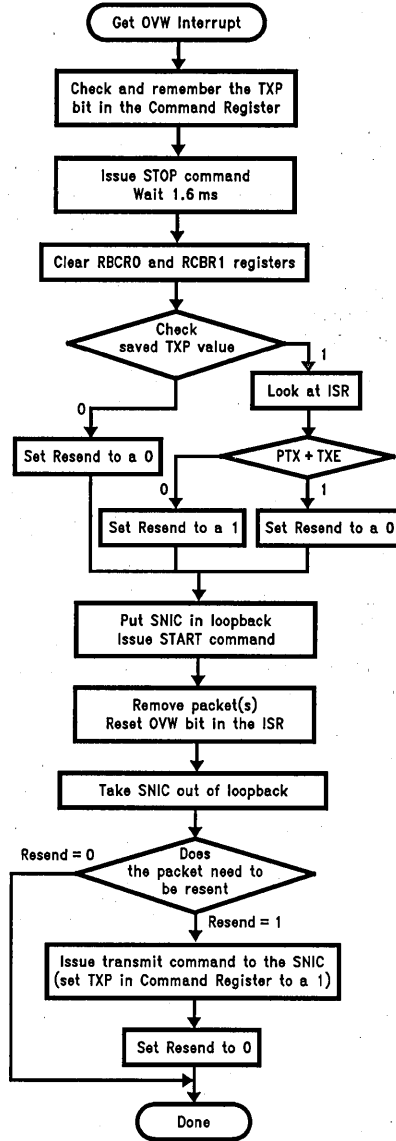
Received Packet Aborted If It Hits Boundary



TL/F/10469-11

7.0 Packet Reception (Continued)

Overflow Routine Flow Chart



TL/F/10469-52

7.0 Packet Reception (Continued)

Enabling the SNIC On An Active Network

After the SNIC has been initialized the procedure for disabling and then re-enabling the SNIC on the network is similar to handling Receive Buffer Ring overflow as described previously.

1. Program Command Register for page 0 (Command Register = 21H)
2. Initialize Data Configuration Register (DCR)
3. Clear Remote Byte Count Registers (RBCR0, RBCR1)
4. Initialize Receive Configuration Register (RCR)
5. Place the SNIC in LOOPBACK mode 1 or 2 (Transmit Configuration Register = 02H or 04H)
6. Initialize Receive Buffer Ring: Boundary Pointer (BNDRY), Page Start (PSTART), and Page Stop (PSTOP)
7. Clear Interrupt Status Register (ISR) by writing 0FFH to it.
8. Initialize Interrupt Mask Register (IMR)
9. Program Command Register for page 1 (Command Register = 61H)
 - i) Initialize Physical Address Registers (PAR0–PAR5)
 - ii) Initialize Multicast Address Registers (MAR0–MAR7)
 - iii) Initialize CURRent pointer

10) Put SNIC in START mode (Command Register = 22H).
The local receive DMA is still not active since the SNIC is in LOOPBACK.

11) Initialize the Transmit Configuration for the intended value. The SNIC is now ready for transmission and reception.

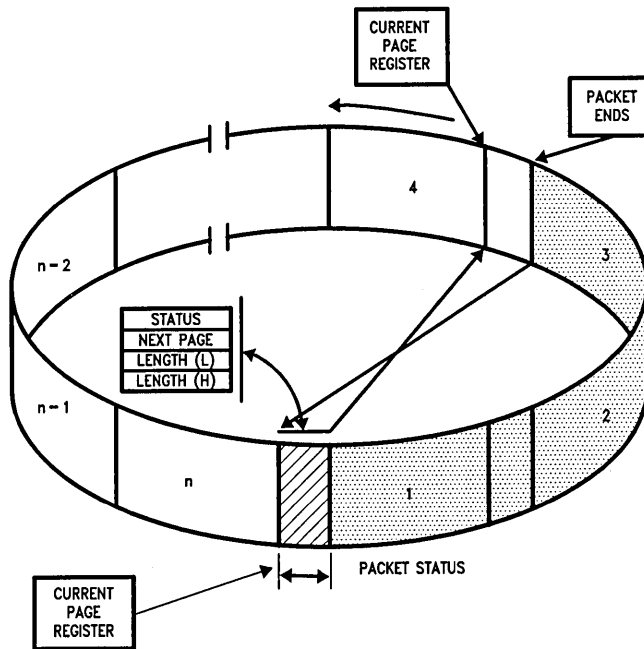
END OF PACKET OPERATIONS

At the end of the packet the SNIC determines whether the received packet is to be accepted or rejected. It either branches to a routine to store the Buffer Header or to another routine that recovers the buffers used to store the packet.

SUCCESSFUL RECEPTION

If the packet is successfully received, the DMA is restored to the first buffer used to store the packet (pointed to by the Current Page Register). The DMA then stores the Receive Status, a Pointer to where the next packet will be stored (Buffer 4) and the number of received bytes. Note that the remaining bytes in the last buffer are discarded and reception of the next packet begins on the next empty 256-byte buffer boundary. The Current Page Register is then initialized to the next available buffer in the Buffer Ring. (The location of the next buffer had been previously calculated and temporarily stored in an internal scratchpad register.)

Termination of Received Packet—Packet Accepted



TL/F/10469-12

7.0 Packet Reception (Continued)

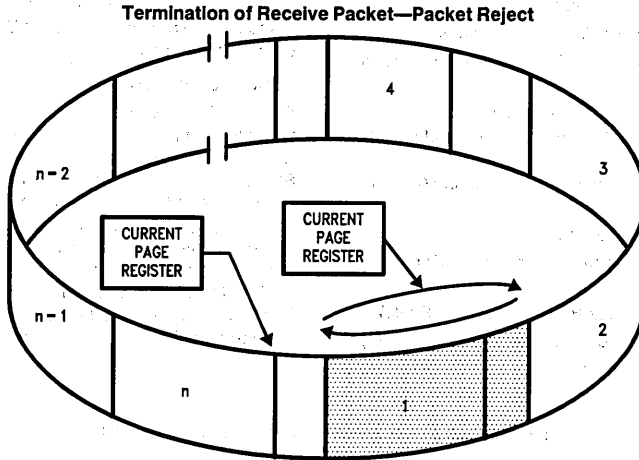
BUFFER RECOVERY FOR REJECTED PACKETS

If the packet is a runt packet or contains CRC or Frame Alignment errors, it is rejected. The buffer management logic resets the DMA back to the first buffer page used to store the packet (pointed to by CURR), recovering all buffers that had been used to store the rejected packet. This operation will not be performed if the SNIC is programmed to accept either runt packets or packets with CRC or Frame Alignment

errors. The received CRC is always stored in buffer memory after the last byte of received data for the packet.

Error Recovery

If the packet is rejected as shown, the DMA is restored by the SNIC by reprogramming the DMA starting address pointed to by the Current Page Register.



TL/F/10469-13

7.0 Packet Reception (Continued)

REMOVING PACKETS FROM THE RING

Packets are removed from the ring using the Remote DMA or an external device. When using the Remote DMA the Send Packet command can be used. This programs the Remote DMA to automatically remove the received packet pointed to by the Boundary Pointer. At the end of the transfer, the SNIC moves the Boundary Pointer, freeing additional buffers for reception. The Boundary Pointer can also be moved manually by programming the Boundary Register.

STORAGE FORMAT FOR RECEIVED PACKETS

The following diagrams describe the format for how received packets are placed into memory by the local DMA channel. These modes are selected in the Data Configuration Register.

AD15	AD8	AD7	AD0
Next Packet Pointer		Receive Status	
Receive Byte Count 1		Receive Byte Count 0	
Byte 2		Byte 1	

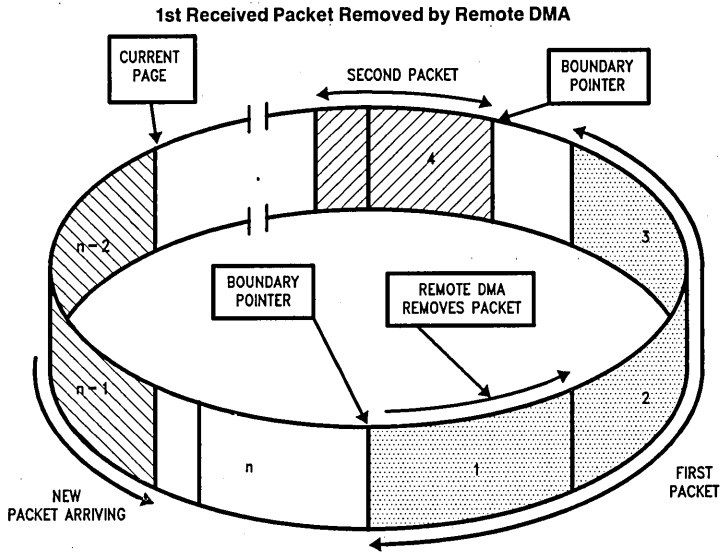
BOS = 0, WTS = 1 in Data Configuration Register. This format is used with Series 32xx, or 808xx processors.

AD15	AD8	AD7	AD0
Next Packet Pointer		Receive Status	
Receive Byte Count 0		Receive Byte Count 1	
Byte 1		Byte 2	

BOS = 1, WTS = 1 in Data Configuration Register. This format is used with 680x0 type processors. (Note: The Receive Count ordering remains the same for BOS = 0 or 1.)

Receive Status
Next Packet Pointer
Receive Byte Count 0
Receive Byte Count 1
Byte 0
Byte 1

BOS = 0, WTS = 0 in Data Configuration Register. This format is used with general 8-bit processors.



TL/F/10469-14

8.0 Packet Transmission

The Local DMA is also used during transmission of a packet. Three registers control the DMA transfer during transmission, a Transmit Page Start Address Register (TPSR) and the Transmit Byte Count Registers (TBCR0, 1). When the SNIC receives a command to transmit the packet pointed to by these registers, buffer memory data will be moved into the FIFO as required during transmission. The SNIC will generate and append the preamble, synch and CRC fields.

General Transmit Packet Format

Transmit	Destination Address	6 Bytes
Byte	Source Address	6 Bytes
Count	Type/Length	2 Bytes
TBCR0, 1	Data Pad (If Data < 46 Bytes)	≥ 46 Bytes

TRANSMIT PACKET ASSEMBLY

The SNIC requires a contiguous assembled packet with the format shown. The transmit byte count includes the Destination Address, Source Address, Length Field and Data. It does not include preamble and CRC. When transmitting data smaller than 46 bytes, the packet must be padded to a minimum size of 64 bytes. The programmer is responsible for adding and stripping pad bytes.

TRANSMISSION

Prior to transmission, the TPSR (Transmit Page Start Register) and TBCR0, TBCR1 (Transmit Byte Count Registers) must be initialized. To initiate transmission of the packet the TXP bit in the Command Register is set. The Transmit Status Register (TSR) is cleared and the SNIC begins to prefetch transmit data from memory (unless the SNIC is currently receiving). If the interframe gap has timed out the SNIC will begin transmission.

CONDITIONS REQUIRED TO BEGIN TRANSMISSION

In order to transmit a packet, the following three conditions must be met:

1. The Interframe Gap Timer has timed out the first 6.4 μ s of the Interframe Gap.
2. At least one byte has entered the FIFO. (This indicates that the burst transfer has been started.)
3. If a collision had been detected then before transmission the packet time must have timed out.

In typical systems the SNIC prefetches the first burst of bytes before the 6.4 μ s timer expires. The time during which SNIC transmits preamble can also be used to load the FIFO.

Note: If carrier sense is asserted before a byte has been loaded into the FIFO, the SNIC will become a receiver.

COLLISION RECOVERY

During transmission, the Buffer Management logic monitors the transmit circuitry to determine if a collision has occurred. If a collision is detected, the Buffer Management logic will reset the FIFO and restore the Transmit DMA pointers for retransmission of the packet. The COL bit will be set in the TSR and the NCR (Number of Collisions Register) will be incremented. If 15 retransmissions each result in a collision the transmission will be aborted and the ABT bit in the TSR will be set.

Note: NCR reads as zeroes if excessive collisions are encountered.

TRANSMIT PACKET ASSEMBLY FORMAT

The following diagrams describe the format for how packets must be assembled prior to transmission for different byte ordering schemes. The various formats are selected in the Data Configuration Register.

D15	D8	D7	D0
Destination Address 1		Destination Address 0	
Destination Address 3		Destination Address 2	
Destination Address 5		Destination Address 4	
Source Address 1		Source Address 0	
Source Address 3		Source Address 2	
Source Address 5		Source Address 4	
Type/Length 1		Type/Length 0	
Data 1		Data 0	

BOS = 0, WTS = 1 in Data Configuration Register.

This format is used with Series 32xxx, or 808xx processors.

D15	D8	D7	D0
Destination Address 0		Destination Address 1	
Destination Address 2		Destination Address 3	
Destination Address 4		Destination Address 5	
Source Address 0		Source Address 1	
Source Address 2		Source Address 3	
Source Address 4		Source Address 5	
Type/Length 0		Type/Length 1	
Data 0		Data 1	

BOS = 1, WTS = 1 in Data Configuration Register.

This format is used with 680x0 type processors.

D1	D0
Destination Address 0	
Destination Address 1	
Destination Address 2	
Destination Address 3	
Destination Address 4	
Destination Address 5	
Source Address 0	
Source Address 1	
Source Address 2	
Source Address 3	
Source Address 4	
Source Address 5	

BOS = 0, WTS = 0 in Data Configuration Register.

This format is used with general 8-bit processors.

Note: All examples above will result in a transmission of a packet in order of DA0, DA1, DA3 ... bits within each byte will be transmitted least significant bit first.

DA = Destination Address.

9.0 Remote DMA

The Remote DMA channel is used to both assemble packets for transmission, and to remove received packets from the Receive Buffer Ring. It may also be used as a general purpose slave DMA channel for moving blocks of data or commands between host memory and local buffer memory. There are three modes of operation, Remote Write, Remote Read, or Send Packet.

Two register pairs are used to control the Remote DMA, a Remote Start Address (RSAR0, RSAR1) and a Remote Byte Count (RBCR0, RBCR1) register pair. The Start Address Register pair points to the beginning of the block to be moved while the Byte Count Register pair is used to indicate the number of bytes to be transferred. Full handshake logic is provided to move data between local buffer memory and a bidirectional I/O port.

REMOTE WRITE

A Remote Write transfer is used to move a block of data from the host into local buffer memory. The Remote DMA will read data from the I/O port and sequentially write it to local buffer memory beginning at the Remote Start Address. The DMA Address will be incremented and the Byte Counter will be decremented after each transfer. The DMA is terminated when the Remote Byte Count Register reaches a count of zero.

REMOTE READ

A Remote Read transfer is used to move a block of data from local buffer memory to the host. The Remote DMA will

sequentially read data from the local buffer memory, beginning at the Remote Start Address, and write data to the I/O port. The DMA Address will be incremented and the Byte Counter will be decremented after each transfer. The DMA is terminated when the Remote Byte Count Register reaches zero.

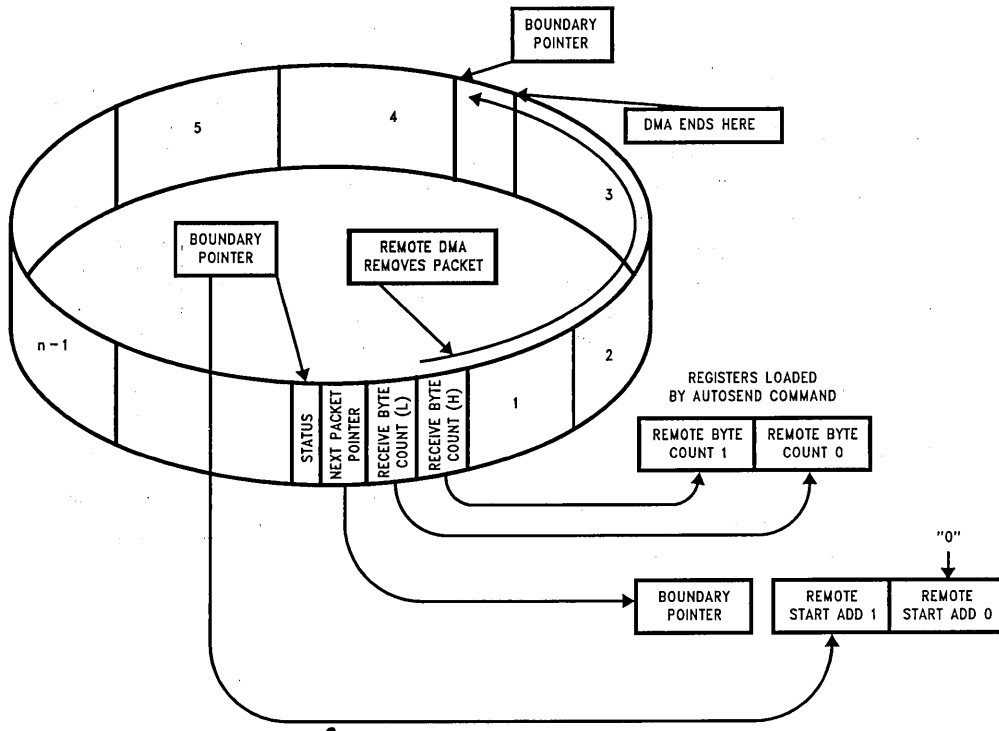
SEND PACKET COMMAND

The Remote DMA channel can be automatically initialized to transfer a single packet from the Receive Buffer Ring. The CPU begins this transfer by issuing a "Send Packet" Command. The DMA will be initialized to the value of the Boundary Pointer Register and the Remote Byte Count Register pair (RBCR0, RBCR1) will be initialized to the value of the Receive Byte Count fields found in the Buffer Header of each packet. After the data is transferred, the Boundary Pointer is advanced to allow the buffers to be used for new receive packets. The Remote Read will terminate when the Byte Count equals zero. The Remote DMA is then prepared to read the next packet from the Receive Buffer Ring. If the DMA pointer crosses the Page Stop Register, it is reset to the Page Start Address. This allows the Remote DMA to remove packets that have wrapped around to the top of the Receive Buffer Ring.

Note 1: In order for the SNIC to correctly execute the Send Packet Command, the upper Remote Byte Count Register (RBCR1) must first be loaded with 0FH.

Note 2: The Send Packet command cannot be used with 680x0 type processors.

Remote DMA Autoinitialization from Buffer Ring



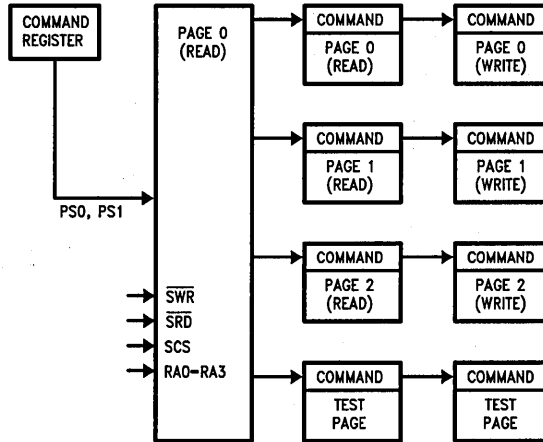
TL/F/10469-15

10.0 Internal Registers

All registers are 8-bit wide and mapped into four pages which are selected in the Command Register (PS0, PS1). Pins RA0-RA3 are used to address registers within each page. Page 0 registers are those registers which are com-

monly accessed during SNIC operation while page 1 registers are used primarily for initialization. The registers are partitioned to avoid having to perform two write/read cycles to access commonly used registers.

10.1 REGISTER ADDRESS MAPPING



TL/F/10469-16

10.2 REGISTER ADDRESS ASSIGNMENTS

Page 0 Address Assignments (PS1 = 0, PS0 = 0)

RA0-RA3	RD	WR
00H	Command (CR)	Command (CR)
01H	Current Local DMA Address 0 (CLDA0)	Page Start Register (PSTART)
02H	Current Local DMA Address 1 (CLDA1)	Page Stop Register (PSTOP)
03H	Boundary Pointer (BNRY)	Boundary Pointer (BNRY)
04H	Transmit Status Register (TSR)	Transmit Page Start Address (TPSR)
05H	Number of Collisions Register (NCR)	Transmit Byte Count Register 0 (TBCR0)
06H	FIFO (FIFO)	Transmit Byte Count Register 1 (TBCR1)
07H	Interrupt Status Register (ISR)	Interrupt Status Register (ISR)
08H	Current Remote DMA Address 0 (CRDA0)	Remote Start Address Register 0 (RSAR0)

RA0-RA3	RD	WR
09H	Current Remote DMA Address 1 (CRDA1)	Remote Start Address Register 1 (RSAR1)
0AH	Reserved	Remote Byte Count Register 0 (RBCR0)
0BH	Reserved	Remote Byte Count Register 1 (RBCR1)
0CH	Receive Status Register (RSR)	Receive Configuration Register (RCR)
0DH	Tally Counter 0 (Frame Alignment Errors) (CNTR0)	Transmit Configuration Register (TCR)
0EH	Tally Counter 1 (CRC Errors) (CNTR1)	Data Configuration Register (DCR)
0FH	Tally Counter 2 Missed Packet Errors) (CNTR2)	Interrupt Mask Register (IMR)

10.0 Internal Registers (Continued)

Page 1 Address Assignments (PS1 = 0, PS0 = 1)

RA0-RA3	RD	WR
00H	Command (CR)	Command (CR)
01H	Physical Address Register 0 (PAR0)	Physical Address Register 0 (PAR0)
02H	Physical Address Register 1 (PAR1)	Physical Address Register 1 (PAR1)
03H	Physical Address Register 2 (PAR2)	Physical Address Register 2 (PAR2)
04H	Physical Address Register 3 (PAR3)	Physical Address Register 3 (PAR3)
05H	Physical Address Register 4 (PAR4)	Physical Address Register 4 (PAR4)
06H	Physical Address Register 5 (PAR5)	Physical Address Register 5 (PAR5)
07H	Current Page Register (CURR)	Current Page Register (CURR)
08H	Multicast Address Register 0 (MAR0)	Multicast Address Register 0 (MAR0)
09H	Multicast Address Register 1 (MAR1)	Multicast Address Register 1 (MAR1)
0AH	Multicast Address Register 2 (MAR2)	Multicast Address Register 2 (MAR2)
0BH	Multicast Address Register 3 (MAR3)	Multicast Address Register 3 (MAR3)
0CH	Multicast Address Register 4 (MAR4)	Multicast Address Register 4 (MAR4)
0DH	Multicast Address Register 5 (MAR5)	Multicast Address Register 5 (MAR5)
0EH	Multicast Address Register 6 (MAR6)	Multicast Address Register 6 (MAR6)
0FH	Multicast Address Register 7 (MAR7)	Multicast Address Register 7 (MAR7)

Page 2 Address Assignments (PS1 = 1, PS0 = 0)

RA0-RA3	RD	WR
00H	Command (CR)	Command (CR)
01H	Page Start Register (PSTART)	Current Local DMA Address 0 (CLDA0)
02H	Page Stop Register (PSTOP)	Current Local DMA Address 1 (CLDA1)
03H	Remote Next Packet Pointer	Remote Next Packet Pointer
04H	Transmit Page Start Address (TPSR)	Reserved
05H	Local Next Packet Pointer	Local Next Packet Pointer
06H	Address Counter (Upper)	Address Counter (Upper)
07H	Address Counter (Lower)	Address Counter (Lower)
08H	Reserved	Reserved
09H	Reserved	Reserved
0AH	Reserved	Reserved
0BH	Reserved	Reserved
0CH	Receive Configuration Register (RCR)	Reserved
0DH	Transmit Configuration Register (TCR)	Reserved
0EH	Data Configuration Register (DCR)	Reserved
0FH	Interrupt Mask Register (IMR)	Reserved

Note: Page 2 registers should only be accessed for diagnostic purposes. They should not be modified during normal operation.
Page 3 should never be modified.

10.0 Internal Registers (Continued)

10.3 REGISTER DESCRIPTIONS

COMMAND REGISTER (CR) 00H (READ/WRITE)

The Command Register is used to initiate transmissions, enable or disable Remote DMA operations and to select register pages. To issue a command the microprocessor sets the corresponding bit(s) (RD2, RD1, RD0, TXP). Further commands may be overlapped, but with the following rules: (1) If a transmit command overlaps with a remote DMA operation, bits RD0, RD1, and RD2 must be maintained for the remote DMA command when setting the TXP bit. Note, if a remote DMA command is re-issued when giving the transmit command, the DMA will complete immediately if the remote byte count register has not been reinitialized. (2) If a remote DMA operation overlaps a transmission, RD0, RD1, and RD2 may be written with the desired values and a "0" written to the TXP bit. Writing a "0" to this bit has no effect. (3) A remote write DMA may not overlap remote read operation or visa versa. Either of these operations must either complete or be aborted before the other operation may start. Bits PS1, PS0, RD2, and STP may be set any time.

7	6	5	4	3	2	1	0
PS1	PS0	RD2	RD1	RD0	TXP	STA	STP

Bit	Symbol	Description																								
D0	STP	<p>Stop: Software reset command, takes the controller offline, no packets will be received or transmitted. Any reception or transmission in progress will continue to completion before entering the reset state. To exit this state, the STP bit must be reset and the STA bit must be set high. To perform a software reset, this bit should be set high. The software reset has executed only when indicated by the RST bit in the ISR being set to 1. STP powers up high.</p> <p>Note: If the SNIC has previously been in start mode and the STP is set, both the STP and STA bits will remain set.</p>																								
D1	STA	<p>Start: This bit is used to activate the SNIC after either power up, or when the SNIC has been placed in a reset mode by software command or error. STA powers up low.</p>																								
D2	TXP	<p>Transmit Packet: This bit must be set to initiate transmission of a packet. TXP is internally reset either after the transmission is completed or aborted. This bit should be set only after the Transmit Byte Count and Transmit Page Start registers have been programmed.</p>																								
D3, D4, and D5	RD0, RD1, and RD2	<p>Remote DMA Command: These three encoded bits control operation of the Remote DMA channel. RD2 can be set to abort any Remote DMA command in progress. The Remote Byte Count Registers should be cleared when a Remote DMA has been aborted. The Remote Start Addresses are not restored to the starting address if the Remote DMA is aborted.</p> <table border="1"> <thead> <tr> <th>RD2</th> <th>RD1</th> <th>RD0</th> <th></th> </tr> </thead> <tbody> <tr> <td>0</td> <td>0</td> <td>0</td> <td>Not Allowed</td> </tr> <tr> <td>0</td> <td>0</td> <td>1</td> <td>Remote Read</td> </tr> <tr> <td>0</td> <td>1</td> <td>0</td> <td>Remote Write (Note 2)</td> </tr> <tr> <td>0</td> <td>1</td> <td>1</td> <td>Send Packet</td> </tr> <tr> <td>1</td> <td>X</td> <td>X</td> <td>Abort/Complete Remote DMA (Note 1)</td> </tr> </tbody> </table> <p>Note 1: If a remote DMA operation is aborted and the remote byte count has not decremented to zero, PRQ will remain high. A read acknowledge (RACK) on a write acknowledge (WACK) will reset PRQ low.</p> <p>Note 2: For proper operation of the Remote Write DMA, there are two steps which must be performed before using the Remote Write DMA. The steps are as follows:</p> <ol style="list-style-type: none"> I) Write a non-zero value into RBCR0. II) Set bits RD2, RD1, and RD0 to 0, 0, and 1. III) Issue the Remote Write DMA Command (RD2, RD1, RD0 = 0, 1, 0). 	RD2	RD1	RD0		0	0	0	Not Allowed	0	0	1	Remote Read	0	1	0	Remote Write (Note 2)	0	1	1	Send Packet	1	X	X	Abort/Complete Remote DMA (Note 1)
RD2	RD1	RD0																								
0	0	0	Not Allowed																							
0	0	1	Remote Read																							
0	1	0	Remote Write (Note 2)																							
0	1	1	Send Packet																							
1	X	X	Abort/Complete Remote DMA (Note 1)																							
D6 and D7	PS0 and PS1	<p>Page Select: These two encoded bits select which register page is to be accessed with addresses RA0-3.</p> <table border="1"> <thead> <tr> <th>PS1</th> <th>PS0</th> <th></th> </tr> </thead> <tbody> <tr> <td>0</td> <td>0</td> <td>Register Page 0</td> </tr> <tr> <td>0</td> <td>1</td> <td>Register Page 1</td> </tr> <tr> <td>1</td> <td>0</td> <td>Register Page 2</td> </tr> <tr> <td>1</td> <td>1</td> <td>Reserved</td> </tr> </tbody> </table>	PS1	PS0		0	0	Register Page 0	0	1	Register Page 1	1	0	Register Page 2	1	1	Reserved									
PS1	PS0																									
0	0	Register Page 0																								
0	1	Register Page 1																								
1	0	Register Page 2																								
1	1	Reserved																								

10.0 Internal Registers (Continued)

10.3 REGISTER DESCRIPTIONS (Continued)

INTERRUPT STATUS REGISTER (ISR) 07H (READ/WRITE)

This register is accessed by the host processor to determine the cause of an interrupt. Any interrupt can be masked in the Interrupt Mask Register (IMR). Individual interrupt bits are cleared by writing a "1" into the corresponding bit of the ISR. The INT signal is active as long as any unmasked signal is set, and will not go low until all unmasked bits in this register have been cleared. The ISR must be cleared after power up by writing it with all 1's.

7	6	5	4	3	2	1	0
RST	RDC	CNT	OVW	TXE	RXE	PTX	PRX

Bit	Symbol	Description
D0	PRX	Packet Received: Indicates packet received with no errors.
D1	PTX	Packet Transmitted: Indicates packet transmitted with no errors.
D2	RXE	Receive Error: Indicates that a packet was received with one or more of the following errors: — CRC Error — Frame Alignment Error — FIFO Overrun — Missed Packet
D3	TXE	Transmit Error: Set when packet transmitted with one or more of the following errors: — Excessive Collisions — FIFO Underrun
D4	OVW	Overwrite Warning: Set when receive buffer ring storage resources have been exhausted. (Local DMA has reached Boundary Pointer)
D5	CNT	Counter Overflow: Set when MSB of one or more of the Network Tally Counters has been set.
D6	RDC	Remote DMA Complete: Set when Remote DMA operation has been completed.
D7	RST	Reset Status: Set when SNIC enters reset state and cleared when a Start Command is issued to the CR. This bit is also set when a Receive Buffer Ring overflow occurs and is cleared when one or more packets have been removed from the ring. Writing to this bit has no effect. Note: This bit does not generate an interrupt, it is merely a status indicator.

10.0 Internal Registers (Continued)

10.3 REGISTER DESCRIPTIONS (Continued)

INTERRUPT MASK REGISTER (IMR) 0FH (WRITE)

The Interrupt Mask Register is used to mask interrupts. Each interrupt mask bit corresponds to a bit in the Interrupt Status Register (ISR). If an interrupt mask bit is set, an interrupt will be issued whenever the corresponding bit in the ISR is set. If any bit in the IMR is set low, an interrupt will not occur when the bit in the ISR is set. **The IMR powers up to all zeroes.**

7	6	5	4	3	2	1	0
—	RDCE	CNTE	OVWE	TXEE	RXEE	PTXE	PRXE

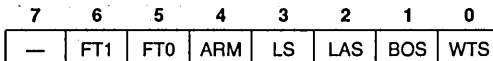
Bit	Symbol	Description
D0	PRXE	Packet Received Interrupt Enable 0: Interrupt Disabled 1: Enables Interrupt when packet received
D1	PTXE	Packet Transmitted Interrupt Enable 0: Interrupt Disabled 1: Enables Interrupt when packet is transmitted
D2	RXEE	Receive Error Interrupt Enable 0: Interrupt Disabled 1: Enables Interrupt when packet received with error
D3	TXEE	Transmit Error Interrupt Enable 0: Interrupt Disabled 1: Enables Interrupt when packet transmission results in error
D4	OVWE	Overwrite Warning Interrupt Enable 0: Interrupt Disabled 1: Enables Interrupt when Buffer Management Logic lacks sufficient buffers to store incoming packet
D5	CNTE	Counter Overflow Interrupt Enable 0: Interrupt Disabled 1: Enables Interrupt when MSB of one or more of the Network Statistics counters has been set
D6	RDCE	DMA Complete Interrupt Enable 0: Interrupt Disabled 1: Enables Interrupt when Remote DMA transfer has been completed
D7	Reserved	Reserved

10.0 Internal Registers (Continued)

10.3 REGISTER DESCRIPTIONS (Continued)

DATA CONFIGURATION REGISTER (DCR) 0EH (WRITE)

This Register is used to program the SNIC for 8- or 16-bit memory interface, select byte ordering in 16-bit applications and establish FIFO thresholds. **The DCR must be initialized prior to loading the Remote Byte Count Registers. LAS is set on power up.**



Bit	Symbol	Description																				
D0	WTS	<p>Word Transfer Select 0: Selects byte-wide DMA transfers 1: Selects word-wide DMA transfers</p> <p>; WTS establishes byte or word transfers for both Remote and Local DMA transfers Note: When word-wide mode is selected up to 32k words are addressable; A0 remains low.</p>																				
D1	BOS	<p>Byte Order Select 0: MS byte placed on AD15–AD8 and LS byte on AD7–AD0. (32xxx, 80x86) 1: MS byte placed on AD7–AD0 and LS byte on AD15–A8. (680x0)</p> <p>: Ignored when WTS is low</p>																				
D2	LAS	<p>Long Address Select 0: Dual 16-bit DMA mode 1: Single 32-bit DMA mode</p> <p>; When LAS is high, the contents of the Remote DMA registers RSAR0, 1 are issued as A16–A31 Power up high</p>																				
D3	LS	<p>Loopback Select 0: Loopback mode selected. Bits D1 and D2 of the TCR must also be programmed for Loopback operation 1: Normal Operation</p>																				
D4	ARM	<p>Auto-Initialize Remote 0: Send Command not executed, all packets removed from Buffer Ring under program control 1: Send Command executed, Remote DMA auto-initialized to remove packets from Buffer Ring</p> <p>Note: Send Command cannot be used with 680x0 byte processors.</p>																				
D5 and D6	FT0 and FT1	<p>FIFO Threshold Select: Encoded FIFO threshold. Establishes point at which bus is requested when filling or emptying the FIFO. During reception, the FIFO threshold indicates the number of bytes (or words) the FIFO has filled serially from the network before bus request (BREQ) is asserted.</p> <p>Note: FIFO threshold setting determines the DMA burst length.</p> <p style="text-align: center;">Receive Thresholds</p> <table style="width: 100%; border-collapse: collapse;"> <tr> <td style="width: 10%;">FT1</td> <td style="width: 10%;">FT0</td> <td style="width: 20%;">Word Wide</td> <td style="width: 20%;">Byte Wide</td> </tr> <tr> <td>0</td> <td>0</td> <td>1 Word</td> <td>2 Bytes</td> </tr> <tr> <td>0</td> <td>1</td> <td>2 Words</td> <td>4 Bytes</td> </tr> <tr> <td>1</td> <td>0</td> <td>4 Words</td> <td>8 Bytes</td> </tr> <tr> <td>1</td> <td>1</td> <td>6 Words</td> <td>12 Bytes</td> </tr> </table> <p>During transmission, the FIFO threshold indicates the number of bytes (or words) the FIFO has filled from the Local DMA before BREQ is asserted. Thus, the transmission threshold is 13 bytes less the received threshold.</p>	FT1	FT0	Word Wide	Byte Wide	0	0	1 Word	2 Bytes	0	1	2 Words	4 Bytes	1	0	4 Words	8 Bytes	1	1	6 Words	12 Bytes
FT1	FT0	Word Wide	Byte Wide																			
0	0	1 Word	2 Bytes																			
0	1	2 Words	4 Bytes																			
1	0	4 Words	8 Bytes																			
1	1	6 Words	12 Bytes																			

10.0 Internal Registers (Continued)

10.3 REGISTER DESCRIPTIONS (Continued)

TRANSMIT CONFIGURATION REGISTER (TCR) 0DH (WRITE)

The transmit configuration establishes the actions of the transmitter section of the SNIC during transmission of a packet on the network. **LB1 and LB0 which select loopback mode power up as 0.**

7	6	5	4	3	2	1	0
—	—	—	OFST	ATD	LB1	LB0	CRC

Bit	Symbol	Description																				
D0	CRC	<p>Inhibit CRC</p> <p>0: CRC appended by transmitter 1: CRC inhibited by transmitter</p> <p>In loopback mode CRC can be enabled or disabled to test the CRC logic</p>																				
D1 and D2	LB0 and LB1	<p>Encoded Loopback Control: These encoded configuration bits set the type of loopback that is to be performed. Note that loopback in mode 2 places the ENDEC Module in loopback mode and that D3 of the DCR must be set to zero for loopback operation.</p> <table border="1"> <thead> <tr> <th></th> <th>LB1</th> <th>LB0</th> <th></th> </tr> </thead> <tbody> <tr> <td>Mode 0</td> <td>0</td> <td>0</td> <td>Normal Operation (LPBK = 0)</td> </tr> <tr> <td>Mode 1</td> <td>0</td> <td>1</td> <td>Internal NIC Module Loopback (LPBK = 0)</td> </tr> <tr> <td>Mode 2</td> <td>1</td> <td>0</td> <td>Internal ENDEC Module Loopback (LPBK = 1)</td> </tr> <tr> <td>Mode 3</td> <td>1</td> <td>1</td> <td>External Loopback (LPBK = 0)</td> </tr> </tbody> </table>		LB1	LB0		Mode 0	0	0	Normal Operation (LPBK = 0)	Mode 1	0	1	Internal NIC Module Loopback (LPBK = 0)	Mode 2	1	0	Internal ENDEC Module Loopback (LPBK = 1)	Mode 3	1	1	External Loopback (LPBK = 0)
	LB1	LB0																				
Mode 0	0	0	Normal Operation (LPBK = 0)																			
Mode 1	0	1	Internal NIC Module Loopback (LPBK = 0)																			
Mode 2	1	0	Internal ENDEC Module Loopback (LPBK = 1)																			
Mode 3	1	1	External Loopback (LPBK = 0)																			
D3	ATD	<p>Auto Transmit Disable: This bit allows another station to disable the SNIC's transmitter by transmission of a particular multicast packet. The transmitter can be re-enabled by resetting this bit or by reception of a second particular multicast packet.</p> <p>1: Reception of multicast address hashing to bit 62 disables transmitter, reception of multicast address hashing to bit 63 enables transmitter.</p>																				
D4	OFST	<p>Collision Offset Enable: This bit modifies the backoff algorithm to allow prioritization of nodes.</p> <p>0: Backoff Logic implements normal algorithm. 1: Forces Backoff algorithm modification to 0 to $2^{\min(3+n, 10)}$ slot times for first three collisions, then follows standard backoff. (For the first three collisions, the station has higher average backoff delay making a low priority mode.)</p>																				
D5	Reserved	Reserved																				
D6	Reserved	Reserved																				
D7	Reserved	Reserved																				

10.0 Internal Registers (Continued)

10.3 REGISTER DESCRIPTIONS (Continued)

TRANSMIT STATUS REGISTER (TSR) 04H (READ)

This register records events that occur on the media during transmission of a packet. It is cleared when the next transmission is initiated by the host. All bits remain low unless the event that corresponds to a particular bit occurs during transmission. Each transmission should be followed by a read of this register. The contents of this register are not specified until after the first transmission.

7	6	5	4	3	2	1	0
OWC	CDH	FU	CRS	ABT	COL	—	PTX

Bit	Symbol	Description
D0	PTX	Packet Transmitted: Indicates transmission without error. (No excessive collisions or FIFO underrun) (ABT = "0", FU = "0")
D1	Reserved	Reserved
D2	COL	Transmit Collided: Indicates that the transmission collided at least once with another station on the network. The number of collisions is recorded in the Number of Collisions Registers (NCR).
D3	ABT	Transmit Aborted: Indicates the SNIC aborted transmission because of excessive collisions. (Total number of transmissions including original transmission attempt equals 16.)
D4	CRS	Carrier Sense Lost: This bit is set when carrier is lost during transmission of the packet. Transmission is not aborted on loss of carrier.
D5	FU	FIFO Underrun: If the SNIC cannot gain access of the bus before the FIFO empties, this bit is set. Transmission of the packet will be aborted.
D6	CDH	CD Heartbeat: Failure of the transceiver to transmit a collision signal after transmission of a packet will set this bit. The Collision Detect (CD) heartbeat signal must commence during the first 6.4 μ s of the Interframe Gap following a transmission. In certain collisions, the CD Heartbeat bit will be set even though the transceiver is not performing the CD heartbeat test.
D7	OWC	Out of Window Collision: Indicates that a collision occurred after a slot time (51.2 μ s). Transmissions rescheduled as in normal collisions.

10.0 Internal Registers (Continued)

10.3 REGISTER DESCRIPTIONS (Continued)

RECEIVE CONFIGURATION REGISTER (RCR) 0CH (WRITE)

This register determines operation of the SNIC during reception of a packet and is used to program what types of packets to accept.

7	6	5	4	3	2	1	0
—	—	MON	PRO	AM	AB	AR	SEP

Bit	Symbol	Description
D0	SEP	<p>Save Errored Packets</p> <p>0: Packets with receive errors are rejected. 1: Packets with receive errors are accepted. Receive errors are CRC and Frame Alignment errors.</p>
D1	AR	<p>Accept Runt Packets: This bit allows the receiver to accept packets that are smaller than 64 bytes. The packet must be at least 8 bytes long to be accepted as a runt.</p> <p>0: Packets with fewer than 64 bytes rejected. 1: Packets with fewer than 64 bytes accepted.</p>
D2	AB	<p>Accept Broadcast: Enables the receiver to accept a packet with an all 1's destination address.</p> <p>0: Packets with broadcast destination address rejected. 1: Packets with broadcast destination address accepted.</p>
D3	AM	<p>Accept Multicast: Enables the receiver to accept a packet with a multicast address, all multicast addresses must pass the hashing array.</p> <p>0: Packets with multicast destination address not checked. 1: Packets with multicast destination address checked.</p>
D4	PRO	<p>Promiscuous Physical: Enables the receiver to accept all packets with a physical address.</p> <p>0: Physical address of node must match the station address programmed in PAR0–PAR5. 1: All packets with physical addresses accepted.</p>
D5	MON	<p>Monitor Mode: Enables the receiver to check addresses and CRC on incoming packets without buffering to memory. The Missed Packet Tally counter will be incremented for each recognized packet.</p> <p>0: Packets buffered to memory. 1: Packets checked for address match, good CRC and Frame Alignment but not buffered to memory.</p>
D6	Reserved	Reserved
D7	Reserved	Reserved

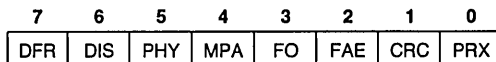
Note: D2 and D3 are "OR'd" together, i.e., if D2 and D3 are set the SNIC will accept broadcast and multicast addresses as well as its own physical address. To establish full promiscuous mode, bits D2, D3, and D4 should be set. In addition the multicast hashing array must be set to all 1's in order to accept all multicast addresses.

10.0 Internal Registers (Continued)

10.3 REGISTER DESCRIPTIONS (Continued)

RECEIVE STATUS REGISTER (RSR) OCH (READ)

This register records status of the received packet, including information on errors and the type of address match, either physical or multicast. The contents of this register are written to buffer memory by the DMA after reception of a good packet. If packets with errors are to be saved the receive status is written to memory at the head of the erroneous packet if an erroneous packet is received. If packets with errors are to be rejected the RSR will not be written to memory. The contents will be cleared when the next packet arrives. CRC errors, Frame Alignment errors and missed packets are counted internally by the SNIC which relinquishes the Host from reading the RSR in real time to record errors for Network Management Functions. The contents of this register are not specified until after the first reception.



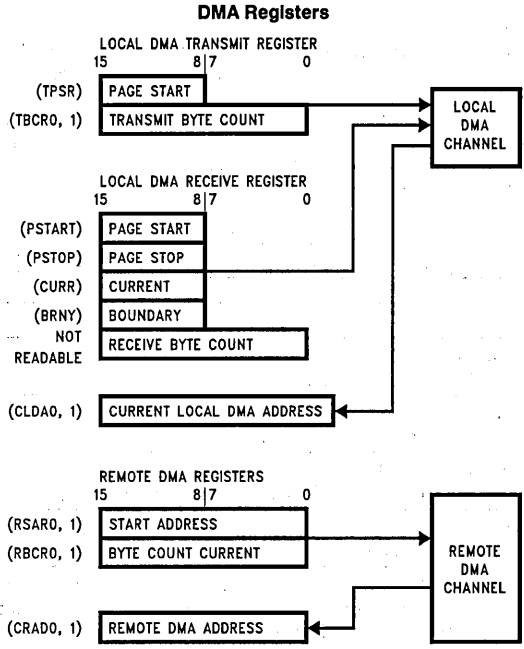
Bit	Symbol	Description
D0	PRX	Packet Received Intact: Indicates packet received without error. (Bits CRC, FAE, FO, and MPA are zero for the received packet.)
D1	CRC	CRC Error: Indicates packet received with CRC error. Increments Tally Counter (CNTR1). This bit will also be set for Frame Alignment errors.
D2	FAE	Frame Alignment Error: Indicates that the incoming packet did not end on a byte boundary and the CRC did not match at last byte boundary. Increments Tally Counter (CNTR0).
D3	FO	FIFO Overrun: This bit is set when the FIFO is not serviced causing overflow during reception. Reception of the packet will be aborted.
D4	MPA	Missed Packet: Set when a packet intended for node cannot be accepted by SNIC because of a lack of receive buffers or if the controller is in monitor mode and did not buffer the packet to memory. Increments Tally Counter (CNTR2).
D5	PHY	Physical/Multicast Address: Indicates whether received packet had a physical or multicast address type. 0: Physical Address Match 1: Multicast/Broadcast Address Match
D6	DIS	Receiver Disabled: Set when receiver disabled by entering Monitor mode. Reset when receiver is re-enabled when exiting Monitor mode.
D7	DFR	Deferring: Set when internal Carrier Sense or Collision signals are generated in the ENDEC module. If the transceiver has asserted the CD line as a result of the jabber, this bit will stay set indicating the jabber condition.

Note: Following coding applies to CRC and FAE bits.

FAE	CRC	Type of Error
0	0	No Error (Good CRC and <6 Dribble Bits)
0	1	CRC Error
1	0	Illegal, Will Not Occur
1	1	Frame Alignment Error and CRC Error

10.0 Internal Registers (Continued)

10.4 DMA REGISTERS



TL/F/10469-17

The DMA Registers are partitioned into groups; Transmit, Receive and Remote DMA Registers. The Transmit registers are used to initialize the Local DMA Channel for transmission of packets while the Receive Registers are used to initialize the Local DMA Channel for packet Reception. The Page Stop, Page Start, Current and Boundary Registers are used by the Buffer Management Logic to supervise the Receive Buffer Ring. The Remote DMA Registers are used to initialize the Remote DMA.

Note: In the figure above, registers are shown as 8 or 16 bits wide. Although some registers are 16-bit internal registers, all registers are accessed as 8-bit registers. Thus the 16-bit Transmit Byte Count Register is broken into two 8-bit registers, TBCR0, TBCR1. Also TPSR, PSTART, PSTOP, CURR and BRNY only check or control the upper 8 bits of address information on the bus. Thus, they are shifted to positions 15-8 in the diagram above.

10.5 TRANSMIT DMA REGISTERS

TRANSMIT PAGE START REGISTER (TPSR)

This register points to the assembled packet to be transmitted. Only the eight higher order addresses are specified since all transmit packets are assembled on 256-byte page boundaries. The bit assignment is shown below. The values placed in bits D7-D0 will be used to initialize the higher order address (A8-A15) of the Local DMA for transmission. The lower order bits (A7-A0) are initialized to zero.

Bit Assignment

	7	6	5	4	3	2	1	0
TPSR	A15	A14	A13	A12	A11	A10	A9	A8

(A7-A0 Initialized to Zero)

TRANSMIT BYTE COUNT REGISTER 0, 1 (TBCR0, TBCR1)

These two registers indicate the length of the packet to be transmitted in bytes. The count must include the number of bytes in the source, destination, length and data fields. The maximum number of transmit bytes allowed is 64 Kbytes. The SNIC will not truncate transmissions longer than 1500 bytes. The bit assignment is shown below:

	7	6	5	4	3	2	1	0
TBCR1	L15	L14	L13	L12	L11	L10	L9	L8

	7	6	5	4	3	2	1	0
TBCR0	L7	L6	L5	L4	L3	L2	L1	L0

10.0 Internal Registers (Continued)

10.6 LOCAL DMA RECEIVE REGISTERS

PAGE START AND STOP REGISTERS (PSTART, PSTOP)

The Page Start and Page Stop Registers program the starting and stopping address of the Receive Buffer Ring. Since the SNIC uses fixed 256-byte buffers aligned on page boundaries only the upper 8 bits of the start and stop address are specified.

PSTART, PSTOP Bit Assignment

	7	6	5	4	3	2	1	0
PSTART, PSTOP	A15	A14	A13	A12	A11	A10	A9	A8

BOUNDARY (BNRY) REGISTER

This register is used to prevent overflow of the Receive Buffer Ring. Buffer management compares the contents of this register to the next buffer address when linking buffers together. If the contents of this register match the next buffer address the Local DMA operation is aborted.

	7	6	5	4	3	2	1	0
BNRY	A15	A14	A13	A12	A11	A10	A9	A8

CURRENT PAGE REGISTER (CURR)

This register is used internally by the Buffer Management Logic as a backup register for reception. CURR contains the address of the first buffer to be used for a packet reception and is used to restore DMA pointers in the event of receive errors. This register is initialized to the same value as PSTART and should not be written to again unless the controller is Reset.

	7	6	5	4	3	2	1	0
CURR	A15	A14	A13	A12	A11	A10	A9	A8

CURRENT LOCAL DMA REGISTER 0,1 (CLDA0, 1)

These two registers can be accessed to determine the current local DMA address.

	7	6	5	4	3	2	1	0
CLDA1	A15	A14	A13	A12	A11	A10	A9	A8

	7	6	5	4	3	2	1	0
CLDA0	A7	A6	A5	A4	A3	A2	A1	A0

10.7 REMOTE DMA REGISTERS

REMOTE START ADDRESS REGISTERS (RSAR0, 1)

Remote DMA operations are programmed via the Remote Start Address (RSAR0, 1) and Remote Byte Count (RBCR0, 1) registers. The Remote Start Address is used to point to the start of the block of data to be transferred and the Remote Byte Count is used to indicate the length of the block (in bytes).

	7	6	5	4	3	2	1	0
RSAR1	A15	A14	A13	A12	A11	A10	A9	A8

	7	6	5	4	3	2	1	0
RSAR0	A7	A6	A5	A4	A3	A2	A1	A0

REMOTE BYTE COUNT REGISTERS (RBCR0, 1)

	7	6	5	4	3	2	1	0
RBCR1	BC15	BC14	BC13	BC12	BC11	BC10	BC9	BC8

	7	6	5	4	3	2	1	0
RBCR0	BC7	BC6	BC5	BC4	BC3	BC2	BC1	BC0

Note: RSAR0 programs the start address bits A0-A7.
RSAR1 programs the start address bits A8-A15.
Address incremented by two for word transfers, and by one for byte transfers. Byte Count decremented by two for word transfers and by one for byte transfers.
RBCR0 programs LSB byte count.
RBCR1 programs MSB byte count.

CURRENT REMOTE DMA ADDRESS (CRDA0, CRDA1)

The Current Remote DMA Registers contain the current address of the Remote DMA. The bit assignment is shown below:

	7	6	5	4	3	2	1	0
CRDA1	A15	A14	A13	A12	A11	A10	A9	A8

	7	6	5	4	3	2	1	0
CRDA0	A7	A6	A5	A4	A3	A2	A1	A0

10.8 PHYSICAL ADDRESS REGISTERS (PAR0-PAR5)

The physical address registers are used to compare the destination address of incoming packets for rejecting or accepting packets. Comparisons are performed on a byte-wide basis. The bit assignment shown below relates the sequence in PAR0-PAR5 to the bit sequence of the received packet.

	D7	D6	D5	D4	D3	D2	D1	D0
PAR0	DA7	DA6	DA5	DA4	DA3	DA2	DA1	DA0
PAR1	DA15	DA14	DA13	DA12	DA11	DA10	DA9	DA8
PAR2	DA23	DA22	DA21	DA20	DA19	DA18	DA17	DA16
PAR3	DA31	DA30	DA29	DA28	DA27	DA26	DA25	DA24
PAR4	DA39	DA38	DA37	DA36	DA35	DA34	DA33	DA32
PAR5	DA47	DA46	DA45	DA44	DA43	DA42	DA41	DA40

Destination Address Source

P/S	DA0	DA1	DA2	DA3	...	DA46	DA47	SA0	...
-----	-----	-----	-----	-----	-----	------	------	-----	-----

Note: P/S = Preamble, Synch
DA0 = Physical/Multicast Bit

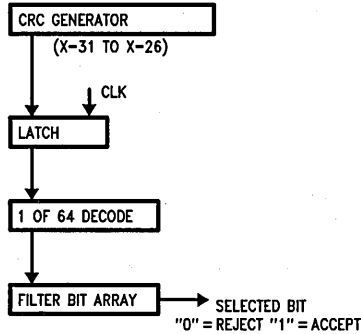
10.9 MULTICAST ADDRESS REGISTERS (MAR0-MAR7)

The multicast address registers provide filtering of multicast addresses hashed by the CRC logic. All destination addresses are fed through the CRC logic and as the last bit of the destination address enters the CRC, the 6 most signifi-

10.0 Internal Registers (Continued)

cant bits of the CRC generator are latched. These 6 bits are then decoded by a 1 of 64 decode to index a unique filter bit (FB0–63) in the multicast address registers. If the filter bit selected is set, the multicast packet is accepted. The system designer would use a program to determine which filter bits to set in the multicast registers. All multicast filter bits that correspond to multicast address accepted by the node are then set to one. To accept all multicast packets all of the registers are set to all ones.

Note: Although the hashing algorithm does not guarantee perfect filtering of multicast address, it will perfectly filter up to 64 multicast addresses if these addresses are chosen to map into unique locations in the multicast filter.



TL/F/10469-18

	D7	D6	D5	D4	D3	D2	D1	D0
MAR0	FB7	FB6	FB5	FB4	FB3	FB2	FB1	FB0
MAR1	FB15	FB14	FB13	FB12	FB11	FB10	FB9	FB8
MAR2	FB23	FB22	FB21	FB20	FB19	FB18	FB17	FB16
MAR3	FB31	FB30	FB29	FB28	FB27	FB26	FB25	FB24
MAR4	FB39	FB38	FB37	FB36	FB35	FB34	FB33	FB32
MAR5	FB47	FB46	FB45	FB44	FB43	FB42	FB41	FB40
MAR6	FB55	FB54	FB53	FB52	FB51	FB50	FB49	FB48
MAR7	FB63	FB62	FB61	FB60	FB59	FB58	FB57	FB56

If address Y is found to hash to the value 32 (20H), then FB32 in MAR4 should be initialized to "1". This will cause the SNIC to accept any multicast packet with the address Y.

10.10 NETWORK TALLY COUNTERS

Three 8-bit counters are provided for monitoring the number of CRC errors, Frame Alignment Errors and Missed Packets. The maximum count reached by any counter is 192 (C0H). These registers will be cleared when read by the CPU. The count is recorded in binary in CT0–CT7 of each Tally Register.

Frame Alignment Error Tally (CNTR0)

This counter increments every time a packet is received with a Frame Alignment Error. The packet must have been recognized by the address recognition logic. The counter is cleared after it is read by the processor.

	7	6	5	4	3	2	1	0
CNTR0	CT7	CT6	CT5	CT4	CT3	CT2	CT1	CT0

CRC Error Tally (CNTR1)

This counter is incremented every time a packet is received with a CRC error. The packet must first be recognized by the address recognition logic. The counter is cleared after it is read by the processor.

	7	6	5	4	3	2	1	0
CNTR1	CT7	CT6	CT5	CT4	CT3	CT2	CT1	CT0

Frames Lost Tally Register (CNTR2)

This counter is incremented if a packet cannot be received due to lack of buffer resources. In monitor mode, this counter will count the number of packets that pass the address recognition logic.

	7	6	5	4	3	2	1	0
CNTR2	CT7	CT6	CT5	CT4	CT3	CT2	CT1	CT0

FIFO

This is an 8-bit register that allows the CPU to examine the contents of the FIFO after loopback. The FIFO will contain the last 8 data bytes transmitted in the loopback packet. Sequential reads from the FIFO will advance a pointer in the FIFO and allow reading of all 8 bytes.

	7	6	5	4	3	2	1	0
FIFO	DB7	DB6	DB5	DB4	DB3	DB2	DB1	DB0

Note: The FIFO should only be read when the SNIC has been programmed in loopback mode.

NUMBER OF COLLISIONS (NCR)

This register contains the number of collisions a node experiences when attempting to transmit a packet. If no collisions are experienced during a transmission attempt, the COL bit of the TSR will not be set and the contents of NCR will be zero. If there are excessive collisions, the ABT bit in the TSR will be set and the contents of NCR will be zero. The NCR is cleared after the TXP bit in the CR is set.

	7	6	5	4	3	2	1	0
NCR	—	—	—	—	NC3	NC2	NC1	NC0

11.0 Initialization Procedures

The SNIC must be initialized prior to transmission or reception of packets from the network. Power on reset is applied to the SNIC's reset pin. This clears/sets the following bits:

Register	Reset Bits	Set Bits
Command Register (CR)	TXP, STA	RD2, STP
Interrupt Status (ISR)		RST
Interrupt Mask (IMR)	All Bits	
Data Control (DCR)		LAS
Transmit Config. (TCR)	LB1, LB0	

The SNIC remains in its reset state until a Start Command is issued. This guarantees that no packets are transmitted or received and that the SNIC remains a bus slave until all appropriate internal registers have been programmed. After initialization the STP bit of the command register is reset and packets may be received and transmitted.

Initialization Sequence

The following initialization procedure is mandatory.

1. Program Command Register for Page 0 (Command Register = 21H)
2. Initialize Data Configuration Register (DCR)
3. Clear Remote Byte Count Registers (RBCR0, RBCR1)
4. Initialize Receive Configuration Register (RCR)
5. Place the SNIC in LOOPBACK mode 1 or 2 (Transmit Configuration Register = 02H or 04H)
6. Initialize Receive Buffer Ring: Boundary Pointer (BNDRY), Page Start (PSTART), and Page Stop (PSTOP)
7. Clear Interrupt Status Register (ISR) by writing 0FFH to it.
8. Initialize Interrupt Mask Register (IMR)
9. Program Command Register for page 1 (Command Register = 61H)
 - I) Initialize Physical Address Registers (PAR0-PAR5)
 - II) Initialize Multicast Address Registers (MAR0-MAR5)
 - III) Initialize CURRent pointer
10. Put SNIC in START mode (Command Register = 22H).
11. Initialize the Transmit Configuration for the intended value. The SNIC is now ready for transmission and reception.

Before receiving packets, the user must specify the location of the Receive Buffer Ring. This is programmed in the Page Start and Page Stop Registers. In addition, the Boundary and Current Page Register must be initialized to the value of the Page Start Register. These registers will be modified during reception of packets.

12.0 Loopback Diagnostics

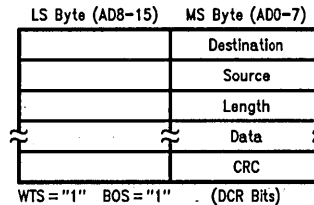
Three forms of local loopback are provided on the SNIC. The user has the ability to loopback through the deserializer on the controller, through the ENDEC module or the Coax Transceiver on the DP83901A SNIC. **Because of the half duplex architecture of the SNIC, loopback testing is a special mode of operation with the following restrictions:**

Restrictions During Loopback

The FIFO is split into two halves, one used for transmission the other for reception. Only 8-bit fields can be fetched from memory so two tests are required for 16-bit systems to verify integrity of the entire data path. During loopback the maximum latency from the assertion of BREQ to BACK is 2.0 μ s. Systems that wish to use the loopback test yet do not meet this latency can limit the loopback to 7 bytes without experiencing underflow. Only the last 8 bytes of the loopback packet are retained in the FIFO. The last 8 bytes can be read through the FIFO register which will advance through the FIFO to allow reading the receive packet sequentially.

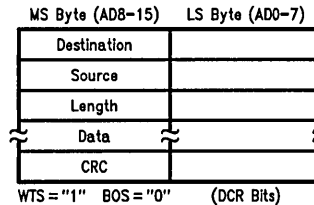
Destination Address	= (6 Bytes) Station Physical Address
Source Address	
Length	2 Bytes
Data	= 46 to 1500 Bytes
CRC	Appended by SNIC if CRC = "0" in TCR

When in word-wide mode with Byte Order Select set, the loopback packet must be assembled in the even byte location as shown below. (The loopback only operated with byte wide transfers.)



TL/F/10469-50

When in word-wide mode with Byte Order Select low, the following format must be used for the loopback packet.



TL/F/10469-51

Note: When using loopback in word mode 2n bytes must be programmed in TBCR0, 1. Where n = actual number of bytes assembled in even or odd location.

12.0 Loopback Diagnostics (Continued)

To initiate a loopback the user first assembles the loopback packet then selects the type of loopback using the Transmit Configuration register bits LB0, LB1. The transmit configuration register must also be set to enable or disable CRC generation during transmission. The user then issues a normal transmit command to send the packet. During loopback the receiver checks for an address match and if CRC bit in the TCR is set, the receiver will also check the CRC. The last 8 bytes of the loopback packet are buffered and can read out of the FIFO using FIFO read port.

Loopback Modes

MODE 1: Loopback through the NIC Module (LB1 = 0, LB0 = 1): If this loopback is used, the NIC Modules's serializer is connected to the deserializer.

MODE 2: Loopback through the ENDEC Module (LB1 = 1, LB0 = 0): If the loopback is to be performed through the SNI, the SNIC provides a control (LPBK) that forces the ENDEC module to loopback all signals.

MODE 3: Loopback to Coax (LB1 = 1, LB0 = 1). Packets can be transmitted to the coax in loopback mode to check all of the transmit and receive paths and the coax itself.

Note: Collision and Carrier Sense can be generated by the ENDEC module and are masked by the NIC module. It is not possible to go directly between the loopback modes, it is necessary to return to normal operation (00H) when changing modes.

Note: The FIFO may only be read during Loopback. Reading the FIFO at any other time will cause the SNIC to malfunction.

Reading the Loopback Packet

The last 8 bytes of a received packet can be examined by 8 consecutive reads of the FIFO register. The FIFO pointer is incremented after the rising edge of the CPU's read strobe by internally synchronizing and advancing the pointer. This may take up to four bus clock cycles, if the pointer has not been incremented by the time the CPU reads the FIFO register again, the SNIC will insert wait states.

Note: The FIFO may only be read during Loopback. Reading the FIFO at any other time will cause the SNIC to malfunction.

Alignment of the Received Packet in the FIFO

Reception of the packet in the FIFO begins at location zero, after the FIFO pointer reaches the last location in the FIFO, the pointer wraps to the top of the FIFO overwriting the previously received data. This process continued until the last byte is received. The SNIC then appends the received byte count in the next two locations of the FIFO. The contents of the Upper Byte Count are also copied to the next FIFO location. The number of bytes used in the loopback packet determined the alignment of the packet in the FIFO.

The alignment for a 64-byte packet is shown below.

FIFO Location	FIFO Contents	
0	Lower Byte Count	First Byte Read
1	Upper Byte Count	Second Byte Read
2	Upper Byte Count	•
3	Last Byte	•
4	CRC1	•
5	CRC2	•
6	CRC3	•
7	CRC4	Last Byte Read

For the following alignment in the FIFO the packet length should be $(N \times 8) + 5$ Bytes. Note that if the CRC bit in the TCR is set, CRC will not be appended by the transmitter. If the CRC is appended by the transmitter, the 1st four bytes, bytes N-3 to N, correspond to the CRC.

FIFO Location	FIFO Contents	
0	Byte N-4	First Byte Read
1	Byte N-3 (CRC1)	Second Byte Read
2	Byte N-2 (CRC2)	•
3	Byte N-1 (CRC3)	•
4	Byte N (CRC4)	•
5	Lower Byte Count	•
6	Upper Byte Count	Last Byte Read
7	Upper Byte Count	

LOOPBACK TESTS

Loopback capabilities are provided to allow certain tests to be performed to validate operation of the DP83901A SNIC prior to transmitting and receiving packets on a live network. Typically these tests may be performed during power up of a node. The diagnostic provides support to verify the following:

1. Verify integrity of data path. Received data is checked against transmitted data.
2. Verify CRC logic's capability to generate good CRC on transmit, verify CRC on receive (good or bad CRC).

12.0 Loopback Diagnostics (Continued)

3. Verify that the Address Recognition Logic can

- a) Recognize address match packets
- b) Reject packets that fail to match an address

LOOPBACK OPERATION IN THE SNIC

Loopback is a modified form of transmission using only half of the FIFO. This places certain restrictions on the use of loopback testing. When loopback mode is selected in the TCR, the FIFO is split. A packet should be assembled in memory with programming of TPSR and TBCR0, TBCR1 registers. When the transmit command is issued the following operations occur:

Transmitter Actions

1. Data is transferred from memory by the DMA until the FIFO is filled. For each transfer TBCR0 and TBCR1 are decremented. (Subsequent burst transfers are initiated when the number of bytes in the FIFO drops below the programmed threshold.)
2. The SNIC generates 56 bits of preamble followed by an 8-bit synch pattern.
3. Data transferred from FIFO to serializer.
4. If CRC = 1 in TCR, no CRC calculated by SNIC, the last byte transmitted is the last byte from the FIFO (Allows software CRC to be appended). If CRC = 0, SNIC calculates and appends four bytes of CRC.
5. At end of Transmission PTX bit set in ISR.

Receiver Actions

1. Wait for synch, all preamble stripped.
2. Store packet in FIFO, increment receive byte count for each incoming byte.
3. If CRC = 1 in TRC, receiver checks incoming packet for CRC errors. If CRC = 0 in TCR, receiver does not check CRC errors, CRC error bit always set in RSR (for address matching packets).
4. At end of receive, receive byte count written into FIFO, receive status register is updated. The PRX bit is typically set in the RSR even if the address does not match. If CRC errors are forced, the packet must match the address filters in order for the CRC error bit in the RSR to be set.

EXAMPLES

The following examples show what results can be expected from a properly operating SNIC during loopback. The restrictions and results of each type of loopback are listed for reference. The loopback tests are divided into two sets of tests. One to verify the data path, CRC generation and byte count through all three paths. The second set of tests uses internal loopback to verify the receiver's CRC checking and address recognition. For all of the tests the DCR was programmed to 40H.

Path	TCR	RCR	TSR	RSR	ISR
SNIC Internal	02	1F	53 (Note 1)	02 (Note 2)	02 (Note 3)

Note 1: Since carrier sense and collision detect are generated in the ENDEC module. They are blocked during NIC loopback, carrier and CD heartbeat are not seen and the CRS and CDH bits are set.

Note 2: CRC errors are always indicated by receiver if CRC is appended by the transmitter.

Note 3: Only the PTX bit in the ISR is set, the PRX bit is only set if status is written to memory. In loopback this action does not occur and the PRX bit remains 0 for all loopback modes.

Note 4: All values are hex.

Path	TCR	RCR	TSR	RSR	ISR
SNIC Internal	04	1F	43 (Note 1)	02	02

Note 1: CDH is set, CRS is not set since it is generated by the external encoder/decoder.

Path	TCR	RCR	TSR	RSR	ISR
SNIC External	06	1F	03 (Note 1)	02	02 (Note 2)

Note 1: CDH and CRS should not be set. The TSR however, could also contain 01H, 03H, 07H and a variety of other values depending on whether collisions were encountered or the packet was deferred.

Note 2: Will contain 08H if packet is not transmittable.

Note 3: During external loopback the SNIC is now exposed to network traffic, it is therefore possible for the contents of both the Receive portion of the FIFO and the RSR to be corrupted by any other packet on the network. Thus in a live network the contents of the FIFO and RSR should not be depended on. The SNIC will still abide by the standard CSMA/CD protocol in external loopback mode. (i.e., The network will not be disturbed by the loopback packet.)

Note 4: All values are hex.

CRC AND ADDRESS RECOGNITION

The next three tests exercise the address recognition logic and CRC. These tests should be performed using internal loopback only so that the SNIC is isolated from interference from the network. These tests also require the capability to generate CRC in software.

The address recognition logic cannot be directly tested. The CRC and FAE bits in the RSR are only set if the address in the packet matches the address filters. If errors are expected to be set and they are not set, the packet has been rejected on the basis of an address mismatch. The following sequence of packets will test the address recognition logic. The DCR should be set to 40H, the TCR should be set to 03H with a software generated CRC.

Packet Contents			Results
Test	Address	CRC	RSR
Test A	Matching	Good	01 (Note 1)
Test B	Matching	Bad	02 (Note 2)
Test C	Non-Matching	Bad	01

Note 1: Status will read 21H if multicast address used.

Note 2: Status will read 22H if multicast address used.

Note 3: In test A, the RSR is set up. In test B the address is found to match since the CRC is flagged as bad. Test C proves that the address recognition logic can distinguish a bad address and does not notify the RSR of the bad CRC. The receiving CRC is proven to work in test A and test B.

Note 4: All values are hex.

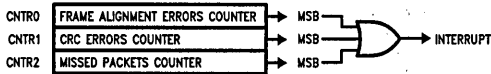
NETWORK MANAGEMENT FUNCTIONS

Network management capabilities are required for maintenance and planning of a local area network. The SNIC supports the minimum requirement for network management in hardware, the remaining requirements can be met with software counts. There are three events that software alone can not track during reception of packets: CRC errors, Frame Alignment errors, and missed packets.

12.0 Loopback Diagnostics (Continued)

Since errored packets can be rejected, the status associated with these packets is lost unless the CPU can access the Receive Status Register before the next packet arrives. In situations where another packet arrives very quickly, the CPU may have no opportunity to do this. The SNIC counts the number of packets with CRC errors and Frame Alignment errors. 8-Bit counters have been selected to reduce overhead. The counters will generate interrupts whenever their MSBs are set so that a software routine can accumulate the network statistics and reset the counter before overflow occurs. The counters are sticky so that when they reach a count of 192 (C0H) counting is halted. An additional counter is provided to count the number of packets the SNIC misses due to buffer overflow or being offline.

The structure of the counters is shown below:



TL/F/10469-19

Additional information required for network management is available in the Receive and Transmit Status Registers. Transmit status is available after each transmission for information regarding events during transmission.

Typically, the following statistics might be gathered in software:

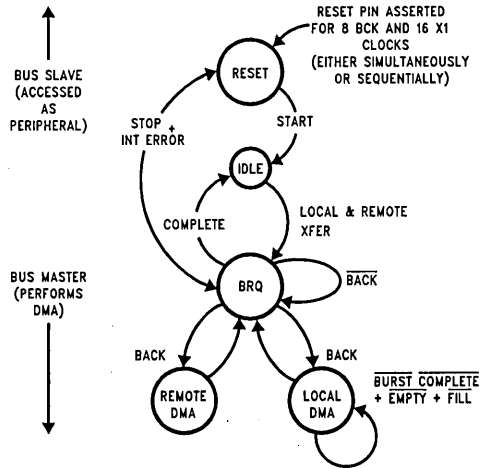
Traffic: Frames Sent OK
 Frames Received OK
 Multicast Frames Received
 Packets Lost Due to Lack of Resources
 Retries/Packet

Errors: CRC Errors
 Alignment Errors
 Excessive Collisions
 Packet with Length Errors
 Heartbeat Failure

13.0 Bus Arbitration and Timing

The SNIC operates in three possible modes:

- BUS MASTER (WHILE PERFORMING DMA)
- BUS SLAVE (WHILE BEING ACCESSED BY CPU)
- IDLE



TL/F/10469-20

Upon power-up the SNIC is in an indeterminate state. After receiving a hardware reset the SNIC is a bus slave in the Reset State, the receiver and transmitter are both disabled in this state. The reset state can be re-entered under three conditions, soft reset (Stop Command), hard reset (RESET input) or an error that shuts down the receiver or transmitter (FIFO underflow or overflow). After initialization of registers, the SNIC is issued a Start command and the SNIC enters Idle state. Until the DMA is required the SNIC remains in idle state. The idle state is exited by a request from the FIFO on the case of receiver or transmit, or from the Remote DMA in the case of Remote DMA operation. After acquiring

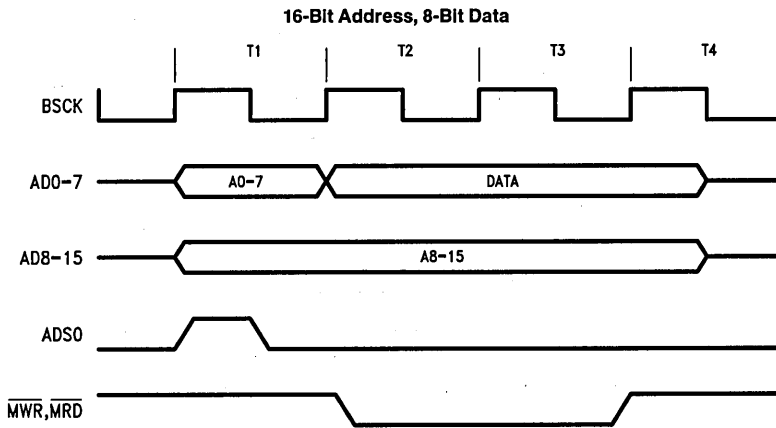
the bus in a BREQ/BACK handshake the Remote or Local DMA transfer is completed and the SNIC re-enters the idle state.

DMA TRANSFERS TIMING

The DMA can be programmed for the following types of transfers:

- 16-Bit Address, 8-bit Data Transfer
- 16-Bit Address, 16-bit Data Transfer
- 32-Bit Address, 8-bit Data Transfer
- 32-Bit Address, 16-bit Data Transfer

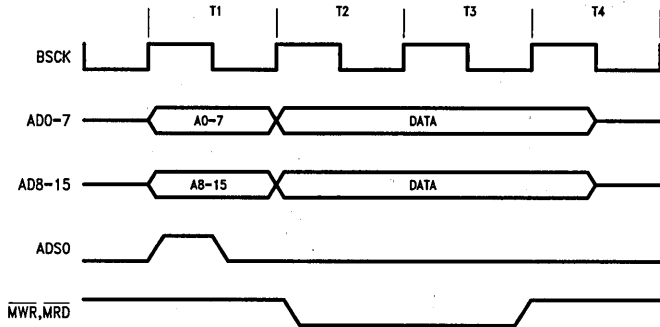
All DMA transfers use BSCK for timing. 16-Bit Address modes require 4 BSCK cycles as shown below:



TL/F/10469-21

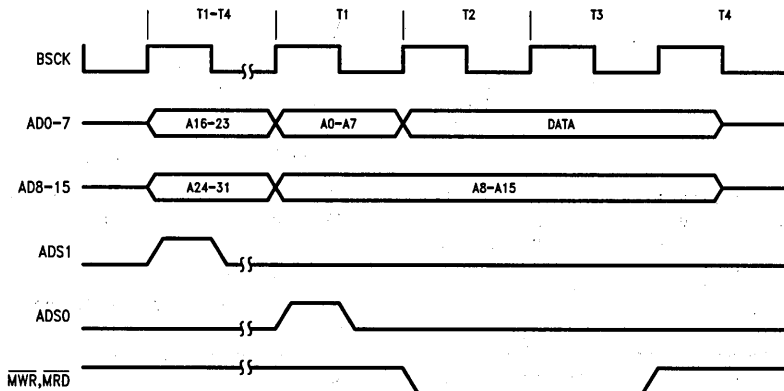
13.0 Bus Arbitration and Timing (Continued)

16-Bit Address, 16-Bit Data



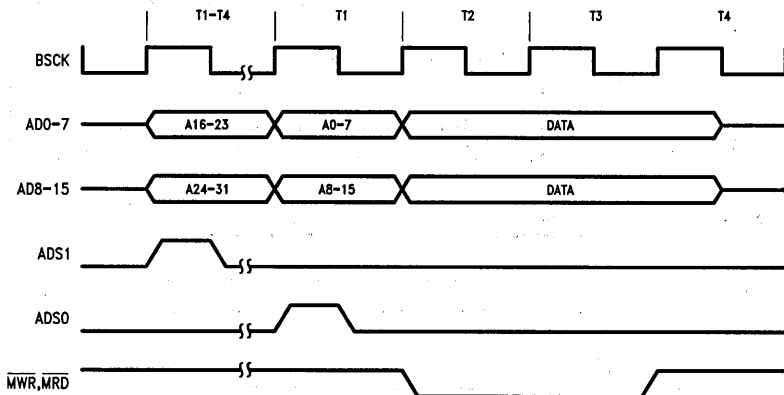
TL/F/10469-22

32-Bit Address, 8-Bit Data



TL/F/10469-23

32-Bit Address, 16-Bit Data



TL/F/10469-24

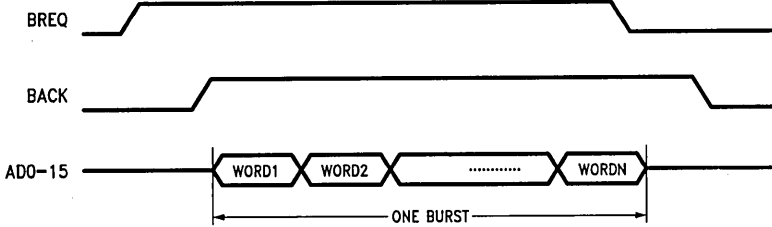
Note: In 32-bit address mode, ADS1 is at TRI-STATE after the first T1-T4 states; thus, a 4.7k pull-down resistor is required for 32-bit address.

13.0 Bus Arbitration and Timing (Continued)

When in 32-bit mode four additional BSKC cycles are required per burst. The first bus cycle (T1'–T4') of each burst is used to output the upper 16-bit addresses. This 16-bit address is programmed in RSAR0 and RSAR1 and points to a 64k page of system memory. All transmitted or received packets are constrained to reside within this 64k page.

FIFO BURST CONTROL

All Local DMA transfers are burst transfers, once the DMA requests the bus and the bus is acknowledged, the DMA will transfer an exact burst of bytes programmed in the Data Configuration Register (DCR) then relinquish the bus. If there are remaining bytes in the FIFO the next burst will not be initiated until the FIFO threshold is exceeded. If BACK is removed during the transfer, the burst transfer will be aborted. **(DROPPING BACK DURING A DMA CYCLE IS NOT RECOMMENDED.)**



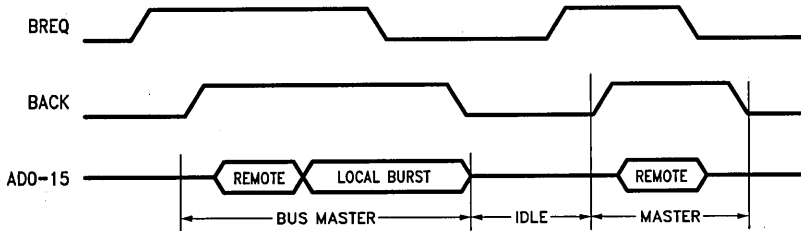
TL/F/10469-25

where N = 1, 2, 4, or 6 Words or N = 2, 4, 8, or 12 Bytes when in byte mode.

INTERLEAVED LOCAL OPERATION

If a remote DMA transfer is initiated or in progress when a packet is being received or transmitted, the Remote DMA transfer will be interrupted for higher priority Local DMA

transfers. When the Local DMA transfer is completed the Remote DMA will re-arbitrate for the bus and continue its transfers. This is illustrated below:



TL/F/10469-26

Note that if the FIFO requires service while a remote DMA is in progress, BREQ is not dropped and the Local DMA burst is appended to the Remote Transfer. When switching from a local transfer to a remote transfer, however, BREQ is dropped and raised again. This allows the CPU or other devices to fairly contend for the bus.

FIFO AND BUS OPERATIONS

Overview

To accommodate the different rates at which data comes from (or goes to) the network and goes to (or comes from) the system memory, the SNIC contains a 16-byte FIFO for buffering data between the bus and the media. The FIFO threshold is programmable, allowing filling (or emptying) the FIFO at different rates. When the FIFO has filled to its programmed threshold, the local DMA channel transfers these bytes (or words) into local memory. It is crucial that the local DMA is given access to the bus within a minimum bus latency time; otherwise a FIFO underrun (or overrun) occurs.

To understand FIFO underruns or overruns, there are two causes which produce this condition—

1. the bus latency is so long that the FIFO has filled (or emptied) from the network before the local DMA has serviced the FIFO.
2. the bus latency or bus data rate has slowed the throughput of the local DMA to a point where it is slower than the network data rate (10 Mb/s). This second condition is also dependent upon DMA clock and word width (byte wide or word wide).

The worst case condition ultimately limits the overall bus latency which the SNIC can tolerate.

FIFO Underrun and Transmit Enable

During transmission, if a FIFO underrun occurs, the Transmit enable (TXE) output may remain high (active). Generally, this will cause a very large packet to be transmitted onto the network. The jabber feature of the transceiver will terminate the transmission, and reset TXE.

To prevent this problem, a properly designed system will not allow FIFO underruns by giving the SNIC a bus acknowledge within time shown in the maximum bus latency curves shown and described later.

13.0 Bus Arbitration and Timing (Continued)

FIFO AT THE BEGINNING OF RECEIVE

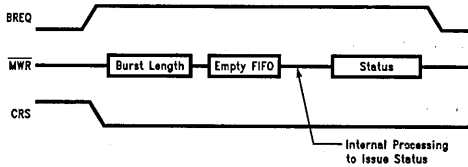
At the beginning of reception, the SNIC stores entire Address field of each incoming packet in the FIFO to determine whether the packet matches its Physical Address Register or maps to one of its Multicast Registers. This causes the FIFO to accumulate 8 bytes. Furthermore, there are some synchronization delays in the DMA PLA. Thus, the actual time that BREQ is asserted from the time the Start of Frame Delimiter (SFD) is detected is 7.8 μ s. This operation affects the bus latencies at 2 byte and 4 byte thresholds during the first receive BREQ since the FIFO must be filled to 8 bytes (or 4 words) before issuing a BREQ.

FIFO Operation at the End of Receive

When Carrier Sense goes low, the SNIC enters its end of packet processing sequence, emptying its FIFO and writing the status information at the beginning of the packet, *Figure 5*. The SNIC holds onto the bus for the entire sequence. The longest time BREQ may be extended occurs when a packet ends just as the SNIC performs its last FIFO burst. The SNIC, in this case, performs a programmed burst transfer followed by flushing the remaining bytes in the FIFO, and completes by writing the header information to memory. The following steps occur during this sequence.

1. SNIC issues BREQ because the FIFO threshold has been reached
2. During the burst, packet ends, resulting in BREQ extended.
3. SNIC flushes remaining bytes from FIFO
4. SNIC performs internal processing to prepare for writing the header.
5. SNIC writes 4-byte (2-word) header
6. SNIC deasserts BREQ

End of Packet Processing



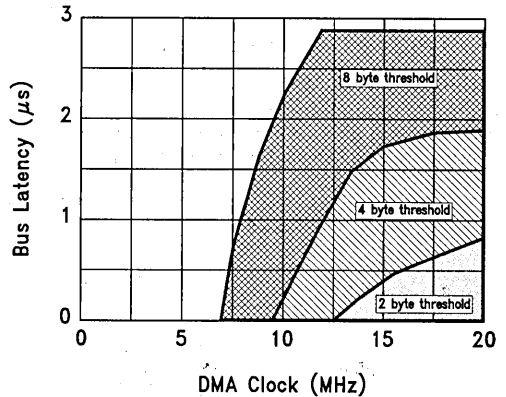
TL/F/10469-53

End of Packet Processing (EOPP) times for 10 MHz and 20 MHz have been tabulated below.

End of Packet Processing Times for Various FIFO Thresholds, Bus Clocks and Transfer Modes

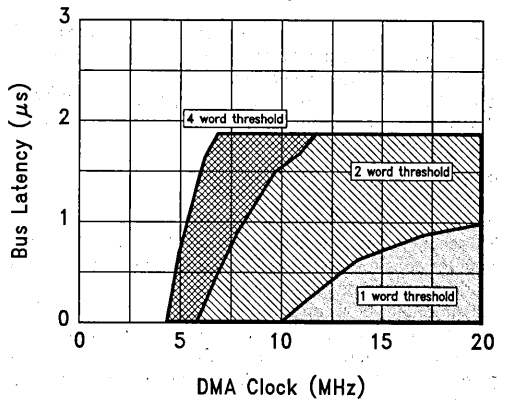
Mode	Threshold	Bus Clock	EOPP
Byte	2 bytes	10 MHz	7.0 μ s
	4 bytes		8.6 μ s
	8 bytes		11.0 μ s
Byte	2 bytes	20 MHz	3.6 μ s
	4 bytes		4.2 μ s
	8 bytes		5.0 μ s
Word	2 bytes	10 MHz	5.4 μ s
	4 bytes		6.2 μ s
	8 bytes		7.4 μ s
Word	2 bytes	20 MHz	3.0 μ s
	4 bytes		3.2 μ s
	8 bytes		3.6 μ s

Maximum Bus Latency for Byte Mode



TL/F/10469-54

Maximum Bus Latency for Word Mode



TL/F/10469-55

13.0 Bus Arbitration and Timing (Continued)

Threshold Detection (Bus Latency)

To assure that no overwriting of data in the FIFO occurs, the FIFO logic flags a FIFO overrun as the 13th byte is written into the FIFO, effectively shortening the FIFO to 13 bytes. The FIFO logic also operates differently in Byte Mode and in Word Mode. In Byte Mode, a threshold is indicated when the n+1 byte has entered the FIFO; thus, with an 8 byte threshold, the SNIC issues Bus Request (BREQ) when the 9th byte has entered the FIFO. For Word Mode, BREQ is not generated until the n+2 bytes have entered the FIFO. Thus, with a 4 word threshold (equivalent to 8 byte threshold), BREQ is issued when the 10th byte has entered the FIFO. The two graphs indicate the maximum allowable bus latency for Word or Byte transfer modes.

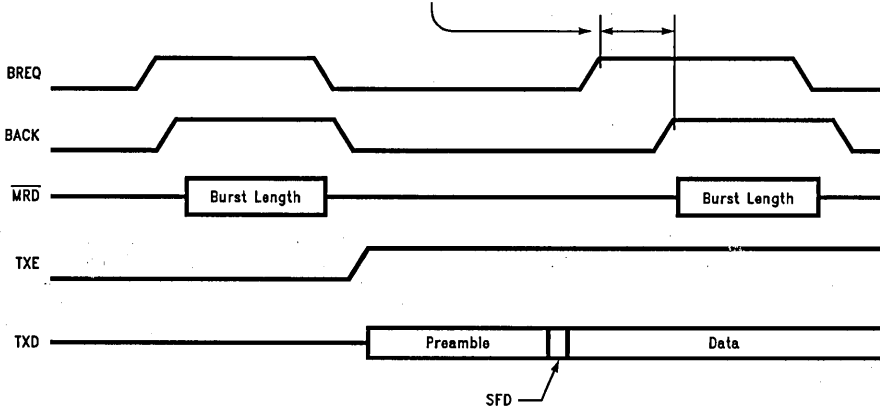
hold), BREQ is issued when the 10th byte has entered the FIFO. The two graphs indicate the maximum allowable bus latency for Word or Byte transfer modes.

The FIFO at the Beginning of Transmit

Before transmitting, the SNIC performs a prefetch from memory to load the FIFO. The number of bytes prefetched is the programmed FIFO threshold. The next BREQ is not issued until after the SNIC actually begins transmitting data, i.e., after SFD. The Transmit Prefetch diagram illustrates this process.

Transmit Prefetch Timing

$$\text{Tolerated Bus Latency} = \left[\begin{array}{l} (\text{No. of Bytes Stored in FIFO} \times 800) - 400 \text{ ns} \\ \text{or } (12 \text{ Bytes} - \text{FIFO Threshold}) \\ \text{whichever is less} \end{array} \right]$$



TL/F/10469-56

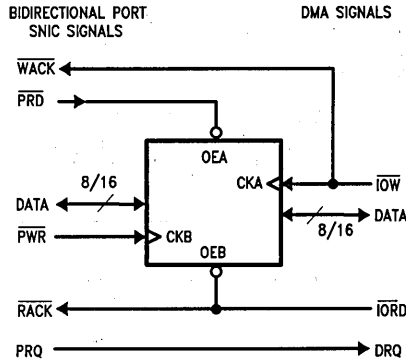
13.0 Bus Arbitration and Timing (Continued)

REMOTE DMA-BIDIRECTIONAL PORT CONTROL

The Remote DMA transfers data between the local buffer memory and a bidirectional port (memory to I/O transfer). This transfer is arbitred on a byte by byte basis versus the burst transfer used for Local DMA transfers. This bidirec-

tional port is also read/written by the host. All transfers through this port are asynchronous. At any one time transfers are limited to one direction, either from the port to local buffer memory (Remote Write) or from local buffer memory to the port (Remote Read).

Bus Handshake Signals for Remote DMA Transfers

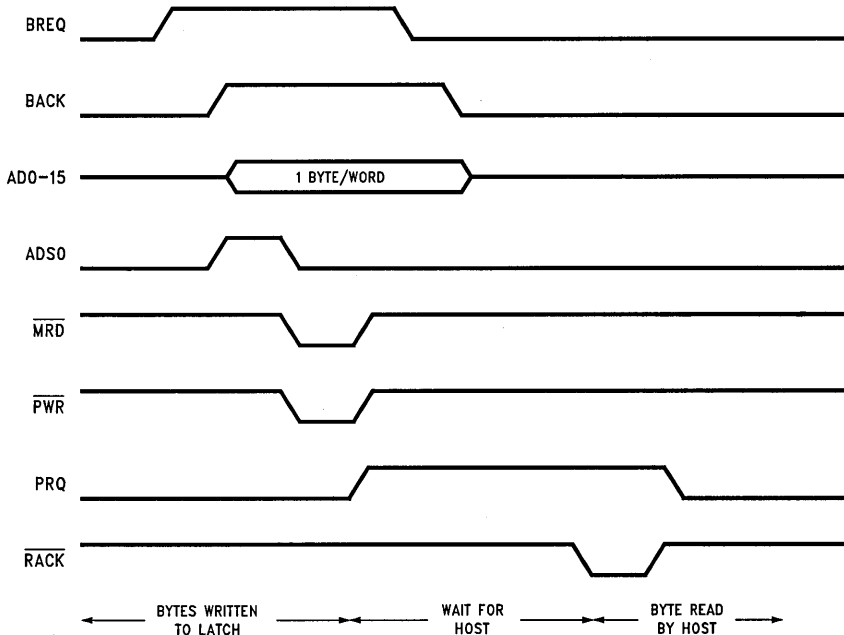


TL/F/10469-27

REMOTE READ TIMING

1. The DMA reads byte/word from local buffer memory and writes byte/word into latch, increments the DMA address and decrements the byte count (RBCR0, 1).
2. A Request Line (PRQ) is asserted to inform the system that a byte is available.
3. The system reads the port, the read strobe ($\overline{\text{RACK}}$) is used as an acknowledge by the Remote DMA and it goes back to step 1.

Steps 1-3 are repeated until the remote DMA is complete. Note that in order for the Remote DMA to transfer a byte from memory to the latch, it must arbitrate access to the local bus via a BREQ, BACK handshake. After each byte or word is transferred to the latch, BREQ is dropped. If a Local DMA is in progress, the Remote DMA is held off until the local DMA is complete.



TL/F/10469-28

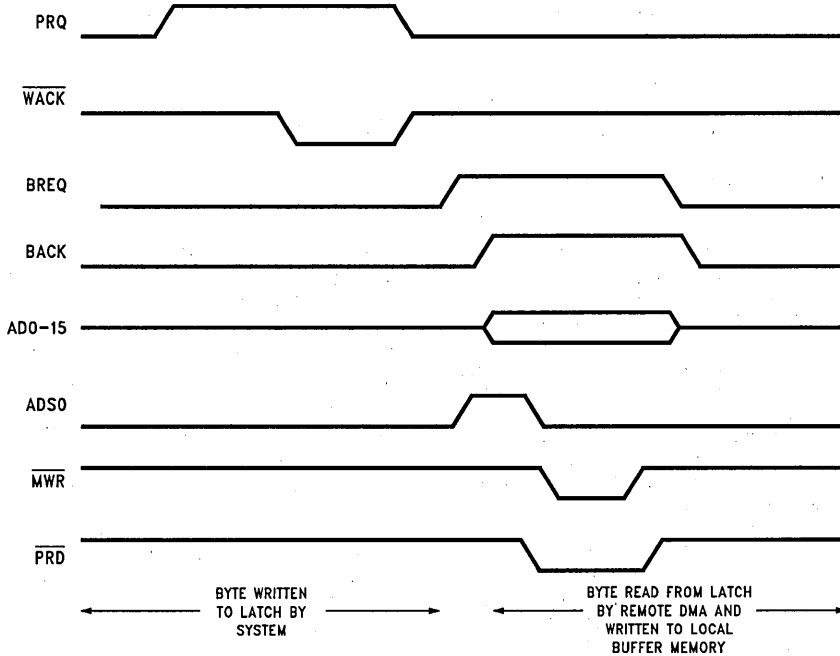
13.0 Bus Arbitration and Timing (Continued)

REMOTE WRITE TIMING

A Remote Write operation transfers data from the I/O port to the local buffer RAM. The SNIC initiates a transfer by requesting a byte/word via the PRQ. The system transfers a byte-word to the latch via \overline{IOW} , this write strobe is detected by the SNIC and PRQ is removed. By removing the PRQ, the Remote DMA holds off further transfers into the latch until the current byte/word has been transferred from the latch, PRQ is reasserted and the next transfer can begin.

1. SNIC asserts PRQ. System writes byte/word into latch. SNIC removes PRQ.
2. Remote DMA reads contents of port and writes byte/word to local buffer memory, increments address and decrements byte count (RBCR0, 1).
3. Go back to step 1.

Steps 1-3 are repeated until the remote DMA is complete.



TL/F/10469-29

REMOTE DMA WRITE

Setting PRQ Using the Remote Read

Under certain conditions the SNIC's bus state machine may issue \overline{MWR} and \overline{PRD} before PRQ for the first DMA transfer of a Remote Write Command. If this occurs this could cause data corruption, or cause the remote DMA count to be different from the main CPU count causing the system to "lock up."

To prevent this condition when implementing a Remote DMA Write, the Remote DMA Write command should first be preceded by a Remote DMA Read command to insure that the PRQ signal is asserted before the SNIC starts its port read cycle. The reason for this is that the state machine that asserts PRQ runs independently of the state machine that controls the DMA signals. The DMA machine assumes that PRQ is asserted, but actually may not be. To remedy this situation, a single Remote Read cycle should be inserted before the actual DMA Write Command is given. This will ensure that PRQ is asserted when the Remote DMA

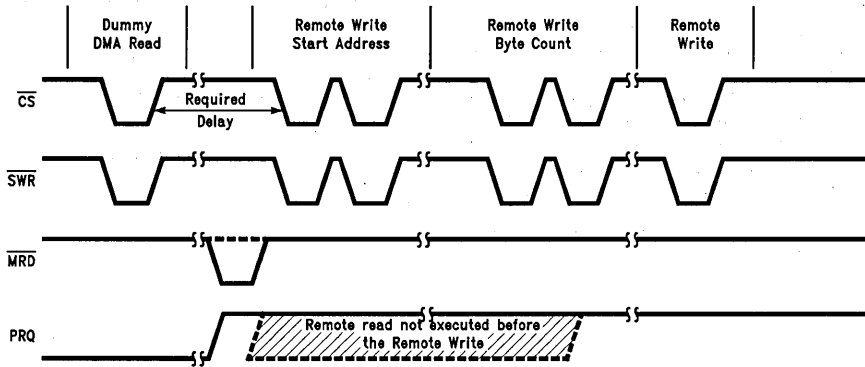
Write is subsequently executed. This single Remote Read cycle is called a "dummy Remote Read." In order for the dummy Remote Read cycle to operate correctly, the Start Address should be programmed to a known, safe location in the buffer memory space, and the Remote Byte Count should be programmed to a value greater than 1. This will ensure that the master read cycle is performed safely, eliminating the possibility of data corruption.

Remote Write with High Speed Buses

When implementing the Remote DMA Write solution with high speed buses and CPU's, timing problems may cause the system to hang. Therefore additional considerations are required.

The problem occurs when the system can execute the dummy Remote Read and then start the Remote Write before the SNIC has had a chance to execute the Remote Read. If this happens the PRQ signal will not get set, and the Remote Byte Count and Remote Start Address for the Remote

13.0 Bus Arbitration and Timing (Continued)



TL/F/10469-57

Note: The dashed lines indicate incorrect timing as described in the text.

FIGURE 9. Timing Diagram for Dummy Remote Read

Write operation could be corrupted. This is shown by the hatched waveforms in the timing diagram of Figure 9. The execution of the Remote Read can be delayed by the local DMA operations (particularly during end-of-packet processing).

To ensure the dummy Remote Read does execute, a delay must be inserted between writing the Remote Read Command, and starting to write the Remote Write State Address. (This time is designated in Figure 9 by the delay arrows.) The recommended method to avoid this problem is after the Remote Read command is given, to poll both bytes of the Current Remote DMA Address Registers. When the address has incremented PRQ has been set. Software should recognize this and then start the Remote Write.

An additional caution for high speed systems is that the polling must follow guidelines specified in Time Between Chip Select section. That is, there must be at least 4 bus clocks between chip selects (for example when BSCK = 20 MHz, then this time should be 200 ns).

The general flow for executing a Remote Write is:

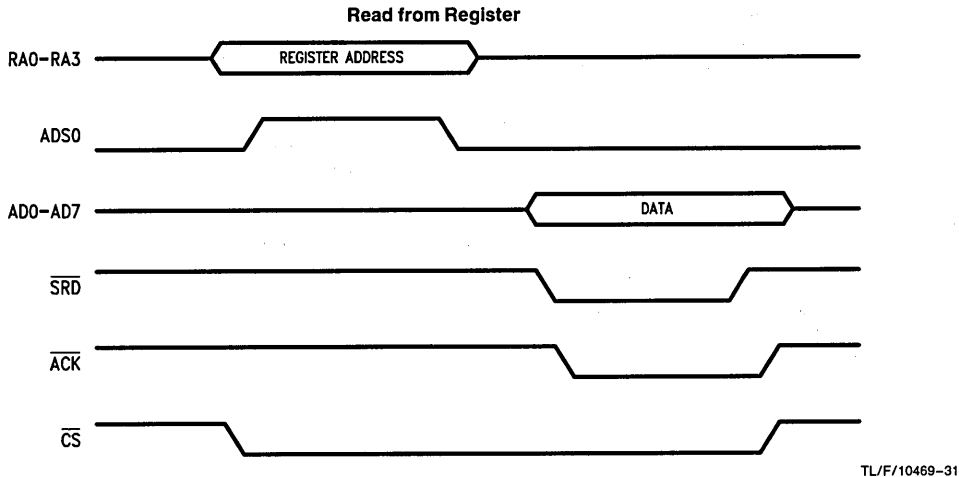
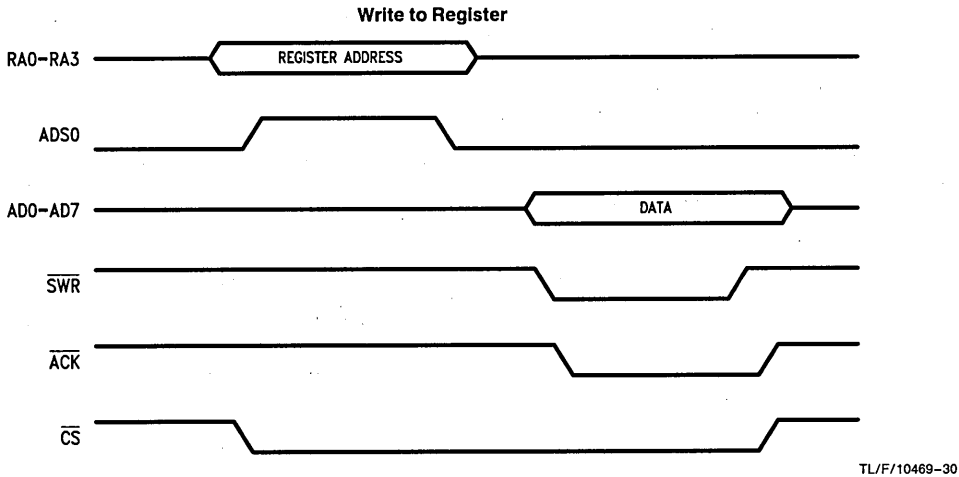
1. Set Remote Byte Count to a value >1 and Remote Start Address to unused RAM (one location before the transmit start address is usually a safe location).
2. Issue the "dummy" Remote Read command.
3. Read the Current Remote DMA Address (CRDA) (both bytes).
4. Compare to previous CRDA value if different go to 6.
5. Delay and jump to 3.
6. Set up for the Remote Write command, by setting the Remote Byte Count and the Remote Start Address (note that if Remote Byte count in step 1 can be set to the transmit byte count plus one, and the Remote Start Address to one less, these will now be incremented to the correct values.)
7. Issue the Remote Write command.

13.0 Bus Arbitration and Timing (Continued)

SLAVE MODE TIMING

When \overline{CS} is low, the SNIC becomes a bus slave. The CPU can then read or write any internal registers. All register access is byte wide. The timing for register access is shown below. The host CPU accesses internal registers with four address lines, RA0-RA3, \overline{SRD} and \overline{SWR} strobes.

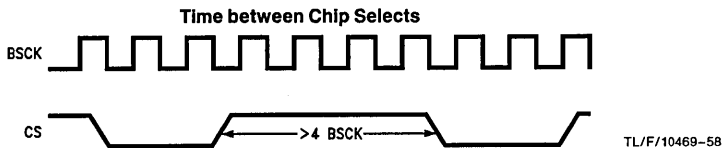
ADS0 is used to latch the address when interfacing to a multiplexed, address data bus. Since the SNIC may be a local bus master when the host CPU attempts to read or write to the controller, an \overline{ACK} line is used to hold off the CPU until the SNIC leaves master mode. Some number of BSCCK cycles is also required to allow the SNIC to synchronize to the read or write cycles.



TIME BETWEEN CHIP SELECTS

The SNIC requires that successive chip selects be no closer than 4 bus clocks (BSCCK) together. If the condition is violated, the SNIC may glitch \overline{ACK} . CPUs that operate from pipelined instructions (i.e., 386) or have a cache (i.e., 486) can

execute consecutive I/O cycles very quickly. The solution is to delay the execution of consecutive I/O cycles by either breaking the pipeline or forcing the CPU to access outside its cache.



14.0 Preliminary Electrical Characteristics

Absolute Maximum Ratings

If Military/Aerospace specified devices are required, please contact the National Semiconductor Sales Office/Distributors for availability and specifications.

Supply Voltage (V_{CC})	-0.5V to +7.0V
DC Input Voltage (V_{IN})	-0.5V to $V_{CC} + 0.5V$
DC Output Voltage (V_{OUT})	-0.5V to $V_{CC} + 0.5V$
Storage Temperature Range (T_{STG})	-65°C to +150°C
Power Dissipation (PD)	800 mW
Lead Temp. (TL) (Soldering, 10 sec.)	260°C
ESD Rating ($R_{ZAP} = 1.5k, C_{ZAP} = 120$ pF)	1.5 kV

Note: Absolute Maximum ratings are those values beyond which the safety of the device cannot be guaranteed. They are not meant to imply that the device should be operated at these limits.

Note: All specifications in this datasheet are valid only if the mandatory isolation is employed and all differential signals are taken to exist at the AUI side of the isolation.

Preliminary DC Specifications $T_A = 0^\circ\text{C}$ to 70°C , $V_{CC} = 5V \pm 5\%$, unless otherwise specified.

Symbol	Parameter	Conditions	Min	Max	Units
V_{OH}	Minimum High Level Output Voltage (Notes 1, 4)	$I_{OH} = -20 \mu\text{A}$	$V_{CC} - 0.1$		V
		$I_{OH} = -2.0 \text{ mA}$	3.5		V
V_{OL}	Minimum Low Level Output Voltage (Notes 1, 4)	$I_{OL} = 20 \mu\text{A}$		0.1	V
		$I_{OL} = 2.0 \text{ mA}$		0.4	V
V_{IH}	Minimum High Level Input Voltage (Note 2)		2.0		V
V_{IH2}	Minimum High Level Input Voltage For RACK WACK (Note 2)		2.7		V
V_{IL}	Minimum Low Level Input Voltage (Note 2)			0.8	V
V_{IL2}	Minimum Low Level Input Voltage For RACK, WACK (Note 2)			0.6	V
I_{IN}	Input Current	$V_I = V_{CC}$ or GND	-1.0	+1.0	μA
I_{OZ}	Minimum TRI-STATE Output Leakage Current (Note 5)	$V_{OUT} = V_{CC}$ or GND	-10	+10	μA
I_{CC}	Average Supply Current (Note 3)	X1 = 20 MHz Clock $I_{OUT} = 0 \mu\text{A}$ $V_{IN} = V_{CC}$ or GND		110	mA

Note 1: These levels are tested dynamically using a limited amount of functional test patterns, please refer to AC test load.

Note 2: Limited functional test patterns are performed at these input levels. The majority of functional tests are performed at levels of 0V and 3V.

Note 3: This is measured with a 0.1 μF bypass capacitor between V_{CC} and GND.

Note 4: The low drive CMOS compatible V_{OH} and V_{OL} limits are not tested directly. Detailed device characterization validates that this specification can be guaranteed by testing the high drive TTL compatible V_{OL} and V_{OH} specification.

Note 5: RA0-RA3, PRD, WACK, BREQ, and INT pins are used as outputs in test mode and as a result are tested as if they are TRI-STATE input/outputs. For these pins the input leakage specification is I_{OZ} .

14.0 Preliminary Electrical Characteristics (Continued)

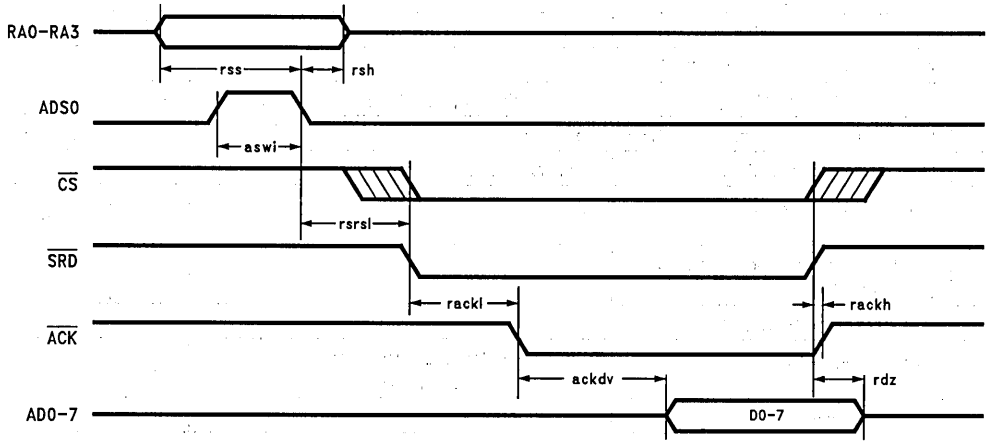
Preliminary DC Specifications $T_A = 0^\circ\text{C}$ to 70°C , $V = 5\text{V} \pm 5\%$, unless otherwise specified.

Symbol	Parameter	Conditions	Min	Max	Units
DIFFERENTIAL PINS (TX\pm, RX\pm, and CD\pm)					
V_{OD}	Diff. Output Voltage (TX \pm)	78 Ω Termination, and 270 Ω s from each to GND	± 550	± 1200	mV
V_{OB}	Diff. Output Voltage Imbalance (TX \pm)	Same as Above	Typical: 40 mV		
V_U	Undershoot Voltage (TX \pm)	Same as Above	Typical: 80 mV		
V_{DS}	Diff. Squelch Threshold (RX \pm and CD \pm)		-175	-300	mV
V_{CM}	Diff. Input Common Mode Voltage (RX \pm and CD \pm) (Note 1)		0	5.25	V
OSCILLATOR PINS (X1 and GND/X2)					
V_{IH}	X1 Input High Voltage	X1 is Connected to an Oscillator and GND/X2 is Grounded	2.0		V
V_{IL}	X1 Input Low Voltage	Same as Above		0.8	V
I_{OSC}	X1 Input Current	GND/X2 is Grounded $V_{IN} = V_{CC}$ or GND		+3	mA

Note 1: This parameter is guaranteed by the isolation and is not tested.

15.0 Switching Characteristics AC Specs DP83901A **Note:** All Timing is Preliminary

Register Read (Latched Using ADS0)



TL/F/10469-32

Symbol	Parameter	Min	Max	Units
rss	Register Select Setup to ADS0 Low	10		ns
rsh	Register Select Hold from ADS0 Low	13		ns
aswi	Address Strobe Width In	15		ns
ackdv	Acknowledge Low to Data Valid		55	ns
rdz	Read Strobe to Data TRI-STATE (Note 3)	15	70	ns
rackl	Read Strobe to \overline{ACK} Low (Notes 1, 2)		$n \cdot \text{bcyc} + 30$	ns
rackh	Read Strobe to \overline{ACK} High		30	ns
rsrsl	Register Select to Slave Read Low, Latched RS0-3	10		ns

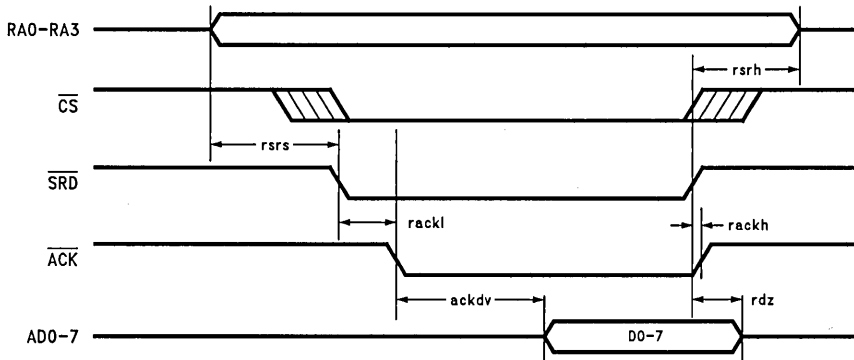
Note 1: \overline{ACK} is not generated until \overline{CS} and \overline{SRD} are low and the SNIC has synchronized to the register access. The SNIC will insert an integral number of Bus Clock cycles until it is synchronized. In Dual Bus systems additional cycles will be used for a local or remote DMA to complete. Wait states must be issued to the CPU until \overline{ACK} is asserted low.

Note 2: \overline{CS} may be asserted before or after \overline{SRD} . If \overline{CS} is asserted after \overline{SRD} , rackl is referenced from falling edge of \overline{CS} . \overline{CS} can be de-asserted concurrently with \overline{SRD} or after \overline{SRD} is de-asserted.

Note 3: These limits include the RC delay inherent in our test method. These signals typically turn off within 15 ns, enabling other devices to drive these lines with no contention.

15.0 Switching Characteristics AC Specs DP83901A **Note:** All Timing is Preliminary (Continued)

Register Read (Non-Latched, ADS0 = 1)



TL/F/10469-33

Symbol	Parameter	Min	Max	Units
rsrs	Register Select to Read Setup (Notes 1, 3)	10		ns
rsh	Register Select Hold from Read	0		ns
ackdv	$\overline{\text{ACK}}$ Low to Valid Data		55	ns
rdz	Read Strobe to Data TRI-STATE (Note 2)	15	70	ns
rackl	Read Strobe to $\overline{\text{ACK}}$ Low (Note 3)		$n \cdot \text{bcyc} + 30$	ns
rackh	Read Strobe to $\overline{\text{ACK}}$ High		30	ns

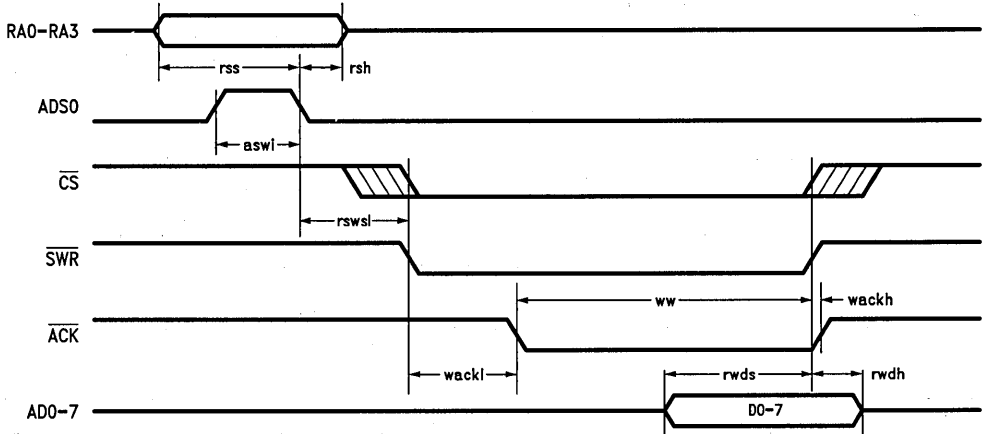
Note 1: rsrs includes flow-through time of latch.

Note 2: These limits include the RC delay inherent in our test method. These signals typically turn off within 15 ns enabling other devices to drive these lines with no contention.

Note 3: CS may be asserted before or after RA0-3, and SRD, since address decode begins when $\overline{\text{ACK}}$ is asserted. If CS is asserted after RA0-3, and SRD, rackl is referenced from falling edge of CS.

15.0 Switching Characteristics AC Specs DP83901A Note: All Timing is Preliminary (Continued)

Register Write (Latched Using ADS0)



TL/F/10469-34

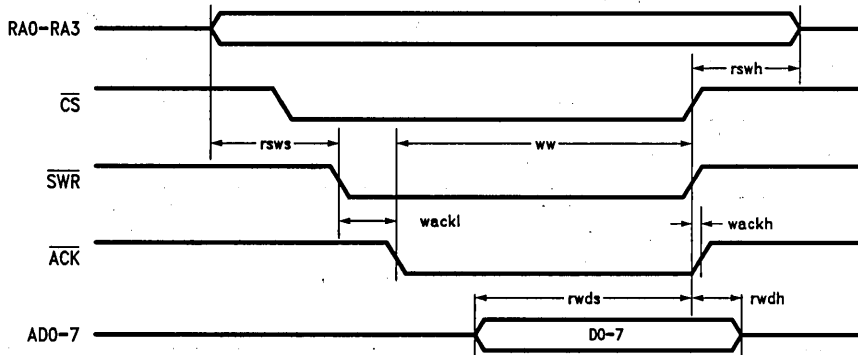
Symbol	Parameter	Min	Max	Units
rss	Register Select Setup to ADS0 Low	10		ns
rsh	Register Select Hold from ADS0 Low	17		ns
aswi	Address Strobe Width In	15		ns
rwds	Register Write Data Setup	20		ns
rwdh	Register Write Data Hold	21		ns
ww	Write Strobe Width from \overline{ACK}	50		ns
wackh	Write Strobe High to \overline{ACK} High		30	ns
wackl	Write Low to \overline{ACK} Low (Notes 1, 2)		$n \cdot \text{bcyc} + 30$	ns
rswsl	Register Select to Write Strobe Low	10		ns

Note 1: \overline{ACK} is not generated until \overline{CS} and \overline{SWR} are low and the SNIC has synchronized to the register access. In Dual Bus Systems additional cycles will be used for a local DMA or Remote DMA to complete.

Note 2: \overline{CS} may be asserted before or after \overline{SWR} . If \overline{CS} is asserted after \overline{SWR} , wackl is referenced from falling edge of \overline{CS} .

15.0 Switching Characteristics AC Specs DP83901A Note: All Timing is Preliminary (Continued)

Register Write (Non-Latched, ADS0 = 1)



TL/F/10469-35

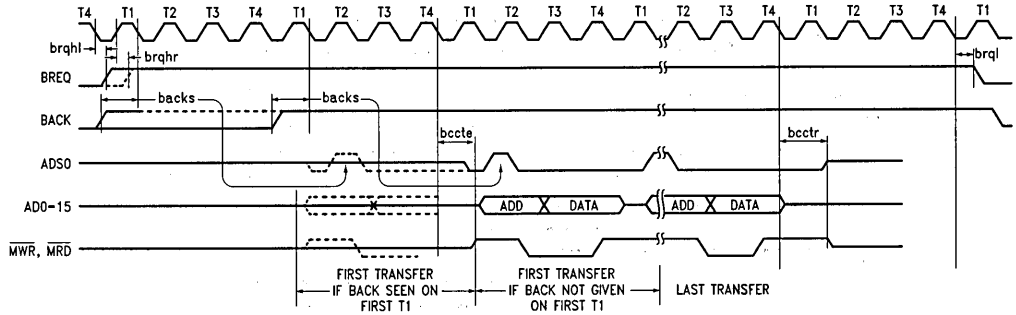
Symbol	Parameter	Min	Max	Units
rsws	Register Select to Write Setup (Note 1)	15		ns
rswh	Register Select Hold from Write	0		ns
rwds	Register Write Data Setup	20		ns
rwdh	Register Write Data Hold	21		ns
wackl	Write Low to \overline{ACK} Low (Note 2)		$n \cdot \text{bcyc} + 30$	ns
wackh	Write High to \overline{ACK} High		30	ns
ww	Write Width from \overline{ACK}	50		ns

Note 1: Assumes ADS0 is high when RA0-3 changing.

Note 2: \overline{ACK} is not generated until CS and SWR are low and the SNIC has synchronized to the register access. In Dual Bus systems additional cycles will be used for a local DMA or remote DMA to complete.

15.0 Switching Characteristics AC Specs DP83901A Note: All Timing is Preliminary (Continued)

DMA Control, Bus Arbitration



TL/F/10469-36

Symbol	Parameter	Min	Max	Units
brqhl	Bus Clock to Bus Request High for Local DMA		50	ns
brqhr	Bus Clock to Bus Request High for Remote DMA		45	ns
brql	Bus Request Low from Bus Clock		60	ns
backs	Acknowledge Setup to Bus Clock (Note 1)	2		ns
bccte	Bus Clock to Control Enable		60	ns
bcctr	Bus Clock to Control Release (Notes 2, 3)		70	ns

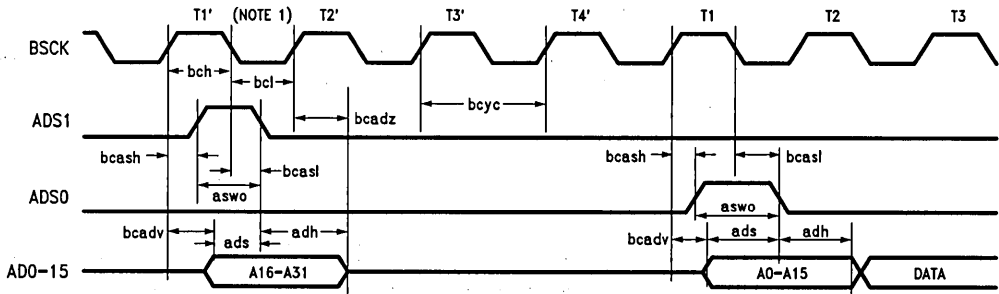
Note 1: BACK must be setup before T1 after BREQ is asserted. Missed setup will slip the beginning of the DMA by four bus clocks. The Bus Latency will influence the allowable FIFO threshold and transfer mode (empty/fill vs exact burst transfer).

Note 2: During remote DMA transfers only, a single bus transfer is performed. During local DMA operations burst mode transfers are performed.

Note 3: These limits include the RC delay inherent in our test method. These signals typically turn off within 15 ns enabling other devices to drive these lines with no contention.

15.0 Switching Characteristics AC Specs DP83901A **Note:** All Timing is Preliminary (Continued)

DMA Address Generation



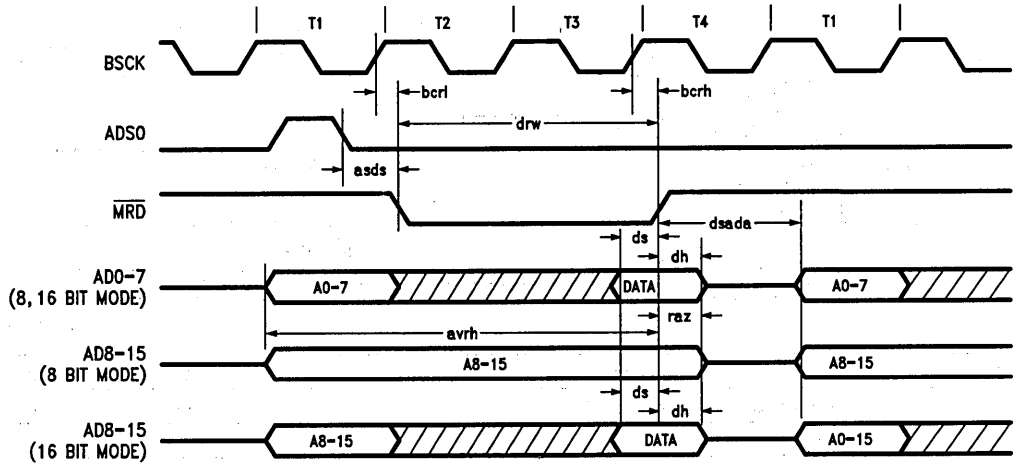
TL/F/10469-37

Symbol	Parameter	Min	Max	Units
bcyc	Bus Clock Cycle Time (Note 2)	50	125	ns
bch	Bus Clock High Time	20		ns
bcl	Bus Clock Low Time	20		ns
bcash	Bus Clock to Address Strobe High		34	ns
bcasl	Bus Clock to Address Strobe Low		44	ns
aswo	Address Strobe Width Out	bch		ns
bcadv	Bus Clock to Address Valid		45	ns
bcadz	Bus Clock to Address TRI-STATE (Note 3)	15	55	ns
ads	Address Setup to ADS0/1 Low	bch - 15		ns
adh	Address Hold from ADS0/1 Low	bcl - 5		ns

Note 1: Cycles T1', T2', T3' and T4' are only issued for the first transfer in a burst when 32-bit mode has been selected.
Note 2: The rate of bus clock must be high enough to support transfers to/from the FIFO at a rate greater than the serial network transfers from/to the FIFO.
Note 3: These limits include the RC delay inherent in our test method. These signals typically turn off within 15 ns, enabling other devices to drive these lines with no contention.

15.0 Switching Characteristics AC Specs DP83901A **Note:** All Timing is Preliminary (Continued)

DMA Memory Read



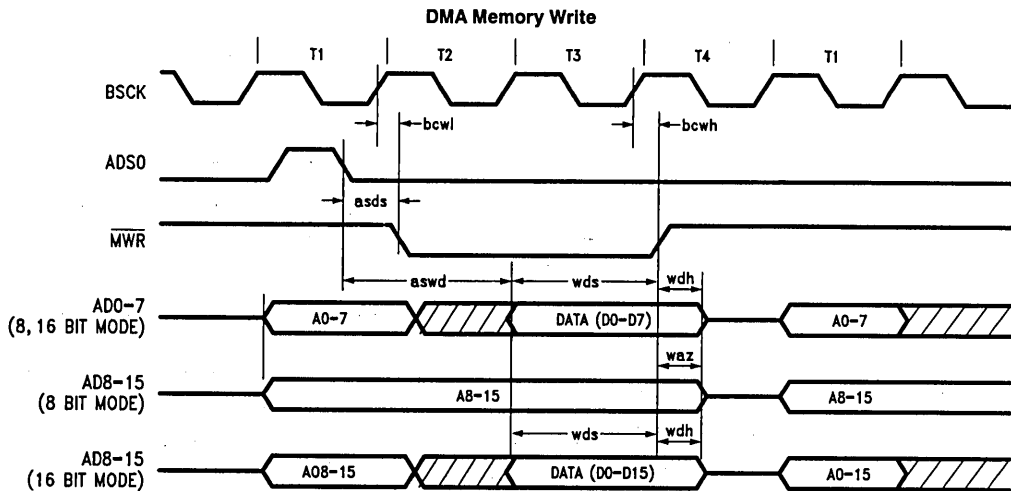
TL/F/10469-38

Symbol	Parameter	Min	Max	Units
bcr1	Bus Clock to Read Strobe Low		43	ns
bcrh	Bus Clock to Read Strobe High		40	ns
ds	Data Setup to Read Strobe High	22		ns
dh	Data Hold from Read Strobe High	0		ns
drw	DMA Read Strobe Width Out	$2 \cdot \text{bcyc} - 15$		ns
raz	Memory Read High to Address TRI-STATE (Notes 1, 2)		$\text{bch} + 40$	ns
asds	Address Strobe to Data Strobe		$\text{bcl} + 10$	ns
dsada	Data Strobe to Address Active	$\text{bcyc} - 10$		ns
avrh	Address Valid to Read Strobe High	$3 \cdot \text{bcyc} - 18$		ns

Note 1: During a burst A8-A15 are not TRI-STATE if byte wide transfers are selected. On the last transfer A8-A15 are TRI-STATE as shown above.

Note 2: These limits include the RC delay inherent in our test method. These signals typically turn off within $\text{bch} + 15$ ns, enabling other devices to drive these lines with no contention.

15.0 Switching Characteristics AC Specs DP83901A **Note:** All Timing is Preliminary (Continued)



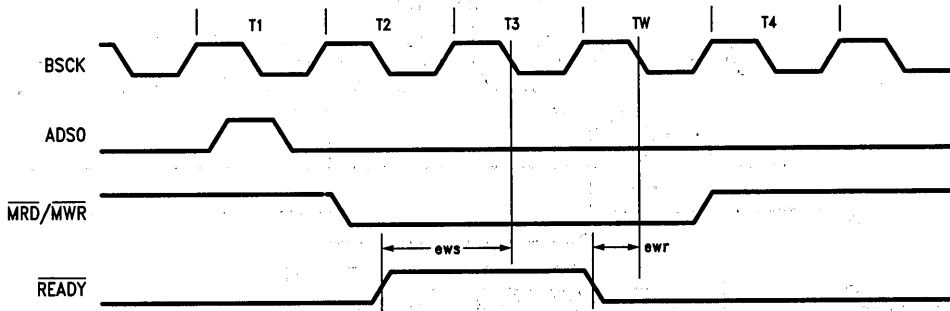
TL/F/10469-39

Symbol	Parameter	Min	Max	Units
bcwl	Bus Clock to Write Strobe Low		40	ns
bcwh	Bus Clock to Write Strobe High		40	ns
wds	Data Setup to WR High	$2 \cdot bcyc - 30$		ns
wdh	Data Hold from WR Low	$bch + 7$		ns
waz	Write Strobe to Address TRI-STATE (Notes 1, 2)		$bch + 40$	ns
asds	Address Strobe to Data Strobe		$bcl + 10$	ns
aswd	Address Strobe to Write Data Valid		$bcl + 30$	ns

Note 1: When using byte mode transfers A8-A15 are only TRI-STATE on the last transfer, waz timing is only valid for last transfer in a burst.
Note 2: These limits include the RC delay inherent in our test method. These signals typically turn off within $bch + 15$ ns, enabling other devices to drive these lines with no contention.

15.0 Switching Characteristics AC Specs DP83901A **Note:** All Timing is Preliminary (Continued)

Wait State Insertion



TL/F/10469-40

Symbol	Parameter	Min	Max	Units
ews	External Wait Setup to T3 0Clock (Note 1)	10		ns
ewr	External Wait Release Time (Note 1)	15		ns

Note 1: The addition of wait states affects the count of deserialized bytes and is limited to a number of bus clock cycles depending on the bus clock and network rates. The allowable wait states are found in the table below. (Assumes 10 Mbit/sec data rate.)

BSCK (MHz)	Max # of Wait States	
	Byte Transfer	Word Transfer
8	0	1
10	0	1
12	1	2
14	1	2
16	1	3
18	2	3
20	2	4

Table assumes 10 MHz network clock.

The number of allowable wait states in byte mode can be calculated using:

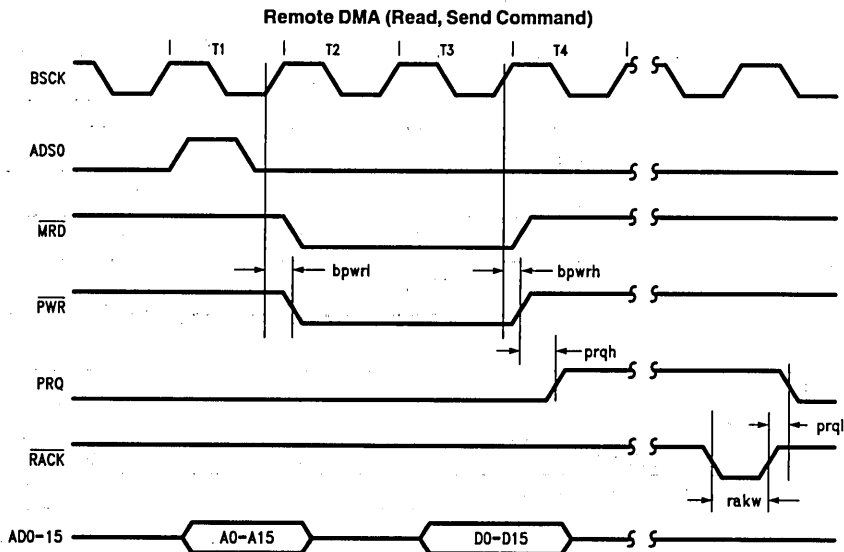
$$\#W_{(\text{byte mode})} = \left(\frac{8 \text{tnw}}{4.5 \text{tbck}} - 1 \right)$$

- #W = Number of Wait States
- tnw = Network Clock Period
- tbck = BSCK Period

The number of allowable wait states in word mode can be calculated using:

$$\#W_{(\text{word mode})} = \left(\frac{5 \text{tnw}}{2 \text{tbck}} - 1 \right)$$

15.0 Switching Characteristics AC Specs DP83901A Note: All Timing is Preliminary (Continued)



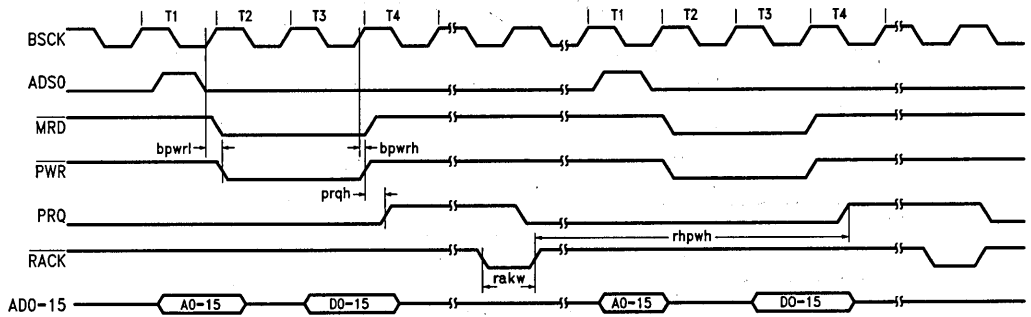
TL/F/10469-41

Symbol	Parameter	Min	Max	Units
bpwrl	Bus Clock to Port Write Low		43	ns
bpwrh	Bus Clock to Port Write High		40	ns
prqh	Port Write High to Port Request High (Note 1)		30	ns
prql	Port Request Low from Read Acknowledge High		60	ns
rakw	Remote Acknowledge Read Strobe Pulse Width	20		ns

Note 1: Start of next transfer is dependent on where RACK is generated relative to BSCK and whether a local DMA is pending.

15.0 Switching Characteristics AC Specs DP83901A Note: All Timing is Preliminary (Continued)

Remote DMA (Read, Send Command) Recovery Time



TL/F/10469-42

Symbol	Parameter	Min	Max	Units
bpwrl	Bus Clock to Port Write Low		43	ns
bpwrh	Bus Clock to Port Write High		40	ns
prqh	Port Write High to Port Request High (Note 1)		30	ns
prql	Port Request Low from Read Acknowledge High		60	ns
rakw	Remote Acknowledge Read Strobe Pulse Width	20		ns
rhpwh	Read Acknowledge High to Next Port Write Cycle (Notes 2, 3, 4)	11		BSCCK

Note 1: Start of next transfer is dependent on where RACK is generated relative to BSCCK and whether a local DMA is pending.

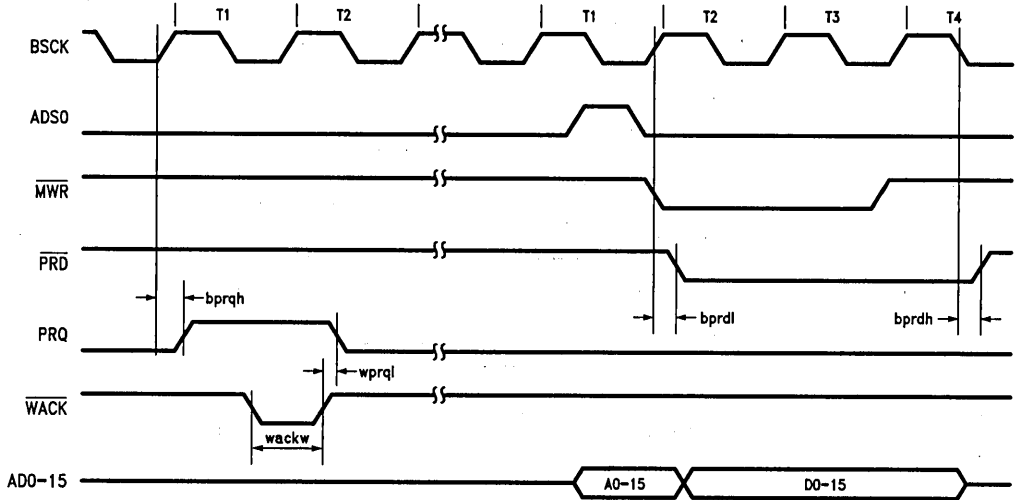
Note 2: This is not a measured value but guaranteed by design.

Note 3: RACK must be high for a minimum of 7 BSCCK.

Note 4: Assumes no local DMA interleave, no CS, and immediate BACK.

15.0 Switching Characteristics AC Specs DP83901A Note: All Timing is Preliminary (Continued)

Remote DMA (Write Cycle)



TL/F/10469-43

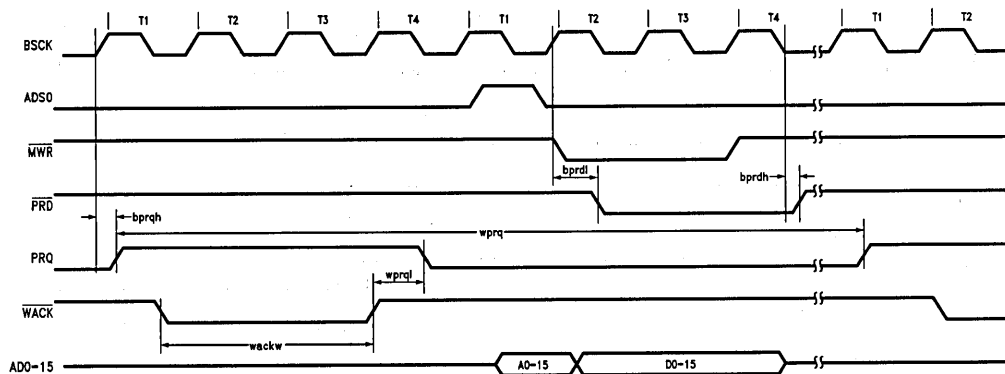
Symbol	Parameter	Min	Max	Units
bprqh	Bus Clock to Port Request High (Note 1)		42	ns
wprql	WACK to Port Request Low		52	ns
wackw	WACK Pulse Width	25		ns
bprdl	Bus Clock to Port Read Low (Note 2)		55	ns
bprdh	Bus Clock to Port Read High		40	ns

Note 1: The first port request is issued in response to the remote write command. It is subsequently issued on T1 clock cycles following completion of remote DMA cycles.

Note 2: The start of the remote DMA write following WACK is dependent on where WACK is issued relative to BSCCK and whether a local DMA is pending.

15.0 Switching Characteristics AC Specs DP83901A Note: All Timing is Preliminary (Continued)

Remote DMA (Write Cycle) Recovery Time



TL/F/10469-44

Symbol	Parameter	Min	Max	Units
bprqh	Bus Clock to Port Request High (Note 1)		42	ns
wprql	\overline{WACK} to Port Request Low		50	ns
wackw	\overline{WACK} Pulse Width	25		ns
bprdl	Bus Clock to Port Read Low (Note 2)		55	ns
bprdh	Bus Clock to Port Read High		40	ns
wprq	Remote Write Port Request to Port Request Time (Notes 3, 4, 5)	12		BSCK

Note 1: The first port request is issued in response to the remote write command. It is subsequently issued on T1 clock cycles following completion of remote DMA cycles.

Note 2: The start of the remote DMA write following \overline{WACK} is dependent on where \overline{WACK} is issued relative to BSCK and whether a local DMA is pending.

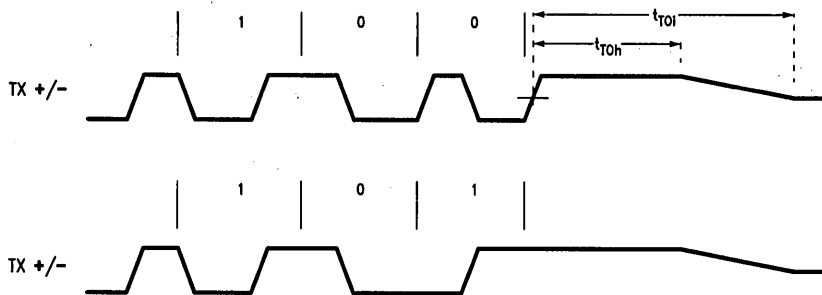
Note 3: Assuming wackw < 1 BSCK, and no local DMA interleave, no \overline{CS} , immediate \overline{BACK} , and \overline{WACK} goes high before T4.

Note 4: \overline{WACK} must be high for a minimum of 7 BSCK.

Note 5: This is not a measured value but guaranteed by design.

15.0 Switching Characteristics AC Specs DP83901A Note: All Timing is Preliminary (Continued)

Transmit Timing (End of Packet)

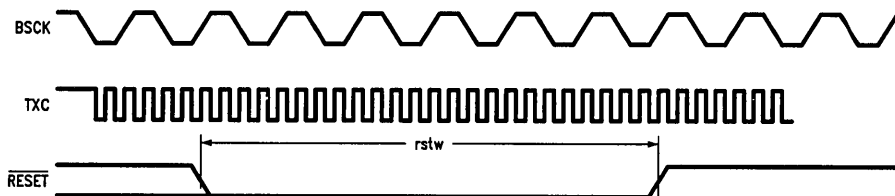


TL/F/10469-47

TRANSMIT SPECIFICATIONS (End of Packet)

Symbol	Parameter	Min	Max	Units
t _{TOH}	Transmit Output High before Idle (Half Step)	200		ns
t _{TOI}	Transmit Output Idle Time to ±40 mV(Half Step)		8000	ns

Reset Timing



TL/F/10469-45

Symbol	Parameter	Min	Max	Units
rstw	Reset Pulse Width (Note 1)	8		BSKC Cycles or TXC Cycles (Note 2)

Note 1: The RESET pulse requires the BSKC and TXC be stable. On power up, RESET should not be raised until BSKC and TXC have become stable. Several registers are affected by RESET. Consult the register descriptions for details.

Note 2: The slower of BSKC or TXC clocks will determine the minimum time for the RESET signal to be low. TXC is X1 divided by 2.

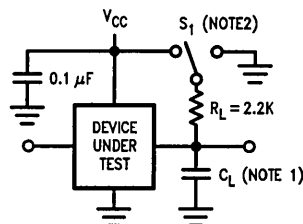
If BSKC < TXC then RESET = 8 × BSKC

If TXC < BSKC then RESET = 8 × TXC

16.0 AC Timing Test Conditions

All specifications are valid only if the mandatory isolation is employed and all differential signals are taken to be at the AUI side of the pulse transformer.

Input Pulse Levels (TTL/CMOS)	GND to 3.0V
Input Rise and Fall Times (TTL/CMOS)	5 ns
Input and Output Reference Levels (TTL/CMOS)	1.3V
Input Pulse Levels (Diff.)	-350 mV to -1315 mV
Input and Output Reference Levels (Diff.)	50% Point of the Differential
TRI-STATE Reference Levels	Float (ΔV) ±0.5V
Output Load (See Figure Below)	



TL/F/10469-48

Note 1: 50 pF, includes scope and jig capacitance

Note 2: S1 = Open for timing tests for push pull outputs.

S1 = V_{CC} for V_{OL} test.

S1 = GND for V_{OH} test.

S1 = V_{CC} for High Impedance to active low and active low to High Impedance measurements.

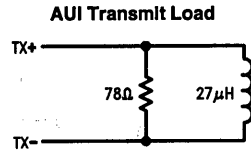
S1 = GND for High Impedance to active high and active high to High Impedance measurements.

Pin Capacitance $T_A = 25^\circ\text{C}, f = 1\text{ MHz}$

Symbol	Parameter	Typ	Units
C_{IN}	Input Capacitance	7	pF
C_{OUT}	Output Capacitance	7	pF

DERATING FACTOR

Output timings are measured with a purely capacitive load for 50 pF. The following correction factor can be used for other loads: $C_L \geq 50\text{ pF} + 0.3\text{ ns/pF}$.



TL/F/10469-49

Note: In the above diagram, the TX+ and TX- signals are taken from the AUI side of the isolation (pulse transformer). The pulse transformer used for all testing is the Pulse Engineering PE64103.

DP8390D/NS32490D NIC Network Interface Controller

General Description

The DP8390D/NS32490D Network Interface Controller (NIC) is a microCMOS VLSI device designed to ease interfacing with CSMA/CD type local area networks including Ethernet, Thin Ethernet (Cheapernet) and StarLAN. The NIC implements all Media Access Control (MAC) layer functions for transmission and reception of packets in accordance with the IEEE 802.3 Standard. Unique dual DMA channels and an internal FIFO provide a simple yet efficient packet management design. To minimize system parts count and cost, all bus arbitration and memory support logic are integrated into the NIC.

The NIC is the heart of a three chip set that implements the complete IEEE 802.3 protocol and node electronics as shown below. The others include the DP8391 Serial Network Interface (SNI) and the DP8392 Coaxial Transceiver Interface (CTI).

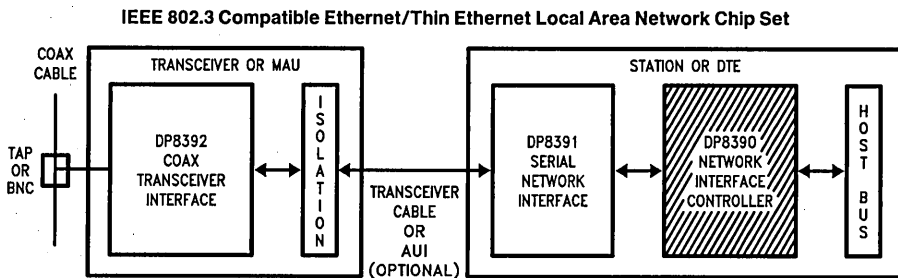
Features

- Compatible with IEEE 802.3/Ethernet II/Thin Ethernet/StarLAN
- Interfaces with 8-, 16- and 32-bit microprocessor systems
- Implements simple, versatile buffer management
- Requires single 5V supply
- Utilizes low power microCMOS process
- Includes
 - Two 16-bit DMA channels
 - 16-byte internal FIFO with programmable threshold
 - Network statistics storage
- Supports physical, multicast, and broadcast address filtering
- Provides 3 levels of loopback
- Utilizes independent system and network clocks

Table of Contents

- 1.0 SYSTEM DIAGRAM
- 2.0 BLOCK DIAGRAM
- 3.0 FUNCTIONAL DESCRIPTION
- 4.0 TRANSMIT/RECEIVE PACKET ENCAPSULATION/DECAPSULATION
- 5.0 PIN DESCRIPTIONS
- 6.0 DIRECT MEMORY ACCESS CONTROL (DMA)
- 7.0 PACKET RECEPTION
- 8.0 PACKET TRANSMISSION
- 9.0 REMOTE DMA
- 10.0 INTERNAL REGISTERS
- 11.0 INITIALIZATION PROCEDURES
- 12.0 LOOPBACK DIAGNOSTICS
- 13.0 BUS ARBITRATION AND TIMING
- 14.0 PRELIMINARY ELECTRICAL CHARACTERISTICS
- 15.0 SWITCHING CHARACTERISTICS
- 16.0 PHYSICAL DIMENSIONS

1.0 System Diagram



TL/F/8582-1

2.0 Block Diagram

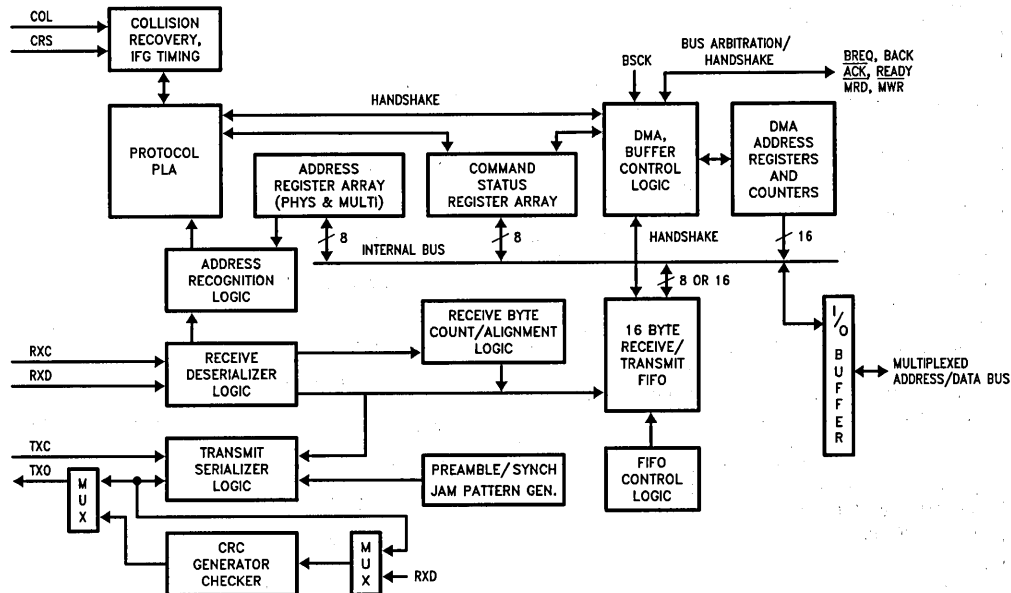


FIGURE 1

TL/F/B582-2

3.0 Functional Description

(Refer to Figure 1)

RECEIVE DESERIALIZER

The Receive Deserializer is activated when the input signal Carrier Sense is asserted to allow incoming bits to be shifted into the shift register by the receive clock. The serial receive data is also routed to the CRC generator/checker. The Receive Deserializer includes a synch detector which detects the SFD (Start of Frame Delimiter) to establish where byte boundaries within the serial bit stream are located. After every eight receive clocks, the byte wide data is transferred to the 16-byte FIFO and the Receive Byte Count is incremented. The first six bytes after the SFD are checked for valid comparison by the Address Recognition Logic. If the Address Recognition Logic does not recognize the packet, the FIFO is cleared.

CRC GENERATOR/CHECKER

During transmission, the CRC logic generates a local CRC field for the transmitted bit sequence. The CRC encodes all fields after the synch byte. The CRC is shifted out MSB first following the last transmit byte. During reception the CRC logic generates a CRC field from the incoming packet. This local CRC is serially compared to the incoming CRC appended to the end of the packet by the transmitting node. If the local and received CRC match, a specific pattern will be generated and decoded to indicate no data errors. Transmission errors result in a different pattern and are detected, resulting in rejection of a packet.

TRANSMIT SERIALIZER

The Transmit Serializer reads parallel data from the FIFO and serializes it for transmission. The serializer is clocked by

the transmit clock generated by the Serial Network Interface (DP8391). The serial data is also shifted into the CRC generator/checker. At the beginning of each transmission, the Preamble and Synch Generator append 62 bits of 1,0 preamble and a 1,1 synch pattern. After the last data byte of the packet has been serialized the 32-bit FCS field is shifted directly out of the CRC generator. In the event of a collision the Preamble and Synch generator is used to generate a 32-bit JAM pattern of all 1's

ADDRESS RECOGNITION LOGIC

The address recognition logic compares the Destination Address Field (first 6 bytes of the received packet) to the Physical address registers stored in the Address Register Array. If any one of the six bytes does not match the pre-programmed physical address, the Protocol Control Logic rejects the packet. All multicast destination addresses are filtered using a hashing technique. (See register description.) If the multicast address indexes a bit that has been set in the filter bit array of the Multicast Address Register Array the packet is accepted, otherwise it is rejected by the Protocol Control Logic. Each destination address is also checked for all 1's which is the reserved broadcast address.

FIFO AND FIFO CONTROL LOGIC

The NIC features a 16-byte FIFO. During transmission the DMA writes data into the FIFO and the Transmit Serializer reads data from the FIFO and transmits it. During reception the Receive Deserializer writes data into the FIFO and the DMA reads data from the FIFO. The FIFO control logic is used to count the number of bytes in the FIFO so that after a preset level, the DMA can begin a bus access and write/read data to/from the FIFO before a FIFO underflow/overflow occurs.

3.0 Functional Description (Continued)

Because the NIC must buffer the Address field of each incoming packet to determine whether the packet matches its Physical Address Registers or maps to one of its Multicast Registers, the first local DMA transfer does not occur until 8 bytes have accumulated in the FIFO.

To assure that there is no overwriting of data in the FIFO, the FIFO logic flags a FIFO overrun as the 13th byte is written into the FIFO; this effectively shortens the FIFO to 13 bytes. In addition, the FIFO logic operates differently in Byte Mode than in Word Mode. In Byte Mode, a threshold is indicated when the $n + 1$ byte has entered the FIFO; thus, with an 8-byte threshold, the NIC issues Bus Request (BREQ) when the 9th byte has entered the FIFO. For Word Mode, BREQ is not generated until the $n + 2$ bytes have entered the FIFO. Thus, with a 4 word threshold (equivalent to an 8-byte threshold), BREQ is issued when the 10th byte has entered the FIFO.

PROTOCOL PLA

The protocol PLA is responsible for implementing the IEEE 802.3 protocol, including collision recovery with random backoff. The Protocol PLA also formats packets during transmission and strips preamble and synch during reception.

DMA AND BUFFER CONTROL LOGIC

The DMA and Buffer Control Logic is used to control two 16-bit DMA channels. During reception, the Local DMA stores packets in a receive buffer ring, located in buffer memory. During transmission the Local DMA uses programmed pointer and length registers to transfer a packet from local buffer memory to the FIFO. A second DMA channel is used as a slave DMA to transfer data between the local buffer memory and the host system. The Local DMA and Remote DMA are internally arbitrated, with the Local DMA channel having highest priority. Both DMA channels use a common external bus clock to generate all required bus timing. External arbitration is performed with a standard bus request, bus acknowledge handshake protocol.

4.0 Transmit/Receive Packet Encapsulation/Decapsulation

A standard IEEE 802.3 packet consists of the following fields: preamble, Start of Frame Delimiter (SFD), destination address, source address, length, data, and Frame Check Sequence (FCS). The typical format is shown in *Figure 2*. The packets are Manchester encoded and decoded by the DP8391 SNI and transferred serially to the NIC using NRZ data with a clock. All fields are of fixed length except for the data field. The NIC generates and appends the preamble, SFD and FCS field during transmission. The Preamble and SFD fields are stripped during reception. (The CRC is passed through to buffer memory during reception.)

PREAMBLE AND START OF FRAME DELIMITER (SFD)

The Manchester encoded alternating 1,0 preamble field is used by the SNI (DP8391) to acquire bit synchronization with an incoming packet. When transmitted each packet contains 62 bits of alternating 1,0 preamble. Some of this preamble will be lost as the packet travels through the network. The preamble field is stripped by the NIC. Byte alignment is performed with the Start of Frame Delimiter (SFD) pattern which consists of two consecutive 1's. The NIC does not treat the SFD pattern as a byte, it detects only the

two bit pattern. This allows any preceding preamble within the SFD to be used for phase locking.

DESTINATION ADDRESS

The destination address indicates the destination of the packet on the network and is used to filter unwanted packets from reaching a node. There are three types of address formats supported by the NIC: physical, multicast, and broadcast. The physical address is a unique address that corresponds only to a single node. All physical addresses have an MSB of "0". These addresses are compared to the internally stored physical address registers. Each bit in the destination address must match in order for the NIC to accept the packet. Multicast addresses begin with an MSB of "1". The DP8390D filters multicast addresses using a standard hashing algorithm that maps all multicast addresses into a 6-bit value. This 6-bit value indexes a 64-bit array that filters the value. If the address consists of all 1's it is a broadcast address, indicating that the packet is intended for all nodes. A promiscuous mode allows reception of all packets: the destination address is not required to match any filters. Physical, broadcast, multicast, and promiscuous address modes can be selected.

SOURCE ADDRESS

The source address is the physical address of the node that sent the packet. Source addresses cannot be multicast or broadcast addresses. This field is simply passed to buffer memory.

LENGTH FIELD

The 2-byte length field indicates the number of bytes that are contained in the data field of the packet. This field is not interpreted by the NIC.

DATA FIELD

The data field consists of anywhere from 46 to 1500 bytes. Messages longer than 1500 bytes need to be broken into multiple packets. Messages shorter than 46 bytes will require appending a pad to bring the data field to the minimum length of 46 bytes. If the data field is padded, the number of valid data bytes is indicated in the length field. **The NIC does not strip or append pad bytes for short packets, or check for oversize packets.**

FCS FIELD

The Frame Check Sequence (FCS) is a 32-bit CRC field calculated and appended to a packet during transmission to allow detection of errors when a packet is received. During reception, error free packets result in a specific pattern in the CRC generator. Packets with improper CRC will be rejected. The AUTODIN II ($X^{32} + X^{26} + X^{23} + X^{22} + X^{16} + X^{12} + X^{11} + X^{10} + X^8 + X^7 + X^5 + X^4 + X^2 + X + 1$) polynomial is used for the CRC calculations.

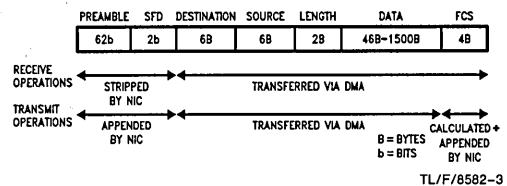
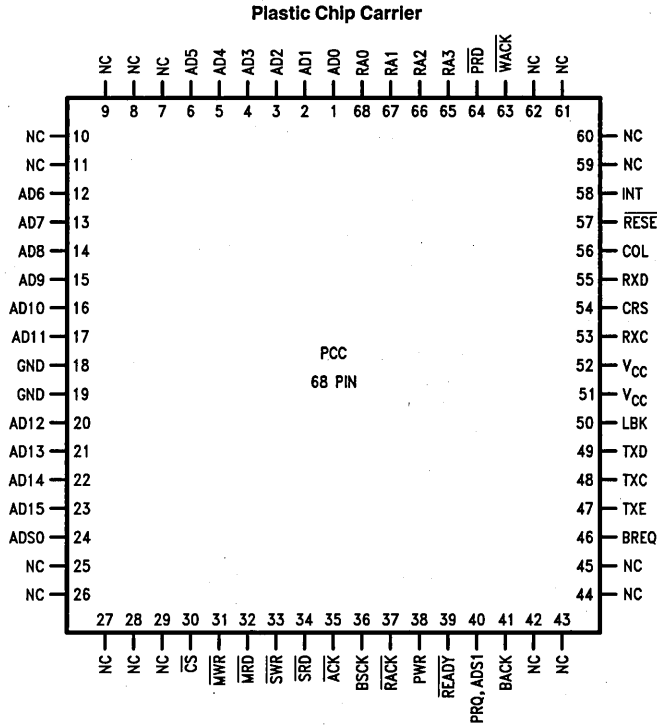
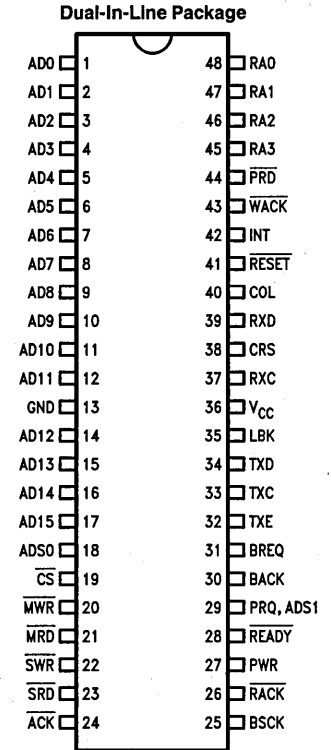


FIGURE 2

Connection Diagrams



TL/F/8582-5



TL/F/8582-4

**Order Number DP8390DN or DP8390DV
See NS Package Number N48A or V68A**

5.0 Pin Descriptions

BUS INTERFACE PINS

Symbol	DIP Pin No	Function	Description
AD0-AD15	1-12 14-17	I/O,Z	MULTIPLEXED ADDRESS/DATA BUS: <ul style="list-style-type: none"> Register Access, with DMA inactive, \overline{CS} low and \overline{ACK} returned from NIC, pins AD0-AD7 are used to read/write register data. AD8-AD15 float during I/O transfers. \overline{SRD}, \overline{SWR} pins are used to select direction of transfer. Bus Master with \overline{BACK} input asserted. <ul style="list-style-type: none"> During t1 of memory cycle AD0-AD15 contain address. During t2, t3, t4 AD0-AD15 contain data (word transfer mode). During t2, t3, t4 AD0-AD7 contain data, AD8-AD15 contain address (byte transfer mode). Direction of transfer is indicated by NIC on \overline{MWR} , \overline{MRD} lines.
ADSO	18	I/O,Z	ADDRESS STROBE 0 <ul style="list-style-type: none"> Input with DMA inactive and \overline{CS} low, latches RA0-RA3 inputs on falling edge. If high, data present on RA0-RA3 will flow through latch. Output when Bus Master, latches address bits (A0-A15) to external memory during DMA transfers.

5.0 Pin Descriptions (Continued)

BUS INTERFACE PINS (Continued)

Symbol	DIP Pin No	Function	Description
\overline{CS}	19	I	CHIP SELECT: Chip Select places controller in slave mode for μP access to internal registers. Must be valid through data portion of bus cycle. RA0–RA3 are used to select the internal register. \overline{SWR} and \overline{SRD} select direction of data transfer.
\overline{MWR}	20	O,Z	MASTER WRITE STROBE: Strobe for DMA transfers, active low during write cycles (t2, t3, tw) to buffer memory. Rising edge coincides with the presence of valid output data. TRI-STATE® until BACK asserted.
\overline{MRD}	21	O,Z	MASTER READ STROBE: Strobe for DMA transfers, active during read cycles (t2, t3, tw) to buffer memory. Input data must be valid on rising edge of \overline{MRD} . TRI-STATE until BACK asserted.
\overline{SWR}	22	I	SLAVE WRITE STROBE: Strobe from CPU to write an internal register selected by RA0–RA3.
\overline{SRD}	23	I	SLAVE READ STROBE: Strobe from CPU to read an internal register selected by RA0–RA3.
ACK	24	O	ACKNOWLEDGE: Active low when NIC grants access to CPU. Used to insert WAIT states to CPU until NIC is synchronized for a register read or write operation.
RA0–RA3	45–48	I	REGISTER ADDRESS: These four pins are used to select a register to be read or written. The state of these inputs is ignored when the NIC is not in slave mode (\overline{CS} high).
\overline{PRD}	44	O	PORT READ: Enables data from external latch onto local bus during a memory write cycle to local memory (remote write operation). This allows asynchronous transfer of data from the system memory to local memory.
\overline{WACK}	43	I	WRITE ACKNOWLEDGE: Issued from system to NIC to indicate that data has been written to the external latch. The NIC will begin a write cycle to place the data in local memory.
INT	42	O	INTERRUPT: Indicates that the NIC requires CPU attention after reception transmission or completion of DMA transfers. The interrupt is cleared by writing to the ISR. All interrupts are maskable.
RESET	41	I	RESET: Reset is active low and places the NIC in a reset mode immediately, no packets are transmitted or received by the NIC until STA bit is set. Affects Command Register, Interrupt Mask Register, Data Configuration Register and Transmit Configuration Register. The NIC will execute reset within 10 BUSK cycles.
BREQ	31	O	BUS REQUEST: Bus Request is an active high signal used to request the bus for DMA transfers. This signal is automatically generated when the FIFO needs servicing.
BACK	30	I	BUS ACKNOWLEDGE: Bus Acknowledge is an active high signal indicating that the CPU has granted the bus to the NIC. If immediate bus access is desired, BREQ should be tied to BACK. Tying BACK to V_{CC} will result in a deadlock.
PRQ, ADS1	29	O,Z	PORT REQUEST/ADDRESS STROBE 1 <ul style="list-style-type: none"> • 32-BIT MODE: If LAS is set in the Data Configuration Register, this line is programmed as ADS1. It is used to strobe addresses A16–A31 into external latches. (A16–A31 are the fixed addresses stored in RSAR0, RSAR1.) ADS1 will remain at TRI-STATE until BACK is received. • 16-BIT MODE: If LAS is not set in the Data Configuration Register, this line is programmed as PRQ and is used for Remote DMA Transfers. In this mode PRQ will be a standard logic output. NOTE: This line will power up as TRI-STATE until the Data Configuration Register is programmed.
READY	28	I	READY: This pin is set high to insert wait states during a DMA transfer. The NIC will sample this signal at t3 during DMA transfers.

5.0 Pin Descriptions (Continued)

BUS INTERFACE PINS (Continued)

Symbol	DIP Pin No	Function	Description
PWR	27	O	PORT WRITE: Strobe used to latch data from the NIC into external latch for transfer to host memory during Remote Read transfers. The rising edge of PWR coincides with the presence of valid data on the local bus.
RACK	26	I	READ ACKNOWLEDGE: Indicates that the system DMA or host CPU has read the data placed in the external latch by the NIC. The NIC will begin a read cycle to update the latch.
BCK	25	I	This clock is used to establish the period of the DMA memory cycle. Four clock cycles (t1, t2, t3, t4) are used per DMA cycle. DMA transfers can be extended by one BCK increments using the READY input.

NETWORK INTERFACE PINS

COL	40	I	COLLISION DETECT: This line becomes active when a collision has been detected on the coaxial cable. During transmission this line is monitored after preamble and synch have been transmitted. At the end of each transmission this line is monitored for CD heartbeat.
RXD	39	I	RECEIVE DATA: Serial NRZ data received from the ENDEC, clocked into the NIC on the rising edge of RXC.
CRS	38	I	CARRIER SENSE: This signal is provided by the ENDEC and indicates that carrier is present. This signal is active high.
RXC	37	I	RECEIVE CLOCK: Re-synchronized clock from the ENDEC used to clock data from the ENDEC into the NIC.
LBK	35	O	LOOPBACK: This output is set high when the NIC is programmed to perform a loopback through the StarLAN ENDEC.
TXD	34	O	TRANSMIT DATA: Serial NRZ Data output to the ENDEC. The data is valid on the rising edge of TXC.
TXC	33	I	TRANSMIT CLOCK: This clock is used to provide timing for internal operation and to shift bits out of the transmit serializer. TXC is nominally a 1 MHz clock provided by the ENDEC.
TXE	32	O	TRANSMIT ENABLE: This output becomes active when the first bit of the packet is valid on TXD and goes low after the last bit of the packet is clocked out of TXD. This signal connects directly to the ENDEC. This signal is active high.

POWER

VCC	36		+ 5V DC is required. It is suggested that a decoupling capacitor be connected between these pins. It is essential to provide a path to ground for the GND pin with the lowest possible impedance.
GND	13		

6.0 Direct Memory Access Control (DMA)

The DMA capabilities of the NIC greatly simplify use of the DP8390D in typical configurations. The local DMA channel transfers data between the FIFO and memory. On transmission, the packet is DMA'd from memory to the FIFO in bursts. Should a collision occur (up to 15 times), the packet is retransmitted with no processor intervention. On reception, packets are DMAed from the FIFO to the receive buffer ring (as explained below).

A remote DMA channel is also provided on the NIC to accomplish transfers between a buffer memory and system memory. The two DMA channels can alternatively be combined to form a single 32-bit address with 8- or 16-bit data.

DUAL DMA CONFIGURATION

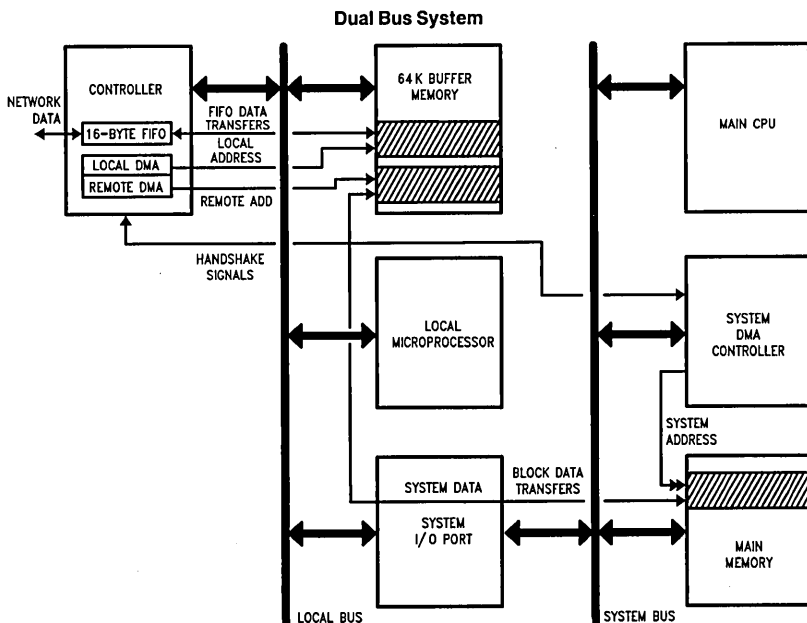
An example configuration using both the local and remote DMA channels is shown below. Network activity is isolated

on a local bus, where the NIC's local DMA channel performs burst transfers between the buffer memory and the NIC's FIFO. The Remote DMA transfers data between the buffer memory and the host memory via a bidirectional I/O port. The Remote DMA provides local addressing capability and is used as a slave DMA by the host. Host side addressing must be provided by a host DMA or the CPU. The NIC allows Local and Remote DMA operations to be interleaved.

SINGLE CHANNEL DMA OPERATION

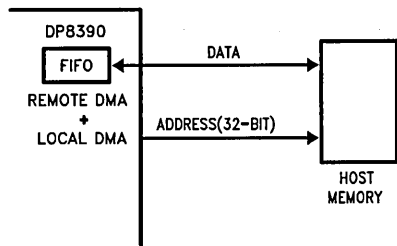
If desirable, the two DMA channels can be combined to provide a 32-bit DMA address. The upper 16 bits of the 32-bit address are static and are used to point to a 64k byte (or 32k word) page of memory where packets are to be received and transmitted.

6.0 Direct Memory Access Control (DMA) (Continued)



TL/F/8582-55

32-Bit DMA Operation

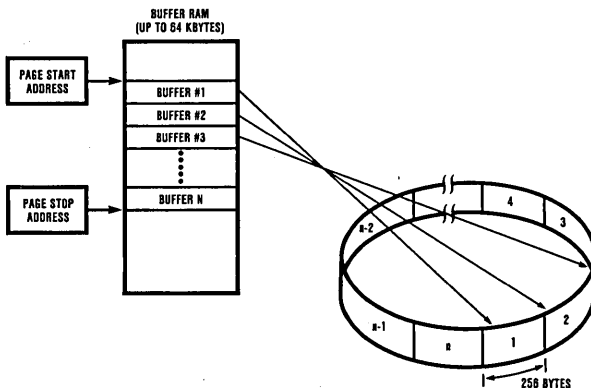


TL/F/8582-6

7.0 Packet Reception

The Local DMA receive channel uses a Buffer Ring Structure comprised of a series of contiguous fixed length 256 byte (128 word) buffers for storage of received packets. The location of the Receive Buffer Ring is programmed in two registers, a Page Start and a Page Stop Register. Ethernet packets consist of a distribution of shorter link control packets and longer data packets, the 256 byte buffer length provides a good compromise between short packets and longer packets to most efficiently use memory. In addition these buffers provide memory resources for storage of back-to-back packets in loaded networks. The assignment of buffers

NIC Receive Buffer Ring



TL/F/8582-7

7.0 Packet Reception (Continued)

for storing packets is controlled by Buffer Management Logic in the NIC. The Buffer Management Logic provides three basic functions: linking receive buffers for long packets, recovery of buffers when a packet is rejected, and recirculation of buffer pages that have been read by the host.

At initialization, a portion of the 64k byte (or 32k word) address space is reserved for the receive buffer ring. Two eight bit registers, the Page Start Address Register (PSTART) and the Page Stop Address Register (PSTOP) define the physical boundaries of where the buffers reside. The NIC treats the list of buffers as a logical ring; whenever the DMA address reaches the Page Stop Address, the DMA is reset to the Page Start Address.

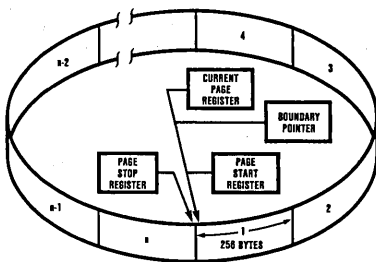
INITIALIZATION OF THE BUFFER RING

Two static registers and two working registers control the operation of the Buffer Ring. These are the Page Start Register, Page Stop Register (both described previously), the Current Page Register and the Boundary Pointer Register. The Current Page Register points to the first buffer used to store a packet and is used to restore the DMA for writing status to the Buffer Ring or for restoring the DMA address in the event of a Runt packet, a CRC, or Frame Alignment error. The Boundary Register points to the first packet in the Ring not yet read by the host. If the local DMA address ever reaches the Boundary, reception is aborted. The Boundary Pointer is also used to initialize the Remote DMA for removing a packet and is advanced when a packet is removed. A simple analogy to remember the function of these registers is that the Current Page Register acts as a Write Pointer and the Boundary Pointer acts as a Read Pointer.

Note 1: At initialization, the Page Start Register value should be loaded into both the Current Page Register and the Boundary Pointer Register.

Note 2: The Page Start Register must not be initialized to 00H.

Receive Buffer Ring At Initialization

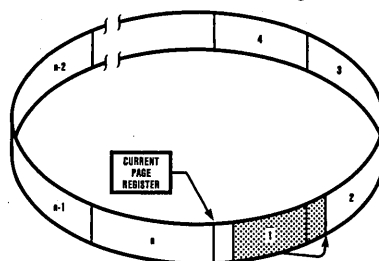


TL/F/8582-30

BEGINNING OF RECEPTION

When the first packet begins arriving the NIC begins storing the packet at the location pointed to by the Current Page

Linking Receive Buffer Pages

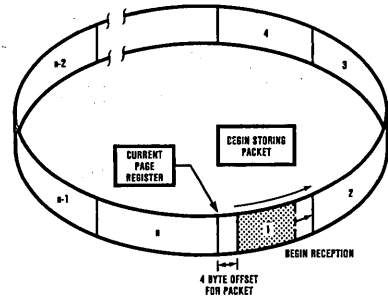


- 1) Check for = to PSTOP
- 2) Check for = to Boundary

TL/F/8582-32

Register. An offset of 4 bytes is saved in this first buffer to allow room for storing receive status corresponding to this packet.

Received Packet Enters Buffer Pages



TL/F/8582-31

LINKING RECEIVE BUFFER PAGES

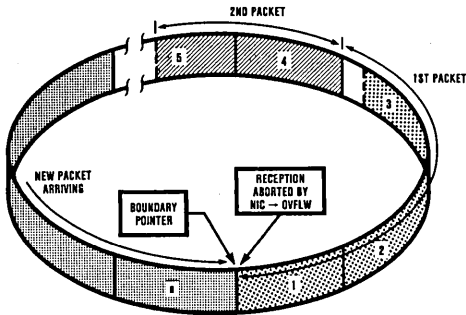
If the length of the packet exhausts the first 256 byte buffer, the DMA performs a forward link to the next buffer to store the remainder of the packet. For a maximal length packet the buffer logic will link six buffers to store the entire packet. Buffers cannot be skipped when linking, a packet will always be stored in contiguous buffers. Before the next buffer can be linked, the Buffer Management Logic performs two comparisons. The first comparison tests for equality between the DMA address of the next buffer and the contents of the Page Stop Register. If the buffer address equals the Page Stop Register, the buffer management logic will restore the DMA to the first buffer in the Receive Buffer Ring value programmed in the Page Start Address Register. The second comparison tests for equality between the DMA address of the next buffer address and the contents of the Boundary Pointer Register. If the two values are equal the reception is aborted. The Boundary Pointer Register can be used to protect against overwriting any area in the receive buffer ring that has not yet been read. When linking buffers, buffer management will never cross this pointer, effectively avoiding any overwrites. If the buffer address does not match either the Boundary Pointer or Page Stop Address, the link to the next buffer is performed.

Linking Buffers

Before the DMA can enter the next contiguous 256 byte buffer, the address is checked for equality to PSTOP and to the Boundary Pointer. If neither are reached, the DMA is allowed to use the next buffer.

7.0 Packet Reception (Continued)

Received Packet Aborted if It Hits Boundary Pointer



TL/F/8582-8

Buffer Ring Overflow

If the Buffer Ring has been filled and the DMA reaches the Boundary Pointer Address, reception of the incoming packet will be aborted by the NIC. Thus, the packets previously received and still contained in the Ring will not be destroyed.

In a heavily loaded network environment the local DMA may be disabled, preventing the NIC from buffering packets from the network. To guarantee this will not happen, a software reset must be issued during all Receive Buffer Ring overflows (indicated by the OVW bit in the Interrupt Status Register). The following procedure is required to recover from a Receiver Buffer Ring Overflow.

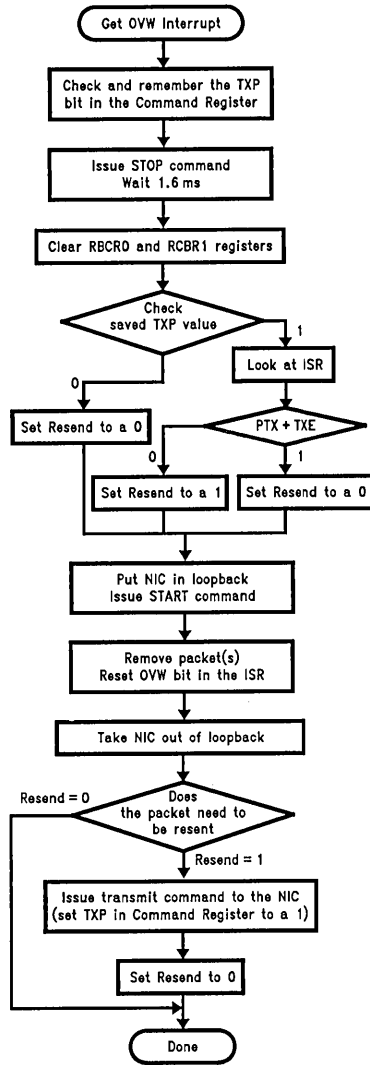
If this routine is not adhered to, the NIC may act in an unpredictable manner. It should also be noted that it is not permissible to service an overflow interrupt by continuing to empty packets from the receive buffer without implementing the prescribed overflow routine. A flow chart of the NIC's overflow routine can be found at the right.

Note: It is necessary to define a variable in the driver, which will be called "Resend".

1. Read and store the value of the TXP bit in the NIC's Command Register.
2. Issue the STOP command to the NIC. This is accomplished by setting the STP bit in the NIC's Command Register. Writing 21H to the Command Register will stop the NIC.

Note: If the STP is set when a transmission is in progress, the RST bit may not be set. In this case, the NIC is guaranteed to be reset after the longest packet time (1500 bytes = 1.2 ms). For the DP8390D (but not for the DP8390B), the NIC will be reset within 2 microseconds after the STP bit is set and Loopback mode 1 is programmed.

3. Wait for at least 1.6 ms. Since the NIC will complete any transmission or reception that is in progress, it is necessary to time out for the maximum possible duration of an Ethernet transmission or reception. By waiting 1.6 ms this is achieved with some guard band added. Previously, it was recommended that the RST bit of the Interrupt Status Register be polled to insure that the pending transmission or reception is completed. This bit is not a reliable indicator and subsequently should be ignored.
4. Clear the NIC's Remote Byte Count registers (RBCRO and RBCR1).



TL/F/8582-95

Overflow Routine Flow Chart

5. Read the stored value of the TXP bit from step 1, above. If this value is a 0, set the "Resend" variable to a 0 and jump to step 6.

If this value is a 1, read the NIC's Interrupt Status Register. If either the Packet Transmitted bit (PTX) or Transmit Error bit (TXE) is set to a 1, set the "Resend" variable to a 0 and jump to step 6. If neither of these bits is set, place a 1 in the "Resend" variable and jump to step 6.

This step determines if there was a transmission in progress when the stop command was issued in step 2. If there was a transmission in progress, the NIC's ISR is read to determine whether or not the packet was recognized by the NIC. If neither the PTX nor TXE bit was set,

7.0 Packet Reception (Continued)

then the packet will essentially be lost and re-transmitted only after a time-out takes place in the upper level software. By determining that the packet was lost at the driver level, a transmit command can be reissued to the NIC once the overflow routine is completed (as in step 11). Also, it is possible for the NIC to defer indefinitely, when it is stopped on a busy network. Step 5 also alleviates this problem. Step 5 is essential and should not be omitted from the overflow routine, in order for the NIC to operate correctly.

6. Place the NIC in either mode 1 or mode 2 loopback. This can be accomplished by setting bits D2 and D1, of the Transmit Configuration Register, to "0,1" or "1,0", respectively.
7. Issue the START command to the NIC. This can be accomplished by writing 22H to the Command Register. This is necessary to activate the NIC's Remote DMA channel.
8. Remove one or more packets from the receive buffer ring.
9. Reset the overwrite warning (OVW, overflow) bit in the Interrupt Status Register.
10. Take the NIC out of loopback. This is done by writing the Transmit Configuration Register with the value it contains during normal operation. (Bits D2 and D1 should both be programmed to 0.)
11. If the "Resend" variable is set to a 1, reset the "Resend" variable and reissue the transmit command. This is done by writing a value of 26H to the Command Register. If the "Resend" variable is 0, nothing needs to be done.

Note: If Remote DMA is not being used, the NIC does not need to be started before packets can be removed from the receive buffer ring. Hence, step 8 could be done before step 7.

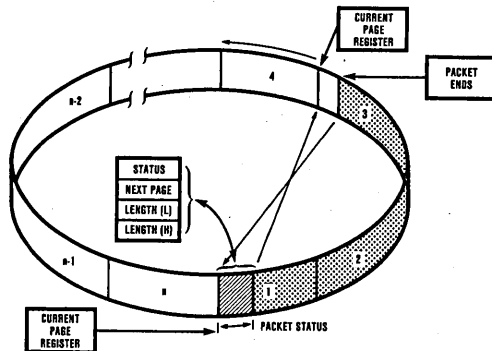
END OF PACKET OPERATIONS

At the end of the packet the NIC determines whether the received packet is to be accepted or rejected. It either branches to a routine to store the Buffer Header or to another routine that recovers the buffers used to store the packet.

SUCCESSFUL RECEPTION

If the packet is successfully received as shown, the DMA is restored to the first buffer used to store the packet (pointed

Termination of Received Packet—Packet Accepted



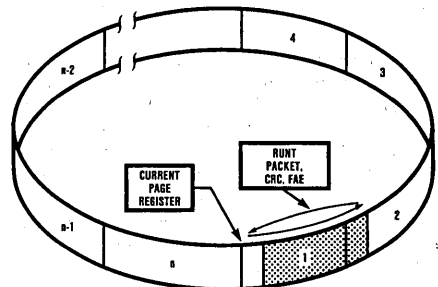
TL/F/8582-10

to by the Current Page Register). The DMA then stores the Receive Status, a Pointer to where the next packet will be stored (Buffer 4) and the number of received bytes. Note that the remaining bytes in the last buffer are discarded and reception of the next packet begins on the next empty 256-byte buffer boundary. The Current Page Register is then initialized to the next available buffer in the Buffer Ring. (The location of the next buffer had been previously calculated and temporarily stored in an internal scratchpad register.)

BUFFER RECOVERY FOR REJECTED PACKETS

If the packet is a runt packet or contains CRC or Frame Alignment errors, it is rejected. The buffer management logic resets the DMA back to the first buffer page used to store the packet (pointed to by CURR), recovering all buffers that had been used to store the rejected packet. This operation will not be performed if the NIC is programmed to accept either runt packets or packets with CRC or Frame Alignment errors. The received CRC is always stored in buffer memory after the last byte of received data for the packet.

Termination of Received Packet—Packet Rejected



TL/F/8582-13

Error Recovery

If the packet is rejected as shown, the DMA is restored by the NIC by reprogramming the DMA starting address pointed to by the Current Page Register.

REMOVING PACKETS FROM THE RING

Packets are removed from the ring using the Remote DMA or an external device. When using the Remote DMA the Send Packet command can be used. This programs the Remote DMA to automatically remove the received packet pointed to by the Boundary Pointer. At the end of the transfer, the NIC moves the Boundary Pointer, freeing additional buffers for reception. The Boundary Pointer can also be moved manually by programming the Boundary Register. Care should be taken to keep the Boundary Pointer at least one buffer behind the Current Page Pointer.

The following is a suggested method for maintaining the Receive Buffer Ring pointers.

1. At initialization, set up a software variable (next_pkt) to indicate where the next packet will be read. At the beginning of each Remote Read DMA operation, the value of next_pkt will be loaded into RSAR0 and RSAR1.
2. When initializing the NIC set:
 - BNDRY = PSTART
 - CURR = PSTART + 1
 - next_pkt = PSTART + 1

7.0 Packet Reception (Continued)

3. After a packet is DMAed from the Receive Buffer Ring, the Next Page Pointer (second byte in NIC buffer header) is used to update BNDRY and next_pkt.

next_pkt = Next Page Pointer

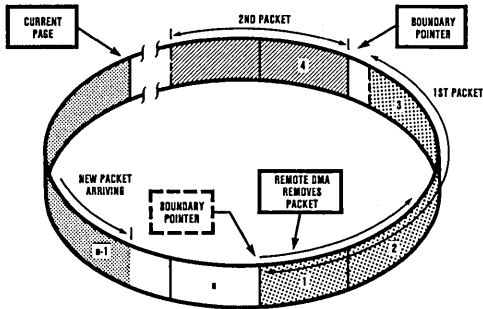
BNDRY = Next Page Pointer - 1

If BNDRY < PSTART then BNDRY = PSTOP - 1

Note the size of the Receive Buffer Ring is reduced by one 256-byte buffer; this will not, however, impede the operation of the NIC.

In StarLAN applications using bus clock frequencies greater than 4 MHz, the NIC does not update the buffer header information properly because of the disparity between the network and bus clock speeds. The lower byte count is copied twice into the third and fourth locations of the buffer header and the upper byte count is not written. The upper byte count, however, can be calculated from the current next page pointer (second byte in the buffer header) and the previous next page pointer (stored in memory by the CPU). The following routine calculates the upper byte count and allows StarLAN applications to be insensitive to bus clock speeds. Next_pkt is defined similarly as above.

1st Received Packet Removed By Remote DMA



TL/F/8582-57

upper byte count = next page pointer - next_pkt - 1

if (upper byte count) < 0 then

upper byte count = (PSTOP - next_pkt) +
(next page pointer - PSTART) - 1

if (lower byte count) > 0 fch then

upper byte count = upper byte count + 1

STORAGE FORMAT FOR RECEIVED PACKETS

The following diagrams describe the format for how received packets are placed into memory by the local DMA channel. These modes are selected in the Data Configuration Register.

Storage Format

AD15	AD8	AD7	AD0
Next Packet Pointer	Receive Status		
Receive Byte Count 1	Receive Byte Count 0		
Byte 2	Byte 1		

BOS = 0, WTS = 1 in Data Configuration Register.

This format used with Series 32000 808X type processors.

AD15	AD8	AD7	AD0
Next Packet Pointer	Receive Status		
Receive Byte Count 0	Receive Byte Count 1		
Byte 1	Byte 2		

BOS = 1, WTS = 1 in Data Configuration Register.

This format used with 68000 type processors.

Note: The Receive Byte Count ordering remains the same for BOS=0 or 1.

AD7	AD0
Receive Status	
Next Packet Pointer	
Receive Byte Count 0	
Receive Byte Count 1	
Byte 0	
Byte 1	

BOS = 0, WTS = 0 in Data Configuration Register.

This format used with general 8-bit CPUs.

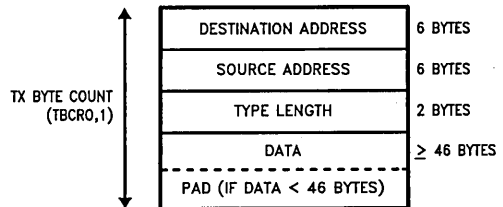
8.0 Packet Transmission

The Local DMA is also used during transmission of a packet. Three registers control the DMA transfer during transmission, a Transmit Page Start Address Register (TPSR) and the Transmit Byte Count Registers (TBCR0,1). When the NIC receives a command to transmit the packet pointed to by these registers, buffer memory data will be moved into the FIFO as required during transmission. The NIC will generate and append the preamble, synch and CRC fields.

TRANSMIT PACKET ASSEMBLY

The NIC requires a contiguous assembled packet with the format shown. The transmit byte count includes the Destination Address, Source Address, Length Field and Data. It does not include preamble and CRC. When transmitting data smaller than 46 bytes, the packet must be padded to a minimum size of 64 bytes. The programmer is responsible for adding and stripping pad bytes.

General Transmit Packet Format



TL/F/8582-58

8.0 Packet Transmission (Continued)

TRANSMISSION

Prior to transmission, the TPSR (Transmit Page Start Register) and TBCR0, TBCR1 (Transmit Byte Count Registers) must be initialized. To initiate transmission of the packet the TXP bit in the Command Register is set. The Transmit Status Register (TSR) is cleared and the NIC begins to prefetch transmit data from memory (unless the NIC is currently receiving). If the interframe gap has timed out the NIC will begin transmission.

CONDITIONS REQUIRED TO BEGIN TRANSMISSION

In order to transmit a packet, the following three conditions must be met:

1. The Interframe Gap Timer has timed out the first 6.4 μ s of the Interframe Gap (See appendix for Interframe Gap Flowchart)
2. At least one byte has entered the FIFO. (This indicates that the burst transfer has been started)
3. If the NIC had collided, the backoff timer has expired.

In typical systems the NIC has already prefetched the first burst of bytes before the 6.4 μ s timer expires. The time during which NIC transmits preamble can also be used to load the FIFO.

Note: If carrier sense is asserted before a byte has been loaded into the FIFO, the NIC will become a receiver.

COLLISION RECOVERY

During transmission, the Buffer Management logic monitors the transmit circuitry to determine if a collision has occurred. If a collision is detected, the Buffer Management logic will reset the FIFO and restore the Transmit DMA pointers for retransmission of the packet. The COL bit will be set in the TSR and the NCR (Number of Collisions Register) will be incremented. If 15 retransmissions each result in a collision the transmission will be aborted and the ABT bit in the TSR will be set.

Note: NCR reads as zeroes if excessive collisions are encountered.

TRANSMIT PACKET ASSEMBLY FORMAT

The following diagrams describe the format for how packets must be assembled prior to transmission for different byte ordering schemes. The various formats are selected in the Data Configuration Register.

D15	D8 D7	D0
DA1		DA0
DA3		DA2
DA5		DA4
SA1		DA0
SA3		DA2
SA5		DA4
T/L1		T/L0
DATA 1		DATA 0

BOS = 0, WTS = 1 in Data Configuration Register.

This format is used with Series 32000, 808X type processors.

D15	D8 D7	D0
DA0		DA1
DA2		DA3
DA4		DA5
SA0		SA1
SA2		SA3
SA4		SA5
T/L0		T/L1
DATA 0		DATA 1

BOS = 1, WTS = 1 in Data Configuration Register.

This format is used with 68000 type processors.

D7	D0
DA0	
DA1	
DA2	
DA3	
DA4	
DA5	
SA0	
SA1	
SA2	
SA3	

BOS = 0, WTS = 0 in Data Configuration Register.

This format is used with general 8-bit CPUs.

Note: All examples above will result in a transmission of a packet in order of DA0, DA1, DA2, DA3 . . . bits within each byte will be transmitted least significant bit first.

DA = Destination Address

SA = Source Address

T/L = Type/Length Field

9.0 Remote DMA

The Remote DMA channel is used to both assemble packets for transmission, and to remove received packets from the Receive Buffer Ring. It may also be used as a general purpose slave DMA channel for moving blocks of data or commands between host memory and local buffer memory. There are three modes of operation, Remote Write, Remote Read, or Send Packet.

Two register pairs are used to control the Remote DMA, a Remote Start Address (RSAR0, RSAR1) and a Remote Byte Count (RBCR0, RBCR1) register pair. The Start Address Register pair points to the beginning of the block to be moved while the Byte Count Register pair is used to indicate the number of bytes to be transferred. Full handshake logic is provided to move data between local buffer memory and a bidirectional I/O port.

9.0 Remote DMA (Continued)

REMOTE WRITE

A Remote Write transfer is used to move a block of data from the host into local buffer memory. The Remote DMA will read data from the I/O port and sequentially write it to local buffer memory beginning at the Remote Start Address. The DMA Address will be incremented and the Byte Counter will be decremented after each transfer. The DMA is terminated when the Remote Byte Count Register reaches a count of zero.

REMOTE READ

A Remote Read transfer is used to move a block of data from local buffer memory to the host. The Remote DMA will sequentially read data from the local buffer memory, beginning at the Remote Start Address, and write data to the I/O port. The DMA Address will be incremented and the Byte Counter will be decremented after each transfer. The DMA is terminated when the Remote Byte Count Register reaches zero.

REMOTE DMA WRITE

Setting PRQ Using the Remote Read

Under certain conditions the NIC's bus state machine may issue /MWR and /PRD before PRQ for the first DMA transfer of a Remote Write Command. If this occurs this could cause data corruption, or cause the remote DMA count to be different from the main CPU count causing the system to "lock up".

To prevent this condition when implementing a Remote DMA Write, the Remote DMA Write command should first be preceded by a Remote DMA Read command to insure that the PRQ signal is asserted before the NIC starts its port read cycle. The reason for this is that the state machine that asserts PRQ runs independently of the state machine that controls the DMA signals. The DMA machine assumes that PRQ is asserted, but actually may not be. To remedy this situation, a single Remote Read cycle should be inserted before the actual DMA Write Command is given. This will ensure that PRQ is asserted when the Remote DMA Write is subsequently executed. This single Remote Read cycle is

called a "dummy Remote Read." In order for the dummy Remote Read cycle to operate correctly, the Start Address should be programmed to a known, safe location in the buffer memory space, and the Remote Byte Count should be programmed to a value greater than 1. This will ensure that the master read cycle is performed safely, eliminating the possibility of data corruption.

Remote Write with High Speed Buses

When implementing the Remote DMA Write solution in previous section with high speed buses and CPU's, timing problems may cause the system to hang. Therefore additional considerations are required.

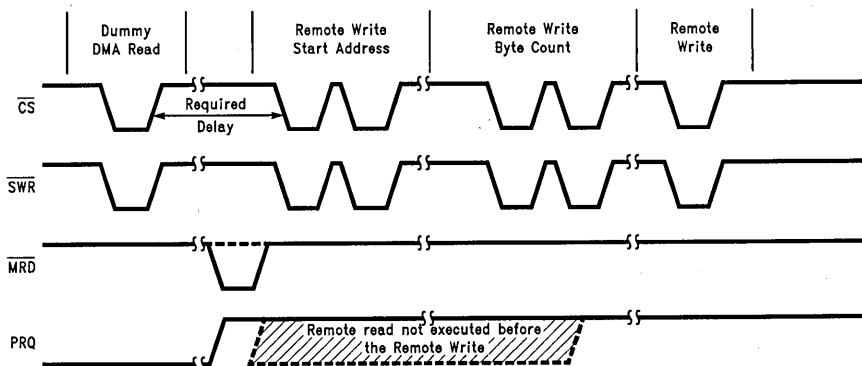
The problem occurs when the system can execute the dummy Remote Read and then start the Remote Write before the NIC has had a chance to execute the Remote Read. If this happens the PRQ signal will not get set, and the Remote Byte Count and Remote Start Address for the Remote Write operation could be corrupted. This is shown by the hatched waveforms in the timing diagram below. The execution of the Remote Read can be delayed by the local DMA operations (particularly during end-of-packet processing).

To ensure the dummy Remote Read does execute, a delay must be inserted between writing the Remote Read Command, and starting to write the Remote Write Start Address. (This time is designated in figure below by the delay arrows.) The recommended method to avoid this problem is, after the Remote Read command is given, to poll both bytes of the Current Remote DMA Address Registers. When the address has incremented, PRQ has been set. Software should recognize this and then start the Remote Write.

An additional caution for high speed systems is that the polling must follow guidelines specified at the end of Section 13. That is, there must be at least 4 bus clocks between chip selects. (For example, when BSCK = 20 MHz, then this time should be 200 ns.)

The general flow for executing a Remote Write is:

1. Set Remote Byte Count to a value > 1 and Remote Start Address to unused RAM (one location before the transmit start address is usually a safe location).



Timing Diagram for Dummy Remote Read

TL/F/6582-96

Note: The dashed lines indicate incorrect timing.

9.0 Remote DMA (Continued)

2. Issue the "dummy" Remote Read command.
3. Read the Current Remote DMA Address (CRDA) (both bytes).
4. Compare to previous CRDA value if different go to 6.
5. Delay and jump to 3.
6. Set up for the Remote Write command, by setting the Remote Byte Count and the Remote Start Address (note that if the Remote Byte count in step 1 can be set to the transmit byte count plus one, and the Remote Start Address to one less, these will now be incremented to the correct values.)
7. Issue the Remote Write command.

FIFO AND BUS OPERATIONS

Overview

To accommodate the different rates at which data comes from (or goes to) the network and goes to (or comes from) the system memory, the NIC contains a 16-byte FIFO for buffering data between the bus and the media. The FIFO threshold is programmable, allowing filling (or emptying) the FIFO at different rates. When the FIFO has filled to its programmed threshold, the local DMA channel transfers these bytes (or words) into local memory. It is crucial that the local DMA is given access to the bus within a minimum bus latency time; otherwise a FIFO underrun (or overrun) occurs.

To understand FIFO underruns or overruns, there are two causes which produce this condition—

- 1) the bus latency is so long that the FIFO has filled (or emptied) from the network before the local DMA has serviced the FIFO.
- 2) the bus latency or bus data rate has slowed the throughput of the local DMA to point where it is slower than the network data rate (10 Mb/s). This second condition is also dependent upon DMA clock and word width (byte wide or word wide).

The worst case condition ultimately limits the overall bus latency which the NIC can tolerate.

FIFO Underrun and Transmit Enable

During transmission, if a FIFO underrun occurs, the Transmit enable (TXE) output may remain high (active). Generally, this will cause a very large packet to be transmitted onto the network. The jabber feature of the transceiver will terminate the transmission, and reset TXE.

To prevent this problem, a properly designed system will not allow FIFO underruns by giving the NIC a bus acknowledge within time shown in the maximum bus latency curves shown and described later.

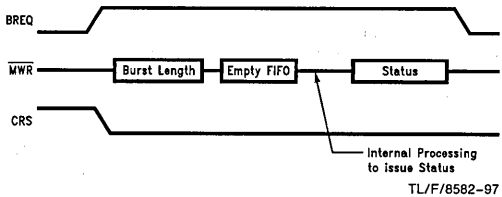
FIFO at the Beginning of Receive

At the beginning of reception, the NIC stores entire Address field of each incoming packet in the FIFO to determine whether the packet matches its Physical Address Registers or maps to one of its Multicast Registers. This causes the FIFO to accumulate 8 bytes. Furthermore, there are some synchronization delays in the DMA PLA. Thus, the actual time that BREQ is asserted from the time the Start of Frame Delimiter (SFD) is detected is 7.8 μ s. This operation affects the bus latencies at 2 and 4 byte thresholds during the first receive BREQ since the FIFO must be filled to 8 bytes (4 words) before issuing a BREQ.

FIFO Operation at the End of Receive

When Carrier Sense goes low, the NIC enters its end of packet processing sequence, emptying its FIFO and writing the status information at the beginning of the packet, figure below. This NIC holds onto the bus for the entire sequence. The longest time BREQ may be extended occurs when a packet ends just as the NIC performs its last FIFO burst. The NIC, in this case, performs a programmed burst transfer followed by flushing the remaining bytes in the FIFO, and completes by writing the header information to memory. The following steps occur during this sequence.

- 1) NIC issues BREQ because the FIFO threshold has been reached.
- 2) During the burst, packet ends, resulting in BREQ extended.
- 3) NIC flushes remaining bytes from FIFO.
- 4) NIC performs internal processing to prepare for writing the header.
- 5) NIC writes 4-byte (2-word) header.
- 6) NIC deasserts BREQ.



End of Packet Processing

End of Packet Processing (EOPP) times for 10 MHz and 20 MHz have been tabulated in the table below.

End of Packet Processing Times for Various FIFO Thresholds, Bus Clocks and Transfer Modes

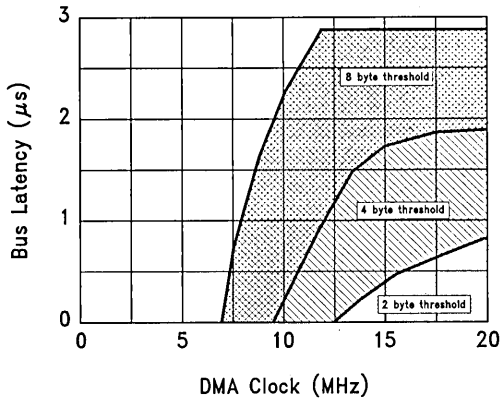
Mode	Threshold	Bus Clock	EOPP
Byte	2 bytes	10 MHz	7.0 μ s
	4 bytes		8.6 μ s
	8 bytes		11.0 μ s
Byte	2 bytes	20 MHz	3.6 μ s
	4 bytes		4.2 μ s
	8 bytes		5.0 μ s
Word	2 bytes	10 MHz	5.4 μ s
	4 bytes		6.2 μ s
	8 bytes		7.4 μ s
Word	2 bytes	20 MHz	3.0 μ s
	4 bytes		3.2 μ s
	8 bytes		3.6 μ s

Threshold Detection (Bus Latency)

To assure that no overwriting of data in the FIFO, the FIFO logic flags a FIFO overrun as the 13th byte is written into the FIFO, effectively shortening the FIFO to 13 bytes. The FIFO logic also operates differently in Byte Mode and in Word Mode. In Byte Mode, a threshold is indicated when the n + 1

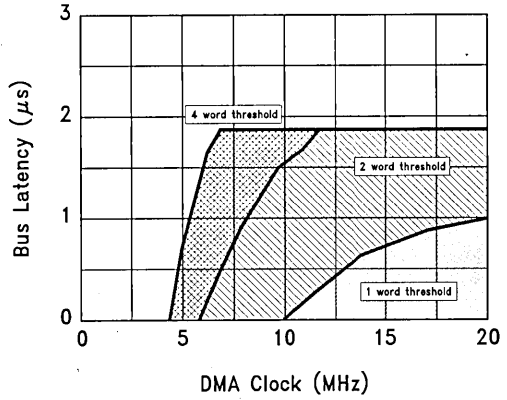
9.0 Remote DMA (Continued)

Maximum Bus Latency for Byte Mode



TL/F/8582-98

Maximum Bus Latency for Word Mode



TL/F/8582-99

byte has entered the FIFO; thus, with an 8 byte threshold, the NIC issues Bus Request (BREQ) when the 9th byte has entered the FIFO. For Word Mode, BREQ is not generated until the $n+2$ bytes have entered the FIFO. Thus, with a 4 word threshold (equivalent to 8 byte threshold), BREQ is issued when the 10th byte has entered the FIFO. The two graphs, the figures above, indicate the maximum allowable bus latency for Word and Byte transfer modes.

The FIFO at the Beginning of Transmit

Before transmitting, the NIC performs a prefetch from memory to load the FIFO. The number of bytes prefetched is the programmed FIFO threshold. The next BREQ is not issued until after the NIC actually begins transmitting data, i.e., after SFD. The Transmit Prefetch diagram illustrates this process.

SEND PACKET COMMAND

The Remote DMA channel can be automatically initialized to transfer a single packet from the Receive Buffer Ring.

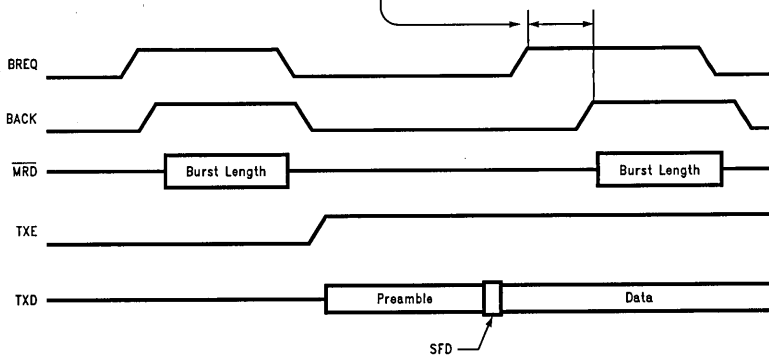
The CPU begins this transfer by issuing a "Send Packet" Command. The DMA will be initialized to the value of the Boundary Pointer Register and the Remote Byte Count Register pair (RBCR0, RBCR1) will be initialized to the value of the Receive Byte Count fields found in the Buffer Header of each packet. After the data is transferred, the Boundary Pointer is advanced to allow the buffers to be used for new receive packets. The Remote Read will terminate when the Byte Count equals zero. The Remote DMA is then prepared to read the next packet from the Receive Buffer Ring. If the DMA pointer crosses the Page Stop Register, it is reset to the Page Start Address. This allows the Remote DMA to remove packets that have wrapped around to the top of the Receive Buffer Ring.

Note 1: In order for the NIC to correctly execute the Send Packet Command, the upper Remote Byte Count Register (RBCR1) must first be loaded with 0FH.

Note 2: The Send Packet command cannot be used with 68000 type processors.

Transmit Prefetch Timing

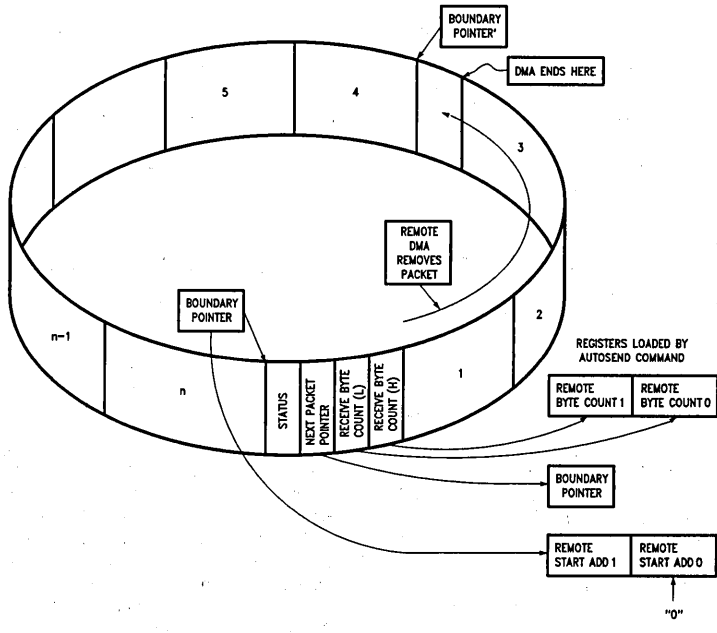
$$\text{Tolerated Bus Latency} = \left[\left(\text{No. of Bytes Stored in FIFO} \times 800 \right) - 400 \text{ ns} \right] \text{ or } \left(12 \text{ Bytes} - \text{FIFO Threshold} \right) \text{ whichever is less}$$



TL/F/8582-A0

9.0 Remote DMA (Continued)

Remote DMA Autoinitialization from Buffer Ring

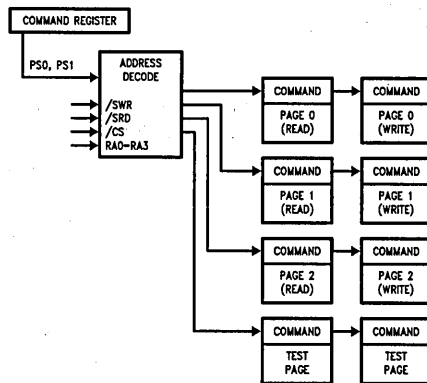


TL/F/8582-59

10.0 Internal Registers

All registers are 8-bit wide and mapped into two pages which are selected in the Command Register (PS0, PS1). Pins RA0-RA3 are used to address registers within each page. Page 0 registers are those registers which are commonly accessed during NIC operation while page 1 registers are used primarily for initialization. The registers are partitioned to avoid having to perform two write/read cycles to access commonly used registers.

10.1 REGISTER ADDRESS MAPPING



TL/F/8582-60

10.0 Internal Registers (Continued)

10.2 REGISTER ADDRESS ASSIGNMENTS

Page 0 Address Assignments (PS1 = 0, PS0 = 0)

RA0-RA3	RD	WR
00H	Command (CR)	Command (CR)
01H	Current Local DMA Address 0 (CLDA0)	Page Start Register (PSTART)
02H	Current Local DMA Address 1 (CLDA1)	Page Stop Register (PSTOP)
03H	Boundary Pointer (BNRY)	Boundary Pointer (BNRY)
04H	Transmit Status Register (TSR)	Transmit Page Start Address (TPSR)
05H	Number of Collisions Register (NCR)	Transmit Byte Count Register 0 (TBCR0)
06H	FIFO (FIFO)	Transmit Byte Count Register 1 (TBCR1)
07H	Interrupt Status Register (ISR)	Interrupt Status Register (ISR)
08H	Current Remote DMA Address 0 (CRDA0)	Remote Start Address Register 0 (RSAR0)
09H	Current Remote DMA Address 1 (CRDA1)	Remote Start Address Register 1 (RSAR1)
0AH	Reserved	Remote Byte Count Register 0 (RBCR0)
0BH	Reserved	Remote Byte Count Register 1 (RBCR1)
0CH	Receive Status Register (RSR)	Receive Configuration Register (RCR)
0DH	Tally Counter 0 (Frame Alignment Errors) (CNTR0)	Transmit Configuration Register (TCR)
0EH	Tally Counter 1 (CRC Errors) (CNTR1)	Data Configuration Register (DCR)
0FH	Tally Counter 2 (Missed Packet Errors) (CNTR2)	Interrupt Mask Register (IMR)

Page 1 Address Assignments (PS1 = 0, PS0 = 1)

RA0-RA3	RD	WR
00H	Command (CR)	Command (CR)
01H	Physical Address Register 0 (PAR0)	Physical Address Register 0 (PAR0)
02H	Physical Address Register 1 (PAR1)	Physical Address Register 1 (PAR1)
03H	Physical Address Register 2 (PAR2)	Physical Address Register 2 (PAR2)
04H	Physical Address Register 3 (PAR3)	Physical Address Register 3 (PAR3)
05H	Physical Address Register 4 (PAR4)	Physical Address Register 4 (PAR4)
06H	Physical Address Register 5 (PAR5)	Physical Address Register 5 (PAR5)
07H	Current Page Register (CURR)	Current Page Register (CURR)
08H	Multicast Address Register 0 (MAR0)	Multicast Address Register 0 (MAR0)
09H	Multicast Address Register 1 (MAR1)	Multicast Address Register 1 (MAR1)
0AH	Multicast Address Register 2 (MAR2)	Multicast Address Register 2 (MAR2)
0BH	Multicast Address Register 3 (MAR3)	Multicast Address Register 3 (MAR3)
0CH	Multicast Address Register 4 (MAR4)	Multicast Address Register 4 (MAR4)
0DH	Multicast Address Register 5 (MAR5)	Multicast Address Register 5 (MAR5)
0EH	Multicast Address Register 6 (MAR6)	Multicast Address Register 6 (MAR6)
0FH	Multicast Address Register 7 (MAR7)	Multicast Address Register 7 (MAR7)

10.0 Internal Registers (Continued)

Page 2 Address Assignments (PS1 = 1, PS0 = 0)

RA0-RA3	RD	WR
00H	Command (CR)	Command (CR)
01H	Page Start Register (PSTART)	Current Local DMA Address 0 (CLDA0)
02H	Page Stop Register (PSTOP)	Current Local DMA Address 1 (CLDA1)
03H	Remote Next Packet Pointer	Remote Next Packet Pointer
04H	Transmit Page Start Address (TPSR)	Reserved
05H	Local Next Packet Pointer	Local Next Packet Pointer
06H	Address Counter (Upper)	Address Counter (Upper)
07H	Address Counter (Lower)	Address Counter (Lower)

RA0-RA3	RD	WR
08H	Reserved	Reserved
09H	Reserved	Reserved
0AH	Reserved	Reserved
0BH	Reserved	Reserved
0CH	Receive Configuration Register (RCR)	Reserved
0DH	Transmit Configuration Register (TCR)	Reserved
0EH	Data Configuration Register (DCR)	Reserved
0FH	Interrupt Mask Register (IMR)	Reserved

Note: Page 2 registers should only be accessed for diagnostic purposes. They should not be modified during normal operation. Page 3 should never be modified.

10.0 Internal Registers (Continued)

10.3 Register Descriptions

COMMAND REGISTER (CR) 00H (READ/WRITE)

The Command Register is used to initiate transmissions, enable or disable Remote DMA operations and to select register pages. To issue a command the microprocessor sets the corresponding bit(s) (RD2, RD1, RD0, TXP). Further commands may be overlapped, but with the following rules: (1) If a transmit command overlaps with a remote DMA operation, bits RD0, RD1, and RD2 must be maintained for the remote DMA command when setting the TXP bit. Note, if a remote DMA command is re-issued when giving the transmit command, the DMA will complete immediately if the remote byte count register have not been re-initialized. (2) If a remote DMA operation overlaps a transmission, RD0, RD1, and RD2 may be written with the desired values and a "0" written to the TXP bit. Writing a "0" to this bit has no effect. (3) A remote write DMA may not overlap remote read operation or visa versa. Either of these operations must either complete or be aborted before the other operation may start. Bits PS1, PS0, RD2, and STP may be set any time.

7	6	5	4	3	2	1	0
PS1	PS0	RD2	RD1	RD0	TXP	STA	STP

Bit	Symbol	Description																								
D0	STP	<p>STOP: Software reset command, takes the controller offline, no packets will be received or transmitted. Any reception or transmission in progress will continue to completion before entering the reset state. To exit this state, the STP bit must be reset and the STA bit must be set high. To perform a software reset, this bit should be set high. The software reset has executed only when indicated by the RST bit in the ISR being set to a 1. STP powers up high.</p> <p>Note: If the NIC has previously been in start mode and the STP is set, both the STP and STA bits will remain set.</p>																								
D1	STA	<p>START: This bit is used to activate the NIC after either power up, or when the NIC has been placed in a reset mode by software command or error. STA powers up low.</p>																								
D2	TXP	<p>TRANSMIT PACKET: This bit must be set to initiate transmission of a packet. TXP is internally reset either after the transmission is completed or aborted. This bit should be set only after the Transmit Byte Count and Transmit Page Start registers have been programmed.</p> <p>Note: Before the transmit command is given, the STA bit must be set and the STP bit reset.</p>																								
D3, D4, D5	RD0, RD1, RD2	<p>REMOTE DMA COMMAND: These three encoded bits control operation of the Remote DMA channel. RD2 can be set to abort any Remote DMA command in progress. The Remote Byte Count Registers should be cleared when a Remote DMA has been aborted. The Remote Start Addresses are not restored to the starting address if the Remote DMA is aborted.</p> <table style="width: 100%; border-collapse: collapse;"> <tr> <td style="text-align: left;">RD2</td> <td style="text-align: left;">RD1</td> <td style="text-align: left;">RD0</td> <td></td> </tr> <tr> <td>0</td> <td>0</td> <td>0</td> <td>Not Allowed</td> </tr> <tr> <td>0</td> <td>0</td> <td>1</td> <td>Remote Read</td> </tr> <tr> <td>0</td> <td>1</td> <td>0</td> <td>Remote Write (Note 2)</td> </tr> <tr> <td>0</td> <td>1</td> <td>1</td> <td>Send Packet</td> </tr> <tr> <td>1</td> <td>X</td> <td>X</td> <td>Abort/Complete Remote DMA (Note 1)</td> </tr> </table> <p>Note 1: If a remote DMA operation is aborted and the remote byte count has not decremented to zero, PRQ (pin 29, DiP) will remain high. A read acknowledge (RACK) on a write acknowledge (WACK) will reset PRQ low.</p> <p>Note 2: For proper operation of the Remote Write DMA, there are two steps which must be performed before using the Remote Write DMA. The steps are as follows:</p> <ol style="list-style-type: none"> i) Write a non-zero value into RBCR0. ii) Set bits RD2, RD1, RD0 to 0, 0, 1. iii) Set RBCR0, 1 and RSAR0, 1 iv) Issue the Remote Write DMA Command (RD2, RD1, RD0 = 0, 1, 0) 	RD2	RD1	RD0		0	0	0	Not Allowed	0	0	1	Remote Read	0	1	0	Remote Write (Note 2)	0	1	1	Send Packet	1	X	X	Abort/Complete Remote DMA (Note 1)
RD2	RD1	RD0																								
0	0	0	Not Allowed																							
0	0	1	Remote Read																							
0	1	0	Remote Write (Note 2)																							
0	1	1	Send Packet																							
1	X	X	Abort/Complete Remote DMA (Note 1)																							
D6, D7	PS0, PS1	<p>PAGE SELECT: These two encoded bits select which register page is to be accessed with addresses RA0-3.</p> <table style="width: 100%; border-collapse: collapse;"> <tr> <td style="text-align: left;">PS1</td> <td style="text-align: left;">PS0</td> <td></td> </tr> <tr> <td>0</td> <td>0</td> <td>Register Page 0</td> </tr> <tr> <td>0</td> <td>1</td> <td>Register Page 1</td> </tr> <tr> <td>1</td> <td>0</td> <td>Register Page 2</td> </tr> <tr> <td>1</td> <td>1</td> <td>Reserved</td> </tr> </table>	PS1	PS0		0	0	Register Page 0	0	1	Register Page 1	1	0	Register Page 2	1	1	Reserved									
PS1	PS0																									
0	0	Register Page 0																								
0	1	Register Page 1																								
1	0	Register Page 2																								
1	1	Reserved																								

10.0 Internal Registers (Continued)

10.3 Register Descriptions (Continued)

INTERRUPT STATUS REGISTER (ISR) 07H (READ/WRITE)

This register is accessed by the host processor to determine the cause of an interrupt. Any interrupt can be masked in the Interrupt Mask Register (IMR). Individual interrupt bits are cleared by writing a "1" into the corresponding bit of the ISR. The INT signal is active as long as any unmasked signal is set, and will not go low until all unmasked bits in this register have been cleared. The ISR must be cleared after power up by writing it with all 1's.

7	6	5	4	3	2	1	0
RST	RDC	CNT	OVW	TXE	RXE	PTX	PRX

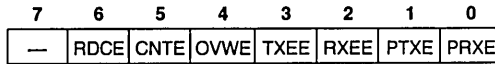
Bit	Symbol	Description
D0	PRX	PACKET RECEIVED: Indicates packet received with no errors.
D1	PTX	PACKET TRANSMITTED: Indicates packet transmitted with no errors.
D2	RXE	RECEIVE ERROR: Indicates that a packet was received with one or more of the following errors: —CRC Error —Frame Alignment Error —FIFO Overrun —Missed Packet
D3	TXE	TRANSMIT ERROR: Set when packet transmitted with one or more of the following errors: —Excessive Collisions —FIFO Underrun
D4	OVW	OVERWRITE WARNING: Set when receive buffer ring storage resources have been exhausted. (Local DMA has reached Boundary Pointer).
D5	CNT	COUNTER OVERFLOW: Set when MSB of one or more of the Network Tally Counters has been set.
D6	RDC	REMOTE DMA COMPLETE: Set when Remote DMA operation has been completed.
D7	RST	RESET STATUS: Set when NIC enters reset state and cleared when a Start Command is issued to the CR. This bit is also set when a Receive Buffer Ring overflow occurs and is cleared when one or more packets have been removed from the ring. Writing to this bit has no effect. NOTE: This bit does not generate an interrupt, it is merely a status indicator.

10.0 Internal Registers (Continued)

10.3 Register Descriptions (Continued)

INTERRUPT MASK REGISTER (IMR) OFH (WRITE)

The Interrupt Mask Register is used to mask interrupts. Each interrupt mask bit corresponds to a bit in the Interrupt Status Register (ISR). If an interrupt mask bit is set an interrupt will be issued whenever the corresponding bit in the ISR is set. If any bit in the IMR is set low, an interrupt will not occur when the bit in the ISR is set. **The IMR powers up all zeroes.**



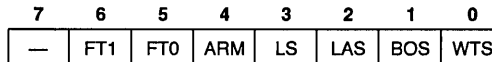
Bit	Symbol	Description
D0	PRXE	PACKET RECEIVED INTERRUPT ENABLE 0: Interrupt Disabled 1: Enables Interrupt when packet received.
D1	PTXE	PACKET TRANSMITTED INTERRUPT ENABLE 0: Interrupt Disabled 1: Enables Interrupt when packet is transmitted.
D2	RXEE	RECEIVE ERROR INTERRUPT ENABLE 0: Interrupt Disabled 1: Enables Interrupt when packet received with error.
D3	TXEE	TRANSMIT ERROR INTERRUPT ENABLE 0: Interrupt Disabled 1: Enables Interrupt when packet transmission results in error.
D4	OVWE	OVERWRITE WARNING INTERRUPT ENABLE 0: Interrupt Disabled 1: Enables Interrupt when Buffer Management Logic lacks sufficient buffers to store incoming packet.
D5	CNTE	COUNTER OVERFLOW INTERRUPT ENABLE 0: Interrupt Disabled 1: Enables Interrupt when MSB of one or more of the Network Statistics counters has been set.
D6	RDCE	DMA COMPLETE INTERRUPT ENABLE 0: Interrupt Disabled 1: Enables Interrupt when Remote DMA transfer has been completed.
D7	reserved	reserved

10.0 Internal Registers (Continued)

10.3 Register Descriptions (Continued)

DATA CONFIGURATION REGISTER (DCR) 0EH (WRITE)

This Register is used to program the NIC for 8- or 16-bit memory interface, select byte ordering in 16-bit applications and establish FIFO thresholds. **The DCR must be initialized prior to loading the Remote Byte Count Registers. LAS is set on power up.**



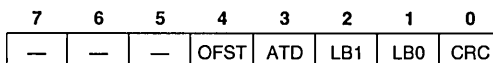
Bit	Symbol	Description																				
D0	WTS	<p>WORD TRANSFER SELECT</p> <p>0: Selects byte-wide DMA transfers 1: Selects word-wide DMA transfers</p> <p>; WTS establishes byte or word transfers for both Remote and Local DMA transfers</p> <p>Note: When word-wide mode is selected, up to 32k words are addressable; A0 remains low.</p>																				
D1	BOS	<p>BYTE ORDER SELECT</p> <p>0: MS byte placed on AD15–AD8 and LS byte on AD7–AD0. (32000, 8086) 1: MS byte placed on AD7–AD0 and LS byte on AD15–AD8. (68000)</p> <p>; Ignored when WTS is low</p>																				
D2	LAS	<p>LONG ADDRESS SELECT</p> <p>0: Dual 16-bit DMA mode 1: Single 32-bit DMA mode</p> <p>; When LAS is high, the contents of the Remote DMA registers RSAR0,1 are issued as A16–A31 Power up high.</p>																				
D3	LS	<p>LOOPBACK SELECT</p> <p>0: Loopback mode selected. Bits D1, D2 of the TCR must also be programmed for Loopback operation. 1: Normal Operation.</p>																				
D4	AR	<p>AUTO-INITIALIZE REMOTE</p> <p>0: Send Command not executed, all packets removed from Buffer Ring under program control. 1: Send Command executed, Remote DMA auto-initialized to remove packets from Buffer Ring.</p> <p>Note: Send Command cannot be used with 68000 type processors.</p>																				
D5, D6	FT0, FT1	<p>FIFO THRESHHOLD SELECT: Encoded FIFO threshold. Establishes point at which bus is requested when filling or emptying the FIFO. During reception, the FIFO threshold indicates the number of bytes (or words) the FIFO has filled serially from the network before bus request (BREQ) is asserted.</p> <p>Note: FIFO threshold setting determines the DMA burst length.</p> <p style="text-align: center;">RECEIVE THRESHOLDS</p> <table style="width: 100%; border-collapse: collapse;"> <thead> <tr> <th style="width: 10%;">FT1</th> <th style="width: 10%;">FT0</th> <th style="width: 20%;">Word Wide</th> <th style="width: 20%;">Byte Wide</th> </tr> </thead> <tbody> <tr> <td>0</td> <td>0</td> <td>1 Word</td> <td>2 Bytes</td> </tr> <tr> <td>0</td> <td>1</td> <td>2 Words</td> <td>4 Bytes</td> </tr> <tr> <td>1</td> <td>0</td> <td>4 Words</td> <td>8 Bytes</td> </tr> <tr> <td>1</td> <td>1</td> <td>6 Words</td> <td>12 Bytes</td> </tr> </tbody> </table> <p>During transmission, the FIFO threshold indicates the number of bytes (or words) the FIFO has filled from the Local DMA before BREQ is asserted. Thus, the transmission threshold is 16 bytes less the receive threshold.</p>	FT1	FT0	Word Wide	Byte Wide	0	0	1 Word	2 Bytes	0	1	2 Words	4 Bytes	1	0	4 Words	8 Bytes	1	1	6 Words	12 Bytes
FT1	FT0	Word Wide	Byte Wide																			
0	0	1 Word	2 Bytes																			
0	1	2 Words	4 Bytes																			
1	0	4 Words	8 Bytes																			
1	1	6 Words	12 Bytes																			

10.0 Internal Registers (Continued)

10.3 Register Descriptions (Continued)

TRANSMIT CONFIGURATION REGISTER (TCR) 0DH (WRITE)

The transmit configuration establishes the actions of the transmitter section of the NIC during transmission of a packet on the network. **LB1 and LB0** which select loopback mode power up as 0.



Bit	Symbol	Description																				
D0	CRC	INHIBIT CRC 0: CRC appended by transmitter 1: CRC inhibited by transmitter ; In loopback mode CRC can be enabled or disabled to test the CRC logic.																				
D1, D2	LB0, LB1	ENCODED LOOPBACK CONTROL: These encoded configuration bits set the type of loopback that is to be performed. Note that loopback in mode 2 sets the LPBK pin high, this places the SNI in loopback mode and that D3 of the DCR must be set to zero for loopback operation. <table style="margin-left: 40px; margin-top: 10px;"> <tr> <td></td> <td style="text-align: center;">LB1</td> <td style="text-align: center;">LB0</td> <td></td> </tr> <tr> <td>Mode 0</td> <td style="text-align: center;">0</td> <td style="text-align: center;">0</td> <td>Normal Operation (LPBK = 0)</td> </tr> <tr> <td>Mode 1</td> <td style="text-align: center;">0</td> <td style="text-align: center;">1</td> <td>Internal Loopback (LPBK = 0)</td> </tr> <tr> <td>Mode 2</td> <td style="text-align: center;">1</td> <td style="text-align: center;">0</td> <td>External Loopback (LPBK = 1)</td> </tr> <tr> <td>Mode 3</td> <td style="text-align: center;">1</td> <td style="text-align: center;">1</td> <td>External Loopback (LPBK = 0)</td> </tr> </table>		LB1	LB0		Mode 0	0	0	Normal Operation (LPBK = 0)	Mode 1	0	1	Internal Loopback (LPBK = 0)	Mode 2	1	0	External Loopback (LPBK = 1)	Mode 3	1	1	External Loopback (LPBK = 0)
	LB1	LB0																				
Mode 0	0	0	Normal Operation (LPBK = 0)																			
Mode 1	0	1	Internal Loopback (LPBK = 0)																			
Mode 2	1	0	External Loopback (LPBK = 1)																			
Mode 3	1	1	External Loopback (LPBK = 0)																			
D3	ATD	AUTO TRANSMIT DISABLE: This bit allows another station to disable the NIC's transmitter by transmission of a particular multicast packet. The transmitter can be re-enabled by resetting this bit or by reception of a second particular multicast packet. 0: Normal Operation 1: Reception of multicast address hashing to bit 62 disables transmitter, reception of multicast address hashing to bit 63 enables transmitter.																				
D4	OFST	COLLISION OFFSET ENABLE: This bit modifies the backoff algorithm to allow prioritization of nodes. 0: Backoff Logic implements normal algorithm. 1: Forces Backoff algorithm modification to 0 to $2^{\min(3+n,10)}$ slot times for first three collisions, then follows standard backoff. (For first three collisions station has higher average backoff delay making a low priority mode.)																				
D5	reserved	reserved																				
D6	reserved	reserved																				
D7	reserved	reserved																				

10.0 Internal Registers (Continued)

10.3 Register Descriptions (Continued)

TRANSMIT STATUS REGISTER (TSR) 04H (READ)

This register records events that occur on the media during transmission of a packet. It is cleared when the next transmission is initiated by the host. All bits remain low unless the event that corresponds to a particular bit occurs during transmission. Each transmission should be followed by a read of this register. The contents of this register are not specified until after the first transmission.

7	6	5	4	3	2	1	0
OWC	CDH	FU	CRS	ABT	COL	—	PTX

Bit	Symbol	Description
D0	PTX	PACKET TRANSMITTED: Indicates transmission without error. (No excessive collisions or FIFO underrun) (ABT = "0", FU = "0").
D1	reserved	reserved
D2	COL	TRANSMIT COLLIDED: Indicates that the transmission collided at least once with another station on the network. The number of collisions is recorded in the Number of Collisions Registers (NCR).
D3	ABT	TRANSMIT ABORTED: Indicates the NIC aborted transmission because of excessive collisions. (Total number of transmissions including original transmission attempt equals 16).
D4	CRS	CARRIER SENSE LOST: This bit is set when carrier is lost during transmission of the packet. Carrier Sense is monitored from the end of Preamble/Synch until TXEN is dropped. Transmission is not aborted on loss of carrier.
D5	FU	FIFO UNDERRUN: If the NIC cannot gain access of the bus before the FIFO empties, this bit is set. Transmission of the packet will be aborted.
D6	CDH	CD HEARTBEAT: Failure of the transceiver to transmit a collision signal after transmission of a packet will set this bit. The Collision Detect (CD) heartbeat signal must commence during the first 6.4 μ s of the Interframe Gap following a transmission. In certain collisions, the CD Heartbeat bit will be set even though the transceiver is not performing the CD heartbeat test.
D7	OWC	OUT OF WINDOW COLLISION: Indicates that a collision occurred after a slot time (51.2 μ s). Transmissions rescheduled as in normal collisions.

10.0 Internal Registers (Continued)

10.3 Register Descriptions (Continued)

RECEIVE CONFIGURATION REGISTER (RCR) 0CH (WRITE)

This register determines operation of the NIC during reception of a packet and is used to program what types of packets to accept.

7	6	5	4	3	2	1	0
—	—	MON	PRO	AM	AB	AR	SEP

Bit	Symbol	Description
D0	SEP	<p>SAVE ERRORED PACKETS</p> <p>0: Packets with receive errors are rejected. 1: Packets with receive errors are accepted. Receive errors are CRC and Frame Alignment errors.</p>
D1	AR	<p>ACCEPT RUNT PACKETS: This bit allows the receiver to accept packets that are smaller than 64 bytes. The packet must be at least 8 bytes long to be accepted as a runt.</p> <p>0: Packets with fewer than 64 bytes rejected. 1: Packets with fewer than 64 bytes accepted.</p>
D2	AB	<p>ACCEPT BROADCAST: Enables the receiver to accept a packet with an all 1's destination address.</p> <p>0: Packets with broadcast destination address rejected. 1: Packets with broadcast destination address accepted.</p>
D3	AM	<p>ACCEPT MULTICAST: Enables the receiver to accept a packet with a multicast address, all multicast addresses must pass the hashing array.</p> <p>0: Packets with multicast destination address not checked. 1: Packets with multicast destination address checked.</p>
D4	PRO	<p>PROMISCUOUS PHYSICAL: Enables the receiver to accept all packets with a physical address.</p> <p>0: Physical address of node must match the station address programmed in PAR0–PAR5. 1: All packets with physical addresses accepted.</p>
D5	MON	<p>MONITOR MODE: Enables the receiver to check addresses and CRC on incoming packets without buffering to memory. The Missed Packet Tally counter will be incremented for each recognized packet.</p> <p>0: Packets buffered to memory. 1: Packets checked for address match, good CRC and Frame Alignment but not buffered to memory.</p>
D6	reserved	reserved
D7	reserved	reserved

Note: D2 and D3 are "OR'd" together, i.e., if D2 and D3 are set the NIC will accept broadcast and multicast addresses as well as its own physical address. To establish full promiscuous mode, bits D2, D3, and D4 should be set. In addition the multicast hashing array must be set to all 1's in order to accept all multicast addresses.

10.0 Internal Registers (Continued)

10.3 Register Descriptions (Continued)

RECEIVE STATUS REGISTER (RSR) OCH (READ)

This register records status of the received packet, including information on errors and the type of address match, either physical or multicast. The contents of this register are written to buffer memory by the DMA after reception of a good packet. If packets with errors are to be saved the receive status is written to memory at the head of the erroneous packet if an erroneous packet is received. If packets with errors are to be rejected the RSR will not be written to memory. The contents will be cleared when the next packet arrives. CRC errors, Frame Alignment errors and missed packets are counted internally by the NIC which relinquishes the Host from reading the RSR in real time to record errors for Network Management Functions. The contents of this register are not specified until after the first reception.

7	6	5	4	3	2	1	0
DFR	DIS	PHY	MPA	FO	FAE	CRC	PRX

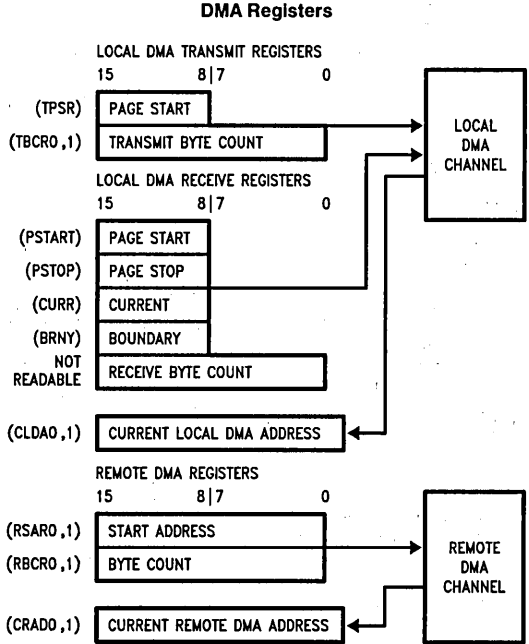
Bit	Symbol	Description
D0	PRX	PACKET RECEIVED INTACT: Indicates packet received without error. (Bits CRC, FAE, FO, and MPA are zero for the received packet.)
D1	CRC	CRC ERROR: Indicates packet received with CRC error. Increments Tally Counter (CNTR1). This bit will also be set for Frame Alignment errors.
D2	FAE	FRAME ALIGNMENT ERROR: Indicates that the incoming packet did not end on a byte boundary and the CRC did not match at last byte boundary. Increments Tally Counter (CNTR0).
D3	FO	FIFO OVERRUN: This bit is set when the FIFO is not serviced causing overflow during reception. Reception of the packet will be aborted.
D4	MPA	MISSED PACKET: Set when packet intended for node cannot be accepted by NIC because of a lack of receive buffers or if the controller is in monitor mode and did not buffer the packet to memory. Increments Tally Counter (CNTR2).
D5	PHY	PHYSICAL/MULTICAST ADDRESS: Indicates whether received packet had a physical or multicast address type. 0: Physical Address Match 1: Multicast/Broadcast Address Match
D6	DIS	RECEIVER DISABLED: Set when receiver disabled by entering Monitor mode. Reset when receiver is re-enabled when exiting Monitor mode.
D7	DFR	DEFERRING: Set when CRS or COL inputs are active. If the transceiver has asserted the CD line as a result of the jabber, this bit will stay set indicating the jabber condition.

Note: Following coding applies to CRC and FAE bits

FAE	CRC	Type of Error
0	0	No Error (Good CRC and <6 Dribble Bits)
0	1	CRC Error
1	0	Illegal, will not occur
1	1	Frame Alignment Error and CRC Error

10.0 Internal Registers (Continued)

10.4 DMA REGISTERS



TL/F/8582-61

The DMA Registers are partitioned into three groups; Transmit, Receive and Remote DMA Registers. The Transmit registers are used to initialize the Local DMA Channel for transmission of packets while the Receive Registers are used to initialize the Local DMA Channel for packet Reception. The Page Stop, Page Start, Current and Boundary Registers are used by the Buffer Management Logic to supervise the Receive Buffer Ring. The Remote DMA Registers are used to initialize the Remote DMA.

Note: In the figure above, registers are shown as 8 or 16 bits wide. Although some registers are 16-bit internal registers, all registers are accessed as 8-bit registers. Thus the 16-bit Transmit Byte Count Register is broken into two 8-bit registers, TBCR0 and TBCR1. Also TPSR, PSTART, PSTOP, CURR and BRNY only check or control the upper 8 bits of address information on the bus. Thus they are shifted to positions 15-8 in the diagram above.

10.5 TRANSMIT DMA REGISTERS

TRANSMIT PAGE START REGISTER (TPSR)

This register points to the assembled packet to be transmitted. Only the eight higher order addresses are specified since all transmit packets are assembled on 256-byte page boundaries. The bit assignment is shown below. The values placed in bits D7-D0 will be used to initialize the higher order address (A8-A15) of the Local DMA for transmission. The lower order bits (A7-A0) are initialized to zero.

Bit Assignment

	7	6	5	4	3	2	1	0
TPSR	A15	A14	A13	A12	A11	A10	A9	A8

(A7-A0 Initialized to zero)

TRANSMIT BYTE COUNT REGISTER 0,1 (TBCR0, TBCR1)

These two registers indicate the length of the packet to be transmitted in bytes. The count must include the number of

bytes in the source, destination, length and data fields. The maximum number of transmit bytes allowed is 64k bytes. The NIC will not truncate transmissions longer than 1500 bytes. The bit assignment is shown below:

	7	6	5	4	3	2	1	0
TBCR1	L15	L14	L13	L12	L11	L10	L9	L8
	7	6	5	4	3	2	1	0
TBCR0	L7	L6	L5	L4	L3	L2	L1	L0

10.6 LOCAL DMA RECEIVE REGISTERS

PAGE START STOP REGISTERS (PSTART, PSTOP)

The Page Start and Page Stop Registers program the starting and stopping address of the Receive Buffer Ring. Since the NIC uses fixed 256-byte buffers aligned on page boundaries only the upper eight bits of the start and stop address are specified.

PSTART, PSTOP bit assignment

	7	6	5	4	3	2	1	0
PSTART, PSTOP	A15	A14	A13	A12	A11	A10	A9	A8

BOUNDARY (BRNY) REGISTER

This register is used to prevent overflow of the Receive Buffer Ring. Buffer management compares the contents of this register to the next buffer address when linking buffers together. If the contents of this register match the next buffer address the Local DMA operation is aborted.

	7	6	5	4	3	2	1	0
BRNY	A15	A14	A13	A12	A11	A10	A9	A8

10.0 Internal Registers (Continued)

CURRENT PAGE REGISTER (CURR)

This register is used internally by the Buffer Management Logic as a backup register for reception. CURR contains the address of the first buffer to be used for a packet reception and is used to restore DMA pointers in the event of receive errors. This register is initialized to the same value as PSTART and should not be written to again unless the controller is Reset.

	7	6	5	4	3	2	1	0
CURR	A15	A14	A13	A12	A11	A10	A9	A8

CURRENT LOCAL DMA REGISTER 0,1 (CLDA0,1)

These two registers can be accessed to determine the current Local DMA Address.

	7	6	5	4	3	2	1	0
CLDA1	A15	A14	A13	A12	A11	A10	A9	A8

	7	6	5	4	3	2	1	0
CLDA0	A7	A6	A5	A4	A3	A2	A1	A0

10.7 REMOTE DMA REGISTERS

REMOTE START ADDRESS REGISTERS (RSAR0,1)

Remote DMA operations are programmed via the Remote Start Address (RSAR0,1) and Remote Byte Count (RBCR0,1) registers. The Remote Start Address is used to point to the start of the block of data to be transferred and the Remote Byte Count is used to indicate the length of the block (in bytes).

	7	6	5	4	3	2	1	0
RSAR1	A15	A14	A13	A12	A11	A10	A9	A8

	7	6	5	4	3	2	1	0
RSAR0	A7	A6	A5	A4	A3	A2	A1	A0

6.4.3.2 REMOTE BYTE COUNT REGISTERS (RBCR0,1)

	7	6	5	4	3	2	1	0
RBCR1	BC15	BC14	BC13	BC12	BC11	BC10	BC9	BC8

	7	6	5	4	3	2	1	0
RBCR0	BC7	BC6	BC5	BC4	BC3	BC2	BC1	BC0

Note:

RSAR0 programs the start address bits A0-A7.
 RSAR1 programs the start address bits A8-A15.
 Address incremented by two for word transfers, and by one for byte transfers.
 Byte Count decremented by two for word transfers and by one for byte transfers.
 RBCR0 programs LSB byte count.
 RBCR1 programs MSB byte count.

CURRENT REMOTE DMA ADDRESS (CRDA0, CRDA1)

The Current Remote DMA Registers contain the current address of the Remote DMA. The bit assignment is shown below:

	7	6	5	4	3	2	1	0
CRDA1	A15	A14	A13	A12	A11	A10	A9	A8

	7	6	5	4	3	2	1	0
CRDA0	A7	A6	A5	A4	A3	A2	A1	A0

10.8 PHYSICAL ADDRESS REGISTERS (PAR0-PAR5)

The physical address registers are used to compare the destination address of incoming packets for rejecting or accepting packets. Comparisons are performed on a byte-wide basis. The bit assignment shown below relates the sequence in PAR0-PAR5 to the bit sequence of the received packet.

	D7	D6	D5	D4	D3	D2	D1	D0
PAR0	DA7	DA6	DA5	DA4	DA3	DA2	DA1	DA0
PAR1	DA15	DA14	DA13	DA12	DA11	DA10	DA9	DA8
PAR2	DA23	DA22	DA21	DA20	DA19	DA18	DA17	DA16
PAR3	DA31	DA30	DA29	DA28	DA27	DA26	DA25	DA24
PAR4	DA39	DA38	DA37	DA36	DA35	DA34	DA33	DA32
PAR5	DA47	DA46	DA45	DA44	DA43	DA42	DA41	DA40

	Destination Address						Source	
P/S	DA0	DA1	DA2	DA3	DA46	DA47	SA0...

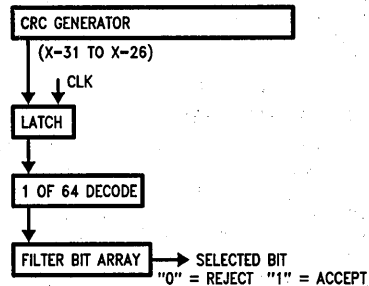
Note:

P/S = Preamble, Synch
 DA0 = Physical/Multicast Bit

10.9 MULTICAST ADDRESS REGISTERS (MAR0-MAR7)

The multicast address registers provide filtering of multicast addresses hashed by the CRC logic. All destination addresses are fed through the CRC logic and as the last bit of the destination address enters the CRC, the 6 most significant bits of the CRC generator are latched. These 6 bits are then decoded by a 1 of 64 decode to index a unique filter bit (FB0-63) in the multicast address registers. If the filter bit selected is set, the multicast packet is accepted. The system designer would use a program to determine which filter bits to set in the multicast registers. All multicast filter bits that correspond to multicast address accepted by the node are then set to one. To accept all multicast packets all of the registers are set to all ones.

Note: Although the hashing algorithm does not guarantee perfect filtering of multicast address, it will perfectly filter up to 64 multicast addresses if these addresses are chosen to map into unique locations in the multicast filter.



TL/F/8582-62

10.0 Internal Registers (Continued)

	D7	D6	D5	D4	D3	D2	D1	D0
MAR0	FB7	FB6	FB5	FB4	FB3	FB2	FB1	FB0
MAR1	FB15	FB14	FB13	FB12	FB11	FB10	FB9	FB8
MAR2	FB23	FB22	FB21	FB20	FB19	FB18	FB17	FB16
MAR3	FB31	FB30	FB29	FB28	FB27	FB26	FB25	FB24
MAR4	FB39	FB38	FB37	FB36	FB35	FB34	FB33	FB32
MAR5	FB47	FB46	FB45	FB44	FB43	FB42	FB41	FB40
MAR6	FB55	FB54	FB53	FB52	FB51	FB50	FB49	FB48
MAR7	FB63	FB62	FB61	FB60	FB59	FB58	FB57	FB56

If address Y is found to hash to the value 32 (20H), then FB32 in MAR4 should be initialized to "1". This will cause the NIC to accept any multicast packet with the address Y.

NETWORK TALLY COUNTERS

Three 8-bit counters are provided for monitoring the number of CRC errors, Frame Alignment Errors and Missed Packets. The maximum count reached by any counter is 192 (C0H). These registers will be cleared when read by the CPU. The count is recorded in binary in CT0-CT7 of each Tally Register.

Frame Alignment Error Tally (CNTR0)

This counter is incremented every time a packet is received with a Frame Alignment Error. The packet must have been recognized by the address recognition logic. The counter is cleared after it is read by the processor.

	7	6	5	4	3	2	1	0
CNTR0	CT7	CT6	CT5	CT4	CT3	CT2	CT1	CT0

CRC Error Tally (CNTR1)

This counter is incremented every time a packet is received with a CRC error. The packet must first be recognized by the address recognition logic. The counter is cleared after it is read by the processor.

	7	6	5	4	3	2	1	0
CNTR1	CT7	CT6	CT5	CT4	CT3	CT2	CT1	CT0

Frames Lost Tally Register (CNTR2)

This counter is incremented if a packet cannot be received due to lack of buffer resources. In monitor mode, this counter will count the number of packets that pass the address recognition logic.

	7	6	5	4	3	2	1	0
CNTR2	CT7	CT6	CT5	CT4	CT3	CT2	CT1	CT0

FIFO

This is an eight bit register that allows the CPU to examine the contents of the FIFO after loopback. The FIFO will contain the last 8 data bytes transmitted in the loopback packet. Sequential reads from the FIFO will advance a pointer in the FIFO and allow reading of all 8 bytes.

	7	6	5	4	3	2	1	0
FIFO	DB7	DB6	DB5	DB4	DB3	DB2	DB1	DB0

Note: The FIFO should only be read when the NIC has been programmed in loopback mode.

NUMBER OF COLLISIONS (NCR)

This register contains the number of collisions a node experiences when attempting to transmit a packet. If no collisions are experienced during a transmission attempt, the COL bit of the TSR will not be set and the contents of NCR will be zero. If there are excessive collisions, the ABT bit in the TSR will be set and the contents of NCR will be zero. The NCR is cleared after the TXP bit in the CR is set.

	7	6	5	4	3	2	1	0
NCR	—	—	—	—	NC3	NC2	NC1	NC0

11.0 Initialization Procedures

The NIC must be initialized prior to transmission or reception of packets from the network. Power on reset is applied to the NIC's reset pin. This clears/sets the following bits:

Register	Reset Bits	Set Bits
Command Register (CR)	TXP, STA	RD2, STP
Interrupt Status (ISR)		RST
Interrupt Mask (IMR)	All Bits	
Data Control (DCR)		LAS
Transmit Config. (TCR)	LB1, LB0	

The NIC remains in its reset state until a Start Command is issued. This guarantees that no packets are transmitted or received and that the NIC remains a bus slave until all appropriate internal registers have been programmed. After initialization the STP bit of the command register is reset and packets may be received and transmitted.

Initialization Sequence

The following initialization procedure is mandatory.

- 1) Program Command Register for Page 0 (Command Register = 21H)
- 2) Initialize Data Configuration Register (DCR)
- 3) Clear Remote Byte Count Registers (RBCR0, RBCR1)
- 4) Initialize Receive Configuration Register (RCR)
- 5) Place the NIC in LOOPBACK mode 1 or 2 (Transmit Configuration Register = 02H or 04H)
- 6) Initialize Receive Buffer Ring: Boundary Pointer (BNDRY), Page Start (PSTART), and Page Stop (PSTOP)
- 7) Clear Interrupt Status Register (ISR) by writing 0FFh to it.
- 8) Initialize Interrupt Mask Register (IMR)
- 9) Program Command Register for page 1 (Command Register = 61H)
 - i) Initialize Physical Address Registers (PAR0-PAR5)
 - ii) Initialize Multicast Address Registers (MAR0-MAR7)
 - iii) Initialize CURRENT pointer
- 10) Put NIC in START mode (Command Register = 22H). The local receive DMA is still not active since the NIC is in LOOPBACK.
- 11) Initialize the Transmit Configuration for the intended value. The NIC is now ready for transmission and reception.

11.0 Initialization Procedures

(Continued)

Before receiving packets, the user must specify the location of the Receive Buffer Ring. This is programmed in the Page Start and Page Stop Registers. In addition, the Boundary and Current Page Registers must be initialized to the value of the Page Start Register. These registers will be modified during reception of packets.

12.0 Loopback Diagnostics

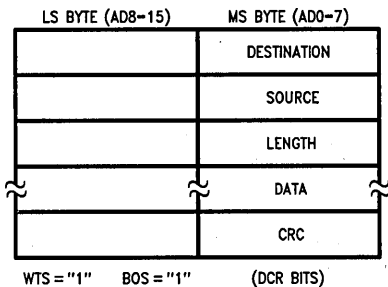
Three forms of local loopback are provided on the NIC. The user has the ability to loopback through the deserializer on the DP8390D NIC, through the DP8391 SNI, and to the coax to check the link through the transceiver circuitry. **Because of the half duplex architecture of the NIC, loopback testing is a special mode of operation with the following restrictions:**

Restrictions During Loopback

The FIFO is split into two halves, one used for transmission the other for reception. Only 8-bit fields can be fetched from memory so two tests are required for 16-bit systems to verify integrity of the entire data path. During loopback the maximum latency from the assertion of BREQ to BACK is 2.0 μ s. Systems that wish to use the loopback test yet do not meet this latency can limit the loopback packet to 7 bytes without experiencing underflow. Only the last 8 bytes of the loopback packet are retained in the FIFO. The last 8 bytes can be read through the FIFO register which will advance through the FIFO to allow reading the receive packet sequentially.

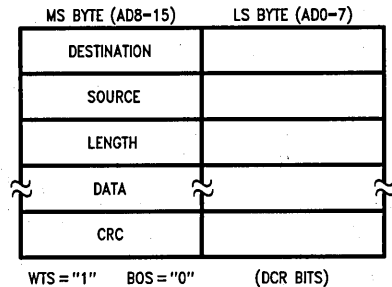
DESTINATION ADDRESS	= (6 bytes) Station Physical Address
SOURCE ADDRESS	
LENGTH	2 bytes
DATA	= 46 to 1500 bytes
CRC	Appended by NIC if CRC = "0" in TCR

When in word-wide mode with Byte Order Select set, the loopback packet must be assembled in the even byte locations as shown below. (The loopback only operates with byte wide transfers.)



TL/F/8582-15

When in word-wide mode with Byte Order Select low, the following format must be used for the loopback packet.



TL/F/8582-16

Note: When using loopback in word mode 2n bytes must be programmed in TBCR0, 1. Where n = actual number of bytes assembled in even or odd location.

To initiate a loopback the user first assembles the loopback packet then selects the type of loopback using the Transmit Configuration register bits LB0, LB1. The transmit configuration register must also be set to enable or disable CRC generation during transmission. The user then issues a normal transmit command to send the packet. During loopback the receiver checks for an address match and if CRC bit in the TCR is set, the receiver will also check the CRC. The last 8 bytes of the loopback packet are buffered and can be read out of the FIFO using the FIFO read port.

Loopback Modes

MODE 1: Loopback Through the Controller (LB1 = 0, LB0 = 1).

If the loopback is through the NIC then the serializer is simply linked to the deserializer and the receive clock is derived from the transmit clock.

MODE 2: Loopback Through the SNI (LB1 = 1, LB0 = 0).

If the loopback is to be performed through the SNI, the NIC provides a control (LPBK) that forces the SNI to loopback all signals.

MODE 3: Loopback to Coax (LB1 = 1, LB0 = 1).

Packets can be transmitted to the coax in loopback mode to check all of the transmit and receive paths and the coax itself.

Note: In MODE 1, CRS and COL lines are not indicated in any status register, but the NIC will still defer if these lines are active. In MODE 2, COL is masked and in MODE 3 CRS and COL are not masked. It is not possible to go directly between the loopback modes, it is necessary to return to normal operation (00H) when changing modes.

Reading the Loopback Packet

The last eight bytes of a received packet can be examined by 8 consecutive reads of the FIFO register. The FIFO pointer is incremented after the rising edge of the CPU's read strobe by internally synchronizing and advancing the pointer. This may take up to four bus clock cycles, if the pointer has not been incremented by the time the CPU reads the FIFO register again, the NIC will insert wait states

Note: The FIFO may only be read during Loopback. Reading the FIFO at any other time will cause the NIC to malfunction.

12.0 Loopback Diagnostics (Continued)

Alignment of the Received Packet in the FIFO

Reception of the packet in the FIFO begins at location zero, after the FIFO pointer reaches the last location in the FIFO, the pointer wraps to the top of the FIFO overwriting the previously received data. This process continues until the last byte is received. The NIC then appends the received byte count in the next two locations of the FIFO. The contents of the Upper Byte Count are also copied to the next FIFO location. The number of bytes used in the loopback packet determines the alignment of the packet in the FIFO. The alignment for a 64-byte packet is shown below.

FIFO LOCATION	FIFO CONTENTS	
0	LOWER BYTE COUNT	→ First Byte Read
1	UPPER BYTE COUNT	→ Second Byte Read
2	UPPER BYTE COUNT	•
3	LAST BYTE	•
4	CRC1	•
5	CRC2	•
6	CRC3	•
7	CRC4	→ Last Byte Read

For the following alignment in the FIFO the packet length should be $(N \times 8) + 5$ Bytes. Note that if the CRC bit in the TCR is set, CRC will not be appended by the transmitter. If the CRC is appended by the transmitter, the last four bytes, bytes N-3 to N, correspond to the CRC.

FIFO LOCATION	FIFO CONTENTS	
0	BYTE N-4	→ First Byte Read
1	BYTE N-3 (CRC1)	AR Second Byte Read
2	BYTE N-2 (CRC2)	•
3	BYTE N-1 (CRC3)	•
4	BYTEN (CRC4)	•
5	LOWER BYTE COUNT	•
6	UPPER BYTE COUNT	→ Last Byte Read
7	UPPER BYTE COUNT	

LOOPBACK TESTS

Loopback capabilities are provided to allow certain tests to be performed to validate operation of the DP8390D NIC prior to transmitting and receiving packets on a live network. Typically these tests may be performed during power up of a node. The diagnostic provides support to verify the following:

- 1) Verify integrity of data path. Received data is checked against transmitted data.
- 2) Verify CRC logic's capability to generate good CRC on transmit, verify CRC on receive (good or bad CRC).
- 3) Verify that the Address Recognition Logic can
 - a) Recognize address match packets
 - b) Reject packets that fail to match an address

LOOPBACK OPERATION IN THE NIC

Loopback is a modified form of transmission using only half of the FIFO. This places certain restrictions on the use of loopback testing. When loopback mode is selected in the TCR, the FIFO is split. A packet should be assembled in memory with programming of TPSR and TBCR0, TBCR1 registers. When the transmit command is issued the following operations occur:

Transmitter Actions

- 1) Data is transferred from memory by the DMA until the FIFO is filled. For each transfer TBCR0 and TBCR1 are decremented. (Subsequent burst transfers are initiated when the number of bytes in the FIFO drops below the programmed threshold.)
- 2) The NIC generates 56 bits of preamble followed by an 8-bit synch pattern.
- 3) Data transferred from FIFO to serializer.
- 4) If CRC=1 in TCR, no CRC calculated by NIC, the last byte transmitted is the last byte from the FIFO (Allows software CRC to be appended). If CRC=0, NIC calculates and appends four bytes of CRC.
- 5) At end of Transmission PTX bit set in ISR.

Receiver Actions

- 1) Wait for synch, all preamble stripped.
- 2) Store packet in FIFO, increment receive byte count for each incoming byte.
- 3) If CRC=0 in TCR, receiver checks incoming packet for CRC errors. If CRC=1 in TCR, receiver does not check CRC errors, CRC error bit always set in RSR (for address matching packets).
- 4) At end of receive, receive byte count written into FIFO, receive status register is updated. The PRX bit is typically set in the RSR even if the address does not match. If CRC errors are forced, the packet must match the address filters in order for the CRC error bit in the RS to be set.

EXAMPLES

The following examples show what results can be expected from a properly operating NIC during loopback. The restrictions and results of each type of loopback are listed for reference. The loopback tests are divided into two sets of tests. One to verify the data path, CRC generation and byte count through all three paths. The second set of tests uses internal loopback to verify the receiver's CRC checking and address recognition. For all of the tests the DCR was programmed to 40h.

PATH	TCR	RCR	TSR	RSR	ISR
NIC Internal	02	00	53(1)	02(2)	02(3)

Note 1: Since carrier sense and collision detect inputs are blocked during internal loopback, carrier and CD heartbeat are not seen and the CRS and CDH bits are set.

Note 2: CRC errors are always indicated by receiver if CRC is appended by the transmitter.

Note 3: Only the PTX bit in the ISR is set, the PRX bit is only set if status is written to memory. In loopback this action does not occur and the PRX bit remains 0 for all loopback modes.

Note 4: All values are hex.

12.0 Loopback Diagnostics (Continued)

PATH	TCR	RCR	TSR	RSR	ISR
NIC External	04	00	43(1)	02	02

Note 1: CDH is set, CRS is not set since it is generated by the external encoder/decoder.

PATH	TCR	RCR	TSR	RSR	ISR
NIC External	06	00	03(1)	02	02(2)

Note 1: CDH and CRS should not be set. The TSR however, could also contain 01H,03H,07H and a variety of other values depending on whether collisions were encountered or the packet was deferred.

Note 2: Will contain 08H if packet is not transmittable.

Note 3: During external loopback the NIC is now exposed to network traffic, it is therefore possible for the contents of both the Receive portion of the FIFO and the RSR to be corrupted by any other packet on the network. Thus in a live network the contents of the FIFO and RSR should not be depended on. The NIC will still abide by the standard CSMA/CD protocol in external loopback mode. (i.e. The network will not be disturbed by the loopback packet).

Note 4: All values are hex.

CRC AND ADDRESS RECOGNITION

The next three tests exercise the address recognition logic and CRC. These tests should be performed using internal loopback only so that the NIC is isolated from interference from the network. These tests also require the capability to generate CRC in software.

The address recognition logic cannot be directly tested. The CRC and FAE bits in the RSR are only set if the address of the packet matches the address filters. If errors are expected to be set and they are not set, the packet has been rejected on the basis of an address mismatch. The following sequence of packets will test the address recognition logic. The DCR should be set to 40H, the TCR should be set to 03H with a software generated CRC.

Packet Contents			Results
Test	Address	CRC	RSR
Test A	Matching	Good	01(1)
Test B	Matching	Bad	02(2)
Test C	Non-Matching	Bad	01

Note 1: Status will read 21H if multicast address used.

Note 2: Status will read 22H if multicast address used.

Note 3: In test A, the RSR is set up. In test B the address is found to match since the CRC is flagged as bad. Test C proves that the address recognition logic can distinguish a bad address and does not notify the RSR of the bad CRC. The receiving CRC is proven to work in test A and test B.

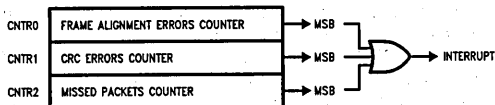
Note 4: All values are hex.

NETWORK MANAGEMENT FUNCTIONS

Network management capabilities are required for maintenance and planning of a local area network. The NIC supports the minimum requirement for network management in hardware, the remaining requirements can be met with software counts. There are three events that software alone can not track during reception of packets: CRC errors, Frame Alignment errors, and missed packets.

Since errored packets can be rejected, the status associated with these packets is lost unless the CPU can access the Receive Status Register before the next packet arrives. In situations where another packet arrives very quickly, the CPU may have no opportunity to do this. The NIC counts the number of packets with CRC errors and Frame Alignment errors. 8-bit counters have been selected to reduce overhead. The counters will generate interrupts whenever their MSBs are set so that a software routine can accumulate the network statistics and reset the counters before overflow occurs. The counters are sticky so that when they reach a count of 192 (COH) counting is halted. An additional counter is provided to count the number of packets NIC misses due to buffer overflow or being offline.

The structure of the counters is shown below:



TL/F/8582-63

Additional information required for network management is available in the Receive and Transmit Status Registers. Transmit status is available after each transmission for information regarding events during transmission.

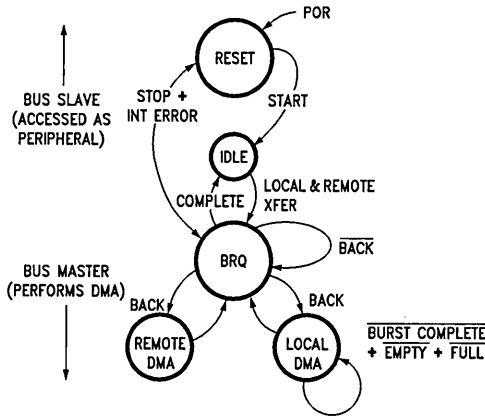
Typically, the following statistics might be gathered in software:

- Traffic:
 - Frames Sent OK
 - Frames Received OK
 - Multicast Frames Received
 - Packets Lost Due to Lack of Resources
 - Retries/Packet
- Errors:
 - CRC Errors
 - Alignment Errors
 - Excessive Collisions
 - Packet with Length Errors
 - Heartbeat Failure

13.0 Bus Arbitration and Timing

The NIC operates in three possible modes:

- BUS MASTER (WHILE PERFORMING DMA)
- BUS SLAVE (WHILE BEING ACCESSED BY CPU)
- IDLE



TL/F/8582-64

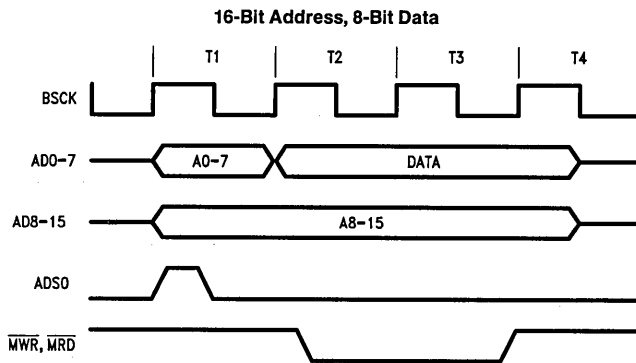
Upon power-up the NIC is in an indeterminant state. After receiving a Hardware Reset the NIC comes up as a slave in the Reset State. The receiver and transmitter are both disabled in this state. The reset state can be reentered under three conditions, soft reset (Stop Command), hard reset (RESET input) or an error that shuts down the receiver or transmitter (FIFO underflow or overflow). After initialization of registers, the NIC is issued a Start command and the NIC enters Idle state. The idle state is exited by a request from the FIFO in the case of receive or transmit, or from the Remote/DMA in the case of Remote DMA operation. After acquiring the bus in a BREQ/BACK handshake the Remote or Local DMA transfer is completed and the NIC reenters the idle state.

DMA TRANSFERS TIMING

The DMA can be programmed for the following types of transfers:

- 16-Bit Address, 8-bit Data Transfer
- 16-Bit Address, 16-bit Data Transfer
- 32-Bit Address, 8-bit Data Transfer
- 32-Bit Address, 16-bit Data Transfer

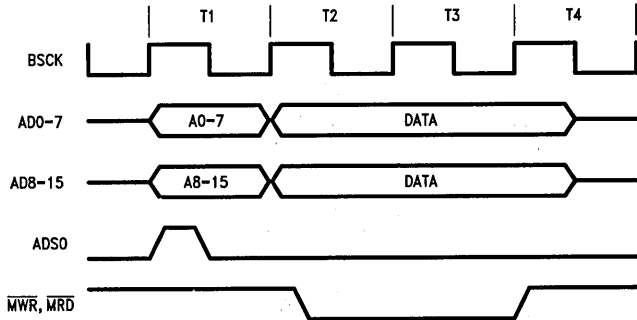
All DMA transfers use BSCCK for timing. 16-Bit Address modes require 4 BSCCK cycles as shown below:



TL/F/8582-65

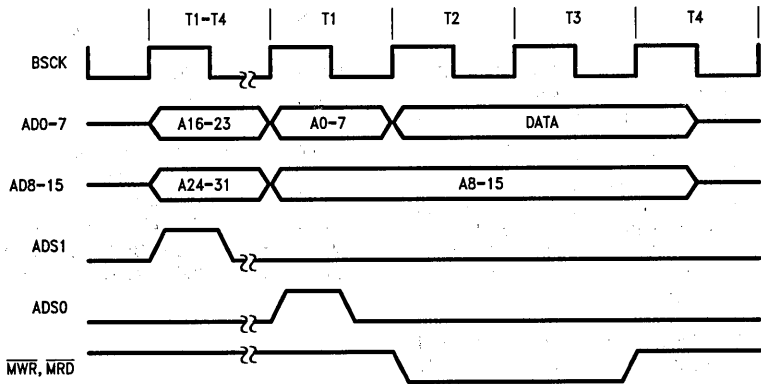
13.0 Bus Arbitration and Timing (Continued)

16-Bit Address, 16-Bit Data



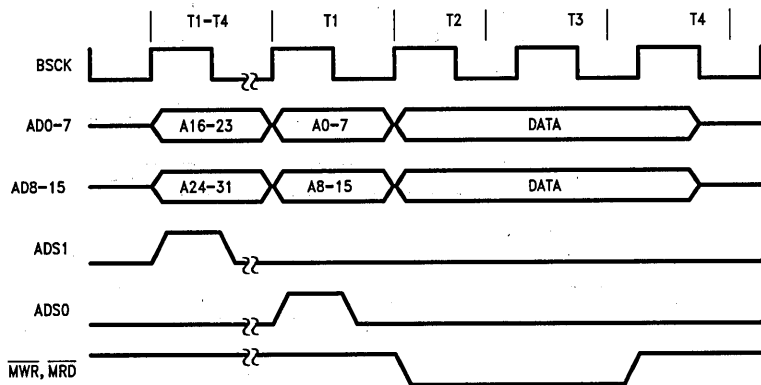
TL/F/8582-66

32-Bit Address, 8-Bit Data



TL/F/8582-67

32-Bit Address, 16-Bit Data



TL/F/8582-68

Note: In 32-bit address mode, ADS1 is at TRI-STATE after the first T1-T4 states; thus, a 4.7k pull-down resistor is required for 32-bit address mode.

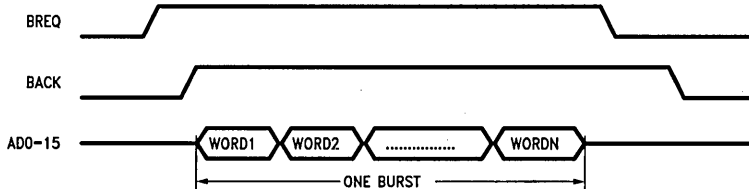
13.0 Bus Arbitration and Timing (Continued)

When in 32-bit mode four additional BSKC cycles are required per burst. The first bus cycle (T1'-T4') of each burst is used to output the upper 16-bit addresses. This 16-bit address is programmed in RSAR0 and RSAR1 and points to a 64k page of system memory. All transmitted or received packets are constrained to reside within this 64k page.

FIFO BURST CONTROL

All Local DMA transfers are burst transfers, once the DMA requests the bus and the bus is acknowledged, the DMA will

transfer an exact burst of bytes programmed in the Data Configuration Register (DCR) then relinquish the bus. If there are remaining bytes in the FIFO the next burst will not be initiated until the FIFO threshold is exceeded. If BACK is removed during the transfer, the burst transfer will be aborted. **(DROPPING BACK DURING A DMA CYCLE IS NOT RECOMMENDED.)**



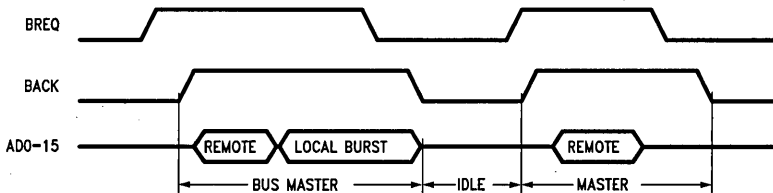
TL/F/8582-69

where N = 1, 2, 4, or 6 Words or N = 2, 4, 8, or 12 Bytes when in byte mode

INTERLEAVED LOCAL OPERATION

If a remote DMA transfer is initiated or in progress when a packet is being received or transmitted, the Remote DMA transfer will be interrupted for higher priority Local DMA

transfers. When the Local DMA transfer is completed the Remote DMA will re-arbitrate for the bus and continue its transfers. This is illustrated below:



TL/F/8582-70

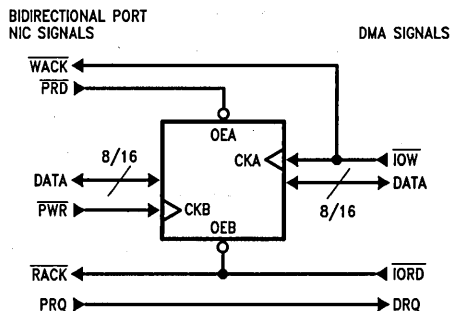
Note that if the FIFO requires service while a remote DMA is in progress, BREQ is not dropped and the Local DMA burst is appended to the Remote Transfer. When switching from a local transfer to a remote transfer, however, BREQ is dropped and raised again. This allows the CPU or other devices to fairly contend for the bus.

This transfer is arbitrated on a byte by byte basis versus the burst transfer used for Local DMA transfers. This bidirectional port is also read/written by the host. All transfers through this port are asynchronous. At any one time transfers are limited to one direction, either from the port to local buffer memory (Remote Write) or from local buffer memory to the port (Remote Read).

REMOTE DMA-BIDIRECTIONAL PORT CONTROL

The Remote DMA transfers data between the local buffer memory and a bidirectional port (memory to I/O transfer).

Bus Handshake Signals for Remote DMA Transfers



TL/F/8582-71

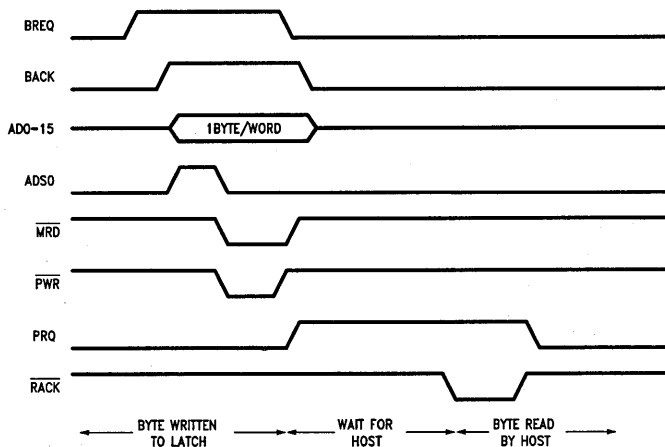
13.0 Bus Arbitration and Timing (Continued)

REMOTE READ TIMING

- 1) The DMA reads byte/word from local buffer memory and writes byte/word into latch, increments the DMA address and decrements the byte count (RBCR0,1).
- 2) A Request Line (PRQ) is asserted to inform the system that a byte is available.
- 3) The system reads the port, the read strobe (\overline{RACK}) is used as an acknowledge by the Remote DMA and it goes back to step 1.

Steps 1-3 are repeated until the remote DMA is complete.

Note that in order for the Remote DMA to transfer a byte from memory to the latch, it must arbitrate access to the local bus via a BREQ, BACK handshake. After each byte or word is transferred to the latch, BREQ is dropped. If a Local DMA is in progress, the Remote DMA is held off until the local DMA is complete.



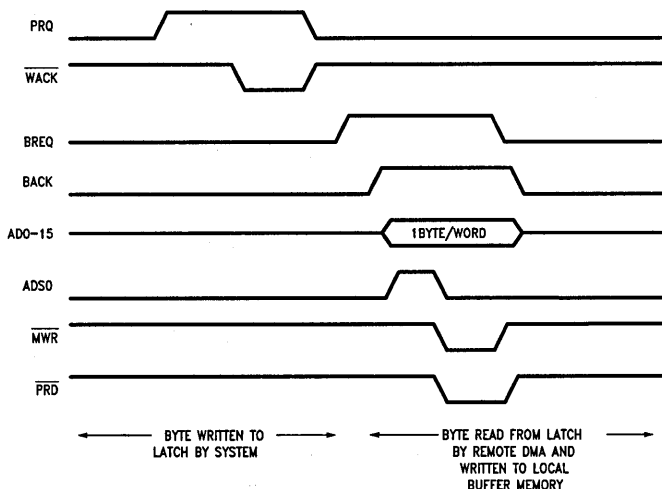
TL/F/8582-72

REMOTE WRITE TIMING

A Remote Write operation transfers data from the I/O port to the local buffer RAM. The NIC initiates a transfer by requesting a byte/word via the PRQ. The system transfers a byte/word to the latch via \overline{OW} , this write strobe is detected by the NIC and PRQ is removed. By removing the PRQ, the Remote DMA holds off further transfers into the latch until the current byte/word has been transferred from the latch, PRQ is reasserted and the next transfer can begin.

- 1) NIC asserts PRQ. System writes byte/word into latch. NIC removes PRQ.
- 2) Remote DMA reads contents of port and writes byte/word to local buffer memory, increments address and decrements byte count (RBCR0,1).
- 3) Go back to step 1.

Steps 1-3 are repeated until the remote DMA is complete.



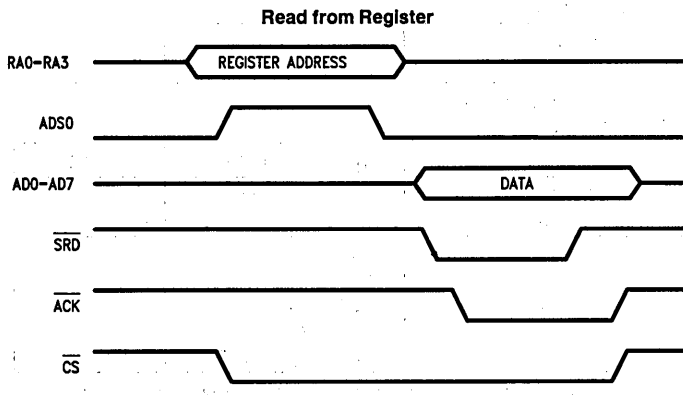
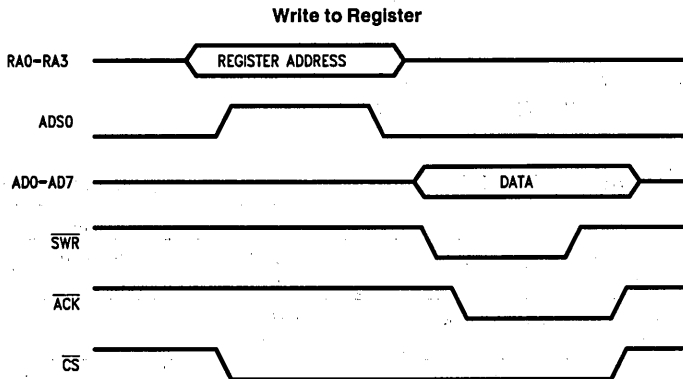
TL/F/8582-73

13.0 Bus Arbitration and Timing (Continued)

SLAVE MODE TIMING

When \overline{CS} is low, the NIC becomes a bus slave. The CPU can then read or write any internal registers. All register access is byte wide. The timing for register access is shown below. The host CPU accesses internal registers with four address lines, RA0-RA3, \overline{SRD} and \overline{SWR} strobes.

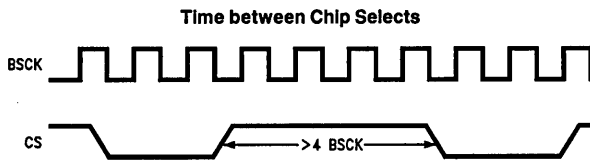
ADS0 is used to latch the address when interfacing to a multiplexed, address data bus. Since the NIC may be a local bus master when the host CPU attempts to read or write to the controller, an \overline{ACK} line is used to hold off the CPU until the NIC leaves master mode. Some number of BSCK cycles is also required to allow the NIC to synchronize to the read or write cycle.



TIME BETWEEN CHIP SELECTS

The NIC requires that successive chip selects be no closer than 4 bus clocks (BSCK) together, below. If the condition is violated, the NIC may glitch/ \overline{ACK} . CPUs that operate from pipelined instructions (i.e. 386) or have a cache (i.e.

486) can execute consecutive I/O cycles very quickly. The solution is to delay the execution of consecutive I/O cycles by either breaking the pipeline or forcing the CPU to access outside its cache.



14.0 Preliminary Electrical Characteristics

Absolute Maximum Ratings

If Military/Aerospace specified devices are required, please contact the National Semiconductor Sales Office/Distributors for availability and specifications.

Supply Voltage (V_{CC})	-0.5V to +7.0V
DC Input Voltage (V_{IN})	-0.5V to $V_{CC} + 0.5V$
DC Output Voltage (V_{OUT})	-0.5V to $V_{CC} + 0.5V$
Storage Temperature Range (T_{STG})	-65°C to +150°C
Power Dissipation (PD)	500 mW
Lead Temp. (TL) (Soldering, 10 sec.)	260°C
ESD rating ($R_{ZAP} = 1.5k, C_{ZAP} = 120$ pF)	1600V

Preliminary DC Specifications $T_A = 0^\circ\text{C}$ to 70°C , $V_{CC} = 5V \pm 5\%$, unless otherwise specified

Symbol	Parameter	Conditions	Min	Max	Units
V_{OH}	Minimum High Level Output Voltage (Notes 1, 4)	$I_{OH} = -20 \mu\text{A}$	$V_{CC} - 0.1$ 3.5		V
		$I_{OH} = -2.0 \text{ mA}$			
V_{OL}	Minimum Low Level Output Voltage (Notes 1, 4)	$I_{OL} = 20 \mu\text{A}$		0.1	V
		$I_{OL} = 2.0 \text{ mA}$			
V_{IH}	Minimum High Level Input Voltage (Note 2)		2.0		V
V_{IH2}	Minimum High Level Input Voltage for RACK, WACK (Note 2)		2.7		V
V_{IL}	Minimum Low Level Input Voltage (Note 2)			0.8	V
V_{IL2}	Minimum Low Level Input Voltage For RACK, WACK (Note 2)			0.6	V
I_{IN}	Input Current	$V_I = V_{CC}$ or GND	-1.0	+1.0	μA
I_{OZ}	Maximum TRI-STATE Output Leakage Current	$V_{OUT} = V_{CC}$ or GND	-10	+10	μA
I_{CC}	Average Supply Current (Note 3)	TXCK = 10 MHz RXCK = 10 MHz BSCK = 20 MHz $I_{OUT} = 0 \mu\text{A}$ $V_{IN} = V_{CC}$ or GND		40	mA

Note 1: These levels are tested dynamically using a limited amount of functional test patterns, please refer to AC Test Load.

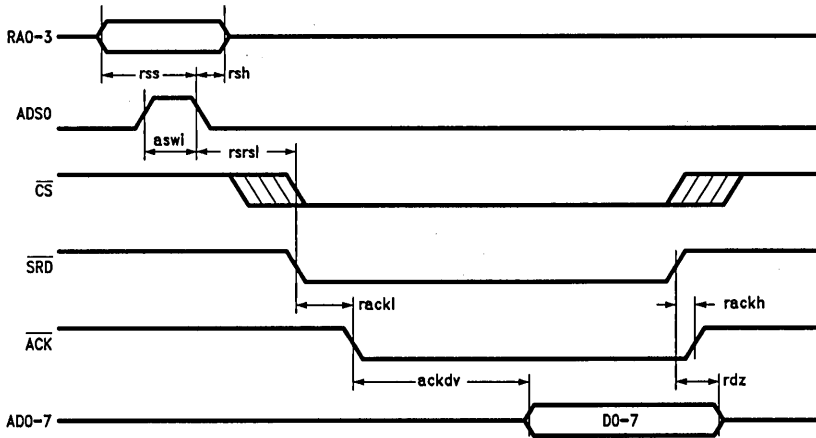
Note 2: Limited functional test patterns are performed at these input levels. The majority of functional tests are performed at levels of 0V and 3V.

Note 3: This is measured with a 0.1 μF bypass capacitor between V_{CC} and GND.

Note 4: The low drive CMOS compatible V_{OH} and V_{OL} limits are not tested directly. Detailed device characterization validates that this specification can be guaranteed by testing the high drive TTL compatible V_{OL} and V_{OH} specification.

15.0 Switching Characteristics AC Specs DP8390D **Note:** All Timing is Preliminary

Register Read (Latched Using ADS0)



TL/F/8582-76

Symbol	Parameter	Min	Max	Units
rss	Register Select Setup to ADS0 Low	10		ns
rsh	Register Select Hold from ADS0 Low	13		ns
aswi	Address Strobe Width In	15		ns
ackdv	Acknowledge Low to Data Valid		55	ns
rdz	Read Strobe to Data TRI-STATE	15	70	ns
rackl	Read Strobe to \overline{ACK} Low (Notes 1, 3)		$n \cdot bcyc + 30$	ns
rackh	Read Strobe to \overline{ACK} High		30	ns
rsrsl	Register Select to Slave Read Low, Latched RS0-3 (Note 2)	10		ns

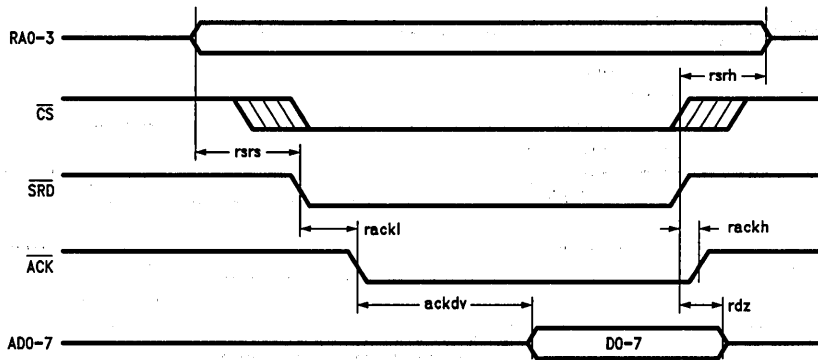
Note 1: \overline{ACK} is not generated until \overline{CS} and \overline{SRD} are low and the NIC has synchronized to the register access. The NIC will insert an integral number of Bus Clock cycles until it is synchronized. In Dual Bus systems additional cycles will be used for a local or remote DMA to complete. Wait states must be issued to the CPU until \overline{ACK} is asserted low.

Note 2: \overline{CS} may be asserted before or after \overline{SRD} . If \overline{CS} is asserted after \overline{SRD} , rackl is referenced from falling edge of \overline{CS} . \overline{CS} can be de-asserted concurrently with \overline{SRD} or after \overline{SRD} is de-asserted.

Note 3: These limits include the RC delay inherent in our test method. These signals typically turn off within 15 ns, enabling other devices to drive these lines with no contention.

15.0 Switching Characteristics (Continued)

Register Read (Non Latched, ADS0 = 1)



TL/F/8582-77

Symbol	Parameter	Min	Max	Units
rsrs	Register Select to Read Setup (Notes 1, 3)	10		ns
rsrh	Register Select Hold from Read	0		ns
ackdv	ACK Low to Valid Data		55	ns
rdz	Read Strobe to Data TRI-STATE (Note 2)	15	70	ns
rackl	Read Strobe to ACK Low (Note 3)		$n \cdot \text{bcyc} + 30$	ns
rackh	Read Strobe to ACK High		30	ns

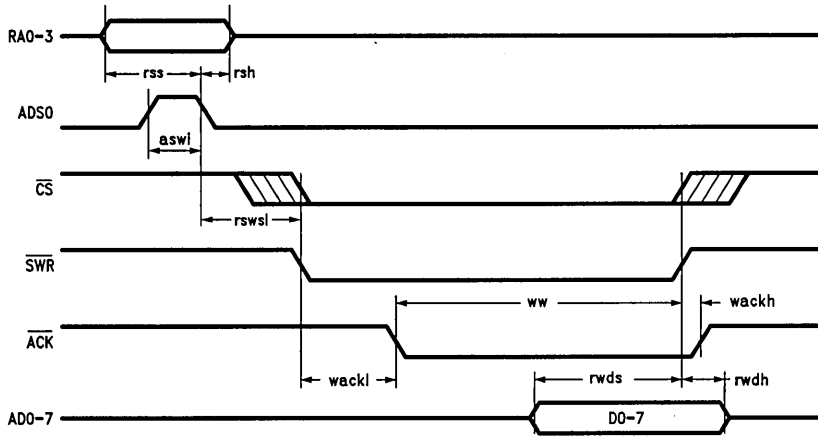
Note 1: rsrs includes flow-through time of latch.

Note 2: These limits include the RC delay inherent in our test method. These signals typically turn off within 15 ns enabling other devices to drive these lines with no contention.

Note 3: CS may be asserted before or after RA0-3, and SRD, since address decode begins when ACK is asserted. If CS is asserted after RA0-3, and SRD, rackl is referenced from falling edge of CS.

15.0 Switching Characteristics (Continued)

Register Write (Latched Using ADS0)



TL/F/8582-78

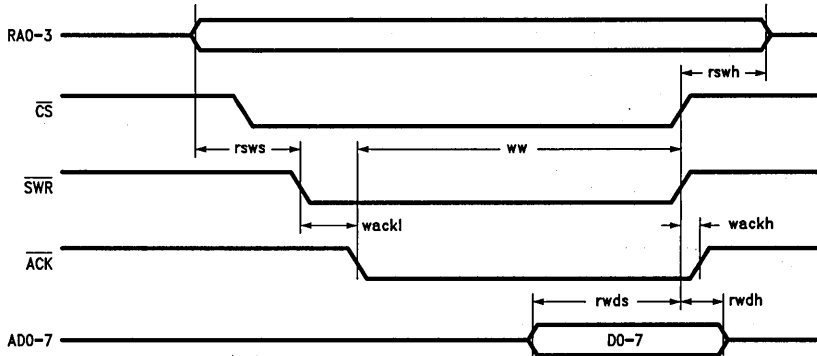
Symbol	Parameter	Min	Max	Units
rss	Register Select Setup to ADS0 Low	10		ns
rsh	Register Select Hold from ADS0 Low	17		ns
aswi	Address Strobe Width In	15		ns
rwds	Register Write Data Setup	20		ns
rwdh	Register Write Data Hold	21		ns
ww	Write Strobe Width from \overline{ACK}	50		ns
wackh	Write Strobe High to \overline{ACK} High		30	ns
wackl	Write Low to \overline{ACK} Low (Notes 1, 2)		$n \cdot \text{bcyc} + 30$	ns
rswsl	Register Select to Write Strobe Low	10		ns

Note 1: \overline{ACK} is not generated until \overline{CS} and \overline{SWR} are low and the NIC has synchronized to the register access. In Dual Bus Systems additional cycles will be used for a local DMA or Remote DMA to complete.

Note 2: \overline{CS} may be asserted before or after \overline{SWR} . If \overline{CS} is asserted after \overline{SWR} , wackl is referenced from falling edge of \overline{CS} .

15.0 Switching Characteristics (Continued)

Register Write (Non Latched, ADS0 = 1)



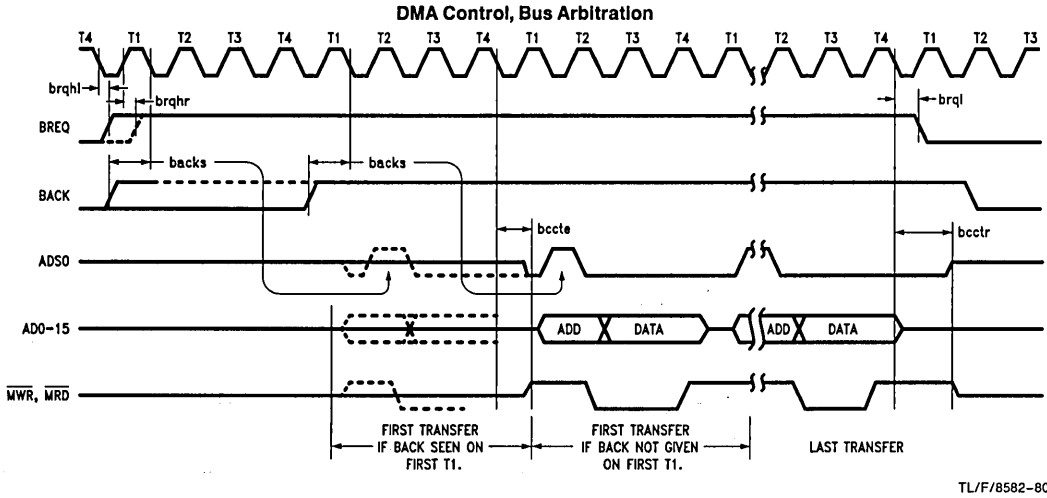
TL/F/8582-79

Symbol	Parameter	Min	Max	Units
rsws	Register Select to Write Setup (Note 1)	15		ns
rswh	Register Select Hold from Write	0		ns
rwds	Register Write Data Setup	20		ns
rwdh	Register Write Data Hold	21		ns
wackl	Write Low to \overline{ACK} Low (Note 2)		$n \cdot \text{bcyc} + 30$	ns
wackh	Write High to \overline{ACK} High		30	ns
ww	Write Width from \overline{ACK}	50		ns

Note 1: Assumes ADS0 is high when RA0-3 changing.

Note 2: \overline{ACK} is not generated until \overline{CS} and \overline{SWR} are low and the NIC has synchronized to the register access. In Dual Bus systems additional cycles will be used for a local DMA or remote DMA to complete.

15.0 Switching Characteristics (Continued)



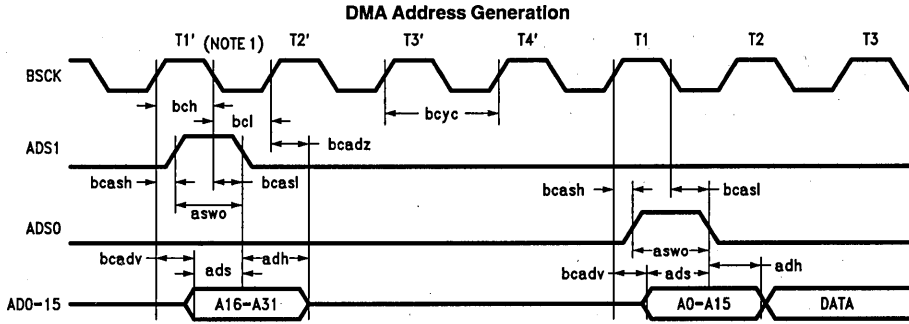
Symbol	Parameter	Min	Max	Units
brqhl	Bus Clock to Bus Request High for Local DMA		43	ns
brqhr	Bus Clock to Bus Request High for Remote DMA		38	ns
brql	Bus Request Low from Bus Clock		55	ns
backs	Acknowledge Setup to Bus Clock (Note 1)	2		ns
bccte	Bus Clock to Control Enable		60	ns
bcctr	Bus Clock to Control Release (Notes 2, 3)		70	ns

Note 1: BACK must be setup before T1 after BREQ is asserted. Missed setup will slip the beginning of the DMA by four bus clocks. The Bus Latency will influence the allowable FIFO threshold and transfer mode (empty/fill vs exact burst transfer).

Note 2: During remote DMA transfers only, a single bus transfer is performed. During local DMA operations burst mode transfers are performed.

Note 3: These limits include the RC delay inherent in our test method. These signals typically turn off within 15 ns enabling other devices to drive these lines with no contention.

15.0 Switching Characteristics (Continued)



TL/F/8582-81

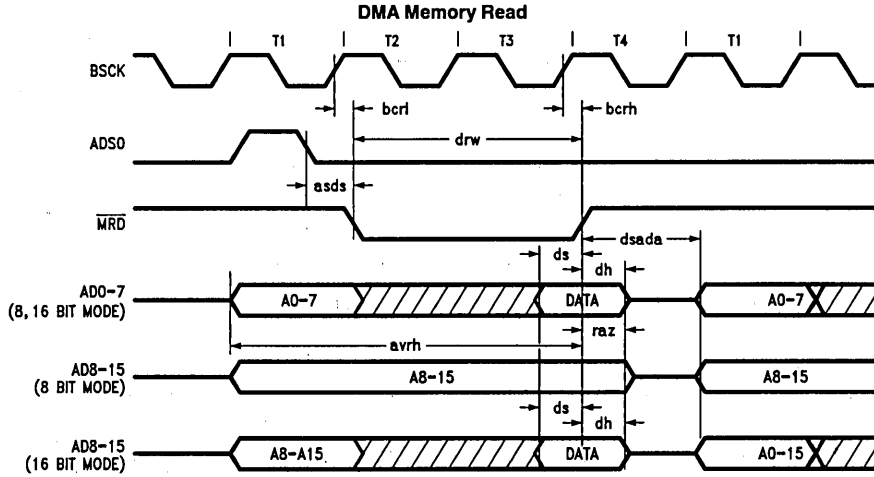
Symbol	Parameter	Min	Max	Units
bcyc	Bus Clock Cycle Time (Note 2)	50	1000	ns
bch	Bus Clock High Time	22.5		ns
bcl	Bus Clock Low Time	22.5		ns
bcash	Bus Clock to Address Strobe High		34	ns
bcasl	Bus Clock to Address Strobe Low		44	ns
aswo	Address Strobe Width Out	bch		ns
bcadv	Bus Clock to Address Valid		45	ns
bcadz	Bus Clock to Address TRI-STATE (Note 3)	15	55	ns
ads	Address Setup to ADS0/1 Low	bch - 15		ns
adh	Address Hold from ADS0/1 Low	bcl - 5		ns

Note 1: Cycles T1', T2', T3', T4' are only issued for the first transfer in a burst when 32-bit mode has been selected.

Note 2: The rate of bus clock must be high enough to support transfers to/from the FIFO at a rate greater than the serial network transfers from/to the FIFO.

Note 3: These limits include the RC delay inherent in our test method. These signals typically turn off within 15 ns, enabling other devices to drive these lines with no contention.

15.0 Switching Characteristics (Continued)



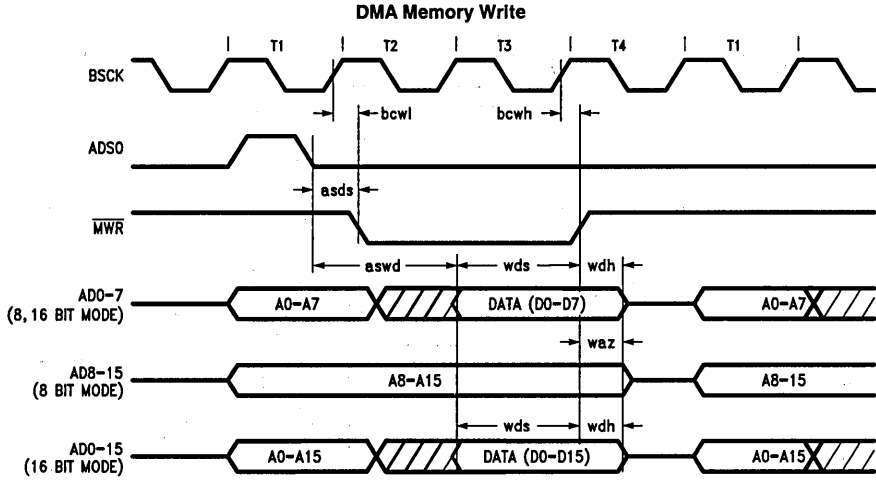
TL/F/8582-82

Symbol	Parameter	Min	Max	Units
bcr1	Bus Clock to Read Strobe Low		43	ns
bcrh	Bus Clock to Read Strobe High		40	ns
ds	Data Setup to Read Strobe High	25		ns
dh	Data Hold from Read Strobe High	0		ns
drw	DMA Read Strobe Width Out	$2 \cdot \text{bcyc} - 15$		ns
raz	Memory Read High to Address TRI-STATE (Notes 1, 2)		$\text{bch} + 40$	ns
asds	Address Strobe to Data Strobe		$\text{bcl} + 10$	ns
dsada	Data Strobe to Address Active	$\text{bcyc} - 10$		ns
avrh	Address Valid to Read Strobe High	$3 \cdot \text{bcyc} - 15$		ns

Note 1: During a burst A8-A15 are not TRI-STATE if byte wide transfers are selected. On the last transfer A8-A15 are TRI-STATE as shown above.

Note 2: These limits include the RC delay inherent in our test method. These signals typically turn off within $\text{bch} + 15$ ns, enabling other devices to drive these lines with no contention.

15.0 Switching Characteristics (Continued)



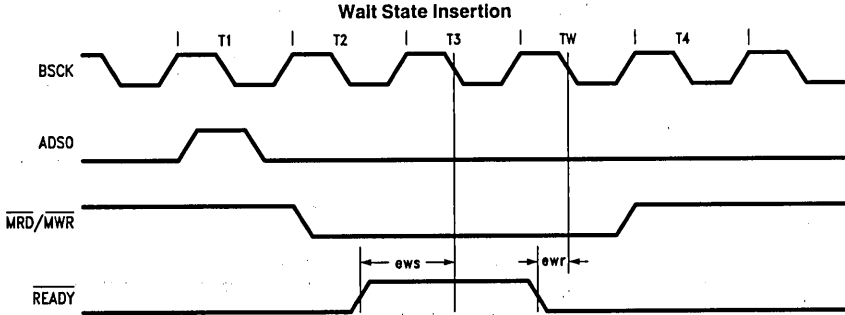
TL/F/8582-83

Symbol	Parameter	Min	Max	Units
bcwl	Bus Clock to Write Strobe Low		40	ns
bcwh	Bus Clock to Write Strobe High		40	ns
wds	Data Setup to \overline{WR} High	$2 * bcyc - 30$		ns
wdh	Data Hold from \overline{WR} Low	$bch + 7$		ns
waz	Write Strobe to Address TRI-STATE (Notes 1, 2)		$bch + 40$	ns
asds	Address Strobe to Data Strobe		$bcl + 10$	ns
aswd	Address Strobe to Write Data Valid		$bcl + 30$	ns

Note 1: When using byte mode transfers A8-A15 are only TRI-STATE on the last transfer, waz timing is only valid for last transfer in a burst.

Note 2: These limits include the RC delay inherent in our test method. These signals typically turn off within $bch + 15$ ns, enabling other devices to drive these lines with no contention.

15.0 Switching Characteristics (Continued)



TL/F/8582-45

Symbol	Parameter	Min	Max	Units
ews	External Wait Setup to T3 ↓ Clock (Note 1)	10		ns
ewr	External Wait Release Time (Note 1)	15		ns

Note 1: The addition of wait states affects the count of deserialized bytes and is limited to a number of bus clock cycles depending on the bus clock and network rates. The allowable wait states are found in the table below. (Assumes 10 Mbit/sec data rate.)

BSCK (MHz)	# of Wait States	
	Byte Transfer	Word Transfer
8	0	1
10	0	1
12	1	2
14	1	2
16	1	3
18	2	3
20	2	4

Table assumes 10 MHz network clock.

The number of allowable wait states in byte mode can be calculated using:

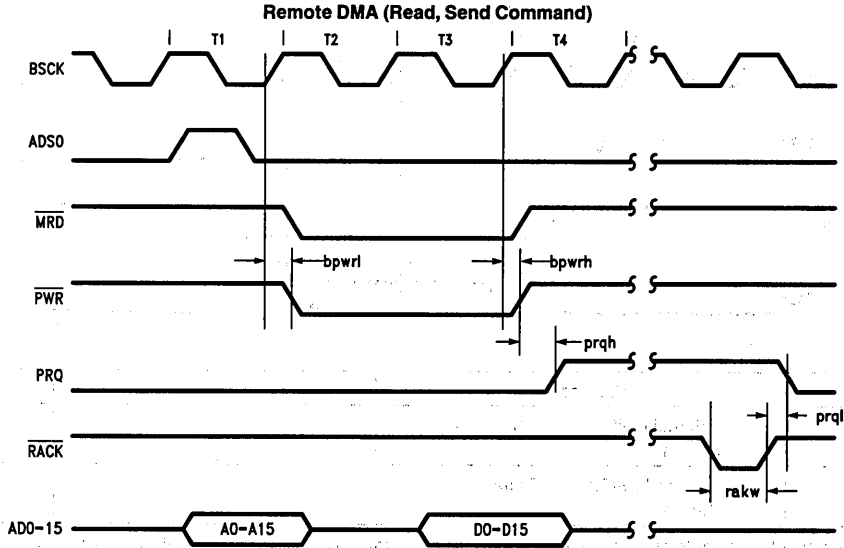
$$\#W_{(\text{byte mode})} = \left(\frac{8 \text{ } t_{nw}}{4.5 \text{ } t_{bsck}} - 1 \right)$$

#W = Number of Wait States
 t_{nw} = Network Clock Period
 t_{bsck} = BSCK Period

The number of allowable wait states in word mode can be calculated using:

$$\#W_{(\text{word mode})} = \left(\frac{5 \text{ } t_{nw}}{2 \text{ } t_{bsck}} - 1 \right)$$

15.0 Switching Characteristics (Continued)



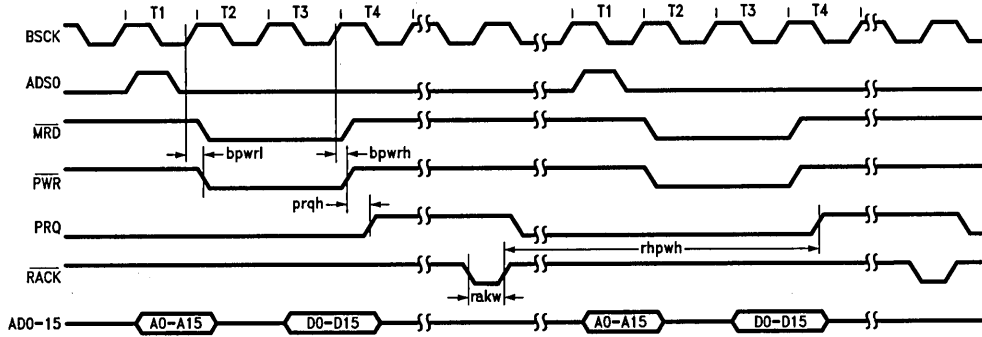
TL/F/8582-84

Symbol	Parameter	Min	Max	Units
bpwrl	Bus Clock to Port Write Low		43	ns
bpwrh	Bus Clock to Port Write High		40	ns
prqh	Port Write High to Port Request High (Note 1)		30	ns
prql	Port Request Low from Read Acknowledge High		45	ns
rakw	Remote Acknowledge Read Strobe Pulse Width	20		ns

Note 1: Start of next transfer is dependent on where RACK is generated relative to BSCCK and whether a local DMA is pending.

15.0 Switching Characteristics (Continued)

Remote DMA (Read, Send Command) Recovery Time



TL/F/8582-85

Symbol	Parameter	Min	Max	Units
bpwrl	Bus Clock to Port Write Low		43	ns
bpwrh	Bus Clock to Port Write High		40	ns
prqh	Port Write High to Port Request High (Note 1)		30	ns
prql	Port Request Low from Read Acknowledge High		45	ns
rakw	Remote Acknowledge Read Strobe Pulse Width	20		ns
rhpwh	Read Acknowledge High to Next Port Write Cycle (Notes 2,3,4)	11		BUSCK

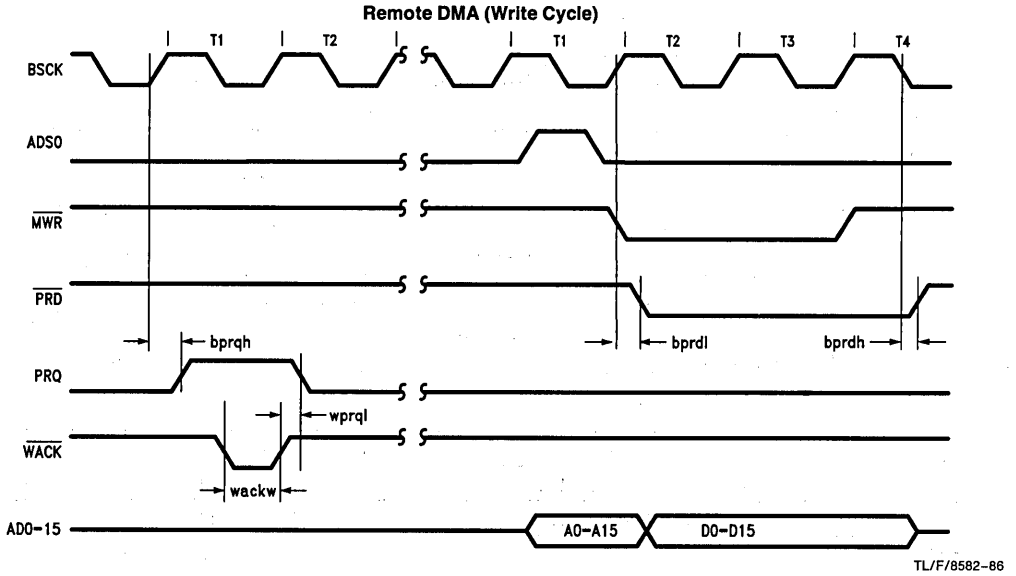
Note 1: Start of next transfer is dependent on where $\overline{\text{RACK}}$ is generated relative to BSCCK and whether a local DMA is pending.

Note 2: This is not a measured value but guaranteed by design.

Note 3: $\overline{\text{RACK}}$ must be high for a minimum of 7 BUSCK.

Note 4: Assumes no local DMA interleave, no $\overline{\text{CS}}$, and immediate BACK.

15.0 Switching Characteristics (Continued)

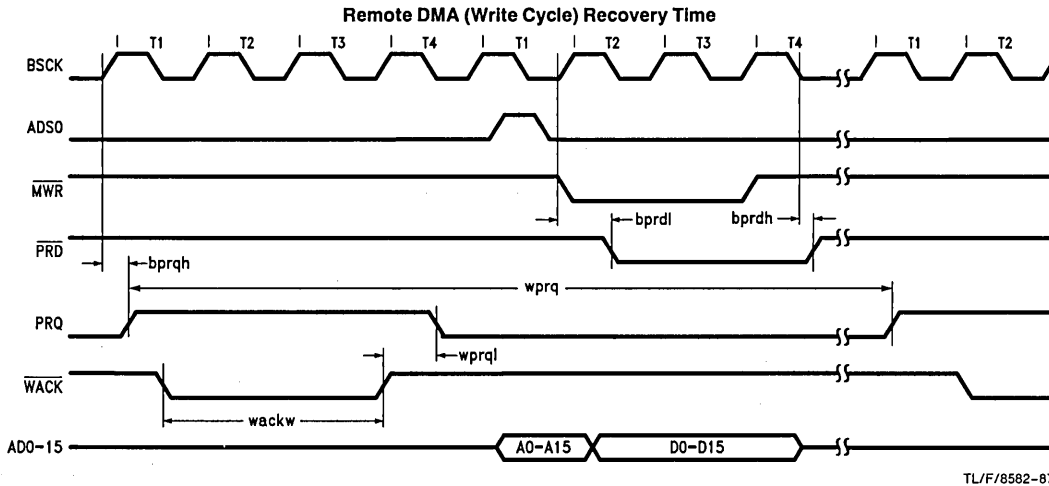


Symbol	Parameter	Min	Max	Units
bprqh	Bus Clock to Port Request High (Note 1)		42	ns
wprql	WACK to Port Request Low		45	ns
wackw	WACK Pulse Width	20		ns
bprdl	Bus Clock to Port Read Low (Note 2)		40	ns
bprdh	Bus Clock to Port Read High		40	ns

Note 1: The first port request is issued in response to the remote write command. It is subsequently issued on T1 clock cycles following completion of remote DMA cycles.

Note 2: The start of the remote DMA write following WACK is dependent on where WACK is issued relative to BUSCK and whether a local DMA is pending.

15.0 Switching Characteristics (Continued)



TL/F/8582-87

Symbol	Parameter	Min	Max	Units
bprqh	Bus Clock to Port Request High (Note 1)		40	ns
wprql	WACK to Port Request Low		45	ns
wackw	WACK Pulse Width	20		ns
bprdl	Bus Clock to Port Read Low (Note 2)		40	ns
bprdh	Bus Clock to Port Read High		40	ns
wprq	Remote Write Port Request to Port Request Time (Notes 3,4,5)	12		BUSCK

Note 1: The first port request is issued in response to the remote write command. It is subsequently issued on T1 clock cycles following completion of remote DMA cycles.

Note 2: The start of the remote DMA write following WACK is dependent on where WACK is issued relative to BUSCK and whether a local DMA is pending.

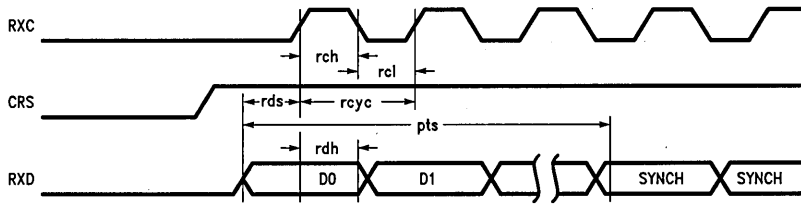
Note 3: Assuming wackw < 1 BUSCK, and no local DMA interleave, no CS, immediate BACK, and WACK goes high before T4.

Note 4: WACK must be high for a minimum of 7 BUSCK.

Note 5: This is not a measured value but guaranteed by design.

15.0 Switching Characteristics (Continued)

Serial Timing—Receive (Beginning of Frame)



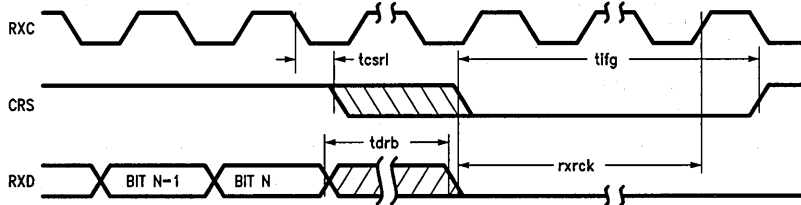
TL/F/8582-88

Symbol	Parameter	Min	Max	Units
rch	Receive Clock High Time	40		ns
rcl	Receive Clock Low Time	40		ns
rcyc	Receive Clock Cycle Time	800	1200	ns
rds	Receive Data Setup Time to Receive Clock High (Note 1)	20		ns
rdh	Receive Data Hold Time from Receive Clock High	17		ns
pts	First Preamble Bit to Synch (Note 2)	8		rcyc cycles

Note 1: All bits entering NIC must be properly decoded, if the PLL is still locking, the clock to the NIC should be disabled or CRS delayed. Any two sequential 1 data bits will be interpreted as Synch.

Note 2: This is a minimum requirement which allows reception of a packet.

Serial Timing—Receive (End of Frame)



TL/F/8582-89

Symbol	Parameter	Min	Max	Units
rxrck	Minimum Number of Receive Clocks after CRS Low (Note 1)	5		rcyc cycles
tdrb	Maximum of Allowed Dribble Bits/Clocks (Note 2)		3	rcyc cycles
tifg	Receive Recovery Time (Notes 4,5)		40	rcyc cycles
tcsr1	Receive Clock to Carrier Sense Low (Note 3)	0	1	rcyc cycles

Note 1: The NIC requires a minimum number of receive clocks following the de-assertion of carrier sense (CRS). These additional clocks are provided by the DP8391 SNI. If other decoder/PLLs are being used additional clocks should be provided. Short clocks or glitches are not allowed.

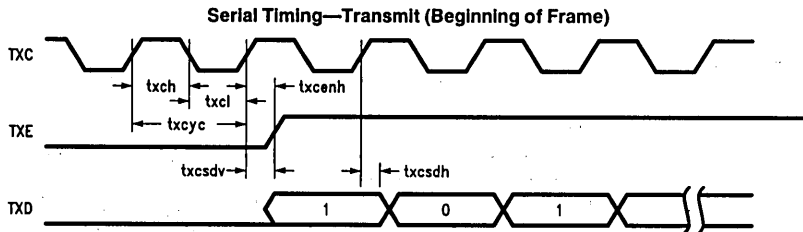
Note 2: Up to 5 bits of dribble bits can be tolerated without resulting in a receive error.

Note 3: Guarantees to only load bit N, additional bits up to tdrb can be tolerated.

Note 4: This is the time required for the receive state machine to complete end of receive processing. This parameter is not measured but is guaranteed by design. This is not a measured parameter but is a design requirement.

Note 5: CRS must remain de-asserted for a minimum of 2 RXC cycles to be recognized as end of carrier.

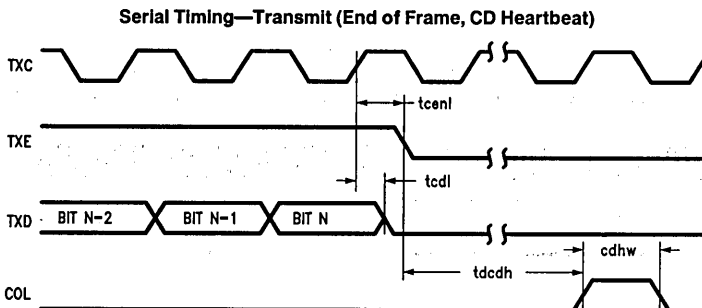
15.0 Switching Characteristics (Continued)



TL/F/8582-90

Symbol	Parameter	Min	Max	Units
txch	Transmit Clock High Time	36		ns
txcl	Transmit Clock Low Time	36		ns
txcyc	Transmit Clock Cycle Time	800	1200	ns
txcenh	Transmit Clock to Transmit Enable High (Note 1)		48	ns
txcsdv	Transmit Clock to Serial Data Valid		67	ns
txcsdh	Serial Data Hold Time from Transmit Clock High	10		ns

Note 1: The NIC issues TXEN coincident with the first bit of preamble. The first bit of preamble is always a 1.



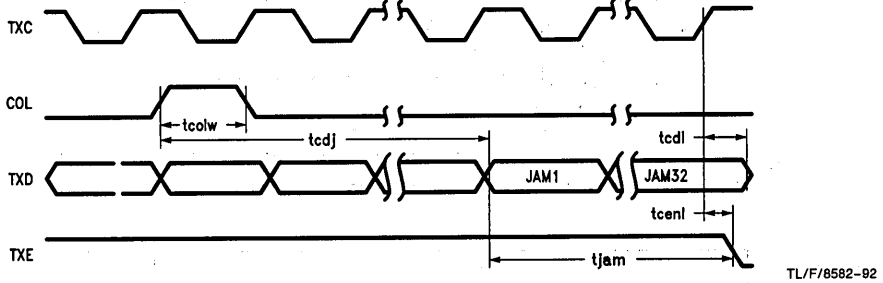
TL/F/8582-91

Symbol	Parameter	Min	Max	Units
tcdl	Transmit Clock to Data Low		55	ns
tcenl	Transmit Clock to TXEN Low		55	ns
tdcdh	TXEN Low to Start of Collision Detect Heartbeat (Note 1)	0	64	txcyc cycles
cdhw	Collision Detect Width	2		txcyc cycles

Note 1: If COL is not seen during the first 64 TX clock cycles following de-assertion of TXEN, the CDH bit in the TSR is set.

15.0 Switching Characteristics (Continued)

Serial Timing—Transmit (Collision)



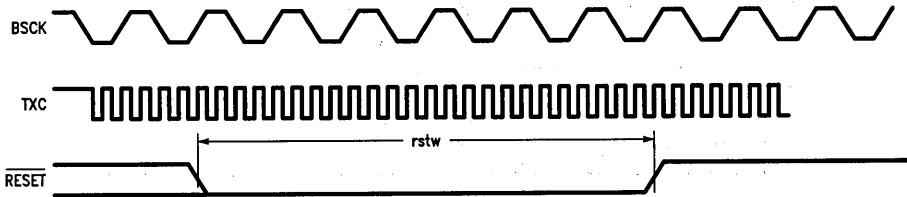
TL/F/8582-92

Symbol	Parameter	Min	Max	Units
tcolw	Collision Detect Width	2		txcyc cycles
tcdj	Delay from Collision to First Bit of Jam (Note 1)		8	txcyc cycles
tjam	Jam Period (Note 2)		32	txcyc cycles

Note 1: The NIC must synchronize to collision detect. If the NIC is in the middle of serializing a byte of data the remainder of the byte will be serialized. Thus the jam pattern will start anywhere from 1 to 8 TXC cycles after COL is asserted.

Note 2: The NIC always issues 32 bits of jam. The jam is all 1's data.

Reset Timing



TL/F/8582-93

Symbol	Parameter	Min	Max	Units
rstw	Reset Pulse Width (Note 1)	8		BSCK Cycles or TXC Cycles (Note 2)

Note 1: The RESET pulse requires that BSCK and TXC be stable. On power up, RESET should not be raised until BSCK and TXC have become stable. Several registers are affected by RESET. Consult the register descriptions for details.

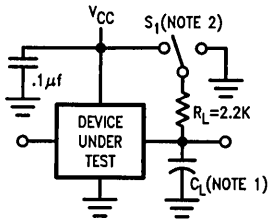
Note 2: The slower of BSCK or TXC clocks will determine the minimum time for the RESET signal to be low.

If BSCK < TXC then $\overline{\text{RESET}} = 8 \times \text{BSCK}$

If TXC < BSCK then $\overline{\text{RESET}} = 8 \times \text{TXC}$

AC Timing Test Conditions

Input Pulse Levels	GND to 3.0V
Input Rise and Fall Times	5 ns
Input and Output Reference Levels	1.3V
TRI-STATE Reference Levels	Float (ΔV) $\pm 0.5V$
Output Load (See Figure below)	



TL/F/8582-94

Note 1: $C_L = 50$ pF, includes scope and jig capacitance.

Note 2: S1 = Open for timing tests for push pull outputs.

S1 = V_{CC} for V_{OL} test.

S1 = GND for V_{OH} test.

S1 = V_{CC} for High Impedance to active low and active low to High Impedance measurements.

S1 = GND for High Impedance to active high and active high to High Impedance measurements.

Pin Capacitance $T_A = 25^\circ C, f = 1$ MHz

Parameter	Description	Typ	Max	Unit
C_{IN}	Input Capacitance	7	15	pF
C_{OUT}	Output Capacitance	7	15	pF

Note: This parameter is sampled and not 100% tested.

DERATING FACTOR

Output timings are measured with a purely capacitive load for 50 pF. The following correction factor can be used for other loads:

$C_L \geq 50$ pf: +0.3 ns/pF (for all outputs except TXE, TXD, and LBK)

Architectural Choices for Network Performance

National Semiconductor
Application Note 873
Larry Wakeman
John Von Voros



TABLE OF CONTENTS

INTRODUCTION

NETWORK PERFORMANCE

Defining Network Performance

Where's the Bottleneck?

Measuring Performance

ARCHITECTURAL OVERVIEW

Hardware Interfaces

I/O Mapped Slave
Shared RAM Slave
Simple Bus Master
Buffered Bus Master
Intelligent Bus Master

Buffer Management Architectures

Transmit Requirements
Receive Requirements
Operating System Requirements
Hardware Packet Buffering Schemes
Simple DMA Buffering
Buffer Ring DMA
Linked List Packet Handling

SYSTEM APPLICATIONS

PC®/PC-AT® Client Adapter

PC (ISA Bus) Server Adapter

PC Motherboard Applications

PS/2® and EISA Server Adapter

PC System Bus (CPU Bus)
PC System I/O Bus Design

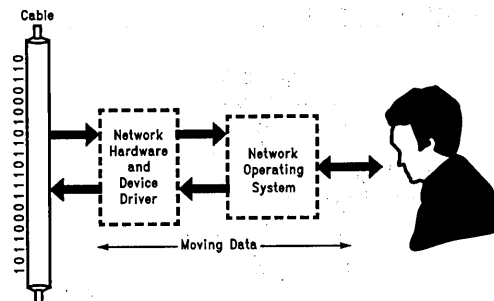
CONCLUSION

INTRODUCTION

Recently the popularity of networking has grown, and as a result virtually any type of computer system and many peripherals are incorporating facilities to connect to a network. With the integration of the network function onto just a few IC's, the design of the interface circuitry to the network's physical interface is becoming simpler. However, the design of the interface can be implemented many different ways, with varying tradeoffs.

The basic design tradeoffs for interfacing a system to Ethernet are fairly simple:

1. **Performance.** Generally this is measured in terms of the amount of data transmitted and received in a given time period. The more data the better. As shown in *Figure 1*, the purpose of a Network interface is simply to: Move Data. The interface should be as fast and efficient as possible.



TL/F/11784-1

FIGURE 1. The Success of a Network Interface is It's Ability to Quickly, and Safely Move Data to/from the User

2. **Low Cost.** Obviously the user would like to pay as little as possible for the network connection.
3. **Compatibility.** Both software and hardware compatibility to established industry standards is crucial. In the PC market, this means the ability to work with standard software (i.e., Novell's NetWare® and Microsoft's Windows for Workgroups®) and hardware. In the non-PC market, interoperability with other network components is the key to successful integration into an existing network.

Unfortunately, these simple goals can lead to choosing dramatically different designs for the Ethernet interface subsystem. The diversity of computer architectures (both hardware and software) requires a unique balance of all of these criteria.

This paper will concentrate on the application of Ethernet in PC type computer systems (i.e., Intel 286, 386, 486 CPUs). Both hardware and software issues will be addressed as they pertain to performance, cost, and compatibility. The considerations presented here are applicable to other computer systems as well.

NETWORK PERFORMANCE

Obviously one of the major tradeoffs in developing a network interface solution is performance versus cost.

But: What is network performance?

Defining Network Performance

Network performance is a measure of the ability of a particular network configuration to move data from one computer to another. Typically, this data movement occurs from a server to a workstation or client. Unfortunately, there is no standard method of measuring and benchmarking performance, due to the multitude of network and node configurations. We shall dissect the components of performance in an attempt to describe the roles that hardware and software play in a typical network.

When a user makes a request for information or data not resident on his own computer (like opening a memo in his word processor when the memo is located on a remote system), the network's pieces must all respond to this request. The user's perception of performance is determined by how long he must wait for the information to appear on his screen.

When an inquiry is made on the network for some information, a complex set of transactions occurs. The user's computer operating system tells the network protocol to send a message to the server asking for the information. The protocol software then instructs the driver to send the request to the hardware interface, which in turn sends data over the cable to the server. After the packet has been received, an acknowledgement is sent to the server indicating that a valid transfer was accomplished.

The reverse procedure occurs on the server end. When the hardware receives the request, the driver is instructed to pass it on to the network protocol. The computer operating system takes the request from the protocol and issues a response (the actual data) which is sent back through the network in a similar fashion.

Each of these software and hardware components manipulates the requests and responses to ensure proper delivery of the data to/from each destination. This process is shown in Figure 2. Each step requires time for the software and hardware to execute its piece of the job. The sum total of the time it takes for each operation to occur is the performance of the transaction.

WHERE'S THE BOTTLENECK?

There are many variables in the performance equation, and the network interface card is only one factor. Much like

Ethernet cards, the overall performance of a system can be divided into hardware and software issues. On the hardware side, the speed of a network is determined by the performance of the server and all of the attached workstations. The network operating system is a major contributor to the overall latency of a network.

The response time of a server or workstation is affected by CPU speed, bus bandwidth, network loading, and the speed and topology of the transmission media (such as coax, twisted-pair, optical fiber, etc.). The server should provide sufficient disk cache memory and a fast hard disk subsystem to minimize delays. Typically, throughput on a loaded network segment can be reduced to under 20% of maximum by random disk I/O requests. Improving individual workstation throughput has very little impact on the overall network since it only affects a small percentage of the total load. The expense of outfitting a high performance server can be amortized over the cost of the entire network since all users will benefit.

The network operating system (NOS) can also have a dramatic affect on Ethernet throughput. The two main functions of the NOS are to move large blocks of data around in RAM and manage the disk I/O subsystem. Excessive copying of data or poor file management will result in poor LAN performance.

Since each item in the request/response path contributes to overall performance, it is desirable to minimize delays through each section. From the Ethernet hardware developer's perspective, the efficiency of the NOS and the cable throughput are fixed. The only areas available for improvement of the network hardware performance are optimization of the driver and the bus interface design. It is important to recognize that the hardware and driver are a small (but important) part of the total performance equation. In most

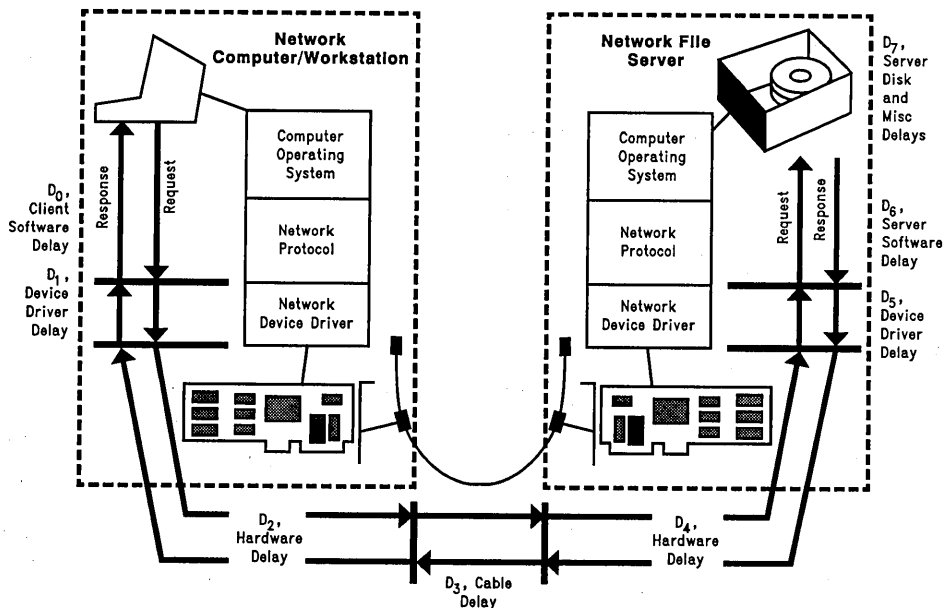


FIGURE 2. Representation of System Delays that Impact Performance

TL/F/11784-2

cases doubling or tripling performance of the network hardware will have a much smaller impact on total performance. (Whereas doubling or tripling the CPU performance could have a much greater affect.)

As can be seen in *Figure 2*, the total speed at which requests/responses can be handled is dictated by the serial path shown. For the analytically minded:

$$\text{Performance} = \frac{K_p}{\Sigma(\text{Request Delays})}$$

Basically, network performance is the reciprocal of the sum of the request delays for the measured transactions. K_p is a multiplier constant to convert to kbytes/sec.

A single request/acknowledge delay is the sum of the individual delays as shown in *Figure 2*.

$$\begin{aligned} \text{Request Delay} = & (D_0 + D_1) (2 K_{CPU1}) \\ & + (D_5 + D_6) (2 K_{CPU2}) \\ & + 2(D_2 + D_3 + D_4) + D_7 \end{aligned}$$

D_0, D_1, D_3, D_5, D_6 are all software delays and thus are multiplied by the performance of the system processors, while D_2, D_3, D_4 are network hardware delays that are not affected by software performance (ideally). D_7 is the delay due to system hardware other than the network interface, such as a disk and controller.

Measuring Performance

Generally, one would like to measure these delays and calculate the throughput of a particular network configuration. Most benchmarks can only evaluate the summation of these delays. This is done by measuring the actual data throughput, usually in kbytes/sec or in seconds for a particular task.

Now, of course every good marketer has his favorite benchmark, but the validity of a benchmark can be very deceiving. Most Ethernet vendors cite the Novell **PERFORMx** benchmark as a performance measure, this is valid but does not accurately model the request/response of a real network. Some testing labs have developed scripts that simulate user transactions in an attempt to create a more representative view of network speed, and these tend to be more valid. However, due to the ease of testing and general availability of the **PERFORM** program most comparisons utilize this program's measurements.

The perform benchmark tends to measure the throughput of the network interface, the protocol software, and the system CPU. The data being transferred is cached in the server's memory, so disk drive speed is not a factor. This means that the largest delay for a system is not taken into consideration.

Another important aspect of performance is the amount of time the server CPU is idle. The more CPU bandwidth that is available the greater the potential for the server to do other processing or to handle more information. This becomes important when the server is being used as a database engine or if multiple Ethernet cards are used concurrently. A server that is oversaturated will drop packets, and thus decrease performance because each of these packets will have to be retransmitted. Generally, CPU utilization indicates the potential for better performance rather than actual performance. In the NetWare world, the CPU utilization measure is made using the **MONITOR** program which is run on the server. A meaningful benchmark should contain both the throughput and the CPU utilization figures. For example,

a system with 100 kbyte/sec throughput with a 10% utilization (90% idle) should be better than a 100 kbytes/sec with a 90% utilization. When making comparisons between architectures, it is important to use the same equipment for each test since the benchmarks are also measuring the server's and workstations' performance. The network should have at least six workstations to ensure heavy Ethernet traffic.

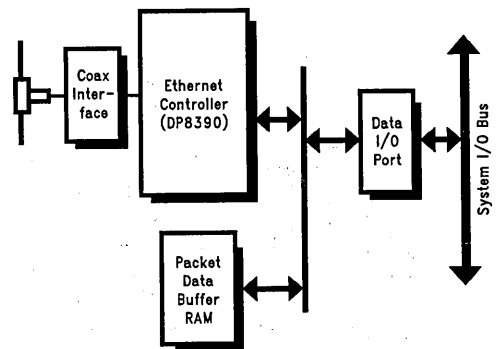
ARCHITECTURAL OVERVIEW

The architecture of an Ethernet card encompasses a hardware interface to the system as well as a software interface, which is really the packet buffer management that the hardware implements with the device driver software. This section will cover the hardware aspects first since this is very much the systems designer's decision. Secondly a description of various software interfaces is described, although in most cases this is actually defined by the integrated controller chosen for a particular design.

Hardware Interfaces

Before discussing actual applications, it is useful to categorize Ethernet interfaces. Once done, this can be applied to various applications to determine the best fit for each application. A summary can be found in Table 1. The interfaces from the Ethernet subsystem to the host's system bus can be divided into roughly 5 categories as follows:

1. **I/O Mapped Slave:** In this design, the adapter interfaces to the system via a limited number of I/O ports, usually 16 bytes-64 bytes. The interface has dedicated RAM to buffer network data, usually 8k to 64 kbytes. A simple block diagram is shown in *Figure 3*, National's DP8390 core controllers have on-chip logic to ease implementation of this interface.



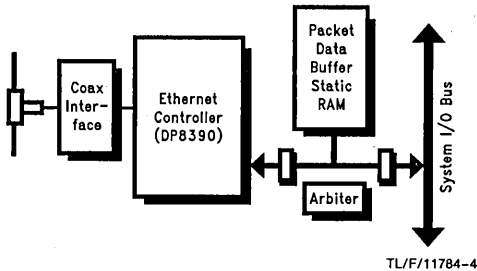
TL/F/11784-3

FIGURE 3. Diagram Showing Major Blocks of the I/O Mapped Architecture

Advantages: A very simple interface, tends to be low cost. Does not occupy large address space (important for PC's with many peripherals competing for common address allocations). Places little performance requirements on the system bus, and so is ideal for systems that have poor bus bandwidth or long bus latencies.

Disadvantages: May be slightly lower in performance. Requires dedicated buffer RAM which can add to cost of the interface.

2. Shared RAM Slave: This architecture utilizes a RAM that is dual ported (usually a static RAM with an arbiter rather than an integrated dual port RAM) to enable the network interface and the main system to communicate through a common "window" of memory, as shown in *Figure 4*. The DP8390 has request/acknowledge logic to simplify implementation of this interface.



TL/F/11784-4
FIGURE 4. Basic Block Diagram of the Shared Buffer RAM Design

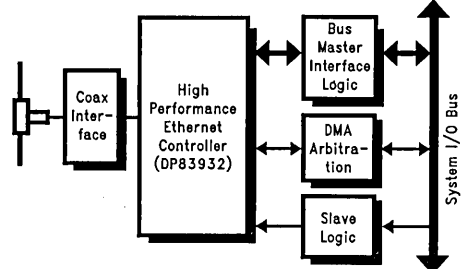
Advantages: A fairly simple interface that is slightly higher in performance than the I/O Slave since the data is directly accessible to the system via the buffer RAM.

Disadvantages: Tends to be more complex than the I/O interface, and thus more expensive. The additional cost is due to the logic required to dual port the buffer RAM which includes a couple of extra PALs, 4-6 extra octal buffers, and some added logic for software control. (However, as integrated or ASIC solutions become available this extra logic can be absorbed inexpensively making the solution cost equivalent to an I/O mapped design.) This architecture places slightly greater performance requirements on the system bus than the I/O Slave since the system is contending for the buffer RAM with the network interface.

The Shared RAM architecture is not the best choice when the host system has a limited addressing range and/or its memory cycles aren't significantly faster than its I/O cycles. In a PC-AT compatible application, the Shared RAM design typically has a 30% faster bus transfer speed, however when the effects of driver and Network Operating System (NOS) overhead are considered, the advantage of the Shared RAM design is reduced to 10% or less. In Micro Channel or EISA systems, the difference in I/O vs memory transfer rates is less, so the performance disparities would be reduced (assuming the network hardware does not present any other constraints).

Note: These relative numbers do not include disk access overhead, so the performance difference seen by a user will typically be lower.

3. Simple Bus Master: For the simple bus master interface, the network peripheral directly requests the system bus, and when granted, takes control of the bus and directly places packet data into system memory (*Figure 5*). The performance of this design is heavily dependent on the sophistication and speed of the DMA channel logic, and the bus itself. In the past, most Ethernet controllers did not have sufficient bus speed or buffer management to support this type of architecture, hence it's relatively new emergence has coincided with the introduction of high performance controllers such as the SONIC™ DP83932.



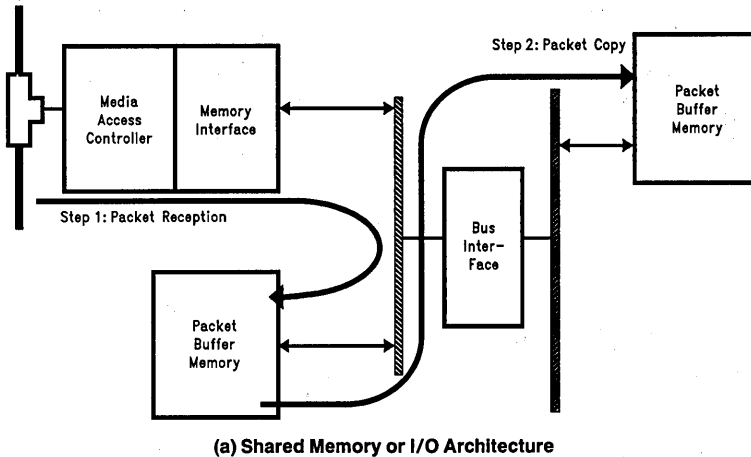
TL/F/11784-5
FIGURE 5. Simple Bus Master Block Diagram

In order to understand memory buffer structures, it is useful to compare the packet movement of a Shared Memory or I/O Interface (local memory) to that of the Bus Master design. In a local memory design (*Figure 6a*), the data is first buffered, then copied to the system memory. The Bus Master, on the other hand (*Figure 6b*), places the data directly into system memory. This latter approach is significantly faster because local memory designs require an extra read and write cycle to move the contents of the local buffer RAM into system memory. In theory, the Bus Master can eliminate additional data copies. Performance is reduced if the Bus Master cannot buffer directly to the NOS and a data copy has to be executed. The fact that local memory requires data buffering in two steps is not as significant to performance as the method of moving the data into system memory (i.e., DMA, I/O channel, etc.). Bus latency is one of the prime considerations when deciding to use a bus master approach. Newer generation controllers rely on a FIFO to buffer data until the bus becomes free for transfers. Depending on the computer, this delay can be longer than the maximum time allowed by the FIFO. When a FIFO overrun (or underrun) occurs, the packet must be retransmitted. In theory, the maximum bus latency tolerated by a controller can be calculated by the equation:

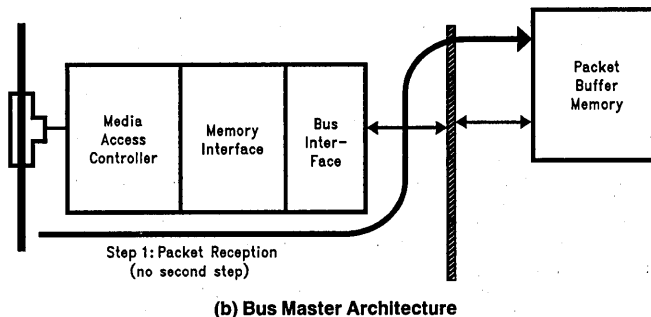
$$\text{Latency}_{\text{max}} = \frac{\text{Depth of FIFO (Bytes)}}{10 \text{ Mbits/S} \times 0.125 \text{ Byte/Bit}}$$

There are two classes of bus masters which for this document we will call a MAC (Media Access Control) Bus Master, and a Bus Master (for lack of better names). The distinction is that a MAC Bus Master becomes owner of the bus, but utilizes some form of system or external DMA controller to actually move the data. In other words the MAC Bus Master cannot generate addressing for the received or transmitted data. The Bus Master, on the other hand, utilizes a DMA controller that is built into the MAC. This DMA controller is capable of controlling data movement in a reasonably sophisticated way, and can place data into or take data from any desired location.

Advantages. Properly designed with enough intelligence in the packet buffering (i.e., not typically a MAC Bus Master), this implementation provides a very high performance data transfer throughput. If the DMA master is sophisticated enough, data can be placed directly into system memory, thus eliminating extraneous data copying by the driver software as is required by I/O mapped and Shared RAM designs.



TL/F/11784-6



TL/F/11784-7

FIGURE 6. Comparison of Data Movement

Disadvantages. In order to achieve high performance, the DMA machine must be sufficiently sophisticated (not a MAC Bus Master). In many low performance bus systems, direct bus ownership is not supported. In other buses, such as ISA, the bus is not sophisticated enough to arbitrate between potential bus owners without tying up the CPU unnecessarily. In some high performance bus interfaces, the latency from bus request to bus grant can be very long and require on-card buffering of the data to avoid dropping packets.

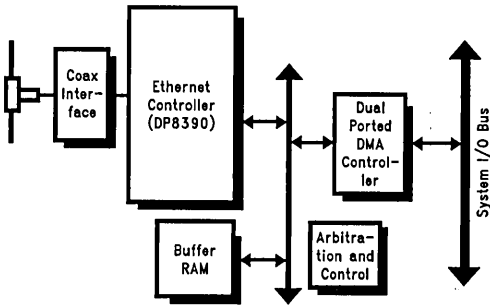
When comparing software driver performance, the efficiency of the driver plays a bigger role in Bus Master designs. This is because the Bus Master's hardware transfer is very efficient and the overhead of the driver is a bigger percentage of the data throughput. Typically in a PC (ISA bus) the bus master data transfer rate is 2-2.5 times that of an I/O based design. When software overheads are included, however, the Bus Master design typically achieves a performance increase over the I/O design. (Driver inefficiencies in reality can reduce this by about 5%.)

Note: These relative numbers do not include disk access overhead, so the performance difference seen by a user will typically be lower.

4. Buffered Bus Master. In this design the network packet data is DMA'd by a network controller through the on-card bus into a buffer RAM (Figure 7). The packet data is then transferred to the system by additional logic that DMA's the data across the system bus into main memory. The performance of this architecture is comparable to that of the standard bus master with a marginally higher use of CPU bandwidth.

Advantages. This architecture provides high performance close to the simple bus master design even in situations where there are extremely long bus latencies (i.e., EISA).

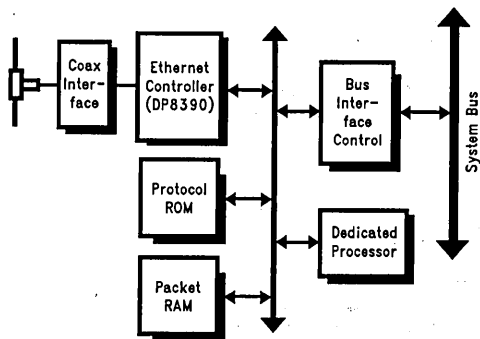
Disadvantages. When compared to the simple bus master interface, the cost of implementation is higher since this design requires additional buffer RAM and a complex system bus DMA channel in addition to the network interface's DMA channel. If the DMA interface is not sophisticated, the performance will be lower and the software driver will have to do additional processing.



TL/F/11784-8

FIGURE 7. Buffered Bus Master Block Diagram

5. Intelligent Bus Master. This design has a general purpose processor dedicated to the network interface for processing packet data (*Figure 8*). For low-end cards, the processor does not do protocol processing but only performs packet data manipulation and controls access between the system and the network interface. On high end designs, the dedicated network CPU does protocol processing which off-loads this task from the main system. The transfer of data to the system may be via an I/O, shared RAM, or bus master interface.



TL/F/11784-9

FIGURE 8. Intelligent Bus Master Block Diagram

Advantages. When using a processor with sufficient performance, this solution offers the highest performance of any of the solutions. This design also allows for the highest bus latencies, since on board RAM can store many packets. This architecture can off-load the server's CPU from processing the low level protocol tasks and can thus achieve very low server utilization relative to other technologies.

Disadvantages. Very costly in terms of hardware and component count. In order to achieve significant packet throughput advantages, the dedicated processor must be able to process packets at least as fast as the host CPU. In many cases, the low end cards are less efficient than simple bus master cards in terms of packet throughput.

In most practical examples, medium performance 16-bit processors are chosen and this choice tends to offer lower packet throughput than any of the other architectures. Typical CPU loading is roughly half that of a non-intelligent bus master.

BUFFER MANAGEMENT ARCHITECTURES

Just as the performance of a particular hardware implementation depends on how fast data is transferred to the system, the packet buffer management scheme helps determine how fast data can be transferred from the hardware to the Network Operating System. A great hardware design can be foiled by a poor software interface.

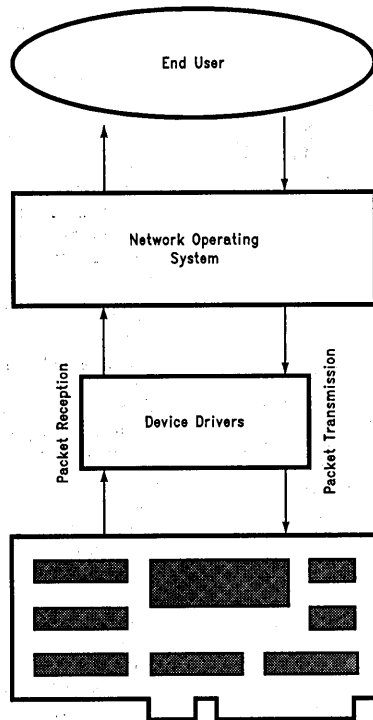
High performance software designs will reduce software complexity and directly provide the data to the NOS in a way that the NOS expects. There are cost/performance trade-offs in this interface as well, and so there are various buffering methods.

Before discussing the types of buffering that hardware may choose to implement, it is first useful to look at what operating systems expect for packet data. The goal is to minimize the device driver overhead, so a look at what information and in what form the NOS expects it is important.

Figure 9 shows a representation of how the user sends and receives data to/from the NOS. For sending packets, the NOS breaks up the data into smaller pieces so that they can fit within an Ethernet frame. The driver then takes this data and presents it to the hardware. On reception, the hardware gives data to the driver which in turn passes this data to the NOS. The NOS translates the data (if necessary) to a form acceptable to the user's application.

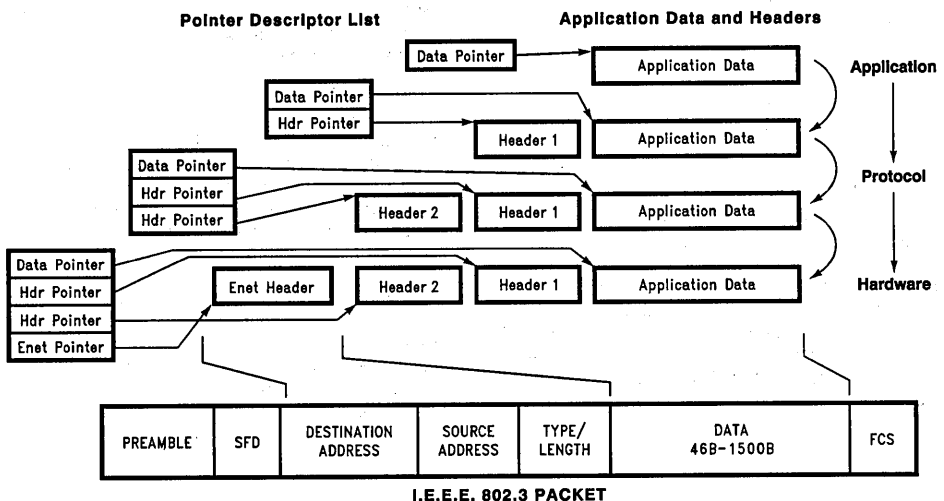
Transmit Requirements

The simpler part of the packet buffering scheme is the transmission of a packet. In this instance, the packet starts from the user's application, and the NOS prefixes network data, usually referred to as headers, to the application data as shown in *Figure 10*. These headers can contain protocol, routing, or application specific information. The most efficient method of "prefixing" is to create a pointer list which describes the data pieces' locations rather than copying all the data into a contiguous area. The driver receives this list from the NOS and then sends the information to the hardware. The network interface controller should be able to use this list with as little driver software manipulation as possible. The hardware and its associated driver must also be able to queue multiple requests since the network cable can only send one packet at a time.



TL/F/11784-10

FIGURE 9. User-Cable Data Movement through NOS to Driver to Hardware



TL/F/11784-11

FIGURE 10. Transmit Packet Creation

Receive Requirements

One might assume that the receive packet handling should be very similar to the transmit, but there are a number of differences. First, unlike a transmit packet, the NOS, driver, and hardware have no idea when a packet may arrive, what kind of packet (i.e., IPX, TCP/IP, DECnet, etc.) it is going to receive, and how many packets may be received in a given time. While a packet to be transmitted is statically resident in memory until it is operated on, a packet being received must have sufficient memory allocated to it prior to reception. The amount of memory set aside must be equal to the maximum packet size since there is no way to predetermine a packet's length.

These unknowns require a different type of buffer management. Since a packet could be received at any moment, the driver or the hardware must allocate memory before the packet arrives. The system should provide enough memory to handle several packets at a time in case the packets are received faster than they can be processed. This memory allocation is accomplished in hardware by most architectures. A dedicated packet buffer RAM on the network card allows sufficient space to receive multiple packets (this capability is the reason that dedicated hardware RAM is used). All but the simple bus master architecture have a dedicated packet buffer.

In the simple bus master, the driver must allocate a dynamic pool of system memory, and so the structure of the receive portion of the driver depends more on the memory allocation scheme of the NOS than the network side. Thus for simple bus masters to be effective, they should implement a memory allocation/management scheme similar to that of the NOS to simplify data manipulation.

Another consideration is that ultimately the packet will be given to the host's operating system, so the hardware/driver should present the data in a compatible format. The NOS will fragment the packet to remove all of the headers and give the data to the receiving application in the form it accepts.

As can be seen in *Figure 11 a-c*, there are several possible schemes for dealing with received packets. In cases where only one packet type is being received, the hardware/software may be able to fragment the packet into its multiple headers as it is received and to place each header into a separate area for manipulation (called protocol fragmentation buffering). In some cases, this scheme is efficient since data copying can be eliminated (in theory). The down side for the NOS is that each layer must keep track of several pointers. When multiple protocols and packet types are involved, this type of scattering is difficult because the hardware will have to receive enough of the packet to determine

its type, and then either the hardware or software must find appropriate memory to place the fragments. This effort is required because different packet types have different header lengths and contents.

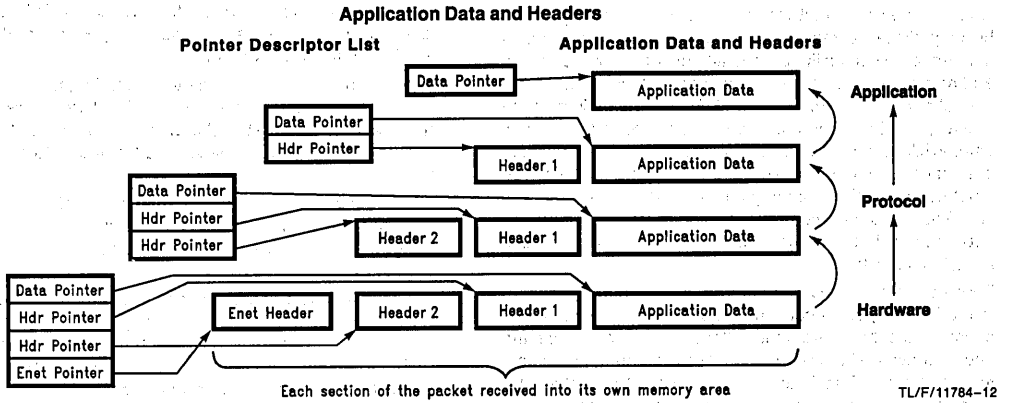
Another possible reception method is to fragment the packet into small buffers, usually 256 or 512 bytes. This will result in a large Ethernet packet being chopped into 3 pieces (*Figure 11b*). There are several advantages to this technique:

1. Operating system memory management uses these block sizes, so memory allocation is simplified by not having to allocate large contiguous memory blocks.
2. Most Ethernet packets are relatively small, usually <256 bytes. This type of memory scheme is more memory efficient than if a packet were contiguously buffered to a single area. This is because each memory area must be able to accommodate a full Ethernet packet 1518 bytes, and if a small 100 byte packet is received then the rest of the packet buffer will contain unused memory. (However these days operating systems with huge multi-megabytes of memory are common, and a few extra kbytes of packet buffers is typically not a big problem.)
3. In some schemes, the beginning of a new packet may be buffered directly at the end of the previous packet which causes additional fragmentation and hence more pointers (but is more memory efficient).

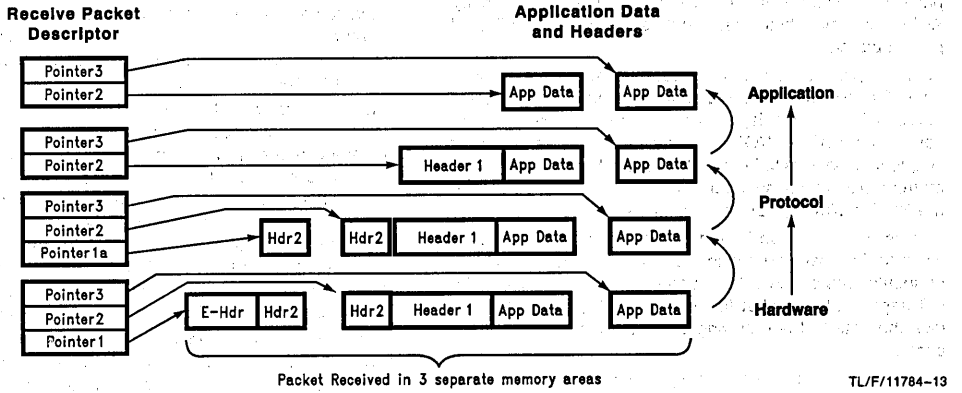
The problem with this second scheme is performance. When a packet is scattered as shown in *Figure 11b*, multiple pointers are required to keep track of the packet, this means that there is more software overhead associated with maintaining the pointers, and it is possible that some fields within the packet may be split between two buffers. Fortunately, this split is not likely to occur in the packet headers if >64 byte buffers are used, but the application data will be split, and may need to be copied to a contiguous buffer by the NOS prior to handing it off to the receiving application.

The problems with the two associated schemes can be overcome by having the hardware buffer the packet into a single contiguous memory area (*Figure 11c*). This allows the protocol software to have only one pointer to describe a packet. When a header is processed, the old pointer is thrown out, and the next header's pointer is easily created. The packet data arrives at the application in contiguous form. Multiple pointers to packet headers can easily be created if the software requires it. In multiple packet type applications, it is easier/cheaper for the software (as opposed to hardware) to determine the type of protocol/packet type for the received packet and manipulate the data based on this determination.

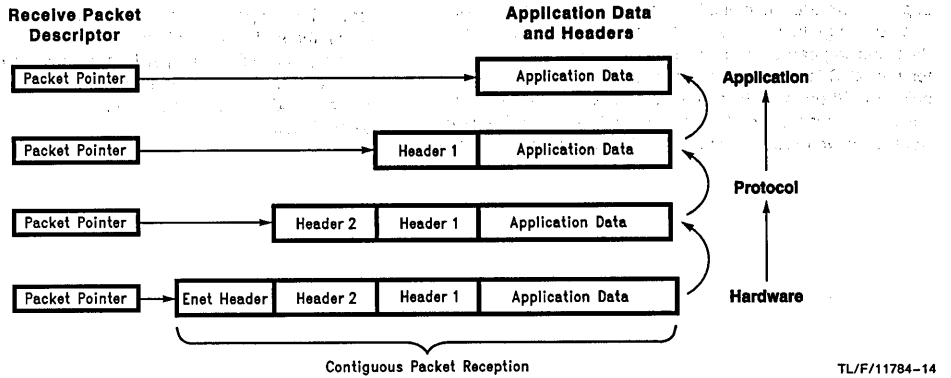
POINTER DESCRIPTOR LIST



(a) Receive Packet Scattered by Section



(b) Received Packet Scattered Based on Small Allocated Memory Blocks



(c) Received Packet Buffered to a Contiguous Memory Area

FIGURE 11

Operating System Requirements

As has been described, the optimal buffering scheme for packets depends, in part, on the way the NOS interacts with the device driver and the hardware. At the device driver level, the NOS defines a programming interface for the exchange of packets between the hardware/driver and the NOS. The type of interface helps to determine the desired buffering scheme.

Note: Hardware architecture also affects this choice.

For non-embedded applications which use standard operating systems, the most prevalent transmit schemes provide the driver with a list of locations for the various portions of the packet. The driver/hardware then assembles the packet to prepare for transmission. Several schemes are used for receiving packets, but contiguous packet reception is the most popular. Packet scattering based on small memory block allocation is also quite common.

Most operating systems require a certain byte alignment on received packets to conform to their memory management schemes. For example, 32 bits OS's usually require double word alignment, while PC DOS (an 8-bit OS), most often demands byte alignment. In general, the transmit alignment is usually byte oriented because the header fragments generated may be an odd number of bytes.

Hardware Packet Buffering Schemes

Keeping in mind the general characteristics outlined above, several hardware packet buffering techniques can be compared. The NOS requirements do not change based on the hardware architecture or the buffering scheme chosen, so when the hardware does not provide optimal algorithms, the device driver software is required to complete the job.

When the hardware packet buffering scheme minimizes bottlenecks (particularly software overhead), the theoretical performance of the driver/hardware set will increase. This section compares major buffering schemes and how they map into the NOS operations, hopefully revealing an indication of the better architectures.

The several schemes can be categorized as follows:

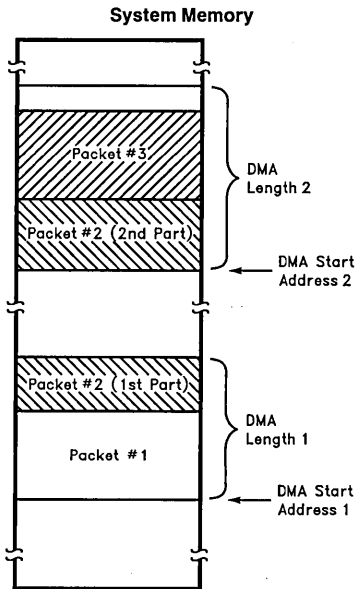
1. Simple DMA: Utilizing a simple start address and length, the system DMA performs all memory transfers.
2. Buffer Ring: A block of memory is setup as a recirculating ring where data at the top of the memory block automatically wraps to the bottom, and pointers track the used/open memory space.
3. Linked Lists: A number of descriptor structures that describe blocks of memory. Each block can contain either a part of a packet, a single packet, or multiple packets.
4. Protocol Translation: This scheme must be implemented on an intelligent card since the on board CPU performs driver tasks as well as protocol processing. The designer can customize the hardware using any combination of the three previous buffering schemes if the native CPU is not needed for protocol translation. This buffering scheme, due to its unique programmability, will not be discussed separately.

SIMPLE DMA BUFFERING

Typically this buffering architecture is used when the Ethernet Hardware is a simple MAC (Media Access Controller) Bus Master card that uses the system's DMA to provide a low cost solution. It is possible that the System DMA can be used in conjunction with a hardware scheme that includes a dedicated buffer RAM (like Shared RAM).

Reception tends to be a problem for the simple MAC bus master, so this is discussed first. Incoming packets are buffered in a small FIFO and a request is made for the system DMA controller to transfer the data. Simple bus master cards that do not use local memory must have access to the system bus before the FIFO fills, or the packet will be dropped. In addition, the host CPU must be able to allocate new blocks of memory as they are needed, which can be significant in terms of software overhead. For ISA based PC's, the DMA transfer rate is between 1.0–2.0 Mbytes/second which is not sufficient to keep up with the Ethernet data rate.

The transmit operation requires the DMA controller to transfer data from the host's memory to the controller's FIFOs (Figure 12). If the FIFOs are not large enough to buffer the maximum packet size, care must be taken to avoid a FIFO overrun because partial packets will be transmitted on the network. Once again, the host's CPU is responsible for all memory management.



TL/F11784-15

FIGURE 12. System Memory Packet Reception

Buffer Ring DMA

For this architecture, the controller's memory manager utilizes a ring structure comprised of a series of contiguous fixed length buffers in a local RAM (Figure 13). The ring is typically divided into a transmit and receive section by the driver software. During reception, incoming data is buffered to the receive portion of the ring and then transferred to the system by the local DMA channel. The memory manager is responsible for three basic functions during reception: linking receive buffers for long packets, recovery of buffers when a packet is rejected, and recirculation of memory blocks that have been read by the host.

When transmitting data, the software driver must first assemble the packet in the transmit portion of the ring using DMA transfers. This information must include the destination address, the source address, the type/length of the packet, and the data itself. When transmission begins, the controller's local DMA channel transfers the data out of the ring and into the controller's FIFO. The controller sends out the data and appends a CRC field. The block of buffer memory used by the packet is then returned for reuse.

Linked List Packet Handling

In a linked list structure, packets that are received or transmitted are placed in buffers that are linked by lists of pointers. The advantage to this approach, as mentioned earlier, is that it should eliminate unnecessary packet copying. The

software driver pre-allocates memory for receiving data and stores a list of pointers to available buffer pages in a Receive Resource Area (Figure 14). Another list of pointers (Resource Descriptor Area) is created when packets are received. Each pointer in this list corresponds to the starting address in memory of the received packet. Multiple packets can be stored in the same buffer area as long as their total length does not exceed the buffer page size.

The transmit buffer management scheme uses two areas in memory for transmitting packets (Figure 15). The Transmit Descriptor Area contains several fields that describe the packet to be transmitted and a pointer to the descriptor of the next packet to be transmitted. Quite often, operating systems store packet header information in one portion of memory and application data in another. Each of these fields is called a fragment.

The typical Ethernet packet contains multiple fragments, so the linked list buffering scheme provides pointers to each piece as well as a count of how many fragments are in the packet. In contrast, the buffer ring architecture would have required the driver to copy all of the fragments and the applications data into a contiguous area of local RAM prior to transmission. The buffer ring is a simple lower performance packet buffering scheme. The linked list structure adds some complexity, but will increase performance when properly tailored to the network operating system.

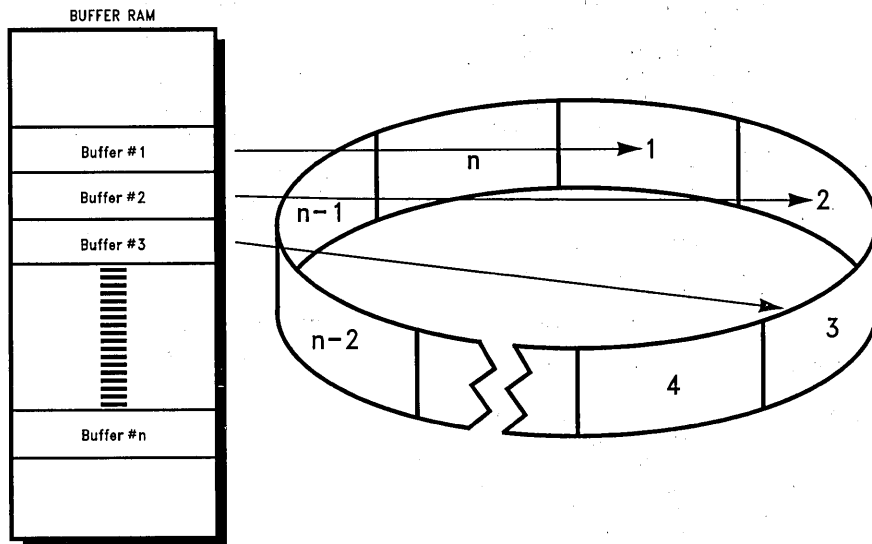


FIGURE 13. Buffer Ring DMA Structure

TL/F/11784-16

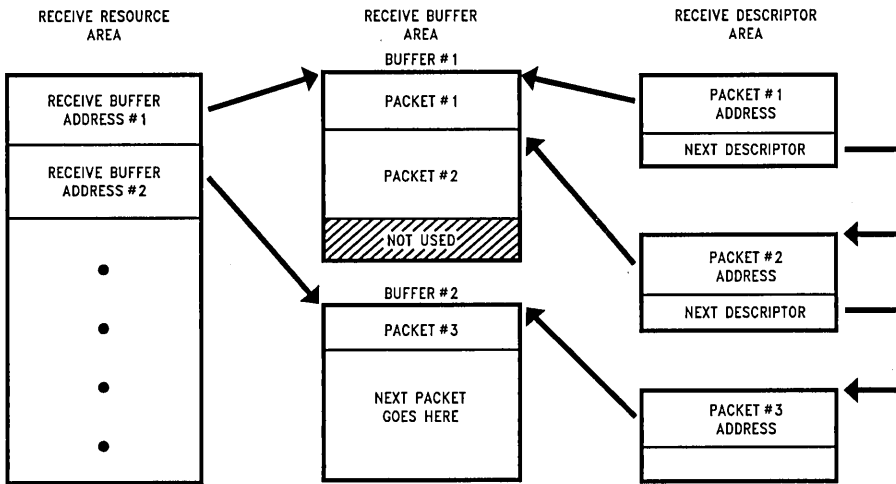


FIGURE 14. Linked List Packet Receive Buffer Structure

TL/F/11784-17

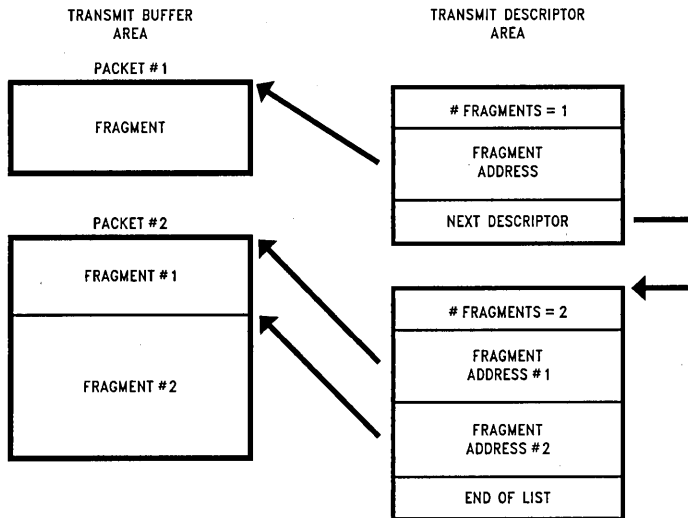


FIGURE 15. Linked List Packet Transmit Structure

TL/F/11784-18

SYSTEM APPLICATIONS

For a certain application, many architectures may prove adequate, but the *best* solution may not be obvious. The following section will discuss the general design tradeoffs to each approach as they apply to personal computers and office peripherals.

PC/PC-AT Client Adapter

While many companies promote performance, most simple interfaces prove to be sufficient, therefore cost and compatibility are of greater importance. The I/O mapped design is by far the most prevalent architecture for PC client cards due to good packet throughput performance and low cost. I/O mapped cards also tend to be the easiest to install because the I/O space of PC's tends to be less crowded than the memory space.

Shared memory cards must map their local packet RAM into the PC's address space between 640k and 1M. In the DOS environment, this space is crowded with BIOS ROMs, EGA/VGA video RAM, and disk controller hardware. Depending on the machine, configuration address contention can result. Also, the PC-AT bus timing for dual ported RAMs is tricky and varies somewhat between clones, thus making compatibility a more difficult issue.

For bus mastering cards, arbitration is not well implemented on many PC-AT compatibles and is not available in the PC-XT. These types of cards seem to have the most trouble interfacing to PC-AT clones because they are sensitive to system timing and the addition of other add-in cards. An improperly designed card can interfere with DRAM refresh and thus cause catastrophic failure. Earlier Ethernet controllers are not suitable for this approach because the bus cycles are excessively slow, thus limiting CPU performance.

Note: PS/2's with a microchannel bus provide very good arbitration, so bus masters are much more suitable for this environment.

The other architectures previously mentioned tend to be too expensive for the minor performance gains that would be achieved.

Performance. Assuming that the I/O port design is the reference, then the relative performance of the shared RAM design offers between a 2%–7% packet throughput improvement. Faster 386 based machines tend to minimize any advantages when the NOS is taken into consideration. The bus master could offer up to 10% speed improvement, but when using older Ethernet controllers this improvement is less. The major advantage to this approach can be lower CPU utilization.

PC (ISA Bus) Server Adapter

Until very recently, servers have been mostly high performance ISA Bus PC-ATs. Due to multiple users, the traffic on the server is much higher than the client, and so bottlenecks in packet transfer will be more noticeable. Servers may also have to support multiple network cards to allow for the internal bridging of networks. The weakest link in these systems tends to be the relatively slow ISA bus.

For ISA bus servers, I/O mapped, shared RAM, and bus master designs all have their advantages and disadvantages. The best overall solution could be the I/O mapped design in spite of its slightly lower performance; it is compatible to industry standards, lower cost, and offers reasonable performance. Multiple cards can easily be employed since this interface does not put a burden on the bus, nor tie up needed RAM space.

The Dual-Ported RAM design offers slightly better performance, and won't tie up the bus, but does use precious memory space. This solution may prove less suitable if several cards are required in the Server.

Simple bus masters can provide the best performance, but since multiple cards can tie up the PC-AT's ISA bus and prevent CPU and refresh from getting sufficient access to the bus, this could present a problem when multiple cards are placed on the bus. No standard exists for supporting arbitration among multiple bus masters. Some initial implementations will only allow installation of one card due to slow bus cycles.

Performance. Assuming that the I/O port design is the reference, then the relative performance of the shared RAM design offers between a 2%–7% packet throughput improvement. The bus master could offer up to 10% speed improvement.

PS/2 and EISA Server Adapter

The 32-Bit 386/486 PS/2 and EISA machines require the best performance, and cost tends to be a secondary issue. In addition, both these buses have intelligent bus arbitration schemes for bus ownership. The major difference between the two is that the arbitration scheme for EISA has the potential for having a relatively large bus latency, whereas the Micro Channel bus latency tends to be lower. This difference affects the bus mastering approaches taken.

The I/O mapped scheme is not optimal since cost is less of an issue and performance is more important. The Dual Port RAM scheme is a better choice as bus transfer speeds can be optimized by using fast RAMs, but the cost of the associated RAMs and logic is more (4-32kx8 SRAM are typically used for on-card buffering).

A simple bus master can be a very good choice if the desired bus latency is accommodated and an intelligent buffering scheme is implemented. This architecture can cost the same as a shared memory design, but provide faster packet throughput. Also multiple cards can easily be accommodated.

For the best performance, a well implemented intelligent board which does on board protocol processing is the best choice. However, the cost is prohibitive, and while overall server CPU usage can be minimized, typical implementations do not offer the best overall throughput.

PC Motherboard Applications

The goals in designing Ethernet connectivity onto PC motherboards differs from those of PC add-in cards. First, due to severe competition and a network oriented focus, add-in board designers tend to concentrate on both the cost and performance of an implementation. The primary concern for PC motherboard designers is CPU performance and compatibility to existing standards. The purpose of including Ethernet is to provide added value and a simple inexpensive connection. Board space and power consumption tend to be more critical on motherboards.

Applications on the motherboard fall into two design categories:

1. An adapter card design folded down onto the main system board.
2. A system bus interface (or local bus) directly connected to the CPU.

The best approach depends on whether the Ethernet's design goal is primarily cost or performance driven. The folded-down design offers compatibility with well established standards and thus the lowest risk. The system interface architecture offers better performance at the expense of complex system design considerations.

PC System I/O Bus Design

The easiest approach to embedded Ethernet is to simply graft an existing PC adapter's design onto the motherboard or daughter card. This places the controller in a less performance critical area of the overall system design (the I/O bus) and allows a migration path from a solution that is known to work. Since backward compatibility is achieved, investments in software and experience are preserved. This design can be applied across an entire line of PC's with no modification to the hardware or software.

The most common implementation would be to "fold" an ISA bus 16-bit Ethernet card design onto the motherboard and thus provide a common interface for both ISA and EISA. The growing popularity for ISA based adapters has led semiconductor suppliers to provide very highly integrated solutions for this environment. Unfortunately the same integration level is not yet available for EISA based 32-bit designs.

The only disadvantage to "folding down", an adapter card solution is slightly lower performance. Since the throughput of Ethernet is usually "cable limited" this approach is suitable for clients and most servers.

PC System Bus (CPU Bus)

In this implementation, the Ethernet controller is tightly coupled to the system CPU bus (386 or 486). This is illustrated

by the top shaded block in *Figure 16*. In a PC, the highest performance bus is the CPU system bus. Ethernet controllers designed to operate in this environment can provide a relatively clean interface with a low parts count. The bus master architecture makes the most sense for this bus due to the simplicity of the interface.

The CPU system bus tends to be the most critical aspect of a PC's overall performance. Adding peripherals to this bus has generally been avoided because I/O functions can reduce bus efficiency. Embedded cache memories on some CPU's help to lessen this burden, but system performance will be affected. Another concern is that this bus was not designed to support the large fanout required for driving multiple I/O devices.

Interfacing to the CPU's bus presents many challenging design problems. The characteristics of this bus are determined by both the CPU and the memory controller. Changes in CPU type and frequency will cause the interface to vary for each PC model in a product line. The controller's operating frequency must be closely matched to that of the CPU to avoid timing problems. This can create problems for modular PC's that offer CPU upgradeability.

Table I summarizes the discussion on PC-Ethernet architectures. It should be noted that the ratings assume that each implementation is a good efficient design. For example, a simple bus master is an excellent architecture only for applications where it meets with the requirements of the bus; this may not always be true. Some qualitative performance references are given, but these should not be taken as valid for every case.

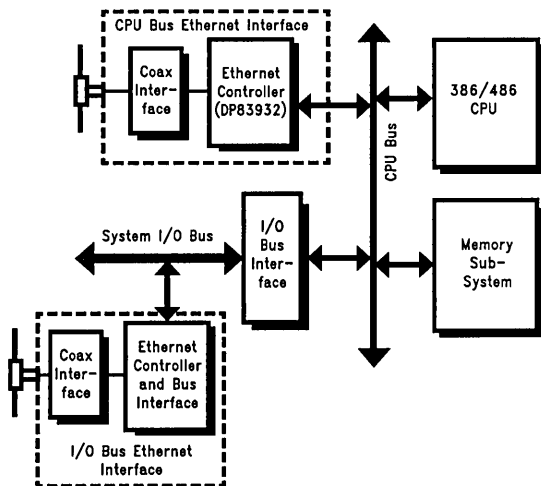


FIGURE 16. Two Choices for Ethernet on a PC Motherboard

TL/F/11784-19

TABLE I. Suitability of Architecture for PC Applications

Architecture (Note 1)	I/O Mapped	Dual Port RAM	Simple Bus Master	Buffered Bus Master	Intelligent
PC, PC AT (ISA), PS/2 (Client) (Note 2)	Excellent	Good	Fair	Poor	Poor
PC AT (ISA Bus) (Server) (Note 2)	Good	Good	Fair	Poor	Fair
PS/2 (Server) (Note 2)	Fair	Good	Excellent	Fair	Excellent
PC AT (EISA) (Client/Server)	Fair	Good	Excellent	Good	Good
PC Motherboard (System Bus) (Note 3)	Good	Good	Good	Poor	Poor

Note 1: The rating from best to worst: Excellent, Good, Fair, Poor.

Note 2: These applications assume that the Ethernet interface is supplied on an adapter card.

Note 3: This application places the Ethernet interface on the PC AT motherboard (system planar) interfaced to the system CPU bus. If the Ethernet interface is placed on the motherboard connected to an I/O bus the architectural choice is represented by the bus (like ISA).

CONCLUSION

The correct choice of an Ethernet controller must be a careful balance of all of the design goals. In the majority of cases, the throughput of 16-bit Ethernet controllers is more than sufficient (with the exception of servers). For 386 or greater based PC's, throughput is limited by the network operating system and the 10 Mbit/sec. data rate of Ethernet. The decision to use a 32-bit controller should be based on the need for available CPU bandwidth, and to a much lesser extent, throughput.

The Design and Operation of a Low Cost, 8-Bit PC-XT® Compatible Ethernet Adapter Using the DP83902

National Semiconductor
Application Note 842
Larry Wakeman



OVERVIEW

This 8-Bit Ethernet adapter board design is an inexpensive-low part count design that provides PC-XT and PC-AT® compatibles with Thick, Thin, and Twisted Pair Ethernet connectivity. This design provides an 8-bit interface that is compatible with Novell's 8-bit NE1000, while using the DP83902 (ST-NIC™) to interface to twisted pair Ethernet. The ST-NIC also has an AUI interface which allows interface to thick wire Ethernet, or thin wire Ethernet by the addition of the DP8392 Coaxial Transceiver Interface (CTI). The dual DMA (local and remote) capabilities of the ST-NIC, along with 8 kbytes of buffer RAM, and bus interface logic provide a high performance 8-bit interface. The I/O port architecture used in this design isolates the CPU from the network traffic, proves to be the simplest method to interface the DP83902 to a PC system bus.

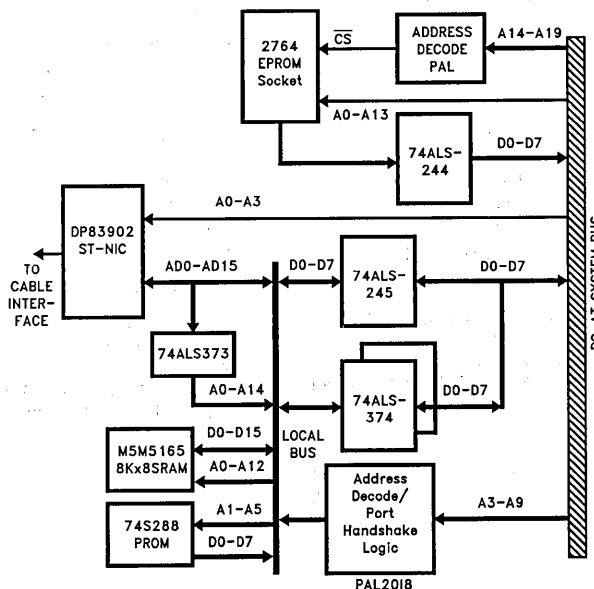
This paper describes the basic design and operation of this 8-bit adapter card, and then follows this with specific design information including the PAL equations and a detailed schematic of the design. For detailed information refer to the schematics at the end of this document.

HARDWARE FEATURES

- Fits in a half-size IBM XT form factor
- Utilizes DP83902 twisted pair network interface controller (ST-NIC)
- 8 kbyte on-board packet buffer
- Simple I/O port interface software compatible with Novell's NE1000 Ethernet adapter
- Interfaces to Thick (10BASE5), Thin (10BASE2), and Twisted Pair (10BASE-T) Ethernet
- Boot EPROM socket

BUS INTERFACE

The block diagram for this design is shown in *Figure 1*. The ST-NIC board as seen by the system appears only to be a block of I/O ports. With this architecture the ST-NIC board has its own local bus to access the board's memory. The system never has to intrude further than the I/O ports for any packet data operation. There are two register/memory maps that describe the card. The first is the I/O register map that describes how the PC's processor accesses the card. The second map is the one that describes how the ST-NIC accesses the on-card memory.



TL/F/11492-1

FIGURE 1. System Bus Block Diagram for 8-Bit Ethernet Card

I/O Map

The ST-NIC board requires a 32 byte I/O space to allow for decoding the data port, the reset port, and the ST-NIC registers. This is shown in Table I. The first 16 bytes are the ST-NIC registers, the next 16 bytes address the data port and the reset port, which are aliased alternately as shown.

TABLE I. I/O Map in PC-AT

Address Offset	Device Accessed
00h-0Fh	ST-NIC Registers
10h-13h	Data I/O Port
14h-17h	Reset Port
18h-1Bh	Data I/O Port
1Ch-1Fh	Reset Port

Additionally there are three jumpers which define the base addresses for the address map shown in Table I. (See the Jumper Configuration section for details.)

On-Card Memory Map

There are only two items mapped into the local memory space. These two items being the 8k x 8 buffer RAM and the Ethernet ID address PROM. The buffer RAM is used for temporary storage of transmit and receive packets.

TABLE II. ST-NIC's Local Memory Map

	etc.	ST-NIC A13 Low = PROM ST-NIC A13 High = RAM
7FFF	RAM	← The PROM and RAM are Aliased through 64K Address Range.
6000 5FFF		
4000 3FFF	PROM	
2000 1FFF	RAM	
0000	PROM	← The 'S288 PROM Actually Takes 32 Locations and is Aliased for Each 8K Block.

The buffer RAM is used for temporary storage of network packet data that is either being transmitted or received. The ID address PROM (74S288 32 x 8) contains the physical address of the evaluation board. Each PROM holds its own unique physical address which is installed during its manufacture. Besides this address, the PROM also contains some identification bytes that can be checked by the driver software. At the initialization of the evaluation board the software commands the ST-NIC to transfer the PROM data

to the I/O Port where it is read by the CPU. The CPU then loads the ST-NIC's physical address registers. The following table shows the contents of the PROM.

TABLE III. PROM Contents

PROM Location	Location Contents
00h	Ethernet Address 0 (Most Significant Byte)
01h	Ethernet Address 1
02h	Ethernet Address 2
03h	Ethernet Address 3
04h	Ethernet Address 4
05h	Ethernet Address 5
06h-0Dh	00h
0Eh, 0Fh	57h
10h-15h	Ethernet Address 0-5
16h-1Dh	Reserved
1Eh, 1Fh	42h

EPROM INTERFACE

An EPROM socket is provided so that the end user may add an EPROM to the system. This EPROM would normally contain a program and a driver to enable the PC-AT to be boot-ed up (Operating System loaded) from a designated network server. The ICs necessary to interface the EPROM to a 16L8 (PAL), and a 74ALS244 (buffer). The PAL decodes SA14-SA19, along with system memory read, in order to generate the EPROM enable signal. The '244 provides buffering of the EPROM's data bus to the PC's bus.

General Bus Interface Operation

For receiving of packets, the ST-NIC first starts to receive a packet and checks the address of this packet. If the address corresponds to the address for this card, then the data is received by the ST-NIC. The ST-NIC utilizes it's Local DMA channel to buffer the packet into the next available area of the 8k buffer RAM. As each packet is received the ST-NIC's local DMA will buffer it to the next available location in memory. After each packet is buffered the ST-NIC will generate and interrupt to the CPU. If a packet that has an error is loaded into RAM, the ST-NIC will reject the packet and reclaim the memory space that the packet occupied.

Upon recognition of the receive interrupt the CPU should then program the ST-NIC's Remote DMA to read the packet into the I/O port consisting of the two back-to-back 74ALS374s (see *Figure 1*). As the ST-NIC's Remote DMA does this the CPU handshakes with the DMA to read each byte from the I/O Data Port and store it in the PC's main memory. This is repeated until the packet has been completely transferred.

For packet transmission, the system CPU first programs the ST-NIC's Remote DMA to receive a packet from the system into a predetermined area of the card's buffer RAM. The CPU and the ST-NIC then handshake while the data is sent through the I/O data port.

Once the transmit packet is completely assembled into the local card RAM, the ST-NIC is then programmed to transmit the packet out onto the network. The ST-NIC then reads the transmit data using its Local DMA channel, and then follows the CSMA/CD protocol to transmit the data. When the transmission is complete an interrupt is generated, and the CPU can check the status of the transmit to ensure proper transmission did occur.

NETWORK INTERFACE

The evaluation board supports three physical media interfaces options: Thick Ethernet, Thin Ethernet, and Twisted Pair. The block diagram for these interfaces can be seen in *Figure 2*. A single jumper selects between the ST-NIC's Attachment Unit Interface (AUI) and its 10BASE-T interface. When the AUI is selected a second jumper selects the Thin Interface or the AUI connector. This second jumper shorts/opens the power supply to the transceiver. The AUI interface provides connectivity to an external transceiver which typically connects to Thick Ethernet cable.

The ST-NIC has an integrated 10BASE-T interface so that all that needs to be added are the equalization resistors, and an integrated filter module such as the Valor FL1012.

The Thin Ethernet interface is a little more complicated. This section includes a pulse transformer and a DC-DC Converter (Valor PM7102 or equivalent) to provide the required isolation, and the DP8392 Coax Interface and a few discrete components. The input power to the PM7102 is enabled via the jumper to enable disabling of this interface.

JUMPER CONFIGURATIONS

On the DP83902EB-AT ST-NIC AT board, there are nine jumpers as grouped in the one block in the component layout shown in *Figure 3*. The following pages will explain how to configure these jumpers, and what they do.

Physical Interface

There are a number of jumper options provided in this design to enable utilizing some of the ST-NIC's pin programmable options. Most of these are set for the normal default and should not have to be changed (in fact most are only provided for experimentation purposes). These jumpers are JP3, JP5, and JP6. JP4 is provided to enable experimentation with different bus clocks should a designer wish. This option is not useful for general operation and the default to use the 20 MHz network clock would normally be used.

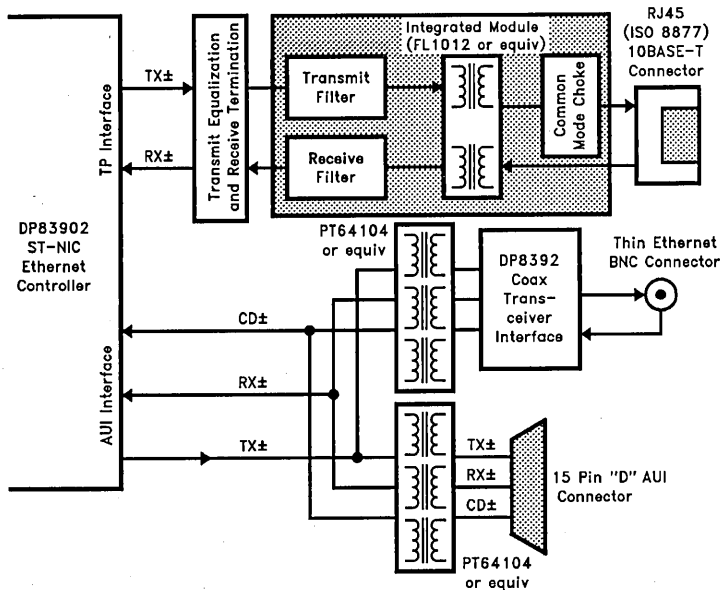
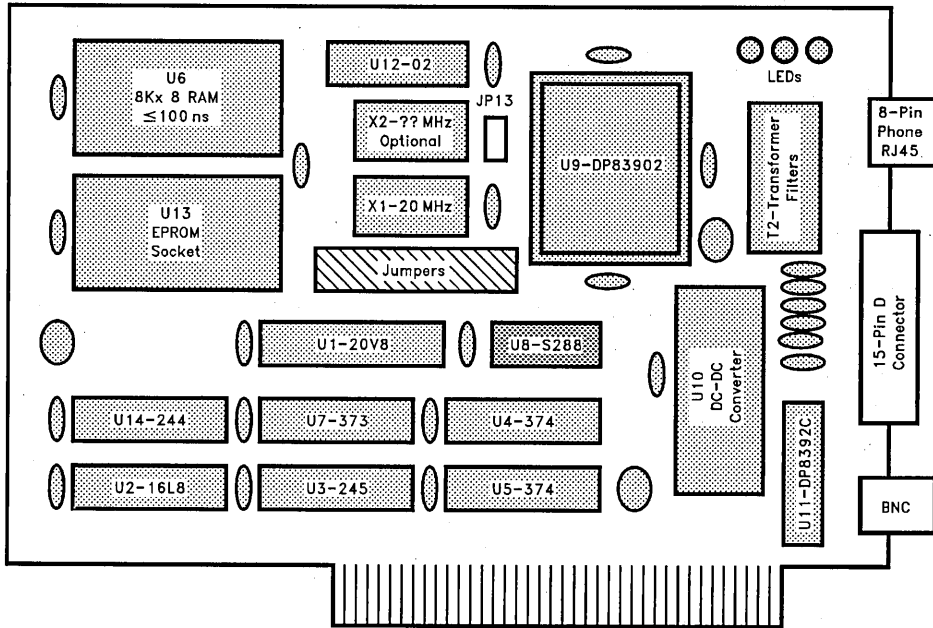


FIGURE 2. Media Interface Block Diagram

TL/F/11492-2

Proposed Component Placement



TL/F/11492-3

FIGURE 3. Proposed Component Placement (Jumpers Located in Center of Board)

TABLE IV. ST-NIC Option Jumpers

Jumper	Position	Description	Default
JP3	OFF	IEEE Half Step AUI Mode	Default
	ON	Ethernet Full Step AUI Mode	
JP4	ON	Common Network-Bus Clocks	Default
	OFF	Separate Network-Bus Clocks	
JP5	ON	Link LED Off	Default
	OFF	LED Enabled	
JP6	OFF	10BASE-T Link Enabled	Default
	ON	10BASE-T Link Disabled	

Two jumpers select which physical media to use as shown in Table V.

TABLE V. Physical Media Selection

JP8	JP7	Description	Default
OFF	OFF	Thick Coax (10BASE5)	Default
OFF	ON	Twisted Pair (10BASE-T)	
ON	OFF	Thin Coax (10BASE2)	
ON	ON	Illegal	

For Table V, the selection default is Thin Ethernet, and any of the jumper options may be selected, except shorting both jumpers, JP7 and JP8. If this is done then the Thinnet transceiver is enabled, but the ST-NIC will use the twisted pair interface, since this does not make any sense the option is not useable.

I/O and EPROM Addresses

This design utilizes the same set of I/O address selections and EPROM address selections as NE1000, as shown in Table VI.

TABLE VI. I/O and EPROM Address Options

JP2	JP1	JP0	I/O Address	EPROM Address	Default
ON	ON	ON	300H	C800H	Default
ON	ON	OFF	300H	Disabled	
ON	OFF	ON	320H	CC00H	
ON	OFF	OFF	320H	Disabled	
OFF	ON	ON	340H	D000H	
OFF	ON	OFF	340H	Disabled	
OFF	OFF	ON	360H	D400H	
OFF	OFF	OFF	360H	Disabled	

As can be seen JP0 actually is the enable for the EPROM, and JP1 and JP2 select the addresses for both the I/O and EPROM. Like the NE1000 the addressing of the I/O and EPROM cannot be set individually.

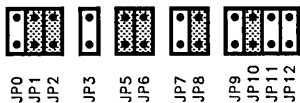
This design supports the same interrupt selection options as the NE1000, as shown in Table VII. Individual jumpers enable each interrupt to the bus interface. It is important that only one interrupt be selected at any one time.

TABLE VII. Interrupt Output Selection

JP12	JP11	JP10	JP9	Interrupt
ON	OFF	OFF	OFF	IRQ6
OFF	ON	OFF	OFF	IRQ4
OFF	OFF	ON	OFF	IRQ3
OFF	OFF	OFF	ON	IRQ9
OFF	OFF	OFF	OFF	NONE

Default

All of these jumper options can be provided in a relatively easy grouping as shown below. (JP5) may not be grouped here as it is better to place it near the ST-NIC to try to minimize clock trace lengths.



TL/F/11492-4

FIGURE 4. Possible Jumper Configuration

LAYOUT CONSIDERATIONS

The PCB layout for this design is very similar to most triple media interface designs (most of the layout considerations

revolve around the media interfaces layout). The major component placement decisions are to place the ST-NIC's 10BASE-T port near the RJ45 Connector, and to place the DP8392 close to the BNC connector.

For the ST-NIC placement and layout, it is important to ensure that the power supply noise imparted from the board is minimized. To ensure this adequate decoupling around the 4 sides of the ST-NIC is important. There are two reasons for this. First the ST-NIC is a combined digital and analog function so to maximize the analog circuit performance, noise should be reduced. Secondly, the AUI and twisted pair outputs can conduct power supply noise out to the connectors. Thus power supply noise should be kept to a minimum to reduce RFI emissions. It is recommended that 0.1 μF low ESR decoupling capacitors be used along with a couple of 4.7 μF –10 μF tantalum capacitors.

On the ST-NIC's twisted pair interface, the layout should be compact, and all signal traces should be kept straight and short. It is preferable to have each of the signals in a particular differential pair matched to minimize differential skews (i.e., RX+ and RX- should be matched). Also, the power planes under the twisted pair interface components should be removed to prevent power supply noise from being injected into the twisted pair signals, again to minimize RFI.

For the DP8392 layout there are several considerations. First the CTI power planes must be isolated from the logic power planes by a PCB gap that can withstand 500V. The isolated power plane should be removed from under the signals that interface from the CTI to the BNC connector. This is required to reduce the capacitance as seen from the Thin net (RG58) cable. It is also advisable to add a small heatsink power plane to the solder side layer that encompasses the area between the two rows of pins of the DP8392 package (see datasheet for specific layout recommendations).

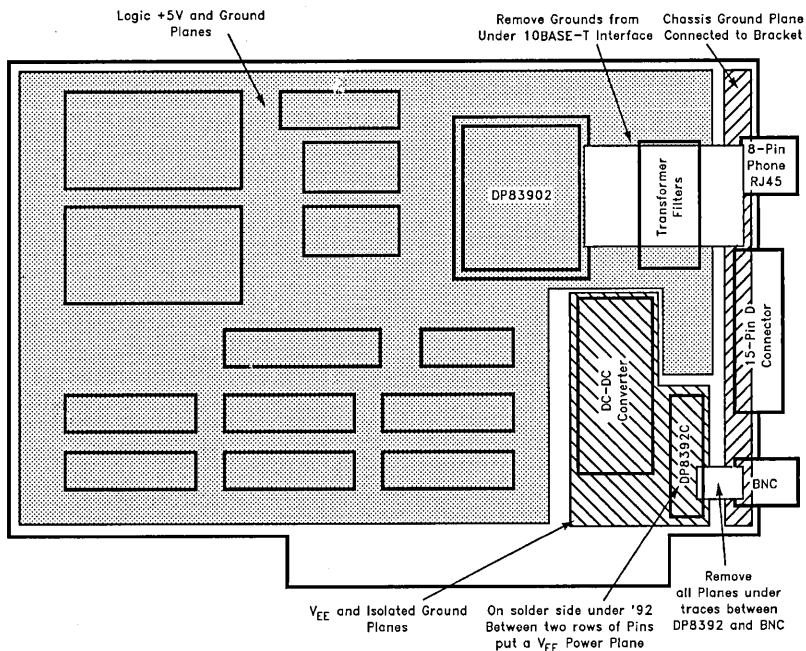


FIGURE 5. Ground/Power Planes and Layout Considerations

TL/F/11492-5

BILL OF MATERIALS July 8, 1991

CAPACITORS	
C1, C2, C6-C26, C31-C35	0.01 μ F, 50V Monolythic
C3, C27, C28, C36	22 μ F, 12V Tantalum 20%
C4	0.01 μ F, 1 kV Ceramic
C5	0.01 μ F, 50V Ceramic
C29, C30	0.01 μ F, 50V Ceramic
RESISTORS (5% $\frac{1}{8}$ Watt unless otherwise noted.)	
R1-R3	4.7k
R4, R5	270, $\frac{1}{4}$ W
R6-R9	39.2, 1%
R10-R13	1.5k
R14	1k, 1%
R15	150, 1%, $\frac{1}{4}$ W
R17	1M, $\frac{1}{2}$ W
R18	10k, 1%
R19, R20	50, 1%
R22, R23	66, 1%, $\frac{1}{4}$ W
R21, R24	271, 1%
R25	800, 1%
R26-R28	300
R29-R35	4.7k
DIODES	
D1	1N4150 (FDSO1201 SMT Version)
D2	Green LED 5mm Low Current
D3	Amber LED 5mm Low Current
D4	Green LED 5mm Low Current
CONNECTORS/SOCKETS	
J2	BNC Same as ATT
J3	RJ-45 AMP 520252 or Non-Keyed or Equivalent
J4	15-Pin D Conn Female, 747247-4 Slide Lock AMD MDA 51220-1
JP0-JP13	2 Pin Jumper, 0.1" Pin Space

CONNECTORS/SOCKETS (Continued)	
S1	24-Pin 0.3" Space Socket for U1
S2	20-Pin 0.3" Space Socket for U2
S3	16-Pin 0.3" Space Socket for U8
S4	24-Pin 0.3" Space Socket for U13
SEMICONDUCTORS	
U1	GAL20V8-15 or PAL20L8 (Socketed)
U2	PAL16L8-15 (Socketed)
U3	74ALS245
U4, U5	74ALS374
U6	HM6264-85ns (May Use 100ns)
U7	74F373
U8	74S288
U9	DP83902
U11	DP8392C
U12	74ALS02
U13	27128 (Socket Installed Only)
U14	74ALS244
MISC	
SP1	0.75 pF, 1 kV, Spark Gap Mallory ASR75A or MEPCO/CENTRALAB S758X44000NAZAA
T1	Belfuse S553-1006-AE
T2	Supra1.1 10BASE-T Pulse Transformer/Filter
U10	PM7102 Valor DC-DC
X1	20 MHz, 0.01%, Oscillator 40/60% 10 TTL Drive Opt.
X2	25 MHz, 0.1%, Oscillator 40/60% (Not Installed) Opt.
	Bracket for Mounting in PC-AT Slot G44 Basic Blank, Stamped as DP839EB-ATS Board (Assy. #980550173) Screw: Bind Head Slotted 4-40 x 0.250, Steel, (90277A106) Washer: Lock Ext #4, Zinc/Steel, (91114A005) Washer: Flat #4, Zinc-CRS, (90126A005)

PAL EQUATIONS

PAL #1(U1)

```

module iodecode    flag '-r1'
title 'date: 7/5/91
functions: IO Address Decode, IO Port-NIC Handshake, Ready Generation'

u1 device 'P20L8';

"input pins:
BCLK, SA9, SA8, SA7, nJPEN           pin 1, 2, 3, 4, 5;
SA4, SA2, RSTD, nIOR, nIOW          pin 6, 7, 8, 9, 10;
PRQ, nAEN, nACK                     pin 11, 14, 23;

"output pins:
nIORDY, nCSN, nWACK, nIOEN          pin 15, 17, 18, 19;
nNRST, NRST, nRACK                  pin 20, 21, 22;

"constants
    X, Z, H, L = .X.,.Z., 1, 0;
    ADDR2 = [SA9, SA8, SA7, X, X, SA4, X, SA2, X, X];

equations

nCSN =  !((!nAEN & !nJPEN & !SA4 & SA9 & SA8 & !SA7 & !nIOR)
        # (!nAEN & !nJPEN & !SA4 & SA9 & SA8 & !SA7 & !nIOW));

nRACK =  !(!nAEN & !nJPEN & SA9 & SA8 & !SA7 & SA4 & !SA2 & !nIOR & PRQ);

nWACK =  !(!nAEN & !nJPEN & SA9 & SA8 & !SA7 & SA4 & !SA2 & PRQ & !nIOW);

nIOEN =  !((!nAEN & !nJPEN & !nIOR & SA9 & SA8 & !SA7 & SA4 & !SA2) "Not Reset
        # (!nAEN & !nJPEN & !nIOW & SA9 & SA8 & !SA7 & SA4 & !SA2)
        # (!nAEN & !nJPEN & SA9 & SA8 & !SA7 & !SA4 & !nIOR) "NIC Registers
        # (!nAEN & !nJPEN & SA9 & SA8 & !SA7 & !SA4 & !nIOW));

enable nIORDY = !nIOEN;
nIORDY = !(nACK & !nCSN
        # !PRQ & nCSN);

NRST = !(!nIOW # nNRST);
nNRST = !((!nIOR & !nAEN & !nJPEN & SA9 & SA8 & !SA7 & SA4 & SA2)
        # RSTD # NRST);

test_vectors ([ADDR2, nAEN, nIOR, nIOW, nJPEN] -> [nCSN]);

" nCSN ASSERTION

"  A  nA nI nI nJP  nC
"  D  E  O  O  E    S
"  D  N  R  W  N    N

[^h310, L, L, L, L] -> [H]; " None
[^h310, L, H, H, L] -> [H]; " None
[^h300, H, L, L, H] -> [H]; " None
[^h300, L, L, L, H] -> [H]; " None
[^h300, L, L, L, L] -> [L]; " nCSN
[^h300, L, L, H, L] -> [L]; " nCSN

```

TL/F/11492-6

```
[^h308, L, H, L, L] -> [L]; " nCSN
[^h320, L, L, L, H] -> [H]; " None
```

```
test_vectors ([ADDR2, naEN, nIOR, nIOW, nJPEN, PRQ] -> [nRACK, nWACK]);
```

```
" A  nA nI nI nJP P      nR nW
" D  E O O E R      C C
" D  N R W N Q      K K
```

```
[^h310, L, L, H, L, H] -> [L, H]; " nRACK
[^h310, L, H, L, L, H] -> [H, L]; " nWACK
[^h310, H, L, H, H, H] -> [H, H]; " None
[^h310, L, L, H, H, H] -> [H, H]; " None
[^h310, H, L, L, L, H] -> [H, H]; " None
[^h310, H, L, L, H, H] -> [H, H]; " None
[^h300, L, L, L, H, H] -> [H, H]; " None
[^h314, L, L, L, H, L] -> [H, H]; " None
[^h318, L, L, H, L, H] -> [L, H]; " nRACK
[^h318, L, H, L, L, H] -> [H, L]; " nWACK
```

```
test_vectors ([ADDR2, naEN, nIOR, nIOW, PRQ, nACK, nJPEN] -> [nIORDY]);
```

```
" A  nA nI nI P nA nJP      nI
" D  E O O R C E      R
" D  N R W Q K N      DY
```

```
[^h300, L, L, H, X, H, L] -> [L]; " NIC Read
[^h300, L, L, H, X, L, L] -> [H]; " NIC Read Ready
[^h300, L, H, L, X, H, L] -> [L]; " NIC Write
[^h300, L, H, L, X, L, L] -> [H]; " NIC Write Ready

[^h310, L, L, H, L, X, L] -> [L]; " IO Read
[^h310, L, L, H, H, X, L] -> [H]; " IO Read Ready
[^h310, L, H, L, L, X, L] -> [L]; " IO Write
[^h310, L, H, L, H, X, L] -> [H]; " IO Write Ready
```

```
test_vectors ([ADDR2, naEN, nIOR, nIOW, RSTD, nJPEN] -> [nNRST, NRST]);
```

```
" A  nA nI nI R nJP      nN N
" D  E O O S E      R R
" D  N R W T N      T T
```

```
[^h300, H, H, H, H, L] -> [L, H]; " Hard Reset
[^h300, H, H, H, L, L] -> [L, H]; " Reset Latched
[^h300, H, H, L, L, L] -> [H, L]; " Un Reset
[^h314, L, L, H, L, L] -> [L, H]; " Soft Reset
[^h314, L, H, H, L, L] -> [L, H]; " Reset Latched
[^h300, H, H, L, L, L] -> [H, L]; " Un Reset
[^h30C, L, L, H, L, L] -> [H, L]; " Soft Reset
[^h30C, L, H, H, L, L] -> [H, L]; " Reset Latched
[^h300, H, H, L, L, L] -> [H, L]; " Un Reset
```

```
end iodecode;
```


PAL #2

```

module epdecode flag '-r1';
title '
date:7/5/91
functions: EPROM DECODE, ID PROM DECODE, INTERRUPT BUFFER'

u2 device 'P16L8';

"input pins:
nAEN, nMEMR, SA19, SA18          pin 1, 2, 3, 4;
SA17, SA16, SA15, SA14          pin 5, 6, 7, 8;
SA13, A5, A6                     pin 9, 11, 13;
NINT, JP2, JP1, JP0              pin 14, 15, 16, 17;

"output pins:
INT, nJPEN, nCSEP                pin 12, 18, 19;

"constants
X, Z, H, L = .X., .Z., 1, 0;
ADDR = [SA19, SA18, SA17, SA16, SA15, SA14, SA13, X, X, X, X, X, X, , X, X];

equations
nCSEP = (!((nAEN & !nMEMR & !JP2 & !JP1 & !JP0 & (ADDR == ^hc800))
# (!nAEN & !nMEMR & !JP2 & JP1 & !JP0 & (ADDR == ^hcc00))
# (!nAEN & !nMEMR & JP2 & !JP1 & !JP0 & (ADDR == ^hd000))
# (!nAEN & !nMEMR & JP2 & JP1 & !JP0 & (ADDR == ^hd400)));

nJPEN = (!((!JP2 & !JP1 & !A5 & !A6)      " 300H
# (!JP2 & JP1 & A5 & !A6)                " 320H
# ( JP2 & !JP1 & !A5 & A6)                " 340H
# ( JP2 & JP1 & A5 & A6));                " 360H

INT = (!(NINT));

test_vectors ([ADDR, nAEN, nMEMR, JP2, JP1, JP0] -> [nCSEP]);

" A      A M J J J      C
" D      E M P P P      S
" D      N R 2 1 0      EP

[^hc800, L, L, L, L, L] -> [L]; " Proper Decode
[^hcc00, L, L, L, H, L] -> [L]; "
[^hd000, L, L, H, L, L] -> [L]; "
[^hd400, L, L, H, H, L] -> [L]; "
[^hc800, L, L, L, L, H] -> [H]; " Jumper Disable
[^h0000, L, L, L, L, L] -> [H]; " No Address
[^hc800, L, H, L, L, L] -> [H]; " No MRD
[^hc800, H, L, L, L, L] -> [H]; " No AEN
[^hff00, L, L, L, L, L] -> [H]; " No Address
[^hc800, L, L, H, L, L] -> [H]; " No JP2
[^hcc00, L, L, L, L, L] -> [H]; " No Address

test_vectors ([JP2, JP1, A5, A6] -> [nJPEN])

" J J A A      J
" P P 5 6      P
" 2 1          EN

[H, L, L, L] -> [H]; " No Enable
[L, H, L, L] -> [H]; " No Enable

```

TL/F/11492-8

```

[L, L, H, L] -> [H]; " No Enable
[L, L, L, H] -> [H]; " No Enable
[L, L, L, L] -> [L]; " Enable
[H, L, L, H] -> [L]; " Enable
[L, H, H, L] -> [L]; " Enable
[H, H, H, H] -> [L]; " Enable

```

```
test_vectors ([NINT] -> [INT]);
```

```

[H] -> [H]; "Non Inverter
[L] -> [L];

```

```
end epdecode;
```

TL/F/11492-9

ETHERNET ADDRESS PROM CONTENTS

The ID PROM is 74S288 type. The content is as follows:

ADDR 00:	08	00	17	xx	yy	zz	00	00	00	00	00	00	00	00	00	57	57
ADDR 10:	08	00	17	xx	yy	zz	00	00	00	00	00	00	00	00	00	42	42

The ID address is 080017xyyzz where 080017 is National's ID "prefix".

FIGURE 6. DP83902EB-XT 8-Bit Ethernet Adapter with 10BASE-T

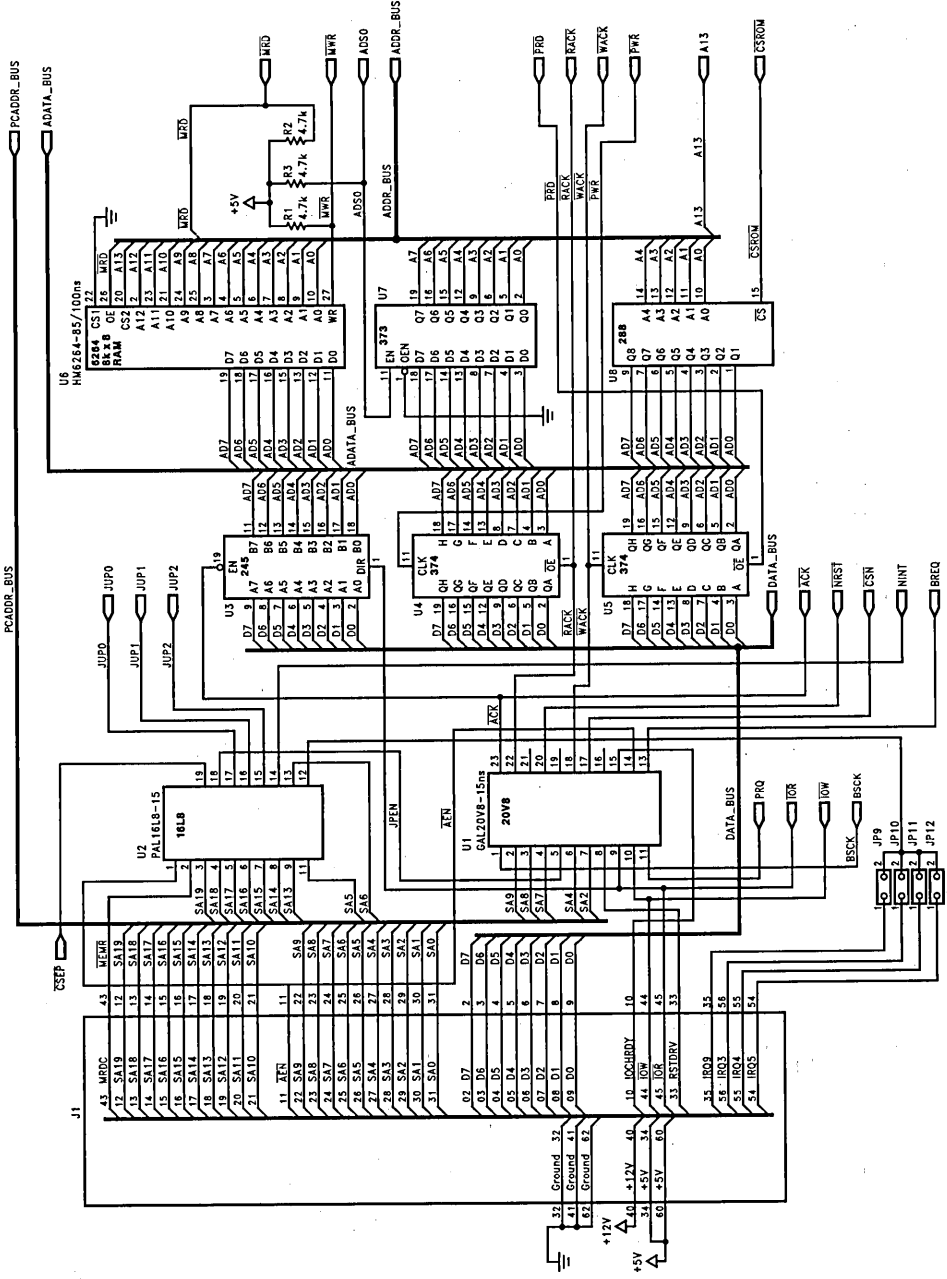
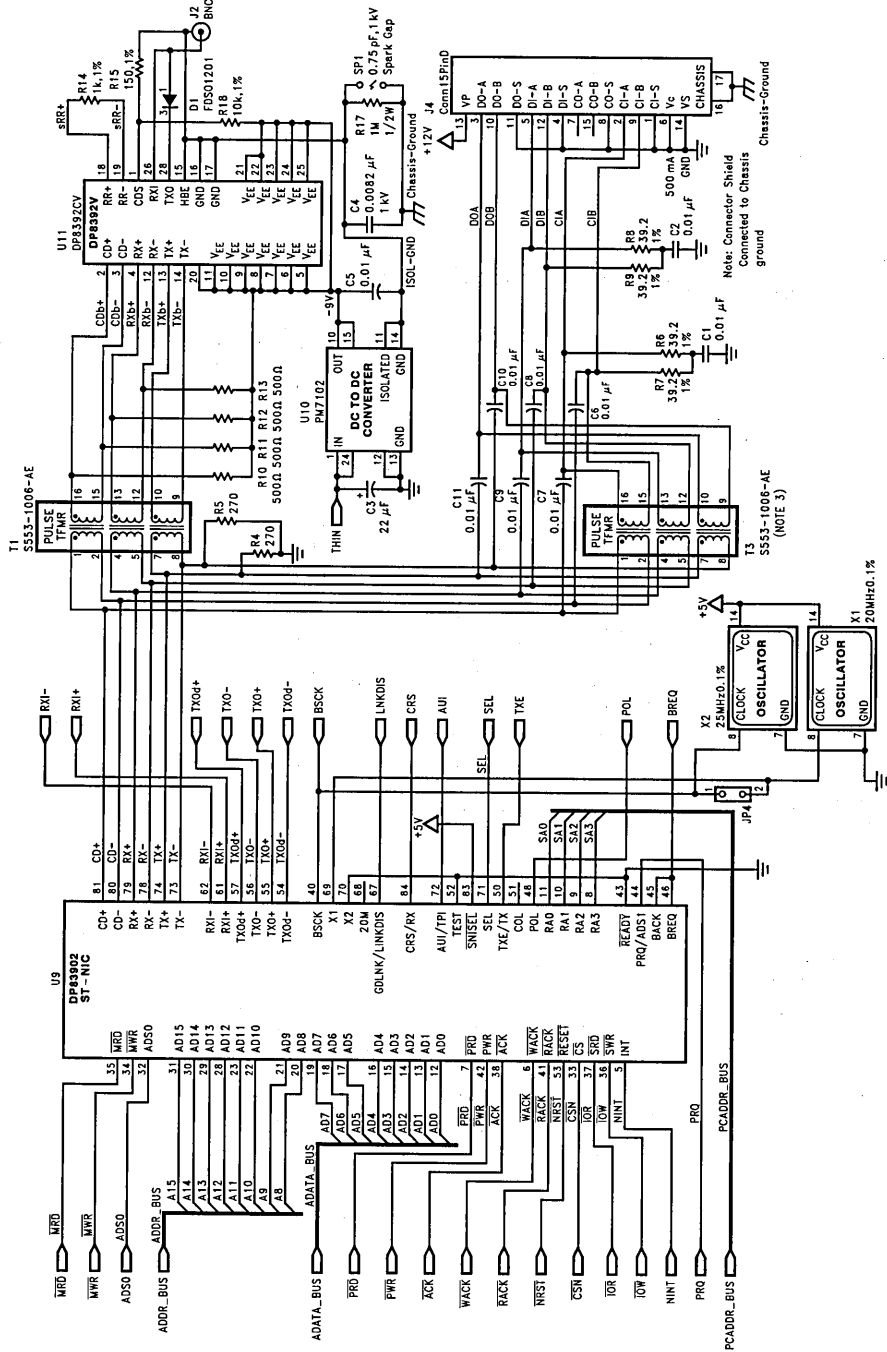


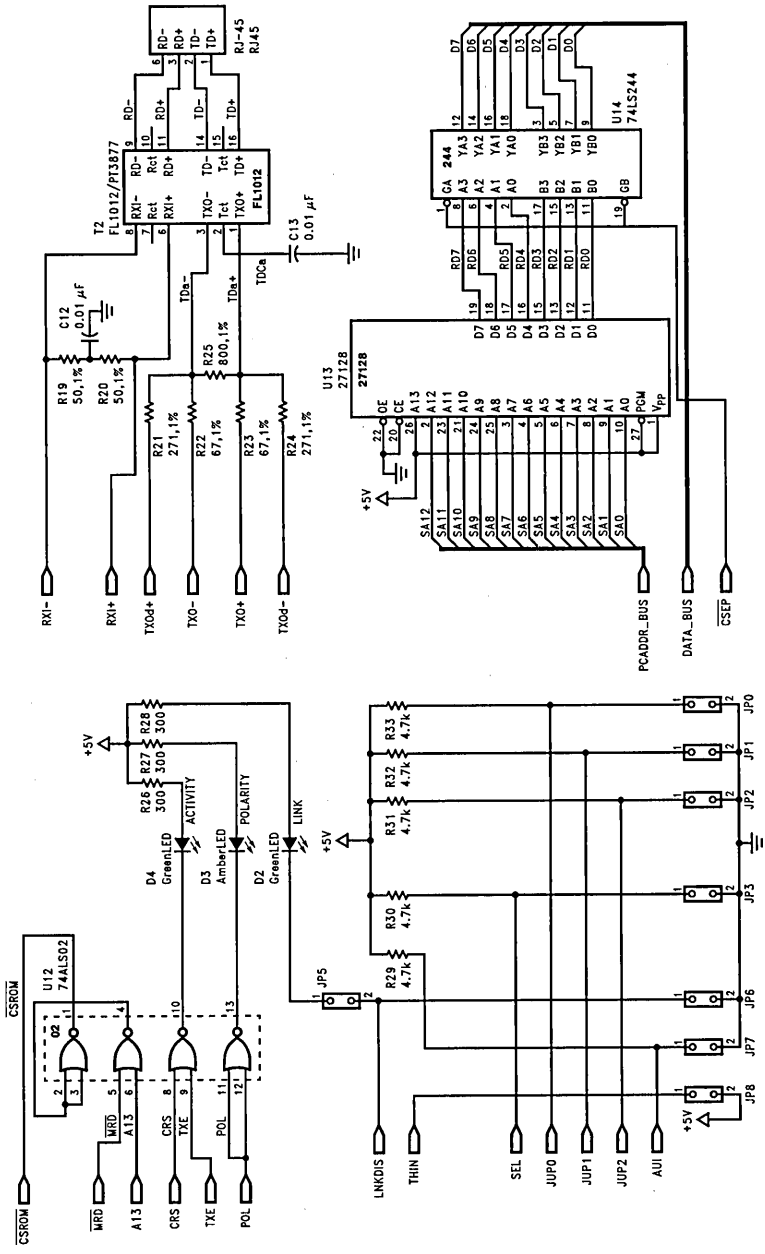
FIGURE 6. DP83902EB-XT 8-Bit Ethernet Adapter with 10BASE-T (Continued)



TL/F/11492-11

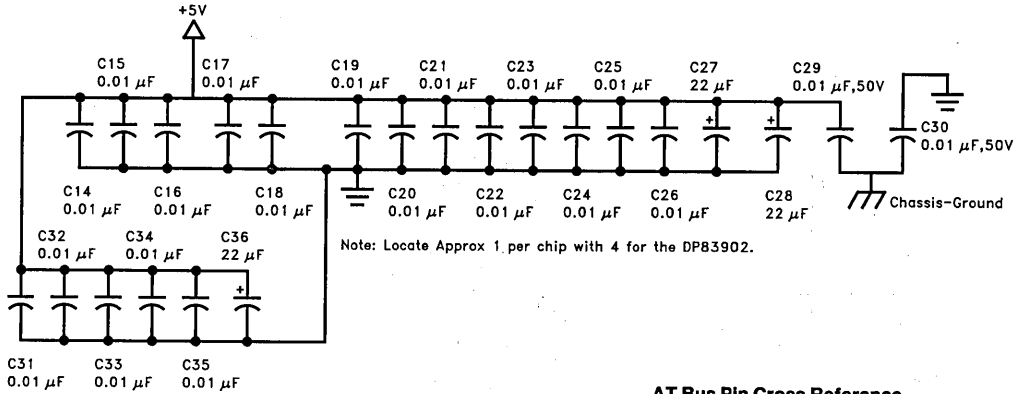
- Note 1: All resistors to be 5%, 1/4W, unless otherwise indicated.
- Note 2: X2 is not populated but the location is provided to provide optional bus clock speeds.
- Note 3: T3 and C6-C11 are not populated simultaneously. Either T3 can be populated or the capacitors can be installed.

FIGURE 6. DP83902EB-XT 8-Bit Ethernet Adapter with 10BASE-T (Continued)



21-28611/F/J/L

FIGURE 6. DP83902EB-XT 8 Bit Ethernet Adapter with 10BASE-T (Continued)



TL/F/11492-13

AT Bus Pin Cross Reference

AT Pins	SCH No.	AT Pins	SCH No.	AT Pins	SCH No.
A2	02	A23	23	B12	43
A3	03	A24	24	B13	44
A4	04	A25	25	B14	45
A5	05	A26	26	B15	46
A6	06	A27	27	B16	47
A7	07	A28	28	B17	48
A8	08	A29	29	B18	49
A9	09	A30	30	B19	50
A10	10	A31	31	B20	51
A11	11	B1	32	B21	52
A12	12	B2	33	B22	53
A13	13	B3	34	B23	54
A14	14	B4	35	B24	55
A15	15	B5	36	B25	56
A16	16	B6	37	B26	57
A17	17	B7	38	B27	58
A18	18	B8	39	B28	59
A19	19	B9	40	B29	60
A20	20	B10	41	B30	61
A21	21	B11	42	B31	62
A22	22				

DP8390 Network Interface Controller: An Introductory Guide

National Semiconductor
Application Note 475



OVERVIEW

A general description of the DP8390 Network Interface Controller (NIC) is given in this application note. The emphasis is placed on how it operates and how it can be used. This description should be read in conjunction with the DP8390 data sheet.

1.0 INTRODUCTION

The DP8390 Network Interface Controller provides all the Media Access Control layer functions required for transmission and reception of packets in accordance with the IEEE 802.3 CSMA/CD standard. The controller acts as an advanced peripheral and serves as a complete interface between the system and the network. The onboard FIFO and DMA channels work together to form a straight-forward packet management scheme, providing (local) DMA transfers at up to 10 megabytes per second while tolerating typical bus latencies.

A second set of DMA channels (remote DMA) is provided on chip, and is integrated into the packet management scheme to aid in the system interface. The DP8390 was designed with the popular 8, 16 and 32 bit microprocessors in mind, and gives system designers several architectural options. The NIC is fabricated using National Semiconductor's double metal 2 micron microCMOS process, yielding high speed with very low power dissipation.

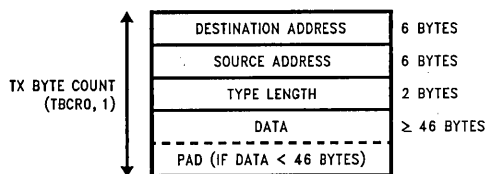
2.0 METHOD OF OPERATION

The NIC is used as a standard peripheral device and is controlled through an array of on-chip registers. These registers are used during initialization, packet transmission and reception, and remote DMA operations. At initialization, the physical address and multicast address filters are set, the receiver, transmitter and data paths are configured, the DMA channels are prepared, and the appropriate interrupts are masked. The Command Register (CR) is used to initiate transmission and remote DMA operations.

Upon packet reception, end of packet transmission, remote DMA completion or error conditions, an interrupt is generated to indicate that an action should be taken. The processor's interrupt driven routine then reads the Interrupt Status Register (ISR) to determine what type of interrupt occurred, and performs the appropriate actions.

3.0 PACKET TRANSMISSION

The NIC transmits packets in accordance with the CSMA/CD protocol, scheduling retransmission of packets up to 15 times on collisions according to the truncated binary exponential backoff algorithm. No additional processor intervention is required once the transmit command is given.

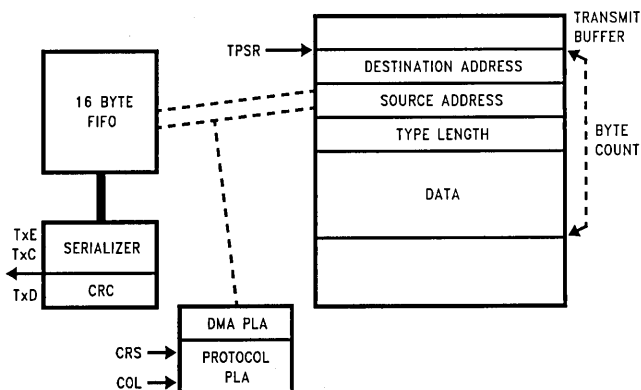


TL/F/9141-1

FIGURE 1. Transmit Packet Format

3.1 Transmission Setup

After a packet that conforms to the IEEE 802.3 specification is set up in memory, with 6 bytes of the destination address, followed by 6 bytes of the source address, followed by the data byte count and the data, it is ready for transmission (see Figure 1). To transmit a packet, the NIC is given the starting address of the packet (TPSR), the length of the packet (TBCRO, TBCR1), and then the PTX (transmit packet) bit of the Command Register is set to initiate the transmission (see Figure 2).



TL/F/9141-2

FIGURE 2. Packet Transmission

3.2 Transmission Process

Once the transmit command is given, if no reception is in progress, the transmit prefetch begins. The high speed local DMA channel bursts data into the NIC's FIFO. After the first DMA transfer of the prefetch burst, if no carrier is present on the network, and the NIC is not deferring, the TXE (transmit enable) signal is asserted and the transmission begins. After the 62 bits of preamble (alternating ONES and ZEROS) and the start of frame delimiter (two ONES) are sent out, the data in the FIFO is serialized, and sent out as NRZ data (pin TxD) with a clock (TxC), while the CRC is calculated. When the FIFO reaches a threshold (X bytes empty) a new DMA burst is initiated. This process continues until the byte count (TBCRO and TBCR1) reaches zero. After the last byte is serialized, the four bytes of the calculated CRC are serialized and appended to complete the packet.

Should a collision occur, the current transmission stops, a jam sequence (32 Ones) transmitted (to ensure that every node senses a collision), and a retransmission of the packet is scheduled according to the truncated Binary Exponential Backoff Routine.

3.3 Transmission Status

After the transmission is complete, an interrupt is generated and either the PTX bit (complete packet transmitted) or the TXE bit (packet transmission aborted) of the ISR (Interrupt Status Register) is set. The interrupt driven routine then reads the RSR (Receive Status Register) and TSR (Transmit Status Register) to find out details of the transmission. If the PTX bit is set, the RSR will reveal if a carrier was present when the transmission was initiated (DFR). The TSR will identify if the carrier was lost during the transmission (CRS—this would point to a short somewhere on the network), if the collision detect circuitry is working properly (CDH), and if collision occurred (COL). Whenever a collision is encountered during transmission, the collision count register (NCR) is incremented. Should a collision occur outside the 512 bit window (slot time), the OWC (Out of Window Collision) bit of the TSR is set.

The TXE bit of the ISR is set if 16 collisions or a FIFO underrun occurs. If the transmission is aborted due to 16 collisions, the ABT bit of the TSR is set. (If this occurs it is likely that there is an open somewhere on the network.) If the local DMA channel can not fill the FIFO faster than data is sent to the network, the FU bit (FIFO Underrun) of the TSR is set and the transmission is also aborted. This is a result of a system bandwidth problem and points to a system design flaw. System bandwidth considerations are discussed further in Section 5.1.3.

4.0 PACKET RECEPTION

The bus topology used in CSMA/CD networks allows every node to receive every packet transmitted on the network. The receive filters determine which packets will be buffered to memory. Since every packet is not of interest, only packets having a destination address that passes the node's receive filters will be transferred into memory. The NIC offers many options for the receive filters and implements a complete packet management scheme for storage of incoming packets.

4.1 Reception Process

When a carrier is first sensed on the network (i.e. CRS signal is active), the controller sees the alternating ONE - ZERO preamble and begins checking for two consecutive ONES, denoting the start of frame delimiter (SFD). Once the SFD is detected, the serial stream of data is deserialized and pushed into the FIFO, a byte at a time. As the data is being transferred into the FIFO, the first six bytes are checked against the receive address filters. If an address match occurs, the packet is DMAed from the FIFO into the receive buffer ring. If the address does not match, the packet is not buffered and the FIFO is reset.

Each time the FIFO threshold is reached, a DMA burst begins and continues for the proper number of transfers. DMA bursts continue until the end of the packet (Section 5.1.2). At the end of a reception, the NIC prepares for an immediate reception while writing the status of the previous reception to memory. An interrupt is issued to indicate that a packet was received, and is ready to be processed.

The CRC generator is free running and is reset whenever the SFD is detected. At every byte boundary the calculated value of the CRC is compared with the last four received bytes. When the CRS signal goes LOW, denoting the end of a packet, if the calculated CRC matches the received CRC on the last byte boundary, the packet is a good packet and is accepted. However, if the calculated and received CRCs do not match on the last byte boundary before CRS goes LOW, a CRC error is flagged (CRC bit of RSR set) and the packet is rejected, i.e. the receive buffer ring pointer (CURR) is not updated (Section 4.5). If the CRS signal does not go LOW on a byte boundary and a CRC error occurs, the incoming packet is misaligned, and a frame alignment error is flagged (FAE bit of RSR set). Frame alignment errors only occur with CRC errors.

4.2 Address Matches

The first bit received after the SFD indicates whether the incoming packet has a physical or multicast address. A ZERO indicates a physical address, that is, a unique map-

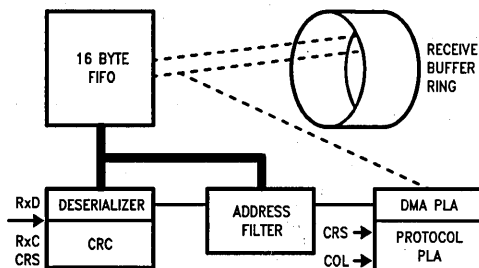


FIGURE 3. Packet Reception

TL/F/9141-3

ping between the received address and the node's 48 bit physical address as programmed at initialization (PAR0-PAR5). A ONE indicates a multicast address, meaning a packet intended for more than one node.

Multicast addressing is useful where one node needs to send a packet to multiple nodes, as in a query command. Multicast addressing provides a very fast way to perform address filtering in real time, by using an on-chip hashing table. A hashing algorithm based on the CRC is used to map the multicast address into the 64 bit Multicast Address Filter (MAF0-7).

After the CRC has been calculated on the destination address, the upper six bits of the CRC are used as an index into the Multicast Address Filter (MAF). If the selected filter bit is ONE, the packet is accepted, if the MAF bit is ZERO the packet is not accepted.

A special multicast address is the broadcast address, which denotes a packet intended to be received by all nodes. The broadcast packet has an address of all ONEs (this address also maps into a bit in the MAF).

The DP8390 also provides the ability to accept all packets on the network with a physical address. Promiscuous physical mode causes any packet with a physical address to be buffered into memory. To receive all multicast packets it is necessary to set all of the MAF bits to ONE.

4.3 Network Statistics

Three eight bit counters are provided for monitoring receive packet errors. After an address match occurs if a Frame Alignment or CRC error occurs, or if a packet is lost due to insufficient buffer resources (see below), the appropriate counter is incremented. These counters are cleared when read. The counters trigger an interrupt when they reach a value of 128 (if not masked) to force the processor to read (and thus clear) their contents. The counters have a maximum value of 192, providing a large latency between when the interrupt is asserted and when the counter overflows. When a CNT interrupt occurs, all three tally counters should be read and added into larger counters maintained by the processor.

4.4 Setting the Receive Configuration Register

The Receive Configuration Register (RCR) is used in conjunction with the physical and multicast addresses to determine which packets should be accepted and placed in the receive buffer ring. The RCR is initialized to accept physical, multicast and/or broadcast packets, or alternatively to place the receiver in promiscuous mode to accept all packets with a physical address. If the MON bit of the RCR is set, placing the receiver in monitor mode, the receiver still checks the addresses of incoming packets according to the set up address filter, and network statistics are still gathered, but packets are not buffered into memory.

The minimum packet size in standard 802.3 networks is 64 bytes long. Packets less than 64 bytes are considered runt packets and are normally rejected. However, in some applications it may be desirable to accept such packets. By setting the AR bit of the RCR, runt packets are accepted.

For diagnostic purposes it may be desirable to examine errored packets, and not overwrite them with good packets as is done in normal operation. By setting the SEP bit of the RCR, errored packets are saved and their status is written to memory.

4.5 Receive Buffer Ring

As packets are received they are placed into the receive buffer ring, and as they are processed they are removed from this ring. At initialization, an area of memory is allocated to act as the receive buffer ring, and the NIC's buffer management scheme then makes efficient use of this memory. The ring pointers are contained on chip and the DMA channels can work at up to a 10 Mbyte/sec transfer rate. A second DMA channel, the remote DMA channel, is available for transferring packets out of the receive buffer ring.

The buffer management scheme effectively works as a large packet FIFO and is very appropriate for most networking applications because packets are generally processed in the order they are received.

Four pointers are used to control the ring; the page start (PSTART) and page stop (PSTOP) pointers determine the size of the buffer ring, the current page (CURR) pointer determines where the next packet will be loaded,

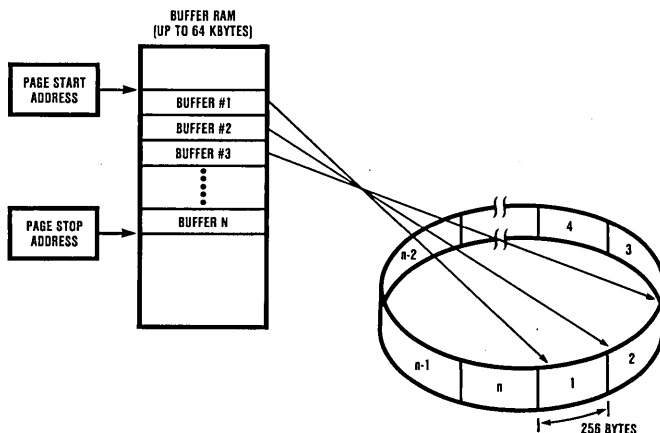
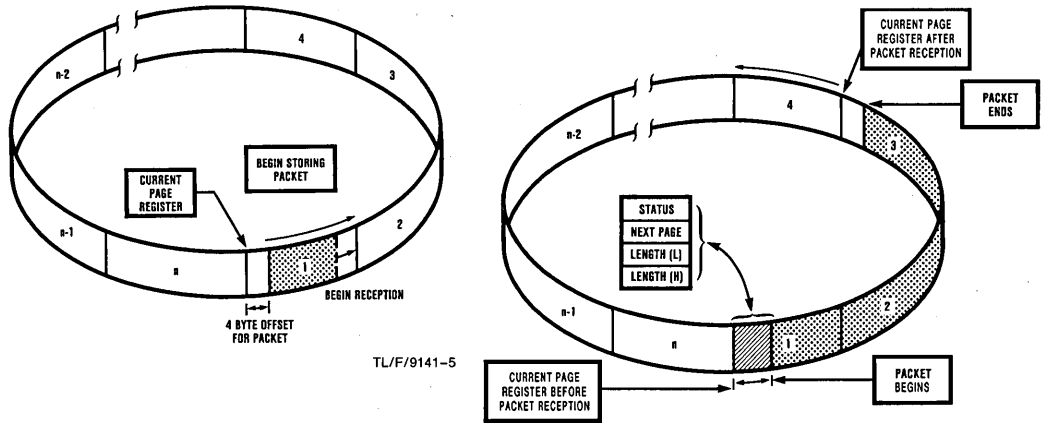


FIGURE 4. The Receive Buffer

TL/F/9141-4



TL/F/9141-5

TL/F/9141-6

FIGURE 5. Receive Packet Buffering

and the boundary (BNRY) pointer indicates where the next packet to be unloaded (or processed) begins. As packets are received, the current pointer moves ahead of the boundary pointer around the ring. The page start and stop pointers remain unchanged during operation.

The receive buffer ring is divided into 256 byte buffers, and these buffers are linked together as required by the received packets (see Figure 4). Up to 256 of these buffers can be linked together in the receive buffer ring, yielding a maximum buffer size of 64K bytes. Since all NIC registers are 8 bits wide, the ring pointers refer to 256 byte boundaries within a 64K byte space.

At initialization, PSTART register is loaded with the beginning page address of the ring, and PSTOP is loaded with the ending page address of the ring.

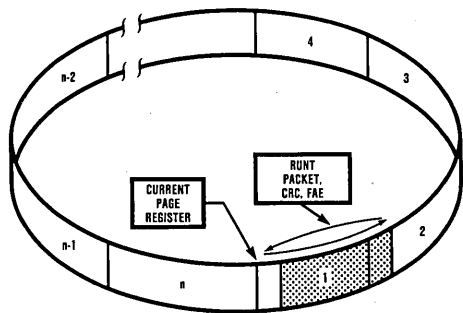
On a valid reception, the packet is placed in the ring at the page pointed to by CURR plus a 4 byte offset (see Figure 5). The packet is transferred to the ring, a DMA burst at a time. When necessary, buffers are automatically linked together, until the complete packet is received. The last and first buffers of the ring buffer are linked just as the first and second buffers. At the end of a reception, the status from the Receive Status Register (RSR), a pointer to the next

packet, and the byte count of the current packet are written into the 4 byte offset.

If a receive error occurs (FAE, CRC) CURR is not updated at the end of a reception, so the next packet received overwrites the bad packet (see Figure 6). This feature can be disabled (by setting the save errored packet (SEP) bit in the RCR) to allow examination of errored packets.

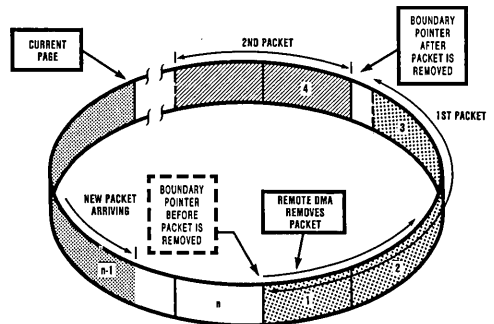
At receiving nodes, collision fragments may be seen as runt packets. A runt packet is a packet less than 64 bytes (512 bits) long, and since a collision must occur in the first 512 bit times, the packet will be truncated to less than 64 bytes. After runt packets are received, the CURR is not updated, so the next packet received will overwrite the runt packet. This standard feature can be suppressed by setting the AR bit in the TCR. This is useful when it is desirable to examine collision fragments, and in non-standard applications where smaller packets are used.

Once packets are in the receive ring they must be processed. However, the amount of processing that occurs while the packet is in the buffer ring varies according to the implementation. As packets are removed from the buffer ring, the boundary pointer (BNRY) must be updated. The BNRY always follows CURR around the ring (see Figure 7).



TL/F/9141-7

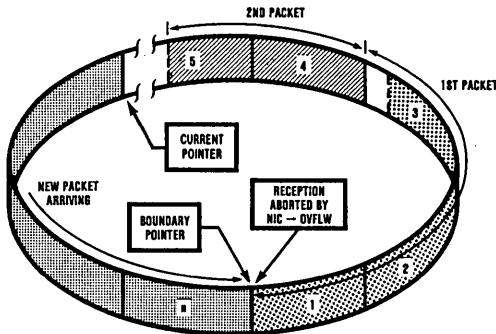
FIGURE 6. Packet Rejection



TL/F/9141-8

FIGURE 7. Removing Packets From Receive Buffer Ring

If the current local DMA address ever reaches BNRY, the ring is full. In this case, the current and any additional receptions are aborted and tallied until the BNRY pointer is updated. Packets already present in the ring will not be overwritten (see Figure 8). All missed packets will increment the missed packet tally counter. When enough memory is allocated for the receive buffer ring, the overwrite warning (setting of the OVW bit of the ISR) should seldom occur.



TL/F/9141-9

FIGURE 8. Receive Buffer Ring Overwrite Protection

A second set of DMA channels has been included on the DP8390 to aid in the transfer of packets out of the buffer ring. These Remote DMA channels can work in close co-operation with the receive buffer ring to provide a very effective system interface.

If the BNRY is placed outside of the buffer ring, no overwrite protection will be present, and incoming packets may overwrite packets that have not been processed. This may be useful when evaluating the DP8390, but in normal operation it is not recommended.

5.0 SYSTEM/NETWORK INTERFACE

The DP8390 offers considerable flexibility when designing a system/network interface. This flexibility allows the designer to choose the appropriate price/performance combination while easing the actual design process.

5.1 Interfacing Considerations

Several features have been included on the NIC to allow it to easily be integrated into many systems. The size of the data paths, the byte ordering, and the bus latencies are all programmable. In addition, the clock used for the DMA channels is not coupled to the network clock, so the NIC's DMA can easily be integrated into memory systems.

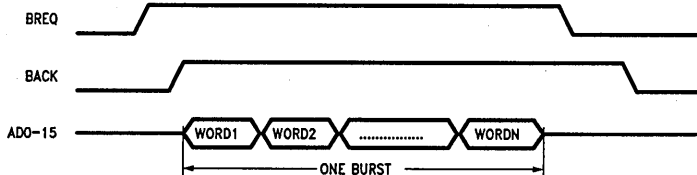
5.1.1 Data Path

The NIC can interface with 8, 16, and 32 bit microprocessors. The data paths are configurable for both byte-wide and word-wide transfers (bit WTS in DCR). When in word-wide mode, the byte ordering is programmable to accommodate both popular byte ordering schemes. All NIC registers are 8 bits wide to allow 8, 16 and 32 bit processors to access them with no additional hardware. If the NIC's 16 address lines (64K bytes) do not provide an adequate address space, the two DMA channels can be concatenated to form a 32 bit DMA address (bit LAS in DCR).

5.1.2 Local DMA

The DMA transfers between the FIFO and memory during transmission and reception occur in bursts. The bursts begin when the FIFO threshold is reached. Since only a single FIFO is required (because a node cannot receive and transmit simultaneously), the threshold takes on different meanings during transmission and reception. During reception the FIFO threshold refers to the number of bytes in the FIFO. During transmission the FIFO threshold refers to the number of empty bytes in the FIFO (16 - # bytes in FIFO). The FIFO threshold is set to 2, 4, 8 or 12 bytes (1, 2, 4 or 6 words) in the DCR (bits FT0, FT1).

The number of transfers that occur in a burst is equal to the FIFO threshold (see Figure 9).



where N = 1, 2, 4 or 6 Words or N = 2, 4, 8, or 12 Bytes when in byte mode

TL/F/9141-10

FIGURE 9. Local DMA Burst

Before a burst can begin, the NIC must first arbitrate to become master of the bus. It requests the bus by activating the BREQ signal and waiting for acknowledgment with the BACK signal. Once the NIC becomes the master of the bus, the byte/word transfers may begin. The frequency of the DMA clock is not related to the network clock, and can be input (pin 25) as any frequency up to 20 MHz. For 10 Mbit/sec networks the DMA clock can be as slow as 6 MHz. This allows tailoring of the DMA channel, to the system. The local DMA channel can burst data into and out of the FIFO at up to 10 Mbyte/sec (8X the speed of standard Ethernet). This means that during transmission or reception the network interface could require as little as one eighth of the bus bandwidth.

5.1.3 Bus Analysis

Two parameters useful in analysis of bus systems are the Bus Latency and the Bus Utilization. The Bus Latency is the maximum time between the NIC assertion of BREQ and the system granting of BACK. This is of importance because of the finite size of the NIC's internal FIFO. If the bus latency becomes too great, the FIFO overflows during reception (FIFO overrun error) or underflows during transmission (FIFO underrun error). Both conditions result in an error that aborts the reception or transmission. In a well designed system these errors should never occur. The Bus Utilization is the fraction of time the NIC is the master of the bus. It is desirable to minimize the time the NIC occupies the bus, in order to maximize its use by the rest of the system. When designing a system it is necessary to guarantee the NIC a certain Bus Latency, and it is desirable to minimize the Bus Utilization required by the NIC.

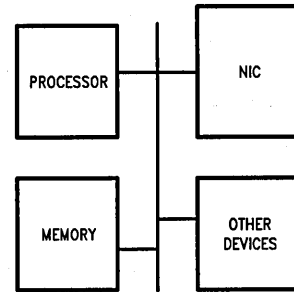
Associated with each DMA burst is a DMA set up and recovery time. When a packet is being transferred either to or from memory it will be transferred in a series of bursts. If more byte/word transfers are accomplished in each burst, fewer bursts are required to transfer the complete packet, and less time is spent on DMA set up and recovery. Thus, when longer bursts are used, less bus bandwidth is required to complete the same packet transfer.

6.0 INTERFACE OPTIONS

The network interface can be incorporated into systems in several ways. The network interface can be controlled by either a system processor or a dedicated processor, and can utilize either system memory or buffer memory. This section covers the basic interface architectures.

6.1 Single Bus System

The least complex implementation places the NIC on the same bus as the processor (see *Figure 10*). The DP8390 acts as both a master and a slave on this bus; a master during DMA bursts, and a slave during NIC register accesses. This architecture is commonly seen on motherboards in personal computers and low cost workstations, but until recently without an integrated network interface. A major issue in such designs is the bus bandwidth for use by the processor. The DP8390 is particularly suitable for such applications because of its bus utilization characteristics. During transmissions and receptions, the only time the NIC becomes a bus master, the DP8390 can require as little as one-eighth the bus bandwidth. In addition, the bus tailoring features ease its integration into such systems.



TL/F/9141-11

FIGURE 10. Single Bus Configuration

The design must be able to guarantee the NIC a maximum bus latency ($< 1.6 \mu\text{s}$ for 10 Mbit/s networks), because of the finite size of the on-chip FIFO. In bus systems where the NIC is the highest priority device, this should present no problem. However, if the bus contains other devices such as Disk, DMA and Graphic controllers that require the bus for more than $10 \mu\text{s}$ during high priority or real time activities, meeting this maximum bus latency criteria could present a problem.

Likewise, many existing single bus systems make no provision for external devices to become bus masters, and if they do, it is only under several restrictions. In such cases, an interface without the mentioned bus latency restrictions is highly desirable.

6.2 Dual Port Memory

One popular method of increasing the apparent bus latency of an interface, has the added effect of shielding the system bus from the high priority network bandwidth. In this application, the Dual Port Memory (DPM) allows the system bus to access the memory through one port, while the network interface accesses it through the other port. In this way, all of the high priority network bandwidth is localized on a dedicated bus, with little effect on the system bus (see *Figure 11*).

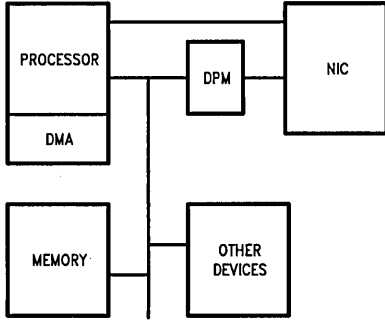


FIGURE 11. DPM Configuration

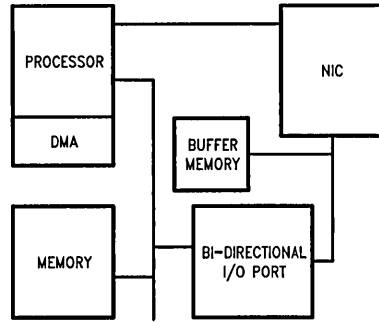
TL/F/9141-12

Dual Port Memories are typically smaller than the main memory and little, if any, processing can occur while the packets are in the DPM. Therefore, the processor (or if available, DMA controller) must transfer data between the DPM and the main memory before beginning packet processing. In this example, the DPM acts as a large packet FIFO.

Such configurations provide popular solutions. Aside from the extra complexity of the software and the DPM contention logic, higher performance can be achieved.

6.3 Dual Port Memory Equivalent

The functional equivalent of a Dual Port Memory implementation can be realized for low cost with the DP8390. This configuration makes use of the NIC's Remote DMA capabilities and requires only a buffer memory, and a bidirectional I/O port (see *Figure 12*). The complete network interface, with 8k x 8 of buffer memory, easily fits onto a half size IBM-PC card (as in the Network Interface Adapter, NIA, for the IBM-PC.)



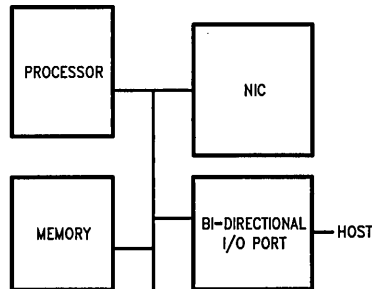
TL/F/9141-13

FIGURE 12. DPM Equivalent Configuration

The high priority network bandwidth is decoupled from the system bus, and the system interacts with the buffer memory using a lower priority bi-directional I/O port. For example, when a packet is received the local DMA channel transfers it into the buffer memory, part of which has been configured as the receive buffer ring. The remote DMA channel then transfers the packet on a byte by byte (or word by word) basis to the I/O port. At this point, as in the previous example, the processor (or if available, DMA channel), through a completely asynchronous protocol, transfers the packet into the main memory.

6.4 Dual Processor Configuration

For higher performance applications, it is desirable to off-load the lower-level packet processing functions from the main system (see *Figure 11*). A processor placed on a local bus with the NIC, memory and a bi-directional I/O port could accomplish these lower-level tasks, and communicate with the system processor through a higher level protocol. This processor could be responsible for sending acknowledgement packets, establishing and breaking logical links, assembling and disassembling files, executing remote procedure calls, etc.



TL/F/9141-14

FIGURE 13. Dual Processor Configuration

7.0 REMOTE DMA

A set of DMA channels is built into the DP8390 to aid in the system integration (as discussed above). Using a simple asynchronous protocol, the Remote DMA channels are used to transfer data between dedicated network memory, and common system memory. In normal operation, the remote DMA channels transfer data between the network memory and an I/O port, and the system transfers between the I/O port and the system memory. The system transfers are typically accomplished using either the processor, or a DMA controller.

The Remote DMA channels work in both directions: transmission packets are transferred into the network memory and received packets are transferred out of the network memory. Transfers into the network memory are known as remote write operations, and transfers out of the network memory are known as remote read operations. A special remote read operation, send packet, automatically removes a packet from the receive buffer ring.

7.1 Performing Remote DMA Operations

Before beginning a remote DMA operation, the controller must be informed of the network memory it will be using.

Both the starting address (RSAR0,1) and length (RBCR0,1) are set before initiating the remote DMA operation. The remote DMA operation begins by setting the appropriate bits in the Command Register (RD0-RD3). When the remote DMA operation is complete (all of the bytes transferred), the RDC bit (Remote DMA Complete) in the ISR (Interrupt Status Register) is set and the processor receives an interrupt, whereupon it takes the appropriate action. When the Send packet command is used, the controller automatically loads the starting address, and byte count (from the receive buffer ring) for the remote read operation, and upon completion updates the boundary pointer (BNRY) for the receive buffer ring. Only one remote DMA operation can be active at a time.

7.2 Hardware Considerations

The Remote DMA capabilities of the NIC are designed to require minimal external components and provide a simple implementation. An eight bit bi-directional port can be implemented using just two 374 latches (see the DP8390 Hardware Design Guide). All of the control circuitry is provided on the DP8390. In addition, bus arbitration with the local DMA is accomplished within the NIC in such a way as to not lock out other devices on the bus (see the DP8390 Data-sheet).

The Operation of the FIFO in the DP8390, DP83901, DP83902 and DP83905

National Semiconductor
Application Note 886
Bonnie Wilson
Bill Lee



1.0 INTRODUCTION

To accommodate the different rates at which data comes from (or goes to) the network and goes to (or comes from) the system memory, the NIC contains a 16-byte FIFO for buffering data between the bus and the media. The FIFO threshold is programmable, allowing filling (or emptying) the FIFO with different burst lengths. When the FIFO has filled to its programmed threshold, the local DMA channel transfers these bytes or words into local memory. It is crucial that the local DMA is given access to the bus within a minimum bus latency time, otherwise a FIFO underrun (or overrun) occurs. During transmission the DMA writes data into the FIFO and the Transmit Serializer reads data from the FIFO and transmits it. During reception the Receive Deserializer writes data into the FIFO and the DMA reads data from the FIFO.

2.0 FIFO THRESHOLD

The DMA transfers between the FIFO and memory occur in bursts beginning when the FIFO threshold is reached. The threshold takes on different meanings during transmission and reception. During reception the FIFO threshold refers to the number of bytes in the FIFO. During transmission the FIFO threshold refers to the number of empty bytes in the FIFO: the size of the FIFO (16) - # bytes in FIFO. Bits FT0 and FT1 in the Data Configuration Register set the FIFO threshold to 2 bytes, 4 bytes, 8 bytes, or 12 bytes (1 word, 2 words, 4 words, or 6 words).

The threshold for the first burst is different than subsequent thresholds as discussed in detail in Sections 3.0 and 4.0. The values in Tables I and II are derived from the timing diagrams in Section 6.0. The first threshold refers to the state of the FIFO at point B in the timing diagrams, and the threshold refers to the state of the FIFO at point D. The discussion below refers to the threshold, not the first threshold.

The FIFO logic operates differently in reception and transmission. During reception in byte mode, a threshold is indicated when approximately the $n + 14$ th bit has entered the FIFO; thus, with an 8-byte threshold, the NIC issues Bus Request (BREQ) when the FIFO contains 9 bytes and 6 bits. For reception in word mode, BREQ is generated when approximately $n + 22$ bits have entered the FIFO; thus with a 2-word threshold, BREQ is issued when the 54th bit has entered the FIFO. Refer to Table I for the exact receive thresholds for each case.

During transmission in byte mode, a threshold is indicated when approximately the $n + 12$ th bit has entered the FIFO; thus with an 8-byte threshold, the NIC issues BREQ when the FIFO contains 9 bytes and 4 bits. For transmission in word mode, BREQ is generated when approximately $n + 29$ bits have entered the FIFO. Thus, with a 4-word threshold (equivalent to an 8-byte threshold), BREQ is issued when the 96th bit has entered the FIFO. Refer to Table II for the exact transmit thresholds for each case.

TABLE I. Receive Packet Thresholds

Receive Packet Cases	First Threshold	Threshold
Word Mode, 1 Word Threshold	4 Words, 11 bits	2 Words, 5 bits
Word Mode, 2 Word Threshold	4 Words, 10 bits	3 Words, 6 bits
Word Mode, 4 Word Threshold	5 Words, 7 bits	5 Words, 5 bits
Word Mode, 6 Word Threshold	6 Words, 8 bits	6 Words, 6 bits
Byte Mode, 2 Byte Threshold	9 Bytes, 2 bits	3 Bytes, 4 bits
Byte Mode, 4 Byte Threshold #1	9 Bytes, 2 bits	5 Bytes, 6 bits
Byte Mode, 4 Byte Threshold #2	9 Bytes, 6 bits	5 Bytes, 6 bits
Byte Mode, 8 Byte Threshold	10 Bytes	9 Bytes, 6 bits
Byte Mode, 12 Byte Threshold	13 Bytes, 7 bits	13 Bytes, 5 bits

TABLE II. Transmit Packet Thresholds

Transmit Packet Cases	First Threshold	Threshold
Word Mode, 1 Word Threshold	6 Words	3 Words, 12 bits
Word Mode, 2 Word Threshold	4 Words, 3 bits	3 Words, 13 bits
Word Mode, 4 Word Threshold	5 Words, 13 bits	5 Words, 13 bits
Word Mode, 6 Word Threshold	7 Words, 13 bits	7 Words, 13 bits
Byte Mode, 2 Byte Threshold	12 Words, 1 bit	(See Timing Diagram, <i>Figure 14</i>)
Byte Mode, 4 Byte Threshold	12 Bytes, 1 bit	5 Bytes, 5 bits
Byte Mode, 8 Byte Threshold	9 Bytes, 6 bits	9 Bytes, 4 bits
Byte Mode, 12 Byte Threshold	13 Bytes, 6 bits	13 Bytes, 4 bits

3.0 FIFO OPERATION DURING RECEIVE

At the beginning of reception, the NIC stores the entire Address field of each incoming packet in the FIFO to determine whether the packet matches its Physical Address Registers or maps to one of its Multicast Registers. Therefore, the first local DMA transfer does not occur until after 8 bytes (4 words) have accumulated in the FIFO, regardless of the value of the threshold. This affects the bus latencies at 2 byte, 4 byte, 1 word, and 2 word thresholds during the first receive BREQ. Thus the threshold for the first burst that is loaded into memory differs from the remaining threshold values. Refer to Table I for the exact threshold values.

4.0 FIFO OPERATION DURING TRANSMIT

Before transmitting, the NIC performs a prefetch from memory to load the FIFO. The number of bytes prefetched is the programmed FIFO threshold, except for 1 byte, 1 word, and 2 word thresholds which prefetch 4 bytes, 2 words, and 4 words respectively. The next BREQ is not issued until after the NIC actually begins transmitting data, i.e., after Preamble and SFD. The threshold for the first burst that is loaded from memory following the prefetched data often differs from the remaining threshold values. Refer to Table II for the exact threshold values.

5.0 FIFO UNDERRUNS AND OVERRUNS

To assure that there is no overwriting of data, the FIFO logic flags an overrun if it becomes full before bus acknowledge is returned. To assure that there is no lost data, the FIFO flags an underrun if it becomes empty before bus acknowledge is returned. There are two causes which produce overruns and underruns:

1. The bus latency is so long that the FIFO has filled (or emptied) before the local DMA has serviced the FIFO.
2. The bus latency or bus data rate has slowed the throughput of the local DMA to a point where it is slower than the network data rate (10 Mb/s). This second condition is also dependent upon DMA clock and data width (byte wide or word wide).

The worst case condition ultimately limits the overall bus latency that the NIC can tolerate.

6.0 TIMING DIAGRAMS

The following pages contain detailed timing diagrams and descriptions of every possible receive and transmit mode transfer. The descriptions are of 2, 4, 8, and 12 byte transfers (on an 8-bit Novell board) and 1, 2, 4, and 6 word transfers (on a 16-bit Novell board). For each transfer, the bus clock runs at 20.0 MHz. Tables III and IV summarize the information found in the receive and transmit transfer diagrams respectively.

TABLE III. Receive Packet Transfers

Receive Packet Cases	After SFD to BREQ Asserted (Point A to B)	BREQ Asserted to MWR Deasserted (Point B to C)	MWR Deasserted to BREQ Asserted (Point C to D)	BREQ Asserted to MWR Deasserted (Point D to E)
Word Mode 1 Word Threshold	75 ± 4 bits Shifted In	7 Words Removed 52 bits Shifted In	22 bits Shifted In	2 Words Removed 12 bits Shifted In
Word Mode 2 Word Threshold	74 ± 2 bits Shifted In	4 Words Removed 16 bits Shifted In	28 bits Shifted In	2 Words Removed 6 bits Shifted In
Word Mode 4 Word Threshold	87 ± 2 bits Shifted In	4 Words Removed 9 bits Shifted In	53 bits Shifted In	4 Words Removed 9 bits Shifted In
Word Mode 6 Word Threshold	104 ± 2 bits Shifted In	6 Words Removed 14 bits Shifted In	80 bits Shifted In	6 Words Removed 14 bits Shifted In
Byte Mode 2 Byte Threshold	74 ± 2 bits Shifted In	18 Bytes Removed 86 bits Shifted In	12 bits Shifted In	2 Bytes Removed 6 bits Shifted In
Byte Mode 4 Byte Threshold #1	74 ± 1 bit Shifted In	8 Bytes Removed 23 bits Shifted In	21 bits Shifted In	4 Bytes Removed 10 bits Shifted In
Byte Mode 4 Byte Threshold #2	78 ± 1 bit Shifted In	12 Bytes Removed 38 bits Shifted In	26 bits Shifted In	4 Bytes Removed 10 bits Shifted In
Byte Mode 8 Byte Threshold	80 ± 2 bits Shifted In	8 Bytes Removed 18 bits Shifted In	44 bits Shifted In	8 Bytes Removed 18 bits Shifted In
Byte Mode 12 Byte Threshold	111 ± 2 bits Shifted In	12 Bytes Removed 26 bits Shifted In	68 bits Shifted In	12 Bytes Removed 26 bits Shifted In

TABLE IV. Transmit Packet Transfers

Transmit Packet Cases	Initial Loading to BREQ Asserted (Point A to B)	BREQ Asserted to MRD Deasserted (Point B to C)	MRD Deasserted to BREQ Asserted (Point C to D)	BREQ Asserted to MRD Deasserted (Point D to E)
Word Mode 1 Word Threshold	2 Words Loaded 0 bits Shifted Out	7 Words Loaded 52 bits Shifted Out	24 bits Shifted Out	2 Words Loaded 12 bits Shifted Out
Word Mode 2 Word Threshold	4 Words Loaded 3 bits Shifted Out	2 Words Loaded 6 bits Shifted Out	20 bits Shifted Out	2 Words Loaded 6 bits Shifted Out
Word Mode 4 Word Threshold	4 Words Loaded 29 bits Shifted Out	4 Words Loaded 14 bits Shifted Out	54 bits Shifted Out	4 Words Loaded 9 bits Shifted in
Word Mode 6 Word Threshold	6 Words Loaded 93 bits Shifted Out	6 Words Loaded 14 bits Shifted in	82 bits Shifted Out	6 Words Loaded 14 bits Shifted in
Byte Mode 2 Byte Threshold	4 Bytes Loaded 1 bit Shifted Out	(Refer to Timing Diagram <i>Figure 14</i>)	(Refer to Timing Diagram <i>Figure 14</i>)	(Refer to Timing Diagram <i>Figure 14</i>)
Byte Mode 4 Byte Threshold	4 Bytes Loaded 1 bit Shifted Out	15 Bytes Loaded 49 bits Shifted Out	19 bits Shifted Out	4 Bytes Loaded 10 bits Shifted Out
Byte Mode 8 Byte Threshold	8 Bytes Loaded 22 bits Shifted Out	8 Bytes Loaded 18 bits Shifted Out	44 bits Shifted Out	8 Bytes Loaded 18 bits Shifted Out
Byte Mode 12 Byte Threshold	12 Bytes Loaded 78 bits Shifted Out	12 Bytes Loaded 26 bits Shifted Out	68 bits Shifted Out	12 Bytes Loaded 26 bits Shifted Out

RECEIVE PACKET

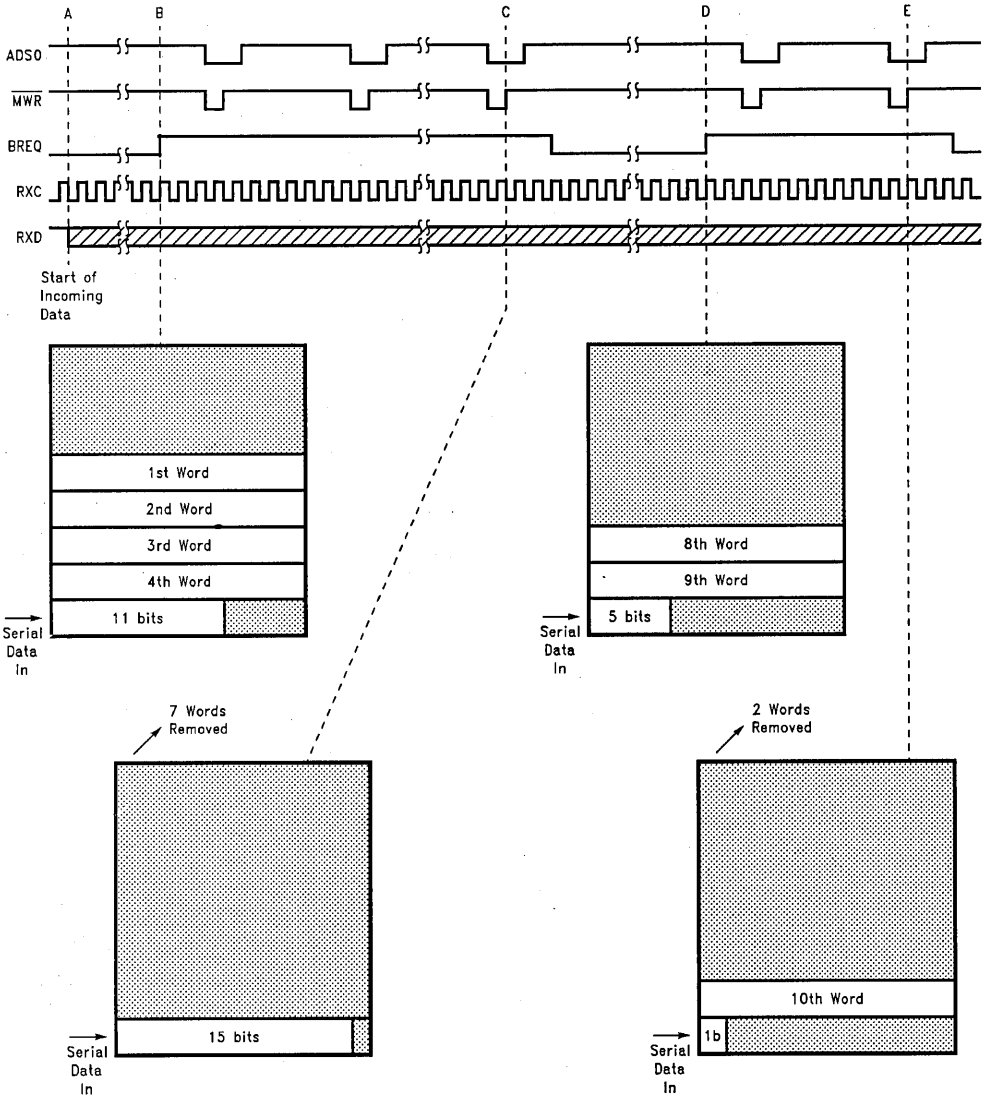


FIGURE 1. Receive Packet—Word Mode, 1 Word Threshold

TL/F/11819-1

After the preamble and the Start of Frame Delimiter (SFD) (Point A), the FIFO shifts in 75 ± 4 bits of data (depending on the location of the SFD with respect to t_1 of the DMA sequence) before BREQ is asserted (Point B). The FIFO transfers 7 words into memory while shifting in 52 bits of data until MWR is deasserted (Point C). BREQ is asserted

when there are 2 words and 5 bits in the FIFO (Point D). Two words are removed from the FIFO and stored in memory, while 12 bits are shifted into the FIFO until MWR is deasserted (Point E). D and E are repeated until the packet is complete.

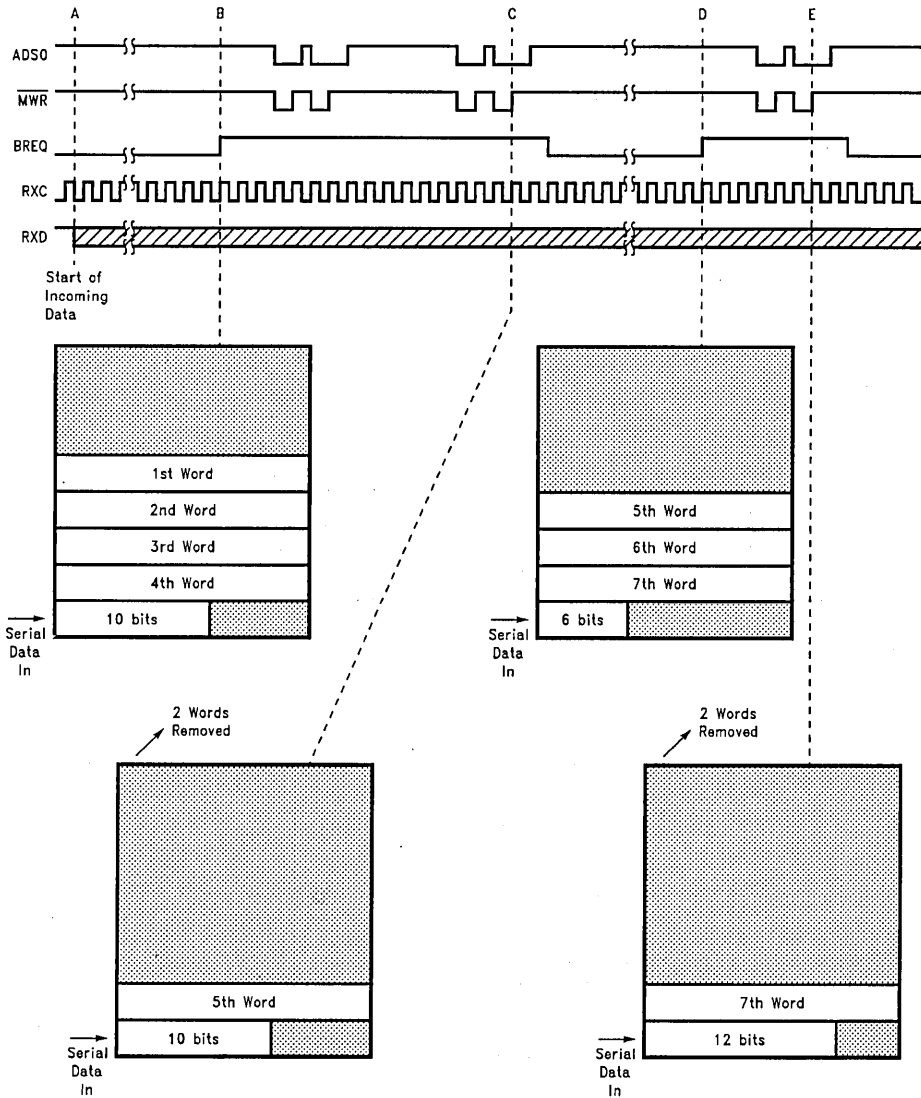


FIGURE 2. Receive Packet—Word Mode, 2 Word Threshold

TL/F/11819-2

After the preamble and the SFD (Point A), the FIFO shifts in 74 ± 2 bits of data (depending on the location of the SFD with respect to t_1 of the DMA sequence) before BREQ is asserted (Point B). The FIFO transfers 2 bursts of 2 words each into memory while shifting in 16 bits of data until

\overline{MWR} is deasserted (Point C). BREQ is asserted when there are 3 words and 6 bits in the FIFO (Point D). Two words are removed from the FIFO and stored in memory, while 6 bits are shifted into the FIFO until \overline{MWR} is deasserted (Point E). D and E are repeated until the packet is complete.

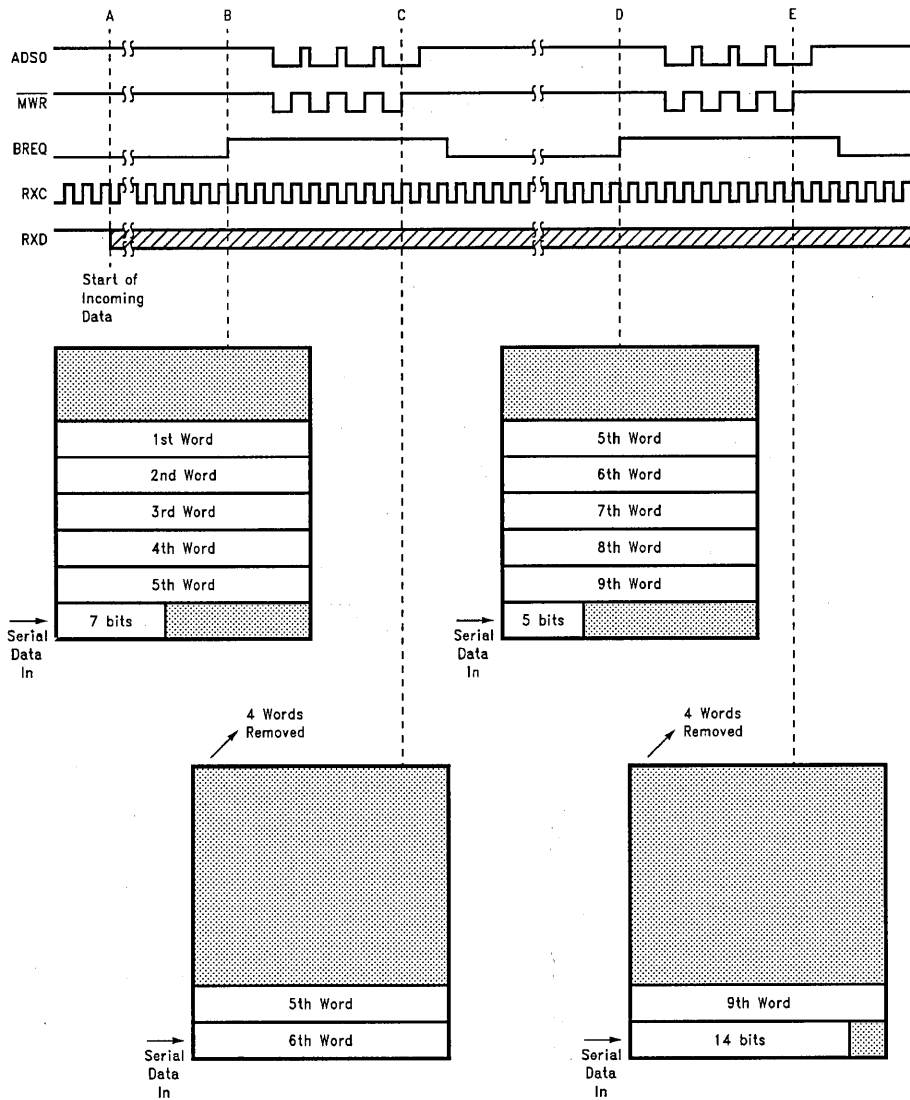


FIGURE 3. Receive Packet—Word Mode, 4 Word Threshold

TL/F/11819-3

After the preamble and the SFD (Point A), the FIFO shifts in 87 ± 2 bits of data (depending on the location of the SFD with respect to t_1 of the DMA sequence) before BREQ is asserted (Point B). The FIFO transfers 1 burst of 4 words into memory while shifting in 9 bits of data until \overline{MWR} is

deasserted (Point C). BREQ is asserted when there are 5 words and 5 bits in the FIFO (Point D). Again, 4 words are removed from the FIFO and stored in memory, while 9 bits are shifted into the FIFO until \overline{MWR} is deasserted (Point E). D and E are repeated until the packet is complete.

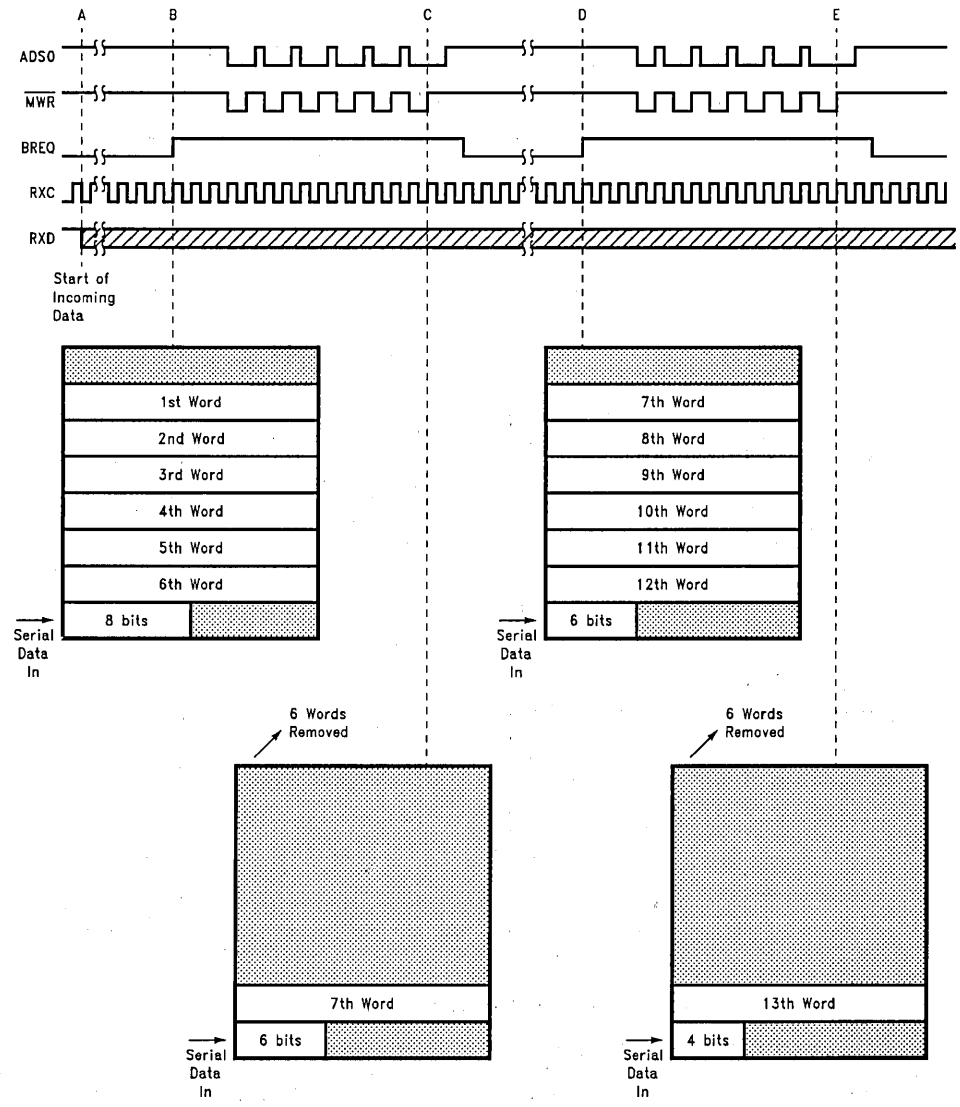


FIGURE 4. Receive Packet—Word Mode, 6 Word Threshold

TL/F/11819-4

After the preamble and the SFD (Point A), the FIFO shifts in 104 ± 2 bits of data (depending on the location of the SFD with respect to t1 of the DMA sequence) before BREQ is asserted (Point B). The FIFO transfers 1 burst of 6 words into memory while shifting in 14 bits of data until MWR is

deasserted (Point C). BREQ is asserted when there are 6 words and 6 bits in the FIFO (Point D). Again, 6 words are removed from the FIFO and stored in memory, while 14 bits are shifted into the FIFO until MWR is deasserted (Point E). D and E are repeated until the packet is complete.

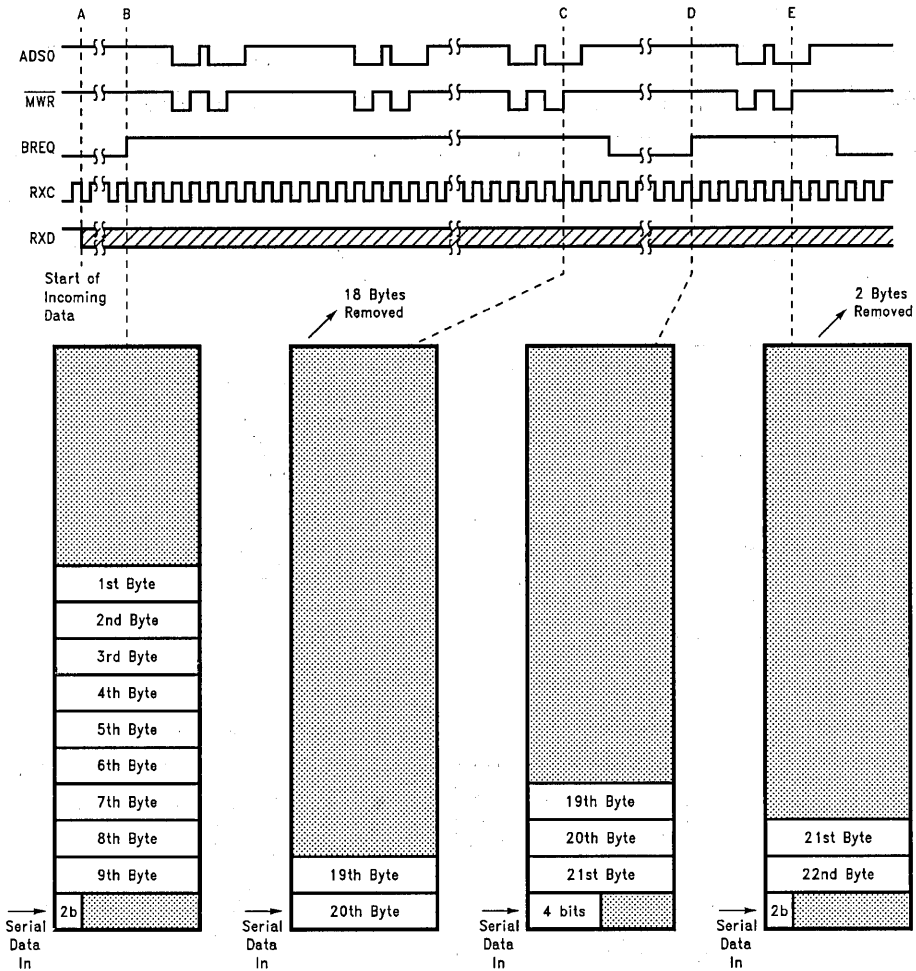
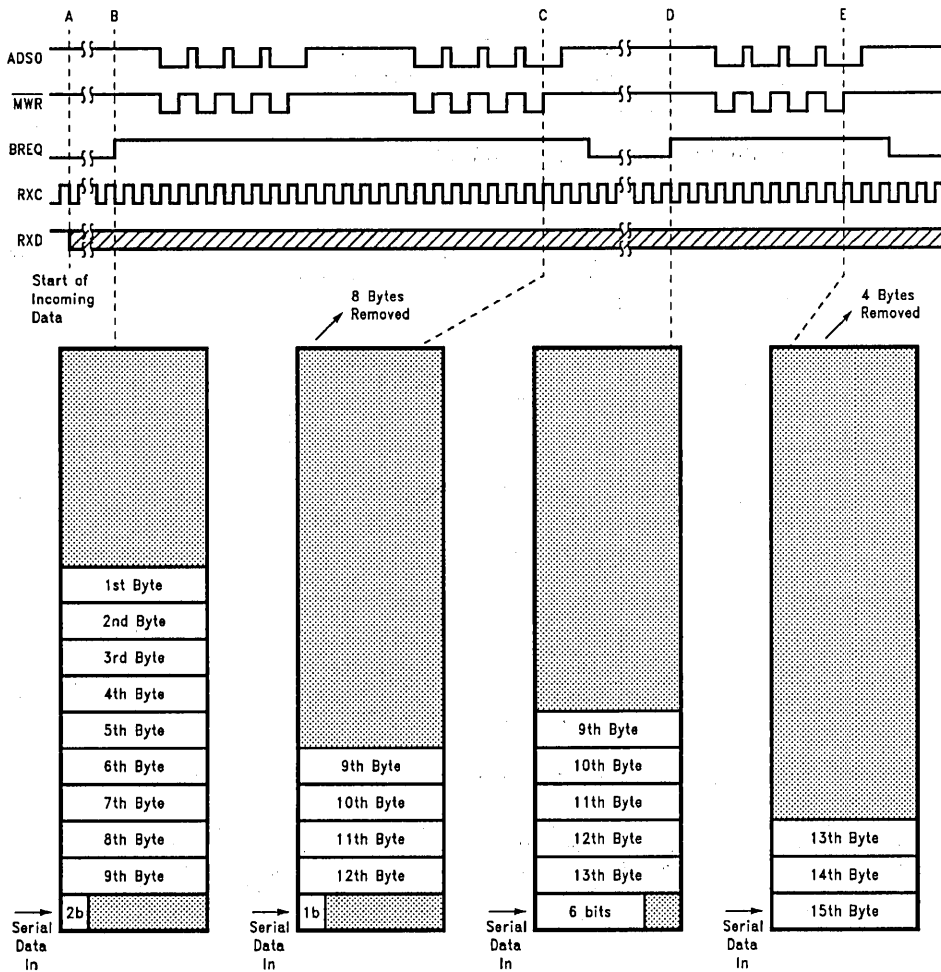


FIGURE 5. Receive Packet—Byte Mode, 2 Byte Threshold

TL/F/11819-5

After the preamble and the SFD (Point A), the FIFO shifts in 74 ± 2 bits of data (depending on the location of the SFD with respect to t_1 of the DMA sequence) before BREQ is asserted (Point B). The FIFO transfers 9 bursts of 2 bytes each into memory while shifting in 86 bits of data until MWR

is deasserted (Point C). BREQ is asserted when there are 12 bytes and 4 bits in the FIFO (Point D). Two bytes are removed from the FIFO and stored in memory, while 6 bits are shifted into the FIFO until MWR is deasserted (Point E). D and E are repeated until the packet is complete.

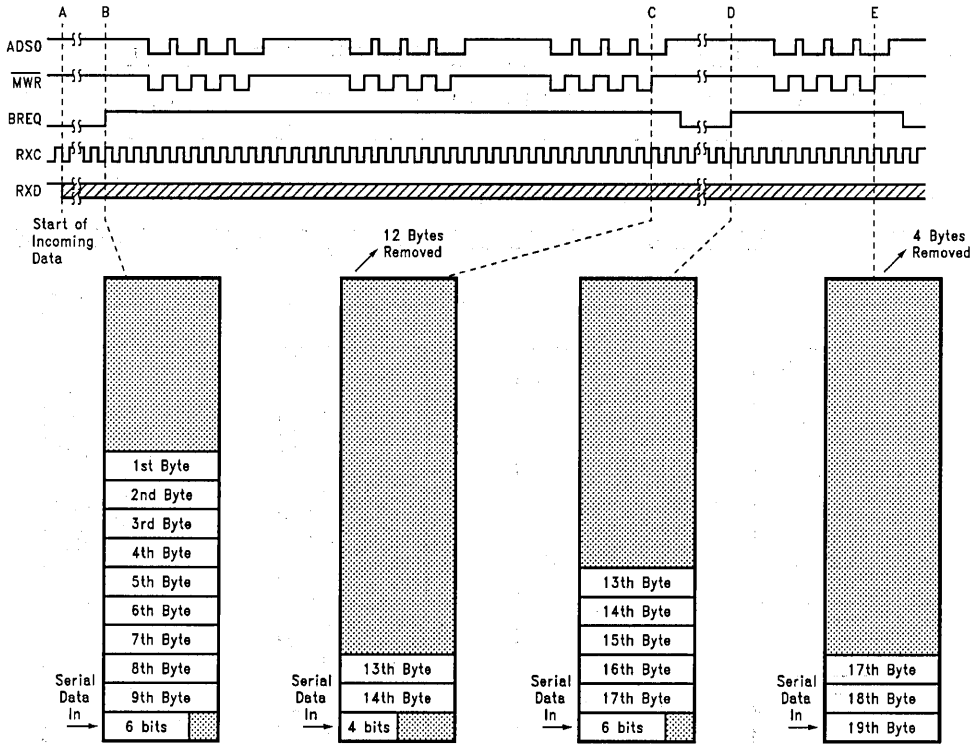


TL/F/11819-6

FIGURE 6. Receive Packet—Byte Mode, 4 Byte Threshold—First Situation

After the preamble and the SFD (Point A), the FIFO shifts in 74 ± 1 bit of data (depending on the location of the SFD with respect to t_1 of the DMA sequence) before BREQ is asserted (Point B). The FIFO transfers 2 bursts of 4 bytes each into memory while shifting in 23 bits of data until

MWR is deasserted (Point C). BREQ is asserted when there are 5 bytes and 6 bits in the FIFO (Point D). Four bytes are removed from the FIFO and stored in memory, while 10 bits are shifted into the FIFO until MWR is deasserted (Point E). D and E are repeated until the packet is complete.



TL/F/11819-7

FIGURE 7. Receive Packet—Byte Mode, 4 Byte Threshold—Second Situation

After the preamble and the SFD (Point A), the FIFO shifts in 78 ± 1 bit of data (depending on the location of the SFD with respect to t_1 of the DMA sequence) before BREQ is asserted (Point B). The FIFO transfers 3 bursts of 4 bytes each into memory while shifting in 38 bits of data until

\overline{MWR} is deasserted (Point C). BREQ is asserted when there are 5 bytes and 6 bits in the FIFO (Point D). Four bytes are removed from the FIFO and stored in memory, while 10 bits are shifted into the FIFO until \overline{MWR} is deasserted (Point E). D and E are repeated until the packet is complete.

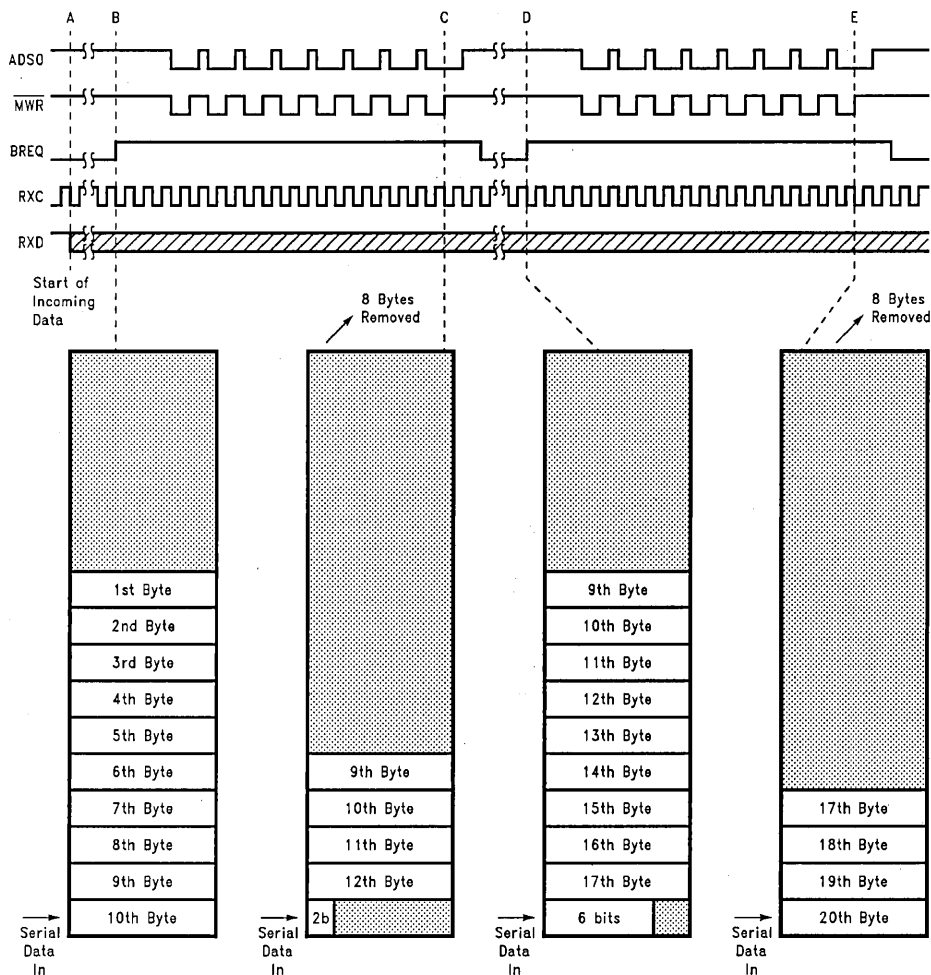


FIGURE 8. Receive Packet—Byte Mode, 8 Byte Threshold

TL/F/11819-8

After the preamble and the SFD (Point A), the FIFO shifts in 80 ± 2 bits of data (depending on the location of the SFD with respect to t_1 of the DMA sequence) before BREQ is asserted (Point B). The FIFO transfers 1 burst of 8 bytes into memory while shifting in 18 bits of data until \overline{MWR} is

deasserted (Point C). BREQ is asserted when there are 9 bytes and 6 bits in the FIFO (Point D). Again, 8 bytes are removed from the FIFO and stored in memory, while 10 bits are shifted into the FIFO until \overline{MWR} is deasserted (Point E). D and E are repeated until the packet is complete.

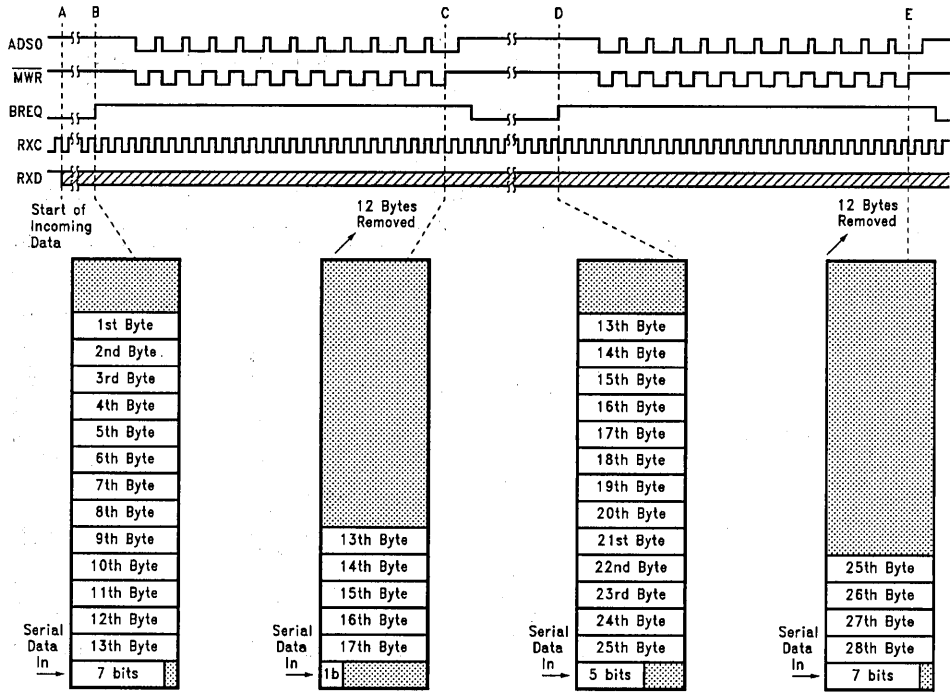


FIGURE 9. Receive Packet—Byte Mode, 12 Byte Threshold

TL/F/11819-9

After the preamble and the SFD (Point A), the FIFO shifts in 111 ± 2 bits of data (depending on the location of the SFD with respect to t_1 of the DMA sequence) before BREQ is asserted (Point B). The FIFO transfers 1 burst of 12 bytes into memory while shifting in 26 bits of data until MWR is

deasserted (Point C). BREQ is asserted when there are 13 bytes and 5 bits in the FIFO (Point D). Again, 12 bytes are removed from the FIFO and stored in memory, while 26 bits are shifted into the FIFO until MWR is deasserted (Point E). D and E are repeated until the packet is complete.

TRANSMIT PACKET

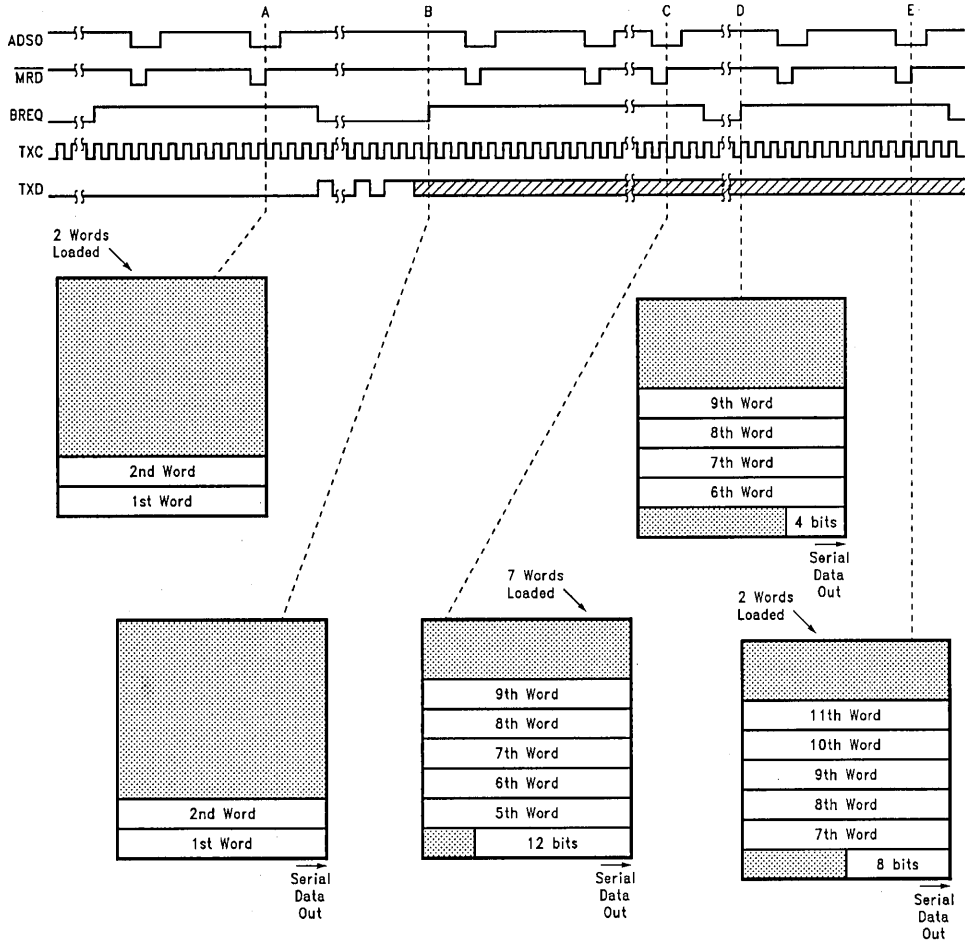


FIGURE 10. Transmit Packet—Word Mode, 1 Word Threshold

TL/F/11819-10

The FIFO prefetches 2 words from memory (point A). The preamble starts during these prefetches. After the preamble and the Start of Frame Delimiter are transmitted, data is shifted out of the FIFO, and BREQ is asserted (Point B). During this burst, 7 words are loaded into the FIFO from

memory while 52 bits are shifted out until MRD is deasserted (Point C). The next BREQ comes when there are 4 words and 4 bits in the FIFO (Point D). Two words are loaded into the FIFO from memory while 12 bits are shifted out (Point E). D and E are repeated until the packet is complete.

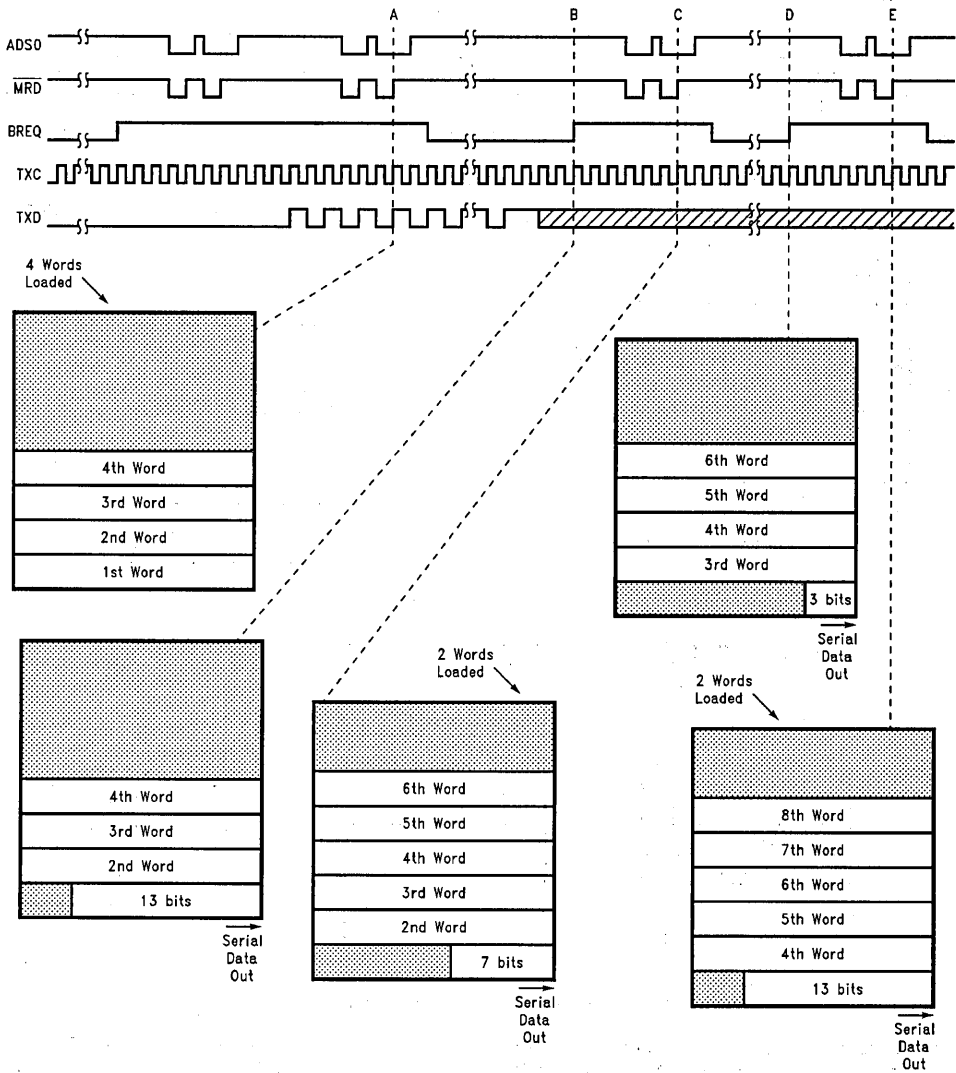


FIGURE 11. Transmit Packet—Word Mode, 2 Word Threshold

TL/F/11819-11

The FIFO prefetches 2 bursts of 2 words each from memory (Point A). The preamble starts during these prefetches. After the preamble and the Start of Frame Delimiter are transmitted, data is shifted out of the FIFO. After 3 bits are shifted out, BREQ is asserted (Point B). During this burst, 2 words are loaded into the FIFO from memory while 6 bits

are shifted out until MRD is deasserted (Point C). The next BREQ comes when there are 4 words and 3 bits in the FIFO (Point D). Again, 2 words are loaded into the FIFO from memory while 6 bits are shifted out (Point E). D and E are repeated until the packet is complete.

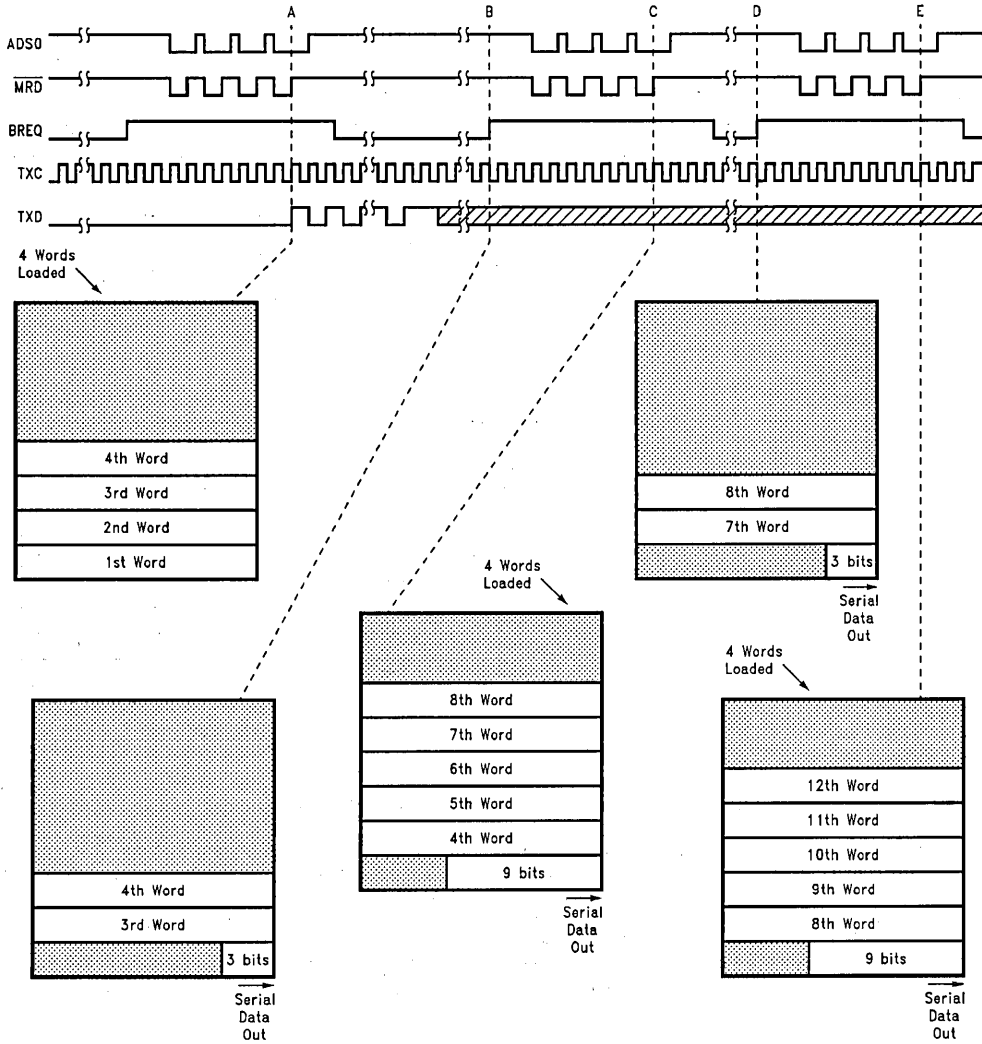


FIGURE 12. Transmit Packet—Word Mode, 4 Word Threshold

TL/F/11819-12

The FIFO prefetches 4 words from memory (Point A). The preamble starts during these prefetches. After the preamble and the Start of Frame Delimiter are transmitted, data is shifted out of the FIFO. After 29 bits are shifted out, BREQ is asserted (Point B). During this burst, 4 words are loaded into the FIFO from memory while 9 bits are shifted out until

\overline{MRD} is deasserted (Point C). The next bus request comes when there are 2 words and 3 bits in the FIFO (Point D). Again, 4 words are loaded into the FIFO from memory while 9 bits are shifted out (Point E). D and E are repeated until the packet is complete.

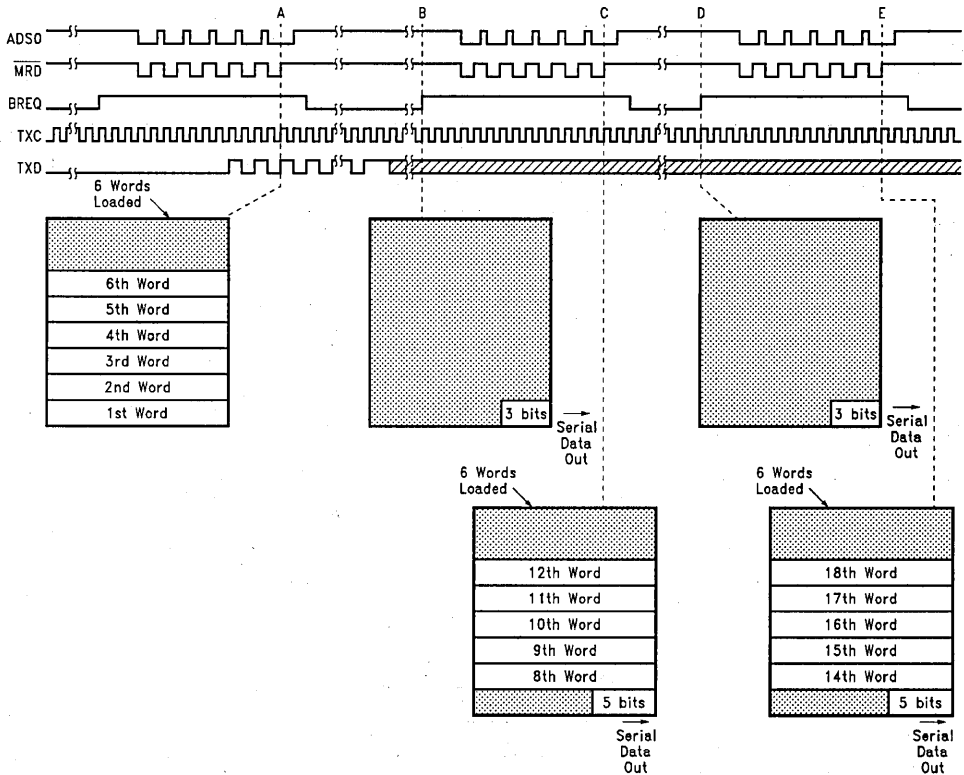


FIGURE 13. Transmit Packet—Word Mode, 6 Word Threshold

TL/F/11819-13

The FIFO prefetches 6 words from memory (Point A). The preamble starts during these prefetches. After the preamble and the Start of Frame Delimiter are transmitted, data is shifted out of the FIFO. After 93 bits are shifted out, BREQ is asserted (Point B). During this burst, 6 words are loaded into the FIFO from memory while 14 bits are shifted out until MRD is deasserted (Point C). The next bus request comes when there are 3 bits in the FIFO (Point D). Again, 6 words

are loaded into the FIFO from memory while 14 bits are shifted out (Point E). D and E are repeated until the packet is complete.

Note: At Point B, the 7th word is latched in approximately 10 ns before its first bit is clocked out. Occasionally, 94 bits will be shifted out before the first BREQ. In this case, the first bit of the 7th word and every 6th word from then on will be corrupted. Since no error occurs, this mode should not be used.

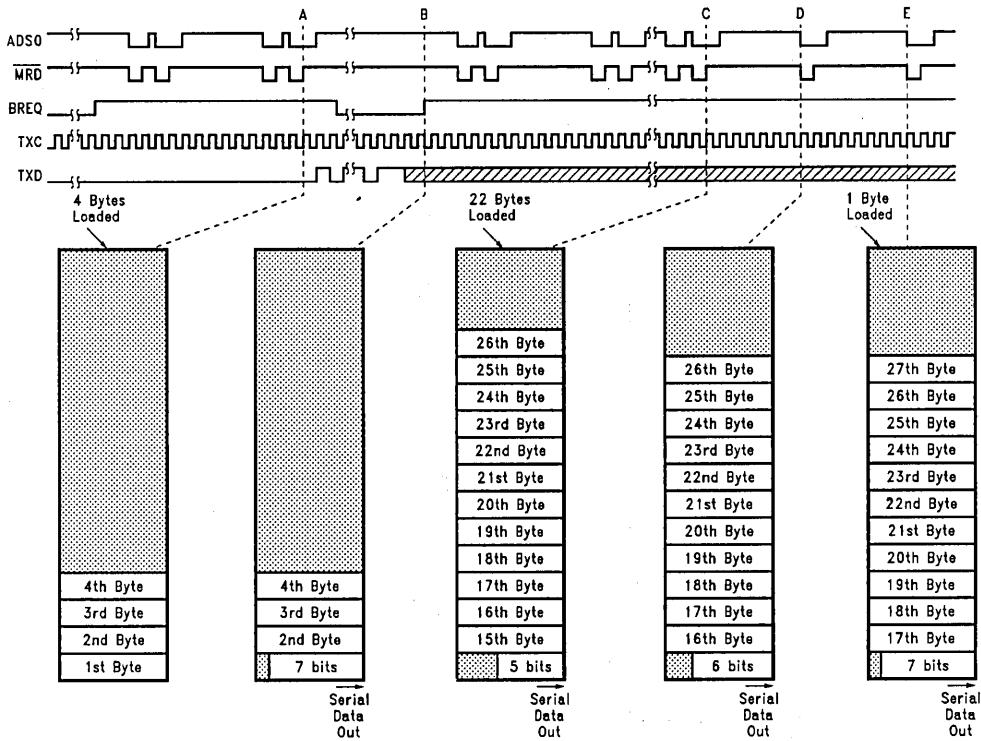


FIGURE 14. Transmit Packet—Byte Mode, 2 Byte Threshold

TL/F/11819-14

The FIFO prefetches 2 bursts of 2 bytes each from memory (Point A). The preamble starts during these prefetches. After the preamble and the Start of Frame Delimiter are transmitted, data is shifted out of the FIFO. After 1 bit is shifted out, BREQ is asserted (Point B). Eleven bursts of two bytes each are loaded into the FIFO from memory while 106 bits

are shifted out (Point C). At this point the bursts become one byte instead of two bytes (Point D). The FIFO loads 1 byte from memory while 7 bits are shifted out (Point E). D and E are repeated until the packet is complete.

Note: BREQ remains asserted until the entire packet is transmitted.

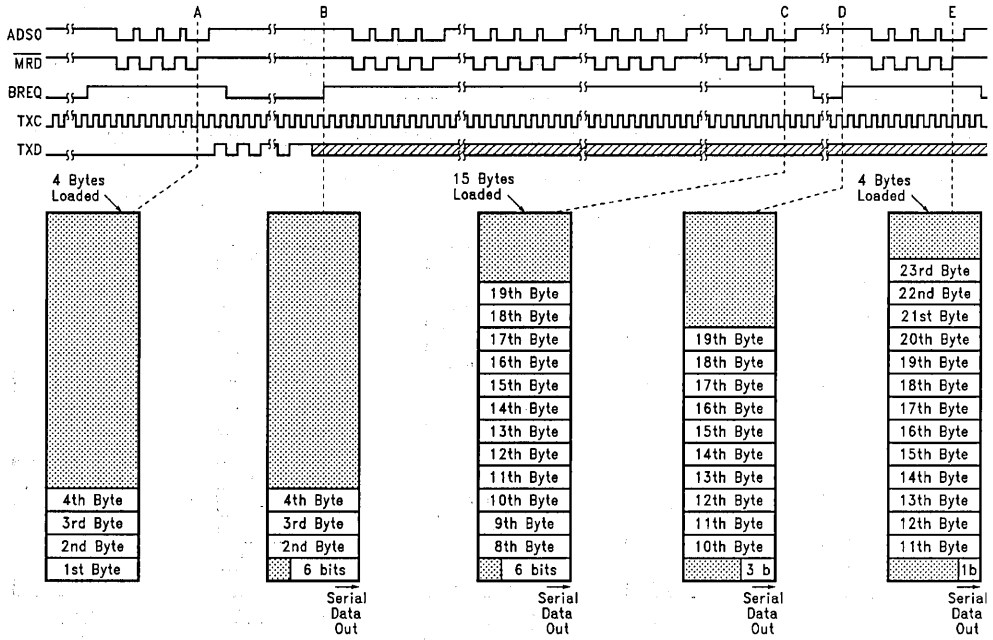


FIGURE 15. Transmit Packet—Byte Mode, 4 Byte Threshold

TL/F/11819-15

The FIFO prefetches 4 bytes from memory (Point A). The preamble starts during these prefetches. After the preamble and the Start of Frame Delimiter are transmitted, data is shifted out of the FIFO. After 1 bit is shifted out, BREQ is asserted (Point B). Four bursts of 4, 4, 4, and 3 bytes, respectively, are loaded into the FIFO from memory while 49 bits are shifted out until MRD is deasserted (Point C).

The next bus request comes when there are 10 bytes and 3 bits in the FIFO (Point D). Four bytes are loaded into the FIFO from memory while 10 bits are shifted out (Point E). D and E are repeated until the packet is complete.

Note: Some samples prefetched two bursts of 4 bytes each, and only 2 bursts of 4 bytes each were loaded into the FIFO between Points B and C. Both the cases sometimes had bursts of 3 bytes after point B, continuing until the packet is completed. A pattern could not be developed. This does not corrupt any bits and no error occurs.

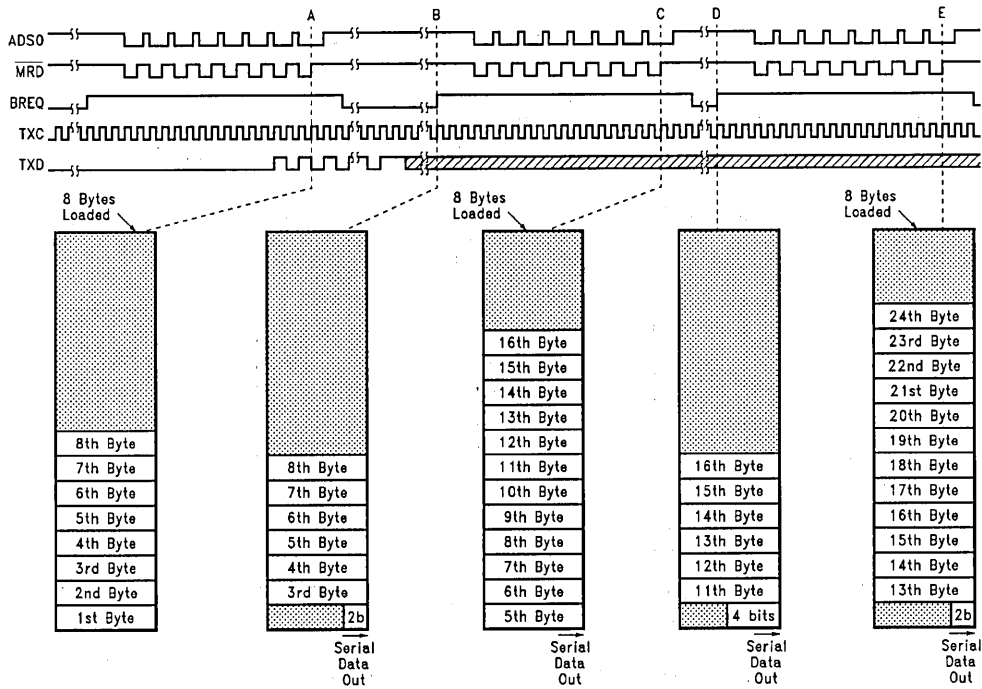


FIGURE 16. Transmit Packet—Byte Mode, 8 Byte Threshold

TL/F/11819-16

The FIFO prefetches 8 bytes from memory (Point A). The preamble starts during these prefetches. After the preamble and the Start of Frame Delimiter are transmitted, data is shifted out of the FIFO. After 22 bits are shifted out, BREQ is asserted (Point B). During this burst, 8 bytes are loaded into the FIFO from memory while 18 bits are shifted out until

MRD is deasserted (Point C). The next bus request comes when there are 6 bytes and 4 bits in the FIFO (Point D). Again, 8 bytes are loaded into the FIFO from memory while 18 bits are shifted out (Point E). D and E are repeated until the packet is complete.

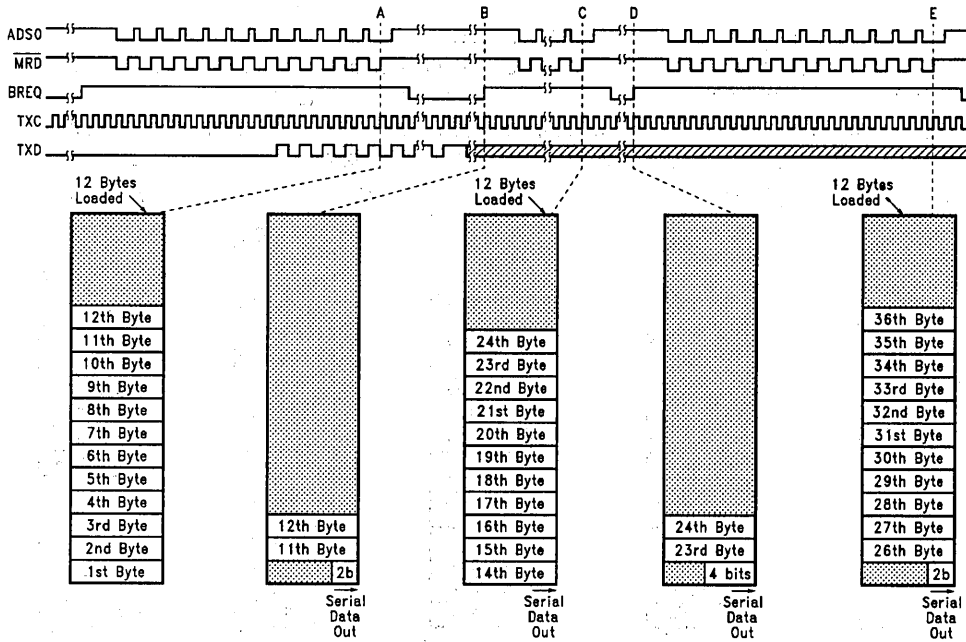


FIGURE 17. Transmit Packet—Byte Mode, 12 Byte Threshold

TL/F/11819-17

The FIFO prefetches 12 bytes from memory (Point A). The preamble starts during these prefetches. After the preamble and the Start of Frame Delimiter are transmitted, data is shifted out of the FIFO. After 78 bits are shifted out, BREQ is asserted (Point B). During this burst, 12 bytes are loaded into the FIFO from memory while 26 bits are shifted out until

MRD is deasserted (Point C). The next bus request comes when there are 2 bytes and 4 bits in the FIFO (Point D). Again, 12 bytes are loaded into the FIFO from memory while 26 bits are shifted out (Point E). D and E are repeated until the packet is complete.

Guide to Loopback Using the DP8390 Chip Set

National Semiconductor
Application Note 858



AN-858

OVERVIEW

Loopback capabilities are provided to allow certain tests to be performed to validate operation of the DP8390 NIC, the DP8391 SNI, and the DP8392 CTI prior to transmitting and receiving packets on a live network. Typically these tests may be performed during power up of a node. The diagnostic provides support to verify the following:

1. Verify integrity of data path through each chip. Received data is checked against transmitted data.
2. Verify CRC logic's capability to generate good CRC on transmit.
3. Verify CRC recognition capability of the NIC on receive.
4. Verify that the address recognition logic can
 - a. Recognize address match packets
 - b. Reject packets that fail to match an address

LOOPBACK MODES

Loopback modes are selected by programming the Transmit Configuration Register. Bits LB0 and LB1 select the type of loopback to be performed. The NIC supports three modes of loopback: internal loopback through the DP8390 controller only (*Figure 1*), external loopback through the DP8391 encoder/decoder (*Figure 2*), and external loopback through the DP8392 transceiver (*Figure 3*).

Loopback Operation in the NIC

To initiate a loopback test, a packet must first be assembled and transferred into the NIC buffer memory. Next, the Transmit Page Start Register, Transmit Byte Count Registers, and Transmit Configuration Register must be programmed. (When loopback mode is selected in the Transmit Configuration Register, the FIFO is split into two halves, one used for transmission and the other for reception.) Finally,

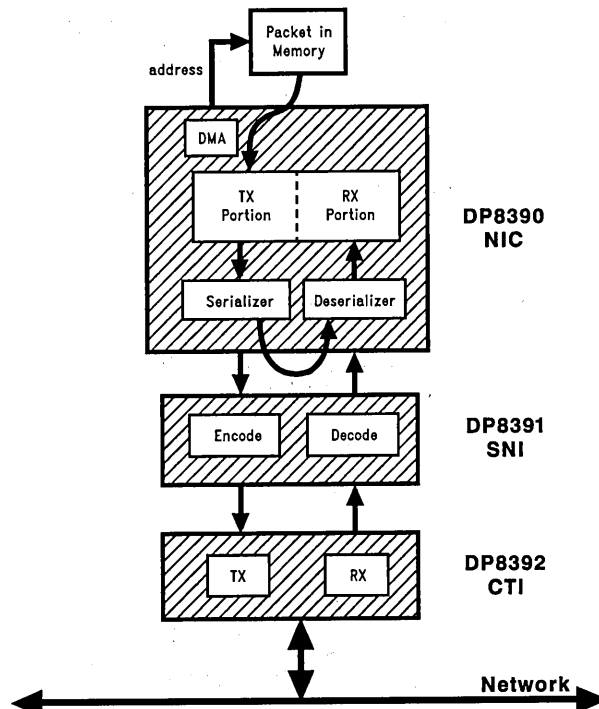
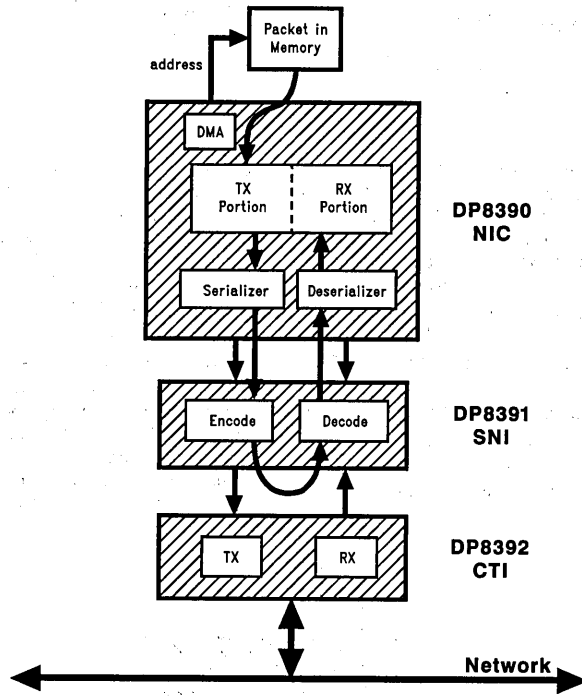


FIGURE 1. Loopback Mode 1: Through the Controller

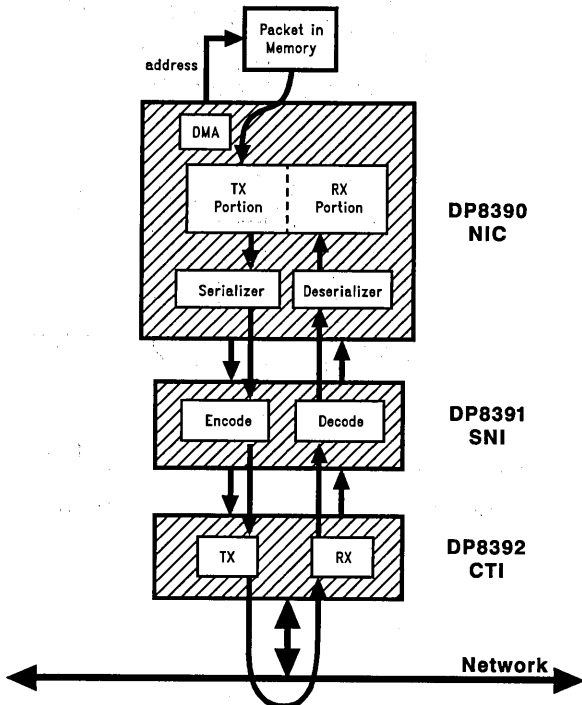
TL/F/11717-1

1



TL/F/11717-2

FIGURE 2. Loopback Mode 2: Through the SNI



TL/F/11717-3

FIGURE 3. Loopback Mode 3: To the Coax

the transmit command is issued to the Command Register, causing the following operations to occur:

Transmitter Actions

1. Data is transferred from memory by local DMA until the FIFO is filled. For each transfer, the Transmit Byte Count Registers (TBCR0 and TBCR1) are decremented. (Subsequent burst transfers are initiated when the number of bytes in the FIFO drops below the programmed threshold.)
2. The NIC generates 56 bits of preamble followed by an 8-bit synch pattern.
3. Data is transferred from the FIFO to the serializer.
4. If the Inhibit CRC bit is set in the Transmit Configuration Register, no CRC is calculated by the NIC, and the last byte transmitted is the last byte from the FIFO (last byte of the packet). This allows a software CRC to be appended. If the Inhibit CRC bit is not set, the NIC calculates and appends four bytes of CRC to the end of the packet.
5. At the end of transmission, the Packet Transmitted bit is set in the Interrupt Status Register.

Receiver Actions

1. Wait for synch (Start of Frame Delimiter), all preamble bits are ignored.
2. Store packet in the FIFO, increment receive byte count for each incoming byte.
3. If the Inhibit CRC bit is set in the Transmit Configuration Register, the receiver checks the incoming packet for CRC errors. If the Inhibit CRC bit is not set in the Transmit Configuration Register, the receiver does not check for CRC errors; the CRC error bit is set in the Receive Status Register (for address matching packets).
4. At the end of receive, the receive byte count is written into the FIFO and the Receive Status Register is updated. The Packet Received Intact bit is typically set in the Receive Status Register even if the address does not match. If CRC errors are forced, the packet must match the address filters in order for the CRC error bit in the Receive Status Register to be set.

Restrictions Using Loopback

Since the NIC is a half-duplex device, several compromises were required for the implementation of loopback diagnostics. Special attention should be paid to the restrictions placed on the use of loopback diagnostics.

1. The FIFO is split into two halves to allow some buffering of incoming data. The NIC transmits through one half of the FIFO and receives through the second half. Only the last five bytes of a packet can be examined in the FIFO; the DMA does not store the loopback packet in memory. Thus loopback can be considered a modified form of transmission.
2. Splitting of the FIFO has some bus latency implications. The FIFO depth is halved, thus reducing the amount of allowed bus latency. The Loopback Select bit (D3) in the Data Configuration Register should be set to allow all local DMA transfers to continue until the FIFO is filled. In cases where the latency constraints cannot be accommodated, small 7 byte packets can be transmitted. In addition, the FIFO must only be read (by successfully reading port 06h) when in loopback mode; reading the FIFO in other modes will result in the NIC failing to issue the ACK signal properly.
3. The CRC logic is shared by the receiver and the transmitter; thus the NIC cannot generate and check the CRC simultaneously. That is, if the Inhibit CRC bit is not set in the Transmit Configuration Register, the NIC generates and appends the CRC, and software must be used to verify the CRC. On the other hand, if the Inhibit CRC bit is set in the Transmit Configuration Register, the NIC will verify a software generated CRC.
4. Address recognition logic must be checked indirectly through a small series of tests (see Group III Loopback Tests: Address Recognition for further explanation).
5. Between consecutive transmissions in loopback mode, the Transmit Configuration Register must first be set to 00h and the Command Register reset to 21h (followed by a wait state of at least 1.5 ms for the NIC to reset). The desired loopback mode may then be programmed into the Transmit Configuration Register. This step guarantees alignment of the FIFO pointers when data is read from the FIFO.
6. Loopback only operates with byte wide transfers, thus special considerations must be made with word wide transfers. Since the FIFO is split, only half of each word is transferred into the transmit portion of the FIFO. The Byte Order Select bit in the Data Configuration Register can be used to select which half of the word is written into the FIFO (see Figure 4).

Note: Although a word is transferred to the NIC, only a byte is transmitted in the loopback packet. To properly transfer all the bytes in the loopback packet, the byte count must be 2 times the actual number of bytes assembled in the loopback packet.

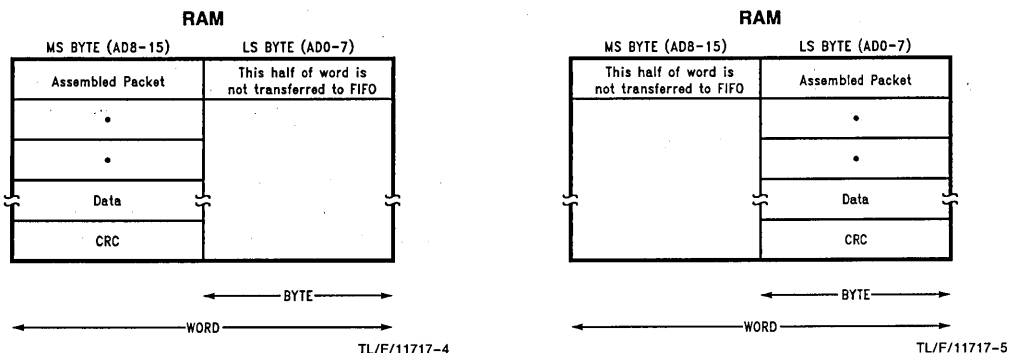


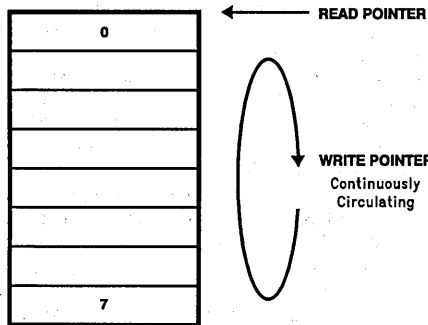
FIGURE 4. Packet Assembly for Loopback Work Wide Transfers

7. During heavily loaded network conditions, external loopback through the SNI and CTI could fail due to interference from the network.

Alignment of Data in the FIFO

During loopback, eight bytes of the FIFO are used for transmission and eight bytes are used for reception. Reception of the packet begins at location zero, and after the pointer reaches the last location in the receive portion of the FIFO, the pointer wraps back to location zero, overwriting the previously received data (see *Figure 5*). The pointer continues to circulate through the FIFO until the last byte is received. The NIC then appends the lower receive byte count and two copies of the upper receive byte count into the next three locations in the FIFO. Thus, only the last five bytes of the received packet may be retrieved.

Note: Although the size limit of a loopback packet is 64 kbytes, the byte counter rolls over at 2048 bytes.



TL/F/11717-6

FIGURE 5. Continuously Circulating FIFO Write Pointer During Loopback

To achieve the packet alignment shown in *Figure 6*, the packet length should be $(N*8) + 5$ bytes (i.e., 13, 21, etc). If the CRC is appended, the second through fifth byte will be the CRC appended by the NIC. This allows the CRC to be extracted from the NIC and compared to a previously calculated value for verification.

FIFO Location	FIFO Contents	
0	Byte $(N*8) + 1$	First Byte Read
1	Byte $(N*8) + 2$ (CRC1)	Second Byte Read
2	Byte $(N*8) + 3$ (CRC2)	•
3	Byte $(N*8) + 4$ (CRC3)	•
4	Byte $(N*8) + 5$ (CRC4)	•
5	Lower Byte Count	•
6	Upper Byte Count	•
7	Upper Byte Count	Last Byte Read

FIGURE 6. Alignment of Packet in FIFO Following Loopback

Loopback Tests

Three types of loopback tests may be performed to verify the data path through the DP8390 chip set. The tests are as follows:

1. Group I tests verify the CRC generation capability of the NIC. In this case, the NIC generates and appends a CRC to the loopback packet, and software is used to verify a matching CRC.
2. Group II tests verify the CRC recognition capability of the NIC. Here, the NIC verifies a software generated CRC.
3. Group III tests verify the address recognition logic of the NIC.

The loopback tests which follow were performed on the DP839EB. During each of the loopback tests, the Data Configuration Register was programmed to 40h.

GROUP I LOOPBACK TESTS: CRC GENERATION

The basic steps necessary to perform the Group I loopback tests (in which the CRC is appended by the NIC) are as follows:

1. Set Command Register to 21h (page 0).
2. Initialize Data Configuration Register to 40h.
3. Initialize Receive Configuration Register to 1Fh (promiscuous mode).
4. Initialize Transmit Byte Count Registers and Transmit Page Start Register.
5. Set Command Register to 22h (start mode).
6. Create loopback packet and transfer into NIC buffer memory.
7. Transmit dummy packet to check for unterminated or unconnected cable:
 - a. Set Transmit Configuration Register to 00h (normal operation).
 - b. Write FFh to Interrupt Status Register to reset.
 - c. Set Command Register to 26h (transmit). Note that the Command Register must first be in start mode (22h) before transmitting (26h).
 - d. Loop until the Packet Transmitted bit is set in the Interrupt Status Register. If the timeout loop completes and this bit is not set, the transmit has timed out, and the cable may not be connected.
 - e. Check Interrupt Status Register for 08h (transmit Error). If the Transmit Error bit is set, excessive collisions have occurred, and the cable may not be terminated.
8. Start loopback mode 1 test (TCR = 02h):
 - a. Reset Transmit Configuration Register to 00h.
 - b. Reset Command Register to 21h. If the NIC is currently receiving a packet, it will wait for the reception of the current packet to complete before it will reset. Thus, a wait state of at least 1.5 ms is necessary to insure that the NIC will completely reset.
 - c. Program the Transmit Configuration Register to the appropriate loopback mode.
 - d. Write FFh to Interrupt Status Register to reset.
 - e. Set Command Register to 22h (start mode).

- f. Set Command Register to 26h (transmit).
 - g. Wait for transmit to complete (Command Register = 22h).
 - h. Check Interrupt Status Register for 06h (good transmission).
 - i. Read FIFO and compare CRC with previously calculated CRC.
9. Start loopback mode 2 test (TCR = 04h): See Step 8.
 10. Transmit a dummy packet to change the contents of the FIFO. If this step is not taken before external loopback through the CTI and the AUI cable is not connected, the NIC does not receive anything into its FIFO. Thus the contents of the FIFO are not changed, and the loopback test reads a good CRC. See Step 7.
 11. Start loopback mode 3 test (TCR = 06h): See Step 8.
 12. If mode 3 loopback fails, transmission may have been aborted due to excessive collisions (check the Transmit Status Register). In this case, network traffic has interfered and the CTI may still be operational.

GROUP I RESULTS

The following examples show what results can be expected from a properly operating NIC during Group I loopback operations. The restrictions and results of each loopback mode are listed for reference.

Internal Loopback through the NIC

Path	TCR	RCR	TSR	RSR	ISR
NIC Internal (Mode 1)	02H	1FH	51H	02H	06H

Note 1: Before transmission of the loopback packet, Carrier Sense and Collision inputs are monitored (as required by CSMA/CD protocol). Once the NIC gains access to the network for transmission, the Carrier Sense and Collision Detect inputs are ignored. Thus, the Carrier Sense Lost and CD Heartbeat bits are always set in the Transmit Status Register.

Note 2: CRC errors are always indicated by the receiver if the CRC is appended by the transmitter.

Note 3: Only the Packet Transmitted and Receive Error bits in the Interrupt Status Register are set; the Packet Received bit is set only if status is written to memory. In loopback this action does not occur, and the Packet Received bit remains 0 for all loopback modes.

External Loopback through the SNI

Path	TCR	RCR	TSR	RSR	ISR
NIC External (Mode 2)	04H	1FH	41H	02H	06H

Note 1: CD Heartbeat is set in the Transmit Status Register; Carrier Sense Lost is not set since it is generated by the external encoder/decoder.

External Loopback through the CTI

Path	TCR	RCR	TSR	RSR	ISR
NIC External (Mode 3)	06H	1FH	01H	02H	06H

Note 1: CD Heartbeat and Carrier Sense Lost should not be set. The Transmit Status Register could, however, also contain 01, 03, 07, and a variety of other values depending on whether collisions were encountered or the packet was deferred.

Note 2: The Interrupt Status Register will contain 08 if the packet is not transmittable.

During external loopback the NIC is now exposed to network traffic. It is therefore possible for the contents of both the receive portion of the FIFO and the Receive Status Register to be corrupted by any other packet on the network. Thus, in a live network, the contents of the FIFO and Receive Status Register should not be depended on. The NIC will still abide by the standard CSMA/CD protocol in external loopback mode (the network will not be disturbed by the loopback packet).

GROUP II LOOPBACK TESTS:

CRC RECOGNITION

The basic steps necessary to perform the Group II loopback tests (in which a software CRC is appended to the packet) are similar to those outlined previously for the Group I tests, with the following exceptions:

1. The loopback packet created must have a software appended CRC.
2. When programming the Transmit Configuration Register to the desired loopback mode, the Inhibit CRC bit must be set.
3. After the loopback packet has been transmitted, check the Interrupt Status Register and/or the Receive Status Register for CRC errors. If a CRC error has occurred, the loopback test has failed.

GROUP II RESULTS

The following examples show what results can be expected from a properly operating NIC during Group II loopback operations. The restrictions and results of each loopback mode are listed for reference.

Internal Loopback through the NIC

Path	TCR	RCR	TSR	RSR	ISR
NIC Internal (Mode 1)	03H	1FH	51H	01H	02H

Note 1: Before transmission of the loopback packet, Carrier Sense and Collision inputs are monitored (as required by CSMA/CD protocol). Once the NIC gains access to the network for transmission, the Carrier Sense and Collision Detect inputs are ignored. Thus, the Carrier Sense Lost and CD Heartbeat bits are always set in the Transmit Status Register.

Note 2: Only the Packet Transmitted bit in the Interrupt Status Register is set. The packet received bit is set only if status is written to memory. In loopback this action does not occur, and the Packet Received bit remains 0 for all loopback modes.

External Loopback through the SNI

Path	TCR	RCR	TSR	RSR	ISR
NIC External (Mode 2)	05H	1FH	41H	01H	02H

Note 1: CD Heartbeat is set in the Transmit Status register; Carrier Sense Lost is not set since it is generated by the external encoder/decoder.

External Loopback through the CTI

Path	TCR	RCR	TSR	RSR	ISR
NIC External (Mode 3)	07H	1FH	01H	01H	02H

Note 1: CD Heartbeat and Carrier Sense Lost should not be set. The Transmit Status Register could, however, also contain 01, 03, 07, and a variety of other values depending on whether collisions were encountered or the packet was deferred.

Note 2: The Interrupt Status Register will contain 08 if the packet is not transmittable.

During external loopback the NIC is now exposed to network traffic. It is therefore possible for the contents of both the received portion of the FIFO and the Receive Status Register to be corrupted by any other packet on the network. Thus, in a live network, the contents of the FIFO and Receive Status Register should not be depended on. The NIC will still abide by the standard CSMA/CD protocol in external loopback mode (the network will not be disturbed by the loopback packet).

**GROUP III LOOPBACK TESTS:
ADDRESS RECOGNITION**

The address recognition logic cannot be directly tested. However, the CRC Error and Frame Alignment Error bits in the Receive Status Register are set only if the address of the packet matches the address filters. Thus, if errors are expected to be set and they are not set, the packet has been rejected on the basis of an address mismatch.

GROUP III RESULTS

One method of testing the address recognition logic would be to transmit two loopback packets, one with a matching physical address, and one with a non-matching address. Both packets should have a CRC appended by the NIC. Expected results for each case follow.

Internal Loopback through the NIC: Matching Physical Address

Path	TCR	RCR	TSR	RSR	ISR
NIC Internal (Mode 1)	02H	00H	51H	02H	06H

Note 1: Before transmission of the loopback packet, Carrier Sense and Collision inputs are monitored (as required by CSMA/CD protocol). Once the NIC gains access to the network for transmission, the Carrier Sense and Collision Detect inputs are ignored. Thus, the Carrier Sense Lost and CD Heartbeat bits are always set in the Transmit Status Register.

Note 2: CRC errors should be seen in both the Receive Status Register and the Interrupt Status Register for an address matching packet.

Note 3: Only the Packet Transmitted and Receive Error bits in the Interrupt Status Register are set; the Packet Received bit is set only if status is written to memory. In loopback this action does not occur, and the Packet Received bit remains 0 for all loopback modes.

Internal Loopback through the NIC: Non-Matching Physical Address

Path	TCR	RCR	TSR	RSR	ISR
NIC Internal (Mode 1)	02H	00H	51H	01H	02H

Note 1: Before transmission of the loopback packet, Carrier Sense and Collision inputs are monitored (as required by CSMA/CD protocol). Once the NIC gains access to the network for transmission, the Carrier Sense and Collision Detect inputs are ignored. Thus, the Carrier Sense Lost and CD Heartbeat bits are always set in the Transmit Status Register.

Note 2: CRC errors should not be detected for a non-matching physical address.

Note 3: Only the Packet Transmitted bit in the Interrupt Status Register is set. The packet received bit is set only if status is written to memory. In loopback this action does not occur, and the Packet Received bit remains 0 for all loopback modes.

Writing Drivers for the DP8390 NIC Family of Ethernet Controllers

National Semiconductor
Application Note 874



AN-874

INTRODUCTION

This document provides detailed information for writing drivers for the NIC Family of Ethernet Controllers; DP8390 NIC, DP83901 SNIC™, DP83902 ST-NIC™, and DP83905 AT/LANTIC™. It describes the basic components of the drivers: (1) hardware initialization, (2) initiating transmissions, and (3) servicing receive and transmit interrupts. It includes specific examples of actual network drivers (DriverInitialize, DriverSend, and DriverISR). **We recommend that you become familiar with the individual part Data-sheets.**

HARDWARE INITIALIZATION

The initialization procedure supplies configuration parameters for the NIC Controllers to operate in the current system. This involves the CPU loading the proper values into the configuration and address registers and enabling the NIC Controllers onto the network. The following shows a list of parameters that must be initialized before the NIC Controllers become operational.

- data bus width (8 or 16 bits)
- physical address
- types of interrupts that may be serviced
- size of the Receive Buffer Ring
- FIFO threshold
- types of packets that may be received

An example of an initialization routine for a typical 8-bit system is exemplified in DriverInitialize. Note that the DATA CONFIGURATION register must be initialized before all other registers are initialized (except the COMMAND register). Note also the sequencing to enable the DP83902 and DP83905 onto the network.

PACKET TRANSMISSION

The transmit driver is generally partitioned into two parts. The first part (DriverSend) initiates a transmission whenever the upper level software passes a packet to the driver. If the driver is unable to transmit the packet immediately (i.e., the transmitter is busy), the supplied packet is queued in a transmit-pending buffer. After initiating or queuing up the packet, DriverSend returns.

DriverSend operates in conjunction with an interrupt service routine (DriverISR). After completing the transmission, the NIC Controllers interrupt the CPU to signal the end of the transmission and indicate status information in the TRANSMIT STATUS register.

RECEIVE DRIVER

The responsibility of the receive driver is to transfer data from the Receive Buffer Ring to the host's memory. Ideally, this process is done as fast as possible to eliminate any bottlenecks that may be incurred by the driver. The NIC Controllers facilitate removing data from the Ring by providing a Remote DMA channel to transfer data from the Ring to an I/O port which is readable by the host system. It also

maintains two pointers to track packets in the Ring: BOUNDARY and CURRENT. These registers respectively point to the last unread packet in the Ring and the next vacant location in memory to receive another packet. Generally, the receive driver removes the next packet pointed to by BOUNDARY, then increments BOUNDARY to the succeeding packet indicated by the Next Page Pointer in the 4-byte NIC Controllers receive header. This process continues until all packets have been removed from the Ring.

The NIC Controllers automate packet removal with the "send packet" command. When this command is issued, the NIC Controllers automatically load the DMA start address with BOUNDARY, load the DMA byte count from the 4-byte receive header, then begin transferring data. At the end of the DMA, the NIC Controllers update BOUNDARY with the Next Page Pointer from the receive header. To remove all packets from the Ring, the receive driver simply issues the "send packet" command until the BOUNDARY and CURRENT registers are equal.

Because of the asynchronous nature of reception, the receive driver must be interrupt driven. Typically, packet reception is given high priority since delaying packet removal may overflow the Receive Buffer Ring. If several packets in the ring have been queued, all packets should be removed in one process (i.e., a software loop which empties the Ring). In heavy traffic conditions, local memory can fill up quickly so it is important that the Ring be large enough to handle these situations.

To find out how many packets are lost due to Ring overflows or network errors, the NIC Controllers have three statistical registers to monitor the network; FRAME ALIGNMENT ERROR tally, CRC ERROR tally, and FRAMES LOST tally. These registers are useful in initially determining the size of the Ring and how many packets are lost due to network related errors (CRC errors and/or frame alignment errors).

EXAMPLE DRIVERS

The following transmit and receive drivers are written in assembly for fast execution. The transmit driver is partitioned into two parts, DriverSend and DriverISR, while the receive driver resides entirely within DriverISR. This section gives an overview of DriverISR, followed by a description on how receive and transmit interrupts interact with DriverISR.

Interrupt Service Routine (DriverISR)

DriverISR is concerned with interrupts originating from receptions, transmissions, and errored transmissions. Errored receptions are ignored since these are usually collision fragments and are of no use to the upper layer software. DriverISR (Figure 2) consists of (1) a packet transmitted routine and (2) a packet received routine. The basic functions of the routines are as follows:

Packet Transmitted Routine: checks the status of all transmissions and transmits the next packets in the transmit-pending queue.

1

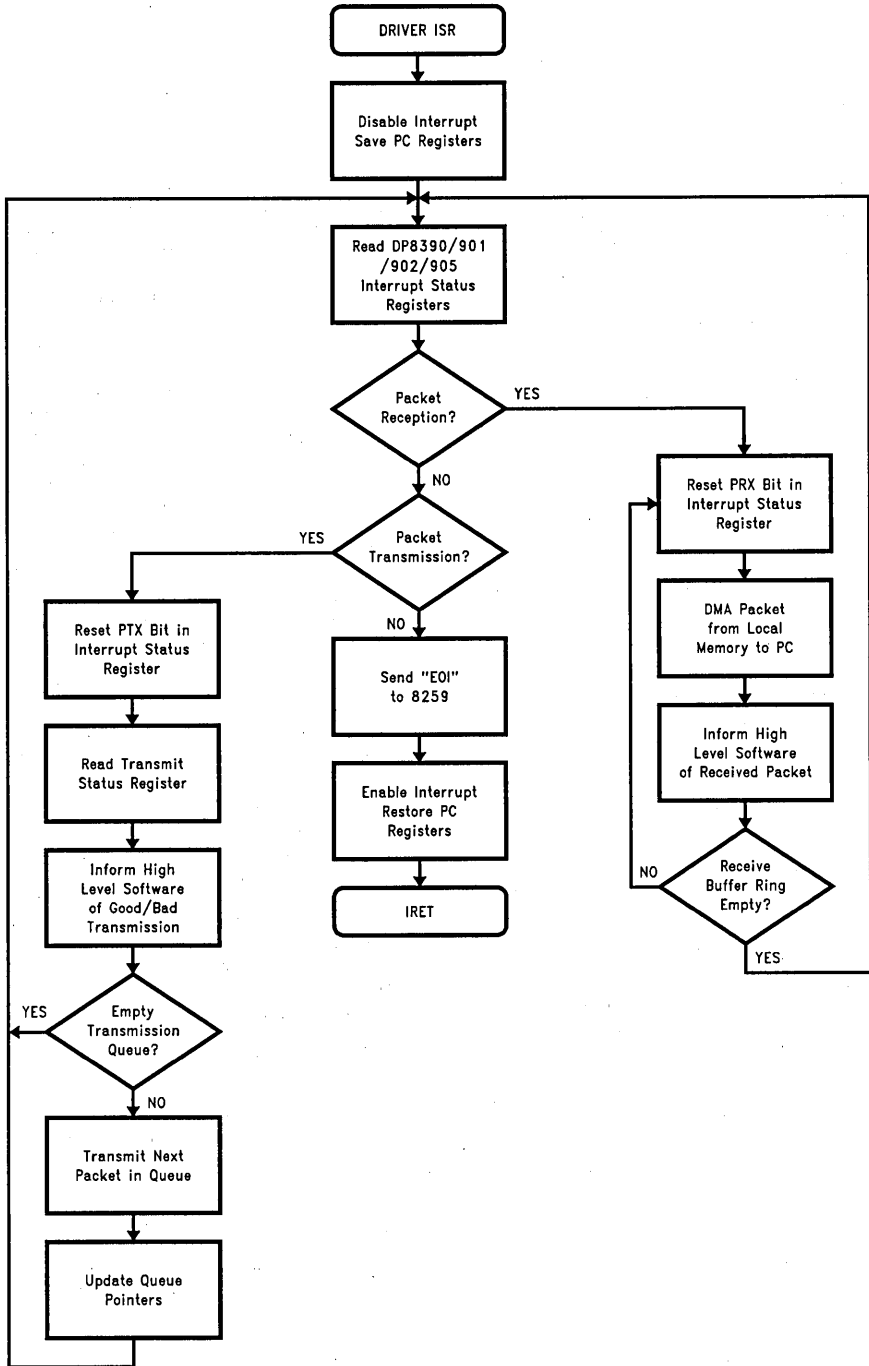


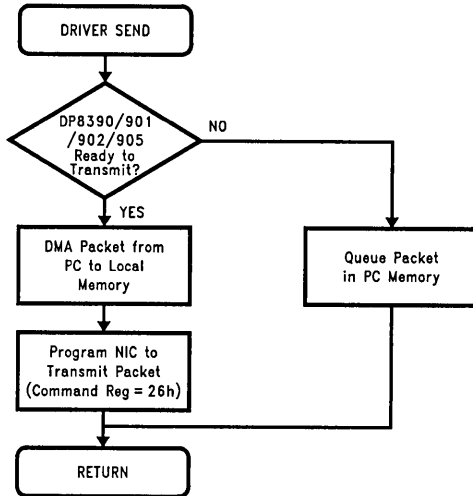
FIGURE 2. Interrupt Service Routine

TL/F/11785-2

Packet Received Routine: removes all packets in the receive buffer ring by using the "send packet" command of the NIC Controllers.

Transmit Driver

The transmit drivers consist of two parts. The first part, DriverSend (Figure 3), initiates transmission when called by the upper layer software. DriverSend checks if the NIC Controllers are ready to transmit by reading the COMMAND register (TXP bit is zero). If ready, the DriverSend using the DP8390's Remote DMA channel, transfers from the PC's memory to local memory, then issues the transmit command and returns. Otherwise, if the NIC Controllers are busy (TXP bits equal one) DriverSend queues the packet in the transmit-pending queue, then returns.



TL/F/11785-3

FIGURE 3. Driver Send Routine

After a transmission is completed, DriverISR services the interrupt from the NIC Controllers and (1) reports status information by reading the TRANSMIT STATUS register and (2) transmits the next packet in the transmit-pending queue,

if any. Thus, for a transmit interrupt, DriverISR executes the following steps:

1. Reset PTX bit in INTERRUPT STATUS register.
2. Check for good transmission by reading the TRANSMIT STATUS Register.
3. If there are more packets in the transmit-pending queue, transmit the next packet; otherwise go to 4.
4. Read INTERRUPT STATUS register for any pending interrupts.

Receiver Driver

Since the receiver driver must be interrupt driven, it resides completely within the DriverISR. When the receive interrupt occurs, one or more packets may be buffered into the Ring by the NIC Controllers. The DriverISR removes packets from the Ring and then passes them up to the host. Using the "send packet" command, packets are removed until the Ring is empty, that is, when CURRENT and BOUNDARY registers are equal. The sequence of the receive packet routine is shown below.

1. Reset the PRX bit in the INTERRUPT STATUS register.
2. Remove the next packet in the receive buffer using the "send packet" command.
3. Check to see if the receive buffer ring is empty: BOUNDARY register = CURRENT PAGE register
4. If the Ring is not empty, go to 1; otherwise read INTERRUPT STATUS register for any more pending interrupts.

OTHER SOFTWARE CONSIDERATIONS

The NIC Ethernet Controllers require some special software considerations to operate in all network environments. In particular, the handling of overflow of the receive buffer ring must be handled EXACTLY as described in the data sheet and Design Tips.

The most efficient manner to remove packets from the transmit-pending queue is to use Driver Send to initiate transmission of the very first packet in the queue; then upon completion, use the DriverISR to transmit the remaining packets. Using this method, the DriverISR examines the queue, transmits the next available packet, then exits. The DriverISR transmits the next packet after the NIC Controllers issue the next transmit interrupt.

```

;*****

```

```

DriverInitialize

```

```

; Initializes the NIC for a typical network system.
; Receive Buffer Ring = 2600h to 4000h
; Transmit Buffer = 2000h to 2600h
;

```

```

Entry: none

```

```

;*****
;*****Equates for NIC Registers*****

```

```

COMMAND equ 300h
PAGESTART equ COMMAND+1
PAGESTOP equ COMMAND+2
BOUNDARY equ COMMAND+3
TRANSMITSTATUS equ COMMAND+4
TRANSMITPAGE equ COMMAND+4
TRANSMITBYTECOUNT0 equ COMMAND+5
NCR equ COMMAND+5
TRANSMITBYTECOUNT1 equ COMMAND+6
INTERRUPTSTATUS equ COMMAND+7
CURRENT equ COMMAND+7
REMOTESTARTADDRESS0 equ COMMAND+8
CRDMA0 equ COMMAND+8
REMOTESTARTADDRESS1 equ COMMAND+9
CRDMA1 equ COMMAND+9
REMOTEBYTECOUNT0 equ COMMAND+0ah
REMOTEBYTECOUNT1 equ COMMAND+0bh
RECEIVESTATUS equ COMMAND+0ch
RECEIVECONFIGURATION equ COMMAND+0ch
TRANSMITCONFIGURATION equ COMMAND+0dh
FAE_TALLY equ COMMAND+0dh
DATACONFIGURATION equ COMMAND+0eh
CRC_TALLY equ COMMAND+0eh
INTERRUPTMASK equ COMMAND+0fh
MISS_PKT_TALLY equ COMMAND+0fh

```

```

;in page 1

```

```

PSTART equ 46h
PSTOP equ 80h

```

```

CGroup group Code
Code segment para public 'Code'
assume cs:CGroup, ds:CGroup, es:nothing, ss:nothing

```

```

rcr db 0 ;value for Recv config. reg
tcr db 0 ;value for trans. config. reg
dcr db 58h ;value for data config. reg
imr db 0bh ;value for intr. mask reg

```

```

;*****
DriverInitialize proc near
public DriverInitialize

mov al,21h ;stop mode.
mov dx,COMMAND
out dx,al

mov al,der
mov dx,DATACONFIGURATION ;data configuration register
out dx,al

mov dx,REMOTEBYTECOUNT0
xor al,al
out dx,al ;low remote byte count
mov dx,REMOTEBYTECOUNT1
out dx,al ;high remote byte count

mov al,rcr
mov dx,RECEIVECONFIGURATION ;receive configuration register
out dx,al

mov al,20h
mov dx,TRANSMITPAGE ;transmit page start
out dx,al

mov al,02
mov dx,TRANSMITCONFIGURATION ;temporarily go into Loopback mode
out dx,al

mov al,26h
mov dx,PAGESTART ;page start
out dx,al

mov dx,BOUNDARY ;boundary register
out dx,al
mov al,40h

mov dx,PAGESTOP ;page stop
out dx,al

mov al,61h ;go to page 1 registers
mov dx,COMMAND
out dx,al

mov al,26h
mov dx,CURRENT ;current page register
out dx,al

mov al,22h ;back to page 0, start mode
mov dx,COMMAND
out dx,al

mov al,0ffh
mov dx,INTERRUPTSTATUS ;interrupt status register
out dx,al

mov al,imr
mov dx,INTERRUPTMASK ;interrupt mask register
out dx,al

mov dx,TRANSMITCONFIGURATION
mov al,ter
out dx,al ;TCR in normal mode, NIC is now
;ready for reception

ret
DriverInitialize endp

Code ends
end

```

```

;*****
;                               DriverSend
;
; Either transmits a packet passed to it or queues up the
; packet if the transmitter is busy (COMMAND register = 26h).
; Routine is called from upper layer software.
;
;   Entry: ds:si => packet to be transmitted
;          cx => byte count of packet
;*****
;*****Equates for NIC Registers*****

COMMAND          equ      300h
PAGESTART        equ      COMMAND+1
PAGESTOP         equ      COMMAND+2
BOUNDARY         equ      COMMAND+3
TRANSMITSTATUS   equ      COMMAND+4
TRANSMITPAGE     equ      COMMAND+4
TRANSMITBYTECOUNT0 equ    COMMAND+5
NCR              equ      COMMAND+5
TRANSMITBYTECOUNT1 equ    COMMAND+6
INTERRUPTSTATUS  equ      COMMAND+7
CURRENT          equ      COMMAND+7      ;in page 1
REMOTESTARTADDRESS0 equ    COMMAND+8
CRDMAO          equ      COMMAND+8
REMOTESTARTADDRESS1 equ    COMMAND+9
CRDMA1          equ      COMMAND+9
REMOTEBYTECOUNT0 equ    COMMAND+0ah
REMOTEBYTECOUNT1 equ    COMMAND+0bh
RECEIVESTATUS   equ      COMMAND+0ch
RECEIVECONFIGURATION equ    COMMAND+0ch
TRANSMITCONFIGURATION equ    COMMAND+0dh
FAE_TALLY       equ      COMMAND+0dh
DATACONFIGURATION equ    COMMAND+0eh
CRC_TALLY       equ      COMMAND+0eh
INTERRUPTMASK   equ      COMMAND+0fh
MISS_PKT_TALLY  equ      COMMAND+0fh
IOPORT          equ      COMMAND+10h

PSTART          equ      46h
PSTOP           equ      80h
TRANSMITBUFFER  equ      40h

.CODE

DriverSend      proc   near
public          DriverSend
cli
mov             dx,COMMAND
in              al,dx      ;read NIC command register
cmp             26h        ;transmitting?
je              QueueIt    ;if so, queue packet

```

```
push    cx                ;store byte count
mov     ah,TRANSMITBUFFER
xor     al,al             ;set page to transfer packet to
call   PCtoNIC           ;transfer packet to NIC buffer RAM
mov     dx,TRANSMITPAGE
mov     al,TRANSMITBUFFER
out     dx,al            ;set NIC transmit page
pop     cx                ;get byte count back
mov     dx,TRANSMITBYTECOUNT0
mov     al,cl
out     dx,al            ;set transmit byte count 0 on NIC
mov     dx,TRANSMITBYTECOUNT1
mov     al,ch
out     dx,al            ;set transmit byte count 1 on NIC
mov     dx,COMMAND
mov     al,26h
out     dx,al            ;issue transmit to COMMAND register
jmp     Finished
```

```
QueueIt:
        call Queue_packet
Finished:
        ;enable interrupts
        sti
        ret
DriverSend
        endp
```

```

*****
;
;                               PcttoNIC
;
; This routine will transfer a packet from the PC's RAM
; to the local RAM on the NIC card.
;
;   assumes: ds: si = packet to be transferred
;           cx   = byte count
;           ax   = NIC buffer page to transfer to
*****

public  __PcttoNIC
PcttoNIC proc  far
push    ax                ; save buffer address
inc     cx                ; make even
and     cx,0fffeh
mov     dx,REMOTEBYTECOUNT0 ; set byte count low byte
mov     al,cl
out     dx,al
mov     dx,REMOTEBYTECOUNT1 ; set byte count high byte
mov     al,ch
out     dx,al
pop     ax                ; get our page back
mov     dx,REMOTESTARTADDRESS0 ; set as lo address
out     dx,al
mov     dx,REMOTESTARTADDRESS1 ; set as hi address
mov     al,ah
out     dx,al
mov     dx,COMMAND
mov     al,l2h
out     dx,al
mov     dx,IOPORT
shr     cx,1              ; need to loop half as many times
Writing_Word:
lodsw  dx,ax              ;because of word-wide transfers
out     dx,ax              ;load word from ds:si
loop   Writing_Word      ;write to IOPORT on NIC board
mov     cx,0
mov     dx,INTERRUPTSTATUS

CheckDMA:
in     al,dx
test   al,40h            ; dma done ???
jnz    toNICEND          ; if so, go to NICEND
jmp    CheckDMA          ;loop until done

toNICEND:
mov     dx,INTERRUPTSTATUS
mov     al,40h            ;clear DMA interrupt bit in ISR
out     dx,al
clc
ret

PcttoNIC  endp

```



```

;*****
;
;                               NICtoPC
;
; This routine will transfer a packet from the RAM
; on the NIC card to the RAM in the PC.
;
;   assumes: es: di = packet to be transferred
;           cx      = byte count
;           ax      = NIC buffer page to transfer from
;*****
public  _NICtoPC
_NICtoPC proc far
    push    ax                ; save buffer address
    inc     cx                ; make even
    and     cx,0fffh
    mov     dx,REMOTEBYTECOUNT0
    mov     al,cl
    out     dx,al
    mov     dx,REMOTEBYTECOUNT1
    mov     al,ch
    out     dx,al
    pop     ax                ; get our page back
    mov     dx,REMOTESTARTADDRESS0
    out     dx,al            ; set as low address
    mov     dx,REMOTESTARTADDRESS1
    mov     al,ah
    out     dx,al            ; set as hi address
    mov     dx,COMMAND
    mov     al,0ah            ; read and start
    out     dx,al
    mov     dx,IOPORT
    shr     cx,1              ; need to loop half as many times
                                ;because of word-wide transfers
Writing_Word:
    in     ax,dx
    stosw
    loop   Reading_Word
    mov     dx,INTERRUPTSTATUS
CheckDMA:
    in     al,dx
    test   al,40h
    jnz   ReadEnd
    jmp   CheckDMA
ReadEnd:
    out    dx,al              ; clear RDMA bit in NIC ISR
    ret
_NICtoPC endp

```

```

;*****
;
; DriverISR
;
; This interrupt service routine responds to transmit, transmit error, and
; receive interrupts (the PTX, TXE, and PRX bits in the INTERRUPT STATUS
; register) produced from the NIC. Upon transmit interrupts, the upper
; layer software is informed of successful or erroneous transmissions;
; upon receive interrupts, packets are removed from the Receive Buffer
; Ring (in local memory) and transferred to the PC.
;*****
;*****Equates for NIC Registers*****
COMMAND          equ 300h
PAGESTART        equ COMMAND+1
PAGESTOP         equ COMMAND+2
BOUNDARY         equ COMMAND+3
TRANSMITSTATUS  equ COMMAND+4
TRANSMITPAGE     equ COMMAND+4
TRANSMITBYTECOUNT0 equ COMMAND+5
NCR              equ COMMAND+5
TRANSMITBYTECOUNT1 equ COMMAND+6
INTERRUPTSTATUS equ COMMAND+7
CURRENT          equ COMMAND+7 ;in page 1
REMOTESTARTADDRESS0 equ COMMAND+8
CRDMA0          equ COMMAND+8
REMOTESTARTADDRESS1 equ COMMAND+9
CRDMA1          equ COMMAND+9
REMOTEBYTECOUNT0 equ COMMAND+0ah
REMOTEBYTECOUNT1 equ COMMAND+0bh
RECEIVESTATUS   equ COMMAND+0ch
RECEIVECONFIGURATION equ COMMAND+0ch
TRANSMITCONFIGURATION equ COMMAND+0dh
FAE_TALLY       equ COMMAND+0dh
DATACONFIGURATION equ COMMAND+0eh
CRC_TALLY       equ COMMAND+0eh
INTERRUPTMASK   equ COMMAND+0fh
MISS_PKT_TALLY  equ COMMAND+0fh

PSTART          equ 46h
PSTOP           equ 80h

CGroup group Code
Code segment para public 'Code'
    assume cs:CGroup, ds:CGroup, es:nothing, ss:nothing
; External routines
    extrn DriverSend: near
byte_count dw ?
imr         db 1bh ;image of Interrupt Mask register

```

```

;*****
; Begin of Interrupt Service Routine
;*****
netisr proc near
    public netisr
        cli
        push ax                ;save regs
        push bx
        push cx
        push dx
        push di
        push si
        push ds
        push es
        push bp
        mov al,0bch
        out 2lh,al            ;turn off IRQ3
        sti
        mov ax,CGroup
        mov ds,ax            ;ds=cs

;*****
; Read INTERRUPT STATUS REGISTER for receive packets, transmitted
; packets and errored transmitted packets.
;*****

poll:
    mov dx,INTERRUPTSTATUS
    in al,dx
    test al,1                ;packet received?
    jnz pkt_recv_rt
    test al,0ah              ;packet transmitted?
    jz exit_isr              ;no, let's exit
    jmp pkt_tx_rt

exit_isr:
    mov dx,INTERRUPTMASK    ;disabling NIC's intr
    mov al,0
    out dx,al
    cli
    mov al,0b4h              ;turn IRQ3 back on
    out 2lh,al
    mov al,63h                ;send 'EOI' for IRQ3
    out 20h,al
    sti

    mov dx,INTERRUPTMASK    ;NOTE: intr from the NIC
    mov al,imr                ; are enabled at this point so
    out dx,al                ; that the 8259 interrupt
                            ; controller does not miss any
                            ; IRQ edges from the NIC
                            ; (IRQ is edge sensitive)

    pop bp
    pop es
    pop ds
    pop si
    pop di
    pop dx
    pop cx
    pop bx
    pop ax
    iret

```

```

;*****
; Packet Receive Routine (pkt_rcv_rt) - clears out all good
; packets in local receive buffer ring. Bad packets are ignored.
;*****

pkt_rcv_rt:
    mov dx,INTERRUPTSTATUS
    in  al,dx
    test al,10h          ;test for a Ring overflow
    jnz ring_ovfl
    mov al,1
    out dx,al           ;reset PRX bit in ISR
    mov ax,next_packet
    mov cx,packet_length
    mov es,seq_rcv_pc_buff
    mov di,offset_rcv_pc_buff
    NICtoPC

;*****
;
; Inform upper layer software of a received packet to be processed
;
;*****
; checking to see if receive buffer ring is empty
check_ring:
    mov dx,BOUNDARY
    in  al,dx
    mov ah,al           ;save BOUNDARY in ah
    mov dx,COMMAND
    mov al,62h
    out dx,al          ;switched to pg 1 of NIC
    mov dx,CURRENT
    in  al,dx
    mov bh,al          ;bh = CURRENT PAGE register
    mov dx,COMMAND
    mov al,22h
    out dx,al          ;switched back to pg 0
    cmp ah,bh          ;rcv buff ring empty?
    jne pkt_rcv_rt
    jmp poll

;*****
;
; The following code is required to recover from a Ring overflow.
; See Sec. 2.0 of datasheet addendum.
;
;*****

ring_ovfl:
    mov dx,COMMAND
    mov al,21h
    out dx,al          ;put NIC in stop mode

    mov dx,REMOTEBYTECOUNT0
    xor al,al
    out dx,al
    mov dx,REMOTEBYTECOUNT1
    out dx,al

    mov dx,_INTERRUPTSTATUS
    mov cx,7ffh        ;load time out counter

```

```

wait_for_stop:
    in    al,dx
    test  al,80h                ;look for RST bit to be set
    loop  wait_for_stop        ; if we fall thru this loop, the RST bit may not get
                                ; set because the NIC was currently transmitting

    mov   dx,TRANSMITCONFIGURATION
    mov   al,2
    out   dx,al                ;into loopback mode 1
    mov   dx,COMMAND
    mov   al,22h
    out   dx,al                ;into stop mode

    mov   ax,next_packet
    mov   cx,packet_length
    mov   es,seg recv_pc_buff
    mov   di,offset recv_pc_buff
    NICToPC

    mov   dx,INTERRUPTSTATUS
    mov   al,10h
    out   dx,al                ;clear Overflow bit

    mov   dx,TRANSMITCONFIGURATION
    mov   al,tcr
    out   dx,al                ;put TCR back to normal mode
    jmp   check_ring

;*****
;
;   packet_transmit_routine (pkt_tx_rt) -determine status of
;   transmitted packet, then checks the transmit-pending
;   queue for the next available packet to transmit.
;
;*****

pkt_tx_rt:
    mov   dx,INTERRUPTSTATUS
    mov   al,0ah
    out   dx,al                ;reset PTX and TXE bits in ISR

    mov   dx,TRANSMITSTATUS    ;check for erroneous TX
    in    al,dx
    test  al,38h                ;is FU, CRS, or ABT bits set in TSR
    jnz   bad_tx

;*****
;   Inform upper layer software of successful transmission
;*****

    jmp   chk_tx_queue

bad_tx:                ;in here if bad TX

;*****
;
;   Inform upper layer software of erroneous transmission
;
;*****

```

```
chk_tx_queue:
    call Check_Queue      ; see if a packet is in queue
                        ; assume Check_Queue will a non-zero
    cmp  cx,0            ; value in cx and pointer to the
    je   poll            ; packet in DS:SI if packet is
    call DriverSend      ; available. Returns cx = 0 otherwise
    jmp  poll
netisr endp
```

DP83905EB-AT AT/LANTIC™ Evaluation Board

National Semiconductor
Application Note 875
Rick Willardson



AN-875

1.0 OVERVIEW

The DP83905EB-AT AT/LANTIC Demonstration board provides system designers with complete 16-bit 10BASE-T, 10BASE2 and 10BASE5 Ethernet Solutions in a half-size, jumperless, ISA adapter card. The board uses only four ICs and can be configured as either a shared memory or an I/O port adapter card. All of the bus interface logic is implemented in the DP83905, AT Local Area Network Twisted Pair Interface Controller (AT/LANTIC). The AT/LANTIC uses an E²PROM to store the board's IEEE node address and it's own configuration information. It uses two 8k x 8 SRAMs for buffering packets to and from the network.

The DP83905 has a built in Manchester Encoder/Decoder and Twisted Pair Transceiver. This allows the AT/LANTIC to transmit and receive packets on a 10BASE-T network with the addition of only a filter and some discrete components. An AUI interface on the AT/LANTIC can also be used to run a 10BASE5 or 10BASE2 network with the addition of two 1:1 pulse transformers, a DC-DC Converter and the DP8392 Coaxial Transceiver Interface (CTI). Refer to the schematic at the end of this Application Note.

2.0 ARCHITECTURAL FEATURES

- Designed with the DP8390 Network Interface Controller, NIC
- Complete Ethernet solution with only 4 ICs
- Board options are configurable in software
- Half-size PC-AT® adapter card
- 2 Modes for ISA interface—Shared Memory or I/O Port (NE2000*plus*™ compatible)
- 10BASE-T, 10BASE2 or 10BASE5 connectivity
- Serial EEPROM stores IEEE address and AT/LANTIC configuration while using less power than a typical bipolar PROM
- Surface mount technology on most parts
- Boot PROM socket to allow diskless boot from NetWare™, LANManager and other network operating systems
- Able to select one of eight interrupts

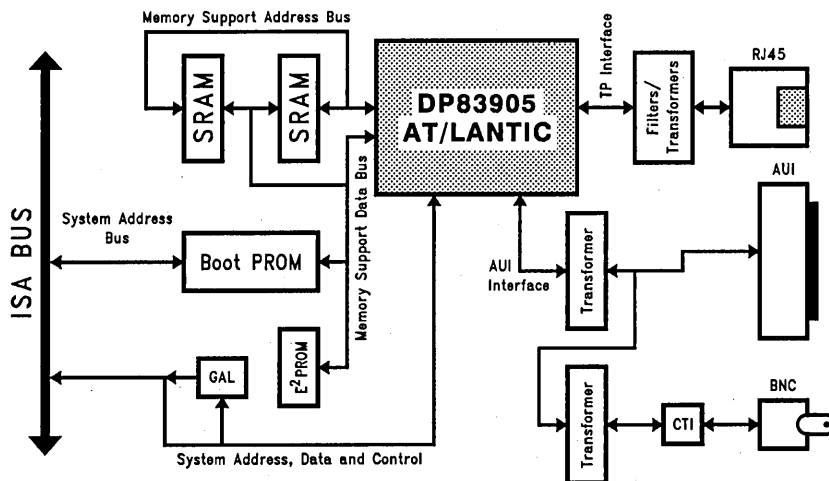


FIGURE 1. DP83905EB-AT Block Diagram

TL/F/11786-1

1

3.0 BOARD DESIGN AND LAYOUT

Figure 2 shows the part placement and power plane layout for the DP83905EB-AT Demonstration Board. The design is straight forward because all of the bus interface logic, including the 24 mA ISA bus drivers, is internal to the AT/LANTIC. The Twisted Pair interface is simple as the TPI transceiver is also internal to the AT/LANTIC. Thin Ethernet (10BASE2) is achieved with the addition of a DP8392CV CTI device and a DC-DC converter.

3.1 ISA Bus Interface

All of the ISA Bus interconnects of the AT/LANTIC can be directly routed to the ISA Bus connector. Changing the physical placement of the AT/LANTIC may make these traces easier to route, but in order to keep the Twisted Pair interface traces as short as possible, the AT/LANTIC should be placed as close as possible to the card's metal bracket. This makes the routing of the ISA Bus traces longer and hence noisier. To filter low frequency noise (kHz range) on the bus a 22 μ F decoupling capacitor was placed near the bus connector between power and ground.

The Boot PROM address lines also come directly from the ISA Bus connector. The reason for this is that the AT/LANTIC's Memory Support Address Bus does not buffer address bit A0 which is needed by the boot PROM (the AT/LANTIC only does word aligned transfers when in 16-bit mode). Boot PROM addresses must come directly off the ISA Bus where byte or word aligned transfers may be used by software. The physical location of the PROM is not critical.

3.2 Memory Support Bus Interface

The Memory Support Interface is that part of the design which is used by the AT/LANTIC's Local DMA and Auto-Configuration. This includes the SRAMs and the E²PROM.

Figure 1 shows how both SRAMs and the E²PROM are connected to the Memory Support Bus of the AT/LANTIC. The AT/LANTIC uses the SRAM (8k x 16) for buffering transmit and receive packets and it uses the E²PROM to store the IEEE Node Address, a checksum, a board type, Configuration Registers A, B and C and codes which determine the data width in which the board is to run. Primarily the E²PROM is used on start up; once the AT/LANTIC reads the configuration data and the IEEE node address out of the E²PROM, this information is stored in the AT/LANTIC and made accessible by software.

In order to change the boot configuration of the board, the current configuration is changed in software and the AT/LANTIC downloads the new configuration to the E²PROM. The new configuration will be stored so that when the board is powered up again, the new configuration will be loaded. (See Section 4.0—older designs required hardware jumpers to do this). The E²PROM that the AT/LANTIC uses (NM93C06) is a serial device. The AT/LANTIC uses its MSD0–2 pins for Serial Data Out, Serial Data In and Clock to the E²PROM when reading or writing it.

The two RAMs provide 16 kbytes of memory for the AT/LANTIC to use for buffering received packets and for the system to use for buffering transmit packets. In Shared RAM mode the RAM logically resides in system memory, but it must still be connected to the AT/LANTIC's Memory Support Bus. The AT/LANTIC buffers the data and address from the ISA Bus, decodes the address and drives chip select and the read or write strobe to the RAM. Note that the board was designed to accommodate either DIP or SOP SRAMs.

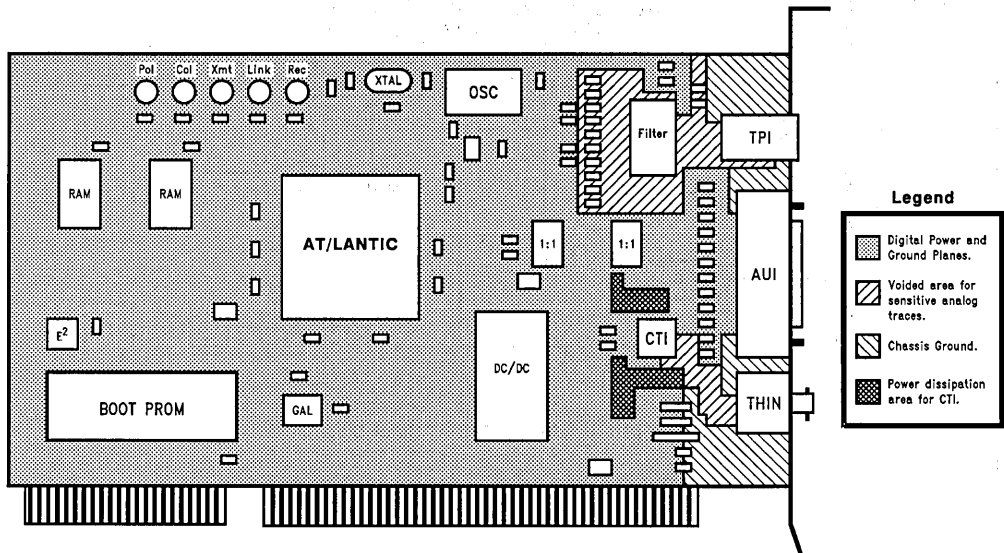


FIGURE 2. DP83905EB-AT Board Layout and Component Placement

TL/F/11786-2

3.3 AT/LANTIC

Some design and layout considerations were made with respect to the DP83905. These are described in the following three sections.

3.3.1 Crystal and Oscillator Design

The AT/LANTIC has been designed to operate with either a crystal or an oscillator module. The DP83905EB-AT comes assembled with the crystal option. If an oscillator module is used, the crystal and the load capacitors C1 and C2 must be removed from the board. If the capacitors are not removed, they will create excessive loading on the clock which may stop the card from working. When mounting an oscillator, it should be raised slightly off the board so that it is not touching the metal pads for the capacitors C1 and C2 (some oscillator modules have built-in insulating raisers).

There are two layout considerations with respect to the clock. First, the traces for the clock should be short and the crystal or oscillator should be placed close to the AT/LANTIC (see *Figure 2*). Second, if a standard size crystal is being used and it must lie flat on the PC board, the power planes should be voided in that area. Note that on the DP83905EB-AT a low-profile crystal is being used that is not laying down. In this situation, it is not critical that the power planes be removed.

3.3.2 Decoupling for the AT/LANTIC

The AT/LANTIC, like any other VLSI device, is composed of multiple functional/logic blocks. In some cases, these blocks run off of separate power rails internal to the part. Some of these blocks (such as the Twisted Pair Transceiver) can be quite susceptible to noise. Not only can the input signals couple noise from the board and environment, but output signals can transmit noise to the environment. Also, since the separate power pins are all connected to the same 5V supply in the PC, other noisy power signals can affect power supplies that need to be kept noise free. By separately decoupling the supply pins to the AT/LANTIC, the internal supplies are reasonably isolated from each other. Instead of placing decoupling capacitors near the AT/LANTIC, place the decoupling capacitors directly to the power pins. Each of the seven blocks within the AT/LANTIC should be decoupled by at least one 0.01 μF capacitor. Thus, each of the power rails in the chip has independent decoupling. This minimizes EMI and reduces power supply noise.

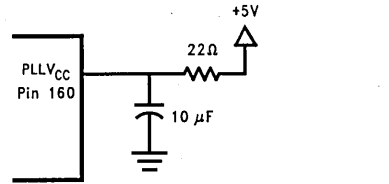
Another area of concern is the AT/LANTIC's ISA bus interface. This section is driving the ISA bus with 24 mA bus drivers. Not only is the current high, but the rise and fall times of the bus signals are fast. By decoupling the ISA interface supply, noise produced by these drivers is reduced.

Decoupling of noise from the PC bus is achieved using 0.01 μF and 22 μF capacitors (used to filter out lower frequency noise in the order of a few kHz). One 22 μF is placed near the media end of the board and the other near the ISA bus connector.

3.3.3 PLL Power Supply Noise

The VCO (Voltage Controlled Oscillator) block of the receive PLL (Phase-Lock Loop) within the AT/LANTIC is sensitive to noise in the frequency range of 10 kHz to 400 kHz. As little as 100 mV of noise in this range can cause the PLL

to lose lock on an incoming packet. In order to improve the performance of the PLL, a single pole filter should be used on the PLL power supply pin. This is shown below in *Figure 3*.



TL/F/11786-3

FIGURE 3. PLL V_{CC} Noise Filter

3.4 Twisted Pair Interface (TPI)

This section refers to the layout diagram in *Figure 2*, of this Application Note.

The Twisted Pair Interface of the DP83905EB-AT is simple: the only components needed external to the AT/LANTIC are the pre-emphasis resistors, some capacitors, a transformer/filter module and, of course, the RJ45 modular connector. Resistors R19-22 (refer to the schematic at the end of this application note) provide the preemphasis for the TXO \pm output as described in the AT/LANTIC datasheet. R23 damps the TXO \pm output undershoot. Resistors R24 and R25 terminate the receive Twisted Pair line. C9, C43-C45 filter out the common mode noise in the transformer/filter. C46 and C47 filter out the high frequency noise harmonics on the TXO \pm output. All these components together with the transformer/filter module should be placed as close to the AT/LANTIC's twisted pair interface pins as possible. The traces should be kept straight and should not run near any other traces. The traces on the cable side of the transformer/filter module to the RJ45 connector should be kept short and straight too. Additionally, make sure that all differential traces are tracked in parallel so they are equi-length and will pick up the same amount of common mode noise.

The entire area under all of these signals should be voided of signal traces and power planes, as these could couple noise into the Tx/Rx signals. This is shown in *Figure 2*. This part of the circuit is very critical and will affect FCC test results directly. Precaution should be taken during layout to ensure that noise is reduced as much as possible.

3.5 Attachment Unit Interface (AUI)

The DP83905EB-AT can be used with an external Medium Attachment Unit (MAU) so that connectivity to 10BASE5 or another medium can be achieved. This interface is via the 15-pin D-type connector and is a direct interface to the AT/LANTIC's ENDEC. The AT/LANTIC's ENDEC requires two 270 Ω pull-down resistors on the transmit outputs and 78 Ω terminations on the receive and collision inputs. Also, the RX, TX and CD lines must be AC coupled using a standard 1:1 pulse transformer. This is the only design requirement for the AUI interface: it is needed to isolate the AT/LANTIC from DC fault conditions. Although these differential signals are not as noise sensitive as the Twisted Pair inputs, care should still be taken when laying out this section of the board. It is not necessary to void the power planes under them.

3.6 Coaxial Transceiver Interface (CTI)

This section refers to the layout diagram in *Figure 2* of this application note.

The Coax Transceiver Interface (DP8392CV) should be placed very close to the BNC connector. This will allow the TXO/RXI trace to be short and straight. The area under this trace should be voided of all other signals and power planes (as shown in *Figure 2*) in order to meet the IEEE 802.3 input capacitance requirement. The BNC connector on the demonstration board is a standard part, however, "quiet" connectors are readily available to reduce noise for performance and FCC qualification. The CTI requires an area of copper on the top of the board for heat dissipation. This is also shown in *Figure 2* and is documented in the DP8392CV datasheet. The ground shield of the BNC connector (and of the coax cable) is resistively and capacitively decoupled to chassis ground. There is a chassis ground strip on each layer of the board running from the top to the bottom of the PC board. This is connected to the chassis of the PC through the 15-pin AUI connector's body metal. Chassis ground is then capacitively decoupled to digital ground. The chassis ground trace along the front of the board forms a "shield" so that noise is not emitted into or received from the environment.

In order to provide a jumperless solution, a 1:1 transformer is required between the CTI and the 15-pin AUI connector. This provides 500V isolation between the CTI and the DTE ground as required by the IEEE 802.3 specification.

3.6.1 DC-DC Converter Solution

The DP83905EB-AT has been designed to use a standard DC-DC converter which operates from a 12V supply and meets the specifications of the DP8392CV. When the AT/LANTIC is programmed for Thin Ethernet, the THIN output is driven high to turn on the DC-DC converter. For Thick Ethernet and Twisted Pair (10BASE5/T) the AT/LANTIC drives the THIN output low, turning off the DC-DC converter.

Table I shows the possible settings for bits PHYS1 and PHYS0, the Physical Layer Interface selection bits in Configuration Register B. When programmed as [0 1] the THIN output of the AT/LANTIC will go high which will turn on the DC-DC converter. When programmed to any other combination the THIN output will go low, turning the DC-DC converter off.

TABLE I. Physical Medium Selection

PHYS1-0	Media
0 0	10BASE-T
0 1	10BASE2
1 0	AUI (10BASE5)
1 1	TPI (RSL)

3.7 Interrupt Scheme

The DP83905EB-AT will support the selection of one of eight host interrupts. (Encoded mode.)

To program the AT/LANTIC to use the encoded mode interrupt scheme, set the INTMODE bit in Configuration Register C HIGH (logic 1)—see Section 4.3 for details. INT3 is the active interrupt output and INTO, 1, 2 are programmable outputs containing the values in bits 3-5 of configuration register A.

The DP83905EB-AT connects the AT/LANTIC's INT0-3 pins to the inputs of a 16V8 GAL. The GAL maps the INTO-2 inputs to the host's interrupts, as shown in *Figure 4* and Table II. This interrupt scheme is Novell NE2000plus compatible. The INT3 pin from the AT/LANTIC strobes true when an interrupt is generated by the AT/LANTIC's internal circuitry. The selected interrupt is output on the GAL (strobes LOW) for the duration of the INT3 strobe.

This means that the interrupt outputs are intended for use in an edge triggered interrupt environment. They will not function correctly in a machine with level triggered interrupts—interrupts may be missed.

By definition the ISA bus uses edge triggered interrupts, however, in an EISA machine, interrupts can be system selected to be either edge or level triggered.

```

IRQ3.OE = !INT3 & !INT2 & !INT1 & !INT0;
IRQ3 = 0;
IRQ4.OE = !INT3 & !INT2 & !INT1 & INTO;
IRQ4 = 0;
IRQ5.OE = !INT3 & !INT2 & INT1 & !INT0;
IRQ5 = 0;
IRQ9.OE = !INT3 & !INT2 & INT1 & INTO;
IRQ9 = 0;
IRQ10.OE = !INT3 & INT2 & !INT1 & !INT0;
IRQ10 = 0;
IRQ11.OE = !INT3 & INT2 & !INT1 & INTO;
IRQ11 = 0;
IRQ12.OE = !INT3 & INT2 & INT1 & !INT0;
IRQ12 = 0;
IRQ15.OE = !INT3 & INT2 & INT1 & INTO;
IRQ15 = 0;

```

FIGURE 4. GAL Contents

TABLE II. Interrupt Selection

INT 2, 1, 0	Interrupt Level
0 0 0	IRQ 3
0 0 1	IRQ 4
0 1 0	IRQ 5
0 1 1	IRQ 9
1 0 0	IRQ 10
1 0 1	IRQ 11
1 1 0	IRQ 12
1 1 1	IRQ 15

3.8 Status LEDs

Five LEDs are located at the top of the board to indicate network status. The LEDs from left to right are: POLARITY (POL), COLLISION (COL), TRANSMIT (XMT), LINK (LNK) and RECEIVE (REC).

The POL LED is lit when the TPI module detects seven consecutive link pulses or three consecutive receive packets with reversed polarity.

The COL LED is lit for approximately 50 ms whenever a collision is detected.

The XMT LED is lit for approximately 50 ms whenever the AT/LANTIC controller transmits data.

In TPI mode, the LNK LED is lit while link pulses are being received. This indicates that the twisted-pair connection is active.

The REC LED is lit for approximately 50 ms whenever received data is detected.

3.9 Bed-of-Nails Testing

The DP83905EB-AT supports in-circuit testing to ensure that the board has been assembled correctly with working parts. The schematic for the board shows each of these points (TPxx) as test points. Physically, they are holes on the board or surface mount pads. Every node on the board that does not include a through hole part has an associated test point. The AT bus signals are also brought out to test points. This allows a bed-of-nails tester to probe every node of the board.

4.0 CONFIGURATION OPTIONS

Please refer to the AT/LANTIC hardware and software design guides for a more detailed explanation of this section.

The DP83905EB-AT does not require jumpers because all the configuration options for the board can be programmed by software. The serial E²PROM can also be written to by the AT/LANTIC, allowing the configuration to be changed and saved. The memory map of the E²PROM is shown in Table III.

TABLE III. E²PROM Contents

	D15–D8	D7–D0
0FH	73H	Config. Reg. C
0EH	Config. Reg. B	Config. Reg. A
0DH	Not used	Not used
0CH	Not used	Not used
0BH	Not used	Not used
0AH	Not used	Not used
09H	Not used	Not used
08H	42H	42H
07H	57H	57H
06H	Not used	Not used
05H	Not used	Not used
04H	Not used	Not used
03H	Checksum	Board Type
02H	E'Net Address 5	E'Net Address 4
01H	E'Net Address 3	E'Net Address 2
00H	E'Net Address 1	E'Net Address 0

The fields in the E²PROM are defined as:

CONFIG REG. A—Stores base I/O Address and Interrupt number that the board is currently using. The AT/LANTIC has write access to this location. See bit description in Section 4.1.

CONFIG REG. B—Stores Physical Layer Interface and programmable bus options. The AT/LANTIC has write access to this location. See bit description in Section 4.2.

CONFIG REG. C—Stores Boot PROM address and other hardware specific configuration options. The AT/LANTIC cannot write to this location. See bit description in Section 4.3.

42H—This location (08H) must contain 42H (ASCII "B"). When DWID is low, the software will read this location in the PROM Store of the AT/LANTIC and determine that the board is in an 8-bit slot. The AT/LANTIC cannot write to this location.

57H—This location (07H) must contain 57H (ASCII "W"). When DWID is high, the software will read this location in the PROM Store of the AT/LANTIC and determine that the board is in a 16-bit slot. The AT/LANTIC cannot write to this location.

CHECKSUM—This location is only used in Shared RAM mode. The checksum is used to verify the Ethernet Address and the board type. The two's complement addition of the last eight bytes (03H–00H) must equal FFH, otherwise there is an error. The value of the checksum is determined from this. The AT/LANTIC cannot write to this location.

BOARD TYPE—This location is only used in Shared RAM mode. The Board Type indicator tells the network driver what hardware is being used. The AT/LANTIC cannot write to this location. When the board is configured to operate in WD8013EBT compatible Shared RAM mode, the Board Type should be 05H.

ETHERNET ADDRESS—The last six bytes of the E²PROM contain the Ethernet Address which is issued by the IEEE. These bytes must be programmed uniquely prior to fitting the device onto the board, as the AT/LANTIC is unable to write to these locations.

4.1 Configuration Register A

Please refer to the AT/LANTIC datasheet for a detailed description of the bits in Configuration Register A. The following descriptions show the bit definitions and their default settings.

IOAD2–0 (D2–D0)—The Base I/O Address for the DP83905EB-AT is programmed by these three bits. When programmed to [0 0 1], the AT/LANTIC will power up in software mode and not respond to any I/O Address. However, it will monitor the parallel port (278H) for four consecutive writes. On the fourth write to 278H, bus data will be loaded into Configuration Register A, setting the I/O address for the board. This is done so that the board will not conflict with other I/O slaves in the PC. The method the AT/LANTIC uses for monitoring the parallel port and activating configuration load is unique; no other device/software is likely to perform four consecutive writes to this location. Note that the DP83905EB-AT is shipped in this mode. When run the first time, the base I/O address must be changed using the ATLES software package.

INT2–0 (D5–D3)—Based on Configuration Register C, these three bits select which Interrupt line is directly driven or which decode is used for coded interrupts. The DP83905EB-AT comes programmed to drive coded interrupt 3. [INT2–0 = 0 0 0].

FREAD (D6)—This enables the Fast Read option of the AT/LANTIC's Remote DMA Read operation. The DP83905EB-AT is shipped with the FREAD function disabled. [FREAD = 0].

MEMIO (D7)—Selects either I/O Port mode or Shared RAM mode. The DP83905EB-AT comes configured to run in I/O Port mode. [MEMIO = 0].

4.2 Configuration Register B

Please refer to the AT/LANTIC Datasheet for a detailed description of the bits in Configuration Register B. The following descriptions show the bit definitions and their default settings.

PHYS1-0 (D1-D0)—The Physical Layer Interface bits select the type of physical layer being used on the board. This could be 10BASE-T, 10BASE2, AUI (10BASE5) or Reduced Squelch Twisted Pair. The DP83905EB-AT comes configured to use 10BASE2. [PHYS1,0 = 0 1].

GDLNK (D2)—This bit enables link test pulse generation and integrity checking when using twisted pair. It can also be read to indicate status. Link pulse generation and checking is disabled by writing a 1 to this bit. The DP83905EB-AT is shipped with link testing enabled.

IO16CON (D3)—One of two methods of generating $\overline{IO16}$ is chosen using this bit. In normal operation, $\overline{IO16}$ is driven off of the address decode. $\overline{IO16}$ can be configured to be driven from the slave read or write strobe by this bit. The DP83905EB-AT, as shipped, will generate $\overline{IO16}$ from address decode. [IO16CON = 0].

CHRDY (D4)—The way the AT/LANTIC drives $\overline{IOCHRDY}$ can be selected by programming this bit. When low, the AT/LANTIC will drive $\overline{IOCHRDY}$ after a slave strobe is asserted. When high, the AT/LANTIC will drive $\overline{IOCHRDY}$ on BALE being asserted; this may be required when being used with some AT bus chipsets that sample $\overline{IOCHRDY}$ early. The DP83905EB-AT, as shipped, will drive $\overline{IOCHRDY}$ after slave strobe is asserted.

BE (D5)—This bit can be read by software to determine if there was a Bus Error. A bus error will occur if the AT/LANTIC attempts to insert wait states into a system access and the system terminates the cycle without inserting wait states.

BPWR (D6)—This bit protects Boot PROM write cycles. When high, the AT/LANTIC can generate write cycles to the Boot PROM. This feature is intended for use with writeable Boot storage devices. The DP83905-AT is not shipped with a Boot PROM, so this is programmed low.

EELoad (D7)—The EELoad bit enables/disables the AT/LANTIC from writing the configuration information into the E2PROM. This bit must be set before running the E2PROM load algorithm documented in the AT/LANTIC datasheet.

4.3 Configuration Register C

Please refer to the AT/LANTIC Datasheet for a detailed description of all the bits in Configuration Register C. The following descriptions show the bit definitions and their default settings.

BPS3-0 (D3-D0)—These four bits select the memory address and size of the Boot PROM. If BPS3-0 is equal to [0 0 0 X], the Boot PROM is disabled. The DP83905EB-AT comes configured to operate without the boot PROM.

COMP—When this bit is programmed high, the AT/LANTIC's memory uses the full 64 kbytes of RAM. When low, the memory map is compatible with either the NE2000*plus* or the WD8013EBT (16 kbytes of RAM). The DP83905EB-AT is configured to run in compatible mode.

INTMODE—This bit selects which mode the AT/LANTIC's interrupt will run. When low, direct drive interrupts are used. When high, coded interrupts are used. The DP83905 is configured to use coded interrupts.

CLKSEL—When low, the NIC core of the AT/LANTIC is clocked by the 20 MHz clock on the X1 input. When high, an external clock other than 20 MHz can be used to clock BSCK. The DP83905EB-AT is configured to run on the internal 20 MHz clock.

SOFEN—This bit enables the software to update configuration registers A and B. When high, the configuration registers are not accessible by software. The DP83905EB-AT is configured to allow software to update the configuration registers.

5.0 FUNCTIONAL OPERATION

The DP83905EB-AT takes advantage of the AT/LANTIC's ability to function in either Shared RAM mode or I/O Port mode. When in Shared RAM mode, the AT/LANTIC's bus interface is configured such that the local RAM on the board is mapped into system memory as well as the AT/LANTIC's memory. This allows the driver to have direct access to the AT/LANTIC's local memory. In I/O Port mode, the local RAM on the board is only mapped in the AT/LANTIC's address space. This permits the AT/LANTIC to have sole ownership of the RAM. The network driver has access to the RAM through a data latch, which is in I/O space.

In both architectures, the AT/LANTIC uses the local RAM to buffer both transmit and receive packets. During transmissions, the driver will write Ethernet packets into a designated block in the RAM, typically called the Transmit Buffer. In most cases, the transmit buffer is large enough for only one packet, and although they can be, packets are not queued for transmission. When the entire packet is written to memory and the AT/LANTIC is programmed to perform a transmission, the AT/LANTIC will begin reading the packet and storing it in blocks of bytes or words into its FIFO. From the FIFO, the data is serialized, encoded and transmitted to the network.

In a like manner, the AT/LANTIC uses the local RAM to store packets as they are received from the network. The AT/LANTIC's Receive Buffer is organized as a ring (or FIFO) so that multiple packets can be buffered and at the same time the network driver can read packets that have already been received. As packets are received into the AT/LANTIC's FIFO from the network, the AT/LANTIC's DMA puts the packet data into the local RAM. After packets have been buffered by the AT/LANTIC, the network driver will read the packets out of the buffer ring. Sections 5.1 and 5.2 describe how the AT/LANTIC operates in each of its bus modes. Sections 5.3 and 5.4 briefly describe the transmit and receive operations.

5.1 Shared RAM Mode

With the AT/LANTIC configured to operate in Shared RAM Mode, the DP83905EB-AT is hardware compatible with a WD8013EBT card. Changes to the EEPROM contents are needed for the WD8013EBT drivers to run.

While operating in Shared RAM mode, the local RAM on the DP83905EB-AT can be mapped into system memory at one of several different locations. The upper and lower address decode and memory width can be selected by the Shared Memory Control Registers of the AT/LANTIC. The depth of the memory can be selected in Configuration Register C by setting the compatible (COMP) bit. This will configure the RAM to be either 16 kbytes (compatible with the NE2000*plus* and WD8013EBT) or 64 kbytes. The local buffer RAM is then accessible to both the AT/LANTIC and the ISA bus. An arbiter, internal to the AT/LANTIC, will determine which device currently has access to the RAM. The AT/LANTIC will only access the RAM during local DMA burst cycles for transmit and receive operations, however, it is critical that the AT/LANTIC is granted the bus within a short time after requesting it. For this reason, the arbiter will grant access to the internal NIC core in the event that both the AT/LANTIC and the host request the local bus at the same time. This arbitration is transparent to both the hardware and the network driver.

5.2 I/O Port Mode

If the AT/LANTIC is configured for I/O Port Mode, the DP83905EB-AT will be hardware compatible with an NE2000*plus* card. The NE2000*plus* network drivers will then run on the DP83905EB-AT.

In I/O Port mode, the AT/LANTIC is configured to use the Remote DMA function of the NIC core. In this mode of operation, the local RAM of the DP83905EB-AT is accessible only by the AT/LANTIC. In order for the driver to read any packets from the buffer ring or write any packets into the transmit buffer, the AT/LANTIC must be programmed to perform a remote DMA cycle. To execute a Remote DMA, the bus interface logic of the AT/LANTIC performs a simple handshake between the ISA bus and the NIC core through a D-type data latch (internal to the AT/LANTIC). For a remote DMA read, the AT/LANTIC will read a byte/word of data from the local memory and write it to the data latch. At the same time an I/O read cycle is executed by the host and the data is read from the latch. The handshake logic will wait state the ISA bus if the data is not ready when the read strobe becomes active. In a like manner, the AT/LANTIC will read data from the latch and write it to the local RAM during a remote DMA write.

As in Shared RAM mode, the AT/LANTIC's registers are accessible in I/O space. There is the addition of a hardware RESET port which can be driven by reading and writing to I/O location BASE + 18H, where BASE is the I/O base address chosen in Configuration Register A. The registers, data latches and reset port occupy 16 bytes of I/O space. Unlike Shared RAM mode, the Ethernet Address PROM is not located in I/O space. It is accessible only by the AT/LANTIC, so a remote DMA read is used to obtain its contents. In both I/O mode and Shared RAM mode, the Ethernet Address PROM is not a physical device, but a dynamic copy of the Ethernet address and other information (from the E²PROM) held in the AT/LANTIC.

5.3 Transmit

The DP83905EB-AT can transmit and receive Ethernet packets on the three basic types of media available today. A twisted pair transceiver internal to the AT/LANTIC allows easy connectivity to a 10BASE-T network. The transceiver

provides link integrity checking, polarity detection and correction and pre-emphasis of the transmit output. The AT/LANTIC can also be configured to use its AUI interface for connection to a MAU (10BASE2/5/F/T) or on board 10BASE2 transceiver.

To transmit a packet, there are three basic steps that need to be taken. Please refer to *Figure 1* of this Application Note. First, the packet that is to be transmitted is loaded into the AT/LANTIC's buffer RAM by the host. The packet must consist of a destination address, a source address, length and data. If the data is less than 48 bytes, it must be padded with arbitrary data so that the entire packet is 64 bytes as required by the IEEE 802.3 standard. (This is not a requirement of the AT/LANTIC.) Next, once the packet is in RAM, the host programs the local DMA registers with the location and length of the packet to be transmitted. Lastly, the host issues the transmit command to the AT/LANTIC and the AT/LANTIC will start transmitting the packet.

The first activity the AT/LANTIC does is a prefetch to load the FIFO with data. Next, the NIC core of the AT/LANTIC will start sending preamble in NRZ format to the ENDEC. The ENDEC, in turn, encodes the data with the transmit clock in Manchester format and drives a differential transmit pair to either the internal twisted pair transceiver or to the AUI port of the AT/LANTIC. The twisted pair transceiver then drives the TXO outputs while pre-emphasizing the signal to eliminate inter-symbol jitter. If 10BASE2 is being used, the DP8392CV receives the differential transmit data from the AT/LANTIC and drives the coax line with a single-ended signal. Both transceivers will monitor the network for collisions.

In the event that there is a collision, the transceiver will drive a 10 MHz signal on the Collision Detect differential pair. The ENDEC will then drive a collision signal to the NIC core so that the Ethernet MAC control section of the NIC will implement the collision backoff algorithm and attempt re-transmission.

After the preamble and start-of-frame delimiter have been transmitted, the AT/LANTIC will serialize bytes from the FIFO and transmit them in the manner described above. When the FIFO empties to a pre-set threshold, the AT/LANTIC will fetch more data from the local RAM using its local DMA function. As the data is being transmitted, a Cyclic Redundancy Check (CRC) is continuously being calculated. After all the data has been transmitted, the 4 byte CRC value is transmitted. This allows receiving stations to check the received packet for data integrity.

5.4 Receive

Receiving a packet is almost the exact opposite of transmitting a packet. The functional blocks discussed above remain the same, however there are some differences which will be discussed. The transceiver will sit idle until a valid signal is received on the media, indicating the start of a packet. This causes the transceiver's RX squelch to turn off. Both the twisted pair transceiver (internal to the AT/LANTIC) and the DP8392CV CTI have squelch circuitry which filter out noise on the network, however, they are implemented differently. The TPI transceiver checks an incoming signal for both amplitude and frequency (sometimes referred to as smart squelch).

The CTI only checks for valid amplitude. Once the CTI has turned its RX squelch off it starts driving the receive differential pair of the AUI. The ENDEC (internal to the AT/LANTIC) recovers a 10 MHz clock and receive data in NRZ format from the receive pair with its analog PLL. The NRZ data is clocked into the NIC core, de-serialized, and loaded into the FIFO. When the number of bytes in the FIFO reaches the programmed threshold, the AT/LANTIC requests the local bus and writes the received data into the receive buffer memory using its local DMA. After the packet is received, the AT/LANTIC writes four bytes of status information into the buffer and interrupts the host to inform it that the packet can be removed by software.

6.0 CONCLUSION

The DP83905EB-AT Demonstration board provides system developers with an easy to understand and use example of how to design an industry standard Ethernet adapter card. The DP83905EB-AT design can readily be adapted for PC® motherboard designs too.

By using the DP83905 AT/LANTIC, jumperless Ethernet boards can be made extremely cost effective and simple to design and use.

Parts List for DP83905EB-AT

Capacitors

C1	27 pF	10% Ceramic, SMT 0805
C2	27 pF	10% Ceramic, SMT 0805
C3-C4	0.01 μ F/50V	20% Ceramic, SMT 1206
C5	22 μ F/16V	20% Tantalum, SMT 7343
C6	0.01 μ F/50V	20% Ceramic, SMT 1206
C7	0.01 μ F/1 kV	20% Ceramic Disk, TH
C8-C9	0.01 μ F/50V	20% Ceramic, SMT 1206
C10	10 μ F/16V	10% Ceramic, SMT 7343
C11-C20	0.01 μ F/50V	20% Ceramic, SMT 1206
C21-C22	22 μ F/16V	20% Tantalum, SMT 7343
C23-C27	0.01 μ F/50V	20% Ceramic, SMT 1206
C28-C31	0.01 μ F/50V	20% Ceramic, SMT 1206
C42, C44	0.01 μ F/50V	20% Ceramic, SMT 1206
C43, C45	0.001 μ F/50V	20% Ceramic, SMT 1206
C46-C47	33 pF/50V	10% Ceramic, SMT 0805
SP1	0.75 pF/1 kV	Spark Gap, TH

Resistors

R2-R5	270 Ω	5%, $\frac{1}{8}$ W, SMT 1206
R6-R9	39.2 Ω	1%, $\frac{1}{8}$ W, SMT 1206
R10-R13	1.5 k Ω	5%, $\frac{1}{8}$ W, SMT 1206
R14	1 k Ω	1%, $\frac{1}{8}$ W, SMT 1206
R15	150 Ω	1%, $\frac{1}{8}$ W, SMT 1206
R17	1 M Ω	5%, $\frac{1}{2}$ W, TH
R18	10 k Ω	1%, $\frac{1}{8}$ W, SMT 1206
R19	274 Ω	1%, $\frac{1}{8}$ W, SMT 1206
R20	66.5 Ω	1%, $\frac{1}{8}$ W, SMT 1206
R21	66.5 Ω	1%, $\frac{1}{8}$ W, SMT 1206
R22	274 Ω	1%, $\frac{1}{8}$ W, SMT 1206
R23	806 Ω	1%, $\frac{1}{8}$ W, SMT 1206
R24-R25	49.9 Ω	1%, $\frac{1}{8}$ W, SMT 1206
R26	22 Ω	1%, $\frac{1}{8}$ W, SMT 1206
R39-R41	270 Ω	5%, $\frac{1}{8}$ W, SMT 1206
R42	1 k Ω	1%, $\frac{1}{8}$ W, SMT 1206

Parts List for DP83905EB-AT (Continued)

Integrated Circuits

U1	AT/LANTIC	DP83905		
U4	EEPROM	NM93C06		
U5	EPROM	NM27C256		Do not populate
U6	FILTER	FL1012	VALOR	
U7	CTI	DP8392CV		
U9	8k x 8 SRAM	NMS64X8M70		
U10	8k x 8 SRAM	NMS64X8M70		
U13	GAL16V8	16V8-25LVC		

Connectors

J3	15-Pin D Connector, Female (AMP # 745782-4)			AMP
J4	BNC Connector, Female (AMP # 227161-7)			AMP
J5	RJ45 Modular Phone Jack, 8-Pin (AMP # 555164-1)			AMP

Magnetics

U8	DC-DC CONVERTER	PM6077	VALOR	
Y1	PULSE TRANSFORMER	23Z91SM	FIL-MAG	
Y2	PULSE TRANSFORMER	23Z91SM	FIL-MAG	

Socket

S1	28-Pin Dual-in-Line Socket for EPROM, U5			
----	--	--	--	--

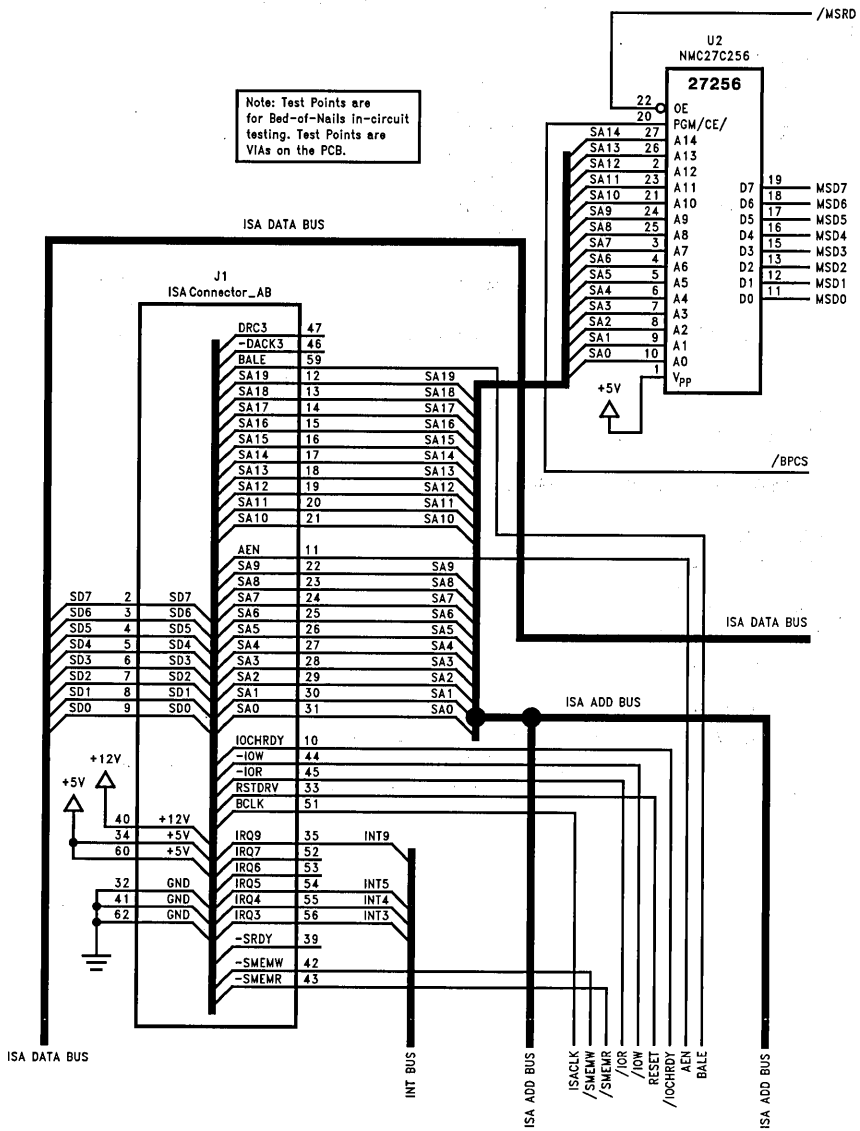
Diodes

D1	MMBD1201			
D2	3mm Green LED			
D3	3mm Orange LED			
D6	3mm Green LED			
D7	3mm Hi-Efficiency Red LED			
D8	3mm Yellow LED			

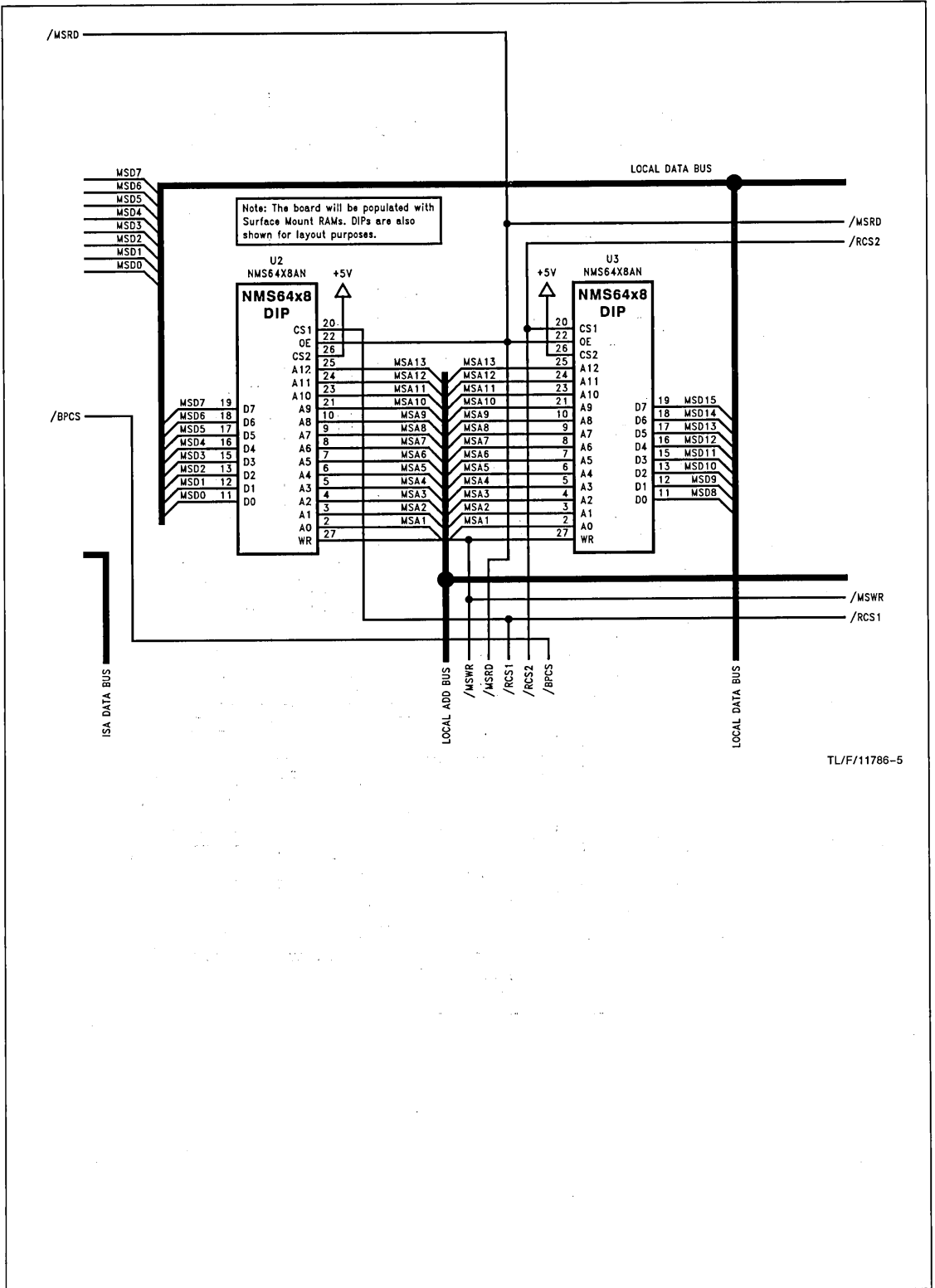
Clocks

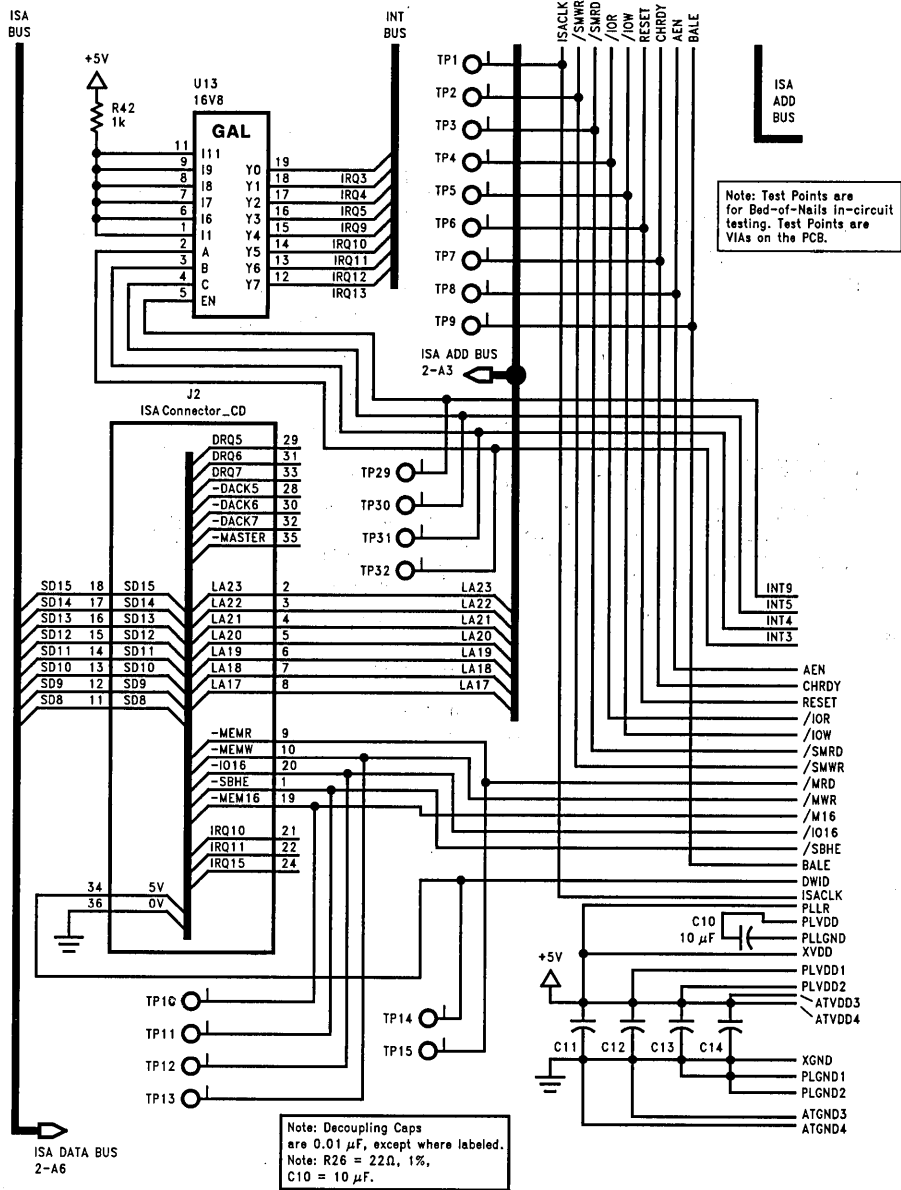
X1	HC49S, 20 MHz Crystal (low profile) (Refer to AT/LANTIC datasheet for crystal specifications).			
X2	20 MHz Oscillator, 45-55 Duty cycle, 0.001% Tolerance Oscillator module should be raised off of board when mounting.			Do not populate

Note: Test Points are for Bed-of-Nails in-circuit testing. Test Points are VIAs on the PCB.

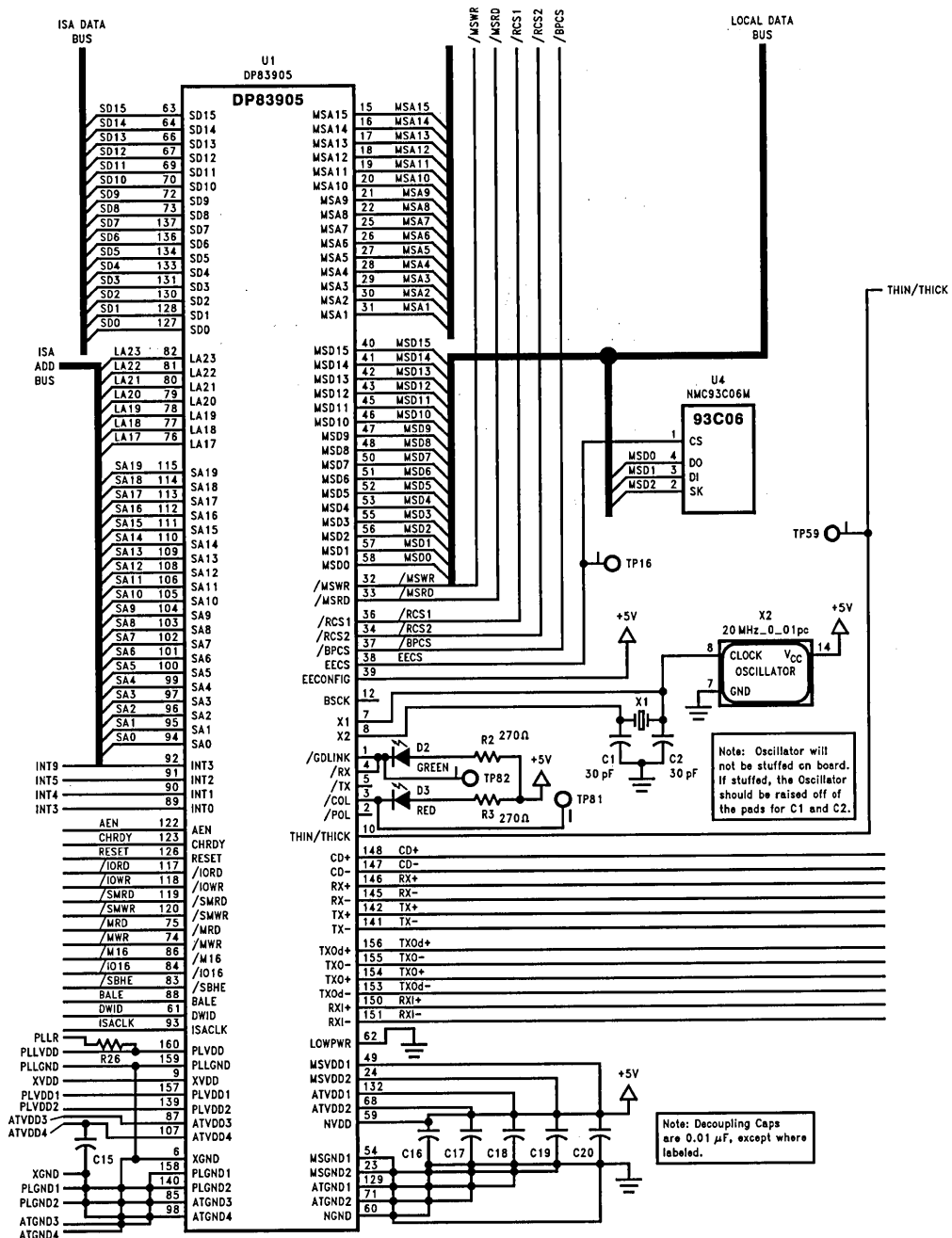


TL/F/11786-4

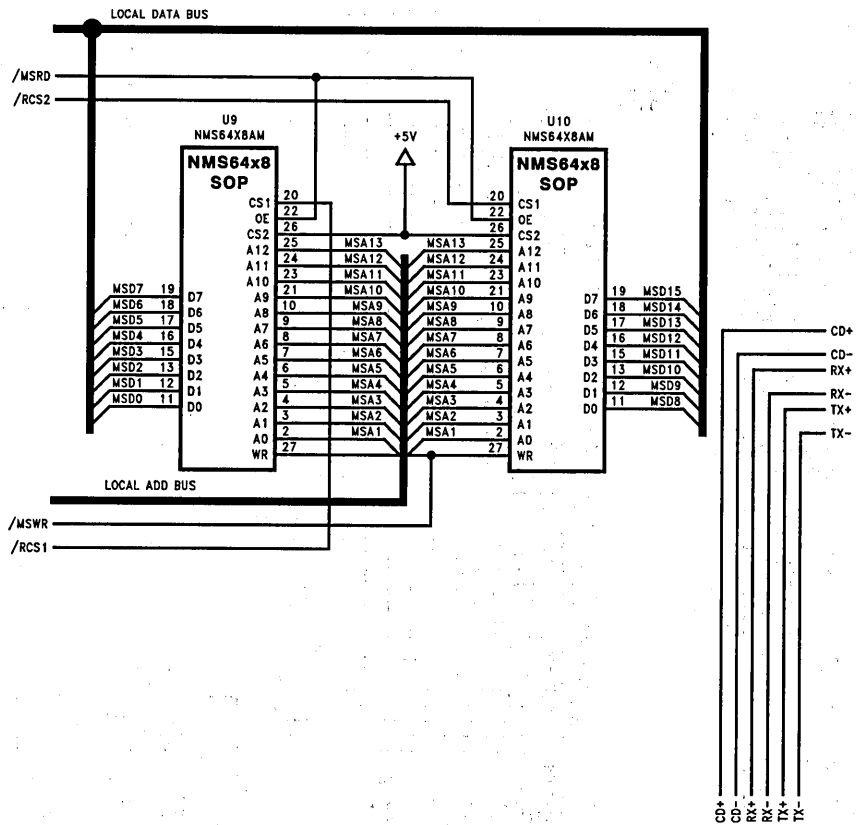




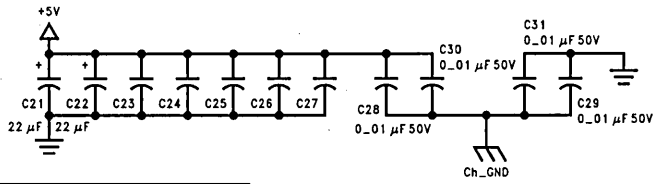
1



TL/F/11786-7



TL/F/11786-8

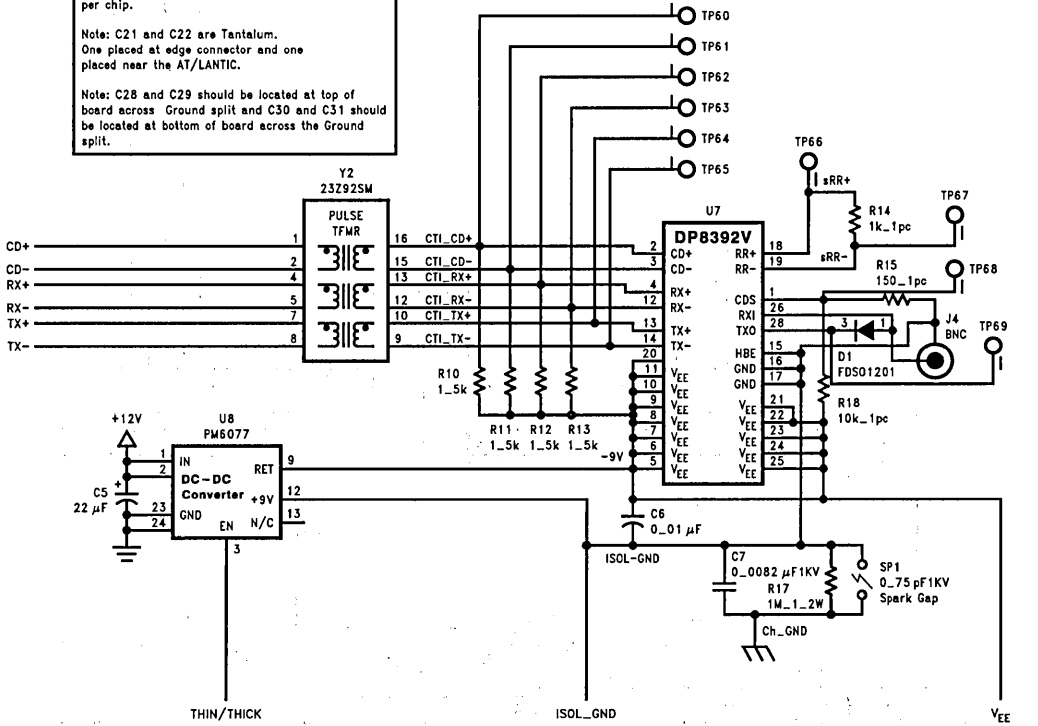


Note: Decoupling Caps are 0.01 μ F except where labeled.

Note: Locate one 0.01 μ F Cap per chip.

Note: C21 and C22 are Tantalum. One placed at edge connector and one placed near the AT/LANTIC.

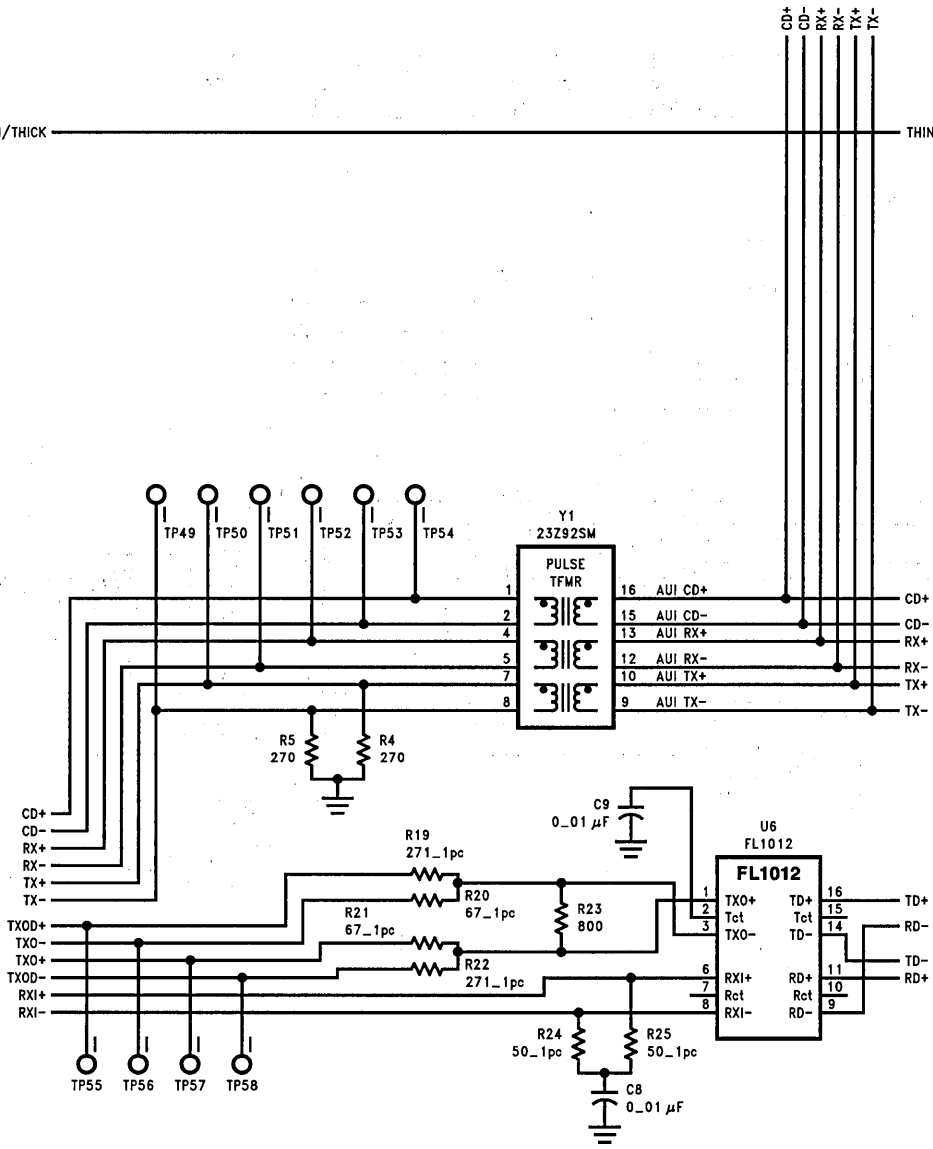
Note: C28 and C29 should be located at top of board across Ground split and C30 and C31 should be located at bottom of board across the Ground split.



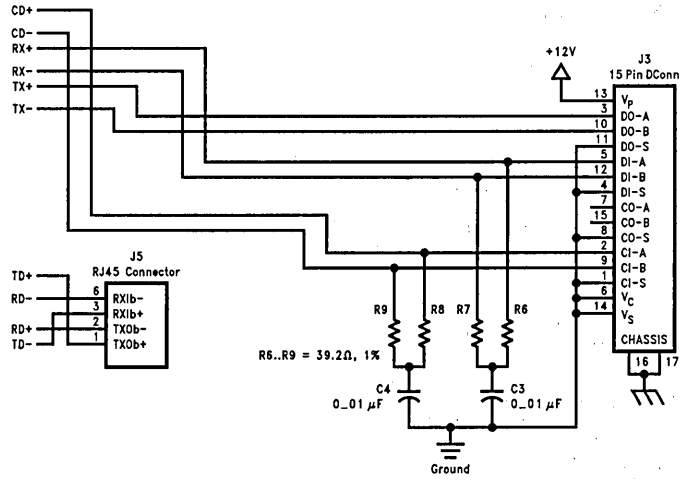
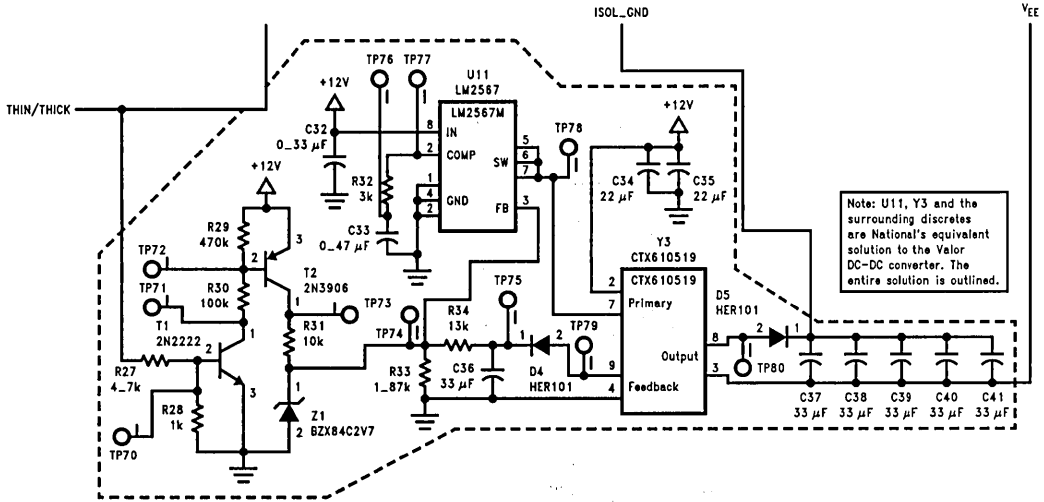
TL/F/11786-9

THIN/THICK

THIN/THICK

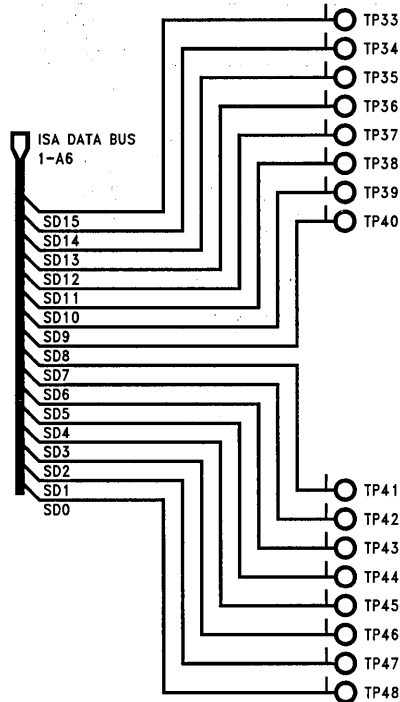
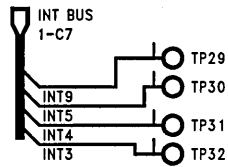
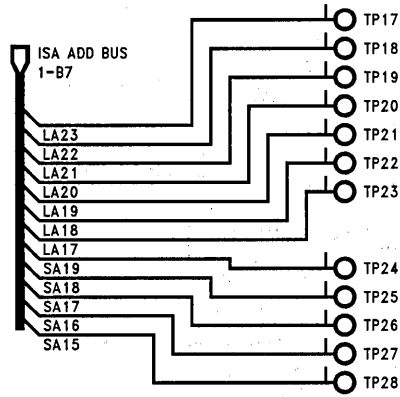


TL/F/11786-10



TL/F/11786-11





NOTE: These Test Points are for In-Circuit bed-of-nails testing. They will be VIAs on the PCB.

DP83905EB-AT AT/LANTIC™ Hardware Users' Guide

National Semiconductor
Application Note 897
Larry Wakeman



TABLE OF CONTENTS

1.0 DP83905 ETHERNET INTERFACE DESIGN

- 1.1 Design Decisions and Implementation Details
 - 1.1.1 ISA BusConnection
 - 1.1.2 Interrupts
 - 1.1.3 Buffer RAM
 - 1.1.4 Crystal/Oscillators
 - 1.1.5 Boot ROM (Remote Program Load PROM)
 - 1.1.6 Cable Interfaces
 - 1.1.7 LED Interface Options
 - 1.1.8 Low Power
 - 1.1.9 Configuration
- 1.2 Layout Considerations
 - 1.2.1 ISA Bus
 - 1.2.2 Twisted Pair (TPI)
 - 1.2.3 Attachment Unit Interface (AUI)
 - 1.2.4 Thin Ethernet (Coax)
 - 1.2.5 PLL
- 1.3 EEPROM Programming
- 1.4 Additional End-User Requirements
 - 1.4.1 Configuration Software
 - 1.4.2 Driver Software
 - 1.4.3 Documentation (Installation Guide)

2.0 REFERENCE INFORMATION

- 2.1 Architecture
 - 2.1.1 NIC Core
 - 2.1.2 NE2000
 - 2.1.3 Shared Memory Mode
- 2.2 Memory and IO maps
 - 2.2.1 NE2000 8 Bit and 16 Bit
 - 2.2.2 Shared Memory Mode

- 2.3 ISA Bus Description
 - 2.3.1 I/O Cycles
 - 2.3.2 Memory Cycles
 - 2.3.3 Cycle Timing
 - 2.3.4 8- and 16-Bit Cycles
 - 2.3.5 DMA and Refresh Cycles
 - 2.3.6 Bus Timing Compatibility Modes
- 2.4 Boot PROM
- 2.5 Boot PROM and RAM Timing Calculations
 - 2.5.1 Boot PROM/RAM ISA Read Timing
 - 2.5.2 Boot PROM/RAM ISA Write Timing
 - 2.5.3 RAM DMA Timing
- 2.6 Fast Read Feature
- 2.7 Reset Operation

INTRODUCTION

The AT/LANTIC Ethernet controller provides a simple method of interfacing a PC ISA (Industry Standard Architecture) bus based system to Ethernet. The AT/LANTIC controller emulates a popular adapter card for PC compatibles: the Novell® NE2000 *Plus* card. The AT/LANTIC also implements a shared memory mode that provides added flexibility and performance. The high level of integration ensures a small and cost-effective solution. In order to use a network interface, driver software is required that is specific to the network interface and the network operating system. Since the AT/LANTIC is compatible with the most popular adapter cards, driver support is second to none.

ABOUT THIS GUIDE

This guide is written for hardware design engineers wishing to develop an Ethernet interface using AT/LANTIC. The guide is written in two sections. The first part is a step-by-step examination of the design process. The second section provides reference material with additional detailed information.

1.0 DP83905 ETHERNET INTERFACE DESIGN

1.1 Design Decisions and Implementation Details

This section of the AT/LANTIC guide is intended to ask the designer to choose which options are best for each application, whether it is an adapter card, a motherboard or some other embedded design. (Note that Application Note AN-844 "DP83905EB-AT AT/LANTIC™ Demonstration Board" shows detailed schematics of an AT/LANTIC solution.)

1.1.1 ISA Bus Connection

The AT/LANTIC supports both 8- and 16-bit ISA bus configurations. An 8-bit interface is cheaper than 16-bit (less board space and only one SRAM), but has lower performance. There are three options for connecting the bus interface as described:

1. For an 8-bit interface, pins SD8–15, SBHE, LA17–23, MWR, MRD, M16, and I016 should be left unconnected, and DWID should be tied low.
2. For a 16-bit interface, DWID should be tied high.
3. For a 16-bit adapter card that can be used in 8- and 16-bit slots, DWID should be connected to pin D29 of the ISA bus. In a 16 bit slot this is +5V. In an 8-bit slot, this is unconnected, and a pull-down within AT/LANTIC will ensure that 8-bit mode is selected.

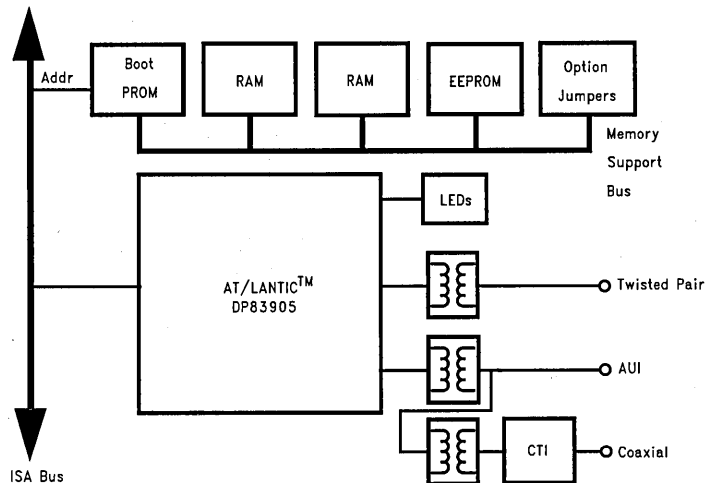
1.1.2. Interrupts

The AT/LANTIC has 4 dedicated interrupt output pins. This allows the user to select the required interrupt without changing jumpers on the board. In some applications, the choice of 4 interrupts may not be sufficient. The AT/LANTIC allows you to use an external decoder to expand the choice to 8 interrupts.

For 4 interrupts, connect each of the pins INT0–3 directly to the interrupt signals. We strongly recommend using the following scheme to promote software compatibility across AT/LANTIC platforms:

AT/LANTIC	PC
INT0	IRQ3
INT1	IRQ4
INT2	IRQ5
INT3	IRQ9

Configuration register C bit 5 "INTMOD" should be set to "0" (see Section 1.1.9).



TL/F/11850-1

FIGURE 1. Simplified Block Diagram of AT/LANTIC Application

For 8 interrupts, an external decoder is required. This decoder must have the following properties:

INT0–2 selects which 1 of the 8 outputs is driven. This output follows the logic level of INT3. The 7 unselected outputs must remain high impedance.

The decoder outputs are connected to 8 ISA interrupts. We recommend using the following scheme to promote software compatibility across AT/LANTIC platforms:

AT/LANTIC			PC
INT2	INT1	INT0	
0	0	0	IRQ3
0	0	1	IRQ4
0	1	0	IRQ5
0	1	1	IRQ9
1	0	0	IRQ10
1	0	1	IRQ11
1	1	0	IRQ12
1	1	1	IRQ15

Configuration register C bit 5 "INTMOD" should be set to "1" (see Section 1.1.9). The 8 interrupt mode interface can be implemented in a single GAL as shown in Figure 2.

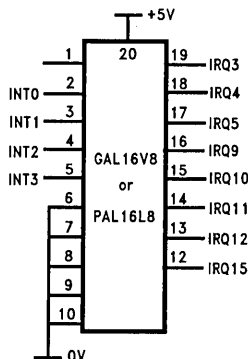


FIGURE 2. GAL/PAL Circuit Diagram

TL/F/11850-2

The PAL or GAL equations should be:

$$\text{IRQ3} = \text{INT3};$$

$$\text{IRQ4} = \text{INT3};$$

$$\text{IRQ5} = \text{INT3};$$

$$\text{IRQ9} = \text{INT3};$$

$$\text{IRQ10} = \text{INT3};$$

$$\text{IRQ11} = \text{INT3};$$

$$\text{IRQ12} = \text{INT3};$$

$$\text{IRQ15} = \text{INT3};$$

$$\text{IRQ3.oe} = \text{/INT2} \ \& \ \text{/INT1} \ \& \ \text{/INT0};$$

$$\text{IRQ4.oe} = \text{/INT2} \ \& \ \text{/INT1} \ \& \ \text{INT0};$$

$$\text{IRQ5.oe} = \text{/INT2} \ \& \ \text{INT1} \ \& \ \text{/INT0};$$

$$\text{IRQ9.oe} = \text{/INT2} \ \& \ \text{INT1} \ \& \ \text{INT0};$$

$$\text{IRQ10.oe} = \text{INT2} \ \& \ \text{/INT1} \ \& \ \text{/INT0};$$

$$\text{IRQ11.oe} = \text{INT2} \ \& \ \text{/INT1} \ \& \ \text{INT0};$$

$$\text{IRQ12.oe} = \text{INT2} \ \& \ \text{INT1} \ \& \ \text{/INT0};$$

$$\text{IRQ15.oe} = \text{INT2} \ \& \ \text{INT1} \ \& \ \text{INT0};$$

1.1.3. Buffer RAM

The standard RAM sizes for 8- and 16-bit cards are 8k and 16k respectively, using one or two 8k x 8 RAMs. The AT/LANTIC will also support the use of 32k x 8 RAMs giving 4 times the standard RAM capacity. Using additional memory can provide a performance boost in server applications.

Note that the use of 32k x 8 RAMs will make the design INCOMPATIBLE with NE2000.

For 8k x 8 RAMs, MSA1–13 are used. Configuration register C bit 4 "COMP" should be set to "0".

For 32k x 8 RAMs, MSA1–15 are used. Configuration register C bit 4 "COMP" should be set to "1".

When making an 8-bit-only interface, only one RAM is required, connected to MSD0–7. For a standard ISA bus configuration, 100 ns RAMs, or faster, should be used. Details of how to calculate RAM speeds are given in Section 2.5.

1.1.4 Crystal/Oscillators

1.1.4.1 20 MHz Clock

AT/LANTIC requires a 20 MHz $\pm 0.01\%$ clock. Both crystal and oscillator solutions are supported. In general, a crystal solution is cheaper, however if a suitable clock is already available on your board, it could be used.

To use a crystal, use the following circuit.

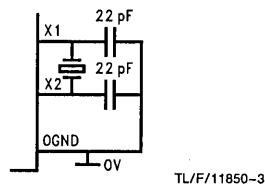


FIGURE 3. Crystal Circuit

TL/F/11850-3

The value of the capacitors should be 26 pF minus the printed circuit board trace capacitance. (Typical trace and pin capacitance is about 4 pF).

- Note that the following rules should be applied:
- The signal traces should be short.
- The ground return path to the capacitors should be short, and should connect to the AT/LANTIC OGND pin.
- There should not be other signal traces through the region of the crystal.
- It may help to place a ground plane under the crystal.
- The crystal should conform to the following specifications:

AT cut parallel resonant crystal

Series resistance $\leq 25\Omega$

Specified load capacitance $\leq 20 \text{ pF}$

Accuracy 0.005% (50 ppm)

Typical load 50 μW –75 μW

- Do not connect X1 or X2 to anything else.

Alternately, an oscillator may be used. If used the oscillator output should be connected directly to X1. X2 should be left unconnected. The clock should be better than 40:60 duty cycle, and should have a good quality waveform.

1.1.4.2 BSCLK

The AT/LANTIC core can be clocked either by the 20 MHz clock, or by a separate clock input "BSCLK". The maximum clock rate is 20 MHz, so the 20 MHz clock is usually used.

To use the 20 MHz clock, connect the BSCCLK pin to 0V, and set Configuration register C bit 6 "CLKSEL" to "0". To use another clock source, connect the clock source to the BSCCLK pin, and set Configuration register C bit 6 "CLKSEL" to "1". See Section 1.1.9 for more information about configuration data.

1.1.5 Boot ROM (Remote Program Load PROM)

Depending on the intended use of your design, you may wish to provide a boot PROM, or a socket for a boot PROM. A boot PROM allows the PC to load the operating system from a server on the network, without needing a disk drive on the PC. AT/LANTIC supports boot PROM sizes of 8k, 16k, 32k and 64k. The AT/LANTIC also supports the use of FLASH ROM through the use of a write signal. This may be used to allow in-situ programming, or updating of boot PROM code by the user.

Adaptor cards are typically supplied with an empty boot PROM socket. Boot PROMs are available from network operating system vendors or third parties. They are typically 8 kbytes or 16 kbytes in a 28-pin package. The boot prom size can be configured by the user to be any size and at any address between C0000h and DFFFFh, using configuration register C bits 0-3 "BPS0-3".

Configuration register B bit 6 "BPWR" specifies if the AT/LANTIC will allow write access to the PROM: "0" = read only, "1" = write enabled. (See Section 1.1.9, Configuration.)

For a standard ISA bus configuration, 250 ns PROM, or faster, should be used. Details of how to calculate boot PROM speeds are given in Section 2.5.

1.1.6 Cable Interfaces

AT/LANTIC supports three types of cable interface:

- TPI 10Base-T, Twisted Pair
- AUI for connection to 10Base5, also known as "thick" Ethernet
- Coax 10Base2, also known as thin Ethernet

The TPI interface connects to the AT/LANTIC as follows:

The AT/LANTIC selects between the AUI/coax interfaces and TPI internally. Note that, in addition to 10Base-T compatible twisted pair, the AT/LANTIC supports the use of higher loss cable systems. This allows cables to be longer than the 10Base-T specification, or allows the use of shielded cables. Refer to Section 4.8 of the AT/LANTIC data sheet.

The AUI interface requires an isolation transformer, and resistors, as shown in Figure 5. The AUI interface enables the use of an off board transceiver to connect to other types of media such as Thick Ethernet or Fiber Optic cabling.

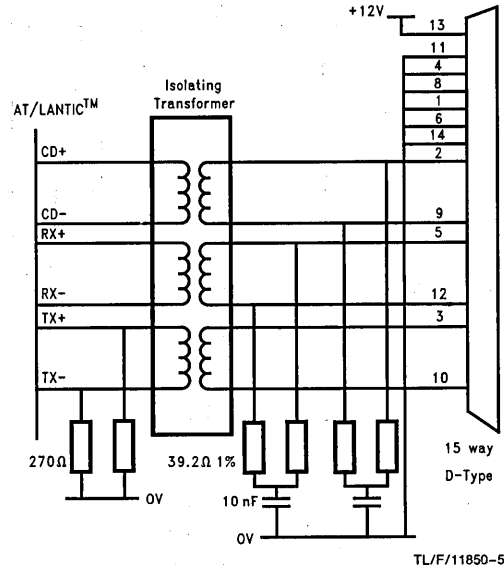


FIGURE 5. AUI Interface Circuit

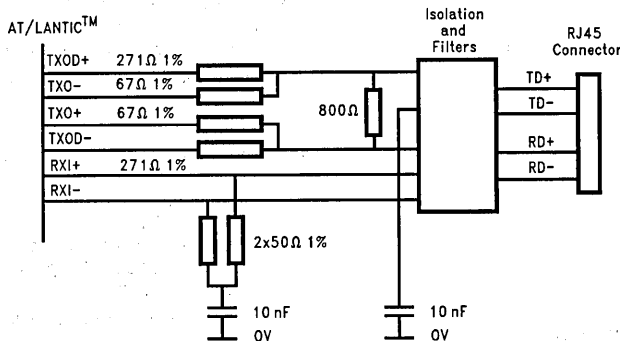


FIGURE 4. Twisted Pair Interface

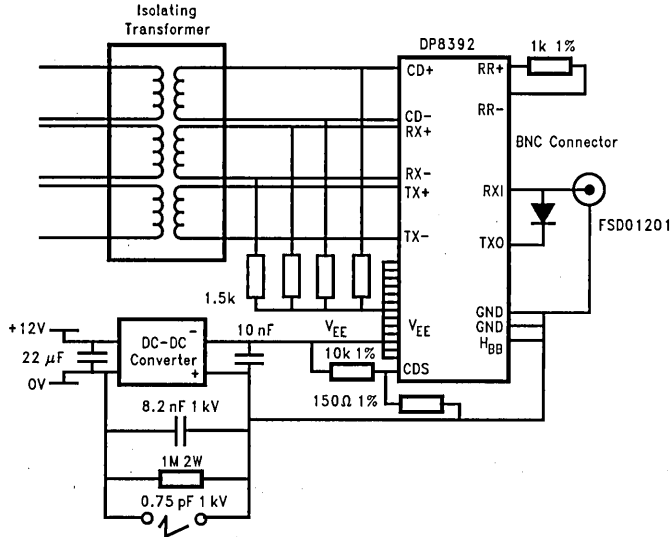


FIGURE 6. Coax Interface Circuit

TL/F/11850-6

The Coax interface requires an isolation transformer, a DC-DC converter and the DP8392 Coax Transceiver Interface as shown in *Figure 6*.

If it is desirable to implement a design that supports both AUI and Thin Ethernet cabling schemes, and provides for selection between the two interfaces the coax interface should connect to the AUI interface as shown in *Figure 7*. In order to use the AUI connector, the coax interface must be disabled. AT/LANTIC selects AUI or coax with an output pin, called "THIN". This signal is used to switch-on the DC-DC converter of the coax interface when THIN is high. When coax is selected, an AUI cable must not be connected to the AUI connector.

Figure 7 shows a DC-DC converter with an enable input. A DC-DC converter without an enable input can be used, if the supply to the converter is switched by an FET.

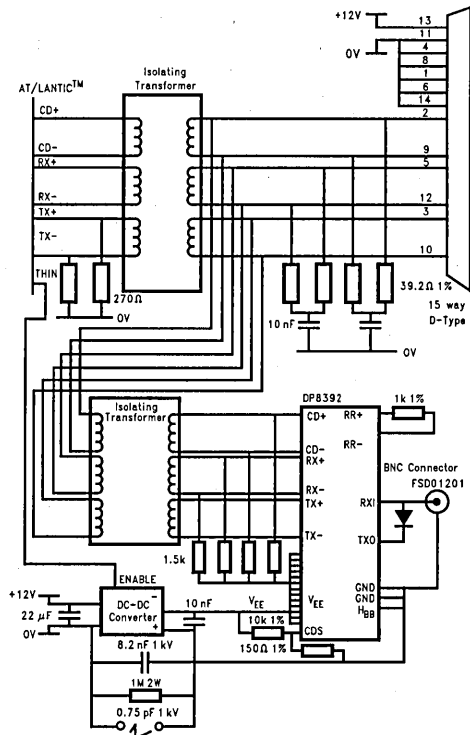
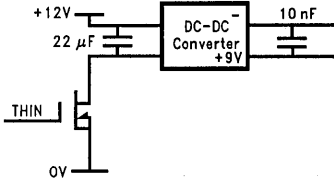


FIGURE 7. AUI and Coax Interface Circuit

TL/F/11850-7



TL/F/11850-8

FIGURE 8. FET Switch for DC-DC Converter

The cable interfaces utilize a number of magnetic components as shown in the previous figures. The specifications for these components are shown below.

AUI and Coax Interface isolation transformer:

- 1:1 turns ratio
- 100 μ H inductance
- 500V isolation

Coax DC-DC converter:

- +12V input (could use +5V connected to the +5V supply)
- 9V output voltage
- 200 mA output current
- 500V isolation

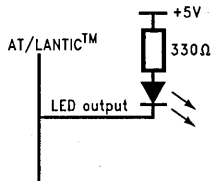
Active-high enable input (if required)

The 10BASE-T interface uses an integrated Filter-Transformer-Choke combination.

Specific component recommendations are listed in the Local Area Networks Data Book in the Magnetics Vendors Application Note.

1.1.7 LED Interface Options

AT/LANTIC has dedicated outputs for driving several LEDs. These outputs are capable of a maximum current per LED output of 16 mA. Do not decrease the resistor value below 330 Ω , or the AT/LANTIC maximum current will be exceeded.



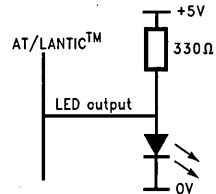
TL/F/11850-9

FIGURE 9. LED Circuit

It may be desirable to connect LEDs to any or all of the possible outputs. When used the LEDs can provide the following information:

- TxLED Transmit activity
- RxLED Receive activity (all packets on network)
- COLED Collision
- GDLNK TPI Link Ok, or testing disabled
- POLED TPI Polarity reversed

In some cases the polarity of the LED is reversed from that which the designer would like to use (e.g., the LED is off under a condition that the designer would like it to be on). To handle this, it is possible to use the following circuit, *Figure 10*, to invert the meaning of an LED (e.g., instead of a "Good Link" LED the LED can be defined as "Link fail"):



TL/F/11850-19

FIGURE 10. Inverted LED Circuit

1.1.8 Low Power

In some portable applications it is necessary to shut-off subsystems in order to conserve power. AT/LANTIC has been designed so that it is possible to remove the power from the majority of the chip whilst still powering the ISA interface circuit, thus protecting the ISA bus. In low power state, the current drain is less than 100 μ A.

If "Low Power" is not required, tie the LOWPWR pin to 0V. If "Low Power" operation is required, the following must be noted:

1. An external device is required to disconnect the PLLV_{CC}, PV_{CC}, OV_{CC} and V_{CC} pins. This device must have a low voltage drop when "on". A suitable device is the NDS9400 which has a 0.25 Ω on-resistance.
2. When the supply to the PLLV_{CC}, PV_{CC}, OV_{CC} and V_{CC} pins is turned off, the LOWPWR pin must be driven high. This disables internal buffers and reduces current drain to a minimum.
3. When recovering from low power state to normal operation, after restoring the power and driving LOWPWR low, the RESET pin must be driven high for more than 400 μ s to reset the controller.
4. Note that the DWID pin has an internal pull down. If this is tied high for 16-bit operation, it should be tied to the switched V_{CC} to minimize current drain in the low power state.

1.1.9 Configuration

Three registers in the AT/LANTIC are loaded with configuration data at reset. This configuration specifies all the design choices (e.g., 4 or 8 interrupts) and the user installation choices (e.g., the I/O address).

This data can either be stored in the EEPROM, or be specified by resistors optionally connected to the CA0-7, CB0-7 and CC0-7 pins (also known as MSD0-15 and MSA1-8).

The benefits of the Jumperless EEPROM solution are that it is smaller and cheaper (no resistors or jumpers), and that the user can change the configuration without opening the computer. This may be especially important in a motherboard application. Additionally, the software used to change the configuration can attempt to check for address conflicts etc., and protect the user from making mistakes.

One potential problem with this solution, for adapter cards, is that the default settings as shipped may cause an address conflict in some cases. Such a conflict would prevent accesses to the card which are needed to change the address to a safe one.

To overcome this problem, AT/LANTIC has a "disabled" option. Configuration software can find an I/O address that is free, and then wake up the AT/LANTIC. Whilst disabled, AT/LANTIC monitors I/O accesses to 278h (a printer port). On the fourth consecutive write to 278h, AT/LANTIC loads the configuration from the write data, and wakes up.

The benefits of the Jumpered solution are that no software is needed to set the configuration. This may be important to system builders when choosing an adapter card, for whom jumpers may be faster to use than software.

Whichever configuration method you choose, you will need to determine, for each configuration bit, what the default value should be, and whether the bit can be changed by a user or is fixed by design. The following tables may assist you in this. Note that a full description of each configuration bit can be found in Section 5 of the AT/LANTIC data sheet.

Bit	Use
Config A:	
0	I/O Address
1	I/O Address
2	I/O Address
3	Interrupt
4	Interrupt
5	Interrupt (if 8 selected)
6	Fast read (See Section 1.1.9)
7	NE2000/Shared Memory
Config B:	
0	AUI/Coax/TPI
1	AUI/Coax/TPI
2	Good Link Test Disable
3	IO16 Bug Fix Enable
4	IO CHRDY Bug Fix Enable
5	—
6	Boot PROM Write Enable
7	—
Config C:	
0	Boot PROM Addr and Size
1	Boot PROM Addr and Size
2	Boot PROM Addr and Size
3	Boot PROM Addr and Size
4	RAM Size 8k or 32k
5	4 or 8 Interrupts
6	Core CLK = 20 MHz or BSCLK
7	Allow Access to Configure Regs(1)

Note 1: Config C bit 7 "SOFTEN" allows configuration software to read and write config registers A & B. Any changes to the config registers are overwritten by the EEPROM or jumper configuration the next time that the AT/LANTIC is fully reset. If access to the config registers is disabled, it is also not possible to change the EEPROM contents.

To implement a Jumperless (EEPROM) solution, the EECONFIG pin should be tied to +5V. The default configuration must be programmed into the EEPROM during manufacture. See Section 1.3 for details of how to program the EEPROM.

If config register C bit 7 "SOFTEN" is "0":

1. Config registers A and B can be examined by software (to check the configuration).
2. Config registers A and B can be modified by software to temporarily change the adapter settings. The settings are restored to the values in the EEPROM when the AT/LANTIC is next fully reset.
3. The values for config registers A, B and C that are held in the EEPROM can be changed by software. This can include setting config register C bit 7 to "1", which will prevent further access to config registers. If this is done, the settings can only be changed again if AT/LANTIC is reset with EECONFIG pulled low (i.e., jumpered mode).

If config register C bit 7 "SOFTEN" is "1":

1. Config registers A and B cannot be read or written by software.
2. The values for config registers A, B and C that are held in the EEPROM cannot be changed by software.

To implement a Jumpered solution, the EECONFIG pin should be tied to 0V. For each configuration bit you must define the state of the corresponding AT/LANTIC pin at reset. If the bit is fixed by design, you should connect 47k or 10k pull-up for a "1", or leave alone for a "0". If it is user-selectable, you should connect a pull-up via a jumper.

If config register C bit 7 "SOFTEN" is "0":

1. Config registers A and B can be examined by software (to check the configuration).
2. Config registers A and B can be modified by software to temporarily change the adapter settings. The settings are restored according to the jumpers when the AT/LANTIC is next fully reset.

If config register C bit 7 "SOFTEN" is "1":

1. Config registers A and B cannot be read or written by software.

OTHER CONFIGURATION OPTIONS

There are two other methods of configuring the AT/LANTIC. If using these methods, the interface will not properly emulate NE2000 adapter cards, and will not work with standard drivers.

Partially Jumpered Solution: This is a jumpered solution where only some of the options are jumpered, e.g., I/O address and boot PROM address. Since configuration registers A and B can be rewritten by software, a program could be used to complete the configuration process as part of the software boot sequence.

No EEPROM, partially jumpered solution: This is the same as the above solution, except that the EEPROM is not fitted. The purpose is to reduce cost. In this case, there is no Ethernet node address available, so a non-standard driver is required, which obtains its Ethernet address from another source.

1.2 Layout Considerations

1.2.1 ISA Bus

In a multi-layer PCB with good ground plane, there should be little risk of difficulty due to layout. However, if a 2 layer design is envisaged, a lot of care is required for the ground track routing. The AT/LANTIC drives 16 data lines (SDO-15) with fast high-current drivers. Ground routing should be arranged as a grid, so that there is a good return current path between the AT/LANTIC and all the ISA bus 0V connections.

1.2.2 Twisted Pair (TPI)

The length of tracks in the TPI circuit should be kept short and straight, and the lengths of the differential signal tracks

should be kept approximately equal. If using a multi-layer board, the power and ground planes should be removed in the area of the TPI to reduce capacitive coupling of noise from the power planes. The area should not have other signals passing through it. It may be desirable to have chassis ground used around the area of the connector to provide a shield for EMI noise radiation.

Tracks between the filter/isolation transformer and the RJ45 "telephone" socket should have an isolation barrier of at least 2mm to any other track or component.

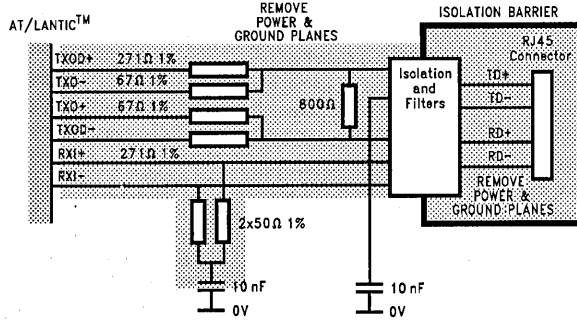


FIGURE 11. TPI Layout

TL/F/11850-11

1.2.3 Attachment Unit Interface (AUI)

Tracks should be kept short and straight where possible. The D-type shell (and the metal bracket it is fitted to) should be connected to digital ground via a 10 nF capacitor.

1.2.4 Thin Ethernet (Coax)

The DP8392C Coax Transceiver Interface should be placed close to the BNC connector, so that the connection between them is short. There should be no other tracks in this area, and on multi-layer PCBs the power and ground layers should be removed.

The DP8392CV requires an area of copper on the PCB surface to act as a heatsink. This is documented in the DP8392CV data sheet.

All the coax interface components between the isolation transformer and the BNC must be surrounded by an isolation barrier of at least 2mm, which must include the power and ground layers of a multi-layer PCB. The isolation transformer and the DC-DC converter bridge the isolation barrier, plus a resistor, a capacitor and a spark gap. On a multi-layer PCB the isolated power and ground planes should be used for VEE and ISOLATED_GND.

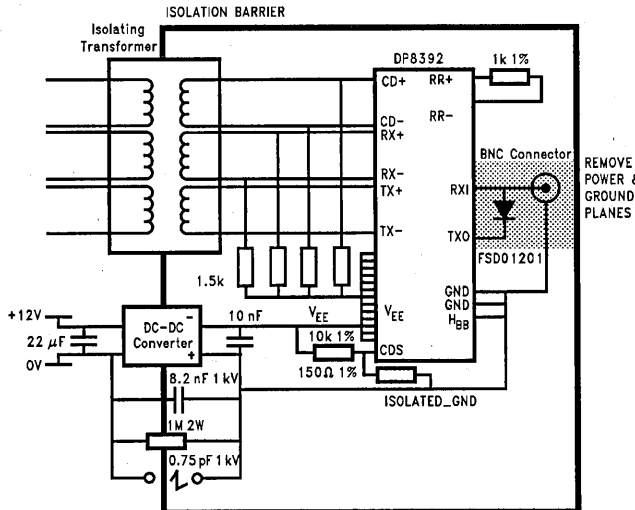
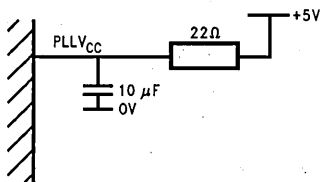


FIGURE 12. Coax Layout

TL/F/11850-12

1.2.5 PLL

In order to improve performance of the receiver PLL, the PLL supply pin should be connected via a simple RC filter, located close to the AT/LANTIC PLLV_{CC} pin.



TL/F/11850-13

FIGURE 13. PLL Supply Decoupling

1.3 EEPROM Programming

Initial values must be placed in the EEPROM before it can be used. The following table shows the EEPROM address map (all values in HEX):

Addr	Bits 15-8	Bits 7-0
00	Node Addr 1	Node Addr 0
01	Node Addr 3	Node Addr 2
02	Node Addr 5	Node Addr 4
03	Checksum	05 (8013 Type)
04	00 (Not Used)	00 (Not Used)
05	00 (Not Used)	00 (Not Used)
06	00 (Not Used)	00 (Not Used)
07	57 (ASCII "W")	57 (ASCII "W")
08	42 (ASCII "B")	42 (ASCII "B")
09	00 (Not Used)	00 (Not Used)
0A	00 (Not Used)	00 (Not Used)
0B	00 (Not Used)	00 (Not Used)
0C	00 (Not Used)	00 (Not Used)
0D	00 (Not Used)	00 (Not Used)
0E	Config B	Config A
0F	73H (Note 1)	Config C

Note 1: In initial documentation in the data sheet this byte was listed as having a value of FFH. In order to accommodate future expansion of features on the AT/LANTIC, this byte should be programmed with a 73H.

In a jumperless solution, Config A, B and C values must be set according to the default configuration, as discussed in Section 1.1.9.

Config A, B and C are ignored in a jumpered configuration. The Checksum is calculated so that the least significant byte of the sum of the first 8 bytes in the EEPROM is FF (hex).

i.e., (Node Addr 0
 + Node Addr 1
 + Node Addr 2
 + Node Addr 3
 + Node Addr 4
 + Node Addr 5
 + 05
 + Checksum) and FFh = FFh

The Ethernet node address must be unique to each unit produced.

Note that only Config A, B and C bytes can be changed by user software.

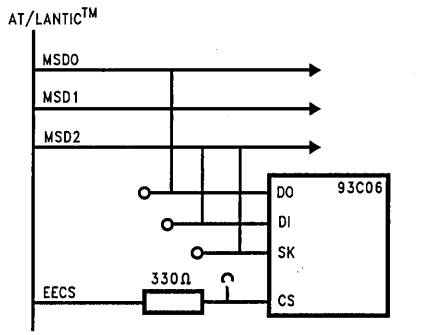
How to Program the EEPROM

The simplest way to program the EEPROM is before it is fitted into the PCB.

In some cases, however, it may be preferable to be able to program the EEPROM after board manufacture. This requires either a special programming connector on the PCB, or a "bed of nails" programming jig to access signals on the board. Additionally, a series resistor is required in the EECS signal between AT/LANTIC and the EEPROM.

To program the EEPROM, power must be applied to the PCB and the RESET pin must be forced high on AT/LANTIC. You can then apply the programming waveforms to the EEPROM.

Refer to the 93C06 data sheet for programming details.



TL/F/11850-14

FIGURE 14. EEPROM In-Situ Programming

1.4 Additional End-User Requirements

The end user may require some of the following items:

1.4.1 Configuration Software

If you are offering a jumperless solution, the user will require configuration software. National Semiconductor is able to offer source code for a configuration software package.

Configuration software is unnecessary for jumpered solutions.

1.4.2 Driver Software

You may wish to offer drivers with your solution. National Semiconductor offers a selection of drivers for popular network operating systems—contact your representative for the latest list. At the time of printing, National Semiconductor offers the following drivers:

- Novell Network ODI for DOS
- Novell Network ODI for OS/2
- Novell Network ODI for server
- NDIS 2.0
- NDIS 3.0 (available soon)
- SCO UNIX
- PC TCP Packet Driver

1.4.3 Documentation (Installation Guide)

We suggest that your documentation includes the following topics:

Configuration

If you have a jumpered solution, the user will have no software assistance, and you will have to document how to choose addresses and interrupts without causing conflicts, and how to set the jumpers.

In a jumperless solution, some assistance is given by the configuration program in determining addresses and interrupts currently in use. You will have to document how to run the software, and, for adapter cards, how to cope with installation into systems that require manual installation (for example, it may not be possible to detect I/O space usage if there are no pull-ups on the data bus).

Bus Compatibility Modes

Some PC's use chip sets that have impossible timing requirements. If this is the case, the driver or configuration software tests will report a problem with the buffer RAM.

In machines with this timing problem, AT/LANTIC offers two "fixes". We recommend trying the "IO16" fix first. If that is not successful, use the "CHRDY" fix instead.

See Section 2.3.6 for a description of how these "fixes" work.

SOFTWARE INSTALLATION

You may wish to describe how to install the configuration and driver software in a typical application.

2.0 REFERENCE INFORMATION

2.1 Architecture

2.1.1 NIC Core

The AT/LANTIC controller contains a DP8390 NIC (Network Interface Controller) core. This controller was used as a discrete part on the NE2000 and WD Ethercard Plus adapter cards. The operation of the NIC core is fundamental to the NE2000, WD Plus and consequently the AT/LANTIC.

All packets transmitted and received are sent via a dedicated buffer memory. A "local" DMA controller within the NIC transfers the data between the buffer RAM and the NIC's serializer/deserializer. This approach means that there are no critical performance requirements placed on the host computer (i.e., the PC).

At initialization time, the network software (the driver) tells the NIC to reserve a section of the buffer RAM for receive packet data. Since packets may be received without warning, the receive buffer is usually as large as possible. The NIC uses the receive buffer as a cyclic buffer, and maintains hardware pointers to put data in the correct place and ensure that data not yet read by the host is not overwritten.

When transmitting a packet, the host places the data into the buffer RAM (not in the receive buffer area), and issues a transmit command to the NIC, specifying RAM start address and length.

The host may access the buffer RAM in one of two ways:

Using the remote DMA channel: The NIC has another DMA controller for host transfers. This allows the host to transfer a block of data to or from the buffer RAM by writing to or reading from a single data transfer port. The NE2000 adapter uses this technique. The data transfer port is I/O mapped, and this method is often called "I/O MODE".

Memory mapped: Alternatively, the buffer memory can be mapped into the host address space. This allows the host to directly access any buffer RAM location. Each access requires arbitration between the NIC and the host. This method is used by the WD Plus adapter, and is commonly referred to as "SHARED MEMORY MODE" because the memory is shared between the NIC and the host.

In the AT/LANTIC, all arbitration and handshaking is handled internally for both I/O and Shared Memory modes.

2.1.2 NE2000

The key features of the NE2000 are:

1. The NIC registers and the data transfer port are I/O mapped on the ISA bus.
2. The boot PROM is memory mapped on the ISA bus.
3. There is an Ethernet address PROM mapped onto the NIC buffer RAM bus. The PROM is 32 bytes, but only 16 bytes can be read. Which 16 bytes depends on whether the card is in an 8- or 16-bit slot.

In the AT/LANTIC, the Ethernet address PROM is implemented as registers, which are loaded at reset from the EEPROM.

2.1.3 Shared Memory Mode

The key features of the shared memory mode are:

1. NIC core and "shared memory control registers" are I/O mapped on the ISA bus.
2. A PROM containing Ethernet address is also I/O mapped on the ISA bus.
3. Buffer memory is memory mapped on the ISA bus at an address determined by the "shared memory control registers".
4. The boot PROM is memory mapped on the ISA bus.

In the AT/LANTIC, the Ethernet address PROM is implemented as registers, which are loaded at reset from the EEPROM.

It should be noted that although the shared memory mode is hardware compatible with the WD Plus architecture, drivers written by WD/SMC check for a specific IEEE address range before enabling the driver.

2.2 Memory and I/O Maps

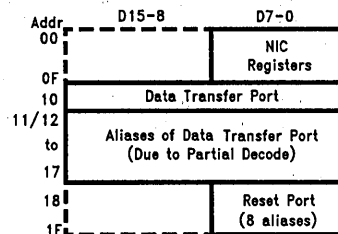
Please refer to Section 5 of the AT/LANTIC data sheet for details of how to use the registers shown here.

2.2.1 NE2000 8-Bit and 16-Bit

The ISA I/O map comprises a block of 32 addresses which can be located at one of 7 base addresses (240h, 280h, 2C0h, 300h, 320h, 340h and 360h).

The NIC registers and reset port are BYTE wide.

The data transfer port is the same width as the interface.



TLF/11850-15

The NIC buffer memory map varies according to the RAM size, and also the interface width as programmed into an NIC register. This register should be set according to whether the interface is 8- or 16-bit.

Note that an 8 bit interface can be either an 8-bit design or a 16-bit adapter in an 8-bit slot.

8k x 8 RAMs, 16-Bit Interface

Addr	
0000	PROM
001E	
0020	
	Aliases of PROM
3FFE	
4000	16 kbytes of Buffer RAM
7FFE	
8000	Alias of 0000 to 7FFE
FFFE	

8k x 8 RAMs, 8-Bit Interface

Addr	
0000	PROM
001F	
0020	
	Aliases of PROM
3FFF	
4000	8 kbytes of Buffer RAM
5FFF	
6000	Alias of Buffer RAM
7FFF	
8000	Alias of 0000 to 7FFF
FFFF	

32k x 8 RAMs, 16-Bit Interface

Addr	
0000	PROM
001E	
0020	
	Aliases of PROM
00FE	
0100	63.75 kbytes of Buffer RAM
FFFE	

32k x 8 RAMs, 8-Bit Interface

Addr	
0000	PROM
001F	
0020	
	Aliases of PROM
00FF	
0100	Alias of Buffer RAM
7FFF	
8000	32 kbytes of Buffer RAM
FFFF	

The PROM is always read-only.

In a 16-bit configuration, the PROM is arranged as follows:

Addr	D15-8	D7-0
00	Invalid	Node Addr 0
02	Invalid	Node Addr 1
04	Invalid	Node Addr 2
06	Invalid	Node Addr 3
08	Invalid	Node Addr 4
0A	Invalid	Node Addr 5
0C		
to	Invalid	00h
1A		
1C	Invalid	42h/57h*
1E	Invalid	42h/57h*

In an 8-bit configuration, the PROM is arranged as follows:

Addr	D7-0
00	Node Addr 0
01	Node Addr 0
02	Node Addr 1
03	Node Addr 1
04	Node Addr 2
05	Node Addr 2
06	Node Addr 3
07	Node Addr 3
08	Node Addr 4
09	Node Addr 4
0	Node Addr 5
0A	Node Addr 5
0C	
to	00h
1B	
1C	42h/57h*
1D	42h/57h*
1E	42h/57h*
1F	42h/57h*

*The value found at PROM addresses 1C to 1F is determined by the logic level on the DWID pin:

42h ("B") if DWID = 0 8-bit (byte) interface

57h ("W") if DWID = 1 16-bit (word) interface

The NIC must be programmed for 8- or 16-bit operation before it is possible to read the PROM. It is therefore normal practice for software to set 8-bit mode and read the PROM using 8-bit I/O instructions in order that the actual bus size can be determined from the value at PROM address 1C-1F.

2.2.2 Shared Memory Mode

The ISA I/O map comprises a block of 32 addresses which can be located at one of 7 base addresses (240h, 280h, 2C0h, 300h, 320h, 340h and 360h).

All the registers are BYTE wide.

Addr	D7-0	
00	Control 1	
01	AT detect	(Read only)
02	Unused	
03	Unused	
04	Unused	
05	Control 2	
06	Unused	
07	Unused	
08	Node Addr 0	(Read Only)
09	Node Addr 1	(Read Only)
0A	Node Addr 2	(Read Only)
0B	Node Addr 3	(Read Only)
0C	Node Addr 4	(Read Only)
0D	Node Addr 5	(Read Only)
0E	05h	(Read Only)
0F	Checksum	(Read Only)
10 to 1F	NIC registers	

The NIC buffer memory map varies according to the RAM size, and the bus width which is programmed into an NIC register. This should be set according to whether the interface is 8- or 16-bit. The bus size is detected by the hardware on the DWID pin. This information is available to software by reading the AT Detect register.

Note that an 8-bit interface can be either an 8-bit design or a 16-bit adapter in an 8-bit slot.

8k x 8 RAMs, 16-Bit Interface

Addr	
0000	16 kbytes of Buffer RAM
3FFE	
4000	Aliases of Buffer RAM
FFFE	

8k x 8 RAMs, 8-Bit Interface

Addr	
0000	8 kbytes of Buffer RAM
1FFE	
2000	Aliases of Buffer RAM
FFFE	

32k x 8 RAMs, 16-Bit Interface

Addr	
0000	64 kbytes of Buffer RAM
FFFE	

32k x 8 RAMs, 8-Bit Interface

Addr	
0000	32 kbytes of Buffer RAM
7FFE	
8000	Alias of Buffer RAM
FFFE	

2.3 ISA Bus Description

This section is a brief tutorial for those unfamiliar with the ISA bus.

For the most part, the ISA bus should be considered asynchronous. There are two ISA bus address spaces: I/O and memory.

2.3.1 I/O Cycles

I/O cycles are generated when the CPU performs IN or OUT instructions. An I/O cycle is signalled on the bus by IORD (read) or IOWR (write) strobes being active (low). During IORD or IOWR cycles, the address is given on SA0-9. I/O devices must qualify the IORD or IOWR strobe with a valid address, and the AEN signal, which must be low.

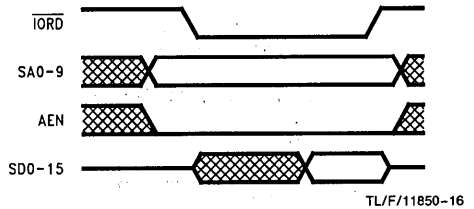


FIGURE 15. I/O Read Cycle

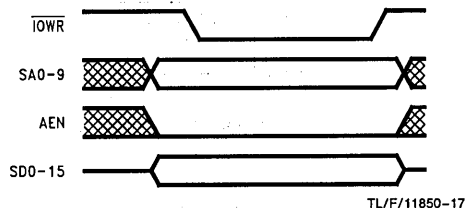


FIGURE 16. I/O Write Cycle

2.3.2 Memory Cycles

Memory cycles are generated when the CPU performs MOV instructions. In most PC systems, memory accesses to system RAM are private to the motherboard and do not cause ISA bus activity.

Thus it is usual to only see accesses to devices on the ISA bus.

Similar to I/O cycles, memory cycles have memory read and write strobes. Unlike I/O cycles, however, there are two of each.

For an 8-bit adapter card, memory strobes SMRD and SMWR are used, together with address SA0-19. This allows the memory device to decode any address range in the bottom 1 Mbyte of the CPU address space. SMRD and SMWR strobes are not active for memory accesses above 1 Mbyte ($\geq 100000h$).

For a 16-bit adapter, memory strobes MRD and MWR are used. These are active for memory accesses to any address. The adapter card must therefore additionally test address lines LA17-23.

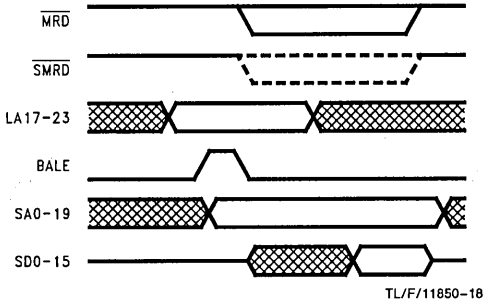


FIGURE 17. Memory Read Cycle

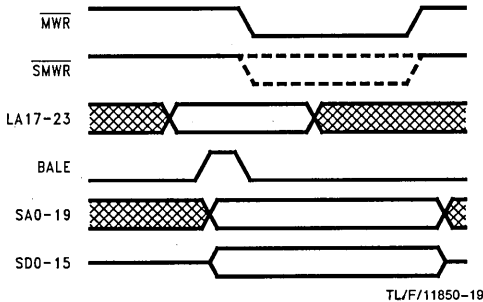


FIGURE 18. Memory Write Cycle

2.3.3 Cycle Timing

For all cycles, the system will use a set of default timings. These vary according to whether the access is I/O or memory, and whether the adapter card is 8- or 16-bit.

Adaptor cards can extend any cycle beyond the default timing by driving the CHRDY (Channel Ready) signal to 0V (meaning not ready). The cycle will be extended until CHRDY is released. A pull up on the system board pulls CHRDY high again—adapter cards are not allowed to drive it high.

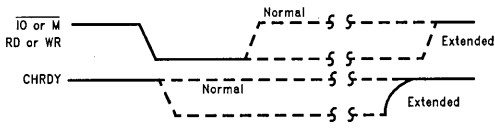


FIGURE 19. Extended ISA Cycle

Some cycles can also be shortened by adapter cards by driving a signal OWS low. This signal is not used by AT/LANTIC.

2.3.4 8-Bit and 16-Bit Cycles

For all cycles, the system will assume that an 8-bit device is being accessed. If a 16-bit transfer is requested by the CPU, the system will automatically convert it into two 8-bit cycles. When a 16-bit device is accessed, it informs the system of its presence, so that the data can be transferred in one cycle.

Timing requirements for memory accesses mean that the system needs to know the size of the device being accessed (8- or 16-bits) before the strobe is asserted. At this time, the device does not know whether the address corresponds to I/O or memory space. The ISA bus therefore uses two signals to indicate that a device is 16 bits: IO16 and M16.

IO16 is driven low by a device that detects an address on SA0-9 according to a word I/O port.

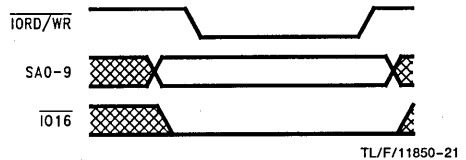


FIGURE 20. IO16 Cycle

M16 is driven low by a device that detects a valid address on LA17-23 for 16-bit memory. LA17-23 are unlatched address lines that are valid earlier than SA0-19. They become invalid before the end of the cycle. M16 is latched by the system. The device is required to latch LA17-23 for use by its address decoder. The BALE signal should be used as the latch enable for the LA address latch.

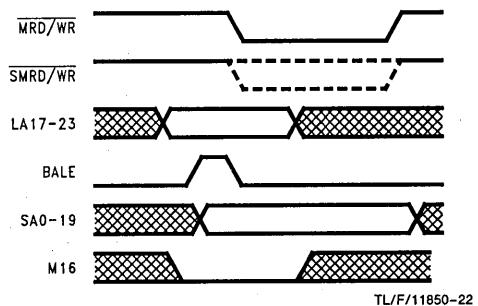


FIGURE 21. M16 Cycle

The size of the system transfer is indicated on signals SA0 and SBHE:

SA0	SBHE	Transfer Type
L	H	Byte transfer, even address
H	L	Byte transfer, odd address
L	L	Word transfer
H	H	Not used

SBHE has the same timing as SA0-19.

2.3.5 DMA and Refresh Cycles

DMA cycles are direct transfers between an I/O port and memory. One I/O strobe and one memory strobe are used together for the cycle. The I/O device is selected by one of 7 DACK signals. The memory device is selected by the LA17–23 and SA0–19 address lines. In order that the I/O device corresponding to SA0–9 does not respond, the AEN signal is driven high; I/O devices are only allowed to respond if AEN is low. ISA DMA is not used by AT/LANTIC.

Refresh cycles occur every 15.6 μ s. They are similar to memory read cycles, except that the REFRESH signal is active. Refresh is not used by AT/LANTIC.

2.3.6 Bus Timing Compatibility Modes

In some PCs using certain chipsets, the timing requirement for an adapter card to drive CHRDY from receiving an active IORD or IOWD is impossible to meet. The consequence is that the ISA bus completes the cycle even though the AT/LANTIC requires more time. AT/LANTIC incorporates logic to detect this condition, and has two ways of overcoming the problem.

If the condition occurs, configuration register B bit 5 "BE" is set to "1". This can be used by software to warn that a fix is required.

The two timing change modes are:

IO16 Mode

The problem only occurs for 16-bit cycles. IO16 is normally asserted whenever the address SA0–9 is valid. By additionally requiring that IORD or IOWR is asserted before IO16 is driven low, the offending chipsets are fooled into accepting 8-bit timing for CHRDY, while still transferring 16-bits correctly.

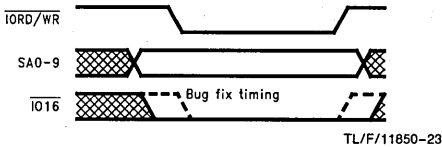


FIGURE 22. IO16 Timing Change Mode

CHRDY Mode

It is possible to drive CHRDY low early, qualified by SA0–9 and AEN without IORD or IOWR. If a valid address is present, and AT/LANTIC requires a longer-than-default cycle, this circuit starts driving CHRDY low as soon as BALE is active. If, at any time, MRD or MWR memory strobes become asserted, then CHRDY is released immediately. Otherwise, CHRDY is held low until the next falling edge of ISACK after BALE has gone low. In a typical system, this clock edge is immediately followed by IORD or IOWR being asserted. The small "gap" between ISACK and IORD or IOWR will not normally be long enough for CHRDY to be pulled high by the pull-up resistor.

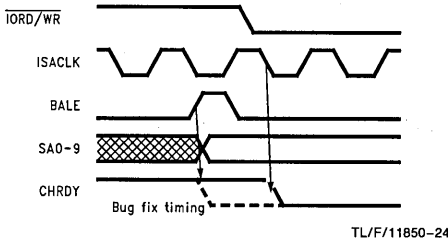


FIGURE 23. CHRDY Fix

2.4 Boot PROM

The boot PROM interface uses the AT/LANTIC to decode the ISA address, and to provide data bus drivers onto the ISA bus. Because the PROM data is connected to the NIC memory support data bus, arbitration is required to access the PROM. The boot PROM is not mapped onto the NIC memory map.

If the MSWR signal is connected, a FLASH boot PROM can be used, allowing in-situ programming or updating.

If the PROM is read-only, the configuration register B bit 6 "BPWR" should be set to "0" to prevent bus contention if write cycles are attempted.

The boot PROM appears as an 8-bit device, regardless of the size of the interface. However there is a special case where it will not work properly. When emulating a WD Plus adapter, AT/LANTIC uses 16-bit wide buffer RAM, which it declares as 16-bit to the ISA bus by driving M16 low. The decode logic for M16 uses only LA17–23, i.e., a 128 kbyte region—this is an ISA bus limitation. If the boot PROM and the buffer memory are placed within the same 128 kbyte region, the boot PROM will appear to the ISA bus as a 16-bit device. Since the PROM can only produce 8-bits of data, it will fail.

Boot PROMs can be written to overcome this problem by first copying the PROM contents to system memory, and then executing from the copy instead. The PROM therefore need not be accessed at the same time as the shared RAM is enabled.

2.5 Boot PROM and RAM Timing Calculations

Boot PROM timings are derived from the ISA bus timings minus AT/LANTIC propagation delays.

RAM timings are the worst case of two situations: ISA bus accesses, similar to the Boot PROM, and AT/LANTIC DMA channel accesses.

For 8-bit cards, 8-bit ISA timings should be used for both RAM and boot PROM.

For 16-bit cards, 16-bit ISA timings should be used for the buffer RAM, and 8-bit timings should be used for the boot PROM.

2.5.1 Boot PROM/RAM ISA Read Timing

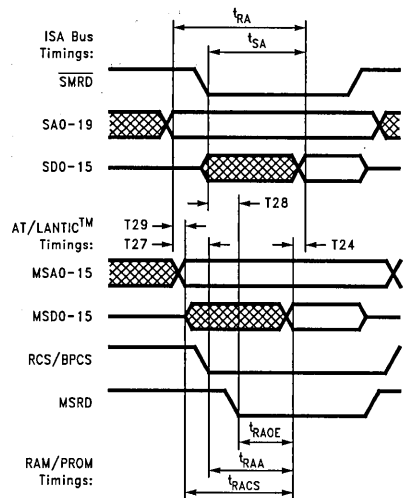


FIGURE 24. Boot PROM/RAM ISA Read

Access time from OE:

$$t_{RAOE} = t_{RA \text{ min}} - T28_{\text{max}} - T24_{\text{max}}$$

Access time from address:

$$t_{RAA} = t_{SA \text{ min}} - T29_{\text{max}} - T24_{\text{max}}$$

Access time from CS:

$$t_{RACS} = t_{SA \text{ min}} - T27_{\text{max}} - T24_{\text{max}}$$

For a typical 8 MHz ISA bus:

$$t_{RA \text{ min}} = 480 \text{ ns (8 bit) or } 160 \text{ ns (16 bit),}$$

$$t_{SA \text{ min}} = 570 \text{ ns (8 bit) or } 200 \text{ ns (16 bit).}$$

2.5.2 Boot PROM/RAM ISA Write Timing

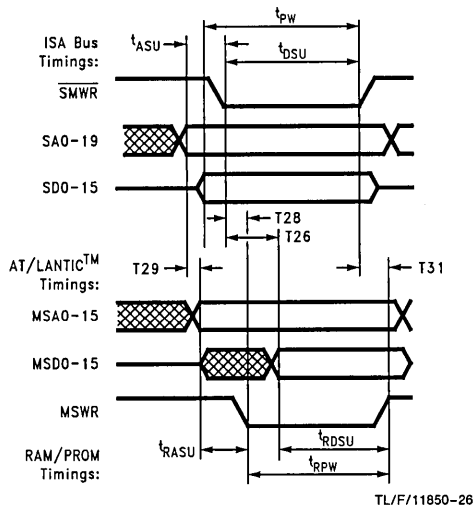


FIGURE 25. Boot PROM/RAM ISA Write

Address setup time:

$$t_{RASU} = t_{ASU \text{ min}} + t28_{\text{min}} - T29_{\text{max}}$$

Data setup time:

$$t_{RDSU} = t_{DSU \text{ min}} + t31 \text{ min} - T26_{\text{max}}$$

Write pulse width:

$$t_{RPW} = t_{PW \text{ min}} + t31 \text{ min} - T28_{\text{max}}$$

For a typical 8 MHz ISA bus:

$$t_{RASU \text{ min}} = 90 \text{ ns (8 bit) or } 28 \text{ ns (16 bit),}$$

$$t_{RPW \text{ min}} = 530 \text{ ns (8 bit) or } 154 \text{ ns (16 bit),}$$

$$t_{RDSU \text{ min}} = 470 \text{ ns (8 bit) or } 105 \text{ ns (16 bit).}$$

2.5.3 RAM DMA Timing

These timings are given in the AT/LANTIC data sheet Section 8, under "I/O port or FIFO transfers".

$$t_{RAOE} = T3 - T7,$$

$$t_{RAA} = T2 + T3 - T7,$$

$$t_{RACS} = T4 - T7,$$

$$t_{RASU} = T2,$$

$$t_{RDSU} = T9,$$

$$t_{RPW} = T3$$

2.6 Fast Read Feature

This is a feature designed into AT/LANTIC to improve the performance of the remote DMA channel in NE2000 mode. The actual performance measured will depend on the platform that AT/LANTIC is used with, and the test configuration used.

The architecture of the remote DMA channel is as shown:

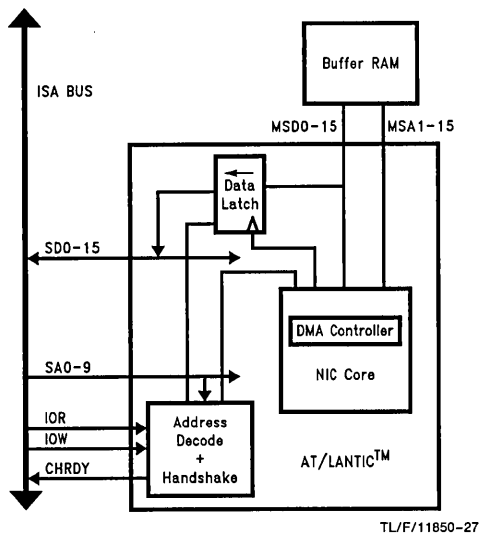


FIGURE 26. Remote DMA Controller

When the remote DMA read is started, by I/O writes to the NIC remote DMA controller, the buffer RAM is accessed at the first address and the data is latched in the data transfer latch. The PC then reads this data over the ISA bus. At the end of the IORD strobe, the DMA controller fetches data from the next RAM address and latches it into the latch. Hardware handshake logic prevents the PC from completing a read cycle until the data is ready.

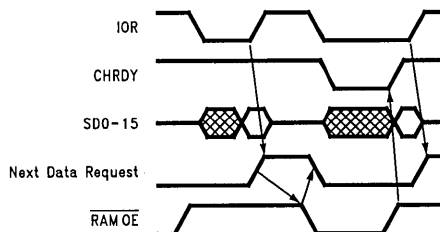


FIGURE 27. Remote DMA Read Timing

The request for more data from the DMA controller is not made until the end of the IORD strobe. When fast read operation is enabled, the request for more data is made as soon as CHRDY is released, before the end of the IORD. For cycles that do not require CHRDY, i.e. the data is already in the latch, more data is requested at the start of the IORD strobe.

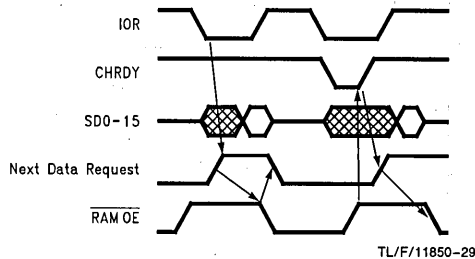


FIGURE 28. Fast Read Remote DMA Timing

There is a danger, in very slow machines, that the new data will be latched into the data transfer latch before the end of the current IORD cycle. For this reason, Fast Read is not recommended for 8-bit systems.

The NIC core is specified to take a minimum of 11 clocks between data being requested and the latch being updated. A typical system with an NIC core clock of 20 MHz will therefore take at least 550 ns. Fast Read mode is safe in any system where the IORD strobe width, or the CHRDY to IORD high delay does not exceed 550ns.

2.7 Reset Operation

AT/LANTIC has different degrees of RESET according to the duration of the RESET pulse. The pulse width is measured by counting X1 clocks (20 MHz), so the timing period can only begin after the oscillator has started.

In order to prevent noise problems, a RESET pulse of less than 350 ns will be ignored. The RESET pulse must be at least 400 ns to be guaranteed to be recognized.

A RESET pulse of at least 400 ns will reset the internal logic, including the 8390 NIC core, and will tristate all I/O pins. A 60k pull down will be enabled for each configuration pin MSD0-15 and MSA1-8.

If the RESET pulse is more than 400 ns long, configuration data and Ethernet node address will be loaded. The load sequence begins when RESET goes low, and can take up to 320 μ s. During this time, all ISA bus cycles are ignored.

AT/LANTIC™ Software Developer's Guide

National Semiconductor
Application Note 887
David Milne



AN-887

INTRODUCTION

This document is designed to aid the development of software for the AT/LANTIC device. It is recommended that the AT/LANTIC data sheet be read before and then in conjunction with this description.

Table of Contents

1.0 INTRODUCTION TO THE AT/LANTIC DEVICE

2.0 CONFIGURING THE AT/LANTIC

- 2.1 Changing and Saving a Configuration
- 2.2 Enabling a "New" Adapter
- 2.3 Programming Configuration Register C

3.0 INITIALIZING THE AT/LANTIC

- 3.1 Hardware Reset
- 3.2 Get Bus Size/ID Bytes
- 3.3 Initializing the Registers
- 3.4 Checking the Cable
- 3.5 Checking the Interrupt
- 3.6 Checking the Boot ROM

4.0 TRANSFERRING INFORMATION

- 4.1 I/O Mode Transfers
 - 4.1.1 DMA Write Sequence
 - 4.1.2 DMA Read Sequence
- 4.2 Shared Memory Transfers

5.0 TRANSMISSION SEQUENCE

- 5.1 Register Sequence

6.0 RECEPTION SEQUENCE

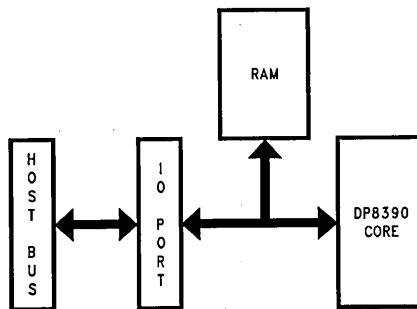
- 6.1 The Buffer Ring
- 6.2 Removing a Packet
- 6.3 Dealing with Overflows

1.0 INTRODUCTION TO THE AT/LANTIC

The AT Local Area Network Twisted Pair Interface Controller provides a simple method of interfacing any ISA (Industry Standard Architecture) bus based systems to an Ethernet Network. This device can emulate one of the most popular Ethernet Adapter architectures—Novell's NE2000 adapter.

The configuration information describing the devices architecture, address, interrupt etc. can either be loaded from switches or from an EEPROM. Use of the EEPROM method allows the device to be configured solely by software thus providing a more user friendly Ethernet adapter.

A brief introduction to the two Adapter architectures is given below.

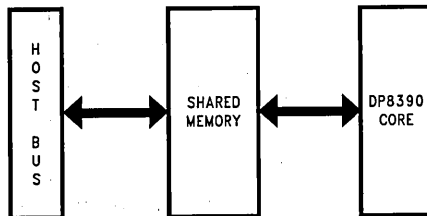


TL/F/11820-1

FIGURE 1. NE2000 Emulation Mode

The NE2000 mode utilizes a Data Port register through which all transfers to/from the buffer RAM take place. Any transfer requires the buffer RAM address, transfer size and direction to be programmed into registers before the transfer can be initiated.

This mode of operation is often referred to as I/O Mode.



TL/F/11820-2

FIGURE 2. Shared Memory Mode

In Shared Memory mode the buffer RAM is mapped into system memory. This allows any data in the buffer RAM to be directly transferred across the ISA bus.

The AT/LANTIC requires a 20H byte space in the PC's I/O Port map, this area contains all of the AT/LANTIC's registers. The contents of this register block depend on the mode the AT/LANTIC is operating in. One common factor is the NIC core register section which contains 16 registers. The location of the register block is given by "I/O address" (also referred to as I/O base). Figures 3 and 4 show the contents of the register block for either mode.

The AT/LANTIC can access a RAM area of up to 64 kbytes, however the standard is to only use 16 kbytes of this area.

The method of accessing this RAM area is described in Section 4.0 of this document. The AT/LANTIC's memory map depends on the mode of the device. *Figures 5 and 6* show the full 64 kbyte memory map for each mode (each mode with the chip in compatible mode utilizing only 16 kbytes for the RAM Buffer).

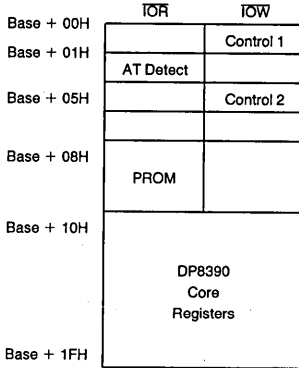


FIGURE 3. Shared Memory Mode I/O Map

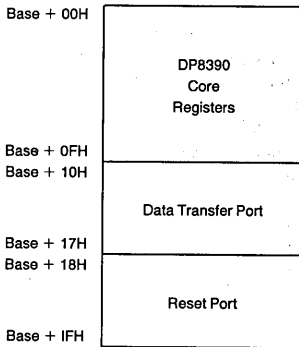


FIGURE 4. I/O Port Mode Register I/O Map

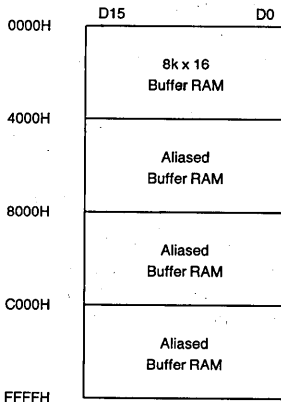


FIGURE 5. Shared Memory Mode Memory Map

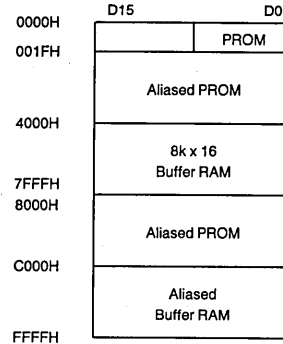


FIGURE 6. I/O Port Mode Memory Map

2.0 CONFIGURING THE AT/LANTIC

The AT/LANTIC controller is designed such that it is fully software configurable. The configuration information is held in three registers A, B and C as described in the data sheet under Section 5.1. As an added safety feature configuration registers A and B are hidden, so that they cannot be accidentally overwritten. Register C is only accessed during a RESET and can not be directly accessed by software.

Register A controls the I/O address, interrupt and mode of the AT/LANTIC device. Register B controls the cable type selection and certain flags altering some interface timings to the ISA bus (refer to Section 4.1 "Bus Error Condition").

2.1 Changing and Saving a Configuration

CHANGING THE CONFIGURATION

Registers A and B can be read directly at I/O address offset 0AH and 0BH respectively. To write to these registers a read access must be immediately followed by a write access. Interrupts should be disabled during the write sequence to ensure it is not corrupted. These registers can only be accessed when the NIC command register is set to page 0, refer to AT/LANTIC data sheet Section 5.3.

As register A can change the address location of the AT/LANTIC registers (and hence of reg. B) then a software update of both registers A and B should first change register B and then register A. This allows the same base I/O address to be used for both register updates.

THE GDLNK BIT

Special care should be taken when configuring the GDLNK bit of register B. If this bit is set to 1 then the link integrity checking (TPI mode) is disabled. If link integrity checking has not been disabled (10BT standard) then this bit reads 1 for good link and 0 for link broken. If the AT/LANTIC is in TPI mode with a good link and reg. B is read then the GDLNK bit is shown to be 1, if this was written directly back to reg. B then link integrity checking is disabled. Thus it is necessary to mask out the GDLNK bit when writing to reg. B unless the disabling of link integrity checking is required.

SAVING A CONFIGURATION

The AT/LANTIC has a feature allowing the required configuration to be saved to an EEPROM such that on power up the configuration registers are automatically loaded with the correct values. There is a special algorithm which writes the configuration to the EEPROM, this is described in the pseudo code below. This algorithm does not change the registers directly, i.e. the new state only appears on the next power up.

```

CONFIGURATION_SAVE ()
{
//Interrupts are disabled to ensure the
// sequence is not corrupted.
    Disable interrupts;

// Set EELoad bit in register B.
    value = READ (Config_Reg_B);
    value = value & (~GDLNK);
    value = value | EELoad;
    WRITE (Config_Reg_B, value);

// Output the configuration info.
    READ(Config_Reg_B);
    WRITE(Config_Reg_B, config_for_A);
    WRITE(Config_Reg_B, config_for_B);
    WRITE(Config_Reg_B, config_for_C);

// Wait for EELoad bit to go low.
    while(value && EELoad)
    {
        value = READ(Config_Reg_B);
        WAIT();
    }
    Enable Interrupts;
}

```

2.2 Enabling a "New" Adapter

It is possible to place the AT/LANTIC controller in a "disabled" state in which it shall not respond at any I/O base location. This is a particularly useful mode for software configurability as it allows the auto selection of an available configuration before the AT/LANTIC based adapter is enabled. Hence potential conflicts of Interrupt and I/O base address can be avoided.

The method of enabling the AT/LANTIC from this "disabled" state consists of writing a byte four consecutive times to port 278H, during which time interrupts should be disabled to ensure the sequence is not corrupted. The lower 3 bits of this byte inform the AT/LANTIC of which address it should enable to. More information on the mapping of these three bits to I/O base locations can be found in the AT/LANTIC data sheet under Section 5.1.

The port 278H is normally a PC's secondary printer port. Using the "four writes" sequence ensures that an adapter is not accidentally enabled if the port is in use. If the port is active when the adapter is to be enabled then it is possible to corrupt a print sequence, to avoid this the code should check if the port is active and if so wait until the port is free. The printer uses port 278H as a data port and port 279H as a control port, reference should be made to the PC's technical manual for an explanation of these registers and how the port operates.

Once the AT/LANTIC is enabled configuration register A may contain old information in bits 3-7. Register A bit 7 is the MEMIO (architecture) bit, the offset of the configuration registers varies depending on the state of this bit. Thus the software has to detect which architecture mode the AT/LANTIC has appeared in before bits 3-7 of reg. A and all of reg. B can be overwritten with the new configuration information.

DETECTING AT/LANTIC MODE

The AT/LANTIC can appear in either the I/O port mode or the Shared Memory mode. As the I/O address is known then the mode of operation can be found by checking the data at the address of register A, i.e., check offset 0AH for I/O mode and offset 1AH for Shared Memory mode. The recommended method of detecting the architecture of an AT/LANTIC at a known I/O base is given in the pseudo code below.

```

FIND_MODE()
{
// Check if in I/O mode
    config_a = READ(IO_BASE + 0AH);
// Check MEMIO is low i.e. I/O mode.
    if((config_a & 80H) == 0)
    {
// Check IOAD bits match the I/O base addr.
        if((config_a & 7) relates to IO_BASE)
            return(IO_MODE_DETECTED);
    }
// Check if in Shared Memory mode.
    config_a = READ(IO_BASE + 1AH);
// Check MEMIO is high i.e. S/M mode.
    if((config_a & 80H) == 1)
    {
// Check IOAD bits match the I/O base addr.
        if((config_a & 7) relates to IO_BASE)
            return(SHARED_MEM_DETECTED);
    }
// No AT/LANTIC mode detected.
return(NO_MODE_DETECTED);
}

```

2.3 Programming Configuration Register C

Configuration register C can not be accessed directly by software. Details on what configuration register C controls can be found in the AT/LANTIC data sheet Section 5.1. The upper four 4 bits of register C are fixed depending on the design of the adapter card, the lower four bits vary depending on the boot ROM option selected. It is necessary to know the boot ROM option selected so that register C is correctly updated by the "Configuration_Save" routine (as given under Section 2.1). As register C can not be read some mechanism is required to detect the boot ROM option in use. The recommended method is to place a signature text string in the boot ROM at a fixed location. This string would contain information on the size of ROM in question. The code should then scan the RAM space for this signature string. If found, then the location and size of the boot ROM is known and the value required for register C can be calculated. As register C can not be written to directly, the only method of updating it is to use the "Configuration—Save" routine.

It should be noted that any change to the value of register C is not active until the AT/LANTIC has been reset (normally a power off/on of a PC) and the new contents of the EEPROM have been loaded into the registers.

3.0 INITIALIZING THE AT/LANTIC

The following section deals with all of the functions necessary to initialize and partly test the AT/LANTIC device. It is recommended that the code follows the order of each of the sub-sections.

3.1 Hardware Reset

The first step in the initialization sequence is to provide a reset pulse to the NIC core of the AT/LANTIC device. The method of providing this signal depends on the architecture selected for the AT/LANTIC.

I/O MODE RESET SEQUENCE

In this mode a portion of the I/O address map acts as a reset port, offsets 18H to 1FH, any of these offsets can be used as the reset port. To activate a reset the port should be read from and then written to (with any value). Following this a delay of 1.6 ms is required to make sure the reset has completed.

SHARED MEMORY RESET SEQUENCE

This mode contains two control registers (refer to Section 5.2 of the AT/LANTIC data sheet). The MSB of control register 1 is the RESET flag. To activate the reset this bit should be toggled high then low. Again a delay of 1.6 ms is required to allow the reset to complete.

PLACING THE AT/LANTIC IN STOP MODE

Following the hardware reset it is necessary to place the NIC core of the AT/LANTIC in the STOP mode, which performs a software reset. This is done by setting the STOP and RS2 bits of the NIC command register (refer to the AT/LANTIC data sheet Section 5.3 for more information on the NIC core registers), PS0 and PS1 are cleared to ensure that the NIC core is in "page 0". (The NIC core registers are split into 3 pages of 16 registers, the bits PS0 and PS1 in the command register define which page the NIC is currently operating in.) The code should wait until the software reset is indicated as complete (when the RST bit of the Interrupt Status register is set to a 1).

3.2 Get Bus Size/ID Bytes

This section deals with detecting the size of the slot an adapter has been inserted into and checking ID byte values are correct for the mode of operation selected. The two AT/LANTIC modes are quite different in their approach to this problem and shall be discussed separately.

I/O MODE

The I/O mode architecture maps PROM data into RAM space locations 00H to 1FH. The contents of this RAM space are given in *Figure 7*. Offset 1EH contains a word value which depends on the size of slot in which the adapter currently resides. If the value equals 5757H, then the slot is 16-bit, if the value equals 4242H, then the slot is 8-bit. If the value does not equal either of the previous values, then the adapter is not correctly functional in NE2000 emulation mode, i.e., these bytes also act as ID bytes. An example of the DMA read operation required to get the word from offset 1EH is described in Section 4.1.2 of this document. The initial transfer requires the Data Configuration Register (DCR) to be programmed for 8-bit operation, and the PC to perform two byte wide reads of the Data Port. Once the data has been transferred the DCR and PC transfers can be set for the correct bus width.

SHARED MEMORY MODE

The shared memory mode contains a register which holds information on the size of slot occupied by the adapter. The LSB of this register, the AT detect register (refer to AT/LANTIC data sheet Section 5.2) is set to 1 for 16-bit mode and 0 for 8-bit mode.

Correct emulation of the Ethercard Plus16 requires an ID byte. In this mode the registers at offsets 08H to 0FH (see *Figure 8*) contain first the Ethernet address then an ID byte followed by a checksum byte.

For the AT/LANTIC shared memory mode the ID byte at offset 0EH should contain value 05H. The two complement sum of all of the eight bytes should equal FFH. If this is not the case, then the adapter is not correctly operating in Ethercard Plus16 emulation mode.

00H	ETHERNET ADDR. 0
01H	ETHERNET ADDR. 1
02H	ETHERNET ADDR. 2
03H	ETHERNET ADDR. 3
04H	ETHERNET ADDR. 4
05H	ETHERNET ADDR. 5
06H	(BOARD ID BYTE)
07H	(CHECKSUM)
1EH	42H or 57H
1FH	42H or 57H

FIGURE 7. NE2000 Mode PROM Memory MAP

0BH	Addr. Byte 0
	Addr. Byte 1
	Addr. Byte 2
	Addr. Byte 3
	Addr. Byte 4
	Addr. Byte 5
	Board ID Byte
0FH	Checksum

FIGURE 8. S/M Mode PROM Loaded Registers

3.3 Initializing the Registers

When initializing an adapter for Shared Memory mode it is necessary to set up two control registers before initializing the NIC core registers, the following step is ignored for I/O Port mode.

SHARED MEMORY ADDRESS INITIALIZATION

In shared memory mode the Buffer RAM is mapped into the PC address space. Two control registers define where in the PC memory map this RAM shall appear, refer to Section 5.2 of the AT/LANTIC data sheet. Address bits A13-A18 of the selected memory address should be programmed into bits 0-5 of control register one. Address bits A19-A23 should

be programmed into bits 0–4 of control register two. The MEMW bit of control register 2 defines if the memory is 8 kwords or 8 kbytes in size. This bit should be defined during this initialization. It may also be necessary to initialize the MEME bit of control register 1, this depends on the method of controlling the buffer RAM—refer to Section 4.2.

- e.g. D0000H, 16 kbytes memory.
Control reg. 1 is 28H,
Control reg. 2 is 41H.

NIC CORE REGISTER INITIALIZATION

The following register initialization sequence is mandatory for both I/O Port and Shared Memory modes. All of the registers discussed are explained in detail under Section 5.3 of the AT/LANTIC data sheet.

- Put the AT/LANTIC in STOP mode. Refer to Section 3.1 on putting the AT/LANTIC in STOP mode.
 - Initialize Data Configuration Register (DCR), WTS (transfer width) dependent on the result of the previous section, LS set, ARM is dependent on the method chosen to control the receive buffer ring (refer to Section 6.0). The FIFO threshold is typically set to 8 bytes/4 words i.e., FT1 is set. (When in Shared Memory mode the WTS bit can always be set if 16 kbytes of RAM are being used.)
 - Clear Remote Byte count registers.
 - Initialize Receive Configuration Register (RCR), this register determines which packets are accepted by the AT/LANTIC and buffered into RAM. The options available are save errored packets, runt packets, multicast packets, broadcast packets, physical address match packets and all physical address packets (promiscuous mode). Setting the register to 00H allows only physical address match packets. Further discussion on setting the physical and multicast addresses is given later in this section.
 - Place the NIC in loopback mode 1 or 2 by setting bits LB0 or LB1 in the Transmit Configuration Register. Loopback is described in the data sheet under Section 6.5.
 - Initialize the Receive Buffer Ring, Boundary Pointer (BNDRY), Page Start (PSTART), Page Stop (PSTOP), Transmit Page Start (TPSR).
- The values for these registers are discussed at the end of this section.
- Clear the Interrupt Status Register (ISR), by writing FFH to it.
 - Initialize Interrupt Mask Register (IMR), this register controls which sources of interrupt are allowed or disallowed. It would be normal to set PRXE (packet received), PTXE (packet transmitted), PTXEE (packet transmission error) and OVWE (overflow) in the register.
 - Program the Command Register for page 1 (set bits PS0, RD2 and STP) and initialize the physical, multicast and CURR registers as described later in this section.
 - Put the NIC in to START mode, set the START bit and clear the STOP, PS0 and PS1 bits in the Command Register. The receive is still not active as the NIC core is in loopback mode.

- Remove the AT/LANTIC from loopback mode by initializing the Transmit Configuration Register (TCR) to its correct value, typically 00H.

The AT/LANTIC is now ready to receive and transmit packets.

SETTING UP THE BUFFER RING

The values to be programmed in to the buffer ring pointers PSTART, PSTOP, CURR, BNDRY and TPSR depend on the mode of operation of the AT/LANTIC. There are several possible modes NE2000 and Ethercard Plus16 emulation modes which use 16k of Buffer RAM and a non-compatible mode which allows up to 64k of Buffer RAM. The size of transfers in question also alter the size of the Buffer Ring.

The buffer RAM is split into "pages" each containing 256 bytes. The standard is to have a transmit buffer followed by the receive buffer ring. It is recommended that two transmit buffers be utilized as this improves performance. One packet can be loaded into the RAM while another is being transmitted on the network. Each transmit buffer requires 6 "pages" for a full Ethernet packet (some protocols may not require a maximum Ethernet packet). The Transmit Page Start Register (TPSR) should point to the buffer being transmitted for the whole duration of a transmission, i.e., when the alternate buffer is being loaded during a transmission the TPSR should not be altered. The receive buffer ring follows the transmit buffer. The Page Start register (PSTART) is set to the page following the transmit buffer(s). The Page Stop (PSTOP) register is set to the end of the buffer RAM plus one page (the size of buffer RAM is determined by the bus width/memory width.)

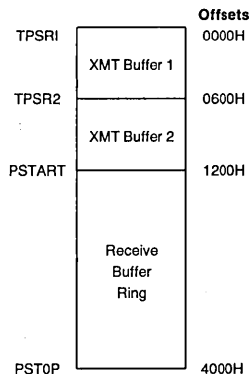


FIGURE 9. Buffer RAM Layout

In NE2000 emulation mode the buffer RAM resides at locations 4000H to 8000H (refer to Figure 6). The Ethercard Plus16 buffer RAM resides at 0000H to 4000H (refer to Figure 5). These examples are for 16-bit modes.

There are two possible methods of controlling the receive buffer ring a software method and an automated method called "send packet". These are discussed in more detail in Section 6.0 of this document.

Initializing CURR and BNDRY for

- the software method,
CURR = PSTART + 1
BNDRY = PSTART
Next_PKT = PSTART + 1

(ii) the "send packet" method,

```
CURR = BNDRY = Next_PKT = PSTART
```

("Next_PKT" is a software declared variable further described in Section 6.0).

SETTING THE PHYSICAL ADDRESS REGISTERS

During initialization, the NIC core physical address registers are loaded with the adapters Ethernet address (refer to Section 5.3 of the AT/LANTIC data sheet). Each adapter contains a unique six byte address for identification on a network. The Ethernet address is held in a PROM store in the AT/LANTIC, the method of retrieving the information depends on its present architecture mode. In shared memory mode the Ethernet address is held at register offsets 08H to 0DH, see *Figure 3*. These values can then be written to the NIC physical address registers. In I/O mode the address is held in the first three words of the RAM thus a Remote DMA read is required to retrieve the information, refer to Section 4.1.2.

SETTING THE MULTICAST REGISTERS

To allow a network station to receive packets destination addresses other than the stations physical node address, it is necessary to store a list of these destination addresses. A group of addresses to be received are referred to as multicast addresses. This device can not hold all of the addresses, thus the AT/LANTIC contains 8 multicast address registers (MAR0-7) which decode the addresses to be received. These multicast registers provide filtering of multicast addresses hashed by the CRC logic. All destination addresses are fed through the CRC logic and as the last bit of the destination address enters the CRC, the 6 MSB's of the CRC generator are latched. These six bits are then used to index a unique filter bit (FB0-63) in the multicast address registers. When a software developer wishes to accept a specific multicast address the above sequence should be followed to determine which filter bit in the multicast registers should be set. Several bits can be set to accept several multicast addresses. A pseudo code example of the routine required for this is given below.

```
// Hexadecimal equivalent of the NIC's CRC
// equn.
define CRC_POLYNOMIAL 04C11DB6H

// The multicast address is held in a 6 byte
// array.
unsigned char mult_addr[6];
crc = FFFFFFFFH;

// The following loops create the 32-bit CRC
// value.

// Loop through each byte of the address.
for(i=0; i<6; i++)
{
// Loop through each bit of that byte.
for(bit=0; bit<8; bit++)
```

```
{
carry=(crc31 )^((mult_addr[i] &
(1<bit )) > bit);
crc <= 1; if (carry)
crc = ((crc^CRC_POLYNOMIAL) | carry);
}
}
```

```
// Extract the 6 MSB's from the CRC value,
// this six bit value is used to index a
// unique filter bit.
```

```
index >= 26;
index &= 3FH;
// Find the multicast register number and
// bit of that register to set.
register_no = crc > 3;
register_bit = 1 < (crc & 7);
```

```
// Calculate the new register value.
value = READ(MAR[register_no]) |
register_bit;
```

```
// Set the Multicast Address Register (MAR)
// value.
WRITE (MAR[register_no], value);
```

3.4 Checking the Cable

There are four possible media types that can be selected with the AT/LANTIC device. Both the TPI(10BT) and TPI(non spec.) modes simply use the GDLNK bit of configuration register B to indicate the cable status. The test for a good "Thin" Ethernet cable is more involved and a pseudo code description of what is required is given below. Thick Ethernet cable can be checked by performing level 3 loop-back as described in Section 6.5 of the AT/LANTIC data sheet. However this test can only be guaranteed if performed on a non-active network, i.e. no information is being passed on the network during the test.

```
// Assume already initialized.

thin_cable_check()
{
// Set up a cable check packet for
// transmission. The destination addr.
// should equal the source address to avoid
// other stations receiving this pkt. The
// data field is of the developers choice.
packet = set_up_cable_pkt();
length = size of (packet);
```

```

// Set the transmit byte count registers.
WRITE(TBCRO, length_LSB);
WRITE(TBCR1, length_MSB);

// Clear the Interrupt Status Register.
WRITE(INTSTATUS, FFH);

// Issue the transmit command.
WRITE(CMND, (RD2 | STA | TXP));

// Poll the interrupt status register until
// the packet is indicated as transmitted
// or there is a timeout.
while(time_in_loop < 1 second)
{
    STATUS = READ(INTSTATUS);

    if(STATUS & (ISR_TXE | ISR_PTX)
        break;

    update--time--in--loop();
    Short_Delay();
}

// If the routine timed out the tx failed.
if(time_in_loop > 1 second)
    return(NO_CABLE);

// Read the Transmit Status Register.
TSR_value = READ(TSR);

// Check if there were excessive collisions.
if(TSR_value & ABT)
    return(UNTERMINATED);

// If there was 1 to 15 collisions the cable
// is good.
if(TSR_value & COL)
    return(CABLE_OK);

// Check for other transmission failures
// only after collision check because if a
// collision occurred it can set some of
// the following bits in error.
if(TSR_value & (CDH | CRS | FU));
    return(NO_CABLE);

// If this point is reached the tx passed.
return(CABLE_OK);
}

```

More detail on the Interrupt Status Register (ISR) and the Transmit Status Register (TSR) bits can be found in the AT/LANTIC data sheet under Section 5.3.

3.5 Checking the Interrupt

When an interrupt is detected an interrupt handler is called. This handler should then investigate the cause of the interrupt and act accordingly. In the case of the AT/LANTIC there is an Interrupt Status Register which provides information on the cause of the interrupt. It is necessary for the handler to be installed before this test is carried out.

The following pseudo code routine checks interrupt operation by assuming that when the interrupt handler is called and the ISR is found to have its PTX bit set then a "packet_transmitted" flag is incremented/set.

```

// Assume Initialized and ISR installed.
Interrupt_check()
{
    // Clear the 'packet_transmitted' flag.
    packet_transmitted = 0;

    // Clear the Interrupt Status Register.
    WRITE(INTSTATUS, FFH);

    // Set the transmit byte count zero.
    WRITE(TBCRO, 0);
    WRITE(TBCR1, 0);

    // Issue the transmit command.
    WRITE(CMND, (RD2 | STA | TXP));

    // This transmission is used to generate an
    // interrupt.

    // Loop until ISR is called and
    // packet_transmitted flag is set
    // or there is a time out.
    while(time_in_loop < 1 second)
    {
        if(packet_transmitted)
            return(Interrupt_OK);

        update_time_in_loop();
    }
    return(Interrupt_FAILED);
}

```

3.6 Checking the Boot ROM

If a boot ROM has been identified as belonging to the adapter under going diagnostics then it is possible to check that its data has not been corrupted. The sum of all of the ROM bytes should equal 0. The size of the ROM (in 1/2 k segments) is held at byte offset 03H, offsets 00H and 01H should hold values 55H and AAH respectively.

4.0 TRANSFERRING INFORMATION

Before transmission of a packet or processing of a reception, it is necessary to store or retrieve data from the buffer RAM. The two architecture modes available on the AT/LANTIC have different methods of accessing the buffer RAM.

4.1 I/O Mode Transfers

When in I/O mode the NIC core of the AT/LANTIC transfers data to or from the buffer RAM using one of its DMA channels. The software programs the start address of the RAM segment to be transferred, the size of transfer and the direction of the transfer. The DMA controller passes data between the data transfer port and the buffer RAM, byte or word at a time. The system always writes or reads data via this port. The Data Transfer Port is mapped from I/O base offset 10H to 17H (any of these registers act as the Data Transfer Port). It is important that no other value be written to the command register during a DMA.

BUS ERROR CONDITION

On some implementations of the ISA bus it is possible for an error condition to arise during a DMA transfer. This is flagged by a "BE" (Bus Error) bit in configuration register B being set (writing a one to this bit resets it). The AT/LANTIC provides two differing methods for correcting this condition, these are implemented by setting either the "IO16CON" bit or the "CHRDY" bit in configuration register B. For a more detailed discussion on the cause of the error and the remedies available reference should be made to the AT/LANTIC data sheet Section 6.7 ("16-Bit I/O Cycles with CHRDY Fix").

It is recommended that a check for this error condition be carried out before an adapter is enabled on a network. This can be done by performing a DMA, checking if the "BE" bit has been set and if so implementing one of the fixes. It is also possible to perform the check at the end of every DMA (as the error may not happen during all DMA sequences).

4.1.1 DMA WRITE SEQUENCE

The DMA write sequence is typically used to load up a packet to be transmitted in to the transmit buffer, as in the example below.

```

...
// Create a transmit packet and hold a
// pointer to its address in the PC RAM.
packet = set_up_xmt_pkt();

Disable Interrupts;

// Write out the Buffer RAM address for the
// xmt packet to the Remote DMA addr.
// registers. This is either TPSR1 or TPSR2.
WRITE(RSAR0, TPSR_LSB);
WRITE(RSAR1, TPSR_MSB);

// Write out the size of the packet to the
// Remote DMA BYTE count registers.
length = sizeof(packet);
WRITE(RBCRO, length_LSB);
WRITE(RBCR1, length_MSB);

```

```

// Issue the Remote DMA write command.
WRITE(CMND, (RD1 | STA));

// Loop until all bytes/words transferred.
address = packet;
for(loop through the transmit pkt)
{
value = contents of address;
WRITE(DATA_PORT, value);
increment address pointer;
}

// It is necessary to wait until the last
// transfer is flagged as being placed into
// memory. An access to the command
// register before the DMA has completed may
// corrupt the last transfer and lead to
// serious system errors.
while(time_in_loop < 1 second)
{
status = READ(INTSTATUS);

if(status & ISR_RDC)
return(TRANSFER_OK);

update_time_in_loop();

Short_Delay();
}

Enable Interrupts;

return(TRANSFER_FAILED);
...

```

4.1.2 DMA READ SEQUENCE

The DMA read sequence is typically used for removing packets from the receive buffer ring. However the example below reads the Ethernet address from Buffer RAM (as would be required during initialization).

```

...
// Read the Ethernet address and place it at
// PC RAM space pointed to by 'addr'.

Disable Interrupts;

// Set the Remote read start address to 0.
WRITE(RSAR0, 0);
WRITE(RSAR1, 0);

```



```
// Set the Remote DMA BYTE count to 6.
WRITE(RBCR0, 6);
WRITE(RBCR1, 0);

// Issue the Remote DMA read command.
WRITE(CMND, (RDO | STA));

// Read 3 words or 6 bytes depending on bus
// width.
for(loop 3 or 6 times)
{
  contents of addr = READ(DATA_PORT);
  increment address;
}

Enable Interrupts;

return(TRANSFER_COMPLETED);
...
```

The above examples often refer to the Command and Interrupt Status registers and there associated bits. More details on these registers can be found in the AT/LANTIC data sheet Section 5.3.

The size of access to the data port is dependent on the width of the bus detected during the initialization sequence. However, it should be noted that in 16-bit mode the length of transfer is programmed in bytes even if the transfers to/from the data port are to be word wide.

There are some assembly language commands that greatly simplify the transfer loop to the data port.

e.g., for the Intel 286 Processor.

```
set cx to byte count;
set es:di to pc RAM destination;
set dx to DATA_PORT;
set direction flag;
rep insw/outsw
```

4.2 Shared Memory Transfers

When in Shared Memory mode the buffer RAM is mapped into a portion of the PC RAM space. Access to the buffer uses the same method as access to any portion of the PC address space. The location at which the buffer RAM appears is controlled by two Shared Memory Control Registers. These registers also set the size and width of transfer as well as enabling or disabling the RAM buffer. The buffer RAM can be set to 16 kbytes or 8 kbytes in size (as determined by the adapter hardware) and the CPU transfer width can be 8-bit or 16-bit wide (as determined in Section 3.2). These settings are controlled by two register bits, the MEMW bit of control register 2 controls the width of memory i.e., 8 kbytes/16 kbytes and the 8-bit/16-bit of control reg. 2 controls whether the transfer is 8-bit or 16-bit wide. If the transfers are to be 16-bit wide then the 8-bit/16-bit should be set only for the duration of the transfer. It is also possible to disable the buffer RAM when there is no transfer in progress by using the MEME bit of control register 1. This allows more than one adapter to utilize the same RAM location in the PC memory map. It should be noted that if multiple adapters are to use the same RAM location then all the adapters must disable the RAM when transfers are not in

progress. If only one adapter is allowed to use the RAM location then the memory can be enabled at initialization.

If the software being developed has to be fully compatible with the Ethercard Plus16 architecture then the control registers cannot be assumed to be readable. Thus when toggling the MEME and 8-bit/16-bit during a transfer it is necessary to either re-calculate the value of the address bits in the register or recall some store of the initialized value.

EXAMPLE TRANSFER

This example is for 16 bit wide transfers with memory only enabled for the duration of the transfer.

```
// 'Cnttrl1' and 'Cnttrl2' are stored at
// initialization.

// Enable the buffer memory.
WRITE(CNTRL1, (cnttrl1 | MEME));
// Enable 16-bit wide transfers.
WRITE(CNTRL2, (cnttrl2 | 8/16));

// Memory transfer.
MEMCOPY(PCaddr, BufferAddr, size);

// Disable the buffer memory.
WRITE(CNTRL1, cnttrl1);
// Disable 16-bit wide transfers.
WRITE(CNTRL2, cnttrl2);
```

There are some assembly language commands that provide a simple and efficient means of doing the "memcpy()" function in the above example.

e.g., for the Intel 286 Processor.

```
set cx to byte count;
set es:di to pc RAM destination;
set ds:si to pc RAM source;
set direction flag;
rep movsw
```

4.3 The Boot ROM

The AT/LANTIC provides support for both standard boot ROMs and FLASH PROMS. Configuration register C controls the location at which the ROM is enabled, access to the ROM is then the same as access to any area of PC RAM.

The use of a FLASH prom allows software to directly update a boot ROM with the latest driver software for an adapter, thus eliminating the need to replace a ROM for each new release of software. It is necessary to set the BPWR bit of configuration register B when a FLASH prom is to be updated. Write cycles to the ROM area are only allowed when this bit is set. After this bit is set the software should follow the algorithm to program the FLASH prom (as given in the PROM's data sheet).

5.0 TRANSMISSION SEQUENCE

When a transmission is required, it is necessary to select a free transmit buffer to place the packet information into (assuming there is more than one transmit buffer in the buffer RAM). The packet should then be transferred, as described in Section 4.0, to this location. A check is then required to see if a packet is presently being sent out onto the network. If a transmission is in progress then the address and size of

this new packet should be held in a "store" until the transmission completes. If a transmission is in progress then this packet can be sent directly out on to the network. This requires the Transmit Page Start Register and the Transmit Byte Count Registers to be programmed with the address and length of the packet respectively. Following this the transmit command can be issued to the Command Register. It is important to remember that the TPSR cannot be altered during a transmission.

ISSUING A TRANSMIT

```

...
// No transmission in progress. The new
// packet is held at transmit buffer
// address XMT_BUFFERx
    WRITE(TPSR XMT_BUFFERx_MSB);
// Set the byte size of the packet, held in
// 'length'.
    WRITE(RBCRO, length_LSB);
    WRITE(RBCR1, length_MSB);

// Issue the transmit command.
    WRITE(CMND, (RD2 | STA | TXF));

```

5.1 Transmission Status Checking

Once a transmission has completed the AT/LANTIC will return an interrupt. It is the task of the Interrupt Service Routine (ISR) to determine whether the transmission was successful or not and deal with it accordingly. If the transmission completed successfully, a check should be made to see if more transmissions are required, the details of which may be held in the "store" described in the above paragraph.

When called the ISR should check the Interrupt Status Register. If the PTX bit is set then this indicates that the packet

was transferred without error and the transmission can be flagged as successful. If the TXE bit is set, then an error has occurred and more information is required. This extra information is provided by the Transmit Status Register (TSR) from which the relevant error flags and statistics counters can be updated before the transmission can be flagged as completed with error. If collisions occurred during transmission then the COL bit of the TSR is set and the number of collisions that occurred is held in the Number of Collisions Register (NCR). The software can use this register to keep statistics on the amount of collisions occurring on a network.

6.0 RECEPTION SEQUENCE

6.1 The Buffer Ring

As packets are received they are placed in the buffer ring and as they are processed they are removed from the ring. At initialization an area of memory is allocated to act as the receive buffer ring and the AT/LANTIC's buffer management scheme controls the operation of the memory.

Four pointers are used to control the ring; the page start (PSTART) and page stop (PSTOP) pointers to determine the size of the buffer ring, the current page (CURR) pointer to determine where the next packet will be written to from the network and the boundary (BNDRY) pointer to show where the next packet to be read and processed lies. As packets are received, the boundary pointer follows the current page pointer around the ring. During operation the page start and page stop registers remain unchanged.

The receive buffer ring is divided into 256 byte buffers (called "pages") and these are linked together as required by the received packets. Since all AT/LANTIC registers are byte wide the ring pointers refer to the page (256 byte) boundaries, see *Figure 10*.

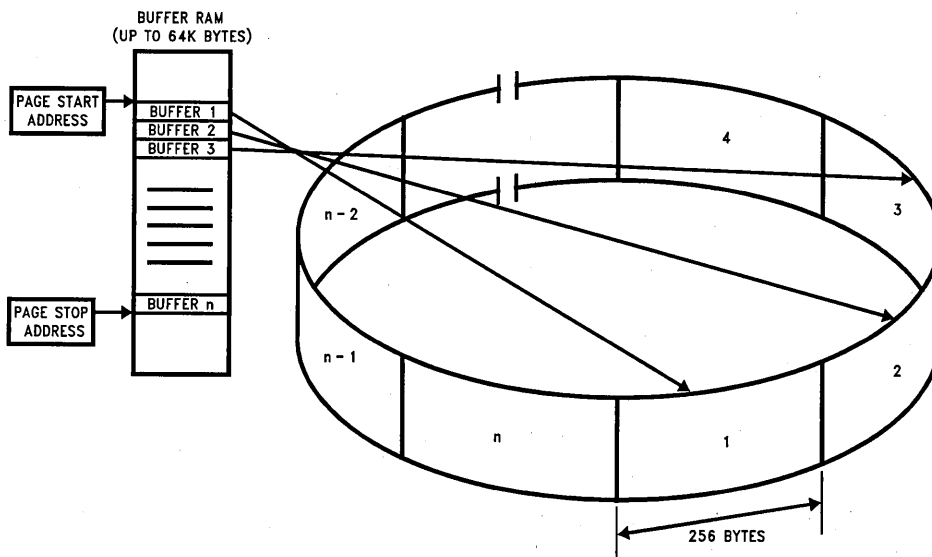


FIGURE 10. The Receive Buffer Ring

TL/F/11820-3

On a valid reception the packet is placed in the ring at the page pointed to by CURR plus a 4 byte offset (see *Figure 11*). The packet is transferred to the ring through the AT/LANTIC which links the page buffers as necessary until the complete packet is received. The first and last buffers (PSTART and PSTOP) are linked just as the first and second buffers would be. At the end of a reception, the status from the Receive Status Register (RSR), a pointer to the next packet and the byte count of the current packet are written into the 4 byte offset (see *Figure 12*).

6.2 Removing a Packet

Once packets are in the receive buffer ring they must be processed. The AT/LANTIC supports two differing adapter

architectures which have their own method of accessing the buffer memory, these are discussed in Section 4.0 of this document. As packets are removed from the buffer ring, the boundary (BNDRY) pointer must be updated. The BNDRY follows CURR around the ring (see *Figure 13*).

If the current local DMA address (the place where a newly received packet is being stored) ever reaches BNDRY then the ring is full and any more receptions cannot be achieved until some processing has been done on the ring. This condition is known as overflow. More details on this condition and how to overcome it are given in Section 6.3.

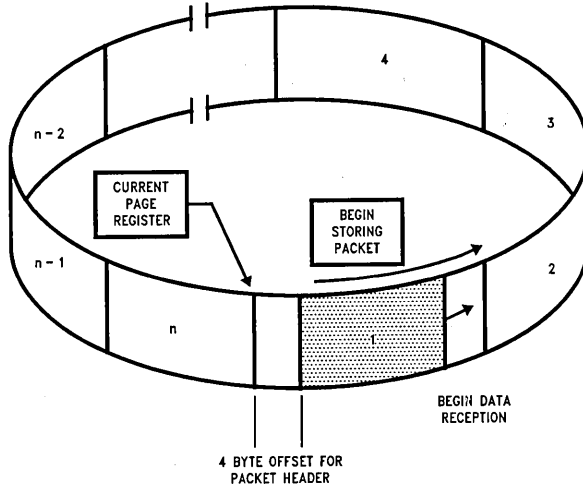


FIGURE 11. Receiving a Packet

TL/F/11820-4

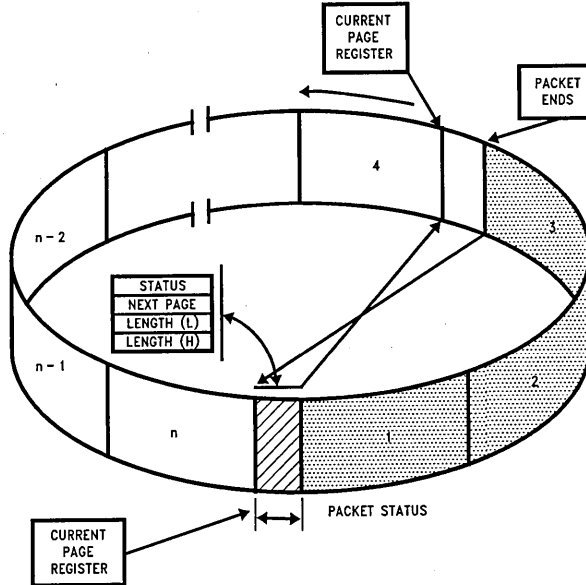


FIGURE 12. Receive Packet Header

TL/F/11820-5

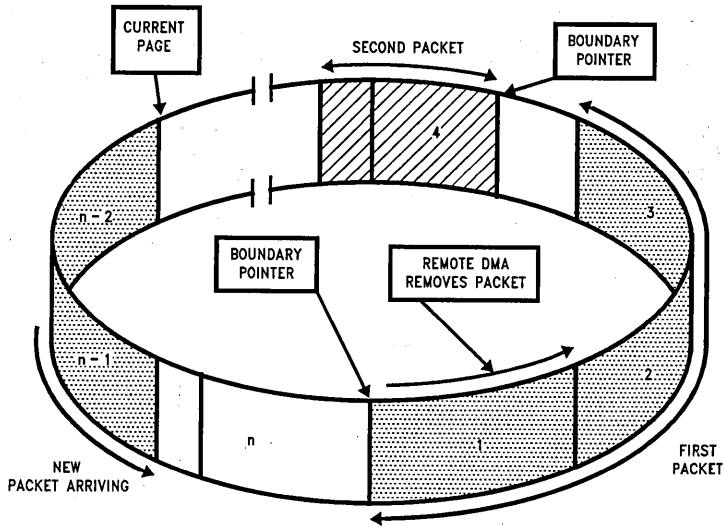


FIGURE 13. Removing a Packet

TL/F/11820-6

When the CURR and BNDRY pointers are equal, the buffer ring can either be full or empty. To ensure that the software never misinterprets this condition the BNDRY pointer can be kept one less than the CURR pointer when the ring is empty, and only equal to CURR when the ring is full, as shown below.

1. Use a variable (Next_pkt) to indicate where the next packet will be removed from the buffer ring.
2. At initialization set (see Section 3.3):
 $BNDRY = PSTART$
 $CURR = PSTART + 1$
 $Next_pkt = PSTART + 1$
3. After each packet is removed from the ring, use the next packet pointer in the header information (the second byte of the header), HNXTPKT and set:

```
Next_pkt = HNXTPKT
BNDRY = HNXTPKT
if (BNDRY < PSTART)
  BNDRY = PSTOP - 1
```

THE SEND PACKET COMMAND

When in I/O mode the Remote DMA channel can be automatically initialized to transfer a single packet from the receive buffer ring. The transfer is initiated by issuing a "send packet" command, setting bits RD1, RD0 and STA in the command register. The DMA will be initialized to the value of the BNDRY pointer and the Remote Byte Count registers will be initialized to the values found in the buffer header of each received packet. After the data has been transferred, the BNDRY pointer is advanced and the Remote DMA is then prepared to receive the next packet.

This method does not require the manual updating of registers as discussed in Steps 1-3, however it does limit the software to accessing a packet just once.

The receive sequence is initiated by an interrupt generated by the AT/LANTIC when data is ready to be removed from the ring or an overflow has occurred. The Interrupt Service Routine should then interrogate the Interrupt Status Register which flags a PRX bit when a packet is ready to be removed or OVW if the buffer ring is full. When this PRX bit is set then a receive subroutine following the above sequence should be called, if the OVW bit is set the overflow routine discussed in Section 6.3 should be called.

The receive buffer "ring" is a linear section of RAM forced into a ring by linking the end (PSTOP) and beginning (PSTART) of the buffer. Some of the received packets shall overlap or "wraparound" this link in the buffer, i.e. the start of the packet is held up to PSTOP and the rest is held from PSTART. This condition is automatically dealt with when in I/O mode however Shared Memory mode requires more care. In Shared Memory mode a "wraparound" packet has to be transferred in its two sections, i.e., the section up to PSTOP and the section from PSTART.

A pseudo code example of the sequence is given below.

RECEIVE ROUTINE

```
Receive_subroutine()
{
  // This routine loops until all the packets
  // currently held in the buffer ring are
  // removed.
  while(Next_pkt != CURR)
  {
```

```

// Get the 4 byte header from the packet
// pointed to by Next_pkt, the method of
// removing the data depends on the mode of
// the AT/LANTIC.
    status = read_status();
// If in shared memory mode then check if
// the packet wraps around the PSTOP
// pointer.
    if(in_shared_memory_mode)
    {
        if (status.length + Next_pkt > PSTOP)
        {
            transfer_up_to_PSTOP0;
            transfer_from_PSTART();
        }
        else
            transfer_all_at_once();
    }
    else
// I/O mode automatically carries out
// wraparound.
        transfer_all_once();
// Set the Next_pkt pointer to equal the
// next packet pointer in the status bytes.
    Next_pkt = status.next_packet;
// Update the boundary pointer.
    BNDRY = Next_pkt - 1;
    if(BNDRY < PSTART)
        BNDRY = PSTOP - 1;

    WRITE(BNDRY);
} // end of while loop.
}

```

6.3 Dealing with Overflows

In heavily loaded networks it is possible for the receive buffer ring to be filled with packets that still require processing, i.e., the CURR pointer reaches the BNDRY pointer. If this situation occurs then the AT/LANTIC suspends further receptions and posts an overflow (OVW) interrupt.

In the event of an overflow condition occurring it is necessary to follow the routine given below. If this routine is not adhered to then the AT/LANTIC may act in an unpredictable manner. A flow chart of the routine is given in *Figure 8*.

Note: It is necessary to define a variable in the driver, which will be called "Resend".

1. Read and store the value of the TXP bit in the AT/LANTIC Controller's Command Register.
2. Issue the STOP command to the AT/LANTIC Controller. This is accomplished by setting the STP and RD2 bits in the AT/LANTIC Controller's Command Register.
3. Wait for at least 1.6 ms. Since the AT/LANTIC Controller will complete any transmission or reception that is in

progress, it is necessary to time out for the maximum possible duration of an Ethernet transmission or reception. By waiting 1.6 ms this is achieved with some guard band added. Previously, it was recommended that the RST bit of the Interrupt Status Register be polled to insure that the pending transmission or reception is completed. This bit is not a reliable indicator and subsequently should be ignored.

4. Clear the AT/LANTIC Controller's Remote Byte Count registers (RBCR0 and RBCR1).
5. Read the stored value of the TXP bit from step 1, above.

If this value is a 0, set the "Resend" variable to a 0 and jump to step 6.

If this value is a 1, read the AT/LANTIC Controller's Interrupt Status Register. If either the Packet Transmitted bit (PTX) or Transmit Error bit (TXE) is set to a 1, set the "Resend" variable to a 0 and jump to step 6. If neither of these bits is set, place a 1 in the "Resend" variable and jump to step 6.

This step determines if there was a transmission in progress when the stop command was issued in step 2. If there was a transmission in progress, the AT/LANTIC Controller's ISR is read to determine whether or not the packet was transmitted by the AT/LANTIC Controller. If neither the PTX nor TXE bit was set, then the packet will essentially be lost. If a packet was "lost" then a transmit command can be reissued to the AT/LANTIC Controller once the overflow routine is completed (as in step 11). Also, it is possible for the AT/LANTIC Controller to deter indefinitely, when it is stopped on a busy network. Step 5 also alleviates this problem. Step 5 is essential and should not be omitted from the overflow routine, in order for the AT/LANTIC Controller to operate correctly.

6. Place the AT/LANTIC Controller in either mode 1 or mode 2 loopback. This can be accomplished by setting bits D2 and D1, of the Transmit Configuration Register, to "0,1" or "1,0", respectively. Further explanation of loopback can be found in the AT/LANTIC data sheet under Section 6.5.
7. Issue the START command to the AT/LANTIC Controller. This can be accomplished by setting the START and RD2 bits in the Command Register. This is necessary to activate the AT/LANTIC Controller's Remote DMA channel.
8. Remove one or more packets from the receive buffer ring.
9. Reset the overwrite warning (OVW, overflow) bit in the Interrupt Status Register.
10. Take the AT/LANTIC Controller out of loopback. This is done by writing the Transmit Configuration Register with the value it contains during normal operation. (Bits D2 and D1 should both be programmed to 0.)
11. If the "Resend" variable is set to a 1, reset the "Resend" variable and reissue the transmit command. This is done by the TXP bit in the Command Register. If the "Resend" variable is 0, nothing needs to be done.

Note: If Remote DMA is not being used, the AT/LANTIC Controller does not need to be started before packets can be removed from the receive buffer ring. Hence, step 8 could be done before step 7, eliminating or reducing the time spent polling in step 5.

Note: When the AT/LANTIC Controller is in STOP mode, the Missed Packet Tally counter is disabled.

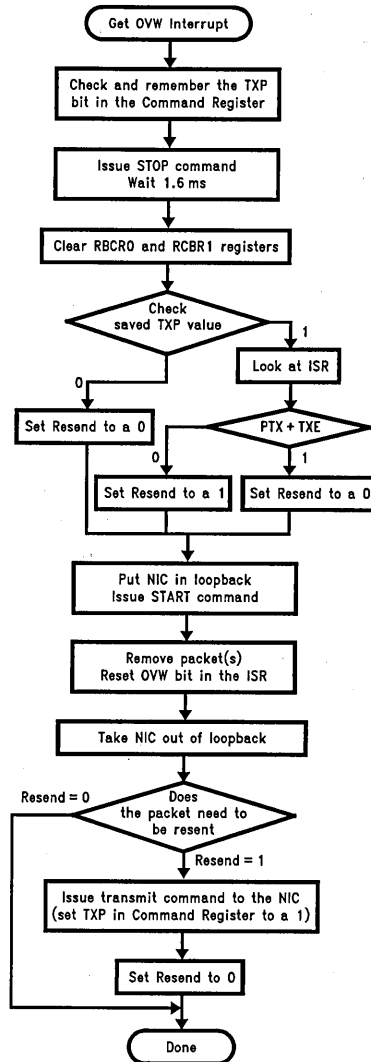


FIGURE 14. Overflow Routine

TL/F/11820-7

DP83902EB-AT PC-AT® Compatible DP83902 ST-NIC™ Ethernet Evaluation Board

National Semiconductor
Application Note 752



AN-752

OVERVIEW

The National Semiconductor ST-NIC Evaluation Board design provides IBM® AT's and AT Compatibles with Thick Ethernet, Thin Ethernet, and Twisted Pair connections. This low parts count Evaluation Board is compatible with the AT bus and requires only a 1/2 size slot for insertion. The board uses the DP83902 (ST-NIC) to interface to twisted pair Ethernet. The ST-NIC also has an AUI Port which allows interface to thick wire Ethernet, or thin wire Ethernet by the addition of the DP8392 Coaxial Transceiver Interface (CTI). The dual DMA (local and remote) capabilities of the ST-NIC, along with 16 Kbytes of buffer RAM, allow the entire Network Interface Adapter to appear as a standard I/O Port to the system. The NIC module's local DMA channel buffers packets between the local memory (16 Kbytes of buffer RAM) and the network, while the NIC module's remote DMA channel passes data between the local memory and the system by way of an I/O Port. This I/O Port architecture which isolates the CPU from the network traffic proves to be the simplest method to interface the DP83902 to the system.

HARDWARE FEATURES

- Half-size IBM PC-AT I/O Card Form Factor
- Utilizes DP83902 Serial Network Interface Controller for Twisted Pair (ST-NIC)
- 16 Kbyte on-board Packet Buffer
- Simple I/O port interface to IBM PC-AT
- Interfaces to Thick Ethernet, Thin Ethernet, and Twisted Pair
- Boot EPROM Socket

The detailed schematics for this design are shown at the end of this document.

NETWORK INTERFACE OPTIONS

The evaluation board supports three physical layer options: Thick Ethernet, Thin Ethernet, and Twisted Pair. The block diagram for these interfaces can be seen in Figure 1. When using Thick Ethernet, a drop cable is connected to an external transceiver which is in turn connected to a standard Ethernet network, eliminating the need for an internal transceiver. This configuration may be obtained by connecting the pins on JB3 while leaving JB2 open, and connecting JB9 (AUTP) to VCC.

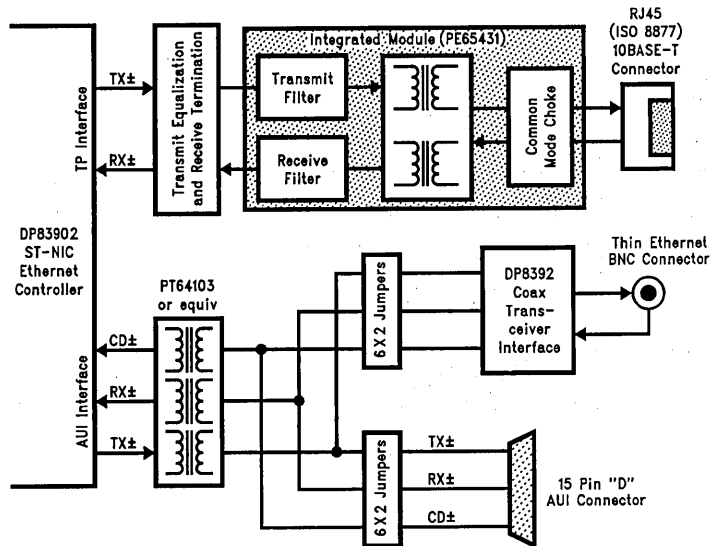


FIGURE 1. Physical Layer Adapter Interface Block Diagram

TL/F/11158-1

1

When using Thin Ethernet, a transceiver (the CTI) is available on-board to allow the evaluation board to directly connect to the network. This transceiver (the CTI) forms the link between the differential ECL signals of the SNI module and the non-differential ECL signal of the thin-wire coaxial cable. A DC-DC Converter is provided on the board to supply the CTI with $-9V$ isolated voltage source. The Thin Ethernet solution is made by connecting the pins on JB2, leaving JB3 open and JB9 (AUTP) should be connected to V_{CC} .

When using the Twisted Pair, JB9 (AUTP) needs to be connected to ground. The ST-NIC allows direct connection to the network using the RJ-45 phone jack. The remaining circuitry includes pre-emphasis resistors, a filter, a transformer/filter and a common mode choke. The transformer/filter decouples the DC component and eliminates any possible voltage spikes.

The diagram in *Figure 2* illustrates the layout of the board. It shows the various jumpers, ICs, LEDs, and the connectors for the three physical layer options. The transmit pre-emphasis resistors R27-R30 provide equalization to the twisted pair transmit outputs. This boosts the higher harmonics of the signal in order to compensate for losses in these harmonics over the twisted pair cable. R19 and R20 are 50Ω each and when combined form the required 100Ω termination on the receive side.

BUS INTERFACE

The block diagram, *Figure 3*, illustrates the architecture of the ST-NIC Evaluation Board. The ST-NIC Board as seen by the system appears only to be an I/O port. With this architecture the ST-NIC board has its own local bus to access the board memory. The system never has to intrude further than the I/O ports for any packet data operation. This I/O architecture isolates the system bus and the local bus, thereby preventing interference by the system when the ST-NIC is doing real-time accesses such as transmitting and receiving packets.

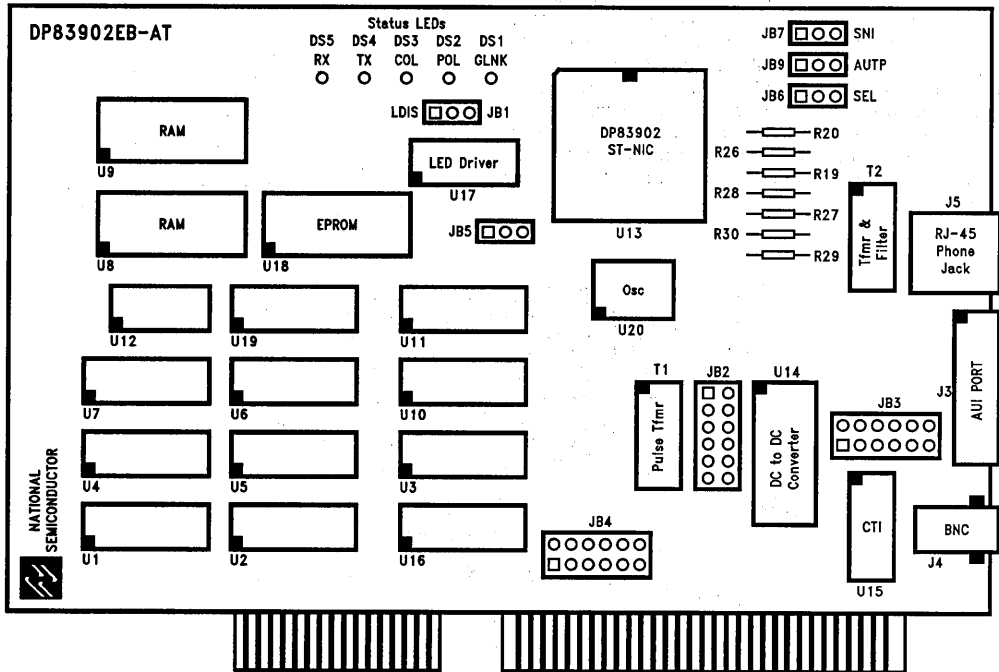


FIGURE 2. Layout of ST-NIC Evaluation Board

TL/F/11158-2

BOARD ARCHITECTURE

I/O Map of ST-NIC Board

The ST-NIC Board requires a 32-byte I/O space to allow for decoding the data buffers, the reset port, and the ST-NIC registers. The first 16 bytes (300h-30Fh) are used to address the ST-NIC registers (8 bits wide) and the next 8 bytes (310h-317h) are used to address the data buffers which are 16 bits wide. Finally, the reset port (also software selectable) may be addressed by 318h-31Fh.

TABLE I. I/O MAP in PC-AT

Address	Part Addressed
300h-30Fh	ST-NIC Chip Select
310h-317h	Data Buffers
318h-31Fh	Reset

Although in the description above the I/O map is positioned at the addresses 300-31F, it may also be placed in the following address spaces: 320-33F, 340-35F, 360-37F.

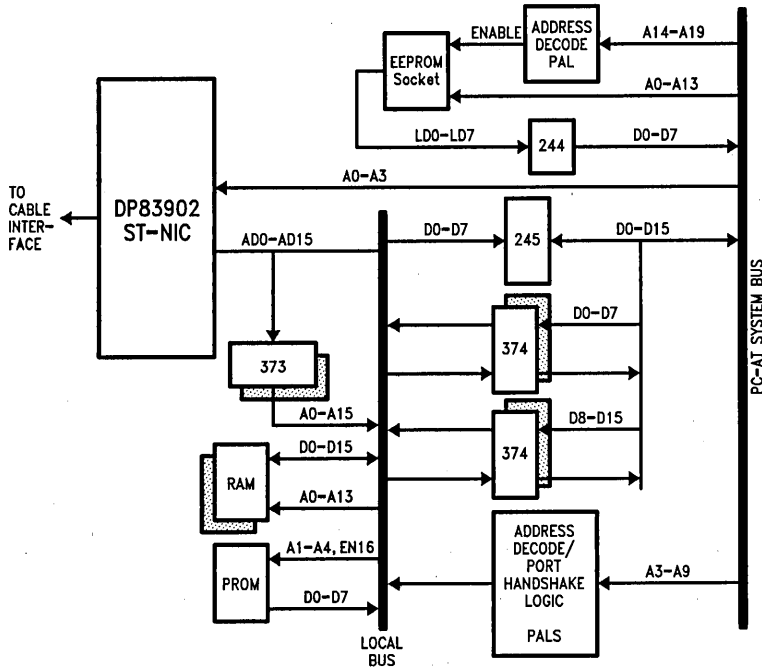
These alternate address spaces may be selected by the two jumper pins JP1 and JP0 (refer to JB4 in Figure 4 and Appendix A).

DP83902's Local Memory Map

There are only two items mapped into the local memory space. These two items being the 8K x 16 buffer RAM and the ID address PROM. The buffer RAM is used for temporary storage of transmit and receive packets.

TABLE II. ST-NIC's Local Memory Map

7FFFh	RAM
4000h	
3FFFh	
0000h	PROM



TL/F/11158-3

FIGURE 3. Block Diagram of ST-NIC Evaluation Board's System Interface

For transmit packets, the remote DMA puts data from the I/O ports into the RAM and the local DMA moves the data from the RAM to the ST-NIC. For the receive packets, the local DMA carries the data from the ST-NIC to the RAM and the remote DMA moves the data from the RAM to the I/O ports. The ID address PROM (74S288 32 x 8) contains the physical address of the evaluation board. Each PROM holds its own unique physical address which is installed during its manufacture. The PROM also contains some identification bytes that can be checked by the driver software. At the initialization of the evaluation board the software commands the ST-NIC to transfer the PROM data to the I/O Port where it is read by the CPU. The CPU then loads the ST-NIC's physical address registers. The following chart shows the contents of the PROM.

TABLE III. PROM Contents

PROM Location	Location Contents
00h	Ethernet Address 0 (Most Significant Byte)
01h	Ethernet Address 1
02h	Ethernet Address 2
03h	Ethernet Address 3
04h	Ethernet Address 4
05h	Ethernet Address 5
06h-0Dh	00h
0Eh, 0Fh	57h
10h-15h	Ethernet Address 0 thru 5
16h-1Dh	Reserved
1Eh, 1Fh	42h

Data and Address Paths

For the following paragraph, refer to the block diagram shown in *Figure 3*. Twenty address lines from the PC go onto the ST-NIC Board, but only four of them actually go to the ST-NIC. These four addresses along with the NIOR (low-asserted I/O read) or NIOW (low-asserted I/O write) and the CS (ST-NIC chip select signal) allow the PC to read or write to the ST-NIC's registers. If the system wants to read from or write to the ST-NIC registers, the data (only 8 bits) must pass through the 245 buffer. All of the packet data will pass through the I/O ports (the 374's). Each 374 is unidirectional and can only drive 8 bits, therefore it is necessary to have four 374's. Two of which drive data from the ports to the board memory and two of which drive the data from the ports to the AT bus. Even the PROM, which can only be addressed by the ST-NIC, sends its 8 bits of data out through the 374's. When the PROM does this, two of the 374's will be enabled but only the lower 8 bits will be read by the system. The RAM is also accessed by the ST-NIC. However, it is addressed by 14 bits and drives out 16 bits of data. The PALs receive 7 address lines among many other signals such as NIOR, NIOW, NACK, MRD, etc. With these signals the PALs do all of the decodes, such as selecting the ST-NIC Board, the ST-NIC chip, the RAM, and the PROM.

EPROM SOCKET

The EPROM socket is provided so that the user may add an EPROM to the system. This EPROM would normally contain a program and a driver to enable the PC-AT to be booted up through the network. The chips necessary to interface the EPROM to the system are the 27128 (EPROM), a 16L8 (PAL), and a 74ALS244 (buffer). Also, JB5 must be placed in the proper selection as described in the jumper section. The PAL decodes SA14-SA19, along with SMRDC (system memory read), in order to generate the EPROMEN signal. This signal, issued when the PC wants to execute the program stored in the EPROM, enables the EPROM and the 244 buffer.

EVALUATION BOARD OPERATION

The following pages will describe the slave accesses to the ST-NIC and the local DMA and remote DMA operation.

Register Operations

Accesses to the board are register operations to the DP83902, which are done to set up the ST-NIC and to control the operation of the ST-NIC's DMA channels.

REGISTER READ

To begin the register read, the CPU drives the four address lines (SA0-SA3) to the ST-NIC and the SA3-SA9 address lines to the PAL. These address lines are decoded by the PAL in order to generate a chip select to the ST-NIC. The CPU also drives the NIOR line which the ST-NIC sees as the NSRD (slave read). Once the ST-NIC receives this NSRD, it then sends out a high assertion on NACK, acknowledging that it is in slave mode but not yet ready to complete the read. The NACK signal is used by the PAL to assert the IOCHRDY (used to insert wait states) signal false. The ST-NIC then drives out the data from its internal registers to the 245 buffer. The 245 buffer is then enabled and the data is driven onto the AT BUS. When the ST-NIC is ready, it asserts NACK true and the PAL asserts IOCHRDY true. As a result, NIOR is driven high by the CPU, thereby deasserting the NSRD. On the rising edge of the NIOR, the data which is on the AT BUS is latched into the system. The addresses are removed at the same time, causing the ST-NIC chip select to become deasserted, ending the register read cycle.

REGISTER WRITE

To begin the register write, the CPU drives the SA0-SA3 address lines to the ST-NIC and the SA4-SA9 address lines to the PAL. With these address lines, the PAL decodes to 300-30F (the ST-NIC registers) thereby enabling the chip select for the ST-NIC. The CPU then drives the NIOW strobe which the ST-NIC sees as NSWR (slave write). Once the ST-NIC receives this NSWR it sends back a low assertion on NACK to acknowledge that it is in slave mode and ready to perform the write. When the CPU receives this signal, it puts data out onto the AT BUS where it goes into the 245 buffer. The 245 buffer then drives the data to the ST-NIC, but the data is not latched into the ST-NIC until the rising edge of NIOW. The system drives NIOW high, thereby deasserting the NSWR and latching the data. The addresses also are taken away and the chip select then goes high (deasserted). This ends the cycle of the register write.

Remote Transfers

Remote DMA transfers are operations performed by the ST-NIC on the board. These operations occur when the ST-NIC is programmed to transfer packet data between the PC-AT and the card's on-board RAM. These transfers take place through the I/O Port interface.

REMOTE READ

To program the ST-NIC for a remote read, the CPU must make five slave accesses to the ST-NIC. The CPU must write the Remote Start Address (2 bytes), the Remote Byte Count (2 bytes), and issue the Remote DMA Read Command. The addresses and byte count require two transfers because they are both 16 bits, yet only 8 bits can be written per transfer.

Once the ST-NIC has received all of the above data, it drives out BREQ and waits for BACK. The ST-NIC immediately receives BACK because it is tied to the BREQ line. (BREQ can be tied to BACK because there are no other devices contending for the local bus.) After receiving BACK, the ST-NIC drives out the address from which the data is required to be read. This address flows into the 373's and is latched by ADS0. From here, the address flows to the RAM. The RAM waits until it receives MRD from the ST-NIC and then it drives the data into the 374 ports. The 374 ports then latch the data on the rising edge of the PWR strobe from the ST-NIC. PRQ is then sent out by the ST-NIC to let the system know that there is data waiting in the ports.

If the AT reads the I/O ports before the ST-NIC has loaded the 374's, then the port request (PRQ) from the ST-NIC will not yet be driven. This unasserted PRQ signal causes the AT's ready line to be set low, indicating that the ST-NIC has yet to load the data. After the data is in the ports, the system must then read the 374 data ports. This begins with the AT driving out an address which is decoded (inside the PAL) to the data I/O Ports (310-31F). The PAL then drives RACK to the ST-NIC, indicating that the CPU is ready to accept data. This RACK signal then reads the data from the 374 ports onto the AT BUS. The system deasserts NIOR which finishes the cycle.

REMOTE WRITE

Like the remote read, the remote write cycle also begins with five slave accesses into the internal registers. The CPU must write the Remote Start Address (2 bytes), the Remote Byte Count (2 bytes), and issue the Remote DMA Write Command. The ST-NIC then issues a PRQ. The CPU responds by sending an NIOW, indicating that it is ready to write to the ports. The CPU also drives out the address which corresponds to the I/O Ports. This address goes into the PAL and helps to decode to WACK. This WACK signal latches the data into the 374 ports. The ST-NIC issues a BREQ and immediately receives a BACK since the two lines are tied together. (BREQ can be tied to BACK because there are no other devices contending for the local bus.) The ST-NIC, upon receiving the BACK, drives out address lines to the 373's. These address lines are latched by ADS0 and then are driven to the RAM. ST-NIC sends out a PRD and a NMWR which drives the data from the 374 ports into the already specified address of the onboard memory. PRD and NMWR are then deasserted and the cycle ends.

Network Transfers

Transfers to and from the network are controlled by the DP83902's local DMA channel which transfers packet data to/from the ST-NIC's internal FIFO from/to the card buffer's RAM.

RECEIVE

The data comes off of the network, is deserialized and is stored in the FIFO inside of the ST-NIC. The ST-NIC then issues a BREQ and immediately receives BACK since the lines are tied together. After receiving BACK, the ST-NIC drives the address lines to the 373's. The 373's are latched by ADS0 and the address is allowed to flow to the RAM. Then the ST-NIC drives out NMWR along with the data from the FIFO. The data flows into the RAM under the address given earlier. The NMWR strobe is then deasserted, ending the cycle.

TRANSMIT

To begin the transmit cycle, the ST-NIC issues a BREQ and waits for the BACK. Since the BREQ and BACK lines are tied together, the BACK signal is received immediately. Upon reception of this signal, the ST-NIC drives out the address to the 373's which latch the address with the ADS0 strobe. The address then flows to the onboard memory. NMRD, driven by ST-NIC, causes the RAM to drive the data out of the given address and into the ST-NIC. The ST-NIC then latches the data into the FIFO on the rising edge of NMRD. This high assertion of NMRD signifies the ending of this cycle. From the FIFO, the data is serialized and transmitted onto the network.

BOARD CONFIGURATION

On the DP83902EB-AT ST-NIC AT board, there are nine jumper blocks as seen in the diagram below. The following pages will explain how to configure these jumpers.

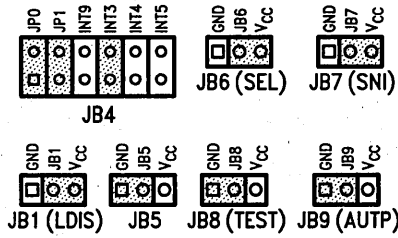
Physical Layer

If JB9 is tied to Ground then the twisted pair interface will be selected. If JB2 is closed while JB3 is open, and JB9 is connected to V_{CC}, then the Thin Ethernet option will be selected. And finally if JB3 is closed while JB2 is open, and JB9 is high, then the Thick Ethernet option will be selected. Refer to Appendix A for Jumper settings.

Interrupt Lines, Board Addresses, and EPROM Addresses

On JB4, there are six possible connections. Four of these are to select an interrupt line. The available interrupt lines include INT3, INT4, INT5, and INT9. The last two possible connections, JP1 and JP0, are used to select the base address for the board. However, if JB5 is connected to V_{CC}, then these last two connections select the address of the EPROM also. The possible selections and the jumpers are shown in Appendix A. The factory configuration uses the INT3 line for interrupts and has JP1 and JP0 in the on position.

This factory configuration is shown in *Figure 4*, along with the factory configurations for JB1, JB5, JB6, JB7, JB8, and JB9. The square pin indicates pin 1 of the jumpers.



TL/F/11158-4

FIGURE 4. Factory Configuration for JB1, JB4, JB5, JB6, JB7, JB8 and JB9

APPENDIX A

The following tables show all of the various jumper settings. The shaded boxes are the Factory Configuration default settings.

JB1	High	Link Enabled
	Low	Link Disabled
JB5	High	EPROM Address
	Low	Base Address
JB6	High	Tx+ and Tx- are same in idle state
	Low	Tx+ is positive with respect to Tx- in idle state
JB7	High	Normal Operation
	Low	ENDEC Module Testing
JB8	High	Internal Function Testing
	Low	Normal Operation

JB9	JB2	JB3	Physical Layer Selected
Low	X	X	Twisted Pair
High	On	Off	Thin Ethernet
High	Off	On	Thick Ethernet

INT9	INT3	INT4	INT5	Interrupt Selection
On	Off	Off	Off	Interrupt 9
Off	On	Off	Off	Interrupt 3
Off	Off	On	Off	Interrupt 4
Off	Off	Off	On	Interrupt 5

JP1	JP0	Base Address	EPROM Address
On	On	300h-31Fh	C800h
On	Off	320h-33Fh	CC00h
Off	On	340h-35Fh	D000h
Off	Off	300h-37Fh	D400h

APPENDIX B: PAL® EQUATIONS

PAL #1 (U1)

In this first PAL, the output signals are NIO16, NIOEN, NSTNICB, and NCSROM. (The N's before the signals indicate that the signal is low asserted.) Since it is necessary to assert NIO16 as soon as possible, this first PAL has been selected to be a 10 ns "D" PAL. The NIO16 signal must be TRI-STATE® when it is not asserted. Therefore, we use an enable signal (NIOEN) which is equal to the decode for the I/O Ports (310-31F) and NAEN high (NAEN high signifies that the system DMA does not have control of the bus). The

enable signal (NIOEN) loops back into the PAL to bring NIO16 out of TRI-STATE. The NIO16 signal is set to zero so that whenever it is enabled it will be asserted.

The STNICB signal consists of simple address decodes along with NAEN. The addresses decode to one of four address slots which were mentioned earlier in the board configuration section. The NCSROM is a very simple signal as it consists only of AD14 and NMRD. AD14 comes from the ST-NIC and selects either the PROM (when low) or the onboard RAM (when high).

PAL 1

```

module iodec;
flag '-r1';
title `
date: 9/13/89
functions:
ST-NIC BOARD DECODE, IO16 DECODE, AND CHIP SELECT PROM';
ul device 'p1618';

`input pins:
NEN16, NAEN, SA9      pin 1, 2, 3;
SA8, SA7, SA6        pin 4, 5, 6;
SA5, SA4, SA3        pin 7, 8, 9;
JP0, JP1, NMRD       pin 13, 14, 15;
A14                  pin 16;

`output pins:
NSTNICB, NIOEN, NIO16 pin 12, 17, 18;
NCSROM               pin 19;

`constants
X = .X.;
Z = .Z.;

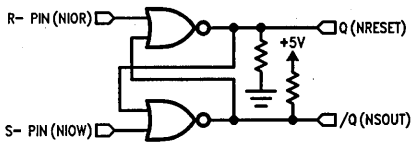
equations
NSTNICB = (!(NAEN & SA9 & SA8 & !SA7 & !SA6 & !SA5 & !JP1 & !JP0
# !NAEN & SA9 & SA8 & !SA7 & !SA6 & SA5 & !JP1 & JP0
# !NAEN & SA9 & SA8 & !SA7 & SA6 & !SA5 & JP1 & !JP0
# !NAEN & SA9 & SA8 & !SA7 & SA6 & SA5 & JP1 & JP0);
NIOEN = (!(NAEN & SA9 & SA8 & !SA7 & !SA6 & !SA5 & !JP1 & !JP0
& !NEN16 & SA4 & !SA3
# !NAEN & SA9 & SA8 & !SA7 & !SA6 & SA5 & !JP1 & JP0
& !NEN16 & SA4 & !SA3
# !NAEN & SA9 & SA8 & !SA7 & SA6 & !SA5 & JP1 & !JP0
& !NEN16 & SA4 & !SA3
# !NAEN & SA9 & SA8 & !SA7 & SA6 & SA5 & JP1 & JP0
& !NEN16 & SA4 & !SA3);
NCSROM = (!(A14 & !NMRD);
enable NIO16 = !NIOEN;
NIO16 = 0;
end iodec;

```

TL/F/11158-5

PAL #2

In this PAL there are eight outputs: NRESET, NSOUT, NRDYEN, NIOCHRDY, NCS, NRACK, NWACK and INTO. The first two outputs (NRESET and NSOUT) are part of an R-S flip flop as shown below:



TL/F/11158-6

FIGURE 5. RS Flip-Flop

NRESET is given by the NOR of the high asserted R-input pin and the NSOUT signal. NSOUT is given by the NOR of the high asserted S-input pin and the NRESET signal. The NOR gates are enabled by the low assertion of NRSTDRV. When the system first boots up, it will disable the NOR gates by asserting the RSTDRV signal. But due to the pull-up and pull-down resistors, the output <NRESET, NSOUT> will be set to <0, 1>. Once RSTDRV becomes deasserted, the output will remain at <0, 1>. The only way to get out of reset is to assert the S-pin high which is done by an NIOW and an address decode to 318-31F. After the system has booted up, the ST-NIC may be reset through software. This would be done by setting the R-pin high with an NIOR and an address decode to 318-31F. To escape from reset, we once again set the S-pin high with an NIOW and address decode of 318-31F. The above description of logic is also shown in Truth Table VII.

TABLE IV. R-S Flip Flop Truth Table

R (NIOR)	S (NIOW)	Q (NRESET)	\bar{Q} (NSOUT)
0	0	0	1
0	1	1	0
0	0	1	0
1	0	0	1
0	0	0	1
0	1	1	0

By using the NIOR and NIOW which are never asserted at the same time, this insures that the R-pin and the S-pin will never be asserted at the same time. The next two signals (NRDYEN and NIOCHRDY) are quite similar to NIOEN and NIO16 in PAL #1. All of the decode takes place in the enable signal (NRDYEN). This decode consists of addresses 300-30F without NACK or the addresses 310-318 without PRQ. If the NRDYEN signal is asserted, then NIOCHRDY will be driven low. At all other times, the NIOCHRDY strobe will be in TRI-STATE. This PAL must also be a 10 ns "D" PAL.

NCS is decoded by NSTNICB (from PAL #1) along with the low assertion of SA4 and either NIOR or NIOW. Its decode is in the address range of 300-30F. The last two signals are NRACK and NWACK. NRACK occurs with an address decode to 310-318, an NIOR, and a PRQ. The NWACK signal only differs from the NRACK by the NIOR/NIOW signal and therefore consists of an address decode to 310-31F, an NIOW and a PRQ. INT is just sent through the PAL to be buffered. The buffered signal which comes out of the PAL is INTO.

PAL 2

```

module reset;
flag '-r1';
title `
date: 9/13/89
functions:
RESET LATCH, STNIC SELECT, IOCHRDY, RACK, WACK,
BUFFER INTERRUPT';
u2 device 'p1618';

`input pins:
NSTNICB, NIOW, NIOR      pin 1, 2, 3;
RSTDRV, NACK, PRQ       pin 4, 5, 6;
SA4, SA3, INT           pin 7, 8, 9;

`output pins:
INTO, NRACK, NWACK      pin 12, 13, 14;
NRESET, NSOUT, NRDYEN   pin 15, 16, 17;
NIOCHRDY, NCS           pin 18, 19;

`constants
  X = .X.;
  Z = .Z.;

equations
NCS = !(NSTNICB & !NIOR & !SA4 # !NSTNICB & !NIOW & !SA4);
NRACK = !(NSTNICB & PRQ & !NIOR & SA4 & !SA3);
NWACK = !(NSTNICB & PRQ & !NIOW & SA4 & !SA3);
NRDYEN = !(NSTNICB & !NIOR & !SA4 & NACK
  # !NSTNICB & !NIOW & !SA4 & NACK
  # !NSTNICB & !PRQ & !NIOR & SA4 & !SA3
  # !NSTNICB & !PRQ & !NIOW & SA4 & !SA3);
enable NIOCHRDY = !NRDYEN;
  NIOCHRDY = 0;
enable NRESET = !RSTDRV;
  NRESET = !(NSTNICB & !NIOR & SA4 & SA3 # NSOUT);
enable NSOUT = !RSTDRV;
  NSOUT = !(NIOW # NRESET);
INTO = INT;
end reset;

```

TL/F/11158-7

PAL #3

The third PAL only does a decode to enable the optional EPROM. This decode consists of an address decode to C800h, CC00h, D000h, or D400h depending on JP1 and JP0 as shown in the board configuration section. JP2 must

also be jumpered for selection of the EPROM. NAEN, a low asserted signal should be high to indicate that the DMA does not have control of the bus and the NSMRDC signal should be asserted high since the CPU is doing a system memory read.

PAL 3

```

module epromdec;
flag '-r0';
title `
date: 9/13/89
function:
EPROM DECODE';

u16 device 'p1618';

`input pins:

A0, A13, EN16          pin 1, 2, 3;
SMRDC, SA19, SA18      pin 4, 5, 6;
A17, SA16, SA15        pin 7, 8, 9;
A14, NAEN, JP2         pin 11, 13, 14;
P0, JP1                pin 15, 16;

`output pins:

EPROMEN                pin 19;
A013                   pin 12;

`constants
    X = .X.;

equations

NEPROMEN = !(SA19 & SA18 & !SA17 & !SA16 & SA15 & !SA14 & !NAEN
    & JP2 & !JP1 & !JP0 & !NSMRDC
    # SA19 & SA18 & !SA17 & !SA16 & SA15 & SA14 & !NAEN
    & JP2 & !JP1 & JP0 & !NSMRDC
    # SA19 & SA18 & !SA17 & SA16 & !SA15 & !SA14 & !NAEN
    & JP2 & JP1 & !JP0 & !NSMRDC
    # SA19 & SA18 & !SA17 & SA16 & !SA15 & SA14 & !NAEN
    & JP2 & JP1 & JP0 & !NSMRDC);

A013 = !(A0 & EN16 # A13 & !EN16);

end epromdec;

```


APPENDIX C: BILL OF MATERIALS FOR DP83902EB-AT ST-NIC ETHERNET ADAPTER

CAPACITORS

C1, C20.01	μF	50V	10%	Monolythic
C3	4.7	μF	25V	20% Tantalum
C4	0.01	μF	1 KV	10% Ceramic Disk
C5	0.01	μF	50V	10% Ceramic Disk
C9..C10	0.01	μF	50V	20% Monolythic
C11	0.75	pF	1 KV	Spark Gap
C12..C19	0.01	μF	50V	20% Monolythic
C20	4.7	μF	25V	20% Tantalum
C21	4.7	μF	25V	20% Tantalum
C22..C29	0.01	μF	50V	20% Monolythic
C30..C32	4.7	μF	25V	20% Tantalum
C33..C37	0.01	μF	50V	20% Monolythic
C38..C42	4.7	μF	25V	20% Tantalum

RESISTORS

R1..R3	10K	1/4W	5%
R4..R6	4.7K	1/4W	5%
R7..R10	39.2	1/4W	1%
R11	1M	1/2W	5%
R12, R13	270	1/4W	5%
R14..R17	1.5K	1/4W	5%
R18	1K	1/4W	1%
R19..R20	TBD	1/4W	1%
R21	420	1/4W	5%
R22..R25	430	1/4W	5%
R26	4.7K	1/4W	5%
R27..R30	TBD	1/4W	1%
R31..R34	4.7K	1/4W	5%

IC's

U1, U2	16L8D	PAL
U16	16L8B	PAL
U3	74ALS245	
U4..U7	74ALS374	
U8, U9	HM6264	8K x 8 STATIC RAM 100 ns
U10, U11	74AS373	
U12	74S288	PROM
U13	DP83902	ST-NIC
U15	DP8392	CTI
U17	74HC04N	
U18	27128	EPROM (not supplied on board)
U19	74ALS244	
U20	20 MHz 0.01%	Crystal Oscillator

Note:

ETHERNET ID PROM ADDRESS ASSIGNMENT:

Registration Authority for ISO/IEC 8802-3
 c/o The Institute of Electrical and Electronics Engineers
 445 Hoes Lane
 P.O. Box 1331
 Piscataway, NJ 08055-1331
 (908) 562-3812

MAGNETICS (TRANSFORMER, FILTER, CHOKE, DC-DC CONVERTOR, ETC.)

See Section 5 of databook, Ethernet Magnetics Vendors

SPARK GAP SUPPLIERS:

0.75 pFkV Spark Gap

Mallory Part # ASR75A

(317) 856-3731

Mepco/Centralab Part # S758X44000NAZAA

Available from: Philips Components Discrete Product Division
 (602) 820-2225

MAGNETICS

U14 FM7102 VALOR DC-DC Converter.
 T1 PE64103 Pulse Engineering
 T2 RX and TX Filter & Transformer. Pulse Engineering PE65431.

MISCELLANEOUS

DS1 GREEN 5mm LOW CURRENT LED CURRENT= $I_F=3.5$ m
 DS2 AMBER 5mm LOW CURRENT LED CURRENT= $I_F=3.5$ mA
 DS3 RED 5mm LOW CURRENT LED CURRENT= $I_F=2.0$ mA
 DS4 YELLOW 5mm LOW CURRENT LED CURRENT= $I_F=2.0$ mA
 DS5 GREEN 5mm LOW CURRENT LED CURRENT= $I_F=3.5$ mA
 JB1 1x3 SHUNT BLOCK WITH .1" SPACING BETWEEN PINS
 JB2 2x6 SHUNT BLOCK WITH .1" SPACING BETWEEN PINS
 JB3 2x6 SHUNT BLOCK WITH .1" SPACING BETWEEN PINS
 JB4 2x6 SHUNT BLOCK WITH .1" SPACING BETWEEN PINS
 JB5-JB9 1x3 SHUNT BLOCK WITH .1" SPACING BETWEEN PINS

SOCKETS/MECHANICAL

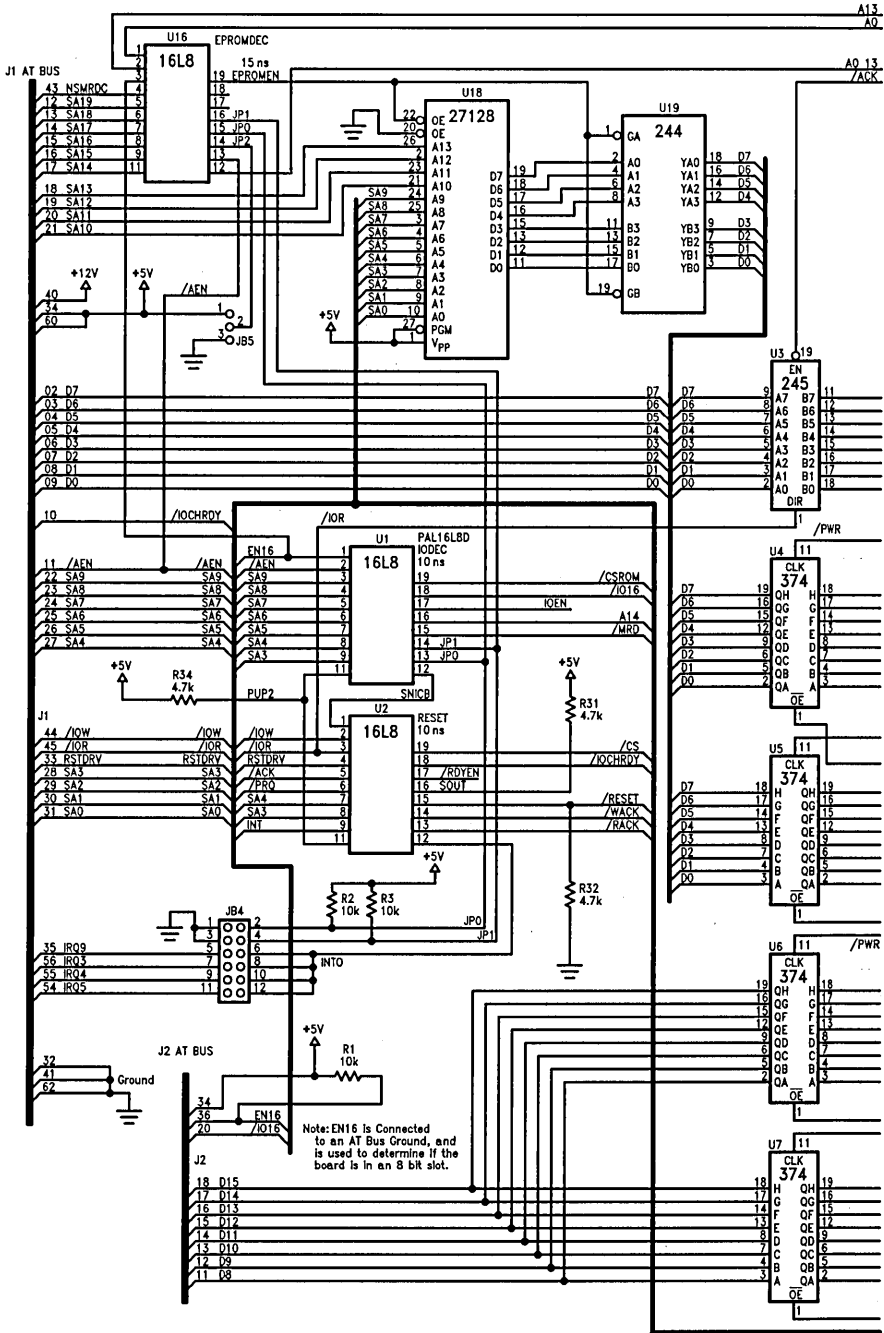
S1-S3 20 PIN 0.3" DUAL IN-LINE FOR U1, U2, U16 (PAL)
 S4 28 PIN DUAL IN-LINE SOCKET FOR U18 (EPROM)
 S5 84 PIN PLCC SOCKET FOR U13 (ST-NIC) AMP SOCKET
 S8 BRACKET FOR MOUNTING IN PC-AT, SLOT
 G44 Basic Blank,
 J3 RJ-45 CONNECTOR AMP 520252-4
 J4 BNC CONNECTOR RT/A Low Pro Amp 227161-7
 J5 15 PIN D CONNECTOR Female AMP 747247-4 (or 747845-4)
 MAXCON SUB D Slide Lock MDA 51220-1

BOARD ATTACHMENT COMPONENTS

- 1) Screw: Bind Head Slotted 4-40 x .250, Steel, (90277A106)
- 2) Washer: Lock Ext #4, Zinc/Steel, (91114A005)
- 3) Washer: Flat #4, Zinc-CRS, (90126A005)

APPENDIX D

Bus Interface/NIC Section

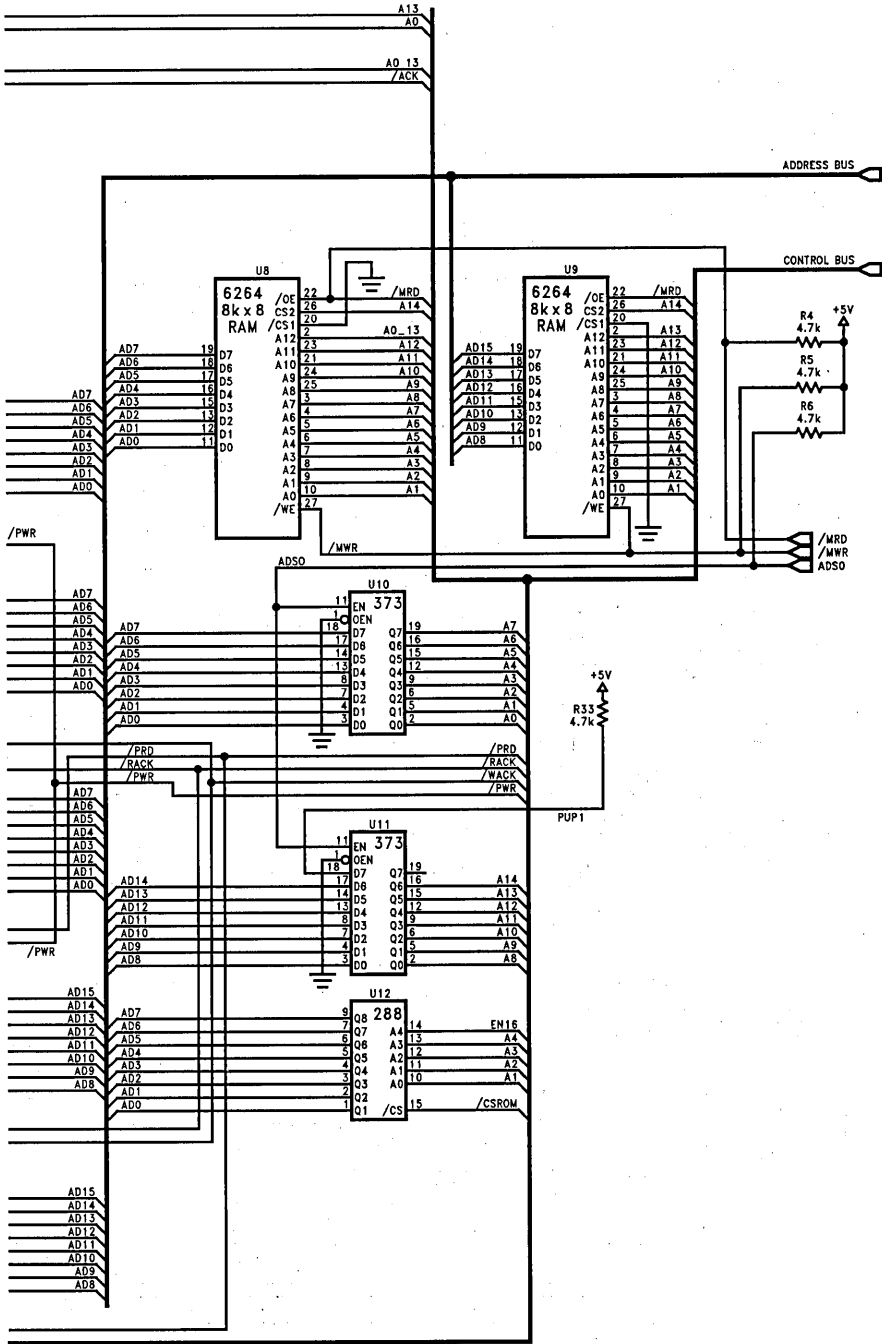


TL/F/11158-9

Note: All resistors to be 5%, 1/4W unless otherwise indicated.

Note: EN16 is actually a ground signal on the AT Bus J2 Connector. This signal is used to determine whether 8- or 16-bit mode should be used.

DP83902EB-AT ST-NIC Ethernet Evaluation Board Schematic (Bus Interface/NIC Section)

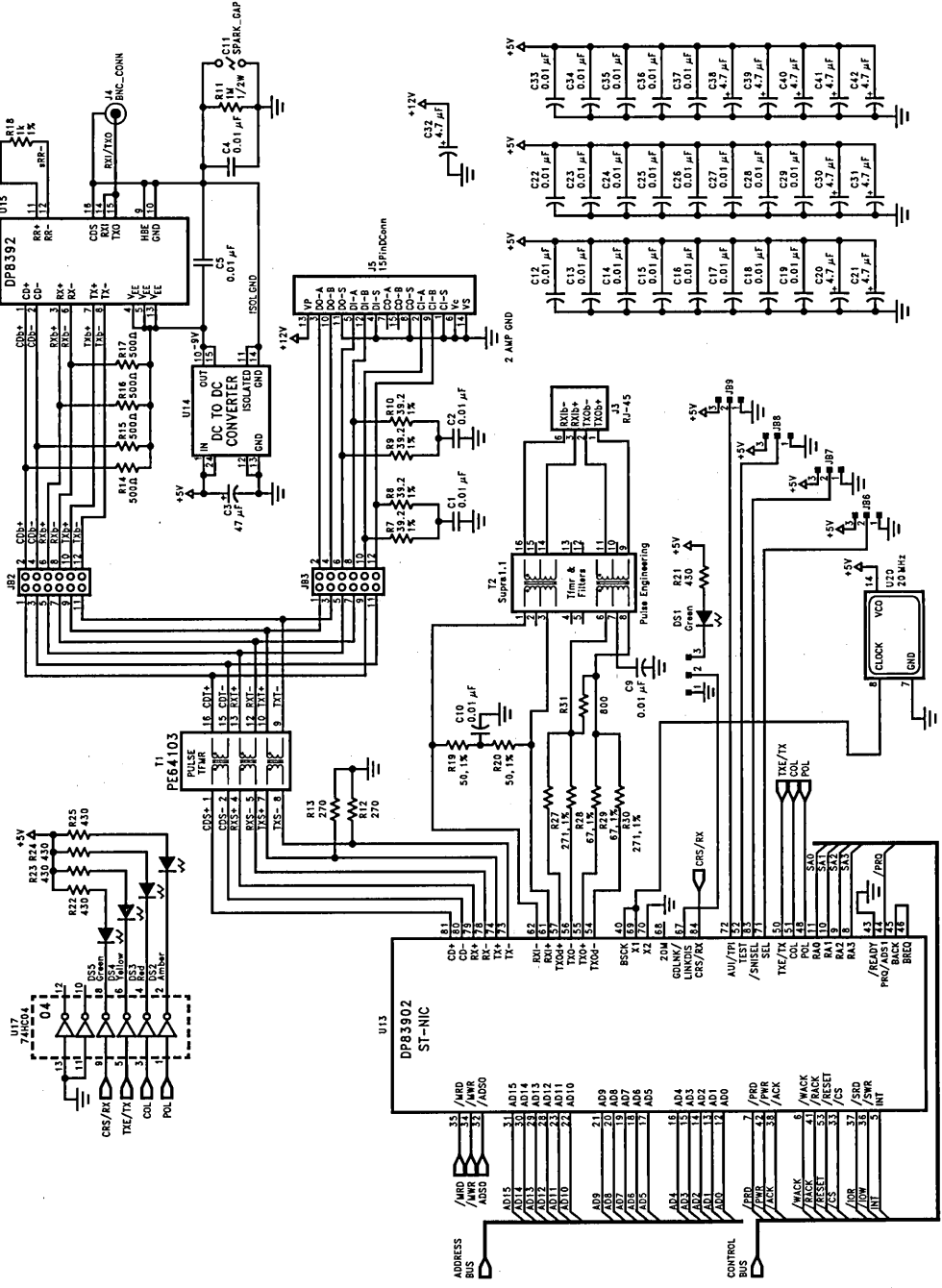


DP83902EB-AT ST-NIC Ethernet Evaluation Board Schematic (Continued)
(Bus Interface/NIC Section)

TL/F/11158-10

DP83902EB-AT PC-AT Ethernet Evaluation Board

Note: All resistors to be 5%, 1/4W unless otherwise indicated
Note: Capacitors 39 to 42 are for the Vcc signals off of the AT Bus.



I/O Channel Ready Considerations for the DP83902EB-AT

National Semiconductor
Application Note 892



INTRODUCTION

Some PC-AT® compatible systems that use bus interface chip sets with modified timing characteristics such as some Chips & Technologies or VLSI technologies chip sets have different timing requirements that require modification to 16-bit I/O mapped designs to operate properly. 8-bit I/O mapped designs do not require this modification.

This paper describes the timing issues associated with the DP83902EB-AT and methods of fixing these timing incompatibilities.

OVERVIEW

The timing inconsistency is the time of assertion and deassertion of the IOCHRDY bus signal. IOCHRDY floats active (ready) when not driven by an I/O card. Normally, an I/O card should drive IOCHRDY low (not ready) to insert wait states only after the address and I/O read or write signal are asserted. However, on some PC-AT buses, during a 16-bit I/O operation the bus controller actually samples the IOCHRDY signal before the I/O read or write signal is asserted. To correct the early sampling of IOCHRDY by the bus controller, the I/O card can drive IOCHRDY based only on an address decode, thus allowing IOCHRDY to be asserted earlier and in the proper state when it is sampled by the bus controller.

Remote read cycles are executed by National Semiconductor's DP83902 ST-NIC™, Network Interface Controller with integrated twisted pair, during packet reception. A remote read cycle will be used to illustrate how the early sampling of IOCHRDY is compensated. Also, the PAL® equations needed to generate IOCHRDY and the necessary modifications to account for the early sampling of IOCHRDY for the DP83902EB-AT will be described.

```
NRDYEN = !(INSTNICB & !NIOR & !SA4 & NACK
           #INSTNICB & !NIOW & !SA4 & NACK
           #INSTNICB & !PRQ & !NIOR & SA4 & !SA3
           #INSTNICB & !PRQ & !NIOW & SA4 & !SA3);
enable NIOCHRDY = !NRDYEN;
```

```
NIOCHRDY = (0);
```

FIGURE 1. "Normal" IOCHRDY PAL Equations for DP83902EB-AT

REMOTE READ CYCLE

The ST-NIC receives data from the network and transfers the data to the local buffer memory using the local DMA channel. The ST-NIC then executes a remote DMA read to transfer the received data from the buffer memory to the host memory through the I/O port latch.

Referring to *Figure 2*, the remote read cycle functions as follows:

1. The ST-NIC reads a word from local buffer memory asserting \overline{MRD} and writes the word into the I/O port latch asserting \overline{PWR} .
2. The ST-NIC asserts the request line (PRQ) to inform the host a word is in the I/O port latch.
3. The host reads the I/O port asserting \overline{IOR} . IOCHRDY is asserted if \overline{IOR} occurs before PRQ to extend the assertion time of \overline{IOR} , effectively wait-stating the host so that the host-I/O handshake can occur.
4. \overline{RACK} is asserted to signal to the ST-NIC that the host has read the word from the I/O port latch.

Steps 1-4 are repeated until all words are transferred.

"NORMAL" IOCHRDY TIMING DURING A REMOTE READ CYCLE

The "normal" IOCHRDY PAL equations are shown in *Figure 1* and the complete PAL equations for U2 in the DP83902EB-AT are shown in AN-752 in the 1992 Local Area Network Databook. The corresponding timing diagram is shown in *Figure 2*. Referring to *Figure 1* and AN-752, whenever NRDYEN is true, IOCHRDY is driven, otherwise it will be held TRI-STATE®. The first two terms in the NRDYEN function are for a slave read and write, respectively. The next two terms are for remote read and write, respectively. There are 7 unique variables in the function NRDYEN. Namely, NSTNICB, NIOR, NIOW, NACK, PRQ, SA4 and SA3. A brief explanation of each follows.

NSTNICB—(SA9–SA5) chip select the I/O card. This is the base address of the I/O card.

NIOR—($\overline{\text{IOR}}$) the I/O read command signal.

NIOW—($\overline{\text{IOW}}$) the I/O write command signal.

NACK—($\overline{\text{ACK}}$) Used during slave read/write cycles to indicate a successful register (byte) transfer.

PRQ—Used during remote read/write cycles to inform the host that the NIC has written a word in the I/O port latch.

SA4 and SA3—Address signals from the I/O bus. The states of these signals determine if the address on the I/O bus is for the I/O port latch or the NIC registers.

The on board IOCHR DY signal will only be driven to wait state the host until the NIC writes to the I/O port latch and asserts PRQ.

The remote word transfer is complete after the $\overline{\text{RACK}}$ signal is asserted indicating the host has read the word from the I/O port latch.

MODIFIED IOCHR DY TIMING DURING A REMOTE READ CYCLE

The modified IOCHR DY PAL equations shown in *Figure 4* implement both the "normal" IOCHR DY timing and the modified IOCHR DY timing. These equations replace the section of the U2 PAL equations in AN-752 shown in *Figure 1*. The modified IOCHR DY schematic and timing diagram are shown in *Figures 3* and *5* respectively.

NIOCHR and NIOCHR.OE (enable NIOCHR) together are for slave read and remote read. Also, NIOCHW and NIOCHW.OE (enable NIOCHW) together are for slave write and remote write. These signals (NIOCHR and NIOCHW) together produce the "normal" IOCHR DY signal.

NIOCHC and NIOCHC.OE (enable NIOCHC) together modify the IOCHR DY timing. In the modified IOCHR DY timing, IOCHR DY is driven when the I/O card address is decoded, thus driving IOCHR DY before it is sampled by the host.

By driving IOCHR DY on an address decode the possibility exists that it may be driven on a memory access instead of an I/O access. IOCHR DY must be held TRI-STATE if the host issues a memory access command signal ($\overline{\text{MEMR}}$ or $\overline{\text{MEMW}}$) because if these signals become active after an address decode to the I/O card this means that the address was a memory address and not an I/O address. Thus, the address was not intended for the I/O card and driving IOCHR DY may cause contention with the memory.

PRQ is held TRI-STATE until the ST-NIC's Data Configuration Register (DCR) is programmed. A pull-up resistor is needed to guarantee PRQ is asserted while its TRI-STATE to prevent IOCHR DY from "getting stuck" low and effectively locking up the host.

Driving IOCHR DY early must be an option since this has been seen to cause problems on some PC's, but fixes problems on others. The variable CLONEN is a jumper used to switch the IOCHR DY signal characteristics to "normal" or modified timing. The inverted SYSCLK (System Clock) and BALE (Bus Address Latch Enable) signals are AT bus signals and are used to assert CLONEN when the bus address is valid, which is indicated by BALE. CLONEN is asserted when BALE is asserted and deasserted after BALE is deasserted and the next SYSCLK rising edge occurs, allowing enough time for the I/O command signal to occur. At this point, the modified IOCHR DY timing is TRI-STATE and the "normal" IOCHR DY timing is enabled.

EN16 is used to determine if the data transfer is 8 or 16 bits. The modified IOCHR DY is necessary only during 16-bit I/O accesses because the early sampling of IOCHR DY only occurs during 16-bit I/O accesses.

To incorporate the IOCHR DY modification in the DP83902EB-AT, replace the section of the U2 PAL equations shown in *Figure 1* with the PAL equations of *Figure 4* and add a 74F74 D flip-flop and a jumper to the evaluation board to hard-wire CLONEN to U2.

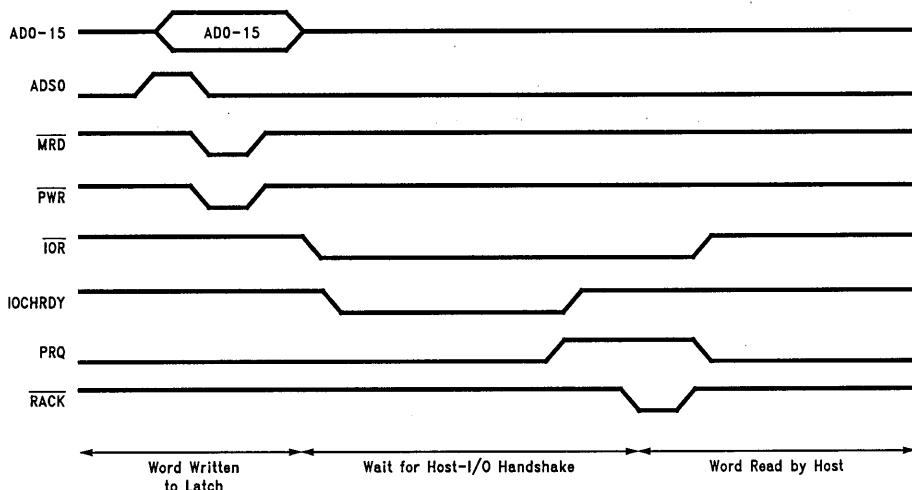


FIGURE 2. "Normal" Remote Read Cycle for DP83902EB-AT

TL/F/11827-1

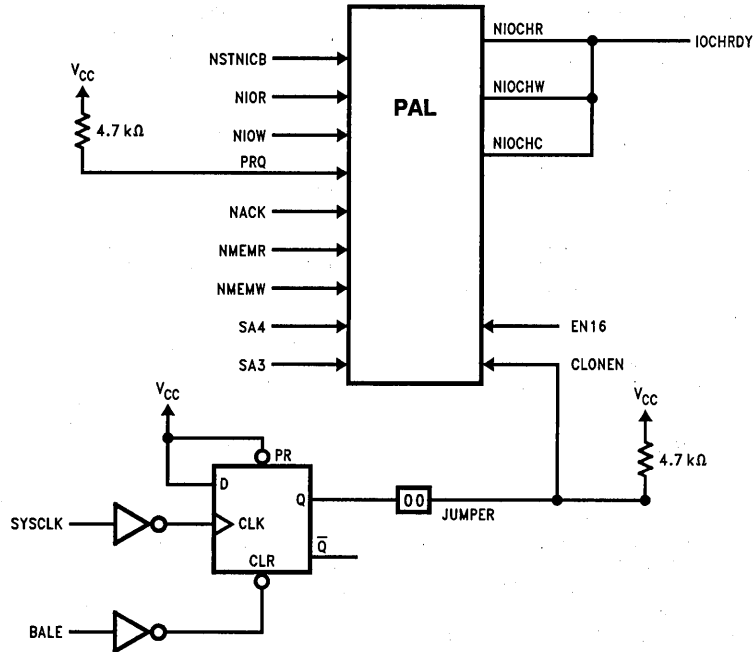


FIGURE 3. Schematic of IOCHRDI Modification Showing Signals Required for IOCHRDI Change

TL/F/11827-2

```
NIOCHR = !(IPRQ & SA4 & !SA3 # NACK & !SA4);
enable NIOCHR = !(NSTNICB & !NIOR);
```

```
NIOCHW = !(IPRQ & SA4 & !SA3 # NACK & !SA4);
enable NIOCHW = !(NSTNICB & !NIOW);
```

```
NIOCHC = (0);
enable NIOCHC = !(NSTNICB & NMEMR & NMEMW & IPRQ & !EN16 & !CLONEN & SA4 & !SA3);
```

FIGURE 4. Modified PAL Equations for DP83902EB-AT

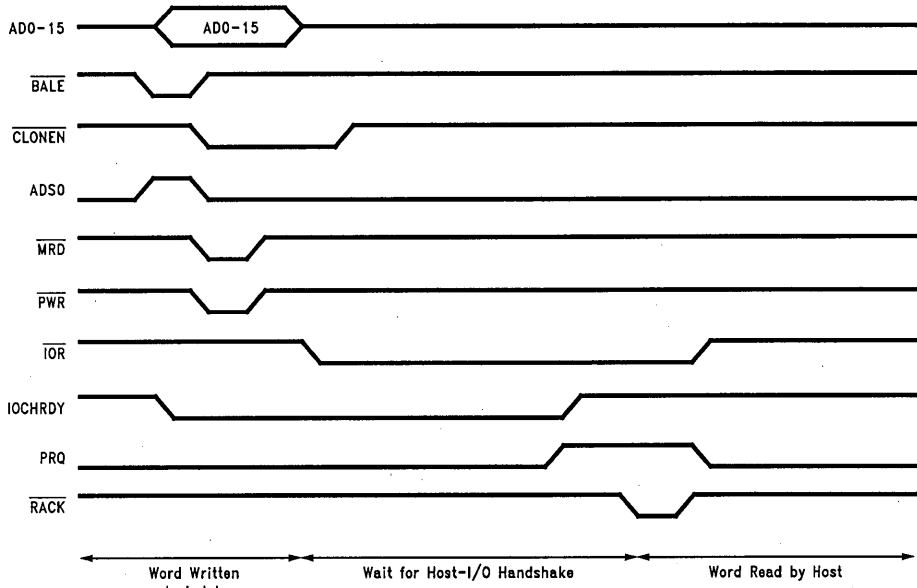


FIGURE 5. Modified Remote Read Cycle for DP83902EB-AT

TL/F/11827-3

DP839EB-ATN IBM® PC-AT® Compatible DP83901 SNIC Serial Network Interface Controller Evaluation Board

National Semiconductor
Application Note 729
Larry Wakeman



OVERVIEW

The National Semiconductor SNIC Evaluation Board design provides IBM AT's and AT Compatibles with Thick Ethernet, Thin Ethernet, and Twisted Pair connections. This low parts count evaluation board is compatible with the AT bus and requires only a 1/2 size slot for insertion. Besides using the DP83901 Serial Network Interface Controller (SNIC), the Coaxial Transceiver Interface (CTI) and the Twisted Pair Interface (TPI) are also employed. The dual DMA (local and remote) capabilities of the SNIC, along with 16 kbytes of buffer RAM, allow the entire Network Interface Adapter to appear as a standard I/O Port to the system. The NIC's local DMA channel buffers packets between the local memory (16 kbytes of buffer RAM) and the network, while the NIC's remote DMA channel passes data between the local memory and the system by way of an I/O Port. This I/O Port architecture which isolates the CPU from the network traffic proves to be the simplest method to interface the DP83901 to the system.

HARDWARE FEATURES

- Fits in half-size IBM PC-AT I/O card form factor
- Utilizes DP83901 Serial Network Interface Controller (SNIC) and DP83922 Twisted Pair Transceiver (TPI)
- 16 kbyte on-board packet buffer

- Simple I/O port interface to IBM PC-AT
- Interfaces to thick Ethernet, thin Ethernet, and twisted pair
- Boot EPROM socket

NETWORK INTERFACE OPTIONS

The evaluation board supports three physical layer options: Thick Ethernet, Thin Ethernet, and Twisted Pair. These can be seen in *Figure 1*. When using Thick Ethernet, a drop cable is connected to an external transceiver which is in turn connected to a standard Ethernet network. For this physical layer, there is no need for an internal transceiver since it already has an external one. This configuration may be obtained by connecting the pins on JB3 while leaving JB1 and JB2 open. When using Thin Ethernet, a transceiver (the CTI) is available on-board to allow the direct connection to the network via the evaluation board. This transceiver (the CTI) forms the link between the differential ECL signals of the SNI and the non-differential ECL signal of the thin-wire coaxial cable. For proper operation, the CTI requires a DC-DC Converter to provide an isolated ground and a -9V source. In order to put this Thin Ethernet solution into operation, the pins on JB2 need to be connected while JB1 and JB3 should be open.

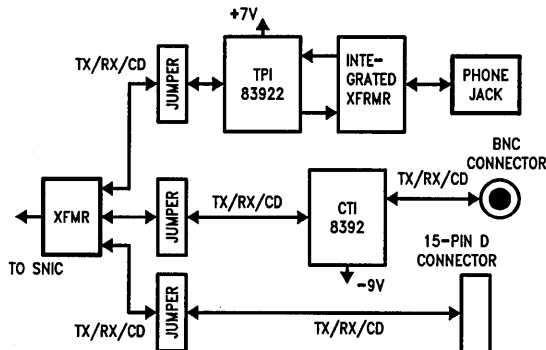


FIGURE 1. Physical Layer Adapter Interface Block Diagram

TL/F/10800-1

When using the Twisted Pair (telephone cable), another transceiver (the TPI) is available on-board which also allows direct connection to the network. The voltage regulator (the LM317) provides the TPI chip with a constant +7V supply. The remaining portion of the TPI circuit includes a common mode choke and a transformer. The transformer decouples the DC component and eliminates any possible voltage spikes. This twisted pair interface can be selected by using JB1 and leaving JB2 and JB3 open. Each of these three physical layer options can be selected simply by the placement of a jumper block (no software changes are needed).

BUS INTERFACE

The block diagram, *Figure 2*, illustrates the architecture of the SNIC Evaluation Board. The SNIC Board as seen by the system appears only to be an I/O port. With this architecture the SNIC board has its own local bus to access the board memory. The system never has to intrude further than the I/O ports for any packet data operation. This I/O architecture isolates the system bus and the local bus, thereby preventing interference by the system when the SNIC is doing real-time accesses such as transmitting and receiving packets.

BOARD ARCHITECTURE

I/O Map of SNIC Board

The SNIC Board requires a 32-byte I/O space to allow for decoding the data buffers, the reset port, and the SNIC registers. The first 16 bytes (300h-30Fh) are used to address the SNIC registers (8 bits wide) and the next 8 bytes (310h-317h) are used to address the data buffers which are 16 bits wide. Finally, the reset port may be addressed by 318h-31Fh.

TABLE I. I/O Map in PC-AT

Address	Part Addressed
300h-30Fh	SNIC Chip Select
310h-317h	Data Buffers
318h-31Fh	Reset

Although in the description above the I/O map is positioned at the addresses 300-31F, it may also be placed in the following address spaces: 320-33F, 340-35F, 360-37F. These alternate address spaces may be selected by the two jumpers (JP1 and JP0).

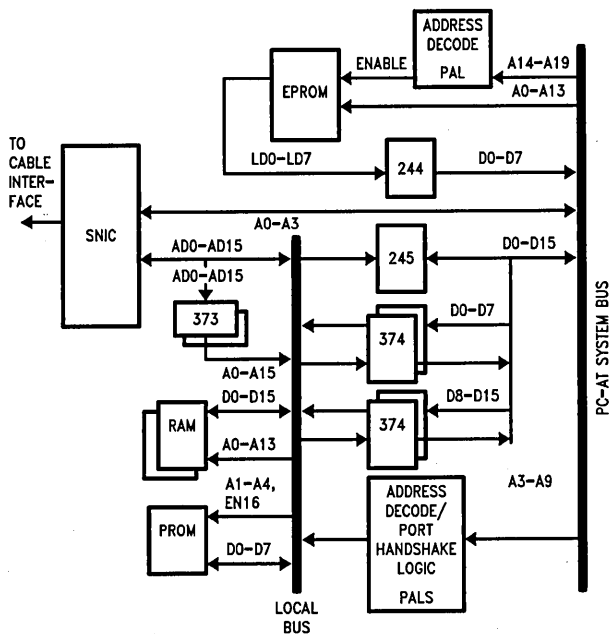


FIGURE 2. Block Diagram of SNIC Evaluation Board's System Interface

TL/F/10800-2

TABLE II. Optional Address Spaces

Jumpers		
JP1	JP0	I/O Address Space
On	On	300h-31Fh
On	Off	320h-33Fh
Off	On	340h-35Fh
Off	Off	360h-37Fh

DP83901's Local Memory Map

There are only two items mapped into the local memory space. These two items being the 8k x 16 buffer RAM and the ID address PROM. The buffer RAM is used for temporary storage of transmit and receive packets. For transmit packets, the remote DMA puts data from the I/O ports into the RAM and the local DMA moves the data from the RAM to the SNIC. For the receive packets, the local DMA carries the data from the SNIC to the RAM and the remote DMA moves the data from the RAM to the I/O ports. The ID address PROM (74S288 32 x 8) contains the physical address of the evaluation board. Each PROM holds its own unique physical address which is installed during its manufacture. The PROM also contains a checksum. This checksum, calculated by exclusive OR-ing the six address bytes with each other, is provided in order to check the addresses. At the initialization of the evaluation board the software commands the SNIC to transfer the PROM data to the I/O Port where it is read by the CPU. The CPU then verifies the checksum and loads the SNIC's physical address registers. The following chart shows the contents of the PROM.

TABLE III. SNIC's Local Memory Map

7FFFh	RAM
4000h	
3FFFh	
0000h	PROM

TABLE IV. PROM Contents

PROM Location	Location Contents
00h	Ethernet Address 0 (Most Significant Byte)
01h	Ethernet Address 1
02h	Ethernet Address 2
03h	Ethernet Address 3
04h	Ethernet Address 4
05h	Ethernet Address 5
06h-0Dh	00h
0Eh	57h
0Fh	57h
10h-15h	Same as 00h-05h
16h-1Dh	00h
1Eh	42h
1Fh	42h

Data and Address Paths

For the following paragraph, refer to the block diagram shown in *Figure 2*. Twenty address lines from the PC go onto the SNIC Board, but only four of them actually go to the SNIC. These four addresses along with the NIOR (low-asserted I/O read) or NIOW (low-asserted I/O write) and the CS (SNIC chip select signal) allow the PC to read or write to the SNIC's registers. If the system wants to read from or write to the SNIC registers, the data (only 8 bits) must pass through the 245 buffer. All of the packet data will pass through the I/O ports (the 374's). Each 374 is unidirectional and can only drive 8 bits, therefore it is necessary to have four 374's. Two of which drive data from the ports to the board memory and two of which drive the data from the ports to the AT bus. Even the PROM, which can only be addressed by the SNIC, sends its 8 bits of data out through the 374's. When the PROM does this, two of the 374's will be enabled but only the lower 8 bits will be read by the system. The RAM is also accessed by the SNIC. However, it is addressed by 14 bits and drives out 16 bits of data. The PALs® receive 7 address lines among many other signals such as NIOR, NIOW, NACK, MRD, etc. With these signals the PALs do all of the decodes, such as selecting the SNIC Board, the SNIC chip, the RAM, and the PROM.

EPROM Socket

The EPROM socket is provided so that the user may add an EPROM to the board. This EPROM would normally contain a program and a driver to enable the PC-AT to be booted up through the network. The chips necessary to interface the EPROM to the system are the 27128 (EPROM), a 16L8 (PAL), and a 74ALS244 (buffer). Also, JB8 must be placed in the proper selection as described in the jumper section. A PAL decodes SA14-SA19, along with SMRDC (system memory read), in order to generate the EPROMEN signal. This signal, issued when the PC desires to execute the program contained in the EPROM, enables the EPROM and the 244 buffer.

EVALUATION BOARD OPERATION

The following pages will describe the slave accesses to the SNIC and the local DMA and remote DMA operation.

Register Operations

Accesses to the board are register operations to the DP83901, which are done to set up the SNIC and to control the operation of the SNIC's DMA channels.

Register Read

To begin the register read, the CPU drives the four address lines (SA0-SA3) to the SNIC and the SA3-SA9 address lines to the PAL. These address lines are decoded by the PAL in order to generate a chip select to the SNIC. The CPU also drives the NIOR line which the SNIC sees as the NSRD (slave read). Once the SNIC receives this NSRD, it then sends out a high assertion on NACK, acknowledging that it is in slave mode but not yet ready to complete the read. The NACK signal is used by the PAL to assert the IOCHRDY signal false. The SNIC then drives out the data from its internal registers to the 245 buffer. The 245 buffer is then enabled and the data is driven onto the AT BUS. When the SNIC is ready, it asserts NACK true and the PAL asserts IOCHRDY true. As a result, NIOR is driven high by

the CPU, thereby deasserting the NSRD. On the rising edge of the NIOR, the data which is on the AT BUS is latched into the system. The addresses are removed at the same time, causing the SNIC chip select to become deasserted and therefore ending the register read cycle.

Register Write

To begin the register write, the CPU drives the SA0–SA3 address lines to the SNIC and the SA4–SA9 address lines to the PAL. With these address lines, the PAL decodes to 300–30F (the SNIC registers) thereby enabling the chip select for the SNIC. The CPU then drives the NIOW strobe which the SNIC sees as NSWR (slave write). Once the SNIC receives this NSWR it sends back a low assertion on NACK to acknowledge that it is in slave mode and ready to perform the write. When the CPU receives this signal, it puts data out onto the AT BUS where it goes into the 245 buffer. The 245 buffer then drives the data to the SNIC, but the data is not latched into the SNIC until the rising edge of NIOW. The system drives NIOW high, thereby deasserting the NSWR and latching the data. The addresses also are taken away and the chip select then goes high (deasserted). This thereby ends the cycle of the register write.

Remote Transfers

Remote DMA transfers are operations performed by the SNIC on the board. These operations occur when the SNIC is programmed to transfer packet data between the PC-AT and the card's on-board RAM. These transfers take place through the I/O Port interface.

Remote Read

To program the SNIC for a remote read, the CPU must make five slave accesses to the SNIC. The CPU must write the Remote Start Address (2 bytes), the Remote Byte Count (2 bytes) and issue the Remote DMA Read Command. The addresses and byte count require two transfers because they are both 16 bits, yet only 8 bits can be written per transfer.

Once the SNIC has received all of the above data, it drives out BREQ and waits for BACK. For this design the SNIC immediately receives the BACK because it is tied to the BREQ line (BREQ can be tied to BACK because there are no other devices contending for the local bus). After receiving the BACK, the SNIC drives out the address from which the data will be read. This address flows into the 373's and is latched by ADS0. From here, the address flows to the RAM. The RAM waits until it receives NMRD from the SNIC and then it drives the data out of the address it was given and into the 374 ports. The 374 ports then latch the data on the rising edge of the NPWR strobe from the SNIC. PRQ is then sent out by the SNIC to let the system know that there is data waiting in the ports.

If the AT reads the I/O ports before the SNIC has loaded the 374's, then the port request (PRQ) from the SNIC will not yet be driven. This unasserted PRQ signal causes the AT's ready line to be set low, indicating that the SNIC has yet to load the data. After the data is in the ports, the system

must then read the 374 data ports. This begins with the AT driving out an address which is decoded (inside the PAL) to the data I/O Ports (310–317). The PAL then drives RACK to the SNIC, indicating that the CPU is ready to accept data. This RACK signal then reads the data from the 374 ports onto the AT BUS. The system deasserts NIOR which finishes the cycle.

Remote Write

Like the remote read, the remote write cycle also begins with five slave accesses into the internal registers. The CPU must write the Remote Start Address (2 bytes), the Remote Byte Count (2 bytes) and issue the Remote DMA Read Command. The SNIC then issues a PRQ. The CPU responds by sending a NIOW, indicating that it is ready to write to the ports. The CPU also drives out the address which corresponds to the I/O Ports. This address goes into the PAL and helps to decode to WACK. This WACK signal latches the data into the 374 ports. The SNIC issues a BREQ and immediately receives a BACK since the two lines are tied together (BREQ can be tied to BACK because there are no other devices contending for the local bus). The SNIC, upon receiving the BACK, drives out address lines to the 373's. These address lines are latched by ADS0 and then are driven to the RAM. SNIC sends out a PRD and a MWR which drives the data from the 374 ports into the already specified address of the onboard memory. Soon afterwards, the PRD and the MWR are deasserted and the cycle ends.

Network Transfers

Transfers to and from the network are controlled by the DP83901's local DMA channel which transfers packet data to/from the SNIC's internal FIFO from/to the card's buffer RAM.

Receive

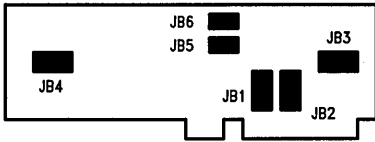
The data comes off of the network, is deserialized and is stored in the FIFO inside of the SNIC. The SNIC then issues a BREQ and immediately receives BACK since the lines are tied together. After receiving BACK, the SNIC drives the address lines to the 373's. The 373's are latched by ADS0 and the address is allowed to flow to the RAM. Then the SNIC drives out NMWR along with the data from the FIFO. The data flows into the RAM at the address given earlier. After this, the NMWR strobe is deasserted thereby causing the cycle to end.

Transmit

To begin the transmit cycle, the SNIC issues a BREQ and waits for BACK. Since BREQ and BACK lines are tied together, BACK signal is received immediately. Upon reception of this signal, the SNIC drives out the address to the 373's which latch the address with the ADS0 strobe. The address then flows to the onboard memory. NMRD, driven by SNIC, causes the RAM to drive the data out of the given address and into the SNIC. The SNIC then latches the data into the FIFO on the rising edge of NMRD. This high assertion of NMRD signifies the ending of this cycle. From the FIFO, the data is serialized and transmitted onto the network.

BOARD CONFIGURATION

On the SNIC-AT board there are six jumper blocks as seen in the diagram below. The following pages will explain how to configure these jumpers.



TL/F/10800-3

Physical Layer

TABLE V. Physical Layer Selection

JB1	JB2	JB3	Physical Layer Selected
on	off	off	twisted pair
off	on	off	thin ethernet
off	off	on	thick ethernet

If JB1 is closed while JB2 and JB3 are open, then the twisted pair interface will be selected. If JB2 is closed while JB1 and JB3 are open, then the thin ethernet will be selected. And finally if JB3 is closed while JB1 and JB2 are open, then the thick ethernet will be selected.

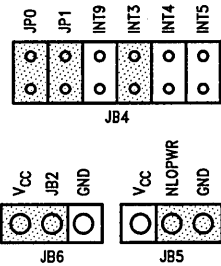
Interrupt Lines, Board Addresses, and EPROM Addresses

On JB4, there are six possible connections. Four of these are to select an interrupt line. The available interrupt lines include INT3, INT4, INT5, and INT9. The last two possible connections, JP1 and JP0, are used to select the base address for the board. However, if JB6 is connected to V_{CC}, then these last two connections select the address of the EPROM also. The possible selections and the jumpers

which should be on (closed) are shown in Table VI. The factory configuration uses the INT3 line for interrupts and has JP1 and JP0 in the on position. This factory configuration is shown in Figure 3, along with the factory configurations for JB5 and JB6.

TABLE VI. Base Address and EPROM Address

JP1	JP0	Base Address	EPROM Address
on	on	300h-31Fh	C800h
on	off	320h-33Fh	CC00h
off	on	340h-35Fh	D000h
off	off	360h-37Fh	D400h



TL/F/10800-4

FIGURE 3. Factory Configuration for JP4, JP5, and JP6

Low Power SNIC Mode

This low power mode is entirely dependent on JB5. The NLOPWR signal is low-asserted, so in most cases this signal will be jumpered to V_{CC}. However, if LAN transmissions are not needed for an extended length of time, the NLOPWR signal may be jumpered to ground. This would turn off the SNI circuitry and conserve power. This feature is primarily provided because the DP83901 enables this function, but can not be practically used in this design.

PAL EQUATIONS**PAL #1 (U1)**

In this first PAL, the output signals are NIO16, NIOEN, NSNICB, and NCSROM. (The N's before the signals indicate that the signal is low asserted). Since it is necessary to assert NIO16 as soon as possible, this first PAL has been selected to be a 10 ns "D" PAL. The NIO16 signal must be TRI-STATE[®] when it is not asserted. Therefore, we use an enable signal (NIOEN) which is equal to the decode for the I/O Ports (310-31F) and NAEN high. (NAEN high signifies that the system DMA does not have control of the bus.) The enable signal (NIOEN) loops back into the PAL to bring NIO16 out of TRI-STATE. The NIO16 signal is set to zero so that whenever it is enabled it will be asserted.

The NSNICB signal consists of simple address decodes along with NAEN. The addresses decode to one of four address slots which were mentioned earlier in the board configuration section. The NCSROM is a very simple signal as it consists only of AD14 and NMRD. AD14 comes from the SNIC and selects either the PROM (when low) or the onboard RAM (when high).

```

PAL 1
module iodec;
flag '-rl';
title
date:9/13/89
functions:
SNIC BOARD DECODE, IO16 DECODE, AND CHIP SELECT PROM';
ul device 'pl618';



```

PAL #2

In this PAL, there are eight outputs which include NRESET, NSOUT, NRDYEN, NIOCHRDY, NCS, NRACK, NWACK and INTO. The first two outputs (NRESET and NSOUT) are part of an R-S flip-flop as shown below:

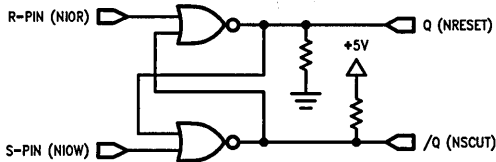


FIGURE 4. RS Flip-Flop

TL/F/10800-5

NRESET is given by the NOR of the high asserted R-input pin and the NSOUT signal. NSOUT is given by the NOR of the high asserted S-input pin and the NRESET signal. The NOR gates are enabled by the low assertion of NRSTDRV. When the system first boots up, it will disable the NOR gates by asserting the RSTDRV signal. But due to the pull-up and pull-down resistors, the output <NRESET, NSOUT> will be set to <0,1>. Once RSTDRV becomes deasserted, the output will remain at <0,1>. The only way to get out of reset is to assert the S-pin high which is done by an NIOW and an address decode to 318-31F. After the system has booted up, the SNIC may be reset through software. This would be done by setting the R-pin high with an NIOR and an address decode to 318-31F. To escape from reset, we once again set the S-pin high with an NIOW and address decode of 318-31F. The above description of logic is also shown in Truth Table VII.

TABLE VII. R-S Flip-Flop Truth Table

R (NIOR)	S (NIOW)	Q (NRESET)	\bar{Q} (NSOUT)
0	0	0	1
0	1	1	0
0	0	1	0
1	0	0	1
0	0	0	1
0	1	1	0

By using the NIOR and NIOW which are never asserted at the same time, this insures that the R-pin and the S-pin will never be asserted at the same time. The next two signals (NRDYEN and NIOCHRDY) are quite similar to NIOEN and NIO16 in PAL #1. All of the decode takes place in the enable signal (NRDYEN). This decode consists of addresses 300-30F without NACK or the addresses 310-318 without PRQ. If the NRDYEN signal is asserted, then NIOCHRDY will be driven low. At all other times, the NIOCHRDY strobe will be in TRI-STATE. NCS is decoded by NSNICB (from PAL #1) along with the low assertion of SA4 and either NIOR or NIOW. Its decode is in the address range of 300-30F. The last two signals are NRACK and NWACK. NRACK occurs with an address decode to 310-31F, an NIOR, and a PRQ. The NWACK signal only differs from the NRACK by the NIOR/NIOW signal and therefore consists of an address decode to 310-318, an NIOW, and a PRQ. INT is just sent through the PAL to be buffered. The buffered signal which comes out of the PAL is INTO.


```

PAL 2
module reset;
flag '-r1';
title '
date:9/13/89
functions:
RESET LATCH, SNIC SELECT, IOCHRDY, RACK, WACK,
BUFFER INTERRUPT';
u2 device 'pl618';

"input pins:
NSNICB, NIOW, NIOR      pin 1, 2, 3;
RSTDRV, NACK, PRQ      pin 4, 5, 6;
SA4, SA3, INT          pin 7, 8, 9;

"output pins:
INTO, NRACK, NWACK     pin 12, 13, 14;
NRESET, NSOUT, NRDYEN pin 15, 16, 17;
NIOCHRDY, NCS         pin 18, 19;

"constants
X = .X.;
Z = .Z.;

equations
NCS = !(NSNICB & NIOR & !SA4 # !NSNICB & NIOW & !SA4);
NRACK = !(NSNICB & PRQ & NIOR & SA4 & !SA3);
NWACK = !(NSNICB & PRQ & NIOW & SA4 & !SA3);
NRDYEN = !(NSNICB & NIOR & !SA4 & NACK
           # !NSNICB & NIOW & !SA4 & NACK
           # !NSNICB & !PRQ & NIOR & SA4 & !SA3
           # !NSNICB & !PRQ & NIOW & SA4 & !SA3);
enable NIOCHRDY = !NRDYEN;
NIOCHRDY = 0;
enable NRESET = !RSTDRV;
NRESET = !(NSNICB & NIOR & SA4 & SA3 # NSOUT);
enable NSOUT = RSTDRV;
NSOUT = !(NIOW # NRESET);
INTO = INT;
end reset;

```

PAL #3

The third PAL only does a decode to enable the optional EPROM. This decode consists of an address decode to C800h, CC00h, D000h, or D400h depending on JP1 and JP0 as shown in the board configuration section. JP2 must also be jumpered for selection of the EPROM. NAEN, a low asserted signal should be high to indicate that the DMA does not have control of the bus and the NSMRDC signal should be asserted low since the CPU is doing a system memory read.

A013 output is used to generate a signal to the lower byte RAM. This signal will route A0 to the RAM when EN16 is high enabling 8-bit operation.

PAL 3

```
module epromdec;
flag '-r0';
title `
date:9/13/90
function:
EPROM DECODE';
```

```
u21 device 'p16l18';
```

```
"input pins:
```

```
A0, A13, EN16           pin 1, 2, 3;
SMRDC, SA19, SA18      pin 4, 5, 6;
A17, SA16, SA15        pin 7, 8, 9;
A14, NAEN, JP2         pin 11, 13, 14;
P0, JP1                pin 15, 16;
```

```
"output pins:
```

```
A013                   pin 12;
EPROMEN                pin 19;
```

```
"constants
```

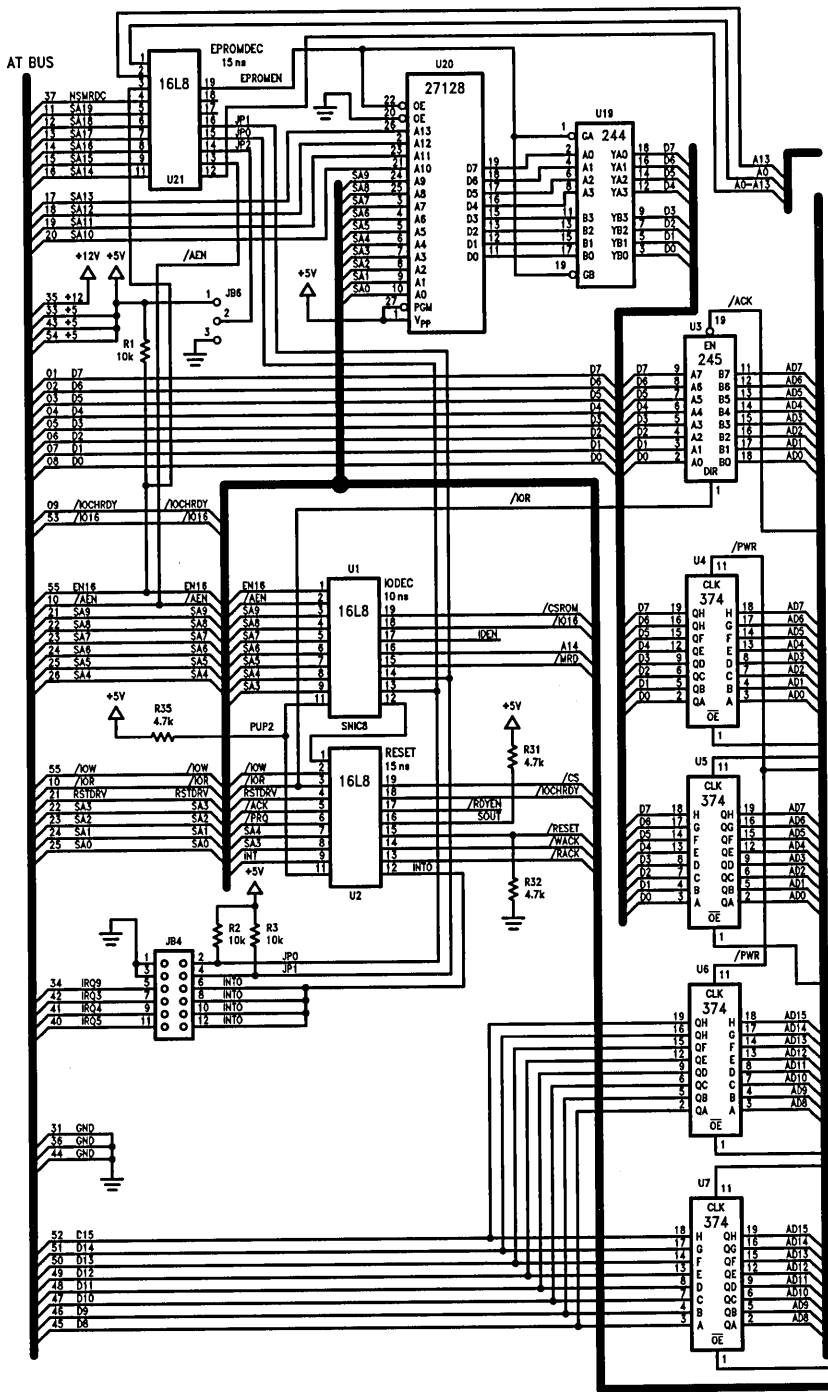
```
  X = .X.;
```

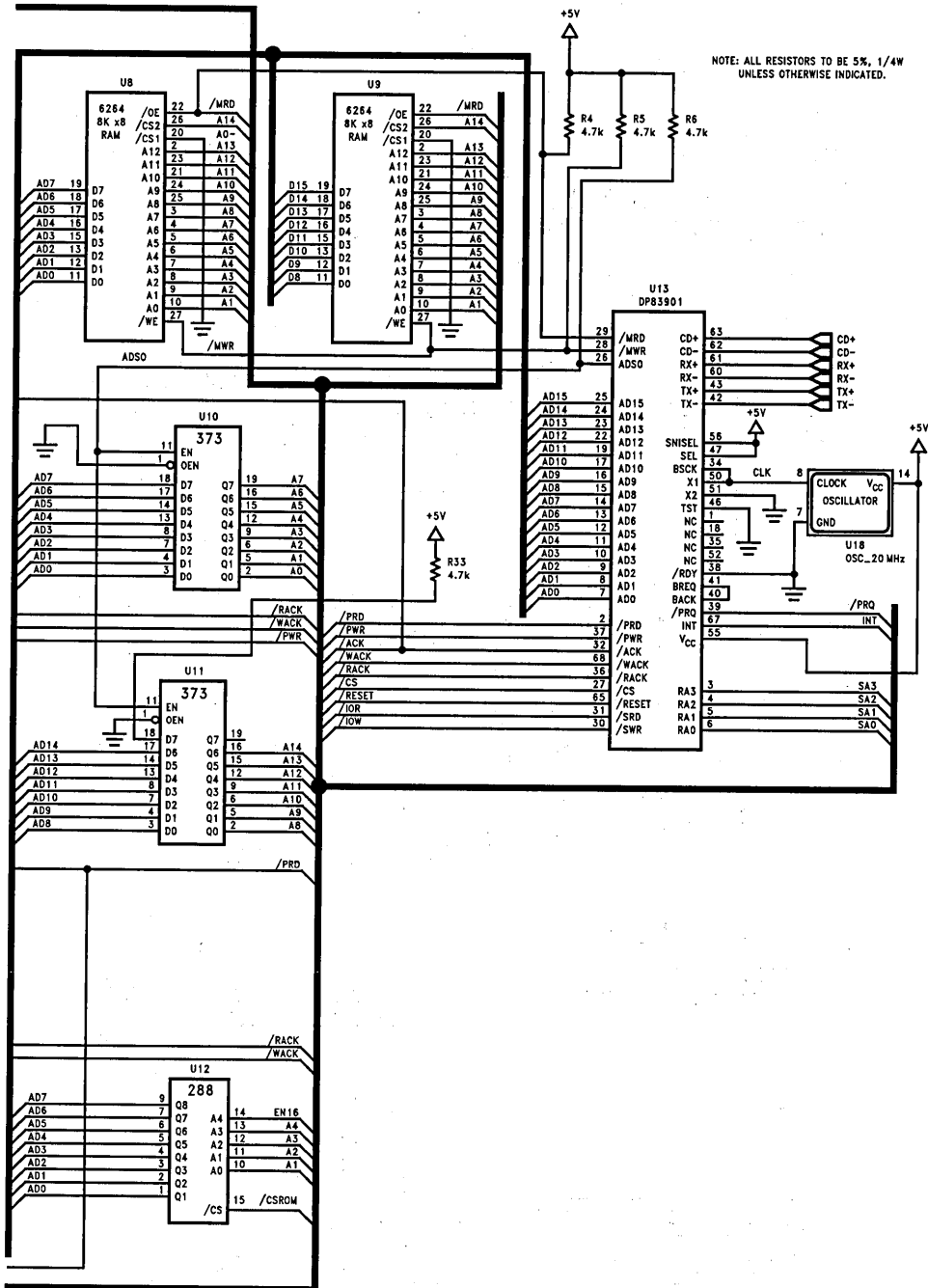
```
equations
```

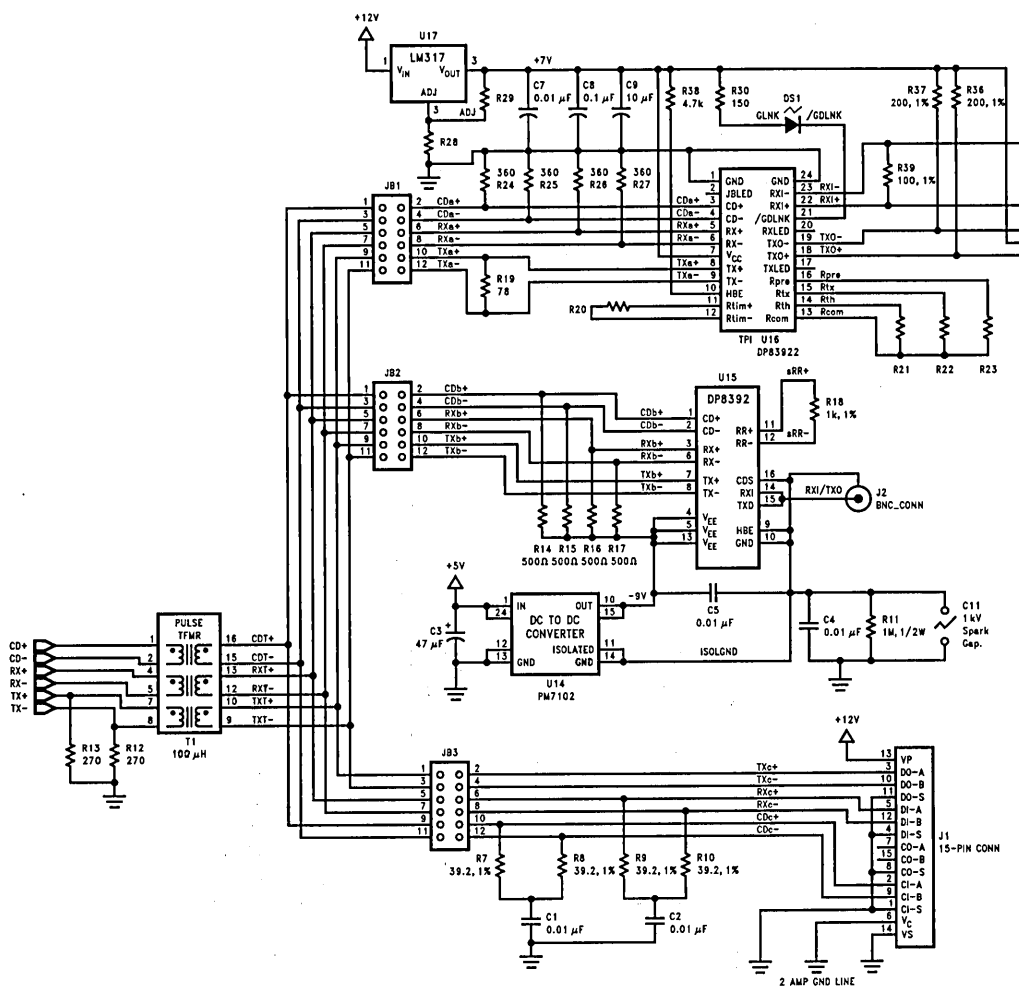
```
NEPROMEN = !(SA19 & SA18 & !SA17 & !SA16 & SA15 & !SA14 & !NAEN
  & JP2 & !JP1 & !JP0 & !NSMRDC
  # SA19 & SA18 & !SA17 & !SA16 & SA15 & SA14 & !NAEN
  & JP2 & !JP1 & JP0 & !NSMRDC
  # SA19 & SA18 & !SA17 & SA16 & !SA15 & !SA14 & !NAEN
  & JP2 & JP1 & !JP0 & !NSMRDC
  # SA19 & SA18 & !SA17 & SA16 & !SA15 & SA14 & !NAEN
  & JP2 & JP1 & JP0 & !NSMRDC);
```

```
A013 = !(A0 & EN16 # A13 & !EN16);
```

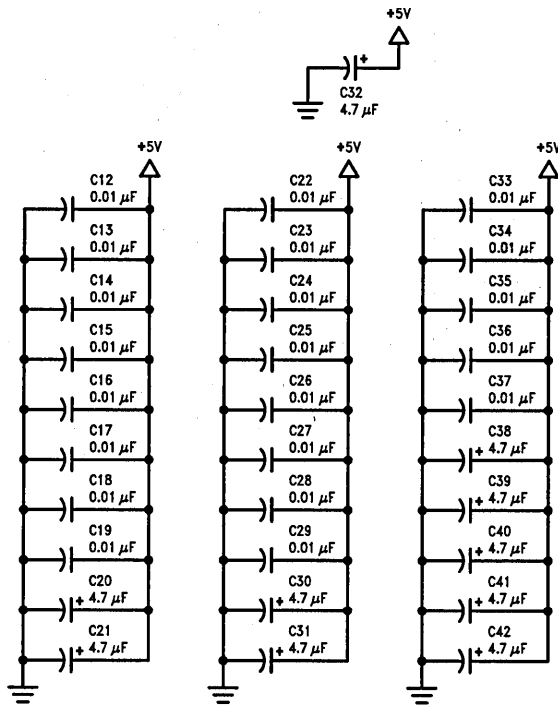
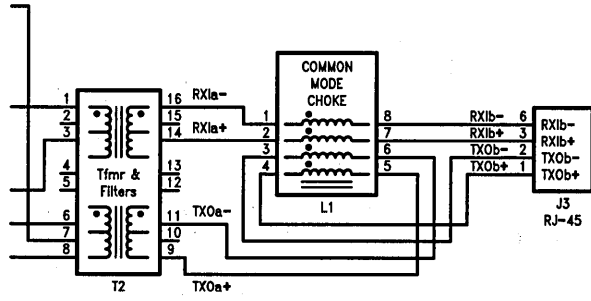
```
end epromdec;
```







TL/F/10800-8



TL/F/10800-9

Ethernet Network Interface Adapter for the Apple Macintosh II NuBus

National Semiconductor
Application Note 686
Andrew C. Pagnon



INTRODUCTION

The gradual move in recent years towards distributed processing units with a need for these to communicate and the increasing demand for peripheral usage optimization has resulted in the fast growth of Local Area Networks. In an attempt to standardize communications between networks the International Standards Organization (ISO) has proposed a seven layer reference model called the Open System Interconnect (OSI) which provides an independent framework for all the emerging network standards. The IEEE has defined a number of these standards (802.3 to 802.6) covering the two lower layer functions, physical and data link layers.

National Semiconductor provides a three chip set which supports the Ethernet/Thin-wire Ethernet standard (a subset of IEEE802.3) the DP8390 Network Interface Controller (NIC), DP8391 Serial Network Interface (SNI), and DP8392 Coaxial Transceiver Interface (CTI).

The aim of this application note is to describe the implementation of a Macintosh II, IIx and IIcx to Ethernet/Thin-wire Ethernet interface solution using the NSC chip set. This solution takes the form of a network interface adapter card which on one side plugs into any of the six Macintosh II NuBus expansion slots and on the other supports two physical layer options, Ethernet and thin-wire Ethernet.

The board easily interfaces to the Macintosh II NuBus interface with few external components. This application note assumes the reader is familiar with NSC's Ethernet chip set and the Macintosh II NuBus.

The note begins with a hardware overview of the adapter card, and a background description of the NuBus interface. This is followed by a detailed description of hardware supported by the main sequencer/arbitrator state diagram. This covers arbitration and a detailed description of all the cycle types implemented on the card. The PAL equations and part list are included at the end of the note along with a detailed schematic and timing diagrams.

HARDWARE OVERVIEW

The main function of this adapter card is to transfer Ethernet packet data to/from the Macintosh CPU via NuBus during LAN transmissions and receptions. The card supports a NuBus interface to the CPU and an Ethernet interface to the network. Data transfers between the interfaces are routed on the card's local bus through 8k words of shared buffer memory which temporarily stores ethernet packet data, thus decoupling data transfers across the two interfaces. The 8k buffer memory can be expanded to 32k by simply replacing the memory ICs.

Figure 1 shows a simplified block diagram of the adapter. Besides the basic DP8390 chip set this diagram illustrates the connection of the slot and cycle decode logic used to select the card, and generate read/write cycles. The arbiter controls whether the NIC or NuBus can access the buffer RAM. The RAM contains the transmit/received packet data, and the ROMs (actually one chip) contain the Ethernet Address and the Macintosh configuration information. The ad-

dress bus interface latches store the NuBus address from the multiplexed address/data bus, and the data bus interface consists of buffers and latches to assemble the 16-bit RAM buffer data into a 32-bit word for the NuBus.

Transmission/Reception

For Ethernet transmissions the host CPU writes data into the transmit area of the adapter card buffer memory over the NuBus interface. The host CPU then sets up the NIC to transmit the data by writing to its internal registers. The NIC responds by fetching the data into its internal FIFO using its local DMA channel, from where it is sent to the SNI-CTI and onto the Ethernet cable. Once the data has been transmitted the NIC issues an interrupt back to the host CPU and sets a status bit in its internal register.

For Ethernet receptions data is loaded from the Ethernet cable into the internal FIFO of the NIC from the SNI and CTI. When a programmable threshold is reached in the FIFO, the NIC transfers the data into the receive area of the adapter card buffer memory using its local DMA channel. Once a complete packet has been loaded into memory, the NIC sets up a pointer in its internal register, issues an interrupt to the host CPU and sets a status bit in its internal register. The host processor responds by reading the packet from the adapter card memory over the NuBus interface and updating the packet pointers stored in the NICs internal register.

General Adapter Architecture Considerations

A shared memory architecture has been chosen for this design to maximize data throughput while not adding any extra cost or intelligence on the card. The buffer memory is mapped into the NuBus address space and a NuBus slave interface plus local bus arbitration logic is implemented on the adapter card. The reasoning for this decision is given below.

The DP8390 efficiently supports an input/output port architecture, in which the adapter card makes use of the NICs Remote DMA facility to transfer network data between the buffer RAM and an input/output port interfacing to the NuBus and to the host CPU. This implementation is a slightly less expensive option than others however the throughput of the port interface is somewhat limiting, and there are no memory addressing limitations on the NuBus that would require an I/O port technique.

A bus master architecture, in which the adapter card can gain ownership of the host CPU bus and transfer data directly into system memory is significantly more costly and with the current generation of controllers will not yield significantly better performance across NuBus without going to the expense of adding an on-card processor.

Thus, using a buffer RAM that is addressed directly by the NuBus and the Ethernet Controller, provides the flexibility of reading/writing data via the NuBus at fast speeds, and since the DP8390's local DMA only utilizes a small percentage of the RAM's total access time (12%) the RAM is mostly free for NuBus activity.

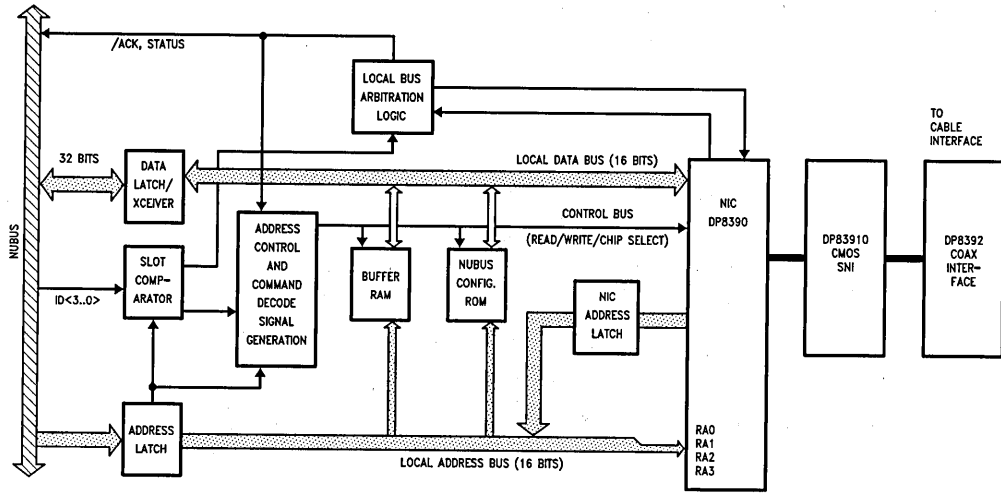


FIGURE 1. General Block Diagram for the NuBus Shared RAM Adapter

TL/F/10805-1

Once the Shared Adapter RAM approach is chosen another architectural consideration is the width of the Buffer RAM and of the CPU bus transfers supported. Table I shows the options considered. The 16-bit Buffer memory and 32-bit NuBus transfer option was chosen as the best compromise on data throughput and component count/cost.

General Hardware Overview

Figure 2 shows a more detailed block diagram of the Adapter. This shows each block, and details the chips used to implement each block.

The Ethernet to buffer memory interface is implemented using National Semiconductor chip set. The DP8390 Network Interface Controller is a CMOS VLSI device designed to ease interfacing with IEEE 802.3 Ethernet type Local Area Networks. It implements all Media Access Control MAC functions (a subset of the ISO data link layer) for transmission and reception of packets in accordance with the IEEE 802.3 standard. Its dual DMA channels and internal FIFO provide a simple yet efficient packet management design. All bus arbitration and memory support logic required by its dual DMA channels are integrated into the NIC.

The DP83910 Serial Network Interface is a CMOS combined analog and digital device which provides the Manchester encoding and decoding functions of IEEE 802.3 Ethernet type Local Area Networks. It contains ECL like balanced drivers and receivers, collision signal translator and a diagnostic loopback circuit.

The DP8392 Coaxial Transceiver Interface is a bipolar device used as a coaxial cable line driver/receiver for IEEE 802.3 Ethernet Local Area Networks. In Ethernet applications the transceiver is usually mounted within a dedicated enclosure (Media Access Unit) and connected to the SNI via a drop cable, while for Thin-wire Ethernet (low cost ver-

sion of Ethernet) the CTI is mounted on the same board as the SNI. Signal and power isolation requirements are met by placing a set of pulse transformers between the SNI and the CTI, and using a DC to DC converter to provide the CTI's -9V supply.

The adapter card supports a 32-bit NuBus interface to the host CPU, implemented using synchronous sequencer logic in the registered PAL 16R4. This interface supports transfers to the Network Interface Controller registers, the "Ethernet address/Mac configuration" ROM and the buffer memory. The two card interfaces must request use of the local bus before they can initiate a transfer to any of the on card devices. These requests are processed by arbitration logic which gives priority to the Ethernet interface.

The 256 x 8 ROM (LS471) contains the unique Physical Address assigned to each Ethernet board and the Configuration data required on each NuBus board which supplies identifying information about the board. This ROM can also contain device driver data.

The address/data interface to NuBus consists of four F651s data transceivers to transfer 32-bit data from/onto the NuBus, and three F533s and an F373 used to latch the address and the transfer mode signals onto the adapter card. Data on NuBus is inverted and byte swapped, so inverting transceivers and latches are used. An exception to this is the F373 which is a non-inverting version of the F533 used to latch AD24-31 which are then compared with the ID lines of the particular NuBus slot. Also the card performs a hardware byte swap on the NuBus data.

On NuBus transfers, an F521 8-bit comparator aids in the address decode function by determining whether or not the transfer is intended for the adapter card.

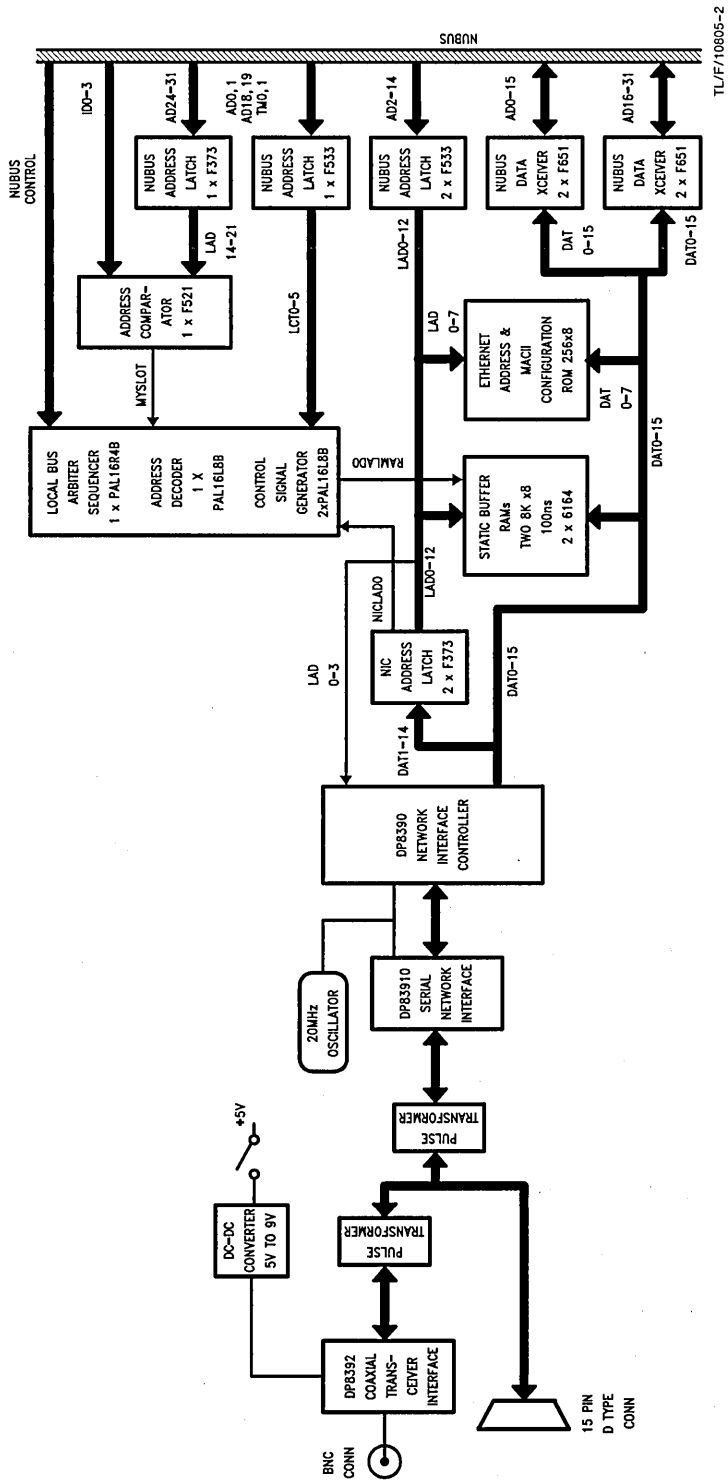


FIGURE 2. Macintosh II Ethernet Adapter Card

TABLE I. Adapter Card NuBus RAM Width Options

NuBus Transfer Width	Buffer Memory Width	NuBus Clock Beats	NuBus Maximum Data Rate	Percent Bus Usage	Extra Devices Required
16 Bits	16 Bits	4	32 Mbits/sec	31%	None
32 Bits	16 Bits	5	53 Mbits/sec	19%	2-Transceivers 1-PAL16L8
32 Bits	32 Bits	4	64 Mbits/sec	15.5%	2-Transceivers 2-RAM 8k x 8
32 Bits	32 Bits	3	80 Mbits/sec	12.5%	2-Transceivers 2-RAM 8k x 8 (80 ns)

TABLE II. Adapter Card Cycle Type Decoding

AD0	AD1	TM0	TM1	AD18	AD19	Cycle Type
X	X	X	L	H	L	RAM Read
X	L	L	H	H	L	RAM Write Byte 0, 1
L	L	H	H	H	L	RAM Write (Byte 0)
H	L	H	H	H	L	RAM Write (Byte 1)
X	H	X	H	H	L	No Action
X	X	X	L	H	H	ROM Read
X	X	X	H	H	H	Bus Error (ROM Write)
X	X	X	X	L	L	Bus Error (No Device)
X	X	H	X	L	H	NIC Write
X	X	L	X	L	H	NIC Read

NUBUS BACKGROUND

This section describes the NuBus implemented in the Macintosh II expansion slots, and the Ethernet adapter card implementation of its interface. It covers NuBus' main features and signals as used by the card, followed by a description of the address space and addressing modes and ending with a description of the NuBus interface protocol.

NuBus is the bus chosen by Apple to drive the expansion slots of the Macintosh II. Its main features are:

- 32-bit wide multiplexed address data lines
- Synchronous 10 MHz clock cycle (75% duty cycle)
- Read and Write cycles (Mac II does not support block transfers)
- I/O and interrupts are memory mapped
- Geographical addressing lines

Each slot has its own geographical addressing lines onto the adapter board. This is illustrated in *Figure 3* by the super slot space in which each card has its own 256 Mbytes of memory space. Therefore no board configuration is required. (Described later.)

The Ethernet adapter card only implements a NuBus slave interface and therefore arbitration logic to gain bus master-ship has not been implemented. Note also that no parity generating/checking logic has been implemented either.

The Ethernet adapter board uses the following NuBus signals:

- Clock
- Reset

- Card Slot Identification
- Non-Master Request
- Address/Data Signals/AD<31..0>
- Control Signals /TM<1..0>, /START, /ACK(knowledge)

The evaluation board supports single word transfers to the NIC registers, Address/Configuration ROM and the Buffer RAM. During the Start clock of a NuBus cycle the NuBus address and transfer mode lines are decoded on the card as shown in *Figure 3*, and as follows:

- TM<1..0> determine the type of transfer (read/write),
- AD<24..31> determine which NuBus slot is accessed.
- AD<19..18> determine which adapter card device is accessed (NIC, ROM or RAM)
- AD<15..2> are used to access a particular location within the device.
- AD<0..1> & <20..23> are ignored by the address decode

The adapter card responds to all NuBus cycles which address the card by generating an acknowledge signal ACK for one clock period and driving a status code on the transfer mode lines. Only two of the four NuBus defined transfer modes are supported by the card, transfer complete or bus error (see Table III).

TABLE III. NuBus Status Codes

TM0	TM1	Acknowledge
H	H	Transfer Complete
L	H	Bus Error

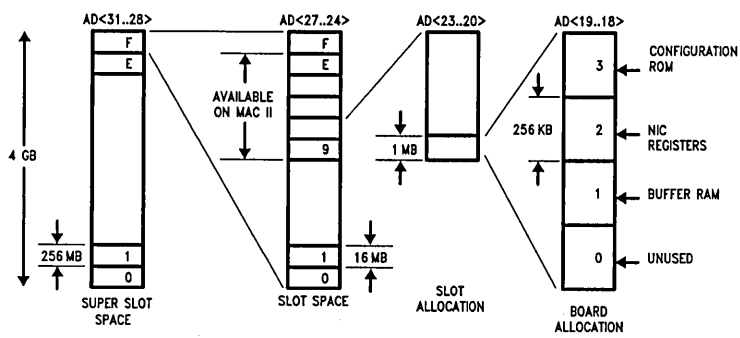


FIGURE 3. NuBus and Adapter Card Address Space Mapping

TL/F/10805-3

If the CPU requests a transfer to the adapter card NuBus slot which does not address a device on the card, or requests a write transfer to ROM, the board will respond with an error status encoding of the TM<1..0> lines during the ACK clock of the NuBus cycle. Otherwise a "Bus Transfer Complete" code is returned.

Typical NuBus read and write cycle timings are shown in Figures 4 and 5. The first NuBus cycle asserts the START line going low and presenting the address and the transfer mode. A number of clock cycles may follow before the last cycle presents the data and status on the bus, and asserting the ACK signal.

The adapter card does not implement the two other status codes supported by NuBus, "bus time out error", and "try again later". The design of the adapter card ensures that all NuBus cycles will be acknowledged within the NuBus time-out period.

NuBus Address Space

With a 32-bit architecture, the NuBus provides a 4 Gigabytes of address space, Figure 3. The 4 Gigabyte space is divided into sixteen 256 Megabyte Super Slots. The Super Slot being accessed is determined by decoding AD<31..28>. The top Super Slot is divided into sixteen Slot spaces by 16 Megabytes each determined by decoding AD<27..24>. Six of these slots (\$9 to \$E) are implemented as NuBus expansion board connectors on the MAC II. The interface adapter board may be plugged into any of these connectors. No hardware configuration on the adapter card is required.

24/32 Bit Addressing Modes

The adapter card, by ignoring address bits AD<23..20>, supports both 32- and 24-bit addressing modes.

When addressing the card in 24-bit mode, addresses of the form "\$sx xxxx" where s is the slot number can be used. The Mac II hardware translates this into a 32-bit address of the form "\$F0x xxxx".

When addressing the card in 32-bit mode addresses of the form "\$Fssx xxxx" can be used. Note that as the adapter card ignores address bits AD<23..20>, addresses of the form "\$Fssx xxxx" access the same adapter card location in both 32- and 24-bit modes, and as Apple have indicated that to ensure compatibility with future versions of the Macintosh designers should not rely on 24-bit mode addressing, it is suggested that addresses of the form "\$Fssx xxxx" are always used.

Although supporting 24-bit mode addressing limits the memory range of each slot from 16M to 1M, this sufficiently covers the need of an Ethernet adapter card and simplifies software development. The Macintosh slot manager puts the system in 24-bit addressing mode by default and the memory manager plus some toolbox routines do not currently function properly in 32-bit mode.

Adapter Card Address Space

Once the slot is selected, the Network Interface Adapter's memory space is subdivided into four 256 kbyte blocks of memory determined by decoding AD<19..18>.

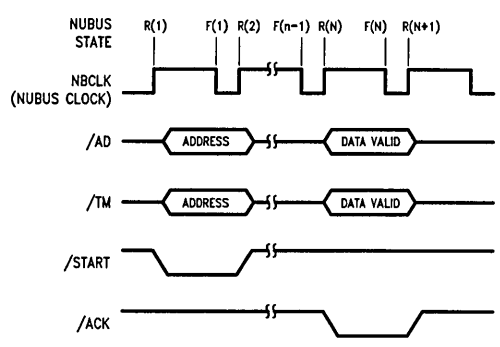


FIGURE 4. NuBus Read Cycle

TL/F/10805-4

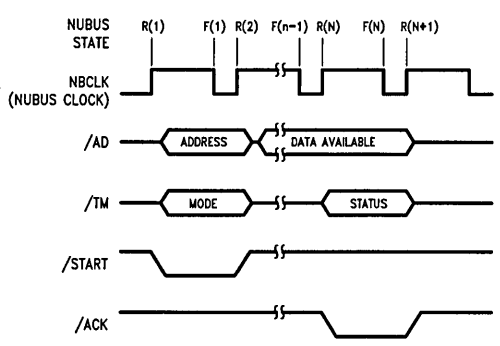


FIGURE 5. NuBus Write Cycle

TL/F/10805-5

Figure 3 shows the sub-division of the Super Slot, Slot, and Adapter Board address space.

It is important to note the following points when developing high level software to address the adapter card. If the NIC registers or the ROM are accessed as 8-bit devices, (by declaring a pointer to a character in Macintosh Programmers Workshop (MPW) for example) or as 16-bit devices (by declaring a pointer to a short integer), incrementing these pointers will usually only modify the transfer mode (by incrementing AD<1..0>) rather than increment the address to the device (NIC or RAM). It is therefore recommended that if this form of addressing is used, the RAM, ROM and NIC are declared as 32-bit devices (by accessing them with a pointer to an integer). This will ensure only word transfers take place and each NuBus address increment will also increment the address to the onboard device.

NuBus Timing Diagrams

The NuBus clock has a 100 ns period (10 MHz) with a 75% duty cycle (75 ns "high" and 25 ns "low"). NuBus signals are driven at the rising edge and sampled at the falling edge of the clock. A transfer (read/write cycle) is initiated when the master asserts /START, drives the address on AD<31..0>, and drives the transfer mode signals TM<1..0> with the appropriate code to indicate the desired transfer. A transfer is completed when the slave responds by asserting ACK and driving the transfer mode signals with the appropriate status code. Please refer to Figure 4 and Figure 5 for the NuBus read/write cycles.

For a read operation, once the master has acquired the bus, a read bus transaction involves the following steps:

- R(1): The bus master asserts /START and the appropriate /ADx and /TMx lines to initiate the transfer.
- F(1): The bus slaves sample the /ADx and /TMx lines.

R(2): The bus master releases the /ADx, /TMx, and /START lines and waits for /ACK.

R(N): The bus slave places the requested data onto the /ADx lines, asserts /ACK, and places the appropriate status code on /TM0 and TM1 lines. (Note N may be from 2 to 256)

F(N): The bus master samples the /ADx, /ACK, and /TMx lines to receive the data and note and error condition.

R(N+1): The bus slave releases the /ADx and /ACK lines and the /TMx lines. This may be the R(1) transition of the next transaction.

For a write operation, once the master has acquired the bus, a write bus transaction involves the following steps:

R(1): The bus master asserts /START and the appropriate /ADx and /TMx lines to initiate the transfer.

F(1): The bus slaves sample the /ADx and /TMx lines.

R(2): The bus master places the data on the /ADx lines, releases /TMx, and /START lines and waits for /ACK.

F(2)-F(N): The bus slave samples the /ADx lines to capture the data. The data may be sampled before or during the assertion of /ACK.

R(N): The bus slave asserts /ACK, and places the appropriate status code on /TM0 and TM1 lines when the data is accepted. (Note N may be from 2 to 256)

F(N): The bus master samples the /ACK and TMx lines to determine the end of a transaction.

R(N+1): The bus master releases the /ADx while the bus slave releases the /ACK lines and the /TMx lines.

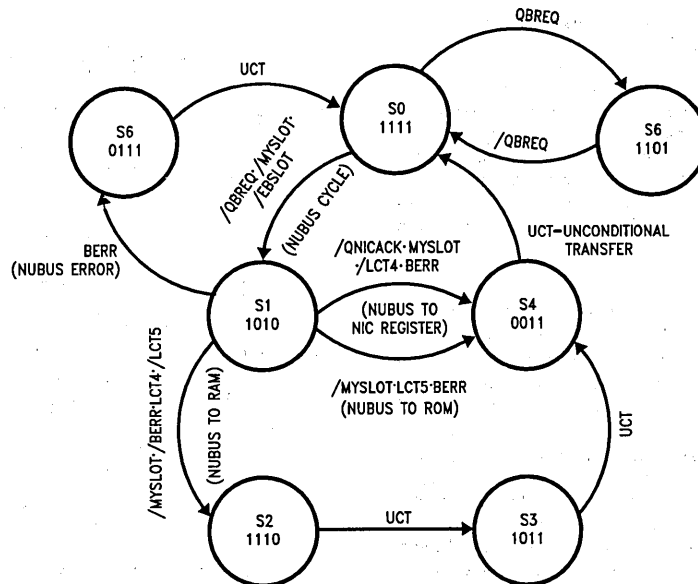


FIGURE 6. State Diagram Sequencer

TL/F/10805-6

TABLE IV. Adapter Card Cycle State Sequence for Various Cycle Types and Corresponding Diagrams

Cycle Type	State Sequence	Functional Diagram	Timing Diagram
NuBus to RAM Read	S0 → S1 → S2 → S3 → S4 → S0	Figure 12	Figure A-4
NuBus to RAM Write	S0 → S1 → S2 → S3 → S4 → S0	Figure 12	Figure A-5
NuBus to ROM Read	S0 → S1 → S4 → S0	Figure 8	Figure A-1
NuBus to NIC Read	S0 → S1 → S4 → S0	Figure 10	Figure A-2
NuBus to NIC Write	S0 → S1 → S4 → S0	Figure 10	Figure A-3
NuBus Bus Error	S0 → S1 → S5 → S0	Figure 8	
NIC to RAM Read/Write	S0 → S6 → S0	Figure 14	

DETAILED HARDWARE DESCRIPTION

The card's main function is to transfer Ethernet packet data from the NuBus interface to the Ethernet cable during packet transmission, and from the Ethernet cable to the NuBus interface during packet reception, via an 8k x 16 Buffer RAM, expandable to 32k x 16. In addition to this the NuBus interface is allowed direct read and write access to the NICs registers to control and monitor the NIC's operations, and read access to the "Ethernet address/Mac configuration" ROM.

This transfer of packet data from Ethernet to host CPU is executed in two distinct stages, transfers between host CPU and buffer Memory, and transfers between buffer memory and Ethernet. The former is performed by the on-card NuBus slave interface whereas the latter is performed by the NIC chip set.

A synchronous sequencer/arbiter implemented in a PAL16R4 running on the 10 MHz NuBus clock controls all transfers supported by the adapter card. The state diagram for its operation is shown in *Figure 6*. States S1 to S5 support the NuBus slave interface, and state S6 supports the NICs interface. State S0 is the idle state. The sequence of states for each bus cycle type is shown in Table IV.

Arbitration for Local Card Bus by NIC/NuBus

All addressable devices on the card (Buffer RAM, NIC registers and ROM) share the common non-multiplexed local address and data buses. The two potential masters of this bus, the NuBus interface and the NIC, request access to the bus. Arbitration logic and the state sequencer resolve these requests. The sequencer only responds to master's requests during the idle state (S0). Therefore cycles already in progress are always allowed to complete before the bus is re-

allocated. Cycles always complete by returning to the idle state (S0). This prevents bus contention on the common local address bus at switchover time (NuBus/NIC) and enables arbitration to take place after every NuBus cycle or NIC local DMA burst. The NIC is given priority over the NuBus interface, so that if a NIC and a NuBus interface request are active when the sequencer is idle, the NIC cycle will be serviced first. The following bus latency discussion shows there is no real need to give one master priority over the other.

Bus Latency Requirements

This is defined as the time between a master issuing a request and receiving an acknowledge.

The NuBus interface bus latency allowable is determined by its 25.6 μ s bus timeout period. The maximum NuBus bus latency that can be expected on this card, that is, the longest Bus Request from the NIC, occurs if a packet ends just as the NIC performs its last FIFO burst. The local DMA burst plus the End of Packet processing operations add up to just over 4 μ s, well within the allowable 25.6 μ s.

The NIC bus latency allowable is determined by the need to prevent its internal FIFO from overflowing during packet reception. The worst case bus latency the NIC can accommodate running on a 20 MHz clock is a little more than 1 μ s (refer to the DP8390 Datasheet addendum). The maximum NIC bus latency that can be expected on this card, that is, the longest NuBus cycle to the card, is 0.5 μ s (five NuBus Clocks), well within the allowable 1 μ s.

Again, Table IV shows all the cycles supported by the card, and the state sequence followed by each one. The figures quoted display the timing diagram for each case.

NUBUS MASTER CYCLES

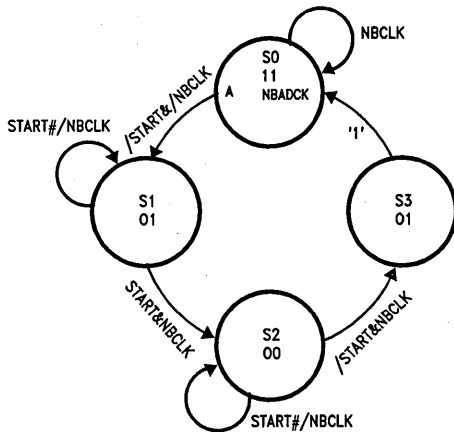
The CPU initiates NuBus cycles by driving the address and transfer mode onto NuBus and asserting the Start signal during the first clock of the bus access.

The adapter card latches the address onto the local bus on the falling edge of the first clock. A transparent latch is used so that the address is available on the local bus as soon as it is driven onto NuBus and address recognition can begin. A small asynchronous state machine in a control PAL[®] generates the address latching signal, which opens the latch when START becomes active and latches the address on the next falling edge of the clock. *Figure 7* shows the state machine diagram.

The address is enabled onto the local bus by NBADOE provided that the NIC is not already the bus master nor has issued a request while the sequencer is in the idle state.

The top 8 bits of the address are compared with the slot ID driven from NuBus.

The card, in response to the start signal, generates an enable signal (EBSLOT) which allows the sequencer to proceed onto the next NuBus cycle state (S1), provided the NIC bus request is not active and the above address comparison is successful (MYSLOT is active). This enable signal is cleared at the end of the NuBus cycle when ACK becomes active and prevents addresses not generated with a START signal from triggering the sequencer onto the S1 state. *Figure A-4* shows a detailed timing diagram of the address recognition operation. Note that FAST devices have been selected for the address latches and comparator to enable address recognition to meet the set up time of the sequencer.



TL/F/10805-7

A = State Variable (Not Used)

NBADCK = NuBus Address Clock

FIGURE 7. State Diagram for Clock to Latch NuBus Address onto Ethernet Card

States S1 to S4 cover the data portion of a NuBus transfer. The signal DASB (Data Strobe) is generated to qualify all the data enabling signals (NICCS, ROMCS, RAMOE, NBDBOE, DBNBOE). Note that during S2 DASB has to be released so that the state has a separate state number. This only affects NuBus to RAM cycles. Therefore during S2 the signal TOP is used to qualify the data enabling signals (RAMOE, NBDBOE, DBNBOE).

During S1 the address is further decoded with four possible outcomes. Each of the possible transfers initiated by NuBus are described.

Bus Error Transfer

If the address is not recognized by any of the on-card devices or it is recognized by the ROM with transfer mode defining a write cycle, a bus error condition is flagged to the CPU. The sequencer enters state S5 where the DASB signal is cleared, ACK is generated to signal the end of the cycle, and a bus error code is driven onto the NuBus transfer mode lines. The sequencer then returns to idle on the next clock beat. *Figure 8* shows a timing diagram for a NuBus error cycle.

NuBus ROM Transfer

If the address and transfer mode are decoded as a read cycle to ROM, the address decoding PAL generates a ROM enabling signal to the ROM chip select input which drives its data onto the local bus. The control PALs generate the "Data bus to NuBus output enable" signal DBNBOE to enable this data from the local bus onto NuBus. The sequencer transfers to state S4 on the next clock beat where ACK is driven onto NuBus together with the "transfer complete" code on the transfer mode signals. *Figures 8* and *A-1* show a basic and detailed timing diagram of the ROM read operation. Note that ROM set up times are easily met. Very slow ROMs can be used on this design, up to 135 ns data enable time or 210 ns address access time.

NuBus NIC Transfer

If the address and transfer mode are decoded as a read or write cycle to the NIC register, the address decoding PAL generates the NIC chip select signal NICCS, and the bottom four bits of the local address are sent to the NIC to select one of sixteen possible NIC registers. The sequencer, *Figure 6*, remains in state S1 until the NIC generates acknowledge signal NICACK. This signal is synchronized to the NuBus clock before it is fed into the synchronous state sequencer PAL. The sequencer then proceeds onto state S4.

See *Figure 9* for a functional timing diagram of NuBus to NIC read and write cycles.

If the cycle is a write, the control PAL generates the NBDBOET signal to enable the NuBus write data onto the local bus, and a small asynchronous state machine in the PAL generates the write enable signal to the NIC, SWR. *Figure 10* shows the state machine diagram. This signal is cleared on the falling edge of the clock during the S4 state to provide the necessary write data hold time to the NIC. See *Figure A-3* detailed timing diagram.

If the cycle is a read, the control PAL generates DBNBOE to enable the NIC read data from the local bus onto NuBus. See *Figure A-2* for a detailed timing diagram.

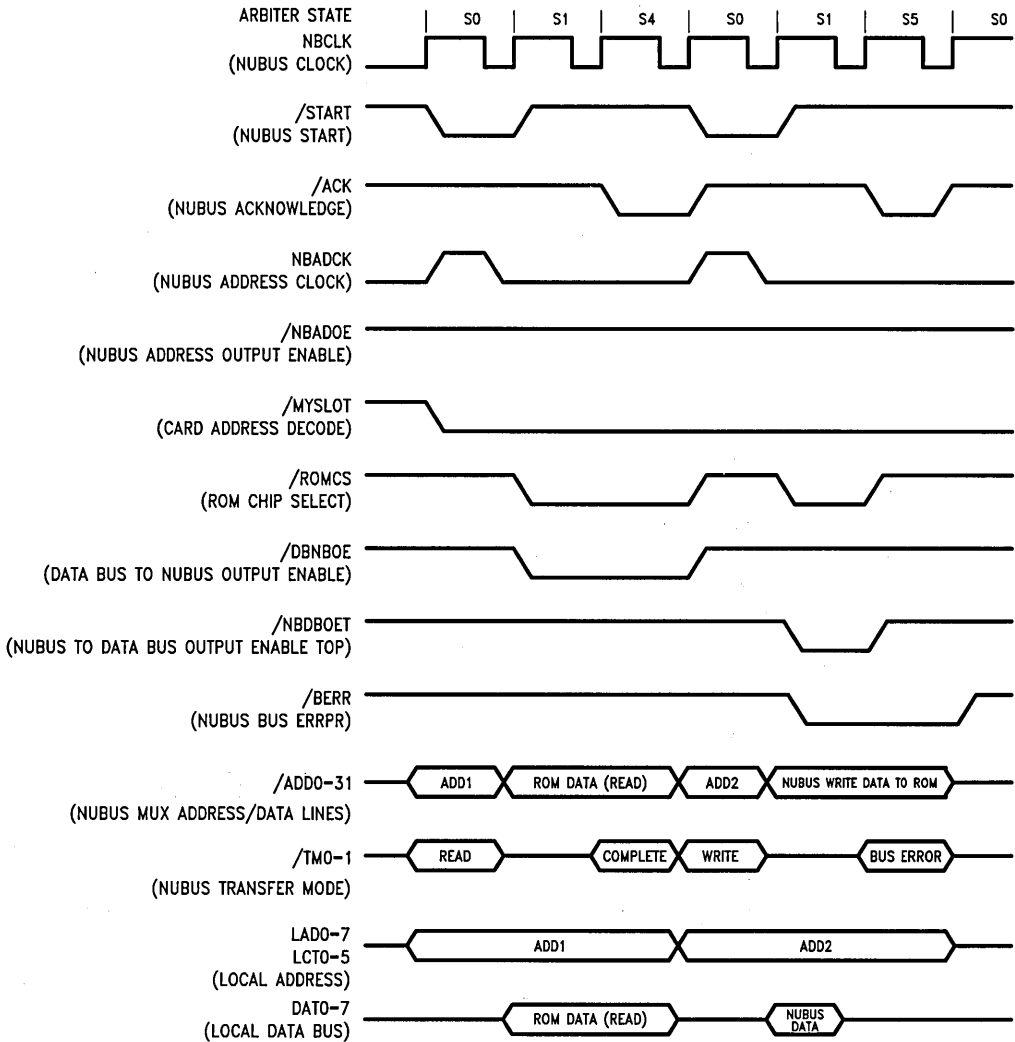


FIGURE 8. NuBus to ROM Read and Bus Error Cycles

TL/F/10805-8

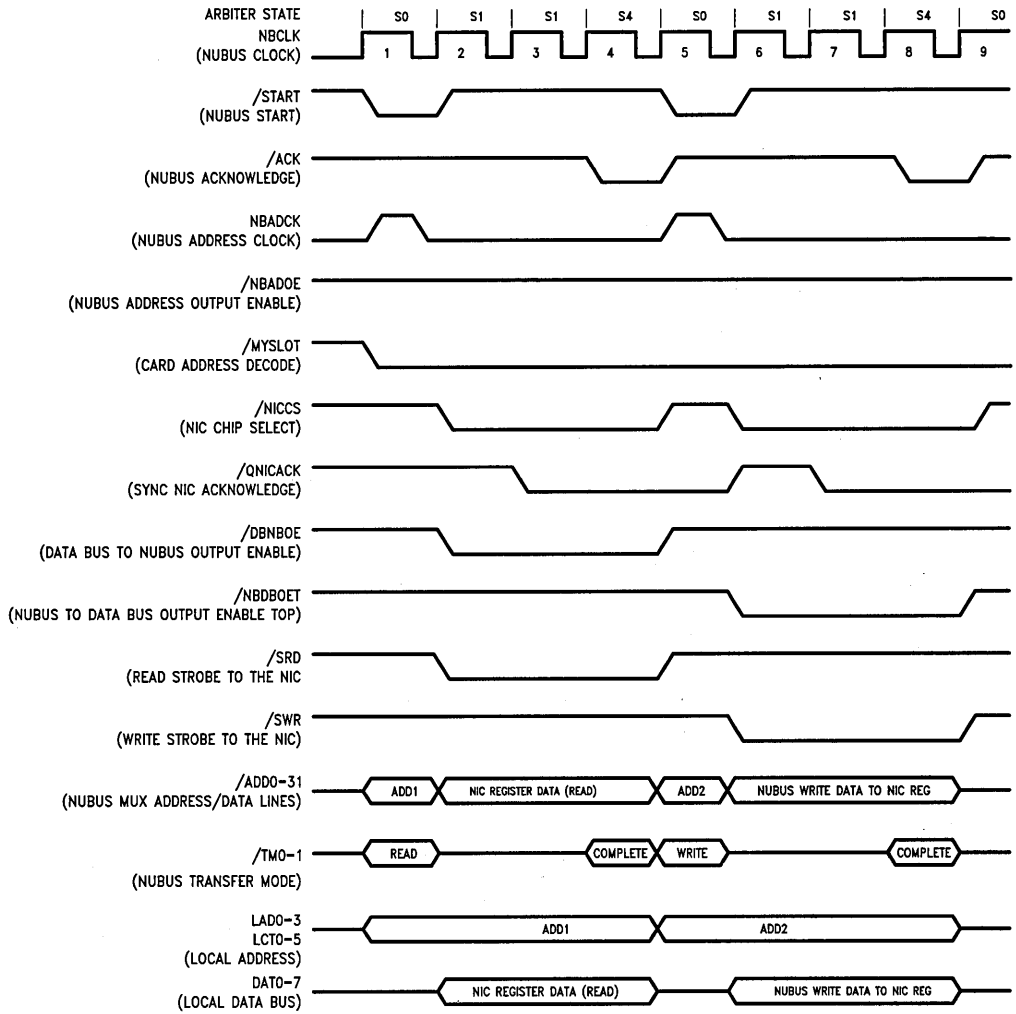
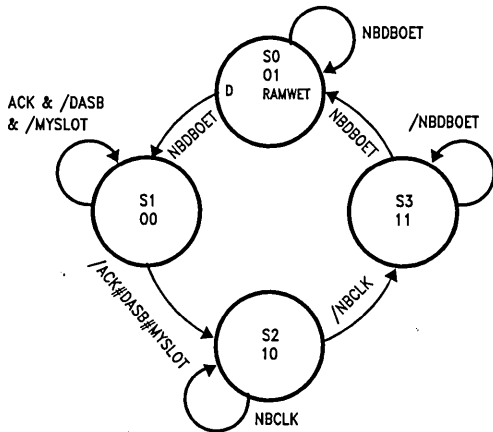


FIGURE 9. NuBus to NIC Register Read and Write Cycle

TL/F/10805-10

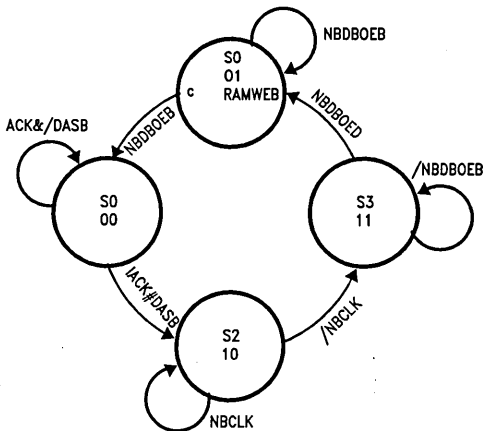


TL/F/10805-9

D = State Variable

RAMWET = RAM Write Enable Top

FIGURE 10. Write Enable Top State Diagram



TL/F/10805-11

C = State Variable (Not Used)

RAMWEB = RAM Write Enable Bottom

FIGURE 11. Write Enable Bottom State Diagram

NuBus to RAM Transfer

The address and transfer mode are decoded as a read or write cycle to the buffer RAM. The adapter card supports 32-bit NuBus transfers to the 16-bit buffer RAM. This is done by reading/writing to the RAM twice on every NuBus to RAM access, once during states S1 and S2 to access the least significant 16 bits of the NuBus word, and again during states S3 and S4 to access the most significant 16 bits of the NuBus word, after having incremented the bottom local address bit to the RAM (see the state diagram Figure 6). Therefore the NIC sees the buffer memory as an 8k x 16 RAM whereas the NuBus sees it as a 4k x 32 RAM. Figure 12 shows a basic timing diagram for a NuBus to RAM read and write cycle.

For read cycles' data from the RAM read during states S1 and S2 is stored in the top two NuBus transceivers by setting the transceivers in storage mode and clocking them on the falling edge of the NuBus clock during state S2 with the TBCK (Top Bus Clock) signal. This data is enabled onto NuBus bits 16-31 with the signal NBDBOET. During states S3 and S4 the next RAM location is read and its data driven onto NuBus bits 0-15 through the bottom two NuBus transceivers, which are not set in storage mode (real time data mode).

Therefore by the time the adapter card drives ACK back to NuBus during state S4, the least significant 16 bits of data, corresponding to the first RAM location read, which were stored during S2, are being enabled onto NuBus bits 16-31 through the top two transceivers, and the most significant 16 bits of data, corresponding to the second RAM location read, are being enabled onto NuBus bits 0-15 through the bottom two NuBus transceivers. Figure A-4 at the end of this note, shows a detailed timing diagram of a NuBus to RAM read cycle.

Note that the adapter card performs a hardware byte swap of NuBus data through the transceivers, so that the least significant byte of data from the RAM (Bits 0-7 on the local data bus of the first RAM location read) are driven onto byte 3 of NuBus (bits 24-31). This byte will be carried on byte lane 3 in the MACII system onto byte 3 of the MC68020 (data line bits 0-7).

For write cycles, during states S1 and S2, the top two NuBus transceivers (NuBus bits 16-31) are enabled onto the local data bus and their NuBus write data written into the Buffer RAM, with the bottom local address bit clear. During the next two states S3 and S4 the bottom two NuBus transceivers (NuBus bits 0-15) are enabled onto the local data bus and their NuBus write data written into the next Buffer RAM location with the bottom local address bit set. Two separate write enable signals are generated (RAMWET and RAMWEB) and ANDed together on the card to generate RAMWE. Two small asynchronous state machines are used to generate these signals. Figure 10 and 11 show their state diagram. Figure A-5 shows a detailed timing diagram of a NuBus write cycle to RAM.

Supporting 32-bit transfers on NuBus rather than 16 only introduces one extra wait state per NuBus cycle to the RAM while doubling the data throughput per transfer.

NIC MASTER CYCLE

The NIC initiates local DMA cycles by driving its Bus Request line active. The sequencer/arbitrator PAL, if in idle state S0, will enter state S6 where it acknowledges the request and hands over control of the local bus to the NIC. Any requests from the NuBus interface will be held until the NIC completes its local DMA burst and clears its request line allowing the sequencer PAL to return to the idle state S0.

Figure 14 shows an NIC to RAM cycle, its request coinciding with the start of a NuBus cycle, thus illustrating the arbitration process.

Note the NIC runs on a separate 20 MHz clock, asynchronous to the NuBus clock. Therefore NIC signals to the arbitrator sequencer are first synchronized to the NuBus clock with a D-type latch (F175) before they are used by the synchronous sequencer PAL running on the NuBus clock. The signals affected are BREQ and NICACK.

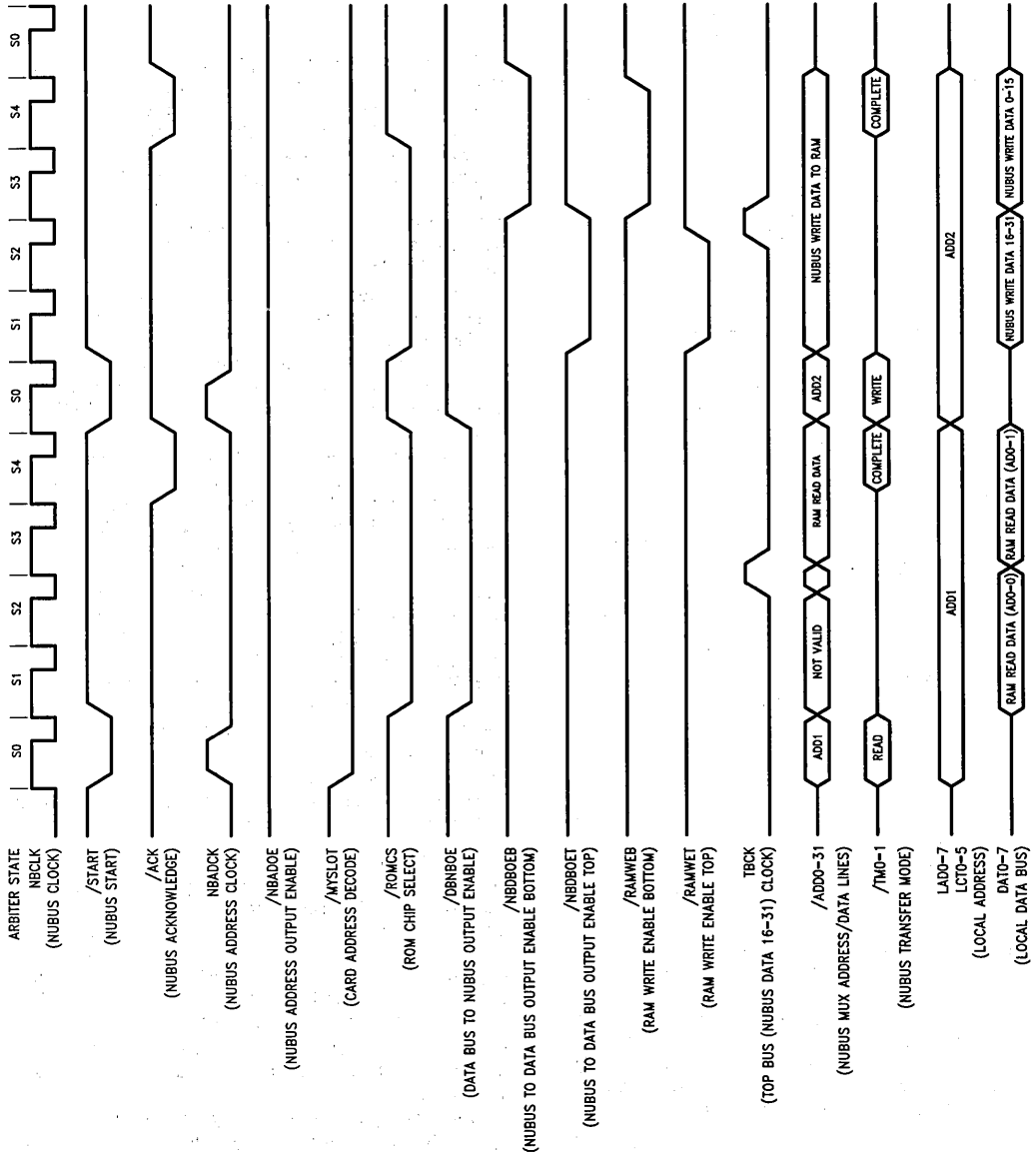
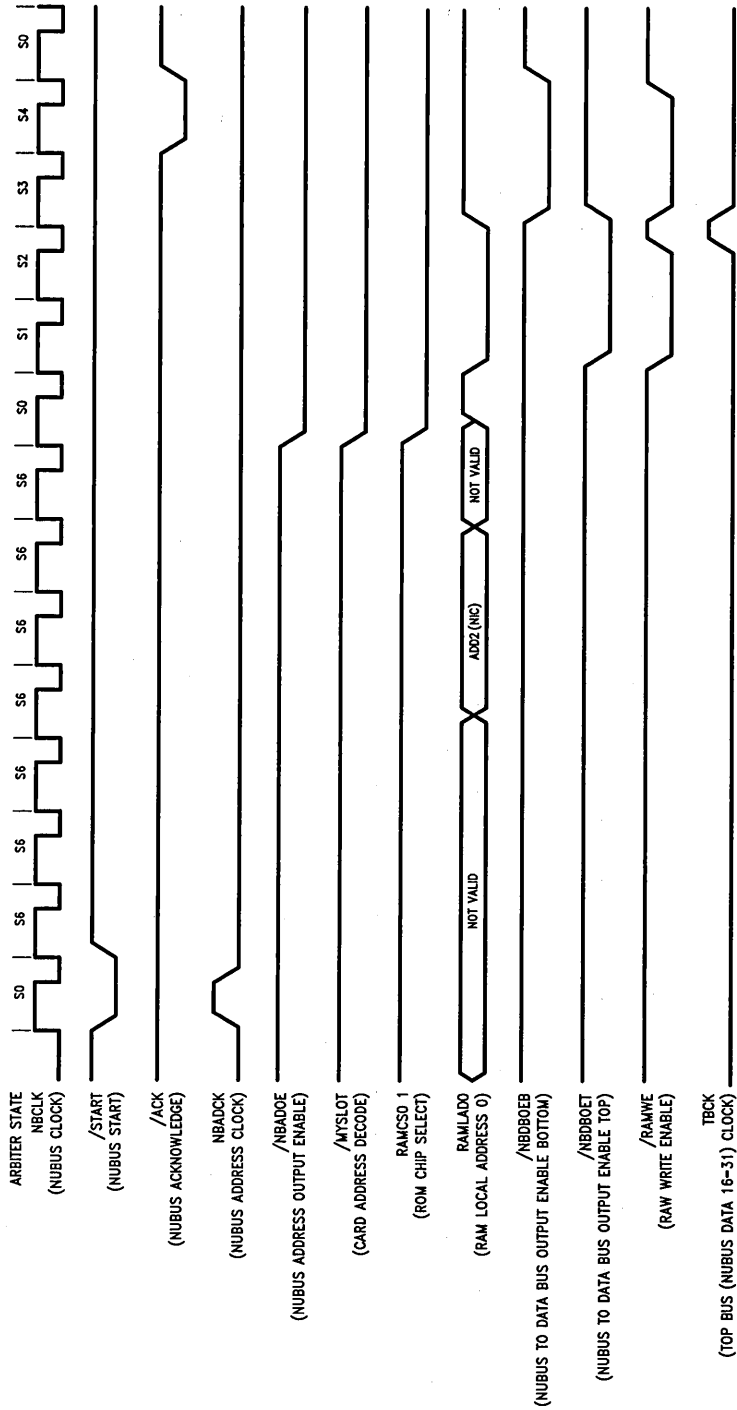
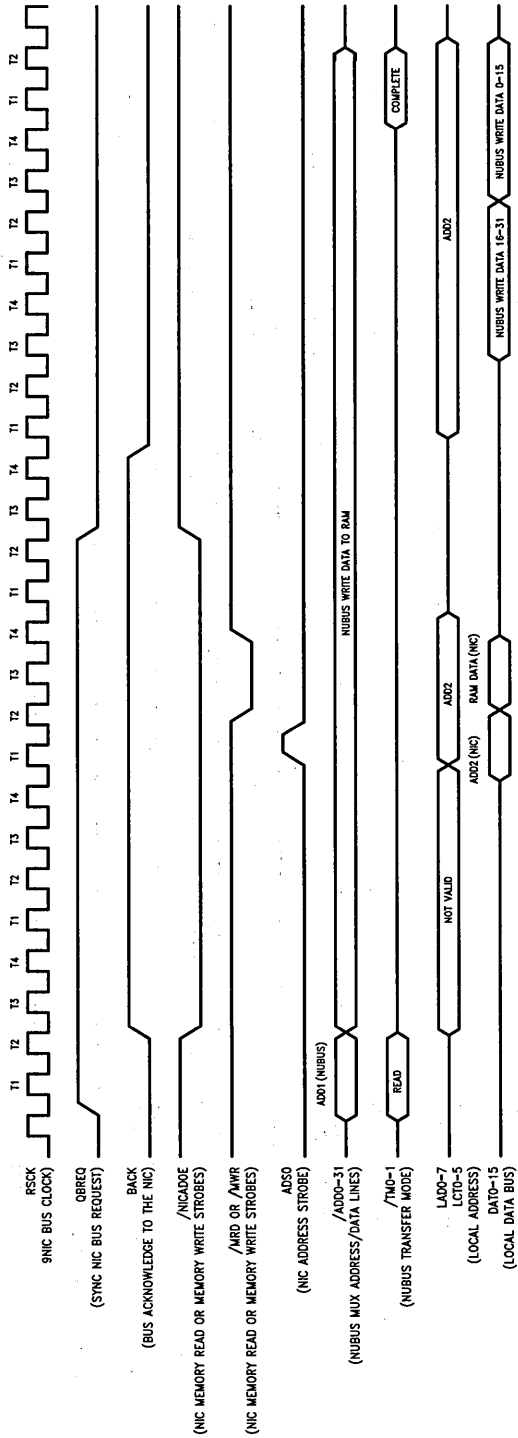


FIGURE 12. NuBus to RAM Read and Write Cycles



TL/F10805-13

FIGURE 13. NuBus to RAM—Write Cycles with Arbitration



TL/F10805-14

FIGURE 14. NIC to RAM—Write Cycles with Arbitration

```

module pal_1B

title 'Bus Controller
Andrew Pagnon 7-3-89';

" Modified for using Abel State_Machine language
"32bit Nubus Version"

"declarations"
    TRUE = 1;
    FALSE = 0;

PAL1B device 'P16R4';

"inputs"
    NBCK      pin 1;
    QBREQ     pin 2;
    QNICACK   pin 3;
    MYSLOT    pin 4;
    LCT4      pin 5;
    BERR      pin 6;
    EBSLOT    pin 7;
    LCT5      pin 8;
    ONE       pin 11;

"outputs"
    TM0       pin 12;
    TM1       pin 13;
    ACK       pin 14;
    DASB      pin 15;
    BACK      pin 16;
    TOP       pin 17;
    NBADOE    pin 18;
    NICADOE   pin 19;

"Declarations
    H,L,CK,XX = 1,0,.C.,.X.;

    input = {QBREQ,QNICACK,MYSLOT,LCT4,BERR,EBSLOT,LCT5};

    s0 = ^b1111;
    s1 = ^b1010;
    s2 = ^b1110;
    s3 = ^b1011;
    s4 = ^b0011;
    s5 = ^b0111;
    s6 = ^b1101;

equations

    enable TM0 = !ACK;
    !TM0 = BERR;

```

TL/F/10805-20

```
enable TM1 = !ACK;
!TM1 = !ACK;
```

```
enable NBADOE = TRUE;
!NBADOE = BACK & !ACK # BACK & !DASB # BACK & !QBREQ # BACK & !TOP;
```

```
" NBADOE = !BACK* + BREQ . (ACK* . DASB* . BACK* . TOP*)"
"NBADOE IS NOT ACTIVE IF BACK IS ACTIVE OR IF BREQ IS ACTIVE DURING S0"
```

```
enable NICADOE = TRUE;
!NICADOE = QBREQ & !BACK;
```

```
state_diagram [ACK,DASB,BACK,TOP]
```

```
State s0: case (input == [1,XX,XX,XX,XX,XX,XX]) :s6;
           (input == [0,XX, 0,XX,XX, 0,XX]) :s1;
           (input == [0,XX, 1,XX,XX,XX,XX]) :s0; "hold
endcase;
```

```
State s1: case (input == [XX,XX,XX,XX, 0,XX,XX]) :s5; "BERR
           (input == [XX, 0, 0, 0, 1,XX,XX]) :s4; "NIC
           (input == [XX,XX, 0, 1, 1,XX, 1]) :s4; "ROM
           (input == [XX,XX, 0, 1, 1,XX, 0]) :s2; "RAM
           (input == [XX, 1, 0, 0, 1,XX,XX]) :s1; "hold
endcase;
```

```
State s2: goto s3;
```

```
State s3: goto s4;
```

```
State s4: goto s0;
```

```
State s5: goto s0;
```

```
State s6: case (input == [0,XX,XX,XX,XX,XX,XX]) :s0;
           (input == [1,XX,XX,XX,XX,XX,XX]) :s6; "hold
endcase;
```

TL/F/10805-21

test_vectors

([NBCK,QBREQ,QNICACK,MYSL0T,LCT4,BERR,EBSLOT,LCT5,ONE] ->
[TM0,TM1,ACK,DASB,BACK,TOP,NBADOE,NICADOE])

```

[.C.,0,1,1,1,1,1,0] -> [.X.,.X.,.X.,.X.,.X.,.X.,.X.,.X.];
[.C.,0,1,1,1,1,1,0] -> [.X.,.X.,.X.,.X.,.X.,.X.,.X.,.X.];
[.C.,0,1,1,1,1,1,0] -> [.X.,.X.,.X.,.X.,.X.,.X.,.X.,.X.];
[.C.,0,1,1,1,1,1,0] -> [.Z.,.Z.,1,1,1,0,1,1]; "TEST FOR IDLE S0"
[.C.,1,1,0,0,1,0,0,0] -> [.Z.,.Z.,1,1,0,1,1,0]; "SET NIC BREQ S6"
                                "NB TO NIC START CYCLE "
[.C.,1,1,0,0,1,0,0,0] -> [.Z.,.Z.,1,1,0,1,1,0]; "HOLD NIC BREQ S6"
[.C.,0,1,0,0,1,0,0,0] -> [.Z.,.Z.,1,1,1,1,0,1,1]; "CLEAR NIC BREQ S0"
[.C.,0,1,0,0,1,0,0,0] -> [.Z.,.Z.,1,0,1,0,0,1,1]; "NB TO NIC - S1"
[.C.,0,1,0,0,1,0,1,0] -> [.Z.,.Z.,1,0,1,0,0,1,1]; "WAIT FOR NICACK S1"
[.C.,0,0,0,0,1,0,1,0] -> [ 0 , 0 ,0,0,1,1,0,1]; "NICACK SETS S4"
[.C.,0,1,0,0,1,1,1,0] -> [.Z.,.Z.,1,1,1,1,0,1,1]; "RETURN TO IDLE S0"
[.C.,0,1,0,0,1,1,1,0] -> [.Z.,.Z.,1,1,1,1,0,1,1]; "IDLE WITH NO EBSLOT S0"
[.C.,0,1,0,1,1,0,0,0] -> [.Z.,.Z.,1,0,1,0,0,1,1]; "NB TO RAM - S1"
[.C.,0,1,0,1,0,0,0,0] -> [ 1 , 0 ,0,1,1,1,0,1]; "BERR SETS S5"
[.C.,1,1,0,1,0,1,1,0] -> [.Z.,.Z.,1,1,1,1,1,1,1]; "IDLE NIC BREQ SETS S0"
[.C.,1,1,0,1,0,1,1,0] -> [.Z.,.Z.,1,1,0,1,1,1,0]; "NIC MASTER S6"
[.C.,1,1,0,1,1,0,1,0] -> [.Z.,.Z.,1,1,0,1,1,1,0]; "NB TO MEM -NIC MASTER S6"
[.C.,0,1,0,1,1,0,1,0] -> [.Z.,.Z.,1,1,1,1,0,1,1]; "RETURN TO IDLE S0"
[.C.,0,1,0,1,1,0,1,0] -> [.Z.,.Z.,1,0,1,0,0,0,1]; "NB TO ROM - S1"
[.C.,1,1,0,1,1,0,1,0] -> [ 0 , 0 ,0,0,1,1,0,1]; "NIC BREQ - SET NB ACK S4"
[.C.,1,1,0,1,1,1,1,0] -> [.Z.,.Z.,1,1,1,1,1,1,1]; "RETURN TO IDLE S0"
[.C.,1,1,1,1,1,1,1,0] -> [.Z.,.Z.,1,1,0,1,1,1,0]; "NIC MASTER S6"
[.C.,0,1,1,1,1,1,1,0] -> [.Z.,.Z.,1,1,1,1,0,1,1]; "RETURN TO IDLE S0"
[.C.,0,1,0,1,1,0,0,0] -> [.Z.,.Z.,1,0,1,0,0,0,1]; "NB TO RAM S1"
[.C.,1,1,0,1,1,0,0,0] -> [.Z.,.Z.,1,1,1,0,0,0,1]; "NIC BREQ-LTCH DA16-31 S2"
[.C.,1,1,0,1,1,0,0,0] -> [.Z.,.Z.,1,0,1,1,0,1,1]; "EB DA0-15 S3"
[.C.,1,1,0,1,1,0,0,0] -> [ 0 , 0 ,0,0,1,1,0,1]; "ACK to NUBUS S4"
[.C.,1,1,0,1,1,0,0,0] -> [.Z.,.Z.,1,1,1,1,1,1,1]; "RETURN TO IDLE S0"
[.C.,1,1,1,1,1,1,1,0] -> [.Z.,.Z.,1,1,0,1,1,1,0]; "NIC MASTER S6"
[.C.,0,1,1,1,1,1,1,0] -> [.Z.,.Z.,1,1,1,1,0,1,1]; "RETURN TO IDLE S0"
[.C.,0,1,1,1,1,1,1,0] -> [.Z.,.Z.,1,1,1,1,0,1,1]; "STAY IN IDLE S0"

```

end pal_1B

TL/F/10805-22

```

module pal_2

title 'Memory decoder
Andrew Pagnon 8-3-89';

"declarations"
TRUE = 1;
FALSE = 0;

PAL2 device 'P16L8';

"inputs"
LCT0      pin 1;
LCT1      pin 2;
LCT2      pin 3;
LCT3      pin 4;
LCT4      pin 5;
LCT5      pin 6;
MYSLOT    pin 7;
DASB      pin 8;
NICADOE   pin 9;
MSRAMSL   pin 11;

"outputs"
RAMCS1    pin 12;
ROMCS     pin 13;
NICCS     pin 14;
RAMCS0    pin 15;
RAMCS3    pin 16;
RAMCS2    pin 17;
BERR      pin 18;
SRD       pin 19;

equations

enable RAMCS0 = TRUE;

!RAMCS0 = !NICADOE & !MSRAMSL
# LCT0 & LCT1 & !LCT2 & !LCT3 & LCT4 & !LCT5 & !MYSLOT " Write byte 0 "
# !LCT0 & LCT1 & LCT2 & !LCT3 & LCT4 & !LCT5 & !MYSLOT " Write hw 0 "
# !LCT0 & LCT1 & !LCT2 & !LCT3 & LCT4 & !LCT5 & !MYSLOT " Write word "
# !LCT1 & LCT4 & !LCT5 & !MYSLOT; " Read "

enable RAMCS1 = TRUE;

!RAMCS1 = !NICADOE & !MSRAMSL
# LCT0 & LCT1 & LCT2 & !LCT3 & LCT4 & !LCT5 & !MYSLOT " Write byte 1 "
# !LCT0 & LCT1 & LCT2 & !LCT3 & LCT4 & !LCT5 & !MYSLOT " Write hw 0 "
# !LCT0 & LCT1 & !LCT2 & !LCT3 & LCT4 & !LCT5 & !MYSLOT " Write word "
# !LCT1 & LCT4 & !LCT5 & !MYSLOT; " Read "

```

TL/F/10805-23


```
enable RAMCS2 = TRUE;
```

```
!RAMCS2 = !NICADOE & MSRAMSL
# LCT0 & LCT1 & !LCT2 & LCT3 & LCT4 & !LCT5 & !MYSLOT " Write byte 2"
# !LCT0 & LCT1 & LCT2 & LCT3 & LCT4 & !LCT5 & !MYSLOT " Write hw 1 "
# !LCT0 & LCT1 & !LCT2 & !LCT3 & LCT4 & !LCT5 & !MYSLOT " Write word "
# !LCT1 & LCT4 & !LCT5 & !MYSLOT; " Read "
```

```
enable RAMCS3 = TRUE;
```

```
!RAMCS3 = !NICADOE & MSRAMSL
# LCT0 & LCT1 & LCT2 & LCT3 & LCT4 & !LCT5 & !MYSLOT " Write byte 3 "
# !LCT0 & LCT1 & LCT2 & LCT3 & LCT4 & !LCT5 & !MYSLOT " Write hw 1 "
# !LCT0 & LCT1 & !LCT2 & !LCT3 & LCT4 & !LCT5 & !MYSLOT " Write word "
# !LCT1 & LCT4 & !LCT5 & !MYSLOT; " Read "
```

```
enable ROMCS = TRUE;
```

```
!ROMCS = !LCT1 & LCT4 & LCT5 & !MYSLOT & !DASB; " Read "
```

```
enable NICCS = TRUE;
```

```
!NICCS = !DASB & !MYSLOT & !LCT4 & LCT5; " NIC Register Read or Write "
```

```
enable SRD = TRUE;
```

```
!SRD = !NICCS & !LCT1; " NIC register read "
```

```
enable BERR = TRUE;
```

```
!BERR = LCT1 & LCT4 & LCT5 & !MYSLOT "ROM WRITE"
# !LCT4 & !LCT5 & !MYSLOT; "NOT IN CARD"
```

```
test_vectors
```

```
{[LCT0,LCT1,LCT2,LCT3,LCT4,LCT5,MYSLOT,DASB,NICADOE,MSRAMSL] ->
[RAMCS0,RAMCS1,RAMCS2,RAMCS3,ROMCS,NICCS,BERR,SRD]}
[.X.,.X.,.X.,.X.,.X.,.X.,1,.X.,0,0] -> [0,0,1,1,1,1,1,1,1,1];"NIC RD/WT RAM HW0"
[.X.,.X.,.X.,.X.,.X.,.X.,1,.X.,0,1] -> [1,1,0,0,1,1,1,1,1,1];"NIC RD/WT RAM HW1"
[1,1,0,0,0,1,0,0,1,.X.] -> [1,1,1,1,1,0,1,1,1,1];"NB WT NIC BYTE0"
[0,0,0,0,0,1,0,0,1,.X.] -> [1,1,1,1,1,0,1,0,1,0];"NB RD NIC WD"
[0,0,0,0,1,1,0,.X.,1,.X.] -> [1,1,1,1,0,1,1,1,1,1];"NB RD ROM WD"
[0,0,0,0,1,0,0,.X.,1,.X.] -> [0,0,0,0,1,1,1,1,1,1];"NB RD RAM WD"
[1,1,0,0,1,0,0,.X.,1,.X.] -> [0,1,1,1,1,1,1,1,1,1];"NB WT RAM BYTE0"
[1,1,1,0,1,0,0,.X.,1,.X.] -> [1,0,1,1,1,1,1,1,1,1];"NB WT RAM BYTE1"
[1,1,0,1,1,0,0,.X.,1,.X.] -> [1,1,0,1,1,1,1,1,1,1];"NB WT RAM BYTE2"
[1,1,1,1,1,0,0,.X.,1,.X.] -> [1,1,1,0,1,1,1,1,1,1];"NB WT RAM BYTE3"
[0,1,1,0,1,0,0,.X.,1,.X.] -> [0,0,1,1,1,1,1,1,1,1];"NB WT RAM HW0"
[0,1,1,1,1,0,0,.X.,1,.X.] -> [1,1,0,0,1,1,1,1,1,1];"NB WT RAM HW1"
[0,1,0,0,1,0,0,.X.,1,.X.] -> [0,0,0,0,1,1,1,1,1,1];"NB WT RAM WD"
[1,0,.X.,.X.,1,0,0,.X.,1,.X.] -> [0,0,0,0,1,1,1,1,1,1];"NB RD RAM BY BERR"
[0,0,.X.,1,1,0,0,.X.,1,.X.] -> [0,0,0,0,1,1,1,1,1,1];"NB RD RAM H1,BL BERR"
[0,0,1,0,1,0,0,.X.,1,.X.] -> [0,0,0,0,1,1,1,1,1,1];"NB RD RAM H0 BERR"
[.X.,1,.X.,.X.,1,1,0,.X.,1,.X.] -> [1,1,1,1,1,1,0,1,1,1];"NB WT ROM BERR"
[.X.,.X.,.X.,.X.,0,0,0,.X.,1,.X.] -> [1,1,1,1,1,1,0,1,1,1];"ADD NOT IN CARD BERR"
```

```
end pal_2
```

TL/F/10805-24

```
module pal_3
```

```
title 'Memory and buffer control
Andrew Pagnon 23-3-89';
```

```
"declarations"
```

```
TRUE = 1;
FALSE = 0;
```

```
PAL3 device 'P16L8';
```

```
"inputs"
```

```
START      pin 1;
NBCLK      pin 2;
ACK        pin 3;
DASB       pin 4;
MYSLOT     pin 5;
LCT1       pin 6;
MRD        pin 7;
TOP        pin 8;
LCT5       pin 9;
RESET      pin 11;
```

```
"outputs"
```

```
DBNBOE     pin 12;
NBADCK     pin 13;
C          pin 14;
RAMWEB     pin 15;
NBDBOEB    pin 16;
A          pin 17;
EBSLOT     pin 18;
ACKN       pin 19;
```

```
equations
```

```
enable A = TRUE;
!A = A & !NBADCK & START & NBCLK # !A & !NBADCK & START
      # !A & !NBADCK & !NBCLK # !A & !NBADCK & !START & NBCLK;
```

```
enable NBADCK = TRUE;
!NBADCK = A & NBADCK & !START & !NBCLK # A & !NBADCK & !START
          # A & !NBADCK & !NBCLK # A & !NBADCK & START & NBCLK
          # !A & !NBADCK & START # !A & !NBADCK & !NBCLK;
```

```
enable C = TRUE;
!C = !C & RAMWEB # !C & !RAMWEB & ACK & !DASB
      # C & RAMWEB & NBDBOEB;
```

```
enable RAMWEB = TRUE;
!RAMWEB = !C & RAMWEB & !NBDBOEB # !C & !RAMWEB & ACK & !DASB
          # !C & !RAMWEB & !ACK # !C & !RAMWEB & DASB
          # C & !RAMWEB & NBCLK;
```

```

enable NBDBOEB = TRUE;
!NBDBOEB = LCT1 & !DASB & !MYSLOT & TOP & !LCT5;

enable DBNBOE = TRUE;
!DBNBOE = !LCT1 & !DASB & !MYSLOT
# !LCT1 & !TOP & !MYSLOT;

enable EBSLOT = TRUE;
!EBSLOT = EBSLOT & !START & RESET # !EBSLOT & ACK & RESET;

enable ACKN = !ACK;
!ACKN = !ACK;

```

test_vectors

```

([START,NBCLK,ACK,DASB,MYSLOT,LCT1, TOP,LCT5,RESET] ->
[A,NBADCK,C, RAMWEB, NBDBOEB, DBNBOE, EBSLOT, ACKN])
[1,1,1,1,1,.X.,1,.X.,0] -> [.X.,.X.,.X.,.X.,.X.,.X.,.X.,.X.];
[1,0,1,1,1,.X.,1,.X.,1] -> [.X.,.X.,.X.,.X.,.X.,.X.,.X.,.X.];
[1,1,1,1,1,.X.,1,.X.,1] -> [.X.,.X.,.X.,.X.,1,1,1,.Z.];
[1,0,1,1,1,.X.,1,.X.,1] -> [.X.,.X.,.X.,.X.,1,1,1,.Z.];
[0,1,1,1,1,.X.,1,.X.,1] -> [.X.,1,0,1,1,1,0,.Z.];"S0,START LOW NBCKL HIGH"
[0,1,1,1,0,1,1,0,1] -> [1,1,0,1,1,1,0,.Z.];"S0,MYSLOT* LOW,S0"
[0,0,1,0,1,0,1,0,1] -> [1,0,0,1,1,1,0,.Z.];"S0,NBCLK1=0,S0"
[1,1,1,0,0,1,0,0,1] -> [0,0,0,1,1,1,0,.Z.];"S1,NBCLK2=1,START*=1"
[1,1,1,0,0,1,0,0,1] -> [0,0,0,1,1,1,0,.Z.];"S1"
[1,0,1,0,0,1,0,0,1] -> [0,0,0,1,1,1,0,.Z.];"S1,NBCLK2=0"
[1,1,1,1,0,1,0,0,1] -> [0,0,0,1,1,1,0,.Z.];"S2 NBCLK3=1"
[1,1,1,1,0,1,0,0,1] -> [0,0,0,1,1,1,0,.Z.];"S2"
[1,1,1,1,0,1,0,0,1] -> [0,0,0,1,1,1,0,.Z.];"S2"
[1,0,1,1,0,1,0,0,1] -> [0,0,0,1,1,1,0,.Z.];"S2,NBCLK3=0"
[1,1,1,0,0,1,1,0,1] -> [0,0,0,0,0,1,0,.Z.];"S3,NBCLK4=1"
[1,1,1,0,0,1,1,0,1] -> [0,0,0,0,0,1,0,.Z.];"S3"
[1,0,1,0,0,1,1,0,1] -> [0,0,0,0,0,1,0,.Z.];"S3,NBCLK=0"
[1,1,0,0,0,1,1,0,1] -> [0,0,1,0,0,1,1,0]; "S4"
[1,0,0,0,0,1,1,0,1] -> [0,0,1,1,0,1,1,0]; "S4"
[1,1,1,0,0,1,1,0,1] -> [0,0,0,1,1,1,1,.Z.];"S0"
[1,0,1,1,0,1,1,0,1] -> [0,0,0,1,1,1,1,.Z.];"S0"
[0,1,1,1,0,1,1,1,1] -> [1,1,0,1,1,1,0,.Z.];"S0,START*=0,NBCLK5=1"
[0,1,1,1,0,1,1,1,1] -> [1,1,0,1,1,1,0,.Z.];"S0,NIC OR ROM WRITE"
[0,0,1,1,0,1,1,1,1] -> [1,0,0,1,1,1,0,.Z.];"S0,NBCLK5=0"
[0,0,1,1,0,1,1,1,1] -> [1,0,0,1,1,1,0,.Z.];"S0,MYSLOT*=1"
[1,1,1,0,0,1,0,1,1] -> [0,0,0,1,1,1,0,.Z.];"S1,NBCLK6=1"
[1,0,1,0,0,1,0,1,1] -> [0,0,0,1,1,1,0,.Z.];"S1"
[1,1,0,0,0,1,1,1,1] -> [0,0,0,1,1,1,1,0]; "S4"
[1,0,0,0,0,1,1,1,1] -> [0,0,0,1,1,1,1,0]; "S4"
[1,1,1,1,0,1,1,1,1] -> [0,0,0,1,1,1,1,.Z.];"S0"
[1,0,1,1,.X.,.X.,1,.X.,1]->[0,0,0,1,1,1,1,.Z.];"S0"

```

end pal_3

TL/F/10805-26

```

module pal_4

title '32 bit Nubus control
Andrew Pagnon 11-10-89';

"declarations"
TRUE = 1;
FALSE = 0;

PAL6 device 'P16L8';

"inputs"
TOP          pin 1;
NBCLK        pin 2;
DASB         pin 3;
BACK         pin 4;
LAD0         pin 5;
MYSLOT       pin 6;
ACK          pin 7;
BERR         pin 8;
LCT1         pin 9;
LCT4         pin 11;
LCT5         pin 18;

"outputs"
RAMLAD0      pin 12;
TBCK         pin 13;
NBDBOET      pin 14;
RAMWET       pin 15;
D            pin 16;
DBNBOEB      pin 17;

equations

enable RAMLAD0 = TRUE;
!RAMLAD0 = !BACK & !LAD0 # BACK & !TOP;

enable TBCK = TRUE;
!TBCK = TOP # NBCLK # !DASB;

enable NBDBOET = TRUE;
!NBDBOET = LCT1 & !MYSLOT & !TOP "RAM"
          # LCT1 & !MYSLOT & !DASB & BERR & !LCT4; "NIC"

enable RAMWET = TRUE;
!RAMWET = !D & RAMWET & !NBDBOET
          # !D & !RAMWET & !DASB & !MYSLOT & ACK
          # !D & !RAMWET & DASB
          # !D & !RAMWET & !ACK
          # !D & !RAMWET & MYSL0T
          # D & !RAMWET & NBCLK;

enable D = TRUE;
!D = !D & RAMWET
      # !D & !RAMWET & !DASB & ACK & !MYSLOT
      # D & RAMWET & NBDBOET;

```

```

enable DBNBOEB = TRUE;
!DBNBOEB = !LCT1 & !DASB & !MYSLOT & !LCT5
# !LCT1 & !TOP & !MYSLOT & !LCT5;

```

test_vectors

```

((TOP,NBCLK,DASB,BACK,LAD0,MYSLOT,ACK,BERR,LCT1,LCT4,LCT5) ->
[RAMLAD0,TBCK,NBDBOEB, RAMWET,DBNBOEB])
[1,1,1,0,1,1,1,1,1,X.,X.,X.] -> [X.,X.,X.,X.,X.];"RESET"
[1,0,1,0,1,1,1,1,1,X.,X.,X.] -> [X.,X.,X.,X.,X.];"RESET"
[1,1,1,0,1,1,1,1,1,X.,X.,X.] -> [1,0,1,1,1];"LAD0=1,BACK*=0"
[1,0,1,0,1,1,1,1,1,X.,X.,X.] -> [1,0,1,1,1];
[1,1,1,0,0,1,1,1,1,X.,X.,X.] -> [0,0,1,1,1];"LAD0=0,BACK*=0"
[1,0,1,0,0,1,1,1,1,X.,X.,X.] -> [0,0,1,1,1];
[1,1,1,1,0,1,1,1,1,X.,X.,X.] -> [0,0,1,1,1];"LAD0=0,BACK*=1, TOP-1->RAMLAD0=1"
[1,0,1,1,0,1,1,1,1,X.,X.,X.] -> [0,0,1,1,1];
[0,1,0,1,0,0,1,1,1,0,1] -> [1,0,0,0,1];"S1,NIC WT"
[0,0,0,1,X.,0,1,1,0,1] -> [1,0,0,0,1];"S1,NIC WT,NBCLK=0"
[1,1,0,1,X.,0,0,1,0,1] -> [0,0,0,0,1];"S4,NIC WT,ACK=0"
[1,0,0,1,X.,0,0,1,0,1] -> [0,0,0,1,1];"S4,NIC WT,ACK=0,NBCLK=0"
[1,1,1,1,X.,0,1,1,0,1] -> [0,0,1,1,1];"S0"
[1,0,1,1,X.,0,1,1,0,1] -> [0,0,1,1,1];"S0"
[0,1,0,1,X.,0,1,1,0,1] -> [1,0,1,1,1];"S1,ROM RD"
[0,0,0,1,X.,0,1,1,0,1] -> [1,0,1,1,1];"S1,ROM RD,NBCLK=0"
[1,1,0,1,X.,0,0,1,0,1] -> [0,0,1,1,1];"S4,ROM RD,ACK=0"
[1,0,0,1,X.,0,0,1,0,1] -> [0,0,1,1,1];"S4,ROM RD,ACK=0,NBCLK=0"
[1,1,1,1,X.,0,1,1,0,1] -> [0,0,1,1,1];"S0"
[1,0,1,1,X.,0,1,1,0,1,0] -> [0,0,1,1,1];"S0"
[0,1,0,1,X.,0,1,1,0,1,0] -> [1,0,1,1,0];"S1,RAM RD"
[0,0,0,1,X.,0,1,1,0,1,0] -> [1,0,1,1,0];"S1,RAM RD,NBCLK=0"
[0,1,1,1,X.,0,1,X.,0,1,0] -> [1,0,1,1,0];"S2,RAM RD"
[0,0,1,1,X.,0,1,X.,0,1,0] -> [1,1,1,1,0];"S2,RAM RD,NBCLK=0,TBCK=1"
[1,1,0,1,X.,0,1,X.,0,1,0] -> [0,0,1,1,0];"S3,RAM RD, TOP=1"
[1,0,0,1,X.,0,1,X.,0,1,0] -> [0,0,1,1,0];"S3,RAM RD,NBCLK=0"
[1,1,0,1,X.,0,1,X.,0,1,0] -> [0,0,1,1,0];"S4,RAM RD,ACK=0"
[1,0,0,1,X.,0,0,X.,0,1,0] -> [0,0,1,1,0];"S4,RAM RD,ACK=0,NBCLK=0"
[1,1,1,1,X.,0,1,X.,0,1,0] -> [0,0,1,1,1];"S0"
[1,0,1,1,X.,0,1,1,1,1,0] -> [0,0,1,1,1];"S0"
[0,1,0,1,X.,0,1,1,1,1,0] -> [1,0,0,0,1];"S1,RAM WT"
[0,0,0,1,X.,0,1,1,1,1,0] -> [1,0,0,0,1];"S1,RAM WT,NBCLK=0"
[1,1,1,1,X.,0,0,X.,1,1,0] -> [0,0,1,0,1];"S5,RAM WT,BERR=0"
[1,0,1,1,X.,0,0,X.,1,1,0] -> [0,0,1,1,1];"S5,RAM WT,BERR=0,NBCLK=0"
[1,1,1,1,X.,0,1,X.,1,1,0] -> [0,0,1,1,1];"S0"
[1,0,1,1,X.,0,1,1,1,1,1] -> [0,0,1,1,1];"S0"
[0,1,0,1,X.,0,1,1,1,1,1] -> [1,0,0,0,1];"S1,ROM WT"
[0,0,0,1,X.,0,1,1,1,1,1] -> [1,0,0,0,1];"S1,ROM WT,NBCLK=0"
[1,1,1,1,X.,0,0,X.,1,1,1] -> [0,0,1,0,1];"S5,ROM WT,BERR=0"
[1,0,1,1,X.,0,0,X.,1,1,1] -> [0,0,1,1,1];"S5,ROM WT,BERR=0,NBCLK=0"
[1,1,1,1,X.,0,1,X.,1,1,1] -> [0,0,1,1,1];"S0"
[1,0,1,1,X.,0,1,1,1,1,0] -> [0,0,1,1,1];"S0"
[0,1,0,1,X.,0,1,1,1,1,0] -> [1,0,0,0,1];"S1,RAM WT"
[0,0,0,1,X.,0,1,1,1,1,0] -> [1,0,0,0,1];"S1,RAM WT,NBCLK=0"
[0,1,1,1,X.,0,1,X.,1,1,0] -> [1,0,0,0,1];"S2,RAM WT"
[0,0,1,1,X.,0,1,X.,1,1,0] -> [1,1,0,1,1];"S2,RAM WT,NBCLK=0,TBCK=1"
[1,1,0,1,X.,0,1,X.,1,1,0] -> [0,0,1,1,1];"S3,RAM WT, TOP=1"
[1,0,0,1,X.,0,1,X.,1,1,0] -> [0,0,1,1,1];"S3,RAM WT,NBCLK=0"

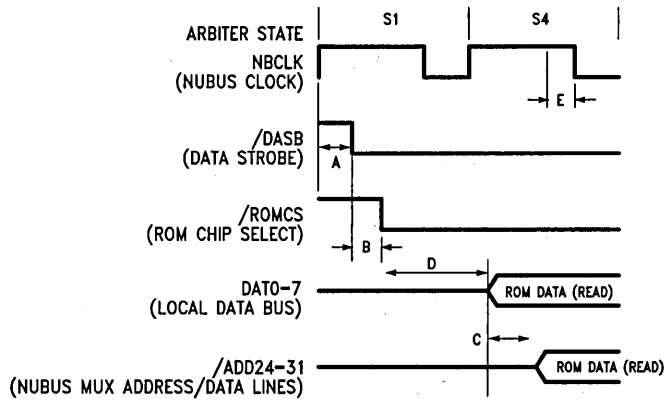
```

TL/F/10805-28

```
[1,1,0,1,.X.,0,1,.X.,1,1,0] -> [0,0,1,1,1];"S4, RAM WT, ACK=0"  
[1,0,0,1,.X.,0,0,.X.,1,1,0] -> [0,0,1,1,1];"S4, RAM WT, ACK=0, NBCLK=0"  
[1,1,1,1,.X.,0,1,.X.,1,1,0] -> [0,0,1,1,1];"S0"  
[1,0,1,1,.X.,0,1,.X.,0,1,1] -> [0,0,1,1,1];"S0"  
[0,1,0,1,.X.,0,1,.X.,0,1,1] -> [1,0,1,1,1];"S1, ROM RD"  
[0,0,0,1,.X.,0,1,1,0,1,1] -> [1,0,1,1,1];"S1, ROM RD, NBCLK=0"  
[1,1,0,1,.X.,0,0,.X.,0,1,1] -> [0,0,1,1,1];"S4, ROM RD, ACK=0"  
[1,0,0,1,.X.,0,0,.X.,0,1,1] -> [0,0,1,1,1];"S4, ROM RD, ACK=0, NBCLK=0"  
[1,1,1,1,.X.,0,1,.X.,0,1,1] -> [0,0,1,1,1];"S0"  
[1,0,1,1,.X.,1,1,.X.,.X.,.X.] -> [1,0,1,1,1];"S0"  
[1,1,1,1,.X.,1,1,.X.,.X.,.X.] -> [1,0,1,1,1];"S0"  
[.X.,.X.,.X.,0,0,.X.,.X.,.X.,.X.,.X.] ->  
[0,.X.,.X.,.X.,.X.];"BACK*=0, LAD&RLAD=0"  
[.X.,.X.,.X.,0,1,.X.,.X.,.X.,.X.,.X.] ->  
[1,.X.,.X.,.X.,.X.];"BACK*=0, LAD&RLAD=1"
```

end pal_6

TL/F/10805-29



TL/F/10805-15

FIGURE A-1. Detailed NuBus to ROM Read Timing

TIMINGS

- A = 15 ns, 16R4B prop delay, NbClk to DaSb
- B = 15 ns, 16L8B prop delay, DaSb to ROMCS
- C = 8 ns, F651 prop delay, Data Bus to NuBus
- D = 35 ns, Max ROM enable access time, ROMCS to Data Bus
- E = 21 ns, NuBus data set up time, NuBus data to NbClk low (S4)

Note: The address to the ROM is valid midway through the S0 state. Therefore the ROM address access time (70 ns) is not in the timing critical path.

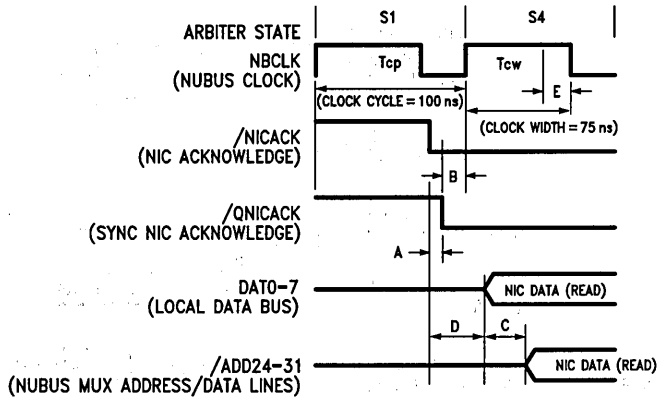
ROM READ DATA SET UP TIME**Spec Times To Be Met**

Read data set up time to NuBus
 (NbClk(S4)low) = 21 ns
 (Tsu in Nubus spec)

Adapter Card Times

Read data set up time
 $= T_{cp}(S1) + T_{cw}(S4) - A - B - C - D$
 $= 100 + 75 + 15 + 15 - 8 - 35$
 $= 102 \text{ ns (81 ns to spare)}$

Data hold times are as per RAM read cycles



TL/F/10805-16

FIGURE A-2. Detailed NuBus to DP8390 Read Timing

TIMINGS

A = 4 ns, Min F175 prop delay, NICACK to QNICACK
 B = 10 ns, Typ 16R4B Set Up, QNICACK to NBCLK
 C = 8 ns, F651 prop delay, Data Bus to NuBus
 D = 55 ns, NIC Register access time, NICACK to Data Bus
 E = 21 ns, NuBus Data set up time, NuBus data to NbCk
 Data hold times are as per RAM read cycles

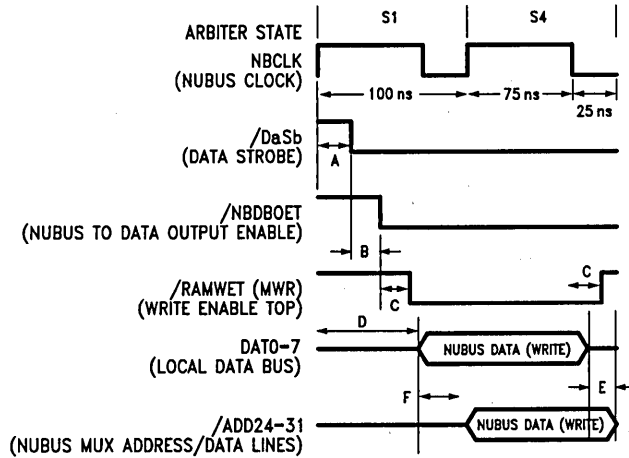
NIC REGISTER READ DATA SET UP TIME**Spec Times To Be Met**

Read data set up time to NuBus(NbCk(S4)low) = 21 ns
 (Tsu in NuBus spec)

Adapter Card Times

Read data set up time =
 $T_{cw}(S2) + A + B - C - D = 75 + 4 + 10 - 8 - 55$
 = 26 ns (5 ns to spare)

(Note B is a typical value)



TL/F/10805-17

FIGURE A-3. NuBus to NIC Write Timing

TIMINGS

$A + B + C = 45$ ns, 16R4B and 16L8B delay,
NbClk to RAMWET

$D = 52$ ns, NuBus data enable ($T_{on} + 2T_{pd}$), DaSb to ROMCS

$E = 8$ ns, F651 prop delay, Data Bus to NuBus

$F = 25$ ns, NuBus data hold time ($T_{cp} - T_{cw}$)

$G = 2$ ns, F651 min prop delay, Local bus to NuBus

For T_{cp} , T_{cw} , T_{on} , T_{pd} see RAM read timings

NIC REGISTER WRITE DATA SET UP TIME**Spec Times To Be Met**

Write data set up time to end of MWR = 20 ns (NIC spec)

Adapter Card Times

Write data set up time to end of MWR =

$T_{cp}(S1) + T_{cw}(S2) - D - E = 115$ ns (95 ns to spare).

NIC REGISTER WRITE DATA HOLD TIME**Spec Times To Be Met**

Write data hold time after MWR = 17 ns (NIC spec)

Adapter Card Times

Write data hold time after MWR = $F + E - C = 17$ ns
($C = 10$ ns (D series PAL))

NIC REGISTER WRITE WIDTH FROM ACK**Spec Times To Be Met**

Write width from ACK = 50 ns min (NIC spec)

Adapter Card Times

As RAMWET (MWR) is set before S4,

ACK to RAMWET > 75 ns (> 25 ns to spare).

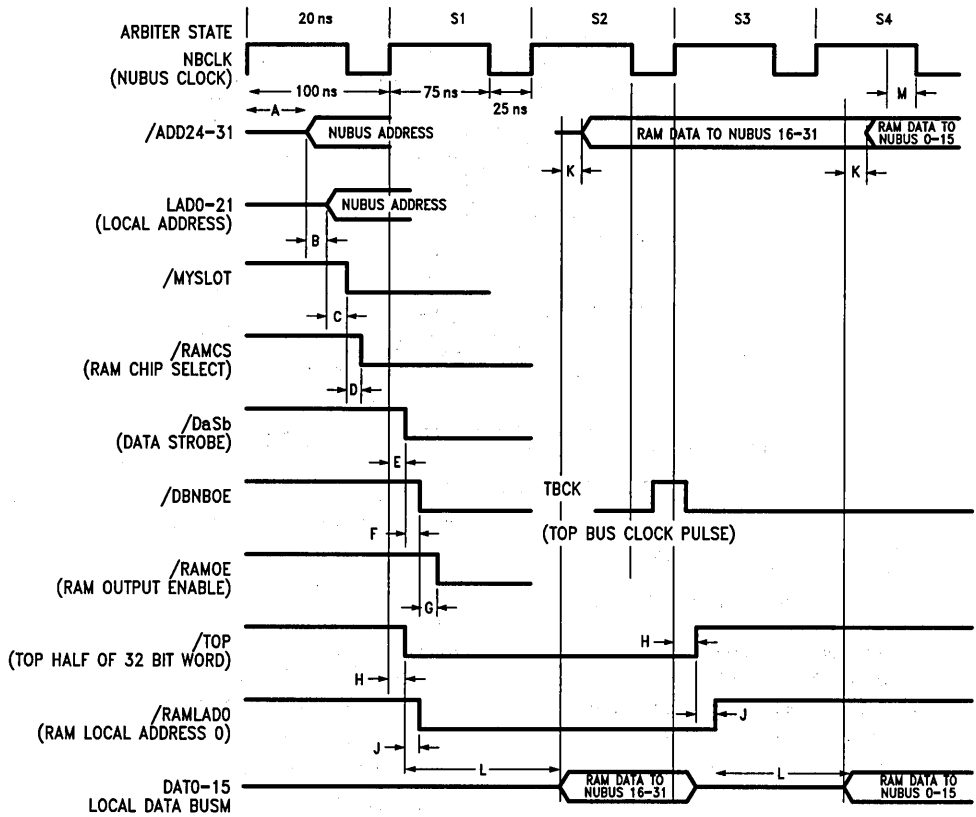


FIGURE A-4. NuBus to RAM Read Timing and Address Recognition Timing

TL/F/10805-18

K = 8 ns, F651 prop delay, Local data bus to NuBus
 P = 15 ns, PAL16L8B prop delay, NbClk(S2) low to TBCK

Spec Times To Be Met

RAM Read data set up time to NuBus
 (NbClk(S4)low) =

M = 21 ns (Tsu in NuBus spec)

RAM Read data set up time in TBCK = 7 ns
 (F651 spec)

TBCK minimum pulse width = 7 ns
 (F651 spec)

Adapter Card Times

NbClk(S1) to RAM Read data (bottom 16 bits) on local data bus = H+J+L = 130 ns

Set up time to TBCK = $T_{cp}(S1+S2) - 130 = 70$ ns
 (63 ns to spare)

NbClk(S3) to RAM Read data (32 bits) on NuBus = H+J+L+K = 138 ns

Adapter Card Times

Data buffer enabling signals are not cleared until after NbClk(S3) goes high

Hold time on Local data bus after TBCK > $T_{cp}(S2) - T_{cw}(S2) - P = 10$ ns
 (> 10 ns to spare)

Data must be held on NuBus while NbClk(S4) is low and as buffer enabling signals are not cleared until the next rising edge of NbClk, NuBus hold time is met

Address Recognition

= 52 ns, Nubus address valid (Ton+2Tpd),
 NbClk to NuBus

= 10 ns, F533 prop delay, Nubus to Local Address

= 11 ns, F521 prop delay, Local address to MySlot

TIMINGS

A = 15 ns, B series PAL prop delay, NbClk to DaSb or TOP
 B = 15 ns, PAL16L8B prop delay, DaSb or TOP to NBDBOE

C = 15 ns, PAL16L8B prop delay, NBDBOE to RAMWET/B

D = 6.5 ns, F11 prop delay, RAMWET/B to RAMWE

E = 52 ns, NuBus data turn on time, NbClk(S1) to Local data bus

F = 8 ns, F651 prop delay, Local data bus to NuBus

RAM CE TO END OF WE

Spec Times To Be Met

RAM CE to end of RAMWE = 85 ns (RAM spec)

Adapter Card Times

RAMCE is driven during S0 (See RAM read timing)

RAMCE to end of RAMWE > $T_{cp}(S1) + T_{cw}(S2) = 175$ ns
 (> 90 ns to spare)

RAM WE PULSE WIDTH

Spec Times To Be Met

RAMWE pulse width = 70 ns min (RAM spec)

Adapter Card Times

RAMWE pulse width > $T_{cp}(S1) + T_{cw}(S2) - A - B - C - D = 123.5$ ns (53.5 ns to spare)

DATA VALID TO END OF WE

Spec Times To Be Met

Data valid to end of RAMWE = 50 ns min (RAM spec)

Adapter Card Times

Data valid to end of RAMWE = $T_{cp}(S1) + T_{cw}(S2) - E - F = 115$ ns (65 ns to spare)

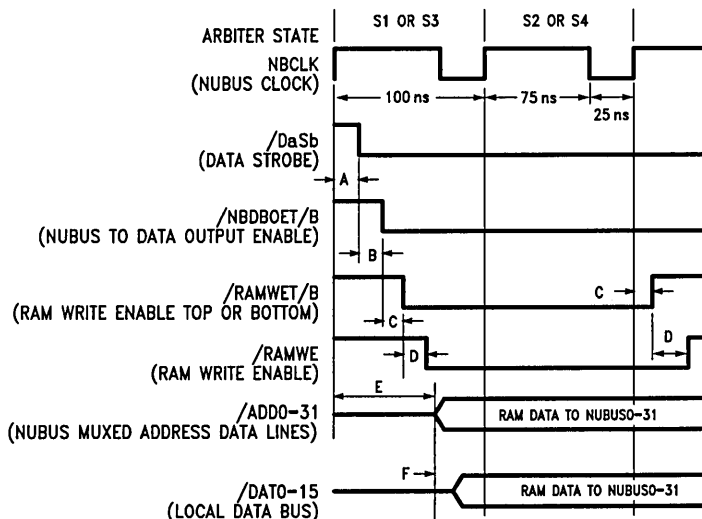


FIGURE A-5. NuBus to RAM Write Timing

TL/F/10805-19

DATA HOLD AFTER END OF WE**Spec Times To Be Met**

Data hold after end of RAMWE = 0 ns min (RAM spec)

Adapter Card Times

Data buffer enabling signals are not cleared until after NbClk(S3) goes high

Data hold after end of RAMWE >

$T_{cp}(S2 \text{ or } S4) + T_{cw}(S2 \text{ or } S4) - C - D = 3.5 \text{ ns}$
(>3.5 ns to spare)

NM95C12 Applications in a PC-AT® Ethernet® Adapter

National Semiconductor
Application Note 792
Sean Long



INTRODUCTION

This application describes a typical Ethernet adapter card designed to be plugged into a PC-AT expansion slot. The board is designed around the National Semiconductor DP83932 SONIC™ Network Controller device. This application note will detail the system design and focus on the functions performed by the NM95C12 EEPROM.

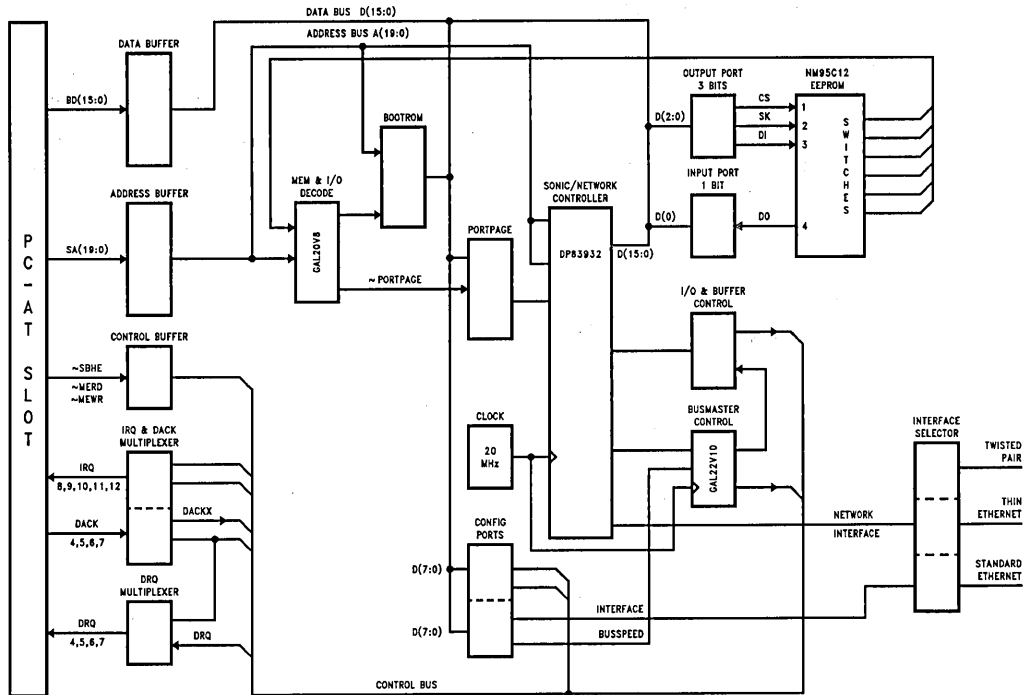
This application note assumes that the reader is familiar with the PC-AT architecture, the DP83932 device, the NM95C12 EEPROM and designing with GAL® Programmable Logic Devices (PLDs).

SYSTEM DESCRIPTION

The network controller card has been designed to meet the following specifications:

- Designed around high performance 32-bit DP83932 Ethernet Controller
- 16-Bit bus master operation to give higher performance
- Fully software configurable (no jumpers or mechanical DIP switches)
- Extensive test and configuration capabilities
- Supports different media interfaces
- Bootrom option

The system block diagram is shown in Figure 1.



*Denotes an active low signal.

FIGURE 1. System Block Diagram

TL/D/11265-1

FUNCTIONAL DESCRIPTION OF THE BOARD

The system contains the following logical functions:

1. Network controller (DP83932)
2. Cable interfaces
3. Busmaster interface logic, including data and address buffers
4. EPROM option for remote boot loader

This system uses both the EEPROM locations and the switch logic terminals of the NM95C12 to perform various functions within the system as detailed below.

FUNCTIONAL DESCRIPTION OF NM95C12 EEPROM

Use of the Switches:

The switch terminals of the NM95C12 EEPROM are used as part of the memory map address decoding and the I/O map decoding circuitry, feeding as inputs to a GAL20V8 which performs the address decoding logic from the system address inputs.

The NM95C12 switches control:

1. The base I/O address of the network controller board.
2. The base memory address of the bootrom EPROM option on the board.

ADDRESS DECODING

The address decoding is controlled by a GAL20V8 PLD (refer to the 1990 National Semiconductor PLD Databook and Design Guide for further information) as shown in *Figure 2*.

The inputs to the GAL20V8 are the system address lines, the memory and I/O control signals, and the switch termi-

nals from the NM95C12. The outputs from the GAL20V8 are the various chip select signals for the memory and I/O ports. The system address bus transmits the current address value and the M/~IO signal determines if a memory or I/O cycle is in progress.

Address lines A0-A19 allow up to 1 Meg (0-FFFFFF) of memory to be addressed, while address lines A0-A15 allow up to 64K (0-FFFF) of I/O ports to be addressed. If the control signal M/~IO is logical "1" (high) then the processor is performing a memory cycle and if the M/~IO signal is logical "0" then an I/O cycle is in operation.

For a PC-AT various memory and I/O locations are reserved for standard functions such as system memory and I/O (refer to PC-AT documentation to determine which memory and I/O locations are free for add-in boards).

The switch outputs from the NM95C12 are connected as inputs to the GAL address decode logic and are used to determine the base memory and I/O locations for the add-in card. *Figure 2* shows the typical use of a GAL for address decoding.

The advantage of using a PLD for the address decoding is that it is an easy way to implement different address decode functions by logic equations. The logic equations can be implemented with a standard PLD design compiler such as OPAL™ from National Semiconductor or a third party software package such as ABEL™ from Data I/O. The PLD compiler will take the logic equations and convert them into the GAL fuse map which can be used for programming on a wide range of device programmers. A typical set of logic equations using National Semiconductors OPAL software package is shown in *Figure 3*.

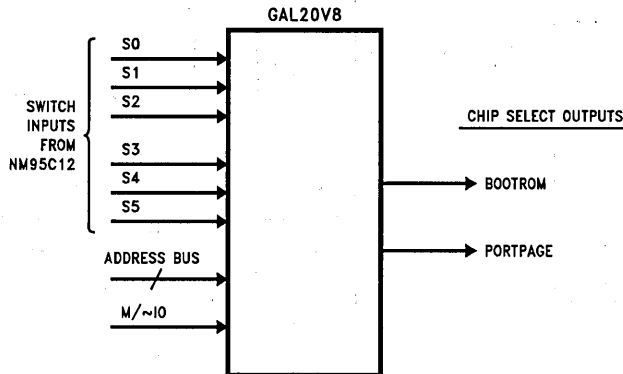


FIGURE 2. Address Decoding

TL/D/11265-2

```

BEGIN HEADER
TITLE    Address decoding for PC AT Ethernet adapter card
PATTERN  Addr_Dec
REVISION Rev 0
AUTHOR   Dave Engineer
COMPANY  National Semiconductor
DATE     June 1991
Everything in the header command is copied directly into the JEDEC map as a comment field for
easy documentation
END HEADER

```

```

BEGIN DEFINITIONS
device G20V8;                { specify the device used }
inputs s0, s1, s2, s3, s4, s5;    { define the inputs }
inputs m_~io, a0, a1, a2, a3, a4, a5;
outputs(com) bootrom, portpage;    {define the outputs}
{ OPAL will perform automatic pin assignment }
set ioselect=[s2,s1,s0], memselect=[s5,s4,s3]; { define the switch sets }
set address=[a5,a4,a3,a2,a1,a0];
END DEFINITIONS

```

BEGIN EQUATIONS

```

{ " / " = logical NOT function (i.e. logical 0)
  " & " = logical AND function
  " + " = logical OR function }

```

{ if m_~io is logical 0, then decode switch set s2, s1, s0 and address lines for the various base I/O locations.

Refer to PC-AT system I/O address map before selecting free I/O ports, the decodes shown are for example only - change for specific applications as required. }

```

bootrom = /m_~io & ( (ioselect == 0) & (address == ↑h00)
  + (ioselect == 1) & (address == ↑h01)
  + (ioselect == 2) & (address == ↑h02)
  + (ioselect == 3) & (address == ↑h03)
  + (ioselect == 4) & (address == ↑h04)
  + (ioselect == 5) & (address == ↑h05)
  + (ioselect == 6) & (address == ↑h06));

```

{ if m_~io is logical 1, then decode switch set s5, s4, s3 and address line for the various base memory locations.

Refer to PC-AT system I/O address map before selecting free Memory locations, the decodes shown are for example purposes only - change for specific applications as required. }

```

portpage = m_~io & ( (memselect == 0) & (address == ↑h18)
  + (memselect == 1) & (address == ↑h20)
  + (memselect == 2) & (address == ↑h28)
  + (memselect == 3) & (address == ↑h30)
  + (memselect == 4) & (address == ↑h38));

```

END EQUATIONS

FIGURE 3. GAL® Logic Equations

USE OF THE NM95C12 EEPROM LOCATIONS

1. Three locations are used to store the ethernet address of the card.
2. One location is used to store the interrupt number and the DMA channel of the board.
3. One location is used to store the busmaster speed setting of the card.

4. Two locations are used to store information about the production flow of the board e.g.; the version number of the out-going inspection, and serialization program which stores a unique ethernet address in the EEPROM.
5. There are also some EEPROM locations used to enable some special features in the network driver such as protocol, DMA priority, etc.

Figure 4 below shows the memory usage of the NM95C12.

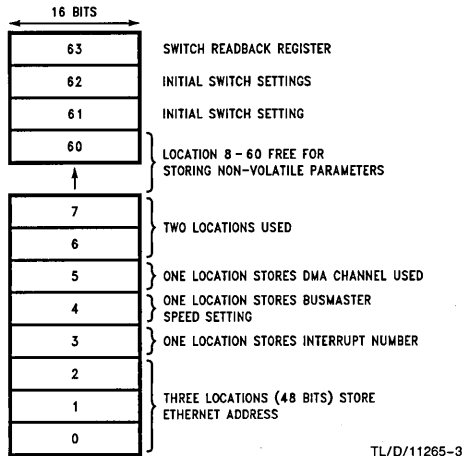


FIGURE 4. Memory Locations Used in NM95C12

FUNCTIONAL DESCRIPTION OF THE SOFTWARE

The driver for the card can be supplied in two ways:

1. As a driver which is loaded from the disk.
2. As a bootrom which is located at the card.

The driver determines the base I/O address of the card. This is done by scanning the possible I/O map where the card can be located (seven possible locations) and testing if the NM95C12 EEPROM can be found.

The EEPROM is found if, after an address is shifted in the EEPROM, the DO output from the NM95C12 has become logical "zero". Then the CS pin will be disabled and there will be a check if the DO output pin will become high (this pin is pulled up with a 47K resistor).

When the software finds the base address of the card, it reads the locations which contain the DMA and IRQ number to use and programs these values into the corresponding output latches. These latches will enable and/or multiplex the corresponding DMA (DACKx, DRQx) and INT (IRQx) to the busmaster logic and interrupt logic.

The same operation is done for the busmaster speed, one location in the EEPROM determines the active low and high time for busmaster cycles, the output of this latch will go to the busmaster state machine (implemented in a GAL22V10).

The ethernet address will be read by the driver and copied to a private location in the driver data area for use with the network software.

The bootrom can be located at five locations in memory (controlled by the NM95C12 switch logic) and can be disabled if required.

CONCLUSION

This application has shown the many advantages of the NM95C12 EEPROM with DIP Switches. In this example the NM95C12 replaces the functions typically performed by a Bipolar PROM (store ethernet address), mechanical DIP switches/jumpers (select options), and general read/write logic (software testing of the hardware configuration). The use of the switch terminals as part of the address decode logic makes the address decode function more flexible and allows for software control.

The easy interfacing to the NM95C12 (just four pins) and the simple, but powerful instruction set allows the NM95C12 to give the system designer:

- Greater flexibility
- Fully software controllable and testable
- Greater reliability (no mechanical switches or jumpers)
- Reduced component count
- Lower component cost

DP83934 SONIC™-T

Systems-Oriented Network Interface Controller with Twisted Pair Interface

General Description

The SONIC-T (Systems-Oriented Network Interface Controller with Twisted Pair) is a second-generation Ethernet Controller designed to meet the demands of today's high-speed 32- and 16-bit systems. Its system interface operates with a high speed DMA that typically consumes less than 5% of the bus bandwidth. Selectable bus modes provide both big and little endian byte ordering and a clean interface to standard microprocessors. The linked-list buffer management system of SONIC-T offers maximum flexibility in a variety of environments from PC-oriented adapters to high-speed motherboard designs. Furthermore, the SONIC-T integrates a fully-compatible IEEE 802.3 Encoder/Decoder (ENDEC) and a Twisted Pair Interface which provide a one-chip solution for Ethernet when using 10BASE-T. When using 10BASE2 or 10BASE5, the SONIC-T may be paired with the DP8392 Coaxial Transceiver Interface to achieve a simple 2-chip solution.

For increased performance, the SONIC-T implements a unique buffer management scheme to efficiently process receive and transmit packets in system memory. No intermediate packet copy is necessary. The receive buffer management uses three areas in memory for (1) allocating additional resources, (2) indicating status information, and (3) buffering packet data. During reception, the SONIC-T stores packets in the buffer area, then indicates receive status and control information in the descriptor area. The system allocates more memory resources to the SONIC-T by adding

descriptors to the memory resource area. The transmit buffer management uses two areas in memory:

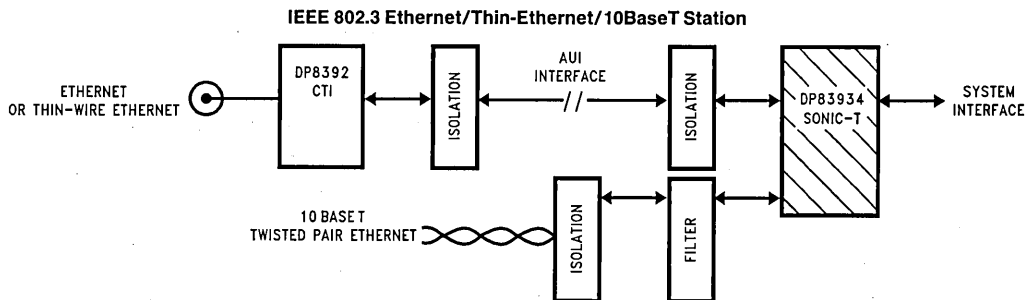
1. indicating status and control information;
2. fetching packet data.

The system can create a transmit queue allowing multiple packets to be transmitted from a single transmit command. The packet data can reside on any arbitrary byte boundary and can exist in several non-contiguous locations.

Features

- 32-bit non-multiplexed address and data bus
- High-speed, interruptible DMA
- Linked-list buffer management maximizes flexibility
- Two independent 32-byte transmit and receive FIFOs
- Bus compatibility for all standard microprocessors
- Supports big and little endian formats
- Integrated IEEE 802.3 ENDEC
- Integrated Twisted Pair Interface
- Complete address filtering for up to 16 physical and/or multicast addresses
- 32-bit general-purpose timer
- Full-duplex loopback diagnostics
- Fabricated in low-power CMOS
- 160 PQFP package
- Full network management facilities support the 802.3 layer management standard
- Integrated support for bridge and repeater applications

System Diagram



TL/F/11719-1

Table of Contents

1.0 CONNECTION DIAGRAMS

- 1.1 Pin Connection Diagram, National/Intel Mode
- 1.2 Pin Connection Diagram, Motorola Mode

2.0 PIN DESCRIPTION

3.0 FUNCTIONAL DESCRIPTION

- 3.1 Twisted Pair Interface Module
- 3.2 IEEE 802.3 ENDEC Unit
 - 3.2.1 ENDEC Operation
 - 3.2.2 Selecting an External ENDEC
- 3.3 MAC Unit
 - 3.3.1 MAC Receive Section
 - 3.3.2 MAC Transmit Section
- 3.4 Data Width and Byte Ordering
- 3.5 FIFO and Control Logic
 - 3.5.1 Receive FIFO
 - 3.5.2 Transmit FIFO
- 3.6 Status and Configuration Registers
- 3.7 Bus Interface
- 3.8 Loopback and Diagnostics
 - 3.8.1 Loopback Procedure
- 3.9 Network Management Functions

4.0 TRANSMIT/RECEIVE IEEE 802.3 FRAME FORMAT

- 4.1 Preamble and Start of Frame Delimiter (SFD)
- 4.2 Destination Address
- 4.3 Source Address
- 4.4 Length/Type Field
- 4.5 Data Field
- 4.6 FCS Field
- 4.7 MAC (Media Access Control) Conformance

5.0 BUFFER MANAGEMENT

- 5.1 Buffer Management Overview
- 5.2 Descriptor Areas
 - 5.2.1 Naming Convention for Descriptors
 - 5.2.2 Abbreviations
 - 5.2.3 Buffer Management Base Address
- 5.3 Descriptor Data Alignment
- 5.4 Receive Buffer Management
 - 5.4.1 Receive Resource Area (RRA)
 - 5.4.2 Receive Buffer Area (RBA)
 - 5.4.3 Receive Descriptor Area (RDA)
 - 5.4.4 Receive Buffer Management Initialization
 - 5.4.5 Beginning of Reception
 - 5.4.6 End of Packet Processing
 - 5.4.7 Overflow Conditions

5.5 Transmit Buffer Management

- 5.5.1 Transmit Descriptor Area (TDA)
- 5.5.2 Transmit Buffer Area (TBA)
- 5.5.3 Preparing to Transmit
- 5.5.4 Dynamically Adding TDA Descriptors

6.0 SONIC-T REGISTERS

- 6.1 The CAM Unit
 - 6.1.1 The Load CAM Command
- 6.2 Status/Control Registers
- 6.3 Register Description
 - 6.3.1 Command Register
 - 6.3.2 Data Configuration Register
 - 6.3.3 Receive Control Register
 - 6.3.4 Transmit Control Register
 - 6.3.5 Interrupt Mask Register
 - 6.3.6 Interrupt Status Register
 - 6.3.7 Data Configuration Register 2
 - 6.3.8 Transmit Registers
 - 6.3.9 Receive Registers
 - 6.3.10 CAM Registers
 - 6.3.11 Tally Counters
 - 6.3.12 General Purpose Timer
 - 6.3.13 Silicon Revision Register

7.0 BUS INTERFACE

- 7.1 Pin Configurations
- 7.2 System Configuration
- 7.3 Bus Operations
 - 7.3.1 Acquiring the Bus
 - 7.3.2 Block Transfers
 - 7.3.3 Bus Status
 - 7.3.4 Bus Mode Compatibility
 - 7.3.5 Master Mode Bus Cycles
 - 7.3.6 Bus Exceptions (Bus Retry)
 - 7.3.7 Slave Mode Bus Cycle
 - 7.3.8 On-Chip Memory Arbiter
 - 7.3.9 Chip Reset

8.0 NETWORK INTERFACING

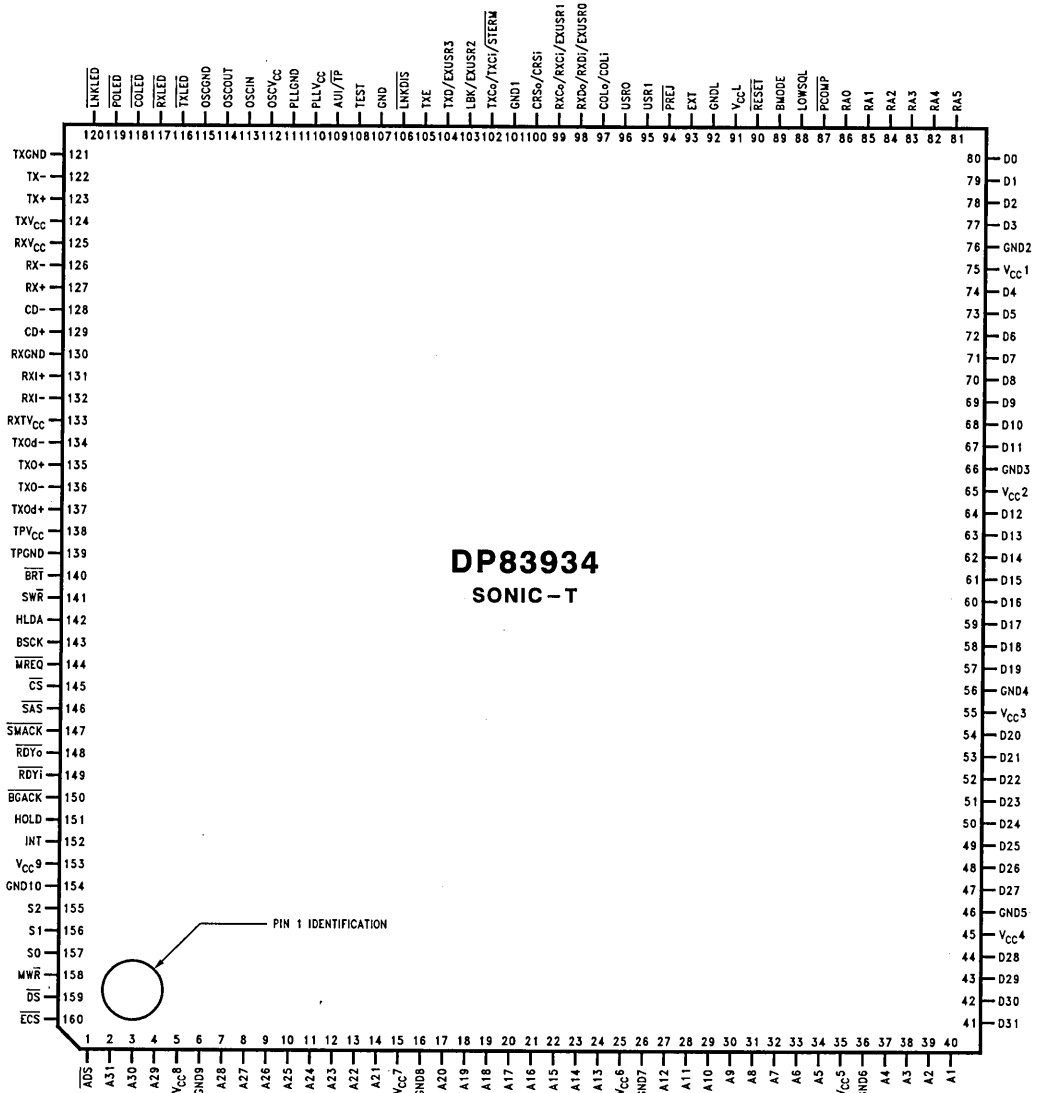
- 8.1 Manchester Encoder and Differential Driver
 - 8.1.1 Manchester Decoder
 - 8.1.2 Collision Translator
 - 8.1.3 Oscillator Inputs
 - 8.1.4 Power Supply Considerations
- 8.2 Twisted Pair Interface Module

9.0 AC AND DC SPECIFICATIONS

10.0 AC TIMING TEST CONDITIONS

1.0 Connection Diagrams

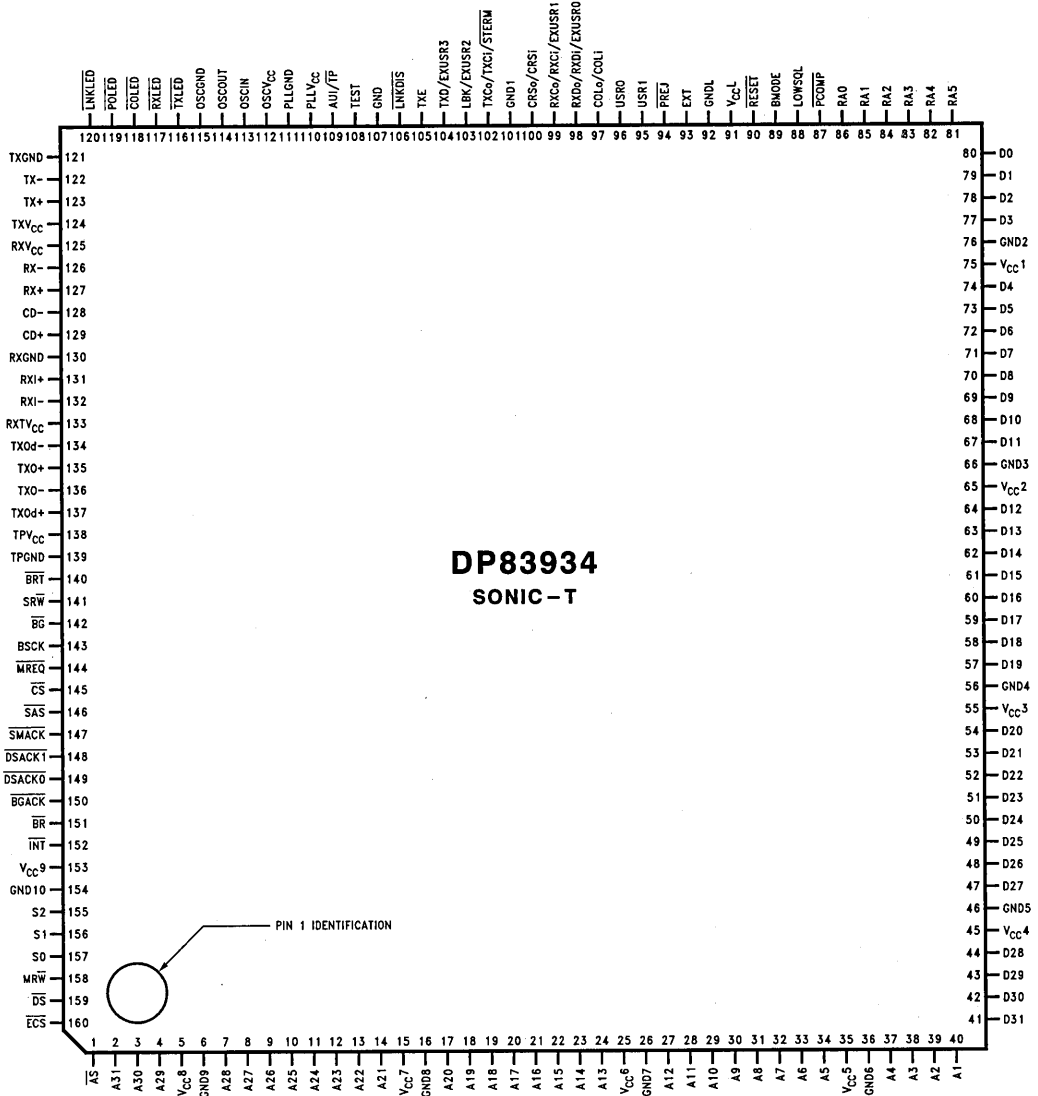
1.1 PIN CONNECTION DIAGRAM, NATIONAL/INTEL MODE



TL/F/11719-2

1.0 Connection Diagrams (Continued)

1.2 PIN CONNECTION DIAGRAM, MOTOROLA MODE



TLF/11719-3

2.0 Pin Description

I = Input

O = Output

Z = TRI-STATE Input which is TTL compatible

ECL = Emitter Coupled Logic type drivers for interfacing to the Attachment Unit Interface.

TP = Totem Pole type drivers. These drivers are driven either high or low and are always driven. Drive levels are CMOS compatible.

LED = Light Emitting Diode type drivers.

TRI = TRI-STATE[®] drivers. These pins are driven high, low or TRI-STATE. Drive levels are CMOS compatible. These pins may also be inputs (depending on the pin).

OC = Open Collector type drivers. These drivers are TRI-STATE when inactive and are driven low when active. These pins may also be inputs (depending on the pin).

TPI = Twisted Pair Interface.

Pin names which contain a "/" indicate dual function pins.

TABLE 2-1. Pin Description

Symbol	Driver Type	Direction	Description
NETWORK INTERFACE PINS			
EXT		I	External ENDEC Select: Tying this pin to V_{CC} (EXT = 1) disables the internal ENDEC and allows an external ENDEC to be used. Tying this pin to ground (EXT = 0) enables the internal ENDEC. This pin must be tied either to V_{CC} or ground. Note the alternate pin definitions for CRS _o /CRS _i , COL _o /COL _i , RXD _o /RXD _i , RXC _o /RXC _i , and TXC _o /TXC _i . When EXT = 0 the first pin definition is used and when EXT = 1 the second pin definition is used.
AUI/TP		I	Attachment Unit Interface (AUI)/Twisted Pair (TP) Select: Tying this pin to V_{CC} (AUI/TP = 1) enables the AUI mode for interface with the ENDEC unit. Tying this pin to GND (AUI/TP = 0) enables the TPI Module mode for interface with the ENDEC unit.
TXO _{d+} , TXO ₊ , TXO ₋ , TXO _{d-}	TPI	O	Twisted Pair Transmit Outputs: These high drive CMOS level outputs are resistively combined external to the chip to produce a differential output signal with equalization to compensate for Intersymbol Interference (ISI) on the twisted pair medium.
RXI ₊ , RXI ₋	TPI	I	Twisted Pair Receive Inputs: These inputs feed a differential amplifier which passes valid data to the ENDEC module.
TXLED	LED	O	Transmit: An open-drain active low output. It is asserted for approximately 50 ms whenever the SONIC-T Controller transmits data in either AUI or TPI modes.
RXLED	LED	O	Receive: An open-drain active low output. It is asserted for approximately 50 ms whenever receive data is detected in either AUI or TPI mode.
COLED	LED	O	Collision: An open-drain active low output. It is asserted for approximately 50 ms whenever the SONIC-T Controller detects a collision in either AUI or TPI modes.
POLED	LED	O	Polarity: An open-drain active low output. This signal is normally inactive. When the TPI module detects seven consecutive link pulses or three consecutive received packets with reversed polarity, it is asserted.
LINKLED	LED	O	Good Link: An open-drain active low output. This pin operates as an output to display link integrity status if this function has not been disabled by the LNKDIS pin described below. This output is off if the SONIC-T Controller is in AUI mode or if link testing is enabled and the link integrity is bad (i.e., the twisted pair link has been broken). This output is on if the SONIC-T Controller is in Twisted Pair Interface (TPI) mode, link integrity checking is enabled and the link integrity is good (i.e., the twisted pair link has not been broken) or if the link testing is disabled.
LNKDIS		I	Link Disable: When this pin is tied to GND (LNKDIS = 0), the link test pulse generation and integrity checking function are both disabled.
LOWSQL		I	Low Squelch Select: Tying this pin to V_{CC} (LOWSQL = 1) sets the squelch mode to use a squelch threshold level lower than that of the 10BASE-T specification (see Section 3.1).

2.0 Pin Description (Continued)

TABLE 2-1. Pin Description (Continued)

Symbol	Driver Type	Direction	Description
NETWORK INTERFACE PINS (Continued)			
OSCIN		I	Crystal Feedback Input or External Oscillator Input: This signal is used to provide clocking signals for the internal ENDEC. A crystal may be connected to this pin along with OSCOUT, or an oscillator module may be used. See Section 8.1.3 for more information about using an oscillator or crystal.
OSCOUT	TP	I, O	Crystal Feedback Output: This signal is used to provide clocking signals for the internal ENDEC. A crystal can be connected to this pin along with OSCIN. See Section 8.1.3 for more information about using an oscillator or crystal.
RX+		I	AUI Receive +: The positive differential receive data input from the transceiver. This pin should be unconnected when an external ENDEC is selected (EXT = 1).
RX-		I	AUI Receive -: The negative differential receive data input from the transceiver. This pin should be unconnected when an external ENDEC is selected (EXT = 1).
TX+	ECL	O	AUI Transmit +: The positive differential transmit output to the transceiver. This pin should be unconnected when an external ENDEC is selected (EXT = 1).
TX-	ECL	O	AUI Transmit -: The negative differential transmit output to the transceiver. This pin should be unconnected when an external ENDEC is selected (EXT = 1).
CD+		I	AUI Collision +: The positive differential collision input from the transceiver. This pin should be unconnected when an external ENDEC is selected (EXT = 1).
CD-		I	AUI Collision -: The negative differential collision input from the transceiver. This pin should be unconnected when an external ENDEC is selected (EXT = 1).
TXD/ EXUSR3	TP TRI	O O, Z	This pin will be TRI-STATE until the DCR has been written to. (See Section 6.3.2, EXBUS, for more information.) Transmit Data (TXD): The serial NRZ data from the MAC unit which is to be decoded by an external ENDEC. Data is valid on the rising edge of TXC. Although this signal is used internally by the SONIC-T it is also provided as an output to the user. Extended User Output (EXUSR3): When EXBUS has been set (see Section 6.3.2), this pin becomes a programmable output. It will remain TRI-STATE until the SONIC-T becomes a bus master, at which time it will be driven according to the value programmed in the DCR2 (see Section 6.3.7).
LBK/ EXUSR2	TP TRI	O O, Z	This pin will be TRI-STATE until the DCR has been written to. (See Section 6.3.2, EXBUS, for more information.) Loopback (LBK): When ENDEC Loopback mode is enabled, LBK is asserted high. Although this signal is used internally by the SONIC-T it is also provided as an output to the user. Extended User Output (EXUSR2): When EXBUS has been set (see Section 6.3.2), this pin becomes a programmable output. It will remain TRI-STATE until the SONIC-T becomes a bus master, at which time it will be driven according to the value programmed in the DCR2 (see Section 6.3.7).
TXE	TP	O	Transmit Enable: This pin is driven high when the SONIC-T begins transmission and remains active until the last byte is transmitted. Although this signal is used internally by the SONIC-T it is also provided as an output to the user.

2.0 Pin Description (Continued)

TABLE 2-1. Pin Description (Continued)

Symbol	Driver Type	Direction	Description
NETWORK INTERFACE PINS (Continued)			
RXCo/ RXCI/ EXUSR1	TP TRI	O I O, Z	<p>This pin will be TRI-STATE until the DCR has been written to. (See Section 6.3.2, EXBUS, for more information.)</p> <p>Receive Clock Output (RXCo) from the internal ENDEC (EXT = 0): When EXT = 0 the RXCo signal is internally connected between the ENDEC and MAC units. This signal is the receive clock that is derived from the Manchester data stream. It remains active 5-bit times after the deassertion of CRS0. Although this signal is used internally by the SONIC-T it is also provided as an output to the user.</p> <p>Receive Clock Input (RXCI) from an external ENDEC (EXT = 1): The receive clock that is derived from the Manchester data stream. This signal is generated from an external ENDEC.</p> <p>Extended User Output (EXUSR1): When EXBUS has been set (see Section 6.3.2), this pin becomes a programmable output. It will remain TRI-STATE until the SONIC-T becomes a bus master, at which time it will be driven according to the value programmed in the DCR2 (see Section 6.3.7).</p>
RXDo/ RXDI/ EXUSR0	TP TRI	O I O, Z	<p>This pin will be TRI-STATE until the DCR has been written to. (See Section 6.3.2, EXBUS, for more information.)</p> <p>Receive Data Output (RXDo) from the internal ENDEC (EXT = 0): NRZ data output. When EXT = 0 the RXDo signal is internally connected between the ENDEC and MAC units. This signal must be sampled on the rising edge of the receive clock output (RXCo). Although this signal is used internally by the SONIC-T, it is also provided as an output to the user.</p> <p>Receive Data Input (RXDI) from an external ENDEC (EXT = 1): The NRZ data decoded from the external ENDEC. This data is clocked in on the rising edge of RXCI.</p> <p>Extended User Output (EXUSR0): When EXBUS has been set (see Section 6.3.2), this pin becomes a programmable output. It will remain TRI-STATE until the SONIC-T becomes a bus master, at which time it will be driven according to the value programmed in the DCR2 (see Section 6.3.7).</p>
TXCo/ TXCI/ STERM	TRI	O, Z I I	<p>This pin will be TRI-STATE until the DCR has been written to. (See Section 6.3.2, EXBUS, for more information.)</p> <p>Transmit Clock Output (TXCo) from the internal ENDEC (EXT = 0): This 10 MHz transmit clock output is derived from the 20 MHz oscillator input. When EXT = 0 the TXCo signal is internally connected between the ENDEC and MAC units. Although this signal is used internally by the SONIC-T, it is also provided as an output to the user.</p> <p>Transmit Clock Input (TXCI) from an external ENDEC (EXT = 1): This input clock from an external ENDEC is used for shifting data out of the MAC unit serializer. This clock is nominally 10 MHz.</p> <p>Synchronous Termination (STERM): When the SONIC-T is a bus master, it samples this pin before terminating its memory cycle. This pin is sampled synchronously and may only be used in asynchronous bus mode when BMODE = 1. (See Section 7.2.5 for more details.)</p>
CRS0/ CRSi	TP	O I	<p>Carrier Sense Output (CRS0) from the internal ENDEC (EXT = 0): When EXT = 0 the CRS0 signal is internally connected between the ENDEC and MAC units. It is asserted on the first valid high-to-low transition in the receive data (RX\pm). This signal remains active 1.5 bit times after the last bit of data. Although this signal is used internally by the SONIC-T, it is also provided as an output to the user.</p> <p>Carrier Sense Input (CRSi) from an external ENDEC (EXT = 1): The CRSi signal is activated high when the external ENDEC detects valid data at its receive inputs.</p>

2.0 Pin Description (Continued)

TABLE 2-1. Pin Description (Continued)

Symbol	Driver Type	Direction	Description
NETWORK INTERFACE PINS (Continued)			
COLo/ COLi	TP	O I	<p>COLLISION OUTPUT (COLo) from the Internal ENDEC (EXT = 0): When EXT = 0 the COLo signal is internally connected between the ENDEC and MAC units. This signal generates an active high signal when the 10 MHz collision signal from the transceiver is detected. Although this signal is used internally by the SONIC-T, it is also provided as an output to the user.</p> <p>COLLISION DETECT INPUT (COLi) from an External ENDEC (EXT = 1): The COLi signal is activated from an external ENDEC when a collision is detected. This pin is monitored during transmissions from the beginning of the Start of Frame Delimiter (SFD) to the end of the packet. At the end of transmission, this signal is monitored by the SONIC-T for CD heartbeat.</p>
PCOMP	TRI	O, Z	<p>PACKET COMPRESSION: This pin is used with the Management Bus of the DP83950, Repeater Interface Controller (RIC). The SONIC-T can be programmed to assert PCOMP whenever there is a CAM match, or when there is not a match. The RIC uses this signal to compress (shorten) a received packet for management purposes and to reduce memory usage. (See the DP83950 datasheet for more details on the RIC Management Bus.) The operation of this pin is controlled by bits 1 and 2 in the DCR2 register. PCOMP will remain TRI-STATE until these bits are written to.</p>
PREJ		I, O	<p>PACKET REJECT: This signal is used to reject received packets. When asserted low for at least two receive clock cycles (RXC), the SONIC-T will reject the incoming packet. This pin can be asserted up to the 2nd to the last bit of reception to reject a packet.</p>
BUS INTERFACE PINS (BOTH BUS MODES)			
BMODE		I	<p>BUS MODE: This input enables the SONIC-T to be compatible with standard microprocessor buses. The level of this pin affects byte ordering (little or big endian) and controls the operation of the bus interface control signals. A high level (tied to V_{CC}) selects Motorola mode (big endian) and a low level (tied to ground) selects National/Intel mode (little endian). Note the alternate pin definitions for $\overline{AS}/\overline{ADS}$, $\overline{MRW}/\overline{MWR}$, $\overline{INT}/\overline{INT}$, $\overline{BR}/\overline{HOLD}$, $\overline{BG}/\overline{HLDA}$, $\overline{SRW}/\overline{SWR}$, $\overline{DSACK0}/\overline{RDY0}$, and $\overline{DSACK1}/\overline{RDY1}$. (See Sections 7.3.1, 7.3.4, and 7.3.5 for bus interface information.)</p>
D31–D0	TRI	I, O, Z	<p>DATA BUS: These bidirectional lines are used to transfer data on the system bus. When the SONIC-T is a bus master, 16-bit data is transferred on D16–D0 and 32-bit data is transferred on D31–D0. When the SONIC-T is accessed as a slave, register data is driven onto line D15–D0. D31–D16 are held TRI-STATE if SONIC-T is in 16-bit mode. If SONIC-T is in 32-bit mode, they are driven, but invalid.</p>
A31–A1	TRI	O, Z	<p>ADDRESS BUS: These signals are used by the SONIC-T to drive the DMA address after the SONIC-T has acquired the bus. Since the SONIC-T aligns data to word boundaries, only 31 address lines are needed.</p>
RA5–RA0		I	<p>REGISTER ADDRESS BUS: These signals are used to access SONIC-T's internal registers. When the SONIC-T is accessed, the CPU drives these lines to select the desired SONIC-T register.</p>
RESET		I	<p>RESET: This signal is used to hardware reset the SONIC-T. When asserted low, the SONIC-T transitions into the reset state after 10 transmit clocks or 10 bus clocks if the bus clock period is greater than the transmit clock period.</p>
S2–S0	TP	O	<p>BUS STATUS: These three signals provide a continuous status of the current SONIC-T bus operations. See Section 7.3.3 for status definitions.</p>
BCLK		I	<p>BUS CLOCK: This clock provides the timing for the SONIC-T DMA engine.</p>
CS		I	<p>CHIP SELECT: The system asserts this pin low to access the SONIC-T's registers. The registers are selected by placing an address on lines RA5–RA0. Note: Both \overline{CS} and \overline{MREQ} must not be asserted concurrently. If these signals are successively asserted, there must be at least two bus clocks between the deasserting edge of the first signal and the asserting edge of the second signal.</p>

2.0 Pin Description (Continued)

TABLE 2-1. Pin Description (Continued)

Symbol	Driver Type	Direction	Description
BUS INTERFACE PINS (BOTH BUS MODES) (Continued)			
\overline{SAS}		I	SLAVE ADDRESS STROBE: The system asserts this pin to latch the register address on lines RA0–RA5.
\overline{DS}	TRI	O, Z	DATA STROBE: When the SONIC-T is bus master, it drives this pin low during a read cycle to indicate that the slave device may drive data onto the bus; in a write cycle, this pin indicates that the SONIC-T has placed valid data onto the bus.
\overline{BRT}		I	BUS RETRY: When the SONIC-T is bus master, the system asserts this signal to rectify a potentially correctable bus error. This pin has two modes. Mode 1 (the LBR bit in the Data Configuration Register is set to 0): Assertion of this pin forces the SONIC-T to terminate the current bus cycle and will repeat the same cycle after \overline{BRT} has been deasserted. Mode 2 (the LBR bit in the Data Configuration register is set to 1): Assertion of this signal forces the SONIC-T to retry the bus operation as in Mode 1. However, the SONIC-T will not continue DMA operations until the BR bit in the ISR is reset.
\overline{ECS}	TRI	O, Z	EARLY CYCLE START: This output gives the system earliest indication that a memory operation is occurring. This signal is driven low at the rising edge of T1 and high at the falling edge of T1.
SHARED-MEMORY ACCESS PINS			
\overline{MREQ}		I	MEMORY REQUEST: The system asserts this signal low when it attempts to access the shared-buffer RAM. The on-chip arbiter resolves accesses between the system and the SONIC-T. Note: Both \overline{CS} and \overline{MREQ} must not be asserted concurrently. If these signals are successively asserted, there must be at least two bus clocks between the deasserting edge of the first signal and the asserting edge of the second signal.
\overline{SMACK}	TP	O	SLAVE AND MEMORY ACKNOWLEDGE: SONIC-T asserts this dual function pin low in response to either a Chip Select (\overline{CS}) or a Memory Request (\overline{MREQ}) when the SONIC-T's registers or its buffer memory is available for accessing. This pin can be used for enabling bus drivers for dual-bus systems.
BUS INTERFACE PINS (NATIONAL/INTEL MODE, BMODE = 0)			
\overline{ADS}	TRI	O, Z	ADDRESS STROBE (\overline{ADS}): The rising edge indicates valid status and address.
\overline{MWR}	TRI	O, Z	MEMORY WRITE/READ STROBE \overline{MWR}: When the SONIC-T has acquired the bus, this signal indicates the direction of the data transfer. The signal is low during a read cycle and high during a write cycle.
INT	OC	O, Z	INTERRUPT (INT): Indicates that an interrupt (if enabled) is pending from one of the sources indicated by the Interrupt Status register. Interrupts that are disabled in the Interrupt Mask register will not activate this signal.
HOLD	TP	O	HOLD REQUEST (HOLD): The SONIC-T drives this pin high when it intends to use the bus and is driven low when inactive.
HLDA		I	HOLD ACKNOWLEDGE (HLDA): This signal is used to inform the SONIC-T that it has attained the bus. When the system asserts this pin high, the SONIC-T has gained ownership of the bus.
\overline{BGACK}	TRI	O, Z	BUS GRANT ACKNOWLEDGE: This pin is only used when BMODE = 1.
\overline{SWR}		I	SLAVE READ/WRITE STROBE (\overline{SWR}): The system asserts this pin to indicate whether it will read from or write to the SONIC-T's registers. This signal is asserted low during a read and high during a write.
\overline{RDYi}		I	READY INPUT (\overline{RDYi}): When the SONIC-T is a bus master, the system drives this signal high to insert wait-states and low to terminate the memory cycle. This signal is sampled synchronously or asynchronously depending on the state of the SBUS bit in the Data Configuration register (DCR). (See Sections 7.3.5 and 6.3.2 for details.)
\overline{RDYo}	TP	O	READY OUTPUT (\overline{RDYo}): When a register is accessed, the SONIC-T asserts this signal to terminate the slave cycle.

2.0 Pin Description (Continued)

TABLE 2-1. Pin Description (Continued)

Symbol	Driver Type	Direction	Description
BUS INTERFACE PINS (MOTOROLA MODE, BMODE = 1)			
\overline{AS}	TRI	I, O, Z	ADDRESS STROBE \overline{AS}: The falling edge indicates valid status and address. The rising edge indicates the termination of the memory cycle.
\overline{MRW}	TRI	O, Z	MEMORY READ/WRITE STROBE (\overline{MRW}): When the SONIC-T has acquired the bus, this signal indicates the direction of the data transfer. This signal is high during a read cycle and low during a write cycle.
\overline{INT}	TP	O	INTERRUPT (\overline{INT}): Indicates that an interrupt (if enabled) is pending from one of the sources indicated by the Interrupt Status register. Interrupts that are disabled in the Interrupt Mask register will not activate this signal.
\overline{BR}	OC	O, Z	BUS REQUEST (\overline{BR}): The SONIC-T asserts this pin low when it attempts to gain access to the bus. When inactive this signal is at TRI-STATE.
\overline{BG}		I	BUS GRANT (\overline{BG}): This signal is a bus grant. The system asserts this pin low to indicate potential mastership of the bus.
\overline{BGACK}	TRI	I, O, Z	BUS GRANT ACKNOWLEDGE: The SONIC-T asserts this pin low when it has determined that it can gain ownership of the bus. The SONIC-T checks the following conditions before driving \overline{BGACK} : <ol style="list-style-type: none"> 1. \overline{BG} has been received through the bus arbitration process. 2. \overline{AS} is deasserted, indicating that the previous master has finished using the bus. 3. $\overline{DSACK0}$ and $\overline{DSACK1}$ are deasserted, indicating that the previous slave device is off the bus. 4. \overline{BGACK} is deasserted, indicating that the previous master is off the bus.
\overline{SRW}		I	SLAVE READ/WRITE (\overline{SRW}): The system asserts this pin to indicate whether it will read from or write to the SONIC-T's registers. This signal is asserted high during a read and low during a write.
$\overline{DSACK0}$ $\overline{DSACK1}$	TRI TRI	I, O, Z I, O, Z	DATA AND SIZE ACKNOWLEDGE 0 AND 1 ($\overline{DSACK0,1}$): These pins are the output slave acknowledge to the system when the SONIC-T registers have been accessed and the input slave acknowledgement when the SONIC-T is bus master. When a register has been accessed, the SONIC-T drives the $\overline{DSACK0,1}$ pins low to terminate the slave cycle. (Note that the SONIC-T responds as a 32-bit peripheral, but only drives valid data on lines D0–D15. Lines D16–D31 are driven, but invalid.) When the SONIC-T is bus master, it samples these pins before terminating its memory cycle. These pins are sampled synchronously or asynchronously depending on the state of the SBUS bit in the Data Configuration register (see Section 7.3.5 for details). Note that the SONIC-T does not allow dynamic bus sizing. Bus size is statically defined in the Data Configuration register (see Section 6.3.2). The SONIC-T requires both $\overline{DSACK0,1}$ to be driven active both in 16- and 32-bit modes.
USER DEFINABLE PINS			
USR0,1	TRI	I, O, Z	USER DEFINE 0,1: These signals are inputs when the SONIC-T is hardware reset and are outputs when the SONIC-T is a bus master (HLDA or \overline{BGACK} asserted). When hard reset (\overline{RST}) is low, these signals input directly into bits 8 and 9 of the Data Configuration register (DCR) respectively. The levels on these pins are latched on the rising edge of \overline{RST} . During busmaster operations (HLDA or \overline{BGACK} is active), these pins are outputs whose levels are programmable through bits 11 and 12 of the DCR respectively. The USR0,1 pins should be pulled up to V_{CC} or pulled down to ground. A 4.7 k Ω pull-up resistor is recommended.

2.0 Pin Description (Continued)

TABLE 2-1. Pin Description (Continued)

Symbol	Driver Type	Direction	Description
UNCONNECTED PINS			
TEST		I	FACTORY TEST INPUT: Used to check the chip's internal functions. This pin should be left unconnected during normal operation.
POWER AND GROUND PINS			
V _{CC} 1-9 V _{CCL}			POWER: The +5V power supply for the digital portions of the SONIC-T.
TXV _{CC} RXV _{CC} PLL _{VCC} OSCV _{CC}			POWER: These pins are the +5V power supply for the SONIC-T ENDEC unit. These pins must be tied to V _{CC} even if the internal ENDEC is not used.
RXTV _{CC} TPV _{CC}			POWER: These pins are the +5V power supply for the SONIC-T TPI unit. These pins must be tied to V _{CC} even if the internal TPI module is not used.
GND 1-10 GNDL GND			GROUND: These pins are the ground references for the digital portions of the SONIC-T.
TXGND RXGND PLL _{GND} OSCGND TPGND			GROUND: These pins are the ground references for the SONIC-T ENDEC unit and TPI module. These pins must be tied to ground even if the internal ENDEC unit and/or the TPI module are not used.

3.0 Functional Description

The SONIC-T (Figure 3-1) consists of a twisted pair interface (TPI) module, an encoder/decoder (ENDEC) unit, a media access control (MAC) unit, separate receive and transmit FIFOs, a system buffer management engine, and a user programmable system bus interface unit on a single chip. SONIC-T is highly pipelined providing maximum system level performance. This section provides a functional overview of the SONIC-T.

3.1 TWISTED PAIR INTERFACE MODULE

The TPI consists of five main logic functions:

- a. the Smart Squelch, which determines when valid data is present on the differential receive inputs (RXI±),
- b. the Collision Detector, which checks for simultaneous transmission and reception of data on the differential transmit output (TXO±) and differential receive input (RXI±) pins,
- c. the Link Detector/Generator, which checks the integrity of the cable connecting the two twisted pair modules,

d. the Jabber, which disables the transmitter if it attempts to transmit a longer than legal packet, and

e. the Transmitter, which utilizes a Transmit Driver and a Pre-emphasis to transmit Manchester encoded data to the twisted pair network via summing resistors and a transformer/filter.

Smart Squelch: The SONIC-T Controller implements an intelligent receive squelch on the RXI± differential inputs to ensure that impulse noise on the receive inputs will not be mistaken for a valid signal.

The squelch circuitry employs a combination of amplitude and timing measurements to determine the validity of data on the twisted pair inputs. These are two voltage level options for the smart squelch. One mode, 10BASE-T mode (Figure 3-2), uses levels that meet the 10BASE-T specification. The second mode, reduced squelch mode, uses a lower squelch threshold level, and can be used in longer cable applications where smaller signal levels may be applied. The squelch level mode can be selected using the LOWSQL input pin (see Section 2.0).

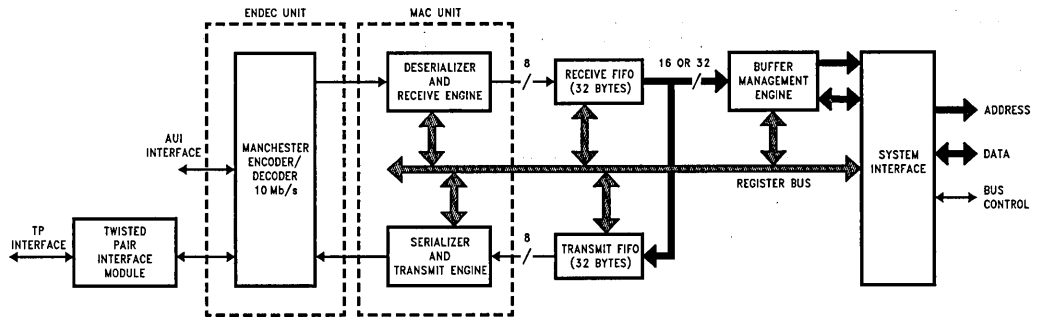


FIGURE 3-1. SONIC-T Block Diagram

TL/F/11719-4

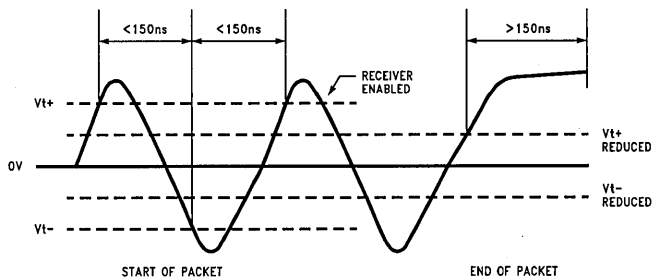


FIGURE 3-2. Twisted Pair Squelch Waveform (10BASE-T Mode)

TL/F/11719-5

3.0 Functional Description

The signal at the start of the packet is checked by the smart squelch, and any pulses not exceeding the squelch level (either positive or negative, depending upon polarity) will be rejected. Once this first squelch level is overcome correctly, the opposite squelch level must then be exceeded within 150 ns. Finally, the signal must exceed the original squelch level within the next 150 ns time period to ensure that the input waveform will not be rejected. The checking procedure typically results in the loss of three bits at the beginning of each packet.

Only after all these conditions have been satisfied will a control signal be generated to indicate to the remainder of the circuitry that valid data is present. At this time the smart squelch circuitry is reset.

In the reduced squelch mode the operation is identical except that the lower squelch levels shown in *Figure 3-2* are used.

Valid data is considered to be present until either squelch level has not been generated for a time period of more than 150 ns indicating the End of Packet. Once good data has been detected, the squelch levels are reduced to minimize the effect of noise causing premature End of Packet detection.

Collision: A collision is detected by the TPI module when the receive and transmit channels are simultaneously active. If the TPI is receiving when a collision is detected it is reported to the controller immediately. If, however, the TPI is transmitting when a collision is detected, the collision is not reported until seven bits have been received while in the collision state. This prevents a collision being reported incorrectly due to noise on the network. The signal to the controller remains for the duration of the collision.

Approximately 1 μ s after the transmission of each packet, a signal called the Signal Quality Error (SQE) is generated which typically consists of 10 cycles of a 10 MHz signal. This 10 MHz signal, also called the Heartbeat, ensures the continued functioning of the collision circuitry.

Link Detector/Generator: The link generator is a timer circuit that generates a link pulse, produced by the transmitter section, as defined by the 10BASE-T specification. The 100 ns wide pulse is transmitted on the TXO+ output every 15 ms in the absence of transmit data.

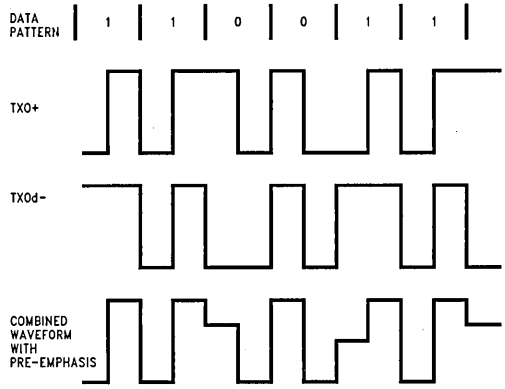
This link pulse is used to check the integrity of the connection to the remote MAU. The link detection circuit checks for valid pulses that are received from the remote unit. If valid link pulses are not received, the link detector will disable the transmit, receive, and collision detection functions.

The $\overline{\text{LNKLED}}$ output can directly drive a LED to show that there is a good twisted pair link. For normal conditions the LED will be on. The link integrity function can be disabled by asserting the $\overline{\text{LNKDIS}}$ input pin.

Jabber: The jabber timer monitors the transmitter and disables the transmission if the transmitter is active for greater than 26 ms. The transmitter is then disabled for the whole time that the ENDEC module's internal transmit enable is asserted. This signal has to be deasserted for approximately 750 ms (the unjab time) before the Jabber re-enables the transmit outputs.

Transmitter: The transmitter consists of four signals, the true and complement Manchester encoded data (TXO \pm) and these signals delayed by 50 ns (TXOd \pm).

These four signals are resistively combined (see Section 8.2), TXO+ with TXOd- and TXO- with TXOd+, in a configuration referred to as pre-emphasis. This digital pre-emphasis is required to compensate for the low-pass filter effects of the twisted pair cable which cause greater attenuation to the 10 MHz (50 ns) pulses of the Manchester encoded waveform than the 5 MHz (100 ns) pulses.

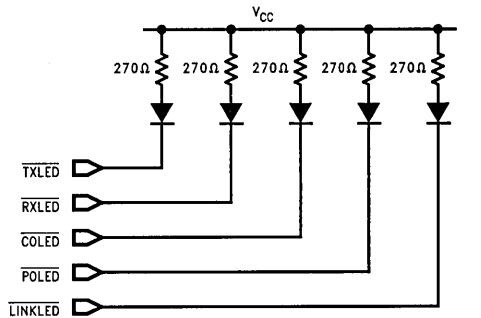


TL/F/11719-6

FIGURE 3-3. Typical Summed Transmit Waveform

The signal with pre-emphasis is generated by resistively combining TXO+ and TXOd- (*Figure 3-3*). This signal along with its complement is passed to the transmit filter.

Status Information: Status information is provided by the SONIC-T Controller on the $\overline{\text{RXLED}}$, $\overline{\text{TXLED}}$, $\overline{\text{COLED}}$, $\overline{\text{LNKLED}}$, and $\overline{\text{POLED}}$ outputs as described in the pin description table. These outputs (*Figure 3-4*), which are open drain, are suitable for driving status LEDs.



TL/F/11719-7

FIGURE 3-4. Typical SONIC-T LED Connection

3.0 Functional Description (Continued)

3.2 IEEE 802.3 ENDEC UNIT

The Encoder/Decoder (ENDEC) unit is the interface between either the Twisted Pair Interface Module or the Ethernet transceiver and the Media Access Control (MAC) unit. Providing the Manchester data encoding and decoding functions for IEEE 802.3 Ethernet, Thin-Ethernet, or Twisted Pair types of local area networks, the ENDEC operations of SONIC-T are identical to those of the DP83910A CMOS Serial Network Interface device. During transmission, the ENDEC unit combines non-return-zero (NRZ) data from the MAC section and clock pulses into Manchester data and sends the converted data differentially to the transceiver. Conversely, during reception, an analog PLL decodes the Manchester data to NRZ format and receive clock. The SONIC-T ENDEC unit is a functionally complete Manchester encoder/decoder incorporating a balanced driver and receiver, on-board crystal oscillator, collision signal translator, and a diagnostic loopback. The features include:

- Compatible with Ethernet I and II, IEEE 802.3 10BASE5, 10BASE2 and 10BASE-T
- 10Mb/s Manchester encoding/decoding with receive clock recovery
- No precision components requirement
- Loopback capability for diagnostics
- Squelch circuitry at the receive and collision inputs reject noise
- Connection to the transceiver (Attachment Unit Interface) cable via external pulse transformer

3.2.1 ENDEC Operation

The primary function of the ENDEC unit (*Figure 3-5*) is to perform the encoding and decoding necessary for compatibility between the differential pair Manchester encoded data of the transceiver and the Non-Return-to-Zero (NRZ) serial data of the MAC unit data line. In addition to encoding and decoding the data stream, the ENDEC also supplies all the special signals (e.g., collision detect, carrier sense, and clocks) necessary to the MAC unit. The signals provided to the MAC unit from the On-Chip ENDEC are also provided as output to the user.

Manchester Encoder and Differential Output Driver:

During transmission to the network, the ENDEC unit translates the NRZ serial data from the MAC unit into differential pair Manchester encoded data. To perform this operation the NRZ bit stream from the MAC unit is passed through the Manchester encoder block of the ENDEC unit. Once the bit stream is encoded, it is transmitted out differentially to the transmit differential pair through the transmit driver.

The SONIC-T Controller is compatible with the IEEE 802.3 "full-step" standard. That is, the Transmit+ and Transmit- differential outputs are at equal voltages while they are idle at the primary of the isolation transformer at the network interface. This voltage relationship provides a zero differential voltage for operation with transformer coupled loads. (See Section 8.1 for network interfacing considerations.)

Manchester Decoder: During reception from the network, the differential receive data from the transceiver is converted from Manchester encoded data into NRZ serial data and clock inputs of the MAC unit. To perform this operation, the signal is passed to the phase locked loop (PLL) decoder block once it is received from the differential receiver. The PLL decodes the data and generates a data receive clock and a NRZ serial data stream to the MAC unit. Data typically becomes valid from the decoder within 6 bit times, and the decoder detects the end of a frame when no more mid-bit transitions are detected. (See Section 8.1 for network interfacing considerations.)

Special Signals: In addition to performing the Manchester encoding and decoding function, the ENDEC unit provides control and clocking signals to the MAC unit. The ENDEC sends a carrier sense (CRS) signal that indicates to the MAC unit that data is present from the network on the ENDEC's receive differential pair. When the ENDEC's collision receiver detects a 10 MHz signal on the differential collision input pair, the ENDEC unit provides the MAC unit with a collision detection signal (COL). COL indicates that a collision is taking place somewhere on the network.

3.0 Functional Description (Continued)

8-611719-8

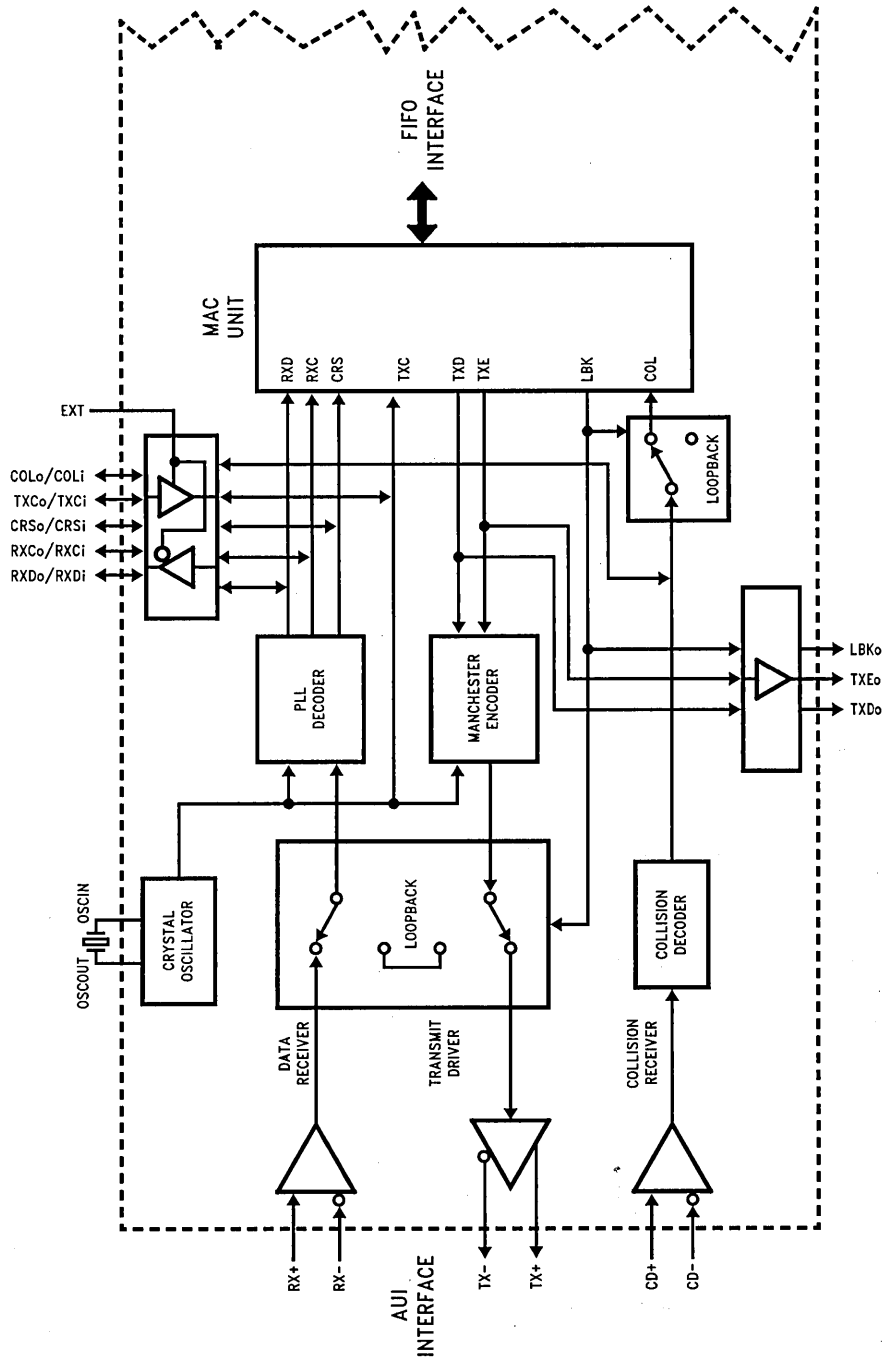


FIGURE 3-5. Block Diagram of Ethernet ENDEC

3.0 Functional Description (Continued)

The ENDEC also provides both the receive and transmit clocks to the MAC unit. The transmit clock is one half of the oscillator input and the receive clock is extracted from the input data by the PLL.

Oscillator: The oscillator generates the 10 MHz transmit clock signal for network timing. The oscillator is controlled by a parallel resonant crystal or by an external clock (see Section 8.1.3). The 20 MHz output of the oscillator is divided by 2 to generate the 10 MHz transmit clock (TXC) for the MAC section. The oscillator also provides an internal clock signal for the encoding and decoding circuits.

Loopback Functions: The SONIC-T provides three loopback modes which allow loopback testing at the MAC, ENDEC and external transceiver level (see Section 3.7 for details). It is important to note that when the SONIC-T is transmitting, the transmitted packet will always be looped back by the external transceiver. The SONIC-T takes advantage of this to monitor the transmitted packet. See the explanation of the Receive State Machine in Section 3.3.1 for more information about monitoring transmitted packets.

3.2.2 Selecting an External ENDEC

An option is provided on SONIC-T to disable the on-chip ENDEC unit and use an external ENDEC. The internal IEEE 802.3 ENDEC can be bypassed by connecting the EXT pin to V_{CC} (EXT = 1). In this mode the MAC signals are redirected out from the chip, allowing an external ENDEC to be used. See Section 2.0 for the alternate pin definitions.

3.3 MEDIA ACCESS CONTROL (MAC) UNIT

The MAC (Media Access Control) unit performs the control functions for the media access of transmitting and receiving packets over Twisted Pair or AUI. During transmission, the MAC unit frames information from the transmit FIFO and supplies serialized data to the ENDEC unit. During reception, the incoming information from the ENDEC unit is deserialized, the frame checked for valid reception, and the data is transferred to the receive FIFO. Control and status registers on the SONIC-T govern the operation of the MAC unit.

3.3.1 MAC Receive Section

The receive section (*Figure 3-6*) controls the MAC receive operations during reception, loopback, and transmission. During reception, the deserializer goes active after detecting the 2-bit SFD (Start of Frame Delimiter) pattern (Section 4.1). It then frames the incoming bits into octet boundaries and transfers the data to the 32-byte receive FIFO. Concurrently the address comparator compares the Destination

Address Field to the addresses stored in the chip's Content Addressable Memory (CAM) address registers. If a match occurs, the deserializer passes the remainder of the packet to the receive FIFO. The packet is decapsulated when the carrier sense input pin (CRS) goes inactive. At the end of reception the receive section checks the following:

- Frame alignment errors
- CRC errors
- Length errors (runt packets)

The appropriate status is indicated in the Receive Control register (Section 6.3.3). In loopback operations, the receive section operates the same as during normal reception.

During transmission, the receive section remains active to allow monitoring of the self-received packet. The Cyclic Redundancy Code (CRC) checker operates as normal, and the Source Address field is compared with the CAM address entries. Status of the CRC check and the source address comparison is indicated by the PMB bit in the Transmit Control register (Section 6.3.4). No data is written to the receive FIFO during transmit operations.

The receive section consists of the following blocks detailed below.

Receive State Machine (RSM): The RSM insures the proper sequencing for normal reception and self-reception during transmission. When the network is inactive, the RSM remains in an idle state continually monitoring for network activity. If the network becomes active, the RSM allows the deserializer to write data into the receive FIFO. During this state, the following conditions may prevent the complete reception of the packet.

- FIFO Overflow—The receive FIFO has been completely filled before the SONIC-T could buffer the data to memory.
- CAM Address Mismatch—The packet is rejected because of a mismatch between the destination address of the packet and the address in the CAM.
- Memory Resource Error—There are no more resources (buffers) available for buffering the incoming packets.
- Collision or Other Error—A collision occurred on the network or some other error, such as a CRC error, occurred (this is true if the SONIC-T has been told to reject packets on a collision, or reject packets with errors).

If these conditions do not occur, the RSM processes the packet indicating the appropriate status in the Receive Control register.

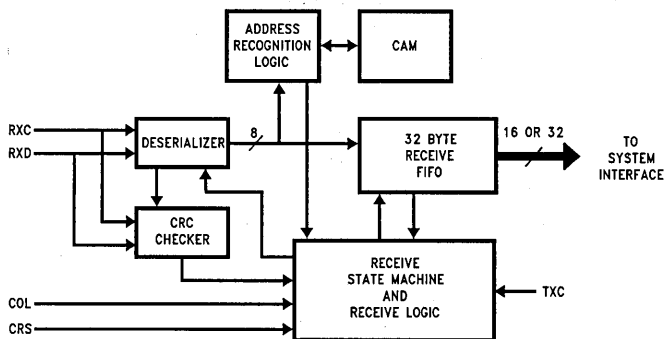


FIGURE 3-6. MAC Receiver

TL/F/11719-9

3.0 Functional Description (Continued)

During transmission of a packet from the SONIC-T, the transceiver will always loop the packet back to the SONIC-T. The SONIC-T will use this to monitor the packet as it is being transmitted. The CRC and source address of the looped back packet are checked with the CRC and source address that were transmitted. If they do not match, an error bit is set in the status of the transmitted packet (see Packet Monitored Bad, PMB, in the Transmit Control Register, Section 6.3.4). Data is not written to the receive FIFO during this monitoring process unless a Loopback mode has been selected (see Section 3.7).

Receive Logic: The receive logic contains the command, control, and status registers that govern the operations of the receive section. It generates the control signals for writing data to the receive FIFO, processes error signals obtained from the CRC checker and the deserializer, activates the "packet reject" signal to the RSM for rejecting packets, and posts the applicable status in the Receive Control register.

Deserializer: This section deserializes the serial input data stream and provides a byte clock for the address comparator and receive logic. It also synchronizes the CRC checker to begin operation (after SFD is detected), and checks for proper frame alignment with respect to CRS going inactive at the end of reception.

Address Comparator: The address comparator latches the Destination Address (during reception or loopback) or Source Address (during transmission) and determines whether the address matches one of the entries in the CAM (Content Addressable Memory).

CRC Checker: The CRC checker calculates the 4-byte Frame Check Sequence (FCS) field from the incoming data stream and compares it with the last 4-bytes of the received packet. The CRC checker is active for both normal reception and self-reception during transmission.

Content Addressable Memory (CAM): The CAM contains 16 user programmable entries and 1 pre-programmed Broadcast address entry for complete filtering of received packets. The CAM can be loaded with any combination of Physical and Multicast Addresses (Section 4.2). See Section 6.1 for the procedure on loading the CAM registers.

3.3.2 MAC Transmit Section

The transmit section (Figure 3-7) is responsible for reading data from the transmit FIFO and transmitting a serial data

stream onto the network in conformance with the IEEE 802.3 Carrier Sense Multiple Access with Collision Detection (CSMA/CD) standard. The Transmit Section consists of the following blocks.

Transmit State Machine (TSM): The TSM controls the functions of the serializer, preamble generator, and JAM generator. It determines the proper sequence of events that the transmitter follows under various network conditions. If no collision occurs, the transmitter prefixes a 62-bit preamble and 2-bit Start of Frame Delimiter (SFD) at the beginning of each packet, then sends the serialized data. At the end of the packet, an optional 4-byte CRC pattern is appended. If a collision occurs, the transmitter switches from transmitting data to sending a 4-byte Jam pattern to notify all nodes that a collision has occurred. Should the collision occur during the preamble, the transmitter waits for it to complete before jamming. After the transmission has completed, the transmitter writes status in the Transmit Control register (Section 6.3.4).

Protocol State Machine: The protocol state machine assures that the SONIC-T obeys the CSMA/CD protocol. Before transmitting, this state machine monitors the carrier sense and collision signals for network activity. If another node(s) is currently transmitting, the SONIC-T defers until the network is quiet, then transmits after its Interframe Gap Timer (9.6 μ s) has expired. The Interframe Gap time is divided into two portions. During the first 6.4 μ s, network activity restarts the Interframe Gap timer. Beyond this time, however, network activity is ignored and the state machine waits the remaining 3.2 μ s before transmitting. If the SONIC-T experiences a collision during a transmission, the SONIC-T switches from transmitting data to a 4-byte JAM pattern (4 bytes of all 1's), before ceasing to transmit. The SONIC-T then waits a random number of slot times (51.2 μ s) determined by the *Truncated Binary Exponential Backoff Algorithm* before reattempting another transmission. In this algorithm, the number of slot times to delay before the nth retransmission is chosen to be a random integer r in the range of:

$$0 \leq r \leq 2^k$$

$$\text{where } k = \min(n, 10)$$

If a collision occurs on the 16th transmit attempt, the SONIC-T aborts transmitting the packet and reports an "Excessive Collisions" error in the Transmit Control register.

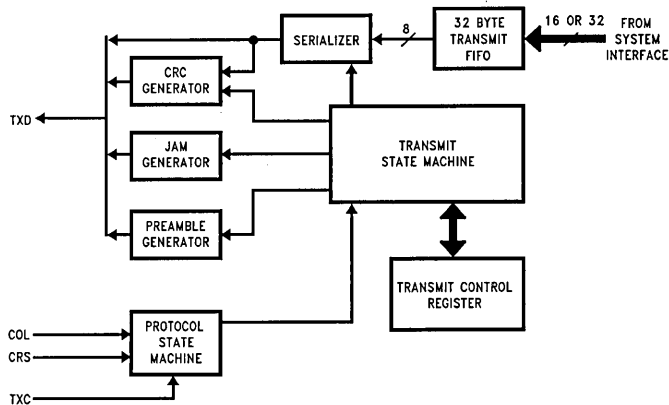


FIGURE 3-7. MAC Transmitter

TL/F/11719-10

3.0 Functional Description (Continued)

Serializer: After data has been written into the 32-byte transmit FIFO, the serializer reads byte wide data from the FIFO and sends a NRZ data stream to the Manchester encoder. The rate at which data is transmitted is determined by the transmit clock (TXC). The serialized data is transmitted after the SFD.

Preamble Generator: The preamble generator prefixes a 62-bit alternating "1,0" pattern and a 2-bit "1,1" SFD pattern at the beginning of each packet. This allows receiving nodes to synchronize to the incoming data. The preamble is always transmitted in its entirety even in the event of a collision. This assures that the minimum collision fragment is 96 bits (64 bits of normal preamble, and 4 bytes, or 32 bits of JAM pattern).

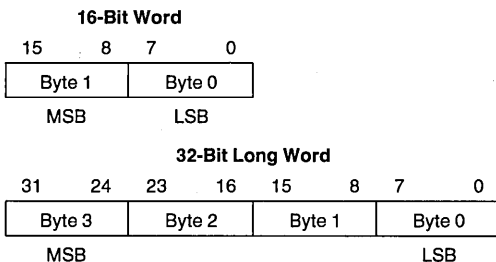
CRC Generator: The CRC generator calculates the 4-byte FCS field from the transmitted serial data stream. If enabled, the 4-byte FCS field is appended to the end of the transmitted packet (Section 4.6).

Jam Generator: The Jam generator produces a 4-byte pattern of all 1's to assure that all nodes on the network sense the collision. When a collision occurs, the SONIC-T stops transmitting data and enables the Jam generator. If a collision occurs during the preamble, the SONIC-T finishes transmitting the preamble before enabling the Jam generator (see Preamble Generator above).

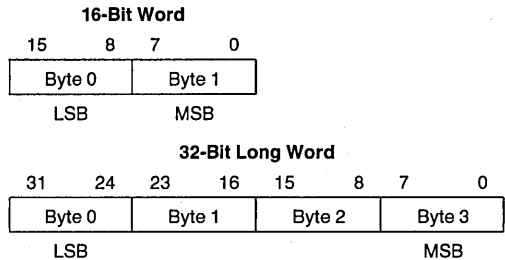
3.4 DATA WIDTH AND BYTE ORDERING

The SONIC-T can be programmed to operate with either 32-bit or 16-bit wide memory. The data width is configured during initialization by programming the DW bit in the Data Configuration Register (DCR, Section 6.3.2). If the 16-bit data path is selected, data is driven on pins D15–D0. The SONIC-T also provides both Little Endian and Big Endian byte-ordering capability for compatibility with National/Intel or Motorola microprocessors respectively by selecting the proper level on the Bus Mode (BMODE) pin.

Little Endian mode (BMODE = 0): The byte orientation for received and transmitted data in the Receive Buffer Area (RBA) and Transmit Buffer Area (TBA) of system memory is as follows:



Big Endian mode (BMODE = 1): The byte orientation for received and transmitted data in the RBA and TBA is as follows:



3.5 FIFO AND CONTROL LOGIC

The SONIC-T incorporates two independent 32-byte FIFOs for transferring data to/from the system interface and from/to the network. The FIFOs, providing temporary storage of data, free the host system from the real-time demands on the network.

The way in which the FIFOs are emptied and filled is controlled by the FIFO threshold values and the Block Mode Select bits (BMS, Section 6.3.2). The threshold values determine how full or empty the FIFOs can be before the SONIC-T will request the bus to get more data from memory or buffer more data to memory. When block mode is set, the number of bytes transferred is set by the threshold value. For example, if the threshold for the receive FIFO is 4 words, then the SONIC-T will always transfer 4 words from the receive FIFO to memory. If empty/fill mode is set, however, the number of bytes transferred is the number required to fill the transmit FIFO or empty the receive FIFO. More specific information about how the threshold affects reception and transmission of packets is discussed in Sections 3.5.1 and 3.5.2 below.

3.5.1 Receive FIFO

To accommodate the different transfer rates, the receive FIFO (*Figure 3-8*) serves as a buffer between the 8-bit network (deserializer) interface and the 16/32-bit system interface. The FIFO is arranged as a 4-byte wide by 8 deep memory array (8-long words, or 32 bytes) controlled by three sections of logic. During reception, the Byte Ordering logic directs the byte stream from the deserializer into the FIFO using one of four write pointers. Depending on the selected byte-ordering mode, data is written either least significant byte first or most significant byte first to accommodate little or big endian byte-ordering formats respectively.

As data enters the FIFO, the Threshold Logic monitors the number of bytes written in from the deserializer. The programmable threshold (RFT1,0 in the Data Configuration Register, see Section 6.3.2) determines the number of words (or long words) written into the FIFO from the MAC unit before a DMA request for system memory occurs.

3.0 Functional Description (Continued)

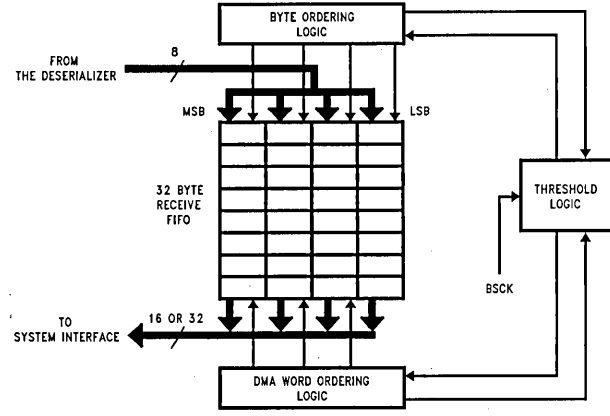


FIGURE 3-8. Receive FIFO

TL/F/11719-11

When the threshold is reached, the Threshold Logic enables the Buffer Management Engine to read a programmed number of 16- or 32-bit words (depending upon the selected word width) from the FIFO and transfers them to the system interface (the system memory) using DMA. The threshold is reached when the number of bytes in the receive FIFO is greater than the value of the threshold. For example, if the threshold is 4 words (8 bytes), then the Threshold Logic will not cause the Buffer Management Engine to write to memory until there are more than 8 bytes in the FIFO.

The Buffer Management Engine reads either the upper or lower half (16 bits) of the FIFO in 16-bit mode or reads the complete long word (32 bits) in 32-bit mode. If, after the transfer is complete, the number of bytes in the FIFO is less than the threshold, then the SONIC-T is done. This is always the case when the SONIC-T is in empty/fill mode. If, however, for some reason (e.g., latency on the bus) the number of bytes in the FIFO is still greater than the threshold value, the Threshold Logic will cause the Buffer Management Engine to do a DMA request to write to memory again. This later case is usually only possible when the SONIC-T is in block mode.

When in block mode, each time the SONIC-T requests the bus, only a number of bytes equal to the threshold value will be transferred. The Threshold Logic continues to monitor the number of bytes written in from the deserializer and enables the Buffer Management Engine every time the threshold has been reached. This process continues until the end of the packet.

Once the end of the packet has been reached, the serializer will fill out the last word (16-bit mode) or long word (32-bit mode) if the last byte did not end on a word or long word boundary respectively. The fill byte will be 0FFh. Immediately after the last byte (or fill byte) in the FIFO, the received packets status will be written into the FIFO. The entire packet, including any fill bytes and the received packet status will be buffered to memory. When a packet is buffered to memory by the Buffer Management Engine, it is always taken from the FIFO in words or long words and buffered to memory on word (16-bit mode) or long word (32-bit mode) boundaries. Data from a packet cannot be buffered on odd byte boundaries for 16-bit mode, and odd word boundaries for 32-bit mode (see Section 5.3). For more information on the receive packet buffering process, see Section 5.4.

3.5.2 Transmit FIFO

Similar to the Receive FIFO, the Transmit FIFO (*Figure 3-9*) serves as a buffer between the 16/32-bit system interface and the network (serializer) interface. The Transmit FIFO is also arranged as a 4 byte by 8 deep memory array (8 long words or 32 bytes) controlled by three sections of logic. Before transmission can begin, the Buffer Management Engine fetches a programmed number of 16- or 32-bit words from memory and transfers them to the FIFO. The Buffer Management Engine writes either the upper or lower half (16 bits) into the FIFO for 16-bit mode or writes the complete long word (32 bits) during 32-bit mode.

The Threshold logic monitors the number of bytes as they are written into the FIFO. When the threshold has been reached, the Transmit Byte Ordering state machine begins reading bytes from the FIFO to produce a continuous byte stream for the serializer. The threshold is met when the number of bytes in the FIFO is greater than the value of the threshold. For example, if the transmit threshold is 4 words (8 bytes), the Transmit Byte Ordering state machine will not begin reading bytes from the FIFO until there are 9 or more bytes in the buffer. The Buffer Management Engine continues replenishing the FIFO until the end of the packet. It does this by making multiple DMA requests to the system interface. Whenever the number of bytes in the FIFO is equal to or less than the threshold value, the Buffer Management Engine will do a DMA request. If block mode is set, then after each request has been granted by the system, the Buffer Management Engine will transfer a number of bytes equal to the threshold value into the FIFO. If empty/fill mode is set, the FIFO will be completely filled in one DMA request.

Since data may be organized in big or little endian byte ordering format, the Transmit Byte Ordering state machine uses one of four read pointers to locate the proper byte within the 4 byte wide FIFO. It also determines the valid number of bytes in the FIFO. For packets which begin or end at odd bytes in the FIFO, the Buffer Management Engine writes extraneous bytes into the FIFO. The Transmit Byte Ordering state machine detects these bytes and only transfers the valid bytes to the serializer. The Buffer Management Engine can read data from memory on any byte boundary (see Section 5.3). See Section 5.5 for more information on transmit buffering.

3.0 Functional Description (Continued)

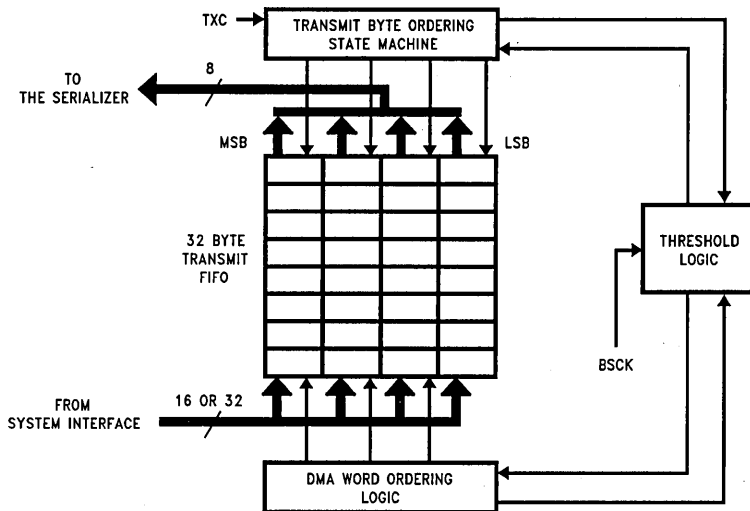


FIGURE 3-9. Transmit FIFO

TL/F/11719-12

3.6 STATUS AND CONFIGURATION REGISTERS

The SONIC-T contains a set of status/control registers for conveying status and control information to/from the host system. The SONIC-T uses these registers for loading commands generated from the system, indicating transmit and receive status, buffering data to/from memory, and providing interrupt control. Each register is 16 bits in length. See Section 6.0 for a description of the registers.

3.7 BUS INTERFACE

The system interface (Figure 3-10) consists of the pins necessary for interfacing to a variety of buses. It includes the I/O drivers for the data and address lines, bus access control for standard microprocessors, ready logic for synchronous or asynchronous systems, slave access control, interrupt control, and shared-memory access control. The functional signal groups are shown in Figure 3-10. See Section 7.0 for a complete description of the SONIC-T bus interface.

3.8 LOOPBACK AND DIAGNOSTICS

The SONIC-T provides three loopback modes for self-testing from the controller interface to the transceiver interface. The loopback function is provided to allow self-testing of the chip's internal transmit and receive operations. During loopback, transmitted packets are routed back to the receive section of the SONIC-T where they are filtered by the address recognition logic and buffered to memory if accepted. Transmit and receive status and interrupts remain active during loopback. This means that when using loopback, it is as if the packet was transmitted and received by two separate chips that are connected to the same bus and memory.

MAC Loopback: Transmitted data is looped back at the MAC. Data is not sent from the MAC to either the internal ENDEC or an external ENDEC (the external ENDEC interface pins will not be driven), hence, data is not transmitted from the chip. Even though the ENDEC is not used in MAC loopback, the ENDEC clock (an oscillator or crystal for the internal ENDEC or TXC for an external ENDEC) must be driven. Network activity, such as a collision, does not affect

MAC loopback. CSMA/CD MAC protocol is not completely followed in MAC loopback.

ENDEC Loopback: Transmitted data is looped back at the ENDEC. If the internal ENDEC is used, data is switched from the transmit section of the ENDEC to the receive section (Figure 3-5). Data is not transmitted from the chip and the collision lines, $CD\pm$, are ignored, hence, network activity does not affect ENDEC loopback. The LBK signal from the MAC tells the internal ENDEC to go into loopback mode. If an external ENDEC is used, it should operate in loopback mode when the LBK signal is asserted. CSMA/CD MAC protocol is followed even though data is not transmitted from the chip.

Transceiver Loopback: Transmitted data is looped back at the external transceiver (which is always the case regardless of the SONIC-T's loopback mode). CSMA/CD MAC protocol is followed since data will be transmitted from the chip. This means that transceiver loopback is affected by network activity. The basic difference between Transceiver Loopback and normal, non-loopback, operations of the SONIC-T is that in Transceiver Loopback, the SONIC-T loads the receive FIFO and buffers the packet to memory. In normal operations, the SONIC-T only monitors the packet that is looped back by the transceiver, but does not fill the receive FIFO and buffer the packet.

3.8.1 Loopback Procedure

The following procedure describes the loopback operation.

1. Initialize the Transmit and Receive Area as described in Sections 5.4 and 5.5.
2. Load one of the CAM address registers (see Section 6.1), with the Destination Address of the packet if you are verifying the SONIC-T's address recognition capability.
3. Load one of the CAM address registers with the Source Address of the packet if it is different than the Destination Address to avoid getting a Packet Monitored Bad (PMB) error in the Transmit status (see Section 6.3.4).

3.0 Functional Description (Continued)

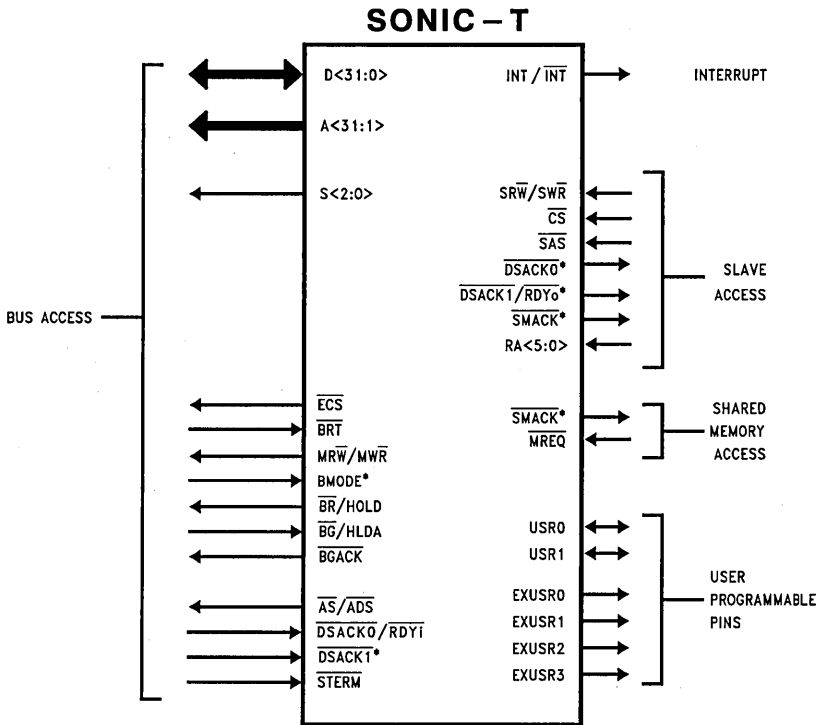
4. Program the Receive Control register with the desired receive filter and the loopback mode (LB1, LB0).
5. Issue the transmit command (TXP) and enable the receiver (RXEN) in the Command register.

The SONIC-T completes the loopback operation after the packet has been completely received (or rejected if there is an address mismatch). The Transmit Control and Receive Control registers treat the loopback packet as in normal operation and indicate status accordingly. Interrupts are also generated if enabled in the Interrupt Mask register.

Note: For MAC Loopback, only one packet may be queued for proper operation. This restriction occurs because the transmit MAC section, which does not generate an Interframe Gap time (IFG) between transmitted packets, does not allow the receive MAC section to update receive status. There are no restrictions for the other loopback modes.

3.9 NETWORK MANAGEMENT FUNCTIONS

The SONIC-T fully supports the Layer Management IEEE 802.3 standard to allow a node to monitor the overall performance of the network. These statistics are available on a per packet basis at the end of reception or transmission. In addition, the SONIC-T provides three tally counters to tabulate CRC errors, Frame Alignment errors, and missed packets. Table 3-1 shows the statistics indicated by the SONIC-T.



TL/F/11719-13

*Note: DSACK0,1 are used for both Bus and Slave Access Control and are bidirectional. SMACK is used for both Slave access and shared memory access. The BMODE pin selects between NationalIntel or Motorola type buses.

FIGURE 3-10. SONIC-T Bus Interface Signals

3.0 Functional Description (Continued)

TABLE 3-1. Network Management Statistics

Statistic	Register Used	Bits Used
Frames Transmitted OK	TCR (Note)	PTX
Single Collision Frames	(Note)	NC0-NC4
Multiple Collision Frames	(Note)	NC0-NC4
Collision Frames	(Note)	NC0-NC4
Frames with Deferred Transmissions	TCR (Note)	DEF
Late Collisions	TCR (Note)	OWC
Excessive Collisions	TCR (Note)	EXC
Excessive Deferral	TCR (Note)	EXD
Internal MAC Transmit Error	TCR (Note)	BCM,FU
Frames Received OK	RCR (Note)	PRX
Multicast Frames Received OK	RCR (Note)	MC
Broadcast Frames Received OK	RCR (Note)	BC
Frame Check Sequence Errors	CRCT RCR	All CRC
Alignment Errors	FAET RCR	All FAE
Frame Lost due to Internal MAC Receive Error	MPT ISR	All RFO

Note: The number of collisions and the contents of the Transmit Control register are posted in the TXpkt.status field (see Section 5.5.1.2). The contents of the Receive Control register are posted in the RXpkt.status field (see Section 5.4.3).

4.0 Transmit/Receive IEEE 802.3 Frame Format

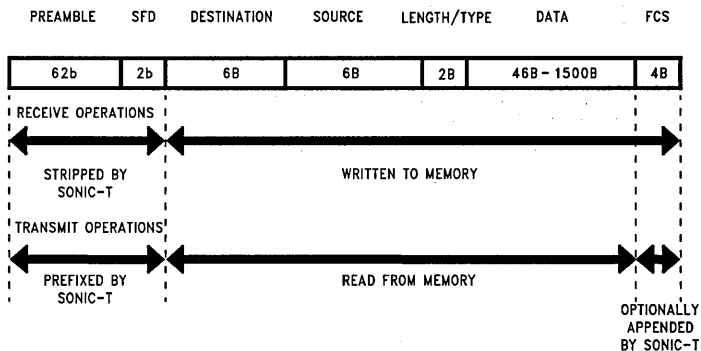
A standard IEEE 802.3 packet (*Figure 4-1*) consists of the following fields: preamble, Start of Frame Delimiter (SFD), destination address, source address, length, data and Frame Check Sequence (FCS). The typical format is shown in *Figure 4-1*. The packets are Manchester encoded and decoded by the ENDEC unit and transferred serially to/from the MAC unit using NRZ data with a clock. All fields are of fixed length except for the data field. The SONIC-T generates and appends the preamble, SFD and FCS field during transmission. The Preamble and SFD fields are stripped during reception. (The CRC is passed through to buffer memory during reception.)

4.1 PREAMBLE AND START OF FRAME DELIMITER (SFD)

The Manchester encoded alternating 1,0 preamble field is used by the ENDEC to acquire bit synchronization with an incoming packet. When transmitted, each packet contains 62 bits of an alternating 1,0 preamble. Some of this preamble may be lost as the packet travels through the network. Byte alignment is performed when the Start of Frame Delimiter (SFD) pattern, consisting of two consecutive 1's, is detected.

4.2 DESTINATION ADDRESS

The destination address indicates the destination of the packet on the network and is used to filter unwanted pack-



Note: B = bytes
b = bits

FIGURE 4-1. IEEE 802.3 Packet Structure

TL/F/11719-14

4.0 Transmit/Receive IEEE 802.3 Frame Format (Continued)

ets from reaching a node. There are three types of address formats supported by the SONIC-T: Physical, Multicast, and Broadcast.

Physical Address: The physical address is a unique address that corresponds only to a single node. All physical addresses have the LSB of the first byte of the address set to "0". These addresses are compared to the internally stored CAM (Content Addressable Memory) address entries. All bits in the destination address must match an entry in the CAM in order for the SONIC-T to accept the packet.

Multicast Address: Multicast addresses, which have the LSB of the first byte of the address set to "1", are treated similarly as Physical addresses, i.e., they must match an entry in the CAM. This allows perfect filtering of Multicast packet's and eliminates the need for a hashing algorithm for mapping Multicast packets.

Broadcast Address: If the address consists of all 1's, it is a Broadcast address, indicating that the packet is intended for all nodes.

The SONIC-T also provides a promiscuous mode which allows reception of all physical address packets. Physical, Multicast, Broadcast, and promiscuous address modes can be selected via the Receive Control register.

4.3 SOURCE ADDRESS

The source address is the physical address of the sending node. Source addresses cannot be multicast or broadcast addresses. This field must be passed to the SONIC-T's transmit buffer from the system software. During transmission, the SONIC-T compares the Source address with its internal CAM address entries before monitoring the CRC of the self-received packet. If the source address of the packet transmitted does not match a value in the CAM, the packet monitored bad flag (PMB) will be set in the transmit status field of the transmit descriptor (see Sections 5.5.1.2 and 6.3.4). The SONIC-T does not provide Source Address insertion. However, a transmit descriptor fragment, containing only the Source Address, may be created for each packet. (See Section 5.5.1.)

4.4 LENGTH/TYPE FIELD

For IEEE 802.3 type packets, this field indicates the number of bytes that are contained in the data field of the packet. For Ethernet I and II networks, this field indicates the type of packet. The SONIC-T does not operate on this field.

4.5 DATA FIELD

The data field has a variable octet length ranging from 46 to 1500 bytes as defined by the Ethernet specification. Messages longer than 1500 bytes need to be broken into multiple packets for IEEE 802.3 networks. Data fields shorter than 46 bytes require appending a pad to bring the complete frame length to 64 bytes. If the data field is padded, the number of valid bytes are indicated in the length field. The SONIC-T does not append pad bytes for short packets during transmission, nor check for oversize packets during reception. However, the user's driver software can easily append the pad by lengthening the TXpkt.pkt_size field and TXpkt.frag_size field(s) to at least 64 bytes (see Section 5.5.1). While the Ethernet specification defines the maximum number of bytes in the data field the SONIC-T can transmit and receive packets up to 64k bytes.

4.6 FCS FIELD

The Frame Check Sequence (FCS) is a 32-bit CRC field calculated and appended to a packet during transmission to allow detection of error-free packets. During reception, an error-free packet results in a specific pattern in the CRC

generator. The AUTODIN II ($X32 + X26 + X23 + X22 + X16 + X12 + X11 + X10 + X8 + X7 + X5 + X4 + X2 + X1 + 1$) polynomial is used for the CRC calculations. The SONIC-T may optionally append the CRC sequence during transmission, and checks the CRC both during normal reception and self-reception during a transmission (see Section 3.3.1).

4.7 MAC (MEDIA ACCESS CONTROL) CONFORMANCE

The SONIC-T is designed to be compliant to the IEEE 802.3 MAC Conformance specification. The SONIC-T implements most of the MAC functions in silicon and provides hooks for the user software to handle the remaining functions. The MAC Conformance specifications are summarized in Table 4-1.

TABLE 4-1. MAC Conformance Specifications

Conformance Test Name	Support By		
	SONIC-T	User Driver Software	Notes
Minimum Frame Size	X		
Maximum Frame Size	X	X	1
Address Generation	X	X	2
Address Recognition	X		
Pad Length Generation	X	X	3
Start Of Frame Delimiter	X		
Length Field	X		
Preamble Generation	X		
Order of Bit Transmission	X		
Inconsistent Frame Length	X	X	1
Non-Integral Octet Count	X		
Incorrect Frame Check Sequence	X		
Frame Assembly	X		
FCS Generation and Insertion	X		
Carrier Deference	X		
Interframe Spacing	X		
Collision Detection	X		
Collision Handling	X		
Collision Backoff and Retransmission	X		
FCS Validation	X		
Frame Disassembly	X		
Back-to-Back Frames	X		
Flow Control	X		
Attempt Limit	X		
Jam Size (after SFD)	X		
Jam Size (in Preamble)	X		

Note 1: The SONIC-T provides the byte count of the entire packet in the RXpkt.byte_count (see Section 5.4.3). The user's driver software may perform further filtering of the packet based upon the byte count.

Note 2: The SONIC-T does not provide Source Address insertion; however, a transmit descriptor fragment, containing only the Source Address, may be created for each packet. (See Section 5.5.1.)

Note 3: The SONIC-T does not provide Pad generation; however, the user's driver software can easily append the Pad by lengthening the TXpkt.pkt_size field and TXpkt.frag_size field(s) to at least 64 bytes. (see Section 5.5.1.)

5.0 Buffer Management

5.1 BUFFER MANAGEMENT OVERVIEW

The SONIC-T's buffer management scheme is based on separate buffers and descriptors (*Figures 5-3 and 5-12*). Packets that are received or transmitted are placed in buffers called the Receive Buffer Area (RBA) and the Transmit Buffer Area (TBA). The system keeps track of packets in these buffers using the information in the Receive Descriptor Area (RDA) and the Transmit Descriptor Area (TDA). A single (TDA) points to a single TBA, but multiple RDAs can point to a single RBA (one RDA per packet in the buffer). The Receive Resource Area (RRA), which is another form of descriptor, is used to keep track of the actual buffer.

When packets are transmitted, the system sets up the packets in one or more TBAs with a TDA pointing to each TBA. There can only be one packet per TBA/TDA pair. A single TBA, however, may be made up of several fragments of data dispersed in memory. There is one TDA pointing to each TBA which specifies information about the buffer's size, location in memory, number of fragments and status after transmission. The TDAs are linked together in a linked list. The system causes the SONIC-T to transmit the packets by passing the first TDA to the SONIC-T and issuing the transmit command.

Before a packet can be received, an RBA and RDA must be set up by the system. RDAs are made up as a linked list similar to TDAs. An RDA is not linked to a particular RBA, though. Instead, an RDA is linked specifically to a packet after it has been buffered into an RBA. More than one packet can be buffered into the same RBA, but each packet gets its own RDA. A received packet can not be scattered into fragments. The system only needs to tell the SONIC-T where the first RDA and where the RBAs are. Since an RDA never specifically points to an RBA, the RRA is used to keep track of the RBAs. The RRA is a circular queue of pointers and buffer sizes (not a linked list). When the SONIC-T receives a packet, it is buffered into an RBA and an RDA is written to so that it points to and describes the new packet. If the RBA does not have enough space to buffer the next packet, a new RBA is obtained from the RRA.

5.2 DESCRIPTOR AREAS

Descriptors are the basis of the buffer management scheme used by the SONIC-T. An RDA points to a received packet within an RBA, an RRA points to an RBA and a TDA points to a TBA which contains a packet to be transmitted. The conventions and registers used to describe these descriptors are discussed in the next three sections.

5.2.1 Naming Convention for Descriptors

The fields which make up the descriptors are named in a consistent manner to assist in remembering the usage of each descriptor. Each descriptor name consists of three components in the following format.

[RX/TX][descriptor name].[field]

The first two capital letters indicate whether the descriptor is used for transmission (TX) or reception (RX), and is then followed by the descriptor name having one of two names.

rsrc = Resource descriptor
pkt = Packet descriptor

The last component consists of a field name to distinguish it from the other fields of a descriptor. The field name is separated from the descriptor name by a period ("."). An example of a descriptor is shown below.

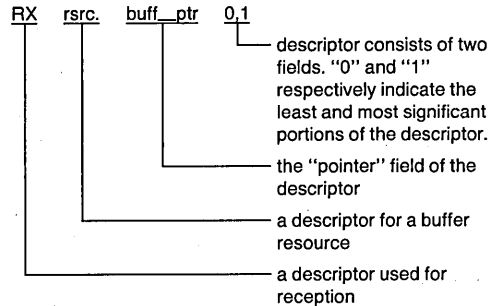


FIGURE 5-1. Receive Buffer Descriptor Example

5.2.2 Abbreviations

Abbreviations are used to describe the SONIC-T registers and data structures in memory. The "0" and "1" in the abbreviations indicate the least and most significant portions of the registers or descriptors. Table 5-1 lists the naming convention abbreviations for descriptors.

5.2.3 Buffer Management Base Addresses

The SONIC-T uses three areas in memory to store descriptor information: the Transmit Descriptor Area (TDA), the Receive Descriptor Area (RDA), and the Receive Resource Area (RRA). The SONIC-T accesses these areas by concatenating a 16-bit base address register with a 16-bit offset register. The base address register supplies a fixed upper 16 bits of address and the offset registers provide the lower 16 bits of address. The base address registers are the Upper Transmit Descriptor Address (UTDA), Upper Receive Descriptor Address (URDA), and the Upper Receive Resource Address (URRA) registers. The corresponding offset registers are shown below.

Upper Address Registers	Offset Registers
URRA	RSA, REA, RWP, RRP
URDA	CRDA
UTDA	CTDA

Table 5-1 defines the register mnemonics.

Figure 5-2 shows an example of the Transmit Descriptor Area and the Receive Descriptor Area being located by the UTDA and URDA registers. The descriptor areas, RDA, TDA, and RRA are allowed to have the same base address. i.e., URRA = URDA = UTDA. Care, however, must be taken to prevent these areas from overwriting each other.

5.0 Buffer Management (Continued)

TABLE 5-1. Descriptor Abbreviations

TRANSMIT AND RECEIVE AREAS	
RRA	Receive Resource Area
RDA	Receive Descriptor Area
RBA	Receive Buffer Area
TDA	Transmit Descriptor Area
TBA	Transmit Buffer Area
BUFFER MANAGEMENT REGISTERS	
RSA	Resource Start Area Register
REA	Resource End Area Register
RRP	Resource Read Pointer Register
RWP	Resource Write Pointer Register
CRDA	Current Receive Descriptor Address Register
CRBA0,1	Current Receive Buffer Address Register
TCBA0,1	Temporary Current Buffer Address Register
RBWC0,1	Remaining Buffer Word Count Register
TRBWC0,1	Temporary Remaining Buffer Word Count Register
EOBC	End of Buffer Count Register
TPS	Transmit Packet Size Register
TSA0,1	Transmit Start Address Register
CTDA	Current Transmit Descriptor Address Register

BUFFER MANAGEMENT REGISTERS (Continued)	
TFC	Transmit Fragment Count Register
TFS	Transmit Fragment Size Register
UTDA	Upper Transmit Descriptor Address Register
URRA	Upper Receive Resource Address Register
URDA	Upper Receive Descriptor Address Register
TRANSMIT AND RECEIVE DESCRIPTORS	
RXsrc.buff_ptr0,1	Buffer Pointer Field in the RRA
RXsrc.buff_wc0,1	Buffer Word Count Fields in the RRA
RXpkt.status	Receive Status Field in the RDA
RXpkt.byte_count	Packet Byte Count Field in the RDA
RXpkt.buff_ptr0,1	Buffer Pointer Fields in the RDA
RXpkt.link	Receive Descriptor Link Field in RDA
RXpkt.in_use	"In Use" Field in RDA
TXpkt.frag_count	Fragment Count Field in TDA
TXpkt.pkt_size	Packet Size Field in TDA
TXpkt.pkt_ptr0,1	Packet Pointer Fields in TDA
TXpkt.frag_size	Fragment Size Field in TDA
TXpkt.link	Transmit Descriptor Link Field in TDA

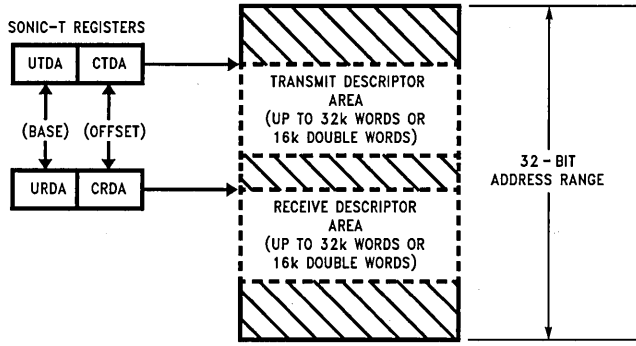


FIGURE 5-2. Transmit and Receive Descriptor Area Pointers

TL/F/11719-15

5.0 Buffer Management (Continued)

5.3 DESCRIPTOR DATA ALIGNMENT

All fields used by descriptors (RXpkt.xxx, RXsrc.xxx, and TXpkt.xxx) are word quantities (16-bit) and must be aligned to word boundaries (A0=0) for 16-bit memory and to long word boundaries (A1,A0=0,0) for 32-bit memory. The Receive Buffer Area (RBA) must also be aligned to a word boundary in 16-bit mode and a long word boundary in 32-bit mode. The fragments in the Transmit Buffer Area (TBA), however, may be aligned on any arbitrary byte boundary.

5.4 RECEIVE BUFFER MANAGEMENT

The Receive Buffer Management operates on three areas in memory into which data, status, and control information are written during reception (Figure 5-2). These three areas must be initialized (Section 5.4.4) before enabling the receiver (setting the RXEN bit in the Command Register). The Receive Resource Area (RRA) contains descriptors that locate Receive Buffer Areas in system memory. These descriptors are denoted by R1, R2, etc. in Figure 5-3. Packets (denoted by P1, P2, etc.) can then be buffered into the corresponding RBAs. Depending on the size of each buffer area and the size of the packet(s), multiple or single packets are buffered into each RBA. The Receive Descriptor Area (RDA) contains status and control information for each packet (D1, D2, etc. in Figure 5-3) corresponding to each received packet (D1 goes with P1, D2 with P2, etc.).

When a packet arrives, the address recognition logic checks the address for a Physical, Multicast, or Broadcast match and if the packet is accepted, the SONIC-T buffers the packet contiguously into the selected Receive Buffer Area (RBA). Because of the previous end-of-packet processing, the SONIC-T assures that the complete packet is written into a single contiguous block. When the packet ends, the SONIC-T writes the receive status, byte count, and location of the packet into the Receive Descriptor Area (RDA). The SONIC-T then updates its pointers to locate the next available descriptor and checks the remaining words available in the RBA. If sufficient space remains, the SONIC-T buffers the next packet immediately after the previous packet. If the current buffer is out of space the SONIC-T fetches a Resource Descriptor from the Receive Resource Area (RRA) acquiring an additional buffer that has been previously allocated by the system.

5.4.1 Receive Resource Area (RRA)

As buffer memory is consumed by the SONIC-T for storing data, the Receive Resource Area (RRA) provides a mechanism that allows the system to allocate additional buffer space for the SONIC-T. The system loads this area with Resource Descriptors that the SONIC-T, in turn, reads as its current buffer space is used up. Each Resource Descriptor consists of a 32-bit buffer pointer locating the starting point of the RBA and a 32-bit word count that indicates the size of the buffer in words (2 bytes per word). The buffer pointer and word count are contiguously located using the format shown in Figure 5-4 with each component composed of 16-bit fields. The SONIC-T stores this information internally and concatenates the corresponding fields to create 32-bit long words for the buffer pointer and word count. Note that in 32-bit mode the upper word (D<31:16>) is not used by the SONIC-T. This area may be used for other purposes since the SONIC-T never writes into the RRA.

The SONIC-T organizes the RRA as a circular queue for efficient processing of descriptors. Four registers define the RRA. The first two, the Resource Start Area (RSA) and the Resource End Area (REA) registers, determine the starting and ending locations of the RRA, and the other two registers update the RRA. The system adds descriptors at the address specified by the Resource Write Pointer (RWP), and the SONIC-T reads the next descriptor designated by the Resource Read Pointer (RRP). The RRP is advanced 4 words in 16-bit mode (4 long words in 32-bit mode) after the SONIC-T finishes reading the RRA and automatically wraps around to the beginning of the RRA once the end has been reached. When a descriptor in the RRA is read, the RXsrc.buf_pt0,1 is loaded into the CRBA0,1 registers and the RXsrc.buf_wc0,1 is loaded into the RBWC0,1 registers.

The alignment of the RRA is confined to either word or long word boundaries, depending upon the data width mode. In 16-bit mode, the RRA must be aligned to a word boundary (A0 is always zero) and in 32-bit mode, the RRA is aligned to a long word boundary (A0 and A1 are always zero).

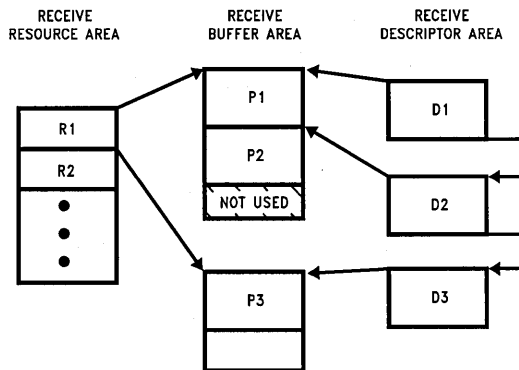


FIGURE 5-3. Overview of Receive Buffer Management

TL/F/11719-16

5.0 Buffer Management (Continued)

5.4.2 Receive Buffer Area (RBA)

The SONIC-T stores the actual data of a received packet in the RBA. The RBAs are designated by the Resource Descriptors in the RRA as described above. The `RXsrc.buf_wc0,1` fields of the RRA indicate the length of the RBA. When the SONIC-T gets an RBA from the RRA, the `RXsrc.buf_wc0,1` values are loaded into the Remaining Buffer Word Count registers (`RBWC0,1`). These registers keep track of how much space (in words) is left in the buffer. When a packet is buffered in a RBA, it is buffered contiguously (the SONIC-T will not scatter a packet into multiple buffers or fragments). Therefore, if there is not enough space left in a RBA after buffering a packet to buffer at least one more maximum sized packet (the maximum legal sized packet expected to be received from the network), a new buffer must be acquired. The End of Buffer Count (EOBC) register is used to tell the SONIC-T the maximum packet size that the SONIC-T will need to buffer.

5.4.2.1 End of Buffer Count (EOBC)

The EOBC is a boundary in the RBA based from the bottom of the buffer. The value written into the EOBC is the maximum expected size (in words) of the network packet that the SONIC-T will have to buffer. This word count creates a line in the RBA that, when crossed, causes the SONIC-T to fetch a new RBA resource from the RRA.

Note: The EOBC is a word count, not a byte count. Also, the value programmed into EOBC must be a double word (32-bit) quantity when the SONIC-T is in 32-bit mode (e.g., in 32-bit mode, EOBC should be set to 758 words, not 759 words even though the maximum size of an IEEE 802.3 packet is 759 words).

5.4.2.2 Buffering the Last Packet in an RBA

At the start of reception, the SONIC-T stores the packet beginning at the Current Receive Buffer Address (`CRBA0,1`) and continues until the reception is complete. Concurrent with reception, the SONIC-T decrements the Remaining Buffer Word Count (`RBWC0,1`) by one in 16-bit mode or by two in 32-bit mode. At the end of reception, if the packet has crossed the EOBC boundary, the SONIC-T knows that the next packet might not fit in the RBA. This check is done by comparing the `RBWC0,1` registers with the EOBC. If `RBWC0,1` is less than the EOBC (the last packet buffered has crossed the EOBC boundary), the SONIC-T fetches the next resource descriptor in the RRA. If `RBWC0,1` is greater than or equal to the EOBC (the EOBC boundary has not been crossed) the next packet reception continues at the present location pointed to by `CRBA0,1` in the same RBA. *Figure 5-5* illustrates the SONIC-T's actions for (1) $RBWC0,1 \geq EOBC$ and (2) $RBWC0,1 < EOBC$. See Section 5.4.4.4 for specific information about setting the EOBC.

Note: It is important that the EOBC boundary be "crossed." In other words, case #1 in *Figure 5-5* must exist before case #2 exists. If case #2 occurs without case #1 having occurred first, the test for $RBWC0,1 < EOBC$ will not work properly and the SONIC-T will not fetch a new buffer. The result of this will be a buffer overflow (RBAE in the Interrupt Status Register, Section 6.3.6).

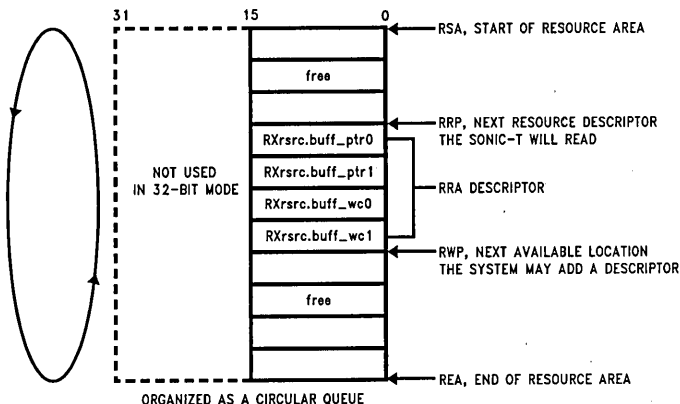
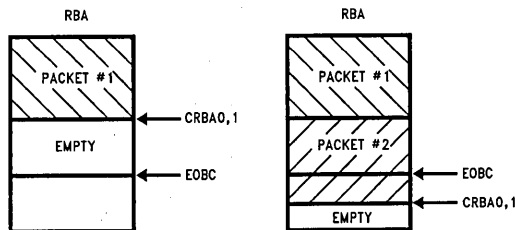


FIGURE 5-4. Receive Resource Area Format

TL/F/11719-17



Case #1
($RBWC0,1 \geq EOBC$)

Case #2
($RBWC0,1 < EOBC$)

Case #1: SONIC-T buffers next packet in same RBA.

Case #2: SONIC-T detects an exhausted RBA and will buffer the next packet in another RBA.

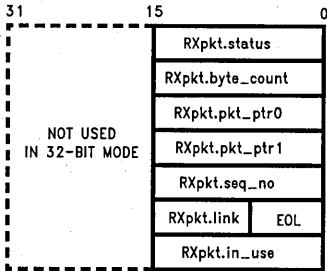
FIGURE 5-5. Receive Buffer Area

TL/F/11719-18

5.0 Buffer Management (Continued)

5.4.3 Receive Descriptor Area (RDA)

After the SONIC-T buffers a packet to memory, it writes 6 words of status and control information into the RDA, reads the link field to proceed to the next Receive Descriptor, and writes to the in-use field of the current descriptor. In 32-bit mode the upper word, D<31:16>, is not used. This unused area in memory should not be used for other purposes since the SONIC-T may still write into these locations. Each receive descriptor consists of the following sections (Figure 5-6).



TL/F/11719-19

FIGURE 5-6. Receive Descriptor Format

receive status: indicates status of the received packet. The SONIC-T writes the Receive Control register values into this field. Figure 5-7 shows the receive status format. This field is loaded from the contents of the Receive Control register. Note that ERR, RNT, BRD, PRO, and AMC are configuration bits and are programmed during initialization. see Section 6.3.3 for the description of the Receive Control register.

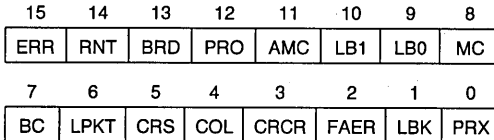


FIGURE 5-7. Receive Status Format

byte count: gives the length of the complete packet from the start of Destination Address to the end of Frame Check Sequence (FCS).

packet pointer: a 32-bit pointer that locates the packet in the RBA. The SONIC-T writes the contents of the CRBA0,1 registers into this field.

sequence numbers: this field displays the contents of two 8-bit counters (modulo 256) that sequence the RBAs used and the packets buffered. These counters assist the system in determining when an RBA has been completely processed. The sequence numbers allow the system to tally the packets that have been processed within a particular RBA. There are two sequence numbers that describe a packet: the RBA Sequence Number and the Packet Sequence Number. When a packet is buffered to memory, the SONIC-T maintains a single RBA Sequence Number for all packets in an RBA and sequences the Packet Number for succeeding packets in the RBA. When the SONIC-T uses the next RBA, it increments the RBA Sequence Number and clears the Packet Sequence Number. The RBA's sequence counter is not incremented when the Read RRA command is issued in the Command register. The format of the Receive Sequence Numbers is shown in Figure 5-8. These counters are reset during a SONIC-T hardware reset or by writing zero to them.

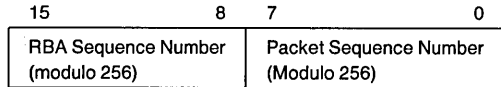


FIGURE 5-8. Receive Sequence Number Format

receive link field: a 15-bit pointer (A15-A1) that locates the next receive descriptor. The LSB of this field is the End Of List (EOL) bit, and indicates the last descriptor in the list. (Initialized by the system.)

in-use field: this field provides a handshake between the system and the SONIC-T to indicate the ownership of the descriptor. When the system avails a descriptor to the SONIC-T, it writes a non-zero value into this field. The SONIC-T, in turn, sets this field to all "0's" when it has finished processing the descriptor. (That is, when the CRDA register has advanced to the next receive descriptor.) Generally, the SONIC-T releases control after writing the status and control information into the RDA. If, however, the SONIC-T has reached the last descriptor in the list, it maintains ownership of the descriptor until the system has appended additional descriptors to the list. The SONIC-T then relinquishes control after receiving the next packet. (See Section 5.4.6.1 for details on when the SONIC-T writes to this field). The receive packet descriptor format is shown in Figure 5-6.

5.4.4 Receive Buffer Management Initialization

The Receive Resource, Descriptor, and Buffer areas (RRA, RDA, RBA) in memory and the appropriate SONIC-T registers must be properly initialized before the SONIC-T begins buffering packets. This section describes the initialization process.

5.4.4.1 Initializing The Descriptor Page

All descriptor areas (RRA, RDA, and TDA) used by the SONIC-T reside within areas up to 32k (word) or 16k (long word) pages. This page may be placed anywhere within the 32-bit address range by loading the upper 16 address lines into the UTDA, URDA, and URRRA registers.

5.4.4.2 Initializing The RRA

The initialization of the RRA consists of loading the four SONIC-T RRA registers and writing the resource descriptor information to memory.

The RRA registers are loaded with the following values.

Resource Start Area (RSA) register: The RSA is loaded with the lower 16-bit address of the beginning of the RRA.

Resource End Area (REA) register: The REA is loaded with the lower 16-bit address of the end of the RRA. The end of the RRA is defined as the address of the last RXsrc.ptr0 field in the RRA plus 4 words in 16-bit mode or 4 long words in 32-bit mode (Figure 5-4).

Resource Read Pointer (RRP) register: The RRP is loaded with the lower 16-bit address of the first resource descriptor the SONIC-T reads.

Resource Write Pointer (RWP) register: The RWP is loaded with the lower 16-bit address of the next vacant location where a resource descriptor will be placed by the system.

Note: The RWP register must only point to either (1) the RXsrc.ptr0 field of one of the RRA Descriptors, (2) the memory address that the RSA points to (the start of the RRA), or (3) the memory address that the REA points to (the end of the RRA). When the RWP = RRP comparison is made, it is performed after the complete RRA descriptor has been read and not during the fetch. Failure to set the RWP to any of the above values prevents the RWP = RRP comparison from ever becoming true.

5.0 Buffer Management (Continued)

All RRA registers are concatenated with the URRA register for generating the full 32-bit address.

The resource descriptors that the system writes to the RRA consists of four fields: (1) RXrsrc.buff_ptr0, (2) RXrsrc.buff_ptr1, (3) RXrsrc.buff_wc0, and (4) RXrsrc.buff_wc1. The fields must be contiguous (they cannot straddle the end points) and are written in the order shown in Figure 5-9. The "0" and "1" in the descriptors denote the least and most significant portions for the Buffer Pointer and Word Count. The first two fields supply the 32-bit starting location of the Receive Buffer Area (RBA), and the second two define the number of 16-bit words that the RBA occupies. Note that two restrictions apply to the Buffer Pointer and Word Count. First, in 32-bit mode, since the SONIC-T always writes long words, an even count must be written to RXrsrc.buff_wc0. Second, the Buffer Pointer must either be pointing to a word boundary in 16-bit mode (A0=0) or a long word boundary in 32-bit mode (A0,A1=0,0). Note also that the descriptors must be properly aligned in the RRA as discussed in Section 5.3.

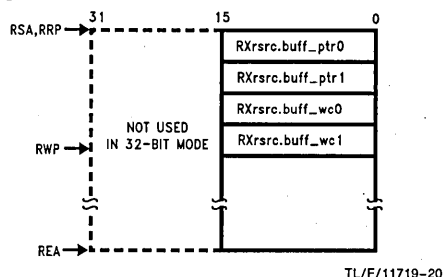


FIGURE 5-9. RRA Initialization

After configuring the RRA, the RRA Read command (setting RRRR bit in the Command register) may be given. This command causes the SONIC-T to read the RRA descriptor in a single block operation, and load the following registers (see Section 6.2 for register mnemonics):

- CRBA0 register ← RXrsrc.buff_ptr0
- CRBA1 register ← RXrsrc.buff_ptr1
- RBWC0 register ← RXrsrc.buff_wc0
- RBWC1 register ← RXrsrc.buff_wc1

When the command has completed, the RRRR bit in the Command register is reset to "0". Generally this command is only issued during initialization. At all other times, the RRA is automatically read as the SONIC-T finishes using an RBA.

5.4.4.3 Initializing The RDA

To accept multiple packets from the network, the receive packet descriptors must be linked together via the RXpkt.link fields. Each link field must be written with a 15-bit (A15–A1) pointer to locate the beginning of the next descriptor in the list. The LSB of the RXpkt.link field is the End of List (EOL) bit and is used to indicate the end of the descriptor list. EOL = 1 for the last descriptor and EOL = 0 for the first or middle descriptors. The RXpkt.in_use field indicates whether the descriptor is owned by the SONIC-T. The system writes a non-zero value to this field when the descriptor is available, and the SONIC-T writes all "0's" when it finishes using the descriptor. At startup, the Current Receive Descriptor Address (CRDA) register must be loaded with the address of the first RXpkt.status field in order for

the SONIC-T to begin receive processing at the first descriptor. An example of two descriptors linked together is shown in Figure 5-10. The fields initialized by the system are displayed in bold type. The other fields are written by the SONIC-T after a packet is accepted. The RXpkt.in_use field is first written by the system, and then by the SONIC-T. Note that the descriptors must be aligned properly as discussed in Section 5.3. Also note that the URDA register is concatenated with the CRDA register to generate the full 32-bit address.

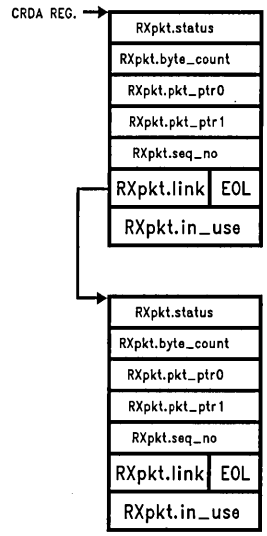


FIGURE 5-10. RDA Initialization Example

5.4.4.4 Initializing the Lower Boundary of the RBA

A "false bottom" is set in the RBA by loading the End Of Buffer Count (EOBC) register with a value equal to the maximum size packet in words (16 bits) that may be received. This creates a lower boundary in the RBA. Whenever the Remaining Buffer Word Count (RBWC0,1) registers decrement below the EOBC register, the SONIC-T buffers the next packet into another RBA. This also guarantees that a packet is always contiguously buffered into a single Receive Buffer Area (RBA). The SONIC-T does not buffer a packet into multiple RBAs. Note that in 32-bit mode, the SONIC-T holds the LSB always low so that it properly compares with the RBWC0,1 registers.

After a hardware reset, the EOBC register is automatically initialized to 2F8h (760 words or 1520 bytes). For 32-bit applications this is the suggested value for EOBC. EOBC defaults to 760 words (1520 bytes) instead of 759 words (1518 bytes) because 1518 is not a double word (32-bit) boundary (see Section 5.4.2.1). If the SONIC-T is used in 16-bit mode, then EOBC should be set to 759 words (1518 bytes) because 1518 is a word (16-bit) boundary.

Sometimes it may be desired to buffer a single packet per RBA. When doing this, it is important to set EOBC and the buffer size correctly. The suggested practice is to set EOBC to a value that is at least 4 bytes, in 32-bit mode, or 2 bytes, in 16-bit mode, less than the buffer size. An example of this for 32-bit mode is to set EOBC to 760 words (1520 bytes)

5.0 Buffer Management (Continued)

and the buffer size to 762 words (1524 bytes). A similar example for 16-bit mode would be EOBC = 759 words (1518 bytes) and the buffer size set to 760 words (1520 bytes). The buffer can be any size, but as long as the EOBC is 2 words, for 32-bit mode, or 1 word, for 16-bit mode, less than the buffer size, only one packet will be buffered in that RBA.

Note 1: It is possible to filter out most oversized packets by setting the buffer size to 760 words (1520 bytes) in 32-bit mode or 759 words (1518 bytes) in 16-bit mode. EOBC would be set to 758 words (1516 bytes) for both cases. With this configuration, any packet over 1520 bytes, in 32-bit mode, or 1518 bytes, in 16-bit mode, will not be completely buffered because the packet will overflow the buffer. When a packet overflow occurs, a Receive Buffer Area Exceeded interrupt (RBAE in the Interrupt Status Register, Section 6.3.6) will occur.

Note 2: When buffering one packet per buffer, it is suggested that the values in Note 1 above be used. Since the minimum legal sized Ethernet packet is 64 bytes, however, it is possible to set EOBC as much as 64 bytes less than the buffer size and still end up with one packet per buffer. Figure 5-11 shows this "range."

5.4.5 Beginning Of Reception

At the beginning of reception, the SONIC-T checks its internally stored EOL bit from the previous RXpkt.link field for a "1". If the SONIC-T finds EOL = 1, it recognizes that after the previous reception, there were no more remaining receive packet descriptors. It re-reads the same RXpkt.link field to check if the system has updated this field since the last reception. If the SONIC-T still finds EOL = 1, reception ceases. (See Section 5.5 for adding descriptors to the list.) Otherwise, the SONIC-T begins storing the packet in the RBA starting at the Current Receive Buffer Address (CRBA0,1) registers and continues until the packet has completed. Concurrent with the packet reception, the Remaining Buffer Word Count (RBWC0,1) registers are decremented after each word is written to memory. This register determines the remaining words in the RBA at the end of reception.

5.4.6 End Of Packet Processing

At the end of a reception, the SONIC-T enters its end of packet processing sequence to determine whether to accept or reject the packet based on receive errors and packet size. At the end of reception the SONIC-T enters one of the following two sequences:

- Successful reception sequence
- Buffer recovery for runt packets or packets with errors

5.4.6.1 Successful Reception

If the SONIC-T accepts the packet, it first writes 5 words of descriptor information in the RDA beginning at the address pointed to by the Current Receive Descriptor Address (CRDA) register. It then reads the RXpkt.link field to advance the CRDA register to the next receive descriptor. The SONIC-T also checks the EOL bit for a "1" in this field. If EOL = 1, no more descriptors are available for the SONIC-T. The SONIC-T recovers the address of the current RXpkt.link field (from a temporary register) and generates a "Receive Descriptors Exhausted" indication in the Interrupt Status register. (See Section 5.4.7 on how to add descriptors.) The SONIC-T maintains ownership of the descriptor by *not* writing to the RXpkt.in_use field. Otherwise, if EOL = 0, the SONIC-T advances the CRDA register to the next descriptor and resets the RXpkt.in_use field to all "0's".

The SONIC-T accesses the complete 7 word RDA descriptor in a single block operation.

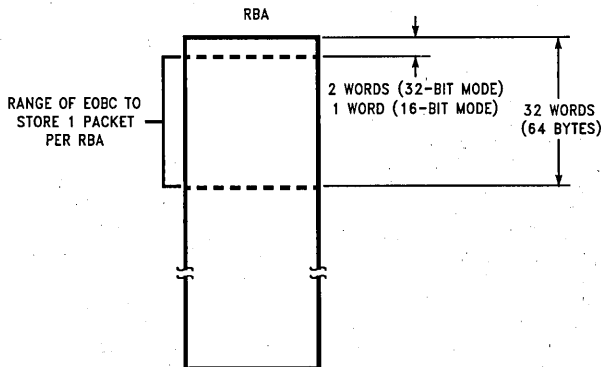
The SONIC-T also checks if there is remaining space in the RBA. The SONIC-T compares the Remaining Buffer Word Count (RBWC0,1) registers with the static End Of Buffer Count (EOBC). If the RBWC is less than the EOBC, a maximum sized packet will no longer fit in the remaining space in the RBA; hence, the SONIC-T fetches a resource descriptor from the RRA and loads its registers with the pointer and word count of the next available RBA.

5.4.6.2 Buffer Recovery For Runt Packets Or Packets With Errors

If a runt packet (less than 64 bytes) or packet with errors arrives and the Receive Control register has been configured to not accept these packets, the SONIC-T recovers its pointers back to the original positions. The CRBA0,1 registers are not advanced and the RBWC0,1 registers are not decremented. The SONIC-T recovers its pointers by maintaining a copy of the buffer address in the Temporary Receive Buffer Address registers (TRBA0,1). The SONIC-T recovers the value in the RBWC0,1 registers from the Temporary Buffer Word Count registers (TBWC0,1).

5.4.7 Overflow Conditions

When an overflow condition occurs, the SONIC-T halts its DMA operations to prevent writing into unauthorized memory. The SONIC-T uses the Interrupt Status register (ISR) to indicate three possible overflow conditions that can occur



Range of EOBC = (RXsrc.wc0,1 - 2 to RXsrc.wc0,1 - 32)

FIGURE 5-11. Setting EOBC for Single Packet RBA

5.0 Buffer Management (Continued)

when its receive resources have been exhausted. The system should respond by replenishing the resources that have been exhausted. These overflow conditions (Descriptor Resources Exhausted, Buffer Resources Exhausted, and RBA Limit Exceeded) are indicated in the Interrupt Status register and are detailed as follows:

Descriptor Resources Exhausted: This occurs when the SONIC-T has reached the last receive descriptor in the list, meaning that the SONIC-T has detected EOL = 1. The system must supply additional descriptors for continued reception. The system can do this in one of two ways: 1) appending descriptors to the existing list, or 2) creating a separate list.

1. Appending descriptors to the existing list. This is the easiest and preferred way. To do this, the system, after creating the new list, joins the new list to the existing list by simply writing the beginning address of the new list into the RXpkt.link field and setting EOL = 0. At the next reception, the SONIC-T re-reads the last RXpkt.link field, and updates its CRDA register to point to the next descriptor.
2. Creating a separate list. This requires an additional step because the lists are not joined together and requires that the CRDA register be loaded with the address of the RXpkt.link field in the new list.

During this overflow condition, the SONIC-T maintains ownership of the descriptor (RXpkt.in_use \neq 00h) and waits for the system to add additional descriptors to the list. When the system appends more descriptors, the SONIC-T releases ownership of the descriptor after writing 0000h to the RXpkt.in_use field.

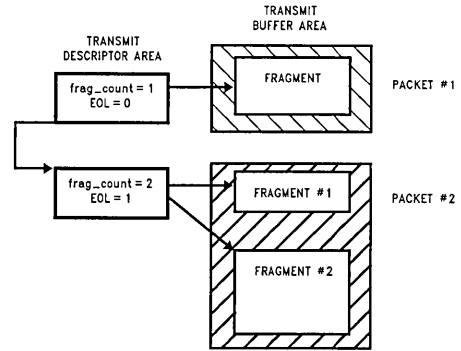
Buffer Resources Exhausted: This occurs when the SONIC-T has detected that the Resource Read Pointer (RRP) and Resource Write Pointer (RWP) registers are equal (i.e., all RRA descriptors have been exhausted). The RBE bit in the Interrupt Status register is set when the SONIC-T finishes using the second to last receive buffer and reads the last RRA descriptor. Actually, the SONIC-T is not truly out of resources, but gives the system an early warning of an impending out of resources condition. To continue reception after the last RBA is used, the system must supply additional RRA descriptor(s), update the RWP register, and clear the RBE bit in the ISR. The SONIC-T rereads the RRA after this bit is cleared.

RBA Limit Exceeded: This occurs when a packet does not completely fit within the remaining space of the RBA. This can occur if the EOBC register is not programmed to a value greater than the largest packet that can be received. When this situation occurs, the packet is truncated and the SONIC-T reads the RRA to obtain another RBA. Indication of an RBA limit being exceeded is signified by the Receive Buffer Area Exceeded (RBAE) interrupt being set (see Section 6.3.6). An RDA will not be set up for the truncated packet and the buffer space will not be re-used. To rectify this potential overflow condition, the EOBC register must be loaded with a value equal to or greater than the largest packet that can be accepted. See Section 5.4.2.

5.5 TRANSMIT BUFFER MANAGEMENT

To begin transmission, the system software issues the Transmit command (TXP = 1 in the CR). The Transmit Buffer Management uses two areas in memory for transmitting packets (Figure 5-12), the Transmit Descriptor Area (TDA)

and the Transmit Buffer Area (TBA). During transmission, the SONIC-T fetches control information from the TDA, loads its appropriate registers, and then transmits the data from the TBA. When the transmission is complete, the SONIC-T writes the status information in the TDA. From a single transmit command, packets can either be transmitted singly or in groups if several descriptors have been linked together.



TL/F/11719-23

FIGURE 5-12. Overview of Transmit Buffer Management

5.5.1 Transmit Descriptor Area (TDA)

The TDA contains descriptors that the system has generated to exchange status and control information. Each descriptor corresponds to a single packet and consists of the following 16-bit fields.

TXpkt.status: This field is written by the SONIC-T and provides status of the transmitted packet. See Section 5.5.1.2 for more details.

TXpkt.config: This field allows programming the SONIC-T to one of the various transmit modes. The SONIC-T reads this field and loads the corresponding configuration bits (PINTR, POWC, CRCI, and EXDIS) into the Transmit Control register. See Section 5.5.1.1 for more details.

TXpkt.pkt_size: This field contains the byte count of the entire packet

TXpkt.frag_count: This field contains the number of fragments the packet is segmented into.

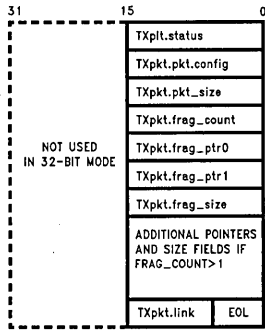
TXpkt.frag_ptr0,1: This field contains a 32-bit pointer which locates the packet fragment to be transmitted in the Transmit Buffer Area (TBA). This pointer is not restricted to any byte alignment.

TXpkt.frag_size: This field contains the byte count of the packet fragment. The minimum fragment size is 1 byte.

TXpkt.link: This field contains a 15-bit pointer (A15-A1) to the next TDA descriptor. The LSB, the End Of List (EOL) bit, indicates the last descriptor in the list when set to a "1". When descriptors have been linked together, the SONIC-T transmits back-to-back packets from a single transmit command.

The data of the packet does not need to be contiguous, but can exist in several locations (fragments) in memory. In this case, the TXpkt.frag_count field is greater than one, and additional TXpkt.frag_ptr0,1 and TXpkt.frag_size fields corresponding to each fragment are used. The descriptor format is shown in Figure 5-13. Note that in 32-bit mode the upper word, D<31:16>, is not used.

5.0 Buffer Management (Continued)



TL/F/11719-24

FIGURE 5-13. Transmit Descriptor Area

5.5.1.1 Transmit Configuration

The TXpkt.config field allows the SONIC-T to be programmed into one of the transmit modes before each transmission. At the beginning of each transmission, the SONIC-T reads this field and loads the PINTR, POWC, CRCI, and EXDIS bits into the Transmit Control register (TCR). The configuration bits in the TCR correspond directly with the bits in the TXpkt.config field as shown in Figure 5-14. See Section 6.3.4 for the description on the TCR.

15	14	13	12	11	10	9	8
PINTR	POWC	CRCI	EXDIS	X	X	X	X
7	6	5	4	3	2	1	0
X	X	X	X	X	X	X	X

Note: x = don't care

FIGURE 5-14. TXpkt.config Field

5.5.1.2 Transmit Status

At the end of each transmission the SONIC-T writes the status bits (<10:0>) of the Transmit Control Register (TCR) and the number of collisions experienced during the transmission into the TXpkt.status field (Figure 5-15, res = reserved). Bits NC4-NC0 indicate the number of collisions where NC4 is the MSB. See Section 6.3.4 for the description of the TCR.

15	14	13	12	11	10	9	8
NC4	NC3	NC2	NC1	NC0	EXD	DEF	NCRS
7	6	5	4	3	2	1	0
CRSL	EXC	OWC	res	PMB	FU	BCM	PTX

FIGURE 5-15. TXpkt.status Field

5.5.2 Transmit Buffer Area (TBA)

The TBA contains the fragments of packets that are defined by the descriptors in the TDA. A packet can consist of a single fragment or several fragments, depending upon the fragment count in the TDA descriptor. The fragments also can reside anywhere within the full 32-bit address range, and be aligned to any byte boundary. When an odd byte boundary is given, the SONIC-T automatically begins reading data at the corresponding word boundary in 16-bit mode or a long word boundary in 32-bit mode. The SONIC-T ig-

nores the extraneous bytes which are written into the FIFO during odd byte alignment fragments. The minimum allowed fragment size is 1 byte. Figure 5-12 shows the relationship between the TDA and the TBA for single and multi-fragmented packets.

5.5.3 Preparing To Transmit

All fields in the TDA descriptor and the Current Transmit Descriptor Address (CTDA) register of the SONIC-T must be initialized before the Transmit Command (setting the TXP bit in the Command register) can be issued. If more than one packet is queued, the descriptors must be linked together with the TXpkt.link field. The last descriptor must have EOL = 1 and all other descriptors must have EOL = 0. To begin transmission, the system loads the address of the first TXpkt.status field into the CTDA register. Note that the upper 16-bits of address are loaded in the Upper Transmit Descriptor (UTDA) register. The user performs the following transmit initialization.

1. Initialize the TDA
2. Load the CTDA register with the address of the first transmit descriptor
3. Issue the transmit command

Note that if the source address of the packet being transmitted is not in the CAM, the Packet Monitored Bad (PMB) bit in the TXpkt.status field will be set (see Section 6.3.4).

5.5.3.1 Transmit Process

When the Transmit Command (TXP = 1 in the Command register) is issued, the SONIC-T fetches the control information in the TDA descriptor, loads its appropriate registers (shown below) and begins transmission. (See Section 6.2 for register mnemonics.)

TCR ← TXpkt.config
 TPS ← TXpkt.pkt_size
 TFC ← TXpkt.frag_count
 TSA0 ← TXpkt.frag_ptr0
 TSA1 ← TXpkt.frag_ptr1
 TFS ← TXpkt.frag_size
 CTDA ← TXpkt.link

(CTDA is loaded after all fragments have been read and successfully transmitted. If the halt transmit command is issued (HTX bit in the Command register is set) the CTDA register is not loaded.)

During transmission, the SONIC-T reads the packet descriptor in the TDA and transmits the data from the TBA. If TXpkt.frag_count is greater than one, the SONIC-T, after finishing transmission of the fragment, fetches the next TXpkt.frag_ptr0,1 and TXpkt.frag_size fields and transmits the next fragment. This process continues until all fragments of a packet are transmitted. At the end of packet transmission, status is written in to the TXpkt.status field. The SONIC-T then reads the TXpkt.link field and checks if EOL = 0. If it is "0", the SONIC-T fetches the next descriptor and transmits the next packet. If EOL = 1 the SONIC-T generates a "Transmission Done" indication in the Interrupt Status register and resets the TXP bit in the Command register.

In the event of a collision, the SONIC-T recovers its pointer in the TDA and retransmits the packet up to 15 times. The SONIC-T maintains a copy of the CTDA register in the Temporary Transmit Descriptor Address (TTDA) register.

5.0 Buffer Management (Continued)

The SONIC-T performs a block operation of 6, 3, or 2 accesses in the TDA, depending on where the SONIC-T is in the transmit process. For the first fragment, it reads the TXpkt.config to TXpkt.frag_size (6 accesses). For the next fragment, if any, it reads the next 3 fields from TXpkt.frag_ptr0 to TXpkt.frag_size (3 accesses). At the end of transmission it writes the status information to TXpkt.status and reads the TXpkt.link field (2 accesses).

5.5.3.2 Transmit Completion

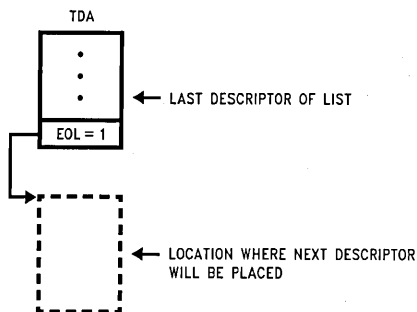
The SONIC-T stops transmitting under two conditions. In the normal case, the SONIC-T transmits the complete list of descriptors in the TDA and stops after it detects EOL = 1. In the second case, certain transmit errors cause the SONIC-T to abort transmission. If *FIFO Underrun*, *Byte Count Mismatch*, *Excessive Collision*, or *Excessive Deferral* (if enabled) errors occur, transmission ceases. The CTDA register points to the last packet transmitted. The system can also halt transmission under software control by setting the HTX bit in the Command register. Transmission halts after the SONIC-T writes to the TXpkt.status field.

5.5.4 Dynamically Adding TDA Descriptors

Descriptors can be dynamically added during transmission without halting the SONIC-T. The SONIC-T can also be guaranteed to transmit the complete list including newly appended descriptors (barring any transmit abort conditions) by observing the following rule: The last TXpkt.link field must point to the next location where a descriptor will be added (see step 3 below and *Figure 5-16*). The procedure for appending descriptors consists of:

1. Creating a new descriptor with its TXpkt.link pointing to the next vacant descriptor location and its EOL bit set to a "1".
2. Resetting the EOL bit to a "0" of the previously last descriptor.
3. Re-issuing the Transmit command (setting the TXP bit in the Command register).

Step 3 assures that the SONIC-T will transmit all the packets in the list. If the SONIC-T is currently transmitting, the Transmit command has no effect and continues transmitting until it detects EOL = 1. If the SONIC-T had just finished transmitting, it continues transmitting from where it had previously stopped.



TL/F/11719-25

FIGURE 5-16. Initializing Last Link Field

6.0 SONIC-T Registers

The SONIC-T contains two sets of registers: The status/control registers and the CAM memory cells. The status/control registers are used to configure, control, and monitor SONIC-T operation. They are directly addressable registers and occupy 64 consecutive address locations in the system memory space (selected by the RA5-RA0 address pins). There are a total of 64 status/control registers divided into the following categories:

User Registers: These registers are accessed by the user to configure, control, and monitor SONIC-T operation. These are the only SONIC-T registers the user needs to access. *Figure 6-3* shows the programmer's model and *Table 6-1* lists the attributes of each register.

Internal Use Registers: These registers (*Table 6-2*) are used by the SONIC-T during normal operation and are not intended to be accessed by the user.

National Factory Test Registers: These registers (*Table 6-3*) are for National factory use only and should never be accessed by the user. Accessing these registers during normal operation can cause improper functioning of the SONIC-T.

6.1 THE CAM UNIT

The CAM unit memory cells are indirectly accessed by programming the CAM descriptor area in system memory and issuing the LCAM command (setting the LCAM bit in the Control register). The CAM cells do not occupy address locations in register space and, thus, are not accessible through the RA5-RA0 address pins. The CAM control registers, however, are part of the user register set and must be initialized before issuing the LCAM command (see *Section 6.3.10*).

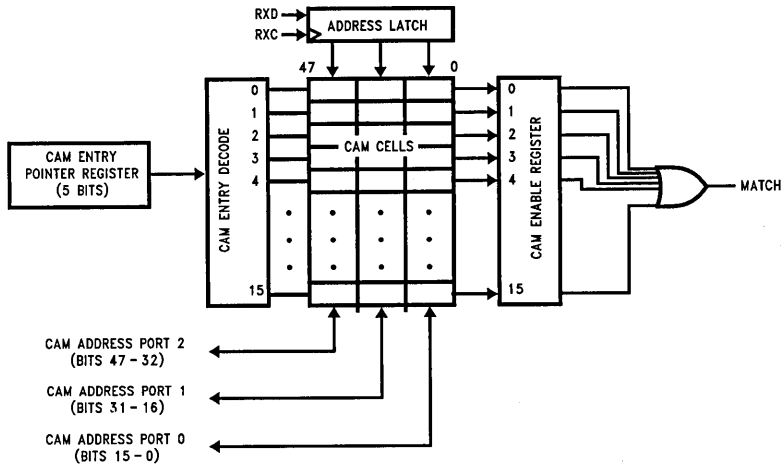
The Content Addressable Memory (CAM) consists of sixteen 48-bit entries for complete address filtering (*Figure 6-1*) of network packets. Each entry corresponds to a 48-bit destination address that is user programmable and can contain any combination of Multicast or Physical addresses. Each entry is partitioned into three 16-bit CAM cells accessible through CAM Address Ports (CAP 2, CAP 1 and CAP 0) with CAP0 corresponding to the least significant 16 bits of the Destination Address and CAP2 corresponding to the most significant bits. The CAM is accessed in a two step process. First, the CAM Entry Pointer is loaded to point to one of the 16 entries. Then, each of the CAM Address Ports is accessed to select the CAM cell. The 16 user programmable CAM entries can be masked out with the CAM Enable register (see *Section 6.3.10*).

Note: It is not necessary to program a broadcast address into the CAM when it is desired to accept broadcast packets. Instead, to accept broadcast packets, set the BRD bit in the Receive Control register. If the BRD bit has been set, the CAM is still active. This means that it is possible to accept broadcast packets at the same time as accepting packets that match physical addresses in the CAM.

6.1.1 The Load CAM Command

Because the SONIC-T uses the CAM for a relatively long period of time during reception, it can only be written to via the CAM Descriptor Area (CDA) and is only readable when

6.0 SONIC-T Registers (Continued)



TL/F/11719-26

FIGURE 6-1. CAM Organization

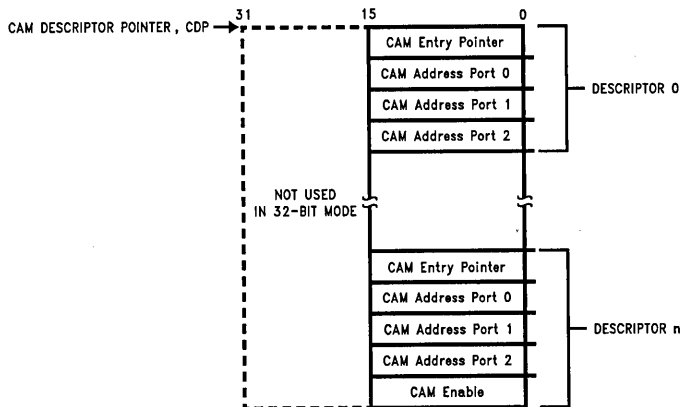
the SONIC-T is in software reset. The CDA resides in the same 64k byte block of memory as the Receive Resource Area (RRA) and contains descriptors for loading the CAM registers. These descriptors are contiguous and each descriptor consists of four 16-bit fields (*Figure 6-2*). In 32-bit mode the upper word, $D < 31:16 >$, is not used. The first field contains the value to be loaded into the CAM Entry Pointer and the remaining fields are for the three CAM Address Ports (see Section 6.3.10). In addition, there is one more field after the last descriptor containing the mask for the CAM Enable register. Each of the CAM descriptors are addressed by the CAM Descriptor Pointer (CDP) register.

After the system has initialized the CDA, it can issue the Load CAM command to program the SONIC-T to read the CDA and load the CAM. The procedure for issuing the Load CAM command is as follows.

1. Initialize the Upper Receive Resource Address (URRA) register. Note that the CAM Descriptor Area must reside within the same 64k page as the Receive Resource Area. (See Section 6.3.9.)

2. Initialize the CDA as described above.
3. Initialize the CAM Descriptor Count with the number of CAM descriptors. Note, only the lower 5 bits are used in this register. The other bits are don't cares. (See Section 6.3.10.)
4. Initialize the CAM Descriptor Pointer to locate the first descriptor in the CDA. This register must be reloaded each time a new Load CAM command is issued.
5. Issue the Load CAM command (LCAM) in the Command register. (See Section 6.3.1.)

If a transmission or reception is in progress, the CAM DMA function will not occur until these operations are complete. When the SONIC-T completes the Load CAM command, the CDP register points to the next location after the CAM Enable field and the CDC equals zero. The SONIC-T resets the LCAM bit in the Command register and sets the Load CAM Done (LCD) bit in the ISR.



TL/F/11719-27

FIGURE 6-2. CAM Descriptor Area Format

6.0 SONIC-T Registers (Continued)

		RA <5:0>	15	0
Status and Control Registers	0h	Command Register	Status and Control Fields	
	1	Data Configuration Register	Control Fields	
	2	Receive Control Register	Status and Control Fields	
	3	Transmit Control Register	Status and Control Fields	
	4	Interrupt Mask Register	Mask Fields	
	5	Interrupt Status Register	Status Fields	
	3F	Data Configuration Register 2	Control Fields	
Transmit Registers	6	Upper Transmit Descriptor Address Register	Upper 16-bit Address Base	
	7	Current Transmit Descriptor Address Register	Lower 16-bit Address Offset	
Receive Registers	0D	Upper Receive Descriptor Address Register	Upper 16-bit Address Base	
	0E	Current Receive Descriptor Address Register	Lower 16-bit Address Offset	
	14	Upper Receive Resource Address Register	Upper 16-bit Address Base	
	15	Resource Start Address Register	Lower 16-bit Address Offset	
	16	Resource End Address Register	Lower 16-bit Address Offset	
	17	Resource Read Register	Lower 16-bit Address Offset	
	18	Resource Write Register	Lower 16-bit Address Offset	
	2B	Receive Sequence Counter	Count Value	8
				Count Value
CAM Registers	21	CAM Entry Pointer	4 Pointer	
	22	CAM Address Port 2	Most Significant 16 bits of CAM Entry	
	23	CAM Address Port 1	Middle 16 bits of CAM Entry	
	24	CAM Address Port 0	Least Significant 16 bits of CAM Entry	
	25	CAM Enable Register	Mask Fields	
	26	CAM Descriptor Pointer	Lower 16-bit Address Offset	
	27	CAM Descriptor Count	5 Count Value	
Tally Counters	2C	CRC Error Tally Counter	Count Value	
	2D	Frame Alignment Error Tally	Count Value	
	2E	Missed Packet Tally	Count Value	
Watchdog Timer	29	Watchdog Timer 0	Lower 16-bit Count Value	
	2A	Watchdog Timer 1	Upper 16-bit Count Value	
	28	Silicon Revision Register	Chip Revision Number	

FIGURE 6-3. Register Programming Model

6.0 SONIC-T Registers (Continued)

6.2 STATUS/CONTROL REGISTERS

This set of registers is used to convey status/control information to/from the host system and to control the operation of the SONIC-T. These registers are used for loading commands generated from the system, indicating transmit and receive status, buffering data to/from memory, and provid-

ing interrupt control. The registers are selected by asserting chip select to the SONIC-T and providing the necessary address on register address pins RA5-RA0. Tables 6-1, 6-2, and 6-3 show the locations of all SONIC-T registers and where information on the registers can be found in the data sheet.

TABLE 6-1. User Registers

RA5-RA0	Access	Register	Symbol	Description (section)
COMMAND AND STATUS REGISTERS				
00h	R/W	Command	CR	6.3.1
01 (Note 3)	R/W	Data Configuration	DCR	6.3.2
02	R/W	Receive Control	RCR	6.3.3
03	R/W	Transmit Control	TCR	6.3.4
04	R/W	Interrupt Mask	IMR	6.3.5
05	R/W	Interrupt Status	ISR	6.3.6
3F (Note 3)	R/W	Data Configuration 2	DCR2	6.3.7
TRANSMIT REGISTERS				
06	R/W	Upper Transmit Descriptor Address	UTDA	6.3.8, 5.4.4.1
07	R/W	Current Transmit Descriptor Address	CTDA	6.3.8, 5.5.3
RECEIVE REGISTERS				
0D	R/W	Upper Receive Descriptor Address	URDA	6.3.9, 5.4.4.1
0E	R/W	Current Receive Descriptor Address	CRDA	6.3.9, 5.4.4.3
13	R/W	End of Buffer Word Count	EOBC	6.3.9, 5.4.2
14	R/W	Upper Receive Resource Address	URRA	6.3.9, 5.4.4.1
15	R/W	Resource Start Address	RSA	6.3.9, 5.4.1
16	R/W	Resource End Address	REA	6.3.9, 5.4.1
17	R/W	Resource Read Pointer	RRP	6.3.9, 5.4.1
18	R/W	Resource Write Pointer	RWP	6.3.9, 5.4.1
2B	R/W	Receive Sequence Counter	RSC	6.3.9, 5.4.3.2
CAM REGISTERS				
21	R/W	CAM Entry Pointer	CEP	6.1, 6.3.10
22 (Note 1)	R	CAM Address Port 2	CAP2	6.1, 6.3.10
23 (Note 1)	R	CAM Address Port 1	CAP1	6.1, 6.3.10
24 (Note 1)	R	CAM Address Port 0	CAP0	6.1, 6.3.10
25 (Note 2)	R/W	CAM Enable	CE	6.1, 6.3.10
26	R/W	CAM Descriptor Pointer	CDP	6.1, 6.3.10
27	R/W	CAM Descriptor Count	CDC	6.1, 6.3.10
TALLY COUNTERS				
2C (Note 4)	R/W	CRC Error Tally	CRCT	6.3.11
2D (Note 4)	R/W	FAE Tally	FAET	6.3.11
2E (Note 4)	R/W	Missed Packet Tally	MPT	6.3.11

6.0 SONIC-T Registers (Continued)

TABLE 6-1. User Registers (Continued)

RA5–RA0	Access	Register	Symbol	Description (section)
WATCHDOG COUNTERS				
29	R/W	Watchdog Timer 0	WT0	6.3.12
2A	R/W	Watchdog Timer 1	WT1	6.3.12
SILICON REVISION				
28	R	Silicon Revision	SR	6.3.13

Note 1: These registers can only be read when the SONIC-T is in reset mode (RST bit in the CR is set). The SONIC-T gives invalid data when these registers are read in non-reset mode.

Note 2: This register can only be written to when the SONIC-T is in reset mode. This register is normally only loaded by the Load CAM command.

Note 3: The Data Configuration registers, DCR and DCR2, can only be written to when the SONIC-T is in reset mode (RST bit in CR is set). Writing to these registers while not in reset mode does not alter the registers.

Note 4: The data written to these registers is inverted before being latched. That is, if a value of FFFFh is written, these registers will contain and read back the value of 0000h. Data is not inverted during a read operation.

TABLE 6-2. Internal Use Registers (Users should not write to these registers)

(RA5–RA0)	Access	Register	Symbol	Description (section)
TRANSMIT REGISTERS				
08 (Note 1)	R/W	Transmit Packet Size	TPS	5.5
09	R/W	Transmit Fragment Count	TFC	5.5
0A	R/W	Transmit Start Address 0	TSA0	5.5
0B	R/W	Transmit Start Address 1	TSA1	5.5
0C (Note 2)	R/W	Transmit Fragment Size	TFS	5.5
20	R/W	Temporary Transmit Descriptor Address	TTDA	5.5.4
2F	R	Maximum Deferral Timer	MDT	6.3.4
RECEIVE REGISTERS				
0F	R/W	Current Receive Buffer Address 0	CRBA0	5.4.2, 5.4.4.2
10	R/W	Current Receive Buffer Address 1	CRBA1	5.4.2, 5.4.4.2
11	R/W	Remaining Buffer Word Count 0	RBWC0	5.4.2, 5.4.4.2
12	R/W	Remaining Buffer Word Count 1	RBWC1	5.4.2, 5.4.4.2
19	R/W	Temporary Receive Buffer Address 0	TRBA0	5.4.6.2
1A	R/W	Temporary Receive Buffer Address 1	TRBA1	5.4.6.2
1B	R/W	Temporary Buffer Word Count 0	TBWC0	5.4.6.2
1C	R/W	Temporary Buffer Word Count 1	TBWC1	5.4.6.2
1F	R/W	Last Link Field Address	LLFA	none
ADDRESS GENERATORS				
1D	R/W	Address Generator 0	ADDR0	none
1E	R/W	Address Generator 1	ADDR1	none

Note 1: The data that is read from these registers is the inversion of what has been written to them.

Note 2: The value that is written to this register is shifted once in 16-bit mode and shifted twice in 32-bit mode.

TABLE 6-3. National Factory Test Registers

(RA5–RA0)	Access	Register	Symbol	Description (section)
30 • 3E	R/W	These registers are for factory use only. Users must not address these registers or improper SONIC-T operation can occur.	none	none

6.0 SONIC-T Registers (Continued)

6.3 REGISTER DESCRIPTION

6.3.1 Command Register

(RA <5:0> = 0h)

This register (Figure 6-4) is used for issuing commands to the SONIC-T. These commands are issued by setting the corresponding bits for the function. For all bits, except for the RST bit, the SONIC-T resets the bit after the command is completed. With the exception of RST, writing a "0" to any bit has no effect. Before any commands can be issued, the RST bit must first be reset to "0". This means that, if the RST bit is set, two writes to the Command Register are required to issue a command to the SONIC-T; one to clear the RST bit, and one to issue the command.

This register also controls the general purpose 32-bit Watchdog Timer. After the Watchdog Timer register has been loaded, it begins to decrement once the ST bit has been set to "1". An interrupt is issued when the count reaches zero if the Timer Complete interrupt is enabled in the IMR.

During hardware reset, bits 7, 4, and 2 are set to a "1"; all others are cleared. During software reset bits 9, 8, 1, and 0 are cleared and bits 7 and 2 are set to a "1"; all others are unaffected.

15	14	13	12	11	10	9	8	7	6	5	4	3	2	1	0
0	0	0	0	0	0	LCAM	RRRA	RST	0	ST	STP	RXEN	RXDIS	TXP	HTX
						r/w	r/w	r/w		r/w	r/w	r/w	r/w	r/w	r/w

r = read only, r/w = read/write

FIGURE 6-4. Command Register

Field	Meaning
LCAM	LOAD CAM
RRRA	READ RRA
RST	SOFTWARE RESET
ST	START TIMER
STP	STOP TIMER
RXEN	RECEIVER ENABLE
RXDIS	RECEIVER DISABLE
TXP	TRANSMIT PACKET(S)
HTX	HALT TRANSMISSION

Bit	Description
15-10	Must be 0
9	LCAM: LOAD CAM Setting this bit causes the SONIC-T to load the CAM with the descriptor that is pointed to by the CAM Descriptor Pointer register. Note: This bit must not be set during transmission (TXP is set). The SONIC-T will lock up if both bits are set simultaneously.
8	RRRA: READ RRA Setting this bit causes the SONIC-T to read the next RRA descriptor pointed to by the Resource Read Pointer (RRP) register. Generally this bit is only set during initialization. Setting this bit during normal operation can cause improper receive operation.
7	RST: SOFTWARE RESET Setting this bit resets all internal state machines. The CRC generator is disabled and the Tally counters are halted, but not cleared. The SONIC-T becomes operational when this bit is reset to "0". A hardware reset sets this bit to a "1". It must be reset to "0" before the SONIC-T becomes operational.
6	Must be 0.
5	ST: START TIMER Setting this bit enables the general-purpose watchdog timer to begin counting or to resume counting after it has been halted. This bit is reset when the timer is halted (i.e., STP is set). Setting this bit resets STP.
4	STP: STOP TIMER Setting this bit halts the general-purpose watchdog timer and resets the ST bit. The timer resumes when the ST bit is set. This bit powers up as a "1". Note: Simultaneously setting bits ST and STP stops the timer.

6.0 SONIC-T Registers (Continued)

6.3.1 Command Register (Continued)

(RA <5:0> = 0h)

Bit	Description
3	<p>RXEN: RECEIVER ENABLE</p> <p>Setting this bit enables the receive buffer management engine to begin buffering data to memory. Setting this bit resets the RXDIS bit. Note: If this bit is set while the MAC unit is currently receiving a packet, both RXEN and RXDIS are set until the network goes inactive (i.e., the SONIC-T will not start buffering in the middle of a packet being received).</p>
2	<p>RXDIS: RECEIVER DISABLE</p> <p>Setting this bit disables the receiver from buffering data to memory or the Receive FIFO. If this bit is set during the reception of a packet, the receiver is disabled only after the packet is processed. The RXEN bit is reset when the receiver is disabled. Tally counters remain active regardless of the state of this bit. Note: If this bit is set while the SONIC-T is currently receiving a packet, both RXEN and RXDIS are set until the packet is fully received.</p>
1	<p>TXP: TRANSMIT PACKET(S)</p> <p>Setting this bit causes the SONIC-T to transmit packets which have been set up in the Transmit Descriptor Area (TDA). The SONIC-T loads its appropriate registers from the TDA, then begins transmission. The SONIC-T clears this bit after any of the following conditions have occurred: (1) transmission had completed (i.e., after the SONIC-T has detected EOL = 1), (2) the Halt Transmission command (HTX) has taken effect, or (3) a transmit abort condition has occurred. This condition occurs when any of the following bits in the TCR have been set: EXC, EXD, FU, or BCM. Note: This bit must not be set if a Load CAM operation is in progress (LCAM is set). The SONIC-T will lock up if both bits are set simultaneously.</p>
0	<p>HTX: HALT TRANSMISSION</p> <p>Setting this bit halts the transmit command after the current transmission has completed. TXP is reset after transmission has halted. The Current Transmit Descriptor Address (CTDA) register points to the last descriptor transmitted. The SONIC-T samples this bit after writing to the TXpkt.status field.</p>

6.0 SONIC-T Registers (Continued)

6.3.2 Data Configuration Register

(RA <5:0> = 1h)

This register (Figure 6-5) establishes the bus cycle options for reading/writing data to/from 16- or 32-bit memory systems.

During a hardware reset, bits 15 and 13 are cleared; all other bits are unaffected. (Because of this, the first thing the driver software does to the SONIC-T should be to set up this register.) All bits are unaffected by a software reset. This register must only be accessed when the SONIC-T is in reset mode (i.e., the RST bit is set in the Command register).

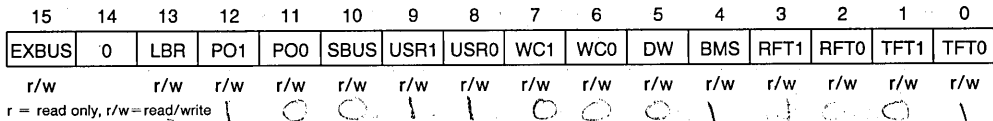


FIGURE 6-5. Data Configuration Register

Field	Meaning
EXBUS	EXTENDED BUS MODE
LBR	LATCHED BUS RETRY
PO0,PO1	PROGRAMMABLE OUTPUTS
SBUS	SYNCHRONOUS BUS MODE
USR0, USR1	USER DEFINABLE PINS
WC0, WC1	WAIT STATE CONTROL
DW	DATA WIDTH SELECT
BMS	BLOCK MODE SELECT FOR DMA
RFT0, RFT1	RECEIVE FIFO THRESHOLD
TFT0, TFT1	TRANSMIT FIFO THRESHOLD

Bit	Description
15	<p>EXBUS: EXTENDED BUS MODE</p> <p>Setting this bit enables the Extended Bus mode which enables the following:</p> <ol style="list-style-type: none"> Extended Programmable Outputs, EXUSR <3:0>: This changes the TXD, LBK, RXC and RXD pins from the external ENDEC interface into four programmable user outputs, EXUSR <3:0> respectively, which are similar to USR <1:0>. These outputs are programmed with bits 15-12 in the DCR2 (see Section 4.3.7). On hardware reset, these four pins will be TRI-STATE and will remain that way until the DCR is changed. If EXBUS is enabled, then these pins will remain TRI-STATE until the SONIC-T becomes a bus master, at which time they will be driven according to the DCR2. If EXBUS is disabled, then these four pins work normally as external ENDEC interface pins. Synchronous Termination, STERM: This changes the TXC pin from the External ENDEC interface into a synchronous memory termination input for compatibility with Motorola style processors. This input is only useful when Asynchronous Bus mode is selected (bit 10 below is set to "0") and BMODE = 1 (Motorola mode). On hardware reset, this pin will be TRI-STATE and will remain that way until the DCR is changed. If EXBUS is enabled, this pin will remain TRI-STATE until the SONIC-T becomes a bus master, at which time it will become the STERM input. If EXBUS is disabled, then this pin works normally as the TXC pin for the external ENDEC interface. Asynchronous Bus Retry: Causes \overline{BRT} to be clocked in asynchronously off the falling edge of bus clock. This only applies, however, when the SONIC-T is operating in asynchronous mode (bit 10 below is set to "0"). If EXBUS is not set, \overline{BRT} is sampled synchronously off the rising edge of bus clock.
14	Must be 0.
13	<p>LBR: LATCHED BUS RETRY</p> <p>The LBR bit controls the mode of operation of the \overline{BRT} signal (see pin description). It allows the BUS Retry operation to be latched or unlatched.</p> <p>0: Unlatched mode: The assertion of \overline{BRT} forces the SONIC-T to finish the current DMA operation and get off the bus. The SONIC-T will retry the operation when \overline{BRT} is deserted.</p> <p>1: Latched mode: The assertion of \overline{BRT} forces the SONIC-T to finish the current DMA operation as above, however, the SONIC-T will not retry until \overline{BRT} is deasserted and the BR bit in the ISR (see Section 6.3.6) has been reset. Hence, the mode has been latched on until the BR bit is cleared.</p> <p>Note: Unless LBR is set to a "1", \overline{BRT} must remain asserted at least until the SONIC-T has gone idle.</p>
12, 11	<p>PO1,PO0: PROGRAMMABLE OUTPUTS</p> <p>The PO1,PO0 bits individually control the USR1,0 pins respectively when SONIC-T is a bus master (HLDA or \overline{BGACK} is active). When PO1/PO0 are set to a 1 the USR1/USR0 pins are high during bus master operations and when these bits are set to a 0 the USR1/USR0 pins are low during bus master operations.</p>

6.0 SONIC-T Registers (Continued)

6.3.2 Data Configuration Register (Continued)

(RA<5:0> = 1h)

Bit	Description															
10	<p>SBUS: SYNCHRONOUS BUS MODE</p> <p>The SBUS bit is used to select the mode of system bus operation when SONIC-T is a bus master. This bit selects the internal ready line to be either a synchronous or asynchronous input to SONIC-T during block transfer DMA operations.</p> <p>0: Asynchronous mode. \overline{RDYI} (BMODE = 0) or $\overline{DSACK0,1}$ (BMODE = 1) are respectively internally synchronized at the falling edge of the bus clock (T2 of the DMA cycle). No setup or hold times need to be met with respect to this edge to guarantee proper bus operation.</p> <p>1: Synchronous mode. \overline{RDYI} (BMODE = 0) and $\overline{DSACK0,1}$ (BMODE = 1) must respectively meet the setup and hold times with respect to the rising edge of T1 or T2 to guarantee proper bus operation.</p>															
9, 8	<p>USR1,0: USER DEFINABLE PINS</p> <p>The USR1,0 bits report the level of the USR1,0 signal pins, respectively, after a chip hardware reset. If the USR1,0 signal pins are at a logical 1 (tied to V_{CC}) during a hardware reset the USR1,0 bits are set to a 1. If the USR1,0 pins are at a logical 0 (tied to ground) during a hardware reset the USR1,0 bits are set to a 0. These bits are latched on the rising edge of \overline{RST}. Once set they remain set/reset until the next hardware reset.</p>															
7, 6	<p>WC1,0: WAIT STATE CONTROL</p> <p>These encoded bits determine the number of additional bus cycles (T2 states) that are added during each DMA cycle.</p> <table style="margin-left: 20px;"> <thead> <tr> <th style="text-align: center;">WC1</th> <th style="text-align: center;">WC0</th> <th style="text-align: center;">Bus Cycles Added</th> </tr> </thead> <tbody> <tr> <td style="text-align: center;">0</td> <td style="text-align: center;">0</td> <td style="text-align: center;">0</td> </tr> <tr> <td style="text-align: center;">0</td> <td style="text-align: center;">1</td> <td style="text-align: center;">1</td> </tr> <tr> <td style="text-align: center;">1</td> <td style="text-align: center;">0</td> <td style="text-align: center;">2</td> </tr> <tr> <td style="text-align: center;">1</td> <td style="text-align: center;">1</td> <td style="text-align: center;">3</td> </tr> </tbody> </table>	WC1	WC0	Bus Cycles Added	0	0	0	0	1	1	1	0	2	1	1	3
WC1	WC0	Bus Cycles Added														
0	0	0														
0	1	1														
1	0	2														
1	1	3														
5	<p>DW: DATA WIDTH SELECT</p> <p>These bits select the data path width for DMA operations.</p> <table style="margin-left: 20px;"> <thead> <tr> <th style="text-align: center;">DW</th> <th style="text-align: center;">Data Width</th> </tr> </thead> <tbody> <tr> <td style="text-align: center;">0</td> <td style="text-align: center;">16-bit</td> </tr> <tr> <td style="text-align: center;">1</td> <td style="text-align: center;">32-bit</td> </tr> </tbody> </table>	DW	Data Width	0	16-bit	1	32-bit									
DW	Data Width															
0	16-bit															
1	32-bit															
4	<p>BMS: BLOCK MODE SELECT FOR DMA</p> <p>Determines how data is emptied or filled into the Receive or Transmit FIFO.</p> <p>0: Empty/fill mode: All DMA transfers continue until either the Receive FIFO has emptied or the Transmit FIFO has filled completely.</p> <p>1: Block mode: All DMA transfers continue until the programmed number of bytes (RFT0, RFT1 during reception or TFO, TF1 during transmission) have been transferred. (See note for TFT0, TFT1.)</p>															
3, 2	<p>RFT1,RFT0: RECEIVE FIFO THRESHOLD</p> <p>These encoded bits determine the number of words (or long words) that are written into the receive FIFO from the MAC unit before a receive DMA request occurs. (See Section 3.5.)</p> <table style="margin-left: 20px;"> <thead> <tr> <th style="text-align: center;">RFT1</th> <th style="text-align: center;">RFT0</th> <th style="text-align: center;">Threshold</th> </tr> </thead> <tbody> <tr> <td style="text-align: center;">0</td> <td style="text-align: center;">0</td> <td style="text-align: center;">2 words or 1 long word (4 bytes)</td> </tr> <tr> <td style="text-align: center;">0</td> <td style="text-align: center;">1</td> <td style="text-align: center;">4 words or 2 long words (8 bytes)</td> </tr> <tr> <td style="text-align: center;">1</td> <td style="text-align: center;">0</td> <td style="text-align: center;">8 words or 4 long words (16 bytes)</td> </tr> <tr> <td style="text-align: center;">1</td> <td style="text-align: center;">1</td> <td style="text-align: center;">12 words or 6 long words (24 bytes)</td> </tr> </tbody> </table> <p>Note: In block mode (BMS bit = 1), the receive FIFO threshold sets the number of words (or long words) written to memory during a receive DMA block cycle.</p>	RFT1	RFT0	Threshold	0	0	2 words or 1 long word (4 bytes)	0	1	4 words or 2 long words (8 bytes)	1	0	8 words or 4 long words (16 bytes)	1	1	12 words or 6 long words (24 bytes)
RFT1	RFT0	Threshold														
0	0	2 words or 1 long word (4 bytes)														
0	1	4 words or 2 long words (8 bytes)														
1	0	8 words or 4 long words (16 bytes)														
1	1	12 words or 6 long words (24 bytes)														
1, 0	<p>TFT1,TFT0: TRANSMIT FIFO THRESHOLD</p> <p>These encoded bits determine the minimum number of words (or long words) the DMA section maintains in the transmit FIFO. A bus request occurs when the number of words drops below the transmit FIFO threshold. (See Section 3.5.)</p> <table style="margin-left: 20px;"> <thead> <tr> <th style="text-align: center;">TFT1</th> <th style="text-align: center;">TFT0</th> <th style="text-align: center;">Threshold</th> </tr> </thead> <tbody> <tr> <td style="text-align: center;">0</td> <td style="text-align: center;">0</td> <td style="text-align: center;">4 words or 2 long words (8 bytes)</td> </tr> <tr> <td style="text-align: center;">0</td> <td style="text-align: center;">1</td> <td style="text-align: center;">8 words or 4 long words (16 bytes)</td> </tr> <tr> <td style="text-align: center;">1</td> <td style="text-align: center;">0</td> <td style="text-align: center;">12 words or 6 long words (24 bytes)</td> </tr> <tr> <td style="text-align: center;">1</td> <td style="text-align: center;">1</td> <td style="text-align: center;">14 words or 7 long words (28 bytes)</td> </tr> </tbody> </table> <p>Note: In block mode (BMS bit = 1), the number of bytes the SONIC-T reads in a single DMA burst equals the transmit FIFO threshold value. If the number of words or long words needed to fill the FIFO is less than the threshold value, then only the number of reads required to fill the FIFO in a single DMA burst will be made. Typically, with the FIFO threshold value set to 12 or 14 words, the number of memory reads needed is less than the FIFO threshold value.</p>	TFT1	TFT0	Threshold	0	0	4 words or 2 long words (8 bytes)	0	1	8 words or 4 long words (16 bytes)	1	0	12 words or 6 long words (24 bytes)	1	1	14 words or 7 long words (28 bytes)
TFT1	TFT0	Threshold														
0	0	4 words or 2 long words (8 bytes)														
0	1	8 words or 4 long words (16 bytes)														
1	0	12 words or 6 long words (24 bytes)														
1	1	14 words or 7 long words (28 bytes)														

6.0 SONIC-T Registers (Continued)

6.3.3 Receive Control Register

(RA <5:0> = 2h)

This register is used to filter incoming packets and provide status information of accepted packets (Figure 6-6). Setting any of bits 15–11 to a “1” enables the corresponding receive filter. If none of these bits are set, only packets which match the CAM Address registers are accepted. Bits 10 and 9 control the loopback operations.

After reception, bits 8–0 indicate status information about the accepted packet and are set to “1” when the corresponding condition is true. If the packet is accepted, all bits in the RCR are written into the RXpkt.status field. Bits 8–6 and 3–0 are cleared at the reception of the next packet.

This register is unaffected by a software reset.

15	14	13	12	11	10	9	8	7	6	5	4	3	2	1	0
ERR	RNT	BRD	PRO	AMC	LB1	LB0	MC	BC	LPKT	CRS	COL	CRCR	FAER	LBK	PRX
r/w	r/w	r/w	r/w	r/w	r/w	r/w	r	r	r	r	r	r	r	r	r

r = read only, r/w = read/write

FIGURE 6-6. Receive Control Register

Field	Meaning
ERR	ACCEPT PACKET WITH ERRORS
RNT	ACCEPT RUNT PACKETS
BRD	ACCEPT BROADCAST PACKETS
PRO	PHYSICAL PROMISCUOUS PACKETS
AMC	ACCEPT ALL MULTICAST PACKETS
LB0, LB1	LOOPBACK CONTROL
MC	MULTICAST PACKET RECEIVED
BC	BROADCAST PACKET RECEIVED
LPKT	LAST PACKET IN RBA
CRS	CARRIER SENSE ACTIVITY
COL	COLLISION ACTIVITY
CRCR	CRC ERROR
FAER	FRAME ALIGNMENT ERROR
LBK	LOOPBACK PACKET RECEIVED
PRX	PACKET RECEIVED OK

Bit	Description
15	ERR: ACCEPT PACKET WITH CRC ERRORS OR COLLISIONS 0: Reject all packets with CRC errors or when a collision occurs. 1: Accept packets with CRC errors and ignore collisions.
14	RNT: ACCEPT RUNT PACKETS 0: Normal address match mode. 1: Accept runt packets (packets less than 64 bytes in length). Note: A hardware reset clears this bit.
13	BRD: ACCEPT BROADCAST PACKETS 0: Normal address match mode. 1: Accept broadcast packets (packets with addresses that match the CAM are also accepted). Note: This bit is cleared upon hardware reset.
12	PRO: PHYSICAL PROMISCUOUS MODE Enable all Physical Address packets to be accepted. 0: normal address match mode. 1: promiscuous mode.
11	AMC: ACCEPT ALL MULTICAST PACKETS 0: normal address match mode. 1: enables all multicast packets to be accepted. Broadcast packets are also accepted regardless of the BRD bit. (Broadcast packets are a subset of multicast packets.)

6.0 SONIC-T Registers (Continued)

6.3.3 Receive Control Register (Continued)

(RA<5:0> = 2h)

Bit	Description															
10, 9	<p>LB1, LB0: LOOPBACK CONTROL These encoded bits control loopback operations for MAC loopback, ENDEC loopback and Transceiver loopback. For proper operation, the CAM Address registers and Receive Control register must be initialized to accept the Destination address of the loopback packet (see Section 3.8).</p> <table style="width: 100%; border-collapse: collapse;"> <thead> <tr> <th style="text-align: left;">LB1</th> <th style="text-align: left;">LB0</th> <th style="text-align: left;">Function</th> </tr> </thead> <tbody> <tr> <td style="text-align: center;">0</td> <td style="text-align: center;">0</td> <td>no loopback, normal operation</td> </tr> <tr> <td style="text-align: center;">0</td> <td style="text-align: center;">1</td> <td>MAC loopback</td> </tr> <tr> <td style="text-align: center;">1</td> <td style="text-align: center;">0</td> <td>ENDEC loopback</td> </tr> <tr> <td style="text-align: center;">1</td> <td style="text-align: center;">1</td> <td>Transceiver loopback</td> </tr> </tbody> </table> <p>Note: A hardware reset clears these bits.</p>	LB1	LB0	Function	0	0	no loopback, normal operation	0	1	MAC loopback	1	0	ENDEC loopback	1	1	Transceiver loopback
LB1	LB0	Function														
0	0	no loopback, normal operation														
0	1	MAC loopback														
1	0	ENDEC loopback														
1	1	Transceiver loopback														
8	<p>MC: MULTICAST PACKET RECEIVED This bit is set when a packet is received with a Multicast Address.</p>															
7	<p>BC: BROADCAST PACKET RECEIVED This bit is set when a packet is received with a Broadcast Address.</p>															
6	<p>LPKT: LAST PACKET IN RBA This bit is set when the last packet is buffered into a Receive Buffer Area (RBA). The SONIC-T detects this condition when its Remaining Buffer Word Count (RBWC0,1) register is less than the End Of Buffer Count (EOBC) register. (See Section 5.4.2.)</p>															
5	<p>CRS: CARRIER SENSE ACTIVITY Set when CRS is active. Indicates the presence of network activity.</p>															
4	<p>COL: COLLISION ACTIVITY Indicates that the packet received had a collision occur during reception.</p>															
3	<p>CRCR: CRC ERROR Indicates the packet contains a CRC error. If the packet also contains a Frame Alignment error, FAER will be set instead (see below).</p>															
2	<p>FAER: FRAME ALIGNMENT ERROR Indicates that the incoming packet was not correctly framed on an 8-bit boundary. Note: if no CRC errors have occurred, this bit is not set (i.e., this bit is only set when both a frame alignment and CRC error occurs).</p>															
1	<p>LBK: LOOPBACK PACKET RECEIVED Indicates that the SONIC-T has successfully received a loopback packet.</p>															
0	<p>PRX: PACKET RECEIVED OK Indicates that a packet has been received without CRC, frame alignment, length (runt packet) errors or collisions.</p>															

6.0 SONIC-T Registers (Continued)

6.3.4 Transmit Control Register (RA<5:0> = 3h)

This register is used to program the SONIC-T's transmit actions and provide status information after a packet has been transmitted (Figure 6-7). At the beginning of transmission, bits 15, 14, 13 and 12 from the TXpkt.config field are loaded into the TCR to configure the various transmit modes (see Section 5.5.1.1). When the transmission ends, bits 10–0 indicate status information and are set to a "1" when the corresponding condition is true. These bits, along with the number of collisions information, are written into the TXpkt.status field at the end of transmission (see Section 5.5.1.2). Bits 9 and 5 are cleared after the TXpkt.status field has been written. Bits 10, 7, 6, and 1 are cleared at the commencement of the next transmission while bit 8 is set at this time.

A hardware reset sets bits 8 and 0 to a "1". This register is unaffected by a software reset.

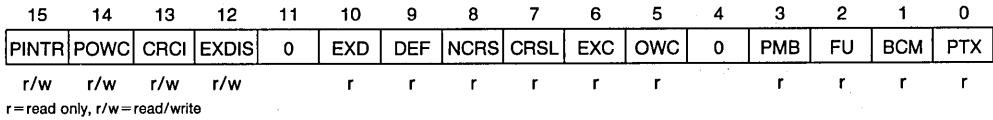


FIGURE 6-7. Transmit Control Register

Field	Meaning
PINTR	PROGRAMMABLE INTERRUPT
POWC	PROGRAMMED OUT OF WINDOW COLLISION TIMER
CRCI	CRC INHIBIT
EXDIS	DISABLE EXCESSIVE DEFERRAL TIMER
EXD	EXCESSIVE DEFERRAL
DEF	DEFERRED TRANSMISSION
NCRS	NO CRS
CRSL	CRS LOST
EXC	EXCESSIVE COLLISIONS
OWC	OUT OF WINDOW COLLISION
PMB	PACKET MONITORED BAD
FU	FIFO UNDERRUN
BCM	BYTE COUNT MISMATCH
PTX	PACKET TRANSMITTED OK

Bit	Description
15	<p>PINTR: PROGRAMMABLE INTERRUPT</p> <p>This bit allows transmit interrupts to be generated under software control. The SONIC-T will issue an interrupt (PINT in the Interrupt Status Register) immediately after reading a TDA and detecting that PINTR is set in the TXpkt.config field.</p> <p>Note: In order for PINTR to operate properly, it must be set and reset in the TXpkt.config field by alternating TDAs. This is necessary because after PINT has been issued in the ISR, PINTR in the Transmit Control Register must be cleared before it is set again in order to have the interrupt issued for another packet. The only effective way to do this is to set PINTR to a 1 no more often than every other packet.</p>
14	<p>POWC: PROGRAM "OUT OF WINDOW COLLISION" TIMER</p> <p>This bit programs when the out of window collision timer begins.</p> <p>0: timer begins after the Start of Frame Delimiter (SFD).</p> <p>1: timer begins after the first bit of preamble.</p>
13	<p>CRCI: CRC INHIBIT</p> <p>0: transmit packet with 4-byte FCS field</p> <p>1: transmit packet without 4-byte FCS field</p>
12	<p>EXDIS: DISABLE EXCESSIVE DEFERRAL TIMER:</p> <p>0: excessive deferral timer enabled</p> <p>1: excessive deferral timer disabled</p>
11	Must be 0.
10	<p>EXD: EXCESSIVE DEFERRAL</p> <p>Indicates that the SONIC-T has been deferring for 3.2 ms. The transmission is aborted if the excessive deferral timer is enabled (i.e., EXDIS is reset). This bit can only be set if the excessive deferral timer is enabled.</p>

6.0 SONIC-T Registers (Continued)

6.3.4 Transmit Control Register (Continued)

(RA<5:0> = 3h)

Bit	Description
9	<p>DEF: DEFERRED TRANSMISSION Indicates that the SONIC-T has deferred its transmission during the first attempt. If subsequent collisions occur, this bit is reset. This bit is cleared after the TXpkt.status field is written in the TDA.</p>
8	<p>NCRS: NO CRS Indicates that Carrier Sense (CRS) was not present during transmission. CRS is monitored from the beginning of the Start of Frame Delimiter to the last byte transmitted. The transmission will not be aborted. This bit is set at the start of preamble and is reset if CRS is detected. Hence, if CRS is never detected throughout the entire transmission of the packet, this bit will remain set. Note: NCRS will always remain set in MAC loopback.</p>
7	<p>CRSL: CRS LOST Indicates that CRS has gone low or has not been present during transmission. CRS is monitored from the beginning of the Start of Frame Delimiter to the last byte transmitted. The transmission will not be aborted. Note: if CRS was never present, both NCRS and CRSL will be set simultaneously. Also, CRSL will always be set in MAC loopback.</p>
6	<p>EXC: EXCESSIVE COLLISIONS Indicates that 16 collisions have occurred. The transmission is aborted.</p>
5	<p>OWC: OUT OF WINDOW COLLISION Indicates that an illegal collision has occurred after 51.2 μs (one slot time) from either the first bit of preamble or from SFD depending upon the POWC bit. The transmission backs off as in a normal transmission. This bit is cleared after the TXpkt.status field is written in the TDA.</p>
4	<p>Must be 0.</p>
3	<p>PMB: PACKET MONITORED BAD This bit is set, if after the receive unit has monitored the transmitted packet, the CRC has been calculated as invalid, a frame alignment error occurred or the Source Address does not match any of the CAM address registers. Note 1: The SONIC-T's CRC checker is active during transmission. Note 2: If CRC has been inhibited for transmissions (CRCl is set), this bit will always be low. This is true regardless of Frame Alignment or Source Address mismatch errors. Note 3: If a Receive FIFO overrun has occurred, the transmitted packet is not monitored completely. Thus, if PMB is set along with the RFO bit in the ISR, then PMB has no meaning. The packet must be completely received before PMB has meaning.</p>
2	<p>FU: FIFO UNDERRUN Indicates that the SONIC-T has not been able to access the bus before the FIFO has emptied. This condition occurs from excessive bus latency and/or slow bus clock. The transmission is aborted. (See Section 3.5.2.)</p>
1	<p>BCM: BYTE COUNT MISMATCH This bit is set when the SONIC-T detects that the TXpkt.pkt_size field is not equal to the sum of the TXpkt.frag_size field(s). Transmission is aborted.</p>
0	<p>PTX: PACKET TRANSMITTED OK Indicates that a packet has been transmitted without the following errors: —Excessive Collisions (EXC) —Excessive Deferral (EXD) —FIFO Underrun (FU) —Byte Count Mismatch (BCM)</p>

6.0 SONIC-T Registers (Continued)

6.3.5 Interrupt Mask Register

(RA<5:0> = 4h)

This register masks the interrupts that can be generated from the ISR (Figure 6-8). Writing a "1" to the bit enables the corresponding interrupt. During a hardware reset, all mask bits are cleared.

15	14	13	12	11	10	9	8	7	6	5	4	3	2	1	0
0	BREN	HBLEN	LCDEN	PINTEN	PRXEN	PTXEN	TXEREN	TCEN	RDEEN	RBEEN	RBAEEN	CRCEN	FAEEN	MPEN	RFOEN
	r/w	r/w	r/w	r/w	r/w	r/w	r/w	r/w	r/w	r/w	r/w	r/w	r/w	r/w	r/w

r/w = read/write

FIGURE 6-8. Interrupt Mask Register

Field	Meaning
BREN	BUS RETRY OCCURRED ENABLE
HBLEN	HEARTBEAT LOST ENABLE
LCDEN	LOAD CAM DONE INTERRUPT ENABLE
PINTEN	PROGRAMMABLE INTERRUPT ENABLE
PRXEN	PACKET RECEIVED ENABLE
PTXEN	PACKET TRANSMITTED OK ENABLE
TXEREN	TRANSMIT ERROR ENABLE
TCEN	TIMER COMPLETE ENABLE
RDEEN	RECEIVE DESCRIPTORS ENABLE
RBEEN	RECEIVE BUFFERS EXHAUSTED ENABLE
RBAEEN	RECEIVE BUFFER AREA EXCEEDED ENABLE
CRCEN	CRC TALLY COUNTER WARNING ENABLE
FAEEN	FAE TALLY COUNTER WARNING ENABLE
MPEN	MP TALLY COUNTER WARNING ENABLE
RFOEN	RECEIVE FIFO OVERRUN ENABLE

Bit	Description
15	Must be 0.
14	BREN: BUS RETRY OCCURRED enable: 0: disable 1: enables interrupts when a Bus Retry operation is requested.
13	HBLEN: HEARTBEAT LOST enable: 0: disable 1: enables interrupts when a heartbeat lost condition occurs
12	LCDEN: LOAD CAM DONE INTERRUPT enable: 0: disable 1: enables interrupts when the Load CAM command has finished
11	PINTEN: PROGRAMMABLE INTERRUPT enable: 0: disable 1: enables programmable interrupts to occur when the PINTR bit the Txpkt.config field is set to a "1".
10	PRXEN: PACKET RECEIVED enable: 0: disable 1: enables interrupts for packets accepted.
9	PTXEN: PACKET TRANSMITTED OK enable: 0: disable 1: enables interrupts for transmit completions
8	TXEREN: TRANSMIT ERROR enable: 0: disable 1: enables interrupts for packets transmitted with error.

6.0 SONIC-T Registers (Continued)

6.3.5 Interrupt Mask Register (Continued)

(RA<5:0> = 4h)

Bit	Description
7	TCEN: GENERAL PURPOSE TIMER COMPLETE enable: 0: disable 1: enables interrupts when the general purpose timer has rolled over from 0000 0000h to FFFF FFFFh.
6	RDEEN: RECEIVE DESCRIPTORS EXHAUSTED enable: 0: disable 1: enables interrupts when all receive descriptors in the RDA have been exhausted.
5	RBEEN: RECEIVE BUFFERS EXHAUSTED enable: 0: disable 1: enables interrupts when all resource descriptors in the RRA have been exhausted.
4	RBAEEN: RECEIVE BUFFER AREA EXCEEDED enable: 0: disable 1: enables interrupts when the SONIC-T attempts to buffer data beyond the end of the Receive Buffer Area.
3	CRCEN: CRC TALLY COUNTER WARNING enable: 0: disable 1: enables interrupts when the CRC tally counter has rolled over from FFFFh to 0000h.
2	FAEEN: FRAME ALIGNMENT ERROR (FAE) TALLY COUNTER WARNING enable: 0: disable 1: enables interrupts when the FAE tally counter rolled over from FFFFh to 0000h.
1	MPEN: MISSED PACKET (MP) TALLY COUNTER WARNING enable: 0: disable 1: enables interrupts when the MP tally counter has rolled over from FFFFh to 0000h.
0	RFOEN: RECEIVE FIFO OVERRUN enable: 0: disable 1: enables interrupts when the receive FIFO has overrun.

6.0 SONIC-T Registers (Continued)

6.3.6 Interrupt Status Register

(RA<5:0> = 5h)

This register (*Figure 6-9*) indicates the source of an interrupt when the INT pin goes active. Enabling the corresponding bits in the IMR allows bits in this register to produce an interrupt. When an interrupt is active, one or more bits in this register are set to a "1". A bit is cleared by writing "1" to it. Writing a "0" to any bit has no effect.

This register is cleared by a hardware reset and unaffected by a software reset.

15	14	13	12	11	10	9	8	7	6	5	4	3	2	1	0
0	BR	HBL	LCD	PINT	PKTRX	PTDN	TXER	TC	RDE	RBE	RBAE	CRC	FAE	MP	RFO
	r/w	r/w	r/w	r/w	r/w	r/w	r/w	r/w	r/w	r/w	r/w	r/w	r/w	r/w	r/w

r/w=read/write

FIGURE 6-9. Interrupt Status Register

Field	Meaning
BR	BUS RETRY OCCURRED
HBL	CD HEARTBEAT LOST
LCD	LOAD CAM DONE
PINT	PROGRAMMABLE INTERRUPT
PKTRX	PACKET RECEIVED
TXDN	TRANSMISSION DONE
TXER	TRANSMIT ERROR
TC	TIMER COMPLETE
RDE	RECEIVE DESCRIPTORS EXHAUSTED
RBE	RECEIVE BUFFERS EXHAUSTED
RBAE	RECEIVE BUFFER AREA EXCEEDED
CRC	CRC TALLY COUNTER ROLLOVER
FAE	FRAME ALIGNMENT ERROR
MP	MISSED PACKET COUNTER ROLLOVER
RFO	RECEIVE FIFO OVERRUN

Bit	Description
15	Must be 0.
14	BR: BUS RETRY OCCURRED Indicates that a Bus Retry (BRT) operation has occurred. In Latched Bus Retry mode (LBR in the DCR), BR will only be set when the SONIC-T is a bus master. Before the SONIC-T will continue any DMA operations, BR must be cleared. In Unlatched mode, the BR bit should be cleared also, but the SONIC-T will not wait for BR to be cleared before requesting the bus again and continuing its DMA operations. (See Sections 6.3.2 and 7.2.6 for more information on Bus Retry.)
13	HBL: CD HEARTBEAT LOST If the transceiver fails to provide a collision pulse (heart beat) during the first 6.4 μs of the Interframe Gap after transmission, this bit is set.
12	LCD: LOAD CAM DONE Indicates that the Load CAM command has finished writing to all programmed locations in the CAM. (See Section 6.1.1.)
11	PINT: PROGRAMMED INTERRUPT Indicates that upon reading the TXpkt.config field, the SONIC-T has detected the PINTR bit to be set. (See Section 6.3.4.)
10	PKTRX: PACKET RECEIVED Indicates that a packet has been received and been buffered to memory. This bit is set after the RXpkt.seq_no field is written to memory.
9	TXDN: TRANSMISSION DONE Indicates that either (1) there are no remaining packets to be transmitted in the Transmit Descriptor Area (i.e., the EOL bit has been detected as a "1"), (2) the Halt Transmit command has been given (HTX bit in CR is set to a "1"), or (3) a transmit abort condition has occurred. This condition occurs when any of following bits in the TCR are set: BCM, EXC, FU, or EXD. This bit is set after the TXpkt.status field has been written to.

6.0 SONIC-T Registers (Continued)

6.3.6 Interrupt Status Register (Continued)

(RA<5:0> = 5h)

Bit	Description
8	<p>TXER: TRANSMIT ERROR Indicates that a packet has been transmitted with at least one of the following errors.</p> <ul style="list-style-type: none"> —Byte count mismatch (BCM) —Excessive collisions (EXC) —FIFO underrun (FU) —Excessive deferral (EXD) <p>The TXpkt.status field reveals the cause of the error(s).</p>
7	<p>TC: GENERAL PURPOSE TIMER COMPLETE Indicates that the timer has rolled over from 0000 0000h to FFFF FFFFh. (See Section 6.3.12.)</p>
6	<p>RDE: RECEIVE DESCRIPTORS EXHAUSTED Indicates that all receive packet descriptors in the RDA have been exhausted. This bit is set when the SONIC-T detects EOL = 1. (See Section 5.4.7.)</p>
5	<p>RBE: RECEIVE BUFFER EXHAUSTED Indicates that the SONIC-T has detected the Resource Read Pointer (RRP) is equal to the Resource Write Pointer (RWP). This bit is set after the last field is read from the resource area. (See Section 5.4.7.)</p> <p>Note 1: This bit will be set as the SONIC-T finishes using the second to last receive buffer and reads the last RRA descriptor. This gives the system an early warning of impending no resources.</p> <p>Note 2: The SONIC-T will stop reception of packets when the last RBA has been used and will not continue reception until additional receive buffers have been added (i.e., RWP is incremented beyond RRP) and this bit has been reset.</p> <p>Note 3: If additional buffers have been added, resetting this bit causes the SONIC-T to read the next resource descriptor pointed to by the RRP in the Receive Resource Area. Note that resetting this bit under this condition is similar to issuing the Read RRA command (setting the RRA bit in the Command Register). This bit should never be reset until after the additional resources have been added to the RRA.</p>
4	<p>RBAE: RECEIVE BUFFER AREA EXCEEDED Indicates that during reception, the SONIC-T has reached the end of the Receive Buffer Area. Reception is aborted and the SONIC-T fetches the next available resource descriptors in the RRA. The buffer space is not re-used and an RDA is not set up for the truncated packet (see Section 5.4.7).</p>
3	<p>CRC: CRC TALLY COUNTER ROLLOVER Indicates that the tally counter has rolled over from FFFFh to 0000h. (See Section 6.3.11.)</p>
2	<p>FAE: FRAME ALIGNMENT ERROR (FAE) TALLY COUNTER ROLLOVER Indicates that the FAE tally counter has rolled over from FFFFh to 0000h. (See Section 6.3.11.)</p>
1	<p>MP: MISSED PACKET (MP) COUNTER ROLLOVER Indicates that the MP tally counter has rolled over from FFFFh to 0000h. (See Section 6.3.11.)</p>
0	<p>RFO: RECEIVE FIFO OVERRUN Indicates that the SONIC-T has been unable to access the bus before the receive FIFO has filled from the network. This condition is due to excessively long bus latency and/or slow bus clock. Note that FIFO underruns are indicated in the TCR. (See Section 3.5.1.)</p>

6.0 SONIC-T Registers (Continued)

6.3.7 Data Configuration Register 2

(RA<5:0> = 3Fh)

This register (Figure 6-10) is for enabling the extended bus interface options.

A hardware reset will set all bits in this register to "0" except for the Extended Programmable Outputs which are unknown until written to and bits 5 to 11 which must be written with zeroes, but are "don't cares" when read. A software reset will not affect any bits in this register. This register should only be written to when the SONIC-T is in software reset (the RST bit in the Command Register is set).

15	14	13	12	11	10	9	8	7	6	5	4	3	2	1	0
EXPO3	EXPO2	EXPO1	EXPO0	0	0	0	0	0	0	0	PH	0	PCM	PCNM	RJCM
r/w	r/w	r/w	r/w								r/w		r/w	r/w	r/w

FIGURE 6-10. Data Configuration Register 2

Field	Meaning
EXPO3..0	EXTENDED PROGRAMMABLE OUTPUTS
PH	PROGRAM HOLD
PCM	PACKET COMPRESS WHEN MATCHED
PCNM	PACKET COMPRESS WHEN NOT MATCHED
RJCM	REJECT ON CAM MATCH

Bit	Description
15-12	<p>EXPO<3:0> EXTENDED PROGRAMMABLE OUTPUTS</p> <p>These bits program the level of the Extended User outputs (EXUSR<3:0>) when the SONIC-T is a bus master. Writing a "1" to any of these bits programs a high level to the corresponding output. Writing a "0" to any of these bits programs a low level to the corresponding output. EXUSR<3:0> are similar to USR<1:0> except that EXUSR<3:0> are only available when the Extended Bus mode is selected (bit 15 in the DCR is set to "1", see Section 6.3.2).</p>
11-5	Must be written with zeroes.
4	<p>PH: PROGRAM HOLD</p> <p>When this bit is set to "0", the HOLD request output is asserted/deasserted from the falling edge of bus clock. If this bit is set to "1", HOLD will be asserted/deasserted 1/2 clock later on the rising edge of bus clock.</p>
3	Must be zero.
2	<p>PCM: PACKET COMPRESS WHEN MATCHED</p> <p>When this bit is set to a "1" (and the PCNM bit is reset to a "0"), the \overline{PCOMP} output will be asserted if the destination address of the packet being received matches one of the entries in the CAM (Content Addressable Memory). This bit, along with PCNM, is used with the Management Bus of the DP83950, Repeater Interface Controller (RIC). See the DP83950 datasheet for more details on the RIC Management Bus. This mode is also called the Managed Bridge Mode.</p> <p>Note 1: Setting PCNM and PCM to "1" at the same time is not allowed.</p> <p>Note 2: If PCNM and PCM are both "0", the \overline{PCOMP} output will remain TRI-STATE until PCNM or PCM are changed.</p>
1	<p>PCNM: COMPRESS WHEN NOT MATCHED</p> <p>When this bit is set to a "1" (and the PCM bit is set to "0"), the \overline{PCOMP} output will be asserted if the destination address of the packet does not match one of the entries in the CAM. See the PCM bit above. This mode is also called the Managed Hub Mode.</p> <p>Note: \overline{PCOMP} will not be asserted if the destination address is a broadcast address. This is true regardless of the state of the BRD bit in the Receive Control Register.</p>
0	<p>RJCM: REJECT ON CAM MATCH</p> <p>When this bit is set to "1", the SONIC-T will reject a packet on a CAM match. Setting RJCM to "0" causes the SONIC-T to operate normally by accepting packets on a CAM match. Setting this mode is useful for a small bridge with a limited number of nodes attached to it. RJCM only affects the CAM, though. Setting RJCM will not invert the function of the BRD, PRO or AMC bits (to accept broadcast, all physical or multicast packets respectively) in the Receive Control Register (see Section 6.3.3). This means, for example, that it is not possible to set RJCM and BRD to reject all broadcast packets. If RJCM and BRD are set at the same time, however, all broadcast packets will be accepted, but any packets that have a destination address that matches an address in the CAM will be rejected.</p>

6.0 SONIC-T Registers (Continued)

6.3.8 Transmit Registers

The transmit registers described in this section are part of the User Register set. The UTDA and CTDA must be initialized prior to issuing the transmit command (setting the TXP bit) in the Command register.

Upper Transmit Descriptor Address Register (UTDA):

This register contains the upper address bits (A<31:16>) for accessing the transmit descriptor area (TDA) and is concatenated with the contents of the CTDA when the SONIC-T accesses the TDA in system memory. The TDA can be as large as 32k words or 16k long words and can be located anywhere in system memory. This register is unaffected by a hardware or software reset.

Current Transmit Descriptor Address Register (CTDA):

The 16-bit CTDA register contains the lower address bits (A<15:1>) of the 32-bit transmit descriptor address. During initialization this register must be programmed with the lower address bits of the transmit descriptor. The SONIC-T concatenates the contents of this register with the contents of the UTDA to point to the transmit descriptor. For 32-bit memory systems, bit 1, corresponding to address signal A1, must be set to "0" for alignment to long-word boundaries. Bit 0 of this register is the End of List (EOL) bit and is used to denote the end of the list. This register is unaffected by a hardware or software reset.

6.3.9 Receive Registers

The receive registers described in this section are part of the User Register set. A software reset has no effect on these registers and a hardware reset only affects the EOBC and RSC registers. The receive registers must be initialized prior to issuing the receive command (setting the RXEN bit) in the Command register.

Upper Receive Descriptor Address Register (URDA):

This register contains the upper address bits (A<31:16>) for accessing the receive descriptor area (RDA) and is concatenated with the contents of the CRDA when the SONIC-T accesses the RDA in system memory. The RDA can be as large as 32k words or 16k long words and can be located anywhere in system memory. This register is unaffected by a hardware or software reset.

Current Receive Descriptor Address Register (CRDA):

The CRDA is a 16-bit read/write register used to locate the received packet descriptor block within the RDA. It contains the lower address bits (A<15:1>). The SONIC-T concatenates the contents of the CRDA with the contents of the URDA to form the complete 32-bit address. The resulting 32-bit address points to the first field of the descriptor block. For 32-bit memory systems, bit 1, corresponding to address signal A1, must be set to "0" for alignment to long-word boundaries. Bit 0 of this register is the End of List (EOL) bit and is used to denote the end of the list. This register is unaffected by a hardware or software reset.

End of Buffer Word Count Register (EOBC):

The SONIC-T uses the contents of this register to determine where to place the next packet. At the end of packet reception, the SONIC-T compares the contents of the EOBC register with the contents of the Remaining Buffer Word Count registers (RBWC0,1) to determine whether: (1) to place the next packet in the same RBA or (2) to place the next packet in another RBA. If the EOBC is less than or equal to the remaining number of words in the RBA after a packet is received (i.e., EOBC ≤ RBWC0,1), the SONIC-T buffers the next packet in the same RBA. If the EOBC is greater than

the remaining number of words in the RBA after a packet is received (i.e., EOBC > RBWC0,1), the Last Packet in RBA bit, LPKT in the Receive Control Register, Section 6.3.3, is set and the SONIC-T fetches the next resource descriptor. Hence, the next packet received will be buffered in a new RBA. A hardware reset sets this register to 02FBH (760 words or 1520 bytes). See Sections 5.4.2 and 5.4.4.4 for more information about using EOBC.

Upper Receive Resource Address Register (URRA):

The URRA is a 16-bit read/write register. It is programmed with the base address of the receive resource area (RRA). This 16-bit upper address value (A<31:16>) locates the receive resource area in system memory. SONIC-T uses the URRA register when accessing the receive descriptors within the RRA by concatenating the lower address value from one of four receive resource registers (RSA, REA, RWP, or RRP).

Resource Start Address Register (RSA):

The RSA is a 15-bit read/write register. The LSB is not used and always reads back as a 0. The RSA is programmed with the lower 15-bit address (A<15:1>) of the starting address of the receive resource area. SONIC-T concatenates the contents of this register with the contents of the URRA to form the complete 32-bit address.

Resource End Address Register (REA):

The REA is a 15-bit read/write register. The LSB is not used and always reads back as a 0. The REA is programmed with the lower 15-bit address (A<15:1>) of the ending address of the receive resource area. SONIC-T concatenates the contents of this register with the contents of the URRA to form the complete 32-bit address.

Resource Read Pointer Register (RRP):

The RRP is a 15-bit read/write register. The LSB is not used and always reads back as a 0. The RRP is programmed with the lower 15-bit address (A<15:1>) of the first field of the next descriptor the SONIC-T will read. SONIC-T concatenates the contents of this register with the contents of the URRA to form the complete 32-bit address.

Resource Write Pointer Register (RWP):

The RWP is a 15-bit read/write register. The LSB is not used and always reads back as a 0. The RWP is programmed with the lower 15-bit address (A<15:1>) of the next available location the system can add a descriptor. SONIC-T concatenates the contents of this register with the contents of the URRA to form the complete 32-bit address. In 32-bit mode, bit 1, corresponding to address signal A1, must be zero to insure the proper equality comparison between this register and the RRP register.

Receive Sequence Counter Register (RSC):

This is a 16-bit read/write register containing two fields (Figure 6-11). The SONIC-T uses this register to provide status information on the number of packets within a RBA and the number of RBAs. The RSC register contains two 8-bit (modulo 256) counters. After each packet is received the packet sequence number is incremented. The SONIC-T maintains a single sequence number for each RBA. When the SONIC-T uses the next RBA, the packet sequence number is reset to zero and the RBA sequence number is incremented. This register is reset to 0 by a hardware reset or by writing zero to it. A software reset has no effect.

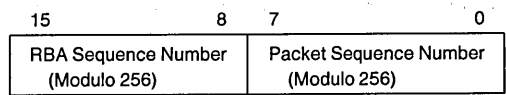


FIGURE 6-11. Receive Sequence Counter Register

6.0 SONIC-T Registers (Continued)

6.3.10 CAM Registers

The CAM registers described in this section are part of the User Register set. They are used to program the Content Addressable Memory (CAM) entries that provide address filtering of packets. These registers, except for the CAM Enable register, are unaffected by a hardware or software reset.

CAM Entry Pointer Register (CEP): The CEP is a 4-bit register used by SONIC-T to select one of the sixteen CAM entries. SONIC-T uses the least significant 4-bits of this register. The value of 0h points to the first CAM entry and the value of Fh points to the last entry.

CAM Address Port 2, 1, 0 Registers (CAP2, CAP1, CAP0): Each CAP is a 16-bit read-only register used to access the CAM cells (Figure 6-13). Each CAM cell is 16 bits wide and contains one third of the 48-bit CAM entry (Figure 6-12) which is used by the SONIC-T for address filtering. The CAP2 register is used to access the upper bits (<47:32>), CAP1 the middle bits (<31:16>) and CAP0 the lower bits (<15:0>) of the CAM entry. Given the physical address 10:20:30:40:50:60, which is made up of 6 octets or bytes, where 10h is the least significant byte and 60h is the most significant byte (10h would be the first byte received from the network and 60h would be the last), CAP0 would be loaded with 2010h, CAP1 with 4030h and CAP2 with 6050h.

To read a CAM entry, the user first places the SONIC-T in software reset (set the RST bit in the Command register), programs the CEP register to select one of sixteen CAM entries, then reads CAP2, CAP1, and CAP0 to obtain the complete 48-bit entry. The user can not write to the CAM entries directly. Instead, the user programs the CAM descriptor area in system memory (see Section 6.1.1), then issues the Load CAM command (setting LCAM bit in the Command register). This causes the SONIC-T to read the descriptors from memory and loads the corresponding CAM entry through CAP2-0.

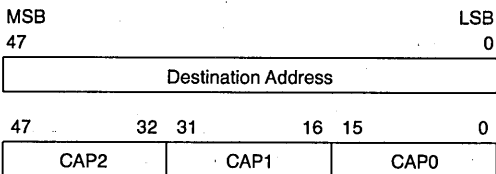


FIGURE 6-13. CAM Address Port Registers

CAM Enable Register (CE): The CE is a 16-bit read/write register used to mask out or enable individual CAM entries. Each register bit position corresponds to a CAM entry. When a register bit is set to a "1" the corresponding CAM entry is enabled. When "0" the entry is disabled. This register is unaffected by a software reset and cleared to zero (disabling all entries) during a hardware reset. Under normal operations the user does not access this register. Instead the user sets up this register through the last entry in the CAM descriptor area. The SONIC-T loads the CE register during execution of the LCAM Command.

CAM Descriptor Pointer Register (CDP): The CDP is a 15-bit read/write register. The LSB is unused and always

reads back as 0. The CDP is programmed with the lower address (A<15:1>) of the first field of the CAM descriptor block in the CAM descriptor area (CDA) of system memory. SONIC-T uses the contents of the CDP register when accessing the CAM descriptors. This register must be programmed by the user before issuing the LCAM command. During execution of the LCAM Command SONIC-T concatenates the contents of this register with the contents of the URRR register to form the complete 32-bit address. During the Load CAM operation this register is incremented to address the fields in the CDA. After the Load Command completes this register points to the next location after the CAM Descriptor Area.

CAM Descriptor Count Register (CDC): The CDC is a 5-bit read/write register. It is programmed with the number of CAM descriptor blocks in the CAM descriptor area. This register must be programmed by the user before issuing the LCAM command. SONIC-T uses the value in this register to determine how many entries to place in the CAM during execution of the LCAM command. During LCAM execution SONIC-T decrements this register each time it reads a descriptor block. When the CDC decrements to zero SONIC-T terminates the LCAM execution. Since the CDC register is programmed with the number of CAM descriptor blocks in the CAM Descriptor Area, the value programmed into the CDC register ranges 1 to 16 (1h to 10h).

6.3.11 Tally Counters

The SONIC-T provides three 16-bit counters used for monitoring network statistics on the number of CRC errors, Frame Alignment errors, and missed packets. These registers rollover after the count of FFFFh is reached and produce an interrupt if enabled in the Interrupt Mask Register (IMR). These counters are unaffected by the RXEN bit in the CR, but are halted when the RST bit in the CR is set. The data written to these registers is inverted before being latched. This means that if a value of FFFFh is written to these registers by the system, they will contain and read back the value 0000h. Data is not inverted during a read operation. The Tally registers, therefore, are cleared by writing all "1's" to them. A software or hardware reset does not affect the tally counters.

CRC Tally Counter Register (CRCT): The CRCT is a 16-bit read/write register. This register is used to keep track of the number of packets received with CRC errors. After a packet is accepted by the address recognition logic, this register is incremented if a CRC error is detected. If the packet also contains a Frame Alignment error, this counter is not incremented.

FAE Tally Counter Register (FAET): The FAET is a 16-bit read/write register. This register is used to keep track of the number of packets received with frame alignment errors. After a packet is accepted by the address recognition logic, this register is incremented if a FAE error is detected.

Missed Packet Tally Counter Register (MPT): The MPT is a 16-bit read/write register. After a packet is received, this counter is incremented if there is: (1) lack of memory resources to buffer the packet, (2) a FIFO overrun, or (3) a valid packet has been received, but the receiver is disabled (RXDIS is set in the command register).

6.0 SONIC-T Registers (Continued)

6.3.12 General Purpose Timer

The SONIC-T contains a 32-bit general-purpose watchdog timer for timing user-definable events (*Figure 6-14*). This timer is accessed by the user through two 16-bit read/write registers (WT1 and WT0). The lower count value is programmed through the WT0 register and the upper count value is programmed through the WT1 register.

These two registers are concatenated together to form the complete 32-bit timer. This timer, clocked at $\frac{1}{2}$ the Transmit Clock (TXC) frequency, counts down from its programmed value and generates an interrupt, if enabled (Interrupt Mask register), when it rolls over from 0000 0000h to FFFF FFFFh. When the counter rolls over it continues decrementing unless explicitly stopped (setting the STP bit). The timer is controlled by the ST (Start Timer) and STP (Stop Timer) bits in the Command register. A hardware or software reset halts, but does not clear, the General Purpose timer.

31	16	15	0
WT1 (Upper Count Value)		WT0 (Lower Count Value)	

FIGURE 6-14. Watchdog Timer Register

6.3.13 Silicon Revision Register

This is a 16-bit read only register. It contains information on the current revision of the SONIC-T.

7.0 Bus Interface

SONIC-T features a high speed non-multiplexed address and data bus designed for a wide range of system environments. The data bus can be programmed (via the Data Configuration Register) to a width of either 32- or 16-bits. SONIC-T contains an on-chip DMA and supplies all the necessary signals for DMA operation. With 31 address lines SONIC-T can access a full 2 G-word address space. To accommodate different memory speeds wait states can be added to the bus cycle by two methods. The memory subsystem can add wait states by simply withholding the appropriate handshake signals. In addition, the SONIC-T can be programmed (via the Data Configuration Register) to add wait states.

The SONIC-T is designed to interface to both the National/Intel and Motorola style buses. To facilitate minimum chip

count designs and complete bus compatibility the user can program the SONIC-T for the following bus modes:

- National/Intel bus operating in synchronous mode
- National/Intel bus operating in asynchronous mode
- Motorola bus operating in synchronous mode
- Motorola bus operating in asynchronous mode

The Bus Mode pin (BMODE) along with the SBUS bit in the Data Configuration register are used to select the bus mode.

This section describes the SONIC-T system interface examples and the various SONIC-T bus operations.

7.1 PIN CONFIGURATIONS

There are two user selectable pin configurations for SONIC-T to provide the proper interface signals for either the National/Intel or Motorola style buses. The state of the BMODE pin is used to define the pin configuration. Section 1.0 shows the pin configurations for both National/Intel Mode (BMODE = 0, tied to ground) and Motorola Mode (BMODE = 1, tied to V_{CC}).

7.2 SYSTEM CONFIGURATION

Any device that meets the SONIC-T interface protocol and electrical requirements (timing, threshold, and loading) can be interfaced to SONIC-T. Since two bus protocols are provided, via the BMODE pin, the SONIC-T can interface directly to most microprocessors. *Figure 7-1* shows a typical interface to the National/Intel style bus (BMODE = 0) and *Figure 7-2* shows a typical interface to the Motorola style bus (BMODE = 1).

The BMODE pin also controls byte ordering. When BMODE = 1 big endian byte ordering is selected and when BMODE = 0 little endian byte ordering is selected.

7.3 BUS OPERATIONS

There are two types of system bus operations: 1) SONIC-T as a slave, and 2) SONIC-T as a bus master. When SONIC-T is a slave (e.g., a CPU accessing SONIC-T registers) all transfers are non-DMA. When SONIC-T is a bus master (e.g., SONIC-T accessing receive or transmit buffer/descriptor areas) all transfers are block transfers using SONIC-T's on-chip DMA. This section describes the SONIC-T bus operations. Pay special attention to all sections labeled as "Note". These conditions must be met for proper bus operation.

7.0 Bus Interface (Continued)

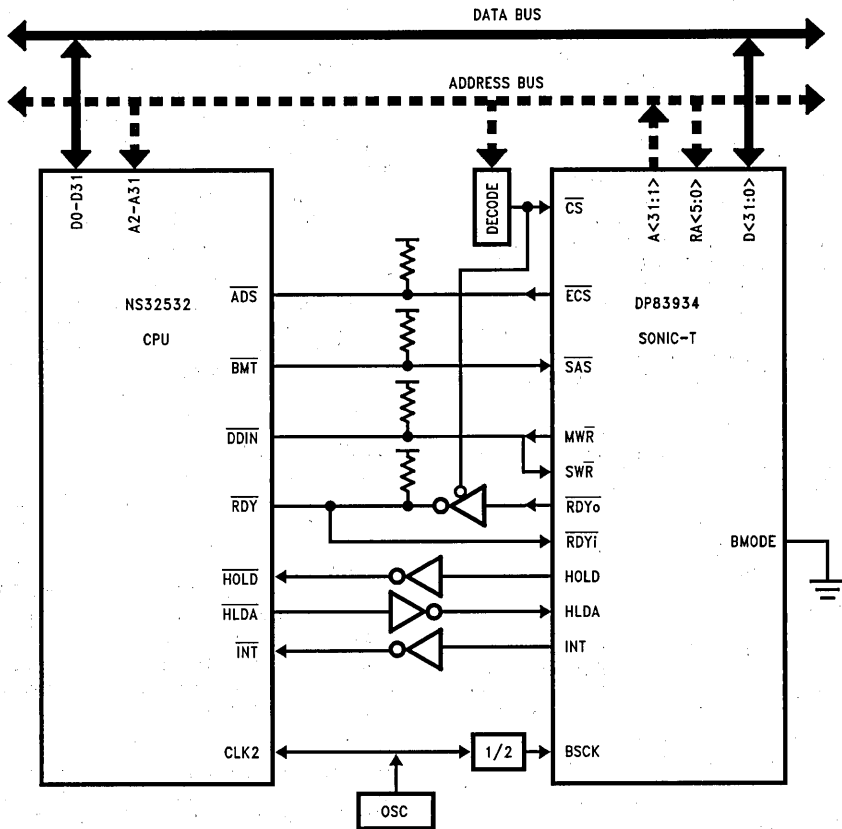


FIGURE 7-1. SONIC-T to NS32532 Interface Example

TL/F/11719-28

7.0 Bus Interface (Continued)

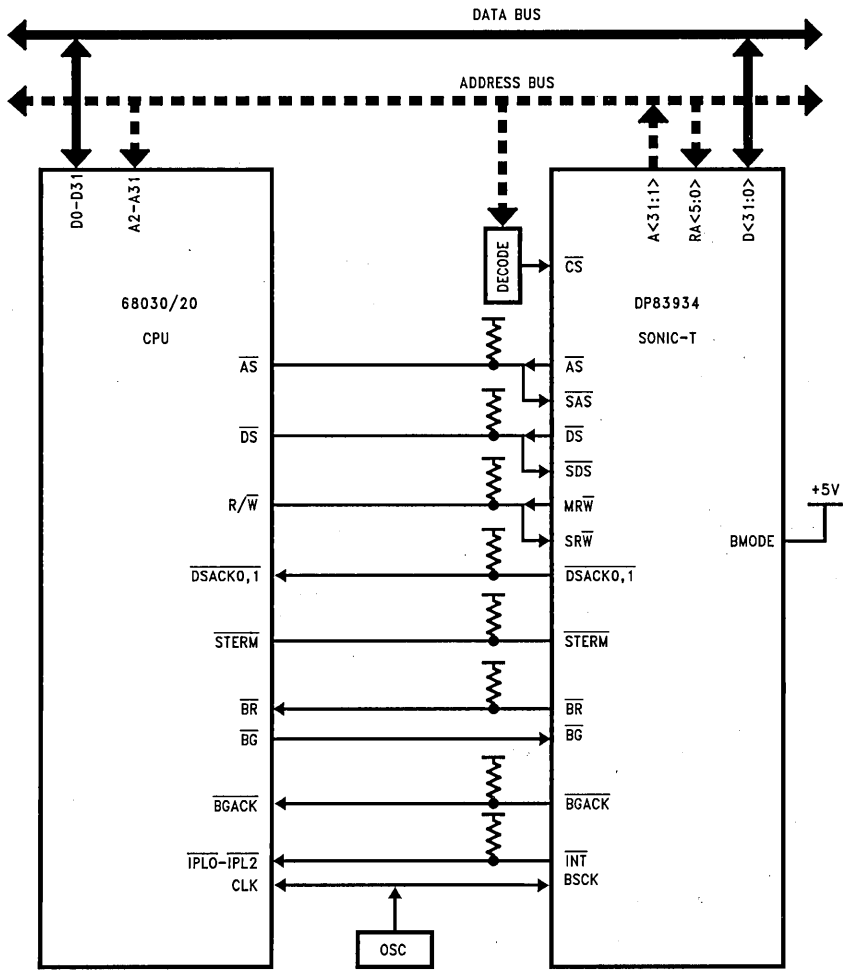


FIGURE 7-2. SONIC-T to Motorola 68030/20 Interface Example

TL/F/11719-29

7.0 Bus Interface (Continued)

7.3.1 Acquiring The Bus

The SONIC-T requests the bus when 1) its FIFO threshold has been reached or 2) when the descriptor areas in memory (i.e., RRA, RDA, CDA, and TDA) are accessed. Note that when the SONIC-T moves from one area in memory to another (e.g., RBA to RDA), it always deasserts its bus request and then requests the bus again when accessing the next area in memory.

The SONIC-T provides two methods to acquire the bus for compatibility with National/Intel or Motorola type microprocessors. These two methods are selected by setting the proper level on the BMODE pin.

Figures 7-3 and 7-4 show the National/Intel (BMODE = 0) and Motorola (BMODE = 1) bus request timing. Descriptions of each mode follows. For both modes, when the SONIC-T relinquishes the bus, there is an extra holding state (Th) for one bus cycle after the last DMA cycle (T2). This assures that the SONIC-T does not contend with another bus master after it has released the bus.

BMODE = 0

The National/Intel processors require a 2-way handshake using a HOLD REQUEST/HOLD ACKNOWLEDGE protocol (Figure 7-3). When the SONIC-T needs to access the bus, it issues a HOLD REQUEST (HOLD) to the microprocessor. The microprocessor, responds with a HOLD ACKNOWLEDGE (HLDA) to the SONIC-T. The SONIC-T then begins its memory transfers on the bus. As long as the CPU maintains HLDA active, the SONIC-T continues until it has finished its memory block transfer. The CPU, however, can preempt the SONIC-T from finishing the block transfer by deasserting HLDA before the SONIC-T deasserts HOLD. This allows a higher priority device to preempt the SONIC-T from continuing to use the bus. The SONIC-T will request the bus again later to complete any operation that it was doing at the time of preemption.

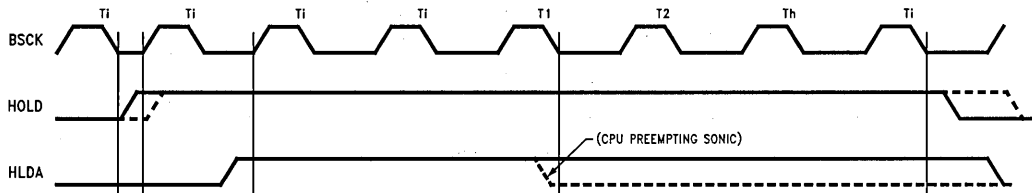


FIGURE 7-3. Bus Request Timing (BMODE = 0)

As shown in Figure 7-3, the SONIC-T will assert HOLD to either the falling or rising edge of the bus clock (BSCK). The default is for HOLD to be asserted on the falling edge. Setting the PH bit in the DCR2 (see Section 6.3.7) causes HOLD to be asserted 1/2 bus clock later on the rising edge (shown by the dotted line). Before HOLD is asserted, the SONIC-T checks the HLDA line. If HLDA is asserted, HOLD will not be asserted until after HLDA has been deasserted first.

BMODE = 1

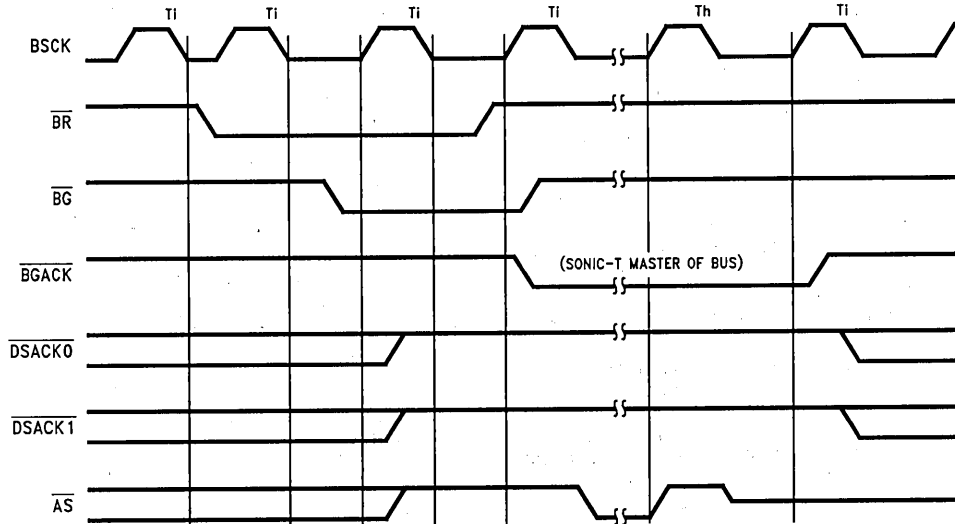
The Motorola protocol requires a 3-way handshake using a BUS REQUEST, BUS GRANT, and BUS GRANT ACKNOWLEDGE handshake (Figure 7-4). When using this protocol, the SONIC-T requests the bus by lowering BUS REQUEST (\overline{BR}). The CPU responds by issuing BUS GRANT (\overline{BG}). Upon receiving \overline{BG} , the SONIC-T assures that all devices have relinquished control of the bus before using the bus. The following signals must be deasserted before the SONIC-T acquires the bus:

- \overline{BGACK}
- \overline{AS}
- $\overline{DSACK0,1}$
- \overline{STERM} (Asynchronous Mode Only)

Deasserting \overline{BGACK} indicates that the previous master has released the bus. Deasserting \overline{AS} indicates that the previous master has completed its cycle and deasserting $\overline{DSACK0,1}$ and \overline{STERM} indicates that the previous slave has terminated its connection to the previous master. The SONIC-T maintains its mastership of the bus until it deasserts \overline{BGACK} . It can not be preempted from the bus.

TL/F/11719-30

7.0 Bus Interface (Continued)



TL/F/11719-31

FIGURE 7-4. Bus Request Timing (BMODE = 1)

7.3.2 Block Transfers

The SONIC-T performs block operations during all bus actions, thereby providing efficient transfers to memory. The block cycle consists of three parts. The first part is the bus acquisition phase, as discussed above, in which the SONIC-T gains access to the bus. Once it has access of the bus, the SONIC-T enters the second phase by transferring data to/from its internal FIFOs or registers from/to memory. The SONIC-T transfers data from its FIFOs in either EXACT BLOCK mode or EMPTY/FILL.

EXACT BLOCK mode: In this mode the number of words (or long words) transferred during a block transfer is determined by either the Transmit or Receive FIFO thresholds programmed in the Data Configuration Register.

EMPTY/FILL mode: In this mode the DMA completely fills the Transmit FIFO during transmission, or completely empties the Receive FIFO during reception. This allows for greater bus latency.

When the SONIC-T accesses the Descriptor Areas (i.e., RRA, RDA, CDA, and TDA), it transfers data between its registers and memory. All fields which need to be used are accessed in one block operation. Thus, the SONIC-T performs 4 accesses in the RRA (see Section 5.4.4.2), 7 accesses in the RDA (see Section 5.4.6.1), 2, 3, or 6 accesses in the TDA (see Section 5.5.4) and 4 accesses in the CDA.

7.3.3 Bus Status

The SONIC-T presents three bits of status information on pins S2-S0 which indicate the type of bus operation the SONIC-T is currently performing (Table 7-1). Bus status is valid when at the falling edge of \overline{AS} or the rising edge of \overline{ADS} .

TABLE 7-1. Bus Status

S2	S1	S0	Status
1	1	1	The bus is idle. The SONIC-T is not performing any transfers on the bus.
1	0	1	The Transmit Descriptor Area (TDA) is currently being accessed.
0	0	1	The Transmit Buffer Area (TBA) is currently being read.
0	1	1	The Receive Buffer Area (RBA) is currently being written to. Only data is being written, though, not a Source or Destination address.
0	1	0	The Receive Buffer Area (RBA) is currently being written to. Only the Source or Destination address is being written, though.
1	1	0	The Receive Resource Area (RRA) is currently being read.
1	0	0	The Receive Descriptor Area (RDA) is currently being accessed.
0	0	0	The CAM Descriptor Area (CDA) is currently being accessed.

1

7.0 Bus Interface (Continued)

Bus Status Transitions

When the SONIC-T acquires the bus, it only transfers data to/from a single area in memory (i.e., TDA, TBA, RDA, RBA, RRA, or CDA). Thus, the bus status pins remain stable for the duration of the block transfer cycle with the following three exceptions: 1) If the SONIC-T is accessed during a block transfer, S2-S0 indicates bus idle during the register access, then returns to the previous status. 2) If the SONIC-T finishes writing the Source Address during a block transfer S2-S0 changes from [0,1,0] to [0,1,1]. 3) During an RDA access between the RXpkt.seq_no and RXpkt.link access, and between the RXpkt.link and RXpkt.in_use access, S2-S0 will respectively indicate idle [1,1,1] for 2 or 1 bus clocks. Status will be valid on the falling edge of \overline{AS} or rising edge of \overline{ADS} .

Figure 7-5 illustrates the SONIC-T's transitions through memory during the process of transmission and reception. During transmission, the SONIC-T reads the descriptor information from the TDA and then transmits data of the packet from the TBA. The SONIC-T moves back and forth between the TDA and TBA until all fragments and packets are transmitted. During reception, the SONIC-T takes one of two paths. In the first case (path A), when the SONIC-T detects EOL = 0 from the previous reception, it buffers the accepted packet into the RBA, and then writes the descriptor information to the RDA. If the RBA becomes depleted (i.e., RBWC0,1 < EOBC), it moves to the RRA to read a resource descriptor. In the second case (path B), when the SONIC-T detects EOL = 1 from the previous reception, it rereads the RXpkt.link field to determine if the system has

reset the EOL bit since the last reception. If it has, the SONIC-T buffers the packet as in the first case. Otherwise, it rejects the packet and returns to idle.

7.3.4 Bus Mode Compatibility

For compatibility with different microprocessor and bus architectures, the SONIC-T operates in one of two modes (set by the BMODE pin) called the National/Intel or little endian mode (BMODE tied low) and the Motorola or big endian mode (BMODE tied high). The definitions for several pins change depending on the mode the SONIC-T is in. Table 7-2 shows these changes. These modes affect both master and slave bus operations with the SONIC-T.

TABLE 7-2. Bus Mode Compatibility

Pin Name	BMODE = 0 (National/Intel)	BMODE = 1 (Motorola)
$\overline{BR}/\text{HOLD}$	HOLD	\overline{BR}
$\overline{BG}/\text{HLDA}$	HLDA	\overline{BG}
$\overline{MRW}/\overline{MWR}$	\overline{MWR}	\overline{MRW}
$\overline{SRW}/\overline{SWR}$	\overline{SWR}	\overline{SRW}
$\overline{DSACK0}/\overline{RDYi}$	\overline{RDYi}	$\overline{DSACK0}$
$\overline{DSACK1}/\overline{RDY0}$	$\overline{RDY0}$	$\overline{DSACK1}$
$\overline{AS}/\overline{ADS}$	\overline{ADS}	\overline{AS}
$\overline{INT}/\text{INT}$	INT	\overline{INT}

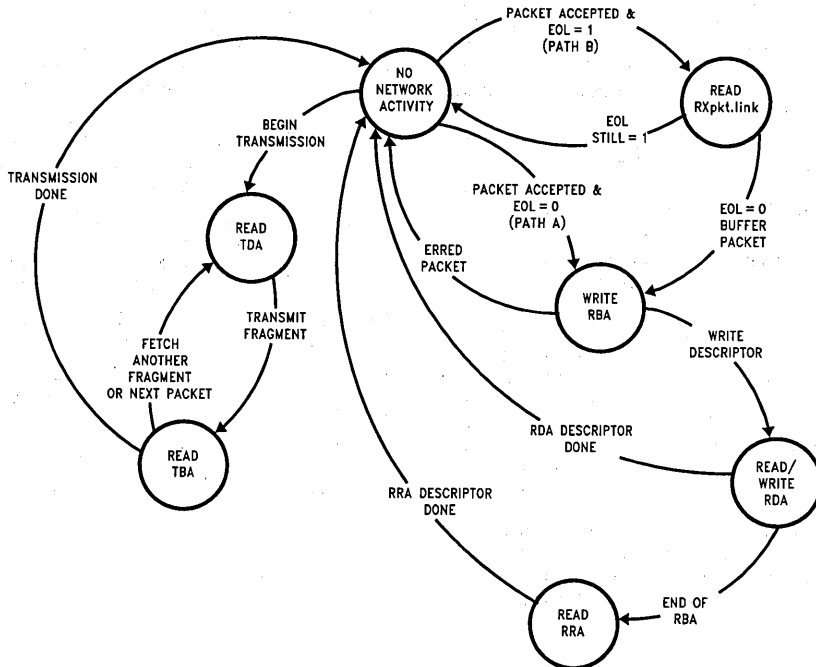


FIGURE 7-5. Bus Status Transitions

TL/F/11719-32

7.0 Bus Interface (Continued)

7.3.5 Master Mode Bus Cycles

In order to add additional compatibility with different bus architectures, there are two other modes that affect the operation of the bus. These modes are called the synchronous and asynchronous modes and are programmed by setting or resetting the SBUS bit in the Data Configuration Register (DCR). The synchronous and asynchronous modes do not have an effect on slave accesses to the SONIC-T but they do affect the master mode operation. Within the particular bus/processor mode, synchronous and asynchronous modes are very similar. This section discusses all four modes of operation of the SONIC-T (National/Intel vs. Motorola, synchronous vs. asynchronous) when it is a bus master.

In this section, the rising edge of T1 and T2 means the beginning of these states, and the falling edge of T1 and T2 means the middle of these states.

7.3.5.1 Adding Wait States

To accommodate different memory speeds, the SONIC-T provides two methods for adding wait states for its bus operations. Both of these methods can be used singly or in conjunction with each other. A memory cycle is extended by adding additional T2 states. The first method inserts wait-states by withholding the assertion of $\overline{DSACK0,1}$ / \overline{STERM} or \overline{RDYi} . The other method allows software to program wait-states. Programming the WC0, WC1 bits in the Data Configuration Register allows 1 to 3 wait-states to be added on each memory cycle. These wait states are inserted between the T1 and T2 bus states and are called T2 (wait) bus states. The SONIC-T will not look at the $\overline{DSACK0,1}$, \overline{STERM} or \overline{RDYi} lines until the programmed wait states have passed. Hence, in order to complete a bus operation that

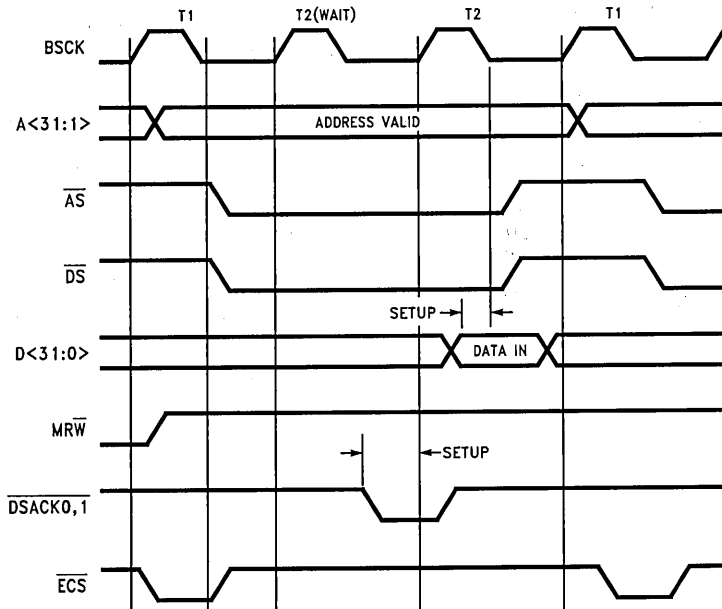
includes programmed wait states, the $\overline{DSACK0,1}$, \overline{STERM} or \overline{RDYi} lines must be asserted at their proper times at the end of the cycle during the last T2, not during a programmed wait state. The only exception to this is asynchronous mode where $\overline{DSACK0,1}$ or \overline{RDYi} would be asserted during the last programmed wait state, T2 (wait). See the timing for these signals in the timing diagrams for more specific information. Programmed wait states do not affect Slave Mode bus cycles.

7.3.5.2 Memory Cycle for BMODE = 1, Synchronous Mode

On the rising edge of T1, the SONIC-T asserts \overline{ECS} to indicate that the memory cycle is starting. The address (A31-A1), bus status (S2-S0) and the direction strobe (MRW) are driven and do not change for the remainder of the memory cycle. On the falling edge of T1, the SONIC-T deasserts \overline{ECS} and asserts \overline{AS} .

In synchronous mode, $\overline{DSACK0,1}$ are sampled on the rising edge of T2. T2 states will be repeated until $\overline{DSACK0,1}$ are sampled properly in a low state. $\overline{DSACK0,1}$ must meet the setup and hold times with respect to the rising edge of bus clock for proper operation.

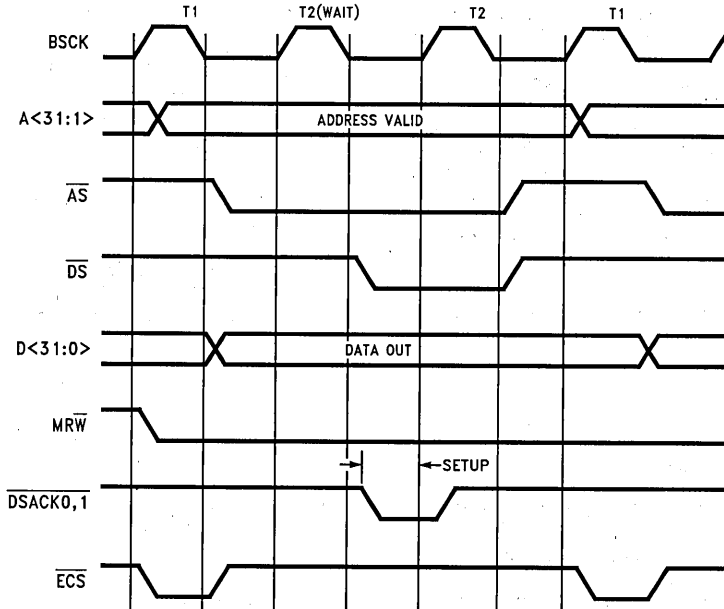
During read cycles (Figure 7-6) data (D31-D0) is latched at the falling edge of T2 and \overline{DS} is asserted at the falling edge of T1. For write cycles (Figure 7-7) data is driven on the falling edge of T1. If there are wait states inserted, \overline{DS} is asserted on the falling edge of T2. \overline{DS} is not asserted for zero wait state write cycles. The SONIC-T terminates the memory cycle by deasserting \overline{AS} and \overline{DS} at the falling edge of T2.



TL/F/11719-33

FIGURE 7-6. Memory Read, BMODE = 1, Synchronous (1 Wait-State)

7.0 Bus Interface (Continued)



TL/F/11719-34

FIGURE 7-7. Memory Write, BMODE = 1, Synchronous (1 Wait-State)

7.3.5.3 Memory Cycle for BMODE = 1, Asynchronous Mode

On the rising edge of T1, the SONIC-T asserts \overline{ECS} to indicate that the memory cycle is starting. The address (A31–A1), bus status (S2–S0) and the direction strobe (\overline{MRW}) are driven and do not change for the remainder of the memory cycle. On the falling edge of T1, the SONIC-T deasserts \overline{ECS} and asserts \overline{AS} .

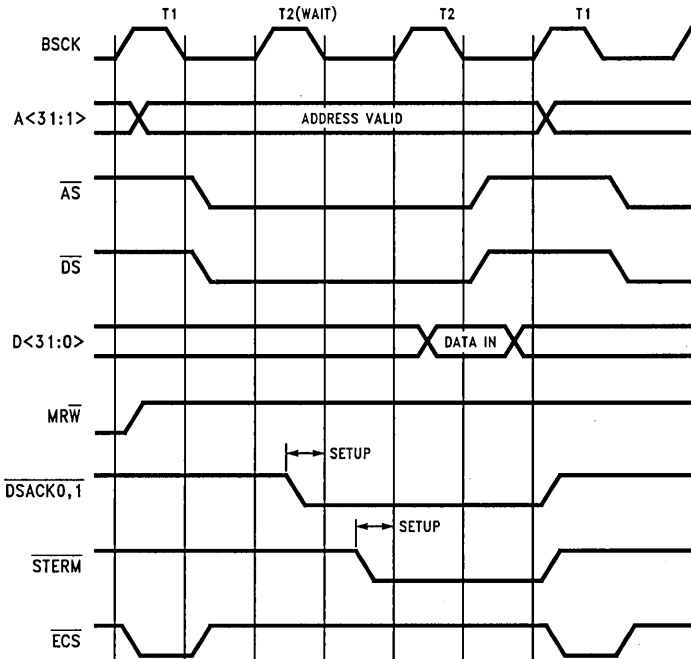
In asynchronous mode, $\overline{DSACK0,1}$ are asynchronously sampled on the falling edge of both T1 and T2. $\overline{DSACK0,1}$ do not need to be synchronized to the bus clock because the chip always resolves these signals to either a high or low state. If a synchronous termination of the bus cycle is required, however, \overline{STERM} may be used. \overline{STERM} is sampled on the rising edge of T2 and must meet the setup and hold times with respect to that edge for proper operation. Meeting the setup time for $\overline{DSACK0,1}$ or \overline{STERM} guarantees that the SONIC-T will terminate the memory cycle 1.5

bus clocks after $\overline{DSACK0,1}$ were sampled, or 1 cycle after \overline{STERM} was sampled. T2 states will be repeated until $\overline{DSACK0,1}$ or \overline{STERM} are sampled properly in a low state. (see note).

During read cycles (Figures 7-8 and 7-9), data (D31–D0) is latched at the falling edge of T2 and \overline{DS} is asserted at the falling edge of T1. For write cycles (Figures 7-10 and 7-11) data is driven on the falling edge of T1. If there are wait states inserted, \overline{DS} is asserted on the falling edge of the first T2 (wait). \overline{DS} is not asserted for zero wait state write cycles. The SONIC-T terminates the memory cycle by deasserting \overline{AS} and \overline{DS} at the falling edge of T2.

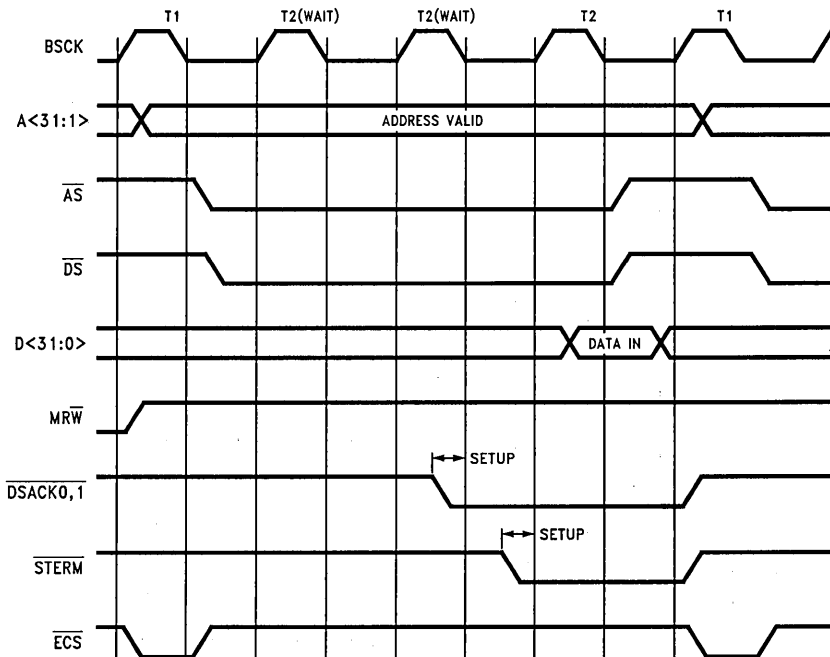
Note: If the setup time for $\overline{DSACK0,1}$ is met during T1, or the setup time for \overline{STERM} is met during the first T2, the full asynchronous bus cycle will take only 2 bus clocks. This may be an unwanted situation. If so, $\overline{DSACK0,1}$ and \overline{STERM} should be deasserted during T1 and the start of T2 respectively.

7.0 Bus Interface (Continued)



TL/F/11719-35

FIGURE 7-8. Memory Read, BMODE = 1, Asynchronous (1 Wait-State)



TL/F/11719-36

FIGURE 7-9. Memory Read, BMODE = 1, Asynchronous (2 Wait-States)

7.0 Bus Interface (Continued)

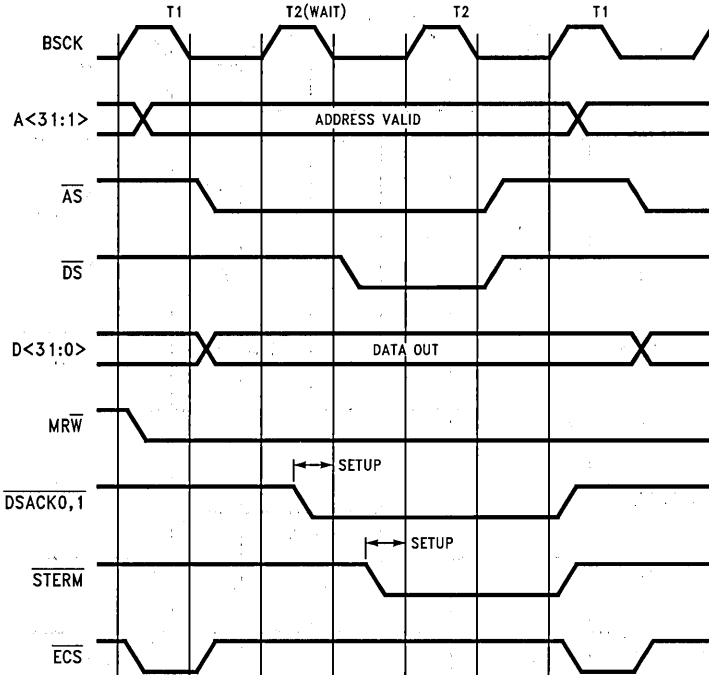


FIGURE 7-10. Memory Write, BMODE = 1, Asynchronous (1 Wait-State)

TL/F/11719-37

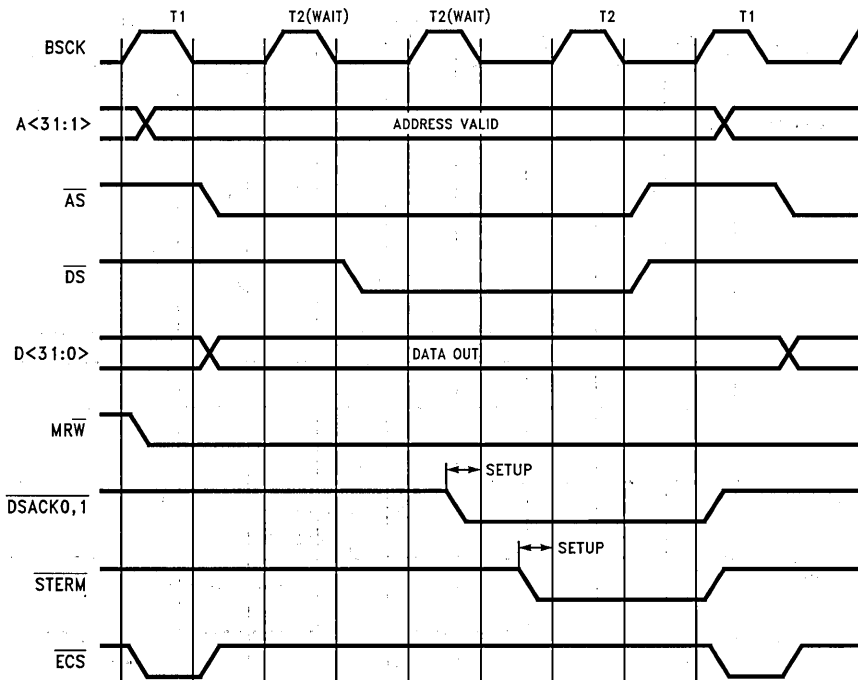


FIGURE 7-11. Memory Write, BMODE = 1, Asynchronous (2 Wait-States)

TL/F/11719-38

7.0 Bus Interface (Continued)

7.3.5.4 Memory Cycle for BMODE = 0, Synchronous Mode

On the rising edge of T1, the SONIC-T asserts \overline{ADS} and \overline{ECS} to indicate that the memory cycle is starting. The address (A31-A1), bus status (S2-S0) and the direction strobe (\overline{MWR}) are driven and do not change for the remainder of the memory cycle. On the falling edge of T1, the SONIC-T deasserts \overline{ECS} . \overline{ADS} is deasserted on the rising edge of T2.

In Synchronous mode, \overline{RDYi} is sampled on the rising edge at the end of T2 (the rising edge of the next T1). T2 states will be repeated until \overline{RDYi} is sampled properly in a low state. \overline{RDYi} must meet the setup and hold times with respect to the rising edge of bus clock for proper operation. During read cycles (Figure 7-12), data (D31-D0) is latched at the rising edge at the end of T2. For write cycles (Figure 7-13), data is driven on the falling edge of T1 and stays driven until the end of the cycle.

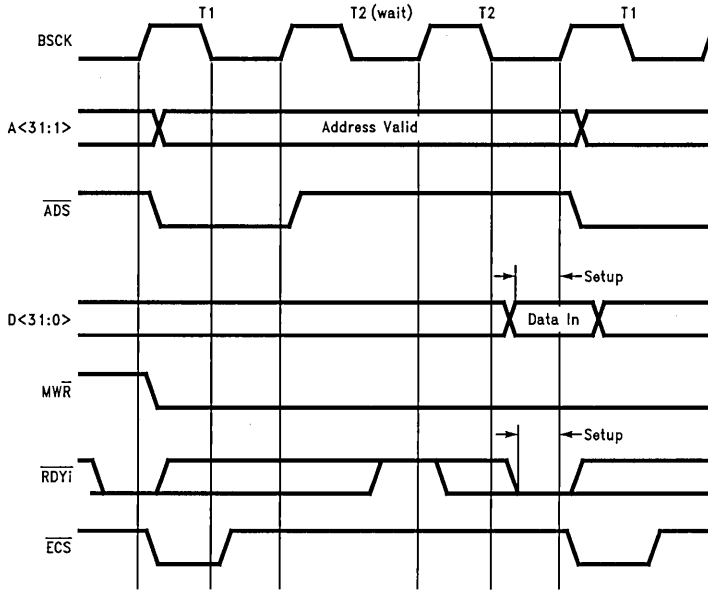


FIGURE 7-12. Memory Read, BMODE = 0, Synchronous (1 Wait-State)

TL/F/11719-39

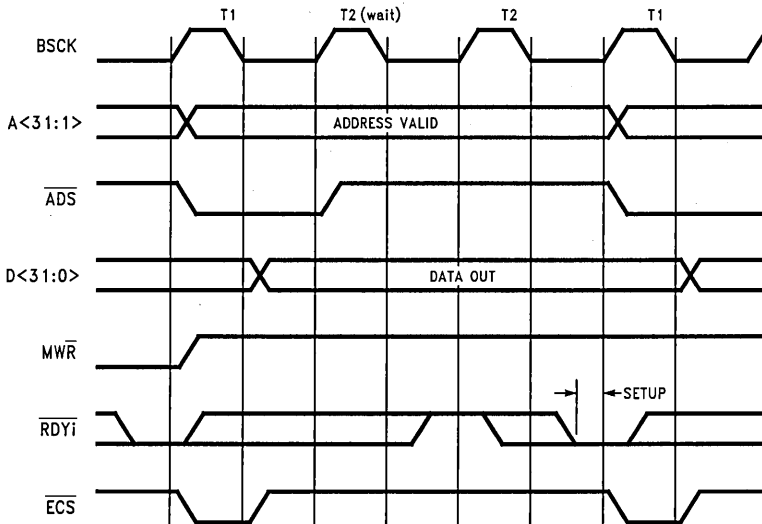


FIGURE 7-13. Memory Write, BMODE = 0, Synchronous (1 Wait-State)

TL/F/11719-40

7.0 Bus Interface (Continued)

7.3.5.5 Memory Cycle for BMODE = 0, Asynchronous Mode

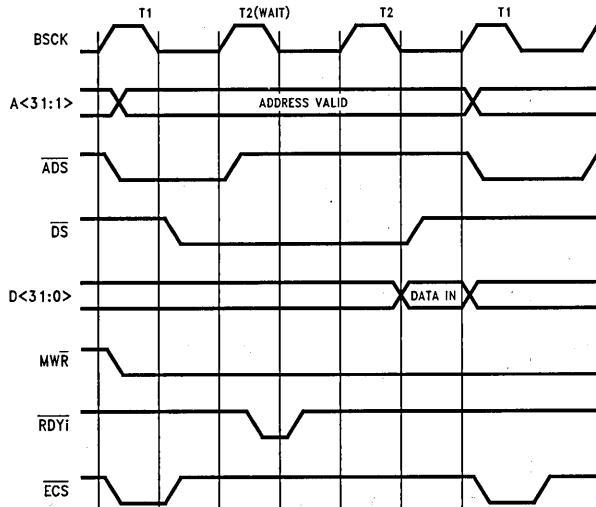
On the rising edge of T1, the SONIC-T asserts \overline{ADS} and \overline{ECS} to indicate that the memory cycle is starting. The address (A31-A1), bus status (S2-S0) and the direction strobe (\overline{MWR}) are driven and do not change for the remainder of the memory cycle. On the falling edge of T1, the SONIC-T deasserts \overline{ECS} . \overline{ADS} is deasserted on the rising edge of T2.

In Asynchronous mode, \overline{RDYi} is asynchronously sampled on the falling edge of both T1 and T2. \overline{RDYi} does not need to be synchronized to the bus clock because the chip always resolves these signals to either a high or low state. Meeting the setup time for \overline{RDYi} guarantees that the

SONIC-T will terminate the memory cycle 1.5 bus clocks after \overline{RDYi} was sampled. T2 states will be repeated until \overline{RDYi} is sampled properly in a low state (see note below).

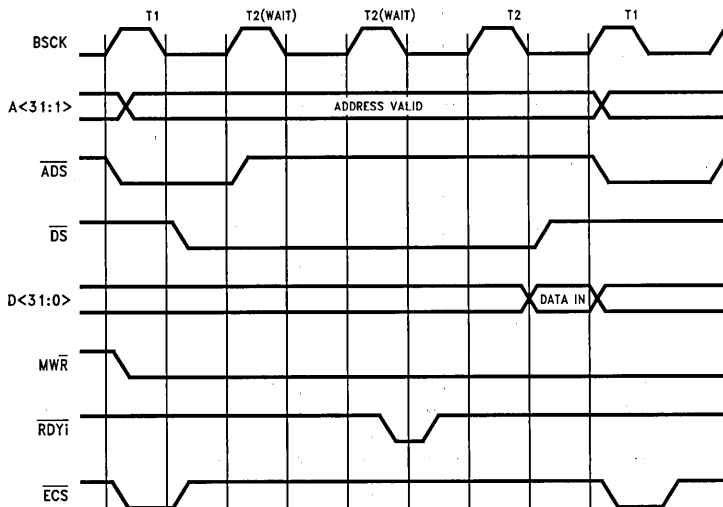
During read cycles (Figures 7-14 and 7-15), data (D31-D0) is latched at the falling edge of T2 and \overline{DS} is asserted at the falling edge of T1. For write cycles (Figures 7-16 and 7-17) data is driven on the falling edge of T1. If there are wait states inserted, \overline{DS} is asserted on the falling edge of the first T2 (wait). \overline{DS} is not asserted for zero wait state write cycles. The SONIC-T terminates the memory cycle by deasserting \overline{DS} at the falling edge of T2.

Note: If the setup time for \overline{RDYi} is met during T1, the full asynchronous bus cycle will take only 2 bus clocks. This may be an unwanted situation. If so, \overline{RDYi} should be deasserted during T1.



TL/F/11719-41

FIGURE 7-14. Memory Read, BMODE = 0, Asynchronous (1 Wait-State)



TL/F/11719-42

FIGURE 7-15. Memory Read, BMODE = 0, Asynchronous (2 Wait-States)

7.0 Bus Interface (Continued)

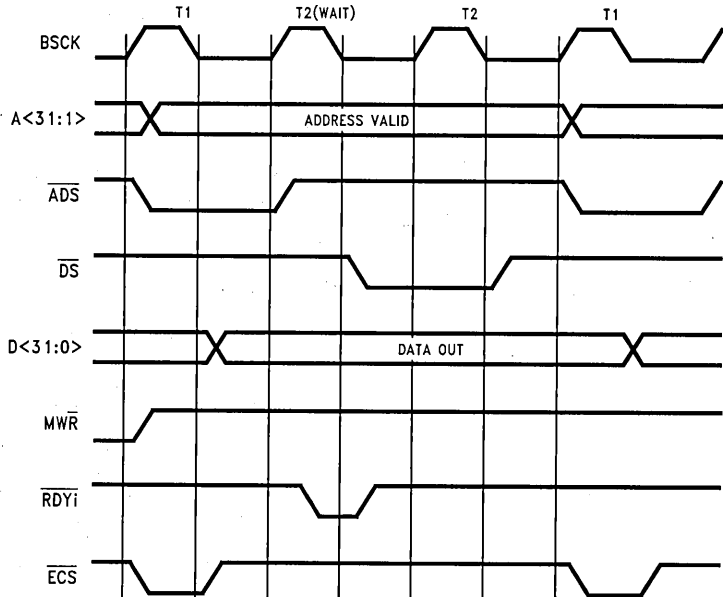


FIGURE 7-16. Memory Write, BMODE = 0, Asynchronous (1 Wait-State)

TL/F/11719-43

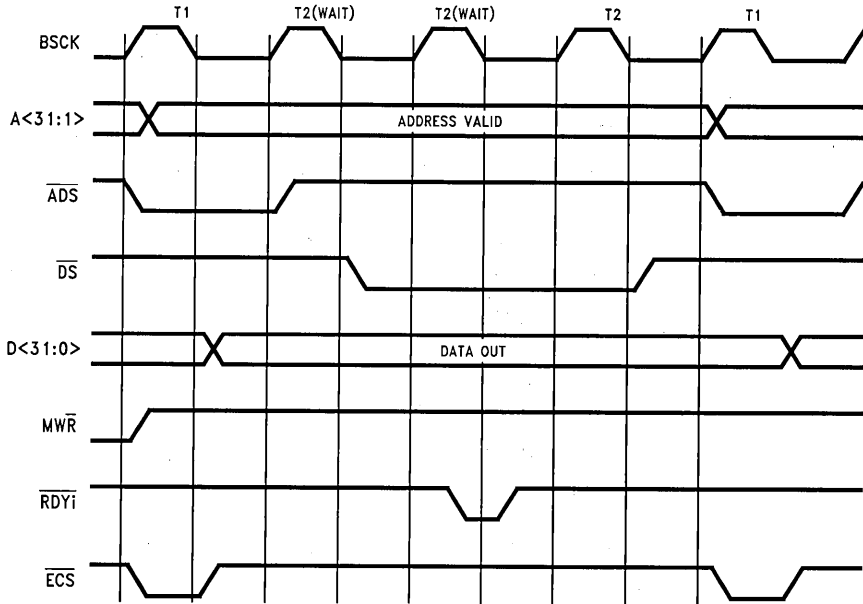


FIGURE 7-17. Memory Write, BMODE = 0, Asynchronous (2 Wait-States)

TL/F/11719-44

7.0 Bus Interface (Continued)

7.3.6 Bus Exceptions (Bus Retry)

The SONIC-T provides the capability of handling errors during the execution of the bus cycle (Figure 7-18).

The system asserts \overline{BRT} (bus retry) to force the SONIC-T to repeat the current memory cycle. When the SONIC-T detects the assertion of \overline{BRT} , it completes the memory cycle at the end of T2 and gets off the bus by deasserting \overline{BGACK} or \overline{HOLD} . Then, if Latched Bus Retry mode is not set (LBR in the Data Configuration Register, Section 6.3.2), the SONIC-T requests the bus again to retry the same memory cycle. If Latched Bus Retry is set, though, the SONIC-T will not retry until the BR bit in the ISR (see Section 6.3.6) has been reset and \overline{BRT} is deasserted. \overline{BRT} has precedence of terminating a memory cycle over $\overline{DSACK0,1}$, \overline{STERM} or \overline{RDYi} .

\overline{BRT} may be sampled synchronously or asynchronously by setting the EXBUS bit in the DCR (see Section 6.3.2). If synchronous Bus Retry is set, \overline{BRT} is sampled on the rising edge of T2. If asynchronous Bus Retry is set, \overline{BRT} is double synchronized from the falling edge of T1. The asynchronous setup time does not need to be met, but doing so will guarantee that the bus exception will occur in the current bus cycle instead of the next bus cycle. Asynchronous Bus Retry may only be used when the SONIC-T is set to asynchronous mode.

Note 1: The deassertion edge of \overline{HOLD} is dependent on the PH bit in the DCR2 (see Section 6.3.7). Also, \overline{BGACK} is driven high for about 0.5 bus clocks before going TRI-STATE.

Note 2: If Latched Bus retry is set, \overline{BRT} need only satisfy its setup time (the hold time is not important). Otherwise, \overline{BRT} must remain asserted until after the Th state.

Note 3: If $\overline{DSACK0,1}$, \overline{STERM} or \overline{RDYi} remain asserted after \overline{BRT} , the next memory cycle, may be adversely affected.

7.3.7 Slave Mode Bus Cycle

The SONIC-T's internal registers can be accessed by one of two methods ($BMODE = 1$ or $BMODE = 0$). In both methods, the SONIC-T is a slave on the bus. This section describes the SONIC-T's slave mode bus operations.

7.3.7.1 Slave Cycle for $BMODE = 1$

The system accesses the SONIC-T by driving \overline{SAS} , \overline{SRW} and $RA<5:0>$. These signals will be sampled each bus cycle, but the SONIC-T will not actually start a slave cycle until \overline{CS} has also been asserted. \overline{CS} should not be asserted before \overline{SAS} is driven low as this will cause improper slave

operation. Once \overline{SAS} has been driven low, between one and two bus clocks after the assertion of \overline{CS} , \overline{SMACK} will be asserted to signify that the SONIC-T has started the slave cycle. Although \overline{CS} is an asynchronous input, meeting its setup time (as shown in Figures 7-19 and 7-20) will guarantee that \overline{SMACK} , which is asserted off of a falling edge, will be asserted 1 bus clock after the falling edge that \overline{CS} is clocked in on. This is assuming that the SONIC-T is not a bus master when \overline{CS} was asserted. If the SONIC-T is a bus master, then, when \overline{CS} is asserted, the SONIC-T will complete its current master bus cycle and get off the bus temporarily (see Section 7.4.8). In this case, \overline{SMACK} will be asserted 5 bus clocks after the falling edge that \overline{CS} was clocked in on. This is assuming that there were no wait states in the current master mode access. Wait states will increase the time for \overline{SMACK} to go low by the number of wait states in the cycle.

If the slave access is a read cycle (Figure 7-19), then the data will be driven off the same edge as \overline{SMACK} . If it is a write cycle (Figure 7-20), then the data will be latched in exactly 2 bus clocks after the assertion of \overline{SMACK} . In either case, $\overline{DSACK0,1}$ are driven low 2 bus clocks after \overline{SMACK} to terminate the slave cycle. For a read cycle, the assertion of $\overline{DSACK0,1}$ indicates valid register data and for a write cycle, the assertion indicates that the SONIC-T has latched the data. The SONIC-T deasserts $\overline{DSACK0,1}$, \overline{SMACK} and the data if the cycle is a read cycle at the rising edge of \overline{SAS} or \overline{CS} depending on which is deasserted first.

Note 1: Although the SONIC-T responds as a 32-bit peripheral when it drives $\overline{DSACK0,1}$ low, it transfers data only on lines $D<15:0>$.

Note 2: For multiple register accesses, \overline{CS} can be held low and \overline{SAS} can be used to delimit the slave cycle (this is the only case where \overline{CS} may be asserted before \overline{SAS}). In this case, \overline{SMACK} will be driven low due to \overline{SAS} going low since \overline{CS} has already been asserted. Notice that this means \overline{SMACK} will not stay asserted low during the entire time \overline{CS} is low (as is the case for \overline{MREQ} , Section 7.3.8).

Note 3: If memory request (\overline{MREQ}) follows a chip select (\overline{CS}), it must be asserted at least 2 bus clocks after \overline{CS} is deasserted. Both \overline{CS} and \overline{MREQ} must not be asserted concurrently.

Note 4: When \overline{CS} is deasserted, it must remain deasserted for at least one bus clock.

Note 5: The way in which \overline{SMACK} is asserted due to \overline{CS} is not the same as the way in which \overline{SMACK} is asserted due to \overline{MREQ} . The assertion of \overline{SMACK} is dependent upon both \overline{CS} and \overline{SAS} being low, not just \overline{CS} . This is not the same as the case for \overline{MREQ} (see Section 7.3.8). The assertion of \overline{SMACK} in these two cases should not be confused.

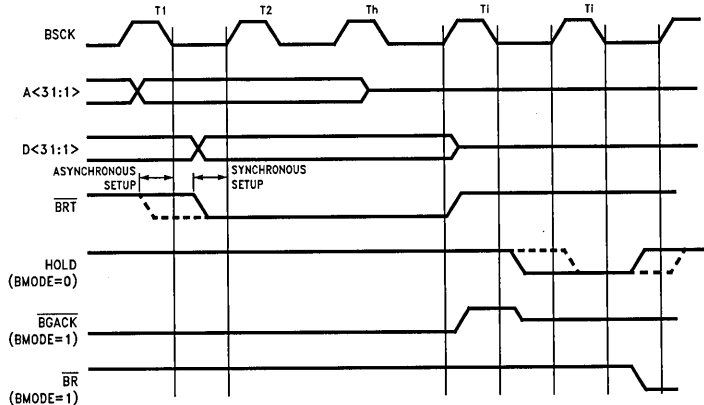


FIGURE 7-18. Bus Exception (Bus Retry)

TL/F/11719-45

7.0 Bus Interface (Continued)

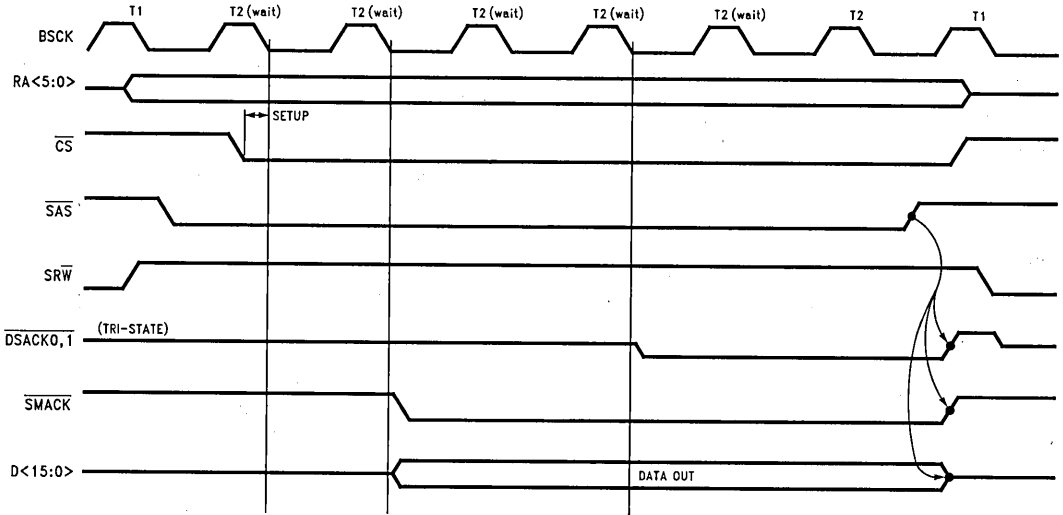


FIGURE 7-19. Register Read, BMODE = 1

TL/F/11719-46

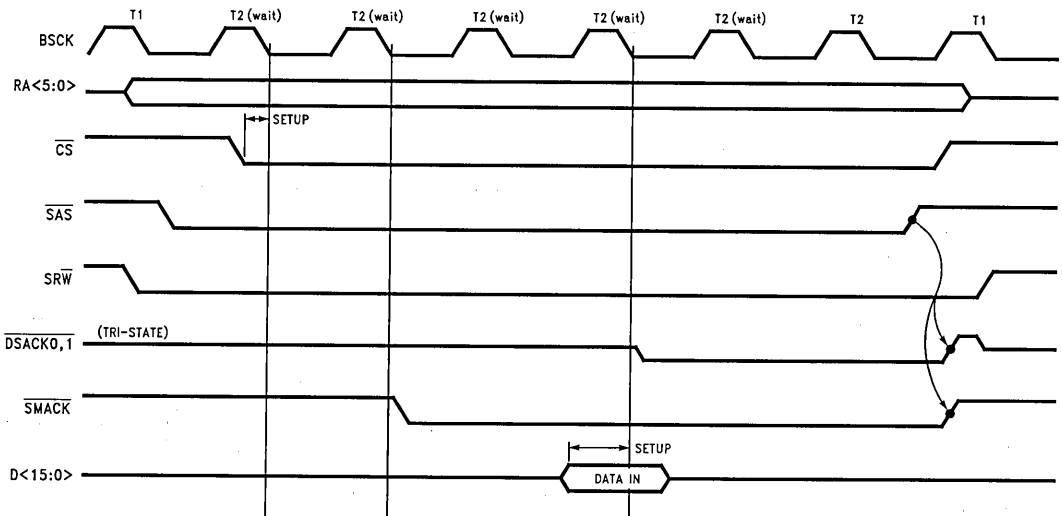


FIGURE 7-20. Register Write, BMODE = 1

TL/F/11719-47

7.0 Bus Interface (Continued)

7.3.7.2 Slave Cycle for BMODE = 0

The system accesses the SONIC-T by driving \overline{SAS} , \overline{CS} , \overline{SWR} and $RA<5:0>$. These signals will be sampled each bus cycle, but the SONIC-T will not actually start a slave cycle until \overline{CS} has been sampled low and \overline{SAS} has been sampled high. \overline{CS} should not be asserted low before the falling edge of \overline{SAS} as this will cause improper slave operation. \overline{CS} may be asserted low, however, before the rising edge of \overline{SAS} . In this case, it is suggested that \overline{SAS} be driven high within one bus clock after the falling edge of \overline{CS} . Once \overline{SAS} has been driven high, between one and two bus clocks after the assertion of \overline{CS} , \overline{SMACK} will be driven low to signify that the SONIC-T has started the slave cycle. Although \overline{CS} is an asynchronous input, meeting its setup time (as shown in Figures 7-21 and 7-22) will guarantee that \overline{SMACK} , which is asserted off a falling edge, will be asserted 1 bus clock after the falling edge that \overline{CS} was clocked in on. This is assuming that the SONIC-T is not a bus master when \overline{CS} is asserted. If the SONIC-T is a bus master, then, when \overline{CS} is asserted, the SONIC-T will complete its current master bus cycle and get off the bus temporarily (see Section 7.3.8). In this case, \overline{SMACK} will be asserted 5 bus clocks after the falling edge that \overline{CS} was clocked in on. This is assuming that there were no wait states in the current master mode access. Wait states will increase the time for \overline{SMACK} to go low by the number of wait states in the cycle.

If the slave access is a read cycle (Figure 7-21), then the data will be driven off the same edge as \overline{SMACK} . If it is a write cycle (Figure 7-22), then the data will be latched in exactly 2 bus clocks after the assertion of \overline{SMACK} . In either case, $\overline{RDY0}$ is driven low 2.5 bus clocks after \overline{SMACK} to terminate the slave cycle. For a read cycle, the assertion of $\overline{RDY0}$ indicates valid register data and for a write cycle, the assertion indicates that the SONIC-T has latched the data. The SONIC-T deasserts $\overline{RDY0}$, \overline{SMACK} and the data if the cycle is a read cycle at the falling edge of \overline{SAS} or the rising edge of \overline{CS} depending on which is first.

Note 1: The SONIC-T transfers data only on lines $D<15:0>$ during slave mode accesses.

Note 2: For multiple register accesses, \overline{CS} can be held low and \overline{SAS} can be used to delimit the slave cycle (this is the only case where \overline{CS} may be asserted before \overline{SAS}). In this case, \overline{SMACK} will be driven low due to \overline{SAS} going high since \overline{CS} has already been asserted. Notice that this means \overline{SMACK} will not stay asserted low during the entire time \overline{CS} is low (as is the case for \overline{MREQ} , Section 7.3.8).

Note 3: If memory request (\overline{MREQ}) follows a chip select (\overline{CS}), it must be asserted at least 2 bus clocks after \overline{CS} is deasserted. Both \overline{CS} and \overline{MREQ} must not be asserted concurrently.

Note 4: When \overline{CS} is deasserted, it must remain deasserted for at least one bus clock.

Note 5: The way in which \overline{SMACK} is asserted due to \overline{CS} is not the same as the way in which \overline{SMACK} is asserted due to \overline{MREQ} . The assertion of \overline{SMACK} is dependent upon both \overline{CS} and \overline{SAS} being low, not just \overline{CS} . This is not the same as the case for \overline{MREQ} (see Section 7.3.8). The assertion of \overline{SMACK} in these two cases should not be confused.

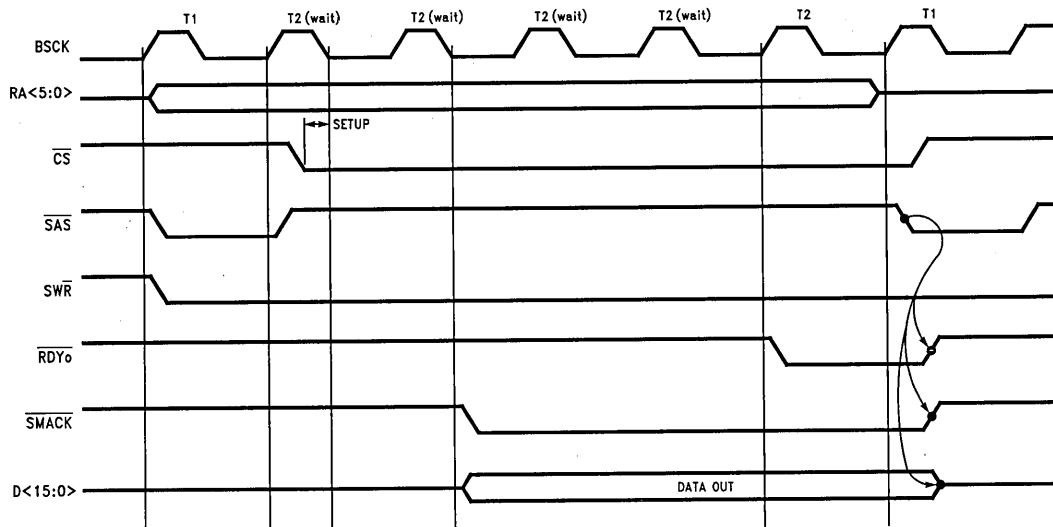


FIGURE 7-21. Register Read, BMODE = 0

TL/F/11719-48

7.0 Bus Interface (Continued)

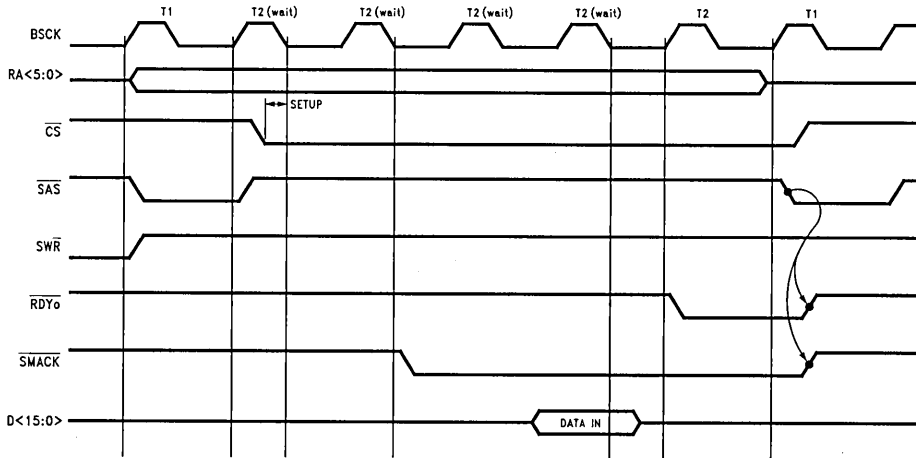


FIGURE 7-22. Register Write, BMODE = 0

TL/F/11719-49

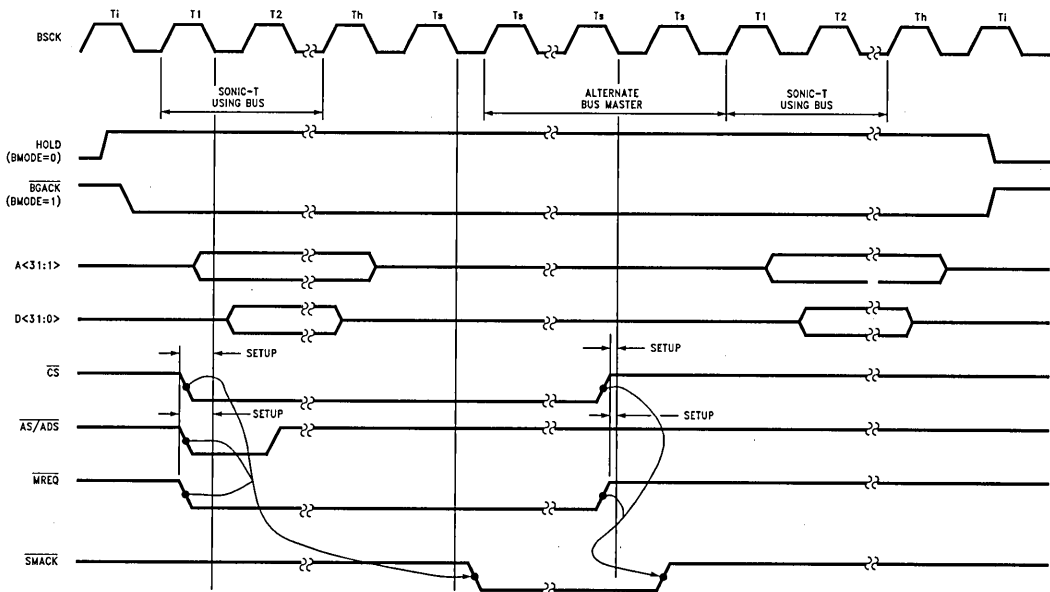


FIGURE 7-23. On-Chip Memory Arbiter

TL/F/11719-50

7.0 Bus Interface (Continued)

7.3.8 On-Chip Memory Arbiter

For applications which share the buffer memory area with the host system (shared-memory applications), the SONIC-T provides a fast on-chip memory arbiter for efficiently resolving accesses between the SONIC-T and the host system (Figure 7-23). The host system indicates its intentions to use the shared-memory by asserting Memory Request (\overline{MREQ}). The SONIC-T will allow the host system to use the shared memory by acknowledging the host system's request with Slave and Memory Acknowledge (\overline{SMACK}). Once \overline{SMACK} is asserted, the host system may use the shared memory freely. The host system gives up the shared memory by deasserting \overline{MREQ} .

\overline{MREQ} is clocked in on the falling edge of bus clock and is double synchronized internally to the rising edge. \overline{SMACK} is asserted on the falling edge of a T_s bus cycle. If the SONIC-T is not currently accessing the memory, \overline{SMACK} is asserted immediately after \overline{MREQ} was clocked in. If, however, the SONIC-T is accessing the shared memory, it finishes its current memory transfer and then issues \overline{SMACK} . \overline{SMACK} will be asserted 1 or 5 (see Note 2 below) bus clocks, respectively, after \overline{MREQ} is clocked in. Since \overline{MREQ} is double synchronized, it is not necessary to meet its setup time. Meeting the setup time for \overline{MREQ} will, however, guarantee that \overline{SMACK} is asserted in the next or fifth bus clock after the current bus clock. \overline{SMACK} will deassert within one bus clock after \overline{MREQ} is deasserted. The SONIC-T will then finish its master operation if it was using the bus previously.

If the host system needs to access the SONIC-T's registers instead of shared memory, \overline{CS} would be asserted instead of \overline{MREQ} . Accessing the SONIC-T's registers works almost exactly the same as accessing the shared memory except that the SONIC-T goes into a slave cycle instead of going idle. see Section 7.3.7 for more information about how register accesses work.

Note 1: The successive assertion of \overline{CS} and \overline{MREQ} must be separated by at least two bus clocks. Both \overline{CS} and \overline{MREQ} must not be asserted concurrently.

Note 2: The number of bus clocks between \overline{MREQ} being asserted and the assertion of \overline{SMACK} when the SONIC-T is in Master Mode is 5 bus clocks assuming there were no wait states in the Master Mode access. Wait states will increase the time for \overline{SMACK} to go low by the number of wait states in the cycle (the time will be 5 + the number of wait states).

Note 3: The way in which \overline{SMACK} is asserted due to \overline{CS} is not the same as the way in which \overline{SMACK} is asserted due to \overline{MREQ} . \overline{SMACK} goes low as a direct result of the assertion of \overline{MREQ} , whereas, for \overline{CS} , \overline{SAS} must also be driven low ($BMODE = 1$) or high ($BMODE = 0$) before \overline{SMACK} will be asserted. This means that when \overline{SMACK} is asserted due to \overline{MREQ} , \overline{SMACK} will remain asserted until \overline{MREQ} is deasserted. Multiple memory accesses can be made to the shared memory without \overline{SMACK} ever going high. When \overline{SMACK} is asserted due to \overline{CS} , however, \overline{SMACK} will only remain low as long as \overline{SAS} is also low ($BMODE = 1$) or high ($BMODE = 0$). \overline{SMACK} will not remain low throughout multiple register accesses to the SONIC-T because \overline{SAS} must toggle for each register access. This is an important difference to consider when designing shared memory designs.

TABLE 7-3. Internal Register Content after Reset

Register	Contents after Reset	
	Hardware Reset	Software Reset
Command	0094h	0094h/00A4h
Data Configuration (DCR and DCR2)	*	unchanged
Interrupt Mask	0000h	unchanged
Interrupt Status	0000h	unchanged
Transmit Control	0101h	unchanged
Receive Control	**	unchanged
End Of Buffer Count	02F8h	unchanged
Sequence Counters	0000h	unchanged
CAM Enable	0000h	unchanged

*Bits 15 and 13 of the DCR and bits 4 through 0 of the DCR2 are reset to a 0 during a hardware reset. Bits 15–12 of the DCR2 are unknown until written to. All other bits in these two registers are unchanged.

**Bits LB1, LB0 and BRD are reset to a 0 during hardware reset. All other bits are unchanged.

7.3.9 Chip Reset

The SONIC-T has two reset modes; a hardware reset and a software reset. The SONIC-T can be hardware reset by asserting the \overline{RESET} pin or software reset by setting the RST bit in the Command Register (Section 6.3.1). The two reset modes are not interchangeable since each mode performs a different function.

After power-on, the SONIC-T must be hardware reset before it will become operational. This is done by asserting \overline{RESET} for a minimum of 10 transmit clocks (10 ethernet transmit clock periods, TXC). If the bus clock (BSCK) period is greater than the transmit clock period, \overline{RESET} should be asserted for 10 bus clocks instead of 10 transmit clocks. A hardware reset places the SONIC-T in the following state. (The registers affected are listed in parentheses. See Table 7-3 and Section 6.3 for more specific information about the registers and how they are affected by a hardware reset. Only those registers listed below and in Table 7-3 are affected by a hardware reset.)

1. Receiver and Transmitter are disabled (CR).
2. The General Purpose timer is halted (CR).
3. All interrupts are masked out (IMR).
4. The NCRS and PTX status bits in the Transmit Control Register (TCR) are set.
5. The End Of Byte Count (EOBC) register is set to 02F8h (760 words).
6. Packet and buffer sequence number counters are set to zero.
7. All CAM entries are disabled. The broadcast address is also disabled (CAM Enable Register and the RCR).
8. Loopback operation is disabled (RCR).
9. The latched bus retry is set to the unlatched mode (DCR).
10. All interrupt status bits are reset (ISR).
11. The Extended Bus Mode is disabled (DCR).
12. HOLD will be asserted/deasserted from the falling clock edge (DCR2).

7.0 Bus Interface (Continued)

- 13. \overline{PCOMP} will not be asserted (DCR2).
- 14. Packets will be accepted (not rejected) on CAM match (DCR2).

A software reset immediately terminates DMA operations and future interrupts. The chip is put into an idle state where registers can be accessed, but the SONIC-T will not be active in any other way. The registers are affected by a software reset as shown in Table 7-3 (only the Command Register is changed).

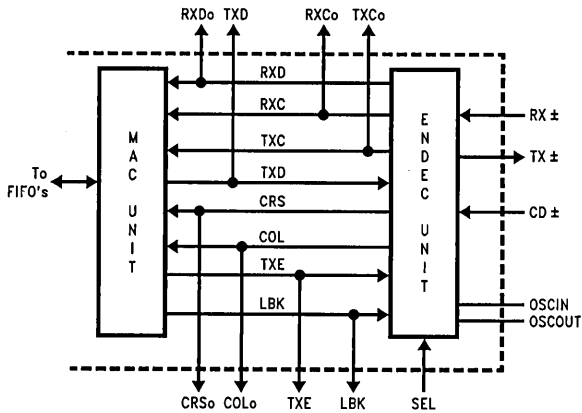
8.0 Network Interfacing

The SONIC-T contains an on-chip ENDEC that performs the network interfacing between the AUI (Attachment Unit Inter-

face) and the SONIC-T's MAC unit. A pin selectable option allows the internal ENDEC to be disabled and the MAC/ENDEC signals to be supplied to the user for connection to an external ENDEC. If the EXT pin is tied to ground (EXT=0) the internal ENDEC is selected and if EXT is tied to V_{CC} (EXT=1) the external ENDEC option is selected.

Internal ENDEC: When the internal ENDEC is used (EXT=0) the interface signals between the ENDEC and MAC unit are internally connected. While these signals are used internally by the SONIC-T they are also provided as an output to the user (*Figure 8-1*).

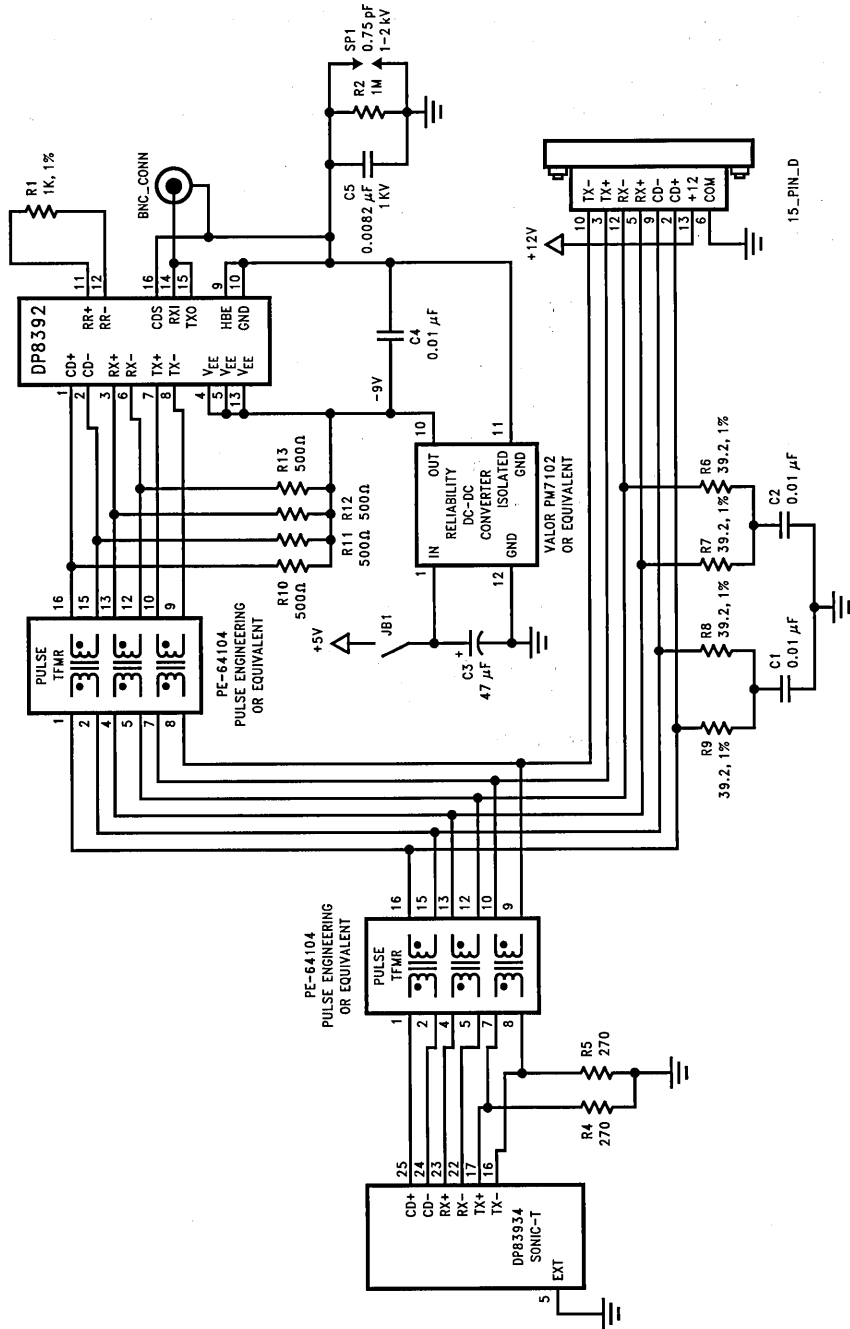
The internal ENDEC allows for a 2-chip solution for the complete Ethernet interface. *Figure 8-2* shows a typical diagram of the Thin Ethernet and AUI network interface.



TL/F/11719-51

FIGURE 8-1. MAC and Internal ENDEC Interface Signals

8.0 Network Interfacing (Continued)



TL/F/11719-52

FIGURE 8-2. Network Interface Example (EXT = 0)

Note: When using BNC_CONN only, R10 to R13 should be 1.5 kΩ each.

8.0 Network Interfacing (Continued)

External ENDEC: When EXT = 1 the internal ENDEC is bypassed and the signals are provided directly to the user. Since SONIC-T's on-chip ENDEC is the same as National's DP83910 Serial Network Interface (SNI) the interface considerations discussed in this section would also apply to using this device in the external ENDEC mode.

8.1 MANCHESTER ENCODER AND DIFFERENTIAL DRIVER

The ENDEC unit's encoder begins operation when the MAC section begins sending the serial data stream. It converts NRZ data from the MAC section to Manchester data for the differential drivers (TX±). In Manchester encoding, the first half of the bit cell contains the complementary data and the second half contains the true data (*Figure 8-3*). A transition always occurs at the middle of the bit cell. As long as the MAC continues sending data, the ENDEC section remains in operation. At the end of transmission, the last transition is always positive, occurring at the center of the bit cell if the last bit is a one, or at the end of the bit cell if the last bit is a zero.

The differential transmit pair drives up to 50 meters of twisted pair AUI cable. These outputs are source followers which require two 270Ω pull-down resistors to ground. In addition, a pulse transformer is required between the transmit pair output and the AUI interface.

The driver provides half-step mode for compatibility with Ethernet I and IEEE 802.3, so that TX+ and TX- are equal in the idle state.

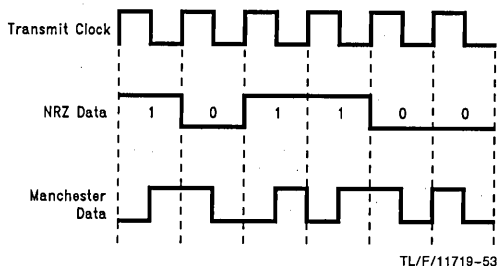


FIGURE 8.3. Manchester Encoded Data Stream

8.1.1 Manchester Decoder

The decoder consists of a differential receiver and a phase lock loop (PLL) to separate the Manchester encoded data stream into clock signals and NRZ data. The differential input must be externally terminated with two 39Ω resistors connected in series. In addition, a pulse transformer is required between the receive input pair and the AUI interface.

To prevent noise from falsely triggering the decoder, a squelch circuit at the input rejects signals with a magnitude less than -175 mV. Signals more negative than -300 mV are decoded.

Once the input exceeds the squelch requirements, the decoder begins operation. The decoder may tolerate bit jitter up to 18 ns in the received data. The decoder detects the end of a frame within one and a half bit times after the last bit of data.

8.1.2 Collision Translator

When the Ethernet transceiver (DP8392 CTI) detects a collision, it generates a 10 MHz signal to the differential collision inputs (CD+ and CD-) of the SONIC-T. When SONIC-T detects these inputs active, its Collision translator converts the 10 MHz signal to an active collision signal to the MAC section. This signal causes SONIC-T to abort its current transmission and reschedule another transmission attempt.

The collision differential inputs are terminated the same way as the differential receive inputs and a pulse transformer is required between the collision input pair and the AUI interface. The squelch circuitry is also similar, rejecting pulses with magnitudes less than -175 mV.

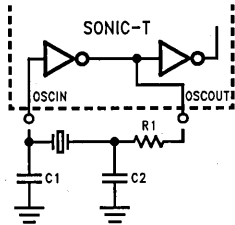
8.1.3 Oscillator Inputs

The oscillator inputs to the SONIC-T (OSCIN and OSCOUT) can be driven with a parallel resonant crystal or an external clock. In either case the oscillator inputs must be driven with a 20 MHz signal. The signal is divided by 2 to generate the 10 MHz transmit clock (TXC) for the MAC unit. The oscillator also provides internal clock signals for the encoding and decoding circuits.

8.1.3.1 External Crystal

According to the IEEE 802.3 standard, the transmit clock (TXC) must be accurate to 0.01%. This means that the oscillator circuit, which includes the crystal and other parts involved must be accurate to 0.01% after the clock has been divided in half. Hence, when using a crystal, it is necessary to consider all aspects of the crystal circuit. An example of a recommended crystal circuit is shown in *Figure 8-4* and suggested oscillator specifications are shown in *Table 8-1*. The load capacitors in *Figure 8-4*, C1 and C2, should be no greater than 36 pF each, including all stray capacitance (see note 2). The resistor, R1, may be required in order to minimize frequency drift due to changes in V_{CC}. If R1 is required, its value must be carefully selected since R1 decreases the loop gain. If R1 is made too large, the loop gain will be greatly reduced and the crystal will not oscillate. If R1 is made too small, normal variations in V_{CC} may cause the oscillation frequency to drift out of specification. As a first rule of thumb, the value of R1 should be made equal to five times the motional resistance of the crystal. The motional resistance of 20 MHz crystals is usually in the range of 10Ω to 30Ω. This implies that reasonable values for R1 should be in the range of 50Ω to 150Ω. The decision of whether or not to include R1 should be based upon measured variations of crystal frequency as each of the circuit parameters are varied.

8.0 Network Interfacing (Continued)



TL/F/11719-54

FIGURE 8-4. Crystal Connection to the SONIC-T
(see text)

Note 1: The OSCOUT pin is not guaranteed to provide a TTL compatible logic output, and should not be used to drive any external logic. If additional logic needs to be driven, then an external oscillator should be used as described in the following section.

Note 2: The frequency marked on the crystal is usually measured with a fixed load capacitance specified in the crystal's data sheet. The actual load capacitance used should be the specified value minus the stray capacitance.

TABLE 8-1. Crystal Specifications

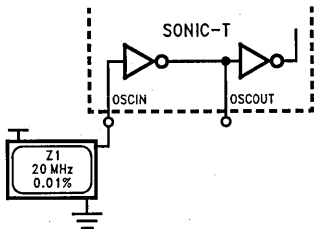
Resonant frequency	20 MHz
Tolerance (see text)	± 0.01% at 25°C
Accuracy	± 0.005% (50 ppm) at 0 to 70°C
Fundamental Mode Series Resistance	≤ 25Ω
Specified Load Capacitance	≤ 18 pF
Type	AT cut
Circuit	Parallel Resonance

8.1.3.2 Clock Oscillator Module

The SONIC-T also allows an external clock oscillator to be used. The connection configuration is shown in *Figure 8-5*. This connection requires an oscillator with the following specifications:

1. TTL or CMOS output with a 0.01% frequency tolerance
2. 40%–60% duty cycle
3. One CMOS load output drive

Again, the above assumes no other circuitry is driven.



TL/F/11719-55

FIGURE 8-5. Oscillator Module Connection to the SONIC-T

8.1.3.3 PCB Layout Considerations

Care should be taken when connecting a crystal. Stray capacitance (e.g., from PC board traces and plated through holes around the OSCIN and OSCOUT pins) can shift the crystal's frequency out of range, causing the transmitted frequency to exceed the 0.01% tolerance specified by IEEE. The layout considerations for using an external crystal are rather straightforward. The oscillator layout should locate all components close to the OSCIN and OSCOUT pins and should use short traces that avoid excess capacitance and inductance. A solid ground should be used to connect the ground legs of the two capacitors.

When connecting an external oscillator, the only considerations are to keep the oscillator module as close to the SONIC-T as possible to reduce stray capacitance and inductance and to give the module a clean V_{CC} and a solid ground.

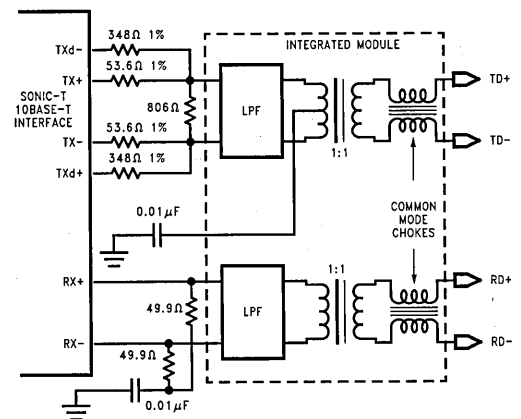
8.1.4 Power Supply Considerations

In general, power supply routing and design for the SONIC-T need only follow standard practices. In some situations, however, additional care may be necessary in the layout of the analog supply. Specifically special care may be needed for the TXV_{CC} , RXV_{CC} , $PLL_{V_{CC}}$, $OSCV_{CC}$, $RXTV_{CC}$ and TPV_{CC} power supplies and the $TXGND$, $RXGND$, PLL_{GND} , $OSCGND$, $TPGND$ and $ANGND$. In most cases the analog and digital power supplies can be interconnected. However, to ensure optimum performance of the SONIC-T's analog functions, power supply noise should be minimized. To reduce analog supply noise, any of several techniques can be used.

1. Route analog supplies as a separate set of traces or planes from the digital supplies with their own decoupling capacitors.
2. Provide noise filtering on the analog supply pins by inserting a low pass filter. Alternatively, a ferrite bead could be used to reduce high frequency power supply noise.
3. Utilize a separate regulator to generate the analog supply.

8.2 TWISTED PAIR INTERFACE MODULE

Transmitter Considerations: The transmitter consists of four signals, the true and complement Manchester encoded data (TXO_{\pm}) and these signals delayed by 50 ns ($TXOd_{\pm}$). These four signals are resistively combined (*Figure 8-6*), TXO_{+} with $TXOd_{-}$ and TXO_{-} with $TXOd_{+}$, in a configuration referred to as pre-emphasis. This digital pre-emphasis is required to compensate for the low-pass filter effects of the twisted pair cable, which cause greater attenuation to the 10 MHz (50 ns) pulses of the Manchester encoded waveform than the 5 MHz (100 ns) pulses.



TL/F/11719-56

FIGURE 8-6. External Circuitry to Connect the SONIC-T to Twisted Pair Cable

9.0 AC and DC Specifications

Absolute Maximum Ratings

If Military/Aerospace specified devices are required, please contact the National Semiconductor Sales Office/Distributors for availability and specifications.

Supply Voltage (V_{CC})	-0.5V to 7.0V
DC Input Voltage (V_{IN})	-0.5V to $V_{CC} + 0.5V$
DC Output Voltage (V_{OUT})	-0.5V to $V_{CC} + 0.5V$

Storage Temperature Range (T_{STG})	-65°C to 150°C
Power Dissipation (PD)	500 mW
Lead Temp. (TL) (Soldering, 10 sec.)	260°C
ESD Rating ($R_{ZAP} = 1.5k, C_{ZAP} = 120 pF$)	1.5 kV

DC Specifications $T_A = 0^\circ C$ to $70^\circ C$, $V_{CC} = 5V \pm 5\%$ unless otherwise specified

Symbol	Parameter	Conditions	Min	Max	Units
V_{OH}	Minimum High Level Output Voltage	$I_{OH} = -8 mA$	3.0		V
V_{OL}	Maximum Low Level Output Voltage	$I_{OL} = 8 mA$		0.5	V
V_{IH}	Minimum High Level Input Voltage		2.0		V
V_{IL}	Maximum Low Level Input Voltage			0.8	V
I_{IN}	Input Current	$V_{IN} = V_{CC}$ or GND	-1.0	1.0	μA
I_{OZ}	Maximum TRI-STATE Output Leakage Current	$V_{OUT} = V_{CC}$ or GND	-10	10	μA
I_{CC}	Average Operating Supply Current	$I_{OUT} = 0 mA$, Freq = f_{max}		110	mA

AUI INTERFACE PINS (TX \pm , RX \pm , and CD \pm)

V_{OD}	Diff. Output Voltage (TX \pm)	78 Ω Termination, and 270 Ω from Each to GND	± 550	± 1200	mV
V_{OB}	Diff. Output Voltage Imbalance (TX \pm) (Guaranteed by Design. Not Tested.)	78 Ω Termination, and 270 Ω from Each to GND	Typical: 40 mV		
V_U	Undershoot Voltage (TX \pm) (Guaranteed by Design. Not Tested.)	78 Ω Termination, and 270 Ω from Each to GND	Typical: 80 mV		
V_{DS}	Diff. Squelch Threshold (RX \pm and CD \pm)		-175	-300	mV

TPI INTERFACE PINS

R_{TOL}	TXO $d\pm$, TXO \pm Low Level Output Resistance	$I_{OL} = 25 mA$		15	Ω
R_{TOH}	TXO $d\pm$, TXO \pm High Level Output Resistance	$I_{OL} = -25 mA$		15	Ω
V_{SRON1}	Receive Threshold Turn-On Voltage 10BASE-T Mode		± 300	± 585	mV
V_{SRON2}	Receive Threshold Turn-On Voltage Reduce Threshold		± 175	± 300	mV
V_{SROFF}	Receive Threshold Turn-Off Voltage		± 175	± 300	mV
V_{DIFF}	Differential Mode Input Voltage Range (Guaranteed by Design, Not Tested)	$V_{CC} = 5.0V$	-3.1	+3.1	V

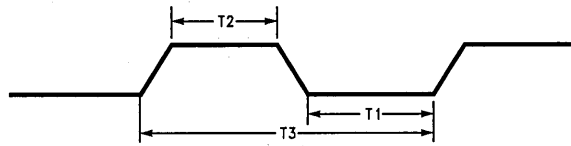
OSCILLATOR PINS (OSCOU and OSCIN)

V_{IH}	OSCIN Input High Voltage	OSCIN is Connected to an Oscillator and OSCOUT is Open	2.0		V
V_{IL}	OSCIN Input Low Voltage	OSCIN is Connected to an Oscillator and OSCOUT is Open		0.8	V
I_{OSC2}	OSCIN Input Leakage Current	OSCIN is Connected to an Oscillator and OSCOUT is Open $V_{IN} = V_{CC}$ or GND	-20	20	μA

9.0 AC and DC Specifications (Continued)

AC Specifications

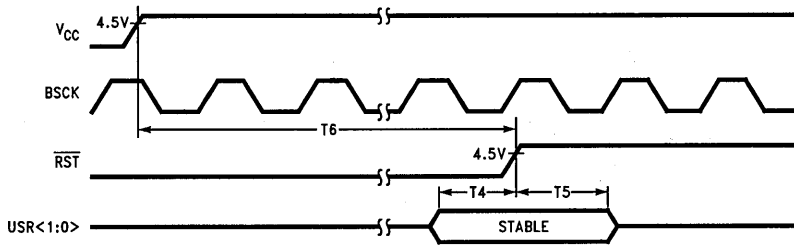
BUS CLOCK TIMING



TL/F/11719-57

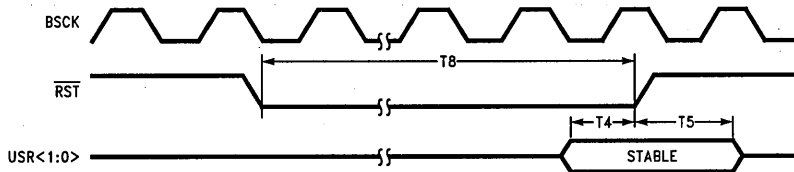
Number	Parameter	20 MHz		Units
		Min	Max	
T1	Bus Clock Low Time	22.5		ns
T2	Bus Clock High Time	22.5		ns
T3	Bus Clock Cycle Time (Note 2)	50	100	ns

POWER-ON RESET



TL/F/11719-58

NON POWER-ON RESET



TL/F/11719-59

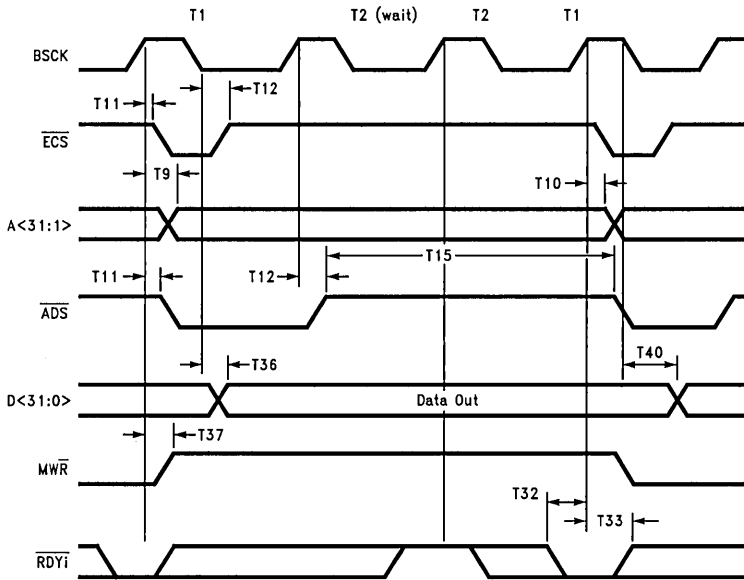
Number	Parameter	20 MHz		Units
		Min	Max	
T4	USR<1:0> Setup to $\overline{\text{RST}}$	10		ns
T5	USR<1:0> Hold from $\overline{\text{RST}}$	20		ns
T6	Power-On Reset High (Notes 1, 2)	10		TXC
T8	Reset Pulse Width (Notes 1, 2)	10		TXC

Note 1: The reset time is determined by the slower of BSCK or TXC. If BSCK > TXC, T6 and T8 equal 10 TXCs. If BSCK < TXC, T6 and T8 equal 10 BSCKs (T3).

Note 2: These specifications are not tested.

9.0 AC and DC Specifications (Continued)

MEMORY WRITE, BMODE = 0, SYNCHRONOUS MODE (one wait-state shown)



TL/F/11719-60

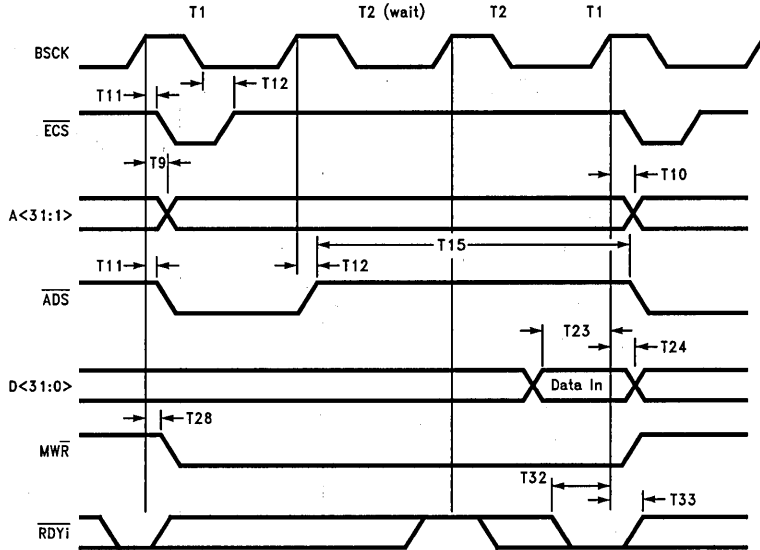
Number	Parameter	20 MHz		Units
		Min	Max	
T9	BSCk to Address Valid		37	ns
T10	Address Hold Time from BSCk	5		ns
T11	BSCk to \overline{ADS} , \overline{ECS} Low		34	ns
T12	BSCk to \overline{ADS} , \overline{ECS} High		34	ns
T15	\overline{ADS} High Width (Note 2)	bcyc-5		ns
T32	\overline{RDYi} Setup to BSCk	30		ns
T33	\overline{RDYi} Hold from BSCk	5		ns
T36	BSCk to Memory Write Data Valid		70	ns
T37	BSCk to \overline{MWR} (Write) Valid		30	ns
T40	Write Data Hold Time from BSCk	10		ns

Note 1: For successive read operations, \overline{MWR} remains low, and for successive write operations \overline{MWR} remains high during a transfer. During RBA and TBA transfers the \overline{MWR} signal will stay either high or low for the entire burst of the transfer. During RDA and TDA transfers the \overline{MWR} signal will switch on the rising edge of a T1 (idle) state that is inserted between the read and the write operation.

Note 2: bcyc = bus clock cycle time (T3).

9.0 AC and DC Specifications (Continued)

MEMORY READ, BMODE = 0, SYNCHRONOUS MODE (one wait-state shown)



TL/F/11719-61

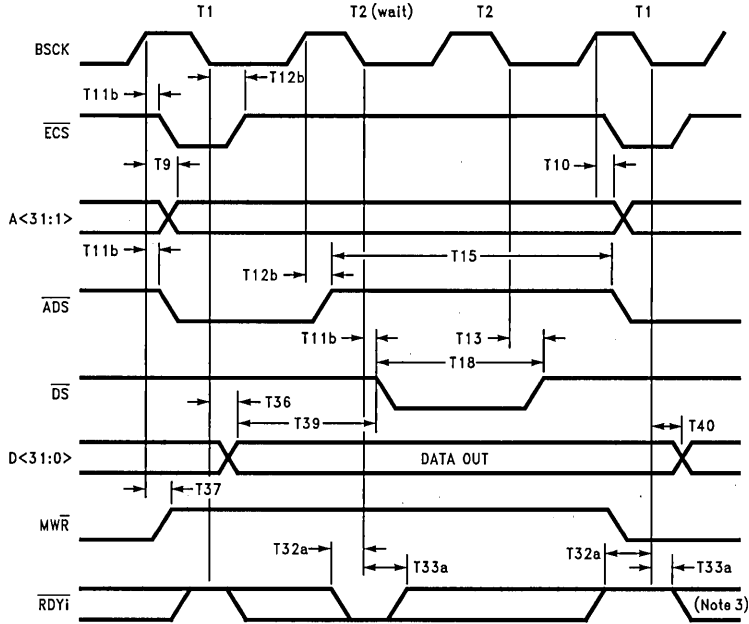
Number	Parameter	20 MHz		Units
		Min	Max	
T9	BSCk to Address Valid		37	ns
T10	Address Hold Time from BSCk	5		ns
T11	BSCk to \overline{ADSt} , ECS Low		34	ns
T12	BSCk to \overline{ADSt} , ECS High		34	ns
T15	\overline{ADSt} High Width (Note 2)	bcyc - 5		ns
T23	Read Data Setup Time to BSCk	14		ns
T24	Read Data Hold Time from BSCk	7		ns
T28	BSCk to \overline{MWb} (Ready) Valid (Note 1)		30	ns
T32	\overline{RDYi} Setup Time to BSCk	30		ns
T33	\overline{RDYi} Hold Time to BSCk	5		ns

Note 1: For successive read operations, \overline{MWb} remains low, and for successive write operations \overline{MWb} remains high during a transfer. During RBA and TBA transfers the \overline{MWb} signal will stay either high or low for the entire burst of the transfer. During RDA and TDA transfers the \overline{MWb} signal will switch on the rising edge of a T1 (idle) state that is inserted between the read and the write operation.

Note 2: bcyc = bus clock cycle time (T3).

9.0 AC and DC Specifications (Continued)

MEMORY WRITE, BMODE = 0, ASYNCHRONOUS MODE



TL/F/11719-62

Number	Parameter	20 MHz		Units
		Min	Max	
T9	BCLK to Address Valid		37	ns
T10	Address Hold Time from BCLK	5		ns
T11b	BCLK to \overline{ADS} , \overline{DS} , \overline{ECS} Low		34	ns
T12b	BCLK to \overline{ADS} , \overline{ECS} High		32	ns
T13	BCLK to \overline{DS} High		36	ns
T15	\overline{ADS} High Width (Notes 2)	bcyc - 5		ns
T18	Write Data Strobe Low Width (Notes 2, 4)	bcyc - 5		ns
T32a	\overline{RDYi} Asynchronous Setup to BCLK (Note 3)	8		ns
T33a	\overline{RDYi} Asynchronous Hold from BCLK	5		ns
T36	BCLK to Memory Write Data Valid (Note 1)		70	ns
T37	BCLK to \overline{MWR} (Write) Valid (Note 1)		30	ns
T39	Write Data Valid to Data Strobe Low (Note 2)	bcyc - 46		ns
T40	Write Data Hold Time from BCLK	10		ns

Note 1: For successive read operations, \overline{MWR} remains low, and for successive write operations \overline{MWR} remains high during a transfer. During RBA and TBA transfers the \overline{MWR} signal will stay either high or low for the entire burst of the transfer. During RDA and TDA transfers the \overline{MWR} signal will switch on the rising edge of a T1 (idle) state that is inserted between the read and the write operation.

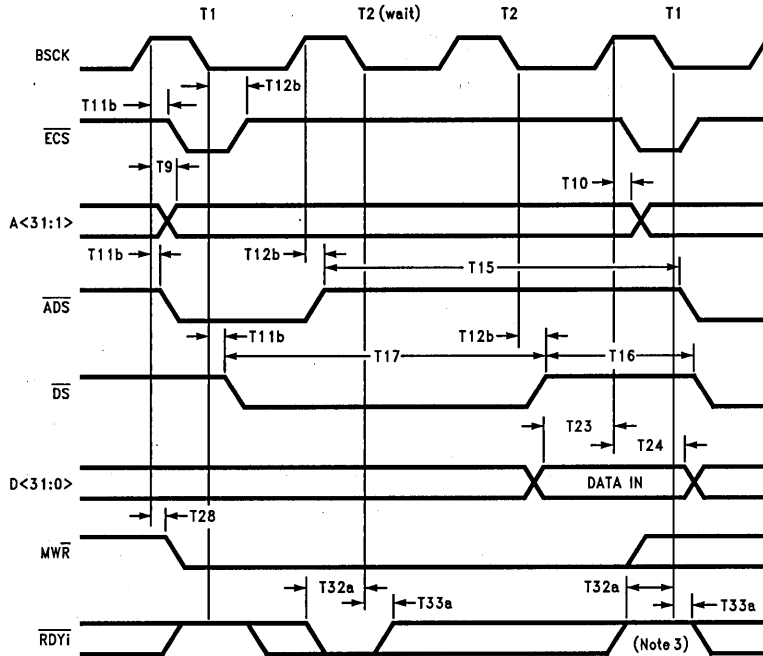
Note 2: bcyc = bus clock cycle time (T3).

Note 3: This setup time assures that the SONIC-T terminates the memory cycle on the next bus clock (BCLK). \overline{RDYi} does not need to be synchronized to the bus clock, though, since it is an asynchronous input in this case. \overline{RDYi} is sampled during the falling edge of BCLK. If the SONIC-T samples \overline{RDYi} low during the T1 cycle, the SONIC-T will finish the current access in a total of two bus clocks instead of three, which would be the case if \overline{RDYi} had been sampled low during T2 (wait). (This is assuming that programmable wait states are set to 0.)

Note 4: \overline{DS} will only be asserted if the bus cycle has at least one wait state inserted.

9.0 AC and DC Specifications (Continued)

MEMORY READ, BMODE = 0, ASYNCHRONOUS MODE



TL/F/11719-63

Number	Parameter	20 MHz		Units
		Min	Max	
T9	BSCK to Address Valid		37	ns
T10	Address Hold Time from BSCK	5		ns
T11b	BSCK to \overline{ADS} , \overline{DS} , \overline{ECS} Low		34	ns
T12b	BSCK to \overline{ADS} , \overline{ECS} High		32	ns
T13	BSCK to \overline{DS} High		36	ns
T15	\overline{ADS} High Width (Note 2)	bcyc - 5		ns
T16	Read Data Strobe High Width (Note 2)	bcyc - 15		ns
T17	Read Data Strobe Low Width (Note 2)	bcyc - 5		ns
T23	Read Data Setup Time to BSCK	14		ns
T24	Read Data Hold Time from BSCK	7		ns
T28	BSCK to \overline{MWR} (Read) Valid (Note 1)		30	ns
T32a	\overline{RDYi} Asynchronous Setup Time to BSCK (Note 3)	8		ns
T33a	\overline{RDYi} Asynchronous Hold Time to BSCK	5		ns

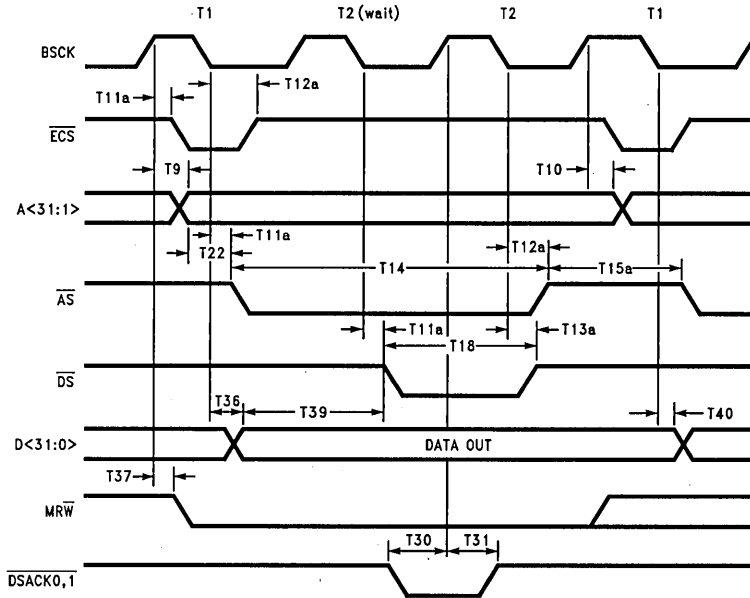
Note 1: For successive read operations, \overline{MWR} remains low, and for successive write operations \overline{MWR} remains high during a transfer. During RBA and TBA transfers the \overline{MWR} signal will stay either high or low for the entire burst of the transfer. During RDA and TDA transfers the \overline{MWR} signal will switch on the rising edge of a T1 (idle) state that is inserted between the read and the write operation.

Note 2: bcyc = bus clock cycle time (T3).

Note 3: This setup time assures that the SONIC-T terminates the memory cycle on the next bus clock (BSCK). \overline{RDYi} does not need to be synchronized to the bus clock, though, since it is an asynchronous input in this case. \overline{RDYi} is sampled during the falling edge of BSCK. If the SONIC-T samples \overline{RDYi} low during the T1 cycle, the SONIC-T will finish the current access in a total of two bus clocks instead of three, which would be the case if \overline{RDYi} had been sampled low during T2 (wait). (This is assuming that programmable wait states are set to 0.)

9.0 AC and DC Specifications (Continued)

MEMORY WRITE, BMODE = 1, SYNCHRONOUS MODE (one wait-state shown)



TL/F/11719-64

Number	Parameter	20 MHz		Units
		Min	Max	
T9	BSCCK to Address Valid		37	ns
T10	Address Hold Time from BSCCK	5		ns
T11a	BSCCK to \overline{AS} , \overline{DS} , \overline{ECS} Low		26	ns
T12a	BSCCK to \overline{AS} , \overline{ECS} High		34	ns
T13a	BSCCK to \overline{DS} High		36	ns
T14	\overline{AS} Strobe Low Width (Note 3)	bcyc - 7		ns
T15a	\overline{AS} Strobe High Width (Note 3)	bcyc - 22		ns
T18	Write Data Strobe Low Width (Notes 1, 3)	bcyc - 5		ns
T22	Address Valid to \overline{AS} (Note 3)	bch - 18		ns
T30	$\overline{DSACK0,1}$ Setup to BSCCK (Note 4)	8		ns
T31	$\overline{DSACK0,1}$ Hold from BSCCK	12		ns
T36	BSCCK to Memory Write Data Valid		70	ns
T37	BSCCK to \overline{MRW} (Write) Valid (Note 2)		30	ns
T39	Write Data Valid to Data Strobe Low (Note 3)	bcyc - 46		ns
T40	Write Data Hold Time from BSCCK	10		ns

Note 1: \overline{DS} will only be asserted if the bus cycle has at least one wait state inserted.

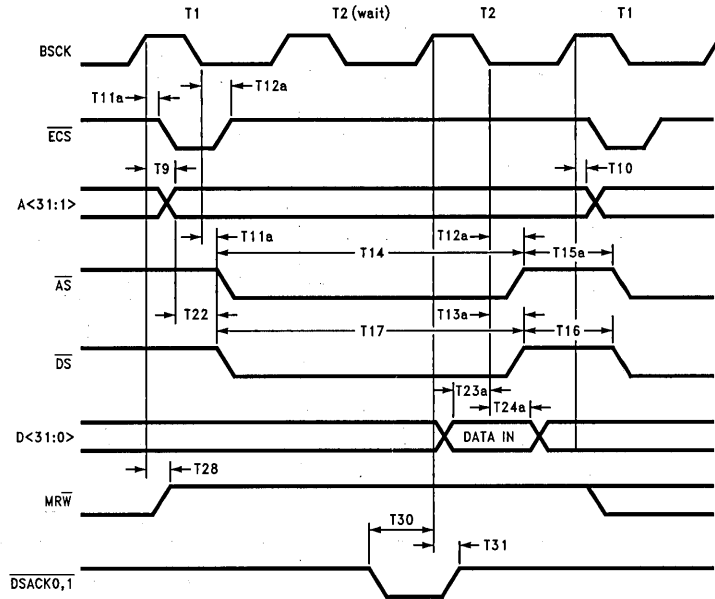
Note 2: For successive write operations, \overline{MRW} remains low, and for successive read operations \overline{MRW} remains high during a transfer. During RBA and TBA transfers the \overline{MRW} signal will stay either high or low for the entire burst of the transfer. During RDA and TDA transfers the \overline{MRW} signal will switch on the rising edge of a T_i (idle) state that is inserted between the read and the write operation.

Note 3: bcyc = bus clock cycle time (T3) and bch = bus clock high time (T2).

Note 4: $\overline{DSACK0,1}$ must be synchronized to the bus clock (BSCCK) during synchronous mode.

9.0 AC and DC Specifications (Continued)

MEMORY READ, BMODE = 1, SYNCHRONOUS MODE (one wait-state shown)



TL/F/11719-65

Number	Parameter	20 MHz		Units
		Min	Max	
T9	BSCCK to Address Valid		37	ns
T10	Address Hold Time from BSCCK	5		ns
T11a	BSCCK to \overline{AS} , \overline{DS} , \overline{ECS} Low		26	ns
T12a	BSCCK to \overline{AS} , \overline{ECS} High		34	ns
T13a	BSCCK to \overline{DS} High		36	ns
T14	\overline{AS} Low Width (Note 3)	bcyc - 7		ns
T15a	\overline{AS} High Width (Note 3)	bcyc - 22		ns
T16	Read Data Strobe High Width (Note 3)	bcyc - 15		ns
T17	Read Data Strobe Low Width (Note 3)	bcyc - 5		ns
T22	Address Valid to \overline{AS} (Note 3)	bch - 18		ns
T23a	Read Data Setup Time to BSCCK	5		ns
T24a	Read Data Hold Time from BSCCK	5		ns
T28	BSCCK to \overline{MRW} (Read) Valid (Note 1)		30	ns
T30	$\overline{DSACK0,1}$ Setup to BSCCK (Note 2)	8		ns
T31	$\overline{DSACK0,1}$ Hold from BSCCK	12		ns

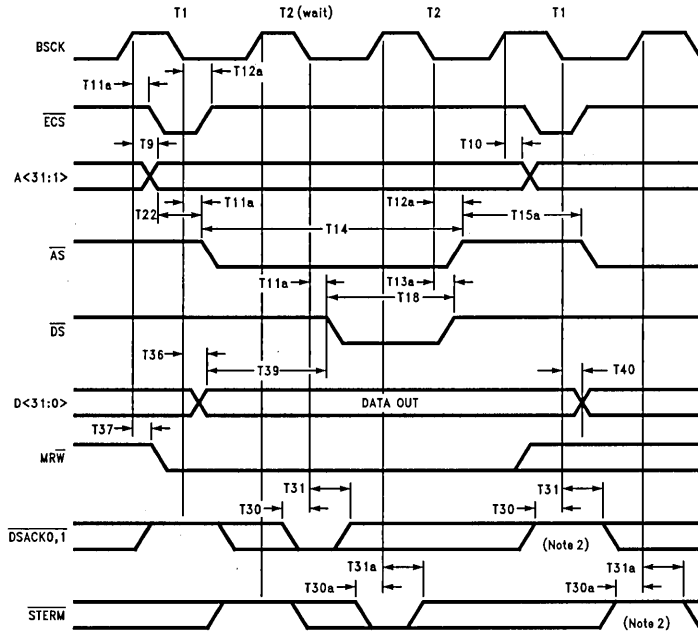
Note 1: For successive write operations, \overline{MRW} remains low, and for successive read operations \overline{MRW} remains high during a transfer. During RBA and TBA transfers the \overline{MRW} signal will stay either high or low for the entire burst of the transfer. During RDA and TDA transfers the \overline{MRW} signal will switch on the rising edge of a T1 (idle) state that is inserted between the read and the write operation.

Note 2: $\overline{DSACK0,1}$ must be synchronized to the bus clock (BSCCK) during synchronous mode.

Note 3: bcyc = bus clock cycle time (T3) and bch = bus clock high time (T2).

9.0 AC and DC Specifications (Continued)

MEMORY WRITE, BMODE = 1, ASYNCHRONOUS MODE



TL/F/11719-66

Number	Parameter	20 MHz		Units
		Min	Max	
T9	BCLK to Address Valid		37	ns
T10	Address Hold Time from BCLK	5		ns
T11a	BCLK to \overline{AS} , \overline{DS} , \overline{ECS} Low		26	ns
T12a	BCLK to \overline{AS} , \overline{ECS} High		34	ns
T13a	BCLK to \overline{DS} High		36	ns
T14	\overline{AS} Low Width (Note 3)	bcyc - 7		ns
T15a	\overline{AS} High Width (Note 3)	bcyc - 22		ns
T18	Write Data Strobe Low Width (Notes 3, 4)	bcyc - 5		ns
T22	Address Valid to \overline{AS} (Note 3)	bch - 18		ns
T30	$\overline{DSACK0,1}$ Setup to BCLK (Note 2)	8		ns
T30a	\overline{STERM} Setup to BCLK (Note 2)	6		ns
T31	$\overline{DSACK0,1}$ Hold from BCLK	12		ns
T31a	\overline{STERM} Hold from BCLK	12		ns
T36	BCLK to Memory Write Data Valid		70	ns
T37	BCLK to \overline{MRW} (Write) Valid (Note 1)		30	ns
T39	Write Data Valid to Data Strobe Low (Note 3)	bcyc - 46		ns
T40	Memory Write Data Hold from BCLK	10		ns

Note 1: For successive write operations, \overline{MRW} remains low, and for successive read operations \overline{MRW} remains high during a transfer. During RBA and TBA transfers the \overline{MRW} signal will stay either high or low for the entire burst of the transfer. During RDA and TDA transfers the \overline{MRW} signal will switch on the rising edge of a Ti (idle) state that is inserted between the read and the write operation.

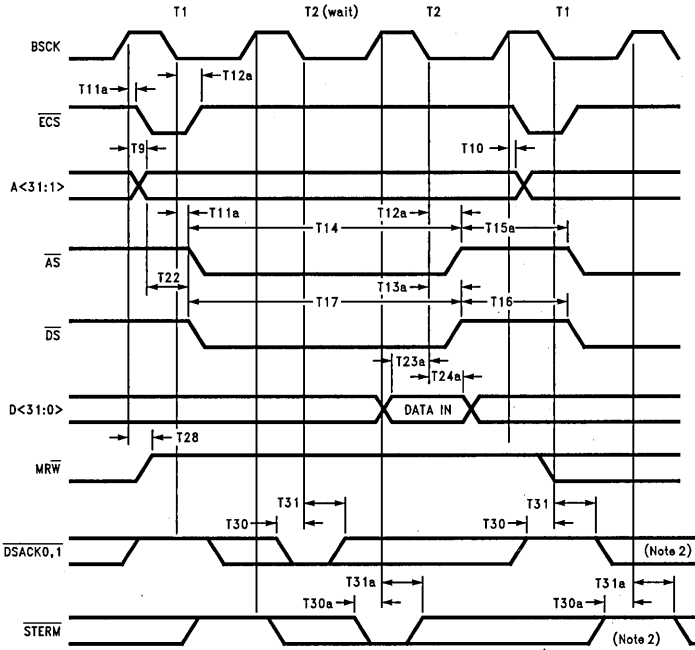
Note 2: Meeting the setup time for $\overline{DSACK0,1}$ or \overline{STERM} guarantees that the SONIC-T will terminate the memory cycle 1.5 bus clocks after $\overline{DSACK0,1}$ were sampled, or 1 cycle after \overline{STERM} was sampled. T2 states will be repeated until $\overline{DSACK0,1}$ or \overline{STERM} are sampled properly in a low state. If the SONIC-T samples $\overline{DSACK0,1}$ or \overline{STERM} low during the T1 or first T2 state respectively, the SONIC-T will finish the current access in a total of two bus clocks instead of three (assuming that programmable wait states are set to 0). $\overline{DSACK0,1}$ are asynchronously sampled and \overline{STERM} is synchronously sampled.

Note 3: bcyc = bus clock cycle time (T3) and bch = bus clock high time (T2).

Note 4: \overline{DS} will only be asserted if the bus cycle has at least one wait state inserted.

9.0 AC and DC Specifications (Continued)

MEMORY READ, BMODE = 1, ASYNCHRONOUS MODE



TL/F/11719-67

Number	Parameter	20 MHz		Units
		Min	Max	
T9	BSCCK to Address Valid		37	ns
T10	Address Hold Time from BSCCK	5		ns
T11a	BSCCK to \overline{AS} , \overline{DS} , \overline{ECS} Low		26	ns
T12a	BSCCK to \overline{AS} , \overline{ECS} High		34	ns
T13a	BSCCK to \overline{DS} High		36	ns
T14	\overline{AS} Low Width (Note 3)	bcyc - 7		ns
T15a	\overline{AS} High Width (Note 3)	bcyc - 22		ns
T16	Read Data Strobe High Width (Note 3)	bcyc - 15		ns
T17	Read Data Strobe Low Width (Note 3)	bcyc - 5		ns
T22	Address Valid to \overline{AS}	bch - 18		ns
T23b	Read Data Setup Time to BSCCK	10		ns
T24a	Read Data Hold Time from BSCCK	5		ns
T28	BSCCK to \overline{MRW} (Read) Valid (Note 1)		30	ns
T30	$\overline{DSACK0,1}$ Setup to BSCCK (Note 2)	8		ns
T30a	\overline{STERM} Setup to BSCCK (Note 2)	6		ns
T31	$\overline{DSACK0,1}$ Hold from BSCCK	12		ns
T31a	\overline{STERM} Hold from BSCCK	12		ns

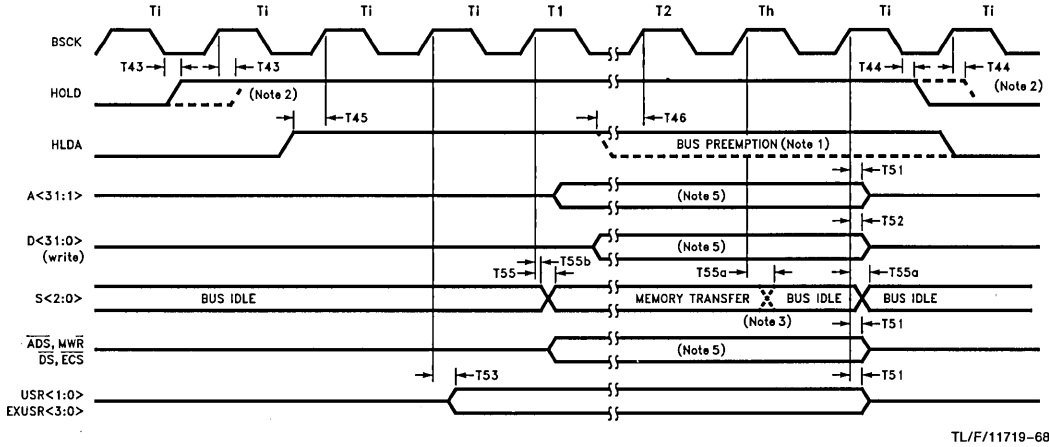
Note 1: For successive write operations, \overline{MRW} remains low, and for successive read operations \overline{MRW} remains high during a transfer. During RBA and TBA transfers the \overline{MRW} signal will stay either high or low for the entire burst of the transfer. During RDA and TDA transfers the \overline{MRW} signal will switch on the rising edge of a Ti (idle) state that is inserted between the read and the write operation.

Note 2: Meeting the setup time for $\overline{DSACK0,1}$ or \overline{STERM} guarantees that the SONIC-T will terminate the memory cycle 1.5 bus clocks after $\overline{DSACK0,1}$ were sampled, or 1 cycle after \overline{STERM} was sampled. T2 states will be repeated until $\overline{DSACK0,1}$ or \overline{STERM} are sampled properly in a low state. If the SONIC-T samples $\overline{DSACK0,1}$ or \overline{STERM} low during the T1 or first T2 state respectively, the SONIC-T will finish the current access in a total of two bus clocks instead of three (assuming that programmable wait states are set to 0). $\overline{DSACK0,1}$ are asynchronously sampled and \overline{STERM} is synchronously sampled.

Note 3: bcyc = bus clock cycle time (T3) and bch = bus clock high time (T2).

9.0 AC and DC Specifications (Continued)

BUS REQUEST TIMING, BMODE = 0



TL/F/11719-68

Number	Parameter	20 MHz		Units
		Min	Max	
T43	BSKC to HOLD High (Note 2)		25	ns
T44	BSKC to HOLD Low (Note 2)		22	ns
T45	HLDA Asynchronous Setup Time to BSKC	5		ns
T46	HLDA Deassert Setup Time (Note 1)	5		ns
T51	BSKC to Address, \overline{ADS} , \overline{MWR} , \overline{DS} , \overline{ECS} , USR <1:0> and EXUSR <3:0> TRI-STATE (Note 4)		75	ns
T52	BSKC to Data TRI-STATE (Note 4)		75	ns
T53	BSKC to USR <1:0> or EXUSR <3:0> Valid		70	ns
T55	BSKC to Bus Status Idle to Non-Idle		48	ns
T55a	BSKC to Bus Status Non-Idle to Idle (Note 3)		40	ns
T55b	S <2:0> Hold from BSKC	10		ns

Note 1: A block transfer by the SONIC-T can be pre-empted from the bus by deasserting HLDA provided HLDA is asserted T46 before the rising edge of the last T2 in the current access.

Note 2: The assertion edge for HOLD is dependent upon the PH bit in the DCR2. The default situation is shown with a solid line in the timing diagram. T43 and T44 apply for both modes. Also, if HLDA is asserted when the SONIC-T wants to acquire the bus, HOLD will not be asserted until HLDA has been deasserted first.

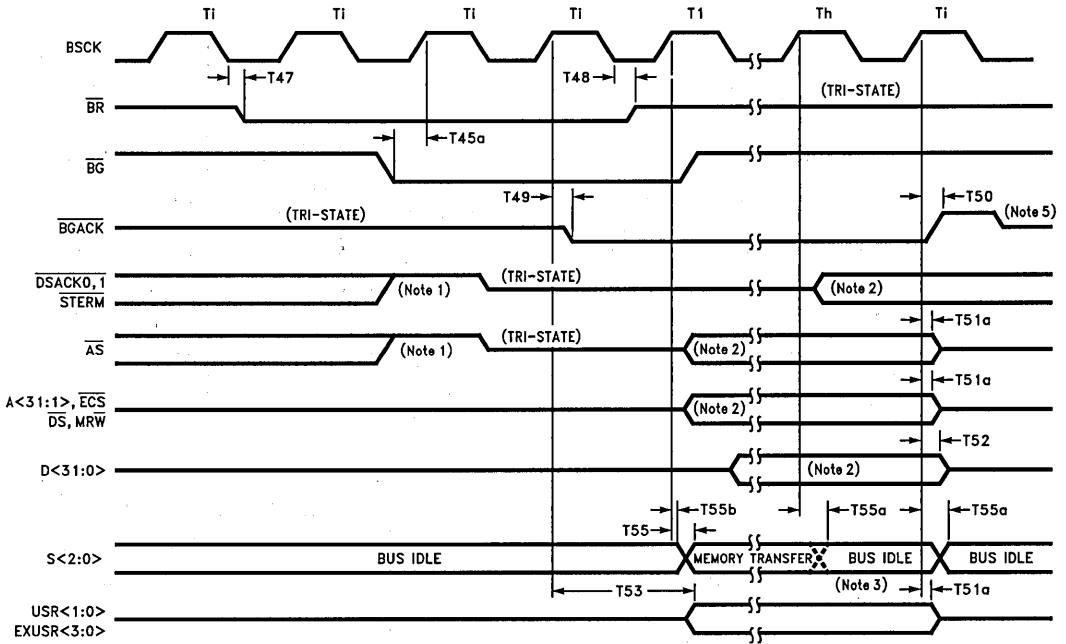
Note 3: S <2:0> will indicate IDLE at the end of T2 if the last operation is a read operation, or at the end of Th if the last operation is a write operation.

Note 4: This timing value includes an RC delay inherent in the test measurement. These signals typically TRI-STATE 7 ns earlier, enabling other devices to drive these lines without contention.

Note 5: For specific timing on these signals (driven by the SONIC-T), see the memory read and memory write timing diagrams on previous pages.

9.0 AC and DC Specifications (Continued)

BUS REQUEST TIMING, BMODE = 1



TL/F/11719-69

Number	Parameter	20 MHz		Units
		Min	Max	
T45a	\overline{BG} Asynchronous Setup Time to BSCCK	8		ns
T47	BSCCK Low to \overline{BR} Low		25	ns
T48	BSCCK Low to \overline{BR} TRI-STATE (Note 4)		30	ns
T49	BSCCK High to \overline{BGACK} Low (Note 1)		36	ns
T50	BSCCK High to \overline{BGACK} High (Note 5)		30	ns
T51a	BSCCK to Address, \overline{AS} , \overline{MRW} , \overline{DS} , \overline{ECS} , $\overline{USR} <1:0>$ and $\overline{EXUSR} <3:0>$ TRI-STATE (Note 4)		75	ns
T52	BSCCK to Data TRI-STATE (Note 4)		75	ns
T53	BSCCK to $\overline{USR} <1:0>$ or $\overline{EXUSR} <3:0>$ Valid		70	ns
T55	BSCCK to Bus Status Idle to Non-Idle		48	ns
T55a	BSCCK to Bus Status Non-Idle to Idle (Note 3)		40	ns
T55b	$S <2:0>$ Hold from BSCCK	10		ns

Note 1: \overline{BGACK} is only issued if \overline{BG} is low and \overline{AS} , $\overline{DSACK0,1}$, \overline{STERM} and \overline{BGACK} are deasserted.

Note 2: For specific timing on these signals (drive by the SONIC-T), see the memory read and memory write timing diagrams on previous pages.

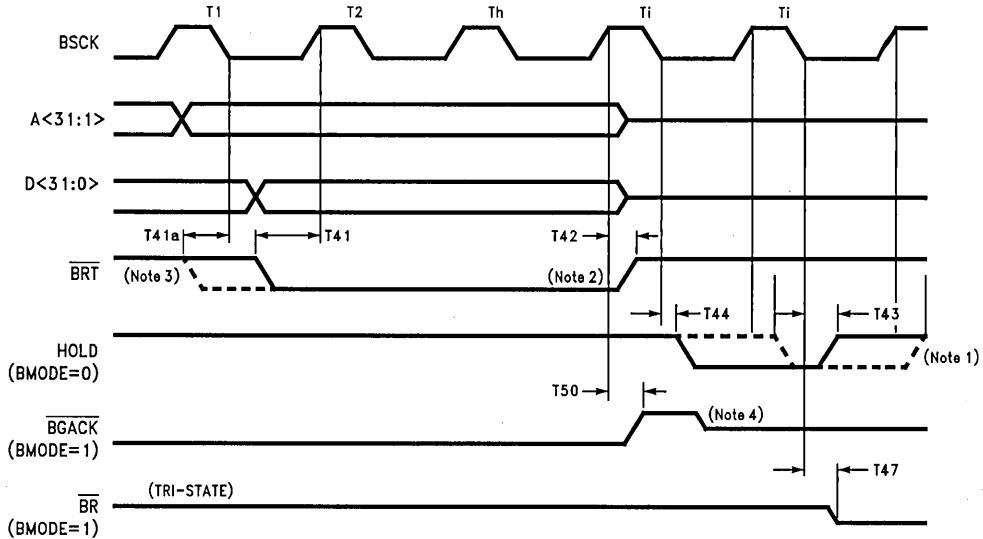
Note 3: $S <2:0>$ will indicate IDLE at the end of T2 if the last operation is a read operation or at the end of Th if the last operation is a write operation.

Note 4: This timing value includes an RC delay inherent in our test measurement. These signals typically TRI-STATE 7 ns earlier, enabling other devices to drive these lines without contention.

Note 5: \overline{BGACK} is driven high for approximately 0.5 BSCCK before going TRI-STATE.

9.0 AC and DC Specifications (Continued)

BUS RETRY



TL/F/11719-70

Number	Parameter	20 MHz		Units
		Min	Max	
T41	Bus Retry Synchronous Setup Time to BSCK (Note 3)	5		ns
T41a	Bus Retry Asynchronous Setup Time to BSCK (Note 3)	5		ns
T42	Bus Retry Hold Time from BSCK (Note 2)	7		ns
T43	BSCK to HOLD High (Note 1)		25	ns
T44	BSCK to HOLD Low (Note 1)		22	ns
T47	BSCK to \overline{BR} Low		25	ns
T50	BSCK to \overline{BGACK} High (Note 4)		30	ns

Note 1: Depending upon the mode, the SONIC-T will assert and deassert HOLD from the rising or falling edge of BSCK.

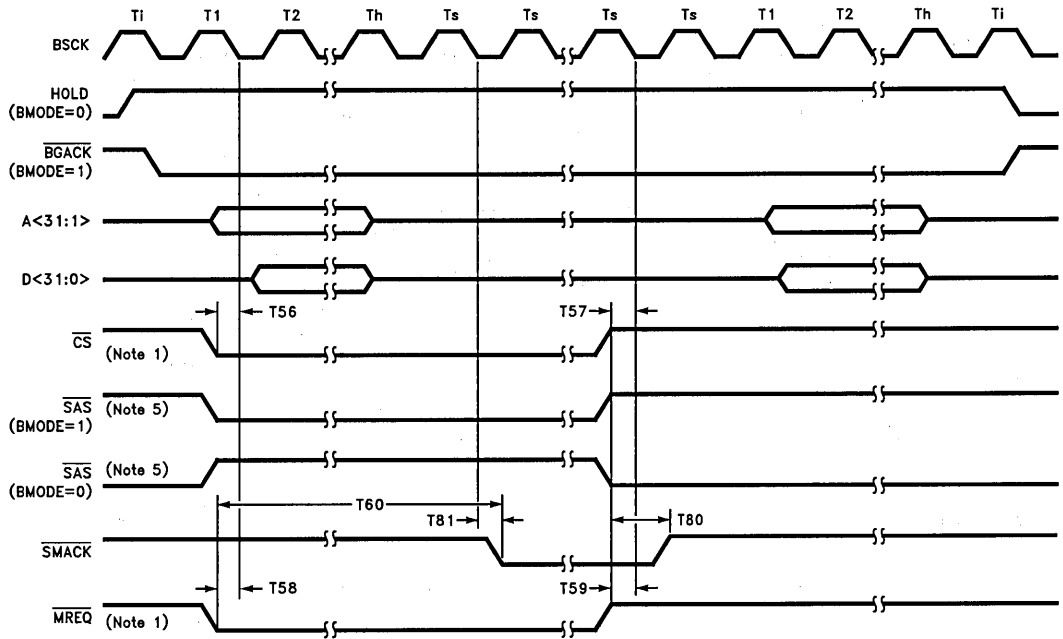
Note 2: Unless Latched Bus Retry mode is set (LBR in the Data Configuration Register, Section 6.3.2), \overline{BRT} must remain asserted until after the Th state. If Latched Bus Retry mode is used, \overline{BRT} does not need to satisfy T42.

Note 3: T41 is for synchronous bus retry and T41a is for asynchronous bus retry (see Section 6.3.2, bit 15, Extended Bus Mode). Since T41a is an asynchronous setup time, it is not necessary to meet it, but doing so will guarantee that the bus exception occurs in the current memory transfer, not the next.

Note 4: \overline{BGACK} is driven high for approximately 0.5 BSCK before going TRI-STATE.

9.0 AC and DC Specifications (Continued)

MEMORY ARBITRATION/SLAVE ACCESS



TL/F/11719-71

Number	Parameter	20 MHz		Units
		Min	Max	
T56	\overline{CS} Low Asynchronous Setup to BSKCK (Note 2)	12		ns
T57	\overline{CS} High Asynchronous Setup to BSKCK	8		ns
T58	\overline{MREQ} Low Asynchronous Setup to BSKCK (Note 2)	12		ns
T59	\overline{MREQ} High Asynchronous Setup to BSKCK	12		ns
T60	\overline{MREQ} or \overline{CS} to \overline{SMACK} Low (Notes 3, 4)		1.5 5.5	bcyc
T80	\overline{MREQ} to \overline{SMACK} High		30	ns
T81	BSKCK to \overline{SMACK} Low		25	ns

Note 1: Both \overline{CS} and \overline{MREQ} must not be asserted concurrently. If these signals are successively asserted, there must be at least two bus clocks between the deasserting and asserting edges of these signals.

Note 2: It is not necessary to meet the setup times for \overline{MREQ} or \overline{CS} since these signals are asynchronously sampled. Meeting the setup time for these signals, however, makes it possible to use T60 to determine exactly when \overline{SMACK} will be asserted.

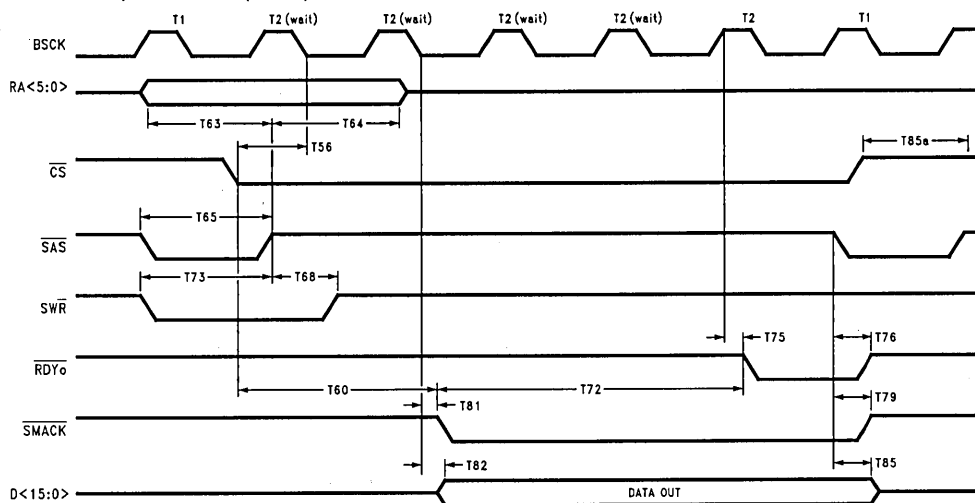
Note 3: The smaller value for T60 refers to when the SONIC-T is accessed during an Idle condition and the other value refers to when the SONIC-T is accessed during non-idle conditions. These values are not tested, but are guaranteed by design. This specification assumes that \overline{CS} or \overline{MREQ} is asserted 0.5 bus clock before the falling edge that these signals are asynchronously clocked in on (see T56 and T58). If T56 is met for \overline{CS} or T58 is met for \overline{MREQ} , then \overline{SMACK} will be asserted exactly 2 bus clocks, when the SONIC-T was idle, or 5 bus clocks, when the SONIC-T was in master mode, after the edge that T56 and T58 refer to. (This is assuming that there were no wait states in the current master mode access. Wait states will increase the time for \overline{SMACK} to go low by the number of wait states in the cycle.) \overline{SAS} must have been asserted for this timing to be correct. See \overline{SAS} and \overline{CS} timing in the Register Read and Register Write timing specifications.

Note 4: bcyc = bus clock cycle time (T3).

Note 5: The way in which \overline{SMACK} is asserted due to \overline{CS} is not the same as the way in which \overline{SMACK} is asserted due to \overline{MREQ} . \overline{SMACK} goes low as a direct result of the assertion of \overline{MREQ} , whereas, for \overline{CS} , \overline{SAS} must also be driven low (BMODE = 1) or high (BMODE = 0) before \overline{SMACK} will be asserted. This means that when \overline{SMACK} is asserted due to \overline{MREQ} , \overline{SMACK} will remain asserted until \overline{MREQ} is deasserted. Multiple memory accesses can be made to the shared memory without \overline{SMACK} ever going high. When \overline{SMACK} is asserted due to \overline{CS} , however, \overline{SMACK} will only remain low as long as \overline{SAS} is also low (BMODE = 1) or high (BMODE = 0). \overline{SMACK} will not remain low throughout multiple register accesses to the SONIC-T because \overline{SAS} must toggle for each register access. This is an important difference to consider when designing shared memory designs.

9.0 AC and DC Specifications (Continued)

REGISTER READ, BMODE = 0 (Note 1)



TL/F/11719-72

Number	Parameter	20 MHz		Units
		Min	Max	
T56	\overline{CS} Asynchronous Setup to BSCCK (Note 4)	12		ns
T60	\overline{MREQ} or \overline{CS} to \overline{SMACK} Low (Notes 3, 5, 8)		1.5 5.5	bcyc
T63	Register Address Setup to \overline{SAS}	10		ns
T64	Register Address Hold Time from \overline{SAS}	10		ns
T65	\overline{SAS} Pulse Width (Note 3, 6)	bcyc - 10		ns
T68	\overline{SWR} (Read) Hold from \overline{SAS}	8		ns
T72	\overline{SMACK} to $\overline{RDY_0}$ Low (Notes 3, 8)	2.5		bcyc
T73	\overline{SWR} (Read) Setup to \overline{SAS}	0		ns
T75	BSCCK to $\overline{RDY_0}$ Low		35	ns
T76	\overline{SAS} or \overline{CS} to $\overline{RDY_0}$ High (Note 2)		30	ns
T79	\overline{SAS} or \overline{CS} to \overline{SMACK} High (Note 2)		30	ns
T81	BSCCK to \overline{SMACK} Low		25	ns
T82	BSCCK to Register Data Valid		90	ns
T85	\overline{SAS} or \overline{CS} to Data TRI-STATE (Notes 2, 7)		85	ns
T85a	Minimum \overline{CS} Deassert Time	53		ns

Note 1: This figure shows a slave access to the SONIC-T when the SONIC-T is idle, or rather not in master mode. If the SONIC-T is a bus master, there will be some differences as noted in the Memory Arbitration/Slave Access diagram. The BSCCK states (T1, T2, etc.) are the equivalent processor states during a slave access.

Note 2: If \overline{CS} is deasserted before the falling edge of \overline{SAS} , T76, T79 and T85 are referenced from the rising edge of \overline{CS} .

Note 3: bcyc = bus clock cycle time (T3).

Note 4: It is not necessary to meet the setup time for \overline{CS} since this signal is asynchronously sampled. Meeting the setup time for this signal, however, makes it possible to use T60 to determine exactly when \overline{SMACK} will be asserted.

Note 5: The smaller value for T60 refers to when the SONIC-T is accessed during an Idle condition and the other value refers to when the SONIC-T is accessed during non-idle conditions. These values are not tested, but are guaranteed by design. This specification assumes that \overline{CS} is asserted 0.5 bus clock before the falling edge that \overline{CS} is asynchronously clocked in on (see T56). If T56 is met for \overline{CS} , then \overline{SMACK} will be asserted exactly 1 bus clock, when the SONIC-T was idle, or 5 bus clocks, when the SONIC-T was in master mode, after the edge that T56 refers to. (This is assuming that there were no wait states in the current master mode access. Wait states will increase the time for \overline{SMACK} to go low by the number of wait states in the cycle.)

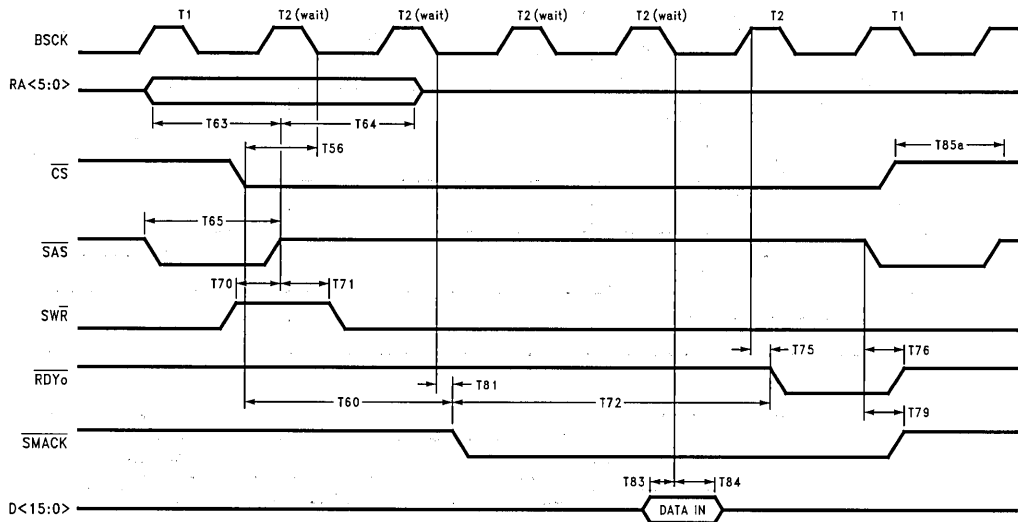
Note 6: \overline{SAS} may be asserted low anytime before or simultaneous to the falling edge of \overline{CS} . It is suggested that \overline{SAS} be driven high no later than \overline{CS} . If necessary, however, \overline{SAS} may be driven up to one BSCCK after \overline{CS} .

Note 7: This timing value includes an RC delay inherent in the test measurement. These signals typically TRI-STATE 7 ns earlier, enabling other devices to drive these lines without contention.

Note 8: These values are not tested, but are guaranteed by design. They are provided as a design guideline only.

9.0 AC and DC Specifications (Continued)

REGISTER WRITE, BMODE = 0 (Note 1)



TL/F/11719-73

Number	Parameter	20 MHz		Units
		Min	Max	
T56	\overline{CS} Asynchronous Setup to BSCCK (Note 4)	12		ns
T60	\overline{MREQ} or \overline{CS} to \overline{SMACK} Low (Notes 3, 5, 7)		1.5 5.5	bcyc
T63	Register Address Setup to \overline{SAS}	10		ns
T64	Register Address Hold Time from \overline{SAS}	10		ns
T65	\overline{SAS} Pulse Width (Notes 3, 6)	bcyc - 10		ns
T70	\overline{SWR} (Write) Setup to \overline{SAS}	0		ns
T71	\overline{SWR} (Write) Hold from \overline{SAS}	7		ns
T72	\overline{SMACK} to $\overline{RDY_0}$ Low (Notes 3, 7)		2.5	bcyc
T75	BSCCK to $\overline{RDY_0}$ Low		35	ns
T76	\overline{SAS} or \overline{CS} to $\overline{RDY_0}$ High (Note 2)		30	ns
T79	\overline{SAS} or \overline{CS} to \overline{SMACK} High (Note 2)		30	ns
T81	BSCCK to \overline{SMACK} Low		25	ns
T83	Register Write Data Setup to BSCCK	45		ns
T84	Register Write Data Hold from BSCCK	22		ns
T85a	Minimum \overline{CS} Deassert Time	53		ns

Note 1: This figure shows a slave access to the SONIC-T when the SONIC-T is idle, or rather not in master mode. If the SONIC-T is a bus master, there will be some differences as noted in the Memory Arbitration/Slave Access diagram. The BSCCK states (T1, T2, etc.) are the equivalent processor states during a slave access.

Note 2: If \overline{CS} is deasserted before the falling edge of \overline{SAS} , T76 and T79 are referenced from the rising edge of \overline{CS} .

Note 3: bcyc = bus clock cycle time (T3).

Note 4: It is not necessary to meet the setup time for \overline{CS} since this signal is asynchronously sampled. Meeting the setup time for this signal, however, makes it possible to use T60 to determine exactly when \overline{SMACK} will be asserted.

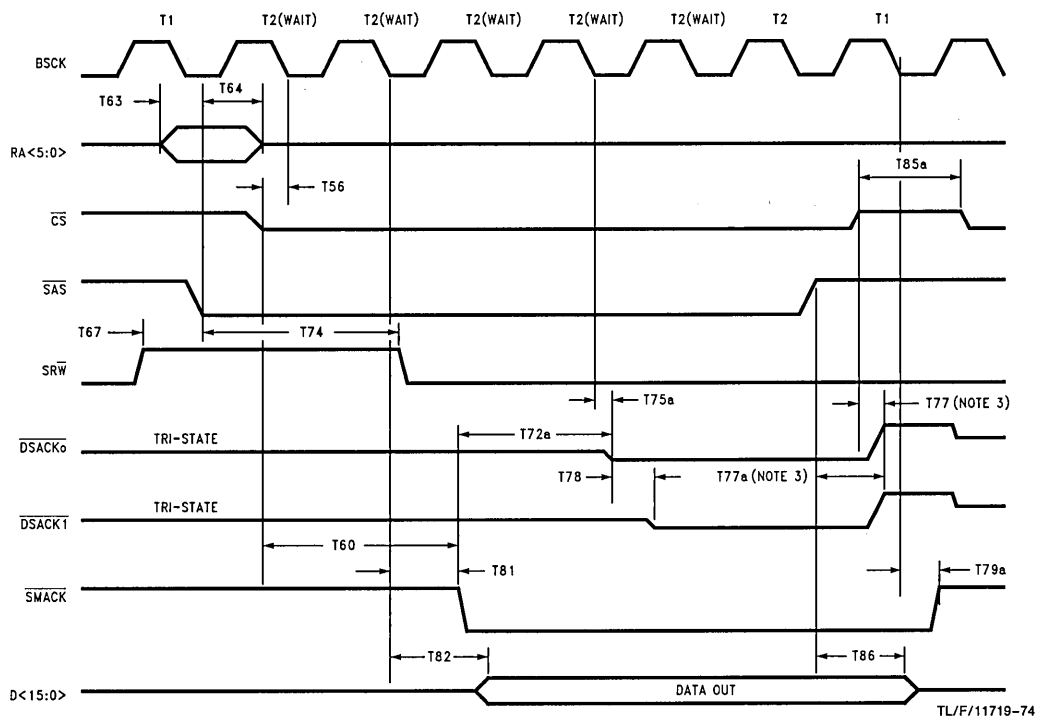
Note 5: The smaller value for T60 refers to when the SONIC-T is accessed during an Idle condition and the other value refers to when the SONIC-T is accessed during non-idle conditions. These values are not tested, but are guaranteed by design. This specification assumes that \overline{CS} is asserted 0.5 bus clock before the falling edge that \overline{CS} is asynchronously clocked in on (see T56). If T56 is met for \overline{CS} , then \overline{SMACK} will be asserted exactly 1 bus clock, when the SONIC-T was idle, or 5 bus clocks, when the SONIC-T was in master mode, after the edge that T56 refers to. (This is assuming that there were no wait states in the current master mode access. Wait states will increase the time for \overline{SMACK} to go low by the number of wait states in the cycle.)

Note 6: \overline{SAS} may be asserted low anytime before or simultaneous to the falling edge of \overline{CS} . It is suggested that \overline{SAS} be driven high no later than \overline{CS} . If necessary, however, \overline{SAS} may be driven up to one BSCCK after \overline{CS} .

Note 7: These values are not tested, but are guaranteed by design. They are provided as a design guide line only.

9.0 AC and DC Specifications (Continued)

REGISTER READ, BMODE = 1 (Note 1)



TL/F/11719-74

Number	Parameter	20 MHz		Units
		Min	Max	
T56	\overline{CS} Asynchronous Setup to BCLK (Notes 5, 7)	12		ns
T60	MREQ or \overline{CS} to SMACK Low (Notes 4, 6, 9)		1.5 5.5	bcyc
T63	Register Address Setup to \overline{SAS}	10		ns
T64	Register Address Hold from \overline{SAS}	10		ns
T67	SRW (Read) Setup to \overline{SAS}	0		ns
T72a	SMACK to $\overline{DSACK0,1}$ Low (Notes 4, 9)		2	bcyc
T74	SRW (Read) Hold from \overline{SAS}	12		ns
T75a	BCLK to $\overline{DSACK0,1}$ Low		35	ns
T77	\overline{CS} to $\overline{DSACK0,1}$ High (Notes 2, 3)		28	ns
T77a	\overline{SAS} to $\overline{DSACK0,1}$ High (Notes 2, 3)		35	ns
T78	Skew between $\overline{DSACK0,1}$		10	ns
T79a	BCLK to SMACK High		30	ns
T81	BCLK to SMACK Low		25	ns
T82	BCLK to Register Data Valid		90	ns
T85a	Minimum \overline{CS} Deassert Time	53		ns
T86	\overline{SAS} or \overline{CS} to Register Data TRI-STATE (Notes 2, 8)		85	ns

Note 1: This figure shows a slave access to the SONIC-T when the SONIC-T is idle, or rather not in master mode. If the SONIC-T is a bus master, there will be some differences as noted in the Memory Arbitration/Slave Access diagram. The BCLK states (T1, T2, etc.) are the equivalent processor states during a slave access.

1

Note 2: If \overline{CS} is deasserted before the rising edge of \overline{SAS} , then T77 and T86 are referenced off the rising edge of \overline{CS} instead of \overline{SAS} .

Note 3: $\overline{DSACK0,T}$ are driven high for about 0.5 bus clock before going TRI-STATE.

Note 4: $bcyc$ = bus clock cycle time (T3).

Note 5: It is not necessary to meet the setup time for \overline{CS} since this signal is asynchronously sampled. Meeting the setup time for this signal, however, makes it possible to use T60 to determine exactly when \overline{SMACK} will be asserted.

Note 6: The smaller value for T60 refers to when the SONIC-T is accessed during an Idle condition and the other value refers to when the SONIC-T is accessed during non-idle conditions. These values are not tested, but are guaranteed by design. This specification assumes that \overline{CS} is asserted 0.5 bus clock before the falling edge that \overline{CS} is asynchronously clocked in on (see T56). If T56 is met for \overline{CS} , then \overline{SMACK} will be asserted exactly 1 bus clock, when the SONIC-T was idle, or 5 bus clocks, when the SONIC-T was in master mode, after the edge that T56 refers to. (This is assuming that there were no wait states in the current master mode access. Wait states will increase the time for \overline{SMACK} in the cycle.)

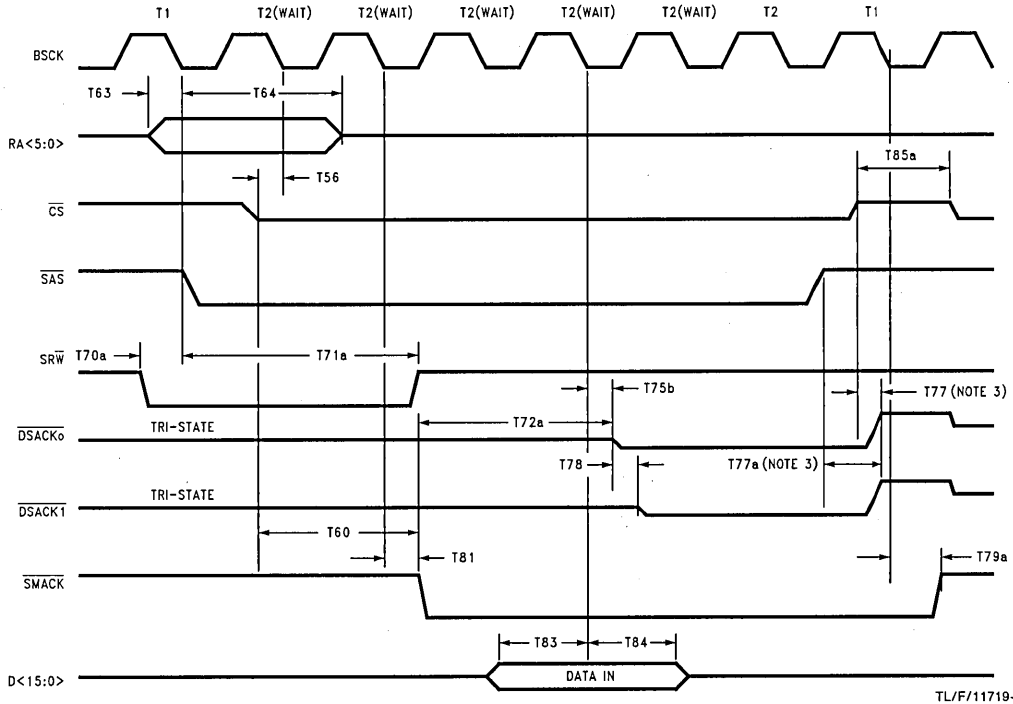
Note 7: \overline{SAS} may be asserted at anytime before or simultaneous to the falling edge of \overline{CS} .

Note 8: This timing value includes an RC delay inherent in the test measurement. These signals typically TRI-STATE 7 ns earlier, enabling other devices to drive these lines without contention.

Note 9: These values are not tested, but are guaranteed by design. They are provided as a design guideline only.

9.0 AC and DC Specifications (Continued)

REGISTER WRITE, BMODE = 1 (Note 1)



TL/F11719-75

Number	Parameter	20 MHz		Units
		Min	Max	
T56	\overline{CS} Asynchronous Setup to BSCCK (Notes 5, 7)	12		ns
T60	\overline{MREQ} or \overline{CS} to \overline{SMACK} Low (Notes 4, 6, 8)		1.5 5.5	bcyc
T63	Register Address Setup to \overline{SAS}	10		ns
T64	Register Address Hold from \overline{SAS}	10		ns
T70a	\overline{SRW} (Write) Setup to \overline{SAS}	0		ns
T71a	\overline{SRW} (Write) Hold from \overline{SAS}	13		ns
T72a	\overline{SMACK} to $\overline{DSACK0,1}$ Low (Notes 4, 8)		2	bcyc
T75b	BSCCK to $\overline{DSACK0,1}$ Low		44	ns
T77	\overline{CS} to $\overline{DSACK0,1}$ High (Notes 2, 3)		28	ns
T77a	\overline{SAS} to $\overline{DSACK0,1}$ High (Notes 2, 3)		35	ns
T78	Skew between $\overline{DSACK0,1}$		10	ns
T79a	BSCCK to \overline{SMACK} High		30	ns
T81	BSCCK to \overline{SMACK} Low		25	ns
T83	Register Write Data Setup to BSCCK	45		ns
T84	Register Write Data Hold from BSCCK	22		ns
T85a	Minimum \overline{CS} Deassert Time	53		ns

Note 1: This figure shows a slave access to the SONIC-T when the SONIC-T is idle, or rather not in master mode. If the SONIC-T is a bus master, there will be some differences as noted in the Memory Arbitration/Slave Access diagram. The BSCCK states (T1, T2, etc.) are the equivalent processor states during a slave access.

Note 2: If \overline{CS} is deasserted before the rising edge of \overline{SAS} , then T77 is referenced off the rising edge of \overline{CS} instead of \overline{SAS} .

9.0 AC and DC Specifications (Continued)

Note 3: $\overline{DSACK0,1}$ are driven high for about 0.5 bus clock before going TRI-STATE.

Note 4: b_{cyc} = bus clock cycle time (T3).

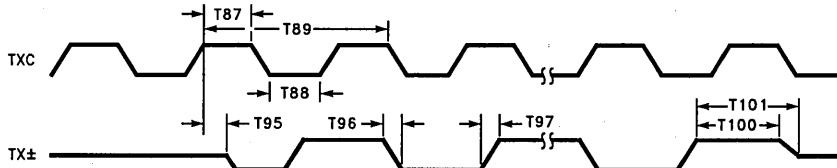
Note 5: It is not necessary to meet the setup time for \overline{CS} since this signal is asynchronously sampled. Meeting the setup time for this signal, however, makes it possible to use T60 to determine exactly when \overline{SMACK} will be asserted.

Note 6: The smaller value for T60 refers to when the SONIC-T is accessed during an Idle condition and the other value refers to when the SONIC-T is accessed during non-idle conditions. These values are not tested, but are guaranteed by design. This specification assumes that \overline{CS} is asserted 0.5 bus clock before the falling edge that \overline{CS} is asynchronously clocked in on (see T56). If T56 is met for \overline{CS} , then \overline{SMACK} will be asserted exactly 1 bus clock, when the SONIC-T was idle, or 5 bus clocks, when the SONIC-T was in master mode, after the edge that T56 refers to. (This is assuming that there were no wait states in the current master mode access. Wait states will increase the time for \overline{SMACK} in the cycle.)

Note 7: \overline{SAS} may be asserted at any time before or simultaneous to the falling edge of \overline{CS} .

Note 8: These values are not tested, but are guaranteed by design. They are provided as a design guideline only.

ENDEC TRANSMIT TIMING (INTERNAL ENDEC MODE)



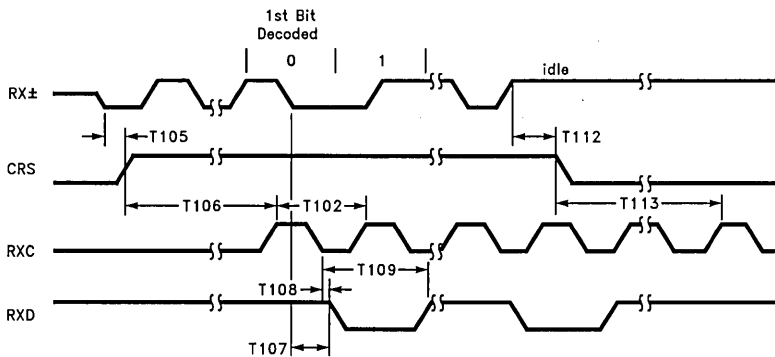
TL/F/11719-76

Number	Parameter	Min	Max	Units
T87	Transmit Clock High Time (Note 1)	40		ns
T88	Transmit Clock Low Time (Note 1)	40		ns
T89	Transmit Clock Cycle Time (Note 1)	99.99	100.01	ns
T95	Transmit Output Delay (Note 1)		55	ns
T96	Transmit Output Fall Time (80% to 20%, Note 1)		7	ns
T97	Transmit Output Rise Time (20% to 80%, Note 1)		7	ns
T98	Transmit Output Jitter (Not Shown, Guaranteed by Design. Not Tested.)	0.5 Typ		ns
T100	Transmit Output High before Idle (Half Step)	200		ns
T101	Transmit Output Idle Time (Half Step)		8000	ns

Note 1: This specification is provided for information only and is not tested.

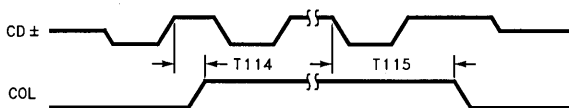
9.0 AC and DC Specifications (Continued)

ENDEC RECEIVE TIMING (INTERNAL ENDEC MODE)



TL/F/11719-77

ENDEC COLLISION TIMING



TL/F/11719-78

Number	Parameter	Min	Max	Units
T102	Receive Clock Duty Cycle Time (Note 1)	40	60	ns
T105	Carrier Sense on Time		70	ns
T106	Data Acquisition Time		700	ns
T107	Receive Data Output Delay		150	ns
T108	Receive Data Valid from RXC		10	ns
T109	Receive Data Stable Valid Time	90		ns
T112	Carrier Sense Off Delay (Note 2)		180	ns
T113	Minimum Number of RXCs after CRS Low (Note 3)	5		rcyc
T114	Collision Turn On Time		55	ns
T115	Collision Turn Off Time		250	ns

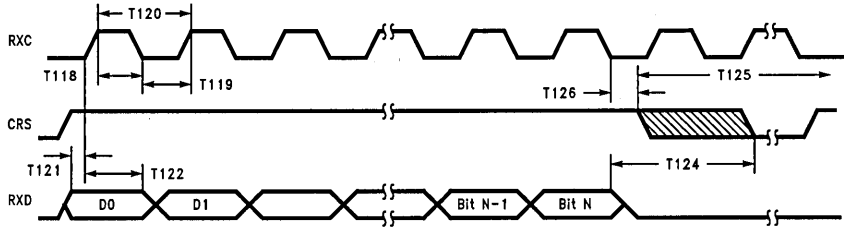
Note 1: This parameter is measured at the 50% point of each clock edge.

Note 2: When CRSi goes low, it remains low for a minimum of 2 receive clocks (RXC).

Note 3: rcyc = receive clocks.

9.0 AC and DC Specifications (Continued)

ENDEC-MAC SERIAL TIMING FOR RECEPTION (EXTERNAL ENDEC MODE)



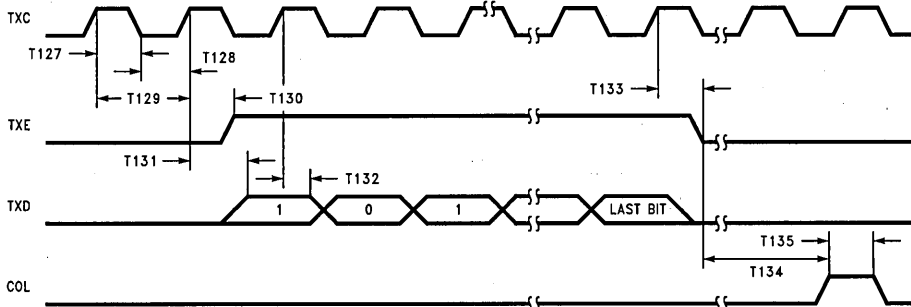
TL/F/11719-85

Number	Parameter	Min	Max	Units
T118	Receive Clock High Time	35		ns
T119	Receive Clock Low Time	35		ns
T120	Receive Clock Cycle Time	90	110	ns
T121	RXD Setup to RXC	20		ns
T122	RXD Hold from RXC	15		ns
T124	Maximum Allowed Dribble Bits		6	Bits
T125	Receive Recovery Time (Note 2)			
T126	RXC to Carrier Sense Low (Note 1)		1	rcyc

Note 1: tcyc = transmit clocks, rcyc = receive clocks, bcyc = T3.

Note 2: This parameter refers to longest time (not including wait-states) the SONIC™ requires to perform its end of receive processing and be ready for the next start of frame delimiter. This time is 4 + 36 ccyc bcyc. This is guaranteed by design and is not tested.

ENDEC-MAC SERIAL TIMING FOR TRANSMIT (NO COLLISION)



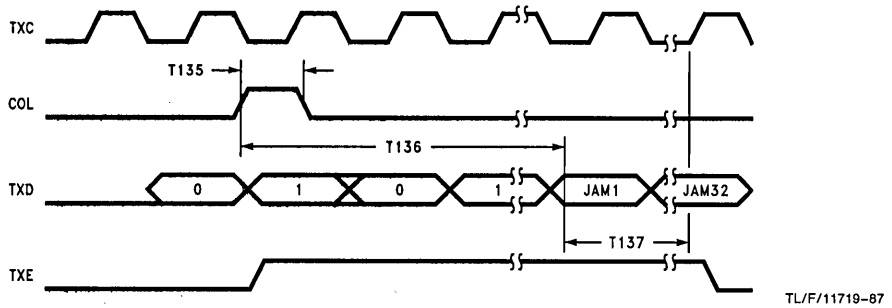
TL/F/11719-86

Number	Parameter	Min	Max	Units
T127	Transmit Clock High Time	40		ns
T128	Transmit Clock Low Time	40		ns
T129	Transmit Clock Cycle Time	90	110	ns
T130	TXC to TXE High		40	ns
T131	TXC to TXD Valid		40	ns
T132	TXD Hold Time from TXC	5		ns
T133	TXC to TXE Low		40	ns
T134	TXE Low to Start of CD Heartbeat (Note 1)		56	tcyc
T135	Collision Detect Width (Note 1)	2		tcyc

Note 1: tcyc = transmit clock.

9.0 AC and DC Specifications (Continued)

ENDEC-MAC SERIAL TIMING FOR TRANSMISSION (COLLISION)

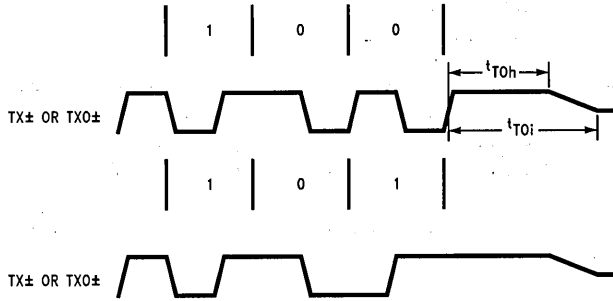


Number	Parameter	Min	Max	Units
T135	Collision Detect Width (Note 1)	2		tcyc
T136	Delay from Collision		8	tcyc
T137	JAM Period		32	tcyc

Note 1: tcyc = transmit clock.

9.0 AC and DC Specifications (Continued)

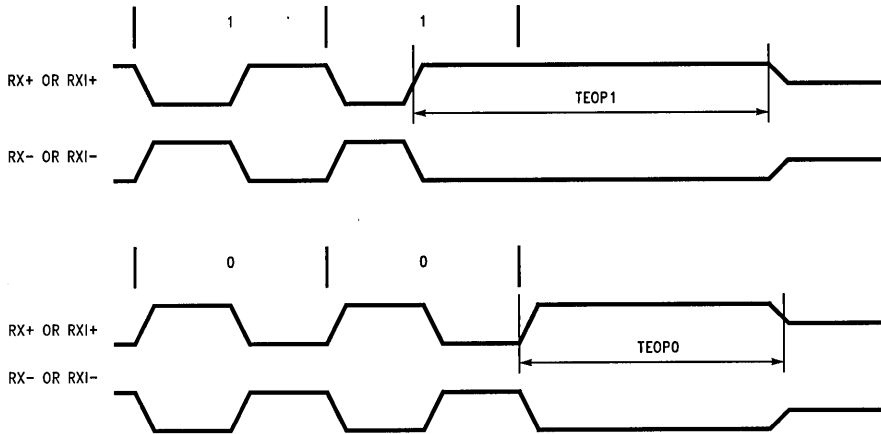
AUI/TPI TRANSMIT TIMING (End of Packet)



TL/F/11719-79

Symbol	Parameter	Min	Max	Units
t_{TOh}	Transmit Output High before Idle	200		ns
t_{TOi}	Transmit Output Idle Time	8000		ns

AUI/TPI RECEIVE TIMING (End of Packet)



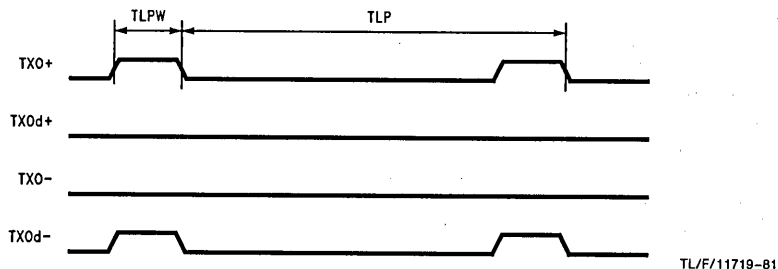
TL/F/11719-80

Symbol	Parameter	Min	Max	Units
t_{eop1}	Receive End of Packet Hold Time after Logic "1" (Note 1)	225		ns
t_{eop0}	Receive End of Packet Hold Time after Logic "0" (Note 1)	225		ns

Note 1: This parameter is guaranteed by design and is not tested.

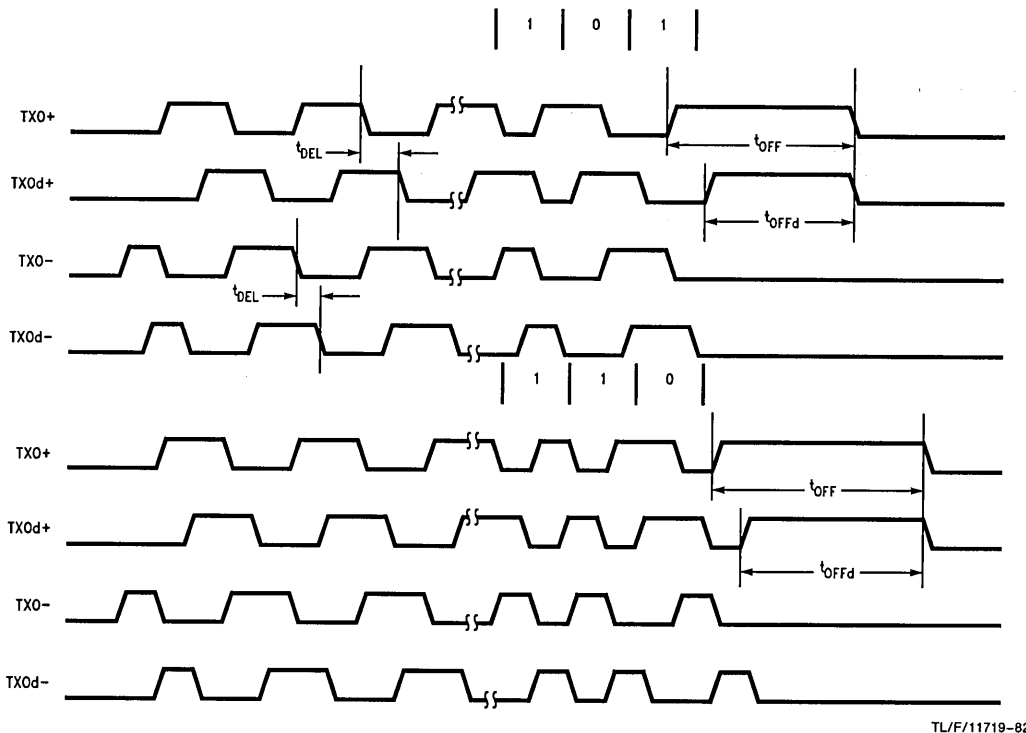
9.0 AC and DC Specifications (Continued)

LINK PULSE TIMING



Symbol	Parameter	Min	Max	Units
t_{lp}	Time between Link Output Pulses	8	24	ms
t_{lpw}	Link Integrity Output Pulse Width	80	130	ns

TPI TRANSMIT TIMING (End of Packet)



Symbol	Parameter	Min	Max	Units
t_{del}	Pre-Emphasis Output Delay (TX0± to TX0±) (Note 1)	46	54	ns
t_{off}	Transmit Hold Time at End of Packet (TX0±) (Note 1)	250		ns
t_{offd}	Transmit Hold Time at End of Packet (TX0d±) (Note 1)	200		ns

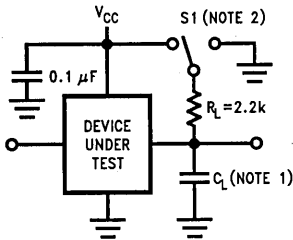
Note 1: This parameter is guaranteed by design and is not tested.

1

10.0 AC Timing Test Conditions

All specifications are valid only if the mandatory isolation is employed and all differential signals are taken to be at the AUI side of the pulse transformer.

Input Pulse Levels (TTL/CMOS)	GND to 3.0V
Input Rise and Fall Times (TTL/CMOS)	5 ns
Input and Output Reference Levels (TTL/CMOS)	1.5V
Input Pulse Levels (Diff.)	-350 mV to -1315 mV
Input and Output Reference Levels (Diff.)	50% Point of the Differential
TRI-STATE Reference Levels	Float (ΔV) $\pm 0.5V$
Output Load (See Figure below)	



TL/F/11719-83

Note 1: 50 pF, includes scope and jig capacitance.

Note 2: S1 = Open for timing tests for push pull outputs.

S1 = V_{CC} for High Impedance to active low and active low to High Impedance measurements.

S1 = GND for High Impedance to active high and active High to High Impedance measurements.

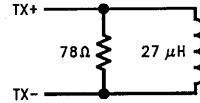
Capacitance $T_A = 25^\circ C, f = 1 \text{ MHz}$

Symbol	Parameter	Typ	Units
C_{IN}	Input Capacitance	7	pF
C_{OUT}	Output Capacitance	7	pF

DERATING FACTOR

Output timing is measured with a purely capacitive load of 50 pF. The following correction factor can be used for other loads: $C_L \geq 50 \text{ pF} = 0.05 \text{ ns/pF}$.

AUI Transmit Test Load



TL/F/11719-84

Note: In the above diagram, the TX+ and TX- signals are taken from the AUI side of the isolation (pulse transformer). The pulse transformer used for all testing is a selected 100 $\mu H \pm 0.1\%$ Pulse Engineering PE64103.

DP83932B SONIC™

Systems-Oriented Network Interface Controller

General Description

The SONIC (Systems-Oriented Network Interface Controller) is a second-generation Ethernet Controller designed to meet the demands of today's high-speed 32- and 16-bit systems. Its system interface operates with a high speed DMA that typically consumes less than 5% of the bus bandwidth. Selectable bus modes provide both big and little endian byte ordering and a clean interface to standard microprocessors. The linked-list buffer management system of SONIC offers maximum flexibility in a variety of environments from PC-oriented adapters to high-speed motherboard designs. Furthermore, the SONIC integrates a fully-compatible IEEE 802.3 Encoder/Decoder (ENDEC) allowing for a simple 2-chip solution for Ethernet when the SONIC is paired with the DP8392 Coaxial Transceiver Interface or a twisted pair interface.

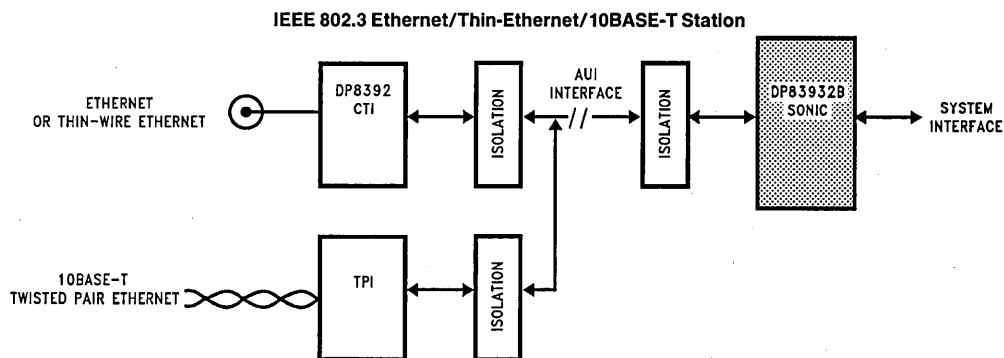
For increased performance, the SONIC implements a unique buffer management scheme to efficiently process receive and transmit packets in system memory. No intermediate packet copy is necessary. The receive buffer management uses three areas in memory for (1) allocating additional resources, (2) indicating status information, and (3) buffering packet data. During reception, the SONIC stores packets in the buffer area, then indicates receive status and control information in the descriptor area. The system allocates more memory resources to the SONIC by adding descriptors to the memory resource area. The transmit buffer

management uses two areas in memory: one for indicating status and control information and the other for fetching packet data. The system can create a transmit queue allowing multiple packets to be transmitted from a single transmit command. The packet data can reside on any arbitrary byte boundary and can exist in several non-contiguous locations.

Features

- 32-bit non-multiplexed address and data bus
- High-speed, interruptible DMA
- Linked-list buffer management maximizes flexibility
- Two independent 32-byte transmit and receive FIFOs
- Bus compatibility for all standard microprocessors
- Supports big and little endian formats
- Integrated IEEE 802.3 ENDEC
- Complete address filtering for up to 16 physical and/or multicast addresses
- 32-bit general-purpose timer
- Full-duplex loopback diagnostics
- Fabricated in low-power CMOS
- 132 PQFP package
- Full network management facilities support the 802.3 layer management standard
- Integrated support for bridge and repeater applications

System Diagram



TL/F/10492-2

Table of Contents

1.0 FUNCTIONAL DESCRIPTION

- 1.1 IEEE 802.3 ENDEC Unit
 - 1.1.1 ENDEC Operation
 - 1.1.2 Selecting an External ENDEC
- 1.2 MAC Unit
 - 1.2.1 MAC Receive Section
 - 1.2.2 MAC Transmit Section
- 1.3 Data Width and Byte Ordering
- 1.4 FIFO and Control Logic
 - 1.4.1 Receive FIFO
 - 1.4.2 Transmit FIFO
- 1.5 Status and Configuration Registers
- 1.6 Bus Interface
- 1.7 Loopback and Diagnostics
 - 1.7.1 Loopback Procedure
- 1.8 Network Management Functions

2.0 TRANSMIT/RECEIVE IEEE 802.3 FRAME FORMAT

- 2.1 Preamble and Start Of Frame Delimiter (SFD)
- 2.2 Destination Address
- 2.3 Source Address
- 2.4 Length/Type Field
- 2.5 Data Field
- 2.6 FCS Field
- 2.7 MAC (Media Access Control) Conformance

3.0 BUFFER MANAGEMENT

- 3.1 Buffer Management Overview
- 3.2 Descriptor Areas
 - 3.2.1 Naming Convention for Descriptors
 - 3.2.2 Abbreviations
 - 3.2.3 Buffer Management Base Addresses
- 3.3 Descriptor Data Alignment
- 3.4 Receive Buffer Management
 - 3.4.1 Receive Resource Area (RRA)
 - 3.4.2 Receive Buffer Area (RBA)
 - 3.4.3 Receive Descriptor Area (RDA)
 - 3.4.4 Receive Buffer Management Initialization
 - 3.4.5 Beginning of Reception
 - 3.4.6 End of Packet Processing
 - 3.4.7 Overflow Conditions
- 3.5 Transmit Buffer Management
 - 3.5.1 Transmit Descriptor Area (TDA)
 - 3.5.2 Transmit Buffer Area (TBA)
 - 3.5.3 Preparing to Transmit
 - 3.5.4 Dynamically Adding TDA Descriptors

4.0 SONIC REGISTERS

- 4.1 The CAM Unit
 - 4.1.1 The Load CAM Command
- 4.2 Status/Control Registers
- 4.3 Register Description
 - 4.3.1 Command Register
 - 4.3.2 Data Configuration Register
 - 4.3.3 Receive Control Register
 - 4.3.4 Transmit Control Register
 - 4.3.5 Interrupt Mask Register
 - 4.3.6 Interrupt Status Register
 - 4.3.7 Data Configuration Register 2
 - 4.3.8 Transmit Registers
 - 4.3.9 Receive Registers
 - 4.3.10 CAM Registers
 - 4.3.11 Tally Counters
 - 4.3.12 General Purpose Timer
 - 4.3.13 Silicon Revision Register

5.0 BUS INTERFACE

- 5.1 Pin Configurations
- 5.2 Pin Description
- 5.3 System Configuration
- 5.4 Bus Operations
 - 5.4.1 Acquiring the Bus
 - 5.4.2 Block Transfers
 - 5.4.3 Bus Status
 - 5.4.4 Bus Mode Compatibility
 - 5.4.5 Master Mode Bus Cycles
 - 5.4.6 Bus Exceptions (Bus Retry)
 - 5.4.7 Slave Mode Bus Cycle
 - 5.4.8 On-Chip Memory Arbiter
 - 5.4.9 Chip Reset

6.0 NETWORK INTERFACING

- 6.1 Manchester Encoder and Differential Driver
 - 6.1.1 Manchester Decoder
 - 6.1.2 Collision Translator
 - 6.1.3 Oscillator Inputs

7.0 AC AND DC SPECIFICATIONS

8.0 AC TIMING TEST CONDITIONS

1.0 Functional Description

The SONIC (*Figure 1-1*) consists of an encoder/decoder (ENDEC) unit, media access control (MAC) unit, separate receive and transmit FIFOs, a system buffer management engine, and a user programmable system bus interface unit on a single chip. SONIC is highly pipelined providing maximum system level performance. This section provides a functional overview of SONIC.

1.1 IEEE 802.3 ENDEC UNIT

The ENDEC (Encoder/Decoder) unit is the interface between the Ethernet transceiver and the MAC unit. It provides the Manchester data encoding and decoding functions for IEEE 802.3 Ethernet/Thin-Ethernet type local area networks. The ENDEC operations of SONIC are identical to the DP83910A CMOS Serial Network Interface device. During transmission, the ENDEC unit combines non-return-zero (NRZ) data from the MAC section and clock pulses into Manchester data and sends the converted data differentially to the transceiver. Conversely, during reception, an analog PLL decodes the Manchester data to NRZ format and receive clock. The ENDEC unit is a functionally complete Manchester encoder/decoder incorporating a balanced driver and receiver, on-board crystal oscillator, collision signal translator, and a diagnostic loopback. The features include:

- Compatible with Ethernet I and II, IEEE 802.3 10base5 and 10base2
- 10Mb/s Manchester encoding/decoding with receive clock recovery
- Requires no precision components
- Loopback capability for diagnostics
- Externally selectable half or full step modes of operation at transmit output
- Squelch circuitry at the receive and collision inputs reject noise
- Connects to the transceiver (AUI) cable via external pulse transformer

1.1.1 ENDEC Operation

The primary function of the ENDEC unit (*Figure 1-2*) is to perform the encoding and decoding necessary for compatibility between the differential pair Manchester encoded data of the transceiver and the Non-Return-to-Zero (NRZ) serial data of the MAC unit data line. In addition to encoding and decoding the data stream, the ENDEC also supplies all the necessary special signals (e.g., collision detect, carrier sense, and clocks) to the MAC unit.

Manchester Encoder and Differential Output Driver: During transmission to the network, the ENDEC unit translates the NRZ serial data from the MAC unit into differential pair Manchester encoded data on the Coaxial Transceiver Interface (e.g., National's DP8392) transmit pair. To perform this operation the NRZ bit stream from the MAC unit is passed through the Manchester encoder block of the ENDEC unit. Once the bit stream is encoded, it is transmitted out differentially to the transmit differential pair through the transmit driver.

Manchester Decoder: During reception from the network, the differential receive data from the transceiver (e.g., the DP8392) is converted from Manchester encoded data into NRZ serial data and a receive clock, which are sent to the receive data and clock inputs of the MAC unit. To perform this operation the signal, once received by the differential receiver, is passed to the phase locked loop (PLL) decoder block. The PLL decodes the data and generates a data receive clock and a NRZ serial data stream to the MAC unit.

Special Signals: In addition to performing the Manchester encoding and decoding function, the ENDEC unit provides control and clocking signals to the MAC unit. The ENDEC sends a carrier sense (CRS) signal that indicates to the MAC unit that data is present from the network on the ENDEC's receive differential pair. The MAC unit is also provided with a collision detection signal (COL) that informs the MAC unit that a collision is taking place somewhere on the

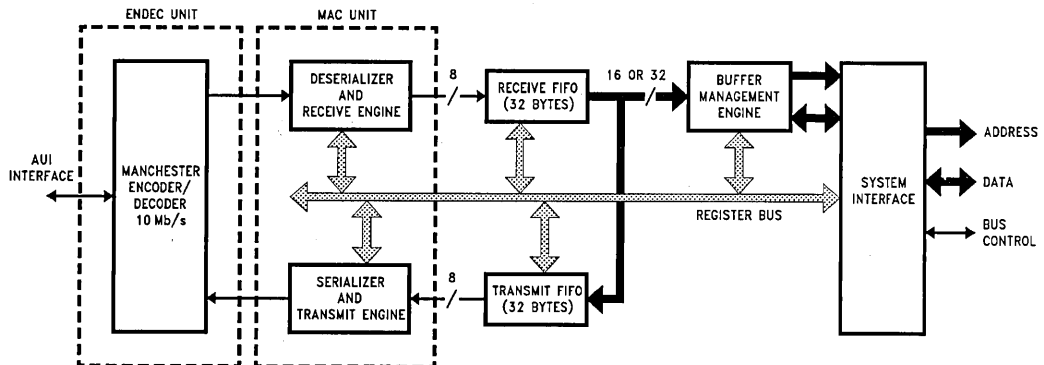


FIGURE 1-1. SONIC Block Diagram

TL/F/10492-1

1.0 Functional Description (Continued)

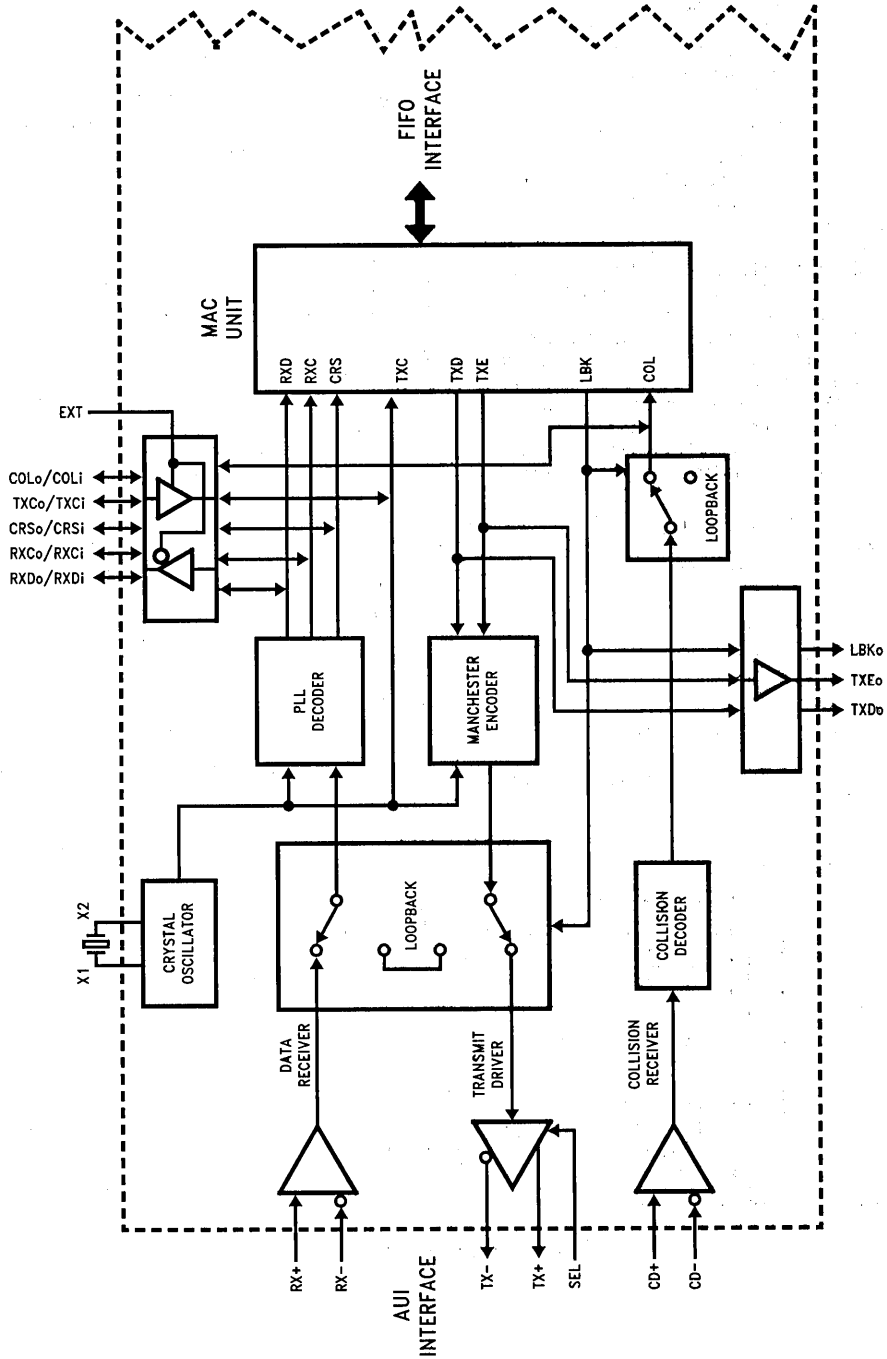


FIGURE 1-2. Block Diagram of Ethernet ENDEC

1.0 Functional Description (Continued)

network. The ENDEC section detects this when its collision receiver detects a 10 MHz signal on the differential collision input pair. The ENDEC also provides both the receive and transmit clocks to the MAC unit. The transmit clock is one half of the oscillator input. The receive clock is extracted from the input data by the PLL.

Oscillator: The oscillator generates the 10 MHz transmit clock signal for network timing. The oscillator is controlled by a parallel resonant crystal or by an external clock (see section 6.1.3). The 20 MHz output of the oscillator is divided by 2 to generate the 10 MHz transmit clock (TXC) for the MAC section. The oscillator provides an internal clock signal for the encoding and decoding circuits.

The signals provided to the MAC unit from the on-chip ENDEC are also provided as outputs to the user.

Loopback Functions: The SONIC provides three loopback modes. These modes allow loopback testing at the MAC, ENDEC and external transceiver level (see section 1.7 for details). It is important to note that when the SONIC is transmitting, the transmitted packet will always be looped back by the external transceiver. The SONIC takes advantage of this to monitor the transmitted packet. See the explanation of the Receive State Machine in section 1.2.1 for more information about monitoring transmitted packets.

1.1.2 Selecting An External ENDEC

An option is provided on SONIC to disable the on-chip ENDEC unit and use an external ENDEC. The internal IEEE 802.3 ENDEC can be bypassed by connecting the EXT pin to V_{CC} (EXT = 1). In this mode the MAC signals are redirected out from the chip, allowing an external ENDEC to be used. See section 5.2 for the alternate pin definitions.

1.2 MAC UNIT

The MAC (Media Access Control) unit performs the media access control functions for transmitting and receiving packets over Ethernet. During transmission, the MAC unit frames information from the transmit FIFO and supplies serialized data to the ENDEC unit. During reception, the incoming information from the ENDEC unit is deserialized, the frame checked for valid reception, and the data is transferred to the receive FIFO. Control and status registers on the SONIC govern the operation of the MAC unit.

1.2.1 MAC Receive Section

The receive section (*Figure 1-3*) controls the MAC receive operations during reception, loopback, and transmission. During reception, the deserializer goes active after detecting the 2-bit SFD (Start of Frame Delimiter) pattern (section 2.1). It then frames the incoming bits into octet boundaries

and transfers the data to the 32-byte receive FIFO. Concurrently the address comparator compares the Destination Address Field to the addresses stored in the chip's CAM address registers (Content Addressable Memory cells). If a match occurs, the deserializer passes the remainder of the packet to the receive FIFO. The packet is decapsulated when the carrier sense input pin (CRS) goes inactive. At the end of reception the receive section checks the following:

- Frame alignment errors
- CRC errors
- Length errors (runt packets)

The appropriate status is indicated in the Receive Control register (section 4.3.3). In loopback operations, the receive section operates the same as during normal reception.

During transmission, the receive section remains active to allow monitoring of the self-received packet. The CRC checker operates as normal, and the Source Address field is compared with the CAM address entries. Status of the CRC check and the source address comparison is indicated by the PMB bit in the Transmit Control register (section 4.3.4). No data is written to the receive FIFO during transmit operations.

The receive section consists of the following blocks detailed below.

Receive State Machine (RSM): The RSM insures the proper sequencing for normal reception and self-reception during transmission. When the network is inactive, the RSM remains in an idle state continually monitoring for network activity. If the network becomes active, the RSM allows the deserializer to write data into the receive FIFO. During this state, the following conditions may prevent the complete reception of the packet.

- FIFO Overrun—The receive FIFO has been completely filled before the SONIC could buffer the data to memory.
- CAM Address Mismatch—The packet is rejected because of a mismatch between the destination address of the packet and the address in the CAM.
- Memory Resource Error—There are no more resources (buffers) available for buffering the incoming packets.
- Collision or Other Error—A collision occurred on the network or some other error, such as a CRC error, occurred (this is true if the SONIC has been told to reject packets on a collision, or reject packets with errors).

If these conditions do not occur, the RSM processes the packet indicating the appropriate status in the Receive Control register.

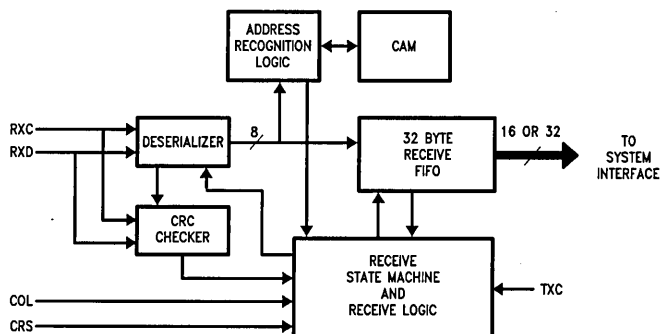


FIGURE 1-3. MAC Receiver

TL/F/10492-4

1.0 Functional Description (Continued)

During transmission of a packet from the SONIC, the external transceiver will always loop the packet back to the SONIC. The SONIC will use this to monitor the packet as it is being transmitted. The CRC and source address of the looped back packet are checked with the CRC and source address that were transmitted. If they do not match, an error bit is set in the status of the transmitted packet (see Packet Monitored Bad, PBM, in the Transmit Control Register, section 4.3.4). Data is not written to the receive FIFO during this monitoring process unless Transceiver Loopback mode has been selected (see section 1.7).

Receive Logic: The receive logic contains the command, control, and status registers that govern the operations of the receive section. It generates the control signals for writing data to the receive FIFO, processes error signals obtained from the CRC checker and the deserializer, activates the "packet reject" signal to the RSM for rejecting packets, and posts the applicable status in the Receive Control register.

Deserializer: This section deserializes the serial input data stream and furnishes a byte clock for the address comparator and receive logic. It also synchronizes the CRC checker to begin operation (after SFD is detected), and checks for proper frame alignment with respect to CRS going inactive at the end of reception.

Address Comparator: The address comparator latches the Destination Address (during reception or loopback) or Source Address (during transmission) and determines whether the address matches one of the entries in the CAM (Content Addressable Memory).

CRC Checker: The CRC checker calculates the 4-byte Frame Check Sequence (FCS) field from the incoming data stream and compares it with the last 4-bytes of the received packet. The CRC checker is active for both normal reception and self-reception during transmission.

Content Addressable Memory (CAM): The CAM contains 16 user programmable entries and 1 pre-programmed Broadcast address entry for complete filtering of received packets. The CAM can be loaded with any combination of Physical and Multicast Addresses (section 2.2). See section 4.1 for the procedure on loading the CAM registers.

1.2.2 MAC Transmit Section

The transmit section (Figure 1-4) is responsible for reading data from the transmit FIFO and transmitting a serial data

stream onto the network in conformance with the IEEE 802.3 CSMA/CD standard. The Transmit Section consists of the following blocks.

Transmit State Machine (TSM): The TSM controls the functions of the serializer, preamble generator, and JAM generator. It determines the proper sequence of events that the transmitter follows under various network conditions. If no collision occurs, the transmitter prefixes a 62-bit preamble and 2-bit Start of Frame Delimiter (SFD) at the beginning of each packet, then sends the serialized data. At the end of the packet, an optional 4-byte CRC pattern is appended. If a collision occurs, the transmitter switches from transmitting data to sending a 4-byte Jam pattern to notify all nodes that a collision has occurred. Should the collision occur during the preamble, the transmitter waits for it to complete before jamming. After the transmission has completed, the transmitter writes status in the Transmit Control register (section 4.3.4).

Protocol State Machine: The protocol state machine assures that the SONIC obeys the CSMA/CD protocol. Before transmitting, this state machine monitors the carrier sense and collision signals for network activity. If another node(s) is currently transmitting, the SONIC defers until the network is quiet, then transmits after its Interframe Gap Timer (9.6 μ s) has expired. The Interframe Gap time is divided into two portions. During the first 6.4 μ s, network activity restarts the Interframe Gap timer. Beyond this time, however, network activity is ignored and the state machine waits the remaining 3.2 μ s before transmitting. If the SONIC experiences a collision during a transmission, the SONIC switches from transmitting data to a 4-byte JAM pattern (4 bytes of all 1's), before ceasing to transmit. The SONIC then waits a random number of slot times (51.2 μ s) determined by the *Truncated Binary Exponential Backoff Algorithm* before reattempting another transmission. In this algorithm, the number of slot times to delay before the nth retransmission is chosen to be a random integer r in the range of:

$$0 \leq r \leq 2^k$$

$$\text{where } k = \min(n, 10)$$

If a collision occurs on the 16th transmit attempt, the SONIC aborts transmitting the packet and reports an "Excessive Collisions" error in the Transmit Control register.

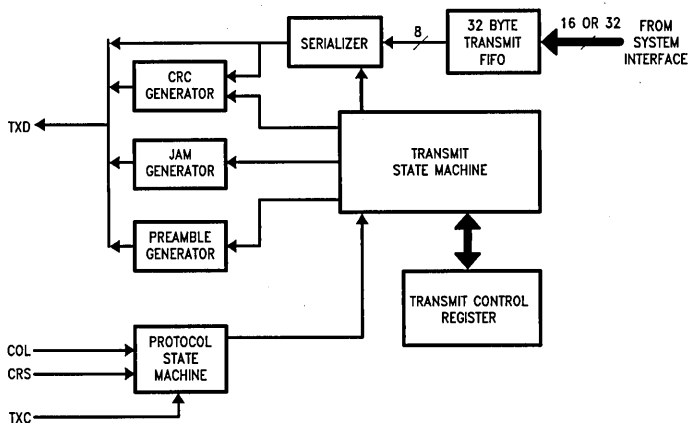


FIGURE 1-4. MAC Transmitter

TL/F/10492-5

1.0 Functional Description (Continued)

Serializer: After data has been written into the 32-byte transmit FIFO, the serializer reads byte wide data from the FIFO and sends a NRZ data stream to the Manchester encoder. The rate at which data is transmitted is determined by the transmit clock (TXC). The serialized data is transmitted after the SFD.

Preamble Generator: The preamble generator prefixes a 62-bit alternating "1,0" pattern and a 2-bit "1,1" SFD pattern at the beginning of each packet. This allows receiving nodes to synchronize to the incoming data. The preamble is always transmitted in its entirety even in the event of a collision. This assures that the minimum collision fragment is 96 bits (64 bits of normal preamble, and 4 bytes, or rather 32 bits, of the JAM pattern).

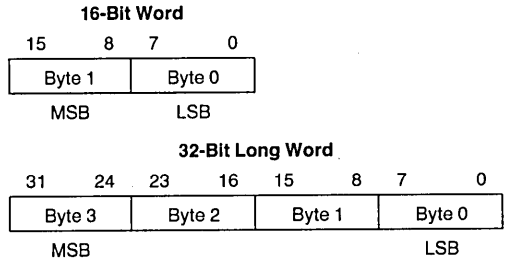
CRC Generator: The CRC generator calculates the 4-byte FCS field from the transmitted serial data stream. If enabled, the 4-byte FCS field is appended to the end of the transmitted packet (section 2.6).

Jam Generator: The Jam generator produces a 4-byte pattern of all 1's to assure that all nodes on the network sense the collision. When a collision occurs, the SONIC stops transmitting data and enables the Jam generator. If a collision occurs during the preamble, the SONIC finishes transmitting the preamble before enabling the Jam generator (see Preamble Generator above).

1.3 DATA WIDTH AND BYTE ORDERING

The SONIC can be programmed to operate with either 32-bit or 16-bit wide memory. The data width is configured during initialization by programming the DW bit in the Data Configuration Register (DCR, section 4.3.2). If the 16-bit data path is selected, data is driven on pins D15-D0. The SONIC also provides both Little Endian and Big Endian byte-ordering capability for compatibility with National/Intel or Motorola microprocessors respectively by selecting the proper level on the BMODE pin. The byte ordering is depicted at right.

Little Endian mode (BMODE = 0): The byte orientation for received and transmitted data in the Receive Buffer Area (RBA) and Transmit Buffer Area (TBA) of system memory is as follows:



Big Endian mode (BMODE = 1): The byte orientation for received and transmitted data in the RBA and TBA is as follows:

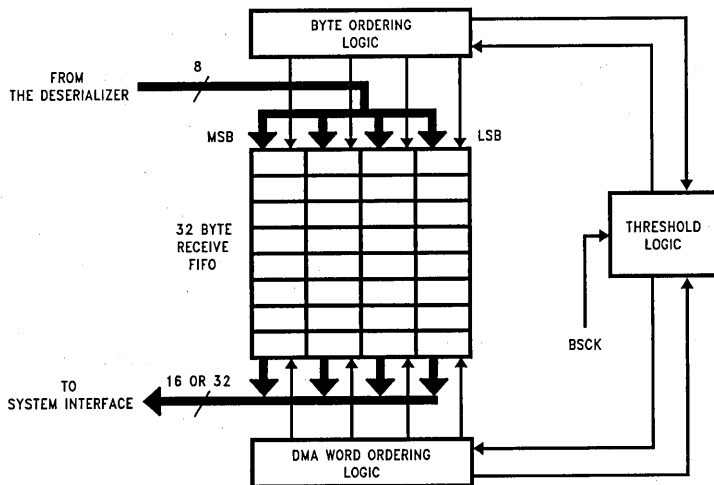
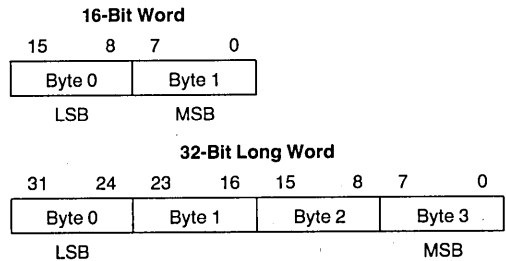


FIGURE 1-5. Receive FIFO

TL/F/10492-6

1.0 Functional Description (Continued)

1.4 FIFO AND CONTROL LOGIC

The SONIC incorporates two independent 32-byte FIFOs for transferring data to/from the system interface and from/to the network. The FIFOs, providing temporary storage of data, free the host system from the real-time demands on the network.

The way in which the FIFOs are emptied and filled is controlled by the FIFO threshold values and the Block Mode Select bits (BMS, section 4.3.2). The threshold values determine how full or empty the FIFOs can be before the SONIC will request the bus to get more data from memory or buffer more data to memory. When block mode is set, the number of bytes transferred is set by the threshold value. For example, if the threshold for the receive FIFO is 4 words, then the SONIC will always transfer 4 words from the receive FIFO to memory. If empty/fill mode is set, however, the number of bytes transferred is the number required to fill the transmit FIFO or empty the receive FIFO. More specific information about how the threshold affects reception and transmission of packets is discussed in sections 1.4.1 and 1.4.2 below.

1.4.1 Receive FIFO

To accommodate the different transfer rates, the receive FIFO (*Figure 1-5*) serves as a buffer between the 8-bit network (deserializer) interface and the 16/32-bit system interface. The FIFO is arranged as a 4-byte wide by 8 deep memory array (8-long words, or 32 bytes) controlled by three sections of logic. During reception, the Byte Ordering logic directs the byte stream from the deserializer into the FIFO using one of four write pointers. Depending on the selected byte-ordering mode, data is written either least significant byte first or most significant byte first to accommodate little or big endian byte-ordering formats respectively.

As data enters the FIFO, the Threshold Logic monitors the number of bytes written in from the deserializer. The programmable threshold (RFT1,0 in the Data Configuration Register) determines the number of words (or long words) written into the FIFO from the MAC unit before a DMA request for system memory occurs. When the threshold is reached, the Threshold Logic enables the Buffer Management Engine to read a programmed number of 16- or 32-bit words (depending upon the selected word width) from the FIFO and transfers them to the system interface (the system memory) using DMA. The threshold is reached when the number of bytes in the receive FIFO is greater than the value of the threshold. For example, if the threshold is 4 words (8 bytes), then the Threshold Logic will not cause the Buffer Management Engine to write to memory until there are more than 8 bytes in the FIFO.

The Buffer Management Engine reads either the upper or lower half (16 bits) of the FIFO in 16-bit mode or reads the complete long word (32 bits) in 32-bit mode. If, after the transfer is complete, the number of bytes in the FIFO is less than the threshold, then the SONIC is done. This is always the case when the SONIC is in empty/fill mode. If, however, for some reason (e.g. latency on the bus) the number of bytes in the FIFO is still greater than the threshold value, the Threshold Logic will cause the Buffer Management Engine to do a DMA request to write to memory again. This later case is usually only possible when the SONIC is in block mode.

When in block mode, each time the SONIC requests the bus, only a number of bytes equal to the threshold value will be transferred. The Threshold Logic continues to monitor

the number of bytes written in from the deserializer and enables the Buffer Management Engine every time the threshold has been reached. This process continues until the end of the packet.

Once the end of the packet has been reached, the serializer will fill out the last word (16-bit mode) or long word (32-bit mode) if the last byte did not end on a word or long word boundary respectively. The fill byte will be 0FFh. Immediately after the last byte (or fill byte) in the FIFO, the received packets status will be written into the FIFO. The entire packet, including any fill bytes and the received packet status will be buffered to memory. When a packet is buffered to memory by the Buffer Management Engine, it is always taken from the FIFO in words or long words and buffered to memory on word (16-bit mode) or long word (32-bit mode) boundaries. Data from a packet cannot be buffered on odd byte boundaries for 16-bit mode, and odd word boundaries for 32-bit mode (see section 3.3). For more information on the receive packet buffering process, see section 3.4.

1.4.2 Transmit FIFO

Similar to the Receive FIFO, the Transmit FIFO (*Figure 1-6*) serves as a buffer between the 16/32-bit system interface and the network (serializer) interface. The Transmit FIFO is also arranged as a 4 byte by 8 deep memory array (8 long words or 32 bytes) controlled by three sections of logic. Before transmission can begin, the Buffer Management Engine fetches a programmed number of 16- or 32-bit words from memory and transfers them to the FIFO. The Buffer Management Engine writes either the upper or lower half (16 bits) into the FIFO for 16-bit mode or writes the complete long word (32 bits) during 32-bit mode.

The Threshold logic monitors the number of bytes as they are written into the FIFO. When the threshold has been reached, the Transmit Byte Ordering state machine begins reading bytes from the FIFO to produce a continuous byte stream for the serializer. The threshold is met when the number of bytes in the FIFO is greater than the value of the threshold. For example, if the transmit threshold is 4 words (8 bytes), the Transmit Byte Ordering state machine will not begin reading bytes from the FIFO until there are 9 or more bytes in the buffer. The Buffer Management Engine continues replenishing the FIFO until the end of the packet. It does this by making multiple DMA requests to the system interface. Whenever the number of bytes in the FIFO is equal to or less than the threshold value, the Buffer Management Engine will do a DMA request. If block mode is set, then after each request has been granted by the system, the Buffer Management Engine will transfer a number of bytes equal to the threshold value into the FIFO. If empty/fill mode is set, the FIFO will be completely filled in one DMA request.

Since data may be organized in big or little endian byte ordering format, the Transmit Byte Ordering state machine uses one of four read pointers to locate the proper byte within the 4 byte wide FIFO. It also determines the valid number of bytes in the FIFO. For packets which begin or end at odd bytes in the FIFO, the Buffer Management Engine writes extraneous bytes into the FIFO. The Transmit Byte Ordering state machine detects these bytes and only transfers the valid bytes to the serializer. The Buffer Management Engine can read data from memory on any byte boundary (see section 3.3). See section 3.5 for more information on transmit buffering.

1.0 Functional Description (Continued)

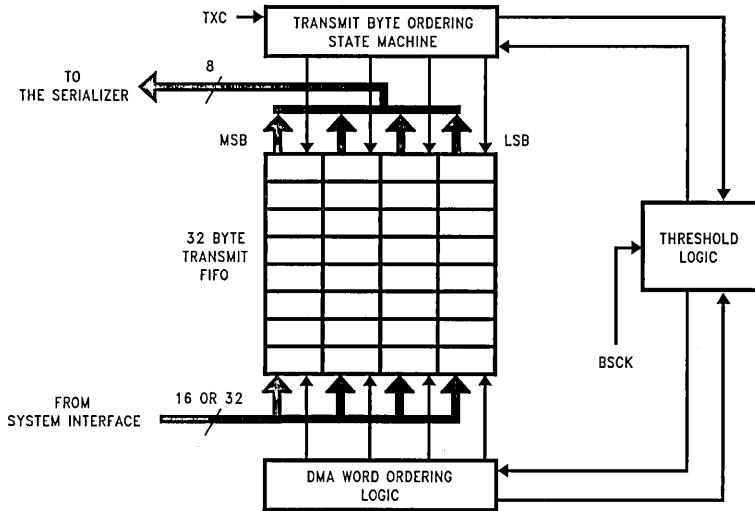


FIGURE 1-6. Transmit FIFO

TL/F/10492-7

1.5 STATUS AND CONFIGURATION REGISTERS

The SONIC contains a set of status/control registers for conveying status and control information to/from the host system. The SONIC uses these registers for loading commands generated from the system, indicating transmit and receive status, buffering data to/from memory, and providing interrupt control. Each register is 16 bits in length. See section 4.0 for a description of the registers.

1.6 BUS INTERFACE

The system interface (Figure 1-7) consists of the pins necessary for interfacing to a variety of buses. It includes the I/O drivers for the data and address lines, bus access control for standard microprocessors, ready logic for synchronous or asynchronous systems, slave access control, interrupt control, and shared-memory access control. The functional signal groups are shown in Figure 1-7. See section 5.0 for a complete description of the SONIC bus interface.

1.7 LOOPBACK AND DIAGNOSTICS

The SONIC furnishes three loopback modes for self-testing from the controller interface to the transceiver interface. The loopback function is provided to allow self-testing of the chip's internal transmit and receive operations. During loopback, transmitted packets are routed back to the receive section of the SONIC where they are filtered by the address recognition logic and buffered to memory if accepted. Transmit and receive status and interrupts remain active during loopback. This means that when using loopback, it is as if the packet was transmitted and received by two separate chips that are connected to the same bus and memory.

MAC Loopback: Transmitted data is looped back at the MAC. Data is not sent from the MAC to either the internal ENDEC or an external ENDEC (the external ENDEC interface pins will not be driven), hence, data is not transmitted from the chip. Even though the ENDEC is not used in MAC loopback, the ENDEC clock (an oscillator or crystal for the internal ENDEC or TXC for an external ENDEC) must be driven. Network activity, such as a collision, does not affect

MAC loopback. CSMA/CD MAC protocol is not completely followed in MAC loopback.

ENDEC Loopback: Transmitted data is looped back at the ENDEC. If the internal ENDEC is used, data is switched from the transmit section of the ENDEC to the receive section (Figure 1-2). Data is not transmitted from the chip and the collision lines, CD±, are ignored, hence, network activity does not affect ENDEC loopback. The LBK signal from the MAC tells the internal ENDEC to go into loopback mode. If an external ENDEC is used, it should operate in loopback mode when the LBK signal is asserted. CSMA/CD MAC protocol is followed even though data is not transmitted from the chip.

Transceiver Loopback: Transmitted data is looped back at the external transceiver (which is always the case regardless of the SONIC's loopback mode). CSMA/CD MAC protocol is followed since data will be transmitted from the chip. This means that transceiver loopback is affected by network activity. The basic difference between Transceiver Loopback and normal, non-loopback, operations of the SONIC is that in Transceiver Loopback, the SONIC loads the receive FIFO and buffers the packet to memory. In normal operations, the SONIC only monitors the packet that is looped back by the transceiver, but does not fill the receive FIFO and buffer the packet.

1.7.1 Loopback Procedure

The following procedure describes the loopback operation.

1. Initialize the Transmit and Receive Area as described in sections 3.4 and 3.5.
2. Load one of the CAM address registers (see section 4.1), with the Destination Address of the packet if you are verifying the SONIC's address recognition capability.
3. Load one of the CAM address registers with the Source Address of the packet if it is different than the Destination Address to avoid getting a Packet Monitored Bad (PMB) error in the Transmit status (see section 4.3.4).



1.0 Functional Description (Continued)

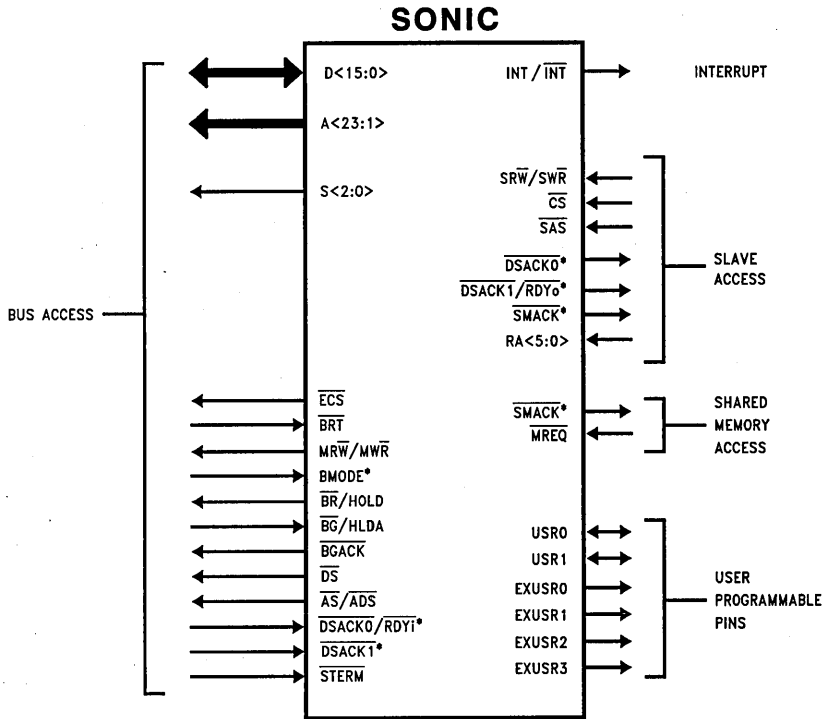
4. Program the Receive Control register with the desired receive filter and the loopback mode (LB1, LB0).
5. Issue the transmit command (TXP) and enable the receiver (RXEN) in the Command register.

The SONIC completes the loopback operation after the packet has been completely received (or rejected if there is an address mismatch). The Transmit Control and Receive Control registers treat the loopback packet as in normal operation and indicate status accordingly. Interrupts are also generated if enabled in the Interrupt Mask register.

Note: For MAC Loopback, only one packet may be queued for proper operation. This restriction occurs because the transmit MAC section, which does not generate an Interframe Gap time (IFG) between transmitted packets, does not allow the receive MAC section to update receive status. There are no restrictions for the other loopback modes.

1.8 NETWORK MANAGEMENT FUNCTIONS

The SONIC fully supports the Layer Management IEEE 802.3 standard to allow a node to monitor the overall performance of the network. These statistics are available on a per packet basis at the end of reception or transmission. In addition, the SONIC provides three tally counters to tabulate CRC errors, Frame Alignment errors, and missed packets. Table 1-1 shows the statistics indicated by the SONIC.



TL/F/10492-8

***Note:** DSACK0,1 are used for both Bus and Slave Access Control and are bidirectional. SMACK is used for both Slave access and shared memory access. The BMODE pin selects between National/Intel or Motorola type buses.

FIGURE 1-7. SONIC Bus Interface Signals

1.0 Functional Description (Continued)

TABLE 1-1. Network Management Statistics

Statistic	Register Used	Bits Used
Frames Transmitted OK	TCR (Note)	PTX
Single Collision Frames	(Note)	NC0-NC4
Multiple Collision Frames	(Note)	NC0-NC4
Collision Frames	(Note)	NC0-NC4
Frames with Deferred Transmissions	TCR (Note)	DEF
Late Collisions	TCR (Note)	OWC
Excessive Collisions	TCR (Note)	EXC
Excessive Deferral	TCR (Note)	EXD
Internal MAC Transmit Error	TCR (Note)	BCM, FU
Frames Received OK	RCR (Note)	PRX
Multicast Frames Received OK	RCR (Note)	MC
Broadcast Frames Received OK	RCR (Note)	BC
Frame Check Sequence Errors	CRCT RCR	All CRC
Alignment Errors	FAET RCR	All FAE
Frame Lost Due to Internal MAC Receive Error	MPT ISR	All RFO

Note: The number of collisions and the contents of the Transmit Control register are posted in the TXpkt.status field (see section 3.5.1.2). The contents of the Receive Control register are posted in the RXpkt.status field (see section 3.4.3).

2.0 Transmit/Receive IEEE 802.3 Frame Format

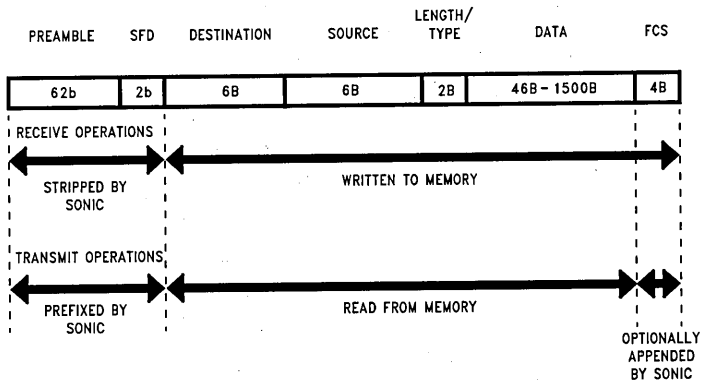
A standard IEEE 802.3 packet (*Figure 2-1*) consists of the following fields: preamble, Start of Frame Delimiter (SFD), destination address, source address, length, data and Frame Check Sequence (FCS). The typical format is shown in *Figure 2-1*. The packets are Manchester encoded and decoded by the ENDEC unit and transferred serially to/from the MAC unit using NRZ data with a clock. All fields are of fixed length except for the data field. The SONIC generates and appends the preamble, SFD and FCS field during transmission. The Preamble and SFD fields are stripped during reception. (The CRC is passed through to buffer memory during reception.)

2.1 PREAMBLE AND START OF FRAME DELIMITER (SFD)

The Manchester encoded alternating 1,0 preamble field is used by the ENDEC to acquire bit synchronization with an incoming packet. When transmitted, each packet contains 62 bits of an alternating 1,0 preamble. Some of this preamble may be lost as the packet travels through the network. Byte alignment is performed when the Start of Frame Delimiter (SFD) pattern, consisting of two consecutive 1's, is detected.

2.2 DESTINATION ADDRESS

The destination address indicates the destination of the packet on the network and is used to filter unwanted pack-



Note: B = bytes
b = bits

FIGURE 2-1. IEEE 802.3 Packet Structure

TU/F/10492-9

2.0 Transmit/Receive IEEE 802.3 Frame Format (Continued)

ets from reaching a node. There are three types of address formats supported by the SONIC: Physical, Multicast, and Broadcast.

Physical Address: The physical address is a unique address that corresponds only to a single node. All physical addresses have the LSB of the first byte of the address set to "0". These addresses are compared to the internally stored CAM (Content Addressable Memory) address entries. All bits in the destination address must match an entry in the CAM in order for the SONIC to accept the packet.

Multicast Address: Multicast addresses, which have the LSB of the first byte of the address set to "1", are treated similarly as Physical addresses, i.e., they must match an entry in the CAM. This allows perfect filtering of Multicast packets and eliminates the need for a hashing algorithm for mapping Multicast packets.

Broadcast Address: If the address consists of all 1's, it is a Broadcast address, indicating that the packet is intended for all nodes.

The SONIC also provides a promiscuous mode which allows reception of all physical address packets. Physical, Multicast, Broadcast, and promiscuous address modes can be selected via the Receive Control register.

2.3 SOURCE ADDRESS

The source address is the physical address of the sending node. Source addresses cannot be multicast or broadcast addresses. This field must be passed to the SONIC's transmit buffer from the system software. During transmission, the SONIC compares the Source address with its internal CAM address entries before monitoring the CRC of the self-received packet. If the source address of the packet transmitted does not match a value in the CAM, the packet monitored bad flag (PMB) will be set in the transmit status field of the transmit descriptor (see sections 3.5.1.2 and 4.3.4). The SONIC does not provide Source Address insertion. However, a transmit descriptor fragment, containing only the Source Address, may be created for each packet. (See section 3.5.1.)

2.4 LENGTH/TYPE FIELD

For IEEE 802.3 type packets, this field indicates the number of bytes that are contained in the data field of the packet. For Ethernet I and II networks, this field indicates the type of packet. The SONIC does not operate on this field.

2.5 DATA FIELD

The data field has a variable octet length ranging from 46 to 1500 bytes as defined by the Ethernet specification. Messages longer than 1500 bytes need to be broken into multiple packets for IEEE 802.3 networks. Data fields shorter than 46 bytes require appending a pad to bring the complete frame length to 64 bytes. If the data field is padded, the number of valid bytes are indicated in the length field. The SONIC does not append pad bytes for short packets during transmission, nor check for oversize packets during reception. However, the user's driver software can easily append the pad by lengthening the TXpkt.pkt_size field and TXpkt.frag_size field(s) to at least 64 bytes (see section 3.5.1). While the Ethernet specification defines the maximum number of bytes in the data field the SONIC can transmit and receive packets up to 64k bytes.

2.6 FCS FIELD

The Frame Check Sequence (FCS) is a 32-bit CRC field calculated and appended to a packet during transmission to allow detection of error-free packets. During reception, an error-free packet results in a specific pattern in the CRC

generator. The AUTODIN II ($X^{32} + X^{26} + X^{23} + X^{22} + X^{16} + X^{12} + X^{11} + X^{10} + X^8 + X^7 + X^5 + X^4 + X^2 + X + 1$) polynomial is used for the CRC calculations. The SONIC may optionally append the CRC sequence during transmission, and checks the CRC both during normal reception and self-reception during a transmission (see section 1.2.1).

2.7 MAC (MEDIA ACCESS CONTROL) CONFORMANCE

The SONIC is designed to be compliant to the IEEE 802.3 MAC Conformance specification. The SONIC implements most of the MAC functions in silicon and provides hooks for the user software to handle the remaining functions. The MAC Conformance specifications are summarized in Table 2-1.

TABLE 2-1. MAC Conformance Specifications

Conformance Test Name	Support By		
	SONIC	User Driver Software	Notes
Minimum Frame Size	X		
Maximum Frame Size	X	X	1
Address Generation	X	X	2
Address Recognition	X		
Pad Length Generation	X	X	3
Start Of Frame Delimiter	X		
Length Field	X		
Preamble Generation	X		
Order of Bit Transmission	X		
Inconsistent Frame Length	X	X	1
Non-Integral Octet Count	X		
Incorrect Frame Check Sequence	X		
Frame Assembly	X		
FCS Generation and Insertion	X		
Carrier Deference	X		
Interframe Spacing	X		
Collision Detection	X		
Collision Handling	X		
Collision Backoff and Retransmission	X		
FCS Validation	X		
Frame Disassembly	X		
Back-to-Back Frames	X		
Flow Control	X		
Attempt Limit	X		
Jam Size (after SFD)	X		
Jam Size (in Preamble)	X		

Note 1: The SONIC provides the byte count of the entire packet in the RXpkt.byte_count (see section 3.4.3). The user's driver software may perform further filtering of the packet based upon the byte count.

Note 2: The SONIC does not provide Source Address insertion; however, a transmit descriptor fragment, containing only the Source Address, may be created for each packet. See section 3.5.1.

Note 3: The SONIC does not provide Pad generation; however, the user's driver software can easily append the Pad by lengthening the TXpkt.pkt_size field and TXpkt.frag_size field(s) to at least 64 bytes. See section 3.5.1.

3.0 Buffer Management

3.1 BUFFER MANAGEMENT OVERVIEW

The SONIC's buffer management scheme is based on separate buffers and descriptors (Figures 3-2 and 3-11). Packets that are received or transmitted are placed in buffers called the Receive Buffer Area (RBA) and the Transmit Buffer Area (TBA). The system keeps track of packets in these buffers using the information in the Receive Descriptor Area (RDA) and the Transmit Descriptor Area (TDA). A single (TDA) points to a single TBA, but multiple RDAs can point to a single RBA (one RDA per packet in the buffer). The Receive Resource Area (RRA), which is another form of descriptor, is used to keep track of the actual buffer.

When packets are transmitted, the system sets up the packets in one or more TBAs with a TDA pointing to each TBA. There can only be one packet per TBA/TDA pair. A single TBA, however, may be made up of several fragments of data dispersed in memory. There is one TDA pointing to each TBA which specifies information about the buffer's size, location in memory, number of fragments and status after transmission. The TDAs are linked together in a linked list. The system causes the SONIC to transmit the packets by passing the first TDA to the SONIC and issuing the transmit command.

Before a packet can be received, an RBA and RDA must be set up by the system. RDAs are made up as a linked list similar to TDAs. An RDA is not linked to a particular RBA, though. Instead, an RDA is linked specifically to a packet after it has been buffered into an RBA. More than one packet can be buffered into the same RBA, but each packet gets its own RDA. A received packet can not be scattered into fragments. The system only needs to tell the SONIC where the first RDA and where the RBAs are. Since an RDA never specifically points to an RBA, the RRA is used to keep track of the RBAs. The RRA is a circular queue of pointers and buffer sizes (not a linked list). When the SONIC receives a packet, it is buffered into a RBA and a RDA is written to so that it points to and describes the new packet. If the RBA does not have enough space to buffer the next packet, a new RBA is obtained from the RRA.

3.2 DESCRIPTOR AREAS

Descriptors are the basis of the buffer management scheme used by the SONIC. A RDA points to a received packet within a RBA, a RRA points to a RBA and a TDA points to a TBA which contains a packet to be transmitted. The conventions and registers used to describe these descriptors are discussed in the next three sections.

3.2.1 Naming Convention for Descriptors

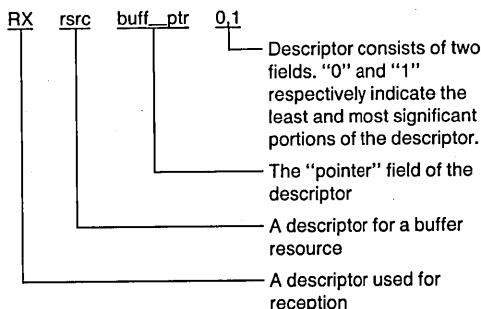
The fields which make up the descriptors are named in a consistent manner to assist in remembering the usage of each descriptor. Each descriptor name consists of three components in the following format.

[RX/TX][descriptor name].[field]

The first two capital letters indicate whether the descriptor is used for transmission (TX) or reception (RX), and is then followed by the descriptor name having one of two names.

rsrc = Resource descriptor
 pkt = Packet descriptor

The last component consists of a field name to distinguish it from the other fields of a descriptor. The field name is separated from the descriptor name by a period ("."). An example of a descriptor is shown below.



3.2.2 Abbreviations

The abbreviations in Table 3.1 are used to describe the SONIC registers and data structures in memory. The "0" and "1" in the abbreviations indicate the least and most significant portions of the registers or descriptors. Table 3-1 lists the naming convention abbreviations for descriptors also.

3.2.3 Buffer Management Base Addresses

The SONIC uses three areas in memory to store descriptor information: the Transmit Descriptor Area (TDA), Receive Descriptor Area (RDA), and the Receive Resource Area (RRA). The SONIC accesses these areas by concatenating a 16-bit base address register with a 16-bit offset register. The base address register supplies a fixed upper 16 bits of address and the offset registers provide the lower 16 bits of address. The base address registers are the Upper Transmit Descriptor Address (UTDA), Upper Receive Descriptor Address (URDA), and the Upper Receive Resource Address (URRA) registers. The corresponding offset registers are shown below.

Upper Address Registers	Offset Registers
URRA	RSA,REA,RWP,RRP
URDA	CRDA
UTDA	CTDA

See Table 3-1 for definition of register mnemonics.

Figure 3-1 shows an example of the Transmit Descriptor Area and the Receive Descriptor Area being located by the UTDA and URDA registers. The descriptor areas, RDA, TDA, and RRA are allowed to have the same base address. i.e., URRA=URDA=UTDA. Care, however, must be taken to prevent these areas from overwriting each other.

3.0 Buffer Management (Continued)

TABLE 3-1. Descriptor Abbreviations

TRANSMIT AND RECEIVE AREAS	
RRA	Receive Resource Area
RDA	Receive Descriptor Area
RBA	Receive Buffer Area
TDA	Transmit Descriptor Area
TBA	Transmit Buffer Area
BUFFER MANAGEMENT REGISTERS	
RSA	Resource Start Area Register
REA	Resource End Area Register
RRP	Resource Read Pointer Register
RWP	Resource Write Pointer Register
CRDA	Current Receive Descriptor Address Register
CRBA0,1	Current Receive Buffer Address Register
TCBA0,1	Temporary Current Buffer Address Register
RBWC0,1	Remaining Buffer Word Count Register
TRBWC0,1	Temporary Remaining Buffer Word Count Register
EOBC	End of Buffer Count Register
TPS	Transmit Packet Size Register
TSA0,1	Transmit Start Address Register
CTDA	Current Transmit Descriptor Address Register

BUFFER MANAGEMENT REGISTERS (Continued)	
TFC	Transmit Fragment Count Register
TFS	Transmit Fragment Size Register
UTDA	Upper Transmit Descriptor Address Register
URRA	Upper Receive Resource Address Register
URDA	Upper Receive Descriptor Address Register
TRANSMIT AND RECEIVE DESCRIPTORS	
RXsrc.buff_ptr0,1	Buffer Pointer Field in the RRA
RXsrc.buff_wc0,1	Buffer Word Count Fields in the RRA
RXpkt.status	Receive Status Field in the RDA
RXpkt.byte_count	Packet Byte Count Field in the RDA
RXpkt.buff_ptr0,1	Buffer Pointer Fields in the RDA
RXpkt.link	Receive Descriptor Link Field in RDA
RXpkt.in_use	"In Use" Field in RDA
TXpkt.frag_count	Fragment Count Field in TDA
TXpkt.pkt_size	Packet Size Field in TDA
TXpkt.pkt_ptr0,1	Packet Pointer Fields in TDA
TXpkt.frag_size	Fragment Size Field in TDA
TXpkt.link	Transmit Descriptor Link Field in TDA

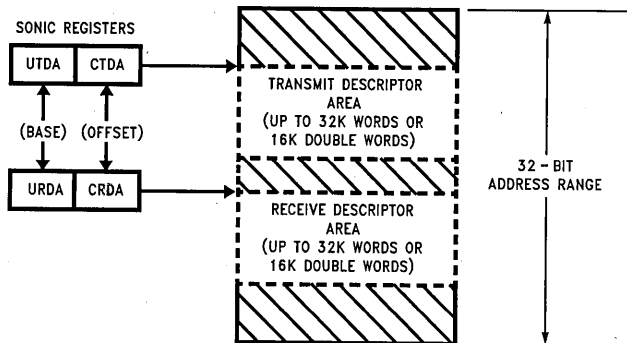


FIGURE 3-1. Transmit and Receive Descriptor Area Pointers

TL/F/10492-10

3.0 Buffer Management (Continued)

3.3 DESCRIPTOR DATA ALIGNMENT

All fields used by descriptors (RXpkt.xxx, RXsrc.xxx, and TXpkt.xxx) are word quantities (16-bit) and must be aligned to word boundaries (A0=0) for 16-bit memory and to long word boundaries (A1,A0=0,0) for 32-bit memory. The Receive Buffer Area (RBA) must also be aligned to a word boundary in 16-bit mode and a long word boundary in 32-bit mode. The fragments in the Transmit Buffer Area (TBA), however, may be aligned on any arbitrary byte boundary.

3.4 RECEIVE BUFFER MANAGEMENT

The Receive Buffer Management operates on three areas in memory into which data, status, and control information are written during reception (Figure 3-2). These three areas must be initialized (section 3.4.4) before enabling the receiver (setting the RXEN bit in the Command register). The receive resource area (RRA) contains descriptors that locate receive buffer areas in system memory. These descriptors are denoted by R1, R2, etc. in Figure 3-2. Packets (denoted by P1, P2, etc.) can then be buffered into the corresponding RBAs. Depending on the size of each buffer area and the size of the packet(s), multiple or single packets are buffered into each RBA. The receive descriptor area (RDA) contains status and control information for each packet (D1, D2, etc. in Figure 3-2) corresponding to each received packet (D1 goes with P1, D2 with P2, etc.).

When a packet arrives, the address recognition logic checks the address for a Physical, Multicast, or Broadcast match and if the packet is accepted, the SONIC buffers the packet contiguously into the selected Receive Buffer Area (RBA). Because of the previous end-of-packet processing, the SONIC assures that the complete packet is written into a single contiguous block. When the packet ends, the SONIC writes the receive status, byte count, and location of the packet into the Receive Descriptor Area (RDA). The SONIC then updates its pointers to locate the next available descriptor and checks the remaining words available in the RBA. If sufficient space remains, the SONIC buffers the next packet immediately after the previous packet. If the current buffer is out of space the SONIC fetches a Resource descriptor from the Receive Resource Area (RRA) acquiring an additional buffer that has been previously allocated by the system.

3.4.1 Receive Resource Area (RRA)

As buffer memory is consumed by the SONIC for storing data, the Receive Resource Area (RRA) provides a mechanism that allows the system to allocate additional buffer space for the SONIC. The system loads this area with resource descriptors that the SONIC, in turn, reads as its current buffer space is used up. Each resource descriptor consists of a 32-bit buffer pointer locating the starting point of the RBA and a 32-bit Word Count that indicates the size of the buffer in words (2 bytes per word). The buffer pointer and word count are contiguously located using the format shown in Figure 3-3 with each component composed of 16-bit fields. The SONIC stores this information internally and concatenates the corresponding fields to create 32-bit long words for the buffer pointer and word count. Note that in 32-bit mode the upper word (D<31:16>) is not used by the SONIC. This area may be used for other purposes since the SONIC never writes into the RRA.

The SONIC organizes the RRA as a circular queue for efficient processing of descriptors. Four registers define the RRA. The first two, the Resource Start Area (RSA) and the Resource End Area (REA) registers, determine the starting and ending locations of the RRA, and the other two registers update the RRA. The system adds descriptors at the address specified by the Resource Write Pointer (RWP), and the SONIC reads the next descriptor designated by the Resource Read Pointer (RRP). The RRP is advanced 4 words in 16-bit mode (4 long words in 32-bit mode) after the SONIC finishes reading the RRA and automatically wraps around to the beginning of the RRA once the end has been reached. When a descriptor in the RRA is read, the RXsrc.buf_pt0,1 is loaded into the CRBA0,1 registers and the RXsrc.buf_wc0,1 is loaded into the RBWC0,1 registers.

The alignment of the RRA is confined to either word or long word boundaries, depending upon the data width mode. In 16-bit mode, the RRA must be aligned to a word boundary (A0 is always zero) and in 32-bit mode, the RRA is aligned to a long word boundary (A0 and A1 are always zero).

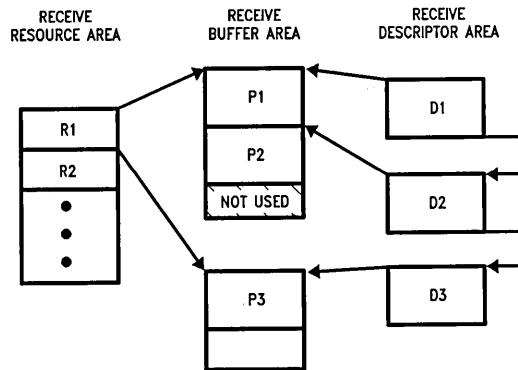


FIGURE 3-2. Overview of Receive Buffer Management

TL/F/10492-11

3.0 Buffer Management (Continued)

3.4.2 Receive Buffer Area (RBA)

The SONIC stores the actual data of a received packet in the RBA. The RBAs are designated by the resource descriptors in the RRA as described above. The `RXrsrc.buf_wc0,1` fields of the RRA indicate the length of the RBA. When the SONIC gets a RBA from the RRA, the `RXrsrc.buf_wc0,1` values are loaded into the Remaining Buffer Word Count registers (`RBWC0,1`). These registers keep track of how much space (in words) is left in the buffer. When a packet is buffered in a RBA, it is buffered contiguously (the SONIC will not scatter a packet into multiple buffers or fragments). Therefore, if there is not enough space left in a RBA after buffering a packet to buffer at least one more maximum sized packet (the maximum legal sized packet expected to be received from the network), a new buffer must be acquired. The End of Buffer Count (EOBC) register is used to tell the SONIC the maximum packet size that the SONIC will need to buffer.

3.4.2.1 End of Buffer Count (EOBC)

The EOBC is a boundary in the RBA based from the bottom of the buffer. The value written into the EOBC is the maximum expected size (in words) of the network packet that the SONIC will have to buffer. This word count creates a line in the RBA that, when crossed, causes the SONIC to fetch a new RBA resource from the RRA.

Note: The EOBC is a word count, not a byte count. Also, the value programmed into EOBC must be a double word (32-bit) quantity when the SONIC is in 32-bit mode (e.g. in 32-bit mode, EOBC should be set to 758 words, not 759 words even though the maximum size of an IEEE 802.3 packet is 759 words).

3.4.2.2 Buffering the Last Packet in an RBA

At the start of reception, the SONIC stores the packet beginning at the Current Receive Buffer Address (`CRBA0,1`) and continues until the reception is complete. Concurrent with reception, the SONIC decrements the Remaining Buffer Word Count (`RBWC0,1`) by one in 16-bit mode or by two in 32-bit mode. At the end of reception, if the packet has crossed the EOBC boundary, the SONIC knows that the next packet might not fit in the RBA. This check is done by comparing the `RBWC0,1` registers with the EOBC. If `RBWC0,1` is less than the EOBC (the last packet buffered has crossed the EOBC boundary), the SONIC fetches the next resource descriptor in the RRA. If `RBWC0,1` is greater than or equal to the EOBC (the EOBC boundary has not been crossed) the next packet reception continues at the present location pointed to by `CRBA0,1` in the same RBA. *Figure 3-4* illustrates the SONIC's actions for (1) $RBWC0,1 \geq EOBC$ and (2) $RBWC0,1 < EOBC$. See section 3.4.4.4 for specific information about setting the EOBC.

Note: It is important that the EOBC boundary be "crossed." In other words, case #1 in *Figure 3-4* must exist before case #2 exists. If case #2 occurs without case #1 having occurred first, the test for $RBWC0,1 < EOBC$ will not work properly and the SONIC will not fetch a new buffer. The result of this will be a buffer overflow (RBAE in the Interrupt Status Register, section 4.3.6).

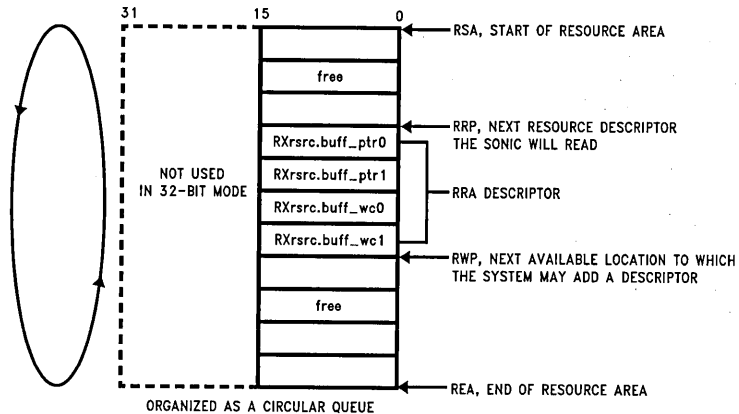
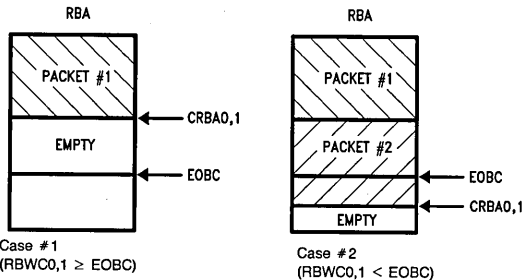


FIGURE 3-3. Receive Resource Area Format

TL/F/10492-12



Case #1
($RBWC0,1 \geq EOBC$)

Case #2
($RBWC0,1 < EOBC$)

Case #1: SONIC buffers next packet in same RBA.
Case #2: SONIC detects an exhausted RBA and will buffer the next packet in another RBA.

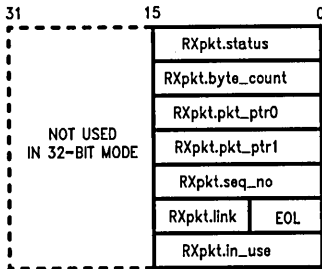
FIGURE 3-4. Receive Buffer Area

TL/F/10492-13

3.0 Buffer Management (Continued)

3.4.3 Receive Descriptor Area (RDA)

After the SONIC buffers a packet to memory, it writes 6 words of status and control information into the RDA and then reads the link field to proceed to the next receive descriptor. In 32-bit mode the upper word, D<31:16>, is not used. This unused area in memory should not be used for other purposes since the SONIC may still write into these locations. Each receive descriptor consists of the following sections (*Figure 3-5*).



TL/F/10492-14

FIGURE 3-5. Receive Descriptor Format

receive status: indicates status of the received packet. The SONIC writes the Receive Control register into this field. *Figure 3-6* shows the receive status format. This field is loaded from the contents of the Receive Control register. Note that ERR, RNT, BRD, PRO, and AMC are configuration bits and are programmed during initialization. See section 4.3.3 for the description of the Receive Control register.

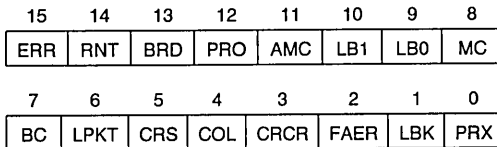


FIGURE 3-6. Receive Status Format

byte count: gives the length of the complete packet from the start of Destination Address to the end of FCS.

packet pointer: a 32-bit pointer that locates the packet in the RBA. The SONIC writes the contents of the CRBA0,1 registers into this field.

sequence numbers: this field displays the contents of two 8-bit counters (modulo 256) that sequence the RBAs used and the packets buffered. These counters assist the system in determining when an RBA has been completely processed. The sequence numbers allow the system to tally the packets that have been processed within a particular RBA. There are two sequence numbers that describe a packet: the RBA Sequence Number and the Packet Sequence Number. When a packet is buffered to memory, the SONIC maintains a single RBA Sequence Number for all packets in an RBA and sequences the Packet Number for succeeding packets in the RBA. When the SONIC uses the next RBA, it increments the RBA Sequence Number and clears the Packet Sequence Number. The RBA's sequence counter is not incremented when the read RRA command is issued in the Command register. The format of the Receive Sequence Numbers are shown in *Figure 3-7*. These counters are reset during hardware reset or by writing zero to them.

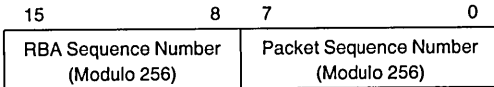


FIGURE 3-7. Receive Sequence Number Format

receive link field: a 15-bit pointer (A15-A1) that locates the next receive descriptor. The LSB of this field is the End Of List (EOL) bit, and indicates the last descriptor in the list. (Initialized by the system.)

in use field: this field provides a handshake between the system and the SONIC to indicate the ownership of the descriptor. When the system avails a descriptor to the SONIC, it writes a non-zero value into this field. The SONIC, in turn, sets this field to all "0's" when it has finished processing the descriptor. (That is, when the CRDA register has advanced to the next receive descriptor.) Generally, the SONIC releases control after writing the status and control information into the RDA. If, however, the SONIC has reached the last descriptor in the list, it maintains ownership of the descriptor until the system has appended additional descriptors to the list. The SONIC then relinquishes control after receiving the next packet. (See section 3.4.6.1 for details on when the SONIC writes to this field). The receive packet descriptor format is shown in *Figure 3-5*.

3.4.4 Receive Buffer Management Initialization

The Receive Resource, Descriptor, and Buffer areas (RRA, RDA, RBA) in memory and the appropriate SONIC registers must be properly initialized before the SONIC begins buffering packets. This section describes the initialization process.

3.4.4.1 Initializing The Descriptor Page

All descriptor areas (RRA, RDA, and TDA) used by the SONIC reside within areas up to 32k (word) or 16k (long word) pages. This page may be placed anywhere within the 32-bit address range by loading the upper 16 address lines into the UTDA, URDA, and URRR registers.

3.4.4.2 Initializing The RRA

The initialization of the RRA consists of loading the four SONIC RRA registers and writing the resource descriptor information to memory.

The RRA registers are loaded with the following values.

Resource Start Area (RSA) register: The RSA is loaded with the lower 16-bit address of the beginning of the RRA.

Resource End Area (REA) register: The REA is loaded with the lower 16-bit address of the end of the RRA. The end of the RRA is defined as the address of the last RXsrc.ptr0 field in the RRA plus 4 words in 16-bit mode or 4 long words in 32-bit mode (*Figure 3-3*).

Resource Read Pointer (RRP) register: The RRP is loaded with the lower 16-bit address of the first resource descriptor the SONIC reads.

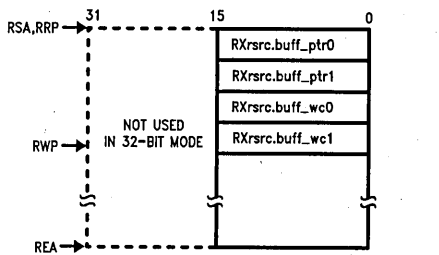
Resource Write Pointer (RWP) register: The RWP is loaded with the lower 16-bit address of the next vacant location where a resource descriptor will be placed by the system.

Note: The RWP register must only point to either (1) the RXsrc.ptr0 field of one of the RRA Descriptors, (2) the memory address that the RSA points to (the start of the RRA), or (3) the memory address that the REA points to (the end of the RRA). When the RWP = RRP comparison is made, it is performed after the complete RRA descriptor has been read and not during the fetch. Failure to set the RWP to any of the above values prevents the RWP = RRP comparison from ever becoming true.

3.0 Buffer Management (Continued)

All RRA registers are concatenated with the URRA register for generating the full 32-bit address.

The resource descriptors that the system writes to the RRA consists of four fields: (1) RXrsrc.buf_ptr0, (2) RXrsrc.buf_ptr1, (3) RXrsrc.buf_wc0, and (4) RXrsrc.buf_wc1. The fields must be contiguous (they cannot straddle the end points) and are written in the order shown in Figure 3-8. The "0" and "1" in the descriptors denote the least and most significant portions for the Buffer Pointer and Word Count. The first two fields supply the 32-bit starting location of the Receive Buffer Area (RBA), and the second two define the number of 16-bit words that the RBA occupies. Note that two restrictions apply to the Buffer Pointer and Word Count. First, in 32-bit mode, since the SONIC always writes long words, an even count must be written to RXrsrc.buf_wc0. Second, the Buffer Pointer must either be pointing to a word boundary in 16-bit mode (A0=0) or a long word boundary in 32-bit mode (A0,A1=0,0). Note also that the descriptors must be properly aligned in the RRA as discussed in section 3.3.



TL/F/10492-15

FIGURE 3-8. RRA Initialization

After configuring the RRA, the RRA Read command (setting RRRRA bit in the Command register) may be given. This command causes the SONIC to read the RRA descriptor in a single block operation, and load the following registers (see section 4.2 for register mnemonics):

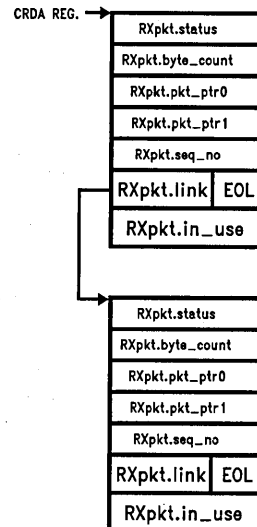
CRBA0 register ← RXrsrc.buf_ptr0
 CRBA1 register ← RXrsrc.buf_ptr1
 RBWC0 register ← RXrsrc.buf_wc0
 RBWC1 register ← RXrsrc.buf_wc1

When the command has completed, the RRRRA bit in the Command register is reset to "0". Generally this command is only issued during initialization. At all other times, the RRA is automatically read as the SONIC finishes using an RBA.

3.4.4.3 Initializing The RDA

To accept multiple packets from the network, the receive packet descriptors must be linked together via the RXpkt.link fields. Each link field must be written with a 15-bit (A15-A1) pointer to locate the beginning of the next descriptor in the list. The LSB of the RXpkt.link field is the End of List (EOL) bit and is used to indicate the end of the descriptor list. EOL = 1 for the last descriptor and EOL = 0 for the first or middle descriptors. The RXpkt.in_use field indicates whether the descriptor is owned by the SONIC. The system writes a non-zero value to this field when the descriptor is available, and the SONIC writes all "0's" when it finishes using the descriptor. At startup, the Current Receive Descriptor Address (CRDA) register must be loaded with the address of the first RXpkt.status field in order for

the SONIC to begin receive processing at the first descriptor. An example of two descriptors linked together is shown in Figure 3-9. The fields initialized by the system are displayed in **bold type**. The other fields are written by the SONIC after a packet is accepted. The RXpkt.in_use field is first written by the system, and then by the SONIC. Note that the descriptors must be aligned properly as discussed in section 3.3. Also note that the URDA register is concatenated with the CRDA register to generate the full 32-bit address.



TL/F/10492-16

FIGURE 3-9. RDA Initialization Example

3.4.4.4 Initializing the Lower Boundary of the RBA

A "false bottom" is set in the RBA by loading the End Of Buffer Count (EOBC) register with a value equal to the maximum size packet in words (16 bits) that may be received. This creates a lower boundary in the RBA. Whenever the Remaining Buffer Word Count (RBWC0,1) registers decrement below the EOBC register, the SONIC buffers the next packet into another RBA. This also guarantees that a packet is always contiguously buffered into a single Receive Buffer Area (RBA). The SONIC does not buffer a packet into multiple RBAs. Note that in 32-bit mode, the SONIC holds the LSB always low so that it properly compares with the RBWC0,1 registers.

After a hardware reset, the EOBC register is automatically initialized to 2F8h (760 words or 1520 bytes). For 32-bit applications this is the suggested value for EOBC. EOBC defaults to 760 words (1520 bytes) instead of 759 words (1518 bytes) because 1518 is not a double word (32-bit) boundary (see section 3.4.2.1). If the SONIC is used in 16-bit mode, then EOBC should be set to 759 words (1518 bytes) because 1518 is a word (16-bit) boundary.

Sometimes it may be desired to buffer a single packet per RBA. When doing this, it is important to set EOBC and the buffer size correctly. The suggested practice is to set EOBC to a value that is at least 4 bytes, in 32-bit mode, or 2 bytes, in 16-bit mode, less than the buffer size. An example of this for 32-bit mode is to set EOBC to 760 words (1520 bytes)

3.0 Buffer Management (Continued)

and the buffer size to 762 words (1524 bytes). A similar example for 16-bit mode would be EOBC = 759 words (1518 bytes) and the buffer size set to 760 words (1520 bytes). The buffer can be any size, but as long as the EOBC is 2 words, for 32-bit mode, or 1 word, for 16-bit mode, less than the buffer size, only one packet will be buffered in that RBA.

Note 1: It is possible to filter out most oversized packets by setting the buffer size to 760 words (1520 bytes) in 32-bit mode or 759 words (1518 bytes) in 16-bit mode. EOBC would be set to 758 words (1516 bytes) for both cases. With this configuration, any packet over 1520 bytes, in 32-bit mode, or 1518 bytes, in 16-bit mode, will not be completely buffered because the packet will overflow the buffer. When a packet overflow occurs, a Receive Buffer Area Exceeded interrupt (RBAE in the Interrupt Status Register, section 4.3.6) will occur.

Note 2: When buffering one packet per buffer, it is suggested that the values in Note 1 above be used. Since the minimum legal sized Ethernet packet is 64 bytes, however, it is possible to set EOBC as much as 64 bytes less than the buffer size and still end up with one packet per buffer. Figure 3-10 shows this "range."

3.4.5 Beginning Of Reception

At the beginning of reception, the SONIC checks its internally stored EOL bit from the previous RXpkt.link field for a "1". If the SONIC finds EOL = 1, it recognizes that after the previous reception, there were no more remaining receive packet descriptors. It re-reads the same RXpkt.link field to check if the system has updated this field since the last reception. If the SONIC still finds EOL = 1, reception ceases. (See section 3.5 for adding descriptors to the list.) Otherwise, the SONIC begins storing the packet in the RBA starting at the Current Receive Buffer Address (CRBA0,1) registers and continues until the packet has completed. Concurrent with the packet reception, the Remaining Buffer Word Count (RBWC0,1) registers are decremented after each word is written to memory. This register determines the remaining words in the RBA at the end of reception.

3.4.6 End Of Packet Processing

At the end of a reception, the SONIC enters its end of packet processing sequence to determine whether to accept or reject the packet based on receive errors and packet size. At the end of reception the SONIC enters one of the following two sequences:

- Successful reception sequence
- Buffer recovery for runt packets or packets with errors

3.4.6.1 Successful Reception

If the SONIC accepts the packet, it first writes 5 words of descriptor information in the RDA beginning at the address pointed to by the Current Receive Descriptor Address (CRDA) register. It then reads the RXpkt.link field to advance the CRDA register to the next receive descriptor. The SONIC also checks the EOL bit for a "1" in this field. If EOL = 1, no more descriptors are available for the SONIC. The SONIC recovers the address of the current RXpkt.link field (from a temporary register) and generates a "Receive Descriptors Exhausted" indication in the Interrupt Status register. (See section 3.4.7 on how to add descriptors.) The SONIC maintains ownership of the descriptor by *not* writing to the RXpkt.in_use field. Otherwise, if EOL = 0, the SONIC advances the CRDA register to the next descriptor and resets the RXpkt.in_use field to all "0's".

The SONIC accesses the complete 7 word RDA descriptor in a single block operation.

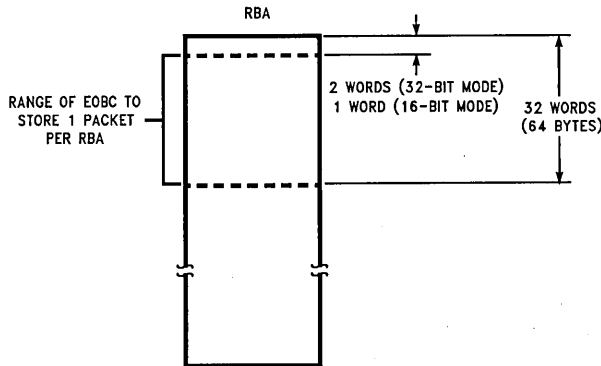
The SONIC also checks if there is remaining space in the RBA. The SONIC compares the Remaining Buffer Word Count (RBWC0,1) registers with the static End Of Buffer Count (EOBC). If the RBWC is less than the EOBC, a maximum sized packet will no longer fit in the remaining space in the RBA; hence, the SONIC fetches a resource descriptor from the RRA and loads its registers with the pointer and word count of the next available RBA.

3.4.6.2 Buffer Recovery For Runt Packets Or Packets With Errors

If a runt packet (less than 64 bytes) or packet with errors arrives and the Receive Control register has been configured to not accept these packets, the SONIC recovers its pointers back to the original positions. The CRBA0,1 registers are not advanced and the RBWC0,1 registers are not decremented. The SONIC recovers its pointers by maintaining a copy of the buffer address in the Temporary Receive Buffer Address registers (TRBA0,1). The SONIC recovers the value in the RBWC0,1 registers from the Temporary Buffer Word Count registers (TBWC0,1).

3.4.7 Overflow Conditions

When an overflow condition occurs, the SONIC halts its DMA operations to prevent writing into unauthorized memory. The SONIC uses the Interrupt Status register (ISR) to indicate three possible overflow conditions that can occur



$$\text{Range of EOBC} = (\text{RXsrc.wc0,1} - 2 \text{ to } \text{RXsrc.wc0,1} - 32)$$

FIGURE 3-10. Setting EOBC for Single Packet RBA

TL/F/10492-17

3.0 Buffer Management (Continued)

when its receive resources have been exhausted. The system should respond by replenishing the resources that have been exhausted. These overflow conditions (Descriptor Resources Exhausted, Buffer Resources Exhausted, and RBA Limit Exceeded) are indicated in the Interrupt Status register and are detailed as follows:

Descriptor Resources Exhausted: This occurs when the SONIC has reached the last receive descriptor in the list, meaning that the SONIC has detected EOL = 1. The system must supply additional descriptors for continued reception. The system can do this in one of two ways: 1) appending descriptors to the existing list, or 2) creating a separate list.

- 1) Appending descriptors to the existing list. This is the easiest and preferred way. To do this, the system, after creating the new list, joins the new list to the existing list by simply writing the beginning address of the new list into the RXpkt.link field and setting EOL = 0. At the next reception, the SONIC re-reads the last RXpkt.link field, and updates its CRDA register to point to the next descriptor.
- 2) Creating a separate list. This requires an additional step because the lists are not joined together and requires that the CRDA register be loaded with the address of the RXpkt.link field in the new list.

During this overflow condition, the SONIC maintains ownership of the descriptor (RXpkt.in_use ≠ 00h) and waits for the system to add additional descriptors to the list. When the system appends more descriptors, the SONIC releases ownership of the descriptor after writing 0000h to the RXpkt.in_use field.

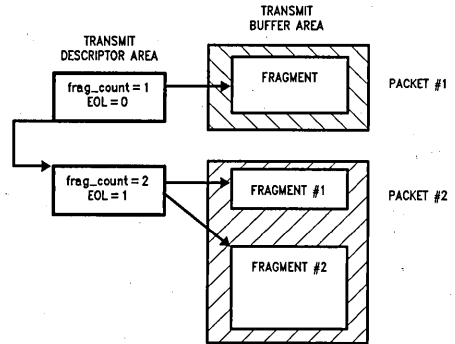
Buffer Resources Exhausted: This occurs when the SONIC has detected that the Resource Read Pointer (RRP) and Resource Write Pointer (RWP) registers are equal (i.e., all RRA descriptors have been exhausted). The RBE bit in the Interrupt Status register is set when the SONIC finishes using the second to last receive buffer and reads the last RRA descriptor. Actually, the SONIC is not truly out of resources, but gives the system an early warning of an impending out of resources condition. To continue reception after the last RBA is used, the system must supply additional RRA descriptor(s), update the RWP register, and clear the RBE bit in the ISR. The SONIC rereads the RRA after this bit is cleared.

RBA Limit Exceeded: This occurs when a packet does not completely fit within the remaining space of the RBA. This can occur if the EOBC register is not programmed to a value greater than the largest packet that can be received. When this situation occurs, the packet is truncated and the SONIC reads the RRA to obtain another RBA. Indication of an RBA limit being exceeded is signified by the Receive Buffer Area Exceeded (RBAE) interrupt being set (see section 4.3.6). An RDA will not be set up for the truncated packet and the buffer space will not be re-used. To rectify this potential overflow condition, the EOBC register must be loaded with a value equal to or greater than the largest packet that can be accepted. See section 3.4.2.

3.5 TRANSMIT BUFFER MANAGEMENT

To begin transmission, the system software issues the Transmit command (TXP = 1 in the CR). The Transmit Buffer Management uses two areas in memory for transmitting packets (Figure 3-11), the Transmit Descriptor Area (TDA)

and the Transmit Buffer Area (TBA). During transmission, the SONIC fetches control information from the TDA, loads its appropriate registers, and then transmits the data from the TBA. When the transmission is complete, the SONIC writes the status information in the TDA. From a single transmit command, packets can either be transmitted singly or in groups if several descriptors have been linked together.



TL/F/10492-18

FIGURE 3-11. Overview of Transmit Buffer Management

3.5.1 Transmit Descriptor Area (TDA)

The TDA contains descriptors that the system has generated to exchange status and control information. Each descriptor corresponds to a single packet and consists of the following 16-bit fields.

TXpkt.status: This field is written by the SONIC and provides status of the transmitted packet. See section 3.5.1.2 for more details.

TXpkt.config: This field allows programming the SONIC to one of the various transmit modes. The SONIC reads this field and loads the corresponding configuration bits (PINTR, POWC, CRCI, and EXDIS) into the Transmit Control register. See section 3.5.1.1 for more details.

TXpkt.pkt_size: This field contains the byte count of the entire packet

TXpkt.frag_count: This field contains the number of fragments the packet is segmented into.

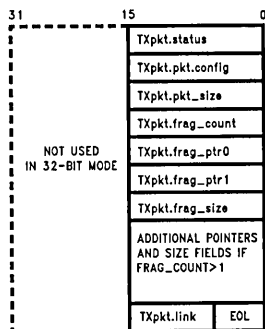
TXpkt.frag_ptr0,1: This field contains a 32-bit pointer which locates the packet fragment to be transmitted in the Transmit Buffer Area (TBA). This pointer is not restricted to any byte alignment.

TXpkt.frag_size: This field contains the byte count of the packet fragment. The minimum fragment size is 1 byte.

TXpkt.link: This field contains a 15-bit pointer (A15-A1) to the next TDA descriptor. The LSB, the End Of List (EOL) bit, indicates the last descriptor in the list when set to a "1". When descriptors have been linked together, the SONIC transmits back-to-back packets from a single transmit command.

The data of the packet does not need to be contiguous, but can exist in several locations (fragments) in memory. In this case, the TXpkt.frag_count field is greater than one, and additional TXpkt.frag_ptr0,1 and TXpkt.frag_size fields corresponding to each fragment are used. The descriptor format is shown in Figure 3-12. Note that in 32-bit mode the upper word, D<31:16>, is not used.

3.0 Buffer Management (Continued)



TL/F/10492-19

FIGURE 3-12. Transmit Descriptor Area

3.5.1.1 Transmit Configuration

The TXpkt.config field allows the SONIC to be programmed into one of the transmit modes before each transmission. At the beginning of each transmission, the SONIC reads this field and loads the PINTR, POWC, CRCI, and EXDIS bits into the Transmit Control register (TCR). The configuration bits in the TCR correspond directly with the bits in the TXpkt.config field as shown in Figure 3-13. See section 4.3.4 for the description on the TCR.

15	14	13	12	11	10	9	8
PINTR	POWC	CRCI	EXDIS	X	X	X	X
7	6	5	4	3	2	1	0
X	X	X	X	X	X	X	X

Note: x = don't care

FIGURE 3-13. TXpkt.config Field

3.5.1.2 Transmit Status

At the end of each transmission the SONIC writes the status bits (<10:0>) of the Transmit Control Register (TCR) and the number of collisions experienced during the transmission into the TXpkt.status field (Figure 3-14, res = reserved). Bits NC4-NC0 indicate the number of collisions where NC4 is the MSB. See section 4.3.4 for the description of the TCR.

15	14	13	12	11	10	9	8
NC4	NC3	NC2	NC1	NC0	EXD	DEF	NCRS
7	6	5	4	3	2	1	0
CRSL	EXC	OWC	res	PMB	FU	BCM	PTX

FIGURE 3-14. TXpkt.status Field

3.5.2 Transmit Buffer Area (TBA)

The TBA contains the fragments of packets that are defined by the descriptors in the TDA. A packet can consist of a single fragment or several fragments, depending upon the fragment count in the TDA descriptor. The fragments also can reside anywhere within the full 32-bit address range, and be aligned to any byte boundary. When an odd byte boundary is given, the SONIC automatically begins reading data at the corresponding word boundary in 16-bit mode or a long word boundary in 32-bit mode. The SONIC ignores the extraneous bytes which are written into the FIFO during

odd byte alignment fragments. The minimum allowed fragment size is 1 byte. Figure 3-11 shows the relationship between the TDA and the TBA for single and multi-fragmented packets.

3.5.3 Preparing To Transmit

All fields in the TDA descriptor and the Current Transmit Descriptor Address (CTDA) register of the SONIC must be initialized before the Transmit Command (setting the TXP bit in the Command register) can be issued. If more than one packet is queued, the descriptors must be linked together with the TXpkt.link field. The last descriptor must have EOL=1 and all other descriptors must have EOL=0. To begin transmission, the system loads the address of the first TXpkt.status field into the CTDA register. Note that the upper 16-bits of address are loaded in the Upper Transmit Descriptor (UTDA) register. The user performs the following transmit initialization.

- 1) Initialize the TDA
- 2) Load the CTDA register with the address of the first transmit descriptor
- 3) Issue the transmit command

Note that if the Source Address of the packet being transmitted is not in the CAM, the Packet Monitored Bad (PMB) bit in the TXpkt.status field will be set (see section 4.3.4).

3.5.3.1 Transmit Process

When the Transmit Command (TXP = 1 in the Command register) is issued, the SONIC fetches the control information in the TDA descriptor, loads its appropriate registers (shown below) and begins transmission. (See section 4.2 for register mnemonics.)

- TCR ← TXpkt.config
- TPS ← TXpkt.pkt_size
- TFC ← TXpkt.frag_count
- TSA0 ← TXpkt.frag_ptr0
- TSA1 ← TXpkt.frag_ptr1
- TFS ← TXpkt.frag_size
- CTDA ← TXpkt.link

(CTDA is loaded after all fragments have been read and successfully transmitted. If the halt transmit command is issued (HTX bit in the Command register is set) the CTDA register is not loaded.)

During transmission, the SONIC reads the packet descriptor in the TDA and transmits the data from the TBA. If TXpkt.frag_count is greater than one, the SONIC, after finishing transmission of the fragment, fetches the next TXpkt.frag_ptr0,1 and TXpkt.frag_size fields and transmits the next fragment. This process continues until all fragments of a packet are transmitted. At the end of packet transmission, status is written in to the TXpkt.status field. The SONIC then reads the TXpkt.link field and checks if EOL = 0. If it is "0", the SONIC fetches the next descriptor and transmits the next packet. If EOL = 1 the SONIC generates a "Transmission Done" indication in the Interrupt Status register and resets the TXP bit in the Command register.

In the event of a collision, the SONIC recovers its pointer in the TDA and retransmits the packet up to 15 times. The SONIC maintains a copy of the CTDA register in the Temporary Transmit Descriptor Address (TTDA) register.

The SONIC performs a block operation of 6, 3, or 2 accesses in the TDA, depending on where the SONIC is in the transmit process. For the first fragment, it reads the

3.0 Buffer Management (Continued)

TXpkt.config to TXpkt.frag_size (6 accesses). For the next fragment, if any, it reads the next 3 fields from TXpkt.frag_ptr0 to TXpkt.frag_size (3 accesses). At the end of transmission it writes the status information to TXpkt.status and reads the TXpkt.link field (2 accesses).

3.5.3.2 Transmit Completion

The SONIC stops transmitting under two conditions. In the normal case, the SONIC transmits the complete list of descriptors in the TDA and stops after it detects EOL = 1. In the second case, certain transmit errors cause the SONIC to abort transmission. If *FIFO Underrun*, *Byte Count Mismatch*, *Excessive Collision*, or *Excessive Deferral* (if enabled) errors occur, transmission ceases. The CTDA register points to the last packet transmitted. The system can also halt transmission under software control by setting the HTX bit in the Command register. Transmission halts after the SONIC writes to the TXpkt.status field.

3.5.4 Dynamically Adding TDA Descriptors

Descriptors can be dynamically added during transmission without halting the SONIC. The SONIC can also be guaranteed to transmit the complete list including newly appended descriptors (barring any transmit abort conditions) by observing the following rule: The last TXpkt.link field must point to the next location where a descriptor will be added (see step 3 below and *Figure 3-15*). The procedure for appending descriptors consists of:

1. Creating a new descriptor with its TXpkt.link pointing to the next vacant descriptor location and its EOL bit set to a "1".
2. Resetting the EOL bit to a "0" of the previously last descriptor.
3. Re-issuing the Transmit command (setting the TXP bit in the Command register).

Step 3 assures that the SONIC will transmit all the packets in the list. If the SONIC is currently transmitting, the Transmit command has no effect and continues transmitting until it detects EOL = 1. If the SONIC had just finished transmitting, it continues transmitting from where it had previously stopped.

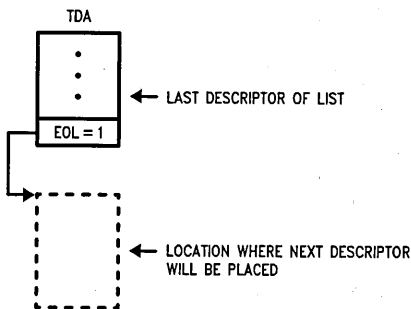


FIGURE 3-15. Initializing Last Link Field

TL/F/10492-20

4.0 SONIC Registers

The SONIC contains two sets of registers: The status/control registers and the CAM memory cells. The status/control registers are used to configure, control, and monitor SONIC operation. They are directly addressable registers and occupy 64 consecutive address locations in the system memory space (selected by the RA5-RA0 address pins). There are a total of 64 status/control registers divided into the following categories:

User Registers: These registers are accessed by the user to configure, control, and monitor SONIC operation. These are the only SONIC registers the user needs to access. *Figure 4-3* shows the programmer's model and Table 4-1 lists the attributes of each register.

Internal Use Registers: These registers (Table 4-2) are used by the SONIC during normal operation and are not intended to be accessed by the user.

National Factory Test Registers: These registers (Table 4-3) are for National factory use only and should never be accessed by the user. Accessing these registers during normal operation can cause improper functioning of the SONIC.

4.1 THE CAM UNIT

The CAM unit memory cells are indirectly accessed by programming the CAM descriptor area in system memory and issuing the LCAM command (setting the LCAM bit in the Control register). The CAM cells do not occupy address locations in register space and, thus, are not accessible through the RA5-RA0 address pins. The CAM control registers, however, are part of the user register set and must be initialized before issuing the LCAM command (see section 4.3.10).

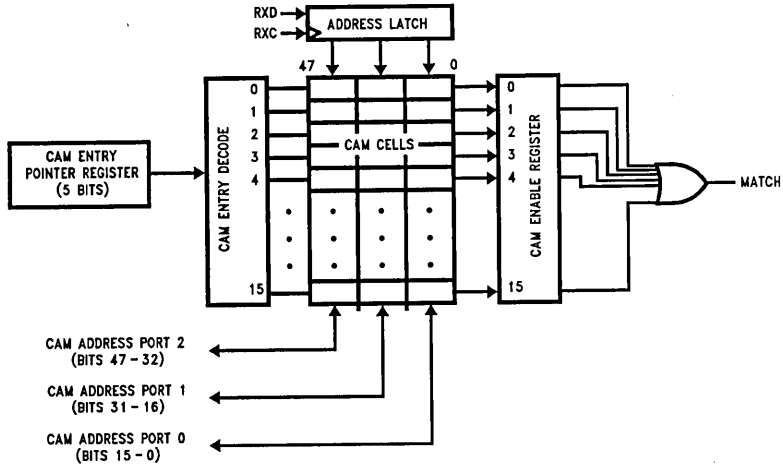
The Content Addressable Memory (CAM) consists of sixteen 48-bit entries for complete address filtering (*Figure 4-1*) of network packets. Each entry corresponds to a 48-bit destination address that is user programmable and can contain any combination of Multicast or Physical addresses. Each entry is partitioned into three 16-bit CAM cells accessible through CAM Address Ports (CAP 2, CAP 1 and CAP 0) with CAP0 corresponding to the least significant 16 bits of the Destination Address and CAP2 corresponding to the most significant bits. The CAM is accessed in a two step process. First, the CAM Entry Pointer is loaded to point to one of the 16 entries. Then, each of the CAM Address Ports is accessed to select the CAM cell. The 16 user programmable CAM entries can be masked out with the CAM Enable register (see section 4.3.10).

Note: It is not necessary to program a broadcast address into the CAM when it is desired to accept broadcast packets. Instead, to accept broadcast packets, set the BRD bit in the Receive Control register. If the BRD bit has been set, the CAM is still active. This means that it is possible to accept broadcast packets at the same time as accepting packets that match physical addresses in the CAM.

4.1.1 The Load CAM Command

Because the SONIC uses the CAM for a relatively long period of time during reception, it can only be written to via the CAM Descriptor Area (CDA) and is only readable when the

4.0 SONIC Registers (Continued)



TL/F/10492-21

FIGURE 4-1. CAM Organization

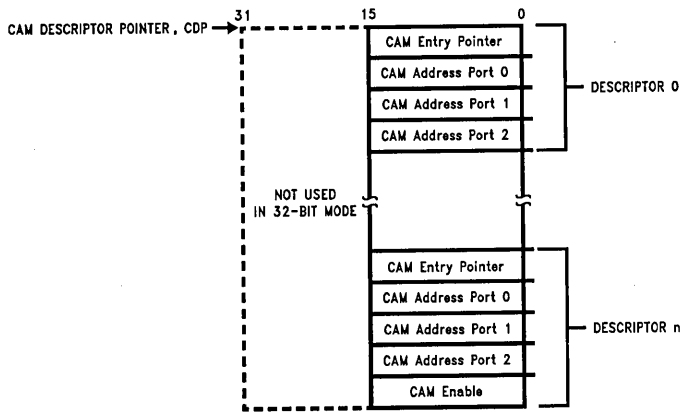
SONIC is in software reset. The CDA resides in the same 64k byte block of memory as the Receive Resource Area (RRA) and contains descriptors for loading the CAM registers. These descriptors are contiguous and each descriptor consists of four 16-bit fields (Figure 4-2). In 32-bit mode the upper word, D<31:16>, is not used. The first field contains the value to be loaded into the CAM Entry Pointer and the remaining fields are for the three CAM Address Ports (see section 4.3.10). In addition, there is one more field after the last descriptor containing the mask for the CAM Enable register. Each of the CAM descriptors are addressed by the CAM Descriptor Pointer (CDP) register.

After the system has initialized the CDA, it can issue the Load CAM command to program the SONIC to read the CDA and load the CAM. The procedure for issuing the Load CAM command is as follows.

1. Initialize the Upper Receive Resource Address (URRA) register. Note that the CAM Descriptor Area must reside within the same 64k page as the Receive Resource Area. (See section 4.3.9).

2. Initialize the CDA as described above.
3. Initialize the CAM Descriptor Count with the number of CAM descriptors. Note, only the lower 5 bits are used in this register. The other bits are don't cares. (See section 4.3.10).
4. Initialize the CAM Descriptor Pointer to locate the first descriptor in the CDA. This register must be reloaded each time a new Load CAM command is issued.
5. Issue the Load CAM command (LCAM) in the Command register. (See section 4.3.1).

If a transmission or reception is in progress, the CAM DMA function will not occur until these operations are complete. When the SONIC completes the Load CAM command, the CDP register points to the next location after the CAM Enable field and the CDC equals zero. The SONIC resets the LCAM bit in the Command register and sets the Load CAM Done (LCD) bit in the ISR.



TL/F/10492-22

FIGURE 4-2. CAM Descriptor Area Format

4.0 SONIC Registers (Continued)

RA <5:0>		15	0
Status and Control Registers	0h Command Register	Status and Control Fields	
	1 Data Configuration Register	Control Fields	
	2 Receive Control Register	Status and Control Fields	
	3 Transmit Control Register	Status and Control Fields	
	4 Interrupt Mask Register	Mask Fields	
	5 Interrupt Status Register	Status Fields	
Transmit Registers	3F Data Configuration Register 2	Control Fields	
	6 Upper Transmit Descriptor Address Register	Upper 16-bit Address Base	
	7 Current Transmit Descriptor Address Register	Lower 16-bit Address Offset	
Receive Registers	0D Upper Receive Descriptor Address Register	Upper 16-bit Address Base	
	0E Current Receive Descriptor Address Register	Lower 16-bit Address Offset	
	14 Upper Receive Resource Address Register	Upper 16-bit Address Base	
	15 Resource Start Address Register	Lower 16-bit Address Offset	
	16 Resource End Address Register	Lower 16-bit Address Offset	
	17 Resource Read Register	Lower 16-bit Address Offset	
	18 Resource Write Register	Lower 16-bit Address Offset	
2B Receive Sequence Counter	Count Value	8 7	Count Value
CAM Registers	21 CAM Entry Pointer	Pointer	
	22 CAM Address Port 2	Most Significant 16 bits of CAM Entry	
	23 CAM Address Port 1	Middle 16 bits of CAM Entry	
	24 CAM Address Port 0	Least Significant 16 bits of CAM Entry	
	25 CAM Enable Register	Mask Fields	
	26 CAM Descriptor Pointer	Lower 16-bit Address Offset	
	27 CAM Descriptor Count	Count Value	
Tally Counters	2C CRC Error Tally Counter	Count Value	
	2D Frame Alignment Error Tally	Count Value	
	2E Missed Packet Tally	Count Value	
Watchdog Timer	29 Watchdog Timer 0	Lower 16-bit Count Value	
	2A Watchdog Timer 1	Upper 16-bit Count Value	
	28 Silicon Revision Register	Chip Revision Number	

FIGURE 4-3. Register Programming Model

4.0 SONIC Registers (Continued)

4.2 STATUS/CONTROL REGISTERS

This set of registers is used to convey status/control information to/from the host system and to control the operation of the SONIC. These registers are used for loading commands generated from the system, indicating transmit and receive status, buffering data to/from memory, and provid-

ing interrupt control. The registers are selected by asserting chip select to the SONIC and providing the necessary address on register address pins RA5-RA0. Tables 4-1, 4-2, and 4-3 show the locations of all SONIC registers and where information on the registers can be found in the data sheet.

TABLE 4-1. User Registers

RA5-RA0	Access	Register	Symbol	Description (section)
COMMAND AND STATUS REGISTERS				
00h	R/W	Command	CR	4.3.1
01 (Note 3)	R/W	Data Configuration	DCR	4.3.2
02	R/W	Receive Control	RCR	4.3.3
03	R/W	Transmit Control	TCR	4.3.4
04	R/W	Interrupt Mask	IMR	4.3.5
05	R/W	Interrupt Status	ISR	4.3.6
3F (Note 3)	R/W	Data Configuration 2	DCR2	4.3.7
TRANSMIT REGISTERS				
06	R/W	Upper Transmit Descriptor Address	UTDA	4.3.8, 3.4.4.1
07	R/W	Current Transmit Descriptor Address	CTDA	4.3.8, 3.5.3
RECEIVE REGISTERS				
0D	R/W	Upper Receive Descriptor Address	URDA	4.3.9, 3.4.4.1
0E	R/W	Current Receive Descriptor Address	CRDA	4.3.9, 3.4.4.3
13	R/W	End of Buffer Word Count	EOBC	4.3.9, 3.4.2
14	R/W	Upper Receive Resource Address	URRA	4.3.9, 3.4.4.1
15	R/W	Resource Start Address	RSA	4.3.9, 3.4.1
16	R/W	Resource End Address	REA	4.3.9, 3.4.1
17	R/W	Resource Read Pointer	RRP	4.3.9, 3.4.1
18	R/W	Resource Write Pointer	RWP	4.3.9, 3.4.1
2B	R/W	Receive Sequence Counter	RSC	4.3.9, 3.4.3.2
CAM REGISTERS				
21	R/W	CAM Entry Pointer	CEP	4.1, 4.3.10
22 (Note 1)	R	CAM Address Port 2	CAP2	4.1, 4.3.10
23 (Note 1)	R	CAM Address Port 1	CAP1	4.1, 4.3.10
24 (Note 1)	R	CAM Address Port 0	CAP0	4.1, 4.3.10
25 (Note 2)	R/W	CAM Enable	CE	4.1, 4.3.10
26	R/W	CAM Descriptor Pointer	CDP	4.1, 4.3.10
27	R/W	CAM Descriptor Count	CDC	4.1, 4.3.10
TALLY COUNTERS				
2C (Note 4)	R/W	CRC Error Tally	CRCT	4.3.11
2D (Note 4)	R/W	FAE Tally	FAET	4.3.11
2E (Note 4)	R/W	Missed Packet Tally	MPT	4.3.11

4.0 SONIC Registers (Continued)

TABLE 4-1. User Registers (Continued)

RA5-RA0	Access	Register	Symbol	Description (section)
WATCHDOG COUNTERS				
29	R/W	Watchdog Timer 0	WT0	4.3.12
2A	R/W	Watchdog Timer 1	WT1	4.3.12
SILICON REVISION				
28	R	Silicon Revision	SR	4.3.13

Note 1: These registers can only be read when the SONIC is in reset mode (RST bit in the CR is set). The SONIC gives invalid data when these registers are read in non-reset mode.

Note 2: This register can only be written to when the SONIC is in reset mode. This register is normally only loaded by the Load CAM command.

Note 3: The Data Configuration registers, DCR and DCR2, can only be written to when the SONIC is in reset mode (RST bit in CR is set). Writing to these registers while not in reset mode does not alter the registers.

Note 4: The data written to these registers is inverted before being latched. That is, if a value of FFFFh is written, these registers will contain and read back the value of 0000h. Data is not inverted during a read operation.

TABLE 4-2. Internal Use Registers (Users should not write to these registers)

(RA5-RA0)	Access	Register	Symbol	Description (section)
TRANSMIT REGISTERS				
08 (Note 1)	R/W	Transmit Packet Size	TPS	3.5
09	R/W	Transmit Fragment Count	TFC	3.5
0A	R/W	Transmit Start Address 0	TSA0	3.5
0B	R/W	Transmit Start Address 1	TSA1	3.5
0C (Note 2)	R/W	Transmit Fragment Size	TFS	3.5
20	R/W	Temporary Transmit Descriptor Address	TTDA	3.5.4
2F	R	Maximum Deferral Timer	MDT	4.3.4

RECEIVE REGISTERS

0F	R/W	Current Receive Buffer Address 0	CRBA0	3.4.2, 3.4.4.2
10	R/W	Current Receive Buffer Address 1	CRBA1	3.4.2, 3.4.4.2
11	R/W	Remaining Buffer Word Count 0	RBWC0	3.4.2, 3.4.4.2
12	R/W	Remaining Buffer Word Count 1	RBWC1	3.4.2, 3.4.4.2
19	R/W	Temporary Receive Buffer Address 0	TRBA0	3.4.6.2
1A	R/W	Temporary Receive Buffer Address 1	TRBA1	3.4.6.2
1B	R/W	Temporary Buffer Word Count 0	TBWC0	3.4.6.2
1C	R/W	Temporary Buffer Word Count 1	TBWC1	3.4.6.2
1F	R/W	Last Link Field Address	LLFA	none

ADDRESS GENERATORS

1D	R/W	Address Generator 0	ADDR0	none
1E	R/W	Address Generator 1	ADDR1	none

Note 1: The data that is read from these registers is the inversion of what has been written to them.

Note 2: The value that is written to this register is shifted once in 16-bit mode and shifted twice in 32-bit mode.

TABLE 4-3. National Factory Test Registers

(RA5-RA0)	Access	Register	Symbol	Description (section)
30 • 3E	R/W	These registers are for factory use only. Users must not address these registers as improper SONIC operation can occur.	none	none

4.0 SONIC Registers (Continued)

4.3 REGISTER DESCRIPTION

4.3.1 Command Register

(RA<5:0> = 0h)

This register (Figure 4-4) is used for issuing commands to the SONIC. These commands are issued by setting the corresponding bits for the function. For all bits, except for the RST bit, the SONIC resets the bit after the command is completed. With the exception of RST, writing a "0" to any bit has no effect. Before any commands can be issued, the RST bit must first be reset to "0". This means that, if the RST bit is set, two writes to the Command Register are required to issue a command to the SONIC; one to clear the RST bit, and one to issue the command.

This register also controls the general purpose 32-bit Watchdog Timer. After the Watchdog Timer register has been loaded, it begins to decrement once the ST bit has been set to "1". An interrupt is issued when the count reaches zero if the Timer Complete interrupt is enabled in the IMR.

During hardware reset, bits 7, 4, and 2 are set to a "1"; all others are cleared. During software reset bits 9, 8, 1, and 0 are cleared and bits 7 and 2 are set to a "1"; all others are unaffected.

15	14	13	12	11	10	9	8	7	6	5	4	3	2	1	0
0	0	0	0	0	0	LCAM	RRRA	RST	0	ST	STP	RXEN	RXDIS	TXP	HTX
						r/w	r/w	r/w		r/w	r/w	r/w	r/w	r/w	r/w

r = read only, r/w = read/write

FIGURE 4-4. Command Register

Field	Meaning
LCAM	LOAD CAM
RRRA	READ RRA
RST	SOFTWARE RESET
ST	START TIMER
STP	STOP TIMER
RXEN	RECEIVER ENABLE
RXDIS	RECEIVER DISABLE
TXP	TRANSMIT PACKET(S)
HTX	HALT TRANSMISSION

Bit	Description
15–10	Must be 0
9	LCAM: LOAD CAM Setting this bit causes the SONIC to load the CAM with the descriptor that is pointed to by the CAM Descriptor Pointer register. Note: This bit must not be set during transmission (TXP is set). The SONIC will lock up if both bits are set simultaneously.
8	RRRA: READ RRA Setting this bit causes the SONIC to read the next RRA descriptor pointed to by the Resource Read Pointer (RRP) register. Generally this bit is only set during initialization. Setting this bit during normal operation can cause improper receive operation.
7	RST: SOFTWARE RESET Setting this bit resets all internal state machines. The CRC generator is disabled and the Tally counters are halted, but not cleared. The SONIC becomes operational when this bit is reset to "0". A hardware reset sets this bit to a "1". It must be reset to "0" before the SONIC becomes operational.
6	Must be 0.
5	ST: START TIMER Setting this bit enables the general-purpose watchdog timer to begin counting or to resume counting after it has been halted. This bit is reset when the timer is halted (i.e., STP is set). Setting this bit resets STP.
4	STP: STOP TIMER Setting this bit halts the general-purpose watchdog timer and resets the ST bit. The timer resumes when the ST bit is set. This bit powers up as a "1". Note: Simultaneously setting bits ST and STP stops the timer.

4.0 SONIC Registers (Continued)

4.3 REGISTER DESCRIPTION

4.3.1 Command Register (Continued)

(RA < 5:0 > = 0h)

Bit	Description
3	<p>RXEN: RECEIVER ENABLE</p> <p>Setting this bit enables the receive buffer management engine to begin buffering data to memory. Setting this bit resets the RXDIS bit. Note: If this bit is set while the MAC unit is currently receiving a packet, both RXEN and RXDIS are set until the network goes inactive (i.e., the SONIC will not start buffering in the middle of a packet being received).</p>
2	<p>RXDIS: RECEIVER DISABLE</p> <p>Setting this bit disables the receiver from buffering data to memory or the Receive FIFO. If this bit is set during the reception of a packet, the receiver is disabled only after the packet is processed. The RXEN bit is reset when the receiver is disabled. Tally counters remain active regardless of the state of this bit. Note: If this bit is set while the SONIC is currently receiving a packet, both RXEN and RXDIS are set until the packet is fully received.</p>
1	<p>TXP: TRANSMIT PACKET(S)</p> <p>Setting this bit causes the SONIC to transmit packets which have been set up in the Transmit Descriptor Area (TDA). The SONIC loads its appropriate registers from the TDA, then begins transmission. The SONIC clears this bit after any of the following conditions have occurred: (1) transmission had completed (i.e., after the SONIC has detected EOL = 1), (2) the Halt Transmission command (HTX) has taken effect, or (3) a transmit abort condition has occurred. This condition occurs when any of the following bits in the TCR have been set: EXC, EXD, FU, or BCM.</p> <p>Note: This bit must not be set if a Load CAM operation is in progress (LCAM is set). The SONIC will lock up if both bits are set simultaneously.</p>
0	<p>HTX: HALT TRANSMISSION</p> <p>Setting this bit halts the transmit command after the current transmission has completed. TXP is reset after transmission has halted. The Current Transmit Descriptor Address (CTDA) register points to the last descriptor transmitted. The SONIC samples this bit after writing to the TXpkt.status field.</p>

4.0 SONIC Registers (Continued)

4.3.2 Data Configuration Register

(RA <5:0> = 1h)

This register (Figure 4-5) establishes the bus cycle options for reading/writing data to/from 16- or 32-bit memory systems.

During a hardware reset, bits 15 and 13 are cleared; all other bits are unaffected. (Because of this, the first thing the driver software does to the SONIC should be to set up this register.) All bits are unaffected by a software reset. This register must only be accessed when the SONIC is in reset mode (i.e., the RST bit is set in the Command register).

15	14	13	12	11	10	9	8	7	6	5	4	3	2	1	0
EXBUS	0	LBR	PO1	PO0	SBUS	USR1	USR0	WC1	WC0	DW	BMS	RFT1	RFT0	TFT1	TFT0
r/w		r/w	r/w	r/w	r/w	r/w	r/w	r/w	r/w	r/w	r/w	r/w	r/w	r/w	r/w

r/w = read/write

FIGURE 4-5. Data Configuration Register

Field	Meaning
EXBUS	EXTENDED BUS MODE
LBR	LATCHED BUS RETRY
PO0,PO1	PROGRAMMABLE OUTPUTS
SBUS	SYNCHRONOUS BUS MODE
USR0, USR1	USER DEFINABLE PINS
WC0, WC1	WAIT STATE CONTROL
DW	DATA WIDTH SELECT
BMS	BLOCK MODE SELECT FOR DMA
RFT0, RFT1	RECEIVE FIFO THRESHOLD
TFT0, TFT1	TRANSMIT FIFO THRESHOLD

Bit	Description
15	<p>EXBUS: EXTENDED BUS MODE</p> <p>Setting this bit enables the Extended Bus mode which enables the following:</p> <ol style="list-style-type: none"> 1)Extended Programmable Outputs, EXUSR <3:0>: This changes the TXD, LBK, RXC and RXD pins from the external ENDEC interface into four programmable user outputs, EXUSR <3:0> respectively, which are similar to USR <1:0>. These outputs are programmed with bits 15-12 in the DCR2 (see section 4.3.7). On hardware reset, these four pins will be TRI-STATE and will remain that way until the DCR is changed. If EXBUS is enabled, then these pins will remain TRI-STATE until the SONIC becomes a bus master, at which time they will be driven according to the DCR2. If EXBUS is disabled, then these four pins work normally as external ENDEC interface pins. 2)Synchronous Termination, STERM: This changes the TXC pin from the External ENDEC interface into a synchronous memory termination input for compatibility with Motorola style processors. This input is only useful when Asynchronous Bus mode is selected (bit 10 below is set to "0") and BMODE = 1 (Motorola mode). On hardware reset, this pin will be TRI-STATE and will remain that way until the DCR is changed. If EXBUS is enabled, this pin will remain TRI-STATE until the SONIC becomes a bus master, at which time it will become the STERM input. If EXBUS is disabled, then this pin works normally as the TXC pin for the external ENDEC interface. 3)Asynchronous Bus Retry: Causes $\overline{\text{BRT}}$ to be clocked in asynchronously off the falling edge of bus clock. This only applies, however, when the SONIC is operating in asynchronous mode (bit 10 below is set to "0"). If EXBUS is not set, $\overline{\text{BRT}}$ is sampled synchronously off the rising edge of bus clock. (See section 5.4.6.)
14	Must be 0.
13	<p>LBR: LATCHED BUS RETRY</p> <p>The LBR bit controls the mode of operation of the $\overline{\text{BRT}}$ signal (see pin description). It allows the BUS Retry operation to be latched or unlatched.</p> <p>0:Unlatched mode: The assertion of $\overline{\text{BRT}}$ forces the SONIC to finish the current DMA operation and get off the bus. The SONIC will retry the operation when $\overline{\text{BRT}}$ is deserted.</p> <p>1:Latched mode: The assertion of $\overline{\text{BRT}}$ forces the SONIC to finish the current DMA operation as above, however, the SONIC will not retry until $\overline{\text{BRT}}$ is deasserted and the BR bit in the ISR (see section 4.3.6) has been reset. Hence, the mode has been latched on until the BR bit is cleared.</p> <p>Note: Unless LBR is set to a "1", $\overline{\text{BRT}}$ must remain asserted at least until the SONIC has gone idle. See section 5.4.6 and the timing for Bus Retry in section 7.0.</p>
12, 11	<p>PO1, PO0: PROGRAMMABLE OUTPUTS</p> <p>The PO1,PO0 bits individually control the USR1,0 pins respectively when SONIC is a bus master (HLDA or $\overline{\text{BGACK}}$ is active). When PO1/PO0 are set to a 1 the USR1/USR0 pins are high during bus master operations and when these bits are set to a 0 the USR1/USR0 pins are low during bus master operations.</p>

4.0 SONIC Registers (Continued)

4.3.2 Data Configuration Register (Continued)

(RA<5:0> = 1h)

Bit	Description															
10	<p>SBUS: SYNCHRONOUS BUS MODE</p> <p>The SBUS bit is used to select the mode of system bus operation when SONIC is a bus master. This bit selects the internal ready line to be either a synchronous or asynchronous input to SONIC during block transfer DMA operations.</p> <p>0: Asynchronous mode. \overline{RDY}_i (BMODE = 0) or $\overline{DSACK0}_i$ (BMODE = 1) are respectively internally synchronized at the falling edge of the bus clock (T2 of the DMA cycle). No setup or hold times need to be met with respect to this edge to guarantee proper bus operation.</p> <p>1: Synchronous mode. \overline{RDY}_i (BMODE = 0) and $\overline{DSACK0}_i$ (BMODE = 1) must respectively meet the setup and hold times with respect to the rising edge of T1 or T2 to guarantee proper bus operation.</p>															
9, 8	<p>USR1,0: USER DEFINABLE PINS</p> <p>The USR1,0 bits report the level of the USR1,0 signal pins, respectively, after a chip hardware reset. If the USR1,0 signal pins are at a logical 1 (tied to V_{CC}) during a hardware reset the USR1,0 bits are set to a 1. If the USR1,0 pins are at a logical 0 (tied to ground) during a hardware reset the USR1,0 bits are set to a 0. These bits are latched on the rising edge of RST. Once set they remain set/reset until the next hardware reset.</p>															
7, 6	<p>WC1,0: WAIT STATE CONTROL</p> <p>These encoded bits determine the number of additional bus cycles (T2 states) that are added during each DMA cycle.</p> <table border="1"> <thead> <tr> <th>WC1</th> <th>WC0</th> <th>Bus Cycles Added</th> </tr> </thead> <tbody> <tr> <td>0</td> <td>0</td> <td>0</td> </tr> <tr> <td>0</td> <td>1</td> <td>1</td> </tr> <tr> <td>1</td> <td>0</td> <td>2</td> </tr> <tr> <td>1</td> <td>1</td> <td>3</td> </tr> </tbody> </table>	WC1	WC0	Bus Cycles Added	0	0	0	0	1	1	1	0	2	1	1	3
WC1	WC0	Bus Cycles Added														
0	0	0														
0	1	1														
1	0	2														
1	1	3														
5	<p>DW: DATA WIDTH SELECT</p> <p>These bits select the data path width for DMA operations.</p> <table border="1"> <thead> <tr> <th>DW</th> <th>Data Width</th> </tr> </thead> <tbody> <tr> <td>0</td> <td>16-bit</td> </tr> <tr> <td>1</td> <td>32-bit</td> </tr> </tbody> </table>	DW	Data Width	0	16-bit	1	32-bit									
DW	Data Width															
0	16-bit															
1	32-bit															
4	<p>BMS: BLOCK MODE SELECT FOR DMA</p> <p>Determines how data is emptied or filled into the Receive or Transmit FIFO.</p> <p>0: Empty/fill mode: All DMA transfers continue until either the Receive FIFO has emptied or the Transmit FIFO has filled completely.</p> <p>1: Block mode: All DMA transfers continue until the programmed number of bytes (RFT0, RFT1 during reception or TFO, TFI during transmission) have been transferred. (See note for TFT0, TFT1.)</p>															
3, 2	<p>RFT1,RFT0: RECEIVE FIFO THRESHOLD</p> <p>These encoded bits determine the number of words (or long words) that are written into the receive FIFO from the MAC unit before a receive DMA request occurs. (See section 1.4.)</p> <table border="1"> <thead> <tr> <th>RFT1</th> <th>RFT0</th> <th>Threshold</th> </tr> </thead> <tbody> <tr> <td>0</td> <td>0</td> <td>2 words or 1 long word (4 bytes)</td> </tr> <tr> <td>0</td> <td>1</td> <td>4 words or 2 long words (8 bytes)</td> </tr> <tr> <td>1</td> <td>0</td> <td>8 words or 4 long words (16 bytes)</td> </tr> <tr> <td>1</td> <td>1</td> <td>12 words or 6 long words (24 bytes)</td> </tr> </tbody> </table> <p>Note: In block mode (BMS bit = 1), the receive FIFO threshold sets the number of words (or long words) written to memory during a receive DMA block cycle.</p>	RFT1	RFT0	Threshold	0	0	2 words or 1 long word (4 bytes)	0	1	4 words or 2 long words (8 bytes)	1	0	8 words or 4 long words (16 bytes)	1	1	12 words or 6 long words (24 bytes)
RFT1	RFT0	Threshold														
0	0	2 words or 1 long word (4 bytes)														
0	1	4 words or 2 long words (8 bytes)														
1	0	8 words or 4 long words (16 bytes)														
1	1	12 words or 6 long words (24 bytes)														
1, 0	<p>TFT1,TFT0: TRANSMIT FIFO THRESHOLD</p> <p>These encoded bits determine the minimum number of words (or long words) the DMA section maintains in the transmit FIFO. A bus request occurs when the number of words drops below the transmit FIFO threshold. (See section 1.4.)</p> <table border="1"> <thead> <tr> <th>TFT1</th> <th>TFT0</th> <th>Threshold</th> </tr> </thead> <tbody> <tr> <td>0</td> <td>0</td> <td>4 words or 2 long words (8 bytes)</td> </tr> <tr> <td>0</td> <td>1</td> <td>8 words or 4 long words (16 bytes)</td> </tr> <tr> <td>1</td> <td>0</td> <td>12 words or 6 long words (24 bytes)</td> </tr> <tr> <td>1</td> <td>1</td> <td>14 words or 7 long words (28 bytes)</td> </tr> </tbody> </table> <p>Note: In block mode (BMS = 1), the number of bytes the SONIC reads in a single DMA burst equals the transmit FIFO threshold value. If the number of words or long words needed to fill the FIFO is less than the threshold value, then only the number of reads required to fill the FIFO in a single DMA burst will be made. Typically, with the FIFO threshold value set to 12 or 14 words, the number of memory reads needed is less than the FIFO threshold value.</p>	TFT1	TFT0	Threshold	0	0	4 words or 2 long words (8 bytes)	0	1	8 words or 4 long words (16 bytes)	1	0	12 words or 6 long words (24 bytes)	1	1	14 words or 7 long words (28 bytes)
TFT1	TFT0	Threshold														
0	0	4 words or 2 long words (8 bytes)														
0	1	8 words or 4 long words (16 bytes)														
1	0	12 words or 6 long words (24 bytes)														
1	1	14 words or 7 long words (28 bytes)														

4.0 SONIC Registers (Continued)

4.3.3 Receive Control Register

(RA<5:0> = 2h)

This register is used to filter incoming packets and provide status information of accepted packets (Figure 4-6). Setting any of bits 15–11 to a “1” enables the corresponding receive filter. If none of these bits are set, only packets which match the CAM Address registers are accepted. Bits 10 and 9 control the loopback operations.

After reception, bits 8–0 indicate status information about the accepted packet and are set to “1” when the corresponding condition is true. If the packet is accepted, all bits in the RCR are written into the RXPkt.status field. Bits 8–6 and 3–0 are cleared at the reception of the next packet.

This register is unaffected by a software reset.

15	14	13	12	11	10	9	8	7	6	5	4	3	2	1	0
ERR	RNT	BRD	PRO	AMC	LB1	LB0	MC	BC	LPKT	CRS	COL	CRCR	FAER	LBK	PRX
r/w	r/w	r/w	r/w	r/w	r/w	r/w	r	r	r	r	r	r	r	r	r

r = read only, r/w = read/write

FIGURE 4-6. Receive Control Register

Field	Meaning
ERR	ACCEPT PACKET WITH ERRORS
RNT	ACCEPT RUNT PACKETS
BRD	ACCEPT BROADCAST PACKETS
PRO	PHYSICAL PROMISCUOUS PACKETS
AMC	ACCEPT ALL MULTICAST PACKETS
LB0, LB1	LOOPBACK CONTROL
MC	MULTICAST PACKET RECEIVED
BC	BROADCAST PACKET RECEIVED
LPKT	LAST PACKET IN RBA
CRS	CARRIER SENSE ACTIVITY
COL	COLLISION ACTIVITY
CRCR	CRC ERROR
FAER	FRAME ALIGNMENT ERROR
LBK	LOOPBACK PACKET RECEIVED
PRX	PACKET RECEIVED OK

Bit	Description
15	<p>ERR: ACCEPT PACKET WITH CRC ERRORS OR COLLISIONS</p> <p>0: Reject all packets with CRC errors or when a collision occurs. 1: Accept packets with CRC errors and ignore collisions.</p>
14	<p>RNT: ACCEPT RUNT PACKETS</p> <p>0: Normal address match mode. 1: Accept runt packets (packets less than 64 bytes in length).</p> <p>Note: A hardware reset clears this bit.</p>
13	<p>BRD: ACCEPT BROADCAST PACKETS</p> <p>0: Normal address match mode. 1: Accept broadcast packets (packets with addresses that match the CAM are also accepted).</p> <p>Note: This bit is cleared upon hardware reset.</p>
12	<p>PRO: PHYSICAL PROMISCUOUS MODE</p> <p>Enable all Physical Address packets to be accepted. 0: normal address match mode. 1: promiscuous mode.</p>
11	<p>AMC: ACCEPT ALL MULTICAST PACKETS</p> <p>0: normal address match mode. 1: enables all multicast packets to be accepted. Broadcast packets are also accepted regardless of the BRD bit. (Broadcast packets are a subset of multicast packets.)</p>

4.0 SONIC Registers (Continued)

4.3.3 Receive Control Register (Continued)

(RA<5:0> = 2h)

Bit	Description															
10, 9	<p>LB1, LB0: LOOPBACK CONTROL</p> <p>These encoded bits control loopback operations for MAC loopback, ENDEC loopback and Transceiver loopback. For proper operation, the CAM Address registers and Receive Control register must be initialized to accept the Destination address of the loopback packet (see section 1.7).</p> <p>Note: A hardware reset clears these bits.</p> <table border="1"> <thead> <tr> <th>LB1</th> <th>LB0</th> <th>Function</th> </tr> </thead> <tbody> <tr> <td>0</td> <td>0</td> <td>no loopback, normal operation</td> </tr> <tr> <td>0</td> <td>1</td> <td>MAC loopback</td> </tr> <tr> <td>1</td> <td>0</td> <td>ENDEC loopback</td> </tr> <tr> <td>1</td> <td>1</td> <td>Transceiver loopback</td> </tr> </tbody> </table>	LB1	LB0	Function	0	0	no loopback, normal operation	0	1	MAC loopback	1	0	ENDEC loopback	1	1	Transceiver loopback
LB1	LB0	Function														
0	0	no loopback, normal operation														
0	1	MAC loopback														
1	0	ENDEC loopback														
1	1	Transceiver loopback														
8	<p>MC: MULTICAST PACKET RECEIVED</p> <p>This bit is set when a packet is received with a Multicast Address.</p>															
7	<p>BC: BROADCAST PACKET RECEIVED</p> <p>This bit is set when a packet is received with a Broadcast Address.</p>															
6	<p>LPKT: LAST PACKET IN RBA</p> <p>This bit is set when the last packet is buffered into a Receive Buffer Area (RBA). The SONIC detects this condition when its Remaining Buffer Word Count (RBWC0,1) register is less than the End Of Buffer Count (EOBC) register. (See section 3.4.2.)</p>															
5	<p>CRS: CARRIER SENSE ACTIVITY</p> <p>Set when CRS is active. Indicates the presence of network activity.</p>															
4	<p>COL: COLLISION ACTIVITY</p> <p>Indicates that the packet received had a collision occur during reception.</p>															
3	<p>CRCR: CRC ERROR</p> <p>Indicates the packet contains a CRC error. If the packet also contains a Frame Alignment error, FAER will be set instead (see below).</p>															
2	<p>FAER: FRAME ALIGNMENT ERROR</p> <p>Indicates that the incoming packet was not correctly framed on an 8-bit boundary. Note: if no CRC errors have occurred, this bit is not set (i.e., this bit is only set when both a frame alignment and CRC error occurs).</p>															
1	<p>LBK: LOOPBACK PACKET RECEIVED</p> <p>Indicates that the SONIC has successfully received a loopback packet.</p>															
0	<p>PRX: PACKET RECEIVED OK</p> <p>Indicates that a packet has been received without CRC, frame alignment, length (runt packet) errors or collisions.</p>															

4.0 SONIC Registers (Continued)

4.3.4 Transmit Control Register

(RA<5:0> = 3h)

This register is used to program the SONIC's transmit actions and provide status information after a packet has been transmitted (Figure 4-7). At the beginning of transmission, bits 15, 14, 13 and 12 from the TXpkt.config field are loaded into the TCR to configure the various transmit modes (see section 3.5.1.1). When the transmission ends, bits 10-0 indicate status information and are set to a "1" when the corresponding condition is true. These bits, along with the number of collisions information, are written into the TXpkt.status field at the end of transmission (see section 3.5.1.2). Bits 9 and 5 are cleared after the TXpkt.status field has been written. Bits 10, 7, 6, and 1 are cleared at the commencement of the next transmission while bit 8 is set at this time.

A hardware reset sets bits 8 and 1 to a "1". This register is unaffected by a software reset.

15	14	13	12	11	10	9	8	7	6	5	4	3	2	1	0
PINTR	POWC	CRCI	EXDIS	0	EXD	DEF	NCRS	CRSL	EXC	OWC	0	PMB	FU	BCM	PTX
r/w	r/w	r/w	r/w		r	r	r	r	r	r		r	r	r	r

r = read only, r/w = read/write

FIGURE 4-7. Transmit Control Register

Field	Meaning
PINTR	PROGRAMMABLE INTERRUPT
POWC	PROGRAMMED OUT OF WINDOW COLLISION TIMER
CRCI	CRC INHIBIT
EXDIS	DISABLE EXCESSIVE DEFERRAL TIMER
EXD	EXCESSIVE DEFERRAL
DEF	DEFERRED TRANSMISSION
NCRS	NO CRS
CRSL	CRS LOST
EXC	EXCESSIVE COLLISIONS
OWC	OUT OF WINDOW COLLISION
PMB	PACKET MONITORED BAD
FU	FIFO UNDERRUN
BCM	BYTE COUNT MISMATCH
PTX	PACKET TRANSMITTED OK

Bit	Description
15	<p>PINTR: PROGRAMMABLE INTERRUPT</p> <p>This bit allows transmit interrupts to be generated under software control. The SONIC will issue an interrupt (PINT in the Interrupt Status Register) immediately after reading a TDA and detecting that PINTR is set in the TXpkt.config field.</p> <p>Note: In order for PINTR to operate properly, it must be set and reset in the TXpkt.config field by alternating TDAs. This is necessary because after PINT has been issued in the ISR, PINTR in the Transmit Control Register must be cleared before it is set again in order to have the interrupt issued for another packet. The only effective way to do this is to set PINTR to a 1 no more often than every other packet.</p>
14	<p>POWC: PROGRAM "OUT OF WINDOW COLLISION" TIMER</p> <p>This bit programs when the out of window collision timer begins.</p> <p>0: timer begins after the Start of Frame Delimiter (SFD).</p> <p>1: timer begins after the first bit of preamble.</p>
13	<p>CRCI: CRC INHIBIT</p> <p>0: transmit packet with 4-byte FCS field</p> <p>1: transmit packet without 4-byte FCS field</p>
12	<p>EXDIS: DISABLE EXCESSIVE DEFERRAL TIMER:</p> <p>0: excessive deferral timer enabled</p> <p>1: excessive deferral timer disabled</p>
11	Must be 0.
10	<p>EXD: EXCESSIVE DEFERRAL</p> <p>Indicates that the SONIC has been deferring for 3.2 ms. The transmission is aborted if the excessive deferral timer is enabled (i.e. EXDIS is reset). This bit can only be set if the excessive deferral timer is enabled.</p>

1

4.0 SONIC Registers (Continued)

4.3.4 Transmit Control Register (Continued)

(RA<5:0> = 3h)

Bit	Description
9	<p>DEF: DEFERRED TRANSMISSION Indicates that the SONIC has deferred its transmission during the first attempt. If subsequent collisions occur, this bit is reset. This bit is cleared after the TXpkt.status field is written in the TDA.</p>
8	<p>NCRS: NO CRS Indicates that Carrier Sense (CRS) was not present during transmission. CRS is monitored from the beginning of the Start of Frame Delimiter to the last byte transmitted. The transmission will not be aborted. This bit is set at the start of preamble and is reset if CRS is detected. Hence, if CRS is never detected throughout the entire transmission of the packet, this bit will remain set. Note: NCRS will always remain set in MAC loopback.</p>
7	<p>CRSL: CRS LOST Indicates that CRS has gone low or has not been present during transmission. CRS is monitored from the beginning of the Start of Frame Delimiter to the last byte transmitted. The transmission will not be aborted. Note: If CRS was never present, both NCRS and CRSL will be set simultaneously. Also, CRSL will always be set in MAC loopback.</p>
6	<p>EXC: EXCESSIVE COLLISIONS Indicates that 16 collisions have occurred. The transmission is aborted.</p>
5	<p>OWC: OUT OF WINDOW COLLISION Indicates that an illegal collision has occurred after 51.2 μs (one slot time) from either the first bit of preamble or from SFD depending upon the POWC bit. The transmission backs off as in a normal transmission. This bit is cleared after the TXpkt.status field is written in the TDA.</p>
4	<p>Must be 0.</p>
3	<p>PMB: PACKET MONITORED BAD This bit is set, if after the receive unit has monitored the transmitted packet, the CRC has been calculated as invalid, a frame alignment error occurred or the Source Address does not match any of the CAM address registers. Note 1: The SONIC's CRC checker is active during transmission. Note 2: If CRC has been inhibited for transmissions (CRCI is set), this bit will always be low. This is true regardless of Frame Alignment or Source Address mismatch errors. Note 3: If a Receive FIFO overrun has occurred, the transmitted packet is not monitored completely. Thus, if PMB is set along with the RFO bit in the ISR, then PMB has no meaning. The packet must be completely received before PMB has meaning.</p>
2	<p>FU: FIFO UNDERRUN Indicates that the SONIC has not been able to access the bus before the FIFO has emptied. This condition occurs from excessive bus latency and/or slow bus clock. The transmission is aborted. (See section 1.4.2.)</p>
1	<p>BCM: BYTE COUNT MISMATCH This bit is set when the SONIC detects that the TXpkt.pkt_size field is not equal to the sum of the TXpkt.frag_size field(s). Transmission is aborted.</p>
0	<p>PTX: PACKET TRANSMITTED OK Indicates that a packet has been transmitted without the following errors: —Excessive Collisions (EXC) —Excessive Deferral (EXD) —FIFO Underrun (FU) —Byte Count Mismatch (BCM)</p>

4.0 SONIC Registers (Continued)

4.3.5 Interrupt Mask Register (RA<5:0> = 4h)

This register masks the interrupts that can be generated from the ISR (Figure 4-8). Writing a "1" to the bit enables the corresponding interrupt. During a hardware reset, all mask bits are cleared.

15	14	13	12	11	10	9	8	7	6	5	4	3	2	1	0
0	BREN	HBLEN	LCDEN	PINTEN	PRXEN	PTXEN	TXEREN	TCEN	RDEEN	RBEEN	RBAEEN	CRCEN	FAEEN	MPEN	RFOEN
	r/w	r/w	r/w	r/w	r/w	r/w	r/w	r/w	r/w	r/w	r/w	r/w	r/w	r/w	r/w

r/w = read/write

FIGURE 4-8. Interrupt Mask Register

Field	Meaning
BREN	BUS RETRY OCCURRED ENABLE
HBLEN	HEARTBEAT LOST ENABLE
LCDEN	LOAD CAM DONE INTERRUPT ENABLE
PINTEN	PROGRAMMABLE INTERRUPT ENABLE
PRXEN	PACKET RECEIVED ENABLE
PTXEN	PACKET TRANSMITTED OK ENABLE
TXEREN	TRANSMIT ERROR ENABLE
TCEN	TIMER COMPLETE ENABLE
RDEEN	RECEIVE DESCRIPTORS ENABLE
RBEEN	RECEIVE BUFFERS EXHAUSTED ENABLE
RBAEEN	RECEIVE BUFFER AREA EXCEEDED ENABLE
CRCEN	CRC TALLY COUNTER WARNING ENABLE
FAEEN	FAE TALLY COUNTER WARNING ENABLE
MPEN	MP TALLY COUNTER WARNING ENABLE
RFOEN	RECEIVE FIFO OVERRUN ENABLE

Bit	Description
15	Must be 0.
14	BREN: BUS RETRY OCCURRED enable: 0: disable 1: enables interrupts when a Bus Retry operation is requested.
13	HBLEN: HEARTBEAT LOST enable: 0: disable 1: enables interrupts when a heartbeat lost condition occurs
12	LCDEN: LOAD CAM DONE INTERRUPT enable: 0: disable 1: enables interrupts when the Load CAM command has finished
11	PINTEN: PROGRAMMABLE INTERRUPT enable: 0: disable 1: enables programmable interrupts to occur when the PINTR bit the TXpkt.config field is set to a "1".
10	PRXEN: PACKET RECEIVED enable: 0: disable 1: enables interrupts for packets accepted.
9	PTXEN: PACKET TRANSMITTED OK enable: 0: disable 1: enables interrupts for transmit completions
8	TXEREN: TRANSMIT ERROR enable: 0: disable 1: enables interrupts for packets transmitted with error.

4.0 SONIC Registers (Continued)

4.3.5 Interrupt Mask Register (Continued)

(RA<5:0> = 4h)

Bit	Description
7	TCEN: GENERAL PURPOSE TIMER COMPLETE enable: 0: disable 1: enables interrupts when the general purpose timer has rolled over from 0000 0000h to FFFF FFFFh.
6	RDEEN: RECEIVE DESCRIPTORS EXHAUSTED enable: 0: disable 1: enables interrupts when all receive descriptors in the RDA have been exhausted.
5	RBEEN: RECEIVE BUFFERS EXHAUSTED enable: 0: disable 1: enables interrupts when all resource descriptors in the RRA have been exhausted.
4	RBAEEN: RECEIVE BUFFER AREA EXCEEDED enable: 0: disable 1: enables interrupts when the SONIC attempts to buffer data beyond the end of the Receive Buffer Area.
3	CRCEN: CRC TALLY COUNTER WARNING enable: 0: disable 1: enables interrupts when the CRC tally counter has rolled over from FFFFh to 0000h.
2	FAEEN: FRAME ALIGNMENT ERROR (FAE) TALLY COUNTER WARNING enable: 0: disable 1: enables interrupts when the FAE tally counter rolled over from FFFFh to 0000h.
1	MPEN: MISSED PACKET (MP) TALLY COUNTER WARNING enable: 0: disable 1: enables interrupts when the MP tally counter has rolled over from FFFFh to 0000h.
0	RFOEN: RECEIVE FIFO OVERRUN enable: 0: disable 1: enables interrupts when the receive FIFO has overrun.

4.0 SONIC Registers (Continued)

4.3.6 Interrupt Status Register

(RA<5:0> = 5h)

This register (Figure 4-9) indicates the source of an interrupt when the INT pin goes active. Enabling the corresponding bits in the IMR allows bits in this register to produce an interrupt. When an interrupt is active, one or more bits in this register are set to a "1". A bit is cleared by writing "1" to it. Writing a "0" to any bit has no effect.

This register is cleared by a hardware reset and unaffected by a software reset.

15	14	13	12	11	10	9	8	7	6	5	4	3	2	1	0
0	BR	HBL	LCD	PINT	PKTRX	TXDN	TXER	TC	RDE	RBE	RBAE	CRC	FAE	MP	RFO
	r/w	r/w	r/w	r/w	r/w	r/w	r/w	r/w	r/w	r/w	r/w	r/w	r/w	r/w	r/w

r/w = read/write

FIGURE 4-9. Interrupt Status Register

Field	Meaning
BR	BUS RETRY OCCURRED
HBL	CD HEARTBEAT LOST
LCD	LOAD CAM DONE
PINT	PROGRAMMABLE INTERRUPT
PKTRX	PACKET RECEIVED
TXDN	TRANSMISSION DONE
TXER	TRANSMIT ERROR
TC	TIMER COMPLETE
RDE	RECEIVE DISCRIPTORS EXHAUSTED
RBE	RECEIVE BUFFERS EXHAUSTED
RBAE	RECEIVE BUFFER AREA EXCEEDED
CRC	CRC TALLY COUNTER ROLLOVER
FAE	FRAME ALIGNMENT ERROR
MP	MISSED PACKET COUNTER ROLLOVER
RFO	RECEIVE FIFO OVERRUN

Bit	Description
15	Must be 0.
14	BR: BUS RETRY OCCURRED Indicates that a Bus Retry (BR) operation has occurred. In Latched Bus Retry mode (LBR in the DCR), BR will only be set when the SONIC is a bus master. Before the SONIC will continue any DMA operations, BR must be cleared. In Unlatched mode, the BR bit should be cleared also, but the SONIC will not wait for BR to be cleared before requesting the bus again and continuing its DMA operations. (See sections 4.3.2 and 5.4.6 for more information on Bus Retry).
13	HBL: CD HEARTBEAT LOST If the transceiver fails to provide a collision pulse (heart beat) during the first 6.4 μs of the Interframe Gap after transmission, this bit is set.
12	LCD: LOAD CAM DONE Indicates that the Load CAM command has finished writing to all programmed locations in the CAM. (See section 4.1.1.)
11	PINT: PROGRAMMED INTERRUPT Indicates that upon reading the TXpkt.config field, the SONIC has detected the PINTR bit to be set. (See section 4.3.4.)
10	PKTRX: PACKET RECEIVED Indicates that a packet has been received and been buffered to memory. This bit is set after the RXpkt.seq__no field is written to memory.
9	TXDN: TRANSMISSION DONE Indicates that either (1) there are no remaining packets to be transmitted in the Transmit Descriptor Area (i.e., the EOL bit has been detected as a "1"), (2) the Halt Transmit command has been given (HTX bit in CR is set to a "1"), or (3) a transmit abort condition has occurred. This condition occurs when any of following bits in the TCR are set: BCM, EXC, FU, or EXD. This bit is set after the TXpkt.status field has been written to.

1

4.0 SONIC Registers (Continued)

4.3.6 Interrupt Status Register (Continued)

(RA <5:0> = 5h)

Bit	Description
8	<p>TXER: TRANSMIT ERROR</p> <p>Indicates that a packet has been transmitted with at least one of the following errors.</p> <ul style="list-style-type: none"> —Byte count mismatch (BCM) —Excessive collisions (EXC) —FIFO underrun (FU) —Excessive deferral (EXD) <p>The TXpkt.status field reveals the cause of the error(s).</p>
7	<p>TC: GENERAL PURPOSE TIMER COMPLETE</p> <p>Indicates that the timer has rolled over from 0000 0000h to FFFF FFFFh. (See section 4.3.12.)</p>
6	<p>RDE: RECEIVE DESCRIPTORS EXHAUSTED</p> <p>Indicates that all receive packet descriptors in the RDA have been exhausted. This bit is set when the SONIC detects EOL = 1. (See section 3.4.7.)</p>
5	<p>RBE: RECEIVE BUFFER EXHAUSTED</p> <p>Indicates that the SONIC has detected the Resource Read Pointer (RRP) is equal to the Resource Write Pointer (RWP). This bit is set after the last field is read from the resource area. (See section 3.4.7.)</p> <p>Note 1: This bit will be set as the SONIC finishes using the second to last receive buffer and reads the last RRA descriptor. This gives the system an early warning of impending no resources.</p> <p>Note 2: The SONIC will stop reception of packets when the last RBA has been used and will not continue reception until additional receive buffers have been added (i.e., RWP is incremented beyond RRP) and this bit has been reset.</p> <p>Note 3: If additional buffers have been added, resetting this bit tells the SONIC there are new buffers available in the RRA. The SONIC will get a new buffer from the RRA after it has used the buffer that caused it to set RBE in the first place. If the SONIC already used this buffer, then clearing RBE will cause the SONIC to read the RRA immediately.</p> <p>Note 4: If RBE is cleared before adding new buffers to the RRA, the SONIC will set RBE again without having read anything from the RRA (the RWP register must be written to before RBE is cleared in order to make the SONIC read the RRA again).</p>
4	<p>RBAE: RECEIVE BUFFER AREA EXCEEDED</p> <p>Indicates that during reception, the SONIC has reached the end of the Receive Buffer Area. Reception is aborted and the SONIC fetches the next available resource descriptors in the RRA. The buffer space is not re-used and an RDA is not set up for the truncated packet (see section 3.4.7).</p>
3	<p>CRC: CRC TALLY COUNTER ROLLOVER</p> <p>Indicates that the tally counter has rolled over from FFFFh to 0000h. (See section 4.3.11.)</p>
2	<p>FAE: FRAME ALIGNMENT ERROR (FAE) TALLY COUNTER ROLLOVER</p> <p>Indicates that the FAE tally counter has rolled over from FFFFh to 0000h. (See section 4.3.11.)</p>
1	<p>MP: MISSED PACKET (MP) COUNTER ROLLOVER</p> <p>Indicates that the MP tally counter has rolled over from FFFFh to 0000h. (See section 4.3.11.)</p>
0	<p>RFO: RECEIVE FIFO OVERRUN</p> <p>Indicates that the SONIC has been unable to access the bus before the receive FIFO has filled from the network. This condition is due to excessively long bus latency and/or slow bus clock. Note that FIFO underruns are indicated in the TCR. (See section 1.4.1.)</p>

4.0 SONIC Registers (Continued)

4.3.7 Data Configuration Register 2

(RA<5:0> = 3Fh)

This register (Figure 4-10) is for enabling the extended bus interface options.

A hardware reset will set all bits in this register to "0" except for the Extended Programmable Outputs which are unknown until written to and bits 5 to 11 which must always be written with 0s but are "don't cares" when read. A software reset will not affect any bits in this register. This register should only be written to when the SONIC is in software reset (the RST bit in the Command Register is set).

15	14	13	12	11	10	9	8	7	6	5	4	3	2	1	0
EXPO3	EXPO2	EXPO1	EXPO0	0	0	0	0	0	0	0	PH	0	PCM	PCNM	RJCM
r/w	r/w	r/w	r/w								r/w	r/w	r/w	r/w	r/w

FIGURE 4-10. Data Configuration Register 2

Field	Meaning
EXPO3..0	EXTENDED PROGRAMMABLE OUTPUTS
PH	PROGRAM HOLD
LRDY	LATCHED READY
PCM	PACKET COMPRESS WHEN MATCHED
PCNM	PACKET COMPRESS WHEN NOT MATCHED
RJCM	REJECT ON CAM MATCH

Bit	Description
15-12	<p>EXPO<3:0> EXTENDED PROGRAMMABLE OUTPUTS</p> <p>These bits program the level of the Extended User outputs (EXUSR<3:0>) when the SONIC is a bus master. Writing a "1" to any of these bits programs a high level to the corresponding output. Writing a "0" to any of these bits programs a low level to the corresponding output. EXUSR<3:0> are similar to USR<1:0> except that EXUSR<3:0> are only available when the Extended Bus mode is selected (bit 15 in the DCR is set to "1", see section 4.3.2).</p>
11-5	Must be written with zeroes.
4	<p>PH: PROGRAM HOLD</p> <p>When this bit is set to "0", the HOLD request output is asserted/deasserted from the falling edge of bus clock. If this bit is set to "1", HOLD will be asserted/deasserted 1/2 clock later on the rising edge of bus clock.</p>
3	Must be zero.
2	<p>PCM: PACKET COMPRESS WHEN MATCHED</p> <p>When this bit is set to a "1" (and the PCNM bit is reset to a "0"), the \overline{PCOMP} output will be asserted if the destination address of the packet being received matches one of the entries in the CAM (Content Addressable Memory). This bit, along with PCNM, is used with the Management Bus of the DP83950, Repeater Interface Controller (RIC). See the DP83950 datasheet for more details on the RIC Management Bus. This mode is also called the Managed Bridge Mode.</p> <p>Note 1: Setting PCNM and PCM to "1" at the same time is not allowed.</p> <p>Note 2: If PCNM and PCM are both "0", the \overline{PCOMP} output will remain TRI-STATE until PCNM or PCM are changed.</p>
1	<p>PCNM: COMPRESS WHEN NOT MATCHED</p> <p>When this bit is set to a "1" (and the PCM bit is set to "0"), the \overline{PCOMP} output will be asserted if the destination address of the packet does not match one of the entries in the CAM. See the PCM bit above. This mode is also called the Managed Hub Mode.</p> <p>Note: \overline{PCOMP} will not be asserted if the destination address is a broadcast address. This is true regardless of the state of the BRD bit in the Receive Control Register.</p>
0	<p>RJCM: REJECT ON CAM MATCH</p> <p>When this bit is set to "1", the SONIC will reject a packet on a CAM match. Setting RJCM to "0" causes the SONIC to operate normally by accepting packets on a CAM match. Setting this mode is useful for a small bridge with a limited number of nodes attached to it. RJCM only affects the CAM, though. Setting RJCM will not invert the function of the BRD, PRO or AMC bits (to accept broadcast, all physical or multicast packets respectively) in the Receive Control Register (see section 4.3.3). This means, for example, that it is not possible to set RJCM and BRD to reject all broadcast packets. If RJCM and BRD are set at the same time, however, all broadcast packets will be accepted, but any packets that have a destination address that matches an address in the CAM will be rejected.</p>

1

4.0 SONIC Registers (Continued)

4.3.8 Transmit Registers

The transmit registers described in this section are part of the User Register set. The UTDA and CTDA must be initialized prior to issuing the transmit command (setting the TXP bit) in the Command register.

Upper Transmit Descriptor Address Register (UTDA): This register contains the upper address bits (A<31:16>) for accessing the transmit descriptor area (TDA) and is concatenated with the contents of the CTDA when the SONIC accesses the TDA in system memory. The TDA can be as large as 32k words or 16k long words and can be located anywhere in system memory. This register is unaffected by a hardware or software reset.

Current Transmit Descriptor Address Register (CTDA): The 16-bit CTDA register contains the lower address bits (A<15:1>) of the 32-bit transmit descriptor address. During initialization this register must be programmed with the lower address bits of the transmit descriptor. The SONIC concatenates the contents of this register with the contents of the UTDA to point to the transmit descriptor. For 32-bit memory systems, bit 1, corresponding to address signal A1, must be set to "0" for alignment to long-word boundaries. Bit 0 of this register is the End of List (EOL) bit and is used to denote the end of the list. This register is unaffected by a hardware or software reset.

4.3.9 Receive Registers

The receive registers described in this section are part of the User Register set. A software reset has no effect on these registers and a hardware reset only affects the EOBC and RSC registers. The receive registers must be initialized prior to issuing the receive command (setting the RXEN bit) in the Command register.

Upper Receive Descriptor Address Register (URDA): This register contains the upper address bits (A<31:16>) for accessing the receive descriptor area (RDA) and is concatenated with the contents of the CRDA when the SONIC accesses the RDA in system memory. The RDA can be as large as 32k words or 16k long words and can be located anywhere in system memory. This register is unaffected by a hardware or software reset.

Current Receive Descriptor Address Register (CRDA): The CRDA is a 16-bit read/write register used to locate the received packet descriptor block within the RDA. It contains the lower address bits (A<15:1>). The SONIC concatenates the contents of the CRDA with the contents of the URDA to form the complete 32-bit address. The resulting 32-bit address points to the first field of the descriptor block. For 32-bit memory systems, bit 1, corresponding to address signal A1, must be set to "0" for alignment to long-word boundaries. Bit 0 of this register is the End of List (EOL) bit and is used to denote the end of the list. This register is unaffected by a hardware or software reset.

End of Buffer Word Count Register (EOBC): The SONIC uses the contents of this register to determine where to place the next packet. At the end of packet reception, the SONIC compares the contents of the EOBC register with the contents of the Remaining Buffer Word Count registers (RBWC0,1) to determine whether: (1) to place the next packet in the same RBA or (2) to place the next packet in another RBA. If the EOBC is less than or equal to the remaining number of words in the RBA after a packet is received (i.e., EOBC ≤ RBWC0,1), the SONIC buffers the next packet in the same RBA. If the EOBC is greater than

the remaining number of words in the RBA after a packet is received (i.e., EOBC > RBWC0,1), the Last Packet in RBA bit, LPKT in the Receive Control Register, section 4.3.3, is set and the SONIC fetches the next resource descriptor. Hence, the next packet received will be buffered in a new RBA. A hardware reset sets this register to 02F8H (760 words or 1520 bytes). See sections 3.4.2 and 3.4.4.4 for more information about using EOBC.

Upper Receive Resource Address Register (URRA): The URRA is a 16-bit read/write register. It is programmed with the base address of the receive resource area (RRA). This 16-bit upper address value (A<31:16>) locates the receive resource area in system memory. SONIC uses the URRA register when accessing the receive descriptors within the RRA by concatenating the lower address value from one of four receive resource registers (RSA, REA, RWP, or RRP).

Resource Start Address Register (RSA): The RSA is a 15-bit read/write register. The LSB is not used and always reads back as a 0. The RSA is programmed with the lower 15-bit address (A<15:1>) of the starting address of the receive resource area. SONIC concatenates the contents of this register with the contents of the URRA to form the complete 32-bit address.

Resource End Address Register (REA): The REA is a 15-bit read/write register. The LSB is not used and always reads back as a 0. The REA is programmed with the lower 15-bit address (A<15:1>) of the ending address of the receive resource area. SONIC concatenates the contents of this register with the contents of the URRA to form the complete 32-bit address.

Resource Read Pointer Register (RRP): The RRP is a 15-bit read/write register. The LSB is not used and always reads back as a 0. The RRP is programmed with the lower 15-bit address (A<15:1>) of the first field of the next descriptor the SONIC will read. SONIC concatenates the contents of this register with the contents of the URRA to form the complete 32-bit address.

Resource Write Pointer Register (RWP): The RWP is a 15-bit read/write register. The LSB is not used and always reads back as a 0. The RWP is programmed with the lower 15-bit address (A<15:1>) of the next available location the system can add a descriptor. SONIC concatenates the contents of this register with the contents of the URRA to form the complete 32-bit address. In 32-bit mode, bit 1, corresponding to address signal A1, must be zero to insure the proper equality comparison between this register and the RRP register.

Receive Sequence Counter Register (RSC): This is a 16-bit read/write register containing two fields. The SONIC uses this register to provide status information on the number of packets within a RBA and the number of RBAs. The RSC register contains two 8-bit (modulo 256) counters. After each packet is received the packet sequence number is incremented. The SONIC maintains a single sequence number for each RBA. When the SONIC uses the next RBA, the packet sequence number is reset to zero and the RBA sequence number is incremented. This register is reset to 0 by a hardware reset or by writing zero to it. A software reset has no affect.

15	8	7	0
RBA Sequence Number (modulo 256)		Packet Sequence Number (Modulo 256)	

4.0 SONIC Registers (Continued)

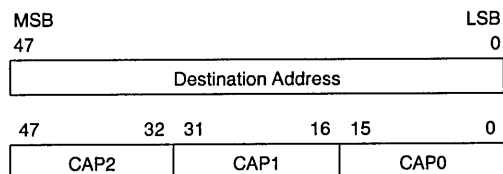
4.3.10 CAM Registers

The CAM registers described in this section are part of the User Register set. They are used to program the Content Addressable Memory (CAM) entries that provide address filtering of packets. These registers, except for the CAM Enable register, are unaffected by a hardware or software reset.

CAM Entry Pointer Register (CEP): The CEP is a 4-bit register used by SONIC to select one of the sixteen CAM entries. SONIC uses the least significant 4-bits of this register. The value of 0h points to the first CAM entry and the value of Fh points to the last entry.

CAM Address Port 2, 1, 0 Registers (CAP2, CAP1, CAP0): Each CAP is a 16-bit read-only register used to access the CAM cells. Each CAM cell is 16-bits wide and contains one third of the 48-bit CAM entry which is used by the SONIC for address filtering. The CAP2 register is used to access the upper bits (<47:32>), CAP1 the middle bits (<31:16>) and CAP0 the lower bits (<15:0>) of the CAM entry. Given the physical address 10:20:30:40:50:60, which is made up of 6 octets or bytes, where 10h is the least significant byte and 60h is the most significant byte (10h would be the first byte received from the network and 60h would be the last), CAP0 would be loaded with 2010h, CAP1 with 4030h and CAP2 with 6050h.

To read a CAM entry, the user first places the SONIC in software reset (set the RST bit in the Command register), programs the CEP register to select one of sixteen CAM entries, then reads CAP2, CAP1, and CAP0 to obtain the complete 48-bit entry. The user can not write to the CAM entries directly. Instead, the user programs the CAM descriptor area in system memory (see section 4.1.1), then issues the Load CAM command (setting LCAM bit in the Command register). This causes the SONIC to read the descriptors from memory and loads the corresponding CAM entry through CAP2-0.



CAM Enable Register (CE): The CE is a 16-bit read/write register used to mask out or enable individual CAM entries. Each register bit position corresponds to a CAM entry. When a register bit is set to a "1" the corresponding CAM entry is enabled. When "0" the entry is disabled. This register is unaffected by a software reset and cleared to zero (disabling all entries) during a hardware reset. Under normal operations the user does not access this register. Instead the user sets up this register through the last entry in the CAM descriptor area. The SONIC loads the CE register during execution of the LCAM Command.

CAM Descriptor Pointer Register (CDP): The CDP is a 15-bit read/write register. The LSB is unused and always reads back as 0. The CDP is programmed with the lower

address (A<15:1>) of the first field of the CAM descriptor block in the CAM descriptor area (CDA) of system memory. SONIC uses the contents of the CDP register when accessing the CAM descriptors. This register must be programmed by the user before issuing the LCAM command. During execution of the LCAM Command SONIC concatenates the contents of this register with the contents of the URRR register to form the complete 32-bit address. During the Load CAM operation this register is incremented to address the fields in the CDA. After the Load Command completes this register points to the next location after the CAM Descriptor Area.

CAM Descriptor Count Register (CDC): The CDC is a 5-bit read/write register. It is programmed with the number of CAM descriptor blocks in the CAM descriptor area. This register must be programmed by the user before issuing the LCAM command. SONIC uses the value in this register to determine how many entries to place in the CAM during execution of the LCAM command. During LCAM execution SONIC decrements this register each time it reads a descriptor block. When the CDC decrements to zero SONIC terminates the LCAM execution. Since the CDC register is programmed with the number of CAM descriptor blocks in the CAM Descriptor Area, the value programmed into the CDC register ranges 1 to 16 (1h to 10h).

4.3.11 Tally Counters

The SONIC provides three 16-bit counters used for monitoring network statistics on the number of CRC errors, Frame Alignment errors, and missed packets. These registers roll-over after the count of FFFFh is reached and produce an interrupt if enabled in the Interrupt Mask Register (IMR). These counters are unaffected by the RXEN bit in the CR, but are halted when the RST bit in the CR is set. The data written to these registers is inverted before being latched. This means that if a value of FFFFh is written to these registers by the system, they will contain and read back the value 0000h. Data is not inverted during a read operation. The Tally registers, therefore, are cleared by writing all "1's" to them. A software or hardware reset does not affect the tally counters.

CRC Tally Counter Register (CRCT): The CRCT is a 16-bit read/write register. This register is used to keep track of the number of packets received with CRC errors. After a packet is accepted by the address recognition logic, this register is incremented if a CRC error is detected. If the packet also contains a Frame Alignment error, this counter is not incremented.

FAE Tally Counter Register (FAET): The FAET is a 16-bit read/write register. This register is used to keep track of the number of packets received with frame alignment errors. After a packet is accepted by the address recognition logic, this register is incremented if a FAE error is detected.

Missed Packet Tally Counter Register (MPT): The MPT is a 16-bit read/write register. After a packet is received, this counter is incremented if there is: (1) lack of memory resources to buffer the packet, (2) a FIFO overrun, or (3) a valid packet has been received, but the receiver is disabled (RXDIS is set in the command register).

4.0 SONIC Registers (Continued)

4.3.12 General Purpose Timer

The SONIC contains a 32-bit general-purpose watchdog timer for timing user-definable events. This timer is accessed by the user through two 16-bit read/write registers (WT1 and WT0). The lower count value is programmed through the WT0 register and the upper count value is programmed through the WT1 register.

These two registers are concatenated together to form the complete 32-bit timer. This timer, clocked at $\frac{1}{2}$ the Transmit Clock (TxC) frequency, counts down from its programmed value and generates an interrupt, if enabled (Interrupt Mask register), when it rolls over from 0000 0000h to FFFF FFFFh. When the counter rolls over it continues decrementing unless explicitly stopped (setting the STP bit). The timer is controlled by the ST (Start Timer) and STP (Stop Timer) bits in the Command register. A hardware or software reset halts, but does not clear, the General Purpose timer.

31	16	15	0
WT1 (Upper Count Value)		WT0 (Lower Count Value)	

4.3.13 Silicon Revision Register

This is a 16-bit read only register. It contains information on the current revision of the SONIC. The initial silicon begins at 0000h and subsequent revision will be incremented by one.

5.0 Bus Interface

SONIC features a high speed non-multiplexed address and data bus designed for a wide range of system environments. The data bus can be programmed (via the Data Configuration Register) to a width of either 32- or 16-bits. SONIC con-

tains an on-chip DMA and supplies all the necessary signals for DMA operation. With 31 address lines SONIC can access a full 2 G-word address space. To accommodate different memory speeds wait states can be added to the bus cycle by two methods. The memory subsystem can add wait states by simply withholding the appropriate handshake signals. In addition, the SONIC can be programmed (via the Data Configuration Register) to add wait states.

The SONIC is designed to interface to both the National/Intel and Motorola style buses. To facilitate minimum chip count designs and complete bus compatibility the user can program the SONIC for the following bus modes:

- National/Intel bus operating in synchronous mode
- National/Intel bus operating in asynchronous mode
- Motorola bus operating in synchronous mode
- Motorola bus operating in asynchronous mode

The mode pin (BMODE) along with the SBUS bit in the Data Configuration Register are used to select the bus mode.

This section describes the SONIC's pin signals, provides system interface examples, and describes the various SONIC bus operations.

5.1 PIN CONFIGURATIONS

There are two user selectable pin configurations for SONIC to provide the proper interface signals for either the National/Intel or Motorola style buses. The state of the BMODE pin is used to define the pin configuration. Figure 5-1 shows the pin configuration when BMODE = 1 (tied to V_{CC}) for the Motorola style bus. Figure 5-2 shows the pin configuration when BMODE = 0 (tied to ground) for the National/Intel style bus.

5.0 Bus Interface (Continued)

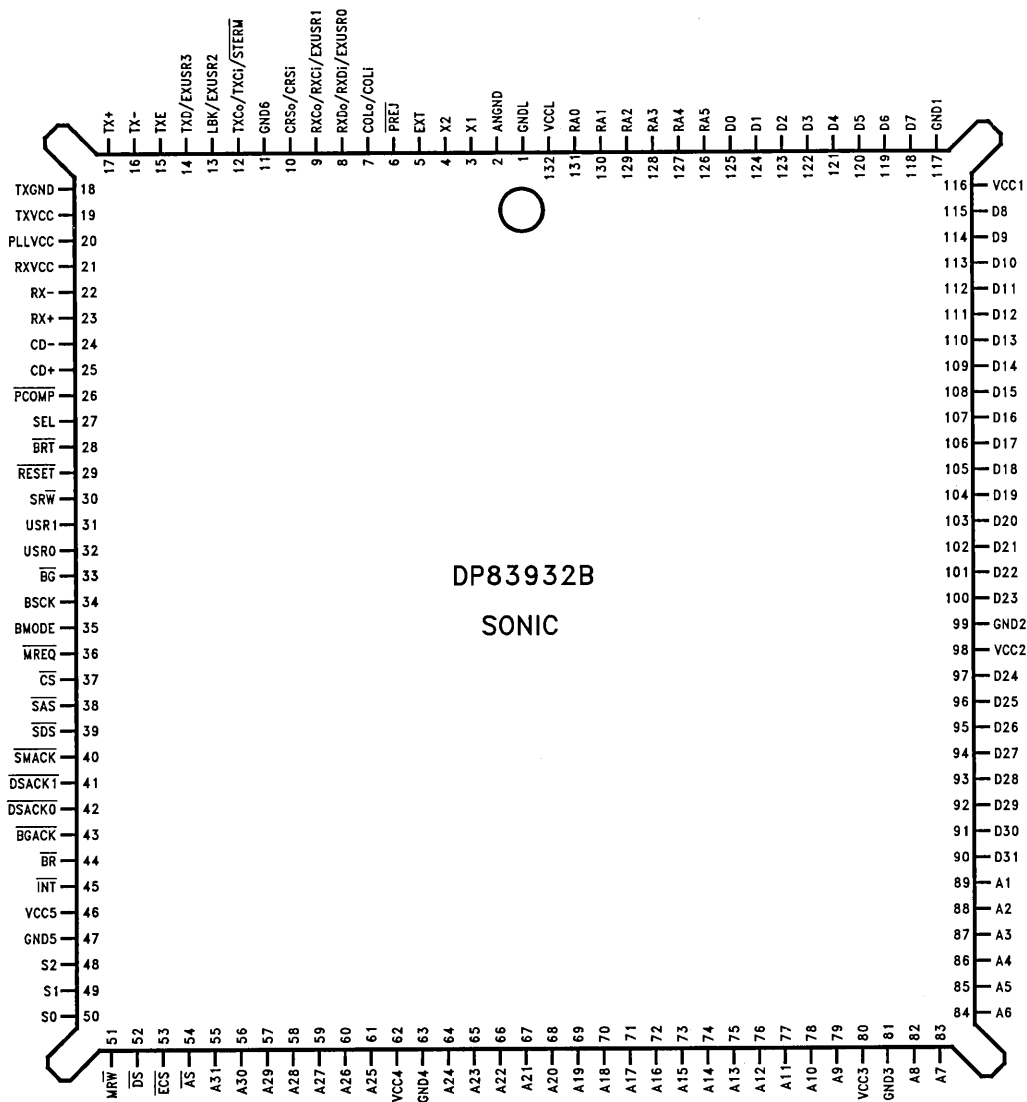
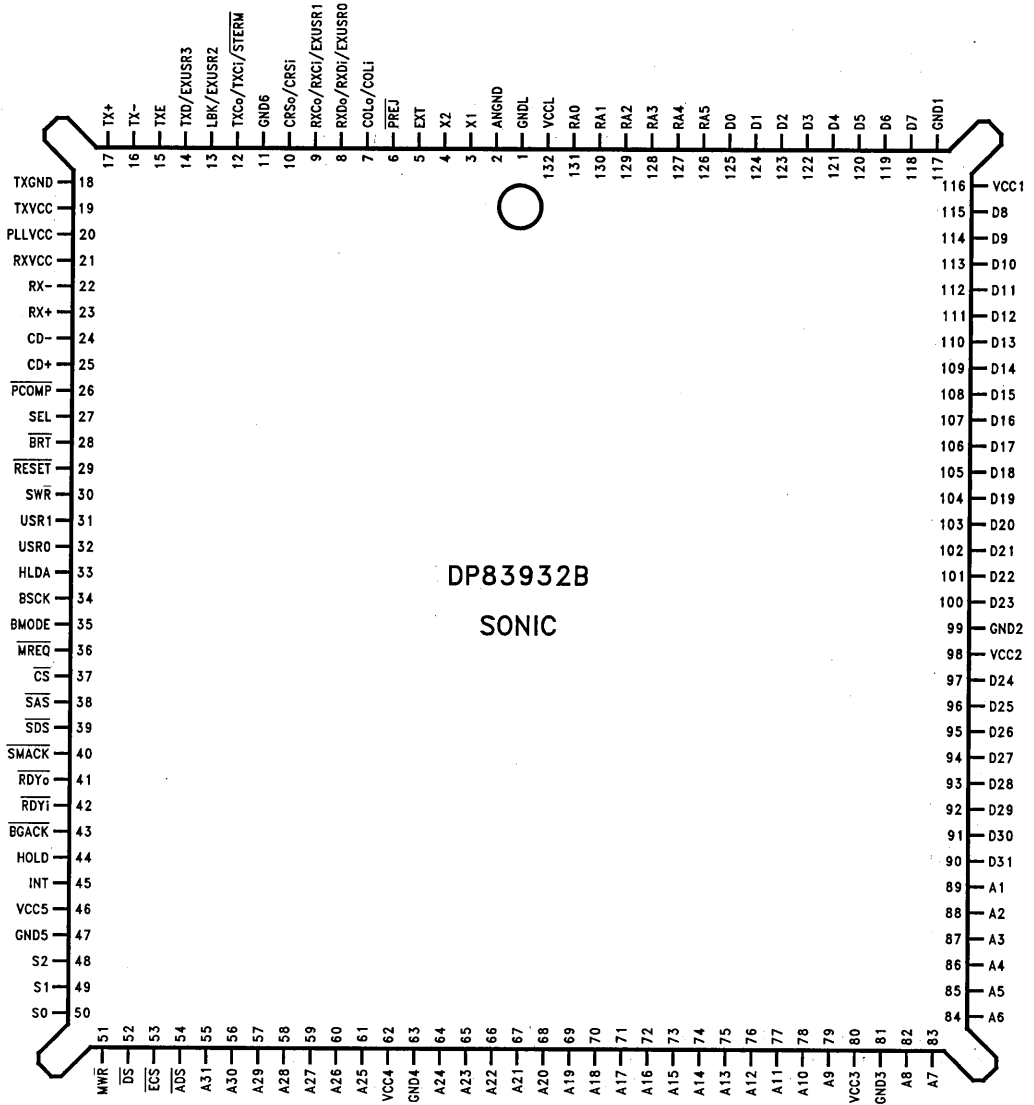


FIGURE 5-1. Connection Diagram (BMODE = 1)

TL/F/10492-23

5.0 Bus Interface (Continued)



DP83932B
SONIC

FIGURE 5-2. Connection Diagram (BMODE = 0)

TL/F/10492-24

5.0 Bus Interface (Continued)

5.2 PIN DESCRIPTION

I = input, O = output, and Z = TRI-STATE

Inputs are TTL compatible

ECL = ECL-like drivers for interfacing to the AUI interface.

TP = Totem pole like drivers. These drivers are driven either high or low and are always driven. Drive levels are CMOS compatible.

TRI = TRI-STATE drivers. These pins are driven high, low or TRI-STATE. Drive levels are CMOS compatible. These pins may also be inputs (depending on the pin).

OC = Open Collector type drivers. These drivers are TRI-STATE when inactive and are driven low when active. These pins may also be inputs (depending on the pin).

TABLE 5-1. Pin Description

Symbol	Driver Type	Direction	Description
NETWORK INTERFACE PINS			
EXT		I	External ENDEC Select: Tying this pin to V_{CC} (EXT = 1) disables the internal ENDEC and allows an external ENDEC to be used. Tying this pin to ground (EXT = 0) enables the internal ENDEC. This pin must be tied either to V_{CC} or ground. Note the alternate pin definitions for CRS _o /CRS _i , CO _{Lo} /CO _{Li} , RX _{Do} /RX _{Di} , RX _{Co} /RX _{CI} , and TX _{Co} /TX _{CI} . When EXT = 0 the first pin definition is used and when EXT = 1 the second pin definition is used.
CD+		I	Collis_{ion} +: The positive differential collision input from the transceiver. This pin should be unconnected when an external ENDEC is selected (EXT = 1).
CD-		I	Collis_{ion} -: The negative differential collision input from the transceiver. This pin should be unconnected when an external ENDEC is selected (EXT = 1).
RX+		I	Receive +: The positive differential receive data input from the transceiver. This pin should be unconnected when an external ENDEC is selected (EXT = 1)
RX-		I	Receive -: The negative differential receive data input from the transceiver. This pin should be unconnected when an external ENDEC is selected (EXT = 1)
TX+	ECL	O	Transmit +: The positive differential transmit output to the transceiver. This pin should be unconnected when an external ENDEC is selected (EXT = 1).
TX-	ECL	O	Transmit -: The negative differential transmit output to the transceiver. This pin should be unconnected when an external ENDEC is selected (EXT = 1).
CRS _o CRS _i	TP	O I	Carrier Sense Output (CRS_o) from the internal ENDEC (EXT = 0): When EXT = 0 the CRS _o signal is internally connected between the ENDEC and MAC units. It is asserted on the first valid high-to-low transition in the receive data (RX+ / -). This signal remains active 1.5 bit times after the last bit of data. Although this signal is used internally by the SONIC it is also provided as an output to the user. Carrier Sense Input (CRS_i) from an external ENDEC (EXT = 1): The CRS _i signal is activated high when the external ENDEC detects valid data at its receive inputs.
CO _{Lo} CO _{Li}	TP	O I	Collision Output (CO_{Lo}) from the internal ENDEC (EXT = 0): When EXT = 0 the CO _{Lo} signal is internally connected between the ENDEC and MAC units. This signal generates an active high signal when the 10 MHz collision signal from the transceiver is detected. Although this signal is used internally by the SONIC it is also provided as an output to the user. Collision Detect Input (CO_{Li}) from an external ENDEC (EXT = 1): The CO _{Li} signal is activated from an external ENDEC when a collision is detected. This pin is monitored during transmissions from the beginning of the Start Of Frame Delimiter (SFD) to the end of the packet. At the end of transmission, this signal is monitored by the SONIC for CD heartbeat.

1

5.0 Bus Interface (Continued)

TABLE 5-1. Pin Description (Continued)

Symbol	Driver Type	Direction	Description
NETWORK INTERFACE PINS (Continued)			
RXDo RXDi EXUSR0	TP TRI	O I O, Z	<p>This pin will be TRI-STATE until the DCR has been written to. (See section 4.3.2, EXBUS, for more information.)</p> <p>Receive Data Output (RXDo) from the internal ENDEC (EXT = 0): NRZ data output. When EXT = 0 the RXDOUT signal is internally connected between the ENDEC and MAC units. This signal must be sampled on the rising edge of the receive clock output (RXCo). Although this signal is used internally by the SONIC it is also provided as an output to the user.</p> <p>Receive Data Input (RXDi) from an external ENDEC (EXT = 1): The NRZ data decoded from the external ENDEC. This data is clocked in on the rising edge of RXCi.</p> <p>Extended User Output (EXUSR0): When EXBUS has been set (see section 4.3.2), this pin becomes a programmable output. It will remain TRI-STATE until the SONIC becomes a bus master, at which time it will be driven according to the value programmed in the DCR2 (Section 4.3.7).</p>
RXCo RXCi EXUSR1	TP TRI	O I O, Z	<p>This pin will be TRI-STATE until the DCR has been written to. (See section 4.3.2, EXBUS, for more information.)</p> <p>Receive Clock Output (RXCo) from the internal ENDEC (EXT = 0): When EXT = 0 the RXCo signal is internally connected between the ENDEC and MAC units. This signal is the separated receive clock from the Manchester data stream. It remains active 5-bit times after the deassertion of CRS0. Although this signal is used internally by the SONIC it is also provided as an output to the user.</p> <p>Receive Clock Input (RXCi) from an external ENDEC (EXT = 1): The separated received clock from the Manchester data stream. This signal is generated from an external ENDEC.</p> <p>Extended User Output (EXUSR1): When EXBUS has been set (see section 4.3.2), this pin becomes a programmable output. It will remain TRI-STATE until the SONIC becomes a bus master, at which time it will be driven according to the value programmed in the DCR2 (Section 4.3.7).</p>
TXD EXUSR3	TP TRI	O O, Z	<p>This pin will be TRI-STATE until the DCR has been written to. (See section 4.3.2, EXBUS, for more information.)</p> <p>Transmit Data (TXD): The serial NRZ data from the MAC unit which is to be decoded by an external ENDEC. Data is valid on the rising edge of TXC. Although this signal is used internally by the SONIC it is also provided as an output to the user.</p> <p>Extended User Output (EXUSR3): When EXBUS has been set (see section 4.3.2), this pin becomes a programmable output. It will remain TRI-STATE until the SONIC becomes a bus master, at which time it will be driven according to the value programmed in the DCR2 (Section 4.3.7).</p>
TXE	TP	O	<p>Transmit Enable: This pin is driven high when the SONIC begins transmission and remains active until the last byte is transmitted. Although this signal is used internally by the SONIC it is also provided as an output to the user.</p>
TXCo TXCi STERM	TRI	O, Z I I	<p>This pin will be TRI-STATE until the DCR has been written to. (See section 4.3.2, EXBUS, for more information.)</p> <p>Transmit Clock Output (TXCo) from the internal ENDEC (EXT = 0): This 10 MHz clock transmit clock output is derived from the 20 MHz oscillator. When EXT = 0 the TXCOUT signal is internally connected between the ENDEC and MAC units. Although this signal is used internally by the SONIC it is also provided as an output to the user.</p> <p>Transmit Clock Input (TXCi) (EXT = 1): This input clock from an external ENDEC is used for shifting data out of the MAC unit serializer. This clock is nominally 10 MHz.</p> <p>Synchronous Termination (STERM): When the SONIC is a bus master, it samples this pin before terminating its memory cycle. This pin is sampled synchronously and may only be used in asynchronous bus mode when BMODE = 1. See section 5.4.5 for more details.</p>

5.0 Bus Interface (Continued)

TABLE 5-1. Pin Description (Continued)

Symbol	Driver Type	Direction	Description
NETWORK INTERFACE PINS (Continued)			
LBK EXUSR2	TP TRI	O O, Z	This pin will be TRI-STATE until the DCR has been written to. (See section 4.3.2, EXBUS, for more information.) Loopback (LBK): When ENDEC loopback is programmed, this pin is asserted high. Although this signal is used internally by the SONIC it is also provided as an output to the user. Extended User Output (EXUSR2): When EXBUS has been set (see section 4.3.2), this pin becomes a programmable output. It will remain TRI-STATE until the SONIC becomes a bus master, at which time it will be driven according to the value programmed in the DCR2 (Section 4.3.7).
PCOMP	TRI	O, Z	Packet Compression: This pin is used with the Management Bus of the DP83950, Repeater Interface Controller (RIC). The SONIC can be programmed to assert PCOMP whenever there is a CAM match, or when there is not a match. The RIC uses this signal to compress (shorten) a received packet for management purposes and to reduce memory usage. (See the DP83950 datasheet for more details on the RIC Management Bus.) The operation of this pin is controlled by bits 1 and 2 in the DCR2 register. PCOMP will remain TRI-STATE until these bits are written to.
SEL		I	Mode Select (EXT = 0): This pin is used to determine the voltage relationship between TX+ and TX- during idle at the primary of the isolation transformer on the network interface. When tied to V _{CC} , TX+ and TX- are at equal voltages during idle. When tied to ground, the voltage at TX+ is positive with respect to TX- during idle on the primary side of the isolation transformer (Figure 6-2).
PREJ		I, O	Packet Reject: This signal is used to reject received packets. When asserted low for at least two receive clocks (RXC), the SONIC will reject the incoming packet. This pin can be asserted up to the 2nd to the last bit of reception to reject a packet.
X1	TP	I, O	Crystal or External Oscillator Input: This signal is used to provide clocking signals for the internal ENDEC. A crystal can be connected to this pin along with X2, or an oscillator module may be used. Typically the output of an oscillator module is connected to this pin. See section 6.1.3 for more information about using oscillators or crystals.
X2		I	Crystal Feedback Output: This signal is used to provide clocking signals for the internal ENDEC. A crystal may be connected to this pin along with X1, or an oscillator module may be used. See section 6.1.3 for more information about using oscillator modules or crystals.
BUS INTERFACE PINS			
BMODE		I	Bus Mode: This input enables the SONIC to be compatible with standard microprocessor buses. The level of this pin affects byte ordering (little or big endian) and controls the operation of the bus interface control signals. A high level (tied to V _{CC}) selects Motorola mode (big endian) and a low level (tied to ground) selects National/Intel mode (little endian). Note the alternate pin definitions for $\overline{AS}/\overline{ADS}$, $\overline{MRW}/\overline{MWR}$, $\overline{INT}/\overline{INT}$, $\overline{BR}/\overline{HOLD}$, $\overline{BG}/\overline{HLDA}$, $\overline{SRW}/\overline{SWR}$, $\overline{DSACK0}/\overline{RDY}_i$, and $\overline{DSACK1}/\overline{RDY}_o$. When BMODE = 1 the first pin definition is used and when BMODE = 0 the second pin definition is used. See sections 5.4.1, 5.4.4, and 5.4.5.

5.0 Bus Interface (Continued)

TABLE 5-1. Pin Description (Continued)

Symbol	Driver Type	Direction	Description
BUS INTERFACE PINS (Continued)			
D31–D0	TRI	I, O, Z	Data Bus: These bidirectional lines are used to transfer data on the system bus. When the SONIC is a bus master, 16-bit data is transferred on D15–D0 and 32-bit data is transferred on D31–D0. When the SONIC is accessed as a slave, register data is driven onto lines D15–D0. D31–D16 are held TRI-STATE if SONIC is in 16-bit mode. If SONIC is in 32-bit mode, they are driven, but invalid.
A31–A1	TRI	O, Z	Address Bus: These signals are used by the SONIC to drive the DMA address after the SONIC has acquired the bus. Since the SONIC aligns data to word boundaries, only 31 address lines are needed.
RA5–RA0		I	Register Address Bus: These signals are used to access SONIC's internal registers. When the SONIC is accessed, the CPU drives these lines to select the desired SONIC register.
\overline{AS} ADS	TRI TRI	I, O, Z O, Z	Address Strobe (\overline{AS}): When BMODE = 1, the falling edge indicates valid status and address. The rising edge indicates the termination of the memory cycle. Address Strobe (ADS): When BMODE = 0, the rising edge indicates valid status and address.
MRW MWR	TRI TRI	O, Z O, Z	When the SONIC has acquired the bus, this signal indicates the direction of data. Memory Read/Write Strobe (MRW): When BMODE = 1, this signal is high during a read cycle and low during a write cycle. Memory Read/Write Strobe (MWR): When BMODE = 0, the signal is low during a read cycle and high during a write cycle.
INT INT	TP OC	O O, Z	Indicates that an interrupt (if enabled) is pending from one of the sources indicated by the Interrupt Status register. Interrupts that are disabled in the Interrupt Mask register will not activate this signal. Interrupt (INT): This signal is active low when BMODE = 1. Interrupt (INT): This signal is active high when BMODE = 0.
RESET		I	Reset: This signal is used to hardware reset the SONIC. When asserted low, the SONIC transitions into the reset state after 10 transmit clocks or 10 bus clocks if the bus clock period is greater than the transmit clock period.
S2–S0	TP	O	Bus Status: These three signals provide a continuous status of the current SONIC bus operations. See section 5.4.3 for status definitions.
BCLK		I	Bus Clock: This clock provides the timing for the SONIC DMA engine.
BR HOLD	OC TP	O, Z O	Bus Request (BR): When BMODE = 1, the SONIC asserts this pin low when it attempts to gain access to the bus. When inactive this signal is tri-stated. Hold Request (HOLD): When BMODE = 0, the SONIC drives this pin high when it intends to use the bus and is driven low when inactive.
BG HLDA		I I	Bus Grant (BG): When BMODE = 1 this signal is a bus grant. The system asserts this pin low to indicate potential mastership of the bus. Hold Acknowledge (HLDA): When BMODE = 0 this signal is used to inform the SONIC that it has attained the bus. When the system asserts this pin high, the SONIC has gained ownership of the bus.
BGACK	TRI	I, O, Z	Bus Grant Acknowledge: When BMODE = 1, the SONIC asserts this pin low when it has determined that it can gain ownership of the bus. The SONIC checks the following signal before driving BGACK. 1) BG has been received through the bus arbitration process. 2) \overline{AS} is deasserted, indicating that the CPU has finished using the bus. 3) $\overline{DSACK0}$ and $\overline{DSACK1}$ are deasserted, indicating that the previous slave device is off the bus. 4) BGACK is deasserted, indicating that the previous master is off the bus. This pin is only used when BMODE = 1.

5.0 Bus Interface (Continued)

TABLE 5-1. Pin Description (Continued)

Symbol	Driver Type	Direction	Description
BUS INTERFACE PINS (Continued)			
\overline{CS}		I	Chip Select: The system asserts this pin low to access the SONIC's registers. The registers are selected by placing an address on lines RA5–RA0. Note: Both \overline{CS} and \overline{MREQ} must not be asserted concurrently. If these signals are successively asserted, there must be at least two bus clocks between the deasserting edge of the first signal and the asserting edge of the second signal.
\overline{SAS}		I	Slave Address Strobe: The system asserts this pin to latch the register address on lines RA0–RA5. When BMODE = 1, the address is latched on the falling edge of \overline{SAS} . When BMODE = 0 the address is latched on the rising edge of \overline{SAS} .
\overline{SDS}		I	Slave Data Strobe: The system asserts this pin to indicate valid data is on the bus during a register write operation or when data may be driven onto the bus during a register read operation. Note: In the DP83932, \overline{SDS} was used only in Motorola mode slave accesses to end the bus cycle by causing the deassertion of $\overline{DSACK0,1}$, \overline{SMACK} and the data, $D < 15:0 >$. It served no other function. In the DP83932B (and the DP83932A), however, \overline{SAS} now accomplishes the same function, hence, \overline{SDS} is no longer needed, and does not have to be driven (\overline{SAS} must be driven instead). This change should not cause any compatibility problems with older versions of the SONIC.
\overline{SRW} SWR		I I	The system asserts this pin to indicate whether it will read from or write to the SONIC's registers. Slave Read/Write (\overline{SRW}): When BMODE = 1, this signal is asserted high during a read and low during a write. Slave Read/Write Strobe (\overline{SWR}): when BMODE = 0, this signal is asserted low during a read and high during a write.
\overline{DS}	TRI	O, Z	Data Strobe: When the SONIC is bus master, it drives this pin low during a read cycle to indicate that the slave device may drive data onto the bus; in a write cycle, this pin indicates that the SONIC has placed valid data onto the bus.
$\overline{DSACK0}$ \overline{RDYi} $\overline{DSACK1}$ $\overline{RDY0}$	TRI TRI TP	I, O, Z I I, O, Z O	Data and Size Acknowledge 0 and 1 ($\overline{DSACK0,1}$ BMODE = 1): These pins are the output slave acknowledge to the system when the SONIC registers have been accessed and the input slave acknowledgement when the SONIC is busmaster. When a register has been accessed, the SONIC drives the $\overline{DSACK0,1}$ pins low to terminate the slave cycle. (Note that the SONIC responds as a 32-bit peripheral, but drives data only on lines D0–D15). Lines D16–D31 are driven, but invalid. When the SONIC is bus master, it samples these pins before terminating its memory cycle. These pins are sampled synchronously or asynchronously depending on the state of the SBUS bit in the Data Configuration register. See section 5.4.5 for details. Note that the SONIC does not allow dynamic bus sizing. Bus size is statically defined in the Data Configuration register (see section 4.3.2). Ready Input (\overline{RDYi}, BMODE = 0): When the SONIC is a bus master, the system asserts this signal high to insert wait-states and low to terminate the memory cycle. This signal is sampled synchronously or asynchronously depending on the state of the SBUS bit. See section 5.4.5 and 4.3.2 for details. Ready Output ($\overline{RDY0}$, BMODE = 0): When a register is accessed, the SONIC asserts this signal to terminate the slave cycle.
BRT		I	Bus Retry: When the SONIC is bus master, the system asserts this signal to rectify a potentially correctable bus error. This pin has 2 modes. Mode 1 (the LBR in the Data Configuration register is set to 0): Assertion of this pin forces the SONIC to terminate the current bus cycle and will repeat the same cycle after BRT has been deasserted. Mode 2 (the LBR bit in the Data Configuration register is set to 1): Assertion of this signal forces the SONIC to retry the bus operation as in Mode 1. However, the SONIC will not continue DMA operations until the BR bit in the ISR is reset.
ECS	TRI	O, Z	Early Cycle Start: This output gives the system earliest indication that a memory operation is occurring. This signal is driven low at the rising edge of T1 and high at the falling edge of T1.

5.0 Bus Interface (Continued)

TABLE 5-1. Pin Description (Continued)

Symbol	Driver Type	Direction	Description
SHARED-MEMORY ACCESS PINS			
MREQ		I	Memory Request: The system asserts this signal low when it attempts to access the shared-buffer RAM. The on-chip arbiter resolves accesses between the system and the SONIC. Note: Both \overline{CS} and \overline{MREQ} must not be asserted concurrently. If these signals are successively asserted, there must be at least two bus clocks between the deasserting edge of the first signal and the asserting edge of the second signal.
SMACK	TP	O	Slave and Memory Acknowledge: SONIC asserts this dual function pin low in response to either a Chip Select (\overline{CS}) or a Memory Request (\overline{MREQ}) when the SONIC's registers or it's buffer memory is available for accessing. This pin can be used for enabling bus drivers for dual-bus systems.
USER DEFINABLE PINS			
USR0,1	TRI	I, O, Z	User Define 0,1: These signals are inputs when SONIC is hardware reset and are outputs when SONIC is a bus master (\overline{HLDA} or \overline{BGACK}). When hard reset (\overline{RST}) is low, these signals input directly into bits 8 and 9 of the Data Configuration register (DCR) respectively. The levels on these pins are latched on the rising edge of \overline{RST} . During busmaster operations (\overline{HLDA} or \overline{BGACK} is active), these pins are outputs whose levels are programmable through bits 11 and 12 of the DCR respectively. The USR0,1 pins should be pulled up to V_{CC} or pulled down to ground. A 4.7 k Ω pull-up resistor is recommended.
POWER AND GROUND PINS			
VCC1-5 VCLL			Power: The +5V power supply for the digital portions of the SONIC.
TXVCC RXVCC PLLCC			Power: These pins are the +5V power supply for the SONIC ENDEC unit. These pins must be tied to V_{CC} even if the internal ENDEC is not used.
GND1-6 GNDL			Ground: The ground reference for the digital portions of the SONIC.
TXGND ANGND			Ground: These pins are the ground references for the SONIC ENDEC unit. These pins must be tied to ground even if the internal ENDEC is not used.

5.3 SYSTEM CONFIGURATION

Any device that meets the SONIC interface protocol and electrical requirements (timing, threshold, and loading) can be interfaced to SONIC. Since two bus protocols are provided, via the BMODE pin, the SONIC can interface directly to most microprocessors. *Figure 5-3* shows a typical interface to the National/Intel style bus (BMODE=0) and *Figure 5-4* shows a typical interface to the Motorola style bus (BMODE=1).

The BMODE pin also controls byte ordering. When BMODE=1 big endian byte ordering is selected and when BMODE=0 little endian byte ordering is selected.

5.4 BUS OPERATIONS

There are two types of system bus operations: 1) SONIC as a slave, and 2) SONIC as a bus master. When SONIC is a slave (e.g., a CPU accessing SONIC registers) all transfers are non-DMA. When SONIC is a bus master (e.g., SONIC accessing receive or transmit buffer/descriptor areas) all transfers are block transfers using SONIC's on-chip DMA. This section describes the SONIC bus operations. Pay special attention to all sections labeled as "Note". These conditions must be met for proper bus operation.

5.0 Bus Interface (Continued)

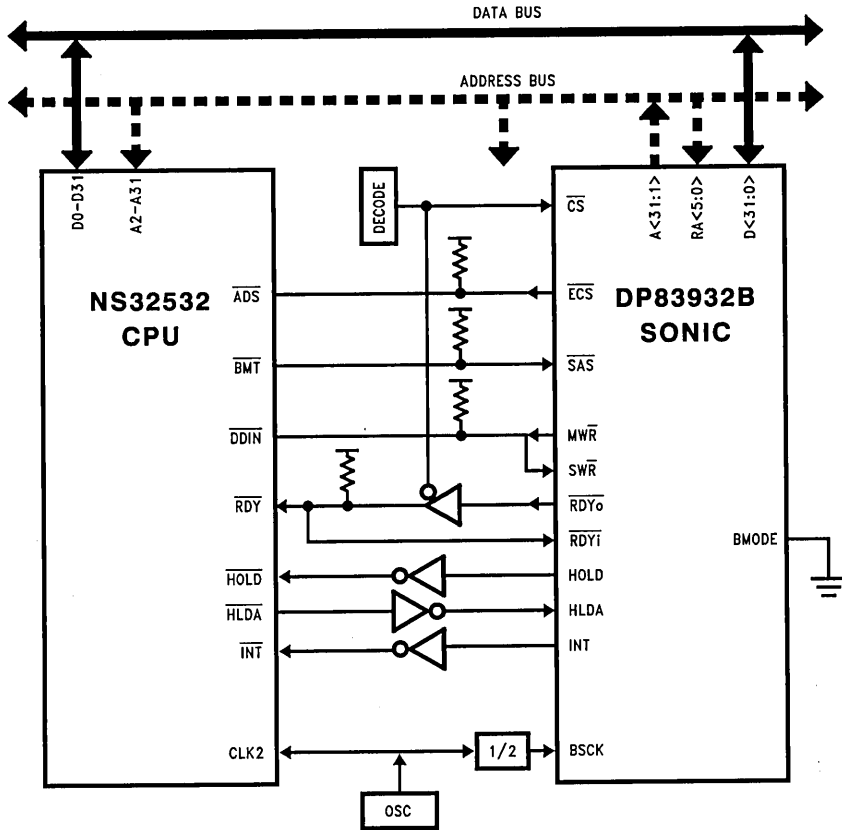


FIGURE 5-3. SONIC to NS32532 Interface Example

TL/F/10492-25

5.0 Bus Interface (Continued)

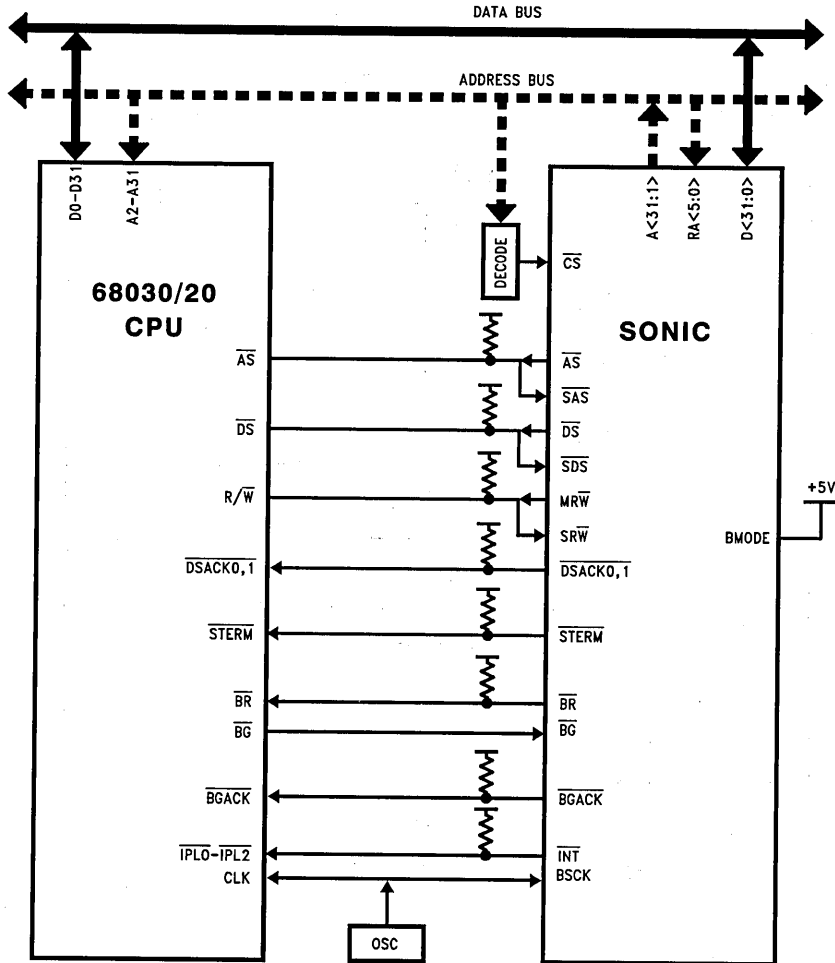


FIGURE 5-4. SONIC to Motorola 68030/20 Interface Example

TL/F/10492-26

5.0 Bus Interface (Continued)

5.4.1 Acquiring The Bus

The SONIC requests the bus when 1) its FIFO threshold has been reached or 2) when the descriptor areas in memory (i.e., RRA, RDA, CDA, and TDA) are accessed. Note that when the SONIC moves from one area in memory to another (e.g., RBA to RDA), it always deasserts its bus request and then requests the bus again when accessing the next area in memory.

The SONIC provides two methods to acquire the bus for compatibility with National/Intel or Motorola type microprocessors. These two methods are selected by setting the proper level on the BMODE pin.

Figures 5-5 and 5-6 show the National/Intel (BMODE = 0) and Motorola (BMODE = 1) bus request timing. Descriptions of each mode follows. For both modes, when the SONIC relinquishes the bus, there is an extra holding state (Th) for one bus cycle after the last DMA cycle (T2). This assures that the SONIC does not contend with another bus master after it has released the bus.

BMODE = 0

The National/Intel processors require a 2-way handshake using a HOLD REQUEST/HOLD ACKNOWLEDGE protocol (Figure 5-5). When the SONIC needs to access the bus, it issues a HOLD REQUEST (HOLD) to the microprocessor. The microprocessor, responds with a HOLD ACKNOWLEDGE (HLDA) to the SONIC. The SONIC then begins its memory transfers on the bus. As long as the CPU maintains HLDA active, the SONIC continues until it has finished its memory block transfer. The CPU, however, can preempt the SONIC from finishing the block transfer by deasserting HLDA before the SONIC deasserts HOLD. This allows a higher priority device to preempt the SONIC from continuing to use the bus. The SONIC will request the bus again later to complete any operation that it was doing at the time of preemption.

As shown in Figure 5-5, the SONIC will assert HOLD to either the falling or rising edge of the bus clock (BSCK). The default is for HOLD to be asserted on the falling edge. Setting the PH bit in the DCR2 (see section 4.3.7) causes HOLD to be asserted 1/2 bus clock later on the rising edge (shown by the dotted line). Before HOLD is asserted, the SONIC checks the HLDA line. If HLDA is asserted, HOLD will not be asserted until after HLDA has been deasserted first.

BMODE = 1

The Motorola protocol requires a 3-way handshake using a BUS REQUEST, BUS GRANT, and BUS GRANT ACKNOWLEDGE handshake (Figure 5-6). When using this protocol, the SONIC requests the bus by lowering BUS REQUEST (BR). The CPU responds by issuing BUS GRANT (BG). Upon receiving BG, the SONIC assures that all devices have relinquished control of the bus before using the bus. The following signals must be deasserted before the SONIC acquires the bus:

- BGACK
- AS
- DSACK0,1
- STERM (Asynchronous Mode Only)

Deasserting BGACK indicates that the previous master has released the bus. Deasserting AS indicates that the previous master has completed its cycle and deasserting DSACK0,1 and STERM indicates that the previous slave has terminated its connection to the previous master. The SONIC maintains its mastership of the bus until it deasserts BGACK. It can not be preempted from the bus.

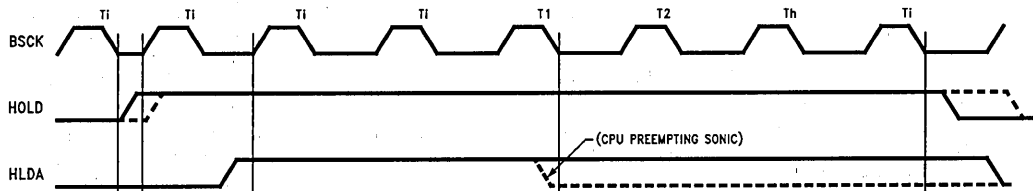


FIGURE 5-5. Bus Request Timing, BMODE=0

TL/F/10492-27

5.0 Bus Interface (Continued)

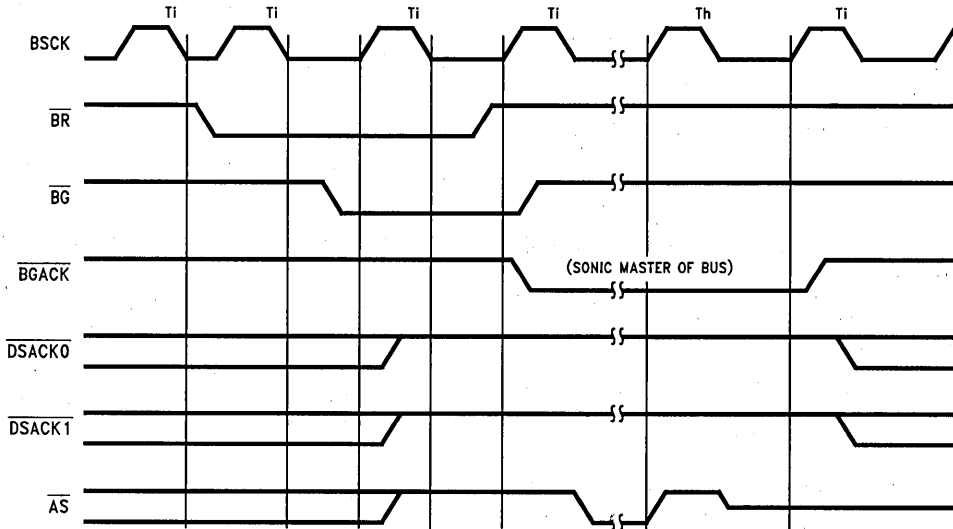


FIGURE 5-6. Bus Request Timing, BMODE = 1

TL/F/10492-28

5.4.2 Block Transfers

The SONIC performs block operations during all bus actions, thereby providing efficient transfers to memory. The block cycle consists of three parts. The first part is the bus acquisition phase, as discussed above, in which the SONIC gains access to the bus. Once it has access of the bus, the SONIC enters the second phase by transferring data to/from its internal FIFOs or registers from/to memory. The SONIC transfers data from its FIFOs in either EXACT BLOCK mode or EMPTY/FILL.

BLOCK mode: In this mode the number of words (or long words) transferred during a block transfer is determined by either the Transmit or Receive FIFO thresholds programmed in the Data Configuration Register.

EMPTY/FILL mode: In this mode the DMA completely fills the Transmit FIFO during transmission, or completely empties the Receive FIFO during reception. This allows for greater bus latency.

When the SONIC accesses the Descriptor Areas (i.e., RRA, RDA, CDA, and TDA), it transfers data between its registers and memory. All fields which need to be used are accessed in one block operation. Thus, the SONIC performs 4 accesses in the RRA (see section 3.4.4.2), 7 accesses in the RDA (see section 3.4.6.1), 2, 3, or 6 accesses in the TDA (see section 3.5.4) and 4 accesses in the CDA.

5.4.3 Bus Status

The SONIC presents three bits of status information on pins S2-S0 which indicate the type of bus operation the SONIC is currently performing (Table 5-2). Bus status is valid when at the falling edge of \overline{AS} or the rising edge of \overline{ADS} .

TABLE 5-2. Bus Status

S2	S1	S0	Status
1	1	1	The bus is idle. The SONIC is not performing any transfers on the bus.
1	0	1	The Transmit Descriptor Area (TDA) is currently being accessed.
0	0	1	The Transmit Buffer Area (TBA) is currently being read.
0	1	1	The Receive Buffer Area (RBA) is currently being written to. Only data is being written, though, not a Source or Destination address.
0	1	0	The Receive Buffer Area (RBA) is currently being written to. Only the Source or Destination address is being written, though.
1	1	0	The Receive Resource Area (RRA) is currently being read.
1	0	0	The Receive Descriptor Area (RDA) is currently being accessed.
0	0	0	The CAM Descriptor Area (CDA) is currently being accessed.

5.0 Bus Interface (Continued)

5.4.3.1 Bus Status Transitions

When the SONIC acquires the bus, it only transfers data to/from a single area in memory (i.e., TDA, TBA, RDA, RBA, RRA, or CDA). Thus, the bus status pins remain stable for the duration of the block transfer cycle with the following three exceptions: 1) If the SONIC is accessed during a block transfer, S2-S0 indicates bus idle during the register access, then returns to the previous status. 2) If the SONIC finishes writing the Source Address during a block transfer S2-S0 changes from [0,1,0] to [0,1,1]. 3) During an RDA access between the RXpkt.seq_no and RXpkt.link access, and between the RXpkt.link and RXpkt.in_use access, S2-S0 will respectively indicate idle [1,1,1] for 2 or 1 bus clocks. Status will be valid on the falling edge of \overline{AS} or rising edge of \overline{ADS} .

Figure 5-7 illustrates the SONIC's transitions through memory during the process of transmission and reception. During transmission, the SONIC reads the descriptor information from the TDA and then transmits data of the packet from the TBA. The SONIC moves back and forth between the TDA and TBA until all fragments and packets are transmitted. During reception, the SONIC takes one of two paths. In the first case (path A), when the SONIC detects EOL=0 from the previous reception, it buffers the accepted packet into the RBA, and then writes the descriptor information to the RDA. If the RBA becomes depleted (i.e., RBWC0,1 < EOBC), it moves to the RRA to read a resource descriptor. In the second case (path B), when the SONIC detects EOL=1 from the previous reception, it rereads the

RXpkt.link field to determine if the system has reset the EOL bit since the last reception. If it has, the SONIC buffers the packet as in the first case. Otherwise, it rejects the packet and returns to idle.

5.4.4 Bus Mode Compatibility

For compatibility with different microprocessor and bus architectures, the SONIC operates in one of two modes (set by the BMODE pin) called the National/Intel or little endian mode (BMODE tied low) and the Motorola or big endian mode (BMODE tied high). The definitions for several pins change depending on the mode the SONIC is in. Table 5-3 shows these changes. These modes affect both master and slave bus operations with the SONIC.

TABLE 5-3. Bus Mode Compatibility

Pin Name	BMODE = 0 (National/Intel)	BMODE = 1 (Motorola)
\overline{BF} /HOLD	HOLD	\overline{BF}
\overline{BG} /HLDA	HLDA	\overline{BG}
MR \overline{W} /MWR	MWR	MR \overline{W}
SR \overline{W} /SW \overline{R}	SW \overline{R}	SR \overline{W}
$\overline{DSACK0}$ /RDY \overline{i}	RDY \overline{i}	$\overline{DSACK0}$
$\overline{DSACK1}$ /RDY \overline{o}	RDY \overline{o}	$\overline{DSACK1}$
\overline{AS} / \overline{ADS}	\overline{ADS}	\overline{AS}
\overline{INT} /INT	INT	\overline{INT}

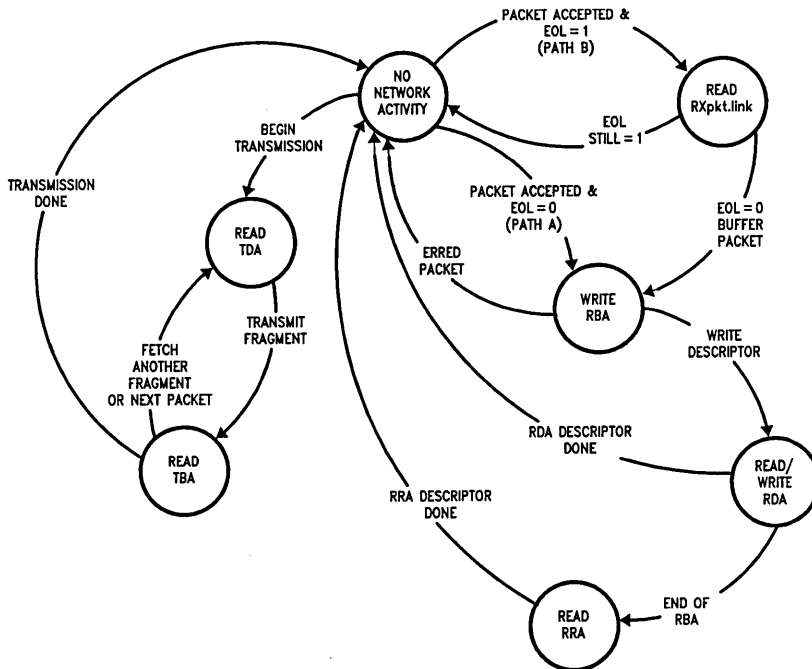


FIGURE 5-7. Bus Status Transitions

TL/F/10492-29

5.0 Bus Interface (Continued)

5.4.5 Master Mode Bus Cycles

In order to add additional compatibility with different bus architectures, there are two other modes that affect the operation of the bus. These modes are called the synchronous and asynchronous modes and are programmed by setting or resetting the SBUS bit in the Data Configuration Register (DCR). The synchronous and asynchronous modes do not have an effect on slave accesses to the SONIC but they do affect the master mode operation. Within the particular bus/processor mode, synchronous and asynchronous modes are very similar. This section discusses all four modes of operation of the SONIC (National/Intel vs. Motorola, synchronous vs. asynchronous) when it is a bus master.

In this section, the rising edge of T1 and T2 means the beginning of these states, and the falling edge of T1 and T2 means the middle of these states.

5.4.5.1 Adding Wait States

To accommodate different memory speeds, the SONIC provides two methods for adding wait states for its bus operations. Both of these methods can be used singly or in con-

junction with each other. A memory cycle is extended by adding additional T2 states. The first method inserts wait-states by withholding the assertion of $\overline{DSACK0,1}$ / \overline{STERM} or \overline{RDYi} . The other method allows software to program wait-states. Programming the WC0, WC1 bits in the Data Configuration Register allows 1 to 3 wait-states to be added on each memory cycle. These wait states are inserted between the T1 and T2 bus states and are called T2(wait) bus states. The SONIC will not look at the $\overline{DSACK0,1}$, \overline{STERM} or \overline{RDYi} lines until the programmed wait states have passed. Hence, in order to complete a bus operation that includes programmed wait states, the $\overline{DSACK0,1}$, \overline{STERM} or \overline{RDYi} lines must be asserted at their proper times at the end of the cycle during the last T2, not during a programmed wait state. The only exception to this is asynchronous mode where $\overline{DSACK0,1}$ or \overline{RDYi} would be asserted during the last programmed wait state, T2 (wait). See the timing for these signals in the timing diagrams for more specific information. Programmed wait states do not affect Slave Mode bus cycles.

5.0 Bus Interface (Continued)

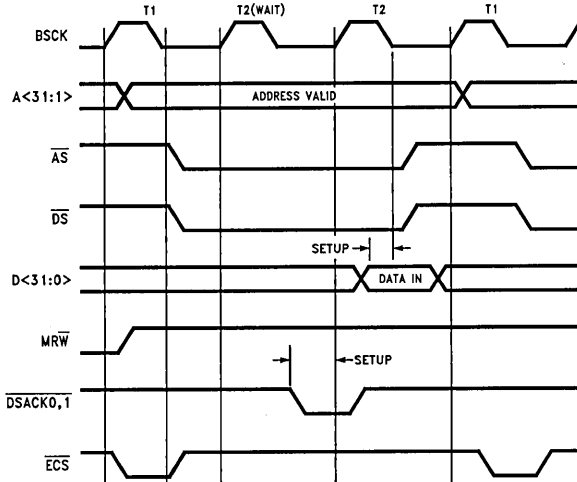
5.4.5.2 Memory Cycle for BMODE = 1, Synchronous Mode

On the rising edge of T1, the SONIC asserts \overline{ECS} to indicate that the memory cycle is starting. The address (A31-A1), bus status (S2-S0) and the direction strobe (MRW) are driven and do not change for the remainder of the memory cycle. On the falling edge of T1, the SONIC deasserts \overline{ECS} and asserts \overline{AS} .

In synchronous mode, $\overline{DSACK0,T}$ are sampled on the rising edge of T2. T2 states will be repeated until $\overline{DSACK0,T}$ are

sampled properly in a low state. $\overline{DSACK0,T}$ must meet the setup and hold times with respect to the rising edge of bus clock for proper operation.

During read cycles (Figure 5-8) data (D31-D0) is latched at the falling edge of T2 and \overline{DS} is asserted at the falling edge of T1. For write cycles (Figure 5-9) data is driven on the falling edge of T1. If there are wait states inserted, \overline{DS} is asserted on the falling edge of T2. \overline{DS} is not asserted for zero wait state write cycles. The SONIC terminates the memory cycle by deasserting \overline{AS} and \overline{DS} at the falling edge of T2.



TL/F/10492-31

FIGURE 5-8. Memory Read, BMODE = 1, Synchronous (1 Wait-State)

5.0 Bus Interface (Continued)

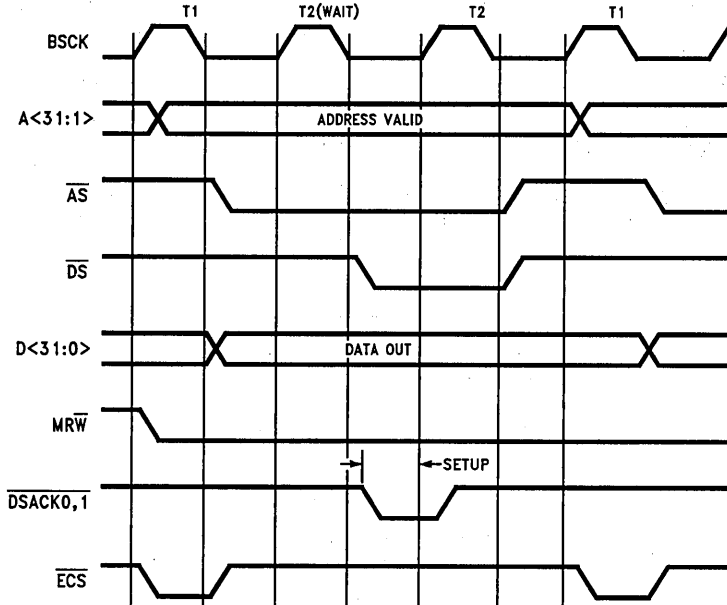


FIGURE 5-9. Memory Write, BMODE = 1, Synchronous (1 Wait-State)

TL/F/10492-33

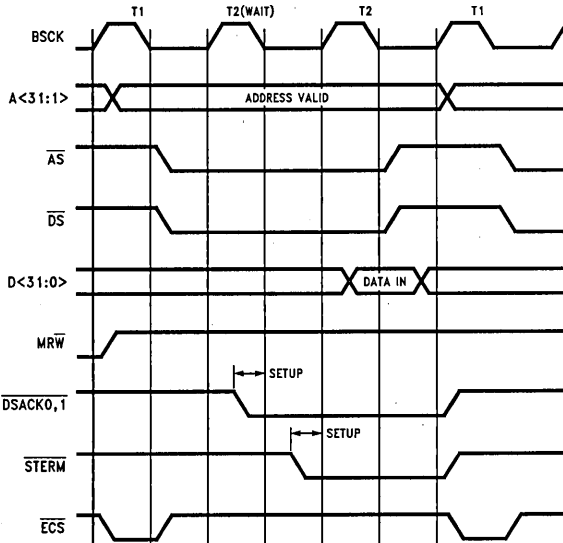
5.0 Bus Interface (Continued)

5.4.5.3 Memory Cycle for BMODE = 1, Asynchronous Mode

On the rising edge of T1, the SONIC asserts \overline{ECS} to indicate that the memory cycle is starting. The address (A31-A1), bus status (S2-S0) and the direction strobe (MRW) are driven and do not change for the remainder of the memory cycle. On the falling edge of T1, the SONIC deasserts \overline{ECS} and asserts \overline{AS} .

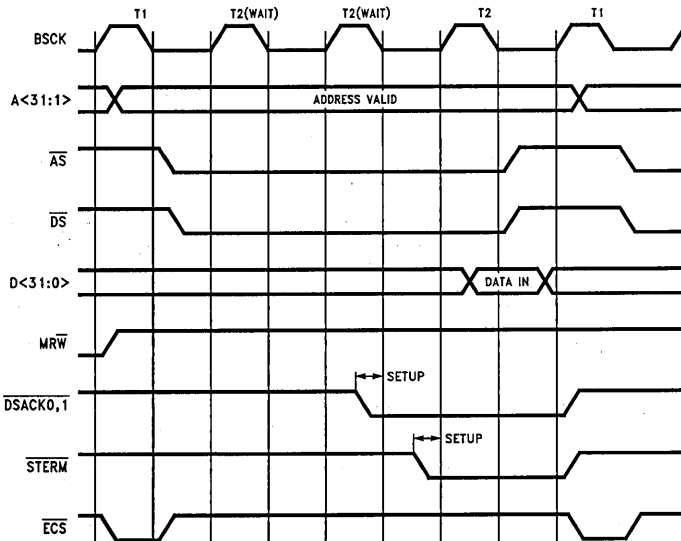
In asynchronous mode, $\overline{DSACK0,1}$ are asynchronously sampled on the falling edge of both T1 and T2. $\overline{DSACK0,1}$

do not need to be synchronized to the bus clock because the chip always resolves these signals to either a high or low state. If a synchronous termination of the bus cycle is required, however, \overline{STERM} may be used. \overline{STERM} is sampled on the rising edge of T2 and must meet the setup and hold times with respect to that edge for proper operation. Meeting the setup time for $\overline{DSACK0,1}$ or \overline{STERM} guarantees that the SONIC will terminate the memory cycle 1½



TL/F/10492-36

FIGURE 5-10. Memory Read, BMODE = 1, Asynchronous (1 Wait-State)



TL/F/10492-37

FIGURE 5-11. Memory Read, BMODE = 1, Asynchronous (2 Wait-State)

5.0 Bus Interface (Continued)

bus clocks after $\overline{DSACK0,1}$ were sampled, or 1 cycle after \overline{STERM} was sampled. T2 states will be repeated until $\overline{DSACK0,1}$ or \overline{STERM} are sampled properly in a low state. (see note below).

During read cycles (Figures 5-10 and 5-11), data (D31-D0) is latched at the falling edge of T2 and \overline{DS} is asserted at the falling edge of T1. For write cycles (Figures 5-12 and 5-13) data is driven on the falling edge of T1. If there are wait

states inserted, \overline{DS} is asserted on the falling edge of the first T2(wait). \overline{DS} is not asserted for zero wait state write cycles. The SONIC terminates the memory cycle by deasserting \overline{AS} and \overline{DS} at the falling edge of T2.

Note: If the setup time for $\overline{DSACK0,1}$ is met during T1, or the setup time for \overline{STERM} is met during the first T2, the full asynchronous bus cycle will take only 2 bus clocks. This may be an unwanted situation. If so, $\overline{DSACK0,1}$ and \overline{STERM} should be deasserted during T1 and the start of T2 respectively.

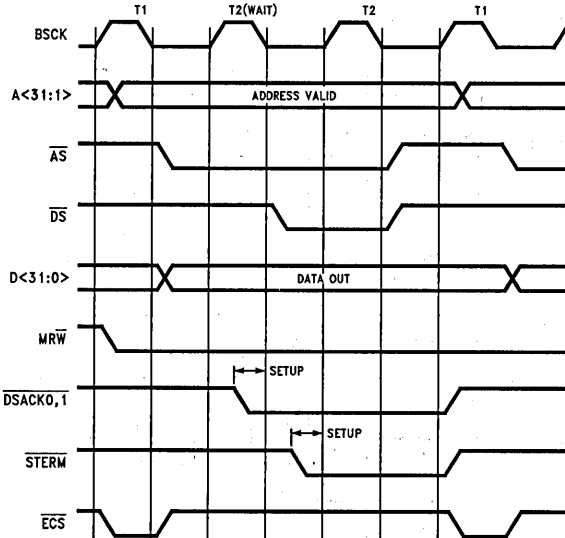


FIGURE 5-12. Memory Write, BMODE = 1, Asynchronous (1 Wait-State)

TL/F/10492-34

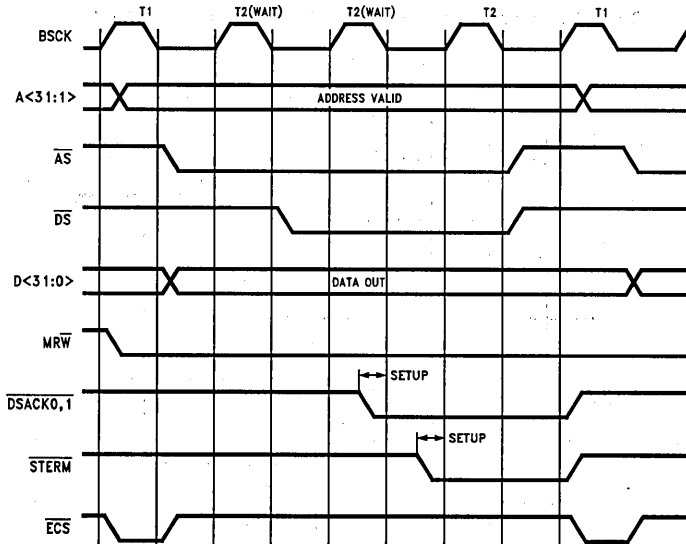


FIGURE 5-13. Memory Write, BMODE = 1, Asynchronous (2 Wait-State)

TL/F/10492-35

5.0 Bus Interface (Continued)

5.4.5.4 Memory Cycle for BMODE = 0, Synchronous Mode

On the rising edge of T1, the SONIC asserts \overline{ADS} and \overline{ECS} to indicate that the memory cycle is starting. The address (A31-A1), bus status (S2-S0) and the direction strobe (\overline{MWR}) are driven and do not change for the remainder of the memory cycle. On the falling edge of T1, the SONIC deasserts \overline{ECS} . \overline{ADS} is deasserted on the rising edge of T2.

In Synchronous mode, \overline{RDYI} is sampled on the rising edge at the end of T2 (the rising edge of the next T1). T2 states will be repeated until \overline{RDYI} is sampled properly in a low state. \overline{RDYI} must meet the setup and hold times with respect to the rising edge of bus clock for proper operation. During read cycles (Figure 5-14), data (D31-D0) is latched at the rising edge at the end of T2. For write cycles (Figure 5-15) data is driven on the falling edge of T1 and stays driven until the end of the cycle.

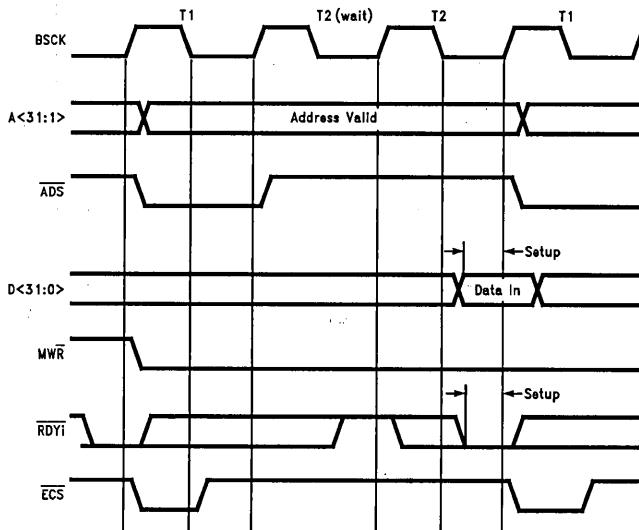


FIGURE 5-14. Memory Read, BMODE = 0, Synchronous (1 Wait-State)

TL/F/10492-38

5.0 Bus Interface (Continued)

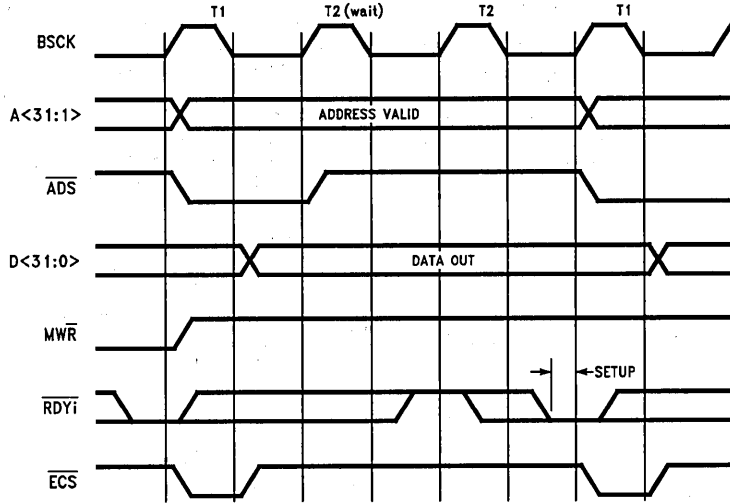


FIGURE 5-15. Memory Write, BMODE = 0, Synchronous (1 Wait-State)

TL/F/10492-40

5.0 Bus Interface (Continued)

5.4.5.5 Memory Cycle for BMODE = 0, Asynchronous Mode

On the rising edge of T1, the SONIC asserts \overline{ADS} and \overline{ECS} to indicate that the memory cycle is starting. The address (A31-A1), bus status (S2-S0) and the direction strobe (\overline{MWR}) are driven and do not change for the remainder of the memory cycle. On the falling edge of T1, the SONIC deasserts \overline{ECS} . \overline{ADS} is deasserted on the rising edge of T2.

In Asynchronous mode, \overline{RDYI} is asynchronously sampled on the falling edge of both T1 and T2. \overline{RDYI} does not need to be synchronized to the bus clock because the chip always resolves these signals to either a high or low state. Meeting the setup time for \overline{RDYI} guarantees that the SONIC will terminate the memory cycle $1\frac{1}{2}$ bus clocks after \overline{RDYI} was sampled. T2 states will be repeated until \overline{RDYI} is sampled properly in a low state (see note below).

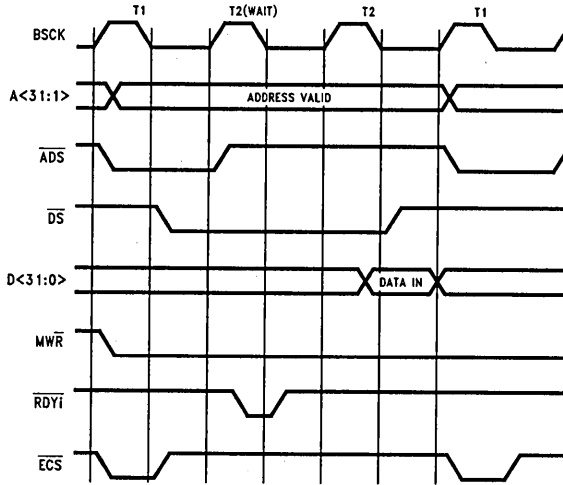


FIGURE 5-16. Memory Read, BMODE = 0, Asynchronous (1 Wait-State)

TL/F/10492-44

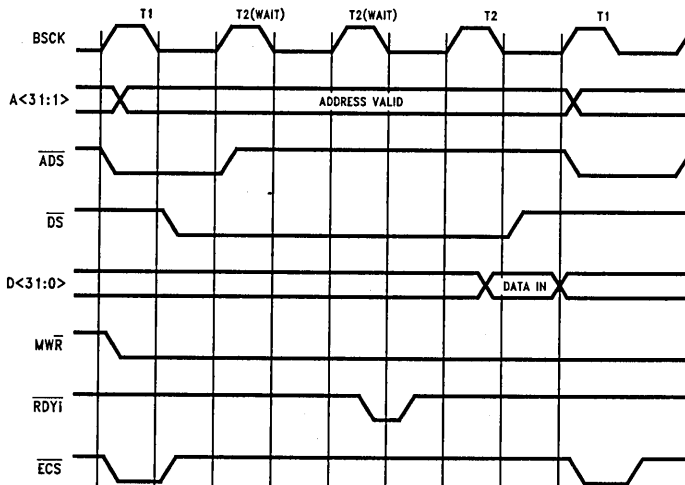


FIGURE 5-17. Memory Read, BMODE = 0, Asynchronous (2 Wait-State)

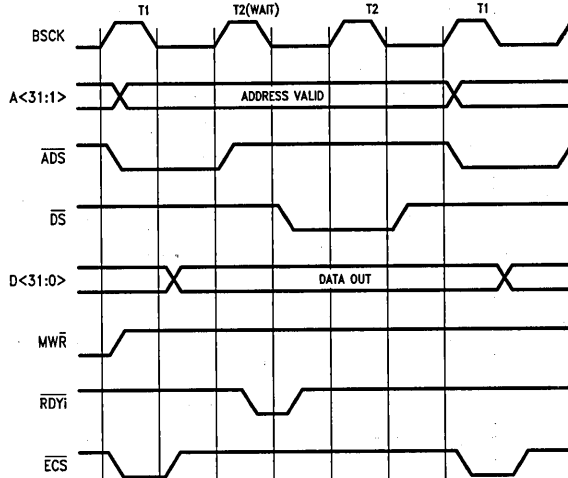
TL/F/10492-45

5.0 Bus Interface (Continued)

During read cycles (Figures 5-16 and 5-17), data (D31-D0) is latched at the falling edge of T2 and \overline{DS} is asserted at the falling edge of T1. For write cycles (Figures 5-18 and 5-19) data is driven on the falling edge of T1. If there are wait states inserted, \overline{DS} is asserted on the falling edge of the first T2(wait). \overline{DS} is not asserted for zero wait state write cycles.

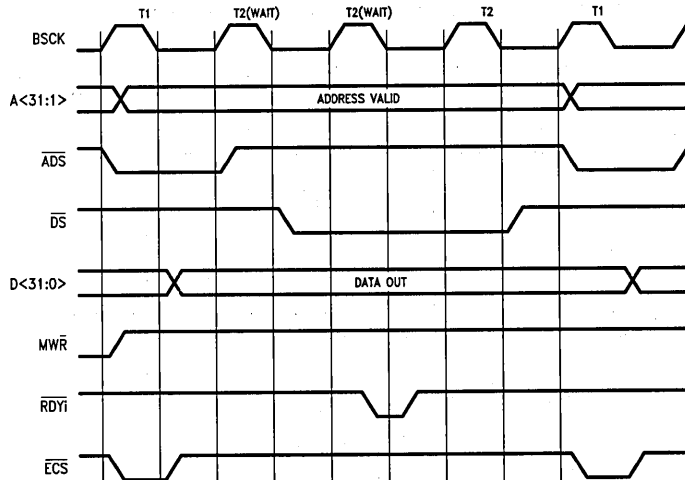
The SONIC terminates the memory cycle by deasserting \overline{DS} at the falling edge of T2.

Note: If the setup time for \overline{RDYi} is met during T1, the full asynchronous bus cycle will take only 2 bus clocks. This may be an unwanted situation. If so, \overline{RDYi} should be deasserted during T1.



TL/F/10492-42

FIGURE 5-18. Memory Write, BMODE = 0, Asynchronous (1 Wait-State)



TL/F/10492-43

FIGURE 5-19. Memory Write, BMODE = 0, Asynchronous (2 Wait-State)

5.0 Bus Interface (Continued)

5.4.6 Bus Exceptions (Bus Retry)

The SONIC provides the capability of handling errors during the execution of the bus cycle (Figure 5-20).

The system asserts $\overline{\text{BRT}}$ (bus retry) to force the SONIC to repeat the current memory cycle. When the SONIC detects the assertion of $\overline{\text{BRT}}$, it completes the memory cycle at the end of T2 and gets off the bus by deasserting $\overline{\text{BGACK}}$ or HOLD. Then, if Latched Bus Retry mode is not set (LBR in the Data Configuration Register, section 4.3.2), the SONIC requests the bus again to retry the same memory cycle. If Latched Bus Retry is set, though, the SONIC will not retry until the BR bit in the ISR (see section 4.3.6) has been reset and $\overline{\text{BRT}}$ is deasserted. $\overline{\text{BRT}}$ has precedence of terminating a memory cycle over $\overline{\text{DSACK0,1}}$, $\overline{\text{STERM}}$ or $\overline{\text{RDY}}$.

$\overline{\text{BRT}}$ may be sampled synchronously or asynchronously by setting the EXBUS bit in the DCR (see section 4.3.2). If synchronous Bus Retry is set, $\overline{\text{BRT}}$ is sampled on the rising edge of T2. If asynchronous Bus Retry is set, $\overline{\text{BRT}}$ is double synchronized from the falling edge of T1. The asynchronous setup time does not need to be met, but doing so will guarantee that the bus exception will occur in the current bus cycle instead of the next bus cycle. Asynchronous Bus Retry may only be used when the SONIC is set to asynchronous mode.

Note 1: The deassertion edge of HOLD is dependent on the PH bit in the DCR2 (see section 4.3.7). Also, $\overline{\text{BGACK}}$ is driven high for about $\frac{1}{2}$ bus clock before going TRI-STATE.

Note 2: If Latched Bus retry is set, $\overline{\text{BRT}}$ need only satisfy its setup time (the hold time is not important). Otherwise, $\overline{\text{BRT}}$ must remain asserted until after the Th state.

Note 3: If $\overline{\text{DSACK0,1}}$, $\overline{\text{STERM}}$ or $\overline{\text{RDY}}$ remain asserted after $\overline{\text{BRT}}$, the next memory cycle, may be adversely affected.

5.4.7 Slave Mode Bus Cycle

The SONIC's internal registers can be accessed by one of two methods ($\text{BMODE} = 1$ or $\text{BMODE} = 0$). In both methods, the SONIC is a slave on the bus. This section describes the SONIC's slave mode bus operations.

5.4.7.1 Slave Cycle for $\text{BMODE} = 1$

The system accesses the SONIC by driving $\overline{\text{SAS}}$, $\overline{\text{SRW}}$ and $\text{RA} < 5:0 >$. These signals will be sampled each bus cycle, but the SONIC will not actually start a slave cycle until $\overline{\text{CS}}$ has also been asserted. $\overline{\text{CS}}$ should not be asserted before $\overline{\text{SAS}}$ is driven low as this will cause improper slave opera-

tion. Once $\overline{\text{SAS}}$ has been driven low, between one and two bus clocks after the assertion of $\overline{\text{CS}}$, $\overline{\text{SMACK}}$ will be asserted to signify that the SONIC has started the slave cycle. Although $\overline{\text{CS}}$ is an asynchronous input, meeting its setup time (as shown in Figures 5-21 and 5-22) will guarantee that $\overline{\text{SMACK}}$, which is asserted off of a falling edge, will be asserted 1 bus clock after the falling edge that $\overline{\text{CS}}$ is clocked in on. This is assuming that the SONIC is not a bus master when $\overline{\text{CS}}$ was asserted. If the SONIC is a bus master, then, when $\overline{\text{CS}}$ is asserted, the SONIC will complete its current master bus cycle and get off the bus temporarily (see section 5.4.8). In this case, $\overline{\text{SMACK}}$ will be asserted 5 bus clocks after the falling edge that $\overline{\text{CS}}$ was clocked in on. This is assuming that there were no wait states in the current master mode access. Wait states will increase the time for $\overline{\text{SMACK}}$ to go low by the number of wait states in the cycle.

If the slave access is a read cycle (Figure 5-21), then the data will be driven off the same edge as $\overline{\text{SMACK}}$. If it is a write cycle (Figure 5-22), then the data will be latched in exactly 2 bus clocks after the assertion of $\overline{\text{SMACK}}$. In either case, $\overline{\text{DSACK0,1}}$ are driven low 2 bus clocks after $\overline{\text{SMACK}}$ to terminate the slave cycle. For a read cycle, the assertion of $\overline{\text{DSACK0,1}}$ indicates valid register data and for a write cycle, the assertion indicates that the SONIC has latched the data. The SONIC deasserts $\overline{\text{DSACK0,1}}$, $\overline{\text{SMACK}}$ and the data if the cycle is a read cycle at the rising edge of $\overline{\text{SAS}}$ or $\overline{\text{CS}}$ depending on which is deasserted first.

Note 1: Although the SONIC responds as a 32-bit peripheral when it drives $\overline{\text{DSACK0,1}}$ low, it transfers data only on lines $\text{D} < 15:0 >$.

Note 2: For multiple register accesses, $\overline{\text{CS}}$ can be held low and $\overline{\text{SAS}}$ can be used to delimit the slave cycle (this is the only case where $\overline{\text{CS}}$ may be asserted before $\overline{\text{SAS}}$). In this case, $\overline{\text{SMACK}}$ will be driven low due to $\overline{\text{SAS}}$ going low since $\overline{\text{CS}}$ has already been asserted. Notice that this means $\overline{\text{SMACK}}$ will not stay asserted low during the entire time $\overline{\text{CS}}$ is low (as is the case for $\overline{\text{MREQ}}$, section 5.4.8).

Note 3: If memory request ($\overline{\text{MREQ}}$) follows a chip select ($\overline{\text{CS}}$), it must be asserted at least 2 bus clocks after $\overline{\text{CS}}$ is deasserted. Both $\overline{\text{CS}}$ and $\overline{\text{MREQ}}$ must not be asserted concurrently.

Note 4: When $\overline{\text{CS}}$ is deasserted, it must remain deasserted for at least one bus clock.

Note 5: The way in which $\overline{\text{SMACK}}$ is asserted due to $\overline{\text{CS}}$ is not the same as the way in which $\overline{\text{SMACK}}$ is asserted due to $\overline{\text{MREQ}}$. The assertion of $\overline{\text{SMACK}}$ is dependent upon both $\overline{\text{CS}}$ and $\overline{\text{SAS}}$ being low, not just $\overline{\text{CS}}$. This is not the same as the case for $\overline{\text{MREQ}}$ (see section 5.4.8). The assertion of $\overline{\text{SMACK}}$ in these two cases should not be confused.

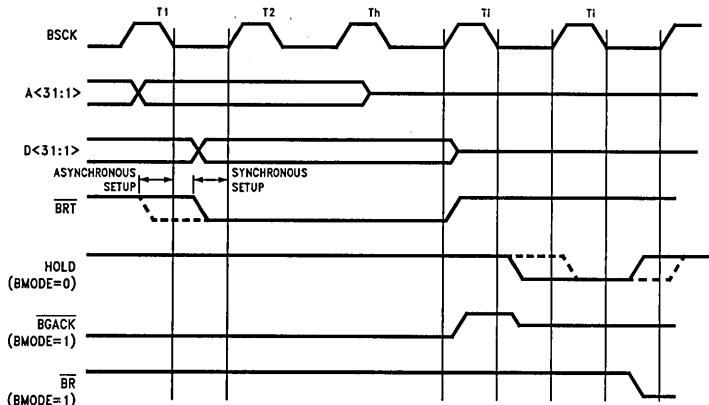
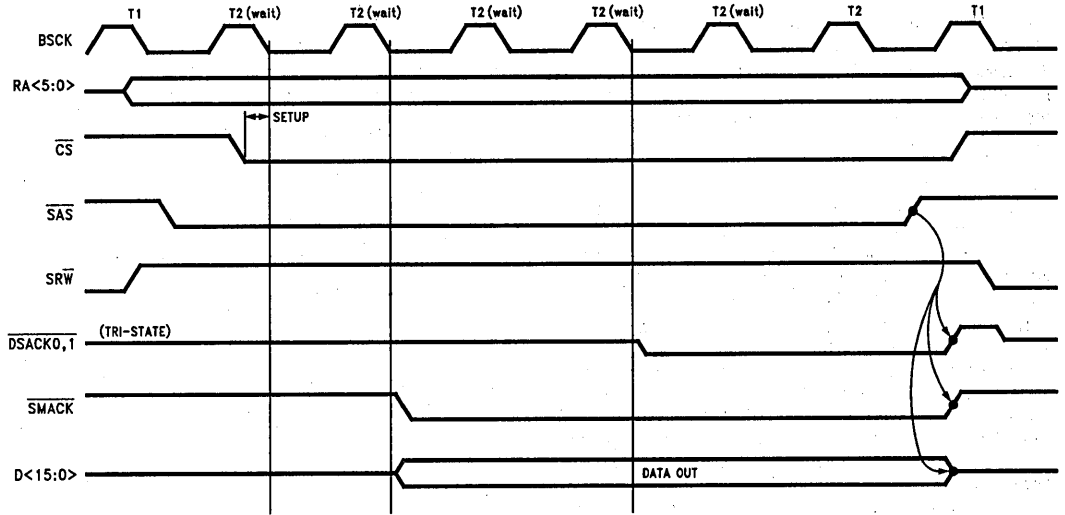


FIGURE 5-20. Bus Exception (Bus Retry)

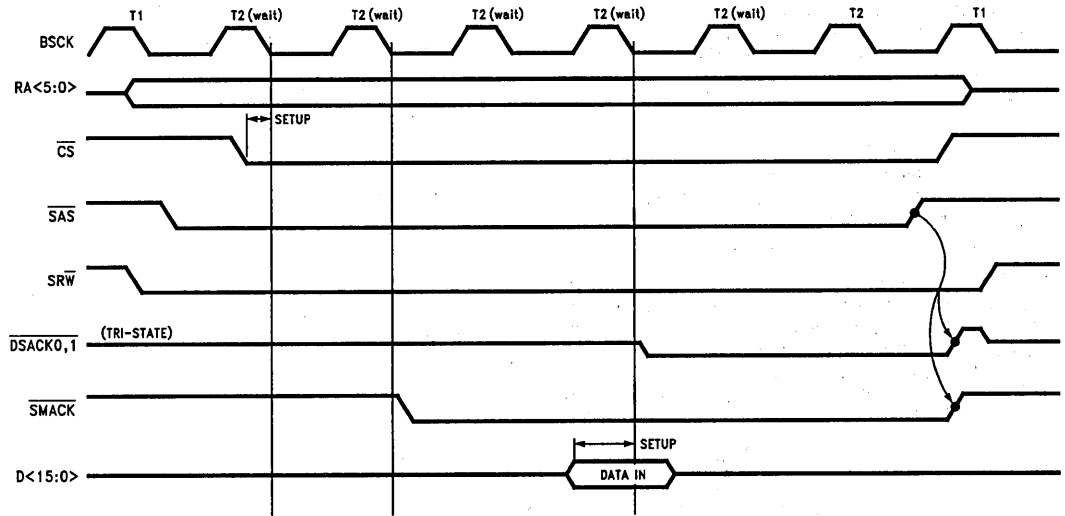
TL/F/10492-46

5.0 Bus Interface (Continued)



TL/F/10492-47

FIGURE 5-21. Register Read, BMODE = 1



TL/F/10492-48

FIGURE 5-22. Register Write, BMODE = 1

5.0 Bus Interface (Continued)

5.4.7.2 Slave Cycle for BMODE = 0

The system accesses the SONIC by driving \overline{SAS} , \overline{CS} , \overline{SWR} and $RA<5:0>$. These signals will be sampled each bus cycle, but the SONIC will not actually start a slave cycle until \overline{CS} has been sampled low and \overline{SAS} has been sampled high. \overline{CS} should not be asserted low before the falling edge of \overline{SAS} as this will cause improper slave operation. \overline{CS} may be asserted low, however, before the rising edge of \overline{SAS} . In this case, it is suggested that \overline{SAS} be driven high within one bus clock after the falling edge of \overline{CS} . Once \overline{SAS} has been driven high, between one and two bus clocks after the assertion of \overline{CS} , \overline{SMACK} will be driven low to signify that the SONIC has started the slave cycle. Although \overline{CS} is an asynchronous input, meeting its setup time (as shown in Figures 5-23 and 5-24) will guarantee that \overline{SMACK} , which is asserted off a falling edge, will be asserted 1 bus clock after the falling edge that \overline{CS} was clocked in on. This is assuming that the SONIC is not a bus master when \overline{CS} is asserted. If the SONIC is a bus master, then, when \overline{CS} is asserted, the SONIC will complete its current master bus cycle and get off the bus temporarily (see section 5.4.8). In this case, \overline{SMACK} will be asserted 5 bus clocks after the falling edge that \overline{CS} was clocked in on. This is assuming that there were no wait states in the current master mode access. Wait states will increase the time for \overline{SMACK} to go low by the number of wait states in the cycle.

If the slave access is a read cycle (Figure 5-23), then the data will be driven off the same edge as \overline{SMACK} . If it is a write cycle (Figure 5-24), then the data will be latched in exactly 2 bus clocks after the assertion of \overline{SMACK} . In either case, \overline{RDY}_0 is driven low $2\frac{1}{2}$ bus clocks after \overline{SMACK} to terminate the slave cycle. For a read cycle, the assertion of \overline{RDY}_0 indicates valid register data and for a write cycle, the assertion indicates that the SONIC has latched the data. The SONIC deasserts \overline{RDY}_0 , \overline{SMACK} and the data if the cycle is a read cycle at the falling edge of \overline{SAS} or the rising edge of \overline{CS} depending on which is first.

Note 1: The SONIC transfers data only on lines $D<15:0>$ during slave mode accesses.

Note 2: For multiple register accesses, \overline{CS} can be held low and \overline{SAS} can be used to delimit the slave cycle (this is the only case where \overline{CS} may be asserted before \overline{SAS}). In this case, \overline{SMACK} will be driven low due to \overline{SAS} going high since \overline{CS} has already been asserted. Notice that this means \overline{SMACK} will not stay asserted low during the entire time \overline{CS} is low (as is the case for \overline{MREQ} , section 5.4.8).

Note 3: If memory request (\overline{MREQ}) follows a chip select (\overline{CS}), it must be asserted at least 2 bus clocks after \overline{CS} is deasserted. Both \overline{CS} and \overline{MREQ} must not be asserted concurrently.

Note 4: When \overline{CS} is deasserted, it must remain deasserted for at least one bus clock.

Note 5: The way in which \overline{SMACK} is asserted due to \overline{CS} is not the same as the way in which \overline{SMACK} is asserted due to \overline{MREQ} . The assertion of \overline{SMACK} is dependent upon both \overline{CS} and \overline{SAS} being low, not just \overline{CS} . This is not the same as the case for \overline{MREQ} (see section 5.4.8). The assertion of \overline{SMACK} in these two cases should not be confused.

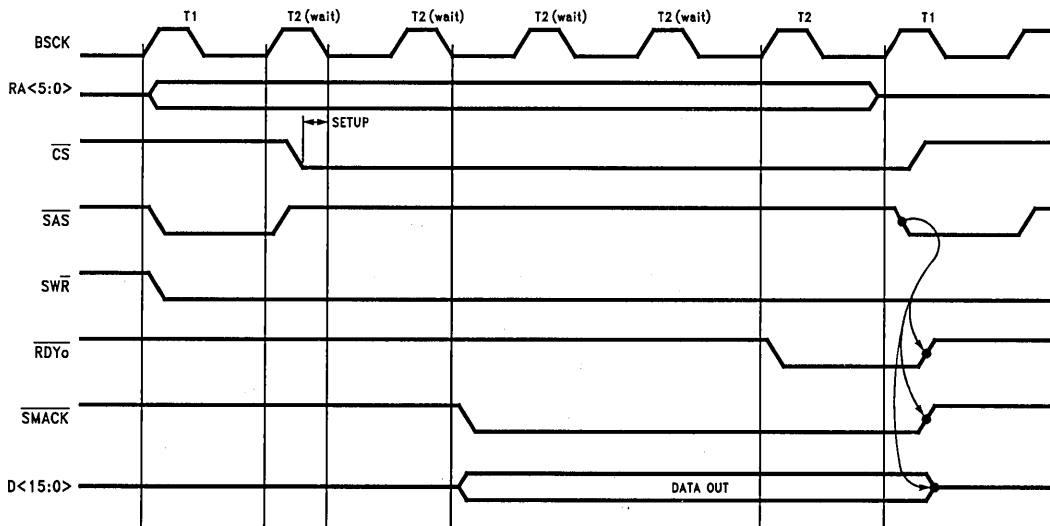


FIGURE 5-23. Register Read, BMODE = 0

TL/F/10492-49

5.0 Bus Interface (Continued)

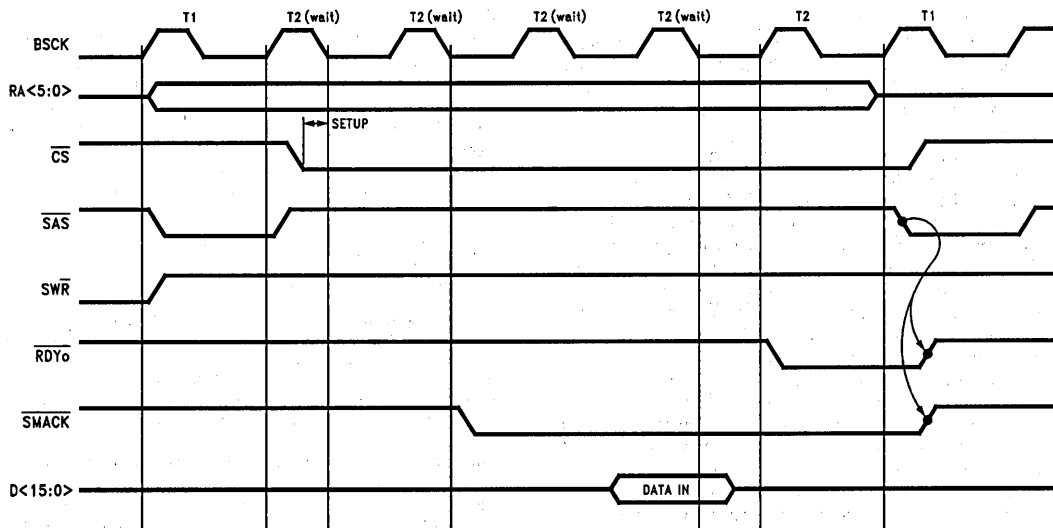


FIGURE 5-24. Register Write, BMODE = 0

TL/F/10492-50

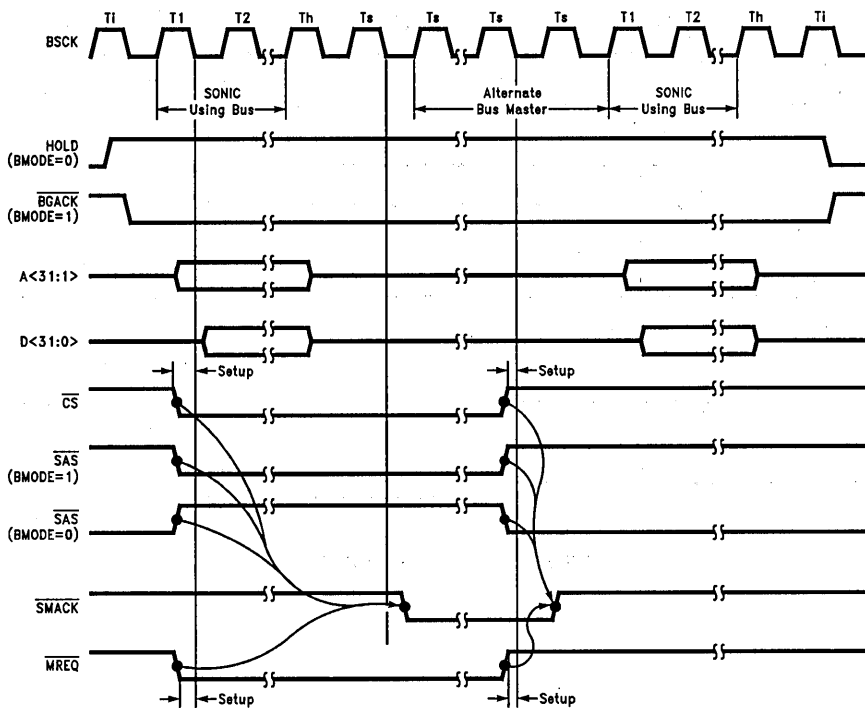


FIGURE 5-25. On-Chip Memory Arbiter

TL/F/10492-51

5.0 Bus Interface (Continued)

5.4.8 On-Chip Memory Arbiter

For applications which share the buffer memory area with the host system (shared-memory applications), the SONIC provides a fast on-chip memory arbiter for efficiently resolving accesses between the SONIC and the host system (Figure 5-25). The host system indicates its intentions to use the shared-memory by asserting Memory Request (MREQ). The SONIC will allow the host system to use the shared memory by acknowledging the host system's request with Slave and Memory Acknowledge (SMACK). Once SMACK is asserted, the host system may use the shared memory freely. The host system gives up the shared memory by deasserting MREQ.

MREQ is clocked in on the falling edge of bus clock and is double synchronized internally to the rising edge. SMACK is asserted on the falling edge of a Ts bus cycle. If the SONIC is not currently accessing the memory, SMACK is asserted immediately after MREQ was clocked in. If, however, the SONIC is accessing the shared memory, it finishes its current memory transfer and then issues SMACK. SMACK will be asserted 1 or 5 (see Note 2 below) bus clocks, respectively, after MREQ is clocked in. Since MREQ is double synchronized, it is not necessary to meet its setup time. Meeting the setup time for MREQ will, however, guarantee that SMACK is asserted in the next or fifth bus clock after the current bus clock. SMACK will deassert within one bus clock after MREQ is deasserted. The SONIC will then finish its master operation if it was using the bus previously.

If the host system needs to access the SONIC's registers instead of shared memory, CS would be asserted instead of MREQ. Accessing the SONIC's registers works almost exactly the same as accessing the shared memory except that the SONIC goes into a slave cycle instead of going idle. See section 5.4.7 for more information about how register accesses work.

Note 1: The successive assertion of CS and MREQ must be separated by at least two bus clocks. Both CS and MREQ must not be asserted concurrently.

Note 2: The number of bus clocks between MREQ being asserted and the assertion of SMACK when the SONIC is in Master Mode is 5 bus clocks assuming there were no wait states in the Master Mode access. Wait states will increase the time for SMACK to go low by the number of wait states in the cycle (the time will be 5 + the number of wait states).

Note 3: The way in which SMACK is asserted due to CS is not the same as the way in which SMACK is asserted due to MREQ. SMACK goes low as a direct result of the assertion of MREQ, whereas, for CS, SAS must also be driven low (BMODE = 1) or high (BMODE = 0) before SMACK will be asserted. This means that when SMACK is asserted due to MREQ, SMACK will remain asserted until MREQ is deasserted. Multiple memory accesses can be made to the shared memory without SMACK ever going high. When SMACK is asserted due to CS, however, SMACK will only remain low as long as SAS is also low (BMODE = 1) or high (BMODE = 0). SMACK will not remain low throughout multiple register accesses to the SONIC because SAS must toggle for each register access. This is an important difference to consider when designing shared memory designs.

TABLE 5-4. Internal Register Content after Reset

Register	Contents after Reset	
	Hardware Reset	Software Reset
Command	0094h	0094h/00A4h
Data Configuration (DCR and DCR2)	*	unchanged
Interrupt Mask	0000h	unchanged
Interrupt Status	0000h	unchanged
Transmit Control	0101h	unchanged
Receive Control	**	unchanged
End Of Buffer Count	02F8h	unchanged
Sequence Counters	0000h	unchanged
CAM Enable	0000h	unchanged

*Bits 15 and 13 of the DCR and bits 4 through 0 of the DCR2 are reset to a 0 during a hardware reset. Bits 15-12 of the DCR2 are unknown until written to. All other bits in these two registers are unchanged.

**Bits LB1, LB0 and BRD are reset to a 0 during hardware reset. All other bits are unchanged.

5.4.9 Chip Reset

The SONIC has two reset modes; a hardware reset and a software reset. The SONIC can be hardware reset by asserting the RESET pin or software reset by setting the RST bit in the Command Register (section 4.3.1). The two reset modes are not interchangeable since each mode performs a different function.

After power-on, the SONIC must be hardware reset before it will become operational. This is done by asserting RESET for a minimum of 10 transmit clocks (10 ethernet transmit clock periods, TXC). If the bus clock (BSCK) period is greater than the transmit clock period, RESET should be asserted for 10 bus clocks instead of 10 transmit clocks. A hardware reset places the SONIC in the following state. (The registers affected are listed in parentheses. See Table 5-4 and section 4.3 for more specific information about the registers and how they are affected by a hardware reset. Only those registers listed below and in Table 5-4 are affected by a hardware reset.)

1. Receiver and Transmitter are disabled (CR).
2. The General Purpose timer is halted (CR).
3. All interrupts are masked out (IMR).
4. The NCRS and PTX status bits in the Transmit Control Register (TCR) are set.
5. The End Of Byte Count (EOBC) register is set to 02F8h (760 words).
6. Packet and buffer sequence number counters are set to zero.
7. All CAM entries are disabled. The broadcast address is also disabled (CAM Enable Register and the RCR).
8. Loopback operation is disabled (RCR).
9. The latched bus retry is set to the unlatched mode (DCR).
10. All interrupt status bits are reset (ISR).
11. The Extended Bus Mode is disabled (DCR).
12. HOLD will be asserted/deasserted from the falling clock edge (DCR2).

5.0 Bus Interface (Continued)

- 13. Latched Ready Mode is disabled (DCR2).
- 14. \overline{PCOMP} will not be asserted (DCR2).
- 15. Packets will be accepted (not rejected) on CAM match (DCR2).

A software reset immediately terminates DMA operations and future interrupts. The chip is put into an idle state where registers can be accessed, but the SONIC will not be active in any other way. The registers are affected by a software reset as shown in Table 5-4 (only the Command Register is changed).

6.0 Network Interfacing

The SONIC contains an on-chip ENDEC that performs the network interfacing between the AUI (Attachment Unit Interface) and the SONIC's MAC unit. A pin selectable option allows the internal ENDEC to be disabled and the MAC/

ENDEC signals to be supplied to the user for connection to an external ENDEC. If the EXT pin is tied to ground (EXT=0) the internal ENDEC is selected and if EXT is tied to V_{CC} (EXT=1) the external ENDEC option is selected.

Internal ENDEC: When the internal ENDEC is used (EXT=0) the interface signals between the ENDEC and MAC unit are internally connected. While these signals are used internally by the SONIC they are also provided as an output to the user (*Figure 6-1*).

The internal ENDEC allows for a 2-chip solution for the complete Ethernet interface. *Figure 6-2* shows a typical diagram of the network interface.

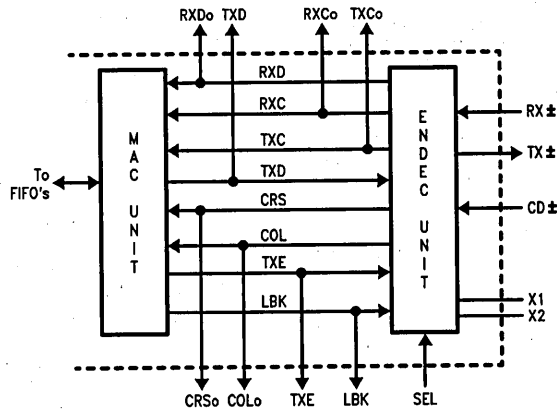


FIGURE 6-1. MAC and Internal ENDEC Interface Signals

TL/F/10492-52

6.0 Network Interfacing (Continued)

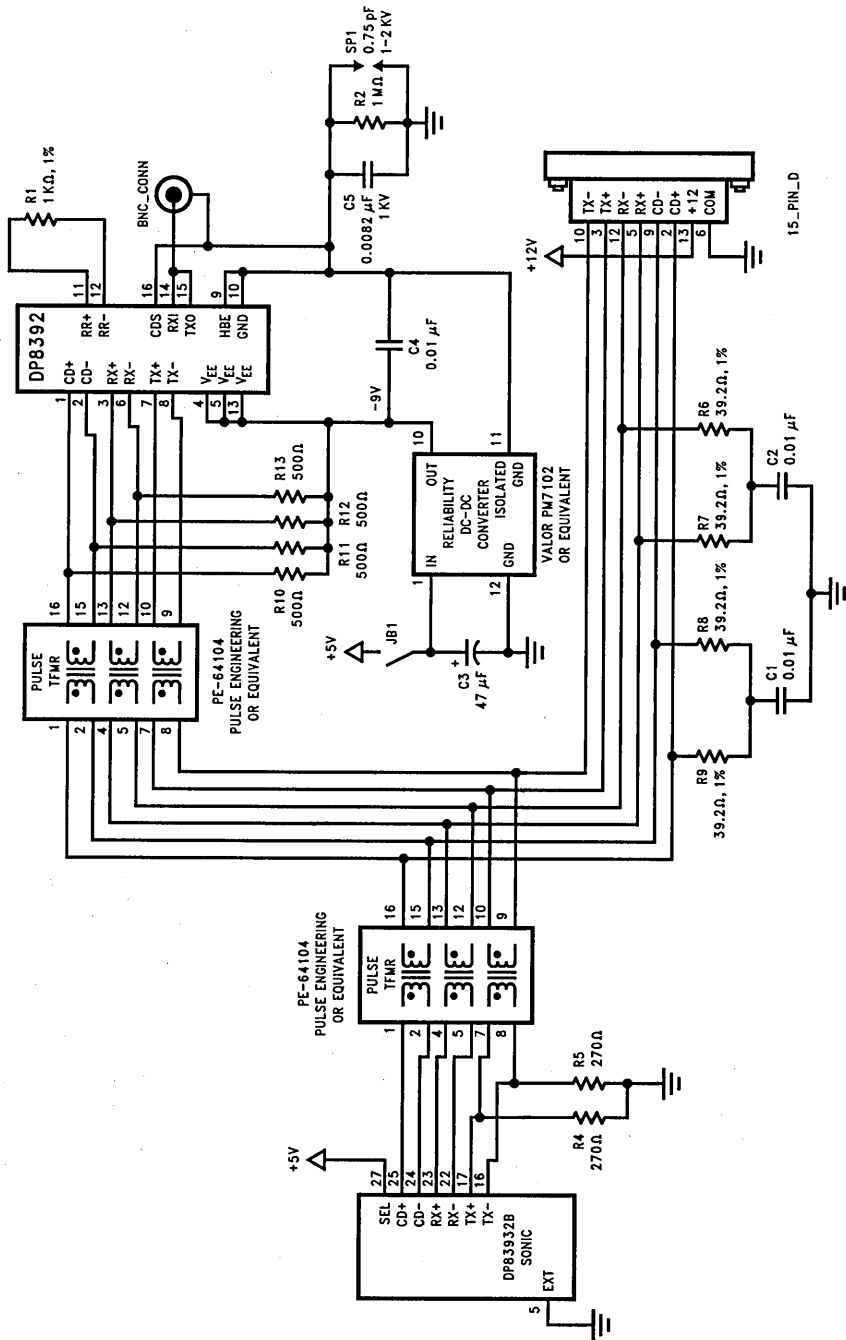


FIGURE 6-2. Network Interface Example (EXT = 0, using a single jumper, JB1, for network interface selection)

TL/F/10492-53

Note: When using BNC-CONN only, R10 to R13 should be 1.5 kΩ each

6.0 Network Interfacing (Continued)

External ENDEC: When EXT=1 the internal ENDEC is bypassed and the signals are provided directly to the user. Since SONIC's on-chip ENDEC is the same as National's DP83910 Serial Network Interface (SNI) the interface considerations discussed in this section would also apply to using this device in the external ENDEC mode.

6.1 MANCHESTER ENCODER AND DIFFERENTIAL DRIVER

The ENDEC unit's encoder begins operation when the MAC section begins sending the serial data stream. It converts NRZ data from the MAC section to Manchester data for the differential drivers (TX+ / -). In Manchester encoding, the first half of the bit cell contains the complementary data and the second half contains the true data (Figure 6-3). A transition always occurs at the middle of the bit cell. As long as the MAC continues sending data, the ENDEC section remains in operation. At the end of transmission, the last transition is always positive, occurring at the center of the bit cell if the last bit is a one, or at the end of the bit cell if the last bit is a zero.

The differential transmit pair drives up to 50 meters of twisted pair AUI cable. These outputs are source followers which require two 270 Ω pull-down resistors to ground. In addition, a pulse transformer is required between the transmit pair output and the AUI interface.

The driver allows both half-step and full-step modes for compatibility with Ethernet I and IEEE 802.3. When the SEL pin is tied to ground (for Ethernet I), TX+ is positive with respect to TX- during idle on the primary side of the isolation transformer (Figure 6-2). When SEL is tied to V_{CC} (for IEEE 802.3), TX+ and TX- are equal in the idle state.

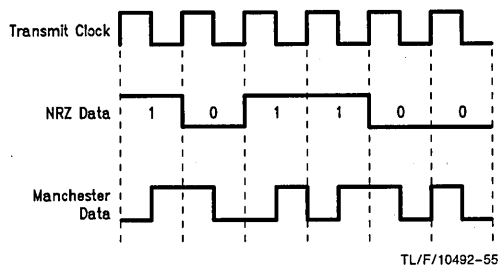


FIGURE 6.3. Manchester Encoded Data Stream

6.1.1 Manchester Decoder

The decoder consists of a differential receiver and a phase lock loop (PLL) to separate the Manchester encoded data stream into clock signals and NRZ data. The differential input must be externally terminated with two 39 Ω resistors connected in series. In addition, a pulse transformer is required between the receive input pair and the AUI interface.

To prevent noise from falsely triggering the decoder, a squelch circuit at the input rejects signals with a magnitude

less than -175 mV. Signals more negative than -300 mV are decoded.

Once the input exceeds the squelch requirements, the decoder begins operation. The decoder may tolerate bit jitter up to 18 ns in the received data. The decoder detects the end of a frame within one and a half bit times after the last bit of data.

6.1.2 Collision Translator

When the Ethernet transceiver (DP8392 CTI) detects a collision, it generates a 10 MHz signal to the differential collision inputs (CD+ and CD-) of the SONIC. When SONIC detects these inputs active, its Collision translator converts the 10 MHz signal to an active collision signal to the MAC section. This signal causes SONIC to abort its current transmission and reschedule another transmission attempt.

The collision differential inputs are terminated the same way as the differential receive inputs and a pulse transformer is required between the collision input pair and the AUI interface. The squelch circuitry is also similar, rejecting pulses with magnitudes less than -175 mV.

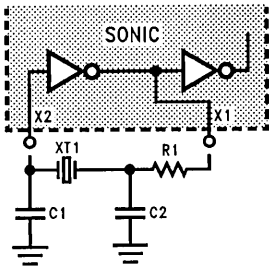
6.1.3 Oscillator Inputs

The oscillator inputs to the SONIC (X1 and X2) can be driven with a parallel resonant crystal or an external clock. In either case the oscillator inputs must be driven with a 20 MHz signal. The signal is divided by 2 to generate the 10 MHz transmit clock (TXC) for the MAC unit. The oscillator also provides internal clock signals for the encoding and decoding circuits.

6.1.3.1 External Crystal

According to the IEEE 802.3 standard, the transmit clock (TXC) must be accurate to 0.01%. This means that the oscillator circuit, which includes the crystal and other parts involved must be accurate to 0.01% after the clock has been divided in half. Hence, when using a crystal, it is necessary to consider all aspects of the crystal circuit. An example of a recommended crystal circuit is shown in Figure 6-4 and suggested oscillator specifications are shown in Table 6-1. The load capacitors in Figure 6-4, C1 and C2, should be no greater than 36 pF each, including all stray capacitance (see note 2 below). The resistor, R1, may be required in order to minimize frequency drift due to changes in V_{CC}. If R1 is required, its value must be carefully selected since R1 decreases the loop gain. If R1 is made too large, the loop gain will be greatly reduced and the crystal will not oscillate. If R1 is made too small, normal variations in V_{CC} may cause the oscillation frequency to drift out of specification. As a first rule of thumb, the value of R1 should be made equal to five times the motional resistance of the crystal. The motional resistance of 20 MHz crystals is usually in the range of 10 Ω to 30 Ω . This implies that reasonable values for R1 should be in the range of 50 Ω to 150 Ω . The decision of whether or not to include R1 should be based upon measured variations of crystal frequency as each of the circuit parameters are varied.

6.0 Network Interfacing (Continued)



TL/F/10492-81

FIGURE 6.4. Crystal Connection to the SONIC (see text)

Note 1: The X1 pin is not guaranteed to provide a TTL compatible logic output, and should not be used to drive any external logic. If additional logic needs to be driven, then an external oscillator should be used as described in the following section.

Note 2: The frequency marked on the crystal is usually measured with a fixed load capacitance specified in the crystal's data sheet. The actual load capacitance used should be the specified value minus the stray capacitance.

TABLE 6-1. Crystal Specifications

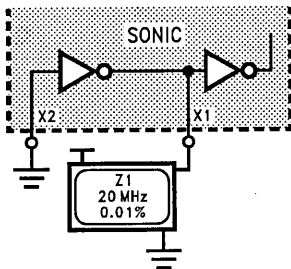
Resonant frequency	20 MHz
Tolerance (see text)	±0.01% at 25°C
Accuracy	±0.005% (50 ppm) at 0 to 70°C
Fundamental Mode Series Resistance	≤25Ω
Specified Load Capacitance	≤18 pF
Type	AT cut
Circuit	Parallel Resonance

6.1.3.2 Clock Oscillator Module

If an external clock oscillator is used, the SONIC can be connected to the external oscillator in one of two ways. The first configuration is shown in *Figure 6-5*. In this case, an oscillator that provides the following should be used:

1. TTL or CMOS output with a 0.01% frequency tolerance
2. 40%–60% duty cycle
3. ≥5 TTL loads output drive ($I_{OL} = 8 \text{ mA}$) (Additional output drive may be necessary if the oscillator must also drive other components.)

Again, the above assumes no other circuitry is driven.

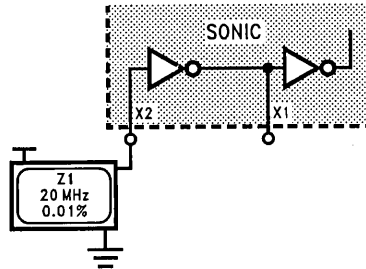


TL/F/10492-82

FIGURE 6.5. Oscillator Module Connection to the SONIC

The second configuration, shown in *Figure 6-6*, connects to the X2 input. This connection requires an oscillator with the same specifications as the previous circuit except that the output drive specification need only be one CMOS load. This circuit configuration also offers the advantage of slight-

ly lower power consumption. In this configuration, the X1 pin must be left open and should not drive external circuitry. Also, as shown by *Figure 6-6*, there is a 180° phase difference between connecting an oscillator to X1 compared to X2. This difference only affects the relationship between TXC and the oscillator module output. The operation of the SONIC is not affected by this phase change.



TL/F/10492-83

FIGURE 6.6. Alternate Oscillator Module Connection to the SONIC

6.1.3.3 PCB Layout Considerations

Care should be taken when connecting a crystal. Stray capacitance (e.g., from PC board traces and plated through holes around the X1 and X2 pins) can shift the crystal's frequency out of range, causing the transmitted frequency to exceed the 0.01% tolerance specified by IEEE. The layout considerations for using an external crystal are rather straightforward. The oscillator layout should locate all components close to the X1 and X2 pins and should use short traces that avoid excess capacitance and inductance. A solid ground should be used to connect the ground legs of the two capacitors.

When connecting an external oscillator, the only considerations are to keep the oscillator module as close to the SONIC as possible to reduce stray capacitance and inductance and to give the module a clean V_{CC} and a solid ground.

6.1.4 Power Supply Considerations

In general, power supply routing and design for the SONIC need only follow standard practices. In some situations, however, additional care may be necessary in the layout of the analog supply. Specifically special care may be needed for the TXVCC, RXVCC and PLLVCC power supplies and the TXGND and ANGND. In most cases the analog and digital power supplies can be interconnected. However, to ensure optimum performance of the SONIC's analog functions, power supply noise should be minimized. To reduce analog supply noise, any of several techniques can be used.

1. Route analog supplies as a separate set of traces or planes from the digital supplies with their own decoupling capacitors.
2. Provide noise filtering on the analog supply pins by inserting a low pass filter. Alternatively, a ferrite bead could be used to reduce high frequency power supply noise.
3. Utilize a separate regulator to generate the analog supply.

7.0 AC and DC Specifications

Absolute Maximum Ratings

If Military/Aerospace specified devices are required, please contact the National Semiconductor Sales Office/Distributors for availability and specifications.

Supply Voltage (V_{CC})	-0.5V to 7.0V
DC Input Voltage (V_{IN})	-0.5V to $V_{CC} + 0.5V$
DC Output Voltage (V_{OUT})	-0.5V to $V_{CC} + 0.5V$
Storage Temperature Range (T_{STG})	-65°C to 150°C
Power Dissipation (PD)	500 mW
Lead Temp. (TL) (Soldering, 10 sec.)	260°C
ESD Rating ($R_{ZAP} = 1.5k, C_{ZAP} = 120$ pF)	1.5 kV

DC Specifications $T_A = 0^\circ\text{C to } 70^\circ\text{C}, V_{CC} = 5V \pm 5\%$ unless otherwise specified

Symbol	Parameter	Conditions	Min	Max	Units
V_{OH}	Minimum High Level Output Voltage	$I_{OH} = -8$ mA	3.0		V
V_{OL}	Maximum Low Level Output Voltage	$I_{OL} = 8$ mA		0.4	V
V_{IH}	Minimum High Level Input Voltage		2.0		V
V_{IL}	Maximum Low Level Input Voltage			0.8	V
I_{IN}	Input Current	$V_{IN} = V_{CC}$ or GND	-1.0	1.0	μA
I_{OZ}	Maximum TRI-STATE Output Leakage Current	$V_{OUT} = V_{CC}$ or GND	-10	10	μA
I_{CC}	Average Operating Supply Current	$I_{OUT} = 0$ mA, Freq = f_{max}		80	mA

AUI INTERFACE PINS (TX \pm , RX \pm , and CD \pm)

V_{OD}	Diff. Output Voltage (TX \pm)	78 Ω Termination, and 270 Ω from Each to GND	± 550	± 1200	mV
V_{OB}	Diff. Output Voltage Imbalance (TX \pm)	78 Ω Termination, and 270 Ω from Each to GND	Typical: 40 mV		
V_U	Undershoot Voltage (TX \pm)	78 Ω Termination, and 270 Ω from Each to GND	Typical: 80 mV		
V_{DS}	Diff. Squelch Threshold (RX \pm and CD \pm)		-175	-300	mV

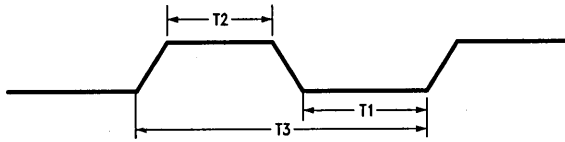
OSCILLATOR PINS (X1 AND X2)

V_{IH}	X1 Input High Voltage	X1 is Connected to an Oscillator and X2 is Grounded	2.0		V
V_{IL}	X1 Input Low Voltage	X1 is Connected to an Oscillator and X2 is Grounded		0.8	V
I_{OSC1}	X1 Input Current	X1 is Connected to an Oscillator and X2 is Grounded $V_{IN} = V_{CC}$ or GND		8.0	mA
V_{IH}	X2 Input High Voltage	X2 is Connected to an Oscillator and X1 is Open	2.0		V
V_{IL}	X2 Input Low Voltage	X2 is Connected to an Oscillator and X1 is Open		0.8	V
I_{OSC2}	X2 Input Leakage Current	X2 is Connected to an Oscillator and X1 is Open $V_{IN} = V_{CC}$ or GND	-10	10	μA

7.0 AC and DC Specifications (Continued)

AC Specifications

BUS CLOCK TIMING

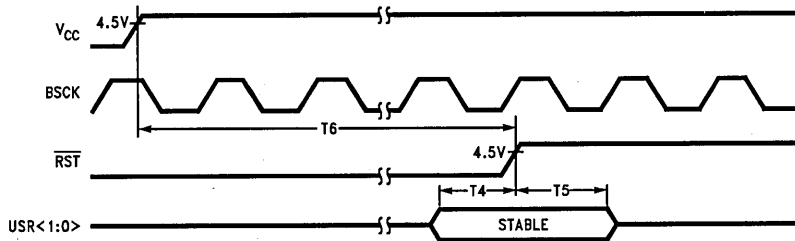


TL/F/10492-56

Number	Parameter	20 MHz		25 MHz		Units
		Min	Max	Min	Max	
T1	Bus Clock Low Time	22.5		18		ns
T2	Bus Clock High Time	22.5		19		ns
T3	Bus Clock Cycle Time (Note 1)	50	100	40	100	ns

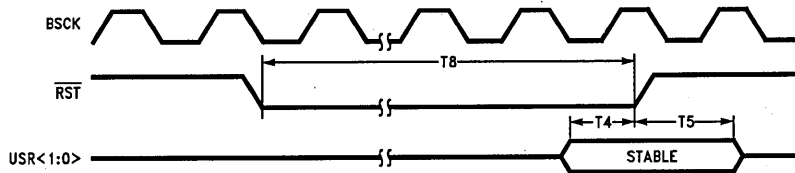
Note 1: These specifications are not tested.

POWER-ON RESET



TL/F/10492-57

NON POWER-ON RESET



TL/F/10492-58

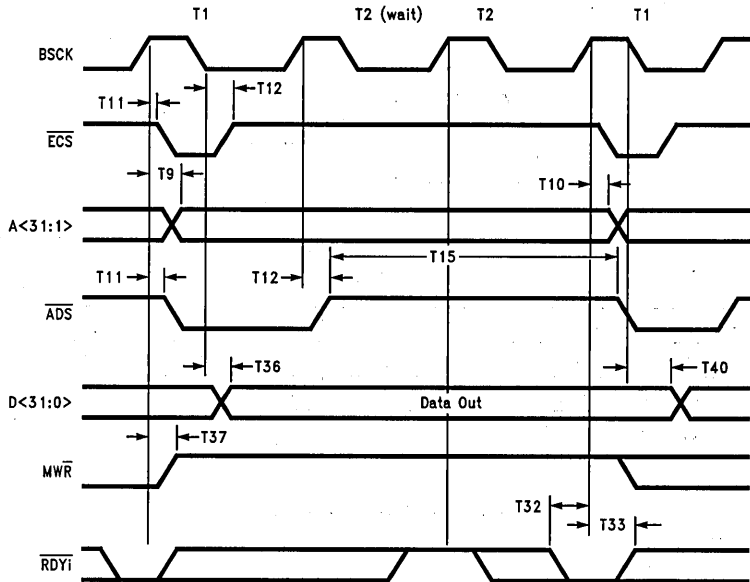
Number	Parameter	20 MHz		25 MHz		Units
		Min	Max	Min	Max	
T4	USR<1:0> Setup to RST	10		8		ns
T5	USR<1:0> Hold from RST	20		18		ns
T6	Power-On Reset High (Notes 1, 2)	10		10		TXC
T8	Reset Pulse Width (Notes 1, 2)	10		10		TXC

Note 1: The reset time is determined by the slower (in frequency) of BSK or TXC. If BSK > TXC, T6 and T8 equal 10 TXCs. If BSK < TXC, T6 and T8 equal 10 BSKs (T3).

Note 2: These specifications are not tested.

7.0 AC and DC Specifications (Continued)

MEMORY WRITE, BMODE = 0, SYNCHRONOUS MODE (one wait-state shown)



TL/F/10492-59

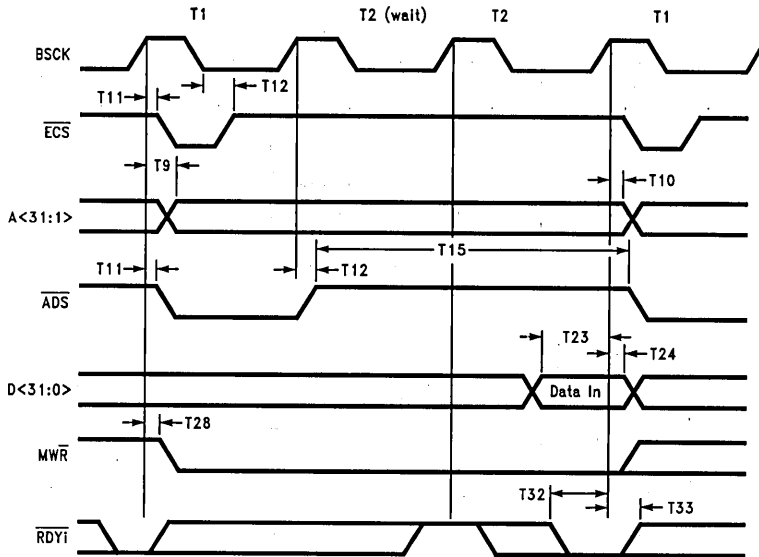
Number	Parameter	20 MHz		25 MHz		Units
		Min	Max	Min	Max	
T9	BSCk to Address Valid		34		32	ns
T10	Address Hold Time from BSCk	5		5		ns
T11	BSCk to \overline{ADS} , \overline{ECS} Low		34		32	ns
T12	BSCk to \overline{ADS} , \overline{ECS} High		34		30	ns
T15	\overline{ADS} High Width (Note 2)	bcyc - 5		bcyc - 5		ns
T32	\overline{RDYi} Setup to BSCk	30		26		ns
T33	\overline{RDYi} Hold from BSCk	5		3		ns
T36	BSCk to Memory Write Data Valid		70		62	ns
T37	BSCk to \overline{MWR} (Write) Valid (Note 1)		30		28	ns
T40	Write Data Hold Time from BSCk	10		12		ns

Note 1: For successive read operations, \overline{MWR} remains low, and for successive write operations \overline{MWR} remains high during a transfer. During RBA and TBA transfers the \overline{MWR} signal will stay either high or low for the entire burst of the transfer. During RDA and TDA transfers the \overline{MWR} signal will switch on the rising edge of a Ti (idle) state that is inserted between the read and the write operation.

Note 2: bcyc = bus clock cycle time ($T3$).

7.0 AC and DC Specifications (Continued)

MEMORY READ, BMODE = 0, SYNCHRONOUS MODE (one wait-state shown)



TL/F/10492-60

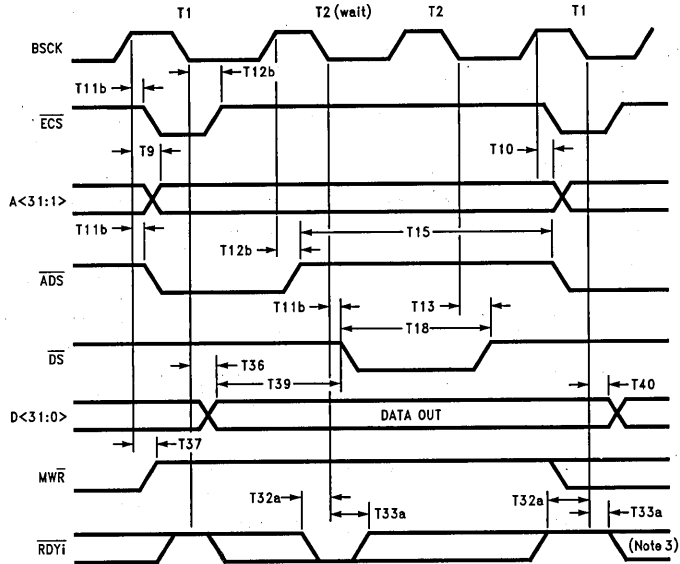
Number	Parameter	20 MHz		25 MHz		Units
		Min	Max	Min	Max	
T9	BSCCK to Address Valid		34		32	ns
T10	Address Hold Time from BSCCK	5		5		ns
T11	BSCCK to \overline{ADS} , \overline{ECS} Low		34		32	ns
T12	BSCCK to \overline{ADS} , \overline{ECS} High		34		30	ns
T15	\overline{ADS} High Width (Note 2)	bcyc - 5		bcyc - 5		ns
T23	Read Data Setup Time to BSCCK	12		10		ns
T24	Read Data Hold Time from BSCCK	7		5		ns
T28	BSCCK to \overline{MWR} (Read) Valid (Note 1)		30		28	ns
T32	\overline{RDYi} Setup Time to BSCCK	30		26		ns
T33	\overline{RDYi} Hold Time to BSCCK	5		3		ns

Note 1: For successive read operations, \overline{MWR} remains low, and for successive write operations \overline{MWR} remains high during a transfer. During RBA and TBA transfers the \overline{MWR} signal will stay either high or low for the entire burst of the transfer. During RDA and TDA transfers the \overline{MWR} signal will switch on the rising edge of a T1 (Idle) state that is inserted between the read and the write operation.

Note 2: bcyc = bus clock cycle time (T3).

7.0 AC and DC Specifications (Continued)

MEMORY WRITE, BMODE = 0, ASYNCHRONOUS MODE



TL/F/10492-61

Number	Parameter	20 MHz		25 MHz		Units
		Min	Max	Min	Max	
T9	BSCk to Address Valid		34		32	ns
T10	Address Hold Time from BSCk	5		5		ns
T11b	BSCk to \overline{ADS} , \overline{DS} , \overline{ECS} Low		30		28	ns
T12b	BSCk to \overline{ADS} , \overline{ECS} High		32		30	ns
T13	BSCk to \overline{DS} High		36		34	ns
T15	\overline{ADS} High Width (Note 2)	bcyc - 5		bcyc - 5		ns
T18	Write Data Strobe Low Width (Notes 2, 4)	bcyc - 5		bcyc - 5		ns
T32a	Ready Asynch. Setup to BSCk (Note 3)	8		5		ns
T33a	Ready Asynch. Hold from BSCk	5		3		ns
T36	BSCk to Memory Write Data Valid		70		62	ns
T37	BSCk to \overline{MW} (Write) Valid (Note 1)		30		28	ns
T39	Write Data Valid to Data Strobe Low (Note 2)	bcyc - 40		bcyc - 35		ns
T40	Write Data Hold Time from BSCk	10		12		ns

Note 1: For successive read operations, \overline{MW} remains low, and for successive write operations \overline{MW} remains high during a transfer. During RBA and TBA transfers the \overline{MW} signal will stay either high or low for the entire burst of the transfer. During RDA and TDA transfers the \overline{MW} signal will switch on the rising edge of a T_i (Idle) state that is inserted between the read and the write operation.

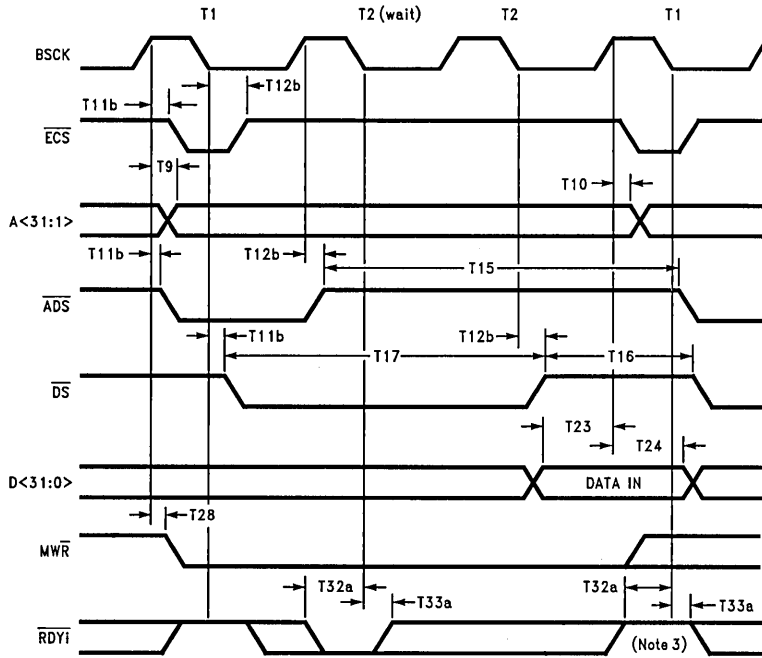
Note 2: bcyc = bus clock cycle time (T_3).

Note 3: This setup time assures that the SONIC terminates the memory cycle on the next bus clock (BSCk). \overline{RDYi} does not need to be synchronized to the bus clock, though, since it is an asynchronous input in this case. \overline{RDYi} is sampled during the falling edge of BSCk. If the SONIC samples \overline{RDYi} low during the T_1 cycle, the SONIC will finish the current access in a total of two bus clocks instead of three, which would be the case if \overline{RDYi} had been sampled low during T_2 (wait). (This is assuming that programmable wait states are set to 0).

Note 4: \overline{DS} will only be asserted if the bus cycle has at least one wait state inserted.

7.0 AC and DC Specifications (Continued)

MEMORY READ, BMODE = 0, ASYNCHRONOUS MODE



TL/F/10492-62

Number	Parameter	20 MHz		25 MHz		Units
		Min	Max	Min	Max	
T9	BSCCK to Address Valid		34		32	ns
T10	Address Hold Time from BSCCK	5		5		ns
T11b	BSCCK to \overline{ADS} , \overline{DS} , \overline{ECS} Low		30		28	ns
T12b	BSCCK to \overline{ADS} , \overline{ECS} High		32		30	ns
T13	BSCCK to \overline{DS} High		36		34	ns
T15	\overline{ADS} High Width (Note 2)	bcyc - 5		bcyc - 5		ns
T16	Read Data Strobe High Width (Note 2)	bcyc - 12		bcyc - 10		ns
T17	Read Data Strobe Low Width (Note 2)	bcyc - 5		bcyc - 5		ns
T23	Read Data Setup Time to BSCCK	12		10		ns
T24	Read Data Hold Time from BSCCK	7		5		ns
T28	BSCCK to \overline{MWR} (Read) Valid (Note 1)		30		28	ns
T32a	Ready Asynch. Setup Time to BSCCK (Note 3)	8		5		ns
T33a	Ready Asynch. Hold Time to BSCCK	5		3		ns

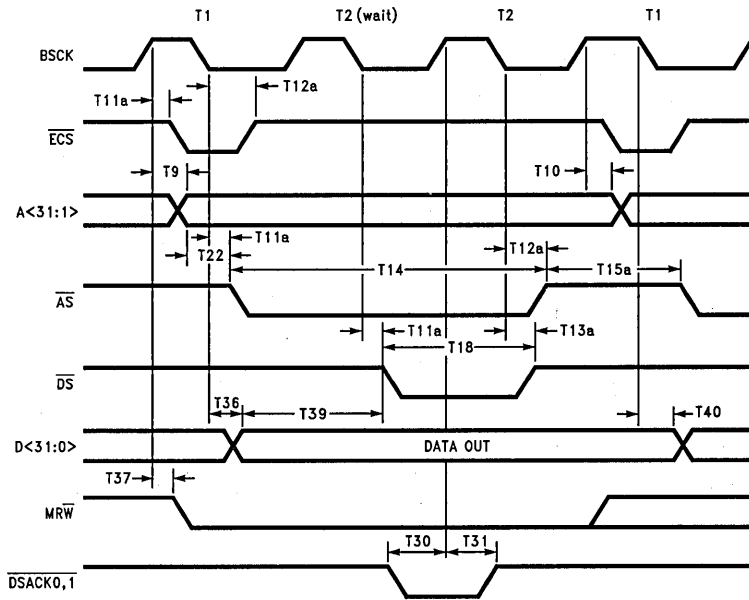
Note 1: For successive read operations, \overline{MWR} remains low, and for successive write operations \overline{MWR} remains high during a transfer. During RBA and TBA transfers the \overline{MWR} signal will stay either high or low for the entire burst of the transfer. During RDA and TDA transfers the \overline{MWR} signal will switch on the rising edge of a T1 (idle) state that is inserted between the read and the write operation.

Note 2: bcyc = bus clock cycle time (T3)

Note 3: This setup time assures that the SONIC terminates the memory cycle on the next bus clock (BSCCK). \overline{RDYI} does not need to be synchronized to the bus clock, though, since it is an asynchronous input in this case. \overline{RDYI} is sampled during the falling edge of BSCCK. If the SONIC samples \overline{RDYI} low during the T1 cycle, the SONIC will finish the current access in a total of two bus clocks instead of three, which would be the case if \overline{RDYI} had been sampled low during T2 (wait). (This is assuming that programmable wait states are set to 0).

7.0 AC and DC Specifications (Continued)

MEMORY WRITE, BMODE = 1, SYNCHRONOUS MODE (one wait-state shown)



TL/F/10492-63

Number	Parameter	20 MHz		25 MHz		Units
		Min	Max	Min	Max	
T9	BSCCK to Address Valid		34		32	ns
T10	Address Hold Time from BSCCK	5		5		ns
T11a	BSCCK to \overline{AS} , \overline{DS} , \overline{ECS} Low		26		24	ns
T12a	BSCCK to \overline{AS} , \overline{ECS} High		34		32	ns
T13a	BSCCK to \overline{DS} High		36		34	ns
T14	\overline{AS} Low Width (Note 3)	bcyc - 7		bcyc - 7		ns
T15a	\overline{AS} High Width (Note 3)	bcyc - 15		bcyc - 12		ns
T18	Write Data Strobe Low Width (Notes 1, 3)	bcyc - 5		bcyc - 5		ns
T22	Address Valid to \overline{AS} (Note 3)	bch - 18		bch - 16		ns
T30	$\overline{DSACK0,1}$ Setup to BSCCK (Note 4)	8		6		ns
T31	$\overline{DSACK0,1}$ Hold from BSCCK	12		8		ns
T36	BSCCK to Memory Write Data Valid		70		62	ns
T37	BSCCK to \overline{MRW} (Write) Valid (Note 2)		30		28	ns
T39	Write Data Valid to Data Strobe Low (Note 3)	bcyc - 40		bcyc - 35		ns
T40	Memory Write Data Hold Time from BSCCK	10		12		ns

Note 1: \overline{DS} will only be asserted if the bus cycle has at least one wait state inserted.

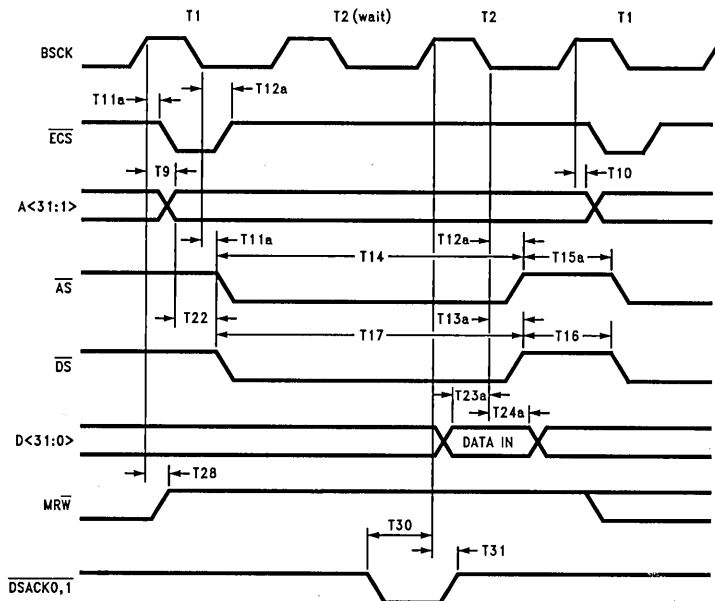
Note 2: For successive write operations, \overline{MRW} remains low, and for successive read operations \overline{MRW} remains high during a transfer. During RBA and TBA transfers the \overline{MRW} signal will stay either high or low for the entire burst of the transfer. During RDA and TDA transfers the \overline{MRW} signal will switch on the rising edge of a Ti (idle) state that is inserted between the read and the write operation.

Note 3: bcyc = bus clock cycle time (T3), bch = bus clock high time (T2).

Note 4: $\overline{DSACK0,1}$ must be synchronized to the bus clock (BSCCK) during synchronous mode.

7.0 AC and DC Specifications (Continued)

MEMORY READ, BMODE = 1, SYNCHRONOUS MODE (one wait-state shown)



TL/F/10492-64

Number	Parameter	20 MHz		25 MHz		Units
		Min	Max	Min	Max	
T9	BSCCK to Address Valid		34	32		ns
T10	Address Hold Time from BSCCK	5		5		ns
T11a	BSCCK to \overline{AS} , \overline{DS} , \overline{ECS} Low		26	24		ns
T12a	BSCCK to \overline{AS} , \overline{ECS} High		34	32		ns
T13a	BSCCK to \overline{DS} High		36	34		ns
T14	\overline{AS} Low Width (Note 3)	bcyc - 7		bcyc - 7		ns
T15a	\overline{AS} High Width (Note 3)	bcyc - 15		bcyc - 12		ns
T16	Read Data Strobe High Width (Note 3)	bcyc - 12		bcyc - 10		ns
T17	Read Data Strobe Low Width	bcyc - 5		bcyc - 5		ns
T22	Address Valid to \overline{AS} (Note 3)	bch - 18		bch - 16		ns
T23a	Read Data Setup Time to BSCCK	5		4		ns
T24a	Read Data Hold Time from BSCCK	5		5		ns
T28	BSCCK to \overline{MRW} (Read) Valid (Note 1)		30	28		ns
T30	$\overline{DSACK0,T}$ Setup to BSCCK (Note 2)	8		6		ns
T31	$\overline{DSACK0,T}$ Hold from BSCCK	12		8		ns

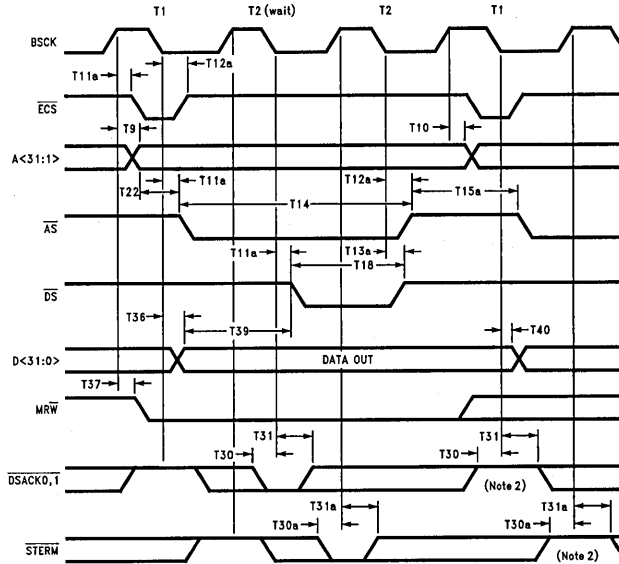
Note 1: For successive write operations, \overline{MRW} remains low, and for successive read operations \overline{MRW} remains high during a transfer. During RBA and TBA transfers the \overline{MRW} signal will stay either high or low for the entire burst of the transfer. During RDA and TDA transfers the \overline{MRW} signal will switch on the rising edge of a T_i (idle) state that is inserted between the read and the write operation.

Note 2: $\overline{DSACK0,T}$ must be synchronized to the bus clock (BSCCK) during synchronous mode.

Note 3: bcyc = bus clock cycle time (T3), bch = bus clock high time (T2).

7.0 AC and DC Specifications (Continued)

MEMORY WRITE, BMODE = 1, ASYNCHRONOUS MODE



TL/F/10492-65

Number	Parameter	20 MHz		25 MHz		Units
		Min	Max	Min	Max	
T9	BSCCK to Address Valid		34	32		ns
T10	Address Hold Time from BSCCK	5		5		ns
T11a	BSCCK to \overline{AS} , \overline{DS} , \overline{ECS} Low		26	24		ns
T12a	BSCCK to \overline{AS} , \overline{ECS} High		34	32		ns
T13a	BSCCK to \overline{DS} High		36	34		ns
T14	\overline{AS} Low Width (Note 3)	bcyc - 7		bcyc - 7		ns
T15a	\overline{AS} High Width (Note 3)	bcyc - 15		bcyc - 12		ns
T18	Write Data Strobe Low Width (Notes 3, 4)	bcyc - 5		bcyc - 5		ns
T22	Address Valid to \overline{AS} (Note 3)	bch - 18		bch - 16		ns
T30	$\overline{DSACK0,1}$ Setup to BSCCK (Note 2)	8		6		ns
T30a	\overline{STERM} Setup to BSCCK (Note 2)	6		4		ns
T31	$\overline{DSACK0,1}$ Hold from BSCCK	12		8		ns
T31a	\overline{STERM} Hold from BSCCK	12		8		ns
T36	BSCCK to Memory Write Data Valid		70	62		ns
T37	BSCCK to \overline{MRW} (Write) Valid (Note 1)		30	28		ns
T39	Write Data Valid to Data Strobe Low (Note 3)	bcyc - 40		bcyc - 35		ns
T40	Memory Write Data Hold from BSCCK	10		12		ns

Note 1: For successive write operations, \overline{MRW} remains low, and for successive read operations \overline{MRW} remains high during a transfer. During RBA and TBA transfers the \overline{MRW} signal will stay either high or low for the entire burst of the transfer. During RDA and TDA transfers the \overline{MRW} signal will switch on the rising edge of a T1 (idle) state that is inserted between the read and the write operation.

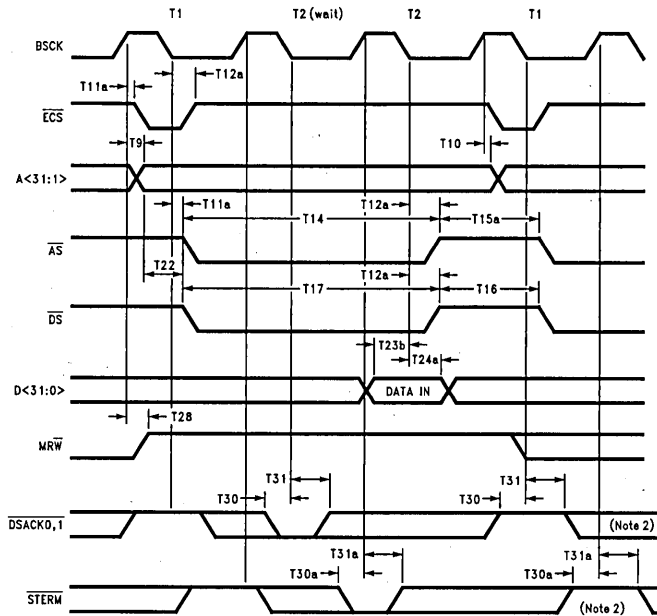
Note 2: Meeting the setup time for $\overline{DSACK0,1}$ or \overline{STERM} guarantees that the SONIC will terminate the memory cycle $1\frac{1}{2}$ bus clocks after $\overline{DSACK0,1}$ were sampled, or 1 cycle after \overline{STERM} was sampled. T2 states will be repeated until $\overline{DSACK0,1}$ or \overline{STERM} are sampled properly in a low state. If the SONIC samples $\overline{DSACK0,1}$ or \overline{STERM} low during the T1 or first T2 state respectively, the SONIC will finish the current access in a total of two bus clocks instead of three (assuming that programmable wait states are set to 0). $\overline{DSACK0,1}$ are asynchronously sampled and \overline{STERM} is synchronously sampled.

Note 3: bcyc = bus clock cycle time (T3), bch = bus clock high time (T2).

Note 4: \overline{DS} will only be asserted if the bus cycle has at least one wait state inserted.

7.0 AC and DC Specifications (Continued)

MEMORY READ, BMODE = 1, ASYNCHRONOUS MODE



TL/F/10492-66

Number	Parameter	20 MHz		25 MHz		Units
		Min	Max	Min	Max	
T9	BSCK to Address Valid		34		32	ns
T10	Address Hold Time from BSCK	5		5		ns
T11a	BSCK to AS, DS, ECS Low		26		24	ns
T12a	BSCK to AS, ECS High		34		32	ns
T13a	BSCK to DS High		36		34	ns
T14	AS Low Width (Note 3)	bcyc - 7		bcyc - 7		ns
T15a	AS High Width (Note 3)	bcyc - 15		bcyc - 12		ns
T16	Read Data Strobe High Width (Note 3)	bcyc - 12		bcyc - 10		ns
T17	Read Data Strobe Low Width (Note 3)	bcyc - 5		bcyc - 5		ns
T22	Address Valid to AS (Note 3)	bch - 18		bch - 16		ns
T23b	Read Data Setup Time to BSCK	10		9		ns
T24a	Read Data Hold Time from BSCK	5		5		ns
T28	BSCK to MRW (Read) Valid (Note 1)		30		28	ns
T30	DSACK0,T Setup to BSCK (Note 2)	8		6		ns
T30a	STERM Setup to BSCK (Note 2)	6		4		ns
T31	DSACK0,T Hold from BSCK	12		8		ns
T31a	STERM Hold from BSCK	12		8		ns

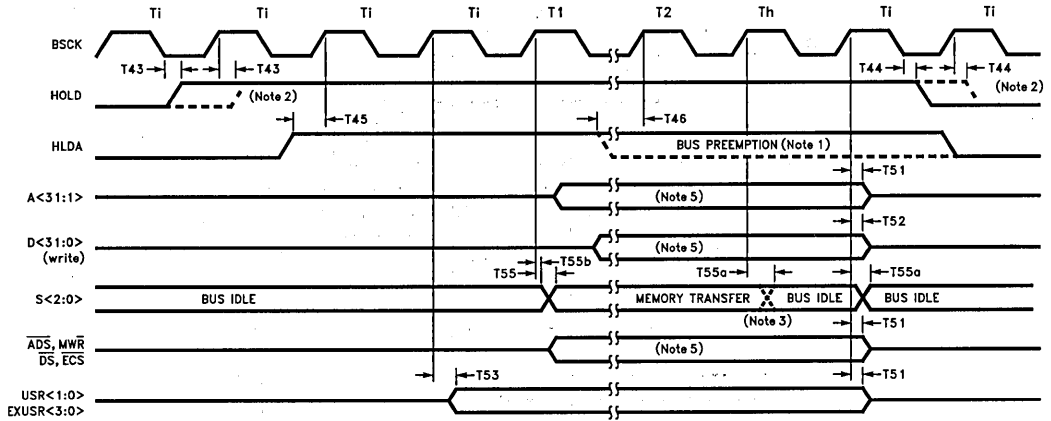
Note 1: For successive write operations, MRW remains low, and for successive read operations MRW remains high during a transfer. During RBA and TBA transfers the MRW signal will stay either high or low for the entire burst of the transfer. During RDA and TDA transfers the MRW signal will switch on the rising edge of a Ti (idle) state that is inserted between the read and the write operation.

Note 2: Meeting the setup time for DSACK0,T or STERM guarantees that the SONIC will terminate the memory cycle 1½ bus clocks after DSACK0,T is read, or 1 cycle after STERM was sampled. T2 states will be repeated until DSACK0,T or STERM are sampled properly in a low state. If the SONIC samples DSACK0,T or STERM low during the T1 or first T2 state respectively, the SONIC will finish the current access in a total of two bus clocks instead of three (assuming that programmable wait states are set to 0). DSACK0,T are asynchronously sampled and STERM is synchronously sampled.

Note 3: bcyc = bus clock cycle time (T3), bch = bus clock high time (T2).

7.0 AC and DC Specifications (Continued)

BUS REQUEST TIMING, BMODE = 0



TL/F/10492-67

Number	Parameter	20 MHz		25 MHz		Units
		Min	Max	Min	Max	
T43	BSCk to HOLD High (Note 2)		25		22	ns
T44	BSCk to HOLD Low (Note 2)		22		20	ns
T45	HLDA Asynchronous Setup Time to BSCk	5		4		ns
T46	HLDA Deassert Setup Time (Note 1)	5		4		ns
T51	BSCk to Address, ADS, MWR, DS, ECS, USR <1:0> and EXUSR <3:0> TRI-STATE (Note 4)		52		50	ns
T52	BSCk to Data TRI-STATE (Note 4)		68		62	ns
T53	BSCk to USR <1:0> and EXUSR <3:0> Valid		50		48	ns
T55	BSCk to Bus Status Idle to Non-Idle		40		39	ns
T55a	BSCk to Bus Status Non-Idle to Idle (Note 3)		40		39	ns
T55b	S <2:0> Hold from BSCk	10		10		ns

Note 1: A block transfer by the SONIC can be pre-empted from the bus by deasserting HLDA provided HLDA is deasserted T46 before the rising edge of the last T2 in the current access.

Note 2: The assertion edge for HOLD is dependent upon the PH bit in the DCR2. The default situation is shown with a solid line in the timing diagram. T43 and T44 apply for both modes. Also, if HLDA is asserted when the SONIC wants to acquire the bus, HOLD will not be asserted until HLDA has been deasserted first.

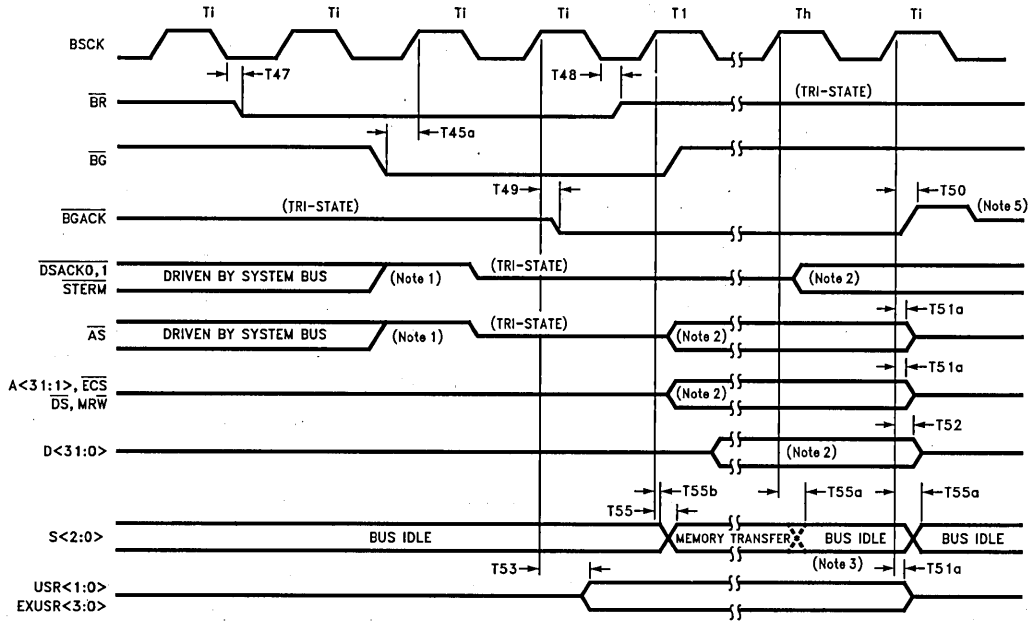
Note 3: S <2:0> will indicate IDLE at the end of T2 if the last operation is a read operation, or at the end of Th if the last operation is a write operation.

Note 4: This timing value includes an RC delay inherent in the test measurement. These signals typically TRI-STATE 7 ns earlier, enabling other devices to drive these lines without contention.

Note 5: For specific timing on these signals (driven by the SONIC), see the memory read and memory write timing diagrams on previous pages.

7.0 AC and DC Specifications (Continued)

BUS REQUEST TIMING, BMODE = 1



TL/F/10492-68

Number	Parameter	20 MHz		25 MHz		Units
		Min	Max	Min	Max	
T45a	BG Asynchronous Setup Time to BSCCK	8		7		ns
T47	BSCCK Low to BR Low		25		23	ns
T48	BSCCK Low to BR TRI-STATE (Note 4)		30		28	ns
T49	BSCCK High to BGACK Low (Note 1)		30		28	ns
T50	BSCCK High to BGACK High (Note 5)		30		28	ns
T51a	BSCCK to Address, AS, MRW, DS, ECS, USR <1:0> and EXUSR <3:0> TRI-STATE (Note 4)		52		50	ns
T52	BSCCK to Data TRI-STATE (Note 4)		68		62	ns
T53	BSCCK to USR <1:0> and EXUSR <3:0> Valid		50		48	ns
T55	BSCCK to Bus Status Idle to Non-Idle		40		39	ns
T55a	BSCCK to Bus Status Non-Idle to Idle (Note 3)		40		39	ns
T55b	S <2:0> Hold from BSCCK	10		10		ns

Note 1: BGACK is only issued if BG is low and AS, DSACK0,1, STERM and BGACK are deasserted.

Note 2: For specific timing on these signals, see the memory read and memory write timing diagrams on previous pages.

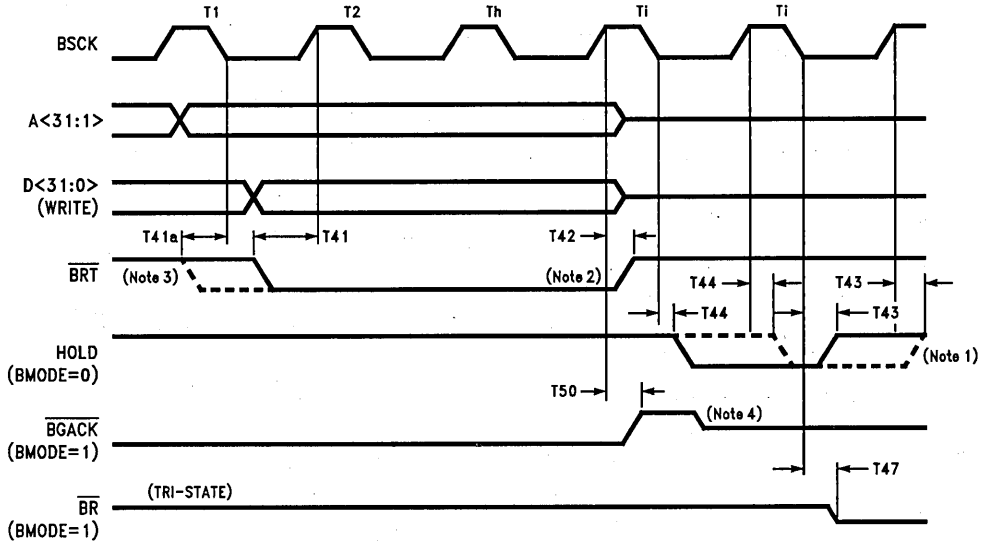
Note 3: S <2:0> will indicate IDLE at the end of T2 if the last operation is a read operation or at the end of Th if the last operation is a write operation.

Note 4: This timing value includes an RC delay inherent in our test measurement. These signals typically TRI-STATE 7 ns earlier, enabling other devices to drive these lines without contention.

Note 5: BGACK is driven high for approximately 1/4 BSCCK before going TRI-STATE.

7.0 AC and DC Specifications (Continued)

BUS RETRY



TL/F/10492-69

Number	Parameter	20 MHz		25 MHz		Units
		Min	Max	Min	Max	
T41	Bus Retry Synchronous Setup Time to BSCCK (Note 3)	5		4		ns
T41a	Bus Retry Asynchronous Setup Time to BSCCK (Note 3)	5		4		ns
T42	Bus Retry Hold Time from BSCCK (Note 2)	7		5		ns
T43	BSCCK to HOLD High (Note 1)		25		22	ns
T44	BSCCK to HOLD Low (Note 1)		22		20	ns
T47	BSCCK to \overline{BR} Low		25		23	ns
T50	BSCCK to \overline{BGACK} High (Note 4)		30		28	ns

Note 1: Depending upon the mode, the SONIC will assert and deassert HOLD from the rising or falling edge of BSCCK.

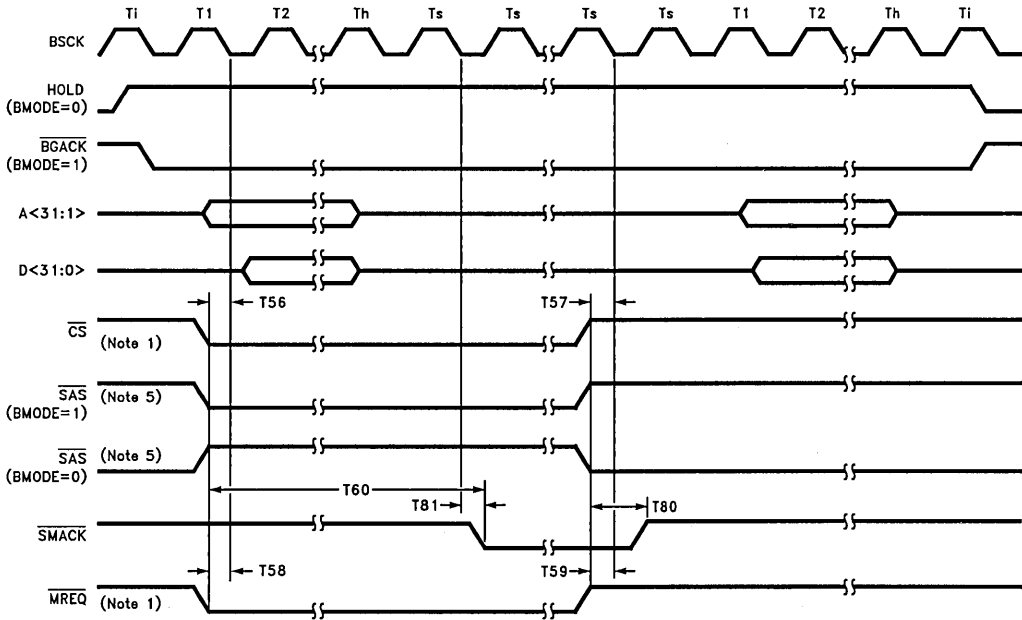
Note 2: Unless Latched Bus Retry mode is set (LBR in the Data Configuration Register, Section 4.3.2), BRT must remain asserted until after the T_h state. If Latched Bus Retry mode is used, BRT does not need to satisfy T42.

Note 3: T41 is for synchronous bus retry and T41a is for asynchronous bus retry (see Section 4.3.2, bit 15, Extended Bus Mode). Since T41a is an asynchronous setup time, it is not necessary to meet it, but doing so will guarantee that the bus exception occurs in the current memory transfer, not the next.

Note 4: \overline{BGACK} is driven high for approximately $\frac{1}{2}$ BSCCK before going TRI-STATE.

7.0 AC and DC Specifications (Continued)

MEMORY ARBITRATION/SLAVE ACCESS



TL/F/10492-70

Number	Parameter	20 MHz		25 MHz		Units
		Min	Max	Min	Max	
T56	\overline{CS} Low Asynch. Setup to BSCCK (Note 2)	12		10		ns
T57	\overline{CS} High Asynch. Setup to BSCCK	8		6		ns
T58	\overline{MREQ} Low Asynch. Setup to BSCCK (Note 2)	12		10		ns
T59	\overline{MREQ} High Asynch. Setup to BSCCK	12		10		ns
T60	\overline{MREQ} or \overline{CS} to \overline{SMACK} Low (Notes 3, 4)		1.5 5.5		1.5 5.5	bcyc
T80	\overline{MREQ} to \overline{SMACK} High		30		27	ns
T81	BSCCK to \overline{SMACK} Low		25		20	ns

Note 1: Both \overline{CS} and \overline{MREQ} must not be asserted concurrently. If these signals are successively asserted, there must be at least two bus clocks between the deasserting and asserting edges of these signals.

Note 2: It is not necessary to meet the setup times for \overline{MREQ} or \overline{CS} since these signals are asynchronously sampled. Meeting the setup time for these signals, however, makes it possible to use T60 to determine exactly when \overline{SMACK} will be asserted.

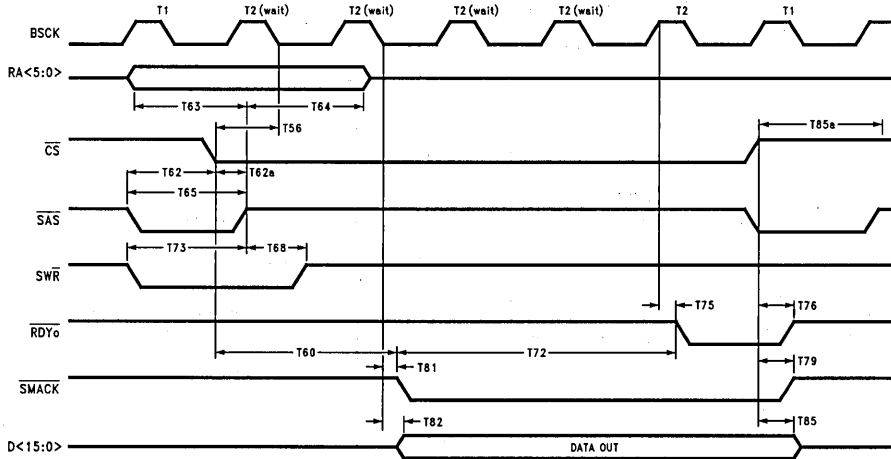
Note 3: The smaller value for T60 refers to when the SONIC is accessed during an idle condition and the other value refers to when the SONIC is accessed during non-idle conditions. These values are not tested, but are guaranteed by design. This specification assumes that \overline{CS} or \overline{MREQ} is asserted $\frac{1}{2}$ bus clock before the falling edge that these signals are asynchronously clocked in on (see T56 and T58). If T56 is met for \overline{CS} or T58 is met for \overline{MREQ} , then \overline{SMACK} will be asserted exactly 1 bus clock, when the SONIC was idle, or 5 bus clocks, when the SONIC was in master mode, after the edge that T56 and T58 refer to. (This is assuming that there were no wait states in the current master mode access. Wait states will increase the time for \overline{SMACK} to go low by the number of wait states in the cycle.) \overline{SAS} must have been asserted for this timing to be correct. See \overline{SAS} and \overline{CS} timing in the register read and register write timing specifications.

Note 4: bcyc = bus clock cycle time (T3).

Note 5: The way in which \overline{SMACK} is asserted is due to \overline{CS} is not the same as the way in which \overline{SMACK} is asserted due to \overline{MREQ} . \overline{SMACK} goes low as a direct result of the assertion of \overline{MREQ} , whereas, for \overline{CS} , \overline{SAS} must also be driven low (BMODE = 1) or high (BMODE = 0) before \overline{SMACK} will be asserted. This means that when \overline{SMACK} is asserted due to \overline{MREQ} , \overline{SMACK} will remain asserted until \overline{MREQ} is deasserted. Multiple memory accesses can be made to the shared memory without \overline{SMACK} ever going high. When \overline{SMACK} is asserted due to \overline{CS} , however, \overline{SMACK} will only remain low as long as \overline{SAS} is also low (BMODE = 1) or high (BMODE = 0). \overline{SMACK} will not remain low throughout multiple register accesses to the SONIC because \overline{SAS} must toggle for each register access. This is an important difference to consider when designing shared memory designs.

7.0 AC and DC Specifications (Continued)

REGISTER READ, BMODE = 0 (Note 1)



TL/F/10492-71

Number	Parameter	20 MHz		25 MHz		Units
		Min	Max	Min	Max	
T56	\overline{CS} Asynch. Setup to BCLK (Note 4)	12		10		ns
T60	\overline{MREQ} or \overline{CS} to \overline{SMACK} Low (Notes 3, 5, 8)		1.5 5.5		1.5 5.5	bcyc
T62	\overline{SAS} Assertion before \overline{CS} (Note 6)	0		0		ns
T62a	\overline{SAS} Deassertion after \overline{CS} (Notes 3, 6)		1		1	bcyc
T63	Register Address Setup to \overline{SAS}	10		7		ns
T64	Register Address Hold Time from \overline{SAS}	10		8		ns
T65	\overline{SAS} Pulse Width (Note 3)	bcyc - 10		bcyc - 10		ns
T68	\overline{SWR} (Read) Hold from \overline{SAS}	8		6		ns
T72	\overline{SMACK} to $\overline{RDY0}$ Low (Notes 3, 8)		2.5		2.5	bcyc
T73	\overline{SWR} (Read) Setup to \overline{SAS}	0		0		ns
T75	BCLK to $\overline{RDY0}$ Low		35		30	ns
T76	\overline{SAS} or \overline{CS} to $\overline{RDY0}$ High (Note 2)		30		27	ns
T79	\overline{SAS} or \overline{CS} to \overline{SMACK} High (Note 2)		30		28	ns
T81	BCLK to \overline{SMACK} Low		25		20	ns
T82	BCLK to Register Data Valid		83		78	ns
T85	\overline{SAS} or \overline{CS} to Data TRI-STATE (Notes 2, 7)		60		58	ns
T85a	Minimum \overline{CS} Deassert Time (Note 3)	1		1		bcyc

Note 1: This figure shows a slave access to the SONIC when the SONIC is idle, or rather not in master mode. If the SONIC is a bus master, there will be some differences as noted in the Memory Arbitration/Slave Access diagram. The BCLK states (T1, T2, etc.) are the equivalent processor states during a slave access.

Note 2: If \overline{CS} is deasserted before the falling edge of \overline{SAS} , T76, T79 and T85 are referenced from the rising edge of \overline{CS} .

Note 3: bcyc = bus clock cycle time (T3).

Note 4: It is not necessary to meet the setup time for \overline{CS} since this signal is asynchronously sampled. Meeting the setup time for this signal, however, makes it possible to use T60 to determine exactly when \overline{SMACK} will be asserted.

Note 5: The smaller value for T60 refers to when the SONIC is accessed during an Idle condition and the other value refers to when the SONIC is accessed during non-idle conditions. These values are not tested, but are guaranteed by design. This specification assumes that \overline{CS} is asserted $\frac{1}{2}$ bus clock before the falling edge that \overline{CS} is asynchronously clocked in on (see T56). If T56 is met for \overline{CS} , then \overline{SMACK} will be asserted exactly 1 bus clock, when the SONIC was idle, or 5 bus clocks, when the SONIC was in master mode, after the edge that T56 refers to. (This is assuming that there were no wait states in the current master mode access. Wait states will increase the time for \overline{SMACK} to go low by the number of wait states in the cycle.)

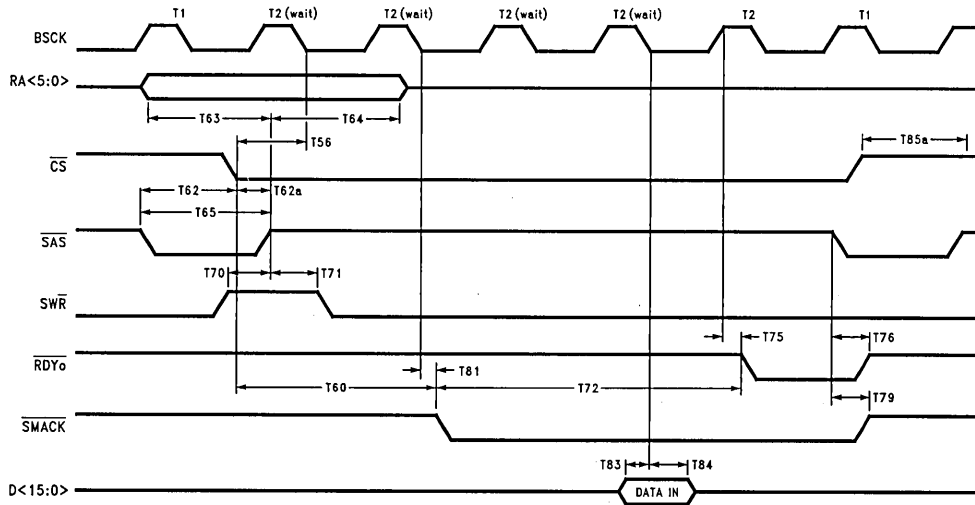
Note 6: \overline{SAS} may be asserted low anytime before or simultaneous to the falling edge of \overline{CS} . It is suggested that \overline{SAS} be driven high no later than \overline{CS} . If necessary, however, \overline{SAS} may be driven up to 1BSCR after \overline{CS} .

Note 7: This timing value includes an RC delay inherent in the test measurement. These signals typically TRI-STATE 7 ns earlier, enabling other devices to drive these lines without contention.

Note 8: These values are not tested, but are guaranteed by design. They are provided as a design guideline only.

7.0 AC and DC Specifications (Continued)

REGISTER WRITE, BMODE = 0 (Note 1)



TL/F/10492-72

Number	Parameter	20 MHz		25 MHz		Units
		Min	Max	Min	Max	
T56	CS Asynch. Setup to BSCCK (Note 4)	12		10		ns
T60	MREQ or CS to SMACK Low (Notes 3, 5, 7)		1.5 5.5		1.5 5.5	bcyc
T62	SAS Assertion before CS (Note 6)	0		0		ns
T62a	SAS Deassertion after CS (Notes 3, 6)		1		1	bcyc
T63	Register Address Setup to SAS	10		7		ns
T64	Register Address Hold Time from SAS	10		8		ns
T65	SAS Pulse Width (Note 3)	bcyc - 10		bcyc - 10		ns
T70	SWR (Write) Setup to SAS	0		0		ns
T71	SWR (Write) Hold from SAS	7		6		ns
T72	SMACK to RDY<0> Low (Notes 3, 7)	2.5		2.5		bcyc
T75	BSCCK to RDY<0> Low		35		30	ns
T76	SAS or CS to RDY<0> High (Note 2)		30		27	ns
T79	SAS or CS to SMACK High (Note 2)		30		28	ns
T81	BSCCK to SMACK Low		25		20	ns
T83	Register Write Data Setup to BSCCK	45		45		ns
T84	Register Write Data Hold from BSCCK	20		20		ns
T85a	Minimum CS Deassert Time (Note 3)	1		1		bcyc

Note 1: This figure shows a slave access to the SONIC when the SONIC is idle, or rather not in master mode. If the SONIC is a bus master, there will be some differences as noted in the Memory Arbitration/Slave Access diagram. The BSCCK states (T1, T2, etc.) are the equivalent processor states during a slave access.

Note 2: If CS is deasserted before the falling edge of SAS, T76 and T79 are referenced from the rising edge of CS.

Note 3: bcyc = bus clock cycle time (T3).

Note 4: It is not necessary to meet the setup time for CS since this signal is asynchronously sampled. Meeting the setup time for this signal, however, makes it possible to use T60 to determine exactly when SMACK will be asserted.

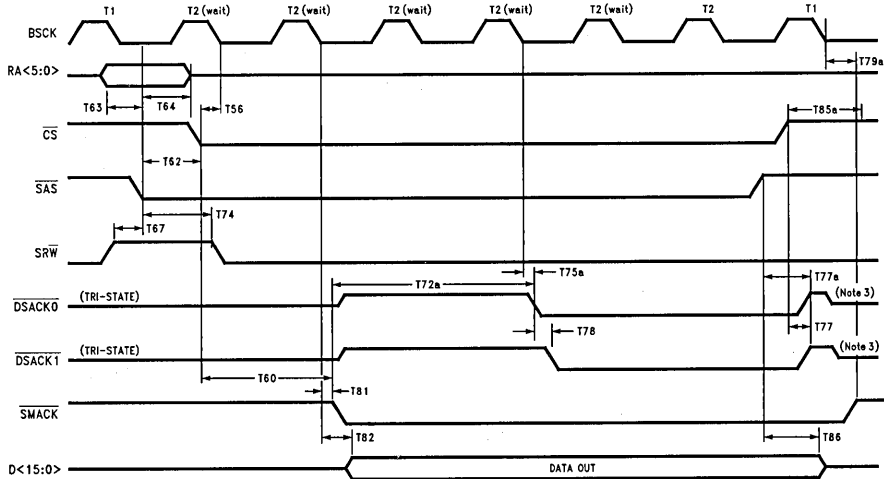
Note 5: The smaller value for T60 refers to when the SONIC is accessed during an Idle condition and the other value refers to when the SONIC is accessed during non-idle conditions. These values are not tested, but are guaranteed by design. This specification assumes that CS is asserted 1/2 bus clock before the falling edge that CS is asynchronously clocked in on (see T56). If T56 is met for CS, then SMACK will be asserted exactly 1 bus clock, when the SONIC was idle, or 5 bus clocks, when the SONIC was in master mode, after the edge that T56 refers to. (This is assuming that there were no wait states in the current master mode access. Wait states will increase the time for SMACK to go low by the number of wait states in the cycle.)

Note 6: SAS may be asserted low anytime before or simultaneous to the falling edge of CS. It is suggested that SAS be driven high no later than CS. If necessary however, SAS maybe driven up to 1 BSCCK after CS.

Note 7: These values are not tested, but are guaranteed by design. They are provided as a design guideline only.

7.0 AC and DC Specifications (Continued)

REGISTER READ, BMODE = 1 (Note 1)



TL/F/10492-73

Number	Parameter	20 MHz		25 MHz		Units
		Min	Max	Min	Max	
T56	\overline{CS} Asynch. Setup to BSCCK (Note 5)	12		10		ns
T60	\overline{MREQ} or \overline{CS} to \overline{SMACK} Low (Notes 4, 6, 9)		1.5 5.5		1.5 5.5	bcyc
T62	\overline{SAS} Assertion before \overline{CS} (Note 7)	0		0		ns
T63	Register Address Setup to \overline{SAS}	10		7		ns
T64	Register Address Hold from \overline{SAS}	10		8		ns
T67	\overline{SRW} (Read) Setup to \overline{SAS}	0		0		ns
T72a	\overline{SMACK} to $\overline{DSACK0,1}$ Low (Notes 4, 9)	2		2		bcyc
T74	\overline{SRW} (Read) Hold from \overline{SAS}	50		46		ns
T75a	BSCCK to $\overline{DSACK0,1}$ Low		35		33	ns
T77	\overline{CS} to $\overline{DSACK0,1}$ High (Notes 2, 3)		25		24	ns
T77a	\overline{SAS} to $\overline{DSACK0,1}$ High (Notes 2, 3)		35		33	ns
T78	Skew between $\overline{DSACK0,1}$		10		7	ns
T79a	BSCCK to \overline{SMACK} High		30		28	ns
T81	BSCCK to \overline{SMACK} Low		25		20	ns
T82	BSCCK to Register Data Valid		83		78	ns
T85a	Minimum \overline{CS} Deassert Time (Note 4)	1		1		bcyc
T86	\overline{SAS} or \overline{CS} to Register Data TRI-STATE (Notes 2, 8)		60		57	ns

Note 1: This figure shows a slave access to the SONIC when the SONIC is idle, or rather not in master mode. If the SONIC is a bus master, there will be some differences as noted in the Memory Arbitration/Slave Access diagram. The BSCCK states (T1, T2, etc.) are the equivalent processor states during a slave access.

Note 2: If \overline{CS} is deasserted before the rising edge of \overline{SAS} , T77 and T86 are referenced off the rising edge of \overline{CS} instead of \overline{SAS} .

Note 3: $\overline{DSACK0,1}$ are driven high for about 1/2 bus clock before going TRI-STATE.

Note 4: bcyc = bus clock cycle time (T3).

Note 5: It is not necessary to meet the setup time for \overline{CS} since this signal is asynchronously sampled. Meeting the setup time for this signal, however, makes it possible to use T60 to determine exactly when \overline{SMACK} will be asserted.

Note 6: The smaller value for T60 refers to when the SONIC is accessed during an Idle condition and the other value refers to when the SONIC is accessed during non-idle conditions. These values are not tested, but are guaranteed by design. This specification assumes that \overline{CS} is asserted 1/2 bus clock before the falling edge that \overline{CS} is asynchronously clocked in on (see T56). If T56 is met for \overline{CS} , then \overline{SMACK} will be asserted exactly 1 bus clock, when the SONIC was idle, or 5 bus clocks, when the SONIC was in master mode, after the edge that T56 refers to. (This is assuming that there were no wait states in the current master mode access. Wait states will increase the time for \overline{SMACK} to go low by the number of wait states in the cycle.)

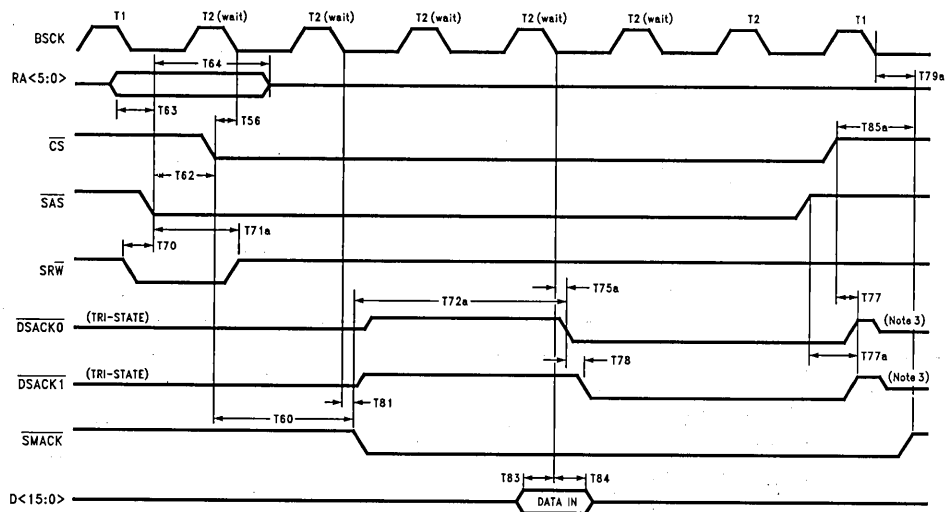
Note 7: \overline{SAS} may be asserted at anytime before or simultaneous to the falling edge of \overline{CS} .

Note 8: This timing value includes an RC delay inherent in the test measurement. These signals typically TRI-STATE 7 ns earlier, enabling other devices to drive these lines without contention.

Note 9: These values are not tested, but are guaranteed by design. They are provided as a design guideline only.

7.0 AC and DC Specifications (Continued)

REGISTER WRITE, BMODE = 1 (Note 1)



TL/F/10492-74

Number	Parameter	20 MHz		25 MHz		Units
		Min	Max	Min	Max	
T56	\overline{CS} Asynch. Setup to BSCCK (Note 5)	12		10		ns
T60	MREQ or \overline{CS} to SMACK Low (Notes 4, 6, 8)		1.5 5.5		1.5 5.5	bcyc
T62	SAS Assertion before \overline{CS} (Note 7)	0		0		ns
T63	Register Address Setup to SAS	10		7		ns
T64	Register Address Hold from SAS	10		8		ns
T70a	SRW (Write) Setup to SAS	0		0		ns
T71a	SRW (Write) Hold from SAS	10		8		ns
T72a	\overline{SMACK} to $\overline{DSACK0,1}$ Low (Notes 4, 8)	2		2		bcyc
T75a	BSCCK to $\overline{DSACK0,1}$ Low		44		42	ns
T77	\overline{CS} to $\overline{DSACK0,1}$ High (Notes 2, 3)		25		24	ns
T77a	SAS to $\overline{DSACK0,1}$ High (Notes 2, 3)		35		33	ns
T78	Skew between $\overline{DSACK0,1}$		10		7	ns
T79a	BSCCK to SMACK High		30		28	ns
T81	BSCCK to SMACK Low		25		20	ns
T83	Register Write Data Setup to BSCCK	45		45		ns
T84	Register Write Data Hold from BSCCK	20		20		ns
T85a	Minimum \overline{CS} Deassert Time (Note 4)	1		1		bcyc

Note 1: This figure shows a slave access to the SONIC when the SONIC is idle, or rather not in master mode. If the SONIC is a bus master, there will be some differences as noted in the Memory Arbitration/Slave Access diagram. The BSCCK states (T1, T2, etc.) are the equivalent processor states during a slave access.

Note 2: If \overline{CS} is deasserted before the rising edge of SAS, then T77 is referenced off the rising edge of \overline{CS} instead of SAS.

Note 3: $\overline{DSACK0,1}$ are driven high for about $\frac{1}{2}$ bus clock before going TRI-STATE.

Note 4: bcyc = bus clock cycle time (T3).

Note 5: It is not necessary to meet the setup time for \overline{CS} since this signal is asynchronously sampled. Meeting the setup time for this signal, however, makes it possible to use T60 to determine exactly when SMACK will be asserted.

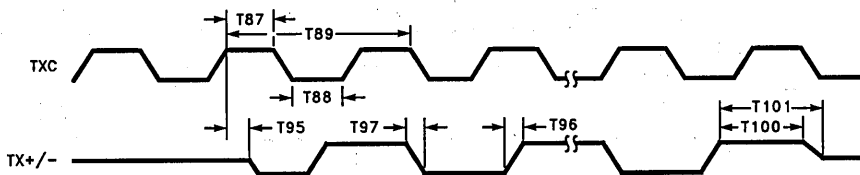
Note 6: The smaller value for T60 refers to when the SONIC is accessed during an Idle condition and the other value refers to when the SONIC is accessed during non-idle conditions. These values are not tested, but are guaranteed by design. This specification assumes that \overline{CS} is asserted $\frac{1}{2}$ bus clock before the falling edge that \overline{CS} is asynchronously clocked in on (see T56). If T56 is met for \overline{CS} , then SMACK will be asserted exactly 1 bus clock, when the SONIC was idle, or 5 bus clocks, when the SONIC was in master mode, after the edge that T56 refers to. (This is assuming that there were no wait states in the current master mode access. Wait states will increase the time for SMACK to go low by the number of wait states in the cycle.)

Note 7: SAS may be asserted at anytime before or simultaneous to the falling edge of \overline{CS} .

Note 8: These values are not tested, but are guaranteed by design. They are provided as a design guideline only.

7.0 AC and DC Specifications (Continued)

ENDEC TRANSMIT TIMING (INTERNAL ENDEC MODE)



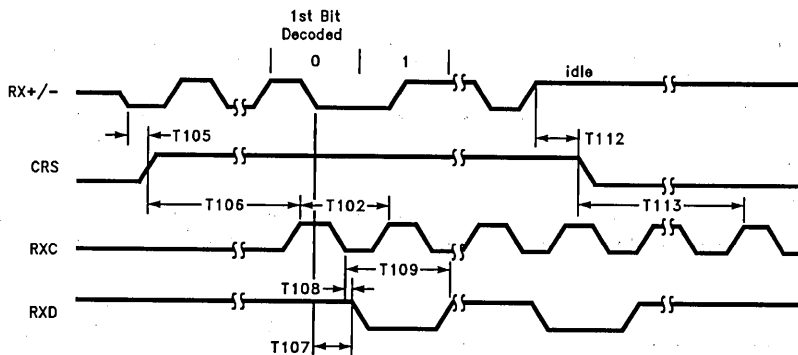
TL/F/10492-75

Number	Parameter	Min	Max	Units
T87	Transmit Clock High Time (Note 1)	40		ns
T88	Transmit Clock Low Time (Note 1)	40		ns
T89	Transmit Clock Cycle Time (Note 1)	99.99	100.01	ns
T95	Transmit Output Delay (Note 1)		55	ns
T96	Transmit Output Fall Time (80% to 20%, Note 1)		7	ns
T97	Transmit Output Rise Time (20% to 80%, Note 1)		7	ns
T98	Transmit Output Jitter (Not Shown)	0.5 Typ		ns
T100	Transmit Output High before Idle (Half Step)	200		ns
T101	Transmit Output Idle Time (Half Step)		8000	ns

Note 1: This specification is provided for information only and is not tested.

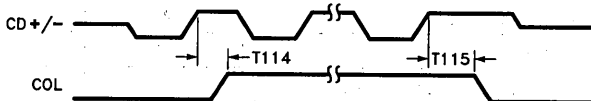
7.0 AC and DC Specifications (Continued)

ENDEC RECEIVE TIMING (INTERNAL ENDEC MODE)



TL/F/10492-76

ENDEC COLLISION TIMING



TL/F/10492-77

Number	Parameter	Min	Max	Units
T102	Receive Clock Duty Cycle Time (Note 1)	40	60	ns
T105	Carrier Sense on Time		70	ns
T106	Data Acquisition Time		700	ns
T107	Receive Data Output Delay		150	ns
T108	Receive Data Valid from RXC		10	ns
T109	Receive Data Stable Valid Time	90		ns
T112	Carrier Sense Off Delay (Note 2)		155	ns
T113	Minimum Number of RXCs after CRS Low (Note 3)	5		rcyc
T114	Collision Turn On Time		55	ns
T115	Collision Turn Off Time		250	ns

Note 1: This parameter is measured at the 50% point of each clock edge.

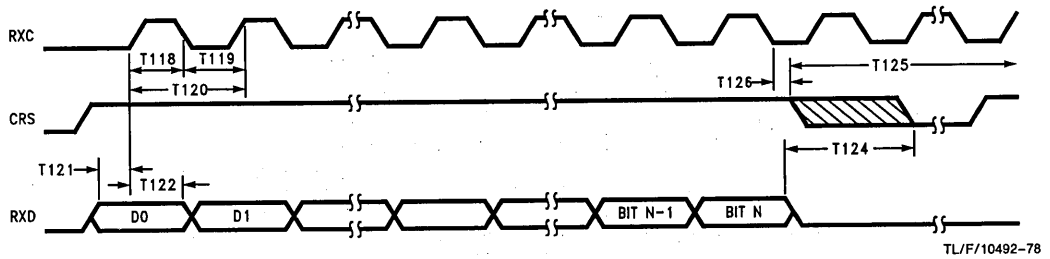
Note 2: When CRS_i goes low, it remains low for a minimum of 2 receive clocks (RXC_s).

Note 3: rcyc = receive clocks.

1

7.0 AC and DC Specifications (Continued)

ENDEC-MAC SERIAL TIMING FOR RECEPTION (EXTERNAL ENDEC MODE)



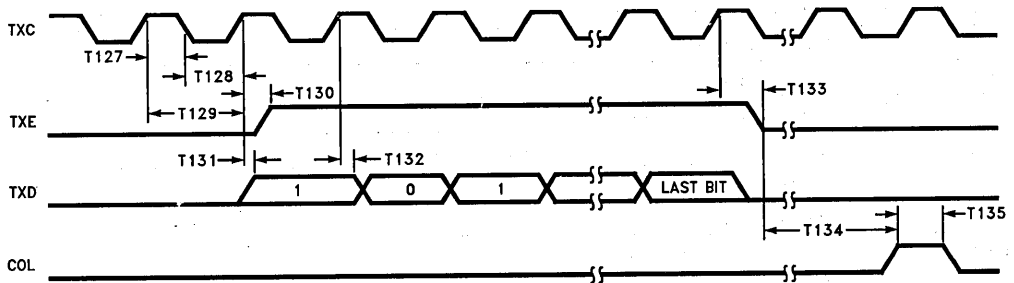
TL/F/10492-78

Number	Parameter	Min	Max	Units
T118	Receive Clock High Time	35		ns
T119	Receive Clock Low Time	35		ns
T120	Receive Clock Cycle Time	90	110	ns
T121	RXD Setup to RXC	20		ns
T122	RXD Hold from RXC	15		ns
T124	Maximum Allowed Dribble Bits		6	Bits
T125	Receive Recovery Time (Note 2)			
T126	RXC to Carrier Sense Low (Note 1)		1	rcyc

Note 1: tcyc = transmit clocks, rcyc = receive clocks, bcyc = T3.

Note 2: This parameter refers to longest time (not including wait-states) the SONIC requires to perform its end of receive processing and be ready for the next start of frame delimiter. This time is 4 tcyc + 36 bcyc. This is guaranteed by design and is not tested.

ENDEC-MAC SERIAL TIMING FOR TRANSMIT (NO COLLISION)



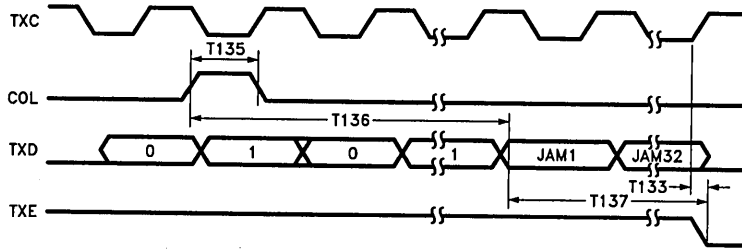
TL/F/10492-79

Number	Parameter	Min	Max	Units
T127	Transmit Clock High Time	40		ns
T128	Transmit Clock Low Time	40		ns
T129	Transmit Clock Cycle Time	90	110	ns
T130	TXC to TXE High		40	ns
T131	TXC to TXD Valid		15	ns
T132	TXD Hold Time from TXC	5		ns
T133	TXC to TXE Low		40	ns
T134	TXE Low to Start of CD Heartbeat (Note 1)		64	tcyc
T135	Collision Detect Width (Note 1)	2		tcyc

Note 1: tcyc = transmit clocks.

7.0 AC and DC Specifications (Continued)

ENDEC-MAC SERIAL TIMING FOR TRANSMISSION (COLLISION)



TL/F/10492-80

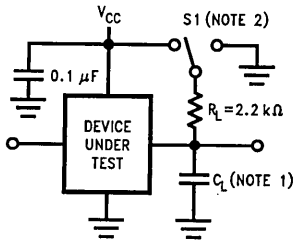
Number	Parameter	Min	Max	Units
T135	Collision Detect Width (Note 1)	2		tcyc
T136	Delay from Collision		8	tcyc
T137	Jam Period		32	tcyc

Note 1: tcyc = transmit clock.

8.0 AC Timing Test Conditions

All specifications are valid only if the mandatory isolation is employed and all differential signals are taken to be at the AUI side of the pulse transformer.

- Input Pulse Levels (TTL/CMOS) GND to 3.0V
- Input Rise and Fall Times (TTL/CMOS) 5 ns
- Input and Output Reference Levels (TTL/CMOS) 1.5V
- Input Pulse Levels (Diff.) -350 mV to -1315 mV
- Input and Output Reference Levels (Diff.) 50% Point of the Differential
- TRI-STATE Reference Levels Float (ΔV) $\pm 0.5V$
- Output Load (See Figure below)



TL/F/10492-84

Note 1: 50 pF, includes scope and jig capacitance.

Note 2: S1 = Open for timing tests for push pull outputs.

S1 = VCC for VOL test.

S1 = GND for VOH test.

S1 = VCC for High Impedance to active low and active low to High Impedance measurements.

S1 = GND for High Impedance to active high and active high to High Impedance measurements.

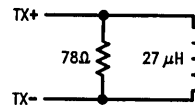
Capacitance $T_A = 25^\circ C, f = 1 \text{ MHz}$

Symbol	Parameter	Typ	Units
C_{IN}	Input Capacitance	7	pF
C_{OUT}	Output Capacitance	7	pF

DERATING FACTOR

Output timing is measured with a purely capacitive load of 50 pF. The following correction factor can be used for other loads: $C_L \geq 50 \text{ pF} + 0.05 \text{ ns/pF}$.

AUI Transmit Test Load



TL/F/10492-85

Note: In the above diagram, the TX+ and TX- signals are taken from the AUI side of the isolation (pulse transformer). The pulse transformer used for all testing is a selected 100 μH $\pm 0.1\%$ Pulse Engineering PE64103.



DP83916 SONIC™-16 Systems-Oriented Network Interface Controller

General Description

The SONIC™-16 (Systems-Oriented Network Interface Controller) is a second-generation Ethernet Controller designed to meet the demands of today's high-speed 16-bit systems. Its system interface operates with a high speed DMA that typically consumes less than 8% of the bus bandwidth. Selectable bus modes provide both big and little endian byte ordering and a clean interface to standard microprocessors. The linked-list buffer management system of SONIC-16 offers maximum flexibility in a variety of environments from PC-oriented adapters to high-speed motherboard designs. Furthermore, the SONIC-16 integrates a fully-compatible IEEE 802.3 Encoder/Decoder (ENDEC) allowing for a simple 2-chip solution for Ethernet when the SONIC-16 is paired with the DP8392 Coaxial Transceiver Interface.

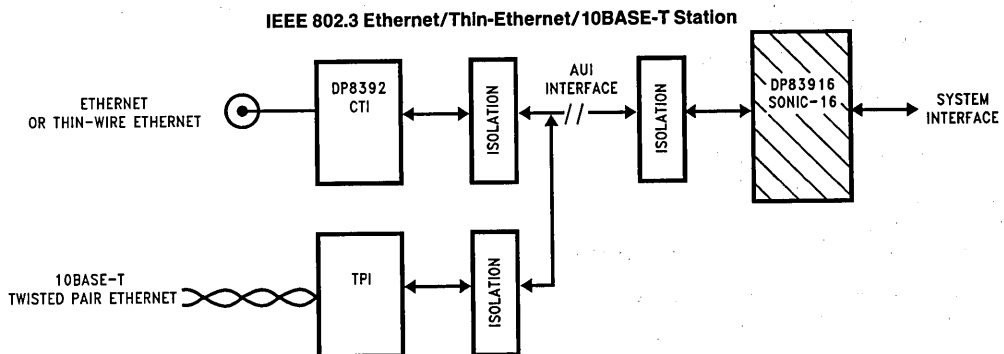
For increased performance, the SONIC-16 implements a unique buffer management scheme to efficiently process receive and transmit packets in system memory. No intermediate packet copy is necessary. The receive buffer management uses three areas in memory for (1) allocating additional resources, (2) indicating status information, and (3) buffering packet data. During reception, the SONIC-16 stores packets in the buffer area, then indicates receive status and control information in the descriptor area. The system allocates more memory resources to the SONIC-16 by adding descriptors to the memory resource area. The transmit buffer management uses two areas in memory:

one for indicating status and control information and the other for fetching packet data. The system can create a transmit queue allowing multiple packets to be transmitted from a single transmit command. The packet data can reside on any arbitrary byte boundary and can exist in several non-contiguous locations.

Features

- 23-bit non-multiplexed address/16-bit data bus
- High-speed, interruptible DMA
- Linked-list buffer management maximizes flexibility
- Two independent 32-byte transmit and receive FIFOs
- Bus compatibility for all standard microprocessors
- Supports big and little endian formats
- Integrated IEEE 802.3 ENDEC
- Complete address filtering for up to 16 physical and/or multicast addresses
- 32-bit general-purpose timer
- Full-duplex loopback diagnostics
- Fabricated in low-power CMOS
- 132 PQFP package
- Full network management facilities support the IEEE 802.3 layer management standard
- Integrated support for bridge and repeater applications

System Diagram



TL/F/11722-1

Table of Contents

1.0 FUNCTIONAL DESCRIPTION

- 1.1 IEEE 802.3 ENDEC Unit
 - 1.1.1 ENDEC Operation
 - 1.1.2 Selecting an External ENDEC
- 1.2 MAC Unit
 - 1.2.1 MAC Receive Section
 - 1.2.2 MAC Transmit Section
- 1.3 Byte Ordering
- 1.4 FIFO and Control Logic
 - 1.4.1 Receive FIFO
 - 1.4.2 Transmit FIFO
- 1.5 Status and Configuration Registers
- 1.6 Bus Interface
- 1.7 Loopback and Diagnostics
 - 1.7.1 Loopback Procedure
- 1.8 Network Management Functions

2.0 TRANSMIT/RECEIVE IEEE 802.3 FRAME FORMAT

- 2.1 Preamble and Start Of Frame Delimiter (SFD)
- 2.2 Destination Address
- 2.3 Source Address
- 2.4 Length/Type Field
- 2.5 Data Field
- 2.6 FCS Field
- 2.7 MAC (Media Access Control) Conformance

3.0 BUFFER MANAGEMENT

- 3.1 Buffer Management Overview
- 3.2 Descriptor Areas
 - 3.2.1 Naming Convention for Descriptors
 - 3.2.2 Abbreviations
 - 3.2.3 Buffer Management Base Address
- 3.3 Descriptor Data Alignment
- 3.4 Receive Buffer Management
 - 3.4.1 Receive Resource Area (RRA)
 - 3.4.2 Receive Buffer Area (RBA)
 - 3.4.3 Receive Descriptor Area (RDA)
 - 3.4.4 Receive Buffer Management Initialization
 - 3.4.5 Beginning of Reception
 - 3.4.6 End of Packet Processing
 - 3.4.7 Overflow Conditions
- 3.5 Transmit Buffer Management
 - 3.5.1 Transmit Descriptor Area (TDA)
 - 3.5.2 Transmit Buffer Area (TBA)
 - 3.5.3 Preparing to Transmit
 - 3.5.4 Dynamically Adding TDA Descriptors

4.0 SONIC-16 REGISTERS

- 4.1 The CAM Unit
 - 4.1.1 The Load CAM Command
- 4.2 Status/Control Registers
- 4.3 Register Description
 - 4.3.1 Command Register
 - 4.3.2 Data Configuration Register
 - 4.3.3 Receive Control Register
 - 4.3.4 Transmit Control Register
 - 4.3.5 Interrupt Mask Register
 - 4.3.6 Interrupt Status Register
 - 4.3.7 Data Configuration Register 2
 - 4.3.8 Transmit Registers
 - 4.3.9 Receive Registers
 - 4.3.10 CAM Registers
 - 4.3.11 Tally Counters
 - 4.3.12 General Purpose Timer
 - 4.3.13 Silicon Revision Register

5.0 BUS INTERFACE

- 5.1 Pin Configurations
- 5.2 Pin Description
- 5.3 System Configuration
- 5.4 Bus Operations
 - 5.4.1 Acquiring the Bus
 - 5.4.2 Block Transfers
 - 5.4.3 Bus Status
 - 5.4.4 Bus Mode Compatibility
 - 5.4.5 Master Mode Bus Cycles
 - 5.4.6 Bus Exceptions (Bus Retry)
 - 5.4.7 Slave Mode Bus Cycle
 - 5.4.8 On-Chip Memory Arbiter
 - 5.4.9 Chip Reset

6.0 NETWORK INTERFACING

- 6.1 Manchester Encoder and Differential Driver
 - 6.1.1 Manchester Decoder
 - 6.1.2 Collision Translator
 - 6.1.3 Oscillator Inputs

7.0 AC AND DC SPECIFICATIONS

8.0 AC TIMING TEST CONDITIONS

1.0 Functional Description

The SONIC-16 (*Figure 1-1*) consists of an encoder/decoder (ENDEC) unit, media access control (MAC) unit, separate receive and transmit FIFOs, a system buffer management engine, and a user programmable system bus interface unit on a single chip. SONIC-16 is highly pipelined providing maximum system level performance. This section provides a functional overview of SONIC-16.

1.1 IEEE 802.3 ENDEC UNIT

The ENDEC (Encoder/Decoder) unit is the interface between the Ethernet transceiver and the MAC unit. It provides the Manchester data encoding and decoding functions for IEEE 802.3 Ethernet/Thin-Ethernet type local area networks. The ENDEC operations of SONIC-16 are identical to the DP83910A CMOS Serial Network Interface device. During transmission, the ENDEC unit combines non-return-zero (NRZ) data from the MAC section and clock pulses into Manchester data and sends the converted data differentially to the transceiver. Conversely, during reception, an analog PLL decodes the Manchester data to NRZ format and receive clock. The ENDEC unit is a functionally complete Manchester encoder/decoder incorporating a balanced driver and receiver, on-board crystal oscillator, collision signal translator, and a diagnostic loopback. The features include:

- Compatible with Ethernet I and II, IEEE 802.3 10BASE5 and 10BASE2
- 10Mb/s Manchester encoding/decoding with receive clock recovery
- Requires no precision components
- Loopback capability for diagnostics
- Externally selectable half or full step modes of operation at transmit output
- Squelch circuitry at the receive and collision inputs reject noise
- Connects to the transceiver (AUI) cable via external pulse transformer

1.1.1 ENDEC Operation

The primary function of the ENDEC unit (*Figure 1-2*) is to perform the encoding and decoding necessary for compatibility between the differential pair Manchester encoded data of the transceiver and the Non-Return-to-Zero (NRZ) serial data of the MAC unit data line. In addition to encoding and decoding the data stream, the ENDEC also supplies all the necessary special signals (e.g., collision detect, carrier sense, and clocks) to the MAC unit.

Manchester Encoder and Differential Output Driver:

During transmission to the network, the ENDEC unit translates the NRZ serial data from the MAC unit into differential pair Manchester encoded data on the Coaxial Transceiver Interface (e.g., National's DP8392) transmit pair. To perform this operation the NRZ bit stream from the MAC unit is passed through the Manchester encoder block of the ENDEC unit. Once the bit stream is encoded, it is transmitted out differentially to the transmit differential pair through the transmit driver.

Manchester Decoder:

During reception from the network, the differential receive data from the transceiver (e.g., the DP8392) is converted from Manchester encoded data into NRZ serial data and a receive clock, which are sent to the receive data and clock inputs of the MAC unit. To perform this operation the signal, once received by the differential receiver, is passed to the phase locked loop (PLL) decoder block. The PLL decodes the data and generates a data receive clock and a NRZ serial data stream to the MAC unit.

Special Signals: In addition to performing the Manchester encoding and decoding function, the ENDEC unit provides control and clocking signals to the MAC unit. The ENDEC sends a carrier sense (CRS) signal that indicates to the MAC unit that data is present from the network on the ENDEC's receive differential pair. The MAC unit is also provided with a collision detection signal (COL) that informs the MAC unit that a collision is taking place somewhere on the

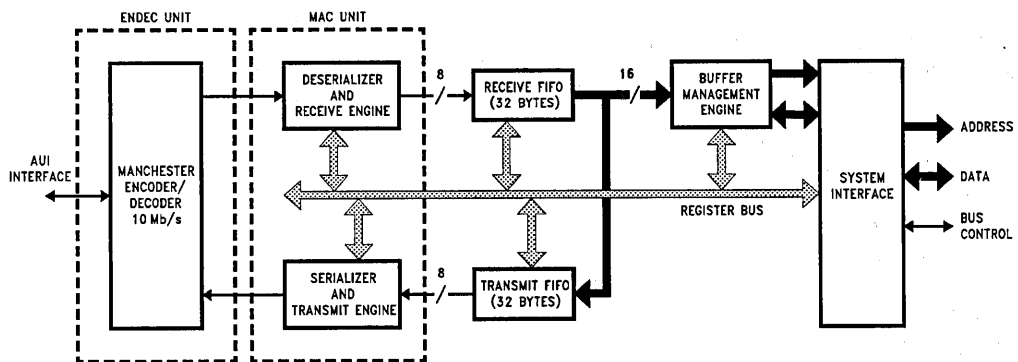


FIGURE 1-1. SONIC-16 Block Diagram

TL/F/11722-2

1.0 Functional Description (Continued)

TL/F/11722-3

SONIC-16

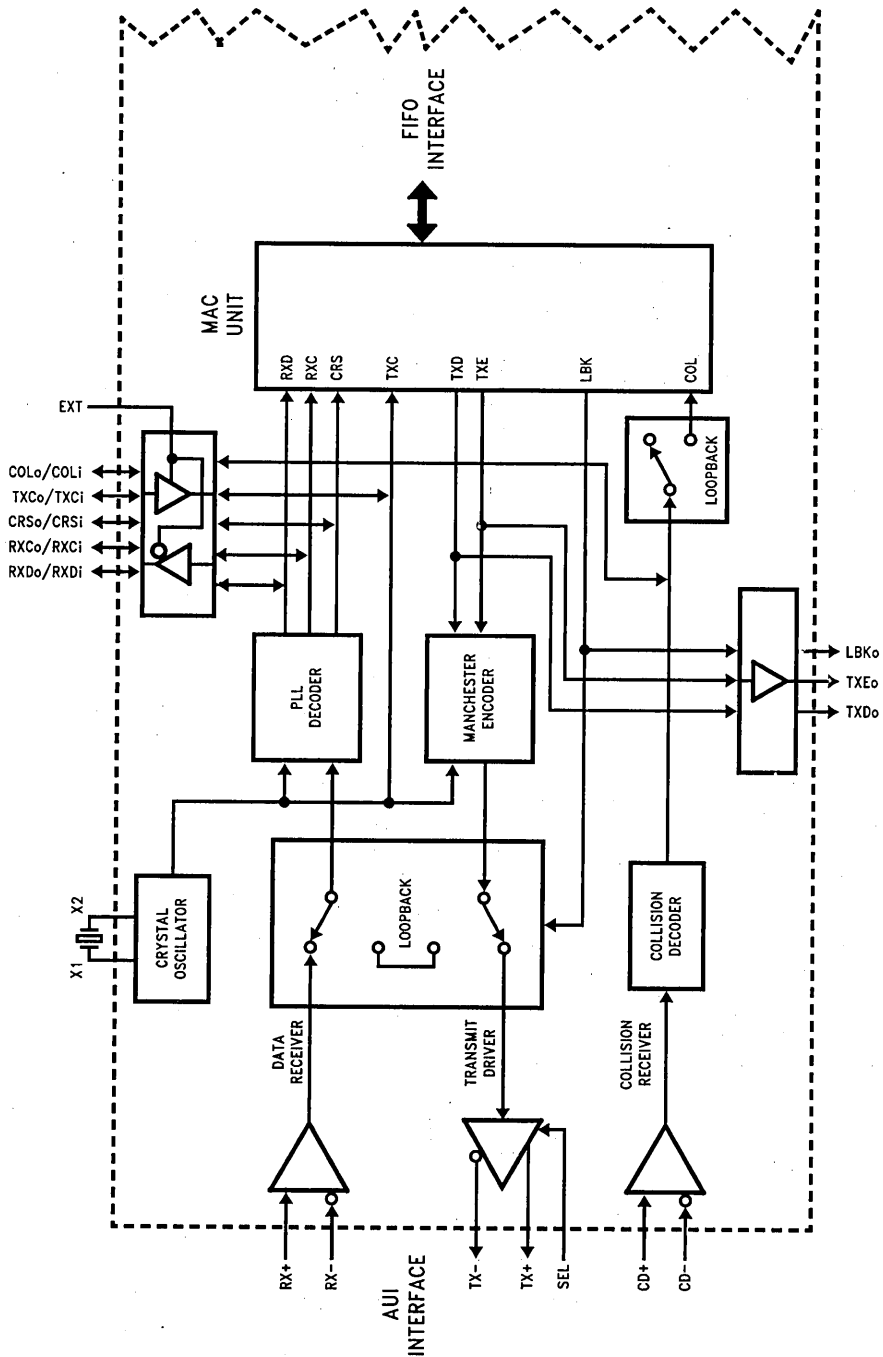


FIGURE 1-2. Block Diagram of Ethernet ENDEC



1.0 Functional Description (Continued)

network. The ENDEC section detects this when its collision receiver detects a 10 MHz signal on the differential collision input pair. The ENDEC also provides both the receive and transmit clocks to the MAC unit. The transmit clock is one half of the oscillator input. The receive clock is extracted from the input data by the PLL.

Oscillator: The oscillator generates the 10 MHz transmit clock signal for network timing. The oscillator is controlled by a parallel resonant crystal or by an external clock (see section 6.1.3). The 20 MHz output of the oscillator is divided by 2 to generate the 10 MHz transmit clock (TXC) for the MAC section. The oscillator provides an internal clock signal for the encoding and decoding circuits.

The signals provided to the MAC unit from the on-chip ENDEC are also provided as outputs to the user.

Loopback Functions: The SONIC-16 provides three loopback modes. These modes allow loopback testing at the MAC, ENDEC and external transceiver level (see section 1.7 for details). It is important to note that when the SONIC-16 is transmitting, the transmitted packet will always be looped back by the external transceiver. The SONIC-16 takes advantage of this to monitor the transmitted packet. See the explanation of the Receive State Machine in section 1.2.1 for more information about monitoring transmitted packets.

1.1.2 Selecting An External ENDEC

An option is provided on SONIC-16 to disable the on-chip ENDEC unit and use an external ENDEC. The internal IEEE 802.3 ENDEC can be bypassed by connecting the EXT pin to V_{CC} (EXT = 1). In this mode the MAC signals are redirected out from the chip, allowing an external ENDEC to be used. See section 5.2 for the alternate pin definitions.

1.2 MAC UNIT

The MAC (Media Access Control) unit performs the media access control functions for transmitting and receiving packets over Ethernet. During transmission, the MAC unit frames information from the transmit FIFO and supplies serialized data to the ENDEC unit. During reception, the incoming information from the ENDEC unit is deserialized, the frame checked for valid reception, and the data is transferred to the receive FIFO. Control and status registers on the SONIC-16 govern the operation of the MAC unit.

1.2.1 MAC Receive Section

The receive section (*Figure 1-3*) controls the MAC receive operations during reception, loopback, and transmission. During reception, the deserializer goes active after detecting the 2-bit SFD (Start of Frame Delimiter) pattern (section 2.1). It then frames the incoming bits into octet boundaries

and transfers the data to the 32-byte receive FIFO. Concurrently the address comparator compares the Destination Address Field to the addresses stored in the chip's CAM address registers (Content Addressable Memory cells). If a match occurs, the deserializer passes the remainder of the packet to the receive FIFO. The packet is decapsulated when the carrier sense input pin (CRS) goes inactive. At the end of reception the receive section checks the following:

- Frame alignment errors
- CRC errors
- Length errors (runt packets)

The appropriate status is indicated in the Receive Control register (section 4.3.3). In loopback operations, the receive section operates the same as during normal reception.

During transmission, the receive section remains active to allow monitoring of the self-received packet. The CRC checker operates as normal, and the Source Address field is compared with the CAM address entries. Status of the CRC check and the source address comparison is indicated by the PMB bit in the Transmit Control register (section 4.3.4). No data is written to the receive FIFO during transmit operations.

The receive section consists of the following blocks detailed below.

Receive State Machine (RSM): The RSM insures the proper sequencing for normal reception and self-reception during transmission. When the network is inactive, the RSM remains in an idle state continually monitoring for network activity. If the network becomes active, the RSM allows the deserializer to write data into the receive FIFO. During this state, the following conditions may prevent the complete reception of the packet.

- FIFO Overflow—The receive FIFO has been completely filled before the SONIC-16 could buffer the data to memory.
- CAM Address Mismatch—The packet is rejected because of a mismatch between the destination address of the packet and the address in the CAM.
- Memory Resource Error—There are no more resources (buffers) available for buffering the incoming packets.
- Collision or Other Error—A collision occurred on the network or some other error, such as a CRC error, occurred (this is true if the SONIC-16 has been told to reject packets on a collision, or reject packets with errors).

If these conditions do not occur, the RSM processes the packet indicating the appropriate status in the Receive Control register.

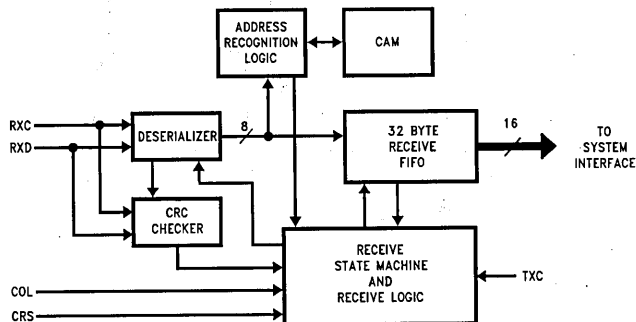


FIGURE 1-3. MAC Receiver

TL/F/11722-4

1.0 Functional Description (Continued)

During transmission of a packet from the SONIC-16, the external transceiver will always loop the packet back to the SONIC-16. The SONIC-16 will use this to monitor the packet as it is being transmitted. The CRC and source address of the looped back packet are checked with the CRC and source address that were transmitted. If they do not match, an error bit is set in the status of the transmitted packet (see Packet Monitored Bad, PBM, in the Transmit Control Register, section 4.3.4). Data is not written to the receive FIFO during this monitoring process unless Transceiver Loopback mode has been selected (see section 1.7).

Receive Logic: The receive logic contains the command, control, and status registers that govern the operations of the receive section. It generates the control signals for writing data to the receive FIFO, processes error signals obtained from the CRC checker and the deserializer, activates the "packet reject" signal to the RSM for rejecting packets, and posts the applicable status in the Receive Control register.

Deserializer: This section deserializes the serial input data stream and furnishes a byte clock for the address comparator and receive logic. It also synchronizes the CRC checker to begin operation (after SFD is detected), and checks for proper frame alignment with respect to CRS going inactive at the end of reception.

Address Comparator: The address comparator latches the Destination Address (during reception or loopback) or Source Address (during transmission) and determines whether the address matches one of the entries in the CAM (Content Addressable Memory).

CRC Checker: The CRC checker calculates the 4-byte Frame Check Sequence (FCS) field from the incoming data stream and compares it with the last 4-bytes of the received packet. The CRC checker is active for both normal reception and self-reception during transmission.

Content Addressable Memory (CAM): The CAM contains 16 user programmable entries and 1 pre-programmed Broadcast address entry for complete filtering of received packets. The CAM can be loaded with any combination of Physical and Multicast Addresses (section 2.2). See section 4.1 for the procedure on loading the CAM registers.

1.2.2 MAC Transmit Section

The transmit section (Figure 1-4) is responsible for reading data from the transmit FIFO and transmitting a serial data

stream onto the network in conformance with the IEEE 802.3 CSMA/CD standard. The Transmit Section consists of the following blocks.

Transmit State Machine (TSM): The TSM controls the functions of the serializer, preamble generator, and JAM generator. It determines the proper sequence of events that the transmitter follows under various network conditions. If no collision occurs, the transmitter prefixes a 62-bit preamble and 2-bit Start of Frame Delimiter (SFD) at the beginning of each packet, then sends the serialized data. At the end of the packet, an optional 4-byte CRC pattern is appended. If a collision occurs, the transmitter switches from transmitting data to sending a 4-byte Jam pattern to notify all nodes that a collision has occurred. Should the collision occur during the preamble, the transmitter waits for it to complete before jamming. After the transmission has completed, the transmitter writes status in the Transmit Control register (section 4.3.4).

Protocol State Machine: The protocol state machine assures that the SONIC-16 obeys the CSMA/CD protocol. Before transmitting, this state machine monitors the carrier sense and collision signals for network activity. If another node(s) is currently transmitting, the SONIC-16 defers until the network is quiet, then transmits after its Interframe Gap Timer (9.6 μ s) has expired. The Interframe Gap time is divided into two portions. During the first 6.4 μ s, network activity restarts the Interframe Gap timer. Beyond this time, however, network activity is ignored and the state machine waits the remaining 3.2 μ s before transmitting. If the SONIC-16 experiences a collision during a transmission, the SONIC-16 switches from transmitting data to a 4-byte JAM pattern (4 bytes of all 1's), before ceasing to transmit. The SONIC-16 then waits a random number of slot times (51.2 μ s) determined by the *Truncated Binary Exponential Backoff Algorithm* before reattempting another transmission. In this algorithm, the number of slot times to delay before the *n*th retransmission is chosen to be a random integer *r* in the range of:

$$0 \leq r \leq 2^k$$

$$\text{where } k = \min(n, 10)$$

If a collision occurs on the 16th transmit attempt, the SONIC-16 aborts transmitting the packet and reports an "Excessive Collisions" error in the Transmit Control register.

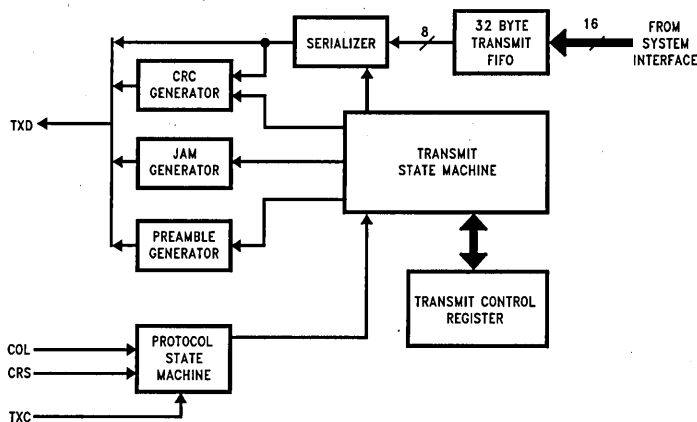


FIGURE 1-4. MAC Transmitter

TL/F/11722-5

1.0 Functional Description (Continued)

Serializer: After data has been written into the 32-byte transmit FIFO, the serializer reads byte wide data from the FIFO and sends a NRZ data stream to the Manchester encoder. The rate at which data is transmitted is determined by the transmit clock (TXC). The serialized data is transmitted after the SFD.

Preamble Generator: The preamble generator prefixes a 62-bit alternating "1,0" pattern and a 2-bit "1,1" SFD pattern at the beginning of each packet. This allows receiving nodes to synchronize to the incoming data. The preamble is always transmitted in its entirety even in the event of a collision. This assures that the minimum collision fragment is 96 bits (64 bits of normal preamble, and 4 bytes, or rather 32 bits, of the JAM pattern).

CRC Generator: The CRC generator calculates the 4-byte FCS field from the transmitted serial data stream. If enabled, the 4-byte FCS field is appended to the end of the transmitted packet (section 2.6).

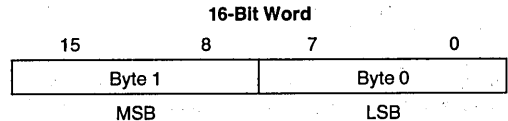
Jam Generator: The Jam generator produces a 4-byte pattern of all 1's to assure that all nodes on the network sense the collision. When a collision occurs, the SONIC-16 stops transmitting data and enables the Jam generator. If a collision occurs during the preamble, the SONIC-16 finishes transmitting the preamble before enabling the Jam generator (see Preamble Generator above).

1.3 BYTE ORDERING

The SONIC-16 will operate with 16-bit wide memory. The SONIC-16 provides both Little Endian and Big Endian byte-

ordering capability for compatibility with National/Intel or Motorola microprocessors respectively by selecting the proper level on the BMODE pin. The byte ordering is depicted as follows:

Little Endian mode (BMODE = 0): The byte orientation for received and transmitted data in the Receive Buffer Area (RBA) and Transmit Buffer Area (TBA) of system memory is as follows:



Big Endian mode (BMODE = 1): The byte orientation for received and transmitted data in the RBA and TBA is as follows:

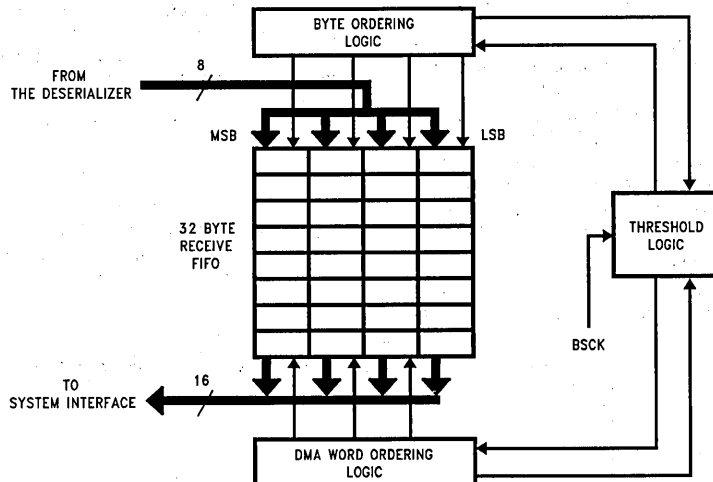
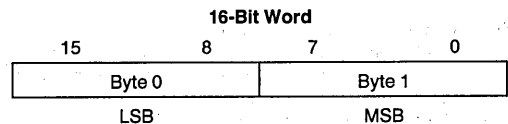


FIGURE 1-5. Receive FIFO

TL/F/11722-6

1.0 Functional Description (Continued)

1.4 FIFO AND CONTROL LOGIC

The SONIC-16 incorporates two independent 32-byte FIFOs for transferring data to/from the system interface and from/to the network. The FIFOs, providing temporary storage of data, free the host system from the real-time demands on the network.

The way in which the FIFOs are emptied and filled is controlled by the FIFO threshold values and the Block Mode Select bits (BMS, section 4.3.2). The threshold values determine how full or empty the FIFOs can be before the SONIC-16 will request the bus to get more data from memory or buffer more data to memory. When block mode is set, the number of bytes transferred is set by the threshold value. For example, if the threshold for the receive FIFO is 4 words, then the SONIC-16 will always transfer 4 words from the receive FIFO to memory. If empty/fill mode is set, however, the number of bytes transferred is the number required to fill the transmit FIFO or empty the receive FIFO. More specific information about how the threshold affects reception and transmission of packets is discussed in sections 1.4.1 and 1.4.2 below.

1.4.1 Receive FIFO

To accommodate the different transfer rates, the receive FIFO (*Figure 1-5*) serves as a buffer between the 8-bit network (deserializer) interface and the 16-bit system interface. The FIFO is arranged as a 4-byte wide by 8 deep memory array (8 long words, or 32 bytes) controlled by three sections of logic. During reception, the Byte Ordering logic directs the byte stream from the deserializer into the FIFO using one of four write pointers. Depending on the selected byte-ordering mode, data is written either least significant byte first or most significant byte first to accommodate little or big endian byte-ordering formats respectively.

As data enters the FIFO, the Threshold Logic monitors the number of bytes written in from the deserializer. The programmable threshold (RFT1,0 in the Data Configuration Register) determines the number of words (or long words) written into the FIFO from the MAC unit before a DMA request for system memory occurs. When the threshold is reached, the Threshold Logic enables the Buffer Management Engine to read a programmed number of 16-bit words (depending upon the selected word width) from the FIFO and transfers them to the system interface (the system memory) using DMA. The threshold is reached when the number of bytes in the receive FIFO is greater than the value of the threshold. For example, if the threshold is 4 words (8 bytes), then the Threshold Logic will not cause the Buffer Management Engine to write to memory until there are more than 8 bytes in the FIFO.

The Buffer Management Engine reads either the upper or lower half (16 bits) of the FIFO. If, after the transfer is complete, the number of bytes in the FIFO is less than the threshold, then the SONIC-16 is done. This is always the case when the SONIC-16 is in empty/fill mode. If, however, for some reason (e.g. latency on the bus) the number of bytes in the FIFO is still greater than the threshold value, the Threshold Logic will cause the Buffer Management Engine to do a DMA request to write to memory again. This later case is usually only possible when the SONIC-16 is in block mode.

When in block mode, each time the SONIC-16 requests the bus, only a number of bytes equal to the threshold value will

be transferred. The Threshold Logic continues to monitor the number of bytes written in from the deserializer and enables the Buffer Management Engine every time the threshold has been reached. This process continues until the end of the packet.

Once the end of the packet has been reached, the serializer will fill out the last word if the last byte did not end on a word boundary. The fill byte will be 0FFh. Immediately after the last byte (or fill byte) in the FIFO, the received packets status will be written into the FIFO. The entire packet, including any fill bytes and the received packet status will be buffered to memory. When a packet is buffered to memory by the Buffer Management Engine, it is always taken from the FIFO in words and buffered to memory on word boundaries. Data from a packet cannot be buffered on odd byte boundaries (see Section 3.3). For more information on the receive packet buffering process, see Section 3.4.

1.4.2 Transmit FIFO

Similar to the Receive FIFO, the Transmit FIFO (*Figure 1-6*) serves as a buffer between the 16-bit system interface and the network (serializer) interface. The Transmit FIFO is also arranged as a 4 byte by 8 deep memory array (8 long words or 32 bytes) controlled by three sections of logic. Before transmission can begin, the Buffer Management Engine fetches a programmed number of 16-bit words from memory and transfers them to the FIFO. The Buffer Management Engine writes either the upper or lower half (16 bits) into the FIFO.

The Threshold logic monitors the number of bytes as they are written into the FIFO. When the threshold has been reached, the Transmit Byte Ordering state machine begins reading bytes from the FIFO to produce a continuous byte stream for the serializer. The threshold is met when the number of bytes in the FIFO is greater than the value of the threshold. For example, if the transmit threshold is 4 words (8 bytes), the Transmit Byte Ordering state machine will not begin reading bytes from the FIFO until there are 9 or more bytes in the buffer. The Buffer Management Engine continues replenishing the FIFO until the end of the packet. It does this by making multiple DMA requests to the system interface. Whenever the number of bytes in the FIFO is equal to or less than the threshold value, the Buffer Management Engine will do a DMA request. If block mode is set, then after each request has been granted by the system, the Buffer Management Engine will transfer a number of bytes equal to the threshold value into the FIFO. If empty/fill mode is set, the FIFO will be completely filled in one DMA request.

Since data may be organized in big or little endian byte ordering format, the Transmit Byte Ordering state machine uses one of four read pointers to locate the proper byte within the 4 byte wide FIFO. It also determines the valid number of bytes in the FIFO. For packets which begin or end at odd bytes in the FIFO, the Buffer Management Engine writes extraneous bytes into the FIFO. The Transmit Byte Ordering state machine detects these bytes and only transfers the valid bytes to the serializer. The Buffer Management Engine can read data from memory on any byte boundary (see Section 3.3). See Section 3.5 for more information on transmit buffering.

1.0 Functional Description (Continued)

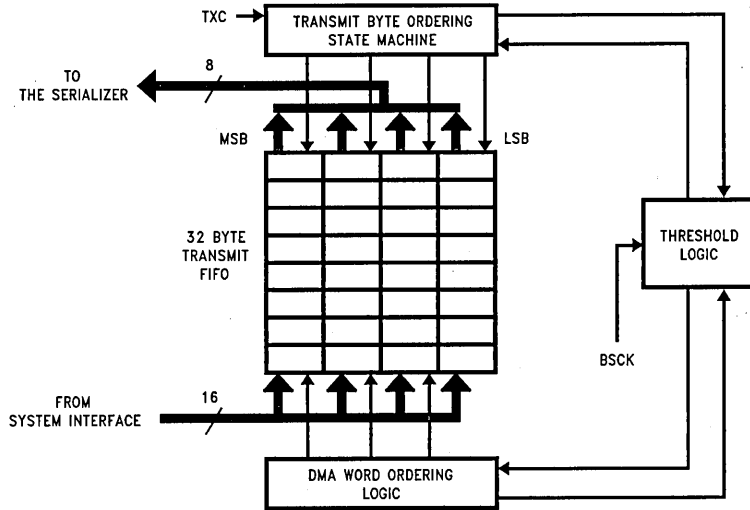


FIGURE 1-6. Transmit FIFO

TL/F/11722-7

1.5 STATUS AND CONFIGURATION REGISTERS

The SONIC-16 contains a set of status/control registers for conveying status and control information to/from the host system. The SONIC-16 uses these registers for loading commands generated from the system, indicating transmit and receive status, buffering data to/from memory, and providing interrupt control. Each register is 16 bits in length. See section 4.0 for a description of the registers.

1.6 BUS INTERFACE

The system interface (Figure 1-7) consists of the pins necessary for interfacing to a variety of buses. It includes the I/O drivers for the data and address lines, bus access control for standard microprocessors, ready logic for synchronous or asynchronous systems, slave access control, interrupt control, and shared-memory access control. The functional signal groups are shown in Figure 1-7. See section 5.0 for a complete description of the SONIC-16 bus interface.

1.7 LOOPBACK AND DIAGNOSTICS

The SONIC-16 furnishes three loopback modes for self-testing from the controller interface to the transceiver interface. The loopback function is provided to allow self-testing of the chip's internal transmit and receive operations. During loopback, transmitted packets are routed back to the receive section of the SONIC-16 where they are filtered by the address recognition logic and buffered to memory if accepted. Transmit and receive status and interrupts remain active during loopback. This means that when using loopback, it is as if the packet was transmitted and received by two separate chips that are connected to the same bus and memory.

MAC Loopback: Transmitted data is looped back at the MAC. Data is not sent from the MAC to either the internal ENDEC or an external ENDEC (the external ENDEC interface pins will not be driven), hence, data is not transmitted from the chip. Even though the ENDEC is not used in MAC loopback, the ENDEC clock (an oscillator or crystal for the internal ENDEC or TXC for an external ENDEC) must be driven. Network activity, such as a collision, does not affect

MAC loopback. CSMA/CD MAC protocol is not completely followed in MAC loopback.

ENDEC Loopback: Transmitted data is looped back at the ENDEC. If the internal ENDEC is used, data is switched from the transmit section of the ENDEC to the receive section (Figure 1-2). Data is not transmitted from the chip and the collision lines, $CD\pm$, are ignored, hence, network activity does not affect ENDEC loopback. The LBK signal from the MAC tells the internal ENDEC to go into loopback mode. If an external ENDEC is used, it should operate in loopback mode when the LBK signal is asserted. CSMA/CD MAC protocol is followed even though data is not transmitted from the chip.

Transceiver Loopback: Transmitted data is looped back at the external transceiver (which is always the case regardless of the SONIC-16's loopback mode). CSMA/CD MAC protocol is followed since data will be transmitted from the chip. This means that transceiver loopback is affected by network activity. The basic difference between Transceiver Loopback and normal, non-loopback, operations of the SONIC-16 is that in Transceiver Loopback, the SONIC-16 loads the receive FIFO and buffers the packet to memory. In normal operations, the SONIC-16 only monitors the packet that is looped back by the transceiver, but does not fill the receive FIFO and buffer the packet.

1.7.1 Loopback Procedure

The following procedure describes the loopback operation.

1. Initialize the Transmit and Receive Area as described in Sections 3.4 and 3.5.
2. Load one of the CAM address registers (see Section 4.1), with the Destination Address of the packet if you are verifying the SONIC-16's address recognition capability.
3. Load one of the CAM address registers with the Source Address of the packet if it is different than the Destination Address to avoid getting a Packet Monitored Bad (PMB) error in the Transmit status (see Section 4.3.4).

1.0 Functional Description (Continued)

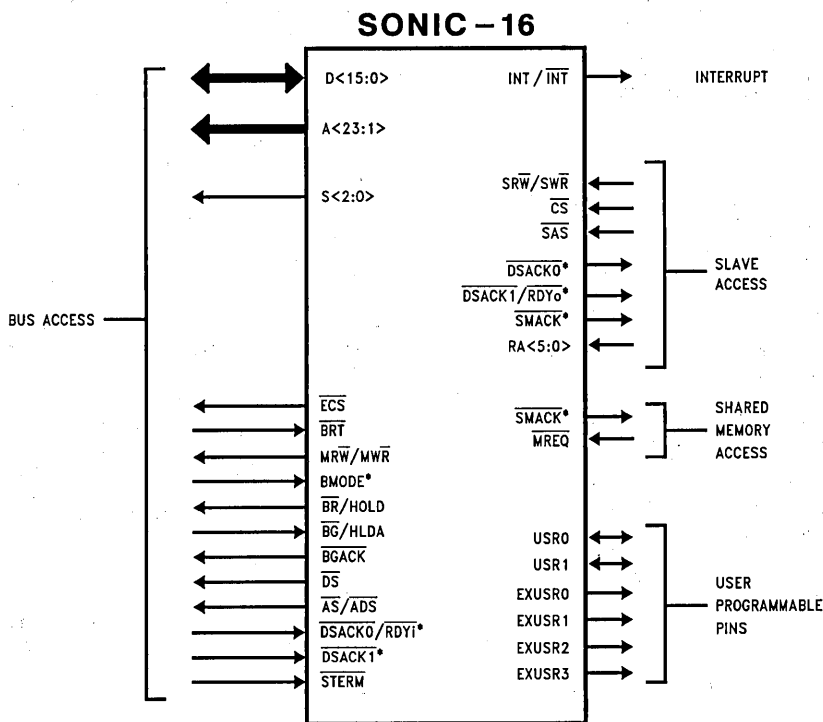
4. Program the Receive Control register with the desired receive filter and the loopback mode (LB1, LB0).
5. Issue the transmit command (TXP) and enable the receiver (RXEN) in the Command register.

The SONIC-16 completes the loopback operation after the packet has been completely received (or rejected if there is an address mismatch). The Transmit Control and Receive Control registers treat the loopback packet as in normal operation and indicate status accordingly. Interrupts are also generated if enabled in the Interrupt Mask register.

Note: For MAC Loopback, only one packet may be queued for proper operation. This restriction occurs because the transmit MAC section, which does not generate an Interframe Gap time (IFG) between transmitted packets, does not allow the receive MAC section to update receive status. There are no restrictions for the other loopback modes.

1.8 NETWORK MANAGEMENT FUNCTIONS

The SONIC-16 fully supports the Layer Management IEEE 802.3 standard to allow a node to monitor the overall performance of the network. These statistics are available on a per packet basis at the end of reception or transmission. In addition, the SONIC-16 provides three tally counters to tabulate CRC errors, Frame Alignment errors, and missed packets. Table 1-1 shows the statistics indicated by the SONIC-16.



TL/F/11722-8

*Note: DSACK0,1 are used for both Bus and Slave Access Control and are bidirectional. SMACK is used for both Slave access and shared memory access. The BMODE pin selects between National/Intel or Motorola type buses.

FIGURE 1-7. SONIC-16 Interface Signals

1.0 Functional Description (Continued)

TABLE 1-1. Network Management Statistics

Statistic	Register Used	Bits Used
Frames Transmitted OK	TCR (Note)	PTX
Single Collision Frames	(Note)	NC0-NC4
Multiple Collision Frames	(Note)	NC0-NC4
Collision Frames	(Note)	NC0-NC4
Frames with Deferred Transmissions	TCR (Note)	DEF
Late Collisions	TCR (Note)	OWC
Excessive Collisions	TCR (Note)	EXC
Excessive Deferral	TCR (Note)	EXD
Internal MAC Transmit Error	TCR (Note)	BCM, FU
Frames Received OK	RCR (Note)	PRX
Multicast Frames Received OK	RCR (Note)	MC
Broadcast Frames Received OK	RCR (Note)	BC
Frame Check Sequence Errors	CRCT RCR	All CRC
Alignment Errors	FAET RCR	All FAE
Frame Lost due to Internal MAC Receive Error	MPT ISR	All RFO

Note: The number of collisions and the contents of the Transmit Control register are posted in the TXpkt.status field (see section 3.5.1.2). The contents of the Receive Control register are posted in the RXpkt.status field (see section 3.4.3.1).

2.0 Transmit/Receive IEEE 802.3 Frame Format

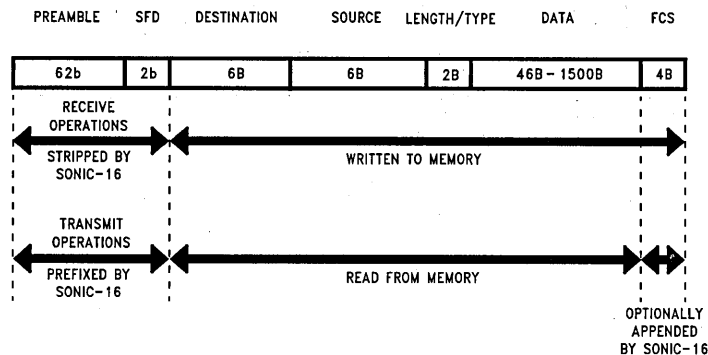
A standard IEEE 802.3 packet (*Figure 2-1*) consists of the following fields: preamble, Start of Frame Delimiter (SFD), destination address, source address, length, data and Frame Check Sequence (FCS). The typical format is shown in *Figure 2-1*. The packets are Manchester encoded and decoded by the ENDEC unit and transferred serially to/from the MAC unit using NRZ data with a clock. All fields are of fixed length except for the data field. The SONIC-16 generates and appends the preamble, SFD and FCS field during transmission. The Preamble and SFD fields are stripped during reception. (The CRC is passed through to buffer memory during reception.)

2.1 PREAMBLE AND START OF FRAME DELIMITER (SFD)

The Manchester encoded alternating 1,0 preamble field is used by the ENDEC to acquire bit synchronization with an incoming packet. When transmitted, each packet contains 62 bits of an alternating 1,0 preamble. Some of this preamble may be lost as the packet travels through the network. Byte alignment is performed when the Start of Frame Delimiter (SFD) pattern, consisting of two consecutive 1's, is detected.

2.2 DESTINATION ADDRESS

The destination address indicates the destination of the packet on the network and is used to filter unwanted pack-



Note: B = bytes
b = bits

FIGURE 2-1. IEEE 802.3 Packet Structure

TL/F/11722-9

2.0 Transmit/Receive IEEE 802.3 Frame Format (Continued)

ets from reaching a node. There are three types of address formats supported by the SONIC-16: Physical, Multicast, and Broadcast.

Physical Address: The physical address is a unique address that corresponds only to a single node. All physical addresses have the LSB of the first byte of the address set to "0". These addresses are compared to the internally stored CAM (Content Addressable Memory) address entries. All bits in the destination address must match an entry in the CAM in order for the SONIC-16 to accept the packet.

Multicast Address: Multicast addresses, which have the LSB of the first byte of the address set to "1", are treated similarly as Physical addresses, i.e., they must match an entry in the CAM. This allows perfect filtering of Multicast packet's and eliminates the need for a hashing algorithm for mapping Multicast packets.

Broadcast Address: If the address consists of all 1's, it is a Broadcast address, indicating that the packet is intended for all nodes.

The SONIC-16 also provides a promiscuous mode which allows reception of all physical address packets. Physical, Multicast, Broadcast, and promiscuous address modes can be selected via the Receive Control register.

2.3 SOURCE ADDRESS

The source address is the physical address of the sending node. Source addresses cannot be multicast or broadcast addresses. This field must be passed to the SONIC-16's transmit buffer from the system software. During transmission, the SONIC-16 compares the Source address with its internal CAM address entries before monitoring the CRC of the self-received packet. If the source address of the packet transmitted does not match a value in the CAM, the packet monitored bad flag (PMB) will be set in the transmit status field of the transmit descriptor (see Sections 3.5.1.2 and 4.3.4). The SONIC-16 does not provide Source Address insertion. However, a transmit descriptor fragment, containing only the Source Address, may be created for each packet. (See Section 3.5.1.)

2.4 LENGTH/TYPE FIELD

For IEEE 802.3 type packets, this field indicates the number of bytes that are contained in the data field of the packet. For Ethernet I and II networks, this field indicates the type of packet. The SONIC-16 does not operate on this field.

2.5 DATA FIELD

The data field has a variable octet length ranging from 46 to 1500 bytes as defined by the Ethernet specification. Messages longer than 1500 bytes need to be broken into multiple packets for IEEE 802.3 networks. Data fields shorter than 46 bytes require appending a pad to bring the complete frame length to 64 bytes. If the data field is padded, the number of valid bytes are indicated in the length field. The SONIC-16 does not append pad bytes for short packets during transmission, nor check for oversize packets during reception. However, the user's driver software can easily append the pad by lengthening the TXpkt.pkt_size field and TXpkt.frag_size field(s) to at least 64 bytes (see Section 3.5.1). While the Ethernet specification defines the maximum number of bytes in the data field the SONIC-16 can transmit and receive packets up to 64k bytes.

2.6 FCS FIELD

The Frame Check Sequence (FCS) is a 32-bit CRC field calculated and appended to a packet during transmission to allow detection of error-free packets. During reception, an error-free packet results in a specific pattern in the CRC

generator. The AUTODIN II ($X32 + X26 + X23 + X22 + X16 + X12 + X11 + X10 + X8 + X7 + X5 + X4 + X2 + X1 + 1$) polynomial is used for the CRC calculations. The SONIC-16 may optionally append the CRC sequence during transmission, and checks the CRC both during normal reception and self-reception during a transmission (see Section 1.2.1).

2.7 MAC (MEDIA ACCESS CONTROL) CONFORMANCE

The SONIC-16 is designed to be compliant to the IEEE 802.3 MAC Conformance specification. The SONIC-16 implements most of the MAC functions in silicon and provides hooks for the user software to handle the remaining functions. The MAC Conformance specifications are summarized in Table 2-1.

TABLE 2-1. MAC Conformance Specifications

Conformance Test Name	Support By		
	SONIC-16	User Driver Software	Notes
Minimum Frame Size	X		
Maximum Frame Size	X	X	1
Address Generation	X	X	2
Address Recognition	X		
Pad Length Generation	X	X	3
Start Of Frame Delimiter	X		
Length Field	X		
Preamble Generation	X		
Order of Bit Transmission	X		
Inconsistent Frame Length	X	X	1
Non-Integral Octet Count	X		
Incorrect Frame Check Sequence	X		
Frame Assembly	X		
FCS Generation and Insertion	X		
Carrier Deference	X		
Interframe Spacing	X		
Collision Detection	X		
Collision Handling	X		
Collision Backoff and Retransmission	X		
FCS Validation	X		
Frame Disassembly	X		
Back-to-Back Frames	X		
Flow Control	X		
Attempt Limit	X		
Jam Size (after SFD)	X		
Jam Size (in Preamble)	X		

Note 1: The SONIC-16 provides the byte count of the entire packet in the RXpkt.byte_count (see Section 3.4.3). The user's driver software may perform further filtering of the packet based upon the byte count.

Note 2: The SONIC-16 does not provide Source Address insertion; however, a transmit descriptor fragment, containing only the Source Address, may be created for each packet. See Section 3.5.1.

Note 3: The SONIC-16 does not provide Pad generation; however, the user's driver software can easily append the Pad by lengthening the TXpkt.pkt_size field and TXpkt.frag_size field(s) to at least 64 bytes. See Section 3.5.1.

3.0 Buffer Management

3.1 BUFFER MANAGEMENT OVERVIEW

The SONIC-16's buffer management scheme is based on separate buffers and descriptors (*Figures 3-2 and 3-11*). Packets that are received or transmitted are placed in buffers called the Receive Buffer Area (RBA) and the Transmit Buffer Area (TBA). The system keeps track of packets in these buffers using the information in the Receive Descriptor Area (RDA) and the Transmit Descriptor Area (TDA). A single (TDA) points to a single TBA, but multiple RDAs can point to a single RBA (one RDA per packet in the buffer). The Receive Resource Area (RRA), which is another form of descriptor, is used to keep track of the actual buffer.

When packets are transmitted, the system sets up the packets in one or more TBAs with a TDA pointing to each TBA. There can only be one packet per TBA/TDA pair. A single packet, however, may be made up of several fragments of data dispersed in memory. There is one TDA pointing to each packet which specifies information about the packet's size, location in memory, number of fragments and status after transmission. The TDAs are linked together in a linked list. The system causes the SONIC-16 to transmit the packets by passing the first TDA to the SONIC-16 and issuing the transmit command.

Before a packet can be received, an RBA and RDA must be set up by the system. RDAs are made up as a linked list similar to TDAs. An RDA is not linked to a particular RBA, though. Instead, an RDA is linked specifically to a packet after it has been buffered into an RBA. More than one packet can be buffered into the same RBA, but each packet gets its own RDA. A received packet can not be scattered into fragments. The system only needs to tell the SONIC-16 where the first RDA and where the RBAs are. Since an RDA never specifically points to an RBA, the RRA is used to keep track of the RBAs. The RRA is a circular queue of pointers and buffer sizes (not a linked list). When the SONIC-16 receives a packet, it is buffered into a RBA and a RDA is written to so that it points to and describes the new packet. If the RBA does not have enough space to buffer the next packet, a new RBA is obtained from the RRA.

3.2 DESCRIPTOR AREAS

Descriptors are the basis of the buffer management scheme used by the SONIC-16. A RDA points to a received packet within a RBA, a RRA points to a RBA and a TDA points to a TBA which contains a packet to be transmitted. The conventions and registers used to describe these descriptors are discussed in the next three sections.

3.2.1 Naming Convention for Descriptors

The fields which make up the descriptors are named in a consistent manner to assist in remembering the usage of each descriptor. Each descriptor name consists of three components in the following format.

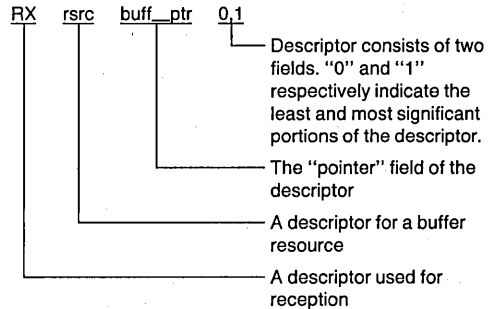
[RX/TX][descriptor name].[field]

The first two capital letters indicate whether the descriptor is used for transmission (TX) or reception (RX), and is then followed by the descriptor name having one of two names.

rsrc = Resource descriptor

pkt = Packet descriptor

The last component consists of a field name to distinguish it from the other fields of a descriptor. The field name is separated from the descriptor name by a period ("."). An example of a descriptor is shown below.



3.2.2 Abbreviations

The abbreviations in Table 3-1 are used to describe the SONIC-16 registers and data structures in memory. The "0" and "1" in the abbreviations indicate the least and most significant portions of the registers or descriptors. Table 3-1 lists the naming convention abbreviations for descriptors.

3.2.3 Buffer Management Base Addresses

The SONIC-16 uses three areas in memory to store descriptor information: the Transmit Descriptor Area (TDA), Receive Descriptor Area (RDA), and the Receive Resource Area (RRA). The SONIC-16 accesses these areas by concatenating a 16-bit base address register with a 16-bit offset register. The base address register supplies a fixed upper 8 bits of address and the offset registers provide the lower 16 bits of address. The base address registers are the Upper Transmit Descriptor Address (UTDA), Upper Receive Descriptor Address (URDA), and the Upper Receive Resource Address (URRA) registers. The corresponding offset registers are shown below.

Upper Address Registers	Offset Registers
URRA	RSA, REA, RWP, RRP
URDA	CRDA
UTDA	CTDA

See Table 3-1 for definition of register mnemonics.

Figure 3-1 shows an example of the Transmit Descriptor Area and the Receive Descriptor Area being located by the UTDA and URDA registers. The descriptor areas, RDA, TDA, and RRA are allowed to have the same base address. i.e., URRA=URDA=UTDA. Care, however, must be taken to prevent these areas from overwriting each other.

3.0 Buffer Management (Continued)

TABLE 3-1. Descriptor Abbreviations

TRANSMIT AND RECEIVE AREAS	
RRA	Receive Resource Area
RDA	Receive Descriptor Area
RBA	Receive Buffer Area
TDA	Transmit Descriptor Area
TBA	Transmit Buffer Area
BUFFER MANAGEMENT REGISTERS	
RSA	Resource Start Area Register
REA	Resource End Area Register
RRP	Resource Read Pointer Register
RWP	Resource Write Pointer Register
CRDA	Current Receive Descriptor Address Register
CRBA0,1	Current Receive Buffer Address Register
TCBA0,1	Temporary Current Buffer Address Register
RBWC0,1	Remaining Buffer Word Count Register
TRBWC0,1	Temporary Remaining Buffer Word Count Register
EOBC	End of Buffer Count Register
TPS	Transmit Packet Size Register
TSA0,1	Transmit Start Address Register
CTDA	Current Transmit Descriptor Address Register

BUFFER MANAGEMENT REGISTERS (Continued)	
TFC	Transmit Fragment Count Register
TFS	Transmit Fragment Size Register
UTDA	Upper Transmit Descriptor Address Register
URRA	Upper Receive Resource Address Register
URDA	Upper Receive Descriptor Address Register
TRANSMIT AND RECEIVE DESCRIPTORS	
RXsrc.buff_ptr0,1	Buffer Pointer Field in the RRA
RXsrc.buff_wc0,1	Buffer Word Count Fields in the RRA
RXpkt.status	Receive Status Field in the RDA
RXpkt.byte_count	Packet Byte Count Field in the RDA
RXpkt.buff_ptr0,1	Buffer Pointer Fields in the RDA
RXpkt.link	Receive Descriptor Link Field in RDA
RXpkt.in_use	"In Use" Field in RDA
TXpkt.frag_count	Fragment Count Field in TDA
TXpkt.pkt_size	Packet Size Field in TDA
TXpkt.pkt_ptr0,1	Packet Pointer Fields in TDA
TXpkt.frag_size	Fragment Size Field in TDA
TXpkt.link	Transmit Descriptor Link Field in TDA

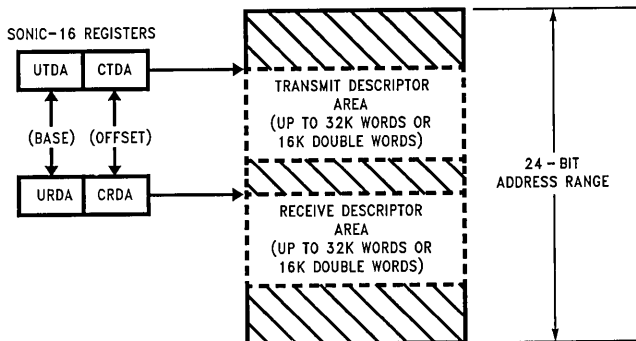


FIGURE 3-1. Transmit and Receive Descriptor Area Pointers

TL/F/11722-10

3.0 Buffer Management (Continued)

3.3 DESCRIPTOR DATA ALIGNMENT

All fields used by descriptors (RXpkt.xxx, RXrsrc.xxx, and TXpkt.xxx) are word quantities (16-bit) and must be aligned to word boundaries (A0=0). The Receive Buffer Area (RBA) must also be aligned to a word boundary. The fragments in the Transmit Buffer Area (TBA), however, may be aligned on any arbitrary byte boundary.

All descriptor areas follow little endian byte ordering, even when BMODE = 1.

3.4 RECEIVE BUFFER MANAGEMENT

The Receive Buffer Management operates on three areas in memory into which data, status, and control information are written during reception (*Figure 3-2*). These three areas must be initialized (section 3.4.4) before enabling the receiver (setting the RXEN bit in the Command register). The receive resource area (RRA) contains descriptors that locate receive buffer areas in system memory. These descriptors are denoted by R1, R2, etc. in *Figure 3-2*. Packets (denoted by P1, P2, etc.) can then be buffered into the corresponding RBAs. Depending on the size of each buffer area and the size of the packet(s), multiple or single packets are buffered into each RBA. The receive descriptor area (RDA) contains status and control information for each packet (D1, D2, etc. in *Figure 3-2*) corresponding to each received packet (D1 goes with P1, D2 with P2, etc.).

When a packet arrives, the address recognition logic checks the address for a Physical, Multicast, or Broadcast match and if the packet is accepted, the SONIC-16 buffers the packet contiguously into the selected Receive Buffer Area (RBA). Because of the previous end-of-packet processing, the SONIC-16 assures that the complete packet is written into a single contiguous block. When the packet ends, the SONIC-16 writes the receive status, byte count, and location of the packet into the Receive Descriptor Area (RDA). The SONIC-16 then updates its pointers to locate the next available descriptor and checks the remaining words available in the RBA. If sufficient space remains, the SONIC-16 buffers the next packet immediately after the previous pack-

et. If the current buffer is out of space the SONIC-16 fetches a Resource descriptor from the Receive Resource Area (RRA) acquiring an additional buffer that has been previously allocated by the system.

3.4.1 Receive Resource Area (RRA)

As buffer memory is consumed by the SONIC-16 for storing data, the Receive Resource Area (RRA) provides a mechanism that allows the system to allocate additional buffer space for the SONIC-16. The system loads this area with resource descriptors that the SONIC-16, in turn, reads as its current buffer space is used up. Each resource descriptor consists of a 23-bit buffer pointer locating the starting point of the RBA and a 32-bit Word Count that indicates the size of the buffer in words (2 bytes per word). The buffer pointer and word count are contiguously located using the format shown in *Figure 3-3* with each component composed of 16-bit fields. The SONIC-16 stores this information internally and concatenates the corresponding fields to create 23- and 32-bit long words for the buffer pointer and word count.

The SONIC-16 organizes the RRA as a circular queue for efficient processing of descriptors. Four registers define the RRA. The first two, the Resource Start Area (RSA) and the Resource End Area (REA) registers, determine the starting and ending locations of the RRA, and the other two registers update the RRA. The system adds descriptors at the address specified by the Resource Write Pointer (RWP), and the SONIC-16 reads the next descriptor designated by the Resource Read Pointer (RRP). The RRP is advanced 4 words after the SONIC-16 finishes reading the RRA and automatically wraps around to the beginning of the RRA once the end has been reached. When a descriptor in the RRA is read, the RXrsrc.buf_pt0,1 is loaded into the CRBA0,1 registers and the RXrsrc.buf_wc0,1 is loaded into the RBWC0,1 registers.

The alignment of the RRA is confined to word boundaries (A0 is always zero).

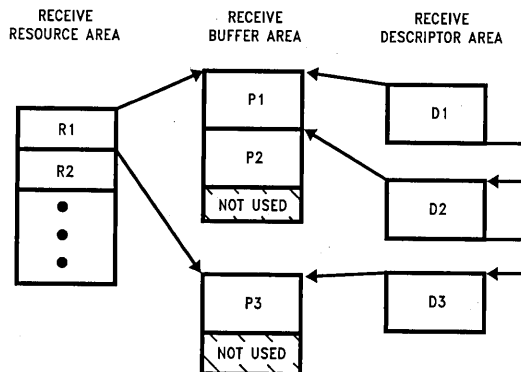


FIGURE 3-2. Overview of Receive Buffer Management

TL/F/11722-11

3.0 Buffer Management (Continued)

3.4.2 Receive Buffer Area (RBA)

The SONIC-16 stores the actual data of a received packet in the RBA. The RBAs are designated by the resource descriptors in the RRA as described above. The `RXsrc.buf_wc0,1` fields of the RRA indicate the length of the RBA. When the SONIC-16 gets a RBA from the RRA, the `RXsrc.buf_wc0,1` values are loaded into the Remaining Buffer Word Count registers (`RBWC0,1`). These registers keep track of how much space (in words) is left in the buffer. When a packet is buffered in a RBA, it is buffered contiguously (the SONIC-16 will not scatter a packet into multiple buffers or fragments). Therefore, if there is not enough space left in a RBA after buffering a packet to buffer at least one more maximum sized packet (the maximum legal sized packet expected to be received from the network), a new buffer must be acquired. The End of Buffer Count (EOBC) register is used to tell the SONIC-16 the maximum packet size that the SONIC-16 will need to buffer.

3.4.2.1 End of Buffer Count (EOBC)

The EOBC is a boundary in the RBA based from the bottom of the buffer. The value written into the EOBC is the maximum expected size (in words) of the network packet that the SONIC-16 will have to buffer. This word count creates a line in the RBA that, when crossed, causes the SONIC-16 to fetch a new RBA resource from the RRA.

Note: The EOBC is a word count, not a byte count.

3.4.2.2 Buffering the Last Packet in an RBA

At the start of reception, the SONIC-16 stores the packet beginning at the Current Receive Buffer Address (`CRBA0,1`) and continues until the reception is complete. Concurrent with reception, the SONIC-16 decrements the Remaining Buffer Word Count (`RBWC0,1`) by one. At the end of reception, if the packet has crossed the EOBC boundary, the SONIC-16 knows that the next packet might not fit in the RBA. This check is done by comparing the `RBWC0,1` registers with the EOBC. If `RBWC0,1` is less than the EOBC (the last packet buffered has crossed the EOBC boundary), the SONIC-16 fetches the next resource descriptor in the RRA. If `RBWC0,1` is greater than or equal to the EOBC (the EOBC boundary has not been crossed) the next packet reception continues at the present location pointed to by `CRBA0,1` in the same RBA. *Figure 3-4* illustrates the SONIC-16's actions for (1) $RBWC0,1 \geq EOBC$ and (2) $RBWC0,1 < EOBC$. See Section 3.4.4.4 for specific information about setting the EOBC.

Note: It is important that the EOBC boundary be "crossed." In other words, case #1 in *Figure 3-4* must exist before case #2 exists. If case #2 occurs without case #1 having occurred first, the test for $RBWC0,1 < EOBC$ will not work properly and the SONIC-16 will not fetch a new buffer. The result of this will be a buffer overflow (RBAE in the Interrupt Status Register, section 4.3.6).

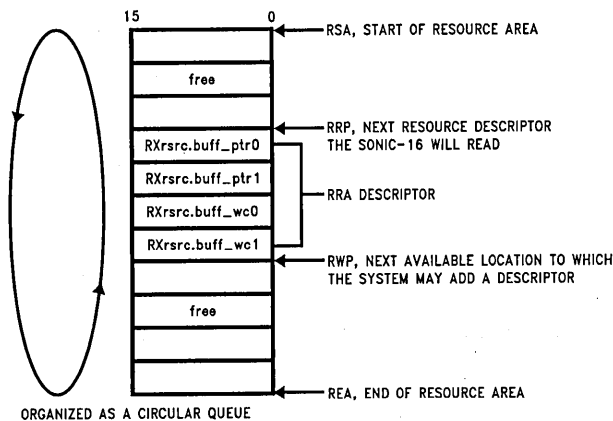
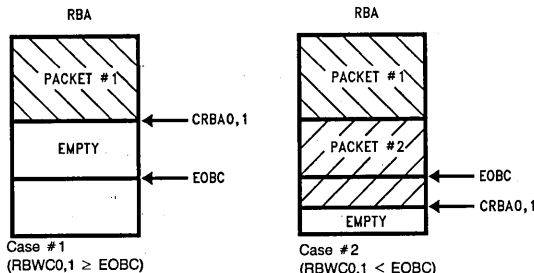


FIGURE 3-3. Receive Resource Area Format

TL/F/11722-12



Case #1
($RBWC0,1 \geq EOBC$)

Case #2
($RBWC0,1 < EOBC$)

Case #1: SONIC-16 buffers next packet in same RBA.

Case #2: SONIC-16 detects an exhausted RBA and will buffer the next packet in another RBA.

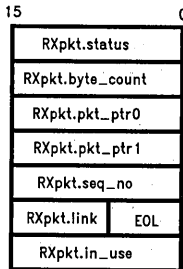
FIGURE 3-4. Receive Buffer Area

TL/F/11722-13

3.0 Buffer Management (Continued)

3.4.3 Receive Descriptor Area (RDA)

After the SONIC-16 buffers a packet to memory, it writes 5 words of status and control information into the RDA, reads the link field to the next receive descriptor and writes to the in use field of the current descriptor. Each receive descriptor consists of the following sections (*Figure 3-5*).



TL/F/11722-14

FIGURE 3-5. Receive Descriptor Format

receive status: indicates status of the received packet. The SONIC-16 writes the Receive Control register into this field. *Figure 3-6* shows the receive status format. This field is loaded from the contents of the Receive Control register. Note that ERR, RNT, BRD, PRO, and AMC are configuration bits and are programmed during initialization. See Section 4.3.3 for the description of the Receive Control register.

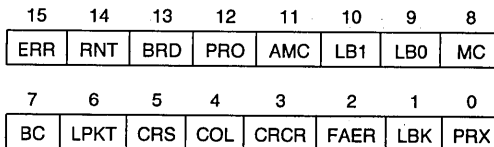


FIGURE 3-6. Receive Status Format

byte count: gives the length of the complete packet from the start of Destination Address to the end of FCS.

packet pointer: a 23-bit pointer that locates the packet in the RBA. The SONIC-16 writes the contents of the CRBA0,1 registers into this field.

sequence numbers: this field displays the contents of two 8-bit counters (modulo 256) that sequence the RBAs used and the packets buffered. These counters assist the system in determining when an RBA has been completely processed. The sequence numbers allow the system to tally the packets that have been processed within a particular RBA. There are two sequence numbers that describe a packet: the RBA Sequence Number and the Packet Sequence Number. When a packet is buffered to memory, the SONIC-16 maintains a single RBA Sequence Number for all packets in an RBA and sequences the Packet Number for succeeding packets in the RBA. When the SONIC-16 uses the next RBA, it increments the RBA Sequence Number and clears the Packet Sequence Number. The RBA's sequence counter is not incremented when the read RRA command is issued in the Command register. The format of the Receive Sequence Numbers are shown in *Figure 3-7*. These counters are reset during hardware reset or by writing zero to them.

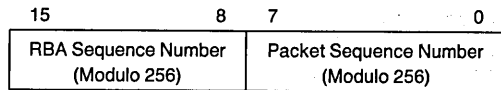


FIGURE 3-7. Receive Sequence Number Format

receive link field: a 15-bit pointer (A15-A1) that locates the next receive descriptor. The LSB of this field is the End Of List (EOL) bit, and indicates the last descriptor in the list. (Initialized by the system.)

in use field: this field provides a handshake between the system and the SONIC-16 to indicate the ownership of the descriptor. When the system avails a descriptor to the SONIC-16, it writes a non-zero value into this field. The SONIC-16, in turn, sets this field to all "0's" when it has finished processing the descriptor. (That is, when the CRDA register has advanced to the next receive descriptor.) Generally, the SONIC-16 releases control after writing the status and control information into the RDA. If, however, the SONIC-16 has reached the last descriptor in the list, it maintains ownership of the descriptor until the system has appended additional descriptors to the list. The SONIC-16 then relinquishes control after receiving the next packet. (See Section 3.4.6.1 for details on when the SONIC-16 writes to this field.) The receive packet descriptor format is shown in *Figure 3-5*.

3.4.4 Receive Buffer Management Initialization

The Receive Resource, Descriptor, and Buffer areas (RRA, RDA, RBA) in memory and the appropriate SONIC-16 registers must be properly initialized before the SONIC-16 begins buffering packets. This section describes the initialization process.

3.4.4.1 Initializing The Descriptor Page

All descriptor areas (RRA, RDA, and TDA) used by the SONIC-16 reside within areas up to 32k (word) pages. This page may be placed anywhere within the 23-bit address range by loading the upper 8 address lines into the UTDA, URDA, and URR registers.

3.4.4.2 Initializing The RRA

The initialization of the RRA consists of loading the four SONIC-16 RRA registers and writing the resource descriptor information to memory.

The RRA registers are loaded with the following values.

Resource Start Area (RSA) register: The RSA is loaded with the lower 16-bit address of the beginning of the RRA.

Resource End Area (REA) register: The REA is loaded with the lower 16-bit address of the end of the RRA. The end of the RRA is defined as the address of the last RXrsrc.ptr0 field in the RRA plus 4 words (*Figure 3-3*).

Resource Read Pointer (RRP) register: The RRP is loaded with the lower 16-bit address of the first resource descriptor the SONIC-16 reads.

Resource Write Pointer (RWP) register: The RWP is loaded with the lower 16-bit address of the next vacant location where a resource descriptor will be placed by the system.

Note: The RWP register must only point to either (1) the RXrsrc.ptr0 field of one of the RRA Descriptors, (2) the memory address that the RSA points to (the start of the RRA), or (3) the memory address that the REA points to (the end of the RRA). When the RWP = RRP comparison is made, it is performed after the complete RRA descriptor has been read and not during the fetch. Failure to set the RWP to any of the above values prevents the RWP = RRP comparison from ever becoming true.

3.0 Buffer Management (Continued)

All RRA registers are concatenated with the URRRA register for generating the full 23-bit address.

The resource descriptors that the system writes to the RRA consists of four fields: (1) RXsrc.buff_ptr0, (2) RXsrc.buff_ptr1, (3) RXsrc.buff_wc0, and (4) RXsrc.buff_wc1. The fields must be contiguous (they cannot straddle the end points) and are written in the order shown in Figure 3-8. The "0" and "1" in the descriptors denote the least and most significant portions for the Buffer Pointer and Word Count. The first two fields supply the 23-bit starting location of the Receive Buffer Area (RBA), and the second two define the number of 16-bit words that the RBA occupies. Note that a restriction applies to the Buffer Pointer and Word Count. The Buffer Pointer must be pointing to a word boundary. Note also that the descriptors must be properly aligned in the RRA as discussed in Section 3.3.

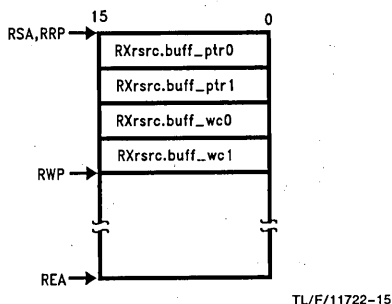


FIGURE 3-8. RRA Initialization

After configuring the RRA, the RRA Read command (setting RRRRA bit in the Command register) may be given. This command causes the SONIC-16 to read the RRA descriptor in a single block operation, and load the following registers (see Section 4.2 for register mnemonics):

CRBA0 register ← RXsrc.buff_ptr0
 CRBA1 register ← RXsrc.buff_ptr1
 RBWC0 register ← RXsrc.buff_wc0
 RBWC1 register ← RXsrc.buff_wc1

When the command has completed, the RRRRA bit in the Command register is reset to "0". Generally this command is only issued during initialization. At all other times, the RRA is automatically read as the SONIC-16 finishes using an RBA.

3.4.4.3 Initializing The RDA

To accept multiple packets from the network, the receive packet descriptors must be linked together via the RXpkt.link fields. Each link field must be written with a 15-bit (A15-A1) pointer to locate the beginning of the next descriptor in the list. The LSB of the RXpkt.link field is the End of List (EOL) bit and is used to indicate the end of the descriptor list. EOL = 1 for the last descriptor and EOL = 0 for the first or middle descriptors. The RXpkt.in_use field indicates whether the descriptor is owned by the SONIC-16. The system writes a non-zero value to this field when the descriptor is available, and the SONIC-16 writes all "0's"

when it finishes using the descriptor. At startup, the Current Receive Descriptor Address (CRDA) register must be loaded with the address of the first RXpkt.status field in order for the SONIC-16 to begin receive processing at the first descriptor. An example of two descriptors linked together is shown in Figure 3-9. The fields initialized by the system are displayed in larger type. The other fields are written by the SONIC-16 after a packet is accepted. The RXpkt.in_use field is first written by the system, and then by the SONIC-16. Note that the descriptors must be aligned properly as discussed in section 3.3. Also note that the URDA register is concatenated with the CRDA register to generate the full 23-bit address.

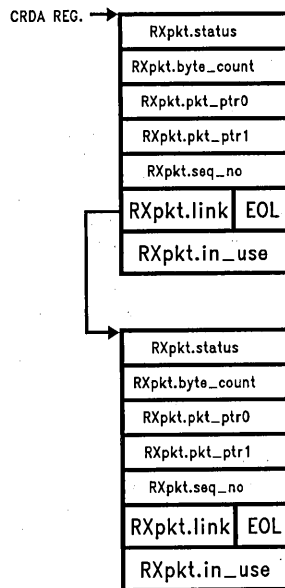


FIGURE 3-9. RDA Initialization Example

3.4.4.4 Initializing the Lower Boundary of the RBA

A "false bottom" is set in the RBA by loading the End Of Buffer Count (EOBC) register with a value equal to the maximum size packet in words (16 bits) that may be received. This creates a lower boundary in the RBA. Whenever the Remaining Buffer Word Count (RBWC0,1) registers decrement below the EOBC register, the SONIC-16 buffers the next packet into another RBA. This also guarantees that a packet is always contiguously buffered into a single Receive Buffer Area (RBA). The SONIC-16 does not buffer a packet into multiple RBAs.

After a hardware reset, the EOBC register is automatically initialized to 2F8h (760 words or 1520 bytes).

Sometimes it may be desired to buffer a single packet per RBA. When doing this, it is important to set EOBC and the buffer size correctly. The suggested practice is to set EOBC to a value that is at least 2 bytes less than the buffer size.

3.0 Buffer Management (Continued)

An example would be EOBC = 759 words (1518 bytes) and the buffer size set to 760 words (1520 bytes). The buffer can be any size, but as long as the EOBC is 1 word less than the buffer size, only one packet will be buffered in that RBA.

Note 1: It is possible to filter out most oversized packets by setting the buffer size to 759 words (1518 bytes). EOBC would be set to 758 words (1516 bytes) for both cases. With this configuration, any packet over 1518 bytes, will not be completely buffered because the packet will overflow the buffer. When a packet overflow occurs, a Receive Buffer Area Exceeded interrupt (RBAE in the Interrupt Status Register, Section 4.3.6) will occur.

Note 2: When buffering one packet per buffer, it is suggested that the values in Note 1 above be used. Since the minimum legal sized Ethernet packet is 64 bytes, however, it is possible to set EOBC as much as 64 bytes less than the buffer size and still end up with one packet per buffer. Figure 3-10 shows this "range."

3.4.5 Beginning of Reception

At the beginning of reception, the SONIC-16 checks its internally stored EOL bit from the previous RXpkt.link field for a "1". If the SONIC-16 finds EOL = 1, it recognizes that after the previous reception, there were no more remaining receive packet descriptors. It re-reads the same RXpkt.link field to check if the system has updated this field since the last reception. If the SONIC-16 still finds EOL = 1, reception ceases. (See Section 3.5 for adding descriptors to the list.) Otherwise, the SONIC-16 begins storing the packet in the RBA starting at the Current Receive Buffer Address (CRBA0,1) registers and continues until the packet has completed. Concurrent with the packet reception, the Remaining Buffer Word Count (RBWC0,1) registers are decremented after each word is written to memory. This register determines the remaining words in the RBA at the end of reception.

3.4.6 End of Packet Processing

At the end of a reception, the SONIC-16 enters its end of packet processing sequence to determine whether to accept or reject the packet based on receive errors and packet size. At the end of reception the SONIC-16 enters one of the following two sequences:

- Successful reception sequence
- Buffer recovery for runt packets or packets with errors

3.4.6.1 Successful Reception

If the SONIC-16 accepts the packet, it first writes 5 words of descriptor information in the RDA beginning at the address pointed to by the Current Receive Descriptor Address (CRDA) register. It then reads the RXpkt.link field to advance the CRDA register to the next receive descriptor. The SONIC-16 also checks the EOL bit for a "1" in this field. If EOL = 1, no more descriptors are available for the SONIC-16. The SONIC-16 recovers the address of the current RXpkt.link field (from a temporary register) and generates a "Receive Descriptors Exhausted" indication in the Interrupt Status register. (See Section 3.4.7 on how to add descriptors.) The SONIC-16 maintains ownership of the descriptor by *not* writing to the RXpkt.in_use field. Otherwise, if EOL = 0, the SONIC-16 advances the CRDA register to the next descriptor and resets the RXpkt.in_use field to all "0's".

The SONIC-16 accesses the complete 7 word RDA descriptor in a single block operation.

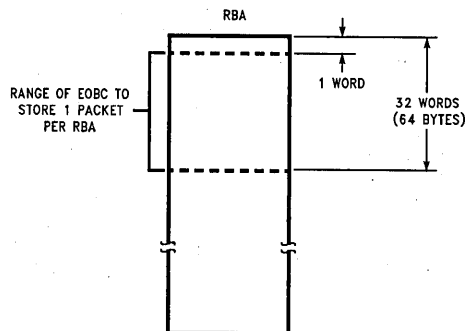
The SONIC-16 also checks if there is remaining space in the RBA. The SONIC-16 compares the Remaining Buffer Word Count (RBWC0,1) registers with the static End Of Buffer Count (EOBC). If the RBWC is less than the EOBC, a maximum sized packet will no longer fit in the remaining space in the RBA; hence, the SONIC-16 fetches a resource descriptor from the FRA and loads its registers with the pointer and word count of the next available RBA.

3.4.6.2 Buffer Recovery for Runt Packets or Packets with Errors

If a runt packet (less than 64 bytes) or packet with errors arrives and the Receive Control register has been configured to not accept these packets, the SONIC-16 recovers its pointers back to the original positions. The CRBA0,1 registers are not advanced and the RBWC0,1 registers are not decremented. The SONIC-16 recovers its pointers by maintaining a copy of the buffer address in the Temporary Receive Buffer Address registers (TRBA0,1). The SONIC-16 recovers the value in the RBWC0,1 registers from the Temporary Buffer Word Count registers (TBWC0,1).

3.4.7 Overflow Conditions

When an overflow condition occurs, the SONIC-16 halts its DMA operations to prevent writing into unauthorized memory. The SONIC-16 uses the Interrupt Status register (ISR) to indicate three possible overflow conditions that can occur



$$\text{Range of EOBC} = (\text{RXsrc.wc0,1} - 2 \text{ to } \text{RXsrc.wc0,1} - 32)$$

FIGURE 3-10. Setting EOBC for Single Packet RBA

TL/F/11722-17

3.0 Buffer Management (Continued)

when its receive resources have been exhausted. The system should respond by replenishing the resources that have been exhausted. These overflow conditions (Descriptor Resources Exhausted, Buffer Resources Exhausted, and RBA Limit Exceeded) are indicated in the Interrupt Status register and are detailed as follows:

Descriptor Resources Exhausted: This occurs when the SONIC-16 has reached the last receive descriptor in the list, meaning that the SONIC-16 has detected $EOL = 1$. The system must supply additional descriptors for continued reception. The system can do this in one of two ways: 1) appending descriptors to the existing list, or 2) creating a separate list.

- 1) Appending descriptors to the existing list. This is the easiest and preferred way. To do this, the system, after creating the new list, joins the new list to the existing list by simply writing the beginning address of the new list into the `RXpkt.link` field and setting $EOL = 0$. At the next reception, the SONIC-16 re-reads the last `RXpkt.link` field, and updates its `CRDA` register to point to the next descriptor.
- 2) Creating a separate list. This requires an additional step because the lists are not joined together and requires that the `CRDA` register be loaded with the address of the `RXpkt.link` field in the new list.

During this overflow condition, the SONIC-16 maintains ownership of the descriptor (`RXpkt.in_use` \neq 00h) and waits for the system to add additional descriptors to the list. When the system appends more descriptors, the SONIC-16 releases ownership of the descriptor after writing 0000h to the `RXpkt.in_use` field.

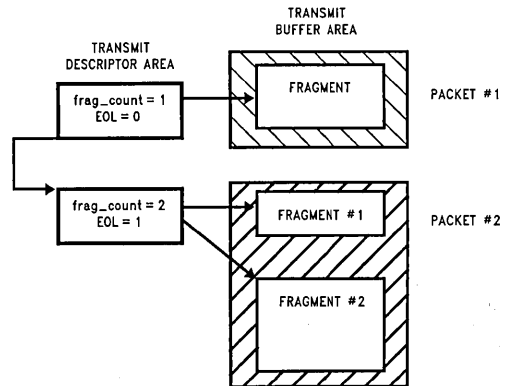
Buffer Resources Exhausted: This occurs when the SONIC-16 has detected that the Resource Read Pointer (RRP) and Resource Write Pointer (RWP) registers are equal (i.e., all RRA descriptors have been exhausted). The RBE bit in the Interrupt Status register is set when the SONIC-16 finishes using the second to last receive buffer and reads the last RRA descriptor. Actually, the SONIC-16 is not truly out of resources, but gives the system an early warning of an impending out of resources condition. To continue reception after the last RBA is used, the system must supply additional RRA descriptor(s), update the RWP register, and clear the RBE bit in the ISR. The SONIC-16 rereads the RRA after this bit is cleared.

RBA Limit Exceeded: This occurs when a packet does not completely fit within the remaining space of the RBA. This can occur if the EOBC register is not programmed to a value greater than the largest packet that can be received. When this situation occurs, the packet is truncated and the SONIC-16 reads the RRA to obtain another RBA. Indication of an RBA limit being exceeded is signified by the Receive Buffer Area Exceeded (RBAE) interrupt being set (see section 4.3.6). An RDA will not be set up for the truncated packet and the buffer space will not be re-used. To rectify this potential overflow condition, the EOBC register must be loaded with a value equal to or greater than the largest packet that can be accepted. See Section 3.4.2.

3.5 TRANSMIT BUFFER MANAGEMENT

To begin transmission, the system software issues the Transmit command ($TXP = 1$ in the CR). The Transmit Buffer Management uses two areas in memory for transmitting packets (Figure 3-11), the Transmit Descriptor Area (TDA)

and the Transmit Buffer Area (TBA). During transmission, the SONIC-16 fetches control information from the TDA, loads its appropriate registers, and then transmits the data from the TBA. When the transmission is complete, the SONIC-16 writes the status information in the TDA. From a single transmit command, packets can either be transmitted singly or in groups if several descriptors have been linked together.



TL/F/11722-18

FIGURE 3-11. Overview of Transmit Buffer Management

3.5.1 Transmit Descriptor Area (TDA)

The TDA contains descriptors that the system has generated to exchange status and control information. Each descriptor corresponds to a single packet and consists of the following 16-bit fields.

TXpkt.status: This field is written by the SONIC-16 and provides status of the transmitted packet. See Section 3.5.1.2 for more details.

TXpkt.config: This field allows programming the SONIC-16 to one of the various transmit modes. The SONIC-16 reads this field and loads the corresponding configuration bits (PINTR, POWC, CRCI, and EXDIS) into the Transmit Control register. See Section 3.5.1.1 for more details.

TXpkt.pkt_size: This field contains the byte count of the entire packet

TXpkt.frag_count: This field contains the number of fragments the packet is segmented into.

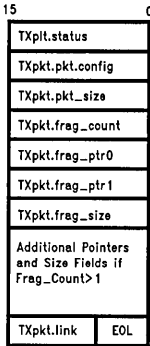
TXpkt.frag_ptr0,1: This field contains a 23-bit pointer which locates the packet fragment to be transmitted in the Transmit Buffer Area (TBA). This pointer is not restricted to any byte alignment.

TXpkt.frag_size: This field contains the byte count of the packet fragment. The minimum fragment size is 1 byte.

TXpkt.link: This field contains a 15-bit pointer (A15–A1) to the next TDA descriptor. The LSB, the End Of List (EOL) bit, indicates the last descriptor in the list when set to a "1". When descriptors have been linked together, the SONIC-16 transmits back-to-back packets from a single transmit command.

The data of the packet does not need to be contiguous, but can exist in several locations (fragments) in memory. In this case, the `TXpkt.frag_count` field is greater than one, and additional `TXpkt.frag_ptr0,1` and `TXpkt.frag_size` fields corresponding to each fragment are used. The descriptor format is shown in Figure 3-12.

3.0 Buffer Management (Continued)

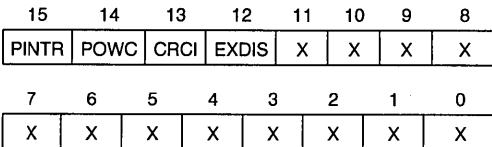


TL/F/11722-19

FIGURE 3-12. Transmit Descriptor Area

3.5.1.1 Transmit Configuration

The TXpkt.config field allows the SONIC-16 to be programmed into one of the transmit modes before each transmission. At the beginning of each transmission, the SONIC-16 reads this field and loads the PINTR, POWC, CRCI, and EXDIS bits into the Transmit Control register (TCR). The configuration bits in the TCR correspond directly with the bits in the TXpkt.config field as shown in Figure 3-13. See Section 4.3.4 for the description on the TCR.



Note: x = don't care

FIGURE 3-13. TXpkt.config Field

3.5.1.2 Transmit Status

At the end of each transmission the SONIC-16 writes the status bits (<10:0>) of the Transmit Control Register (TCR) and the number of collisions experienced during the transmission into the TXpkt.status field (Figure 3-14, res = reserved). Bits NC4-NC0 indicate the number of collisions where NC4 is the MSB. See Section 4.3.4 for the description of the TCR.

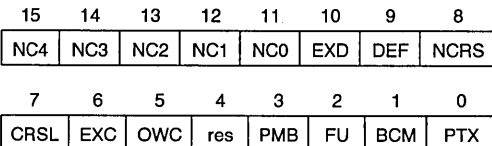


FIGURE 3-14. TXpkt.status Field

3.5.2 Transmit Buffer Area (TBA)

The TBA contains the fragments of packets that are defined by the descriptors in the TDA. A packet can consist of a single fragment or several fragments, depending upon the fragment count in the TDA descriptor. The fragments also can reside anywhere within the full 23-bit address range, and be aligned to any byte boundary. When an odd byte boundary is given, the SONIC-16 automatically begins reading data at the corresponding word boundary. The SONIC-16 ignores the extraneous bytes which are written into the

FIFO during odd byte alignment fragments. The minimum allowed fragment size is 1 byte. Figure 3-11 shows the relationship between the TDA and the TBA for single and multi-fragmented packets.

3.5.3 Preparing To Transmit

All fields in the TDA descriptor and the Current Transmit Descriptor Address (CTDA) register of the SONIC-16 must be initialized before the Transmit Command (setting the TXP bit in the Command register) can be issued. If more than one packet is queued, the descriptors must be linked together with the TXpkt.link field. The last descriptor must have EOL = 1 and all other descriptors must have EOL = 0. To begin transmission, the system loads the address of the first TXpkt.status field into the CTDA register. Note that the upper 8-bits of address are loaded in the Upper Transmit Descriptor (UTDA) register. The user performs the following transmit initialization.

- 1) Initialize the TDA
- 2) Load the CTDA register with the address of the first transmit descriptor
- 3) Issue the transmit command

Note that if the Source Address of the packet being transmitted is not in the CAM, the Packet Monitored Bad (PMB) bit in the TXpkt.status field will be set (see Section 4.3.4).

3.5.3.1 Transmit Process

When the Transmit Command (TXP = 1 in the Command register) is issued, the SONIC-16 fetches the control information in the TDA descriptor, loads its appropriate registers (shown below) and begins transmission. (See Section 4.2 for register mnemonics.)

TCR ← TXpkt.config
 TPS ← TXpkt.pkt_size
 TFC ← TXpkt.frag_count
 TSA0 ← TXpkt.frag_ptr0
 TSA1 ← TXpkt.frag_ptr1
 TFS ← TXpkt.frag_size
 CTDA ← TXpkt.link

(CTDA is loaded after all fragments have been read and successfully transmitted. If the halt transmit command is issued (HTX bit in the Command register is set) the CTDA register is not loaded.)

During transmission, the SONIC-16 reads the packet descriptor in the TDA and transmits the data from the TBA. If TXpkt.frag_count is greater than one, the SONIC-16, after finishing transmission of the fragment, fetches the next TXpkt.frag_ptr0,1 and TXpkt.frag_size fields and transmits the next fragment. This process continues until all fragments of a packet are transmitted. At the end of packet transmission, status is written in to the TXpkt.status field. The SONIC-16 then reads the TXpkt.link field and checks if EOL = 0. If it is "0", the SONIC-16 fetches the next descriptor and transmits the next packet. If EOL = 1 the SONIC-16 generates a "Transmission Done" indication in the Interrupt Status register and resets the TXP bit in the Command register.

In the event of a collision, the SONIC-16 recovers its pointer in the TDA and retransmits the packet up to 15 times. The SONIC-16 maintains a copy of the CTDA register in the Temporary Transmit Descriptor Address (TTDA) register.

The SONIC-16 performs a block operation of 6, 3, or 2 accesses in the TDA, depending on where the SONIC-16 is in the transmit process. For the first fragment, it reads the

3.0 Buffer Management (Continued)

TXpkt.config to TXpkt.frag_size (6 accesses). For the next fragment, if any, it reads the next 3 fields from TXpkt.frag_ptr0 to TXpkt.frag_size (3 accesses). At the end of transmission it writes the status information to TXpkt.status and reads the TXpkt.link field (2 accesses).

3.5.3.2 Transmit Completion

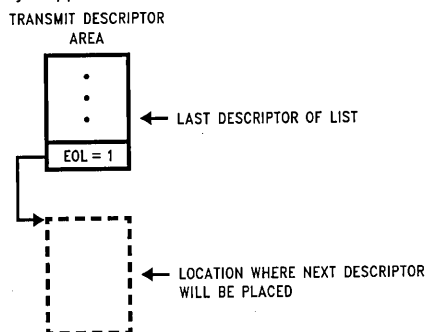
The SONIC-16 stops transmitting under two conditions. In the normal case, the SONIC-16 transmits the complete list of descriptors in the TDA and stops after it detects EOL = 1. In the second case, certain transmit errors cause the SONIC-16 to abort transmission. If *FIFO Underrun*, *Byte Count Mismatch*, *Excessive Collision*, or *Excessive Deferral* (if enabled) errors occur, transmission ceases. The CTDA register points to the last packet transmitted. The system can also halt transmission under software control by setting the HTX bit in the Command register. Transmission halts after the SONIC-16 writes to the TXpkt.status field.

3.5.4 Dynamically Adding TDA Descriptors

Descriptors can be dynamically added during transmission without halting the SONIC-16. The SONIC-16 can also be guaranteed to transmit the complete list including newly appended descriptors (barring any transmit abort conditions) by observing the following rule: The last TXpkt.link field must point to the next location where a descriptor will be added (see step 3 below and *Figure 3-15*). The procedure for appending descriptors consists of:

1. Creating a new descriptor with its TXpkt.link pointing to the next vacant descriptor location and its EOL bit set to a "1".
2. Resetting the EOL bit to a "0" of the previously last descriptor.
3. Re-issuing the Transmit command (setting the TXP bit in the Command register).

Step 3 assures that the SONIC-16 will transmit all the packets in the list. If the SONIC-16 is currently transmitting, the Transmit command has no effect and continues transmitting until it detects EOL = 1. If the SONIC-16 had just finished transmitting, it continues transmitting from where it had previously stopped.



TL/F/11722-20

FIGURE 3-15. Initializing Last Link Field

4.0 SONIC-16 Registers

The SONIC-16 contains two sets of registers: The status/control registers and the CAM memory cells. The status/control registers are used to configure, control, and monitor SONIC-16 operation. They are directly addressable registers and occupy 64 consecutive address locations in the system memory space (selected by the RA5-RA0 address pins). There are a total of 64 status/control registers divided into the following categories:

User Registers: These registers are accessed by the user to configure, control, and monitor SONIC-16 operation. These are the only SONIC-16 registers the user needs to access. *Figure 4-3* shows the programmer's model and *Table 4-1* lists the attributes of each register.

Internal Use Registers: These registers (*Table 4-2*) are used by the SONIC-16 during normal operation and are not intended to be accessed by the user.

National Factory Test Registers: These registers (*Table 4-3*) are for National factory use only and should never be accessed by the user. Accessing these registers during normal operation can cause improper functioning of the SONIC-16.

4.1 THE CAM UNIT

The CAM unit memory cells are indirectly accessed by programming the CAM descriptor area in system memory and issuing the LCAM command (setting the LCAM bit in the Control register). The CAM cells do not occupy address locations in register space and, thus, are not accessible through the RA5-RA0 address pins. The CAM control registers, however, are part of the user register set and must be initialized before issuing the LCAM command (see *Section 4.3.10*).

The Content Addressable Memory (CAM) consists of sixteen 48-bit entries for complete address filtering (*Figure 4-1*) of network packets. Each entry corresponds to a 48-bit destination address that is user programmable and can contain any combination of Multicast or Physical addresses. Each entry is partitioned into three 16-bit CAM cells accessible through CAM Address Ports (CAP 2, CAP 1 and CAP 0) with CAP0 corresponding to the least significant 16 bits of the Destination Address and CAP2 corresponding to the most significant bits. The CAM is accessed in a two step process. First, the CAM Entry Pointer is loaded to point to one of the 16 entries. Then, each of the CAM Address Ports is accessed to select the CAM cell. The 16 user programmable CAM entries can be masked out with the CAM Enable register (see *section 4.3.10*).

Note: It is not necessary to program a broadcast address into the CAM when it is desired to accept broadcast packets. Instead, to accept broadcast packets, set the BRD bit in the Receive Control register. If the BRD bit has been set, the CAM is still active. This means that it is possible to accept broadcast packets at the same time as accepting packets that match physical addresses in the CAM.

4.1.1 The Load CAM Command

Because the SONIC-16 uses the CAM for a relatively long period of time during reception, it can only be written to via the CAM Descriptor Area (CDA) and is only readable when

4.0 SONIC-16 Registers (Continued)

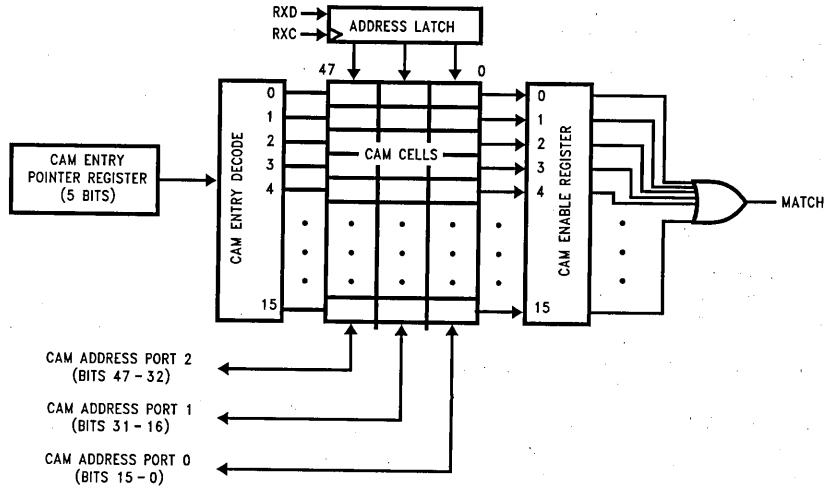


FIGURE 4-1. CAM Organization

TL/F/11722-21

the SONIC-16 is in software reset. The CDA resides in the same 64k byte block of memory as the Receive Resource Area (RRA) and contains descriptors for loading the CAM registers. These descriptors are contiguous and each descriptor consists of four 16-bit fields (*Figure 4-2*). The first field contains the value to be loaded into the CAM Entry Pointer and the remaining fields are for the three CAM Address Ports (see Section 4.3.10). In addition, there is one more field after the last descriptor containing the mask for the CAM Enable register. Each of the CAM descriptors are addressed by the CAM Descriptor Pointer (CDP) register.

After the system has initialized the CDA, it can issue the Load CAM command to program the SONIC-16 to read the CDA and load the CAM. The procedure for issuing the Load CAM command is as follows.

1. Initialize the Upper Receive Resource Address (URRA) register. Note that the CAM Descriptor Area must reside within the same 64k page as the Receive Resource Area. (See Section 4.3.9).

2. Initialize the CDA as described above.
3. Initialize the CAM Descriptor Count with the number of CAM descriptors. Note, only the lower 5 bits are used in this register. The other bits are don't cares. (See Section 4.3.10).
4. Initialize the CAM Descriptor Pointer to locate the first descriptor in the CDA. This register must be reloaded each time a new Load CAM command is issued.
5. Issue the Load CAM command (LCAM) in the Command register. (See Section 4.3.1).

If a transmission or reception is in progress, the CAM DMA function will not occur until these operations are complete. When the SONIC-16 completes the Load CAM command, the CDP register points to the next location after the CAM Enable field and the CDC equals zero. The SONIC-16 resets the LCAM bit in the Command register and sets the Load CAM Done (LCD) bit in the ISR.

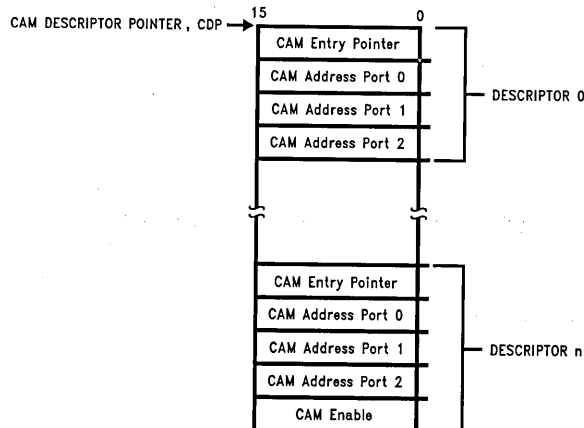


FIGURE 4-2. CAM Descriptor Area Format

TL/F/11722-22

4.0 SONIC-16 Registers (Continued)

		15	0	
Status and Control Registers	0h Command Register	Status and Control Fields		
	1 Data Configuration Register	Control Fields		
	2 Receive Control Register	Status and Control Fields		
	3 Transmit Control Register	Status and Control Fields		
	4 Interrupt Mask Register	Mask Fields		
Transmit Registers	5 Interrupt Status Register	Status Fields		
	3F Data Configuration Register 2	Control Fields		
	6 Upper Transmit Descriptor Address Register	Upper 16-bit Address Base		
	7 Current Transmit Descriptor Address Register	Lower 16-bit Address Offset		
	Receive Registers	0D Upper Receive Descriptor Address Register	Upper 16-bit Address Base	
0E Current Receive Descriptor Address Register		Lower 16-bit Address Offset		
14 Upper Receive Resource Address Register		Upper 16-bit Address Base		
15 Resource Start Address Register		Lower 16-bit Address Offset		
16 Resource End Address Register		Lower 16-bit Address Offset		
CAM Registers	17 Resource Read Register	Lower 16-bit Address Offset		
	18 Resource Write Register	Lower 16-bit Address Offset		
	2B Receive Sequence Counter	Count Value	8 7	Count Value
	21 CAM Entry Pointer	4 Pointer		
	22 CAM Address Port 2	Most Significant 16 bits of CAM Entry		
Tally Counters	23 CAM Address Port 1	Middle 16 bits of CAM Entry		
	24 CAM Address Port 0	Least Significant 16 bits of CAM Entry		
	25 CAM Enable Register	Mask Fields		
	26 CAM Descriptor Pointer	Lower 16-bit Address Offset		
	Watchdog Timer	27 CAM Descriptor Count	5 Count Value	
2C CRC Error Tally Counter		Count Value		
2D Frame Alignment Error Tally		Count Value		
Silicon Revision	2E Missed Packet Tally	Count Value		
	29 Watchdog Timer 0	Lower 16-bit Count Value		
	2A Watchdog Timer 1	Upper 16-bit Count Value		
	28 Silicon Revision Register	Chip Revision Number		

FIGURE 4-3. Register Programming Model

4.0 SONIC-16 Registers (Continued)

4.2 STATUS/CONTROL REGISTERS

This set of registers is used to convey status/control information to/from the host system and to control the operation of the SONIC-16. These registers are used for loading commands generated from the system, indicating transmit and receive status, buffering data to/from memory, and provid-

ing interrupt control. The registers are selected by asserting chip select to the SONIC-16 and providing the necessary address on register address pins RA5-RA0. Tables 4-1, 4-2, and 4-3 show the locations of all SONIC-16 registers and where information on the registers can be found in the data sheet.

TABLE 4-1. User Registers

RA5-RA0	Access	Register	Symbol	Description (section)
COMMAND AND STATUS REGISTERS				
00h	R/W	Command	CR	4.3.1
01 (Note 3)	R/W	Data Configuration	DCR	4.3.2
02	R/W	Receive Control	RCR	4.3.3
03	R/W	Transmit Control	TCR	4.3.4
04	R/W	Interrupt Mask	IMR	4.3.5
05	R/W	Interrupt Status	ISR	4.3.6
3F (Note 3)	R/W	Data Configuration 2	DCR2	4.3.7
TRANSMIT REGISTERS				
06	R/W	Upper Transmit Descriptor Address	UTDA	4.3.8, 3.4.4.1
07	R/W	Current Transmit Descriptor Address	CTDA	4.3.8, 3.5.3
RECEIVE REGISTERS				
0D	R/W	Upper Receive Descriptor Address	URDA	4.3.9, 3.4.4.1
0E	R/W	Current Receive Descriptor Address	CRDA	4.3.9, 3.4.4.3
13	R/W	End of Buffer Word Count	EOBC	4.3.9, 3.4.2
14	R/W	Upper Receive Resource Address	URRA	4.3.9, 3.4.4.1
15	R/W	Resource Start Address	RSA	4.3.9, 3.4.1
16	R/W	Resource End Address	REA	4.3.9, 3.4.1
17	R/W	Resource Read Pointer	RRP	4.3.9, 3.4.1
18	R/W	Resource Write Pointer	RWP	4.3.9, 3.4.1
2B	R/W	Receive Sequence Counter	RSC	4.3.9, 3.4.3.2
CAM REGISTERS				
21	R/W	CAM Entry Pointer	CEP	4.1, 4.3.10
22 (Note 1)	R	CAM Address Port 2	CAP2	4.1, 4.3.10
23 (Note 1)	R	CAM Address Port 1	CAP1	4.1, 4.3.10
24 (Note 1)	R	CAM Address Port 0	CAP0	4.1, 4.3.10
25 (Note 2)	R/W	CAM Enable	CE	4.1, 4.3.10
26	R/W	CAM Descriptor Pointer	CDP	4.1, 4.3.10
27	R/W	CAM Descriptor Count	CDC	4.1, 4.3.10
TALLY COUNTERS				
2C (Note 4)	R/W	CRC Error Tally	CRCT	4.3.11
2D (Note 4)	R/W	FAE Tally	FAET	4.3.11
2E (Note 4)	R/W	Missed Packet Tally	MPT	4.3.11

4.0 SONIC-16 Registers (Continued)

TABLE 4-1. User Registers (Continued)

RA5-RA0	Access	Register	Symbol	Description (section)
WATCHDOG COUNTERS				
29	R/W	Watchdog Timer 0	WT0	4.3.12
2A	R/W	Watchdog Timer 1	WT1	4.3.12
SILICON REVISION				
28	R	Silicon Revision	SR	4.3.13

Note 1: These registers can only be read when the SONIC-16 is in reset mode (RST bit in the CR is set). The SONIC-16 gives invalid data when these registers are read in non-reset mode.

Note 2: This register can only be written to when the SONIC-16 is in reset mode. This register is normally only loaded by the Load CAM command.

Note 3: The Data Configuration registers, DCR and DCR2, can only be written to when the SONIC-16 is in reset mode (RST bit in CR is set). Writing to these registers while not in reset mode does not alter the registers.

Note 4: The data written to these registers is inverted before being latched. That is, if a value of FFFFh is written, these registers will contain and read back the value of 0000h. Data is not inverted during a read operation.

TABLE 4-2. Internal Use Registers (Users should not write to these registers)

(RA5-RA0)	Access	Register	Symbol	Description (section)
TRANSMIT REGISTERS				
08 (Note 1)	R/W	Transmit Packet Size	TPS	3.5
09	R/W	Transmit Fragment Count	TFC	3.5
0A	R/W	Transmit Start Address 0	TSA0	3.5
0B	R/W	Transmit Start Address 1	TSA1	3.5
0C (Note 2)	R/W	Transmit Fragment Size	TFS	3.5
20	R/W	Temporary Transmit Descriptor Address	TTDA	3.5.4
2F	R	Maximum Deferral Timer	MDT	4.3.4

RECEIVE REGISTERS

0F	R/W	Current Receive Buffer Address 0	CRBA0	3.4.2, 3.4.4.2
10	R/W	Current Receive Buffer Address 1	CRBA1	3.4.2, 3.4.4.2
11	R/W	Remaining Buffer Word Count 0	RBWC0	3.4.2, 3.4.4.2
12	R/W	Remaining Buffer Word Count 1	RBWC1	3.4.2, 3.4.4.2
19	R/W	Temporary Receive Buffer Address 0	TRBA0	3.4.6.2
1A	R/W	Temporary Receive Buffer Address 1	TRBA1	3.4.6.2
1B	R/W	Temporary Buffer Word Count 0	TBWC0	3.4.6.2
1C	R/W	Temporary Buffer Word Count 1	TBWC1	3.4.6.2
1F	R/W	Last Link Field Address	LLFA	none

ADDRESS GENERATORS

1D	R/W	Address Generator 0	ADDR0	none
1E	R/W	Address Generator 1	ADDR1	none

Note 1: The data that is read from these registers is the inversion of what has been written to them.

Note 2: The value that is written to this register is shifted once.

TABLE 4-3. National Factory Test Registers

(RA5-RA0)	Access	Register	Symbol	Description (section)
30 • 3E	R/W	These registers are for factory use only. Users must not address these registers or improper SONIC-16 operation can occur.	none	none

4.0 SONIC-16 Registers (Continued)

4.3 REGISTER DESCRIPTION

4.3.1 Command Register

(RA <5:0> = 0h)

This register (Figure 4-4) is used for issuing commands to the SONIC-16. These commands are issued by setting the corresponding bits for the function. For all bits, except for the RST bit, the SONIC-16 resets the bit after the command is completed. With the exception of RST, writing a "0" to any bit has no effect. Before any commands can be issued, the RST bit must first be reset to "0". This means that, if the RST bit is set, two writes to the Command Register are required to issue a command to the SONIC-16; one to clear the RST bit, and one to issue the command.

This register also controls the general purpose 32-bit Watchdog Timer. After the Watchdog Timer register has been loaded, it begins to decrement once the ST bit has been set to "1". An interrupt is issued when the count reaches zero if the Timer Complete interrupt is enabled in the IMR.

During hardware reset, bits 7, 4, and 2 are set to a "1"; all others are cleared. During software reset bits 9, 8, 1, and 0 are cleared and bits 7 and 2 are set to a "1"; all others are unaffected.

15	14	13	12	11	10	9	8	7	6	5	4	3	2	1	0
0	0	0	0	0	0	LCAM	RRRA	RST	0	ST	STP	RXEN	RXDIS	TXP	HTX
						r/w	r/w	r/w		r/w	r/w	r/w	r/w	r/w	r/w

r = read only, r/w = read/write

FIGURE 4-4. Command Register

Field	Meaning
LCAM	LOAD CAM
RRRA	READ RRA
RST	SOFTWARE RESET
ST	START TIMER
STP	STOP TIMER
RXEN	RECEIVER ENABLE
RXDIS	RECEIVER DISABLE
TXP	TRANSMIT PACKET(S)
HTX	HALT TRANSMISSION

Bit	Description
15-10	Must be 0
9	LCAM: LOAD CAM Setting this bit causes the SONIC-16 to load the CAM with the descriptor that is pointed to by the CAM Descriptor Pointer register. Note: This bit must not be set during transmission (TXP is set). The SONIC-16 will lock up if both bits are set simultaneously.
8	RRRA: READ RRA Setting this bit causes the SONIC-16 to read the next RRA descriptor pointed to by the Resource Read Pointer (RRP) register. Generally this bit is only set during initialization. Setting this bit during normal operation can cause improper receive operation.
7	RST: SOFTWARE RESET Setting this bit resets all internal state machines. The CRC generator is disabled and the Tally counters are halted, but not cleared. The SONIC-16 becomes operational when this bit is reset to "0". A hardware reset sets this bit to a "1". It must be reset to "0" before the SONIC-16 becomes operational.
6	Must be 0.
5	ST: START TIMER Setting this bit enables the general-purpose watchdog timer to begin counting or to resume counting after it has been halted. This bit is reset when the timer is halted (i.e., STP is set). Setting this bit resets STP.
4	STP: STOP TIMER Setting this bit halts the general-purpose watchdog timer and resets the ST bit. The timer resumes when the ST bit is set. This bit powers up as a "1". Note: Simultaneously setting bits ST and STP stops the timer.

4.0 SONIC-16 Registers (Continued)

4.3 REGISTER DESCRIPTION

4.3.1 Command Register (Continued)

(RA <5:0> = 0h)

Bit	Description
3	<p>RXEN: RECEIVER ENABLE</p> <p>Setting this bit enables the receive buffer management engine to begin buffering data to memory. Setting this bit resets the RXDIS bit. Note: If this bit is set while the MAC unit is currently receiving a packet, both RXEN and RXDIS are set until the network goes inactive (i.e., the SONIC-16 will not start buffering in the middle of a packet being received).</p>
2	<p>RXDIS: RECEIVER DISABLE</p> <p>Setting this bit disables the receiver from buffering data to memory or the Receive FIFO. If this bit is set during the reception of a packet, the receiver is disabled only after the packet is processed. The RXEN bit is reset when the receiver is disabled. Tally counters remain active regardless of the state of this bit. Note: If this bit is set while the SONIC-16 is currently receiving a packet, both RXEN and RXDIS are set until the packet is fully received.</p>
1	<p>TXP: TRANSMIT PACKET(S)</p> <p>Setting this bit causes the SONIC-16 to transmit packets which have been set up in the Transmit Descriptor Area (TDA). The SONIC-16 loads its appropriate registers from the TDA, then begins transmission. The SONIC-16 clears this bit after any of the following conditions have occurred: (1) transmission had completed (i.e., after the SONIC-16 has detected EOL = 1), (2) the Halt Transmission command (HTX) has taken effect, or (3) a transmit abort condition has occurred. This condition occurs when any of the following bits in the TCR have been set: EXC, EXD, FU, or BCM.</p> <p>Note: This bit must not be set if a Load CAM operation is in progress (LCAM is set). The SONIC-16 will lock up if both bits are set simultaneously.</p>
0	<p>HTX: HALT TRANSMISSION</p> <p>Setting this bit halts the transmit command after the current transmission has completed. TXP is reset after transmission has halted. The Current Transmit Descriptor Address (CTDA) register points to the last descriptor transmitted. The SONIC-16 samples this bit after writing to the TXpkt.status field.</p>



4.0 SONIC-16 Registers (Continued)

4.3.2 Data Configuration Register

(RA <5:0> = 1h)

This register (Figure 4-5) establishes the bus cycle options for reading/writing data to/from 16- or 32-bit memory systems.

During a hardware reset, bits 15 and 13 are cleared; all other bits are unaffected. (Because of this, the first thing the driver software does to the SONIC-16 should be to set up this register.) All bits are unaffected by a software reset. This register must only be accessed when the SONIC-16 is in reset mode (i.e., the RST bit is set in the Command register).

15	14	13	12	11	10	9	8	7	6	5	4	3	2	1	0
EXBUS	0	LBR	PO1	PO0	SBUS	USR1	USR0	WC1	WC0	0	BMS	RFT1	RFT0	TFT1	TFT0
r/w		r/w	r/w	r/w	r/w	r/w	r/w	r/w	r/w		r/w	r/w	r/w	r/w	r/w

r/w = read/write

FIGURE 4-5. Data Configuration Register

Field	Meaning
EXBUS	EXTENDED BUS MODE
LBR	LATCHED BUS RETRY
PO0,PO1	PROGRAMMABLE OUTPUTS
SBUS	SYNCHRONOUS BUS MODE
USR0, USR1	USER DEFINABLE PINS
WC0, WC1	WAIT STATE CONTROL
DW	DATA WIDTH SELECT
BMS	BLOCK MODE SELECT FOR DMA
RFT0, RFT1	RECEIVE FIFO THRESHOLD
TFT0, TFT1	TRANSMIT FIFO THRESHOLD

Bit	Description
15	<p>EXBUS: EXTENDED BUS MODE</p> <p>Setting this bit enables the Extended Bus mode which enables the following:</p> <ol style="list-style-type: none"> 1) Extended Programmable Outputs, EXUSR <3:0>: This changes the TXD, LBK, RXC and RXD pins from the external ENDEC interface into four programmable user outputs, EXUSR <3:0> respectively, which are similar to USR <1:0>. These outputs are programmed with bits 15-12 in the DCR2 (see Section 4.3.7). On hardware reset, these four pins will be TRI-STATE® and will remain that way until the DCR is changed. If EXBUS is enabled, then these pins will remain TRI-STATE until the SONIC-16 becomes a bus master, at which time they will be driven according to the DCR2. If EXBUS is disabled, then these four pins work normally as external ENDEC interface pins. 2) Synchronous Termination, STERM: This changes the TXC pin from the External ENDEC interface into a synchronous memory termination input for compatibility with Motorola style processors. This input is only useful when Asynchronous Bus mode is selected (bit 10 below is set to "0") and BMODE = 1 (Motorola mode). On hardware reset, this pin will be TRI-STATE and will remain that way until the DCR is changed. If EXBUS is enabled, this pin will remain TRI-STATE until the SONIC-16 becomes a bus master, at which time it will become the STERM input. If EXBUS is disabled, then this pin works normally as the TXC pin for the external ENDEC interface. 3) Asynchronous Bus Retry: Causes $\overline{\text{BRT}}$ to be clocked in asynchronously off the falling edge of bus clock. This only applies, however, when the SONIC-16 is operating in asynchronous mode (bit 10 below is set to "0"). If EXBUS is not set, $\overline{\text{BRT}}$ is sampled synchronously off the rising edge of bus clock. (See Section 5.4.6.)
14	Must be 0.
13	<p>LBR: LATCHED BUS RETRY</p> <p>The LBR bit controls the mode of operation of the $\overline{\text{BRT}}$ signal (see pin description). It allows the BUS Retry operation to be latched or unlatched.</p> <p>0: Unlatched mode: The assertion of $\overline{\text{BRT}}$ forces the SONIC-16 to finish the current DMA operation and get off the bus. The SONIC-16 will retry the operation when $\overline{\text{BRT}}$ is desasserted.</p> <p>1: Latched mode: The assertion of $\overline{\text{BRT}}$ forces the SONIC-16 to finish the current DMA operation as above, however, the SONIC-16 will not retry until $\overline{\text{BRT}}$ is deasserted and the BR bit in the ISR (see Section 4.3.6) has been reset. Hence, the mode has been latched on until the BR bit is cleared.</p> <p>Note: Unless LBR is set to a "1", $\overline{\text{BRT}}$ must remain asserted at least until the SONIC-16 has gone idle. See Section 5.4.6 and the timing for Bus Retry in Section 7.0.</p>
12, 11	<p>PO1, PO0: PROGRAMMABLE OUTPUTS</p> <p>The PO1, PO0 bits individually control the USR1,0 pins respectively when SONIC-16 is a bus master (HLDA or BGACK is active). When PO1/PO0 are set to a 1 the USR1/USR0 pins are high during bus master operations and when these bits are set to a 0 the USR1/USR0 pins are low during bus master operations.</p>

4.0 SONIC-16 Registers (Continued)

4.3.2 Data Configuration Register (Continued)

(RA<5:0> = 1h)

Bit	Description															
10	<p>SBUS: SYNCHRONOUS BUS MODE</p> <p>The SBUS bit is used to select the mode of system bus operation when SONIC-16 is a bus master. This bit selects the internal ready line to be either a synchronous or asynchronous input to SONIC-16 during block transfer DMA operations.</p> <p>0: Asynchronous mode. \overline{RDY}_i (BMODE = 0) or $\overline{DSACK0}_i$ (BMODE = 1) are respectively internally synchronized at the falling edge of the bus clock (T2 of the DMA cycle). No setup or hold times need to be met with respect to this edge to guarantee proper bus operation.</p> <p>1: Synchronous mode. \overline{RDY}_i (BMODE = 0) and $\overline{DSACK0}_i$ (BMODE = 1) must respectively meet the setup and hold times with respect to the rising edge of T1 or T2 to guarantee proper bus operation.</p>															
9, 8	<p>USR1,0: USER DEFINABLE PINS</p> <p>The USR1,0 bits report the level of the USR1,0 signal pins, respectively, after a chip hardware reset. If the USR1,0 signal pins are at a logical 1 (tied to V_{CC}) during a hardware reset the USR1,0 bits are set to a 1. If the USR1,0 pins are at a logical 0 (tied to ground) during a hardware reset the USR1,0 bits are set to a 0. These bits are latched on the rising edge of RST. Once set they remain set/reset until the next hardware reset.</p>															
7, 6	<p>WC1,0: WAIT STATE CONTROL</p> <p>These encoded bits determine the number of additional bus cycles (T2 states) that are added during each DMA cycle.</p> <table border="1"> <thead> <tr> <th>WC1</th> <th>WC0</th> <th>Bus Cycles Added</th> </tr> </thead> <tbody> <tr> <td>0</td> <td>0</td> <td>0</td> </tr> <tr> <td>0</td> <td>1</td> <td>1</td> </tr> <tr> <td>1</td> <td>0</td> <td>2</td> </tr> <tr> <td>1</td> <td>1</td> <td>3</td> </tr> </tbody> </table>	WC1	WC0	Bus Cycles Added	0	0	0	0	1	1	1	0	2	1	1	3
WC1	WC0	Bus Cycles Added														
0	0	0														
0	1	1														
1	0	2														
1	1	3														
5	MUST BE 0.															
4	<p>BMS: BLOCK MODE SELECT FOR DMA</p> <p>Determines how data is emptied or filled into the Receive or Transmit FIFO.</p> <p>0: Empty/fill mode: All DMA transfers continue until either the Receive FIFO has emptied or the Transmit FIFO has filled completely.</p> <p>1: Block mode: All DMA transfers continue until the programmed number of bytes (RFT0, RFT1 during reception or TFT0, TFT1 during transmission) have been transferred. (See note for TFT0, TFT1.)</p>															
3, 2	<p>RFT1,RFT0: RECEIVE FIFO THRESHOLD</p> <p>These encoded bits determine the number of words (or long words) that are written into the receive FIFO from the MAC unit before a receive DMA request occurs. (See Section 1.4.)</p> <table border="1"> <thead> <tr> <th>RFT1</th> <th>RFT0</th> <th>Threshold</th> </tr> </thead> <tbody> <tr> <td>0</td> <td>0</td> <td>2 words (4 bytes)</td> </tr> <tr> <td>0</td> <td>1</td> <td>4 words (8 bytes)</td> </tr> <tr> <td>1</td> <td>0</td> <td>8 words (16 bytes)</td> </tr> <tr> <td>1</td> <td>1</td> <td>12 words (24 bytes)</td> </tr> </tbody> </table> <p>Note: In block mode (BMS bit = 1), the receive FIFO threshold sets the number of words (or long words) written to memory during a receive DMA block cycle.</p>	RFT1	RFT0	Threshold	0	0	2 words (4 bytes)	0	1	4 words (8 bytes)	1	0	8 words (16 bytes)	1	1	12 words (24 bytes)
RFT1	RFT0	Threshold														
0	0	2 words (4 bytes)														
0	1	4 words (8 bytes)														
1	0	8 words (16 bytes)														
1	1	12 words (24 bytes)														
1, 0	<p>TFT1,TFT0: TRANSMIT FIFO THRESHOLD</p> <p>These encoded bits determine the minimum number of words (or long words) the DMA section maintains in the transmit FIFO. A bus request occurs when the number of words drops below the transmit FIFO threshold. (See Section 1.4.)</p> <table border="1"> <thead> <tr> <th>TFT1</th> <th>TFT0</th> <th>Threshold</th> </tr> </thead> <tbody> <tr> <td>0</td> <td>0</td> <td>4 words (8 bytes)</td> </tr> <tr> <td>0</td> <td>1</td> <td>8 words (16 bytes)</td> </tr> <tr> <td>1</td> <td>0</td> <td>12 words (24 bytes)</td> </tr> <tr> <td>1</td> <td>1</td> <td>14 words (28 bytes)</td> </tr> </tbody> </table> <p>Note: In block mode (BMS = 1), the number of bytes the SONIC-16 reads in a single DMA burst equals the transmit FIFO threshold value. If the number of words or long words needed to fill the FIFO is less than the threshold value, then only the number of reads required to fill the FIFO in a single DMA burst will be made. Typically, with the FIFO threshold value set to 12 or 14 words, the number of memory reads needed is less than the FIFO threshold value.</p>	TFT1	TFT0	Threshold	0	0	4 words (8 bytes)	0	1	8 words (16 bytes)	1	0	12 words (24 bytes)	1	1	14 words (28 bytes)
TFT1	TFT0	Threshold														
0	0	4 words (8 bytes)														
0	1	8 words (16 bytes)														
1	0	12 words (24 bytes)														
1	1	14 words (28 bytes)														

4.0 SONIC-16 Registers (Continued)

4.3.3 Receive Control Register

(RA<5:0> = 2h)

This register is used to filter incoming packets and provide status information of accepted packets (Figure 4-6). Setting any of bits 15–11 to a "1" enables the corresponding receive filter. If none of these bits are set, only packets which match the CAM Address registers are accepted. Bits 10 and 9 control the loopback operations.

After reception, bits 8–0 indicate status information about the accepted packet and are set to "1" when the corresponding condition is true. If the packet is accepted, all bits in the RCR are written into the RXpkt.status field. Bits 8–6 and 3–0 are cleared at the reception of the next packet.

This register is unaffected by a software reset.

15	14	13	12	11	10	9	8	7	6	5	4	3	2	1	0
ERR	RNT	BRD	PRO	AMC	LB1	LB0	MC	BC	LPKT	CRS	COL	CRCR	FAER	LBK	PRX
r/w	r/w	r/w	r/w	r/w	r/w	r/w	r	r	r	r	r	r	r	r	r

r = read only, r/w = read/write

FIGURE 4-6. Receive Control Register

Field	Meaning
ERR	ACCEPT PACKET WITH ERRORS
RNT	ACCEPT RUNT PACKETS
BRD	ACCEPT BROADCAST PACKETS
PRO	PHYSICAL PROMISCUOUS PACKETS
AMC	ACCEPT ALL MULTICAST PACKETS
LB0, LB1	LOOPBACK CONTROL
MC	MULTICAST PACKET RECEIVED
BC	BROADCAST PACKET RECEIVED
LPKT	LAST PACKET IN RBA
CRS	CARRIER SENSE ACTIVITY
COL	COLLISION ACTIVITY
CRCR	CRC ERROR
FAER	FRAME ALIGNMENT ERROR
LBK	LOOPBACK PACKET RECEIVED
PRX	PACKET RECEIVED OK

Bit	Description
15	ERR: ACCEPT PACKET WITH CRC ERRORS OR COLLISIONS 0: Reject all packets with CRC errors or when a collision occurs. 1: Accept packets with CRC errors and ignore collisions.
14	RNT: ACCEPT RUNT PACKETS 0: Normal address match mode. 1: Accept runt packets (packets less than 64 bytes in length). Note: A hardware reset clears this bit.
13	BRD: ACCEPT BROADCAST PACKETS 0: Normal address match mode. 1: Accept broadcast packets (packets with addresses that match the CAM are also accepted). Note: This bit is cleared upon hardware reset.
12	PRO: PHYSICAL PROMISCUOUS MODE Enable all Physical Address packets to be accepted. 0: Normal address match mode. 1: Promiscuous mode.
11	AMC: ACCEPT ALL MULTICAST PACKETS 0: Normal address match mode. 1: Enables all multicast packets to be accepted. Broadcast packets are also accepted regardless of the BRD bit. (Broadcast packets are a subset of multicast packets.)

4.0 SONIC-16 Registers (Continued)

4.3.3 Receive Control Register (Continued)

(RA<5:0> = 2h)

Bit	Description															
10, 9	<p>LB1, LB0: LOOPBACK CONTROL</p> <p>These encoded bits control loopback operations for MAC loopback, ENDEC loopback and Transceiver loopback. For proper operation, the CAM Address registers and Receive Control register must be initialized to accept the Destination address of the loopback packet (see Section 1.7).</p> <p>Note: A hardware reset clears these bits.</p> <table border="1"> <thead> <tr> <th>LB1</th> <th>LB0</th> <th>Function</th> </tr> </thead> <tbody> <tr> <td>0</td> <td>0</td> <td>No loopback, normal operation</td> </tr> <tr> <td>0</td> <td>1</td> <td>MAC loopback</td> </tr> <tr> <td>1</td> <td>0</td> <td>ENDEC loopback</td> </tr> <tr> <td>1</td> <td>1</td> <td>Transceiver loopback</td> </tr> </tbody> </table>	LB1	LB0	Function	0	0	No loopback, normal operation	0	1	MAC loopback	1	0	ENDEC loopback	1	1	Transceiver loopback
LB1	LB0	Function														
0	0	No loopback, normal operation														
0	1	MAC loopback														
1	0	ENDEC loopback														
1	1	Transceiver loopback														
8	<p>MC: MULTICAST PACKET RECEIVED</p> <p>This bit is set when a packet is received with a Multicast Address.</p>															
7	<p>BC: BROADCAST PACKET RECEIVED</p> <p>This bit is set when a packet is received with a Broadcast Address.</p>															
6	<p>LPKT: LAST PACKET IN RBA</p> <p>This bit is set when the last packet is buffered into a Receive Buffer Area (RBA). The SONIC-16 detects this condition when its Remaining Buffer Word Count (RBWC0,1) register is less than the End Of Buffer Count (EOBC) register. (See Section 3.4.2.)</p>															
5	<p>CRS: CARRIER SENSE ACTIVITY</p> <p>Set when CRS is active. Indicates the presence of network activity.</p>															
4	<p>COL: COLLISION ACTIVITY</p> <p>Indicates that the packet received had a collision occur during reception.</p>															
3	<p>CRCR: CRC ERROR</p> <p>Indicates the packet contains a CRC error. If the packet also contains a Frame Alignment error, FAER will be set instead (see below).</p>															
2	<p>FAER: FRAME ALIGNMENT ERROR</p> <p>Indicates that the incoming packet was not correctly framed on an 8-bit boundary. Note: if no CRC errors have occurred, this bit is not set (i.e., this bit is only set when both a frame alignment and CRC errors occur).</p>															
1	<p>LBK: LOOPBACK PACKET RECEIVED</p> <p>Indicates that the SONIC-16 has successfully received a loopback packet.</p>															
0	<p>PRX: PACKET RECEIVED OK</p> <p>Indicates that a packet has been received without CRC, frame alignment, length (runt packet) errors or collisions.</p>															

4.0 SONIC-16 Registers (Continued)

4.3.4 Transmit Control Register

(RA<5:0> = 3h)

This register is used to program the SONIC-16's transmit actions and provide status information after a packet has been transmitted (Figure 4-7). At the beginning of transmission, bits 15, 14, 13 and 12 from the TXpkt.config field are loaded into the TCR to configure the various transmit modes (see section 3.5.1.1). When the transmission ends, bits 10-0 indicate status information and are set to a "1" when the corresponding condition is true. These bits, along with the number of collisions information, are written into the TXpkt.status field at the end of transmission (see section 3.5.1.2). Bits 9 and 5 are cleared after the TXpkt.status field has been written. Bits 10, 7, 6, and 1 are cleared at the commencement of the next transmission while bit 8 is set at this time.

A hardware reset sets bits 8 and 1 to a "1". This register is unaffected by a software reset.

15	14	13	12	11	10	9	8	7	6	5	4	3	2	1	0
PINTR	POWC	CRCI	EXDIS	0	EXD	DEF	NCRS	CRSL	EXC	OWC	0	PMB	FU	BCM	PTX
r/w	r/w	r/w	r/w		r	r	r	r	r	r		r	r	r	r

r=read only, r/w=read/write

FIGURE 4-7. Transmit Control Register

Field	Meaning
PINTR	PROGRAMMABLE INTERRUPT
POWC	PROGRAMMED OUT OF WINDOW COLLISION TIMER
CRCI	CRC INHIBIT
EXDIS	DISABLE EXCESSIVE DEFERRAL TIMER
EXD	EXCESSIVE DEFERRAL
DEF	DEFERRED TRANSMISSION
NCRS	NO CRS
CRSL	CRS LOST
EXC	EXCESSIVE COLLISIONS
OWC	OUT OF WINDOW COLLISION
PMB	PACKET MONITORED BAD
FU	FIFO UNDERRUN
BCM	BYTE COUNT MISMATCH
PTX	PACKET TRANSMITTED OK

Bit	Description
15	<p>PINTR: PROGRAMMABLE INTERRUPT</p> <p>This bit allows transmit interrupts to be generated under software control. The SONIC-16 will issue an interrupt (PINT in the Interrupt Status Register) immediately after reading a TDA and detecting that PINTR is set in the TXpkt.config field.</p> <p>Note: In order for PINTR to operate properly, it must be set and reset in the TXpkt.config field by alternating TDAs. This is necessary because after PINT has been issued in the ISR, PINTR in the Transmit Control Register must be cleared before it is set again in order to have the interrupt issued for another packet. The only effective way to do this is to set PINTR to a 1 no more often than every other packet.</p>
14	<p>POWC: PROGRAM "OUT OF WINDOW COLLISION" TIMER</p> <p>This bit programs when the out of window collision timer begins.</p> <p>0: timer begins after the Start of Frame Delimiter (SFD).</p> <p>1: timer begins after the first bit of preamble.</p>
13	<p>CRCI: CRC INHIBIT</p> <p>0: transmit packet with 4-byte FCS field</p> <p>1: transmit packet without 4-byte FCS field</p>
12	<p>EXDIS: DISABLE EXCESSIVE DEFERRAL TIMER:</p> <p>0: excessive deferral timer enabled</p> <p>1: excessive deferral timer disabled</p>
11	Must be 0.
10	<p>EXD: EXCESSIVE DEFERRAL</p> <p>Indicates that the SONIC-16 has been deferring for 3.2 ms. The transmission is aborted if the excessive deferral timer is enabled (i.e. EXDIS is reset). This bit can only be set if the excessive deferral timer is enabled.</p>

4.0 SONIC-16 Registers (Continued)

4.3.4 Transmit Control Register (Continued)

(RA<5:0> = 3h)

Bit	Description
9	<p>DEF: DEFERRED TRANSMISSION</p> <p>Indicates that the SONIC-16 has deferred its transmission during the first attempt. If subsequent collisions occur, this bit is reset. This bit is cleared after the TXpkt.status field is written in the TDA.</p>
8	<p>NCRS: NO CRS</p> <p>Indicates that Carrier Sense (CRS) was not present during transmission. CRS is monitored from the beginning of the Start of Frame Delimiter to the last byte transmitted. The transmission will not be aborted. This bit is set at the start of preamble and is reset if CRS is detected. Hence, if CRS is never detected throughout the entire transmission of the packet, this bit will remain set.</p> <p>Note: NCRS will always remain set in MAC loopback.</p>
7	<p>CRSL: CRS LOST</p> <p>Indicates that CRS has gone low or has not been present during transmission. CRS is monitored from the beginning of the Start of Frame Delimiter to the last byte transmitted. The transmission will not be aborted.</p> <p>Note: if CRS was never present, both NCRS and CRSL will be set simultaneously. Also, CRSL will always be set in MAC loopback.</p>
6	<p>EXC: EXCESSIVE COLLISIONS</p> <p>Indicates that 16 collisions have occurred. The transmission is aborted.</p>
5	<p>OWC: OUT OF WINDOW COLLISION</p> <p>Indicates that an illegal collision has occurred after 51.2 μs (one slot time) from either the first bit of preamble or from SFD depending upon the POWC bit. The transmission backs off as in a normal transmission. This bit is cleared after the TXpkt.status field is written in the TDA.</p>
4	Must be 0.
3	<p>PMB: PACKET MONITORED BAD</p> <p>This bit is set, if after the receive unit has monitored the transmitted packet, the CRC has been calculated as invalid, a frame alignment error occurred or the Source Address does not match any of the CAM address registers.</p> <p>Note 1: The SONIC-16's CRC checker is active during transmission.</p> <p>Note 2: If CRC has been inhibited for transmissions (CRCI is set), this bit will always be low. This is true regardless of Frame Alignment or Source Address mismatch errors.</p> <p>Note 3: If a Receive FIFO overrun has occurred, the transmitted packet is not monitored completely. Thus, if PMB is set along with the RFO bit in the ISR, then PMB has no meaning. The packet must be completely received before PMB has meaning.</p>
2	<p>FU: FIFO UNDERRUN</p> <p>Indicates that the SONIC-16 has not been able to access the bus before the FIFO has emptied. This condition occurs from excessive bus latency and/or slow bus clock. The transmission is aborted. (See section 1.4.2.)</p>
1	<p>BCM: BYTE COUNT MISMATCH</p> <p>This bit is set when the SONIC-16 detects that the TXpkt.pkt_size field is not equal to the sum of the TXpkt.frag_size field(s). Transmission is aborted.</p>
0	<p>PTX: PACKET TRANSMITTED OK</p> <p>Indicates that a packet has been transmitted without the following errors:</p> <ul style="list-style-type: none"> —Excessive Collisions (EXC) —Excessive Deferral (EXD) —FIFO Underrun (FU) —Byte Count Mismatch (BCM)

4.0 SONIC-16 Registers (Continued)

4.3.5 Interrupt Mask Register

(RA <5:0> = 4h)

This register masks the interrupts that can be generated from the ISR (Figure 4-8). Writing a "1" to the bit enables the corresponding interrupt. During a hardware reset, all mask bits are cleared.

15	14	13	12	11	10	9	8	7	6	5	4	3	2	1	0
0	BREN	HBLEN	LCDEN	PINTEN	PRXEN	PTXEN	TXEREN	TCEN	RDEEN	RBEEN	RBAEEN	CRcen	FAEEN	MPEN	RFOEN
	r/w	r/w	r/w	r/w	r/w	r/w	r/w	r/w	r/w	r/w	r/w	r/w	r/w	r/w	r/w

r/w = read/write

FIGURE 4-8. Interrupt Mask Register

Field	Meaning
BREN	BUS RETRY OCCURRED ENABLE
HBLEN	HEARTBEAT LOST ENABLE
LCDEN	LOAD CAM DONE INTERRUPT ENABLE
PINTEN	PROGRAMMABLE INTERRUPT ENABLE
PRXEN	PACKET RECEIVED ENABLE
PTXEN	PACKET TRANSMITTED OK ENABLE
TXEREN	TRANSMIT ERROR ENABLE
TCEN	TIMER COMPLETE ENABLE
RDEEN	RECEIVE DESCRIPTORS ENABLE
RBEEN	RECEIVE BUFFERS EXHAUSTED ENABLE
RBAEEN	RECEIVE BUFFER AREA EXCEEDED ENABLE
CRcen	CRC TALLY COUNTER WARNING ENABLE
FAEEN	FAE TALLY COUNTER WARNING ENABLE
MPEN	MP TALLY COUNTER WARNING ENABLE
RFOEN	RECEIVE FIFO OVERRUN ENABLE

Bit	Description
15	Must be 0.
14	BREN: BUS RETRY OCCURRED enabled: 0: disable 1: enables interrupts when a Bus Retry operation is requested.
13	HBLEN: HEARTBEAT LOST enable: 0: disable 1: enables interrupts when a heartbeat lost condition occurs.
12	LCDEN: LOAD CAM DONE INTERRUPT enable: 0: disable 1: enables interrupts when the Load CAM command has finished.
11	PINTEN: PROGRAMMABLE INTERRUPT enable: 0: disable 1: enables programmable interrupts to occur when the PINTR bit the TXpkt.config field is set to a "1".
10	PRXEN: PACKET RECEIVED enable: 0: disable 1: enables interrupts for packets accepted.
9	PTXEN: PACKET TRANSMITTED OK enable: 0: disable 1: enables interrupts for transmit completions.
8	TXEREN: TRANSMIT ERROR enable: 0: disable 1: enables interrupts for packets transmitted with error.

4.0 SONIC-16 Registers (Continued)**4.3.5 Interrupt Mask Register** (Continued)

(RA<5:0> = 4h)

Bit	Description
7	TCEN: GENERAL PURPOSE TIMER COMPLETE enable: 0: disable 1: enables interrupts when the general purpose timer has rolled over from 0000 0000h to FFFF FFFFh.
6	RDEEN: RECEIVE DESCRIPTORS EXHAUSTED enable: 0: disable 1: enables interrupts when all receive descriptors in the RDA have been exhausted.
5	RBEEN: RECEIVE BUFFERS EXHAUSTED enable: 0: disable 1: enables interrupts when all resource descriptors in the RRA have been exhausted.
4	RBAEEN: RECEIVE BUFFER AREA EXCEEDED enable: 0: disable 1: enables interrupts when the SONIC-16 attempts to buffer data beyond the end of the Receive Buffer Area.
3	CRCCEN: CRC TALLY COUNTER WARNING enable: 0: disable 1: enables interrupts when the CRC tally counter has rolled over from FFFFh to 0000h.
2	FAEEN: FRAME ALIGNMENT ERROR (FAE) TALLY COUNTER WARNING enable: 0: disable 1: enables interrupts when the FAE tally counter rolled over from FFFFh to 0000h.
1	MPEN: MISSED PACKET (MP) TALLY COUNTER WARNING enable: 0: disable 1: enables interrupts when the MP tally counter has rolled over from FFFFh to 0000h.
0	RFOEN: RECEIVE FIFO OVERRUN enable: 0: disable 1: enables interrupts when the receive FIFO has overrun.

4.0 SONIC-16 Registers (Continued)

4.3.6 Interrupt Status Register

(RA<5:0> = 5h)

This register (Figure 4-9) indicates the source of an interrupt when the INT pin goes active. Enabling the corresponding bits in the IMR allows bits in this register to produce an interrupt. When an interrupt is active, one or more bits in this register are set to a "1". A bit is cleared by writing "1" to it. Writing a "0" to any bit has no effect.

This register is cleared by a hardware reset and unaffected by a software reset.

15	14	13	12	11	10	9	8	7	6	5	4	3	2	1	0
0	BR	HBL	LCD	PINT	PKTRX	PTDN	TXER	TC	RDE	RBE	RBAE	CRC	FAE	MP	RFO
	r/w	r/w	r/w	r/w	r/w	r/w	r/w	r/w	r/w	r/w	r/w	r/w	r/w	r/w	r/w

r/w = read/write

FIGURE 4-9. Interrupt Status Register

Field	Meaning
BR	BUS RETRY OCCURRED
HBL	CD HEARTBEAT LOST
LCD	LOAD CAM DONE
PINT	PROGRAMMABLE INTERRUPT
PKTRX	PACKET RECEIVED
TXDN	TRANSMISSION DONE
TXER	TRANSMIT ERROR
TC	TIMER COMPLETE
RDE	RECEIVE DISCRIPTORS EXHAUSTED
RBE	RECEIVE BUFFERS EXHAUSTED
RBAE	RECEIVE BUFFER AREA EXCEEDED
CRC	CRC TALLY COUNTER ROLLOVER
FAE	FRAME ALIGNMENT ERROR
MP	MISSED PACKET COUNTER ROLLOVER
RFO	RECEIVE FIFO OVERRUN

Bit	Description
15	Must be 0.
14	BR: BUS RETRY OCCURRED Indicates that a Bus Retry ($\overline{\text{BR}}$) operation has occurred. In Latched Bus Retry mode (LBR in the DCR), BR will only be set when the SONIC-16 is a bus master. Before the SONIC-16 will continue any DMA operations, BR must be cleared. In Unlatched mode, the BR bit should be cleared also, but the SONIC-16 will not wait for BR to be cleared before requesting the bus again and continuing its DMA operations. (See sections 4.3.2 and 5.4.6 for more information on Bus Retry).
13	HBL: CD HEARTBEAT LOST If the transceiver fails to provide a collision pulse (heart beat) during the first 6.4 μs of the Interframe Gap after transmission, this bit is set.
12	LCD: LOAD CAM DONE Indicates that the Load CAM command has finished writing to all programmed locations in the CAM. (See section 4.1.1.)
11	PINT: PROGRAMMED INTERRUPT Indicates that upon reading the TXpkt.config field, the SONIC-16 has detected the PINTR bit to be set. (See section 4.3.4.)
10	PKTRX: PACKET RECEIVED Indicates that a packet has been received and been buffered to memory. This bit is set after the RXpkt.seq_no field is written to memory.
9	TXDN: TRANSMISSION DONE Indicates that either (1) there are no remaining packets to be transmitted in the Transmit Descriptor Area (i.e., the EOL bit has been detected as a "1"), (2) the Halt Transmit command has been given (HTX bit in CR is set to a "1"), or (3) a transmit abort condition has occurred. This condition occurs when any of following bits in the TCR are set: BCM, EXC, FU, or EXD. This bit is set after the TXpkt.status field has been written to.

4.0 SONIC-16 Registers (Continued)

4.3.6 Interrupt Status Register (Continued)

(RA <5:0> = 5h)

Bit	Description
8	<p>TXER: TRANSMIT ERROR Indicates that a packet has been transmitted with at least one of the following errors.</p> <ul style="list-style-type: none"> —Byte count mismatch (BCM) —Excessive collisions (EXC) —FIFO underrun (FU) —Excessive deferral (EXD) <p>The TXpkt.status field reveals the cause of the error(s).</p>
7	<p>TC: GENERAL PURPOSE TIMER COMPLETE Indicates that the timer has rolled over from 0000 0000h to FFFF FFFFh. (See section 4.3.12.)</p>
6	<p>RDE: RECEIVE DESCRIPTORS EXHAUSTED Indicates that all receive packet descriptors in the RDA have been exhausted. This bit is set when the SONIC-16 detects EOL = 1. (See section 3.4.7.)</p>
5	<p>RBE: RECEIVE BUFFER EXHAUSTED Indicates that the SONIC-16 has detected the Resource Read Pointer (RRP) is equal to the Resource Write Pointer (RWP). This bit is set after the last field is read from the resource area. (See section 3.4.7.)</p> <p>Note 1: This bit will be set as the SONIC-16 finishes using the second to last receive buffer and reads the last RRA descriptor. This gives the system an early warning of impending no resources.</p> <p>Note 2: The SONIC-16 will stop reception of packets when the last RBA has been used and will not continue reception until additional receive buffers have been added (i.e., RWP is incremented beyond RRP) and this bit has been reset.</p> <p>Note 3: If additional buffers have been added, resetting this bit causes the SONIC-16 to read the next resource descriptor pointed to by the RRP in the Receive Resource Area. Note that resetting this bit under this condition is similar to issuing the Read RRA command (setting the RRRR bit in the Command Register). This bit should never be reset until after the additional resources have been added to the RRA.</p>
4	<p>RBAE: RECEIVE BUFFER AREA EXCEEDED Indicates that during reception, the SONIC-16 has reached the end of the Receive Buffer Area. Reception is aborted and the SONIC-16 fetches the next available resource descriptors in the RRA. The buffer space is not re-used and an RDA is not set up for the truncated packet (see section 3.4.7).</p>
3	<p>CRC: CRC TALLY COUNTER ROLLOVER Indicates that the tally counter has rolled over from FFFFh to 0000h. (See section 4.3.11.)</p>
2	<p>FAE: FRAME ALIGNMENT ERROR (FAE) TALLY COUNTER ROLLOVER Indicates that the FAE tally counter has rolled over from FFFFh to 0000h. (See section 4.3.11.)</p>
1	<p>MP: MISSED PACKET (MP) COUNTER ROLLOVER Indicates that the MP tally counter has rolled over from FFFFh to 0000h. (See section 4.3.11.)</p>
0	<p>RFO: RECEIVE FIFO OVERRUN Indicates that the SONIC-16 has been unable to access the bus before the receive FIFO has filled from the network. This condition is due to excessively long bus latency and/or slow bus clock. Note that FIFO underruns are indicated in the TCR. (See section 1.4.1.)</p>

4.0 SONIC-16 Registers (Continued)

4.3.7 Data Configuration Register 2

(RA <5:0> = 3Fh)

This register (Figure 4-10) is for enabling the extended bus interface options.

A hardware reset will set all bits in this register to "0" except for the Extended Programmable Outputs which are unknown until written to and bits 5 to 11 which must always be written with zeroes, but are "don't cares" when read. A software reset will not affect any bits in this register. This register should only be written to when the SONIC-16 is in software reset (the RST bit in the Command Register is set).

15	14	13	12	11	10	9	8	7	6	5	4	3	2	1	0
EXPO3	EXPO2	EXPO1	EXPO0	0	0	0	0	0	0	0	PH	0	PCM	PCNM	RJCM
r/w	r/w	r/w	r/w								r/w		r/w	r/w	r/w

FIGURE 4-10. Data Configuration Register 2

Field	Meaning
EXPO3..0	EXTENDED PROGRAMMABLE OUTPUTS
PH	PROGRAM HOLD
PCM	PACKET COMPRESS WHEN MATCHED
PCNM	PACKET COMPRESS WHEN NOT MATCHED
RJCM	REJECT ON CAM MATCH

Bit	Description
15-12	<p>EXPO <3:0> EXTENDED PROGRAMMABLE OUTPUTS</p> <p>These bits program the level of the Extended User outputs (EXUSR <3:0>) when the SONIC-16 is a bus master. Writing a "1" to any of these bits programs a high level to the corresponding output. Writing a "0" to any of these bits programs a low level to the corresponding output. EXUSR <3:0> are similar to USR <1:0> except that EXUSR <3:0> are only available when the Extended Bus mode is selected (bit 15 in the DCR is set to "1", see Section 4.3.2).</p>
11-5	Must be written with zeroes.
4	<p>PH: PROGRAM HOLD</p> <p>When this bit is set to "0", the HOLD request output is asserted/deasserted from the falling edge of bus clock. If this bit is set to "1", HOLD will be asserted/deasserted 1/2 clock later on the rising edge of bus clock.</p>
3	Must be zero.
2	<p>PCM: PACKET COMPRESS WHEN MATCHED</p> <p>When this bit is set to a "1" (and the PCNM bit is reset to a "0"), the \overline{PCOMP} output will be asserted if the destination address of the packet being received matches one of the entries in the CAM (Content Addressable Memory). This bit, along with PCNM, is used with the Management Bus of the DP83950, Repeater Interface Controller (RIC). See the DP83950 datasheet for more details on the RIC Management Bus. This mode is also called the Managed Bridge Mode.</p> <p>Note 1: Setting PCNM and PCM to "1" at the same time is not allowed.</p> <p>Note 2: If PCNM and PCM are both "0", the \overline{PCOMP} output will remain TRI-STATE until PCNM or PCM are changed.</p>
1	<p>PCNM: COMPRESS WHEN NOT MATCHED</p> <p>When this bit is set to a "1" (and the PCM bit is set to "0"), the \overline{PCOMP} output will be asserted if the destination address of the packet does not match one of the entries in the CAM. See the PCM bit above. This mode is also called the Managed Hub Mode.</p> <p>Note: \overline{PCOMP} will not be asserted if the destination address is a broadcast address. This is true regardless of the state of the BRD bit in the Receive Control Register.</p>
0	<p>RJCM: REJECT ON CAM MATCH</p> <p>When this bit is set to "1", the SONIC-16 will reject a packet on a CAM match. Setting RJCM to "0" causes the SONIC-16 to operate normally by accepting packets on a CAM match. Setting this mode is useful for a small bridge with a limited number of nodes attached to it. RJCM only affects the CAM, though. Setting RJCM will not invert the function of the BRD, PRO or AMC bits (to accept broadcast, all physical or multicast packets respectively) in the Receive Control Register (see Section 4.3.3). This means, for example, that it is not possible to set RJCM and BRD to reject all broadcast packets. If RJCM and BRD are set at the same time, however, all broadcast packets will be accepted, but any packets that have a destination address that matches an address in the CAM will be rejected.</p>

4.0 SONIC-16 Registers (Continued)

4.3.8 Transmit Registers

The transmit registers described in this section are part of the User Register set. The UTDA and CTDA must be initialized prior to issuing the transmit command (setting the TXP bit) in the Command register.

Upper Transmit Descriptor Address Register (UTDA):

This register contains the upper address bits (A<23:16>) for accessing the transmit descriptor area (TDA) and is concatenated with the contents of the CTDA when the SONIC-16 accesses the TDA in system memory. The TDA can be as large as 32k words and can be located anywhere in system memory. This register is unaffected by a hardware or software reset.

Current Transmit Descriptor Address Register (CTDA):

The 16-bit CTDA register contains the lower address bits (A<15:1>) of the 23-bit transmit descriptor address. During initialization this register must be programmed with the lower address bits of the transmit descriptor. The SONIC-16 concatenates the contents of this register with the contents of the UTDA to point to the transmit descriptor. Bit 0 of this register is the End of List (EOL) bit and is used to denote the end of the list. This register is unaffected by a hardware or software reset.

4.3.9 Receive Registers

The receive registers described in this section are part of the User Register set. A software reset has no effect on these registers and a hardware reset only affects the EOBC and RSC registers. The receive registers must be initialized prior to issuing the receive command (setting the RXEN bit) in the Command register.

Upper Receive Descriptor Address Register (URDA):

This register contains the upper address bits (A<23:16>) for accessing the receive descriptor area (RDA) and is concatenated with the contents of the CRDA when the SONIC-16 accesses the RDA in system memory. The RDA can be as large as 32k words and can be located anywhere in system memory. This register is unaffected by a hardware or software reset.

Current Receive Descriptor Address Register (CRDA):

The CRDA is a 16-bit read/write register used to locate the received packet descriptor block within the RDA. It contains the lower address bits (A<15:1>). The SONIC-16 concatenates the contents of the CRDA with the contents of the URDA to form the complete 23-bit address. The resulting 23-bit address points to the first field of the descriptor block. Bit 0 of this register is the End of List (EOL) bit and is used to denote the end of the list. This register is unaffected by a hardware or software reset.

End of Buffer Word Count Register (EOBC):

The SONIC-16 uses the contents of this register to determine where to place the next packet. At the end of packet reception, the SONIC-16 compares the contents of the EOBC register with the contents of the Remaining Buffer Word Count registers (RBWC0,1) to determine whether: (1) to place the next packet in the same RBA or (2) to place the next packet in another RBA. If the EOBC is less than or equal to the remaining number of words in the RBA after a packet is received (i.e., $EOBC \leq RBWC0,1$), the SONIC-16 buffers the next packet in the same RBA. If the EOBC is greater than

the remaining number of words in the RBA after a packet is received (i.e., $EOBC > RBWC0,1$), the Last Packet in RBA bit, LPKT in the Receive Control Register, section 4.3.3, is set and the SONIC-16 fetches the next resource descriptor. Hence, the next packet received will be buffered in a new RBA. A hardware reset sets this register to 02F8H (760 words or 1520 bytes). See sections 3.4.2 and 3.4.4.4 for more information about using EOBC.

Upper Receive Resource Address Register (URRA):

The URRA is a 16-bit read/write register. It is programmed with the base address of the receive resource area (RRA). This 8-bit upper address value (A<23:16>) locates the receive resource area in system memory. SONIC-16 uses the URRA register when accessing the receive descriptors within the RRA by concatenating the lower address value from one of four receive resource registers (RSA, REA, RWP, or RRP).

Resource Start Address Register (RSA): The RSA is a 15-bit read/write register. The LSB is not used and always reads back as a 0. The RSA is programmed with the lower 15-bit address (A<15:1>) of the starting address of the receive resource area. SONIC-16 concatenates the contents of this register with the contents of the URRA to form the complete 23-bit address.

Resource End Address Register (REA): The REA is a 15-bit read/write register. The LSB is not used and always reads back as a 0. The REA is programmed with the lower 15-bit address (A<15:1>) of the ending address of the receive resource area. SONIC-16 concatenates the contents of this register with the contents of the URRA to form the complete 23-bit address.

Resource Read Pointer Register (RRP): The RRP is a 15-bit read/write register. The LSB is not used and always reads back as a 0. The RRP is programmed with the lower 15-bit address (A<15:1>) of the first field of the next descriptor the SONIC-16 will read. SONIC-16 concatenates the contents of this register with the contents of the URRA to form the complete 23-bit address.

Resource Write Pointer Register (RWP): The RWP is a 15-bit read/write register. The LSB is not used and always reads back as a 0. The RWP is programmed with the lower 15-bit address (A<15:1>) of the next available location the system can add a descriptor. SONIC-16 concatenates the contents of this register with the contents of the URRA to form the complete 23-bit address.

Receive Sequence Counter Register (RSC): This is a 16-bit read/write register containing two fields. The SONIC-16 uses this register to provide status information on the number of packets within a RBA and the number of RBAs. The RSC register contains two 8-bit (modulo 256) counters. After each packet is received the packet sequence number is incremented. The SONIC-16 maintains a single sequence number for each RBA. When the SONIC-16 uses the next RBA, the packet sequence number is reset to zero and the RBA sequence number is incremented. This register is reset to 0 by a hardware reset or by writing zero to it. A software reset has no affect.

15	8	7	0
RBA Sequence Number (Modulo 256)		Packet Sequence Number (Modulo 256)	

4.0 SONIC-16 Registers (Continued)

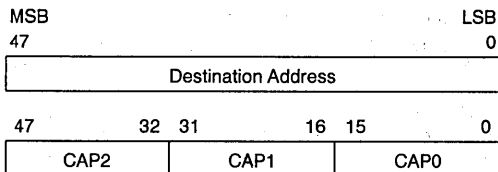
4.3.10 CAM Registers

The CAM registers described in this section are part of the User Register set. They are used to program the Content Addressable Memory (CAM) entries that provide address filtering of packets. These registers, except for the CAM Enable register, are unaffected by a hardware or software reset.

CAM Entry Pointer Register (CEP): The CEP is a 4-bit register used by SONIC-16 to select one of the sixteen CAM entries. SONIC-16 uses the least significant 4-bits of this register. The value of 0h points to the first CAM entry and the value of Fh points to the last entry.

CAM Address Port 2, 1, 0 Registers (CAP2, CAP1, CAP0): Each CAP is a 16-bit read-only register used to access the CAM cells. Each CAM cell is 16-bits wide and contains one third of the 48-bit CAM entry which is used by the SONIC-16 for address filtering. The CAP2 register is used to access the upper bits (<47:32>), CAP1 the middle bits (<31:16>) and CAP0 the lower bits (<15:0>) of the CAM entry. Given the physical address 10:20:30:40:50:60, which is made up of 6 octets or bytes, where 10h is the least significant byte and 60h is the most significant byte (10h would be the first byte received from the network and 60h would be the last), CAP0 would be loaded with 2010h, CAP1 with 4030h and CAP2 with 6050h.

To read a CAM entry, the user first places the SONIC-16 in software reset (set the RST bit in the Command register), programs the CEP register to select one of sixteen CAM entries, then reads CAP2, CAP1, and CAP0 to obtain the complete 48-bit entry. The user can not write to the CAM entries directly. Instead, the user programs the CAM descriptor area in system memory (see section 4.1.1), then issues the Load CAM command (setting LCAM bit in the Command register). This causes the SONIC-16 to read the descriptors from memory and loads the corresponding CAM entry through CAP2-0.



CAM Enable Register (CE): The CE is a 16-bit read/write register used to mask out or enable individual CAM entries. Each register bit position corresponds to a CAM entry. When a register bit is set to a "1" the corresponding CAM entry is enabled. When "0" the entry is disabled. This register is unaffected by a software reset and cleared to zero (disabling all entries) during a hardware reset. Under normal operations the user does not access this register. Instead the user sets up this register through the last entry in the CAM descriptor area. The SONIC-16 loads the CE register during execution of the LCAM Command.

CAM Descriptor Pointer Register (CDP): The CDP is a 15-bit read/write register. The LSB is unused and always reads back as 0. The CDP is programmed with the lower

address (A<15:1>) of the first field of the CAM descriptor block in the CAM descriptor area (CDA) of system memory. SONIC-16 uses the contents of the CDP register when accessing the CAM descriptors. This register must be programmed by the user before issuing the LCAM command. During execution of the LCAM Command SONIC-16 concatenates the contents of this register with the contents of the URRR register to form the complete 23-bit address. During the Load CAM operation this register is incremented to address the fields in the CDA. After the Load Command completes this register points to the next location after the CAM Descriptor Area.

CAM Descriptor Count Register (CDC): The CDC is a 5-bit read/write register. It is programmed with the number of CAM descriptor blocks in the CAM descriptor area. This register must be programmed by the user before issuing the LCAM command. SONIC-16 uses the value in this register to determine how many entries to place in the CAM during execution of the LCAM command. During LCAM execution SONIC-16 decrements this register each time it reads a descriptor block. When the CDC decrements to zero SONIC-16 terminates the LCAM execution. Since the CDC register is programmed with the number of CAM descriptor blocks in the CAM Descriptor Area, the value programmed into the CDC register ranges 1 to 16 (1h to 10h).

4.3.11 Tally Counters

The SONIC-16 provides three 16-bit counters used for monitoring network statistics on the number of CRC errors, Frame Alignment errors, and missed packets. These registers rollover after the count of FFFFh is reached and produce an interrupt if enabled in the Interrupt Mask Register (IMR). These counters are unaffected by the RXEN bit in the CR, but are halted when the RST bit in the CR is set. The data written to these registers is inverted before being latched. This means that if a value of FFFFh is written to these registers by the system, they will contain and read back the value 0000h. Data is not inverted during a read operation. The Tally registers, therefore, are cleared by writing all "1's" to them. A software or hardware reset does not affect the tally counters.

CRC Tally Counter Register (CRCT): The CRCT is a 16-bit read/write register. This register is used to keep track of the number of packets received with CRC errors. After a packet is accepted by the address recognition logic, this register is incremented if a CRC error is detected. If the packet also contains a Frame Alignment error, this counter is not incremented.

FAE Tally Counter Register (FAET): The FAET is a 16-bit read/write register. This register is used to keep track of the number of packets received with frame alignment errors. After a packet is accepted by the address recognition logic, this register is incremented if a FAE error is detected.

Missed Packet Tally Counter Register (MPT): The MPT is a 16-bit read/write register. After a packet is received, this counter is incremented if there is: (1) lack of memory resources to buffer the packet, (2) a FIFO overrun, or (3) a valid packet has been received, but the receiver is disabled (RXDIS is set in the command register).

4.0 SONIC-16 Registers (Continued)

4.3.12 General Purpose Timer

The SONIC-16 contains a 32-bit general-purpose watchdog timer for timing user-definable events. This timer is accessed by the user through two 16-bit read/write registers (WT1 and WT0). The lower count value is programmed through the WT0 register and the upper count value is programmed through the WT1 register.

These two registers are concatenated together to form the complete 32-bit timer. This timer, clocked at $\frac{1}{2}$ the Transmit Clock (TXC) frequency, counts down from its programmed value and generates an interrupt, if enabled (Interrupt Mask register), when it rolls over from 0000 0000h to FFFF FFFFh. When the counter rolls over it continues decrementing unless explicitly stopped (setting the STP bit). The timer is controlled by the ST (Start Timer) and STP (Stop Timer) bits in the Command register. A hardware or software reset halts, but does not clear, the General Purpose timer.

31	16	15	0
WT1 (Upper Count Value)		WT0 (Lower Count Value)	

4.3.13 Silicon Revision Register

This is a 16-bit read only register. It contains information on the current revision of the SONIC-16. The initial silicon begins at 0000h and subsequent revision will be incremented by one.

5.0 Bus Interface

SONIC-16 features a high speed non-multiplexed 23-bit address and 16-bit data bus designed for a wide range of sys-

tem environments. SONIC-16 contains an on-chip DMA and supplies all the necessary signals for DMA operation. With 23 address lines SONIC-16 can access a full 4 M-word address space. To accommodate different memory speeds wait states can be added to the bus cycle by two methods. The memory subsystem can add wait states by simply withholding the appropriate handshake signals. In addition, the SONIC-16 can be programmed (via the Data Configuration Register) to add wait states.

The SONIC-16 is designed to interface to both the National/Intel and Motorola style buses. To facilitate minimum chip count designs and complete bus compatibility the user can program the SONIC-16 for the following bus modes:

- National/Intel bus operating in synchronous mode
- National/Intel bus operating in asynchronous mode
- Motorola bus operating in synchronous mode
- Motorola bus operating in asynchronous mode

The mode pin (BMODE) along with the SBUS bit in the Data Configuration Register are used to select the bus mode.

This section describes the SONIC-16's pin signals, provides system interface examples, and describes the various SONIC-16 bus operations.

5.1 PIN CONFIGURATIONS

There are two user selectable pin configurations for SONIC-16 to provide the proper interface signals for either the National/Intel or Motorola style buses. The state of the BMODE pin is used to define the pin configuration. *Figure 5-1* shows the pin configuration when BMODE=1 (tied to V_{CC}) for the Motorola style bus. *Figure 5-2* shows the pin configuration when BMODE=0 (tied to ground) for the National/Intel style bus.

5.0 Bus Interface (Continued)

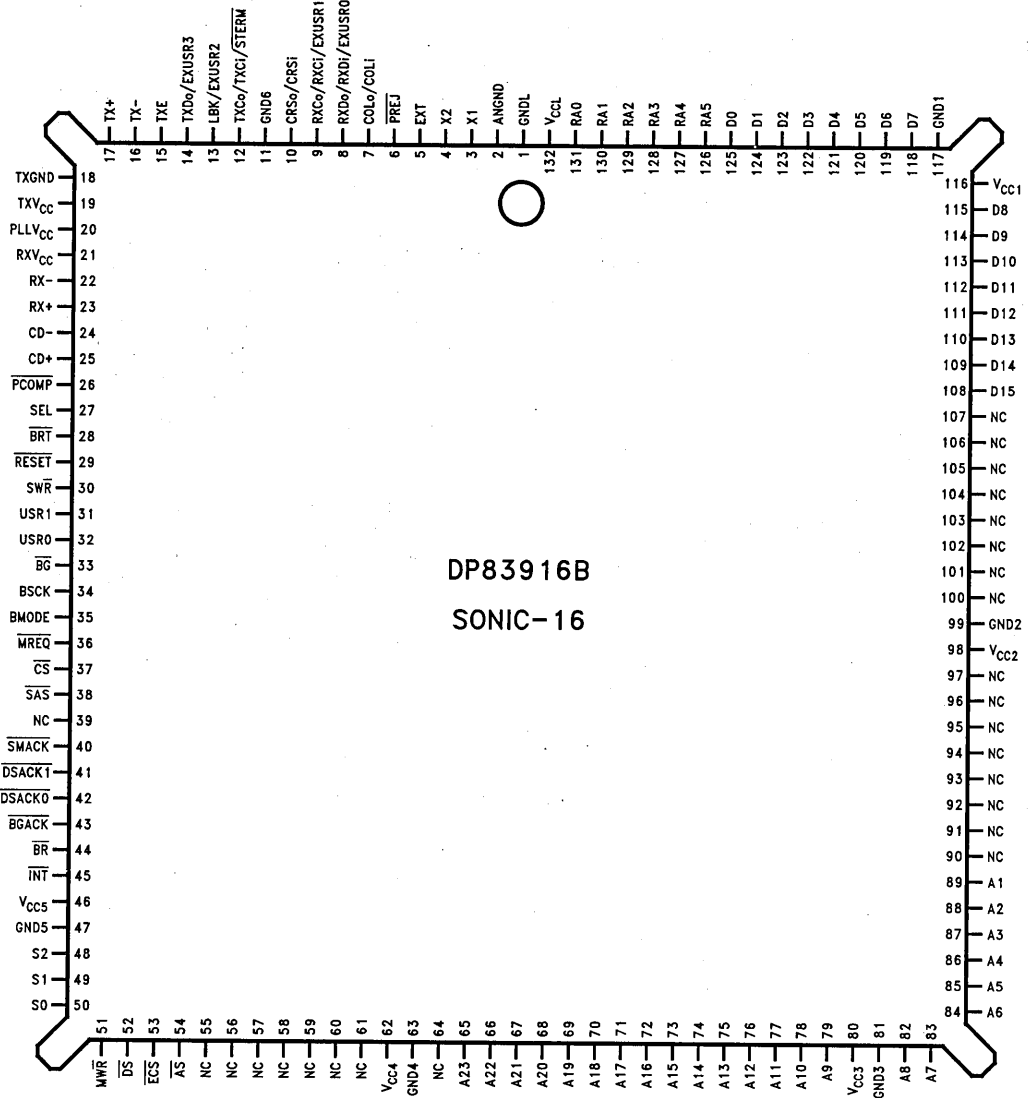
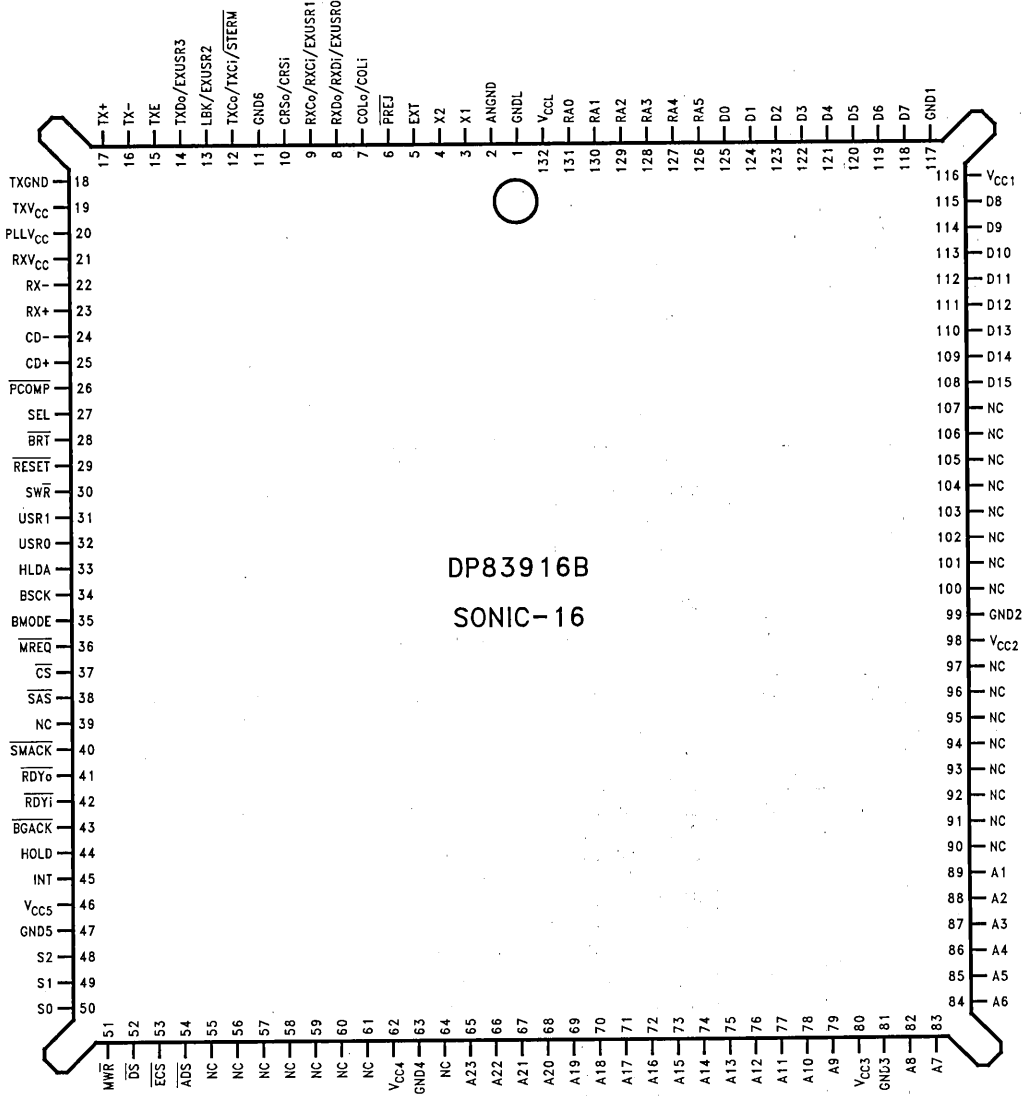


FIGURE 5-1. Connection Diagram (BMODE = 1)

TL/F/11722-23

5.0 Bus Interface (Continued)



DP83916B
SONIC-16

FIGURE 5-2. Connection Diagram (BMODE=0)

TL/F/11722-24

1

5.0 Bus Interface (Continued)

5.2 PIN DESCRIPTION

I = input,

O = output, and

Z = TRI-STATE Inputs are TTL compatible

ECL = ECL-like drivers for interfacing to the AUI interface.

TP = Totem pole like drivers. These drivers are driven either high or low and are always driven. Drive levels are CMOS compatible.

TRI = TRI-STATE drivers. These pins are driven high, low or TRI-STATE. Drive levels are CMOS compatible. These pins may also be inputs (depending on the pin).

OC = Open Collector type drivers. These drivers are TRI-STATE when inactive and are driven low when active. These pins may also be inputs (depending on the pin).

TABLE 5-1. Pin Description

Symbol	Driver Type	Direction	Description
NETWORK INTERFACE PINS			
EXT		I	External ENDEC Select: Tying this pin to V_{CC} (EXT = 1) disables the internal ENDEC and allows an external ENDEC to be used. Tying this pin to ground (EXT = 0) enables the internal ENDEC. This pin must be tied either to V_{CC} or ground. Note the alternate pin definitions for CRS _o /CRS _i , COL _o /COL _i , RXD _o /RXD _i , RXC _o /RXC _i , and TXC _o /TXC _i . When EXT = 0 the first pin definition is used and when EXT = 1 the second pin definition is used.
CD+		I	Collision +: The positive differential collision input from the transceiver. This pin should be unconnected when an external ENDEC is selected (EXT = 1).
CD-		I	Collision -: The negative differential collision input from the transceiver. This pin should be unconnected when an external ENDEC is selected (EXT = 1).
RX+		I	Receive +: The positive differential receive data input from the transceiver. This pin should be unconnected when an external ENDEC is selected (EXT = 1)
RX-		I	Receive -: The negative differential receive data input from the transceiver. This pin should be unconnected when an external ENDEC is selected (EXT = 1)
TX+	ECL	O	Transmit +: The positive differential transmit output to the transceiver. This pin should be unconnected when an external ENDEC is selected (EXT = 1).
TX-	ECL	O	Transmit -: The negative differential transmit output to the transceiver. This pin should be unconnected when an external ENDEC is selected (EXT = 1).
CRS _o CRS _i	TP	O I	Carrier Sense Output (CRS_o) from the internal ENDEC (EXT = 0): When EXT = 0 the CRS _o signal is internally connected between the ENDEC and MAC units. It is asserted on the first valid high-to-low transition in the receive data (RX + / -). This signal remains active 1.5 bit times after the last bit of data. Although this signal is used internally by the SONIC-16 it is also provided as an output to the user. Carrier Sense Input (CRS_i) from an external ENDEC (EXT = 1): The CRS _i signal is activated high when the external ENDEC detects valid data at its receive inputs.
COL _o COL _i	TP	O I	Collision Output (COL_o) from the internal ENDEC (EXT = 0): When EXT = 0 the COL _o signal is internally connected between the ENDEC and MAC units. This signal generates an active high signal when the 10 MHz collision signal from the transceiver is detected. Although this signal is used internally by the SONIC-16 it is also provided as an output to the user. Collision Detect Input (COL_i) from an external ENDEC (EXT = 1): The COL _i signal is activated from an external ENDEC when a collision is detected. This pin is monitored during transmissions from the beginning of the Start Of Frame Delimiter (SFD) to the end of the packet. At the end of transmission, this signal is monitored by the SONIC-16 for CD heartbeat.

5.0 Bus Interface (Continued)

TABLE 5-1. Pin Description (Continued)

Symbol	Driver Type	Direction	Description
NETWORK INTERFACE PINS (Continued)			
RXDo RXDi EXUSR0	TP TRI	O I O, Z	<p>This pin will be TRI-STATE until the DCR has been written to. (See section 4.3.2, EXBUS, for more information.)</p> <p>Receive Data Output (RXDo) from the internal ENDEC (EXT = 0): NRZ data output. When EXT = 0 the RXDOUT signal is internally connected between the ENDEC and MAC units. This signal must be sampled on the rising edge of the receive clock output (RXCo). Although this signal is used internally by the SONIC-16 it is also provided as an output to the user.</p> <p>Receive Data Input (RXDi) from an external ENDEC (EXT = 1): The NRZ data decoded from the external ENDEC. This data is clocked in on the rising edge of RXCi.</p> <p>Extended User Output (EXUSR0): When EXBUS has been set (see section 4.3.2), this pin becomes a programmable output. It will remain TRI-STATE until the SONIC-16 becomes a bus master, at which time it will be driven according to the value programmed in the DCR2 (Section 4.3.7).</p>
RXCo RXCi EXUSR1	TP TRI	O I O, Z	<p>This pin will be TRI-STATE until the DCR has been written to. (See section 4.3.2, EXBUS, for more information.)</p> <p>Receive Clock Output (RXCo) from the internal ENDEC (EXT = 0): When EXT = 0 the RXCo signal is internally connected between the ENDEC and MAC units. This signal is the separated receive clock from the Manchester data stream. It remains active 5-bit times after the deassertion of CRS0. Although this signal is used internally by the SONIC-16 it is also provided as an output to the user.</p> <p>Receive Clock Input (RXCi) from an external ENDEC (EXT = 1): The separated received clock from the Manchester data stream. This signal is generated from an external ENDEC.</p> <p>Extended User Output (EXUSR1): When EXBUS has been set (see section 4.3.2), this pin becomes a programmable output. It will remain TRI-STATE until the SONIC-16 becomes a bus master, at which time it will be driven according to the value programmed in the DCR2 (Section 4.3.7).</p>
TXD EXUSR3	TP TRI	O O, Z	<p>This pin will be TRI-STATE until the DCR has been written to. (See section 4.3.2, EXBUS, for more information.)</p> <p>Transmit Data (TXD): The serial NRZ data from the MAC unit which is to be decoded by an external ENDEC. Data is valid on the rising edge of TXC. Although this signal is used internally by the SONIC-16 it is also provided as an output to the user.</p> <p>Extended User Output (EXUSR3): When EXBUS has been set (see section 4.3.2), this pin becomes a programmable output. It will remain TRI-STATE until the SONIC-16 becomes a bus master, at which time it will be driven according to the value programmed in the DCR2 (Section 4.3.7).</p>
TXE	TP	O	<p>Transmit Enable: This pin is driven high when the SONIC-16 begins transmission and remains active until the last byte is transmitted. Although this signal is used internally by the SONIC-16 it is also provided as an output to the user.</p>
TXCo TXCi STERM	TRI	O, Z I I	<p>This pin will be TRI-STATE until the DCR has been written to. (See section 4.3.2, EXBUS, for more information.)</p> <p>Transmit Clock Output (TXCo) from the internal ENDEC (EXT = 0): This 10 MHz clock transmit clock output is derived from the 20 MHz oscillator. When EXT = 0 the TXCOUT signal is internally connected between the ENDEC and MAC units. Although this signal is used internally by the SONIC-16 it is also provided as an output to the user.</p> <p>Transmit Clock Input (TXCi) (EXT = 1): This input clock from an external ENDEC is used for shifting data out of the MAC unit serializer. This clock is nominally 10 MHz.</p> <p>Synchronous Termination (STERM): When the SONIC-16 is a bus master, it samples this pin before terminating its memory cycle. This pin is sampled synchronously and may only be used in asynchronous bus mode when BMODE = 1. See section 5.4.5 for more details.</p>

5.0 Bus Interface (Continued)

TABLE 5-1. Pin Description (Continued)

Symbol	Driver Type	Direction	Description
NETWORK INTERFACE PINS (Continued)			
LBK EXUSR2	TP TRI	O O, Z	<p>This pin will be TRI-STATE until the DCR has been written to. (See Section 4.3.2, EXBUS, for more information.)</p> <p>Loopback (LBK): When ENDEC loopback is programmed, this pin is asserted high. Although this signal is used internally by the SONIC-16 it is also provided as an output to the user.</p> <p>Extended User Output (EXUSR2): When EXBUS has been set (see Section 4.3.2), this pin becomes a programmable output. It will remain TRI-STATE until the SONIC-16 becomes a bus master, at which time it will be driven according to the value programmed in the DCR2 (Section 4.3.7).</p>
PCOMP	TRI	O, Z	<p>Packet Compression: This pin is used with the Management Bus of the DP83950, Repeater Interface Controller (RIC). The SONIC-16 can be programmed to assert PCOMP whenever there is a CAM match, or when there is not a match. The RIC uses this signal to compress (shorten) a received packet for management purposes and to reduce memory usage. (See the DP83950 datasheet for more details on the RIC Management Bus.) The operation of this pin is controlled by bits 1 and 2 in the DCR2 register. PCOMP will remain TRI-STATE until these bits are written to.</p>
SEL		I	<p>Mode Select (EXT = 0): This pin is used to determine the voltage relationship between TX+ and TX- during idle at the primary of the isolation transformer on the network interface. When tied to V_{CC}, TX+ and TX- are at equal voltages during idle. When tied to ground, the voltage at TX+ is positive with respect to TX- during idle on the primary side of the isolation transformer (<i>Figure 6-2</i>).</p>
PREJ		I, O	<p>Packet Reject: This signal is used to reject received packets. When asserted low for at least two receive clocks (RXC), the SONIC-16 will reject the incoming packet. This pin can be asserted up to the 2nd to the last bit of reception to reject a packet.</p>
X1	TP	I	<p>Crystal or External Oscillator Input: This signal is used to provide clocking signals for the internal ENDEC. A crystal can be connected to this pin along with X2, or an oscillator module may be used. Typically the output of an oscillator module is connected to this pin. See Section 6.1.3 for more information about using oscillators or crystals.</p>
X2		I, O	<p>Crystal Feedback Output: This signal is used to provide clocking signals for the internal ENDEC. A crystal may be connected to this pin along with X1, or an oscillator module may be used. See Section 6.1.3 for more information about using oscillator modules or crystals.</p>
BUS INTERFACE PINS			
BMODE		I	<p>Bus Mode: This input enables the SONIC-16 to be compatible with standard microprocessor buses. The level of this pin affects byte ordering (little or big endian) and controls the operation of the bus interface control signals. A high level (tied to V_{CC}) selects Motorola mode (big endian) and a low level (tied to ground) selects National/Intel mode (little endian). Note the alternate pin definitions for AS/ADS, MRW/MWR, INT/INT, BR/HOLD, BG/HLDA, SRW/SWR, DSACK0/RDYi, and DSACK1/RDYo. When BMODE = 1 the first pin definition is used and when BMODE = 0 the second pin definition is used. See Sections 5.4.1, 5.4.4, and 5.4.5.</p>
D31-D0	TRI	I, O, Z	<p>Data Bus: These bidirectional lines are used to transfer data on the system bus. When the SONIC-16 is a bus master, 16-bit data is transferred on D15-D0 and 32-bit data is transferred on D31-D0. When the SONIC-16 is accessed as a slave, register data is driven onto lines D15-D0.</p>

5.0 Bus Interface (Continued)

TABLE 5-1. Pin Description (Continued)

Symbol	Driver Type	Direction	Description
BUS INTERFACE PINS (Continued)			
A31-A1	TRI	O, Z	Address Bus: These signals are used by the SONIC-16 to drive the DMA address after the SONIC-16 has acquired the bus. Since the SONIC-16 aligns data to word boundaries, only 23 address lines are needed.
RA5-RA0		I	Register Address Bus: These signals are used to access SONIC-16's internal registers. When the SONIC-16 is accessed, the CPU drives these lines to select the desired SONIC-16 register.
\overline{AS} ADS	TRI TRI	I, O, Z O, Z	Address Strobe (\overline{AS}): When BMODE = 1, the falling edge indicates valid status and address. The rising edge indicates the termination of the memory cycle. Address Strobe (ADS): When BMODE = 0, the rising edge indicates valid status and address.
\overline{MRW} M \overline{WR}	TRI TRI	O, Z O, Z	When the SONIC-16 has acquired the bus, this signal indicates the direction of data. Memory Read/Write Strobe (\overline{MRW}): When BMODE = 1, this signal is high during a read cycle and low during a write cycle. Memory Read/Write Strobe (M\overline{WR}): When BMODE = 0, the signal is low during a read cycle and high during a write cycle.
\overline{INT} INT	OC TP	O, Z O	Indicates that an interrupt (if enabled) is pending from one of the sources indicated by the Interrupt Status register. Interrupts that are disabled in the Interrupt Mask register will not activate this signal. Interrupt (\overline{INT}): This signal is active low when BMODE = 1. Interrupt (INT): This signal is active high when BMODE = 0.
RESET		I	Reset: This signal is used to hardware reset the SONIC-16. When asserted low, the SONIC-16 transitions into the reset state after 10 transmit clocks or 10 bus clocks if the bus clock period is greater than the transmit clock period.
S2-S0	TP	O	Bus Status: These three signals provide a continuous status of the current SONIC-16 bus operations. See Section 5.4.3 for status definitions.
BSCK		I	Bus Clock: This clock provides the timing for the SONIC-16 DMA engine.
\overline{BR} HOLD	OC TP	O, Z O	Bus Request (\overline{BR}): When BMODE = 1, the SONIC-16 asserts this pin low when it attempts to gain access to the bus. When inactive this signal is at TRI-STATE. Hold Request (HOLD): When BMODE = 0, the SONIC-16 drives this pin high when it intends to use the bus and is driven low when inactive.
\overline{BG} HLDA		I I	Bus Grant (\overline{BG}): When BMODE = 1 this signal is a bus grant. The system asserts this pin low to indicate potential mastership of the bus. Hold Acknowledge (HLDA): When BMODE = 0 this signal is used to inform the SONIC-16 that it has attained the bus. When the system asserts this pin high, the SONIC-16 has gained ownership of the bus.
\overline{BGACK}	TRI	I, O, Z	Bus Grant Acknowledge: When BMODE = 1, the SONIC-16 asserts this pin low when it has determined that it can gain ownership of the bus. The SONIC-16 checks the following signal before driving \overline{BGACK} . 1) \overline{BG} has been received through the bus arbitration process. 2) \overline{AS} is deasserted, indicating that the CPU has finished using the bus. 3) $\overline{DSACK0}$ and $\overline{DSACK1}$ are deasserted, indicating that the previous slave device is off the bus. 4) \overline{BGACK} is deasserted, indicating that the previous master is off the bus. This pin is only used when BMODE = 1.

5.0 Bus Interface (Continued)

TABLE 5-1. Pin Description (Continued)

Symbol	Driver Type	Direction	Description
BUS INTERFACE PINS (Continued)			
\overline{CS}		I	Chip Select: The system asserts this pin low to access the SONIC-16's registers. The registers are selected by placing an address on lines RA5–RA0. Note: Both \overline{CS} and \overline{MREQ} must not be asserted concurrently. If these signals are successively asserted, there must be at least two bus clocks between the deasserting edge of the first signal and the asserting edge of the second signal.
\overline{SAS}		I	Slave Address Strobe: The system asserts this pin to latch the register address on lines RA0–RA5. When BMODE = 1, the address is latched on the falling edge of \overline{SAS} . When BMODE = 0 the address is latched on the rising edge of \overline{SAS} .
\overline{SDS}		I	Slave Data Strobe: The system asserts this pin to indicate valid data is on the bus during a register write operation or when data may be driven onto the bus during a register read operation.
\overline{SRW} $\overline{SW\overline{R}}$		I I	The system asserts this pin to indicate whether it will read from or write to the SONIC-16's registers. Slave Read/Write (\overline{SRW}): When BMODE = 1, this signal is asserted high during a read and low during a write. Slave Read/Write Strobe ($\overline{SW\overline{R}}$): when BMODE = 0, this signal is asserted low during a read and high during a write.
\overline{DS}	TRI	O, Z	Data Strobe: When the SONIC-16 is bus master, it drives this pin low during a read cycle to indicate that the slave device may drive data onto the bus; in a write cycle, this pin indicates that the SONIC-16 has placed valid data onto the bus.
$\overline{DSACK0}$ \overline{RDYi} $\overline{DSACK1}$ \overline{RDYo}	TRI TRI TRI	I, O, Z I I, O, Z O, Z	Data and Size Acknowledge 0 and 1 ($\overline{DSACK0,1}$ BMODE = 1): These pins are the output slave acknowledge to the system when the SONIC-16 registers have been accessed and the input slave acknowledgement when the SONIC-16 is busmaster. When a register has been accessed, the SONIC-16 drives the $\overline{DSACK0,1}$ pins low to terminate the slave cycle. (Note that the SONIC-16 responds as a 32-bit peripheral, but drives data only on lines D0–D15). When the SONIC-16 is bus master, it samples these pins before terminating its memory cycle. These pins are sampled synchronously or asynchronously depending on the state of the SBUS bit in the Data Configuration register. See Section 5.4.5 for details. Note that the SONIC-16 does not allow dynamic bus sizing. Ready Input (\overline{RDYi}, BMODE = 0): When the SONIC-16 is a bus master, the system asserts this signal high to insert wait-states and low to terminate the memory cycle. This signal is sampled synchronously or asynchronously depending on the state of the SBUS bit. See Sections 5.4.5 and 4.3.2 for details. Ready Output (\overline{RDYo}, BMODE = 0): When a register is accessed, the SONIC-16 asserts this signal to terminate the slave cycle.
\overline{BRT}		I	Bus Retry: When the SONIC-16 is bus master, the system asserts this signal to rectify a potentially correctable bus error. This pin has 2 modes. Mode 1 (the LBR in the Data Configuration register is set to 0): Assertion of this pin forces the SONIC-16 to terminate the current bus cycle and will repeat the same cycle after \overline{BRT} has been deasserted. Mode 2 (the LBR bit in the Data Configuration register is set to 1): Assertion of this signal forces the SONIC-16 to retry the bus operation as in Mode 1. However, the SONIC-16 will not continue DMA operations until the BR bit in the ISR is reset.
\overline{ECS}	TRI	O, Z	Early Cycle Start: This output gives the system earliest indication that a memory operation is occurring. This signal is driven low at the rising edge of T1 and high at the falling edge of T1.

5.0 Bus Interface (Continued)

TABLE 5-1. Pin Description (Continued)

Symbol	Driver Type	Direction	Description
SHARED-MEMORY ACCESS PINS			
\overline{MREQ}		I	Memory Request: The system asserts this signal low when it attempts to access the shared-buffer RAM. The on-chip arbiter resolves accesses between the system and the SONIC-16. Note: Both \overline{CS} and \overline{MREQ} must not be asserted concurrently. If these signals are successively asserted, there must be at least two bus clocks between the deasserting edge of the first signal and the asserting edge of the second signal.
\overline{SMACK}	TP	O	Slave and Memory Acknowledge: SONIC-16 asserts this dual function pin low in response to either a Chip Select (\overline{CS}) or a Memory Request (\overline{MREQ}) when the SONIC-16's registers or it's buffer memory is available for accessing. This pin can be used for enabling bus drivers for dual-bus systems.
USER DEFINABLE PINS			
USR0,1	TRI	I, O, Z	User Define 0,1: These signals are inputs when SONIC-16 is hardware reset and are outputs when SONIC-16 is a bus master (HLDA or \overline{BGACK}). When hard reset (\overline{RST}) is low, these signals input directly into bits 8 and 9 of the Data Configuration register (DCR) respectively. The levels on these pins are latched on the rising edge of \overline{RST} . During busmaster operations (HLDA or \overline{BGACK} is active), these pins are outputs whose levels are programmable through bits 11 and 12 of the DCR respectively. The USR0,1 pins should be pulled up to V_{CC} or pulled down to ground. A 4.7 k Ω pull-up resistor is recommended.
POWER AND GROUND PINS			
VCC1-5			Power: The +5V power supply for the digital portions of the SONIC-16.
TXVCC RXVCC PLLVCC VCCL			Power: These pins are the +5V power supply for the SONIC-16 ENDEC unit. These pins must be tied to V_{CC} even if the internal ENDEC is not used.
GND1-6			Ground: The ground reference for the digital portions of the SONIC-16.
TXGND ANGND GNL			Ground: These pins are the ground references for the SONIC-16 ENDEC unit. These pins must be tied to ground even if the internal ENDEC is not used.

5.0 Bus Interface (Continued)

5.3 SYSTEM CONFIGURATION

Any device that meets the SONIC-16 interface protocol and electrical requirements (timing, threshold, and loading) can be interfaced to SONIC-16. Since two bus protocols are provided, via the BMODE pin, the SONIC-16 can interface directly to most microprocessors. *Figure 5-3* shows a typical interface to the National/Intel style bus (BMODE=0) and *Figure 5-4* shows a typical interface to the Motorola style bus (BMODE=1).

The BMODE pin also controls byte ordering. When BMODE=1 big endian byte ordering is selected and when BMODE=0 little endian byte ordering is selected.

5.4 BUS OPERATIONS

There are two types of system bus operations: 1) SONIC-16 as a slave, and 2) SONIC-16 as a bus master. When SONIC-16 is a slave (e.g., a CPU accessing SONIC-16 registers) all transfers are non-DMA. When SONIC-16 is a bus master (e.g., SONIC-16 accessing receive or transmit buffer/descriptor areas) all transfers are block transfers using SONIC-16's on-chip DMA. This section describes the SONIC-16 bus operations. Pay special attention to all sections labeled as "Note". These conditions must be met for proper bus operation.

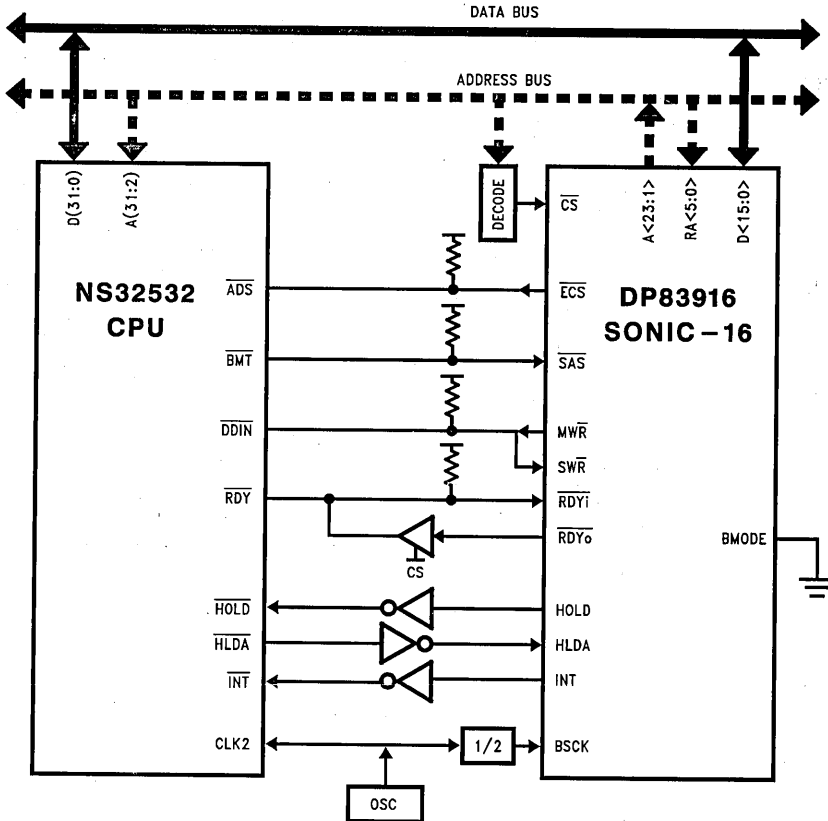


FIGURE 5-3. SONIC-16 to NS32532 Interface Example

TL/F/11722-25

5.0 Bus Interface (Continued)

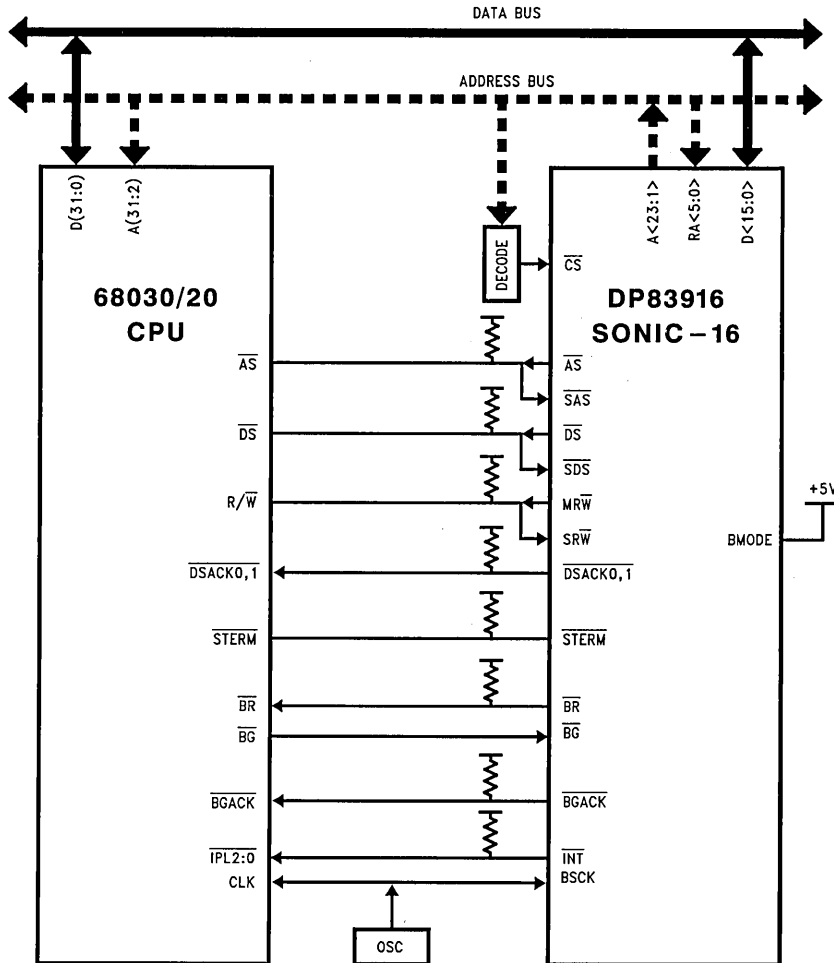


FIGURE 5-4. SONIC-16 to Motorola 68030/20 Interface Example

TL/F/11722-26

5.0 Bus Interface (Continued)

5.4.1 Acquiring The Bus

The SONIC-16 requests the bus when 1) its FIFO threshold has been reached or 2) when the descriptor areas in memory (i.e., RRA, RDA, CDA, and TDA) are accessed. Note that when the SONIC-16 moves from one area in memory to another (e.g., RBA to RDA), it always deasserts its bus request and then requests the bus again when accessing the next area in memory.

The SONIC-16 provides two methods to acquire the bus for compatibility with National/Intel or Motorola type microprocessors. These two methods are selected by setting the proper level on the BMODE pin.

Figures 5-5 and 5-6 show the National/Intel (BMODE = 0) and Motorola (BMODE = 1) bus request timing. Descriptions of each mode follows. For both modes, when the SONIC-16 relinquishes the bus, there is an extra holding state (Th) for one bus cycle after the last DMA cycle (T2). This assures that the SONIC-16 does not contend with another bus master after it has released the bus.

BMODE = 0

The National/Intel processors require a 2-way handshake using a HOLD REQUEST/HOLD ACKNOWLEDGE protocol (Figure 5-5). When the SONIC-16 needs to access the bus, it issues a HOLD REQUEST (HOLD) to the microprocessor. The microprocessor, responds with a HOLD ACKNOWLEDGE (HLDA) to the SONIC-16. The SONIC-16 then begins its memory transfers on the bus. As long as the CPU maintains HLDA active, the SONIC-16 continues until it has finished its memory block transfer. The CPU, however, can preempt the SONIC-16 from finishing the block transfer by deasserting HLDA before the SONIC-16 deasserts HOLD. This allows a higher priority device to preempt the SONIC-16 from continuing to use the bus. The SONIC-16 will request the bus again later to complete any operation that it was doing at the time of preemption.

As shown in Figure 5-5, the SONIC-16 will assert HOLD to either the falling or rising edge of the bus clock (BSCK). The default is for HOLD to be asserted on the falling edge. Setting the PH bit in the DCR2 (see Section 4.3.7) causes HOLD to be asserted $\frac{1}{2}$ bus clock later on the rising edge (shown by the dotted line). Before HOLD is asserted, the SONIC-16 checks the HLDA line. If HLDA is asserted, HOLD will not be asserted until after HLDA has been deasserted first.

BMODE = 1

The Motorola protocol requires a 3-way handshake using a BUS REQUEST, BUS GRANT, and BUS GRANT ACKNOWLEDGE handshake (Figure 5-6). When using this protocol, the SONIC-16 requests the bus by lowering BUS REQUEST (\overline{BR}). The CPU responds by issuing BUS GRANT (\overline{BG}). Upon receiving \overline{BG} , the SONIC-16 assures that all devices have relinquished control of the bus before using the bus. The following signals must be deasserted before the SONIC-16 acquires the bus:

\overline{BGACK}
 \overline{AS}
 $\overline{DSACK0,1}$
 \overline{STERM} (Asynchronous Mode Only)

Deasserting \overline{BGACK} indicates that the previous master has released the bus. Deasserting \overline{AS} indicates that the previous master has completed its cycle and deasserting $\overline{DSACK0,1}$ and \overline{STERM} indicates that the previous slave has terminated its connection to the previous master. The SONIC-16 maintains its mastership of the bus until it deasserts \overline{BGACK} . It can not be preempted from the bus.

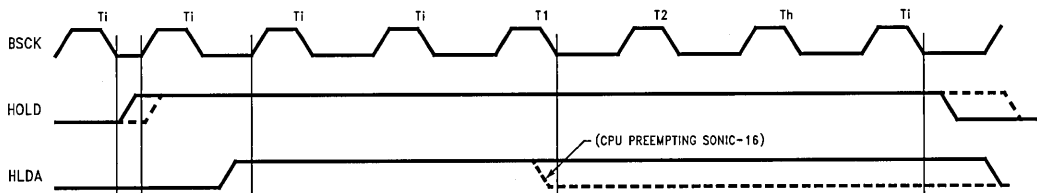
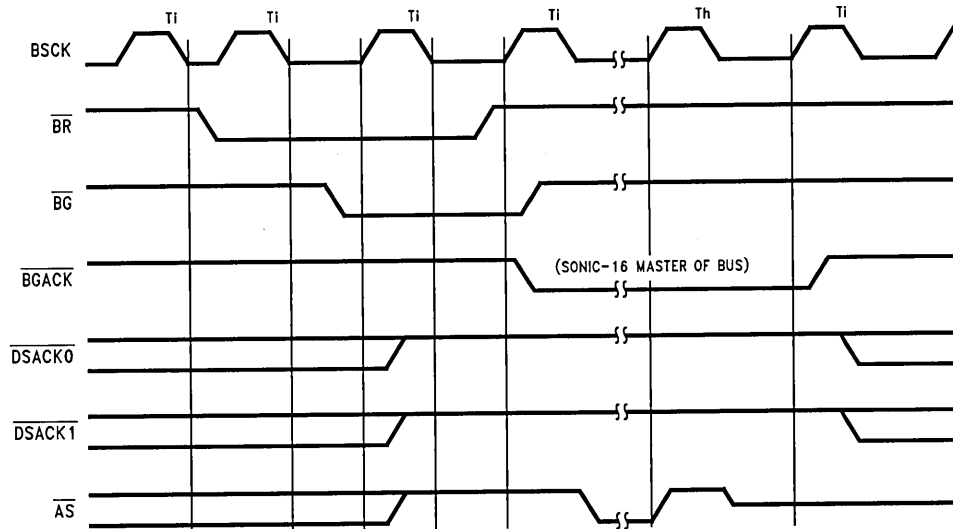


FIGURE 5-5. Bus Request Timing, BMODE = 0

TL/F/11722-27

5.0 Bus Interface (Continued)



TL/F/11722-28

FIGURE 5-6. Bus Request Timing, BMODE = 1

5.4.2 Block Transfers

The SONIC-16 performs block operations during all bus actions, thereby providing efficient transfers to memory. The block cycle consists of three parts. The first part is the bus acquisition phase, as discussed above, in which the SONIC-16 gains access to the bus. Once it has access of the bus, the SONIC-16 enters the second phase by transferring data to/from its internal FIFOs or registers from/to memory. The SONIC-16 transfers data from its FIFOs in either EXACT BLOCK mode or EMPTY/FILL.

EXACT BLOCK mode: In this mode the number of words (or long words) transferred during a block transfer is determined by either the Transmit or Receive FIFO thresholds programmed in the Data Configuration Register.

EMPTY/FILL mode: In this mode the DMA completely fills the Transmit FIFO during transmission, or completely empties the Receive FIFO during reception. This allows for greater bus latency.

When the SONIC-16 accesses the Descriptor Areas (i.e., RRA, RDA, CDA, and TDA), it transfers data between its registers and memory. All fields which need to be used are accessed in one block operation. Thus, the SONIC-16 performs 4 accesses in the RRA (see Section 3.4.4.2), 7 accesses in the RDA (see Section 3.4.6.1), 2, 3, or 6 accesses in the TDA (see Section 3.5.4) and 4 accesses in the CDA.

5.4.3 Bus Status

The SONIC-16 presents three bits of status information on pins S2-S0 which indicate the type of bus operation the SONIC-16 is currently performing (Table 5-2). Bus status is valid when at the falling edge of \overline{AS} or the rising edge of \overline{ADS} .

TABLE 5-2. Bus Status

S2	S1	S0	Status
1	1	1	The bus is idle. The SONIC-16 is not performing any transfers on the bus.
1	0	1	The Transmit Descriptor Area (TDA) is currently being accessed.
0	0	1	The Transmit Buffer Area (TBA) is currently being read.
0	1	1	The Receive Buffer Area (RBA) is currently being written to. Only data is being written, though, not a Source or Destination address.
0	1	0	The Receive Buffer Area (RBA) is currently being written to. Only the Source or Destination address is being written, though.
1	1	0	The Receive Resource Area (RRA) is currently being read.
1	0	0	The Receive Descriptor Area (RDA) is currently being accessed.
0	0	0	The CAM Descriptor Area (CDA) is currently being accessed.

5.0 Bus Interface (Continued)

5.4.3.1 Bus Status Transitions

When the SONIC-16 acquires the bus, it only transfers data to/from a single area in memory (i.e., TDA, TBA, RDA, RBA, RRA, or CDA). Thus, the bus status pins remain stable for the duration of the block transfer cycle with the following three exceptions: 1) If the SONIC-16 is accessed during a block transfer, S2-S0 indicates bus idle during the register access, then returns to the previous status. 2) If the SONIC-16 finishes writing the Source Address during a block transfer S2-S0 changes from [0,1,0] to [0,1,1]. 3) During an RDA access between the RXpkt.seq_no and RXpkt.link access, and between the RXpkt.link and RXpkt.in_use access, S2-S0 will respectively indicate idle [1,1,1] for 2 or 1 bus clocks. Status will be valid on the falling edge of \overline{AS} or rising edge of ADS.

Figure 5-7 illustrates the SONIC-16's transitions through memory during the process of transmission and reception. During transmission, the SONIC-16 reads the descriptor information from the TDA and then transmits data of the packet from the TBA. The SONIC-16 moves back and forth between the TDA and TBA until all fragments and packets are transmitted. During reception, the SONIC-16 takes one of two paths. In the first case (path A), when the SONIC-16 detects EOL=0 from the previous reception, it buffers the accepted packet into the RBA, and then writes the descriptor information to the RDA. If the RBA becomes depleted (i.e., RBWC0,1 < EOBC), it moves to the RRA to read a resource descriptor. In the second case (path B), when the SONIC-16 detects EOL=1 from the previous reception, it

rereads the RXpkt.link field to determine if the system has reset the EOL bit since the last reception. If it has, the SONIC-16 buffers the packet as in the first case. Otherwise, it rejects the packet and returns to idle.

5.4.4 Bus Mode Compatibility

For compatibility with different microprocessor and bus architectures, the SONIC-16 operates in one of two modes (set by the BMODE pin) called the National/Intel or little endian mode (BMODE tied low) and the Motorola or big endian mode (BMODE tied high). The definitions for several pins change depending on the mode the SONIC-16 is in. Table 5-3 shows these changes. These modes affect both master and slave bus operations with the SONIC-16.

TABLE 5-3. Bus Mode Compatibility

Pin Name	BMODE=0 (National/Intel)	BMODE=1 (Motorola)
\overline{BR} /HOLD	HOLD	\overline{BR}
\overline{BG} /HLDA	HLDA	\overline{BG}
\overline{MRW} / \overline{MWR}	\overline{MWR}	\overline{MRW}
\overline{SRW} / \overline{SWR}	\overline{SWR}	\overline{SRW}
$\overline{DSACK0}$ / \overline{RDYi}	\overline{RDYi}	$\overline{DSACK0}$
$\overline{DSACK1}$ / $\overline{RDY0}$	$\overline{RDY0}$	$\overline{DSACK1}$
\overline{AS} /ADS	ADS	\overline{AS}
\overline{INT} /INT	INT	\overline{INT}

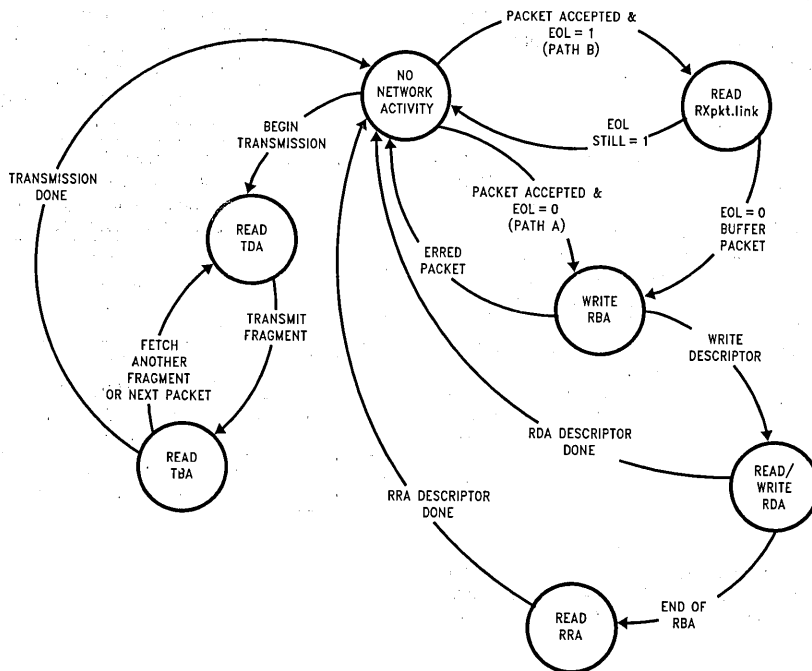


FIGURE 5-7. Bus Status Transitions

TL/F/11722-29

5.0 Bus Interface (Continued)

5.4.5 Master Mode Bus Cycles

In order to add additional compatibility with different bus architectures, there are two other modes that affect the operation of the bus. These modes are called the synchronous and asynchronous modes and are programmed by setting or resetting the SBUS bit in the Data Configuration Register (DCR). The synchronous and asynchronous modes do not have an effect on slave accesses to the SONIC-16 but they do affect the master mode operation. Within the particular bus/processor mode, synchronous and asynchronous modes are very similar. This section discusses all four modes of operation of the SONIC-16 (National/Intel vs. Motorola, synchronous vs. asynchronous) when it is a bus master.

In this section, the rising edge of T1 and T2 means the beginning of these states, and the falling edge of T1 and T2 means the middle of these states.

5.4.5.1 Adding Wait States

To accommodate different memory speeds, the SONIC-16 provides two methods for adding wait states for its bus operations. Both of these methods can be used singly or in

conjunction with each other. A memory cycle is extended by adding additional T2 states. The first method inserts wait states by withholding the assertion of $\overline{DSACK0,1}/\overline{STERM}$ or \overline{RDYi} . The other method allows software to program wait states. Programming the WC0, WC1 bits in the Data Configuration Register allows 1 to 3 wait-states to be added on each memory cycle. These wait states are inserted between the T1 and T2 bus states and are called T2(wait) bus states. The SONIC-16 will not look at the $\overline{DSACK0,1}$, \overline{STERM} or \overline{RDYi} lines until the programmed wait states have passed. Hence, in order to complete a bus operation that includes programmed wait states, the $\overline{DSACK0,1}$, \overline{STERM} or \overline{RDYi} lines must be asserted at their proper times at the end of the cycle during the last T2, not during a programmed wait state. The only exception to this is asynchronous mode where $\overline{DSACK0,1}$ or \overline{RDYi} would be asserted during the last programmed wait state, T2 (wait). See the timing for these signals in the timing diagrams for more specific information. Programmed wait states do not affect Slave Mode bus cycles.

5.0 Bus Interface (Continued)

5.4.5.2 Memory Cycle for BMODE = 1, Synchronous Mode

On the rising edge of T1, the SONIC-16 asserts \overline{ECS} to indicate that the memory cycle is starting. The address (A31-A1), bus status (S2-S0) and the direction strobe (\overline{MRW}) are driven and do not change for the remainder of the memory cycle. On the falling edge of T1, the SONIC-16 deasserts \overline{ECS} and asserts \overline{AS} .

In synchronous mode, $\overline{DSACK0,1}$ are sampled on the rising edge of T2. T2 states will be repeated until $\overline{DSACK0,1}$ are

sampled properly in a low state. $\overline{DSACK0,1}$ must meet the setup and hold times with respect to the rising edge of bus clock for proper operation.

During read cycles (Figure 5-8) data (D15-D0) is latched at the falling edge of T2 and \overline{DS} is asserted at the falling edge of T1. For write cycles (Figure 5-9) data is driven on the falling edge of T1. If there are wait states inserted, \overline{DS} is asserted on the falling edge of T2. The SONIC-16 terminates the memory cycle by deasserting \overline{AS} and \overline{DS} at the falling edge of T2.

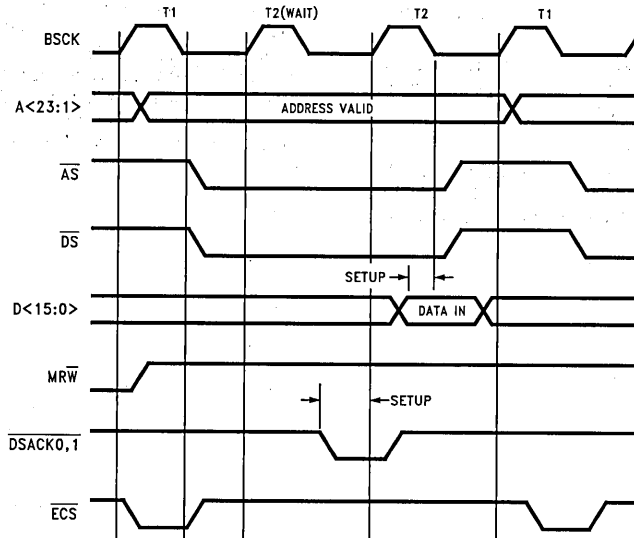


FIGURE 5-8. Memory Read, BMODE = 1, Synchronous (1 Wait-State)

TL/F/11722-31

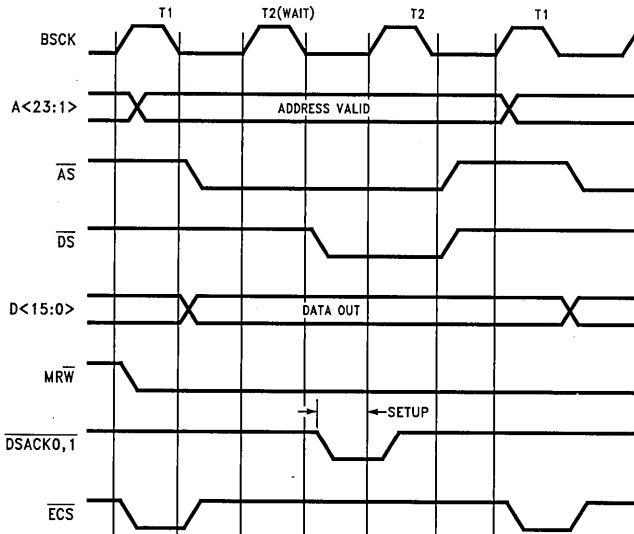


FIGURE 5-9. Memory Write, BMODE = 1, Synchronous (1 Wait-State)

TL/F/11722-33

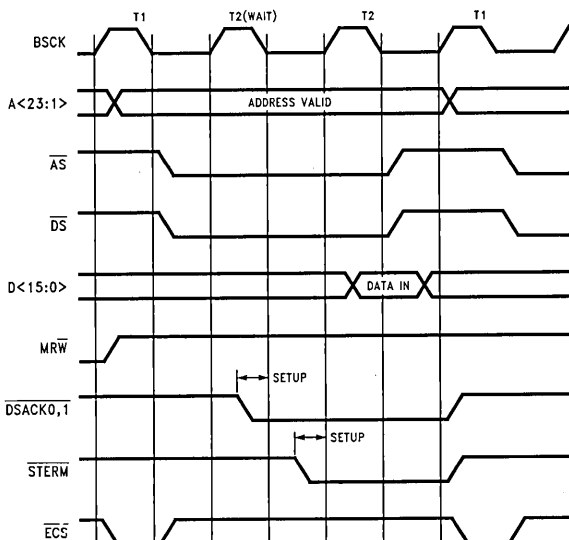
5.0 Bus Interface (Continued)

5.4.5.3 Memory Cycle for BMODE = 1, Asynchronous Mode

On the rising edge of T1, the SONIC-16 asserts \overline{ECS} to indicate that the memory cycle is starting. The address (A23-A1), bus status (S2-S0) and the direction strobe (\overline{MRW}) are driven and do not change for the remainder of the memory cycle. On the falling edge of T1, the SONIC-16 deasserts \overline{ECS} and asserts \overline{AS} .

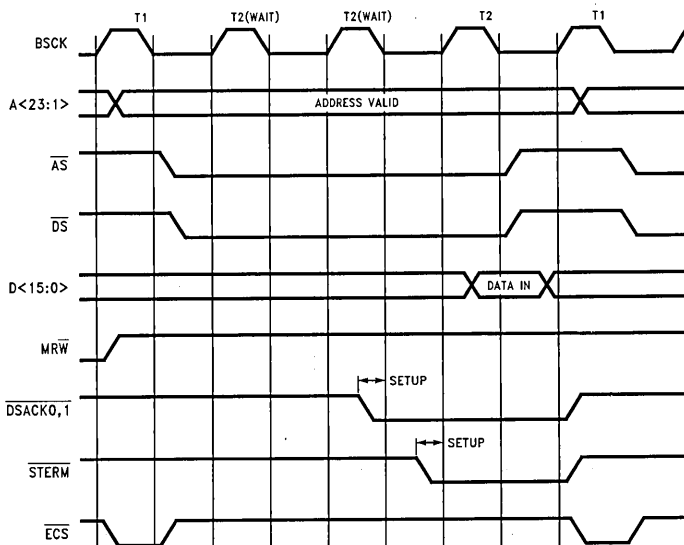
In asynchronous mode, $\overline{DSACK0,1}$ are asynchronously sampled on the falling edge of both T1 and T2. $\overline{DSACK0,1}$

do not need to be synchronized to the bus clock because the chip always resolves these signals to either a high or low state. If a synchronous termination of the bus cycle is required, however, \overline{STERM} may be used. \overline{STERM} is sampled on the rising edge of T2 and must meet the setup and hold times with respect to that edge for proper operation. Meeting the setup time for $\overline{DSACK0,1}$ or \overline{STERM} guarantees that the SONIC-16 will terminate the memory cycle $1\frac{1}{2}$



TL/F/11722-36

FIGURE 5-10. Memory Read, BMODE = 1, Asynchronous (1 Wait-State)



TL/F/11722-37

FIGURE 5-11. Memory Read, BMODE = 1, Asynchronous (2 Wait-State)

5.0 Bus Interface (Continued)

bus clocks after $\overline{DSACK0,1}$ were sampled, or 1 cycle after \overline{STERM} was sampled. T2 states will be repeated until $\overline{DSACK0,1}$ or \overline{STERM} are sampled properly in a low state. (see note below).

During read cycles (Figure 5-10 and 5-11), data (D15-D0) is latched at the falling edge of T2 and \overline{DS} is asserted at the falling edge of T1. For write cycles (Figures 5-12 and 5-13) data is driven on the falling edge of T1. If there are wait

states inserted, \overline{DS} is asserted on the falling edge of the first T2(wait). \overline{DS} is not asserted for zero wait state write cycles. The SONIC-16 terminates the memory cycle by deasserting \overline{AS} and \overline{DS} at the falling edge of T2.

Note: If the setup time for $\overline{DSACK0,1}$ is met during T1, or the setup time for \overline{STERM} is met during the first T2, the full asynchronous bus cycle will take only 2 bus clocks. This may be an unwanted situation. If so, $\overline{DSACK0,1}$ and \overline{STERM} should be deasserted during T1 and the start of T2 respectively.

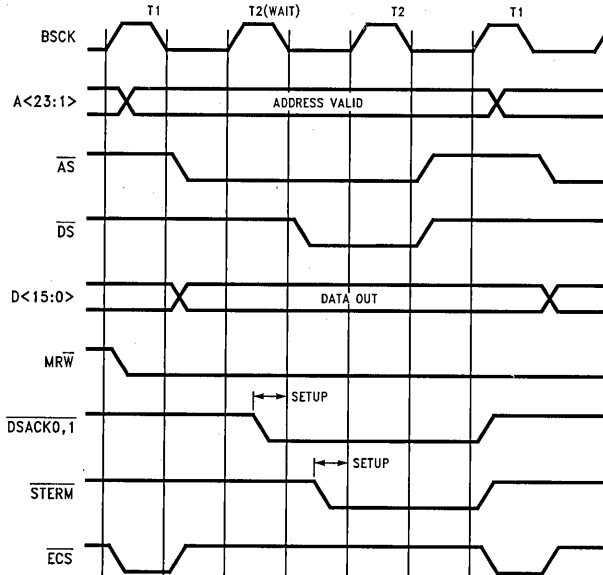


FIGURE 5-12. Memory Write, BMODE = 1, Asynchronous (1 Wait-State)

TL/F/11722-34

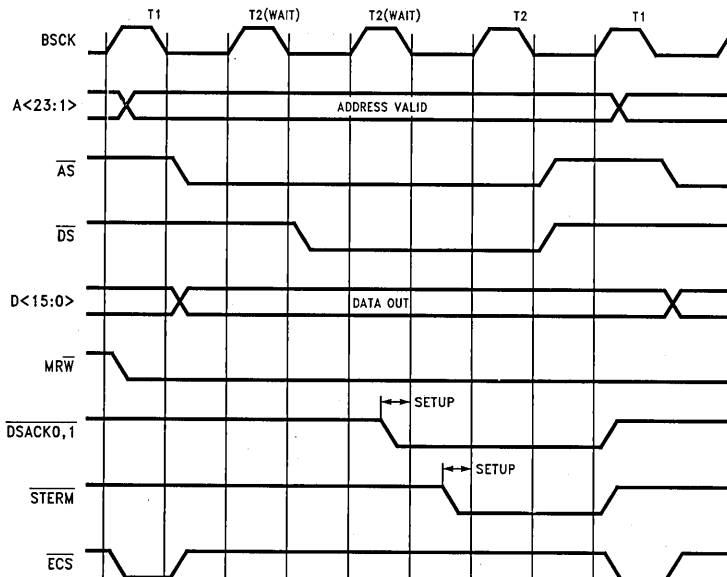


FIGURE 5-13. Memory Write, BMODE = 1, Asynchronous (2 Wait-State)

TL/F/11722-35

5.0 Bus Interface (Continued)

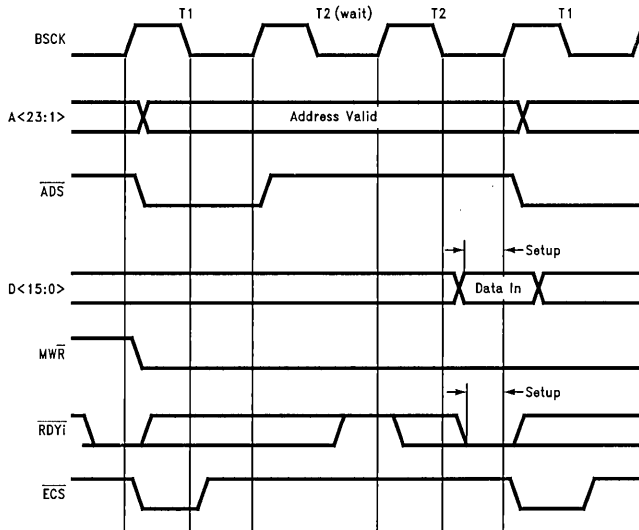
5.4.5.4 Memory Cycle for BMODE = 0, Synchronous Mode

On the rising edge of T1, the SONIC-16 asserts $\overline{\text{ADS}}$ and $\overline{\text{ECS}}$ to indicate that the memory cycle is starting. The address (A23-A1), bus status (S2-S0) and the direction strobe ($\overline{\text{MWR}}$) are driven and do not change for the remainder of the memory cycle. On the falling edge of T1, the SONIC-16 deasserts $\overline{\text{ECS}}$. $\overline{\text{ADS}}$ is deasserted on the rising edge of T2.

In Synchronous mode, $\overline{\text{RDYi}}$ is sampled on the rising edge at the end of T2 (the rising edge of the next T1 or Tx). T2

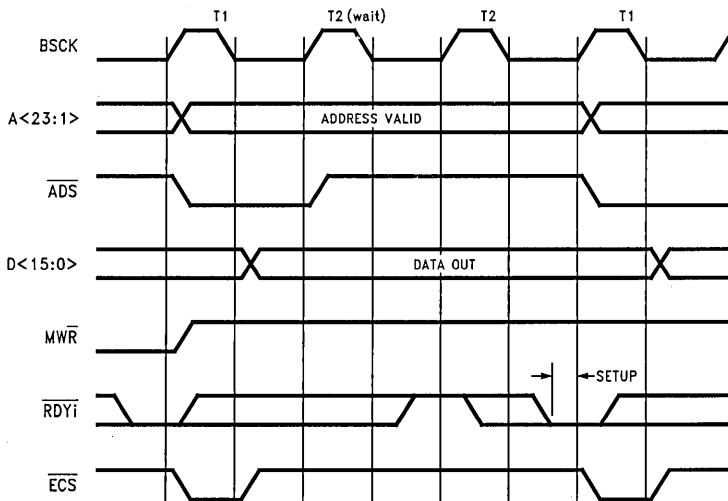
states will be repeated until $\overline{\text{RDYi}}$ is sampled properly in a low state. $\overline{\text{RDYi}}$ must meet the setup and hold times with respect to the rising edge of bus clock for proper operation.

During read cycles (Figures 5-14), data (D15-D0) is latched at the rising edge at the end of T2. For write cycles (Figure 5-15) data is driven on the falling edge of T1 and stays driven until the end of the cycle.



TL/F/11722-38

FIGURE 5-14. Memory Read, BMODE = 0, Synchronous (1 Wait-State)



TL/F/11722-40

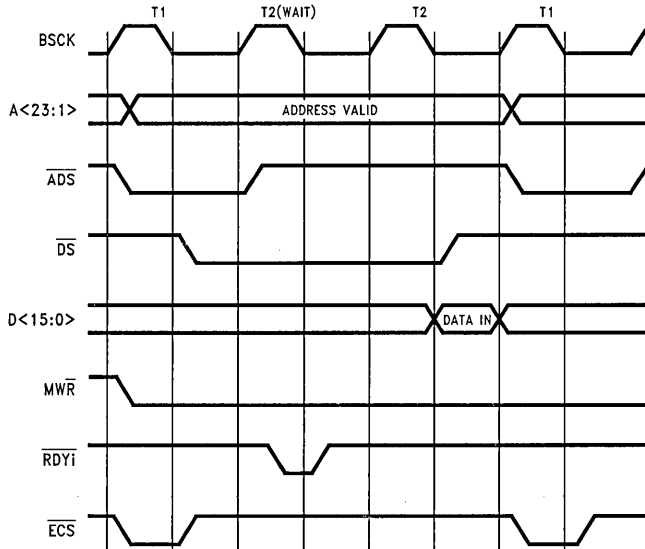
FIGURE 5-15. Memory Write, BMODE = 0, Synchronous (1 Wait-State)

5.0 Bus Interface (Continued)

5.4.5.5 Memory Cycle for BMODE = 0, Asynchronous Mode

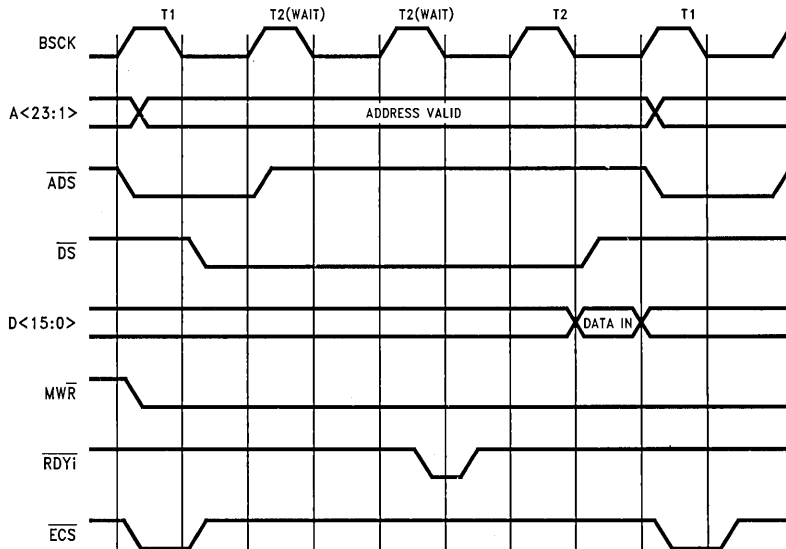
On the rising edge of T1, the SONIC-16 asserts $\overline{\text{ADS}}$ and $\overline{\text{ECS}}$ to indicate that the memory cycle is starting. The address (A23-A1), bus status (S2-S0) and the direction strobe ($\overline{\text{MWR}}$) are driven and do not change for the remainder of the memory cycle. On the falling edge of T1, the SONIC-16 deasserts $\overline{\text{ECS}}$. $\overline{\text{ADS}}$ is deasserted on the rising edge of T2.

In Asynchronous mode, $\overline{\text{RDYi}}$ is asynchronously sampled on the falling edge of both T1 and T2. $\overline{\text{RDYi}}$ does not need to be synchronized to the bus clock because the chip always resolves these signals to either a high or low state. Meeting the setup time for $\overline{\text{RDYi}}$ guarantees that the SONIC-16 will terminate the memory cycle $1\frac{1}{2}$ bus clocks after $\overline{\text{RDYi}}$ was sampled. T2 states will be repeated until $\overline{\text{RDYi}}$ is sampled properly in a low state (see note following).



TL/F/11722-42

FIGURE 5-16. Memory Read, BMODE = 0, Asynchronous (1 Wait-State)



TL/F/11722-43

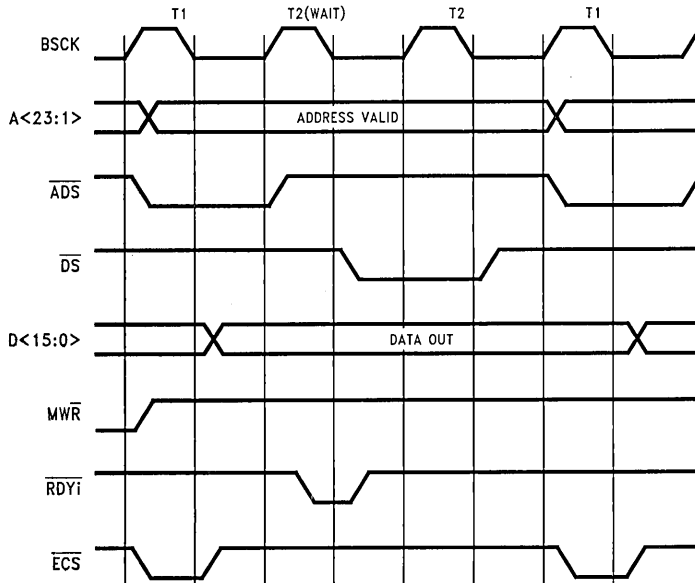
FIGURE 5-17. Memory Read, BMODE = 0, Asynchronous (2 Wait-State)

5.0 Bus Interface (Continued)

During read cycles (*Figures 5-16 and 5-17*), data (D15–D0) is latched at the falling edge of T2 and \overline{DS} is asserted at the falling edge of T1. For write cycles (*Figures 5-18 and 5-19*) data is driven on the falling edge of T1. If there are wait states inserted, \overline{DS} is asserted on the falling edge of the first T2(wait). \overline{DS} is not asserted for zero wait state write cycles.

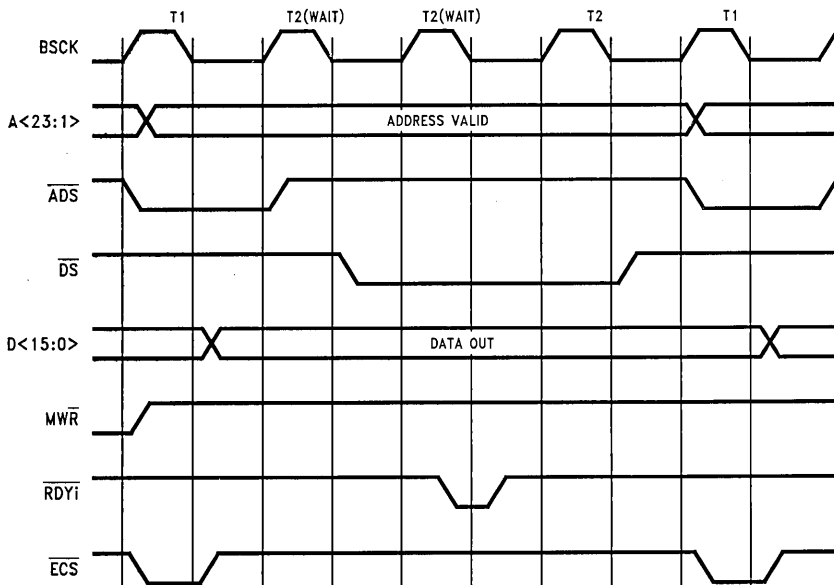
The SONIC-16 terminates the memory cycle by deasserting \overline{DS} at the falling edge of T2.

Note: If the setup time for \overline{RDYi} is met during T1, the full asynchronous bus cycle will take only 2 bus clocks. This may be an unwanted situation. If so, \overline{RDYi} should be deasserted during T1.



TL/F/11722-44

FIGURE 5-18. Memory Write, BMODE = 0, Asynchronous (1 Wait-State)



TL/F/11722-45

FIGURE 5-19. Memory Write, BMODE = 0, Asynchronous (2 Wait-State)

5.0 Bus Interface (Continued)

5.4.6 Bus Exceptions (Bus Retry)

The SONIC-16 provides the capability of handling errors during the execution of the bus cycle (Figure 5-20).

The system asserts $\overline{\text{BRT}}$ (bus retry) to force the SONIC-16 to repeat the current memory cycle. When the SONIC-16 detects the assertion of $\overline{\text{BRT}}$, it completes the memory cycle at the end of T2 and gets off the bus by deasserting $\overline{\text{BGACK}}$ or HOLD . Then, if Latched Bus Retry mode is not set (LBR in the Data Configuration Register, Section 4.3.2), the SONIC-16 requests the bus again to retry the same memory cycle. If Latched Bus Retry is set, though, the SONIC-16 will not retry until the BR bit in the ISR (see Section 4.3.6) has been reset and $\overline{\text{BRT}}$ is deasserted. $\overline{\text{BRT}}$ has precedence of terminating a memory cycle over $\overline{\text{DSACK0,1}}$, $\overline{\text{STERM}}$ or $\overline{\text{RDYi}}$.

$\overline{\text{BRT}}$ may be sampled synchronously or asynchronously by setting the EXBUS bit in the DCR (see Section 4.3.2). If synchronous Bus Retry is set, $\overline{\text{BRT}}$ is sampled on the rising edge of T2. If asynchronous Bus Retry is set, $\overline{\text{BRT}}$ is double synchronized from the falling edge of T1. The asynchronous setup time does not need to be met, but doing so will guarantee that the bus exception will occur in the current bus cycle instead of the next bus cycle. Asynchronous Bus Retry may only be used when the SONIC-16 is set to asynchronous mode.

Note 1: The deassertion edge of HOLD is dependent on the PH bit in the DCR2 (see Section 4.3.7). Also, $\overline{\text{BGACK}}$ is driven high for about $\frac{1}{2}$ bus clock before going TRI-STATE.

Note 2: If Latched Bus retry is set, $\overline{\text{BRT}}$ need only satisfy its setup time (the hold time is not important). Otherwise, $\overline{\text{BRT}}$ must remain asserted until after the Th state.

Note 3: If $\overline{\text{DSACK0,1}}$, $\overline{\text{STERM}}$ or $\overline{\text{RDYi}}$ remain asserted after $\overline{\text{BRT}}$, the next memory cycle, may be adversely affected.

5.4.7 Slave Mode Bus Cycle

The SONIC-16's internal registers can be accessed by one of two methods ($\text{BMODE} = 1$ or $\text{BMODE} = 0$). In both methods, the SONIC-16 is a slave on the bus. This section describes the SONIC-16's slave mode bus operations.

5.4.7.1 Slave Cycle for $\text{BMODE} = 1$

The system accesses the SONIC-16 by driving $\overline{\text{SAS}}$, SRW and $\text{RA} \langle 5:0 \rangle$. These signals will be sampled each bus cycle, but the SONIC-16 will not actually start a slave cycle until $\overline{\text{CS}}$ has also been asserted. $\overline{\text{CS}}$ should not be asserted before $\overline{\text{SAS}}$ is driven low as this will cause improper slave

operation. Once $\overline{\text{SAS}}$ has been driven low, between one and two bus clocks after the assertion of $\overline{\text{CS}}$, $\overline{\text{SMACK}}$ will be asserted to signify that the SONIC-16 has started the slave cycle. Although $\overline{\text{CS}}$ is an asynchronous input, meeting its setup time (as shown in Figures 5-21 and 5-22) will guarantee that $\overline{\text{SMACK}}$, which is asserted off of a falling edge, will be asserted 1 bus clock after the falling edge that $\overline{\text{CS}}$ is clocked in on. This is assuming that the SONIC-16 is not a bus master when $\overline{\text{CS}}$ was asserted. If the SONIC-16 is a bus master, then, when $\overline{\text{CS}}$ is asserted, the SONIC-16 will complete its current master bus cycle and get off the bus temporarily (see Section 5.4.8). In this case, $\overline{\text{SMACK}}$ will be asserted 5 bus clocks after the falling edge that $\overline{\text{CS}}$ was clocked in on. This is assuming that there were no wait states in the current master mode access. Wait states will increase the time for $\overline{\text{SMACK}}$ to go low by the number of wait states in the cycle.

If the slave access is a read cycle (Figure 5-21), then the data will be driven off the same edge as $\overline{\text{SMACK}}$. If it is a write cycle (Figure 5-22), then the data will be latched in exactly 2 bus clocks after the assertion of $\overline{\text{SMACK}}$. In either case, $\overline{\text{DSACK0,1}}$ are driven low 2 bus clocks after $\overline{\text{SMACK}}$ to terminate the slave cycle. For a read cycle, the assertion of $\overline{\text{DSACK0,1}}$ indicates valid register data and for a write cycle, the assertion indicates that the SONIC-16 has latched the data. The SONIC-16 deasserts $\overline{\text{DSACK0,1}}$, $\overline{\text{SMACK}}$ and the data if the cycle is a read cycle at the rising edge of $\overline{\text{SAS}}$ or $\overline{\text{CS}}$ depending on which is deasserted first.

Note 1: Although the SONIC-16 responds as a 32-bit peripheral when it drives $\overline{\text{DSACK0,1}}$ low, it transfers data only on lines $\text{D} \langle 15:0 \rangle$.

Note 2: For multiple register accesses, $\overline{\text{CS}}$ can be held low and $\overline{\text{SAS}}$ can be used to delimit the slave cycle (this is the only case where $\overline{\text{CS}}$ may be asserted before $\overline{\text{SAS}}$). In this case, $\overline{\text{SMACK}}$ will be driven low due to $\overline{\text{SAS}}$ going low since $\overline{\text{CS}}$ has already been asserted. Notice that this means $\overline{\text{SMACK}}$ will not stay asserted low during the entire time $\overline{\text{CS}}$ is low (as is the case for $\overline{\text{MREQ}}$, Section 5.4.8).

Note 3: If memory request ($\overline{\text{MREQ}}$) follows a chip select ($\overline{\text{CS}}$), it must be asserted at least 2 bus clocks after $\overline{\text{CS}}$ is deasserted. Both $\overline{\text{CS}}$ and $\overline{\text{MREQ}}$ must not be asserted concurrently.

Note 4: When $\overline{\text{CS}}$ is deasserted, it must remain deasserted for at least one bus clock.

Note 5: The way in which $\overline{\text{SMACK}}$ is asserted due to $\overline{\text{CS}}$ is not the same as the way in which $\overline{\text{SMACK}}$ is asserted due to $\overline{\text{MREQ}}$. The assertion of $\overline{\text{SMACK}}$ is dependent upon both $\overline{\text{CS}}$ and $\overline{\text{SAS}}$ being low, not just $\overline{\text{CS}}$. This is not the same as the case for $\overline{\text{MREQ}}$ (see Section 5.4.8). The assertion of $\overline{\text{SMACK}}$ in these two cases should not be confused.

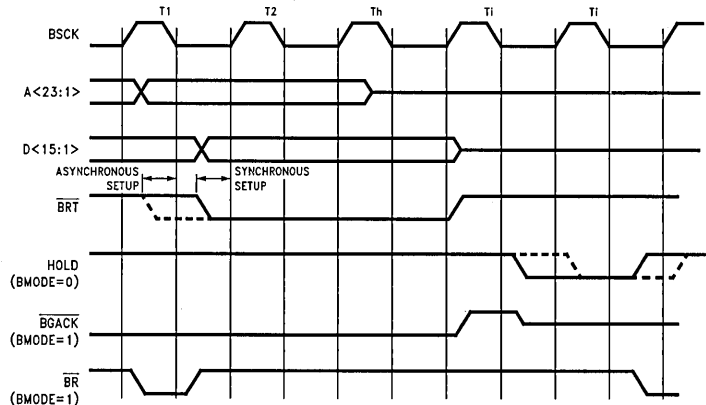


FIGURE 5-20. Bus Exception (Bus Retry)

TLF/11722-46

5.0 Bus Interface (Continued)

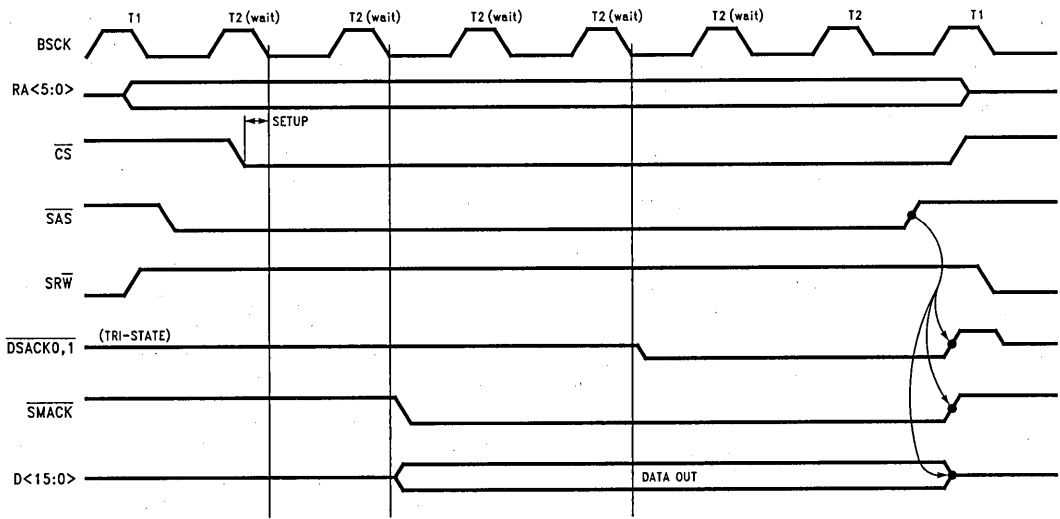


FIGURE 5-21. Register Read, BMODE = 1

TL/F/11722-47

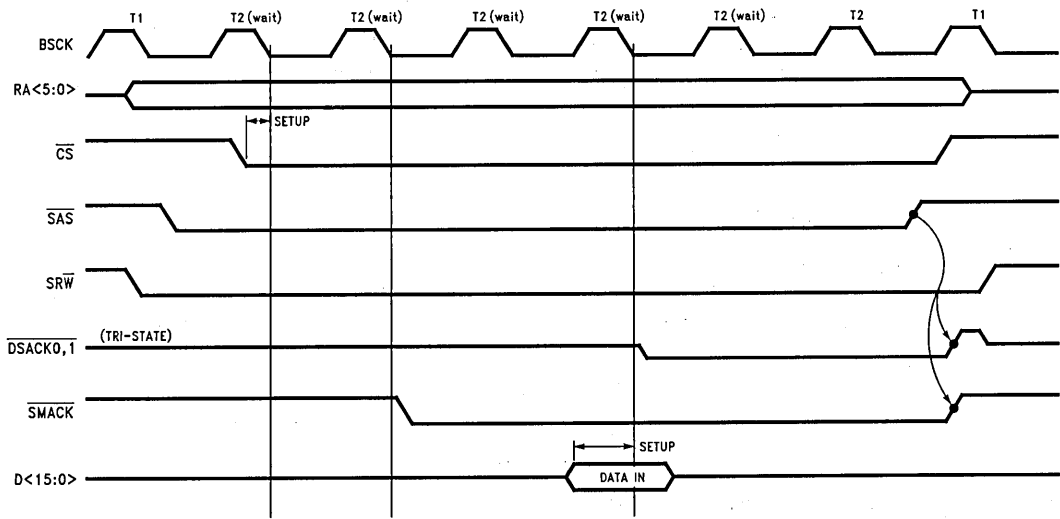


FIGURE 5-22. Register Write, BMODE = 1

TL/F/11722-48

5.0 Bus Interface (Continued)

5.4.7.2 Slave Cycle for BMODE = 0

The system accesses the SONIC-16 by driving \overline{SAS} , \overline{CS} , \overline{SWR} and $RA<5:0>$. These signals will be sampled each bus cycle, but the SONIC-16 will not actually start a slave cycle until \overline{CS} has been sampled low and \overline{SAS} has been sampled high. \overline{CS} should not be asserted low before the falling edge of \overline{SAS} as this will cause improper slave operation. \overline{CS} may be asserted low, however, before the rising edge of \overline{SAS} . In this case, it is suggested that \overline{SAS} be driven high within one bus clock after the falling edge of \overline{CS} . Between one and two bus clocks after the assertion of \overline{CS} , once \overline{SAS} has been driven high, \overline{SMACK} will be driven low to signify that the SONIC-16 has started the slave cycle. Although \overline{CS} is an asynchronous input, meeting its setup time (as shown in Figures 5-23 and 5-24) will guarantee that \overline{SMACK} , which is asserted off a falling edge, will be asserted 1 bus clock after the falling edge that \overline{CS} was clocked in on. This is assuming that the SONIC-16 is not a bus master when \overline{CS} is asserted. If the SONIC-16 is a bus master, then, when \overline{CS} is asserted, the SONIC-16 will complete its current master bus cycle and get off the bus temporarily (see Section 5.4.8). In this case, \overline{SMACK} will be asserted 5 bus clocks after the falling edge that \overline{CS} was clocked in on. This is assuming that there were no wait states in the current master mode access. Wait states will increase the time for \overline{SMACK} to go low by the number of wait states in the cycle.

If the slave access is a read cycle (Figure 5-23), then the data will be driven off the same edge as \overline{SMACK} . If it is a write cycle (Figure 5-24), then the data will be latched in exactly 2 bus clocks after the assertion of \overline{SMACK} . In either case, \overline{RDY}_0 is driven low $2\frac{1}{2}$ bus clocks after \overline{SMACK} to terminate the slave cycle. For a read cycle, the assertion of \overline{RDY}_0 indicates valid register data and for a write cycle, the assertion indicates that the SONIC-16 has latched the data. The SONIC-16 deasserts \overline{RDY}_0 , \overline{SMACK} and the data if the cycle is a read cycle at the falling edge of \overline{SAS} or the rising edge of \overline{CS} depending on which is first.

Note 1: The SONIC-16 transfers data only on lines $D<15:0>$ during slave mode accesses.

Note 2: For multiple register accesses, \overline{CS} can be held low and \overline{SAS} can be used to delimit the slave cycle (this is the only case where \overline{CS} may be asserted before \overline{SAS}). In this case, \overline{SMACK} will be driven low due to \overline{SAS} going high since \overline{CS} has already been asserted. Notice that this means \overline{SMACK} will not stay asserted low during the entire time \overline{CS} is low (as is the case for \overline{MREQ} , Section 5.4.8).

Note 3: If memory request (\overline{MREQ}) follows a chip select (\overline{CS}), it must be asserted at least 2 bus clocks after \overline{CS} is deasserted. Both \overline{CS} and \overline{MREQ} must not be asserted concurrently.

Note 4: When \overline{CS} is deasserted, it must remain deasserted for at least one bus clock.

Note 5: The way in which \overline{SMACK} is asserted due to \overline{CS} is not the same as the way in which \overline{SMACK} is asserted due to \overline{MREQ} . The assertion of \overline{SMACK} is dependent upon both \overline{CS} and \overline{SAS} being low, not just \overline{CS} . This is not the same as the case for \overline{MREQ} (see Section 5.4.8). The assertion of \overline{SMACK} in these two cases should not be confused.

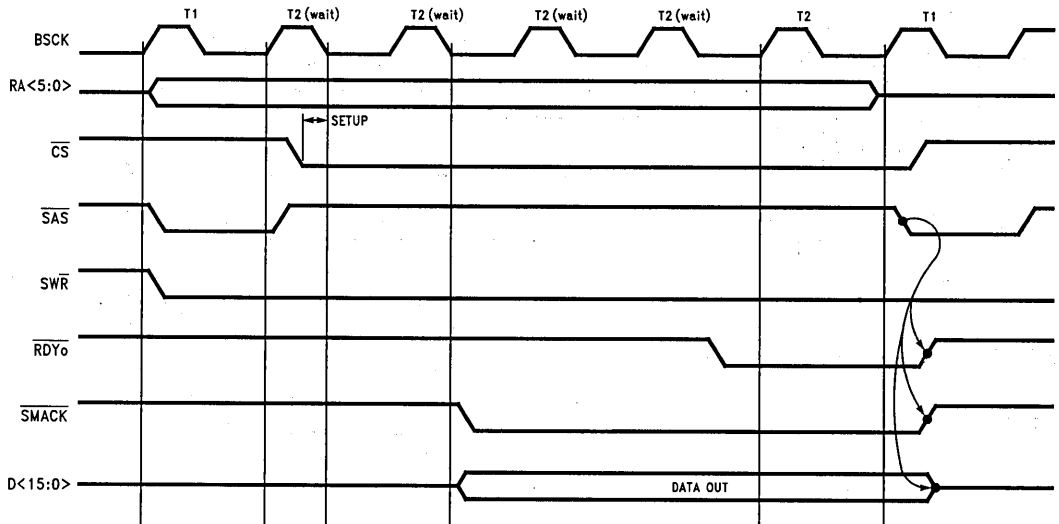


FIGURE 5-23. Register Read, BMODE = 0

TL/F/11722-49

5.0 Bus Interface (Continued)

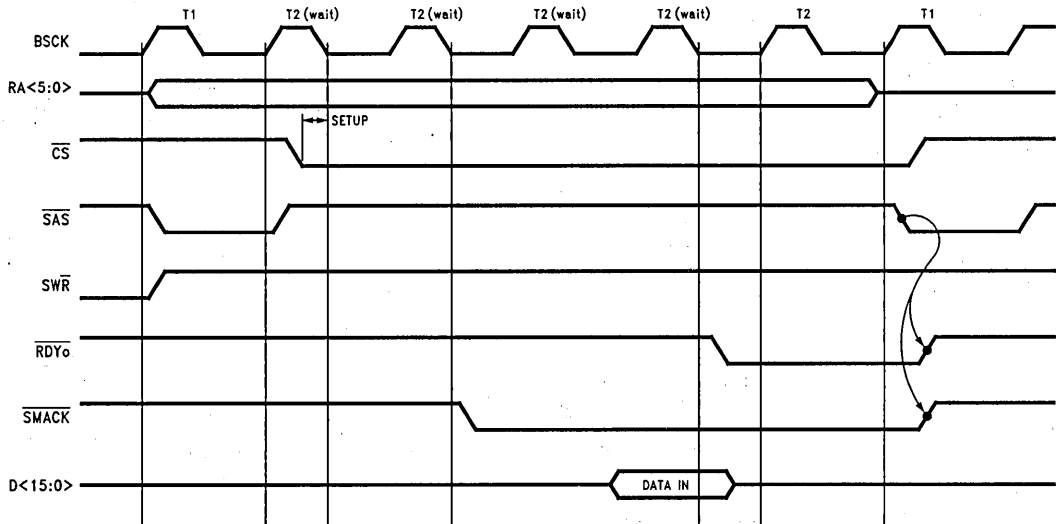


FIGURE 5-24. Register Write, BMODE=0

TL/F/11722-50

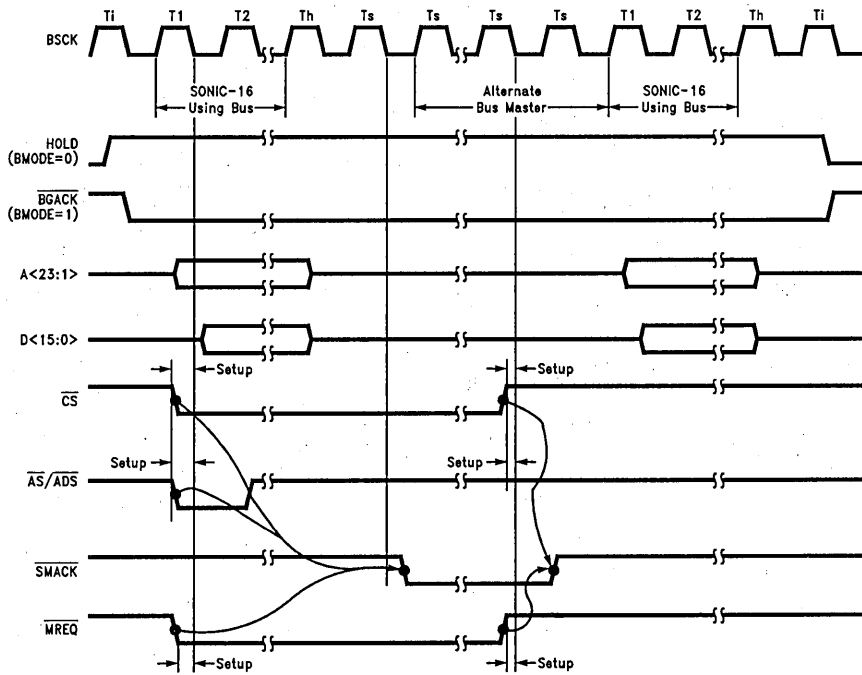


FIGURE 5-25. On-Chip Memory Arbiter

TL/F/11722-51

5.0 Bus Interface (Continued)

5.4.8 On-Chip Memory Arbiter

For applications which share the buffer memory area with the host system (shared-memory applications), the SONIC-16 provides a fast on-chip memory arbiter for efficiently resolving accesses between the SONIC-16 and the host system (Figure 5-25). The host system indicates its intentions to use the shared-memory by asserting Memory Request (\overline{MREQ}). The SONIC-16 will allow the host system to use the shared memory by acknowledging the host system's request with Slave and Memory Acknowledge (\overline{SMACK}). Once \overline{SMACK} is asserted, the host system may use the shared memory freely. The host system gives up the shared memory by deasserting \overline{MREQ} .

\overline{MREQ} is clocked in on the falling edge of bus clock and is double synchronized internally to the rising edge. \overline{SMACK} is asserted on the falling edge of a Ts bus cycle. If the SONIC-16 is not currently accessing the memory, \overline{SMACK} is asserted immediately after \overline{MREQ} was clocked in. If, however, the SONIC-16 is accessing the shared memory, it finishes its current memory transfer and then issues \overline{SMACK} . \overline{SMACK} will be asserted 1 or 5 (see Note 2 below) bus clocks, respectively, after \overline{MREQ} is clocked in. Since \overline{MREQ} is double synchronized, it is not necessary to meet its setup time. Meeting the setup time for \overline{MREQ} will, however, guarantee that \overline{SMACK} is asserted in the next or fifth bus clock after the current bus clock. \overline{SMACK} will deassert within one bus clock after \overline{MREQ} is deasserted. The SONIC-16 will then finish its master operation if it was using the bus previously.

If the host system needs to access the SONIC-16's registers instead of shared memory, \overline{CS} would be asserted instead of \overline{MREQ} . Accessing the SONIC-16's registers works almost exactly the same as accessing the shared memory except that the SONIC-16 goes into a slave cycle instead of going idle. See Section 5.4.7 for more information about how register accesses work.

Note 1: The successive assertion of \overline{CS} and \overline{MREQ} must be separated by at least two bus clocks. Both \overline{CS} and \overline{MREQ} must not be asserted concurrently.

Note 2: The number of bus clocks between \overline{MREQ} being asserted and the assertion of \overline{SMACK} when the SONIC-16 is in Master Mode is 5 bus clocks assuming there were no wait states in the Master Mode access. Wait states will increase the time for \overline{SMACK} to go low by the number of wait states in the cycle (the time will be 5 + the number of wait states).

Note 3: The way in which \overline{SMACK} is asserted due to \overline{CS} is not the same as the way in which \overline{SMACK} is asserted due to \overline{MREQ} . \overline{SMACK} goes low as a direct result of the assertion of \overline{MREQ} , whereas, for \overline{CS} , \overline{SAS} must also be driven low (BMODE = 1) or high (BMODE = 0) before \overline{SMACK} will be asserted. This means that when \overline{SMACK} is asserted due to \overline{MREQ} , \overline{SMACK} will remain asserted until \overline{MREQ} is deasserted. Multiple memory accesses can be made to the shared memory without \overline{SMACK} ever going high. When \overline{SMACK} is asserted due to \overline{CS} , however, \overline{SMACK} will only remain low as long as \overline{SAS} is also low (BMODE = 1) or high (BMODE = 0). \overline{SMACK} will not remain low throughout multiple register accesses to the SONIC-16 because \overline{SAS} must toggle for each register access. This is an important difference to consider when designing shared memory designs.

TABLE 5-4. Internal Register Content after Reset

Register	Contents after Reset	
	Hardware Reset	Software Reset
Command	0094h	0094h/00A4h
Data Configuration (DCR and DCR2)	*	unchanged
Interrupt Mask	0000h	unchanged
Interrupt Status	0000h	unchanged
Transmit Control	0101h	unchanged
Receive Control	**	unchanged
End Of Buffer Count	02F8h	unchanged
Sequence Counters	0000h	unchanged
CAM Enable	0000h	unchanged

*Bits 15 and 13 of the DCR and bits 4 through 0 of the DCR2 are reset to a 0 during a hardware reset. Bits 15-12 of the DCR2 are unknown until written to. All other bits in these two registers are unchanged.

**Bits LB1, LB0 and BRD are reset to a 0 during hardware reset. All other bits are unchanged.

5.4.9 Chip Reset

The SONIC-16 has two reset modes; a hardware reset and a software reset. The SONIC-16 can be hardware reset by asserting the RESET pin or software reset by setting the RST bit in the Command Register (Section 4.3.1). The two reset modes are not interchangeable since each mode performs a different function.

After power-on, the SONIC-16 must be hardware reset before it will become operational. This is done by asserting RESET for a minimum of 10 transmit clocks (10 Ethernet transmit clock periods, TXC). If the bus clock (BSCK) period is greater than the transmit clock period, RESET should be asserted for 10 bus clocks instead of 10 transmit clocks. A hardware reset places the SONIC-16 in the following state. (The registers affected are listed in parentheses. See Table 5-4 and section 4.3 for more specific information about the registers and how they are affected by a hardware reset. Only those registers listed below and in Table 5-4 are affected by a hardware reset.)

1. Receiver and Transmitter are disabled (CR).
2. The General Purpose timer is halted (CR).
3. All interrupts are masked out (IMR).
4. The NCRS and PTX status bits in the Transmit Control Register (TCR) are set.
5. The End Of Byte Count (EOBC) register is set to 02F8h (760 words).
6. Packet and buffer sequence number counters are set to zero.
7. All CAM entries are disabled. The broadcast address is also disabled (CAM Enable Register and the RCR).
8. Loopback operation is disabled (RCR).
9. The latched bus retry is set to the unlatched mode (DCR).
10. All interrupt status bits are reset (ISR).
11. The Extended Bus Mode is disabled (DCR).
12. HOLD will be asserted/deasserted from the falling clock edge (DCR2).

5.0 Bus Interface (Continued)

13. $\overline{\text{PCOMP}}$ will not be asserted (DCR2).
 14. Packets will be accepted (not rejected) on CAM match (DCR2).

A software reset immediately terminates DMA operations and future interrupts. The chip is put into an idle state where registers can be accessed, but the SONIC-16 will not be active in any other way. The registers are affected by a software reset as shown in Table 5-4 (only the Command Register is changed).

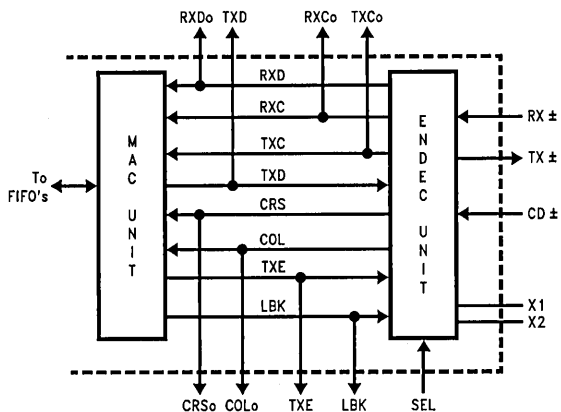
6.0 Network Interfacing

The SONIC-16 contains an on-chip ENDEC that performs the network interfacing between the AUI (Attachment Unit

Interface) and the SONIC-16's MAC unit. A pin selectable option allows the internal ENDEC to be disabled and the MAC/ENDEC signals to be supplied to the user for connection to an external ENDEC. If the EXT pin is tied to ground (EXT=0) the internal ENDEC is selected and if EXT is tied to V_{CC} (EXT=1) the external ENDEC option is selected.

Internal ENDEC: When the internal ENDEC is used (EXT=0) the interface signals between the ENDEC and MAC unit are internally connected. While these signals are used internally by the SONIC-16 they are also provided as an output to the user (*Figure 6-1*).

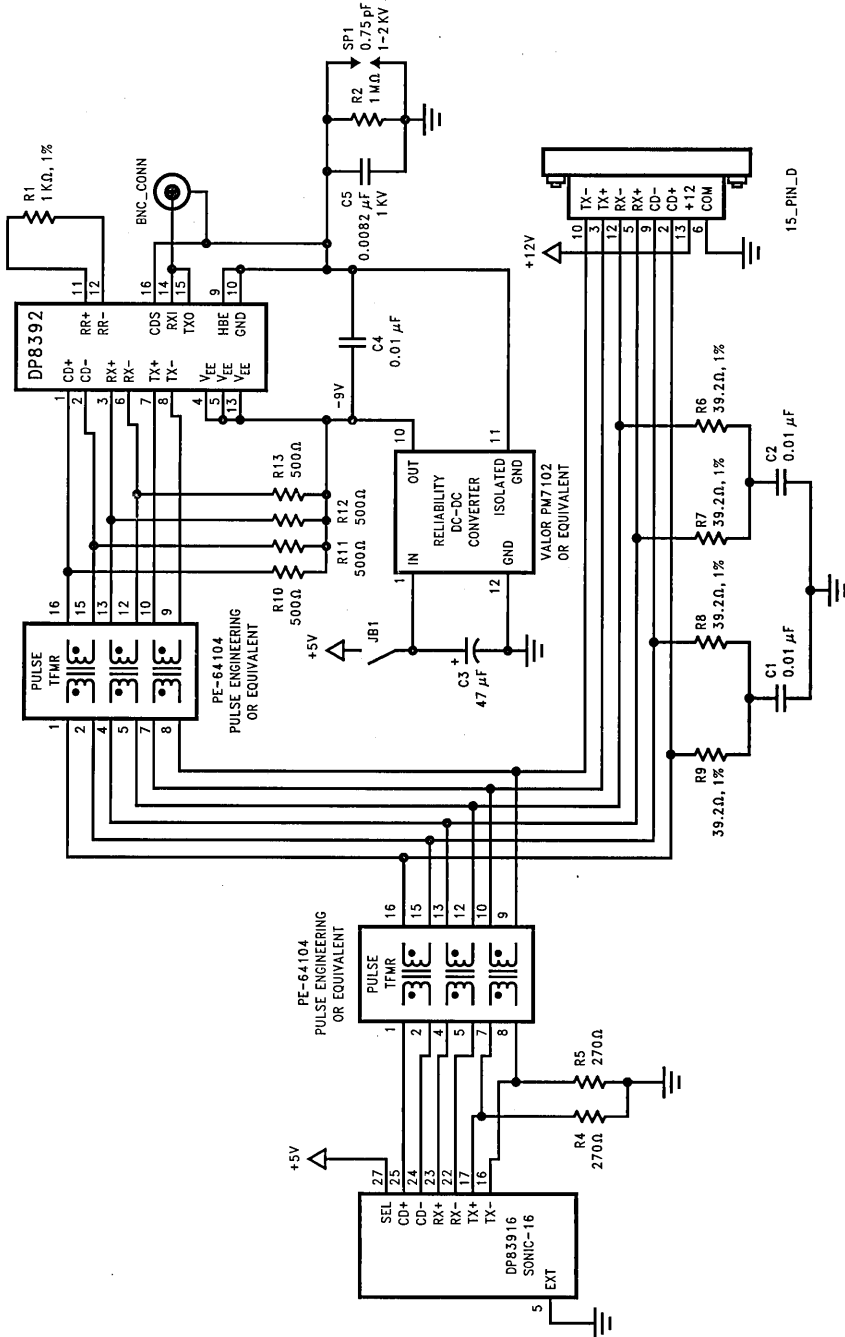
The internal ENDEC allows for a 2-chip solution for the complete Ethernet interface. *Figure 6-2* shows a typical diagram of the network interface.



TL/F/11722-52

FIGURE 6-1. MAC and Internal ENDEC Interface Signals

6.0 Network Interfacing (Continued)



TU/F/11722-59

FIGURE 6-2. Network Interface Example (EXT = 0, Using a Single Jumper, JB1, for Network Interface Selection)

6.0 Network Interfacing (Continued)

External ENDEC: When EXT = 1 the internal ENDEC is bypassed and the signals are provided directly to the user. Since SONIC-16's on-chip ENDEC is the same as National's DP83910 Serial Network Interface (SNI) the interface considerations discussed in this section would also apply to using this device in the external ENDEC mode.

6.1 MANCHESTER ENCODER AND DIFFERENTIAL DRIVER

The ENDEC unit's encoder begins operation when the MAC section begins sending the serial data stream. It converts NRZ data from the MAC section to Manchester data for the differential drivers (TX+/-). In Manchester encoding, the first half of the bit cell contains the complementary data and the second half contains the true data (Figure 6-3). A transition always occurs at the middle of the bit cell. As long as the MAC continues sending data, the ENDEC section remains in operation. At the end of transmission, the last transition is always positive, occurring at the center of the bit cell if the last bit is a one, or at the end of the bit cell if the last bit is a zero.

The differential transmit pair drives up to 50 meters of twisted pair AUI cable. These outputs are source followers which require two 270 Ω pull-down resistors to ground. In addition, a pulse transformer is required between the transmit pair output and the AUI interface.

The driver allows both half-step and full-step modes for compatibility with Ethernet I and IEEE 802.3. When the SEL pin is tied to ground (for Ethernet I), TX+ is positive with respect to TX- during idle on the primary side of the isolation transformer (Figure 6-2). When SEL is tied to V_{CC} (for IEEE 802.3), TX+ and TX- are equal in the idle state.

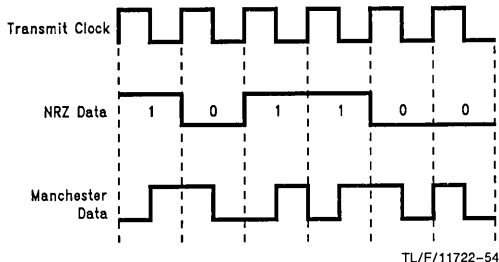


FIGURE 6.3. Manchester Encoded Data Stream

6.1.1 Manchester Decoder

The decoder consists of a differential receiver and a phase lock loop (PLL) to separate the Manchester encoded data stream into clock signals and NRZ data. The differential input must be externally terminated with two 39 Ω resistors connected in series. In addition, a pulse transformer is required between the receive input pair and the AUI interface.

To prevent noise from falsely triggering the decoder, a squelch circuit at the input rejects signals with a magnitude

less than -175 mV. Signals more negative than -300 mV are decoded.

Once the input exceeds the squelch requirements, the decoder begins operation. The decoder may tolerate bit jitter up to 18 ns in the received data. The decoder detects the end of a frame within one and a half bit times after the last bit of data.

6.1.2 Collision Translator

When the Ethernet transceiver (DP8392 CTI) detects a collision, it generates a 10 MHz signal to the differential collision inputs (CD+ and CD-) of the SONIC-16. When SONIC-16 detects these inputs active, its Collision translator converts the 10 MHz signal to an active collision signal to the MAC section. This signal causes SONIC-16 to abort its current transmission and reschedule another transmission attempt.

The collision differential inputs are terminated the same way as the differential receive inputs and a pulse transformer is required between the collision input pair and the AUI interface. The squelch circuitry is also similar, rejecting pulses with magnitudes less than -175 mV.

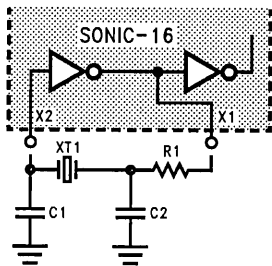
6.1.3 Oscillator Inputs

The oscillator inputs to the SONIC-16 (X1 and X2) can be driven with a parallel resonant crystal or an external clock. In either case the oscillator inputs must be driven with a 20 MHz signal. The signal is divided by 2 to generate the 10 MHz transmit clock (TXC) for the MAC unit. The oscillator also provides internal clock signals for the encoding and decoding circuits.

6.1.3.1 External Crystal

According to the IEEE 802.3 standard, the transmit clock (TXC) must be accurate to 0.01%. This means that the oscillator circuit, which includes the crystal and other parts involved must be accurate to 0.01% after the clock has been divided in half. Hence, when using a crystal, it is necessary to consider all aspects of the crystal circuit. An example of a recommended crystal circuit is shown in Figure 6-4 and suggested oscillator specifications are shown in Table 6-1. The load capacitors in Figure 6-4, C1 and C2, should be no greater than 36 pF each, including all stray capacitance (see note 2 below). The resistor, R1, may be required in order to minimize frequency drift due to changes in V_{CC}. If R1 is required, its value must be carefully selected since R1 decreases the loop gain. If R1 is made too large, the loop gain will be greatly reduced and the crystal will not oscillate. If R1 is made too small, normal variations in V_{CC} may cause the oscillation frequency to drift out of specification. As a first rule of thumb, the value of R1 should be made equal to five times the motional resistance of the crystal. The motional resistance of 20 MHz crystals is usually in the range of 10 Ω to 30 Ω . This implies that reasonable values for R1 should be in the range of 50 Ω to 150 Ω . The decision of whether or not to include R1 should be based upon measured variations of crystal frequency as each of the circuit parameters are varied.

6.0 Network Interfacing (Continued)



TL/F/11722-55

FIGURE 6.4. Crystal Connection to the SONIC-16 (see text)

Note 1: The X1 pin is not guaranteed to provide a TTL compatible logic output, and should not be used to drive any external logic. If additional logic needs to be driven, then an external oscillator should be used as described in the following section.

Note 2: The frequency marked on the crystal is usually measured with a fixed load capacitance specified in the crystal's data sheet. The actual load capacitance used should be the specified value minus the stray capacitance.

TABLE 6-1. Crystal Specifications

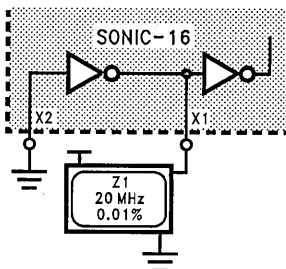
Resonant frequency	20 MHz
Tolerance (see text)	$\pm 0.01\%$ at 25°C
Accuracy	$\pm 0.005\%$ (50 ppm) at 0 to 70°C
Fundamental Mode Series Resistance	$\leq 25\Omega$
Specified Load Capacitance	≤ 18 pF
Type	AT cut
Circuit	Parallel Resonance

6.1.3.2 Clock Oscillator Module

If an external clock oscillator is used, the SONIC-16 can be connected to the external oscillator in one of two ways. The first configuration is shown in *Figure 6-5*. In this case, an oscillator that provides the following should be used:

1. TTL or CMOS output with a 0.01% frequency tolerance
2. 40%–60% duty cycle
3. ≥ 5 TTL loads output drive ($I_{OL} = 8$ mA) (Additional output drive may be necessary if the oscillator must also drive other components.)

Again, the above assumes no other circuitry is driven.

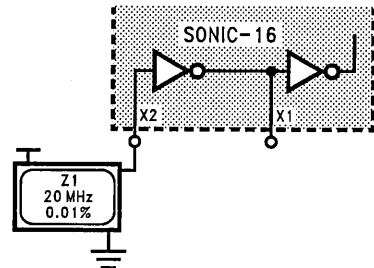


TL/F/11722-56

FIGURE 6.5. Oscillator Module Connection to the SONIC-16

The second configuration, shown in *Figure 6-6*, connects to the X2 input. This connection requires an oscillator with the same specifications as the previous circuit except that the

output drive specification need only be one CMOS load. This circuit configuration also offers the advantage of slightly lower power consumption. In this configuration, the X1 pin must be left open and should not drive external circuitry. Also, as shown by *Figure 6-6*, there is a 180° phase difference between connecting an oscillator to X1 compared to X2. This difference only affects the relationship between TXC and the oscillator module output. The operation of the SONIC-16 is not affected by this phase change.



TL/F/11722-57

FIGURE 6.6. Alternate Oscillator Module Connection to the SONIC-16

6.1.3.3 PCB Layout Considerations

Care should be taken when connecting a crystal. Stray capacitance (e.g., from PC board traces and plated through holes around the X1 and X2 pins) can shift the crystal's frequency out of range, causing the transmitted frequency to exceed the 0.01% tolerance specified by IEEE. The layout considerations for using an external crystal are rather straightforward. The oscillator layout should locate all components close to the X1 and X2 pins and should use short traces that avoid excess capacitance and inductance. A solid ground should be used to connect the ground legs of the two capacitors.

When connecting an external oscillator, the only considerations are to keep the oscillator module as close to the SONIC-16 as possible to reduce stray capacitance and inductance and to give the module a clean V_{CC} and a solid ground.

6.1.4 Power Supply Considerations

In general, power supply routing and design for the SONIC-16 need only follow standard practices. In some situations, however, additional care may be necessary in the layout of the analog supply. Specifically special care may be needed for the TXVCC, RXVCC and PLLVCC power supplies and the TXGND and ANGND. In most cases the analog and digital power supplies can be interconnected. However, to ensure optimum performance of the SONIC-16's analog functions, power supply noise should be minimized. To reduce analog supply noise, any of several techniques can be used.

1. Route analog supplies as a separate set of traces or planes from the digital supplies with their own decoupling capacitors.
2. Provide noise filtering on the analog supply pins by inserting a low pass filter. Alternatively, a ferrite bead could be used to reduce high frequency power supply noise.
3. Utilize a separate regulator to generate the analog supply.

7.0 AC and DC Specifications

Absolute Maximum Ratings

If Military/Aerospace specified devices are required, please contact the National Semiconductor Sales Office/Distributors for availability and specifications.

Supply Voltage (V_{CC})	-0.5V to 7.0V
DC Input Voltage (V_{IN})	-0.5V to $V_{CC} + 0.5V$
DC Output Voltage (V_{OUT})	-0.5V to $V_{CC} + 0.5V$

Storage Temperature Range (T_{STG})	-65°C to 150°C
Power Dissipation (PD)	500 mW
Lead Temp. (TL) (Soldering, 10 sec.)	260°C
ESD Rating ($R_{ZAP} = 1.5k, C_{ZAP} = 120 pF$)	1.5 kV

DC Specifications $T_A = 0^\circ\text{C}$ to 70°C , $V_{CC} = 5V \pm 5\%$ unless otherwise specified

Symbol	Parameter	Conditions	Min	Max	Units
V_{OH}	Minimum High Level Output Voltage	$I_{OH} = -8 \text{ mA}$	3.0		V
V_{OL}	Maximum Low Level Output Voltage	$I_{OL} = 8 \text{ mA}$		0.4	V
V_{IH}	Minimum High Level Input Voltage		2.0		V
V_{IL}	Maximum Low Level Input Voltage			0.8	V
I_{IN}	Input Current	$V_{IN} = V_{CC}$ or GND	-1.0	1.0	μA
I_{OZ}	Maximum TRI-STATE Output Leakage Current	$V_{OUT} = V_{CC}$ or GND	-10	10	μA
I_{CC}	Average Operating Supply Current	$I_{OUT} = 0 \text{ mA}$, Freq = f_{max}		80	mA

AUI INTERFACE PINS (TX \pm , RX \pm , and CD \pm)

V_{OD}	Diff. Output Voltage (TX \pm)	78 Ω Termination, and 270 Ω from Each to GND	± 550	± 1200	mV
V_{OB}	Diff. Output Voltage Imbalance (TX \pm)	78 Ω Termination, and 270 Ω from Each to GND	Typical: 40 mV		
V_U	Undershoot Voltage (TX \pm)	78 Ω Termination, and 270 Ω from Each to GND	Typical: 80 mV		
V_{DS}	Diff. Squelch Threshold (RX \pm and CD \pm)		-175	-300	mV

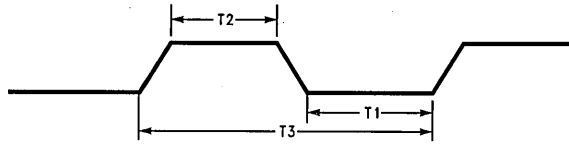
OSCILLATOR PINS (X1 AND X2)

V_{IH}	X1 Input High Voltage	X1 is Connected to an Oscillator and X2 is Grounded	2.0		V
V_{IL}	X1 Input Low Voltage	X1 is Connected to an Oscillator and X2 is Grounded		0.8	V
I_{OSC1}	X1 Input Current	X1 is Connected to an Oscillator and X2 is Grounded $V_{IN} = V_{CC}$ or GND		8	mA
V_{IH}	X2 Input High Voltage	X2 is Connected to an Oscillator and X1 is Open	2.0		V
V_{IL}	X2 Input Low Voltage	X2 is Connected to an Oscillator and X1 is Open		0.8	V
I_{OSC2}	X2 Input Leakage Current	X2 is Connected to an Oscillator and X1 is Open $V_{IN} = V_{CC}$ or GND	-10	10	μA

7.0 AC and DC Specifications (Continued)

AC Specifications

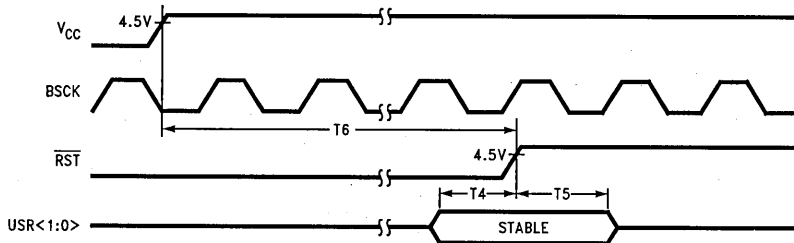
BUS CLOCK TIMING



TL/F/11722-58

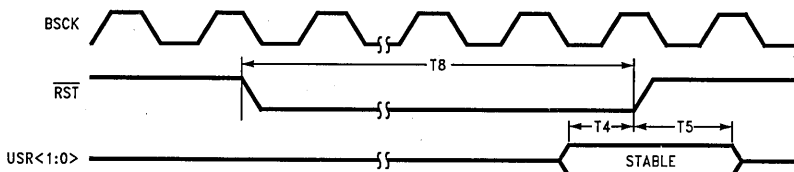
Number	Parameter	20 MHz		Units
		Min	Max	
T1	Bus Clock Low Time	22.5		ns
T2	Bus Clock High Time	22.5		ns
T3	Bus Clock Cycle Time (Note 2)	50	100	ns

POWER-ON RESET



TL/F/11722-59

NON POWER-ON RESET



TL/F/11722-60

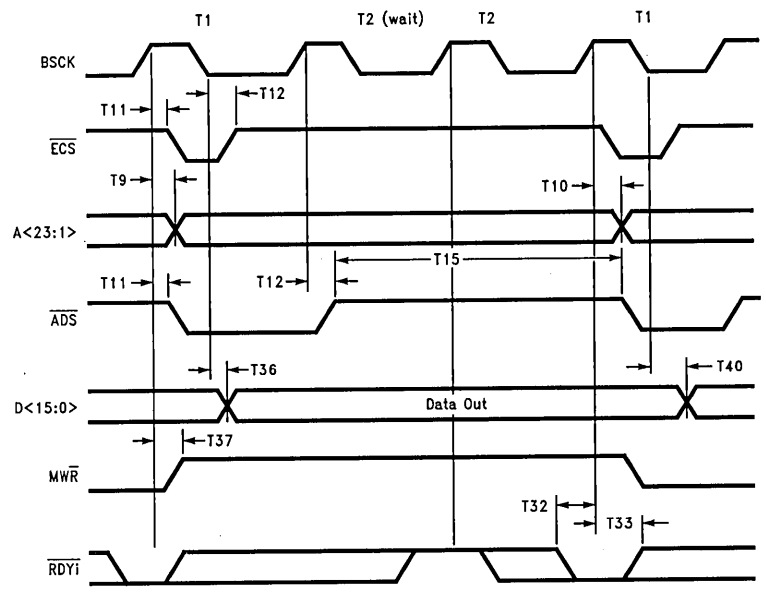
Number	Parameter	20 MHz		Units
		Min	Max	
T4	USR <1:0> Setup to \overline{RST}	10		ns
T5	USR <1:0> Hold from \overline{RST}	20		ns
T6	Power-On Reset High (Notes 1, 2)	10		TXC
T8	Reset Pulse Width (Notes 1, 2)	10		TXC

Note 1: The reset time is determined by the slower of BSCK or TXC. If BSCK > TXC, T6 and T8 equal 10 TXCs. If BSCK < TXC, T6 and T8 equal 10 BSCKs (T3).

Note 2: These specifications are not tested.

7.0 AC and DC Specifications (Continued)

MEMORY WRITE, BMODE = 0, SYNCHRONOUS MODE (one wait-state shown)



TL/F/11722-61

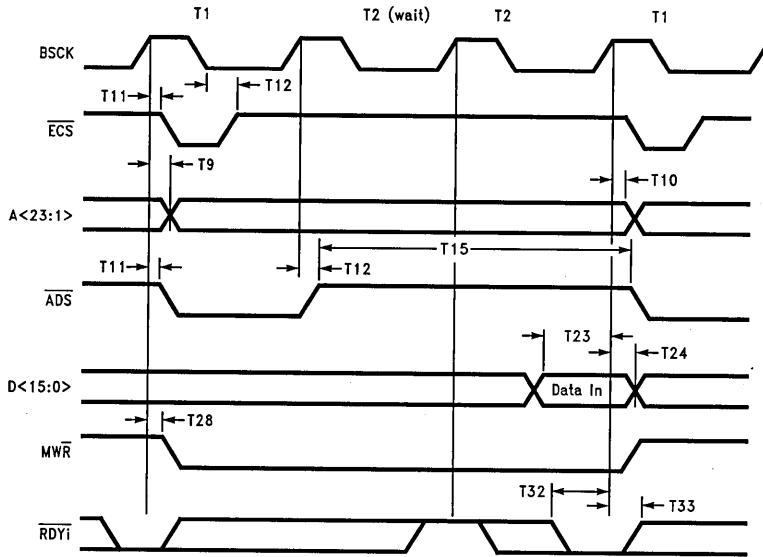
Number	Parameter	20 MHz		Units
		Min	Max	
T9	BSCk to Address Valid		34	ns
T10	Address Hold Time from BSCk	5		ns
T11	BSCk to ADs, ECS Low		34	ns
T12	BSCk to ADs, ECS High		34	ns
T15	ADs High Width (Note 2)	bcyc-5		ns
T32	RDYi Setup to BSCk	30		ns
T33	RDYi Hold from BSCk	5		ns
T36	BSCk to Memory Write Data Valid		70	ns
T37	BSCk to MWR (Write) Valid (Note 1)		30	ns
T40	Write Data Hold Time from BSCk	10		ns

Note 1: For successive read operations, MWR remains low, and for successive write operations, MWR remains high during a transfer. During RDA and TDA transfers the MWR signal will stay either high or low for the entire burst of the transfer. During RDA and TDA transfers the MWR signal will switch on the rising edge of a Ti (idle) state that is inserted between the read and the write operation.

Note 2: bcyc = bus clock cycle time (T3).

7.0 AC and DC Specifications (Continued)

MEMORY READ, BMODE = 0, SYNCHRONOUS MODE (one wait-state shown)



TL/F/11722-62

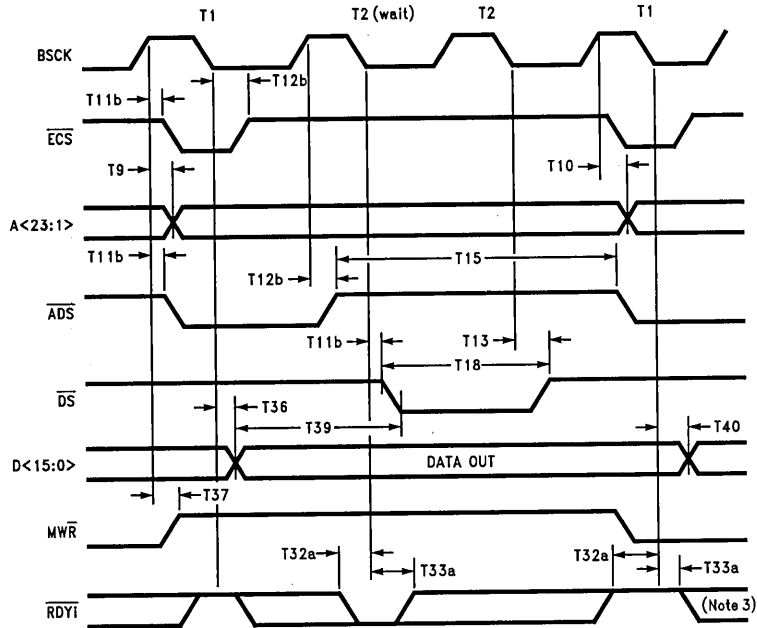
Number	Parameter	20 MHz		Units
		Min	Max	
T9	BSCk to Address Valid		34	ns
T10	Address Hold Time from BSCk	5		ns
T11	BSCk to \overline{ADS} , \overline{ECS} Low		34	ns
T12	BSCk to \overline{ADS} , \overline{ECS} High		34	ns
T15	\overline{ADS} High Width (Note 2)	bcyc - 5		ns
T23	Read Data Setup Time to BSCk	12		ns
T24	Read Data Hold Time from BSCk	7		ns
T28	BSCk to \overline{MWR} (Read) Valid (Note 1)		30	ns
T32	\overline{RDYi} Setup Time to BSCk	30		ns
T33	\overline{RDYi} Hold Time to BSCk	5		ns

Note 1: For successive read operations, \overline{MWR} remains low, and for successive write operations, \overline{MWR} remains high. During RBA and TBA transfers the \overline{MWR} signal will stay either high or low for the entire burst of the transfer. During RDA and TDA transfers, the \overline{MWR} signal will switch on the rising edge of a TI (idle) state that is inserted between the read and the write operation.

Note 2: bcyc = bus clock cycle time (T3).

7.0 AC and DC Specifications (Continued)

MEMORY WRITE, BMODE = 0, ASYNCHRONOUS MODE



TL/F/11722-63

Number	Parameter	20 MHz		Units
		Min	Max	
T9	BSCK to Address Valid		34	ns
T10	Address Hold Time from BSCK	5		ns
T11b	BSCK to \overline{ADS} , \overline{DS} , \overline{ECS} Low		30	ns
T12b	BSCK to \overline{ADS} , \overline{ECS} High		32	ns
T13	BSCK to \overline{DS} High		36	ns
T15	\overline{ADS} High Width (Note 2)	bcyc - 5		ns
T18	Write Data Strobe Low Width (Notes 2, 4)	bcyc - 5		ns
T32a	Ready Asynch. Setup to BSCK (Note 3)	8		ns
T33a	Ready Asynch. Hold from BSCK	5		ns
T36	BSCK to Memory Write Data Valid		70	ns
T37	BSCK to \overline{MWR} (Write) Valid (Note 1)		30	ns
T39	Write Data Valid to Data Strobe Low (Note 2)	bcyc - 40		ns
T40	Write Data Hold Time from BSCK	10		ns

Note 1: For successive read operations, \overline{MWR} remains low, and for successive write operations, \overline{MWR} remains high. During RBA and TBA transfers the \overline{MWR} signal will stay either high or low for the entire burst of the transfer. During RDA and TDA transfers, the \overline{MWR} signal will switch on the rising edge of a T1 (idle) state that is inserted between the read and the write operation.

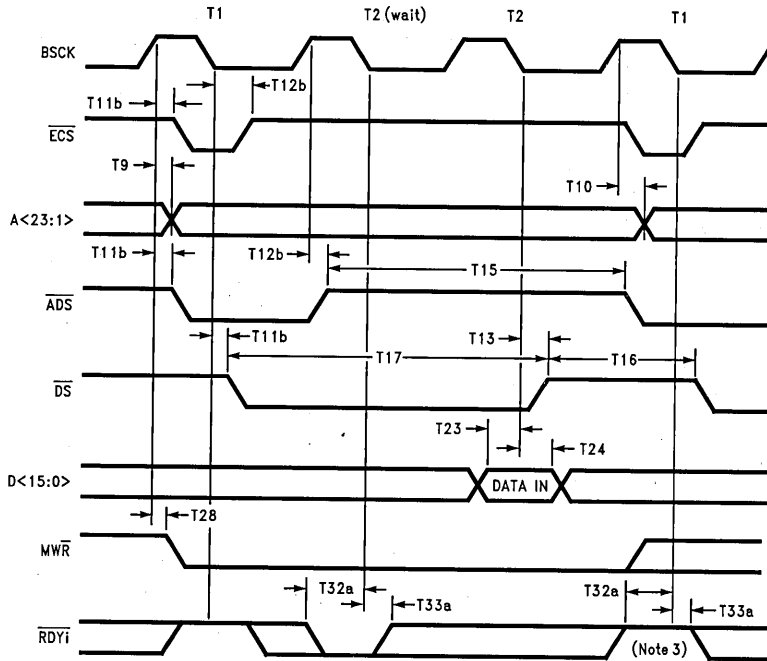
Note 2: bcyc = bus clock cycle time (T3)

Note 3: This setup time assures that the SONIC-16 terminates the memory cycle on the next bus clock (BSCK). \overline{RDYI} does not need to be synchronized to the bus clock, though, since it is an asynchronous input in this case. \overline{RDYI} is sampled during the falling edge of BSCK. If the SONIC-16 samples \overline{RDYI} low during the T1 cycle, the SONIC-16 will finish the current access in a total of two bus clocks instead of three, which would be the case if \overline{RDYI} had been sampled low during T2(wait). (This is assuming that programmable wait states are set to 0).

Note 4: \overline{DS} will only be asserted if the bus cycle has at least one wait state inserted.

7.0 AC and DC Specifications (Continued)

MEMORY READ, BMODE = 0, ASYNCHRONOUS MODE



TL/F/11722-64

Number	Parameter	20 MHz		Units
		Min	Max	
T9	BCLK to Address Valid		34	ns
T10	Address Hold Time from BCLK	5		ns
T11b	BCLK to \overline{ADS} , \overline{DS} , \overline{ECS} Low		30	ns
T12b	BCLK to \overline{ADS} , \overline{DS} , \overline{ECS} High		32	ns
T13	BCLK to \overline{DS} High		36	ns
T15	\overline{ADS} High Width (Note 2)	bcyc - 5		ns
T16	Read Data Strobe High Width (Note 2)	bcyc - 12		ns
T17	Read Data Strobe Low Width (Note 2)	bcyc - 5		ns
T23	Read Data Setup Time to BCLK	12		ns
T24	Read Data Hold Time from BCLK	7		ns
T28	BCLK to \overline{MWR} (Read) Valid (Note 1)		30	ns
T32a	Ready Asynch. Setup Time to BCLK (Note 3)	8		ns
T33a	Ready Asynch. Hold Time to BCLK	5		ns

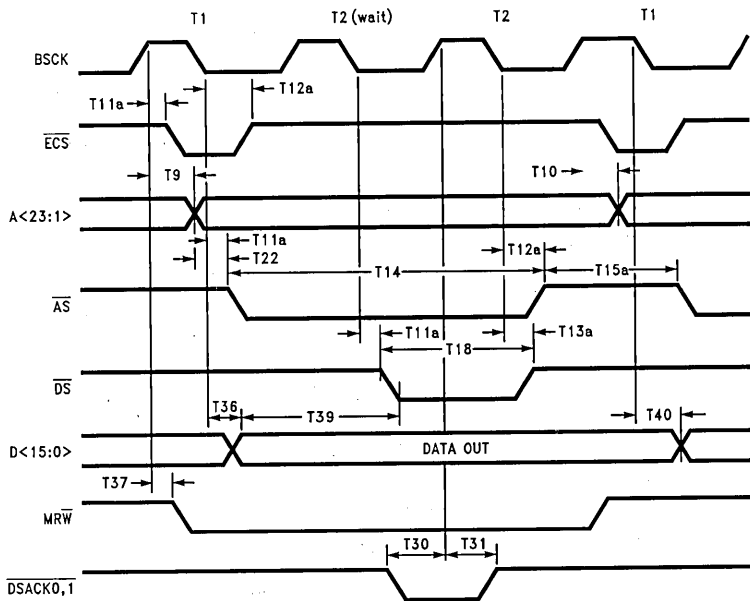
Note 1: For successive read operations, \overline{MWR} remains low, and for successive write operations, \overline{MWR} remains high. During RBA and TBA transfers the \overline{MWR} signal will stay either high or low for the entire burst of the transfer. During RDA and TDA transfers, the \overline{MWR} signal will switch on the rising edge of a T_i (idle) state that is inserted between the read and the write operation.

Note 2: bcyc = bus clock cycle time (T_3)

Note 3: This setup time assures that the SONIC-16 terminates the memory cycle on the next bus clock (BCLK). \overline{RDYi} does not need to be synchronized to the bus clock, though, since it is an asynchronous input in this case. \overline{RDYi} is sampled during the falling edge of BCLK. If the SONIC-16 samples \overline{RDYi} low during the T_1 cycle, the SONIC-16 will finish the current access in a total of two bus clocks instead of three, which would be the case if \overline{RDYi} had been sampled low during T_2 (wait). (This is assuming that programmable wait states are set to 0).

7.0 AC and DC Specifications (Continued)

MEMORY WRITE, BMODE = 1, SYNCHRONOUS MODE (one wait-state shown)



TL/F/11722-65

Number	Parameter	20 MHz		Units
		Min	Max	
T9	BSCCK to Address Valid		34	ns
T10	Address Hold Time from BSCCK	5		ns
T11a	BSCCK to \overline{AS} , \overline{DS} , \overline{ECS} Low		26	ns
T12a	BSCCK to \overline{AS} , \overline{ECS} High		34	ns
T13a	BSCCK to \overline{DS} High		36	ns
T14	\overline{AS} Strobe Low Width (Note 3)	bcyc - 7		ns
T15a	\overline{AS} Strobe High Width (Note 3)	bcyc - 15		ns
T18	Write Data Strobe Low Width (Notes 1, 3)	bcyc - 5		ns
T22	Address Valid to \overline{AS} (Note 3)	bch - 18		ns
T30	$\overline{DSACK0,1}$ Setup to BSCCK (Note 4)	8		ns
T31	$\overline{DSACK0,1}$ Hold from BSCCK	12		ns
T36	BSCCK to Memory Write Data Valid		70	ns
T37	BSCCK to \overline{MRW} (Write) Valid (Note 2)		30	ns
T39	Write Data Valid to Data Strobe Low (Note 3)	bcyc - 40		ns
T40	Memory Write Data Hold Time from BSCCK	10		ns

Note 1: \overline{DS} will only be asserted if the bus cycle has at least one wait state inserted.

Note 2: For successive read operations, \overline{MRW} remains low, and for successive write operations, \overline{MRW} remains high. During RBA and TBA transfers the \overline{MRW} signal will stay either high or low for the entire burst of the transfer. During RDA and TDA transfers, the \overline{MRW} signal will switch on the rising edge of a T1 (idle) state that is inserted between the read and the write operation.

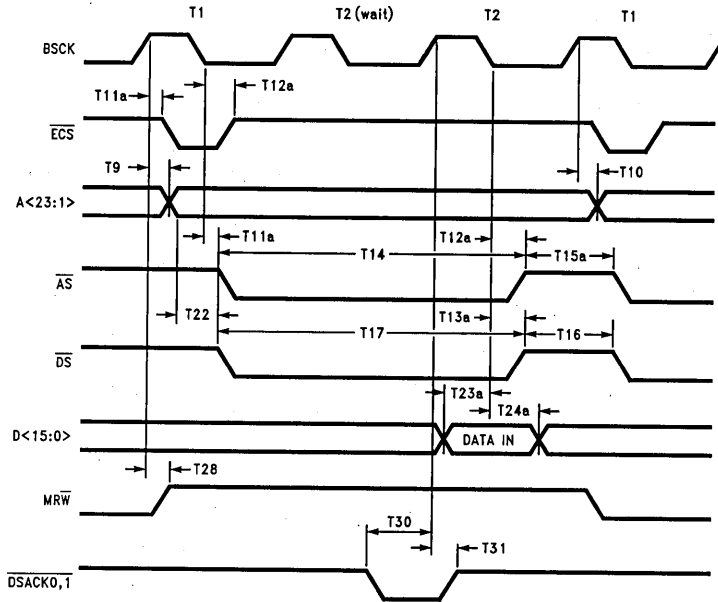
Note 3: bcyc = bus clock cycle time (T3). bch = bus clock high time (T2).

Note 4: $\overline{DSACK0,1}$ must be synchronized to the bus clock (BSCCK) during synchronous mode.



7.0 AC and DC Specifications (Continued)

MEMORY READ, BMODE = 1, SYNCHRONOUS MODE (one wait-state shown)



TL/F/11722-66

Number	Parameter	20 MHz		Units
		Min	Max	
T9	BSC to Address Valid		34	ns
T10	Address Hold Time from BSC	5		ns
T11a	BSC to \overline{AS} , \overline{DS} , \overline{ECS} Low		26	ns
T12a	BSC to \overline{AS} , \overline{ECS} High		34	ns
T13a	BSC to \overline{DS} High		36	ns
T14	\overline{AS} Strobe Low Width (Note 3)	b _{cyc} - 7		ns
T15a	\overline{AS} Strobe High Width (Note 3)	b _{cyc} - 15		ns
T16	Read Data Strobe High Width (Note 3)	b _{cyc} - 12		ns
T17	Read Data Strobe Low Width (Note 3)	b _{cyc} - 5		ns
T22	Address Valid to \overline{AS} (Note 3)	b _{ch} - 18		ns
T23a	Read Data Setup Time to BSC	5		ns
T24a	Read Data Hold Time from BSC	5		ns
T28	BSC to \overline{MRW} (Read) Valid (Note 1)		30	ns
T30	$\overline{DSACK0,T}$ Setup to BSC (Note 2)	8	ns	
T31	$\overline{DSACK0,T}$ Hold from BSC	12		ns

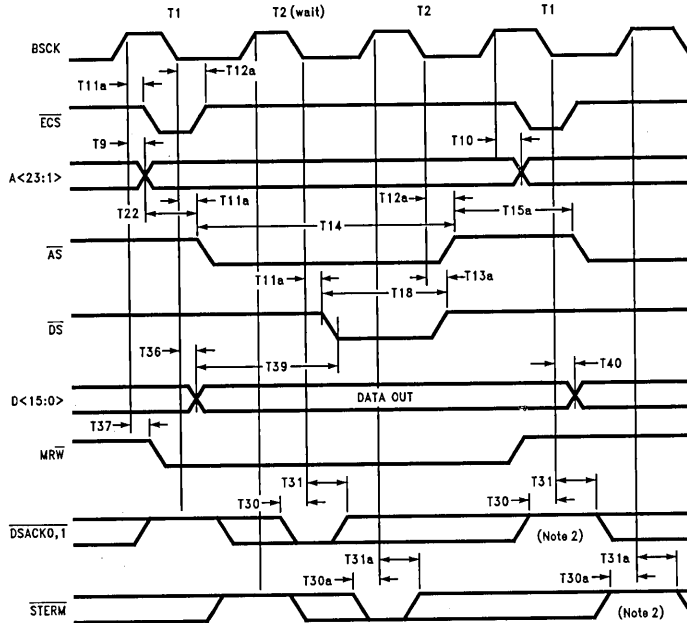
Note 1: For successive read operations, \overline{MRW} remains low, and for successive write operations, \overline{MRW} remains high. During RBA and TBA transfers the \overline{MRW} signal will stay either high or low for the entire burst of the transfer. During RDA and TDA transfers, the \overline{MRW} signal will switch on the rising edge of a T_i (idle) state that is inserted between the read and the write operation.

Note 2: $\overline{DSACK0,T}$ must be synchronized to the bus clock (BSC) during synchronous mode.

Note 3: b_{cyc} = bus clock cycle time (T3). b_{ch} = bus clock high time (T2)

7.0 AC and DC Specifications (Continued)

MEMORY WRITE, BMODE = 1, ASYNCHRONOUS MODE



TL/F/11722-67

Number	Parameter	20 MHz		Units
		Min	Max	
T9	BCLK to Address Valid		34	ns
T10	Address Hold Time from BCLK	5		ns
T11a	BCLK to \overline{AS} , \overline{DS} , \overline{ECS} Low		26	ns
T12a	BCLK to \overline{AS} , \overline{ECS} High		34	ns
T13a	BCLK to \overline{DS} High		36	ns
T14	\overline{AS} Strobe Low Width (Note 3)	bcyc - 7		ns
T15a	\overline{AS} Strobe High Width (Note 3)	bcyc - 15		ns
T18	Write Data Strobe Low Width (Notes 3, 4)	bcyc - 5		ns
T22	Address Valid to \overline{AS} (Note 3)	bch - 18		ns
T30	$\overline{DSACK0,1}$ Setup to BCLK (Note 2)	8		ns
T30a	\overline{STERM} Setup to BCLK (Note 2)	6		ns
T31	$\overline{DSACK0,1}$ Hold from BCLK	12		ns
T31a	\overline{STERM} Hold from BCLK	12		ns
T36	BCLK to Memory Write Data Valid		70	ns
T37	BCLK to \overline{MRW} (Write) Valid (Note 1)		30	ns
T39	Write Data Valid to Data Strobe Low (Note 3)	bcyc - 40		ns
T40	Memory Write Data Hold from BCLK	10		ns

Note 1: For successive read operations, \overline{MRW} remains low, and for successive write operations, \overline{MRW} remains high. During RBA and TBA transfers the \overline{MRW} signal will stay either high or low for the entire burst of the transfer. During RDA and TDA transfers, the \overline{MRW} signal will switch on the rising edge of a T1 (idle) state that is inserted between the read and the write operation.

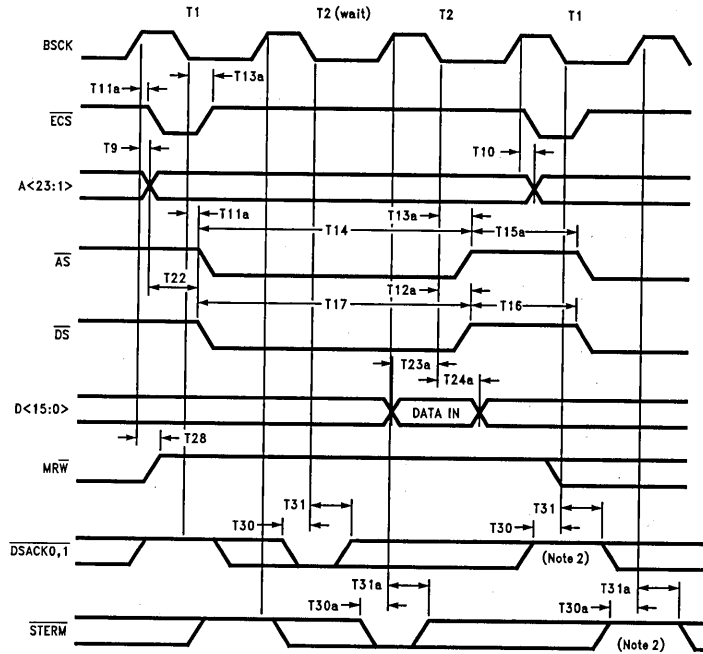
Note 2: Meeting the setup time for $\overline{DSACK0,1}$ or \overline{STERM} guarantees that the SONIC-16 will terminate the memory cycle $1\frac{1}{2}$ bus clocks after $\overline{DSACK0,1}$ are sampled, or 1 cycle after \overline{STERM} was sampled. T2 states will be repeated until $\overline{DSACK0,1}$ or \overline{STERM} are sampled properly in a low state. If the SONIC-16 samples $\overline{DSACK0,1}$ or \overline{STERM} low during the T1 or first T2 state respectively, the SONIC-16 will finish the current access in a total of two bus clocks instead of three (assuming that programmable wait states are set to 0). $\overline{DSACK0,1}$ are asynchronously sampled and \overline{STERM} is synchronously sampled.

Note 3: bcyc = bus clock cycle time (T3). bch = bus clock high time (T2).

Note 4: \overline{DS} will only be asserted if the bus cycle has at least one wait state inserted.

7.0 AC and DC Specifications (Continued)

MEMORY READ, BMODE = 1, ASYNCHRONOUS MODE



TL/F/11722-68

Number	Parameter	20 MHz		Units
		Min	Max	
T9	BSCK to Address Valid		34	ns
T10	Address Hold Time from BSCK	5		ns
T11a	BSCK to \overline{AS} , \overline{DS} , \overline{ECS} Low		26	ns
T12a	BSCK to \overline{AS} , \overline{ECS} High		34	ns
T13a	BSCK to \overline{DS} High		36	ns
T14	\overline{AS} Strobe Low Width (Note 3)	bcyc - 7		ns
T15a	\overline{AS} Strobe High Width (Note 3)	bcyc - 15		ns
T16	Read Data Strobe High Width (Note 3)	bcyc - 12		ns
T17	Read Data Strobe Low Width (Note 3)	bcyc - 5		ns
T22	Address Valid to \overline{AS} (Note 3)	bch - 18		ns
T23a	Read Data Setup Time to BSCK	10		ns
T24a	Read Data Hold Time from BSCK	5		ns
T28	BSCK to \overline{MRW} (Read) Valid (Note 1)		30	ns
T30	$\overline{DSACK0,1}$ Setup to BSCK (Note 2)	8		ns
T30a	\overline{STERM} Setup to BSCK (Note 2)	6		ns
T31	$\overline{DSACK0,1}$ Hold from BSCK	12		ns
T31a	\overline{STERM} Hold from BSCK	12		ns

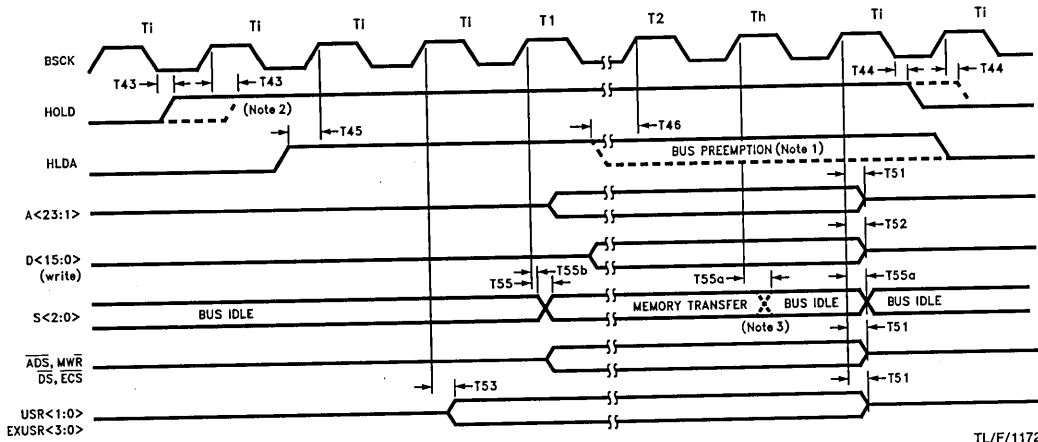
Note 1: For successive write operations, \overline{MRW} remains low.

Note 2: Meeting the setup time for $\overline{DSACK0,1}$ or \overline{STERM} guarantees that the SONIC-16 will terminate the memory cycle $1\frac{1}{2}$ bus clocks after $\overline{DSACK0,1}$ were sampled, or 1 cycle after \overline{STERM} was sampled. T2 states will be repeated until $\overline{DSACK0,1}$ or \overline{STERM} are sampled properly in a low state. If the SONIC-16 samples $\overline{DSACK0,1}$ or \overline{STERM} low during the T1 or first T2 state respectively, the SONIC-16 will finish the current access in a total of two bus clocks instead of three (assuming that programmable wait states are set to 0). $\overline{DSACK0,1}$ are asynchronously sampled and \overline{STERM} is synchronously sampled.

Note 3: bcyc = bus clock cycle time (T3). bch = bus clock high time (T2).

7.0 AC and DC Specifications (Continued)

BUS REQUEST TIMING, BMODE = 0



TL/F/11722-69

Number	Parameter	20 MHz		Units
		Min	Max	
T43	BSCK to HOLD High (Note 2)		25	ns
T44	BSCK to HOLD Low (Note 2)		22	ns
T45	HLDA Asynchronous Setup Time to BSCK	5		ns
T46	HLDA Deassert Setup Time (Note 1)	5		ns
T51	BSCK to Address, \overline{ADS} , \overline{MWR} , \overline{DS} , \overline{ECS} , $USR<1:0>$ and $EXUSR<3:0>$ TRI-STATE (Note 4)		52	ns
T52	BSCK to Data TRI-STATE (Note 4)		68	ns
T53	BSCK to $USR<1:0>$ Valid		50	ns
T55	BSCK to Bus Status Idle to Non-Idle		40	ns
T55a	BSCK to Bus Status Non-Idle to Idle (Note 3)		40	ns
T55b	$S<2:0>$ Hold from BSCK	10		ns

Note 1: A block transfer by the SONIC-16 can be pre-empted from the bus by deasserting HLDA provided HLDA is asserted T46 before the rising edge of the last T2 in the current access.

Note 2: The assertion edge for HOLD is dependent upon the PH bit in the DCR2. The default situation is shown with a solid line in the timing diagram. T43 and T44 apply for both modes. Also, if HLDA is asserted when the SONIC-16 wants to acquire the bus, HOLD will not be asserted until HLDA has been deasserted first.

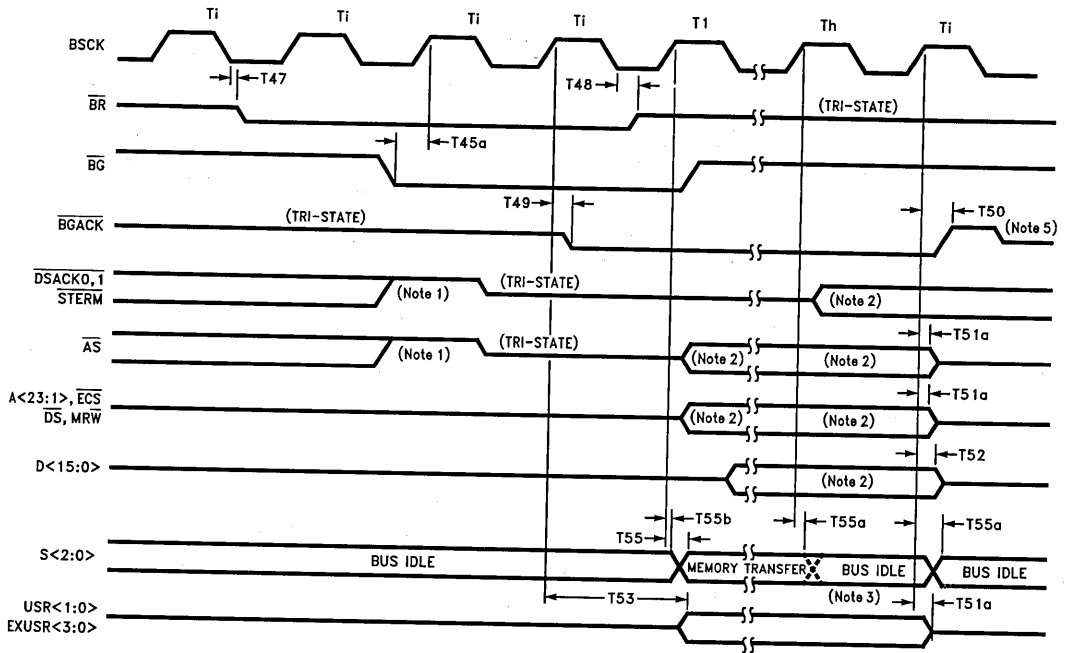
Note 3: $S<2:0>$ will indicate IDLE at the end of T2 if the last operation is a read operation, or at the end of Th if the last operation is a write operation.

Note 4: This timing value includes an RC delay inherent in the test measurement. These signals typically TRI-STATE 7 ns earlier, enabling other devices to drive these lines without contention.

Note 5: For specific timings on these signals (driven by the SONIC-16), see the memory read and memory write timing diagrams on previous pages.

7.0 AC and DC Specifications (Continued)

BUS REQUEST TIMING, BMODE = 1



TL/F/11722-70

Number	Parameter	20 MHz		Units
		Min	Max	
T45a	\overline{BG} Asynchronous Setup Time to BSCCK	8		ns
T47	BSCCK Low to \overline{BR} Low		25	ns
T48	BSCCK Low to \overline{BR} TRI-STATE (Note 4)		30	ns
T49	BSCCK High to \overline{BGACK} Low (Note 1)		30	ns
T50	BSCCK High to \overline{BGACK} High (Note 5)		30	ns
T51a	BSCCK to Address, \overline{AS} , \overline{MRW} , \overline{DS} , \overline{ECS} , $USR<1:0>$ and $EXUSR<3:0>$ TRI-STATE (Note 4)		52	ns
T52	BSCCK to Data TRI-STATE (Note 4)		68	ns
T53	BSCCK to $USR<1:0>$ Valid		50	ns
T55	BSCCK to Bus Status Idle to Non-Idle		40	ns
T55a	BSCCK to Bus Status Non-Idle to Idle (Note 3)		40	ns
T55b	$S<2:0>$ Hold from BSCCK	10		ns

Note 1: \overline{BGACK} is only issued if \overline{BG} is low and \overline{AS} , $\overline{DSACK0,1}$, \overline{STERM} and \overline{BGACK} are deasserted.

Note 2: For specific timing on these signals driven by the SONIC-16, see the memory read and memory write timing diagrams on previous pages.

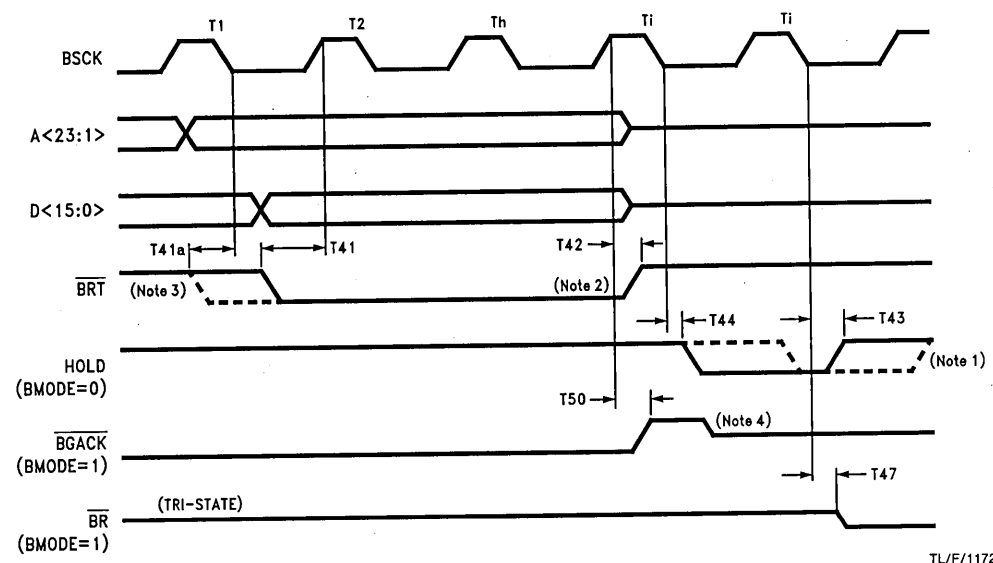
Note 3: $S<2:0>$ will indicate IDLE at the end of T2 if the last operation is a read operation or at the end of Th if the last operation is a write operation.

Note 4: This timing value includes an RC delay inherent in our test measurement. These signals typically TRI-STATE 7 ns earlier, enabling other devices to drive these lines without contention.

Note 5: \overline{BGACK} is driven high for approximately $\frac{1}{2}$ BSCCK before going TRI-STATE.

7.0 AC and DC Specifications (Continued)

BUS RETRY



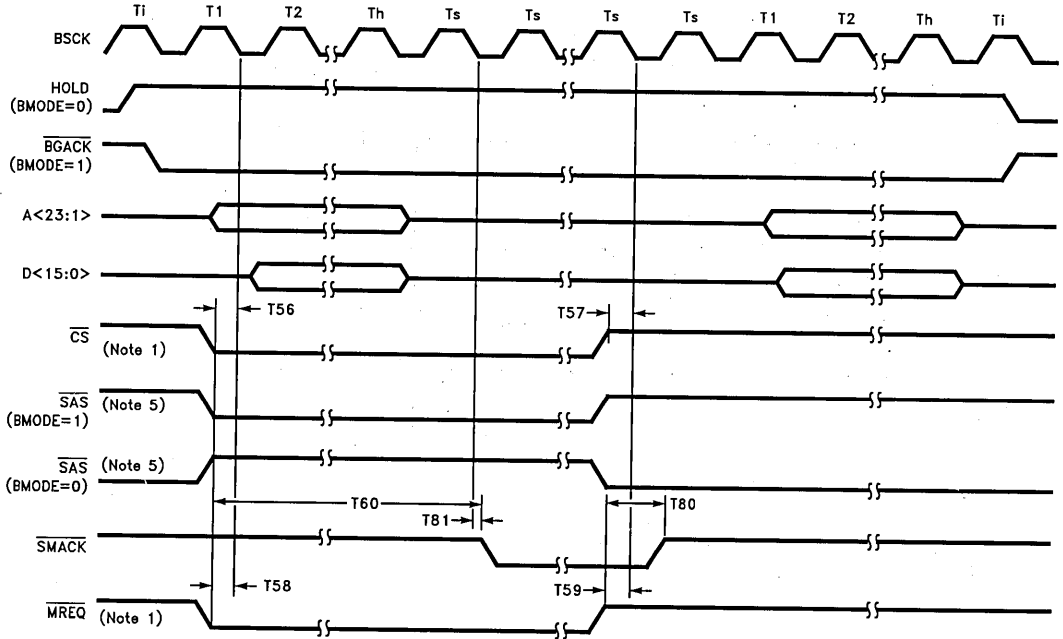
TL/F/11722-71

Number	Parameter	20 MHz		Units
		Min	Max	
T41	Bus Retry Synchronous Setup Time to BSKC (Note 3)	5		ns
T41a	Bus Retry Asynchronous Setup Time to BSKC (Note 3)	5		ns
T42	Bus Retry Hold Time from BSKC (Note 2)	7		ns
T43	BSKC to HOLD High (Note 1)		25	ns
T44	BSKC to HOLD Low (Note 1)		22	ns
T47	BSKC to \overline{BR} Low		25	ns
T50	BSKC to \overline{BGACK} High (Note 4)		30	ns

- Note 1:** Depending upon the mode, the SONIC-16 will assert and deassert HOLD from the rising or falling edge of BSKC.
- Note 2:** Unless Latched Bus Retry mode is set (LBR in the Data Configuration Register, Section 4.3.2), \overline{BRT} must remain asserted until after the T_h state. If Latched Bus Retry mode is used, \overline{BRT} does not need to satisfy T42.
- Note 3:** T41 is for synchronous bus retry and T41a is for asynchronous bus retry (see Section 4.3.2, bit 15, Extended Bus Mode). Since T41a is an asynchronous setup time, it is not necessary to meet it, but doing so will guarantee that the bus exception occurs in the current memory transfer, not the next.
- Note 4:** \overline{BGACK} is driven high for approximately $\frac{1}{2}$ BSKC before going TRI-STATE.

7.0 AC and DC Specifications (Continued)

MEMORY ARBITRATION/SLAVE ACCESS



TL/F/11722-72

Number	Parameter	20 MHz		Units
		Min	Max	
T56	\overline{CS} Low Asynch. Setup to BSKC (Note 2)	12		ns
T57	\overline{CS} High Asynch. Setup to BSKC	8		ns
T58	\overline{MREQ} Low Asynch. Setup to BSKC (Note 2)	12		ns
T59	\overline{MREQ} High Asynch. Setup to BSKC	12		ns
T60	\overline{MREQ} or \overline{CS} to \overline{SMACK} Low (Notes 3, 4)		1.5 5.5	bcycc
T80	\overline{MREQ} to \overline{SMACK} High		30	ns
T81	BSKC to \overline{SMACK} Low		25	ns

Note 1: Both \overline{CS} and \overline{MREQ} must not be asserted concurrently. If these signals are successively asserted, there must be at least two bus clocks between the deasserting and asserting edges of these signals.

Note 2: It is not necessary to meet the setup times for \overline{MREQ} or \overline{CS} since these signals are asynchronously sampled. Meeting the setup time for these signals, however, makes it possible to use T60 to determine exactly when \overline{SMACK} will be asserted.

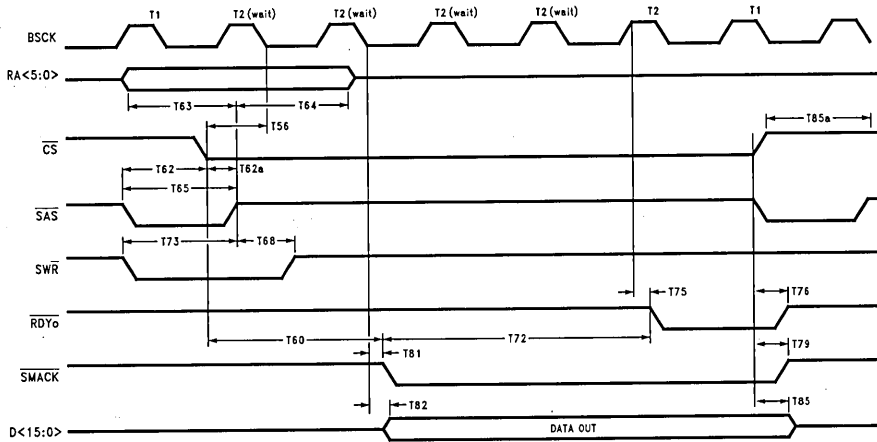
Note 3: The smaller value for T60 refers to when the SONIC-16 is accessed during an Idle condition and the other value refers to when the SONIC-16 is accessed during non-Idle conditions. These values are not tested, but are guaranteed by design. This specification assumes that \overline{CS} or \overline{MREQ} is asserted $\frac{1}{2}$ bus clock before the falling edge that these signals are asynchronously clocked in on (see T56 and T58). If T56 is met for \overline{CS} or T58 is met for \overline{MREQ} , then \overline{SMACK} will be asserted exactly 1 bus clock, when the SONIC-16 was idle, or 5 bus clocks, when the SONIC-16 was in master mode, after the edge that T56 and T58 refer to. (This is assuming that there were no wait states in the current master mode access. Wait states will increase the time for \overline{SMACK} to go low by the number of wait states in the cycle.) \overline{SAS} must have been asserted for this timing to be correct. See \overline{SAS} and \overline{CS} timing in the Register Read and Register Write timing specifications.

Note 4: bcycc = bus clock cycle time (T3).

Note 5: The way in which \overline{SMACK} is asserted is due to \overline{CS} is not the same as the way in which \overline{SMACK} is asserted due to \overline{MREQ} . \overline{SMACK} goes low as a direct result of the assertion of \overline{MREQ} , whereas, for \overline{CS} , \overline{SAS} must also be driven low (BMODE = 1) or high (BMODE = 0) before \overline{SMACK} will be asserted. This means that when \overline{SMACK} is asserted due to \overline{MREQ} , \overline{SMACK} will remain asserted until \overline{MREQ} is deasserted. Multiple memory accesses can be made to the shared memory without \overline{SMACK} ever going high. When \overline{SMACK} is asserted due to \overline{CS} , however, \overline{SMACK} will only remain low as long as \overline{SAS} is also low (BMODE = 1) or high (BMODE = 0). \overline{SMACK} will not remain low throughout multiple register accesses to the SONIC-16 because \overline{SAS} must toggle for each register access. This is an important difference to consider when designing shared memory designs.

7.0 AC and DC Specifications (Continued)

REGISTER READ, BMODE = 0 (Note 1)



TL/F/11722-73

Number	Parameter	20 MHz		Units
		Min	Max	
T56	\overline{CS} Asynch. Setup to BSCCK (Note 4)	12		ns
T60	\overline{MREQ} or \overline{CS} to \overline{SMACK} Low (Notes 3, 5, 8)		1.5 5.5	bcyc
T62	\overline{SAS} Assertion before \overline{CS} (Note 6)	0		ns
T62a	\overline{SAS} Deassertion after \overline{CS} (Notes 3, 6)		1	bcyc
T63	Register Address Setup to \overline{SAS}	10		ns
T64	Register Address Hold Time from \overline{SAS}	10		ns
T65	\overline{SAS} Pulse Width (Note 3)	bcyc - 10		ns
T68	\overline{SWR} (Read) Hold from \overline{SAS}	8		ns
T72	\overline{SMACK} to $\overline{RDY0}$ Low (Notes 3, 8)		2.5	bcyc
T73	\overline{SWR} (Read) Setup to \overline{SAS}	0		ns
T75	BSCCK to $\overline{RDY0}$ Low		35	ns
T76	\overline{SAS} or \overline{CS} to $\overline{RDY0}$ High (Note 2)		30	ns
T79	\overline{SAS} or \overline{CS} to \overline{SMACK} High (Note 2)		30	ns
T81	BSCCK to \overline{SMACK} Low		25	ns
T82	BSCCK to Register Data Valid		83	ns
T85	\overline{SAS} or \overline{CS} to Data TRI-STATE (Notes 2, 7)		60	ns
T85a	Min. \overline{CS} Deassert Time (Note 3)	1		bcyc

Note 1: This figure shows a slave access to the SONIC-16 when the SONIC-16 is idle, or rather not in master mode. If the SONIC-16 is a bus master, there will be some differences as noted in the Memory Arbitration/Slave Access diagram. The BSCCK states (T1, T2, etc.) are the equivalent processor states during a slave access.

Note 2: If \overline{CS} is deasserted before the falling edge of \overline{SAS} , T76, T79 and T85 are referenced from the rising edge of \overline{CS} .

Note 3: bcyc = bus clock cycle time (T3).

Note 4: It is not necessary to meet the setup time for \overline{CS} since this signal is asynchronously sampled. Meeting the setup time for this signal, however, makes it possible to use T60 to determine exactly when \overline{SMACK} will be asserted.

Note 5: The smaller value for T60 refers to when the SONIC-16 is accessed during an Idle condition and the other value refers to when the SONIC-16 is accessed during non-idle conditions. These values are not tested, but are guaranteed by design. This specification assumes that \overline{CS} is asserted 1/2 bus clock before the falling edge that \overline{CS} is asynchronously clocked in on (see T56). If T56 is not for \overline{CS} , then \overline{SMACK} will be asserted exactly 1 bus clock, when the SONIC-16 was idle, or 5 bus clocks, when the SONIC-16 was in master mode, after the edge that T56 refers to. (This is assuming that there were no wait states in the current master mode access. Wait states will increase the time for \overline{SMACK} to go low by the number of wait states in the cycle.)

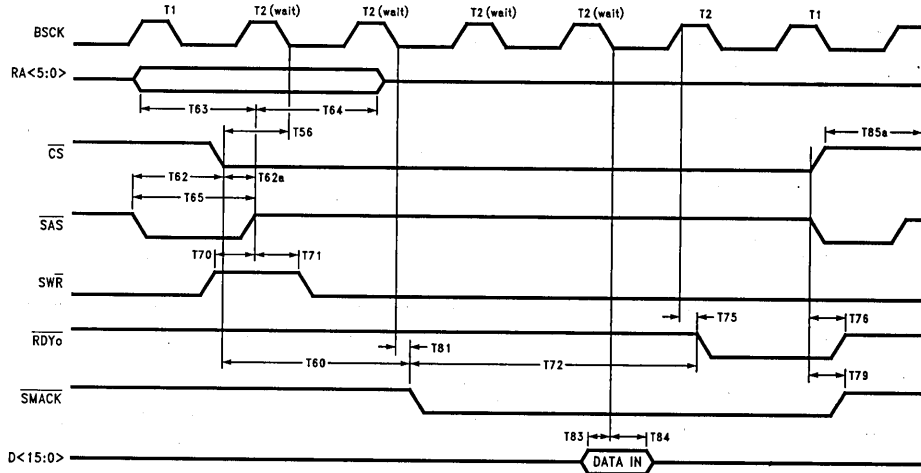
Note 6: \overline{SAS} may be asserted low anytime before or simultaneous to the falling edge of \overline{CS} . It is suggested that \overline{SAS} be driven high no later than \overline{CS} . If necessary, however, \overline{SAS} may be driven up to 1 BSCCK after \overline{CS} .

Note 7: This timing value includes an RC delay inherent in the test measurement. These signals typically TRI-STATE 7 ns earlier, enabling other devices to drive these lines without contention.

Note 8: These values are not tested, but are guaranteed by design. They are provided as a design guideline only.

7.0 AC and DC Specifications (Continued)

REGISTER WRITE, BMODE = 0 (Note 1)



TLJ/F/11722-74

Number	Parameter	20 MHz		Units
		Min	Max	
T56	\overline{CS} Asynch. Setup to BSCCK (Note 4)	12		ns
T60	\overline{MREQ} or \overline{CS} to \overline{SMACK} Low (Notes 3, 5, 7)		1.5 5.5	bcyc
T62	\overline{SAS} Assertion before \overline{CS} (Note 6)	0		ns
T62a	\overline{SAS} Deassertion after \overline{CS} (Notes 3, 6)		1	bcyc
T63	Register Address Setup to \overline{SAS}	10		ns
T64	Register Address Hold Time from \overline{SAS}	10		ns
T65	\overline{SAS} Pulse Width (Note 3)	bcyc - 10		ns
T70	\overline{SWR} (Write) Setup to \overline{SAS}	0		ns
T71	\overline{SWR} (Write) Hold from \overline{SAS}	7		ns
T72	\overline{SMACK} to $\overline{RDY0}$ Low (Notes 3, 7)		2.5	bcyc
T75	BSCCK to $\overline{RDY0}$ Low		35	ns
T76	\overline{SAS} or \overline{CS} to $\overline{RDY0}$ High (Note 2)		30	ns
T79	\overline{SAS} or \overline{CS} to \overline{SMACK} High (Note 2)		30	ns
T81	BSCCK to \overline{SMACK} Low		25	ns
T83	Register Write Data Setup to BSCCK	45		ns
T84	Register Write Data Hold from BSCCK	20		ns
T85a	Min. \overline{CS} Deassert Time (Note 3)	1		bcyc

Note 1: This figure shows a slave access to the SONIC-16 when the SONIC-16 is idle, or rather not in master mode. If the SONIC-16 is a bus master, there will be some differences as noted in the Memory Arbitration/Slave Access diagram. The BSCCK states (T1, T2, etc.) are the equivalent processor states during a slave access.

Note 2: If \overline{CS} is deasserted before the falling edge of \overline{SAS} , T76 and T79 are referenced from the rising edge of \overline{CS} .

Note 3: bcyc = bus clock cycle time (T3).

Note 4: It is not necessary to meet the setup time for \overline{CS} since this signal is asynchronously sampled. Meeting the setup time for this signal, however, makes it possible to use T60 to determine exactly when \overline{SMACK} will be asserted.

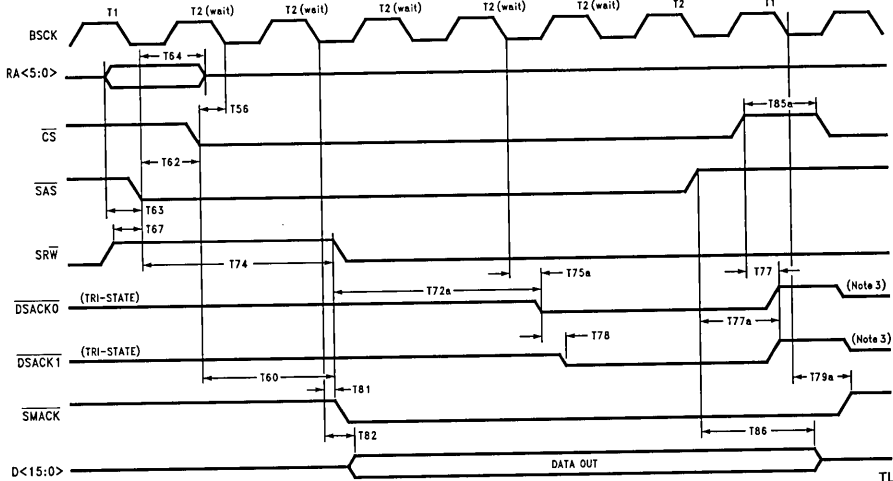
Note 5: The smaller value for T60 refers to when the SONIC-16 is accessed during an Idle condition and the other value refers to when the SONIC-16 is accessed during non-idle conditions. These values are not tested, but are guaranteed by design. This specification assumes that \overline{CS} is asserted $\frac{1}{2}$ bus clock before the falling edge that \overline{CS} is asynchronously clocked in on (see T56). If T56 is met for \overline{CS} , then \overline{SMACK} will be asserted exactly 1 bus clock, when the SONIC-16 was idle, or 5 bus clocks, when the SONIC-16 was in master mode, after the edge that T56 refers to. (This is assuming that there were no wait states in the current master mode access. Wait states will increase the time for \overline{SMACK} to go low by the number of wait states in the cycle.)

Note 6: \overline{SAS} may be asserted low anytime before or simultaneous to the falling edge of \overline{CS} . It is suggested that \overline{SAS} be driven high no later than \overline{CS} . If necessary, however, \overline{SAS} may be driven up to 1 BSCCK after \overline{CS} .

Note 7: These values are not tested, but are guaranteed by design. They are provided as a design guideline only.

7.0 AC and DC Specifications (Continued)

REGISTER READ, BMODE = 1 (Note 1)



TL/F/11722-75

Number	Parameter	20 MHz		Units
		Min	Max	
T56	\overline{CS} Asynch. Setup to BSCCK (Note 5)	12		ns
T60	\overline{MREQ} or \overline{CS} to \overline{SMACK} Low (Notes 4, 6, 9)		1.5 5.5	bcyc
T62	\overline{SAS} Assertion before \overline{CS} (Note 7)	0		ns
T63	Register Address Setup to \overline{SAS}	10		ns
T64	Register Address Hold from \overline{SAS}	10		ns
T67	\overline{SRW} (Read) Setup to \overline{SAS}	0		ns
T72a	\overline{SMACK} to $\overline{DSACK0,1}$ Low (Notes 4, 9)		2	bcyc
T74	\overline{SRW} (Read) Hold from \overline{SAS}	50		ns
T75a	BSCCK to $\overline{DSACK0,1}$ Low		35	ns
T77	\overline{CS} to $\overline{DSACK0,1}$ High (Notes 2, 3)		25	ns
T77a	\overline{SAS} to $\overline{DSACK0,1}$ High (Notes 2, 3)		35	ns
T78	Skew between $\overline{DSACK0,1}$		10	ns
T79a	BSCCK to \overline{SMACK} High		30	ns
T81	BSCCK to \overline{SMACK} Low		25	ns
T82	BSCCK to Register Data Valid		83	ns
T85a	Min. \overline{CS} Deassert Time (Note 4)	1		bcyc
T86	\overline{SAS} or \overline{CS} to Register Data TRI-STATE (Notes 2, 8)		60	ns

Note 1: This figure shows a slave access to the SONIC-16 when the SONIC-16 is idle, or rather not in master mode. If the SONIC-16 is a bus master, there will be some differences as noted in the Memory Arbitration/Slave Access diagram. The BSCCK states (T1, T2, etc.) are the equivalent processor states during a slave access.

Note 2: If \overline{CS} is deasserted before the rising edge of \overline{SAS} , T77 and T86 are referenced off the rising edge of \overline{CS} instead of \overline{SAS} .

Note 3: $\overline{DSACK0,1}$ are driven high for about $\frac{1}{2}$ bus clock before going TRI-STATE.

Note 4: bcyc = bus clock cycle time (T3).

Note 5: It is not necessary to meet the setup time for \overline{CS} since this signal is asynchronously sampled. Meeting the setup time for this signal, however, makes it possible to use T60 to determine exactly when \overline{SMACK} will be asserted.

Note 6: The smaller value for T60 refers to when the SONIC-16 is accessed during an Idle condition and the other value refers to when the SONIC-16 is accessed during non-idle conditions. These values are not tested, but are guaranteed by design. This specification assumes that \overline{CS} is asserted $\frac{1}{2}$ bus clock before the falling edge that \overline{CS} is asynchronously clocked in on (see T56). If T56 is met for \overline{CS} , then \overline{SMACK} will be asserted exactly 1 bus clock, when the SONIC-16 was idle, or 5 bus clocks, when the SONIC-16 was in master mode, after the edge that T56 refers to. (This is assuming that there were no wait states in the current master mode access. Wait states will increase the time for \overline{SMACK} to go low by the number of wait states in the cycle.)

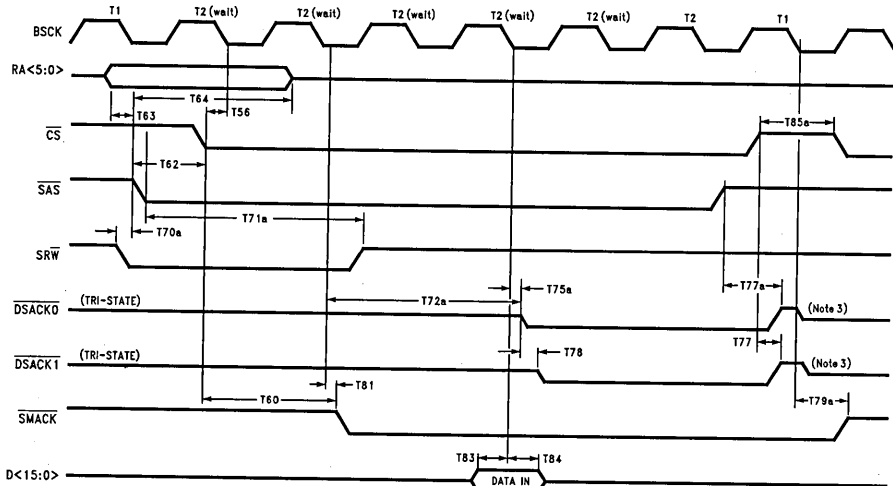
Note 7: \overline{SAS} may be asserted at anytime before or simultaneous to the falling edge of \overline{CS} .

Note 8: This timing value includes an RC delay inherent in the test measurement. These signals typically TRI-STATE 7 ns earlier, enabling other devices to drive these lines without contention.

Note 9: These values are not tested, but are guaranteed by design. They are provided as in design guideline only.

7.0 AC and DC Specifications (Continued)

REGISTER WRITE, BMODE = 1 (Note 1)



TL/F/11722-76

Number	Parameter	20 MHz		Units
		Min	Max	
T56	\overline{CS} Asynch. Setup to BSCCK (Note 5)	12		ns
T60	\overline{MREQ} or \overline{CS} to \overline{SMACK} Low (Notes 4, 6, 8)		1.5 5.5	bcyc
T62	\overline{SAS} Assertion before \overline{CS} (Note 7)	0		ns
T63	Register Address Setup to \overline{SAS}	10		ns
T66	Register Address Hold from \overline{SAS}	10		ns
T70a	SRW (Write) Setup to \overline{SAS}	0		ns
T71a	SRW (Write) Hold from \overline{SAS}	10		ns
T72a	\overline{SMACK} to $\overline{DSACK0,1}$ Low (Notes 4, 8)		2	bcyc
T75b	BSCCK to $\overline{DSACK0,1}$ Low		44	ns
T77	\overline{CS} to $\overline{DSACK0,1}$ High (Notes 2, 3)		25	ns
T77a	\overline{SAS} to $\overline{DSACK0,1}$ High (Notes 2, 3)		35	ns
T78	Skew between $\overline{DSACK0,1}$		10	ns
T79a	BSCCK to \overline{SMACK} High		30	ns
T81	BSCCK to \overline{SMACK} Low		25	ns
T83	Register Write Data Setup to BSCCK	45		ns
T84	Register Write Data Hold from BSCCK	20		ns
T85a	Min. \overline{CS} Deassert Time (Note 4)	1		bcyc

Note 1: This figure shows a slave access to the SONIC-16 when the SONIC-16 is idle, or rather not in master mode. If the SONIC-16 is a bus master, there will be some differences as noted in the Memory Arbitration/Slave Access diagram. The BSCCK states (T1, T2, etc.) are the equivalent processor states during a slave access.

Note 2: If \overline{CS} is deasserted before the rising edge of \overline{SAS} , then T77 is referenced off the rising edge of \overline{CS} instead of \overline{SAS} .

Note 3: $\overline{DSACK0,1}$ are driven high for about $\frac{1}{2}$ bus clock before going TRI-STATE.

Note 4: bcyc = bus clock cycle time (T3).

Note 5: It is not necessary to meet the setup time for \overline{CS} since this signal is asynchronously sampled. Meeting the setup time for this signal, however, makes it possible to use T60 to determine exactly when \overline{SMACK} will be asserted.

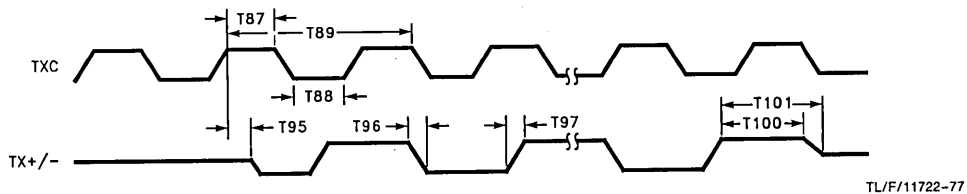
Note 6: The smaller value for T60 refers to when the SONIC-16 is accessed during an Idle condition and the other value refers to when the SONIC-16 is accessed during non-idle conditions. These values are not tested, but are guaranteed by design. This specification assumes that \overline{CS} is asserted $\frac{1}{2}$ bus clock before the falling edge that \overline{CS} is asynchronously clocked in on (see T56). If T56 is met for \overline{CS} , then \overline{SMACK} will be asserted exactly 1 bus clock, when the SONIC-16 was idle, or 5 bus clocks, when the SONIC-16 was in master mode, after the edge that T56 refers to. (This is assuming that there were no wait states in the current master mode access. Wait states will increase the time for \overline{SMACK} to go low by the number of wait states in the cycle.)

Note 7: \overline{SAS} may be asserted low anytime before or simultaneous to the falling edge of \overline{CS} .

Note 8: These values are not tested, but are guaranteed by design. They are provided as a design guideline only.

7.0 AC and DC Specifications (Continued)

ENDEC TRANSMIT TIMING (INTERNAL ENDEC MODE)



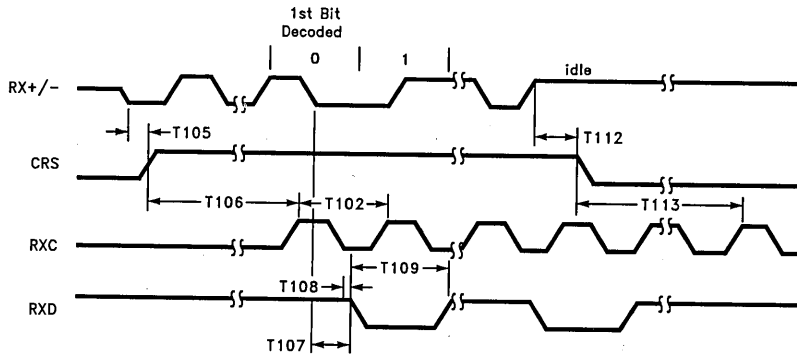
TL/F/11722-77

Number	Parameter	Min	Max	Units
T87	Transmit Clock High Time (Note 1)	40		ns
T88	Transmit Clock Low Time (Note 1)	40		ns
T89	Transmit Clock Cycle Time (Note 1)	99.99	100.01	ns
T95	Transmit Output Delay (Note 1)		55	ns
T96	Transmit Output Fall Time (80% to 20%, Note 1)		7	ns
T97	Transmit Output Rise Time (20% to 80%, Note 1)		7	ns
T98	Transmit Output Jitter (Not Shown)	0.5 Typ		ns
T100	Transmit Output High before Idle (Half Step)	200		ns
T101	Transmit Output Idle Time (Half Step)		8000	ns

Note 1: This specification is provided for information only and is not tested.

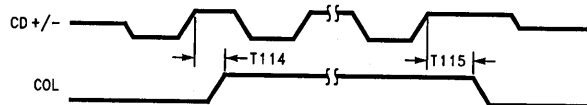
7.0 AC and DC Specifications (Continued)

ENDEC RECEIVE TIMING (INTERNAL ENDEC MODE)



TL/F/11722-78

ENDEC COLLISION TIMING



TL/F/11722-79

Number	Parameter	Min	Max	Units
T102	Receive Clock Duty Cycle Time (Note 1)	40	60	ns
T105	Carrier Sense on Time		70	ns
T106	Data Acquisition Time		700	ns
T107	Receive Data Output Delay		150	ns
T108	Receive Data Valid from RXC		10	ns
T109	Receive Data Stable Valid Time	90		ns
T112	Carrier Sense Off Delay (Note 2)		155	ns
T113	Minimum Number of RXCs after CRS Low	5		rcyc (Note 3)
T114	Collision Turn On Time		55	ns
T115	Collision Turn Off Time		250	ns

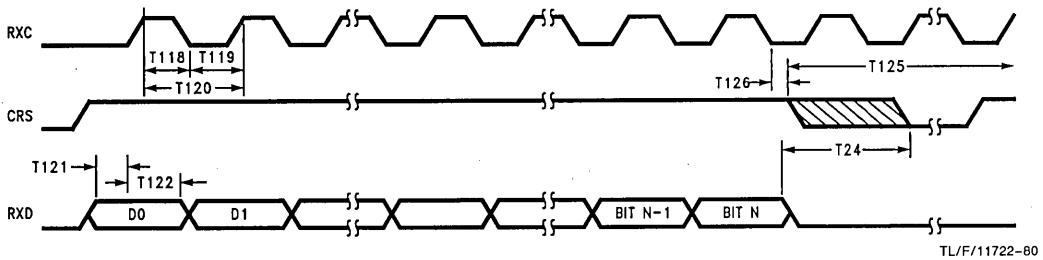
Note 1: This parameter is measured at the 50% point of each clock edge.

Note 2: When CRSi goes low, it remains low for a minimum of 2 receive clocks (RXC).

Note 3: rcyc = receive clocks.

7.0 AC and DC Specifications (Continued)

ENDEC-MAC SERIAL TIMING FOR RECEPTION (EXTERNAL ENDEC MODE)

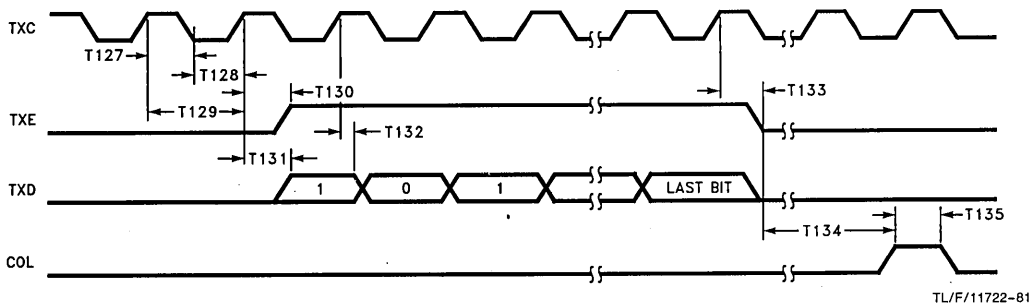


Number	Parameter	Min	Max	Units
T118	Receive Clock High Time	35		ns
T119	Receive Clock Low Time	35		ns
T120	Receive Clock Cycle Time	90	110	ns
T121	RXD Setup to RXC	20		ns
T122	RXD Hold from RXC	15		ns
T124	Maximum Allowed Dribble Bits		6	Bits
T125	Receive Recovery Time (Note 2)			
T126	RXC to Carrier Sense Low (Note 1)		1	rcyc

Note 1: tcyc = transmit clocks, rcyc = receive clocks, bcyc = T3.

Note 2: This parameter refers to longest time (not including wait-states) the SONIC-16 requires to perform its end of receive processing and be ready for the next start of frame delimiter. This time is 4 tcyc + 36 bcyc. This is guaranteed by design and is not tested.

ENDEC-MAC SERIAL TIMING FOR TRANSMIT (NO COLLISION)

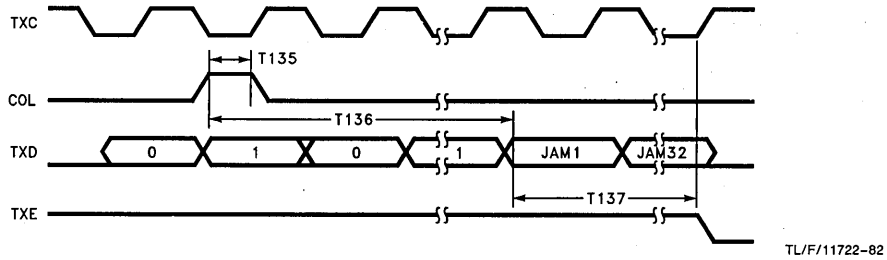


Number	Parameter	Min	Max	Units
T127	Transmit Clock High Time	40		ns
T128	Transmit Clock Low Time	40		ns
T129	Transmit Clock Cycle Time	90	110	ns
T130	TXC to TXE High		40	ns
T131	TXC to TXD Valid		15	ns
T132	TXD Hold Time from TXC	5		ns
T133	TXC to TXE Low		40	ns
T134	TXE Low to Start of CD Heartbeat (Note 1)		64	tcyc
T135	Collision Detect Width (Note 1)	2		tcyc

Note 1: tcyc = transmit clock.

7.0 AC and DC Specifications (Continued)

ENDEC-MAC SERIAL TIMING FOR TRANSMISSION (COLLISION)



Number	Parameter	Min	Max	Units
T135	Collision Detect Width (Note 1)	2		tcyc
T136	Delay from Collision		8	tcyc
T137	Jam Period		32	tcyc

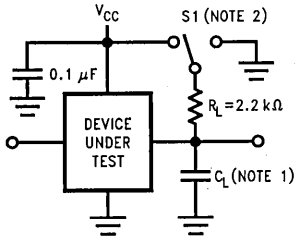
Note 1: tcyc = transmit clock.

8.0 AC Timing Test Conditions

All specifications are valid only if the mandatory isolation is employed and all differential signals are taken to be at the AUI side of the pulse transformer.

Input Pulse Levels (TTL/CMOS)	GND to 3.0V
Input Rise and Fall Times (TTL/CMOS)	5 ns
Input and Output Reference Levels (TTL/CMOS)	1.5V
Input Pulse Levels (Diff.)	-350 mV to -1315 mV
Input and Output Reference Levels (Diff.)	50% Point of the Differential
TRI-STATE Reference Levels	Float (ΔV) $\pm 0.5V$

OUTPUT LOAD (See Figure below)



TL/F/11722-83

Note 1: 50 pF, includes scope and jig capacitance.

Note 2: S1 = Open for timing tests for push pull outputs.

S1 = V_{CC} for V_{OL} test.

S1 = GND for V_{OH} test.

S1 = V_{CC} for High Impedance to active low and active low to High Impedance measurements.

S1 = GND for High Impedance to active high and active High to High Impedance measurements.

PIN CAPACITANCE

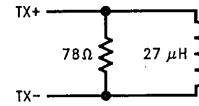
T_A = 25°C, f = 1 MHz

Symbol	Parameter	Typ	Units
C _{IN}	Input Capacitance	7	pF
C _{OUT}	Output Capacitance	7	pF

DERATING FACTOR

Output timing is measured with a purely capacitive load of 50 pF. The following correction factor can be used for other loads: C_L ≥ 50 pF + 0.05 ns/pF.

AUI Transmit Test Load



TL/F/11722-84

Note: In the above diagram, the TX+ and TX- signals are taken from the AUI side of the isolation (pulse transformer). The pulse transformer used for all testing is a selected 100 μH ±0.1% Pulse Engineering PE64103.

DP83932 SONIC™ Bus Operations Guide

National Semiconductor
Application Note 745
Wesley Lee



This application note is intended to be a supplementary document for the DP83932 SONIC datasheet, expanding upon the bus functional descriptions found in the datasheet. It is recommended that you are familiar with the bus operations of the SONIC before reading this document.

This application note gives additional examples of the SONIC's bus operations to illustrate a broader picture of receptions, transmissions, etc. Where possible, special conditions are included to show all conceivable bus operations performed by the SONIC. Detailed figures are shown to enhance clarity. This document is divided into two sections for bus master and slave operations. The bus master section details bus operations during transmission, receptions and load CAM operations, and the slave access section describes SONIC register accesses during idle and non-idle conditions.

TERMS AND ABBREVIATIONS

In this document certain terms and abbreviations will be used to describe the bus operations of the SONIC. These words are defined as follows:

Block Transfer: A multiple transfer bus operation in which the address increments for each transfer.

Word: Refers to a 16-bit quantity; a double word is a 32-bit quantity.

Memory Cycle: The basic cycle which the SONIC reads from or writes to memory.

Bus Tenure: The complete time the SONIC uses the bus during a block transfer.

Bus Latency: This is the time from when the SONIC requests the bus to when the SONIC is granted the bus.

CAM: Content Addressable Memory

TDA: Transmit Descriptor Area

TBA: Transmit Buffer Area

RRA: Receive Resource Area

RDA: Receive Descriptor Area

RBA: Receive Buffer Area

CDA: CAM Descriptor Area

1.0 BUS MASTER OPERATIONS

1.1 The Basic Block Transfer Cycle

The basic transfer cycle of the SONIC is composed of three basic operations: (1) acquiring the bus, (2) transferring data onto/from the bus, and (3) relinquishing the bus. Operations (1) and (3) are described in detail in Section 5.4 of the DP83932 datasheet or Section 7.3 of the DP83934 datasheet and will not be discussed here. Operation (2), however, will be more fully explained.

When the SONIC uses the bus, it transfers data to/from one specific area in memory (i.e., RBA, RDA, RRA, TDA, or TBA) as indicated by the bus status pins $S<2:0>$. If the SONIC needs to transfer the data to multiple areas in memory, it deasserts its bus request (HOLD or \overline{BGACK}), then requests the bus again (HOLD or $\overline{B\overline{R}}$). During its tenure on the bus, the SONIC transfers a programmed number of words to memory, depending on where data is placed. The number of transfers to the descriptor areas (TDA, RDA, RRA, and CDA), are shown in the following table. Note that since the upper word ($D<31:16>$) is not used in 32-bit mode, the number of transfers are the same for both 16-bit and 32-bit modes.

TABLE 1-1. Number of Memory Transfers to the Descriptor Areas

Area	Number	R/W	When
CDA	4	R	All bus tenures except the last one
	5	R	Last bus tenure. The additional access is to load the CAM Enable register.
TDA	6	R	First descriptor fetch
	3	R	Additional fragment pointer and size fetches, if any
	2	R/W	Status and link access
RDA	7	R/W	Updating receive descriptor information
	6	R/W	Updating receive descriptor information but SONIC has read EOL = 1
	2	R/W	Re-reading RXpkt.link and writing to RXpkt.in_use when EOL has previously been detected as 1. The SONIC writes to the in_use field when EOL now reads 0.
	1	R	Re-reading the RXpkt.link as above but the SONIC still reads EOL = 1.
RRA	4	R	All bus tenures

For buffer area transfers (TBA and RBA), the number of memory transfers is determined by the FIFO threshold and whether the SONIC is in "empty/fill" or "exact block" transfer modes, programmed in the Data Configuration register. For "exact block" transfer mode, the SONIC transfers the same number of words (or double words) as are programmed for the FIFO threshold. For example, if you programmed 4 double words as the threshold for the receive FIFO, the SONIC will transfer this amount of data to memory per bus tenure. There are two exceptions to this rule, however. First, during transmission or reception, if the packet is not a multiple of the FIFO threshold, the last bus tenure will contain less transfers than the FIFO threshold. Second, for high transmit FIFO thresholds (12 words or 14 words), the SONIC will fill the transmit FIFO only as much as needed to completely fill it (and not overflow it). Thus, if you choose a 12 word transmit FIFO threshold, the first bus tenure will transfer 12 words, but the second tenure will only transfer 4 words (12 words + 4 words = 32 bytes). This last example assumes that the bus latencies are zero.

For "empty/fill" mode, the number of transfers is also dependent on the bus latency. When the FIFO threshold has been reached, the SONIC will either completely empty the FIFO during reception or completely fill the FIFO during transmission. At the time of the bus request, the FIFO threshold equals the number of words in the FIFO, but due to bus latencies, additional bytes may have entered the FIFO (during reception). Thus, the number of words transferred during a bus tenure in this mode is the FIFO threshold plus the additional bytes that have entered the FIFO during reception or minus the bytes that have been serialized during transmission.

1.2 Packet Reception

This section gives a step-by-step description of the SONIC receiving a 68-byte packet. The initial conditions are shown below.

Initial conditions:

- (a) The incoming packet is one that the SONIC will accept.
- (b) The SONIC has detected that EOL = 1 from the previous reception, but the software has subsequently appended another receive descriptor before receiving this packet.
- (c) The packet begins on a double word boundary.
- (d) The Data Configuration register has been configured for:
 - 32-bit data width mode (DB5 = DW = 1)
 - 4 double word Receive FIFO threshold (DB3,2 = RF1,0 = 1,0)
 - Exact Block Transfer mode (DB4 = BMS = 1)

- (e) The packet has crossed over the End of Buffer Count (EOBC) register during this reception; hence the SONIC will need to use another Receive Buffer Area (RBA).

The reception is described as follows.

Note: The numbers in this section correspond to the numbers in *Figure 1-1*.

(1) Because of condition (a), the SONIC reads the RXpkt.link again to see if the software has subsequently reset the EOL bit to zero. Since it has (condition [b]), the SONIC writes to the RXpkt.in_use field and buffers the packet to the RBA. Note that this step is skipped if the SONIC has sufficient descriptors.

(2) Once the receive FIFO has reached its threshold (4 double words), the SONIC will write 4 double words during its bus tenure. For a 68-byte packet, the SONIC will perform this operation 4 times.

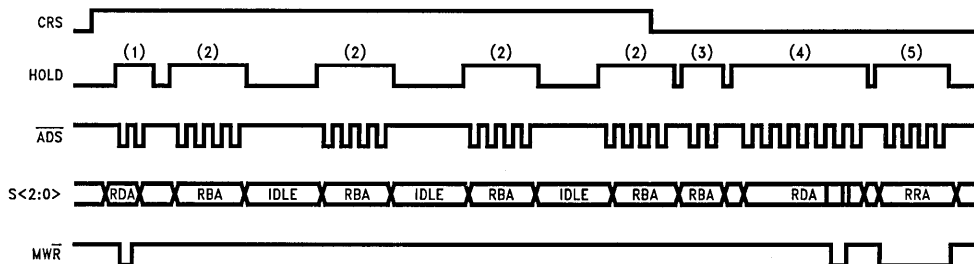
(3) During the last RBA bus tenure, the packet has ended (CRS goes low). The SONIC requests the bus once again (in 3 bus clocks) and flushes the remaining bytes in the FIFO (8 bytes). The first 4 bytes are the remainder of the packet and the last 4 bytes are the receive status that is automatically written into the FIFO by the SONIC. These last 4 bytes are extraneous to the RBA and are overwritten during the next reception. The usable receive status is written to the Receive Descriptor Area.

Note 1: If the packet size is not a multiple of the memory transfer size (16 bits or 32 bits), the SONIC will pad the last memory transfer with 1's as necessary.

Note 2: If any of the last 4 bytes exceeds the length of the Receive Buffer Area, these bytes will not be written to memory.

(4) The SONIC writes the status information in the Receive Descriptor Area. The SONIC performs 7 consecutive memory transfers during its bus tenure (5 writes to the RXpkt.status, RXpkt.byte_count, RXpkt.pkt_ptr0, RXpkt.pkt_ptr1, and RXpkt.seq_no. fields, 1 read to the RXpkt.link field, and 1 write to the RXpkt.in_use field). See *Figure 1-3* and Section 1.2.2 for further details.

(5) Because of condition (e), the SONIC requests the bus again (in 3 bus clocks) and fetches a resource descriptor from the Receive Resource Area. The SONIC reads this area in 4 consecutive memory read operations.



TL/F/11139-1

FIGURE 1-1. Complete Reception of a 68-Byte Packet

1.2.1 Detail of Access to the RBA

Figure 1-2a and 1-2b show the first SONIC access to the RBA for BMODE = 0 and 1. Note that the status pins S<2:0> change from 0,1,0 to 0,1,1 as the SONIC finishes writing the Source Address of the packet and continues buffering the rest of the packet.

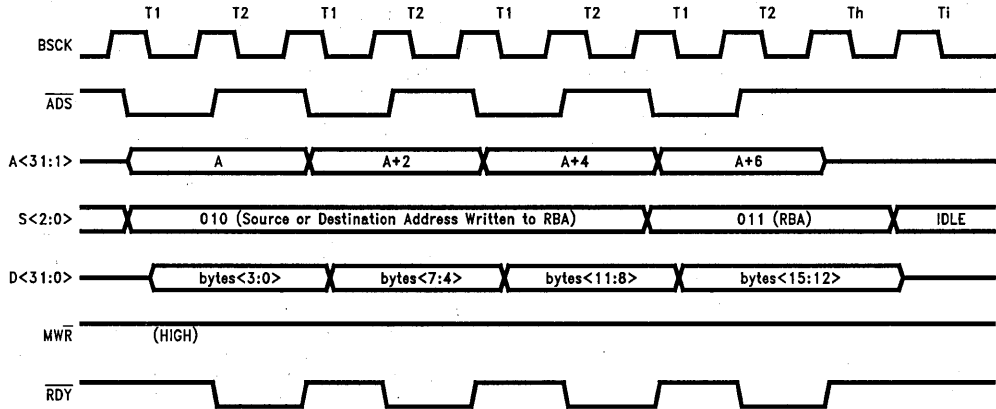


FIGURE 1-2a. First RBA Access for Storing Packet (BMODE = 0, Synchronous Mode)

TL/F/11139-2

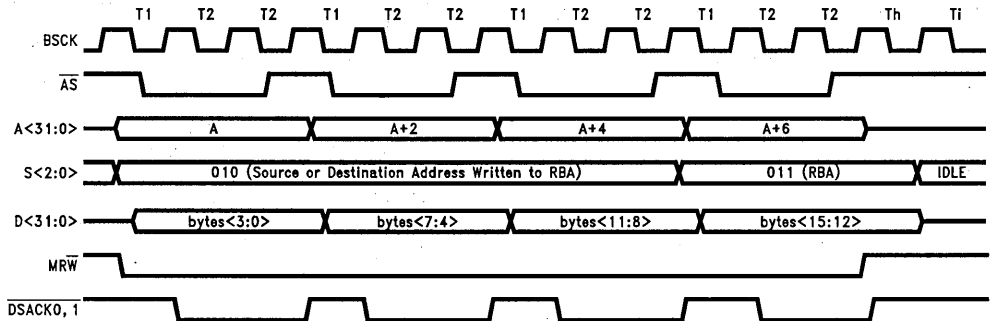


FIGURE 1-2b. First RBA Access for Storing Packet (BMODE = 1, Asynchronous Mode)

TL/F/11139-3

1.2.2 Detail of Access to the RDA

Figure 1-3a and 1-3b shows the SONIC accessing the RDA for both BMODE = 0 and 1. Note that this block transfer contains both read and write accesses. Also note that the status pins S<2:0> briefly change from RDA (1,0,0) to Idle (1,1,1) between the read and write operations. This occurs between the RXpkt.seq_no and RXpkt.link accesses, and between the RXpkt.link and RXpkt.in_use accesses and is accompanied by a Ti bus clock state.

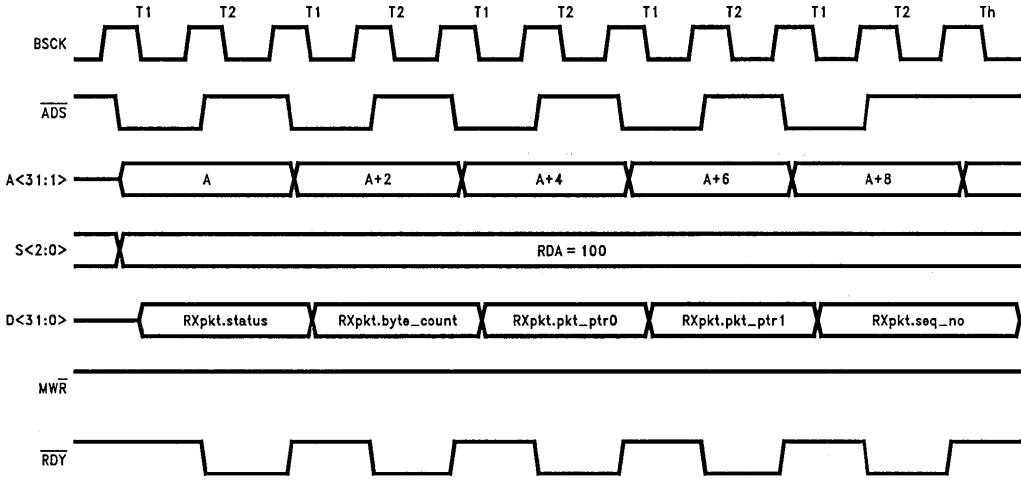


FIGURE 1-3a. RDA Access for Storing Descriptor Information (BMODE = 0, Synchronous Mode)

TL/F/11139-4

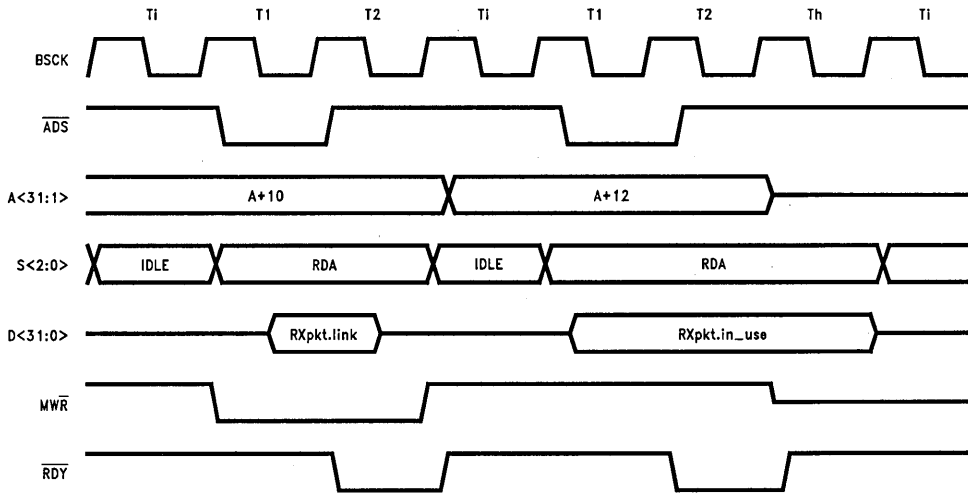


FIGURE 1-3a. RDA Access for Storing Descriptor Information (BMODE = 0) (Continued)

TL/F/11139-5

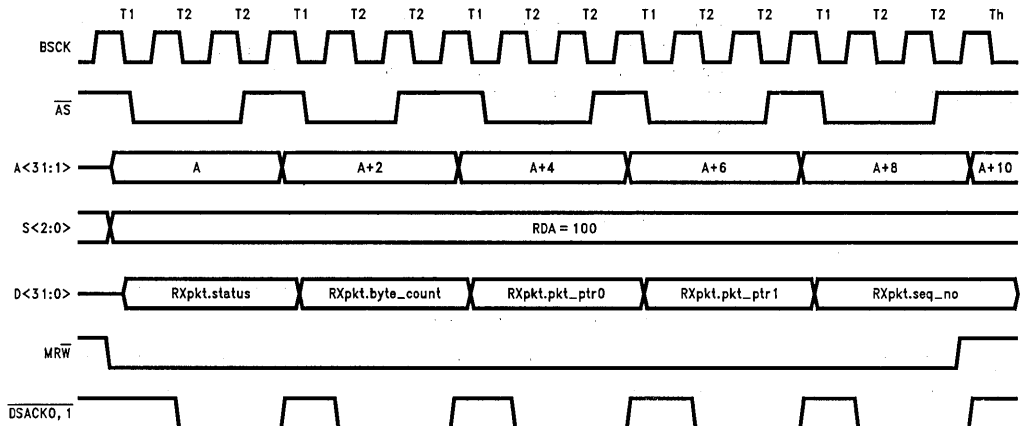


FIGURE 1-3b. RDA Access for Storing Descriptor Information (BMODE = 1, Asynchronous Mode)

TL/F/11139-6

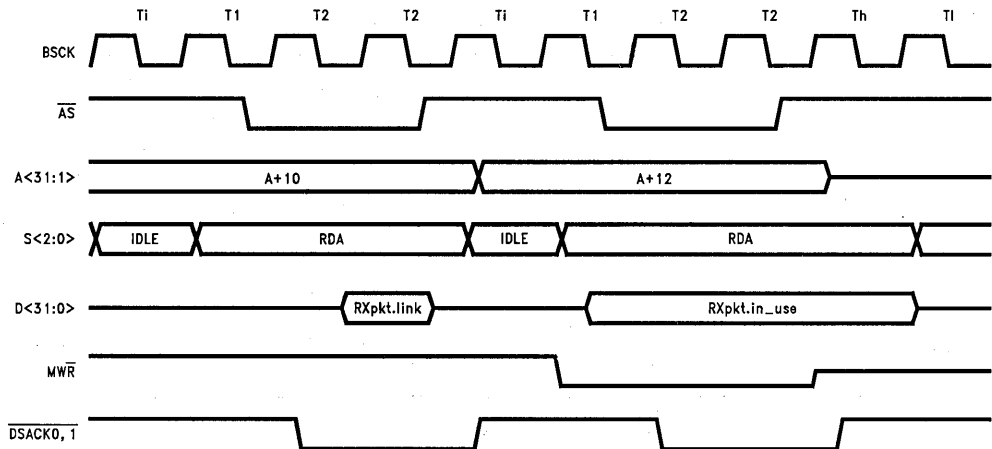


FIGURE 1-3b. RDA Access for Storing Descriptor Information (BMODE = 1) (Continued)

TL/F/11139-7

1.3 Packet Transmission

This section gives a step-by-step analysis of a complete transmission using the initial conditions below.

Initial conditions:

- (a) The Data Configuration register has been configured for:
 - 32-bit data wide mode (DB5 = DW = 1)
 - 16-byte Transmit FIFO threshold (BD1, 0 = TF1, 0 = 0, 1)
 - Exact Block Transfer mode (DB4 = BMS = 1)
- (b) The packet consists of 2 fragments. The first one is 48 bytes long and the last one is 20 bytes long.
- (c) Both fragments are double-word aligned.

The transmit operation is described as follows: (the numbers in this section correspond to the numbers in *Figure 1-4*)

- (1) Before the SONIC transmits, it fetches a descriptor from the Transmit Descriptor Area (TDA) to load its transmit registers. In 6 consecutive memory read operations, the SONIC reads the TXpkt.config, TXpkt.pkt_size, TXpkt.frag_count, TXpkt.frag_ptr0, TXpkt.frag_ptr1, and TXpkt.frag_size fields. Note that the TXpkt.status field is skipped during the first TDA access. Note also that if a collision occurs, forcing the SONIC to retransmit, the SONIC will once again fetch the descriptor from the beginning (i.e., starting at TXpkt.config).
- (2) After fetching the descriptor, the SONIC begins loading the FIFO to its transmit threshold. The SONIC performs 4 consecutive memory operations in the Transmit Buffer Area (TBA) per bus tenure. Note that the fragment may begin on any byte boundary; if this is the case, the SONIC reads the corresponding double word which contains the beginning of the packet.
- (3) The SONIC immediately requests for the bus again (in 3 bus clocks) because the number of words in the FIFO is equal to or less than the Transmit FIFO threshold. When the threshold has been exceeded, the SONIC commences transmission (TXE goes high). Subsequent re-

quests for the TBA will not occur until the serializer has removed enough bytes from the FIFO to lower it below its threshold.

- (4) Because of condition (b), the SONIC goes back to the Transmit Descriptor Area to obtain the pointer and length count of the next fragment. In three consecutive read operations, the SONIC will read the next TXpkt.frag_ptr0, TXpkt.frag_ptr1, and TXpkt.frag_size fields.
- (5) At the end of transmission, the SONIC will write the status of the TXpkt.status field, then read the TXpkt.link field to locate the next descriptor.

1.3.1 Detail of Access to the TDA

Figure 1-5a and *1-5b* shows the SONIC accessing the TDA at the end of transmission. The SONIC writes the status information at the beginning of the descriptor and reads the link field at the end of descriptor. (Note *n* = the number of fragments.) Since this access involves both a write and a read, there is a transition from TDA to Idle to TDA on the status lines in between writing the status and reading the link field. This transition is accompanied by a TI bus clock state.

1.3.2 Detail of Access to the TBA

Figure 1-6a and *1-6b* shows the SONIC accessing the TBA when the transmit FIFO has been programmed for (1) 32-bit mode (2) exact block transfer mode, and (3) a 4 double word threshold.

1.4 Loading the CAM (Content Addressable Memory)

After the CAM descriptor Area has been initialized and the Load CAM command issued to the SONIC, the SONIC will read the CAM Descriptor Area (CDA) and load its CAM. The SONIC, in 4 memory read cycles, accesses memory and loads one CAM entry per bus tenure. During the last block transfer, the SONIC reads one additional word to load its CAM Enable register. In the example illustrated in *Figure 1-7*, the SONIC has been programmed to load 4 CAM locations.

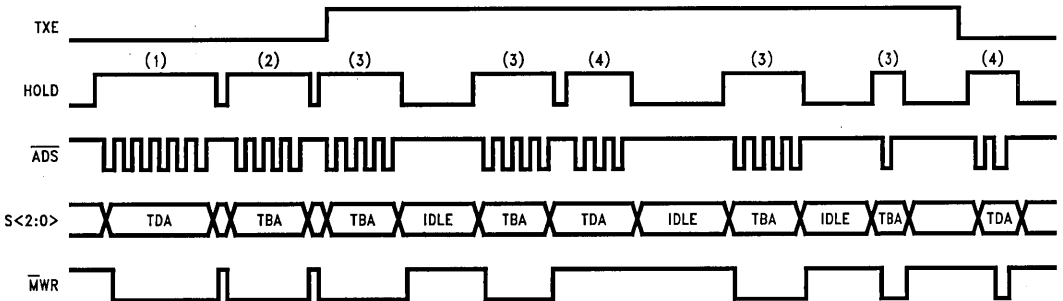


FIGURE 1-4. Complete Transmission of a 68-Byte Packet

TL/F/11139-8

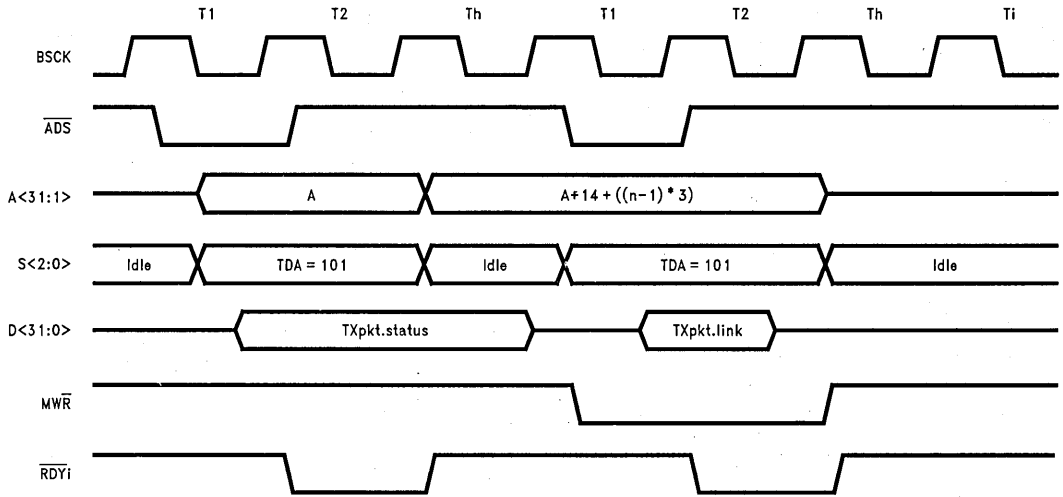


FIGURE 1-5a. Last TDA Access (BMODE = 0, Synchronous Mode)

TL/F/11139-9

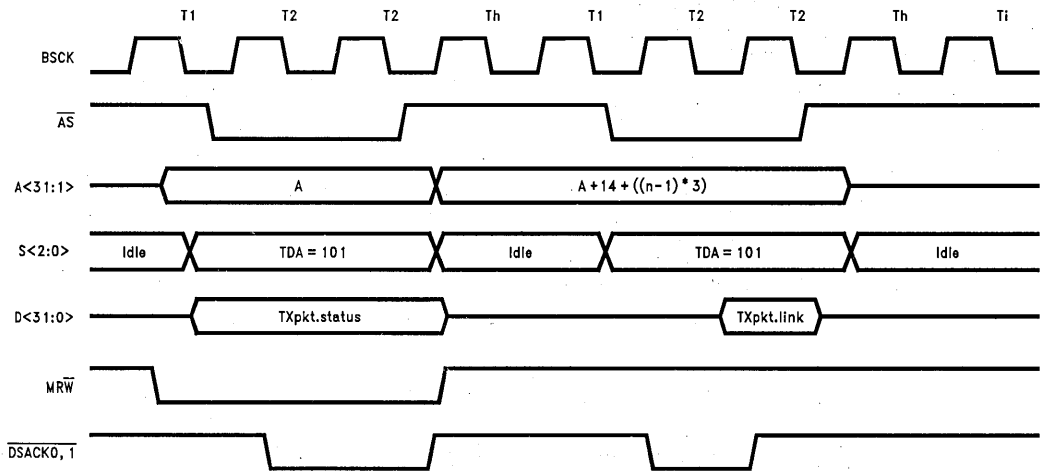


FIGURE 1-5b. Last TDA Access (BMODE = 1, Asynchronous Mode)

TL/F/11139-10

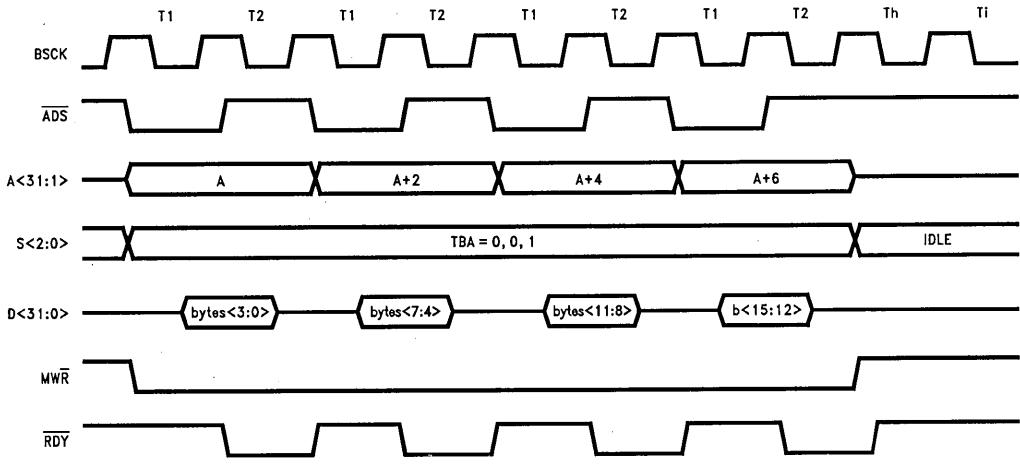


FIGURE 1-6a. Typical TBA Access (BMODE = 0, Synchronous Mode)

TL/F/11139-11

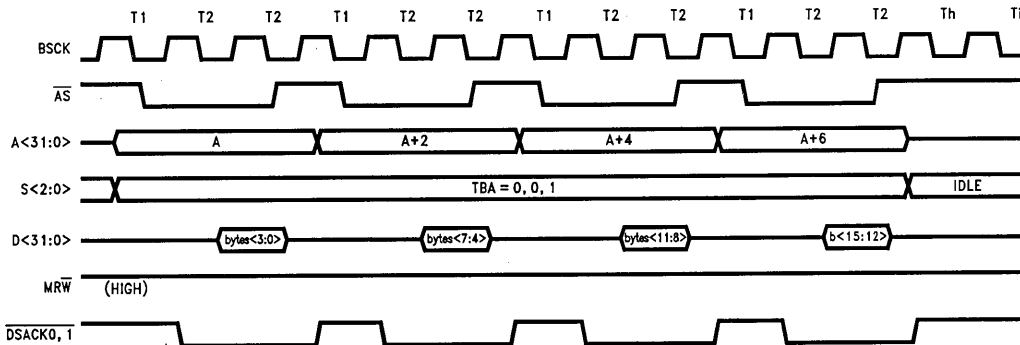


FIGURE 1-6b. Typical TBA Access (BMODE = 1, Asynchronous Mode)

TL/F/11139-12

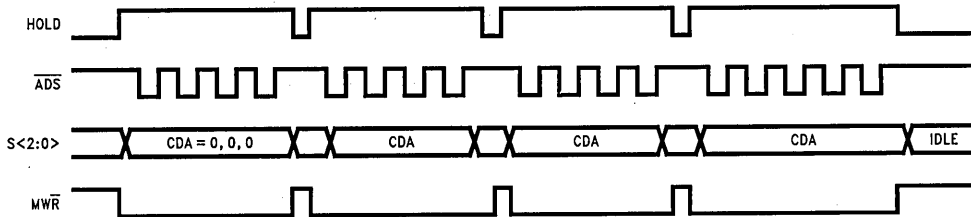


FIGURE 1-7. Updating 4 CAM Entries with the Load CAM Command

TL/F/11139-13

2.0 SLAVE OPERATIONS

The slave operations of the SONIC can be classified into two cases, (1) register access while the SONIC is idle, and (2) register accesses while the SONIC is not idle. The first case always occurs in single bus systems where the CPU and SONIC reside on the same bus. Only one bus master is allowed on the bus in such a system. The second case may occur in dual bus systems where the CPU and SONIC lie on different busses. In this case, the CPU may access the SONIC while it is currently using the bus (such as during transmission or reception). The SONIC does not respond immediately in this case, but finishes off its current bus master operation before responding to the register access. The following two sections give a step-by-step description of the slave operations.

2.1 Register Access During Idle

(Refer to Figures 2-1a and 2-1b)

- (1) The CPU presents the register address, address strobe, chip select, and slave write/read strobe to the SONIC.

Note: For $BMODE = 0$, \overline{SAS} must be asserted low before or at the same time that \overline{CS} is asserted. The rising edge of \overline{SAS} latches the register address, $RA<5:0>$, and slave direction strobe, \overline{SWR} .

- (2) The SONIC synchronizes chip select to the falling edge of bus clock and responds with slave and memory acknowledgment (\overline{SMACK}) at the next falling edge of bus clock.

Note: $BMODE = 0$, if \overline{SAS} remains asserted (low) beyond the falling edge of \overline{CS} , \overline{SMACK} will not be asserted until \overline{SAS} is deasserted high.

- (3) For $BMODE = 1$, $\overline{DSACK0,1}$ is generated 2 bus clocks after \overline{SMACK} is asserted, and for $BMODE = 0$, $\overline{RDY0}$ is generated 2.5 bus clocks after \overline{SMACK} . These outputs indicate to the CPU that the slave access is over. For read cycles, register data is valid at the falling edge of the ready signal ($\overline{RDY0}$ or $\overline{DSACK0,1}$); for write cycles, the SONIC has latched the register data at the falling edge of the ready signal.
- (4) The CPU completes the slave cycle by deasserting \overline{CS} or reasserting \overline{SAS} low for $BMODE = 0$, or deasserting \overline{CS} or \overline{SAS} for $BMODE = 1$. The earliest of these signals will terminate the slave cycle.

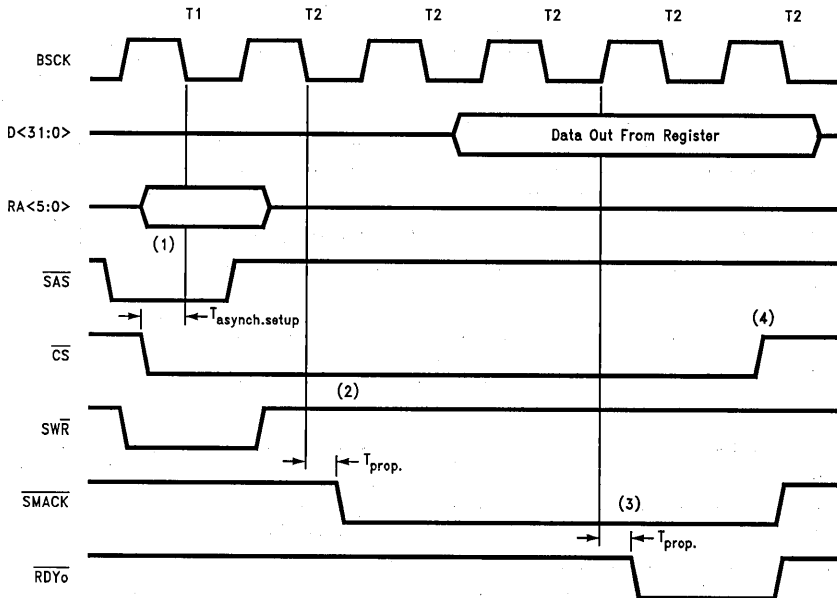


FIGURE 2-1a. Register Read While SONIC Is Idle ($BMODE = 0$)

TL/F/11139-14

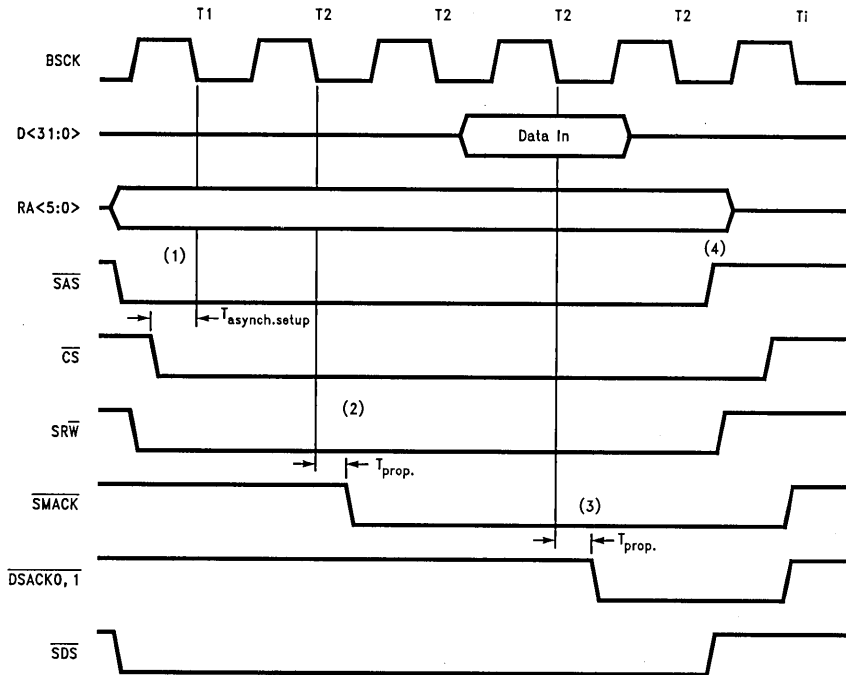


FIGURE 2-1b. Register Read While SONIC is Idle (BMODE = 1)

TL/F/11139-15

2.2 Register Access While SONIC is a Bus Master

Figures 2-2a and 2-2b show register accesses on the SONIC for both BMODE = 0 and BMODE = 1 respectively. These register accesses occur while the SONIC is a bus master (HOLD is high or \overline{BGACK} is low). Notice how the bus states for the SONIC controlled DMA access (shown as states Ts1, Ts2 etc.) and the CPU controlled register access (shown as states Tc1, Tc2, etc.) overlap. They both start at the same time, but the register access does not complete until the SONIC DMA access completes and the SONIC gets off the bus. The following description refers to the numbers in Figures 2-2a and 2-2b.

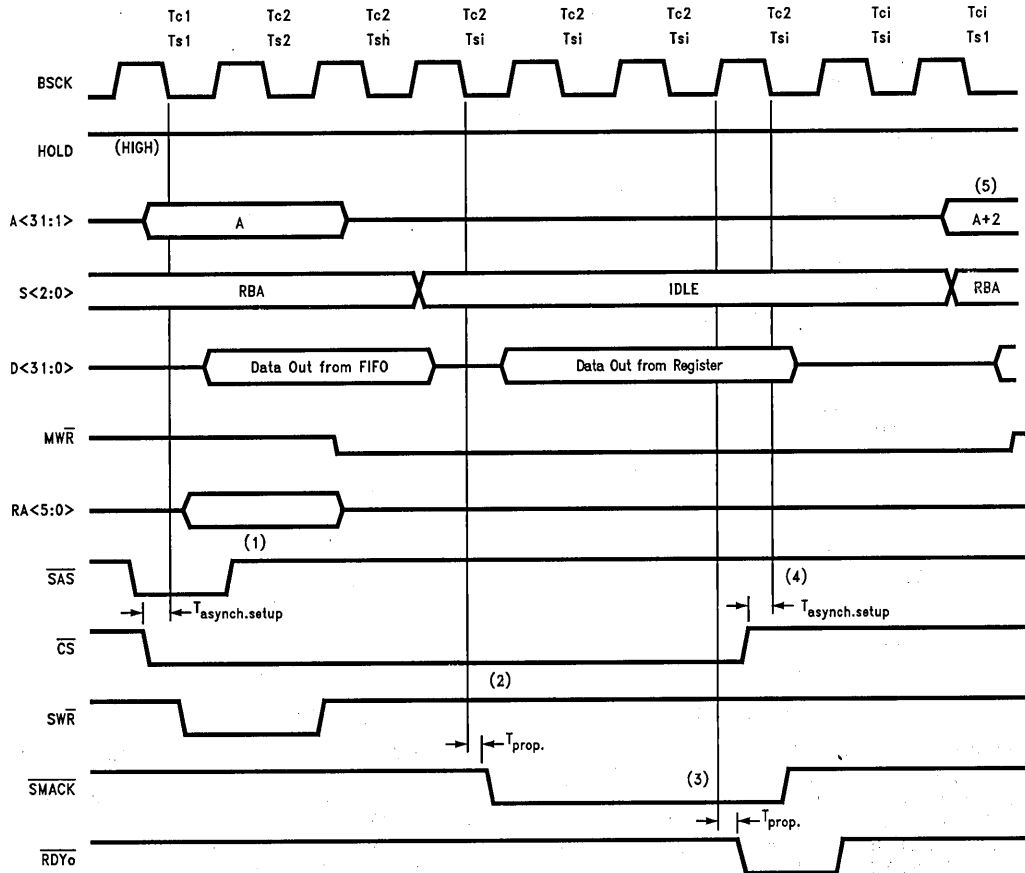
- (1) In order to initiate a slave transfer, the SONIC must sample \overline{CS} low. Also, it must sample \overline{SAS} high for BMODE = 0 or \overline{SAS} low for BMODE = 1. Even when the SONIC is doing master mode accesses on the bus, it monitors \overline{CS} and \overline{SAS} . If the above conditions are met, the SONIC finishes the current master mode bus cycle and then TRI-STATES off the bus.
- (2) The SONIC asserts slave and memory acknowledge (SMACK) off the falling edge of the clock on the first Tc2 after the Tsh state.

- (3) For BMODE = 1, $\overline{DSACK0,1}$ is generated 2 bus clocks after SMACK is asserted, and for BMODE = 0, $\overline{RDY0}$ is generated 2.5 bus clocks after SMACK. These outputs indicate to the CPU that the slave access is over. For read cycles, register data is valid at the falling edge of the ready signal ($\overline{RDY0}$ or $\overline{DSACK0,1}$); for write cycles, the SONIC has latched the register data at the falling edge of the ready signal.
- (4) The CPU terminates the slave cycle by deasserting chip select. Alternatively, the slave cycle can be terminated by driving \overline{SAS} low for BMODE = 0, or \overline{SAS} high for BMODE = 1.
- (5) After the CPU has terminated the slave cycle, the SONIC continues its bus master operations from where it left off.

2.3 Asserting \overline{MREQ} to Access Shared Memory

Asserting \overline{MREQ} to the SONIC has nearly the same effect as asserting \overline{CS} . SMACK is generated identically as before, but the ready signal ($\overline{RDY0}$ or $\overline{DSACK0,1}$) is not asserted. The ready signal must be asserted by the memory control logic. Also, when using \overline{MREQ} , it is not necessary to assert \overline{SAS} .

Note: Both \overline{MREQ} and \overline{CS} must not be asserted simultaneously. This will cause spurious accesses to the SONIC's registers. Note also that the SONIC requires a recovery time of 2 bus clocks between the deassertion edge of one signal to the assertion edge of the other.



TL/F/11139-16

FIGURE 2-2a. Register Read While SONIC is Currently Using the Bus (BMODE = 0)

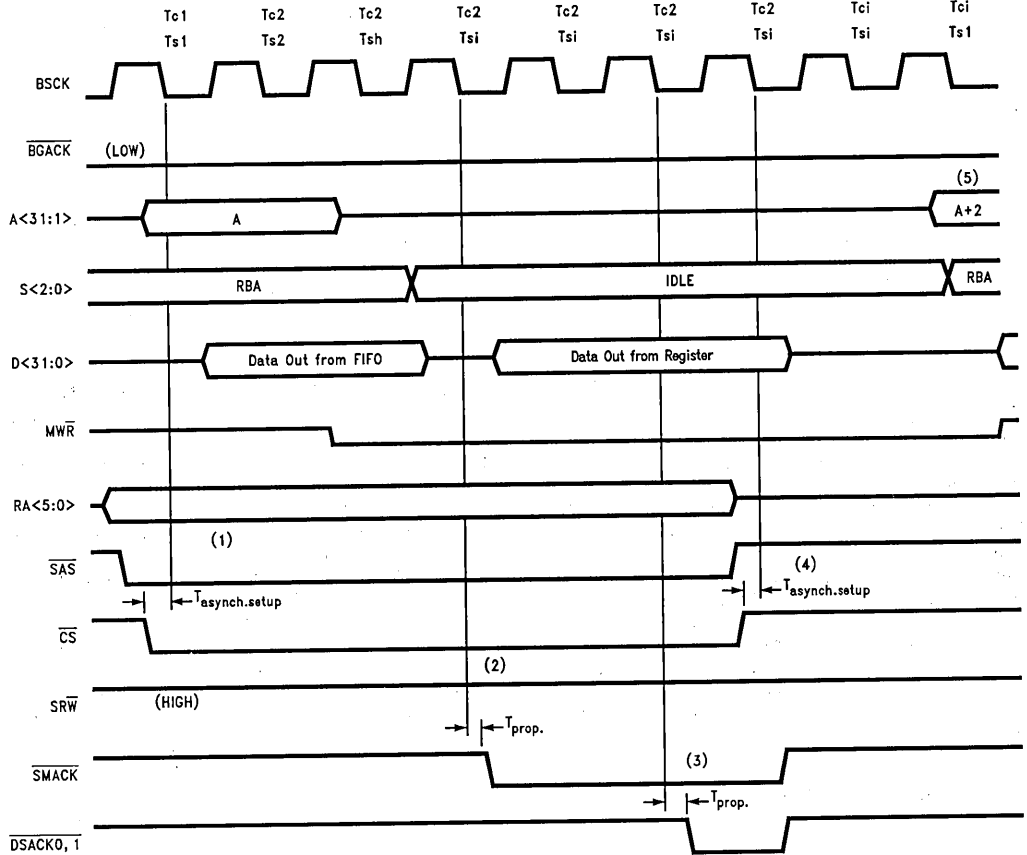


FIGURE 2-2b. Register Write While SONIC is Currently Using the Bus (BMODE = 1)

TL/F/11139-17

Software Driver Programmer's Guide for the DP83932 SONIC™

National Semiconductor
Application Note 746
Wesley Lee
Mike Lui



INTRODUCTION

In the past, Ethernet chips have concentrated on interfacing well with the hardware, but have given the software interface only passing notice. While hardware designers may have been satisfied, the software developers were forced to write drivers for unwieldy silicon. Recently, with companies looking for ways to increase performance, they have found that the software interface is crucial and has been one of the bottlenecks in the system. A chip with an over constraining buffer management slows down the system by introducing more levels of indirection (pointers) than are truly needed by the system software. In view of these shortcomings, National surveyed a number of software developers to define a buffer management system which operates efficiently with the driver. Their basic response was *Keep it Simple*. The reasons were twofold. First, a simple software interface engenders a driver which is easy to write and secondly, a simpler, thus shorter, driver leads to a faster driver. The SONIC's buffer management epitomizes this with three salient features. First, only one level of indirection is used to reference data in memory; secondly, link-lists are chosen to endow the software developer with the flexibility to easily manipulate descriptors, and thirdly, a register-based command interface is provided to make commands fast and immediate.

ABOUT THIS GUIDE

This guide will provide you the information needed to write a driver for the DP83932 System-Oriented Network Interface Controller (SONIC). You will first be introduced to basic algorithms using the SONIC's buffer management, then be shown actual implementation examples. It is recommended that you are familiar with the DP83932 SONIC datasheet before reading this document.

1.0 THE DRIVER SOFTWARE—SONIC INTERACTION

The key to making a Driver and all upper levels of the network software efficient, is to ensure that they must be capable of referencing received or transmitted packets via pointers and then conveying these pointers up to the next level of software. By employing pointers in this manner, needless packet copying from one area in memory to another is eliminated. As shown in *Figure 1-1*, the SONIC's descriptor areas, the RDA and TDA reference the received and transmitted packet and the RBA and TBA reference the buffers for the received packets. The actual received and transmitted packets remain in their original locations in the RBA and TBA and are not copied elsewhere. In this section the basic algorithms are given to illustrate the usage of the RDA, RRA and TDA. Section 4.0 describes the implementation examples.

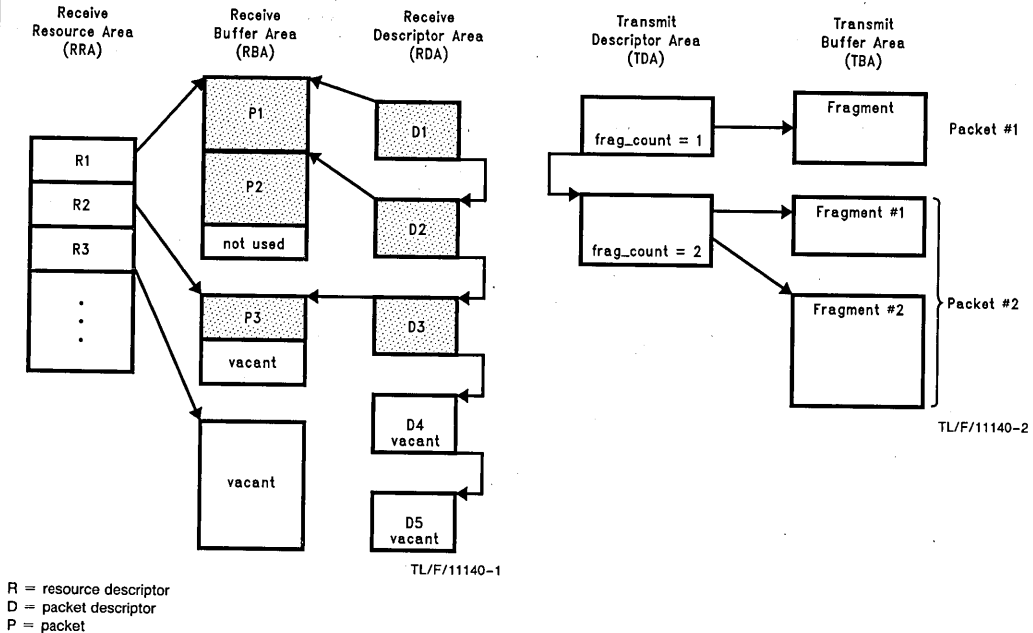


FIGURE 1-1. Overview of the SONIC's Buffer Management

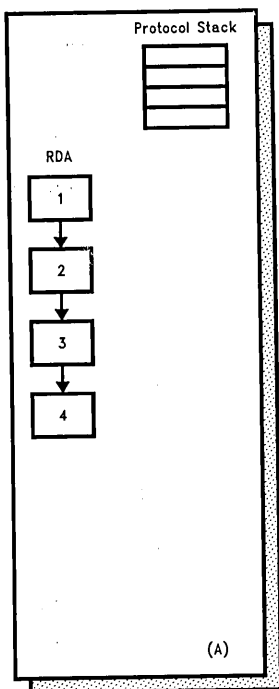
1.1 Processing Packets in the Receive Descriptor Area (RDA)

After the SONIC has received the packet, it places the packet in the RBA and the packet information in the RDA. The Driver, in turn, processes this packet by locating the packet from the packet pointer (RXpkt.ptr0,1) fields in the RDA and then delivering the pointer up to the next level software for further processing. The Driver then returns the descriptor to the front of the list for reuse. This process is illustrated in *Figures 1-2 (a), (b), and (c)*. Note that the link-list allows descriptors to be appended to the front of the list in any order. Note also that no special considerations are required to append receive descriptors. The pseudo code below illustrates the simplicity in appending descriptors.

```
append_descr( )
new_RXpkt.link = 1;
old_RXpkt.link = new_RXpkt.status
/* Old link field points to
address of new status field */
```

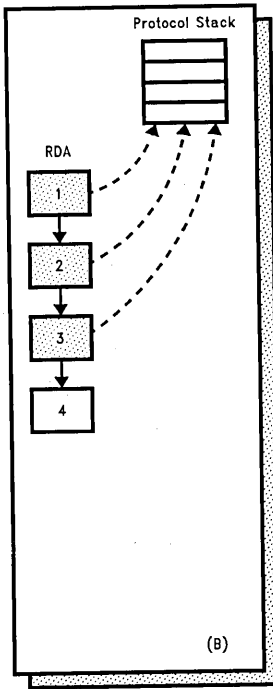
1.2 Recycling Buffers in the Receiver Resource Area (RRA)

Intermixed with processing of packets, the Driver must also replenish the receive buffer pool by adding resources descriptors to the RRA. A suggested method for replenishing receive buffers is given in the following example. (This method assumes that more than one packet is stored in an RBA.)



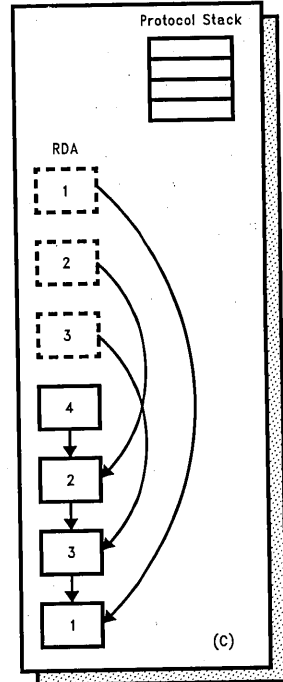
(A)

TL/F/11140-3



(B)

TL/F/11140-4



(C)

TL/F/11140-5

FIGURE 1-2 a, b, c. Processing Descriptors in the RDA

- (a) Initial condition: four descriptors are available for use
- (b) Packets received: three packets having been received are then passed up to the upper level software for further processing.
- (c) Packets processed: the upper level software having finished processing the packets, the Driver returns the descriptors to the front of the list.

The Driver allocates a fixed number of receive buffers (RBAs), determined at initialization, and recycles them as they are used. When the upper level software receives a packet from the driver (via pointers), it processes the packet at the location received (in the RBA), and when done, notifies the Driver of the freed memory space. The Driver, then, records this event by tallying the packet in a "scoreboard" corresponding to the RBA (see *Figure 1-3*). When the number of packets processed equals the total number of packets in an RBA, then RBA is free and may be returned to the RRA ring.

RBA #	Packets Processed	Total Packets in RBA
0	5	5
1	2	4
2	3	6
3	3	Unknown

FIGURE 1-3: RBA Scoreboard Example

RBA #0 is now free since packets processed equals total packets in RBA. For RBA #3, the software does not yet know how many packets reside in an RBA since the SONIC has not finished using this RBA. When the software detects the LPKT bit set, the packet sequence number reveals the total number of packets (see below).

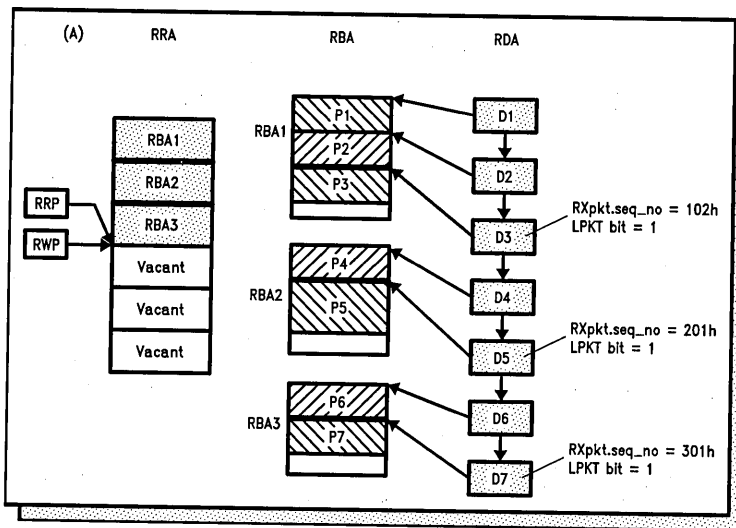
Because packets may be processed in any order (thus, packets may be freed up out of sequence), freeing up an RBA is not a straight forward. However, the SONIC reduces this task to a simple tallying procedure with its Receive Sequence Numbers (RXpkt.seq_no). When the Driver detects the LPKT (last packet) bit set to a 1, the sequence numbers indicate how many packets are in a given RBA. Thus, the Driver simply tallies the number of packets processed for a given RBA and when this is equal to the total number of packets, the RBA is free. The sequence numbers are shown below.

15	8	7	0
RBA Sequence Number (Modulo 256)		Packet Sequence Number (Modulo 256)	

If LPKT = 1

packet sequence number equals total number of packets minus one in the RBA (packet sequence number starts at zero)

The following three figures (*Figures 1-4a, 1-4b, and 1-4c*) show a scenario depicting the Driver using 3 RBAs and updating the RBA "scoreboard". The flowchart in section 4.2 (*Figure 4-3*) illustrates the recycling of RBAs during receive processing.



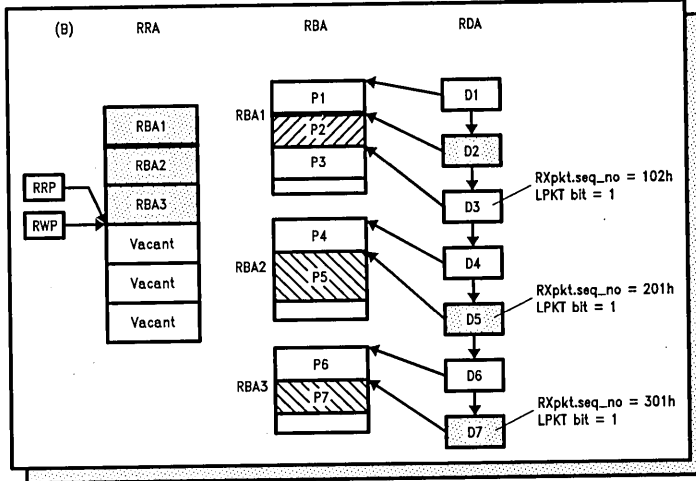
RBA Scoreboard

RBA #	Processed Packets	Total Packets
1	0	3
2	0	2
3	0	2

FIGURE 1-4 (a). Recycling Buffers in the RRA

(a) This figure shows the SONIC, having stored seven packets (P1-P7) in the RBA, has exhausted all its receive buffers (RRP = RWP). The RBA scoreboard indicates that there are 3 unprocessed packets in RBA #1, 2 in RBA #2 and 2 in RBA #3. These numbers are determined by the RXpkt.seq_no field.

TL/F/11140-6



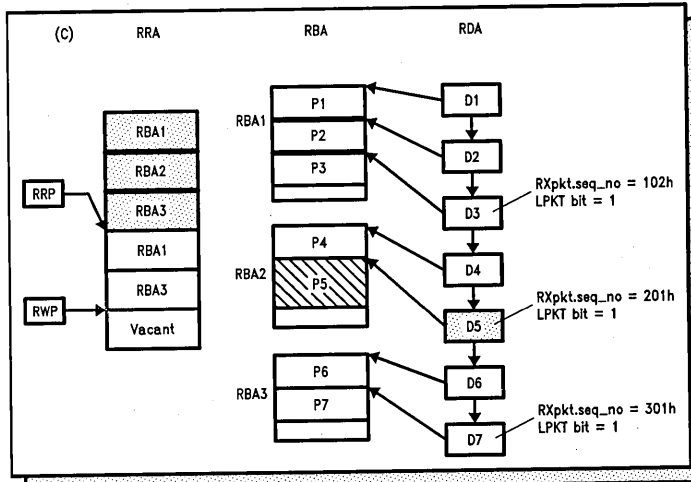
TL/F/11140-7

RBA Scoreboard

RBA #	Processed Packets	Total Packets
1	2	3
2	1	2
3	1	2

FIGURE 1-4(b). Recycling Buffers in the RRA

(b) The upper level software has finished processing four packets (P1, P3, P4, and P6) and has notified the Driver of this action. The RBA scoreboard now indicates that there is 1 unprocessed packet in RBA #1, 1 in RBA #2 and 1 in RBA #3.



TL/F/11140-8

RBA Scoreboard

RBA #	Processed Packets	Total Packets
1	3	3
2	1	2
3	2	2

→ RBA 1 may be recycled

→ RBA 3 may be recycled

FIGURE 1-4 (c). Recycling Buffers in the RRA

(c) The upper level has now finished processing 6 packets (P1, P2, P3, P4, P6, and P7). The RBA scoreboard now indicates that RBA #1 and RBA #3 are freed up. The Driver returns these buffers back to the RRA and increments the RWP register accordingly.

1.3 Transmitting Packets from the Transmit Descriptor Area (TDA)

For transmit operation, the Driver uses the TDA to enqueue packets for transmission. Multiple packets may be sent from a single command with each packet allowed to be fragmented (reside in different areas in memory). The fragments themselves may be as small as 1 byte and begin on any byte boundary. Furthermore, particular attention has been made to allow the Driver to append descriptors "on the fly".

To send packets, the driver first creates a list of descriptors in the TDA, then issues the transmit command. The SONIC then reads the TDA and transmits the packets. Once a list is created, the Driver can add to this list "on the fly" without the SONIC stopping. The following rule, however, must be followed: *the last TXpkt.link field must point to the next location where a descriptor will be added as illustrated in Figure 1-5 (a).* The procedure for appending descriptors is outlined as follows:

1. Create a new descriptor with its TXpkt.link pointing to the next vacant descriptor location and its EOL bit set to a "1".
2. Reset the EOL bit to a "0" of the previously last descriptor.
3. Re-issue the Transmit command (setting the TXP bit in the Command register).

Re-issuing the Transmit command assures that the SONIC will continue to send all packets in the list. If the SONIC is currently transmitting, the Transmit command has no effect. If the SONIC has stopped transmitting (which occurs if the SONIC has reached the last descriptor before the Driver has had a chance to append to it) it continues transmitting from where it had previously stopped. The rule, as stated above, guarantees that the Current Transmit Descriptor (CTDA) register points to a valid descriptor after the SONIC has stopped transmitting (see Figures 1-5 (a), (b) and (c)).

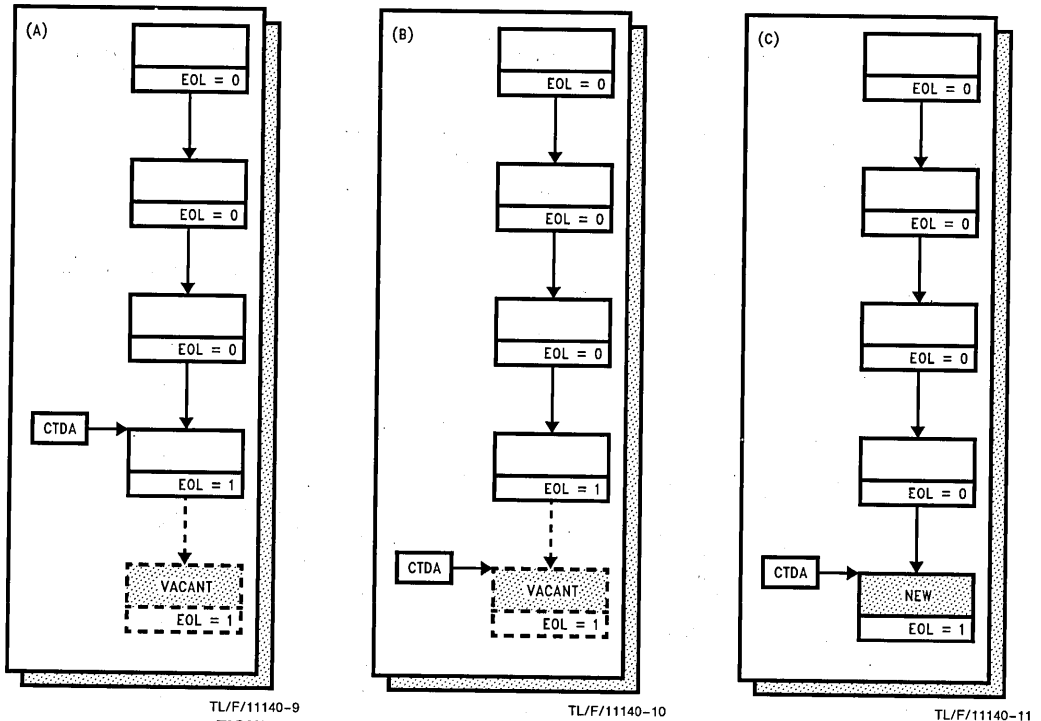


FIGURE 1-5 a, b, c. Appending Descriptors "On the Fly" in the TDA

These series of figures shows a scenario whereby the SONIC has reached the end of the descriptor list before the Driver has appended a new descriptor.

(a) This figure shows the Driver has created a list of four descriptors with the last descriptor pointing to the next location where a descriptor will be added. The transmit command has subsequently been issued and the SONIC has reached the last descriptor.

(b) The SONIC has finished transmitting the last descriptor. It reads the last link field and updates the CTDA register to point to the vacant descriptor location. Note that the CTDA register is already prepared for the next transmission.

(c) The Driver has appended a descriptor at the vacant location and reissues the transmit command. Note that the CTDA register is pointing to the proper location.

2.0 REGISTER MODEL OF THE SONIC

As a brief review, this section gives a short description of the SONIC User registers. This section is similar to section 4.0 of the SONIC datasheet. It may be skipped without loss of continuity.

2.1 Register Layout

The SONIC contains 64 16-bit registers used for conveying status and control information. Not all registers, however, are needed by the system since some registers are used for internal operations of the SONIC and others used for in-house factory testing. The registers are categorized as follows:

User Registers: The registers are accessed by the user to status, control and monitor SONIC operations. These are the only registers you need to access.

Internal Use Registers: These registers are used by the SONIC during the course of operation and are not intended to be accessed by you.

Factory Test Registers: These registers are used by National Semiconductor for production testing of the SONIC and should not be accessed. Accessing these registers during SONIC operations may cause erratic behavior.

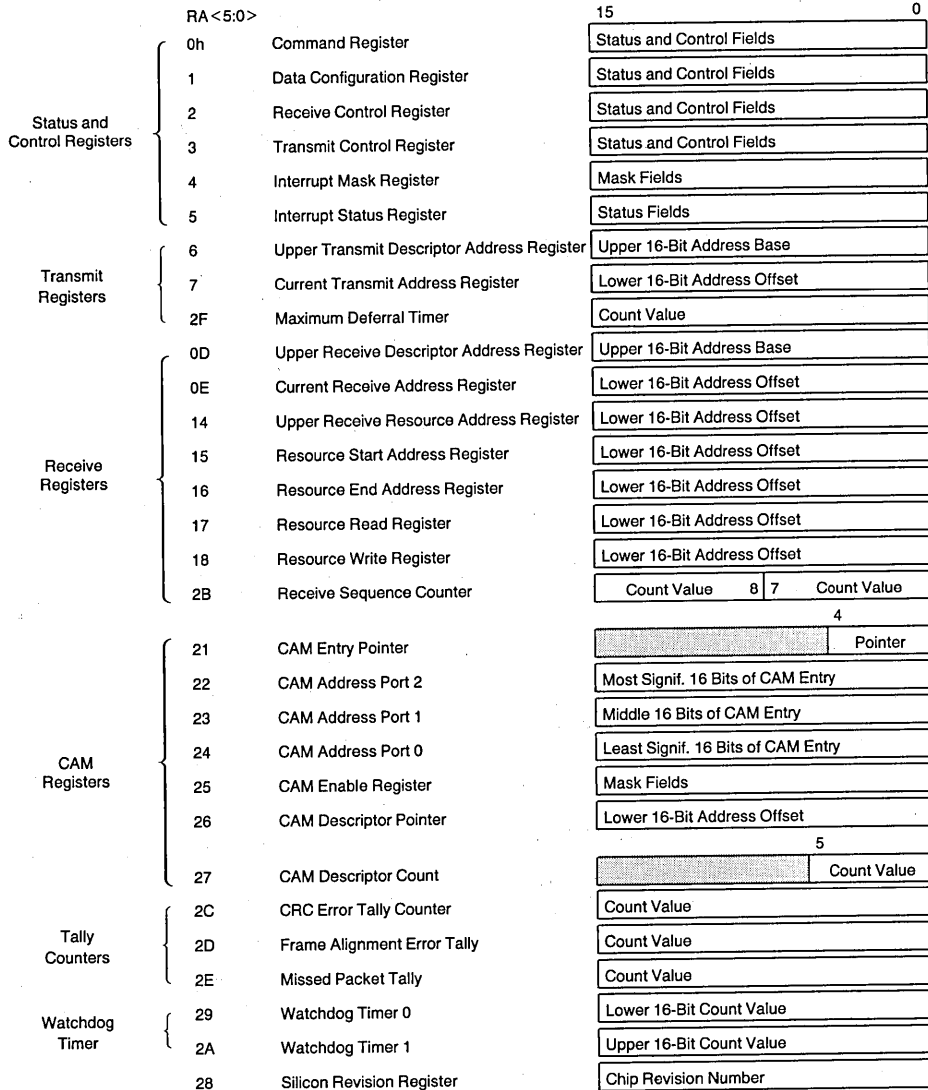


FIGURE 2-1. User Register Grouping

2.2 User Register Grouping

The User register may be further categorized into 6 groups (Figure 2-1) based upon their functionality, i.e., Status and Control, Transmit, Receive, Content Addressable Memory (CAM), Tally counters, and General-Purpose timer. These groups are described as follows:

2.2.1 Status and Control Registers

These registers, controlling the transmit, receive, bus, and interrupt operations of the SONIC, consist of the Command, Data Configuration, Receive Control, Transmit Control, Interrupt Mask, and Interrupt Status registers. Of these registers, only the Command and Interrupt Status register are accessed frequently during operation; all others are generally accessed only once during initialization (see section 3.0). These registers are briefly described below.

Command register. This register is used for issuing the commands to the SONIC such as transmitting packets, enabling the receiver, and software reset. Commands may be issued by setting the corresponding bit to a "1". During normal operation, the transmit command is the only command that is generally used.

Data Configuration register: This register configures the bus interface circuitry, programming the data width size (16 or 32 bits), wait-state insertion (if any), and FIFO threshold. This register may only be written to while the SONIC is in software reset.

Receive Control register. This register contains two type of bits, configuration and status. The configuration bits program the SONIC to accept the different classes of packets which may be received such as Physical, Multicast, Broadcast packets, and Runt and Errored packets. The SONIC can also accept all packets from the network for network management and Bridge applications. The Receive Control register also reports the status of the received packet. The software should not read this register directly since status is updated from the next incoming packet and the previous status is overwritten. Instead, the software obtains the status in the status field (RXpkt.status) of the Receive Descriptor Area.

Transmit Control register. This register also contains two types of bits, configuration and status. The configuration bits program the various transmit options for (1) generating and interrupts after selected packets have been transmitted, (2) enabling when the "Out of Window" collision timer begins (either at the beginning of the packet or at the State of Frame Delimiter), (3) inhibiting the CRC from being appended to the packet, and (4) enabling the excessive deferral timer (3.2 μ s). The software should not load this register directly; instead, it writes to the configuration field (TXpkt.config) of the Transmit Descriptor Area (TDA) which the SONIC reads before transmission. The status bits post status of the transmitted packet. Again, this register is not directly read since the SONIC clears the status after it reads the TXpkt.link field. Instead, the software acquires status from the state field (TXpkt.status) in the TDA.

Interrupt Mask register. This register enables the various interrupts that the SONIC may generate. Writing a "1" to the bit enables the corresponding interrupt.

Interrupt Status register. This register reports interrupts which the SONIC has generated. Interrupts are indicated by a "1" and are cleared when a "1" has been written to it. Since writing a "0" to any bit has no effect, only the specified bits are cleared during the write operation.

2.2.2 Transmit Register

The Transmit registers, the Upper Transmit Descriptor Address (UTDA) and the Current Transmit Descriptor Address (CTDA) registers, locate the active descriptor in the Transmit Descriptor Area. The UTDA register, containing a fixed upper 16 bits of address, A<31:16> and CTDA register, containing an active lower 15 bits of address, A<15:1> are concatenated together to form a complete 31-bit address. (The SONIC only provides word or double word addressing.) The LSB of the CTDA register is the End of List (EOL) bit and is used by the SONIC to determine the last descriptor in the list.

2.2.3 Receive Registers

The receive registers consist of the Receive Sequence Counter, the End of Buffer Count (EOBC) register, and two groups of registers, the descriptor registers and the resource registers. These registers are briefly described as follows:

The Receive Sequence Counter: This counter indicates the number of packets that reside in a particular Receive Buffer Area (RBA). See section 1.1 for an explanation on how to use this register.

EOBC register. This register defines the lower boundary in the RBA. If after reception, the remaining numbers words in the RBA are equal to or greater than the EOBC register, reception continues within the same RBA; otherwise, the SONIC stores the packet in another RBA.

Descriptor registers: These registers locate the active descriptor in the Receive Descriptor Area (RDA) and are composed of the Upper Receive Descriptor (URDA) and the Current Receive Descriptor (CRDA) registers. These registers are concatenated similarly as the Transmit registers (UTDA and CTDA) above where the URDA contains a fixed upper 16 address bits, A<31:16> and the CRDA contains the lower 15 address bits, A<15:1>. The LSB of the CRDA register is used by the SONIC to determine the last descriptor in the receive list.

Resource registers: These registers, used to define the Receive Resource Area (RRA), composed of the Resource Start Area (RSA), the Resource End Area (REA), Resource Write Pointer (RWP), Resource Read Pointer (RRP) and the Upper Receive Resource Address (URRA) registers. The first two registers are static and define the starting and ending points of the RRA. The second two are active and respectively point to the next location where the software places a new descriptor and where the SONIC reads the next descriptor. The SONIC concatenates the last register, the URRA with the other registers to provide a full 31-bit address. The URRA register contains a fixed upper address, A<31:16> and the other four contain an active lower address, A<15:1>. The LSB of these registers is not used since the SONIC only provide word or double word addressability.

2.2.4 CAM Registers

The CAM registers are used to access the 16 48-bit CAM entries. Because random accessibility to all CAM entries would consume too much register space (16 x 3 = 48 locations), the CAM entries are accessed via a 4-bit pointer register (CAM Entry Pointer) and 3 16-bit ports (CAM Access Ports 0 to 2). The CAM Entry Pointer selects 1 of 16 entries and the CAM Access Ports 0 to 2, respectively access the least through the most significant portions of the 48-bit entry (Figure 2-2).

Note: The least significant byte of the address is the first byte received/transmitted from the network.

Reading the CAM

The CAM is accessed in the following manner:

- 1) Place the SONIC in software reset by setting the RST bit in the Command register. This condition must be met before reading the CAM.
- 2) Select the CAM entry by writing the corresponding value in the CAM Entry Pointer.
- 3) Read the CAM Address Ports 0 to 2 to obtain the complete 48-bit entry.

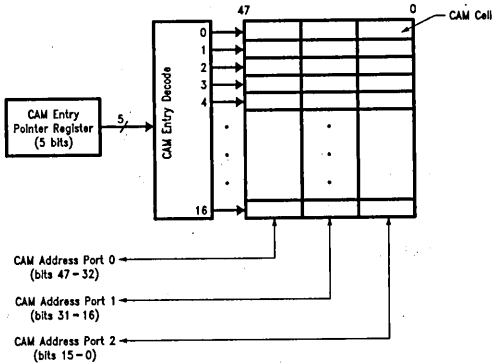


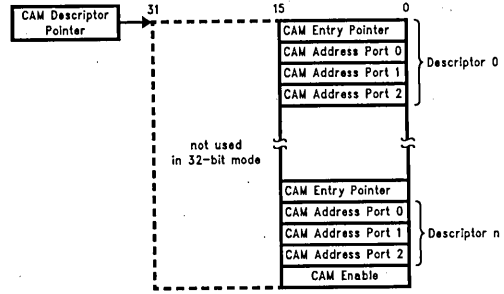
FIGURE 2-2. CAM Organization

TL/F/11140-12

Writing to the CAM

To avoid internal conflicts with the CAM entries when receiving packets, the SONIC does not allow the entries to be written to directly. Instead, the entries are written to indirectly via the CAM Descriptor Area (CDA). This area, maintained in memory, contains the data to be written into the CAM and upon command, the SONIC reads this area and load its CAM. The CDA is composed of *n* number descriptors (Figure 2-3) which are used to load the CAM Entry Pointer, the CAM Access Ports, and the CAM Enable register. To program the CAM, you first initialize the CDA, load the CAM Descriptor Count register with the number of descriptors and the CAM Descriptor Pointer register with the starting address of the CDA, then issue the Load CAM command to the SONIC. This operation is summarized below:

- 1) Load the CDA as specified in Figure 2-3.
- 2) Load the CAM Descriptor Count register with the number of descriptors.
- 3) Load the CAM Descriptor Pointer register with the starting address of the CDA.
- 4) Issue the Load CAM command (setting the LCAM bit in the Command register). The SONIC finishes this command when the LCAM bit is reset.



TL/F/11140-13

FIGURE 2-3. CAM Descriptor Area Format

2.2.5 Tally Counters

The Tally counters maintain the network management events which occur too frequently for the software to maintain. These events, CRC errors, frame alignment errors, and missed packets are tallied by the CRC, FAE and Missed Packets Tally counters. These counters are 16-bit counters and can generate an interrupt when a rollover occurs. These registers are generally used in conjunction with software to maintain a 32-bit counter. These counters maintain the time-sensitive lower 16 bits of the count while software maintains the upper 16 bits.

2.2.6 General-Purpose Timer

This 32-bit timer, clocked at one half the 10 MHz transmit clock frequency, is used for timing user definable events. The timer measures events ranging from microseconds up to minutes. The time can be calculated by multiplying the count value by 200 ns (1/2 the transmit clock period). Table 2-1 gives some example values. To use the timer, you first load the timer with a count value, then start the timer by setting the ST bit in the Command register. The SONIC then begins decrementing the timer. When the rollover is reached (0000 0000h to FFFF FFFFh), the Timer Complete (TC) bit in the Interrupt Status register is set. Note that the timer does not stop when the rollover occurs, but continues to decrement (from FFFF FFFFh). It must be explicitly stopped by setting the STP bit in the Command register.

Table 2-1. Example Timer Values

Timer	WT1	WT0
0.1 sec	7	A120
0.5 sec	26	25A0
1.0 sec	4C	4B4
10 sec	2FA	F080
30 sec	8F0	D180
1 min	11E1	A300
5 min	5968	2F00
10 min	B2D0	2E00

2.2.7 Silicon Revision Register

This register supplies information on the revision stepping of the SONIC. This register begins at zero and counts upward. Contact National Semiconductor for latest information on this register.

3.0 INITIALIZING THE SONIC

Initializing the SONIC is the crucial first step before any SONIC operations can commence. This step involves setting up the SONIC's registers for reception and transmission and initializing the memory structures for the Buffer Management. This section describes the initialization process by introducing what information is needed, then discussing an example initialization routine.

Getting Started

Before initializing the SONIC, a few details regarding the hardware and network operating system must be obtained. By answering the questions below, the required information can be gathered.

- 1) What is the bus size?

The SONIC supports bus sizes of 16 or 32 bits.

- 2) Does the system operate in a synchronous or asynchronous manner?

This question refers to how the \overline{RDYi} (or $\overline{DSACK0,1}$) input is issued to the SONIC. If this line is asserted with guaranteed setup and hold times by the hardware, use synchronous mode; otherwise, use asynchronous mode. Synchronous mode has the advantage of having a minimum memory cycle of 2 bus clocks as opposed to 3 bus clocks for asynchronous mode.

- 3) What is the maximum bus latency does the SONIC expect?

The bus latency is the time from when the SONIC requests for the bus (by asserting the HOLD or \overline{BR} pin) to when the SONIC begins using the bus. The bus latency tolerance can be increased by programming the transmit FIFO threshold higher and the receive FIFO lower. The bus latency tolerance is calculated by the following equations:

$$\text{TX FIFO Tolerance} = (\text{FIFO threshold}) \\ * (0.8 \mu\text{s})$$

$$\text{RXFIFO Tolerance} = (32 - \text{FIFO threshold}) \\ * (0.8 \mu\text{s})$$

- 4) Do wait-states need to be added into the memory cycle?

The SONIC can operate up to a 2 bus clock memory cycle. If this is too fast, you can program the SONIC to insert 1 to 3 wait-states for each memory cycle. A two clock memory cycle requires a memory access time of approximately 40 ns–50 ns. (Note that wait state can also be inserted by hardware using the \overline{RDYi} or $\overline{DSACK0,1}$ inputs.)

- 5) What type of packets do you want to accept?

The SONIC is generally programmed to accept its own physical address and the Broadcast address. In some applications, however, the SONIC may be programmed to accept multiple physical/multicast addresses (up to 16), and errored and runt packets.

- 6) What is the maximum number of consecutive packets that you expect to receive?

This question is perhaps the most difficult to answer since it deals with the upper level protocols. In many transport protocols, flow control is used by the receiving node to limit the number of consecutive packets the transmitting node may send unacknowledged. This is generally called the "window size". Ideally, the software provides the SONIC with the memory resources it needs to completely buffer a complete "window".

- 7) What types of interrupts do you want the system to respond to?

The SONIC can generate a variety of interrupts. Not all interrupts, however, need be (or should be) used to generate interrupts to the system. For maximum performance, you want as few interrupts as possible. A typical system allows interrupts occurring from good receptions and transmissions, and errored transmissions.

Initialization Example

Once the above questions have been answered, you can begin coding the initialization routine. This routine has been divided into 9 steps, but, only steps 1 and 9 need to be followed in the order presented. Example code is provided in the appendix.

- 1) Reset the SONIC: When the SONIC is powered-on, the hardware generally resets the SONIC by pulsing the \overline{RESET} pin low. Thus, software does nothing to reset the SONIC. Once reset, the SONIC remains in reset mode until the RST bit in the Command register is cleared. If the hardware does not provide the reset, the software can perform the functional equivalent by simply setting the RST bit. All initialization should be done in reset mode to prevent spurious actions by the SONIC.
- 2) Configure the System Interface: This step writes to the Data Configuration Register (DCR) to configure the SONIC's bus interface circuitry. The configuration information is found by answering questions 1 through 4, discussed above. Note that the DCR can only be written to in reset mode.
- 3) Set Up the Receive Filters: This step determines what types of packets to accept (i.e., Physical, Multicast, Broadcast, Runt, and Errored packets) and what addresses to accept. The type of packet to accept is programmed in the Receive Configuration register and the addresses to accept are programmed into the Content Address Memory (CAM). See section 2.2.4 for loading the CAM.
- 4) Enable the Interrupts: This step enables the interrupts by writing to the Interrupt Mask register (IMR). Note that the interrupting condition is indicated by the Interrupt Status Register (ISR), but will not generate an interrupt unless the corresponding IMR bit is set. Note also that if the SONIC is initialized in reset mode, no interrupts can be generated.
- 5) Initialize Memory: This step initializes the three memory structures used by the SONIC for transmission and reception and allocates the memory blocks for storing received packets. An initialization example is illustrated in Figures 3-1 and 3-2. The *non-shaded* areas indicate fields which must be initialized and *shaded* areas indicate fields which are written to by the SONIC.

There are a few caveats discussed below:

All Descriptor Areas:

- Descriptor must be aligned to word (16-bit) boundaries in 16-bit mode and aligned to double word (32-bit) boundaries in 32-bit mode.
- The Descriptor Areas must not cross over a 32k word boundary since it only operates within this range.
- In 32-bit mode, the upper 16 data bits, D<31:16> are not used.

Transmit Descriptor Area:

- The transmit buffers (Transmit Buffer Area) may be aligned to any boundary; that is, the TXpkt.ptr0, 1 fields may contain any value.
- The packet and fragment size may be as low as 1 byte; that is, the TXpkt.pkt_size and TXpkt.frag_size may contain the value of one.

Receive Resource Area

- The resource descriptors must be contiguous and can not straddle the endpoints.
- In the lower buffer pointer field, RXsrc.ptr0, the SONIC ignores least significant bit in 16-bit mode and the 2 least significant bits in 32-bit mode. This forces receive buffers to always align to either word or double word boundaries.

6) Initialize the Buffer Management Registers: This step initializes the buffer management registers to the starting positions in the buffer management (see *Figures 3-1 and 3-2*). These initialized registers are shown in Table 3-1.

7) Issue RRA command: By setting the RRRRA bit in the Command register, you force the SONIC to read the RRA. The SONIC reads the RRA beginning at the RRP location and loads the following registers. (For mnemonics description, see appendix.)

CRBA0 ← RXsrc.ptr0

CRBA1 ← RXsrc.ptr1

RBWC0 ← RXsrc.wc0

RBWC1 ← RXsrc.wc1

After this command has executed (RRRA bit resets), the SONIC is ready to store the next packet in the first RBA allocated to it.

8) Clear and Tally Counters (optional): The tally counters (CRC, Frame Alignment, and Missed Packets) may be cleared by writing FFFFh to these registers. These counters will rollover after FFFFh is reached.

9) Bring the SONIC On-line: This last step commissions the SONIC to receive, transmit, and generate interrupts. The software enables the SONIC by setting the RXEN bit and clearing the RST bit in the Command register.

TABLE 3-1. Initialization of Buffer Management Registers

Reg.	Initialized with
URDA	A <31:16> of starting location of RDA
CRDA	A <15:1> of starting location of RDA
UTDA	A <31:16> of starting location of TDA
CTDA	A <15:1> of starting location of TDA
URRA	A <31:16> of starting location of RRA
RSA	A <15:1> of starting location of RRA
REA	A <15:1> of ending location of RRA
RRP	Points to first descriptor the SONIC reads
RWP	Points to next location where the software will place a descriptor

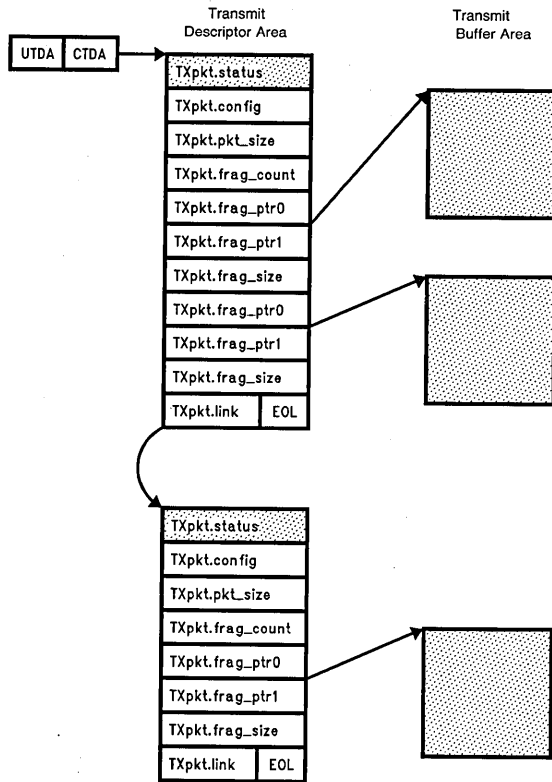


FIGURE 3-1. Initialization Example for Transmit Buffer Management (shaded areas not initialized)

TL/F/11140-14

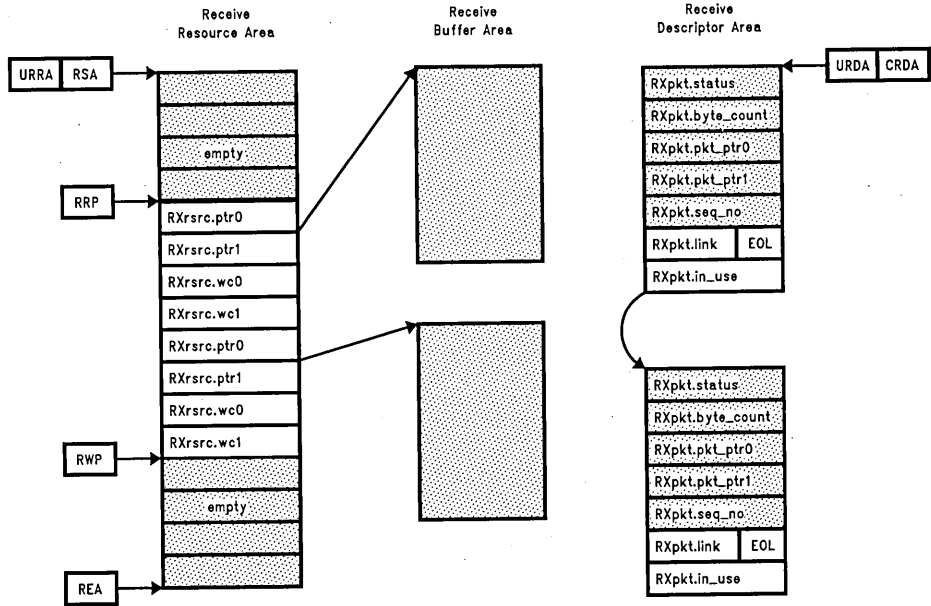


FIGURE 3-2. Initialization Example for Receive Buffer Management (shaded areas not initialized)

TL/F/11140-15

4.0 WRITING DRIVERS FOR THE SONIC

The Driver (see Figure 4-1), being the lowest level of software, shields the upper software levels from the details of the hardware. The Driver performs the required low-level transmit and receive functions such as passing packet up to the upper level software, recycling receive buffers, and enqueueing packets for transmission. The Driver performance is important since it may potentially receive packets at the full network rate. Any packet losses at this level can severely affect the overall performance of the network. This section describes the basic algorithms for writing a Driver for the SONIC. Example code is provided in the appendix.

Overview

The Driver for the SONIC consist of two procedures, INITIATE_TX (Figure 4-2) and SONIC_ISR (Figure 4-3) for transmit and receive operations. During transmit operations, the upper level software first assembles packets for transmission by gathering the pointers to the fragments and then calling INITIATE_TX to begin the transmission. When the SONIC finishes transmission, it interrupts the system. The system then enters the interrupt service routine, SONIC_ISR, where it reports the status of the packets transmitted. During received operations, the SONIC also interrupts the system upon receiving a packet. The system enters SONIC_ISR to post status and then to pass the packet up to the upper level software via pointers.

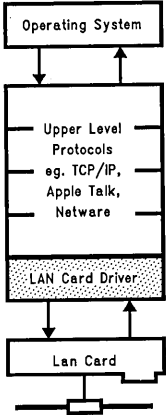


FIGURE 4-1. Relationship of Driver of Upper Level Software

TL/F/11140-16

4.1 INITIATE_TX

This procedure requires that all pointers to the fragments and the sizes of these fragments are passed down to it by the upper level software. It only initiates a packet for transmission; it does not report status. This action is performed by SONIC_ISR after the packet has been transmitted. INITIATE_TX operates as follows:

- 1) Obtains the pointers delivered by the upper level software and fills out a descriptor in the Transmit Descriptor area (TDA).
- 2) If the packet is less than 64 bytes, it pads it out to this length.
- 3) Issue the transmit command to the SONIC and return.

It is important that descriptors are appended in the manner prescribed in section 1.3. This algorithm improves performance by guaranteeing that the SONIC continues to transmit all packets in the descriptor list.

4.2 SONIC_ISR

This procedure is the interrupt service routine which responds to three interrupts generated by the SONIC: PACKET RECEIVED, TRANSMISSION DONE, and TRANSMIT ERROR. Interrupts occurring before and during the interrupt service routine are serviced before SONIC_ISR exits. SONIC_ISR is broken down into three main sections: (1) reading the cause of the interrupt, (2) processing received packets, and (3) posting status of transmitted packets. The first action performed is finding the cause of the interrupt. For receive interrupts, SONIC_ISR jumps to the receive routine, and for transmit interrupts (good and errored transmissions), it jumps to the transmit routine. The receive routine examines the first descriptor in the RDA, then passes the pointer of the packet up to the upper level software for further processing. It continues reading the RDA until it reaches the end of the descriptor list. The receive routine also recycles receive buffers as necessary. The transmit routine reads the first descriptor in the TDA and reports the status of the transmitted packet to the upper level software. If more than one packet has been enqueued, the transmit routine examines the complete list in the TDA. SONIC_ISR is summarized below.

Reading the Interrupt

- 1) Read the Interrupt Status register for the cause of interrupt. If a transmit interrupt has occurred, go to step 2; if a receive interrupt has occurred, go to step 4; or if no more interrupts are present, return.

Transmit Routine

- 2) Read the next TXpkt.status in the Transmit Descriptor Area and post status to the upper level software.
- 3) Read the End of List (EOL) bit in the TXpkt.link field to determine if the current descriptor is the last descriptor. If it is not, go back to step 2 to post status of the remaining packets; otherwise go back to step 1.

Receive Routine

- 4) Read the next RXpkt.status field in the Receive Descriptor Area and pass the pointer and status of the packet up to the upper level software.
- 5) Read the RXpkt.seq_no field. If the RBA number is different from the previous one, enter the RBA number into the RBA "scoreboard". For more information, see section 1.2.
- 6) Check the LPKT bit from the RXpkt.status field. If set to "1", enter the packet sequence number (from the RXpkt.seq_no) into the RBA scoreboard.

- 7) Read the RXpkt.in_use field, if the field is cleared to all zeros, go back to step 4 to process the remaining packets; otherwise if RXpkt.in_use is not equal to zero, the end of the list has been reached; proceed to step 7.
- 8) Call the system to determine which packets have been processed by the upper level software. Tally the processed packets in the RBA scoreboard.
- 9) Find freed up RBAs and return them to the front of Receive Resource Area (RRA).
- 10) Find the freed up receive descriptors and return them to the front of the descriptor list; then go to step 1.

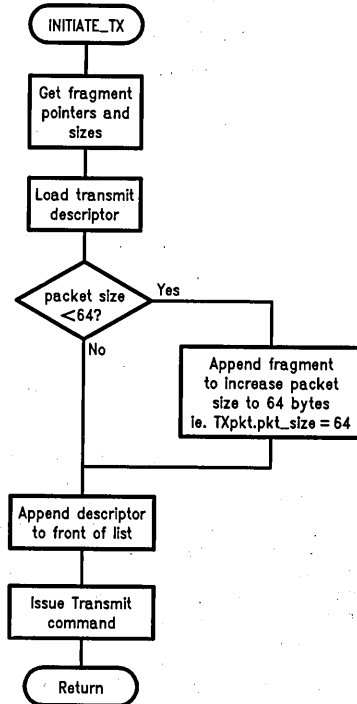


FIGURE 4-2. INITIATE_TX Routine

TLF/11140-17

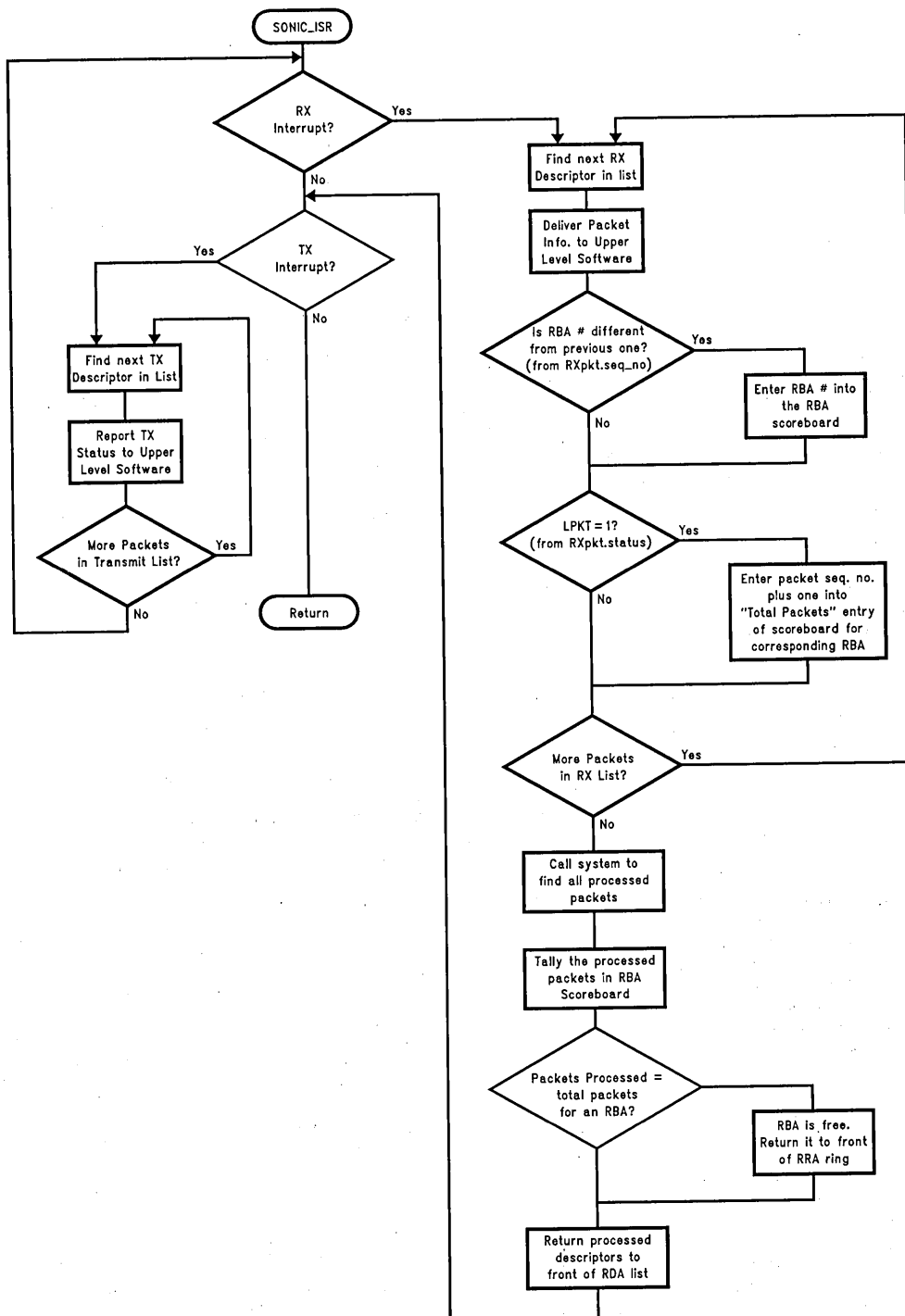


FIGURE 4-3. SONIC_ISR Routine

TL/F/11140-18

5.0 STRATEGIES FOR IMPROVING DRIVER PERFORMANCE

Making the Driver as efficient as possible is crucial for the overall performance of the network. Empirical results have shown that the difference between a poor and a good Driver can vary as much as 10% to 20%. The Driver is particularly vulnerable to becoming a bottleneck since it may, at times, be receiving data at the full network bandwidth (10 Mb/s). Any packets that are lost at the Driver level impacts all levels. While upper level protocols provide packet recovery mechanisms, these tend to be quite slow (on the order of seconds). Typically, software timers must time out before the upper level software retransmits an unacknowledged packet. In this section, some hints are discussed to make a fast Driver.

- 1) Write the Driver in assembly code: The fastest code is generally written in assembly code since people write more efficient code than a compiler. Writing your own assembly code also gives you the option to use some "tricks" which are not normally accepted as "good" programming practice. One such example is using a JUMP statement instead of a CALL statement. The JUMP statement, by nature, is quite messy, but is considerably faster since it involves less CPU cycles. Of course, the disadvantage in using assembly code is that it is less readable and portable. As a compromise, you may consider a good optimizing compiler.
- 2) Reduce the Number of Interrupts: Interrupts to the system inherently make it less efficient since the CPU must make a context switch between what it was currently doing to the interrupt service routine. This switch involves pushing the CPU registers onto the stack, jumping to an interrupt vector table, issuing an interrupt acknowledge to the interrupt controller, then executing the interrupt service routine. The overhead associated with each interrupt makes the CPU less efficient. The example interrupt service routine discussed in section 4.0, responded to interrupts generated from good transmission and receptions, and errored transmission. It is possible, however, to reduce the source of interrupts to just two, allowing only interrupts to occur from good receptions and errored transmissions. The reason good transmission interrupts may be eliminated is because the upper level software generally does nothing for these events. Only for an errored transmission must the upper level software intervene such as to retransmit the packet. Good transmissions, while they still need to be reported, can be status on a less timely basis such as after processing receive interrupts or after a specified time period. The SONIC's General Purpose timer can be used to generate such a time period.
- 3) Append Transmit Descriptors as described in section 1.0: The algorithm described guarantees that the SONIC continues to transmit all packets in the list, even if it has reached the point where the new descriptor(s) have been appended to the end of the list. If the algorithm is not followed, the SONIC may stop at the enjoining point and this forces the Driver to intervene.
- 4) Supply Sufficient Number of Receive Packet Descriptors: Since the receive descriptor uses a relatively small amount of memory (7 words or double words, depending on the data size mode), allocate sufficient number of them such that the SONIC never (or at least rarely) runs

out of them. If the SONIC ever runs out of them, reception ceases, resulting in packet losses. The number of descriptors to allocate can be determined by answering question 6 of section 3.0.

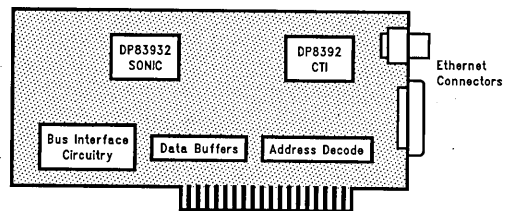
- 5) Make the Receive Resource Area (RRA) Sufficiently Large: Since the RRA does not take up much memory (4 words or double words per descriptor), make it larger than the total number descriptors you expect to put into it. For example, if you expect you will need 10 resource descriptors, make the RRA large enough to accommodate 15 descriptors. Making the RRA larger than you will need, prevents the RRA from becoming a bottleneck in adding more resources.
- 6) Optimize the Size of the Receive Buffer Areas (RBAs): Generally speaking, the larger the RBAs, the more efficient the Driver. This is because the Driver handles fewer number of receive buffers and, thus, less processing time is dedicated to managing the buffers. There is a tradeoff, however. If the buffers are very large, the entire buffer areas are locked out for recycling so that large buffers become less space efficient in memory. As a guideline, 4k to 8k byte RBAs are good starting points for experimentation. Use larger buffers, if memory is plentiful.

6.0 SELF-TEST DIAGNOSTICS

After the hardware has been designed and the Drivers written, there is still a need to verify that the hardware is still functioning. Rough shipping or improper handling (without static protection) can produce innumerable problems. Some boards which work fine in the lab invariably fail in the field. Thus, self-test diagnostics are used to determine the health of the boards and diagnose problems if something is amiss.

Figure 6-1 shows the basic components of the Ethernet system: address decode circuitry, data buffers, bus interface logic, Ethernet chipset (SONIC and transceiver) and the Ethernet connectors (BNC and 15-pin D). The Ethernet hardware can be fully tested by using the SONIC's three loopback modes. Each loopback mode is full-duplex, transmitting data as well as receiving it and are summarized below. An example routine is given in the appendix.

- Mode 1: Data is routed back through the SONIC's MAC Unit. Both the transmit and receive Buffer Management operations are active and must be initialized accordingly. Verifies the MAC Unit, Bus interface logic, address decode circuitry and data buffers.
- Mode 2: Similar to above, but data is routed back through the SONIC's ENDEC Unit. Verifies the SONIC's ENDEC unit.
- Mode 3: Similar to above, but data is routed back at the transceiver. Verifies the Ethernet connectors (BNC and 15-pin D) and Ethernet transceiver (DP8392 CTI).



TL/F/11140-19

FIGURE 6-1. Basic Components of Ethernet Hardware

Appendix

A. Initialization Routine

```

/*****
/*
/* Initialization Routine for SONIC
/*
/*
/*****

sonic_init ()
{
    unsigned short init_RRA[512]; /* memory for RRA */

    /* initialize some registers */
    set_reg_value();

    /* allocate memory for TX descriptors and init UTDA and CTDA */
    init_tda()

    /* Init receive buffer area and RX registers */
    Init_Des_page();
    Initial_RRA(RRA_NUM);
    Init_RDA(RDA_NUM);

    /* Issue Read RRA command */
    /* Must first bring SONIC out of reset before issuing any
       commands */
    REG_WRITE(card.crd_iobase+SONIC_cr*2, 0x0);
    REG_WRITE(card.crd_iobase+SONIC_cr*2, 0x0100);

    /* Bring SONIC on-line by enabling MAC receiver */
    REG_WRITE(card.crd_iobase+SONIC_cr*2, 0x0008);
}
/*****
/* This routine initializes some of the SONIC's registers.
/* ie., CR, DCR, RCR, IMR, ISR, CRCT, FAET, and MPT
/*
/*****
set_reg_value()
{

    /* Put SONIC is reset */
    REG_WRITE(card.crd_iobase+SONIC_cr*2, 0x0080);

    /* dcr value depends upon data width (16 or 32 bits) */
    #ifdef BIT32
        REG_WRITE(card.crd_iobase + SONIC_dcr*2, 0x00f9);
    #else
        REG_WRITE(card.crd_iobase + SONIC_dcr*2, 0x00d9);
    #endif

    REG_WRITE(card.crd_iobase + SONIC_rcr*2, 0x0000);
    REG_WRITE(card.crd_iobase + SONIC_imr*2, 0x3fff);
    /* Clear ISR */
    REG_WRITE(card.crd_iobase + SONIC_isr*2, 0xffff);
    /* Clear Tally counters by writing FFFFh to them */
    REG_WRITE(card.crd_iobase + SONIC_crct*2, 0xffff);
    REG_WRITE(card.crd_iobase + SONIC_faet*2, 0xffff);
    REG_WRITE(card.crd_iobase + SONIC_mpt*2, 0xffff);
}

```

TL/F/11140-20

```

/*****
 *
 * Allocate memory for TDA and initialize UTDA and CTDA registers.
 *
 *****/

init_tda()
{
    short i;
    unsigned long addr;
    unsigned long tda1_start, tda2_start, tda3_start;
    unsigned short saddr;
    unsigned short ul16, l16;

    /* Allocate memory for TDAs */
    tda1=(ONE_FRAG_TDA *) malloc(sizeof(ONE_FRAG_TDA) + 2);
    tda1_start = (unsigned long) tda1;
    tda2=(TWO_FRAG_TDA *) malloc(sizeof(TWO_FRAG_TDA) + 2);
    tda2_start = (unsigned long) tda2;
    tda3=(TWO_FRAG_TDA *) malloc(sizeof(TWO_FRAG_TDA) + 2);
    tda3_start = (unsigned long) tda3;

    /* Force TX descriptors to double word alignment */
#ifdef BIT32
    if ( (tda1_start & 0x00000003) == 0)
        ;
    else
        tda1_start += 2;
    if ( (tda2_start & 0x00000003) == 0)
        ;
    else
        tda2_start += 2;
    if ( (tda3_start & 0x00000003) == 0)
        ;
    else
        tda3_start += 2;
#endif
    /* Convert the double word alignment address to pointer */
    tda1=(ONE_FRAG_TDA *) tda1_start;
    tda2=(TWO_FRAG_TDA *) tda2_start;
    tda3=(TWO_FRAG_TDA *) tda3_start;

    /* Finding effective address of TDA1 to load UTDA and CTDA regs.*/
    addr=(unsigned long) tda1; /* Using large mem. model...*/
    /* addr is the address in 8086 format */
    /* upper 16 bits = BASE, lower 16 bits = OFFSET */
    ul16 = addr >> 16;
    l16 = addr;
    addr=(unsigned long) ul16 * 16 + l16;
    ul16 =addr >> 16;
    REG_WRITE(card.crd_iobase+SONIC_utda*2, ul16);
    REG_WRITE(card.crd_iobase+SONIC_ctda*2, addr);
}

```

```

/*****

```

```

Name

```

```

    Initialize Descriptor Page

```

```

Syntax

```

```

    Init_Des_Page();

```

```

Description

```

```

    This function gets 3 4K consecutive bytes of memory
    from the host for the RBA. Also initializes the URRAs
    and CDP registers.

```

```

Input

```

```

    None.

```

```

Author

```

```

    Michael Lui

```

```

*****/

```

```

short Init_Des_Page()

```

```

{

```

```

    unsigned short urra;    /* upper 16 bits of the beginning
                           addr of RRA */
    unsigned short urda;    /* upper 16 bits of the beginning
                           addr of RDA */
    unsigned short cdp;     /* beginning address of the cdp */
    R_DESCRIPTOR *temp_RDA;
    unsigned short i;       /* index */
    unsigned long laddr;
    unsigned long addr;
    long EA();
    unsigned long rba1_start, rba2_start, rba3_start;
    unsigned short ul6, ll6;

```

```

    /* allocate memory to RDAs */

```

```

    L_RDA=F_RDA=NULL;
    for (i=0; i<RDA_NUM; i++) {
        temp_RDA=(R_DESCRIPTOR *) malloc(sizeof(R_DESCRIPTOR) + 2);

```

```

        /* force double word alignment for RX descriptor */

```

```

#ifdef BIT32

```

```

    addr = (unsigned long) temp_RDA;
    if ((addr & 0x00000003) == 0)

```

```

        ;

```

```

    else
        addr += 2;

```

```

    temp_RDA = (R_DESCRIPTOR *) addr;

```

```

#endif

```

```

    temp_RDA->next=NULL;

```

```

    if (F_RDA == NULL)

```

```

        L_RDA=F_RDA=temp_RDA;

```

```

    else {

```

```

        L_RDA->next=temp_RDA;

```

```

        L_RDA=temp_RDA;

```

```

    }

```

```

    /* allocate memory for RBA */
    init_RBA1=(unsigned char *) malloc(4100);

```

```

TL/F/11140-22

```

1

```

init_RBA2=(unsigned char *) malloc(4100);
init_RBA3=(unsigned char *) malloc(4100);

rba1_start=(unsigned long) init_RBA1;
rba2_start=(unsigned long) init_RBA2;
rba3_start=(unsigned long) init_RBA3;

/* forcing double word alignment for RBAs. */
#ifdef BIT32
if ( (rba1_start & 0x00000003) == 0)
;
else
rba1_start+=2;
if ( (rba2_start & 0x00000003) == 0)
;
else
rba2_start+=2;
if ( (rba3_start & 0x00000003) == 0)
;
else
rba3_start+=2;
#endif

/* Convert double word alignment address to pointer */
RBA1 = (unsigned char*) rba1_start;
RBA2 = (unsigned char*) rba2_start;
RBA3 = (unsigned char*) rba3_start;

/* initialize URRAs and CDP registers */
RRA_start = (unsigned long) init_RRA;
/* check RRA is aligned on double word boundary */
#ifdef BIT32
if ( (RRA_start & 0x00000003) == 0)
;
else
RRA_start+=2;
#endif

/* Assign urra */
laddr = (unsigned long) RRA_start;
u16=laddr >> 16;
l16=laddr;
laddr = (unsigned long) u16 * 16 + l16;
urra = laddr >> 16;
/* Load the URRAs register */
REG_WRITE(card.crd_iobase+SONIC_urra*2, urra);

/* load the CDA descriptor pointer */
laddr = (unsigned long)u16 * 16 +l16 +CAM_OFFSET;
cdp=laddr;
/* load the CDP register */
REG_WRITE(card.crd_iobase+SONIC_cdp*2, cdp);
}

```



```

/*****
Name
Initialize RRA

Syntax
flag=Init_RRA(n);

Description
This function will create a circular queue with n
number of RRA descriptors in it. The RRA descriptors
are pointing to the      corresponding RBA blocks. It will
also load the RSA, REA, RRP, and RWP registers.

Returned Value
1 = Success
0 = Failed

Author
Michael Lui

*****/

short Initial_RRA()
{
    struct sonicreg *sonic=0;
    unsigned short rsa;      /* Resource Start Area */
    unsigned short rea;      /* Resource End Area */
    unsigned short rrp;      /* Resource Read Pointer */
    unsigned short rwp;      /* Resource Write Pointer */
    unsigned short urba;     /* Upper 16 bit of the RBA starting
                               address */
    unsigned short lrba;     /* Lower 16 bit of the RBA starting
                               address */
    unsigned short i;        /* for loop index */
    unsigned short low_addr;
    unsigned short high_addr;
    unsigned long addr,laddr;
    short inc;               /* RRA increment */
    unsigned short ul6, ll6;

    addr = (unsigned long) RRA_start;
    ul6=addr >> 16;
    ll6=addr;
    addr = (unsigned long) ul6 * 16 + ll6;

    /* Lower 16 bit of the RRA */
    rsa = (unsigned short) addr;
    /* Load the RSA Register */
    REG_WRITE(card.crd_iobase+SONIC_rsa*2, rsa);

    laddr=addr + RWP_OFFSET;
    rea = (unsigned short) laddr; /* Ending address of RRA */
    /* Load the REA Register */
    REG_WRITE(card.crd_iobase+SONIC_rea*2, rea);

    rrp = rsa; /* Read Pointer starts at the beginning
                address */

    /* Load the RRP Register */

```

TL/F/11140-24

```

REG_WRITE(card.crd_iobase+SONIC_rrp*2, rrp);

laddr = addr + RWP_OFFSET/2;
rwp = (unsigned short) laddr; /* Only 3 descriptors
                               initially */

/* Load the RWP Register */
REG_WRITE(card.crd_iobase+SONIC_rwp*2, rwp);

/* Initialize the RRA descriptors */
RRA=RRA_start;
/* for 32-bit memory each descriptor uses a double word, for
16-bit memory, each descr. uses a word. */
#ifdef BIT32
inc=4;
#else
inc=2;
#endif

/* Load RBA1 address */
addr=(unsigned long) RBA1;
u16=addr >> 16;
l16=addr;
addr=(unsigned long)u16 * 16 + l16;
low_addr = addr & 0x0000ffff;
* (unsigned long *)RRA = low_addr;
RRA +=inc;
* (unsigned long *)RRA = addr >> 16;
RRA +=inc;
/* Load RXrsrc.buff_wc0 */
* (unsigned short *)RRA = 0x0800;
RRA +=inc;
/* Load RXrsrc.buff_wcl */
* (unsigned short *)RRA = 0;
RRA +=inc;

/* Load RBA2 address */
addr=(unsigned long) RBA2;
u16=addr >> 16;
l16=addr;
addr=(unsigned long) u16 * 16 + l16;
low_addr = addr & 0x0000ffff;
* (unsigned short *)RRA = low_addr;
RRA +=inc;
* (unsigned short *)RRA = addr >> 16;
RRA +=inc;
/* Load RXrsrc.buff_wc0 */
* (unsigned short *)RRA = 0x0800;
RRA+=inc;
/* Load RXrsrc.buff_wcl */
* (unsigned short *)RRA = 0;
RRA +=inc;

/* Load RBA3 address */
addr=(unsigned long) RBA3;
u16=addr >> 16;
l16=addr;
addr=(unsigned long)u16 * 16 + l16;
low_addr = addr & 0x0000ffff;
* (unsigned short *)RRA = low_addr;
RRA+=inc;
* (unsigned short *)RRA = addr >> 16;

```

```
RRA+=inc;  
/* Load RXrsrc.buff_wc0 */  
* (unsigned short *)RRA = 0x0800;  
RRA+=inc;  
/* Load RXrsrc.buff_wc1 */  
* (unsigned short *)RRA = 0;  
RRA+=inc;  
}
```

TL/F/11140-26

```

/*****
Name
Initialize RDA

Syntax
flag = Init_RDA(n);

Description
This function will create a linked list of some
arbitrary number of packet descriptors. The EOL bit for
the last descriptor should set to 1 while the others
should set to 0. The in_use field should set to a
non-zero value for all descriptors. The CRDA register
should loaded with the address of the first descriptor.

Returned Value
1 = Success
0 = Failed

*****/
short Init_RDA()
{
unsigned long crda; /* Current CRDA Register */
unsigned char *RDA; /* RDA address */
R_DESCRIPTOR *cur_RDA; /* current RDA */
unsigned short n_RDA_addr; /* next RDA address */
unsigned long addr;
short i;
unsigned ul6, l16;

crda = (unsigned long) F_RDA;
ul6 = crda >> 16;
l16 = crda;
crda = (unsigned long)ul6 * 16 + l16;

/* Load the CRDA Register */
REG_WRITE(card.crd_iobase+SONIC_crda*2, crda);

cur_RDA=F_RDA;
while (cur_RDA->next != NULL)
{
addr = (unsigned long) cur_RDA->next;
ul6 = addr >> 16;
l16 = addr;
addr=(unsigned long) ul6 * 16 + l16;
n_RDA_addr=(unsigned short) addr;
cur_RDA->pkt_link=n_RDA_addr;
cur_RDA->status=0;
cur_RDA->byte_count=0;
cur_RDA->pkt_ptr0=0;
cur_RDA->pkt_ptr1=0;
cur_RDA->seq_no=0;
cur_RDA->in_use=0xffff;
cur_RDA=cur_RDA->next;
}
/* last descriptor */
cur_RDA->pkt_link=0x0001; /* last descr. has EOL = 1 */
cur_RDA->in_use=0xffff;
lrda = cur_RDA;
}

```

B. Initiate Transmission Routine

```

/*****
*
Driver_send(). This routine, called by the upper level
software, gets the byte count, pointers to fragments and
the fragment sizes, enters these parameters into the TDA,
then initiates a transmission.

*****/
driver_send(ptr)
pktstruc *ptr      /*pointer to structure which gives
                    pkt_size, frag_count, frag_size */
{
    /* Fill out TDA */
    tda->pkt_size=packet_size;
    tda->frag_count=fragment_count;
    for (i=0; i<fragment_count; i++)
        Fill_fragment_ptr_size();

    /* Check packet length; if less than 46 bytes, add pad */
    Check_pkt_length();

    /* Get address of next TX descriptor to use */
    tda->link = get_next(); /* returns addr. of descr. */
    /* Set EOL to 1. */
    tda->link |= 0x1;

    /* ISR will Set this flag to 1 */
    xmit_interrupt=0;

    /* Issue transmit command */
    REG_WRITE(card.crd_iobase+SONIC_cr*2, CMD_TXP);
}

```

TL/F/11140-28

C. Interrupt Service Routine

```

/*****
Interrupt Service Routine

(For simplicity the code for recycling RBAs
has been removed.)
*****/

interrupt _sonic_isr()
{
    unsigned short imr, isr, mask;
    unsigned int status, byte_count;
    int oldinterrupts; long temp_ptr, ptr;

    mask=0;
    /* mask the imr */
    REG_WRITE(card.crd_iobase+SONIC_imr*2, mask);

    while (isr=REG_READ(card.crd_iobase+SONIC_isr*2)) {
        if (isr & ISR_PKTRX) {
            /* reset PKTRX bit */
            REG_WRITE(card.crd_iobase+SONIC_isr*2,ISR_PKTRX);

            /* Process receive packets */

            while (cur_rda->in_use == 0) {
                TotalRxPacketCount++;
                status = cur_rda->status;
                byte_count = cur_rda->byte_count;
                temp_ptr = cur_rda->ptr1;
                temp_ptr = temp_ptr<<16;
                ptr = temp_ptr | cur_rda->ptr0;
                /* Report packet to upper level software */
                packet_received(status,byte_count,ptr);

                /* Processing packets in order, when LPKT is 1,
                update the RWP register */
                if (cur_rda->status==RCR_LPKT) {
                    cur_rwp=cur_rwp->next;
                    /* advance rwp */
                    REG_WRITE(card.crd_iobase+SONIC_rwp*2,
                               cur_rwp->loc);
                }

                /* finish up receive */
                if (cur_rda->in_use == 0) {
                    cur_rda->in_use=0x0ffff;
                    cur_rda->pkt_link |= 0x1;
                    lrda->pkt_link &= 0x0ffffffe;
                    lrda=cur_rda;
                    cur_rda=cur_rda->next;
                }
            }

            /* check for RBE overflow (required) */
            isr=REG_READ(card.crd_iobase+SONIC_isr*2);
            if (isr & ISR_RBE) {
                /* Increment buffer overflow counter */
            }
        }
    }
}

```

TL/F/11140-29

```

        RRAExhaustCount++;
        /* reset RBE, this also causes the SONIC to read
           the RRA */
        REG_WRITE(card.crd_iobase+SONIC_isr*2,R_RBE);
    }

    /* check for RDE overflow (optional) */
    if (isr & ISR_RDE) {
        RDAExhaustCount++;
        REG_WRITE(card.crd_iobase+SONIC_isr*2, ISR_RDE);
    }
}

/* Process transmitted packets */
else if (isr & (ISR_TXER|ISR_TXND)) {
    xmit_interrupt=1;
    REG_WRITE(card.crd_iobase+SONIC_isr*2, ISR_TXER|ISR_TXDN);
    while (1) {
        if (tda->status & TCR_PTX) { /* Successful TX occurred */
            TotalTxPacketCount++;

            /* Post status of transmitted packet to
               upper level software */
            packet_tx(TX_status);
            /* Increment counters for net. management. */
            if (tda->status & TCR_DEF)
                DeferXmissionCount++;
            if (tda->status & TCR_NCRS)
                NoCRSCount++;
            if (tda->status & TCR_CRSL)
                CRSLostCount++;
            if (tda->status & TCR_OWC)
                OutOfWindowCollisionCount++;
            if (tda->status & TCR_PMB)
                PacketMonitorBadCount++;
        }
        /* TX abort condition occurred. CTDA register points to
           last descriptor attempted. */
        else {
            /* Increment counters for net. management. */
            if (tda->status & TCR_EXD)
                ExcessDeferalCount++;
            if (tda->status & TCR_EXC)
                ExcessCollisionsCount++;
            if (tda->status & TCR_FU)
                FIFOUnderRunCount++;
            if (tda->status & TCR_BCM) {
                ByteCountMismatchCount++;
                tda->pkt_size=Total_fragment_size(tda);
            }
            if (--RetryCounter == 0)
                HardTransmitErrorCount++;

            /* Post status of transmitted packet to
               upper level software that packet was undeliverable
            */
            packet_tx(TX_status);
            else {
                /* resend the same packet again up to RetryCounter */
                REG_WRITE(card.crd_iobase+SONIC_cr*2, CMD_TXP);
            }
        }
    }
}

```

TL/F/11140-30

```
    }  
    }  
    /* look for last descriptor in TX list */  
    if (tda->link & 0x1)  
        break;  
    else  
        tda=tda->next;  
}  
}  
pic_eoi(card.crd_interrupt);  
REG_WRITE(card.crd_iobase+SONIC_imr*2, card.crd_intmask);  
}
```

TL/F/11140-31

D. Diagnostic Routine

```

sonic_diag ()
{
    int oldinterrupt;
    struct aclock *clk, *alock_alarm();
    long timeout=0;
    unsigned short temp, ul6, ll6, addr;
    unsigned long laddr;
        extern int timeout_func();
        short result;

    /* Before loopback test can commence SONIC needs to be
       initialized */

    /* check BNC cable connection: If transmission does not
       finish after specified time period (~1sec), the BNC
       connector is not connected. If excessive collisions
       occur, the cable is not terminated */

    clk=aclock_alarm(50,50,timeout_func, &timeout);
    REG_WRITE(card.crd_iobase+SONIC_isr*2, 0xffff);
    /* Get the 1st tda */
    laddr=(unsigned long) tda1;
    ul6=laddr >> 16;
    ll6=laddr;
    laddr=(unsigned long)ul6 * 16 + ll6;
    addr=(unsigned short) laddr;
    REG_WRITE(card.crd_iobase+SONIC_ctda*2, addr);
    tda1->link=0x0001;

    /* Issue transmit command */
    REG_WRITE(card.crd_iobase+SONIC_cr*2, CMD_TXP);
    for (timeout_value=0; timeout_value < 2; ) {
        temp=REG_READ(card.crd_iobase+SONIC_isr*2);
        if (temp & (ISR_TXDN | ISR_TXER))
            break;
    }
    clock_kill(clk);
    if (timeout_value) {
        check_cable=2;      /*Timeout occurred, BNC not connected*/
        goto final;
    }
    else if (tda1->status & TCR_EXC) {
        check_cable = 3;
        goto final;      /* Exc. Coll. occurred, cable not
                           terminated */
    }
    else
        check_cable = 1;

    /* MAC loopback */
    laddr = (unsigned long) F_RDA;
    ul6=laddr >> 16;
    ll6=laddr;
    laddr = (unsigned long)ul6 * 16 + ll6;
    addr = (unsigned short) laddr;
    REG_WRITE(card.crd_iobase+SONIC_crda*2, addr);
    mac_loopback=loopback(0x0200);

```

TL/F/11140-32

1

```

    if (mac_loopback != 1)
        goto final;

    /* ENDEC loopback */
    laddr = (unsigned long) F_RDA;
    ul6=laddr >> 16;
    l16=laddr;
    laddr = (unsigned long)ul6 * 16 + l16;
    addr = (unsigned short) laddr;
    REG_WRITE(card.crd_iobase+SONIC_crda*2, addr);
    endec_loopback=loopback(0x0400);
    if (endec_loopback != 1)
        goto final;

    /* transceiver loopback */
    laddr = (unsigned long) F_RDA;
    ul6=laddr >> 16;
    l16=laddr;
    laddr = (unsigned long)ul6 * 16 + l16;
    addr = (unsigned short) laddr;
    REG_WRITE(card.crd_iobase+SONIC_crda*2, addr);
    trans_loopback=loopback(0x0600);
    if (trans_loopback != 1)
        goto final;

    return(ok);

final:
    return(error);    /* one of the loopback test failed*/
}

/* This routine is to perform the loopback tests */
loopback( rcr_mode)
unsigned short  rcr_mode;
{
    struct aclock *clk;
    unsigned short temp, ul6, l16, addr, rcr_value;
    unsigned long laddr;
    long timeout=0;
    short i;
    struct aphys *phys;

    /* Set up the clock to measure timeout */
    clk=aclock_alarm(50,50,timeout_func, &timeout);
    REG_WRITE(card.crd_iobase+SONIC_isr*2, 0xffff);
    /* Get the 1st tda */
    laddr=(unsigned long) tda1;
    ul6=laddr >> 16;
    l16=laddr;
    laddr=(unsigned long)ul6 * 16 + l16;
    addr=(unsigned short) laddr;
    tda1->link=0x0001;
    rcr_value=rcr_mode|0x3800;
    REG_WRITE(card.crd_iobase+SONIC_rcr*2, rcr_value);

    /* Out of reset mode */
    REG_WRITE(card.crd_iobase+SONIC_cr*2, 0);

```

```
REG_WRITE(card.crd_iobase+SONIC_ctda*2, addr);
REG_WRITE(card.crd_iobase+SONIC_cr*2, CMD_RXEN);
/* Issue transmit command */
REG_WRITE(card.crd_iobase+SONIC_cr*2, CMD_TXP);
for (timeout_value=0; timeout_value < 2; ) {
    temp=REG_READ(card.crd_iobase+SONIC_isr*2);
    if (temp & (ISR_TXDN | ISR_TXER))
        break;
}
clock_kill(clk);
if (timeout_value)
    return(2); /* timeout error */
else if (tdal->status & TCR_PTX) {
    if (F_RDA->status & RCR_LBK) {
        F_RDA->in_use=0xffff;
        return(1); /* good TX and RX status */
    } /* loopback OK */
    else {
        F_RDA->in_use=0xffff;
        return(3); /* Bad RX status error */
    }
}
else {
    F_RDA->in_use=0xffff;
    return(4); /* Bad TX status error */
}
}
```

TL/F/11140-34

DP83932EB-EISA SONIC/ EISA Packet Driver for PC/TCP

National Semiconductor
Application Note 859



INTRODUCTION

This is a complete program listing for a network device driver for the DP83932EB-EISA SONIC EISA Demonstration and Evaluation Board. This driver enables the DP83932-EISA to operate with the Personal Computer-based TCP/IP software package, distributed by FTP Software Inc., called PC/TCP. Contact FTP Software Inc. at (617) 246-0900 for more information about the PC/TCP product offerings.

This driver conforms to version 1.9 of FTP Software's Packet Driver Specification, and works with version 2.x of the PC/TCP product (and products that have adopted the Packet Driver Specification).

This program listing is provided as an example of drive software for the DP83932 Systems Oriented Network Interface Controller (SONIC). The driver is written in Microsoft C (5.1 or greater) and Microsoft Assembler (5.1 or greater). Since the majority of the software is written in C, the concepts provided are easily portable to other environments.

This example software is provided as an example, and is not necessarily the most optimal implementation. The code has been thoroughly tested with PC/TCP.

The driver is listed by modules in the following order:

1. pktdrv.c
2. far.c
3. isr.c
4. sonic.c
5. pktdrv.h
6. sonic.h
7. isrlib.asm
8. pktint.asm
9. makefile

PKTDRV.C

```

static char pktdrv_rcsid[]="@(#) $ID:$";
/*
*****
*           Copyright (c) 1992 by National Semiconductor Corporation           *
*           All Rights Reserved                                             *
*****
=====
FILE:   pktdrv.c
NOTES:  This program is a packet driver that provides a common interface
        between PC/TCP's kernel and NSC's SONIC hardware. This program
        was based on a set of drivers provided by Clarkson from FTP.
=====
UPDATE LOG:
When/Who           Why/What/Where
-----
11/30/90 Mike Lui   Convert to work for SONIC 32 bit
04/10/92 Michael Zhang Added read_config();
                          Added 'transmitactive=1' in send_packet();
=====
*/

#include <stdio.h>
#include <dos.h>
#include <memory.h>
#include <string.h>
#include "pktdrv.h"
#include "sonic.h"

/* externals */
extern void (interrupt far drv_isr)(); /* the interrupt we use */
extern unsigned _psp; /* segment address of PSP */

/* Driver information */
static unsigned int   drv_version = 1; /* driver version */
static unsigned char  drv_class = 1; /* driver class */
static unsigned int   drv_type = 14; /* driver type */
static unsigned char  drv_number = 0; /* driver number */
static unsigned int   drv_funct = 5; /* basic and high-
                                     performance driver function */

static char drv_name[] = /* driver name */
    "National Semiconductor SONIC/TCP 32-bit Packet Driver";
static char cpy_msg[] =
    "Copyright (c) 1992 by National Semiconductor Corporation";
static char drv_rev[] = "1.2"; /* current driver rev */
static unsigned char BOARD_ID[]={ 0x41,0x98,0x10,0x01 }; /* PLX1001 */
static HANDLE handle_tbl[MAX_HANDLES]; /* create handle structs */
static void read_config(); /* read board config info */
void (interrupt far *sys_isr)(); /* remember system isr */
char far *pkt_signature = "PKT DRV";
unsigned int packet_int_no = 0x60; /* interrupt for communications */
static unsigned far *psp_ptr; /* pointer to PSP */
unsigned mem_sz; /* program memory size in paragraphs */
unsigned char type_buf[MAX_TYPE_LEN];
static void usage();

union REGS r_regs;
struct SREGS s_regs;
int send_pending; /* required for Synernetics */

```

TL/F/11720-1

```

static int syn_installed;                /* required for Synneretics */

extern int opterr;
extern int optind;
extern char *optarg;

/*
 * main()
 *
 * Main procedure.
 * Once initialization is complete terminate and stay resident.
 */
main(argc, argv)
int argc;
char *argv[];
{
    psp_ptr = (unsigned far *)((unsigned long)_psp << 16);
    mem_sz = (psp_ptr[1] - _psp);

    read_config();                       /* read expansion board config*/

    init_drv(argc, argv);                /* initialize driver and hardware */

    outpw(regbase+cr, 8);                 /* enable receiver */

    /* terminate and stay resident */
    _dos_keep(0, mem_sz);
}

/*
 * int_handler()
 *
 * This routine is called from an assembly isr routine "drv_isr"
 * to handle the application interrupt. The isr routine passes a
 * set of pointers of the registers to this routine. Register AH
 * contains which function is to be performed. These registers will
 * be restored in "drv_isr" before returning from the interrupt.
 *
 * Return values: If an error occurred the value will be in
 * the DH register and the carry bit of cflag
 * will be set.
 */
int_handler(regs, sregs)
union REGS far *regs;
struct SREGS far *sregs;
{
    int ret_val;

    switch(regs->h.ah) {
    case 1:
        ret_val = driver_info(regs, sregs);
        break;
    case 2:
        ret_val = access_type(regs, sregs);
        break;
    case 3:
        ret_val = release_type(regs, sregs);
        break;
    }
}

```

```

case 4:
    ret_val = send_packet(regs, sregs);
    break;
case 5:
    ret_val = terminate(regs, sregs);
    break;
case 6:
    ret_val = get_address(regs, sregs);
    break;
case 7:
    ret_val = reset_interface(regs, sregs);
    break;
case 10:
    ret_val = get_param(regs, sregs);      /* high-performance function */
    break;
case 11:
    ret_val = as_send_pkt(regs, sregs);    /* high-performance function */
    break;
case 24:
    ret_val = get_stats(regs, sregs);
    break;
default:
    ret_val = BAD_COMMAND;
}

if(ret_val) {
    regs->h.dh = ret_val;                  /* put error code into dh */
    regs->x.cflag |= 0x1;                  /* and set carry bit */
}

/*
 * driver_info()
 *
 * Return information on the driver interface. Handle is optional
 * and is not used in new driver??
 *
 * Return values: 0 - Success
 */
driver_info(regs, sregs)
union REGS far *regs;
struct SREGS far *sregs;
{
    regs->x.bx = drv_version;              /* driver version */
    regs->h.ch = drv_class;                 /* driver class */
    regs->x.dx = drv_type;                  /* driver type */
    regs->h.cl = drv_number;               /* driver number */
    regs->x.si = (unsigned)drv_name;        /* driver name */
    sregs->ds = (unsigned long)((char far *)drv_name) >> 16;
    regs->h.al = drv_funct;                /* driver function */
    return 0;
}

/*
 * access_type()
 *
 * Initiate access to packets for the specific type. Since the packet
 * type field needs to have the bytes of 16 bit values swapped, the
 * handle will store the type field byte swapped.

```

TL/F/11720-3

```

*
*   Return values:  0 - Success
*                   >0 - Failure
*/
access_type(regs, sregs)
union REGS far *regs;
struct SREGS far *sregs;
{
    int i, n,
        open_handle = OPEN,           /* available handle */
        type_cnt;

    /* first check a few things to make sure packet access is ok */

    /* check class */
    if(regs->h.al != drv_class) {
        return NO_CLAS;
    }

    /* check type (ours or generic) */
    if(!((regs->x.bx == drv_type) || (regs->x.bx == -1))) {
        return NO_TYPE;
    }

    /* check number (ours or generic) */
    if(!((regs->h.dl == 0) || (regs->h.dl == 1))) {
        return NO_NUMBER;
    }

    /* check packet type length, if too long its not ours */
    if(regs->x.cx > MAX_TYPE_LEN) {
        return TYPE_INUSE;
    }

    /*
     * now check for an available handle and if the handle already
     * exists with same packet type.
     */
    type_ptr = (char far *)(((unsigned long)sregs->ds << 16) | regs->x.si);
    for(i = 0; i < regs->x.cx; i++)
        type_buf[i] = type_ptr[i];

    for(n = 0; n < MAX_HANDLES; n++) {
        if(handle_tbl[n].in_use) {
            /* check packet type */
            type_cnt = MIN(regs->x.cx, handle_tbl[n].len);
            if(!far_memcmp((char far *)type_buf,
                (char far *)handle_tbl[n].type, type_cnt))
                return TYPE_INUSE; /* duplicate types */
        }
        else if(open_handle == OPEN)
            open_handle = n; /* grab first open handle */
    }

    if(open_handle == OPEN)
        return BAD_HANDLE; /* no available handles */

    /* copy the handle */
    handle_tbl[open_handle].in_use++;
}

```

TL/F/11720-4


```

for(i = 0; i < regs->x.cx; i++) {
    handle_tbl[open_handle].type[i] = type_buf[i];
}
handle_tbl[open_handle].len = regs->x.cx;
handle_tbl[open_handle].rec_es = sregs->es;
handle_tbl[open_handle].rec_di = regs->x.di;

regs->x.ax = open_handle;          /* return handle */
return 0;                          /* return success */
}
/*
 * release_type()
 *
 * Release access to packets with a particular handle.
 *
 * Return values:  0 - Success
 *                >0 - Failure
 */
release_type(regs, sregs)
union REGS far *regs;
struct SREGS far *sregs;
{
    if(chk_handle(regs->x.bx))
        return BAD_HANDLE;

    /* release handle */
    handle_tbl[regs->x.bx].in_use = 0;
    return 0;
}

/*
 * send_packet()
 *
 * Send packet buffer.
 *
 * Return values:  0 - Success
 *                >0 - Failure
 */
send_packet(regs, sregs)
union REGS far *regs;
struct SREGS far *sregs;
{
    char far *frame_ptr;          /* pointer to frame */
    unsigned long pkt_addr;       /* physical address of packet */
    unsigned int buf_len;        /* frame length */
    int i;
    tda_struct *tmp_tda;
    short previous_tda;
    unsigned short addr;

    /* check if frame is too big */
    if(regs->x.cx > BUF_SZ) {
        return NO_SPACE;
    }

    /* update driver stats */
    drv_stats.packets_out++;
    drv_stats.bytes_out += regs->x.cx;
}

```

TL/F/11720-5

```

/* point to the app's send frame */
frame_ptr = (char far *)(((unsigned long)sregs->ds << 16) |
                          regs->x.si);
pkt_addr = (unsigned long) sregs->ds * 16 + regs->x.si;

buf_len = regs->x.cx;                               /* frame+FC+SNAP length */

/* save current tda */
previous_tda=curtda;

if (transmitactive) {
    /* network is currently busy transmitting, just queue up the tda */
    if (curtda==TDANUM-1)
        return CANT_SEND;
    else {
        /* copy data area from the frame */
        far memcpy((char far *)&tba[curtda+1], &frame_ptr[0], regs->x.cx);
        addr=tda_addr+(curtda+1)*sizeof(tda_struct);
        tmp_tda=(tda_struct*)addr;
        tmp_tda->pkt_size=buf_len;
        tmp_tda->frag_count=1;
        tmp_tda->frag_size=buf_len;
        tmp_tda->link |= 1;
        tmp_tda->type = BASIC;
        addr-=sizeof(tda_struct);
        tmp_tda=(tda_struct*)addr;
        tmp_tda->link &= 0x0fff;
        curtda++;
    }
}
else {
    /* network is free */
    retry=0;
    /* copy data area from the frame */
    far memcpy((char far *)&tba[0], &frame_ptr[0], regs->x.cx);
    tmp_tda=(tda_struct*) tda_addr;
    tmp_tda->pkt_size=buf_len;
    tmp_tda->frag_count=1;
    tmp_tda->frag_size=buf_len;
    tmp_tda->link |= 1;
    tmp_tda->type = BASIC;
    tda_head=0;
    tda_tail=1;
    curtda=0;
    outpw(regbase+ctda, tda_start_addr); /* load ctda */
    transmitactive=1;
}

outpw(regbase+cr, 2);                               /* issue the transmit command */

return 0;
}

/*
 * terminate()
 *
 * Terminate the driver.
 *
 * Return values:  0 - Success
 *                >0 - Failure
 */

```

TL/F/11720-6

```

*/
terminate(regs, sregs)
union REGS far *regs;
struct SREGS far *sregs;
{
    int sonic_irq;

    sonic_irq=3;

    _dos_setvect(packet_int_no, sys_isr);        /* put back system isr */

    sonic_isr_disable(sonic_irq);                /* remove sonic interrupt */
    /* free environment memory */
    _dos_freemem( psp_ptr[0x16] );

    /* free memory and return to app */
    if(_dos_freemem(_psp))
        return CANT_TERMINATE;

    return 0;
}

/*
 * get_address()
 *
 * Get the local net address.
 *
 * Return values:  0 - Success
 *                >0 - Failure
 */
get_address(regs, sregs)
union REGS far *regs;
struct SREGS far *sregs;
{
    int i, old_mode;
    char far *addr_ptr;                          /* pointer to address */

    if(chk_handle(regs->x.bx))
        return BAD_HANDLE;

    /* get buffer */
    addr_ptr = (char far *)(((unsigned long)sregs->es << 16) | regs->x.di);

    /*
     * copy ethernet address from hardware.
     * regs->x.cx is the length of buffer, fail if address
     * is too big to fit in buffer - NO_SPACE
     */
    if(regs->x.cx < 6)
        return NO_SPACE;

    regs->x.cx = 6;

    for(i = 0; i < regs->x.cx; i++) {
        addr_ptr[i] = inp(regbase+0xc90+i);
    }

    return 0;
}

```

TL/F/11720-7

```

/*
 * reset_interface()
 *
 * Reset the interface for the particular handle. If more than one
 * handle is open return CANT_RESET so other applications (handles)
 * will not get confused.
 *
 * Return values:  0 - Success
 *                >0 - Failure
 */
reset_interface(regs, sregs)
union REGS far *regs;
struct SREGS far *sregs;
{
    char far *addr_ptr;                /* pointer to address */
    int      i, handle_cnt = 0;

    if(chk_handle(regs->x.bx))
        return BAD_HANDLE;

    /* check if there is more than one handle is open */
    for(i = MIN_HANDLE; i < MAX_HANDLES; i++)
        if(handle_tbl[i].in_use != 0) handle_cnt++;
    if(handle_cnt > 1)
        return CANT_RESET;

    /* Reset the hardware to a known state */
    /* Will need something maybe ??? */

    return 0;
}

/*
 * get_param()
 *
 * Return driver parameters
 *
 * Return values:  0 - Success
 *                >0 - Failure
 */
get_param(regs, sregs)
union REGS far *regs;
struct SREGS far *sregs;
{
    if(drv_funcnt !=5 && drv_funcnt != 6)
        return BAD_COMMAND;

    drv_param.major_rev=1;
    drv_param.minor_rev=9;
    drv_param.length=14;
    drv_param.addr_len=6;
    drv_param.mtu=1512;
    drv_param.multicast_aval=90;
    drv_param.rcv_bufs=3;
    drv_param.xmt_bufs=3;
    drv_param.int_num=0;
}

```

```

regs->x.di = (unsigned)&drv_param;          /* driver stats */
sregs->es = (unsigned long)((char far *)&drv_param) >> 16;

return 0;
}

/*
 * as_send_pkt()
 *
 * HIgh performance send packet.
 *
 * Return values:  0 - Success
 *                >0 - Failure
 */
as_send_pkt(regs, sregs)
union REGS far *regs;
struct SREGS far *sregs;
{
    char far *frame_ptr;                /* pointer to frame */
    unsigned long pkt_addr;             /* physical address of packet */
    unsigned int buf_len;               /* frame length */
    int i;
    tda_struct *tmp_tda;
    short previous_tda;
    unsigned short addr;

    /* check if frame is too big */
    if(regs->x.cx > BUF_SZ) {
        return NO_SPACE;
    }

    /* update driver stats */
    drv_stats.packets_out++;
    drv_stats.bytes_out += regs->x.cx;

    /* point to the app's send frame */
    frame_ptr = (char far *)(((unsigned long)sregs->ds << 16) |
                             regs->x.si);
    pkt_addr = (unsigned long) sregs->ds * 16 + regs->x.si;

    buf_len = regs->x.cx;                /* frame+FC+SNAP length */

    /* save current tda */
    previous_tda=curtda;

    if (transmitactive) {
        /* network is currently busy transmitting, just queue up the tda */
        if (curtda==TDANUM-1) {
            xmt_upcall(CANT_SEND, (char far *) &frame_ptr,regs->x.di,sregs->es);
            return CANT_SEND;
        }
        else {
            /* copy data area from the frame */
            far_memcpy((char far *)&tba[curtda+1], &frame_ptr[0], regs->x.cx);
            addr=tda_addr+(curtda+1)*sizeof(tda_struct);
            tmp_tda=(tda_struct*)addr;
            tmp_tda->pkt_size=buf_len;
            tmp_tda->frag_count=1;
        }
    }
}

```

TL/F/11720-9

```

        tmp_tda->frag_size=buf_len;
        tmp_tda->link |= 1;
        tmp_tda->type = HIGH_PERFORMANCE;
        tmp_tda->buffer=frame_ptr;
        tmp_tda->xmt_es=sregs->es;
        tmp_tda->xmt_di=regs->x.di;
        addr-=sizeof(tda_struct);
        tmp_tda=(tda_struct*)addr;
        tmp_tda->link &= 0x0fff;
        curtda++;
        tda_tail=curtda+1;
    }
}
else {
    /* network is free */
    retry=0;
    /* copy data area from the frame */
    far_memcpy((char far *)&tba[0], &frame_ptr[0], regs->x.cx);
    tmp_tda=(tda_struct*) tda_addr;
    tmp_tda->pkt_size=buf_len;
    tmp_tda->frag_count=1;
    tmp_tda->frag_size=buf_len;
    tmp_tda->link |= 1;
    tmp_tda->type = HIGH_PERFORMANCE;
    tmp_tda->buffer=frame_ptr;
    tmp_tda->xmt_es=sregs->es;
    tmp_tda->xmt_di=regs->x.di;
    curtda=0;
    tda_head=0;
    tda_tail=1;
    outpw(regbase+ctda, tda_start_addr); /* load ctda */
}

outpw(regbase+cr, 2); /* issue the transmit command */

return 0;
}

/*
 * get_stats()
 *
 * Return driver statistics.
 *
 * Return values:  0 - Success
 *                >0 - Failure
 */
get_stats(regs, sregs)
union REGS far *regs;
struct SREGS far *sregs;
{
    if(chk_handle(regs->x.bx))
        return BAD_HANDLE;

    regs->x.si = (unsigned)&drv_stats; /* driver stats */
    sregs->ds = (unsigned long)((char far *)&drv_stats) >> 16;

    return 0;
}

```

```

/*
 * drv_rcvr()
 *
 * Receiver procedure. Once a frame is received, we need to make two upcall
 * with the receiving routine provided by the application. The first
 * call (AX == 0) is to request a buffer to copy the frame to. The second
 * call (AX == 1) indicates that the frame has been copied.
 *
 * Return values:  0 - Success
 *                >0 - Failure
 */
/* void far drv_rcvr() */
drv_rcvr()
{
    int i;
    int handle_found = OPEN;          /* set if valid frame received */
    char far *cp_ptr;
    unsigned short addr;
    unsigned char far *frame;

    /* get the frame */
    while ((unsigned short)cur_rda->status != 0) {
        frame=(unsigned char far *) (((unsigned long) cur_rda->pkt_ptr1 << 28) |
                                     (unsigned short) cur_rda->pkt_ptr0);
        /* validate the received frame */
        for(i = MIN_HANDLE; i < MAX_HANDLES; i++) {
            if((handle_tbl[i].in_use == 0) ||
                (((unsigned long)handle_tbl[i].rec_es << 16) |
                 handle_tbl[i].rec_di) == 0)
                continue;          /* go to next handle */
            if(!far_memcmp((char far *)handle_tbl[i].type,
                           &frame[ETYPE_OFS], handle_tbl[i].len)) {
                handle_found = i;
                break;
            }
        }
        if(handle_found == OPEN) {
            drv_stats.packets_dropped++;
            free_rda();
            continue;
        }
        if ((unsigned short) cur_rda->status & 0x0c) {
            drv_stats.packets_dropped++;
            free_rda();
            continue;
        }
    }

    /* update driver stats */
    drv_stats.packets_in++;
    drv_stats.bytes_in += (unsigned short) cur_rda->byte_count;

    /* first upcall, tell them frame size */
    app_rcv(0,handle_found, MAX((unsigned short) cur_rda->byte_count-4,64),
            (char far *)&cp_ptr, handle_tbl[handle_found].rec_di,
            handle_tbl[handle_found].rec_es);

    /* check if copy is permitted */

```

TL/F/11720-11

1

```

    if(cp_ptr == NULL) {
        drv_stats.packets_dropped++;
        free_rda();
        continue;
    }

    /* copy the frame */
    far_memcpy(&cp_ptr[0], &frame[0], (unsigned short)cur_rda->byte_count-4)

    /* second upcall, tell them frame has been copied */
    app_recv(1, handle_found, (unsigned short) cur_rda->byte_count-4,
             (char far *)&cp_ptr,
             handle_tbl[handle_found].rec_di,
             handle_tbl[handle_found].rec_es);

    /* free rda */
    free_rda();
}
return 0;
}

/*
 * free_rda()
 * This routine is to free up the currently examined rda for later use
 */

free_rda()
{
    static int first;
    unsigned short tmp_value;
    unsigned short addr;
    rda_struct * p_rda;

    /* check fifo overrun */
    if (inpw(regbase+isr) & ISR_RFO)
        outpw(regbase+isr, ISR_RFO);

    /* reinitialize the rda */
    cur_rda->status=0;
    cur_rda->byte_count=0;
    cur_rda->pkt_ptr0=0;
    cur_rda->pkt_ptr1=0;
    cur_rda->in_use=0x0ffff;
    cur_rda->pkt_link |= 1;

    /* link the previous rda to the current rda */
    if (currda==0) {
        addr=rda_start_addr+(RDANUM-1)*sizeof(rda_struct);
        p_rda=(rda_struct*) addr;
        p_rda->pkt_link&=0x0fffe;
    }
    else {
        addr=c_rda-sizeof(rda_struct);
        p_rda=(rda_struct*) addr;
        p_rda->pkt_link&=0x0fffe;
    }
}

```

TL/F/11720-12


```

}

/* get the first buffer number */
if (!first) {
    previous_seqno=(unsigned short)cur_rda->seq_no >> 8;
    first=1;
}

/* check whether rba can be reused */
if ((unsigned short)cur_rda->seq_no >> 8 != previous_seqno) {
    previous_seqno=(unsigned short)cur_rda->seq_no >> 8;
    tmp_value=rwp_table[cur_rwp];
    if (cur_rwp==2)
        cur_rwp=0;
    else
        cur_rwp++;

    outpw(regbase + rwp, tmp_value);

    tmp_value=inpw(regbase + isr);
    if (tmp_value & ISR_RBE)
        outpw(regbase + isr, ISR_RBE);
}

/* check rde */
if (inpw(regbase+isr) & ISR_RDE) {
    outpw(regbase+isr, ISR_RDE);
    tmp_value=inpw(regbase+crda) & 0x0fffe;
    outpw(regbase+crda, tmp_value);
}

if (currda == RDANUM-1) {
    currda=0;
    c_rda=rda_start_addr;
    cur_rda=(rda_struct*)c_rda;
}
else {
    currda++;
    c_rda+=sizeof(rda_struct);
    cur_rda=(rda_struct*)c_rda;
}
}

}

/*
 * init_drv()
 *
 * Initialize the driver and hardware.
 */
init_drv(argc, argv)
int argc;
char *argv[];
{
    char far *ptr;
    int kill_drv;

    fprintf(stderr,
        "%s -- Version %s\n%s\n", drv_name, drv_rev, cpy_msg);

```

TL/F/11720-13

```

kill_drv = do_args(argc, argv);          /* process command line */
sys_isr = _dos_getvect(packet_int_no);   /* get system isr */
ptr = (char far *)sys_isr + 3;

if(kill_drv)                             /* terminate active driver */
    kill_driver(ptr);

if((ptr != NULL) && (far_strcmp(ptr, pkt_signature) == 0)) {
    fprintf(stderr,
        "Error: a packet driver already exist at interrupt 0x%x\n",
        packet_int_no);
    exit(1);
}

_dos_setvect(packet_int_no, drv_isr);     /* install driver isr */
init();                                  /* init SONIC */

fprintf(stderr,
    "Packet Driver is using INT 0x%x and %ld bytes of memory\n",
    packet_int_no, (unsigned long)mem_sz * 16);
}

/*
 * chk_handle()
 *
 * Check if handle is valid.
 *
 * Return values:  0 - Success
 *                >0 - Failure
 */
chk_handle(handle)
unsigned int handle;
{
    /* check if handle is in range */
    if((handle < MIN_HANDLE) || (handle >= MAX_HANDLES))
        return BAD_HANDLE;

    /* check if handle is in use */
    if(handle_tbl[handle].in_use == 0)
        return BAD_HANDLE;

    return 0;
}

/*
 * kill_driver()
 *
 * Terminate driver from memory
 *
 * Return values:  none - exits from program
 */
kill_driver(ptr)
char far *ptr;
{
    if((ptr == NULL) || (far_strcmp(ptr, pkt_signature) != 0)) {
        fprintf(stderr,
            "Error: no packet driver at interrupt 0x%x\n",

```

TL/F/11720-14

```

        packet_int_no);
    exit(1);
}
r_regs.h.ah = 5;
r_regs.x.bx = 0;
int86(packet_int_no, &r_regs, &r_regs);
if(r_regs.x.cflag) {
    fprintf(stderr, "Error: packet driver can not terminate\n");
    exit(1);
}
printf("Terminated packet driver at interrupt 0x%x\n", packet_int_no);
exit(0);
}

```

```

/*
 * do_args()
 *
 * Process program arguments using getopt().
 *
 * Return values:  0 - Success
 *                1 - Terminate driver
 */
do_args(argc, argv)
int  argc;
char *argv[];
{
    int in, done = 0, c_type;
    char *sptr;

    if(argc == 1)                /* use default packet_int_no */
        return 0;

#ifdef MSDOS
    if((sptr = strchr(*argv, '\\')) != NULL)
        strcpy(*argv, sptr + 1);
    if((sptr = strchr(*argv, '.')) != NULL)
        *sptr = '\0';
#endif

    while (((in = getopt(argc, argv, "?khi:t:")) != -1)) {
        switch(in) {
            case 'k':
                return (1);
                break;
            case 't':
                sscanf(optarg, "%d", &c_type);
                if(c_type==1) cable_type=THICK;
                break;
            case 'i':
                if(sscanf(optarg, "0x%x", &packet_int_no) != 1)
                    if(sscanf(optarg, "%d", &packet_int_no) != 1) {
                        break;
                    }
                /*
                if(!strncmp(optarg, "0x", 2))
                    sscanf(&optarg[2], "%x", &packet_int_no);
                else
                    sscanf(optarg, "%d", &packet_int_no);
                */
        }
    }
}

```

TL/F/11720-15

```

        */
        if((packet_int_no < 0x60) || (packet_int_no > 0x80)) {
            fprintf(stderr,
                "Error: packet_int_no should be in the range 0x60 to 0x80\n");
            exit(1);
        }
        break;
    default:
        usage(argv);
        break;
    }
}

void usage(argv)
char **argv;
{
    fprintf(stderr,
        "Usage: %s [-h] [-k] [-i packet_int_no] [-t cable type]\n", *argv);
    fprintf(stderr, " -h = this help message\n");
    fprintf(stderr,
        " -i = set packet interrupt number, default is 0x60\n");
    fprintf(stderr, " -t = cable type (0 thin coax, 1 AUI)\n");
    fprintf(stderr, " -k = terminate packet driver\n");
    exit(1);
}

int opterr = 1;
int optind = 1;
char *optarg;
/*
 * getopt() -- Gets options from command line and breaks them up for analysis.
 *             It is functionally compatible with the UNIX version.
 * By Ted Thi
 */
getopt(argc, argv, ctrlStr)
int argc;
char **argv,
    *ctrlStr;
{
    extern char *strchr();
    register char *s_ptr;
    static int i;
    if (optind < argc && argv[optind][++i] == '\0') {
        if (i == 1 || ++optind >= argc)
            return(-1);
        i = 1;
    }
    if (i <= 1) {
        if (optind >= argc || (*argv[optind] != '-' && *argv[optind] != '/') ||
            argv[optind][1] == '\0')
            return(-1);
        if (strcmp(argv[optind] + 1, "--") == 0) {
            optind++;
            return(-1);
        }
    }
    if (argv[optind][i] == ':' || (s_ptr = strchr(ctrlStr, argv[optind][i]))
        == NULL) {
        if (opterr)

```

TL/F/11720-16

```

    fprintf(stderr, "%s: illegal option -- %c\n", *argv, argv[optind][i]);
    return('?');
}
if (s_ptr[1] == ':') {
    if (argv[optind][++i] == '\0') {
        i = 0;
        if (++optind >= argc) {
            if (opterr)
                fprintf(stderr, "%s: option requires an argument -- %c\n", *argv,
                    *s_ptr);
            return('?');
        }
    }
    optarg = argv[optind++] + i;
    i = 0;
} else
    optarg = NULL;
return(*s_ptr);
}
/* of getopt() */

void read_config()
{
    unsigned short reg0,i;
    unsigned short port;

    for(i=0; i<MAX_SLOT; i++) /* read board ID */
    {
        port=(0x1000)*i + ID_ADDR;
        if(inpw(port)==*(unsigned int *)BOARD_ID &&
            inpw(port+2)==*(unsigned int *) (BOARD_ID+2)
        )
            break;
    }
    if( i==MAX_SLOT ) { /* no board found */
        fprintf(stderr,"No PLX board found.\n");
        exit (1);
    }

    regbase=0x1000 * i;

    reg0=inp(regbase+0xc88); /* read plx register 0 */
    reg0 &=0x05; /* bit 2,1 */

    switch (reg0) {
        case 0: sonic_irq=5;
                break;
        case 2: sonic_irq=9;
                break;
        case 4: sonic_irq=10;
                break;
        case 6: sonic_irq=11;
                break;
    }

    reg0=inp(regbase+0xc89); /* read plx register 1 */
    if( reg0 & 0x02 ) cable_type=THIN;
    else cable_type=THICK;
}

```

TL/F/11720-17

FAR.C

```

static char far_rcsid[]="@(#) $ID:$";
/*
*****
*           Copyright (c) 1992 National Semiconductor Corporation           *
*                   All Rights Reserved                                     *
*****
*/
#include <dos.h>

void far_memcpy(dest, src, cnt)
register char far *dest;
register char far *src;
register unsigned cnt;
{
    while (cnt--) *dest++ = *src++;
}

char far *far_strcpy(s1, s2)
register char far *s1, far *s2;
{
    char far *s3 = s1;
    while (*s2) *s1++ = *s2++;
    return (s3);
}

far_strcmp(s1, s2)
register char far *s1, far *s2;
{
    while(*s1) {
        if(*s1 != *s2) return(*s1 - *s2);
        s1++; s2++;
    }
    return(*s1 - *s2);
}

far_memcmp(s1, s2, cnt)
register char far *s1, far *s2;
register int cnt;
{
    while(--cnt > 0) {
        if(*s1 != *s2)
            return(*s1 - *s2);
        s1++; s2++;
    }
    return(*s1 - *s2);
}

```

TL/F/11720-18

ISR.C

```

static char isr_csid[]="@(#) $ID:$";
/*
*****
*           Copyright (c) 1992 National Semiconductor Corporation           *
*           All Rights Reserved                                           *
*****
*/

#include <dos.h>
#include "sonic.h"

#define ISR_STACK_SZ    2048

static char irq_map[] = {
    0x08, 0x09, 0x0a, 0x0b, 0x0c, 0x0d, 0x0e, 0x0f,
    0x70, 0x71, 0x72, 0x73, 0x74, 0x75, 0x76, 0x77
};

static int pic_ctl;
static int pic_mask;
static int old_mask_val;

void (interrupt far *sys_irq_int)();

void interrupt far sonic_isr();

void sonic_isr_enable(irq)
int irq;
{
    pic_ctl = irq < 8 ? 0x20 : 0xa0;
    pic_mask = pic_ctl + 1;

    old_mask_val = inp(pic_mask);
    sys_irq_int = _dos_getvect(irq_map[irq]);

    _disable();
    _dos_setvect(irq_map[irq], sonic_isr);
    outp(pic_mask, old_mask_val & ~(1 << irq%8));
    _enable();

    if(irq>8) { /* also enable PIC 1 */
        int tmp_mask;
        int tmp_pic_ctl;
        int tmp_pic_mask;

        tmp_pic_ctl=0x20;
        tmp_pic_mask = tmp_pic_ctl +1;
        tmp_mask=inp(tmp_pic_mask);
        _disable();
        Outp(tmp_pic_mask,tmp_mask & ~(1 << 2));
        _enable();
    }
}

void sonic_isr_disable(irq)
int irq;
{
    _disable();
    _dos_setvect(irq_map[irq], sys_irq_int);
}

```

TL/F/11720-19

```

    outp(pic_mask, old_mask_val);
    _enable();
}

static char far *old_sp;
static char isr_stack[ISR_STACK_SZ];

void interrupt far sonic_isr()
{
    char far *(far get_sp)();
    void (far set_sp)();
    unsigned short activetda, addr;
    unsigned short isr_reg;
    short i;
    tda_struct * tmp_tda;

    outpw(regbase+imr, 0);          /* unmask the imr */

    old_sp = get_sp();
    set_sp((char far *)isr_stack + ISR_STACK_SZ);

    _enable();

    isr_reg=inpw(regbase+isr);

    while (isr_reg) {
        if (isr_reg & ISR_PKTRX) {          /* is there a receive */
            outpw(regbase+isr, ISR_PKTRX); /* clear receive bit */
            drv_rcvr();                    /* process rda */
        }
        if (isr_reg & ISR_TXDN) {          /* is there is transmit done */
            outpw(regbase+isr, ISR_TXDN);
            transmitactive=0;
            for (i=tda_head; i<tda_tail; i++) {
                addr=tda_addr+i*sizeof(tda_struct);
                tmp_tda=(tda_struct *) addr;
                if ((unsigned short)tmp_tda->type==HIGH_PERFORMANCE)
                    xmt_upcall(0, (char far *) &tmp_tda->buffer,
                                (unsigned short)tmp_tda->xmt_di, (unsigned short)tmp_tda->xmt_di);
            }
        }
        if (isr_reg & ISR_TXER) {          /* is there a transmit error */
            outpw(regbase+isr, ISR_TXER);
            if (retry > 10) { /* if retry 10 and still not succeed to transmi
                activetda=inpw(regbase+ctda);
                if (activetda & 0x1)
                    transmitactive=0;
                else {
                    activetda &= 0x0ffe;
                    outpw(regbase+ctda, activetda+20);
                    outp(regbase+cr, 2); /* transmit */
                }
            }
            else { /* try again */
                retry++;
                outp(regbase+cr, 2); /* transmit */
            }
        }
    }
    if (isr_reg & 0x0020)

```

TL/F/11720-20


```
        drv_rcvr();                /* process rda */
        isr_reg=inpw(regbase+isr);
        isr_reg &=0x0700;
    }
    _disable();
    set_sp(old_sp);
    if(pic_ctl== 0xa0) outp(0x20,0x20);
    outp(pic_ctl, 0x20);
    outpw(regbase+imr, 0x0700);
}
```

TL/F/11720-21

SONIC.C

```

static char sonic_rcsid[]="@(#) $ID:$";
/*
*****
*      Copyright (c) 1992 by National Semiconductor Corporation      *
*      All Rights Reserved                                          *
*****
*/

#include "sonic.h"
#include "dos.h"

/*
* init()
*
* This routine is from init_drv() to initialize sonic buffer and sonic
* registers.
*
* Return values: 0 if success
*                1 if fail
*/

init()
{
    short i;
    unsigned short cur_loc;

    /* initialize valuables */
    transmitactive=0;
    curtda=0;
    currda=0;

    /* initialize the EISA9010 chip */

        /* register 1 */
    /*cable_type=THICK;*/
    outpw(regbase+plx_reg1,cable_type);

    /* install sonic interrupt */
    sonic_isr_enable(sonic_irq);

    /* initialize sonic register */
    outpw(regbase+cr, 0x94); /* reset sonic */
    outpw(regbase+dcr, 0x073a); /* set configuration: 0 wait state
                                32-bit data path
                                block mode
                                8 words receive fifo
                                12 words transmit fifo */

    outpw(regbase+cr, 0); /* out of reset mode */
    outpw(regbase+rcr, 0x2000); /* accept broadcast packet */
    outpw(regbase+isr, 0x0fff); /* reset isr */
    outpw(regbase+imr, 0x0700); /* set mask to xmit done, xmit error and
                                receive packet */

    init_tda(); /* init tda */
    init_rda(); /* init rda */
    init_rra(); /* init rra */
    init_cam(); /* init cam */
}

```

TL/F/11720-22

```

/* initialize rwp location table */
cur_loc=inpw(regbase+rsa);
for (i=0; i<RRANUM; i++) {
    rwp_table[i]=cur_loc;
    cur_loc+=16;
}
cur_rwp=0;

/* normal operation */
outpw(regbase+cr, 0x100);      /* read rra */

return(0);
}

/*
 * init_tda()
 *
 * This routine is to link the tda so as to make transmission more
 * efficient. It also initialize the utda and ctda registers.
 *
 */

init_tda()
{
    unsigned short i, u16, l16;
    unsigned long addr32;
    unsigned long tba_addr;
    char far *ptr;
    struct SREGS segregs;
    tda_struct *tmp_tda;
    unsigned short c_tda_addr;
    unsigned short n_tda_addr;

    segread(&segregs);          /* Read the segment register value */
    /* check double word boundary */
    tda_addr=(unsigned short) &tda[0];
    tda_addr&=0xffffc;
    /* link the first nine tda */
    for (i=0; i<TDANUM-1; i++) {
        c_tda_addr=tda_addr+i*sizeof(tda_struct);
        n_tda_addr=c_tda_addr+sizeof(tda_struct);
        addr32=(((unsigned long) segregs.ds << 16) | n_tda_addr);
        tba_addr=(((unsigned long)segregs.ds << 16) |
            ((unsigned short) &tba[i]));
        u16=addr32>>16;
        l16=(unsigned short)addr32;
        addr32=(unsigned long)u16 * 16 + l16;
        tmp_tda=(tda_struct*) c_tda_addr;
        tmp_tda->config=0x1000;
        tmp_tda->link=(unsigned short) addr32;
        u16=tba_addr>>16;
        l16=(unsigned short)tba_addr;
        tba_addr=(unsigned long)u16 * 16 + l16;
        tmp_tda->frag_ptr1=tba_addr>>16;
        tmp_tda->frag_ptr0=(unsigned short) tba_addr;
    }
}

```

TL/F/11720-23

```

/* set the last tda link field to the first tda */
addr32=((unsigned long) segregs.ds << 16) | tda_addr);
tba_addr=((unsigned long) segregs.ds << 16) |
          ((unsigned short) &tba[TDANUM-1]));
u16=addr32>>16;
l16=(unsigned short)addr32;
addr32=(unsigned long)u16 * 16 + l16;
c_tda_addr=tda_addr+(TDANUM-1)*sizeof(tda_struct);
tmp_tda=(tda_struct*) c_tda_addr;
tmp_tda->link=(unsigned short) addr32;
u16=tba_addr>>16;
l16=(unsigned short)tba_addr;
tba_addr=(unsigned long)u16 * 16 + l16;
tmp_tda->frag_ptr1=tba_addr>>16;
tmp_tda->frag_ptr0=(unsigned short) tba_addr;

/* set the utda and ctda register */
outpw(regbase+utda, addr32>>16); /* set utda */
outpw(regbase+ctda, (unsigned short)addr32); /* set ctda */
tda_start_addr=(unsigned short)addr32;
}

/*
 * init_rda()
 *
 * This routine is to link the rda together. It also initialize the urda and
 * crda registers.
 */
init_rda()
{
    unsigned short i, u16, l16;
    unsigned long addr32;
    struct SREGS segregs;
    rda_struct *tmp_rda;
    unsigned short c_rda_addr;
    unsigned short n_rda_addr;

    segread(&segregs); /* Read the segment register value */

    /* check double word boundary */
    rda_addr=(unsigned short) &rda[0];
    rda_addr&=0xffffc;
    c_rda=rda_addr;
    rda_start_addr=c_rda;
    cur_rda=(rda_struct *) c_rda;
    /* link the rda */
    for (i=0; i<RDANUM-1; i++) {
        c_rda_addr=rda_addr+i*sizeof(rda_struct);
        n_rda_addr=c_rda_addr+sizeof(rda_struct);
        addr32=((unsigned long) segregs.ds << 16) | n_rda_addr);
        u16=addr32>>16;
        l16=(unsigned short)addr32;
        addr32=(unsigned long)u16 * 16 + l16;
    }
}

```

TL/F/11720-24

```

    tmp_rda=(rda_struct*) c_rda_addr;
    tmp_rda->pkt_link=(unsigned short) addr32;
    tmp_rda->in_use=0x0ffff;
}

/* set the last rda link field to the first rda */
addr32=((unsigned long) segregs.ds << 16) | rda_addr;
u16=addr32>>16;
l16=(unsigned short)addr32;
addr32=(unsigned long)u16 * 16 + l16;
c_rda_addr=rda_addr+(RDANUM-1)*sizeof(rda_struct);
tmp_rda=(rda_struct*) c_rda_addr;
tmp_rda->in_use=0x0ffff;
tmp_rda->pkt_link=(unsigned short) addr32;
tmp_rda->pkt_link|=1;          /* set EOL */

/* set the urda and crda register */
outpw(regbase+urda, addr32>>16);    /* set urda */
outpw(regbase+crda, (unsigned short)addr32);    /* set crda */
}

/*
 * init_rra()
 *
 * This routine is initialize the rra and set rsa, rea, rrp, rwp registers
 */
init_rra()
{
    unsigned short i, u16, l16;
    unsigned long addr32;
    struct SREGS segregs;
    unsigned short rra_addr, addr;
    rra_struct * tmp_rra;

    segread(&segregs);    /* Read the segment register value */

    /* check double word boundry */
    rra_addr=(unsigned short) &rra[0];
    rra_addr&=0xffffc;
    /* initialize the rra slot */
    for (i=0; i<RRANUM; i++) {
        addr32=((unsigned long) segregs.ds << 16) |
            ((unsigned short) &rba[i]);
        u16=addr32>>16;
        l16=(unsigned short)addr32;
        addr32=(unsigned long)u16 * 16 + l16;
        addr=rra_addr+i*sizeof(rra_struct);
        tmp_rra=(rra_struct*) addr;
        tmp_rra->buff_ptr0=(unsigned short)addr32;
        tmp_rra->buff_ptr1=addr32>>16;
        tmp_rra->buff_wc0=RBA_BUF_SIZE/2;
        tmp_rra->buff_wc1=0;
    }

    addr32=((unsigned long) segregs.ds << 16) | rra_addr;

```

TL/F/11720-25

```

u16=addr32>>16;
l16=(unsigned short)addr32;
addr32=(unsigned long)u16 * 16 + l16;

/* set urra, rsa, and rrp */
outpw(regbase+urra, addr32 >> 16); /* set urra */
outpw(regbase+rsa, (unsigned short)addr32); /* set rsa */
outpw(regbase+rrp, (unsigned short)addr32); /* set rrp */

/* set rea and rwp */
addr32+=48;
outpw(regbase+rea, (unsigned short) addr32); /* set rea */
outpw(regbase+rwp, (unsigned short) addr32); /* set rwp */

}

/*
 * init_cam()
 *
 * This routine is initialize the cam and set cdp, cdc registers. Also,
 * load the cam.
 */
init_cam()
{
    unsigned short i, u16, l16;
    unsigned long addr32;
    struct SREGS segregs;
    unsigned short cam_addr, addr;
    cam_struct * tmp_cam;

    segread(&segregs); /* Read the segment register value */
    /* check double word boundary */
    cam_addr=(unsigned short) &cam[0];
    cam_addr&=0xffffc;

    addr32=((unsigned long) segregs.ds << 16) | cam_addr;
    u16=addr32>>16;
    l16=(unsigned short)addr32;
    addr32=(unsigned long)u16 * 16 + l16;

    outpw(regbase+cdp, (unsigned short) addr32); /* load cdp */
    outpw(regbase+cdc, 16); /* load cdc */

    tmp_cam=(cam_struct *) cam_addr;
    /* Load the cda with node physical address */
    tmp_cam->cam_port_info[0].port0=inpw(regbase+0x0c90);
    tmp_cam->cam_port_info[0].port1=inpw(regbase+0x0c92);
    tmp_cam->cam_port_info[0].port2=inpw(regbase+0x0c94);

    for(i=0; i<16; i++)
        tmp_cam->cam_port_info[i].entry_ptr=i;

    tmp_cam->cam_enable=1; /* load cam enable */

    /* load cam */
    outpw(regbase+cr, CMD_LCAM);

    /* to ensure load cam is properly executed and clear LCD bit in isr */
    for (;;) {
        if (inpw(regbase+isr) & ISR_LCD) {
            outpw(regbase+isr, ISR_LCD);
            break;
        }
    }
}

```

TL/F/11720-26

TL/F/11720-27

PKTDRV.H

```

/*
 * $ID:$
 *
 ****
 *          Copyright (c) 1990 by National Semiconductor Corporation      *
 *                    All Rights Reserved                                *
 ****
 */

/* Packet Driver Error numbers */
#define BAD_HANDLE      1      /* invalid handle number */
#define NO_CLAS         2      /* no interfaces of specified class found */
#define NO_TYPE         3      /* no interfaces of specified type found */
#define NO_NUMBER       4      /* no interfaces of specified number found */
#define BAD_TYPE        5      /* bad packet type specified */
#define NO_MULTICAST    6      /* this interface does not support multicast */
#define CANT_TERMINATE  7      /* this packet driver cannot terminate */
#define BAD_MODE        8      /* an invalid receiver mode was specified */
#define NO_SPACE        9      /* failed because of insufficient space */
#define TYPE_INUSE     10     /* the type has already been accessed */
                                /* and not released. */
#define BAD_COMMAND     11     /* command out of range, or not implemented */
#define CANT_SEND       12     /* packet couldn't be sent (usually hardware) */
#define CANT_SET        13     /* hardware address couldn't be changed */
                                /* (more than 1 handle open) */
#define BAD_ADDRESS     14     /* hardware address has bad length or format */
#define CANT_RESET      15     /* couldn't reset interface */
                                /* (more than 1 handle open) */

#define RUNT            60     /* smallest legal size packet, no fcs */
#define GIANT           1514   /* largest legal size packet, no fcs */
#define EADDR_LEN       6     /* Ethernet address length. */

#define MAX_HANDLES    10     /* max number of handles at one time */
#define MIN_HANDLE     0     /* handles are 0 thru 9 */
#define MAX_TYPE_LEN   2     /* max packet type length */
#define OPEN           -1     /* available handle */

#define MIN(a,b)      (((a) < (b)) ? (a) : (b))
#define MAX(a,b)      (((a) > (b)) ? (a) : (b))

/* handle structure */
typedef struct _handle {
    int in_use;          /* non-zero if handle exist */
    char type[MAX_TYPE_LEN]; /* packet type */
    int len;            /* packet length */
    unsigned int rec_es; /* receiver address segment */
    unsigned int rec_di; /* receiver address offset */
} HANDLE;

static unsigned char bit_swap[256] = {
    0x00, 0x80, 0x40, 0xc0, 0x20, 0xa0, 0x60, 0xe0,
    0x10, 0x90, 0x50, 0xd0, 0x30, 0xb0, 0x70, 0xf0,
    0x08, 0x88, 0x48, 0xc8, 0x28, 0xa8, 0x68, 0xe8,
    0x18, 0x98, 0x58, 0xd8, 0x38, 0xb8, 0x78, 0xf8,
    0x04, 0x84, 0x44, 0xc4, 0x24, 0xa4, 0x64, 0xe4,
    0x14, 0x94, 0x54, 0xd4, 0x34, 0xb4, 0x74, 0xf4,
    0x0c, 0x8c, 0x4c, 0xcc, 0x2c, 0xac, 0x6c, 0xec,

```

TL/F/11720-28

```

0x1c, 0x9c, 0x5c, 0xdc, 0x3c, 0xbc, 0x7c, 0xfc,
0x02, 0x82, 0x42, 0xc2, 0x22, 0xa2, 0x62, 0xe2,
0x12, 0x92, 0x52, 0xd2, 0x32, 0xb2, 0x72, 0xf2,
0x0a, 0x8a, 0x4a, 0xca, 0x2a, 0xaa, 0x6a, 0xea,
0x1a, 0x9a, 0x5a, 0xda, 0x3a, 0xba, 0x7a, 0xfa,
0x06, 0x86, 0x46, 0xc6, 0x26, 0xa6, 0x66, 0xe6,
0x16, 0x96, 0x56, 0xd6, 0x36, 0xb6, 0x76, 0xf6,
0x0e, 0x8e, 0x4e, 0xce, 0x2e, 0xae, 0x6e, 0xee,
0x1e, 0x9e, 0x5e, 0xde, 0x3e, 0xbe, 0x7e, 0xfe,
0x01, 0x81, 0x41, 0xc1, 0x21, 0xa1, 0x61, 0xe1,
0x11, 0x91, 0x51, 0xd1, 0x31, 0xb1, 0x71, 0xf1,
0x09, 0x89, 0x49, 0xc9, 0x29, 0xa9, 0x69, 0xe9,
0x19, 0x99, 0x59, 0xd9, 0x39, 0xb9, 0x79, 0xf9,
0x05, 0x85, 0x45, 0xc5, 0x25, 0xa5, 0x65, 0xe5,
0x15, 0x95, 0x55, 0xd5, 0x35, 0xb5, 0x75, 0xf5,
0x0d, 0x8d, 0x4d, 0xcd, 0x2d, 0xad, 0x6d, 0xed,
0x1d, 0x9d, 0x5d, 0xdd, 0x3d, 0xbd, 0x7d, 0xfd,
0x03, 0x83, 0x43, 0xc3, 0x23, 0xa3, 0x63, 0xe3,
0x13, 0x93, 0x53, 0xd3, 0x33, 0xb3, 0x73, 0xf3,
0x0b, 0x8b, 0x4b, 0xcb, 0x2b, 0xab, 0x6b, 0xeb,
0x1b, 0x9b, 0x5b, 0xdb, 0x3b, 0xbb, 0x7b, 0xfb,
0x07, 0x87, 0x47, 0xc7, 0x27, 0xa7, 0x67, 0xe7,
0x17, 0x97, 0x57, 0xd7, 0x37, 0xb7, 0x77, 0xf7,
0x0f, 0x8f, 0x4f, 0xcf, 0x2f, 0xaf, 0x6f, 0xef,
0x1f, 0x9f, 0x5f, 0xdf, 0x3f, 0xbf, 0x7f, 0xff,
};
#define BIT_SWAP(a) bit_swap[(unsigned char )(a)]

#define BYTE_SWAP(a, b) { *(a) = *(b+1); *(a+1) = *(b); }

#define BUF_SZ 1514
static unsigned char s_buf[BUF_SZ];

static unsigned char snap[] =
/* SNAP */
{ 170, 170, 3, 0, 0, 0 };

#define ETYPE_OFS 12
#define DATA_OFS 14
#define MAC_LEN 14

static struct {
    unsigned long packets_in;
    unsigned long packets_out;
    unsigned long bytes_in;
    unsigned long bytes_out;
    unsigned long errors_in;
    unsigned long errors_out;
    unsigned long packets_dropped;
} drv_stats;

static struct {
    unsigned char major_rev;
    unsigned char minor_rev;
    unsigned char length;
    unsigned char addr_len;
    unsigned short mtu;
    unsigned short multicast_aval;
    unsigned short rcv_bufs;
    unsigned short xmt_bufs;

    unsigned short int_num;
} drv_param;

```

TL/F/11720-29

TL/F/11720-30

SONIC.H

```

/*
 * $ID:$
 *
 ****
 *      Copyright (c) 1990 by National Semiconductor Corporation      *
 *                      All Rights Reserved                          *
 ****
 */

/* SONIC definition and data structures */

#define      TDANUM          5
#define      RDANUM         40
#define      RRANUM         3
#define      RBA_BUF_SIZE   8192
#define      TBA_BUF_SIZE   1514

/* isr bit pattern */
#define      CMD_LCAM       0x0200
#define      ISR_RFO        0x0001
#define      ISR_RBE        0x0020
#define      ISR_RDE        0x0040
#define      ISR_PKTRX      0x0400
#define      ISR_TXDN       0x0200
#define      ISR_TXER       0x0100
#define      ISR_LCD        0x1000

#define      THIN           0x03
#define      THICK          0x01
#define      ID_ADDR        0xC80
#define      MAX_SLOT       15

/*****
 *
 * Offset of the EISA9010 register from the regbase address *
 *
 *****/
#define plx_ebc      0xC84      /* EBC register */
#define plx_reg0     0xC88      /* register 0 */
#define plx_reg1     0xC89      /* register 1 */
#define plx_reg2     0xC8A      /* register 2 */
#define plx_reg3     0xC8F      /* register 3 */
/*****
 *
 * Offset of the register from the i/o base address *
 *
 *****/

#define cr           0      /* Command */
#define dcr          2      /* Data Configuration */
#define rcr          4      /* Receive Control */
#define tcr          6      /* Transmit Control */
#define imr          8      /* Interrupt Mask */
#define isr          10     /* Interrupt Status */
#define utda         12     /* Upper Transmit Descriptor Addr */
#define ctدا         14     /* Current Transmit Descriptor Addr */
#define tps          16     /* Transmit Packet Size */
#define tfc          18     /* Transmit Fragment Count */
#define tsao         20     /* Transmit Start Address 0 */

```

TL/F/11720-31

```

#define tsal      22 /* Transmit Start Address 1 */
#define tfs      24 /* Transmit Fragment Size */
#define urda     26 /* Upper Receive Descriptor Addr */
#define crda     28 /* Current Receive Descriptor Addr */
#define crba0    30 /* Current Receive Buffer Addr 0 */
#define crba1    32 /* Current Receive Buffer Addr 1 */
#define rbwc0    34 /* Remaining Buffer Word Count 0 */
#define rbwc1    36 /* Remaining Buffer Word Count 1 */
#define eobc     38 /* End of Buffer Word Count */
#define urra     40 /* Upper Receive Resource Addr */
#define rsa      42 /* Resource Start Addr */
#define rea      44 /* Resource End Addr */
#define rrp      46 /* Resource Read Addr */
#define rwp      48 /* Resource Write Addr */
#define trba0    50 /* Temp Recv. Buffer Addr 0 */
#define trba1    52 /* Temp Recv. Buffer Addr 1 */
#define tbwc0    54 /* Temp Buffer Word Count 0 */
#define tbwc1    56 /* Temp Buffer Word Count 1 */
#define addr0    58 /* Address Generator 0 */
#define addr1    60 /* Address Generator 1 */
#define llfa     62 /* Last link Field Addr */
#define ttda     64 /* Temp Transmit Descriptor Addr */
#define cep      66 /* CAM entry Point */
#define cap2     68 /* CAM Address Port 2 */
#define cap1     70 /* CAM Address Port 1 */
#define cap0     72 /* CAM Address Port 0 */
#define ce       74 /* CAM Enable */
#define cdp      76 /* CAM Descriptor Pointer */
#define cdc      78 /* CAM Descriptor Count */
#define sr       80 /* Silicon Revision */
#define wt0      82 /* Watchdog Timer 0 */
#define wt1      84 /* Watchdog Timer 1 */
#define rsc      86 /* Receive Sequence Counter */
#define crct     88 /* CRC Error Tally */
#define faet     90 /* FAE Error Tally */
#define mpt      92 /* Missed Packet Tally */
#define mdt      94 /* Maximum Deferral Timer */
#define rtc      96 /* Receive Test Control */
#define ttc      98 /* Transmit Test Control */
#define dtc     100 /* DMA Test Control */
#define cc0     102 /* CAM Comparison 0 */
#define cc1     104 /* CAM Comparison 1 */
#define cc2     106 /* CAM Comparison 2 */
#define cm      108 /* CAM Match */
#define reserve1 110 /* Reserved */
#define reserve2 112 /* Reserved */
#define rbc     114 /* Receiver Byte Count */
#define reserve3 116 /* Reserved */
#define tbc     118 /* Transmitter Backoff Counter */
#define trc     120 /* Transmitter Random Counter */
#define tbm     124 /* Transmitter Backoff Mask */
#define reserve4 126 /* Reserved */
#define reserve5 128 /* Reserved */

#define BASIC      0
#define HIGH_PERFORMANCE 1

/* tda structure */
typedef struct tda_construct {
    unsigned long  status;

```

```

        unsigned long   config;
        unsigned long   pkt_size;
        unsigned long   frag_count;
        unsigned long   frag_ptr0;
        unsigned long   frag_ptr1;
        unsigned long   frag_size;
        unsigned long   link;
        unsigned long   type;
        char far *      buffer;
        unsigned long   xmt_di;
        unsigned long   xmt_es;
}   tda_struct;

/* rda structure */
typedef struct rda_construct {
    unsigned long   status;
    unsigned long   byte_count;
    unsigned long   pkt_ptr0;
    unsigned long   pkt_ptr1;
    unsigned long   seq_no;
    unsigned long   pkt_link;
    unsigned long   in_use;
}   rda_struct;

/* rra structure */
typedef struct rra_construct {
    unsigned long   buff_ptr0;
    unsigned long   buff_ptr1;
    unsigned long   buff_wc0;
    unsigned long   buff_wcl;
}   rra_struct;

/* rba structure */
typedef struct rba_construct {
    unsigned char   buff[RBA_BUF_SIZE];
}   rba_struct;

/* tba structure */
typedef struct tba_construct {
    unsigned char   tba_buff[TBA_BUF_SIZE];
}   tba_struct;

typedef struct cam_port {
    unsigned long   entry_ptr;
    unsigned long   port0;
    unsigned long   port1;
    unsigned long   port2;
}   cam_port_struct;

typedef struct cam_construct {
    cam_port_struct cam_port_info[16];
    unsigned long   cam_enable;
}   cam_struct;

rba_struct   rba[RRANUM];
tba_struct   tba[TDANUM];
unsigned char tda[TDANUM*sizeof(tda_struct)+3];
unsigned char rda[RDANUM*sizeof(rda_struct)+3];
unsigned short in_isr;

```

TL/F/11720-33

```
unsigned char rra[RRANUM*sizeof(rda_struct)+3];
unsigned char cam[sizeof(cam_struct)+3];

unsigned short sonic_irq;          /* sonic interrupt*/
unsigned short cable_type;        /* thin/thick cable */
unsigned short regbase;          /* base io address */
short transmitactive;            /* transmission currently active flag */
short curtda;                    /* current tda */
short currda;                    /* current rda */
short previous_seqno;           /* previous sequence number */
short retry;                     /* transmit retry counter */
unsigned short rwp_table[6];     /* RRA location table structure */
short cur_rwp;                  /* pointer to rwp table */
unsigned short tda_addr;         /* tda starting address */
unsigned short tda_start_addr;  /* tda starting physical address */
unsigned short rda_addr;        /* rda starting address */
unsigned short c_rda;
unsigned short rda_start_addr;
unsigned char far *type_ptr;    /* pointer for packet type */
short tda_head;                /* head ptr to tda list */
short tda_tail;                /* tail ptr to tda list */
rda_struct * cur_rda;
```

TL/F/11720-34

ISRLIB.ASM

```

;
;*****
;*          Copyright (c) 1990 National Semiconductor Corporation      *
;*                    All Rights Reserved                             *
;*****

```

```

_TEXT SEGMENT WORD PUBLIC 'CODE'
_TEXT ENDS
_DATA SEGMENT WORD PUBLIC 'DATA'
_DATA ENDS
_CONST SEGMENT WORD PUBLIC 'CONST'
_CONST ENDS
_BSS SEGMENT WORD PUBLIC 'BSS'
_BSS ENDS
DGROUP GROUP CONST, _BSS, _DATA
ASSUME CS: _TEXT, DS: DGROUP, SS: DGROUP

```

```

_TEXT segment word public 'CODE'
assume cs:_TEXT

```

```

_public _get_sp
_get_sp proc far
mov ax,sp
add ax,4
mov dx,ss
ret

```

```

_get_sp ENDP

```

```

_public _set_sp
_set_sp proc far
mov bx,ss
mov es,bx
mov bx,sp

```

```

pushf
cli
pop dx

```

```

mov sp,word ptr ss:[bx+4]
mov ss,word ptr ss:[bx+6]

```

```

and dx,512
jz skip
sti

```

```

skip: sub sp,4
mov ax, word ptr es:[bx+2]
push ax
mov ax, word ptr es:[bx]
push ax
ret
_set_sp ENDP

```

```

_public _get_if
_get_if proc far
pushf
pop dx
mov ax,0
and dx,512

```

TL/F/11720-35

```

        jz      ifret
        mov     ax,1
ifret:  ret
_get_if      ENDP

ARG_OFS equ      6
        public   _int_fddi
_int_fddi      proc far
        push    bp
        mov     bp, sp
        sub     sp, 8
                ;work area for INT code

        ;put INT code on stack
        mov     byte ptr[bp - 2], 0cbh
        mov     ax, word ptr[bp + ARG_OFS]
        mov     [bp - 3], al
        mov     byte ptr[bp - 4], 0cdh
        mov     word ptr[bp - 6], ss
        lea    ax, word ptr[bp - 4]
        mov     word ptr[bp - 8], ax

        ;get regs values off sp, pointers are far
        push   bp
        mov    es, [bp + ARG_OFS + 4]
        mov    bp, [bp + ARG_OFS + 2]
        mov    ax, es:[bp]
        mov    bx, es:[bp + 2]
        mov    cx, es:[bp + 4]
        mov    dx, es:[bp + 6]
        mov    si, es:[bp + 8]
        mov    di, es:[bp + 10]
        pop    bp

        call   dword ptr[bp - 8]      ;do INT

        ;get carry bit
        push  ax
        pushf
        pop   ax
        and   ax, 1
                ;mask carry bit

        ;put regs values on sp
        mov   es, [bp + ARG_OFS + 8]
        mov   bp, [bp + ARG_OFS + 6]
        mov   es:[bp + 12], ax
        pop   ax
        mov   es:[bp], ax
        mov   es:[bp + 2], bx
        mov   es:[bp + 4], cx
        mov   es:[bp + 6], dx
        mov   es:[bp + 8], si
        mov   es:[bp + 10], di

        add   sp, 8
        pop   bp
        ret
_int_fddi      ENDP

_TEXT ends
end

```

PKTINT.ASM

```

;
; *****
; * Copyright (c) 1990 by National Semiconductor Corporation *
; * All Rights Reserved *
; *****

```

title TEXT - Interrupt service routine

extrn _int_handler:near

```

_TEXT SEGMENT WORD PUBLIC 'CODE'
_TEXT ENDS
_DATA SEGMENT WORD PUBLIC 'DATA'
_DATA ENDS
_CONST SEGMENT WORD PUBLIC 'CONST'
_CONST ENDS
_BSS SEGMENT WORD PUBLIC 'BSS'
_BSS ENDS
DGROUP GROUP CONST, _BSS, _DATA
ASSUME CS: _TEXT, DS: DGROUP, SS: DGROUP

```

```

_DATA SEGMENT WORD PUBLIC 'DATA'
assume ds:DGROUP
rcvr_ptr dd ?
upcall_ptr dd ?
segmoffs struc
offs dw ?
segm dw ?
segmoffs ends

```

_DATA ENDS

```

_TEXT segment word public 'CODE'
assume cs:_TEXT

```

```

CFLAG_OFFSET equ 2
FLAG_OFFSET equ 6
REGS_OFFSET equ 14
SREGS_OFFSET equ 22

```

```

public _drv_isr
_drv_isr proc far

```

```

jmp start
db 'PKT DRVR',0 ;driver signature

```

```

;setup registers on stack for MSC's union REGS and struct SREGS
start:

```

assume ds:nothing

```

push bp
mov bp, sp
and word ptr[bp+FLAG_OFFSET], not 1 ;clear carry bit
push word ptr[bp+FLAG_OFFSET] ;put in cflag field of structure
push di ;save regular registers

```

TLF/11720-37

```

push    si
push    dx
push    cx
push    bx
push    ax
push    ds                ;save segment registers
push    ss
push    cs
push    es

push    ss
lea     ax, word ptr [bp-SREGS_OFFSET] ;pass sregs pointer
push    ax
push    ss
lea     ax, word ptr [bp-REGS_OFFSET]  ;pass regs pointer -> ax
push    ax

mov     ax, DGROUP        ;get global data segment
mov     ds, ax           ;make segment addressable
assume ds: DGROUP
cld
call   _int_handler     ;call C interrupt handler
add    sp, 8

mov     ax, word ptr [bp-CFLAG_OFFSET] ;mov cflag to flag reg
mov     word ptr [bp+FLAG_OFFSET], ax

pop     es                ;restore registers
pop     ax                ;dummy pop for cs
pop     ss
pop     ds
pop     ax
pop     bx
pop     cx
pop     dx
pop     si
pop     di
pop     bp                ;pop cflag of structure
pop     bp

iret                    ;return from interrupt
_drv_isr                endp

public _app_rcv
_app_rcv proc near
ax_ofs equ 4

assume ds:DGROUP
push    bp
mov     bp, sp
push    ds
push    es
push    bx

mov     bx, [bp+ax_ofs+10] ;set-up app reciever
mov     rcvr_ptr.offset, bx
mov     bx, [bp+ax_ofs+12]
mov     rcvr_ptr.segm, bx

```



```

    les     bx, dword ptr[bp+ax_ofs+6] ;buffer
    mov     si, word ptr es:[bx]
    push   ds
    mov     ds, word ptr es:[bx+2]
    mov     ax, [bp+ax_ofs]
    mov     bx, [bp+ax_ofs+2]
    mov     cx, [bp+ax_ofs+4]
    pop     es
    assume es:DGROUP

    call    es:rcvr_ptr

    mov     ax, es
    les     bx, dword ptr[bp+ax_ofs+6] ;update pointer ES:DI
    mov     word ptr es:[bx], di
    mov     word ptr es:[bx+2], ax
    pop     bx
    pop     es
    pop     ds
    pop     bp
    ret

_app_rcv     endp

    public _xmt_upcall
_xmt_upcall proc near
ret_ofs equ 4

    assume ds:DGROUP
    push   bp
    mov     bp, sp
    push   ds
    push   es
    push   bx

    mov     bx, [bp+ret_ofs+6]
    mov     upcall_ptr.offsets, bx
    mov     bx, [bp+ret_ofs+8]
    mov     upcall_ptr.segm, bx

    les     bx, dword ptr[bp+ret_ofs+2] ;buffer
    mov     di, word ptr ds:[bx]
    mov     es, word ptr ds:[bx+2]
    mov     ax, [bp+ret_ofs]
    assume ds:DGROUP

    call    ds:upcall_ptr

    pop     bx
    pop     es
    pop     ds
    pop     bp
    ret

_xmt_upcall     endp

_TEXT ends
end

```

MAKEFILE

```
ZI      = -Zi
INC     = ..\include
CFLAGS  = $(ZI) -Gs -I$(INC) -c
MFLAGS  = -Ml

OBJ     = pktdrv.obj sonic.obj pktint.obj far.obj isr.obj isrlib.obj
LIB     =

sonic.obj: sonic.c $(INC)\sonic.h
        cl $(CFLAGS) $*.c

pktdrv.obj: pktdrv.c $(INC)\pktdrv.h $(INC)\sonic.h
        cl $(CFLAGS) $*.c

far.obj: far.c $(INC)\sonic.h
        cl $(CFLAGS) $*.c

isr.obj: isr.c $(INC)\sonic.h
        cl $(CFLAGS) $*.c

isrlib.obj: isrlib.asm
        masm $(MFLAGS) $*.asm;

pktint.obj: pktint.asm
        masm $(MFLAGS) $*.asm;

pktdrv.exe: $(OBJ)
        cl $(ZI) $(OBJ) -o $*

clean:
        -del *.obj
```

TL/F/11720-40

Determining Arbitration and Threshold Levels in a SONIC™ Based MicroChannel® Adapter

National Semiconductor
Application Note 747
Bill Carlson, FAE



AN-747

ABSTRACT

With the number of bus master adapter boards increasing in MicroChannel based systems, many issues arise. This is especially true regarding Bus Master Ethernet LAN controllers such as the DP839EB-MCS. As such, the entire MCA environment needs to be considered so that critical settings for arbitration levels, threshold levels, and fairness options can be chosen. This paper describes these issues as they relate to National Semiconductor's DP839EB-MCS 32-bit Ethernet LAN controller board, which utilizes the DP83932 (SONIC).

The major issues include bus latency, bus efficiency and the contributing factors affecting these critical system level parameters. Factors such as bus occupancy times, DRAM refresh rates, floppy controller accesses, CPU accesses, mass storage transfer rates, latency tolerances, and priority levels all contribute to latency and efficiency. Within this environment, the high performance levels of the SONIC are achieved, even in worst-case scenarios in heavily loaded file servers with multiple bus masters.

It is also important to note that many of the basic concepts and considerations required in this application will also apply to other buses, although the detailed analysis will differ.

OVERVIEW

The DP83932 (SONIC) is a high performance, 32-bit, bus mastering Ethernet controller designed for a wide variety of applications. These applications include motherboards, routers, bridges and gateways, buffered and intelligent adapter boards, and bus master adapter boards. In each of these applications, determining the optimum thresholds and arbitration levels are key parameters to choose to ensure optimum performance. In determining these parameters, the anticipated system configuration needs to be understood. Specifically, the number and type of bus mastering devices in a system needs to be determined. Once these bus masters have been identified, the device thresholds and board arbitration levels can be determined.

Determining the anticipated number and type of bus masters directly affects a bus specification known as *Bus Latency*. Bus latency is defined as the time between when a bus master requests the bus to when it actually gets it.

Bus latency is a critical systems level specification because if it is too long, a bus master who doesn't get the bus when it needs it could suffer performance degradations or even more severe conditions such as a lost Ethernet packet or missed "sector" in a streaming tape drive. As such the Ethernet controller subsystem needs to have enough tolerance to handle large latencies to guarantee it's access to the bus and avoid this missed packet condition. The SONIC was specifically designed to perform in these applications.

By having a high speed, 66 MB/s, DMA host interface the SONIC maximizes bus bandwidth and minimizes time on the bus. Coupled with two efficient, 32 byte receive and transmit FIFOs, the SONIC will tolerate most latencies found in many applications.

Determining bus latencies is easy in many applications. Bridges and gateways, motherboards, intelligent and/or buffered adapter boards are systems in which the anticipated bus masters are known. In these systems it would be common to have the host CPU, a DMA controller, and peripheral devices (SCSI, FDDI, . . .) all known by the system designer before the product is shipped out the door.

It is the designer who has to design a bus master adapter board or motherboard for a target bus (be in MicroChannel, EISA, VME, etc.) with expansion slots who has a tougher problem. He doesn't know what the end system configuration will be so he has to design to what is anticipated to be a worst case system configuration. The adapter board designer's customers would be the systems integrators who need to make sure that his board is designed properly so it will operate in fully loaded systems and still attain the high performance that he expects from this type of bus-mastering device.

Towards this end, this paper is written to assist the SONIC adapter board designer in choosing the correct arbitration and threshold levels for an IBM PS/2 Model 80 application, most probably operating as a file server having multiple LAN and mass storage devices on the MCA bus. For designers of other systems, this paper should help in understanding many of the issues that arise in a bus master LAN environment.

Before discussing this, a few MCA specifics need to be addressed. First off is the arbitration scheme. There can be up to 8 bus master expansion boards on the Model 80 MCA bus, including 8 DMA channels, the system CPU, refresh, and NMI which are on the system motherboard. Most have their own arbitration level as programmed via a POS register. When a device wants ownership of the bus, it asserts the PREEMPT* signal and will then monitor the ARB/GNT* signal, and when high (as controlled by the central arbitration logic on the system board) will place it's arbitration vector on the bus. If it's vector has the highest value, it wins the bus, ARB/GNT* goes low, PREEMPT* is de-asserted, and it can now do data transfers. If other devices want the bus they can asynchronously assert PREEMPT*. The first device has 7.8 μ s to get off the bus and then all requesting devices, including the first if it wants to, compete for the bus and the arbitration process starts over again. When determining system characteristics, this 7.8 μ s is often used as it dictates the maximum amount of time that a device can own the bus if others are requesting it.

1

Another aspect of the MCA architecture is a feature called Fairness. Fairness allows all devices access to the bus in a round-robin fashion as determined by pre-assigned priority levels. Carefully choosing which devices are fair or not allows proper performance levels for the various devices on the bus. If fairness is enabled for a device and it currently owns the bus and another device(s) wants it, it will wait to re-arbitrate until all other requesting devices have had a chance on the bus themselves (this is noticed by the absence of an active PREEMPT* signal). In this way no device will hog the bus and prevent others from accessing it. If fairness is disabled for a device, it will arbitrate for the bus any chance a valid arbitration cycle is available, regardless whether other devices are waiting to arbitrate also. Even with fairness enabled, the winner of the bus still needs the highest arbitration level, however, properly setting the fairness option will determine who will do the arbitrating.

In determining the arbitration levels and thresholds the designer of the SONIC bus master adapter board needs to account for a worst case bus situations. This would most likely be a high performance file server with multiple adapter boards. These could include an ESDI disk controller, an SCSI controller for additional disk and tape backup facilities and from 1 to 4 LAN boards to handle a heavily loaded network. Other anticipated bus master boards could also be included in this scenario (e.g., FDDI) but our discussion will be limited to the aforementioned configuration. (This is indeed a worst case scenario. A more typical case for a file server would have 1 or 2 LAN boards and both a SCSI and ESDI controller).

To summarize our worst case scenario for this analysis, we will assume the MicroChannel PS/2 has these adapter boards installed:

- 4 SONIC Bus Master Adapter Boards
- 1 Bus Master SCSI Controller
- 1 Bus Master ESDI Controller

DETERMINING ARBITRATION LEVELS AND THE FAIRNESS OPTION

When determining these it must be understood that the mass storage devices and the LAN controllers have different goals when it comes to bus utilization. The mass storage devices will have large blocks of data to transfer that are typically already stored in a local buffer on the adapter board or on the drive itself. All ESDI disk controllers have a local buffer, some with megabytes of storage. Most SCSI host adapters have buffering as well, although a trend is to use a bus-mastering SCSI controller IC that can gain the bus similar to the way the SONIC does. These don't have local buffering outside of their internal FIFO, but have the data storage on the disk drive itself. The main priority for the storage devices is to transfer as much data as possible for as long as it has the bus. Of second priority is latency toleration. These devices can wait a reasonable amount of time before they get the bus. Because they already have a large amount of data buffered, no data should be lost if it isn't granted the bus immediately. However, when it does get the bus, it needs to transfer as much as possible.

The Bus Master LAN controllers, on the other hand, need to have quicker access than the mass storage devices and within their latency period. This is especially true when receiving a packet, for to get a FIFO overrun error would cause upper protocol layers to initiate long and time con-

suming recovery procedures. Once they are on the bus, however, they are on for a relatively short period of time. This is due to the fast 20 MB/s MCA transfer rate and the smaller amount of data that is to be transferred at one time. (A disk or tape cache can have many Kbytes available for transfer, the 32 byte FIFO will transfer at the most that amount.)

With this in mind, the LAN controllers should be configured to have near immediate access to the bus. As such, each should be set to have a priority level higher than the storage devices. Thus whenever an arbitration takes place, a LAN controller should always participate and win so it can attain bus ownership as soon as possible. The setting of the fairness option should also be chosen to allow the LAN boards immediate bus access. If all devices had enabled the fairness option it is possible for the LAN board to be off the bus for a longer period of time than its latency tolerance allows, for example as shown in Table I.

TABLE I. Possible (but Not Optimum) Priority Settings for Adapters, but Not the Optimum Solution

Device	Priority	Fairness
LAN0	0	Yes
LAN1	1	Yes
LAN2	3	Yes
LAN3	4	Yes
SCSI	6	Yes
ESDI	7	Yes

In this scenario all devices have fairness enabled and the LAN boards have the higher priority. If a LAN board is awaiting arbitration it will win vs. the ESDI and SCSI boards. However, since fairness is enabled for the LAN boards it means that they must defer arbitrating until all other devices have been on the bus. These boards should participate in every arbitration cycle and by enabling fairness for them, this is prevented. Specifically in this example, the SCSI and ESDI boards will be on the bus consecutively for 7.8 μ s each (for 16.2 μ s total, including arbitration time) and the LAN boards would miss the intermediary arbitration cycle; this might exceed the boards latency toleration. By disabling fairness on the LAN boards, each is guaranteed to participate in every arbitration cycle and not have to wait for other device's arbitrations and bus occupancy times. Because of this and their higher priority levels, a LAN board will **always** arbitrate and win when an arbitration cycle occurs. We now have this:

TABLE II. Priority Settings for Adapters with Correct Fairness Setting

Device	Priority	Fairness
LAN0	0	No
LAN1	1	No
LAN2	3	No
LAN3	4	No
SCSI	6	Yes
ESDI	7	Yes

What about the storage devices? Fairness should be enabled for them. Due to the large amounts of data available for them to transfer in their respective caches, they will always have a need to own the bus and so they will always be requesting it. If fairness were disabled, the higher priority device (the SCSI controller in this case) would hog the bus and prevent the ESDI controller from accessing it. Thus fairness should be enabled for them.

To summarize, the above configuration will give each LAN board immediate access to the bus. The SCSI and ESDI boards would each have accessibility to the bus and although delayed due to the higher priority LAN boards, their latency tolerances are much higher and would incur only a minor, yet expected loss in bus acquisition time. The settings for the DMA slave ESDI controller that is configured with the Model 80, does indeed default to these settings. Fairness is enabled for it and it occupies DMA channel 7, the lowest priority DMA Channel.

The following *Figure 1* illustrates the sequence of events in a fully loaded, extreme worst case situation by properly setting the arbitration levels and fairness. Other devices such as refresh and the floppy controller will be included later when FIFO thresholds are discussed.

It should be remembered that the system CPU, the floppy controller, refresh, and other devices will be on the bus as well. These, along with the adapter boards all contribute to bus latency. Because of this latency the SONIC's FIFO threshold must be set properly to tolerate the expected latencies and avoid overrun/underrun errors. When set properly the SONIC will achieve the high performance the designer wants and the system's integrator expects.

DETERMINING THRESHOLD LEVELS

The FIFO threshold is an option that is programmed in the SONIC's Data Configuration Register and both the receive and transmit FIFOs can be programmed for different values. What is the FIFO threshold? The threshold is simply the point in time that the DMA engine requests the bus after a certain amount of data has filled the FIFOs. For example, a threshold of 1 long word for the receive FIFO would mean that after 4 received bytes from the network have filled the receive FIFO the DMA engine will request the bus. For the transmit FIFO, a threshold of 4 long words would cause the DMA engine to request the bus when the number of bytes in the FIFO falls below 16.

When determining the threshold levels, we need to first explore the specific latencies expected in our worst case scenario. The latency calculation is done by adding together the bus occupancy times of the various bus masters, their

priority levels, and the fairness option. We will assume the following:

- All adapter boards have 32-bit MCA bus master interfaces
- The SONIC board transfer rate will be at 250 ns (although MCA will operate @ 200 ns and the SONIC can do synchronous transfers on other buses @ 100 ns)
- Arbitration time will be 300 ns (0.3 μs)
- EMPTY/FILL Mode is enabled for FIFO buffering
- The Floppy controller will request service from DMA Channel 2 every 12 μs and will remain on the bus for 500 ns.
- Refresh occurs every 15.1 μs and inserts itself in the middle of an arbitration cycle, extending it 200 ns for a total arbitration time of 500 ns.

In this example we will assume that the SCSI controller just got on the bus and then immediately afterwards all four LAN boards and the ESDI controller request the bus by asserting PREEMPT*. This example takes a worst case latency and will show how the chosen threshold and arbitration levels and fairness options will guarantee proper system performance by showing how all four LAN boards will be able to access the MCA bus. When these devices request the bus it is to be understood that their FIFO thresholds have been reached. The LAN controllers will be buffering a received packet, a very critical bus access.

What should the threshold levels be for the 4 LAN controllers? Choosing the proper threshold involves trade-offs between a number of systems level specifications. By having a low threshold, maximum latency is assured. However, fewer bytes will transfer so the arbitration percentage will be higher, reducing efficiency. Also, the controller will request the bus more often causing bursty traffic across the bus. A larger threshold on the other hand, solves these problems at the expense of lower bus latency tolerance. In light of this, the thresholds of LAN0:1 should be higher than LAN2:3. LAN0:1 won't see larger latencies due to their higher priorities. However, they shouldn't request the bus again before LAN2:3 get a chance, increasing the latency they already incur. LAN2:3, however, need to tolerate longer latencies than LAN0:1 because, due to their priorities, they will be off the bus for longer periods of time. They will request the bus sooner and more often, however, this shouldn't impact system performance due to the short bus duration. By choosing a threshold of 16 bytes for LAN0:1 and 8 bytes for LAN2:3, as summarized in Table III, a good balance between these issues is achieved.

SCSI	LAN0	LAN1	LAN2	LAN3	ESDI	LAN0	LAN1	LAN2	LAN3	SCSI
------	------	------	------	------	------	------	------	------	------	------

FIGURE 1. Bus Ownership In Example PS/2 Under Worst Case Bus Request

Table III shows the arbitration bus priority assignments that show proper settings for the IBM PS/2 Model 80 devices. It should be remembered that these device assignments are determined by the MCA specification. Some of the assignments are pre-set, while others can be occupied by installable adapter boards. For example, refresh and NMI are pre-set to arbitration levels -2 and -1. The Floppy controller occupies DMA channel 2. The other DMA channels are available for adapter boards.

TABLE III. Arbitration, Fairness, and FIFO Threshold Settings

Device	Priority	Fairness	Threshold	Latency	Latency μ s
Refresh	-2				
NMI	-1				
LAN0	0	No	16 Bytes	16 Bytes	12.8
LAN1	1	No	16	16	12.8
Floppy	2				
LAN2	3	No	8	24	19.2
LAN3	4	No	8	24	19.2
Available (Note 1)	5				
SCSI	6	Yes			
ESDI (Note 2)	7	Yes			
Available	8-E				
CPU	F				

Note 1: An IBM ST-506 disk controller will default to an arbitration level of 5 with fairness enabled.

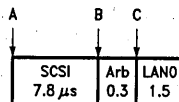
Note 2: An IBM ESDI controller will default to arbitration level of 7 with fairness enabled.

Devices 8-E are available for bus masters. In our example, DMA channels 0, 1, 3, and 4 are masked out and are used to hold the bus mastering LAN controllers. The bus master SCSI host adapter is put at ARB 6 with DMA channel 6 masked out. A standard PS/2 Model 80 comes with an ESDI disk controller operating as a DMA slave at ARB 7. This is the default setting for this controller. Because of this, the LAN designer doesn't have to worry about the arbitration level and fairness options for this controller. It can be assumed that the SCSI host adapter will be configured in the same way: with a low priority and with fairness enabled. In our example we have assumed a bus mastering ESDI controller; however, the standard one is a DMA slave device. For our discussion, though, we will assume it is a bus master for clarity's sake.

Once the arbitration levels and thresholds are determined for the LAN boards, they must be set when installed. IBM automatically sets the default values for the ESDI controller, but what about the LAN boards. How should they be set? Does the end user have to be aware of all these issues just to install a board? A simple solution would be for the driver to call a BIOS routine that would poll all the MCA slots to determine how many LAN boards are installed. The driver would then set the threshold and arbitration levels appropriately for each board. Using this method the user would be

far removed from the details of these specifics and a smooth installation would be insured.

At point "A" in Figure 2 below, LAN0:3 and the ESDI controller request the bus. At point "B", 7.8 μ s later the SCSI controller removes itself and an arbitration cycle begins with the other devices participating. It should be noted that if the bus-mastering SCSI controller IC is in the middle of a block transfer when it gets off, it will need to tell the target so it won't request more data transfers of it and the system any more. It does this by simply refusing to issue more acknowledges to the target after the REQ/ACK offset has been met (in synchronous mode). In this way the target won't be requesting the initiator until it has access to the system bus again. The effect is that the SCSI controller can be off the bus even during the middle of a block transfer. After the arbitration following this SCSI transfer, LAN0 will win due to its higher priority. To determine system latency we will need to calculate the sum total of the occupancy times of all devices. If this latency is less than the maximum latency tolerance of all the LAN devices, proper bus access and performance levels can be expected. If not, FIFO overruns would occur, the situation we are trying to prevent and will show won't happen.



TL/F/11141-1

FIGURE 2. Initial DMA Sequence

With that, how long will LAN0 be on the bus? Since LAN0 didn't get the bus until point "C", 8.1 μ s later, and the controller has been programmed for EMPTY/FILL mode, it will transfer the sum of the number of bytes determined by the FIFO threshold and the number of bytes accumulated from the network since the request was made. Let's call the "threshold" transfer time T_T and the transfer time for the accumulated bytes T_A . We will call the number of accumulated bytes simply "#". Since our threshold for LAN0 is 16 bytes, T_T will be the time it takes to transfer 16 bytes. T_A will be the time it takes to transfer the number of bytes accumulated since the request was made (8.1 μ s), as well as T_T . So we have:

$$T_{TOT} = T_T + T_A$$

$$T_T = 16 \text{ Bytes} \left(\frac{1 \text{ Transfer}}{4 \text{ Bytes}} \right) 0.25 \mu\text{s/Transfer} = 1.0 \mu\text{s}.$$

$$\begin{aligned} \# &= (8.1 \mu\text{s} + 1.0 \mu\text{s}) / (0.8 \mu\text{s/Byte}) \\ &= 11.375 \text{ Bytes Accumulated.} \end{aligned}$$

8 bytes (two long words) will transfer with 3 bytes left in FIFO and 3 bits in serial/parallel converter. (The SONIC will transfer only long-word values to/from the FIFO).

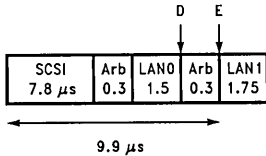
$$T_A = 8 \text{ Bytes} \left(\frac{1 \text{ Transfer}}{4 \text{ Bytes}} \right) 0.25 \mu\text{s/Transfer} = 0.5 \mu\text{s}.$$

$$T_{TOT} = 1.0 \mu\text{s} + 0.5 \mu\text{s} = 1.5 \mu\text{s}.$$

Therefore the total transfer time for LAN0 is 1.5 μ s. LAN0 will then request the bus again when its FIFO threshold has been reached. Since there are 3 bytes left in FIFO and 3 bits in the serial/parallel converter,

$$T_{REQ} = (16 - 3 - \frac{3}{8} \text{ Bytes}) (0.8 \mu\text{s/Byte}) = 10.1 \mu\text{s}.$$

So LAN0 will request the bus 10.1 μ s later. It should be noticed that LAN0 (and LAN1 also) have a latency tolerance of 12.8 μ s. This latency is more than adequate for the current latency of 8.1 μ s.



TL/F/11141-2

FIGURE 3. Initial Latency for LAN1 Card

At point "D" LAN0 finished its transfer and LAN1:3 and the ESDI controller arbitrate with LAN1 winning due to its higher priority. Total bus occupancy for LAN1 will again be $T_{TOT} = T_T + T_A$.

$T_T = 1.0 \mu s$ (because of the 16 byte transfer as calculated above).

$$\# = \frac{9.9 \mu s + 1.0 \mu s}{0.8 \mu s/\text{Byte}} = 13.625 \text{ Bytes Accumulated.}$$

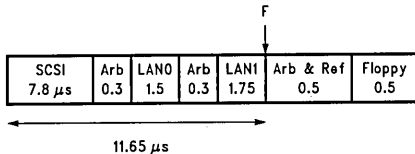
12 additional bytes (3 long words) will transfer with 1 byte remaining in the FIFO and 5 bits in serial/parallel converter.

$$T_A = 12 \text{ Bytes} \frac{0.25 \mu s}{4 \text{ Bytes}} = 0.75 \mu s$$

$$T_{TOT} = 1.0 \mu s + 0.75 \mu s = 1.75 \mu s.$$

Therefore LAN1 will own the bus for 1.75 μs . Since LAN1's latency tolerance of 12.8 μs is greater than the current latency of 9.9 μs , it will be guaranteed access and no FIFO overruns will occur. LAN1 will then request the bus when its FIFO threshold has again been reached. Since there is 1 byte left in the FIFO and 5 bits in the serial/parallel converter, the request time will be:

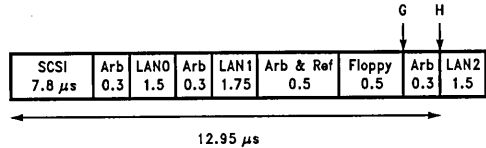
$$T_{REQ} = (16 - 1 - \frac{5}{8} \text{ Bytes}) (0.8 \mu s/\text{Byte}) = 11.5 \mu s$$



TL/F/11141-3

FIGURE 4. Latency Till End of LAN1 Card Bus Occupancy Followed by Arbitration and Floppy Disk Access

At point "F" the SCSI controller, LAN0 and LAN1 have had their turn on the bus. At this point another arbitration will take place. Since the system needs to refresh memory, we will put in a refresh cycle now. This refresh will extend the arbitration by 200 ns, to a total of 500 ns. We also need to account for a floppy controller access. It is important for the floppy controller to gain access to the bus because if one of its drives is a "floppy tape" and a byte was lost, the tape would have to stop, rewind, and re-read/write to that logical sector, taking a very bad performance hit. This situation needs to be prevented. We will assume that DMA channel 2 will win this arbitration and the floppy controller will transfer one byte, staying on the bus for approximately 500 ns. We now have:



TL/F/11141-4

FIGURE 5. Bus Latency Time for LAN2 Card

After the floppy access, LAN2:3 and the ESDI controller will arbitrate at point "G", with LAN2 winning and beginning to transfer at point "H". Since LAN2's latency tolerance is 19.2 μs and 12.95 μs is the current latency, there is 6.25 μs of margin left to guarantee proper access. How long will LAN2 stay on the bus?

$$T_{TOT} = T_T + T_A$$

$$T_T = 0.5 \mu s \text{ (for any 8 Byte Transfer)}$$

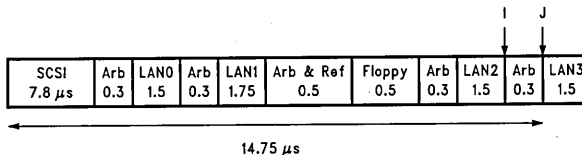
$$\# = (12.95 \mu s + 0.5 \mu s) (1 \text{ Byte}/0.8 \mu s) = 16.8125 \text{ Accumulated Bytes.}$$

The SONIC will then transfer the additional 16 bytes (4 long words) that were accumulated in the FIFO and keep the remaining 6.5 bits in the serial/parallel converter.

$T_A = 1.0 \mu s$ (from a previous calculation for a 16 byte transfer)

$$T_{TOT} = 0.5 \mu s + 1.0 \mu s = 1.5 \mu s.$$

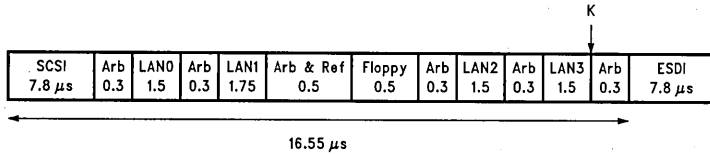
LAN2 will then re-arbitrate when its FIFO has reached 8 bytes. This will be as shown in Figure 6.



TL/F/11141-5

FIGURE 6. Bus Latency Time for LAN3 Card

$$T_{REQ} = (8 - 6.5/8 \text{ Bytes}) (0.8 \mu\text{s}/\text{Byte}) = 5.75 \mu\text{s later.}$$



TL/F/11141-6

FIGURE 7. Total Bus Latency Time until Beginning of ESDI Drive Bus Access

At point "I" LAN2 is finished and LAN3 and the ESDI board will arbitrate with LAN3 winning. Since LAN3 has a latency tolerance of 19.2 μs and only 14.75 μs have occurred since LAN3 could have owned the bus, the latency margin of 4.45 μs is left over and a proper bus access has been guaranteed. LAN3 will then occupy the bus for:

$$T_{TOT} = T_T + T_A$$

$$T_T = 0.5 \mu\text{s (from before for an 8 byte threshold)}$$

$$\# = (14.75 \mu\text{s} + 0.5 \mu\text{s}) (1 \text{ Byte}/0.8 \mu\text{s})$$

$$= 19.0625 \text{ Accumulated Bytes.}$$

The SONIC will transfer 16 bytes (4 long words) with 3 bytes remaining in the FIFO and 0.5 bits in the serial to parallel converter.

$$T_A = 1.0 \mu\text{s for a 16 byte transfer so we have}$$

$$T_{TOT} = 0.5 \mu\text{s} + 1.0 \mu\text{s} = 1.5 \mu\text{s.}$$

LAN3 will then arbitrate again when its FIFO threshold of 8 bytes has been reached. This will be:

$$T_{REQ} = \left(\frac{8 - 3 - 0.5}{8} \right) (0.8 \mu\text{s}/\text{Byte}) = 3.95 \mu\text{s}$$

So LAN3 will request the bus again in 3.95 μs. At this point we have the following sequence of events:

At point "K", the ESDI controller will arbitrate and win and will stay on the bus for 7.8 μs. After winning the bus, the ESDI controller will deassert PREEMPT*. The SCSI controller can now assert PREEMPT* (because fairness has been enabled for it) to request the bus again since it has still more data to transfer.

In all of the previous illustrations we showed all devices and their respective occupancy times and their relative se-

quence. The following graph visually shows how long all devices will own the bus relative to each other. It is quite apparent that due to the SONIC's and MCA's high speed DMA, the LAN controllers are on for a minimal amount of time. Streaming Mode MCA adapters would be on for half the time.

In this example we have taken a worst case scenario by assuming all the LAN boards and the ESDI board will request the bus simultaneously at the very beginning of the SCSI transfer period. We have shown that even in this situation all devices have accessed the MCA bus without error and with plenty of latency margin left over. Table IV summarizes these results.

TABLE IV. Accrued Latency

Device	Accrued System Latency (μs)	Device Latency Tolerance (μs)	Latency Margin (μs)
SCSI	0	(Note)	
LAN0	8.1	12.8	4.7
LAN1	9.9	12.8	2.9
REFRESH	11.65		
FLOPPY	12.15	(Note)	
LAN2	12.95	19.2	6.25
LAN3	14.75	19.2	4.45
ESDI	16.55	(Note)	

Note: These latencies are particular to the device in question.

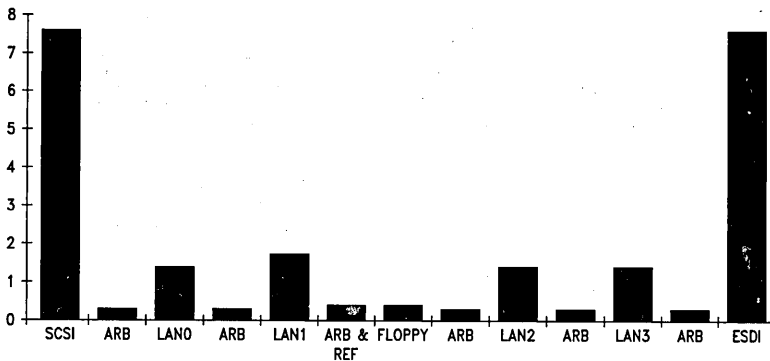


FIGURE 8. Individual Bus Usage Times for All Bus Masters, and Arbitration Cycles

TL/F/11141-8

Since we are basing our calculation on this simultaneous request, what will happen when these LAN boards arbitrate again? Will this worst case scenario happen again? Based on our previous calculations the LAN boards will request again at different times. The following diagram shows when the LAN boards will arbitrate once more:

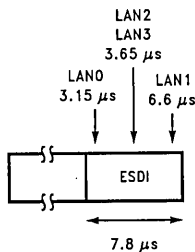


FIGURE 9

TL/F/11141-7

It can be seen now that starting with a worst case scenario as described above, the next set of LAN requests will be staggered apart throughout the ESDI transfer and our worst case scenario has all but disappeared, even after starting with it in the beginning. The LAN boards will still request and occupy the bus consecutively, however, they will now be on the bus for a shorter period of time. This is because the controller will get the bus sooner than in our worst case scenario; fewer bytes would have been accumulated in the FIFO since its threshold was reached hence a shorter transfer period. This means that other devices such as the CPU and mass storage controllers can have the bus sooner and occupy it longer than before. This equates to overall faster data throughput and more processing time for the CPU. It is up to the designer to determine when this worst case scenario will occur again, but it can be seen that the probabilities are exceptionally low that it will ever be repeated; however, if it did by properly setting arbitration and threshold levels and fairness options, the high performance of the SONIC can be readily achieved.

Since all devices have had a chance on the bus, what happens to the CPU during this worst case scenario? It has duties of its own such as protocol processing, updating descriptor lists, managing packets, etc. In the rare instance of this worst case scenario it wouldn't have immediate access to the bus. However, in nearly all the following accesses where the LAN accesses are staggered apart, there would be plenty of time for the CPU to access system memory.

One of the assumptions of this example is that no two consecutive transfers of 7.8 μs will occur in a row on the MCA bus when the LAN controllers are requesting it. The only way for this to happen was if there was a board which needed the bus immediately, and had a higher priority than the LAN boards and also would own the bus for a long period of time. However, a long bus occupancy time suggests a large buffer to hold all that data that is being transferred. A large

buffer means it can tolerate longer latencies which means it can be set to a lower priority level, which effectively means this situation is avoided. Thus the LAN boards can effectively remain at the highest priority level and not be potentially locked out due to multiple, consecutive, 7.8 μs transfers, which won't happen.

A concern throughout this analysis may be bus efficiency. Since the SONIC transfers just a few bytes at a time, it will request the bus often causing the arbitration time to be a significant portion of the transfer cycle. However, because of the Ethernet transfer rate of 1.25 MB/s these requests won't be often. When compared to the transfer times of the SCSI and ESDI boards, these arbitration times are not too significant (see Figure 8) and won't occupy much bus bandwidth. With these lower thresholds and bursty transfers, these inefficiencies become apparent. However, the SONIC more than compensates in other areas.

The 20 MB/s transfer rate of the DMA allows for minimal time on the bus. With Streaming Mode MicroChannel, the bus occupancy can be further lowered by having a 40 MB/s data rate. By keeping the FIFO down to 32 bytes, the buffering of runt packets is eliminated. A larger FIFO may buffer many of these unwanted packets in a heavily loaded network and wastes valuable bandwidth. Also, the SONIC's buffer management structure has been designed for simplicity and performance.

With much of the performance bottleneck happening in the upper protocol layers, a very fast and efficient driver becomes a necessity. The SONIC's register oriented buffer management scheme makes this possible. Updating descriptor lists is simple and doesn't take much processor overhead. It is very efficient.

The on-board CAM can hold up to 16 different physical and multicast addresses. This allows supporting multiple protocols at the MAC level. By assigning a different physical address to each of the different protocols supported by the file server, protocol filtering can be done at a very low level, where it is much more efficient. To implement this with a controller that supports only one physical address would necessitate it to enter promiscuous mode, meaning that it would have to buffer every packet on the network. This would be a very great waste of system bandwidth.

Another way to improve efficiency would be to tie multiple SONICs together while maintaining a single MCA bus interface. The MREQ* and SMACK* pins on the SONIC allow it to be a slave to other devices, even other SONICs. By tying multiple SONICs together, they could be time multiplexed into one MCA time slot; this would have the advantage of requiring only one arbitration cycle for multiple controllers. Not only would the efficiency go up but costs would come down as multiple SONICs would share just one bus interface. In short, the SONIC provides an optimal balance to achieve exceptional performance at all levels where system performance is measured.

DP83932EB-EISA SONIC™ EISA Bus Master Ethernet Adapter

National Semiconductor
Application Note 877



INTRODUCTION

The purpose of this application note is to describe the implementation of an EISA bus master Ethernet interface solution using National Semiconductor's DP83932 System Oriented Network Interface Controller (SONIC™) and PLX Technology's EISA9032 EISA Bus Master Interface chip.

This solution takes the form of a high performance 32-bit network interface adapter card which on one side plugs into an EISA bus slot and on the other supports two media connection options, Attachment Unit Interface (AUI) and Thin wire Ethernet.

The board easily interfaces to the EISA bus with few external components. This application note assumes the reader is familiar with National Semiconductor's DP83932 SONIC™ Ethernet controller, PLX Technology's EISA9032 EISA interface chip and the EISA bus specification.

This document will first give a hardware functional description of the card, followed by an overview of EISA covering topics such as system configuration, I/O access, multiple bus masters and bus protocol, and ending with a description of the master and slave interfaces of the Ethernet board.

HARDWARE FUNCTIONAL OVERVIEW

The main function of this adapter card is to transfer Ethernet packet data to/from the CPU's system memory as a high speed 32-bit bus master during LAN transmissions and receptions at the maximum EISA burst rate of 33 Mbytes/s.

A 32-bit bus master architecture, in which the SONIC Ethernet controller can gain ownership of the EISA bus and transfer data directly into system memory with no on-board CPU or buffer RAM has been chosen for this design to maximize data throughput while not adding any extra memory cost or intelligence on the card. In addition the inherent packet buffer management features of SONIC are utilized by driver software to facilitate optimum performance. The card has a typical (calculated) bus occupancy of $\leq 10\%$ for full Ethernet traffic (10 Mb/s).

The block diagram of this board is shown in *Figure 1*. The design can be broken down into 3 sections: slave interface, bus master interface, and physical media interface.

The slave interface enables the EISA host CPU to gain access to the following devices on the adapter card:

1. 32 x 8 PROM which contains the card's Ethernet node ID, and the card's EISA ID.
2. An optional 256k x 8 boot EPROM which can contain a program which enables a diskless CPU to boot up across the network.
3. The SONIC Ethernet controller internal registers.
4. The EISA9032 EISA interface chip configuration registers.

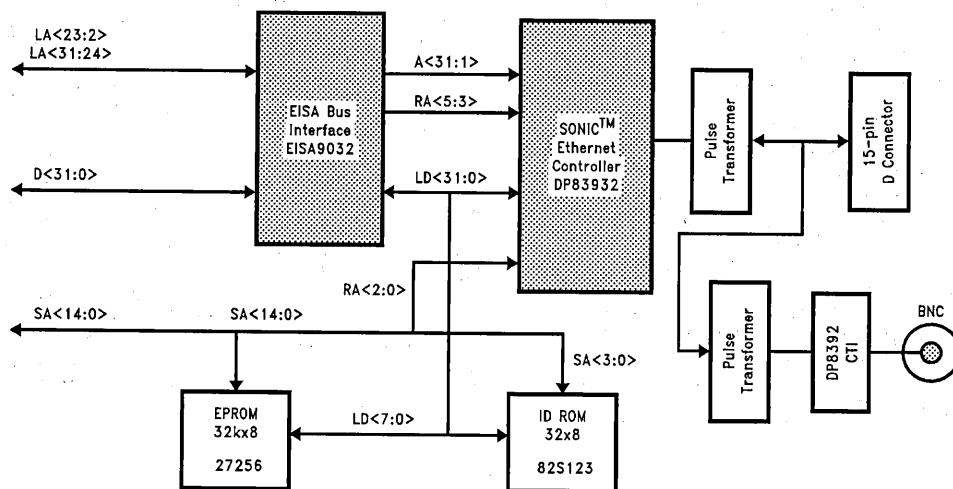


FIGURE 1. SONIC EISA Ethernet Adapter Card Block Diagram

TL/F/11788-1

The master interface enables the SONIC Ethernet controller to read and write to the system memory on the EISA bus using the EISA9032 interface chip. The EISA9032 interface chip converts the Ethernet controller's arbitration and cycle control signals to the EISA bus timing and protocol.

The physical interface enables the SONIC Ethernet controller to transmit and receive data over a 10BASE5 thick wire Ethernet interface or the 10BASE2 thin wire interface using National Semiconductor DP8392 Coaxial Interface Transceiver CTI.

Transmission

The sequence of events for Ethernet transmissions is as follows:

The host CPU writes the packet data into the system's memory Transmit Buffer Area (TBA). It then writes descriptor information (packet data pointers, packet size, etc.) into the system memory transmit descriptor area (TDA). Next it loads a SONIC register with a pointer to the TDA and issues a transmit command by writing to the SONIC's command register.

The SONIC responds by first reading the TDA descriptor information from system memory. It then loads the packet data from the system memory TBA into its internal FIFO in bursts and transmits this data onto the network. At the end of the transmission the SONIC will write transmit status information into the system's memory TDA.

Reception

The sequence of events for Ethernet receptions is as follows:

Data is loaded from the Ethernet cable into the SONIC's internal FIFO. When a programmable threshold is reached in the FIFO, the SONIC will write the packet data into the system memory's Receive Buffer Area (RBA).

Once a complete packet has been loaded into memory the SONIC will write descriptor information about the reception into the system memory's Receive Descriptor Area (RDA).

Note that all buffer and descriptor areas are set up by the host CPU in system memory prior to any packet transmission and reception.

EISA OVERVIEW

EISA was developed in 1989 by a consortium of 9 PC manufacturers in an attempt to create a higher performance 32-bit bus architecture that is backwards compatible with the PC-AT® based industry Standard Architecture (ISA) created in 1984.

This section gives an overview of the Extended Industry Standard Architecture EISA and describes the Ethernet adapter's implementation of its interface. First, the bus features are described, then various facets of bus operation are described, including addressing, arbitration, configuration, and the bus protocol.

Bus Features

- 64 kBytes of I/O space; Slot specific I/O access
- 32-bit non multiplexed address data bus supporting a 4 GByte address range

- Multiple bus masters using a centralized arbitration scheme supporting preemption
- Synchronous protocol (8.3 MHz clock) supporting standard (2 bus clock per cycle) or burst (1 bus clock per cycle) mode which can achieve a data transfer rate of 33 MB/s
- Cycle translation performed by the system board enables a 32-bit or 16-bit EISA or ISA master to interface with any one of 5 different slaves (EISA 32/16 burst/16 non burst, ISA 16/8 bit)
- Shareable interrupts; Programmable level or edge trigger
- Automatic configuration by means of an on-board product identification ROM. Manufacturers provide a configuration file to be used at system configuration time to assign system resources.

I/O ACCESSES AND ADDRESSING

EISA supports slot specific I/O access. Since EISA is backwards compatible with ISA addressing, how EISA partitions address space is relatively complex. Next follows a description of how addressing is implemented and how backwards compatibility with ISA limits each EISA slot I/O space to 1 kByte.

EISA supports 16-bit wide I/O addresses providing a total I/O address range of 64k. This is divided into 16 slots, each having 4k allocated to them. This is shown in *Figure 2*.

The top 4 bits of the address LA15:12 define the slot number and the remaining 12 bits LA11:0 provide a 4k address range per slot.

To provide backwards compatibility with ISA, some of this address range must be lost. This is because ISA supports 10-bit wide I/O addresses, resulting in a total I/O space range of 1 kByte. The first 256 bytes (000H-0FFH) of this 1k is allocated to the system board, and the remaining 768 bytes (100H-3FFH) can be used by ISA expansion boards.

This means ISA expansion boards only need to decode addresses 9-0 and therefore will recognize the address range 100H-3FFH (256 to 1k) in every 1k block of the 64k EISA I/O space. That is, all addresses in the top 768 bytes of every 1k block are aliased to the ISA expansion board I/O space (100H-3FFH).

Therefore EISA expansion boards cannot use these addresses and are limited to the bottom 256 locations of every 1k block of I/O space (the ISA system board only uses 256 locations in the first 1k of I/O space). As each slot covers a 4k range in the 64k I/O space, each slot will be able to use 4 blocks of 256 locations (1k). These are z000H-z0FFH, z400H-z4FFH, z800H-z8FFH and zC00H-zCFFH, as shown in the center column of *Figure 2*. EISA devices must only recognize addresses with bits 8 and 9 low (bottom 256 bytes of every 1k block).

ISA supports another slot specific signal AEN which is driven high to all slots by the system whenever a DMA cycle is in progress, to prevent I/O devices from decoding the I/O address on the bus.

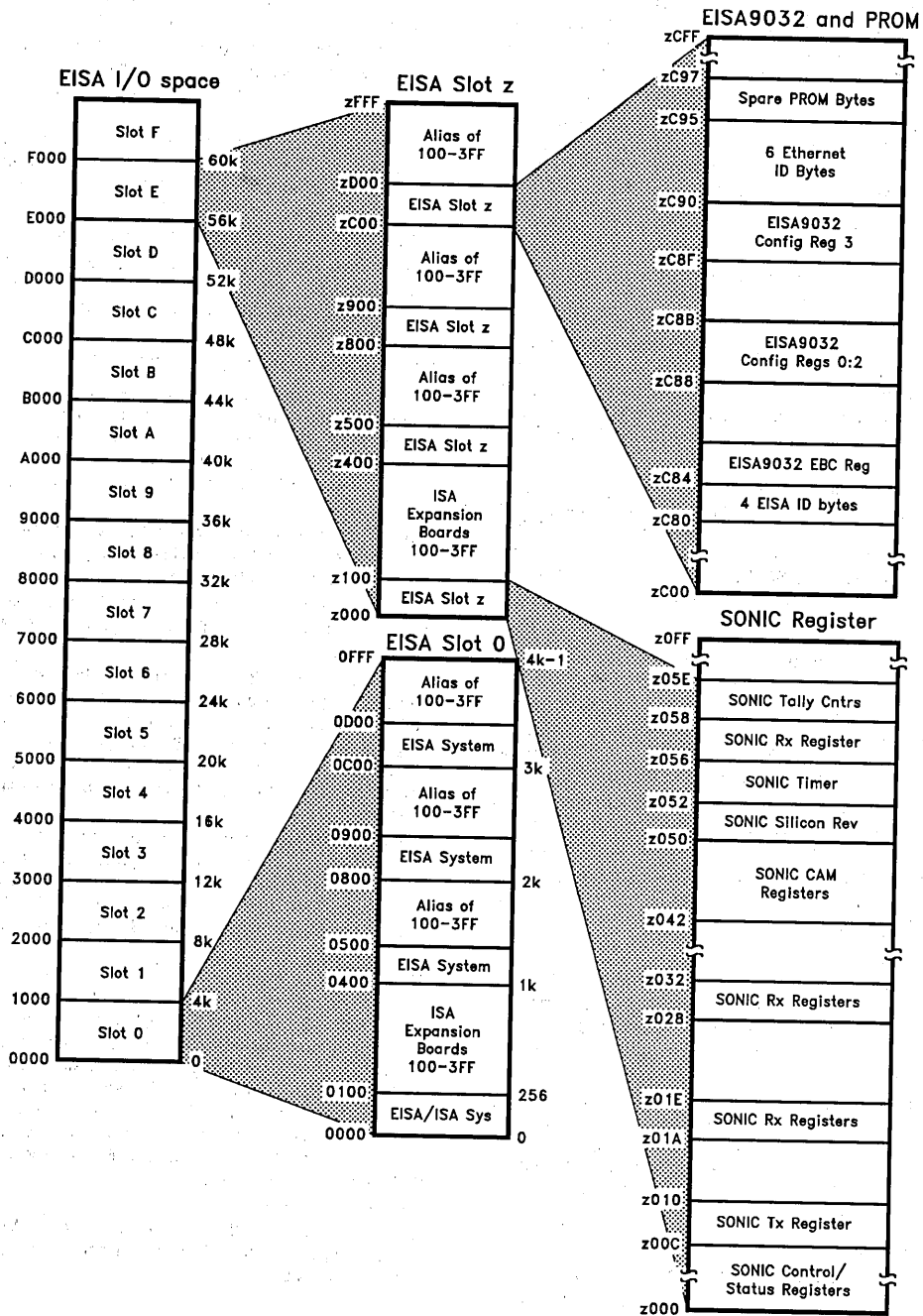


FIGURE 2. EISA I/O Space

TL/F/11788-2

In EISA systems, the EISA controller decodes the top four bits of the I/O address LA15:12 (slot number) and only drives AEN active low to the particular slot being accessed. This relieves each slot from having to decode the slot address.

Therefore, EISA devices only need to decode address bits 8 and 9 both low and AEN low to prevent conflict with ISA devices or other EISA slots. This decoding enables the EISA device to use the bottom 256 bytes of its slot address space. The other three 256 byte blocks in its 4k I/O slot space will be aliased to the bottom 256 bytes. To make use of the other three 256 byte blocks and increase its I/O range to 1k, the EISA device must decode address bits 10 and 11.

The SONIC Ethernet adapter card supports 1k of slot specific I/O space decoding (see right column of *Figure 2*). Addresses 0 to 05EH in the first 256 byte block access the SONIC registers.

Addresses 80H to 83H in the last 256 byte block (C00H-CFFH) access the 4 EISA product IDs in the adapter card's PROM. Addresses 90H-97H in the last 256 byte block access the 6 Ethernet ID bytes (plus 2 spare bytes) in the adapter card's PROM. Addresses 84H, 88H to 8BH and 8FH in the last 256 byte block access EISA9032 configuration registers.

PLX's EISA9032 interface chip provides a configuration register bit which enables ISA I/O addressing to be used so that software drivers which used ISA addressing can be used with minor modifications. This board design does not support this configuration, as jumpers would be required to store the I/O base address into the configuration register at power up.

EISA BUS ARBITRATION AND BUS LATENCY

EISA provides centralized arbitration control to allow bus sharing between CPU, DMA controller, refresh controller and bus masters. Each master has a slot specific memory request (MRQx) and memory acknowledge (MAKx) signal.

If a request is received by the arbitration controller, it will preempt the device currently using the bus who must then release the bus within 64 EISA Bus Clocks (BCKs) (8 μ s). Therefore a master on the bus can calculate the maximum bus latency (bus request to bus acknowledge delay) it may have to withstand.

EISA supports a three way rotating arbitration priority scheme between refresh, DMA and either the CPU or bus master. The CPU and bus masters maintain a two way rotating arbitration within the original 3 way rotation. For example, if there are two masters and all devices are requesting the bus, this will be the bus acknowledge sequence DMA/ refresh/ CPU/ DMA/ refresh/ Master1/ DMA/ refresh/ CPU/ DMA/ refresh/ Master2. Therefore the worst case bus latency for a bus master with n masters in the system is:

$$\begin{aligned} & (\text{DMA} \times 2n) + (\text{refresh} \times 2n) + (\text{CPU} \times n) + \\ & (\text{master} \times (n-1)) = \\ & 5.8 \mu\text{s} \times 2n + 1.3 \mu\text{s} \times 2n + 9 \mu\text{s} \times n + 10.6 \mu\text{s} \times (n-1) = \\ & (33.8 \times n - 10.6) \mu\text{s} \end{aligned}$$

Therefore for 8 masters = 259.8 μ s

Note that raising the priority level of a master does not reduce this figure as all other masters must be serviced before the current master can use the bus again. The EISA bus only supports fairness scheme.

The SONIC Ethernet controller will request the bus whenever enough network data has entered its internal FIFO to cross a programmable threshold. The FIFO depth is 32 bytes and the minimum threshold that can be set in the FIFO is 4 bytes. Network data (10 MBits/s) will arrive at 1 byte every 800 ns, therefore the SONIC must acquire the bus before a further 28 bytes arrive into its FIFO, otherwise the FIFO will overflow and the packet will have to be retransmitted. This provides a bus latency of 22.4 μ s.

SYSTEM CONFIGURATION

EISA provides a mechanism for automatic configuration of expansion boards. This eliminates the jumpers required by ISA adapters for board configuration.

The board manufacturer must provide a 4 byte product ID in a PROM which can be read at I/O locations zC80-zC83 and a configuration file with a file name matching the product ID.

At start up the EISA system will read the above I/O locations for every slot and compare the product IDs with what it had stored in non-volatile memory during the last system configuration.

If the system finds a mismatch, the system will need to be reconfigured by running a configuration utility which is provided by each EISA system manufacturer. This utility will look for a configuration file with a name matching the product ID of the board to be installed. The configuration file which is provided by the expansion board manufacturer, contains a list of resources the board is able to use (like interrupt lines for example). The configuration utility will choose which resources to allocate to the board so that it does not conflict with other boards and store the information in non volatile memory.

The board's driver can then read this non volatile memory and program the board so that it will use the resources allocated to it.

The first two bytes of the product ID (locations 0zC80 and 0zC81) contain a compressed representation of the manufacturer's code. The next two bytes (locations 0zC82-3) contain the product number and revision number. Please refer to the EISA specification for details on how these values are derived.

If the expansion board is modified so that it requires a new configuration file, both the product number and revision number must be modified. If it does not require a new configuration file, just the revision number can be changed.

EISA BUS PROTOCOL

EISA supports two types of read or write cycles, standard cycles and burst cycles. A burst sequence always starts with a standard cycle. Standard cycles are executed in 2 bus clocks per transfer, whereas burst cycles are executed in 1 bus clock per transfer.

The EISA9032 supports burst read transfers at 25 MHz. At 33 MHz the EISA9032 supports burst read and write transfers. All access to descriptor and resource areas (RRA, RDA and TDA) are executed as standard cycles.

Next follows a description of the standard cycle protocol, how it is converted to a burst cycle sequence, and a brief description of how the EISA9032 interface chip supports these cycles.

For a standard cycle, (see *Figure 3*), once the master has gained control of the bus with the MRQx and MAKx handshake, it initiates a cycle by driving the address and M-I/O signals on the falling edge of the clock (0 to 1 clock transition). On the next rising edge of the clock it drives START for 1 clock period, W/R and BE <3:0> (1 to 2 transition). On the next rising edge of the clock (3 to 4 transition) the system board asserts CMD until the end of the cycle.

The slave, after decoding the address, will drive EX32 active if it can support 32-bit transfers. The master samples this signal on the next rising edge of the clock (3 to 4 transition). If EX32 is not asserted the master will TRI-STATE® its BE <3:0> to enable the system board to perform data size translation. Once the system board has completed the translation it asserts EX32, enabling the master to complete the cycle.

The master then samples the EXRDY line from the slave on the next falling edge of the clock (4 to 5 transition). If it is not asserted the master will insert wait states until EXRDY is asserted. The master can also drive a new address for the next cycle on that same clock edge.

On the next rising edge of the clock (5-6 for a single standard cycle, or 5-2 for back to back standard cycles, or 5-4 for burst cycles) the master or slave will latch the data depending on whether it is a read or write cycle, in this way completing a single standard cycle.

Figure 4 shows an example of a typical slave access, a SONIC register read.

A burst sequence, (see *Figures 5 and 6*), always starts with a standard cycle which is the protocol described above. If the master wishes to perform a burst of cycles, it will sample the SLBURST signal from the slave during the 3 to 4 clock transition of the initial standard cycle. If the slave has asserted this signal indicating it supports burst cycles, the master will drive MSBURST active which the slave will sample on the last clock edge of the standard cycle (5 to 4 transition).

MSBURST asserted informs the slave that the next cycle is a burst cycle which can be completed in 1 bus clock. The slave will continue to sample MSBURST on every 5-4 clock transition and respond to burst transfers until MSBURST is deasserted. The master or slave will latch the data on the 5-4 clock transition of every transfer depending on whether it is a read or write cycle.

The EISA specification places some restrictions on the use of burst cycles:

1. No I/O cycles
2. No ISA devices
3. No mixed read and write cycles
4. Address lines LA31:10 must remain constant (no crossing of a 1k memory page boundary)

LA9:2 and BE <3:0> can change within a burst, that is addresses don't need to be sequential, and cycle translation and wait states are still supported.

Address Pipelining

Note that the EISA protocol requires pipelined addresses, that is the master must provide a new address half a clock

before the data is ready to be latched for the previous cycle if it wants to perform back to back transfers. This is something the SONIC Ethernet controller does not support directly.

For standard cycles this is not a problem as, at the end of a cycle, the EISA9032 interface chip will assert ready to the SONIC, wait for a new address strobe from the SONIC and after driving the new SONIC address on the EISA bus for half a clock, assert the START signal indicating the beginning of a new cycle. This introduces 2 idle bus clock cycles between consecutive standard cycles.

For burst cycles the interface logic must provide a new address during the 4 to 5 clock transition of the previous cycle, as there is no new START signal to indicate when the new address is asserted. This is supported by the EISA9032 interface chip by automatically loading the first address of a burst into an 8-bit counter during the initial standard cycle and incrementing the counter on every 4 to 5 clock transition.

An 8-bit counter for address bits LA9:2 is sufficient, as address lines LA31:10 must remain constant throughout a burst cycle (must not cross a 1k page). The EISA9032 interface chip has a mechanism for detecting when the SONIC address is crossing a 1k page (it detects addresses ending in 3FCH) and will terminate the burst and initiate a new transfer.

Note that because the EISA9032 is using a counter, this means the interface logic only supports bursts to sequential addresses. This is not a problem as burst cycles are only used for the receive and transmit buffer areas which are always addressed sequentially by the SONIC.

Note also that the EISA9032 interface chip starts a cycle in a burst (by driving a new address on the bus and maintaining MSBURST active) before the SONIC has even asserted Address Strobe. This means the interface logic will always do one extra bus cycle at the end of a burst. For read cycles, the software driver must ensure that the end of the TBA is not contiguous to an area of memory that cannot be read. For write cycles, the software driver must ensure that EOBC (End Of Buffer Word Count) in the RBA (Receive Buffer Area) is set at least 2 words larger than the size of the biggest packet that can be received. This means that the SONIC will not use the last two words of an RBA.

SLAVE INTERFACE OPERATION

The SONIC Ethernet adapter card supports an EISA slave interface to enable the host CPU to access the following devices on the card.

SONIC Registers

The SONIC contains 64 sixteen bit wide registers. Read and write access to 30 of those registers enables the software driver to control and monitor packet transmission and reception. A further 18 registers are used internally by the SONIC. Users may monitor these registers. The last 16 registers (EISA I/O addresses z060H-z07FH) are for test use only. Users must not access these registers. (See *Figure 2* EISA I/O space.)

32-Byte PROM

The adapter card's "EISA product ID" and "Ethernet address" are stored in a 32 x 8 PROM. PROM addresses A0:3 come directly from the EISA bus, but address A4 is generated by the EISA9032 interface chip as the "EISA ID" signal. For EISA I/O addresses 80H-8FH, EISA ID = 1 (EISA

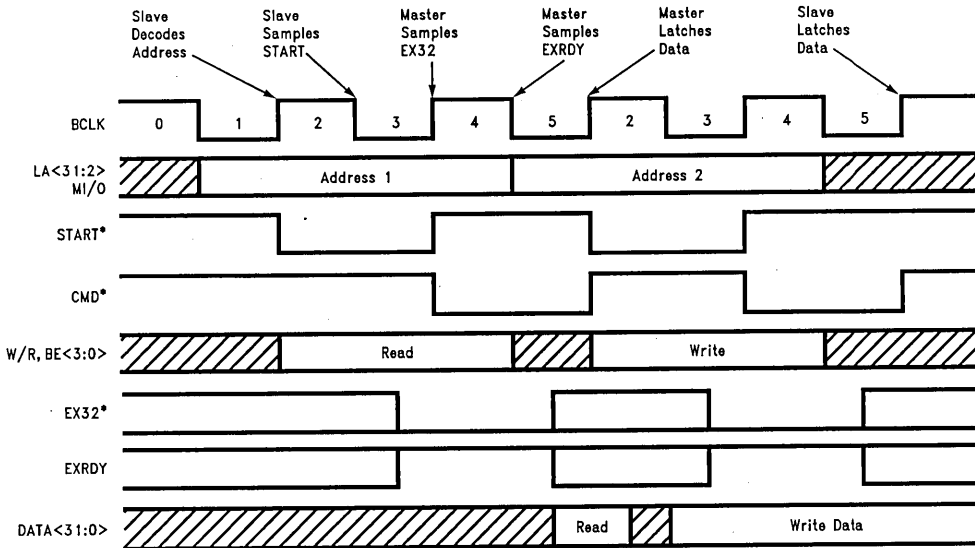


FIGURE 3. EISA Standard Cycle

TL/F/11788-3

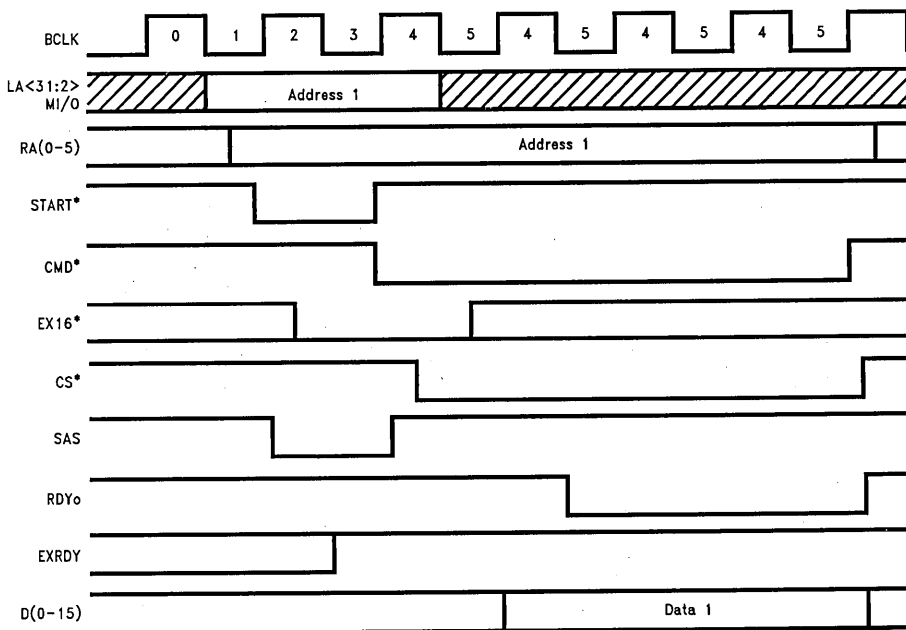


FIGURE 4. SONIC Register Read Cycle

TL/F/11788-4

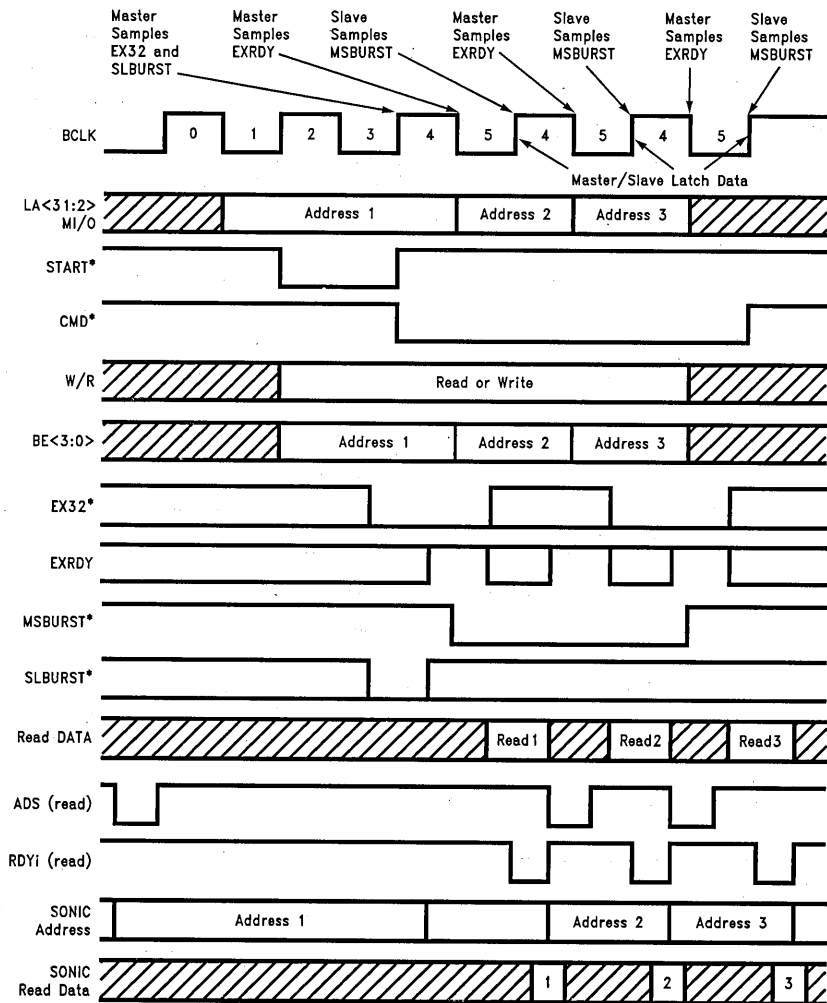


FIGURE 5. EISA Read Burst Cycle

TL/F/11788-5

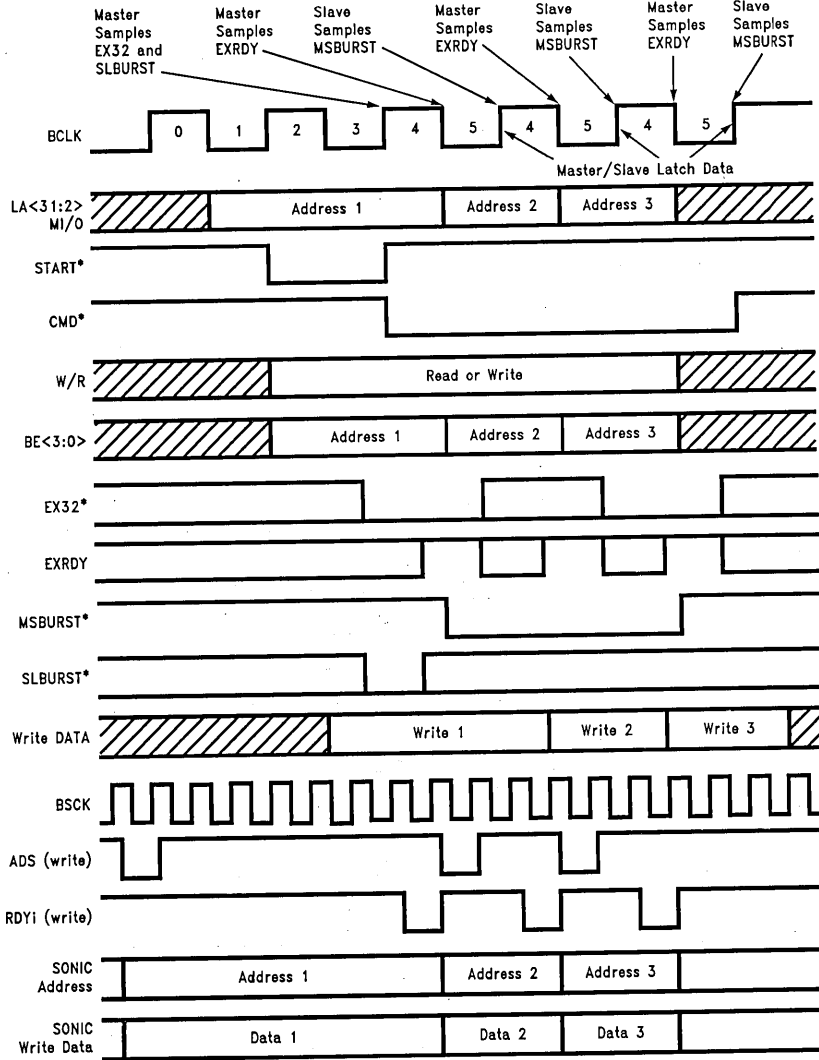


FIGURE 6. EISA Write Burst Cycle

TL/F/11788-6

product ID bytes) and for EISA I/O addresses 90H–97H, EISA ID = 0 (Ethernet ID bytes). This means the EISA9032 chip maps EISA I/O addresses 80H–84H to PROM addresses 10H–14H and EISA addresses 90H–97H to 0H–7H. (Refer to *Figure 2* for I/O map.)

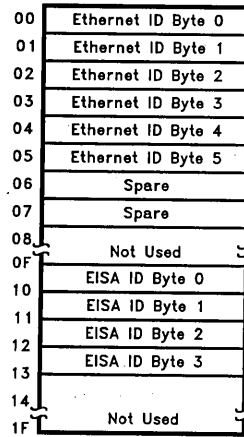
This mapping requires the PROM to be programmed as per *Figure 7*. The first 6 byte locations of this PROM contain the unique physical address assigned to each Ethernet board. These reside on EISA I/O addresses zC90–zC95. The next 2 bytes of the PROM are not used. The following 4 bytes (PROM address 10H–13H) contain the EISA product ID, that is a compressed representation of the manufacturers code, product number and revision number. These 4 bytes reside in EISA I/O space zC80–zC83. The remaining 12 PROM byte locations are not used.

EISA9032 Bus Interface Configuration Registers

These registers reside in EISA I/O space zC84H and zC88H–zC8BH.

When configuring the card, the configuration utility program displays a screen enabling the user to select a number of options. The network software driver will then set up the EISA9032 configuration registers according to the values selected by the configuration utility and the user.

Table I lists the configuration options programmable in the EISA9032 registers (also refer to the EISA9032 data sheet).



TL/F/11788-7

FIGURE 7. Ethernet/EISA ID PROM

TABLE I. EISA 9032 Configuration Options

Configuration	Options	Selection (Default)
Expansion Board Enable	Enable/Disable	(Enable)
Interrupt Type	Edge/Level Triggered	User Selects
Interrupt Number	EISA IRQ 5, 9, 10, 11	EISA Config. Utility Selects
Preempt Time	55/23 EISA Bus Clocks	User Selects (23)
Bus Master Data Size	32/16 Bits	(32)
Slave I/O Data Size	32/16 Bits	(16)
I/O Addressing	ISA/Slot Specific	Slot Specific
ISA I/O Range		Not Used
BIOS EPROM Size	Disable/8k/16k/32k	
BIOS EPROM Address Range		EISA Config. Utility Selects
SONIC Register Port Address		Not Used
Burst Transfer Enable	Enable/Disable	(Enable)
Local Software Reset	Resets EISA9032	
800 ns Bus Release Timer	Enable/Disable	User Selects (Disable)
USR0 ACT/OWN	Accept/Reject Own Packet	User Selects (Accept)
USR1 Thin/Thick	Thin/Thick Ethernet	User Selects (Thin)
USR2		Not Used
USR3		Not Used

A number of these options are selected by the EISA configuration Utility program. During configuration the Utility program will read the configuration file generated by the board manufacturer which lists the options the card can support and write its selection into non-volatile memory. The board's software driver will then read this memory and write the selections into the EISA9032 configuration registers. These options include interrupt request lines and BIOS EPROM memory address range.

Another set of options can be selected by the user but should not be changed from their default values on this board. These include Bus Master Data Size = 32 bits, Slave I/O Data Size = 16 bits, I/O Addressing = Slot specific (See I/O Accesses and addressing), Expansion Board Enable = Enable, BIOS EPROM Size = 32k and burst transfer enable = enable. This last option can be used to disable burst transfers so that all the card's master cycles are executed as standard cycles.

A last set of options are system or software dependent and should be selected by the user. These include Interrupt Type (Edge/Level). Level triggered interrupts enable several masters to share an interrupt line. Preempt time of 23 or 55 EISA Bus clocks. This is the number of clocks the SONIC Ethernet card will stay on the EISA bus after the memory acknowledge signal has been deasserted by the arbitrator. Accept/Reject own packet. If in reject mode, the EISA9032 will drive the packet reject input of the SONIC whenever the SONIC is transmitting a packet. Thin/Thick Ethernet will select either Thin or Thick Ethernet by turning the -9V DC-DC converter output to the Coaxial Transceiver Interface on or off.

32k x 8 BIOS EPROM

The optional 32k x 8 EPROM design can be added if the user wishes to provide software to boot up the EISA PC from the network. The boot ROM code is simply a special driver that is executed when the EISA PC is initializing, and causes the PC's Operating System to be loaded in from a network server rather than from the EISA PC's hard disk. This software is not provided by National. It can be created by obtaining Novell's Boot ROM developer's kit, or Microsoft's NDDK (Network Device Driver Kit) and following their programming information.

The PROM resides in memory space in the range 0C0000H-0DFFFFH. Its exact location within this range is selected by the EISA configuration utility during board configuration. The card only decodes addresses 17-23.

The Ethernet adapter board supports 6 different types of slave cycle EPROM read, ROM read, SONIC registers read and write, and EISA9032 configuration registers read and write cycles.

Slave Cycle

EISA slave cycles are initiated by the host CPU driving the 16-bit I/O address or the 24-bit EPROM memory address on the bus and the M-I/O signal on the falling edge of the clock, and driving START active with W/R and BE<3:0> on the next rising edge of the clock. The EISA9032 interface chip will decode the address and drive EX16* low if the CPU is accessing the SONIC registers or its internal registers. It will then drive EXRDY inactive if it needs to insert wait states until the device accessed is ready to provide or accept the data. Bus transfers to the EISA 9032 configuration

registers or the ROM (35 ns access time) are completed with no wait states. Bus transfers to the EPROM (250 ns access time) are completed with two clock cycle wait states and bus transfers to the SONIC will be wait stated until the SONIC asserts RDY₀ indicating it has completed the transfer.

MASTER INTERFACE DESCRIPTION

The card's main function is to transfer Ethernet packet data from the host's CPU system memory to the Ethernet cable during packet transmission, and from the Ethernet cable to the system memory during packet reception.

The SONIC Ethernet controller's bus master capabilities and buffer management scheme enable it to perform this function using the on board PLX EISA9032 interface chip with no CPU involvement.

Whenever a packet transmission has been requested by the software driver writing to the transmit bit in the command register of the SONIC, or a packet reception is taking place on the Ethernet cable, the SONIC needs to execute read and write cycles on the EISA bus to access descriptor or resource pointer areas in system memory (RDA, TDA, RRA) and to transfer packet data between its internal 32 byte FIFO and buffer areas in system memory (RBA, TBA).

The SONIC initiates a master bus cycle by driving its bus request signal HOLD to the EISA9032 interface chip, who will in turn assert MREQ_x on the EISA bus. Once the system EISA arbitration controller grants the bus by asserting MAK_x, the EISA9032 acknowledges the SONIC by driving HLDA so it can start executing a bus cycle. That is the arbitration phase of the bus transfer.

The SONIC then drives the address and status lines to define which area of memory it wishes to access (RRA, RBA, RDA, TDA, TBA) and qualifies them with address strobe ADS. The EISA9032 loads the lower 8 bits of the address A9:2 into its internal counter and initiates a standard cycle on the bus. If during this cycle the interface chip encounters the following conditions, it will drive MSBURST active to initiate a burst cycle following the standard cycle. The conditions are that the SONIC status lines indicate an access to the RBA or TBA, the slave has asserted EX32 indicating it supports 32-bit transfers, the slave has asserted SLBURST indicating it supports burst transfers, the SONIC address does not end in 3FCH (indicating a 1k page crossing) and burst mode was enabled during the adapter card's configuration. The EISA9032 will drive RDY₁ back to the SONIC at the end of every burst cycle.

Note that EISA burst cycles are completed in one EISA clock, whereas SONIC cycles are completed in 3 SONIC bus clocks (asynchronous mode). Therefore for the SONIC to support EISA burst mode it must be run at three times the EISA bus clock speed (25 MHz).

If any of the above conditions were not met, the EISA9032 will assert RDY₁ to the SONIC and wait for a new address strobe before initiating a new standard cycle on the bus.

DP83932EB-EISA PERFORMANCE

Packet throughput is an important consideration in developing an Ethernet adapter. However, bench-marking of throughput may not tell the whole network performance story. In spite of this, *Figure 8* attempts to compare the performance of this SONIC implementation to other EISA implementations.

In Figure 8 two tests are shown using NetWare 3.1, and Novell's Perform2 v2.3 performance utility. In both graphs the read/write performance in two configurations using a 4096 byte record size. Both tests use a single 33 MHz 486 server. In Figure 8a a single 12 MHz 286 client was used, and in Figure 8b 10 8 MHz 286 clients were used.

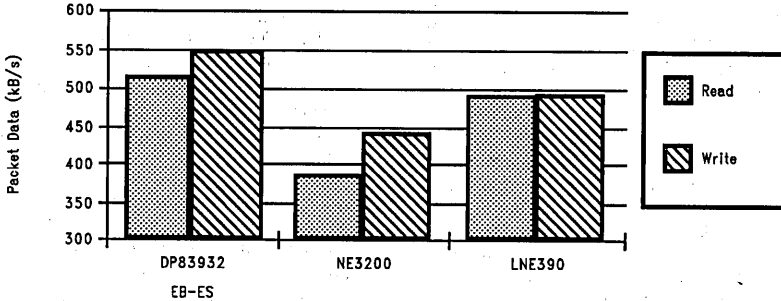
As can be seen from this Figure, the performance of the DP83932EB-EISA card surpasses other popular implementations.

MORE INFORMATION

For more information regarding the EISA9032, and manufacturing information for the Evaluation board contact:

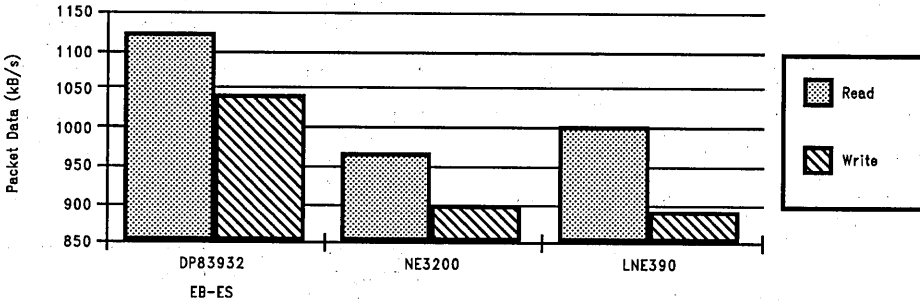
PLX Technology
 625 Clyde Ave.
 Mountain View, CA 94043
 415-960-0448

To obtain the EISA specification contact:
 BCPR Services 202-371-5921



(a). Single Workstation Performance

TL/F/11788-8



(b). Ten Workstation Performance

TL/F/11788-9

FIGURE 8. Network Performance Comparison for Single and 10 Workstation LANs

DP839EB-MCS SONIC™ MicroChannel® Ethernet Adapter

National Semiconductor
Application Note 732
Wesley Lee
Richard Bowers



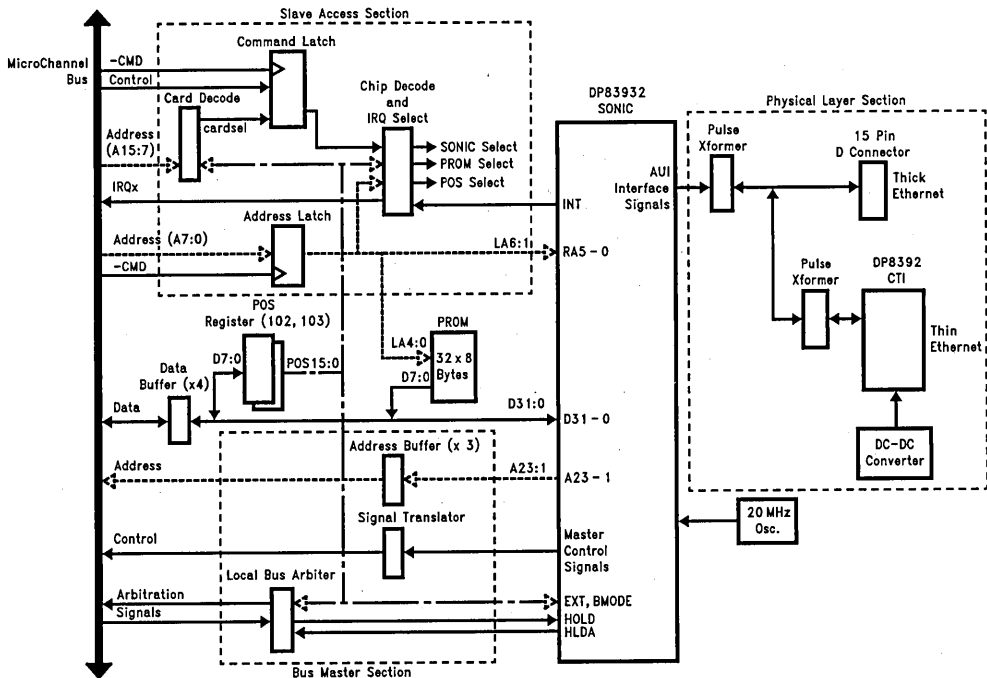
GENERAL DESCRIPTION

The MicroChannel Evaluation board is a high-performance Ethernet Adapter card designed to provide significant throughput increases over other Ethernet adapter cards currently available. This board employs a bus master architecture for directly storing/retrieving data into system memory; thus, eliminating the need for intermediate packet copying. Using the DP83932's high-speed DMA capabilities, this board achieves a 16 Mbytes/sec transfer rate across the bus, utilizing a 32-bit data and 24-bit address path. The board also features extensive evaluation options to choose between Ethernet/Thin-Ethernet, 16/32-bit data path, and internal/external Ethernet ENDEC. The MicroChannel Ethernet Adapter couples National's DP83932 Systems-Oriented Network Interface Controller (SONIC) with the DP8392 Coaxial Transceiver Interface (CTI) to form a simple two chipset solution for IEEE 802.3 networks.

FEATURES

- Utilizes the DP83932 and DP8392 chipset
- 16/32-bit data path
- 16 Mbytes/sec DMA throughput
- Extensive SONIC evaluation options
- 14 selectable I/O address ranges
- Compatible with PS/2® models 50, 60, 70, 80
- 4 selectable interrupts
- Bus master/burst capability
- Ethernet/thin-ethernet selectable

BLOCK DIAGRAM



TL/F/10748-1

1.0 BOARD DESCRIPTION

The MicroChannel Ethernet Adapter is a high-performance, 16/32-bit busmaster board designed to demonstrate the advanced features of the DP83932. It consists of three main sections: (1) the physical layer, (2) the slave access section, and (3) the bus master section. The Physical Layer section consists of the internal ENDEC (encoder/decoder) of the SONIC, the coaxial transceiver (DP8392) and isolation transformers and is responsible for driving and receiving the IEEE 802.3 networks signals. The Slave Access section consists of the address decode circuitry necessary to access the SONIC's internal registers, the POS registers, and the PROM. Finally, the Bus Master section composes of the interface logic which permits the SONIC to gain access of the MicroChannel bus.

2.0 PHYSICAL LAYER SECTION

The physical layer section drives and encodes data onto the network during transmission, and decodes the data during reception. The Ethernet Adapter uses the on-chip ENDEC (encoder/decoder) from the SONIC and the coaxial transceiver, the DP8392, for these purposes. This physical layer section is illustrated in *Figure 1*.

The Ethernet Adapter provides connections to both thick-wire and thin-wire Ethernet. The thick-wire (AUI) connection is made via the TX \pm , RX \pm , and CD \pm signals from the SONIC, an external pulse transformer and a 15-pin D connector. The external pulse transfer is required to meet the IEEE 802.3 high voltage (16V) specification at AUI interface. The thin-wire connection is made via another external pulse transformer and the on-board coaxial transceiver, the DP8392. This external pulse transformer is necessary to completely isolate the TX \pm , RX \pm , and CD \pm pins when the DP8392 is powered down.

2.1 Switching between Thin or Thick-Wire Ethernet

To swap between thin and thick-wire Ethernet, POS 10-bit turns on/off the DC-DC converter. In the thin-wire configuration, the DC-DC converter is turned on, powering up the DP8392 to receive/transmit data onto the thin-wire cable. In the thick-wire configuration, the DC-DC converter is turned off, forcing the DP8392 to shut down. The pulse trans-

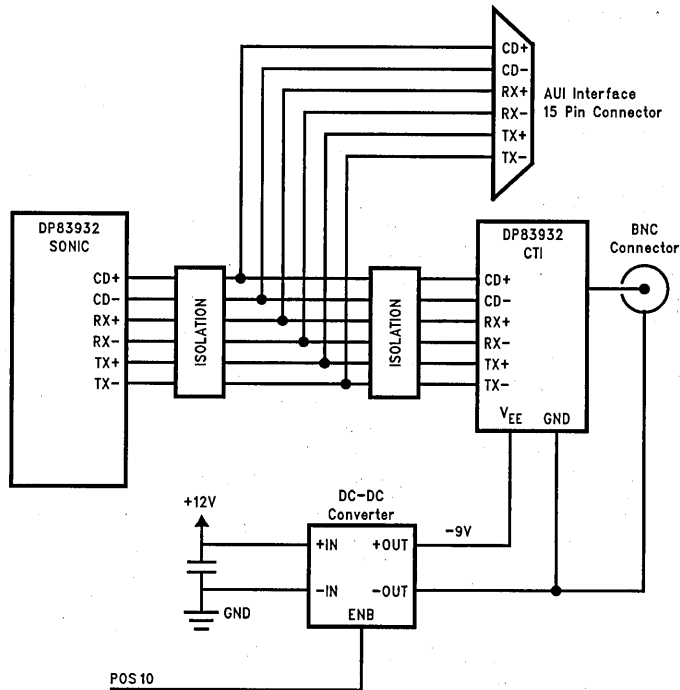


FIGURE 1. Simplified Physical Layer Section

TL/F/10748-2

former B isolates the TX±, RX± and CD± signals of the DP8392 and allows data to pass through the 15-pin D connector unloaded by the DP8392.

3.0 SLAVE ACCESS SECTION

During initialization and status updates, the SONIC register may be accessed to provide configuration and status information. The CPU accesses these registers by driving the proper address on the register address lines (RA5-RA0) and chip selecting the SONIC. The SONIC responds with -RDYO (ready out) when its registers are available for accessing. The CPU may also access the ID PROM and POS registers to respectively read the board's Ethernet Physical Address and configuration information. The system accesses the SONIC, PROM, and POS register via the Address Decode Logic described below. (The slave access section is shown on page 1 of the schematic.)

3.1 Address Decode Logic

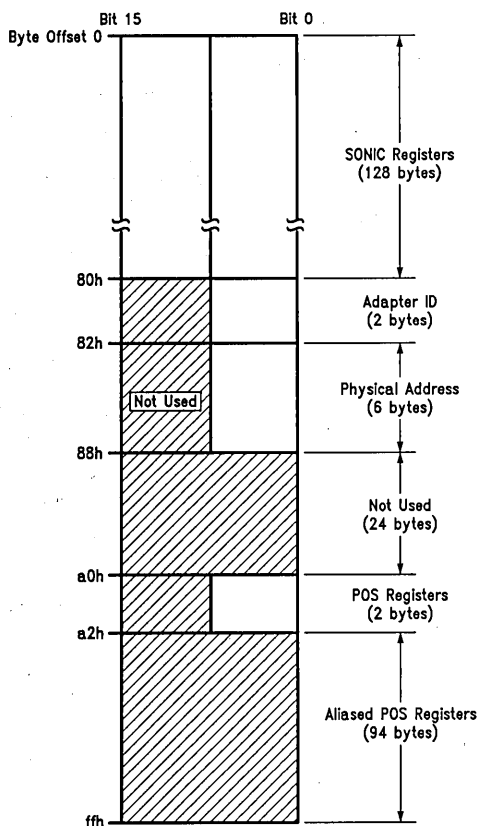
The Address Decode Logic provides the decoding for the SONIC, POS registers, and PROM. This decoding is user programmable with the Address Select bits (ADDR0-3) from POS register 102. The Decode Logic decodes these bits along with the address and control signals from the MicroChannel bus to determine the selected address base (see POS register 102 description in Section 5.0). The de-

coding is a two step process. First, the unlatched address and control signals are decoded to determine if the card is selected; then further decoding is performed to select the proper component on the board. Because the address and control signal on MicroChannel bus are not valid for the duration of the bus cycle, these signals must be latched.

The Address Decode Logic, implemented with two PALs and two latches, operates in the following manner. The CARD DECODE PAL first decodes the unlatched address (A15-A7) and control signal (M/-IO) from the MicroChannel bus along with the POS address select bits (ADDR0-3) to generate the CARDSEL signal. This signal is then latched and further decoding is performed by the CHIP DECODE PAL. This PAL decodes the latched -LCARDESEL signal, the latched lower address LA0-2, LA5-7 and the latched control signals (-LS0, -LS1, and -LCDSETUP) to provide chip selects the SONIC, POS registers, or the PROM. The address and control signals are latched on the leading edge of -CMD with a ACT573 transparent latch.

3.2 I/O ADDRESS MAP

The MicroChannel Ethernet Adapter's address base is specified by bits ADDR3-0 in POS register 102. The board occupies 256 bytes as shown in Figure 2.



TL/F/10748-3

FIGURE 2. Ethernet Adapter's I/O Address Map

4.0 BUS MASTER SECTION

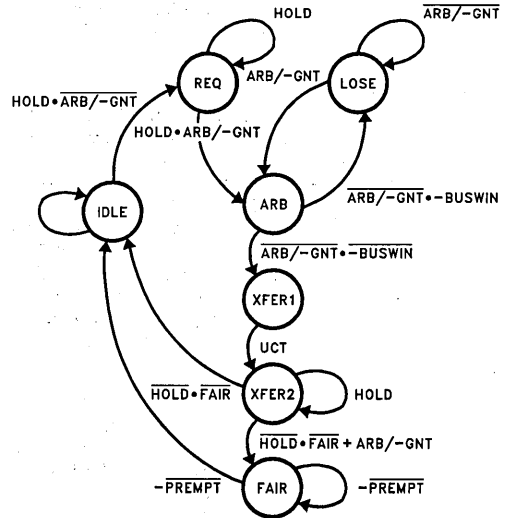
The MicroChannel evaluation board employs a bus master architecture to quickly transfer data from/to system memory to/from the internal FIFOs of the DP83932. The DP83932's FIFOs are sufficiently large (32 bytes) to absorb all reasonable bus latencies which may occur on the MicroChannel bus. When accessing the bus, the evaluation board follows the required MicroChannel protocol using the arbitration level programmed in the POS 103 register. The bus master logic is partitioned into two sections, the Local Bus Arbiter which implements the MicroChannel bus access protocol and the Signal Translator which interfaces the SONIC control signals to the MicroChannel bus. (The bus master section is shown on page 2 of the schematic.)

4.1 Local Bus Arbiter

The local bus arbiter allows the Ethernet Adapter to compete for the MicroChannel bus when an arbitration cycle is in progress. The arbitration cycle begins after the Ethernet Adapter asserts $\overline{\text{-PREMPT}}$ and the $\text{ARB}/\overline{\text{-GNT}}$ signal has subsequently gone high. The Ethernet adapter participates in the arbitration cycle by gating its arbitration vector onto the bus and simultaneously comparing it with all other vectors appearing on the bus. If the Local Arbiter detects an arbitration vector lower than its own, it removes its vector and waits for the next arbitration cycle; otherwise, if the Ethernet Adapter has won, it may begin transferring data onto the bus.

The Local Arbiter is implemented with two PALs, ARBVEC, and ARBMAC (support logic is also in the Logic PAL). The ARBVEC PAL implements the arbitration vector function which drives and simultaneously reads the vector on lines $\text{ARB3}-\text{ARB0}$ when an arbitration cycle is in progress. This PAL indicates whether it has won the bus by asserting $\overline{\text{-BUSWIN}}$ low. The arbitration vector is user programmable via bits $\text{SELARB0}-3$ of POS register 103. The second PAL, ARBMAC, controls the enabling of the arbitration vector. This PAL consists of an asynchronous state machine to monitor bus activity from the MicroChannel bus and the SONIC. This state machine shown in Figure 3 contains the following states.

- IDLE:** No bus activity by the SONIC; HOLD request is not asserted
- REQ:** The SONIC is requesting usage of the bus but another device may be using the bus; $\overline{\text{-PREMPT}}$ is asserted
- ARB:** An arbitration cycle is occurring on the bus. The arbitration vector is enabled; $\overline{\text{-PREMPT}}$ is still asserted.
- LOSE:** The SONIC has lost the arbitration cycle. It de-gates its vector and waits for the next cycle. $\overline{\text{-PREMPT}}$ is still asserted.
- XFER1:** The SONIC has won; detects $\overline{\text{-BUSWIN}}$ low from ARBVEC PAL. An intermediate state to XFER2. (This state is needed so that only one output changes between states.) $\overline{\text{-PREMPT}}$ is still asserted.
- XFER2:** The SONIC performs its data transfer. $\overline{\text{-BURST}}$ is asserted and $\overline{\text{-HLDA}}$ is issued to the SONIC. $\overline{\text{-PREMPT}}$ is deasserted.
- FAIR:** The fairness algorithm has been enabled.



TL/F/10748-4

Note: UCT = Unconditional Transfer

FIGURE 3. Local Bus Arbiter State Machine (ARBMAC)

The Local Arbiter state machine defaults to IDLE when the SONIC is idle. When HOLD is asserted, the state machine transitions to REQ and then to ARB when $\text{ARB}/\overline{\text{-GNT}}$ goes high. During this state, ARBMAC enables ARBVEC to begin driving its vector onto lines $\text{ARB3}-0$ and monitors $\overline{\text{-BUSWIN}}$ when $\text{ARB}/\overline{\text{-GNT}}$ has subsequently gone low. If $\overline{\text{-BUSWIN}}$ is high, the Ethernet adapter has lost and the state machine proceeds to LOSE and waits for the next arbitration cycle. Otherwise, the Ethernet adapter has won and the state machine proceeds to XFER2 via XFER1. During XFER2, Hold Acknowledge (HLDA) is issued to the SONIC, allowing it to transfer data onto the bus. (For robust asynchronous state machine design, XFER1 is used to insure that only one output changes between states.) When the SONIC finishes its block transfer, the state machine finally transitions either to FAIR or IDLE, depending upon the FAIR bit in the POS 103 register.

The state machine obeys the fairness algorithm when the FAIR bit in POS register 103 has been set. This algorithm insures that all competing devices will eventually gain access to the bus. If the FAIR bit is set, the state machine will stay in FAIR until all other devices have completed their bus transfers (i.e., $\overline{\text{-PREMPT}}$ is no longer asserted) before returning to IDLE.

4.2 Signal Translator

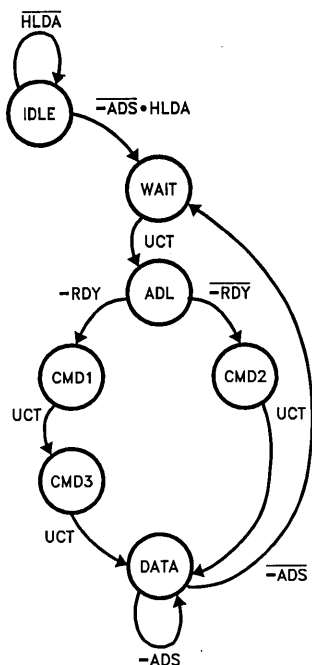
The Signal Translator converts the control signals from the SONIC into the signals required by the MicroChannel bus and matches the timing of these signals to be consistent with the 3 primary modes of the MicroChannel specification, *Default mode*, *Synchronous Extended mode*, and *Asynchronous Extended mode*. The Signal Translator matches the

timing by using a synchronous state machine to convert the SONIC's control signals, MW-R, -ADS, and -DS to -S0, -S1, -ADL, and -CMD of the MicroChannel bus. Note that since the SONIC is capable of operating considerably faster than the MicroChannel bus, it is required that the SONIC be programmed in asynchronous mode and inserts 3 wait-states for each memory cycle. Configuring asynchronous mode and the 3 wait-states are programmed by resetting the STERM bit and setting bits WC1 and WC0 and in the Data Configuration register. The state machine, shown in Figure 4, contains the following states.

IDLE: No bus activity by the SONIC.

WAIT: SONIC has asserted -ADS; wait for one bus clock to provide address setup time to leading edge of -ADL.

ADL: Assert -ADL for one clock cycle.



Note: UCT = Unconditional Transfer

TL/F/10748-5

Note: The state machine is reset when HLDA is deasserted.

FIGURE 4. Signal Translator State Machine

CMD1: Synchronous or Asynchronous Extended mode requested. CDCHRDY has been deasserted by memory. Begin asserting -CMD and SYNWAIT.

CMD2: Default mode requested. Begin asserting CMD.

CMD3: Continuing to assert -CMD and SYNWAIT.

DATA: SONIC finishes up memory transfer. -CMD is deasserted when -DS goes low. Transition back to IDLE when -ADS goes low.

The Signal Translator may take one of two paths during a SONIC bus operation. In the first path, the Signal Translator goes through states, WAIT, ADL, CMD2, and finally DATA. This path is taken if the memory does not require any wait-states and allows the SONIC to operate as fast as permitted on the MicroChannel bus (Default mode, minimum cycle time = 200 ns). To satisfy all the timing requirements of MicroChannel, the SONIC must use 5 bus clocks at 20 MHz for the memory cycle. This path is illustrated in Figure 5. The second path goes through states: WAIT, ADL, CMD1, CMD3, and DATA. This path gives at least an additional 100 ns to the memory cycle for compatibility with the Synchronous Extended mode (300 ns) or the Asynchronous Extended mode (≥ 300 ns).

The memory may deassert CDCHRDY in two ways. In the first manner, the memory requests a Synchronous Extended mode by pulsing CDCHRDY within 60 ns after the address goes valid then driving it active after -CMD has subsequently gone low. The timing is illustrated in Figure 6. (Note that the Ethernet adapter accesses the ready signal via the return signal, CHRDRYRTN.) The additional 100 ns is added by deasserting the RDYi input of the SONIC during CMD1 and CMD3. The RDYi input is deasserted by NANDing (in the IRQSEL PAL) the SYNWAIT output generated by the Signal Translator with CHRDRYRTN. Note that in asynchronous mode, the SONIC terminates the memory cycle 1 bus after clock after -RDYi is asserted.) In the second manner, the memory requests the Asynchronous mode by deasserting CDCHRDY as before, but does not assert CDCHRDY until it is ready to be accessed.

In addition to the signals generated by the Signal Translator (-S0, S1, -ADL, -CMD), there are 8 other signals which must be generated each time the SONIC gains access to the bus. These signals are MADE24, M/-IO, -SHBE, TR32, and BE0-3. The first 4 signals are enabled whenever the SONIC is bus master, and the latter 4 are enabled when the SONIC is configured for 32-bit data mode. Since these signals remain constant for the duration of the SONIC's transfer cycle, they are driven to their proper levels using a ACT244.

4.2.1 SIGNAL TRANSLATOR TIMING

Figures 5, 6, and 7 show the timing generated by the Signal translator for Default Mode (minimum cycle time = 200 ns), Synchronous Extended Mode (minimum cycle time = 300 ns) and Asynchronous mode (cycle time ≥ 300 ns). States T1, T1 and T2 indicate the DMA states of the SONIC while states IDLE, WAIT, ADL, CMD1, CMD2, CMD3, and DATA indicate the corresponding states of the Signal Translator. Note that the SONIC must be configured in asynchronous mode and be inserting 3 wait-states. Also note that CHRDRYRTN, shown in Figures 6 and 7, is the ready return signal provided by the MicroChannel bus.

The timing parameters, shown as "T#," indicate the critical timing constraints which the Signal Translator and the SONIC must meet in order to be compatible with the

MicroChannel bus. These parameters and the corresponding Ethernet adapter parameters are tabulated below.

Parameter	MicroChannel Spec.	Ethernet Adapter
T3	45 ns (min)	75 ns (min)
T4	40 ns (min)	50 ns (min)
T15	85 ns (min)	125 ns (min)
T19	125 ns (max)	200 ns (max)
T26	60 ns (max)	100 ns (max)
T28D	160 ns (max)	175 ns (max)
T29S	60 ns (max)	60 ns (max)

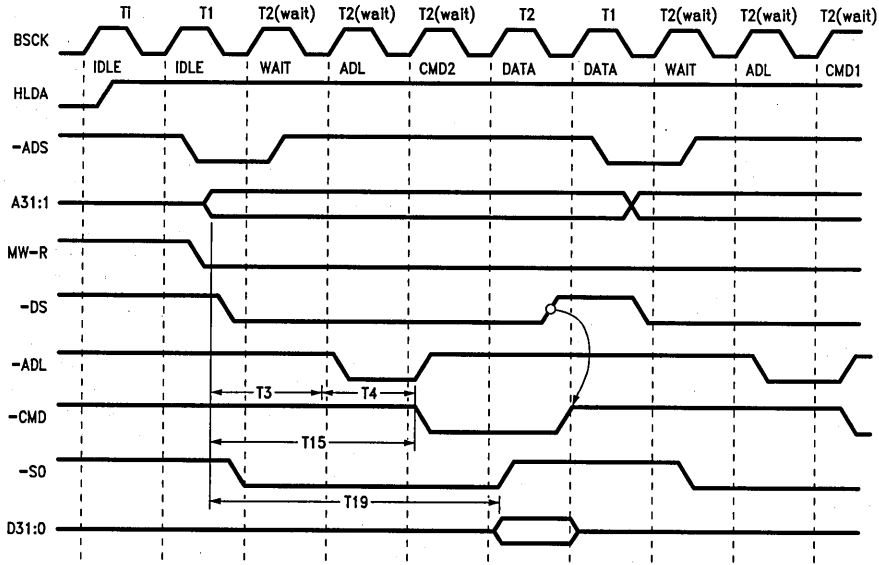


FIGURE 5. Default Mode, Memory Read

TL/F/10748-6

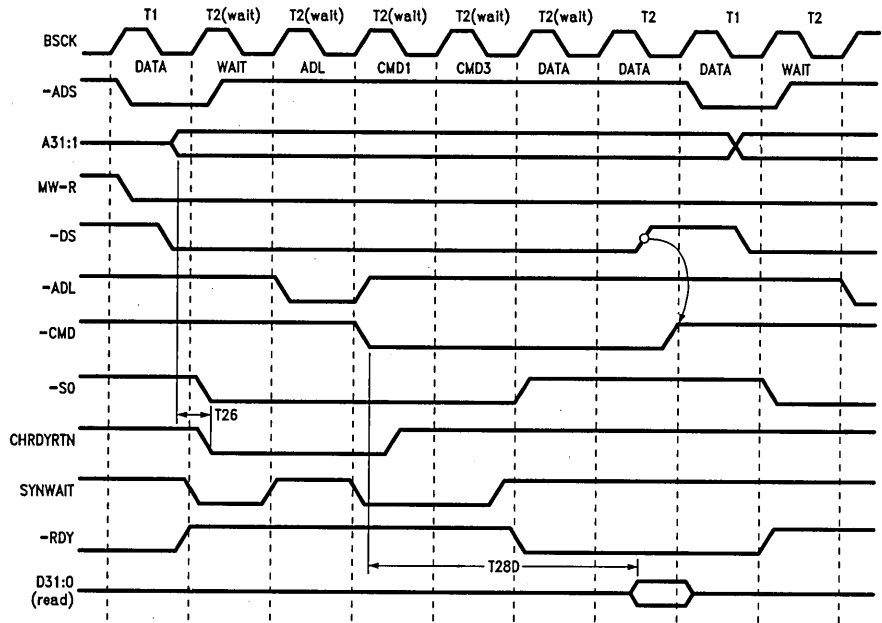


FIGURE 6. Synchronous Extended Mode, Memory Read

TL/F/10748-7

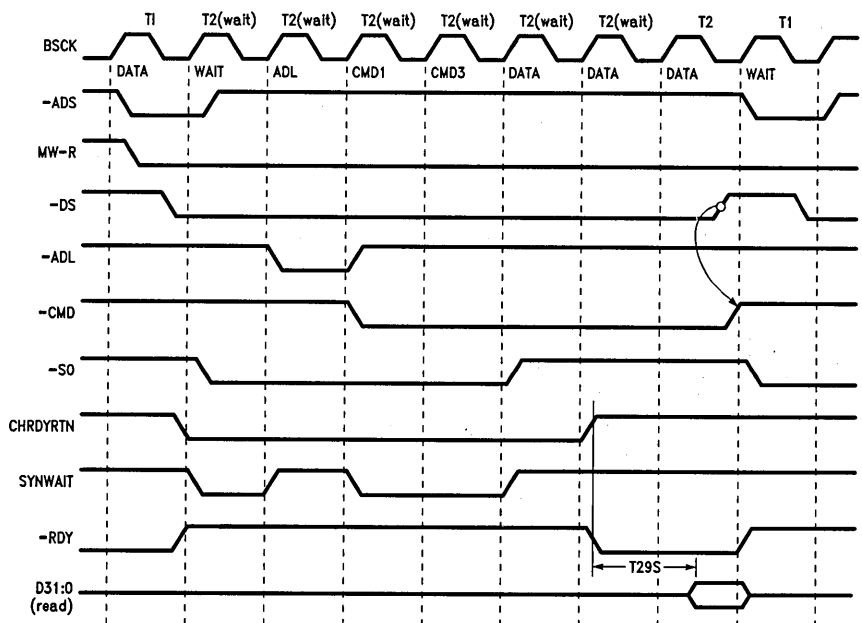


FIGURE 7. Asynchronous Extended Mode, Memory Read

TL/F/10748-8

5.0 POS REGISTERS

The POS registers provide the required identification (ID) bytes (2) and configuration information needed by the Ethernet Adapter. The MicroChannel bus during power-on reads the ID bytes, located at addresses 100 and 101, and compares these bytes with values saved in battery back-up RAM. If the comparison is true, it will proceed to write the configuration information stored in RAM into the remaining

POS registers residing at addresses 102 to 103. The configuration information, guarantees that no I/O, memory, or interrupts conflict with other boards using the MicroChannel bus. For this implementation, only two POS registers are needed to provide the required configuration parameters. The following description gives the bit definitions for POS registers 102 and 103.

POS 102 BIT DEFINITIONS

DB7	DB6	DB5	DB4	DB3	DB2	DB1	DB0
ADDR3	ADDR2	ADDR1	ADDR0	res	INT1	INT0	CARDEN

Bit	Name	Function																																		
7-4	ADDR3-0	<p>Address Select: These bits select which base address the Ethernet Adapter Card will reside. The address selections are shown below:</p> <table border="1"> <thead> <tr> <th>ADDR3-0</th> <th>I/O Address</th> </tr> </thead> <tbody> <tr><td>1111</td><td>Not Used</td></tr> <tr><td>1110</td><td>Not Used</td></tr> <tr><td>1101</td><td>1e00-1effh</td></tr> <tr><td>1100</td><td>1c00-1cffh</td></tr> <tr><td>1011</td><td>1a00-1affh</td></tr> <tr><td>1010</td><td>1800-18ffh</td></tr> <tr><td>1001</td><td>1600-16ffh</td></tr> <tr><td>1000</td><td>1400-14ffh</td></tr> <tr><td>0111</td><td>1200-12ffh</td></tr> <tr><td>0110</td><td>1000-10ffh</td></tr> <tr><td>0101</td><td>0e00-0effh</td></tr> <tr><td>0100</td><td>0c00-0cffh</td></tr> <tr><td>0011</td><td>0a00-0affh</td></tr> <tr><td>0010</td><td>0800-08ffh</td></tr> <tr><td>0001</td><td>0600-06ffh</td></tr> <tr><td>0000</td><td>0400-04ffh</td></tr> </tbody> </table>	ADDR3-0	I/O Address	1111	Not Used	1110	Not Used	1101	1e00-1effh	1100	1c00-1cffh	1011	1a00-1affh	1010	1800-18ffh	1001	1600-16ffh	1000	1400-14ffh	0111	1200-12ffh	0110	1000-10ffh	0101	0e00-0effh	0100	0c00-0cffh	0011	0a00-0affh	0010	0800-08ffh	0001	0600-06ffh	0000	0400-04ffh
ADDR3-0	I/O Address																																			
1111	Not Used																																			
1110	Not Used																																			
1101	1e00-1effh																																			
1100	1c00-1cffh																																			
1011	1a00-1affh																																			
1010	1800-18ffh																																			
1001	1600-16ffh																																			
1000	1400-14ffh																																			
0111	1200-12ffh																																			
0110	1000-10ffh																																			
0101	0e00-0effh																																			
0100	0c00-0cffh																																			
0011	0a00-0affh																																			
0010	0800-08ffh																																			
0001	0600-06ffh																																			
0000	0400-04ffh																																			
3	res	Reserved																																		
2-1	INT1,0	<p>Interrupt Select: These bits select the Interrupt Request lines: The selections are shown below:</p> <table border="1"> <thead> <tr> <th>INT1,0</th> <th>IRQ line</th> </tr> </thead> <tbody> <tr><td>11</td><td>IRQ9</td></tr> <tr><td>10</td><td>IRQ7</td></tr> <tr><td>01</td><td>IRQ6</td></tr> <tr><td>00</td><td>IRQ3</td></tr> </tbody> </table>	INT1,0	IRQ line	11	IRQ9	10	IRQ7	01	IRQ6	00	IRQ3																								
INT1,0	IRQ line																																			
11	IRQ9																																			
10	IRQ7																																			
01	IRQ6																																			
00	IRQ3																																			
0	CARDEN	<p>Card Enable: When this bit is set to a "0", the card is disabled and responds only to the setup read and write commands. When set to a "1" the card is enabled.</p>																																		

POS 103 BIT DEFINITIONS

DB7	DB6	DB5	DB4	DB3	DB2	DB1	DB0
ARB3	ARB2	ARB1	ARB0	FAIR	E/T	EXT	res

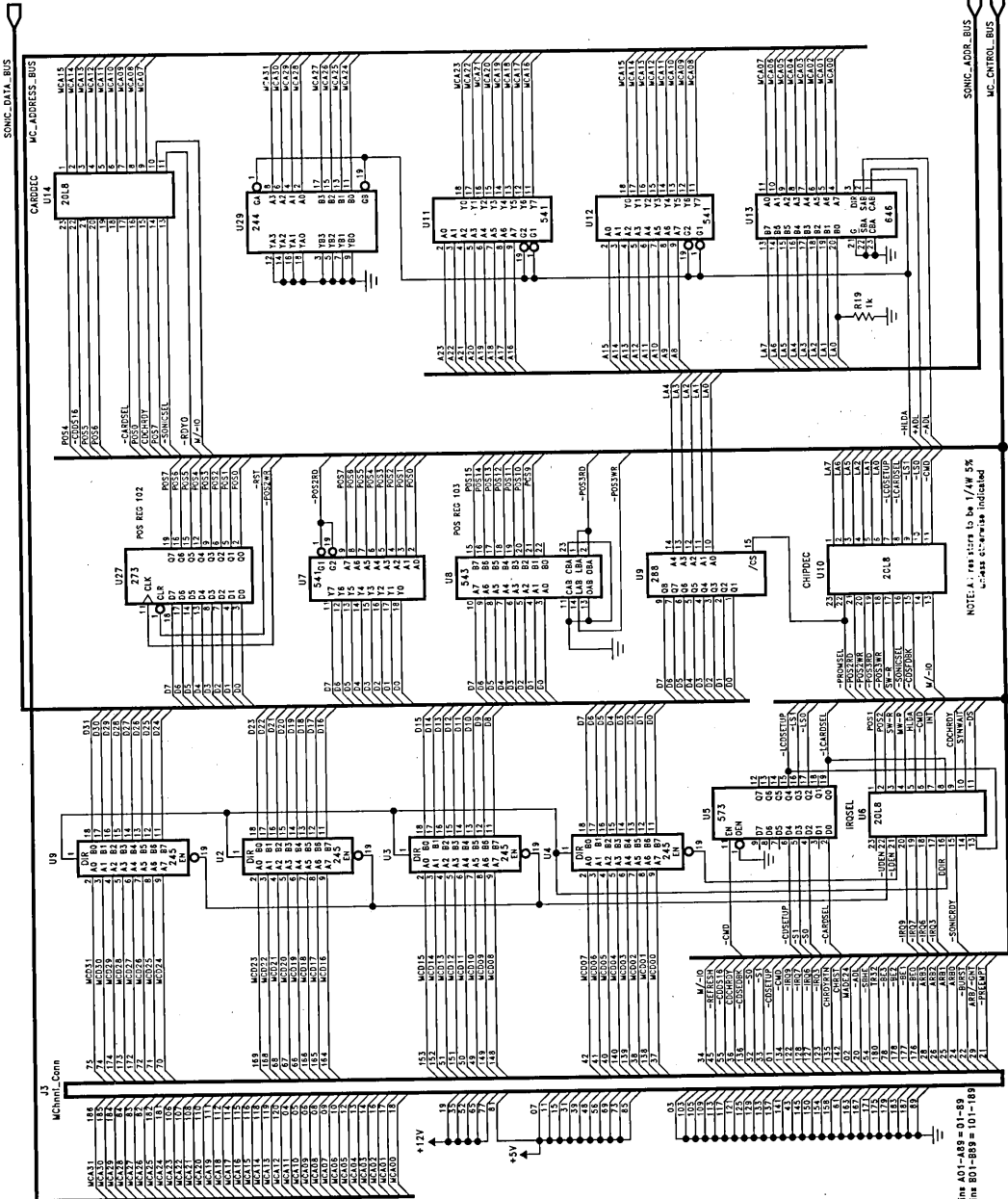
Bit	Name	Function																																																			
7-4	SELARB3-0	<p>Arbitration Vector: These bits select the arbitration vector when SONIC contends for the bus. The selections are shown below:</p> <table border="0"> <tr> <td>SELARB3-0</td> <td>Arbitration Vector</td> <td></td> </tr> <tr> <td>1111</td> <td>Not Used</td> <td></td> </tr> <tr> <td>1110</td> <td>ARB14</td> <td>Lowest Priority</td> </tr> <tr> <td>1101</td> <td>ARB13</td> <td></td> </tr> <tr> <td>1100</td> <td>ARB12</td> <td></td> </tr> <tr> <td>1011</td> <td>ARB11</td> <td></td> </tr> <tr> <td>1010</td> <td>ARB10</td> <td></td> </tr> <tr> <td>1001</td> <td>ARB9</td> <td></td> </tr> <tr> <td>1000</td> <td>ARB8</td> <td></td> </tr> <tr> <td>0111</td> <td>ARB7</td> <td></td> </tr> <tr> <td>0110</td> <td>ARB6</td> <td></td> </tr> <tr> <td>0101</td> <td>ARB5</td> <td></td> </tr> <tr> <td>0100</td> <td>ARB4</td> <td></td> </tr> <tr> <td>0011</td> <td>ARB3</td> <td></td> </tr> <tr> <td>0010</td> <td>ARB2</td> <td></td> </tr> <tr> <td>0001</td> <td>ARB1</td> <td></td> </tr> <tr> <td>0000</td> <td>ARB0</td> <td>Highest Priority</td> </tr> </table>	SELARB3-0	Arbitration Vector		1111	Not Used		1110	ARB14	Lowest Priority	1101	ARB13		1100	ARB12		1011	ARB11		1010	ARB10		1001	ARB9		1000	ARB8		0111	ARB7		0110	ARB6		0101	ARB5		0100	ARB4		0011	ARB3		0010	ARB2		0001	ARB1		0000	ARB0	Highest Priority
SELARB3-0	Arbitration Vector																																																				
1111	Not Used																																																				
1110	ARB14	Lowest Priority																																																			
1101	ARB13																																																				
1100	ARB12																																																				
1011	ARB11																																																				
1010	ARB10																																																				
1001	ARB9																																																				
1000	ARB8																																																				
0111	ARB7																																																				
0110	ARB6																																																				
0101	ARB5																																																				
0100	ARB4																																																				
0011	ARB3																																																				
0010	ARB2																																																				
0001	ARB1																																																				
0000	ARB0	Highest Priority																																																			
3	FAIREN	<p>Fairness Enable: When this bit is set to a "1", the MicroChannel fairness algorithm is used. When set to a "0", fairness is disabled.</p>																																																			
2	E/T	<p>Ethernet/Thin-Ethernet Select: This bit selects between the Ethernet and Thin-Ethernet options. This pin is directly connected to the DC-DC Converter.</p> <p>0: Thin-Ethernet selected (Thin cable) 1: Ethernet selected (Thick cable)</p>																																																			
1	EXT	<p>External ENDEC Select: This bit selects between the internal and external ENDEC options. This bit is directly connected to the EXT pin of the SONIC.</p> <p>0: The SONIC's internal ENDEC is enabled. 1: The internal ENDEC of the SONIC is disabled. An external ENDEC is to be used.</p>																																																			
0	res	Reserved																																																			

PARTS LIST

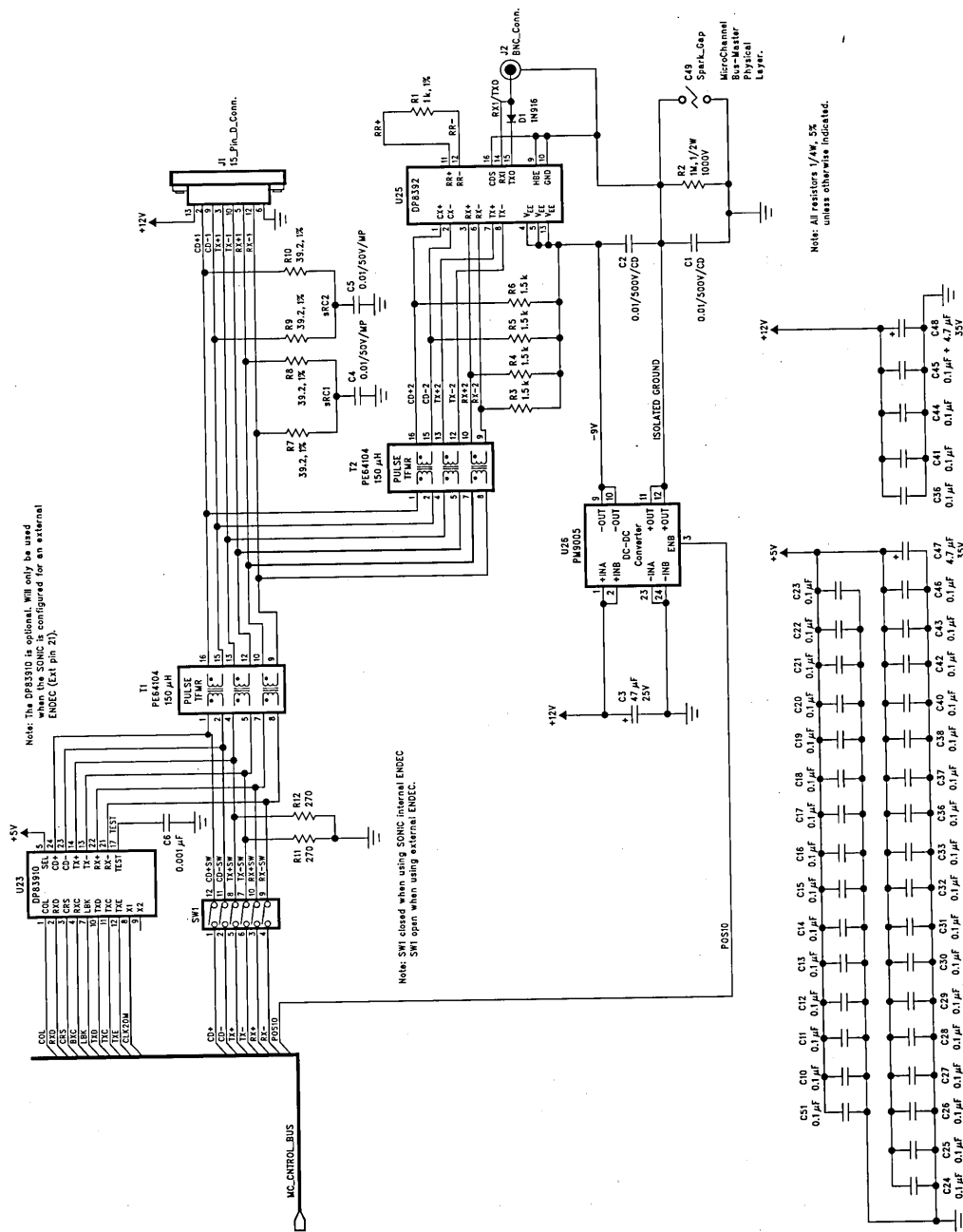
Qty.	Part	Number
1	0.01 μ F/50V	C2
1	0.01 μ F/500V	C1
2	0.01 μ F/50V	C4, C5
1	47 μ F	C3
1	0.001 μ F	C6
36	0.1 μ F	C10-C46
2	4.7 μ F	C47, C48
1	IN4150	D1
2	1K, 1%	R1, R19
1	1M, $\frac{1}{2}$ W	R2
4	1.5K	R3, R4, R5, R6
4	39.2, 1%	R7, R8, R9, R10
2	270	R11, R12
5	4.7K	R14, R15, R16, R17, R18
2	PE64104	T1, T2
1	DP83932 SONIC	U19
1*	DP83910 SNI	U23
1	DP8392 CTI	U25
2	74ACT244	U15, U29
4	74ACT245	U1, U2, U3, U4
1	74ACT273	U27
1	74S288	U9
3	74ACT541	U7, U11, U12
1	74ACT573	U5
1	74ACT646	U13
2	PAL16R4D	U17, U28
5	PAL20L8D	U6, U10, U14, U16, U18
1	20 MHz, 45%-55%	U20
1*	xx MHz, 45%-55%	U21
1	PM9005	U26
1	Spark Gap	C49
1	15 Pin D Connector	J1
1	BNC Connector	J2
1	MChannel Conn.	J3
1	3 Pin Jumper	JU1
1	Dip Switch	SW1
17	Test Points	TP16-TP32

*Optional

All resistors are 5% unless otherwise specified



NOTE: Pin 1-189 = 01-89, Pin 801-888 = 101-189



PAL EQUATIONS

The DP83932 SONIC MicroChannel adapter contains 7 PALs to implement the bus interface. This section provides a listing of the PALs used. All listings use the ABEL™ design format.

```
module carddec;          flag '-r2','-t2';

title
'PAL20L8                National Semiconductor
MicroChannel Card Decoder      1/1/90
file name: CARDEC.ABL                               wl'
```

```
CARDEEC device 'P20L8';
" PAL DESCRIPTION
```

```
" This pal determines whether the MicroChannel Ethernet adapter
" is selected. The address base is determined by bits 7 - 4
" in POS register 102. The output signals are following:
"   !cardsel = active when base address matches
"   !cdds16 = active when the SONIC register are being accessed
"   !cdchrdy = ready signal
```

```
" Equations written in ABEL™ design format.
" declarations
```

```
"declarations
```

```
TRUE,FALSE = 1,0;
H,L = 1,0;
x,z,c = .X.,.Z.,.C.;
```

```
GND,VCC
pin 12,24;
```

```
"outputs
```

```
halfsel1,halfsel2,cardsel,cdds16,cdchrdy
pin 19,18,17,22,15;
```

```
"inputs
```

```
a15,a14,a13,a12,a11,a10,a9,a8,a7,mio,sonicsel,
pos4,pos5,pos6,pos7,pos0,rdyo
pin 1,2,3,4,5,6,7,8,9,10,13,23,21,20,14,16,11;
```

```
"equates
```

```
addr = [a15,a14,a13,a12,a11,a10,a9,a8];
possel = [pos7,pos6,pos5,pos4];
```

```
equations
```

```
!halfsel1 = (possel == ^h0) & (addr == ^h4) #
            (possel == ^h1) & (addr == ^h6) #
            (possel == ^h2) & (addr == ^h8) #
            (possel == ^h3) & (addr == ^ha) #
            (possel == ^h4) & (addr == ^hc) #
            (possel == ^h5) & (addr == ^he) #
            (possel == ^h6) & (addr == ^h10);

!halfsel2 = (possel == ^h7) & (addr == ^h12) #
            (possel == ^h8) & (addr == ^h14) #
```

PAL EQUATIONS (Continued)

```

(possel == ^h9) & (addr == ^h16) #
(possel == ^ha) & (addr == ^h18) #
(possel == ^hb) & (addr == ^h1a) #
(possel == ^hc) & (addr == ^h1c) #
(possel == ^hd) & (addr == ^h1e);

```

```

!cardsel = !halfsel1 & !mio & pos0 #
!halfsel2 & !mio & pos0;

```

```
!cdds16 = !cardsel & !a7;
```

```

!cdchrdy = !halfsel1 & !mio & pos0 & !a7 & rdyo #
!halfsel2 & !mio & pos0 & !a7 & rdyo #
!sonicssel & rdyo;

```

test_vectors

```
([addr,possel,mio,pos0] -> [cardsel,cdds16])
```

```

[^h4 , ^h0 , 1 , ,1] -> [ 0 , x ]; "cardsel
[^h6 , ^h1 , 1 , ,1] -> [ 0 , x ];
[^h8 , ^h2 , 1 , ,1] -> [ 0 , x ];
[^ha , ^h3 , 1 , ,1] -> [ 0 , x ];
[^hc , ^h4 , 1 , ,1] -> [ 0 , x ];
[^he , ^h5 , 1 , ,1] -> [ 0 , x ];
[^h10 , ^h6 , 1 , ,1] -> [ 0 , x ];

```

```

[^h12 , ^h7 , 1 , ,1] -> [ 0 , x ]; "cardsel
[^h14 , ^h8 , 1 , ,1] -> [ 0 , x ];
[^h16 , ^h9 , 1 , ,1] -> [ 0 , x ];
[^h18 , ^ha , 1 , ,1] -> [ 0 , x ];
[^h1a , ^hb , 1 , ,1] -> [ 0 , x ];
[^h1c , ^hc , 1 , ,1] -> [ 0 , x ];
[^h1e , ^hd , 1 , ,1] -> [ 0 , x ];

```

```

[^h1e , ^hd , 1 , ,0] -> [ 1 , x ];
[^h1c , ^hd , 1 , ,x] -> [ 1 , x ];

```

test_vectors

```
([addr,possel,mio,a7,pos0] -> [cardsel,cdds16])
```

```

[^h1e , ^hd , 1 , ,1,1] -> [ 0 , 1 ]; "cdds16
[^h1e , ^hd , 1 , ,0,1] -> [ 0 , 0 ]; "cdds16
[^h1e , ^hd , 1 , ,0,0] -> [ 1 , 1 ]; "cdds16

```

test_vectors

```
([addr,possel,mio,pos0,rdyo,a7] -> [cardsel,cdchrdy])
```

```

[^h4 , ^h0 , 0 , 1 , , 1 ,0 ] -> [ 0 , 0 ]; "cdchrdy
[^h4 , ^h0 , 0 , 1 , , 0 ,0 ] -> [ 0 , 1 ]; "cdchrdy
[^h6 , ^h0 , 0 , 1 , , 1 ,0 ] -> [ 1 , 1 ]; "cdchrdy
[^h4 , ^h0 , 1 , 1 , , 1 ,0 ] -> [ 1 , 1 ]; "cdchrdy
[^h4 , ^h0 , 0 , 1 , , 1 ,0 ] -> [ 1 , 1 ]; "cdchrdy
[^h4 , ^h0 , 0 , 0 , , 1 ,0 ] -> [ 1 , 1 ]; "cdchrdy
[^h4 , ^h0 , 0 , 1 , , 1 ,1 ] -> [ 0 , 1 ]; "cdchrdy

```

```
end carddec;
```

PAL EQUATIONS (Continued)

```

module chipdec;          flag '-r2','-t2';

title
PAL20L8                  National Semiconductor
MicroChannel Slave Chip Decoder      1/1/90
file name: CHIPDEC.ABL                wl'

CHIPDEC device 'P20L8';

" PAL DESCRIPTION

" This pal selects which component on the board is accessed. See
" DP83932 SONIC MicroChannel application note for I/O mapping.
"declarations

TRUE,FALSE = 1,0;
H,L = 1,0;
x,z,c = .X,..Z,..C.;

GND,VCC
pin 12,24;

"outputs
sonicsel,promsel,pos2rd,pos2wr,pos3rd,pos3wr,swr,cdsfdbk
pin 16 , 22 , 21 , 20 , 19 , 18 ,17 , 15;

"inputs
la7,la6,la5,la2,la1,la0,lchsetup,lcardsel,ls1,ls0,mio,cmd
pin 1 , 2 , 3 , 4 , 5 , 6 , 7 , 8 , 9 ,10 ,13 , 11;

"equates
addr = [la7,la6,la5,la2,la1,la0];

equations

!sonicsel = !lcardsel & !la7 & !cmd;

!promsel = !lcardsel & la7 & !la6 & !la5 & ls0 & !ls1 & !cmd #
!lchsetup & !la2 & !la1 & ls0 & !ls1 & !cmd;

!pos2rd = !lcardsel & la7 & !la6 & la5 & !la0 & ls0 & !ls1 & !cmd#
!lchsetup & !la2 & la1 & !la0 & ls0 & !ls1 & !cmd;

!pos2wr = !lcardsel & la7 & !la6 & la5 & !la0 & !ls0 & ls1 & !cmd#
!lchsetup & !la2 & la1 & !la0 & !ls0 & ls1 & !cmd;

!pos3rd = !lcardsel & la7 & !la6 & la5 & la0 & ls0 & !ls1 & !cmd #
!lchsetup & !la2 & la1 & la0 & ls0 & !ls1 & !cmd;

!pos3wr = !lcardsel & la7 & !la6 & la5 & la0 & !ls0 & ls1 & !cmd #
!lchsetup & !la2 & la1 & la0 & !ls0 & ls1 & !cmd;

!swr = ls0 & !ls1;

!cdsfdbk = !lcardsel & lchsetup & !mio;

test_vectors
([addr ,lchsetup,lcardsel,ls0,ls1,cmd] -> [sonicsel,promsel,swr])

```

PAL EQUATIONS (Continued)

```
[^b0111111, x , 0 , x , x , 0 ] -> [ 0 , x , x ]; "sonicsel
[^b1111111, x , 0 , x , x , x ] -> [ 1 , x , x ]; "mreq
[^b1111111, x , 0 , 1 , 0 , x ] -> [ x , x , 0 ]; "swr
[^b1111111, x , 0 , 0 , 1 , x ] -> [ x , x , 1 ]; "swr

[^b1001111, x , 0 , 1 , 0 , 0 ] -> [ 1 , 0 , x ]; "promsel
[^b1011111, x , 0 , 1 , 0 , 0 ] -> [ 1 , 1 , x ]; "promsel
[^b111001, 0 , x , 1 , 0 , 0 ] -> [ 1 , 0 , x ];
[^b111000, 0 , x , 1 , 0 , 0 ] -> [ 1 , 0 , x ];
```

test_vectors

```
([addr , lchsetup, lcardsel, ls0, ls1, cmd] -> [pos2rd, pos2wr, pos3rd, pos3wr])
```

```
[^b101000, x , 0 , 1 , 0 , 0 ] -> [ 0 , 1 , 1 , 1 ]; "pos2rd
[^b111010, 0 , x , 1 , 0 , 0 ] -> [ 0 , 1 , 1 , 1 ];

[^b101000, x , 0 , 0 , 1 , 0 ] -> [ 1 , 0 , 1 , 1 ]; "pos2wr
[^b111010, 0 , x , 0 , 1 , 0 ] -> [ 1 , 0 , 1 , 1 ];

[^b101001, x , 0 , 1 , 0 , 0 ] -> [ 1 , 1 , 0 , 1 ]; "pos3rd
[^b111011, 0 , x , 1 , 0 , 0 ] -> [ 1 , 1 , 0 , 1 ];

[^b101001, x , 0 , 0 , 1 , 0 ] -> [ 1 , 1 , 1 , 0 ]; "pos3wr
[^b111011, 0 , x , 0 , 1 , 0 ] -> [ 1 , 1 , 1 , 0 ];
```

test_vectors

```
([lcardsel, lchsetup, mio] -> [cdsfdbk])
```

```
[ 1 , x , x ] -> [ 1 ];
[ x , 0 , x ] -> [ 1 ];
[ 0 , 1 , 0 ] -> [ 0 ];
```

```
end chipdec;
```

TL/F/10748-15

PAL EQUATIONS (Continued)

```
module irqsel;          flag '-r2','-t2';
```

```
title
```

```
'PAL20L8                      National Semiconductor
MicroChannel IRQ Selector and Buffer Enable      1/1/90
file name: IRQSEL.ABL                      wl'
```

```
IRQSEL device 'P20L8';
```

```
" This pal selects which interrupt line to use (IRQ9, IRQ7, IRQ6, or
" IRQ3) when the SONIC asserts its interrupt. Each IRQ line is an open
" collector type output (only asserted low). This pal also enables the
" data buffers with !ddir, !lden, and !uden, and produces the ready
" signal for the SONIC with !sonicrdy. Wait states are inserted by
" memory (cdchrdy not asserted) and by the signal translator(SIG5) pal
" (synwait not asserted).
" declarations
```

```
*declarations
```

```
TRUE,FALSE = 1,0;
H,L = 1,0;
x,z,c = .X.,.Z.,.C.;
```

```
GND,VCC
pin 12,24;
```

```
*outputs
```

```
ddir,uden,lden,irq9,irq7,irq6,irq3,sonicrdy
pin 16 , 22 , 21 , 20 , 19 , 18 , 17 , 15;
```

```
*inputs
```

```
pos1,pos2,swr,mwr,hlda,cmd,int,lcardsel,cdchrdy,synwait,ds,lchsetup, smack
pin 1 , 2 , 3 , 4 , 5 , 6 , 7 , 8 , 9 , 10 ,11, 13 , 14 ;
```

```
*equates
```

```
sel = [pos2,pos1];
```

```
equations
```

```
irq9 = 0;
irq7 = 0;
irq6 = 0;
irq3 = 0;
```

```
enable irq9 = int & (sel == 3);
enable irq7 = int & (sel == 2);
enable irq6 = int & (sel == 1);
enable irq3 = int & (sel == 0);
```

```
!ddir = !swr & !hlda #          "Data buffer direction
mwr & hlda;
```

```
!lden = hlda & !ds #          "Address and Lower Data buffer enable (D7-D0)
!lchsetup #
!lcardsel & !cmd;
```

```
!uden = hlda & !ds #
!smack & !cmd;                "Upper data buffer enable (D16 - D31)
```

PAL EQUATIONS (Continued)

```
!sonicrdy = cdchrdy & synwait;  
trans.
```

```
"ready signal for the SONIC and sig.
```

```
end irqsel;
```

TL/F/10748-28

PAL EQUATIONS (Continued)

```

module arbmacc;          flag '-r2','-t2';

title
'PAL20L8                National Semiconductor
MicroChannel Bus Arbiter State Machine      1/8/89
file name: ARBMACC.ABL                               wl'

ARBMAC device 'P20L8';

" PAL DESCRIPTION

" This pal controls the ARBVEC pal when it may drives the arbitration
" vector. This pal consists on an aysnchronous state machine. These
" state machine equations (!q0 - !q3) are not reduced (ABEL™ will do this).
" The outputs are described as follows:
"   enarb = enables the ARBVEC pal to drive the arb. vector
"   hlda = hold acknowledge to the SONIC
"   burst = BURST signal on the microchannel bus (open collector
"           type output).
"   preout = PREEMPT signal on the microchannel bus (open collector
"           type output).

"declarations

TRUE, FALSE = 1, 0;
H, L = 1, 0;
X, Z, C = .X., .Z., .C.;

GND, VCC
    pin 12, 24;

"outputs
q3, q2, q1, q0, burst, preout, hlda, enarb
    pin 21, 20, 19, 18, 17, 16, 22, 15;

"inputs
hold, arbgnt, buswin, fair, prein, chrst
    pin 1, 2, 3, 4, 5, 6;

" States of Arbiter

st = [q3, q2, q1, q0];

idle = st == [1, 1, 1, 1];
req  = st == [1, 1, 1, 0]; "request uchannel bus; preout (q0) active
arb  = st == [1, 0, 1, 0]; "vectoring arb priority; preout(q0), enarb
active
lose = st == [1, 0, 0, 0]; "lost arb battle; preout (q0) active
xfer1 = st == [0, 0, 1, 0]; "intermdiate state to xfer2
xfer2 = st == [0, 0, 1, 1]; "xfering data on bus; burst, hlda active
xfer3 = st == [1, 0, 1, 1]; "intermediate state to idle
pen   = st == [0, 1, 1, 1]; "holding pen when fairness is enabled
esc1  = st == [1, 0, 0, 1]; "intermediate state to esc2
esc2  = st == [1, 1, 0, 1]; "intermediate state to idle

equations

```


PAL EQUATIONS (Continued)

```

!q0 = idle & hold & !arbgnt & !chrst #   " This also -PREEMPT on the MCA bus
      req & hold & !arbgnt & !chrst #
      req & hold & arbgnt & !chrst #
      arb & arbgnt & !chrst #
      arb & !arbgnt & buswin & !chrst #
      arb & !arbgnt & !buswin & !chrst #
      lose & hold & !arbgnt & !chrst #
      lose & hold & arbgnt & !chrst;

!q1 = arb & !arbgnt & buswin & !chrst #
      lose & hold & !arbgnt & !chrst #
      lose & !hold & !chrst #
      escl & !chrst;

!q2 = req & hold & arbgnt & !chrst #
      arb & arbgnt & !chrst #
      arb & !arbgnt & buswin & !chrst #
      arb & !arbgnt & !buswin & !chrst #
      lose & hold & !arbgnt & !chrst #
      lose & hold & arbgnt & !chrst #
      lose & !hold & !chrst #
      xfer1 & !chrst #
      xfer2 & hold & !arbgnt & !chrst #
      xfer2 & !hold & !arbgnt & !fair & !chrst;

!q3 = arb & !arbgnt & !buswin & !chrst #
      xfer1 & !chrst #
      xfer2 & hold & !arbgnt & !chrst #
      xfer2 & !hold & !arbgnt & fair & !chrst #
      xfer2 & arbgnt & !chrst #
      pen & !prein & !chrst;

enarb = arb # xfer1 # xfer2; "enables arb vector (ARB0 - 3) on bus
hlda  = xfer2;              "HOLD ACK to SONIC
enable burst = xfer2;      "-BURST on MCA bus (tri-state output)
enable preout = !q0;       "-PREEMPT on MCA bus (tri-state output)

burst = 0;
preout = 0;

end arbm2;

```

TL/F/10748-31

PAL EQUATIONS (Continued)

```

module arb;          flag '-r2','-t2';

title
'PAL20L8                      National Semiconductor
MicroChannel Bus Arbiter Vector      1/9/90
ARBVEC                                wl'

ARBVEC device 'P20L8';

" PAL DESCRIPTION

" This pal dumps the arbitration vector onto the MicroChannel bus
" (ARB0 - 3) when the AREMAC pal enables it (by ENARB). ARB3 - 0
" are open collector type outputs (only driven low). This pal
" indicates it has won the bus by driving -BUSWIN low.

"declarations

TRUE,FALSE = 1,0;
H,L = 1,0;
X,Z,C = .X.,.Z.,.C.;

GND,VCC
pin 12,24;

" Outputs
BUSWIN,ARB3,ARB2,ARB1,ARB0,Q,Q2,_RST
pin 22,21,20,19,18,17,16,15;

" Inputs
POS15,POS14,POS13,POS12,HOLD,ENARB,CHRST,Q3
pin 1,2,3,4,5,6,7,8;

equations

ARB3 = 0;          "When enabled, these tri-state outputs
ARB2 = 0;          "will pull these arbitration lines low.
ARB1 = 0;
ARB0 = 0;

Q = (ARB3 # !POS15);
Q2 = (ARB3 # !POS15) & (ARB2 # !POS14);

!BUSWIN = Q2 & Q3 & (ARB0 # !POS12) & ENARB & HOLD;

enable ARB3 = !POS15 & ENARB & HOLD;
enable ARB2 = !POS14 & Q & ENARB & HOLD;
enable ARB1 = !POS13 & Q2 & ENARB & HOLD;
enable ARB0 = !POS12 & Q2 & Q3 & ENARB & HOLD;

_RST = !CHRST;          " reset for the adapter

end arb;

```

PAL EQUATIONS (Continued)

```
module sig;          flag '-r2','-t2';
```

```
title
'PAL16R4                National Semiconductor
MicroChannel Signal Translator for the SONIC          1/1/90
file name: SIG.ABL                                wl'
```

```
SIG device 'P16R4';
```

```
" PAL DESCRIPTION
```

- " This pal provides the signal conversion from the SONIC to the
- " MicroChannel bus. The state machine used is written in the
- " ABEL™ design format.

```
"declarations
```

```
TRUE,FALSE = 1,0;
H,L = 1,0;
x,z,c = .X,..Z,..C.;
```

```
GND,VCC
pin 10,20;
```

```
"outputs
q3,q2,q1,q0,s0,s1,cmd,delayads
pin 17,16,15,14,19,18,13,12;
"q0 is used for -ADL on MCA bus
```

```
"inputs
bsck,ads,mwr,hlda,sonicrdy,fast,enb,ds
pin 1,2,3,4,5,6,11,7;
```

```
input = [ads,hlda,sonicrdy,fast];
```

```
" States of Translator
```

```
idle   = ^b1111;
data   = ^b1011;
wait   = ^b1101; "wait state to delay assertion of -ADL
addlcht = ^b1110; "asserting -ADL on MCA bus
cmd1   = ^b0101; "beginning to assert -CMD;
cmd2   = ^b0011; "still asserting -CMD; return to DATA state
        " on next clock
cmd3   = ^b0001; "still asserting -CMD; inserting 1st wait-state
        "for MCA's synchronous mode
```

```
data_st = [q3,q2,q1,q0] == [1,0,1,1];
wait_st = [q3,q2,q1,q0] == [1,1,0,1];
addl_st = [q3,q2,q1,q0] == [1,1,1,0];
cmd1_st = [q3,q2,q1,q0] == [0,1,0,1];
cmd3_st = [q3,q2,q1,q0] == [0,0,0,1];
idle_st = [q3,q2,q1,q0] == [1,1,1,1];
```

TL/F/10748-33

PAL EQUATIONS (Continued)

```
state_diagram [q3,q2,q1,q0]
```

```
State idle: case (input == [0,1,x,0]) :wait;
              (input == [1,1,x,x]) :idle;
              (input == [x,0,x,x]) :idle;
              (input == [0,1,x,1]) :addlcht; "fast mode
        endcase;
```

```
State data: case (input == [1,1,x,x]) :data;
              (input == [0,1,x,0]) :wait;
              (input == [x,0,x,x]) :idle;
              (input == [0,1,x,1]) :addlcht; "fast mode
        endcase;
```

```
State wait: case (input == [x,1,x,x]) :addlcht;
              (input == [x,0,x,x]) :idle;
        endcase;
```

```
State addlcht: case (input == [x,1,0,x]) :cmd2;
              (input == [x,1,1,x]) :cmd1;
              (input == [x,0,x,x]) :idle;
        endcase;
```

```
State cmd1: case (input == [x,1,x,x]) :cmd3;
              (input == [x,0,x,x]) :idle;
        endcase;
```

```
State cmd2: case (input == [x,1,x,x]) :data;
              (input == [x,0,x,x]) :idle;
        endcase;
```

```
State cmd3: case (input == [x,1,x,x]) :data;
              (input == [x,0,x,x]) :idle;
        endcase;
```

equations

```
enable s0 = hlda;
enable s1 = hlda;
enable cmd = hlda;
```

" MCA Signals

```
!s0 = mwr & !data_st & !idle_st; "-S0 for MCA bus
```

```
!s1 = !mwr & !data_st & !idle_st; "-S1 on MCA bus
```

```
!cmd = !q3 & q2 & delayads & !ds & hlda #
      !q3 & !q2 & delayads & !ds & hlda # "-CMD for MCA bus
      q3 & !q2 & delayads & !ds & hlda;
```

```
delayads = ads; "delaying ADS for the -CMD term to
                "prevents glitches from occuring
                "during the transitions from the DATA
                "to the WAIT state
```

```
end sig;
```

PAL EQUATIONS (Continued)

```
module logic;

title
'PAL16R4 MicroChannel Logic                      National Semiconductor
file name: logic.abl                             1/9/90'

LOGIC device 'P16R4';

"declarations
    TRUE, FALSE = 1,0;
    H,L = 1,0;
    X,Z,C = .X...Z...C.;

    GND, VCC
        PIN 10, 20;

"inputs
    bsck,hldaout,_adl,arb1,pos13, enb
    pin 1,2,3,4,5,11;
"outputs
    q3,adl,hlda,_hlda,hlda1
    pin 12,13,15,14,19;

equations
    hlda := hldaout;
    _hlda := !hldaout;
    hlda1 = hlda;
    adl = !_adl;
    q3 = arb1 # !pos13;

test_vectors ([bsck,hldaout,_adl,arb1,pos13, enb] -> [hlda,_hlda,hlda1,adl,q3])
[C,1,1,0,0,0] -> [1,0,1,0,1];
[C,0,0,0,1,0] -> [0,1,0,1,0];
[C,1,X,1,1,0] -> [1,0,1,X,1];
end log;
```

TL/F/10748-35

32-Bit Bus Master Ethernet Interface for the 68030 (Using the Macintosh SE/30)

National Semiconductor
Application Note 691
William Harmon



OVERVIEW

National Semiconductor's SE/30 Ethernet adapter provides a high performance, 32-bit, bus master network connection for Apple's 68030 based compact Macintosh computer. This design is based around National Semiconductor's Systems Oriented Network Interface Controller (SONIC™, DP83932), which interfaces directly to the extension slot of the SE/30. The SE/30 design also serves as a model for designing the SONIC onto the mother board of a 68030 based system, since the SE/30's one expansion slot is essentially a direct connection to the Motorola 68030.

A block diagram of the adapter can be seen in *Figure 1*. The SE/30 Ethernet adapter operates synchronously with the 16 MHz SE/30 mother board and accesses the necessary transmit and receive buffers directly in the system's main memory, via 16 MHz 3 cycle asynchronous DMA operations. At this rate, the bus utilization for the buffering of a single packet is approximately 6% of the total bus bandwidth.

In addition to its high performance DMA, the SONIC also has an on board Ethernet Manchester Encoder/Decoder (ENDEC), which allows the SONIC to communicate directly

with any AUI interface. In fact, the SE/30 board has the capability to be connected to a network through either thin wire (10Base2) or AUI drop cable (10Base5) Ethernet.

It is also worth mentioning that the SE/30 adapter supports the use of Macintosh Nubus Slot Manager features, such as interrupt handling, with an on board Slot Manager PROM. This does not cause the board to incur any extra cost, since some type of PROM must already be used to store the adapter's Ethernet address.

FEATURES

- 32-bit bus master system interface
- Asynchronous high speed 3 cycle DMA
- 100% on card address filtering, via the SONIC's on board Content Addressable Memory (CAM)
- Minimal number of components
- Supports both AUI cable and thin wire Ethernet
- Optimal placement of receive and transmit data and descriptors in system memory
- Supports Macintosh Slot Manager
- Portable to 68030 mother board designs

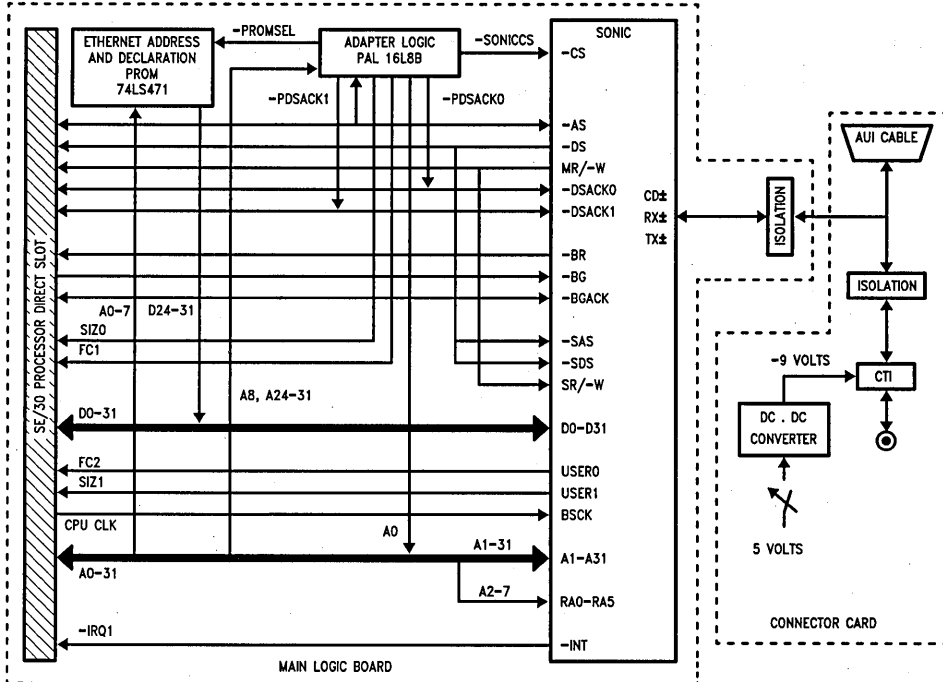


FIGURE 1. Adapter Block Diagram

TL/F/10848-1

FUNCTIONAL OVERVIEW

System Interface

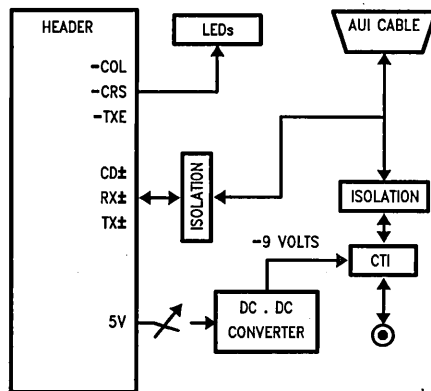
The Macintosh SE/30 provides a single 32-bit expansion slot, which basically consists of the control, data, and address signals of the mother board's CPU, the 68030. In addition to these signals, the expansion slot also provides Nu-bus compatible interrupt lines, so that Slot Manager software can be incorporated, if a Slot Manager PROM is placed on the card. Hence, the hardware interface between the SE/30 and the Ethernet adapter is essentially a 68030 bus interface, while the driver software interface is similar to that of a Macintosh II Nubus adapter. This solution is optimally achieved through the use of National Semiconductor's SONIC, whose 32-bit data and address buses and control signals interface directly to those of the Motorola 68030.

The SE/30 Ethernet adapter operates in both a slave and master mode. When operating in a bus master mode, the SE/30 Ethernet adapter arbitrates with the host system for control of the SE/30 bus and proceeds to operate as a 32-bit DMA engine between the system memory and the network. A block diagram of this interface can be found in *Figure 1*. The bus master mode of operation allows for the use of system memory, instead of on card RAM, for the buffering of transmit and receive data and their descriptors. Master operation is facilitated by the SONIC, which is at the heart of this adapter's design. The SONIC provides the complete implementation of the IEEE 802.3 specification from the AUI interface through the MAC layer, as well as performs a direct system interface to the 68030. In fact, when interfacing to the SE/30 backplane, the SONIC carries out 16 MHz 3 cycle asynchronous DMA, which is fully synchronous with the 16 MHz mother board of the SE/30. This enables the SE/30 adapter to operate on the bus in the same fashion as the 68030 and utilize only 6% of the bus bandwidth, during an Ethernet reception or transmission. The bus master design provides for the highest possible throughput between the system and the network, while at the same time requiring only a minimum of parts to implement.

When the adapter is a slave, the host system accesses either the Slot Manager PROM or the SONIC's registers. All slave operations are done via memory reads and writes, since both the PROM and the SONIC registers are mapped into system memory. The slave architecture is depicted in the adapter block diagram (*Figure 1*). While in the slave mode, the SONIC once again provides a direct interface to the SE/30. The only necessary interface logic is the address decode for the SONIC chip select (-SONICCS). At this point, it is worth noting that the slave address strobe (-SAS) of the SONIC is connected to the data strobe (-DS) of the SE/30 instead of the SE/30's address strobe (-AS). This is due to the operation of the SE/30 backplane and will be further discussed in the design section of this document. However, it is important to remember that in interfacing directly to a 68030 CPU the SONIC's -SAS would be connected directly to the 68030's -AS.

Network Interface

With respect to the adapter's physical layer design, both AUI drop cable Ethernet and thin wire Ethernet are supported. The SE/30 adapter consists of two boards, the main logic board, which contains the SONIC, and the connector card which provides for the AUI and thin wire network connections. The connector card, whose block diagram is shown in *Figure 2*, contains a 15-pin AUI drop cable connector for standard drop cable Ethernet implementations, as well as a thin wire Ethernet connection via the National Semiconductor coaxial transceiver interface (CTI, DP8392).



TL/F/10048-2

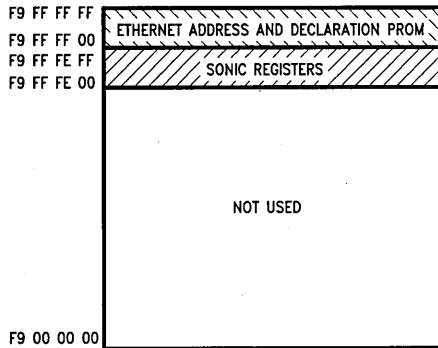
FIGURE 2. Connector Card Block Diagram

Either of these network connections can be chosen through the use of a single jumper. In either case, the AUI signals (RX±, TX±, and CD±) are sent back to the main logic board, where the SONIC resides. These signals are interfaced to the ENDEC portion of the SONIC, which provides for communication between the AUI interface and the non-return to zero (NRZ) signals (RXD, TXD, and COL) of the Media Access Control (MAC) module of the SONIC. It should be noted that the integrated ENDEC module of the SONIC alleviates the need for an external Ethernet Manchester encoder/docoder, such as National's CMOS Serial Network Interface (CMOS SNI, DP83910).

BOARD ARCHITECTURE AND DESIGN

Memory Map

As stated previously, the SE/30 adapter is completely mapped into the addressable memory space of the SE/30. A diagram of the memory map can be found in *Figure 3*. The board is mapped into the memory locations F9FFFFFF through F9000000. Locations F9FFFFFF through F9FFF00 contain the Ethernet address and declaration PROM. This region contains the adapter's Ethernet address as well as the declaration data that is necessary for the adapter's interrupt service routine to take advantage of the Slot Manager features, which are provided by the SE/30 operating system.



TL/F/10848-3

FIGURE 3. SE/30 Adapter's Memory Map

The SE/30 specification states that this declaration data begin at memory location F9FFFFFF, if the adapter's interrupt is generated on the system's IRQ 1 interrupt line. This is the case with the SE/30 adapter. The six byte Ethernet address immediately follows the Slot Manager software in the PROM. It should be noted that the data in the PROM is all byte addressable. In addition to the declaration information, the SONIC registers are also mapped into memory. These registers are mapped into locations F9FFFE0 through F9FFFEFF. The SONIC's registers are mapped as 32-bit addressable quantities, in spite of the fact that internally all SONIC registers are only 16 bits wide. This is due to the fact that the SONIC will always respond as a 32-bit port, since it is programmed to operate in 32-bit mode.

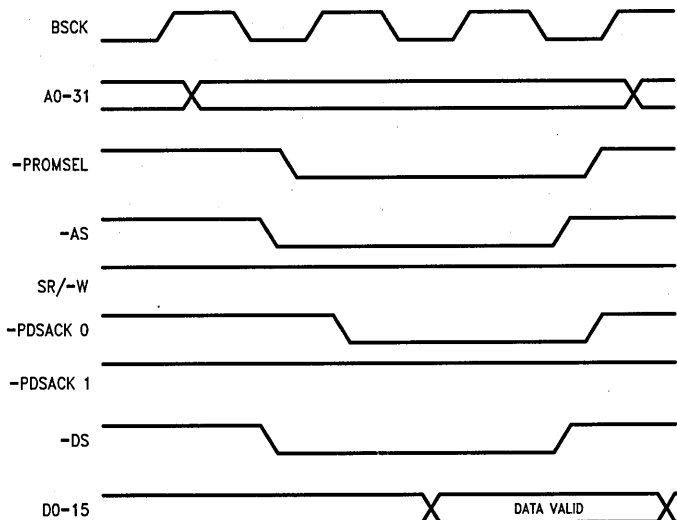
Slave Operation

When operating as a slave, the Ethernet adapter appears as a block of memory to the host system. In slave mode, either the SONIC or PROM can be accessed. Timing diagrams for slave accesses appear in *Figures 4-6*. In the case of accessing the PROM (*Figure 4*), the 68030 will issue a byte read command. The adapter logic will decode address lines

8 and 24 through 31 and recognize the fact that the SE/30 adapter's PROM is being selected. Once the 68030 asserts its address strobe, the logic will issue an enable signal to the PROM (-PROMSEL) and assert the cycle acknowledge signals (-PDSACK0 and -PDSACK1) back to the 68030, in order to indicate the adapter's acknowledgement of a byte access. In parallel with the logic's operation, the PROM will decode the address it is being given (A0-A7) and begin to source data after receiving the -PROMSEL signal. Finally, the 68030 will then finish the read cycle, at which point the adapter logic will then deassert -PROMSEL, -PDSACK0, and -PDSACK1.

As seen in *Figures 5 and 6*, slave accesses to the SONIC are completely compatible with the bus of the 68030 processor. The only deviation is the connection of -SAS to the 68030's -DS instead of -AS. This is due to the fact that during slave writes a glitch may occur on the memory read/write line (MR/-W) of the SE/30 backplane, while -AS is being asserted. This is fatal, since the SONIC latches the value of the slave read/write line (SR/-W, which is connected to MR/-W) with the falling edge of -SAS. The connection of the 68030's -DS to -SAS solves this problem. It should also be noted that the SONIC is mapped into memory as a 32-bit peripheral and will respond accordingly. However, only the lower 16 data lines (D0-D15) will be valid inputs and outputs during slave accesses.

A 32-bit mapping was selected, since the SONIC is programmed to operate in 32-bit mode, which causes the SONIC to respond with the acknowledge signals of a 32-bit port (-DSACK0 = 0 and -DSACK1 = 0). The only adapter logic necessary to facilitate this interface is the decode of address lines 8 and 24 through 31, along with the address strobe (-AS), to generate a chip select signal to the SONIC (-SONICCS). When accessing the SONIC registers, the 68030 will perform either a 32-bit read or a 32-bit write. Once -SONICCS is asserted the SONIC will respond with the acknowledge signals (-DSACK0 and -DSACK1) and appropriately source or sink data. The deassertion of -DS by the 68030 signals the end of the cycle and causes the SONIC to deassert -DSACK0 and -DSACK1 and terminate the slave cycle.



TL/F/10848-4

FIGURE 4. PROM Read

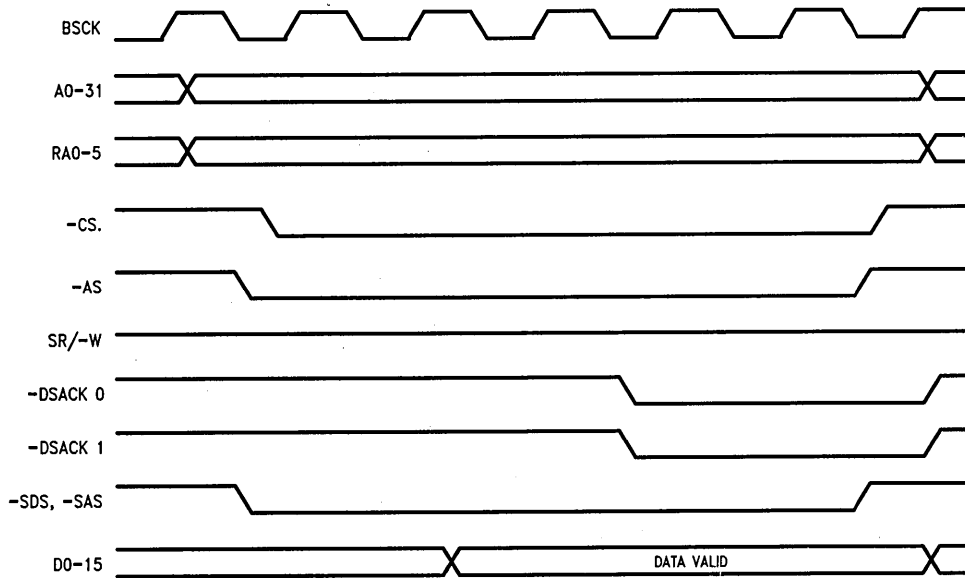


FIGURE 5. SONIC Slave Read

TL/F/10848-5

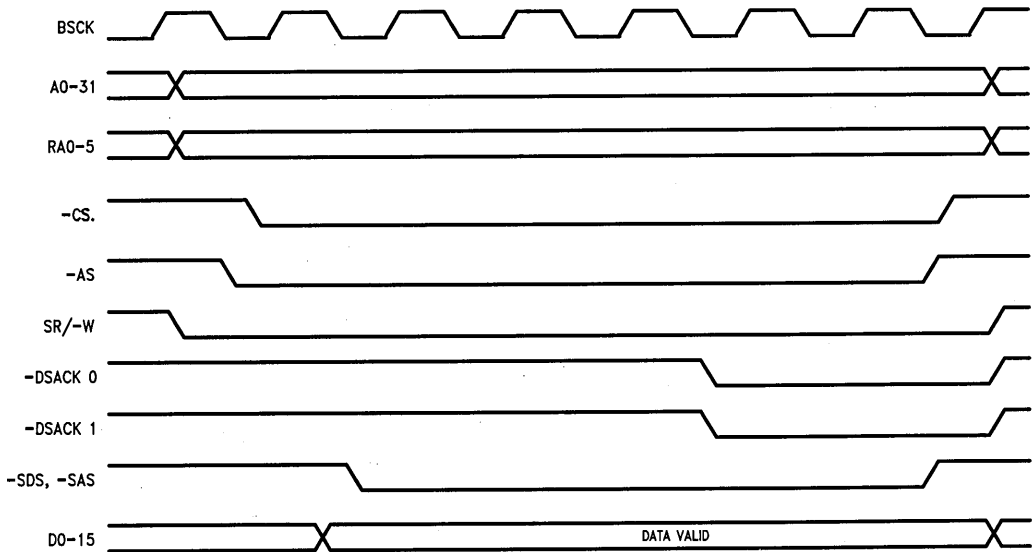


FIGURE 6. SONIC Slave Write

TL/F/10848-6

Master Operation

As stated previously, the SE/30 Ethernet adapter contains no local memory. All Ethernet data and descriptors are stored in system memory, which is accessed directly by the adapter. More specifically, the system memory is accessed directly by the SONIC, which interfaces directly to the 68030 mother board bus of the SE/30. When a master DMA access is required, the SE/30 adapter will arbitrate for the SE/30 system bus. This arbitration is performed by the SONIC, which connects directly to the bus arbitration signals of the 68030. This is depicted in the adapter block diagram (Figure 1). A timing diagram of the arbitration cycle can be found in Figure 7. When the SONIC initiates a request for the system bus, it asserts the bus request signal (-BR) and waits for the bus grant signal (-BG) to be returned by the system. Once the bus grant signal is received, the SONIC will take ownership of the bus by asserting the open collector bus grant acknowledge signal (-BGACK), when the host system's -AS, -DSACK0, -DSACK1, and -BGACK are all deasserted. Once -BGACK is asserted, the SONIC removes the bus request signal.

After acquiring the bus the SE/30 adapter will begin to perform 16 MHz 3 cycle asynchronous DMA on the system bus. This function is also facilitated by the SONIC, whose direct 68030 interface allows the SE/30 adapter to operate on this bus with virtually no interface logic. As seen in Figure 7, the bus interface signals on the SONIC are attached directly to those of the SE/30 backplane.

Timing diagrams of the adapter's master read and master write cycles appear in Figures 8 and 9. The only external interface logic required is for the generation of Function Code bit 1 (FC1), SIZ0, and address line 0 (A0). These lines are not provided directly by the SONIC, but are formulated in the adapter logic. All three signals are driven low upon the SONIC's assertion of -BGACK. It should also be noted that Function Code bits 0 and 2 (FC0 and FC2) and the SIZ1 signal are also not provided directly by the SONIC. However, these signals require no extra logic. The FC0 signal is tied high through a backplane resistor and requires no board connection, since the SONIC should only access memory areas which correspond to function codes with the least significant bit set high. These areas are user data space (FC2, FC1, FC0 = 001) and supervisor data space (FC2, FC1, FC0 = 101).

The FC2 and SIZ1 signals are not defined on the SONIC, but they can be generated by using the user 0 and user 1 pins. The user 0 and 1 outputs can be programmed by the programmable output bits (PO0 and PO1) in the SONIC's data configuration register (DCR). The output timing for these signals corresponds to the timing for the SONIC's address lines, which is the correct timing for both FC2 and SIZ1. By programming PO0 with a 0 or 1, the adapter can be made to access either the user data space or supervisor data space of the SE/30's system memory. In order to provide the correct SIZ1 signal for 32-bit operation the PO1 bit should be programmed to a 0.

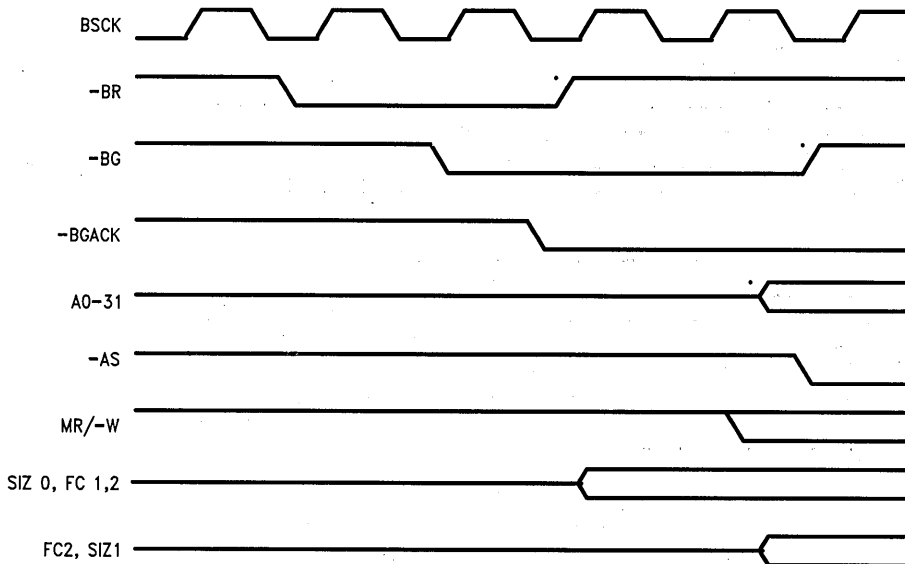


FIGURE 7. SONIC Master Arbitration

TL/F/10848-7

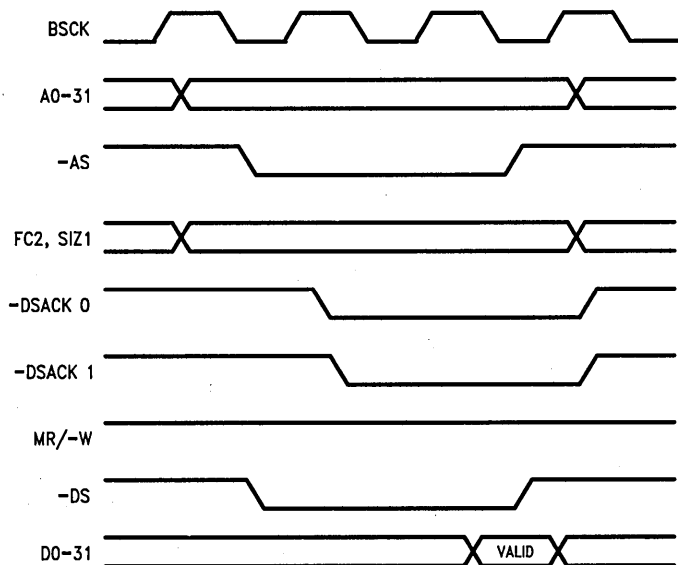


FIGURE 8. Master Read

TL/F/10848-8

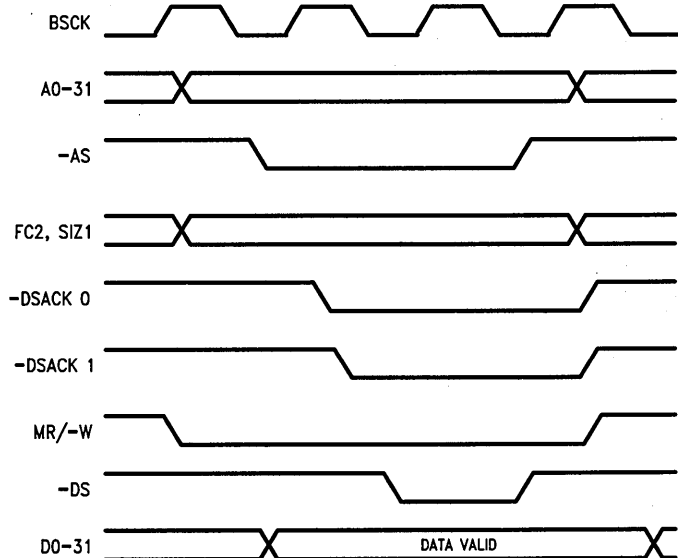


FIGURE 9. Master Write

TL/F/10848-9

Physical Layer

The physical layer interface for the SE/30 adapter resides on the connector card, which attaches to the back of the SE/30. The connector board is linked to the main logic board through a ribbon cable that attaches to a 20-pin header on the main logic board (J2) and another 20-pin header on the connector board (J3). These two headers can be seen on the adapter schematics, which appear at the end of the manual of this application note. The adapter can be used in either a thin wire or standard drop cable Ethernet environment. When the adapter is used in a thin wire Ethernet application, jumper 3 (JB3) must have the jumper covering both posts. This enables the DC-to-DC converter to receive a 5V input from the SE/30 backplane and convert this to a -9V output, which is required by National Semiconductor's Coaxial Transceiver Interface (CTI, DP8392). The CTI provides an interface between the 10 MHz Manchester encoded coax cable and the 10 MHz Manchester encoded differential signals of the SONIC's ENDEC. In the case of a standard drop cable Ethernet application, JB3 is left uncovered so that the CTI will not receive power. This allows the signals of the SONIC's ENDEC to pass directly to the AUI cable, via the 15-pin AUI connector. In examining the schematic of the physical layer design, it can be seen that there is a pulse transformer at the AUI side of the CTI. This is placed here to isolate the CTI from the SONIC's ENDEC signals, when the AUI drop cable connection is being employed. This transformer also provides the IEEE 802.3 specified isolation between the coax and the differential AUI signals, when thin wire Ethernet is being used. It is also

necessary to provide a termination for the 78Ω AUI cable's differential receive and collision pair (RX± and CD±). This is the reason for the 39Ω -1% resistors and 0.01 μF capacitors that are shown in the schematic.

Since the ENDEC resides within the SONIC, two components of the physical layer design are located on the main logic board, which can be seen on the schematics. First, each one of the transmit pairs (TX+ and TX-) requires a 270Ω non-precision pull down resistor (R1 and R2) to complete the internal source follower amplifiers that drive these signals. Second, there is an isolation transformer (T1) placed between the differential signals of the SONIC's ENDEC and the header for the ribbon cable. This isolation is necessary to guarantee that the SONIC meets the IEEE 802.3 fail safe specification of a 16V DC level appearing on the AUI cable's differential signals. The external isolation is necessary, due to the fact that in the powered down state the CMOS process, in which the SONIC is manufactured, may not be able to withstand this voltage.

The final feature of the physical layer design is the diagnostic LEDs. The yellow LED indicates that the ENDEC carrier sense signal (CRS) is asserted. An inverted version of CRS drives this LED. The green LED indicates that a transmission is in progress, and the red LED indicates the presence of a collision. The transmission LED and collision LED are driven by inversions of the SONIC's transmit enable (TXE) and collision output (COL) signals, respectively. The signals for the LEDs are supplied from the main logic board, via the ribbon cable that connects the two boards.

ADAPTER LOGIC EQUATIONS

The following is the set of logic equations that are necessary to implement the adapter logic block found in *Figure 1*. As shown in the schematics, this logic can be implemented in a single 16L8B PAL.

Inputs

A31, A30, A29	Pin	1, 2, 3
A28, A27, A26	Pin	4, 5, 6
A25, A24, A8	Pin	7, 8, 9
AS, BGACK	Pin	11, 13

Outputs

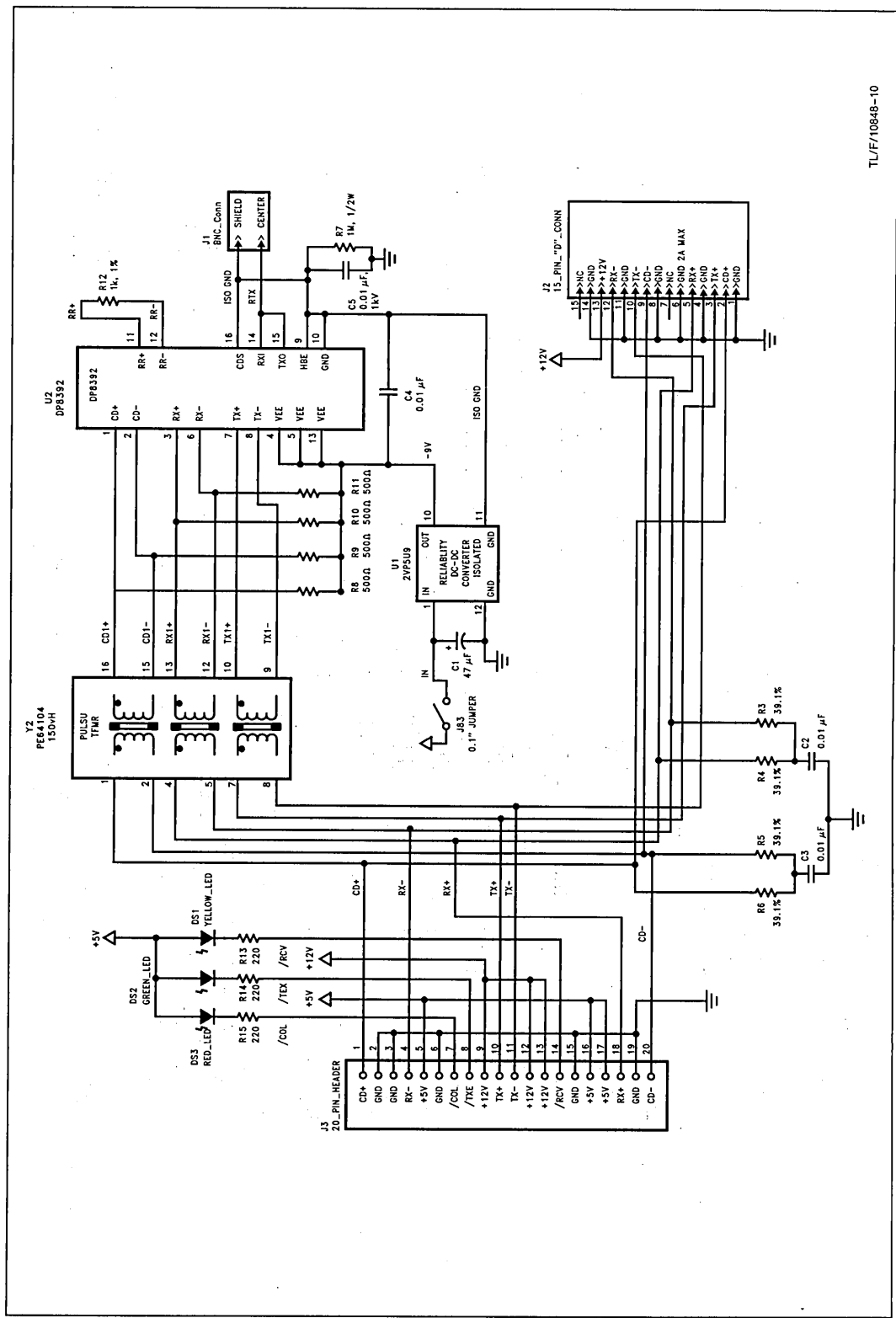
A0	Pin	12; Address line 0 (TRI-STATE)
SIZ0	Pin	14; 68030 SIZ0 signal (TRI-STATE)
FC1	Pin	15; 68030 Function Code 1 signal (TRI-STATE)
PDSACK1	Pin	16; PROM cycle acknowledgement (TRI-STATE)
PDSACK0	Pin	17; PROM cycle acknowledgement (TRI-STATE)
-PROMSEL	Pin	18; PROM chip select
-SONICCS	Pin	19; SONIC chip select

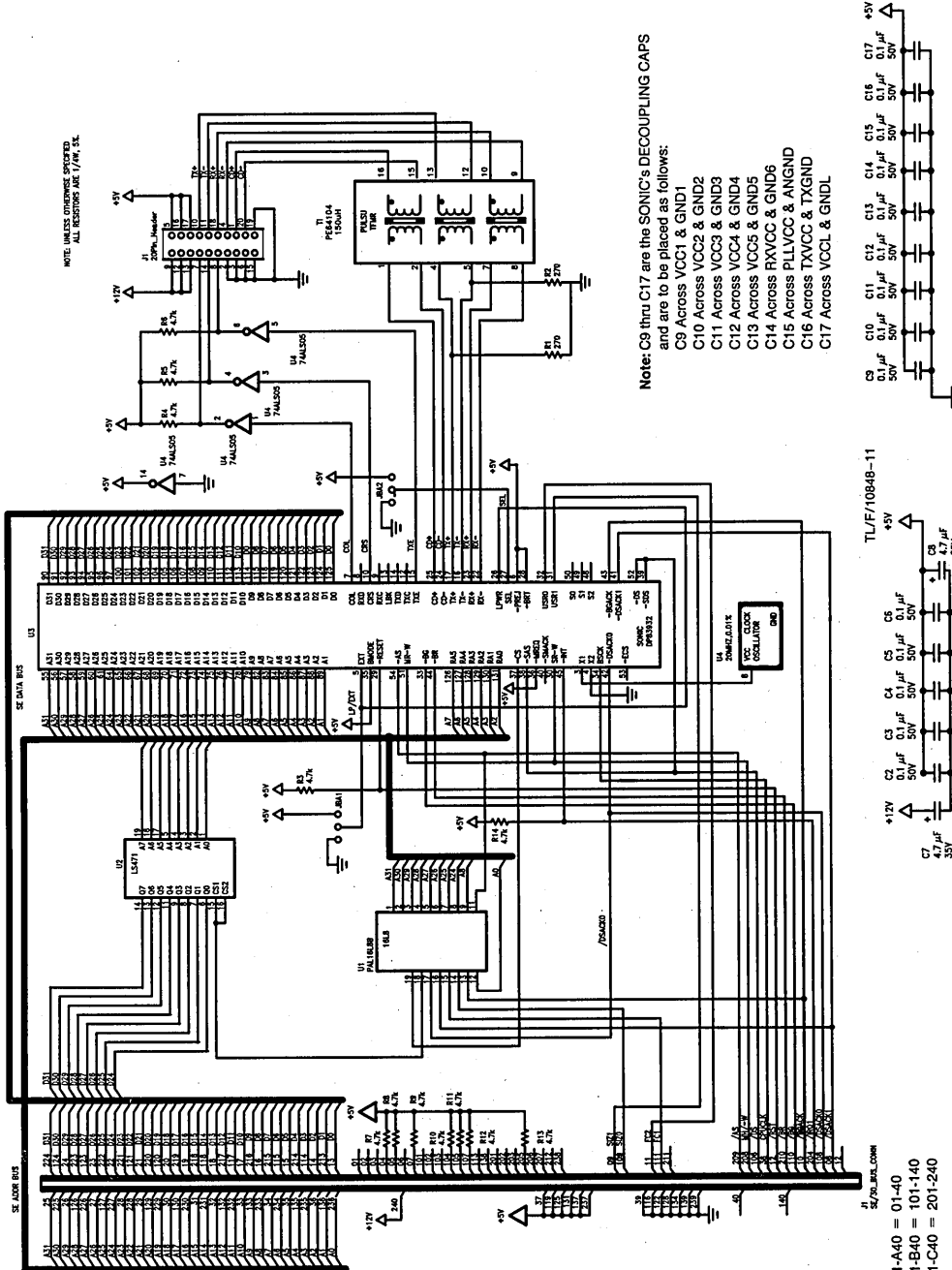
Equation:

```

A0 = 0
SIZ0 = 0
FC1 = 0
PDSACK0 = 0
PDSACK1 = 1
ENABLE A0 = -BGACK
ENABLE SIZ0 = -BGACK
ENABLE FC1 = -BGACK
ENABLE PDSACK0 = A31*A30*A29*A28*A27*-A26*-A25*A24*A8*-AS
ENABLE PDSACK1 = A31*A30*A29*A28*A27*-A26*-A25*A24*A8*-AS
SONICCS = A31*A30*A29*A28*A27*-A26*-A25*A24*-A8*-AS
PROMSEL = A31*A30*A29*A28*A27*-A26*-A25*A24*A8*-AS

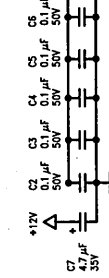
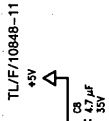
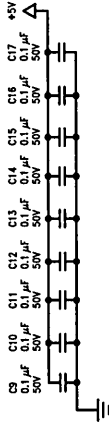
```





NOTE: UNLESS OTHERWISE SPECIFIED
ALL RESISTORS ARE 1/4W, 5%

Note: C9 thru C17 are the SONIC'S DECOUPLING CAPS
and are to be placed as follows:
C9 Across VCC1 & GND1
C10 Across VCC2 & GND2
C11 Across VCC3 & GND3
C12 Across VCC4 & GND4
C13 Across VCC5 & GND5
C14 Across RXVCC & GND6
C15 Across PLLVCC & ANGND
C16 Across TXVCC & GND
C17 Across VCCL & GND



Note: J1 Pins A1-A40 = 01-40
Pins B1-B40 = 101-140
Pins C1-C40 = 201-240

DP83916EB-AT: High Performance AT Compatible Bus Master Ethernet® Adapter Card

National Semiconductor
Application Note 855
Denise Troutman



INTRODUCTION

The DP83916EB-AT board is a high performance 16-bit Ethernet adapter card designed for IBM® PC-AT®/compatible computer systems. It employs a unique bus master architecture which transfers packet data at rates up to 10 Megabytes/second to and from the PC-AT's system memory during Ethernet reception and transmission. Featuring the National Semiconductor DP83916 Systems-Oriented Network Interface Controller (SONIC™-16) and the PLX AT9010, the board functions as a bus master adapter card for implementing Ethernet nodes. Its design includes an interface which enables PC-AT managed-hub applications. Furthermore, it supports three types of media for functionality in IEEE 802.3 networks.

By using the DP83916 SONIC-16, the DP83916EB-AT board maximizes bus master performance over existing adapter cards. First, the SONIC-16's highly integrated design eliminates the need for I/O mapped or dual port adapter RAM designs. Second, the SONIC-16's bus master architecture facilitates writing and reading network data directly to and from main system memory. This architecture is supported by the SONIC-16's bus latency tolerance, its link-list buffer management scheme and its 24-bit memory addressing capability.

The PLX AT9010/AT9010B provides a compact, inexpensive and high performance AT bus interface for the DP83916EB-AT adapter card. It integrates much of the AT/SONIC-16 signal decoding and control logic. Because most options are selected by software drivers, the use of jumpers is reduced.

The DP83916EB-AT offers management interface logic to implement a managed hub when the board is coupled with the DP83950EB-AT RICKIT. This interface allows the SONIC-16 to emulate a RIC™ on the Inter-RIC™/Management bus; hence, the SONIC-16 can receive packets containing network data and collision information and also transmit packets over this bus. By using hub management, the DP83916EB-AT makes network statistics available to a manager located anywhere on the network.

Finally, the adapter card offers multiple IEEE 802.3 cable media options: the DP8392 Coaxial Transceiver Interface for Thin Ethernet and an AUI connector for Thick Ethernet or Twisted-Pair.

Use of the DP83916EB-AT adapter card provides a low cost 15-chip bus master Ethernet node that supports three media options for IEEE 802.3 networks. SONIC-16 hub management is included by the addition of only five chips and the DP83950EB-AT RICKIT.

FEATURES

- Efficient NSC DP83916 Systems-Oriented Network Interface Controller (SONIC-16)
- Highly integrated PLX AT9010/B for PC-AT bus master interface
- Inter-RIC/Management bus interface for optional connection to DP83950EB-AT RICKIT
- Selectable media interfaces: Thin Ethernet or AUI for Twisted-Pair and Thick Ethernet
- Optional EPROM for remote system boot
- Four programmable master data transfer speeds including 5, 6.7, 8, and 10 Megabytes/second
- Selectable interrupt lines, bus request channels, adapter card I/O addresses and EPROM memory addresses

HARDWARE OVERVIEW

A block diagram for the DP83916EB-AT board is shown in *Figure 1*. The design can be broken into four sections: slave logic, master logic, hub management and media interface.

The slave logic facilitates the AT's CPU in accessing the SONIC-16's registers, the AT9010's registers, the Ethernet Address ID PROM and the network Boot EPROM (socket). Much of the slave circuitry decode (chip selects) and control logic is implemented in the AT9010. The slave devices are accessed in I/O and memory space.

The bus master logic assists the SONIC-16 in transferring data directly to and from the AT's system memory. It includes all signal translation and control logic required to access the bus, a large portion of which is integrated in the AT9010. The SONIC-16 uses the DMA controller to arbitrate between bus requestors for control of the bus and additional buffers for address and data buses.

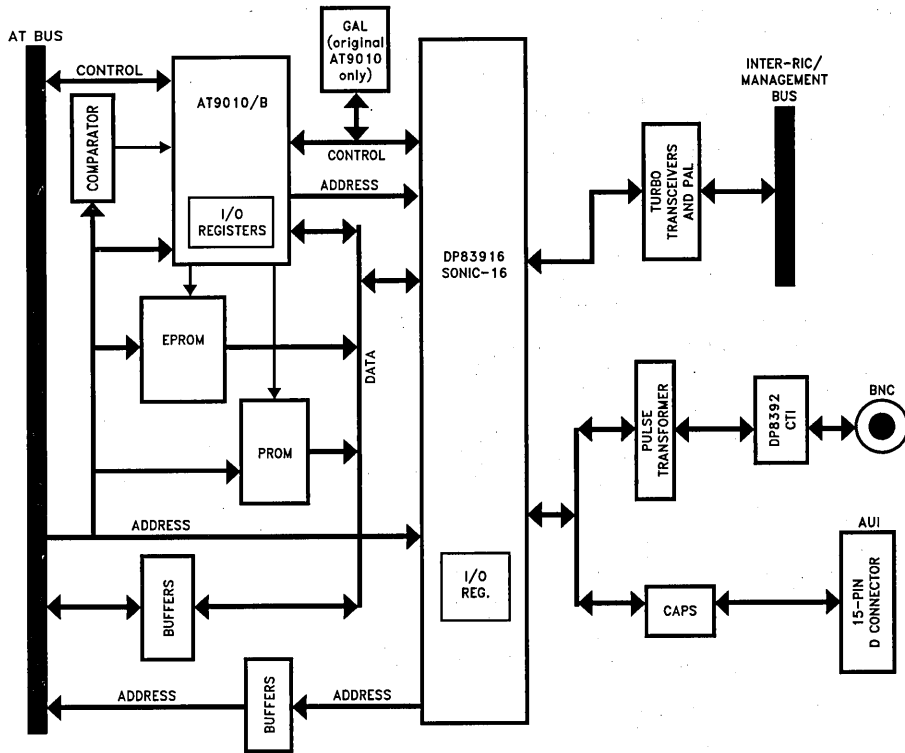


FIGURE 1. DP83916EB-AT Board Block Diagram

TL/F/11707-1

The hub management logic interfaces the Inter-RIC/Management (IR/M) bus and the SONIC-16. The IR/M bus enables the SONIC™ to gather network statistics for packets transmitted from a DP83950EB-AT RIC evaluation board, to receive control packets from remote nodes (managers) and to transmit packets to the network. The logic includes turbo transceivers (BTLs) for driving signals, a PAL® for IR/M bus arbitration signals and a flip-flop which provides the IR/M transmit clock.

The media interface connects the adapter card to one of three network media choices: Coax for 10BASE2 (Thin Ethernet) and AUI for 10BASE5 (Thick Ethernet) and 10BASE-T (Twisted-Pair).

Connection requirements for each choice will be described later.

The DP83916EB-AT supports two versions of the PLX interface chip for the SONIC-16 and the PC-AT platform: the original AT9010 and the AT9010B. If the board is populated with the AT9010, a GAL (U11) is required to fix bugs in the AT9010 chip. The bugs are corrected in the AT9010B and adapter cards containing this version of the chip **should not** have a GAL placed in the socket for U11. (Note, all subsequent references in this application note to "AT9010" apply to both versions of the chip unless specified otherwise.)

Since the GAL is not populated when the AT9010B is populated, signals driven from the AT9010B into the GAL will have no effect.

The appendices at the end of this application note provide the following information: Appendix I—PAL and GAL equations, Appendix II—Bill of Materials (BOM), Appendix III—AT9010/AT9010B Register Descriptions, Appendix IV—Signal Descriptions, Appendix V—DP83916EB-AT Card Layout, Appendix VI—Test Pin Layout, Appendix VII—Design Change Recommendation and Appendix VIII—Compatibility Testing. In addition, a detailed schematic for the DP83916EB-AT adapter card is also located at the end of this application note.

SLAVE LOGIC SECTION

During slave cycles, the AT's CPU accesses one of the four slave devices on the card: the SONIC-16's 64 internal registers, the Ethernet address PROM, the AT9010's five internal registers or the boot EPROM. Slave mode also includes card initialization.

The AT9010 provides chip select/control and signal conversion logic. Its configuration registers specify I/O address mapping and SONIC-16 register select information, EPROM memory address decoding and interrupt line specification.

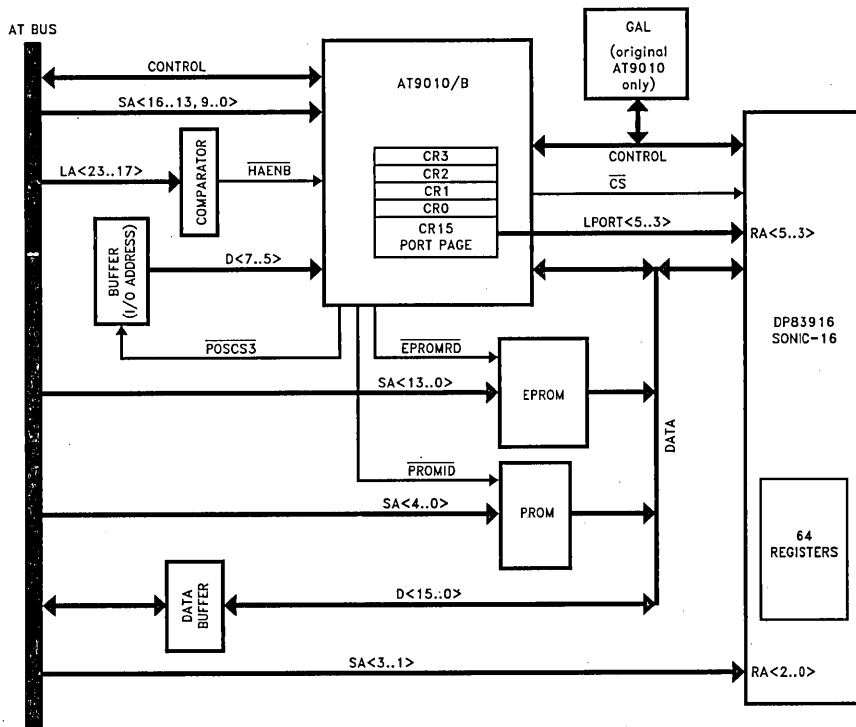


FIGURE 2. Slave Logic Block Diagram

TL/F/11707-2

I/O MAPPING

The SONIC-16 registers, AT9010 registers and Ethernet address PROM reside in the PC-AT's I/O space. The AT9010 offers a choice of seven 32-byte I/O blocks (shown in Table I) to place the card within I/O space. The user can map the board into any one of these blocks by selecting an unused portion of I/O space and positioning jumpers JP1-JP3 accordingly. A shorted jumper corresponds to a 0 and an open jumper corresponds to a 1. The values of these jumpers are enabled onto the data bus during power up and subsequently initialize the AT9010's Configuration Register 1, bits 7, 6, and 5.

TABLE I. I/O Space Mapping

JP1	JP2	JP3	CR1 Bits <7..5>	I/O Address (Hex)
0	0	0	000	100-11F
0	0	1	001	120-13F
0	1	0	010	140-15F
0	1	1	011	160-17F
1*	0*	0*	100	300-31F*
1	0	1	101	320-33F
1	1	0	110	340-35F
1	1	1	111	340-35F

* DP83916EB-AT default setting
 0 = short (jumper on), 1 = open (jumper off)

The actual mapping of the SONIC-16 registers, AT9010 registers and Ethernet address PROM into one of the 32-byte blocks of I/O space is shown in Figure 3. Bytes 2-5 are the AT9010's Configuration Registers 0-3, bytes 8-13 are the Ethernet address PROM, byte 15 is AT9010's Configuration Register 15, and bytes 16-32 are the SONIC-16's registers. All other bytes are reserved.

1FH	SONIC-16 REGISTERS (8 locations)
10H	
0FH	AT9010 CONFIG REG 15
0EH	RESERVED
0DH	ETHERNET ADDRESS PROM (6 bytes)
08H	
07H	
06H	RESERVED
05H	AT9010 CONFIGURATION REGISTERS 0-3
02H	
01H	RESERVED
00H	

FIGURE 3. Card 32-Byte I/O Space Map

SONIC-16 AND AT9010 REGISTER ACCESS

Due to limited PC-AT I/O space, only eight of the SONIC-16's 64 registers are accessible at any one time. The DP83916EB-AT accommodates this by partitioning the SONIC-16's registers into eight pages of eight registers (16-bit locations).

To access the registers, the CPU must drive a 6-bit register address. First, the CPU sets up the page number (0 to 7) by executing an 8-bit I/O write cycle of D<5..3> to the AT9010's Configuration Register 15, bits <5..3>. These data bits drive the three most significant SONIC-16 register address bits RA<5..3>. Then, the CPU executes a 16-bit I/O read or write cycle using the PC-AT's lower address lines SA<3..1> to drive the SONIC-16's address bits RA<2..0> which select the appropriate register. This completes the SONIC-16 register access. Note, most SONIC-16 register accesses actually require only one I/O cycle because the SONIC-16 registers which are accessed most often are located on Page 0.

The AT9010 configuration registers are 8 bits wide and are read or written through standard 8-bit I/O cycles.

PROM AND EPROM MEMORY MAPPING

The PROM is a 32-byte register which holds a unique 6-byte Ethernet ID Address in offset locations 08H-0DH. It is read by 8-bit I/O read cycles.

The optional boot EPROM (socket), which resides in the PC's BIOS memory space, is also an 8-bit device. If used, the EPROM can be programmed with instructions that are scanned on power-up and enable a diskless workstation to boot up remotely from a network, then access a server.

The boot EPROM can be memory mapped above 640k within the first megabyte of memory. Specifically, the AT9010 places the EPROM in a section of memory within the 0C0000H to 0DFFFFH address range. As shown in *Figure 4*, the upper address decode bits for LA<23..17> are predetermined by the AT9010. To complete the base address, the decode bits for SA<16..13> must be programmed by the user in Configuration Register 2. The AT9010 can be configured for an 8k, 16k or 32k EPROM.

During EPROM memory accesses, address lines LA<23..17> are decoded to notify the AT9010 of EPROM activity. This decode is accomplished by the comparator shown in *Figure 2*.

The DP83916EB-AT design supports an 8k or 16k EPROM (socket); hence, the memory base address options are 8k or 16k sections of memory. Table II shows the decode for a 16k EPROM. Note, SA13 is driven directly into the EPROM; therefore, bit 2 of Configuration Register 2 is a don't care bit.

If the EPROM is used, Configuration Register 2, bits 7 and 6 must be set to 1 and 0 to enable an 8k EPROM or 0 and 1 to select a 16k EPROM. If the EPROM is not used, these bits must be set to 1s to disable the EPROM.

Comparator Decode							Configuration Register 2			
LA23	LA22	LA21	LA20	LA19	LA18	LA17	SA16	SA15	SA14	SA13
0	0	0	0	1	1	0	bit5	bit4	bit3	bit2

FIGURE 4. EPROM Address Bit Specification

TABLE II. EPROM Memory Base Address

CR2 Bits <5..2>				Base Address 16k EPROM (Hex)
bit5	bit4	bit3	bit2	
0	0	0	X	0C0000
0	0	1	X	0C4000
0	1	0	X	0C8000
0	1	1	X	0CC000
1	0	0	X	0D0000
1	0	1	X	0D4000
1	1	0	X	0D8000
1	1	1	X	0DC000

INTERRUPT LINE SELECTION

As the SONIC-16 transmits and receives packets from the network, it generates interrupts (via an IRQx line from the AT9010) to the CPU. This results in several slave cycles which read the SONIC-16's Interrupt Status Register and service the interrupt. When the original AT9010 chip asserts an interrupt, it sets a non-latched interrupt indicator in bit 2 of Configuration Register 15 that is cleared when IRQx is cleared. (In the AT9010B, the interrupt indicator is latched; hence, it is maintained even if IRQx deasserts and is cleared by writing a 1 to CR15, bit 2.)

The DP83916EB-AT user can select one of four interrupt lines by programming the AT9010's Configuration Register 0. Table III presents the IRQx choices (lines 3, 4, 5 or 9) and indicates the necessary bits to select the appropriate line. In addition to choosing an IRQx line, the user must also program Configuration Register 0, bit 3 to mask (0) or unmask (1) the chosen interrupt upon assertion of INT from the SONIC-16.

TABLE III. Interrupt Line Selection

CR 0, Bits <2,1>	PLX Reference	IRQx Signal
00	0	3
01	1	4
10	2	5
11	3	9

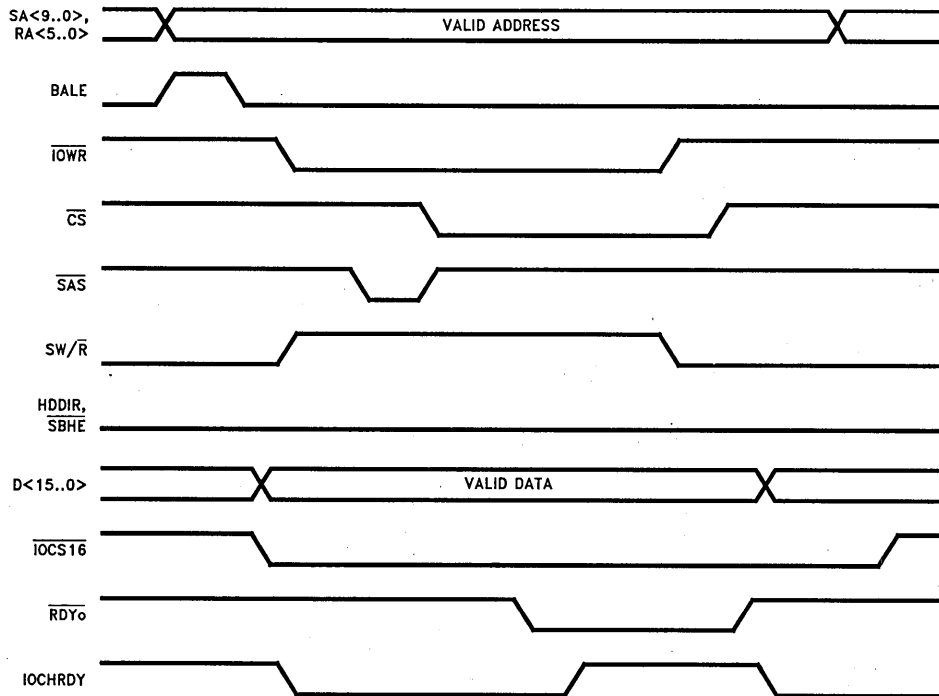


FIGURE 5. I/O Write Cycle to SONIC-16 Registers

TL/F/11707-3

SLAVE CYCLES

The following section presents a basic description and timing diagrams for the signals generated by the AT bus, AT9010 and SONIC-16 when the DP83916EB-AT is in slave mode. A detailed description of the relevant signals associated with AT I/O cycles to the adapter card and AT memory accesses to the EPROM is located in Appendix IV at the end of this application note.

The DP83916EB-AT adapter card is designed so that on power-up, the POSCS3 pin will enable the I/O address of the adapter card onto the data bus. This address is latched into bits <7..5> of Configuration Register 1 and locates the card in I/O space. Software drivers must subsequently program all registers with the correct data for operation.

The AT bus initiates an I/O cycle by driving the address onto the bus, asserting BALE high and generating -IORD or -IOWR. The AT9010 then generates a chip select to the appropriate slave device.

The SONIC-16 registers, which are located in I/O space, can be written or read. Because they are 16 bits wide, a special signal IOCS16 is driven to the AT bus for the duration of the SONIC-16 I/O access. The AT9010 drives IOCHRDY low (not ready) after the address and IORD/IOWR signals are asserted (and MEMR/MEMW are not active). (Note, in this document, IOCHRDY will not be broken down into IOCHRDYBUS and IOCHRDYAT in order to give a clear explanation of the signal IOCHRDY's purpose. For an explanation of these signals, refer to the signal descriptions and GAL equations in the appendices and the schematic at the

end of this application note.) When the SONIC-16 has latched write data or driven valid read data, it generates RDY0 to terminate the cycle. At this time, the AT9010 asserts IOCHRDY high to the AT bus. An example of the signal timing for an I/O write cycle to SONIC-16 registers is shown in Figure 5.

Most I/O devices (like the DP83916EB-AT during slave mode) drive IOCHRDY low after the address and I/O command signal are asserted. However, some AT compatible machines use chip sets (from Chips and Technologies or VLSI Technologies) with modified timing characteristics whereby during 16-bit I/O cycles, the PC's bus controller samples IOCHRDY before IORD or IOWR is driven. This problem is detailed in the NSC document "PC-AT Design Considerations for the DP83902EB-AT".

To accommodate this early sampling problem, the AT9010B can be programmed to drive IOCHRDY low immediately upon SONIC-16 register address decode. The AT9010B then uses a gating signal to maintain IOCHRDY if the cycle is an I/O cycle or to stop asserting IOCHRDY if the cycle is a memory cycle. Specifically, if the AT9010B Configuration Register 3, bit 3 is set to 1, IOCHRDY will be driven low early, based on I/O address decode of a SONIC-16 register, then qualified with a gating signal. If CR3, bit 3 is set to 0, IOCHRDY will follow the AT standard: address decode of a SONIC-16 register and IORD/IOWR and inactive MEMR/MEMW. The early IOCHRDY feature should not be used if the PC I/O cycles are functioning properly. Furthermore, it is not supported by the original AT9010 chip.

The AT9010's registers can be written or read. The 32-byte PROM, however, can only be read. For either device, the I/O read cycles are finished once the data has been enabled onto the bus and read by the CPU. An I/O write cycle to an AT9010 register is completed once the data has been latched to the AT9010. IOCHRDY is not driven low during the 8-bit cycles to either of these devices.

The AT bus initiates a boot EPROM cycle by driving the address onto the bus, asserting BALE high and generating MEMR. Once the AT9010 has chip selected the EPROM, data is enabled onto the data bus and the memory cycle is complete. An EPROM read cycle is illustrated in Figure 6. IOCHRDY is not driven during EPROM cycles.

DP83916EB-AT REGISTER INITIALIZATION

Upon power-up, the DP83916EB-AT card pulses the card's I/O address into Configuration Register 1. Subsequently, software initializes Configuration Registers 0-3 and 15 for operation.

The original AT9010 is enabled by setting bit 0 of Configuration Register 0 to a 1. If this bit is a 0, the original AT9010 will not respond to any host bus access except hard reset. In the AT9010B, the card is enabled regardless of the state of this bit.

The AT9010B supports software reset. If Configuration Register 15, bit 7 is set to a 1, the AT9010B will reset all the

chip's functions to the default condition except Configuration Registers 0-3 and bits 3-5 and 7 of Configuration Register 15. The software must subsequently write a 0 to CR 15, bit 7 to clear this bit. Bit 7 of CR 15 is a reserved bit in the original AT9010. If it is set to 1, the card is lost in I/O space and can only be recovered by hard reset.

Note: The AT9010B corrects bugs in the AT9010 and offers additional features. The DP83916EB-AT card and demonstration software support both versions of the interface chip. Appendix III provides details regarding specific programming of all Configuration Registers.

MASTER LOGIC SECTION

During master mode, the AT's CPU allows the SONIC-16 to take over the system bus and access main memory directly. The SONIC-16 uses the DMA controller to assist in the bus arbitration process. In addition, it utilizes the AT9010's bus interface logic for requesting the bus and generating AT compatible read/write signals. A block diagram showing the master logic is presented in Figure 7.

DMA CONTROLLER CHANNEL SELECTION

For data transfer, PC-ATs utilize two 8237A DMA controllers with four channels each. Controller 1 contains channels 0-3 which support byte transfers and are typically reserved for diskette, SDLC, etc. It is cascaded with Controller 2 which contains channels 4-7 to support word transfers. While channel 4 is used to cascade Controller 2, channels 5-7 are usually spare.

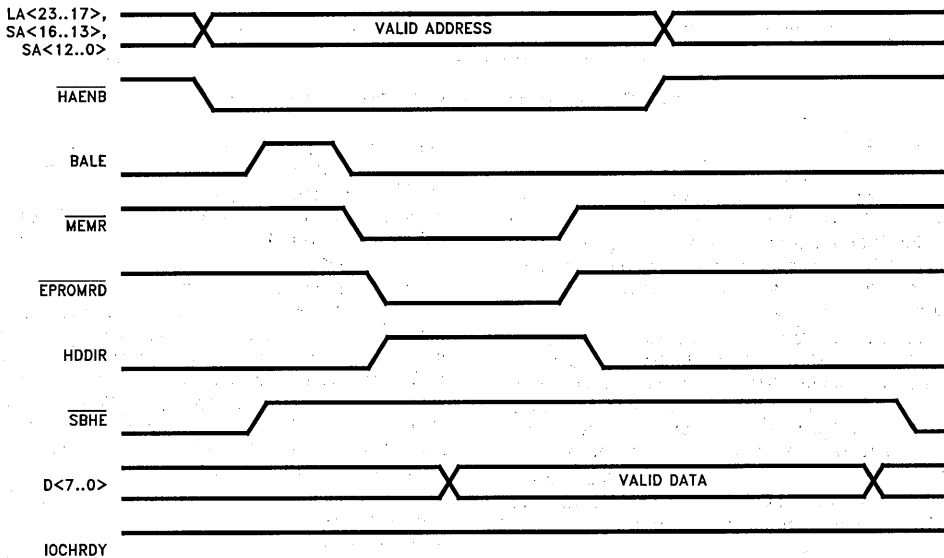


FIGURE 6. Memory Read Cycle to Boot EPROM

TL/F/11707-4

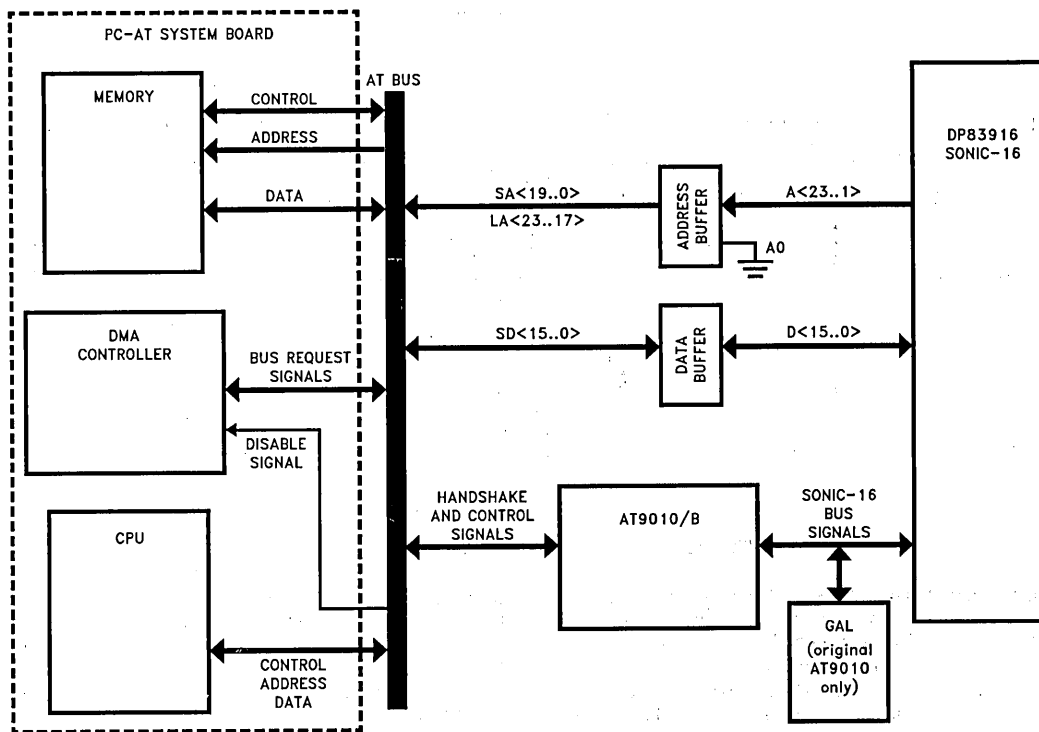


FIGURE 7. Master Logic Block Diagram

TL/F/11707-5

The user must select one of the spare DMA channels. By programming the AT9010's bits 0 and 1 of Configuration Register 3, the user can select DMA request line 3, 5, 6, or 7 as shown in Table IV. This will route the DMA request (DRQx) and acknowledge (-DACKx) signals to and from the appropriate DMA controller channel.

TABLE IV. DMA Channel Selection

CR 3, Bits <1,0>	PLX Reference	DMA Channel
00	0	3
01	1	5
10	2	6
11	3	7

An example PC and adapter card configuration is shown in Figure 8. Controller 1 is cascaded with Controller 2. Hence, channel 4 of Controller 2 must be programmed for cascade mode so that whenever Controller 1 requests the bus, Controller 2 will arbitrate for it without executing DMA memory or I/O cycles. The software driver must also program the DMA channel used by the SONIC-16 for cascade mode. This is done by writing the commands shown in Table V to the registers of the appropriate DMA Controller. These commands define the sense of the DROx/DACKx lines, set the arbitration priority algorithm (fixed or rotating), enable and cascade a particular channel and unmask the channel.

TABLE V. DMA Controller Programming

DMA Register	I/O Addr	Data	Channel
COMMAND			
DRQx Active High	08H	10H	3
DACKx Active Low	D0H	10H	5
Rotating Priority	D0H	10H	6
Enable Channel	D0H	10H	7
MODE			
Cascade Channel	0BH	D3H	3
	D6H	D1H	5
	D6H	D2H	6
	D6H	D3H	7
Write Single	0AH	03H	3
Mask Bit	D4H	01H	5
	D4H	02H	6
Unmask Channel	D4H	03H	7

MASTER CYCLES

The following section presents a basic description of the AT bus, AT9010 and SONIC-16 signals generated when the DP83916EB-AT becomes a bus master. It illustrates a timing diagram and presents a basic description of relevant

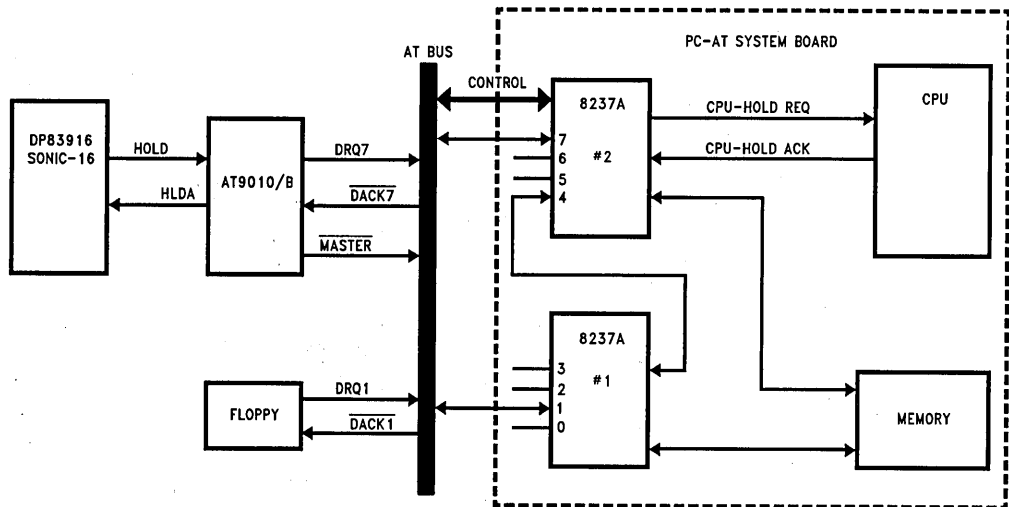


FIGURE 8. Example DMA Controller Configuration

TL/F/11707-6

signals associated with the SONIC-16's read and write cycles to system memory. A more detailed description of the signals associated with master cycles is located in Appendix IV at the end of this application note.

As the DP83916EB-AT transmits and receives packets, it accesses system memory to read and write packet data or descriptor information. The SONIC-16 requires the bus for these operations; hence, it drives HOLD to the AT9010 which translates this request for the bus into an active DRQx line. Once the AT bus is available, the DMA controller responds to the AT9010 via the chosen $\overline{\text{DACKx}}$ line. Subsequently, the AT9010 asserts MASTER to the AT bus and relays the $\overline{\text{DACKx}}$ to the SONIC-16 by asserting HLDA. This handshake is shown in *Figure 8*.

Once the SONIC-16 has gained ownership of the AT bus, it generates multiple read or write cycles to the AT's system memory. To begin the cycle, the SONIC-16 drives MW-R to the AT9010. Then, the AT9010 drives HAOE to enable the address buffers, HDOE0/HDOE1 to enable the data buffers and HDDIR high (memory write) or low (memory read) to establish direction for the flow of data through the data buffers.

At the beginning of each transfer in the cycle, the SONIC-16 drives an address into the address buffers, asserts address

strobe, $\overline{\text{ADS}}$, to the AT9010 and latches the address onto the bus. The rest of the transfer depends on whether the SONIC-16 is writing data or reading data from system memory.

If the SONIC-16 is writing data, the AT9010 will strobe $\overline{\text{MEMW}}$ low to the bus for each transfer. The SONIC-16 will source data which is valid after the falling edge of the first BSCk of each cycle. Once the system asserts IOCHRDY high, the AT9010 will drive $\overline{\text{RDYi}}$ to the SONIC-16 to complete the write cycle. A timing diagram for a master write cycle is shown in *Figure 9*.

If the SONIC-16 is reading data, the AT9010 will pulse $\overline{\text{MEMR}}$ to the bus for each read transfer. The system memory will source the data which is latched to the SONIC-16 on the rising edge of the first BSCk after $\overline{\text{RDYi}}$ is asserted. Again, when the CPU asserts IOCHRDY high, the AT9010 will drive $\overline{\text{RDYi}}$ to the SONIC-16 to complete the read cycle.

DP83916EB-AT BUS CYCLE CONFIGURATION

There are two timers which govern the SONIC-16's activity on the bus during master mode. The first is a bus hold timer which is activated to ensure the SONIC-16 cannot hog the bus. It begins when the AT9010 receives $\overline{\text{DACKx}}$ from the bus and expires after 6 (or 12) μs depending on whether AT9010 Configuration Register 0, bit 5 is 0 (or 1).

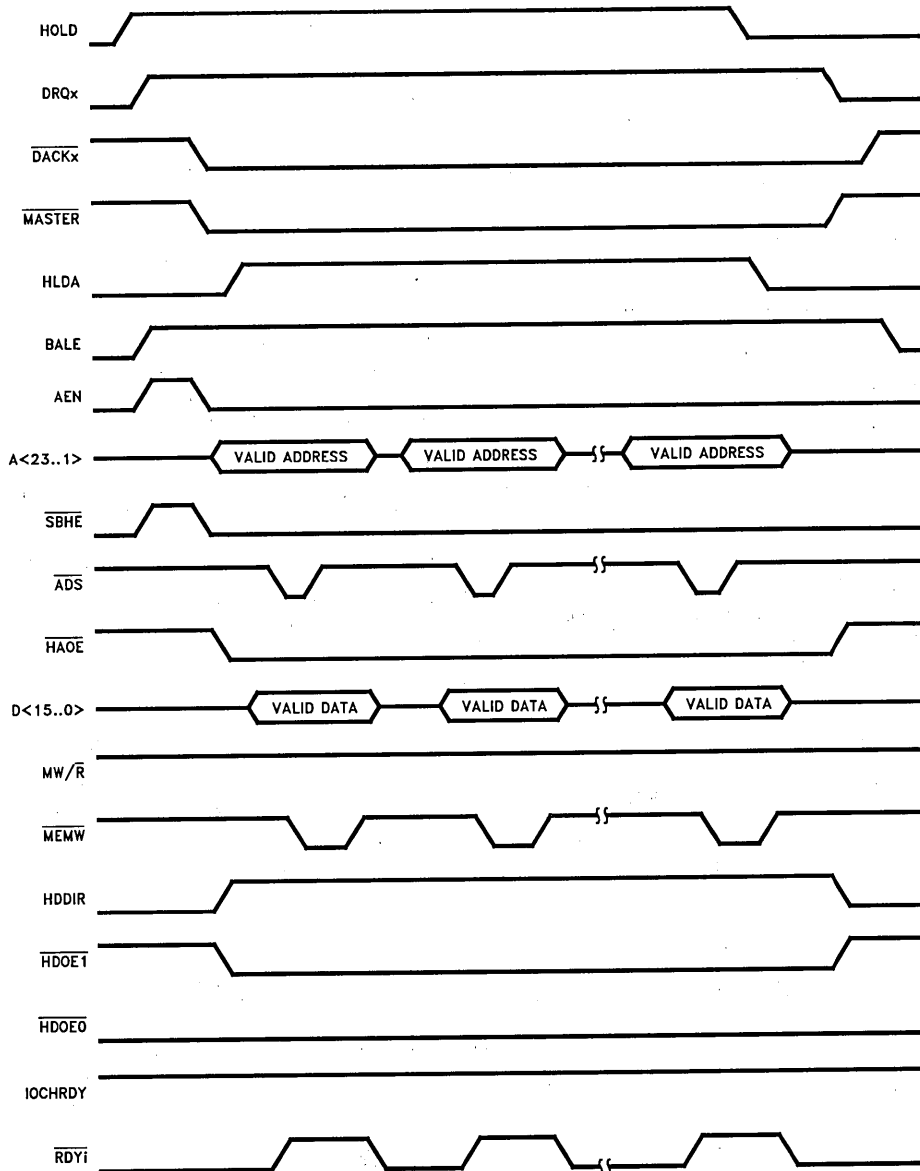


FIGURE 9. Master Write Cycle

TL/F/11707-7

At this point, the AT9010 pre-empts the SONIC off the bus by deasserting HLDA. The original AT9010 chip does not follow proper timing requirements for pre-empting the SONIC-16 and this has been corrected in both the GAL (U11) and the AT9010B. Now, in certain PCs with slow memory cycles, pre-emption causes FIFO underruns or overruns during loopback diagnostics due to the SONIC-16's heavy use of the bus during this mode. Because of these compatibility issues, pre-emption can be disabled. To enable (or disable) the AT9010, set Configuration Register 1, bit 1 to 1 (or 0). This drives a signal PRE-EMPT high (or

low) to the GAL (U11). To enable (or disable) pre-emption in the AT9010B, program CR 1, bit 4 to 0 (or 1).

The second timer is an 800 ns timer. Its purpose is to shorten the SONIC-16's bus acquisition time when the SONIC-16 has control of the bus then deasserts HOLD and re-asserts HOLD before 800 ns has expired. In the original AT9010, if these conditions are satisfied and the 6 (or 12) μ s timer has not expired, the original AT9010 will maintain DRQx to the bus. However, if the conditions are satisfied and the 6 (or 12) μ s timer has expired, the SONIC will lose the bus once it

deasserts HOLD. This is true regardless of the state of the signal PRE-EMPT. In the AT9010B, the 800 ns timer is independent of the 6 (or 12) μ s timer if the 6 (or 12) μ s timer is disabled. The AT9010B's 800 ns timer can be enabled (or disabled) by setting CR0, bit 4 to 1 (or 0). For both versions of the AT9010, if the 6/12 μ s timer is active and has not expired and the 800 ns timer is active, then if the SONIC-16 deasserts HOLD then re-asserts HOLD before 800 ns has expired, HLDA follows HOLD but DRQx is maintained high to the bus.

The AT9010 offers an option of different master transfer cycle speeds. These speeds define the widths of the MEMR and MEMW pulses for each cycle. They are selected in Configuration Register 3 and are outlined in Table VI.

TABLE VI. Master Transfer Cycle Speeds

CR,3 Bits <5,4>	Megabytes/sec
00	5
01	6.7
10	8
11	10

HUB MANAGEMENT

The DP83916EB-AT incorporates an interface to the Inter-RIC/Management (IR/M) bus of the DP83950EB-AT. This interface implements a managed hub by connecting the

DP83916EB-AT to one or several DP83950EB-ATs. In this configuration, the SONIC-16 gathers and buffers network statistics for packets sent from the RICs on the DP83950EB-ATs. The SONIC-16 also transmits over the IR/M bus, allowing management statistics to be accessed by any node on the network. A block diagram of the adapter card portion of the managed hub is shown in Figure 10. A comprehensive list of the hub management signals is presented in Appendix IV at the end of this note.

IR/M RECEIVED PACKET FORMAT

Packets are sent by RICs on DP83950EB-ATs to the SONIC-16 over the Management portion of the IR/M bus. The format of these packets differs from the format of standard Ethernet packets. First, the preamble and start of frame delimiter of the packets is a 5-bit sequence 01011 rather than the standard eight bytes of 10101....1011.

Second, the packets have Non Return to Zero (NRZ) format because they are sent over the IR/M bus, rather than through the physical layer.

Third, seven bytes of status information are appended by the RICs after the cyclical redundancy check (CRC) sequence of the packet. This information contains statistics regarding the packet's transmission over the network. Because the status field is appended to the end of the packet, the SONIC-16 interprets the last four bytes of status as CRC and flags a CRC error even though there is no legitimate CRC error. For this reason, the SONIC-16's Receive Control Register (RCR) must be programmed to accept packets with errors.

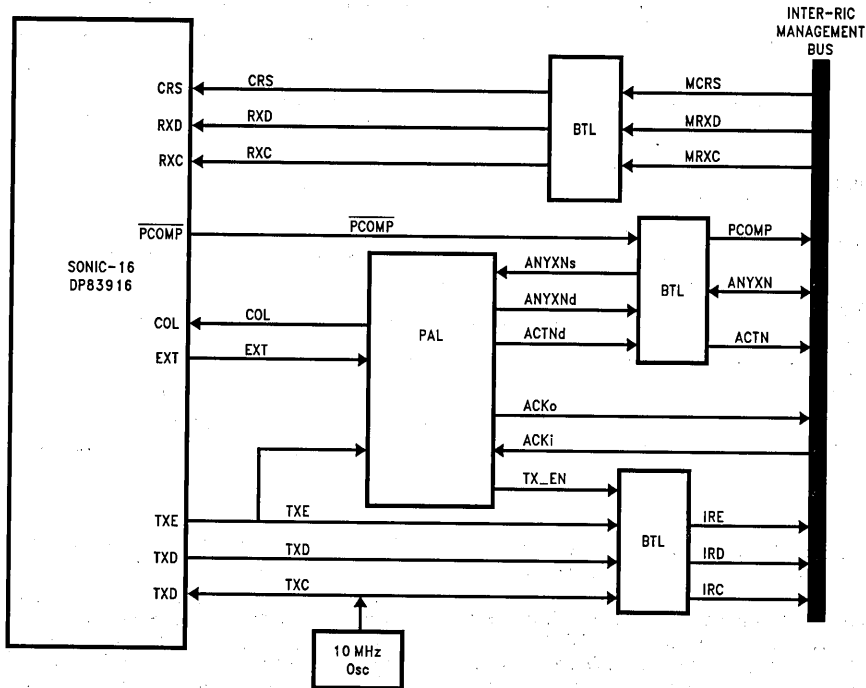


FIGURE 10. Hub Management Interface

TL/F/11707-8

Finally, the packet's destination may specify the SONIC-16 node if the packet contains management commands intended for the SONIC-16 or another node if the packet is sent to the SONIC-16 for the purpose of saving the status information. Hence, the SONIC-16's RCR must be configured to accept all packets including runt packets and all address type packets (in addition to accepting errored packets as described above).

A packet that is sent over the management bus has the format shown in *Figure 11*. A detailed description of the information contained in the seven bytes of management statistics is located in the DP83950 Repeater Interface Controller (RIC) Data Sheet.

PACKET RECEPTION SIGNALS

The signals MCRS, MRXD and MRXC sent over the management bus, are the management carrier sense, management data, and management clock which specify the packets sent to the SONIC-16. They are buffered through inverting turbo transceivers (BTLs). The BTLs drive the IR/M bus signals with the same characteristics as the signals on the DP83950EB-AT card. BTL features include high density backplane capabilities, minimum delay and fast voltage switching characteristics; however, BTLs are not required for all applications.

As described above, the packets are in NRZ format; hence, the buffered signals, CRS, RXD and RXC driven to the SONIC-16 are NRZ signals. These signals are connected directly to the CRS, RXD and RXC of the SONIC-16. The SONIC-16 is programmed (USER_PIN3 of AT9010 Configuration Register 1 is set to 1) for external ENDEC mode.

With the above configuration, the SONIC-16 will buffer every packet received from the IR/M bus. It can, however, be programmed to save memory space by "compressing" packets whose data is not intended for reception by the SONIC-16. With this feature, the SONIC-16 can buffer status information, a portion of data and status or the entire packet. This is accomplished via a SONIC-16 control signal called PCOMP. If PCOMP is asserted to the management bus, the receive clock signal, MRXC, will be inhibited during transmission of packet data and enabled during transmission of the packet's seven bytes of status information. This causes the packet to be "compressed"; i.e., only destination address and status data are buffered to memory.

In order to use packet compression, the SONIC-16's DCR2 register must be programmed to assert PCOMP upon CAM (Content Addressable Memory) register match or mismatch. For a managed hub, the DCR2 must be programmed to assert PCOMP upon CAM mismatch. Then, if the SONIC-16's CAM is programmed with its own Ethernet address, all packets with destination addresses equal to the SONIC-16's address will be buffered. All other packets will be compressed. For a managed bridge, the DCR2 register must be programmed to assert PCOMP upon CAM register match. In this case, the SONIC-16's CAM is programmed with the addresses of all RICs on the LAN from which the packet is being transmitted. Then, only packets intended for the SONIC-16 or for nodes on the other side of the bridge link will be buffered. All packets which are merely repeated to the RIC connected to the SONIC-16 then forwarded to the SONIC-16 over the Management bus, will be compressed to save status information only.

In addition to programming the SONIC-16's DCR2 the Packet Compress Decode (PCD) Register of the RIC must be initialized with the number of bytes after SFD, not including seven bytes of status information, to be transferred if the SONIC-16 asserts PCOMP. According to the DP83950 RIC Data Sheet, the value of this register must be less than or equal to 255 bytes. The actual value, however, must be between 7-255 bytes because the SONIC-16 requires six bytes of destination address and five bits of address compare time in order to determine whether or not to assert PCOMP. If the user enters a PCD value less than seven bytes, the driver software should change the value to seven so that PCOMP will operate properly. In this scenario, six bytes of destination address and one byte of source address will be buffered along with the seven bytes of status information.

An example of PCOMP and the effect on MRXC is shown in *Figure 11*. For this example, the RIC's PCD is 0EH. As it transmits the packet, the RIC counts 14 bytes from the beginning of the destination address. Because the SONIC-16 asserts PCOMP, the RIC inhibits the MRXC 14 bytes after the beginning of the packet. It enables the MRXC for the last seven bytes of status data.

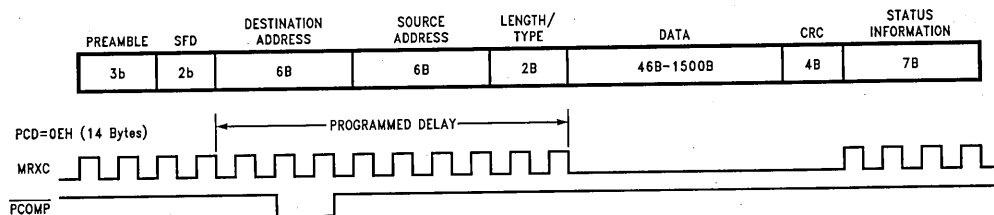


FIGURE 11. Packet Reception Over Management Bus

TL/F/11707-9

IR/M PACKET RECEPTION

When the SONIC-16 begins receiving a packet, it compares the destination address of the packet with all addresses in its content addressable memory (CAM) register. If the SONIC-16 is configured as a managed hub and there is a CAM match, the entire packet, along with the seven bytes of status information, is buffered to memory where it waits to be processed by upper-level management software. If there is no CAM match, the SONIC-16 asserts \overline{PCOMP} to the Management bus. Depending on the value of the PCD, the RIC sending the packet will inhibit the receive clock signal, MRXC during a portion of the packet data and enable it during the seven bytes of status. Hence, only destination address, a portion of source address/data and status information is buffered to memory where it waits to be processed by upper-level management software.

IR/M TRANSMITTED PACKET FORMAT

Packets are sent by the SONIC-16 to the RICs on DP83950EB-ATs over the Inter-RIC portion of the IR/M bus. These packets have the format of standard Ethernet packets.

PACKET TRANSMISSION SIGNALS

The SONIC-16 transmits over the Inter-RIC bus using the transmit enable (TXE), transmit data (TXD) and transmit clock (TXC) to specify the packets. TXC is driven by a 10 MHz signal from a flip-flop which divides an external 20 MHz oscillator clock by two. The transmit signals are connected to the SONIC-16's transmit pins, TXE, TXD and TXC and have NRZ format. They are driven through an inverting turbo transceiver (BTL) and become the Inter-RIC enable (IRE), Inter-RIC data (IRD) and Inter-RIC clock (IRC), which connect directly to the Inter-RIC bus.

Because of the SONIC-16's interface to the Inter-RIC/Management bus, it appears to be another RIC to the rest of the RIC network. Hence, the SONIC-16 participates in the RICs' serial arbitration scheme for transmission and uses the same handshake signals. This arbitration scheme is contained in a PAL and is described in the following paragraphs. The actual PAL equations are located at the end of this application note.

The RICs and SONIC-16 are connected in the serial arbitration scheme by two signals, ACKi and ACKo. ACKo of a RIC above the SONIC-16 connects to ACKi of the SONIC-16; ACKo of the SONIC-16 connects to ACKi of a RIC below it. The SONIC-16 and RICs pass permission to transmit down the chain by driving ACKo high to the ACKi of the next chip in the chain.

Regardless of whether or not the SONIC-16 has permission to transmit, it does so whenever the management bus is quiet and there is data to send. Hence, when the SONIC-16 wants to transmit, it drives TXE high. If the SONIC-16 has permission to transmit (i.e., ACKi is high), the PAL activates ACTNd high to notify the RICs of the SONIC-16's transmit activity on the Inter-RIC bus. If the SONIC-16 does not have permission to transmit (i.e., ACKi is low), the PAL activates ANYXNd high which notifies the RICs of a SONIC-16 transmit collision.

The SONIC-16's collision pin (COL) is driven by the PAL when the SONIC-16 is transmitting and either a transmit collision occurs on the network/Inter-RIC bus or a receive collision occurs on a RIC's AUI port. If the SONIC-16 is transmitting and a collision occurs, the SONIC-16 sends jam pattern, then backs off the Inter-RIC bus. At the same time, the RICs send jam pattern and then become idle. After some time, the SONIC-16 attempts to retransmit. If the SONIC-16 is not transmitting and a collision occurs on the network, the RICs send jam to their ports. A Management Interface Configuration (MIFCON) bit in the RIC's Interrupt and Management Configuration Register determines the outcome of this collision event. If MIFCON is 0 and the collision occurs before the packet's start of frame delimiter, the RIC whose packet has collided, will send 01011 followed by seven bytes of status (which reflect the collision) to the SONIC-16. If MIFCON is 1 and the collision occurs before the SFD, neither packet nor status data is transmitted over the Management bus to the SONIC-16. Finally, if MIFCON is 0 (or 1) and the collision occurs after the packet's SFD, the RIC appends the status information and sends the packet to the SONIC-16.

The PAL drives a BTL transmit enable (TX_EN) signal to the transmit BTL which enables the BTL only when the SONIC-16 is configured for an external ENDEC, has permission to transmit and wants to transmit. This prevents the BTL from driving IRE, IRD and IRC unless the SONIC-16's transmission is valid.

DP83916EB-AT CONFIGURATION FOR HUB MANAGEMENT

The adapter card must be configured differently to use the hub-management option. First, the card cannot be connected to Inter-RIC/Management bus and a physical layer interface at the same time. Jumper 4 must be disconnected. Second, the AT9010's USER_PIN3 (bit 3) in Configuration Register 1 must be set to a 1 to configure the SONIC-16 for external ENDEC mode. Third, the AT9010's USERPIN2 (bit 2) in Configuration Register 1 must be set to a 0 to enable the receiving BTL.

MEDIA INTERFACE

The network interface of the DP83916EB-AT card offers three media interface options (in addition to the Inter-RIC/Management interface): Thin Ethernet, Thick Ethernet and Twisted-Pair. **Only one of the three interfaces may be used at a given time and cabling requirements are specified in the following section.** A physical layer block diagram is given in Figure 12.

The Coaxial Interface features the DP8392C Coaxial Transceiver Interface (CTI) as a coaxial cable line driver/receiver connected between the SONIC-16 and the BNC connector for Thin Ethernet coaxial cable. For transmission, it converts AUI signals to single-ended 10BASE2 signals. On reception, it converts single-ended 10BASE2 signals to AUI signals. The isolation between the CTI and the SONIC-16, required by the IEEE 802.3, is satisfied on the signal lines by a transformer. Power isolation for the CTI is performed by a DC to DC converter which supplies the CTI with a -9V power supply for operation. To use the adapter card in a Thin Ethernet environment, it is necessary to short JP4 which supplies the CTI with -9V.

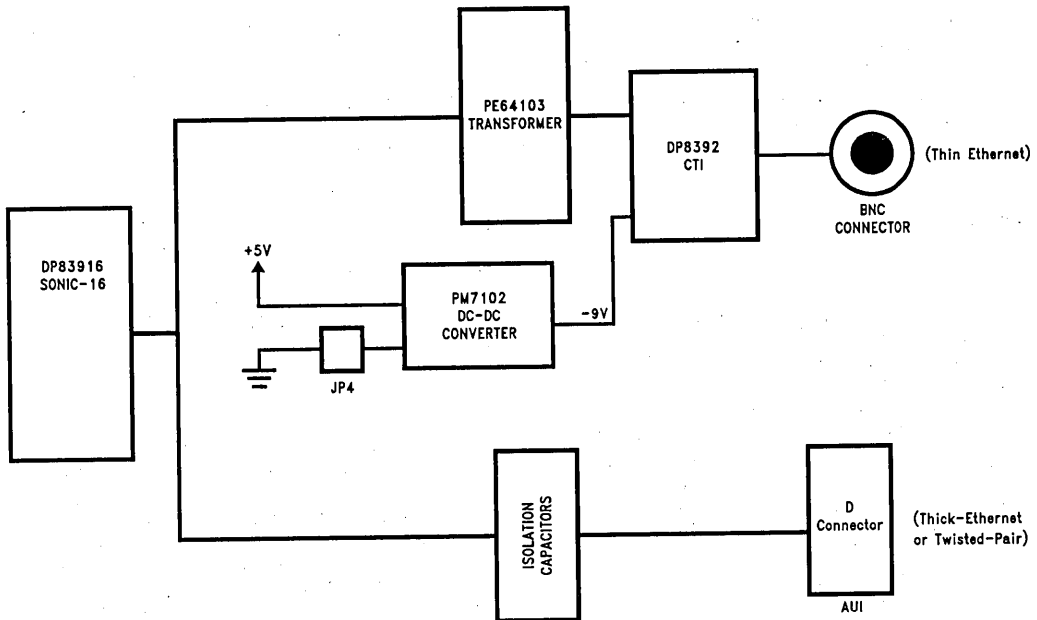


FIGURE 12. Media Interface Block Diagram

TL/F/11707-10

The AUI Interface option allows the use of the DP83916EB-AT with one of several alternative cable media. Possible choices include Thick Ethernet cable for 10BASE2 networks and Twisted-Pair cable for 10BASE-T networks. No on-board transformers are required for isolation because the connector to the AUI is a medium attachment unit (MAU) which houses its own transformer and DC to DC converter. However, capacitors are used for DC isolation and 16V fault tolerance. To use the AUI interface, open JP4 to disable power to the CTI.

The interface options and jumper settings are summarized in Table VII. It is imperative to note that **only one network interface option and cable can be used at a time. Multiple cables will result in network errors.**

TABLE VII. Jumper Selection for Media Interface or Hub Management

JP4	Network Interface/HM
Short*	Thin Ethernet*
Open	Thick Ethernet, Twisted-Pair via AUI
Open	HUB-Management

* DP83916EB-AT default setting

DP83916EB-AT CONFIGURATION

In order to maximize the utility and options of the DP83916EB-AT adapter card, it is imperative that the board is configured correctly. The following section highlights the **hardware and software configuration issues which must be considered prior to installation of the card for the first time.**

HARDWARE CONFIGURATION

There are two versions of the PLX bus interface chip: the AT9010 and the AT9010B. The DP83916EB-AT design supports both chips with the following component placement considerations. If the original AT9010 is used, a GAL (U11) containing AT9010 fixes must be populated. In addition, resistors R46, R47 and R48 must not be populated. If the AT9010B is used, the GAL (U11) must be left open and resistors R46, R47 and R48 must be populated. The above considerations are determined at the time of board assembly. Hence, they should not be of concern to the card user.

The user must determine the I/O address of the card and set jumpers JP1-JP3. If the optional boot EPROM is to be used, it must be inserted on the adapter card.

To use the DP83916EB-AT's media interface, the user must select one of the interface options including Thin Coax (10BASE2) or AUI (with 10 BASE5 or 10BASE-T) and configure JP4 according to the Media Interface Section. Or, to use hub management, the user must install a DP83950E-B-AT RICKIT, disconnect any DP83916EB-AT media interface connections and open JP4.

The above hardware settings must be considered prior to inserting the board into an AT bus slot.

SOFTWARE CONFIGURATION

The DP83916EB-AT features many user options which can be selected by programming the configuration registers of the AT9010. The following summarizes the software options available; references to AT9010 are given as (Configuration Register Number, Applicable Bits). For a complete listing of AT9010 Configuration Registers and demonstration software defaults, refer to Appendix III.

Card enable (CR0, Bit0): enables (1) or disables (0) the original AT9010. Once disabled, the original AT9010 can only be re-enabled with hard reset. The AT9010B is always enabled regardless of the state of this bit.

Selectable interrupt lines (CR0, Bits <2,1>): one of four must be chosen: 00 = IRQ3, 01 = IRQ4, 10 = IRQ5, 11 = IRQ9.

Interrupt unmask (CR0, Bit 3): unmask (1) or mask (0) the IRQx signal when INT is driven by the SONIC-16.

800 ns timer (CR0, Bit 4): enables (1) or disables (0) the 800 ns timer in AT9010B. This timer is always enabled in the original AT9010.

Maximum bus hold time after detection of \overline{DACKx} (CR0, Bit 5): 0 = 6 μ s, 1 = 12 μ s. In the original AT9010, this timer can be enabled (or disabled) by setting CR1, bit 1 to 1 (or 0). In the AT9010B, it can be enabled (or disabled) by setting bit 4 of CR1 to 0 (or 1).

USER_PIN1/PRE-EMPT (CR1, Bit 1): enables (1) or disables (0) SONIC-16 pre-emption in the original AT9010.

USER_PIN2/-RE_EN (CR1, Bit2): drives a 0 for a BTL receive enable in the hub management interface. This bit must be a 1 when not using hub management.

USER_PIN3/EXT (CR1, Bit3): drives a 0 for an internal SONIC-16 ENDEC when using the physical interface or a 1 for an external ENDEC when using the hub management interface.

I/O address of the card (CR1, Bits <7..5>): one of seven choices must be made; these are outlined in the Slave Logic Section. Note, the address programmed in the AT9010's CR1 must match the address selected by JP1-JP3.

EPROM memory size or disable (CR2, Bits <7,6>): selects a 16k EPROM, 8k EPROM or EPROM disable: 01 = 16k, 10 = 8k, 11 = disable.

EPROM memory address (CR2, Bits <5..2>): this address must be specified if using the EPROM. Details are given in the Slave Logic Section.

Selectable DMA lines (CR3, Bits <1,0>): one of four must be chosen: 00 = DMA 3, 01 = DMA 5, 10 = DMA 6, 11 = DMA7.

MEMW cycle extension (CR3, Bit 2): when set to 0, this option will extend the -MEMW cycle by 50 ns to allow additional address set-up time.

IOCHRDY assert (CR3, Bit 3): selects IOCHRDY normal assert (0) or early assert (1) in AT9010B only. See Slave Logic Section for details.

Master data transfer cycle (CR3, Bits <5,4>): one of four speeds must be chosen: 00 = 5, 01 = 6.7, 10 = 8, 11 = 10 MB/sec.

Channel check enable: (CR3, Bit 6) is not used by the DP83916EB-AT. This bit should be set to 1 to disable the AT9010 check output.

Software reset (CR15, Bit 7): is supported in the AT9010B. When this bit is set to 1, the AT9010B resets all of the chip's functions to their default conditions except CR0-3 and CR15, bits 3-5. This bit is cleared by writing a 0 to CR15, bit 7 to clear the bit. In the original AT9010, setting this bit to 1 causes the card to be lost in I/O space; it can only be recovered by hard reset.

ADDITIONAL INFORMATION

Additional information for the AT9010 Bus Master Interface Chip is available through PLX Technology, Inc., 625 Clyde Avenue, Mountain View, CA 94043, (415) 960-0448, FAX (415) 960-0479.

APPENDIX I: PAL (U16) AND GAL (U11) EQUATIONS

This appendix provides the equations for the PAL (U16) and the GAL (U11). The PAL contains arbitration equations for hub management. The GAL contains fixes for the bugs in the original AT9010 chip.

DP83916EB-AT Inter-RIC/Management Interface PAL (U16)

```
module intf2
```

```
title 'SONIC/RIC Management Interface for DP83916EB-AT (r2)'
```

```
"history: finalized by Bill Bunch on 9/19/91
```

```
"device declaration
```

```
U16_PAL2 device 'p16l8';
```

```
"inputs
```

```
anyxn_s  pin 2;
ack       pin 3;
ext       pin 4;
txe       pin 9;
coln      pin 17;
```

```
"outputs
```

```
col       pin 12;
tx_en     pin 13;
acko      pin 14;
actn_d    pin 18;
anyxn_d   pin 19;
```

```
equations
```

```
acko = !txe & acki;
```

```
actn_d = txe & acki;
```

```
anyxn_d = txe & !acki;
```

```
coln = txe & (anyxn_s # coln);
```

```
tx_en = txe & acki & ext;
```

```
col.oe = ext;
```

```
actn_d.oe = ext;
```

```
anyxn_d.oe = ext;
```

```
end intf2;
```

TL/F/11707-11

DP83916EB-AT Original AT9010 GAL Fixes (U11)

```
module splxr2
```

```
flag '-r1','-t4';
```

```
title 'GAL fixes for original PLX AT9010 bugs and DP83916EB-AT - p/n U11'
```

```
"history: Finalized by Denise Troutman on 6/1/92
```

```
"This GAL fixes the following problems in the original AT9010 chip:
```

- ```
" 1. Asserting IOCHRDIAT inappropriately when certain PCs drive the SONIC-16's I/O address
" during boot-up
" 2. Not maintaining HLDA long enough to satisfy the SONIC-16's pre-emption specification
" in the following case: the SONIC-16 requests the bus (drives HOLD high) within 800 ns of
" giving up the bus (driving HOLD low) and the 6/12 μs timer has just expired
" 3. LRESET with inverted polarity
" 4. Inability to disable SONIC-16 pre-emption off the bus - this causes problems in certain PCs
" with slow memory whereby the memory transfers are so long that FIFO underruns during
" transmission or FIFO overruns during reception may occur; the problem is aggravated during
" loopback because of the SONIC-16's heavy use of the bus for this mode.
```

```
"device declaration
```

```
U11_GAL2 device 'P20V8R';
```

```
@page
```

```
"pin assignments
```

```
"INPUTS
```

```
aen pin 8;
liord pin 2;
liowr pin 3;
!hostown pin 4;
lclk pin 5;
hold pin 6;
hlda pin 7;
preempt pin 9;
lreset pin 10;
```

```
"outputs
```

```
hldadlym pin 16;
hldadly pin 17;
hldaout pin 22;
!iochrdoe pin 19;
!iochrdyat pin 20;
!iochrdybus pin 21;
hldasonic pin 18;
reset pin 15;
```

```
iochrdoe istype 'com,neg';
iochrdyat istype 'com,neg';
iochrdybus istype 'com,neg';
hldadlym istype 'com,neg';
hldadly istype 'com,neg';
hldaout istype 'com,neg';
hldasonic istype 'com,neg';
reset istype 'com,neg';
```

"constant declarations

```
L = 0;
H = 1;
OFF = 0;
ON = 1;
X = .X.;
Z = .Z.;
CK = .C.;
```

@page  
equations

"Qualify IOCHRDIAT with  $\overline{\text{IORD}}$  and  $\overline{\text{IOWR}}$

```
iochrdyoe = !hostown & !aen & iochrdyat & (iord # iowr);
```

```
iochrdybus.OE = iochrdyoe;
iochrdybus = ON;
```

```
iochrdyat.OE = hostown;
iochrdyat = iochrdybus;
```

"Delay HLDA from AT9010 up to one clock

```
hldadlym = (!clk & hlda) # (clk & hldadlym) # (hlda & hldadlym);
```

```
hldadly = (clk & hldadlym) # (!clk & hldadly) # (hldadlym & hldadly);
```

```
hldaout = hlda # (hold & hldadly);
```

"Enable or disable pre-emption based on state of PREEMPT

```
hldasonic = (preempt & hldaout) #
(!preempt & (hlda # hldadly # (hold & hldasonic)));
```

"Invert RESET to SONIC-16

```
reset = !lreset;
```

end splxr2;

TL/F/11707-13

**APPENDIX II: BILL OF MATERIALS (BOM) for DP83916EB-AT**

This appendix provides a list of all components placed on the DP83916EB-AT. If the original AT9010 is populated, a GAL (U11) must also be populated and resistors R46, R47 and R48 should be left open. If the AT9010B is populated, the GAL (U11) should be left open and R46, R47 and R48 should be populated.

**Capacitors (58)**

|                      |                   |                  |
|----------------------|-------------------|------------------|
| C3..C6               | 0.1 $\mu$ F/50V   | 10% Monolithic   |
| C7                   | 0.01 $\mu$ F/25V  | 20% Monolithic   |
| C8                   | 0.01 $\mu$ F/1 kV | 10% Ceramic Disk |
| C9                   | 0.75 pF/1 kV      | Spark Gap        |
| C10, 11              | 0.01 $\mu$ F/50V  | 10% Monolithic   |
| C12                  | 47 $\mu$ F/50V    | 20% Tantalum     |
| C13. .C25. C28. .C39 | 0.1 $\mu$ F/50V   | 20% Monolithic   |
| C26, C27, C40. .C48  | 4.7 $\mu$ F/16V   | 20% Tantalum     |
| C49                  | 4.7 $\mu$ F/25V   | 20% Tantalum     |
| C50. .C54            | 0.1 $\mu$ F/50V   | 20% Tantalum     |
| C55 .C60             | 1 $\mu$ F/50V     | 10% Monolithic   |

**Resistors (46) (5%, 1/4W unless otherwise specified)**

|                     |      |                                                                |
|---------------------|------|----------------------------------------------------------------|
| R1. .R4, R9, R12    |      |                                                                |
| R16, R17, R30. .R45 | 4.7k |                                                                |
| R5. .R8             | 10k  |                                                                |
| R10                 | 1k   |                                                                |
| R18, R20. .R23      | 1k   | 1%, 1/4W                                                       |
| R14, R15            | 270  |                                                                |
| R19                 | 150  | 1%, 1/4W                                                       |
| R24                 | 10k  | 1%, 1/4W                                                       |
| R25                 | 1M   | 5%, 1/2W                                                       |
| R26. .R29           | 39.2 | 1%, 1/4W                                                       |
| R46. .R48           | 0    | (do not populate for original AT9010;<br>populate for AT9010B) |

**Integrated Circuits (17)**

|               |             |                                                                |
|---------------|-------------|----------------------------------------------------------------|
| U1, U2        | DM74AS245   |                                                                |
| U3            | DM74S288    |                                                                |
| U4            | NMC27CP128  | (not supplied on board)                                        |
| U5            | DM74ALS244A |                                                                |
| U6. .U8       | DM74ALS541  |                                                                |
| U9            | DM74ALS521  |                                                                |
| U10           | PLXAT9010/B |                                                                |
| U11           | GAL20V8A-15 | (populate for original AT9010; do not<br>populate for AT9010B) |
| U12           | DP83916B    |                                                                |
| U14           | 74F74       |                                                                |
| U15, U17, U18 | DS3893A BTL |                                                                |
| U16           | PAL16L8A    |                                                                |
| U19           | DP8392V     |                                                                |



**Connectors (2)**

|    |                            |                        |
|----|----------------------------|------------------------|
| J4 | BNC Connector, socket      | (AMP # 227161-2)       |
| J5 | 15-Pin D Connector, socket | (AMP 9020A # 747845-4) |

**Magnetics (2)**

|     |                                               |
|-----|-----------------------------------------------|
| T1  | PE64103 (Pulse Engineering) or LT6003 (Valor) |
| U20 | PM7102 (Valor) DC-DC Converter                |

**Jumpers (4)**

|          |                                                    |
|----------|----------------------------------------------------|
| JPI, JP4 | Single Jumpers 1 x 2 Shunt Block with 0.1" spacing |
|----------|----------------------------------------------------|

**Test Pins (35)**

|           |                  |
|-----------|------------------|
| TP1, TP35 | Single post pins |
|-----------|------------------|

**Sockets (5)**

|    |                                               |                  |
|----|-----------------------------------------------|------------------|
| S1 | 24-pin, Dual in-line socket for GAL (U11)     |                  |
| S2 | 20-pin, Dual in-line socket for PAL (U16)     |                  |
| S3 | 16-pin, Dual in-line socket for the PROM (U3) |                  |
| S4 | 28-pin, Dual in-line socket for EPROM (U4)    |                  |
| S5 | 132-pin AMP Socket for SONIC-16 (U12)         |                  |
|    | Housing Sub-Assembly Cover                    | (AMP # 821949-5) |
|    | Cover                                         | (AMP # 821942-1) |

**Others (6)**

|                 |                                                  |                  |
|-----------------|--------------------------------------------------|------------------|
| U13             | 20 MHz Oscillator 40%–60% Duty, 0.001% Tolerance |                  |
| D1              | MMBD1203 Diode                                   |                  |
| Bracket         | Face plate                                       |                  |
| Slide Latch Kit | For 15-pin D-Connector (J5)                      | (AMP # 745583-5) |

**Note:** U4 (EPROM) is marked "not supplied on board"; the component socket is left open.

**APPENDIX III: AT9010 and AT9010B CONFIGURATION REGISTERS**

This appendix describes the features and programming for the original AT9010 and AT9010B Configuration Registers. It can be assumed that the bits have the same function in both chips unless otherwise noted. The demonstration software "sonicpla.exe" defaults are also provided.

**CONFIGURATION REGISTER 0: default = 71 H**

| Bit        | 7   | 6   | 5   | 4      | 3  | 2  | 1  | 0      |
|------------|-----|-----|-----|--------|----|----|----|--------|
| Short Name | RES | RES | BHT | RES/ET | UI | IS | IS | CE/RES |
| Default    | 0   | 1   | 1   | 1      | 0  | 0  | 0  | 1      |

- RES = reserved  
 BHT = bus hold time (0 = 6  $\mu$ s/1 = 12  $\mu$ s)  
 RES/ET = AT9010: reserved  
           AT9010B: enable 800 ns timer (1 = enable/0 = disable)  
 UI = unmask interrupt (1 = unmask/0 = mask)  
 IS = interrupt select (00 = IRQ3, 01 = IRQ4, 10 = IRQ5, 11 = IRQ9)  
 CE/RES = AT9010: card enable  
           AT9010B: reserved

**CONFIGURATION REGISTER 1: default = 94 H**

| Bit        | 7   | 6   | 5   | 4      | 3   | 2     | 1  | 0  |
|------------|-----|-----|-----|--------|-----|-------|----|----|
| Short Name | IOA | IOA | IOA | RES/DT | EXT | RE_EN | PE | U0 |
| Default    | 1   | 0   | 0   | 1      | 0   | 1     | 0  | 0  |

- IOA = I/O base address (000 = 100 H, 001 = 120 H, 010 = 140 H, 011 = 160 H,  
 100 = 300 H, 101 = 320 H, 110 = 340 H, 111 = 340 H)  
 RES/DT = AT9010: reserved  
           AT9010B: disable 6/12  $\mu$ s bus hold timer (1 = disable/0 = enable)  
 EXT = external ENDEC for Inter-RIC/Management (0 = internal/1 = external)  
 RE\_EN = enable receive for Inter-RIC/Management (0 = enable 1 = disable)  
 PE = pre-empt enable (1 = enable/0 = disable SONIC pre-emption; AT9010)  
 U0 = User bit 0 (not used)

**CONFIGURATION REGISTER 2: default = C0 H**

| Bit        | 7  | 6  | 5   | 4   | 3   | 2   | 1   | 0   |
|------------|----|----|-----|-----|-----|-----|-----|-----|
| Short Name | PS | PS | PBA | PBA | PBA | PBA | RES | RES |
| Default    | 1  | 1  | 0   | 0   | 0   | 0   | 0   | 0   |

- PS = PROM select - size or disable (00 = 32k, 01 = 16k, 10 = 8k, 11 = disable)  
 PBA = PROM base address (for 16k EPROM: 000X = C0000 H, 001X = C4000 H,  
 010X = C8000H, 011X = CC000 H, 100X = D0000 H, 101X = D4000H,  
 110X = D8000 H, 111X = DC000 H)  
 RES = reserved

**CONFIGURATION REGISTER 3: default = C2 H**

| Bit        | 7   | 6   | 5   | 4   | 3      | 2   | 1   | 0   |
|------------|-----|-----|-----|-----|--------|-----|-----|-----|
| Short Name | CCA | MCC | MDT | MDT | RES/IS | ETO | DMA | DMA |
| Default    | 1   | 1   | 0   | 0   | 0      | 0   | 1   | 0   |

CCA = channel check (output) assert (not used)

MCC = mask channel check (not used)

MDT = master data transfer cycle speed (00 = 5, 01 = 6.7, 10 = 8, 11 = 10 MB/sec)

RES/ISA = AT9010: reserved

AT9010B: IOCHRDY signal assert (0 = normal/1 = early IOCHRDY signal)

ETO = extra time off (0 = extended/1 = normal -MEMW cycle)

DMA = DMA channel select (00 = DMA3, 01 = DMA 5, 10 = DMA 6 11 = DMA 7)

**CONFIGURATION REGISTER 15: default = 00 H**

| Bit        | 7      | 6   | 5  | 4  | 3  | 2  | 1   | 0   |
|------------|--------|-----|----|----|----|----|-----|-----|
| Short Name | RES/SR | CSI | P5 | P4 | P3 | II | RES | RES |
| Default    | 0      | 0   | 0  | 0  | 0  | 0  | 0   | 0   |

RES/SR = AT9010: reserved

AT9010B: software reset (1 = soft reset/0 = non-soft reset mode)

CSI = channel check (input) indicator (not used)

P5, P4, P3 = SONIC register page select - bit 5, bit 4, bit 3

II = interrupt indicator

RES = reserved

## APPENDIX IV: DP83916EB-AT SIGNALS

This appendix presents a detailed description of the adapter card control signals specific to timing, slave cycles and initialization, master cycles and hub management. They are presented in the form SIGNAL (ORIGIN, DESTINATION) or SIGNAL (ORIGIN to DESTINATION/ORIGIN to DESTINATION).

### CLOCK SIGNALS

The clock signals are provided for the synchronous operations of the AT9010, the SONIC-16 and the optional IR/M interface. They are described in detail below:

**20 MHz** (20 MHz Osc, AT9010 and SONIC-16 and Flip-flop) is an oscillator signal which drives all synchronous operations in the AT9010 and provides a clock for the SONIC-16's ENDEC. It also provides a 20 MHz signal to the flip-flop divide by two circuit which drives 10 MHz to the transmit BTL.

**BSCK** (AT9010, AT bus and GAL) provides timing for the SONIC-16 DMA logic.

**TXC** (Flip-flop, SONIC-16 and Tx BTL) provides the timing for the transmission of packets when using the hub-management interface.

### SLAVE CYCLE SIGNALS

The following control signals provide interrupt, reset and status functions:

**INT** (SONIC-16, AT9010) is active when the SONIC-16 is asserts an interrupt request.

**IRQx** (AT9010, AT bus) is asserted by the AT9010 when the SONIC-16 asserts its interrupt request line, INT. One of four lines IRQ9, IRQ5, IRQ4 or IRQ3 is selected as the interrupt by programming bits <2,1> of the AT9010's Configuration Register 0.

**RES\_DRV** (AT bus, AT9010) provides a hard reset to the AT9010. This signal initializes logic internal to the AT9010.

**LRESET/-RESET** (AT9010 to GAL to SONIC-16) provides a hardware reset to the SONIC-16. It is asserted and deasserted synchronous to BSCK. For the AT9010B, this signal is inverted inside the chip and is driven directly to the SONIC-16.

**S<2..0>** (SONIC-16, AT9010) are SONIC-16 status lines which indicate the current SONIC-16 bus operation.

**USER\_PIN3/EXT** (AT9010, SONIC-16 and PAL) drives the EXT pin input of the SONIC-16 low to enable the SONIC-16's internal ENDEC (when using a media interface) and high to disable the ENDEC (for managed-hub applications). The level of this signal is set in the AT9010's Configuration Register 1.

**USER\_PIN2/-RE\_EN** (AT9010, BTL) drives the receive enable signal RE\_EN, to one of the turbo-transceivers (BTL) when using the SONIC-16/RIC hub-management interface.

**POSCS3** (AT9010, A-buffer) enables an address buffer to load the address of the adapter card into AT9010 Configuration Register 1, bits <7..5> after hard reset. All other POSCS pins are not connected because the registers are loaded by software rather than by hardware.

The following signals are utilized during slave mode for both I/O cycles and EPROM cycles:

**BALE** (AT bus, AT9010) is driven high for all slave cycles on the DP83916EB-AT.

**HDDIR** (AT9010, D-Buffers) is an input to the data buffers which identifies the direction of a data transfer. It drives high for data transfers to the AT bus during an I/O or EPROM read cycle. It drives low for data transfers to the adapter card during an I/O write cycle.

**IOCHRDYAT/IOCHRDYBUS** (AT9010 to GAL to AT bus) are input and output signals for both the AT bus and the AT9010. For the original AT9010, the GAL translates the AT9010's IOCHRDYAT into IOCHRDYBUS and drives this signal to the AT bus to complete a 16-bit I/O cycle to the SONIC-16's registers. For the AT9010B, IOCHRDY is driven from the AT9010B directly to the AT bus. An early IOCHRDY signal can be driven by the AT9010B. This is detailed in the Slave Logic Section.

During I/O cycles, the following signals are generated:

**AEN** (AT bus, AT9010 and GAL) is a signal asserted high to all ports during DMA cycles to prevent I/O resources that do not have an active DACKx from responding to DMA controller I/O cycles. The AT9010 uses the low level of AEN to qualify CPU accesses to the registers in I/O space.

**IORD** (AT bus, AT9010 and GAL) indicates that the system is reading data from an I/O register.

**IOWR** (AT bus, AT9010 and GAL) indicates that the system is writing data to an I/O register.

**CS** (AT9010, SONIC-16) is the chip select to the SONIC-16.

**IOCS16** (AT9010, AT bus) is driven to the AT bus when SONIC-16 registers are to be accessed; it indicates a 16-bit slave device.

**PROMID** (AT9010, PROM) is the chip enable for the PROM.

**SAS** (AT9010, SONIC-16) is asserted by the AT9010 to the SONIC-16. During a register write cycle, this signal indicates a valid address on the bus. During a register read cycle, it indicates the SONIC-16 can begin sourcing data.

**SW-R** (AT9010, SONIC-16) is driven to the SONIC-16 to identify whether the current register access is a read or write cycle.

**RDY0** (SONIC-16, AT9010) is driven after the system has accessed the SONIC-16's registers and the SONIC-16 has completed the I/O cycle. The SONIC-16 may use this signal to insert wait states in the cycle.

The following signals are driven during AT memory cycles to the boot EPROM:

**EPROMRD** (AT9010, EPROM) is the chip enable for the boot EPROM.

**HAENB** (Comp, AT9010) is a signal which indicates when the BIOS EPROM is being accessed. It is the output of a comparator which uses the base address of the EPROM (in CR2, bits <5..2>) and LA<23..17> as inputs for an address decode.

**MEMR** (AT bus, AT9010) is input to the AT9010 to indicate a memory read cycle during EPROM memory access.

### MASTER CYCLE SIGNALS

A description of master signals generated while requesting the bus during memory read and write cycles is given below. Again, the format followed is SIGNAL (ORIGIN, DESTINATION).

**HOLD** (SONIC-16, AT9010 and GAL) is the SONIC-16's DMA request signal that notifies the AT9010 that the SONIC-16 is requesting the bus.

**DRQx** (AT9010, AT bus) is the conversion of HOLD. It is driven by the AT9010 through the AT bus to the DMA controller.

**DACKx** (AT bus, AT9010) is the DMA acknowledgment signal which grants the DMA controller ownership of the AT bus.

**MASTER** (AT9010, AT bus) is asserted to the AT bus when DACKx is received. It disables the DMA buffers off the AT bus.

**HLDAAT/HLDASONIC** (AT9010 to GAL to SONIC-16) is generated by the AT9010 when it has been granted ownership of the bus. Due to bugs in the original AT9010, HLDAAT is extended by the GAL up to one clock before being driven to the SONIC-16 as HLDASONIC. For the AT9010B, the problem is corrected and HLDA is driven directly to the SONIC-16.

**USER\_PIN1/PRE-EMPT** (AT9010, GAL) drives a 1 (or 0) to the GAL to enable (or disable) SONIC pre-emption. This is for the original AT9010 only.

The following signals are driven during the memory read or write cycles of master mode operation:

**BALE** (AT bus, AT9010) is high for the duration of master mode.

**ADS** (SONIC-16, AT9010) is an address strobe driven by the SONIC-16 which notifies the AT9010 of a valid address on the bus.

**HAOE** (AT9010, A-buffers) is an enable to the address buffers which gate the address from the adapter card to the AT bus.

**MW-R** (SONIC-16, AT9010) is input to the AT9010 by the SONIC-16 to indicate a read operation (signal low) or a write operation (signal high).

**MEMR** (AT9010, AT bus) is an AT9010 conversion of the signal MW/-R and indicates a SONIC-16 read cycle of system memory.

**MEMW** (AT9010, AT bus) is an AT9010 conversion of the signal MW-R and indicates a SONIC-16 write cycle to system memory.

**SBHE** (AT9010, AT bus) and (AT bus, AT 9010) denotes data on the most significant byte D<15..8> of the data bus. It notifies the system bus during a SONIC-16 memory write and notifies the AT9010 during a SONIC-16 memory read.

**HDDIR** (AT9010, D-Buffers) is an input to the data buffers which identifies the direction of a data transfer. It drives high for data transfers to the AT bus during a memory write cycle. It drives low for data transfers to the adapter card during a memory read cycle.

**HDOE1** (AT9010, D-buffer) enables the data buffer for the upper byte of data D<15..8>.

**HDOE0** (AT9010, D-buffer) enables the data buffer for the lower byte of data D<7..0>.

**IOCHRDBUS/IOCHRDYAT** (AT bus to GAL to AT9010) are input and output signals for both the AT bus and the AT9010. For the original AT9010, the GAL translates the AT bus's IOCHRDBUS into IOCHRDYAT and drives this signal to the AT9010 to insert wait states and complete a memory access. For the AT9010B, the AT bus drives IOCHRDBY directly to the AT9010B.

**RDYI** (AT9010, SONIC-16) indicates to the SONIC-16 that a memory cycle has completed. The SONIC-16 will wait for this signal before re-asserting ADS to begin another cycle.

## HUB MANAGEMENT SIGNALS

The following signals are generated during use of the in the hub management interface. The signals are presented in the format of SIGNAL (ORIGIN, DESTINATION) or SIGNAL (ORIGIN to DESTINATION /ORIGIN to DESTINATION).

**MCRS/CRS** (IR/M bus to BTL to SONIC-16) is the management carrier sense which indicates data on the SONIC-16's receive lines.

**MRXD/RXD** (IR/M bus to BTL to SONIC-16) is the management receive data.

**MRXC/RXC** (IR/M bus to BTL to SONIC-16) is the management receive clock.

**PCOMP** (SONIC-16 to BTL to M bus) is the SONIC-16's packet compression output pin which causes the transmitting RIC to inhibit the MRXC clock upon mismatch of the packet's destination address with the SONIC-16's CAM when the SONIC-16 is in managed-hub mode.

**TXE/IRE** (SONIC-16 to BTL to IR bus) is the SONIC-16's transmit enable signal.

**TXD/IRD** (SONIC-16 to BTL to IR bus) is the SONIC-16's transmit data.

**TXC/IRD** (Flip-flop to BTL and SONIC-16 to IR bus) is a 10 MHz transmit clock signal.

**ACKI** (IR bus, PAL) passes permission (ACKI = 1) or denial (ACKI = 0) to the SONIC-16 from the RIC above it in the arbitration chain. (This is for transmission arbitration.)

**ACKO** (PAL, IR bus) passes permission (ACKO = 1) to transmit over the Inter-RIC bus to the RIC below the SONIC-16 if the SONIC-16 has permission to transmit and does not want to transmit. ACKO passes denial (ACKO = 0) if the SONIC-16 does not have permission (ACKI = 0) or the SONIC-16 wants to transmit (ACKI = 1).

**TX\_EN** (PAL, BTL) is the transmit drive enable of the BTL. It is asserted when the SONIC-16 transmits (TXE = 1), has permission to transmit (ACKI = 1) and is configured for an external ENDEC (EXT = 1).

**ACTNd** (PAL, BTL) notifies the RICs that the SONIC-16 wants to transmit. It is asserted when the SONIC-16 transmits (TXE = 1) and it has permission to transmit (ACKI = 1).

**ANYXNd** (PAL, BTL) is asserted when the SONIC-16 transmits (TXE = 1) and it does not have permission to transmit (ACKI = 0). ANYXNd indicates a collision on the Inter-RIC bus.

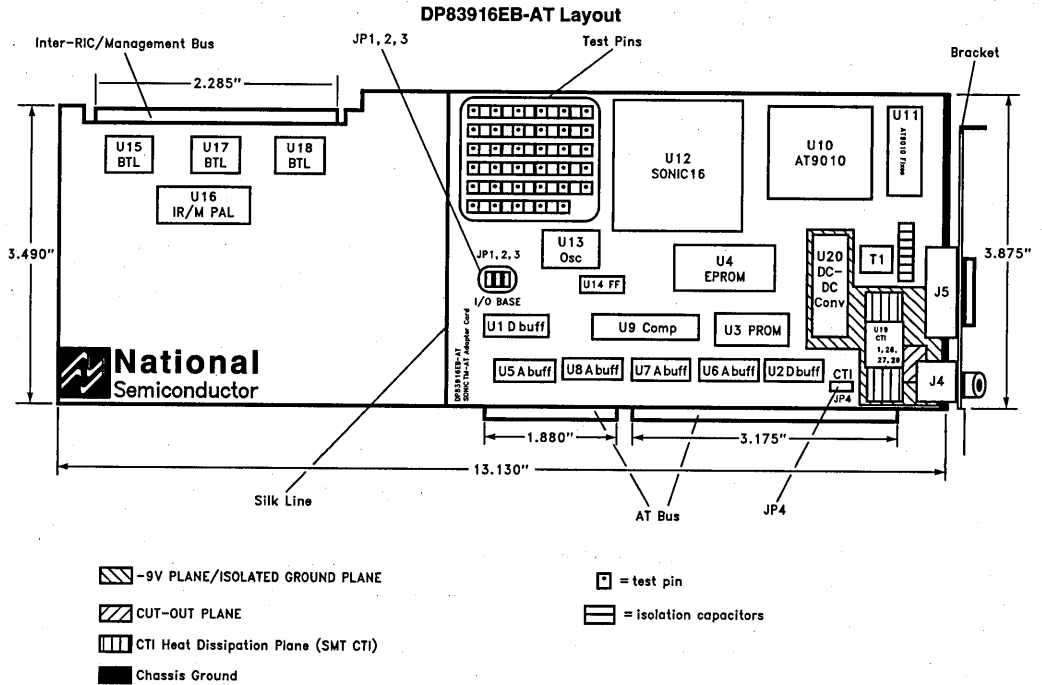
**ANYXNs** (BTL, PAL) senses transmit collisions on the Inter-RIC bus and the network.

**COL** (PAL, SONIC-16) is driven by the PAL when there is a transmit collision on the Inter-RIC bus (ANYXN = 1) or there is a receive collision on the network (COLN = 1) and during either event the SONIC-16 is transmitting (TXE = 1).

**COLN** (IR bus to BTL to PAL) indicates receive collisions on the network.

**APPENDIX V: DP83916EB-AT CARD AND COMPONENT PLACEMENT**

This appendix illustrates the placement of the DP83916EB-AT components. Special layout considerations for the DP8392 (Coaxial Transceiver Interface) are identified. (Details regarding these considerations can be found in the data sheet for the DP8392.) The silk line illustrates a place on the board in which power and ground planes and Inter-RIC/Management signals are non-overlapping; hence, the full card can be cut into a half card along this line. JP1-JP3 and JP4 are located on the adapter card as shown. A bed of test pins is provided on the card. The test pin signals are defined in Appendix VI.



TL/F/11707-14

**APPENDIX VI: TEST PIN LAYOUT**

The test pins and their associated signals are presented below. Most other signals can be probed off the bus via an AT extender card.

|                    |                       |                              |                       |                     |                     |
|--------------------|-----------------------|------------------------------|-----------------------|---------------------|---------------------|
| TP1<br>●<br>HOLD   | TP2<br>●<br>HLDASONIC | TP3<br>●<br>MW/R             | TP4<br>●<br>IOCHRDYAT | TP5<br>●<br>CS      | TP6<br>●<br>SAS     |
| TP7<br>●<br>INT    | TP8<br>●<br>BSCK      | TP9<br>●<br>RDYi             | TP10<br>●<br>RDYo     | TP11<br>●<br>S2     | TP12<br>●<br>S1     |
| TP13<br>●<br>S0    | TP14<br>●<br>COL      | TP15<br>●<br>RXD             | TP16<br>●<br>CRS      | TP17<br>●<br>RXC    | TP18<br>●<br>TXE    |
| TP19<br>●<br>TXC   | TP20<br>●<br>TXD      | TP21<br>●<br>PCOMP           | TP22<br>●<br>ADS      | TP23<br>●<br>SW/R   | TP24<br>●<br>RA5    |
| TP25<br>●<br>RA4   | TP26<br>●<br>RA3      | TP27<br>●<br>V <sub>CC</sub> | TP28<br>●<br>HDOE1    | TP29<br>●<br>HDOE0  | TP30<br>●<br>GROUND |
| TP31<br>●<br>HDDIR | TP32<br>●<br>HAOE     | TP33<br>●<br>RESET           | TP34<br>●<br>HAENB    | TP35<br>●<br>POSCS3 |                     |

TL/F/11707-15

**APPENDIX VII: DP83916EB-AT DESIGN CHANGE RECOMMENDATION**

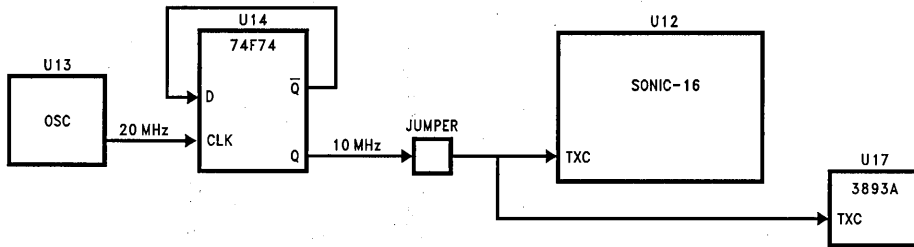
This appendix outlines a design change recommendation for future designs which implement both hub management and alternative media on the same card. There is a signal TXC which is driven from the flip-flop (U14) to the TXC pin (pin 12) of the SONIC-16 (U12) and the Inter-RIC/Management transmit BTL (U17). This signal is intended to provide a 10 MHz transmit clock to the SONIC-16's MAC when the SONIC is configured for hub management and hence, external ENDEC mode.

The current design of the DP83916EB-AT, however, provides TXC whether the SONIC-16 is in internal ENDEC mode (as a stand-alone node) or external ENDEC mode (as a hub manager). When the SONIC-16 is in internal ENDEC mode, it drives a 10 MHz signal (from the ENDEC) out of the chip. Because the flip-flop is also driving this node, a problem could arise if the clocks become out of phase.

Although no problems have arisen in lab testing, it is recommended that one of the following changes be made on future designs implementing the same functionality as the DP83916EB-AT. One of these changes will be implemented on the next version of this adapter card.

1. Place a jumper between the flip-flop output and the SONIC-16's TXC pin. Populate the jumper during hub management mode only.

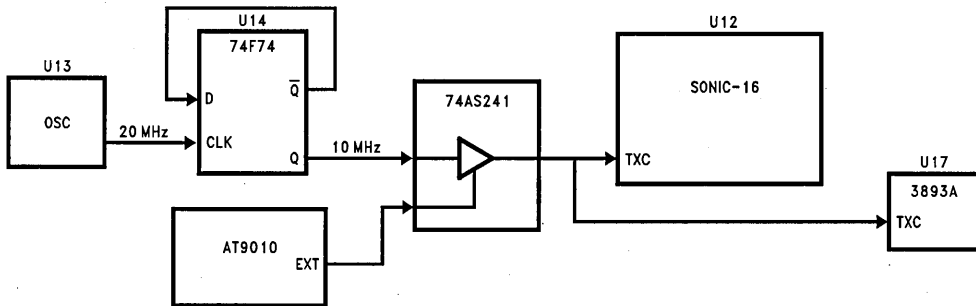
**Jumper Solution**



TL/F/11707-16

2. Place a TRI-STATE® buffer (74AS241A) between the flip-flop and the SONIC-16's TXC pin. Use the USER\_PIN3 EXT from the AT9010 as the buffer enable. When EXT is 0 for internal ENDEC, the buffer will be disabled. When EXT is 1 for external ENDEC, the buffer will be enabled and the 10 MHz signal will drive into the SONIC-16's TXC pin and the transmit BTL.

**TRI-STATE Buffer Solution**



TL/F/11707-17

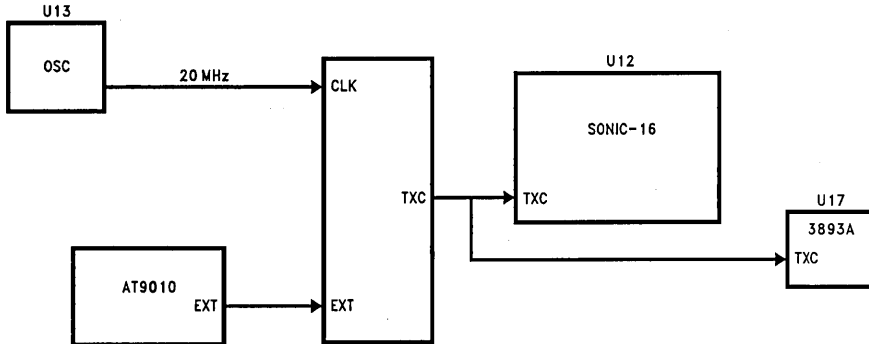


3. Delete the flip-flop (U14) and replace the PAL (U11) with a registered GAL (GAL16V8). Input the 20 MHz clock into the GAL's clock pin (pin 1). Define TXC in the pin assignment as TXC (pin 15). Change the device declaration to "P16V8R". Include in the GAL equations the following two equations: TXC := !TXC and TXC.OE = EXT. The signal TXC will only drive out when EXT is 1 for external ENDEC mode. When EXT is 0, TXC will be TRI-STATE.

**Note:** The ":" defines that the equation for TXC is clocked on the rising edge of the 20 MHz signal. Since all equations in the GAL are asynchronous except for the TXC equation, there should only be a colon before the equal sign for the TXC equation.

This solution reduces the overall chip count by one and places all hub management signals in one IR/M GAL. However, because the 20 MHz and 10 MHz signals are traversing half the length of the card, radiation of noise is increased.

#### Inter-RIC/Management GAL Solution



TL/F/11707-18

Additional Equations in GAL:

TXC := !TXC  
TXC.OE = EXT

**APPENDIX VIII: COMPATIBILITY TESTING**

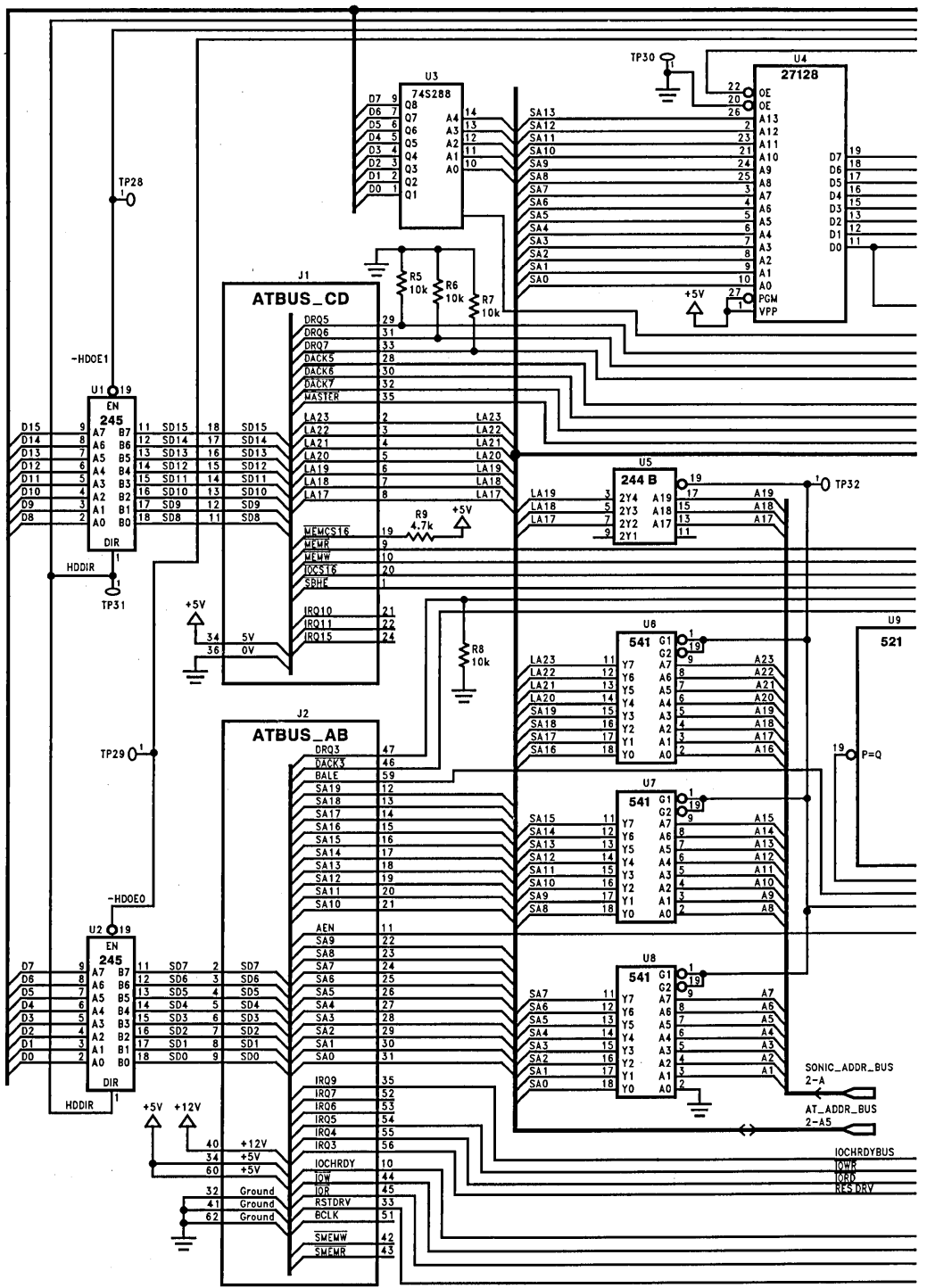
This appendix describes basic compatibility testing results for the DP83916EB-AT.

The DP83916EB-AT has been tested in various PC-AT/Compatible and EISA machines. The original AT9010 chip was used, SONIC-16 pre-emption was disabled and the master data transfer rate was 5 MB/s. The following basic tests were used:

1. Initialization and loopback
2. CAM load and Ethernet address PROM read
3. 16k EPROM enable/read
4. Simultaneous transmission/reception in two-node network
5. Continuous manual CTI loopback (set RCR to FE00h, set CTDA link field and CTDA register to current TDA address, set CR to 2h)

The DP83916EB-AT passed the basic tests in the following PC-AT/Compatible and EISA machines:

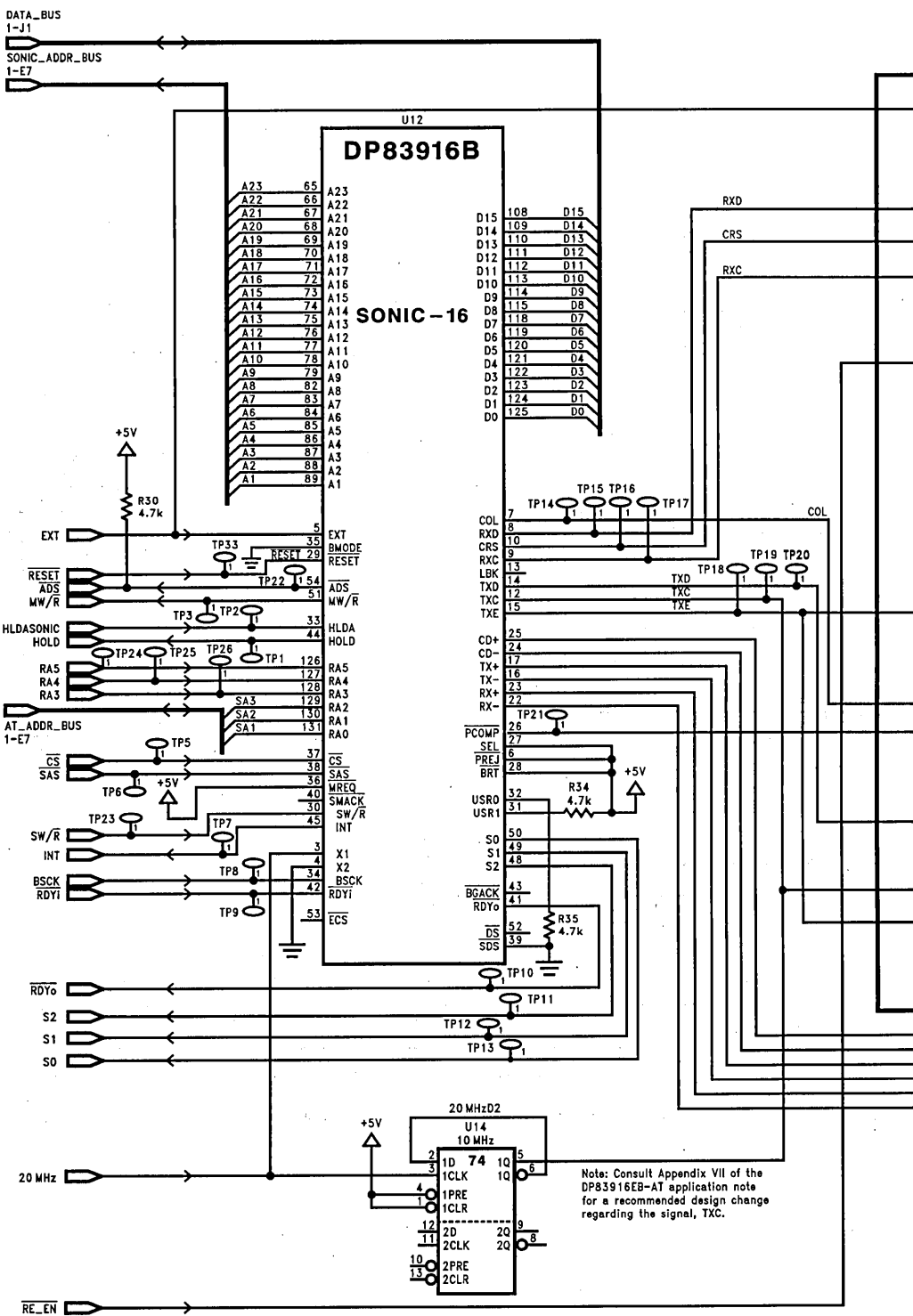
|       | <b>Machine</b>           | <b>Fastest Master Transfer Speed</b> |
|-------|--------------------------|--------------------------------------|
| AT:   | ALR 386DX/33 MHz         | 8 MB/s                               |
|       | AST 386/33 MHz           | 8 MB/s                               |
|       | Clone 386                | 8 MB/s                               |
|       | Clone 386SX/16 MHz       | 6.7 MB/s                             |
|       | Clone 386/25 MHz         | 10 MB/s                              |
|       | Clone 386/33 MHz         | 10 MB/s                              |
|       | Compaq 286               | 8 MB/s                               |
|       | Compaq 486DX/50 MHz      | 6.7 MB/s                             |
|       | Dell 386/25 MHz          | 6.7 MB/s                             |
|       | Dell 486SX/20 MHz        | 6.7 MB/s                             |
|       | Dell 486DX/50 MHz        | 8 MB/s                               |
|       | Everex 386SX/16 MHz      | 10 MB/s                              |
|       | Everex 386/33 MHz        | 10 MB/s                              |
|       | Zeos 486/33MHz           | 10 MB/s                              |
| EISA: | ALR EISA 386DX/33 MHz    | 8 MB/s                               |
|       | AST EISA 486/33 MHz      | 8 MB/s                               |
|       | Compaq EISA 386/33 MHz   | 6.7 MB/s                             |
|       | Compaq EISA 486SX/25 MHz | 6.7 MB/s                             |
|       | Compaq EISA 486DX/50 MHz | 10 MB/s                              |
|       | Dell EISA 486/25 MHz     | 8 MB/s                               |
|       | Dell EISA 486DX/33 MHz   | 8 MB/s                               |
|       | HP EISA 486/33 MHz       | 8 MB/s                               |
|       | NEC EISA 386/33 MHz      | 8 MB/s                               |



AT Bus Interface

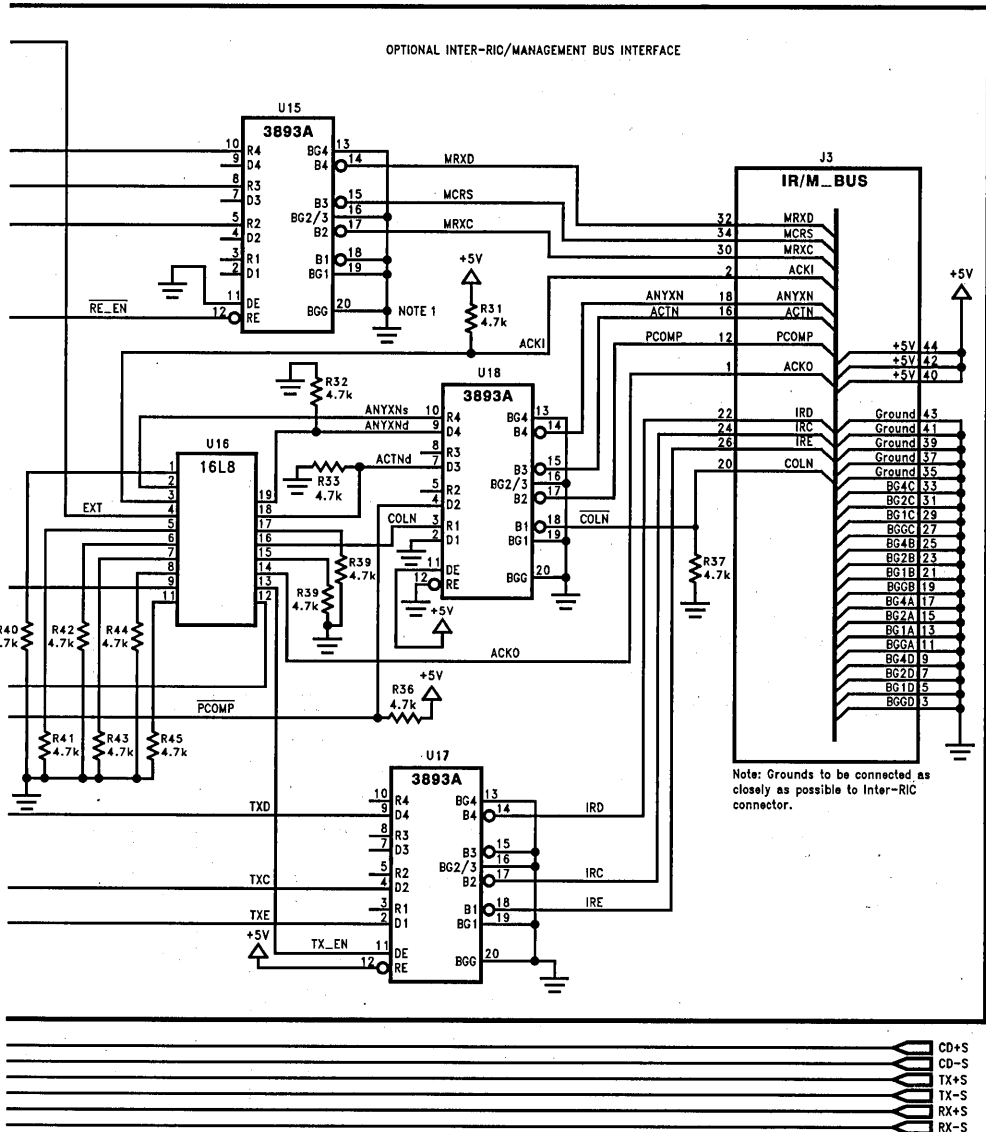
TL/F/11707-19





SONIC and Inter-RIC/Management Interface

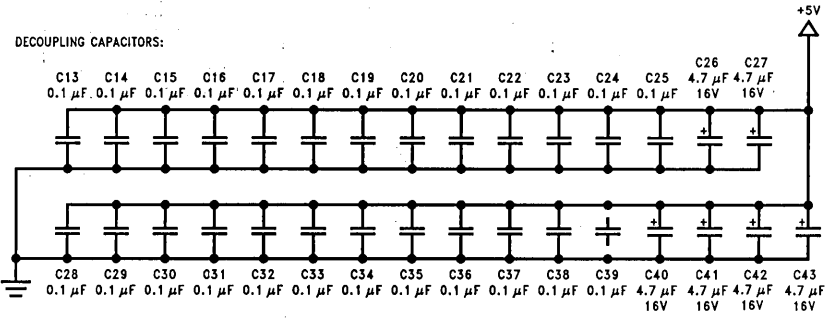
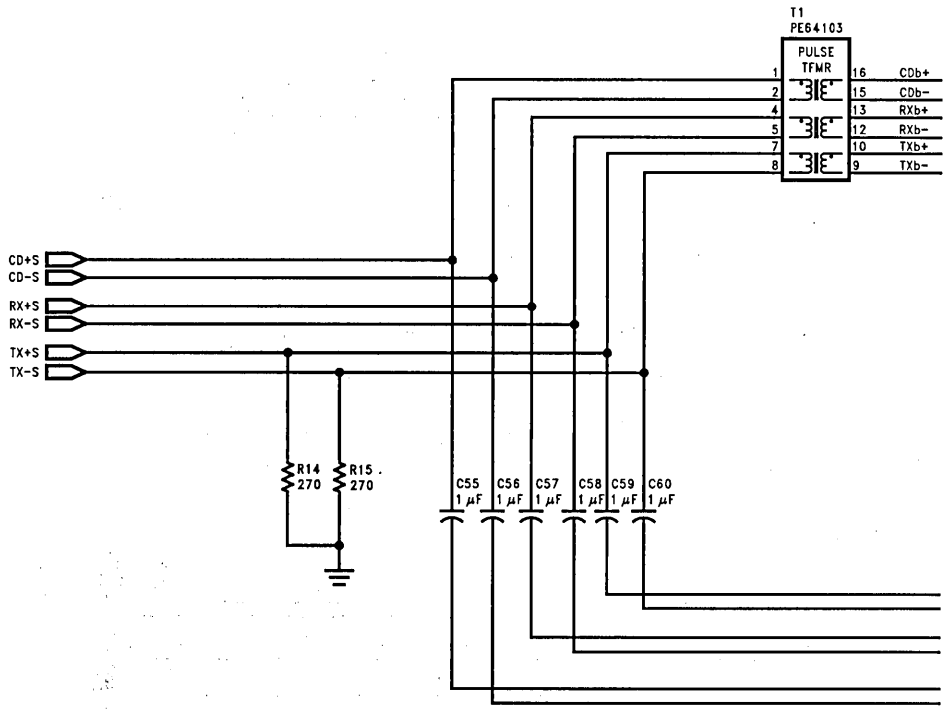
TL/F/11707-21



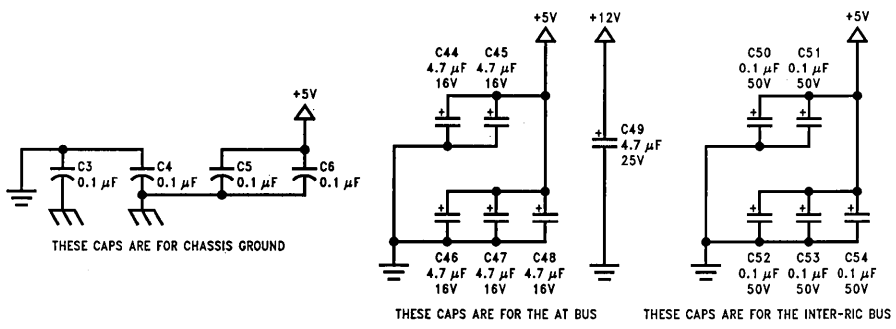
Note: Grounds to be connected as closely as possible to Inter-RIC connector.

SONIC and Inter-RIC/Management Interface (Continued)

TL/F/11707-22



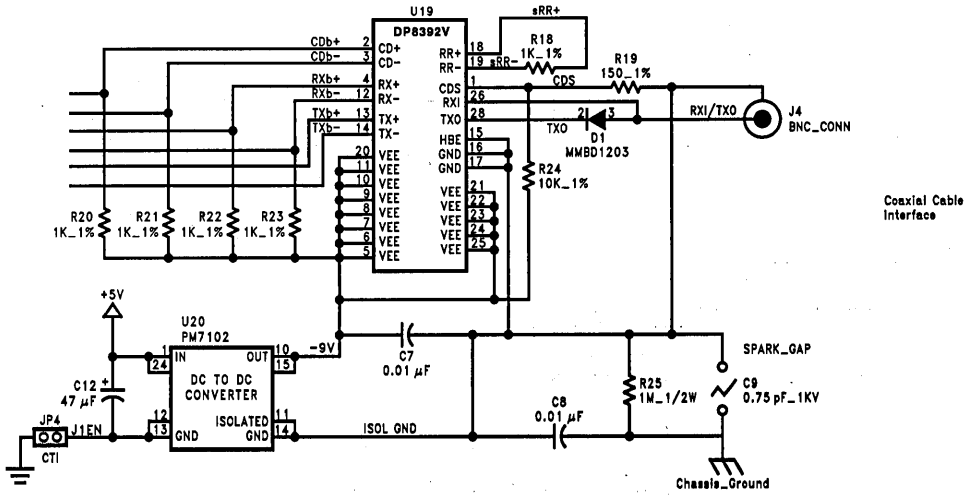
ONE 0.1 μF FOR EACH IC, THREE 0.1 μF FOR SONIC-16 AND AT9010, AND 4.7 μF FOR EVERY FOUR IC'S



Media Interface

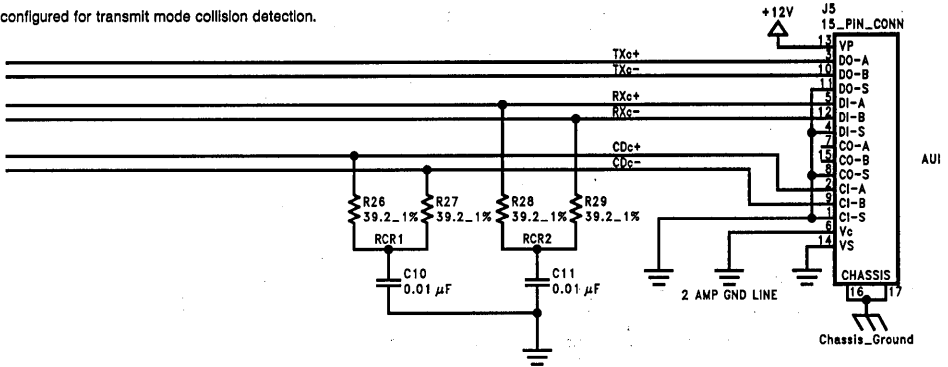
TL/F/11707-23





Coaxial Cable Interface

Note: CT1 configured for transmit mode collision detection.



AUI

TL/F/11707-24

Note: Unless otherwise specified, resistors are 5%, 1/4W.

Media Interface (Continued)





## Section 2

# ETHERNET PROTOCOL PRODUCTS

## **Physical Layer**

## **Transceivers and ENDECs**



## Section 2 Contents

|                                                                                |      |
|--------------------------------------------------------------------------------|------|
| DP8392C/DP8392C-1 CTI Coaxial Transceiver Interface .....                      | 2-3  |
| DP83910A CMOS SNI Serial Network Interface .....                               | 2-13 |
| DP8391A/NS32491A SNI Serial Network Interface .....                            | 2-23 |
| AN-442 Ethernet/Cheapernet Physical Layer Made Easy with DP8391/92 .....       | 2-33 |
| Reliability Data Summary for DP8392 .....                                      | 2-42 |
| AN-620 Interfacing the DP8392 to 93 $\Omega$ and 75 $\Omega$ Cable .....       | 2-44 |
| AN-621 Designing the DP8392 for Longer Cable Applications .....                | 2-47 |
| AN-757 Measuring Ethernet Tap Capacitance .....                                | 2-51 |
| AN-622 Low Power Ethernet with the CMOS DP83910 Serial Network Interface ..... | 2-54 |

# DP8392C/DP8392C-1 CTI Coaxial Transceiver Interface

## General Description

The DP8392C Coaxial Transceiver Interface (CTI) is a coaxial cable line driver/receiver for Ethernet/Thin Ethernet (Cheapernet) type local area networks. The CTI is connected between the coaxial cable and the Data Terminal Equipment (DTE). In Ethernet applications the transceiver is usually mounted within a dedicated enclosure and is connected to the DTE via a transceiver cable. In Cheapernet applications, the CTI is typically located within the DTE and connects to the DTE through isolation transformers only. The CTI consists of a Receiver, Transmitter, Collision Detector, and a Jabber Timer. The Transmitter connects directly to a 50 ohm coaxial cable where it is used to drive the coax when transmitting. During transmission, a jabber timer is initiated to disable the CTI transmitter in the event of a longer than legal length data packet. Collision Detection circuitry monitors the signals on the coax to determine the presence of colliding packets and signals the DTE in the event of a collision.

The CTI is part of a three chip set that implements the complete IEEE 802.3 compatible network node electronics as shown below. The other two chips are the DP8391 Serial Network Interface (SNI) and the DP8390 Network Interface Controller (NIC).

The SNI provides the Manchester encoding and decoding functions; whereas the NIC handles the Media Access Protocol and the buffer management tasks. Isolation between the CTI and the SNI is an IEEE 802.3 requirement that can be easily satisfied on signal lines using a set of pulse transformers that come in a standard DIP. However, the power isolation for the CTI is done by DC-to-DC conversion through a power transformer.

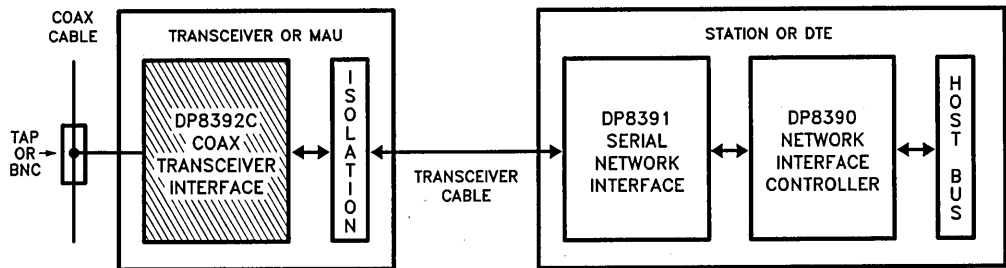
## Features

- Compatible with Ethernet II, IEEE 802.3 10Base5 and 10Base2 (Cheapernet)
- Integrates all transceiver electronics except signal & power isolation
- Innovative design minimizes external component count
- Jabber timer function integrated on chip
- Externally selectable CD Heartbeat allows operation with IEEE 802.3 compatible repeaters
- Precision circuitry implements receive mode collision detection
- Squelch circuitry at all inputs rejects noise
- Designed for rigorous reliability requirements of IEEE 802.3
- Standard Outline 16-pin DIP uses a special leadframe that significantly reduces the operating die temperature

## Table of Contents

- 1.0 System Diagram
- 2.0 Block Diagram
- 3.0 Functional Description
  - 3.1 Receiver Functions
  - 3.2 Transmitter Functions
  - 3.3 Collision Functions
  - 3.4 Jabber Functions
- 4.0 Typical Applications
- 5.0 Connection Diagrams
- 6.0 Pin Descriptions
- 7.0 Absolute Maximum Ratings
- 8.0 DP8392C Electrical Characteristics
- 9.0 DP8392C-1 Electrical Characteristics
- 10.0 Switching Characteristics
- 11.0 Timing and Load Diagram

## 1.0 System Diagram



IEEE 802.3 Compatible Ethernet/Cheapernet Local Area Network Chip Set

TL/F/11085-1

## 2.0 Block Diagram

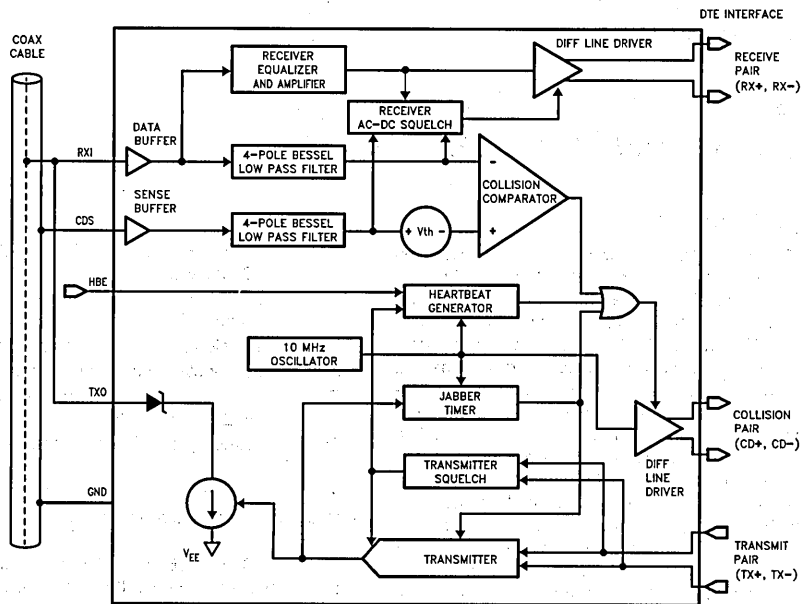


FIGURE 1. DP8392C Block Diagram

TL/F/11085-2

## 3.0 Functional Description

The CTI consists of four main logical blocks:

- the Receiver - receives data from the coax and sends it to the DTE
- the Transmitter - accepts data from the DTE and transmits it onto the coax
- the Collision Detect circuitry - indicates to the DTE any collision on the coax
- the Jabber Timer - disables the Transmitter in case of longer than legal length packets

### 3.1 RECEIVER FUNCTIONS

The Receiver includes an input buffer, a cable equalizer, a 4-pole Bessel low pass filter, a squelch circuit, and a differential line driver.

The buffer provides high input impedance and low input capacitance to minimize loading and reflections on the coax.

The equalizer is a high pass filter which compensates for the low pass effect of the cable. The composite result of the maximum length cable and the equalizer is a flatband response at the signal frequencies to minimize jitter.

The 4-pole Bessel low pass filter extracts the average DC level on the coax, which is used by both the Receiver squelch and the collision detection circuits.

The Receiver squelch circuit prevents noise on the coax from falsely triggering the Receiver in the absence of the signal. At the beginning of the packet, the Receiver turns on when the DC level from the low pass filter is lower than the DC squelch threshold. However, at the end of the packet, a quick Receiver turn off is needed to reject dribble bits. This is accomplished by an AC timing circuit that reacts to high level signals of greater than typically 200 ns in duration. The

Receiver then stays off only if within about 1  $\mu$ s, the DC level from the low pass filter rises above the DC squelch threshold. *Figure 2* illustrates the Receiver timing.

The differential line driver provides ECL compatible signals to the DTE with typically 3 ns rise and fall times. In its idle state, its outputs go to differential zero to prevent DC standing current in the isolation transformer.

### 3.2 TRANSMITTER FUNCTIONS

The Transmitter has a differential input and an open collector output current driver. The differential input common mode voltage is established by the CTI and should not be altered by external circuitry. The transformer coupling of TX $\pm$  will satisfy this condition. The driver meets all IEEE 802.3/Ethernet Specifications for signal levels. Controlled rise and fall times (25 ns V  $\pm$  5 ns) minimize the higher harmonic components. The rise and fall times are matched to minimize jitter. The drive current levels of the DP8392C meet the tighter recommended limits of IEEE 802.3 and are set by a built-in bandgap reference and an external 1% resistor. An on chip isolation diode is provided to reduce the Transmitter's coax load capacitance. For Ethernet compatible applications, an external isolation diode (see *Figure 4*) may be added to further reduce coax load capacitance. In Cheapernet compatible applications the external diode is not required as the coax capacitive loading specifications are relaxed.

The Transmitter squelch circuit rejects signals with pulse widths less than typically 20 ns (negative going), or with levels less than -175 mV. The Transmitter turns off at the end of the packet if the signal stays higher than -175 mV for more than approximately 300 ns. *Figure 3* illustrates the Transmitter timing.

### 3.0 Functional Description (Continued)

#### 3.3 COLLISION FUNCTIONS

The collision circuitry consists of two buffers, two 4-pole Bessel low pass filters (section 3.1), a comparator, a heartbeat generator, a 10 MHz oscillator, and a differential line driver.

Two identical buffers and 4-pole Bessel low pass filters extract the DC level on the center conductor (data) and the shield (sense) of the coax. These levels are monitored by the comparator. If the data level is more negative than the sense level by at least the collision threshold ( $V_{th}$ ), the collision output is enabled.

At the end of every transmission, the heartbeat generator creates a pseudo collision for a short time to ensure that the collision circuitry is properly functioning. This burst on collision output occurs typically  $1.1 \mu s$  after the transmission, and has a duration of about  $1 \mu s$ . This function can be disabled externally with the HBE (Heartbeat Enable) pin to allow operation with repeaters.

The 10 MHz oscillator generates the signal for the collision and heartbeat functions. It is also used as the timebase for all the jabber functions. It does not require any external components.

The collision differential line driver transfers the 10 MHz signal to the  $CD \pm$  pair in the event of collision, jabber, or heartbeat conditions. This line driver also features zero differential idle state.

#### 3.4 JABBER FUNCTIONS

The Jabber Timer monitors the Transmitter and inhibits transmission if the Transmitter is active for longer than 20 ms (fault). It also enables the collision output for the fault duration. After the fault is removed, The Jabber Timer waits for about 500 ms (unjab time) before re-enabling the Transmitter. The transmit input must stay inactive during the unjab time.

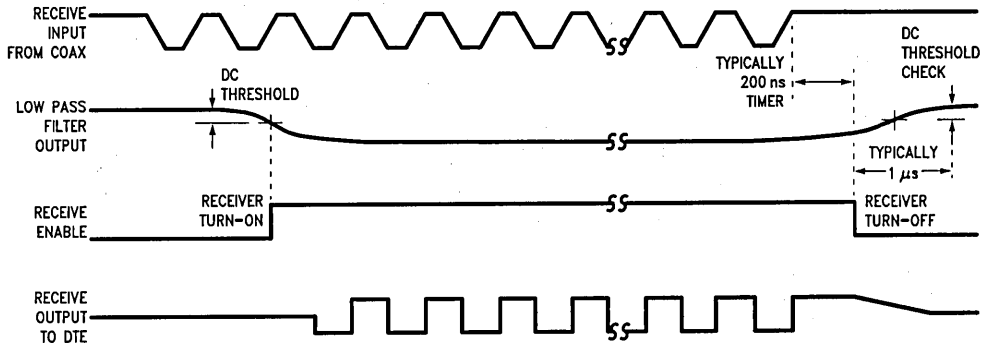


FIGURE 2. Receiver Timing

TL/F/11085-3

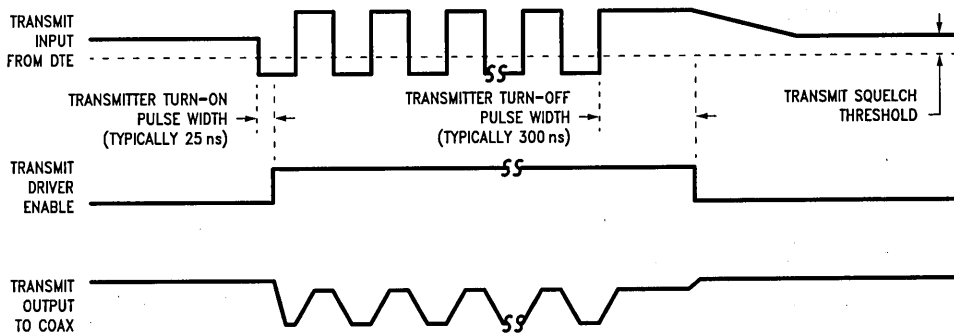
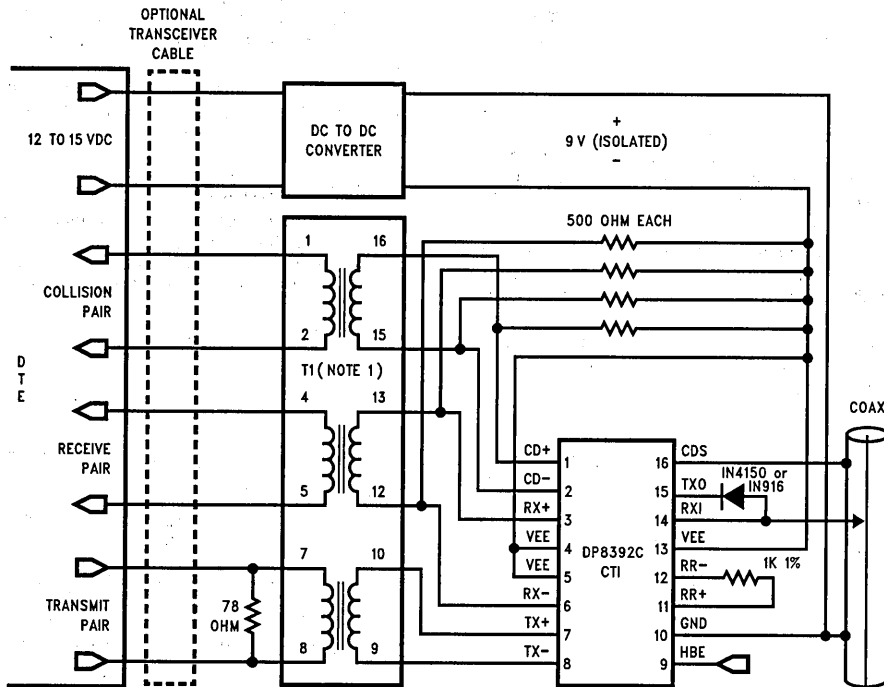


FIGURE 3. Transmitter Timing

TL/F/11085-4

### 4.0 Typical Application

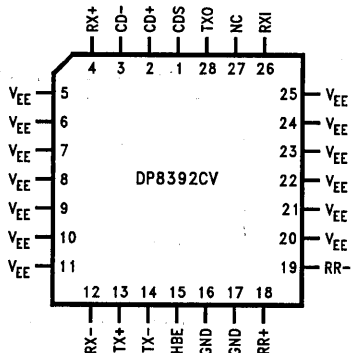


**Note 1:** T1 is a 1:1 pulse transformer, L = 100  $\mu$ H  
 Pulse Engineering (San Diego) Part No. 64103  
 Valer Electronics (San Diego) Part No.  
 LT6003 or equivalent

FIGURE 4

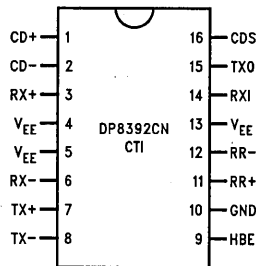
TL/F/11085-5

### 5.0 Connection Diagrams



Order Number DP8392CV  
 See NS Package Number V28A

TL/F/11085-6



Top View  
 Order Number DP8392CN  
 See NS Package Number N16A

TL/F/11085-16

FIGURE 5

## 6.0 Pin Descriptions

| 28-Pin PLCC   | 16-Pin DIP   | Name        | I/O | Description                                                                                                                                                                                                                                                                                                                                                                                                                                                                                                                                                                 |
|---------------|--------------|-------------|-----|-----------------------------------------------------------------------------------------------------------------------------------------------------------------------------------------------------------------------------------------------------------------------------------------------------------------------------------------------------------------------------------------------------------------------------------------------------------------------------------------------------------------------------------------------------------------------------|
| 2<br>3        | 1<br>2       | CD+*<br>CD- | O   | <b>Collision Output.</b> Balanced differential line driver outputs from the collision detect circuitry. The 10 MHz signal from the internal oscillator is transferred to these outputs in the event of collision, excessive transmission (jabber), or during CD Heartbeat condition. These outputs are open emitters; pulldown resistors to VEE are required. When operating into a 78Ω transmission line, these resistors should be 500Ω. In Cheapernet applications, where the 78Ω drop cable is not used, higher resistor values (up to 1.5k) may be used to save power. |
| 4<br>12       | 3<br>6       | RX+*<br>RX- | O   | <b>Receive Output.</b> Balanced differential line driver outputs from the Receiver. These outputs also require 500Ω pulldown resistors.                                                                                                                                                                                                                                                                                                                                                                                                                                     |
| 13<br>14      | 7<br>8       | TX+*<br>TX- | I   | <b>Transmit Input.</b> Balanced differential line receiver inputs to the Transmitter. The common mode voltage for these inputs is determined internally and must not be externally established. Signals meeting Transmitter squelch requirements are waveshaped and output at TXO.                                                                                                                                                                                                                                                                                          |
| 15            | 9            | HBE         | I   | <b>Heartbeat Enable.</b> This input enables CD Heartbeat when grounded, disables it when connected to VEE.                                                                                                                                                                                                                                                                                                                                                                                                                                                                  |
| 18<br>19      | 11<br>12     | RR+<br>RR-  | I   | <b>External Resistor.</b> A fixed 1k 1% resistor connected between these pins establishes internal operating currents.                                                                                                                                                                                                                                                                                                                                                                                                                                                      |
| 26            | 14           | RXI         | I   | <b>Receive Input.</b> Connects directly to the coaxial cable. Signals meeting Receiver squelch requirements are equalized for inter-symbol distortion, amplified, and outputted at RX±.                                                                                                                                                                                                                                                                                                                                                                                     |
| 28            | 15           | TXO         | O   | <b>Transmit Output.</b> Connects either directly (Cheapernet) or via an isolation diode (Ethernet) to the coaxial cable.                                                                                                                                                                                                                                                                                                                                                                                                                                                    |
| 1             | 16           | CDS         | I   | <b>Collision Detect Sense.</b> Ground sense connection for the collision detect circuit. This pin should be connected separately to the shield to avoid ground drops from altering the receive mode collision threshold.                                                                                                                                                                                                                                                                                                                                                    |
| 16, 17        | 10           | GND         |     | <b>Positive Supply Pin.</b> A 0.1 μF ceramic decoupling capacitor must be connected across GND and VEE as close to the device as possible.                                                                                                                                                                                                                                                                                                                                                                                                                                  |
| 5-11<br>20-25 | 4<br>5<br>13 | VEE         |     | <b>Negative Supply Pins.</b> In order to make full use of the 3.5W power dissipation capability of this package, these pins should be connected to a large metal frame area on the PC board. Doing this will reduce the operating die temperature of the device thereby increasing the long term reliability.                                                                                                                                                                                                                                                               |

\*IEEE names for CD± = CI±, RX± = DI±, TX± = DO±

### 6.1 P.C. BOARD LAYOUT

The DP8392C package is uniquely designed to ensure that the device meets the 1 million hour Mean Time Between Failure (MTBF) requirement of the IEEE 802.3 standard. In order to fully utilize this heat dissipation design, the three VEE pins are to be connected to a copper plane which should be included in the printed circuit board layout.

There are two basic considerations in designing a PCB for the DP8392C and C-1 CTI. The first is ensuring that the layout does not degrade the electrical characteristics of the DP8392, and enables the end product to meet the IEEE 802.3 specifications. The second consideration is meeting the thermal requirements to the DP8392.

Since the DP8392 is highly integrated the layout is actually quite simple, and there are just a few guidelines:

1. Ensure that the parasitic capacitance added to the RXI and TXO pins is minimized. To do this keep these signal traces short, and remove any power planes under these signals, and under any components that connect to these signals. *Figure 6* shows the component placement for the DIP package. The PLCC component placement would be similar, as shown in *Figure 7*.

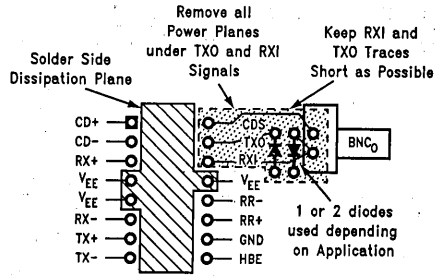
2. The power supply layout to the CTI should be relatively clean. Usually the CTI's power is supplied directly by a DC-DC converter. The power should be routed either through separate isolated planes, or via thick PCB traces.

For the second consideration, the packaged DP8392 must have a thermal resistance of 40°C–45°C/W to meet the full 0°C–70°C temperature range. The CTI dissipates more power when transmitting than while it is idle. In order to do this the thermal resistance of the device must be 40°C–45°C/W. To meet this requirement during transmission, it is recommended that a small printed circuit board plane be connected to all VEE pins on the solder side of the PCB.

The size of the trace plane depends on the package used and the duty cycle of transmissions. For the DIP package the plane should be connected to pins 4–5, 13, and the size should be approximately 0.2 square inches for applications where the duty cycle of the transmitter is very low (<10%). This would be typical of adapter or motherboard applications. In applications where the transmitter duty cycle may be large (repeaters and external transceivers) the total area should be increased to 0.4 in<sup>2</sup>. *Figure 6* illustrates a recommended component side layout for these planes.

### 6.0 Pin Descriptions (Continued)

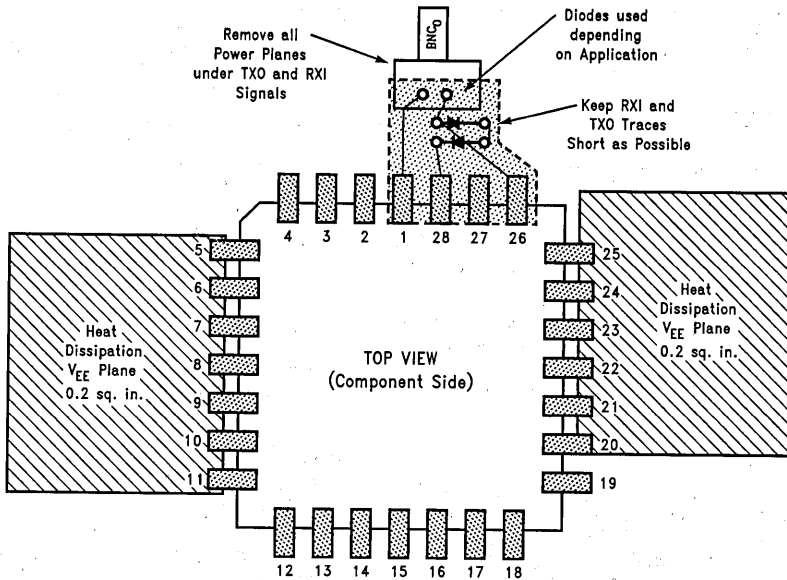
For the PLCC packaged DP8392, it is recommended that a small printed circuit board  $V_{EE}$  plane be connected to pins 5-11, and a second one be connected to pins 20-25. To reduce the thermal resistance to the required value, the area of the plane on EACH set of pins should be  $\geq 0.20 \text{ in}^2$  for applications with low transmitter duty cycle, and  $\geq 0.4 \text{ in}^2$  for high transmit duty cycle applications. Figure 7 illustrates a recommended component side layout for these planes.



TL/F/11085-14

Layout as viewed from component side

**FIGURE 6. Typical Layout Considerations for DP8392CN (Not to Scale)**



TL/F/11085-15

**FIGURE 7. Recommended Layout and Dissipation Planes for DP8392CV (Not to Scale)**



## 7.0 Absolute Maximum Ratings (Note 1)

|                                                    |                             |
|----------------------------------------------------|-----------------------------|
| Supply Voltage ( $V_{EE}$ )                        | -12V                        |
| Package Power Rating at 25°C<br>(PC Board Mounted) | 3.5 Watts*<br>See Section 5 |
| Derate linearly at the rate of 28.6 mW/°C          |                             |
| Input Voltage                                      | 0 to -12V                   |
| Storage Temperature                                | -65° to 150°C               |
| Lead Temp. (Soldering, 10 seconds)                 | 260°C                       |

\*For actual power dissipation of the device please refer to section 7.0.

## Recommended Operating Conditions

|                             |            |
|-----------------------------|------------|
| Supply Voltage ( $V_{EE}$ ) | -9V ±5%    |
| Ambient Temperature         | 0° to 70°C |

If Military/Aerospace specified devices are required, please contact the National Semiconductor Sales Office/Distributors for availability and specifications.

## 8.0 DP8392C Electrical Characteristics $V_{EE} = -9V \pm 5\%$ , $T_A = 0^\circ$ to $70^\circ C$ (Notes 2 & 3)

All parameters with respect to  $CD \pm$  and  $RX \pm$  are measured after the pulse transformer except  $V_{OC}$ .

| Symbol    | Parameter                                              | Min   | Typ   | Max       | Units      |
|-----------|--------------------------------------------------------|-------|-------|-----------|------------|
| $I_{EE1}$ | Supply current out of $V_{EE}$ pin—non transmitting    |       | -85   | -130      | mA         |
| $I_{EE2}$ | Supply current out of $V_{EE}$ pin—transmitting        |       | -125  | -180      | mA         |
| $I_{RXI}$ | Receive input bias current (RXI)                       | -2    |       | +25       | $\mu A$    |
| $I_{TDC}$ | Transmit output dc current level (TXO)                 | 37    | 41    | 45        | mA         |
| $I_{TAC}$ | Transmit output ac current level (TXO)                 | ±28   |       | $I_{TDC}$ | mA         |
| $V_{CD}$  | Collision threshold (Receive mode)                     | -1.45 | -1.53 | -1.58     | V          |
| $V_{OD}$  | Differential output voltage ( $RX \pm$ , $CD \pm$ )    | ±550  |       | ±1200     | mV         |
| $V_{OC}$  | Common mode output voltage ( $RX \pm$ , $CD \pm$ )     | -1.5  | -2.0  | -2.5      | V          |
| $V_{OB}$  | Diff. output voltage imbalance ( $RX \pm$ , $CD \pm$ ) |       |       | ±40       | mV         |
| $V_{TS}$  | Transmitter squelch threshold ( $TX \pm$ )             | -175  | -225  | -300      | mV         |
| $C_X$     | Input capacitance (RXI)                                |       | 1.2   |           | pF         |
| $R_{RXI}$ | Shunt resistance—non transmitting (RXI)                | 100   |       |           | K $\Omega$ |
| $R_{TXO}$ | Shunt resistance—transmitting (TXO)                    |       | 10    |           | K $\Omega$ |

## 9.0 DP8392C-1 Electrical Characteristics $V_{EE} = -9V \pm 5\%$ , $T_A = 0^\circ$ to $70^\circ C$ (Notes 2 & 3)

All parameters with respect to  $CD \pm$  and  $RX \pm$  are measured after the pulse transformer except  $V_{OC}$ .

| Symbol    | Parameter                                              | Min   | Typ   | Max       | Units      |
|-----------|--------------------------------------------------------|-------|-------|-----------|------------|
| $I_{EE1}$ | Supply current out of $V_{EE}$ pin—non transmitting    |       | -85   | -130      | mA         |
| $I_{EE2}$ | Supply current out of $V_{EE}$ pin—transmitting        |       | -125  | -180      | mA         |
| $I_{RXI}$ | Receive input bias current (RXI)                       | -2    |       | +25       | $\mu A$    |
| $I_{TDC}$ | Transmit output dc current level (TXO)                 | 37    | 41    | 45        | mA         |
| $I_{TAC}$ | Transmit output ac current level (TXO)                 | ±28   |       | $I_{TDC}$ | mA         |
| $V_{CD}$  | Collision threshold (Receive mode)                     | -1.45 | -1.53 | -1.58     | V          |
| $V_{OD}$  | Differential output voltage ( $RX \pm$ , $CD \pm$ )    | ±550  |       | ±1200     | mV         |
| $V_{OC}$  | Common mode output voltage ( $RX \pm$ , $CD \pm$ )     | -1.5  | -2.0  | -2.5      | V          |
| $V_{OB}$  | Diff. output voltage imbalance ( $RX \pm$ , $CD \pm$ ) |       |       | ±40       | mV         |
| $V_{TS}$  | Transmitter squelch threshold ( $TX \pm$ )             | -175  | -225  | -275      | mV         |
| $C_X$     | Input capacitance (RXI)                                |       | 1.2   |           | pF         |
| $R_{RXI}$ | Shunt resistance—non transmitting (RXI)                | 100   |       |           | K $\Omega$ |
| $R_{TXO}$ | Shunt resistance—transmitting (TXO)                    | 7.5K  | 10    |           | K $\Omega$ |

**Note 1:** Absolute maximum ratings are those values beyond which the safety of the device cannot be guaranteed. They are not meant to imply that the device should be operated at these limits.

**Note 2:** All currents into device pins are positive, all currents out of device pins are negative. All voltages referenced to ground unless otherwise specified.

**Note 3:** All typicals are given for  $V_{EE} = -9V$  and  $T_A = 25^\circ C$ .

## 10.0 DP8392C Switching Characteristics $V_{EE} = -9V \pm 5\%$ , $T_A = 0^\circ$ to $70^\circ\text{C}$ (Note 3)

| Symbol     | Parameter                                               | Fig     | Min | Typ       | Max  | Units         |
|------------|---------------------------------------------------------|---------|-----|-----------|------|---------------|
| $t_{RON}$  | Receiver startup delay (RXI to RX $\pm$ )               | 8 & 14  |     | 4         |      | bits          |
| $t_{Rd}$   | Receiver propagation delay (RXI to RX $\pm$ )           | 8 & 14  |     | 15        | 50   | ns            |
| $t_{Rr}$   | Differential outputs rise time (RX $\pm$ , CD $\pm$ )   | 8 & 14  |     | 4         |      | ns            |
| $t_{Rf}$   | Differential outputs fall time (RX $\pm$ , CD $\pm$ )   | 8 & 14  |     | 4         |      | ns            |
| $t_{RJ}$   | Receiver & cable total jitter                           | 13      |     | $\pm 2$   |      | ns            |
| $t_{TST}$  | Transmitter startup delay (TX $\pm$ to TXO)             | 9 & 14  |     | 1         |      | bits          |
| $t_{Td}$   | Transmitter propagation delay (TX $\pm$ to TXO)         | 9 & 14  |     | 25        | 50   | ns            |
| $t_{Tr}$   | Transmitter rise time —10% to 90% (TXO)                 | 9 & 14  |     | 25        |      | ns            |
| $t_{Tf}$   | Transmitter fall time —90% to 10% (TXO)                 | 9 & 14  |     | 25        |      | ns            |
| $t_{TM}$   | $t_{Tr}$ and $t_{Tf}$ mismatch                          |         |     | 0.5       |      | ns            |
| $t_{TS}$   | Transmitter skew (TXO)                                  |         |     | $\pm 0.5$ |      | ns            |
| $t_{TON}$  | Transmit turn-on pulse width at $V_{TS}$ (TX $\pm$ )    | 9 & 14  |     | 20        |      | ns            |
| $t_{TOFF}$ | Transmit turn-off pulse width at $V_{TS}$ (TX $\pm$ )   | 9 & 14  |     | 250       |      | ns            |
| $t_{CON}$  | Collision turn-on delay                                 | 10 & 14 |     | 7         |      | bits          |
| $t_{COFF}$ | Collision turn-off delay                                | 10 & 14 |     |           | 20   | bits          |
| $f_{CD}$   | Collision frequency (CD $\pm$ )                         | 10 & 14 | 8.0 |           | 12.5 | MHz           |
| $t_{CP}$   | Collision pulse width (CD $\pm$ )                       | 10 & 14 | 35  |           | 70   | ns            |
| $t_{HON}$  | CD Heartbeat delay (TX $\pm$ to CD $\pm$ )              | 11 & 14 | 0.6 |           | 1.6  | $\mu\text{s}$ |
| $t_{HW}$   | CD Heartbeat duration (CD $\pm$ )                       | 11 & 14 | 0.5 | 1.0       | 1.5  | $\mu\text{s}$ |
| $t_{JA}$   | Jabber activation delay (TX $\pm$ to TXO and CD $\pm$ ) | 12 & 14 | 20  | 29        | 60   | ms            |
| $t_{JR}$   | Jabber reset unjab time (TX $\pm$ to TXO and CD $\pm$ ) | 12 & 14 | 250 | 500       | 750  | ms            |

## DP8392C-1 Switching Characteristics $V_{EE} = -9V \pm 5\%$ , $T_A = 0^\circ$ to $70^\circ\text{C}$ (Note 3)

| Symbol     | Parameter                                               | Fig     | Min | Typ       | Max  | Units         |
|------------|---------------------------------------------------------|---------|-----|-----------|------|---------------|
| $t_{RON}$  | Receiver startup delay (RXI to RX $\pm$ )               | 8 & 14  |     | 4         | 5    | bits          |
| $t_{Rd}$   | Receiver propagation delay (RXI to RX $\pm$ )           | 8 & 14  |     | 15        | 50   | ns            |
| $t_{Rr}$   | Differential outputs rise time (RX $\pm$ , CD $\pm$ )   | 8 & 14  |     | 4         | 7    | ns            |
| $t_{Rf}$   | Differential outputs fall time (RX $\pm$ , CD $\pm$ )   | 8 & 14  |     | 4         | 7    | ns            |
| $t_{RJ}$   | Receiver & cable total jitter                           | 13      |     | $\pm 2$   |      | ns            |
| $t_{TST}$  | Transmitter startup delay (TX $\pm$ to TXO)             | 9 & 14  |     | 1         | 2    | bits          |
| $t_{Td}$   | Transmitter propagation delay (TX $\pm$ to TXO)         | 9 & 14  | 5   | 25        | 50   | ns            |
| $t_{Tr}$   | Transmitter rise time —10% to 90% (TXO)                 | 9 & 14  | 20  | 25        | 30   | ns            |
| $t_{Tf}$   | Transmitter fall time —90% to 10% (TXO)                 | 9 & 14  | 20  | 25        | 30   | ns            |
| $t_{TM}$   | $t_{Tr}$ and $t_{Tf}$ mismatch                          |         |     | 0.5       |      | ns            |
| $t_{TS}$   | Transmitter skew (TXO)                                  |         |     | $\pm 0.5$ |      | ns            |
| $t_{TON}$  | Transmit turn-on pulse width at $V_{TS}$ (TX $\pm$ )    | 9 & 14  | 5   | 20        | 40   | ns            |
| $t_{TOFF}$ | Transmit turn-off pulse width at $V_{TS}$ (TX $\pm$ )   | 9 & 14  | 110 |           | 270  | ns            |
| $t_{CON}$  | Collision turn-on delay                                 | 10 & 14 |     | 7         | 13   | bits          |
| $t_{COFF}$ | Collision turn-off delay                                | 10 & 14 |     |           | 20   | bits          |
| $f_{CD}$   | Collision frequency (CD $\pm$ )                         | 10 & 14 | 8.5 |           | 12.5 | MHz           |
| $t_{CP}$   | Collision pulse width (CD $\pm$ )                       | 10 & 14 | 35  |           | 70   | ns            |
| $t_{HON}$  | CD Heartbeat delay (TX $\pm$ to CD $\pm$ )              | 11 & 14 | 0.6 |           | 1.6  | $\mu\text{s}$ |
| $t_{HW}$   | CD Heartbeat duration (CD $\pm$ )                       | 11 & 14 | 0.5 | 1.0       | 1.5  | $\mu\text{s}$ |
| $t_{JA}$   | Jabber activation delay (TX $\pm$ to TXO and CD $\pm$ ) | 12 & 14 | 20  | 29        | 60   | ms            |
| $t_{JR}$   | Jabber reset unjab time (TX $\pm$ to TXO and CD $\pm$ ) | 12 & 14 | 250 | 500       | 750  | ms            |

**Note 1:** Absolute maximum ratings are those values beyond which the safety of the device cannot be guaranteed. They are not meant to imply that the device should be operated at these limits.

**Note 2:** All currents into device pins are positive, all currents out of device pins are negative. All voltages referenced to ground unless otherwise specified.

**Note 3:** All typicals are given for  $V_{EE} = -9V$  and  $T_A = 25^\circ\text{C}$ .

# 11.0 Timing and Load Diagrams

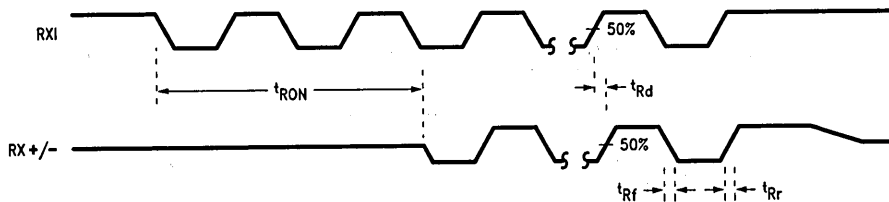


FIGURE 8. Receiver Timing

TL/F/11085-7

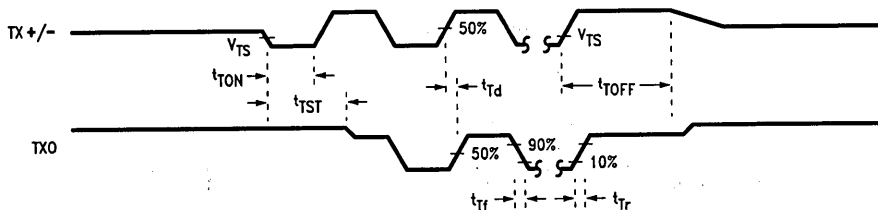


FIGURE 9. Transmitter Timing

TL/F/11085-8

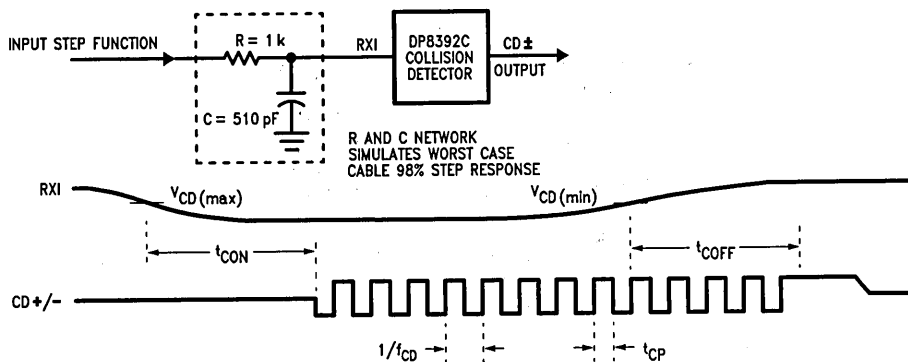


FIGURE 10. Collision Timing

TL/F/11085-9



FIGURE 11. Heartbeat Timing

TL/F/11085-10

# 11.0 Timing and Load Diagrams (Continued)

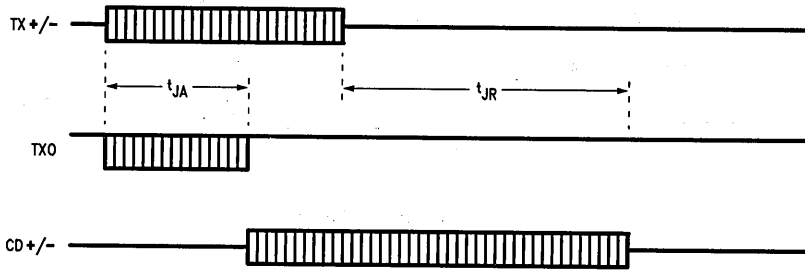
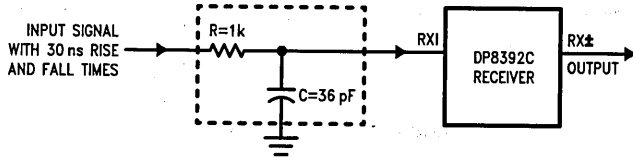
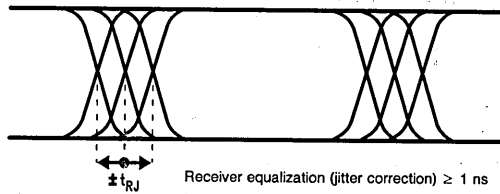


FIGURE 12. Jabber Timing

TL/F/11085-11



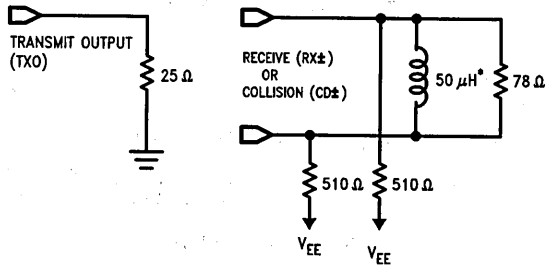
R AND C NETWORK  
SIMULATES WORST  
CASE CABLE JITTER



Receiver equalization (jitter correction)  $\geq 1$  ns  
Input jitter at RX $\pm$   $\leq \pm 7$  ns  
Output jitter at RX $\pm$   $\leq \pm 6$  ns

TL/F/11085-12

FIGURE 13. Receive Jitter Timing



TL/F/11085-13

\*The 50  $\mu$ H inductance is for testing purposes. Pulse transformers with higher inductances are recommended (see Figure 4)

FIGURE 14. Test Loads

## DP83910A CMOS SNI Serial Network Interface

### General Description

The DP83910A CMOS Serial Network Interface (SNI) is a direct-pin equivalent of the bipolar DP8391 SNI and provides the Manchester data encoding and decoding functions for IEEE 802.3 Ethernet/Thin-Ethernet type local area networks. The SNI interfaces the DP8390 Network Interface Controller (NIC) to the DP8392 CTI or an Ethernet transceiver cable. When transmitting, the SNI converts non-return-to-zero (NRZ) data from the controller into Manchester data and sends the converted data differentially to the transceiver. Conversely, when receiving, a Phase Lock Loop decodes the 10 Mbit/s data from the transceiver into NRZ data for the controller.

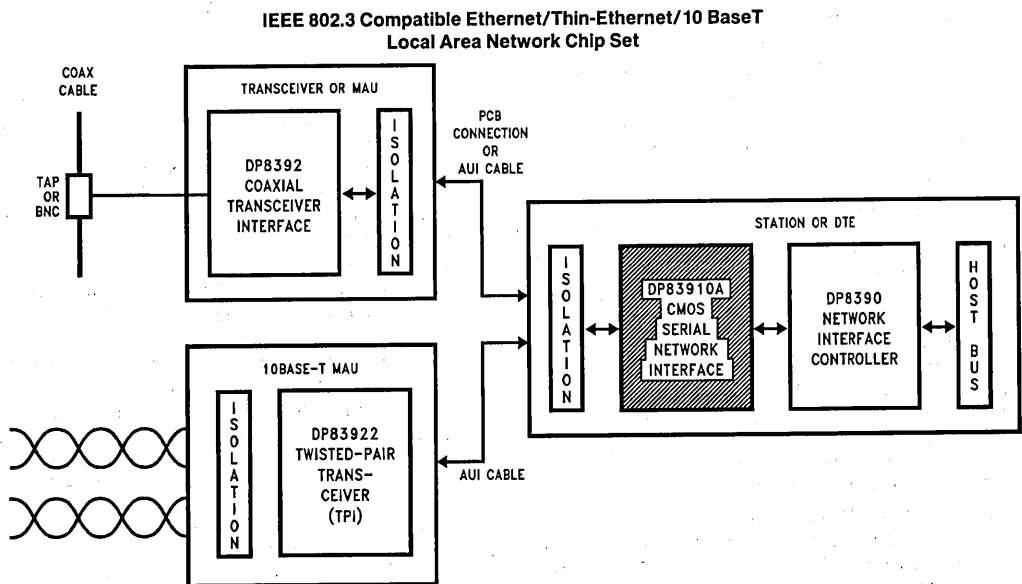
The DP83910A operates in conjunction with the DP8392 Coaxial Transceiver Interface (CTI) and the DP8390 Network Interface Controller (NIC) to form a three-chip set that implements a complete IEEE 802.3 compatible network as shown below. The DP83910A is a functionally complete Manchester encoder/decoder including a balanced driver and receiver, on-board crystal oscillator, collision signal translator, and a diagnostic loopback feature. The

DP83910A, fabricated CMOS, typically consumes less than 70 mA of current. However, as a result of being CMOS, the DP83910A's differential signals must be isolated in both Ethernet and thin wire Ethernet.

### Features

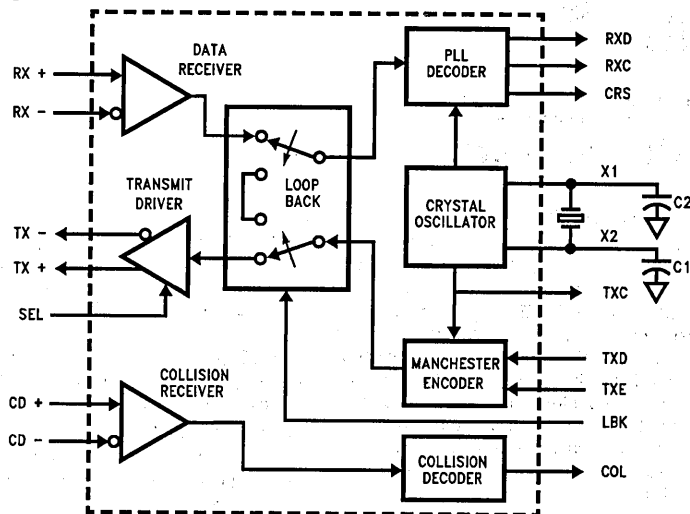
- Compatible with Ethernet I, IEEE 802.3; 10BASE5, 10BASE2, and 10BASE-T
- Designed to interface with 10BASE-T transceivers
- Functional and pin-out duplicate of the DP8391
- 10 Mbits/s Manchester encoding/decoding with receive clock recovery
- Requires no precision components
- Loopback capability for diagnostics
- Externally selectable half or full step modes of operation at transmit output
- Squelch circuitry at the receive and collision inputs to reject noise
- TTL/MOS compatible controller interface

### 1.0 System Diagram



TL/F/9365-1

## 2.0 Block Diagram



TL/F/9365-2

## 3.0 Functional Description

The DP83910A consists of five main logical blocks:

- The oscillator generates the 10 MHz transmit clock signal for system timing.
- The Manchester encoder accepts NRZ data from the controller, encodes the data to Manchester, and transmits it differentially to the transceiver, through the differential transmit driver.
- The Manchester decoder receives Manchester data from the transceiver, converts it to NRZ data and clock pulses, and sends it to the controller.
- The collision translator indicates to the controller the presence of a valid 10 MHz collision signal to the PLL.
- The loopback circuitry, when asserted, routes the data from the Manchester encoder back to the PLL decoder.

### 3.1 OSCILLATOR

The oscillator is controlled by a 20 MHz parallel resonant crystal connected between X1 and X2 or by an external clock on X1. The 20 MHz output of the oscillator is divided by 2 to generate the 10 MHz transmit clock for the controller. The oscillator also provides internal clock signals to the encoding and decoding circuits.

If a crystal is connected to the DP83910A, it is recommended that the circuit shown in *Figure 1* be used and that the components used meet the following:

Crystal XT1: AT cut parallel resonant crystal

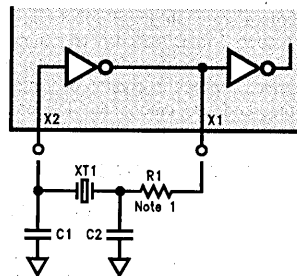
Series Resistance:  $\leq 10\Omega$

Specified Load Capacitance: 13.5 pF

Accuracy: 0.005% (50 ppm)

C1, C2: Load Capacitor, 27 pF.

The resistor, R1, in *Figure 1* may be required in order to minimize frequency drift due to changes in the  $V_{CC}$  supply voltage. If R1 is required, its value must be carefully selected. R1 decreases the loop gain. Thus, if R1 is made too large, the loop gain will be greatly reduced and the crystal will not oscillate. If R1 is made too small, normal variations in the  $V_{CC}$  may cause the oscillation frequency to drift out of specification. As the first rule of thumb, the value of R1



TL/F/9365-15

**Note 1:** The resistor R1 may be required in order to minimize frequency drift due to changes in the  $V_{CC}$ . See text description.

**FIGURE 1. Crystal Connection to DP83910A**  
(see text for component values)

should be made equal to five times the motional resistance of the crystal.

The motional resistance of 20 MHz crystals is usually in the range of  $10\Omega$  to  $30\Omega$ . This implies that a reasonable value for R1 should be in the range of  $50\Omega$ – $150\Omega$ .

The decision of whether or not to include R1 should be based upon measured variations of crystal frequency as each of the circuit parameters is varied.

According to the IEEE 802.3 standard, the entire oscillator circuit (crystal and amplifier) must be accurate to 0.01%. When using a crystal, the X1 pin is not guaranteed to provide a TTL compatible logic output, and should not be used to drive external standard logic. If additional logic needs to be driven, then an external oscillator should be used, as described in the following.

### 3.2 OSCILLATOR MODULE OPERATION

If the designer wishes to use a crystal clock oscillator, one that provides the following should be employed:

- TTL or CMOS output with a 0.01% frequency tolerance
- 40%–60% duty cycle
- $\geq 2$  TTL load output drive ( $I_{OL} = 3.2$  mA)

### 3.0 Functional Description (Continued)

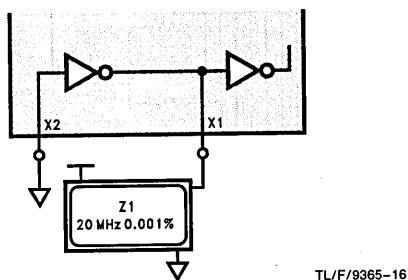
The circuit is shown in *Figure 2*. (Additional output drive may be necessary if the oscillator must also drive other components.) When using a clock oscillator it is still recommended that the designer connect the oscillator output to the X1 pin and tie the X2 pin to ground.

#### 3.3 MANCHESTER ENCODER AND DIFFERENTIAL DRIVER

The encoder begins operation when the Transmit Enable input (TXE) goes high and converts clock and NRZ data to Manchester data for the transceiver. For the duration of TXE remaining high, the Transmitted Data (TXD) is encoded for the transmit-driver pair (TX±). TXD must be valid on the rising edge of Transmit Clock (TXC). Transmission ends when TXE goes low. The last transition is always positive; it occurs at the center of the bit cell if the last bit is a one, or at the end of the bit cell if the last bit is a zero.

The differential transmit pair from the secondary of the isolation transformer drives up to 50 meters of twisted pair AUI cable. These outputs are source followers which require two 270Ω pull-down resistors to ground.

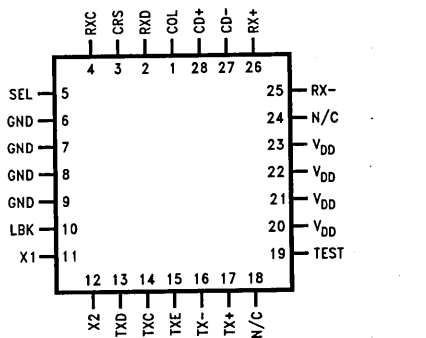
The DP83910A allows both half-step and full-step to be compatible with Ethernet I and IEEE 802.3. With the SEL pin low (for Ethernet I), transmit+ is positive with respect to transmit- during idle; with SEL high (for IEEE 802.3), transmit+ and transmit- are equal in the idle state. This provides zero differential voltage to operate with transformer-coupled loads.



TL/F/9365-16

FIGURE 2. DP83910A Connection for Oscillator Module

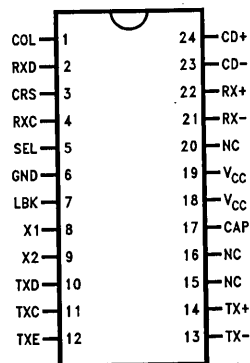
### 4.0 Connection Diagrams



TL/F/9365-17

Top View

Order Number DP83910AV  
See NS Package Number V28A



TL/F/9365-18

Top View

Order Number DP83910AN  
See NS Package Number N24C

#### 3.4 MANCHESTER DECODER

The decoder consists of a differential receiver and a PLL to separate Manchester encoded data stream into clock signals and NRZ data. The differential input must be externally terminated with two 39Ω resistors connected in series if the standard 78Ω transceiver drop cable is used; in Thin-Ethernet applications, these resistors are optional. To prevent noise from falsely triggering the decoder, a squelch circuit at the input rejects signals with levels less than -175 mV. Once the input exceeds the squelch requirements, Carrier Sense (CRS) is asserted. Receive data (RXD) and receive clock (RXC) become valid typically within 6 bit times. The DP83910A may tolerate bit jitter up to 18 ns in the received data.

The decoder detects the end of a frame when no more midbit transitions are detected. Within one and a half bit times after the last bit, carrier sense is de-asserted. Receive clock stays active for five more bit times after CRS goes low to guarantee the receive timings of the DP8390 NIC.

#### 3.5 COLLISION TRANSLATOR

When the Ethernet transceiver (DP8392 CTI) detects a collision, it generates a 10 MHz signal to the differential collision inputs (CD±) of the DP83910A. When these inputs are detected active, the DP83910A translates the 10 MHz signal to an active high level for the controller. The controller uses this signal to back off its current transmission and reschedule another one.

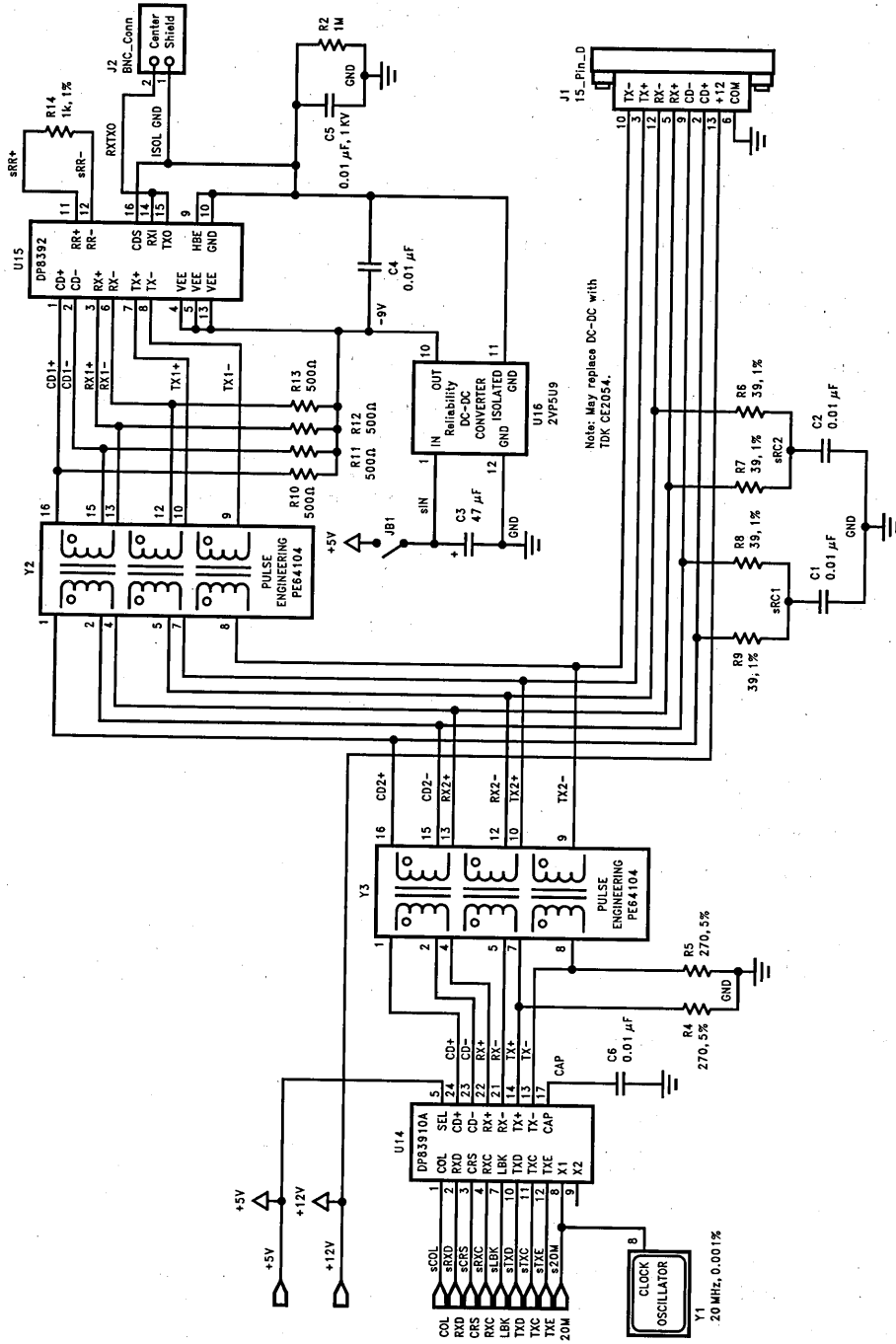
The collision differential inputs are terminated the same way as the differential receive inputs. The squelch circuitry is also similar, rejecting pulses with levels less than -175 mV.

#### 3.6 LOOPBACK FUNCTIONS

When the Loopback input (LBK) is asserted high, the DP83910A redirects its transmitted data back into its receive path. This feature provides a convenient method for testing both chip and system level integrity. The transmit driver and receive input circuitry are disabled in loopback mode.

# 5.0 Typical Application

Interface for Ethernet and Thin Wire Ethernet Using Single Jumper for Thin/Thick Selection



Notes: May replace DC-DC with TDK CE2054.



## 6.0 Pin Descriptions

| 24-Pin DIP | 28-Pin PCC           | Name                                                                     | I/O | Description                                                                                                                                                                                               |
|------------|----------------------|--------------------------------------------------------------------------|-----|-----------------------------------------------------------------------------------------------------------------------------------------------------------------------------------------------------------|
| 1          | 1                    | COL                                                                      | O   | <b>COLLISION DETECT OUTPUT:</b> Generates an active high signal when 10 MHz collision signal is detected.                                                                                                 |
| 2          | 2                    | RXD                                                                      | O   | <b>RECEIVE DATA OUTPUT:</b> NRZ data output from the PLL. This signal must be sampled on the rising edge of receive clock.                                                                                |
| 3          | 3                    | CRS                                                                      | O   | <b>CARRIER SENSE:</b> Asserted on the first valid high-to-low transition on the RX± pair. Remains active until 1.5 bit times after the last bit in data.                                                  |
| 4          | 4                    | RXC                                                                      | O   | <b>RECEIVE CLOCK:</b> The receive clock from the Manchester data after the PLL has locked. Remains active 5 bit times after deasserting CRS.                                                              |
| 5          | 5                    | SEL                                                                      | I   | <b>MODE SELECT:</b> When high, transmit+ and transmit- are the same voltage in the idle state. When low, transmit+ is positive with respect to transmit- in the idle state, at the transformer's primary. |
| 6          | 7<br>8<br>9          | V <sub>SS</sub><br>V <sub>SS</sub><br>V <sub>SS</sub>                    |     | <b>GROUND PIN</b>                                                                                                                                                                                         |
| 7          | 10                   | LBK                                                                      | I   | <b>LOOPBACK:</b> When high, the loopback mode is enabled.                                                                                                                                                 |
| 8          | 11                   | X1                                                                       | I   | <b>CRYSTAL OR EXTERNAL OSCILLATOR INPUT</b>                                                                                                                                                               |
| 9          | 12                   | X2                                                                       | O   | <b>CRYSTAL FEEDBACK OUTPUT:</b> Used in crystal connections only. Connected to ground when using an external oscillator.                                                                                  |
| 10         | 13                   | TXD                                                                      | I   | <b>TRANSMIT DATA INPUT:</b> NRZ data input from the controller. The data is combined with the transmit clock to produce Manchester data. TXD is sampled on the rising edge of transmit clock.             |
| 11         | 14                   | TXC                                                                      | O   | <b>TRANSMIT CLOCK:</b> The 10 MHz clock derived from the 20 MHz oscillator.                                                                                                                               |
| 12         | 15                   | TXE                                                                      | I   | <b>TRANSMIT ENABLE:</b> The encoder begins operation when this input is asserted high.                                                                                                                    |
| 13<br>14   | 16<br>17             | TX-<br>TX+                                                               | O   | <b>TRANSMIT OUTPUT:</b> Differential line driver which sends the encoded data to the transceiver. The outputs are source followers which require 270Ω pull-down resistors.                                |
| 15         | 6                    | NC                                                                       |     | <b>NO CONNECTION:</b> This may be tied to V <sub>SS</sub> for the PLCC version to be compatible with the DP8391.                                                                                          |
| 16         | 18                   | NC                                                                       |     | <b>NO CONNECTION</b>                                                                                                                                                                                      |
| 17         | 19                   | TEST                                                                     | I   | <b>FACTORY TEST INPUT:</b> Used to check the chip's internal functions. May be tied low or have a 0.01 μf bypass capacitor to ground (for compatibility with the bipolar DP8391) during normal operation. |
| 18<br>19   | 20<br>21<br>22<br>23 | V <sub>DD</sub><br>V <sub>DD</sub><br>V <sub>DD</sub><br>V <sub>DD</sub> |     | <b>POWER CONNECTION</b>                                                                                                                                                                                   |
| 20         | 24                   | NC                                                                       |     | <b>NO CONNECTION</b>                                                                                                                                                                                      |
| 21<br>22   | 25<br>26             | RX-<br>RX+                                                               | I   | <b>RECEIVE INPUT:</b> Differential receive input pair from the transceiver.                                                                                                                               |
| 23<br>24   | 27<br>28             | CD-<br>CD+                                                               | I   | <b>COLLISION INPUT:</b> Differential collision pair input from the transceiver.                                                                                                                           |

## 7.0 Absolute Maximum Ratings

If Military/Aerospace specified devices are required, please contact the National Semiconductor Sales Office/Distributors for availability and specifications.

|                                 |                          |
|---------------------------------|--------------------------|
| Supply Voltage ( $V_{CC}$ )     | -0.5V to +7V             |
| DC Input Voltage ( $V_{IN}$ )   | -0.5V to $V_{CC} + 0.5V$ |
| DC Output Voltage ( $V_{OUT}$ ) | -0.5V to $V_{CC} + 0.5V$ |
| Differential Input Voltage      | -5.5 to +16V             |
| Differential Output Voltage     | 0 to 16V                 |
| Power Dissipation               | 500 mW                   |
| Storage Temperature             | -65°C to +150°C          |

|                                                                    |                    |
|--------------------------------------------------------------------|--------------------|
| Lead Temperature (Soldering, 10 sec.)                              | 260°C              |
| ESD ( $R_{ZAP} = 1.5\text{ k}\Omega$ , $C_{ZAP} = 120\text{ pF}$ ) | $\geq 2\text{ kV}$ |
|                                                                    | (Pin 4 = 1.5 kV)   |

Note: Absolute maximum ratings are those values beyond which the safety of the device cannot be guaranteed. They are not meant to imply that the device should be operated at these limits.

\*Note: An asterisk following a parameter's symbol indicates that the parameter has been characterized but not tested.

Note: All specifications in this datasheet are valid only if the mandatory isolation is employed and all differential signals are taken to exist at the AUI side of the pulse transformer.

## 8.0 DC Specifications $T_A = 0^\circ\text{C}$ to $70^\circ\text{C}$ , $V_{CC} = 5V \pm 5\%$

| Symbol                                                                                    | Parameter                                                         | Conditions                                                                | Min       | Typ | Max        | Units         |
|-------------------------------------------------------------------------------------------|-------------------------------------------------------------------|---------------------------------------------------------------------------|-----------|-----|------------|---------------|
| <b>Controller Interface Pins (COL, RXD, CRS, RXC, SEL, LBK, TXD, TXC and TXE)</b>         |                                                                   |                                                                           |           |     |            |               |
| $V_{IH}$                                                                                  | Input High Voltage                                                |                                                                           | 2.0       |     |            | V             |
| $V_{IL}$                                                                                  | Input Low Voltage                                                 |                                                                           |           |     | 0.8        | V             |
| $I_{IN}$                                                                                  | Input Leakage                                                     | $V_{IN} = V_{CC}$ or GND                                                  | -1.0      |     | 1.0        | $\mu\text{A}$ |
| $V_{OH}$                                                                                  | Output High Voltage                                               | (TTL) $I_{OH} = 2.0\text{ mA}$<br>(CMOS) $I_{OH} = 20\text{ }\mu\text{A}$ | 3.5       |     |            | V             |
| $V_{OL}$                                                                                  | Output Low Voltage                                                | (TTL) $I_{OL} = 2.0\text{ mA}$<br>(CMOS) $I_{OL} = 20\text{ }\mu\text{A}$ |           |     | 0.4<br>0.1 | V             |
| $I_{CCO}$                                                                                 | Operating $V_{CC}$ Supply Current (Note 1)                        | 10 Mbit/sec                                                               |           |     | 70         | mA            |
| $I_{CCS}$                                                                                 | Stand By $V_{CC}$ Supply Current (Note 2)                         | 10 Mbit/sec                                                               |           |     | 65         | mA            |
| <b>Differential Pins (TX<math>\pm</math>, RX<math>\pm</math>, and CD<math>\pm</math>)</b> |                                                                   |                                                                           |           |     |            |               |
| $V_{OD}$                                                                                  | Diff. Output Voltage (TX $\pm$ )                                  | 78 $\Omega$ Termination, and<br>270 $\Omega$ from each to GND (Figure 4)  | $\pm 550$ |     | $\pm 1200$ | mV            |
| $V_{OB}^*$                                                                                | Diff. Output Voltage Imbalance (TX $\pm$ )                        | 78 $\Omega$ Termination, and<br>270 $\Omega$ from each to GND (Figure 4)  |           | 40  |            | mV            |
| $V_U^*$                                                                                   | Undershoot Voltage (TX $\pm$ )                                    | 78 $\Omega$ Termination, and<br>270 $\Omega$ from each to GND (Figure 4)  |           | 100 |            | mV            |
| $V_{DS}$                                                                                  | Diff. Squelch Threshold (RX $\pm$ and CD $\pm$ )                  |                                                                           | -175      |     | -300       | mV            |
| $V_{CM}$                                                                                  | Diff. Input Common Mode Voltage (RX $\pm$ and CD $\pm$ ) (Note 3) |                                                                           | 0         |     | 5.5        | V             |
| <b>Oscillator Pins (X1 and X2)</b>                                                        |                                                                   |                                                                           |           |     |            |               |
| $V_{IH}$                                                                                  | X1 Input High Voltage                                             | X1 is connected to an oscillator, and X2 is grounded                      | 2.0       |     |            | V             |
| $V_{IL}$                                                                                  | X1 Input Low Voltage                                              | X1 is connected to an oscillator, and X2 is grounded                      |           |     | 0.8        | V             |
| $I_{OSC}$                                                                                 | X1 Input Current                                                  | X1 = $V_{CC}$ or GND<br>X2 = GND                                          | -2        |     | +2         | mA            |

Note 1: This measurement was made while the DP83910A was undergoing transmission, reception, and collision detection. Also, this value was not measured instantaneously, but averaged over a span of several milliseconds. ( $V_{IN} = 2.4V$  or  $0.4V$  and  $I_o = 0\text{ mA}$ ).

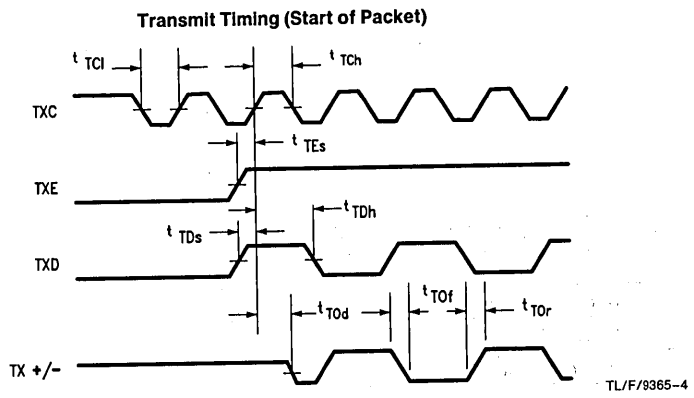
Note 2: This measurement was made while the DP83910A was sitting idle with TXE low. Also, this value was not measured instantaneously, but averaged over a span of several milliseconds. ( $V_{IN} = 2.4V$  or  $0.4V$  and  $I_o = 0\text{ mA}$ ).

Note 3: This parameter is guaranteed by design and is not tested.

## 9.0 Switching Characteristics $T_A = 0^\circ\text{C to } 70^\circ\text{C}, V_{CC} = 5V \pm 5\%$

### Oscillator Specification

| Symbol    | Parameter                 | Min | Max | Units |
|-----------|---------------------------|-----|-----|-------|
| $t_{XTH}$ | X1 to Transmit Clock High | 5   | 30  | ns    |
| $t_{XTL}$ | X1 to Transmit Clock Low  | 5   | 30  | ns    |

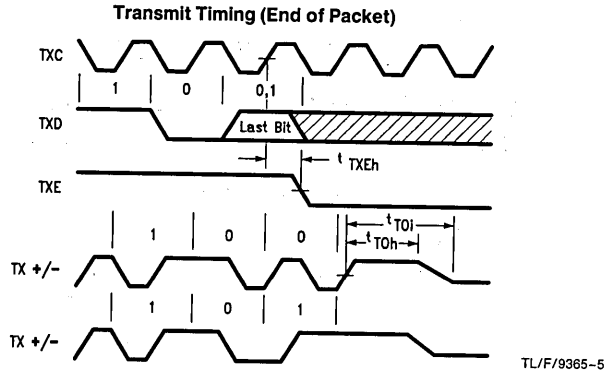


### Transmit Specifications (Start of Packet)

| Symbol      | Parameter                                                      | Min   | Max         | Units |
|-------------|----------------------------------------------------------------|-------|-------------|-------|
| $t_{TCh}$   | Transmit Clock High Time (Note 1)                              | 40    | 60          | ns    |
| $t_{TCI}$   | Transmit Clock Low Time (Note 1)                               | 40    | 60          | ns    |
| $t_{TCc}^*$ | Transmit Clock Cycle Time (Note 1)                             | 99.99 | 100.01      | ns    |
| $t_{TCr}^*$ | Transmit Clock Rise Time (20% to 80%) ( $C_L = 30\text{ pF}$ ) |       | 8           | ns    |
| $t_{TCf}^*$ | Transmit Clock Fall Time (80% to 20%) ( $C_L = 30\text{ pF}$ ) |       | 8           | ns    |
| $t_{TEs}$   | Transmit Enable Setup Time to Rising Edge of TXC (Note 1)      | 20    |             | ns    |
| $t_{TDs}$   | Transmit Data Setup Time from Rising Edge of TXC (Note 1)      | 20    |             | ns    |
| $t_{TDh}$   | Transmit Data Hold Time from Rising Edge of TXC                | 0     |             | ns    |
| $t_{TOd}$   | Transmit Output Delay from Rising Edge of TXC (Note 1)         |       | 65          | ns    |
| $t_{TOf}^*$ | Transmit Output Fall Time (80% to 20%)                         |       | 7           | ns    |
| $t_{TOr}^*$ | Transmit Output Rise Time (20% to 80%)                         |       | 7           | ns    |
| $t_{TOj}^*$ | Transmit Output Jitter                                         |       | 0.5 Typical | ns    |

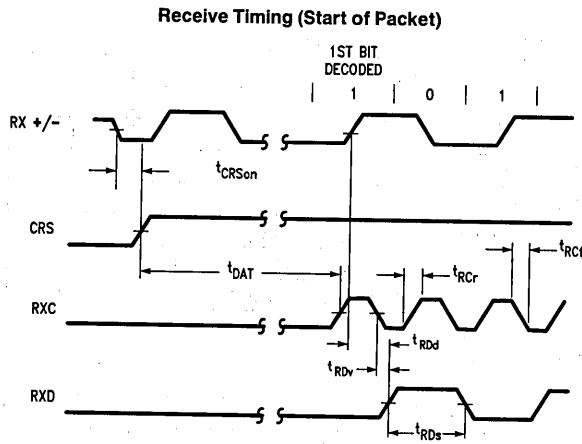
**Note 1:** This parameter is measured using the fifty percent point of each clock edge.

## 9.0 Switching Characteristics (Continued)



### Transmit Specifications (End of Packet)

| Symbol      | Parameter                                         | Min | Max  | Units |
|-------------|---------------------------------------------------|-----|------|-------|
| $t_{XEH}$   | Transmit Enable Hold Time from Rising Edge of TXC | 0   |      | ns    |
| $t_{TOH}$   | Transmit Output High before Idle (Half Step)      | 200 |      | ns    |
| $t_{TOI}^*$ | Transmit Output Idle Time (Half Step)             |     | 8000 | ns    |



### Receiver Specifications (Start of Packet)

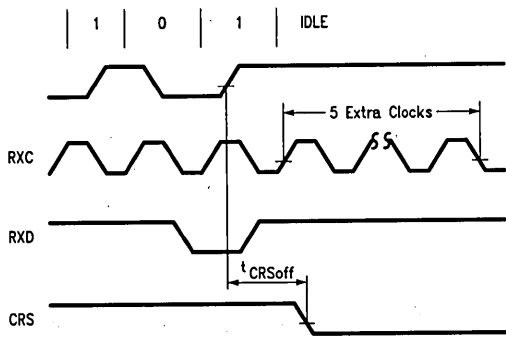
| Symbol      | Parameter                                              | Min | Max | Units |
|-------------|--------------------------------------------------------|-----|-----|-------|
| $t_{RCd}$   | Receive Clock Duty Cycle (Note 1)                      | 40  | 60  | %     |
| $t_{RCr}^*$ | Receive Clock Rise Time (20% to 80%, $C_{TL} = 30$ pF) |     | 7   | ns    |
| $t_{RCf}^*$ | Receive Clock Fall Time (80% to 20%, $C_{TL} = 30$ pF) |     | 7   | ns    |
| $t_{CRSon}$ | Carrier Sense Turn On Delay                            |     | 70  | ns    |
| $t_{DAT}$   | Decoder Acquisition Time                               |     | 700 | ns    |
| $t_{RDd}$   | Receive Data Output Delay                              |     | 150 | ns    |
| $t_{RDs}$   | Receive Data Output Stable after Going Valid           | 90  |     | ns    |
| $t_{Dtor}$  | Differential Inputs Turn-On Pulse (Note 2)             | 30  |     | ns    |
| $t_{RDV}$   | Receive Data Output Valid from Falling Edge of RXC     |     | 10  | ns    |

**Note 1:** This parameter is measured using the fifty percent point of each clock edge.

**Note 2:** This parameter was characterized with a differential input of  $-375$  mV on the receive pair inputs.

## 9.0 Switching Characteristics (Continued)

Receive Timing (End of Packet)



TL/F/9365-7

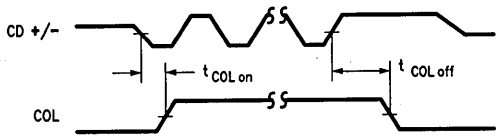
### Receiver Specifications (End of Packet)

| Symbol       | Parameter                                     | Min | Max | Units     |
|--------------|-----------------------------------------------|-----|-----|-----------|
| $t_{CRSoff}$ | Carrier Sense Turn Off Delay (Note 1)         |     | 155 | ns        |
| $t_{RXCh}$   | Minimum Number of RXCs after CRS Low (Note 2) | 5   |     | Bit Times |

**Note 1:** When CRS goes low, it will go low a minimum of 2 receive clocks.

**Note 2:** The DP8390 Network Interface Controller (NIC) requires a minimum of 5 receive clocks after CRS goes low to function properly.

Collision Timing



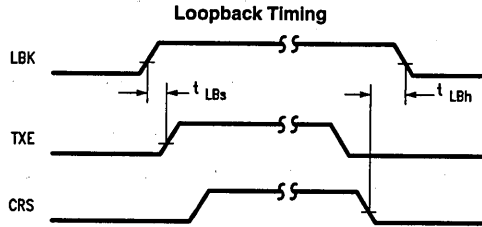
TL/F/9365-8

### Collision Specifications

| Symbol       | Parameter                                           | Min | Max | Units |
|--------------|-----------------------------------------------------|-----|-----|-------|
| $t_{COLon}$  | Collision Turn On Delay                             |     | 60  | ns    |
| $t_{COLoff}$ | Collision Turn Off Delay                            |     | 350 | ns    |
| $t_{Dtoc}$   | Differential Inputs Turn-On Pulse (Squelch, Note 1) | 30  |     | ns    |

**Note 1:** This parameter was characterized with a differential input of  $-375$  mV on the collision input pair.

## 9.0 Switching Characteristics (Continued)



TL/F/9365-9

### Loopback Specifications

| Symbol    | Parameter                    | Min  | Max | Units |
|-----------|------------------------------|------|-----|-------|
| $t_{LBs}$ | Loopback Setup Time (Note 1) | 50   |     | ns    |
| $t_{LBh}$ | Loopback Hold Time (Note 1)  | 1000 |     | ns    |

**Note 1:** This parameter is guaranteed by design and is not tested.

### AC Timing Test Conditions

All specifications are valid only if the mandatory isolation is employed and all differential signals are taken to be at the AUI side of the pulse transformer.

Input Pulse Levels (TTL/CMOS) GND to 3.0V

Input Rise and Fall Times (TTL/CMOS) 5 ns

Input and Output Reference Levels (TTL/CMOS) 1.3V

Input Pulse Levels (Diff.) -350 to -1315 mV

Input and Output Reference Levels (Diff.) 50% Point of the Differential

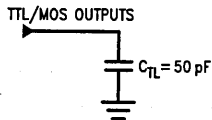


FIGURE 3

TL/F/9365-10

### Capacitance $T_A = 25^\circ\text{C}, f = 1\text{ MHz}$

| Symbol    | Parameter          | Typ | Units |
|-----------|--------------------|-----|-------|
| $C_{IN}$  | Input Capacitance  | 7   | pF    |
| $C_{OUT}$ | Output Capacitance | 7   | pF    |

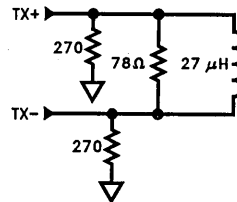


FIGURE 4

TL/F/9365-12

**Note:** In the above diagram, the TX+ and TX- signals are taken from the AUI side of the isolation (pulse transformer). The pulse transformer used for all testing is the Pulse Engineering PE64103.

# DP8391A/NS32491A SNI Serial Network Interface

## General Description

The DP8391A Serial Network Interface (SNI) provides the Manchester data encoding and decoding functions for IEEE 802.3 Ethernet/Cheapernet type local area networks. The SNI interfaces the DP8390 Network Interface Controller (NIC) to the Ethernet transceiver cable. When transmitting, the SNI converts non-return-to-zero (NRZ) data from the controller and clock pulses into Manchester encoding and sends the converted data differentially to the transceiver. The opposite process occurs on the receive path, where a digital phase-locked loop decodes 10 Mbit/s signals with as much as  $\pm 18$  ns of jitter.

The DP8391A SNI is a functionally complete Manchester encoder/decoder including ECL like balanced driver and receivers, on board crystal oscillator, collision signal translator, and a diagnostic loopback circuit.

The SNI is part of a three chip set that implements the complete IEEE compatible network node electronics as shown below. The other two chips are the DP8392 Coax Transceiver Interface (CTI) and the DP8390 Network Interface Controller (NIC).

Incorporated into the CTI are the transceiver, collision and jabber functions. The Media Access Protocol and the buffer management tasks are performed by the NIC. There is an isolation requirement on signal and power lines between the CTI and the SNI. This is usually accomplished by using a set of miniature pulse transformers that come in a 16-pin plastic DIP for signal lines. Power isolation, however, is done by using a DC to DC converter.

## Features

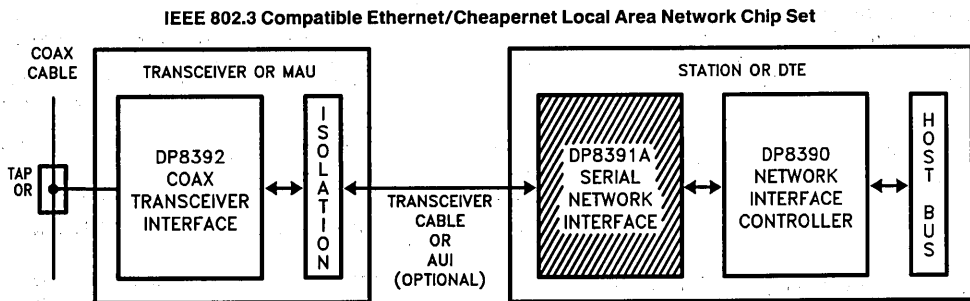
- Compatible with Ethernet II, IEEE 802.3; 10Base5, 10Base2, and 10Base-T

- 10 Mb/s Manchester encoding/decoding with receive clock recovery
- Patented digital phase locked loop (DPLL) decoder requires no precision external components
- Decodes Manchester data with up to  $\pm 18$  ns of jitter
- Loopback capability for diagnostics
- Externally selectable half or full step modes of operation at transmit output
- Squelch circuits at the receive and collision inputs reject noise
- High voltage protection at transceiver interface (16V)
- TTL/MOS compatible controller interface
- Connects directly to the transceiver (AUI) cable

## Table of Contents

- 1.0 System Diagram
- 2.0 Block Diagram
- 3.0 Functional Description
  - 3.1 Oscillator
  - 3.2 Encoder
  - 3.3 Decoder
  - 3.4 Collision Translator
  - 3.5 Loopback
- 4.0 Connection Diagrams
- 5.0 Pin Descriptions
- 6.0 Absolute Maximum Ratings
- 7.0 Electrical Characteristics
- 8.0 Switching Characteristics
- 9.0 Timing and Load Diagrams
- 10.0 Physical Dimensions

## 1.0 System Diagram



## 2.0 Block Diagram

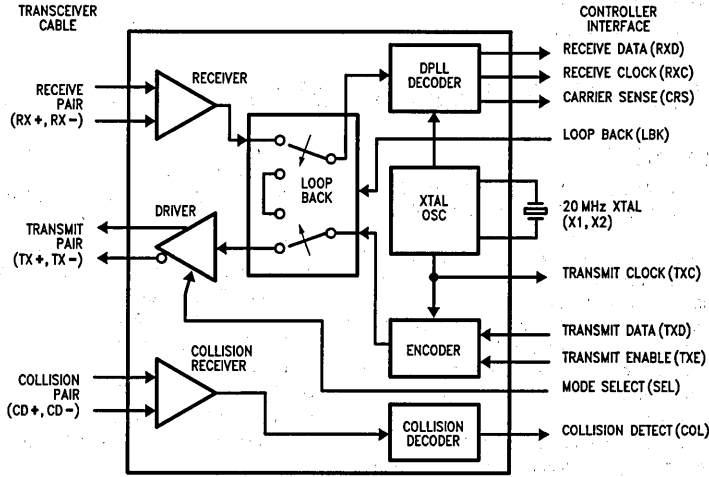


FIGURE 1

TL/F/9357-2

## 3.0 Functional Description

The SNI consists of five main logical blocks:

- the oscillator—generates the 10 MHz transmit clock signal for system timing.
- the Manchester encoder and differential output driver—accepts NRZ data from the controller, performs Manchester encoding, and transmits it differentially to the transceiver.
- the Manchester decoder—receives Manchester data from the transceiver, converts it to NRZ data and clock pulses, and sends them to the controller.
- the collision translator—indicates to the controller the presence of a valid 10 MHz signal at its input.
- the loopback circuitry—when asserted, switches encoded data instead of receive input signals to the digital phase-locked loop.

### 3.1 OSCILLATOR

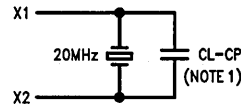
The oscillator is controlled by a 20 MHz parallel resonant crystal connected between X1 and X2 or by an external clock on X1. The 20 MHz output of the oscillator is divided by 2 to generate the 10 MHz transmit clock for the controller. The oscillator also provides internal clock signals to the encoding and decoding circuits.

#### Crystal Specification

|                    |                    |
|--------------------|--------------------|
| Resonant frequency | 20 MHz             |
| Tolerance          | ±0.001% at 25°C    |
| Stability          | ±0.005% 0–70°C     |
| Type               | AT-Cut             |
| Circuit            | Parallel Resonance |

The 20 MHz crystal connection to the SNI requires special care. The IEEE 802.3 standard requires a 0.01% absolute accuracy on the transmitted signal frequency. Stray capacitance can shift the crystal's frequency out of range, causing

the transmitted frequency to exceed its 0.01% tolerance. The frequency marked on the crystal is usually measured with a fixed shunt capacitance ( $C_L$ ) that is specified in the crystal's data sheet. This capacitance for 20 MHz crystals is typically 20 pF. The capacitance between the X1 and X2 pins of the SNI, of the PC board traces and the plated through holes plus any stray capacitance such as the socket capacitance, if one is used, should be estimated or measured. Once the total sum of these capacitances is determined, the value of additional external shunt capacitance required can be calculated. This capacitor can be a fixed 5% tolerance component. The frequency accuracy should be measured during the design phase at the transmit clock pin (TXC) for a given pc layout. Figure 2 shows the crystal connection.



TL/F/9357-3

$C_L$  = Load capacitance specified by the crystal's manufacturer

$C_P$  = Total parasitic capacitance including:

- SNI input capacitance between X1 and X2 (typically 5 pF)
- PC board traces, plated through holes, socket capacitances

Note 1: When using a Viking (San Jose) VXB49N5 crystal, the external capacitor is not required, as the  $C_L$  of the crystal matches the input capacitance of the DP8391A.

FIGURE 2. Crystal Connection

### 3.2 MANCHESTER ENCODER AND DIFFERENTIAL DRIVER

The encoder combines clock and data information for the transceiver. Data encoding and transmission begins with the transmit enable input (TXE) going high. As long as TXE re-



### 3.0 Functional Description (Continued)

mains high, transmit data (TXD) is encoded out to the transmit-driver pair (TX±). The transmit enable and transmit data inputs must meet the setup and hold time requirements with respect to the rising edge of transmit clock. Transmission ends with the transmit enable input going low. The last transition is always positive at the transmit output pair. It will occur at the center of the bit cell if the last bit is one, or at the boundary of the bit cell if the last bit is zero.

The differential line driver provides ECL like signals to the transceiver with typically 5 ns rise and fall times. It can drive up to 50 meters of twisted pair AUI Ethernet transceiver cable. These outputs are source followers which need external 270Ω pulldown resistors to ground. Two different modes, full-step or half-step, can be selected with SEL input. With SEL low, transmit + is positive with respect to transmit - in the idle state. With SEL high, transmit + and transmit - are equal in the idle state, providing zero differential voltage to operate with transformer coupled loads. Figures 4, 5 and 6 illustrate the transmit timing.

#### 3.3 MANCHESTER DECODER

The decoder consists of a differential input circuitry and a digital phase-locked loop to separate Manchester encoded data stream into clock signals and NRZ data. The differential input should be externally terminated if the standard 78Ω transceiver drop cable is used. Two 39Ω resistors connected in series and one optional common mode bypass capacitor would accomplish this. A squelch circuit at the input rejects signals with pulse widths less than 5 ns (negative going), or with levels less than -175 mV. Signals more negative than -300 mV and with a duration greater than 30 ns are always decoded. This prevents noise at the input from falsely triggering the decoder in the absence of a valid signal. Once the input exceeds the squelch requirements,

carrier sense (CRS) is asserted. Receive data (RXD) and receive clock (RXC) become available typically within 6 bit times. At this point the digital phase-locked loop has locked to the incoming signal. The DP8391A decodes a data frame with up to ± 18 ns of jitter correctly.

The decoder detects the end of a frame when the normal mid-bit transition on the differential input ceases. Within one and a half bit times after the last bit, carrier sense is de-asserted. Receive clock stays active for five more bit times before it goes low and remains low until the next frame. Figures 7, 8 and 9 illustrate the receive timing.

#### 3.4 COLLISION TRANSLATOR

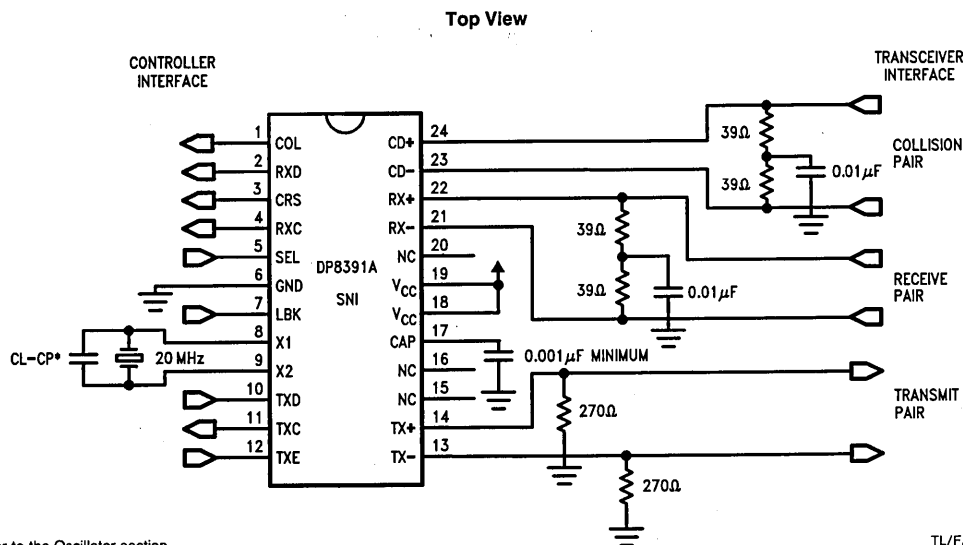
The Ethernet transceiver detects collisions on the coax cable and generates a 10 MHz signal on the transceiver cable. The SNI's collision translator asserts the collision detect output (COL) to the DP8390 controller when a 10 MHz signal is present at the collision inputs. The controller uses this signal to back off transmission and recycle itself. The collision detect output is de-asserted within 350 ns after the 10 MHz input signal disappears.

The collision differential inputs (+ and -) should be terminated in exactly the same way as the receive inputs. The collision input also has a squelch circuit that rejects signals with pulse widths less than 5 ns (negative going), or with levels less than -175 mV. Figure 10 illustrates the collision timing.

#### 3.5 LOOPBACK FUNCTIONS

Logic high at loopback input (LBK) causes the SNI to route serial data from the transmit data input, through its encoder, returning it through the phase-locked-loop decoder to receive data output. In loopback mode, the transmit driver is in idle state and the receive and collision input circuitries are disabled.

### 4.0 Connection Diagram



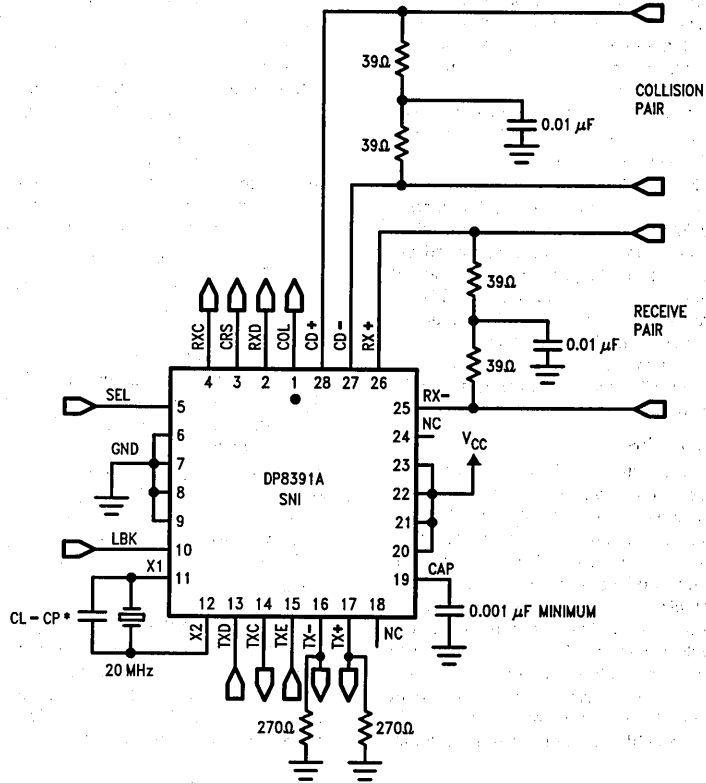
\*Refer to the Oscillator section

TL/F/9357-4

FIGURE 3a

Order Number DP8391AN  
See NS Package Number N24C

# PCC Connection Diagram



\*Refer to the Oscillator section

TL/F/9357-5

**FIGURE 3b**  
Order Number DP8391AV  
NS Package Number V28A

## 5.0 Pin Descriptions

| Pin No.  |          | Name       | I/O | Description                                                                                                                                                                                                                                                                                        |
|----------|----------|------------|-----|----------------------------------------------------------------------------------------------------------------------------------------------------------------------------------------------------------------------------------------------------------------------------------------------------|
| (DIP)    | (PCC)    |            |     |                                                                                                                                                                                                                                                                                                    |
| 1        | 1        | COL        | O   | <b>Collision Detect Output.</b> A TTL/MOS level active high output. A 10 MHz (+25%–15%) signal at the collision input will produce a logic high at COL output. When no signal is present at the collision input, COL output will go low.                                                           |
| 2        | 2        | RXD        | O   | <b>Receive Data Output.</b> A TTL/MOS level signal. This is the NRZ data output from the digital phase-locked loop. This signal should be sampled by the controller at the rising edge of receive clock.                                                                                           |
| 3        | 3        | CRS        | O   | <b>Carrier Sense.</b> A TTL/MOS level active high signal. It is asserted when valid data from the transceiver is present at the receive input. It is de-asserted one and a half bit times after the last bit at receive input.                                                                     |
| 4        | 4        | RXC        | O   | <b>Receive Clock.</b> A TTL/MOS level recovered clock. When the phase-locked loop locks to a valid incoming signal a 10 MHz clock signal is activated on this output. This output remains low during idle (5 bit times after activity ceases at receive input).                                    |
| 5        | 5        | SEL        | I   | <b>Mode Select.</b> A TTL level input. When high, transmit + and transmit – outputs are at the same voltage in idle state providing a "zero" differential. When low, transmit + is positive with respect to transmit – in idle state.                                                              |
| 6        | 6–9      | GND        |     | <b>Negative Supply Pins.</b>                                                                                                                                                                                                                                                                       |
| 7        | 10       | LBK        | I   | <b>Loopback.</b> A TTL level active high on this input enables the loopback mode.                                                                                                                                                                                                                  |
| 8        | 11       | X1         | I   | <b>Crystal or External Frequency Source Input (TTL).</b>                                                                                                                                                                                                                                           |
| 9        | 12       | X2         | O   | <b>Crystal Feedback Output.</b> This output is used in the crystal connection only. It must be left open when driving X1 with an external frequency source.                                                                                                                                        |
| 10       | 13       | TXD        | I   | <b>Transmit Data.</b> A TTL level input. This signal is sampled by the SNI at the rising edge of transmit clock when transmit enable input is high. The SNI combines transmit data and transmit clock signals into a Manchester encoded bit stream and sends it differentially to the transceiver. |
| 11       | 14       | TXC        | O   | <b>Transmit Clock.</b> A TTL/MOS level 10 MHz clock signal derived from the 20 MHz oscillator. This clock signal is always active.                                                                                                                                                                 |
| 12       | 15       | TXE        | I   | <b>Transmit Enable.</b> A TTL level active high data encoder enable input. This signal is also sampled by the SNI at the rising edge of transmit clock.                                                                                                                                            |
| 13<br>14 | 16<br>17 | TX–<br>TX+ | O   | <b>Transmit Output.</b> Differential line driver which sends the encoded data to the transceiver. These outputs are source followers and require 270Ω pulldown resistors to GND.                                                                                                                   |
| 15<br>16 | 18       | NC         |     | <b>No Connection.</b>                                                                                                                                                                                                                                                                              |
| 17       | 19       | CAP        | O   | <b>Bypass Capacitor.</b> A ceramic capacitor (greater than 0.001 μF) must be connected from this pin to GND.                                                                                                                                                                                       |
| 18<br>19 | 20–23    | VCC        |     | <b>Positive Supply Pins.</b> A 0.1 μF ceramic decoupling capacitor must be connected across VCC and GND as close to the device as possible.                                                                                                                                                        |
| 20       | 24       | NC         |     | <b>No Connection.</b>                                                                                                                                                                                                                                                                              |
| 21<br>22 | 25<br>26 | RX–<br>RX+ | I   | <b>Receive Input.</b> Differential receive input pair from the transceiver.                                                                                                                                                                                                                        |
| 23<br>24 | 27<br>28 | CD–<br>CD+ | I   | <b>Collision Input.</b> Differential collision input pair from the transceiver.                                                                                                                                                                                                                    |

## 6.0 Absolute Maximum Ratings

|                                                                          |               |
|--------------------------------------------------------------------------|---------------|
| Supply Voltage ( $V_{CC}$ )                                              | 7V            |
| Input Voltage (TTL)                                                      | 0 to 5.5V     |
| Input Voltage (differential)                                             | -5.5 to +16V  |
| Output Voltage (differential)                                            | 0 to 16V      |
| Output Current (differential)                                            | -40 mA        |
| Storage Temperature                                                      | -65° to 150°C |
| Lead Temperature (soldering, 10 sec)                                     | 300°C         |
| Package Power Rating for DIP at 25°C<br>(PC Board Mounted)               | 2.95W*        |
| Derate Linearly at the rate of 23.8 mW/°C                                |               |
| Package Power Rating for PCC at 25°C                                     | 1.92W*        |
| Derate Linearly at the rate of 15.4 mW/°C                                |               |
| *For actual power dissipation of the device please refer to Section 7.0. |               |
| ESD rating                                                               | 2000V         |

## Recommended Operating Conditions

|                             |            |
|-----------------------------|------------|
| Supply Voltage ( $V_{CC}$ ) | 5V ± 5%    |
| Ambient Temperature (DIP)   | 0° to 70°C |
| (PCC)                       | 0° to 55°C |

Note: Absolute maximum ratings are those values beyond which the safety of the device cannot be guaranteed. They are not meant to imply that the device should be operated at these limits.

## 7.0 Electrical Characteristics

$V_{CC} = 5V \pm 5\%$ ,  $T_A = 0^\circ\text{C}$  to  $70^\circ\text{C}$  for DIP and  $0^\circ\text{C}$  to  $55^\circ\text{C}$  for PCC (Notes 1 & 2)

| Symbol     | Parameter                                                          | Test Conditions                                               | Min       | Max            | Units                          |
|------------|--------------------------------------------------------------------|---------------------------------------------------------------|-----------|----------------|--------------------------------|
| $V_{IH}$   | Input High Voltage (TTL)                                           |                                                               | 2.0       |                | V                              |
| $V_{IH1a}$ | Input High Voltage (X1)                                            | No Series Resistor                                            | 2.0       | $V_{CC} - 1.5$ | V                              |
| $V_{IH1b}$ | Input High Voltage (X1)                                            | 1k Series Resistor                                            | 2.0       | $V_{CC}$       | V                              |
| $V_{IL}$   | Input Low Voltage (TTL and X1)                                     |                                                               |           | 0.8            | V                              |
| $I_{IH}$   | Input High Current (TTL)<br>Input High Current ( $RX \pm CD \pm$ ) | $V_{IN} = V_{CC}$<br>$V_{IN} = V_{CC}$                        |           | 50<br>500      | $\mu\text{A}$<br>$\mu\text{A}$ |
| $I_{IL}$   | Input Low Current (TTL)<br>Input Low Current ( $RX \pm CD \pm$ )   | $V_{IN} = 0.5V$<br>$V_{IN} = 0.5V$                            |           | -300<br>-700   | $\mu\text{A}$<br>$\mu\text{A}$ |
| $V_{CL}$   | Input Clamp Voltage (TTL)                                          | $I_{IN} = -12\text{ mA}$                                      |           | -1.2           | V                              |
| $V_{OH}$   | Output High Voltage (TTL/MOS)                                      | $I_{OH} = -100\ \mu\text{A}$                                  | 3.5       |                | V                              |
| $V_{OL}$   | Output Low Voltage (TTL/MOS)                                       | $I_{OL} = 8\text{ mA}$                                        |           | 0.5            | V                              |
| $I_{OS}$   | Output Short Circuit Current (TTL/MOS)                             |                                                               | -40       | -200           | mA                             |
| $V_{OD}$   | Differential Output Voltage ( $TX \pm$ )                           | 78 $\Omega$ termination, and<br>270 $\Omega$ from each to GND | $\pm 550$ | $\pm 1200$     | mV                             |
| $V_{OB}$   | Diff. Output Voltage Imbalance ( $TX \pm$ )                        | same as above                                                 |           | $\pm 40$       | mV                             |
| $V_{DS}$   | Diff. Squelch Threshold ( $RX \pm CD \pm$ )                        |                                                               | -175      | -300           | mV                             |
| $V_{CM}$   | Diff. Input Common Mode Voltage ( $RX \pm CD \pm$ )                |                                                               | -5.25     | 5.25           | V                              |
| $I_{CC}$   | Power Supply Current                                               | 10Mbit/s                                                      |           | 270            | mA                             |

## 8.0 Switching Characteristics $V_{CC} = 5V \pm 5\%$ , $T_A = 0^\circ\text{C}$ to $70^\circ\text{C}$ for DIP and $0^\circ\text{C}$ to $55^\circ\text{C}$ for PCC (Note 2)

| Symbol                          | Parameter                                               | Figure | Min | Typ | Max | Units |
|---------------------------------|---------------------------------------------------------|--------|-----|-----|-----|-------|
| <b>OSCILLATOR SPECIFICATION</b> |                                                         |        |     |     |     |       |
| $t_{XTH}$                       | X1 to Transmit Clock High                               | 12     | 8   |     | 20  | ns    |
| $t_{XTL}$                       | X1 to Transmit Clock Low                                | 12     | 8   |     | 20  | ns    |
| <b>TRANSMIT SPECIFICATION</b>   |                                                         |        |     |     |     |       |
| $t_{TCd}$                       | Transmit Clock Duty Cycle at 50% (10 MHz)               | 12     | 42  | 50  | 58  | %     |
| $t_{TCr}$                       | Transmit Clock Rise Time (20% to 80%)                   | 12     |     |     | 8   | ns    |
| $t_{TCf}$                       | Transmit Clock Fall Time (80% to 20%)                   | 12     |     |     | 8   | ns    |
| $t_{TDs}$                       | Transmit Data Setup Time to Transmit Clock Rising Edge  | 4 & 12 | 20  |     |     | ns    |
| $t_{TDh}$                       | Transmit Data Hold Time from Transmit Clock Rising Edge | 4 & 12 | 0   |     |     | ns    |
| $t_{TEs}$                       | Transmit Enable Setup Time to Trans. Clock Rising Edge  | 4 & 12 | 20  |     |     | ns    |
| $t_{TEh}$                       | Transmit Enable Hold Time from Trans. Clock Rising Edge | 5 & 12 | 0   |     |     | ns    |

Note 1: All currents into device pins are positive, all currents out of device pins are negative. All voltages are referenced to ground unless otherwise specified.

Note 2: All typicals are given for  $V_{CC} = 5V$  and  $T_A = 25^\circ\text{C}$ .

## 8.0 Switching Characteristics

$V_{CC} = 5V \pm 5\%$ ,  $T_A = 0^\circ C$  to  $70^\circ C$  for DIP and  $0^\circ C$  to  $55^\circ C$  for PCC (Note 2) (Continued)

| Symbol                                    | Parameter                                             | Figure    | Min      | Typ        | Max  | Units   |
|-------------------------------------------|-------------------------------------------------------|-----------|----------|------------|------|---------|
| <b>TRANSMIT SPECIFICATION (Continued)</b> |                                                       |           |          |            |      |         |
| $t_{TOd}$                                 | Transmit Output Delay from Transmit Clock Rising Edge | 4 & 12    |          |            | 50   | ns      |
| $t_{TOr}$                                 | Transmit Output Rise Time (20% to 80%)                | 12        |          |            | 7    | ns      |
| $t_{TOf}$                                 | Transmit Output Fall Time (80% to 20%)                | 12        |          |            | 7    | ns      |
| $t_{TOj}$                                 | Transmit Output Jitter                                | 12        |          | $\pm 0.25$ |      | ns      |
| $t_{TOh}$                                 | Transmit Output High Before Idle in Half Step Mode    | 5 & 12    | 200      |            |      | ns      |
| $t_{TOi}$                                 | Transmit Output Idle Time in Half Step Mode           | 5 & 12    |          |            | 800  | ns      |
| <b>RECEIVE SPECIFICATION</b>              |                                                       |           |          |            |      |         |
| $t_{RCd}$                                 | Receive Clock Duty Cycle at 50% (10 MHz)              | 12        | 40       | 50         | 60   | %       |
| $t_{RCr}$                                 | Receive Clock Rise Time (20% to 80%)                  | 12        |          |            | 8    | ns      |
| $t_{RCf}$                                 | Receive Clock Fall Time (80% to 20%)                  | 12        |          |            | 8    | ns      |
| $t_{RDr}$                                 | Receive Data Rise Time (20% to 80%)                   | 12        |          |            | 8    | ns      |
| $t_{Rdf}$                                 | Receive Data Fall Time (80% to 20%)                   | 12        |          |            | 8    | ns      |
| $t_{RDs}$                                 | Receive Data Stable from Receive Clock Rising Edge    | 7 & 12    | $\pm 40$ |            |      | ns      |
| $t_{CSon}$                                | Carrier Sense Turn On Delay                           | 7 & 12    |          |            | 50   | ns      |
| $t_{CSoff}$                               | Carrier Sense Turn Off Delay                          | 8, 9 & 12 |          |            | 160  | ns      |
| $t_{DAT}$                                 | Decoder Acquisition Time                              | 7         |          | 0.6        | 1.80 | $\mu s$ |
| $t_{Drej}$                                | Differential Inputs Rejection Pulse Width (Squelch)   | 7         | 5        |            | 30   | ns      |
| $t_{Rd}$                                  | Receive Throughput Delay                              | 8 & 12    |          |            | 150  | ns      |
| <b>COLLISION SPECIFICATION</b>            |                                                       |           |          |            |      |         |
| $t_{COLon}$                               | Collision Turn On Delay                               | 10 & 12   |          |            | 50   | ns      |
| $t_{COLoff}$                              | Collision Turn Off Delay                              | 10 & 12   |          |            | 350  | ns      |
| <b>LOOPBACK SPECIFICATION</b>             |                                                       |           |          |            |      |         |
| $t_{LBs}$                                 | Loopback Setup Time                                   | 11        | 20       |            |      | ns      |
| $t_{LBh}$                                 | Loopback Hold Time                                    | 11        | 0        |            |      | ns      |

Note 2: All typicals are given for  $V_{CC} = 5V$  and  $T_A = 25^\circ C$ .

## 9.0 Timing and Load Diagrams

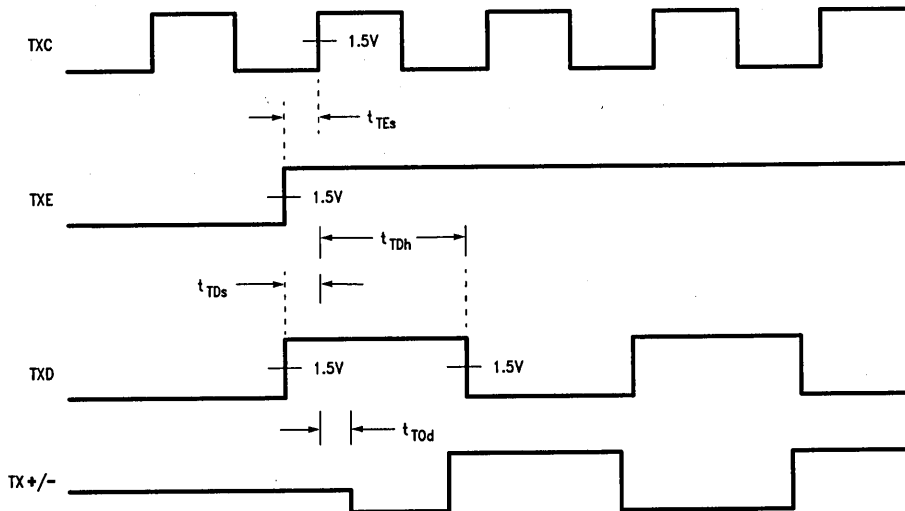


FIGURE 4. Transmit Timing - Start of Transmission

TL/F/9357-6

9.0 Timing and Load Diagrams (Continued)

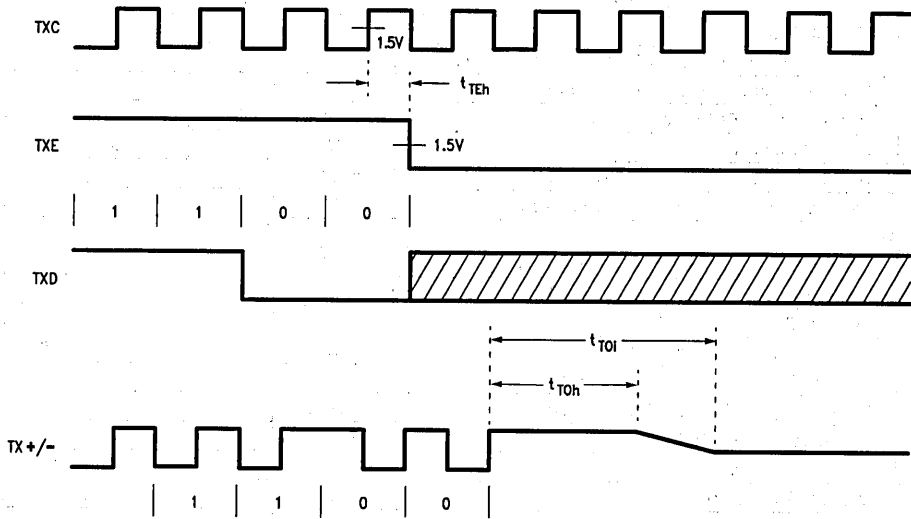


FIGURE 5. Transmit Timing - End of Transmission (last bit = 0)

TL/F/9357-7

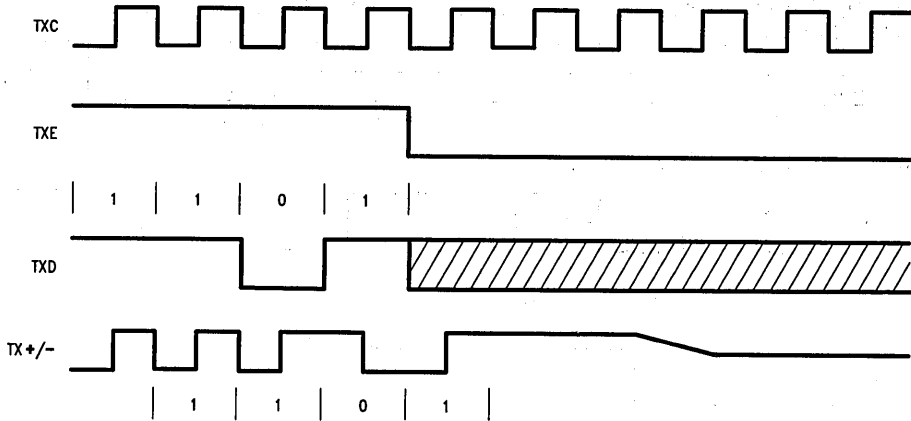


FIGURE 6. Transmit Timing - End of Transmission (last bit = 1)

TL/F/9357-8

9.0 Timing and Load Diagrams (Continued)

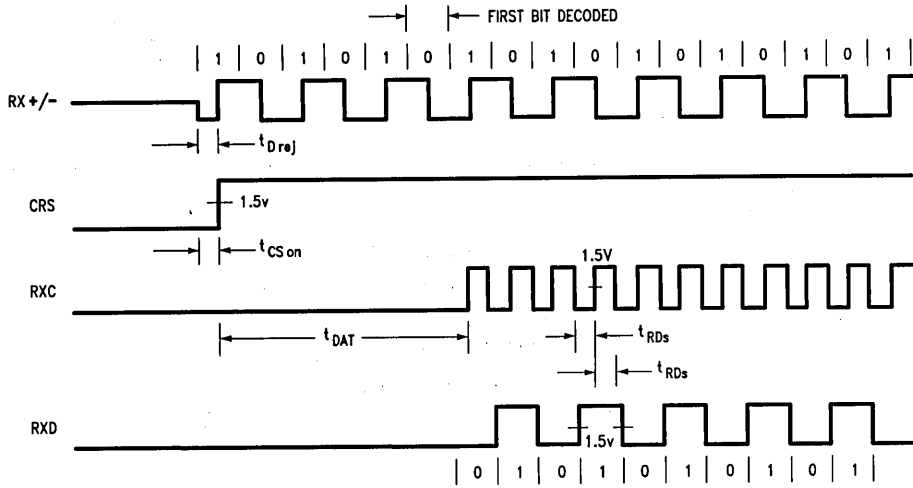


FIGURE 7. Receive Timing - Start of Packet

TL/F/9357-9

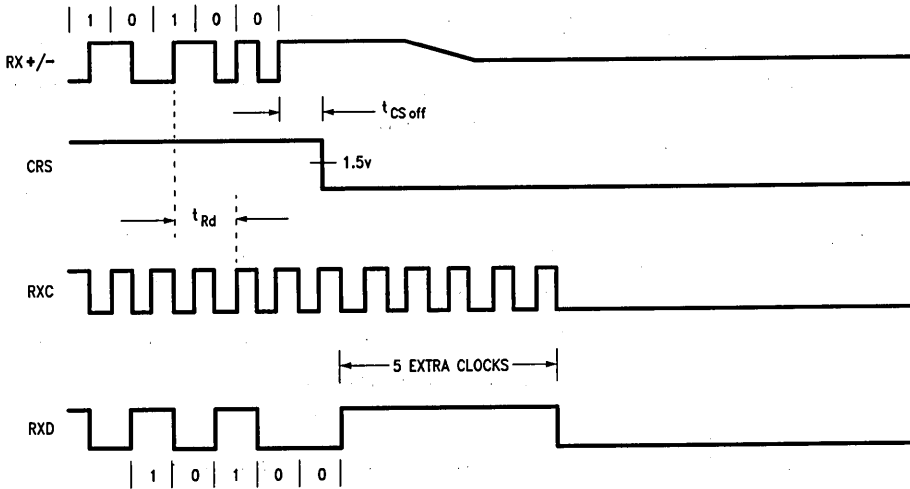


FIGURE 8. Receive Timing - End of Packet (last bit = 0)

TL/F/9357-10

## 9.0 Timing and Load Diagrams (Continued)

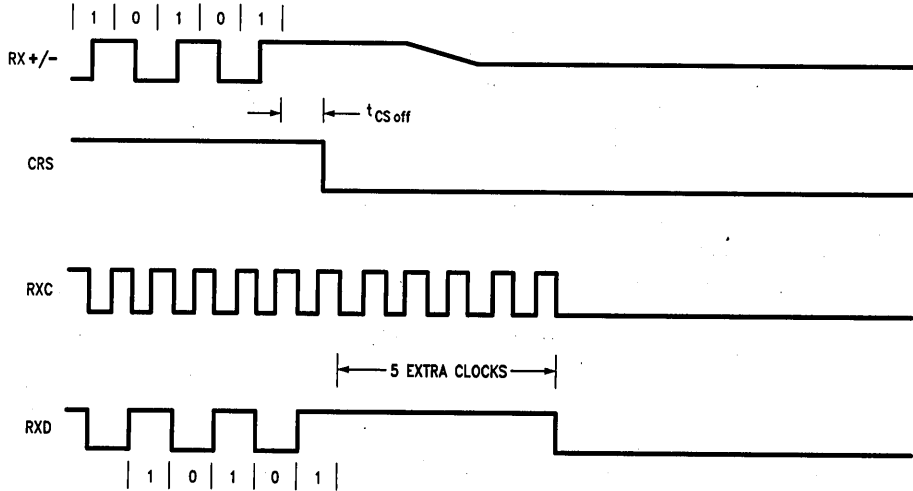


FIGURE 9. Receive Timing - End of Packet (last bit = 1)

TL/F/9357-11

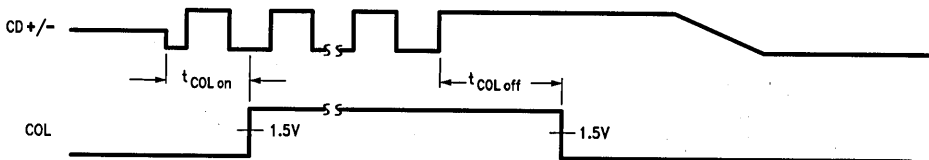


FIGURE 10. Collision Timing

TL/F/9357-12

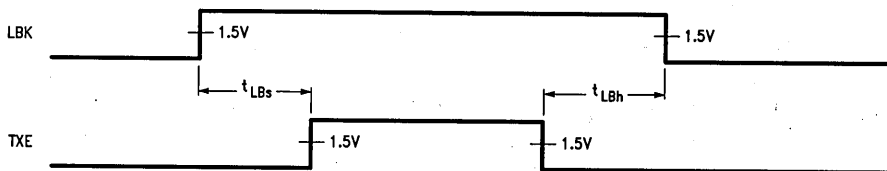
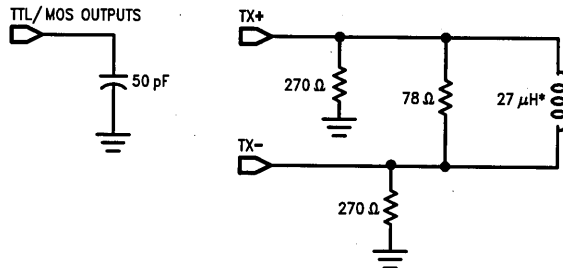


FIGURE 11. Loopback Timing

TL/F/9357-13



TL/F/9357-14

\*27  $\mu H$  transformer is used for testing purposes, 100  $\mu H$  transformers (Valor, LT1101, or Pulse Engineering 64103) are recommended for application use.

FIGURE 12. Test Loads



# Ethernet/Cheapernet Physical Layer Made Easy with DP8391/92

National Semiconductor  
Application Note 442  
Alex Djenguerian



With the integration of the node electronics of IEEE 802.3 compatible local area networks now on silicon, system design is simplified. This application note describes the differences between the Ethernet and Cheapernet versions of the standard, and provides design guidelines for implementing the node electronics with National Semiconductor's DP8390 LAN chip set.

## INTRODUCTION

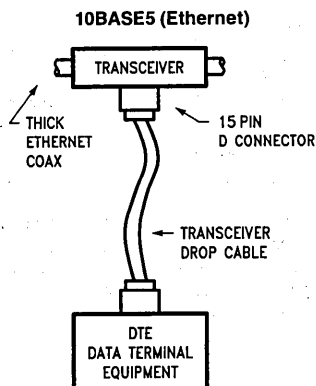
The DP8390 chip set is designed to provide the physical and media access control layer functions of local area networks as specified in IEEE 802.3 standard. This standard is based on the access method known as carrier-sense multiple access with collision detection (CSMA/CD). In this scheme, if a network station wants to transmit, it first "lis-

tens" to the medium; if someone else is transmitting, the station defers until the medium is clear before it begins to transmit. However, two or more stations could still begin transmitting at the same time and give rise to a collision. When this happens, the two nodes detect this condition, back off for a random amount of time before making another attempt.

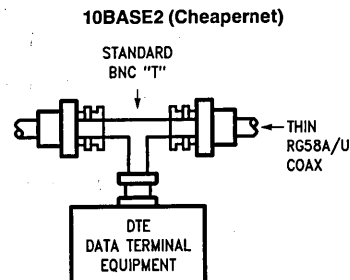
The IEEE 802.3 standard supports two different versions for the media, 10BASE5 (commonly known as Ethernet) and 10BASE2 (Cheapernet). These can be used separately, or together in a hybrid form. Both versions have similar electrical specifications and can be implemented using the same transceiver chip (DP8392). Cheapernet is the low cost version and is user installable. The following table compares the two:

| Parameter              | 10BASE5 (Ethernet)                                                          | 10BASE2 (Cheapernet)                                                              |
|------------------------|-----------------------------------------------------------------------------|-----------------------------------------------------------------------------------|
| Data Rate              | 10 Mbit/s baseband                                                          | 10 Mbits/s baseband                                                               |
| Segment Length         | 500 m                                                                       | 185 m                                                                             |
| Network Span           | 2500 m                                                                      | 925 m                                                                             |
| Nodes per Segment      | 100                                                                         | 30                                                                                |
| Node Spacing           | 2.5 m (cable marked)                                                        | 0.5 m min                                                                         |
| Capacitance per Node   | 4 pF max                                                                    | 8 pF max                                                                          |
| Cable                  | 0.4 in diameter<br>50Ω<br>Double Shielded<br>Rugged<br>N-Series Connectors  | 0.2 in diameter<br>50Ω (RG58A/U)<br>Single Shielded<br>Flexible<br>BNC Connectors |
| Transceiver Drop Cable | 0.39 in diameter multiway cable with<br>15 pin D connectors 50 m max length | Not needed due to the high flexibility of<br>the RG58A/U cable                    |

## Typical Connection Diagram for a Station



TL/F/8689-1



TL/F/8689-2

Although Cheapernet is intended for local use, several 185 meter segments can be joined together with simple repeaters to provide for a larger network span. Similarly, several Cheapernet segments can be tied into a longer Ethernet "backbone". In this hybrid configuration, the network com-

bins all the benefits of Cheapernet, flexibility and low cost, with the ruggedness and the much larger geographic range of standard Ethernet. *Figure 1* illustrates a typical hybrid LAN configuration.

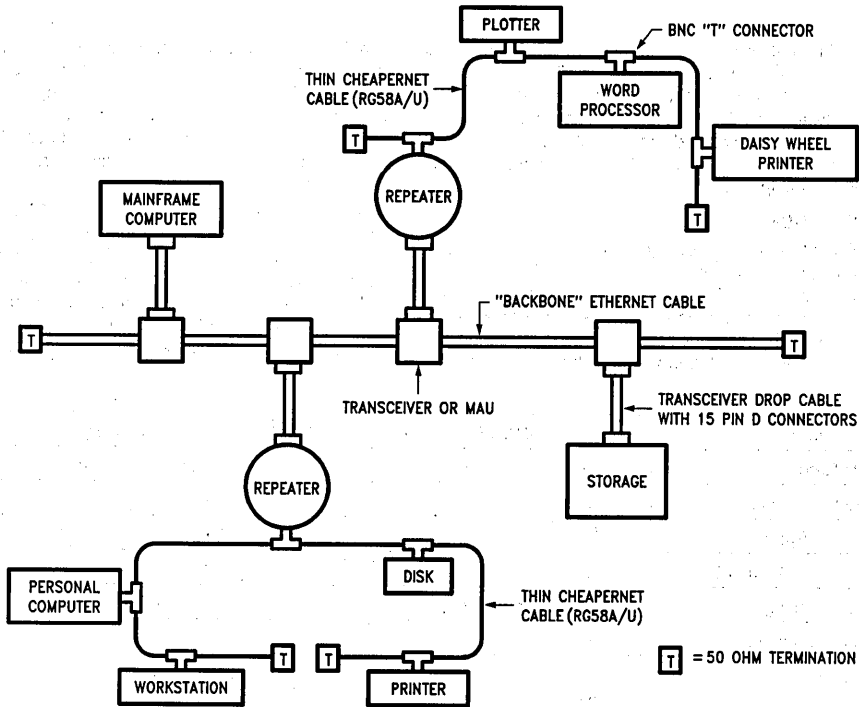
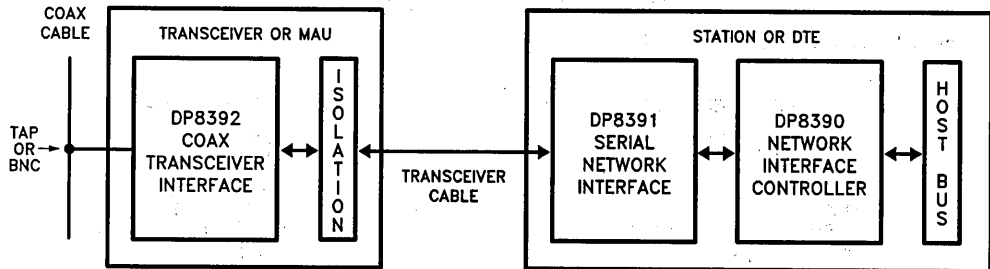


FIGURE 1. A Hybrid Ethernet/Cheapernet System

TL/F/8689-3

TRANSMITTING AND RECEIVING PACKETS WITH THE DP8390 CHIPSET

Node Block Diagram



TL/F/8689-4

The node electronics is integrated into three chips, the DP8390 Network Interface Controller (NIC), the DP8391 Serial Network Interface (SNI), and the DP8392 Coaxial Transceiver Interface (CTI). To transmit a packet, the host processor issues a transmit command to the NIC, which normal-

ly transfers the data to a local buffer memory. The NIC then automatically handles the transmission of the packet (from the local buffer through an on-board FIFO to the SNI) according to the CSMA/CD protocol. The packet has to be in the following format:

| PREAMBLE | SFD    | DESTINATION | SOURCE  | LENGTH  | DATA          | CRC     |
|----------|--------|-------------|---------|---------|---------------|---------|
| 62-bits  | 2-bits | 6-bytes     | 6-bytes | 2-bytes | 46-1500 bytes | 4-bytes |

**PREAMBLE:** This section consists of alternating 1 and 0 bits. As the packet travels through the network, some of these bits would be lost as most of the network components are allowed to provide an output some number of bits after being presented with a valid input.

**START OF A FRAME DELIMITER (SFD):** This field consists of two consecutive 1's to signal that the frame reception should begin.

**DESTINATION AND SOURCE ADDRESSES:** Each one of these frames is 6 bytes long and specifies the address of the corresponding node.

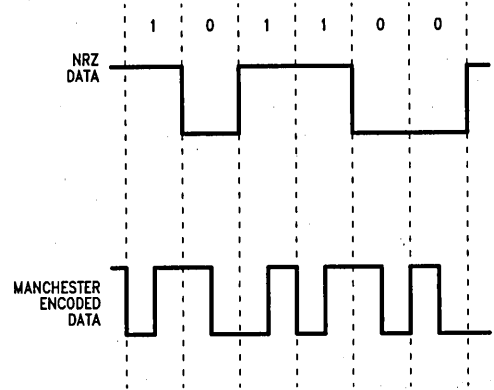
**LENGTH:** This 2 byte field indicates the number of bytes in the data field.

**DATA:** This field can be from 46 to 1500 bytes long. Messages shorter than 46 bytes require padding to bring the data field to the minimum length. If the data field is padded, the host can determine the number of valid data bytes by looking at the length field. Messages longer than 1500 bytes must be broken into multiple packets.

**CRC:** This field contains a Cyclic Redundancy Code calculation performed on the Destination address through the Data field for error control.

The shortest packet length thus adds up to be 512 bits long (excluding the preamble and the SFD). At 10 Mbit/sec this amounts to 51.2  $\mu$ s, which is twice as much as the 25  $\mu$ s maximum end-to-delay time that is allowed by the IEEE 802.3 protocol. This ensures that if a collision arises in the network, it would be recognized at all node locations.

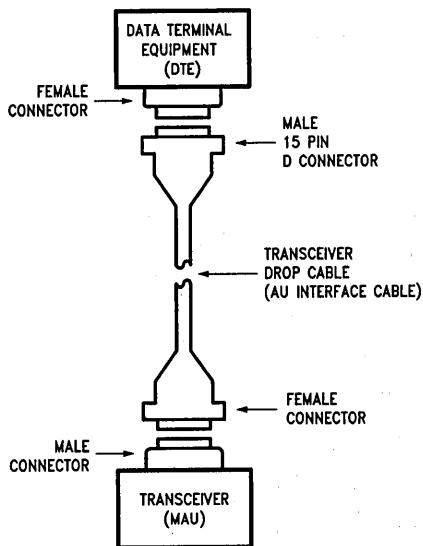
The SNI combines the NRZ data packet received from the controller with a clock signal and encodes them into a serial bit stream using standard Manchester encoding. In this coding scheme, the first half of the bit cell contains the complementary data and the second half contains the true data. Thus a transition is always guaranteed in the middle of a bit cell.



TL/F/6689-5

**FIGURE 2. Manchester Coding**

The encoded signal appears in differential form at the SNI's output. In 10BASE5 (Ethernet) applications, this signal is sent to the transceiver or the Medium Attachment Unit (MAU) through the twisted pair Transceiver Drop cable (also known as the Attachment Unit Interface cable). This cable typically consists of four individually shielded twisted wire pairs with an overall shield covering these individually shielded pairs. The signal pairs, which have a differential characteristic impedance of  $78\Omega \pm 5\Omega$ , should be terminated at the receiving ends. The cable can be up to 50 meters in length and have a maximum delay of 257 ns. The shields of the individual pairs should be connected to the logic ground in the Data Terminal Equipment (DTE) and the outer shield to the chassis ground. Figure 3 shows a picture of the cable and the corresponding pin assignments.



TL/F/6689-6

**FIGURE 3. Transceiver Cable Pin Assignments**

| Pin   | IEEE 802.3 Name      | Pairs          | DP8391/2 Name | Signal from |     |
|-------|----------------------|----------------|---------------|-------------|-----|
|       |                      |                |               | DTE         | MAU |
| 3     | DO + (Data Out +)    | Transmit Pair  | TX+           | X           |     |
| 10    | DO - (Data Out -)    |                | TX-           | X           |     |
| 11    | DO S (DO Shield)     |                |               | X           |     |
| 5     | DI + (Data In +)     | Receive Pair   | RX+           |             | X   |
| 12    | DI - (Data In -)     |                | RX-           |             | X   |
| 4     | DI S (DI Shield)     |                |               | X           |     |
| 7     | CO + (Control Out +) | Optional Pair  |               | X           |     |
| 15    | CO - (Control Out -) |                |               | X           |     |
| 8     | CO S (CO Shield)     |                |               | X           |     |
| 2     | CI + (Control In +)  | Collision Pair | CD+           |             | X   |
| 9     | CI - (Control In -)  |                | CD-           |             | X   |
| 1     | CI S (CI Shield)     |                |               | X           |     |
| 6     | VC (Voltage Common)  | Power Pair     |               | X           |     |
| 13    | VP (Voltage Plus)    |                |               | X           |     |
| 14    | VS (Voltage Shield)  |                |               | X           |     |
| Shell | PG (Protective GND)  |                |               | X           |     |

The transmitted packet from the SNI as well as all other signals (receive, collision, and DC power) must be electrically isolated from the coax in the MAU. The isolation means provided must withstand 500 V<sub>AC</sub> rms for one minute for 10BASE2 and 2000 V<sub>AC</sub> rms for 10BASE5. In order to detect collisions reliably, the electrical isolation is not done at the coax; instead it is done on the side of the Attachment Unit Interface. The isolation for the three signal lines can be easily provided by using three pulse transformers that come in a standard 16 pin plastic DIP from several manufacturers (Pulse Engineering, Valor Electronics). The inductance value for these transformers vary from 50  $\mu$ H to 150  $\mu$ H with the larger inductance values slowing the rise and fall times, and the smaller ones causing more voltage droop.

The Manchester encoded data from the SNI now reaches the CTI's transmit input after passing through the isolation transformer. A noise filter at this input provides a static noise margin of  $-175$  mV to  $-300$  mV. These thresholds assure that differential Transmit (TX $\pm$ ) data signals less than  $-175$  mV or narrower than 10 ns are always rejected, while signals greater than  $-300$  mV and wider than 30 ns are always accepted. The  $-300$  mV threshold provides sufficient margin since the differential drivers for the transceiver drop cable provide a minimum signal level of  $\pm 450$  mV after inductive droop, and the maximum attenuation allowed for the drop cable is 3 dB at signal frequencies. Signals meeting the squelch requirements are waveshaped and outputted to the coax medium. This is done as follows:

The transmitter's output driver is a switching current source that drives a purely resistive load of 25 $\Omega$  presented by the coax to produce a voltage swing of approximately 2V. This

signal has to meet several critical electrical requirements:

**RISE/FALL TIMES:** The 10%–90% rise and fall times have to be 25 ns  $\pm$  5 ns at 10 Mbit/sec. This spec helps to minimize electro-magnetic radiation by reducing the higher harmonic content of the signal and contributes to the smaller reflection levels on the coax. In addition, the rise and fall times are required to be matched to within 1 ns to minimize the overall jitter in the system.

**DC LEVEL:** The DC component of the signal has to be between  $-37$  mA and  $-45$  mA. The tolerance here is tight since collisions are detected by monitoring the average DC level on the coax.

**AC LEVEL:** The AC component of the signal has to be between  $\pm 28$  mA and the DC level. This specification guarantees a minimum signal at the far end of the coax cable in the worst case condition.

The signal shown in Fig. 4 would be attenuated as it travels along the coax. The maximum cable attenuation per segment is 8.5 dB at 10 MHz and 6 dB at 5 MHz. This applies for both the 500 meters of Ethernet cable and the 185 meters of Cheapernet cable. With 10 Mbit/sec Manchester data, this cable attenuation results in approximately 7 ns of edge jitter in either direction. The CTI's receiver has to compensate for at least a portion of this jitter to meet the  $\pm 6$  ns combined jitter budget. The receiver also should not over-compensate the signal in the case of a short cable. An equalizer filter in the CTI accomplishes this task. Figure 5 shows a typical waveform seen at the far end of the cable and the corresponding differential output from the CTI's receiver.

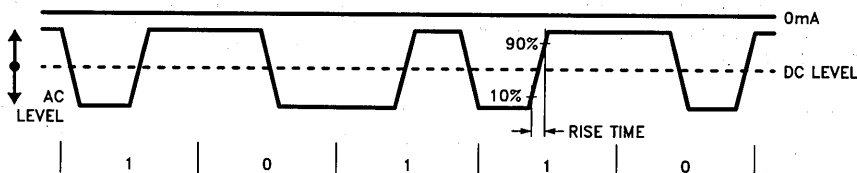


FIGURE 4. Coax Transmit Waveform

TL/F/8689-7

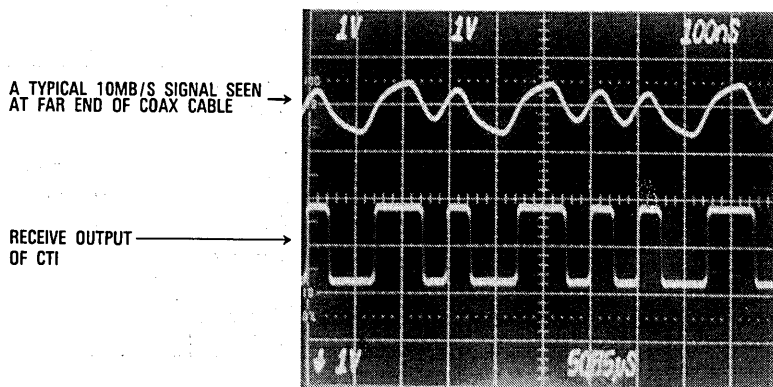
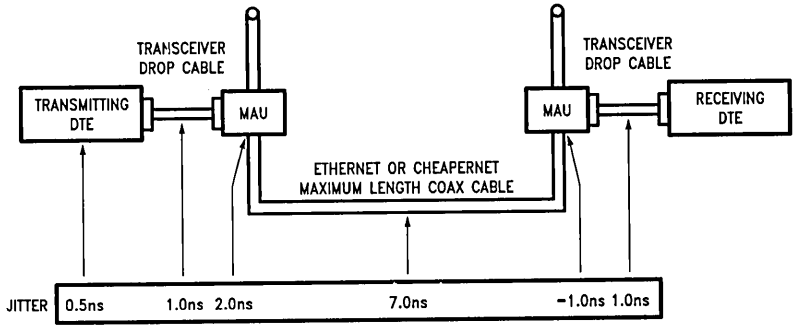


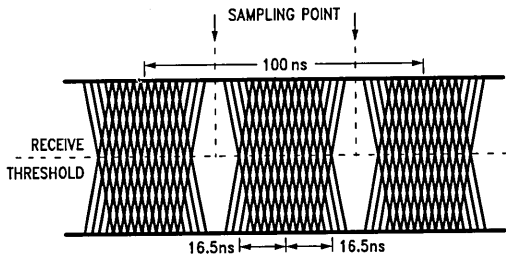
FIGURE 5. Oscilloscope Waveforms

TL/F/8689-8



Total Jitter without Noise = 0.5 + 1.0 + 2.0 + 7.0 - 1.0 + 1.0 = 10.5 ns  
 Additional Jitter from Noise on Coax Cable = 5.0 ns  
 Additional Jitter from Noise on Drop Cables = 1.0 ns  
 Total System Jitter = 16.5 ns

TL/F/8689-9



TL/F/8689-10

FIGURE 6. Typical Signal Waveform at SNI's Input

In addition to the equalizer, an AC/DC squelch circuit at the coax input prevents noise on the cable from falsely triggering the receiver in the absence of a valid signal. The Receive differential line from the CTI should be isolated before it reaches the SNI for Manchester decoding. This signal now could have accumulated as much as  $\pm 16.5$  ns of jitter. Figure 6 illustrates the jitter allocations for different network components and a typical signal waveform at the SNI's input. The digital phase-locked loop of the SNI can decode Manchester data with up to  $\pm 20$  ns of random jitter which provides enough margin for implementation.

The SNI converts the Manchester received packet to NRZ data and clock pulses and sends them to the controller. Upon reception, the NIC checks the destination address, and if it is valid, verifies the CRC with the one generated on board and stores the packet in the local buffer memory. The packet is then moved to the host by the NIC, and when this is completed the buffer area is reclaimed for storing new packets. If a collision occurs during this transfer process, the CTI will detect it by sensing the average DC level on the coax and will send a 10 MHz collision signal to the SNI. The SNI will translate this information to the controller in TTL form, and the transmitting controllers will backoff for different times and retransmit later. Also in case of illegally long packets (longer than 20 ms), a jabber timer in the CTI will disable the coax driver so that the "jabbering" station will

not bring down the entire network. The collision pair is activated in this case to inform the controller of the faulty condition. After the fault is removed, the jabber timer holds for 500 ms before re-enabling the coax driver.

**COLLISION DETECTION SCHEMES**

There are two different collision detection schemes that can be implemented with the CTI; receive, transmit modes. The IEEE 802.3 standard allows the use of receive, transmit, and transhybrid modes for non-repeater nodes for both Ethernet and Cheapernet applications. Repeaters are required to have the receive mode implementation.

**RECEIVE MODE:** Detects a collision between any two stations on the network with certainty at all times.

**TRANSMIT MODE:** Detects collisions with certainty only when the station is transmitting.

**RECEIVE MODE:** The receive mode scheme has a very simple truth table; however, the tight threshold limits make the design of it difficult. The threshold in this case has to be between the maximum DC level of one station (-1300 mV) and the minimum DC level of two far end stations (-1581 mV). Several factors such as the termination resistor variation, coax center conductor resistance, driver current level variation, signal skew, and input bias current of non-transmitting nodes contribute to this tight margin. On

**Truth Table for Various  
Collision Detection Schemes**

| Mode             | Receive         |   |   |   | Transmit |   |   |   |    |
|------------------|-----------------|---|---|---|----------|---|---|---|----|
|                  | No. of Stations | 0 | 1 | 2 | >2       | 0 | 1 | 2 | >2 |
| Transmitting     | N               | N | Y | Y | N        | N | Y | Y |    |
| Non-Transmitting | N               | N | Y | Y | N        | N | M | Y |    |

Y = It will detect a collision, N = It will not detect a collision,  
M = It may detect a collision

top of the  $-1300$  mV minimum level, the impulse response of the internal low pass filter has to be added. The CTI incorporates a 4 pole Bessel filter in combination with a trimmed on board bandgap reference to provide this mode of collision detection. However it would be difficult in receive mode to extend the cable length beyond the limits of the standard. It is also argued that it is not necessary for non-repeater nodes to detect collisions between other stations.

**TRANSMIT MODE:** In this case collisions have to be detected with certainty only when the station is transmitting. Thus, collisions caused by two other nodes may or may not be detected. This feature relaxes the upper limit of the threshold from  $-1581$  mV to  $-1782$  mV. As a result of this, longer cable segments can be used. With the CTI, a resistor divider can be used at the Collision Detect Sense pin (CDS) to lower the threshold from receive to transmit mode. Typical resistor values can be  $120\Omega$  from CDS to GND and  $10k$  from CDS to  $V_{EE}$  (This moves the threshold by about  $-100$  mV).

#### IMPLEMENTING A 10 BASE5 (ETHERNET) MAU WITH THE DP8392

The CTI provides all the MAU (transceiver) functions except for signal and power isolation. Signal isolation can easily be provided by a set of three pulse transformers that come in a single Dual-in-Line package. These are available from transformer vendors such as Pulse Engineering (PE64103) and Valor (LT1101). However, for the power isolation a DC to DC converter is required. The CTI requires a single  $-9$  ( $\pm 5\%$ ) volt supply. This power has to be derived from the power pair of the drop cable which is capable of providing  $500$  mA in the  $12$  ( $-6\%$ ) to  $15$  ( $+5\%$ ) volt range. The low supply current of the CTI makes the design of the DC to DC converter quite easy. Such converters are being developed in hybrid packages by transformer manufacturers (Pulse Engineering PE64430 and Reliability Inc. 2E12R9). They provide the necessary voltage isolation and the output regulation. One can also build a simple DC to DC converter with a two transistor self oscillating primary circuit and some regulation on the secondary as shown in *Figure 7*.

Several areas of the PC board layout require special care. The most critical of these is for the coax connection. Ethernet requires that the CTI capacitance be less than  $2$  pF on the coax with another  $2$  pF allocated for the tap mechanism. The Receive Input (RXI) and the Transmit Output (TXO) lines should be kept to an absolute minimum by mounting the CTI very close to the center pin of the tap. Also, for the external diode at TXO (see *Figure 8*), the designer must minimize any stray capacitance, particularly on the anode side of the diode. To do this, all metal lines, especially the ground and  $V_{EE}$  planes, should be kept as far as possible from the RXI and TXO lines.

In order to meet the stringent capacitive loading requirements on the coax, it is imperative that the CTI be directly soldered to the PC board without a socket. A special lead frame in the CTI package allows direct conduction of heat from the die through these leads to the PC board, thus reducing the operating die temperature significantly. For good heat conduction the  $V_{EE}$  pins (4, 5 and 13) should be connected to large metal traces or planes.

A separate voltage sense pin (CDS) is provided for accurate detection of collision levels on the coax. In receive mode, where the threshold margin is tight, this pin should be independently attached to the coax shield to minimize errors due to ground drops. A resistor divider network at this pin can be used for transmit mode operation as described earlier.

The differential transmit pair from the DTE should be terminated with a  $78\Omega$  differential resistive load. By splitting the termination resistor into two equal values and capacitively AC grounding the center node, the common mode impedance is reduced to about  $20\Omega$ , which helps to attenuate common mode transients.

To drive the  $78\Omega$  differential line with sufficient voltage swings, the CTI's collision and receive drivers need external  $500\Omega$  resistors to  $V_{EE}$ . By using external resistors, the power dissipation of the chip is reduced, enhancing long term reliability. The only precision component required for the CTI is one  $1k$   $1\%$  resistor. This resistor sets many important parameters of the chip such as the coax driving levels, output rise and fall times,  $10$  MHz collision oscillator frequency, jabber timing, and receiver AC squelch timing. It should be connected between pins 11 (RR+) and 12 (RR-).

The DP8392 features a heartbeat function which can be externally disabled using pin 9. This function activates the collision output for a short time ( $10 \pm 5$  bit cells) at the end of every transmission. It is used to ensure the controller that the collision circuitry is intact and properly functioning. Pin 9 enables CD Heartbeat when grounded, and disables it when connected to  $V_{EE}$ .

The IEEE 802.3 standard requires a static discharge path to be provided between the shield of the coax cable and the DTE ground via a 1 MΩ, 0.25W resistor. The standard also requires the MAU to have low susceptibility levels to electromagnetic interference. A 0.01 μF capacitor will provide a

sufficient AC discharge path from the coaxial cable shield to the DTE ground. The individual shields should also be capacitively coupled to the Voltage Common in MAU. A typical Ethernet MAU connection diagram using the CTI in receive mode with the CD Heartbeat enabled is shown in Figure 8.

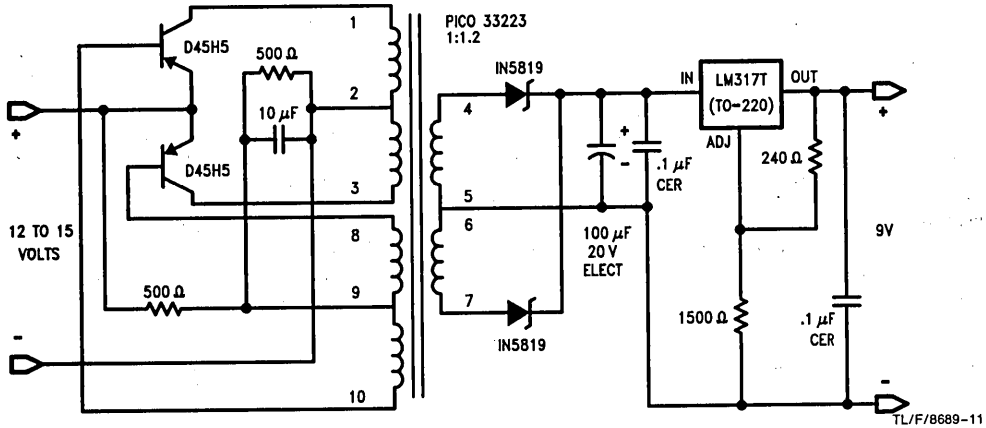


FIGURE 7. A Simple Low Cost DC to DC Converter

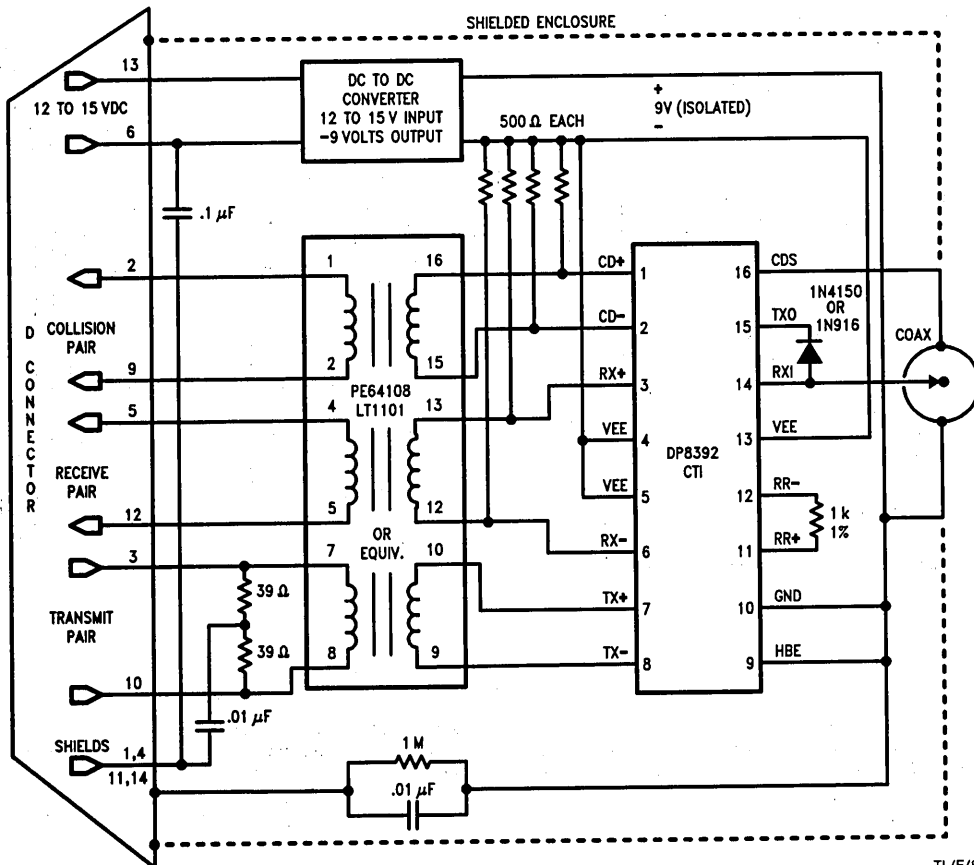


FIGURE 8. An Ethernet MAU Implementation with the CTI

### CHEAPERNET APPLICATION WITH THE DP8391 AND DP8392

The pin assignment of both the CTI and the SNI are designed to minimize the crossover of any printed circuit traces. Some of the components needed for an Ethernet like interface are not needed for Cheapernet. For instance, Cheapernet's relaxed load capacitance (8 pF, compared with 4 pF for Ethernet) obviates the need for an external capacitance isolation diode at TXO. Also, since the transceiver drop cable is not used in Cheapernet, there's no need for the 78Ω termination resistors. Moreover, without the 78Ω loading on the differential outputs, the pull-down resistors for both the CTI's collision and receive drivers and the SNI's transmit driver can be larger to save power. These resistors can be 1.5k instead of 500Ω for the CTI and 500Ω instead of 270Ω for the SNI.

The 20 MHz crystal connection to the SNI requires special care. The IEEE 802.3 standard requires a 0.01% absolute accuracy on the transmitted signal frequency. An external capacitor between the X1 and X2 pins is normally needed to get the required frequency range. Section 3.1 of the data sheet describes how to choose the value of this capacitor.

The SNI also provides loopback capability for fault diagnosis. In this mode, the Manchester encoded data is internally diverted to the decoder input and sent back to the controller. Thus both the encoding and the decoding circuits are tested. The transmit differential output driver and the differential input receiver circuits are disabled during loopback. This mode can be enabled by a TTL active high input at pin 7:

Two different modes, half step and full step, can be selected at the SNI's transmit output. The standards require half step mode of operation, where the output goes to differential zero during idle to eliminate large idle currents through the pulse transformers. On the other hand, the differential output remains in a fixed state during idle in full step mode. The SNI thus can be used with transceivers which work in either mode. The two different modes can be selected with a TTL input at pin 5.

Figure 9 shows a typical Cheapernet connection diagram using the DP8391 and the DP8392.

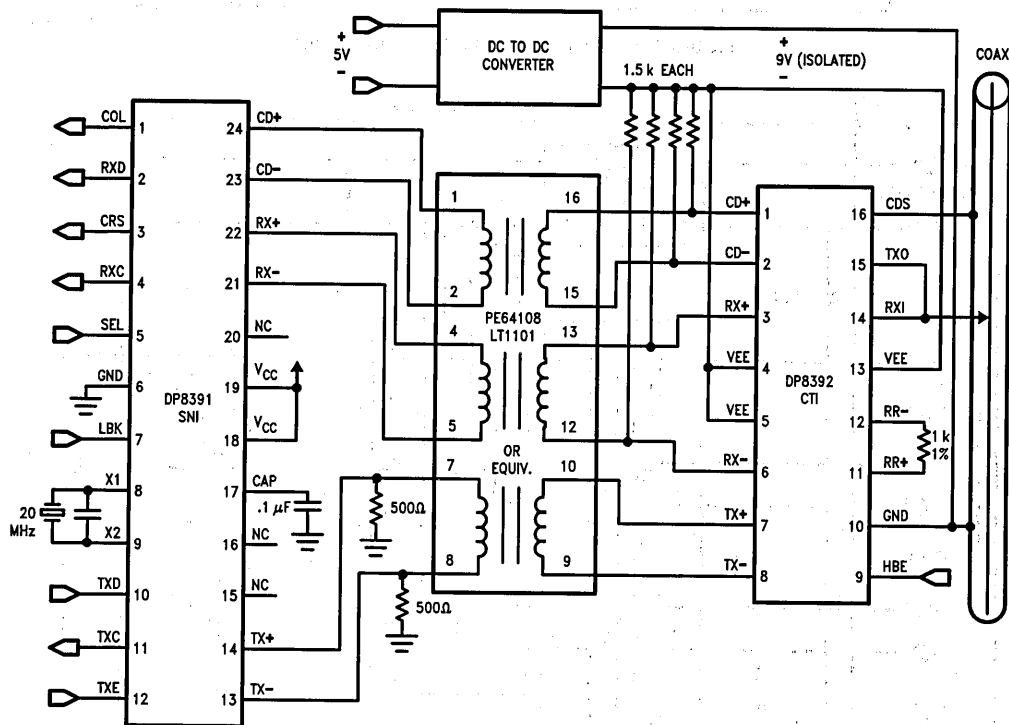


FIGURE 9. Cheapernet Connection Diagram

TL/F/8689-13

The power isolation is similar here as in the Ethernet application, except the DC input is now usually 5V instead of 12V. Hybrid DC to DC converters are also being developed

for this application (Ex: Pulse Engineering PE64381). Figure 10 shows a discrete implementation with 5V input and -9V output.



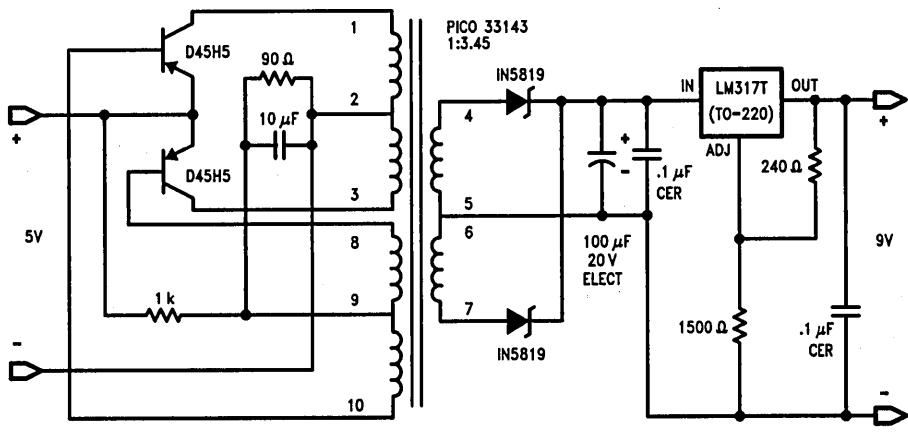


FIGURE 10. DC to DC Converter (5V to -9V)

TL/F/8689-14

# Reliability Data Summary for DP8392



**REF: TEST LAB FILES**

RDT25406                      RDT26627  
 RDT25500                      RDT26638  
 RDT26562

**TEST SAMPLE DESCRIPTION/HISTORY**

| Lot | Device      | Package     | Date Code | Fab Location | Assembly Location |
|-----|-------------|-------------|-----------|--------------|-------------------|
| 1   | DP8392      | N, 16 Leads | 8509      | NSSC         | NSEB              |
| 2   | DP8392      | N, 16 Leads | 8513      | NSSC         | NSEB              |
| 3   | DP8392      | N, 16 Leads | 8526      | NSSC         | NSEB              |
| 4   | DP8392      | N, 16 Leads | 8552      | NSSC         | NSEB              |
| 5   | DP8392A(-4) | N, 16 Leads | 8620      | NSUK         | NSEB              |
| 6   | DP8392A(-5) | N, 16 Leads | 8637      | NSUK         | NSEB              |
| 7   | DP8392A(-5) | N, 16 Leads | 8637      | NSUK         | NSEB              |
| 8   | DP8392A(-5) | N, 16 Leads | 8637      | NSUK         | NSEB              |
| 9   | DP8392C     | N, 16 Leads | 9106      | NSUK         | NSEB              |
| 10  | DP8392C     | N, 16 Leads | 9106      | NSUK         | NSEB              |
| 11  | DP8392C     | N, 16 Leads | 9106      | NSUK         | NSEB              |
| 12  | DP8392C     | N, 16 Leads | 9106      | NSUK         | NSEB              |
| 13  | DP8392C     | N, 16 Leads | 9106      | NSUK         | NSEB              |
| 14  | DP8392C     | N, 16 Leads | 9106      | NSUK         | NSEB              |

**ABSTRACT**

DP8392 Coaxial Transceiver Interface parts from 8 lots were subjected to Operating Life Test, Temperature and Humidity Bias Test, Temperature Cycle Test, and Electrostatic Discharge Test.

**PURPOSE OF TEST**

Evaluation of new device and qualification of U.K. fab.

**TESTS PERFORMED**

- Operating Life Test (OPL) (100°C; biased)
- Operating Life Test (OPL) (125°C; biased)
- Temperature and Humidity Bias Test (THBT) (85°C; 85% R.H.; biased)
- Temperature Cycle Test (TMCL) (-40°C, +125°C; unbiased)
- Electrostatic Discharge Test (ESD) (Human body model: R = 1500Ω; C = 120 pF)

**CONCLUSIONS**

1. The DP8392AN exceeds the IEEE 802.3 specification of 1 million hours Mean Time Between Failure (MTBF).
2. U.K. fab results are comparable to those of Santa Clara. On ESD testing all pins passed at 1000V except for pin 7 (TX<sup>+</sup>).

**RESULTS**

| Test | Temperature    | Lot | Fab  | Time Point—Number of Failures |      |       |       |       |
|------|----------------|-----|------|-------------------------------|------|-------|-------|-------|
|      |                |     |      | Hours                         |      |       |       |       |
|      |                |     |      | 168                           | 336  | 500   | 1000  | 2000  |
| OPL  | 100°C          | 1   | NSSC | 0/50                          |      | 0/50  | 0/50  |       |
|      | 100°C          | 2   | NSSC | 0/50                          |      | 0/50  | 0/50  |       |
|      | 125°C          | 3   | NSSC | 0/74                          |      |       |       |       |
|      | 125°C          | 4   | NSSC | 0/100                         |      | 0/100 | 0/100 | 0/100 |
|      | 100°C          | 5   | NSUK | 0/60                          |      |       |       |       |
|      | 100°C          | 6   | NSUK |                               | 0/33 | 0/33  | 0/33  | 0/33  |
|      | 100°C          | 7   | NSUK |                               | 0/31 | 0/31  | 0/31  | 0/31  |
|      | 100°C          | 8   | NSUK |                               | 0/33 | 0/31  | 0/31  | 0/31  |
|      | 85°C           | 9   | NSUK |                               |      | 0/77  | 0/77  |       |
|      | 85°C           | 10  | NSUK |                               |      | 0/77  | 0/77  |       |
|      | 85°C           | 11  | NSUK |                               |      | 0/77  | 0/77  |       |
|      | 100°C          | 12  | NSUK | 0/64                          |      | 0/64  | 0/64  | 0/64  |
|      | 100°C          | 13  | NSUK | 0/25                          |      | 0/25  | 0/25  | 0/25  |
|      | 100°C          | 14  | NSUK | 0/10                          |      | 0/10  | 0/10  | 0/10  |
| THBT | 85°C; 85% R.H. | 1   | NSSC | 0/50                          |      | 0/50  | 0/50  |       |
|      |                | 2   | NSSC | 0/50                          |      | 0/50  | 0/50  |       |
|      |                | 3   | NSSC | 0/75                          |      | 0/75  | 0/75  |       |
|      |                | 9   | NSUK | 0/30                          |      | 0/30  | 0/30  |       |
|      |                | 10  | NSUK | 0/30                          |      | 0/30  | 0/30  |       |
|      |                | 11  | NSUK | 0/30                          |      | 0/30  | 0/30  |       |

**RESULTS (Continued)**

| Test | Temperature      | Lot | Fab  | Time Point—Number of Failures |      |      |      |      |
|------|------------------|-----|------|-------------------------------|------|------|------|------|
|      |                  |     |      | Hours                         |      |      |      |      |
|      |                  |     |      | 168                           | 336  | 500  | 1000 | 2000 |
| ACLV | 121°C; 100% R.H. | 9   | NSUK | 0/77                          |      | 0/77 |      |      |
|      |                  | 10  | NSUK | 0/66                          |      | 0/66 |      |      |
|      |                  | 11  | NSUK | 0/77                          |      | 0/77 |      |      |
|      |                  |     |      | Cycles                        |      |      |      |      |
|      |                  |     |      | 500                           | 1000 | 2000 | 3000 |      |
| TMCL | -40°C, +125°C    | 4   | NSSC | 0/70                          | 0/70 | 0/70 | 0/70 |      |
|      | -65°C, +150°C    | 9   | NSUK | 0/77                          | 0/77 | 0/77 |      |      |
|      | -65°C, +150°C    | 10  | NSUK | 0/66                          | 0/66 | 0/66 |      |      |
|      | -65°C, +150°C    | 11  | NSUK | 0/77                          | 0/77 | 0/77 |      |      |

**ELECTROSTATIC DISCHARGE TEST (ESD) RESULTS**

26 parts from 4 wafer lots were tested by the Human Body Model test condition; R = 1500Ω; C = 120 pF. First ground was held common, then V<sub>EE</sub>. 5 positive and 5 negative pulses were applied for each pin/voltage combination.

| Pin | Function        | Voltage—Number of Failures |       |
|-----|-----------------|----------------------------|-------|
|     |                 | 500V                       | 1000V |
| 1   | CD+             | 0/26                       | 0/20  |
| 2   | CD-             | 0/26                       | 0/20  |
| 3   | RX+             | 0/26                       | 0/20  |
| 4   | V <sub>EE</sub> | 0/26                       | 0/20  |
| 5   | V <sub>EE</sub> | 0/26                       | 0/20  |
| 6   | RX-             | 0/26                       | 0/20  |
| 7   | TX+             | 6/26                       | 13/20 |
| 8   | TX-             | 0/26                       | 0/20  |
| 9   | HBE             | 0/26                       | 0/20  |
| 10  | GND             | 0/26                       | 0/20  |
| 11  | RR+             | 0/26                       | 0/20  |
| 12  | V <sub>EE</sub> | 0/26                       | 0/20  |
| 13  | V <sub>EE</sub> | 0/26                       | 0/20  |
| 14  | RXI             | 0/26                       | 0/20  |
| 15  | TXO             | 0/26                       | 0/20  |
| 16  | CDS             | 0/26                       | 0/20  |

Further characterization has been done to determine individual pin ESD damage thresholds. In particular, for pin 7 (TX+), 80 parts from 4 wafer lots were tested. Pin 7 ESD damage thresholds varied from 200V–300V to 2000V–3000V, with a mean of 1800V.

**MTBF (MEAN TIME BEFORE FAILURE) CONSIDERATIONS**

Results total: 212,000 device hours at 125°C, 0 failures  
301,000 device hours at 100°C, 0 failures

Assume: E<sub>a</sub> = 0.7 eV  
P<sub>d</sub> = 800 mW  
θ<sub>ja</sub> = 45°C/W

Then: Chi-square statistics, 60% confidence  
MTBF<sub>min</sub> at 25°C ambient = 93,000,000 device hours.  
MTBF<sub>min</sub> at 70°C ambient = 5,100,000 device hours.

# Interfacing the DP8392 to 93Ω and 75Ω Cable

National Semiconductor  
Application Note 620  
Mohammed Rajabzadeh



The DP8392 Ethernet Coaxial Transceiver Interface (CTI) is designed primarily for 10BASE2 and 10BASE5 applications which use 50Ω coaxial cable. However, with minor modifications it is possible to use this transceiver with larger impedance cables. This article shows how to use the DP8392 with 75Ω or 93Ω cable. The trade off is that segment span is reduced to accommodate for higher series DC resistance of these cables. The CTI is a current driver. The two important factors that must be handled properly in using the chip with 75Ω and 93Ω cables are the dynamic range of the transmitter and collision detection levels.

## DYNAMIC RANGE

The dynamic range of the transmitter is important in the following case:

Suppose two stations collide with one-another. To detect collisions properly, each station must sink at least as much DC current as it would in a non-collision case. This would mean that with the 93Ω cable when a collision occurs the chips should be able to sustain approximately -4V DC level. If the signals from the colliding stations are in phase the AC signal could be 8V peak to peak.

The DP8392's transmitter clamps before it pulls to -8V. However, when it clamps it also changes the duty cycle enough to sustain the -4V DC collision level.

An internal diode is included in series with the transmitter's output to isolate its capacitance and thereby minimizing the tap capacitance. For more dynamic range margin, it is recommended that external isolating diodes at the transmitter output not be used. It is also advisable to design the power supply to operate at the higher end of the 8.55V to 9.45V range.

## COLLISION LEVELS—RECEIVE MODE

In order to understand the concerns with collision levels, it is necessary to calculate the levels for Cheapernet (10BASE2) 50Ω cable (RG58AU) as an example.

### 50Ω Cable Example (RG58A/U)

Table I shows the parameter values that are used in calculating the collision levels. Please note that all the levels in this article are for receive mode collision detection.

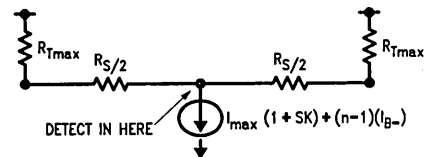
TABLE I. Assumptions and Definitions

|           |                                                                       |                        |            |
|-----------|-----------------------------------------------------------------------|------------------------|------------|
| $R_T$     | = Termination Resistor at 20°C                                        | = 50 ± 1%              | 802.3      |
| $t_T$     | = Temp. Coef. of the Terminator                                       | = 0.0001/°C            | ASSUMPTION |
| L         | = Maximum Segment Length                                              | = 185m                 | 802.3      |
| $R_{DC}$  | = Maximum Cable DC Res. at 20°C                                       | = 0.0489Ω/m            | BELDEN     |
| $t_c$     | = Temp. Coef. of Copper                                               | = 0.004/°C             | PHYSICS    |
| $T_m$     | = Maximum Cable Temp.                                                 | = 50°C                 | ASSUMPTION |
| SR        | = Step Response at Max Cable Length                                   | = 0.98                 | NATIONAL   |
| $R_C$     | = Max Connector Res./Station                                          | = 0.0034Ω              | MIL SPEC   |
| $I_{B+}$  | = Max Positive Bias Current                                           | = 2 μA                 | 802.3      |
| $I_{B-}$  | = Max Negative Bias Current                                           | = 25 μA                | 802.3      |
| $I_{max}$ | = Max DC Drive Current                                                | = 45 mA                | 802.3      |
| $I_{min}$ | = Min. DC Drive Current                                               | = 37 mA                | 802.3      |
| $R_O$     | = Non Transmitting Output Impedance                                   | = 100 kΩ               | 802.3      |
| N         | = Max Nodes per Segment                                               | = 30                   | 802.3      |
| SK        | = Skew Factor, Effect of Encoder Skew on DC Level<br>= (SKEW × 4)/100 | = 0.02 for 0.5 ns Skew | 802.3      |
| $R_S$     | = Max DC Loop Res. of a Segment                                       |                        | DEFINITION |
| $R_L$     | = Load Resistance Seen by a Driver                                    |                        | DEFINITION |
| SEO       | = Sending End Overshoot                                               | = 0.08                 | ASSUMPTION |

The collision levels that need to be calculated are  $V_{max}$  and  $V_{min}$ . The  $V_{max}$  or "no detect" level is the maximum DC voltage generated by one node. The worst case here occurs when the transmitting node is at the center of a maximum length cable, and the collision is being detected either by itself or by a station right next to it. On the other hand, the  $V_{min}$  or "must detect" level is the minimum DC voltage generated by two minimum stations transmitting at one end of a

maximum length cable, and the collision is being detected by a node on the other side of the cable. The filter impulse response is not included in these calculations since it is mutually exclusive with the Sending End Overshoot. If the impulse response is larger than the Sending End Overshoot, the exceeding portion should be added on to the limits.

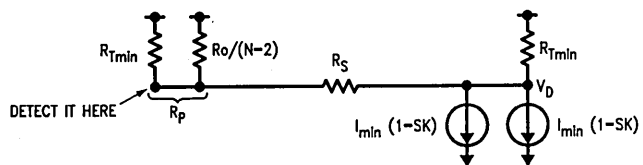
**Maximum Non Collision Level  $V_{max}$  (No-Detect)—Receive Mode—50Ω Cable**



TL/F/10444-1

|            |                                                                                 |           |
|------------|---------------------------------------------------------------------------------|-----------|
| $R_{Tmax}$ | = $R_T \times 1.01 \times [(Tm - 20) \times t_T + 1]$                           |           |
| $R_S$      | = $R_{DC} \times L \times [(Tm - 20) \times t_c + 1] + N \times R_C$            |           |
| $R_L$      | = $(R_{Tmax} + R_{S/2})/2$                                                      |           |
| $V_{max}$  | = $[I_{max} \times (1 + SK) + (N - 1)(I_{\beta-})] \times R_L \times (1 + SEO)$ |           |
| $R_{Tmax}$ | = $50 \times 1.01 \times [(50 - 20) \times 0.0001 + 1]$                         | = 50.652Ω |
| $R_S$      | = $0.0489 \times 185[(50 - 20) \times 0.004 + 1] + 30 \times 0.0034$            | = 10.234Ω |
| $R_L$      | = $(50.652 + 10.234/2)$                                                         | = 27.885Ω |
| $V_{max}$  | = $[45 \times 1.02 + 29 \times 0.025] \times 27.885 \times 1.08$                | = 1404 mV |

**Minimum Collision Level  $V_{min}$  (Must-Detect)—Receive Mode—50Ω Cable**



TL/F/10444-2

|            |                                                                    |           |
|------------|--------------------------------------------------------------------|-----------|
| $R_p$      | = NEAR END SHUNT RESISTANCE                                        |           |
|            | = $[R_C/(N - 2)]//R_{Tmin}$                                        |           |
| $R_{Tmin}$ | = $R_T \times 0.99$                                                |           |
| $V_D$      | = TRANSMITTER'S END DC VOLTAGE                                     |           |
|            | = $2 \times I_{min} \times (1 - SK) \times [R_{Tmin}/(R_S + R_p)]$ |           |
| $V_{min}$  | = $V_D \times [R_p/(R_S + R_p)] \times SR$                         |           |
| $R_p$      | = $[100k/28]/(50 \times 0.99) = 3571/49.5$                         | = 48.823Ω |
| $V_D$      | = $2 \times 37 \times 0.98 \times [49.5/(10.234 + 48.823)]$        | = 1952 mV |
| $V_{min}$  | = $1952 \times [48.823/(10.234 + 48.823)] \times 0.98$             | = 1581 mV |

The calculations show that the  $V_{max}$  and  $V_{min}$  are properly placed outside the collision threshold range of the DP8392 (1450 mV to 1580 mV).

**93Ω Cable Collision Level Calculation**

A few parameters need to be changed when using a different impedance cable. Here are those parameters for 93Ω cable (RG62A/U TYPE, BELDEN 9269);

|          |                                 |              |        |
|----------|---------------------------------|--------------|--------|
| $R_T$    | = termination resistor at 20°C  | = 93 ± 1%    |        |
| L        | = maximum segment length        | = 130m       |        |
| $R_{DC}$ | = maximum cable DC res. at 20°C | = 0.1437 Ω/m | BELDEN |

**TABLE II**

Considering the new values the  $V_{max}$  and  $V_{min}$  levels are;

**Maximum Non Collision Level  $V_{max}$  (No Detect)—Receive Mode—93Ω Cable**

|            |                                                                      |               |
|------------|----------------------------------------------------------------------|---------------|
| $R_{Tmax}$ | = $93 \times 1.01 \times [(50 - 20) \times 0.0001 + 1]$              | = 94.212Ω     |
| $R_S$      | = $0.1437 \times 130[(50 - 20) \times 0.004 + 1] + 30 \times 0.0034$ | = 21.025Ω     |
| $R_L$      | = $(94.212 + 21.025/2)/2$                                            | = 52.362Ω     |
| $V_{max}$  | = $[45 \times 1.02 + 29 \times 0.025] \times 52.362 \times 1.08$     | = 2636.692 mV |

**Minimum Collision Level  $V_{min}$  (Must Detect)—Receive Mode—93Ω Cable**

|           |                                                                  |                 |               |
|-----------|------------------------------------------------------------------|-----------------|---------------|
| $R_P$     | = $[100k/28] // (93 \times 0.99)$                                | = 3571 // 92.07 | = 89.756Ω     |
| $V_D$     | = $2 \times 37 \times 0.98 \times [92.070 // (21.025 + 89.756)]$ |                 | = 3646.396 mV |
| $V_{min}$ | = $3646.396 \times [89.756 / (21.025 + 89.756)] \times 0.98$     |                 | = 2895.272 mV |

**93Ω IMPLEMENTATION WITH DP8392**

Figure 1 shows the connection diagram with 93Ω cable (100 meters and 30 stations). The design parameters defined below are summarized in Table III. The resistor divider ratio needs to be calculated to attenuate the receiver input signal. The two resistors  $R_1$  and  $R_2$  should center the calculated thresholds (2636 mV to 2895 mV) to the internal level of DP8392 (1450 mV to 1580 mV).

The resistor divider and the capacitor  $C_p$ , Figure 1, ( $C_p$  includes the RXI input capacitance, typically 1 pF, and the pc trace capacitance associated with it) form a low pass filter effect. It may be necessary to add the capacitor  $C_c$  (capacitor  $C_c$  creates a high pass effect) to compensate the low pass effect. The equation to calculate the capacitor  $C_c$  is;

$$C_c \times R_2 = C_p \times R_1$$

It is also necessary to add the resistor  $R_3$  ( $R_3 = R_1 // R_2$ ) in series with the CDS pin. This will assure that the voltage drop due to the biasing currents into CDS and RXI pins are duplicated.

To check the design;

$$[54.8k / (54.8k + 45.2k)] \times 2636 \text{ mV} = 1444 \text{ mV}$$

$$[54.8k / (54.8k + 45.2k)] \times 2895 \text{ mV} = 1586 \text{ mV}$$

The DP8392's internal collision range is within this window.

**75Ω CABLE IMPLEMENTATION**

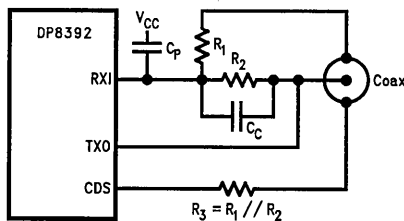
This method can also be successfully implemented for 80 meters of 75Ω cable (RG59/U BELDEN 8241). The collision thresholds are 2127.8 mV and 2339.6 mV. The corresponding  $R_1$  and  $R_2$  values are 67.8 kΩ and 32.2 kΩ respectively. Table IV summarizes the design parameters.

**TABLE III**

|          |                               |
|----------|-------------------------------|
| CABLE    | BELDEN RG62A/U Type 93Ω Cable |
| L        | 130 meters                    |
| $R_{DC}$ | 0.1437 Ω/m                    |
| N        | 30                            |
| $R_1$    | 54.8k                         |
| $R_2$    | 45.2k                         |

**TABLE IV**

|          |                         |
|----------|-------------------------|
| CABLE    | BELDEN RG59/U 75Ω Cable |
| L        | 80 meters               |
| $R_{DC}$ | 0.1894 Ω/m              |
| N        | 30                      |
| $R_1$    | 67.8k                   |
| $R_2$    | 32.2k                   |



**FIGURE 1**

TL/F/10444-3



# Designing the DP8392 for Longer Cable Applications

National Semiconductor  
Application Note 621  
Mohammed Rajabzadeh

The IEEE 802.3 standard is designed for 500 meters of Ethernet cable and 185 meters of Cheapernet (RG58A/U) cable. To extend such segments to 1000 meters of Ethernet cable and 300 meters of Cheapernet cable requires utilization of Transmit mode collision detection. This method is described below.

## COLLISION DETECTION SCHEMES

The collision circuitry monitors the coaxial DC level. If the level is more negative than the collision threshold, the collision output is enabled.

There are two different collision detection schemes that can be implemented with the CTI; Receive mode, and Transmit mode. The IEEE 802.3 standard allows the use of receive and transmit modes for non-repeater node applications. Repeaters are required to have to receive mode implementation. These different modes are defined as follows:

**Receive Mode:** Detects a collision between any two stations on the network with certainty at all times.

**Transmit Mode:** Detects a collision with certainty only when the station is transmitting.

Table I summarizes the receive and transmit mode definitions:

TABLE I

| Mode             | Receive |   |   |    | Transmit |   |   |    |
|------------------|---------|---|---|----|----------|---|---|----|
|                  | 0       | 1 | 2 | >2 | 0        | 1 | 2 | >2 |
| Transmitting     | N       | N | Y | Y  | N        | N | Y | Y  |
| Non-Transmitting | N       | N | Y | Y  | N        | N | M | Y  |

Y = Detects Collision  
N = Does Not Detect Collision  
M = Might Detect Collision

**Receive Mode:** The Receive mode scheme has a very simple truth table. However, the tight threshold limits make the design of it difficult. The threshold in this case has to be between the maximum DC level of one station (-1300 mV) and the minimum DC level of two far stations (-1581 mV). Several factors such as the termination resistor variation, signal skew, and input bias current of non-transmitting nodes contribute to this tight margin. On top of the -1300 mV minimum level, the impulse response of the internal low pass filter has to be added. The CTI incorporates a 4-pole Bessel filter in combination with a trimmed on board bandgap reference to provide this mode of collision detection.

**Transmit Mode:** In this case, collision has to be detected only when the station is transmitting. Thus, collision caused by two other nodes may or may not be detected. This feature relaxes the upper limit of the threshold. As a result of this, longer cable segments can be used. With the CTI, a resistor divider can be used at the Collision Detection Sense (CDS) pin to lower the threshold from receive to transmit mode.

## COLLISION LEVELS—TRANSMIT MODE

Table II shows the parameter values that are used in calculating the collision levels in transmit mode.

TABLE II. Assumptions and Definitions

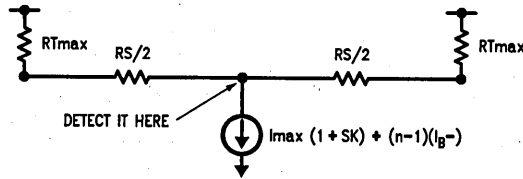
|           |                                                   |                        |                       |
|-----------|---------------------------------------------------|------------------------|-----------------------|
| $R_T$     | = Termination Resistor at 20°C                    | = 50 ± 1%Ω             | 802.3                 |
| $t_T$     | = Temp. Coef. of the Terminator                   | = 0.0001/Deg.          | ASSUMPTION            |
| L         | = Maximum Segment Length                          | = 300m                 | Cheapernet 802.3      |
|           |                                                   | = 1000m                | Ethernet 802.3        |
| $R_{DC}$  | = Maximum Cable DC Res. at 20°C                   | = 0.0489Ω/m            | Cheapernet BELDEN     |
|           |                                                   | = 0.0100Ω/m            | Ethernet BELDEN       |
| $t_c$     | = Temp. Coef. of Copper                           | = 0.004/°C             | PHYSICS               |
| $T_m$     | = Maximum Cable Temp.                             | = 50°C                 | ASSUMPTION            |
| SR        | = Step Response at Max Cable Length               | = 0.97                 | Cheapernet NATIONAL   |
|           |                                                   | = 0.94                 | Ethernet NATIONAL     |
| $R_C$     | = Max. Connector Res./Station                     | = 0.0034Ω              | Cheapernet MIL SPEC   |
|           |                                                   | = 0.0001Ω              | Ethernet ASSUMPTION   |
| $I_{B+}$  | = Max. Positive Bias Current                      | = 2 μA                 | 802.3                 |
| $I_{B-}$  | = Max. Negative Bias Current                      | = 25 μA                | 802.3                 |
| $I_{max}$ | = Max. DC Drive Current                           | = 45 mA                | 802.3                 |
| $I_{min}$ | = Min. DC Drive Current                           | = 37 mA                | 802.3                 |
| $R_o$     | = Non Transmitting Output Impedance               | = 100 kΩ               | 802.3                 |
| N         | = Max Nodes per Segment                           | = 100                  | Cheapernet 802.3      |
|           |                                                   | = 100                  | Ethernet 802.3        |
| SK        | = Skew Factor, Effect of Encoder Skew on DC Level |                        | 802.3                 |
|           | = (SKEW×4)/100                                    | = 0.02 for 0.5 ns Skew |                       |
| $R_S$     | = Max. DC Loop Res. of a Segment                  |                        | DEFINITION            |
| $R_L$     | = Load Resistance Seen by a Driver                |                        | DEFINITION            |
| SEO       | = Sending End Overshoot                           | = 0.10                 | Cheapernet ASSUMPTION |
|           |                                                   | = 0.14                 | Ethernet ASSUMPTION   |

The calculations below explain how the values for the resistor divider in *Figure 1* are obtained. First, collision levels  $V_{max}$  and  $V_{min}$  must be calculated. The  $V_{max}$  or "no detect" level is the maximum DC voltage generated by one node. The worst case here occurs when the transmitting node is at the center of a maximum length cable, and the collision is being detected either by itself or by a station right next to it. On the other hand, the  $V_{min}$  or "must detect" level is the

minimum DC voltage generated by one minimum transmitting station and another minimum transmitting station at the other end of a maximum length cable.

The filter impulse response is not included in these calculation since it is mutually exclusive with the Sending End Overshoot. If the impulse response is larger than the Sending End Overshoot, the exceeding portion should be added on to the limits.

#### Maximum Non Collision Level $V_{Max}$ (NO DETECT)—Transmit Mode



TL/F/10445-1

$$\begin{aligned} R_{Tmax} &= R_T \times 1.01 \times [(T_m - 20) \times t_T + 1] \\ R_S &= R_{DC} \times L \times [(T_m - 20) \times t_c + 1] + N \times RC \\ R_L &= (R_{Tmax} + R_S/2)/2 \\ V_{Max} &= [I_{Max} \times (1 + SK) + (N - 1) (I_{B-})] \times R_L \times (1 + SEO) \end{aligned}$$

#### CHEAPERNET Cable, 300 Meters, 100 Stations:

$$\begin{aligned} R_{Tmax} &= 50 \times 1.01 \times [(50 - 20) \times 0.0001 + 1] \\ &= 50.652\Omega \\ R_S &= 0.0489 \times 300 [(50 - 20) \times 0.004 + 1] + 100 \times 0.0034 \\ &= 16.770\Omega \end{aligned}$$

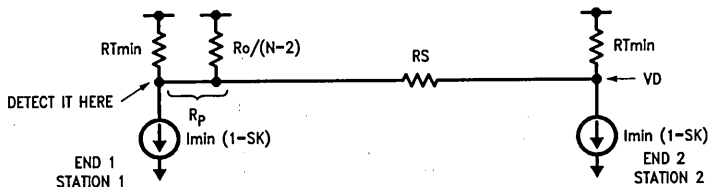
$$\begin{aligned} R_L &= (50.652 + 16.770/2)/2 = 29.519\Omega \\ V_{Max} &= [45 \times 1.02 + 99 \times 0.025] \times 29.519 \times 1.10 \\ &= 1571 \text{ mV} \end{aligned}$$

#### ETHERNET Cable, 1000 Meters, 100 Stations:

$$\begin{aligned} R_{Tmax} &= 50 \times 1.01 \times [(50 - 20) \times 0.0001 + 1] \\ &= 50.652\Omega \\ R_S &= 0.01 \times 1000 [(50 - 20) \times 0.004 + 1] + 100 \times 0.0001 \\ &= 11.21\Omega \\ R_L &= (50.652 + 11.21/2)/2 = 28.129\Omega \\ V_{Max} &= [45 \times 1.02 + 99 \times 0.025] \times 28.129 \times 1.14 \\ &= 1551 \text{ mV} \end{aligned}$$



Minimum Collision Level  $V_{Min}$  (MUST DETECT)—Transmit Mode



TL/F/10445-2

$R_p = \text{Near End Shunt Resistance}$   
 $= [R_o / (N - 2)] // R_{Tmin}$   
 $R_{TMin} = R_T \times 0.99$   
 $VS1(1) = \text{Station 1's DC Voltage at End 1}$   
 $= I_{Min} \times (1 - SK) \times [R_p // (R_S + R_{Tmin})]$   
 $VS2(2) = \text{Station 2's DC Voltage at End 2}$   
 $= I_{Min} \times (1 - SK) \times [R_{Tmin} // (R_S + R_p)]$   
 $VS2(1) = \text{Station 2's DC Voltage at End 1}$   
 $= VS2(2) \times [R_p / (R_S + R_p)] \times SR$   
 $V_{Min} = VS1(1) + VS2(1)$

**CHEAPERNET Cable, 300 Meters, 100 Stations:**

$R_p = [100k/98] // (50 \times 0.99) = 47.209\Omega$   
 $VS1(1) = 37 \times 0.98 \times [47.209 // (16.770 + 49.5)] = 1000 \text{ mV}$   
 $VS2(2) = 37 \times 0.98 \times [49.5 // (16.770 + 47.209)] = 1012 \text{ mV}$   
 $VS2(1) = 1012 \times [47.209 / (47.209 + 16.770)] \times 0.97 = 724 \text{ mV}$   
 $V_{Min} = 1000 + 724 = 1724 \text{ mV}$

**ETHERNET Cable, 1000 Meters, 100 Stations:**

$R_p = [100k/98] // (50 \times 0.99) = 1020 // 49.5 = 47.209\Omega$   
 $VS1(1) = 37 \times 0.98 \times [47.209 // (11.21 + 49.5)] = 963 \text{ mV}$   
 $VS2(2) = 37 \times 0.98 \times [49.5 // (11.21 + 47.209)] = 972 \text{ mV}$   
 $VS2(1) = 972 \times [47.209 / (47.209 + 11.21)] \times 0.94 = 738 \text{ mV}$   
 $V_{Min} = 963 + 738 = 1701 \text{ mV}$

**CIRCUIT IMPLEMENTATION**

Table III summarizes the design parameters.

TABLE III

| Parameter | ETHERNET   | CHEAPERNET |
|-----------|------------|------------|
| L         | 1000 Meter | 300 Meter  |
| N         | 100        | 100        |
| $V_{Min}$ | 1701 mV    | 1724 mV    |
| $V_{Max}$ | 1551 mV    | 1571 mV    |
| $R_1$     | 125Ω ± 1%  | 150Ω ± 1%  |
| $R_2$     | 10 kΩ ± 1% | 10 kΩ ± 1% |

Circuit implementation is shown in *Figure 1*

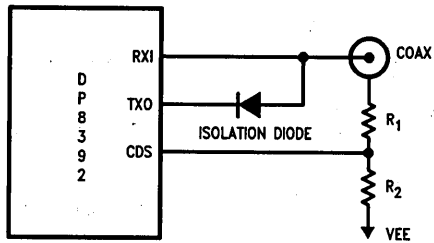


FIGURE 1

TL/F/10445-3

To check the design, subtract the additional offset generated by the resistor divider from these levels ( $V_{Max}$  and  $V_{Min}$ ) and make sure that the internal 8392 collision levels (1450 mV to 1580 mV) are within this window. The supply voltage is assumed to be  $9V \pm 5\%$ .

#### Ethernet

$$1551 \text{ mV} - 8.55V (125\Omega / (10 \text{ k}\Omega + 125\Omega)) = 1445 \text{ mV}$$

$$1701 \text{ mV} - 9.45V (125\Omega / (10 \text{ k}\Omega + 125\Omega)) = 1584 \text{ mV}$$

#### Cheapernet

$$1571 \text{ mV} - 8.55V (150\Omega / (10 \text{ k}\Omega + 150\Omega)) = 1445 \text{ mV}$$

$$1724 \text{ mV} - 9.45V (150\Omega / (10 \text{ k}\Omega + 150\Omega)) = 1584 \text{ mV}$$

These calculations show that the resistor values are properly selected.

# Measuring Ethernet Tap Capacitance

National Semiconductor  
 Application Note 757  
 Larry Wakeman



## INTRODUCTION

When a node is added to an Ethernet network, its nodal capacitance changes the impedance of the cable at the point of connection to the cable. The impedance change causes a reflection of the Ethernet waveform, which distorts the waveform. The more the capacitance the greater the distortion, and eventually with large enough node capacitances the Ethernet signal could become so distorted that the packet data would become corrupted when decoded by a network node. For this reason the IEEE802.3 standard specifies a maximum value of capacitance that a node may add to the network, as well as a minimum node to node distance spacing. Since the capacitance of a node includes stray inductances, the effective capacitance of a node connection cannot be measured simply by using a capacitance meter. This note presents the method for measuring capacitance of an Ethernet tap for 10BASE5 or a BNC "T" for 10BASE2.

## THE STANDARD'S REQUIREMENTS

To properly make the measurement, it is important to understand how the standard specifies the capacitance of a node. To quote the IEEE802.3 standard:

**8.3.1.1 Input Impedance:** The shunt capacitance presented to the coaxial cable by the MAU circuitry (not including the means of attachment to the coaxial cable) is recommended to be no greater than 2 pF. The resistance to the coaxial cable shall be greater than 100 kΩ.

The total capacitive load due to MAU circuitry and the mechanical connector as specified in 8.5.3.2 shall be no greater than 4 pF.

These conditions shall be met in the power-off and power-on, not transmitting states (over the frequencies BR/2 to BR).

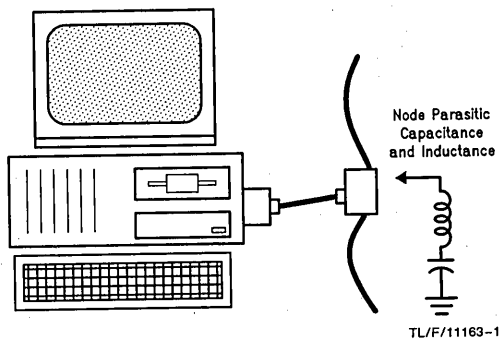
The magnitude of the reflection from a MAU shall not be more than that produced by a 4 pF capacitance when measured by both a 25 ns rise time and 25 ns fall time waveform. This shall be met in both the power-on and power-off, not transmitting states.

To summarize the maximum allowable capacitance specifications for both Thinwire and Thickwire Ethernet the following table is provided.

**TABLE I. Maximum Capacitance Allowed in IEEE802.3**

| Standard | Electrical Circuitry | Mechanical Connector |
|----------|----------------------|----------------------|
| 10BASE5  | 2 pF                 | 2 pF                 |
| 10BASE2  | 4 pF                 | 4 pF                 |

**Note:** Thickwire or Thick Ethernet refers to 10BASE5 and Thinwire or Thin Ethernet refers to 10BASE2.



**FIGURE 1. Simple Model of the Parasitics Presented to the Ethernet Cable**

## THE TEST METHOD

Due to the nature of the capacitance of a DTE (Data Terminal Equipment), rather than perform a simple capacitive measurement using a meter, the capacitance of the network node is more accurately measured by testing it in an environment where the actual signal reflection caused by the capacitance of a node attachment is measured when applying a typical Ethernet signal. The magnitude of the reflection is then correlated to an equivalent capacitance. This is the most appropriate method, since it is the signal degradation due to the capacitive load that is the important consideration in defining the above specifications.

With the above in mind, the test is performed by first measuring the reflection caused by the attachment of a node. Then the DTE is replaced with a reference variable capacitor, and the capacitor's value is adjusted until the capacitance that causes the same size reflection is determined. The capacitance of the node is therefore the same as the reference capacitance value that causes the same amplitude reflection.

### TEST SETUP AND CABLE

An example test configuration which measures the capacitance of the Thickwire Ethernet is shown in *Figure 2*. The waveform applied to the test node is an important consideration in setting up the test, as it will affect the resultant value of capacitance. In particular the rise and fall times must be carefully chosen to reflect the capacitance seen in an Ethernet network, as described in the next section.

The cable lengths and spacing between the scope input and the transceiver's connection are chosen to ensure that the reflection due to the transceiver appears on the flat portion of the test waveform. This allows accurate measurement. The total cable length is equivalent to the full 10BASE5 length of 500m.

An oscilloscope is used to measure the voltage of the reflection. The scope, with a  $1\text{ M}\Omega$  input impedance, as shown in *Figure 2*, is connected directly to the cable without a probe. This eliminates any errors due to the probe. The distance between transceiver connection point "A" and the scope is set so that the reflections will arrive at the scope right after the signal rise and fall times. Moving point "A" any further makes the reflections smaller in amplitude (cable attenuation) and therefore harder to measure.

On the scope's display measurements are made at the point immediately after the rise time. Reflections are then compared to the ones for known discrete capacitors.

### THE TEST WAVEFORM

In normal network operation the signal on the coax cable has rise and fall times of  $25\text{ ns} \pm 5\text{ ns}$  (defined by the IEEE802.3 standard). With a purely capacitive load applying signals with faster (or slower) edges cause larger (or smaller) reflections than would be seen on a typical network. If the node were purely capacitive this would not affect the measurement. The larger (or smaller) node reflection for a given parasitic capacitance would track with the reference capacitance's reflection yielding accurate measurements.

However, the node is actually not a pure capacitance, but has some series inductance associated with the network connection as shown in *Figure 1*. The application of signals with faster than  $20\text{ ns}$  rise and fall times actually result in an unrealistically low capacitance measurement. This is because the nodes capacitance is buffered by the stray series inductances which reduce the reflection magnitude when compared to the pure capacitance. This correlates to a lower than actual capacitance.

On the other hand applying very slow rise and fall times (slower than  $30\text{ ns}$ ) result in the measurement of a larger capacitance than actual. This is because the series inductance effects are less than would be seen with a nominal waveform.

Since it is desirable to measure the capacitance in such a way as to correlate to the effective capacitance seen when IEEE802.3 signaling is used, the best compromise choice is to select a  $25\text{ ns}$  rise and fall times for this test. (This is the reason for this choice in the actual standard.)

Again, the reason behind this decision is that although the  $\geq 30\text{ ns}$  edges indicate larger capacitances a signal with  $25\text{ ns}$  edge produces results that more correctly represent the actual effect of the attached node's capacitance.

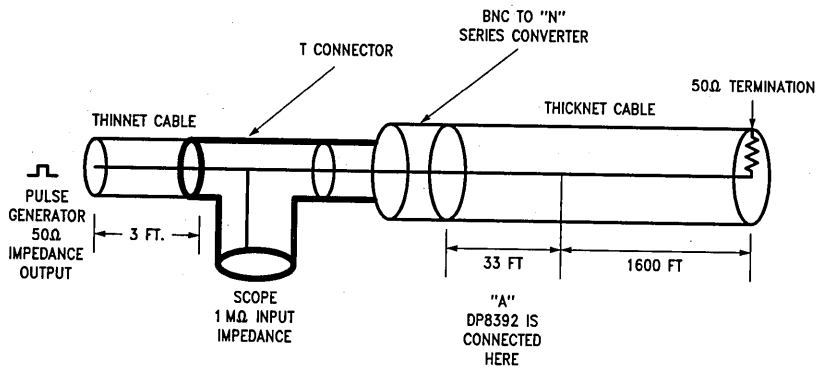
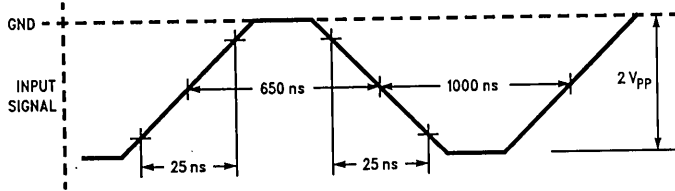


FIGURE 2. Test Setup

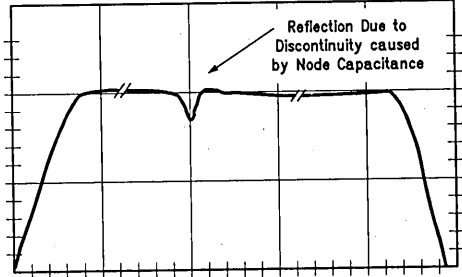
TL/F/11163-2



TL/F/11163-3

FIGURE 3. Input Test Waveform

As shown in Figure 3, a low frequency trapezoidal signal is used. This will keep the reflections from each edge of the signal well away from the next edge enabling easier measurement. The 2 V<sub>pp</sub> test input signal is the typical voltage swing on the coax cable in normal operation. In the case of a discrete capacitor the voltage level of the signal may not be important. However, due to the non-linearity of the node and DP8392 capacitance a typical voltage signal should be used following the same rationale as was used for the signal rise and fall times.



TL/F/11163-4

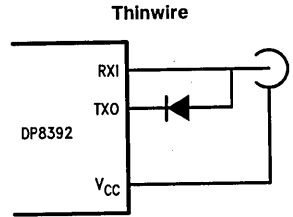
Note: This figure is conceptual. It does not show the waveform details.

FIGURE 4. Example of Reflection

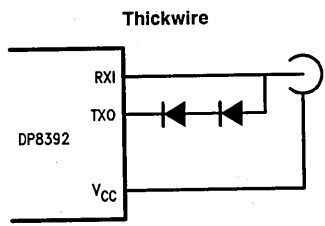
**TEST RESULTS**

A special jig was built to connect the ICs to point "A" in Figure 2. This greatly improves measurement repeatability. Data repeatability of 0.01 pF is achieved.

Typical data for RXI and TXO capacitances are 1.0 pF and 2.0 pF respectively. Total node capacitance can be reduced to around 1.6 pF with the addition of a small capacitance diode in series with the TXO output, as shown in Figure 5. For Ethernet applications two diodes in series can be used instead.



TL/F/11163-5



TL/F/11163-6

FIGURE 5. DP8392 Connection Diagram

**INACCURACIES OF THE CAPACITANCE METER**

As stated, in a real network, it is not the node capacitance that creates a problem, but too large a reflection caused by this capacitance. This reflection distorts the cable signal. Therefore the best method of test is to measure the reflection under true network waveforms. By the same analogy capacitance meters which have a test signal frequency that does not correspond to 25 ns rise and fall time do not reveal a true measurement of capacitance, and so capacitive measurements done only with a capacitance meter are usually (almost always) inaccurate to the true effective capacitance as seen by the network cable.

# Low Power Ethernet with the CMOS DP83910 Serial Network Interface

National Semiconductor  
Application Note 622  
William Harmon



## INTRODUCTION

This application note discusses the features of, and implementation techniques for, National Semiconductor's CMOS Serial Network Interface (SNI), the DP83910. Also, a comparison of the CMOS SNI to National's bipolar SNI (DP8391) on several key issues will be provided. In general, the DP83910 provides a low power Attachment Unit Interface (AUI) for a Carrier-Sense Multiple Access with Collision Detect (CSMA/CD) Ethernet system. In fact, when used in conjunction with National Semiconductor's Network Interface Controller (NIC, DP8390) and Coaxial Transceiver Interface (CTI, DP8392), the DP83910 provides for a complete IEEE 802.3 Ethernet and/or thin wire Ethernet solution, as shown in *Figure 1*.

## FUNCTIONAL DESCRIPTION OF THE DP83910

The CMOS SNI operates as an interface between an Ethernet transceiver and a local area network data controller. A functional block diagram of the DP83910 is shown in *Figure 2*. The primary function of this interface is to perform the encoding and decoding that is necessary for the differential pair Manchester encoded data of the transceiver and the Non-Return-to-Zero (NRZ) serial data of the NIC to be compatible with each other. In the case of a transmission, the SNI translates the NRZ serial data from a network controller's transmit data line into differential pair Manchester encoded data on a transceiver's transmit pair. In order to

perform this operation, the NRZ bit stream is first received by the Manchester encoder block of the SNI. Once the bit stream is encoded, it is transmitted out differentially on to the transmit differential pair through the transmit driver. When a reception takes place, the differential receive data from a transceiver is converted from Manchester encoded data into NRZ serial data and a receive clock, which are passed to the receive data and receive clock inputs of the Network Interface Controller. In executing this sequence, the DP83910's data receiver takes the Manchester data from the differential receive lines and passes it to the phase locked loop (PLL) decoder block. The PLL block then decodes the data and generates a data receive clock and a stream of NRZ serial data, which is presented to the NIC. In the case of National Semiconductor's Network Interface Controller, the DP8390, the serial NRZ signals are called TXD and RXD.

In addition to performing the Manchester encoding and decoding function, the DP83910 also provides several important network signals to the network controller. A diagram of the interface between National Semiconductor's NIC and the CMOS SNI can be found in *Figure 3*. The first of these signals is carrier sense (CRS), which indicates to the controller that data is present on the SNI's receive differential pair. Secondly, the SNI provides the network controller with a collision detection signal (COL), which informs the controller that a collision is taking place somewhere on the net-

IEEE 802.3 Compatible Ethernet/Thin Ethernet/10BaseT  
Local Area Network Chip Set

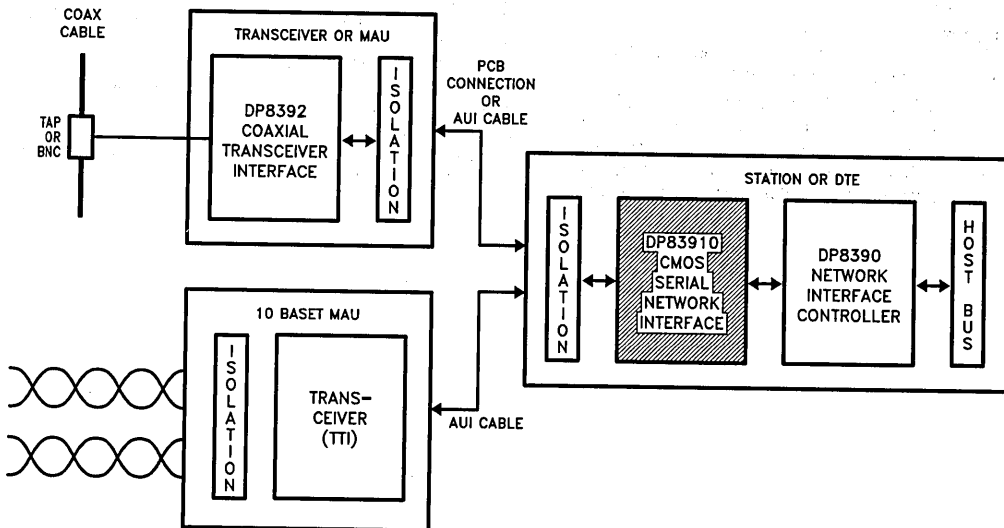
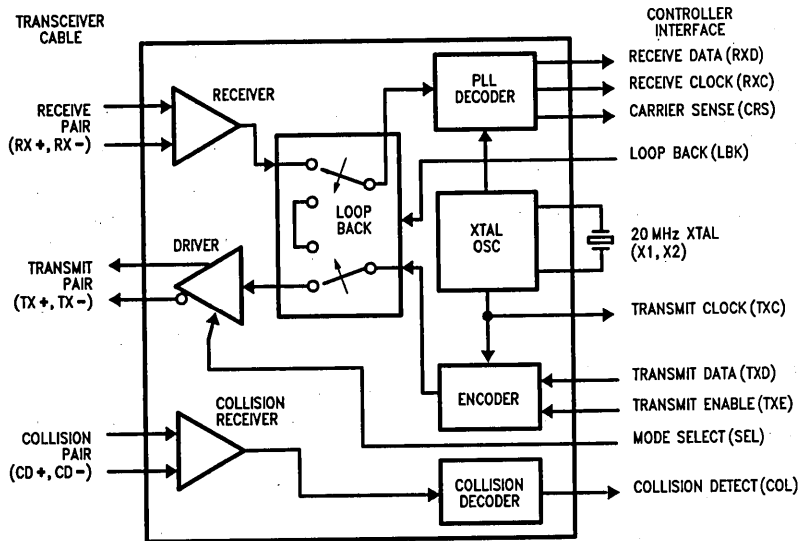


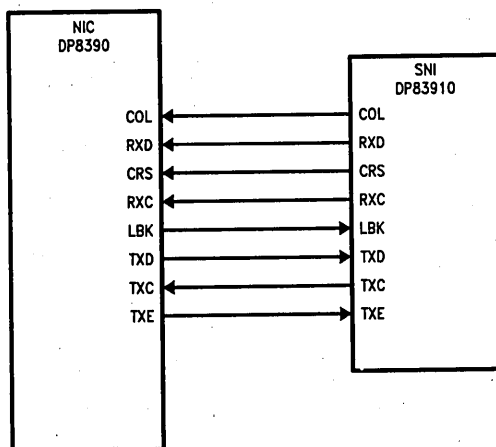
FIGURE 1. A Block Level Diagram of an Ethernet Node

TL/F/10446-1



TL/F/10446-2

FIGURE 2. DP83910 Block Diagram



TL/F/10446-3

FIGURE 3. Interface between the DP8390 and DP83910

work. The SNI itself is informed of the collision when its collision receiver detects a 10 MHz signal on the differential collision input pair. Finally, the DP83910 provides both the receive and transmit clocks (RXC and TXC, respectively). The transmit clock is a divide by two derivative of the SNI's oscillator inputs (X1 and X2), while the receive clock is generated directly from the frequency of the input data to the PLL.

The DP83910 can also be placed in a loopback mode, in order to check the SNI's receive and transmit interface to the network controller. In loopback, as pictured above, the SNI's Manchester encoder block is essentially connected directly to the PLL decoder block. This allows for the validation of the Manchester encoding and decoding process without the variable of random network traffic. The SNI is placed in loopback mode when the loopback pin (LBK) is driven high.

### COMPARING THE DP83910 WITH THE DP8391

The DP83910 is basically a CMOS version of the existing National Semiconductor bipolar SNI, the DP8391. The functionality of the two parts is identical. However, there are a few differences that exist between the two parts, in spite of the fact that they can be implemented as pin for pin compatible. The most fundamental difference between the two parts is the process under which each is manufactured. The DP83910 SNI is fabricated in a CMOS process, while the DP8391 is made in a bipolar process. As a result of this, the level of average power supply current needed by the DP83910 is approximately 75 percent less than the 270 mA required by the DP8391. Another significant difference between the two parts is the CMOS SNI's need for a pulse transformer to be placed between all of its differential signals and those of the transceiver, regardless of whether a drop cable or thin wire Ethernet configuration is being imple-

mented. This is necessary due to the fact that the CMOS process will not guarantee the IEEE 802.3 16V fail safe specification if no isolation is provided to the differential signals that go to the AUI cable. One consequence of the transformer requirement is that National Semiconductor defines the AUI interface at the transceiver side of the transformer and only guarantees the correct operation of the CMOS SNI when the pulse transformer is employed in the system.

In addition to the above process related differences, there are still two non-process related differences, which need to be mentioned. First, the phase locked loop in the bipolar SNI is digital, while the phase locked loop of the CMOS SNI is analog. This is functionally transparent when designing with the DP83910; however, it does provide for a significant savings in power consumption. Finally, it should be noted that pin 17 (TEST) on the bipolar SNI is required to be tied to ground through a capacitor, while the same pin on the CMOS SNI can either be implemented in the same manner or connected directly to ground. A list of all the above mentioned differences can be found in Table I.

#### DESIGNING WITH THE DP83910

In developing the DP83910, National Semiconductor performed extensive testing in its own Local Area Network Laboratory to assure that the CMOS SNI would provide an easily implemented low power controller/transceiver interface for Ethernet system designers. This development and testing assured that the DP83910 was IEEE 802.3 and Ethernet compatible, able to interface with industry standard transceivers (Ethernet, Twisted Pair Ethernet, and Fiber Optic Ethernet), and is capable of having the National Semiconductor DP8391 as a pin-for-pin replacement. In *Figures 4* and *5*, two methods of implementing the DP83910 with the DP8392 are demonstrated. One significant feature of both designs is that it is possible to directly substitute a DP8391 for the CMOS SNI and maintain the same functional quality.

#### The DP83910 Transmitter Operation

When operating as a transmitter, the DP83910 combines NRZ data received from the controller with a clock signal, which the SNI generates, and encodes them into a Manchester serial bit stream. This encoded signal then appears differentially at the SNI's TX± output. In Ethernet (10Base5) applications, this signal is sent to the transceiver or the Medium Attachment Unit (MAU) through an AUI transceiver cable. This cable, which can be up to 50 meters

in length, typically consists of four individually shielded twisted wire pairs (TX±, RX±, CD±, and PWR/GND), which are covered by an additional overall shield. The transmit signal pair, which has a differential characteristic impedance of 78Ω, should be terminated at the receiving end of the cable. It should be noted that each of the TX+ and TX− source follower outputs needs to be connected to ground through a 270Ω pull down resistor.

When employing the CMOS SNI, it is important to place a pulse transformer between the differential transmit pair on the DP83910 and the differential transmit signal on the AUI cable or CTI, as shown in *Figures 4* and *5*. This transformer is required in order to provide the necessary isolation for the CMOS SNI to meet the IEEE 802.3 16V fail safe specification. However, the pulse transformer does reduce the transmission of noise onto the transceiver cable. Also, it should be noted that more inductive transformers will decrease the magnitude of the undershoot. Furthermore, it is imperative that the designer guarantee the inductive load seen between the DP83910's AUI interface and the CTI receiver be greater than 27 μH. Transformers with 50 μH to 150 μH loading, such as the Pulse Engineering PE64103 and Nano Pulse NP5417, are recommended, since they will minimize the inductive undershoot on the SNI's TX± output pair and reduce the noise seen by the CTI's differential transmit input pair. It is important that the selected pulse transformer doesn't excessively increase the rise and fall time nor lower the output amplitude despite the fact that it reduces the undershoot.

The DP83910 provides both half and full step modes. The IEEE 802.3 standard requires the use of half step mode, in which the transmit output goes to differential zero in idle. In full step mode, the transmitter enters idle and stays at a fixed level. This will eventually allow the pulse transformer to completely saturate. The desired mode of operation is chosen through the Mode Select pin (SEL) on the SNI.

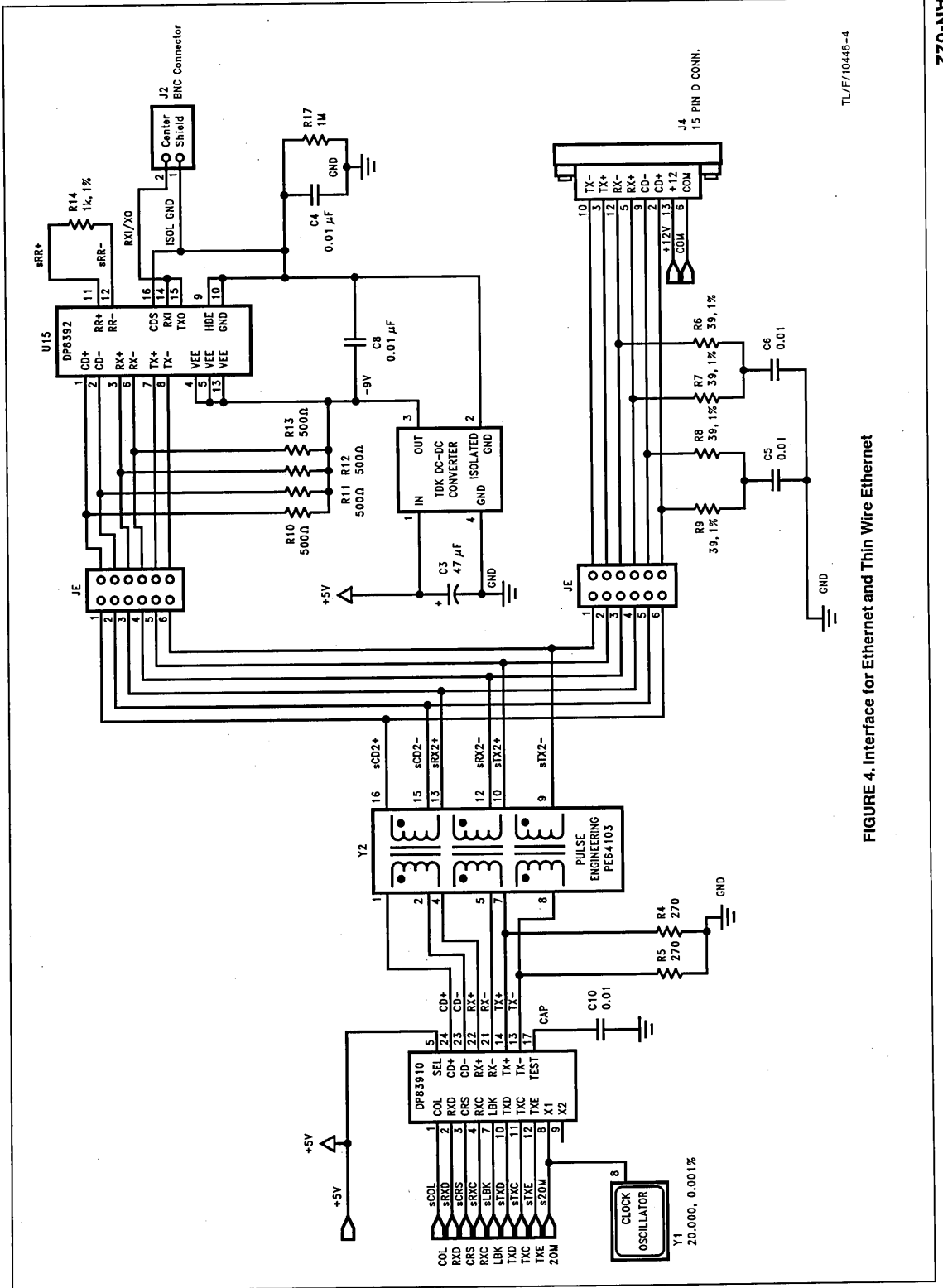
#### The DP83910 Data Receiver Operation

While performing reception, the CMOS SNI receives differential Manchester encoded serial data and converts it into NRZ serial data and a receive clock. The Manchester encoded data, which is received from the CTI or AUI cable, must be isolated before it reaches the SNI. Hence, the DP83910 requires that there be a pulse transformer on the SNI's side of the AUI interface. The actual employment of this transformer can be seen in both *Figures 4* and *5*. This

TABLE I. Comparison of the DP8391 and DP83910

|                                                  | DP8391                        | DP83910                     |
|--------------------------------------------------|-------------------------------|-----------------------------|
| Process                                          | Bipolar                       | CMOS                        |
| Power Consumption (Typical)                      | 270 mA                        | 70 mA                       |
| Pulse Transformer (At DTE Side of AUI Interface) | Optional                      | Required                    |
| Phase Locked Loop                                | Digital                       | Analog                      |
| Pin 17                                           | PLL Filter/Capacitor Required | Test Pin/Capacitor Optional |





TL/F/10446-4

FIGURE 4. Interface for Ethernet and Thin Wire Ethernet

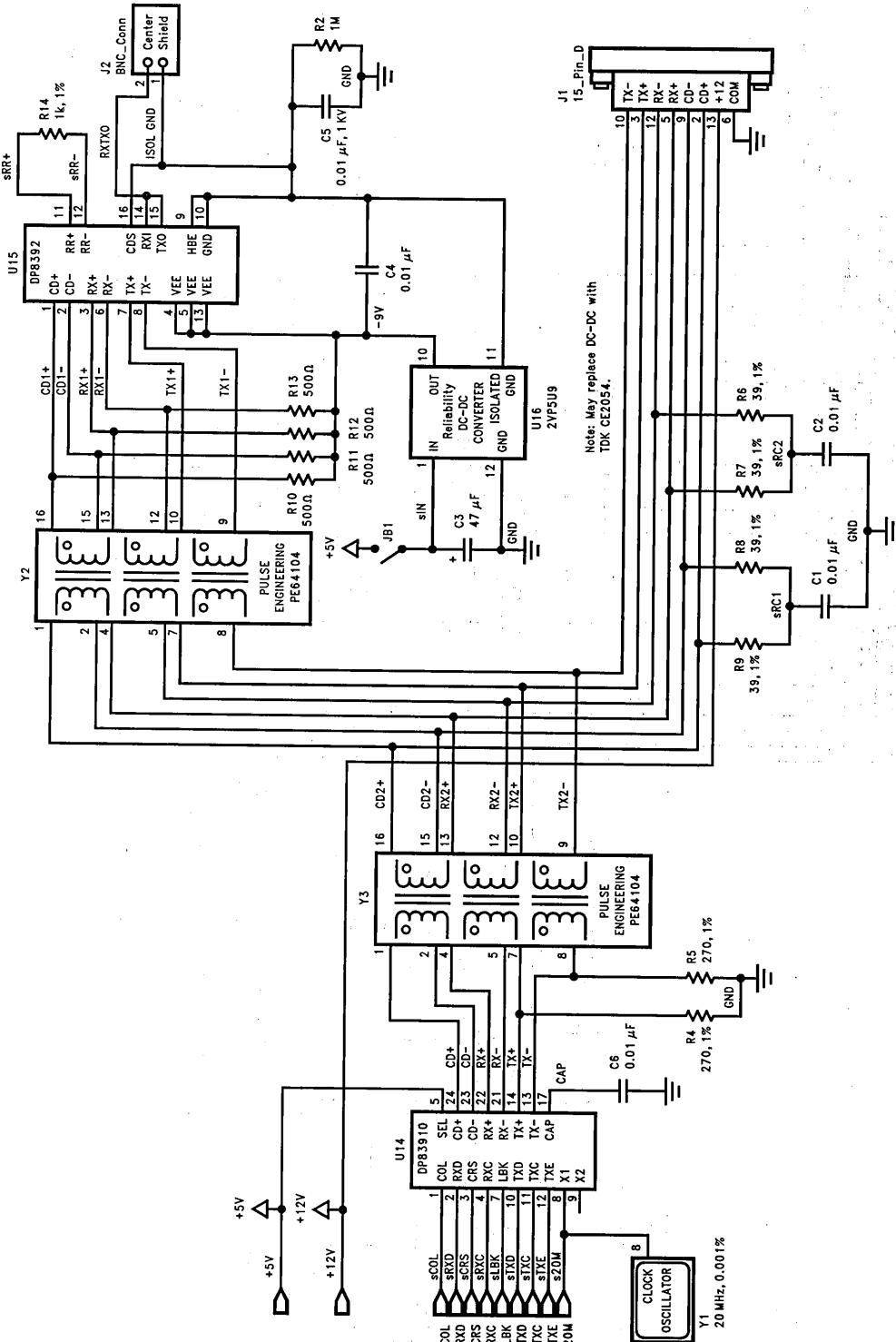


FIGURE 5. Single Switch Solution for Ethernet and Thin Wire Ethernet

transformer is mandatory and it forms part of the internal DC biasing circuit used for the differential receivers. Furthermore, the transformer is also needed to isolate the transceiver cable against the 16V voltage fault specification in the IEEE 802.3 standard. The performance of the differential receiver is not greatly affected by the selection of a pulse transformer. As a result, the pulse transformer selected for the transmitter design will also work correctly for the RX± data receiver. It should be noted here that the collision receiver is very similar to the data receiver and requires the same isolation. The collision input will be discussed more in the following section.

Once the data arrives at the receiver inputs of the SNI, it is amplified and then decoded by the analog phase locked loop, which can receive Manchester data with ±20 ns of random jitter. During the decoding process, the incoming signal is converted into NRZ data and a receive clock, which are sent to a network controller. Also, the differential data receiver has a built in filter to provide a static noise margin. This filter enables the SNI to reject signals that do not exceed the input squelch voltage and have less than a 30 ns pulse width.

Furthermore, since the DP83910 and pulse transformer constitute the AUI interface, the physical connection between the AUI and the MAU interfaces is defined as being on the MAU side of the pulse transformer. In light of this, it is permissible, when incorporating the CMOS SNI in a thin wire Ethernet application, to have a 78Ω resistance appear across the differential receive and collision inputs to the CTI, as shown in *Figure 5*.

#### The DP83910 Collision Pair Operation

In addition to the data receiver, the DP83910 also provides a differential receiver for the collision pair, which is driven by the transceiver. This 10 MHz active signal, from the AUI Interface, is converted to a TTL signal, digitally stretched, and sent to the controller as the Collision Detect Output (COL). Just as with the data receiver, the differential collision receiver has a built in filter that rejects pulses that do not exceed the input squelch voltage level and have a pulse width less than 30 ns.

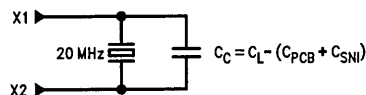
#### Optimal Ethernet and Thin Wire Ethernet Interface

If it is necessary to design a LAN board that minimizes the number of switching devices (jumpers) to alternate between Ethernet and thin wire Ethernet, the solution in *Figure 5* could be employed. This solution, in contrast to the six jumper solution in *Figure 4*, requires only one switch, which enables and disables the power supply to the CTI. In the case of thin wire Ethernet, power would be supplied to the CTI, while during drop cable Ethernet operation the unused CTI would be powered down. Hence, no excessive power is required when thin wire Ethernet is not in use. Furthermore, since there is only one switch, it may be feasible to implement that switch with a transistor as opposed to a jumper. The advantage to using a transistor is that the Ethernet/thin wire Ethernet option can now be made to be software selectable. This is accomplished by developing a control signal, which the software can issue to switch the transistor. Also, in looking at *Figure 5*, it is seen that two pulse transformers are used. The first transformer (Y3) is required by the CMOS SNI, for the reasons previously mentioned. The second pulse transformer (Y2), however, is used to isolate the powered-down CTI from the AUI cable interface, when Ethernet is being used. As in *Figure 4*, the application in *Figure 5* allows the direct substitution of a bipolar SNI, the DPC391, for the CMOS SNI.

#### The DP83910 Oscillator Inputs

The oscillator inputs of the CMOS SNI can be driven with a crystal or an oscillator. In either case, the SNI oscillator must be driven with a 20 MHz signal that provides for the transmitted frequency to be accurate within 0.01% as specified in IEEE 802.3 standard. When using an oscillator, the output of the oscillator should be tied to input X1 of the SNI and the X2 input of the SNI should be left unconnected or grounded. However, the employment of a crystal to generate the 20 MHz signal at the SNI's oscillator inputs requires a great deal of care. The frequency of the crystal is usually measured with a fixed load capacitance ( $C_L$ , typically 20 pF), which is specified in the crystal's data sheet. In order to prevent any distortion in the transmitted frequency, the total capacitance across the crystal's leads should equal its specified load capacitance. The capacitance that is seen by the crystal's leads is the sum of the stray PC board capacitance ( $C_{PCB}$ ) and the capacitance looking into the X1 and X2 inputs ( $C_{SNI}$ ). If this capacitance is smaller than the crystal's load capacitance, a correctional capacitance ( $C_C$ ) can be placed across the crystal's leads. This correctional capacitance would equal the difference between the crystal's load capacitance and the sum of the stray PC board capacitance and the SNI's X1 and X2 input capacitance. It should be noted that the input capacitance of the SNI that is seen across X1 and X2 is approximately a negligible 0.5 pF. *Figure 6* displays a possible crystal setup. The selected crystal should meet the following specifications:

|                    |                      |
|--------------------|----------------------|
| Resonant frequency | 20 MHz               |
| Tolerance          | ± 0.001% at 25°C     |
| Stability          | ± 0.005% at 0°C–70°C |
| Type               | AT cut               |
| Circuit            | Parallel Resonance   |



TL/F/10446-5

FIGURE 6. SNI Oscillator Input Circuit

#### Improving Transmitter Overshoot

Upon transitioning from a differential voltage of one polarity to another polarity (i.e., positive to negative), the magnitude of the differential transmit signal will reach a peak value. This peak at the transition points in the differential transmit waveform is referred to as the overshoot voltage. The overshoot voltage of the DP83910 is below the maximum allowable 1315 mV value that appears in the IEEE 802.3 standard. However, the IEEE standard also defines the overshoot voltage to be no greater than 1.12 times the nominal value (IEEE calls this nominal value V2). The DP83910 exceeds this particular segment of the overshoot specification, as shown in *Figure 7*. However, exceeding the allowable overshoot voltage value, as the CMOS SNI does, will have no functional affect on a system. Furthermore, the overshoot voltage can be altered to adhere to the IEEE 802.3 specification by placing a capacitor across the differential transmit pair at the primary (SNI side) of the required pulse transformer. This capacitor should be in the range of 40 pF to 50 pF and will not degrade the performance of the CMOS SNI or system in any way. It should also be mentioned that the DP8391, the bipolar SNI, will still be a pin-for-pin replacement for the CMOS SNI, in a design which employs the capacitor for improving the overshoot.

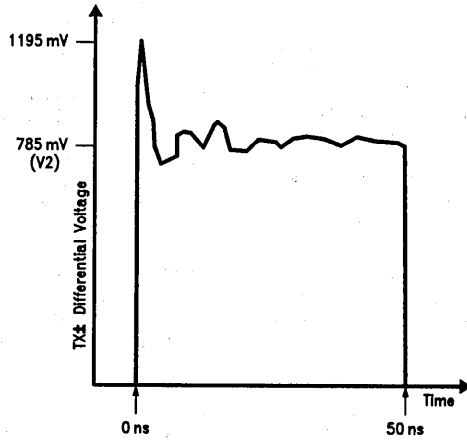


FIGURE 7. TX± Differential Overshoot Voltage

TL/F/10446-7



## Section 3

# ETHERNET PROTOCOL PRODUCTS

## **Repeater Interface Controller Products**



### Section 3 Contents

|                                                                                    |       |
|------------------------------------------------------------------------------------|-------|
| DP83950B RIC Repeater Interface Controller .....                                   | 3-3   |
| DP83955A/DP83956A LERIC Lite Repeater Interface Controller .....                   | 3-82  |
| AN-843 Introduction to Repeaters, the RIC and LERIC, and Their Applications.....   | 3-133 |
| AN-781 DP83950EB-AT IEEE 802.3 Multi-Port Repeater Evaluation Kit.....             | 3-152 |
| AN-782 RIC-SONIC Interface .....                                                   | 3-165 |
| AN-783 DP83950 Twisted Pair Parametric Evaluation .....                            | 3-169 |
| AN-888 RFI Suppression Techniques in DP83950 RIC Based Systems .....               | 3-177 |
| AN-854 DP83956EB-AT LERIC (Lite Repeater Interface Controller) PC-AT Adapter ..... | 3-188 |
| AN-896 DP83956EB-SA Stand Alone Hub .....                                          | 3-207 |

# DP83950B RIC™ Repeater Interface Controller

## General Description

The DP83950B Repeater Interface Controller "RIC" may be used to implement an IEEE 802.3 multiport repeater unit. It fully satisfies the IEEE 802.3 repeater specification including the functions defined by the repeater, segment partition and jabber lockup protection state machines.

The RIC has an on-chip phase-locked-loop (PLL) for Manchester data decoding, a Manchester encoder and an Elasticity Buffer for preamble regeneration.

Each RIC can connect to 13 cable segments via its network interface ports. One port is fully AUI compatible and is able to connect to an external MAU using the maximum length of AUI cable. The other 12 ports have integrated 10BASE-T transceivers. These transceiver functions may be bypassed so that the RIC may be used with external transceivers, for example DP8392 coaxial transceivers. In addition, large repeater units, containing several hundred ports may be constructed by cascading RICs together over an Inter-RIC bus.

The RIC is configurable for specific applications. It provides port status information for LED array displays and a simple interface for system processors. The RIC possesses multi-function counter and status flag arrays to facilitate network statistics gathering. A serial interface, known as the Management Interface is available for the collection of data in Managed Hub applications.

## Features

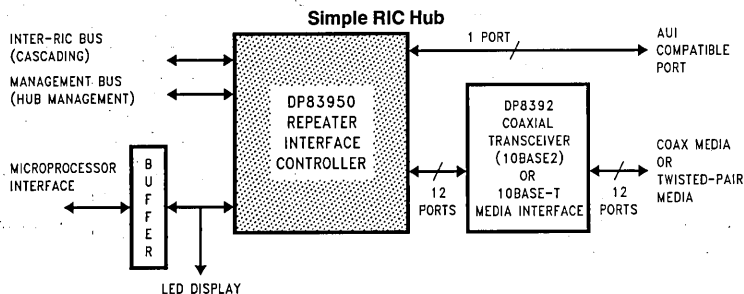
- Compliant with the IEEE 802.3 Repeater Specification
- 13 network connections (ports) per chip
- Selectable on-chip twisted-pair transceivers
- Cascadable for large hub applications
- Compatible with AUI compliant transceivers
- On-chip Elasticity Buffer, Manchester encoder and decoder

- Separate partition state machines for each port
- Provides port status information for LED displays including: receive, collision, partition and link status
- Power-up configuration options: Repeater and Partition Specifications, Transceiver Interface, Status Display, Processor Operations
- Simple processor interface for repeater management and port disable
- On-chip Event Counters and Event Flag Arrays
- Serial Management Interface to combine packet and repeater status information together
- CMOS process for low power dissipation
- Single 5V supply

## Table of Contents

- 1.0 SYSTEM DIAGRAM
- 2.0 CONNECTION DIAGRAM
- 3.0 PIN DESCRIPTIONS
- 4.0 BLOCK DIAGRAM
- 5.0 FUNCTIONAL DESCRIPTION
- 6.0 HUB MANAGEMENT SUPPORT
- 7.0 PORT LOGIC FUNCTIONS
- 8.0 RIC REGISTER DESCRIPTIONS
- 9.0 AC AND DC SPECIFICATIONS
- 10.0 AC TIMING TEST CONDITIONS
- 11.0 PHYSICAL DIMENSIONS

## 1.0 System Diagram



TL/F/11096-1

## 2.0 Connection Diagram—160 Pin PQFP Package

Pin Table (12 T.P. Ports + 1 AUI Bottom View)

| Pin Name        | Pin No. |
|-----------------|---------|
| TXO12P-         | 40      |
| TXO12+          | 39      |
| TXO12-          | 38      |
| TXO12P+         | 37      |
| RXI12-          | 36      |
| RXI12+          | 35      |
| V <sub>CC</sub> | 34      |
| GND             | 33      |
| RXI11-          | 32      |
| RXI11+          | 31      |
| TXO11P+         | 30      |
| TXO11-          | 29      |
| TXO11+          | 28      |
| TXO11P-         | 27      |
| V <sub>CC</sub> | 26      |
| GND             | 25      |
| TXO10P-         | 24      |
| TXO10+          | 23      |
| TXO10-          | 22      |
| TXO10P+         | 21      |
| RXI10-          | 20      |
| RXI10+          | 19      |
| V <sub>CC</sub> | 18      |
| GND             | 17      |
| RXI9-           | 16      |
| RXI9+           | 15      |
| TXO9P+          | 14      |
| TXO9-           | 13      |
| TXO9+           | 12      |
| TXO9P-          | 11      |
| V <sub>CC</sub> | 10      |
| GND             | 9       |
| TXO8P-          | 8       |
| TXO8+           | 7       |
| TXO8-           | 6       |
| TXO8P+          | 5       |
| RXI8-           | 4       |
| RXI8+           | 3       |
| V <sub>CC</sub> | 2       |
| GND             | 1       |

| Pin Name        | Pin No. |
|-----------------|---------|
| NC              | 160     |
| RXI7-           | 159     |
| RXI7+           | 158     |
| TXO7P+          | 157     |
| TXO7-           | 156     |
| TXO7+           | 155     |
| TXO7P-          | 154     |
| V <sub>CC</sub> | 153     |
| GND             | 152     |
| TXO6P-          | 151     |
| TXO6+           | 150     |
| TXO6-           | 149     |
| TXO6P+          | 148     |
| RXI6-           | 147     |
| RXI6+           | 146     |
| V <sub>CC</sub> | 145     |
| GND             | 144     |
| RXI5-           | 143     |
| RXI5+           | 142     |
| TXO5P+          | 141     |
| TXO5-           | 140     |
| TXO5+           | 139     |
| TXO5P-          | 138     |
| V <sub>CC</sub> | 137     |
| GND             | 136     |
| TXO4P-          | 135     |
| TXO4+           | 134     |
| TXO4-           | 133     |
| TXO4P+          | 132     |
| RXI4-           | 131     |
| RXI4+           | 130     |
| V <sub>CC</sub> | 129     |
| GND             | 128     |
| RXI3-           | 127     |
| RXI3+           | 126     |
| TXO3P+          | 125     |
| TXO3-           | 124     |
| TXO3+           | 123     |
| TXO3P-          | 122     |
| NC              | 121     |

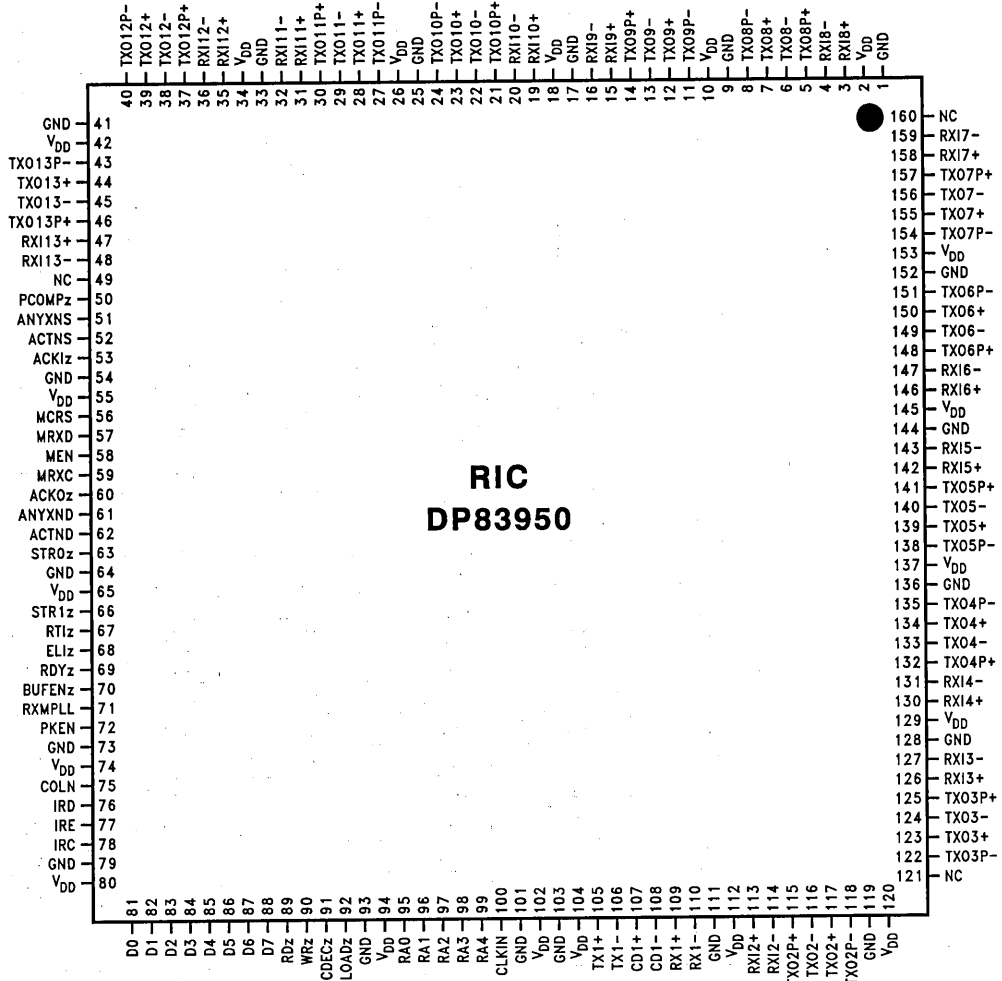
| Pin Name        | Pin No. |
|-----------------|---------|
| V <sub>CC</sub> | 120     |
| GND             | 119     |
| TXO2P-          | 118     |
| TXO2+           | 117     |
| TXO2-           | 116     |
| TXO2P+          | 115     |
| RXI2-           | 114     |
| RXI2+           | 113     |
| V <sub>CC</sub> | 112     |
| GND             | 111     |
| RX1-            | 110     |
| RX1+            | 109     |
| CD1-            | 108     |
| CD1+            | 107     |
| TX1-            | 106     |
| TX1+            | 105     |
| V <sub>CC</sub> | 104     |
| GND             | 103     |
| V <sub>CC</sub> | 102     |
| GND             | 101     |
| CLKIN           | 100     |
| RA4             | 99      |
| RA3             | 98      |
| RA2             | 97      |
| RA1             | 96      |
| RA0             | 95      |
| V <sub>CC</sub> | 94      |
| GND             | 93      |
| MLOAD           | 92      |
| CDEC            | 91      |
| WR              | 90      |
| RD              | 89      |
| D7              | 88      |
| D6              | 87      |
| D5              | 86      |
| D4              | 85      |
| D3              | 84      |
| D2              | 83      |
| D1              | 82      |
| D0              | 81      |

| Pin Name        | Pin No. |
|-----------------|---------|
| V <sub>CC</sub> | 80      |
| GND             | 79      |
| IRC             | 78      |
| IRE             | 77      |
| IRD             | 76      |
| COLN            | 75      |
| V <sub>CC</sub> | 74      |
| GND             | 73      |
| PKEN            | 72      |
| RXMPLL          | 71      |
| BUFEN           | 70      |
| RDY             | 69      |
| ELI             | 68      |
| RTI             | 67      |
| STR1            | 66      |
| V <sub>CC</sub> | 65      |
| GND             | 64      |
| STR0            | 63      |
| ACTND           | 62      |
| ANYXND          | 61      |
| ACK0            | 60      |
| MRXC            | 59      |
| MEN             | 58      |
| MRXD            | 57      |
| MCRS            | 56      |
| V <sub>CC</sub> | 55      |
| GND             | 54      |
| ACK1            | 53      |
| ACTNS           | 52      |
| ANYXNS          | 51      |
| PCOMP           | 50      |
| NC              | 49      |
| RXI13-          | 48      |
| RXI13+          | 47      |
| TXO13P+         | 46      |
| TXO13-          | 45      |
| TXO13+          | 44      |
| TXO13P-         | 43      |
| V <sub>CC</sub> | 42      |
| GND             | 41      |

Note: NC = No Connect



2.0 Connection Diagram—160 Pin PQFP Package (Continued)



**RIC**  
**DP83950**

TL/F/11096-42

**Ports 2-13 TP**  
**Port 1 AUI**

**Order Number DP83950BVQB**  
**See NS Package Number VUL160A**

## 2.0 Connection Diagram—160 Pin PQFP Package (Continued)

Pin Table (1–5 AUI + 6–13 T.P. Ports)

| Pin Name        | Pin No. |
|-----------------|---------|
| TXO12P–         | 40      |
| TXO12+          | 39      |
| TXO12–          | 38      |
| TXO12P+         | 37      |
| RXI12–          | 36      |
| RXI12+          | 35      |
| V <sub>CC</sub> | 34      |
| GND             | 33      |
| RXI11–          | 32      |
| RXI11+          | 31      |
| TXO11P+         | 30      |
| TXO11–          | 29      |
| TXO11+          | 28      |
| TXO11P–         | 27      |
| V <sub>CC</sub> | 26      |
| GND             | 25      |
| TXO10P–         | 24      |
| TXO10+          | 23      |
| TXO10–          | 22      |
| TXO10P+         | 21      |
| RXI10–          | 20      |
| RXI10+          | 19      |
| V <sub>CC</sub> | 18      |
| GND             | 17      |
| RXI9–           | 16      |
| RXI9+           | 15      |
| TXO9P+          | 14      |
| TXO9–           | 13      |
| TXO9+           | 12      |
| TXO9P–          | 11      |
| V <sub>CC</sub> | 10      |
| GND             | 9       |
| TXO8P–          | 8       |
| TXO8+           | 7       |
| TXO8–           | 6       |
| TXO8P+          | 5       |
| RXI8–           | 4       |
| RXI8+           | 3       |
| V <sub>CC</sub> | 2       |
| GND             | 1       |

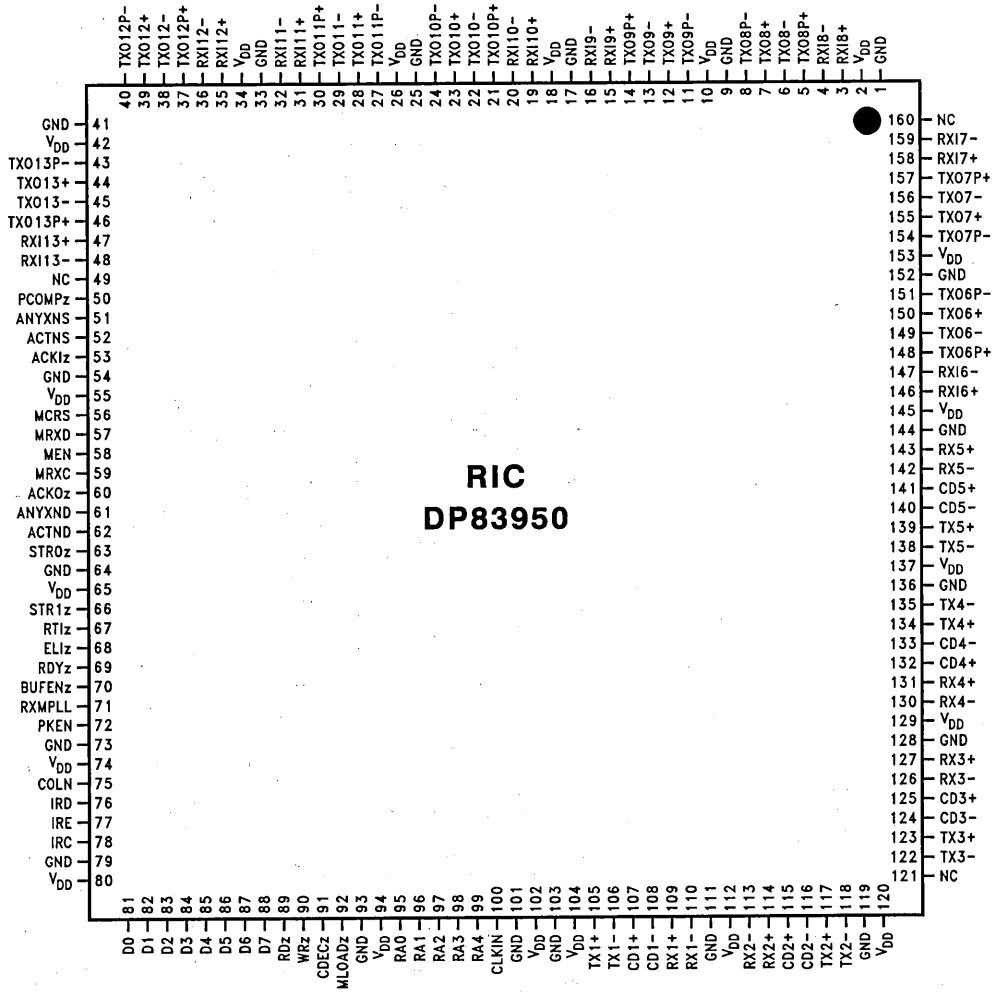
| Pin Name        | Pin No. |
|-----------------|---------|
| NC              | 160     |
| RXI7–           | 159     |
| RXI7+           | 158     |
| TXO7P+          | 157     |
| TXO7–           | 156     |
| TXO7+           | 155     |
| TXO7P–          | 154     |
| V <sub>CC</sub> | 153     |
| GND             | 152     |
| TXO6P–          | 151     |
| TXO6+           | 150     |
| TXO6–           | 149     |
| TXO6P+          | 148     |
| RXI6–           | 147     |
| RXI6+           | 146     |
| V <sub>CC</sub> | 145     |
| GND             | 144     |
| RX5+            | 143     |
| RX5–            | 142     |
| CD5+            | 141     |
| CD5–            | 140     |
| TX5+            | 139     |
| TX5–            | 138     |
| V <sub>CC</sub> | 137     |
| GND             | 136     |
| TX4–            | 135     |
| TX4+            | 134     |
| CD4–            | 133     |
| CD4+            | 132     |
| RX4+            | 131     |
| RX4–            | 130     |
| V <sub>CC</sub> | 129     |
| GND             | 128     |
| RX3+            | 127     |
| RX3–            | 126     |
| CD3+            | 125     |
| CD3–            | 124     |
| TX3+            | 123     |
| TX3–            | 122     |
| NC              | 121     |

| Pin Name        | Pin No. |
|-----------------|---------|
| V <sub>CC</sub> | 120     |
| GND             | 119     |
| TX2–            | 118     |
| TX2+            | 117     |
| CD2–            | 116     |
| CD2+            | 115     |
| RX2+            | 114     |
| RX2–            | 113     |
| V <sub>CC</sub> | 112     |
| GND             | 111     |
| RX1–            | 110     |
| RX1+            | 109     |
| CD1–            | 108     |
| CD1+            | 107     |
| TX1–            | 106     |
| TX1+            | 105     |
| V <sub>CC</sub> | 104     |
| GND             | 103     |
| V <sub>CC</sub> | 102     |
| GND             | 101     |
| CLKIN           | 100     |
| RA4             | 99      |
| RA3             | 98      |
| RA2             | 97      |
| RA1             | 96      |
| RA0             | 95      |
| V <sub>CC</sub> | 94      |
| GND             | 93      |
| MLOAD           | 92      |
| CDEC            | 91      |
| WR              | 90      |
| RD              | 89      |
| D7              | 88      |
| D6              | 87      |
| D5              | 86      |
| D4              | 85      |
| D3              | 84      |
| D2              | 83      |
| D1              | 82      |
| D0              | 81      |

| Pin Name        | Pin No. |
|-----------------|---------|
| V <sub>CC</sub> | 80      |
| GND             | 79      |
| IRC             | 78      |
| IRE             | 77      |
| IRD             | 76      |
| COLN            | 75      |
| V <sub>CC</sub> | 74      |
| GND             | 73      |
| PKEN            | 72      |
| RXMPLL          | 71      |
| BUFEN           | 70      |
| RDY             | 69      |
| ELI             | 68      |
| RTI             | 67      |
| STR1            | 66      |
| V <sub>CC</sub> | 65      |
| GND             | 64      |
| STR0            | 63      |
| ACTND           | 62      |
| ANYXND          | 61      |
| ACK0            | 60      |
| MRXC            | 59      |
| MEN             | 58      |
| MRXD            | 57      |
| MCRS            | 56      |
| V <sub>CC</sub> | 55      |
| GND             | 54      |
| ACK1            | 53      |
| ACTNS           | 52      |
| ANYXNS          | 51      |
| PCOMP           | 50      |
| NC              | 49      |
| RXI13–          | 48      |
| RXI13+          | 47      |
| TXO13P+         | 46      |
| TXO13–          | 45      |
| TXO13+          | 44      |
| TXO13P–         | 43      |
| V <sub>CC</sub> | 42      |
| GND             | 41      |

Note: NC = No Connect

2.0 Connection Diagram—160 Pin PQFP Package (Continued)



TL/F/11096-43

Ports 6-13 TP  
Ports 1-5 AUI

Order Number DP83950BVQB  
See NS Package Number VUL160A

3

## 2.0 Connection Diagram—160 Pin PQFP Package (Continued)

Pin Table (1–7 AUI + 8–13 T.P. Ports)

| Pin Name        | Pin No. |
|-----------------|---------|
| TXO12P–         | 40      |
| TXO12+          | 39      |
| TXO12–          | 38      |
| TXO12P+         | 37      |
| RXI12–          | 36      |
| RXI12+          | 35      |
| V <sub>CC</sub> | 34      |
| GND             | 33      |
| RXI11–          | 32      |
| RXI11+          | 31      |
| TXO11P+         | 30      |
| TXO11–          | 29      |
| TXO11+          | 28      |
| TXO11P–         | 27      |
| V <sub>CC</sub> | 26      |
| GND             | 25      |
| TXO10P–         | 24      |
| TXO10+          | 23      |
| TXO10–          | 22      |
| TXO10P+         | 21      |
| RXI10–          | 20      |
| RXI10+          | 19      |
| V <sub>CC</sub> | 18      |
| GND             | 17      |
| RXI9–           | 16      |
| RXI9+           | 15      |
| TXO9P+          | 14      |
| TXO9–           | 13      |
| TXO9+           | 12      |
| TXO9P–          | 11      |
| V <sub>CC</sub> | 10      |
| GND             | 9       |
| TXO8P–          | 8       |
| TXO8+           | 7       |
| TXO8–           | 6       |
| TXO8P+          | 5       |
| RXI8–           | 4       |
| RXI8+           | 3       |
| V <sub>CC</sub> | 2       |
| GND             | 1       |

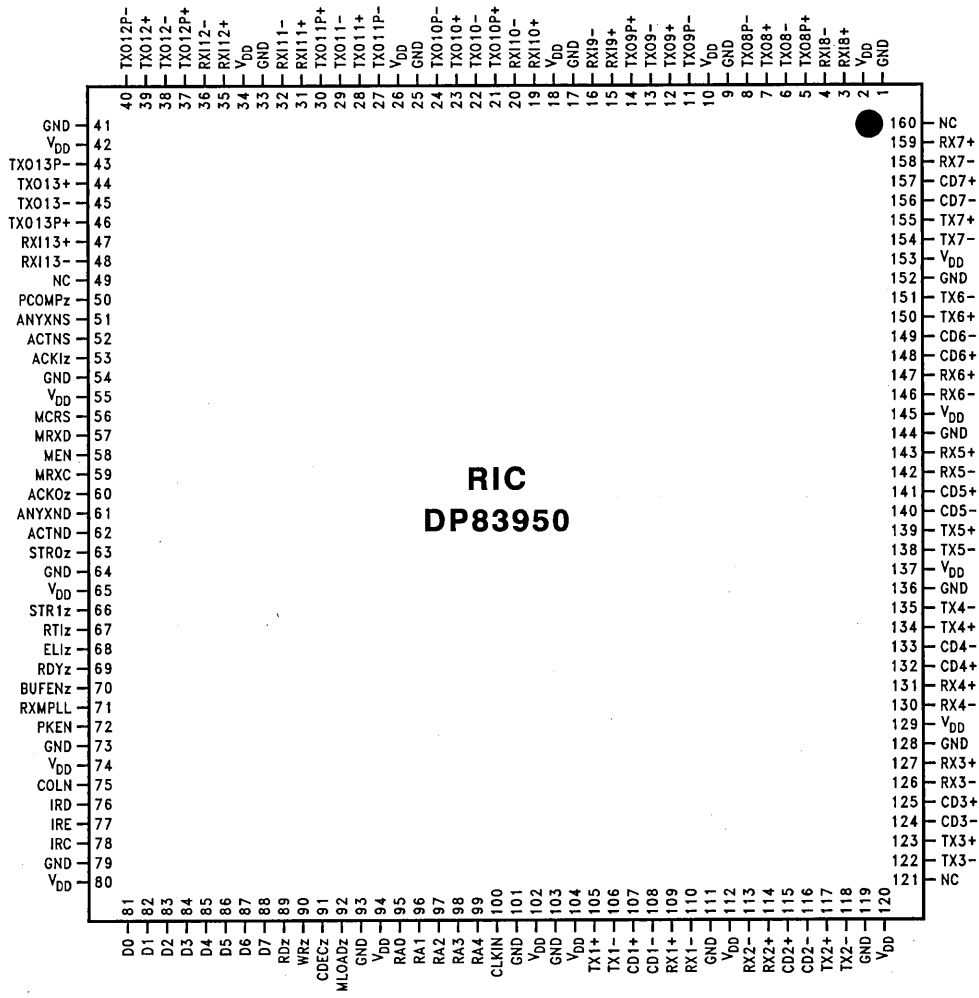
| Pin Name        | Pin No. |
|-----------------|---------|
| NC              | 160     |
| RX7+            | 159     |
| RX7–            | 158     |
| CD7+            | 157     |
| CD7–            | 156     |
| TX7+            | 155     |
| TX7–            | 154     |
| V <sub>CC</sub> | 153     |
| GND             | 152     |
| TX6–            | 151     |
| TX6+            | 150     |
| CD6–            | 149     |
| CD6+            | 148     |
| RX6+            | 147     |
| RX6–            | 146     |
| V <sub>CC</sub> | 145     |
| GND             | 144     |
| RX5+            | 143     |
| RX5–            | 142     |
| CD5+            | 141     |
| CD5–            | 140     |
| TX5+            | 139     |
| TX5–            | 138     |
| V <sub>CC</sub> | 137     |
| GND             | 136     |
| TX4–            | 135     |
| TX4+            | 134     |
| CD4–            | 133     |
| CD4+            | 132     |
| RX4+            | 131     |
| RX4–            | 130     |
| V <sub>CC</sub> | 129     |
| GND             | 128     |
| RX3+            | 127     |
| RX3–            | 126     |
| CD3+            | 125     |
| CD3–            | 124     |
| TX3+            | 123     |
| TX3–            | 122     |
| NC              | 121     |

| Pin Name         | Pin No. |
|------------------|---------|
| V <sub>CC</sub>  | 120     |
| GND              | 119     |
| TX2–             | 118     |
| TX2+             | 117     |
| CD2–             | 116     |
| CD2+             | 115     |
| RX2+             | 114     |
| RX2–             | 113     |
| V <sub>CC</sub>  | 112     |
| GND              | 111     |
| RX1–             | 110     |
| RX1+             | 109     |
| CD1–             | 108     |
| CD1+             | 107     |
| TX1–             | 106     |
| TX1+             | 105     |
| V <sub>CC</sub>  | 104     |
| GND              | 103     |
| V <sub>CC</sub>  | 102     |
| GND              | 101     |
| CLKIN            | 100     |
| RA4              | 99      |
| RA3              | 98      |
| RA2              | 97      |
| RA1              | 96      |
| RA0              | 95      |
| V <sub>CC</sub>  | 94      |
| GND              | 93      |
| MLOAD            | 92      |
| O <sub>DEC</sub> | 91      |
| WR               | 90      |
| RD               | 89      |
| D7               | 88      |
| D6               | 87      |
| D5               | 86      |
| D4               | 85      |
| D3               | 84      |
| D2               | 83      |
| D1               | 82      |
| D0               | 81      |

| Pin Name        | Pin No. |
|-----------------|---------|
| V <sub>CC</sub> | 80      |
| GND             | 79      |
| IRC             | 78      |
| IRE             | 77      |
| IRD             | 76      |
| COLN            | 75      |
| V <sub>CC</sub> | 74      |
| GND             | 73      |
| PKEN            | 72      |
| RXMPLL          | 71      |
| BUFEN           | 70      |
| RDY             | 69      |
| ELI             | 68      |
| RTI             | 67      |
| STR1            | 66      |
| V <sub>CC</sub> | 65      |
| GND             | 64      |
| STR0            | 63      |
| ACTND           | 62      |
| ANYXND          | 61      |
| ACK0            | 60      |
| MRXC            | 59      |
| MEN             | 58      |
| MRXD            | 57      |
| MCRS            | 56      |
| V <sub>CC</sub> | 55      |
| GND             | 54      |
| ACK1            | 53      |
| ACTNS           | 52      |
| ANYXNS          | 51      |
| PCOMP           | 50      |
| NC              | 49      |
| RXI13–          | 48      |
| RXI13+          | 47      |
| TXO13P+         | 46      |
| TXO13–          | 45      |
| TXO13+          | 44      |
| TXO13P–         | 43      |
| V <sub>CC</sub> | 42      |
| GND             | 41      |

Note: NC = No Connect

### 2.0 Connection Diagram—160 Pin PQFP Package (Continued)



**RIC  
DP83950**

TL/F/11096-44

Ports 8-13 TP  
Ports 1-7 AUI  
  
Order Number DP83950BVQB  
See NS Package Number VUL160A

## 2.0 Connection Diagram—160 Pin PQFP Package (Continued)

Pin Table (All AUI Ports)

| Pin Name        | Pin No. |
|-----------------|---------|
| TX12-           | 40      |
| TX12+           | 39      |
| CD12-           | 38      |
| CD12+           | 37      |
| RX12+           | 36      |
| RX12-           | 35      |
| V <sub>CC</sub> | 34      |
| GND             | 33      |
| RX11+           | 32      |
| RX11-           | 31      |
| CD11+           | 30      |
| CD11-           | 29      |
| TX11+           | 28      |
| TX11-           | 27      |
| V <sub>CC</sub> | 26      |
| GND             | 25      |
| TX10-           | 24      |
| TX10+           | 23      |
| CD10-           | 22      |
| CD10+           | 21      |
| RX10+           | 20      |
| RX10-           | 19      |
| V <sub>CC</sub> | 18      |
| GND             | 17      |
| RX9+            | 16      |
| RX9-            | 15      |
| CD9+            | 14      |
| CD9-            | 13      |
| TX9+            | 12      |
| TX9-            | 11      |
| V <sub>CC</sub> | 10      |
| GND             | 9       |
| TX8-            | 8       |
| TX8+            | 7       |
| CD8-            | 6       |
| CD8+            | 5       |
| RX8+            | 4       |
| RX8-            | 3       |
| V <sub>CC</sub> | 2       |
| GND             | 1       |

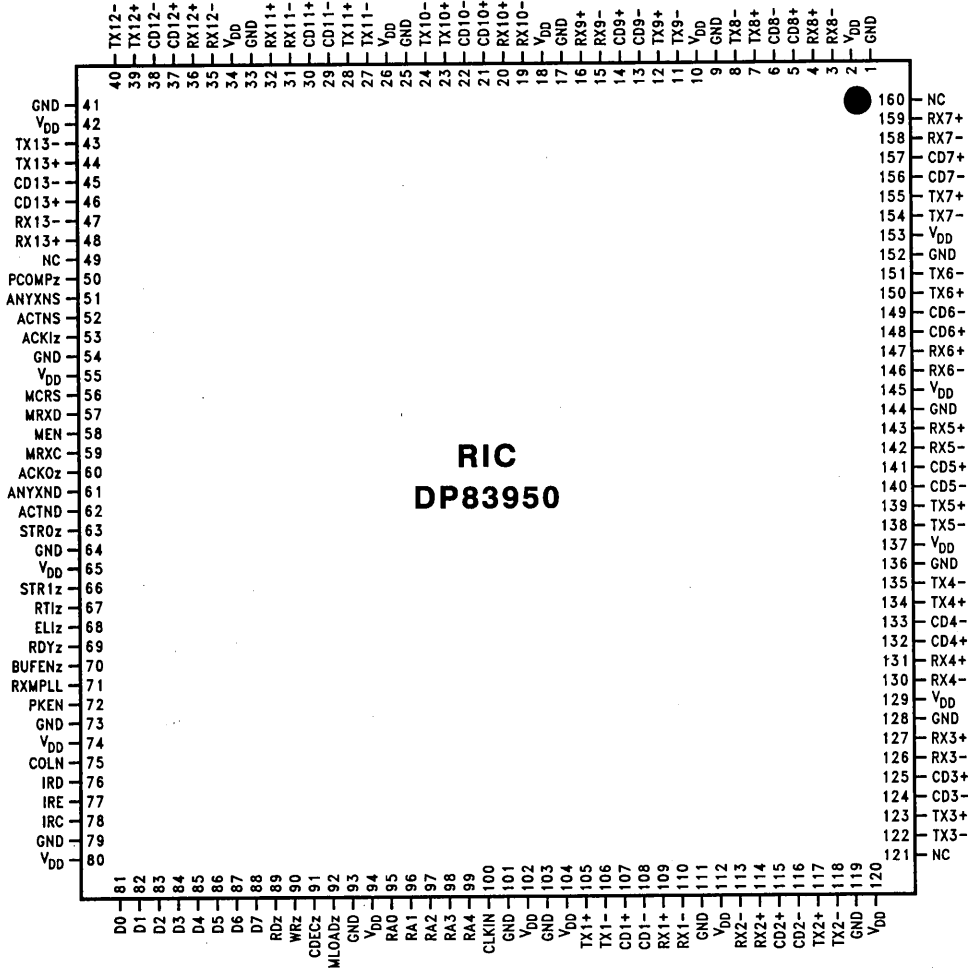
| Pin Name        | Pin No. |
|-----------------|---------|
| NC              | 160     |
| RX7+            | 159     |
| RX7-            | 158     |
| CD7+            | 157     |
| CD7-            | 156     |
| TX7+            | 155     |
| TX7-            | 154     |
| V <sub>CC</sub> | 153     |
| GND             | 152     |
| TX6-            | 151     |
| TX6+            | 150     |
| CD6-            | 149     |
| CD6+            | 148     |
| RX6+            | 147     |
| RX6-            | 146     |
| V <sub>CC</sub> | 145     |
| GND             | 144     |
| RX5+            | 143     |
| RX5-            | 142     |
| CD5+            | 141     |
| CD5-            | 140     |
| TX5+            | 139     |
| TX5-            | 138     |
| V <sub>CC</sub> | 137     |
| GND             | 136     |
| TX4-            | 135     |
| TX4+            | 134     |
| CD4-            | 133     |
| CD4+            | 132     |
| RX4+            | 131     |
| RX4-            | 130     |
| V <sub>CC</sub> | 129     |
| GND             | 128     |
| RX3+            | 127     |
| RX3-            | 126     |
| CD3+            | 125     |
| CD3-            | 124     |
| TX3+            | 123     |
| TX3-            | 122     |
| NC              | 121     |

| Pin Name        | Pin No. |
|-----------------|---------|
| V <sub>CC</sub> | 120     |
| GND             | 119     |
| TX2-            | 118     |
| TX2+            | 117     |
| CD2-            | 116     |
| CD2+            | 115     |
| RX2+            | 114     |
| RX2-            | 113     |
| V <sub>CC</sub> | 112     |
| GND             | 111     |
| RX1-            | 110     |
| RX1+            | 109     |
| CD1-            | 108     |
| CD1+            | 107     |
| TX1-            | 106     |
| TX1+            | 105     |
| V <sub>CC</sub> | 104     |
| GND             | 103     |
| V <sub>CC</sub> | 102     |
| GND             | 101     |
| CLKIN           | 100     |
| RA4             | 99      |
| RA3             | 98      |
| RA2             | 97      |
| RA1             | 96      |
| RA0             | 95      |
| V <sub>CC</sub> | 94      |
| GND             | 93      |
| MLOAD           | 92      |
| CDEC            | 91      |
| WR              | 90      |
| RD              | 89      |
| D7              | 88      |
| D6              | 87      |
| D5              | 86      |
| D4              | 85      |
| D3              | 84      |
| D2              | 83      |
| D1              | 82      |
| D0              | 81      |

| Pin Name        | Pin No. |
|-----------------|---------|
| V <sub>CC</sub> | 80      |
| GND             | 79      |
| IRC             | 78      |
| IRE             | 77      |
| IRD             | 76      |
| COLN            | 75      |
| V <sub>CC</sub> | 74      |
| GND             | 73      |
| PKEN            | 72      |
| RXMPLL          | 71      |
| BUFEN           | 70      |
| RDY             | 69      |
| ELI             | 68      |
| RTI             | 67      |
| STR1            | 66      |
| V <sub>CC</sub> | 65      |
| GND             | 64      |
| STR0            | 63      |
| ACTND           | 62      |
| ANYXND          | 61      |
| ACK0            | 60      |
| MRXC            | 59      |
| MEN             | 58      |
| MRXD            | 57      |
| MCRS            | 56      |
| V <sub>CC</sub> | 55      |
| GND             | 54      |
| ACK1            | 53      |
| ACTNS           | 52      |
| ANYXNS          | 51      |
| PCOMP           | 50      |
| NC              | 49      |
| RX13+           | 48      |
| RX13-           | 47      |
| CD13+           | 46      |
| CD13-           | 45      |
| TX13+           | 44      |
| TX13-           | 43      |
| V <sub>CC</sub> | 42      |
| GND             | 41      |

Note: NC = No Connect

**2.0 Connection Diagram—160 Pin PQFP Package (Continued)**



**RIC  
DP83950**

TL/F/11086-45

All AUI Ports

Order Number DP83950BVQB  
See NS Package Number VUL160A

## 2.0 Connection Diagram—160 Pin PGA Package (Continued)

Pin Table (12 T.P. Ports + 1 AUI Bottom View)

| Pin Name        | Pin No. |
|-----------------|---------|
| TXO12P-         | A15     |
| TXO12+          | A14     |
| TXO12-          | B14     |
| TXO12P+         | C13     |
| RXI12-          | B13     |
| RXI12+          | A13     |
| V <sub>CC</sub> | C12     |
| GND             | C11     |
| RXI11-          | B12     |
| RXI11+          | B11     |
| TXO11P+         | A12     |
| TXO11-          | A11     |
| TXO11+          | C10     |
| TXO11P-         | A10     |
| V <sub>CC</sub> | B10     |
| GND             | B9      |
| TXO10P-         | C9      |
| TXO10+          | C8      |
| TXO10-          | A9      |
| TXO10P+         | A8      |
| RXI10-          | B8      |
| RXI10+          | B7      |
| V <sub>CC</sub> | C7      |
| GND             | A7      |
| RXI9-           | A6      |
| RXI9+           | B6      |
| TXO9P+          | C6      |
| TXO9-           | C5      |
| TXO9+           | B5      |
| TXO9P-          | A5      |
| V <sub>CC</sub> | A4      |
| GND             | B4      |
| TXO8P-          | C4      |
| TXO8+           | A3      |
| TXO8-           | C3      |
| TXO8P+          | D4      |
| RXI8-           | B3      |
| RXI8+           | B2      |
| V <sub>CC</sub> | A2      |
| GND             | D3      |

| Pin Name        | Pin No. |
|-----------------|---------|
| RXI7-           | C2      |
| RXI7+           | A1      |
| TXO7P+          | B1      |
| TXO7-           | D2      |
| TXO7+           | E3      |
| TXO7P-          | F3      |
| V <sub>CC</sub> | C1      |
| GND             | D1      |
| TXO6P-          | E2      |
| TXO6+           | G3      |
| TXO6-           | F2      |
| TXO6P+          | E1      |
| RXI6-           | G2      |
| RXI6+           | H3      |
| NC              | F1      |
| NC              | G1      |
| V <sub>CC</sub> | H2      |
| GND             | J3      |
| RXI5-           | J2      |
| RXI5+           | H1      |
| TXO5P+          | J1      |
| TXO5-           | K1      |
| TXO5+           | K3      |
| TXO5P-          | K2      |
| V <sub>CC</sub> | L1      |
| GND             | L2      |
| TXO4P-          | M1      |
| TXO4+           | L3      |
| TXO4-           | M2      |
| TXO4P+          | N1      |
| RXI4-           | N2      |
| RXI4+           | M3      |
| V <sub>CC</sub> | P1      |
| GND             | R1      |
| RXI3-           | P2      |
| RXI3+           | N3      |
| TXO3P+          | P3      |
| TXO3-           | R2      |
| TXO3+           | N4      |
| TXO3P-          | R3      |

| Pin Name        | Pin No. |
|-----------------|---------|
| V <sub>CC</sub> | S1      |
| GND             | P4      |
| TXO2P-          | S2      |
| TXO2+           | S3      |
| TXO2-           | R4      |
| TXO2P+          | P5      |
| RXI2-           | R5      |
| RXI2+           | S4      |
| V <sub>CC</sub> | S5      |
| GND             | S6      |
| RX1-            | P6      |
| RX1+            | R6      |
| CD1-            | S7      |
| CD1+            | R7      |
| TX1-            | P7      |
| TX1+            | P8      |
| V <sub>CC</sub> | R8      |
| GND             | S8      |
| V <sub>CC</sub> | S9      |
| GND             | R9      |
| CLKIN           | P9      |
| RA4             | S10     |
| RA3             | R10     |
| RA2             | S11     |
| RA1             | P10     |
| RA0             | R11     |
| V <sub>CC</sub> | S12     |
| GND             | R12     |
| MLOAD           | P11     |
| CDEC            | S13     |
| WR              | R13     |
| RD              | S14     |
| D7              | P12     |
| D6              | R14     |
| D5              | S15     |
| D4              | P13     |
| D3              | P14     |
| D2              | R15     |
| D1              | S16     |
| D0              | R16     |

| Pin Name        | Pin No. |
|-----------------|---------|
| V <sub>CC</sub> | N13     |
| GND             | P15     |
| IRC             | N14     |
| IRE             | P16     |
| IRD             | N15     |
| COLN            | N16     |
| V <sub>CC</sub> | M15     |
| GND             | M14     |
| PKEN            | L14     |
| RXM             | L15     |
| BUFEN           | M16     |
| RDY             | L16     |
| ELI             | K16     |
| RTI             | K14     |
| STR1            | K15     |
| V <sub>CC</sub> | J16     |
| GND             | J15     |
| STR0            | J14     |
| ACTND           | H16     |
| ANYXND          | H15     |
| ACKO            | H14     |
| MRXC            | G14     |
| MEN             | G15     |
| MRXD            | G16     |
| MCRS            | F16     |
| V <sub>CC</sub> | F14     |
| GND             | F15     |
| ACKI            | E15     |
| ACTNS           | E14     |
| ANYXNS          | E16     |
| PCOMP           | D16     |
| RXI13-          | D15     |
| RXI13+          | D14     |
| TXO13P+         | C16     |
| TXO13-          | C15     |
| TXO13+          | B16     |
| TXO13P-         | B15     |
| V <sub>CC</sub> | D13     |
| GND             | C14     |

Note: NC = No Connect



2.0 Connection Diagram—160 Pin PGA Package\* (Continued)

|   |                 |                 |        |                 |                 |        |                 |                 |                 |                 |        |                 |                 |                 |                 |                 |
|---|-----------------|-----------------|--------|-----------------|-----------------|--------|-----------------|-----------------|-----------------|-----------------|--------|-----------------|-----------------|-----------------|-----------------|-----------------|
| S | V <sub>CC</sub> | TX02P-          | TX02+  | RX12+           | V <sub>CC</sub> | GND    | CD1-            | GND             | V <sub>CC</sub> | RA4             | RA2    | V <sub>CC</sub> | CDEC            | RD              | D5              | D1              |
|   | 98              | 96              | 95     | 91              | 90              | 89     | 86              | 81              | 80              | 77              | 75     | 72              | 69              | 67              | 64              | 60              |
| R | GND             | TX03-           | TX03P- | TX02-           | RX12-           | RX1+   | CD1+            | V <sub>CC</sub> | GND             | RA3             | RA0    | GND             | WR              | D6              | D2              | D0              |
|   | 105             | 101             | 99     | 94              | 92              | 87     | 85              | 82              | 79              | 76              | 73     | 71              | 68              | 65              | 61              | 59              |
| P | V <sub>CC</sub> | RX13-           | TX03P+ | GND             | TX02P+          | RX1-   | TX1-            | TX1+            | CLKIN           | RA1             | MLOAD  | D7              | D4              | D3              | GND             | IRE             |
|   | 106             | 104             | 102    | 97              | 93              | 88     | 84              | 83              | 78              | 74              | 70     | 66              | 63              | 62              | 57              | 55              |
| N | TX04P+          | RX14-           | RX13+  | TX03+           |                 |        |                 |                 |                 |                 |        |                 | V <sub>CC</sub> | IRC             | IRD             | COLN            |
|   | 109             | 108             | 103    | 100             |                 |        |                 |                 |                 |                 |        |                 | 58              | 56              | 54              | 53              |
| M | TX04P-          | TX04-           | RX14+  |                 |                 |        |                 |                 |                 |                 |        |                 |                 | GND             | V <sub>CC</sub> | BUFEN           |
|   | 112             | 110             | 107    |                 |                 |        |                 |                 |                 |                 |        |                 |                 | 51              | 52              | 48              |
| L | V <sub>CC</sub> | GND             | TX04+  |                 |                 |        |                 |                 |                 |                 |        |                 |                 | PKEN            | RXM             | RDY             |
|   | 114             | 113             | 111    |                 |                 |        |                 |                 |                 |                 |        |                 |                 | 50              | 49              | 47              |
| K | TX05-           | TX05P-          | TX05+  |                 |                 |        |                 |                 |                 |                 |        |                 |                 | RTI             | STR1            | ELI             |
|   | 117             | 115             | 116    |                 |                 |        |                 |                 |                 |                 |        |                 |                 | 45              | 44              | 46              |
| J | TX05P+          | RX15-           | GND    |                 |                 |        |                 |                 |                 |                 |        |                 |                 | STRO            | GND             | V <sub>CC</sub> |
|   | 118             | 120             | 121    |                 |                 |        |                 |                 |                 |                 |        |                 |                 | 41              | 42              | 43              |
| H | RX15+           | V <sub>CC</sub> | RX16+  |                 |                 |        |                 |                 |                 |                 |        |                 |                 | ACK0            | ANYXND          | ACTND           |
|   | 119             | 122             | 125    |                 |                 |        |                 |                 |                 |                 |        |                 |                 | 38              | 39              | 40              |
| G | NC              | RX16-           | TX06+  |                 |                 |        |                 |                 |                 |                 |        |                 |                 | MRXC            | MEN             | MRXD            |
|   | 123             | 126             | 129    |                 |                 |        |                 |                 |                 |                 |        |                 |                 | 37              | 36              | 35              |
| F | NC              | TX06-           | TX07P- |                 |                 |        |                 |                 |                 |                 |        |                 |                 | V <sub>CC</sub> | GND             | MCRS            |
|   | 124             | 128             | 133    |                 |                 |        |                 |                 |                 |                 |        |                 |                 | 33              | 32              | 34              |
| E | TX06P+          | TX06P-          | TX07+  |                 |                 |        |                 |                 |                 |                 |        |                 |                 | ACTNS           | ACK1            | ANYXNS          |
|   | 127             | 130             | 134    |                 |                 |        |                 |                 |                 |                 |        |                 |                 | 30              | 31              | 29              |
| D | GND             | TX07-           | GND    | TX08P+          |                 |        |                 |                 |                 |                 |        |                 | V <sub>CC</sub> | RX113+          | RX113-          | PCOMP           |
|   | 131             | 135             | 139    | 143             |                 |        |                 |                 |                 |                 |        |                 | 21              | 26              | 27              | 28              |
| C | V <sub>CC</sub> | RX17-           | TX08-  | TX08P-          | TX09-           | TX09P+ | V <sub>CC</sub> | TX010+          | TX010P-         | TX011+          | GND    | V <sub>CC</sub> | TX012P+         | GND             | TX013-          | TX013P+         |
|   | 132             | 138             | 144    | 146             | 151             | 152    | 156             | 2               | 3               | 7               | 12     | 13              | 16              | 20              | 24              | 25              |
| B | TX07P+          | RX18+           | RX18-  | GND             | TX09+           | RX19+  | RX110+          | RX110-          | GND             | V <sub>CC</sub> | RX111+ | RX111-          | RX112-          | TX012-          | TX013P-         | TX013+          |
|   | 136             | 141             | 142    | 147             | 150             | 153    | 157             | 158             | 4               | 5               | 10     | 11              | 15              | 17              | 22              | 23              |
| A | RX17+           | V <sub>CC</sub> | TX08+  | V <sub>CC</sub> | TX09P-          | RX19-  | GND             | TX010P+         | TX010-          | TX011P-         | TX011- | TX011P+         | RX112+          | TX012+          | TX012P-         |                 |
|   | 137             | 140             | 145    | 148             | 149             | 154    | 155             | 159             | 1               | 6               | 8      | 9               | 14              | 18              | 19              |                 |
|   | 1               | 2               | 3      | 4               | 5               | 6      | 7               | 8               | 9               | 0               | 1      | 2               | 3               | 4               | 5               | 6               |

RIC  
DP83950

TL/F/11096-2

Bottom View  
1 AUI + 2-13 T.P. Ports  
Order Number DP83950BNU  
See NS Package Number UP159A

\*This package will not be available after May 1994.

## 2.0 Connection Diagram—160 Pin PGA Package (Continued)

Pin Table (1–5 AUI + 6–13 T.P. Ports)

| Pin Name        | Pin No. |
|-----------------|---------|
| TXO12P–         | A15     |
| TXO12+          | A14     |
| TXO12–          | B14     |
| TXO12P+         | C13     |
| RXI12–          | B13     |
| RXI12+          | A13     |
| V <sub>CC</sub> | C12     |
| GND             | C11     |
| RXI11–          | B12     |
| RXI11+          | B11     |
| TXO11P+         | A12     |
| TXO11–          | A11     |
| TXO11+          | C10     |
| TXO11P–         | A10     |
| V <sub>CC</sub> | B10     |
| GND             | B9      |
| TXO10P–         | C9      |
| TXO10+          | C8      |
| TXO10–          | A9      |
| TXO10P+         | A8      |
| RXI10–          | B8      |
| RXI10+          | B7      |
| V <sub>CC</sub> | C7      |
| GND             | A7      |
| RXI9–           | A6      |
| RXI9+           | B6      |
| TXO9P+          | C6      |
| TXO9–           | C5      |
| TXO9+           | B5      |
| TXO9P–          | A5      |
| V <sub>CC</sub> | A4      |
| GND             | B4      |
| TXO8P–          | C4      |
| TXO8+           | A3      |
| TXO8–           | C3      |
| TXO8P+          | D4      |
| RXI8–           | B3      |
| RXI8+           | B2      |
| V <sub>CC</sub> | A2      |
| GND             | D3      |

| Pin Name        | Pin No. |
|-----------------|---------|
| RXI7–           | C2      |
| RXI7+           | A1      |
| TXO7P+          | B1      |
| TXO7–           | D2      |
| TXO7+           | E3      |
| TXO7P–          | F3      |
| V <sub>CC</sub> | C1      |
| GND             | D1      |
| TXO6P–          | E2      |
| TXO6+           | G3      |
| TXO6–           | F2      |
| TXO6P+          | E1      |
| RXI6–           | G2      |
| RXI6+           | H3      |
| NC              | F1      |
| NC              | G1      |
| V <sub>CC</sub> | H2      |
| GND             | J3      |
| RX5+            | J2      |
| RX5–            | H1      |
| CD5+            | J1      |
| CD5–            | K1      |
| TX5+            | K3      |
| TX5–            | K2      |
| V <sub>CC</sub> | L1      |
| GND             | L2      |
| TX4–            | M1      |
| TX4+            | L3      |
| CD4–            | M2      |
| CD4+            | N1      |
| RX4+            | N2      |
| RX4–            | M3      |
| V <sub>CC</sub> | P1      |
| GND             | R1      |
| RX3+            | P2      |
| RX3–            | N3      |
| CD3+            | P3      |
| CD3–            | R2      |
| TX3+            | N4      |
| TX3–            | R3      |

| Pin Name        | Pin No. |
|-----------------|---------|
| V <sub>CC</sub> | S1      |
| GND             | P4      |
| TX2–            | S2      |
| TX2+            | S3      |
| CD2–            | R4      |
| CD2+            | P5      |
| RX2+            | R5      |
| RX2–            | S4      |
| V <sub>CC</sub> | S5      |
| GND             | S6      |
| RX1–            | P6      |
| RX1+            | R6      |
| CD1–            | S7      |
| CD1+            | R7      |
| TX1–            | P7      |
| TX1+            | P8      |
| V <sub>CC</sub> | R8      |
| GND             | S8      |
| V <sub>CC</sub> | S9      |
| GND             | R9      |
| CLKIN           | P9      |
| RA4             | S10     |
| RA3             | R10     |
| RA2             | S11     |
| RA1             | P10     |
| RA0             | R11     |
| V <sub>CC</sub> | S12     |
| GND             | R12     |
| MLOAD           | P11     |
| CDEC            | S13     |
| WR              | R13     |
| RD              | S14     |
| D7              | P12     |
| D6              | R14     |
| D5              | S15     |
| D4              | P13     |
| D3              | P14     |
| D2              | R15     |
| D1              | R16     |
| D0              | R16     |

| Pin Name        | Pin No. |
|-----------------|---------|
| V <sub>CC</sub> | N13     |
| GND             | P15     |
| IRC             | N14     |
| IRE             | P16     |
| IRD             | N15     |
| COLN            | N16     |
| V <sub>CC</sub> | M15     |
| GND             | M14     |
| PKEN            | L14     |
| RXM             | L15     |
| BUFEN           | M16     |
| RDY             | L16     |
| ELI             | K16     |
| RTI             | K14     |
| STR1            | K15     |
| V <sub>CC</sub> | J16     |
| GND             | J15     |
| STR0            | J14     |
| ACTND           | H16     |
| ANYXND          | H15     |
| ACK0            | H14     |
| MRXC            | G14     |
| MEN             | G15     |
| MRXD            | G16     |
| MCRS            | F16     |
| V <sub>CC</sub> | F14     |
| GND             | F15     |
| ACKI            | E15     |
| ACTNS           | E14     |
| ANYXNS          | E16     |
| PCOMP           | D16     |
| RXI13–          | D15     |
| RXI13+          | D14     |
| TXO13P+         | C16     |
| TXO13–          | C15     |
| TXO13+          | B16     |
| TXO13P–         | B15     |
| V <sub>CC</sub> | D13     |
| GND             | C14     |

Note: NC = No Connect

2.0 Connection Diagram—160 Pin PGA Package\* (Continued)

|   |                 |                 |        |                 |                 |        |                 |                 |                 |                 |        |                 |                 |                 |                 |                 |
|---|-----------------|-----------------|--------|-----------------|-----------------|--------|-----------------|-----------------|-----------------|-----------------|--------|-----------------|-----------------|-----------------|-----------------|-----------------|
| S | V <sub>CC</sub> | TX2-            | TX2+   | RX2-            | V <sub>CC</sub> | GND    | CD1-            | GND             | V <sub>CC</sub> | RA4             | RA2    | V <sub>CC</sub> | CDEC            | RD              | D5              | D1              |
|   | 98              | 96              | 95     | 91              | 90              | 89     | 86              | 81              | 80              | 77              | 75     | 72              | 69              | 67              | 64              | 60              |
| R | GND             | CD3-            | TX3-   | CD2-            | RX2+            | RX1+   | CD1+            | V <sub>CC</sub> | GND             | RA3             | RA0    | GND             | WR              | D6              | D2              | D0              |
|   | 105             | 101             | 99     | 94              | 92              | 87     | 85              | 82              | 79              | 76              | 73     | 71              | 68              | 65              | 61              | 59              |
| P | V <sub>CC</sub> | RX3+            | CD3+   | GND             | CD2+            | RX1-   | TX1-            | TX1+            | CLKIN           | RA1             | MLOAD  | D7              | D4              | D3              | GND             | IRE             |
|   | 106             | 104             | 102    | 97              | 93              | 88     | 84              | 83              | 78              | 74              | 70     | 66              | 63              | 62              | 57              | 55              |
| N | CD4+            | RX4+            | RX3-   | TX3+            |                 |        |                 |                 |                 |                 |        |                 | V <sub>CC</sub> | IRC             | IRD             | COLN            |
|   | 109             | 108             | 103    | 100             |                 |        |                 |                 |                 |                 |        |                 | 58              | 56              | 54              | 53              |
| M | TX4-            | CD4-            | RX4-   |                 |                 |        |                 |                 |                 |                 |        |                 |                 | GND             | V <sub>CC</sub> | BUFEN           |
|   | 112             | 110             | 107    |                 |                 |        |                 |                 |                 |                 |        |                 |                 | 51              | 52              | 48              |
| L | V <sub>CC</sub> | GND             | TX4+   |                 |                 |        |                 |                 |                 |                 |        |                 |                 | PKEN            | RXM             | RDY             |
|   | 114             | 113             | 111    |                 |                 |        |                 |                 |                 |                 |        |                 |                 | 50              | 49              | 47              |
| K | CD5-            | TX5-            | TX5+   |                 |                 |        |                 |                 |                 |                 |        |                 |                 | RTI             | STR1            | ELI             |
|   | 117             | 115             | 116    |                 |                 |        |                 |                 |                 |                 |        |                 |                 | 45              | 44              | 46              |
| J | CD5+            | RX5+            | GND    |                 |                 |        |                 |                 |                 |                 |        |                 |                 | STRO            | GND             | V <sub>CC</sub> |
|   | 118             | 120             | 121    |                 |                 |        |                 |                 |                 |                 |        |                 |                 | 41              | 42              | 43              |
| H | RX5-            | V <sub>CC</sub> | RX16+  |                 |                 |        |                 |                 |                 |                 |        |                 |                 | ACKO            | ANYXND          | ACTND           |
|   | 119             | 122             | 125    |                 |                 |        |                 |                 |                 |                 |        |                 |                 | 38              | 39              | 40              |
| G | NC              | RX16-           | TX06+  |                 |                 |        |                 |                 |                 |                 |        |                 |                 | MRXC            | MEN             | MRXD            |
|   | 123             | 126             | 129    |                 |                 |        |                 |                 |                 |                 |        |                 |                 | 37              | 36              | 35              |
| F | NC              | TX06-           | TX07P- |                 |                 |        |                 |                 |                 |                 |        |                 |                 | V <sub>CC</sub> | GND             | MCRS            |
|   | 124             | 128             | 133    |                 |                 |        |                 |                 |                 |                 |        |                 |                 | 33              | 32              | 34              |
| E | TX06P+          | TX06P-          | TX07+  |                 |                 |        |                 |                 |                 |                 |        |                 |                 | ACTNS           | ACKI            | ANYXNS          |
|   | 127             | 130             | 134    |                 |                 |        |                 |                 |                 |                 |        |                 |                 | 30              | 31              | 29              |
| D | GND             | TX07-           | GND    | TX08P+          |                 |        |                 |                 |                 |                 |        | V <sub>CC</sub> | RX113+          | RX113-          | PCOMP           |                 |
|   | 131             | 135             | 139    | 143             |                 |        |                 |                 |                 |                 |        | 21              | 26              | 27              | 28              |                 |
| C | V <sub>CC</sub> | RX17-           | TX08-  | TX08P-          | TX09-           | TX09P+ | V <sub>CC</sub> | TX010+          | TX010P-         | TX011+          | GND    | V <sub>CC</sub> | TX012P+         | GND             | TX013-          | TX013P+         |
|   | 132             | 138             | 144    | 146             | 151             | 152    | 156             | 2               | 3               | 7               | 12     | 13              | 16              | 20              | 24              | 25              |
| B | TX07P+          | RX18+           | RX18-  | GND             | TX09+           | RX19+  | RX110+          | RX110-          | GND             | V <sub>CC</sub> | RX111+ | RX111-          | RX112-          | TX012-          | TX013P-         | TX013+          |
|   | 136             | 141             | 142    | 147             | 150             | 153    | 157             | 158             | 4               | 5               | 10     | 11              | 15              | 17              | 22              | 23              |
| A | RX17+           | V <sub>CC</sub> | TX08+  | V <sub>CC</sub> | TX09P-          | RX19-  | GND             | TX010P+         | TX010-          | TX011P-         | TX011+ | TX011P+         | RX112+          | TX012+          | TX012P-         |                 |
|   | 137             | 140             | 145    | 148             | 149             | 154    | 155             | 159             | 1               | 6               | 8      | 9               | 14              | 18              | 19              |                 |
|   | 1               | 2               | 3      | 4               | 5               | 6      | 7               | 8               | 9               | 0               | 1      | 2               | 3               | 4               | 5               | 6               |

RIC  
DP83950

TL/F/11096-3

Bottom View  
1-5 AUI + 6-13 T.P. Ports  
Order Number DP83950BNU  
See NS Package Number UP159A

\*This package will not be available after May 1994.

## 2.0 Connection Diagram—160 Pin PGA Package (Continued)

Pin Table (1–7 AUI + 8–13 T.P. Ports)

| Pin Name        | Pin No. |
|-----------------|---------|
| TXO12P–         | A15     |
| TXO12+          | A14     |
| TXO12–          | B14     |
| TXO12P+         | C13     |
| RXI12–          | B13     |
| RXI12+          | A13     |
| V <sub>CC</sub> | C12     |
| GND             | C11     |
| RXI11–          | B12     |
| RXI11+          | B11     |
| TXO11P+         | A12     |
| TXO11–          | A11     |
| TXO11+          | C10     |
| TXO11P–         | A10     |
| V <sub>CC</sub> | B10     |
| GND             | B9      |
| TXO10P–         | C9      |
| TXO10+          | C8      |
| TXO10–          | A9      |
| TXO10P+         | A8      |
| RXI10–          | B8      |
| RXI10+          | B7      |
| V <sub>CC</sub> | C7      |
| GND             | A7      |
| RXI9–           | A6      |
| RXI9+           | B6      |
| TXO9P+          | C6      |
| TXO9–           | C5      |
| TXO9+           | B5      |
| TXO9P–          | A5      |
| V <sub>CC</sub> | A4      |
| GND             | B4      |
| TXO8P–          | C4      |
| TXO8+           | A3      |
| TXO8–           | C3      |
| TXO8P+          | D4      |
| RXI8–           | B3      |
| RXI8+           | B2      |
| V <sub>CC</sub> | A2      |
| GND             | D3      |

| Pin Name        | Pin No. |
|-----------------|---------|
| RX7+            | C2      |
| RX7–            | A1      |
| CD7+            | B1      |
| CD7–            | D2      |
| TX7+            | E3      |
| TX7–            | F3      |
| V <sub>CC</sub> | C1      |
| GND             | D1      |
| TX6–            | E2      |
| TX6+            | G3      |
| CD6–            | F2      |
| CD6+            | E1      |
| RX6+            | G2      |
| RX6–            | H3      |
| NC              | F1      |
| NC              | G1      |
| V <sub>CC</sub> | H2      |
| GND             | J3      |
| RX5+            | J2      |
| RX5–            | H1      |
| CD5+            | J1      |
| CD5–            | K1      |
| TX5+            | K3      |
| TX5–            | K2      |
| V <sub>CC</sub> | L1      |
| GND             | L2      |
| TX4–            | M1      |
| TX4+            | L3      |
| CD4–            | M2      |
| CD4+            | N1      |
| RX4+            | N2      |
| RX4–            | M3      |
| V <sub>CC</sub> | P1      |
| GND             | R1      |
| RX3+            | P2      |
| RX3–            | N3      |
| CD3+            | P3      |
| CD3–            | R2      |
| TX3+            | N4      |
| TX3–            | R3      |

| Pin Name        | Pin No. |
|-----------------|---------|
| V <sub>CC</sub> | S1      |
| GND             | P4      |
| TX2–            | S2      |
| TX2+            | S3      |
| CD2–            | R4      |
| CD2+            | P5      |
| RX2+            | R5      |
| RX2–            | S4      |
| V <sub>CC</sub> | S5      |
| GND             | S6      |
| RX1–            | P6      |
| RX1+            | R6      |
| CD1–            | S7      |
| CD1+            | R7      |
| TX1–            | P7      |
| TX1+            | P8      |
| V <sub>CC</sub> | R8      |
| GND             | S8      |
| V <sub>CC</sub> | S9      |
| GND             | R9      |
| CLKIN           | P9      |
| RA4             | S10     |
| RA3             | R10     |
| RA2             | S11     |
| RA1             | P10     |
| RA0             | R11     |
| V <sub>CC</sub> | S12     |
| GND             | R12     |
| MLOAD           | P11     |
| CDEC            | S13     |
| WR              | R13     |
| RD              | S14     |
| D7              | P12     |
| D6              | R14     |
| D5              | S15     |
| D4              | P13     |
| D3              | P14     |
| D2              | R15     |
| D1              | S16     |
| D0              | R16     |

| Pin Name        | Pin No. |
|-----------------|---------|
| V <sub>CC</sub> | N13     |
| GND             | P15     |
| IRC             | N14     |
| IRE             | P16     |
| IRD             | N15     |
| COLN            | N16     |
| V <sub>CC</sub> | M15     |
| GND             | M14     |
| PKEN            | L14     |
| RXM             | L15     |
| BUFEN           | M16     |
| RDY             | L16     |
| ELI             | K16     |
| RTI             | K14     |
| STR1            | K15     |
| V <sub>CC</sub> | J16     |
| GND             | J15     |
| STR0            | J14     |
| ACTND           | H16     |
| ANYXND          | H15     |
| ACK0            | H14     |
| MRXC            | G14     |
| MEN             | G15     |
| MRXD            | G16     |
| MCRS            | F16     |
| V <sub>CC</sub> | F14     |
| GND             | F15     |
| ACKI            | E15     |
| ACTNS           | E14     |
| ANYXNS          | E16     |
| PCOMP           | D16     |
| RXI13–          | D15     |
| RXI13+          | D14     |
| TXO13P+         | C16     |
| TXO13–          | C15     |
| TXO13+          | B16     |
| TXO13P–         | B15     |
| V <sub>CC</sub> | D13     |
| GND             | C14     |

Note: NC = No Connect

2.0 Connection Diagram—160 Pin PGA Package\* (Continued)

|   |                        |                        |              |                        |                       |               |                        |                       |                       |                      |              |                       |                       |                       |                       |               |
|---|------------------------|------------------------|--------------|------------------------|-----------------------|---------------|------------------------|-----------------------|-----------------------|----------------------|--------------|-----------------------|-----------------------|-----------------------|-----------------------|---------------|
| S | V <sub>CC</sub><br>98  | TX2-<br>96             | TX2+<br>95   | RX2-<br>91             | V <sub>CC</sub><br>90 | GND<br>89     | CD1-<br>86             | GND<br>81             | V <sub>CC</sub><br>80 | RA4<br>77            | RA2<br>75    | V <sub>CC</sub><br>72 | CDEC<br>69            | RD<br>67              | D5<br>64              | D1<br>60      |
| R | GND<br>105             | CD3-<br>101            | TX3-<br>99   | CD2-<br>94             | RX2+<br>92            | RX1+<br>87    | CD1+<br>85             | V <sub>CC</sub><br>82 | GND<br>79             | RA3<br>76            | RA0<br>73    | GND<br>71             | WR<br>68              | D6<br>65              | D2<br>61              | D0<br>59      |
| P | V <sub>CC</sub><br>106 | RX3+<br>104            | CD3+<br>102  | GND<br>97              | CD2+<br>93            | RX1-<br>88    | TX1-<br>84             | TX1+<br>83            | CLKIN<br>78           | RA1<br>74            | MLOAD<br>70  | D7<br>66              | D4<br>63              | D3<br>62              | GND<br>57             | IRE<br>55     |
| N | CD4+<br>109            | RX4+<br>108            | RX3-<br>103  | TX3+<br>100            |                       |               |                        |                       |                       |                      |              | V <sub>CC</sub><br>58 | IRC<br>56             | IRD<br>54             | COLN<br>53            |               |
| M | TX4-<br>112            | CD4-<br>110            | RX4-<br>107  |                        |                       |               |                        |                       |                       |                      |              |                       | GND<br>51             | V <sub>CC</sub><br>52 | BUFEN<br>48           |               |
| L | V <sub>CC</sub><br>114 | GND<br>113             | TX4+<br>111  |                        |                       |               |                        |                       |                       |                      |              |                       | PKEN<br>50            | RXM<br>49             | RDY<br>47             |               |
| K | CD5-<br>117            | TX5-<br>115            | TX5+<br>116  |                        |                       |               |                        |                       |                       |                      |              |                       | RTI<br>45             | STR1<br>44            | ELI<br>46             |               |
| J | CD5+<br>118            | RX5+<br>120            | GND<br>121   |                        |                       |               |                        |                       |                       |                      |              |                       | STR0<br>41            | GND<br>42             | V <sub>CC</sub><br>43 |               |
| H | RX5-<br>119            | V <sub>CC</sub><br>122 | RX6-<br>125  |                        |                       |               |                        |                       |                       |                      |              |                       | ACK0<br>38            | ANYXND<br>39          | ACTND<br>40           |               |
| G | NC<br>123              | RX6+<br>126            | TX6+<br>129  |                        |                       |               |                        |                       |                       |                      |              |                       | MRXC<br>37            | MEN<br>36             | MRXD<br>35            |               |
| F | NC<br>124              | CD6-<br>128            | TX7-<br>133  |                        |                       |               |                        |                       |                       |                      |              |                       | V <sub>CC</sub><br>33 | GND<br>32             | MCRS<br>34            |               |
| E | CD6+<br>127            | TX6-<br>130            | TX7+<br>134  |                        |                       |               |                        |                       |                       |                      |              |                       | ACTNS<br>30           | ACK1<br>31            | ANYXNS<br>29          |               |
| D | GND<br>131             | CD7-<br>135            | GND<br>139   | TX08P+<br>143          |                       |               |                        |                       |                       |                      |              | V <sub>CC</sub><br>21 | RX113+<br>26          | RX113-<br>27          | PCOMP<br>28           |               |
| C | V <sub>CC</sub><br>132 | RX7+<br>138            | TX08-<br>144 | TX08P-<br>146          | TX09-<br>151          | TX09P+<br>152 | V <sub>CC</sub><br>156 | TX010+<br>2           | TX010P-<br>3          | TX011+<br>7          | GND<br>12    | V <sub>CC</sub><br>13 | TX012P+<br>16         | GND<br>20             | TX013-<br>24          | TX013P+<br>25 |
| B | CD7+<br>136            | RX18+<br>141           | RX18-<br>142 | GND<br>147             | TX09+<br>150          | RX19+<br>153  | RX110+<br>157          | RX110-<br>158         | GND<br>4              | V <sub>CC</sub><br>5 | RX111+<br>10 | RX111-<br>11          | RX112-<br>15          | TX012-<br>17          | TX013P-<br>22         | TX013+<br>23  |
| A | RX7-<br>137            | V <sub>CC</sub><br>140 | TX08+<br>145 | V <sub>CC</sub><br>148 | TX09P-<br>149         | RX19-<br>154  | GND<br>155             | TX010P+<br>159        | TX010-<br>1           | TX011P-<br>6         | TX011-<br>8  | TX011P+<br>9          | RX112+<br>14          | TX012+<br>18          | TX012P-<br>19         |               |
|   | 1                      | 2                      | 3            | 4                      | 5                     | 6             | 7                      | 8                     | 9                     | 0                    | 1            | 2                     | 3                     | 4                     | 5                     | 6             |

**RIC  
DP83950**

TL/F/11096-4

**Bottom View**  
**1-7 AUI + 8-13 T.P. Ports**  
**Order Number DP83950BNU**  
**See NS Package Number UP159A**

\*This package will not be available after May 1994.

## 2.0 Connection Diagram—160 Pin PGA Package (Continued)

Pin Table (All AUI Ports)

| Pin Name        | Pin No. |
|-----------------|---------|
| TX12-           | A15     |
| TX12+           | A14     |
| CD12-           | B14     |
| CD12+           | C13     |
| RX12+           | B13     |
| RX12-           | A13     |
| V <sub>CC</sub> | C12     |
| GND             | C11     |
| RX11+           | B12     |
| RX11-           | B11     |
| CD11+           | A12     |
| CD11-           | A11     |
| TX11+           | C10     |
| TX11-           | A10     |
| V <sub>CC</sub> | B10     |
| GND             | B9      |
| TX10-           | C9      |
| TX10+           | C8      |
| CD10-           | A9      |
| CD10+           | A8      |
| RX10+           | B8      |
| RX10-           | B7      |
| V <sub>CC</sub> | C7      |
| GND             | A7      |
| RX9+            | A6      |
| RX9-            | B6      |
| CD9+            | C6      |
| CD9-            | C5      |
| TX9+            | B5      |
| TX9-            | A5      |
| V <sub>CC</sub> | A4      |
| GND             | B4      |
| TX8-            | C4      |
| TX8+            | A3      |
| CD8-            | C3      |
| CD8+            | D4      |
| RX8+            | B3      |
| RX8-            | B2      |
| V <sub>CC</sub> | A2      |
| GND             | D3      |

| Pin Name        | Pin No. |
|-----------------|---------|
| RX7+            | C2      |
| RX7-            | A1      |
| CD7+            | B1      |
| CD7-            | D2      |
| TX7+            | E3      |
| TX7-            | F3      |
| V <sub>CC</sub> | C1      |
| GND             | D1      |
| TX6-            | E2      |
| TX6+            | G3      |
| CD6-            | F2      |
| CD6+            | E1      |
| RX6+            | G2      |
| RX6-            | H3      |
| NC              | F1      |
| NC              | G1      |
| V <sub>CC</sub> | H2      |
| GND             | J3      |
| RX5+            | J2      |
| RX5-            | H1      |
| CD5+            | J1      |
| CD5-            | K1      |
| TX5+            | K3      |
| TX5-            | K2      |
| V <sub>CC</sub> | L1      |
| GND             | L2      |
| TX4-            | M1      |
| TX4+            | L3      |
| CD4-            | M2      |
| CD4+            | N1      |
| RX4+            | N2      |
| RX4-            | M3      |
| V <sub>CC</sub> | P1      |
| GND             | R1      |
| RX3+            | P2      |
| RX3-            | N3      |
| CD3+            | P3      |
| CD3-            | R2      |
| TX3+            | N4      |
| TX3-            | R3      |

| Pin Name        | Pin No. |
|-----------------|---------|
| V <sub>CC</sub> | S1      |
| GND             | P4      |
| TX2-            | S2      |
| TX2+            | S3      |
| CD2-            | R4      |
| CD2+            | P5      |
| RX2+            | R5      |
| RX2-            | S4      |
| V <sub>CC</sub> | S5      |
| GND             | S6      |
| RX1-            | P6      |
| RX1+            | R6      |
| CD1-            | S7      |
| CD1+            | R7      |
| TX1-            | P7      |
| TX1+            | P8      |
| V <sub>CC</sub> | R8      |
| GND             | S8      |
| V <sub>CC</sub> | S9      |
| GND             | R9      |
| CLKIN           | P9      |
| RA4             | S10     |
| RA3             | R10     |
| RA2             | S11     |
| RA1             | P10     |
| RA0             | R11     |
| V <sub>CC</sub> | S12     |
| GND             | R12     |
| MLOAD           | P11     |
| CDEC            | S13     |
| WR              | R13     |
| RD              | S14     |
| D7              | P12     |
| D6              | R14     |
| D5              | S15     |
| D4              | P13     |
| D3              | P14     |
| D2              | R15     |
| D1              | S16     |
| D0              | R16     |

| Pin Name        | Pin No. |
|-----------------|---------|
| V <sub>CC</sub> | N13     |
| GND             | P15     |
| IRC             | N14     |
| IRE             | P16     |
| IRD             | N15     |
| COLN            | N16     |
| V <sub>CC</sub> | M15     |
| GND             | M14     |
| PKEN            | L14     |
| RXM             | L15     |
| BUFEN           | M16     |
| RDY             | L16     |
| ELI             | K16     |
| RTI             | K14     |
| STR1            | K15     |
| V <sub>CC</sub> | J16     |
| GND             | J15     |
| STR0            | J14     |
| ACTND           | H16     |
| ANYXND          | H15     |
| ACK0            | H14     |
| MRXC            | G14     |
| MEN             | G15     |
| MRXD            | G16     |
| MCRS            | F16     |
| V <sub>CC</sub> | F14     |
| GND             | F15     |
| ACK1            | E15     |
| ACTNS           | E14     |
| ANYXNS          | E16     |
| PCOMP           | D16     |
| RX13+           | D15     |
| RX13-           | D14     |
| CD13+           | C16     |
| CD13-           | C15     |
| TX13+           | B16     |
| TX13-           | B15     |
| V <sub>CC</sub> | D13     |
| GND             | C14     |

Note: NC = No Connect

2.0 Connection Diagram—160 Pin PGA Package\* (Continued)

|   |                        |                        |             |                        |                       |             |                        |                       |                       |                      |             |                       |                       |                       |                       |                       |
|---|------------------------|------------------------|-------------|------------------------|-----------------------|-------------|------------------------|-----------------------|-----------------------|----------------------|-------------|-----------------------|-----------------------|-----------------------|-----------------------|-----------------------|
| S | V <sub>CC</sub><br>98  | TX2-<br>96             | TX2+<br>95  | RX2-<br>91             | V <sub>CC</sub><br>90 | GND<br>89   | CD1-<br>86             | GND<br>81             | V <sub>CC</sub><br>80 | RA4<br>77            | RA2<br>75   | V <sub>CC</sub><br>72 | CDEC<br>69            | RD<br>67              | D5<br>64              | D1<br>60              |
| R | GND<br>105             | CD3-<br>101            | TX3-<br>99  | CD2-<br>94             | RX2+<br>92            | RX1+<br>87  | CD1+<br>85             | V <sub>CC</sub><br>82 | GND<br>79             | RA3<br>76            | RA0<br>73   | GND<br>71             | WR<br>68              | D6<br>65              | D2<br>61              | D0<br>59              |
| P | V <sub>CC</sub><br>106 | RX3+<br>104            | CD3+<br>102 | GND<br>97              | CD2+<br>93            | RX1-<br>88  | TX1-<br>84             | TX1+<br>83            | CLKIN<br>78           | RA1<br>74            | MLOAD<br>70 | D7<br>66              | D4<br>63              | D3<br>62              | GND<br>57             | IRE<br>55             |
| N | CD4+<br>109            | RX4+<br>108            | RX3-<br>103 | TX3+<br>100            |                       |             |                        |                       |                       |                      |             |                       | V <sub>CC</sub><br>58 | IRC<br>56             | IRD<br>54             | COLN<br>53            |
| M | TX4-<br>112            | CD4-<br>110            | RX4-<br>107 |                        |                       |             |                        |                       |                       |                      |             |                       |                       | GND<br>51             | V <sub>CC</sub><br>52 | BUFEN<br>48           |
| L | V <sub>CC</sub><br>114 | GND<br>113             | TX4+<br>111 |                        |                       |             |                        |                       |                       |                      |             |                       |                       | PKEN<br>50            | RXM<br>49             | RDY<br>47             |
| K | CD5-<br>117            | TX5-<br>115            | TX5+<br>116 |                        |                       |             |                        |                       |                       |                      |             |                       |                       | RTI<br>45             | STR1<br>44            | ELI<br>46             |
| J | CD5+<br>118            | RX5+<br>120            | GND<br>121  |                        |                       |             |                        |                       |                       |                      |             |                       |                       | STRO<br>41            | GND<br>42             | V <sub>CC</sub><br>43 |
| H | RX5-<br>119            | V <sub>CC</sub><br>122 | RX6-<br>125 |                        |                       |             |                        |                       |                       |                      |             |                       |                       | ACKO<br>38            | ANYXND<br>39          | ACTND<br>40           |
| G | NC<br>123              | RX6+<br>126            | TX6+<br>129 |                        |                       |             |                        |                       |                       |                      |             |                       |                       | MRXC<br>37            | MEN<br>36             | MRXD<br>35            |
| F | NC<br>124              | CD6-<br>128            | TX7-<br>133 |                        |                       |             |                        |                       |                       |                      |             |                       |                       | V <sub>CC</sub><br>33 | GND<br>32             | MCRS<br>34            |
| E | CD6+<br>127            | TX6-<br>130            | TX7+<br>134 |                        |                       |             |                        |                       |                       |                      |             |                       |                       | ACTNS<br>30           | ACKI<br>31            | ANYXNS<br>29          |
| D | GND<br>131             | CD7-<br>135            | GND<br>139  | CD8+<br>143            |                       |             |                        |                       |                       |                      |             |                       | V <sub>CC</sub><br>21 | RX13-<br>26           | RX13+<br>27           | PCOMP<br>28           |
| C | V <sub>CC</sub><br>132 | RX7+<br>138            | CD8-<br>144 | TX8-<br>146            | CD9-<br>151           | CD9+<br>152 | V <sub>CC</sub><br>156 | TX10+<br>2            | TX10-<br>3            | TX11+<br>7           | GND<br>12   | V <sub>CC</sub><br>13 | CD12+<br>16           | GND<br>20             | CD13-<br>24           | CD13+<br>25           |
| B | CD7+<br>136            | RX8-<br>141            | RX8+<br>142 | GND<br>147             | TX9+<br>150           | RX9-<br>153 | RX10-<br>157           | RX10+<br>158          | GND<br>4              | V <sub>CC</sub><br>5 | RX11-<br>10 | RX11+<br>11           | RX12+<br>15           | CD12-<br>17           | TX13-<br>22           | TX13+<br>23           |
| A | RX7-<br>137            | V <sub>CC</sub><br>140 | TX8+<br>145 | V <sub>CC</sub><br>148 | TX9-<br>149           | RX9+<br>154 | GND<br>155             | CD10+<br>159          | CD10-<br>1            | TX11-<br>6           | CD11-<br>8  | CD11+<br>9            | RX12-<br>14           | TX12+<br>18           | TX12-<br>19           |                       |
|   | 1                      | 2                      | 3           | 4                      | 5                     | 6           | 7                      | 8                     | 9                     | 0                    | 1           | 2                     | 3                     | 4                     | 5                     | 6                     |

**RIC  
DP83950**

**Bottom View  
All AUI Ports**

**Order Number DP83950BNU  
See NS Package Number UP159A**

TL/F/11096-5

\*This package will not be available after May 1994.

### 3.0 Pin Descriptions

| Pin No.                                                                                           | Pin Name          | Driver Type | I/O | Description                                        |
|---------------------------------------------------------------------------------------------------|-------------------|-------------|-----|----------------------------------------------------|
| <b>NETWORK INTERFACE PINS (On-Chip Transceiver Mode)</b>                                          |                   |             |     |                                                    |
|                                                                                                   | RX12- to RX13-    | TP          | I   | Twisted Pair Receive Input Negative                |
|                                                                                                   | RX12+ to RX13+    | TP          | I   | Twisted Pair Receive Input Positive                |
|                                                                                                   | TXOP2- to TXOP13- | TT          | O   | Twisted Pair Pre-emphasis Transmit Output Negative |
|                                                                                                   | TXO2- to TXO13-   | TT          | O   | Twisted Pair Transmit Output Negative              |
|                                                                                                   | TXO2+ to TXO13+   | TT          | O   | Twisted Pair Transmit Output Positive              |
|                                                                                                   | TXOP2+ to TXOP13+ | TT          | O   | Twisted Pair Pre-emphasis Transmit Output Positive |
|                                                                                                   | CD1+              | AL          | I   | AUI Collision Detect Input Positive                |
|                                                                                                   | CD1-              | AL          | I   | AUI Collision Detect Input Negative                |
|                                                                                                   | RX1+              | AL          | I   | AUI Receive Input Positive                         |
|                                                                                                   | RX1-              | AL          | I   | AUI Receive Input Negative                         |
|                                                                                                   | TX1+              | AD          | O   | AUI Transmit Output Positive                       |
|                                                                                                   | TX1-              | AD          | O   | AUI Transmit Output Negative                       |
| <b>NETWORK INTERFACE PINS (External Transceiver Mode AUI Signal Level Compatibility Selected)</b> |                   |             |     |                                                    |
|                                                                                                   | TX2+ to TX13+     | AL          | O   | Transmit Output Positive                           |
|                                                                                                   | TX2- to TX13-     | AL          | O   | Transmit Output Negative                           |
|                                                                                                   | CD2+ to CD13+     | AL          | I   | Collision Input Positive                           |
|                                                                                                   | CD2- to CD13-     | AL          | I   | Collision Input Negative                           |
|                                                                                                   | RX2+ to RX13+     | AL          | I   | Receive Input Positive                             |
|                                                                                                   | RX2- to RX13-     | AL          | I   | Receive Input Negative                             |
|                                                                                                   | CD1+              | AL          | I   | AUI Collision Detect Input Positive                |
|                                                                                                   | CD1-              | AL          | I   | AUI Collision Detect Input Negative                |
|                                                                                                   | RX1+              | AL          | I   | AUI Receive Input Positive                         |
|                                                                                                   | RX1-              | AL          | I   | AUI Receive Input Negative                         |
|                                                                                                   | TX1+              | AD          | O   | AUI Transmit Output Positive                       |
|                                                                                                   | TX1-              | AD          | O   | AUI Transmit Output Negative                       |

Note: AD = AUI level and Drive compatible, TP = Twisted Pair interface compatible, AL = AUI Level compatible, TT = TTL compatible, I = Input, O = Output.



### 3.0 Pin Descriptions (Continued)

| Pin No.                   | Pin Name                 | Driver Type | I/O  | Description                                                                                                                                                                                                                                                                                                                                                                                                                                                                                                      |
|---------------------------|--------------------------|-------------|------|------------------------------------------------------------------------------------------------------------------------------------------------------------------------------------------------------------------------------------------------------------------------------------------------------------------------------------------------------------------------------------------------------------------------------------------------------------------------------------------------------------------|
| <b>PROCESSOR BUS PINS</b> |                          |             |      |                                                                                                                                                                                                                                                                                                                                                                                                                                                                                                                  |
|                           | RA0-RA4                  | TT          | I    | <b>REGISTER ADDRESS INPUTS:</b> These five pins are used to select a register to be read or written. The state of these inputs are ignored when the read, write and mode load input strobes are high. (Even under these conditions these inputs must not be allowed to float at an undefined logic state).                                                                                                                                                                                                       |
|                           | STR0                     | C           | O    | <b>DISPLAY UPDATE STROBE 0</b><br><b>Maximum Display Mode:</b> This signal controls the latching of display data for network ports 1 to 7 into the off chip display latches.<br><b>Minimum Display Mode:</b> This signal controls the latching of display data for the RIC into the off chip display latch.<br>During processor access cycles (read or write is asserted) this signal is inactive (high).                                                                                                        |
|                           | STR1                     | C           | O    | <b>DISPLAY UPDATE STROBE 1</b><br><b>Maximum Display Mode:</b> This signal controls the latching of display data for network ports 8 to 13 into the off chip display latches.<br><b>Minimum Display Mode:</b> No operation<br>During processor access cycles (read or write is asserted) this signal is inactive (high).                                                                                                                                                                                         |
|                           | D0-D7                    | TT          | B, Z | <b>DATA BUS</b><br><b>Display Update Cycles:</b> These pins become outputs providing display data and port address information. Address information only available in Maximum Display mode.<br><b>Processor Access Cycles:</b> Data input or output is performed via these pins. The read, write and mode load inputs control the direction of the signals.<br><b>Note:</b> The data pins remain in their display update function, i.e., asserted as outputs unless either the read or write strobe is asserted. |
|                           | BUFEN                    | C           | O    | <b>BUFFER ENABLE:</b> This output controls the TRI-STATE® operation of the bus transceiver which provides the interface between the RIC's data pins and the processor's data bus.<br><b>Note:</b> The buffer enable output indicates the function of the data pins. When it is high they are performing display update cycles, when it is low a processor access or mode load cycle is occurring.                                                                                                                |
|                           | $\overline{\text{RDY}}$  | C           | O    | <b>DATA READY STROBE:</b> The falling edge of this signal during a read cycle indicates that data is stable and valid for sampling. In write cycles the falling edge of $\overline{\text{RDY}}$ denotes that the write data has been latched by the RIC. Therefore data must have been available and stable for this operation to be successful.                                                                                                                                                                 |
|                           | ELI                      | C           | O    | <b>EVENT LOGGING INTERRUPT:</b> A low level on the $\overline{\text{ELI}}$ output indicates the RIC's hub management logic requires CPU attention. The interrupt is cleared by accessing the Port Event Recording register or Event Counter that produced it. All interrupt sources may be masked.                                                                                                                                                                                                               |
|                           | RTI                      | C           | O    | <b>REAL TIME INTERRUPT:</b> A low level on the $\overline{\text{RTI}}$ output indicates the RIC's real time (packet specific) interrupt logic requires CPU attention. The interrupt is cleared by reading the Real Time Interrupt Status register. All interrupt sources may be masked.                                                                                                                                                                                                                          |
|                           | $\overline{\text{CDEC}}$ | TT          | I    | <b>COUNTER DECREMENT:</b> A low level on the $\overline{\text{CDEC}}$ input strobe decrements all of the RIC's Port Event Counters by one. This input is internally synchronized and if necessary the operation of the signal is delayed if there is a simultaneous internally generated counting operation.                                                                                                                                                                                                     |
|                           | WR                       | TT          | I    | <b>WRITE STROBE:</b> Strobe from the CPU used to write an internal register defined by the RA0-RA4 inputs.                                                                                                                                                                                                                                                                                                                                                                                                       |
|                           | $\overline{\text{RD}}$   | TT          | I    | <b>READ STROBE:</b> Strobe from the CPU used to read an internal register defined by the RA0-RA4 inputs.                                                                                                                                                                                                                                                                                                                                                                                                         |
|                           | MLOAD                    | TT          | I    | <b>DEVICE RESET AND MODE LOAD:</b> When this input is low all of the RIC's state machines, counters and network ports are reset and held inactive. On the rising edge of MLOAD the logic levels present on the D0-7 pins and RA0-RA4 inputs are latched into the RIC's configuration registers. The rising edge of MLOAD also signals the beginning of the display test operation.                                                                                                                               |

### 3.0 Pin Descriptions (Continued)

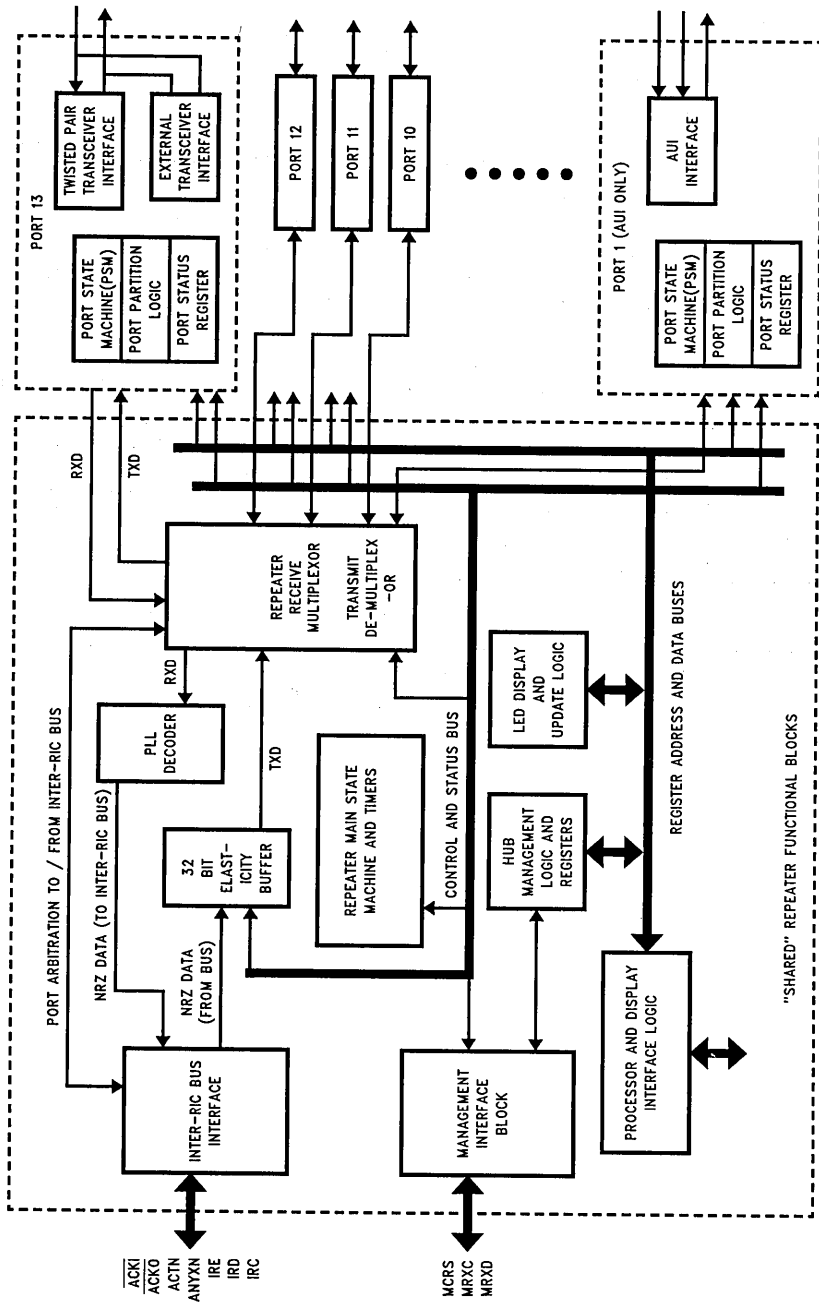
| Pin No.                   | Pin Name                 | Driver Type | I/O  | Description                                                                                                                                                                                                                                                                                                                                                                                                                                                        |
|---------------------------|--------------------------|-------------|------|--------------------------------------------------------------------------------------------------------------------------------------------------------------------------------------------------------------------------------------------------------------------------------------------------------------------------------------------------------------------------------------------------------------------------------------------------------------------|
| <b>INTER-RIC BUS PINS</b> |                          |             |      |                                                                                                                                                                                                                                                                                                                                                                                                                                                                    |
|                           | $\overline{\text{ACKI}}$ | TT          | I    | <b>ACKNOWLEDGE INPUT:</b> Input to the network ports' arbitration chain.                                                                                                                                                                                                                                                                                                                                                                                           |
|                           | $\overline{\text{ACKO}}$ | TT          | O    | <b>ACKNOWLEDGE OUTPUT:</b> Output from the network ports' arbitration chain.                                                                                                                                                                                                                                                                                                                                                                                       |
|                           | IRD                      | TT          | B, Z | <b>INTER-RIC DATA:</b> When asserted as an output this signal provides a serial data stream in NRZ format. The signal is asserted by a RIC when it is receiving data from one of its network segments. The default condition of this signal is to be an input. In this state it may be driven by other devices on the Inter-RIC bus.                                                                                                                               |
|                           | IRE                      | TT          | B, Z | <b>INTER-RIC ENABLE:</b> When asserted as an output this signal provides an activity framing enable for the serial data stream. The signal is asserted by a RIC when it is receiving data from one of its network segments. The default condition of this signal is to be an input. In this state it may be driven by other devices on the Inter-RIC bus.                                                                                                          |
|                           | IRC                      | TT          | B, Z | <b>INTER-RIC CLOCK:</b> When asserted as an output this signal provides a clock signal for the serial data stream. Data (IRD) is changed on the falling edge of the clock. The signal is asserted by a RIC when it is receiving data from one of its network segments. The default condition of this signal is to be an input. When an input IRD is sampled on the rising edge of the clock. In this state it may be driven by other devices on the Inter-RIC bus. |
|                           | COLN                     | TT          | B, Z | <b>COLLISION ON PORT N:</b> This denotes that a collision is occurring on the port receiving the data packet. The default condition of this signal is to be an input. In this state it may be driven by other devices on the Inter-RIC bus.                                                                                                                                                                                                                        |
|                           | PKEN                     | C           | O    | <b>PACKET ENABLE:</b> This output acts as an active high enable for an external bus transceiver (if required) for the IRE, IRC, IRD and COLN signals. When high the bus transceiver should be transmitting on to the bus, i.e., this RIC is driving the IRD, IRE, IRC and COLN bus lines. When low the bus transceiver should receive from the bus.                                                                                                                |
|                           | CLKIN                    | TT          | I    | <b>40 MHz CLOCK INPUT:</b> This input is used to generate the RIC's timing reference for the state machines, and phase lock loop decoder.                                                                                                                                                                                                                                                                                                                          |
|                           | ACTND                    | OD          | O    | <b>ACTIVITY ON PORT N DRIVE:</b> This output is active when the RIC is receiving data or collision information from one of its network segments.                                                                                                                                                                                                                                                                                                                   |
|                           | ACTNS                    | TT          | I    | <b>ACTIVITY ON PORT N SENSE:</b> This input senses when this or another RIC in a multi-RIC system is receiving data or collision information.                                                                                                                                                                                                                                                                                                                      |
|                           | ANYXND                   | OD          | O    | <b>ACTIVITY ON ANY PORT EXCLUDING PORT N DRIVE:</b> This output is active when a RIC is experiencing a transmit collision or multiple ports have active collisions on their network segments.                                                                                                                                                                                                                                                                      |
|                           | ANYXNS                   | TT          | I    | <b>ACTIVITY ON ANY PORT EXCLUDING PORT N SENSE:</b> This input senses when this RIC or other RICs in a multi-RIC system are experiencing transmit collisions or multiple ports have active collisions on their network segments.                                                                                                                                                                                                                                   |

### 3.0 Pin Descriptions (Continued)

| Pin No.                      | Pin Name        | Driver Type | I/O  | Description                                                                                                                                                                                                                                                                                               |
|------------------------------|-----------------|-------------|------|-----------------------------------------------------------------------------------------------------------------------------------------------------------------------------------------------------------------------------------------------------------------------------------------------------------|
| <b>MANAGEMENT BUS PINS</b>   |                 |             |      |                                                                                                                                                                                                                                                                                                           |
|                              | MRXC            | TT          | O, Z | <b>MANAGEMENT RECEIVE CLOCK:</b> When asserted this signal provides a clock signal for the MRXD serial data stream. The MRXD signal is changed on the falling edge of this clock. The signal is asserted when a RIC is receiving data from one of its network segments. Otherwise the signal is inactive. |
|                              | MCRS            | TT          | B, Z | <b>MANAGEMENT CARRIER SENSE:</b> When asserted this signal provides an activity framing enable for the serial output data stream (MRXD). The signal is asserted when a RIC is receiving data from one of its network segments. Otherwise the signal is an input.                                          |
|                              | MRXD            | TT          | O, Z | <b>MANAGEMENT RECEIVE DATA:</b> When asserted this signal provides a serial data stream in NRZ format. The data stream is made up of the data packet and RIC status information. The signal is asserted when a RIC is receiving data from one of its network segments. Otherwise the signal is inactive.  |
|                              | MEN             | C           | O    | <b>MANAGEMENT BUS OUTPUT ENABLE:</b> This output acts as an active high enable for an external bus transceiver (if required) for the MRXC, MCRS and MRXD signals. When high the bus transceiver should be transmitting on to the bus.                                                                     |
|                              | PCOMP           | TT          | I    | <b>PACKET COMPRESS:</b> This input is used to activate the RIC's packet compress logic. A low level on this signal when MCRS is active will cause that packet to be compressed. If PCOMP is tied low all packets are compressed, if PCOMP is tied high packet compression is inhibited.                   |
| <b>POWER AND GROUND PINS</b> |                 |             |      |                                                                                                                                                                                                                                                                                                           |
|                              | V <sub>CC</sub> |             |      | Positive Supply                                                                                                                                                                                                                                                                                           |
|                              | GND             |             |      | Negative Supply                                                                                                                                                                                                                                                                                           |
| <b>EXTERNAL DECODER PINS</b> |                 |             |      |                                                                                                                                                                                                                                                                                                           |
|                              | RXM             | TT          | O    | <b>RECEIVE DATA MANCHESTER FORMAT:</b> This output makes the data, in Manchester format, received by port N available for test purposes. If not used for testing this pin should be left open.                                                                                                            |

Note: TT = TTL compatible, B = Bi-directional, C = CMOS compatible, OD = Open Drain, I = Input, O = Output, Z = TRI-STATE

# 4.0 Block Diagram



TL/F/11096-6

FIGURE 5.1

"SHARED" REPEATER FUNCTIONAL BLOCKS

## 5.0 Functional Description

The I.E.E.E. repeater specification details a number of functions a repeater system must perform. These requirements allied with a need for the implementation to be multiport strongly favors the choice of a modular design style. In such a design, functionality is split between those tasks common to all data channels and those exclusive to each individual channel. The RIC follows this approach, certain functional blocks are replicated for each network attachment, (also known as a repeater port), and others are shared. The following section briefly describes the functional blocks in the RIC.

### 5.1 OVERVIEW OF RIC FUNCTIONS

#### Segment Specific Block: Network Port

As shown in the Block Diagram, the segment specific blocks consist of:

1. One or more physical layer interfaces.
2. A logic block required for performing repeater operations upon that particular segment. This is known as the "port" logic since it is the access "port" the segment has to the rest of the network.

This function is repeated 13 times in the RIC (one for each port) and is shown on the right side of the Block Diagram, *Figure 5.1*.

The physical layer interfaces provided depends upon the port under examination. Port 1 has an AUI compliant interface for use with AUI compatible transceiver boxes and cable. Ports 2 to 13 may be configured for use with one of two interfaces: twisted pair or an external transceiver. The former utilizes the RIC's on-chip 10BASE-T transceivers, the latter allows connection to external transceivers. When using the external transceiver mode the interface is AUI compatible. Although AUI compatible transceivers are supported the interface is not designed for use with an interface cable, thus the transceivers are necessarily internal to the repeater equipment.

Inside the port logic there are 3 distinct functions:

1. The port state machine "PSM" is required to perform data and collision repetition as described by the repeater specification, for example, it determines whether this port should be receiving from or transmitting to its network segment.
2. The port partition logic implements the segment partitioning algorithm. This algorithm is defined by the IEEE specification and is used to protect the network from malfunctioning segments.
3. The port status register reflects the current status of the port. It may be accessed by a system processor to obtain this status or to perform certain port configuration operations, such as port disable.

#### Shared Functional Blocks: Repeater Core Logic

The shared functional blocks consist of the Repeater Main State Machine (MSM) and Timers, a 32 bit Elasticity Buffer, PLL Decoder, and Receive and Transmit Multiplexors. These blocks perform the majority of the operations needed to fulfill the requirements of the IEEE repeater specification. When a packet is received by a port it is sent via the Receive Multiplexor to the PLL Decoder. Notification of the

data and collision status is sent to the main state machine via the receive multiplexor and collision activity status signals. This enables the main state machine to determine the source of the data to be repeated and the type of data to be transmitted. The transmit data may be either the received packet's data field or a preamble/jam pattern consisting of a 1010 . . . bit pattern.

Associated with the main state machine are a series of timers. These ensure various IEEE specification times (referred to as the TW1 to TW6 times) are fulfilled.

A repeater unit is required to meet the same signal jitter performance as any receiving node attached to a network segment. Consequently, a phase locked loop Manchester decoder is required so that the packet may be decoded, and the jitter accumulated over the receiving segment recovered. The decode logic outputs data in NRZ format with an associated clock and enable. In this form the packet is in a convenient format for transfer to other devices, such as network controllers and other RICs, via the Inter-RIC bus (described later). The data may then be re-encoded into Manchester data and transmitted.

Reception and transmission via physical layer transceiver units causes a loss of bits in the preamble field of a data packet. The repeater specification requires this loss to be compensated for. To accomplish this an elasticity buffer is employed to temporarily store bits in the data field of the packet.

The sequence of operation is as follows:

Soon after the network segment receiving the data packet has been identified, the RIC begins to transmit the packet preamble pattern (1010 . . .) onto the other network segments. While the preamble is being transmitted the Elasticity Buffer monitors the decoded received clock and data signals (this is done via the Inter-RIC bus as described later). When the start of frame delimiter "SFD" is detected the received data stream is written into the elasticity buffer. Removal of data from the buffer for retransmission is not allowed until a valid length preamble pattern has been transmitted.

#### Inter-RIC Bus Interface

Using the RIC in a repeater system allows the design to be constructed with many more network attachments than can be supported by a single chip. The split of functions already described allows data packets and collision status to be transferred between multiple RICs, and at the same time the multiple RICs still behave as a single logical repeater. Since all RICs in a repeater system are identical and capable of performing any of the repetition operations, the failure of one RIC will not cause the failure of the entire system. This is an important issue in large multiport repeaters.

RICs communicate via a specialized interface known as the Inter-RIC bus. This allows the data packet to be transferred from the receiving RIC to the other RICs in the system. These RICs then transmit the data stream to their segments. Just as important as data transfer is the notification of collisions occurring across the network. The Inter-RIC bus has a set of status lines capable of conveying collision information between RICs to ensure their main state machines operate in the appropriate manner.

## 5.0 Functional Description (Continued)

### LED Interface and Hub Management Function

Repeater systems usually possess optical displays indicating network activity and the status of specific repeater operations. The RIC's display update block provides the system designer with a wide variety of indicators. The display updates are completely autonomous and merely require SSI logic devices to drive the display devices, usually made up of light emitting diodes, LEDs. The status display is very flexible allowing the user to choose those indicators appropriate for the specification of the equipment.

The RIC has been designed with special awareness for system designers implementing large repeaters possessing hub management capabilities. Hub management uses the unique position of repeaters in a network to gather statistics about the network segments they are attached to. The RIC provides hub management statistical data in 3 steps. Important events are gathered by the management block from logic blocks throughout the chip. These events may then be stored in on-chip latches or counted in on-chip counters according to user supplied latching and counting masks.

The fundamental task of a hub management system implementation is to associate the current packet and any management status information with the network segment, i.e., repeater port where the packet was received. The ideal system would place this combined data packet and status field in system memory for examination by hub management software. The ultimate function of the RIC's hub management support logic is to provide this function.

To accomplish this the RIC utilizes a dedicated hub management interface. This is similar to the Inter-RIC bus since it allows the data packet to be recovered from the receiving RIC. Unlike the Inter-RIC bus the intended recipient is not another RIC but National Semiconductor's DP83932 "SONIC™" Network controller. The use of a dedicated bus allows a management status field to be appended at the end of the data packet. This can be done without affecting the operation of the repeater system.

### Processor Interface

The RIC's processor interface allows connection to a system processor. Data transfer occurs via an octal bi-directional data bus. The RIC has a number of on-chip registers indicating the status of the hub management functions, chip configuration and port status. These may be accessed by providing the chosen address at the Register Address (RA4-RA0) input pins.

Display update cycles and processor accesses occur utilizing the same data bus. An on-chip arbiter in the processor/display block schedules and controls the accesses and ensures the correct information is written into the display latches. During the display update cycles the RIC behaves as a master of its data bus. This is the default state of the data bus. Consequently, a TRI-STATE buffer must be placed between the RIC and the system processor's data bus. This

ensures bus contention is avoided during simultaneous display update cycles and processor accesses of other devices on the system bus. When the processor accesses a RIC register, the RIC enables the data buffer and selects the operation, either input or output, of the data pins.

### 5.2 DESCRIPTION OF REPEATER OPERATIONS

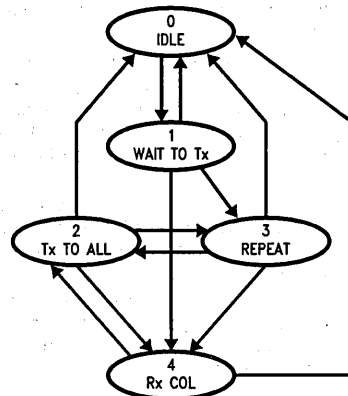
In order to implement a multi-chip repeater system which behaves as though it were a single logical repeater, special consideration must be paid to the data path used in packet repetition. For example, where in the path are specific operations such as Manchester decoding and elasticity buffering performed. Also the system's state machines which utilize available network activity signals, must be able to accommodate the various packet repetition and collision scenarios detailed in the repeater specification.

The RIC contains two types of inter-acting state machines. These are:

1. Port State Machines (PSMs). Every network attachment has its own PSM.
2. Main State Machine (MSM). This state machine controls the shared functional blocks as shown in the block diagram *Figure 5.1*.

### Repeater Port and Main State Machines

These two state machines are described in the following sections. Reference is made to expressions used in the IEEE Repeater specification. For the precise definition of these terms please refer to the specification. To avoid confusion with the RIC's implementation, where references are made to repeater states or terms as described in the IEEE specification, these items are written in *italics*. The IEEE state diagram is shown in *Figure 5-3*, the Inter-RIC bus state diagram is shown in *Figure 5-2*.



TL/F/11096-7

FIGURE 5.2. Inter-RIC Bus State Diagram

5.0 Functional Description (Continued)

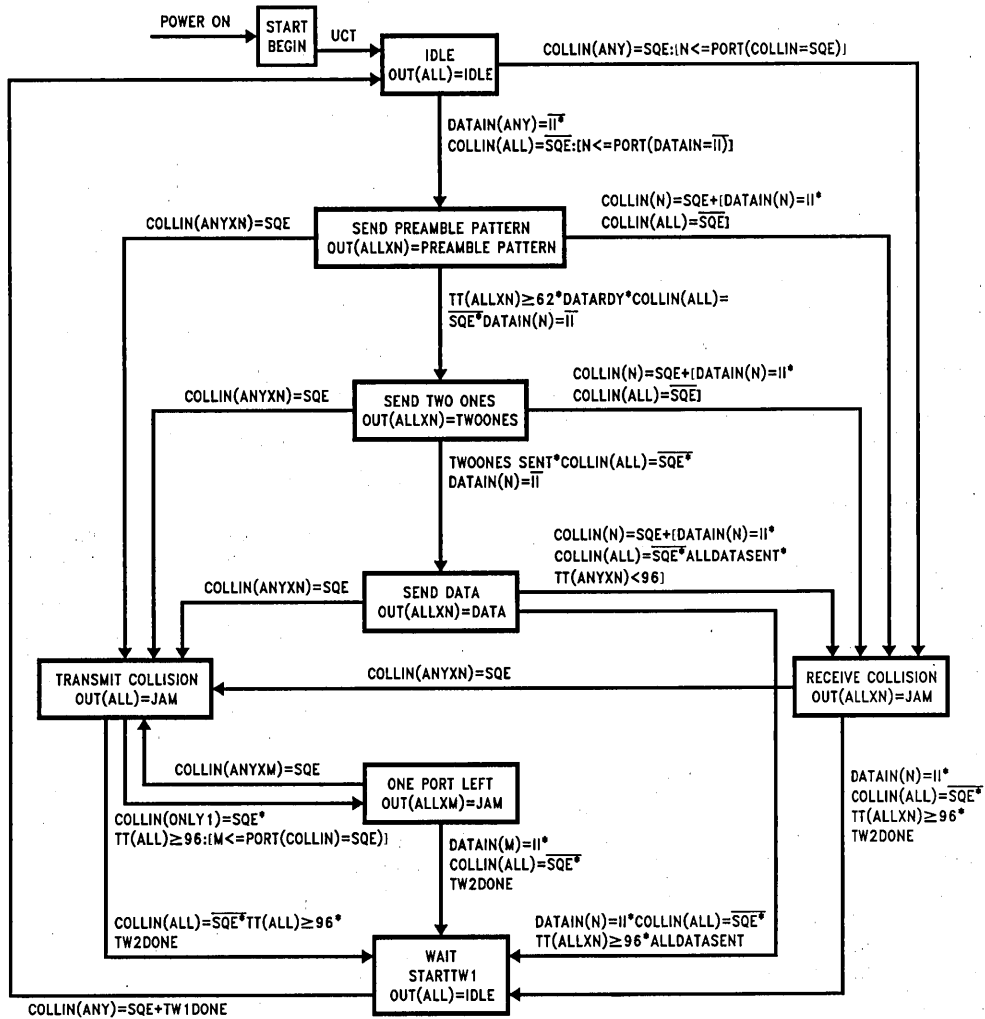


FIGURE 5.3. IEEE Repeater Main State Diagram

TL/F/11096-8

## 5.0 Functional Description (Continued)

### Port State Machine (PSM)

There are two primary functions for the PSM as follows:

1. Control the transmission of repeated data and jam signals over the attached segment.
2. Decide whether a port will be the source of data or collision information which will be repeated over the network. This repeater port is known as *PORT N*. An arbitration process is required to enable the repeater to transition from the *IDLE* state to the *SEND PREAMBLE PATTERN* or *RECEIVE COLLISION* states, see *Figure 5.3*. This process is used to locate the port which will be *PORT N* for that particular packet. The data received from this port is directed to the PLL decoder and transmitted over the Inter-RIC bus. If the repeater enters the *TRANSMIT COLLISION* state a further arbitration operation is performed to determine which port is *PORT M*. *PORT M* is differentiated from the repeater's other ports if the repeater enters the *ONE PORT LEFT* state. In this state *PORT M* does not transmit to its segment; where as all other ports are still required to transmit to their segments.

### Main State Machine (MSM)

The MSM controls the operation of the shared functional blocks in each RIC as shown in the block diagram, *Figure 5.1*, and it performs the majority of the data and collision propagation operations as defined by the IEEE specification, these include:

| Function                          | Action                                                                                                                                                                                 |
|-----------------------------------|----------------------------------------------------------------------------------------------------------------------------------------------------------------------------------------|
| Preamble Regeneration             | Restore the length of the preamble pattern to the defined size.                                                                                                                        |
| Fragment Extension                | Extend received data or collision fragments to meet the minimum fragment length of 96 bits.                                                                                            |
| Elasticity Buffer Control         | A portion of the received packet may require storage in an Elasticity Buffer to accommodate preamble regeneration.                                                                     |
| Jam/Preamble Pattern Generation   | In cases of receive or transmit collisions a RIC is required to transmit a jam pattern (1010 . . . ).<br><b>Note:</b> This pattern is the same as that used for preamble regeneration. |
| Transmit Collision Enforcement    | Once the <i>TRANSMIT COLLISION</i> state is entered a repeater is required to stay in this state for at least 96 network bit times.                                                    |
| Data Encoding Control             | NRZ format data from the elasticity buffer must be encoded into Manchester format data prior to retransmission.                                                                        |
| <i>T<sub>w1</sub></i> Enforcement | Enforce the Transmit Recovery Time specification.                                                                                                                                      |
| <i>T<sub>w2</sub></i> Enforcement | Enforce Carrier Recovery Time specification on all ports with active collisions.                                                                                                       |

The interaction of the main and port state machines is visible, in part, by observing the Inter-RIC bus.

### Inter-RIC Bus Operation

#### Overview

The Inter-RIC Bus consists of eight signals. These signals implement a protocol which may be used to connect multiple RICs together. In this configuration, the logical function of a single repeater is maintained. The resulting multi-RIC system is compliant to the IEEE 802.3 repeater specification and may connect several hundred network segments. An example of a multi-RIC system is shown in *Figure 5.4*.

The Inter-RIC Bus connects multiple RICs to realize the following operations:

- Port N* Identification (which port the repeater receives data from)
- Port M* Identification (which port is the last one experiencing a collision)
- Data Transfer
- RECEIVE COLLISION* identification
- TRANSMIT COLLISION* identification
- DISABLE OUTPUT* (jabber protection)

The following tables briefly describes the operation of each bus signal, the conditions required for a RIC to assert a signal and which RICs (in a multi-RIC system) would monitor a signal:

| ACKI                                               |                                                                                                                                                                                                                                                                               |
|----------------------------------------------------|-------------------------------------------------------------------------------------------------------------------------------------------------------------------------------------------------------------------------------------------------------------------------------|
| Function                                           | Action                                                                                                                                                                                                                                                                        |
|                                                    | Input signal to the PSM arbitration chain. This chain is employed to identify <i>PORT N</i> and <i>PORT M</i> .<br><b>Note:</b> A RIC which contains <i>PORT N</i> or <i>PORT M</i> may be identified by its <i>ACKI</i> signal being low when its <i>ACKI</i> input is high. |
| Conditions required for a RIC to drive this signal | Not applicable                                                                                                                                                                                                                                                                |
| RIC Receiving the signal                           | This is dependent upon the method used to cascade RICs, described in a following section.                                                                                                                                                                                     |

| ACKO                                               |                                                                                           |
|----------------------------------------------------|-------------------------------------------------------------------------------------------|
| Function                                           | Action                                                                                    |
|                                                    | Output signal from the PSM arbitration chain.                                             |
| Conditions required for a RIC to drive this signal | This is dependent upon the method used to cascade RICs, described in a following section. |
| RIC Receiving the Signal                           | Not applicable                                                                            |



## 5.0 Functional Description (Continued)

| ACTN                                                      |                                                                                                                                                                                           |
|-----------------------------------------------------------|-------------------------------------------------------------------------------------------------------------------------------------------------------------------------------------------|
| <b>Function</b>                                           | This signal denotes there is activity on <i>PORT N</i> or <i>PORT M</i> .                                                                                                                 |
| <b>Conditions required for a RIC to drive this signal</b> | A RIC must contain <i>PORT N</i> or <i>PORT M</i> .<br><b>Note:</b> Although this signal normally has only one source asserting the signal active it is used in a wired-or configuration. |
| <b>RIC Receiving the Signal</b>                           | The signal is monitored by all RICs in the repeater system.                                                                                                                               |

| ANYXN                                                     |                                                                                                                  |
|-----------------------------------------------------------|------------------------------------------------------------------------------------------------------------------|
| <b>Function</b>                                           | This signal denotes that a repeater port that is not <i>PORT N</i> or <i>PORT M</i> is experiencing a collision. |
| <b>Conditions required for a RIC to drive this signal</b> | Any RIC which satisfies the above condition.<br><b>Note:</b> This bus line is used in a wired-or configuration.  |
| <b>RIC Receiving the Signal</b>                           | The signal is monitored by all RICs in the repeater system.                                                      |

| COLN                                                      |                                                                     |
|-----------------------------------------------------------|---------------------------------------------------------------------|
| <b>Function</b>                                           | Denotes <i>PORT N</i> or <i>PORT M</i> is experiencing a collision. |
| <b>Conditions required for a RIC to drive this signal</b> | A RIC must contain <i>PORT N</i> or <i>PORT M</i> . (Note 1)        |
| <b>RIC Receiving the Signal</b>                           | The Signal is monitored by all other RICs in the repeater system.   |

| IRE                                                       |                                                                             |
|-----------------------------------------------------------|-----------------------------------------------------------------------------|
| <b>Function</b>                                           | This signal acts as an activity framing signal for the IRC and IRD signals. |
| <b>Conditions required for a RIC to drive this signal</b> | A RIC must contain <i>PORT N</i> .                                          |
| <b>RIC Receiving the Signal</b>                           | The Signal is monitored by all other RICs in the repeater system.           |

**Note 1:** Refer to note on page 25 for the transmit collision case.

| IRD                                                       |                                                                                                   |
|-----------------------------------------------------------|---------------------------------------------------------------------------------------------------|
| <b>Function</b>                                           | Decoded serial data, in NRZ format, received from the network segment attached to <i>PORT N</i> . |
| <b>Conditions required for a RIC to drive this signal</b> | A RIC must contain <i>PORT N</i> .                                                                |
| <b>RIC Receiving the Signal</b>                           | The signal is monitored by all other RICs in the repeater system.                                 |

| IRC                                                       |                                                                   |
|-----------------------------------------------------------|-------------------------------------------------------------------|
| <b>Function</b>                                           | Clock signal associated with IRD and IRE.                         |
| <b>Conditions required for a RIC to drive this signal</b> | A RIC must contain <i>PORT N</i> .                                |
| <b>RIC Receiving the Signal</b>                           | The signal is monitored by all other RICs in the repeater system. |

### Methods of RIC Cascading

In order to build multi-RIC repeaters *PORT N* and *PORT M* identification must be performed across all the RICs in the system. Inside each RIC the PSMs are arranged in a logical arbitration chain where port 1 is the highest and port 13 the lowest. The top of the chain, the input to port 1 is accessible to the user via the RIC's  $\overline{ACKI}$  input pin. The output from the bottom of the chain becomes the  $\overline{ACKO}$  output pin. In a single RIC system *PORT N* is defined as the highest port in the arbitration chain with receive or collision activity. *Port N* identification is performed when the repeater is in the *IDLE* state. *PORT M* is defined as the highest port in the chain with a collision when the repeater leaves the *TRANSMIT COLLISION* state. In order for the arbitration chain to function, all that needs to be done is to tie the  $\overline{ACKI}$  signal to a logic high state. In multi-RIC systems there are two methods to propagate the arbitration chain between RICs:

The first and most straight forward is to extend the arbitration chain by daisy chaining the  $\overline{ACKI}$   $\overline{ACKO}$  signals between RICs. In this approach one RIC is placed at the top of the chain (its  $\overline{ACKI}$  input is tied high), then the  $\overline{ACKO}$  signal from this RIC is sent to the  $\overline{ACKI}$  input of the next RIC and so on. This arrangement is simple to implement but it places some topological restrictions upon the repeater system. In particular, if the repeater is constructed using a backplane with removable printed circuit boards. (These boards contain the RICs and their associated components). If one of the boards is removed then the  $\overline{ACKI}$   $\overline{ACKO}$  chain will be broken and the repeater will not operate correctly.

## 5.0 Functional Description (Continued)

The second method of *PORT N* or *M* identification avoids this problem. This second technique relies on an external parallel arbiter which monitors all of the RIC's  $\overline{ACKO}$  signals and responds to the RIC with the highest priority. In this scheme each RIC is assigned with a priority level. One method of doing this is to assign a priority number which reflects the position of a RIC board on the repeater backplane, i.e., its slot number. When a RIC experiences receive activity and the repeater system is in the *IDLE* state, the RIC board will assert  $\overline{ACKO}$ . External arbitration logic drives the identification number onto an arbitration bus and the RIC containing *PORT N* will be identified. An identical procedure is used in the *TRANSMIT COLLISION* state to identify *PORT M*. This parallel means of arbitration is not subject to the problems caused by missing boards, i.e., empty slots in the backplane. The logic associated with asserting this arbitration vector in the various packet repetition scenarios could be implemented in programmable logic type devices. To perform *PORT N* or *M* arbitration both of the above methods employ the same signals:  $\overline{ACKI}$ ,  $\overline{ACKO}$  and ACTN.

The Inter-RIC bus allows multi-RIC operations to be performed in exactly the same manner as if there is only a single RIC in the system. The simplest way to describe the operation of Inter-RIC bus is to see how it is used in a number of common packet repetition scenarios. Throughout this description the RICs are presumed to be operating in external transceiver mode. This is advantageous for the explanation since the receive, transmit and collision signals from each network segment are observable. In internal transceiver mode this is not the case, since the collision signal for the non-AUI ports is derived by the transceivers inside the RIC.

### 5.3 EXAMPLES OF PACKET REPETITION SCENARIOS

#### Data Repetition

The simplest packet operation performed over the Inter-RIC Bus is data repetition. In this operation a data packet is received at one port and transmitted to all other segments.

The first task to be performed is *PORT N* identification. This is an arbitration process performed by the Port State Machines in the system. In situations where two or more ports simultaneously receive packets the Inter-RIC bus operates by choosing one of the active ports and forcing the others to transmit data. This is done to faithfully follow the IEEE specification's allowed exit paths from the *IDLE* state, i.e., to the *SEND PREAMBLE PATTERN* or *RECEIVE COLLISION* states.

The packet begins with a preamble pattern derived from the RIC's on chip jam/preamble generator. The data received at *PORT N* is directed through the receive multiplexor to the

PLL decoder. Once phase lock has been achieved, the decoded data, in NRZ format, with its associated clock and enable signals are asserted onto the IRD IRE and IRC Inter-RIC bus lines. This serial data stream is received from the bus by all RICs in the repeater and directed to their Elasticity Buffers. Logic circuits monitor the data stream and look for the Start of Frame Delimiter (SFD). When this has been detected data is loaded into the elasticity buffer for later transmission. This will occur when sufficient preamble has been transmitted and certain internal state machine operations have been fulfilled.

Figure 5.4 shows two RICs A and B, daisy chained together with RIC A positioned at the top of the chain. A packet is received at port B1 of RIC B and is then repeated by the other ports in the system. Figure 5.5 shows the functional timing diagram for this packet repetition represented by the signals shown in Figure 5.4. In this example only two ports in the system are shown, obviously the other ports also repeat the packet. It also indicates the operation of the RICs' state machines in so far as can be seen by observing the Inter-RIC bus. For reference, the repeater's state transitions are shown in terms of the states defined by the IEEE specification. The location, i.e., which port it is, of *PORT N* is also shown. The following section describes the repeater and Inter-RIC bus transitions shown in Figure 5.5.

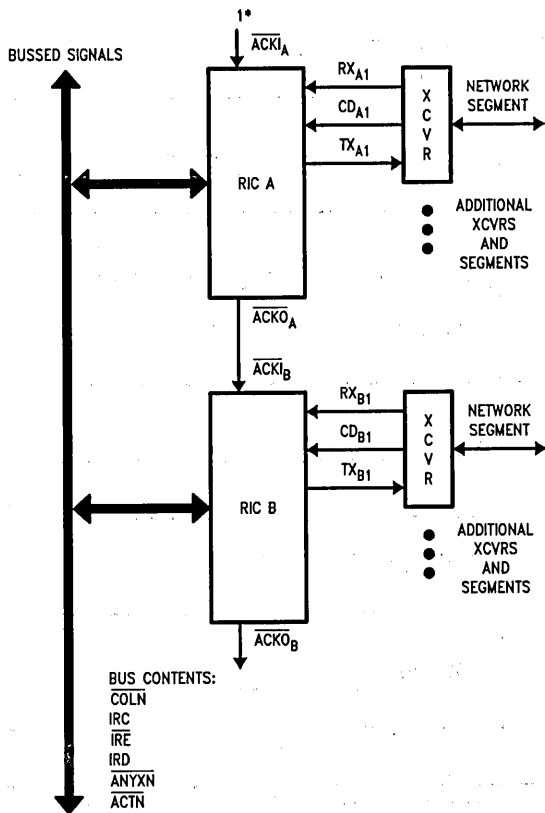
The repeater is stimulated into activity by the data signal received by port B1. The RICs in the system are alerted to forthcoming repeater operation by the falling edges on the  $\overline{ACKI}$   $\overline{ACKO}$  daisy chain and the ACTN bus signal. Following a defined start up delay the repeater moves to the *SEND PREAMBLE* state. The RIC system utilizes the start up delay to perform port arbitration. When packet transmission begins the RIC system enter the *REPEAT* state.

The expected, for normal packet repetition, sequence of repeater states, *SEND PREAMBLE*, *SEND SFD* and *SEND DATA* is followed but is not visible upon the Inter-RIC bus. They are merged together into a single *REPEAT* state. This is also true for the *WAIT* and *IDLE* states, they appear as a combined Inter-RIC bus *IDLE* state.

Once a repeat operation has begun, i.e., the repeater leaves the *IDLE* state. It is required to transmit at least 96 bits of data or jam/preamble onto its network segments. If the duration of the received signal from *PORT N* is smaller than 96 bits, the repeater transitions to the *RECEIVE COLLISION* state (described later). This behavior is known as fragment extension.

After the packet data has been repeated, including the emptying of the RICs' elasticity buffers, the RIC performs the *T<sub>w1</sub>* transmit recovery operation. This is performed during the *WAIT* state shown in the repeater state diagram.

5.0 Functional Description (Continued)

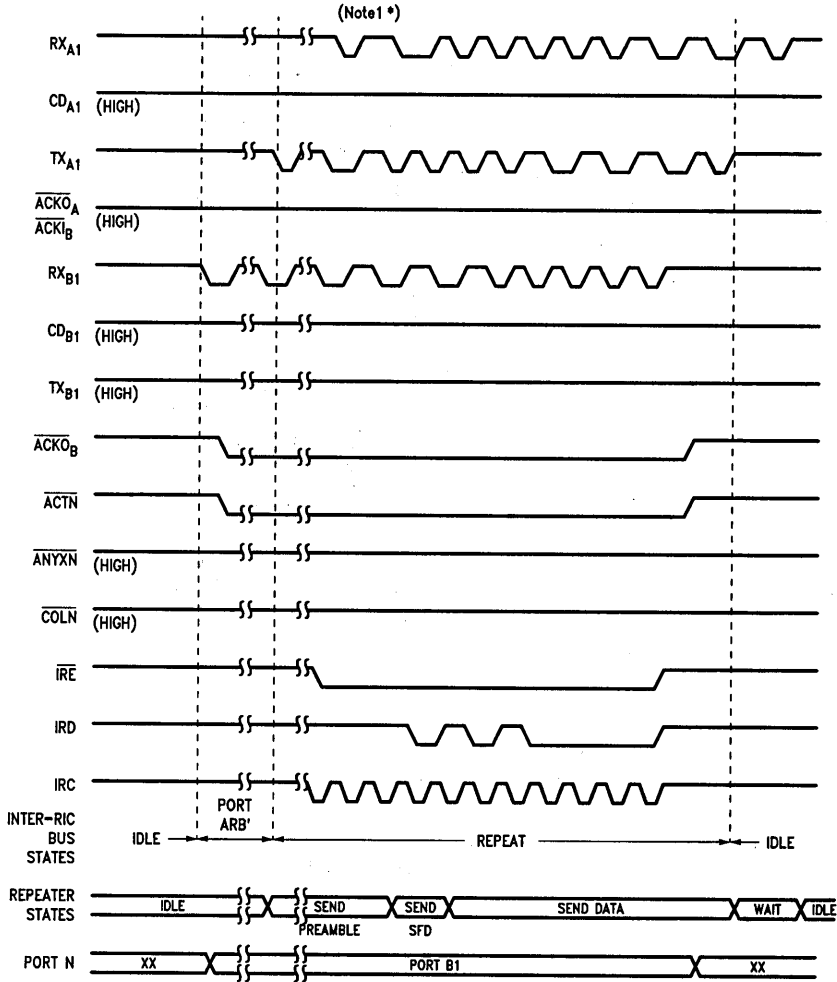


TL/F/11096-9

Note: In this example the Inter-RIC bus is configured to use active low signals.

FIGURE 5.4. RIC System Topology

### 5.0 Functional Description (Continued)



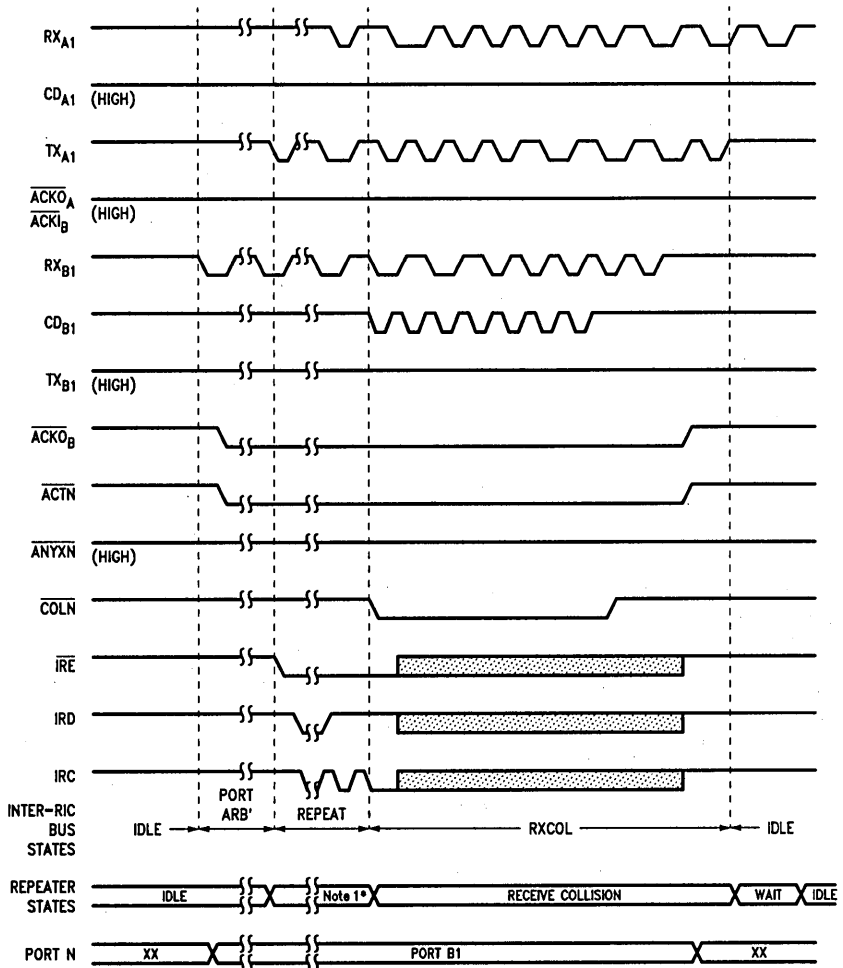
\*Note 1: The activity shown in RX<sub>A1</sub> represents the transmitted signal on TX<sub>A1</sub> after being looped back by the attached transceiver.

TL/F/11096-10

Note: In this example the Inter-RIC bus is configured to use active low signals.

**FIGURE 5.5. Data Repetition**

### 5.0 Functional Description (Continued)



**\*Note 1:** SEND PREAMBLE, SEND SFD, SEND DATA.

TL/F/11096-11

**Note:** In this example the Inter-RIC bus is configured to use active low signals.

**FIGURE 5.6. Receive Collision**

## 5.0 Functional Description (Continued)

### Receive Collisions

A receive collision is a collision which occurs on the network segment attached to *PORT N*, i.e., the collision is "received" in a similar manner as a data packet is received and then repeated to the other network segments. Not surprisingly receive collision propagation follows a similar sequence of operations as is found with data repetition:

An arbitration process is performed to find *PORT N* and a preamble/jam pattern is transmitted by the repeater's other ports. When *PORT N* detects a collision on its segment the COLN Inter-RIC bus signal is asserted. This forces all the RICs in the system to transmit a preamble/jam pattern to their segments. This is important since they may be already transmitting data from their elasticity buffers. The repeater moves to the *RECEIVE COLLISION* state when the RICs begin to transmit the jam pattern. The repeater remains in this state until both the following conditions have been fulfilled:

1. At least 96 bits have been transmitted onto the network,
2. The activity has ended.

Under close examination the repeater specification reveals that the actual end of activity has its own permutations of conditions:

1. Collision and receive data signals may end simultaneously,
2. Receive data may appear to end before collision signals,
3. Receive data may continue for some time after the end of the collision signal.

Network segments using coaxial media may experience spurious gaps in segment activity when the collision signal goes inactive. This arises from the inter-action between the receive and collision signal squelch circuits, implemented in coaxial transceivers, and the properties of the coaxial cable itself. The repeater specification avoids propagation of these activity gaps by extending collision activity by the *Tw2* wait time. Jam pattern transmission must be sustained throughout this period. After this, the repeater will move to the *WAIT* state unless there is a data signal being received by *PORT N*.

The functional timing diagram, *Figure 5.6*, shows the operation of a repeater system during a receive collision. The system configuration is the same as earlier described and is shown in *Figure 5.4*.

The RICs perform the same *PORT N* arbitration and data repetition operations as previously described. The system is notified of the receive collision on port B1 by the COLN bus signal going active. This is the signal which informs the main state machines to output the jam pattern rather than the data held in the elasticity buffers. Once a collision has occurred the IRC, IRD AND  $\overline{IRE}$  bus signals may become undefined. When the collision has ended and the *Tw2* operation performed, the repeater moves to the *WAIT state*.

### Transmit Collisions

A transmit collision is a collision that is detected upon a segment to which the repeater system is transmitting. The port state machine monitoring the colliding segment asserts the ANYXN bus signal. The assertion of ANYXN causes *PORT M* arbitration to begin. The repeater moves to the

*TRANSMIT COLLISION* state when the port which has been *PORT N* starts to transmit a Manchester encoded 1 on to its network segment. Whilst in the *TRANSMIT COLLISION* state all ports of the repeater must transmit the 1010 ... jam pattern and *PORT M* arbitration is performed. Each RIC is obliged, by the IEEE specification, to ensure all of its ports transmit for at least 96 bits once the *TRANSMIT COLLISION* state has been entered. This transmit activity is enforced by the ANYXN bus signal. Whilst ANYXN is active all RIC ports will transmit jam. To ensure this situation lasts for at least 96 bits, the MSMs inside the RICs assert the ANYXN signal throughout this period. After this period has elapsed, ANYXN will only be asserted if there are multiple ports with active collisions on their network segments.

There are two possible ways for a repeater to leave the *TRANSMIT COLLISION* state. The most straight forward is when network activity, i.e., collisions and their *Tw2* extensions, end before the 96 bit enforced period expires. Under these conditions the repeater system may move directly to the *WAIT* state when 96 bits have been transmitted to all ports. If the MSM enforced period ends and there is still one port experiencing a collision the *ONE PORT LEFT* state is entered. This may be seen on the Inter-RIC bus when ANYXN is deasserted and *PORT M* stops transmitting to its network segment. In this circumstance the Inter-RIC bus transitions to the *RECEIVE COLLISION* state. The repeater will remain in this state whilst *PORT M*'s collision, *Tw2* collision extension and any receive signals are present. When these conditions are not true, packet repetition finishes and the repeater enters the *WAIT* state.

*Figure 5.7* shows a multi-RIC system operating under transmit collision conditions. There are many different scenarios which may occur during a transmit collision, this figure illustrates one of these. The diagram begins with packet reception by port A1. Port B1 experiences a collision, since it is not *PORT N* it asserts ANYXN. This alerts the main state machines in the system to switch from data to jam pattern transmission.

Port A1 is also monitoring the ANYXN bus line. Its assertion forces A1 to relinquish its *PORT N* status, start transmitting, stop asserting ACTN and release its hold on the PSM arbitration signals ( $\overline{ACKO}$  A and  $\overline{ACKI}$  B). The first bit it transmit will be a Manchester encoded "1" in the jam pattern. Since port B1 is the only port with a collision it attains *PORT M* status and stops asserting ANYXN. It does however assert ACTN, and exert its presence upon the PSM arbitration chain (forces  $\overline{ACKO}$  B low). The MSMs ensure that ANYXN stays active and thus force all of the ports, including *PORT M*, to transmit to their segments.

After some time port A1 experiences a collision. This arises from the presence of the packet being received from port A1's segment and the jam signal the repeater is now transmitting onto this segment. Two packets on one segment results in a collision. *PORT M* now moves from B1 to A1. Port A1 fulfills the same criteria as B1, i.e., it has an active collision on its segment, but in addition it is higher in the arbitration chain. This priority yields no benefits for port A1 since the ANYXN signal is still active. There are now two sources driving ANYXN, the MSMs and the collision on port B1.

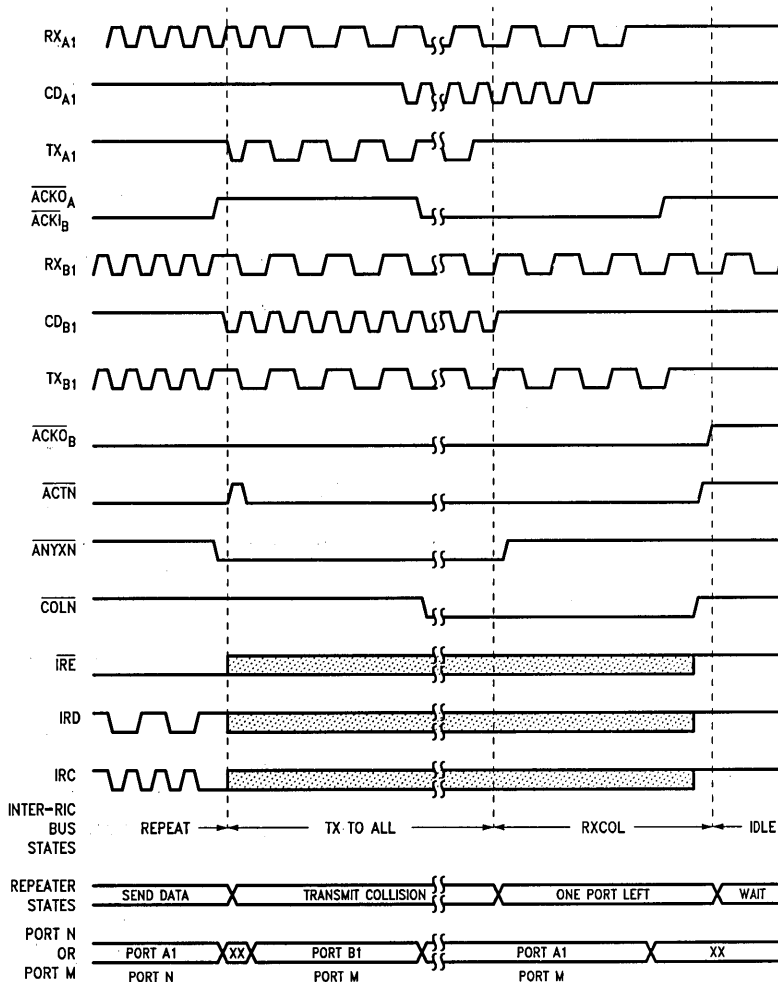
Eventually the collision on port B1 ends and the ANYXN extension by the MSMs expires. There is only one collision

### 5.0 Functional Description (Continued)

on the network (this may be deduced since ANYXN is inactive) so the repeater will move to the *ONE PORT LEFT* state. The RIC system treats this state in a similar manner to a receive collision with *PORT M* fulfilling the role of the receiving port. The difference from a true receive collision is that the switch from packet data to the jam pattern has already been made (controlled by ANYXN). Thus the state of COLN has no effect upon repeater operations. In com-

mon with the operation of the *RECEIVE COLLISION* state, the repeater remains in this condition until the collision and receive activity on *PORT M* subsides. The packet repetition operation completes when the  $T_{w1}$  recovery time in the *WAIT* state has been performed.

**Note:** In transmit collision conditions COLN will only go active if the RIC which contained *PORT N* at the start of packet repetition contains *PORT M* during the *TRANSMIT COLLISION* and *ONE PORT LEFT* states.



**Note:** In this example the Inter-RIC bus is configured to use active low signals.

**FIGURE 5.7. Transmit Collision**

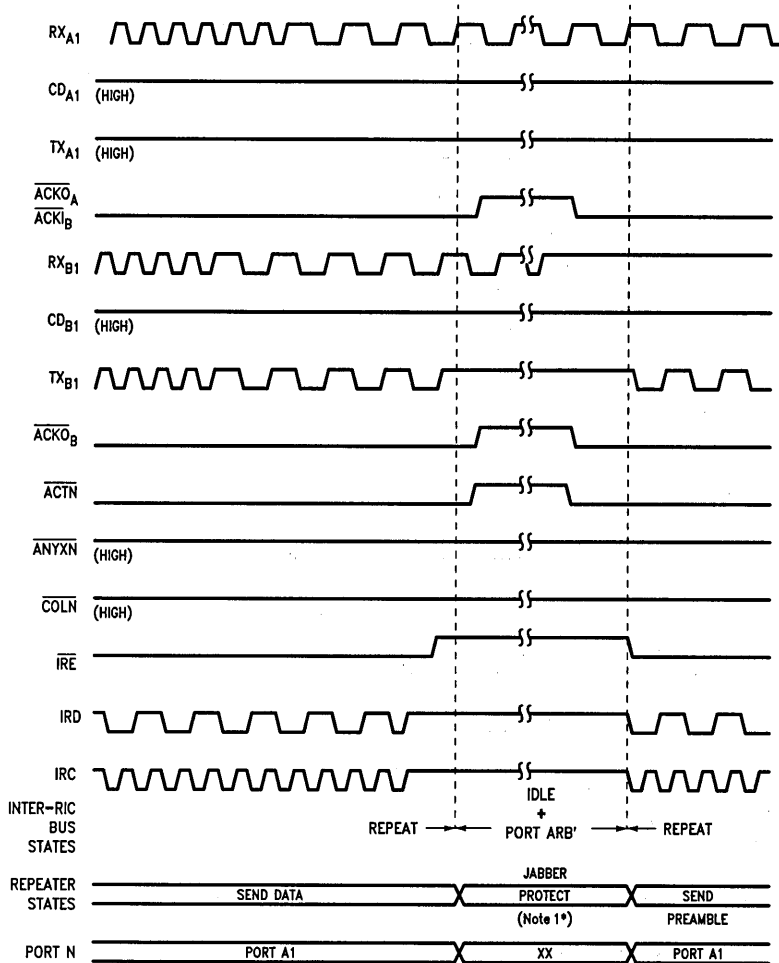
TL/F/11096-12

## 5.0 Functional Description (Continued)

### Jabber Protection

A repeater is required to disable transmit activity if the length of its current transmission reaches the jabber protect limit. This is defined by the specification's  $T_{w3}$  time. The repeater disables output for a time period defined by the  $T_{w4}$  specification, after this period normal operation may resume.

Figure 5.8 shows the effect of a jabber length packet upon a RIC based repeater system. The **JABBER PROTECT** state is entered from the **SEND DATA** state. While the  $T_{w4}$  period is observed the Inter-RIC bus displays the IDLE state. This is misleading since new packet activity or continuous activity (as shown in the diagram) does not result in packet repetition. This may only occur when the  $T_{w4}$  requirement has been satisfied.



TL/F/11096-13

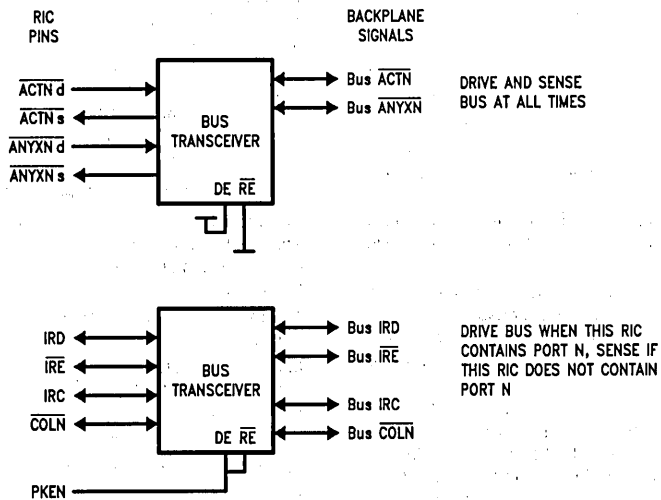
\*Note 1: The IEEE Specification does not have a jabber protect state defined in its main state diagram, this behaviour is defined in an additional MAU Jabber Lockup Protection state diagram.

Note: In this example the Inter-RIC bus is configured to use active low signals.

FIGURE 5.8. Jabber Protect



## 5.0 Functional Description (Continued)

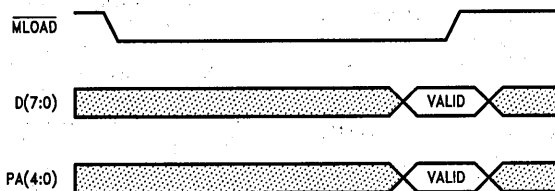


Note: DE = Bus Drive Enable Active High, RE = Bus Receive Enable active low.

Note: In this example the Inter-RIC bus is shown as using active low signals.

TL/F/11096-14

FIGURE 5.9. External Bus Transceiver Connection Diagram



TL/F/11096-15

FIGURE 5.10. Mode Load Operation

## 5.0 Functional Description (Continued)

### 5.4 DESCRIPTION OF HARDWARE CONNECTION FOR INTER-RIC BUS

When considering the hardware interface the Inter-RIC bus may be viewed as consisting of three groups of signals:

1. Port Arbitration chain, namely:  $\overline{ACKI}$  and  $\overline{ACKO}$ .
2. Simultaneous drive and sense signals, i.e., ACTN and ANYXN. (Potentially these signals may be driven by multiple devices).
3. Drive or sense signals, i.e., IRE, IRD, IRC and COLN. (Only one device asserts these signals at any instance in time.)

The first set of signals are either used as point to point links or with external arbitration logic. In both cases the load on these signals will not be large so that the on-chip drivers are adequate. This may not be true for signal classes (2) and (3).

The Inter-RIC bus has been designed to connect RICs together directly or via external bus transceivers. The latter is advantageous in large repeaters. In the second application the backplane is often heavily loaded and is beyond the drive capability of the on-chip bus drivers. The need for simultaneous sense and drive capabilities on the ACTN and ANYXN signals and the desire to allow operation with external bus transceivers makes it necessary for these bus signals to each have a pair of pins on the RIC. One driving the bus the other sensing the bus signal. When external bus transceivers are used they must be open collector/open drain to allow wire-ORing of the signals. Additionally, the drive and sense enables of the bus transceiver should be tied in the active state.

When the RIC is used in a stand alone configuration, it is required to tie  $ACTN_D$  to  $ACTN_S$  and  $ANYXN_D$  to  $ANYXN_S$ . The uni-directional nature of information transfer on the IRE, IRD, IRC and COLN signals, means a RIC is either driving these signals or receiving them from the bus but not both at the same time. Thus a single bi-directional input/output pin is adequate for each of these signals. In an external bus transceiver is used with these signals the Packet Enable "PKEN" RIC output pin performs the function of a drive enable and sense disable.

*Figure 5.9* shows the RIC connected to the Inter-RIC bus via external bus transceivers, such as National's DS3893A bus transceivers.

Some bus transceivers are of the inverting type. To allow the Inter-RIC bus to utilize these transceivers the RIC may

be configured to invert the active states of the ACTN, ANYXN, COLN and IRE signals. Instead of being active low they are active high.

Thus they become active low once more when passed through an inverting bus driver. This is particularly important for the ACTN and ANYXN bus lines, since these signals must be used in a wired-or configuration. Incorrect signal polarity would make the bus unusable.

### 5.5 PROCESSOR AND DISPLAY INTERFACE

The processor interface pins, which include the data bus, address bus and control signals, actually perform three operations which are multiplexed on these pins. These operations are:

1. The Mode Load Operation, which performs a power up initialization cycle upon the RIC.
2. Display Update Cycles, which are refresh operations for updating the display LEDs.
3. Processor Access Cycles, which allows  $\mu P$ 's to communicate with the RIC's registers.

These three operations are described below.

#### Mode Load Operation

The Mode Load Operation is a hardware initialization procedure performed at power on. It loads vital device configuration information into on-chip configuration registers. In addition to its configuration function the  $\overline{MLOAD}$  pin is the RIC's reset input. When  $\overline{MLOAD}$  is low all of the RIC's repeater timers, state machines, segment partition logic and hub management logic are reset.

The Mode Load Operation may be accomplished by attaching the appropriate set of pull up and pull down resistors to the data and register address pins to assert logic high or low signals onto these pins, and the providing a rising edge on the  $\overline{MLOAD}$  pin as is shown in *Figure 5.10*. The mapping of chip functions to the configuration inputs is shown in Table 5.1. Such an arrangement may be performed using a simple resistor, capacitor, diode network. Performing the Mode Load Operation in this way enables the configuration of a RIC that is in a simple repeater system (one without a processor).

Alternatively in a complex repeater system, the Mode Load Operation may be performed using a processor write cycle. This would require the  $\overline{MLOAD}$  pin be connected to the CPU's write strobe via some decoding logic, and included in the processor's memory map.

## 5.0 Functional Description (Continued)

TABLE 5.1. Pin Definitions for Options in the Mode Load Operation

| Pin Name | Programming Function | Effect When Bit Is 0 | Effect When Bit Is 1 | Function                                                                                                                                                                                                                                                                                                                                                         |
|----------|----------------------|----------------------|----------------------|------------------------------------------------------------------------------------------------------------------------------------------------------------------------------------------------------------------------------------------------------------------------------------------------------------------------------------------------------------------|
| D0       | resv                 | Not Permitted        | Required             | To ensure correct device operation, this bit must be written with a logic one during the mode load operation.                                                                                                                                                                                                                                                    |
| D1       | tw2                  | 5 bits               | 3 bits               | This allows the user to select one of two values for the repeater specification tw2 time. The lower limit (3 bits) meets the IEEE specification. The upper limit (5 bits) is not specification compliant but may provide users with higher network throughput by avoiding spurious network activity gaps when using coaxial (10BASE2, 10BASE5) network segments. |
| D2       | CCLIM                | 63                   | 31                   | The partition specification requires a port to be partitioned after a certain number of consecutive collisions. The RIC has two values available to allow users to customize the partitioning algorithm to their environment. Please refer to the Partition State Machine, in data sheet Section 7.3.                                                            |
| D3       | LPPART               | Selected             | Not Selected         | The RIC may be configured to partition a port if the segment transceiver does not loopback data to the port when the port is transmitting to it, as described in the Partition State Machine.                                                                                                                                                                    |
| D4       | OWCE                 | Selected             | Not Selected         | This configuration bit allows the on-chip partition algorithm to include out of window collisions into the collisions it monitors, as described in the Partition State Machine.                                                                                                                                                                                  |
| D5       | TXONLY               | Selected             | Not Selected         | This configuration bit allows the on-chip partition algorithm to restrict segment reconnection, as described in the Partition State Machine.                                                                                                                                                                                                                     |
| D6       | DPART                | Selected             | Not Selected         | The Partition state machines for all ports may be disabled by writing a logic zero to this bit during the mode load operation.                                                                                                                                                                                                                                   |
| D7       | MIN/MAX              | Minimum Mode         | Maximum Mode         | The operation of the display update block is controlled by the value of this configuration bit, as described in the Display Update Cycles section.                                                                                                                                                                                                               |

## 5.0 Functional Description (Continued)

**TABLE 5.1 Pin Definitions for Options in the Mode Load Operation (Continued)**

| Pin Name | Programming Function | Effect When Bit is 0                                                                     | Effect When Bit is 1 | Function                                                                                                                                                                                                                                                                                                                                                                                                                                                                                                                                                                                                                                                                                                                                                                                                                                                                                     |        |        |             |   |   |                                                             |   |   |                                                                                          |   |   |                                                                                          |   |   |                                                             |
|----------|----------------------|------------------------------------------------------------------------------------------|----------------------|----------------------------------------------------------------------------------------------------------------------------------------------------------------------------------------------------------------------------------------------------------------------------------------------------------------------------------------------------------------------------------------------------------------------------------------------------------------------------------------------------------------------------------------------------------------------------------------------------------------------------------------------------------------------------------------------------------------------------------------------------------------------------------------------------------------------------------------------------------------------------------------------|--------|--------|-------------|---|---|-------------------------------------------------------------|---|---|------------------------------------------------------------------------------------------|---|---|------------------------------------------------------------------------------------------|---|---|-------------------------------------------------------------|
| RA0      | BYPAS1               |                                                                                          |                      | <p>These configuration bits select which of the repeater ports (numbers 2 to 13) are configured to use the on-chip internal 10BASE-T transceivers or the external transceiver interface. The external transceiver interface operates using AUI compatible signal levels.</p> <table border="1"> <thead> <tr> <th>BYPAS2</th> <th>BYPAS1</th> <th>Information</th> </tr> </thead> <tbody> <tr> <td>0</td> <td>0</td> <td>All ports (2 to 13) use the external Transceiver Interface.</td> </tr> <tr> <td>0</td> <td>1</td> <td>Ports 2 to 7 use the external interface, 8 to 13 use the internal 10BASE-T transceivers.</td> </tr> <tr> <td>1</td> <td>0</td> <td>Ports 2 to 5 use the external interface, 6 to 13 use the internal 10BASE-T transceivers.</td> </tr> <tr> <td>1</td> <td>1</td> <td>All ports (2 to 13) use the internal 10BASE-T transceivers.</td> </tr> </tbody> </table> | BYPAS2 | BYPAS1 | Information | 0 | 0 | All ports (2 to 13) use the external Transceiver Interface. | 0 | 1 | Ports 2 to 7 use the external interface, 8 to 13 use the internal 10BASE-T transceivers. | 1 | 0 | Ports 2 to 5 use the external interface, 6 to 13 use the internal 10BASE-T transceivers. | 1 | 1 | All ports (2 to 13) use the internal 10BASE-T transceivers. |
| BYPAS2   | BYPAS1               | Information                                                                              |                      |                                                                                                                                                                                                                                                                                                                                                                                                                                                                                                                                                                                                                                                                                                                                                                                                                                                                                              |        |        |             |   |   |                                                             |   |   |                                                                                          |   |   |                                                                                          |   |   |                                                             |
| 0        | 0                    | All ports (2 to 13) use the external Transceiver Interface.                              |                      |                                                                                                                                                                                                                                                                                                                                                                                                                                                                                                                                                                                                                                                                                                                                                                                                                                                                                              |        |        |             |   |   |                                                             |   |   |                                                                                          |   |   |                                                                                          |   |   |                                                             |
| 0        | 1                    | Ports 2 to 7 use the external interface, 8 to 13 use the internal 10BASE-T transceivers. |                      |                                                                                                                                                                                                                                                                                                                                                                                                                                                                                                                                                                                                                                                                                                                                                                                                                                                                                              |        |        |             |   |   |                                                             |   |   |                                                                                          |   |   |                                                                                          |   |   |                                                             |
| 1        | 0                    | Ports 2 to 5 use the external interface, 6 to 13 use the internal 10BASE-T transceivers. |                      |                                                                                                                                                                                                                                                                                                                                                                                                                                                                                                                                                                                                                                                                                                                                                                                                                                                                                              |        |        |             |   |   |                                                             |   |   |                                                                                          |   |   |                                                                                          |   |   |                                                             |
| 1        | 1                    | All ports (2 to 13) use the internal 10BASE-T transceivers.                              |                      |                                                                                                                                                                                                                                                                                                                                                                                                                                                                                                                                                                                                                                                                                                                                                                                                                                                                                              |        |        |             |   |   |                                                             |   |   |                                                                                          |   |   |                                                                                          |   |   |                                                             |
| RA1      | BYPAS2               |                                                                                          |                      |                                                                                                                                                                                                                                                                                                                                                                                                                                                                                                                                                                                                                                                                                                                                                                                                                                                                                              |        |        |             |   |   |                                                             |   |   |                                                                                          |   |   |                                                                                          |   |   |                                                             |
| RA2      | BINV                 | Active High Signals                                                                      | Active Low Signals   | This selection determines whether the Inter-RIC signals: IRE, ACTN, ANYXN, COLN and Management bus signal MCRS are active high or low.                                                                                                                                                                                                                                                                                                                                                                                                                                                                                                                                                                                                                                                                                                                                                       |        |        |             |   |   |                                                             |   |   |                                                                                          |   |   |                                                                                          |   |   |                                                             |
| RA3      | EXPLL                | External PLL                                                                             | Internal PLL         | If desired, the RIC may be used with an external decoder, this configuration bit performs the selection.                                                                                                                                                                                                                                                                                                                                                                                                                                                                                                                                                                                                                                                                                                                                                                                     |        |        |             |   |   |                                                             |   |   |                                                                                          |   |   |                                                                                          |   |   |                                                             |
| RA4      | resv                 | Not Permitted                                                                            | Required             | To ensure correct device operation, this bit must be written with a logic one during the mode load operation.                                                                                                                                                                                                                                                                                                                                                                                                                                                                                                                                                                                                                                                                                                                                                                                |        |        |             |   |   |                                                             |   |   |                                                                                          |   |   |                                                                                          |   |   |                                                             |

## 5.0 Functional Description (Continued)

### 5.6 DESCRIPTION OF HARDWARE CONNECTION FOR PROCESSOR AND DISPLAY INTERFACE

#### Display Update Cycles

The RIC possesses control logic and interface pins which may be used to provide status information concerning activity on the attached network segments and the current status of repeater functions. These status cycles are completely autonomous and require only simple support circuitry to produce the data in a form suitable for a light emitting diode "LED" display. The display may be used in one of two modes:

1. Minimum Mode: General Repeater Status LEDs
2. Maximum Mode: Individual Port Status LEDs

Minimum mode, intended for simple LED displays, makes available four status indicators. The first LED denotes whether the RIC has been forced to activate its jabber protect functions. The remaining 3 LEDs indicate if any of the RIC's network segments are: (1) experiencing a collision, (2) receiving data, (3) currently partitioned. When minimum display mode is selected the only external components required are a 74LS374 type latch, the LEDs and their current limiting resistors.

Maximum mode differs from minimum mode by providing display information specific to individual network segments. This information denotes the collision activity, packet reception and partition status of each segment. In the case of 10BASE-T segments the link integrity status and polarity of the received data are also made available. The wide variety of information available in maximum mode may be used in its entirety or in part. Thus allowing the system designer to choose the appropriate complexity of status display commensurate with the specification of the end equipment.

The signals provided and their timing relationships have been designed to interface directly with 74LS259 type addressable latches. The number of latches used being dependant upon the complexity of the display. Since the latches are octal, a pair of latches is needed to display each type of segment specific data (13 ports means 13 latch bits). The accompanying tables (5.1 and 5.2) show the function of the interface pins in minimum and maximum modes. *Figure 5.12* shows the location of each port's status information when maximum mode is selected. This may be compared with the connection diagram *Figure 5.11*.

Immediately following the Mode Load Operation (when the MLOAD pin transitions to a high logic state), the display logic performs an LED test operation. This operation lasts one second and while it is in effect all of the utilized LEDs will blink on. Thus an installation engineer is able to test the operation of the display by forcing the RIC into a reset cycle (MLOAD forced low). The rising edge on the MLOAD pin starts the LED test cycle. **During the LED test cycle the RIC does not perform packet repetition operations.**

The status display possesses a capability to lengthen the time an LED is active. At the end of the repetition of a packet, the display is frozen showing the current activity. This freezing lasts for 30 milliseconds or until a subsequent packet is repeated. Thus at low levels of packet activity the display stretches activity information to make it discernable to the human eye. At high traffic rates the relative brightness of the LEDs indicates those segments with high or low activity.

It should be mentioned that when the Real Time Interrupt (RTI) occurs, the display update cycle will stop and after RTI is serviced, the display update cycle will resume activity.

TABLE 5.2. Status Display Pin Functions in Minimum Mode

| Signal Pin Name | Function in MINIMUM MODE                                                                                                                       |
|-----------------|------------------------------------------------------------------------------------------------------------------------------------------------|
| D0              | No operation                                                                                                                                   |
| D1              | Provides status information indicating if there is a collision occurring on one of the segments attached to this RIC.                          |
| D2              | Provides status information indicating if one of this RIC's ports is receiving a data or collision packet from a segment attached to this RIC. |
| D3              | Provides status information indicating that the RIC has experienced a jabber protect condition.                                                |
| D4              | Provides Status information indicating if one of the RIC's segments is partitioned.                                                            |
| D(7:5)          | No operation                                                                                                                                   |
| STR0            | This signal is the latch enable for the 374 type latch.                                                                                        |
| STR1            | This signal is held at a logic one.                                                                                                            |

## 5.0 Functional Description (Continued)

**Table 5.3 Status Display Pin Functions in MAXIMUM MODE**

| Signal Pin Name | Function in Maximum Mode                                                                                                                                                                                                                                                                               |
|-----------------|--------------------------------------------------------------------------------------------------------------------------------------------------------------------------------------------------------------------------------------------------------------------------------------------------------|
| D0              | Provides status information concerning the Link Integrity status of 10BASE-T segments. This signal should be connected to the data inputs of the chosen pair of 74LS259 latches.                                                                                                                       |
| D1              | Provides status information indicating if there is a collision occurring on one of the segments attached to this RIC. This signal should be connected to the data inputs of the chosen pair of 74LS259 latches.                                                                                        |
| D2              | Provides status information indicating if one of this RIC's ports is receiving a data or a collision packet from its segment. This signal should be connected to the data inputs of the chosen pair of 74LS259 latches.                                                                                |
| D3              | Provides Status information indicating that the RIC has experienced a jabber protect condition. Additionally it denotes which of its ports are partitioned. This signal should be connected to the data inputs of the chosen pair of 74LS259 latches.                                                  |
| D4              | Provides status information indicating if one of this RIC's ports is receiving data of inverse polarity. This status output is only valid if the port is configured to use its internal 10BASE-T transceiver. The signal should be connected to the data inputs of the chosen pair of 74LS259 latches. |
| D(7:5)          | These signals provide the repeater port address corresponding to the data available on D(4:0).                                                                                                                                                                                                         |
| STR0            | This signal is the latch enable for the lower byte latches, that is the 74LS259s which display information concerning ports 1 to 7.                                                                                                                                                                    |
| STR1            | This signal is the latch enable for the upper byte latches, that is the 74LS259s which display information concerning ports 8 to 13.                                                                                                                                                                   |

**Maximum Mode LED Definitions**

**74LS259 Latch Inputs =  $\overline{\text{STR0}}$**

| 259 Output      | Q0   | Q1      | Q2    | Q3    | Q4    | Q5    | Q6    | Q7    |
|-----------------|------|---------|-------|-------|-------|-------|-------|-------|
| 259 Addr S2-0   | 000  | 001     | 010   | 011   | 100   | 101   | 110   | 111   |
| RIC Port Number |      | 1 (AUI) | 2     | 3     | 4     | 5     | 6     | 7     |
| RIC D0 259 #1   |      |         | LINK  | LINK  | LINK  | LINK  | LINK  | LINK  |
| RIC D1 259 #2   | ACOL | COL     | COL   | COL   | COL   | COL   | COL   | COL   |
| RIC D2 259 #3   | AREC | REC     | REC   | REC   | REC   | REC   | REC   | REC   |
| RIC D3 259 #4   | JAB  | PART    | PART  | PART  | PART  | PART  | PART  | PART  |
| RIC D4 259 #5   |      |         | BDPOL | BDPOL | BDPOL | BDPOL | BDPOL | BDPOL |

**74LS259 (or Equiv.) Latch Inputs =  $\overline{\text{STR1}}$**

| 259 Output      | Q0    | Q1    | Q2    | Q3    | Q4    | Q5    | Q6  | Q7  |
|-----------------|-------|-------|-------|-------|-------|-------|-----|-----|
| 259 Addr S2-0   | 000   | 001   | 010   | 011   | 100   | 101   | 110 | 111 |
| RIC Port Number | 8     | 9     | 10    | 11    | 12    | 13    |     |     |
| RIC D0 259 #6   | LINK  | LINK  | LINK  | LINK  | LINK  | LINK  |     |     |
| RIC D1 259 #7   | COL   | COL   | COL   | COL   | COL   | COL   |     |     |
| RIC D2 259 #8   | REC   | REC   | REC   | REC   | REC   | REC   |     |     |
| RIC D3 259 #9   | PART  | PART  | PART  | PART  | PART  | PART  |     |     |
| RIC D4 259 #10  | BDPOL | BDPOL | BDPOL | BDPOL | BDPOL | BDPOL |     |     |

This shows the LED Output Functions for the LED Drivers when 74LS259s are used. The top table refers to the bank of 4 74LS259s latched with  $\overline{\text{STR0}}$ , and the lower table refers to the bank of 4 74LS259s latched with  $\overline{\text{STR1}}$ . For example the RIC's D0 data signal goes to 259 #1 and #5. These two 74LS259s then drive the LINK LEDs).

**Note:** ACOL = Any Port Collision, AREC = Any Port Reception, JAB = Any Port Jabbering, LINK = Port Link, COL = Port Collision, REC = Port Reception, PART = Port Partitioned, BDPOL = Bad (inverse) Polarity or received data.

**FIGURE 5.12**

# 5.0 Functional Description (Continued)

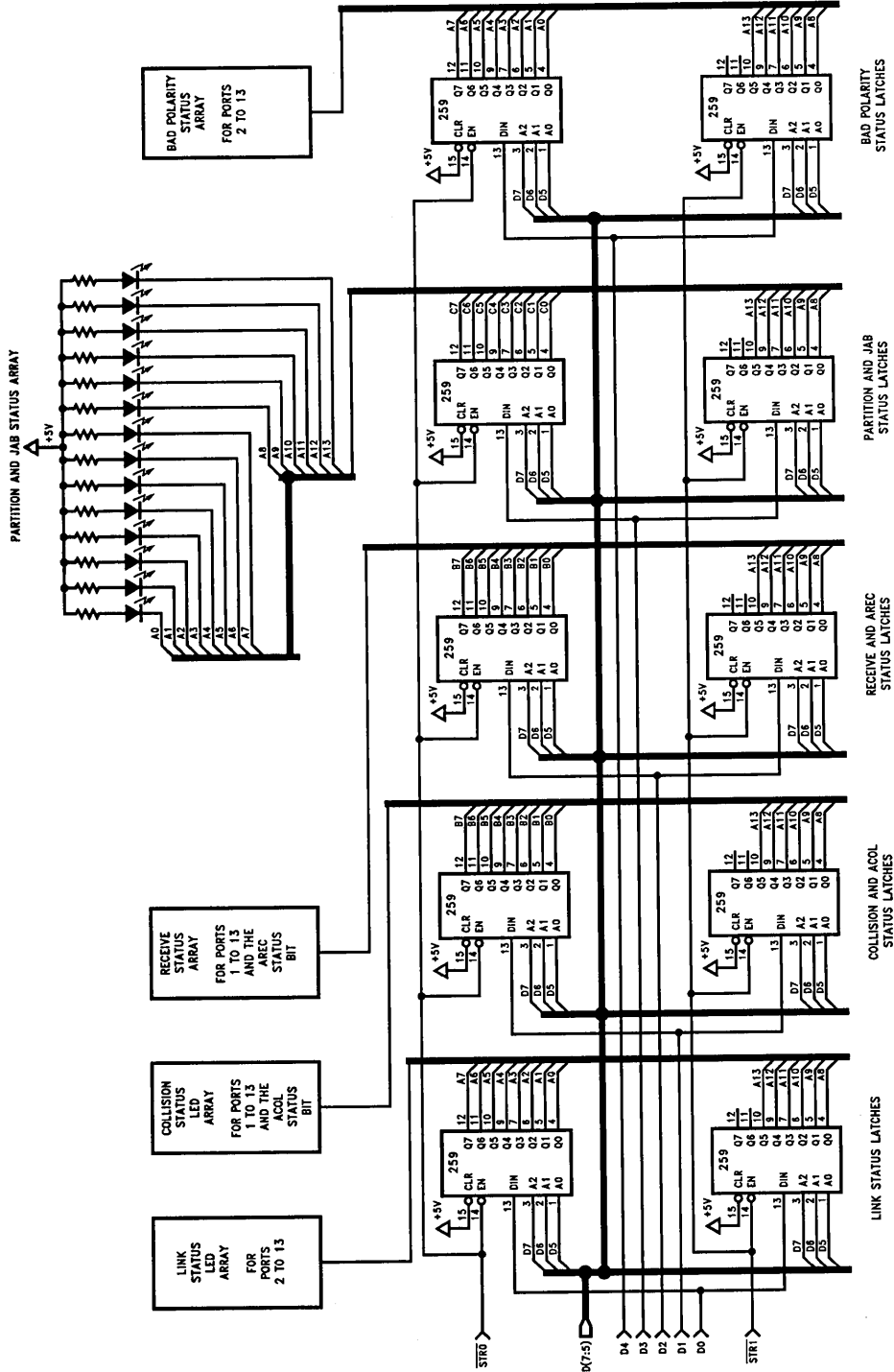


FIGURE 5.11. Maximum Mode LED Display (All Available Status Bits Used)

TL/F/11096-16

5.0 Functional Description (Continued)

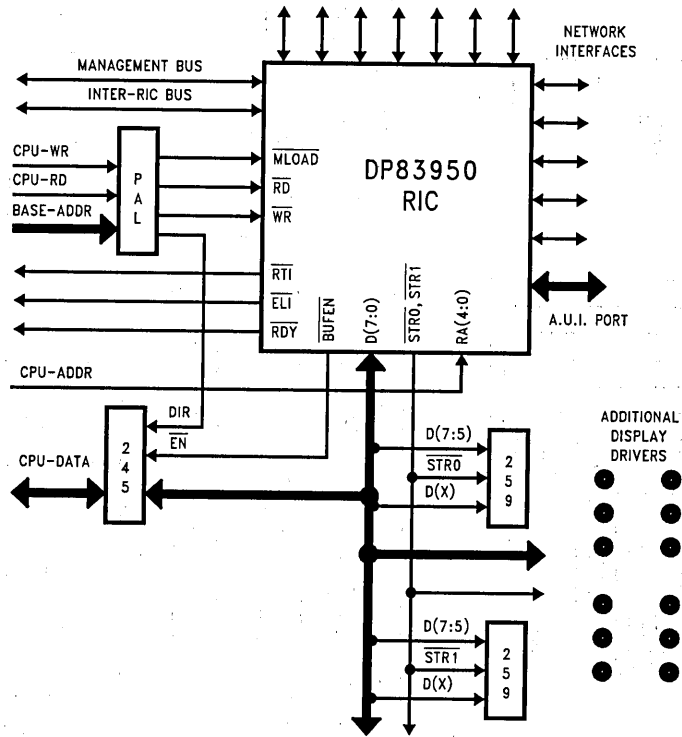


FIGURE 5.13. Processor Connection Diagram

TL/F/11096-17



## 5.0 Functional Description (Continued)

### Processor Access Cycles

Access to the RIC's on-chip registers is made via its processor interface. This utilizes conventional non-multiplexed address (five bit) and data (eight bit) busses. The data bus is also used to provide data and address information to off chip display latches during display update cycles. While performing these cycles the RIC behaves as a master of its data bus. Consequently a TRI-STATE bi-directional bus transceiver, e.g., 74LS245 must be placed between the RIC and any processor bus.

The processor requests a register access by asserting the read "RD" or write "WR" input strobes. The RIC responds by finishing any current display update cycle and asserts the tri-state buffer enable signal "BUFFEN". If the processor cycle is a write cycle then the RIC's data buffers are disabled to prevent contention. In order to interface to the RIC in a processor controlled system it is likely a PAL device will be used to perform the following operations:

1. Locate the RIC in the processor's memory map (address decode),
2. Generate the RIC's read and write strobes,
3. Control the direction signal for the 74LS245.

An example of the processor and display interfaces is shown in *Figure 5.13*.

### 6.0 Hub Management Support

The RIC provides information regarding the status of its ports and the packets it is repeating. This data is available in three forms:

1. Counted Events—Network events accumulated into the RIC's 16-bit Event Counter Registers.
2. Recorded Events—Network events that set bits in the Event Record Registers.
3. Hub Management Status Packets—This is information sent over the Management Bus in a serial function to be decoded by an Ethernet Controller board.

The counted and recorded event information is available through the processor interface. This data is port specific and may be used to generate interrupts via the Event Logging Interrupt "ELI" pin. Since the information is specific to each port, each repeater port has its own event record register and event counter. The counters and event record registers have user definable masks which enable them to be configured to count and record a variety of events. The counters and record registers are designed to be used together so that detailed information, i.e., a count value can be held on-chip for a specific network condition, and more general information, i.e., certain types of events have occurred, may be retained in on-chip latches. Thus the user may configure the counters to increment upon a rapidly occurring event (most likely to be used to count collisions), and the record registers may log the occurrence of less frequent error conditions such as jabber protect packets.

### 6.1 EVENT COUNTING FUNCTION

The counters may increment upon the occurrence of one of the categories of event as described below.

Potential sources for Counter increment:

**Jabber Protection (JAB):** The port counter increments if the length of a received packet from its associated port, causes the repeater state machine to enter the jabber protect state.

**Elasticity Buffer Error (ELBER):** The port counter increments if a Elasticity Buffer underflow or overflow occurs during packet reception. The flag is held inactive if a collision occurs during packet reception or if a phase lock error, described below, has already occurred during the repetition of the packet.

**Phase Lock Error (PLER):** A phase lock error is caused if the phase lock loop decoder loses lock during packet reception. Phase lock onto the received data stream may or may not be recovered later in the packet and data errors may have occurred. This flag is held inactive if a collision occurs.

**Non SFD Packet (NSFD):** If a packet is received and the start of frame delimiter is not found, the port counter will increment. Counting is inhibited if the packet suffers a collision.

**Out of Window Collision (OWC):** The out of window collision flag for a port goes active when a collision is experienced outside of the network slot time.

**Transmit Collision (TXCOL):** The transmit collision flag for a port is enabled when a transmit collision is experienced by the repeater. Each port experiencing a collision under these conditions is said to have suffered a transmit collision.

**Receive Collision (RXCOL):** The receive collision flag for a port goes active when the port is the receive source of network activity and suffers a collision, provided no other network segments experience collision then the receive collision flag for the receiving port will be set.

**Partition (PART):** The port counter increments when a port becomes partitioned.

**Bad Link (BDLNK):** The port counter increments when a port is configured for 10BASE-T operation has entered the link lost state.

**Short Event reception (SE):** The port counter increments if the received packet is less than 74 bits long and no collision occurs during reception.

**Packet Reception (REC):** When a packet is received the port counter increments.

In order to utilize the counters the user must choose, from the above list, the desired statistic for counting. This counter mask information must be written to the appropriate, Event Count Mask Register. There are two of these registers, the Upper and Lower, Event Count Mask registers. For the exact bit patterns of these registers please see Section 8 of the data sheet.

For example if the counters are configured to count network collisions and the appropriate masks have been set, then whenever a collision occurs on a segment, this information is latched by the hub management support logic. At the end of repetition of the packet the collision status, respective to each port, is loaded into that port's counter. This operation is completely autonomous and requires no processor intervention.

## 6.0 Hub Management Support (Continued)

Each counter is 16 bits long and may be directly read by the processor. Additionally each counter has a number of decodes to indicate the current value of the count. There are three decodes:

- Low Count (a value of 00FF Hex and under),
- High Count (a value of C000 Hex and above),
- Full Count (a value of FFFF Hex).

The decodes from each counter are logically "ORed" together and may be used as interrupt sources for the  $\overline{\text{EI}}$  interrupt pin. Additionally the status of these bits may be observed by reading the Page Select Register (PSR), (see Section 8 for register details). In order to enable any of these threshold interrupts, the appropriate interrupt mask bit must be written to the Management and Interrupt Configuration Register; see Section 8 for register details.

In addition to their event masking functions the Upper Event Counting Mask Register (UECMR) possesses two bits which control the operation of the counters. When written to a logic one, the reset on read bit "ROR" resets the counter after a processor read cycle is performed. If this operation is not selected then in order to zero the counters they must either be written with zeros by the processor or allowed to roll over to all zeros. The freeze when full bit "FWF" prevents counter roll over by inhibiting count up cycles (these happen when chosen events occur), thus freezing the particular counter at FFFF Hex.

The port event counters may also be controlled by the Counter Decrement ( $\overline{\text{CDEC}}$ ) pin. As its name suggests a logic low state on this pin will decrement all the counters by a single value. The pulses on  $\overline{\text{CDEC}}$  are internally synchronized and scheduled so as not to conflict with any "up counting" activity. If an up count and a down count occur simultaneously then the down count is delayed until the up count has completed. This combination of up and down counting capability enables the RIC's on-chip counters to provide a simple rolling average or be used as extensions of larger off chip counters.

**Note:** If the FWF option is enabled then the count down operation is disabled from those registers which have reached FFFF Hex and consequently have been frozen. Thus, if FWF is set and  $\overline{\text{CDEC}}$  has been employed to provide a rate indication. A frozen counter indicates that a rate has been detected which has gone out of bounds, i.e., too fast increment or too slow increment. If the low count and high count decodes are employed as either interrupt sources or in a polling cycle, the direction of the rate excursion may be determined.

### Reading the Event Counters

The RIC's external data bus is eight bits wide, since the event counters are 16 bits long two processor read cycles are required to yield the counter value. In order to ensure that the read value is correct and to allow simultaneous event counts with processor accesses, a temporary holding register is employed. A read cycle to either the lower or upper byte of a counter, causes both bytes to be latched into the holding register. Thus when the other byte of the counter is obtained the holding register is accessed and not the actual counter register. This ensures that the upper and lower bytes contain the value sampled at the same instance in time, i.e., when the first read cycle to that counter occurred.

There is no restriction concerning whether the upper or lower byte is read first. However to ensure the "same instance value" is obtained, the reads of the upper then lower byte (or vice versa) should be performed as consecutive reads of

the counter array. Other NON COUNTER registers may be read in between these read cycles and also write cycles may be performed. If another counter is read or the same byte of the original counter is read, then the holding register is updated from the counter array and the unread byte is lost.

If the reset on read option is employed then the counter is reset after the transfer to the holding register is performed. Processor read and write cycles are scheduled in such a manner that they do not conflict with count up or count down operations. That is to say, in the case of a processor read the count value is stable when it is loaded into the holding register. In the case of a processor write, the newly written value is stable so it maybe incremented or decremented by any subsequent count operation. During the period the  $\overline{\text{MLOAD}}$  pin is low, (power on reset) all counters are reset to zero and all count masks are forced into the disabled state. Section 8 of the data sheet details the address location of the port event counters.

### 6.2 EVENT RECORD FUNCTION

As previously stated each repeater port has its own Event Recording Register. This is an 8-bit status register each bit is dedicated to logging the occurrence of a particular event (see Section 8 for detailed description). The logging of these events is controlled by the Event Recording Mask Register, for an event to be recorded the particular mask bit must be set, (see Section 8 description of this register). Similar to the scheme employed for the event counters, the recorded events are latched during the repetition of a packet and then automatically loaded into the recording registers at the end of transmission of a packet. When one of the unmasked events occurs, the particular port register bit is set. This status is visible to the user. All of the register bits for all of the ports are logically "ORed" together to produce a Flag Found "FF" signal. This indicator may be found by reading the Page Select Register. Additionally an interrupt may be generated if the appropriate mask bit is enabled in the Management and Interrupt Configuration Register.

A processor read cycle to an Event Record Register resets any of the bits set in that register. Read operations are scheduled to guarantee non changing data during a read cycle. Any internal bit setting event which immediately follows a processor read will be successful. The events which may be recorded are described below:

**Jabber Protection (JAB):** This flag goes active if the length of a received packet from the relevant port, causes the repeater state machine to enter the Jabber Protect state.

**Elasticity Buffer Error (ELBER):** This condition occurs if an Elasticity Buffer full or overflow occurs during packet reception. The flag is held inactive if a collision occurs during packet reception or if a phase lock error has already occurred during the repetition of the packet.

**Phase Lock Error (PLER):** A phase lock error is caused if the phase lock loop decoder loses lock during packet reception. Phase lock onto the received data stream may or may not be recovered later in the packet and data errors may have occurred. This flag is held inactive if a collision occurs.

**Non SFD Packet (NSFD):** If a packet is received and the start of frame delimiter is not found, the flag will go active. The flag is held inactive if a collision occurs in during packet repetition.

## 6.0 Hub Management Support (Continued)

**Out of Window Collision (OWC):** The out of window collision flag for a port goes active when a collision is experienced outside of the network slot time.

**Partition (PART):** This flag goes active when a port becomes partitioned.

**Bad Link (BDLNK):** The flag goes active when a port is configured for 10BASE-T operation has entered the link lost state.

**Short Event reception (SE):** This flag goes active if the received packet is less than 74 bits long and no collision occurs during reception.

### 6.3 MANAGEMENT INTERFACE OPERATION

The HUB Management interface provides a mechanism to combine repeater status information with packet information to form a hub management status packet. The interface, a serial bus consisting of carrier sense, received clock and received data, is designed to connect one or multiple RIC's over a backplane bus to a DP83932 "SONIC" network controller. The SONIC and the RICs form a powerful entity for network statistics gathering.

The interface consists of four pins:

|       |                                                                        |
|-------|------------------------------------------------------------------------|
| MRXC  | Management Receive Clock—10 MHz NRZ Clock output.                      |
| MCRS  | Management Carrier Sense—Input/Output indicating of valid data stream. |
| MRXD  | Management Receive Data—NRZ Data output synchronous to MRXC.           |
| PCOMP | Packet Compress—Input to truncate the packet's data field.             |

The first three signals mimic the interface between an Ethernet controller and a phase locked loop decoder (specifically the DP83932 SONIC and DP83910 SNI), these signals are driven by the RIC receiving the packet. MRXC and MRXD compose an NRZ serial data stream compatible with the DP83932. The PCOMP signal is driven by logic on the processor board. The actual data stream transferred over MRXD is derived from data transferred over the IRD Inter-RIC bus line. These two data streams differ in two important characteristics:

1. At the end of packet repetition a hub management status field is appended to the data stream. This status field, consisting of 7 bytes is shown in *Figure 6.1* and *6.2*. The information field is obtained from a number of packet status registers described below. In common with the 802.3 protocol the least significant bit of a byte is transmitted first.
2. While the data field of the repeated packet is being transferred over the management bus, received clock signals on the MRXC pin may be inhibited. This operation is under the control of the Packet Compress pin PCOMP. If PCOMP is asserted during repetition of the packet then MRXC signals are inhibited when the number of bytes (after SFD) transferred over the management bus equals the number indicated in the Packet Compress Decode Register. This register provides a means to delay the effect of the PCOMP signal, which may be generated early in the packet's repetition, until the desired moment. Packet compression may be used to reduce the amount of

memory required to buffer packets when they are received and are waiting to be processed by hub management software. In this kind of application an address decoder, which forms part of the packet compress logic, would monitor the address fields as they are received over the management bus. If the destination address is not the address of the management node inside the hub, then packet compression could be employed. In this manner only the portion of the packet meaningful for hub management interrogation, i.e., the address fields, is transferred to the SONIC and is buffered in memory.

If the repeated packet ends before PCOMP is asserted or before the required number of bytes have been transferred, then the hub management status field is directly appended to the received data at a byte boundary. If the repeated packet is significantly longer than the value in the Decode Register requires and PCOMP is asserted the status fields will be delayed until the end of packet repetition. During this delay period MRXC clocks are inhibited but the MCRS signal remains asserted.

**Note:** If PCOMP is asserted late in the packet, i.e., after the number of bytes defined by the packet compression register, then packet compression will not occur.

The Management Interface may be fine tuned to meet the timing consideration of the SONIC and the access time of its associated packet memory. This refinement may be performed in two ways:

1. The default mode of operation of the Management interface is to only transfer packets over the bus which have a start of frame delimiter. Thus "packets" that are only preamble/jam and do not convey any source or destination address information are inhibited. This filtering may be disabled by writing a logic zero to the Management Interface Configuration or "MIFCON" bit in the Management and Interrupt Configuration Register. See Section 8 for details.
2. The Management bus has been designed to accommodate situations of maximum network utilization, for example when collision generated fragments occur; (these collision fragments may violate the IEEE802.3 IFG specification). The IFG required by the SONIC is a function of the time taken to release space in the receive FIFO and to perform end of packet processing (write status information into memory). These functions are primarily memory operations and consequently depend upon the bus latency and the memory access time of the system. In order to allow the system designer some discretion in choosing the speed of this memory, the RIC may be configured to protect the SONIC from a potential FIFO overflow. This is performed by utilizing the Inter Frame Gap Threshold Select Register.

The value held in this register, plus one, defines, in network bit times, the minimum allowed gap between frames on the management bus. If the gap is smaller than this number then MCRS is asserted but MRXC clocks are inhibited. Consequently no data transfer is performed.

Thus the system designer may make the decision whether to gather statistics on all packets even if they occur with very small IFGs or to monitor a subset.

The status field, shown in *Figure 6.1*, contains information which may be conveniently analyzed by considering it as

## 6.0 Hub Management Support (Continued)

providing information of six different types. They are held in seven Packet Status Registers "PSRs":

1. The RIC and port address fields [PSR(0) and (1)] can uniquely identify the repeater port receiving the packet out of a potential maximum of 832 ports sharing the same management bus (64 RICs each with 13 ports). Thus all of the other status fields can be correctly attributed to the relevant port.
2. The status flags the RIC produces for the event counters or recording latches are supplied with each packet [PSR(2)]. Additionally the clean receive CLN status is supplied to allow the user to determine the reliability of the address fields in the packet. The CLN status bit [PSR(1)] is set if no collisions are experienced during the repetition of the address fields.
3. The RIC has an on-chip timer to indicate when, relative to the start of packet repetition, a collision, if any, occurred [PSR(3)]. There is also a timer which indicates how many bit times of IFG was seen on the network between repetition of this packet and the preceding one. This is provided by [PSR(6)].
4. If packet compression is employed, the receive byte count contained in the SONIC's packet descriptor will indicate the number of bytes transferred over the management bus rather than the number of bytes in the packet. For this reason the RIC which receives the packet,

counts the number of received bytes and transfers this over the management bus [PSR(4), (5)].

5. Appending a status field to a data packet will obviously result in a CRC error being flagged by the SONIC. For this reason the RIC monitors the repeated data stream to check for CRC and FAE errors. In the case of FAE errors the RIC provides additional dummy data bits, so that the status fields are always byte aligned.
6. As a final check upon the effectiveness of the management interface, the RIC transfers a bus specific status bit to the SONIC. This flag Packet Compress Done PCOMP [PSR(0)], may be monitored by hub management software to check if the packet compression operation is enabled.

Figure 6.2 shows an example of a packet being transmitted over the management bus. The first section of the diagram (moving from left to right) shows a short preamble and SFD pattern. The second region contains the packet's address and the start of the data fields. During this time logic on the processor/SONIC card would determine if packet compression should be used on this packet. The PCOMP signal is asserted and packet transfer stops when the number of bytes transmitted equals the value defined in the decode register. Hence the MRXC signal is idle for the remainder of the packet's data and CRC fields. The final region shows the transfer of the RIC's seven bytes of packet status.

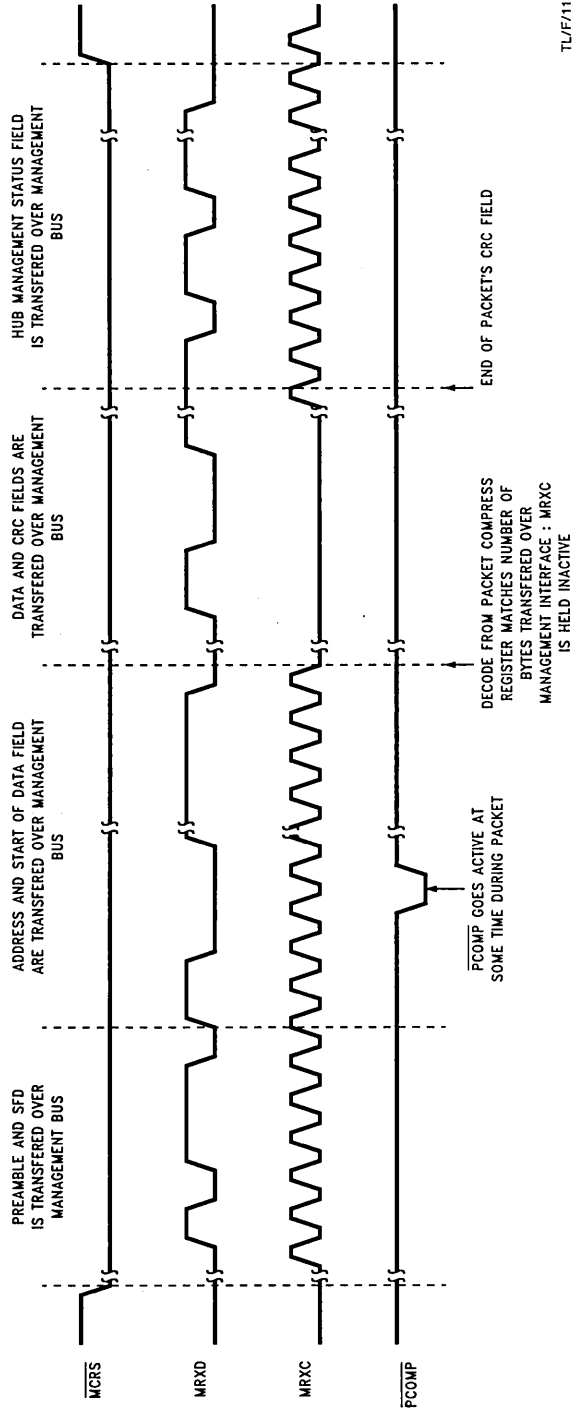
The following pages describe these Hub Management registers which constitute the management status field.

| Packet Status Register PSR             | D7    | D6    | D5    | D4    | D3    | D2    | D1     | D0    |
|----------------------------------------|-------|-------|-------|-------|-------|-------|--------|-------|
| PSR(0)                                 | A5    | A4    | A3    | A2    | A1    | A0    | PCOMPD | TXCOL |
| PSR(1)                                 | CRCER | FAE   | COL   | CLN   | PA3   | PA2   | PA1    | PA0   |
| PSR(2)                                 | SE    | OWC   | NSFD  | PLER  | ELBER | JAB   | CBT9   | CBT8  |
| PSR(3)<br>Collision Bit<br>Timer       | CBT7  | CBT6  | CBT5  | CBT4  | CBT3  | CBT2  | CBT1   | CBT0  |
| PSR(4)<br>Lower Repeat<br>Byte Count   | RBY7  | RBY6  | RBY5  | RBY4  | RBY3  | RBY2  | RBY1   | RBY0  |
| PSR(5)<br>Upper Repeat<br>Byte Count   | RBY15 | RBY14 | RBY13 | RBY12 | RBY11 | RBY10 | RBY9   | RBY8  |
| PSR(6)<br>Inter Frame<br>Gap Bit Timer | IBT7  | IBT6  | IBT5  | IBT4  | IBT3  | IBT2  | IBT1   | IBT0  |

Note: These registers may only be reliably accessed via the management interface. Due to the nature of these registers they may not be accessed (read or write cycles) via the processor interface.

FIGURE 6.1. Hub Management Status Field

# 6.0 Hub Management Support (Continued)



TL/F/11098-18

Note: In this example the Management Bus is configured to use active low signals.

**FIGURE 6.2. Operation of the Management Bus**

## 6.0 Hub Management Support (Continued)

### Packet Status Register 0

|    |    |    |    |    |    |        |      |
|----|----|----|----|----|----|--------|------|
| D7 | D6 | D5 | D4 | D3 | D2 | D1     | D0   |
| A5 | A4 | A3 | A2 | A1 | A0 | PCOMPD | resv |

| Bit    | Symbol | Description                                                                                                                                                                                                      |
|--------|--------|------------------------------------------------------------------------------------------------------------------------------------------------------------------------------------------------------------------|
| D0     | resv   | <b>RESERVED FOR FUTURE USE:</b> This bit is currently undefined, management software should not examine the state of this bit.                                                                                   |
| D1     | PCOMPD | <b>PACKET COMPRESSION DONE:</b> If packet compression is utilized, this bit informs the user that compression was performed, i.e., the packet was long enough to require compression.                            |
| D(7:2) | A(5:0) | <b>RIC ADDRESS (5:0):</b> This address is defined by the user and is supplied when writing to the RIC Address Register. It is used by hub management software to distinguish between RICs in a multi-RIC system. |

### Packet Status Register 1

|       |     |     |     |     |     |     |     |
|-------|-----|-----|-----|-----|-----|-----|-----|
| D7    | D6  | D5  | D4  | D3  | D2  | D1  | D0  |
| CRCER | FAE | COL | CLN | PA3 | PA2 | PA1 | PA0 |

| Bit    | Symbol  | Description                                                                                                                                                                                                                                                                        |
|--------|---------|------------------------------------------------------------------------------------------------------------------------------------------------------------------------------------------------------------------------------------------------------------------------------------|
| D(3:0) | PA(3:0) | <b>PORT ADDRESS:</b> This field defines the port which is receiving the packet.                                                                                                                                                                                                    |
| D4     | CLN     | <b>CLEAN RECEIVE:</b> This bit is asserted from the start of reception, and is deasserted if a collision occurs within a window from the start of reception to the end of the 13th byte after SFD detection. If no SFD is detected the window is extended to the end of reception. |
| D5     | COL     | <b>COLLISION:</b> If a receive or transmit collision occurs during packet repetition the collision bit is asserted.                                                                                                                                                                |
| D6     | FAE     | <b>FRAME ALIGNMENT ERROR:</b> This bit is asserted if a Frame Alignment Error occurred in the repeated packet.                                                                                                                                                                     |
| D7     | CRCER   | <b>CRC ERROR:</b> This bit is asserted if a CRC Error occurred in the repeated packet. This status flag should not be tested if the COL bit is asserted since the error may be simply due to the collision.                                                                        |

## 6.0 Hub Management Support (Continued)

Packet Status Register 2

|    |     |      |      |       |     |      |      |
|----|-----|------|------|-------|-----|------|------|
| D7 | D6  | D5   | D4   | D3    | D2  | D1   | D0   |
| SE | OWC | NSFD | PLER | ELBER | JAB | CBT9 | CBT8 |

| Bit    | Symbol  | Description                                                                                                                                                                                                                                                                                                                                                                                                         |
|--------|---------|---------------------------------------------------------------------------------------------------------------------------------------------------------------------------------------------------------------------------------------------------------------------------------------------------------------------------------------------------------------------------------------------------------------------|
| D(1:0) | CT(9:8) | <b>COLLISION TIMER BITS 9 AND 8:</b> These two bits are the upper bits of the collision bit timer.                                                                                                                                                                                                                                                                                                                  |
| D2     | JAB     | <b>JABBER EVENT:</b> This bit indicates that the receive packet was so long the repeater was forced to go into a jabber protect condition.                                                                                                                                                                                                                                                                          |
| D3     | ELBER   | <b>ELASTICITY BUFFER ERROR:</b> During the packet an Elasticity Buffer under/overflow occurred.                                                                                                                                                                                                                                                                                                                     |
| D4     | PLER    | <b>PHASE LOCK LOOP ERROR:</b> The packet suffered sufficient jitter/noise corruption to cause the phase lock loop decoder to lose lock.                                                                                                                                                                                                                                                                             |
| D5     | NSFD    | <b>NON SFD:</b> The repeated packet did not contain a Start of Frame Delimiter. When this bit is set the Repeat Byte Counter counts the length of the entire packet. When this bit is not set the byte counter only counts post SFD bytes.<br><b>Note:</b> The operation of this bit is not inhibited by the occurrence of a collision during packet repetition (see description of the Repeat Byte Counter below). |
| D6     | OWC     | <b>OUT OF WINDOW COLLISION:</b> The packet suffered an out of window collision.                                                                                                                                                                                                                                                                                                                                     |
| D7     | SE      | <b>SHORT EVENT:</b> The receive activity was so small it met the criteria to be classed as a short event.                                                                                                                                                                                                                                                                                                           |

The other registers comprise the remainder of the collision timer register [PSR(3)], the Repeat Byte Count registers [PSR(4), (5)], and the Inter Frame Gap Counter "IFG" register [PSR(6)].

### Collision Bit Timer

The Collision Timer counts in bit times the time between the start of repetition of the packet and the detection of the packet's first collision. The Collision counter increments as the packet is repeated and freezes when a collision occurs. The value in the counter is only valid when the collision bit "COL" in [PSR(1)] is set.

### Repeat Byte Counter

The Repeat Byte Counter is a 16 bit counter which can perform two functions. In cases where the transmitted packet possesses an SFD, the byte counter counts the number of received bytes after the SFD field. Alternatively if no SFD is repeated the counter reflects the length of the packet, counted in bytes, starting at the beginning of the preamble field. When performing the latter function the counter is shortened to 7 bits. Thus the maximum count value is 127 bytes. The mode of counting is indicated by the "NSFD" bit in [PSR(2)]. In order to check if the received packet was genuinely a Non-SFD packet, the status of the COL bit should be checked. During collisions SFD fields may be lost or created, Management software should be robust to this kind of behaviour.

### Inter Frame Gap (IFG) Bit Timer

The IFG counter counts in bit times the period in between repeater transmissions. The IFG counter increments whenever the RIC is not transmitting a packet. If the IFG is long, i.e., greater than 255 bits the counter sticks at this value. Thus an apparent count value of 255 should be interpreted as 255 or more bit times.

### 6.4 DESCRIPTION OF HARDWARE CONNECTION FOR MANAGEMENT INTERFACE

The RIC has been designed so it may be connected to the Management bus directly or via external bus transceivers. The latter is advantageous in large repeaters. In this application the system backplane is often heavily loaded beyond the drive capabilities of the on-chip bus drivers.

The uni-directional nature of information transfer on the MCRS, MRXD and MRXC signals, means a single open drain output pin is adequate for each of these signals. The Management Enable (MEN) RIC output pin performs the function of a drive enable for an external bus transceiver if one is required.

In common with the Inter-RIC bus signals ACTN, ANYXN, COLN and IRE the MCRS active level asserted by the MCRS output is determined by the state of the BINV Mode Load configuration bit.

### 7.0 Port Block Functions

The RIC has 13 port logic blocks (one for each network connection). In addition to the packet repetition operations already described, the port block performs two other functions:

1. The physical connection to the network segment (transceiver function).
2. It provides a means to protect the network from malfunctioning segments (segment partition).

Each port has its own status register. This register allows the user to determine the current status of the port and configure a number of port specific functions.

## 7.0 Port Block Functions (Continued)

### 7.1 TRANSCEIVER FUNCTIONS

The RIC may connect to network segments in three ways:

1. Over AUI cable to transceiver boxes,
2. Directly to board mounted transceivers,
3. To twisted pair cable via a simple interface.

The first method is only supported by RIC port 1 (the AUI port). Options (2) and (3) are available on ports 2 to 13. The selection of the desired option is made at device initialization during the Mode Load operation. The Transceiver Bypass XBYPAS configuration bits are used to determine whether the ports will utilize the on-chip 10BASE-T transceiver or bypass these in favour of external transceivers. Four possible combinations of port utilization are supported:

All ports (2 to 13) use the external Transceiver Interface.

Ports 2 to 5 use the external interface, 6 to 13 use the internal 10BASE-T transceivers.

Ports 2 to 7 use the external interface, 8 to 13 use the internal 10BASE-T transceivers.

All ports (2 to 13) use the internal 10BASE-T transceivers.

#### 10BASE-T Transceiver Operation

The RIC contains virtually all the digital and analog circuits required for connection to 10BASE-T network segments. The only additional active component is an external driver packet. The connection for a RIC port to a 10BASE-T segment is shown in *Figure 7.1*. The diagram shows the components required to connect one of the RIC's ports to a 10BASE-T segment. The major components are the driver package, a member of the 74ACT family, and an integrated filter/choke network.

The operation of the 10BASE-T transceiver's logical functions may be modified by software control. The default mode of operation is for the transceivers to transmit and expect reception of link pulses. This may be modified if a logic one is written to the  $\overline{\text{GDLNK}}$  bit of a port's status register. The port's transceiver will operate normally but will not transmit link pulses nor monitor their reception. Thus the entry to a link fail state and the associated modification of transceiver operation will not occur.

The on-chip 10BASE-T transceivers automatically detect and correct the polarity of the received data stream. This polarity detection scheme relies upon the polarity of the received link pulses and the end of the packet waveform. Polarity detection and correction may be disabled under software control as follows:

- 1) Write the value 07H to the Page Select Register (address 10H).
- 2) Write the value 02H to the address 11H. (Note that address 11H will read back 00H after writing 02H to it).

This is the only exception for accessing any of the reserved pages 4 to 7.

#### External Transceiver Operation

RIC ports 2 to 13 may be connected to media other than twisted-pair by opting to bypass the on-chip transceivers. When using external transceivers the user must have the external transceivers perform collision detection and the other functions associated with an IEEE 802.2 Media Access Unit. *Figure 7.2* shows the connection between a repeater port and a coaxial transceiver using the AUI type interface.

### 7.2 SEGMENT PARTITION

Each of the RIC's ports has a dedicated state machine to perform the functions defined by the IEEE partition algorithm as shown in *Figure 7.3*. To allow users to customize this algorithm for different applications a number of user selected options are available during device configuration at power up (the Mode Load Cycle).

Five different options are provided:

1. Operation of the 13 partition state machines may be disabled via the disable partition  $\overline{\text{DPART}}$  configuration bit (Pin D6).
2. The value of consecutive counts required to partition a segment (the  $\text{CCLimit}$  specification) may be set at either 31 or 63 consecutive collisions.
3. The use of the TW5 specification in the partition algorithm differentiates between collisions which occur early in a packet (before TW5 has elapsed) and those which occur late in the packet (after TW5 has elapsed). These late or "out of window" collisions can be regarded in the same manner as early collisions if the Out of Window Collision Enable  $\overline{\text{OWCE}}$  option is selected. This configuration bit is applied to the D4 pin during the Mode Load operation. The use of  $\overline{\text{OWCE}}$  delays until the end of the packet the operation of the state diagram branch marked (1) and enables the branch marked (2) in *Figure 7.3*.
4. The operation of the ports' state machines when reconnecting a segment may also be modified by the user. The Transmit Only  $\overline{\text{TXONLY}}$  configuration bit allows the user to prevent segment reconnection unless the reconnecting packet is being sourced by the repeater. In this case the repeater is transmitting on to the segment, rather than the segment transmitting when the repeater is idle. The normal mode of reconnection does not differentiate between such packets. The  $\overline{\text{TXONLY}}$  configuration bit is input on Pin D5 during the Mode Load cycle. If this option is selected the operation of the state machine branch marked (3) in *Figure 7.3* is affected.
5. The RIC may be configured to use an additional criterion for segment partition. This is referred to as loop back partition. If this operation is selected the partition state machine monitors the receive and collision inputs from a network segment to discover if they are active when the port is transmitting. Thus determining if the network transceiver is looping back the data pattern from the cable. A port may be partitioned if no data or collision signals are seen by the partition logic in the following window: 61 to 96 network bit times after the start of transmission see data sheet Section 8 for details. A segment partitioned by this operation may be reconnected in the normal manner.

In addition to the autonomous operation of the partition state machines, the user may reset these state machines. This may be done individually to each port by writing a logic one to the PART bit in its status register. The port's partition state machine and associated counters are reset and the port is reconnected to the network. The reason why a port become partitioned may be discovered by the user by reading the port's status register.



## 7.0 Port Block Functions (Continued)

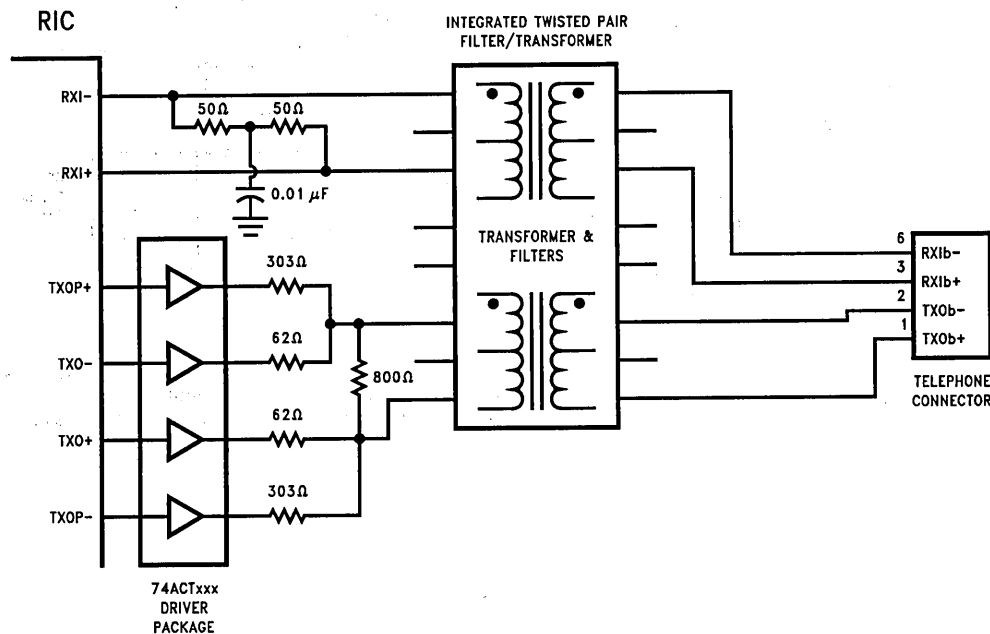
### 7.3 PORT STATUS REGISTER FUNCTIONS

Each RIC port has its own status register. In addition to providing status concerning the port and its network segment the register allows the following operations to be performed upon the port:

1. Port disable
2. Link Disable
3. Partition reconnection
4. Selection between normal and reduced squelch levels

Note that the link disable and port disable functions are mutually exclusive functions, i.e., disabling link does not affect receiving and transmitting from/to that port and disabling a port does not disable link.

When a port is disabled packet transmission and reception between the port's segment and the rest of the network is prevented.

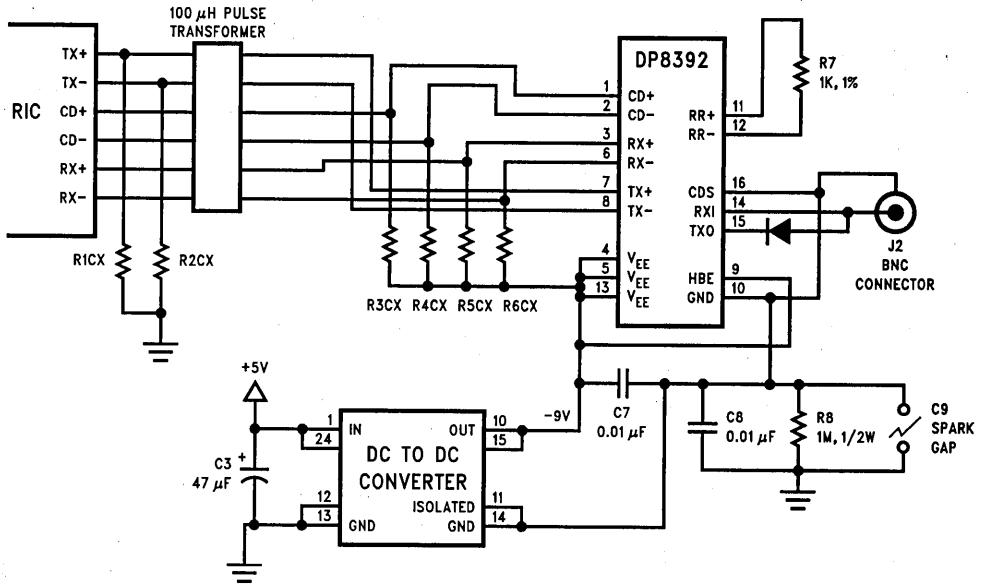


**Note:** For recommended modules, see "Ethernet Magnetics Vendors for 10BASE-T, 10BASE2, and 10BASE5" in Section 5 of this Databook.

TL/F/11096-19

**FIGURE 7.1. Port Connection to a 10BASE-T Segment**

### 7.0 Port Block Functions (Continued)



**FIGURE 7.2. Port Connection to a 10BASE2 Segment (AUI Interface Selected)**

TL/F/11096-20

The preceding diagrams show a RIC port (Numbers 2 to 13) connected to a 10BASE-T and a 10BASE2 segment. The values of any components not indicated above are to be determined.

7.0 Port Block Functions (Continued)

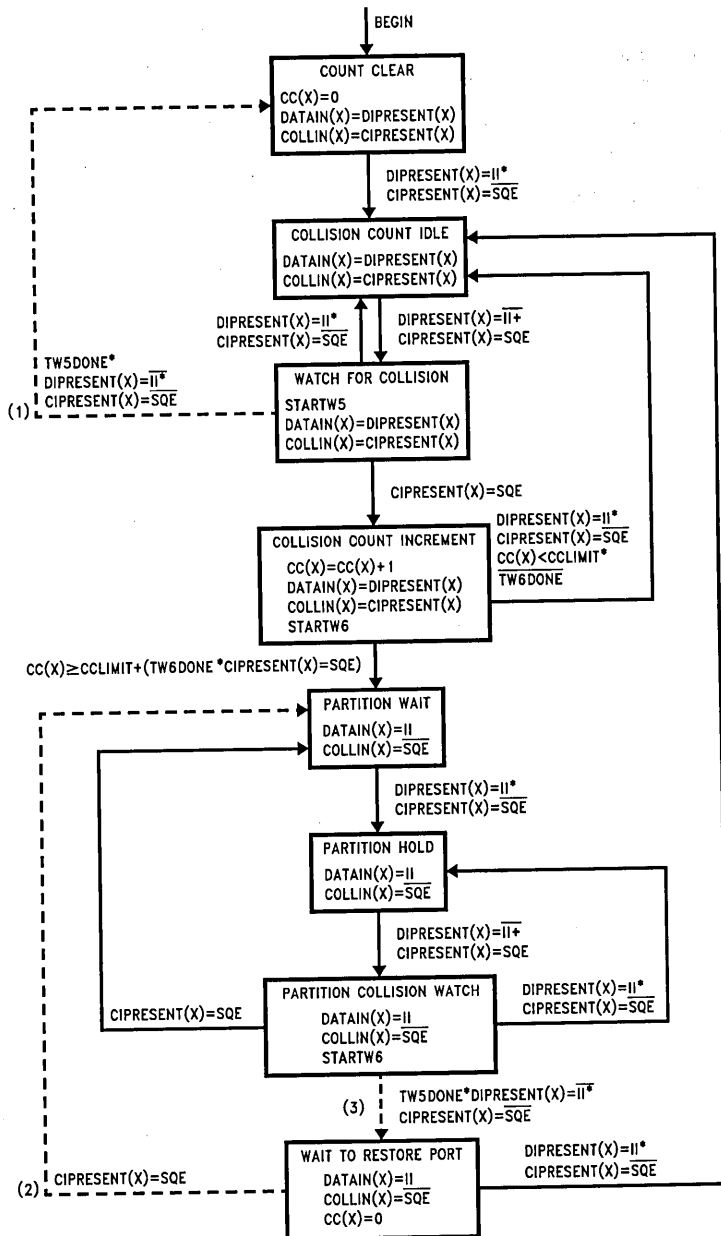


FIGURE 7.3. IEEE Segment Partition Algorithm

TL/F/11096-21

## 8.0 RIC Registers

### RIC Register Address Map

The RIC's registers may be accessed by applying the required address to the five Register Address (RA(4:0)) input pins. Pin RA4 makes the selection between the upper and lower halves of the register array. The lower half of the register map consists of 16 registers:

- 1 RIC Real Time Status and Configuration register,
- 13 Port Real Time Status registers,
- 1 RIC Configuration Register
- 1 Real Time Interrupt Status Register.

These registers may be directly accessed at any time via the RA(4:0) pins, (RA4 = 0). The upper half of the register map, (RA4 = 1), is organized as 4 pages of registers:

- Event Count Configuration page (0),
- Event Record page (1),
- Lower Event Count page (2)
- Upper Event Count page (3)

Register access within these pages is also performed using the RA(4:0) pins, (RA4 = 1). Page switching is performed by writing to the Page Selection bits (PSEL2, 1, 0). These bits are found in the Page Select Register, located at address 10 hex on each page of the upper half of the register array. AT power on these bits default to 0 Hex, i.e., page zero.

## 8.0 RIC Registers (Continued)

### Register Memory Map

| Address | Name                                        |                                    |                                         |                   |
|---------|---------------------------------------------|------------------------------------|-----------------------------------------|-------------------|
|         | Page (0)                                    | Page (1)                           | Page (2)                                | Page (3)          |
| 00H     | RIC Status and Configuration Register       |                                    |                                         |                   |
| 01H     | Port 1 Status Register                      |                                    |                                         |                   |
| 02H     | Port 2 Status Register                      |                                    |                                         |                   |
| 03H     | Port 3 Status Register                      |                                    |                                         |                   |
| 04H     | Port 4 Status Register                      |                                    |                                         |                   |
| 05H     | Port 5 Status Register                      |                                    |                                         |                   |
| 06H     | Port 6 Status Register                      |                                    |                                         |                   |
| 07H     | Port 7 Status Register                      |                                    |                                         |                   |
| 08H     | Port 8 Status Register                      |                                    |                                         |                   |
| 09H     | Port 9 Status Register                      |                                    |                                         |                   |
| 0AH     | Port 10 Status Register                     |                                    |                                         |                   |
| 0BH     | Port 11 Status Register                     |                                    |                                         |                   |
| 0CH     | Port 12 Status Register                     |                                    |                                         |                   |
| 0DH     | Port 13 Status Register                     |                                    |                                         |                   |
| 0EH     | RIC Configuration Register                  |                                    |                                         |                   |
| 0FH     | Real Time Interrupt Register                |                                    |                                         |                   |
| 10H     | Page Select Register                        |                                    |                                         |                   |
| 11H     | Device Type Register                        | Port 1 Event Record Register (ERR) |                                         |                   |
| 12H     | Lower Event Count Mask Register (ECMR)      | Port 2 ERR                         | Port 1 Lower Event Count Register (ECR) | Port 8 Lower ECR  |
| 13H     | Upper ECMR                                  | Port 3 ERR                         | Port 1 Upper ECR                        | Port 8 Upper ECR  |
| 14H     | Event Record Mask Register                  | Port 4 ERR                         | Port 2 Lower ECR                        | Port 9 Lower ECR  |
| 15H     | resv                                        | Port 5 ERR                         | Port 2 Upper ECR                        | Port 9 Upper ECR  |
| 16H     | Management/Interrupt Configuration Register | Port 6 ERR                         | Port 3 Lower ECR                        | Port 10 Lower ECR |
| 17H     | RIC Address Register                        | Port 7 ERR                         | Port 3 Upper ECR                        | Port 10 Upper ECR |
| 18H     | Packet Compress Decode Register             | Port 8 ERR                         | Port 4 Lower ECR                        | Port 11 Lower ECR |
| 19H     | resv                                        | Port 9 ERR                         | Port 4 Upper ECR                        | Port 11 Upper ECR |
| 1AH     | resv                                        | Port 10 ERR                        | Port 5 Lower ECR                        | Port 12 Lower ECR |
| 1BH     | resv                                        | Port 11 ERR                        | Port 5 Upper ECR                        | Port 12 Upper ECR |
| 1CH     | resv                                        | Port 12 ERR                        | Port 6 Lower ECR                        | Port 13 Lower ECR |
| 1DH     | resv                                        | Port 13 ERR                        | Port 6 Upper ECR                        | Port 13 Upper ECR |
| 1EH     | resv                                        |                                    | Port 7 Lower ECR                        |                   |
| 1FH     | IFG Threshold                               |                                    | Port 7 Upper ECR                        |                   |

**Note:** All registers marked resv on pages 0 to 3 must not be accessed by the user. The other register pages, 4 to 7, are also reserved.

## 8.0 RIC Registers (Continued)

Register Array Bit Map Addresses 00H to 10H

| Address (Hex) | D7     | D6     | D5     | D4     | D3     | D2    | D1    | D0    |
|---------------|--------|--------|--------|--------|--------|-------|-------|-------|
| 00            | BINV   | BYPAS2 | BYPAS1 | APART  | JAB    | AREC  | ACOL  | resv  |
| 01 to 0D      | DISPT  | SQL    | PTYPE1 | PTYPE0 | PART   | REC   | COL   | GDLNK |
| 0E            | MINMAX | DPART  | TXONLY | OWCE   | LPPART | CCLIM | Tw2   | resv  |
| 0F            | IVCTR3 | IVCTR2 | IVCTR1 | IVCTR0 | ISRC3  | ISRC2 | ISRC1 | ISRC0 |

Register Array Bit Map Addresses 10H to 1FH Page (0)

| Address (Hex) | D7     | D6    | D5    | D4     | D3     | D2    | D1     | D0     |
|---------------|--------|-------|-------|--------|--------|-------|--------|--------|
| 10            | FC     | HC    | LC    | FF     | resv   | PSEL2 | PSEL1  | PSEL0  |
| 11            | 0      | 0     | 0     | 0      | 0      | 0     | 0      | 0      |
| 12            | BDLNKC | PARTC | RECC  | SEC    | NSFDC  | PLERC | ELBERC | JABC   |
| 13            | resv   | resv  | OWCC  | RXCOLC | TXCOLC | resv  | FWF    | ROR    |
| 14            | BDLNKE | PARTE | OWCE  | SEE    | NSFDE  | PLERE | ELBERE | JABE   |
| 16            | IFC    | IHC   | ILC   | IFF    | IREC   | ICOL  | IPART  | MIFCON |
| 17            | A5     | A4    | A3    | A2     | A1     | A0    | resv   | resv   |
| 18            | PCD7   | PCD6  | PCD5  | PCD4   | PCD3   | PCD2  | PCD1   | PCD0   |
| 1F            | IFGT7  | IFGT6 | IFGT5 | IFGT4  | IFGT3  | IFGT2 | IFGT1  | IFGT0  |

Register Array Bit Map Addresses 10H to 1FH Page (1)

| Address (Hex) | D7    | D6   | D5  | D4 | D3   | D2    | D1    | D0    |
|---------------|-------|------|-----|----|------|-------|-------|-------|
| 10            | FC    | HC   | LC  | FF | resv | PSEL2 | PSEL1 | PSEL0 |
| 11 to 1D      | BDLNK | PART | OWC | SE | NSFD | PLER  | ELBER | JAB   |

Register Array Bit Map Addresses 10H to 1FH Pages (2) and (3)

| Address (Hex)  | D7   | D6   | D5   | D4   | D3   | D2    | D1    | D0    |
|----------------|------|------|------|------|------|-------|-------|-------|
| 10             | FC   | HC   | LC   | FF   | resv | PSEL2 | PSEL1 | PSEL0 |
| 11             | —    | —    | —    | —    | —    | —     | —     | —     |
| Even Locations | EC7  | EC6  | EC5  | EC4  | EC3  | EC2   | EC1   | EC0   |
| Odd Locations  | EC15 | EC14 | EC13 | EC12 | EC11 | EC10  | EC9   | EC8   |

## 8.0 RIC Registers (Continued)

### RIC Status and Configuration Register (Address 00H)

The lower portion of this register contains real time information concerning the operation of the RIC. The upper three bits represent the chosen configuration of the transceiver interface employed.

| D7   | D6     | D5     | D4    | D3  | D2   | D1   | D0   |
|------|--------|--------|-------|-----|------|------|------|
| BINV | BYPAS2 | BYPAS1 | APART | JAB | AREC | ACOL | resv |

| Bit | R/W | Symbol Access | Description                                                                                                                                                                                                   |
|-----|-----|---------------|---------------------------------------------------------------------------------------------------------------------------------------------------------------------------------------------------------------|
| D0  | R   | resv          | <b>RESERVED FOR FUTURE USE:</b><br>Reads as a logic 0.                                                                                                                                                        |
| D1  | R   | ACOL          | <b>ANY COLLISIONS:</b><br>0: A collision is occurring at one or more of the RIC's ports.<br>1: No collisions.                                                                                                 |
| D2  | R   | AREC          | <b>ANY RECEIVE:</b><br>0: One of the RIC's ports is the current packet or collision receiver.<br>1: No packet or collision reception within this RIC.                                                         |
| D3  | R   | JAB           | <b>JABBER PROTECT:</b><br>0: The RIC has been forced into jabber protect state by one of its ports or by another port on the Inter-RIC bus, (Multi-RIC operations).<br>1: No jabber protect conditions exist. |
| D4  | R   | APART         | <b>ANY PARTITION:</b><br>0: One or more ports are partitioned.<br>1: No ports are partitioned.                                                                                                                |
| D5  | R   | BYPAS1        | These bits define the configuration of ports 2 to 13 i.e., their use if the internal 10BASE-T transceivers or the external (AUI-like) transceiver interface.                                                  |
| D6  | R   | BYPAS2        |                                                                                                                                                                                                               |
| D7  | R   | BINV          | <b>BUS INVERT:</b><br>This register bit informs whether the Inter-RIC signals: IRE, ACTN, ANYXN, COLN and Management bus signal MCRS are active high or low.<br>0: Active high<br>1: Active low               |

## 8.0 RIC Registers (Continued)

### Port Real Time Status Registers (Address 01H to 0DH)

|       |     |        |        |      |     |     |       |
|-------|-----|--------|--------|------|-----|-----|-------|
| D7    | D6  | D5     | D4     | D3   | D2  | D1  | D0    |
| DISPT | EGP | PTYPE1 | PTYPE0 | PART | REC | COL | GDLNK |

| Bit     | R/W    | Symbol                                                            | Description                                                                                                                                                                                                                                                                                                                                                                                                                                                                                                                                                                                                                                                                               |        |        |             |   |   |                                     |   |   |                                             |   |   |                                                                   |   |   |                               |
|---------|--------|-------------------------------------------------------------------|-------------------------------------------------------------------------------------------------------------------------------------------------------------------------------------------------------------------------------------------------------------------------------------------------------------------------------------------------------------------------------------------------------------------------------------------------------------------------------------------------------------------------------------------------------------------------------------------------------------------------------------------------------------------------------------------|--------|--------|-------------|---|---|-------------------------------------|---|---|---------------------------------------------|---|---|-------------------------------------------------------------------|---|---|-------------------------------|
| D0      | R/W    | $\overline{\text{GDLNK}}$                                         | <p><b>GOOD LINK:</b><br/>                     0: Link pulses are being received by the port.<br/>                     1: Link pulses are not being received by the port logic.<br/> <b>Note:</b> Writing a 1 to this bit will cause the 10BASE-T transceiver not to transmit or monitor the reception of link pulses. If the internal 10BASE-T transceivers are not selected or if port 1 (AUI port) is read, then this bit is undefined.</p>                                                                                                                                                                                                                                             |        |        |             |   |   |                                     |   |   |                                             |   |   |                                                                   |   |   |                               |
| D1      | R      | $\overline{\text{COL}}$                                           | <p><b>COLLISION:</b><br/>                     0: A collision is happening or has occurred during the current packet.<br/>                     1: No collisions have occurred as yet during this packet.</p>                                                                                                                                                                                                                                                                                                                                                                                                                                                                               |        |        |             |   |   |                                     |   |   |                                             |   |   |                                                                   |   |   |                               |
| D2      | R      | $\overline{\text{REC}}$                                           | <p><b>RECEIVE:</b><br/>                     0: This port is now or has been the receive source of packet or collision information for the current packet.<br/>                     1: This port has not been the receive source during the current packet.</p>                                                                                                                                                                                                                                                                                                                                                                                                                            |        |        |             |   |   |                                     |   |   |                                             |   |   |                                                                   |   |   |                               |
| D3      | R/W    | PART                                                              | <p><b>PARTITION:</b><br/>                     0: This port is partitioned.<br/>                     1: This port is not partitioned.<br/>                     Writing a logic one to this bit forces segment reconnection and partition state machine reset. Writing a zero to this bit has no effect.</p>                                                                                                                                                                                                                                                                                                                                                                                |        |        |             |   |   |                                     |   |   |                                             |   |   |                                                                   |   |   |                               |
| D(5, 4) | R      | PTYPE0<br>PTYPE1                                                  | <p><b>PARTITION TYPE 0</b><br/> <b>PARTITION TYPE 1</b><br/>                     The partition type bits provide information specifying why the port is partitioned.</p> <table border="1" style="margin-left: 20px;"> <thead> <tr> <th>PTYPE1</th> <th>PTYPE0</th> <th>Information</th> </tr> </thead> <tbody> <tr> <td>0</td> <td>0</td> <td>Consecutive Collision Limit Reached</td> </tr> <tr> <td>0</td> <td>1</td> <td>Excessive Length of Collision Limit Reached</td> </tr> <tr> <td>1</td> <td>0</td> <td>Failure to See Data Loopback from Transceiver in Monitored Window</td> </tr> <tr> <td>1</td> <td>1</td> <td>Processor Forced Reconnection</td> </tr> </tbody> </table> | PTYPE1 | PTYPE0 | Information | 0 | 0 | Consecutive Collision Limit Reached | 0 | 1 | Excessive Length of Collision Limit Reached | 1 | 0 | Failure to See Data Loopback from Transceiver in Monitored Window | 1 | 1 | Processor Forced Reconnection |
| PTYPE1  | PTYPE0 | Information                                                       |                                                                                                                                                                                                                                                                                                                                                                                                                                                                                                                                                                                                                                                                                           |        |        |             |   |   |                                     |   |   |                                             |   |   |                                                                   |   |   |                               |
| 0       | 0      | Consecutive Collision Limit Reached                               |                                                                                                                                                                                                                                                                                                                                                                                                                                                                                                                                                                                                                                                                                           |        |        |             |   |   |                                     |   |   |                                             |   |   |                                                                   |   |   |                               |
| 0       | 1      | Excessive Length of Collision Limit Reached                       |                                                                                                                                                                                                                                                                                                                                                                                                                                                                                                                                                                                                                                                                                           |        |        |             |   |   |                                     |   |   |                                             |   |   |                                                                   |   |   |                               |
| 1       | 0      | Failure to See Data Loopback from Transceiver in Monitored Window |                                                                                                                                                                                                                                                                                                                                                                                                                                                                                                                                                                                                                                                                                           |        |        |             |   |   |                                     |   |   |                                             |   |   |                                                                   |   |   |                               |
| 1       | 1      | Processor Forced Reconnection                                     |                                                                                                                                                                                                                                                                                                                                                                                                                                                                                                                                                                                                                                                                                           |        |        |             |   |   |                                     |   |   |                                             |   |   |                                                                   |   |   |                               |
| D6      | R/W    | SQL                                                               | <p><b>SQUELCH LEVEL:</b><br/>                     0: Port operates with normal IEEE receive squelch level.<br/>                     1: Port operates with reduced receive squelch level.<br/> <b>Note:</b> This bit has no effect when the external transceiver is selected.</p>                                                                                                                                                                                                                                                                                                                                                                                                          |        |        |             |   |   |                                     |   |   |                                             |   |   |                                                                   |   |   |                               |
| D7      | R/W    | DISPT                                                             | <p><b>DISABLE PORT:</b><br/>                     0: Port operates as defined by repeater operations.<br/>                     1: All port activity is prevented.</p>                                                                                                                                                                                                                                                                                                                                                                                                                                                                                                                      |        |        |             |   |   |                                     |   |   |                                             |   |   |                                                                   |   |   |                               |



## 8.0 RIC Registers (Continued)

### RIC Configuration Register (Address 0EH)

This register displays the state of a number of RIC configuration bits loaded during the Mode Load operation.

| D7     | D6    | D5     | D4   | D3     | D2    | D1  | D0   |
|--------|-------|--------|------|--------|-------|-----|------|
| MINMAX | DPART | TXONLY | OWCE | LPPART | CCLIM | Tw2 | resv |

| Bit | R/W | Symbol | Description                                                                                                                                                                                                                                                                                                                                                                           |
|-----|-----|--------|---------------------------------------------------------------------------------------------------------------------------------------------------------------------------------------------------------------------------------------------------------------------------------------------------------------------------------------------------------------------------------------|
| D0  | R   | resv   | <b>RESERVED FOR FUTURE USE:</b> Value set at logic one.                                                                                                                                                                                                                                                                                                                               |
| D1  | R   | Tw2    | <b>CARRIER RECOVERY TIME:</b><br>0: Tw2 set at 5 bits.<br>1: Tw2 set at 3 bits.                                                                                                                                                                                                                                                                                                       |
| D2  | R   | CCLIM  | <b>CONSECUTIVE COLLISION LIMIT:</b><br>0: Consecutive collision limit set at 63 collisions.<br>1: Consecutive collision limit set at 31 collisions.                                                                                                                                                                                                                                   |
| D3  | R   | LPPART | <b>LOOPBACK PARTITION:</b><br>0: Partitioning upon lack of loopback from transceivers is enabled.<br>1: Partitioning upon lack of loopback from transceivers is disabled.                                                                                                                                                                                                             |
| D4  | R   | OWCE   | <b>OUT OF WINDOW COLLISION ENABLE:</b><br>0: Out of window collisions are treated as in window collisions by the segment partition state machines.<br>1: Out of window collisions are treated as out of window collisions by the segment partition state machines.                                                                                                                    |
| D5  | R   | TXONLY | <b>ONLY RECONNECT UPON SEGMENT TRANSMISSION:</b><br>0: A segment will only be reconnected to the network if a packet transmitted by the RIC onto that segment fulfills the requirements of the segment reconnection algorithm.<br>1: A segment will be reconnected to the network by any packet on the network which fulfills the requirements of the segment reconnection algorithm. |
| D6  | R   | DPART  | <b>DISABLE PARTITION:</b><br>0: Partitioning of ports by on-chip algorithms is prevented.<br>1: Partitioning of ports by on-chip algorithms is enabled.                                                                                                                                                                                                                               |
| D7  | R   | MINMAX | <b>MINIMUM/MAXIMUM DISPLAY MODE:</b><br>0: LED display set in minimum display mode.<br>1: LED display set in maximum display mode.                                                                                                                                                                                                                                                    |

## 8.0 RIC Registers (Continued)

### Real Time Interrupt Register (Address 0FH)

The Real Time Interrupt register (RTI) contains information which may change on a packet by packet basis. Any remaining interrupts which have not been serviced before the following packet is transmitted are cleared. Since multiple interrupt sources may be displayed by the RTI a priority scheme is implemented. A read cycle to the RTI gives the interrupt source and an address vector indicating the RIC port which generated the interrupt. The order of priority for the display of interrupt information is as follows:

1. The receive source of network activity (Port N),
2. The first RIC port showing collision
3. A port partitioned or reconnected.

During the repetition of a single packet it is possible that multiple ports may be partitioned or alternatively reconnected. The ports have equal priority in displaying partition/reconnection information. This data is derived from the ports by the RTI register as it polls consecutively around the ports.

Reading the RTI clears the particular interrupt. If no interrupt sources are active the RTI returns a no valid interrupt status.

|        |        |        |        |       |       |       |       |
|--------|--------|--------|--------|-------|-------|-------|-------|
| D7     | D6     | D5     | D4     | D3    | D2    | D1    | D0    |
| IVCTR3 | IVCTR2 | IVCTR1 | IVCTR0 | ISRC3 | ISRC2 | ISRC1 | ISRC0 |

| Bit    | R/W | Symbol Access | Description                                                                                            |
|--------|-----|---------------|--------------------------------------------------------------------------------------------------------|
| D(3:0) | R   | ISCR(3:0)     | <b>INTERRUPT SOURCE:</b> These four bits indicate the reason why the interrupt was generated.          |
| D(7:4) | R   | IVCTR(3:0)    | <b>INTERRUPT VECTOR:</b> This field defines the port address responsible for generating the interrupt. |

The following table shows the mapping of interrupt sources onto the D3 to D0 pins. Essentially each of the three interrupt sources has a dedicated bit in this field. If a read to the RTI produces a low logic level on one of these bits then the interrupt source may be directly decoded. Associated with the source of the interrupt is the port where the event is occurring. If no unmasked events (receive, collision, etc.), have occurred when the RTI is read then an all ones pattern is driven by the RIC onto the data pins.

| D7  | D6  | D5  | D4  | D3 | D2 | D1 | D0 | Comments                                                   |
|-----|-----|-----|-----|----|----|----|----|------------------------------------------------------------|
| PA3 | PA2 | PA1 | PA0 | 1  | 1  | 0  | 1  | First Collision<br>PA(3:0) = Collision Port Address        |
| PA3 | PA2 | PA1 | PA0 | 1  | 0  | 1  | 1  | Receive<br>PA(3:0) = Receive Port Address                  |
| PA3 | PA2 | PA1 | PA0 | 0  | 1  | 1  | 1  | Partition Reconnection<br>PA(3:0) = Partition Port Address |
| 1   | 1   | 1   | 1   | 1  | 1  | 1  | 1  | No Valid Interrupt                                         |

## 8.0 RIC Registers (Continued)

### Page Select Register ((All Pages) Address 10H)

The Page Select register performs two functions:

1. It enables switches to be made between register pages,
2. It provides status information regarding the Event Logging Interrupts.

| D7 | D6 | D5 | D4 | D3   | D2    | D1    | D0    |
|----|----|----|----|------|-------|-------|-------|
| FC | HC | LC | FF | resv | PSEL2 | PSEL1 | PSEL0 |

| Bit    | R/W | Symbol    | Description                                                                                                                                                         |
|--------|-----|-----------|---------------------------------------------------------------------------------------------------------------------------------------------------------------------|
| D(2:0) | R/W | PSEL(2:0) | <b>PAGE SELECT BITS:</b> When read these bits indicate the currently selected Upper Register Array Page. Write cycles to these locations facilitates page swapping. |
| D3     | R   | resv      | <b>RESERVED FOR FUTURE USE</b>                                                                                                                                      |
| D4     | R   | FF        | <b>FLAG FOUND:</b> This indicates one of the unmasked event recording latches has been set.                                                                         |
| D5     | R   | LC        | <b>LOW COUNT:</b> This indicates one of the port event counters has a value less than 00FF Hex.                                                                     |
| D6     | R   | HC        | <b>HIGH COUNT:</b> This indicates one of the port event counters has a value greater than C000 Hex.                                                                 |
| D7     | R   | FC        | <b>FULL COUNTER:</b> This indicates one of the port event counters has a value equal to FFFF Hex.                                                                   |

### Device Type Register (Page 0H Address 11H)

This register may be used to distinguish different revisions of RIC. If this register is read it will return a different value each for DP83950 revisions. (Contact National Semiconductor for revision information.) Write operations to this register have no effect upon the contents.

| D7 | D6 | D5 | D4 | D3 | D2 | D1 | D0 |
|----|----|----|----|----|----|----|----|
| 0  | 0  | 0  | 0  | 0  | 0  | X  | X  |

## 8.0 RIC Registers (Continued)

### Lower Event Count Mask Register (Page 0H Address 12H)

|        |       |      |     |       |       |         |      |
|--------|-------|------|-----|-------|-------|---------|------|
| D7     | D6    | D5   | D4  | D3    | D2    | D1      | D0   |
| BDLNKC | PARTC | RECC | SEC | NSFDC | PLERC | ELBER C | JABC |

| Bit | R/W | Symbol | Description                                                                                                            |
|-----|-----|--------|------------------------------------------------------------------------------------------------------------------------|
| D0  | R/W | JABC   | <b>JABBER COUNT ENABLE:</b> Enables recording of Jabber Protect events.                                                |
| D1  | R/W | ELBERC | <b>ELASTICITY BUFFER ERROR COUNT ENABLE:</b> Enables recording of Elasticity Buffer Error events.                      |
| D2  | R/W | PLERC  | <b>PHASE LOCK ERROR COUNT ENABLE:</b> Enables recording of Carrier Error events.                                       |
| D3  | R/W | NSFDC  | <b>NON SFD COUNT ENABLE:</b> Enables recording of Non SFD packet events.                                               |
| D4  | R/W | SEC    | <b>SHORT EVENT COUNT ENABLE:</b> Enables recording of Short events.                                                    |
| D5  | R/W | RECC   | <b>RECEIVE COUNT ENABLE:</b> Enables recording of Packet Receive (port N status) events that do not suffer collisions. |
| D6  | R/W | PARTC  | <b>PARTITION COUNT ENABLE:</b> Enables recording of Partition events.                                                  |
| D7  | R/W | BDLNKC | <b>BAD LINK COUNT ENABLE:</b> Enables recording of Bad Link events.                                                    |

### Upper Event Count Mask Register (Page 0H Address 13H)

|      |      |      |        |        |      |     |     |
|------|------|------|--------|--------|------|-----|-----|
| D7   | D6   | D5   | D4     | D3     | D2   | D1  | D0  |
| resv | resv | OWCC | RXCOLC | TXCOLC | resv | FWF | ROR |

| Bit     | R/W | Symbol | Description                                                                                                                                                                      |
|---------|-----|--------|----------------------------------------------------------------------------------------------------------------------------------------------------------------------------------|
| D0      | R/W | ROR    | <b>RESET ON READ:</b> This bit selects the action a read operation has upon a port's event counter:<br>0: No effect upon register contents.<br>1: The counter register is reset. |
| D1      | R/W | FWF    | <b>FREEZE WHEN FULL:</b> This bit controls the freezing of the Event Count registers when the counter is full (FFFF Hex)                                                         |
| D2      | R   | resv   | <b>RESERVED FOR FUTURE USE:</b> This bit should be written with a low logic level.                                                                                               |
| D3      | R/W | TXCOLC | <b>TRANSMIT COLLISION COUNT ENABLE:</b> Enables recording of transmit collision events only.                                                                                     |
| D4      | R/W | RXCOLC | <b>RECEIVE COLLISION COUNT ENABLE:</b> Enables recording of receive collision events only.                                                                                       |
| D5      | R/W | OWCC   | <b>OUT OF WINDOW COLLISION COUNT ENABLE:</b> Enables recording of out of window collision events only.                                                                           |
| D(7: 6) | R   | resv   | <b>RESERVED FOR FUTURE USE:</b> These bits should be written with a low logic level.                                                                                             |

**Note 1:** To count all collisions then both the TXCOLC and RXCOLC bits must be set. The OWCC bit should not be set otherwise the port counter will be incremented twice when an out of collision window collision occurs. The OWCC bit alone should be set if only out of window collision are to be counted.

**Note 2:** Writing a 1 enables the event to be counted.

## 8.0 RIC Registers (Continued)

### Event Record Mask Register (Page 0H Address 14H)

| D7     | D6    | D5   | D4  | D3    | D2    | D1     | D0   |
|--------|-------|------|-----|-------|-------|--------|------|
| BDLNKE | PARTE | OWCE | SEE | NSFDE | PLERE | ELBERE | JABE |

| Bit | R/W | Symbol | Description                                                                                            |
|-----|-----|--------|--------------------------------------------------------------------------------------------------------|
| D0  | R/W | JABE   | <b>JABBER ENABLE:</b> Enables recording of Jabber Protect events.                                      |
| D1  | R/W | ELBERE | <b>ELASTICITY BUFFER ERROR ENABLE:</b> Enables recording of Elasticity Buffer Error events.            |
| D2  | R/W | PLERE  | <b>PHASE LOCK ERROR ENABLE:</b> Enables recording of Carrier Error events.                             |
| D3  | R/W | NSFDE  | <b>NON SFD ENABLE:</b> Enables recording of Non SFD packet events.                                     |
| D4  | R/W | SEE    | <b>SHORT EVENT ENABLE:</b> Enables recording of Short Events.                                          |
| D5  | R/W | OWCE   | <b>OUT OF WINDOW COLLISION COUNT ENABLE:</b> Enables recording of Out of Window Collision events only. |
| D6  | R/W | PARTE  | <b>PARTITION ENABLE:</b> Enables recording of Partition events.                                        |
| D7  | R/W | BDLNKE | <b>BAD LINK ENABLE:</b> Enables recording of Bad Link Events.                                          |

**Note:** Writing a 1 enables the event to be recorded.

## 8.0 RIC Registers (Continued)

### Interrupt and Management Configuration Register (Page 0H Address 16H)

This register powers up with all bits set to one and must be initialized by a processor write cycle before any events will generate interrupts.

| D7  | D6  | D5  | D4  | D3   | D2   | D1    | D0     |
|-----|-----|-----|-----|------|------|-------|--------|
| IFC | IHC | ILC | IFF | IREC | ICOL | IPART | MIFCON |

| Bit | R/W | Symbol | Description                                                                                                                                                                                                                                                                                                                                                              |
|-----|-----|--------|--------------------------------------------------------------------------------------------------------------------------------------------------------------------------------------------------------------------------------------------------------------------------------------------------------------------------------------------------------------------------|
| D0  | R/W | MIFCON | <b>MANAGEMENT INTERFACE CONFIGURATION:</b><br>0: All Packets repeated are transmitted over the Management bus.<br>1: Packets repeated by the RIC which do not have a Start of Frame Delimiters are not transmitted over the Management bus.                                                                                                                              |
| D1  | R/W | IPART  | <b>INTERRUPT ON PARTITION:</b><br>0: Interrupts will be generated <sup>(1)</sup> if a port becomes Partitioned.<br>1: No interrupts are generated by this condition.                                                                                                                                                                                                     |
| D2  | R/W | ICOL   | <b>INTERRUPT ON COLLISION:</b><br>0: Interrupts will be generated <sup>(1)</sup> if this RIC has a port which experiences a collision, Single RIC applications, or contains a port which experiences a receive collision or is the first port to suffer a transmit collision in a packet in Multi-RIC applications.<br>1: No interrupts are generated by this condition. |
| D3  | R/W | IREC   | <b>INTERRUPT ON RECEIVE:</b><br>0: Interrupts will be generated <sup>(1)</sup> if this RIC contains the receive port for packet or collision activity.<br>1: No interrupts are generated by this condition.                                                                                                                                                              |
| D4  | R/W | IFF    | <b>INTERRUPT ON FLAG FOUND:</b><br>0: Interrupts will be generated <sup>(2)</sup> if one or more than one of the flags in the flag array is true.<br>1: No interrupts are generated by this condition.                                                                                                                                                                   |
| D5  | R/W | ILC    | <b>INTERRUPT ON LOW COUNT:</b><br>0: Interrupt generated <sup>(2)</sup> when one or more of the Event Counters holds a value less than 256 counts.<br>1: No effect                                                                                                                                                                                                       |
| D6  | R/W | IHC    | <b>INTERRUPT ON HIGH COUNT:</b><br>0: Interrupt generated <sup>(2)</sup> when one or more of the Event Counters holds a value in excess of 49152 counts.<br>1: No effect                                                                                                                                                                                                 |
| D7  | R/W | IFC    | <b>INTERRUPT ON FULL COUNTER:</b><br>0: Interrupt generated <sup>(2)</sup> when one or more of the Event Counters is full.<br>1: No effect                                                                                                                                                                                                                               |

Note 1: (RTI pin goes active)

Note 2: (ELI pin goes active)

## 8.0 RIC Registers (Continued)

### RIC Address Register (Page 0H Address 17H)

This register may be used to differentiate between RICs in a multi-RIC repeater system. The contents of this register form part of the information available through the management bus.

|    |    |    |    |    |    |     |     |
|----|----|----|----|----|----|-----|-----|
| D7 | D6 | D5 | D4 | D3 | D2 | D1  | D0  |
| A5 | A4 | A3 | A2 | A1 | A0 | res | res |

### Packet Compress Decode Register (Page 0H Address 18H)

This register is used to determine the number of bytes in the data field of a packet which are transferred over the management bus when the packet compress option is employed. The register bits perform the function of a direct binary decode. Thus up to 255 bytes of data may be transferred over the management bus if packet compression is selected.

|      |      |      |      |      |      |      |      |
|------|------|------|------|------|------|------|------|
| D7   | D6   | D5   | D4   | D3   | D2   | D1   | D0   |
| PCD7 | PCD6 | PCD5 | PCD4 | PCD3 | PCD2 | PCD1 | PCD0 |

### Inter Frame Gap Threshold Select Register (Page 0H Address 1FH)

This register is used to configure the hub management interface to provide a certain minimum inter frame gap between packets transmitted over the management bus. The value written to this register, plus one, is the magnitude in bit times of the minimum IFG allowed on the management bus.

|       |       |       |       |       |       |       |       |
|-------|-------|-------|-------|-------|-------|-------|-------|
| D7    | D6    | D5    | D4    | D3    | D2    | D1    | D0    |
| IFGT7 | IFGT6 | IFGT5 | IFGT4 | IFGT3 | IFGT2 | IFGT1 | IFGT0 |

### Port Event Record Registers (Page 1H Address 11H to 1DH)

These registers hold the recorded events for the specified RIC port. The flags are cleared when the register is read.

|       |      |     |    |      |      |       |     |
|-------|------|-----|----|------|------|-------|-----|
| D7    | D6   | D5  | D4 | D3   | D2   | D1    | D0  |
| BDLNK | PART | OWC | SE | NSFD | PLER | ELBER | JAB |

| Bit | R/W | Symbol | Description                                                                    |
|-----|-----|--------|--------------------------------------------------------------------------------|
| D0  | R   | JAB    | <b>JABBER:</b> A Jabber Protect event has occurred.                            |
| D1  | R   | ELBER  | <b>ELASTICITY BUFFER ERROR:</b> A Elasticity Buffer Error has occurred.        |
| D2  | R   | PLER   | <b>PHASE LOCK ERROR:</b> A Phase Lock Error event has occurred.                |
| D3  | R   | NSFD   | <b>NON SFD:</b> A Non SFD packet event has occurred.                           |
| D4  | R   | SE     | <b>SHORT EVENT:</b> A Short event has occurred.                                |
| D5  | R   | OWC    | <b>OUT OF WINDOW COLLISION:</b> An out of window collision event has occurred. |
| D6  | R   | PART   | <b>PARTITION:</b> A partition event has occurred.                              |
| D7  | R   | BDLNK  | <b>BAD LINK:</b> A link failure event has occurred.                            |

### Port Event Count Register (Pages 2H and 3H)

The Event Count (EC) register shows the instantaneous value of the specified port's 16-bit counter. The counter increments when an enabled event occurs. The counter may be cleared when it is read and prevented from rolling over when the maximum count is reached by setting the appropriate control bits in the Upper Event Count mask register. Since the RIC's processor port is octal and the counters are 16 bits long a temporary holding register is employed for register reads. When one of the counters is read, either high or low byte first, all 16 bits of the counter are transferred to a holding register. Provided the next read cycle to the counter array accesses the same counter's, other byte, then the read cycle accesses the holding register. This avoids the problem of events occurring in between the two processor reads and indicating a false count value. In order to enter a new value to the holding register a different counter must be accessed or the same counter byte must be re-read.

Lower Byte

|     |     |     |     |     |     |     |     |
|-----|-----|-----|-----|-----|-----|-----|-----|
| D7  | D6  | D5  | D4  | D3  | D2  | D1  | D0  |
| EC7 | EC6 | EC5 | EC4 | EC3 | EC2 | EC1 | EC0 |

Upper Byte

|      |      |      |      |      |      |     |     |
|------|------|------|------|------|------|-----|-----|
| D7   | D6   | D5   | D4   | D3   | D2   | D1  | D0  |
| EC15 | EC14 | EC13 | EC12 | EC11 | EC10 | EC9 | EC8 |

## 9.0 AC and DC Specifications

### Absolute Maximum Ratings

If Military/Aerospace specified devices are required, please contact the National Semiconductor Sales Office/Distributors for availability and specifications.

|                                         |                          |
|-----------------------------------------|--------------------------|
| Supply Voltage ( $V_{CC}$ )             | 0.5V to 7.0V             |
| DC Input Voltage ( $V_{IN}$ )           | -0.5V to $V_{CC} + 0.5V$ |
| DC Output Voltage ( $V_{OUT}$ )         | -0.5V to $V_{CC} + 0.5V$ |
| Storage Temperature Range ( $T_{STG}$ ) | -65°C to +150°C          |
| Power Dissipation ( $P_D$ )             | 2W                       |
| Lead Temperature ( $T_L$ )              |                          |
| (Soldering, 10 seconds)                 | 260°C                    |
| ESD Rating                              |                          |
| ( $R_{zap} = 1.5k, C_{zap} = 120 pF$ )  | 1500V                    |

### PARAMETRICS DISCLAIMER

The Current AC and DC specifications contained in this document are considered target design specifications and may not represent actual guaranteed tested timing parameters. This information represents simulated, as well as, limited sampled empirical bench test data. Guaranteed specifications will be provided after full device characterization.

Do not use these specifications for final production designs without directly contacting National Semiconductor.

### DC Specifications $T_A = 0^\circ\text{C}$ to $+70^\circ\text{C}$ , $V_{CC} = 5V \pm 5\%$ unless otherwise specified

#### PROCESSOR, LED, TWISTED PAIR PORTS, INTER-RIC AND MANAGEMENT INTERFACES

| Symbol              | Description                                                          | Conditions                                         | Min            | Max        | Units         |
|---------------------|----------------------------------------------------------------------|----------------------------------------------------|----------------|------------|---------------|
| $V_{OH}$            | Minimum High Level Output Voltage                                    | $I_{OH} = -8 \text{ mA}$                           | 3.5            |            | V             |
| $V_{OL}$            | Minimum Low Level Output Voltage                                     | $I_{OL} = 8 \text{ mA}$                            |                | 0.4        | V             |
| $V_{IH}$            | Minimum High Level Input Voltage                                     |                                                    | 2.0            |            | V             |
| $V_{IL}$            | Maximum Low Level Input Voltage                                      |                                                    |                | 0.8        | V             |
| $I_{IN}$            | Input Current                                                        | $V_{IN} = V_{CC}$ or GND                           | -1.0           | 1.0        | $\mu\text{A}$ |
| $I_{OZ}$            | Maximum TRI-STATE Output Leakage Current                             | $V_{OUT} = V_{CC}$ or GND                          | -10            | 10         | $\mu\text{A}$ |
| $I_{CC}$            | Average Supply Current                                               | $V_{IN} = V_{CC}$ or GND<br>$V_{CC} = 5.25V$       |                | 380        | mA            |
| <b>AUI (PORT 1)</b> |                                                                      |                                                    |                |            |               |
| $V_{OD}$            | Differential Output Voltage ( $TX \pm$ )                             | 78 $\Omega$ Termination and 270 $\Omega$ Pulldowns | $\pm 550$      | $\pm 1200$ | mV            |
| $V_{OB}$            | Differential Output Voltage Imbalance ( $TX \pm$ )                   | 78 $\Omega$ Termination and 270 $\Omega$ Pulldowns | Typical: 40 mV |            |               |
| $V_U$               | Undershoot Voltage ( $TX \pm$ )                                      | 78 $\Omega$ Termination and 270 $\Omega$ Pulldowns | Typical: 80 mV |            |               |
| $V_{DS}$            | Differential Squelch Threshold ( $RX \pm, CD \pm$ )                  |                                                    | -175           | -300       | mV            |
| $V_{CM}$            | Differential Input Common Mode Voltage ( $RX \pm, CD \pm$ ) (Note 1) |                                                    | 0              | 5.5        | V             |

Note 1: This parameter is guaranteed by design and is not tested.



## 9.0 AC and DC Specifications (Continued)

### DC Specifications $T_A = 0^\circ\text{C}$ to $+70^\circ\text{C}$ , $V_{CC} = 5V \pm 5\%$ unless otherwise specified (Continued)

| Symbol                         | Description                                                            | Conditions                                          | Min            | Max        | Units |
|--------------------------------|------------------------------------------------------------------------|-----------------------------------------------------|----------------|------------|-------|
| <b>PSEUDO AUI (PORTS 2–13)</b> |                                                                        |                                                     |                |            |       |
| $V_{POD}$                      | Differential Output Voltage (TX $\pm$ )                                | 270 $\Omega$ Termination and 1 k $\Omega$ Pulldowns | $\pm 450$      | $\pm 1200$ | mV    |
| $V_{POB}$                      | Differential Output Voltage Imbalance (TX $\pm$ )                      | 270 $\Omega$ Termination and 1 k $\Omega$ Pulldowns | Typical: 40 mV |            |       |
| $V_{PU}$                       | Undershoot Voltage (TX $\pm$ )                                         | 270 $\Omega$ Termination and 1 k $\Omega$ Pulldowns | Typical: 80 mV |            |       |
| $V_{PDS}$                      | Differential Squelch Threshold (RX $\pm$ , CD $\pm$ )                  |                                                     | -175           | -300       | mV    |
| $V_{PCM}$                      | Differential Input Common Mode Voltage (Rx $\pm$ , CD $\pm$ ) (Note 1) |                                                     | 0              | 5.5        | V     |

### TWISTED PAIR (PORTS 2–13)

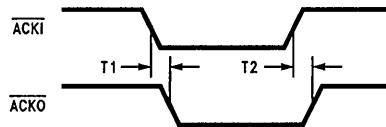
| Symbol    | Description                       | Conditions                  | Min                   | Max                    | Units    |
|-----------|-----------------------------------|-----------------------------|-----------------------|------------------------|----------|
| $V_{RON}$ | Minimum Receive Squelch Threshold | Normal Mode<br>Reduced Mode | $\pm 300$<br>(Note 2) | $\pm 585$<br>$\pm 340$ | mV<br>mV |

**Note 1:** This parameter is guaranteed by design and is not tested.

**Note 2:** The operation in Reduced Mode is not guaranteed below 300 mV.

## AC Specifications

### PORT ARBITRATION TIMING



TL/F/11096-22

| Number | Symbol     | Parameter                                                      | Min | Max | Units |
|--------|------------|----------------------------------------------------------------|-----|-----|-------|
| T1     | ackilackol | $\overline{\text{ACKI}}$ Low to $\overline{\text{ACKO}}$ Low   |     | 24  | ns    |
| T2     | ackihackoh | $\overline{\text{ACKI}}$ High to $\overline{\text{ACKO}}$ High |     | 21  | ns    |

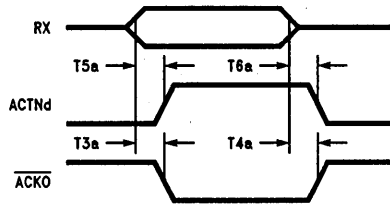
**Note:** Timing valid with no receive or collision activities.

**Note:** In these diagrams the Inter-RIC and Management Busses are shown using active high signals, active low signals may also be used. See Section 5.5 Mode Load Operation.

## 9.0 AC and DC Specifications (Continued)

### RECEIVING TIMINGS—AUI PORTS

Receive activity propagation start up and end delays for ports in non 10BASE-T mode



TL/F/11096-23

| Number | Symbol  | Parameter                                    | Min | Max | Units |
|--------|---------|----------------------------------------------|-----|-----|-------|
| T3a    | rxackol | RX Active to $\overline{\text{ACKO}}$ Low    |     | 66  | ns    |
| T4a    | rxackoh | RX Inactive to $\overline{\text{ACKO}}$ High |     | 325 | ns    |
| T5a    | rxactna | RX Active to ACTNd Active                    |     | 105 | ns    |
| T6a    | rxactni | RX Inactive to ACTNd Inactive                |     | 325 | ns    |

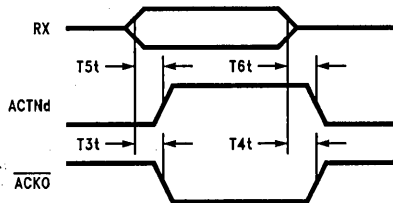
Note:  $\overline{\text{ACKI}}$  assumed high.

Note: In these diagrams the Inter-RIC and Management Busses are shown using active high signals, active low signals may also be used. See Section 5.5 Mode Load Operation.

## 9.0 AC and DC Specifications (Continued)

### RECEIVE TIMING—10BASE-T PORTS

Receive activity propagation start up and end delays for ports in 10BASE-T mode



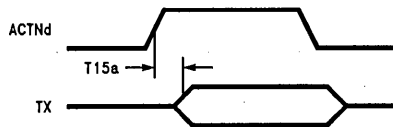
TL/F/11096-24

| Number | Symbol  | Parameter                                    | Min | Max | Units |
|--------|---------|----------------------------------------------|-----|-----|-------|
| T3t    | rxackol | RX Active to $\overline{\text{ACKO}}$ Low    |     | 240 | ns    |
| T4t    | rxackoh | RX Inactive to $\overline{\text{ACKO}}$ High |     | 255 | ns    |
| T5t    | rxactna | RX Active to ACTNd Active                    |     | 270 | ns    |
| T6t    | rxactni | RX Inactive to ACTNd Inactive                |     | 265 | ns    |

Note:  $\overline{\text{ACKI}}$  assumed high.

### TRANSMIT TIMING—AUI PORTS

Transmit activity propagation start up and end delays for ports in non 10BASE-T mode



TL/F/11096-25

| Number | Symbol   | Parameter                 | Min | Max | Units |
|--------|----------|---------------------------|-----|-----|-------|
| T15a   | actnatxa | ACTNd Active to TX Active |     | 585 | ns    |

Note:  $\overline{\text{ACKI}}$  assumed high.

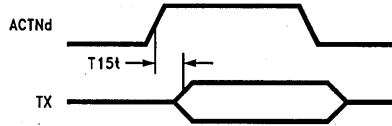
Note: ACTNd and ACTNs are tied together.

Note: In these diagrams the Inter-RIC and Management Busses are shown using active high signals, active low signals may also be used. See Section 5.5 Mode Load Operation.

## 9.0 AC and DC Specifications (Continued)

### TRANSMIT TIMING—10BASE-T PORTS

Receive activity propagation start up and end delays for ports in 10BASE-T mode



TL/F/11096-26

| Number | Symbol   | Parameter                 | Min | Max | Units |
|--------|----------|---------------------------|-----|-----|-------|
| T15t   | actnatxa | ACTNd Active to TX Active |     | 790 | ns    |

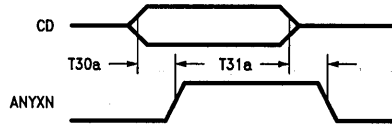
Note: ACKI assumed high.

Note: ACTNd and ACTNe are tied together.

### COLLISION TIMING—AUI PORTS

Collision activity propagation start up and end delays for ports in non 10BASE-T mode

#### TRANSMIT COLLISION TIMING



TL/F/11096-27

| Number | Symbol    | Parameter                                  | Min | Max | Units |
|--------|-----------|--------------------------------------------|-----|-----|-------|
| T30a   | cdaanyxna | CD Active to ANYXN Active                  |     | 65  | ns    |
| T31a   | cdianyxni | CD Inactive to ANYXN Inactive (Notes 1, 2) |     | 400 | ns    |

Note 1: TX collision extension has already been performed and no other port is driving ANYXN.

Note 2: Includes TW2.

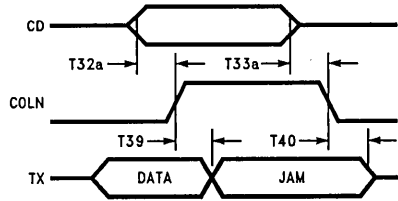
Note: In these diagrams the Inter-RIC and Management Busses are shown using active high signals, active low signals may also be used. See Section 5.5 Mode Load Operation.

## 9.0 AC and DC Specifications (Continued)

### COLLISION TIMING—AUI PORTS

Collision activity propagation start up and end delays for ports in non 10BASE-T mode.

#### RECEIVE COLLISION TIMING



TL/F/11096-28

| Number | Symbol   | Parameter                            | Min | Max | Units |
|--------|----------|--------------------------------------|-----|-----|-------|
| T32a   | cdacolna | CD Active to COLN Active (Note 1)    |     | 55  | ns    |
| T33a   | cdicolni | CD Inactive to COLN Inactive         |     | 215 | ns    |
| T39    | colnajs  | COLN Active to Start of Jam          |     | 400 | ns    |
| T40    | colnije  | COLN Inactive to End of Jam (Note 2) |     | 800 | ns    |

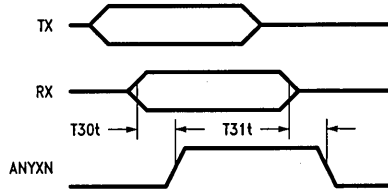
**Note 1:** PKEN assumed high.

**Note 2:** Assuming reception ended before COLN goes inactive. TW2 is included in this parameter. Assuming  $ACTN_d$  to  $ACTN_s$  delay is 0.

**Note:** In these diagrams the Inter-RIC and Management Busses are shown using active high signals, active low signals may also be used. See Section 5.5 Mode Load Operation.

#### COLLISION TIMING—10BASE-T PORTS

Collision activity propagation start up and end delays for ports in 10BASE-T mode



TL/F/11096-29

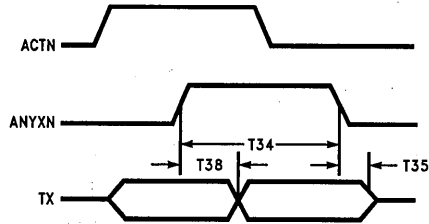
| Number | Symbol   | Parameter                                     | Min | Max | Units |
|--------|----------|-----------------------------------------------|-----|-----|-------|
| T30t   | colaanya | Collision Active to ANYXN Active              |     | 800 | ns    |
| T31t   | colianyi | Collision Inactive to ANYXN Inactive (Note 1) |     | 400 | ns    |

**Note 1:** TX collision extension has already been performed and no other port is asserting ANYXN.

**Note:** In these diagrams the Inter-RIC and Management Busses are shown using active high signals, active low signals may also be used. See Section 5.5 Mode Load Operation.

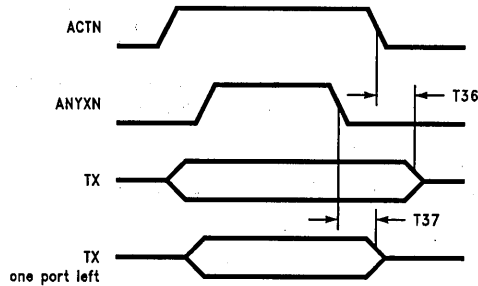
## 9.0 AC and DC Specifications (Continued)

### COLLISION TIMING—ALL PORTS



TL/F/11096-38

| Number | Symbol   | Parameter                            | Min | Max | Units |
|--------|----------|--------------------------------------|-----|-----|-------|
| T34    | anyamin  | ANYXN Active Time                    | 96  |     | Bits  |
| T35    | anyitxai | ANYXN Inactive to TX to all Inactive | 120 | 170 | ns    |
| T38    | anyasj   | ANYXN Active to Start of Jam         |     | 400 | ns    |



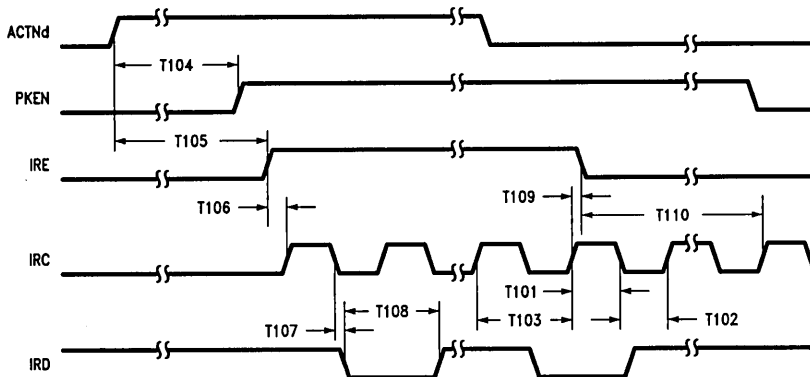
TL/F/11096-39

| Number | Symbol   | Parameter                                     | Min | Max | Units |
|--------|----------|-----------------------------------------------|-----|-----|-------|
| T36    | actnitxi | ACTN Inactive to TX Inactive                  |     | 405 | ns    |
| T37    | anyitxoi | ANYXN Inactive to TX "One Port Left" Inactive | 120 | 170 | ns    |

**Note:** In these diagrams the Inter-RIC and Management Busses are shown using active high signals, active low signals may also be used. See Section 5.5 Mode Load Operation.

## 9.0 AC and DC Specifications (Continued)

### INTER RIC BUS OUTPUT TIMING



TL/F/11096-35

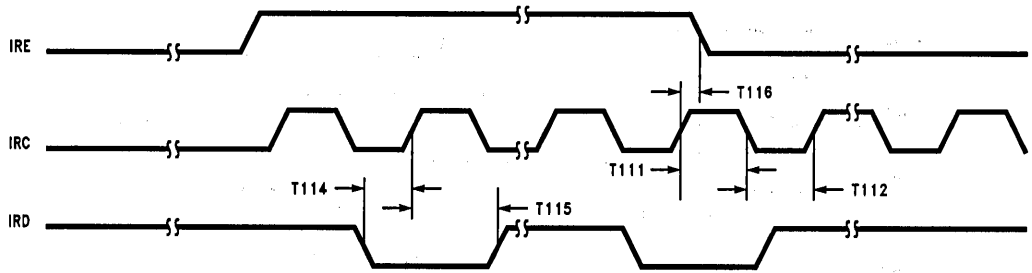
| Number | Symbol      | Parameter                         | Min | Max | Units   |
|--------|-------------|-----------------------------------|-----|-----|---------|
| T101   | ircoh       | IRC Output High Time              | 45  | 55  | ns      |
| T102   | ircol       | IRC Output Low Time               | 45  | 55  | ns      |
| T103   | ircoc       | IRC Output Cycle Time             | 90  | 110 | ns      |
| T104   | actndapkena | ACTNd Active to PKEN Active       | 555 |     | ns      |
| T105   | actndairea  | ACTNd Active to IRE Active        | 560 |     | ns      |
| T106   | ireoairca   | IRE Output Active to IRC Active   |     | 1.8 | $\mu$ s |
| T107   | irdov       | IRD Output Valid from IRC         |     | 10  | ns      |
| T108   | irdos       | IRD Output Stable Valid Time      | 90  |     | ns      |
| T109   | ircohirei   | IRC Output High to IRE Inactive   | 30  | 70  | ns      |
| T110   | ircclks     | Number of IRCs after IRE Inactive | 5   |     | clks    |

**Note:** In these diagrams the Inter-RIC and Management Busses are shown using active high signals, active low signals may also be used. See Section 5.5 Mode Load Operation.

**Note:** In a Multi-RIC system, the PKEN signal is valid only for the first receiving RIC.

## 9.0 AC and DC Specifications (Continued)

### INTER RIC BUS INPUT TIMING



TL/F/11098-40

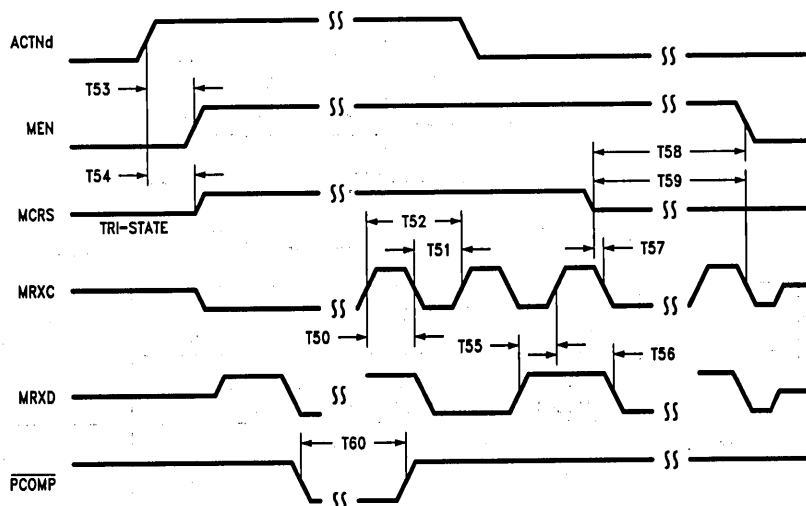
| Number | Symbol   | Parameter                      | Min | Max | Units |
|--------|----------|--------------------------------|-----|-----|-------|
| T111   | ircih    | IRC Input High Time            | 20  |     | ns    |
| T112   | ircil    | IRC Input Low Time             | 20  |     | ns    |
| T114   | irdisirc | IRD Input Setup to IRC         | 5   |     | ns    |
| T115   | irdihirc | IRD Input Hold from IRC        | 10  |     | ns    |
| T116   | irchiire | IRC Input High to IRE Inactive | 10  | 90  | ns    |

**Note:** In these diagrams the Inter-RIC and Management Busses are shown using active high signals, active low signals may also be used. See Section 5.5 Mode Load Operation.



## 9.0 AC and DC Specifications (Continued)

### MANAGEMENT BUS TIMING



TL/F/11096-30

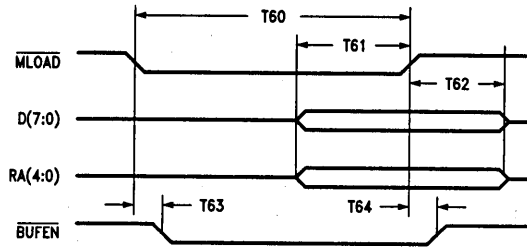
| Number | Symbol      | Parameter                               | Min | Max | Units |
|--------|-------------|-----------------------------------------|-----|-----|-------|
| T50    | mrxch       | MRXC High Time                          | 45  | 55  | ns    |
| T51    | mrxcl       | MRXC Low Time                           | 45  | 55  | ns    |
| T52    | mrxcd       | MRXC Cycle Time                         | 90  | 110 | ns    |
| T53    | actndamena  | ACTNd Active to MEN Active              |     | 715 | ns    |
| T54    | actndamcrsa | ACTNd Active to MCRS Active             |     | 720 | ns    |
| T55    | mrxds       | MRXD Setup                              | 40  |     | ns    |
| T56    | mrxdh       | MRXD Hold                               | 45  |     | ns    |
| T57    | mrxcmlcrsi  | MRXC Low to MCRS Inactive               | -5  | 6   | ns    |
| T58    | mcrsimenl   | MCRS Inactive to MEN Low                |     | 510 | ns    |
| T59    | mrxcclks    | Min Number of MRXCs after MCRS Inactive | 5   | 5   | Clks  |
| T60    | pcompw      | PCOMP Pulse Width                       | 20  |     | ns    |

**Note:** The preamble on this bus consists of the following string: 01011.

**Note:** In these diagrams the Inter-RIC and Management Busses are shown using active high signals, active low signals may also be used. See Section 5.5 Mode Load Operation.

## 9.0 AC and DC Specifications (Continued)

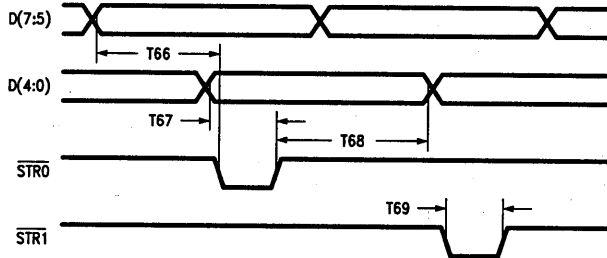
### MLOAD TIMING



TL/F/11096-31

| Number | Symbol  | Parameter                        | Min | Max | Units |
|--------|---------|----------------------------------|-----|-----|-------|
| T61    | mldots  | Data Setup                       | 10  |     | ns    |
| T62    | mldeath | Data Hold                        | 10  |     | ns    |
| T63    | mlabufa | MLOAD Active to BUFEN Active     |     | 35  | ns    |
| T64    | mlibufi | MLOAD Inactive to BUFEN Inactive |     | 35  | ns    |
| T65    | mlw     | MLOAD Width                      | 800 |     | ns    |

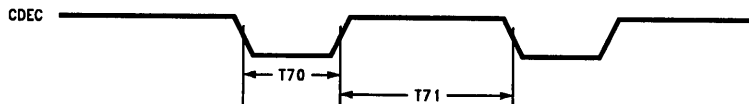
### STROBE TIMING



TL/F/11096-32

| Number | Symbol  | Parameter            | Min | Max | Units |
|--------|---------|----------------------|-----|-----|-------|
| T66    | stradrs | Strobe Address Setup | 80  | 115 | ns    |
| T67    | strdats | Strobe Data Setup    | 40  | 65  | ns    |
| T68    | strdath | Strobe Data Hold     | 135 | 160 | ns    |
| T69    | strw    | Strobe Width         | 30  | 65  | ns    |

### CDEC TIMING

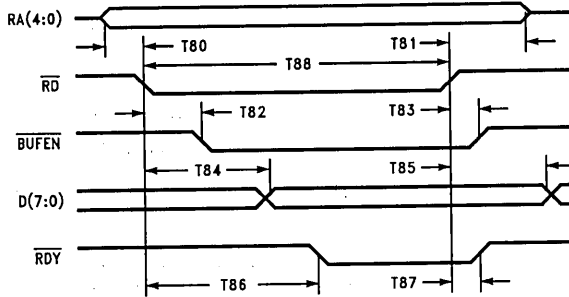


TL/F/11096-41

| Number | Symbol  | Parameter          | Min | Max | Units |
|--------|---------|--------------------|-----|-----|-------|
| T70    | cdecpw  | CDEC Pulse Width   | 20  | 100 | ns    |
| T71    | cdecdec | CDEC to CDEC Width | 200 |     | ns    |

### 9.0 AC and DC Specifications (Continued)

#### REGISTER READ TIMING



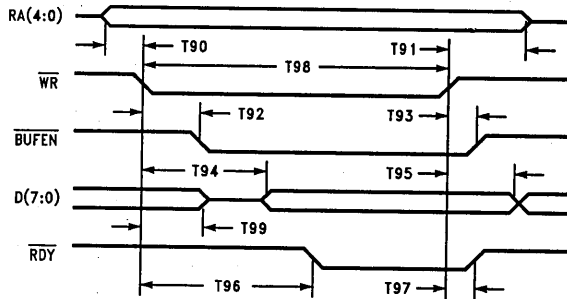
TL/F/11096-33

| Number | Symbol  | Parameter                                           | Min | Max | Units |
|--------|---------|-----------------------------------------------------|-----|-----|-------|
| T80    | rdadrs  | Read Address Setup                                  | 0   |     | ns    |
| T81    | rdadrh  | Read Address Hold                                   | 0   |     | ns    |
| T82    | rdabufa | Read Active to $\overline{\text{BUFEN}}$ Active     | 95  | 345 | ns    |
| T83    | rdibufi | Read Inactive to $\overline{\text{BUFEN}}$ Inactive |     | 35  | ns    |
| T84    | rdadatv | Read Active to Data Invalid                         | 245 |     | ns    |
| T85    | rddath  | Read Data Hold                                      | 75  |     | ns    |
| T86    | rdardya | Read Active to $\overline{\text{RDY}}$ Active       | 340 | 585 | ns    |
| T87    | rdirdyi | Read Inactive to $\overline{\text{RDY}}$ Inactive   |     | 30  | ns    |
| T88    | rdw     | Read Width                                          | 600 |     | ns    |

Note: Minimum high time between read/write cycles is 100 ns.

## 9.0 AC and DC Specifications (Continued)

### REGISTER WRITE TIMING



TL/F/11096-34

| Number | Symbol  | Parameter                                            | Min | Max | Units |
|--------|---------|------------------------------------------------------|-----|-----|-------|
| T90    | wradrs  | Write Address Setup                                  | 0   |     | ns    |
| T91    | wradrh  | Write Address Hold                                   | 0   |     | ns    |
| T92    | wrabufa | Write Active to $\overline{\text{BUFEN}}$ Active     | 95  | 355 | ns    |
| T93    | wribufi | Write Inactive to $\overline{\text{BUFEN}}$ Inactive |     | 35  | ns    |
| T94    | wradatv | Write Active to Data Valid                           |     | 275 | ns    |
| T95    | wrdath  | Write Data Hold                                      | 0   |     | ns    |
| T96    | wrardya | Write Active to $\overline{\text{RDY}}$ Active       | 340 | 585 | ns    |
| T97    | wriridy | Write Inactive to $\overline{\text{RDY}}$ Inactive   |     | 30  | ns    |
| T98    | wrw     | Write Width                                          | 600 |     | ns    |
| T99    | wradt   | Write Active to Data TRI-STATE                       |     | 350 | ns    |

Note: Assuming zero propagation delay on external buffer.

Note: Minimum high time between read/write cycles is 100 ns.

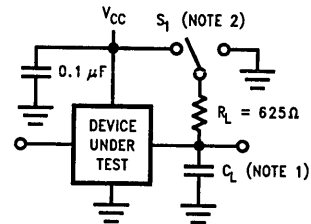
Note: The data will always be TRI-STATE before  $\overline{\text{BUFEN}}$  goes active with a load of 100 pF on the data bus.

Note: When  $\overline{\text{RDY}}$  is used, the minimum 600 ns write width does not have to be maintained.

## 10.0 AC Timing Test Conditions

All specifications are valid only if the mandatory isolation is employed and all differential signals are taken to be at the AUI side of the pulse transformer.

|                                              |                                 |
|----------------------------------------------|---------------------------------|
| Input Pulse Levels (TTL/CMOS)                | GND to 3.0V                     |
| Input Rise and Fall Times (TTL/CMOS)         | 5 ns                            |
| Input and Output Reference Levels (TTL/CMOS) | 1.5V                            |
| Input Pulse Levels (Diff.)                   | 2.0 V <sub>p-p</sub>            |
| Input and Output Reference Levels (Diff.)    | 50% Point of the Differential   |
| TRI-STATE Reference Levels                   | Float ( $\Delta V$ ) $\pm 0.5V$ |
| Output Load (See Figure Below)               |                                 |



TL/F/11096-36

Note 1: 100 pF, includes scope and jig capacitance.

Note 2: S1 = Open for timing tests for push pull outputs.

S1 = VCC for VOL test.

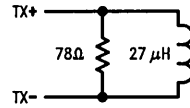
S1 = GND for VOH test.

S1 = VCC for High Impedance to active low and active low to High Impedance measurements.

S1 = GND for High Impedance to active high and active high to High Impedance measurements.

**Capacitance**  $T_A = 25^\circ\text{C}$ ,  $f = 1\text{ MHz}$ 

| Symbol    | Parameter          | Typ | Units |
|-----------|--------------------|-----|-------|
| $C_{IN}$  | Input Capacitance  | 7   | pF    |
| $C_{OUT}$ | Output Capacitance | 7   | pF    |



TL/F/11096-37

Note: In the above diagram, the TX+ and TX- signals are taken from the AUI side of the isolation (pulse transformer). The pulse transformer used for all testing is the Pulse Engineering PE64103.



## DP83955A/DP83956A LERIC™ LiTE Repeater Interface Controller

### General Description

The DP83955/56 LiTE Repeater Interface Controller (LERIC) may be used to implement an IEEE 802.3 multiport repeater unit. It fully satisfies the IEEE 802.3 repeater specification including the functions defined by the repeater, segment partition and jabber lockup protection state machines.

The LERIC has an on-chip phase-locked-loop (PLL) for Manchester data decoding, a Manchester encoder, and an Elasticity Buffer for preamble regeneration.

Each LERIC can connect up to 7 cable segments via its network interface ports. One port is fully Attachment Unit Interface (AUI) compatible and is able to connect to an external Medium Attachment Unit (MAU) using the maximum length of AUI cable. The other 6 ports have integrated 10BASE-T transceivers. These transceiver functions may be bypassed so that the LERIC may be used with external transceivers, such as National's DP8392 coaxial transceiver. In addition, large repeater units may be constructed by cascading LERICs together over the Inter-LERIC™ or Inter-RIC™ bus.

The LERIC is configurable for specific applications. It provides port status information for LED array displays. Additionally, the LERIC has a  $\mu$ P interface to provide individual port status, configuration, and port enable/disable functions.

The DP83956 has all the features of the DP83955, except that two of the bidirectional signals on DP83955 are changed to unidirectional signals on DP83956, and one more signal is added to DP83956 to accommodate the addition of bus transceivers for cascading a greater number of LERICs in large repeater applications.

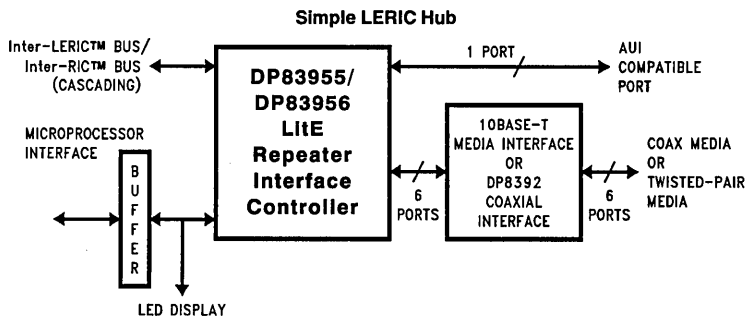
Specifications enclosed describe both the DP83955 and the DP83956 unless otherwise noted.

For IEEE 802.3 multiport repeater applications which require conformance to the IEEE 802.3 Draft Repeater Management options, the DP83950 Repeater Interface Controller (RICTM) is recommended especially for highly-managed hub requirements.

### Features

- Compliant with the IEEE 802.3 Repeater Specification
- 7 network connections (ports) per chip
- Selectable on-chip twisted-pair transceivers
- Cascadable for large multiple RIC/LERIC hub applications
- Compatible with AUI compliant transceivers
- On-chip Elasticity Buffer, Manchester encoder and decoder
- Separation Partition state machines for each port
- Provides port status information for LED displays including: receive, collision, partition, polarity, and link status
- Power-up configuration options—Repeater and Partition Specifications, Transceiver Interface, Status Display, Processor Operations
- Simple processor interface for repeater management and port disable
- Per port receive squelch level selection
- CMOS process for low power dissipation
- Single 5V supply

### 1.0 System Diagram



TL/F/11240-1

## Table of Contents

|                                                         |                                             |
|---------------------------------------------------------|---------------------------------------------|
| <b>1.0 SYSTEM DIAGRAM</b>                               | <b>6.0 PORT BLOCK FUNCTIONS</b>             |
| <b>2.0 CONNECTION DIAGRAMS</b>                          | 6.1 Transceiver Functions                   |
| <b>3.0 PIN DESCRIPTION</b>                              | 6.2 Segment Partition                       |
| <b>4.0 BLOCK DIAGRAM</b>                                | 6.3 Port Status Register Functions          |
| <b>5.0 FUNCTIONAL DESCRIPTION</b>                       | <b>7.0 RIC REGISTER DESCRIPTIONS</b>        |
| 5.1 Overview of LERIC Functions                         | 7.1 LERIC Register Address Map              |
| 5.2 Description of Repeater Operations                  | 7.2 LERIC Status Register                   |
| 5.3 Examples of Packet Repetition Scenarios             | 7.3 Port Status and Configuration Registers |
| 5.4 Description of Hardware Connection for Cascading    | <b>8.0 ABSOLUTE MAXIMUM RATINGS</b>         |
| 5.5 Processor and Display Interface                     | <b>9.0 DC ELECTRICAL CHARACTERISTICS</b>    |
| 5.6 Processor and Display Interface Hardware Connection | <b>10.0 SWITCHING CHARACTERISTICS</b>       |
|                                                         | <b>11.0 AC TIMING TEST CONDITIONS</b>       |
|                                                         | <b>12.0 PHYSICAL DIMENSIONS</b>             |

## 2.0 Connection Diagrams

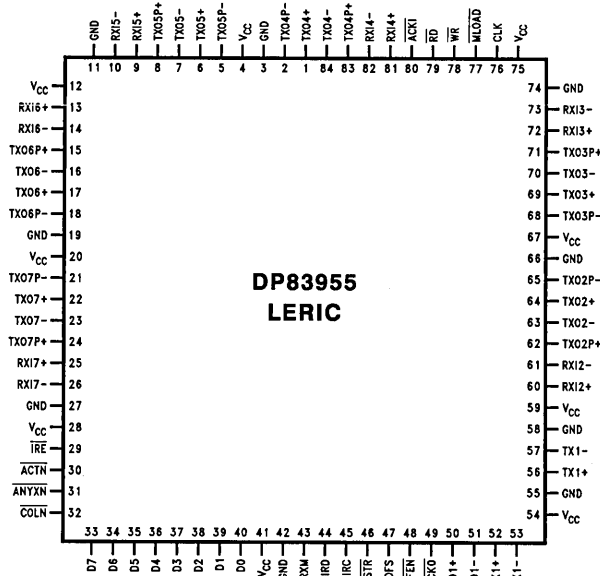
Pin Table for DP83955  
(Configured as Port 1 Full AUI, and Ports 2-7 Twisted-Pair)

| Pin Name        | Pin No. |
|-----------------|---------|
| TXO4+           | 1       |
| TXO4P-          | 2       |
| GND             | 3       |
| V <sub>CC</sub> | 4       |
| TXO5P-          | 5       |
| TXO5+           | 6       |
| TXO5-           | 7       |
| TXO5P+          | 8       |
| RXI5+           | 9       |
| RXI5-           | 10      |
| GND             | 11      |
| V <sub>CC</sub> | 12      |
| RXI6+           | 13      |
| RXI6-           | 14      |
| TXO6P+          | 15      |
| TXO6-           | 16      |
| TXO6+           | 17      |
| TXO6P-          | 18      |
| GND             | 19      |
| V <sub>CC</sub> | 20      |
| TXO7P-          | 21      |

| Pin Name        | Pin No. |
|-----------------|---------|
| TXO7+           | 22      |
| TXO7-           | 23      |
| TXO7P+          | 24      |
| RXI7+           | 25      |
| RXI7-           | 26      |
| GND             | 27      |
| V <sub>CC</sub> | 28      |
| IRE             | 29      |
| ACTN            | 30      |
| ANYXN           | 31      |
| COLN            | 32      |
| D7              | 33      |
| D6              | 34      |
| D5              | 35      |
| D4              | 36      |
| D3              | 37      |
| D2              | 38      |
| D1              | 39      |
| D0              | 40      |
| V <sub>CC</sub> | 41      |
| GND             | 42      |

| Pin Name        | Pin No. |
|-----------------|---------|
| RXM             | 43      |
| IRD             | 44      |
| IRC             | 45      |
| STR             | 46      |
| DFS             | 47      |
| BUFEN           | 48      |
| ACKO            | 49      |
| CD1+            | 50      |
| CD1-            | 51      |
| RX1+            | 52      |
| RX1-            | 53      |
| V <sub>CC</sub> | 54      |
| GND             | 55      |
| TX1+            | 56      |
| TX1-            | 57      |
| GND             | 58      |
| V <sub>CC</sub> | 59      |
| RXI2+           | 60      |
| RXI2-           | 61      |
| TXO2P+          | 62      |
| TXO2-           | 63      |

| Pin Name        | Pin No. |
|-----------------|---------|
| TXO2+           | 64      |
| TXO2P-          | 65      |
| GND             | 66      |
| V <sub>CC</sub> | 67      |
| TXO3P-          | 68      |
| TXO3+           | 69      |
| TXO3-           | 70      |
| TXO3P+          | 71      |
| RXI3+           | 72      |
| RXI3-           | 73      |
| GND             | 74      |
| V <sub>CC</sub> | 75      |
| CLK             | 76      |
| MLOAD           | 77      |
| WR              | 78      |
| RD              | 79      |
| ACKI            | 80      |
| RXI4+           | 81      |
| RXI4-           | 82      |
| TXO4P+          | 83      |
| TXO4-           | 84      |



**DP83955  
LERIC**

Top View

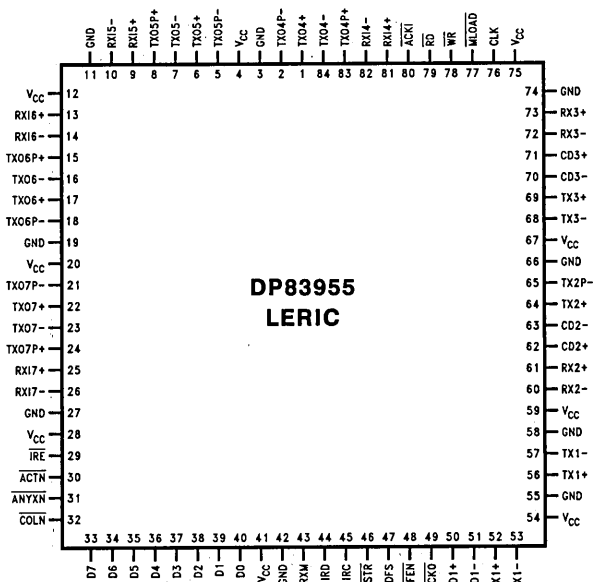
TL/F/11240-2



## 2.0 Connection Diagrams (Continued)

**Pin Table for DP83955**  
(Configured as Port 1 Full AUI, Ports 2-3 AUI, and Ports 4-7 Twisted-Pair)

| Pin Name        | Pin No. | Pin Name        | Pin No. | Pin Name        | Pin No. | Pin Name        | Pin No. |
|-----------------|---------|-----------------|---------|-----------------|---------|-----------------|---------|
| TXO4+           | 1       | TXO7+           | 22      | RXM             | 43      | TX2+            | 64      |
| TXO4P-          | 2       | TXO7-           | 23      | IRD             | 44      | TX2-            | 65      |
| GND             | 3       | TXO7P+          | 24      | IRC             | 45      | GND             | 66      |
| V <sub>CC</sub> | 4       | RXI7+           | 25      | STR             | 46      | V <sub>CC</sub> | 67      |
| TXO5P-          | 5       | RXI7-           | 26      | DFS             | 47      | TX3-            | 68      |
| TXO5+           | 6       | GND             | 27      | BUFEN           | 48      | TX3+            | 69      |
| TXO5-           | 7       | V <sub>CC</sub> | 28      | ACKO            | 49      | CD3-            | 70      |
| TXO5P+          | 8       | IRE             | 29      | CD1+            | 50      | CD3+            | 71      |
| RXI5+           | 9       | ACTN            | 30      | CD1-            | 51      | RX3-            | 72      |
| RXI5-           | 10      | ANYXN           | 31      | RX1+            | 52      | RX3+            | 73      |
| GND             | 11      | COLN            | 32      | RX1-            | 53      | GND             | 74      |
| V <sub>CC</sub> | 12      | D7              | 33      | V <sub>CC</sub> | 54      | V <sub>CC</sub> | 75      |
| RXI6+           | 13      | D6              | 34      | GND             | 55      | CLK             | 76      |
| RXI6-           | 14      | D5              | 35      | TX1+            | 56      | MLOAD           | 77      |
| TXO6P+          | 15      | D4              | 36      | TX1-            | 57      | WR              | 78      |
| TXO6-           | 16      | D3              | 37      | GND             | 58      | RD              | 79      |
| TXO6+           | 17      | D2              | 38      | V <sub>CC</sub> | 59      | ACKI            | 80      |
| TXO6P-          | 18      | D1              | 39      | RX2-            | 60      | RXI4+           | 81      |
| GND             | 19      | D0              | 40      | RX2+            | 61      | RXI4-           | 82      |
| V <sub>CC</sub> | 20      | V <sub>CC</sub> | 41      | CD2+            | 62      | TXO4P+          | 83      |
| TXO7P-          | 21      | GND             | 42      | CD2-            | 63      | TXO4-           | 84      |



Top View

TL/F/11240-3

## 2.0 Connection Diagrams (Continued)

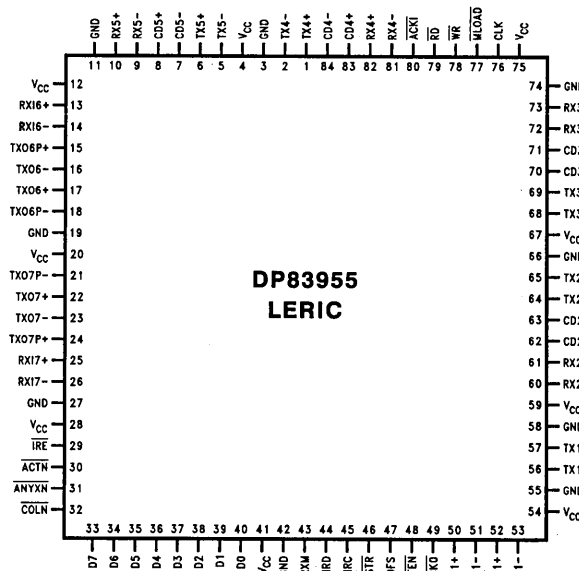
**Pin Table for DP83955**  
(Configured as Port 1 Full AUI, Ports 2-5 AUI, and Ports 6-7 Twisted-Pair)

| Pin Name        | Pin No. |
|-----------------|---------|
| TX4+            | 1       |
| TX4-            | 2       |
| GND             | 3       |
| V <sub>CC</sub> | 4       |
| TX5-            | 5       |
| TX5+            | 6       |
| CD5-            | 7       |
| CD5+            | 8       |
| RX5-            | 9       |
| RX5+            | 10      |
| GND             | 11      |
| V <sub>CC</sub> | 12      |
| RX16+           | 13      |
| RX16-           | 14      |
| TXO6P+          | 15      |
| TXO6-           | 16      |
| TXO6+           | 17      |
| TXO6P-          | 18      |
| GND             | 19      |
| V <sub>CC</sub> | 20      |
| TXO7P-          | 21      |

| Pin Name        | Pin No. |
|-----------------|---------|
| TXO7+           | 22      |
| TXO7-           | 23      |
| TXO7P+          | 24      |
| RX17+           | 25      |
| RX17-           | 26      |
| GND             | 27      |
| V <sub>CC</sub> | 28      |
| IRE             | 29      |
| ACTN            | 30      |
| ANYXN           | 31      |
| COLN            | 32      |
| D7              | 33      |
| D6              | 34      |
| D5              | 35      |
| D4              | 36      |
| D3              | 37      |
| D2              | 38      |
| D1              | 39      |
| D0              | 40      |
| V <sub>CC</sub> | 41      |
| GND             | 42      |

| Pin Name        | Pin No. |
|-----------------|---------|
| RXM             | 43      |
| IRD             | 44      |
| IRC             | 45      |
| STR             | 46      |
| DFS             | 47      |
| BUFEN           | 48      |
| ACKO            | 49      |
| CD1+            | 50      |
| CD1-            | 51      |
| RX1+            | 52      |
| RX1-            | 53      |
| V <sub>CC</sub> | 54      |
| GND             | 55      |
| TX1+            | 56      |
| TX1-            | 57      |
| GND             | 58      |
| V <sub>CC</sub> | 59      |
| RX2-            | 60      |
| RX2+            | 61      |
| CD2+            | 62      |
| CD2-            | 63      |

| Pin Name        | Pin No. |
|-----------------|---------|
| TX2+            | 64      |
| TX2-            | 65      |
| GND             | 66      |
| V <sub>CC</sub> | 67      |
| TX3-            | 68      |
| TX3+            | 69      |
| CD3-            | 70      |
| CD3+            | 71      |
| RX3-            | 72      |
| RX3+            | 73      |
| GND             | 74      |
| V <sub>CC</sub> | 75      |
| CLK             | 76      |
| MLOAD           | 77      |
| WR              | 78      |
| RD              | 79      |
| ACKI            | 80      |
| RX4-            | 81      |
| RX4+            | 82      |
| CD4+            | 83      |
| CD4-            | 84      |



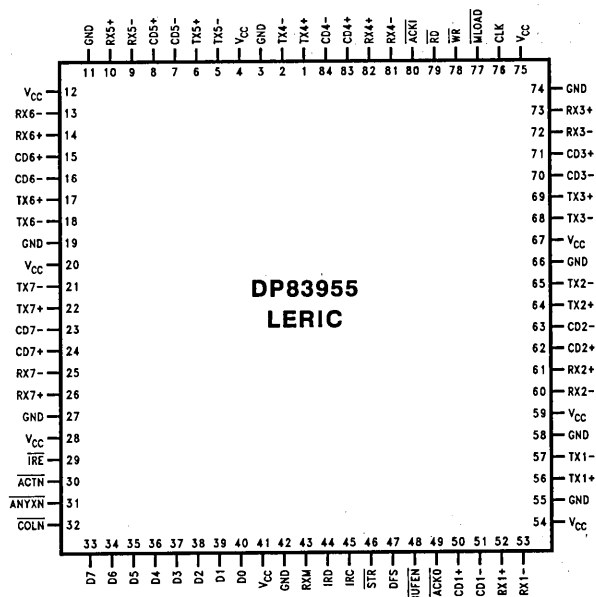
Top View

TL/F/11240-4

## 2.0 Connection Diagrams (Continued)

**Pin Table for DP83955**  
(Configured as Port 1 Full AUI, Ports 2-7 AUI)

| Pin Name        | Pin No. | Pin Name        | Pin No. | Pin Name        | Pin No. | Pin Name        | Pin No. |
|-----------------|---------|-----------------|---------|-----------------|---------|-----------------|---------|
| TX4+            | 1       | TX7+            | 22      | RXM             | 43      | TX2+            | 64      |
| TX4-            | 2       | CD7-            | 23      | IRD             | 44      | TX2-            | 65      |
| GND             | 3       | CD7+            | 24      | IRC             | 45      | GND             | 66      |
| V <sub>CC</sub> | 4       | RX7-            | 25      | STR             | 46      | V <sub>CC</sub> | 67      |
| TX5-            | 5       | RX7+            | 26      | DFS             | 47      | TX3-            | 68      |
| TX5+            | 6       | GND             | 27      | BUFEN           | 48      | TX3+            | 69      |
| CD5-            | 7       | V <sub>CC</sub> | 28      | ACKO            | 49      | CD3-            | 70      |
| CD5+            | 8       | IRE             | 29      | CD1+            | 50      | CD3+            | 71      |
| RX5-            | 9       | ACTN            | 30      | CD1-            | 51      | RX3-            | 72      |
| RX5+            | 10      | ANYXN           | 31      | RX1+            | 52      | RX3+            | 73      |
| GND             | 11      | COLN            | 32      | RX1-            | 53      | GND             | 74      |
| V <sub>CC</sub> | 12      | D7              | 33      | V <sub>CC</sub> | 54      | V <sub>CC</sub> | 75      |
| RX6-            | 13      | D6              | 34      | GND             | 55      | CLK             | 76      |
| RX6+            | 14      | D5              | 35      | TX1+            | 56      | MLOAD           | 77      |
| CD6+            | 15      | D4              | 36      | TX1-            | 57      | WR              | 78      |
| CD6-            | 16      | D3              | 37      | GND             | 58      | RD              | 79      |
| TX6+            | 17      | D2              | 38      | V <sub>CC</sub> | 59      | ACKI            | 80      |
| TX6-            | 18      | D1              | 39      | RX2-            | 60      | RX4-            | 81      |
| GND             | 19      | D0              | 40      | RX2+            | 61      | RX4+            | 82      |
| V <sub>CC</sub> | 20      | V <sub>CC</sub> | 41      | CD2+            | 62      | CD4+            | 83      |
| TX7-            | 21      | GND             | 42      | CD2-            | 63      | CD4-            | 84      |



**Top View**

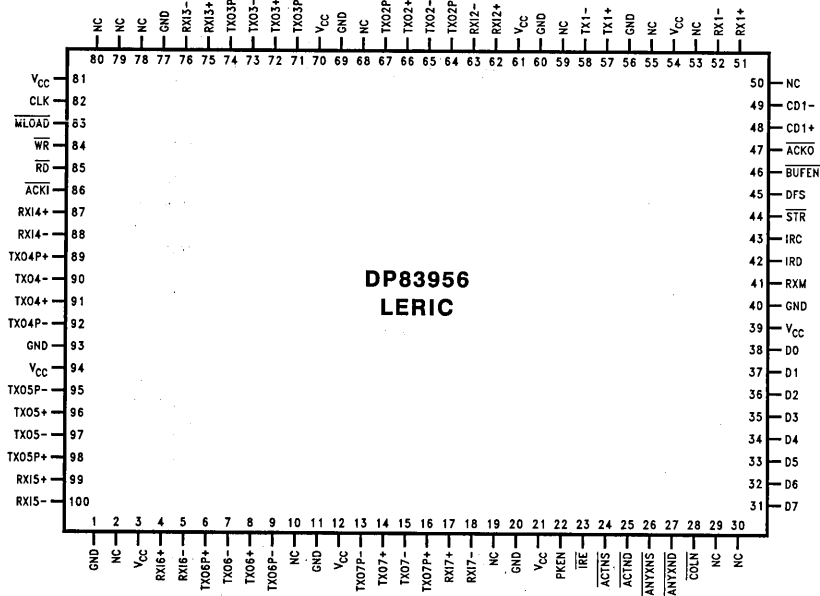
TL/F/11240-5

## 2.0 Connection Diagrams (Continued)

Pin Table for DP83956  
(Configured as Port 1 Full AUI, Ports 2-7 Twisted-Pair)

| Pin Name        | Pin No. | Pin Name        | Pin No. | Pin Name        | Pin No. | Pin Name        | Pin No. | Pin Name        | Pin No. |
|-----------------|---------|-----------------|---------|-----------------|---------|-----------------|---------|-----------------|---------|
| GND             | 1       | V <sub>CC</sub> | 21      | RXM             | 41      | V <sub>CC</sub> | 61      | V <sub>CC</sub> | 81      |
| NC              | 2       | PKEN            | 22      | IRD             | 42      | RXI2+           | 62      | CLK             | 82      |
| V <sub>CC</sub> | 3       | TRE             | 23      | IRC             | 43      | RXI2-           | 63      | MLOAD           | 83      |
| RXI6+           | 4       | ACTNS           | 24      | STR             | 44      | TXO2P+          | 64      | WR              | 84      |
| RXI6-           | 5       | ACTND           | 25      | DFS             | 45      | TXO2-           | 65      | RD              | 85      |
| TXO6P+          | 6       | ANYXNS          | 26      | BUFEN           | 46      | TXO2+           | 66      | ACKI            | 86      |
| TXO6-           | 7       | ANYXND          | 27      | ACKO            | 47      | TXO2P-          | 67      | RXI4+           | 87      |
| TXO6+           | 8       | COLN            | 28      | CD1+            | 48      | NC              | 68      | RXI4-           | 88      |
| TXO6P-          | 9       | NC              | 29      | CD1-            | 49      | GND             | 69      | TXO4P+          | 89      |
| NC              | 10      | NC              | 30      | NC              | 50      | V <sub>CC</sub> | 70      | TXO4-           | 90      |
| GND             | 11      | D7              | 31      | RX1+            | 51      | TXO3P-          | 71      | TXO4+           | 91      |
| V <sub>CC</sub> | 12      | D6              | 32      | RX1-            | 52      | TXO3+           | 72      | TXO4P-          | 92      |
| TXO7P-          | 13      | D5              | 33      | NC              | 53      | TXO3-           | 73      | GND             | 93      |
| TXO7+           | 14      | D4              | 34      | V <sub>CC</sub> | 54      | TXO3P+          | 74      | V <sub>CC</sub> | 94      |
| TXO7-           | 15      | D3              | 35      | NC              | 55      | RXI3+           | 75      | TXO5P-          | 95      |
| TXO7P+          | 16      | D2              | 36      | GND             | 56      | RXI3-           | 76      | TXO5+           | 96      |
| RXI7+           | 17      | D1              | 37      | TX1+            | 57      | GND             | 77      | TXO5-           | 97      |
| RXI7-           | 18      | D0              | 38      | TX1-            | 58      | NC              | 78      | TXO5P+          | 98      |
| NC              | 19      | V <sub>CC</sub> | 39      | NC              | 59      | NC              | 79      | RXI5+           | 99      |
| GND             | 20      | GND             | 40      | GND             | 60      | NC              | 80      | RXI5-           | 100     |

Note: DP83956 will change from VLY package to VLJ package approximately Q3, 1993.



Top View

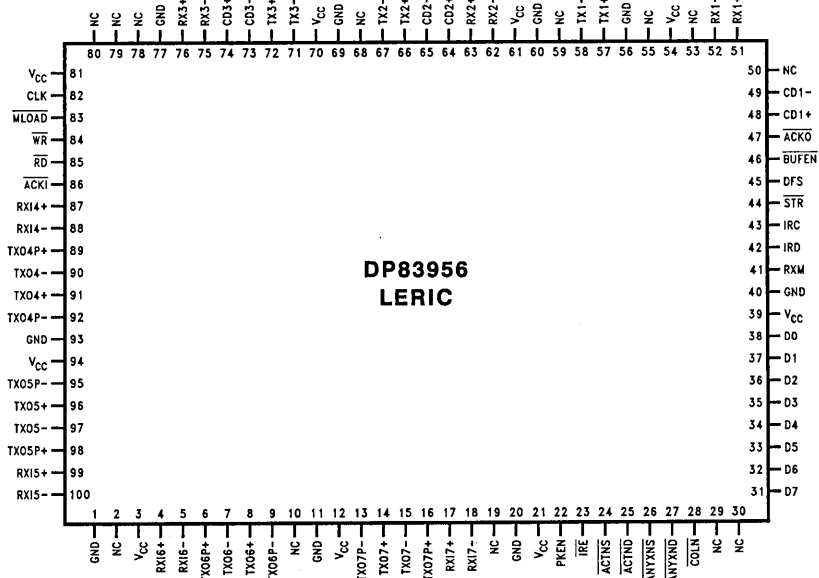
TL/F/11240-36

## 2.0 Connection Diagrams (Continued)

**Pin Table for DP83956**  
(Configured as Port 1 Full AUI, Ports 2-3, AUI and Ports 4-7 Twisted-Pair)

| Pin Name        | Pin No. | Pin Name                   | Pin No. | Pin Name                 | Pin No. | Pin Name        | Pin No. | Pin Name                  | Pin No. |
|-----------------|---------|----------------------------|---------|--------------------------|---------|-----------------|---------|---------------------------|---------|
| GND             | 1       | V <sub>CC</sub>            | 21      | RXM                      | 41      | V <sub>CC</sub> | 61      | V <sub>CC</sub>           | 81      |
| NC              | 2       | PKEN                       | 22      | IRD                      | 42      | RX2-            | 62      | CLK                       | 82      |
| V <sub>CC</sub> | 3       | $\overline{\text{IRE}}$    | 23      | IRC                      | 43      | RX2+            | 63      | $\overline{\text{MLOAD}}$ | 83      |
| RX16+           | 4       | $\overline{\text{ACTNS}}$  | 24      | $\overline{\text{STR}}$  | 44      | CD2+            | 64      | $\overline{\text{WR}}$    | 84      |
| RX16-           | 5       | $\overline{\text{ACTND}}$  | 25      | DFS                      | 45      | CD2-            | 65      | $\overline{\text{RD}}$    | 85      |
| TXO6P+          | 6       | $\overline{\text{ANYXNS}}$ | 26      | BUFEN                    | 46      | TX2+            | 66      | $\overline{\text{ACKI}}$  | 86      |
| TXO6-           | 7       | $\overline{\text{ANYXND}}$ | 27      | $\overline{\text{ACKO}}$ | 47      | TX2-            | 67      | RX14+                     | 87      |
| TXO6+           | 8       | $\overline{\text{COLN}}$   | 28      | CD1+                     | 48      | NC              | 68      | RX14-                     | 88      |
| TXO6P-          | 9       | NC                         | 29      | CD1-                     | 49      | GND             | 69      | TXO4P+                    | 89      |
| NC              | 10      | NC                         | 30      | NC                       | 50      | V <sub>CC</sub> | 70      | TXO4-                     | 90      |
| GND             | 11      | D7                         | 31      | RX1+                     | 51      | TX3-            | 71      | TXO4+                     | 91      |
| V <sub>CC</sub> | 12      | D6                         | 32      | RX1-                     | 52      | TX3+            | 72      | TXO4P-                    | 92      |
| TXO7P-          | 13      | D5                         | 33      | NC                       | 53      | CD3-            | 73      | GND                       | 93      |
| TXO7+           | 14      | D4                         | 34      | V <sub>CC</sub>          | 54      | CD3+            | 74      | V <sub>CC</sub>           | 94      |
| TXO7-           | 15      | D3                         | 35      | NC                       | 55      | RX3-            | 75      | TXO5P-                    | 95      |
| TXO7P+          | 16      | D2                         | 36      | GND                      | 56      | RX3+            | 76      | TXO5+                     | 96      |
| RX17+           | 17      | D1                         | 37      | TX1+                     | 57      | GND             | 77      | TXO5-                     | 97      |
| RX17-           | 18      | D0                         | 38      | TX1-                     | 58      | NC              | 78      | TXO5P+                    | 98      |
| NC              | 19      | V <sub>CC</sub>            | 39      | NC                       | 59      | NC              | 79      | RX15+                     | 99      |
| GND             | 20      | GND                        | 40      | GND                      | 60      | NC              | 80      | RX15-                     | 100     |

Note: DP83956 will change from VLY package to VLJ package approximately Q3, 1993.



Top View

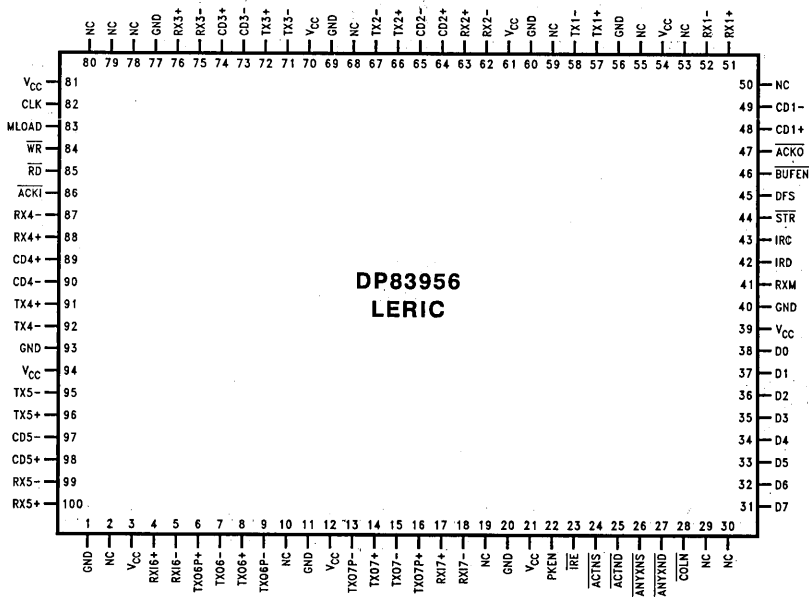
TL/F/11240-37

## 2.0 Connection Diagrams (Continued)

**Pin Table for DP83956**  
(Configured as Port 1 Full AUI, Ports 2-5, AUI, and Ports 6-7 Twisted-Pair)

| Pin Name        | Pin No. | Pin Name        | Pin No. | Pin Name        | Pin No. | Pin Name        | Pin No. | Pin Name        | Pin No. |
|-----------------|---------|-----------------|---------|-----------------|---------|-----------------|---------|-----------------|---------|
| GND             | 1       | V <sub>CC</sub> | 21      | RXM             | 41      | V <sub>CC</sub> | 61      | V <sub>CC</sub> | 81      |
| NC              | 2       | PKEN            | 22      | IRD             | 42      | RX2-            | 62      | CLK             | 82      |
| V <sub>CC</sub> | 3       | IRE             | 23      | IRC             | 43      | RX2+            | 63      | MLOAD           | 83      |
| RX16+           | 4       | ACTNS           | 24      | STR             | 44      | CD2+            | 64      | WR              | 84      |
| RX16-           | 5       | ACTND           | 25      | DFS             | 45      | CD2-            | 65      | RD              | 85      |
| TX06P+          | 6       | ANYXNS          | 26      | BUFEN           | 46      | TX2+            | 66      | ACKI            | 86      |
| TX06-           | 7       | ANYXND          | 27      | ACKO            | 47      | TX2-            | 67      | RX4-            | 87      |
| TX06+           | 8       | COLN            | 28      | CD1+            | 48      | NC              | 68      | RX4+            | 88      |
| TX06P-          | 9       | NC              | 29      | CD1-            | 49      | GND             | 69      | CD4+            | 89      |
| NC              | 10      | NC              | 30      | NC              | 50      | V <sub>CC</sub> | 70      | CD4-            | 90      |
| GND             | 11      | D7              | 31      | RX1+            | 51      | TX3-            | 71      | TX4+            | 91      |
| V <sub>CC</sub> | 12      | D6              | 32      | RX1-            | 52      | TX3+            | 72      | TX4-            | 92      |
| TX07P-          | 13      | D5              | 33      | NC              | 53      | CD3-            | 73      | GND             | 93      |
| TX07+           | 14      | D4              | 34      | V <sub>CC</sub> | 54      | CD3+            | 74      | V <sub>CC</sub> | 94      |
| TX07-           | 15      | D3              | 35      | NC              | 55      | RX3+            | 75      | TX5-            | 95      |
| TX07P+          | 16      | D2              | 36      | GND             | 56      | RX3-            | 76      | TX5+            | 96      |
| RX17+           | 17      | D1              | 37      | TX1+            | 57      | GND             | 77      | CD5-            | 97      |
| RX17-           | 18      | D0              | 38      | TX1-            | 58      | NC              | 78      | CD5+            | 98      |
| NC              | 19      | V <sub>CC</sub> | 39      | NC              | 59      | NC              | 79      | RX5-            | 99      |
| GND             | 20      | GND             | 40      | GND             | 60      | NC              | 80      | RX5+            | 100     |

Note: DP83956 will change from VLY package to VLJ package approximately Q3, 1993.



**DP83956**  
**LERIC**

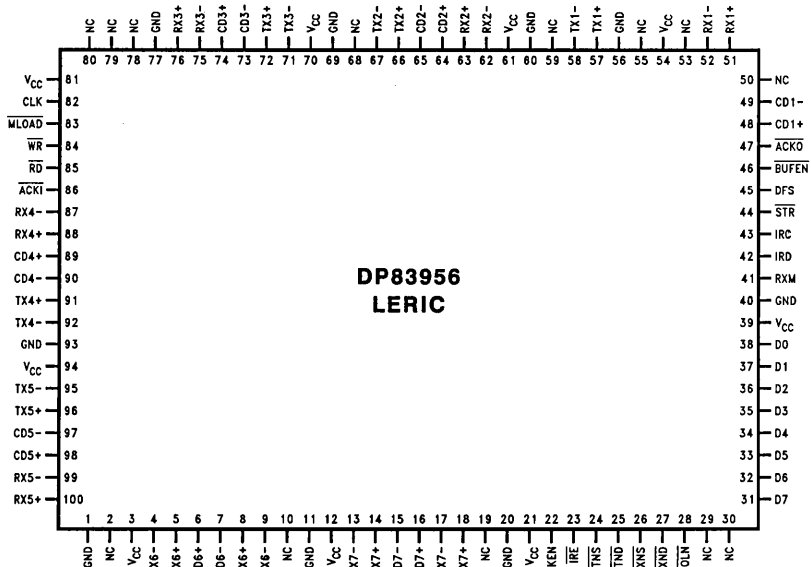
Top View

## 2.0 Connection Diagrams (Continued)

**Pin Table for DP83956**  
(Configured as Port 1 Full AUI, Ports 2-7 AUI)

| Pin Name | Pin No. | Pin Name | Pin No. | Pin Name | Pin No. | Pin Name | Pin No. | Pin Name | Pin No. |
|----------|---------|----------|---------|----------|---------|----------|---------|----------|---------|
| GND      | 1       | VCC      | 21      | RXM      | 41      | VCC      | 61      | VCC      | 81      |
| NC       | 2       | PKEN     | 22      | IRD      | 42      | RX2-     | 62      | CLK      | 82      |
| VCC      | 3       | IRE      | 23      | IRC      | 43      | RX2+     | 63      | MLOAD    | 83      |
| RX6-     | 4       | ACTNS    | 24      | STR      | 44      | CD2+     | 64      | WR       | 84      |
| RX6+     | 5       | ACTND    | 25      | DFS      | 45      | CD2-     | 65      | RD       | 85      |
| CD6+     | 6       | ANYXNS   | 26      | BUFEN    | 46      | TX2+     | 66      | ACKI     | 86      |
| CD6-     | 7       | ANYXND   | 27      | ACKO     | 47      | TX2-     | 67      | RX4-     | 87      |
| TX6+     | 8       | COLN     | 28      | CD1+     | 48      | NC       | 68      | RX4+     | 88      |
| TX6-     | 9       | NC       | 29      | CD1-     | 49      | GND      | 69      | CD4+     | 89      |
| NC       | 10      | NC       | 30      | NC       | 50      | VCC      | 70      | CD4-     | 90      |
| GND      | 11      | D7       | 31      | RX1+     | 51      | TX3-     | 71      | TX4+     | 91      |
| VCC      | 12      | D6       | 32      | RX1-     | 52      | TX3+     | 72      | TX4-     | 92      |
| TX7-     | 13      | D5       | 33      | NC       | 53      | CD3-     | 73      | GND      | 93      |
| TX7+     | 14      | D4       | 34      | VCC      | 54      | CD3+     | 74      | VCC      | 94      |
| CD7-     | 15      | D3       | 35      | NC       | 55      | RX3+     | 75      | TX5-     | 95      |
| CD7+     | 16      | D2       | 36      | GND      | 56      | RX3-     | 76      | TX5+     | 96      |
| RX7-     | 17      | D1       | 37      | TX1+     | 57      | GND      | 77      | CD5-     | 97      |
| RX7+     | 18      | D0       | 38      | TX1-     | 58      | NC       | 78      | CD5+     | 98      |
| NC       | 19      | VCC      | 39      | NC       | 59      | NC       | 79      | RX5+     | 99      |
| GND      | 20      | GND      | 40      | GND      | 60      | NC       | 80      | RX5-     | 100     |

Note: DP83956 will change from VLY package to VLJ package approximately Q3, 1993.



Top View

TL/F/11240-39

### 3.0 Pin Description

| Pin Name                                                                                          | Driver Type | I/O | Description                                        |
|---------------------------------------------------------------------------------------------------|-------------|-----|----------------------------------------------------|
| <b>NETWORK INTERFACE PINS (On-Chip Transceiver Mode)</b>                                          |             |     |                                                    |
| RXI2- to RXI7-                                                                                    | TP          | I   | Twisted-Pair Receive Input Negative                |
| RXI2+ to RXI7+                                                                                    | TP          | I   | Twisted-Pair Receive Input Positive                |
| TXOP2- to TXOP7-                                                                                  | TT          | O   | Twisted-Pair Pre-Emphasis Transmit Output Negative |
| TXO2- to TXO7-                                                                                    | TT          | O   | Twisted-Pair Transmit Output Negative              |
| TXO2+ to TXO7+                                                                                    | TT          | O   | Twisted-Pair Transmit Output Positive              |
| TXOP2+ to TXOP7+                                                                                  | TT          | O   | Twisted-Pair Pre-Emphasis Transmit Output Positive |
| CD1+                                                                                              | AL          | I   | AUI Collision Detect Input Positive                |
| CD1-                                                                                              | AL          | I   | AUI Collision Detect Input Negative                |
| RX1+                                                                                              | AL          | I   | AUI Receive Input Positive                         |
| RX1-                                                                                              | AL          | I   | AUI Receive Input Negative                         |
| TX1+                                                                                              | AD          | O   | AUI Transmit Output Positive                       |
| TX1-                                                                                              | AD          | O   | AUI Transmit Output Negative                       |
| <b>NETWORK INTERFACE PINS (External Transceiver Mode AUI Signal Level Compatibility Selected)</b> |             |     |                                                    |
| TX2+ to TX7+                                                                                      | AL          | O   | Transmit Output Positive                           |
| TX2- to TX7-                                                                                      | AL          | O   | Transmit Output Negative                           |
| CD2+ to CD7+                                                                                      | AL          | I   | Collision Input Positive                           |
| CD2- to CD7-                                                                                      | AL          | I   | Collision Input Negative                           |
| RX2+ to RX7+                                                                                      | AL          | I   | Receive Input Positive                             |
| RX2- to RX7-                                                                                      | AL          | I   | Receive Input Negative                             |
| CD1+                                                                                              | AL          | I   | AUI Collision Detect Input Positive                |
| CD1-                                                                                              | AL          | I   | AUI Collision Detect Input Negative                |
| RX1+                                                                                              | AL          | I   | AUI Receive Input Positive                         |
| RX1-                                                                                              | AL          | I   | AUI Receive Input Negative                         |
| TX1+                                                                                              | AD          | O   | AUI Transmit Output Positive                       |
| TX1-                                                                                              | AD          | O   | AUI Transmit Output Negative                       |

**Note:** AD = AUI level and Drive compatible  
 TP = Twisted-Pair interface compatible  
 AL = AUI Level compatible  
 TT = TTL compatible  
 I = Input  
 O = Output



### 3.0 Pin Description (Continued)

| Pin Name                    | Driver Type | I/O  | Description                                                                                                                                                                                                                                                                                                                                                                                                                                                                  |
|-----------------------------|-------------|------|------------------------------------------------------------------------------------------------------------------------------------------------------------------------------------------------------------------------------------------------------------------------------------------------------------------------------------------------------------------------------------------------------------------------------------------------------------------------------|
| <b>PROCESSOR BUS PINS</b>   |             |      |                                                                                                                                                                                                                                                                                                                                                                                                                                                                              |
| STR                         | C           | O    | Display Update <b>STR</b> obe: This signal controls the latching of display data for network ports into the off chip display latches. During processor access cycles (read or write is asserted) this signal is inactive (high).                                                                                                                                                                                                                                             |
| D(7:0)                      | TT          | B, Z | Data Bus:<br><b>Display Update Cycles:</b> These pins become outputs providing display data and port address information.<br><b>Processor Access Cycles:</b> Address input D(7:4) and Data input or output D(3:0) is performed via these pins. The read, write and reset inputs control the direction of the signals.<br><b>Note:</b> The data pins remain in their display update function, (i.e., asserted as outputs) unless either the read or write strobe is asserted. |
| DFS                         | C           | O    | Display Frozen Strobe: The assertion of the DFS signal, active high, at the end of the transmission of each packet indicates that the status of that packet is frozen on the LEDs until the beginning of the next received packet or for a maximum of 30 ms.                                                                                                                                                                                                                 |
| BUFEN                       | C           | O    | <b>BU</b> ffer <b>EN</b> able: This output controls the TRI-STATE® operation of the bus transceiver which provides the interface between the LERIC's data pins and the processor's data bus.<br><b>Note:</b> The buffer enable output indicates the function of the data pins. When it is high they are performing display update cycles, when it is low a processor access or MLOAD cycle is occurring.                                                                     |
| WR                          | TT          | I    | <b>WR</b> ite Strobe: Strobe from the CPU used to write an internal register defined by the D(7:4) inputs.                                                                                                                                                                                                                                                                                                                                                                   |
| RD                          | TT          | I    | <b>RD</b> Strobe: Strobe from the CPU used to read an internal register defined by the D(7:4) inputs.                                                                                                                                                                                                                                                                                                                                                                        |
| MLOAD                       | TT          | I    | Device <b>MLOAD</b> and Reset: When this input is low all of the RIC's state machines and network ports are reset and held inactive. On the rising edge of <b>MLOAD</b> the logic levels present on the D(7:0) pins are latched into the LERIC's configuration registers. The rising edge of <b>MLOAD</b> also signals the beginning of the display test operation.                                                                                                          |
| <b>INTER-LERIC BUS PINS</b> |             |      |                                                                                                                                                                                                                                                                                                                                                                                                                                                                              |
| ACKI                        | TT          | I    | <b>ACK</b> nowledge Input: Input to the network ports' arbitration chain.                                                                                                                                                                                                                                                                                                                                                                                                    |
| ACKO                        | TT          | O    | <b>ACK</b> nowledge Output: Output from the network ports' arbitration chain.                                                                                                                                                                                                                                                                                                                                                                                                |
| IRD                         | TT          | B, Z | Inter-LERIC Data: When asserted as an output this signal provides a serial data stream in NRZ format. The signal is asserted by a LERIC when it is receiving data from one of its network segments. The default condition of this signal is to be an input. In this state it may be driven by other devices on the Inter-LERIC bus.                                                                                                                                          |

### 3.0 Pin Description (Continued)

| Pin Name                                | Driver Type | I/O  | Description                                                                                                                                                                                                                                                                                                                                                                                                                                                               |
|-----------------------------------------|-------------|------|---------------------------------------------------------------------------------------------------------------------------------------------------------------------------------------------------------------------------------------------------------------------------------------------------------------------------------------------------------------------------------------------------------------------------------------------------------------------------|
| <b>INTER-LERIC BUS PINS (Continued)</b> |             |      |                                                                                                                                                                                                                                                                                                                                                                                                                                                                           |
| IRE                                     | TT          | B, Z | <b>Inter-LERIC Enable:</b> When asserted as an output this signal provides an activity framing enable for the serial data stream. The signal is asserted by a LERIC when it is receiving data from one of its network segments. The default condition of this signal is to be an input. In this state it may be driven by other devices on the Inter-LERIC bus.                                                                                                           |
| IRC                                     | TT          | B, Z | <b>Inter-LERIC Clock:</b> When asserted as an output this signal provides a clock signal for the serial data stream. Data (IRD) is changed on the falling edge of the clock. The signal is asserted by a LERIC when it is receiving data from one of its network segments. The default condition of this signal is to be an input. When an input, IRD is sampled on the rising edge of the clock. In this state it may be driven by other devices on the Inter-LERIC bus. |
| COLN                                    | TT          | B, Z | <b>COLlision on Port N:</b> This denotes that a collision is occurring on the port receiving the data packet (Port N). The default condition of this signal is to be an input. In this state it may be driven by other devices on the Inter-LERIC bus.                                                                                                                                                                                                                    |
| CLK                                     | TT          | I    | <b>20 MHz Clock Input:</b> This input is used to generate the LERIC's timing reference for the state machines, and phase lock loop decoder. The 20 MHz clock should have a 0.01% frequency tolerance and 40%–60% duty cycle or better (i.e. 50/50 duty cycle).                                                                                                                                                                                                            |
| <b>POWER AND GROUND PINS</b>            |             |      |                                                                                                                                                                                                                                                                                                                                                                                                                                                                           |
| VCC                                     |             |      | Positive Supply                                                                                                                                                                                                                                                                                                                                                                                                                                                           |
| GND                                     |             |      | Negative Supply                                                                                                                                                                                                                                                                                                                                                                                                                                                           |
| <b>EXTERNAL DECODER PINS</b>            |             |      |                                                                                                                                                                                                                                                                                                                                                                                                                                                                           |
| RXM                                     | TT          | O    | <b>Receive Data Manchester Format:</b> This output makes the data, in Manchester format, received by port N available for test purposes. If not used for testing, this pin should be left open.                                                                                                                                                                                                                                                                           |

**Note:** TT = TTL compatible  
 B = Bi-directional  
 C = CMOS compatible  
 OD = Open Drain  
 I = Input  
 O = Output  
 Z = TRI-STATE

### 3.0 Pin Description (Continued)

#### Pin Description for DP83955

| Pin No. | Pin Name | Driver Type | I/O | Description                                                                                                                                                                                                                                                                                                                                                                                                                                       |
|---------|----------|-------------|-----|---------------------------------------------------------------------------------------------------------------------------------------------------------------------------------------------------------------------------------------------------------------------------------------------------------------------------------------------------------------------------------------------------------------------------------------------------|
| 30      | ACTN     | OD          | B   | <b>ACT</b> ivity on Port <b>N</b> : This is a bidirectional signal. The LERIC asserts this signal when data or collision information is received from one of its network segments.<br>The LERIC senses this signal when this LERIC or another LERIC in a multi-LERIC system is receiving data or collision information.                                                                                                                           |
| 31      | ANYXN    | OD          | B   | <b>ACT</b> ivity on <b>ANY</b> Port <b>EX</b> cluding Port <b>N</b> : This is a bidirectional signal. The LERIC asserts this signal when a transmit collision is experienced or multiple ports have active collisions on their network segments.<br>The LERIC senses this signal when this LERIC or other LERICs in a multi-LERIC system are experiencing transmit collisions or multiple ports have active collisions on their network segments. |

B = Bi-directional

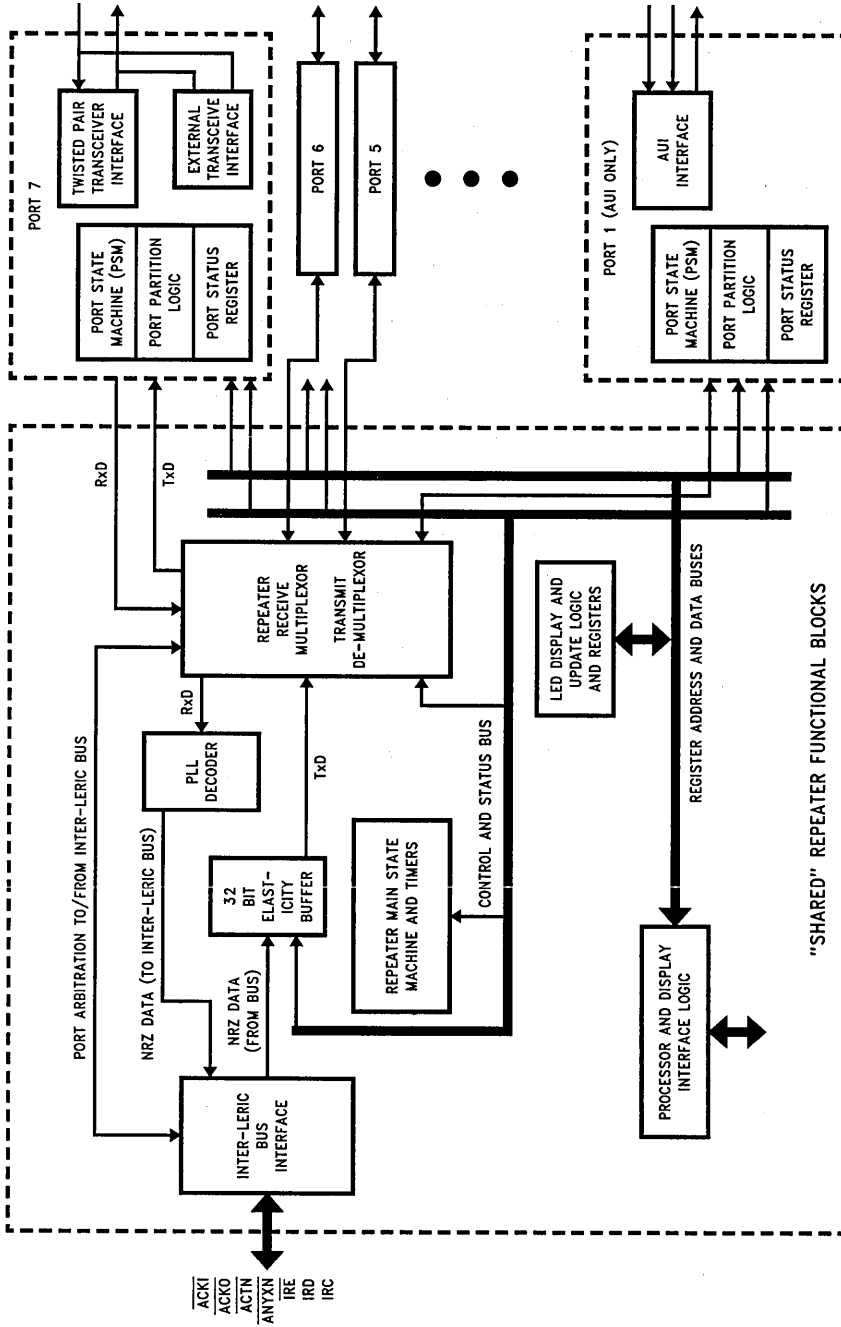
#### Pin Description for DP83956

| Pin No. | Pin Name | Driver Type | I/O | Description                                                                                                                                                                                                                                                                                                                                                        |
|---------|----------|-------------|-----|--------------------------------------------------------------------------------------------------------------------------------------------------------------------------------------------------------------------------------------------------------------------------------------------------------------------------------------------------------------------|
| 25      | ACTND    | OD          | O   | <b>ACT</b> ivity on Port <b>N</b> Drive: The LERIC asserts this signal when data or collision information is received from one of its network segments.                                                                                                                                                                                                            |
| 24      | ACTNS    | TT          | I   | <b>ACT</b> ivity on Port <b>N</b> Sense: The LERIC senses this signal when this LERIC or another LERIC in a multi-LERIC system is receiving data or collision information.                                                                                                                                                                                         |
| 27      | ANYXND   | OD          | O   | <b>ACT</b> ivity on <b>ANY</b> Port <b>EX</b> cluding Port <b>N</b> Drive: The LERIC asserts this signal when a transmit collision is experienced or multiple ports have active collisions on their network segments.                                                                                                                                              |
| 26      | ANYXNS   | TT          | I   | <b>ACT</b> ivity on <b>ANY</b> Port <b>EX</b> cluding Port <b>N</b> Sense: The LERIC senses this signal when this LERIC or other LERICs in a multi-LERIC system are experiencing transmit collisions or multiple ports have active collisions on their network segments.                                                                                           |
| 22      | PKEN     | C           | O   | <b>PacK</b> et <b>EN</b> able: This signal acts as an active high enable for an external bus transceiver (if required) for the IRE, IRC, IRD, and COLN signals. When high, the bus transceiver should be transmitting on to the bus, i.e., this LERIC is driving the IRD, IRE, IRC, and COLN bus lines. When low, the bus transceiver should receive from the bus. |

TT = TTL compatible, C = CMOS compatible, OD = Open Drain, I = Input, O = Output

# 4.0 Block Diagram

## 4.0.1 DP83955 BLOCK DIAGRAM



TL/F/11240-6

FIGURE 4-1a. LERIC Block Diagram for DP83955

# 4.0 Block Diagram (Continued)

## 4.0.2 DP83956 BLOCK DIAGRAM

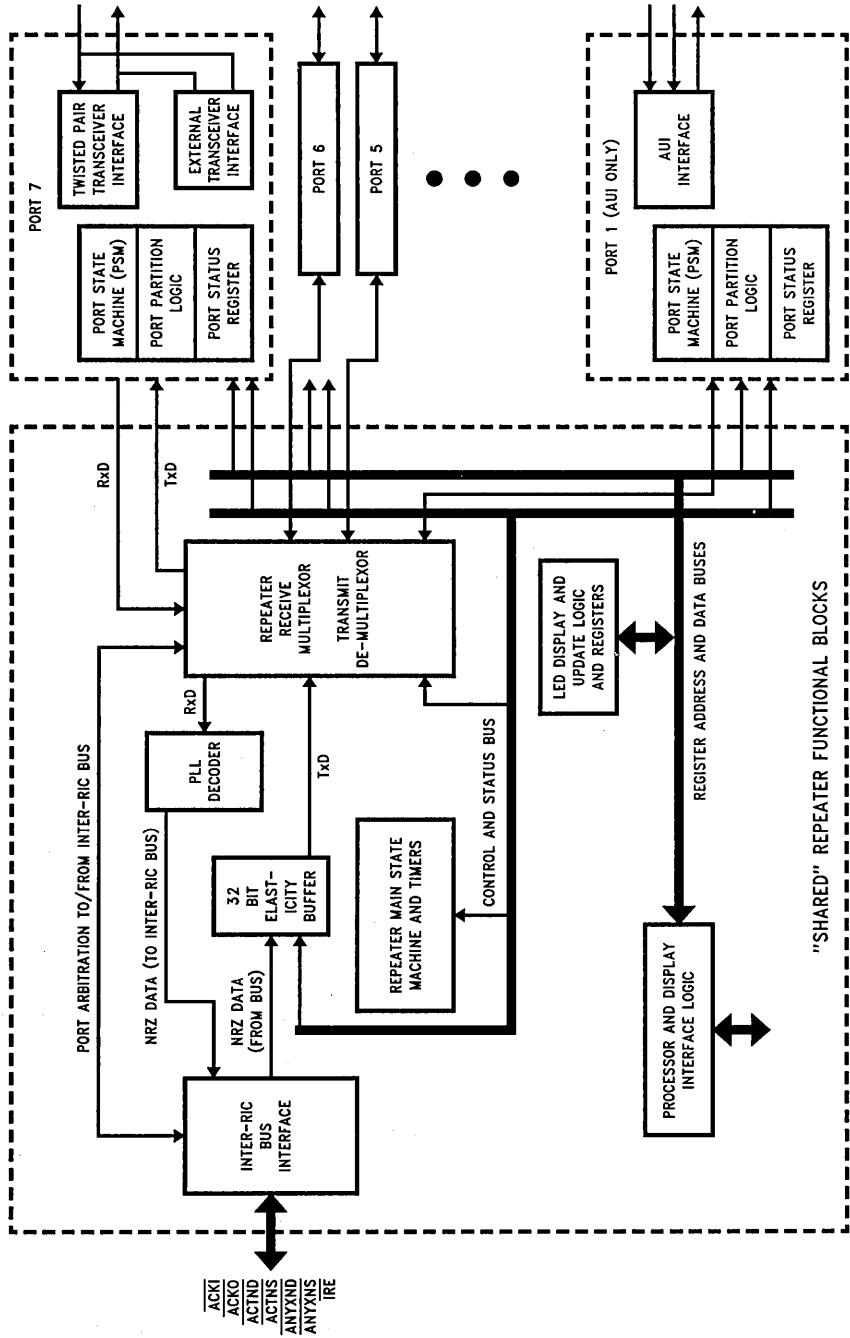


FIGURE 4-1b. LERIC Block Diagram for DP83956

## 5.0 Functional Description

The IEEE 802.3 repeater specification details a number of functions a repeater system must perform. These requirements allied with a need for the implementation to be multiport strongly favors the choice of a modular design style. In such a design, functionality is split between those tasks common to all data channels and those exclusive to each individual channel. The LERIC, much like the DP83950 RIC, follows this approach. Certain functional blocks are replicated for each network attachment (also known as a repeater port), and others are shared. The following section briefly describes the functional blocks in the LERIC.

### 5.1 OVERVIEW OF LERIC FUNCTIONS

#### Segment Specific Block: Network Port

As shown in the Block Diagram, the segment specific blocks consist of:

1. One or more physical layer interfaces.
2. A logic block required for performing repeater operations upon that particular segment. This is known as the "port" logic since it is the access "port" the segment has to the rest of the network.

This function is repeated 7 times in the LERIC (one for each port) and is shown on the right side of the Block Diagram, *Figure 4-1*.

The physical layer interfaces provided depends upon the port under examination. Port 1 has an AUI compliant interface for use with AUI compatible transceiver boxes and cable. Ports 2 to 7 may be configured for use with one of two interfaces: twisted pair or an external transceiver. The former utilizes the LERIC's on-chip 10BASE-T transceivers, the latter allows connection to external transceivers. When using the external transceiver mode the interface is AUI compatible. Although AUI compatible transceivers are supported the interface is not designed for use with an interface cable, thus the transceivers are necessarily internal to the repeater equipment.

Inside the port logic there are 3 distinct functions:

1. The port state machine (PSM) is required to perform data and collision repetition as described by the repeater specification, for example, it determines whether this port should be receiving from or transmitting to its network segment.
2. The port partition logic implements the segment partitioning algorithm. This algorithm is defined by the IEEE specification and is used to protect the network from malfunctioning segments.
3. The port status register reflects the current status of the port. It may be accessed by a system processor to obtain this status or to perform certain port configuration operations, such as port disable and squelch level selection.

#### Shared Functional Blocks: Repeater Core Logic

The shared functional blocks consist of the Repeater Main Status Machine (MSM) and Timers, a 32-bit Elasticity Buffer, PLL Decoder, and Receive and Transmit Multiplexers. These blocks perform the majority of the operations needed to fulfill the requirements of the IEEE repeater specification.

When a packet is received by a port, it is sent via the Receive Multiplexer to the PLL Decoder. Notification of the data and collision status is sent to the main state machine via the receive multiplexer and collision activity status signals. This enables the main state machine to determine the source of the data to be repeated and the type of data to be

transmitted. The transmit data may be either the received packet's data field or a preamble/jam pattern consisting of a 1010 . . . bit pattern.

Associated with the main state machine are a series of timers. These ensure various IEEE specification times (referred to as the TW1 to TW6 times) are fulfilled.

A repeater unit is required to meet the same signal jitter performance as any receiving node attached to a network segment. Consequently, a phase locked loop Manchester decoder is required so that the packet may be decoded, and the jitter accumulated over the receiving segment eliminated. The decode logic outputs data in NRZ format with an associated clock and enable. In this form the packet is in a convenient format for transfer to other devices, such as network controllers and other LERICs, via the Inter-LERIC bus (described later). The data may then be re-encoded into Manchester data and transmitted.

Reception and transmission via physical layer transceiver units causes a loss of bits in the preamble field of a data packet. The repeater specification requires this loss to be compensated for. To accomplish this an elasticity buffer is employed to temporarily store bits in the data field of the packet.

The sequence of operation is as follows. Soon after the network segment receiving the data packet has been identified, the LERIC begins to transmit the packet preamble pattern (1010 . . .) onto the other network segments. While the preamble is being transmitted the Elasticity Buffer monitors the decoded received clock and data signals (this is done via the Inter-LERIC/Inter-RIC bus as described later). When the start of frame delimiter "SFD" is detected the received data stream is written into the elasticity buffer. Removal of data from the buffer for retransmission is not allowed until a valid length preamble pattern has been transmitted.

#### Inter-LERIC/Inter-RIC Bus Interface

The LERIC can be cascaded either to other LERICs or RICs to facilitate the design of large multiport repeaters. The split of functions already described allows data packets and collision status to be transferred between multiple LERICs, and at the same time the multiple LERICs still behave as a single logical repeater. Since all LERICs in a repeater system are identical and capable of performing any of the repetition operations, the failure of one LERIC will not cause the failure of the entire system. This is an important issue in large multiport repeaters.

DP83955's communicate via a specialized interface known as the Inter-LERIC bus. DP83956s can communicate with other DP83956s and/or DP83950s via the Inter-RIC bus. These allow the data packets to be transferred from the receiving LERIC to the other LERICs in the system. These LERICs then transmit the data stream to their segments. Just as important as data transfer is the notification of collisions occurring across the network. The Inter-LERIC/Inter-RIC bus has a set of status lines capable of conveying collision information between LERICs to ensure their main state machines operate in the appropriate manner.

#### LED Interface

Repeater systems usually possess optical displays indicating network activity and the status of specific repeater operations. The LERIC's display update block provides the system designer with a wide variety of indicators. The display

## 5.0 Functional Description (Continued)

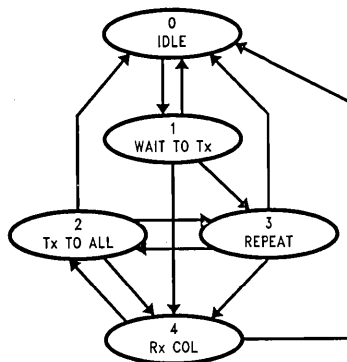
updates are completely autonomous and merely require SSI logic devices to drive the display devices, usually made up of light emitting diodes, LEDs. The status display is very flexible, allowing the user to choose those indicators appropriate for the specification of the equipment. The Display Frozen Strobe (DFS) may be used to latch the various indicators which are frozen at the end of the activity. The LED display will be frozen for 30 ms after the end of the activity, or until a new activity has started, whichever is shorter. Note that the complete LED display cycle for all the ports takes approximately 1.6  $\mu$ s.

### Processor Interface

The LERIC's processor interface allows connection to a system processor (or a simple read/write logic interface). Data transfer occurs via a 4-bit bidirectional data bus, and 4-bit address bus. Display update cycles and processor accesses occur utilizing the same bus. An on-chip arbiter in the processor/display block schedules and controls the accesses and ensures the correct information is written into the display latches. During the display update cycles the LERIC behaves as a master of its bus. This is the default state of the bus. Consequently, a TRI-STATE buffer must be placed between the LERIC and the system processor's data bus. This ensures bus contention is avoided during simultaneous display update cycles and processor accesses of other devices on the system bus. When the processor accesses a LERIC register, the LERIC enables the data buffer and selects the operation, either input to or output from the data pins.

### 5.2 DESCRIPTION OF REPEATER OPERATIONS

In order to implement a multi-chip repeater system which behaves as though it were a single logical repeater, special consideration must be paid to the data path used in packet repetition. For example, where in the path are specific operations such as Manchester decoding and elasticity buffering performed. Also the system's state machines which utilize available network activity signals, must be able to accommodate the various packet repetition and collision scenarios detailed in the IEEE 802.3 repeater specification.



TL/F/11240-7

**FIGURE 5-1. Inter-LERIC/Inter-RIC Bus State Diagram**

The LERIC contains two types of interacting state machines. These are:

1. Port State Machines (PSMs). Every network attachment has its own PSM.
2. Main State Machine (MSM). This state machine controls the shared functional blocks as shown in the block diagram *Figure 4-1*.

### Repeater Port and Main State Machines

These two state machines are described in the following sections. Reference is made to expressions used in the IEEE 802.3 Repeater specification. For the precise definition of these terms please refer to the IEEE specifications. To avoid confusion with the LERIC's implementation, where references are made to repeater states or terms as described in the IEEE specification, these items are written in *italics*. The IEEE state diagram is shown in *Figure 5-2*, the Inter-LERIC/Inter-RIC bus state diagram is shown in *Figure 5-1*.

5.0 Functional Description (Continued)

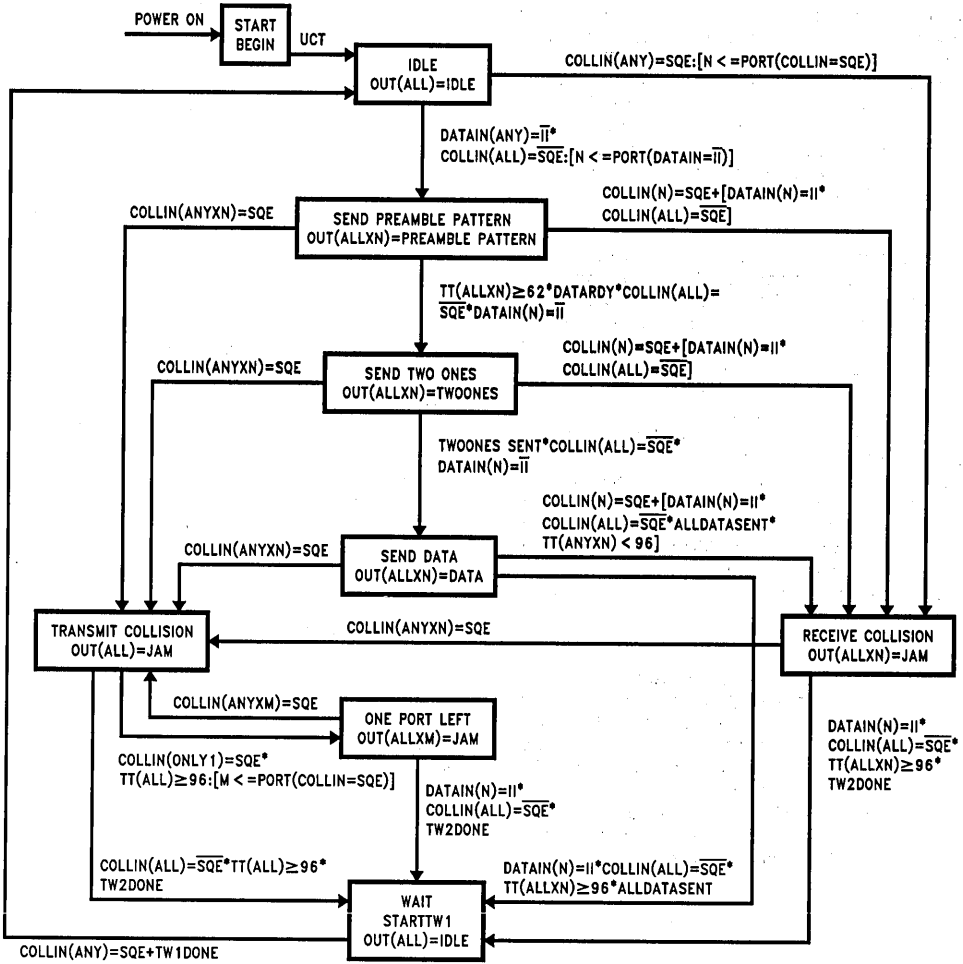


FIGURE 5-2. IEEE Repeater Main State Diagram

TL/F/11240-8



## 5.0 Functional Description (Continued)

### Port State Machine (PSM)

There are two primary functions for the PSM as follows:

1. Control the transmission of repeated data and jam signals over the attached segment.
2. Decide whether a port will be the source of data or collision information which will be repeated over the network. This repeater port is known as *PORT N*. An arbitration process is required to enable the repeater to transition from the *IDLE* state to the *SEND PREAMBLE PATTERN* or *RECEIVE COLLISION* states, see *Figure 5-2*. This process is used to locate the port which will be *PORT N* for that particular packet. The data received from this port is directed to the PLL decoder and transmitted over the Inter-LERIC bus. If the repeater enters the *TRANSMIT COLLISION* state a further arbitration operation is performed to determine which port is *PORT M*. *PORT M* is differentiated from the repeater's other ports if the repeater enters the *ONE PORT LEFT* state. In this state *PORT M* does not transmit to its segment; where as all other ports are still required to transmit to their segments.

### Main State Machine (MSM)

The MSM controls the operation of the shared functional blocks in each LERIC as shown in the block diagram, *Figure 4-7*, and it performs the majority of the data and collision propagation operations as defined by the IEEE specification, these include those shown in *Table 5-1*.

The interaction of the main and port state machines is visible, in part, by observing the Inter-LERIC bus.

TABLE 5-1. Main State Machine Operations

| Function                          | Action                                                                                                                                                                                 |
|-----------------------------------|----------------------------------------------------------------------------------------------------------------------------------------------------------------------------------------|
| Preamble Regeneration             | Restore the length of the preamble pattern to the defined size.                                                                                                                        |
| Fragment Extension                | Extend received data or collision fragments to meet the minimum fragment length of 96 bits.                                                                                            |
| Elasticity Buffer Control         | A portion of the received packet may require storage in an Elasticity Buffer to accommodate preamble regeneration.                                                                     |
| Jam/Preamble Pattern Generation   | In cases of receive or transmit collisions a LERIC is required to transmit a jam pattern (1010 ... ).<br><b>Note:</b> This pattern is the same as that used for preamble regeneration. |
| Transmit Collision Enforcement    | Once the <i>TRANSMIT COLLISION</i> state is entered a repeater is required to stay in this state for at least 96 network bit times.                                                    |
| Data Encoding Control             | NRZ format data from the elasticity buffer must be encoded into Manchester format data prior to retransmission.                                                                        |
| <i>T<sub>w1</sub></i> Enforcement | Enforce the Transmit Recovery Time specification.                                                                                                                                      |
| <i>T<sub>w2</sub></i> Enforcement | Enforce Carrier Recovery Time specification on all ports with active collisions.                                                                                                       |

### Inter-LERIC Bus Operation

#### Overview

The Inter-LERIC Bus, like the Inter-RIC Bus, consists of eight signals. These signals implement a protocol which may be used to connect multiple LERICs together. In this configuration, the logical function of a single repeater is maintained. The resulting multi-LERIC system is compliant to the IEEE 802.3 Repeater Specification and may connect several hundred network segments. An example of a multi-LERIC system is shown in *Figure 5-3*.

The Inter-LERIC Bus connects multiple LERICs to realize the following operations:

*Port N* Identification (which port the repeater receives data from)

*Port M* Identification (which port is the last one experiencing a collision)

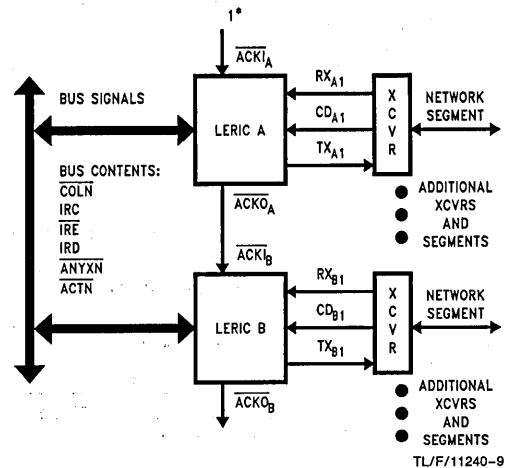
Data Transfer

*RECEIVE COLLISION* Identification

*TRANSMIT COLLISION* Identification

*DISABLE OUTPUT* (jabber protection)

The following tables briefly describe the operation of each bus signal, the conditions required for a LERIC to assert a signal and which LERICs (in a multi-LERIC system) would monitor a signal:



\*Note 1: This input is tied at a logic high state.

FIGURE 5-3. LERIC System Topology

## 5.0 Functional Description (Continued)

### ACKI

|                                                             |                                                                                                                                                                                                                                                                                 |
|-------------------------------------------------------------|---------------------------------------------------------------------------------------------------------------------------------------------------------------------------------------------------------------------------------------------------------------------------------|
| <b>Function</b>                                             | Input signal to the PSM arbitration chain. This chain is employed to identify <i>PORT N</i> and <i>PORT M</i> .<br><b>Note:</b> A LERIC which contains <i>PORT N</i> or <i>PORT M</i> may be identified by its <i>ACKO</i> signal being low when its <i>ACKI</i> input is high. |
| <b>Conditions required for a LERIC to drive this signal</b> | Not Applicable                                                                                                                                                                                                                                                                  |
| <b>LERIC Receiving the Signal</b>                           | This is dependent upon the method used to cascade LERICs, described in Section 5.3.                                                                                                                                                                                             |

### ACKO

|                                                             |                                                                                     |
|-------------------------------------------------------------|-------------------------------------------------------------------------------------|
| <b>Function</b>                                             | Output signal from the PSM arbitration chain.                                       |
| <b>Conditions required for a LERIC to drive this signal</b> | This is dependent upon the method used to cascade LERICs, described in Section 5.3. |
| <b>LERIC Receiving the Signal</b>                           | Not Applicable                                                                      |

### ACTN

|                                                             |                                                                                                                                                                                             |
|-------------------------------------------------------------|---------------------------------------------------------------------------------------------------------------------------------------------------------------------------------------------|
| <b>Function</b>                                             | This signal denotes there is activity on <i>PORT N</i> or <i>PORT M</i> .                                                                                                                   |
| <b>Conditions required for a LERIC to drive this signal</b> | A LERIC must contain <i>PORT N</i> or <i>PORT M</i> .<br><b>Note:</b> Although this signal normally has only one source asserting the signal active it is used in a wired-OR configuration. |
| <b>LERIC Receiving the Signal</b>                           | The signal is monitored by all LERICs in the repeater system.                                                                                                                               |

### ANYXN

|                                                             |                                                                                                                   |
|-------------------------------------------------------------|-------------------------------------------------------------------------------------------------------------------|
| <b>Function</b>                                             | This signal denotes that a repeater port that is not <i>Port N</i> or <i>Port M</i> is experiencing a collision.  |
| <b>Conditions required for a LERIC to drive this signal</b> | Any LERIC which satisfies the above condition.<br><b>Note:</b> This bus line is used in a wired-OR configuration. |
| <b>LERIC Receiving the Signal</b>                           | The signal is monitored by all LERICs in the repeater system.                                                     |

### COLN

|                                                             |                                                                     |
|-------------------------------------------------------------|---------------------------------------------------------------------|
| <b>Function</b>                                             | Denotes <i>PORT N</i> or <i>PORT M</i> is experiencing a collision. |
| <b>Conditions required for a LERIC to drive this signal</b> | A LERIC must contain <i>PORT N</i> or <i>PORT M</i> .               |
| <b>LERIC Receiving the Signal</b>                           | The Signal is monitored by all other LERICs in the repeater system. |

### IRE

|                                                             |                                                                             |
|-------------------------------------------------------------|-----------------------------------------------------------------------------|
| <b>Function</b>                                             | This signal acts as an activity framing signal for the IRC and IRD signals. |
| <b>Conditions required for a LERIC to drive this signal</b> | A LERIC must contain <i>PORT N</i> .                                        |
| <b>LERIC Receiving the Signal</b>                           | The Signal is monitored by all other LERICs in the repeater system.         |

### IRD

|                                                             |                                                                                                   |
|-------------------------------------------------------------|---------------------------------------------------------------------------------------------------|
| <b>Function</b>                                             | Decoded serial data, in NRZ format, received from the network segment attached to <i>PORT N</i> . |
| <b>Conditions required for a LERIC to drive this signal</b> | A LERIC must contain <i>PORT N</i> .                                                              |
| <b>LERIC Receiving the Signal</b>                           | The signal is monitored by all other LERICs in the repeater system.                               |

### IRC

|                                                             |                                                                     |
|-------------------------------------------------------------|---------------------------------------------------------------------|
| <b>Function</b>                                             | Clock signal associated with IRD and IRE.                           |
| <b>Conditions required for a LERIC to drive this signal</b> | A LERIC must contain <i>PORT N</i> .                                |
| <b>LERIC Receiving the Signal</b>                           | The signal is monitored by all other LERICs in the repeater system. |

## 5.0 Functional Description (Continued)

### Methods of LERIC Cascading

In order to build multi-LERIC repeaters, *PORT N* and *PORT M* identification must be performed across all the LERICs in the system. Inside each LERIC the PSMs are arranged in a logical arbitration chain where Port 1 is the highest and Port 7 the lowest.

The top of the chain, the input to Port 1 is accessible to the user via the LERIC's  $\overline{ACKI}$  input pin. The output from the bottom of the chain becomes the  $\overline{ACKO}$  output pin. In a single LERIC system *PORT N* is defined as the highest port in the arbitration chain with receive or collision activity. *PORT N* identification is performed when the repeater is in the *IDLE* state. *PORT M* is defined as the highest port in the chain with a collision when the repeater leaves the *TRANSMIT COLLISION* state. In order for the arbitration chain to function, all that needs to be done is to tie the  $\overline{ACKI}$  signal to a logic high state. In multi-LERIC systems there are two methods to propagate the arbitration chain between LERICs:

The first and most straightforward way is to extend the arbitration chain by daisy-chaining the  $\overline{ACKI}$ - $\overline{ACKO}$  signals between LERICs. In this approach one LERIC is placed at the top of the chain (its  $\overline{ACKI}$  input is tied high), then the  $\overline{ACKO}$  signal from this LERIC is sent to the  $\overline{ACKI}$  input of the next LERIC and so on. This arrangement is simple to implement but it places some topological restrictions upon the repeater system. In particular, when the repeater is constructed using a backplane with removable printed circuit boards containing the LERICs, if one of the boards is removed then the  $\overline{ACKI}$ - $\overline{ACKO}$  chain will be broken and the repeater will not operate correctly.

The second method of *PORT N* or *M* identification avoids this problem. This second technique relies on an external parallel arbiter which monitors all of the LERICs'  $\overline{ACKO}$  signals and responds to the LERIC with the highest priority. In this scheme each LERIC is assigned with a priority level. One method of doing this is to assign a priority number which reflects the position of a LERIC board on the repeater backplane (i.e., its slot number). When a LERIC experiences receive activity and the repeater system is in the *IDLE* state, the LERIC board will assert  $\overline{ACKO}$ . External arbitration logic drives the identification number onto an arbitration bus and the LERIC containing *PORT N* will be identified. An identical procedure is used in the *TRANSMIT COLLISION* state to identify *PORT M*. This parallel means of arbitration is not subject to the problems caused by missing boards (i.e., empty slots in the backplane). The logic associated with asserting this arbitration vector in the various packet repetition scenarios could be implemented in PAL<sup>®</sup> or GAL<sup>®</sup> type devices.

To perform *PORT N* or *M* arbitration, both of the above methods employ the same signals:  $\overline{ACKI}$ ,  $\overline{ACKO}$ , and  $\overline{ACTN}$ .

The Inter-LERIC bus allows multi-LERIC operations to be performed in exactly the same manner as if there is only a single LERIC in the system. The simplest way to describe the operation of Inter-LERIC bus is to see how it is used in a number of common packet repetition scenarios. Throughout this description the LERICs are presumed to be operating in external transceiver mode. This is advantageous for the explanation since the receive, transmit and collision signals from each network segment are observable. In internal transceiver mode this is not the case, since the collision signal for the non-AUI ports is derived by the transceivers inside the LERIC.

### 5.3 EXAMPLES OF PACKET REPETITION SCENARIOS

#### Data Repetition

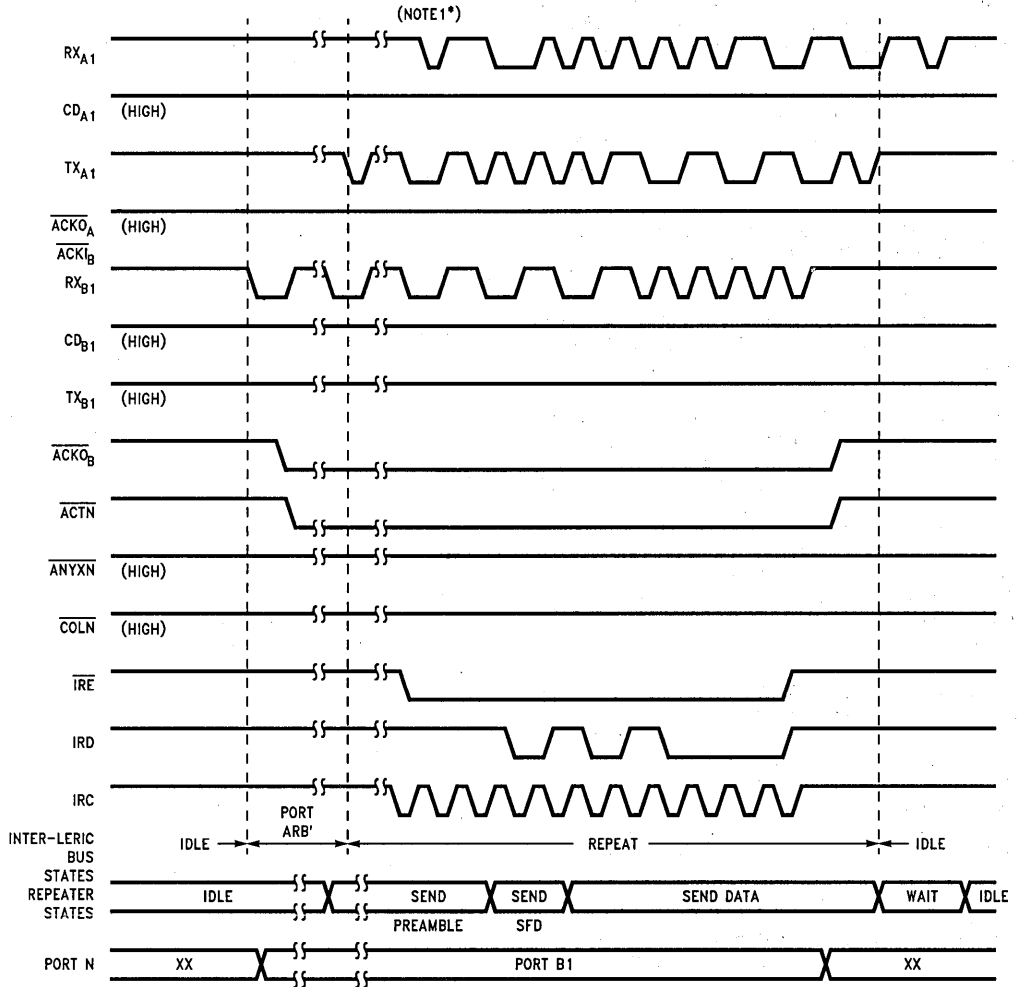
The simplest packet operation performed over the Inter-LERIC Bus is data repetition. In this operation a data packet is received at one port and transmitted to all other segments.

The first task to be performed is *PORT N* identification. This is an arbitration process performed by the Port State Machines in the system. In situations where two or more ports simultaneously receive packets the Inter-LERIC bus operates by choosing one of the active ports and forcing the others to transmit data. This is done to faithfully follow the IEEE specification's allowed exit paths from the *IDLE* state (i.e., to the *SEND PREAMBLE PATTERN* or *RECEIVE COLLISION* states).

The packet begins with a preamble pattern derived from the LERIC's on chip jam/preamble generator. The data received at *PORT N* is directed through the receive multiplexer to the PLL decoder. Once phase lock has been achieved, the decoded data, in NRZ format, with its associated clock and enable signals are asserted onto the IRD,  $\overline{IRE}$  and IRC Inter-LERIC bus lines. This serial data stream is received from the bus by all LERICs in the repeater and directed to their Elasticity Buffers. Logic circuits monitor the data stream and look for the Start of Frame Delimiter (SFD). When this has been detected data is loaded into the elasticity buffer for later transmission. This will occur when sufficient preamble has been transmitted and certain internal state machine operations have been fulfilled.

Figure 5-3 shows two LERICs, A and B, daisy-chained together with LERIC A positioned at the top of the chain. A packet is received at port B1 of LERIC B and is then repeated by the other ports in the system. Figure 5-4 shows the functional timing diagram for this packet repetition represented by the signals shown in Figure 5-3. In this example only two ports in the system are shown, obviously the other ports also repeat the packet. It also indicates the operation of the LERICs' state machines in so far as can be seen by observing the Inter-LERIC bus. For reference, the repeater's state transitions are shown in terms of the states defined by the IEEE specification. The location (i.e., which port it is) of *PORT N* is also shown. The following section describes the repeater and Inter-LERIC bus transitions shown in Figure 5-4.

### 5.0 Functional Description (Continued)



TL/F/11240-10

\*Note 1: The activity shown on  $RX_{A1}$  represents the transmitted signal on  $TX_{A1}$  after being looped back by the attached transceiver.

**FIGURE 5-4. Data Repetition**

## 5.0 Functional Description (Continued)

The repeater is stimulated into activity by the data signal received by port B1. The LERICs in the system are alerted to forthcoming repeater operation by the falling edges on the  $\overline{ACKI}$ - $\overline{ACKO}$  daisy chain and the ACTN bus signal. Following a defined start up delay the repeater moves to the *SEND PREAMBLE* state. The LERIC system utilizes the start up delay to perform port arbitration. When packet transmission begins the LERIC system enters the REPEAT state. The expected, for normal packet repetition, sequence of repeater states, *SEND PREAMBLE*, *SEND SFD* and *SEND DATA* is followed but is not visible upon the Inter-LE $\overline{RIC}$  bus. They are merged together into a single REPEAT state. This is also true for the *WAIT* and *IDLE* states, they appear as a combined Inter-LE $\overline{RIC}$  bus *IDLE* state.

Once a repeat operation has begun (i.e., the repeater leaves the *IDLE* state) it is required to transmit at least 96 bits of data or jam/preamble onto its network segments. If the duration of the received signal from *PORT N* is smaller than 96 bits, the repeater transitions to the *RECEIVE COLLISION* state (described later). This behavior is known as fragment extension.

After the packet data has been repeated, including the emptying of the LERICs' elasticity buffers, the LERIC performs the  $T_{w1}$  transmit recovery operation. This is performed during the *WAIT* state shown in the repeater state diagram.

### Receive Collisions

A receive collision is a collision which occurs on the network segment attached to *PORT N* (i.e., the collision is "received" in a similar manner as a data packet is received and then repeated to the other network segments). Not surprisingly, receive collision propagation follows a similar sequence of operations as is found with data repetition:

An arbitration process is performed to find *PORT N* and a preamble/jam pattern is transmitted by the repeater's other ports. When *PORT N* detects a collision on its segment the  $\overline{COLN}$  Inter-LE $\overline{RIC}$  bus signal is asserted. This forces all the LERICs in the system to transmit a preamble/jam pattern to their segments. This is important since they may be already transmitting data from their elasticity buffers. The repeater

moves to the *RECEIVE COLLISION* state when the LERICs begin to transmit the jam pattern. The repeater remains in this state until both the following conditions have been fulfilled:

1. At least 96 bits have been transmitted onto the network,
2. The activity has ended.

Under close examination the repeater specification reveals that the actual end of activity has its own permutations of conditions:

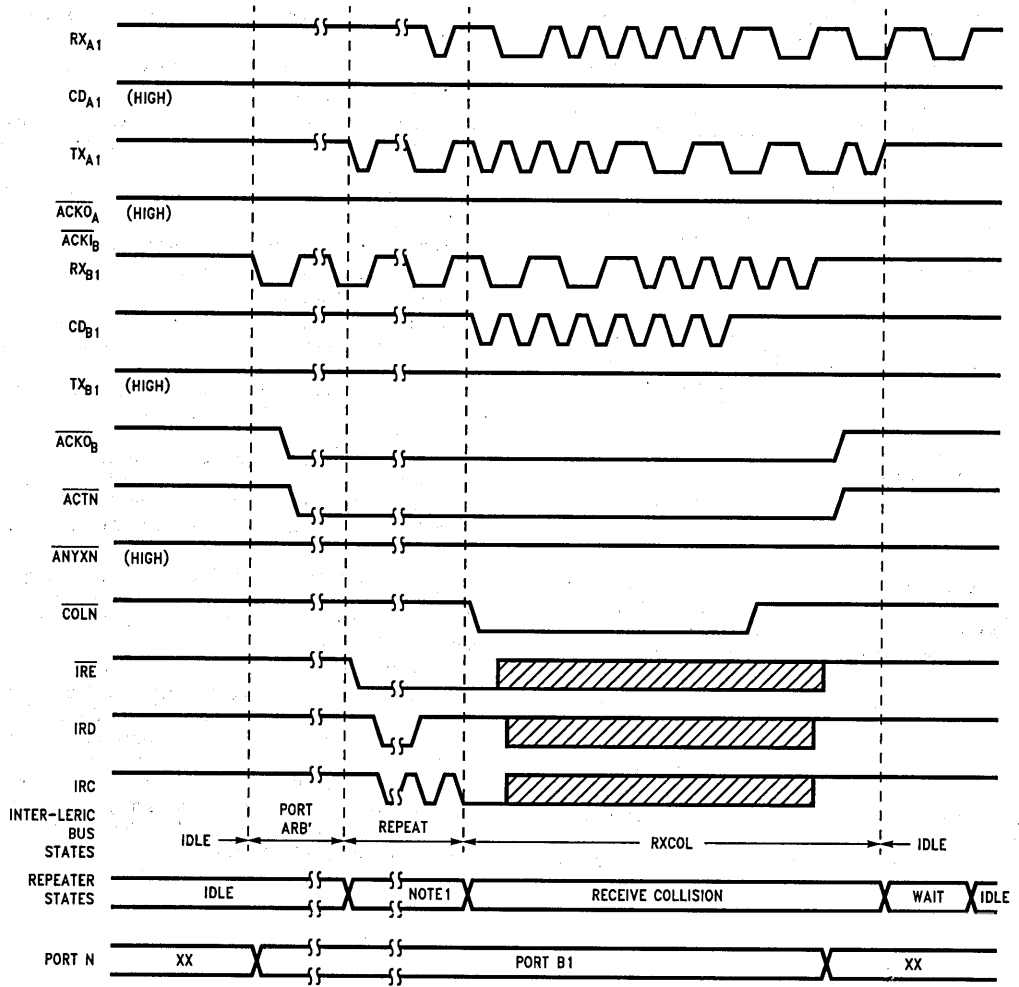
1. Collision and receive data signals may end simultaneously,
2. Receive data may appear to end before collision signals,
3. Receive data may continue for some time after the end of the collision signal.

Network segments using coaxial media may experience spurious gaps in segment activity when the collision signal goes inactive. This arises from the inter-action between the receive and collision signal squelch circuits, implemented in coaxial transceivers, and the properties of the coaxial cable itself. The repeater specification avoids propagation of these activity gaps by extending collision activity by the  $T_{w2}$  wait time. Jam pattern transmission must be sustained throughout this period. After this, the repeater will move to the *WAIT* state unless there is a data signal being received by *PORT N*.

The functional timing diagram, *Figure 5-5*, shows the operation of a repeater system during a receive collision. The system configuration is the same as earlier described and is shown in *Figure 5-3*.

The LERICs perform the same *PORT N* arbitration and data repetition operations as previously described. The system is notified of the receive collision on port B1 by the  $\overline{COLN}$  bus signal going active. This is the signal which informs the main state machines to output the jam pattern rather than the data held in the elasticity buffers. Once a collision has occurred the IRC, IRD and  $\overline{IRE}$  bus signals may become undefined. When the collision has ended and the  $T_{w2}$  operation performed, the repeater moves to the *WAIT* state.

### 5.0 Functional Description (Continued)



\*Note 1: SEND PREAMBLE, SEND SFD, SEND DATA

TL/F/11240-11

FIGURE 5-5. Receive Collision

## 5.0 Functional Description (Continued)

### Transmit Collisions

A transmit collision is a collision that is detected upon a segment to which the repeater system is transmitting. The port state machine monitoring the colliding segment asserts the  $\overline{\text{ANYXN}}$  bus signal. The assertion of  $\overline{\text{ANYXN}}$  causes *PORT M* arbitration to begin. The repeater moves to the *TRANSMIT COLLISION* state when the port which had been *PORT N* starts to transmit a Manchester encoded 1 on to its network segment. While in the *TRANSMIT COLLISION* state all ports of the repeater must transmit the 1010 . . . jam pattern and *PORT M* arbitration is performed. Each LERIC is obliged, by the IEEE specification, to ensure all of its ports transmit for at least 96 bits once the *TRANSMIT COLLISION* state has been entered. This transmit activity is enforced by the  $\overline{\text{ANYXN}}$  bus signal. While  $\overline{\text{ANYXN}}$  is active all LERIC ports will transmit jam. To ensure this situation lasts for at least 96 bits, the MSMs inside the LERICs assert the  $\overline{\text{ANYXN}}$  signal throughout this period. After this period has elapsed,  $\overline{\text{ANYXN}}$  will only be asserted if there are multiple ports with active collisions on their network segments.

There are two possible ways for a repeater to leave the *TRANSMIT COLLISION* state. The most straightforward is when network activity (i.e., collisions and their *Tw2* extensions) end before the 96-bit enforced period expires. Under these conditions the repeater system may move directly to the *WAIT* state when 96 bits have been transmitted to all ports. If the MSM enforced period ends and there is still one port experiencing a collision the *ONE PORT LEFT* state is entered. This may be seen on the Inter-LERIC bus when  $\overline{\text{ANYXN}}$  is deasserted and *PORT M* stops transmitting to its network segment. In this circumstance the Inter-LERIC bus transitions to the *RECEIVE COLLISION* state. The repeater will remain in this state while *PORT M's* collision, *Tw2* collision extension and any receive signals are present. When these conditions are not true, packet repetition finishes and the repeater enters the *WAIT* state.

Figure 5-6 shows a multi-LERIC system operating under transmit collision conditions. There are many different scenarios which may occur during a transmit collision, this figure illustrates one of these. The diagram begins with packet

reception by port A1. Port B1 experiences a collision, since it is not *PORT N* it asserts  $\overline{\text{ANYXN}}$ . This alerts the main state machines in the system to switch from data to jam pattern transmission.

Port A1 is also monitoring the  $\overline{\text{ANYXN}}$  bus line. Its assertion forces A1 to relinquish its *PORT N* status, start transmitting, stop asserting *ACTN* and release its hold on the PSM arbitration signals (*ACKO A* and *ACKI B*). The first bit it transmits will be a Manchester encoded "1" in the jam pattern. Since port B1 is the only port with a collision, it attains *PORT M* status and stops asserting  $\overline{\text{ANYXN}}$ . It does however assert *ACTN*, and exert its presence upon the PSM arbitration chain (forces *ACKO B* low). The MSMs ensure that  $\overline{\text{ANYXN}}$  stays active and thus forces all of the ports, including *PORT M*, to transmit to their segments.

After some time port A1 experiences a collision. This arises from the presence of the packet being received from port A1's segment plus the jam signal the repeater is now transmitting onto this segment. Two packets on one segment results in a collision. *PORT M* now moves from B1 to A1. Port A1 fulfills the same criteria as B1 (i.e., it has an active collision on its segment), but in addition it is higher in the arbitration chain. This priority yields no benefits for port A1 since the  $\overline{\text{ANYXN}}$  signal is still active. There are now two sources driving  $\overline{\text{ANYXN}}$ , the MSMs and the collision on port B1.

Eventually the collision on port B1 ends and the  $\overline{\text{ANYXN}}$  extension by the MSMs expires. There is only one collision on the network (this may be deduced since  $\overline{\text{ANYXN}}$  is inactive) so the repeater will move to the *ONE PORT LEFT* state. The LERIC system treats this state in a similar manner to a receive collision with *PORT M* fulfilling the role of the receiving port. The difference from a true receive collision is that the switch from packet data to the jam pattern has already been made (controlled by  $\overline{\text{ANYXN}}$ ). Thus the state of *COLN* has no effect upon repeater operations. In common with the operation of the *RECEIVE COLLISION* state, the repeater remains in this condition until the collision and receive activity on *PORT M* subsides. The packet repetition operation completes when the *Tw1* recovery time in the *WAIT* state has been performed.

**Note:** In transmit collision conditions *COLN* will only go active if the LERIC which contained *PORT N* at the start of packet repetition contains *PORT M* during the *TRANSMIT COLLISION* and *ONE PORT LEFT* states.

## 5.0 Functional Description (Continued)

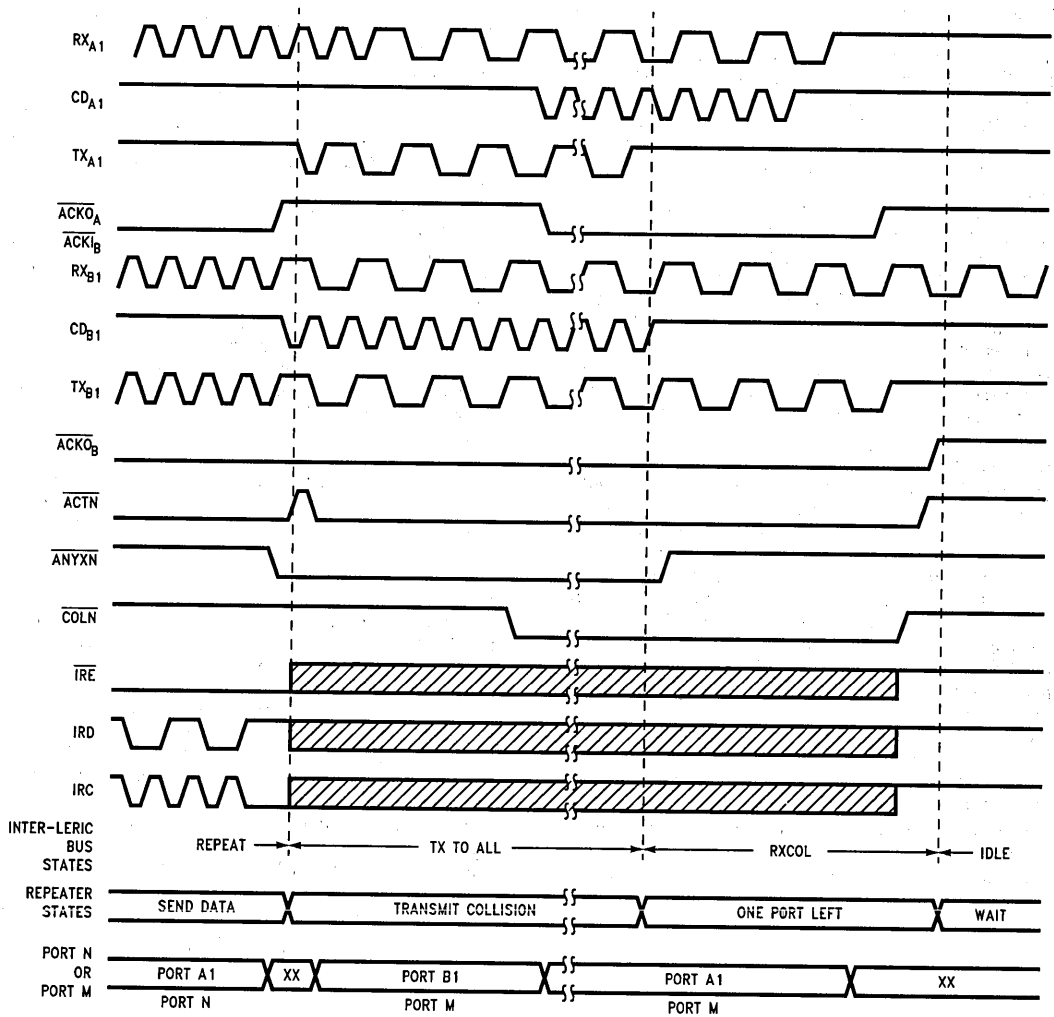


FIGURE 5-6. Transmit Collision

TL/F/11240-12

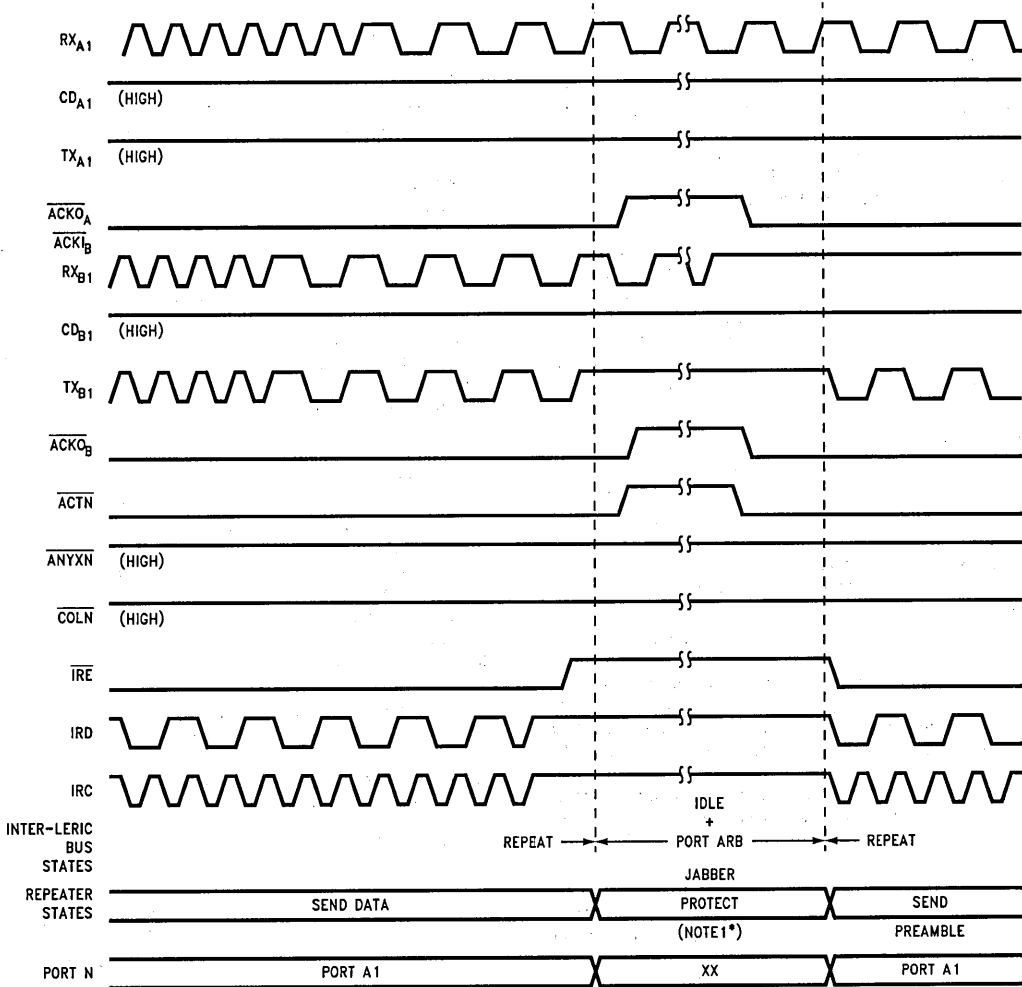


## 5.0 Functional Description (Continued)

### Jabber Protection

A repeater is required to disable transmit activity if the length of its current transmission reaches the jabber protect limit. This is defined by the IEEE specification's  $Tw3$  time. The repeater disables output for a time period defined by the  $Tw4$  specification, after this period normal operation may resume.

Figure 5-7 shows the effect of a jabber length packet upon a LERIC based repeater system. The **JABBER PROTECT** state is entered from the **SEND DATA** state. While the  $Tw4$  period is observed the Inter-LERIC bus displays the IDLE state. This is misleading since new packet activity or continuous activity (as shown in the diagram) does not result in packet repetition. This may only occur when the  $Tw4$  requirement has been satisfied.



TL/F/11240-13

**Note 1:** The IEEE Specification does not have a jabber protect state defined in its main state diagram, this behavior is defined in an additional MAU Jabber Lockup Protection state diagram.

FIGURE 5-7. Jabber Protect

## 5.0 Functional Description (Continued)

### 5.4 DESCRIPTION OF HARDWARE CONNECTION FOR CASCADING

#### 5.4.1 DP83955 on the Inter-LERIC Bus

When considering the hardware interface the Inter-LERIC bus may be viewed as consisting of three groups of signals:

1. Port Arbitration chain, namely:  $\overline{ACKI}$  and  $\overline{ACKO}$ . These signals are either used as point-to-point links or with external arbitration logic. In both cases the load on these signals will not be large so that the on-chip drivers are adequate.
2. Simultaneous drive and sense signals, namely:  $\overline{ACTN}$  and  $\overline{ANYXN}$ . Potentially these signals may be driven by multiple devices. It should be noticed that due to the nature of these signals, transceivers cannot be implemented for the purpose of cascading; however, bench evaluation indicates that LERICs can be cascaded together as long as the total load capacitance is 100 pF or less.
3. Drive or sense signals (i.e.,  $\overline{IRE}$ ,  $\overline{IRD}$ ,  $\overline{IRC}$  and  $\overline{COLN}$ ). Only one device asserts these signals at any instance in time. The unidirectional nature of information transfer on the  $\overline{IRE}$ ,  $\overline{IRD}$ ,  $\overline{IRC}$  and  $\overline{COLN}$  signals means a LERIC is either driving these signals or receiving them from the bus but not both at the same time. Thus a single bidirectional input/output pin is adequate for each of these signals.

#### 5.4.2 DP83956 Using the Inter-RIC Bus

When considering the hardware interface the Inter-LERIC bus may be viewed as consisting of three groups of signals:

1. Port Arbitration chain, namely:  $\overline{ACKI}$  and  $\overline{ACKO}$ . These signals are either used as point to point links or with external arbitration logic. In both cases the load on these signals will not be large so that the on-chip drivers are adequate.
2. The need for simultaneous sense and drive capabilities on the  $\overline{ACTN}$  and  $\overline{ANYXN}$  signals and the *desire to allow operation with external bus transceivers* makes it necessary for these bus signals to each have a pair of pins, one to drive the bus and the other to sense the bus. The inter-LERIC bus on the DP83956 has been designed to connect LERICs together directly or via external bus transceivers. The latter is advantageous in large repeaters. When external bus transceivers are used they must be open collector/open drain to allow wire-ORing of the signals.
3. Drive or sense signals, i.e.,  $\overline{IRE}$ ,  $\overline{IRD}$ ,  $\overline{IRC}$  and  $\overline{COLN}$ . Only one device asserts these signals at any instance in time. The unidirectional nature of information transfer on the  $\overline{IRE}$ ,  $\overline{IRD}$ ,  $\overline{IRC}$  and  $\overline{COLN}$  signals means a LERIC is either driving these signals or receiving them from the

bus but not both at the same time. Thus a single bidirectional input/output pin is adequate for each of these signals. When an external bus transceiver is used with these signals, the Packet Enable "PKEN", an output pin of LERIC, performs the function of a drive enable and sense disable.

### 5.5 PROCESSOR AND DISPLAY INTERFACE

The processor interface pins, which include the data bus, address bus and control signals, actually perform three operations which are multiplexed on these pins. These operations are:

1. The MLOAD Operation, which performs a power up initialization cycle upon the LERIC.
2. Display Update Cycles, which are refresh operations for updating the display LEDs.
3. Processor Access Cycles, which allow  $\mu$ P's (or simple logic) to communicate with the LERIC's registers.

These three operations are described below.

#### MLOAD Operation

The MLOAD Operation is a hardware initialization procedure performed at power on. It loads vital device configuration information into on chip configuration registers. In addition to its configuration function the  $\overline{MLOAD}$  pin is the LERIC's reset input. When  $\overline{MLOAD}$  is low all of the LERIC's repeater timers, state machines and segment partition logic are reset.

The MLOAD Operation may be accomplished by attaching the appropriate set of pull up and pull down resistors to the data and register address pins to assert logic high or low signals onto these pins, and then providing a rising edge on the  $\overline{MLOAD}$  pin as is shown in *Figure 5-8*. The mapping of chip functions to the configuration inputs is shown in Table 5-2. Such an arrangement may be performed using a simple resistor, capacitor, diode network. Performing the MLOAD Operation in this way enables the configuration of a LERIC that is in a simple repeater system (one without a processor).

Alternatively, in a complex repeater system the MLOAD Operation may be performed using a processor write cycle. This would require the  $\overline{MLOAD}$  pin be connected to the CPU's write strobe via some decoding logic, and included in the processor's memory map.



TL/F/11240-14

FIGURE 5-8. MLOAD Operation

## 5.0 Functional Description (Continued)

TABLE 5-2. Pin Definitions for Options in the MLOAD Operation

| Pin Name                                                                                                                                                                                                                                                                    | Programming Function | Effect When Bit is 0 | Effect When Bit is 1 | Function                                                                                                                                                                                                                                                                                                |        |                                                                                          |
|-----------------------------------------------------------------------------------------------------------------------------------------------------------------------------------------------------------------------------------------------------------------------------|----------------------|----------------------|----------------------|---------------------------------------------------------------------------------------------------------------------------------------------------------------------------------------------------------------------------------------------------------------------------------------------------------|--------|------------------------------------------------------------------------------------------|
|                                                                                                                                                                                                                                                                             |                      |                      |                      | BYPAS2                                                                                                                                                                                                                                                                                                  | BYPAS1 | Information                                                                              |
| D0<br>D1                                                                                                                                                                                                                                                                    | BYPAS1<br>BYPAS2     |                      |                      | 0<br>0                                                                                                                                                                                                                                                                                                  | 0<br>0 | All ports (2 to 7) use the external Transceiver Interface.                               |
|                                                                                                                                                                                                                                                                             |                      |                      |                      | 0<br>0                                                                                                                                                                                                                                                                                                  | 1<br>1 | Ports 2 and 3 use the external interface, 4 to 7 use the internal 10BASE-T transceivers. |
|                                                                                                                                                                                                                                                                             |                      |                      |                      | 1<br>1                                                                                                                                                                                                                                                                                                  | 0<br>0 | Ports 2 to 5 use the external interface, 6 and 7 use the internal 10BASE-T transceivers. |
|                                                                                                                                                                                                                                                                             |                      |                      |                      | 1<br>1                                                                                                                                                                                                                                                                                                  | 1<br>1 | All ports (2 to 7) use the internal 10BASE-T transceivers.                               |
| <p>These configuration bits select which of the repeater ports (numbers 2 to 7) are configured to use the on-chip internal 10BASE-T transceivers or the external transceiver interface. The external transceiver interface operates using AUI compatible signal levels.</p> |                      |                      |                      |                                                                                                                                                                                                                                                                                                         |        |                                                                                          |
| D2                                                                                                                                                                                                                                                                          | Resv.                | Not Permitted        | Required             |                                                                                                                                                                                                                                                                                                         |        |                                                                                          |
| D3                                                                                                                                                                                                                                                                          | EPOLSW               | Not Selected         | Selected             | Enables the polarity switching of the receive squelch upon detection of polarity reversal of the incoming data.                                                                                                                                                                                         |        |                                                                                          |
| D4                                                                                                                                                                                                                                                                          | Resv.                | Not Permitted        | Required             |                                                                                                                                                                                                                                                                                                         |        |                                                                                          |
| D5                                                                                                                                                                                                                                                                          | TXONLY               | Selected             | Not Selected         | This configuration bit allows the on-chip partition algorithm to restrict segment reconnection, as described in the Partition State Machine.                                                                                                                                                            |        |                                                                                          |
| D6                                                                                                                                                                                                                                                                          | CCLIM                | 63                   | 31                   | The partition specification requires a port to be partitioned after a certain number of consecutive collisions. The LERIC has two values available to allow users to customize the partitioning algorithm to their environment. Please refer to the Partition State Machine, in data sheet section 7.3. |        |                                                                                          |
| D7                                                                                                                                                                                                                                                                          | MIN/MAX              | Minimum Mode         | Maximum Mode         | The operation of the display update block is controlled by the value of this configuration bit, as described in the Display Update Cycles section.                                                                                                                                                      |        |                                                                                          |

## 5.0 Functional Description (Continued)

### 5.6 PROCESSOR AND DISPLAY INTERFACE HARDWARE CONNECTION

#### Display Update Cycles

The LERIC possesses control logic and interface pins which may be used to provide status information concerning activity on the attached network segments and the current status of repeater functions. These status cycles are completely autonomous and require only simple support circuitry to produce the data in a form suitable for a light emitting diode "LED" display. The display may be used in one of two modes:

1. Minimum Mode—General Repeater Status LEDs
2. Maximum Mode—Individual Port Status LEDs

Minimum mode, intended for simple LED displays, makes available four status indicators. The first LED denotes whether the LERIC has been forced to activate its jabber protect functions. The remaining 3 LEDs indicate if any of the LERIC's network segments are: (1) experiencing a collision, (2) receiving data, (3) currently partitioned. When minimum display mode is selected the only external components required are a 74LS374 type latch, the LEDs and their current limiting resistors.

Maximum mode differs from minimum mode by providing display information specific to individual network segments. This information denotes the collision activity, packet reception and partition status of each segment. In the case of 10BASE-T segments the link integrity status and polarity of the received data are also made available. The wide variety of information available in maximum mode may be used in its entirety or in part, thus allowing the system designer to choose the appropriate complexity of status display commensurate with the specification of the end equipment.

The signals provided and their timing relationships have been designed to interface directly with 74LS259 type addressable latches. The number of latches used being dependent upon the complexity of the display. Since the latches are octal, a pair of latches is needed to display each type of segment specific data (7 ports means 7 latch bits). The accompanying Tables 5-3 and 5-4 show the function of the interface pins in minimum and maximum modes. *Figure 5-10* shows the location of each port's status information when maximum mode is selected. This may be compared with the connection diagram (*Figure 5-9*).

Immediately following the MLOAD Operation (when the MLOAD pin transitions to a high logic state), the display logic performs an LED test operation. This operation lasts one second and while it is in effect all of the utilized LEDs will blink on. Thus an installation engineer is able to test the operation of the display by forcing the LERIC into a reset cycle (MLOAD forced low). The rising edge on the MLOAD pin starts the LED test cycle. **During the LED test cycle the LERIC does not perform packet repetition operations.**

The status display possesses a capability to lengthen the time an LED is active. At the end of the repetition of a packet, the display is frozen showing the current activity. This freezing lasts for 30 ms or until a subsequent packet is repeated. Thus at low levels of packet activity the display stretches activity information to make it discernable to the human eye. At high traffic rates the relative brightness of the LEDs indicates those segments with high or low activity.

**TABLE 5-3. Status Display Pin Functions in Minimum Mode**

| Signal Pin Name | Mnemonic | Function in MINIMUM MODE                                                                                                                           |
|-----------------|----------|----------------------------------------------------------------------------------------------------------------------------------------------------|
| D0              | ACOL     | Provides status information indicating if there is a collision occurring on one of the segments attached to this LERIC.                            |
| D1              | AREC     | Provides status information indicating if one of this LERIC's ports is receiving a data or collision packet from a segment attached to this LERIC. |
| D2              | JAB      | Provides status information indicating that the LERIC has experienced a jabber protect condition.                                                  |
| D3              | APART    | Provides status information indicating if one of the LERIC's segments is partitioned.                                                              |
| D(7:4)          |          | No operation                                                                                                                                       |
| STR             |          | This signal is the latch enable for the 374 type latch.                                                                                            |

**Note:** ACOL = Any Port Collision  
 AREC = Any Port Reception  
 JAB = Any Port Jabbering  
 APART = Port Partitioned

## 5.0 Functional Description (Continued)

**TABLE 5-4. Status Display Pin Functions in Maximum Mode**

| Signal Pin Name | Function in MAXIMUM MODE                                                                                                                                                                                                                                                                                 |
|-----------------|----------------------------------------------------------------------------------------------------------------------------------------------------------------------------------------------------------------------------------------------------------------------------------------------------------|
| D0              | Provides status information concerning the Link Integrity status of 10BASE-T segments. This signal should be connected to the data inputs of the chosen pair of 74LS259 latches.                                                                                                                         |
| D1              | Provides status information indicating if there is a collision occurring on one of the segments attached to this LERIC. This signal should be connected to the data inputs of the chosen pair of 74LS259 latches.                                                                                        |
| D2              | Provides status information indicating if one of this LERIC's ports is receiving data or a collision packet from its segment. This signal should be connected to the data inputs of the chosen pair of 74LS259 latches.                                                                                  |
| D3              | Provides status information indicating that the LERIC has experienced a jabber protect condition. Additionally, it denotes which of its ports are partitioned. This signal should be connected to the data inputs of the chosen pair of 74LS259 latches.                                                 |
| D4              | Provides status information indicating if one of this LERIC's ports is receiving data of inverse polarity. This status output is only valid if the port is configured to use its internal 10BASE-T transceiver. The signal should be connected to the data inputs of the chosen pair of 74LS259 latches. |
| D(7:5)          | These signals provide the repeater port address corresponding to the data available on D(4:0).                                                                                                                                                                                                           |
| STR             | This signal is the latch enable for the 74LS259 latches.                                                                                                                                                                                                                                                 |

### 5.0 Functional Description (Continued)

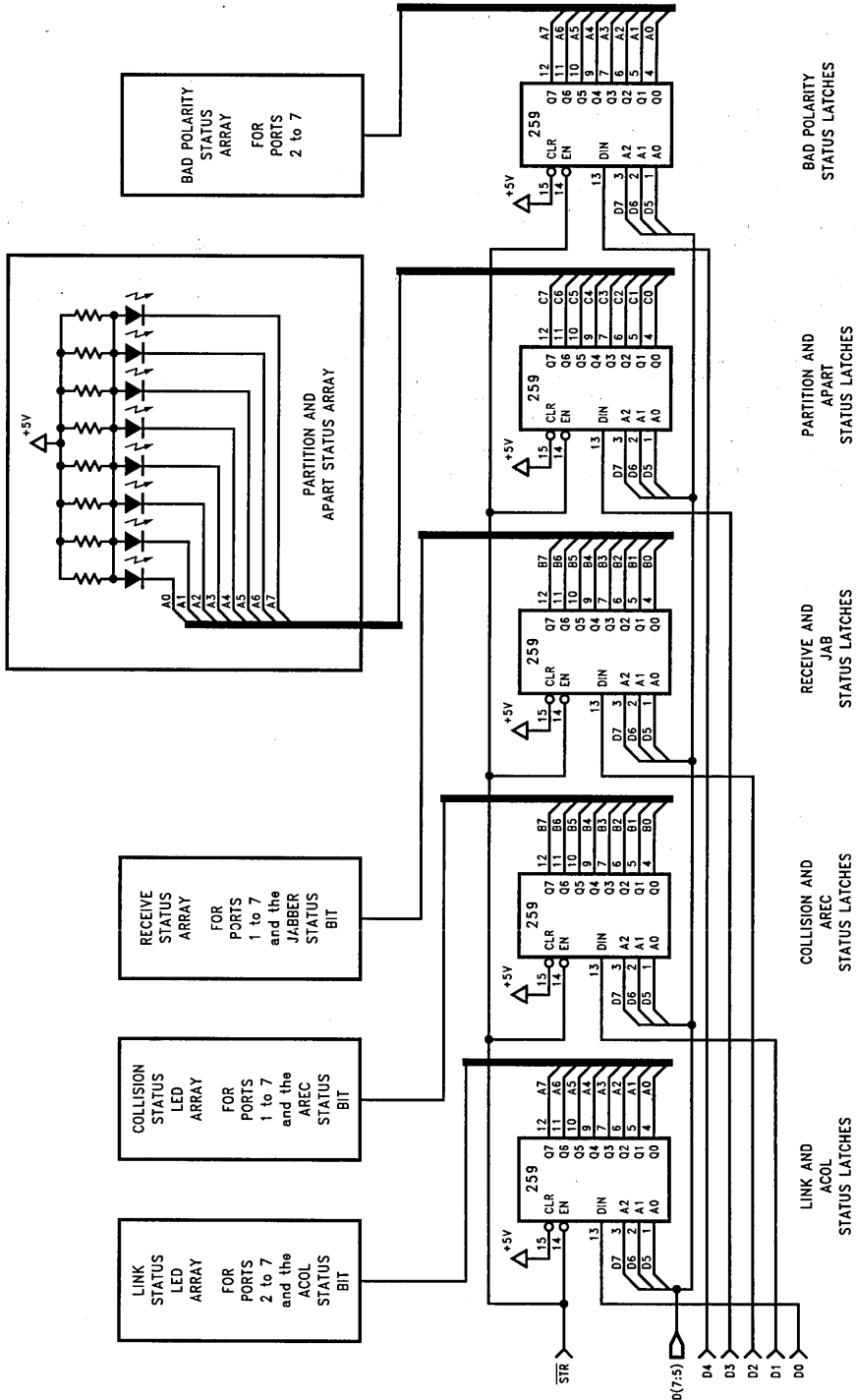


FIGURE 5-9. Maximum Mode LED Display (All Available Status Bits Used)

TL/F/11240-15

## 5.0 Functional Description (Continued)

| 259 Output        | 74LS259 Latch Inputs |         |       |       |       |       |       |       |
|-------------------|----------------------|---------|-------|-------|-------|-------|-------|-------|
|                   | Q0                   | Q1      | Q2    | Q3    | Q4    | Q5    | Q6    | A7    |
| 259 Addr S(2-0)   | 000                  | 001     | 010   | 011   | 100   | 101   | 110   | 111   |
| LERIC Port Number |                      | 1 (AUI) | 2     | 3     | 4     | 5     | 6     | 7     |
| LERIC D0          | ACOL                 |         | LINK  | LINK  | LINK  | LINK  | LINK  | LINK  |
| LERIC D1          | AREC                 | COL     | COL   | COL   | COL   | COL   | COL   | COL   |
| LERIC D2          | JAB                  | REC     | REC   | REC   | REC   | REC   | REC   | REC   |
| LERIC D3          | APART                | PART    | PART  | PART  | PART  | PART  | PART  | PART  |
| LERIC D4          |                      |         | BDPOL | BDPOL | BDPOL | BDPOL | BDPOL | BDPOL |

**Note:** This shows the LED Output Functions for the LED Drivers when 74LS259s are used.  
 ACOL = Any Port Collision, AREC = Any Port Reception, JAB = Any Port Jabbering,  
 LINK = Port Link, COL = Port Collision, REC = Port Reception, PART = Port Partitioned,  
 BDPOL = Bad (inverse) Polarity of received data

**FIGURE 5-10. Maximum Mode LED Definitions**

### Description of Data Freeze Strobe (DFS) Pin Operation

DFS has been implemented to assist the user to provide partial hub management statistics on a per packet per port basis. The DFS signal is asserted, active high, at the end of the transmission of each packet, and the status of that packet is frozen on the LEDs until the beginning of the next received packet or for a maximum of 30 ms as is shown in *Figure 5-11*.

The DFS signal can be used to latch the LED information into a shared buffer which acts as an external flag register, and can be used as a mechanism to trap events.

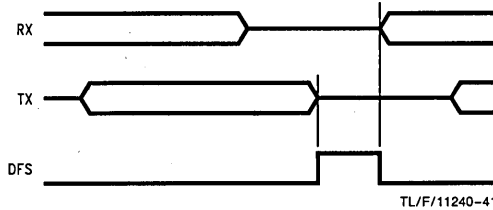
### Processor Access Cycles

Access to the LERIC's on-chip registers is made via its processor interface. This utilizes a conventional non-multiplexed address (four bit) and data (four bit) bus. This bus is also used to provide data and address information to off chip LED display latches during display update cycles. While performing these cycles the LERIC behaves as a master of its data bus. Consequently a TRI-STATE bi-directional bus transceiver (e.g., 74LS245) must be placed between the LERIC and any processor bus. Internally each of the LERIC's registers is 8 bits, however there are four bits of data pins (D(3:0)). Each register is accessed on a nibble basis (4 bits at a time). D(7) of the address pins D(7:4) selects the upper and lower nibbles as described in Section 7.

To access the LERIC's registers, the processor requests a register access by asserting the read ( $\overline{RD}$ ) or write ( $\overline{WR}$ ) input strobes. The LERIC responds by finishing any current display update cycle and asserts the TRI-STATE buffer enable signal ( $\overline{BUFEN}$ ). If the processor cycle is a write cycle then the LERIC's buffers are disabled to prevent contention. In order to interface to the LERIC a PAL device may be used to perform the following operations:

1. Generate the LERIC's read and write strobes,
2. Control the direction signal for the 74LS245.

An example of the processor and display interfaces is shown in *Figure 5-12*.



**FIGURE 5-11. DFS Operation**

## 5.0 Functional Description (Continued)

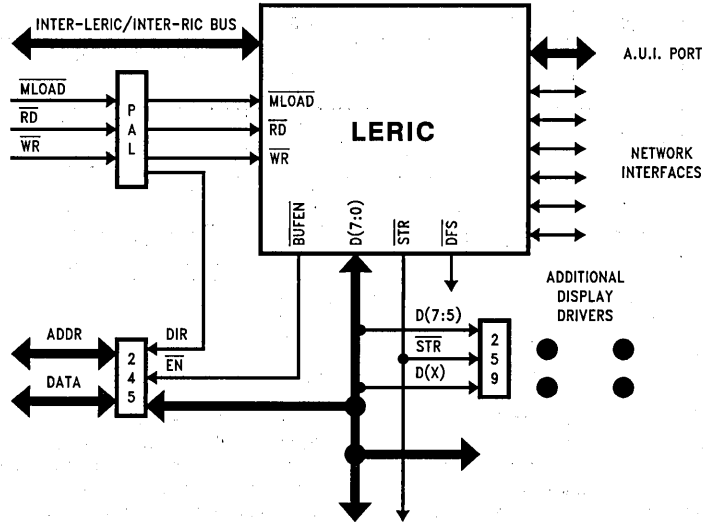


FIGURE 5-12. Processor Connection Diagram

TL/F/11240-16

## 6.0 Port Block Functions

The LERIC has 7 port logic blocks (one for each network connection). In addition to the packet repetition operations already described, the port block performs two other functions:

1. The physical connection to the network segment (transceiver function).
2. It provides a means to protect the network from malfunctioning segments (segment partition).

Each port has its own status and configuration register. This register allows the user to determine the current status of the port and configure a number of port specific functions.

### 6.1 TRANSCEIVER FUNCTIONS

The LERIC may connect to network segments in three ways:

1. Over AUI cable to transceiver boxes (Port 1)
2. Directly to board mounted transceivers.
3. To twisted pair cable via a simple interface.

The first method is only supported by LERIC Port 1 (the AUI port). Options (2) and (3) are available on Ports 2 to 7. The selection of the desired option is made at device initialization during the MLOAD operation. The Transceiver Bypass XBYPAS configuration bits are used to determine whether the ports will utilize the on-chip 10BASE-T transceivers or bypass these in favor of external transceivers. Four possible combinations of port utilization are supported (refer to Table 5-2):

1. All ports (2 to 7) use the external Transceiver Interface.
2. Ports 2 and 3 use the external interface, 4 to 7 use the internal 10BASE-T transceivers.
3. Ports 2 to 5 use the external interface, 6 and 7 use the internal 10BASE-T transceivers.
4. All ports (2 to 7) use the internal 10BASE-T transceivers.

### 10BASE-T Transceiver Operation

The LERIC contains virtually all the digital and analog circuits required for connection to 10BASE-T network segments. The only additional active component is an external driver package. The connection for a LERIC port to a 10BASE-T segment is shown in Figure 6-1. The diagram shows the components required to connect one of the LERIC's ports to a 10BASE-T segment (and lists a few module P/Ns and vendors). The major components are the driver package, a member of the 74ACT family, and an integrated filter-transformer-choke module (or discrete combination of these functions).

The operation of the 10BASE-T transceiver's logical functions may be modified by software control. The default mode of operation is for the transceivers to transmit and expect reception of link pulses. This may be modified if a logic one is written to the  $\overline{\text{GDLNK}}$  bit of a port's status register. The port's transceiver will operate normally but will not transmit link pulses nor monitor their reception. Thus the entry to a link fail state and the associated modification of transceiver operation will not occur.

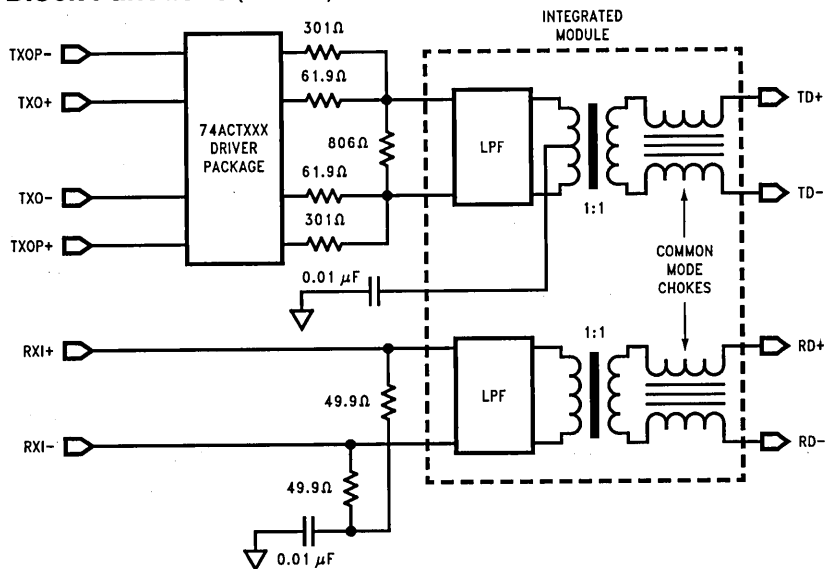
The on-chip 10BASE-T transceivers automatically detect and correct the polarity of the received data stream. This polarity detection scheme relies upon the polarity of the received link pulses and the end of packet waveform. Polarity detection and correction may be disabled through the MLOAD operation.

### External Transceiver Operation

LERIC ports 2 to 7 may be connected to media other than twisted-pair by opting to bypass the on-chip transceivers. When using external transceivers the user must perform collision detection and the other functions associated with an IEEE 802.3 Media Access Unit. Figure 6-2 shows the connection between a repeater port and a coaxial transceiver using the AUI type interface.



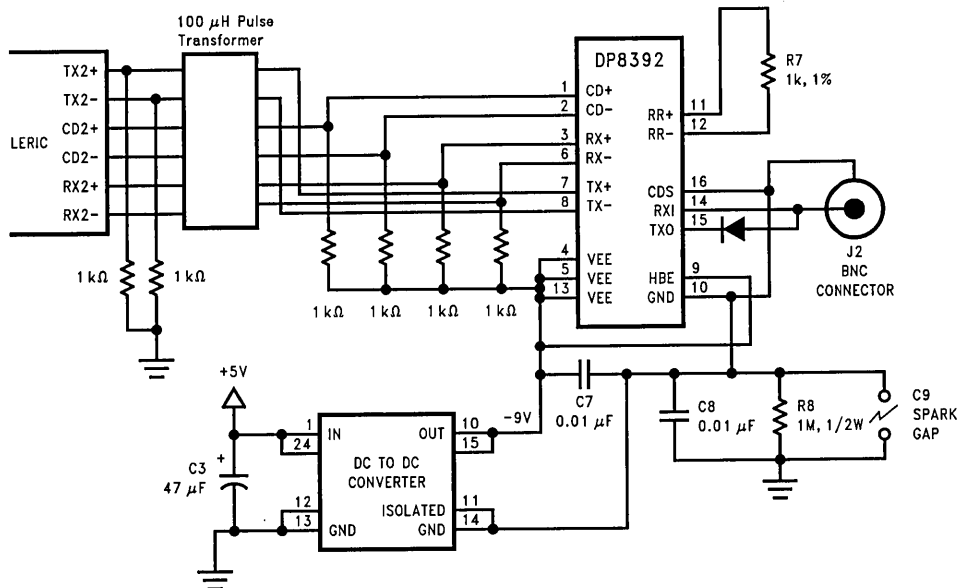
### 6.0 Port Block Functions (Continued)



TL/F/11240-17

For typical Filter-Transformer-Choke Modules refer to ETHERNET MAGNETIC VENDORS. In addition to these, the Valor FL1085 is recommended for HCT Drivers.

**FIGURE 6-1. Port Connection to a 10BASE-T Segment**



TL/F/11240-18

The above diagrams show a LERIC port (numbers 2 to 7) connected to a 10BASE-T and a 10BASE2 segment. The values of any components not indicated above are to be determined.

**FIGURE 6-2. Port Connection to a 10BASE2 Segment (AUI type Interface selected)**

## 6.0 Port Block Functions (Continued)

### 6.2 SEGMENT PARTITION

Each of the LERIC ports has a dedicated state machine to perform the functions defined by the IEEE partition algorithm as shown in *Figure 6-3*. To allow users to customize this algorithm for different applications a number of user selected options are available during device configuration at power up (the MLOAD cycle).

Two options are provided:

1. The value of consecutive counts required to partition a segment (the CCLimit specification) may be set at either 31 or 63 consecutive collisions.
2. The operation of the ports' state machines when reconnecting a segment may also be modified by the user. The Transmit Only TXONLY configuration bit allows the user to prevent segment reconnection unless the reconnecting packet is being sourced by the repeater. In this case the repeater is transmitting on to the segment rather than the segment transmitting when the repeater is idle. The normal mode of reconnection does not differentiate be-

tween such packets. The TXONLY configuration bit is input on pin D(5) during the MLOAD cycle. If this option is selected the operation of the state machine branch marked (3) in *Figure 6-3* is affected.

In addition to the autonomous operation of the partition state machines, the user may reset these state machines. This may be done individually to each port by writing a logic one to the PART bit in its status register. The port's partition state machine and associated counters are reset and the port is reconnected to the network.

### 6.3 PORT STATUS AND CONFIGURATION REGISTER FUNCTIONS

Each LERIC port has its own status and configuration register. In addition to providing status concerning the port and its network segment the register allows the following operations to be performed upon the port:

1. Port disable. When a port is disabled packet transmission and reception between the port's segment and the rest of the network is prevented.
2. Selection between normal and reduced squelch levels.

6.0 Port Block Functions (Continued)

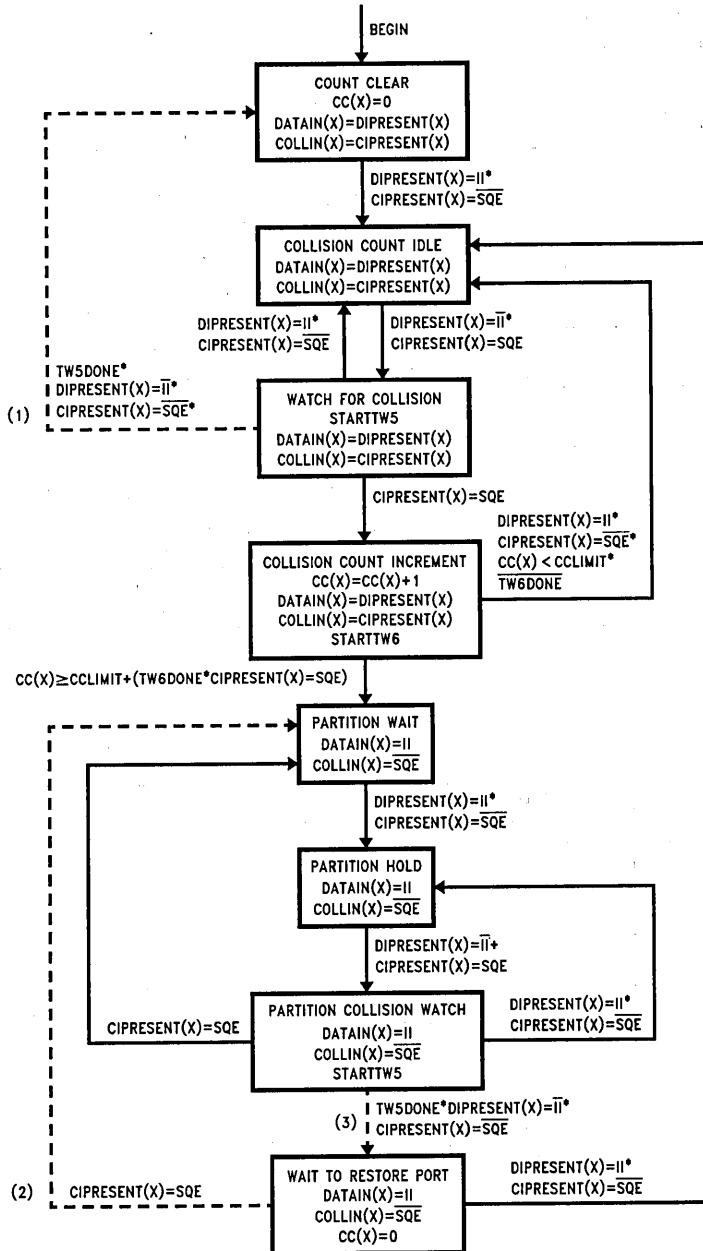


FIGURE 6-3. IEEE Segment Partition Algorithm

TL/F/11240-19

## 7.0 LERIC Registers

### 7.1 LERIC REGISTER ADDRESS MAP

The LERIC's registers may be accessed by applying the required address to the four register address (D(7:4)) input pins. Pin D(7) makes the selection between the upper and

lower nibbles of each register. The register map consists of 8 registers as shown in the Register Map in Table 7-1 which is followed by a summary of the register bits shown in Table 7-2. The definitions for these bits are shown in the detailed register definitions on the following pages.

**TABLE 7-1. Register Memory Map**

| Address D(7:4) | Name                                                                                                           |
|----------------|----------------------------------------------------------------------------------------------------------------|
| 0000<br>1000   | LERIC Status Register—Lower Nibble<br>LERIC Status Register—Upper Nibble                                       |
| 0001<br>1001   | Port 1 Status and Configuration Register—Lower Nibble<br>Port 1 Status and Configuration Register—Upper Nibble |
| 0010<br>1010   | Port 2 Status and Configuration Register—Lower Nibble<br>Port 2 Status and Configuration Register—Upper Nibble |
| 0011<br>1011   | Port 3 Status and Configuration Register—Lower Nibble<br>Port 3 Status and Configuration Register—Upper Nibble |
| 0100<br>1100   | Port 4 Status and Configuration Register—Lower Nibble<br>Port 4 Status and Configuration Register—Upper Nibble |
| 0101<br>1101   | Port 5 Status and Configuration Register—Lower Nibble<br>Port 5 Status and Configuration Register—Upper Nibble |
| 0110<br>1110   | Port 6 Status and Configuration Register—Lower Nibble<br>Port 6 Status and Configuration Register—Upper Nibble |
| 0111<br>1111   | Port 7 Status and Configuration Register—Lower Nibble<br>Port 7 Status and Configuration Register—Upper Nibble |

**Register Array Bit Map**

| Address D(7:4) | D(3)          | D(2)        | D(1)         | D(0)          |
|----------------|---------------|-------------|--------------|---------------|
| 0000<br>1000   | PART<br>Resv  | JAB<br>Resv | AREC<br>Resv | ACOL<br>Resv  |
| 0001<br>1001   | PART<br>DISPT | REC<br>Resv | COL<br>Resv  | GDLNK<br>Resv |
| 0010<br>1010   | PART<br>DISPT | REC<br>Resv | COL<br>POL   | GDLNK<br>SQL  |
| 0011<br>1011   | PART<br>DISPT | REC<br>Resv | COL<br>POL   | GDLNK<br>SQL  |
| 0100<br>1100   | PART<br>DISPT | REC<br>Resv | COL<br>POL   | GDLNK<br>SQL  |
| 0101<br>1101   | PART<br>DISPT | REC<br>Resv | COL<br>POL   | GDLNK<br>SQL  |
| 0110<br>1110   | PART<br>DISPT | REC<br>Resv | COL<br>POL   | GDLNK<br>SQL  |
| 0111<br>1111   | PART<br>DISPT | REC<br>Resv | COL<br>POL   | GDLNK<br>SQL  |

## 7.0 LERIC Registers (Continued)

### 7.2 LERIC STATUS REGISTER

This register contains real time information concerning the operation of the LERIC.

| D(3) | D(2) | D(1) | D(0) | D(3)               | D(2)             | D(1)              | D(0)              |
|------|------|------|------|--------------------|------------------|-------------------|-------------------|
| Resv | Resv | Resv | Resv | $\overline{A}PART$ | $\overline{J}AB$ | $\overline{A}REC$ | $\overline{A}COL$ |

| Symbol             | Bit  | R/W | Description                                                                                                                                                                                  |
|--------------------|------|-----|----------------------------------------------------------------------------------------------------------------------------------------------------------------------------------------------|
| $\overline{A}COL$  | D(0) | R   | Any Collisions<br>0: A collision is occurring at one or more of the LERIC's ports<br>1: No collisions                                                                                        |
| $\overline{A}REC$  | D(1) | R   | Any Receive<br>0: One of the LERIC's ports is the current packet or collision receiver<br>1: No packet or collision reception within this LERIC                                              |
| $\overline{J}AB$   | D(2) | R   | Jabber Protect<br>0: The LERIC has been forced into jabber protect state by one of its ports or by another port on the Inter-LERIC bus (operations)<br>1: No jabber protect conditions exist |
| $\overline{A}PART$ | D(3) | R   | Any Partition<br>0: One or more ports are partitioned<br>1: No ports are partitioned                                                                                                         |
| Resv               | D(0) | R   | Reserved for future use<br>Value set at logic one                                                                                                                                            |
| Resv               | D(1) | R   | Reserved for future use<br>Value set at logic one                                                                                                                                            |
| Resv               | D(2) | R   | Reserved for future use<br>Value set at logic one                                                                                                                                            |
| Resv               | D(3) | R   | Reserved for future use<br>Value set at logic one                                                                                                                                            |

## 7.0 LERIC Registers (Continued)

### 7.3 PORT STATUS AND CONFIGURATION REGISTERS

| D(3)  | D(2) | D(1) | D(0) | D(3) | D(2) | D(1) | D(0)  |
|-------|------|------|------|------|------|------|-------|
| DISPT | Resv | POL  | SQL  | PART | REC  | COL  | GDLNK |

| Symbol                    | Bit  | R/W | Description                                                                                                                                                                                                                                                                                                                                                                                       |
|---------------------------|------|-----|---------------------------------------------------------------------------------------------------------------------------------------------------------------------------------------------------------------------------------------------------------------------------------------------------------------------------------------------------------------------------------------------------|
| $\overline{\text{GDLNK}}$ | D(0) | R/W | <p>Good Link</p> <p>0: Link pulses are being received by the port</p> <p>1: Link pulses are not being received by the port logic</p> <p><b>Note:</b> Writing a 1 to this bit will cause the 10BASE-T transceiver not to transmit or monitor the reception of link pulses. If the internal 10BASE-T transceivers are not selected or if port 1 (AUI port) is read, then this bit is undefined.</p> |
| $\overline{\text{COL}}$   | D(1) | R   | <p>Collision</p> <p>0: A collision is happening or has occurred during the current packet</p> <p>1: No collisions have occurred as yet during this packet</p>                                                                                                                                                                                                                                     |
| REC                       | D(2) | R   | <p>Receive</p> <p>0: This port is now or has been the receive source of packet or collision information for the current packet.</p> <p>1: This port has not been the receive source during the current packet</p>                                                                                                                                                                                 |
| PART                      | D(3) | R/W | <p>Partition</p> <p>0: This port is partitioned</p> <p>1: This port is not partitioned</p> <p>Writing a logic one to this bit forces segment reconnection and partition state machine reset. Writing a zero to this bit has no effect.</p>                                                                                                                                                        |
| SQL                       | D(0) | R/W | <p>Squelch Level</p> <p>0: Port operates with normal IEEE receive squelch level</p> <p>1: Port operates with reduced receive squelch levels</p> <p><b>Note:</b> This bit has no effect when the external transceiver is selected.</p>                                                                                                                                                             |
| POL                       | D(1) | R   | <p>Polarity</p> <p>0: Polarity is not inverted</p> <p>1: Polarity is inverted</p>                                                                                                                                                                                                                                                                                                                 |
| Resv                      | D(2) | R   | <p>"Reserved"</p> <p>"Value set to logic zero"</p>                                                                                                                                                                                                                                                                                                                                                |
| DISPT                     | D(3) | R/W | <p>Disable Port</p> <p>0: Port operates as defined by repeater operations</p> <p>1: All port activity is prevented</p>                                                                                                                                                                                                                                                                            |

## 8.0 Absolute Maximum Ratings

If Military/Aerospace specified devices are required, please contact the National Semiconductor Sales Office/Distributors for availability and specifications.

|                                 |                          |
|---------------------------------|--------------------------|
| Supply Voltage ( $V_{CC}$ )     | 0.5V to 7.0V             |
| DC Input Voltage ( $V_{IN}$ )   | -0.5V to $V_{CC} + 0.5V$ |
| DC Output Voltage ( $V_{OUT}$ ) | -0.5V to $V_{CC} + 0.5V$ |

|                                                       |                 |
|-------------------------------------------------------|-----------------|
| Storage Temperature Range ( $T_{STG}$ )               | -65°C to +150°C |
| Power Dissipation ( $P_D$ )                           | 1.5W            |
| Lead Temperature ( $T_L$ )<br>(Soldering, 10 Seconds) | 260°C           |
| ESD Rating<br>( $R_{ZAP} = 1.5k, C_{ZAP} = 120 pF$ )  | 1.5 kV          |

## 9.0 DC Specifications $T_A = 0^\circ\text{C}$ to $+70^\circ\text{C}$ , $V_{CC} = 5V \pm 5\%$ unless otherwise specified

| Symbol                                                               | Description                                                              | Conditions                                         | Min       | Max              | Units         |
|----------------------------------------------------------------------|--------------------------------------------------------------------------|----------------------------------------------------|-----------|------------------|---------------|
| <b>PROCESSOR, LED, TWISTED-PAIR PORTS AND INTER-LERIC INTERFACES</b> |                                                                          |                                                    |           |                  |               |
| $V_{OH}$                                                             | Minimum High Level Output Voltage                                        | $I_{OH} = -8 \text{ mA}$                           | 3.5       |                  | V             |
| $V_{OL}$                                                             | Minimum Low Level Output Voltage                                         | $I_{OL} = 8 \text{ mA}$                            |           | 0.4              | V             |
| $V_{IH}$                                                             | Minimum High Level Input Voltage                                         |                                                    | 2.0       |                  | V             |
| $V_{IL}$                                                             | Maximum Low Level Input Voltage                                          |                                                    |           | 0.8              | V             |
| $I_{IN}$                                                             | Input Current                                                            | $V_{IN} = V_{CC}$ or GND                           | -1.0      | 1.0              | $\mu\text{A}$ |
| $I_{OZ}$                                                             | Maximum TRI-STATE Output Leakage Current                                 | $V_{OUT} = V_{CC}$ or GND                          | -10       | 10               | $\mu\text{A}$ |
| $I_{CC}$                                                             | Average Supply Current                                                   | $V_{IN} = V_{CC}$ or GND<br>$V_{CC} = 5.25V$       |           | 250              | mA            |
| <b>AUI (PORT 1)</b>                                                  |                                                                          |                                                    |           |                  |               |
| $V_{OD}$                                                             | Differential Output Voltage ( $TX_{\pm}$ )                               | 78 $\Omega$ Termination and 270 $\Omega$ Pulldowns | $\pm 550$ | $\pm 1200$       | mV            |
| $V_{OB}$                                                             | Differential Output Voltage Imbalance ( $TX_{\pm}$ )                     | 78 $\Omega$ Termination and 270 $\Omega$ Pulldowns |           | 40 mV<br>Typical |               |
| $V_U$                                                                | Undershoot Voltage ( $TX_{\pm}$ )                                        | 78 $\Omega$ Termination and 270 $\Omega$ Pulldowns |           | 80 mV<br>Typical |               |
| $V_{DS}$                                                             | Differential Squelch Threshold ( $RX_{\pm}, CD_{\pm}$ )                  |                                                    | -175      | -300             | mV            |
| $V_{CM}$                                                             | Differential Input Common Mode Voltage ( $RX_{\pm}, CD_{\pm}$ ) (Note 1) |                                                    | 0         | 5.5              | V             |

## 9.0 DC Specifications $T_A = 0^\circ\text{C}$ to $+70^\circ\text{C}$ , $V_{CC} = 5V \pm 5\%$ unless otherwise specified (Continued)

| Symbol                        | Description                                                            | Conditions                                          | Min       | Max              | Units |
|-------------------------------|------------------------------------------------------------------------|-----------------------------------------------------|-----------|------------------|-------|
| <b>PSEUDO AUI (PORTS 2-7)</b> |                                                                        |                                                     |           |                  |       |
| $V_{POD}$                     | Differential Output Voltage (TX $\pm$ )                                | 270 $\Omega$ Termination and 1 k $\Omega$ Pulldowns | $\pm 450$ | $\pm 1200$       | mV    |
| $V_{POB}$                     | Differential Output Voltage Imbalance (TX $\pm$ )                      | 270 $\Omega$ Termination and 1 k $\Omega$ Pulldowns |           | 40 mV<br>Typical |       |
| $V_{PU}$                      | Undershoot Voltage (TX $\pm$ )                                         | 270 $\Omega$ Termination and 1 k $\Omega$ Pulldowns |           | 80 mV<br>Typical |       |
| $V_{PDS}$                     | Differential Squelch Threshold (RX $\pm$ , CD $\pm$ )                  |                                                     | -175      | -300             | mV    |
| $V_{PCM}$                     | Differential Input Common Mode Voltage (RX $\pm$ , CD $\pm$ ) (Note 1) |                                                     | 0         | 5.5              | V     |

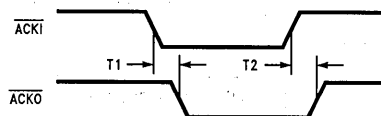
### TWISTED-PAIR (PORTS 2-7)

| Symbol    | Description                                                       | Conditions | Min                    | Max                    | Units    |
|-----------|-------------------------------------------------------------------|------------|------------------------|------------------------|----------|
| $V_{RON}$ | Minimum Receive Squelch Threshold:<br>Normal Mode<br>Reduced Mode |            | $\pm 300$<br>$\pm 175$ | $\pm 585$<br>$\pm 300$ | mV<br>mV |

Note 1: This parameter is guaranteed by design and is not tested.

## 10.0 Switching Characteristics

### PORT ARBITRATION TIMING



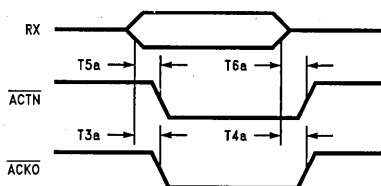
TL/F/11240-20

| Symbol     | Number | Parameter                                                      | Min | Max | Units |
|------------|--------|----------------------------------------------------------------|-----|-----|-------|
| ackilackol | T1     | $\overline{\text{ACKI}}$ Low to $\overline{\text{ACKO}}$ Low   |     | 26  | ns    |
| ackihackoh | T2     | $\overline{\text{ACKI}}$ High to $\overline{\text{ACKO}}$ High |     | 23  | ns    |

Note: Timing valid with no receive or collision activities.

### RECEIVE TIMING—AUI PORTS

Receive activity propagation start up and end delays for ports in non 10BASE-T mode



TL/F/11240-21

| Symbol  | Number | Parameter                                             | Min | Max | Units |
|---------|--------|-------------------------------------------------------|-----|-----|-------|
| rxackol | T3a    | RX Active to $\overline{\text{ACKO}}$ Low             |     | 66  | ns    |
| rxackoh | T4a    | RX Inactive to $\overline{\text{ACKO}}$ High (Note 1) |     | 235 | ns    |
| rxactnl | T5a    | RX Active to $\overline{\text{ACTN}}$ Low             |     | 75  | ns    |
| rxactnh | T6a    | RX Inactive to $\overline{\text{ACTN}}$ High (Note 1) |     | 235 | ns    |

Note:  $\overline{\text{ACKI}}$  assumed high

Note 1: This time includes EOP.

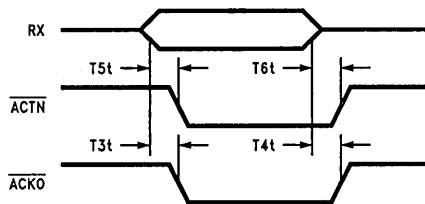
Note 2: This parameter assumes squelch triggers on negative edge of RX data.



## 10.0 Switching Characteristics (Continued)

### RECEIVE TIMING—10BASE-T PORTS

Receive activity propagation start up and end delays for ports in 10BASE-T mode



TL/F/11240-22

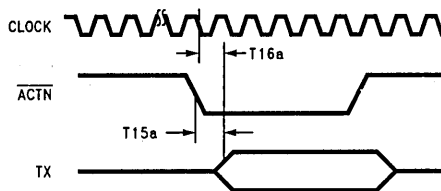
| Symbol  | Number | Parameter                                             | Min | Max | Units |
|---------|--------|-------------------------------------------------------|-----|-----|-------|
| rxackol | T3t    | RX Active to $\overline{\text{ACKO}}$ Low             |     | 300 | ns    |
| rxackoh | T4t    | RX Inactive to $\overline{\text{ACKO}}$ High (Note 1) |     | 280 | ns    |
| rxactnl | T5t    | RX Active to $\overline{\text{ACTN}}$ Low             |     | 300 | ns    |
| rxactnh | T6t    | RX Inactive to $\overline{\text{ACTN}}$ High (Note 1) |     | 280 | ns    |

Note:  $\overline{\text{ACKO}}$  assumed high.

Note 1: This time includes EOP.

### TRANSMIT TIMING—AUI PORTS

Transmit activity propagation start up and end delays for ports in non 10BASE-T mode



TL/F/11240-23

| Symbol   | Number | Parameter                                 | Min | Max | Units |
|----------|--------|-------------------------------------------|-----|-----|-------|
| actnltxa | T15a   | $\overline{\text{ACTN}}$ Low to TX Active |     | 675 | ns    |
| clkitxa  | T16a   | CLOCK in to TX Active (Note 1)            |     | 45  | ns    |

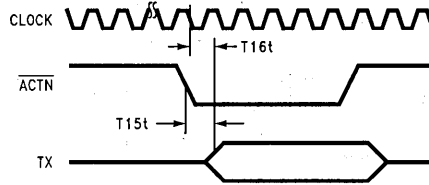
Note:  $\overline{\text{ACKO}}$  assumed high.

Note 1: Measurement from previous falling edge of the clock.

## 10.0 Switching Characteristics (Continued)

### TRANSMIT TIMING—10BASE-T PORTS

Receive activity propagation start up and end delays for ports in 10BASE-T mode



TL/F/11240-24

| Symbol   | Number | Parameter                      | Min | Max | Units |
|----------|--------|--------------------------------|-----|-----|-------|
| actnitxa | T15t   | ACTN Low to TX Active          |     | 790 | ns    |
| clkitxa  | T16t   | CLOCK in to TX Active (Note 1) |     | 45  | ns    |

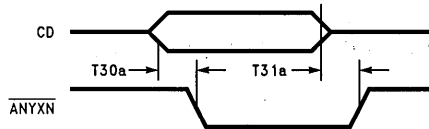
Note:  $\overline{ACK}$  assumed high.

Note 1: Clock not drawn to scale. In this measurement, falling edge of the clock for even ports and rising edge of the clock for odd ports are considered.

### COLLISION TIMING—AUI PORTS

Collision activity propagation start up and end delays for ports in non 10BASE-T mode

#### TRANSMIT COLLISION TIMING



TL/F/11240-25

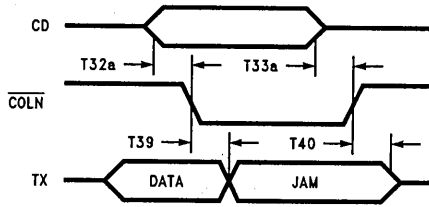
| Symbol         | Number | Parameter                              | Min | Max | Units |
|----------------|--------|----------------------------------------|-----|-----|-------|
| cdaanyxnl      | T30a   | CD Active to ANYXN Low                 |     | 85  | ns    |
| cdianyxn timer | T31a   | CD Inactive to ANYXN High (Notes 1, 2) |     | 285 | ns    |

Note 1: TX collision extension has already been performed and no other port is driving ANYXN.

Note 2: Includes TW2.

# 10.0 Switching Characteristics (Continued)

## RECEIVE COLLISION TIMING



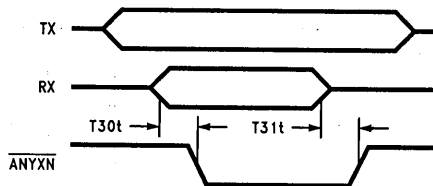
TL/F/11240-26

| Symbol   | Number | Parameter                       | Min | Max | Units |
|----------|--------|---------------------------------|-----|-----|-------|
| cdacolna | T32a   | CD Active to COLN Low           |     | 75  | ns    |
| cdicolni | T33a   | CD Inactive to COLN High        |     | 215 | ns    |
| colnjs   | T39    | COLN Low to Start of JAM        |     | 400 | ns    |
| colnhje  | T40    | COLN High to End of JAM(Note 1) |     | 585 | ns    |

Note 1: Reception ended before COLN goes high.

## COLLISION TIMING—10BASE-T PORTS

Collision activity propagation start up and end delays for ports in 10BASE-T mode



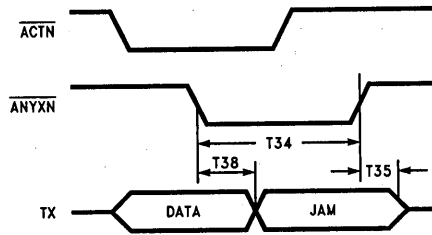
TL/F/11240-27

| Symbol   | Number | Parameter                                 | Min | Max | Units |
|----------|--------|-------------------------------------------|-----|-----|-------|
| colaanyl | T30t   | Collision Active to ANYXN Low             |     | 800 | ns    |
| colianyh | T31t   | Collision Inactive to ANYXN High (Note 1) |     | 450 | ns    |

Note 1: TX collision extension has already been performed and no other port is asserting ANYXN.

# 10.0 Switching Characteristics (Continued)

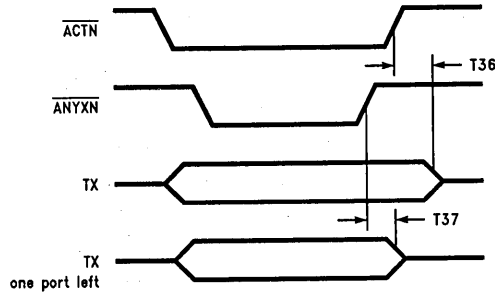
## COLLISION TIMING—ALL PORTS



TL/F/11240-28

| Symbol   | Number | Parameter                                            | Min | Max | Units |
|----------|--------|------------------------------------------------------|-----|-----|-------|
| anylmin  | T34    | $\overline{\text{ANYXN}}$ Low Time                   | 96  |     | bits  |
| anyhtxai | T35    | $\overline{\text{ANYXN}}$ High to TX to All Inactive | 20  | 370 | ns    |
| anylsj   | T38    | $\overline{\text{ANYXN}}$ Low to Start of JAM        |     | 565 | ns    |

## COLLISION TIMING—ALL PORTS



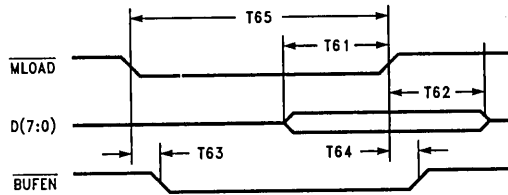
TL/F/11240-29

| Symbol   | Number | Parameter                                                     | Min | Max | Units |
|----------|--------|---------------------------------------------------------------|-----|-----|-------|
| actnhtxi | T36    | $\overline{\text{ACTN}}$ High to TX Inactive                  |     | 410 | ns    |
| anyhtxoi | T37    | $\overline{\text{ANYXN}}$ High to TX "One Port Left" Inactive | 20  | 200 | ns    |

Note: 96 bits of JAM have already been propagated.

## 10.0 Switching Characteristics (Continued)

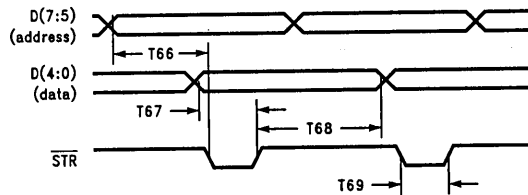
### RESET TIMING



TL/F/11240-30

| Symbol   | Number | Parameter                | Min | Max | Units |
|----------|--------|--------------------------|-----|-----|-------|
| resdats  | T61    | Data Setup               | 20  |     | ns    |
| resdath  | T62    | Data Hold                | 20  |     | ns    |
| resbufl  | T63    | MLOAD Low to BUFEN Low   |     | 35  | ns    |
| reshbufh | T64    | MLOAD High to BUFEN High |     | 35  | ns    |
| resw     | T65    | MLOAD Width              | 800 |     | ns    |

### LED STROBE TIMING

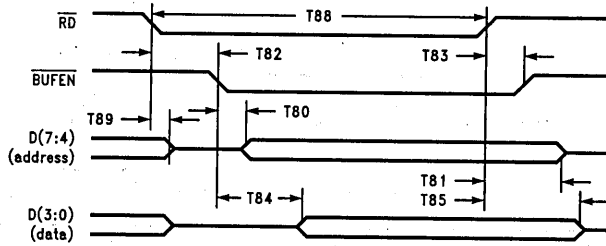


TL/F/11240-31

| Symbol  | Number | Parameter            | Min | Max | Units |
|---------|--------|----------------------|-----|-----|-------|
| strdrs  | T66    | Strobe Address Setup | 70  | 100 | ns    |
| strdats | T67    | Strobe Data Setup    | 35  | 55  | ns    |
| strdath | T68    | Strobe Data Hold     | 145 | 165 | ns    |
| strw    | T69    | Strobe Width         | 30  | 65  | ns    |

# 10.0 Switching Characteristics (Continued)

## REGISTER READ TIMING

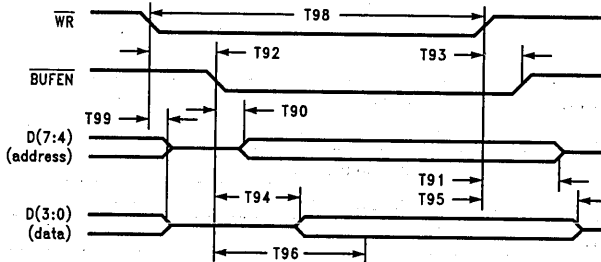


TL/F/11240-32

| Symbol   | Number | Parameter                                                     | Min | Max | Units |
|----------|--------|---------------------------------------------------------------|-----|-----|-------|
| rdads    | T80    | Address Setup from $\overline{\text{BUFEN}}$ Low              | 0   | 85  | ns    |
| rdadh    | T81    | Address Hold after $\overline{\text{RD}}$ High                | 0   |     | ns    |
| rdlbuf   | T82    | $\overline{\text{RD}}$ Low to $\overline{\text{BUFEN}}$ Low   | 80  | 355 | ns    |
| rdhbuf   | T83    | $\overline{\text{RD}}$ High to $\overline{\text{BUFEN}}$ High |     | 35  | ns    |
| bufldatv | T84    | $\overline{\text{BUFEN}}$ Low to Data Valid                   |     | 190 | ns    |
| rddath   | T85    | Read Data Hold                                                | 60  |     | ns    |
| rdw      | T88    | $\overline{\text{RD}}$ Width                                  | 650 |     | ns    |
| rdtr     | T89    | $\overline{\text{RD}}$ Low to D(7:4) TRI-STATE                | 80  | 355 | ns    |

Note: Minimum high time between read/write cycles is 100 ns.

## REGISTER WRITE TIMING



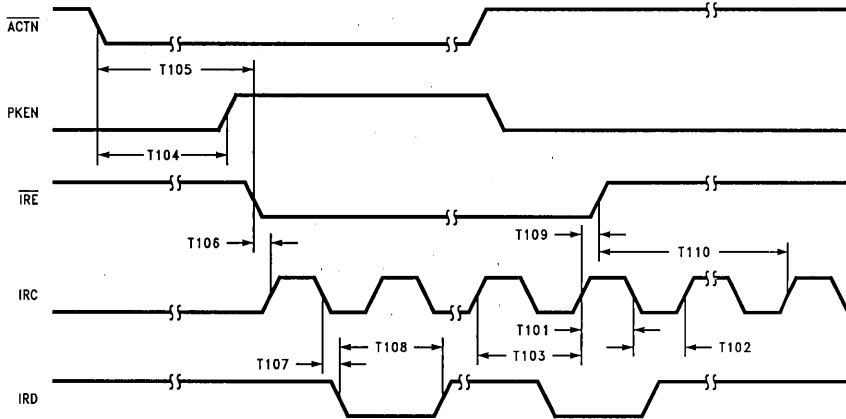
TL/F/11240-33

| Symbol  | Number | Parameter                                                     | Min | Max | Units |
|---------|--------|---------------------------------------------------------------|-----|-----|-------|
| wrads   | T90    | Address Setup from $\overline{\text{BUFEN}}$ Low              | 0   | 14  | ns    |
| wradh   | T91    | Address Hold after $\overline{\text{WR}}$ High                | 0   |     | ns    |
| wrlbuf  | T92    | $\overline{\text{WR}}$ Low to $\overline{\text{BUFEN}}$ Low   | 80  | 355 | ns    |
| wrhbuf  | T93    | $\overline{\text{WR}}$ High to $\overline{\text{BUFEN}}$ High |     | 35  | ns    |
| wradatv | T94    | $\overline{\text{BUFEN}}$ Low to Data Valid                   |     | 160 | ns    |
| wrdath  | T95    | Write Data Hold                                               | 0   |     | ns    |
| wrdatr  | T96    | $\overline{\text{BUFEN}}$ Low to Data Latched                 | 245 |     | ns    |
| wrw     | T98    | $\overline{\text{WR}}$ Width                                  | 650 |     | ns    |
| wrtr    | T99    | $\overline{\text{WR}}$ Low to D(7:0) TRI-STATE                | 80  | 355 | ns    |

Note: Minimum high time between read/write cycles is 100 ns.

## 10.0 Switching Characteristics (Continued)

### INTER-LERIC BUS OUTPUT TIMING

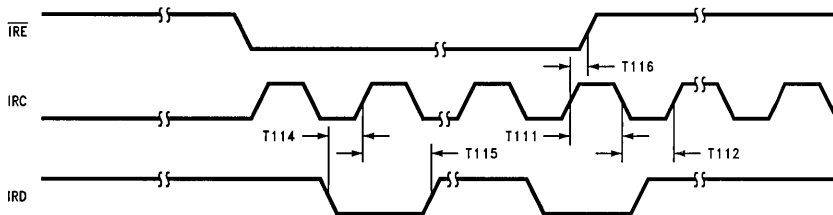


TL/F/11240-34

| Symbol      | Number | Parameter                                  | Min | Max | Units  |
|-------------|--------|--------------------------------------------|-----|-----|--------|
| ircoh       | T101   | IRC Output High Time                       | 40  | 60  | %      |
| ircol       | T102   | IRC Output Low Time                        | 40  | 60  | %      |
| ircoc       | T103   | IRC Output Cycle Time                      | 90  | 110 | ns     |
| actndapkena | T104   | ACTNd Active to PKEN Active (Note 1)       | 500 |     | ns     |
| actnolireol | T105   | ACTN Output Low to IRE Output Low          | 500 |     | ns     |
| ireolirca   | T106   | IRE Output Low to First Rising Edge of IRC |     | 1.8 | μs     |
| irdov       | T107   | IRD Output Valid from IRC                  |     | 10  | ns     |
| irdos       | T108   | IRD Output Stable Valid Time               | 90  |     | ns     |
| ircohireh   | T109   | IIRC Output High to IRE High               | 30  | 70  | ns     |
| ircclks     | T110   | Number of IRCs after IRE High              | 5   | 5   | clocks |

Note 1: This parameter applies to DP83956 only.

### INTER-LERIC BUS INPUT TIMING



TL/F/11240-35

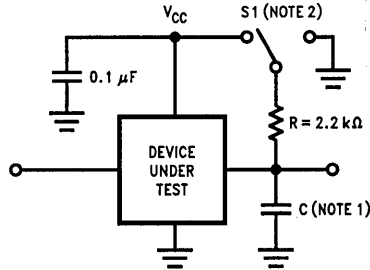
| Symbol    | Number | Parameter                  | Min | Max | Units |
|-----------|--------|----------------------------|-----|-----|-------|
| ircih     | T111   | IRC Input High Time        | 20  |     | ns    |
| ircil     | T112   | IRC Input Low Time         | 20  |     | ns    |
| irdisirc  | T114   | IRD Input Setup to IRC     | 5   |     | ns    |
| irdihirc  | T115   | IRD Input Hold from IRC    | 10  |     | ns    |
| ircihireh | T116   | IRC Input High to IRE High | 25  | 75  | ns    |

### 11.0 AC Timing Test Conditions

All specifications are valid only if the mandatory isolation is employed and all differential signals are taken to be at AUI side of the pulse transformer.

Input Pulse Levels (TTL/CMOS) GND to 3.0V  
 Input Rise and Fall Times (TTL/CMOS) 5 ns  
 Input and Output Reference Levels (TTL/CMOS) 1.5V

Input Pulse Levels (Diff.) -350 mV to -1315 mV  
 Input and Output Reference Levels (Diff.) 50% Point of the Differential  
 TRI-STATE Reference Levels Float ( $\Delta V$ )  $\pm 0.5V$   
 Output Load (See Figure Below)



TL/F/11240-42

Note 1: 100 pF, include scope and jig capacitance.

Note 2: S1 = Open for timing tests for push pull outputs.

S1 = VCC for VOL test.

S1 = GND for VOH test.

S1 = VCC for High Impedance to active low and active low to High Impedance measurements.

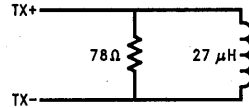
S1 = GND for High Impedance to active high and active high to High Impedance measurements.

### Capacitance $T_A = 25^\circ C, f = 1 \text{ MHz}$

| Symbol           | Parameter          | Typ | Units |
|------------------|--------------------|-----|-------|
| C <sub>IN</sub>  | Input Capacitance  | 7   | pF    |
| C <sub>OUT</sub> | Output Capacitance | 7   | pF    |

### Derating Factor

Output timings are measured with a purely capacitive load for 50 pF. The following correction factor can be used for other loads:  $C_L \geq 50 \text{ pF} + 0.3 \text{ ns/pF}$ .



TL/F/11240-43

Note: In the above diagram, the TX+ and TX- signals are taken from the AUI side of the isolation (pulse transformer). The pulse transformer used for all testing is the Pulse Engineering PE64103.



# Introduction to Repeaters, the RIC™ and LERIC™ and Their Applications

National Semiconductor  
Application Note 843  
Larry Wakeman  
Bill Carlson



## INTRODUCTION

The completion of the IEEE 802.3 10BASE-T Ethernet standard has introduced the need for new products in the LAN marketplace, the twisted pair multi-port repeater. The repeater, functioning as a centralized wiring hub for the 10BASE-T star topology, is experiencing a wide variety of requirements as the number of 10BASE-T users increases. (Note: In this document the terms Hub, Concentrator, and Repeater are used interchangeably.) Some want a simple, low cost repeater that can be used in a small office environment. Other's, foreseeing a need for expansion, need a repeater that can grow with their requirements. Large companies with hundreds of nodes need a large, expandable repeater incorporating features MIS administrators can use to control a complex, enterprise wide network. With the growing need for controlling and maintaining large networks, end users are also wanting 10BASE-T repeaters that offer both basic and sophisticated management capabilities.

The LERIC and RIC repeater chips from National Semiconductor provide functions to meet a large variety of requirements for the repeater marketplace. Not only do these devices have the necessary features for implementing different management capabilities, but they also have many other important features that allow them to be effectively used in a wide variety of repeater architectures, from personal computer adapter cards to huge rack mounted systems containing hundreds of ports.

The LERIC, or LiE Repeater Interface Controller, is targeted at the smaller, cost sensitive applications, where basic management or no management at all is the only requirement. The LERIC can connect to 6 twisted pair segments and 1 thick or thin coax segment through its integrated 10BASE-T transceivers and AUI port. Statistics can be gathered from internal registers or from LEDs. It also has a simple bus for cascading many LERICs together.

The RIC on the other hand is for networks requiring full network management, from small or medium size networks expecting to expand and for the larger, corporate wide networks containing hundreds of ports. The RIC has twelve integrated twisted pair transceivers, an AUI port, and a cascading bus similar to the LERIC. It also has a management bus for easily obtaining the network statistics that are needed by high end network management software.

The purpose of this application note is to explain and define the use of 10BASE-T Ethernet repeaters incorporating the LERIC and RIC. The following subjects will be addressed in this application note:

- The role of the repeater
- Network management fundamentals
- Types of repeaters
- Basic repeater functions
- The LERIC and RIC architectures and their uses

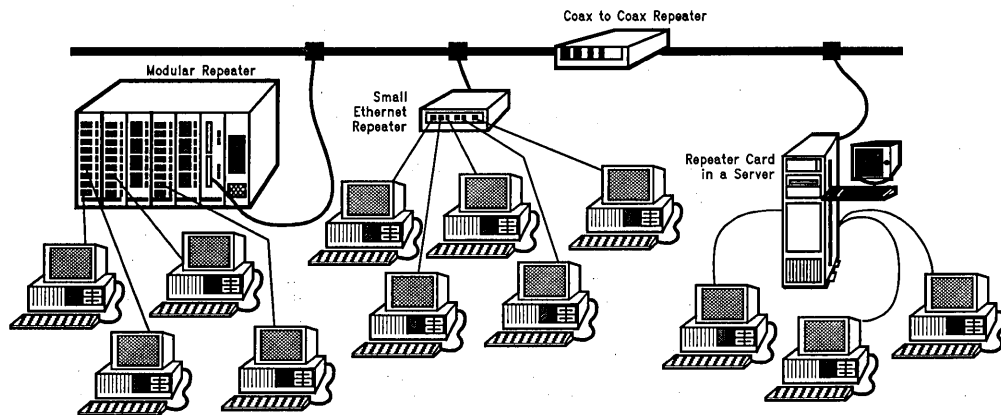


FIGURE 1. Different Types of Repeaters and Hubs

TL/F/11493-1

## THE ROLE OF THE REPEATER

The need for the multi-port repeater stems from the IEEE 802.3 architecture and standards. The 10BASE2 and 10BASE5 standards specify a coaxial cable media connected to a bus topology. 10BASE2 has a 185 meter cabling limit and 30 node limit per segment. 10BASE5 has a 500 meter length limit and 100 node maximum per segment. When the network requires longer distances or increased numbers of nodes, a repeater is necessary. While coax based Ethernet requires the repeater to be used to extend the maximum cable length, 10BASE-T twisted pair cabling requires the repeater to act as the central hub to implement its star, point-to-point topology. While it does serve to enlarge a network, its primary responsibility for 10BASE-T nodes is to allow them to access other nodes on the network. (Note: A single repeater connection is referred to as a port, i.e., a 12 port repeater can attach up to 12 cable segments.)

Figure 1 (on first page of this note) illustrates several repeaters used to expand and configure a network. There are four repeaters in this figure, each different, and each providing an example of types of repeaters most of which are described later in this paper. At the top there is a simple two port Coax Repeater; on the left is a modular (expandable) repeater for large networks; on the right is a server configured with a PC Hub Card converting a typical file server into a combined server-repeater (sometimes called a "Serpeater"); and finally in the center is a simple small repeater for a small work group. Each of these example repeaters has a port to connect to the coax cable which is used in this example as a network backbone.

Since 10BASE-T is a star topology, the repeater becomes the network center, and each port of the repeater connects to a single individual node. While the 10BASE-T network requires the repeater function, increasing the materials cost over the standard coaxial cable implementation, the above features offer many advantages over 10BASE5 and 10BASE2 cabling. These reasons for the growing popularity of this form of Ethernet are:

- Utilizes existing data grade twisted pair cabling similar wiring scheme to phone wiring.
- Ethernet can be transmitted over low cost, standard telephone wire.
- Point-to-point wiring eases cable installation.
- Distributed star has a central hub for ease of network expansion.
- Topology and media type results in low installation costs.
- The hub enables centralized network management and centralized point for connection to other communications technologies.

While MIS is interested in the financial costs of owning the network, they also want more control over their networks to maximize up-time and minimize support costs. Network management provides this. Since network management is so important, what exactly is it?

## NETWORK MANAGEMENT FUNDAMENTALS

Network Management is the process of monitoring and controlling various parameters to give administrators greater control over the networks they manage. There are 5 principle tasks and benefits of Network Management:

| Types of Management      |                                           |
|--------------------------|-------------------------------------------|
| Task                     | Benefit                                   |
| Fault Management         | → Prevents network downtime               |
| Configuration Management | → Smooths moves and changes               |
| Performance Management   | → Makes effective use of network capacity |
| Accounting Management    | → Tracing network utilization             |
| Security Management      | → Protects assets and resources           |

Management gives the network administrator a wide variety of significant, practical, and cost saving capabilities. For example, with fault management, a defective or non-compliant node can be partitioned off the network to prevent consuming up valuable bandwidth, without degrading the network. Performance management helps determine when, where, and what type bridge or router to install to optimize performance on a particular segment. Charging a department for excessive network utilization could be done with accounting management.

The 10BASE-T Ethernet topology is ideal for implementing network management. Because only one twisted node is attached to a port. In this point-to-point star topology, network statistics can now be collected in the repeater because each node is mapped to a particular port. The port can be individually isolated or partitioned from the rest of the network if it is defective.

It is this simple architectural feature that has compelled IEEE 802.3 Hub Management standards to solidify. These standards enable vendors to have a common reference point and give buyers the flexibility and assurances for hardware and software interoperability. These important benefits all rely on the hub as the central component of data transmission, expandability and manageability. It should be noted that ALL network components (Bridges, Routers, Servers, and Nodes) can contain some form of network management or some mechanism to make the control, maintenance and support of each device easier. It is also ideal if all network components could "talk" the same management language to simplify the monitoring of the entire network.

Before delving into the concepts of Network Management, managing a network involves a number of activities, and network hardware can be designed to provide several levels of management for repeaters. Generally the more powerful the management functions the more costly the product to purchase, but the more automated network support (and

vendors would argue) the lower the support costs. These levels of management provided by repeaters can be broken up into three basic categories:

1. **Minimal (or None):** Typically no information is gathered by the repeater. There is no intelligence monitoring activities. However, generally some form of LED indicators are provided to enable visual inspection of the repeaters operation.
2. **Out-Of-Band:** Generally a lower cost method to gathering information than the In-Band. The Hub is intelligent and accumulates statistics. The user can only obtain these statistics through some visual alphanumeric display or more likely via a terminal attached to the hub. The major disadvantage of this technique is that it requires the net-

work manager to either physically visit the Hub to determine its operational state, or to add a modem connection to access remotely. This has reduced the popularity for this solution.

3. **In-Band:** This method generally can obtain the same and in most cases more information about the network than the Out-Of-Band. The major difference is that this type of repeater has a node controller that can be addressed by a remote station over the network, and information can be transferred across the network. This allows the network manager to obtain the hubs information from any network location.

Within each of the last two categories there is further differentiation by how much data is gathered as will be explained later.

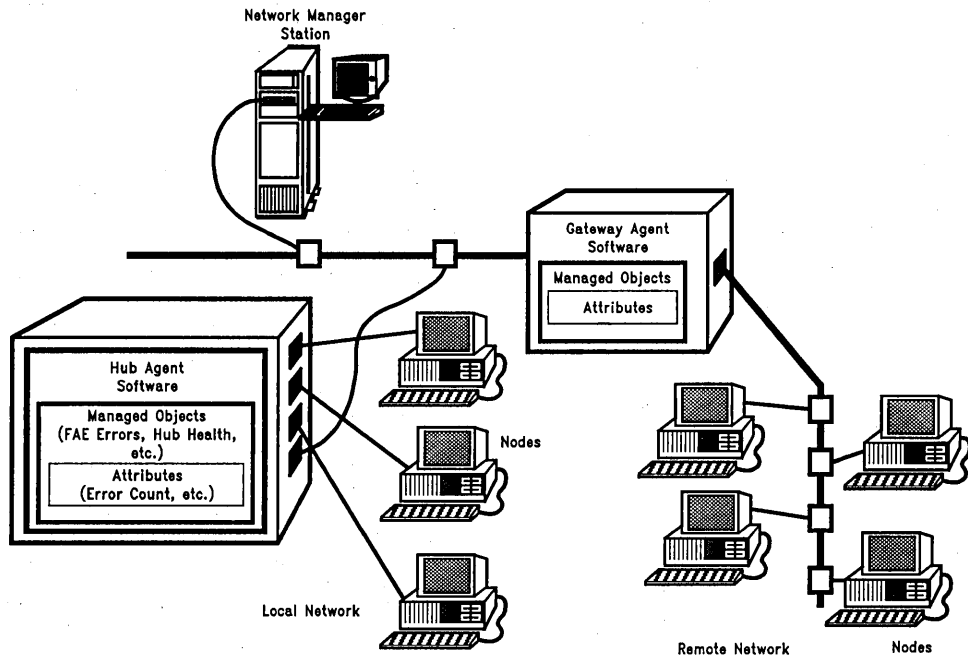


FIGURE 2. The Network Management Model

TL/F/11493-2

To further amplify the previous concepts, it is important to see how a repeater fits into standard network management mechanisms. *Figure 2* shows another typical network, this time illustrating the terms and concepts for network management. This concept applies only to a network fully capable of "In-Band" management. The terms are described below.

The *Network Management Station* is a node on the network running network management applications software. This station is where the administrator can access the managed objects. In an enterprise LAN, network management application software typically is able to control network segments other than the one it is on. For instance, in *Figure 2* the network manager software can be a node on one network segment while the managed entities are on another network segment (such as a PC on the right side of *Figure 2*).

The *Agent* is a network resource which receives commands from the manager to perform management operations and also reports status back to the manager. The agent is a separate piece of embedded software resident in the managed hub (or other device). This software communicates with the manager software via the network itself (in the case of In-Band management). Currently, standard protocols exist that enable Manager-Agent communication across multi-vendor environments. Ideally a standard protocol would allow a 10BASE-T hub agent from one manufacturer to communicate with the manager from another. SNMP (Simple Network Management Protocol) is one of these. Management application software from major manufacturers use these protocols as the lower transport layer. For instance, Novell's Hub Management Interface (HMI) and Hewlett Packard's Openview use SNMP to communicate with their agents. In *Figure 2* the hub on the left and the Gateway on the right are shown to have agent software embedded in them. However, it is likely that the nodes would be running some agent software.

The entities being managed are called the *Objects*. Objects are various network statistics that are monitored and controlled by the network manager. Objects gathered by the agents depend on the type of network device (i.e., Node, Gateway, etc.). For Hubs and repeaters, objects include hub status, number of ports per hub, CRC Errors, FAE errors, number of good packets, etc. A defined set of objects are called a Management Information Base, or MIB. (Again, different pieces of network equipment can gather information for different objects, and hence support a different MIB.) For Ethernet repeaters objects are defined by the IEEE 802.3 Committee. The IEEE has standardized on the type of objects, their attributes and a database format in which an agent can present the information to a manager. As stated, this database is called a Management Information Base, or MIB. The IEEE 802.3 MIB consists of 34 attributes classified

into 3 categories called capabilities. A table detailing the specific objects, and how they are supported by the RIC and LERIC is shown at the end of this note.

*Attributes* are parameters of an object that the agent collects on a per hub, group, or port basis. As described above for hubs, these objects include various physical layer parameters of an Ethernet node, such a CRC errors, collisions, packet length, as well as more general information such as the hub status. *Actions* are those that the agent performs on an object at the request of the manager. As an example, an action could be for the agent to partition a port from the network or to request the source address of the last packet received by the hub. *Notifications* are unsolicited reports of events that may be generated by an object. An example of a notification would be the hub agent communicating to the manager if a serious hardware error occurred.

The *Basic Control* objects consists of 19 objects which are mandatory, yet simple, for an agent to implement. Very little is required of the hardware as most of the objects are defined by the manufacturer in software. Certain key actions are partitioning off a port and notifying the manager if a port is enabled or disabled or if it has been partitioned by the autopartition state machine.

There are 2 *Address Tracking* objects that are recommended. These objects provide the network administrator with information on the node addresses and changes that occur on a port. With the hub monitoring these, it is able to map each node's address to the port it's attached to and keep track of nodes that change port location. This could be from an administrator moving cables around or from a user moving Ethernet controller boards or swapping cables. Implementing the Address Tracking category is more complex for the hub as the source address of all the incoming packets must be detected and tabulated.

While the 13 *Performance Monitoring* objects are optional, they provide the most insight into the operation and characteristics of the network. Hubs that have this capability monitor CRC errors, collisions, PLL errors as well as many more. Doing this requires a lot of hardware sophistication.

These 3 categories were chosen by the IEEE Hub Management Task Force to give hub manufacturers the flexibility to design products with 3 different price and capability levels. This was done to prevent hub manufacturers from being forced to implement all 3 categories if only a low cost Basic Control hub is required. It should be noted that if a hub agent supports one managed object in a category, then it must support them all to claim IEEE conformance of that category. For instance, if a manufacturer's hub collects the number of transmit collisions a port experiences but is not able to count the number of frame alignment errors, then the vendor can't claim to support the IEEE Performance Monitoring category.

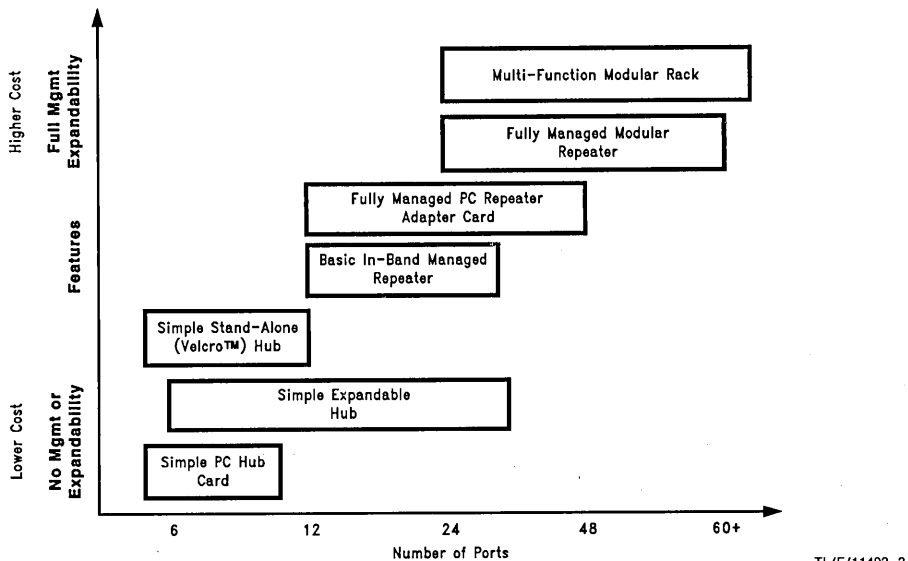


FIGURE 3. Examples of Different Types of Repeaters Plotted by Number of Ports versus Features

TL/F/11493-3

### TYPES OF REPEATERS

Before discussing how the RIC or LERIC is used in various repeater applications, it is very useful to look at the kinds of repeaters typically available and what they are used for.

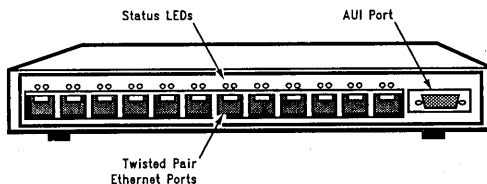
At its core a repeater function is a very simple concept (re-transmit data coming in on one port out another port). Product differentiation comes from the features added to the basic repeater function. The key differentiators are number of ports, maintainability (really network management capabilities), expandability, and ease of integration into a network. The first two features are the most important and form the axis of *Figure 3*. This figure breaks down the repeater types into 7 basic categories. In any given feature category other port counts than those shown are likely, however, this figure attempts to categorize the most popular configuration sizes.

As networks grow larger they require the repeater to have more features, as this diagram shows. Larger installations require a repeater to be expandable. As the network grows the repeater must grow with it to minimize duplicating equipment purchases. Having proper expansion capabilities enables this. These larger installations also require standardized network management that communicates across vendor boundaries. On the other extreme are the smaller offices where low cost and ease of use are the primary issues. These environments experience limited growth (a small dentist's office for example) so expandability is not as important either.

In the following sections we will describe the basic functions and features of these 7 repeater types.

### SIMPLE STAND-ALONE HUB

The simple stand-alone hub as shown in *Figure 4* has between 6–12 ports, doesn't have any management, and isn't easily expandable. This type of repeater is a fully self contained box, containing the repeater function, and power supply. (Note the term Velcro® hub is applied because the small size of these hubs let you stick them almost anywhere.)



TL/F/11493-4

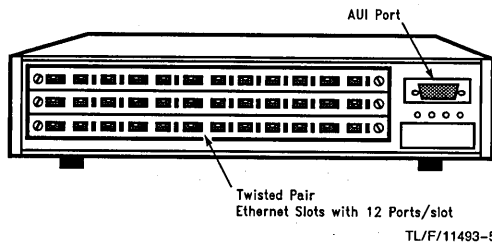
FIGURE 4. Simple Stand-Alone Repeater

The primary features of this product is its simplicity and low cost. This hub is simply intended for a small network where the users needs and understanding are simple. The user places a high value on a simple "plug-n-play" box. For maintenance and troubleshooting, this type of hub would have some status LED indicators, at least receive and collision activity LEDs for each port. This facilitates simple diagnostic on the network. These hubs typically provide an AUI (Attachment Unit Interface) port to connect to an existing 10BASE2 or 10BASE5 Ethernet LAN. The AUI can also be used to cascade other repeaters boxes if needed. However,

this method of cascading is relatively more expensive than using an expandable repeater because expansion is probably through external MAUs (Media Access Units) and the proper cabling. Expansion can also be accomplished by cascading 10BASE-T Ports but this reduces the number of available ports by 2.

### SIMPLE EXPANDABLE HUB

The simple expandable hub is essentially the Stand-Alone hub, but designed with card slots to facilitate the addition of more ports into the repeater chassis (as shown in *Figure 5*). This is used when a network is expected to grow but not too large. These hubs could support up to 24–36 nodes. The key feature of this type is its ability to expand very simply and inexpensively. These hubs typically use a proprietary bus to cascade 6 or 12 port repeaters together. This bus implementation is less costly than using coax to cascade repeaters.

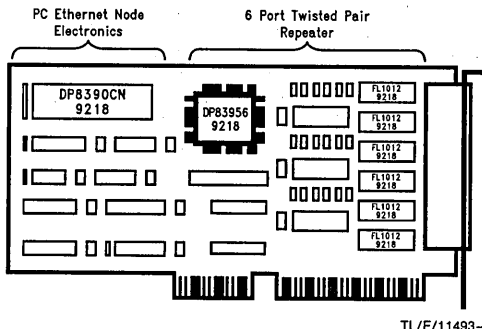


**FIGURE 5. An Example of a 36 Port Modular Repeater**

Like the Stand-Alone repeater this repeater usually implements LED status indicators, but usually does not provide sophisticated management. In some cases an add-in card for out of band management (including a CPU and RS-232 port) may be available, however most of the implementations desiring management are trending to add in the flexibility of the Managed Modular Repeater discussed later.

### SIMPLE PC HUB CARD

The concept of a PC add-in card that includes the function of a repeater is relatively new, but (due to the prevalence of PCs) provides a lot of features and benefits when compared to other options. The basic idea is to add a repeater to an Ethernet adapter, thus creating a card that when added to a PC very inexpensively turns a PC into a central control point for a typically small network. A PC equipped with this card can be used as a server-hub, or just provide a hub at less cost than the Stand-Alone Repeater (primarily because the adapter hub does not need to have a case or power supply). A typical example is shown in *Figure 6*.



**FIGURE 6. Typical Node/Hub PC Adapter**

There are two major categories of repeater cards, a high end managed card (discussed later) and a low end simple card. The low end implementation typically implements 4–6 10BASE-T ports (6 RJ45 connectors is the maximum that can fit through the back slot of a PC), and possibly include either an AUI or 10BASE2 connection. Some implementations provide a slave repeater card (containing only the repeater) that can be cascaded to the master Ethernet adapter-repeater card. This allows some expansion capability.

In addition to low cost, the advantage of this application is that user friendly utilities can be written for the PC to enable some form of management to be implemented inexpensively (usually just the Basic Control objects are supported). The major disadvantage is that if the PC is switched off then the network goes down.

### BASIC MANAGED REPEATER

One might think that a basic managed repeater without expandability would not have any application, however, there are two good applications for this repeater, and as costs for the management function drop the incremental price for added management functionality will become more popular. In one case, if the end user of a small or medium sized network is sophisticated enough he may desire a greater understanding of network health and thus need more thorough management capabilities.

Another popular application for this repeater is in a small semi-isolated work group in a sizable network. The work group itself may not require expandability, but since this work group is part of a large network then it is likely that this hub will be maintained by a central MIS organization. This organization will demand consistent hub maintenance to the rest of the network, and will require more sophisticated management than for a Stand-Alone Hub. This type of repeater looks much like *Figure 4*, but internally several component functions have been added.

Extensive management capabilities include the implementation of Performance Monitoring, Address Tracking and Basic Control MIB object tracking capabilities. Typically a CPU and a network interface controller provide the management function. This would allow the hub to be an addressable node on the network and the hub could be controlled remotely via the manager. This hub would require more memory and a larger power supply. Also the communications protocol, SNMP for example, running on this hardware platform. Typically this hub implements the IEEE 802.3 Hub Management Basic Control objects.

### FULLY MANAGED PC HUB ADAPTER

This adapter hub is conceptually similar to the low cost PC hub card, except that two major features are added: 1) Extensive Management and Diagnostics are provided, and 2) Each card supports 12 ports by using a high density connector to get the cables out of the PC, and an additional breakout box to convert to 12 RJ45 connectors.

This card's application is in high end corporate servers, and has been spurred by Novell's creation and promotion of HMI (Hub Management Interface) which provides a driver level mechanism to gather IEEE hub management objects. Due

to the large network environment a more sophisticated repeater is required as it is necessary to gather all IEEE hub management objects.

A server-repeater (Serpeater?) facilitates a number of possibilities in the corporate network environment. It enables very centralized total network services. A single box can provide not only file and print services, but can also provide routing, bridging and repeating. This potentially can ease network maintenance, and simplify configuration. However, as before the PC mechanically does not make a good repeater primarily due to the card slot form factor, and due to the limited expansion capabilities (usually it is difficult to add more than 48 ports to a server without using external repeaters).

#### FULLY MANAGED MODULAR REPEATER

For larger networks or workgroups all levels of in band network management are required. Like the Basic Managed Repeater, and the Fully Managed PC Hub Adapter, Performance Monitoring, Address Tracking and Basic Control capabilities need to be incorporated into the hub. This hub is shown in *Figure 7*.

Larger networks, 24-60 nodes, not only require full network management but now expandability is a very important issue. One can think of these repeaters as being very similar to the Simple Expandable Hub except that a high performance management agent is required and the expansion options tend to be more varied to support a large multi-vendor network.

#### MULTI-FUNCTION MODULAR COMMUNICATIONS RACK

A short conceptual jump from the Fully Managed Modular repeater is to support other communications technologies, such as Token Ring, FDDI, Routers, gateways, and poten-

tially servers. These multi-function communications equipment is for only the large networks, so extensive, computing power is required. Because of the level of network management required of these repeaters, sophisticated yet proprietary management applications software is typically offered by the manufacturer. This software would run over standard protocols however.

#### BASIC RIC AND LERIC REPEATER FUNCTIONS

The previous section focused on the feature and function differences of the various repeater architectures, highlighting their advantages and disadvantages. However, each hub contains the same basic repeater functions as defined by the IEEE. This is key as repeaters from many manufacturers need to communicate with each other and Ethernet DTEs.

This following section describes the basic repeater functions that all repeaters must have. The description is given by using the RIC/LERIC architecture. It is possible to implement the repeater issuing different functional partitioning, however, the functions of a general repeater are basically the same. The block diagram of *Figure 8* shows the major functional blocks of a RIC or LERIC based repeater that implements the requirements of the IEEE and upon which the repeater products described earlier can be built.

It should be noticed what is *not* included in the repeater architecture. There is no complete MAC or Media Access Control unit. MACs are used by Ethernet controllers to implement the CSMA/CD protocol for gaining access to the media. Also, repeaters don't do address filtering or routing. These are done by gateways and bridges. Repeater simply repeat the data that is received from one port and transmit it to all the others. The repeater has to re-time the received packets and remove accumulated jitter. The repeater must also not allow defective nodes to consume network bandwidth.

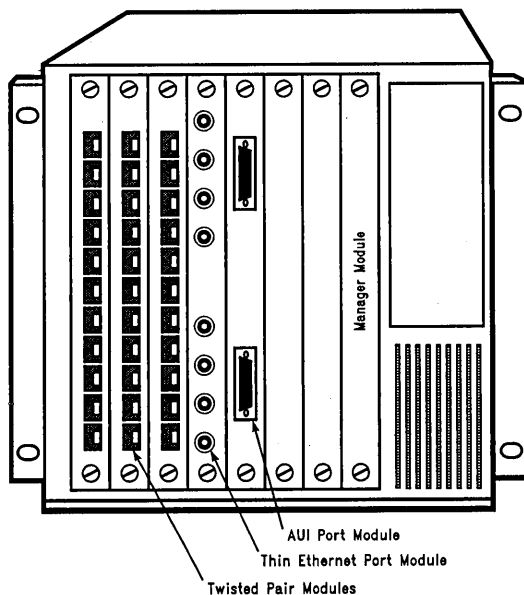
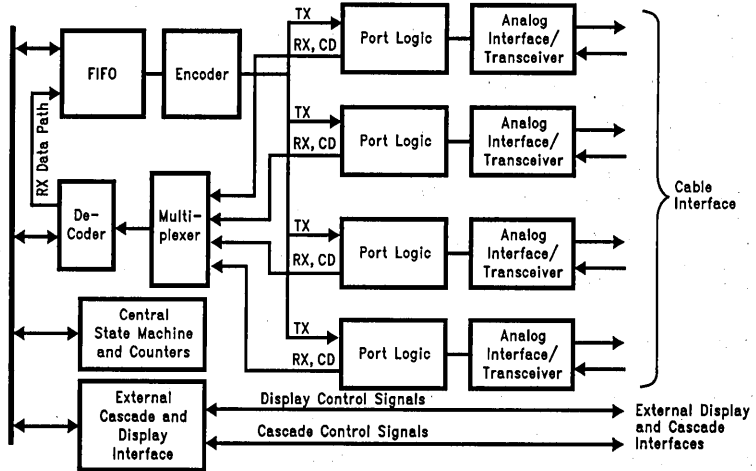


FIGURE 7. Typical Modular Repeater Including Options for Multiple Cable Media and Network Management

TL/F/11493-7



TL/F/11493-8

FIGURE 8. Simplified General Block Diagram of the Core Repeater Functions of the RIC and LERIC

### PORT SPECIFIC FUNCTIONS

Within a repeater there are functions that are shared by all the ports and those that each port duplicates for itself. As the diagram shows, there are 5 functional blocks that are identical for each port.

**Analog Interface/Transceivers.** This block is not actually an 802.3 requirement. In a general repeater this function is required to connect the repeater to the media, and is generally incorporated into the repeater box, but it is not actually part of the repeater standard. Most integrated repeaters implement either a transceiver interface or all or part of a transceiver. In the case of the RIC/LERIC, this block includes all functional and electrical specifications to interface to a particular transmission media (coax, twisted pair, fiber). It should be noted that with the exception of the transceiver, everything about the repeater is independent of what media is attached to the ports. When the transceivers are for twisted pair, they monitor the link integrity of the attached segment.

**Port Logic.** This block performs many different functions. There are two different state machines for each port. One is called the Port State Machine, or PSM. This state machine is linked with all the other PSMs to perform port arbitration. This arbitration is needed to determine which port should be the source of data or collision information when multiple ports receive data simultaneously. The winning port is called Port<sub>N</sub> or Port<sub>M</sub> depending on the type of activity. Port<sub>N</sub> is defined as the highest priority port experiencing receive or collision activity. Port<sub>M</sub> is defined as the highest priority port that is last experiencing a collision. This state machine is also used to detect collisions and indicate them to the other ports. The second state machine imple-

ments the port auto-partitioning algorithm. When a port experiences more than 30 consecutive collisions, this state machine prevents any further data on this port from being repeated on the network. This effectively blocks it off. The port is re-enabled when a packet is successfully received or if a packet is transmitted to it.

The port logic also monitors a port to determine if a transmission exceeds a specified limit, and if so turns off that port so it doesn't bog the network down. The port is re-enabled after a specified time period has elapsed since the transmission ended.

### CENTRAL REPEATER FUNCTIONS

All repeaters tend to have some functions common to the individual ports implemented as a central function. The RIC/LERIC are typical implementations and implement the following blocks as a central function.

**Multiplexer.** This function multiplexes the packet from Port<sub>N</sub> to internal functions in the repeater.

**Decoder/FIFO/Encoder.** The Decoder/FIFO/Encoder plays an important role in the recovering and re-timing the Ethernet data. As a signal travels from the DTE to the repeater several factors degrade the quality of the signal, and the repeater must remove these distortions before re-transmitting the data.

1. The signal transmitted down the Ethernet media accumulates jitter due to the different impedances, noise, and discontinuities in the cable.
2. The preamble of the receiving packet is shortened. This caused by the signal being attenuated and delays in the squelch circuitry being activated.



This block helps to eliminate these degradations. It has a phase lock loop which removes jitter. The packet is then sent to the FIFO. The FIFO buffers the data portion of a packet until a proper length preamble can be transmitted by the ports. The FIFO also compensates for data rate differences between the node and repeater. The encoder puts the packet back into Manchester form, but now encoded without jitter and at the proper frequency.

**Central State Machine and Counters.** These functions form the heart of the repeater. They control the port logic and the majority of data and collision propagation operations as defined by the IEEE specifications. This block insures minimum packet fragment length and controls the FIFO to insure that the preamble is of the specified length. Collisions are also handled here. When a port is repeating a packet and senses activity on its RX± pair a transmit collision will result. The central state machine will transmit a jam pattern to all the ports to inform the attached nodes of a collision. This block also implements other IEEE defined timings and functions central to the repeater function.

**Display Devices and Drivers.** While not required by IEEE, some form of status display information can provide indication of repeater health. This block takes various signals from within the repeaters and makes them available to the display.

**Cascade Logic.** For a modular repeater this logic provides the key internal arbitration and data signals externally to facilitate the addition of additional repeaters/ports to the repeater system.

### THE LERIC AND RIC ARCHITECTURES AND THEIR APPLICATIONS

The LERIC and RIC are National Semiconductor Corporation's solution to the implementation of IEEE 802.3 compatible multi-port repeaters. The LERIC and RIC offer all the features needed to address this marketplace. One of the most important features is the ability to support network management. The LERIC and RIC offer different levels of network management. As stated at the beginning, the LERIC is focused toward applications in small networks where basic management or no management at all is required. The RIC, on the other hand, is ideally suited for large networks where performance monitoring in addition to basic management capabilities are required.

### THE LITE REPEATER INTERFACE CONTROLLER

The LERIC is a fully IEEE compliant repeater using as its core the general repeater architecture described previously. It adds all the features needed to be effectively used in its intended applications: the smaller networks where limited management is the only requirement. In these applications, Basic Control management is easily accomplished with the LERIC.

The LERIC, in addition to the basic repeater blocks discussed earlier has a number of specific feature blocks that are described in the following sections.

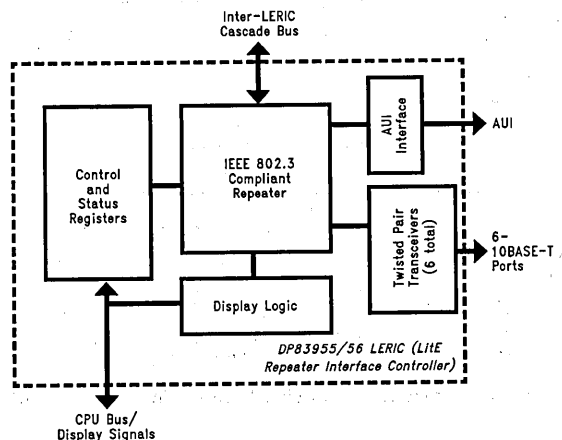
**Six Twisted Pair Transceivers and AUI Port.** 10BASE-T transceivers are integrated onto the LERIC to save board real estate. The transceivers meet the IEEE 802.3 10BASE-T specifications. The transceivers can be disabled, and turned into pseudo-AUI ports for connection to coax or fiber transceivers. While not fully AUI driver level compatible, they can drive a short distance on a PCB for connection to these alternate transceivers. The LERIC also has a single fully IEEE compatible AUI port that can drive a standard 50 meter AUI cable or can connect to a coax or fiber transceiver directly on the PCB. This port is typically used to enable the LERIC to connect to a network backbone.

**CPU Bus.** The LERIC has a bus so a CPU can access internal registers of the LERIC. One of these is a status register that indicates if any port is experiencing a reception, collision, partition, or if the LERIC is jabbering. In addition to the LERIC status register which indicates status for the entire repeater, each individual port has its own status register, called the Port Status and Configuration Register. Each port can be configured through this register. A port can be disabled and the squelch level be reduced to handle special cable conditions.

The CPU bus is multiplexed to provide the signals to perform the Mode Load self-configuration and is the pathway for the LED status signals as described below.

**LED Display.** The LERIC provides information to driver LEDs through the multiplexed operation of the CPU bus. Low cost 74LS259 addressable latches are used externally to latch the CPU bus and drive the signals to the LEDs.

The LEDs are used for visual monitoring of the repeaters status. There are two modes of LED display in the LERIC. In maximum mode, 5 LEDs are provided for each of the twist-



TL/F/11493-9

FIGURE 9. Simplified Block Diagram for LITE Repeater Interface Controller

ed pair ports to indicate reception, collision, partition, polarity, and link status. The AUI port has LEDs for collision, reception, and partition status. There is also an LED to indicate jabber status of the repeater.

**Mode Load.** An important feature of the LERIC is its ability to perform a hardware self-configuration. Simple pull-ups and pull-downs are attached to the CPU bus in a configuration suited for the particular application. When the mode load signal is asserted, the bit pattern defined by these resistors is loaded into the LERIC and it is configured. This operation is typically done for power-on configuration of the LERIC, but can also be used whenever LERIC needs to be reset and reconfigured. Options such as twisted pair or pseudo-AUI port definition, external PLL, LED display mode, and others are loaded here.

**Inter-LERIC Bus.** The Inter-LERIC bus is used for cascading multiple LERICs and interfacing to a network controller for In-Band hub applications. There is often the need to have more than 6 ports and/or a network controller so having a simple, but powerful way to expand is very important. The Inter-LERIC bus consists of three groups of signals:

- **Port Arbitration Signals.** These signals provide a way for multiple LERICs to arbitrate for Port\_N and Port\_M status. The port arbitration signals essentially connect the arbitration logic of the port state machines together.
- **Status Signals.** The status signals indicate receive data activity and collision status of the network and communicate it to the different LERICs.

- **Data Signals.** These signals actually transfer the repeated packet from the LERIC containing Port\_N to all the other LERICs and to a network controller if there is one in the system. Packet data from the receiving LERIC is decoded from manchester and put into serial NRZ form before being driven onto this bus. The rest of the LERICs read the data and encode it back into manchester before transmitting the data to the ports.

There are two versions of the LERIC, and the major difference is the implementation of the Inter-LERIC bus. On the DP83955, the bus is designed with fewer signals intended for limited cascading primarily on a signal card. The DP83956 has the same bus as the RIC (DP83950) and therefore can be easily externally buffered and cascaded over large buses or many cards.

**LERIC APPLICATIONS**

The LERIC fits in designs at the lower end of the Port and Feature spectrum of *Figure 3*. These applications are described in the following.

**Simple Stand-Alone Hub**

This design is very straightforward. In the example of *Figure 10*, a 12+2 Hub, two LERIC's are used. These two chips are cascaded directly through their Inter-LERIC bus. The media interface to twisted pair is very simple requiring only a few buffers, filters and transformers. The status indication for each port is displayed via an LED array, this array is connected to each LERIC's CPU/LED bus, and feeds some 74LS259's which drive the LEDs.

This simple interconnection of 2 LERICs and minimal external logic enables the design of a very compact hub.

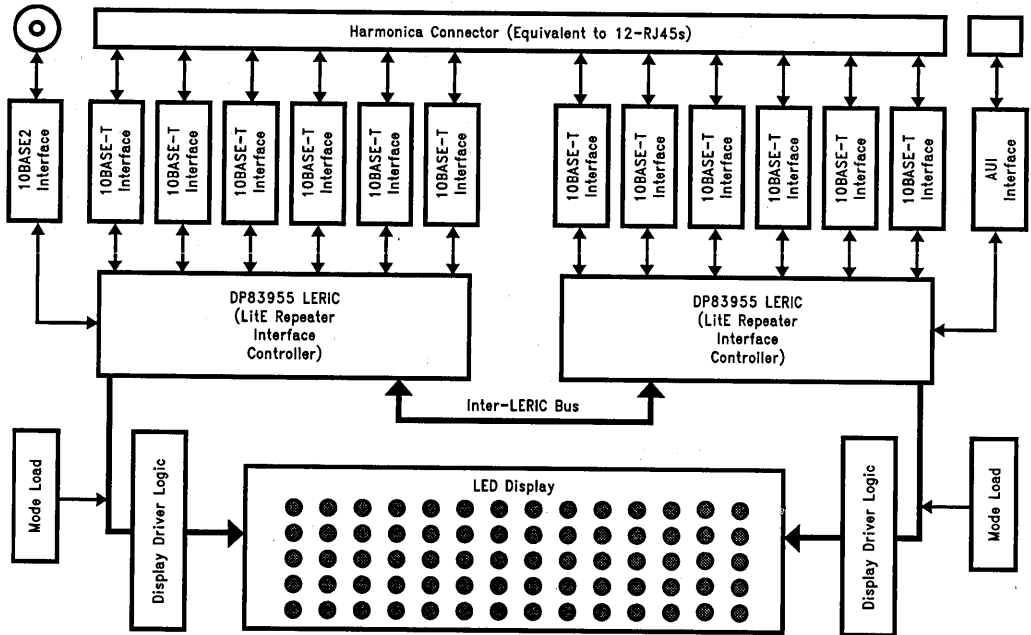


FIGURE 10. Simple 12 Port Twisted Pair Hub with both a Thin Cable and AUI Connection

TL/F/11493-10

**Simple Expandable Hub**

This application builds on top of the previous simple hub, and adding some buffer logic onto the Inter-LERIC bus. The biggest design change is really mechanical. Rather than a single PCB design as in the Stand-Alone Hub, this design is usually based on some form of card cage or plug-in slots.

Figure 11 shows a block diagram for a 6 port module that could be plugged into the card cage with other similar modules to make this a versatile setup.

**Simple PC Hub Card**

This repeater takes advantage of the PC's power supply, enclosure and CPU. As mentioned this architecture takes advantage of the PC to provide a very flexible repeater and adapter card combination. The DP8390 Network Interface Controller with its buffer RAM and bus interface provides the MAC to the network and buffers packets to a local memory for later processing. This allows the card-PC to act as a typical network attached computer. This implementation

also connects the LERIC's Registers to the PC bus, enabling PC based software to provide basic managed objects.

Typically this type of design has between 4-6 RJ-45 ports. Six is the maximum number of RJ-45s that can be accessed through the standard PC's back slot opening. The AUI port interface shown in Figure 12, is typically brought out a separate slot if needed.

The cascade port is usually connected to other cards via a ribbon cable. When more ports are required, additional slave LERIC adapter cards can be cascaded to the main master card through the buffered Inter-LERIC bus (top of Figure 11).

Unlike previous examples, the display interface is typically very simple. Minimum mode display give some general purpose display which is typically used for installation diagnostics. (For run time diagnostics a software implementation can be developed to display the "LED-like" symbols on the PC's display.)

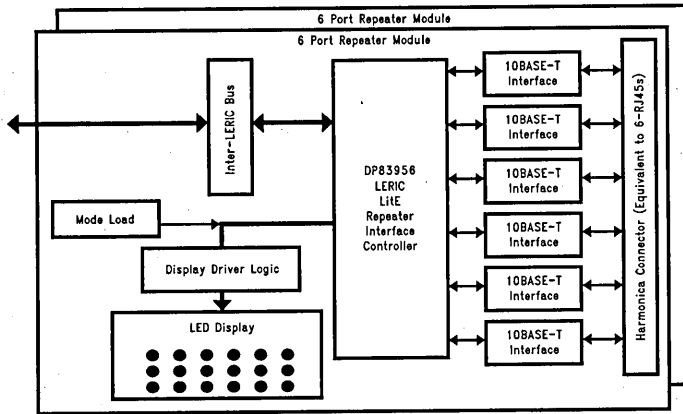


FIGURE 11. Module Hub with 6 Port 10BASE-T Modules

TL/F/11493-11

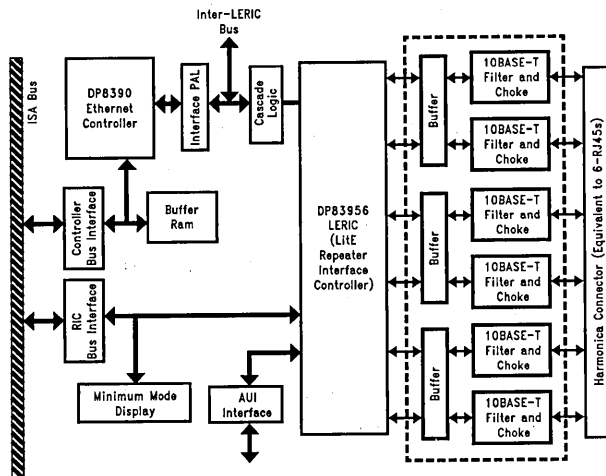


FIGURE 12. Simple PC Hub Card Block Diagram

TL/F/11493-12

### Low End In-Band Managed Hub

There are many applications of the LERIC where it is focused at smaller networks under 24 ports where full network management isn't needed. This repeater configuration supports the Basic Control capability of an IEEE MIB. The LERIC is able to turn ports on and off and indicate their status to a requesting manager. Address Tracking is possible, by using the NIC in promiscuous mode. Performance Monitoring is not possible with the LERIC because it doesn't have the capability to gather all the required physical layer statistics. As can be seen from *Figure 13* the block diagram for this type of hub is very similar to the PC Hub card except that a CPU and RAM/ROM are added, and the port restrictions of the PC do not apply. The internal registers of the LERIC are easily accessible by the host CPU so management information can be easily collected.

### THE REPEATER INTERFACE CONTROLLER

The DP83950 RIC is a high end, feature rich device which implements all the required functions of an IEEE compatible repeater along with many additional features that enable it to gather all the mandatory, recommended, and optional IEEE capabilities for network management. The RIC is intended for networks requiring full network management now or the need for it in the future.

To compare the RIC and LERIC, they both have a cascading bus for expandability. In fact, the Inter-RIC™ bus and the Inter-LERIC™ bus are identical between the DP83950 and the DP83956, and can be connected together (The DP83955 Inter-LERIC bus is slightly different but still compatible).

Another difference between the RIC and LERIC is that the RIC contains 12 transceivers versus the LERICs 6. However, like the LERIC these 12 RIC ports can be selected to be configured as either pseudo-AUI port or twisted pair. The RICs internal twisted pair transceivers are identical to the LERICs.

Both the RIC and LERIC have the same modes of LED display. Like the LERIC, the RIC also can be configured with the Mode Load operation, but it is more likely to be configured by a CPU that typically resides in larger hub configurations.

By far the most outstanding difference between the RIC and the LERIC is their level of network management statistics gathering capability. Because the RIC is focused at the larger networks where full management is required, it has a much wider array of management components. There are two sources of network statistics in the RIC:

- Status, Event Record, and Event Counting registers, and Interrupts
- Management bus

**Internal Registers.** Like the LERIC, the RIC has status registers that give repeater status and individual port status. In fact, these registers are very similar except the RIC provides more port status information. What makes the RIC different are the Event Record and Event Counting Registers, and the two interrupt pins. Each port has one each of these registers and they collect the important physical layer statistics that are needed by the IEEE Performance Monitoring objects.

Events in the status, Event Record and Event Counting can generate interrupts to the CPU through either the Real Time Interrupt (RTI) or the main Interrupt pin. This facilitates real time statistics gathering.

The Event Counting register counts a single network event on its every occurrence. One of 11 events are available to chose from which is done by software through a mask register. This function is particularly useful to count a rapidly occurring event, such as collisions. When the counters reach one of several chosen thresholds, they can interrupt the CPU.

The Event Record register is more flexible but requires more attention by the CPU as it provides real time status information. This register can be configured to log the occurrence of up to 8 events in a byte wide register. Not all 8 need to be logged and can be chosen through a mask register. Every time an unmasked event occurs an interrupt can be generated.

The other registers in the RIC allow software to quickly isolate which port is the source of activity without having to poll each register.

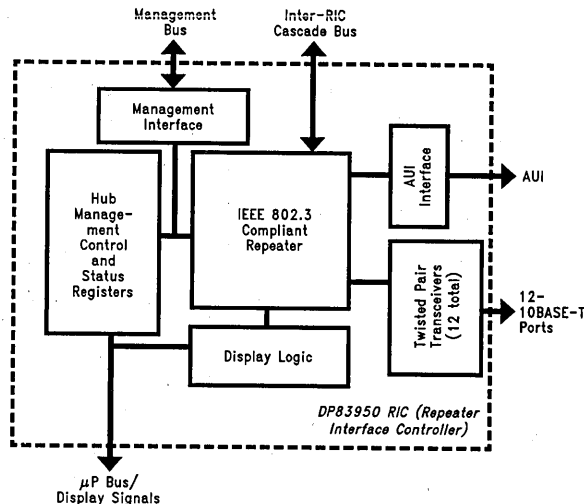


FIGURE 14. Simplified DP83950 Block Diagram

TL/F/11493-14

**The Management Bus.** Collection of a wide variety of network statistics is a major feature of the RIC, and the management bus is the RIC's most powerful pathway to communicate this information to an intelligent repeater system. The RIC couples to an Ethernet controller to form an intelligent, In-Band repeater. The management bus is similar to the data signals of the Inter-RIC bus. What makes the management data signals different from the Inter-RIC bus is that per packet statistics associated with the currently repeated packet are appended to the end of the packet on the management data signals, as shown in *Figure 15*.

The information sent on the management bus is contained in the seven additional bytes the RIC appends to the end of the packet, as shown in *Figure 16*.

These seven status bytes are on a serial data bus and are sent to main memory by adding a custom circuit, or more typically by a network interface controller. This can be accomplished using the DP8390 NIC or the SONICTM. There are advantages and disadvantages to all three approaches. Designing a custom de-serializer circuit which converts the serial management data so that can be read by the host CPU takes design time but the interface can be tailored to the systems interface of the repeaters architecture. Since the repeater is In-Band, and Ethernet controller is still needed somewhere in the system.

Secondly, the NIC offers a low cost solution to buffering the management information to memory. A somewhat faster CPU (than in the first or third options) may be necessary to ensure that the NICs buffer does not overflow due to the large number of packets received by the hub.

The third solution is to connect the higher performance SONIC controller to the management bus. The SONIC pro-

vides signaling to enable the use of a special feature of the RIC-SONIC interface which is the ability to optimize packet storage and bus bandwidth by eliminating the unnecessary data field from packets (except for management packets which are addressed to the SONIC where the data field must be retained). This feature is called Packet Compression.

There are several advantages to the management bus:

- In a multi-RIC repeater, the management status bytes are mostly available from one source. This saves a processor from having to read data from a multitude of sources.
- CPU performance requirements may be reduced since using the management bus for gathering of network statistics and buffering from the CPU eliminates most of the real time processing required when statistics are gathered entirely by using the RIC's registers.
- The management bus records interframe gap time which allows the administrator to see if there are any nodes that violate this important IEEE spec.
- When using a SONIC controller, packet compression can be employed, and this can further reduce system overhead, by eliminating the buffering of packet data. The SONIC only has to buffer the 21 bytes (7 status + dest. address + source address + type/length field) in 6 32-bit write operations. This can be done very quickly, ( $< 1 \mu\text{s}$ ).

The management bus architecture is particularly cost effective for in band management hubs. These hubs will require an Ethernet controller to communicate to the Network Manager, and in this case the use of the management requires no addition logic to implement.

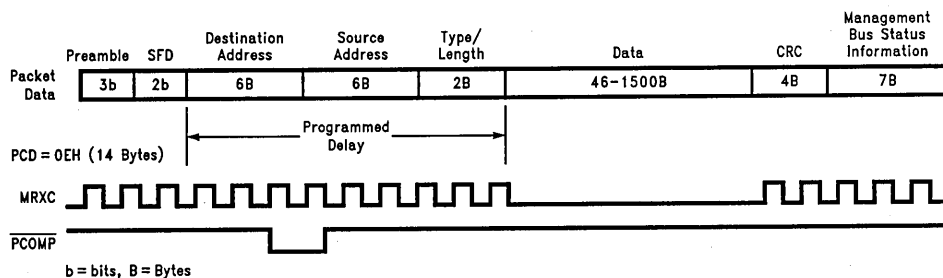
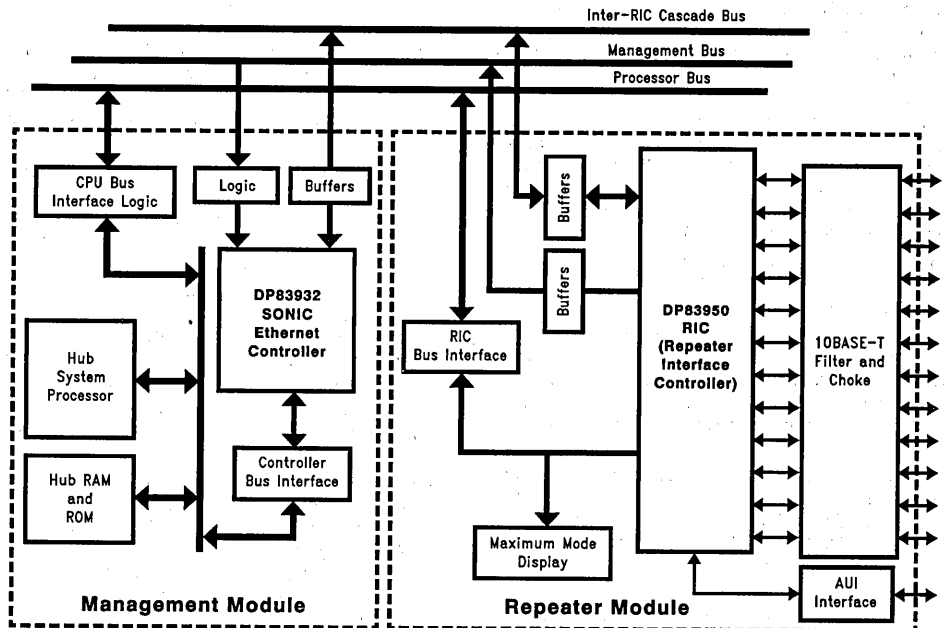


FIGURE 15. Signals Appearing on the Management Bus

TL/F/11493-15

| Summary of Management Bus Statistics                                                                                           |
|--------------------------------------------------------------------------------------------------------------------------------|
| RIC No. and Port No. Packet Received On                                                                                        |
| CRC Error, Frame Alignment Error, Tx Collision, Collision, Short Event, Late Collision, Non-SFD, PLL Error, FIFO Error, Jabber |
| Collision Bit Timer                                                                                                            |
| Packet Data Byte Count                                                                                                         |
| Repeater Byte Count                                                                                                            |
| Inter-Frame Gap Bit Timer                                                                                                      |

FIGURE 16. Summary of Management Bus Information



TL/F/11493-16

FIGURE 17. Block Diagram for Managed Repeater Showing Multiple Repeater Cards and a Management Module

#### RIC APPLICATIONS

Like the LERIC, there are many applications for the RIC. The primary (though not only) applications for the RIC are in high end hub applications where full support of hub management IEEE objects are required. The large rack mounted system is an ideal application for the RIC for high end repeaters.

#### FULLY MANAGED REPEATER

For networks not quite so large but needing management, a fully enclosed module running SNMP with 12-24 ports implements a low cost hub yet provides all the management capabilities of larger systems. This is called the Fully Managed Hub. This system block diagram is very much the same as for the Modular Managed Hub, except that a single non-expandable 12-24 port PCB contains the repeater function, and Ethernet Controller, CPU and memory. Functionally, this system's block diagram is very similar to the Managed Modular Hub of Figure 17. Hence the functional description is the same as the modular managed repeater described next.

#### MANAGED MODULAR REPEATER

The modular managed repeater example is a rack mounted repeater, containing independent repeater modules. Since these repeaters could support up to hundreds of ports, it must be easily expandable. The modules are typically stacked vertically or horizontally in a chassis. Sophisticated In-Band network management is required and so an Ethernet controller with a CPU usually on a separate module is required. The ideal controller is the SONIC directly connected to the RIC. Expandability is very important so the hub can grow along with the network.

In Figure 17, the block diagram of the management module is shown on the left, and one of several repeater modules block diagram is shown on the right side. The backplane for this modular repeater is actually the center of the hub. This backplane usually consists of 3 buses. First, a CPU bus which allows the management module's CPU to control the repeater modules. Second, a management bus which is an extension of the RIC's management bus, and allows the management module's SONIC to access the RIC statistics information. Third, the repeater also has a repeater cascade backplane for connecting multiple repeater modules into a single logical repeater.

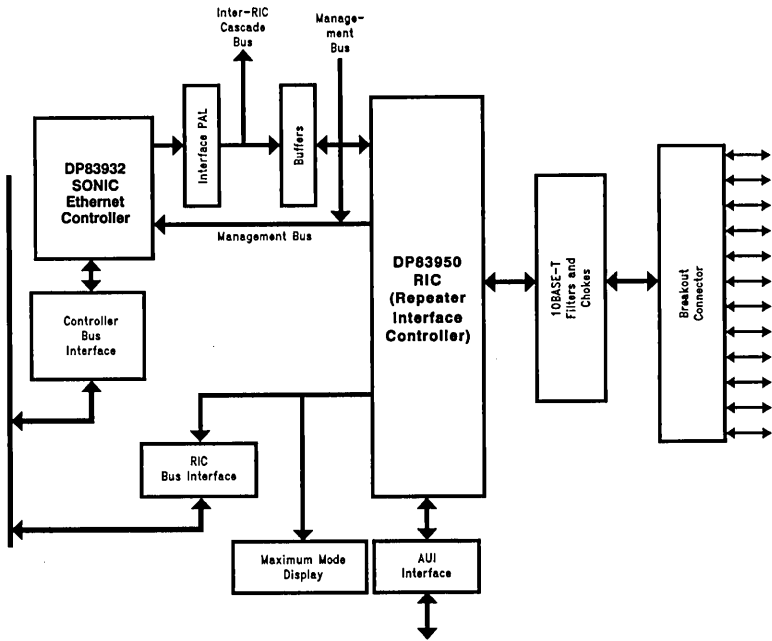


FIGURE 18. Block Diagram for Fully Managed PC Hub Card

TL/F/11493-17

**FULLY MANAGED PC ADAPTER**

This repeater application has become popular since the development of Novell's Hub Management Interface (HMI) specification. This driver specification provides a standard software method to obtain all the network management capabilities of the larger, self-contained hubs, but hardware is much simpler and less costly (if you assume that the cost of the PC is not included). The block diagram of this adapter card is very similar to the LERIC/NIC solution except that a RIC is typically used in conjunction with a higher performance Ethernet Controller such as a 16-bit or 32-bit SONIC, as shown in Figure 18.

Since many servers are based on the EISA or Micro Channel bus, a 32-bit SONIC could act as a high performance bus master. An ASIC and/or other logic provides the interface between it and the system. On the network side, the SONIC's PLL/ENDEC is disabled and the management bus connected to the receive signals and the Inter-RIC bus connected to the transmit signals using a simple PLD incorporates some of the needed glue logic.

12 twisted pair ports of RJ45's are physically too large to fit into one PC expansion slot opening. So usually the port connection is made via a high density 50 pin (like a SCSI II) connector, and a cable connects to a breakout box, containing a 12 position RJ45 connector and typically the LED array.

The breakout boxes are usually placed on the floor or in some sort of standard rack, Figure 19. Typical configurations support up to 48 10BASE-T nodes with an AUI port for attachment to a 10BASE5 or 10BASE2 network. Expansion limitations are primarily due to the limited PC slot configurations.

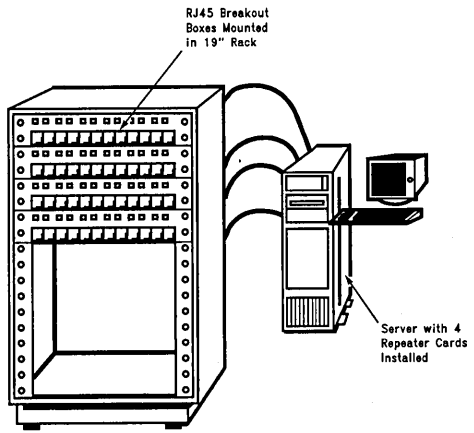


FIGURE 19. Breakout Boxes out of the File Server

TL/F/11493-18

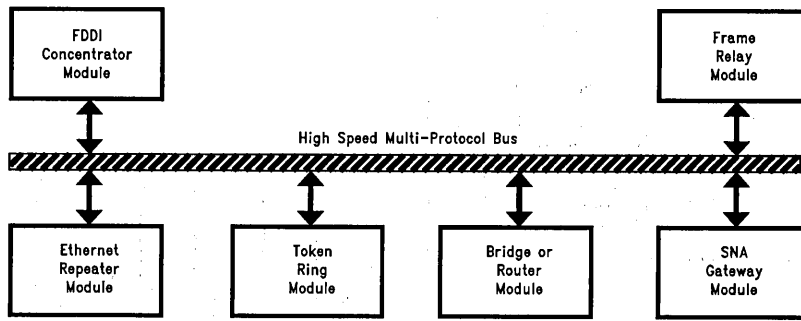


FIGURE 20. Possible Modules for Communications Rack

TL/F/11493-19

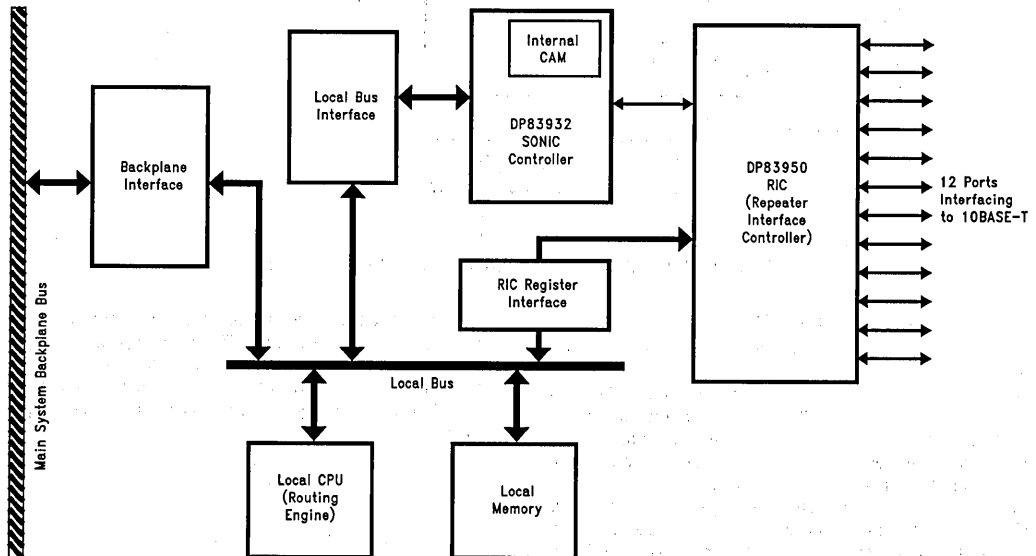


FIGURE 21. Bridge/Router Combined with a Repeater (Using Hardware Address Filtering)

TL/F/11493-20

Vendor's offer a lot of flexibility in server configurations by offering slave adapters. These adapters are repeater boards without the controller. This allows the creation of single large repeaters with a single controller, or to use multiple controllers creating several networks connected by the server's bridging software.

Using Novell's Remote Network Interface, In-Band managed hubs can be located in other nodes besides the server. This allows repeaters to be distributed around the network where workgroups are more concentrated. Management can be done remotely from any node. Using this broad systems approach allows very large managed networks to be constructed at reasonable costs.

For expansion, additional RIC slave cards can be cascaded to the master card through the Inter-RIC bus and management bus. All of the RICs in this system are configured by software.

#### MODULAR COMMUNICATIONS RACK

For the purposes of this document, the Communications Rack is really a modular multi-function box (typically placed on a rack in a wiring closet) that in the ideal case, can support and LAN (or Wide Area Network) connection function. As shown in *Figure 20* this box could support not only repeater and management functions but bridge router, WAN connections, SNA Gateways, or possibly even file and print-server functions.



When using the RIC in this type of equipment, the architectures are very similar to previous modular repeaters, except that the bus supports more sophisticated functions, probably the rack's backplane is actually a high speed 16-bit-32-bit parallel data/control bus that routes network data between modules in a very sophisticated manner. The details of the architectural for such a box is beyond this paper, as it would involve discussions beyond applying the RIC or LERIC. However, there are a couple of interesting applications for the RIC within this box.

The most interesting one is the bridge/router-hub module, as shown in *Figure 21*. In this application, which does use the RIC-SONIC combination yet again, utilizes the SONIC'S internal CAM as an address filter. In this application a single RIC connects point-to-point to the RIC. Since only 12 nodes would typically be connected to the RIC, the SONIC's internal CAM can perform the address filtering. If a situation were such that the RIC would be connected to more than the 12 nodes, then either software or an external CAM would be necessary to do address filtering.

#### **RIC AND LERIC REPEATERS FOR ANY APPLICATION**

In this note, a wide variety of applications have been introduced in a general systems oriented overview.

A sampling of the breadth of possible hub/repeater applications has been presented as well as specifically highlighting the importance of network and Hub management as a required feature of many repeaters. Discussions of the operational characteristics of National's repeater family have shown how these repeaters have features that can be effectively utilized to build systems that address any possible Ethernet network repeater product.

The RIC provides a very feature rich IC platform that enables building fully managed very high functionality repeaters of various styles and architectures.

The LERIC is a very cost effective simple repeater IC that should appeal to simple non-managed repeater applications that are typically provided for small cost sensitive LAN applications.

With both these devices low end simple Velcro hubs, PC Hub Cards, Managed Hubs, Modular Repeaters all can be designed very easily and cost efficiently by selecting and using either the RIC or LERIC.

**APPENDIX A.  
IEEE 802.3 HUB MANAGEMENT IMPLEMENTATION**

**Management Criteria**

- A: Basic control capability      Mandatory  
 B: Performance monitor          Optional  
 C: Address tracking capability    Optional

**HUB MANAGED OBJECT CLASS**

| Object Name           | Object Type   | A | B | C | How Supported By RIC | How Supported By LERIC  |
|-----------------------|---------------|---|---|---|----------------------|-------------------------|
| <b>Hub Attributes</b> |               |   |   |   |                      |                         |
| hubID                 | ATTRIBUTE GET | X |   |   | Software (Note 1)    | Software                |
| hubGroupCapacity      | ATTRIBUTE GET | X |   |   | Software             | Software                |
| groupMap              | ATTRIBUTE GET | X |   |   | Software             | Software                |
| hubHealthState        | ATTRIBUTE GET | X |   |   | Software             | Software                |
| hubHealthText         | ATTRIBUTE GET | X |   |   | Software             | Software                |
| hubHealthData         | ATTRIBUTE GET | X |   |   | Software             | Software                |
| transmitCollisions    | ATTRIBUTE GET |   | X |   | TXCOL on Mngmt Bus   | External Logic on ANYXN |
| repeaterMJLPs         | ATTRIBUTE GET |   | X |   | JAB bit on Mngmt Bus | LEDs                    |

**Hub Actions**

|                        |        |   |  |  |          |          |
|------------------------|--------|---|--|--|----------|----------|
| resetHubAction         | ACTION | X |  |  | Software | Software |
| executeSelfTest1Action | ACTION | X |  |  | Software | Software |
| executeSelfTest2Action | ACTION | X |  |  | Software | Software |

**Hub Notifications**

|                |              |   |  |  |          |          |
|----------------|--------------|---|--|--|----------|----------|
| hubHealth      | NOTIFICATION | X |  |  | Software | Software |
| hubReset       | NOTIFICATION | x |  |  | Software | Software |
| groupMapChange | NOTIFICATION | X |  |  | Software | Software |

**ResourceTypeID Managed Object Class**

|                |  |   |  |  |          |          |
|----------------|--|---|--|--|----------|----------|
| resourceTypeID |  | X |  |  | Software | Software |
|----------------|--|---|--|--|----------|----------|

**Note 1:** In the "How Supported..." columns, when Software is noted, this means that the Object is independent of hardware, and is an object that is collected and maintained by software or ROM firmware.

**GROUP MANAGED OBJECT CLASS**

| Object Name             | Object Type   | A | B | C | How Supported By RIC | How Supported By LERIC |
|-------------------------|---------------|---|---|---|----------------------|------------------------|
| <b>Group Attributes</b> |               |   |   |   |                      |                        |
| groupID                 | ATTRIBUTE GET | X |   |   | Software             | Software               |
| numberOfPorts           | ATTRIBUTE GET | X |   |   | Software             | Software               |

## APPENDIX A. IEEE 802.3 HUB MANAGEMENT IMPLEMENTATION (Continued)

## PORT MANAGED OBJECT CLASS

| Object Name               | Object Type   | A | B | C | How Supported By RIC                         | How Supported By LERIC                   |
|---------------------------|---------------|---|---|---|----------------------------------------------|------------------------------------------|
| <b>Port Attributes</b>    |               |   |   |   |                                              |                                          |
| portID                    | ATTRIBUTE GET | X |   |   | Software                                     | Software                                 |
| portAdminState            | ATTRIBUTE GET | X |   |   | Ports' Real Time Status Register             | Ports' Real Time Status Register         |
| autoPartitionState        | ATTRIBUTE GET |   | X |   | Ports' Real Time Status Register             | Ports' Real Time Status Register         |
| readableFrames            | ATTRIBUTE GET |   | X |   | # of CLN bit active on Mngmt bus (no errors) | --                                       |
| readableOctets            | ATTRIBUTE GET |   | X |   | total # of RBY counts on Mngmt bus           | --                                       |
| frameCheckSequence-Errors | ATTRIBUTE GET |   | X |   | CRC bit active on Mngmt bus                  | --                                       |
| alignmentErrors           | ATTRIBUTE GET |   | X |   | FAE bit active on Mngmt bus                  | --                                       |
| framesTooLong             | ATTRIBUTE GET |   | X |   | RBY count on Mngmt bus                       | --                                       |
| shortEvents               | ATTRIBUTE GET |   | X |   | SE bit on Mngmt bus (no COL)                 | --                                       |
| runts                     | ATTRIBUTE GET |   | X |   | RBY count on Mngmt bus (no SE)               | --                                       |
| collisions                | ATTRIBUTE GET |   | X |   | Port Event Counters                          | External Logic Using DFS and LED Drivers |
| lateCollisions            | ATTRIBUTE GET |   | X |   | Event Logging Interrupts                     | --                                       |
| dataRateMismatches        | ATTRIBUTE GET |   | X |   | ELBER bit on Mngmt bus (no COL)              | --                                       |
| autoPartitions            | ATTRIBUTE GET |   | X |   | Event Logging Interrupts                     | Ports' Real Time Status Register         |
| lastSourceAddress         | ATTRIBUTE GET |   |   | X | Source address from Mngmt bus                | Source Address from Ext. Controller      |
| sourceAddressChanges      | ATTRIBUTE GET |   |   | X | Software                                     | Software                                 |
| <b>Port Actions</b>       |               |   |   |   |                                              |                                          |
| portAdminControl          | ACTION        | X |   |   | Ports' Real Time Status Register             | Ports' Real Time Status Register         |

# DP83950EB-AT IEEE 802.3 Multi-Port Repeater Evaluation Kit

National Semiconductor  
Application Note 781  
Imad Ayoub



## 1.0 INTRODUCTION

The DP83950EB-AT is a three board kit (Main board, Display Assembly board and Backplane board) that forms an IEEE 802.3 Section 9 Repeater. The Main board has twelve 10Base-T ports and one AUI port and up to four Main boards can be cascaded using the Backplane board to form a larger hub.

The Main board contains the DP83950 Repeater Interface Controller (RIC™), which fits into an IBM PC-AT and compatible computers. The Main board repeats packets, provides management information, updates the Status LEDs, and can be cascaded to other Main boards. The Display Assembly board provides a full set of status LEDs for monitoring the repeater activity, and it provides a breakout to convert the 50-pin connector (with the cable coming from the Main board) to twelve ISO8877 (RJ45) phone connectors. The Backplane board is used for cascading two or more Main boards or to connect to a modified DP839EB-ATS System Oriented Network Interface Controller (SONICTM) Network evaluation board or the new SONIC Network evaluation board, the DP83932EB-AT.

Using the evaluation software the user can read or write to the RIC registers and counters, change the configuration options, enable and disable several features of the RIC, and display graphics of the RIC activities. There are several switches and jumpers on the Main board that configure the board to avoid conflicts with other adapters already installed on the AT bus.

## 2.0 MAIN BOARD OVERVIEW

The block diagram for the Main board is shown in *Figure 1*. The Main board allows the user to exercise all the functions of the RIC while using the twelve 10Base-T ports and the AUI port (the 10Base2 option of the RIC cannot be exercised).

The Main board is designed to perform Mload (refer to the RIC Data Sheet for more information on Mload) through either the Mload Logic (hardware Mload), or through the AT Bus Interface (software Mload). The switches SW1, SW2 are used during the hardware Mload.

The Inter-RIC Arbitration Logic performs the arbitration when there are two or more boards cascaded using the Backplane board. The arbitration is performed when two or more RICs have reception to determine which Main board (i.e., which RIC) is higher in the arbitration chain. The result of the arbitration will be used by the main state diagram of the RIC to determine which port within the RIC has PORT N (or PORT M), as described in the RIC Data Sheet.

The board was designed to allow for choosing between serial and parallel arbitration, and performs the arbitration function accordingly. In the Serial arbitration mode, the RIC logic performs all the arbitration (no additional logic is needed). In the parallel arbitration mode external PALs and logic are required (see Section 2.1.2).

The Inter-RIC BUS Transceivers are used to interface the RIC to the Backplane BUS. The Backplane BUS includes the Inter-RIC signals (IRC, IRD, IRE), the Management signals (MRXC, MRXD, MCRS, PCOMP), the Arbitration and Control signals (ACKI, ACKO, ACTN, ANYXN, COLN) as well as the parallel arbitration vector ARB(3:0). The transceivers are an example of how to perform the transmitting and receiving function over a backplane Bus and interfacing to drive and sense pins on the RIC. The BTL transceivers used allow for long bus applications due to their fast propagation delays and separate bus grounds.

The External Decoder is an example of how the RIC can be configured to run with an external decoder. The Received Manchester data is passed on to the external decoder through the RXM pin, and the decoded NRZ data is sent back from the decoder to the RIC through the Inter-RIC pins IRE, IRC and IRD.

The LED information is sent to the Display board through a driver and a 25-pin ribbon cable.

The 10Base-T Interface includes the buffers, resistors, filters and transformers necessary to interface the RIC ports to the external TP media.

The AUI Interface includes the necessary isolation and resistors to interface to the AUI cable.

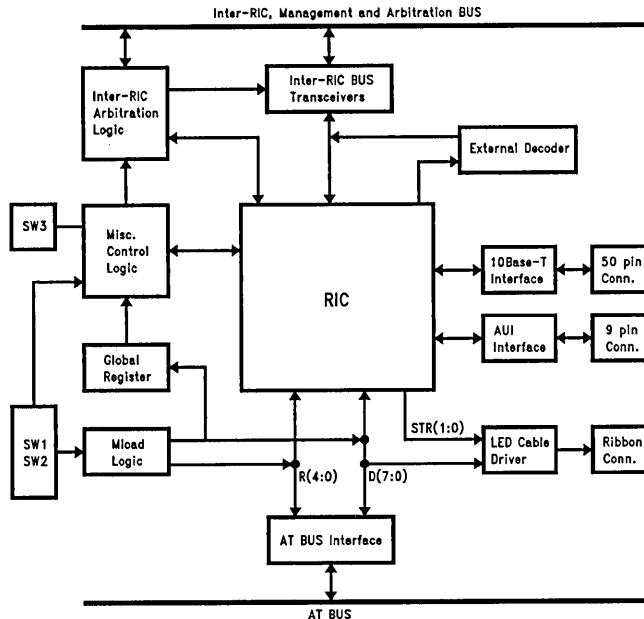
In order to enable using up to 16 boards in a PC without using an excessively large address space, all boards can be mapped to a single address block. A separate register is used to enable each individual board. This register is called the Global Register. The Global Register contains other control bits as shown below:

| D6  | D5  | D4  | D3   | D2   | D1   | D0   |
|-----|-----|-----|------|------|------|------|
| EA2 | EA1 | EA0 | RID3 | RID2 | RID1 | RID0 |

Each board in a system is assigned a unique number by setting SW3. When the same number is loaded into the Global Register RID(3:0) as is set by SW3, the RIC Main board is enabled and the RIC's registers can be accessed.

The EA(2:0) bits are used to perform various functions on the selected board in the following manner:

| EA2 | EA1 | EA0 | Function                      |
|-----|-----|-----|-------------------------------|
| 0   | 0   | 0   | Normal Operation              |
| 0   | 0   | 1   | Issue CDEC to All Boards      |
| 0   | 1   | 0   | Issue CDEC to Selected Board  |
| 0   | 1   | 1   | Issue MLOAD to All Boards     |
| 1   | 0   | 0   | Issue MLOAD to Selected Board |



TL/F/11230-1

FIGURE 1. Main Board Block Diagram

All 32 RIC registers and the Global register are IO mapped and can be relocated by setting BA(1:0) in SW1 as follows:

| BA1 | BA0 | RIC Registers | Global Register |
|-----|-----|---------------|-----------------|
| 0   | 0   | 100 h–11F h   | 200 h           |
| 0   | 1   | 120 h–13F h   | 220 h           |
| 1   | 0   | 140 h–15F h   | 240 h           |
| 1   | 1   | 160 h–17F h   | 260 h           |

## 2.1 Detailed Description

### 2.1.1 Mload and AT Bus Interface

To perform the Mload pin configuration the board has the capability to load the D(7:0) and R(4:0) pins by either software or hardware.

Hardware Mload is done by the Mload Logic, which interfaces to pins D(7:0) and R(4:0) on the RIC to configure the RIC upon power up. Switches SW1 and SW2 allow for hardware setting of the Mload pin configuration. An RC network is used to provide a pulse (RSTB) at power up which will be used by a PAL (U41) to assert the Mload signal to the RIC. The PAL is needed to control the enables for the buffers for choosing between the hardware and software Mload.

Software Mload is implemented by passing the D(7:0) and R(4:0) signals from the PC-AT bus through the AT Bus Interface and onto the RIC pins.

When a Global Register write operation is performed by the PC-AT, it is written to a flip-flop (U44) which passes, first, the bits RID(3:0) to a comparator (U38), second, the bits EA(3:0) to the one of the control PALs. The comparator asserts a "RICHIT" if the Global Register RID matches the board *number*. This will enable the control PALs to perform the operation required by the Global register.

The ELI and RTI pins from the RIC can be passed onto the AT BUS to one of four interrupt request lines on the AT BUS (IRQ(15), IRQ(12), IRQ(11) or IRQ(10)) by selecting the appropriate jumper settings (JB1 and JB2, refer to schematic).

Three PALs (U36, U41, U43) are used to control the AT Bus Interface for software Mload and register Read/Write, and to enable the various buffers required for hardware Mload and the Global register decode. The PAL equations listings for all the PALs are included in Section 5.0 of this document.

U43 decodes the AT BUS address bits SA(9:0) and BA(1:0) to determine if the software operation is addressed to this board. A Global hit (Ghit) is asserted when a match occurs with the Main board's global *address*. A Base hit (Bhit) is asserted when a match occurs with a RIC *register*.

The AT BUS signals IOW, IOR, and AEN, and the Global register bits EA(2:0) are decoded by the PALs U36 and U41, resulting in the various control signals for the Mload buffers, the Read, Write and CDEC signals, the CHRDY signal to the PC-AT BUS, and the *receive* enable signals for the Inter-RIC and the management BTL transceivers (U4, U5).

### 2.1.2 Inter-RIC Arbitration Logic

Since there is no central arbiter, each Main board using the Inter-RIC BUS needs a way to tell if it owns the bus. This implementation uses one of two methods: serial or parallel arbitration (by setting JB3, refer to schematic).

In the serial arbitration method the RIC signals ACKI and ACKO are passed to and from the Backplane BUS directly (as SACKI and SACKO) without further arbitration. Therefore the serial arbitration is done by the RIC logic itself. A high level on ACKI tells the RIC that it can take the bus.

Therefore, the physical position of the board controls its priority in the chain. To participate properly in the chain the RIC will pass a high ACKI to ACKO if it does not want to transmit, but will force ACKO low if it does wish to transmit. In addition, ACKO needs to be held low if a low ACKI is seen, in order to tell the boards further down in the chain that they cannot take the bus.

The drawback for serial arbitration is that it requires all the Main boards to be inserted at all times, otherwise the SACKI/SACKO chain will be broken. The Backplane board is equipped with a jumper to connect these signals to continue the arbitration chain.

In the Parallel arbitration mode the SACKI/SACKO signals are controlled by two PALs according to the ACKI, ARBWIN and ENARB state machines shown in Figures 2, 3 and 4. A priority number is assigned via a set of dip switches SEL(3:0), where a higher number corresponds to a higher priority. Each board that wants to use the bus asserts this

vector onto the bus. The bus is "wired-OR", so that only the board with the highest priority will see its own vector reflected back from the bus.

By monitoring the RIC signals and the arbitration vector, the parallel logic controls ACKI, so that normal functionality is maintained and the board's priority is independent of its physical location.

The arbitration takes place whenever a RIC is trying to take the bus, i.e., ACTNd is asserted, or when the RIC is experiencing a transmit collision, i.e., ANYXNd is asserted (Figure 2). When either the ACTNd or ANYXNd are asserted the ENARB signal (Figure 4) is asserted enabling the arbitration BTL transceiver (U2).

A counter state machine is used in another PAL (U33) to give some delay for the arbitration to be completed, and asserts the arbitration done signal ARBDONE (Figure 3). Based on the ACKI state machine the ACKIRIC signal is asserted to the RIC.

**ACKI STATE MACHINE**

Inputs: ACTND~, ANYXND~, ARBDONE, ARBWIN

Output: ACKI

~ = Active Logic Low

! = Inactive

eg: !ACTNB~ = Inactive or Logic High

!ARBWIN = Inactive or Logic Low

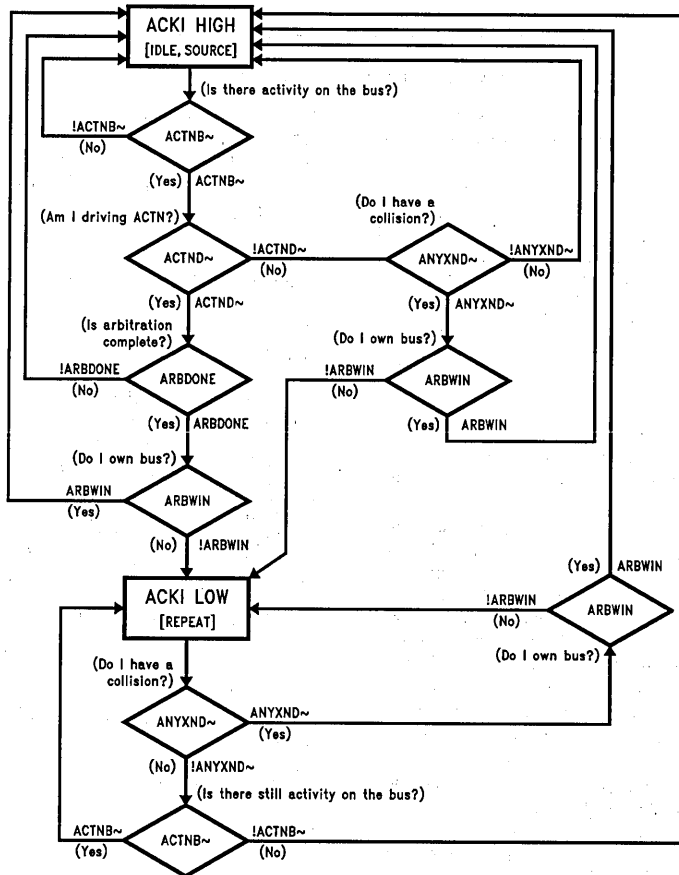


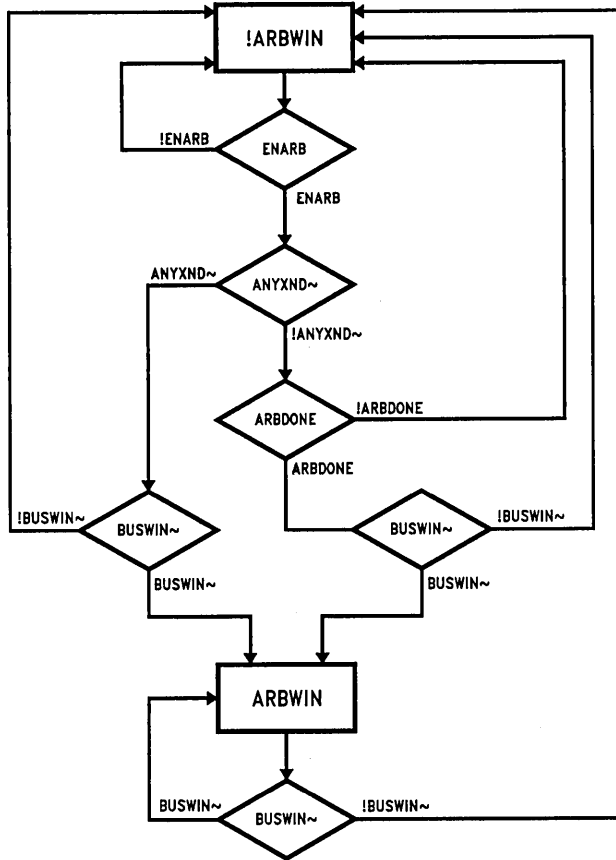
FIGURE 2. ACKI State Machine

TL/F/11230-2

**ARBWIN STATE MACHINE**

Inputs: ANYXND~, ENARB, ARBDONE, BUSWIN~  
Output: ARBWIN

~ = Active Logic Low  
! = Inactive  
eg: !ANYXND~ = Inactive or Logic High  
ANYXND = Active or Logic Low



**FIGURE 3. ARBWIN State Machine**

TL/F/11230-3

**ENARB STATE MACHINE**

Inputs: ACTND~, ANYXND~

Output: ENARB

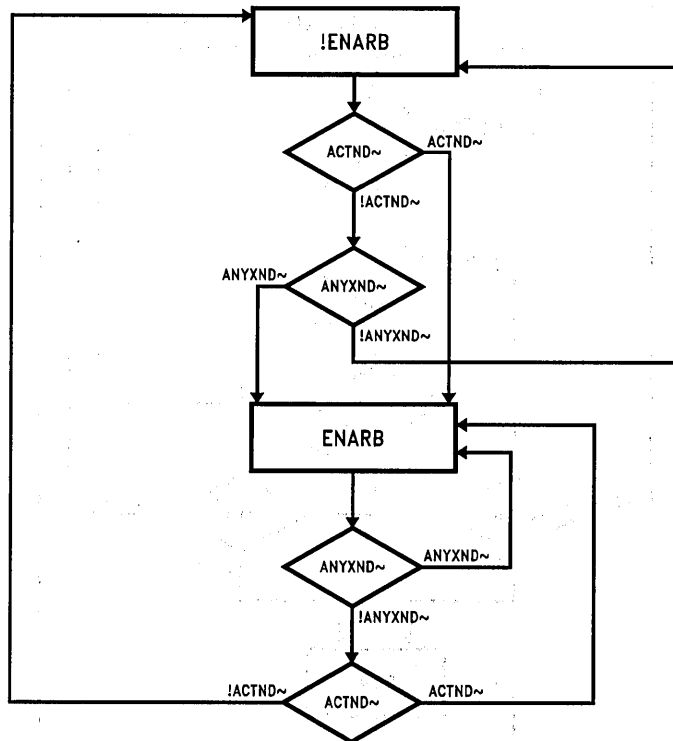
ENARB = ACTND~ # ANYXND~

~ = Active Logic Low

! = Inactive

eg: !ACTND~ = Inactive or Logic High

ACTND~ = Active or Logic Low



**FIGURE 4. ENARB State Machine**

TL/F/11230-4



### 2.1.3 Inter-RIC Bus Transceivers

To form a 10Base-T HUB with more than 12 Twisted Pair ports, up to four Main boards can be cascaded using the Backplane board (up to 16 Main boards can be cascaded with an extended Backplane board). The Backplane board can also be used to pass management information, as specified in the Hub management specification, from the management bus of the RIC to a modified DP839EB-ATS SONIC network evaluation board or the new SONIC Network evaluation board, the DP83932EB-AT.

To assure good speed and signal quality over the backplane bus four BTL (Turbo Transceivers) are used (U2, U3, U4, U5). The required BTL terminations are done on the Backplane board. Tying all the Ground pins of the BTLs together is not the optimum way to use these transceivers, however, it was necessary to assure proper operation when the Main board is in stand alone mode and the backplane board is not inserted. In a typical application were the Backplane BUS is always terminated these grounds would not be grounded together.

High level of assertion for the bidirectional "wired-OR" signals (ACTN, ANYXN, COLN, IRE, MCRS) of the RIC is required for proper operation with the inverting BTL transceivers. This makes these signals asserted low on the BUS side of the transceivers.

The parallel arbitration vectors ARBI(3:0) and ARBO(3:0) are transmitted and received over the BUS through one BTL Transceiver (U2). The receive enable for U2 is controlled by the stand alone (SLN) bit set during Mload. The drive enable for U2 is controlled by the enable arbitration (ENARB) signal from the arbitration PALs.

Another PAL (U3) transmits and receives the ACTN, ANYXN, and PCOMP signals onto the Backplane BUS. On the BUS side of U3, ACTN and ANYXN are bidirectional signals. They are asserted when any RIC asserts its ACTNd or ANYXNd signals. On the RIC side of U3, ACTN is split into ACTNd and ACTNs, and ANYXN is split into ANYXNd and ANYXNs. PCOMP is a unidirectional signal that is asserted onto the BUS by a separate controller board that can gather management statistics (or a modified DP839EB-ATS SONIC-AT board). The Drive enable for U3 is always enabled, allowing the ACTNd and ANYXNd signals to assert

the BUS ACTN and ANYXN signals directly. The Receive enable is disabled only when the Main board is in the stand alone mode (i.e., there are no other Main boards in the HUB).

The RC network included on the ANYXNs signal is recommended (see Application Note #671 in the Interface Data Book for design details using BTL Transceivers).

A third PAL (U4) is used to transmit and receive the IRC, IRD, IRE and COLN signals. The COLN signal, which signals a receive collision, has no significance in the TP media. It is included here for completeness. These signals are bidirectional, however they are unidirectional at any one time. When the RIC is the receiving RIC, it asserts the packet enable signal PKEN signal which is used as the drive enable for U4. PKEN will be asserted as long as the RIC is the receiving RIC. The receive enable ENPKEN is asserted when the Main board is not in stand alone mode, and the PKEN signal is not asserted.

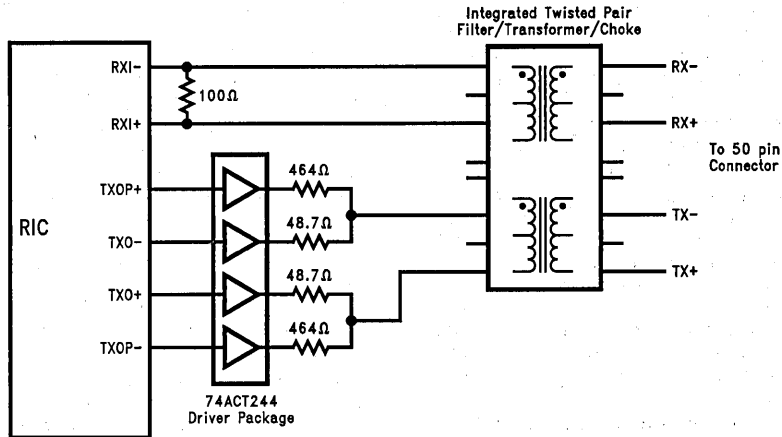
A fourth PAL (U5) is used to transmit the management bus signals MRXC, MCRS and MRXD. The MRXC and MRXD signals are unidirectional RIC output signals, while the MCRS is a bidirectional. The RIC senses the MCRS signal while the RIC is not the receiving RIC to assure the Inter-frame gap limit set in the RIC Inter-Frame Gap Threshold Select Register is not violated before sending another packet onto the Management BUS. The Management BUS information can be received by a SONIC, connected to the management bus. When the RIC is the receiving RIC, it asserts the management enable signal MEN, which is used as the drive enable for U5. MEN will be asserted as long as the RIC is the receiving RIC. The receive enable ENMEN is asserted when the Main board is not in stand alone mode, and the MEN signal is not asserted.

### 2.1.4 External Decoder

The RXM External pin decoder allows using the RIC with an external decoder. The RXM pin outputs the received Manchester Data from the RIC. This data is sent to the DP83910A decoder, which is decoded and passed onto the IRD, IRC and IRE BUS signals through a buffer back to the RIC. The buffer is enabled by PKEN, and a jumper is used to disable the buffer when using the internal decoder mode.

### 2.1.5 TP Interface

The interface is shown for one port in *Figure 5* below:



TL/F/11230-5

FIGURE 5. TP Interface

To drive the transmitted signal through 100 meters of Twisted Pair cable, the RIC requires external buffers. The resistor network on the transmit path shows the values used on the Main board. A more optimized network, which allows for better amplitude control is described in the TP Parametrics Evaluation document. The Filter/Transformer/Choke package used here is the PE65431 from Pulse Engineering. Other packages have been evaluated, and those results are described in the TP Parametrics Evaluation Document.

### 2.1.6 AUI Interface

The AUI includes the proper terminations and pulldowns, and the isolation transformer. A 9-pin connector is used instead of the standard 15-pin AUI connector (due to space limitations). A 9-pin to 15-pin special adapter cable is used to attach to the MAU.

### 3.0 DISPLAY BOARD DESCRIPTION

The Display board allows for the display of Maximum mode or Minimum mode LED configurations. The LED display address and data information RD(7:0), and the strobe signals STR(1:0) signals are received from the Main Board through the 25-pin ribbon cable and driver. The data is driven to two arrays of addressable latches and one flip-flop.

In the Maximum LED display mode all 66 LEDs are functional. Five sets of Latches are used and are arranged into five sets, with two latches per set. Each set controls one of the following groups of LEDs: Receive (REC), Collision (COL), Partition (PART), Good Link (GDLINK), and Bad Polarity (BDPOL).

The address bits for the latches are obtained from the RD(7:5) signals. On the top half of the array address 0 corresponds to the "any port", address 1 corresponds to the AUI port, and addresses 2 to 7 corresponds to ports 2 through 7. The top array is enabled by the STR0 signal. The bottom half is enabled by the STR1 signal, and addresses 0 through 5 correspond to ports 8 through 13.

The data is obtained from the RD(4:0) signals as follows: RD(0) for LINK, RD(1) for Collision, RD(2) for Receive, RD(3) for Partition, and RD(4) for Polarity.

In the Minimum LED display mode four LEDs are displayed: Any port collision (ACOL), Any port reception (AREC), Any port jabbering (JAB) and Any port partitioned (APRT), which indicate any activity on any of the RIC ports. In this mode the flip-flop ('ALS374) should be inserted into the socket (U6), which is left blank (default for the Maximum display Mode). The flip-flop passes the four LED signals to port 13, and STR0 is used as the clock.

### 4.0 BACKPLANE BOARD DESCRIPTION

This board forms the Backplane BUS for the HUB. There are four types of signals that are passed on this BUS.

1. The Inter-RIC BUS signals: IRE, IRC, IRE. These signals are passed from the Receiving RIC to all the other RICs in the HUB. They can also be used by a modified DP839EB-ATS SONIC board to allow the SONIC to transmit to the network through all the RICs on the HUB.
2. The Arbitration and Control signals: SACKI, SACKO, ACTN, ANYXN, COLN. These signals are passed between all the RICs on the HUB to assure the proper operation of the HUB per the IEEE802.3 state diagrams. When a board is inserted into a slot on the Backplane board, a jumper is removed to allow for the SACKI-SACKO signals to pass to and be asserted by the Main board. If there is no Main board inserted in a slot, that jumper should be inserted to short SACKI to SACKO, in order to complete the arbitration chain.
3. The Management BUS signals: MRXC, MRXD, MCRS, PCOMP. The MRXC, MRXD and MCRS signals are used to pass the management information from the receiving RIC to a SONIC board. PCOMP is a unidirectional signal that is asserted onto the BUS by a separate controller board that can gather management statistics to compress the data portion of the management information. The MCRS signal is also used as an input to the RIC as described in Section 2.1.3).
4. The Parallel arbitration vector, ARB(3:0), required for parallel arbitration (as described in Section 2.2.2).

Each of the BUS lines is terminated by approximately 20Ω (two 39Ω resistors in parallel).

## 5.0 PAL LISTINGS

```
U43 device 'p16L8';module RIC_DEC
title 'decode AT addresses'
```

```
"inputs
```

```
sa0 pin 11;
sa1 pin 9;
sa2 pin 8;
sa3 pin 7;
sa4 pin 6;
sa5 pin 5;
sa6 pin 4;
sa7 pin 3;
sa8 pin 2;
sa9 pin 1;
ba0 pin 16;
ba1 pin 17;
aen pin 18;
iow pin 13;
ior pin 14;
```

```
"outputs
```

```
ghit pin 19;
bhit pin 12;
io pin 15;
base0 = !aen & !sa9 & sa8 & !sa7 & !ba1 & !ba0;
base1 = !aen & !sa9 & sa8 & !sa7 & !ba1 & ba0;
base2 = !aen & !sa9 & sa8 & !sa7 & ba1 & !ba0;
base3 = !aen & !sa9 & sa8 & !sa7 & ba1 & ba0;

low = !aen & sa9 & !sa8 & !sa7 & !sa4 & !sa3 & !sa2 & !sa1
 & !sa0;
```

```
equations
```

```
!ghit = low & !ba1 & !ba0 & !sa6 & !sa5
 # low & !ba1 & ba0 & !sa6 & sa5
 # low & ba1 & !ba0 & sa6 & !sa5
 # low & ba1 & ba0 & sa6 & sa5;

!bhit = !sa6 & !sa5 & base0
 # !sa6 & sa5 & base1
 # sa6 & !sa5 & base2
 # sa6 & sa5 & base3;

!io = !iow # !ior;
```

```
END RIC_DEC;
```

TL/F/11230-6

```
U36 device 'p20L8';ric_ctrl1
title 'ric control and some AT interface'
```

```
"inputs
```

```
 mloadly pin 23;
 ior pin 14;
 iow pin 13;
 rstdrv pin 11;
 bufen pin 10;
 rdy pin 9;
 ea2 pin 8;
 ea1 pin 7;
 ea0 pin 6;
 richit pin 5;
 ghit pin 4;
 bhit pin 3;
 io pin 1;
```

```
"outputs
```

```
 chrdy pin 21;
 ireg pin 20;
 rd pin 19;
 wr pin 18;
 iorb pin 17;
 dens pin 16;
 cdec pin 15;
 den pin 22;
```

```
 norm = !ea2 & !ea1 & !ea0;
```

```
equations
```

```
!chrdy = 1;
```

```
enable chrdy = !bhit & richit & rdy & !io;
```

```
!dens = !io & (!ghit # (!bhit & richit));
```

```
!ireg = !ghit & !iow;
```

```
!rd = richit & norm & !bhit & !ior;
```

```
!wr = richit & norm & !bhit & !iow;
```

```
!iorb = !ior;
```

```
!cdec = !ea2 & !ea1 & ea0 & !ghit & !ior
 # !ea2 & ea1 & !ea0 & richit & !ghit & !ior;
```

```
!den = richit & !bhit & !bufen & norm & !io;
```

```
end ric_ctrl1;
```

```
U41 device 'p20L8';ric_ctrl2;
title 'ric control 2a'
```

```
"inputs
```

```
 mloaddly pin 23;
 ior pin 14;
 iow pin 13;
 rstdrv pin 11;
 bufen pin 10;
 rdy pin 9;
 ea2 pin 8;
 ea1 pin 7;
 ea0 pin 6;
 richit pin 5;
 ghit pin 4;
 bhit pin 3;
 sln pin 2;
 pken pin 1;
 rstb pin 16;
 men pin 17;
```

```
"outputs
```

```
 swen pin 21;
 raen pin 20;
 rst pin 19;
 mload pin 18;
 enpken pin 22;
 enmen pin 15;
```

```
equations
```

```
 !swen = !mload & !mloaddly;
 !raen = mload & mloaddly;
 !rst = rstdrv # !rstb;
 !mload = rstdrv
 # ea2 & !ea1 & !ea0 & richit
 # !ea2 & ea1 & ea0
 # !rstb;
 !enpken = !sln & !pken;
 !enmen = !sln & !men;
```

```
end ric_ctrl2;
```

TL/F/11230-8

```
U33 device 'p20v8r';module ric_ack
title 'ric arb state machine
```

```
"inputs
```

```
 enarb pin 14;
 unused_1 pin 11;
 psel pin 23;
 sln pin 10;
 sacki pin 9;
 actn_s pin 8;
 actn_d pin 7;
 anyxn_d pin 6;
 unused_3 pin 5;
 unused_4 pin 4;
 unused_5 pin 3;
 match pin 2;
 clk pin 1;
```

```
"outputs
```

```
 ackiric pin 15;
 arbwin pin 18;
 arbdone pin 20;
 q1 pin 21;
 q0 pin 22;
 Q20M PIN 17;
```

```
"counter states
```

```
 s0 = ^b00;
 s1 = ^b01;
 s2 = ^b10;
 s3 = ^b11;
```

```
"counter modes
```

```
 mode = [enarb];
 count = [1];
 clear = [0];
```

```
state_diagram [q1,q0]
```

```
 state s0: case (mode == clear): s0;
 (mode == count): s1;
 endcase;

 state s1: case (mode == clear): s0;
 (mode == count): s2;
 endcase;

 state s2: case (mode == clear): s0;
 (mode == count): s3;
 endcase;
```

```
state s3: case (mode == clear): s0;
 (mode == count): s3;
endcase;

equations

arbdone = q1 & q0;

arbwin = (!anyxn_d # arbdone) & match & enarb;

!ackiric = !sln & (psel & (ackiric & (actn_s & actn_d & arbdone &
!arbwin # actn_s & !actn_d & anyxn_d & !arbwin)
!ackiric & (anyxn_d & !arbwin # !anyxn_d & actn_s))
!psel & !sacki);

!Q20M := Q20M;

end ric_ack;
```

TL/F/11230-10

```
U1 device 'p2018';module ric_arb
title 'arbitration pal
```

```
"inputs
```

```
 arbi0 pin 1;
 arbi1 pin 2;
 arbi2 pin 3;
 arbi3 pin 4;
 sel0 pin 5;
 sel1 pin 6;
 sel2 pin 7;
 sel3 pin 8;
 anyxn_d pin 9;
 actn_d pin 10;
```

```
"outputs
```

```
 match pin 17;
 enarb pin 22;
 arbo0 pin 18;
 arbo1 pin 19;
 arbo2 pin 20;
 arbo3 pin 21;
```

```
equations
```

```
 enarb = actn_d # anyxn_d;

 match = (!arbi3 # sel3) & (!arbi2 # sel2)
 & (!arbi1 # sel1) & (!arbi0 # sel0);

 arbo3 = sel3;

 arbo2 = sel2 & (!arbi3 # sel3);

 arbo1 = sel1 & (!arbi3 # sel3) & (!arbi2 # sel2);

 arbo0 = sel0 & (!arbi3 # sel3) & (!arbi2 # sel2)
 & (!arbi1 # sel1);
```

```
end ric_arb;
```





## INTRODUCTION

This document describes how the DP83950 Repeater Interface Controller (RIC) can be interfaced to a System Oriented Network Interface Controller (SONIC) controller. The emphasis in this note is on the hardware interface between the RIC and the SONIC. The software implementation of the Hub management protocols such as SNMP and CMIP are not discussed in this note, since each system's implementation would be different depending upon the processor used and the number of RICs and SONICs employed in the Hub. A description of the extra logic necessary to interface the RIC to a NIC (DP8390) is included for reference. And last, in order to provide a simple and fast solution for evaluating the RIC's management bus interface to the SONIC, a description of a simple way to hook the SONIC DP839EB-ATS evaluation board to the RIC's management Bus is included.

## RIC-SONIC INTERFACE

The RIC transmits over the management bus every packet that is received from any of the ports (refer to the RIC datasheet for details). The management bus packet is different from the packets transmitted to/from the ports. First, the preamble on this bus is always five bits (01011). Second, at the end of the packet, after the CRC pattern, seven bytes of management status are appended to the packet by the RIC. These seven bytes are always aligned to start on a byte boundary. Third, the packet is in NRZ format.

A properly connected and configured SONIC receives every packet that is sent over the management bus, and therefore buffers the data as well as the seven bytes of status. The Packet Compression feature available on the RIC and the SONIC allows for specific handling of the data part of the packet, as described later.

Figure 1 shows the interface of one RIC to one SONIC. The SONIC is configured to run in the external decoder mode to receive the NRZ data from the management bus (refer to the SONIC datasheet for more details). The SONIC input pins CRS, RXC, and RXD tie directly to the RIC management bus output pins MCRS, MRXC and MRXD (with the RIC BINV selected for active high signals, refer to the RIC datasheet for details). The SONIC runs in Promiscuous Mode accepting all the packets from the management bus. The packet compression output pin  $\overline{\text{PCOMP}}$  of the SONIC ties directly to the  $\overline{\text{PCOMP}}$  input pin of the RIC. The SONIC can be programmed to assert  $\overline{\text{PCOMP}}$  upon a match or a mismatch of the packet destination address with a SONIC CAM address. For managed Hub applications, the SONIC asserts  $\overline{\text{PCOMP}}$  if the destination address of the received packet does not match any address in the CAM of the SONIC. For managed bridge applications the SONIC asserts  $\overline{\text{PCOMP}}$  if the destination address of the received packet matches any address in the CAM of the SONIC.

The managed Hub application is selected in this implementation. If the packet is addressed to the SONIC, the  $\overline{\text{PCOMP}}$  pin will not be asserted by the SONIC and the RIC will not compress the data. The SONIC receives the whole packet with the seven bytes of status. If the packet is not addressed to the SONIC, the  $\overline{\text{PCOMP}}$  pin will be asserted by the SONIC. The RIC will compress the data by inhibiting the clocks during the data part of the packet, and will re-enable the clock during the seven bytes of status.

The SONIC buffers the seven bytes of management status from the RIC to memory. These bytes can then be accessed by a processor. Utilizing the packet compression technique leads to an implementation that minimizes memory requirements, i.e., buffering only the data needed by the SONIC and the seven bytes of status. The RIC contains a Packet Compress Decode Register that can be used to determine the number of bytes, post SFD, which are transferred over the management bus when the packet compression option is employed.

Since the seven bytes of status are appended after the CRC pattern, the SONIC will indicate that a CRC error occurs every time a packet is received. This should be ignored, and the SONIC should be set to save errored packets. The CRC bit in the seven bytes of status appended to the packet will indicate whether the packet has a CRC error or not.

To enable the SONIC to transmit to the network, the SONIC of Figure 1 transmits a packet to the RIC through the Inter-RIC bus. The SONIC transmit signals TXE, TXD tie to the Inter-RIC signals IRE and IRD through a TRI-STATE® buffer (74F125), which is TRI-STATE when the SONIC is not transmitting. Since the SONIC is in external decoder mode, the TXC pin is an input. An external 10 MHz oscillator provides the input to the TXC pin of the SONIC and the IRC pin of the RIC. The SONIC will drive ACTN and ACKI of the RIC as soon as it wants to transmit. Driving ACTN informs the RIC that the SONIC wants to transmit. In this implementation the SONIC is placed on top of the arbitration chain with the RIC, therefore the SONIC drives the ACKI input of the RIC when it wants to transmit.

The management bus does not experience any collisions, however any collisions on the network detected by the RIC are reported in the seven bytes of status. There will be no receive collisions on the SONIC, and the SONIC does not drive any collision signals to the RIC. The SONIC needs to be notified when a transmits collision occurs on the RIC. Therefore the COL input pin of the SONIC is driven by the ANYXNd output of the RIC whenever there is a transmit collision on the RIC and the SONIC is transmitting.

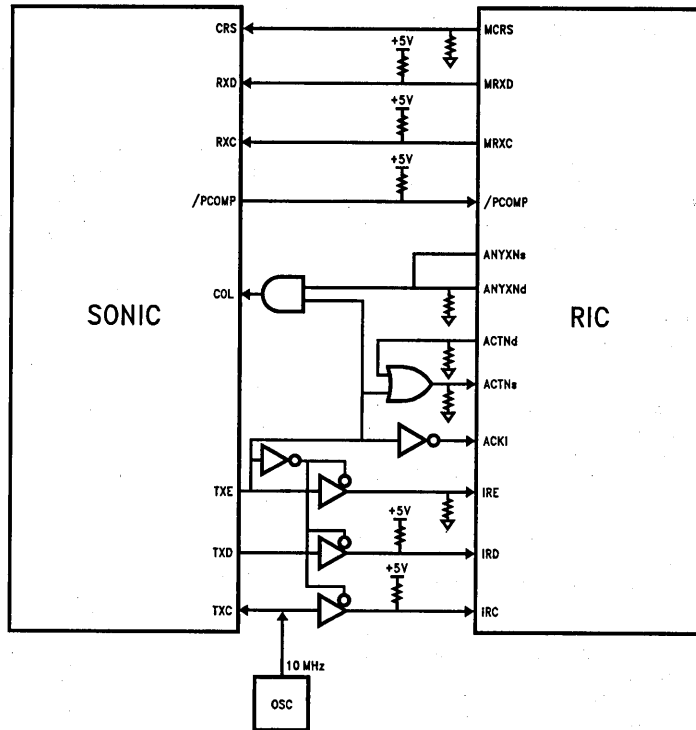


FIGURE 1

TL/F/11231-1

Figure 2 shows an implementation with several RICs sharing one SONIC for a managed Hub application. The SONIC is set in Promiscuous Mode to receive all packets, and it asserts PCOMP upon address mismatch. The Hub is addressable, and the SONIC can receive and transmit packets to the network as well as receive the seven bytes of RIC management status. All RICs share a single management bus through the Inter-RIC bus to all RICs.

To interface the SONIC to the RIC in this implementation, a PAL is needed to generate the following signals:

$$\begin{aligned} \overline{ACKO} &= \overline{ACKI} + \overline{TXE} \\ ACTNd &= \overline{ACKI} + TXE \\ ANYXNd &= TXE + \overline{ACKI} \\ COL &= TXE + \overline{ANYXNs} \\ TXEO &= TXE + \overline{ACKI} \end{aligned}$$

This implementation utilizes the serial arbitration method, and allows the SONIC to be placed anywhere in the arbitration chain.  $\overline{ACKO}$  is asserted if the  $\overline{ACKI}$  from the RIC above it is not asserted and the SONIC wants to transmit, i.e., TXE is asserted, or if  $\overline{ACKI}$  from the RIC above it is asserted. ACTNd is asserted to tell all RICs that it wants to transmit when ACKI is not asserted and TXE is asserted. The SONIC could experience a transmit collision in this implementation since it could be in the middle of the arbitration chain. ANYXNd is asserted by the SONIC when TXE is asserted, and  $\overline{ACKI}$  is asserted by any RIC higher in the arbitration chain. The SONIC is notified of a collision if it is transmitting and any RIC asserts ANYXN. Finally, TXEO is enabled

when the SONIC wants to transmit and  $\overline{ACKI}$  from the RIC above it is not asserted.

#### RIC-NIC INTERFACE

Any design that utilizes any controller other than the SONIC, such as the NIC (DP8390), to interface to the RIC should address the following points:

First, the packet compression feature of the RIC cannot be used by other controllers unless an external CAM and associated logic is used to generate the PCOMP signal to the RIC. If this logic is available the controller may not operate properly with the clock inhibited. The SONIC has an on board CAM, and asserts PCOMP to the RIC, and it works properly while the clocks are inhibited.

Second, due to the nature of the CSMA/CD protocol, there are situations when a collision will occur early in the packet (before SFD). This will lead to a packet transmitted onto the management bus containing only the seven bytes of status. This will be ignored by most controllers. Therefore extra logic will be required to stretch such packets to the controller's minimum acceptable packet length. The SONIC accepts such packets normally.

Third, knowing that the packet compression feature cannot be used, all packets that are transmitted over the network will need to be buffered by the controller. This requires a larger memory space, and may require a faster CPU.

Fourth, the SONIC will receive back to back packets from the management bus without missing packets due to insufficient gap (provided it is given access to memory). Other controllers may miss some packets if the gap is small.

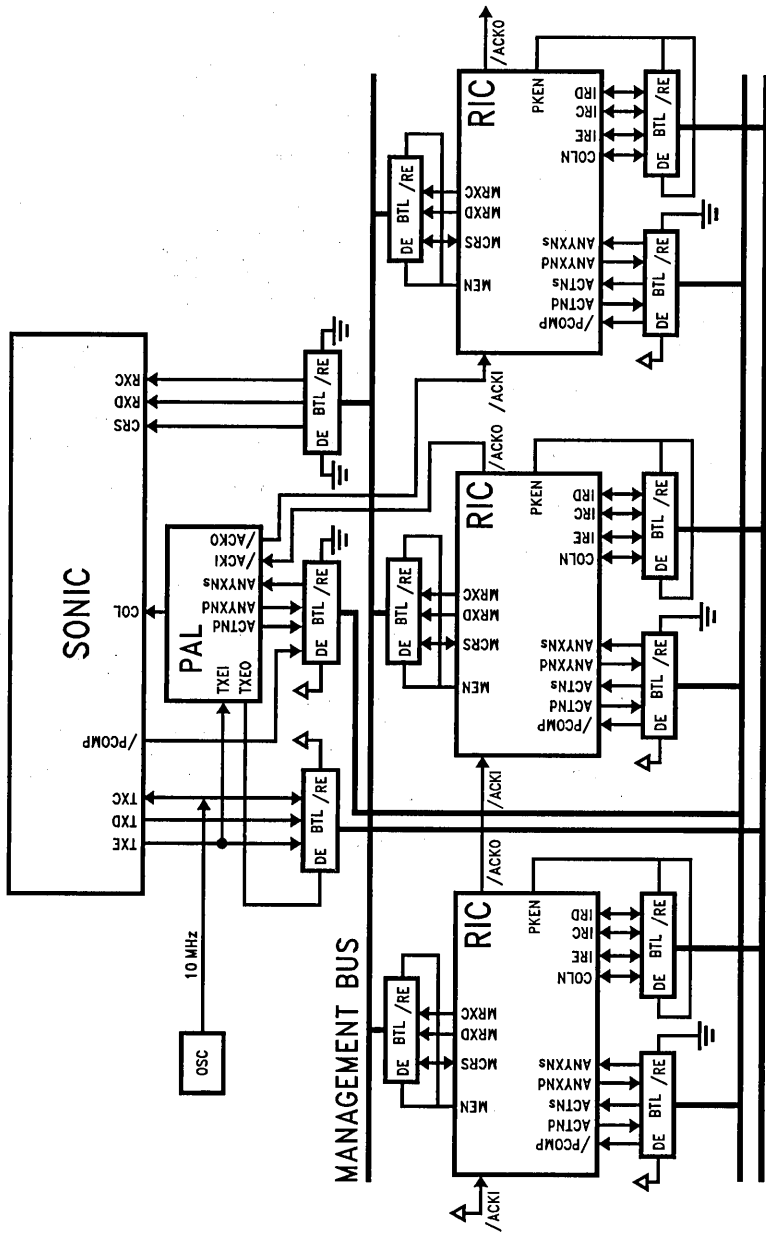


FIGURE 2

TL/F/11231-2

## OTHER INTERFACE METHODS

The method described so far to interface the SONIC to the RIC's management and Inter-RIC busses is not the only way to interface a controller to the RIC. A controller could also transmit and receive packets through the Inter-RIC bus or through any of the ports. However these two methods do not allow the controller to obtain the management bus data from the RIC. There are several drawbacks for not receiving this data:

First, even though part of the information available in the seven bytes of status is available through the CPU bus of the RIC, the CRC error flag, the Collision Bit Timer, the Repeat Byte Count, and the Inter Frame Gap Bit Timer are not available from the RIC except through the management bus.

Second, every packet transmitted through the management bus contains the number of the port receiving the packet. If the management bus is not used, the only way to obtain the port number is by setting the RIC to generate a Real Time Interrupt to the processor on every packet received. The processor then reads the Real Time Interrupt register to find out which port received this packet.

Third, in a multi-RIC system, the RIC number is essential for associating the packets with the receiving RIC and receiving port. This is included in the seven bytes of management status, and cannot be obtained otherwise directly from the RIC.

Fourth, the packet sent over the management bus contains the Source and Destination addresses, and the Packet Compress Decode Register can be used to specify the number of bytes to send over the management bus before inhibiting the clocks when  $\overline{\text{PCOMP}}$  is used. To perform this operation otherwise extra dedicated logic is needed to receive every packet on the network to read and save this data.

### SONIC EVALUATION BOARD MODIFICATION (DP839EB-ATS ONLY)

This section describes a way to interface the SONIC to receive packets from the management bus of the RIC and to use the packet compression feature, using the Repeater

Evaluation Kit (RICKIT) and a DP839EB-ATS board. A new SONIC evaluation board, the DP83932EB-AT, will not require modification. Refer to AN-855 for more information. Contact your National Semiconductor representative regarding availability.

All that is needed for the SONIC to receive the management bus data is to tie CRS, RXO, RXD and  $\overline{\text{PCOMP}}$  pins from the SONIC directly to the MCRS, MRXC, MRXD and  $\overline{\text{PCOMP}}$  pins of the RIC (see *Figure 1*). This can be achieved as follows:

1. Place the DP839EB-ATS board in external decoder mode by removing the EXT jumper in the JB2 block, and removing all the jumpers in the JB4 block.
2. Take an SNI (DP8391, or DP83910) chip and clip off pins 2, 3, and 4, and place it in the appropriate socket (U18) on the DP839EB-ATS board.
3. Solder three wires to pins 2, 3, and 4 on the back of U18 on the DP839EB-ATS board and solder the other end to a female connector attached to the prototype area of the board.
4. To utilize the packet compression feature, use a SONIC (DP83932B) (pin 26 is the  $\overline{\text{PCOMP}}$  pin). Bend pin 26 in order for it to be accessible after inserting the SONIC back into the socket. Solder one end of a fourth wire to this pin and solder the other end to the fourth pin of the connector on the prototype area.
5. On the RICKIT (DP83950EB-AT) Main Board, solder four wires to the pin side of R31, R71, R40 and R36. Connect these wires to a female connector. These four wires should be in the proper order to correspond to the proper pins from the DP839EB-ATS board.
6. Make a four wire ribbon cable that is approximately four inches long with a male pin connector at each end. This can now be used to connect between the two male connectors on the DP839EB-ATS board and the RICKIT Main Board.

The DP839EB-ATS board now has the proper modification to receive the management bus data from the RICKIT Main Board. These boards can now be installed into the same PC-AT using the diagnostic/evaluation software provided with the board. See the software manual provided with the board, for details.

# DP83950 Twisted Pair Parametric Evaluation

National Semiconductor  
Application Note 783  
Imad Ayoub, Howard Vo  
Prasun Paul



## TWISTED PAIR PARAMETRIC EVALUATION

The following information lists the results of the Twisted Pair Parametric tests performed on the DP83950 Repeater Interface Controller (RIC™). The DP83950EB-AT Repeater Kit was used to perform the measurements. Four parts were evaluated at room temperature and 5V power supply, except where indicated.

The test results are divided into three areas; transmit, receive and miscellaneous. The tabular format used shows the parameter tested, the reference section and Figures of the "IEEE 802.3 10Base-T CSMA/CD Access Method and

Physical Layer Specifications" document, and the values measured on the RIC. No details for the tests/setups are provided as they follow the IEEE document specifications for each test. Additional notes and tables are included for clarification where necessary.

National Semiconductor Corporation (NSC) does not guarantee any of the values indicated in this document. The parameters indicated in the AC/DC parameters section in the RIC data sheet are the ONLY parameters that are guaranteed by NSC.

### Transmitter Specifications

| Test # | Parameter                                                                                                                                                                                                                                          | IEEE Ref. Spec. | RIC Value/Comment                                                                    |
|--------|----------------------------------------------------------------------------------------------------------------------------------------------------------------------------------------------------------------------------------------------------|-----------------|--------------------------------------------------------------------------------------|
| 1      | Peak differential output voltage: at TD ± circuits terminated with a 100Ω load directly<br>±2.2V to ±2.8V                                                                                                                                          | 14.3.1.2.1      | 2.5V Peak<br>(Note 1)                                                                |
| 2      | Harmonic contents with 10 MHz signal through the transmitter<br>All harmonics should be ≥ 27 dB below the fundamental 10 MHz                                                                                                                       | 14.3.1.2.1      | Tested with a random signal, all harmonics were > 30 dB below the fundamental signal |
| 3      | Output waveform with scaling<br>Within Figure 14-9 template                                                                                                                                                                                        | 14.3.1.2.1      | Waveforms are within template<br>Measured values are shown in Tables Ia, Ib, Ic      |
| 4      | Start of TP_IDL waveform with specified load in Figure 14-11 and with or without cable model. The readings include idle high time and idle setting time<br>Within Figure 4-10 template                                                             | 14.3.1.2.1      | Waveforms are within template<br>Measured values are shown in Table II               |
| 5      | Link test pulse waveform, with specified load in Figure 14-11 and with or without cable model. Readings include amplitude and pulse width<br>Within Figure 4-12 template                                                                           | 14.3.1.2.1      | Waveforms are within template<br>Measured values are shown in Table III              |
| 6      | TD circuit differential output impedance or Return Loss spec. Reflection ≥ 15 dB below incident for all power on states and for impedances of 85Ω to 111Ω.                                                                                         | 14.3.1.2.2      | Within spec.<br>Measured values are shown in Table IV                                |
| 7      | TD output jitter: random signal through a 100m cable model terminated with a 100Ω load<br>Equalized for max ±3.5 ns jitter at the end of cable model and with this equalization max ±8 ns while TD circuit is directly terminated with a 100Ω load | 14.3.1.2.3      | Within spec.<br>Measured values are shown in Table V                                 |
| 8      | Common mode to differential mode conversion. Test circuit as in Figure 14-13<br>≥ 29 - 17 log <sub>10</sub> (f/10) dB<br>1 < f < 20 MHz                                                                                                            | 14.3.1.2.4      | Within spec.<br>Measured values are shown in Table VI                                |
| 9      | TD circuit common mode output voltage. Test circuit is shown in Figure 14-14<br>< 50 mV peak                                                                                                                                                       | 14.3.1.2.5      | Within spec.<br>(Note 2)                                                             |

## Transmitter Specifications (Continued)

| Test # | Parameter                                                                                                              | IEEE Ref. Spec. | RIC Value/Comment                                                      |
|--------|------------------------------------------------------------------------------------------------------------------------|-----------------|------------------------------------------------------------------------|
| 10     | TD short circuit current<br>300 mA max                                                                                 | 14.3.1.2.7      | Within spec.<br>Approximately 0 mA                                     |
| 11     | TD circuit common mode impulse withstand. Test circuit as in <i>Figure 14-15</i><br>Impulse $E_{cm}$ applied 1000V min | 14.3.1.2.7      | Filter test—Guaranteed by filter manufacturer                          |
| 12     | TD silence voltage<br>$\leq \pm 50$ mV                                                                                 | 14.2.1.1        | Within spec.<br>6 mV                                                   |
| 13     | Period of link pulses<br>16 ms $\pm$ 8 ms                                                                              | 14.2.1.1        | 16 ms                                                                  |
| 14     | Transmit settling time                                                                                                 | 14.2.1.1        | Within spec.<br>Meets amplitude and jitter specifications (2nd bit on) |
| 15     | Power cycle behavior<br>No extraneous signal on TD circuit                                                             | 14.3.2.3        | No extraneous signal on TD circuit where noticed                       |

**Note 1:** The circuit used is shown in *Figure 1*. Three filters/transformer packages from three vendors were evaluated, and all of them met the amplitude required by this spec. The packages evaluated were: 1) Valor FL1012, 2) Pulse Engineering PE65431, 3) Bel Fuse 0556-3392-00

**Note 2:** The measurements were done on Valor FL1012, Valor PT3877, and Pulse Engineering PE65431. For all of these packages a 0.01  $\mu$ F capacitor is required from the center tap to ground, as shown in *Figure 2*, to reduce common mode to within 50 mV.

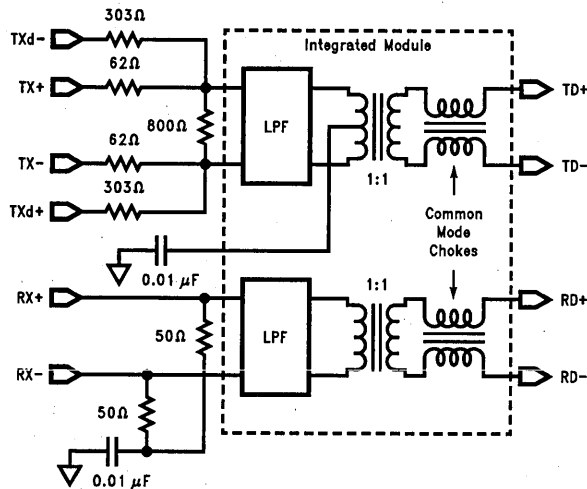


FIGURE 2

TL/F/11232-1

## Receiver Specifications

| Test # | Parameter                                                                                                                                                                                                                                                                                                                                                                                      | IEEE Ref. Spec. | RIC Value/Comment                                                                          |
|--------|------------------------------------------------------------------------------------------------------------------------------------------------------------------------------------------------------------------------------------------------------------------------------------------------------------------------------------------------------------------------------------------------|-----------------|--------------------------------------------------------------------------------------------|
| 1      | Signals accepted by RD circuits<br><i>Figures 14-16 and 14-17 templates</i>                                                                                                                                                                                                                                                                                                                    | 14.3.1.3.1      | Test signals used did not include jitter<br>Signals accepted met 14-17 and 14-16 templates |
| 2      | Jitter accepted by receiver<br>$\geq \pm 13.5$ ns                                                                                                                                                                                                                                                                                                                                              | 14.3.1.3.1      | Guaranteed by 1 above                                                                      |
| 3      | Jitter added by the receiver<br>$\leq \pm 1.5$ ns                                                                                                                                                                                                                                                                                                                                              | 14.3.1.3.1      | Within spec.<br>Approximatley 1.44 ns                                                      |
| 4      | RD circuit link test pulse acceptance<br><i>Figure 14-12 template</i>                                                                                                                                                                                                                                                                                                                          | 14.3.1.3.2      | Within spec.<br>Rejects <480 mV amplitude<br>Accepts down to 35 ns width                   |
| 5      | Signals REJECTED by the receiver:<br>a) Signals that will produce 300 mV peak signal at the output of a 3 pole test filter described in A.4.2<br>b) All sinusoidal signals of amplitude less than $6.2 V_{p-p}$ and frequency less than 2 MHz<br>c) All sinusoidal single cycles of amplitude $6.2 V_{p-p}$ with $0^\circ$ or $180^\circ$ phase where the frequency is between 2 MHz to 15 MHz | 14.3.1.3.2      | Within the spec.<br>Measured values are shown in Table VII                                 |
| 6      | Idle detection by RD circuits<br>Within 2.3 BT                                                                                                                                                                                                                                                                                                                                                 | 14.3.1.3.3      | Within spec.<br>Within 2.05 BT                                                             |
| 7      | REC circuits differential input impedance or return loss<br>Reflection $\geq 15$ dB below incident for an impedance of $85\Omega$ to $111\Omega$                                                                                                                                                                                                                                               | 14.3.1.3.4      | Within spec.<br>Measured values are shown in Table IV                                      |
| 8      | RD short circuit fault tolerance<br>Indefinite short shall be tolerable                                                                                                                                                                                                                                                                                                                        | 14.3.1.3.6      | RD short caused no faults                                                                  |
| 9      | Receive delay                                                                                                                                                                                                                                                                                                                                                                                  | None*           | 40 ns                                                                                      |
| 10     | Bit loss and receive delay                                                                                                                                                                                                                                                                                                                                                                     | None*           | 2.3 BT (270 ns – 40 ns)                                                                    |

\*These are extra tests not specified in the standard.

## Miscellaneous

| Test # | Parameter                                                                                                                      | IEEE Ref. Spec. | RIC Value/Comment                                                       |
|--------|--------------------------------------------------------------------------------------------------------------------------------|-----------------|-------------------------------------------------------------------------|
| 1      | Jabber timer                                                                                                                   | 14.2.1.6        | 5 ms                                                                    |
| 2      | Unjab time                                                                                                                     | 14.2.1.6        | Approx. 100 BT                                                          |
| 3      | Link loss timer<br>50 ms–150 ms (RIC set at 60 ms)                                                                             | 14.2.1.7        | 56 ms                                                                   |
| 4      | Polarity correction:<br>a) Inverted link pulses,<br>b) Packets with inverted TP_IDL<br>For both cases check if link pass state | None*           | Functional                                                              |
| 5      | TX output at link fail<br>No output data but link pulses                                                                       | 14.2.1.7        | Functional                                                              |
| 6      | Receiver squelch level<br>300 mV–585 mV                                                                                        | Data Sheet      | Within spec.<br>(Note 1)                                                |
| 7      | Receiver frequency acceptance: Input signal on RX $\pm$ of 1.2V to 6.2V and sweep the frequency from 0 MHz to 30 MHz or higher | None*           | Within spec.<br>Accepts >3.61 MHz and up to 20 MHz<br>(generator limit) |
| 8      | Power consumption                                                                                                              | Data Sheet      | ICC max = 350 mA (Approx.)                                              |
| 9      | Receive link_test_max timer<br>25 ms–150 ms (RIC: 32 ms)                                                                       | 14.2.1.7        | Within spec.<br>32 ms                                                   |
| 10     | Receive link_test_min timer<br>2 ms–7 ms                                                                                       | 14.2.1.7        | Within spec.<br>5.75 ms                                                 |
| 11     | Link count: lc_max<br>(RIC: 7 consecutive link counts)                                                                         | 14.2.1.7        | Functional                                                              |

**Note 1:** With a SIN wave input:

Normal mode: Guaranteed on at 520 mV, guaranteed off at 460 mV.

Low squelch mode: Guaranteed on at 360 mV, guaranteed off at 260 mV. (For use with shielded TP and extended distances.)

\* These are extra tests not specified in the standard.



TABLE Ia. Data at Different Points of the Transmit Signal at the End of the Cable Model

| RIC # | Spec. |           | Port #2    |            | Port #6    |            | Port #13   |            |
|-------|-------|-----------|------------|------------|------------|------------|------------|------------|
|       | Point | Value (V) | +ve TAMPLT | -ve TAMPLT | +ve TAMPLT | -ve TAMPLT | +ve TAMPLT | -ve TAMPLT |
| 20    | A     | 0         | 0          | 0          | 0          | 0          | 0          | 0          |
|       | B     | 1.0       |            |            |            |            |            |            |
|       | C     | 0.4       | 0.75       | 0.6        | 0.58       | 0.66       | 0.75       | 0.78       |
|       | D     | 0.55      | 0.88       | 0.85       | 0.72       | 0.8        | 0.9        | 0.9        |
|       | E     | 0.45      | 0.74       | 0.83       | 0.58       | 0.86       | 0.83       | 0.78       |
|       | F     | 0         | 0.3        | 0.5        | 0.13       | 0.16       | 0.43       | 0.35       |
|       | G     | -1.0      | -0.45      | -0.37      | -0.7       | -0.62      | -0.46      | -0.54      |
|       | H     | 0.7       |            |            |            |            |            |            |
|       | I     | 0.6       |            |            |            |            |            |            |
|       | J     | 0         |            |            |            |            |            |            |
|       | K     | -0.55     | -0.96      | -0.9       | -1.024     | -0.9       | -0.97      | -0.94      |
|       | L     | -0.55     | -0.96      | -0.9       | -1.024     | -0.9       | -0.97      | -0.94      |
|       | M     | 0         |            |            |            |            |            |            |
|       | N     | 1.0       | 0.8        | 0.9        | 1.0        | 0.9        | 0.78       | 0.78       |
|       | O     | 0.4       |            |            |            |            |            |            |
|       | P     | 0.75      |            |            |            |            |            |            |
|       | Q     | 0.15      |            |            |            |            |            |            |
|       | R     | 0         |            |            |            |            |            |            |
|       | S     | -0.15     |            |            |            |            |            |            |
|       | T     | -1.0      |            |            |            |            |            |            |
|       | U     | -0.3      | 0          | -0.13      | 0.26       | -0.3       | 0.032      | -0.06      |
|       | V     | -0.7      |            |            |            |            |            |            |
|       | W     | -0.7      | -0.6       | -0.64      | 0.5        | -0.43      | -0.97      | -0.58      |

TABLE Ib. Data at Different Points of the Transmit Signal at the End of the Cable Model

| RIC # | Spec. |           | Port #2   |           | Port #6   |           |
|-------|-------|-----------|-----------|-----------|-----------|-----------|
|       | Point | Value (V) | +ve TMPLT | -ve TMPLT | +ve TMPLT | -ve TMPLT |
| 22    | A     | 0         | 0         | 0         | 0         | 0         |
|       | B     | 1.0       |           |           |           |           |
|       | C     | 0.4       | 0.62      | 0.6       | 0.62      | 0.62      |
|       | D     | 0.55      | 0.74      | 0.85      | 0.62      | 0.62      |
|       | E     | 0.45      | 0.64      | 0.62      | 0.5       | 0.5       |
|       | F     | 0         | 0.26      | 0.18      | 0.04      | 0.04      |
|       | G     | -1.0      | -0.6      | -0.7      | -0.78     | -0.78     |
|       | H     | 0.7       |           |           |           |           |
|       | I     | 0.6       |           |           |           |           |
|       | J     | 0         |           |           |           |           |
|       | K     | -0.55     | -1.1      | -1.024    | -1.0      | -1.0      |
|       | L     | -0.55     | -1.1      | -1.024    | -1.0      | -1.0      |
|       | M     | 0         |           |           |           |           |
|       | N     | 1.0       | 0.8       | 0.75      | 0.9       | 0.9       |
|       | O     | 0.4       |           |           |           |           |
|       | P     | 0.75      |           |           |           |           |
|       | Q     | 0.15      |           |           |           |           |
|       | R     | 0         |           |           |           |           |
|       | S     | -0.15     |           |           |           |           |
|       | T     | -1.0      |           |           |           |           |
|       | U     | -0.3      | 0         | 0         | 0.14      | 0.14      |
|       | V     | -0.7      |           |           |           |           |
|       | W     | -0.7      | -0.62     | -0.59     | -0.38     | -0.38     |

TABLE II. Start of TP\_IDL Waveform

| Test Load                              | Amplitude (V <sub>p</sub> ) | Width (ns) | Undershoot mV | @4.5 BT (mV) |
|----------------------------------------|-----------------------------|------------|---------------|--------------|
| 155Ω // 180 μH<br>with Cable Model     | 1.28                        | 425        | -220          | -44          |
| 115Ω // 180 μH<br>without Cable Model  | 1.5                         | 431        | -500          | -36          |
| 76.8Ω // 229 μH<br>with Cable Model    | 1.05                        | 428        | -120          | -40          |
| 76.8Ω // 229 μH<br>without Cable Model | 1.27                        | 438        | -336          | -32          |

TABLE III. Measurements of Different Corners of Link Pulses

| Test Load                           | Amplitude (V) | Width at 0 to 0 Crossing (ns) | Width at 0/300 mV to 300 mV (ns) | Under-shoot (mV) | Amplitude at 4 BT (mV) | Amplitude at 42 BT (mV) |
|-------------------------------------|---------------|-------------------------------|----------------------------------|------------------|------------------------|-------------------------|
| 115Ω // 180 μH with Cable Model     | 1.6           | 333                           | 176 ns at 300 mV to 300 mV       | -80              | -48                    | -12                     |
| 115Ω // 180 μH without Cable Model  | 2.79          | 142.5                         | 140 ns at 0 mV to 300 mV         | -320             | -100                   | -20                     |
| 76.8Ω // 220 μH with Cable Model    | 1.32          | 340                           | 164 ns at 300 mV to 300 mV       | -56              | -40                    | -14                     |
| 7608Ω // 220 μH without Cable Model | 2.26          | 158                           | 152.5 ns at 0 mV to 300 mV       | -240             | -60                    | -16                     |

TABLE IV. Return Loss on the Network

| Port # | Receive      |               | Transmit (Powered Up) |               |
|--------|--------------|---------------|-----------------------|---------------|
|        | @ 5 MHz (dB) | @ 10 MHz (dB) | @ 5 MHz (dB)          | @ 10 MHz (dB) |
| 2      | -31.9        | -26.3         | -34.3                 | -23.5         |
| 3      | -39.5        | -26.3         | -32.5                 | -24.8         |
| 4      | -31.3        | -22.2         | -33.3                 | -23.0         |
| 5      | -35.4        | -24.6         | -38.9                 | -26.6         |
| 6      | -35.2        | -24.3         | -34.0                 | -22.6         |
| 7      | -30.1        | -20.5         | -36.0                 | -23.4         |
| 8      | -29.7        | -20.0         | -26.8                 | -22.5         |
| 9      | -30.7        | -20.8         | -31.5                 | -21.4         |
| 10     | -30.6        | -20.9         | -31.7                 | -21.6         |
| 11     | -32.0        | -22.7         | -36.1                 | -23.9         |
| 12     | -34.5        | -24.0         | -31.7                 | -22.0         |
| 13     | -30.5        | -21.1         | -34.0                 | -22.1         |

TABLE V. Transmit Signal Jitter at the End of a Cable Model

| Filter                    | Jitter    |
|---------------------------|-----------|
| Valor FL1012              | ± 1.65 ns |
| Pulse Engineering PE65431 | ± 1.60 ns |
| Bel Fuse 0556-3392-00     | ± 2.05 ns |

TABLE VI. Data for Transmitter Impedance Balance Test

| Frequency<br>MHz | $29-17 \log_{10}(f/10)$<br>dB | $E_{cm}$<br>$V_{p-p}$ | $E_{diff}$<br>$V_{p-p}$ | $20 \log_{10}(E_{cm}/E_{diff})$<br>dB |
|------------------|-------------------------------|-----------------------|-------------------------|---------------------------------------|
| 1.0              | 46.0                          | 10.2                  | 28.8m                   | 50.98                                 |
| 2.0              | 40.88                         | 10.2                  | 32.0m                   | 50.0                                  |
| 3.0              | 37.88                         | 10.2                  | 35.0m                   | 49.29                                 |
| 4.0              | 35.76                         | 10.2                  | 38.4m                   | 48.48                                 |
| 5.0              | 34.18                         | 10.0                  | 41.6m                   | 47.6                                  |
| 6.0              | 32.77                         | 9.6                   | 44.0m                   | 46.7                                  |
| 7.0              | 31.63                         | 9.4                   | 46.4m                   | 46.13                                 |
| 8.0              | 30.64                         | 9.0                   | 48.0m                   | 45.46                                 |
| 9.0              | 29.72                         | 8.4                   | 48.0m                   | 44.86                                 |
| 10.0             | 29.0                          | 8.2                   | 47.2m                   | 44.79                                 |
| 11.0             | 28.29                         | 8.8                   | 84.8m                   | 40.32                                 |
| 12.0             | 27.65                         | 9.0                   | 66.0m                   | 42.69                                 |
| 13.0             | 27.06                         | 8.6                   | 38.0m                   | 47.09                                 |
| 14.0             | 26.51                         | 8.4                   | 32.8                    | 48.16                                 |
| 15.0             | 26.00                         | 8.2                   | 28.8m                   | 49.0                                  |
| 16.0             | 25.52                         | 8.0                   | 26.8m                   | 49.49                                 |
| 17.0             | 25.08                         | 7.8                   | 30.8m                   | 48.07                                 |
| 18.0             | 24.66                         | 7.6                   | 29.6m                   | 48.19                                 |
| 19.0             | 24.26                         | 7.6                   | 26.4m                   | 49.18                                 |
| 20.0             | 23.88                         | 7.4                   | 21.6m                   | 50.69                                 |

TABLE VII. Receiver Rejection Test Data

| Test #            | RIC # 20 |          | RIC # 21 |          | RIC # 22 |          |
|-------------------|----------|----------|----------|----------|----------|----------|
|                   | Port # 5 | Port # 6 | Port # 5 | Port # 6 | Port # 5 | Port # 6 |
| 5 (a)<br>@ 5 MHz  | 456 mVp  | 450 mVp  | 470 mVp  | 480 mVp  | 490 mVp  | 500 mVp  |
| 5 (a)<br>@ 10 MHz | 504 mVp  | 505 mVp  | 590 mVp  | 540 mVp  | 590 mVp  | 540 mVp  |
| 5 (b)             | 3.6 MHz  | 3.59 MHz | 3.62 MHz | 3.60 MHz | 3.60 MHz | 3.59 MHz |

# RFI Suppression Techniques in DP83950 (RIC) Based Systems

National Semiconductor  
Application Note 888  
James A. Mears



AN-888

## CASE HISTORY—EXCESSIVE RFI FROM 12-PORT REPEATER

All commercial and consumer electronic equipment containing RF generating circuitry or devices must pass compliance tests for RF emissions before the equipment can be sold in the US (and most other countries). The equipment may not be legally marketed without first meeting the requirements of the FCC's rules (or those of the appropriate regulatory agency in the country where the equipment is to be marketed). Compliance testing for FCC requirements may be performed by the manufacturer or by one of many contractors specializing in this type of testing. Manufacturers who elect to self-verify must have the necessary equipment and an open-area test site (OATS) meeting the requirements of ANSI C63.4-1991 and FCC OST 55. In addition, complete verification test records must be maintained by the manufacturer for each device-type being produced. Failure to perform the required testing or marketing of non-compliant equipment can and often does result in severe legal penalties for the offending manufacturer.

Design for RFI suppression and compliance is frequently overlooked or given scant attention by equipment design engineers during the initial stages of product design. The result is often frantic and usually costly last-minute redesigns or modifications. In some cases, significant business and sales opportunities are lost or the product may never be successfully brought to market. It is therefore most important that RFI-proof design techniques be incorporated as an integral part of all engineering design specifications and procedures. These should begin at product concept and continue through to final sale and installation.

This application note is not intended as a comprehensive guide to all aspects of RFI-proof design. The techniques presented in this note resulted from on-site tests and equipment modifications in the example case only. National Semiconductor does not imply that if only the techniques discussed herein are incorporated in any design, that design will be rendered compliant. There are many other RFI-proof design approaches and methods that must be considered and may be found more effective in a particular situation.

### Description of the EUT and the Problem

The equipment under test (EUT) in the example system is an expandable, 12-port multipoint repeater. The device is designed to operate in a twisted-pair Ethernet environment. Functionality is under the control of National's DP83950 Repeater Interface Controller (RIC). The repeater has 12 twisted-pair ports served via RJ-45 connectors. The input port may be optionally fed via coax or fiber optic cable. The device is designed to be expandable with up to three other units.

Mechanical construction of the unit is conventional. All circuitry is contained on two cards mounted inside of a 2-piece steel enclosure. One large card having the majority of the circuit is permanently mounted. An externally removable plug-in module contains the input interface circuit. Components are primarily surface mounted with some through-

board mounted parts such as connectors. A power supply and fan are also mounted in the enclosure.

The inside of the enclosure is coated for increased conductivity. The pieces of the enclosure are joined with screws and all mating surfaces are bare of paint. The input module is inserted through an opening in the chassis and secured with screws. The chassis has other openings which allow mounting of the RJ-45 connector, indicator LED's, air inlet, fan exhaust and AC line power cable socket.

Excessive emission (RFI) relative to FCC Class A limits in the frequency ranges 30 MHz–120 MHz and 200 MHz–260 MHz was the primary problem with the system. Also, emission levels were considered marginal at other frequencies as shown in *Figure 1*. The task was to find the source(s) of the emissions and modify the device to reduce them to at least 6 dB below the specification limits. This was done by isolating the radiation mechanism and identifying the ultimate source of the energy. The process and what was found will be presented first. Next, the causes and cures of the RFI are detailed followed by recommended system design practices. In addition, a list of sources of relevant information is included in the appendix.

### Test Facilities

An OATS, *Figure 2*, and all necessary RFI testing equipment was available at the customer's facility. This speeded and eased diagnosis of the RFI problems. Corrections and modifications could be evaluated more readily than might have been possible with a remote or contract facility.

The OATS complied with the requirements of ANSI C63.4-1991 and FCC OST 55. Other facilities included a screen room, antennas and remotely controllable mast, turntable for the EUT, complete and automated instrumentation and capable, experienced EMC engineers to operate the equipment. Most diagnostic and all compliance tests were conducted on the OATS. Test repeatability on the OATS was found to be excellent. Some diagnostic and problem isolation testing were done in the screen room.

### TESTING FOR RFI

A number of different tests and techniques were used in the course of tracking down and isolating the RFI problems with this system. These fell into the following general areas of investigation:

- complete RFI scans (30 MHz–1000 MHz)
- shielding effectiveness of the case
- cable and connector shielding and radiation contribution
- internal shielding mechanisms of the case and PCBs
- contribution from peripheral circuits
- signal quality on the PCBs
- power supply and power supply bypassing
- test message traffic and number of ports operating

### RFI Scan

An RFI scan is a measurement method used to determine the level versus frequency of RFI emissions being produced

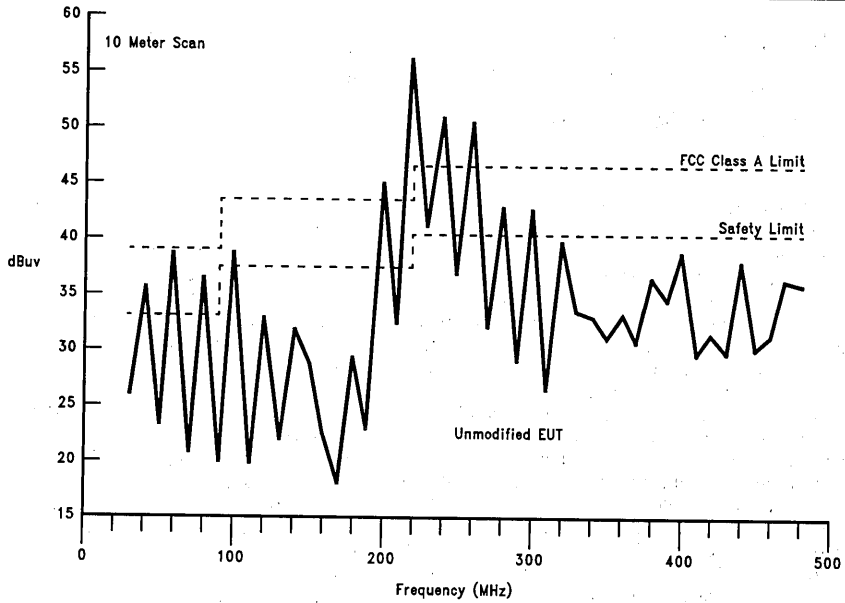


FIGURE 1. Unmodified EUT

TL/F/11821-1

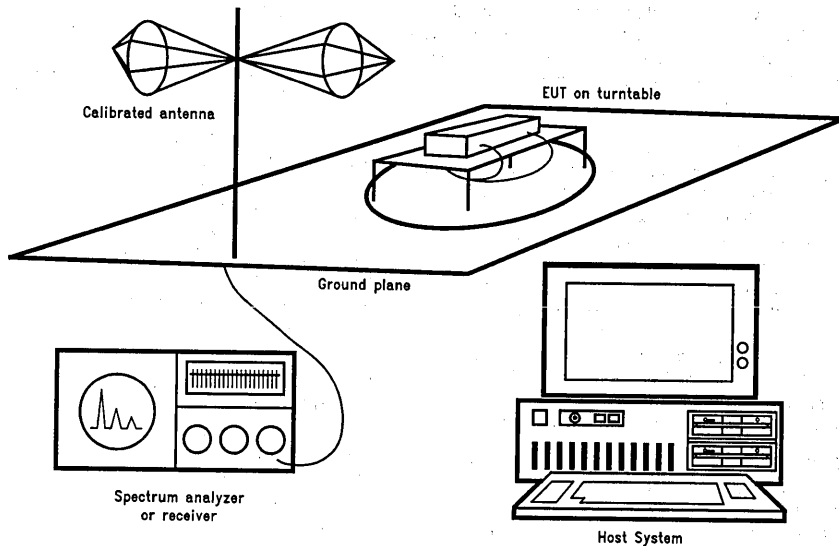


FIGURE 2. Equipment Configuration

TL/F/11821-2

by the EUT. In the test, an operating EUT is positioned on a rotating table 0.80 meters above a ground plane and 10 meters from a receiving antenna. A spectrum analyzer, or calibrated receiver designed for RFI testing, and a calibrated antenna are used to make the level measurements. The turntable azimuth, antenna height and polarization are changed to determine maximum emissions. The turntable is rotated through 360 degrees of azimuth while the receiver's output level is recorded for all frequencies within the specified range (30 MHz-1000 MHz). In combination with azimuthal rotation, the antenna's height is also varied from 1 to 4

meters to determine any elevational variations in emission level. In addition, scans are made with the antenna in both vertically and horizontally polarized modes when linearly-polarized antennas are used. Once a spectral signature is determined for the target device, certain frequencies at specific azimuths will predominate. These could be checked first after modifications are made to quickly assess the effectiveness of the change. This shortens test times appreciably. A complete scan should only be needed when sufficient improvements necessitate a new base-line reading.

RFI scans on the OATS were used to measure EUT RFI performance in the suspected trouble areas to be detailed. Scanning is a time-consuming procedure if done manually. Fortunately, this testing was partially automated in the case presented here.

#### **RFI Versus Port and Activity**

RFI qualification tests were eventually conducted with all ports active. But, first it was necessary to determine the contribution that each output made to the overall RFI level. Each port was tested, in turn, transmitting simulated data with an average density of message activity. As testing progressed, it became evident that the level of RFI emissions was a direct function of the port's distance from the RIC device. Later, this was an essential clue to tracking down the RFI generating mechanism.

#### **ENCLOSURE SHIELDING EFFECTIVENESS**

It was necessary to determine whether the device's case was an effective shield since openings and joints can leak radiation. The panels of the case can carry induced currents which show up as RFI. Also, the test would reveal if the cables were the radiation source instead.

To carry out the test, the paint was removed around all openings and joints for about 1 cm. All openings and joints were then covered, in turn, with self-adhesive copper foil. This attempted to isolate joints and openings as possible causes of RFI.

The greatest reduction was made when the 12-port, RJ-45 connector was covered over with copper tape (except for the port in use). Similar results were achieved when a "harmonica shield", designed for use with the RJ-45 connector, was substituted for the copper tape. After this modification, nothing else was found which greatly affected the radiation from the case. This pointed to the cables as the dominant radiators. But the ultimate RFI source was yet to be isolated.

Another test was carried out to further confirm the cables as the primary radiators. This was done by enclosing the entire unit in a Faraday shield. The unit was first inserted in a heavy, insulating plastic bag. The cables were brought out through small openings in the bag. The insulated unit was then wrapped in heavy aluminum foil with all seams double-folded. A 2.5 cm-wide braided, grounding strap was tightly folded in a seam in the foil along the length of the case. The ground strap was clamped to an earth-ground rod beneath the turntable on which the unit sat. A scan of the unit revealed almost identical radiation levels to the previous measurement without the shield. This further strengthened the view that the cables were the main external radiators.

#### **CABLE AND CONNECTOR SHIELDING**

Attention was now focused on cabling as the primary radiator. The contribution from each cable had to be determined and the main culprit identified. To do this, each cable was wrapped, in turn, in an aluminum foil/braided-copper shield along its entire length above the ground plane and grounded to the ground plane. The largest contributor by a substantial margin was the twisted pair followed by the coax and power cables, respectively.

It should be well known that the shielding effectiveness of twisted-pair line decreases with increasing frequency above a few megahertz. For signals above 10 MHz, it must be

considered as unshielded line. For this reason, any high frequency signals originating inside the enclosure that managed to couple onto the twisted-pair can easily couple into free space. However, substitution of shielded cables as a fix for this situation was out of the question.

When a shielded power cord was substituted for the normal one, radiation was increased. This larger antenna radiated more efficiently. It also pointed to the grounding wire as the pickup device. The contribution from the power cord was reduced by shortening the length of the safety ground (green wire) connected to the chassis from over 8 cm to about 3 cm.

The coax was found to be leaking some radiation, but the amount was small. It was felt that more could be achieved by concentrating on the twisted-pair cables as the mechanism. And, like the twisted-pair, substitution of another type of coax with a foil/braid shield was not possible. So, efforts were now turned to locating the source of the offending signals within the enclosure.

#### **Internal Case and PCB Shielding Mechanisms**

It was generally suspected that RFI produced by the operating logic devices on the PCB was being coupled out of the enclosure. The next job was to isolate and identify the contributors.

The PCB layout divided the board into two main areas: one contained the output driver circuits and filters; the other area contained the RIC, peripheral control, system oscillator and indicator circuits. A clear space across the PCB between these areas allowed a shield to be attached to the case top thus dividing the interior into two cavities. A scan with this arrangement produced lower radiation from the coax and slightly reduced radiation from the twisted-pair. Still, the overall unit was far from meeting FCC limits.

Two other experiments were tried at this time that did reduce the RFI but proved impractical from a manufacturing standpoint. In the first test, a grounded, copper foil shield was placed on the underside of the PCB insulated from the PCB by a thin plastic sheet. Called an "image plane", this reduced RFI and pointed to possible deficiencies in the PCB's internal ground plane or its connections to the case. It also indicated that transmission lines from the RIC to an output driver, unshielded by the PCB ground plane, were radiating.

In the second experiment, the size and location of grounding points between the PCB and the chassis was checked as a possible contributor. Larger-area connections were added from the PCB ground plane to the case. Radiation was reduced when the grounding connection at the RJ-45 connector was increased in size.

Results of these experiments pointed to signals associated with the RIC or its output circuits as possible causes of some of the RFI. Further investigations would concentrate on these areas. First, however, other circuitry would be checked for problems.

#### **Power Supply and Fan**

The power supply, an open-frame switching type, was checked next. The supply was disconnected from the circuit boards and a dummy load attached to its outputs. A scan revealed no significant RFI from the power supply alone.

The power supply was re-connected to the circuit board and the fan was disconnected. RFI in the frequency range 250 MHz–350 MHz was reduced. The fan was initially bypassed with only a 0.1  $\mu\text{F}$  ceramic capacitor. Evidently, this was not adequate. Addition of a 5  $\mu\text{F}/35\text{V}$  tantalum electrolytic capacitor on the PCB at the fan connector reduced radiation by an average of 3 dB over the above range.

#### Logic Circuitry Power Bypassing

The PCB power distribution system was the next area of investigation. The number, location, type and size of bypass capacitors was examined. This check revealed that the number of capacitors was insufficient and would need to be increased. And, the capacitors would need to be relocated closer to the IC's for better effectiveness.

Noise across the power pins of the high-current consumption devices was checked. In several cases this noise approached a volt or more. In the original design, RF bypass capacitors (0.1  $\mu\text{F}$  ceramics) were placed about 1 to every 4 logic devices. Addition of capacitors across the power pins of the output drivers reduced supply noise by about half. This also reduced RFI in the lower frequency ranges.

Four RF bypass capacitors were located near and intended to serve the RIC device. It was evident from the switching noise in this portion of the PCB that bypassing would need improvement. Additional RF bypasses were added at the RIC's power pins as well as four 5  $\mu\text{F}/35\text{V}$  tantalum electrolytics arranged one per side. This improved the supply noise situation and also reduced the RFI below 100 MHz.

The bypassing at the PCB power supply connection point was also checked. The initial design used aluminum electrolytics paralleled with an RF ceramic. These appeared to be performing adequately and were not changed. See Appendix A for helpful bypass capacitor layout hints.

#### Master Oscillator

All timing and data rate control signals were developed from one 40 MHz crystal oscillator device. RF bypassing at the oscillator appeared to be adequate and tests did not decisively pin point it as the cause of specific interference.

#### Signal Quality on the PCB

Signal quality was the next area investigated. Signal aberrations like overshoot, crosstalk and ringing contribute appreciably to the RFI problem. Reducing or eliminating these problems correspondingly reduces RFI.

The twisted-pair port drivers were originally FACT devices. But, the twisted-pair Ethernet design does not specifically require either the high current drive or extremely fast rise times of which the FACT devices are capable. So, guided by RFI studies of several logic families made by Violette Associates for National's Digital Logic Division, HCT equivalents were substituted. This reduced RFI above 150 MHz by at least 3 dB, but more improvement was still needed. See Appendix B for additional information sources.

The transmission lines connecting the RIC to the output drivers had been previously identified for closer scrutiny. A look at the signals arriving at the unterminated port driver inputs revealed high levels of over/undershoot. Clearly, some type of termination would be needed to control the quality of these signals. There in, series and diode terminations were tried on the lines exhibiting the worst problem. Of

these, the series was the most effective at reducing overshoot. It had the additional advantage of being the easiest modification to incorporate on the prototype PCB.

Selecting the termination type led to the discovery that the RIC's output signal transition times were in the under 2 ns region. These signals were among the most active and longest signal paths in the system. A look with a spectrum analyzer identified troublesome frequencies as components of these signals. Perhaps here, together with the termination issue, was another root cause of the RFI problem. A small improvement here would likely produce a greater improvement in overall RFI.

Some experimentation showed that low-pass filtering of the RIC's output signals further reduced overshoot at the input of the output driver. Crosstalk with adjacent lines also was reduced. With only the longest transmission path thus filtered, the troublesome RFI frequencies were improved.

Following this test, all outputs were modified to add filtering, 50  $\Omega$  at the RIC output pin in series with the line and 30 pF from line input to ground. The overall result of modifications can be seen in the scan results plotted in *Figure 3*. When compared to the initial unmodified unit, a significant improvement is evident. The problem remaining was to improve the margin to the specification limit below 150 MHz; but, it was felt that this would require a new layout. The layout needed to incorporate the modifications found thus far together with improvements to power and ground planes, closer placement of the RIC to its output drivers, and grounding improvements. The fullest improvement would be evident only after all of these changes could be tested in concert.

#### RFI SOURCES AND CAUSES

Now that the layers of the problem had been peeled away, several causes of the RFI problem could be identified. These were:

- excessive noise on RIC-to-driver signals
- excessive transmission line length
- insufficient bypassing with inefficient location
- compromised shielding effectiveness, and
- inefficient PCB layout

#### Transmission Line Signal Quality and Excessive Length

The noise on the RIC-to-driver lines could be attributed to lack of adequate termination. The transmission lines were relatively high impedance, about 75  $\Omega$ . The lines also were long, over 10 cm, compared to the RIC output risetime which was in the sub-2 ns region. The lines were unterminated and lightly loaded by just the driver inputs. These conditions permitted excessive over/undershoot. Indeed, the lines over 8 cm in length exhibited 2V to 3V of overshoot and up to 5V of undershoot! Signal level was 12V peak-to-peak or more. Failure to control line length and provide termination contributed significantly to both RFI and crosstalk.

#### Inadequate and Inefficient Bypassing

Excessive noise was found in the power supply system, as previously mentioned. Despite the use of power planes in



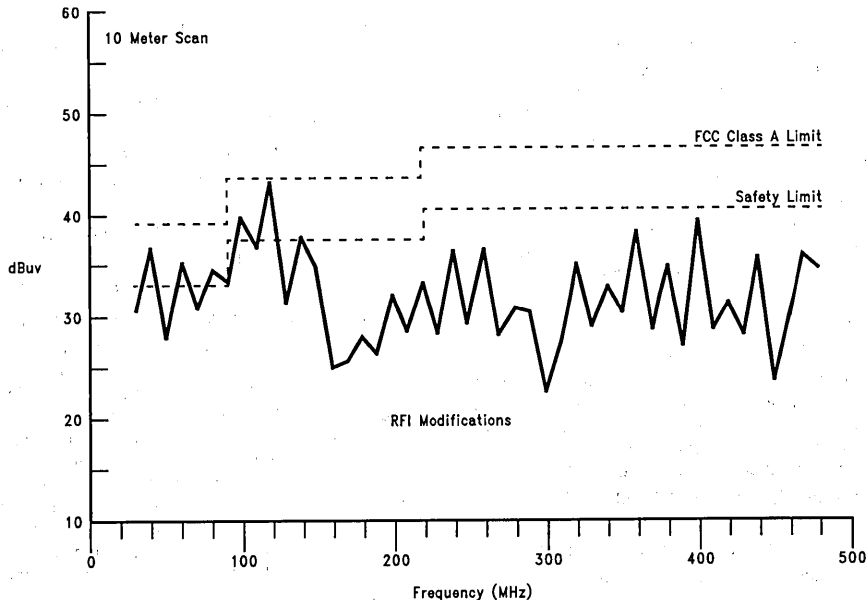


FIGURE 3. EUT with RFI Modifications

TL/F/11821-3

the PCB design, their impedance was excessively high. As such, the power system could not respond to the current demands of the logic devices. Also, the power system was not acting as a good image conductor for the transmission line system.

Several things were done to correct this situation. First, more RF bypass capacitors were added, as previously mentioned. In some cases, multiple capacitors with values of  $0.1 \mu\text{F}$  and  $0.01 \mu\text{F}$  were connected in parallel across the offending device's power pins. This was necessary to adequately control impedance over the operating frequency ranges of the device. Second, LF bypassing in the form of  $5 \mu\text{F}$  tantalum capacitors was added, one to every two high current drivers. Several more were placed at other locations on the PCB, particularly near the RIC. This was done to control low frequency noise and reduce lower frequency RFI emissions.

With these changes mandated, a re-layout was clearly called for. At that time two other problems with bypassing would be corrected. These were the lengths of conductors connecting IC power pins to the planes and the placement of bypass capacitors. Conductor length would have to be shortened and capacitors moved closer to the device requiring the bypass.

#### Shielding Effectiveness

Experiments indicated the need to improve shielding both on the PCB and in the enclosure. More isolation was need-

ed between the RIC and its peripheral circuits. This could be done with a shield in the case as previously mentioned. Shielding for the RJ-45 connector would be needed together with improved grounding to the case along its length. Ground plane contact area to the case would be increased. And ground plane coverage under transmission lines on the PCB would be extended to twice the minimum line-to-plane spacing for better coverage. All of this was in addition to correcting overall signal quality and bypassing.

#### Layout Problems

Since another layout would be done, several other things contributing to the RFI problem could be corrected. Grouping of the circuits would be improved. In particular, the distance from the RIC to its farthest output port drivers was as much as 25 cm. The objective would be to reduce these transmission line lengths by half. Peripheral circuitry on the PCB might need to be moved to do this. However, the power supply, connectors, mounting points and similar items could not be relocated for manufacturing reasons.

#### Other Problem Areas

Strong 30 MHz, 50 MHz, 70 MHz and 90 MHz signals from the area of the RIC, 40 MHz from the oscillator and components from the fan were noted as potential problems, but it was thought that changes to bypassing, layout and shielding would correct these.

### RFI Radiation Mechanisms

Several mechanisms were finally identified by which RFI was being radiated. The primary mechanism was radiation and crosstalk from the RIC-to-driver lines and thereby to the output twisted pairs. A secondary mechanism was through the power supply system due to inadequate bypassing. This was allowing excess noise on the grounding system for all signals. The third component was through reduced shielding provided by the internal power and ground layers of the PCB. This should have provided suppression of radiation and interraction of signals on the PCB. Other mechanisms included inadequate shielding and isolation between sensitive parts of the system and noise sources, fan bypassing and direct radiation from the RJ-45 port.

### CORRECTIVE ACTION SUMMARY

The encouraging results from the modified system made it practical to proceed with a full revision of the unit. It was anticipated with a high degree of confidence that the result would be a production-worthy and fully FCC-compliant system. In summary, the changes made to the unit were:

- changed peripheral logic from FAST and FACT to LS, ALS and HCT
- added series termination and filtering to RIC outputs
- revised and improved power/ground plane layout and coverage

- improved PCB grounding to case
- improved layout of differential lines from RIC to drivers (See Appendix A for details)
- tightened-up layout between RIC, output drivers and RJ-45 connector
- added shielding to RJ-45 connector
- added and improved RF bypassing for high-current-demand IC's and RIC
- added tantalum bypass capacitors (LF bypassing)
- improved fan bypassing and
- improved placement of peripheral circuits and indicators.

### RESULTING PERFORMANCE IMPROVEMENTS

The performance improvements in the production unit as the result of the above revisions can be seen in the new scan, see *Figure 4*. These are the corresponding measurements under FCC Class A test conditions to those in *Figures 1 and 3*. (For ease of comparison, all are plotted in *Figure 5*.) The EUT has been brought into compliance and with a healthy safety margin. It should be emphasized that these tests were carried out with all 12 ports operating and with the same traffic and messages. Later tests of a multi-unit system yielded results similar to the single unit system. All variations tested thus far have been fully compliant.

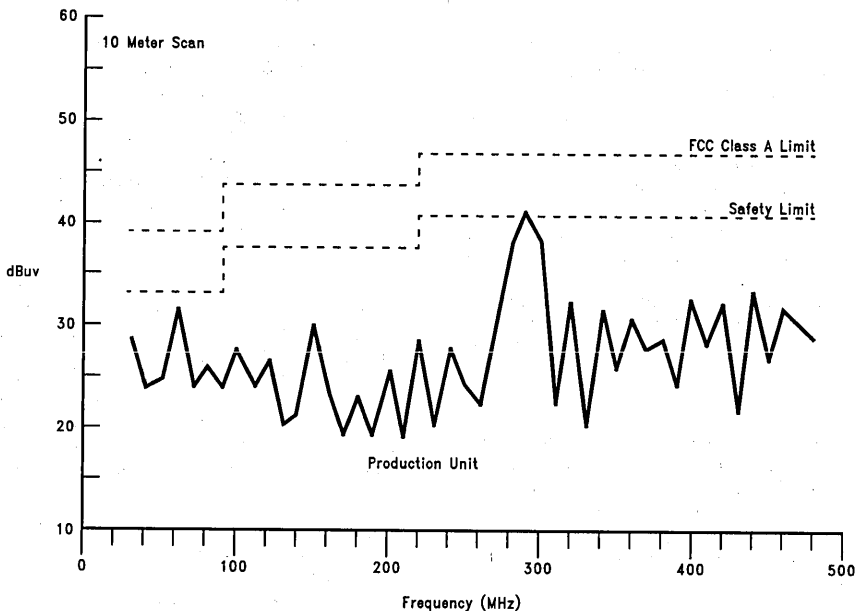
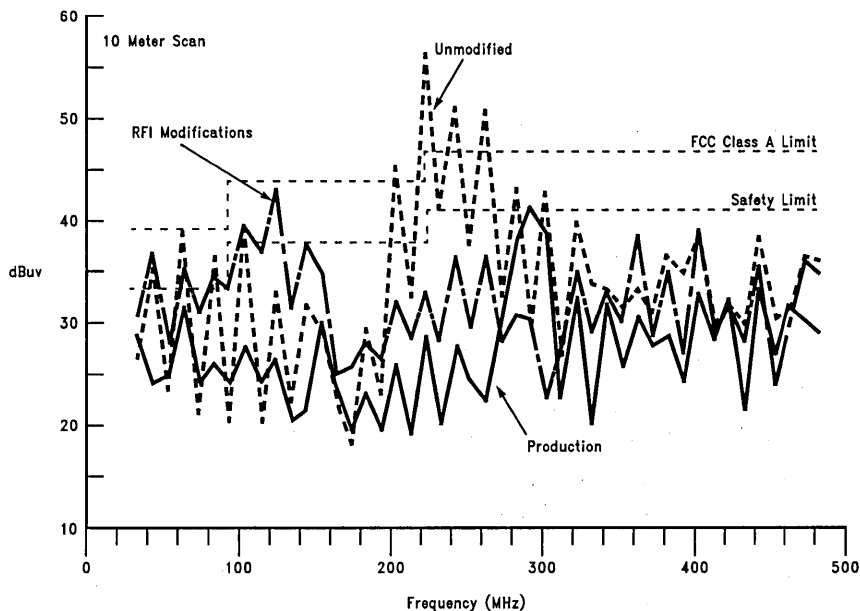


FIGURE 4. Production Unit

TL/F/11821-4



TL/F/11821-5

**FIGURE 5. Comparison All EUT Types**

From these tests and the layout, it is clear that RFI is a design issue that cannot be ignored until after the product is ready for market. It must be an integral part of the product's specifications and design from the beginning. Failure to do so can be extremely costly.

#### RECOMMENDED SYSTEM DESIGN PRACTICES

System designs using the RIC can benefit from careful attention to the design practices discussed in the topics which follow. Such practices can greatly reduce problems associated with RFI testing and qualification. Their adoption as a part of existing design standards is highly recommended.

#### System Design Hierarchy

Design for RFI compliance must be high on the list of system design requirements. This is especially true for devices which broadcast pulse signals over wire. Meeting regulatory requirements is made easier if a systematic approach is used in the design process. It is also a fact that systems designed for minimum EMI/RFI are more resistant to ESD and are subject to fewer signal-related problems.

The main elements of a good system design approach are, in order of importance:

- system specification including regulatory requirements and RFI
- signal quality standards and RFI-proof design practices
- testing methodology and requirements
- manufacturability considerations

- power system, supply and bypassing requirements
- transmission line system and terminations
- system mechanical, thermal and environmental requirements
- logic system design and functionality (initially, logic-technology independent)
- choice of appropriate logic technologies and other components
- layout and organization of PCBs, enclosures, cabling, etc.
- prototype evaluation and rigorous testing, and compliance testing.

#### Bypassing

The importance of good power system bypassing cannot be over-emphasized. Bypassing is the key ingredient allowing maximum system and component performance. The correct choice and application of bypass capacitors should be based on measured electrical performance and not on "rules-of-thumb" or unsubstantiated recommendation.

Bypass capacitors should be characterized for attenuation versus frequency. All capacitors are not created equal. Moreover, one size cannot necessarily perform best in all situations. The correct combination of capacitors is one which achieves adequate suppression of RFI-contributing power system noise.

In RIC-based designs, the following bypassing is recommended:

- Locate bypass components close to the RIC's  $V_{CC}/GND$  pins.
- Use no less than two, 0.1  $\mu F$  ceramic caps on each side of the RIC.
- Use one, 5  $\mu F$  to 10  $\mu F$  tantalum capacitor per side.
- Use one, 0.1  $\mu F$  per O/P driver; one, 5  $\mu F$  to 10  $\mu F$  per 2 O/P drivers.
- Use one, 0.1  $\mu F$  per octal driver; one, 5  $\mu F$  to 10  $\mu F$  per 2 octal drivers.
- Use one, 0.1  $\mu F$  per 2 SSI logic devices; one for each synchronous device.
- Use one, 5  $\mu F$  to 10  $\mu F$  per 4 SSI logic devices; one for every 2 synchronous devices.
- At PCB power entrance points use a 0.1  $\mu F$  and a 10  $\mu F$  per supply voltage.
- For DC fans (if used) use a 0.1  $\mu F$  and a 10  $\mu F$ .
- Use a Pi-filter (or longitudinal choke) for oscillator  $V_{CC}$  power.

**Note:** All ceramic capacitors are RF-rated types, leadless-monolithic preferred. Electrolytic capacitors are solid-electrolyte, tantalum types. Tantalum capacitor voltage rating should be a minimum of 5X the power supply voltage.

#### Layout Recommendations

A disorganized component layout can contribute to both signal and RFI problems. When laying-out a RIC-based design, observe these precautions and recommendations.

- Use a multi-layer PCB with dedicated power/ground planes.
- Keep layout compact with RIC close to output drivers.
- Locate less critical peripheral and indicator circuits farther away.
- Locate output connector and filters close to RIC output drivers.
- Layout to minimize transmission line lengths from RIC to drivers.
- Provide frequent and generously sized grounding pads for case ground points.
- Design in extra locations for bypasses. Omit the capacitors if tests show them to be unnecessary.

**Note:** It is easier to remove unnecessary components from a PCB than it is to add needed ones after the board is built. This is especially true for surface-mount PCB's.

#### Transmission Lines

An efficient layout also must consider the transmission lines. Particular attention should be paid to the following recommendations:

- Keep lines short and direct.
- Extend ground plane under all transmission lines.
- Use fully shielded lines (stripline) for high-level signals.
- Terminate all lines exhibiting over/undershoot or crosstalk noise.
- Observe pairing of differential lines from RIC outputs (*Figure A3*) (Appendix A).
- Maintain at least twice the transmission line's width between pairs of differential lines.
- Terminate RIC O/P's to reduce reflections, overshoot and noise. Series terminations with a value of  $Z_0 - 10\Omega$  are recommended.
- LP filter RIC outputs, if necessary, to reduce noise associated with fast output transitions. The capacitor value should be chosen for a 5 ns time constant in conjunction with the series termination resistor's value.

#### Recommended Logic Device Types

In any logic system design it is wise not to employ devices with performance characteristics exceeding those required to adequately handle the system's frequencies or signals. Higher performance devices (usually taken to mean frequency handling and rise times) normally produce increased amounts of RFI over a broad spectrum. To save RFI difficulties, do not put in more performance than the design needs. The following device types have been tested and found to work well and reduce RFI in RIC-based designs:

- HC or HCT for differential line driver circuits
- LS, ALS or HC for peripheral circuits, interfaces and LED drivers.

#### Oscillator Recommendations

Though often overlooked, the choice and use of oscillator components can greatly affect system RFI performance. The following are the recommended design practices for RIC-based systems. (These apply equally well to any logic system).

- Metal can, grounded-case oscillator modules are preferred. In general, plastic-case types have inadequate shielding and are not recommended.
- Supply oscillator power through a Pi-section filter or longitudinal choke.
- Observe proper supply bypassing.
- Locate oscillator close to the RIC.
- Keep transmission lines short and well shielded.

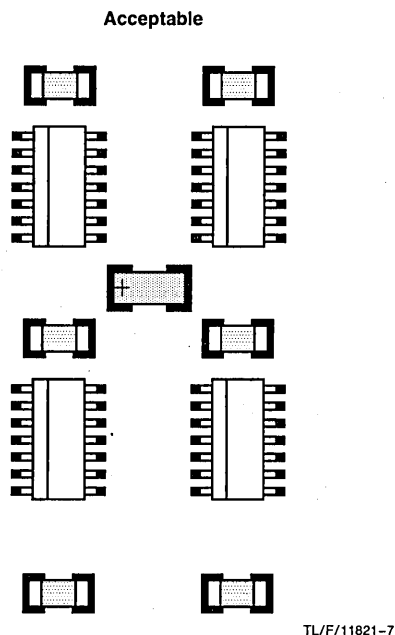
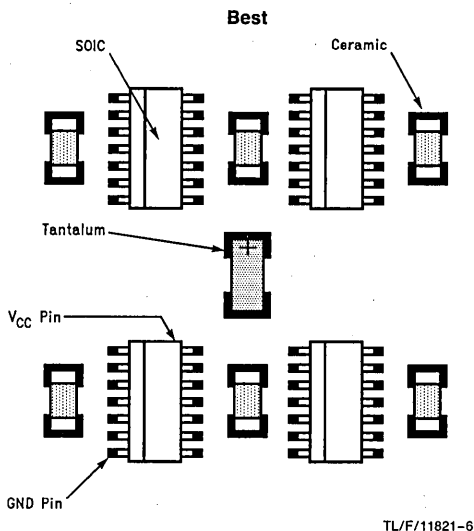
**APPENDIX A—CIRCUIT AND LAYOUT DETAILS**

**Bypass Layout**

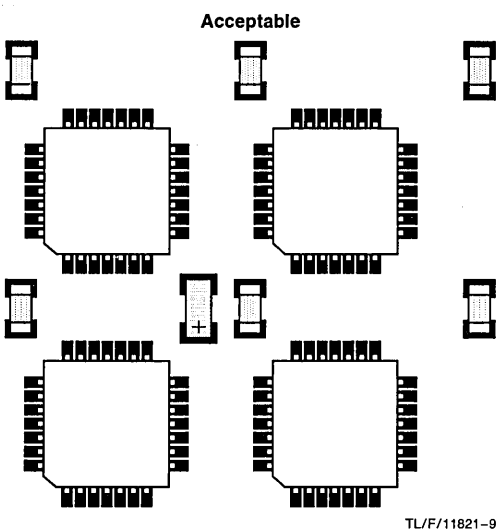
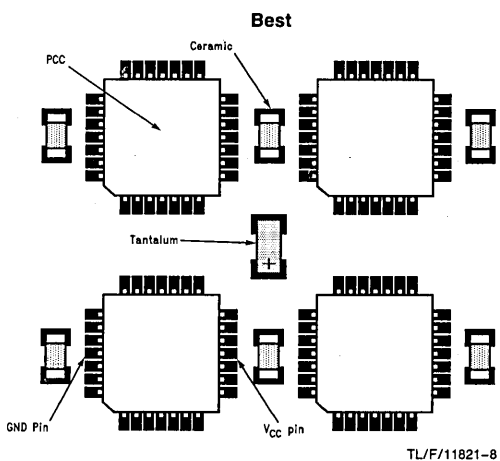
Poor layout will seriously handicap even the best bypass components. Bypass components must be placed in close proximity to the point where impedance control is needed. Any excess inductance between the capacitor and the signal source (usually an IC) increases the effective impedance of the network. This decreases the effectiveness of the by-

passing. Bypassing is often called impedance compensation. The extremely fast energy demand impulses produced by high-speed IC's, especially CMOS, require an equally fast response from the power system supplying them.

Figure A1 shows how to locate bypass capacitors for good performance in an SOIC layout. Figure A2 shows the layout for PCC device packaging. Of course, differences in the power/ground pin organization of the device may necessitate a different placement of bypass components.



**FIGURE A1. SOIC Bypass Capacitor Placement**

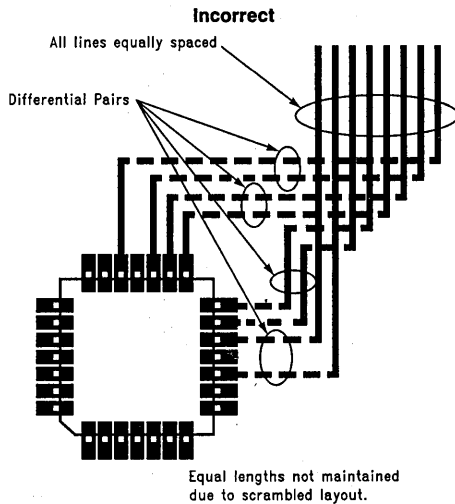


**FIGURE A2. PCC Bypass Capacitor Placement (Typical)**

### Differential Line Layout

Differential transmission lines require additional care in layout if they are to function correctly. *Figure A3* illustrates both correct and incorrect ways of differential line layout. The spacing of differential lines affects their even or odd-mode characteristic impedance. It also affects coupling to adjacent lines. Since crosstalk is a function of line spacing, a good rule to observe is to allow at least twice the spacing of the differential pair between pairs.

Maintain equal lengths for both conductors by avoiding crossover and layer-change situations. If a crossover or direction change is made in routing the lines, then an opposite change should be made elsewhere in the lines to compensate the resulting length difference. Mitring corners also aids in preserving signal quality and impedance uniformity.

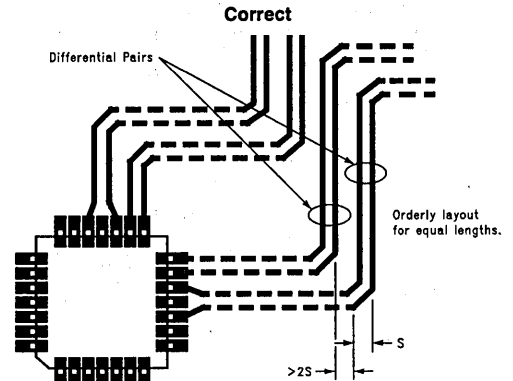


TL/F/11821-10

FIGURE A3. Differential Line Layout

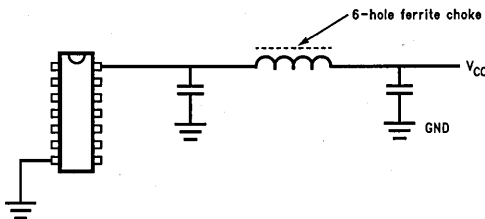
### Oscillator Supply Isolation

Oscillators and other frequency generating devices operating above a few megahertz should be isolated from the power supply system. This is done to prevent their becoming the dominant interference signal both on the PCB as well as in free space. Two convenient methods are shown in *Figure A4*. Both have the same component count; the only difference is the way in which the inductor is used. The pi-filter uses a simple ferrite-loaded inductor as part of a broadband filter. The longitudinal choke uses a ferrite-loaded transformer as a bucking choke. It is, in effect, a form of pi-filter in which the effects of opposing AC currents are made to cancel. Ferrite inductors like those illustrated are available from several sources: Siemens, Fair-Rite, Ferroxcube and Arnold.



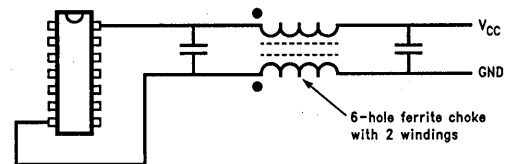
TL/F/11821-11

### $\pi$ -Filter



TL/F/11821-12

### Longitudinal Choke



TL/F/11821-13

FIGURE A4. Oscillator Isolation Techniques

**APPENDIX B—ADDITIONAL INFORMATION**

National's application note library contains more information pertaining to the design of high-performance and RFI-proof systems. Some of these are listed below.

**Application Notes**

AN817—"Taking Advantage of ECL Min-Skew Clock Drivers"

AN467—"Surface Mount: From Design to Delivery"

AN393—"Transmission-Line Effects Influence High-Speed CMOS"

AN389—"Follow PC-Board Design Guidelines for Lowest CMOS EMI Radiation"

**Databooks**

400028—F100K ECL Logic Databook and Design Guide

**Bibliography**

"Antennas"; J.D. Kraus, Ph.D.; McGraw-Hill; 1950 (THE seminal work on antennas and radiation)

"Communication Systems: An Introduction to Signals and Noise in Electrical Communications"; A. Bruce Carlson; McGraw-Hill; 1968

"Grounding and Shielding Techniques in Instrumentation, 2nd Ed."; Ralph Morrison; John Wiley & Sons; 1977

"Code of Federal Regulations 47 (CFR 47) FCC Part 15—Radio Frequency Devices"

CFR 47 Part 2—"Frequency Allocations and Treaty Matters: General Rules and Regulations; Sub-part I, Marketing of Radio Frequency Devices; sub-part J, Equipment Authorization Procedure"

89-336 EEC—"EMC Directive of the European Economic Community"

EN55022 (CISPR 22)—"Radiated and Conducted Emission Limits (CENELEC)"

FCC OST 55—"Characteristics of open-field test sites (Aug. 1982)"

ANSI C63.4-1991—"Methods of measurement of radio noise emissions from low voltage electrical and electronic equipment in the range of 9 kHz to 40 GHz."

# DP83956EB-AT LERIC™ (Lite Repeater Interface Controller) PC-AT® Adapter

National Semiconductor  
Application Note 854  
Marc Clevenger  
Imad Ayoub  
C.S. Balasvbramanian



## 1.0 INTRODUCTION

This LERIC-NIC Evaluation Board provides IBM® PC-AT and AT compatible computers with Twisted Pair conductivity. The board uses the DP8390 (NIC) to perform the Ethernet® protocol operations and the DMA operations. The dual DMA (local and remote) capabilities of the NIC, along with 16 kBytes of buffer RAM, allow the entire Network Interface Adapter to appear as a standard I/O Port to the system. The NIC module's local DMA channel buffers packets between the local memory (16 kBytes of buffer RAM) and the network, while the NIC module's remote DMA channel passes data between the local memory and the system memory by way of an I/O Port. This I/O Port architecture, which isolates the CPU from the network traffic, proves to be the simplest method to interface the DP8390 to the system. The DP83956 (LERIC) is used to interface to twisted pair Ethernet and provides IEEE 802.3 (Chapter 9) compliant repeater functions to six twisted pair ports. The LERIC has an on-chip PLL for Manchester data decoding, a Manchester encoder and an Elasticity buffer for preamble regeneration. It also has 6 integrated 10BASE-T transceivers. The LERIC's internal registers can be accessed using the same I/O port architecture as the NIC. This board provides the required attributes for compliance with Novell's® Hub Management Interface (HMI) basic control capability.

## 2.0 BOARD OVERVIEW

The LERIC-NIC board allows direct connection to the network using the RJ-45 phone jacks. There are 6 ports on a card. In addition, up to 4 boards can be cascaded together in a PC-AT, thus providing 24 Twisted Pair ports.

The block diagram shown in *Figure 1* illustrates the architecture of the LERIC-NIC Evaluation Board. The LERIC-NIC Board as seen by the PC-AT system appears only to be an I/O port. With this architecture the LERIC-NIC board has its own local bus to access the board memory. The system never has to intrude further than the I/O ports for any packet data operation.

### 2.1 Hardware Features

- Utilizes DP83956 Lite Repeater Interface Controller (LERIC)
- Six 10BASE-T connections per card and one node connection utilizing the NIC
- Cascadability of up to 4 boards
- 16 kByte on-board Packet Buffer
- Simple I/O Port Interface to IBM PC-AT
- Interfaces to Twisted Pair (10BASE-T)
- Boot EPROM Socket

The detailed schematics for this design are shown at the end of this document.

## 3.0 BOARD ARCHITECTURE

### 3.1 Board I/O Map

The LERIC-NIC Board requires a 32-byte I/O space to allow for decoding the data buffers, the reset port, and the NIC and LERIC registers. The first 16 bytes (300h–30Fh) are used to address the LERIC (4 bits wide) and NIC registers (8 bits wide) and the next 8 bytes (310h–317h) are used to address the data buffers which are 16 bits wide. Finally, the reset port (also software selectable) may be addressed by 318h–31Fh.

TABLE I. I/O Map in PC-AT

| Address  | Part Addressed   |
|----------|------------------|
| 300h–30f | NIC/LERIC Select |
| 310h–317 | Data Buffers     |
| 318h–31f | Reset            |

Although in the description above the I/O map is positioned at the addresses 300–31F, it may also be placed in the following address spaces: 320–33F, 340–35F, 360–37F. These alternate address spaces may be selected by the two jumpers (JP1 and JP0) as shown in Table II.

TABLE II. Optional Address Spaces

| JP1 | JP0 | I/O Address Space |
|-----|-----|-------------------|
| ON  | ON  | 300h–31Fh         |
| ON  | OFF | 320h–33Fh         |
| OFF | ON  | 340h–35Fh         |
| OFF | OFF | 360h–37Fh         |

### 3.2 Data and Address Paths

The following paragraph may be better understood by looking at the block diagram shown in *Figure 1*. Twenty address lines from the PC® go onto the LERIC-NIC Board, but only four of them actually go to the LERIC and the NIC. These four addresses along with the  $\overline{IO\#}$  (low-asserted I/O read) or  $\overline{IOW\#}$  (low-asserted I/O write) and the  $\overline{CS}$  (NIC chip select signal) allow the PC to read or write to the LERIC and NIC's registers. If the system wants to read from or write to the LERIC or NIC registers, the data (8 bits for the NIC and 4 bits for the LERIC) must pass through the appropriate 245 buffer.

All of the packet data will pass through the I/O ports (the 374's). Each 374 is unidirectional and can only drive 8 bits, therefore it is necessary to have four 374's. Two of which drive data from the ports to the board memory and two of which drive the data from the ports to the AT bus. Even the PROM, which can only be addressed by the NIC, sends its 8 bits of data out through the 374's. When the PROM does this, two of the 374's will be enabled but only the lower 8 bits will have valid data. The RAM is also accessed by the NIC. However, it is addressed by 14 bits and drives out 16 bits of data.



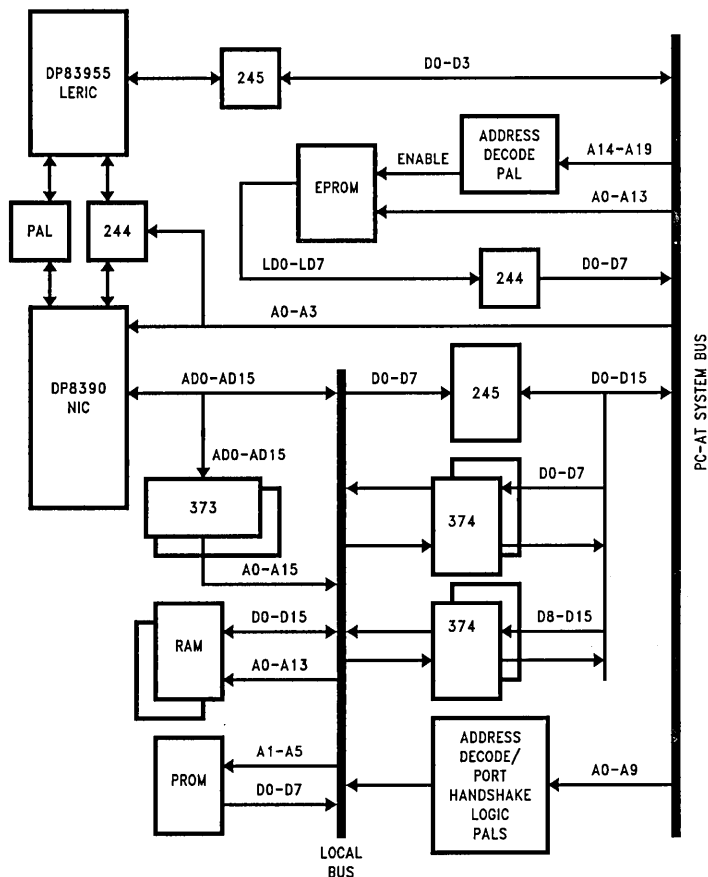


FIGURE 1. LERIC-NIC PC-AT System Interface

TL/F/11706-1

The PALs® receive 7 address lines among many other signals such as  $\overline{IO}\overline{R}$ ,  $\overline{IO}\overline{W}$ ,  $\overline{ACK}$ ,  $\overline{MRD}$ , etc. With these signals the PALs do all of the decodes, such as selecting the LERIC-NIC Board, the LERIC chip, the NIC chip, the RAM, and the PROM.

The EPROM socket is provided so that the user may add an EPROM to the system. This EPROM would normally contain a program and a driver to enable the PC-AT to be booted up through the network. The chips necessary to interface the EPROM to the system are the 27128 (EPROM), a 16L8 (PAL), and a 74ALS244 (buffer). Also, JP7 must be placed in the proper selection as described in the jumper section. The PAL decodes SA14-SA19, along with SMRDC (system memory read), in order to generate the EPROMEN signal. This signal, issued when the PC wants to execute the EPROM and the 244 buffer.

### 3.3 Global Register Description

An additional 3-bit write only register is provided on the board to allow for accesses to the LERIC. This register is also accessed using the I/O port architecture, and one address location in the I/O space has been allocated for it. This register can be mapped to one of four address location. This is done by using jumpers JP2 and JP3 as shown in Table III. The CPU can only write to this register.

TABLE III. Optional Address Spaces for Global Register

| JP2 | JP3 | I/O Address Space |
|-----|-----|-------------------|
| ON  | ON  | 200h              |
| OFF | ON  | 220h              |
| ON  | OFF | 240h              |
| OFF | OFF | 260h              |

The three bits in this register are shown in Table IV. Bits 0 and 1 are used to specify the board number. Since there can be up to four boards cascaded together, a unique board address is necessary to distinguish between them. Bit 2 is used to select the NIC or the LERIC when CPU accesses are being made. On power-up this bit defaults to one and selects the NIC. In order to access the LERIC, this bit has to be set to zero.

TABLE IV. Global Register Bits

| Bit 2     | Bit 1   | Bit 0   |
|-----------|---------|---------|
| NIC/LERIC | Board # | Board # |

#### 4.0 LERIC-NIC INTERFACE

The LERIC-NIC interface makes use of the Inter-LERIC™ Bus which consists of the following signals:  $\overline{\text{ACKO}}$ ,  $\overline{\text{ACKI}}$ , IRC, IRD,  $\overline{\text{IRE}}$ , ACTN, ANYXN and COLN. Besides NRZ data (IRD) and clock (IRC) this bus provides other signals necessary for cascading one LERIC to another. The NIC is treated as another LERIC when it is connected to the Inter-LERIC bus. The Inter-LERIC Bus also eliminates the need for an encoder/decoder chip to which the NIC is usually connected. Since the Inter-LERIC Bus is bidirectional and some logical operations are necessary to convert the signals to be compatible with the NIC, a PAL and some TRI-STATE® buffers are used to implement this function. Figure 2 shows the interface between the LERIC and NIC. In this implementation the NIC is placed on the top of the arbitration chain. The NIC input pins RXC and RXD are connected directly to the LERIC pins IRC and IRD, respectively. The COL input of the NIC is derived by combining the COLN and ANYXN signals from the LERIC. The CRS input on the NIC comes from the inverted  $\overline{\text{IRE}}$  signal of the LERIC. When the NIC wants to transmit, it drives the  $\overline{\text{ACKI}}$  input of the LERIC with the inverted TXE signal. The inverted TXE signal is also used to enable the 244 TRI-STATE buffer which connects the NIC output signals TXD, TXC to the IRD and IRC signals on the Inter-LERIC Bus. TXE is used to drive the ACTN and  $\overline{\text{IRE}}$  signals during transmission.

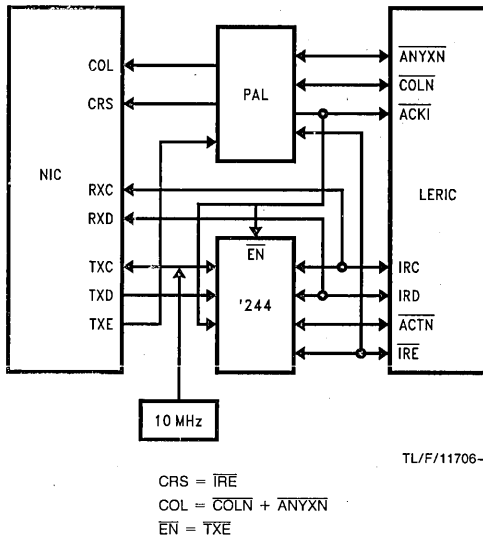


FIGURE 2. LERIC-NIC Interface

##### 4.1 Inter-LERIC Bus Interface

The LERIC-NIC board, or master board, may also be used without the NIC. A board with the LERIC only (no NIC), or slave board, is desirable when more boards are to be used in the same PC. One master and up to three slave boards can be cascaded using the Inter-LERIC Bus interface to form a larger logical repeater, (i.e., one that meets IEEE's specification for a single repeater). There are two 14-pin headers on the board for cascading the Inter-LERIC bus signals. Both headers contain the signals IRC, IRD,  $\overline{\text{IRE}}$ , ACTN, ANYXN, and COLN. The input header, J7, also contains the  $\overline{\text{ACKI}}$  signal, and the output header, J9, contains  $\overline{\text{ACKO}}$ . These signals enable multiple LERICs to be cascaded

ed together. The  $\overline{\text{ACKI}}$  and  $\overline{\text{ACKO}}$  signals are daisy chained between the boards. The  $\overline{\text{ACKO}}$  signal will drive the  $\overline{\text{ACKI}}$  input of the board which is next on the arbitration chain. Jumper JP8 (see schematic) is used to tie  $\overline{\text{ACKI}}$  to the inverted TXE signal from the NIC, which puts the NIC at the top of the arbitration chain. If all boards are used in slave mode, JP8 can also tie  $\overline{\text{ACKI}}$  high, putting that board on top of the chain. Otherwise, with JP8 removed, the  $\overline{\text{ACKI}}$  signal will be driven by the  $\overline{\text{ACKO}}$  output of the board higher up on the arbitration chain. Since these signals are held TRI-STATE or open collector they are pulled up by resistors. The resistor value of 8.2 k $\Omega$  is selected for these pull-ups. When all four boards are cascaded, the smallest pull-up value on any Inter-LERIC signal will be approximately 2 k $\Omega$ . This elevates the need to remove some of these pull-up resistors when additional boards are cascaded.

#### 5.0 BOARD OPERATION

The following pages describe the slave accesses to the LERIC-NIC and the local DMA and remote DMA operation.

##### 5.1 Global Register Operations

Accesses to the board are register operations to the NIC or the LERIC, which are done to set up the NIC to control the operation of the NIC's DMA channels, and read and write to the LERIC registers. Since the NIC and LERIC share the same I/O space for the registers (300h-30Fh), an additional CPU operation is required. Before any register read or write, the CPU performs a write to the global register bit 2 in order to select the LERIC or NIC and to bits 0 and 1 selecting one of the four possible boards. The usage of this bit depends on the software used. If a normal network (no hub access) driver is used the card looks like a pure adapter to the software. The board normally would be set with the NIC selected. When the driver needs to access the LERIC it would first write to the Global Register, do the LERIC operations, then set it back to enable the NIC access. This minimizes the changes to the NIC portion of the driver.

To begin the global register write (see Section 3.0 for the Global Register description), the CPU drives the SA0-SA3 address lines to the LERIC-NIC board and the SA4-SA9 address lines to the PAL. With these address lines, the PAL decodes to 200, 220, 240 or 260 depending on the settings of jumpers JP2 and JP3. The CPU then drives the  $\overline{\text{IOW}}$  strobe which is used to latch in the data on the AT bus into the Global Register on the rising edge of  $\overline{\text{IOW}}$ . This ends the cycle of the global register write.

##### 5.2 LERIC Register Accesses

Before any LERIC register access, the CPU must write to the global register in order to select the LERIC and the appropriate LERIC-NIC board. After the register access, the CPU must perform another write to the global register to select the NIC.

##### 5.2.1 LERIC Register Read

To begin the register read, the CPU drives the four address lines (SA0-SA3) to the LERIC and the SA4-SA9 address lines to the PAL. With these address lines and the  $\overline{\text{IOR}}$  line, the PAL decodes to 300-30F (the LERIC registers) and the  $\overline{\text{IRD}}$  signal is enabled. Once the LERIC receives this  $\overline{\text{IRD}}$ , it then sends out a low assertion on BUFEN. The BUFEN signal is used by the PAL to assert the IOCHRDY signal false. The LERIC then drives out the data from its internal registers to the 245 buffer. The 245 buffer is then enabled by the  $\overline{\text{LERICEN}}$  signal and the data is driven onto the AT BUS. A 3-bit counter is used to indicate when the LERIC has

driven the data out. This gives the LERIC enough time to output the data. This is required since the LERIC does not have any other signal which indicates that the data is available. This is indicated by the signal COUNT\_4 going high (after about 400 ns) which causes the PAL to assert IOCHRDY true. As a result,  $\overline{IOR}$  is driven high by the CPU, thereby de-asserting the  $\overline{LFD}$ . On the rising edge of the  $\overline{IOR}$ , the data which is on the AT BUS is latched into the system. The addresses are removed at the same time, causing the LERIC chip select to become de-asserted, ending the register read cycle.

### 5.2.2 LERIC Register Write

To begin the register write, the CPU drives the four address lines (SA0-SA3) to the LERIC and the SA4-SA9 address lines to the PAL. With these address lines and the  $\overline{IOW}$  line, the PAL decodes to 300-30F (the LERIC registers) and the  $\overline{LWR}$  signal is enabled. Once the LERIC receives this  $\overline{LWR}$ , it then sends out a low assertion on BUFEN. The BUFEN signal is used by the PAL to assert the IOCHRDY (used to insert wait states) signal false. The CPU then drives out the data onto the AT BUS where it goes into the 245 buffer. The 245 buffer is then enabled by the LERICEN signal and the data is driven to the LERIC. A 3-bit counter is used to indicate when the LERIC has latched the data in. This is indicated by the signal COUNT\_4 going high which causes the PAL to assert IOCHRDY true. As a result,  $\overline{IOW}$  is driven high by the CPU, thereby de-asserting the  $\overline{LWR}$ . The addresses are removed at the same time, causing the LERIC chip select to become de-asserted, ending the register write cycle.

### 5.3 NIC Register Accesses

The following discussion assumes a jumper setting for I/O address space of 300h-31Fh.

#### 5.3.1 NIC Register Read

To begin the register read, the CPU drives the four address lines (SA0-SA3) to the NIC and the SA4-SA9 address lines to the PAL. With these address lines, PAL #2 decodes to 300-30F (the NIC registers) thereby enabling the chip select for the NIC. The CPU also drives the  $\overline{IOR}$  line which the NIC sees as the  $\overline{SRD}$  (slave read). Since the NIC may be a local bus master when the CPU attempts to read or write the controller, an  $\overline{ACK}$  line is used by the PAL to assert the IOCHRDY signal false and wait state the CPU. The NIC drives out the data from its internal registers to the 245 buffer. When the NIC is ready to be in slave mode and complete the read cycle, it asserts  $\overline{ACK}$  true which enables the 245 buffer and the data is driven onto the AT BUS. Driving  $\overline{ACK}$  true also causes the PAL to assert IOCHRDY true. As a result,  $\overline{IOR}$  is driven high by the CPU, thereby de-asserting the  $\overline{SRD}$ . On the rising edge of the  $\overline{IOR}$ , the data which is on the AT BUS is latched into the system. The addresses are removed at the same time, causing the NIC chip select to become de-asserted, ending the register read cycle.

#### 5.3.2 NIC Register Write

To begin the register write, the CPU drives the SA0-SA3 address lines to the NIC and the SA4-SA9 address lines to the PAL. With these address lines, the PAL decodes to 300-30F (the NIC registers) thereby enabling the chip select for the NIC. The CPU then drives the  $\overline{IOW}$  strobe which the NIC sees as  $\overline{SWR}$  (slave write). Once the NIC receives this  $\overline{SWR}$  it sends back a low assertion on  $\overline{ACK}$  to acknowledge that it is in slave mode and ready to perform the write. A low assertion on  $\overline{ACK}$  will generate IOCHRDY true and enable the 245 buffer. The 245 buffer then drives the data from the AT BUS to the NIC. The system drives  $\overline{IOW}$  high, thereby de-asserting the  $\overline{SWR}$  and latching the data. The

addresses also are taken away and the chip select then goes high (de-asserted). This ends the cycle of the register write.

### 5.4 NIC Local Memory Map

There are only two items mapped into the local memory space. These two items, shown in Table V, are the 8k x 16k buffer RAM and the ID address PROM. The buffer RAM is used for temporary storage of transmit and receive packets. For transmit packets, the remote DMA puts data from the I/O ports into the RAM and the local DMA moves the data from the RAM to the NIC. For the receive packets, the local DMA carries the data from the NIC to the RAM and the remote DMA moves the data from the RAM to the I/O ports.

TABLE V. NIC Local Memory Map

|       |      |
|-------|------|
| 7FFFh | RAM  |
| 4000h |      |
| 3FFFh |      |
| 0000h | PROM |

The ID address PROM (74S288 32 x 8) contains the physical address of the evaluation board. Each PROM holds its own unique physical address which is installed during its manufacture. Besides this address, the PROM also contains a checksum. This checksum, calculated by exclusive ORing the six address bytes with each other, is provided in order to check the addresses. At the initialization of the evaluation board the software commands the NIC to transfer the PROM data to the I/O Port where it is read by the CPU. The CPU then verifies the checksum and loads the NIC's physical address registers. Table VI shows the contents of the PROM.

TABLE VI. PROM Contents

| PROM Location | Location Contents                          |
|---------------|--------------------------------------------|
| 00h           | Ethernet Address 0 (most significant byte) |
| 01h           | Ethernet Address 1                         |
| 02h           | Ethernet Address 2                         |
| 03h           | Ethernet Address 3                         |
| 04h           | Ethernet Address 4                         |
| 05h           | Ethernet Address 5                         |
| 06h-0Dh       | 00h                                        |
| 0Eh, 0Fh      | 57h                                        |
| 10h-15h       | Ethernet Address 0 through 5               |
| 16h-1Dh       | Reserved                                   |
| 1Eh, 1Fh      | 42h                                        |

### 5.5 NIC Remote DMA Packet Data Transfers

Remote DMA transfers are operations performed by the NIC on the board. These operations occur when the NIC is programmed to transfer packet data between the PC-AT and the card's on-board RAM. These transfers take place through the I/O Port interfacing.

### 5.5.1 Remote Read

To program the NIC for a remote read, the CPU must take five slave accesses to the NIC. The CPU must write the Remote Start Address (2 bytes) and the Remote Byte Count (2 bytes). Then the CPU issues the Remote DMA Read command.

Once the NIC has received all of the above data, it drives out BREQ and waits for BACK. The NIC immediately receives BACK because it is tied to the BREQ line. BREQ can be tied to BACK because there are no other devices contending for the local bus. After receiving the BACK, the NIC drives out the address from which the data is required to be read. This address flows into the 373's and is latched by ADS0. From here, the address flows to the RAM. The RAM waits until it receives MRD from the NIC and then it drives the data into the 374 ports. The 374 ports then latch the data on the rising edge of the  $\overline{PWR}$  strobe from the NIC. PRQ is then sent out by the NIC to let the system know that there is data waiting in the ports.

If the AT reads the I/O ports before the NIC has loaded the 374's, then the port request (PRQ) from the NIC will not yet be driven. This unasserted PRQ signal causes the AT's ready line to be set low, indicating that the NIC has yet to load the data. After the data is in the ports, the system must then read the 374 data ports. This begins with the AT driving out an address which is decoded (inside PAL #1) to the data I/O Ports (310-317). PAL #2 then drives  $\overline{RACK}$  to the NIC, indicating that the CPU is ready to accept data. This  $\overline{RACK}$  signal then reads the data from the 374 ports onto the AT BUS. The system deasserts  $\overline{IOR}$  which finishes the cycle.

### 5.5.2 Remote Write

Like the remote read, the remote write cycle also begins with five slave accesses to the internal registers. The CPU must write the Remote Start Address (2 bytes), the Remote Bytes Count (2 bytes), and issue the Remote DMA write command. The NIC then issues a PRQ. The CPU responds by sending an  $\overline{IOW}$ , indicating that it is ready to write to the ports. The CPU also drives out the address which corresponds to the I/O Ports. PAL #2 generates  $\overline{WACK}$  on an address decode to the data buffers along with PRQ and  $\overline{IOW}$ . This  $\overline{WACK}$  signal latches the data into the 374 ports. The NIC issues a BREQ and immediately receives BACK since the two lines are tied together. The NIC, upon receiving BACK, drives out address lines to the 373's. These address lines are latched by ADS0 and then are driven to the RAM. The NIC then sends out a  $\overline{PRD}$  and a  $\overline{MWR}$  which drives the data from the 374 ports into the already specified address of the onboard RAM.  $\overline{PRD}$  and  $\overline{MWR}$  are then deasserted and the cycle ends.

## 5.6 Network Transfers from NIC to Buffer RAM

Transfers to and from the network are controlled by the NIC's local DMA channel which transfers packet data to/from the NIC's internal FIFO from/to the card's buffer RAM.

### 5.6.1 Data Reception

The data received from the network, is deserialized and is loaded into the FIFO inside of the NIC. The NIC then issues a BREQ and immediately receives BACK since the lines are tied together. After receiving BACK, the NIC drives the address lines to the 373's. The 373's are latched by ADS0 and the address is allowed to flow to the RAM. Then the NIC drives out  $\overline{MWR}$  along with the data from the FIFO. The data flows into the RAM at the address given earlier. The  $\overline{MWR}$  strobe is then deasserted, ending the cycle.

### 5.6.2 Data Transmision

To begin the transmit cycle, the NIC issues a BREQ and waits for BACK. Since BREQ and BACK lines are tied together, BACK is received immediately. Upon reception of this signal, the NIC drives out the address to the 373's which latch the address with the ADS0 strobe. The address then flows to the on-board memory. MRD, driven by the NIC, causes the RAM to drive the data out of the given address and into the NIC. The NIC then latches the data into the FIFO on the rising edge of  $\overline{MRD}$ . The high assertion of  $\overline{MRD}$  signifies the ending of this cycle. From the FIFO, the data is serialized and transmitted on the network.

## 6.0 TWISTED PAIR INTERFACE

The interface to the network through the LERIC twisted pair ports is shown in *Figure 3*. To drive the transmitted signal through 100 meters of Unshielded Twisted Pair (UTP) cable, the LERIC requires external drivers. The optimized resistor network shown provides the proper pre-emphasis on the transmit signals and the 100 $\Omega$  termination on the receive pair. Standard Filter Transformer Choke modules (such as Valor FL1012) are used to provide the required filtering and isolation.

## 7.0 BOARD CONFIGURATION

The LERIC is initialized during power-on reset. On the rising edge of the reset signal from the PC-AT, the data on the pins D0-D7 are loaded into the configuration registers. This reset is tied directly to the  $\overline{MLOAD}$  pin of the LERIC. (Refer to the LERIC datasheet for the description of  $\overline{MLOAD}$ .) On the LERIC-NIC board there are pull-up resistors on pins D0-D7, which will load 1's into the configuration registers during power up. The all 1's pattern configures the LERIC in the six twisted pair ports and one full AUI mode, enables the polarity switching on the twisted pair ports, selects the 31 consecutive collision counts on a port before partition and sets the LED update operation in the maximum mode.

The LERIC possesses control logic and interface pins which may be used to provide status information concerning activity on the attached network segments and the current status of repeater functions. On the LERIC-NIC board, 7 LED's are provided (one for each port and one for updating "any" port status). A '259 addressable latch is used to latch the data and address information contained in the D(7:0) pins of the LERIC (refer to the LERIC datasheet for the description of each pin). A toggle switch, SW1, is also provided to allow the display of either the status of the link integrity or reception activity on a per port basis and the status of collisions or jabber on the "any" port LED. This switch selects which LERIC data pin to use as data input to the '259 latch.

An on-board crystal oscillator provides the clock inputs for the NIC and LERIC. The oscillator's output is 20 MHz, which is fed directly to the LERIC and the NIC. Since the NIC also requires a 10 MHz clock, a flip-flop (74ALS74) is used to divide the 20 MHz down to 10 MHz. This is fed to the TXC input of the NIC.

The 10 MHz clock is also used as an input to the 74LS93 counter. Since there is no "Ready" signal from the LERIC indicating the completion of the data latching on a register read or write operation, this counter is used to generate a wait state before the I/OCHRDY signal is asserted back to the CPU.

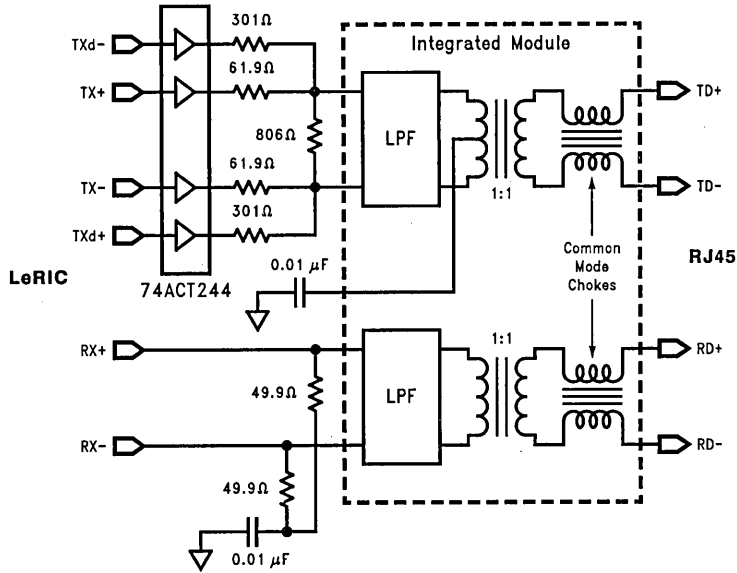


FIGURE 3. Twisted Pair Interface

TL/F/11706-3

7.1 Jumper Options

The default jumper block configurations are shown in Figure 4. On JB4, there are six possible connections. Four of these are to select an interrupt line. The available interrupt lines include INT3, INT4, INT5, and INT9. The last two possible connections, JP1 and JP0, are used to select the base address for the board. However, if JP7 is connected to VCC, then these last two connections also select the address of the EPROM.

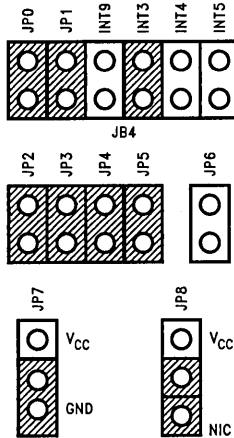


FIGURE 4. Jumper Blocks

TL/F/11706-4

The possible selections and the jumpers which should be ON (closed) are shown in Table VII. The factory configuration uses the INT3 line for interrupts and has JP1 and JP0 in the ON position. JP2 and JP3 are used to set the optional address space for the global register. The default position is ON for these jumpers (see Table III).

TABLE VII. Base and EPROM Addresses

| JP1 | JP0 | Base Add  | EPROM Add |
|-----|-----|-----------|-----------|
| ON  | ON  | 300h-31Fh | C800h     |
| ON  | OFF | 320h-33Fh | CC00h     |
| OFF | ON  | 340h-35Fh | D000h     |
| OFF | OFF | 360h-37Fh | D400h     |

JP4 and JP5 are used to set the board address when multiple boards are cascaded together. These jumpers are normally ON in the default position. JP6 is used to take care of the IOCHRDY timing issues in some clone ATs. The default for this jumper is OFF (refer to PAL #2 description for more details on the IOCHRDY timing inconsistency). JP8 is used for arbitration when cascading several boards. The default position assumes that the NIC is on top of the arbitration chain, and ACKI is generated from PAL #4. When cascading several boards, the boards lower on the chain would have JP8 removed.

**8.0 PAL EQUATIONS****PAL # (U1)**

In this PAL, the output signals are NIO16, NIOEN, NNICB and SELREG.

NIO16 is only asserted if the CPU is trying to access the local RAM buffers and the board is in a 16-bit slot. NIO16 is used by the CPU to determine if it should perform 8- or 16-bit operations. If NIO16 is false, then the CPU will only perform 8-bit operations. Since it is necessary to assert NIO16 as soon as possible, this PAL has been selected to be a 10 ns "D" PAL. The NIO16 signal must be TRI-STATE when it is not asserted. Therefore, we use an enable signal (NIOEN) which is equal to the decode for the I/O Ports

(310-31F) and NAEN high (NAEN high signifies that the system DMA does not have control of the bus). The enable signal (NIOEN) loops back into the PAL to bring NIO16 out of TRI-STATE. The NIO16 signal is set to zero so that whenever it is enabled it will be asserted.

The NNICB signal consists of simple address decodes along with NAEN, and will be asserted when the CPU wants to access the LERIC-NIC board. The addresses decode to one of four address slots which were earlier mentioned in the board configuration section.

The SELREG signal is similar to NNICB and decodes to one of four addresses which were mentioned in the board architecture section. SELREG is asserted when the CPU wants to access the Global Register.

**PAL 1**

```
begin header
```

```
date: 4/2/91
```

```
functions:
```

```
NIC/LERIC BOARD DECODE, IO16 DECODE, AND GLOBAL REGISTER DECODE';
```

```
end header
```

```
begin definition
```

```
device gal16v8;
```

```
inputs
```

```
 NEN16=1, NAEN=2, SA9=3,
```

```
 SA8=4, SA7=5, SA6=6,
```

```
 SA5=7, SA4=8, SA3=9,
```

```
 JP0=13, JP1=14, JP2=15, JP3=16;
```

```
outputs (com)
```

```
 /NNICB=12, /NIO16=18, SELREG=19;
```

```
feedbacks (com)
```

```
 NIOEN=17;
```

```
end definition
```

```
begin equations
```

```
NNICB = (!NAEN & SA9 & SA8 & !SA7 & !SA6 & !SA5 & !JP1 & !JP0
!NAEN & SA9 & SA8 & !SA7 & !SA6 & SA5 & !JP1 & JP0
!NAEN & SA9 & SA8 & !SA7 & SA6 & !SA5 & JP1 & !JP0
!NAEN & SA9 & SA8 & !SA7 & SA6 & SA5 & JP1 & JP0);
```

```
SELREG = (!NAEN & SA9 & !SA8 & !SA7 & !SA6 & !SA5 & !JP3 & !JP2
!NAEN & SA9 & !SA8 & !SA7 & !SA6 & SA5 & !JP3 & JP2
!NAEN & SA9 & !SA8 & !SA7 & SA6 & !SA5 & JP3 & !JP2
!NAEN & SA9 & !SA8 & !SA7 & SA6 & SA5 & JP3 & JP2);
```

```
NIOEN = (!NAEN & SA9 & SA8 & !SA7 & !SA6 & !SA5 & !JP1 & !JP0
& !NEN16 & SA4 & !SA3
!NAEN & SA9 & SA8 & !SA7 & !SA6 & SA5 & !JP1 & JP0
& !NEN16 & SA4 & !SA3
!NAEN & SA9 & SA8 & !SA7 & SA6 & !SA5 & JP1 & !JP0
& !NEN16 & SA4 & !SA3
!NAEN & SA9 & SA8 & !SA7 & SA6 & SA5 & JP1 & JP0
& !NEN16 & SA4 & !SA3);
```

```
NIO16.oe = NIOEN;
```

```
NIO16 = 1;
```

```
end equations
```

**PAL # (U2)**

In this PAL, there are seven outputs which include NRESET, NIOCHR, NIOCHW, NIOCHC, NCS, NRACK, and NWACK.

The IOCHRDY signal is used to wait state the CPU. Normally an I/O card drives IOCHRDY low (not ready) only *after* the address and I/O read or write signals have been asserted. On some PC-AT compatible PCs (those using Chips and Technologies or VLSI Inc. chipsets), during a 16-bit I/O operation, the bus controller actually samples the IOCHRDY signal *before* the I/O read or write signal is asserted.

NIOCHC is used to drive IOCHRDY low (not ready) based only on an address decode, thus allowing IOCHRDY to be asserted earlier and in the proper state when it is sampled by the bus controller.

As shown in *Figure 5*, NIOCHR, NIOCHW, and NIOCHC are all externally wire-ORed together to generate the IOCHRDY signal. NIOCHR along with NIOCHR.OE (enable NIOCHR) are for slave read and remote read cycles. NIOCHW and NIOCHW.OE (enable NIOCHW) are for slave write and remote write cycles. These signals together generate the "normal" IOCHRDY signal.

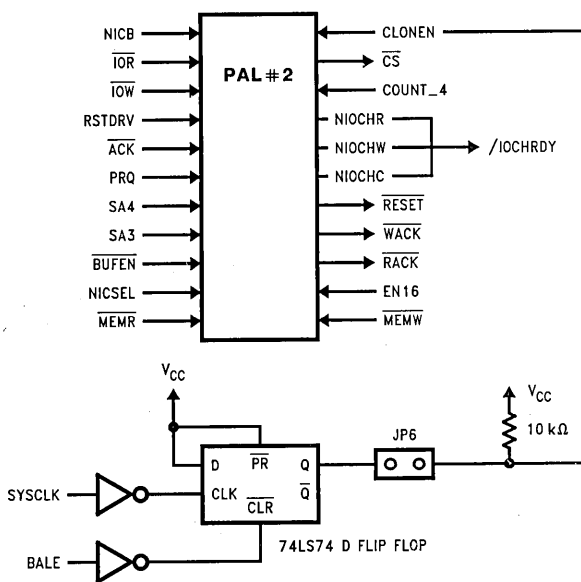
For more details on the IOCHRDY fix, refer to the application note *PC-AT Interface Design Considerations for the DP83902EB-AT*. NIOCHC may cause problems on PC's that

do not use Chips and Technologies or VLSI Inc. chipsets. A D-flip flop is used to generate CLONEN to implement the timing modification. The variable CLONEN is tied to a jumper that is used to switch the IOCHRDY signal characteristics to "normal" or modified timing. If the system operates under "normal" timing characteristics, JP6 should be removed.

NCS is asserted by the CPU when it needs to access the NIC registers. NCS is decoded in the address range of 300-30F along with NICSEL from PAL #5. NICSEL is set high to access NIC registers and low to access LERIC registers.

The next two signals, NRACK and NWACK, are used to acknowledge successful transfers between the CPU and the NIC data buffers. The NRACK occurs with an address decode to 310-317, an NIOW, and a PRQ. NWACK occurs with an address decode to 310-317, an NIOW, and a PRQ.

The last signal is NRESET, which is used to reset both the NIC and LERIC configuration registers. NRESET can be asserted by the system with RSTDRV or through software after the system has booted up. Once NRESET has been asserted, it is held low until IOW is received from the CPU. This will guarantee that NRESET has the pulse width required by the NIC.

**FIGURE 5**

TL/F/11706-6

```

PAL 2
begin header
date: 4/2/92
functions:
RESET LATCH, NIC SELECT, IOCHRDY, RACK, WACK ';
end header

begin definition

device PAL20L8;

inputs
NNICB=1, NIOW=2, NIOR=3,
RSTDRV=4, NACK=5, PRQ=6,
SA4=7, SA3=8, NBUFEN=9, NICSEL=10,
NMEMR=11, NMEMW=13, EN16=14, COUNT_4=21, CLONEN=23;

outputs(com)
!NRACK=15, !NWACK=16,
!NIOCHR=18, !NIOCHW=19,
!NIOCHC=20, !NCS=22;

feedbacks(com)
!NRESET=17;

end definition

begin equations

NCS = (!NNICB & !NIOR & !SA4 & NICSEL
 # !NNICB & !NIOW & !SA4 & NICSEL);
NRACK = (!NNICB & PRQ & !NIOR & SA4 & !SA3 & NICSEL);
NWACK = (!NNICB & PRQ & !NIOW & SA4 & !SA3 & NICSEL);
NIOCHR= (!PRQ & SA4 & !SA3 & NICSEL
 # NACK & !SA4 & NICSEL
 # !NICSEL & !NBUFEN & !COUNT_4);
NIOCHR.oe= (!NNICB & !NIOR);
NIOCHW= (!PRQ & SA4 & !SA3 & NICSEL
 # NACK & !SA4 & NICSEL
 # !NICSEL & !NBUFEN & !COUNT_4);
NIOCHW.oe= (!NNICB & !NIOW);
NIOCHC=1;
NIOCHC.oe= (!NNICB & NMEMR & NMEMW & !PRQ & !EN16 &
 !CLONEN & SA4 & !SA3);
NRESET = (!NNICB & !NIOR & SA4 & SA3 # NIOW & NRESET # RSTDRV);

end equations

```



**PAL #3 (U16)**

The third PAL does a decode to enable the optional EPROM. This decode consists of an address decode to C8000h, CC000h, D0000h, or D4000h depending on JP1 and JP0 as shown in the board configuration section. JP7 must also be jumpered for selection of the EPROM. NAEN, a low asserted signal should be low to indicate that the DMA does not have control of the bus and the NSMRDC signal should be asserted low since the CPU is doing a system memory read.

The A013 signal is used for 8-bit mode operation. When the board is placed into an 8-bit slot the EN16 signal is used to detect the existence of the second PC-AT bus connector. If EN16 is low then the board is in a 16-bit slot. In this condition, A13 (from the NIC) is enabled to A013 which goes to the LSB RAM. If the board is placed into an 8-bit slot then EN16 is pulled high by a resistor, and this causes the LERIC-NIC's A0 signal to be enabled. This allows the LSB RAM to be used as an 8-bit RAM.

**PAL 3**

```
begin header
date: 4/2/92
function:
EPROM DECODE';
end header
```

```
begin definition
```

```
device pal16l8;
```

```
inputs
```

```
A0=1, A13=2, EN16=3,
NSMRDC=4, SA19=5, SA18=6,
SA17=7, SA16=8, SA15=9,
SA14=11, NAEN=13, JP2=14,
JP0=15, JP1=16;
```

```
outputs(com)
```

```
!NEPROMEN=19, !A013=12;
```

```
{Note: I/O pins 17 and 18 are not being used.}
```

```
end definition
```

```
begin equations
```

```
NEPROMEN = (SA19 & SA18 & !SA17 & !SA16 & SA15 & !SA14 & !NAEN
 & JP2 & !JP1 & !JP0 & !NSMRDC
SA19 & SA18 & !SA17 & !SA16 & SA15 & SA14 & !NAEN
 & JP2 & !JP1 & JP0 & !NSMRDC
SA19 & SA18 & !SA17 & SA16 & !SA15 & !SA14 & !NAEN
 & JP2 & JP1 & !JP0 & !NSMRDC
SA19 & SA18 & !SA17 & SA16 & !SA15 & SA14 & !NAEN
 & JP2 & JP1 & JP0 & !NSMRDC);
```

```
A013 = (!A0 & EN16 # !A13 & !EN16);
```

```
end equations
```

TL/F/11706-8

**PAL #4 (U30)**

In this PAL there are seven outputs which include CRS, COL, TXENABLE, NLRD, NLWR, NLERICEN, and GRDATA.

The first three outputs generate the interface signals between the LERIC and NIC. CRS is just an inverted NIRE signal which notifies the NIC that there is activity on the network, and COL is asserted if there is a receive or transmit collision coming from the LERIC. TXENABLE is tied to ACKI, putting the NIC at the top of the LERIC's arbitration chain. TXENABLE is also used to enable the 244 buffer that controls the flow of TXE, TXC, and TXD coming from the NIC.

NLRD, and NLWR generate the read and write strobes to the LERIC based on an address decode,  $\overline{IO\overline{R}}$  or  $\overline{IO\overline{W}}$ , and LERIC HIT. LERIC HIT is the Global Register decode from PAL #5.

The NLERICEN signal is used to enable the TRI-STATE buffers and receivers that access the LERIC registers. It will only be asserted after NLRD or NLWR are true and the LERIC has driven  $\overline{BU\overline{FEN}}$  low, signifying that the inter-LE-ERIC BUS is available to do a register read or write.

The last output, GRDATA, is used to latch the Global Register bits into PAL #5. The data bits from the AT-BUS will be valid after  $\overline{IO\overline{W}}$  is asserted low along with SELREG, which is an address decode for the Global Register coming from PAL #1.

**PAL 4**

```
begin header
```

```
date: 4/2/92
```

```
function:
```

```
LERIC READ, LERIC WRITE, LERIC MLOAD, CRS, Global Register Data;
end header
```

```
begin definition
```

```
device pal16l8;
```

```
inputs
```

```
NIOR=1, NIOW=2, SELREG=3, LERIC HIT=4,
NBUFEN=5, NANYXN=6, NCOLN=7, NIRE=8,
SA4=9, NICB=11, TXE=16;
```

```
outputs(com)
```

```
!NLWR=12, !NLRD=13, !TXENABLE=14, !NLERICEN=15,
!CRS=17, !COL=18, !GRDATA=19;
```

```
end definition
```

```
begin equations
```

```
CRS = NIRE ;
!COL = !NCOLN # !NANYXN;
```

```
TXENABLE = TXE;
```

```
NLRD = (!NICB & !NIOR & !SA4 & LERIC HIT) ;
NLWR = (!NICB & !NIOW & !SA4 & LERIC HIT) ;
```

```
NLERICEN = (!NICB & !NIOR & !SA4 & LERIC HIT & !NBUFEN
!NICB & !NIOW & !SA4 & LERIC HIT & !NBUFEN);
```

```
!GRDATA = SELREG & !NIOW;
```

```
end equations
```

**PAL #5 (U29)**

This GAL includes the outputs NCSROM, INTO, LERIC HIT and NICSEL. The two registered outputs ID0 and ID1 are only used internally by the GAL.

The LERIC HIT signal comes from the decode of the Global Register, and indicates that the CPU needs to access the LERIC.

**PAL 5**

```
begin header
```

```
date: 8/7/92
```

```
function:
```

```
LERICHIT, NICSEL, INTO, NCSROM';
```

```
end header
```

```
begin definition
```

```
device gal16v8;
```

```
inputs
```

```
GRDATA=1, JP4=2, JP5=3,
D2=4, D1=5, D0=6, NIOR=7,
A14=8, NMRD=9, INT=18;
```

```
outputs(com)
```

```
!NCSROM=12, INTO=13,
LERICHIT=19, NREAD=14;
```

```
feedbacks(reg)
```

```
ID0=15, ID1=16, NICSEL=17;
```

```
end definition
```

```
begin equations
```

```
INTO = INT;
NREAD= NIOR;
```

```
ID0 := D0;
ID1 := D1;
```

```
NICSEL := D2;
```

```
NCSROM = (!A14 & !NMRD);
```

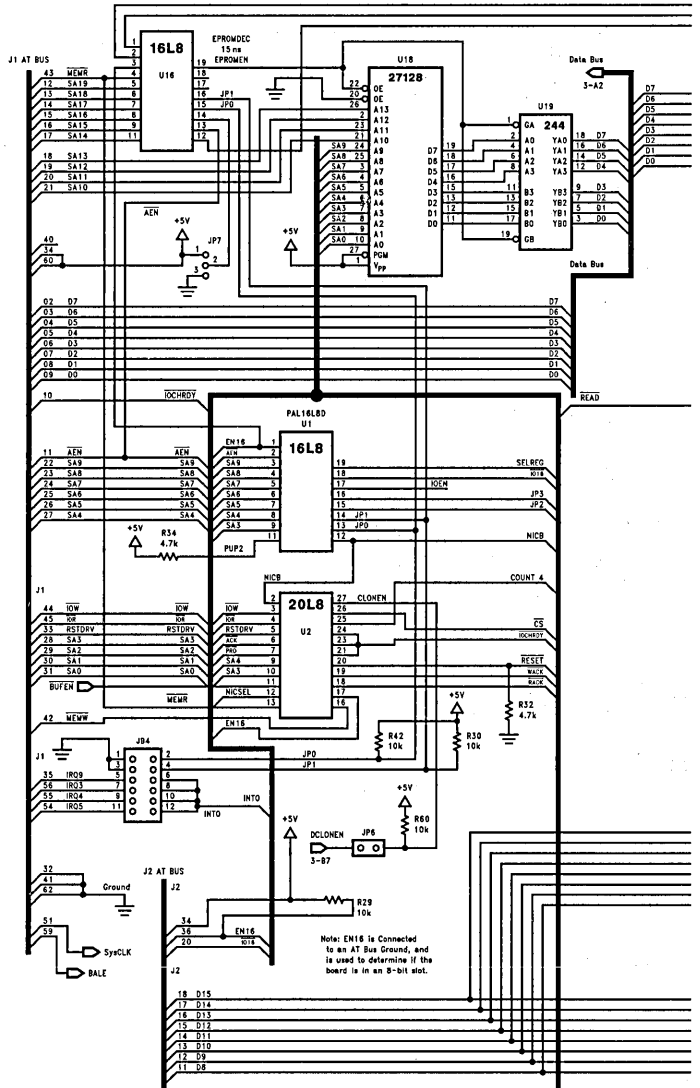
```
LERICHIT = (ID0 & ID1 & JP4 & JP5 & !NICSEL
!ID0 & !JP4 & ID1 & JP5 & !NICSEL
ID0 & JP4 & !ID1 & !JP5 & !NICSEL
!ID0 & !JP4 & !ID1 & !JP5 & !NICSEL);
```

```
end equations
```

GRDATA is used to clock in the registered outputs consisting of ID0, ID1, and NICSEL. These three bits store the contents of the Global Register.

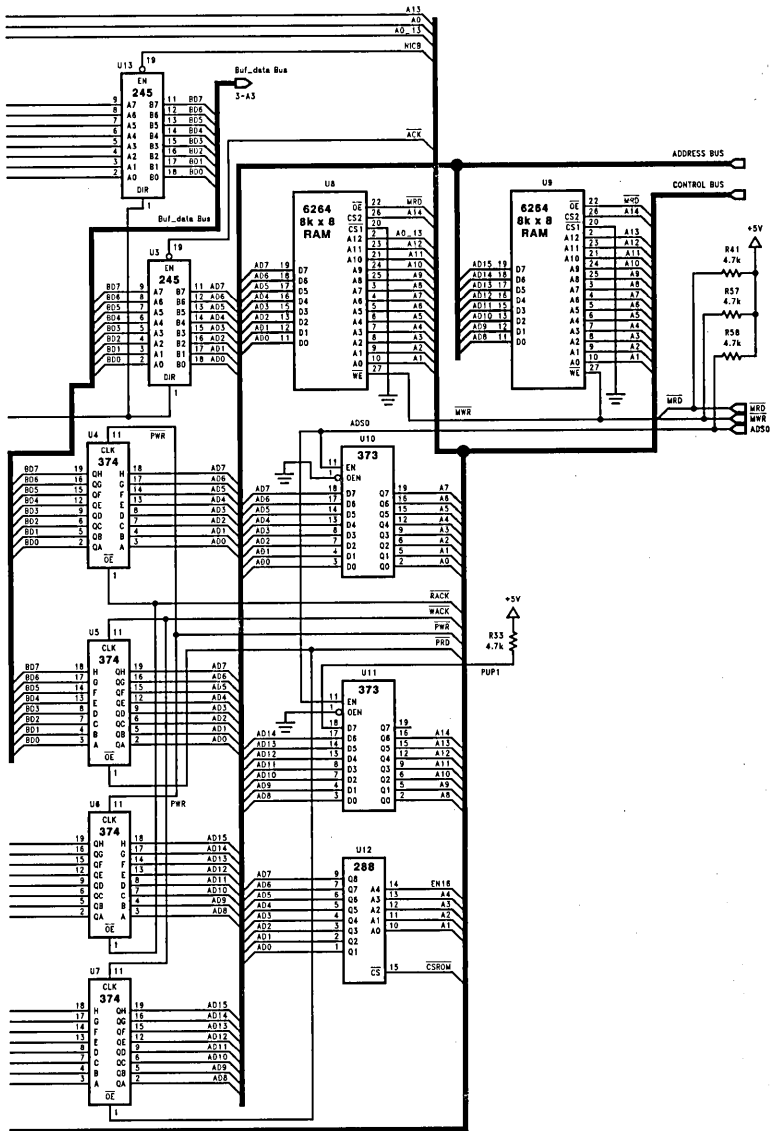
INT is just sent through the GAL to be buffered. The buffered signal which comes out of the GAL is INTO. The NCSROM is a very simple signal as it consists only of AD14 and NMRD. AD14 comes from the NIC and selects either the PROM (when low) or the on-board RAM (when high).

LERIC/NIC PC-AT Evaluation Board



TL/F/11706-11

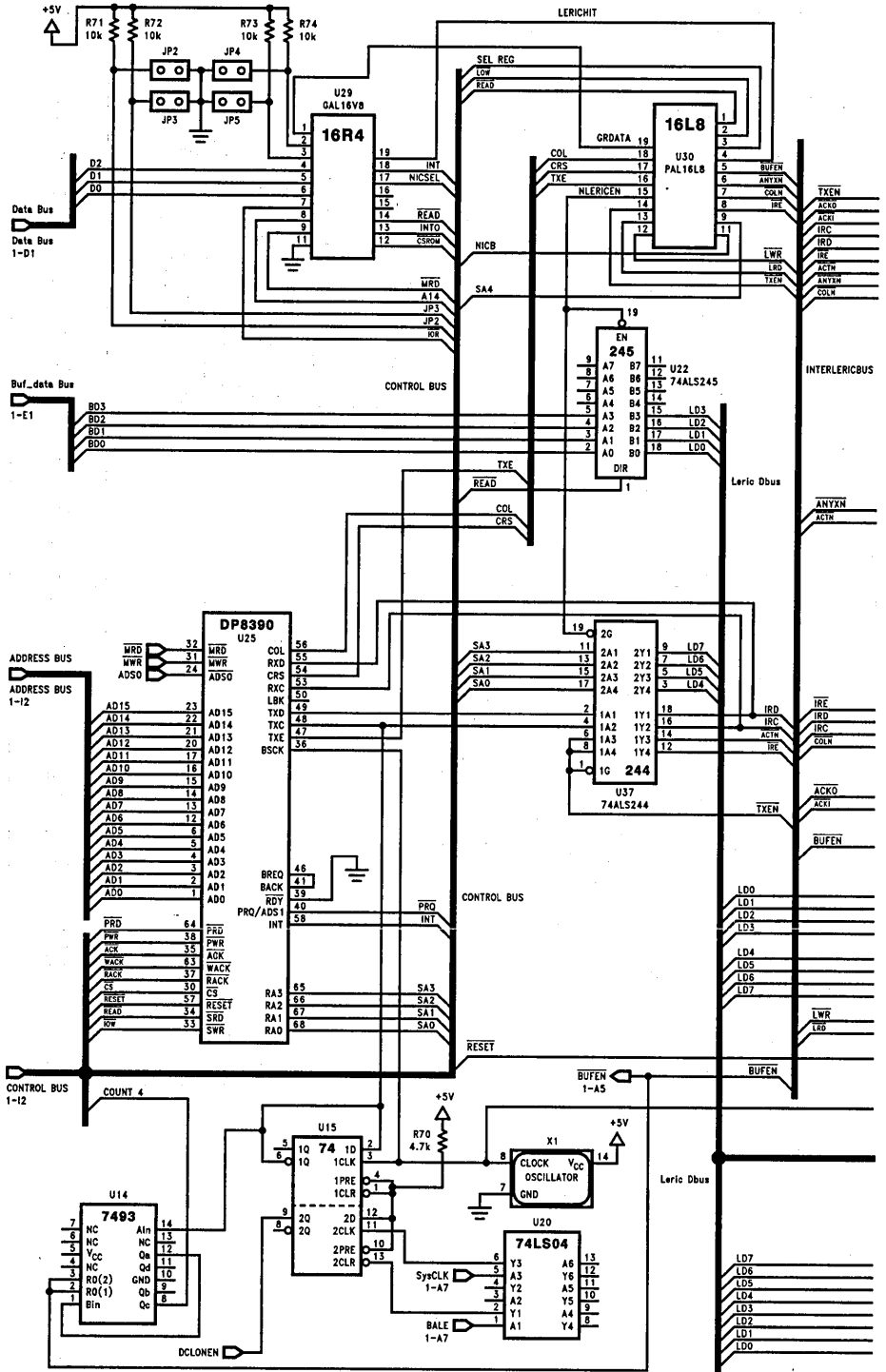
LERIC/NIC PC-AT Evaluation Board (Continued)



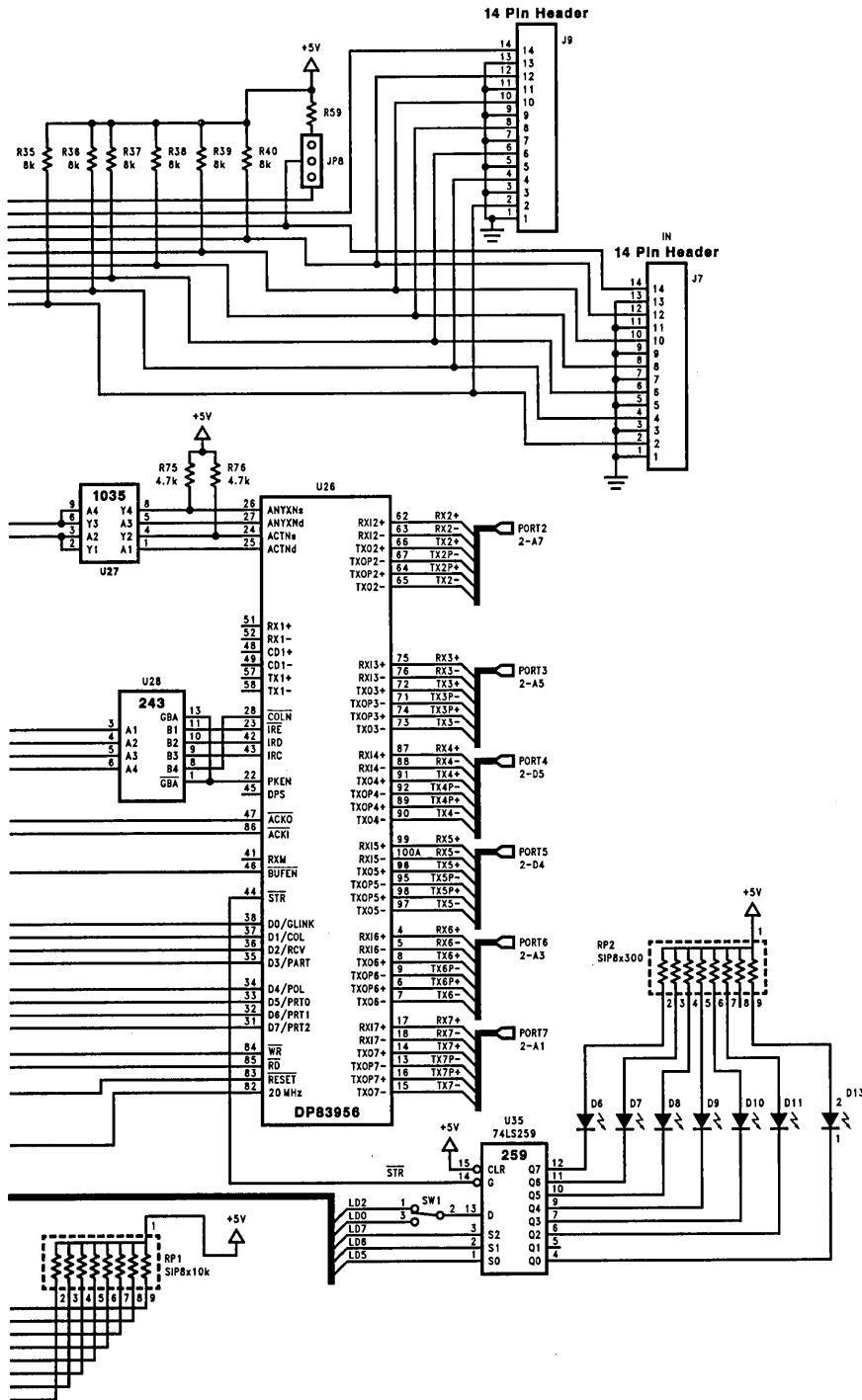
| AT Pins | Assigned Pins |
|---------|---------------|
| A2      | 02            |
| A3      | 03            |
| A4      | 04            |
| A5      | 05            |
| A6      | 06            |
| A7      | 07            |
| A8      | 08            |
| A9      | 09            |
| A10     | 10            |
| A11     | 11            |
| A12     | 12            |
| A13     | 13            |
| A14     | 14            |
| A15     | 15            |
| A16     | 16            |
| A17     | 17            |
| A18     | 18            |
| A19     | 19            |
| A20     | 20            |
| A21     | 21            |
| A22     | 22            |
| A23     | 23            |
| A24     | 24            |
| A25     | 25            |
| A26     | 26            |
| A28     | 28            |
| A27     | 27            |
| A29     | 29            |
| A30     | 30            |
| A31     | 31            |
| B1      | 32            |
| B3      | 34            |
| B4      | 35            |
| B9      | 40            |
| B10     | 41            |
| B13     | 44            |
| B14     | 45            |
| B23     | 54            |
| B24     | 55            |
| B25     | 56            |
| B29     | 60            |
| B31     | 62            |
| C11     | 11            |
| C12     | 12            |
| C13     | 13            |
| C14     | 14            |
| C15     | 15            |
| C16     | 16            |
| C17     | 17            |
| C18     | 18            |
| D2      | 20            |
| D16     | 34            |
| D18     | 36            |

TL/F/11706-12

LERIC/NIC PC-AT Evaluation Board (Continued)

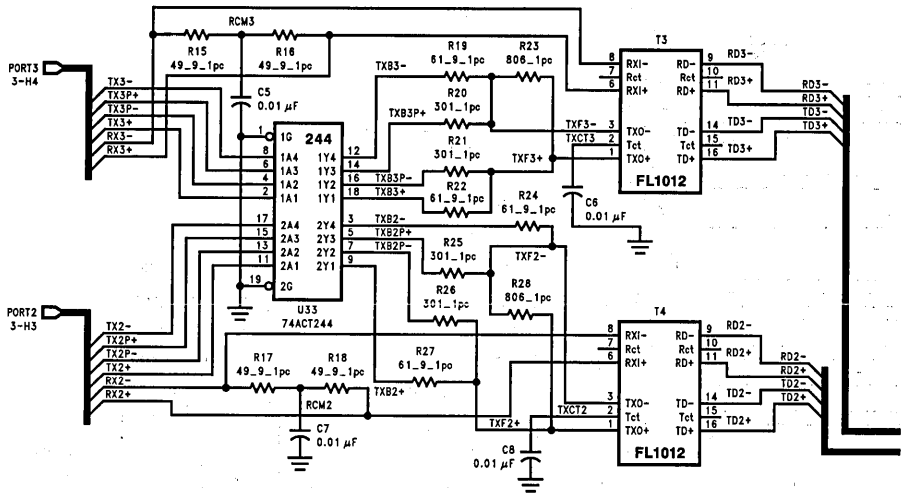
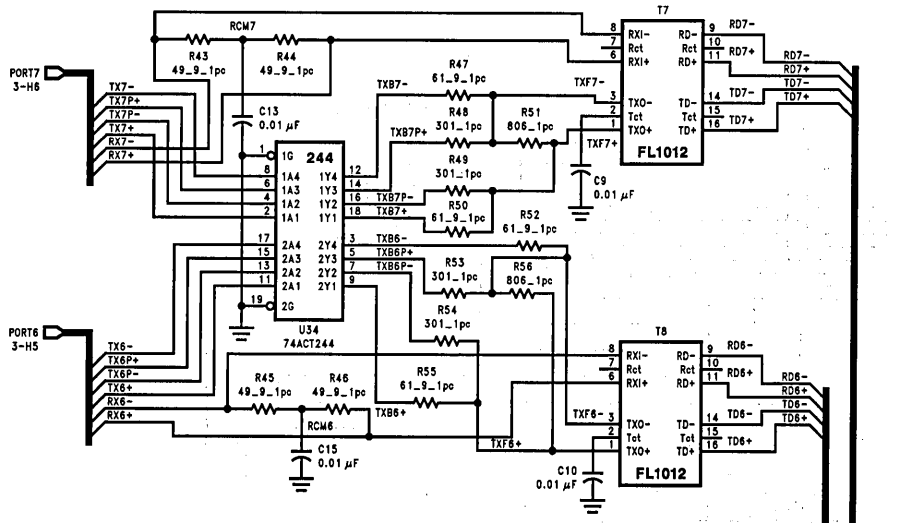


LERIC/NIC PC-AT Evaluation Board (Continued)



Note: All resistors to be 5%, 1/4W unless otherwise indicated.

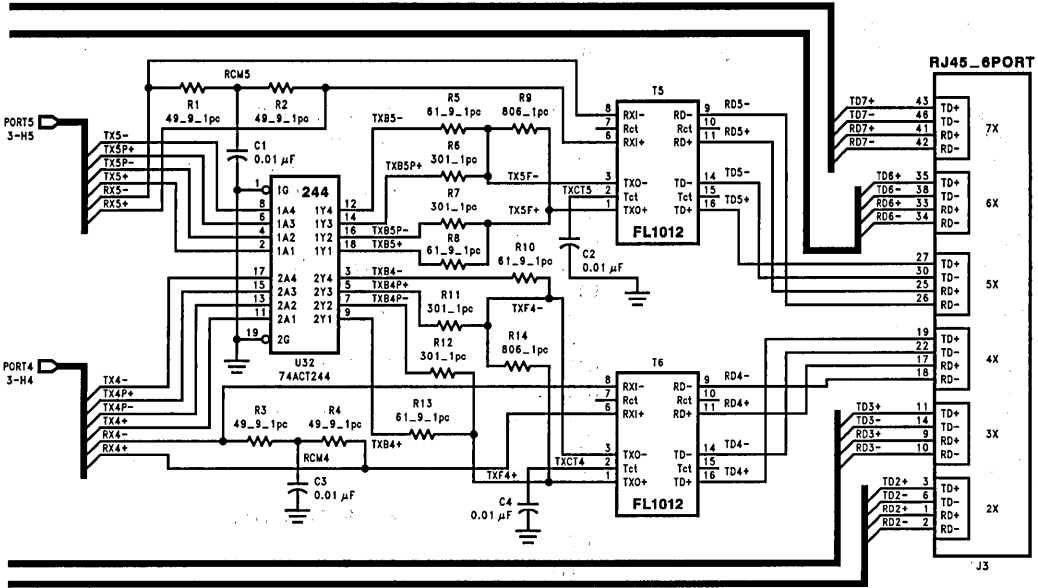
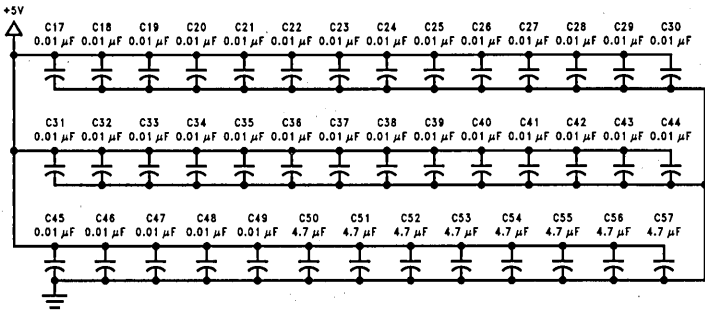
LERIC/NIC PC-AT Evaluation Board (Continued)



TL/F/11706-15



LERIC/NIC PC-AT Evaluation Board (Continued)



TL/F/11706-16

Note: Resistor Nomenclature is as follows:

- 49\_9\_1pc = 49.9Ω, 1%
- 61\_9\_1pc = 61.9Ω, 1%
- 301\_1pc = 301Ω, 1%
- 806\_1pc = .806Ω, 1%

**9.0 BILL OF MATERIALS****Capacitors**

|              |                                    |
|--------------|------------------------------------|
| 0.01 $\mu$ F | C1..C10, C13, C15, C17, C18....C49 |
| 4.7 $\mu$ F  | C50..C57                           |

**Miscellaneous**

|                    |              |                                        |
|--------------------|--------------|----------------------------------------|
| *0.5mmGreenLED     | D6..D11, D13 |                                        |
| *SS-668806-NF      | J7           | (6PORT, 8 POSITION, RJ45 FROM STEWART) |
| *3_pin_jumper      | JP7, JP8     |                                        |
| *2_pin_jumper      | JP2...JP6    |                                        |
| *jumpers6x2        | JP4          | (jumper block)                         |
| *TOGGLESWITCH_DPST | SW1          |                                        |
| *FL1012            | T3..T8       | (VALOR)                                |
| *102160-2          | J7, J9       | AMP PIN HEADER                         |
| 746194-2           | J6, J8       | AMP RECEPTACLES                        |

**Resistors**

|           |    |                 |                                                          |
|-----------|----|-----------------|----------------------------------------------------------|
| 8k        | 5% | $\frac{1}{4}$ W | R35..R40                                                 |
| 10k       | 5% | $\frac{1}{4}$ W | R29, R30, R42, R60, R71..R74                             |
| 49.9      | 1% | $\frac{1}{4}$ W | R1..R4, R15..R18, R43..R46                               |
| 4.7k      | 5% | $\frac{1}{4}$ W | R32, R33, R34, R41, R57, R58, R59, R70, R75, R76         |
| 61.9      | 1% | $\frac{1}{4}$ W | R5, R8, R10, R13, R19, R22, R24, R27, R47, R50, R52, R55 |
| 301       | 1% | $\frac{1}{4}$ W | R6, R7, R11, R12, R20, R21, R25, R26, R48, R49, R53, R54 |
| 806       | 1% | $\frac{1}{4}$ W | R9, R14, R23, R28, R51, R56                              |
| *SIP8x300 | 5% | $\frac{1}{4}$ W | RP2                                                      |
| *SIP8x10k | 5% | $\frac{1}{4}$ W | RP1                                                      |

**IC's**

|                  |                |                          |
|------------------|----------------|--------------------------|
| PAL16L8 (15 ns)  | U16, U30       | PLCC Type (SOCKETED)     |
| GAL16V8 (10 ns)  | U1             | PLCC Type (SOCKETED)     |
| GAL16V8 (15 ns)  | U29            | PLCC Type (SOCKETED)     |
| PAL20L8D (10 ns) | U2             | PLCC Type (SOCKETED)     |
| 74ALS245         | U3, U22, U13   |                          |
| 74ALS374         | U4, U5, U6, U7 |                          |
| 6264RAM          | U8, U9         | 8k x 8 STATIC RAM 100 ns |
| 74ALS373         | U10, U11       |                          |
| *74S288          | U12            | SOCKETED                 |
| 74LS93           | U14            |                          |
| *27128           | U18            | EPROM (SOCKET ONLY)      |
| 74ALS244         | U19, U37       |                          |
| *20 MHz          | X1 (0.01%)     | Crystal Oscillator       |
| 74LS04           | U20            |                          |
| 74ALS243         | U28            |                          |
| 74ALS1035        | U27            |                          |
| DP8390           | U25            | NIC (SOCKETED PLCC)      |
| 74ALS74          | U26            |                          |
| 74ACT244         | U32, U33, U34  |                          |
| 74LS259          | U35            |                          |
| DP83956          | U36            | LERIC                    |

\*Note: Everything is surface mount except the devices that were marked with an "\*\*\*\*". devices with an "\*\*\*\*" are through hole.

# DP83956EB-SA Stand Alone Hub

National Semiconductor  
Application Note 896  
Edward Boyd



## 1.0 INTRODUCTION

The DP83956EB-SA board is a low cost, stand alone, local area network repeater hub with minimal status display. The board is designed to demonstrate National Semiconductor's Lite Repeater Interface Controller (LERIC™—DP83956). This stand alone hub solution contains 12 twisted pair ports, an Attachment Unit Interface (AUI) port, and a coaxial transceiver interface (CTI) port. The board allows for cascading with another DP83956EB-SA or a DP83956EB-AT board (6 port repeater hub card for use in an AT-Bus). The board requires a single +12V supply to become operational. The DP83956EB-SA board uses surface mount components to minimize size. Below is a list of the major features of the DP83956EB-SA board:

- 14 ports: 12 twisted pair ports, 1 CTI port, and a AUI port
- Powered by single +12V DC supply
- Jumper for easy termination of coax port
- 4 LEDs for real-time hub status
- Surface mount components for small size
- Designed for minimal EMI radiation

- Cascading headers for daisy chaining with another DP83956EB-SA or a DP83956EB-AT board
- Designed for low cost
- Stand alone
- Expansion header for full LED status, LERIC register access, or hub status counters
- Easy to operate with a single switch for LERIC mode load

## 2.0 USER'S GUIDE

### 2.1 Start Up

The DP83956EB-SA board should be connected to a 12V DC supply at right-angle header J1. The polarity of the input power should match 12V and GND markings next to J1. For proper operation of the coax port the jumper shunt on JP19 should be removed. The RESET button, S1 forces the LERIC controllers to restart, which will reset the consecutive collision counters, unpartition all ports, and perform a mode load with the options on switch S1. When the DP83956EB-SA is powered up or the RESET button is pushed, all four status LEDs will light up for one second.

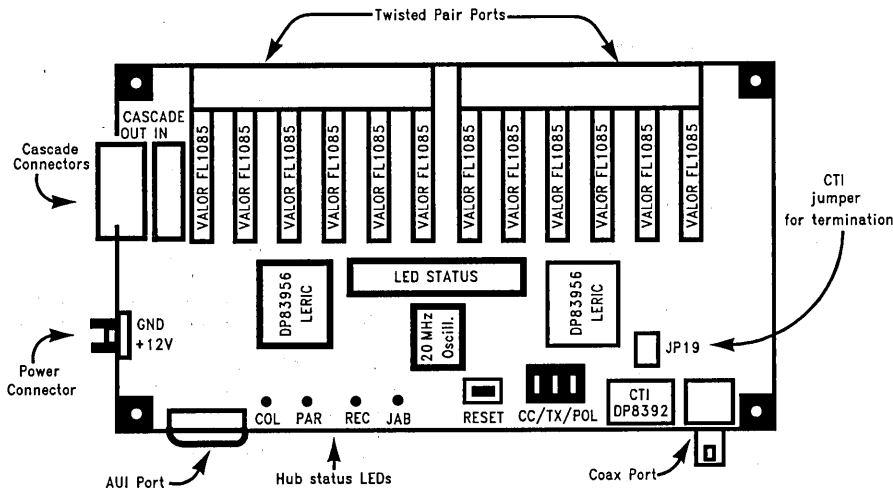


FIGURE 1. DP83956EB-SA Board

TL/F/11849-1

## 2.2 Mode Load Options

Three of the LERIC mode load options are available to the user on switch S2. This switch configures both of the LERICs upon reset or power up. S2 is labelled CC/TX/POL corresponding to the options in that order. The CC switch sets the consecutive collision limit for the LERICs. The LERICs will partition a port after 31 or 63 consecutive collisions on that port, depending on the CC switch value. The CC switch allows the user to set the consecutive collision limit for all fourteen ports on the board. When in the OFF position, the LERICs will partition after 31 consecutive collisions. The ON position will configure the LERICs for 63 consecutive collisions.

The switch labelled TX configures the unpartition on transmit only bit (TXONLY). If this bit is selected the LERICs will only unpartition a port after a good packet (532 bits or more without a collision) has been transmitted on that port. Without this bit set, the LERICs will unpartition a port after a good packet is transmitted or received. When the switch is in the OFF position, unpartition on transmit only is not selected, while in the ON position, TXONLY is selected on all fourteen ports. Switch number 3, POL enables or disables the polarity reversal option on the twisted pair ports (ports 2-13). This switch has no effect on ports 1 and 14. When the POL switch in the OFF position, the twisted pair ports will switch the polarity of the receive lines when inverted packets or link pulses are received on that port. If this switch is in the ON position, only packets and link pulses with the correct polarity will be recognized by the LERICs. More information on these functions is contained in the LERIC data sheet under mode load. Below is a table of the MLOAD options.

TABLE I. MLOAD Quick Reference Guide

| SWIT<br>CH | LERIC<br>Data<br>Sheet<br>Name | ON<br>Position                                 | OFF<br>Position                                            |
|------------|--------------------------------|------------------------------------------------|------------------------------------------------------------|
| CC         | CCLIM                          | 63 Consecutive Collisions to partition a port. | 31 Consecutive Collisions to partition a port.             |
| TX         | TXONLY                         | Ports unpartition on good transmissions only.  | Ports can unpartition on good receptions or transmissions. |
| POL        | EPOLSW                         | Polarity reversal on ports 2-13 is disabled.   | Polarity reversal on ports 2-13 is enabled.                |

Note: Options are loaded only during power up or reset.

## 2.3 CTI Termination Jumper (JP19)

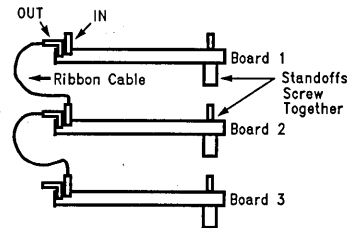
Included in the coaxial transceiver logic is a jumper (JP19) and a shunt for terminating the coax transceiver. When not

connected to a coax cable with proper termination, the CTI will continuously detect collision and the LERIC will partition the port. To avoid receiving these false collisions and prevent the unnecessary partitioning of the port, JP19 was included to allow for termination of the CTI when it is not connected to a network segment. Placing a shunt on JP19 will terminate the CTI. When the coax port is going to be connected to a properly terminated network segment, the jumper shunt should be removed.

## 2.4 Cascading Boards

Cascading the DP83956EB-SA board with more DP83956EB-SA boards is as simple as connecting the ribbon cable and standoffs. No additional configuration is required. A short ribbon cable should be connected to the connector marked "CASCADE OUT" with the other end connected to the "CASCADE IN" of the board below in the stack. (See Figure 2.)

When cascaded, the repeater functions as a single hub. A packet received on any of the cascaded boards will be transmitted on all boards at the same time, so cascading boards via the interLERIC bus adds no additional delay to the network. The hub status LEDs will only monitor the status of activity on its board's ports with the exception of the jabber LED. The jabber LED will light up on all cascaded boards when jabber is detected, regardless of the port receiving the packet.



TL/F/11849-2

FIGURE 2. Cascading Structure

## 2.5 LED Display

The LED display shows hub status for the board. If any port is receiving on the board, the green REC LED will light up. If any port on either chip is experiencing a transmit or receive collision the COL LED will be on. The APART LED will be on when any of the 14 ports on the DP83956EB-SA is partitioned. If the CTI is not properly terminated and the termination jumper (JP19) is off, the CTI port will be partitioned and the APART will go on. The jabber (JAB) LED will go on when a packet of excessive length has been received by any of the 14 ports. When boards are cascaded, the jabber LED will be lit on all boards when a jabber packet is received. Below is a quick reference chart for the LED status display.

TABLE II. LED Display Quick Reference

| LED                   | OFF                                                        | ON                                                     |
|-----------------------|------------------------------------------------------------|--------------------------------------------------------|
| Any Partition (APART) | None of the ports on the board are partitioned.            | One or more ports are partitioned on the board.        |
| Any Collision (ACOL)  | None of the ports on the board are experiencing collision. | A collision is occurring on one or more of the ports.  |
| Any Receive (AREC)    | None of the ports are receiving activity.                  | One or more ports are receiving activity on the board. |
| Jabber (JAB)          | A jabber packet is not being received or transmitted.      | A jabber packet is being received or transmitted.      |

### 3.0 A REVIEW OF THE DESIGN

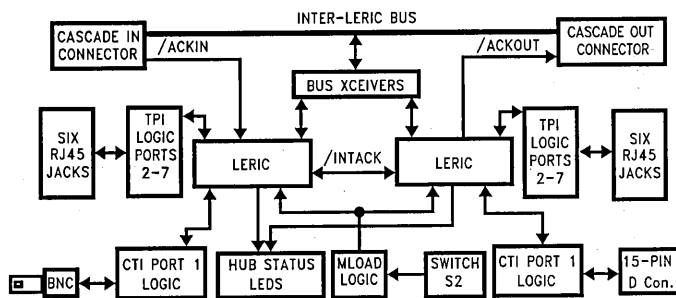
The schematic for the DP83956EB-SA board is divided into functional blocks that appear on the different pages. The first page shows the interconnection of the functional blocks that make up the board along with the +12V power connector, power regulator for +5V output, and the decoupling capacitors. *Figure 4* shows a simplified block diagram of the DP83956EB-SA board. A daisy chain structure is required for the acknowledge in (ACKI) and the acknowledge out (ACKO) signals, while the remaining inter-LERIC bus signals are in a parallel bus configuration. The interacknowledge (INTACK) signal connects the LERICs on a single board.

### 3.1 Twisted Pair Ports 2-13

The logic to construct a twisted pair port begins at the LERICs (Schematic sheet 2-LERIC connections). Each port contains 6 pins (+TX, -TX, +TXOP, -TXOP, +RX, -RX). The four transmit pins  $\pm$ TX and  $\pm$ TXOP are filtered by a simple RC low pass filter to reduce noise (Schematic sheet 9). The four transmit lines then enter a simple TTL line driver (74HCT245) which provides the power to drive the twisted pair line (Schematic sheet 10). The transmit signals are then connected to Pulse Engineering's PE-65438 (Valor FL1085) which provides the magnetic materials for shaping the waves and an isolation transformer. The PE-65438 contains wave shaping resistors selected for use with a 74HCT driver to reduce signal jitter, provide a 100 $\Omega$  input impedance, and provide the proper output signal. The 245 was used because its pinout allowed for a cleaner layout (See layout sheet 1). *Figure 4* shows the path for the twisted pair ports and the items contained in the PE-65438. The receive path uses a common mode to reduce noise, a low pass filter to remove high frequency noise, and a 1:1 transformer for isolation. After the PE-65438, the twisted pair port is connected to a shielded modular jack. The shield of the modular jack is connected to chassis ground, which connects to the mounting holes for the board.

### 3.2 AUI Port 14

The connections for a full AUI port are shown on *Figure 11* of the schematic. From the LERIC's AUI port to the D connector only a 1:1 isolation transformer and some pull down resistors are required to construct the AUI port. The differential pairs are the same length and run in parallel as can be seen on *Figure 5*. To make the full AUI port of the LERICs into a twisted pair port, a twisted pair transceiver such as National's DP83922 would be required along the support logic. See the DP83922 data sheet for more information.



TL/F/11849-3

FIGURE 3. Block Diagram of the DP83956EB-SA

### 3.3 CTI Port 1

The construction of the coax port is a copy of the sample schematic shown in the CTI data sheet and the LERIC data sheet. The schematic shows no termination on the BNC connector. For this reason, the repeater can only be connected to a coax line as a center tap. If a 50Ω resistor was inserted between the lines connected to the BNC, the coax port could be used as the end of a coax network. JP19 connects a 25Ω resistor in parallel with the BNC connector thus providing termination when the coax port is disconnected from the network. The PM6512 provides the isolated -9V supply needed to properly operate the CTI.

### 3.4 Cascading

Unlike the DP83955, the DP83956's bus signals allow for external transceivers for cascading via ribbon cable. TTL drivers are used in this design. Open collector non-inverting bus drivers (74ALS1035) are used to drive the  $\overline{ACTN}$  and  $\overline{ANYXN}$  signals. A 4-bit transceiver (74ALS243) is used to drive the  $\overline{IRE}$ ,  $\overline{IRC}$ ,  $\overline{COLN}$ , and  $\overline{IRD}$  lines. A 14 pin header is used to connect boards via ribbon cable in a daisy chain. An input and output connector are positioned on the board for easy stacking and connecting. Since pull up resistors are only needed on one board when multiple boards are cascaded, a TRI-STATE® buffer (74ALS241) is used to control the connection of the pull up resistors. With no boards cascaded, the buffer pulls up all of the bus resistors to  $V_{OH}$ . Two boards can be cascaded by simply connecting the output connector of one board to the input connector of another board. The pull up resistors will only be active when the input connector is not connected to an output connector. In a chain of boards, this only occurs for the board at the top of the chain. The top board will have its pull up resistors pulled high, while the lower boards will have high impedance connected to their pull up resistors. Pin 1 of input connector will trigger the 74ALS241 to connect the pull up resistors to a high impedance output.

### 3.5 LED Display

The LED display on the DP83956EB-SA board consists of 4 LEDs that represent real time status for the hub. The LED status is continuously strobed out from the data bus of both LERIC controllers. *Figure 8* shows the logic required for a minimum mode display. Since the DP83956EB-SA contains two controllers, the hub status is obtained from both controllers. The status displayed on the board is jabber (packet longer than 5 ms), collision, reception, and port partitioned. A 74ALS874 is used to latch in the strobed data since its dual 4-bit design allows for separate clock signals. The status for two controllers are active low ORed by the 74ALS09 AND gate. The open collector output on the 74ALS09 allows for the construction of a pulse stretcher on the jabber signal. The 10 ms jabber signal is invisible to the user, so a pulse stretcher is necessary to make that signal visible. The Schmitt trigger inverters that are used for the output of the jabber signal, are in the same package as the inverters used in the mode lode logic, so no additional chips are required to make the pulse stretcher. The LERIC controllers hold the receive and collision lights for 30 ms or until the next activity. The any partition LED remains lit as long as any port on either of the LERICs is partitioned.

### 3.6 Mode Load Logic

The mode load (mload) logic (*Figure 9*) configures the two LERIC controllers on the board upon power-on and when the reset button is pushed. Many configuration bits are hard wired since the board only allows for one setting (see the DP83955/56 data sheet for more details on mload). Three configuration bits are accessible by the user by a three position DIP switch on the board. The user guide section explains these options in further detail. Both LERIC controllers on the board will get the same configuration as can be seen in the schematic. The board also contains a reset button for resetting the controllers and performing a mload. The

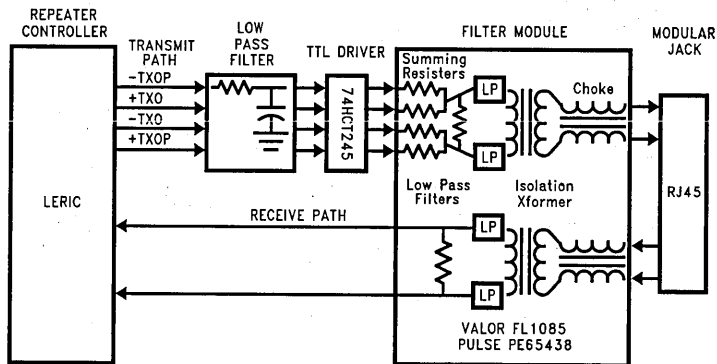


FIGURE 4. A Twisted Pair Interface for a Single Port

TL/F/11849-4

74HC14 is used to make a clean edge out of the discharging capacitor when reset is pushed and provide delay between the RESET signal to the LERIC controllers and the control of the buffers.

### 3.7 LED Status Header

This 32-pin connector was placed on the board to allow the user to build additional circuitry for displaying per port status, counting hub events, or accessing the LERIC registers.

TABLE III. LED Status Header

| JP # | 1                   | 2                   |                    |
|------|---------------------|---------------------|--------------------|
| 3    | DA7                 | DB7                 | } Input/<br>Output |
| 4    | DA6                 | DB6                 |                    |
| 5    | DA5                 | DB5                 |                    |
| 6    | DA4                 | DB4                 |                    |
| 7    | DA3                 | DB3                 |                    |
| 8    | DA2                 | DB2                 |                    |
| 9    | DA1                 | DB1                 |                    |
| 10   | DA0                 | DB0                 | } Input<br>Only    |
| 11   | $\overline{WRA}$    | $\overline{WRB}$    |                    |
| 12   | $\overline{RDA}$    | $\overline{RDB}$    | } Output<br>Only   |
| 13   | $\overline{BUFENA}$ | $\overline{BUFENB}$ |                    |
| 14   | DFSA                | DFSB                | } Output<br>Only   |
| 15   | $\overline{STRA}$   | $\overline{STRB}$   |                    |
| 16   | MIN/MAX             | +5V                 |                    |
| 17   | GND                 | +5V                 |                    |
| 18   | GND                 | +5V                 |                    |

The DP83956EB-SA is made of two LERICs that are labeled LERIC A and LERIC B. LERIC A contains twisted pair ports 2-7 and CTI port, while LERIC B contains twisted pair ports 8-13 and AUI port 14. The data bus for both chips must be isolated from each other, since the LERICs will strobe out different status information on the data pins. To construct a per-port (max mode) LED display, the MIN/MAX mode pin (JP14 pin 1) should be tied to 5V. This will change both LERICs mode load configuration for max mode when the board is powered on or reset. The data strobed on the data

pins will now contain an address (D7-D5) and data (D4-D0) that will represent status for the individual ports. An addressable latch (74LS259) can be used to easily decode the status information and drive the LEDs. Table IV shows the port number mapping from the board to the specific LERIC chip port numbers. The LERIC data sheet shows a sample configuration for the max mode display.

TABLE IV. Port Number Conversion

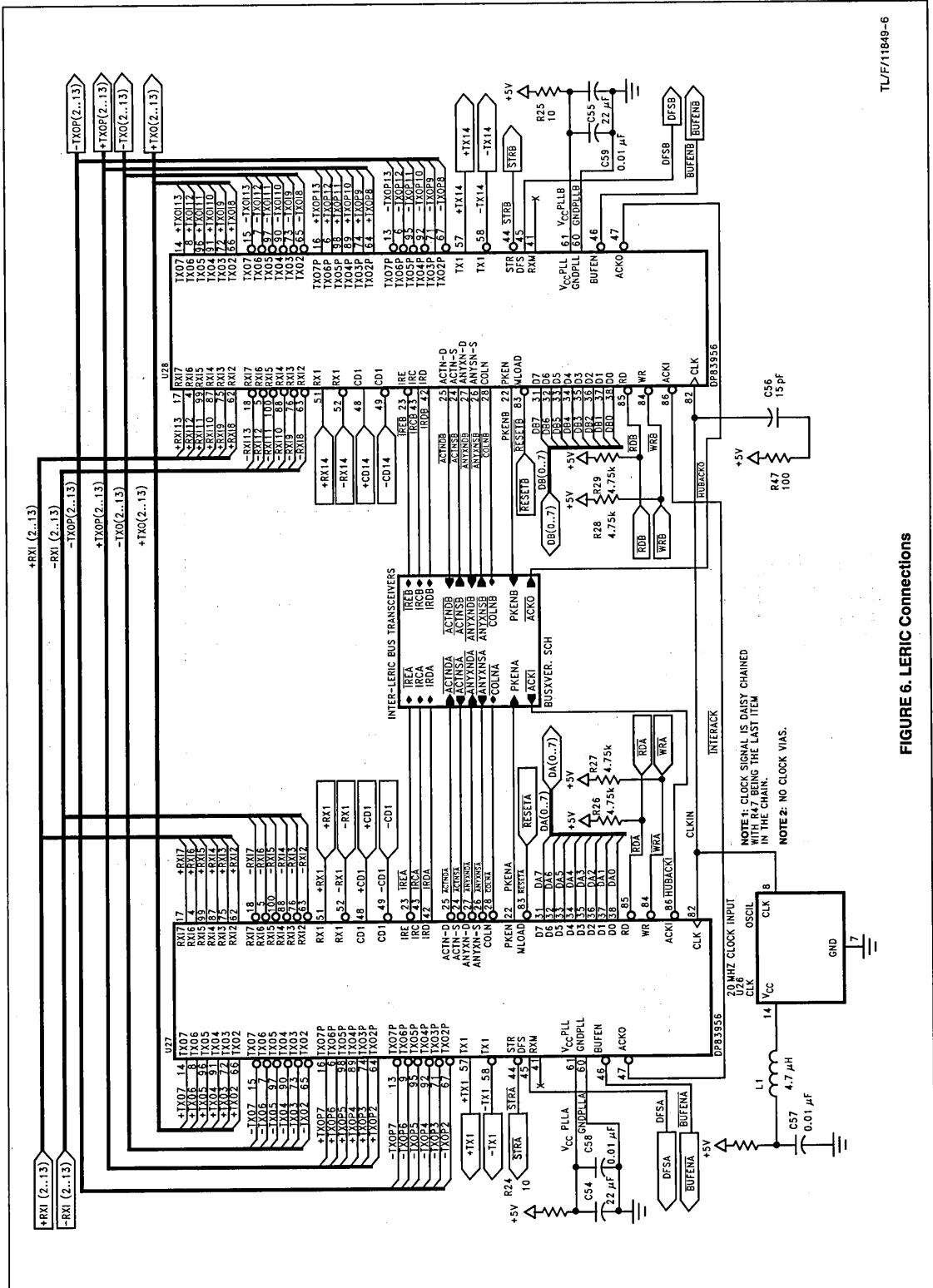
| LERIC Board Number | LERIC Port #     |
|--------------------|------------------|
| 1 — CTI            | Port 1 — LERIC A |
| 2                  | Port 2 — LERIC A |
| 3                  | Port 3 — LERIC A |
| 4                  | Port 4 — LERIC A |
| 5                  | Port 5 — LERIC A |
| 6                  | Port 6 — LERIC A |
| 7                  | Port 7 — LERIC A |
| 8                  | Port 2 — LERIC B |
| 9                  | Port 3 — LERIC B |
| 10                 | Port 4 — LERIC B |
| 11                 | Port 5 — LERIC B |
| 12                 | Port 6 — LERIC B |
| 13                 | Port 7 — LERIC B |
| 14 — AUI           | Port 1 — LERIC B |

To construct event counters with the LED Status Header, the status should be decoded from the data strobed to the LEDs. Simple logic can then be trigger off the display freeze strobe (DFS) signal going true and the event being true. DFS will go high after activity has stopped on the repeater. DFS will remain high until the next activity or for a maximum of 30 ms. While DFS is high, the status for the last activity is held constant on the data bus. This is when the activity should be counted.

The construction of a register read or write module is possible since the RD and WR pins are available. The buffer enable signal is also included to allow for controlling buffers to perform read or writes. The LERIC data sheet contains more information on the signals needed to construct a register read/write module.

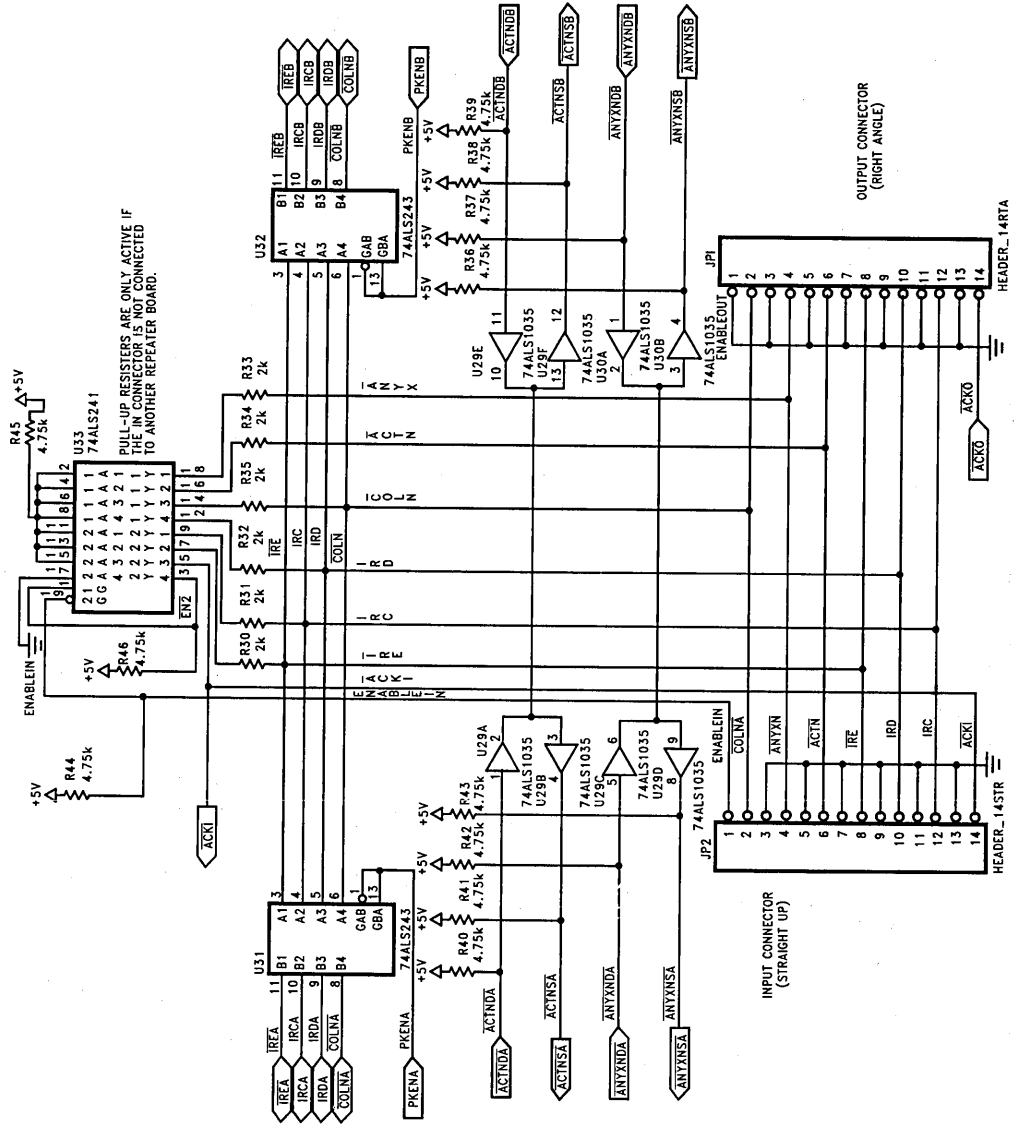






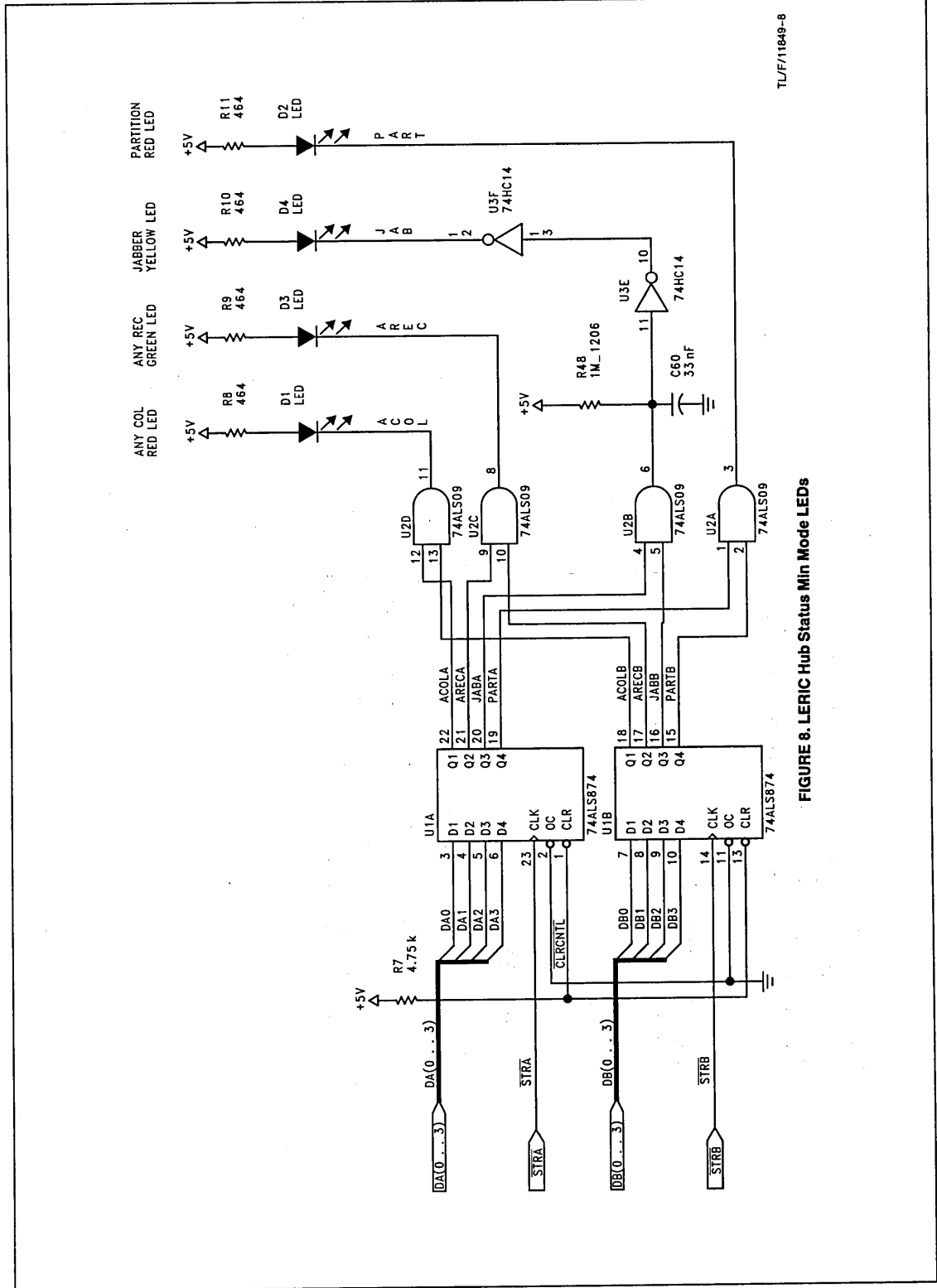
TLF/11849-6

FIGURE 6. LERIC Connections



PULL-UP RESISTORS ARE ONLY ACTIVE IF THE 'IN' CONNECTOR IS NOT CONNECTED TO ANOTHER REPEATER BOARD.

FIGURE 7. Inter-LERIC Bus Transceivers



TL/F/11849-8

FIGURE 8. LERIC Hub Status Min Mode LEDs

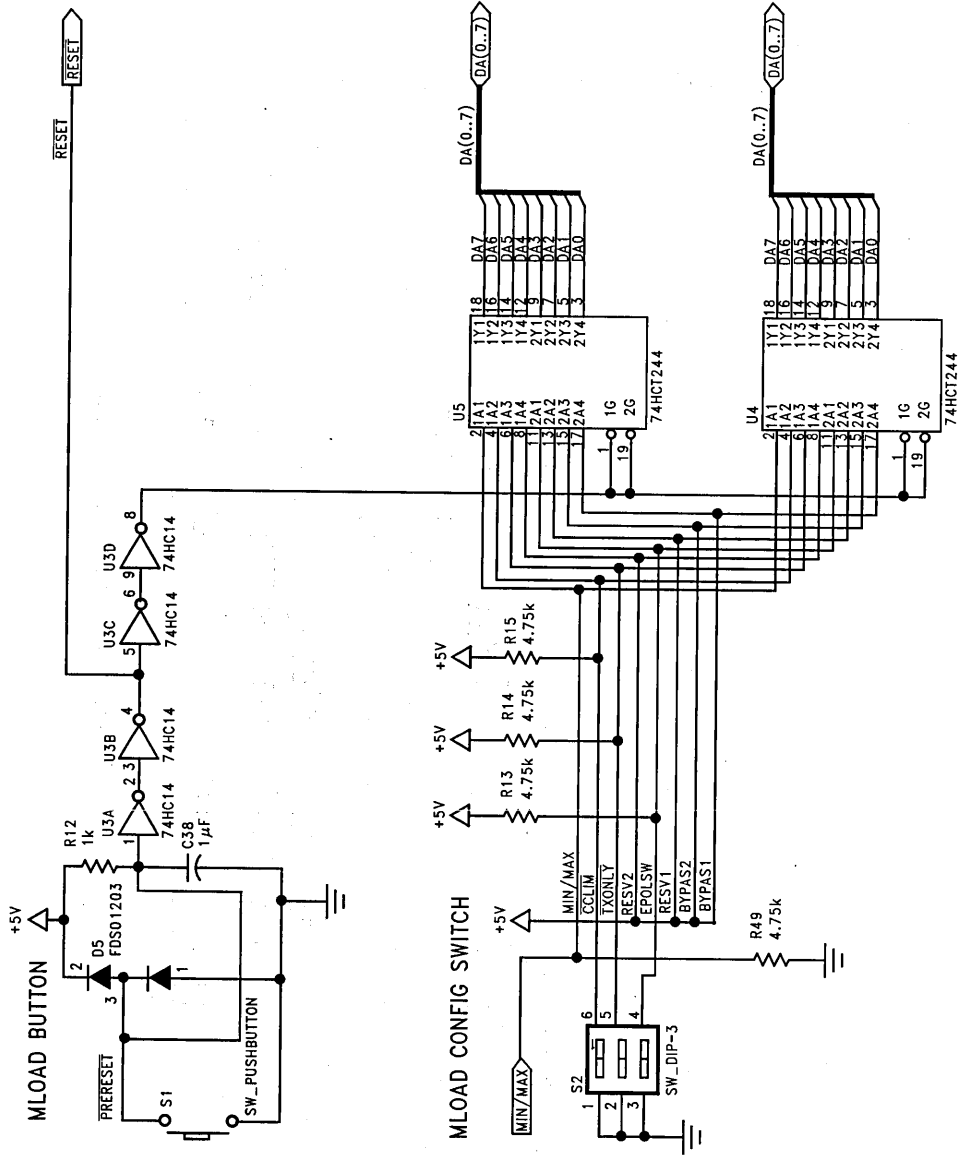
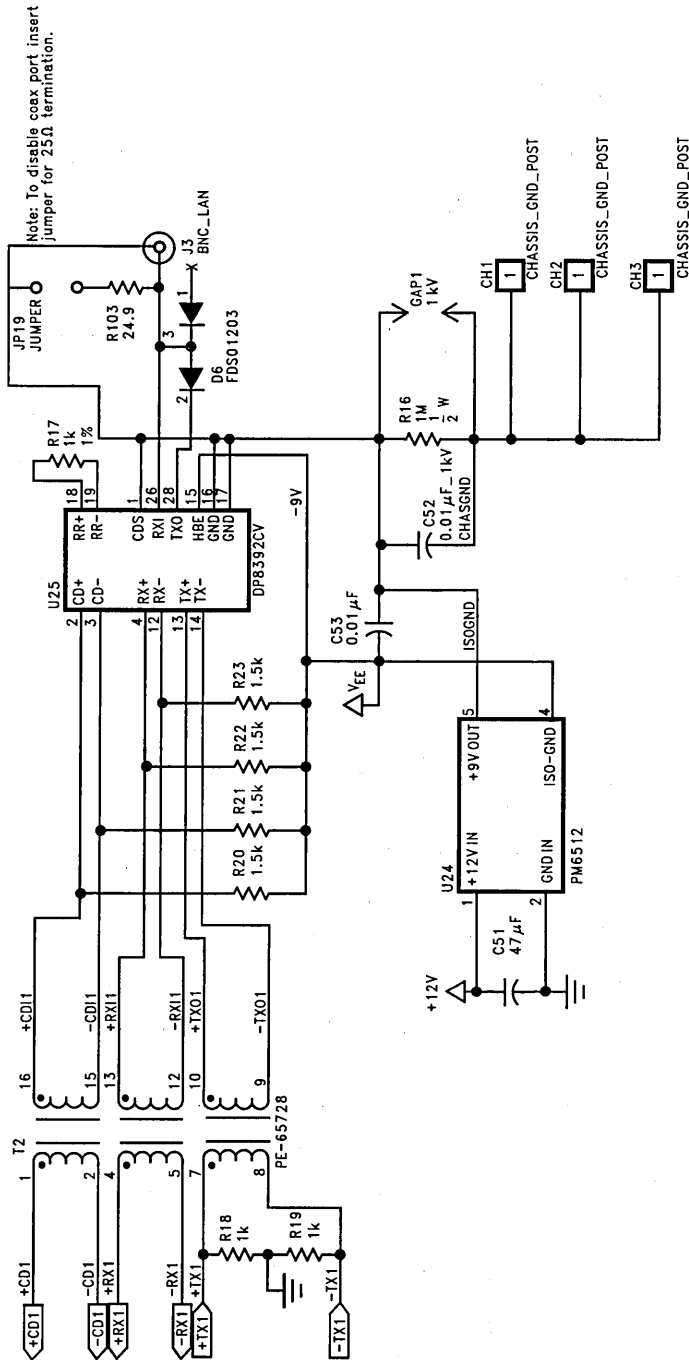


FIGURE 9. MLOAD Logic



Note: To disable coax port, insert jumper for 25Ω termination.

FIGURE 10. Coax Transceiver Port 1

TL/F/11B49-10

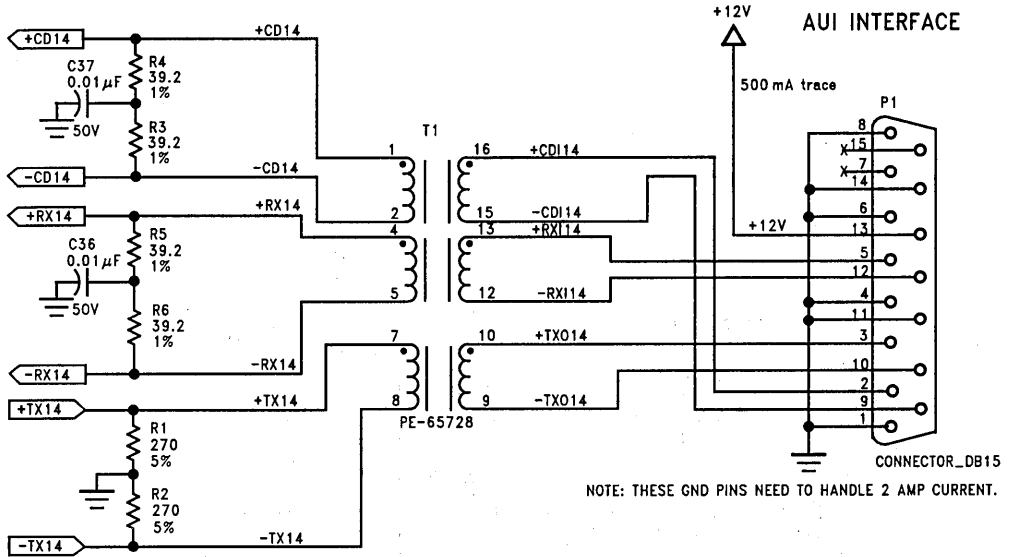


FIGURE 11. Full AUI Port 14

TL/F/11849-11

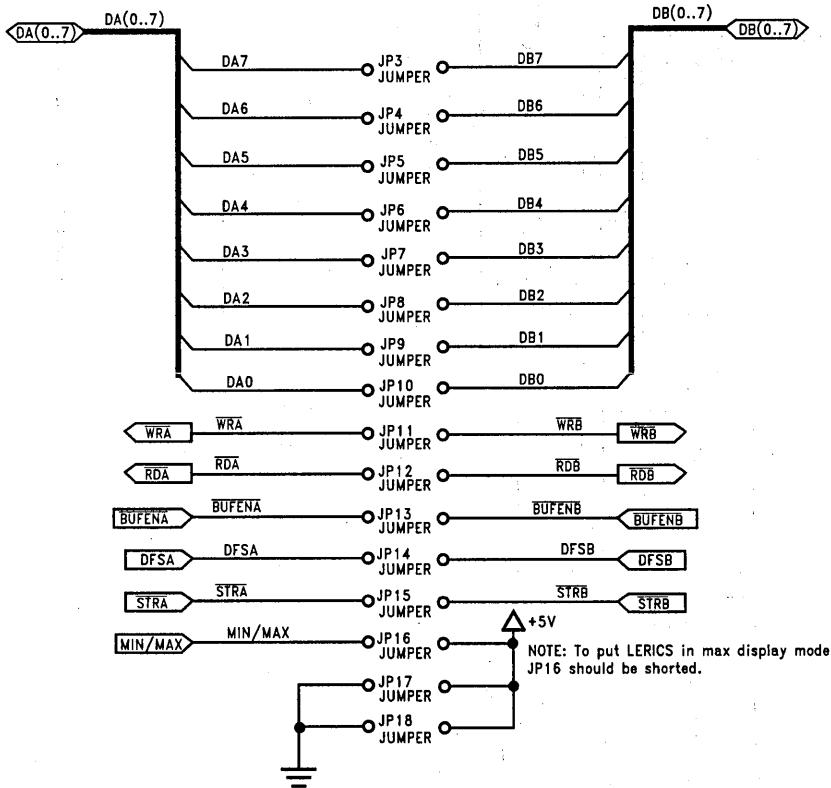


FIGURE 12. LED Status Header

TL/F/11849-12

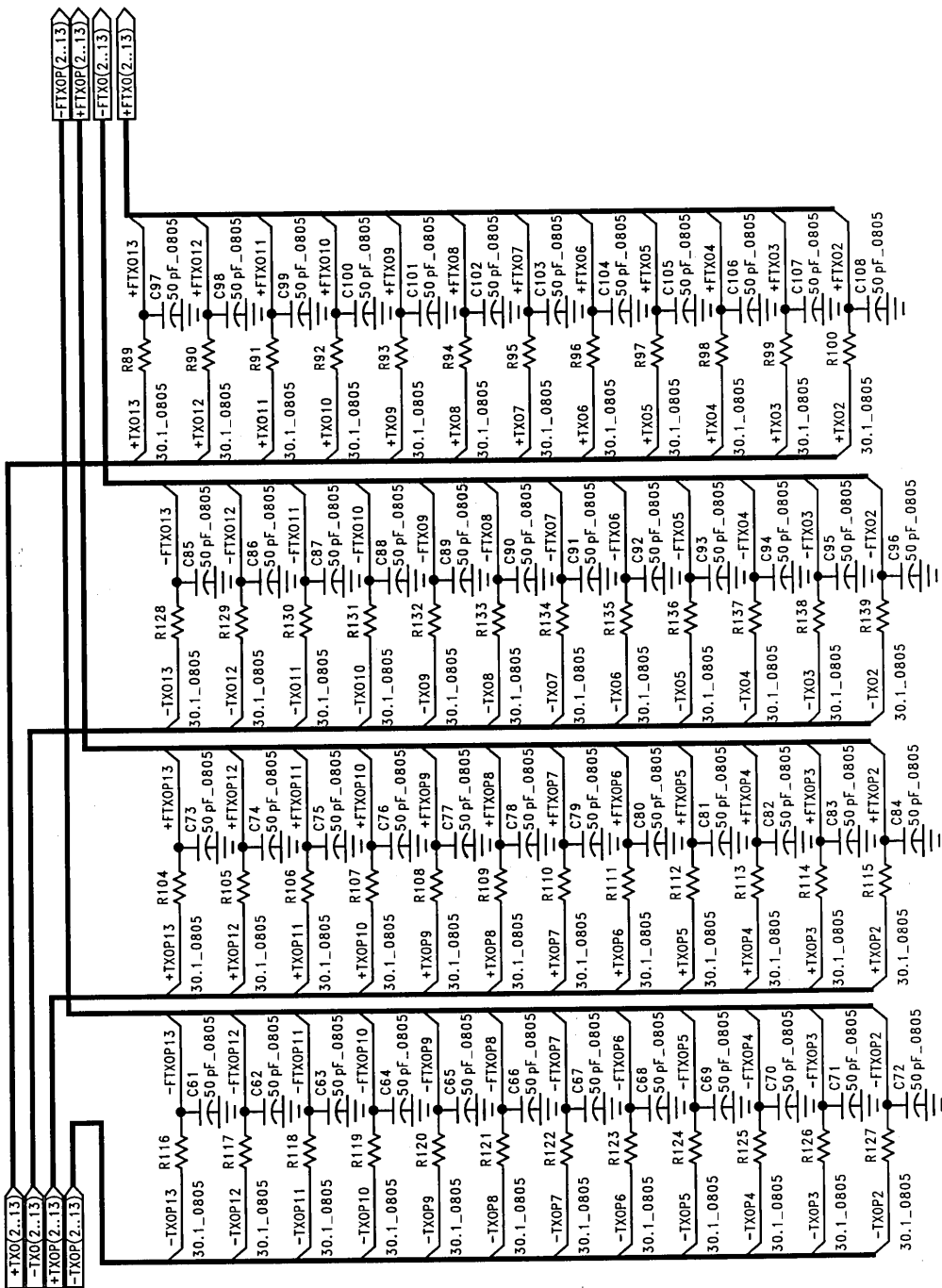


FIGURE 13.

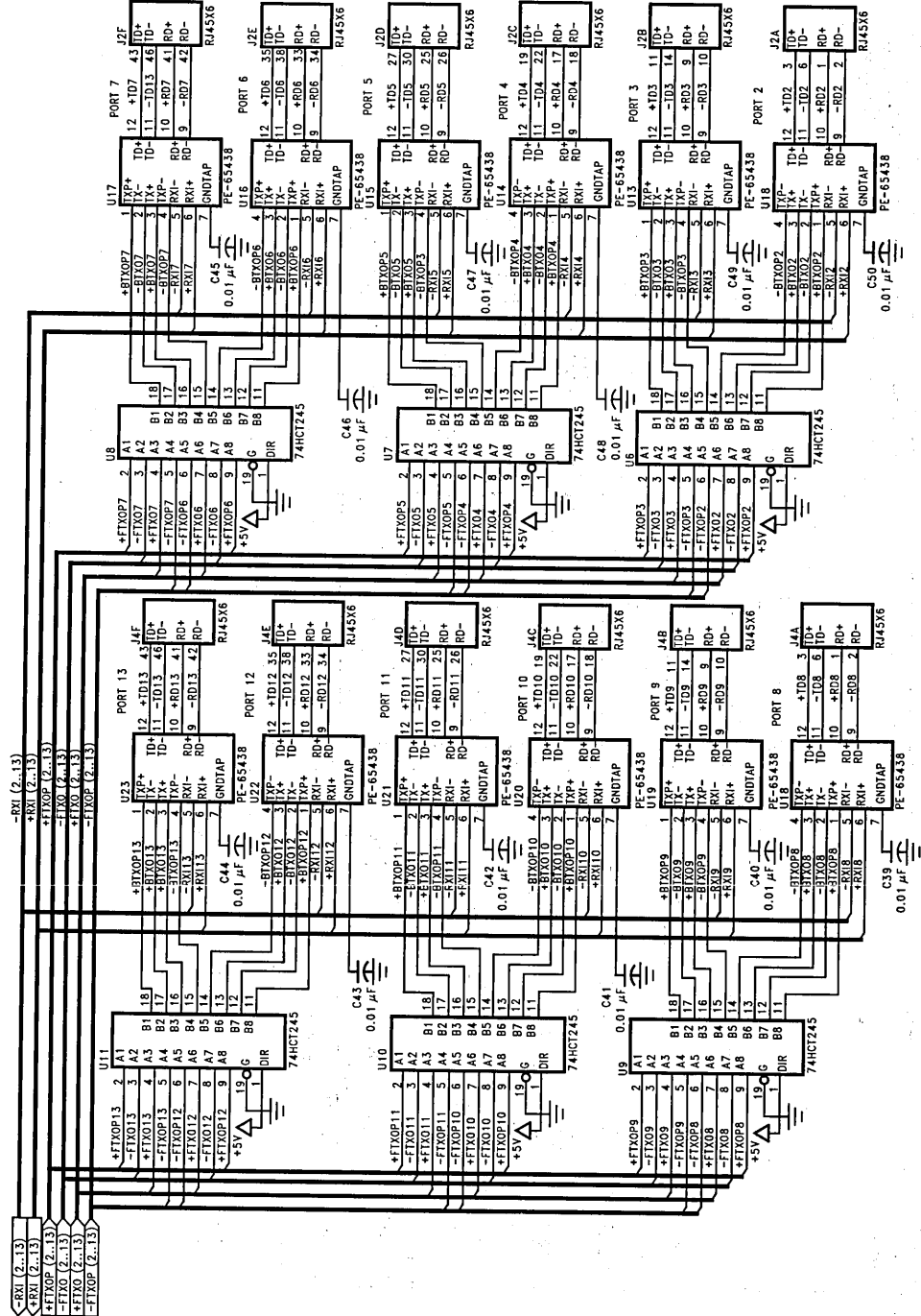


FIGURE 14. Twisted Pair Ports 2-13



| 4.0 BILL OF MATERIALS |                                                                                      |                                                     |                                      |               |
|-----------------------|--------------------------------------------------------------------------------------|-----------------------------------------------------|--------------------------------------|---------------|
| Item #                | Reference (Location)                                                                 | Description                                         | Manufacturer and Manufacturer Part # | Qty. per Brd. |
| 1                     | U3                                                                                   | HC Inverter                                         | MM74HC14M                            | 1             |
| 2                     | U33                                                                                  | ALS Line Buffer/Driver Non-Invert                   | DM74ALS241AWM                        | 1             |
| 3                     | U31, U32                                                                             | ALS 4X Bus Transceiver—Non-Inverting TRI-STATE      | DM74ALS243AM                         | 2             |
| 4                     | U29, U30                                                                             | ALS Hex Buffer Open Collector                       | DM74ALS1035M                         | 2             |
| 5                     | U4, U5                                                                               | HCT 8X Buffer/Driver TRI-STATE                      | MM74HCT244M                          | 2             |
| 6                     | U6 thru U11                                                                          | 8X Bus Transceiver—Non-Inverting TRI-STATE          | MM74HCT245M                          | 6             |
| 7                     | U2                                                                                   | 4x2 in AND Gate—Open Collector                      | DM74ALS09M                           | 1             |
| 8                     | U1                                                                                   | Dual 4X D Latch                                     | DM74ALS874BWM                        | 1             |
| 9                     | U25                                                                                  | Ethernet Coaxial Transceiver, CTI™                  | DP8392CV                             | 1             |
| 10                    | U27, U28                                                                             | LERIC—100-Pin                                       | DP83956AVLY                          | 1             |
| 11                    | U34                                                                                  | Voltage Regulator—Variable—Hi Current               | LM350T                               | 1             |
| 12                    | U24                                                                                  | 12V to 9V Converter                                 | PM6512                               | 1             |
| 13                    | T1, T2                                                                               | PULSE SMT AUI Transformer                           | PE-65728                             | 2             |
| 14                    | U12 thru U23                                                                         | TP Filter, Transformer and Summing Resistors        | Valor-FL1085                         | 12            |
| <b>DIODES/LEDS</b>    |                                                                                      |                                                     |                                      |               |
| 15                    | D5, D6                                                                               | Rect. 1V Dual SMD SOT 23                            | FDS1203                              | 2             |
| 16                    | D3                                                                                   | LED Green 3mm, 0.1 sp Diffused                      | IEE #LL231G                          | 1             |
| 17                    | D1, D2                                                                               | LED Red 3mm, 0.1 sp Diffused (hi eff.)              | IEE #LL221R                          | 2             |
| 18                    | D4                                                                                   | LED Yellow 3mm, 0.1 sp Diffused                     | IEE #LL251Y                          | 1             |
| <b>CONNECTORS</b>     |                                                                                      |                                                     |                                      |               |
| 19                    | J3                                                                                   | CONN-BNC Pc/Mt, Low Profile Black                   | AMP-227161-9                         | 1             |
| 20                    | P1                                                                                   | CONN-DSUB Female 15P w/Solder Tab                   | AMP-747845-4                         | 1             |
| 21                    | JP2                                                                                  | CONN—14-Pin Header Straight—4 Wall                  | 3M-3598-6002                         | 1             |
| 22                    | JP1                                                                                  | CONN—14-Pin—Right Angle—4 Wall                      | 3M-3598-5002                         | 1             |
| 23                    | Cable Diagram                                                                        | CONN Receptacle—Center Polarized Female—14 Position | 3M #3385 Series                      | 4             |
| 24                    | Cable Diagram                                                                        | Ribbon Cable—14 Conductor, 28AWG                    | 3M #3539/14                          | 1             |
| 25                    | J1                                                                                   | CONN PWR 2-Pin Angled—Male                          | AMP—#640389-2                        | 1             |
| 26                    | J2                                                                                   | CONN—RJ45 x 6—6 Port TP Conn Shielded               | Stewart #SS-6688065                  | 2             |
| 27                    | JP3 thru JP18                                                                        | PIN Strip v/mt Brkway 16p 2 Row                     |                                      | 1             |
| 28                    | JP19                                                                                 | Pin Strip v/mt Brkway 2p 1 Row                      |                                      | 1             |
| 29                    | Assembly Diagram                                                                     | 1 Inch Aluminum Standoff—Hex Shape                  | Amatom #9743-A-0632                  | 4             |
| 29A                   | Assembly Diagram                                                                     | NUT #6-32 Hex Std S Steel                           |                                      | 4             |
| <b>CAPACITORS</b>     |                                                                                      |                                                     |                                      |               |
| 30                    | C1 thru C19,<br>C22 thru C25,<br>C27 thru C37,<br>C40 thru C50,<br>C53, C57 thru C59 | 0.01 $\mu$ F + 80 - 20 1206 50V C/C/SMD             |                                      | 50            |
| 32                    | C61 thru C108                                                                        | 47 pF $\pm$ 10% 0805 50V C/C/SMD                    |                                      | 48            |
| 33                    | C20, 21, 26, 54, 55                                                                  | 22 $\mu$ F $\pm$ 20% 7343 16V C/T/SMD               |                                      | 5             |

| 4.0 BILL OF MATERIALS (Continued) |                                                      |                                         |                                      |               |
|-----------------------------------|------------------------------------------------------|-----------------------------------------|--------------------------------------|---------------|
| Item #                            | Reference (Location)                                 | Description                             | Manufacturer and Manufacturer Part # | Qty. per Brd. |
| <b>CAPACITORS (Continued)</b>     |                                                      |                                         |                                      |               |
| 34                                | C51                                                  | 47 $\mu$ F $\pm$ 20% 7343 10V C/T/SMD   |                                      | 1             |
| 35                                | C38                                                  | 1 $\mu$ F $\pm$ 20% 3216 16V C/T/SMD    |                                      | 1             |
| 36                                | C52                                                  | 0.01 $\mu$ F Radial $\pm$ 20% 7343 1 kV |                                      | 1             |
| 37                                | C56                                                  | 15 pF $\pm$ 10% 0805 50V C/C/SMD        |                                      | 1             |
| 38                                | C60                                                  | 0.33 $\mu$ F +80/-20 1206 50V C/C/SMD   |                                      | 1             |
| 39                                | GAP1                                                 | 0.75 pF Spark Gap 1 kV DC               |                                      | 1             |
| <b>MISC</b>                       |                                                      |                                         |                                      |               |
| 29B                               | Assembly Diagram                                     | Lock Washer #6 Ex-Tooth Std             |                                      | 5             |
| 29C                               | Assembly Diagram                                     | Washer #6 Std                           |                                      | 9             |
| 28A                               | JP19                                                 | Jumper Shunt 2p 1 Row 0.1 0.250 Hi      |                                      | 1             |
| <b>RESISTORS</b>                  |                                                      |                                         |                                      |               |
| 40                                | R3 thru R6                                           | 39.2 R 1% 1206 $\frac{1}{8}$ W R/F/SM   |                                      | 4             |
| 41                                | R8 thru R11                                          | 464 R 1% 1206 $\frac{1}{8}$ W R/F/SM    |                                      | 4             |
| 42                                | R12, R17 thru R19                                    | 1.0k R 1% 1206 $\frac{1}{8}$ W R/F/SM   |                                      | 4             |
| 43                                | R20 thru R23                                         | 1.5k R 1% 1206 $\frac{1}{8}$ W R/F/SM   |                                      | 4             |
| 44                                | R30 thru R35                                         | 2.0k R 1% 1206 $\frac{1}{8}$ W R/F/SM   |                                      | 6             |
| 45                                | R7, R13 thru R15<br>R26 thru R29<br>R36 thru 46, R49 | 4.75k R 1% 1206 $\frac{1}{8}$ W R/F/SM  |                                      | 20            |
| 46                                | R1, R2                                               | 270 R 1% 1206 $\frac{1}{8}$ W R/F/SM    |                                      | 2             |
| 47                                | R48                                                  | 1.0M R 5% 1206 $\frac{1}{8}$ W R/F/SM   |                                      | 1             |
| 48                                | R16                                                  | 1.0M R 5% $\frac{1}{2}$ W Radial Comp   |                                      | 1             |
| 49                                | R24, R25                                             | 10 R 1% 1206 $\frac{1}{8}$ W R/F/SM     |                                      | 2             |
| 50                                | R89 thru R139                                        | 30.1 R 1% 0805 R/F/SM                   |                                      | 48            |
| 51                                | R101                                                 | 121 R 1% 1206 $\frac{1}{8}$ W R/F/SM    |                                      | 1             |
| 52                                | R102                                                 | 365 R 1% 1206 $\frac{1}{8}$ W R/F/SM    |                                      | 1             |
| 53                                | R103                                                 | 24.9 R 1% 1206 $\frac{1}{8}$ W R/F/SM   |                                      | 1             |
| 54                                | R47                                                  | 100 R 1% 1206 $\frac{1}{8}$ W R/F/SM    |                                      | 1             |

## 4.0 BILL OF MATERIALS (Continued)

| Item #             | Reference (Location) | Description                                                                                           | Manufacturer and Manufacturer Part # | Qty. per Brd. |
|--------------------|----------------------|-------------------------------------------------------------------------------------------------------|--------------------------------------|---------------|
| <b>INDUCTORS</b>   |                      |                                                                                                       |                                      |               |
| 55                 | L1                   | 4.7 $\mu$ H/ $\pm$ 10% 1210 Induct/SMD                                                                |                                      | 1             |
| <b>SWITCHES</b>    |                      |                                                                                                       |                                      |               |
| 56                 | S2                   | DIP Switch—3 Position Rocker Unsealed                                                                 | AMP-3-435166-0                       | 1             |
| 57                 | S1                   | Push Button—2 Pole N.O. Momentary                                                                     | Alco TP11CG-PC-0                     | 1             |
| <b>OSCILLATORS</b> |                      |                                                                                                       |                                      |               |
| 58                 | U26                  | Crystal 20.0 MHz Osc 100 ppm 14p 4 Conn                                                               |                                      | 1             |
| 59                 | U34B                 | Screw—6-32 x 0.250 P/Head SS                                                                          |                                      | 1             |
| 60                 | U34C                 | Nut-Hex Std SS                                                                                        |                                      | 1             |
| 61                 | Assembly Diagram     | Std IDT Connector—0.156C<br>Double Cantalever Contact<br>Crimp Style Contact                          | MOLEX: 09-06-5027                    | 1             |
| 62                 | Stancor              | Power Supply—Wall Mnt. AC Adaptor<br>+ 12 @1A Unregulated<br>Plug Compatible: Switchcraft<br>#PC-722A | Stancor:<br>STA-4812A                | 1             |





Section 4

TOKEN-RING  
PROTOCOL PRODUCTS

**Token-Ring Interface  
Controller Products**



## Section 4 Contents

|                                                                                                                                        |      |
|----------------------------------------------------------------------------------------------------------------------------------------|------|
| DP8025 TROPIC Token-Ring Protocol Interface Controller .....                                                                           | 4-3  |
| DP802511 TROPIC RAM Relocation Register Decoder .....                                                                                  | 4-48 |
| DP802512 TROPIC Upper Memory Decoder .....                                                                                             | 4-52 |
| DP802513 TROPIC MEMCS_16 Signal Decoder .....                                                                                          | 4-56 |
| DP802514-1 TROPIC REEF+, DP802515-1 TROPIC PELE'+, TROPIC Microcode ROM ...                                                            | 4-60 |
| AN-857 An Introduction to Token Ring .....                                                                                             | 4-65 |
| AN-850 TROPIC—A Front End Description .....                                                                                            | 4-72 |
| AN-816 Layout Guideline for a Token Ring Adapter Using the DP8025 (TROPIC) .....                                                       | 4-80 |
| AN-848 ISA and MicroChannel Host Software Programmer's Guide for the DP8025 TROPIC<br>(Token-Ring Protocol Interface Controller) ..... | 4-84 |

# DP8025 TROPIC™

## Token-Ring Protocol Interface Controller

### General Description

The Token-Ring Protocol Interface Controller (TROPIC) is a microCMOS VLSI device designed for easy implementation of IEEE 802.5 Token-Ring LAN interface adapters. The TROPIC chip includes integrated Analog and Digital Token-Ring interfaces and bus interface support for ISA and MicroChannel hosts. Transmit and receive buffers are implemented in shared RAM, with buffer arbitration and control provided by the TROPIC chip.

TROPIC provides full IEEE 802.5 compatibility, including Medium Access Control (MAC) and Logical Link Control (LLC) protocol handling, and is IBM 802.5 certified. Network performance exceeds current 802.5 Jitter Requirements. The TROPIC supports both 16 Mbps and 4 Mbps operation, which are chip-selectable.

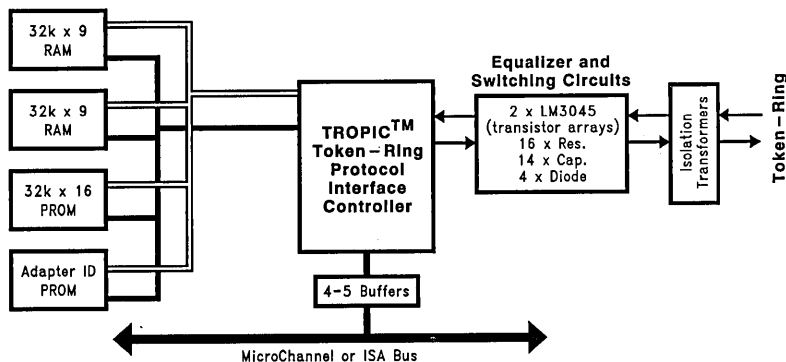
TROPIC integrates both digital and analog CMOS technologies in a single 175-pin, 1.48" (37.2 mm) module. Operation is driven by an integral Microprocessor Unit (MPU), which is microcoded for flexible functionality. The microcode controlling the MPU (provided with TROPIC) is stored in an external PROM, which allows simple PROM upgrades to remain current with any future changes to the IEEE 802.5 standard. External RAM is used for data, control, and scratch-pad storage. The TROPIC chip provides an interface for directly attaching the required external PROM and RAM devices.

Host Transmit and Receive buffers and control blocks are provided through a Shared RAM Interface, which is managed by a TROPIC integral controller. The control blocks are used to pass commands and messages between the Host system and TROPIC.

### Features

- Complete Token-Ring Adapter solution
- Integrated Bus Interface support for ISA and MicroChannel, including MicroChannel POS registers
- MAC Layer 802.5 and LLC executed in integral microprocessor unit (MPU), minimizing Host software
- MPU microcode provided
- Chip-selectable 16/4 Mbps operation
- Minimal supporting hardware required
- Single +5V supply required
- CMOS for low power dissipation
- Configurable RAM size and Page size
- Optional Parity on Host interface
- Shared buffer memory using standard 8k by 9 or 32k by 9 RAM
- Support for IBM Source Routing Bridges
- Minimal Host memory space required

### 1.0 System Diagram



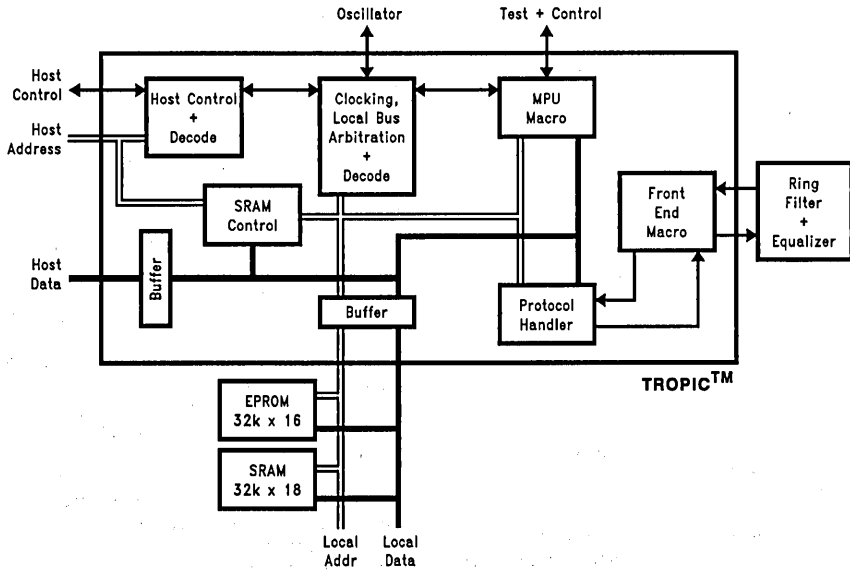
TL/F/11334-1

## Table of Contents

|                                  |                               |
|----------------------------------|-------------------------------|
| 1.0 SYSTEM DIAGRAM               | 8.0 PIN DESCRIPTIONS          |
| 2.0 BLOCK DIAGRAM                | 9.0 HARDWARE INTERFACE        |
| 3.0 FUNCTIONAL DESCRIPTION       | 10.0 INTERFACE CONSIDERATIONS |
| 4.0 INITIALIZATION               | 11.0 DC AND AC SPECIFICATIONS |
| 5.0 HOST ADDRESS SPACE STRUCTURE | 12.0 CONNECTION DIAGRAMS      |
| 6.0 REGISTERS                    | 13.0 PHYSICAL DIMENSIONS      |
| 7.0 SOFTWARE OPERATION OF TROPIC |                               |



## 2.0 Block Diagram



TL/F/11334-2

## 3.0 Functional Description

TROPIC provides three external interfaces (Token-Ring, Host Bus, and Local Storage). TROPIC also requires certain Host system resources.

### TOKEN-RING INTERFACE

The Front End Macro within TROPIC supplies a Ring Interface. This provides signals and inputs for external equalization and transformer circuits that form the actual Token-Ring Serial interface. The external Token-Ring Serial Interface provides physical connection to the Token-Ring LAN Media. It must include appropriate filter circuits (one Transmit filter and two Receive filters, one each for 4 Mbps and 16 Mbps operation), switching circuitry to switch between the 4 Mbps and 16 Mbps Receive filters, and line protection and conditioning components.

### HOST BUS INTERFACE

The Host Bus interface allows the Host system to transfer data to and from TROPIC. This interface includes a twenty-four bit address bus, a sixteen bit data bus with optional parity, and control signals to allow the TROPIC Host Bus interface to attach directly, as a bus slave, to ISA or MicroChannel. This makes TROPIC appear to be a memory device on the Host Bus that can be read or written using standard memory access and MMIO (Memory Mapped I/O) procedures.

### LOCAL STORAGE INTERFACE

This interface provides direct attachment from TROPIC to local PROM and RAM devices, which TROPIC controls exclusively. This interface includes an eighteen bit data bus and sixteen bit address bus, plus control lines to choose proper memory devices and control read and write operations.

### HOST SYSTEM RESOURCE REQUIREMENTS

TROPIC requires four Host system resources for MicroChannel and ISA bus Hosts as follows:

- One Interrupt
- 16k or 64k of memory address space for Shared RAM buffers and control blocks (which allow passing of high-level commands, frame data, and status codes between TROPIC and Host software)
- ROM/MMIO space (8k for MicroChannel/ISA)
- 5 bytes of I/O space for MicroChannel and ISA

Each of these resources is described in more detail later.

### TROPIC INTERNAL ELEMENTS

TROPIC can be implemented with an understanding of just its external interfaces and Host requirements. However, some consideration of TROPIC's internal structure and data flow is useful.

TROPIC consists of four main logical blocks:

- Front End Macro (FEM)
- Protocol Handler
- Integral MPU
- Shared Memory Controller

The functions of each of TROPIC's internal logical elements is best understood by considering data flow through the device during reception and transmission of Token-Ring data, as described next (these discussions assume some understanding of Token-Ring message structures).

## 3.0 Functional Description (Continued)

### TROPIC DATA FLOW—RECEPTION

#### Front End Macro

The Front End Macro (FEM), combined with external equalizer components, provides the interface needed to transmit and receive Manchester coded data over the Token-Ring media at either 4 Mbps or 16 Mbps. The provided functions include:

- Equalization of transmission channel
- Detection of receive signal
- Clock recovery and re-timing of received signal
- Transmission of output data
- Control functions, such as wrap test of interface circuit
- Ring Insertion and Wire Fault detection

The Front End Macro provides D-to-A and A-to-D signal conversion only. The Protocol Handler and MPU perform MAC and LLC processing, encoding, and decoding of data streams.

Received signals that have been decoded to NRZ clock and data form are sent to the Protocol Handler.

#### Protocol Handler

When data is received from the Front End Macro, the Protocol Handler first converts the serial data to byte parallel data usable by the MPU, and generates parity on the received data for subsequent internal validity checks.

At the proper time during the receive sequence, the Protocol Handler begins bit-wise CRC (Cyclic Redundancy Check) accumulation on the received data. At the proper point in the received message, the Protocol Handler extracts the Token-Ring destination address. It then compares it with the values loaded into the Protocol Handler to determine if the message should be copied by this station. If so, the Protocol Handler begins transferring the message to TROPIC's local RAM for additional MPU operations.

The Protocol Handler transfers, in order, the physical control field, the Token-Ring destination and source addresses, the data fields, and the message's CRC characters. When the CRC-protected portion of the message has been received, the received CRC characters are checked for validity.

If there is a CRC mismatch, the local RAM area used to store the message is released and the message is not processed. Otherwise, proper changes are made to the frame status byte after the end of frame delimiter. At this point, processing moves from the Protocol Handler to the MPU.

#### MPU

The MPU assembles the data transferred from the Protocol Handler into multi-byte segments. The areas where the message data has been stored are set up as valid for transfers to the Host Bus via the Shared Memory interface.

The actual mapping and management of data into the buffers is controlled by the MPU microcode, and is also affected by certain host-controlled parameters and status codes from the Protocol Handler.

#### Shared Memory Controller

When the transfer is complete, a status code is written to the appropriate buffer control block address in Shared RAM and an interrupt is issued to the Host. The Host software can then transfer the received data out of the Shared Memory area.

### TROPIC DATA FLOW—TRANSMISSION

Transmissions from the Host are essentially the opposite of receptions. The Host software transfers data and an appropriate transfer command code to a free buffer in Shared RAM, and then signals TROPIC's MPU that a message is waiting. The MPU then sets up the Protocol Handler to begin a transfer from Shared Memory.

When the Protocol Handler senses a pending transmission, it begins transferring the data into its 32-byte FIFO. When enough data is buffered to allow continuous transmission through the Front End Macro, the Protocol Handler waits for a token on the LAN. When a token is acquired, it is converted to a frame. Applicable control characters are generated, encoded, and transmitted (via the FEM), and the transmission continues with destination and source addresses, followed by the information field. When the entire information field has been transferred, the Protocol Handler inserts the CRC characters that it has accumulated into the message, followed by the encoded delimiter and frame status byte.

## 4.0 Initialization

The TROPIC can be configured to work in a number of environments. The Power-On Reset configuration is initialized in three ways:

- by setting TROPIC configuration input pins to steady state levels via switches, jumpers, pullup/pulldown resistors, or hard-wiring of the input pins
- by Microcode setting of software control switches
- by loading configuration data into internal TROPIC registers (Configuration Registers). In MicroChannel Hosts, this is accomplished by writing to TROPIC's internal POS registers. For all other implementations, the TROPIC Configuration Registers are loaded from the Storage Data bus after reset (as described later in this section).

#### TROPIC CONFIGURATION PINS

Four input pins are used to configure TROPIC for the Host environment: DPEN, -CFG2, -CFG1, and -CFG0.

The DPEN pin enables/disables generation and checking of parity of the Host data bus. The Host Configuration pins -CFG2, -CFG1, and -CFG0 are used to identify the Host bus type, as shown below. This affects various operating aspects, including memory mapping and register usage.

## 4.0 Initialization (Continued)

### Host Configuration Pins (0 = GND, 1 = V<sub>CC</sub>)

| -CFG2 | -CFG1 | -CFG0 | Bus Type Indicated  |
|-------|-------|-------|---------------------|
| 1     | 1     | 1     | ISA 16-bit          |
| 0     | 1     | 1     | ISA 8-bit           |
| 1     | 0     | 1     | MicroChannel 16-bit |
| 0     | 0     | 1     | MicroChannel 8-bit  |
| 1     | 1     | 0     | Reserved            |
| 0     | 1     | 0     | Reserved            |
| 1     | 0     | 0     | Reserved            |
| 0     | 0     | 0     | Reserved            |

### MICROCODE SETTINGS

Several TROPIC registers are initialized by PROM microcode. These control mostly memory mapping and management and internal parity functions, and are usually unavailable to the Host (even in Ready-only mode).

### TROPIC CONFIGURATION REGISTERS

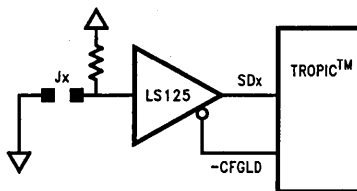
In MicroChannel host environments, the Configuration Registers are loaded directly from the host during POS. For all other host implementations, the Configuration Register is automatically loaded from the Storage data bus after reset. Access to the Configuration Registers is limited and varies according to Host bus type.

Besides Host Bus type (set by configuration pins), the following TROPIC aspects can also be configured:

- **ROM/MMIO Host Base Address**—Defines the base address (in the Host's memory space) for the ROM/MMIO control area

- **Host Interrupt Level**—For ISA and MicroChannel bus types, defines the IRQ level to be used
- **Ring Speed**—Selects 4 Mbps or 16 Mbps Ring Speed
- **RAM Type**—Indicates the type of storage RAM (static or dynamic) used on the TROPIC-based adapter
- **Shared RAM Page Size**—Selects the Shared RAM interface page (window) size in host memory space
- **Primary/Secondary Adapter**—For ISA and MicroChannel bus types, sets TROPIC to respond as either the Primary Adapter (x0A20) or the Secondary Adapter (x0A24h)

To facilitate the load of the configuration data for ISA Host implementations, TROPIC provides the signal -CFGLD. This signal can be used to "gate" configuration data onto the storage data bus as illustrated below:



TL/F/11334-5

Storage Data bus signals during configuration load are defined as shown in the table on the next page.

## 4.0 Initialization (Continued)

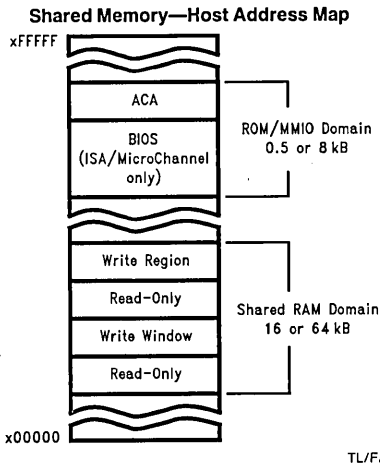
### Storage Data Bus Signals during ISA Configuration Load (0 = GND, 1 = V<sub>CC</sub>)

| Data Bit(s)* | Configuration Description                                                                                                                                                                                                                                                                                                                                                                                                                                                                                                                                                                                                                                                                                                                            |              |        |              |   |   |       |         |        |       |   |   |       |         |        |      |  |   |  |         |        |
|--------------|------------------------------------------------------------------------------------------------------------------------------------------------------------------------------------------------------------------------------------------------------------------------------------------------------------------------------------------------------------------------------------------------------------------------------------------------------------------------------------------------------------------------------------------------------------------------------------------------------------------------------------------------------------------------------------------------------------------------------------------------------|--------------|--------|--------------|---|---|-------|---------|--------|-------|---|---|-------|---------|--------|------|--|---|--|---------|--------|
| SD15–SD9     | <p><b>BIOS/MMIO Base Address</b>—Defines initial Host Base Address for the TROPIC ROM/MIO region of host memory (described in Section 5.0). Data Bits correspond to the inverted sense of host address lines HA19–HA13 respectively:</p> <table style="margin-left: 40px;"> <tr> <td>0000000</td> <td>xFE000</td> </tr> <tr> <td>•</td> <td></td> </tr> <tr> <td>•</td> <td></td> </tr> <tr> <td>0010111</td> <td>xD0000</td> </tr> <tr> <td>•</td> <td></td> </tr> <tr> <td>•</td> <td></td> </tr> <tr> <td>0011001</td> <td>xCC000</td> </tr> <tr> <td>•</td> <td></td> </tr> <tr> <td>•</td> <td></td> </tr> <tr> <td>1111111</td> <td>x00000</td> </tr> </table>                                                                                 | 0000000      | xFE000 | •            |   | • |       | 0010111 | xD0000 | •     |   | • |       | 0011001 | xCC000 | •    |  | • |  | 1111111 | x00000 |
| 0000000      | xFE000                                                                                                                                                                                                                                                                                                                                                                                                                                                                                                                                                                                                                                                                                                                                               |              |        |              |   |   |       |         |        |       |   |   |       |         |        |      |  |   |  |         |        |
| •            |                                                                                                                                                                                                                                                                                                                                                                                                                                                                                                                                                                                                                                                                                                                                                      |              |        |              |   |   |       |         |        |       |   |   |       |         |        |      |  |   |  |         |        |
| •            |                                                                                                                                                                                                                                                                                                                                                                                                                                                                                                                                                                                                                                                                                                                                                      |              |        |              |   |   |       |         |        |       |   |   |       |         |        |      |  |   |  |         |        |
| 0010111      | xD0000                                                                                                                                                                                                                                                                                                                                                                                                                                                                                                                                                                                                                                                                                                                                               |              |        |              |   |   |       |         |        |       |   |   |       |         |        |      |  |   |  |         |        |
| •            |                                                                                                                                                                                                                                                                                                                                                                                                                                                                                                                                                                                                                                                                                                                                                      |              |        |              |   |   |       |         |        |       |   |   |       |         |        |      |  |   |  |         |        |
| •            |                                                                                                                                                                                                                                                                                                                                                                                                                                                                                                                                                                                                                                                                                                                                                      |              |        |              |   |   |       |         |        |       |   |   |       |         |        |      |  |   |  |         |        |
| 0011001      | xCC000                                                                                                                                                                                                                                                                                                                                                                                                                                                                                                                                                                                                                                                                                                                                               |              |        |              |   |   |       |         |        |       |   |   |       |         |        |      |  |   |  |         |        |
| •            |                                                                                                                                                                                                                                                                                                                                                                                                                                                                                                                                                                                                                                                                                                                                                      |              |        |              |   |   |       |         |        |       |   |   |       |         |        |      |  |   |  |         |        |
| •            |                                                                                                                                                                                                                                                                                                                                                                                                                                                                                                                                                                                                                                                                                                                                                      |              |        |              |   |   |       |         |        |       |   |   |       |         |        |      |  |   |  |         |        |
| 1111111      | x00000                                                                                                                                                                                                                                                                                                                                                                                                                                                                                                                                                                                                                                                                                                                                               |              |        |              |   |   |       |         |        |       |   |   |       |         |        |      |  |   |  |         |        |
| SD8–SD7      | <p><b>Encoded IRQ Level (ISA ONLY):</b> Selects interrupt level for adapter, as follows:</p> <table style="margin-left: 40px;"> <thead> <tr> <th>Bit 8</th> <th>Bit 7</th> <th>Selected IRQ</th> </tr> </thead> <tbody> <tr> <td>0</td> <td>0</td> <td>IRQ7</td> </tr> <tr> <td>0</td> <td>1</td> <td>IRQ6</td> </tr> <tr> <td>1</td> <td>0</td> <td>IRQ3</td> </tr> <tr> <td>1</td> <td>1</td> <td>IRQ2</td> </tr> </tbody> </table>                                                                                                                                                                                                                                                                                                                | Bit 8        | Bit 7  | Selected IRQ | 0 | 0 | IRQ7  | 0       | 1      | IRQ6  | 1 | 0 | IRQ3  | 1       | 1      | IRQ2 |  |   |  |         |        |
| Bit 8        | Bit 7                                                                                                                                                                                                                                                                                                                                                                                                                                                                                                                                                                                                                                                                                                                                                | Selected IRQ |        |              |   |   |       |         |        |       |   |   |       |         |        |      |  |   |  |         |        |
| 0            | 0                                                                                                                                                                                                                                                                                                                                                                                                                                                                                                                                                                                                                                                                                                                                                    | IRQ7         |        |              |   |   |       |         |        |       |   |   |       |         |        |      |  |   |  |         |        |
| 0            | 1                                                                                                                                                                                                                                                                                                                                                                                                                                                                                                                                                                                                                                                                                                                                                    | IRQ6         |        |              |   |   |       |         |        |       |   |   |       |         |        |      |  |   |  |         |        |
| 1            | 0                                                                                                                                                                                                                                                                                                                                                                                                                                                                                                                                                                                                                                                                                                                                                    | IRQ3         |        |              |   |   |       |         |        |       |   |   |       |         |        |      |  |   |  |         |        |
| 1            | 1                                                                                                                                                                                                                                                                                                                                                                                                                                                                                                                                                                                                                                                                                                                                                    | IRQ2         |        |              |   |   |       |         |        |       |   |   |       |         |        |      |  |   |  |         |        |
| SD6          | Reserved— <b>must</b> be set to 0.                                                                                                                                                                                                                                                                                                                                                                                                                                                                                                                                                                                                                                                                                                                   |              |        |              |   |   |       |         |        |       |   |   |       |         |        |      |  |   |  |         |        |
| SD5          | <p><b>RAM Type:</b> Indicates the type of Storage RAM used on the TROPIC-based adapter.<br/>0 = Static RAM, 1 = Dynamic RAM</p>                                                                                                                                                                                                                                                                                                                                                                                                                                                                                                                                                                                                                      |              |        |              |   |   |       |         |        |       |   |   |       |         |        |      |  |   |  |         |        |
| SD4          | Reserved— <b>DO NOT</b> drive                                                                                                                                                                                                                                                                                                                                                                                                                                                                                                                                                                                                                                                                                                                        |              |        |              |   |   |       |         |        |       |   |   |       |         |        |      |  |   |  |         |        |
| SD3–SD2      | <p><b>Shared RAM Page Size:</b> Selects the shared RAM page (window) size, i.e., the amount of the Host's memory space that is allocated to shared RAM. These bits are coded as follows:</p> <table style="margin-left: 40px;"> <thead> <tr> <th>SD3</th> <th>SD2</th> <th>Page Size</th> </tr> </thead> <tbody> <tr> <td>0</td> <td>0</td> <td>64 kB</td> </tr> <tr> <td>0</td> <td>1</td> <td>32 kB</td> </tr> <tr> <td>1</td> <td>0</td> <td>16 kB</td> </tr> <tr> <td>1</td> <td>1</td> <td>8 kB</td> </tr> </tbody> </table> <p>This shared RAM page size may not be the total amount of shared RAM on the adapter. For example, an adapter with 64 kB of available shared RAM can be set for a 16 kB page size to allow shared RAM paging.</p> | SD3          | SD2    | Page Size    | 0 | 0 | 64 kB | 0       | 1      | 32 kB | 1 | 0 | 16 kB | 1       | 1      | 8 kB |  |   |  |         |        |
| SD3          | SD2                                                                                                                                                                                                                                                                                                                                                                                                                                                                                                                                                                                                                                                                                                                                                  | Page Size    |        |              |   |   |       |         |        |       |   |   |       |         |        |      |  |   |  |         |        |
| 0            | 0                                                                                                                                                                                                                                                                                                                                                                                                                                                                                                                                                                                                                                                                                                                                                    | 64 kB        |        |              |   |   |       |         |        |       |   |   |       |         |        |      |  |   |  |         |        |
| 0            | 1                                                                                                                                                                                                                                                                                                                                                                                                                                                                                                                                                                                                                                                                                                                                                    | 32 kB        |        |              |   |   |       |         |        |       |   |   |       |         |        |      |  |   |  |         |        |
| 1            | 0                                                                                                                                                                                                                                                                                                                                                                                                                                                                                                                                                                                                                                                                                                                                                    | 16 kB        |        |              |   |   |       |         |        |       |   |   |       |         |        |      |  |   |  |         |        |
| 1            | 1                                                                                                                                                                                                                                                                                                                                                                                                                                                                                                                                                                                                                                                                                                                                                    | 8 kB         |        |              |   |   |       |         |        |       |   |   |       |         |        |      |  |   |  |         |        |
| SD1          | <b>TROPIC Ring Speed:</b> 0 = 16 Mbps, 1 = 4 Mbps                                                                                                                                                                                                                                                                                                                                                                                                                                                                                                                                                                                                                                                                                                    |              |        |              |   |   |       |         |        |       |   |   |       |         |        |      |  |   |  |         |        |
| SD0          | <b>Primary/Alternate Adapter Selection Bit:</b> 0 = Secondary (xA24), 1 = Primary (xA20)                                                                                                                                                                                                                                                                                                                                                                                                                                                                                                                                                                                                                                                             |              |        |              |   |   |       |         |        |       |   |   |       |         |        |      |  |   |  |         |        |

\*TROPIC Storage Data Lines are internally pulled up to V<sub>CC</sub>. Allowing a data line to "float" during configuration load will result in setting that bit/option to "1". For more detailed descriptions of configuration register bit fields see Section 6.0.

## 5.0 Host Address Space Structure

TROPIC's Host Address Space is divided into two domains: Shared RAM and ROM/MMIO, shown below:



TL/F/11334-3

### SHARED RAM DOMAIN

As discussed in the Functional Description, transmission and reception data and control blocks are transferred between TROPIC and the Host via the TROPIC Shared RAM area. This area can be either 16 kB or 64 kB, depending on the Host's upper memory area usage; its size and initial base address are configured during Reset initialization.

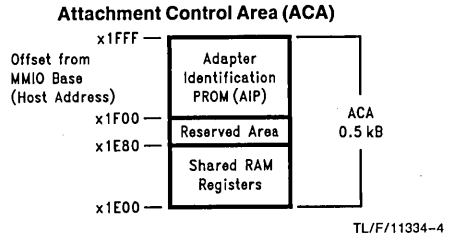
During operation, Shared RAM can be relocated and paged. Location and paging status are available through the Shared RAM address parameters defined in the RAM Relocation Register (RRR) and Shared RAM Paging Register (SRPR), as described in Section 6.0.

Mapping of the buffers and control blocks in Shared RAM is controlled by microcode. Buffer management and handshaking are summarized in Section 7.0. More complete details are beyond the scope of this document, and are covered in a separate programming document.

### ROM/MMIO (MEMORY MAPPED I/O) DOMAIN

For MicroChannel and ISA Hosts, the ROM/MMIO domain is 8k and includes 7.5k for BIOS and 0.5k for an area called the Attachment Control Area (ACA).

The structure of the ACA is shown below.



The Adapter Identification PROM (AIP) area is a read-only region that contains unique adapter parameters, such as the IEEE node address and serial number.

The area from x1E80 to x1EFF is reserved and *should not* be accessed by the Host.

The MMIO Registers provide several important status and control registers that are accessible to the Host during operation. These are discussed in the next section.

## 6.0 Registers

The Host communicates with and controls TROPIC using three methods: Shared RAM, interrupts, and registers.

TROPIC supports three register areas:

- **MMIO Registers**—these are used by all Host bus types
- **Programmed I/O (PIO) Registers**—these are used only by ISA and MicroChannel hosts and are decoded during normal operation
- **MicroChannel Standard POS Registers**—these are used only by MicroChannel hosts and are decoded *only* during Setup

**Note:** POS Registers reside in PIO space, but are treated separately because they are only decoded during Setup.

### REGISTER USAGE AND LOCATION BY BUS TYPE

Register usage varies by bus type, as shown below.

| Register Usage by Bus Type |                |               |                            |
|----------------------------|----------------|---------------|----------------------------|
| Bus Type                   | MMIO Registers | PIO Registers | MicroChannel POS Registers |
| MCS                        | Yes            | Yes           | Yes                        |
| ISA                        | Yes            | Yes           | No                         |

## 6.0 Registers (Continued)

Memory allocation of registers is shown below.

### Register Location by Bus Type

| PIO Space (ISA) |                                   | PIO Space (MicroChannel) |                                   | MMIO Space (All Busses) |                                         |
|-----------------|-----------------------------------|--------------------------|-----------------------------------|-------------------------|-----------------------------------------|
|                 | x0FFFF Unused                     |                          | x0FFFF Unused                     |                         | Unused                                  |
|                 | x00A28 Unused                     |                          | x00A28 Unused                     | x1E1A                   | Reserved                                |
| x00A27          | Adapter 1 PIO Registers           | x00A27                   | Adapter 1 PIO Registers           | x1E18                   | Shared RAM Page Register (SRPR)         |
| x00A24          |                                   | x00A24                   |                                   | x1E10                   | Reserved                                |
| x00A23          | Adapter 0 PIO Registers           | x00A23                   | Adapter 0 PIO Registers           | x1E0E                   | Timer Value Register (TVR)              |
| x00A20          |                                   | x00A20                   |                                   | x1E0C                   | Timer Control Register (TCR)            |
|                 | x00A1F Unused                     |                          | x00A1F Unused                     | x1E0A                   | TROPIC Interrupt/Status Register (TISR) |
|                 | x002F8 Unused                     |                          |                                   | x1E08                   | Host Interrupt/Status Register (HISR)   |
| x002F7          | Global Interrupt Enable (IRQ7)    |                          |                                   | x1E06                   | Write Window Close Register (WWCR)      |
| x002F6          | Global Interrupt Enable (IRQ6)    |                          |                                   | x1E04                   | Write Window Open Register (WWOR)       |
|                 | x00AF5 Unused                     |                          |                                   | x1E02                   | Write Region Base Register (WRBR)       |
|                 | x002F4 Unused                     |                          |                                   | x1E00                   | RAM Relocation Register (RRR)           |
| x002F3          | Global Interrupt Enable (IRQ3)    | x00107                   | POS Registers (Only during Setup) |                         | Unused                                  |
| x002F2          | Global Interrupt Enable (IRQ2, 9) | x00100                   |                                   |                         |                                         |
|                 | x002F1 Unused                     |                          | x000FF Unused                     |                         |                                         |
|                 | x00000 Unused                     |                          | x00000 Unused                     |                         |                                         |

TL/F/11334-6

TL/F/11334-7

TL/F/11334-8

### MMIO REGISTERS-GENERAL

The MMIO Registers are used by all bus types and are located within the ACA Host Address Space area. They include mostly read-only status registers, with a few Read/Write control registers. For ISA and MicroChannel buses, some of these registers are replicated in the PIO Registers; in such cases, one register is usually read-only while the alternative location is read/write. All of the MMIO Registers consists of two-byte (word) registers, each having its low order byte at an even address and its high order byte at the following odd address. Note that addresses are relative to the ROM/MMIO Base Address.

### MMIO REGISTERS—ISA AND MICROCHANNEL

This section describes MMIO Register usage in detail for ISA and MicroChannel Hosts.

#### RAM Relocation Register (RRR)

This register is used to relocate the Shared RAM region and indicate its page size and location. It also contains bits used to control different TROPIC operating modes.

**Warning:** Reserved bits (indicated by “—”), though readable, are controlled by TROPIC. These bits should not be changed.

## 6.0 Registers (Continued)

### ISA BUS MODE:

| x1E01 |    |    |    |          |    |   |   | x1E00 |      |      |      |      |      |            |   |
|-------|----|----|----|----------|----|---|---|-------|------|------|------|------|------|------------|---|
| 15    | 14 | 13 | 12 | 11       | 10 | 9 | 8 | 7     | 6    | 5    | 4    | 3    | 2    | 1          | 0 |
| —     | —  | —  | —  | RAM Size | —  | — | — | AB19  | AB18 | AB17 | AB16 | AB15 | AB14 | AB13 (= 0) | — |

### MICROCHANNEL BUS MODE:

| x1E01 |    |    |    |          |    |   |   | x1E00 |   |   |   |   |   |   |   |
|-------|----|----|----|----------|----|---|---|-------|---|---|---|---|---|---|---|
| 15    | 14 | 13 | 12 | 11       | 10 | 9 | 8 | 7     | 6 | 5 | 4 | 3 | 2 | 1 | 0 |
| —     | —  | —  | —  | RAM Size | —  | — | — | —     | — | — | — | — | — | — | — |

| Bit(s) | Description                                                                                                                                                                                                                                                                                                                                                                                                                                                                                                                                                                                                                                                                                                                                                                                                                                                                                                                                                                                                                                                                                                                                                                                                      |           |    |           |   |   |      |   |   |       |   |   |       |   |   |       |
|--------|------------------------------------------------------------------------------------------------------------------------------------------------------------------------------------------------------------------------------------------------------------------------------------------------------------------------------------------------------------------------------------------------------------------------------------------------------------------------------------------------------------------------------------------------------------------------------------------------------------------------------------------------------------------------------------------------------------------------------------------------------------------------------------------------------------------------------------------------------------------------------------------------------------------------------------------------------------------------------------------------------------------------------------------------------------------------------------------------------------------------------------------------------------------------------------------------------------------|-----------|----|-----------|---|---|------|---|---|-------|---|---|-------|---|---|-------|
| 15–12  | Reserved.                                                                                                                                                                                                                                                                                                                                                                                                                                                                                                                                                                                                                                                                                                                                                                                                                                                                                                                                                                                                                                                                                                                                                                                                        |           |    |           |   |   |      |   |   |       |   |   |       |   |   |       |
| 11–10  | <p><b>Shared RAM Page Size:</b> Selects the shared RAM page (window) size, i.e., the amount of the Host's memory space that is allocated to shared RAM. These bits are coded as follows:</p> <table border="1" style="margin-left: 20px; border-collapse: collapse; text-align: center;"> <thead> <tr> <th>11</th> <th>10</th> <th>Page Size</th> </tr> </thead> <tbody> <tr> <td>0</td> <td>0</td> <td>8 kB</td> </tr> <tr> <td>0</td> <td>1</td> <td>16 kB</td> </tr> <tr> <td>1</td> <td>0</td> <td>32 kB</td> </tr> <tr> <td>1</td> <td>1</td> <td>64 kB</td> </tr> </tbody> </table> <p>This shared RAM page size may not be the total amount of shared RAM on the adapter; instead, this value indicates the amount of shared RAM for the Host to map into its memory. For example, an adapter with 64 kB of available shared RAM can be set for a 16 kB page size to allow shared RAM paging. If the RRR bit 11 is set to 0 and bit 10 is set to 1, this would indicate 16 kB of shared RAM in the Host's memory map.</p> <p><b>Note:</b> To use Shared RAM paging, Host software must also use the SRPR (Shared RAM Paging Register) correctly. See the later SRPR description for details.</p>          | 11        | 10 | Page Size | 0 | 0 | 8 kB | 0 | 1 | 16 kB | 1 | 0 | 32 kB | 1 | 1 | 64 kB |
| 11     | 10                                                                                                                                                                                                                                                                                                                                                                                                                                                                                                                                                                                                                                                                                                                                                                                                                                                                                                                                                                                                                                                                                                                                                                                                               | Page Size |    |           |   |   |      |   |   |       |   |   |       |   |   |       |
| 0      | 0                                                                                                                                                                                                                                                                                                                                                                                                                                                                                                                                                                                                                                                                                                                                                                                                                                                                                                                                                                                                                                                                                                                                                                                                                | 8 kB      |    |           |   |   |      |   |   |       |   |   |       |   |   |       |
| 0      | 1                                                                                                                                                                                                                                                                                                                                                                                                                                                                                                                                                                                                                                                                                                                                                                                                                                                                                                                                                                                                                                                                                                                                                                                                                | 16 kB     |    |           |   |   |      |   |   |       |   |   |       |   |   |       |
| 1      | 0                                                                                                                                                                                                                                                                                                                                                                                                                                                                                                                                                                                                                                                                                                                                                                                                                                                                                                                                                                                                                                                                                                                                                                                                                | 32 kB     |    |           |   |   |      |   |   |       |   |   |       |   |   |       |
| 1      | 1                                                                                                                                                                                                                                                                                                                                                                                                                                                                                                                                                                                                                                                                                                                                                                                                                                                                                                                                                                                                                                                                                                                                                                                                                | 64 kB     |    |           |   |   |      |   |   |       |   |   |       |   |   |       |
| 9–8    | Reserved.                                                                                                                                                                                                                                                                                                                                                                                                                                                                                                                                                                                                                                                                                                                                                                                                                                                                                                                                                                                                                                                                                                                                                                                                        |           |    |           |   |   |      |   |   |       |   |   |       |   |   |       |
| 7–1    | <p><b>(FOR MICROCHANNEL BUS MODE) Reserved.</b></p> <p><b>(FOR ISA BUS MODE) Shared RAM Host Base Address:</b></p> <p>For TROPIC adapters in ISA I/O Bus mode, bits 7 through 1 of the RRR register are used to set the shared RAM starting address. This location must be set before the Shared RAM can be accessed and must be set to a location in the memory map that does not cause a conflict. These register bits default to zero on power-up or after an adapter reset. If the register contains zero, the shared RAM is not mapped into the memory map. This register must be set to a correct address boundary as follows:</p> <ul style="list-style-type: none"> <li>• 8 kB shared RAM page should be on an 8 kB address boundary.</li> <li>• 16 kB shared RAM page should be on a 16 kB address boundary.</li> <li>• 32 kB shared RAM page should be on a 32 kB address boundary.</li> <li>• 64 kB shared RAM page should be on a 64 kB address boundary.</li> </ul> <p>For shared RAM paging, the address boundary can be on a 16 kB boundary since only 16 kB of PC address space is used.</p> <p><b>Note:</b> To select a valid address boundary, RRR Bit 1 (AB13) should always be set to 0.</p> |           |    |           |   |   |      |   |   |       |   |   |       |   |   |       |
| 0      | Reserved.                                                                                                                                                                                                                                                                                                                                                                                                                                                                                                                                                                                                                                                                                                                                                                                                                                                                                                                                                                                                                                                                                                                                                                                                        |           |    |           |   |   |      |   |   |       |   |   |       |   |   |       |

## 6.0 Registers (Continued)

Write Region Base Register (WRBR)—READ ONLY

Write Window Open Register (WWOR)—READ ONLY

Write Window Close Register (WWCR)—READ ONLY

WRBR (Read Only):

|                                   |    |    |    |    |    |   |   |                                  |   |   |   |   |   |   |   |
|-----------------------------------|----|----|----|----|----|---|---|----------------------------------|---|---|---|---|---|---|---|
| x1E03                             |    |    |    |    |    |   |   | x1E02                            |   |   |   |   |   |   |   |
| 15                                | 14 | 13 | 12 | 11 | 10 | 9 | 8 | 7                                | 6 | 5 | 4 | 3 | 2 | 1 | 0 |
| LSB (Least Significant Byte) WRBR |    |    |    |    |    |   |   | MSB (Most Significant Byte) WRBR |   |   |   |   |   |   |   |

WWOR (Read Only):

|                                   |    |    |    |    |    |   |   |                                  |   |   |   |   |   |   |   |
|-----------------------------------|----|----|----|----|----|---|---|----------------------------------|---|---|---|---|---|---|---|
| x1E05                             |    |    |    |    |    |   |   | x1E04                            |   |   |   |   |   |   |   |
| 15                                | 14 | 13 | 12 | 11 | 10 | 9 | 8 | 7                                | 6 | 5 | 4 | 3 | 2 | 1 | 0 |
| LSB (Least Significant Byte) WWOR |    |    |    |    |    |   |   | MSB (Most Significant Byte) WWOR |   |   |   |   |   |   |   |

WWCR (Read Only):

|                                   |    |    |    |    |    |   |   |                                  |   |   |   |   |   |   |   |
|-----------------------------------|----|----|----|----|----|---|---|----------------------------------|---|---|---|---|---|---|---|
| x1E07                             |    |    |    |    |    |   |   | x1E06                            |   |   |   |   |   |   |   |
| 15                                | 14 | 13 | 12 | 11 | 10 | 9 | 8 | 7                                | 6 | 5 | 4 | 3 | 2 | 1 | 0 |
| LSB (Least Significant Byte) WWCR |    |    |    |    |    |   |   | MSB (Most Significant Byte) WWCR |   |   |   |   |   |   |   |

These management register pairs specify an offset into shared RAM. The offsets are 16-bit values. The even register contains the most significant byte of this value. For example:

WRBR(15–8) at x1E03 = 24 (LSB)

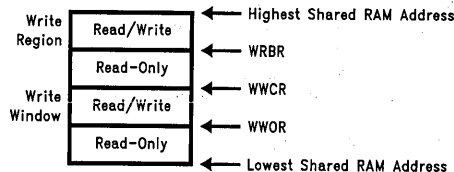
WRBR(7–0) at x1E02 = 47 (MSB)

WRBR full register value = 2447

In this example, a 16-bit Read of the WRBR (at x1E02) returns 2447; however, the logical (useable) address value is 4724.

**IMPORTANT:** To obtain a useable address, Host software **must** perform a byte-swap on 16-bit Reads from the WRBR, WWOR, and WWCR registers.

As illustrated below, TROPIC can concurrently define two separate and independent computer write areas within the Shared RAM domain: the *write region* and the *write window*. The size of each of these areas can be individually defined in word (2-byte) increments from 2 bytes to the maximum size of the shared RAM domain.



TL/F/11334-9

The two areas differ only in how they are bound. The write region always extends from the highest address of the shared RAM domain down to a variable origin specified by the WRBR. The write window extends from a variable base defined by the WWOR pair to a variable limit defined by the WWCR pair. Also, the low-order bit in each odd register is zero since all write boundaries are word (2-byte) aligned.

Any address in the shared RAM not given specific Host write access by the shared RAM management registers is given Host read-only access. A Host write to any of these read-only memory addresses or to any shared RAM management register MMIO address will not be completed and will activate the Host Access error interrupt condition (HISR bit 2). Since the origin of the write region (WRBR) and the write window (WWOR) must be greater than zero if either write area is to be defined, the first 2 bytes of the shared RAM domain are always read-only to the Host.

The interface mechanism allows the Host read-only access to the entire shared RAM domain until TROPIC is initialized and Host write-access areas are defined by TROPIC.

The WRBR contains either zero or the offset of the beginning of the write region. When this field is zero, no write region is available. The WWOR contains either zero or the offset of the beginning of the write window. This field contains zero until TROPIC is opened, and when it is zero, no write window is available. The WWCR contains either zero or the first offset after the last writeable offset. This field is reserved until TROPIC is opened, and when it is zero, no write window is available.



## 6.0 Registers (Continued)

### HOST INTERRUPT/STATUS REGISTER (HISR)

This read/write register contains interrupt and control bits to allow TROPIC to issue interrupts to Host software.

|       |      |      |      |      |      |      |   |       |      |   |      |      |      |      |       |
|-------|------|------|------|------|------|------|---|-------|------|---|------|------|------|------|-------|
| x1E09 |      |      |      |      |      |      |   | x1E08 |      |   |      |      |      |      |       |
| 15    | 14   | 13   | 12   | 11   | 10   | 9    | 8 | 7     | 6    | 5 | 4    | 3    | 2    | 1    | 0     |
| —     | TCHK | SRBR | ASBF | ARBC | SSBR | BFFC | — | CH/IR | INTE | — | TINT | EINT | AINT | IBLK | PR/AL |

| Bit(s) | Description                                                                                                                                                                                                                                                                                                                                                                                                                                                                                                                                                                                                                                                                                         |
|--------|-----------------------------------------------------------------------------------------------------------------------------------------------------------------------------------------------------------------------------------------------------------------------------------------------------------------------------------------------------------------------------------------------------------------------------------------------------------------------------------------------------------------------------------------------------------------------------------------------------------------------------------------------------------------------------------------------------|
| 15     | Reserved.                                                                                                                                                                                                                                                                                                                                                                                                                                                                                                                                                                                                                                                                                           |
| 14     | <b>TROPIC Check (TCHK):</b> TROPIC has encountered an unrecoverable error and is closed. The reason for the check may be read from the shared RAM using the address in the write window close management register pair in the attachment control area of the MMIO region. The information returned is defined in the separate programming reference document.                                                                                                                                                                                                                                                                                                                                       |
| 13     | <b>SRB Response (SRBR):</b> TROPIC has recognized an SRB request and has set the return code in the SRB. A return code of:<br>x00: Indicates successful completion of the SRB request.<br>x01–xFD: Indicates unsuccessful completion of the SRB request.<br>xFF: Indicates that the request has been accepted and is in process. A subsequent SSB response will be issued at the command completion. This interrupt bit is set for this return code only if the Host has set the “SRB Free Request” bit in the TISR.                                                                                                                                                                                |
| 12     | <b>ASB Free (ASBF):</b> TROPIC has read the response provided in the ASB, and the ASB is available for another response. This interrupt bit is set only if the Host has set the “ASB Free Request” bit in the TISR or if an error has been detected in the response.                                                                                                                                                                                                                                                                                                                                                                                                                                |
| 11     | <b>ARB Command (ARBC):</b> The ARB contains a command for the Host to act on.                                                                                                                                                                                                                                                                                                                                                                                                                                                                                                                                                                                                                       |
| 10     | <b>SSB Response (SSBR):</b> The SSB contains a response to a previous SRB command from the Host.                                                                                                                                                                                                                                                                                                                                                                                                                                                                                                                                                                                                    |
| 9      | <b>Bridge Frame Forward Complete (BRFC):</b> TROPIC has completed transmitting a frame forwarded by the bridge Host software.                                                                                                                                                                                                                                                                                                                                                                                                                                                                                                                                                                       |
| 8      | Reserved                                                                                                                                                                                                                                                                                                                                                                                                                                                                                                                                                                                                                                                                                            |
| 7      | <b>CHCK/IRQ Steering Control (CH/IR):</b> This bit is used to control error interrupts. If 0, TROPIC will issue a CHCK. If 1, TROPIC will issue IRQ. CHCK is not supported in ISA and MicroChannel bus modes and, for those modes, this bit must be set to 1.                                                                                                                                                                                                                                                                                                                                                                                                                                       |
| 6      | <b>Interrupt Enable (INTE):</b> When this bit is on, interrupt requests will be presented to the Host. When this bit is off, all interrupts are masked off. The bit can be set by either TROPIC or the Host.                                                                                                                                                                                                                                                                                                                                                                                                                                                                                        |
| 5      | Reserved.                                                                                                                                                                                                                                                                                                                                                                                                                                                                                                                                                                                                                                                                                           |
| 4      | <b>Timer Interrupt (TINT):</b> When this bit is on, the TVR(7–0) has expired.                                                                                                                                                                                                                                                                                                                                                                                                                                                                                                                                                                                                                       |
| 3      | <b>Error Interrupt (EINT):</b> TROPIC has had a machine check occur, the TROPIC deadman timer expire, or the TROPIC timer overrun.                                                                                                                                                                                                                                                                                                                                                                                                                                                                                                                                                                  |
| 2      | <b>Access Interrupt (AINT):</b> When this bit is on, it indicates that a shared RAM access violation or an illegal MMIO operation by the Host to an Attachment Control Area register pair has occurred. The following conditions will set this bit: <ul style="list-style-type: none"> <li>• Any Host write to a write-protected location in the shared RAM domain</li> <li>• Any Host write to a shared RAM management (WRBR, WWCR, WWOR) register</li> <li>• Any Host write to HISR(7–0)</li> <li>• Any Host write to a nonzero interrupt field of TISR(15–8) or HISR(15–8). Nonzero interrupt fields of TISR(15–8) and HISR(15–8) must be manipulated using OR and AND MMIO commands.</li> </ul> |
| 1      | <b>ISA Bus Mode ONLY</b><br><b>Interrupt Block Bit (IBLK):</b> Set by TROPIC to prevent interrupts until interrupts are re-enabled.                                                                                                                                                                                                                                                                                                                                                                                                                                                                                                                                                                 |
| 0      | <b>Primary/Alternate Address (PR/AL):</b> This bit reflects the setting of the TROPIC primary/alternate setup information. If this bit is off, the primary adapter address is selected. If this bit is on, the alternate adapter address is selected.                                                                                                                                                                                                                                                                                                                                                                                                                                               |

## 6.0 Registers (Continued)

### TROPIC INTERRUPT/STATUS REGISTER (TISR)

This read/write register provides interrupts (for Shared RAM management, errors, timeouts, and other events) and control values that allow Host software to issue interrupts to TROPIC (letting the Host and TROPIC communicate asynchronously). The Host software sets bits in TISR(14-8) to interrupt TROPIC.

| x1E0B |      |      |      |       |       |      |      | x1E0A |       |       |       |       |   |      |      |
|-------|------|------|------|-------|-------|------|------|-------|-------|-------|-------|-------|---|------|------|
| 15    | 14   | 13   | 12   | 11    | 10    | 9    | 8    | 7     | 6     | 5     | 4     | 3     | 2 | 1    | 0    |
| —     | BFFR | CSRB | RASB | SRBFR | ASBFR | ARBF | SSBF | IPE   | TINTT | AINTT | DTEXP | TCHKT | — | THIM | TSIM |

| Bit(s) | Description                                                                                                                                                                                                                              |
|--------|------------------------------------------------------------------------------------------------------------------------------------------------------------------------------------------------------------------------------------------|
| 15     | Reserved.                                                                                                                                                                                                                                |
| 14     | <b>Bridge Frame Forward Request (BRFR):</b> The Host software has placed a frame in the bridge transmit buffers and is requesting that the frame be forwarded.                                                                           |
| 13     | <b>Command in SRB (CSRB):</b> The Host software has placed a command in the SRB and is informing TROPIC.                                                                                                                                 |
| 12     | <b>Response in ASB (RASB):</b> The Host software has placed a response to an ARB request in the ASB and is informing TROPIC.                                                                                                             |
| 11     | <b>SRB Free Request (SRBFR):</b> The Host software wants to use the SRB, but a previous request is still being processed by TROPIC. TROPIC will return an "SRB free" interrupt when the SRB return code field has been set.              |
| 10     | <b>ASB Free Request (ASBFR):</b> The Host software wants to use the ASB, but a previous response is still being processed by TROPIC. TROPIC will return an "ASB free" interrupt when the ASB return code field has been set.             |
| 9      | <b>ARB Free (ARBF):</b> The command in the ARB has been read by the Host software and the ARB is available. If the command requires a response from the Host software (receive and transmit only), it will be provided in the ASB later. |
| 8      | <b>SSB Free (SSBF):</b> The response in the SSB has been read by the Host software and the SSB is available.                                                                                                                             |
| 7      | <b>Internal Parity Error (IPE):</b> If this bit was on, there was a parity error on TROPIC's internal bus.                                                                                                                               |
| 6      | <b>Timer Interrupt—TROPIC (TINTT):</b> At least one of the TCR(15-8) timers has an interrupt to present to TROPIC.                                                                                                                       |
| 5      | <b>Access Interrupt—TROPIC (AINTT):</b> When this bit is on, it indicates that a shared RAM access violation or an illegal MMIO operation by TROPIC to an Attachment Control Area register has occurred.                                 |
| 4      | <b>Deadman Timer Expired (DTEXP):</b> The deadman timer has expired, indicating an adapter microcode problem. This bit is one of the conditions that can set HISR bit 3.                                                                 |
| 3      | <b>TROPIC Processor Check—TROPIC (TCHKT):</b> This bit does not latch on but follows the state of the TROPIC processor machine check indication. This bit is one of the conditions that can set HISR bit 3.                              |
| 2      | Reserved.                                                                                                                                                                                                                                |
| 1      | <b>TROPIC Hardware Interrupt Mask (THIM):</b> When this bit is on, it prevents adapter hardware interrupts (TISR bits 7 and 5) from being presented to the TROPIC processor.                                                             |
| 0      | <b>TROPIC Software Interrupt Mask (TSIM):</b> When this bit is on, it prevents Host software interrupts (TISR bits 14-8) from being presented to the TROPIC processor.                                                                   |

## 6.0 Registers (Continued)

### TIMER CONTROL REGISTER (TCR)

This register controls both Host and ring timing. TCR(7-0) is used with the TVR register to control the Host programmable timer. TCR(15-8) controls the fixed-duration timers used by TROPIC's microcode timing routines, and is reserved.

| x1E0D |    |    |    |    |    |   |   | x1E0C |      |      |      |      |      |   |   |
|-------|----|----|----|----|----|---|---|-------|------|------|------|------|------|---|---|
| 15    | 14 | 13 | 12 | 11 | 10 | 9 | 8 | 7     | 6    | 5    | 4    | 3    | 2    | 1 | 0 |
| —     | —  | —  | —  | —  | —  | — | — | PTIM  | PTRM | PTCG | PTOS | PTCS | HLCK | — | — |

| Bit(s) | Description                                                                                                                                                                                                                                                                                                                                                                                                                                                                                                                                                                                                               |
|--------|---------------------------------------------------------------------------------------------------------------------------------------------------------------------------------------------------------------------------------------------------------------------------------------------------------------------------------------------------------------------------------------------------------------------------------------------------------------------------------------------------------------------------------------------------------------------------------------------------------------------------|
| 15-8   | Reserved (TROPIC MPU timer control).                                                                                                                                                                                                                                                                                                                                                                                                                                                                                                                                                                                      |
| 7      | <b>Host Programmable Timer Interrupt Mask (PTIM):</b> This bit controls the timer interrupt operation. When this bit is on, the timer interrupts the Host when the programmable count expires. When the bit is off, the timer will not interrupt the Host, and the timer status must be obtained by polling either HISR bit 4 or TVR(7-0). The timer interrupt, like all Host interrupts, is also subject to the interrupt enable bit (HISR bit 6).                                                                                                                                                                       |
| 6      | <b>Host Programmable Timer Reload Mode (PTRM):</b> If this bit is on, the timer automatically reloads from TVR(15-8) when the countdown expires (reaches zero). When this bit is off, the timer must be reprogrammed or restarted after each countdown. Setting bit 6 while the count is counting reloads TVR(7-0) with the initial count in TVR(15-8).                                                                                                                                                                                                                                                                   |
| 5      | <b>Host Programmable Timer Count Gate (PTCG):</b> This bit enables/disables timer counting and also allows reloading of the initial countdown from TVR(15-8). Setting the bit to 1 enables the timer and starts counting. Resetting to 0 disables the timer and halts decrementing of the timer count. The countdown may be resumed by writing a 1 back to this bit, since the count contained in the timer is not changed when the gate bit is cleared. However, if a gate set is received when the gate bit is already on and timer count is 0, the countdown value reloads from TVR(15-8) and a full countdown begins. |
| 4      | <b>Host Programmable Timer Overrun Status (PTOS):</b> This bit is set when an overrun condition is detected with the Host timer interrupt. If the timer interrupt has not been reset before the end of the next timing period, the overrun bit is set at the end of that period. Once set, this status bit remains active until reset to zero by the Host.                                                                                                                                                                                                                                                                |
| 3      | <b>Host Programmable Timer Count Status (PTCS):</b> This bit is <b>Host Read-only</b> and is set by TROPIC when the timer contains a nonzero countdown value (the timer is loaded but not necessarily counting). If this bit is 1, the nonzero timer counter value can be obtained by reading TVR(7-0). Otherwise, reads to the TVR(7-0) return zeroes. When the timer countdown is halted by clearing of TCR bit 5 and the count value is not zero, this bit will remain active (set to 1).                                                                                                                              |
| 2      | <b>Host Interlock (HLCK):</b> This interlock allows TROPIC's internal diagnostic routine to check the functional capability of the Host timing facility without interference from the Host. When set to 1, this bit prevents Host MMIO writes from updating the contents of the TVR register and the Host portion (except this bit) of TCR(7-0). This bit will be set only when TROPIC's internal diagnostic procedures require exclusive use of the Host programmable timer.                                                                                                                                             |
| 1-0    | Reserved.                                                                                                                                                                                                                                                                                                                                                                                                                                                                                                                                                                                                                 |

## 6.0 Registers (Continued)

### TIMER VALUE REGISTER (TVR)

This register contains the Host timer initial countdown value in TVR(15–8) and the current Host timer count in TVR(7–0) (referred to as “the timer”). Reading TVR(15–8) always returns the last value written to it (zero following initial power-on). Both TVR(15–8) and TVR(7–0) are cleared after power-on reset. For each byte, possible values range from 10 ms (x01) to 2.55 seconds (xFF) in 10 ms increments.

If the timer contains zeros, writing a byte to TVR(15–8) transfers that value to the timer. Counting is then subject to the state of the TCR(5) gate bit. A read of TVR(7–0) returns the actual contents of the Host timer counter at the time the read is received by TROPIC. Writes to TVR(7–0) are ignored.

If the counter is loaded (nonzero), a write to the TVR(15–8) register will not cause the timer to be reloaded. The loading of the new TVR(15–8) value to the timer is governed by the state of the TCR gate and reload bits (TCR bits 5 and 6).

The TCR(3) count status bit and the TCR(5) gate bit are used with TVR(7–0). When the timer is loaded (the TCR(3) count status bit is 1), the value returned from TVR(7–0) is the actual timer count at the time of the read. If the TCR(3) gate bit is 1, then the counter will be counting and the value returned will reflect the current instantaneous counting state.

|                             |    |    |    |    |    |   |   |                            |   |   |   |   |   |   |   |
|-----------------------------|----|----|----|----|----|---|---|----------------------------|---|---|---|---|---|---|---|
| x1E0F                       |    |    |    |    |    |   |   | x1E0E                      |   |   |   |   |   |   |   |
| 15                          | 14 | 13 | 12 | 11 | 10 | 9 | 8 | 7                          | 6 | 5 | 4 | 3 | 2 | 1 | 0 |
| Timer Initial Count (TINIT) |    |    |    |    |    |   |   | Timer Current Count (TCUR) |   |   |   |   |   |   |   |

| Bit(s) | Description                                                                  |
|--------|------------------------------------------------------------------------------|
| 15–8   | <b>Host Programmable Timer Initial Count (TINIT):</b> See description above. |
| 7–0    | <b>Host Programmable Timer Current Count (TCUR):</b> See description above.  |

## 6.0 Registers (Continued)

### SHARED RAM PAGE REGISTER (SRPR)

Through the SRPR register, TROPIC allows the Host system to use memory paging schemes to allocate a smaller Shared RAM domain (in the Host memory space) than the actual physical Shared RAM size on the TROPIC adapter. For example, if the adapter needs 64k of Shared RAM, but the Host system can allocate only 16k, the 64k adapter RAM can be mapped to the 16k Host space as four separate 16k pages, any one of which is "visible" at a given moment. Note that TROPIC always has full access to the entire 64k space even if the Host is using a smaller page size.

The SRPR register is only valid in Host bus modes that support RAM paging. It is used before initialization to communicate to TROPIC's microcode the total amount of RAM to use, and is also used after initialization to "page" the shared RAM into the Host's memory map.

Before TROPIC is initialized, the Host's software must write the appropriate value to the SRPR to communicate to TROPIC's microcode how much total shared RAM to use. If a value of x0000 is written to the SRPR, TROPIC uses only the amount of RAM indicated by the Shared RAM size bits in the RRR register (bits 10 and 11). If the RRR Shared RAM size bits are set to the page size indicated in the ID PROM under the RAM paging function, the Host software can write xC000 to the SRPR, (i.e., set bits 6 and 7 to a "11") and TROPIC's microcode will use all 64 kB of Shared RAM. The Host software can then access the entire 64 kB of shared RAM using RAM paging.

If RAM paging is selected, the SRPR can be used to "page" the Host "window" into the full 64 kB of Shared RAM after TROPIC is initialized. See the separate programming reference document for more details on Shared RAM paging procedures.

| x1E19 |    |    |    |    |    |   |   | x1E18 |     |   |   |   |   |   |   |
|-------|----|----|----|----|----|---|---|-------|-----|---|---|---|---|---|---|
| 15    | 14 | 13 | 12 | 11 | 10 | 9 | 8 | 7     | 6   | 5 | 4 | 3 | 2 | 1 | 0 |
| —     | —  | —  | —  | —  | —  | — | — | PS1   | PS0 | — | — | — | — | — | — |

| Bit(s)           | Description                                                                                                                                                                                                                                                                                                                                                                                                                                                                                                                                                                                                                                                                                                                                                                                                                                                                                                                                                                                             |                  |         |    |                                         |    |          |    |          |    |                                  |                  |         |    |                                 |    |                                 |    |                                 |    |                                 |
|------------------|---------------------------------------------------------------------------------------------------------------------------------------------------------------------------------------------------------------------------------------------------------------------------------------------------------------------------------------------------------------------------------------------------------------------------------------------------------------------------------------------------------------------------------------------------------------------------------------------------------------------------------------------------------------------------------------------------------------------------------------------------------------------------------------------------------------------------------------------------------------------------------------------------------------------------------------------------------------------------------------------------------|------------------|---------|----|-----------------------------------------|----|----------|----|----------|----|----------------------------------|------------------|---------|----|---------------------------------|----|---------------------------------|----|---------------------------------|----|---------------------------------|
| 15-8             | Reserved                                                                                                                                                                                                                                                                                                                                                                                                                                                                                                                                                                                                                                                                                                                                                                                                                                                                                                                                                                                                |                  |         |    |                                         |    |          |    |          |    |                                  |                  |         |    |                                 |    |                                 |    |                                 |    |                                 |
| 7                | <p><b>Page Select Bit 1 (PS1):</b><br/> <i>Before initialization</i>, this bit and bit 6 indicated whether RAM Paging should be used, as follows:</p> <table border="1"> <thead> <tr> <th>Value (PS1, PS0)</th> <th>Meaning</th> </tr> </thead> <tbody> <tr> <td>00</td> <td>Use RRR (10,11) as total RAM, no paging</td> </tr> <tr> <td>01</td> <td>Reserved</td> </tr> <tr> <td>10</td> <td>Reserved</td> </tr> <tr> <td>11</td> <td>Use 64k as total RAM, use paging</td> </tr> </tbody> </table> <p><i>After initialization</i>, this bit and bit 6 are used to select the desired memory page, as follows:</p> <table border="1"> <thead> <tr> <th>Value (PS1, PS0)</th> <th>Meaning</th> </tr> </thead> <tbody> <tr> <td>00</td> <td>Map Page 1 into Host Memory Map</td> </tr> <tr> <td>01</td> <td>Map Page 2 into Host Memory Map</td> </tr> <tr> <td>10</td> <td>Map Page 3 into Host Memory Map</td> </tr> <tr> <td>11</td> <td>Map Page 4 into Host Memory Map</td> </tr> </tbody> </table> | Value (PS1, PS0) | Meaning | 00 | Use RRR (10,11) as total RAM, no paging | 01 | Reserved | 10 | Reserved | 11 | Use 64k as total RAM, use paging | Value (PS1, PS0) | Meaning | 00 | Map Page 1 into Host Memory Map | 01 | Map Page 2 into Host Memory Map | 10 | Map Page 3 into Host Memory Map | 11 | Map Page 4 into Host Memory Map |
| Value (PS1, PS0) | Meaning                                                                                                                                                                                                                                                                                                                                                                                                                                                                                                                                                                                                                                                                                                                                                                                                                                                                                                                                                                                                 |                  |         |    |                                         |    |          |    |          |    |                                  |                  |         |    |                                 |    |                                 |    |                                 |    |                                 |
| 00               | Use RRR (10,11) as total RAM, no paging                                                                                                                                                                                                                                                                                                                                                                                                                                                                                                                                                                                                                                                                                                                                                                                                                                                                                                                                                                 |                  |         |    |                                         |    |          |    |          |    |                                  |                  |         |    |                                 |    |                                 |    |                                 |    |                                 |
| 01               | Reserved                                                                                                                                                                                                                                                                                                                                                                                                                                                                                                                                                                                                                                                                                                                                                                                                                                                                                                                                                                                                |                  |         |    |                                         |    |          |    |          |    |                                  |                  |         |    |                                 |    |                                 |    |                                 |    |                                 |
| 10               | Reserved                                                                                                                                                                                                                                                                                                                                                                                                                                                                                                                                                                                                                                                                                                                                                                                                                                                                                                                                                                                                |                  |         |    |                                         |    |          |    |          |    |                                  |                  |         |    |                                 |    |                                 |    |                                 |    |                                 |
| 11               | Use 64k as total RAM, use paging                                                                                                                                                                                                                                                                                                                                                                                                                                                                                                                                                                                                                                                                                                                                                                                                                                                                                                                                                                        |                  |         |    |                                         |    |          |    |          |    |                                  |                  |         |    |                                 |    |                                 |    |                                 |    |                                 |
| Value (PS1, PS0) | Meaning                                                                                                                                                                                                                                                                                                                                                                                                                                                                                                                                                                                                                                                                                                                                                                                                                                                                                                                                                                                                 |                  |         |    |                                         |    |          |    |          |    |                                  |                  |         |    |                                 |    |                                 |    |                                 |    |                                 |
| 00               | Map Page 1 into Host Memory Map                                                                                                                                                                                                                                                                                                                                                                                                                                                                                                                                                                                                                                                                                                                                                                                                                                                                                                                                                                         |                  |         |    |                                         |    |          |    |          |    |                                  |                  |         |    |                                 |    |                                 |    |                                 |    |                                 |
| 01               | Map Page 2 into Host Memory Map                                                                                                                                                                                                                                                                                                                                                                                                                                                                                                                                                                                                                                                                                                                                                                                                                                                                                                                                                                         |                  |         |    |                                         |    |          |    |          |    |                                  |                  |         |    |                                 |    |                                 |    |                                 |    |                                 |
| 10               | Map Page 3 into Host Memory Map                                                                                                                                                                                                                                                                                                                                                                                                                                                                                                                                                                                                                                                                                                                                                                                                                                                                                                                                                                         |                  |         |    |                                         |    |          |    |          |    |                                  |                  |         |    |                                 |    |                                 |    |                                 |    |                                 |
| 11               | Map Page 4 into Host Memory Map                                                                                                                                                                                                                                                                                                                                                                                                                                                                                                                                                                                                                                                                                                                                                                                                                                                                                                                                                                         |                  |         |    |                                         |    |          |    |          |    |                                  |                  |         |    |                                 |    |                                 |    |                                 |    |                                 |
| 6                | <b>Page Select Bit 0 (PS0):</b> See PS1 above.                                                                                                                                                                                                                                                                                                                                                                                                                                                                                                                                                                                                                                                                                                                                                                                                                                                                                                                                                          |                  |         |    |                                         |    |          |    |          |    |                                  |                  |         |    |                                 |    |                                 |    |                                 |    |                                 |
| 5-0              | Reserved.                                                                                                                                                                                                                                                                                                                                                                                                                                                                                                                                                                                                                                                                                                                                                                                                                                                                                                                                                                                               |                  |         |    |                                         |    |          |    |          |    |                                  |                  |         |    |                                 |    |                                 |    |                                 |    |                                 |

## 6.0 Registers (Continued)

### PIO REGISTERS (ISA AND MICROCHANNEL)

The PIO Registers provide access to certain MMIO Register data or controls that are unavailable to ISA and MicroChannel Hosts via the MMIO Registers. This includes Configuration Register information, Soft Reset Control, and ROM/MMIO Address information. The PIO registers also provide Shared RAM Address information for MicroChannel bus Hosts and Global Interrupt Enable registers for ISA bus Hosts.

There are four I/O addresses dedicated for PIO operations to each possible adapter type (primary or alternate). Read (IN) or write (OUT) operations to these addresses either cause an action or transfer data. The same address has different definitions based on whether Read or Write access is used, as described in the table below.

**Note:** The MicroChannel POS Registers also appear in Host I/O space, but are discussed separately in the next section.

|        | Read         | Write            |                         |
|--------|--------------|------------------|-------------------------|
| x00A27 | Reserved     | Interrupt Enable | Secondary Adapter       |
| x00A26 | Reserved     | Reset Release    |                         |
| x00A25 | Reserved     | Reset Latch      |                         |
| x00A24 | Setup Read 1 | Reserved         |                         |
| x00A23 | Reserved     | Interrupt Enable | Primary Adapter         |
| x00A22 | Reserved     | Reset Release    |                         |
| x00A21 | Reserved     | Reset Latch      |                         |
| x00A20 | Setup Read 1 | Reserved         |                         |
| x00A1F | Unused       |                  | Global Interrupt Enable |
| x002F8 | Unused       |                  |                         |
| x002F7 | Reserved     | IRQ7             |                         |
| x002F6 | Reserved     | IRQ6             |                         |
| x002F5 | Unused       |                  |                         |
| x002F4 | Unused       |                  |                         |
| x002F3 | Reserved     | IRQ3             |                         |
| x002F2 | Reserved     | IRQ2             |                         |

TL/F/11334-10

|        | Read         | Write         |                   |
|--------|--------------|---------------|-------------------|
| x00A27 | Reserved     | Reserved      | Secondary Adapter |
| x00A26 | Setup Read 2 | Reset Release |                   |
| x00A25 | Reserved     | Reset Latch   |                   |
| x00A24 | Setup Read 1 | Reserved      |                   |
| x00A23 | Reserved     | Reserved      | Primary Adapter   |
| x00A22 | Setup Read 2 | Reset Release |                   |
| x00A21 | Reserved     | Reset Latch   |                   |
| x00A20 | Setup Read 1 | Reserved      |                   |

TL/F/11334-11

**Global interrupt enable (IRQn)**      **x0002F7 (WRITE)**      **ISA ONLY**  
**x0002F6 (WRITE)**  
**x0002F3 (WRITE)**  
**x0002F2 (WRITE)**

For ISA Bus mode, an I/O Write (OUT) to x002Fn issues a global interrupt enable. This resets interrupt generating circuits in all adapters sharing the Host interrupt facilities. The specific IRQ level is defined by the value of "n", as follows:

| Write to | Enables |
|----------|---------|
| x0002F7  | IRQ7    |
| x0002F6  | IRQ6    |
| x0002F3  | IRQ3    |
| x0002F2  | IRQ2, 9 |

This command performs no function for MicroChannel Bus mode.

## 6.0 Registers (Continued)

### Setup Read 1    **x00A20 (x00A24) READ**    **ISA/MicroChannel**

A read to this register returns all but the high-order bit of the 1 byte ROM/MMIO domain base address (in Host's memory space) and 2 bits of interrupt level information.

For MicroChannel Host bus adapters, this information must have been set during the setup function of POST. The address specifies where, in a 512 kB portion of 1 MB of MicroChannel Host-addressable memory, TROPIC registers will be located.

For ISA Host bus adapters, this information must be set (by jumpers, switches, etc.) when the adapter is installed, or using a proprietary software downloading scheme, to define where in the Host-addressable memory TROPIC registers will reside.

| x00A20 (x00A24) READ |       |       |       |       |       |             |
|----------------------|-------|-------|-------|-------|-------|-------------|
| 7                    | 6     | 5     | 4     | 3     | 2     | 1    0      |
| RAB18                | RAB17 | RAB16 | RAB15 | RAB14 | RAB13 | Encoded IRQ |

| Bit(s)              | Description                                                                                                                                                                                                                                                                                                                                                                                                                                                                                                                                                                                                                                                                                                                                                                                                                                                                                                                                                                                                                                                                                                                                                                                                                                                                                                                                                                                                                                                                                                                                                                                                                                                                                                                                                                                                                          |                         |                       |                         |                       |        |    |      |        |    |   |       |      |   |       |      |       |       |    |      |       |    |
|---------------------|--------------------------------------------------------------------------------------------------------------------------------------------------------------------------------------------------------------------------------------------------------------------------------------------------------------------------------------------------------------------------------------------------------------------------------------------------------------------------------------------------------------------------------------------------------------------------------------------------------------------------------------------------------------------------------------------------------------------------------------------------------------------------------------------------------------------------------------------------------------------------------------------------------------------------------------------------------------------------------------------------------------------------------------------------------------------------------------------------------------------------------------------------------------------------------------------------------------------------------------------------------------------------------------------------------------------------------------------------------------------------------------------------------------------------------------------------------------------------------------------------------------------------------------------------------------------------------------------------------------------------------------------------------------------------------------------------------------------------------------------------------------------------------------------------------------------------------------|-------------------------|-----------------------|-------------------------|-----------------------|--------|----|------|--------|----|---|-------|------|---|-------|------|-------|-------|----|------|-------|----|
| 7-2                 | <p><b>ROM/MMIO Host Base Address:</b> (Address Bits 18-13, respectively): Used to determine all but the high order bit of the ROM/MMIO starting address, usually as part of Initialization handshaking (see Section 7.0), as follows:</p> <table style="margin-left: 40px; border-collapse: collapse;"> <thead> <tr> <th style="text-align: center;">Setup<br/>Read 1-Bit</th> <th style="text-align: center;">Boundary</th> <th style="text-align: center;">ROM/MMIO<br/>Address Bit</th> </tr> </thead> <tbody> <tr><td style="text-align: center;">7</td><td style="text-align: center;">256 kB</td><td style="text-align: center;">18</td></tr> <tr><td style="text-align: center;">6</td><td style="text-align: center;">128 kB</td><td style="text-align: center;">17</td></tr> <tr><td style="text-align: center;">5</td><td style="text-align: center;">64 kB</td><td style="text-align: center;">16</td></tr> <tr><td style="text-align: center;">4</td><td style="text-align: center;">32 kB</td><td style="text-align: center;">15</td></tr> <tr><td style="text-align: center;">3</td><td style="text-align: center;">16 kB</td><td style="text-align: center;">14</td></tr> <tr><td style="text-align: center;">2</td><td style="text-align: center;">8 kB</td><td style="text-align: center;">13</td></tr> </tbody> </table> <p>The ROM/MMIO domain is mapped to any contiguous 8 kB block within a 1 MB Host address space. If an optional BIOS module is installed on the adapter that executes at power-on time, the ROM/MMIO domain must be limited to the 96 kB of BIOS space in the Host (x0C8000-0DFFFF).</p> <p><b>Note:</b> For <i>MicroChannel Host</i>. See bit 0 of Setup Read 2 Register at x0A22 (x0A26) for the value of address bit 19 (512 kB). For <i>ISA Host</i>: Bit 19 is always equal to 1.</p> | Setup<br>Read 1-Bit     | Boundary              | ROM/MMIO<br>Address Bit | 7                     | 256 kB | 18 | 6    | 128 kB | 17 | 5 | 64 kB | 16   | 4 | 32 kB | 15   | 3     | 16 kB | 14 | 2    | 8 kB  | 13 |
| Setup<br>Read 1-Bit | Boundary                                                                                                                                                                                                                                                                                                                                                                                                                                                                                                                                                                                                                                                                                                                                                                                                                                                                                                                                                                                                                                                                                                                                                                                                                                                                                                                                                                                                                                                                                                                                                                                                                                                                                                                                                                                                                             | ROM/MMIO<br>Address Bit |                       |                         |                       |        |    |      |        |    |   |       |      |   |       |      |       |       |    |      |       |    |
| 7                   | 256 kB                                                                                                                                                                                                                                                                                                                                                                                                                                                                                                                                                                                                                                                                                                                                                                                                                                                                                                                                                                                                                                                                                                                                                                                                                                                                                                                                                                                                                                                                                                                                                                                                                                                                                                                                                                                                                               | 18                      |                       |                         |                       |        |    |      |        |    |   |       |      |   |       |      |       |       |    |      |       |    |
| 6                   | 128 kB                                                                                                                                                                                                                                                                                                                                                                                                                                                                                                                                                                                                                                                                                                                                                                                                                                                                                                                                                                                                                                                                                                                                                                                                                                                                                                                                                                                                                                                                                                                                                                                                                                                                                                                                                                                                                               | 17                      |                       |                         |                       |        |    |      |        |    |   |       |      |   |       |      |       |       |    |      |       |    |
| 5                   | 64 kB                                                                                                                                                                                                                                                                                                                                                                                                                                                                                                                                                                                                                                                                                                                                                                                                                                                                                                                                                                                                                                                                                                                                                                                                                                                                                                                                                                                                                                                                                                                                                                                                                                                                                                                                                                                                                                | 16                      |                       |                         |                       |        |    |      |        |    |   |       |      |   |       |      |       |       |    |      |       |    |
| 4                   | 32 kB                                                                                                                                                                                                                                                                                                                                                                                                                                                                                                                                                                                                                                                                                                                                                                                                                                                                                                                                                                                                                                                                                                                                                                                                                                                                                                                                                                                                                                                                                                                                                                                                                                                                                                                                                                                                                                | 15                      |                       |                         |                       |        |    |      |        |    |   |       |      |   |       |      |       |       |    |      |       |    |
| 3                   | 16 kB                                                                                                                                                                                                                                                                                                                                                                                                                                                                                                                                                                                                                                                                                                                                                                                                                                                                                                                                                                                                                                                                                                                                                                                                                                                                                                                                                                                                                                                                                                                                                                                                                                                                                                                                                                                                                                | 14                      |                       |                         |                       |        |    |      |        |    |   |       |      |   |       |      |       |       |    |      |       |    |
| 2                   | 8 kB                                                                                                                                                                                                                                                                                                                                                                                                                                                                                                                                                                                                                                                                                                                                                                                                                                                                                                                                                                                                                                                                                                                                                                                                                                                                                                                                                                                                                                                                                                                                                                                                                                                                                                                                                                                                                                 | 13                      |                       |                         |                       |        |    |      |        |    |   |       |      |   |       |      |       |       |    |      |       |    |
| 1-0                 | <p><b>Encoded IRQ Level:</b> Indicates interrupt level selected for adapter, as follows:</p> <table style="margin-left: 40px; border-collapse: collapse;"> <thead> <tr> <th style="text-align: center;">Bit 1</th> <th style="text-align: center;">Bit 0</th> <th style="text-align: center;">ISA Bus Mode</th> <th style="text-align: center;">MicroChannel Bus Mode</th> </tr> </thead> <tbody> <tr><td style="text-align: center;">0</td><td style="text-align: center;">0</td><td style="text-align: center;">IRQ2</td><td style="text-align: center;">IRQ2</td></tr> <tr><td style="text-align: center;">0</td><td style="text-align: center;">1</td><td style="text-align: center;">IRQ3</td><td style="text-align: center;">IRQ3</td></tr> <tr><td style="text-align: center;">1</td><td style="text-align: center;">0</td><td style="text-align: center;">IRQ6</td><td style="text-align: center;">IRQ10</td></tr> <tr><td style="text-align: center;">1</td><td style="text-align: center;">1</td><td style="text-align: center;">IRQ7</td><td style="text-align: center;">IRQ11</td></tr> </tbody> </table>                                                                                                                                                                                                                                                                                                                                                                                                                                                                                                                                                                                                                                                                                                                | Bit 1                   | Bit 0                 | ISA Bus Mode            | MicroChannel Bus Mode | 0      | 0  | IRQ2 | IRQ2   | 0  | 1 | IRQ3  | IRQ3 | 1 | 0     | IRQ6 | IRQ10 | 1     | 1  | IRQ7 | IRQ11 |    |
| Bit 1               | Bit 0                                                                                                                                                                                                                                                                                                                                                                                                                                                                                                                                                                                                                                                                                                                                                                                                                                                                                                                                                                                                                                                                                                                                                                                                                                                                                                                                                                                                                                                                                                                                                                                                                                                                                                                                                                                                                                | ISA Bus Mode            | MicroChannel Bus Mode |                         |                       |        |    |      |        |    |   |       |      |   |       |      |       |       |    |      |       |    |
| 0                   | 0                                                                                                                                                                                                                                                                                                                                                                                                                                                                                                                                                                                                                                                                                                                                                                                                                                                                                                                                                                                                                                                                                                                                                                                                                                                                                                                                                                                                                                                                                                                                                                                                                                                                                                                                                                                                                                    | IRQ2                    | IRQ2                  |                         |                       |        |    |      |        |    |   |       |      |   |       |      |       |       |    |      |       |    |
| 0                   | 1                                                                                                                                                                                                                                                                                                                                                                                                                                                                                                                                                                                                                                                                                                                                                                                                                                                                                                                                                                                                                                                                                                                                                                                                                                                                                                                                                                                                                                                                                                                                                                                                                                                                                                                                                                                                                                    | IRQ3                    | IRQ3                  |                         |                       |        |    |      |        |    |   |       |      |   |       |      |       |       |    |      |       |    |
| 1                   | 0                                                                                                                                                                                                                                                                                                                                                                                                                                                                                                                                                                                                                                                                                                                                                                                                                                                                                                                                                                                                                                                                                                                                                                                                                                                                                                                                                                                                                                                                                                                                                                                                                                                                                                                                                                                                                                    | IRQ6                    | IRQ10                 |                         |                       |        |    |      |        |    |   |       |      |   |       |      |       |       |    |      |       |    |
| 1                   | 1                                                                                                                                                                                                                                                                                                                                                                                                                                                                                                                                                                                                                                                                                                                                                                                                                                                                                                                                                                                                                                                                                                                                                                                                                                                                                                                                                                                                                                                                                                                                                                                                                                                                                                                                                                                                                                    | IRQ7                    | IRQ11                 |                         |                       |        |    |      |        |    |   |       |      |   |       |      |       |       |    |      |       |    |

### TROPIC Reset Latch    **x00A21 (x00A25) WRITE**    **ISA/MicroChannel**

A Write to this register causes an unconditional TROPIC reset to be latched on. The entire TROPIC is held reset until a TROPIC Reset Release is received from the Host. The TROPIC reset state is similar to a power-on reset and is used to start TROPIC in a known state. While TROPIC is held reset, the Host cannot access either the Shared RAM or the MMIO region (except for the BIOS area).

### TROPIC Reset Release    **x00A22 (x00A26) WRITE**    **ISA/MicroChannel**

A Write to this register turns off a TROPIC reset condition previously latched on by a TROPIC Reset Latch from the Host. Before TROPIC can be fully reset, at least 50 ms must elapse between a TROPIC Reset Latch and TROPIC Reset Release instruction. If TROPIC is not latched in a reset condition, the command is ignored.

## 6.0 Registers (Continued)

### Setup Read 2 x00A22 (x00A26) READ MicroChannel ONLY

For MicroChannel Hosts only, a read to this register returns a 1-byte value containing the Shared RAM address *plus* the high-order bit of the ROM/MMIO domain base address. This information must have been set during the setup function of POST. The address specifies where, in a 1M space of MicroChannel Host-addressable memory, the Shared RAM on the adapter will be located. The ROM/MMIO address bit specifies which 512 kB portion of 1 MB MicroChannel Host-addressable memory the ROM/MMIO domain is in.

**Note:** For ISA Hosts, the Shared RAM domain is set by Host software using the RRR register (see earlier discussion of MMIO Registers).

| x00A22 (x00A26) READ—MicroChannel ONLY |       |       |       |       |       |       |       |
|----------------------------------------|-------|-------|-------|-------|-------|-------|-------|
| 7                                      | 6     | 5     | 4     | 3     | 2     | 1     | 0     |
| SAB19                                  | SAB18 | SAB17 | SAB16 | SAB15 | SAB14 | SAB13 | RAB19 |

| Bit(s)           | Description                                                                                                                                                                                                                                                                                                                                                                                                                                                                                                                                                                                                                                                                                                                                                                               |                        |          |                        |   |        |    |   |        |    |   |        |    |   |       |    |   |       |    |   |       |    |   |      |    |
|------------------|-------------------------------------------------------------------------------------------------------------------------------------------------------------------------------------------------------------------------------------------------------------------------------------------------------------------------------------------------------------------------------------------------------------------------------------------------------------------------------------------------------------------------------------------------------------------------------------------------------------------------------------------------------------------------------------------------------------------------------------------------------------------------------------------|------------------------|----------|------------------------|---|--------|----|---|--------|----|---|--------|----|---|-------|----|---|-------|----|---|-------|----|---|------|----|
| 7-1              | <p><b>MicroChannel Hosts Only</b></p> <p><b>Shared RAM Host Base Address:</b> (Address Bits 19-13, respectively): Used by MicroChannel Hosts to determine the Shared RAM starting address, usually as part of Initialization handshaking (see Section 7.0), as follows:</p> <table border="1"> <thead> <tr> <th>Setup Read 2-Bit</th> <th>Boundary</th> <th>Shared RAM Address Bit</th> </tr> </thead> <tbody> <tr> <td>7</td> <td>512 kB</td> <td>19</td> </tr> <tr> <td>6</td> <td>256 kB</td> <td>18</td> </tr> <tr> <td>5</td> <td>128 kB</td> <td>17</td> </tr> <tr> <td>4</td> <td>64 kB</td> <td>16</td> </tr> <tr> <td>3</td> <td>32 kB</td> <td>15</td> </tr> <tr> <td>2</td> <td>16 kB</td> <td>14</td> </tr> <tr> <td>1</td> <td>8 kB</td> <td>13</td> </tr> </tbody> </table> | Setup Read 2-Bit       | Boundary | Shared RAM Address Bit | 7 | 512 kB | 19 | 6 | 256 kB | 18 | 5 | 128 kB | 17 | 4 | 64 kB | 16 | 3 | 32 kB | 15 | 2 | 16 kB | 14 | 1 | 8 kB | 13 |
| Setup Read 2-Bit | Boundary                                                                                                                                                                                                                                                                                                                                                                                                                                                                                                                                                                                                                                                                                                                                                                                  | Shared RAM Address Bit |          |                        |   |        |    |   |        |    |   |        |    |   |       |    |   |       |    |   |       |    |   |      |    |
| 7                | 512 kB                                                                                                                                                                                                                                                                                                                                                                                                                                                                                                                                                                                                                                                                                                                                                                                    | 19                     |          |                        |   |        |    |   |        |    |   |        |    |   |       |    |   |       |    |   |       |    |   |      |    |
| 6                | 256 kB                                                                                                                                                                                                                                                                                                                                                                                                                                                                                                                                                                                                                                                                                                                                                                                    | 18                     |          |                        |   |        |    |   |        |    |   |        |    |   |       |    |   |       |    |   |       |    |   |      |    |
| 5                | 128 kB                                                                                                                                                                                                                                                                                                                                                                                                                                                                                                                                                                                                                                                                                                                                                                                    | 17                     |          |                        |   |        |    |   |        |    |   |        |    |   |       |    |   |       |    |   |       |    |   |      |    |
| 4                | 64 kB                                                                                                                                                                                                                                                                                                                                                                                                                                                                                                                                                                                                                                                                                                                                                                                     | 16                     |          |                        |   |        |    |   |        |    |   |        |    |   |       |    |   |       |    |   |       |    |   |      |    |
| 3                | 32 kB                                                                                                                                                                                                                                                                                                                                                                                                                                                                                                                                                                                                                                                                                                                                                                                     | 15                     |          |                        |   |        |    |   |        |    |   |        |    |   |       |    |   |       |    |   |       |    |   |      |    |
| 2                | 16 kB                                                                                                                                                                                                                                                                                                                                                                                                                                                                                                                                                                                                                                                                                                                                                                                     | 14                     |          |                        |   |        |    |   |        |    |   |        |    |   |       |    |   |       |    |   |       |    |   |      |    |
| 1                | 8 kB                                                                                                                                                                                                                                                                                                                                                                                                                                                                                                                                                                                                                                                                                                                                                                                      | 13                     |          |                        |   |        |    |   |        |    |   |        |    |   |       |    |   |       |    |   |       |    |   |      |    |
| 0                | <p><b>MicroChannel Hosts Only</b></p> <p><b>ROM/MMIO Host Base Address: Bit 19:</b> Used by MicroChannel Hosts to determine bit 19 of the ROM/MMIO domain base address (see Setup Read 1 Register above for more information)</p>                                                                                                                                                                                                                                                                                                                                                                                                                                                                                                                                                         |                        |          |                        |   |        |    |   |        |    |   |        |    |   |       |    |   |       |    |   |       |    |   |      |    |

### Adapter Interrupt Enable x00A23 (x00A27) WRITE ISA ONLY

A Write to this register Resets and re-enables *only* the TROPIC-based adapter's interrupt generation circuitry. Since this leaves all other Host adapters disabled, the TROPIC adapter is able to monopolize the interrupt facilities.

### MicroChannel POS REGISTERS (MicroChannel Only)

During Setup *only*, TROPIC provides PIO-addressable POS registers for polling and initializing adapters in MicroChannel Hosts, in keeping with MicroChannel architecture, these registers let configuration information be written from the non-volatile POS memory on the MicroChannel motherboard to TROPIC during Setup. However, these registers *are not* available during TROPIC operations after Setup. (During normal operation, refer instead to the Setup Read 1 and Setup Read 2 PIO Registers for adapter information.) The POS Register region of PIO space has the following structure:

#### MicroChannel POS Register Locations (only available during Setup)

|        |                                                     |
|--------|-----------------------------------------------------|
| x00107 | Channel Check/Status Register (High Byte)—READ ONLY |
| x00106 | Channel Check/Status Register (Low Byte)—READ ONLY  |
| x00105 | Status/Check Register                               |
| x00104 | Configuration Register (High Byte)                  |
| x00103 | Configuration Register (Low Byte)                   |
| x00102 | Card Enable                                         |
| x00101 | MicroChannel Card ID (High Byte)—READ ONLY          |
| x00100 | MicroChannel Card ID (Low Byte)—READ ONLY           |



## 6.0 Registers (Continued)

### MicroChannel Card ID Register Pair (Read Only)

This read-only register pair provides the unique MicroChannel Card ID (as stored in the Adapter Identification PROM). Bits 15–4 of the ID are always set at xE00, so the range of unique Card ID values are xE0000 to xE000F.

| x00101                                  |    |    |    |    |    |   |   | x00100                                                |   |   |   |                                                         |   |   |   |
|-----------------------------------------|----|----|----|----|----|---|---|-------------------------------------------------------|---|---|---|---------------------------------------------------------|---|---|---|
| 15                                      | 14 | 13 | 12 | 11 | 10 | 9 | 8 | 7                                                     | 6 | 5 | 4 | 3                                                       | 2 | 1 | 0 |
| CARD ID High Byte<br>(Hardwired to xE0) |    |    |    |    |    |   |   | Upper 4 Bits of CARD ID Low<br>Byte (Hardwired to x0) |   |   |   | Lower 4 Bits of CARD ID Low<br>Byte (Unique to Adapter) |   |   |   |

| Bit(s) | Description                                                                          |
|--------|--------------------------------------------------------------------------------------|
| 15-8   | <b>Card ID High Byte:</b> This is always "hardwired" to xE0.                         |
| 7-4    | <b>Card ID Low Byte (Most Significant 4 bits):</b> This is always "hardwired" to x0. |
| 3-0    | <b>Card ID Low Byte (Least Significant 4 bits):</b> These bits are card-specific.    |

### Card Enable Register

This register contains the MicroChannel Card Enable bit and the Shared RAM Base Address (which is loaded from Configuration Register bits 15–9 during POST).

| x00102 |      |      |      |      |      |               |      |
|--------|------|------|------|------|------|---------------|------|
| 7      | 6    | 5    | 4    | 3    | 2    | 1             | 0    |
| AB19   | AB18 | AB17 | AB16 | AB15 | AB14 | AB13<br>(= 0) | CENA |

| Bit(s) | Description                                                                                                                                                                                                                                                                                                                                                                                                                                                                                                                                                                                                                                                                                                                                                                                                                                                                                                                                                                                                                                                                                                                                   |
|--------|-----------------------------------------------------------------------------------------------------------------------------------------------------------------------------------------------------------------------------------------------------------------------------------------------------------------------------------------------------------------------------------------------------------------------------------------------------------------------------------------------------------------------------------------------------------------------------------------------------------------------------------------------------------------------------------------------------------------------------------------------------------------------------------------------------------------------------------------------------------------------------------------------------------------------------------------------------------------------------------------------------------------------------------------------------------------------------------------------------------------------------------------------|
| 7–1    | <p><b>Shared RAM Host Base Address:</b> (Address Bits 19–13): Used to set the shared RAM page starting address during Setup. This location must be set before the Shared RAM can be accessed and must be set to a location in the memory map that does not cause a conflict. These register bits default to the same setting as Configuration Register Bits 15–9 on power-up or after an adapter reset. If the register contains this value, the shared RAM page is not mapped into the memory map. This register must be set to a correct address boundary as follows:</p> <ul style="list-style-type: none"> <li>• 8 kB shared RAM page should be on an 8 kB address boundary.</li> <li>• 16 kB shared RAM page should be on a 16 kB address boundary.</li> <li>• 32 kB shared RAM page should be on a 32 kB address boundary.</li> <li>• 64 kB shared RAM page should be on a 64103 address boundary.</li> </ul> <p>For RAM paging, the address boundary can be on a 16 kB boundary since only 16 kB of PC address space is used.</p> <p><b>Note:</b> To select a valid address boundary, RRR Bit 1 (AB 13) should always be set to 0.</p> |
| 0      | <p><b>Card Enable Bit (CENA):</b> This bit, when set to 1, enables all MMIO and PIO operations along with the card Data Bus and return signal drivers. If set to 0, the card is disabled.</p>                                                                                                                                                                                                                                                                                                                                                                                                                                                                                                                                                                                                                                                                                                                                                                                                                                                                                                                                                 |

## 6.0 Registers (Continued)

### Configuration Register Pair

This register pair provides an alternative to hardware jumpers at Setup.

|        |       |       |       |       |       |       |                   |   |   |   |          |      |       |   |   |
|--------|-------|-------|-------|-------|-------|-------|-------------------|---|---|---|----------|------|-------|---|---|
| x00104 |       |       |       |       |       |       | x00103            |   |   |   |          |      |       |   |   |
| 15     | 14    | 13    | 12    | 11    | 10    | 9     | 8                 | 7 | 6 | 5 | 4        | 3    | 2     | 1 | 0 |
| RMA19  | RMA18 | RMA17 | RMA16 | RMA15 | RMA14 | RMA13 | Encoded IRQ Level | — | — | — | RAM Size | RATE | PR/AL |   |   |

| Bit(s) | Description                                                                                                                                                                                                                                                                                                                                                                                                                                                                                                                                                                                                                                                                                                                                                                                                                                                                                                                           |              |       |              |   |   |      |   |   |       |   |   |       |   |   |       |
|--------|---------------------------------------------------------------------------------------------------------------------------------------------------------------------------------------------------------------------------------------------------------------------------------------------------------------------------------------------------------------------------------------------------------------------------------------------------------------------------------------------------------------------------------------------------------------------------------------------------------------------------------------------------------------------------------------------------------------------------------------------------------------------------------------------------------------------------------------------------------------------------------------------------------------------------------------|--------------|-------|--------------|---|---|------|---|---|-------|---|---|-------|---|---|-------|
| 15-9   | <b>ROM/MMIO Host Base Address:</b> (Address Bits 19-13): Used to set the ROM/MMIO starting address during Setup. This location must be set before the ROM/MMIO can be accessed and must be set to a location in the memory map that does not cause a conflict. The ROM/MMIO domain is mapped to any contiguous 8 kB block within a 1 MB Host address space.                                                                                                                                                                                                                                                                                                                                                                                                                                                                                                                                                                           |              |       |              |   |   |      |   |   |       |   |   |       |   |   |       |
| 8-7    | <b>Encoded IRQ Level:</b> Selects interrupt level for adapter, as follows: <table border="1" style="margin: 5px auto; border-collapse: collapse; text-align: center;"> <thead> <tr> <th>Bit 8</th> <th>Bit 7</th> <th>Selected IRQ</th> </tr> </thead> <tbody> <tr> <td>0</td> <td>0</td> <td>IRQ2</td> </tr> <tr> <td>0</td> <td>1</td> <td>IRQ3</td> </tr> <tr> <td>1</td> <td>0</td> <td>IRQ10</td> </tr> <tr> <td>1</td> <td>1</td> <td>IRQ11</td> </tr> </tbody> </table>                                                                                                                                                                                                                                                                                                                                                                                                                                                        | Bit 8        | Bit 7 | Selected IRQ | 0 | 0 | IRQ2 | 0 | 1 | IRQ3  | 1 | 0 | IRQ10 | 1 | 1 | IRQ11 |
| Bit 8  | Bit 7                                                                                                                                                                                                                                                                                                                                                                                                                                                                                                                                                                                                                                                                                                                                                                                                                                                                                                                                 | Selected IRQ |       |              |   |   |      |   |   |       |   |   |       |   |   |       |
| 0      | 0                                                                                                                                                                                                                                                                                                                                                                                                                                                                                                                                                                                                                                                                                                                                                                                                                                                                                                                                     | IRQ2         |       |              |   |   |      |   |   |       |   |   |       |   |   |       |
| 0      | 1                                                                                                                                                                                                                                                                                                                                                                                                                                                                                                                                                                                                                                                                                                                                                                                                                                                                                                                                     | IRQ3         |       |              |   |   |      |   |   |       |   |   |       |   |   |       |
| 1      | 0                                                                                                                                                                                                                                                                                                                                                                                                                                                                                                                                                                                                                                                                                                                                                                                                                                                                                                                                     | IRQ10        |       |              |   |   |      |   |   |       |   |   |       |   |   |       |
| 1      | 1                                                                                                                                                                                                                                                                                                                                                                                                                                                                                                                                                                                                                                                                                                                                                                                                                                                                                                                                     | IRQ11        |       |              |   |   |      |   |   |       |   |   |       |   |   |       |
| 6-4    | Reserved.                                                                                                                                                                                                                                                                                                                                                                                                                                                                                                                                                                                                                                                                                                                                                                                                                                                                                                                             |              |       |              |   |   |      |   |   |       |   |   |       |   |   |       |
| 3-2    | <b>Shared RAM Page Size:</b> Bits 3 and 2 select the shared RAM page (window) size, i.e., the amount of the Host's memory space that is allocated to shared RAM. These bits are coded as follows: <table border="1" style="margin: 5px auto; border-collapse: collapse; text-align: center;"> <thead> <tr> <th>Bit 3</th> <th>Bit 2</th> <th>Page Size</th> </tr> </thead> <tbody> <tr> <td>0</td> <td>0</td> <td>8 kB</td> </tr> <tr> <td>0</td> <td>1</td> <td>16 kB</td> </tr> <tr> <td>1</td> <td>0</td> <td>32 kB</td> </tr> <tr> <td>1</td> <td>1</td> <td>64 kB</td> </tr> </tbody> </table> <p>This shared RAM page size may not be the total amount of shared RAM on the adapter. For example, an adapter with 64 kB of available shared RAM can be set for a 16 kB page size to allow shared RAM paging. If bit 3 is set to 1 and bit 2 is set to 0, this would indicate 16 kB of shared RAM in the Host's memory map.)</p> | Bit 3        | Bit 2 | Page Size    | 0 | 0 | 8 kB | 0 | 1 | 16 kB | 1 | 0 | 32 kB | 1 | 1 | 64 kB |
| Bit 3  | Bit 2                                                                                                                                                                                                                                                                                                                                                                                                                                                                                                                                                                                                                                                                                                                                                                                                                                                                                                                                 | Page Size    |       |              |   |   |      |   |   |       |   |   |       |   |   |       |
| 0      | 0                                                                                                                                                                                                                                                                                                                                                                                                                                                                                                                                                                                                                                                                                                                                                                                                                                                                                                                                     | 8 kB         |       |              |   |   |      |   |   |       |   |   |       |   |   |       |
| 0      | 1                                                                                                                                                                                                                                                                                                                                                                                                                                                                                                                                                                                                                                                                                                                                                                                                                                                                                                                                     | 16 kB        |       |              |   |   |      |   |   |       |   |   |       |   |   |       |
| 1      | 0                                                                                                                                                                                                                                                                                                                                                                                                                                                                                                                                                                                                                                                                                                                                                                                                                                                                                                                                     | 32 kB        |       |              |   |   |      |   |   |       |   |   |       |   |   |       |
| 1      | 1                                                                                                                                                                                                                                                                                                                                                                                                                                                                                                                                                                                                                                                                                                                                                                                                                                                                                                                                     | 64 kB        |       |              |   |   |      |   |   |       |   |   |       |   |   |       |
| 1      | <b>TROPIC Data Rate:</b> 0 = 4 Mbps, 1 = 16 Mbps                                                                                                                                                                                                                                                                                                                                                                                                                                                                                                                                                                                                                                                                                                                                                                                                                                                                                      |              |       |              |   |   |      |   |   |       |   |   |       |   |   |       |
| 0      | <b>Primary/Alternate Adapter Selection Bit:</b> 0 = Primary, 1 = Alternate                                                                                                                                                                                                                                                                                                                                                                                                                                                                                                                                                                                                                                                                                                                                                                                                                                                            |              |       |              |   |   |      |   |   |       |   |   |       |   |   |       |

### Status/Check Register

This register contains the MicroChannel Status and I/O Channel Check indicator bits.

|        |       |   |   |   |   |   |   |
|--------|-------|---|---|---|---|---|---|
| x00105 |       |   |   |   |   |   |   |
| 7      | 6     | 5 | 4 | 3 | 2 | 1 | 0 |
| CHCK   | CSTAT | — | — | — | — | — | — |

| Bit(s) | Description                                                                                                           |
|--------|-----------------------------------------------------------------------------------------------------------------------|
| 7      | <b>Channel Check:</b> Reflects the true value of —CHCK, TROPIC's I/O Channel Check Signal (0 = Active, 1 = Inactive). |
| 6      | <b>Channel Check Status:</b> Only valid if Channel Check is active (0 = Present, 1 = Not Present).                    |
| 5-0    | Reserved.                                                                                                             |

### Channel Check Status Registers (Read Only)

This read-only register pair holds the MicroChannel Channel Check Status bits. It should be considered a reserved area.

## 7.0 Software Operation of TROPIC

As mentioned earlier, once TROPIC initialization is complete, the Host software communicates with and controls TROPIC through three methods: Shared RAM, interrupts, and registers. This section briefly describes procedures for using those methods to operate TROPIC. More complete details are provided in a separate programming reference document.

### SHARED RAM CONTROL BLOCKS

One use of Shared RAM is to provide buffers for passing Token-Ring data between TROPIC and the Host. A second, equally important use of the Shared RAM is to allow the passing of specialized data between TROPIC and the Host software in *Control Blocks*. Control Blocks are used to pass *Commands* (i.e. requests), and the status of requests between TROPIC and the Host software. There are four Control Blocks:

- **System Request Block (SRB)**—used to pass a command from the Host software to TROPIC and to pass return codes back to the Host software
- **System Status Block (SSB)**—if an SRB command requires further processing, this block is used to pass the ultimate results of the command from TROPIC to the Host software
- **Adapter Request Block (ARB)**—used to pass a command or information from TROPIC to the Host software
- **Adapter Status Block (ASB)**—used by the Host software to respond to an ARB command received from TROPIC, usually with an indication of successful or unsuccessful completion

These Control Blocks are used in conjunction with interrupts to provide event-driven, asynchronous operation of TROPIC, as described later.

Control Block Commands include high level requests from the Host software to TROPIC for MAC (Media Access Control) and LLC (Logical Link Control) services, which are provided within TROPIC by its MPU and Protocol Handler. The Host software is therefore relieved from having to manage MAC, or LLC services, greatly reducing Host program size and complexity.

### SHARED RAM BUFFERS

Shared RAM includes two types of buffers for passing Token-Ring data between TROPIC and the Host:

- Transmit Buffers (also called Data Holding Buffers, or DHBs)
- Receive Buffers

#### Transmit Buffers (DHBs)

TROPIC assembles and transmits frame data from the Transmit Buffers (based on transmit commands issued through the SRB [System Request Block] by the Host software).

The number and size of the Transmit Buffers is determined when TROPIC is issued an Open Adapter command (as described later).

### RECEIVE BUFFERS

TROPIC takes frame data from the Token-Ring and writes it into Receive Buffers in Shared RAM. It then places a Receive command in the ARB and issues an interrupt to the Host software. Among other things, the Receive command information will include the starting address of the Receive buffer.

The total size of the Receive Buffers is determined indirectly when TROPIC is issued an Open Adapter command (described later); all Shared RAM that is not needed for work areas, control blocks, communication areas, and Transmit Buffers is configured as Receive Buffers. Multiple Receive Buffers may be chained together to hold a complete frame, in which case each buffer will contain a pointer to the next buffer in the chain (and the Receive command will indicate the starting address of the first Receive Buffer).

### INITIALIZATION HANDSHAKING

Before beginning an operating session with TROPIC, the Host software must first perform an initialization to ensure a known starting point. The typical method is as follows:

1. Invoke a Reset condition on TROPIC (using an Adapter Reset PIO Register access for MicroChannel and ISA).
2. Delay for at least 50 ms.
3. Invoke a Reset Release (using a Reset Release PIO Register access for MicroChannel and ISA).
4. If Shared RAM is to be paged, request paging by writing xC000 to SRPR (Shared RAM Page Register).
5. Set the Enable Interrupt bit of the HISR register (Host Interrupt/Status Register).
6. Wait for 1 to 3 seconds until TROPIC sets the "SRB Response" bit of the HISR register (indicating initialization and TROPIC's Adapter Diagnostics Program are complete).
7. Read the WRBR (Write Region Base Register) and the Shared RAM Segment address. Use the offset in the WRBR and the Shared RAM Segment Address to calculate the initial location of the SRB where TROPIC has posted the results of the initialization (including any diagnostics failure messages).
8. Read and evaluate the results in the SRB and store important parameters. If diagnostics code indicates successful completion, proceed with operations.
9. If Fast Path Transmission will be used, fill out the SRB with CONFIG.FAST.PATH.RAM command information and interrupt TROPIC. Read the response in the SRB to get the new SRB address.

## 7.0 Software Operation of TROPIC (Continued)

### HOST-TO-TROPIC COMMAND HANDSHAKING

Commands that Host software can issue to TROPIC using the SRB are summarized later in this section. The general procedure for issuing a command to TROPIC is:

1. Host software writes the appropriate Command code and related parameters into the SRB.
2. Host software sets the TISR register's "Command in SRB" bit to issue an interrupt to TROPIC.
3. TROPIC checks the validity of the SRB contents and either:
  - completely processes the command, sets a return code other than xFF in the SRB, and issues an interrupt to the Host software (by setting the HISR register's "Response in SRB" bit).
  - performs initial processing only, sets the return code to xFF in the SRB, and provides a "command correlator". TROPIC issues an interrupt to the Host software (by setting the HISR register's "Response in SRB" bit) *only* if an SRB Free Request Interrupt is issued by the Host software (by setting the TISR register's "SRB Free Request" bit).
4. Depending on the command, TROPIC may request more data using the ARB (Adapter Request Block) and DHB (i.e., the Transmit Buffer). The Host software uses the ASB (Adapter Status Block) to indicate that the requested data has been moved to the appropriate Shared RAM location. After reading the ARB, the Host software interrupts TROPIC by setting the TISR "ARB Free" bit.
5. When processing is completed for a command in process (i.e., return code is xFF in Step 3), TROPIC puts the final return code in the SSB (System Status Block) and interrupts the Host software by setting HISR "SSB Response" bit).

6. After the Host software reads the return code from the SSB, it interrupts TROPIC by setting the TISR "SSB Free" bit.

### TROPIC-TO-HOST COMMAND HANDSHAKING

The commands which can be issued from TROPIC to the Host software using the ARB are summarized in a table later in this section. The general procedure for issuing a command to the Host software is as follows:

1. TROPIC writes the appropriate Command code and related parameters into the ARB.
2. TROPIC sets the HISR register's "ARB Command" bit to issue an interrupt to the Host software.
3. The Host software reads the ARB contents and issues an interrupt to TROPIC by setting the TISR register's "ARB Free" bit (to acknowledge command receipt and to indicate that TROPIC can re-use the ARB).
4. If a response is required based on the command, the Host software writes the response information into the ASB (Adapter Status Block) and issues an interrupt to TROPIC by setting the TISR register's "Response in ASB" bit.
5. After TROPIC reads the ASB response, it either:
  - sets a return code of xFF in the SRB, and issues an interrupt to the Host software by setting the HISR register's "ASB Free" bit *only* if the "ASB Free Request" interrupt bit is set.
  - sets an error return code indicating that an error has been detected, and issues an interrupt to the Host software by setting the HISR register's "ASB Free" bit, regardless of the status of the "ASB Free Request" interrupt bit.

### SRB (Host-to-TROPIC) COMMAND SUMMARY

#### Direct Interface Commands

These commands affect TROPIC as a whole, rather than specific SAPs (Service Access Points) or link stations, and do not involve LLC processing.

| Command Name             | Code (Hex) | Description                                                                                                                                                                                                                                                     |
|--------------------------|------------|-----------------------------------------------------------------------------------------------------------------------------------------------------------------------------------------------------------------------------------------------------------------|
| DIR.CLOSE.ADAPTER        | 04         | Closes the adapter, terminating all Ring communications (or Open Wrap test, if in process)                                                                                                                                                                      |
| DIR.CONFIG.FAST.PATH.RAM | 12         | Tells adapter to use Fast Path interface techniques and sets values for the amount of shared RAM to allocate for the transmit interface and the size of the Fast Path buffers to be used; this command can only be issued when the adapter is in a Closed state |
| DIR.INTERRUPT            | 00         | Forces a TROPIC interrupt; has no effect on Ring communications                                                                                                                                                                                                 |
| DIR.MODIFY.OPEN.PARMS    | 01         | Modifies adapter options previously set by DIR.OPEN.ADAPTER                                                                                                                                                                                                     |
| DIR.OPEN.ADAPTER         | 03         | Opens adapter with specified options, preparing adapter for normal ring operations (in automatic receive mode) or adapter wrap test                                                                                                                             |
| DIR.READ.LOG             | 08         | Reads and resets adapter error counters                                                                                                                                                                                                                         |
| DIR.RESTORE.OPEN.PARMS   | 02         | Modifies adapter options set by DIR.OPEN.ADAPTER                                                                                                                                                                                                                |
| DIR.SET.FUNCT.ADDRESS    | 07         | Sets the functional address for the adapter to receive Ring messages                                                                                                                                                                                            |
| DIR.SET.GROUP.ADDRESS    | 06         | Sets the Group address for the adapter to receive Ring messages                                                                                                                                                                                                 |

## 7.0 Software Operation of TROPIC (Continued)

### DLC (IEEE 802.2 SAP and Station Interfaces) Commands

These commands affect SAPs (Service Access Points) or link stations, and make use of LLC protocols.

| Command Name        | Code (Hex) | Description                                                                                                                                                                                                     |
|---------------------|------------|-----------------------------------------------------------------------------------------------------------------------------------------------------------------------------------------------------------------|
| DLC.CLOSE.SAP       | 16         | Closes (deactivates) an SAP and frees associated control block(s)                                                                                                                                               |
| DLC.CLOSE.STATION   | 1A         | Closes one link station; will not complete while Ring is "beaconing"                                                                                                                                            |
| DLC.CONNECT.STATION | 1B         | Initiates a SABME__UA exchange to place the local and remote link stations in a data transfer state, or completes such an exchange that has been initiated by the remote station                                |
| DLC.FLOW.CONTROL    | 1D         | Controls the flow of data across a specified link station on an SAP, or every link on an SAP                                                                                                                    |
| DLC.MODIFY          | 1C         | Modifies selected working values on an open link station or the default values of an SAP                                                                                                                        |
| DLC.OPEN.SAP        | 15         | Opens (activate) an SAP and allocates an individual SAP control block                                                                                                                                           |
| DLC.OPEN.STATION    | 19         | Allocates resources to support a logical link connection                                                                                                                                                        |
| DLC.REALLOCATE      | 17         | Removes a given number of link station control blocks from a SAP and returns them to the adapter pool, or removes a given number of link station control blocks from the adapter pool and returns them to a SAP |
| DLC.RESET           | 14         | Resets one SAP and all associated link stations, or all SAPs and all associated link stations                                                                                                                   |
| DLC.STATISTICS      | 1E         | Reads statistics for a specific link station                                                                                                                                                                    |

#### Transmit Commands and the Fast Path Interface

There is actually only one transmit command with various subcommands to indicate the type of data to be transmitted. All the commands have the same format with the only difference being the actual command code.

The Fast Path interface provides a pool of transmit buffers that Host software can fill asynchronously to the TROPIC MPU's processing. Host software moves Transmit commands and related data together to these buffers and then signals TROPIC that the pools have been updated. TROPIC then processes frames according to each data block's associated command.

The Fast Path transmit interface is activated by issuing a "DIR.CONFIG.FAST.PATH.RAM" SRB command to TROPIC. TROPIC subsequently processes transmit commands based on Fast Path interface procedures. Fast Path handshaking and operations are covered in detail in a separate programming document.

**Note:** If Fast Path Transmit is not activated, then TROPIC operates in a less efficient transmission mode that requires the Host software to first issue a transmit command *only*, wait for a TROPIC response, and *then* move transmission data to the Transmit buffer. This mode exists primarily for compatibility with earlier drivers, and it should not be used in new software.

| Command Name                | Code (Hex) | Description                                                                                                                                                                                                      |
|-----------------------------|------------|------------------------------------------------------------------------------------------------------------------------------------------------------------------------------------------------------------------|
| TRANSMIT.DIR.frame          | 0A         | Requests transmission of a Direct transmission; the application must assemble the entire message, leaving room for the source address, which TROPIC inserts; no LLC protocol assistance is provided in this mode |
| TRANSMIT.I.frame            | 0B         | Requests transmission of I-format (Information transfer format) frame                                                                                                                                            |
| TRANSMIT.UI.frame           | 0D         | Requests transmission of UI-format (Unsequenced Information transfer format) frame                                                                                                                               |
| TRANSMIT.XID.CMD            | 0E         | Requests transmission of XID-format (Exchange Identification format) Command frame                                                                                                                               |
| TRANSMIT.XID.RESP.FINAL     | 0F         | Requests transmission of XID-format final Response frame (in response to an XID Command being received)                                                                                                          |
| TRANSMIT.XID.RESP.NOT.FINAL | 10         | Requests transmission of XID-format non-final Response frame (in response to an XID Command being received)                                                                                                      |
| TRANSMIT.TEST.CMD           | 11         | Requests transmission of TEST-format Command frame                                                                                                                                                               |

## 7.0 Software Operation of TROPIC (Continued)

### ARB (TROPIC-to-Host) COMMAND SUMMARY

| Command Name          | Code (Hex) | Description                                                                                                                                                                                                            |
|-----------------------|------------|------------------------------------------------------------------------------------------------------------------------------------------------------------------------------------------------------------------------|
| DLC.STATUS            | 83         | Indicates a change in DLC status to the Host                                                                                                                                                                           |
| RECEIVED.DATA         | 81         | Informs the Host that data for a particular STATION-ID has been received; the Host must move the data from the Shared RAM Receive buffers to buffers in Host memory                                                    |
| RETRANSMIT.DATA       | 86         | Lets adapter request a retransmission of frames by the Host due to changes in link station status; the Host responds by moving frames to the transmit buffer Pool starting at the frame with the correlator in the ARB |
| RING.STATUS.CHANGE    | 84         | Indicates a change in network status to the Host                                                                                                                                                                       |
| TRANSMIT.DATA.REQUEST | 82         | When Fast Path is <i>not</i> used, informs the Host that TROPIC now needs data for a Transmit command previously issued by the Host                                                                                    |

#### BRIDGE OPERATION AND COMMANDS

By using two TROPIC-based adapters in the same workstation, each connected to a separate Ring, a bridge application program can forward frames between the two Rings. This capability is supported by some additional resources:

- two additional SRB commands
- one additional ARB command
- two additional Shared RAM areas—a Bridge Transmit Control area and Bridge Transmission buffers
- two additional interrupt register bits, one in the HISR and one in the TISR

Bridge handshaking and operations are covered in detail in a separate programming document. The commands are summarized below:

| Command Name          | Code (Hex) | Description                                                                                 |
|-----------------------|------------|---------------------------------------------------------------------------------------------|
| DIR.CONFIG.BRIDGE.RAM | 0C         | Tells adapter how much shared RAM to allocate for bridge transmit control areas and buffers |
| DIR.SET.BRIDGE.PARMS  | 09         | Lets Host set values and conditions for adapter to use when copying frames for forwarding   |
| RECEIVED.BRIDGE.DATA  | 85         | Informs Host that adapter has received frame that requires forwarding                       |

## 8.0 Pin Descriptions

**Note:** I = Input-only digital, O = Output only digital, B = Bidirectional digital, A = Analog

**I-PU** = Input-only digital with internal pullup\*, **I-PD** = Input-only digital with internal pulldown\*

**B-PU** = Bidirectional digital with internal pullup\*

– = Active low signal

\*Internal polysilicon resistor with nominal value of 15k  $\pm$ 30%

| Pin Name                                                                                               | Pin No.                                                                                                             | Type | Description                                                                                                                                                                                                                                                                          |
|--------------------------------------------------------------------------------------------------------|---------------------------------------------------------------------------------------------------------------------|------|--------------------------------------------------------------------------------------------------------------------------------------------------------------------------------------------------------------------------------------------------------------------------------------|
| <b>TOKEN RING INTERFACE PINS</b>                                                                       |                                                                                                                     |      |                                                                                                                                                                                                                                                                                      |
| -4 MBPS                                                                                                | N09                                                                                                                 | O    | <b>4 MBPS RING SPEED:</b> This output is connected to an external 16 Mbps equalizer. It is driven low if the ring speed is set to 4 Mbps and can sink 8.0 mA at 0.3V. If the ring speed is set to 16 Mbps, this output is set to TRI-STATE® with a maximum leakage current of 10 mA. |
| -16 MBPS                                                                                               | N08                                                                                                                 | O    | <b>16 MBPS RING SPEED:</b> This output is connected to an external 4 Mbps equalizer. It is driven low if the ring speed is set to 16 Mbps and can sink 8.0 mA at 0.3V. If the ring speed is set to 4 Mbps, this output is set to TRI-STATE with a maximum leakage current of 10 mA.  |
| PHANTA                                                                                                 | P07                                                                                                                 | A    | <b>PHANTOM DRIVE A</b> —This pin and PHANTOM DRIVE B are the outputs for the Phantom Drive signal. These Pins are connected via resistors to the line side of the transmit pulse transformer. The Phantom Drive signal inserts the station into the wiring concentration unit.       |
| PHANTB                                                                                                 | P06                                                                                                                 | A    | <b>PHANTOM DRIVE B</b> —see PHANTA.                                                                                                                                                                                                                                                  |
| PLL4                                                                                                   | P09                                                                                                                 | A    | <b>PLL FILTER—4 MBPS:</b> The resistor and capacitors attached to the A pin control how responsive PLL oscillator is to phase changes in the received data at 4 Mbps.                                                                                                                |
| PLL16                                                                                                  | P10                                                                                                                 | A    | <b>PLL FILTER—16 MBPS:</b> The capacitor attached to the B pin controls how responsive the PLL oscillator is to phase changes in the received data at 16 Mbps.                                                                                                                       |
| RINA                                                                                                   | N07                                                                                                                 | A    | <b>Ring IN A:</b> One of the two lines on which differential data is received from the Token Ring through the receive transformer and equalizer circuits.                                                                                                                            |
| RINB                                                                                                   | P08                                                                                                                 | A    | <b>Ring IN B:</b> See RINA above.                                                                                                                                                                                                                                                    |
| ROUTA                                                                                                  | P05                                                                                                                 | A    | <b>Ring OUT A:</b> One of the two lines on which differential data is driven to the Token Ring through the transmit transformer and equalizer circuits.                                                                                                                              |
| ROUTB                                                                                                  | N05                                                                                                                 | A    | <b>Ring OUT B:</b> See ROUTA above.                                                                                                                                                                                                                                                  |
| <b>POWER SUPPLY PINS (DIGITAL)</b>                                                                     |                                                                                                                     |      |                                                                                                                                                                                                                                                                                      |
| GND                                                                                                    | D07, E06, E07, E08, F04, G04, G10, H10, J04, J10, L05, L08, L09                                                     |      |                                                                                                                                                                                                                                                                                      |
| V <sub>CC</sub>                                                                                        | D06, D08, E05, G03, G11, H04, J03, J11, K10, M05, M08                                                               |      |                                                                                                                                                                                                                                                                                      |
| <b>POWER SUPPLY PINS (ANALOG)</b>                                                                      |                                                                                                                     |      |                                                                                                                                                                                                                                                                                      |
| <b>Care should be taken to reduce noise in these pins since they supply analog elements of TROPIC.</b> |                                                                                                                     |      |                                                                                                                                                                                                                                                                                      |
| GND                                                                                                    | M07 (PLL Filter Return), N06                                                                                        |      |                                                                                                                                                                                                                                                                                      |
| V <sub>CC</sub>                                                                                        | L06, L07, M06                                                                                                       |      |                                                                                                                                                                                                                                                                                      |
| <b>NO CONNECT PINS</b>                                                                                 |                                                                                                                     |      |                                                                                                                                                                                                                                                                                      |
| NC<br>All Busses<br>For ISA                                                                            | E01, F01, F09, F11, G13, H12, J01, L11, L12, M01, M11, M12, M13, M14, N01, N11, N12, N13, N14, P13, P14<br>C01, D01 |      |                                                                                                                                                                                                                                                                                      |
| <b>CLOCK INTERFACE PINS</b>                                                                            |                                                                                                                     |      |                                                                                                                                                                                                                                                                                      |
| 32 MHZ                                                                                                 | F14                                                                                                                 | I    | <b>32 MHZ IN:</b> This input line must be driven from a 32 MHz $\pm$ 0.005% signal source with a duty cycle of 40–60% of total cycle.                                                                                                                                                |

## 8.0 Pin Descriptions (Continued)

**Note:** **I** = Input-only digital, **O** = Output only digital, **B** = Bidirectional digital, **A** = Analog

**I-PU** = Input-only digital with internal pullup\*, **I-PD** = Input-only digital with internal pulldown\*

**B-PU** = Bidirectional digital with internal pullup\*

– = Active low signal

+ = Active high signal

\*Internal polysilicon resistor with nominal value of 15k  $\pm$  30%

| Pin Name                                   | Pin No.  | Type | Description                                                                                                                                                                                                                                                                                                                                                                                                                                              |
|--------------------------------------------|----------|------|----------------------------------------------------------------------------------------------------------------------------------------------------------------------------------------------------------------------------------------------------------------------------------------------------------------------------------------------------------------------------------------------------------------------------------------------------------|
| <b>TROPIC LOCAL STORAGE INTERFACE PINS</b> |          |      |                                                                                                                                                                                                                                                                                                                                                                                                                                                          |
| –RAS<br>+CO/–DAT                           | E12      | O    | <b>–ROW ADDRESS STROBE / (+ CODE/ – DATA):</b> For Dynamic RAM, this output is the Row Address Strobe (RAS). It is activated on any access by TROPIC to the DRAM, and also during refresh cycles. If static RAM is used, this signal is high during accesses to the Code Block and low during accesses to the Data Block.                                                                                                                                |
| –CASHI<br>–SRAMHI                          | D12      | O    | <b>COLUMN ADDRESS STROBE HI/ –SRAM SELECT HI:</b> This output is used to select the dynamic or static RAM devices on the HI byte of the storage bus. When this signal is activated for a read access, good parity must be provided by the external devices.                                                                                                                                                                                              |
| –CASLO<br>–SRAMLO                          | D11      | O    | <b>COLUMN ADDRESS STROBE LO/ –SRAM SELECT LO:</b> This output is used to select the dynamic or static RAM devices on the LO byte of the storage bus. When this signal is activated for a read access, good parity must be provided by the external devices.                                                                                                                                                                                              |
| –ROM                                       | G12      | O    | <b>ROM SELECT:</b> This output is used to select ROM devices on the storage bus. All reads and writes to the ROM are word (two-byte) operations.                                                                                                                                                                                                                                                                                                         |
| –AIP                                       | F13      | O    | <b>AIP SELECT:</b> This output is activated by TROPIC during any MPU or Host read cycle that references the AIP. This signal is also activated for MicroChannel accesses to the Card ID. When this line is active, only the low-order 4 bits of the data bus need to be driven. The high-order 12 data bits and the parity bits are ignored by TROPIC. No WRITE logic is enabled during AIP Select cycles; therefore, writing to the AIP is not allowed. |
| –DRAMWE                                    | E13      | O    | <b>DRAM WRITE ENABLE:</b> This output line is activated by TROPIC during any write access to RAM or DRAM. This signal is conditioned by timing logic to provide the correct Write Enable signal for DRAMs selected by the CAS lines.                                                                                                                                                                                                                     |
| –SRAMOE                                    | E11      | O    | <b>SRAM OUTPUT ENABLE:</b> This output signal has meaning only when static RAM is used. It is activated by TROPIC on any RAM read access from either byte of the storage bus.                                                                                                                                                                                                                                                                            |
| –SWRITE                                    | E14      | B    | <b>STORAGE WRITE:</b> This bidirectional line is activated by TROPIC whenever the current storage bus operation is a "write" from TROPIC's perspective. The signal is not conditioned by timing logic.                                                                                                                                                                                                                                                   |
| –SD15 to –SD8<br>–SDP1                     | (Note 1) | B-PU | <b>STORAGE DATA(bits 15 through 8) and Storage Data Parity 1 (MSB):</b> This bidirectional bus carries the high-order data for all storage devices on the Local Storage Interface.                                                                                                                                                                                                                                                                       |
| –SD7 to –SD0<br>–SDP0                      | (Note 1) | B-PU | <b>STORAGE DATA(bits 7 through 0) and Storage Data Parity 0 (LSB):</b> This bidirectional bus carries the low-order data for all storage devices on the Local Storage Interface. If a separate BIOS module is used, it must be attached to this byte of the storage bus. Also, for accesses to a separate BIOS module, parity does not need to be provided, and TROPIC inverts the data so it is considered to be positive active.                       |
| –SA14 to –SA0                              | (Note 1) | B    | <b>STORAGE ADDRESS(bits 14 through 0):</b> This bidirectional bus carries the address for all storage devices on the Local Storage Interface and is valid when one of the storage select lines is activated.                                                                                                                                                                                                                                             |
| –SMI                                       | P12      | I-PU | <b>STORAGE MEMORY INHIBIT:</b> For normal operation, this input pin MUST be tied inactive or left unconnected; it has an integrated pullup resistor in its receiver.                                                                                                                                                                                                                                                                                     |
| –MIP                                       | P11      | I-PU | <b>MIP TEST:</b> For normal operation, this input pin MUST be tied inactive or left unconnected; it has an integrated pullup resistor in its receiver.                                                                                                                                                                                                                                                                                                   |

**Note 1:** See the Connection Diagrams and Pinout Tables in Section 12.0 for Pin Numbers.



## 8.0 Pin Descriptions (Continued)

**Note:** I = Input-only digital, O = Output only digital, B = Bidirectional digital, A = Analog

**I-PU** = Input-only digital with internal pullup\*, **I-PD** = Input-only digital with internal pulldown\*

**B-PU** = Bidirectional digital with internal pullup\*

– = Active low signal

+ = Active high signal

\*Internal polysilicon resistor with nominal value of 15k  $\pm$ 30%

| Pin Name                                     | Pin No.  | Type | Description                                                                                                                                                               |
|----------------------------------------------|----------|------|---------------------------------------------------------------------------------------------------------------------------------------------------------------------------|
| <b>HOST INTERFACE PINS FOR ALL BUS TYPES</b> |          |      |                                                                                                                                                                           |
| RESET                                        | A01      | I    | <b>HOST RESET:</b> Input used to reset TROPIC. Positive active on ISA and MicroChannel hosts.                                                                             |
| –CFGLD                                       | E10      | O    | <b>CONFIGURATION LOAD:</b> Held low to “gate” settings from physical jumpers (or equivalent) to TROPIC’s internal Configuration Register. Low level when RESET is active. |
| –CFG2                                        | M09      | I-PU | <b>HOST CONFIGURATION 2:</b> This pin and pins CFG1 and CFG0 are used together to indicate the bus type to TROPIC during reset; for more information, see Section 4.0.    |
| –CFG1                                        | M10      | I-PD | <b>HOST CONFIGURATION 1:</b> see CFG2                                                                                                                                     |
| –CFG0                                        | N10      | I-PU | <b>HOST CONFIGURATION 0:</b> see CFG2                                                                                                                                     |
| HD15 to HD0                                  | (Note 1) | B    | <b>HOST DATA</b> (bits 15 through 0)—These bidirectional, positive active pins are used to transfer data across the Host data bus. TRI-STATE when RESET is active.        |
| HDP1                                         | B03      | B    | <b>Host Data Parity 1 (MSB):</b> Bidirectional, positive active pin used to transfer parity bit for most significant Host Data byte.                                      |
| HDP0                                         | A03      | B    | <b>Host Data Parity 0 (LSB):</b> Bidirectional, positive active pin used to transfer parity bit for least significant Host Data byte.                                     |
| HA19 to HA0                                  | (Note 1) | I    | <b>HOST ADDRESS</b> (bits 19 through 0)—These positive active pins are connected to the Host address bus.                                                                 |
| –EHDH                                        | A07      | O    | <b>ENABLE HOST DATA HIGH:</b> External buffer enable for high byte (driven high when RESET is active).                                                                    |
| –EHDL                                        | B07      | O    | <b>ENABLE HOST DATA LOW:</b> External buffer enable for low byte (driven high when RESET is active).                                                                      |
| –EHPI                                        | A02      | O    | <b>ENABLE HOST PARITY IN:</b> Enables Host Parity In for Data Bus buffer hardware. Driven high when RESET is active.                                                      |
| HDDIR                                        | C07      | O    | <b>HOST DATA DIRECTION:</b> Direction signal source for Host Data buffer hardware. Low for Host Reads, high for Host Writes. Driven high when RESET is active.            |

**Note 1:** See the Connection Diagrams and Pinout Tables in Section 12.0 for Pin Numbers.

## 8.0 Pin Descriptions (Continued)

**Note:** I = Input-only digital, O = Output only digital, B = Bidirectional digital, A = Analog

**I-PU** = Input-only digital with internal pullup\*, **I-PD** = Input-only digital with internal pulldown\*

**B-PU** = Bidirectional digital with internal pullup\*

- = Active low signal

+ = Active high signal

\*Internal polysilicon resistor with nominal value of 15k  $\pm$ 30%

| Pin Name                                          | Pin No.  | Type | Description                                                                                                     |
|---------------------------------------------------|----------|------|-----------------------------------------------------------------------------------------------------------------|
| <b>HOST INTERFACE PINS FOR ISA HOSTS</b>          |          |      |                                                                                                                 |
| +AEN                                              | C04      | I    | <b>ADDRESS ENABLE</b>                                                                                           |
| +RDY                                              | C02      | O    | <b>CHANNEL READY:</b> High level when RESET is active.                                                          |
| -BHE                                              | B01      | I    | <b>BYTE HIGH ENABLE</b>                                                                                         |
| -BIOS                                             | F10      | O    | <b>BIOS ACCESS:</b> Activated by TROPIC when Host addresses the BIOS ROM. High level when RESET is active.      |
| -CHCK                                             | E03      | O    | <b>I/O CHANNEL CHECK:</b> High level when RESET is active.                                                      |
| +DPEN                                             | F02      | I    | <b>DATA PARITY ENABLE:</b> TROPIC checks data parity on Host writes when this signal is tied high.              |
| -IOR                                              | E04      | I    | <b>I/O READ:</b> If this signal and IOW are active, IOR is not recognized and TROPIC goes into Card Test mode.  |
| -IOW                                              | F03      | I    | <b>I/O WRITE:</b> If this signal and IOR are active, IOW is not recognized and TROPIC goes into Card Test mode. |
| -MEMR                                             | D04      | I    | <b>MEMORY READ</b>                                                                                              |
| -MEMW                                             | D05      | I    | <b>MEMORY WRITE</b>                                                                                             |
| -REF                                              | B02      | I    | <b>REFRESH</b>                                                                                                  |
| IRQ2I                                             | P02      | I    | <b>INTERRUPT REQUEST 2 INPUT</b>                                                                                |
| IRQ2O                                             | C03      | O    | <b>INTERRUPT REQUEST 2 OUTPUT:</b> High level when RESET is active.                                             |
| IRQ3I                                             | P01      | I    | <b>INTERRUPT REQUEST 3 INPUT</b>                                                                                |
| IRQ3O                                             | E02      | O    | <b>INTERRUPT REQUEST 3 OUTPUT:</b> High level when RESET is active.                                             |
| IRQ6I                                             | N02      | I    | <b>INTERRUPT REQUEST 6 INPUT</b>                                                                                |
| IRQ6O                                             | D03      | O    | <b>INTERRUPT REQUEST 6 OUTPUT:</b> High level when RESET is active.                                             |
| IRQ7I                                             | L04      | I    | <b>INTERRUPT REQUEST 7 INPUT</b>                                                                                |
| IRQ7O                                             | D02      | O    | <b>INTERRUPT REQUEST 7 OUTPUT:</b> High level when RESET is active.                                             |
| TH                                                | P03, P04 | I    | <b>TIE HIGH</b> —These pins must be pulled High using a nominal value external pullup resistor.                 |
| <b>HOST INTERFACE PINS FOR MICROCHANNEL HOSTS</b> |          |      |                                                                                                                 |
| MIO                                               | C04      | I    | <b>+MEMORY/ -I/O CYCLE</b>                                                                                      |
| +CHRDY                                            | C02      | O    | <b>CARD CHANNEL READY:</b> High level when RESET is active.                                                     |
| -SBHE                                             | B01      | I    | <b>SYSTEM BYTE HIGH ENABLE</b>                                                                                  |
| -BIOS                                             | F10      | O    | <b>BIOS ACCESS:</b> Activated by TROPIC when Host addresses the BIOS ROM. High level when RESET is active.      |
| -CHCK                                             | E03      | O    | <b>I/O CHANNEL CHECK:</b> High level when RESET is active.                                                      |
| -DPENI                                            | F02      | I    | <b>DATA PARITY ENABLE IN:</b> TROPIC checks data parity on Host writes when this signal goes low.               |
| -CMD                                              | E04      | I    | <b>COMMAND</b>                                                                                                  |
| -ADL                                              | F03      | I    | <b>ADDRESS LATCH</b>                                                                                            |
| -S1                                               | D04      | I    | <b>STATUS BIT 1</b>                                                                                             |
| -S0                                               | D05      | I    | <b>STATUS BIT 0</b>                                                                                             |
| -REF                                              | B02      | I    | <b>REFRESH</b>                                                                                                  |

## 8.0 Pin Descriptions (Continued)

**Note:** I = Input-only digital, O = Output only digital, B = Bidirectional digital, A = Analog

**I-PU** = Input-only digital with internal pullup\*, **I-PD** = Input-only digital with internal pulldown\*

**B-PU** = Bidirectional digital with internal pullup\*

- = Active low signal

+ = Active high signal

\*Internal polysilicon resistor with nominal value of  $15k \pm 30\%$

| Pin Name                                                      | Pin No. | Type | Description                                           |
|---------------------------------------------------------------|---------|------|-------------------------------------------------------|
| <b>HOST INTERFACE PINS FOR MICROCHANNEL HOSTS (Continued)</b> |         |      |                                                       |
| +A23                                                          | P02     | I    | SYSTEM ADDRESS BIT 23 (MSB)                           |
| -IRQ2                                                         | C03     | O    | INTERRUPT REQUEST 2: High level when RESET is active. |
| +A22                                                          | P01     | I    | SYSTEM ADDRESS BIT 22                                 |
| -IRQ3                                                         | E02     | O    | INTERRUPT REQUEST 3: High level when RESET is active. |
| +A21                                                          | N02     | I    | SYSTEM ADDRESS BIT 21                                 |
| -IRQ6                                                         | D03     | O    | INTERRUPT REQUEST 6: High level when RESET is active. |
| +A20                                                          | L04     | I    | SYSTEM ADDRESS BIT 20                                 |
| -IRQ7                                                         | D02     | O    | INTERRUPT REQUEST 7: High level when RESET is active. |
| +MA24                                                         | P03     | I    | MEMORY ADDRESS ENABLE 24                              |
| -DS16                                                         | C01     | O    | CARD DATA SIZE 16: High level when RESET is active.   |
| -SETUP                                                        | P04     | I    | SETUP SIGNAL                                          |
| -SFBK                                                         | D01     | O    | SELECT FEEDBACK: High level when RESET is active.     |

## 9.0 Hardware Interface

Because TROPIC has a limited number of I/O pins and its drivers cannot directly drive the loads encountered on many of the Host interface signals, some support components ("glue") must be added to each adapter, as described in this section.

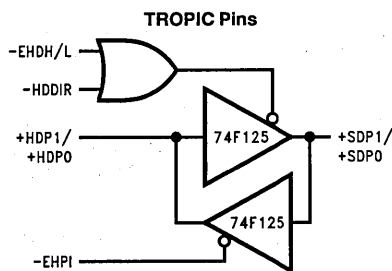
### FOR ISA BUS HOSTS

- Bidirectional TRI-STATE buffer module(s), such as a 74ALS245, to buffer data bits. HDB [Host Data Bus] (15-0) is buffered as D15-D0 for a 16-bit adapter, HDB(7-0) is buffered as D7-D0 for an 8-bit adapter. Its direction pin is attached to the HDDIR signal from TROPIC; its enable pin is attached to the EHDH/L signals from TROPIC.
- Open collector drivers for the CHCK and RDY signals.
- Open collector drivers for the IRQ2/3/6/7/0 signals. The outputs of the glue from these signals attach directly to the IRQ2/3/6/7/0 signals.

### FOR MICROCHANNEL BUS HOSTS

- Bidirectional TRI-STATE buffer module(s), such as a 74ALS245, to buffer data bits. The direction pins are attached to the HDDIR signal from TROPIC; each enable pin is attached to the EHDH/L signals from TROPIC. Each byte has its own enable pin, as required by MicroChannel architecture.

- TRI-STATE drivers like the 74F125 for the data parity bits and an OR gate like the 74AS32. Each parity bit requires two TRI-STATE gates and an OR gate (as shown below). TROPIC provides the EHPI signal.



- An open collector driver for the CHCK signal.
- An open collector driver for the DPAREN signal. A 74F125 with both input pins tied to the HDDIR signal should be used, with its DPAREN output tied to the DPENI signal.
- An open collector driver for the IRQn signals.

## 10.0 Interface Considerations

This section discusses additional considerations for TROPIC's External Storage and Host Interfaces.

### EXTERNAL STORAGE INTERFACE CONSIDERATIONS

TROPIC provides a flexible interface to external storage devices. These devices include static or dynamic RAM and a PROM containing microcode and possibly BIOS data. External storage may also include a separate Adapter Identification PROM (AIP) and/or separate BIOS PROM.

On MicroChannel Bus adapters, the AIP PROM also contains four bits of the Card ID. The AIP SELECT signal is used to select the PROM for both types of accesses. For AIP cycles, address bits 6 and 7 are active; for Card ID accesses, bits 6 and 7 are forced inactive.

In cases where the BIOS resides in the microcode PROM, the ROM SELECT signal is activated and the three highest order storage address bits are forced high for BIOS accesses. Thus, the BIOS must reside logically in the top 8 kB region of the PROM.

In cases where the BIOS resides in a separate PROM, the BIOS SELECT signal, along with 13 bits of the storage address bus, are used for BIOS accesses.

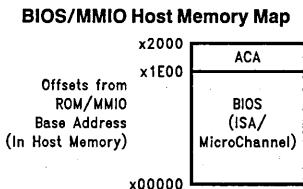
TROPIC supports dynamic RAM with a single Row Address Strobe (RAS) and two Column Address Strobes (CAS), and uses the upper eight address lines for the multiplexed 16-bit address. The CAS signals each select one of the bytes (HI or LO) and the RAS signal is common to both bytes. Refresh is accomplished by distributed RAS-only cycles. One refresh cycle is taken every 15  $\mu$ s, so all 256 rows are refreshed in 3.84 ms.

### INTERFACING A SEPARATE BIOS ROM MODULE

In ISA and MicroChannel Hosts, LAN adapters typically provide support for a BIOS ROM device. The BIOS ROM usually contains code to support remote loading of the operating system on diskless workstations.

In TROPIC's default configuration, BIOS code is stored in an 8 kB portion of the microcode PROM. However, TROPIC does provide integrated support for storing BIOS code in a separate BIOS ROM device, eliminating the need for additional buffers and decoding logic.

Specifically, TROPIC supports an 8k x 8 BIOS ROM device (2764). TROPIC decodes and maps the ROM into Host memory space via the 8 kB ROM/MMIO region. Because TROPIC maps the ACA (Attachment Control Area) into the top 0.5 kB of the ROM/MMIO Host memory region (see below), the Host can access only the lower 7.5 kB of the BIOS ROM; BIOS code must therefore be stored in the lower 7.5 kB of the BIOS ROM.

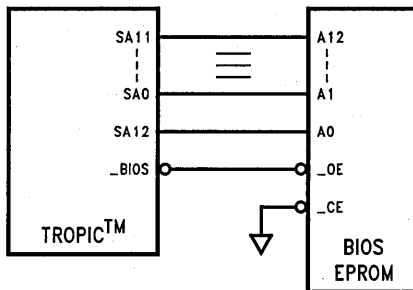


TL/F/11334-14

The ROM/MMIO base address is loaded from the Host into the TROPIC Configuration registers during initialization, either via the Storage Data Bus (for ISA) or POS registers (for MicroChannel); see Section 4.0 for details. For BIOS data access details, see the TROPIC programming reference document.

A BIOS ROM device is connected to TROPIC's Storage bus. The nature of TROPIC's Storage Interface requires the connection of the Storage Address lines (SAx lines) as shown below. The Storage Data lines SD0-7 are connected to the BIOS ROM Data pins D0-7 respectively.

### Separate BIOS PROM Connection



TL/F/11334-15

During initialization, TROPIC must be configured to utilize the separate BIOS ROM. This is accomplished by driving the SDP1 line low (0V) during configuration load. See Section 4.0 for more initialization details.

### OSCILLATOR REQUIREMENTS

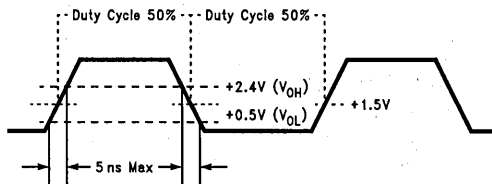
|                     |                             |
|---------------------|-----------------------------|
| Frequency           | 32.0 MHz (TTL)              |
| Supply Voltage      | 5.0V $\pm$ 10%              |
| Frequency Stability | $\pm$ 10 PPM ( $\pm$ 0.01%) |

### Output Specifications:

|                 |                        |
|-----------------|------------------------|
| Load            | 5 TTL Gates Max        |
| Duty Cycle      | 50% $\pm$ 10% (Note 1) |
| Rise Time       | 5 ns Max (Note 2)      |
| Fall Time       | 5 ns Max (Note 2)      |
| V <sub>OH</sub> | 2.4V Min               |
| V <sub>OL</sub> | + 0.5V Min             |

Note 1: Measured at +1.5V level. See diagram below.

Note 2: Measured between the +0.5V (V<sub>OL</sub>) and +2.4V (V<sub>OH</sub>) levels. See diagram below.



TL/F/11334-16

## 11.0 DC and AC Specifications

### ELECTRICAL CHARACTERISTICS

#### Absolute Maximum Ratings

|                                         |                                                              |
|-----------------------------------------|--------------------------------------------------------------|
| Supply Voltage ( $V_{CC}$ )             | -0.5V to 7.0V                                                |
| DC Input Voltage ( $V_{IN}$ )           | -0.5V to $V_{CC} + 0.5V$                                     |
| DC Output Voltage ( $V_{OUT}$ )         | -0.5V to $V_{CC} + 0.5V$                                     |
| Storage Temperature Range ( $T_{STG}$ ) | -40°C to +60°C                                               |
| Power Dissipation (PD)                  | @ $V_{CC} = 5.5V$<br>(@ 4 Mbps) 800 mW<br>(@ 16 Mbps) 990 mW |
| Lead Temp (TL) (Soldering, 10 sec.)     | (@ Pin Head)<br>185°C                                        |
| ESD Rating                              | 1000V (Human<br>Body Model)                                  |

#### DC Specifications (@ 0°C–60°C, $V_{CC} = +5.0V \pm 10\%$ )

| Symbol   | Parameter                                                                                                                   | Min | Max               | Units   |
|----------|-----------------------------------------------------------------------------------------------------------------------------|-----|-------------------|---------|
| $V_{OH}$ | High Level Output Voltage (@ -1 mA)                                                                                         | 2.4 |                   | V       |
| $V_{OL}$ | Low Level Output Voltage (@ 4 mA)                                                                                           |     | 0.5               | V       |
| $V_{IH}$ | Minimum High Level Input Voltage                                                                                            | 2.0 |                   | V       |
| $V_{IL}$ | Minimum Low Level Input Voltage                                                                                             |     | 0.8               | V       |
| $I_L$    | Input Leakage Current<br>$V_{CC} = 5.5V, V_{IL} = 0V^1$<br>$V_{CC} = 5.5V, V_{IL} = 0V^2$<br>$V_{CC} = 5.5V, V_{IL} = 5.5V$ |     | -10<br>-200<br>10 | $\mu A$ |
| $C_{IN}$ | Input Capacitance                                                                                                           |     | 5.0               | pF      |

Note 1: No internal pullup.

Note 2: With internal pullup.

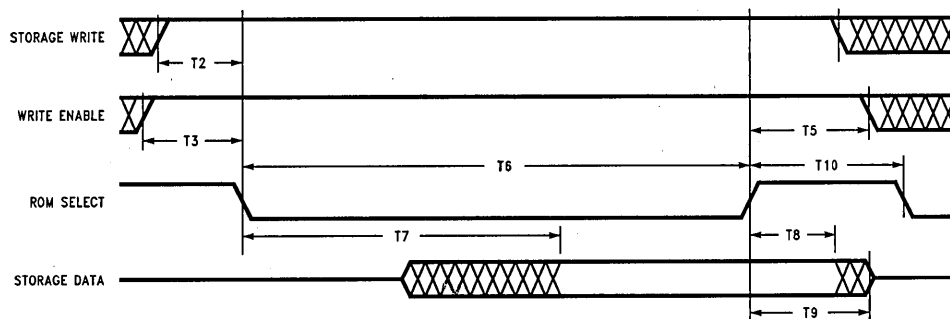
#### AC Specifications

##### EXTERNAL STORAGE INTERFACE TIMING

Timing diagrams in this section reflect the timing requirements at the TROPIC pins and assume a capacitive load of 75 pF for address and data busses and 25 pF for control signals.

After each External Storage access, there is a "dead" period during which no selects are active and TROPIC data drivers are placed in TRI-STATE. This period allows external devices that were accessed to return to TRI-STATE before other external devices or TROPIC begins driving the data bus. This "dead" period is 60 ns maximum, and all external devices must be able to return their drivers to TRI-STATE within this amount of time.

ROM Read Cycle

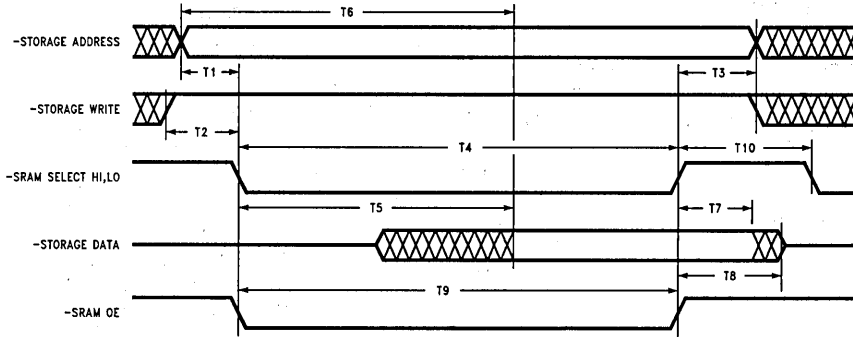


TL/F/11334-17

| Symbol | Parameter                                     | Min | Max | Units |
|--------|-----------------------------------------------|-----|-----|-------|
| T1     | STORAGE ADDRESS setup time                    | 20  |     | ns    |
| T2     | STORAGE WRITE setup time                      | 25  |     | ns    |
| T3     | WRITE ENABLE setup time                       | 60  |     | ns    |
| T4     | STORAGE ADDRESS and STORAGE WRITE hold time   | 0   |     | ns    |
| T5     | WRITE ENABLE hold time                        | 60  |     | ns    |
| T6     | ROM SELECT pulse width                        | 120 | 130 | ns    |
| T7     | STORAGE DATA VALID after ROM SELECT active    |     | 75  | ns    |
| T8     | STORAGE DATA hold time                        | 0   |     | ns    |
| T9     | ROM SELECT inactive to STORAGE DATA TRI-STATE |     | 60  | ns    |
| T10    | ROM SELECT inactive                           | 60  |     | ns    |

# 11.0 DC and AC Specifications (Continued)

Static RAM Read Cycle

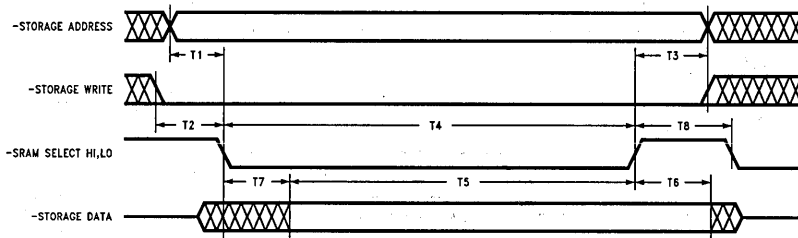


Note: -- = Active low signal.

TL/F/11334-18

| Symbol | Parameter                                      | Min | Max | Units |
|--------|------------------------------------------------|-----|-----|-------|
| T1     | STORAGE ADDRESS setup time                     | 20  |     | ns    |
| T2     | STORAGE WRITE setup time                       | 25  |     | ns    |
| T3     | STORAGE ADDRESS and STORAGE WRITE hold time    | 0   |     | ns    |
| T4     | RAM SELECT pulse width                         | 120 | 130 | ns    |
| T5     | STORAGE DATA VALID after RAM SELECT active     |     | 85  | ns    |
| T6     | STORAGE DATA VALID after STORAGE ADDRESS valid |     | 100 | ns    |
| T7     | STORAGE DATA hold time                         | 0   |     | ns    |
| T8     | RAM SELECT inactive to STORAGE DATA TRI-STATE  |     | 60  | ns    |
| T9     | SRAM OE pulse width                            | 120 | 130 | ns    |
| T10    | SRAM SELECT inactive                           | 60  |     | ns    |

Static RAM Write Cycle



Note: -- = Active low signal.

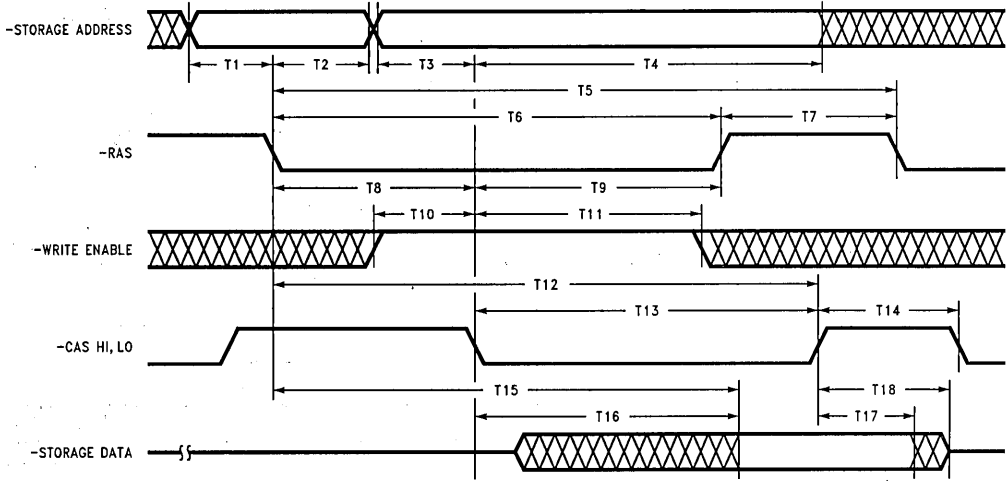
TL/F/11334-19

| Symbol | Parameter                                                                                                    | Min      | Max      | Units |
|--------|--------------------------------------------------------------------------------------------------------------|----------|----------|-------|
| T1     | STORAGE ADDRESS setup time                                                                                   | 20       |          | ns    |
| T2     | STORAGE WRITE setup time                                                                                     | 25       |          | ns    |
| T3     | STORAGE ADDRESS and STORAGE WRITE hold time                                                                  | 25       |          | ns    |
| T4     | RAM SELECT pulse width                                                                                       | 90       | 100      | ns    |
| T5     | STORAGE DATA setup time, MicroChannel™<br>STORAGE DATA setup time, ISA                                       | 80<br>70 |          | ns    |
| T6     | STORAGE DATA hold time                                                                                       | 25       |          | ns    |
| T7     | STORAGE DATA valid after RAM SELECT active, MicroChannel™<br>STORAGE DATA valid after RAM SELECT active, ISA |          | 10<br>20 | ns    |
| T8     | SRAM SELECT inactive                                                                                         | 60       |          | ns    |

Note: The Storage Data timing changes depending on which bus type is selected on the host configuration pins. Differences in data timing for ISA vs MicroChannel require differences in the local memory sequencing to maximize performance.

### 11.0 DC and AC Specifications (Continued)

Dynamic RAM Read Cycle

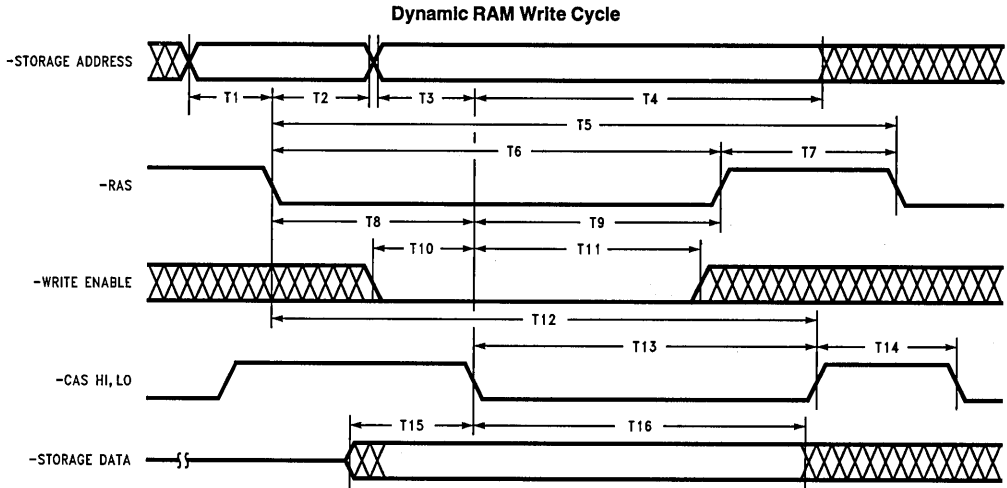


TL/F/11334-20

Note: — = Active low signal.

| Symbol | Parameter                              | Min | Max | Units |
|--------|----------------------------------------|-----|-----|-------|
| T1     | STORAGE ROW ADDRESS setup time         | 5   |     | ns    |
| T2     | STORAGE ROW ADDRESS hold time          | 15  |     | ns    |
| T3     | STORAGE COLUMN ADDRESS setup time      | 5   |     | ns    |
| T4     | STORAGE COLUMN ADDRESS hold time       | 100 |     | ns    |
| T5     | Cycle time                             | 185 |     | ns    |
| T6     | RAS pulse width                        | 105 |     | ns    |
| T7     | RAS precharge time                     | 75  |     | ns    |
| T8     | RAS to CAS delay time                  | 30  |     | ns    |
| T9     | RAS hold time from CAS                 | 75  |     | ns    |
| T10    | WRITE ENABLE setup time                | 10  |     | ns    |
| T11    | WRITE ENABLE hold time                 | 75  |     | ns    |
| T12    | CAS hold time from RAS                 | 135 |     | ns    |
| T13    | CAS pulse width                        | 105 |     | ns    |
| T14    | CAS precharge time                     | 75  |     | ns    |
| T15    | STORAGE DATA valid from RAS            |     | 95  | ns    |
| T16    | STORAGE DATA valid from CAS            |     | 65  | ns    |
| T17    | STORAGE DATA hold time from CAS        | 0   |     | ns    |
| T18    | CAS inactive to STORAGE DATA TRI-STATE |     | 60  | ns    |

# 11.0 DC and AC Specifications (Continued)

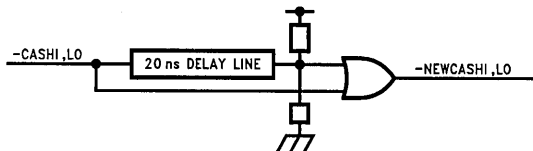


TL/F/11334-21

Note: - = Active low signal.

| Symbol | Parameter                                                             | Min        | Max | Units |
|--------|-----------------------------------------------------------------------|------------|-----|-------|
| T1     | STORAGE ROW ADDRESS setup time                                        | 5          |     | ns    |
| T2     | STORAGE ROW ADDRESS hold time                                         | 15         |     | ns    |
| T3     | STORAGE COLUMN ADDRESS setup time                                     | 5          |     | ns    |
| T4     | STORAGE COLUMN ADDRESS hold time                                      | 100        |     | ns    |
| T5     | Cycle time                                                            | 185        |     | ns    |
| T6     | RAS pulse width                                                       | 105        |     | ns    |
| T7     | RAS precharge time                                                    | 75         |     | ns    |
| T8     | RAS to CAS delay time                                                 | 30         |     | ns    |
| T9     | RAS hold time from CAS                                                | 75         |     | ns    |
| T10    | WRITE ENABLE setup time                                               | 10         |     | ns    |
| T11    | WRITE ENABLE hold time                                                | 75         |     | ns    |
| T12    | CAS hold time from RAS                                                | 135        |     | ns    |
| T13    | CAS pulse width                                                       | 105        |     | ns    |
| T14    | CAS precharge time                                                    | 75         |     | ns    |
| T15    | STORAGE DATA setup time, MicroChannel<br>STORAGE DATA setup time, ISA | 35<br>- 17 |     | ns    |
| T16    | STORAGE DATA hold time, MicroChannel<br>STORAGE DATA hold time, ISA   | 105<br>90  |     | ns    |

Note: The Storage Data timing changes depending on which bus type is selected on the host configuration pins. Differences in data timing for ISA vs MicroChannel require differences in the local memory sequencing to maximize performance. In ISA mode some external circuitry will be required with most DRAMs. The following circuit is recommended:



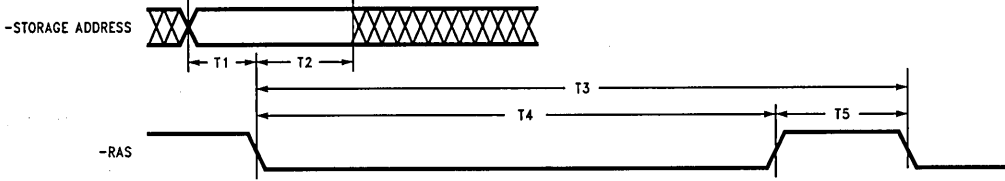
TL/F/11334-37

This trims the leading edge of -CAS and will meet the timing requirements of most DRAMs.



# 11.0 DC and AC Specifications (Continued)

### Dynamic RAM Refresh Cycle

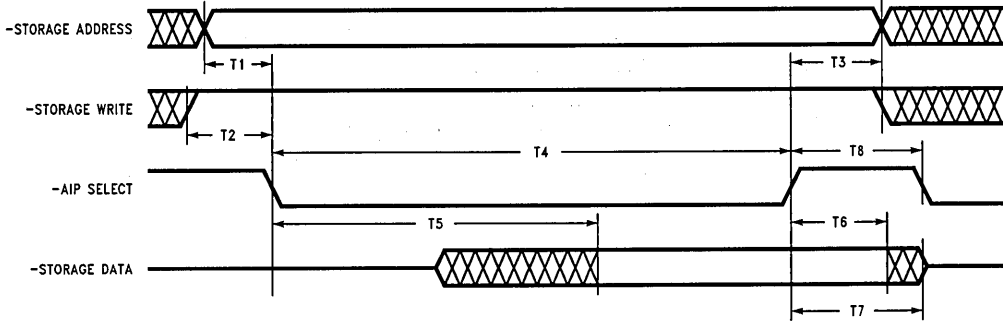


TL/F/11334-22

Note: - = Active low signal.

| Symbol | Parameter                      | Min | Max | Units |
|--------|--------------------------------|-----|-----|-------|
| T1     | STORAGE ROW ADDRESS setup time | 5   |     | ns    |
| T2     | STORAGE ROW ADDRESS hold time  | 15  |     | ns    |
| T3     | Cycle time                     | 185 |     | ns    |
| T4     | RAS pulse width                | 105 |     | ns    |
| T5     | RAS precharge time             | 75  |     | ns    |

### AIP Read Cycle



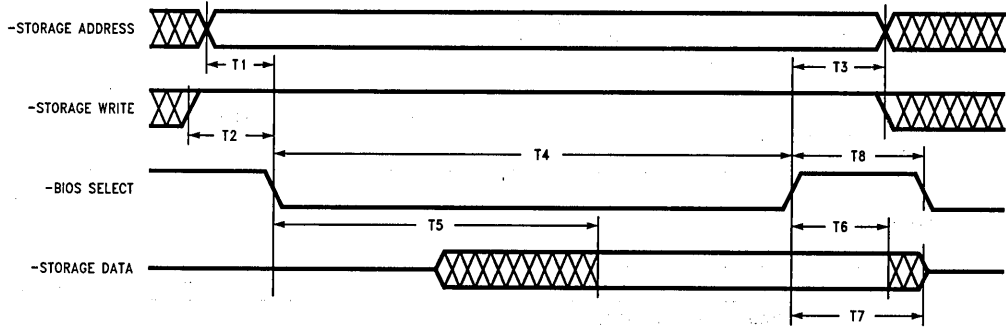
TL/F/11334-23

Note: - = Active low signal.

| Symbol | Parameter                                     | Min | Max | Units |
|--------|-----------------------------------------------|-----|-----|-------|
| T1     | STORAGE ADDRESS setup time                    | 20  |     | ns    |
| T2     | STORAGE WRITE setup time                      | 25  |     | ns    |
| T3     | STORAGE ADDRESS and STORAGE WRITE hold time   | 0   |     | ns    |
| T4     | AIP SELECT pulse width                        | 120 | 130 | ns    |
| T5     | STORAGE DATA VALID after AIP SELECT active    |     | 75  | ns    |
| T6     | STORAGE DATA hold time                        | 0   |     | ns    |
| T7     | AIP SELECT inactive to STORAGE DATA TRI-STATE |     | 60  | ns    |
| T8     | AIP SELECT inactive                           | 60  |     | ns    |

# 11.0 DC and AC Specifications (Continued)

**BIOS Read Cycle**



TL/F/11334-24

Note: - = Active low signal.

| Symbol | Parameter                                      | Min | Max | Units |
|--------|------------------------------------------------|-----|-----|-------|
| T1     | STORAGE ADDRESS setup time                     | 20  |     | ns    |
| T2     | STORAGE WRITE setup time                       | 25  |     | ns    |
| T3     | STORAGE ADDRESS and STORAGE WRITE hold time    | 0   |     | ns    |
| T4     | BIOS SELECT pulse width                        | 490 | 510 | ns    |
| T5     | STORAGE DATA VALID after BIOS SELECT active    |     | 450 | ns    |
| T6     | STORAGE DATA hold time                         | 0   |     | ns    |
| T7     | BIOS SELECT inactive to STORAGE DATA TRI-STATE |     | 60  | ns    |
| T8     | BIOS SELECT inactive                           | 60  |     | ns    |

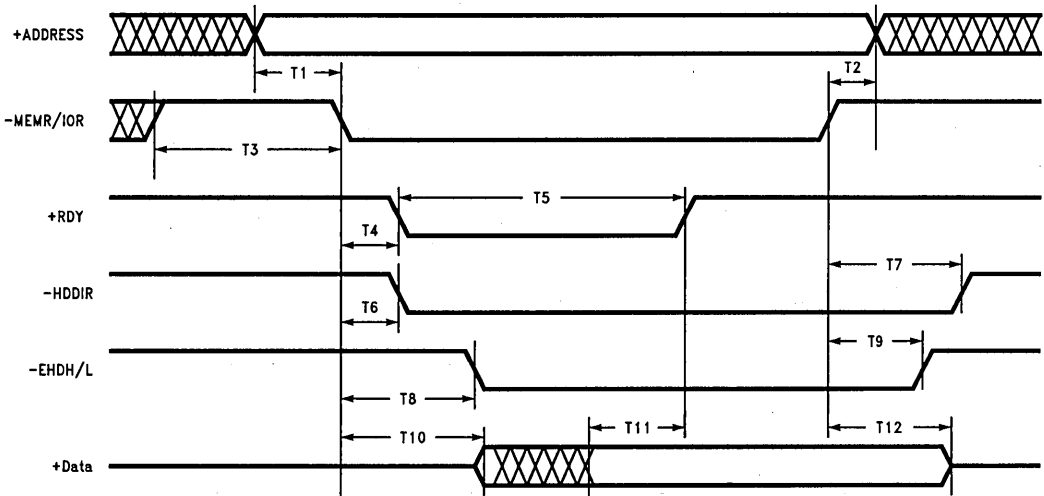
# 11.0 DC and AC Specifications (Continued)

## HOST INTERFACE TIMING

The Host Interface provides interfaces between TROPIC and the Host Bus for interrupt signals and register access. This interface makes TROPIC appear to the Host as a memory-I/O slave.

As shown in this section, timing requirements vary according to the type of Host Bus used (ISA or MicroChannel). All timing diagrams in this section reflect the timing requirements at the TROPIC pins and assume a capacitive load of 50 pF for data lines and 25 pF for control signals and address lines.

ISA Host—Read Timing



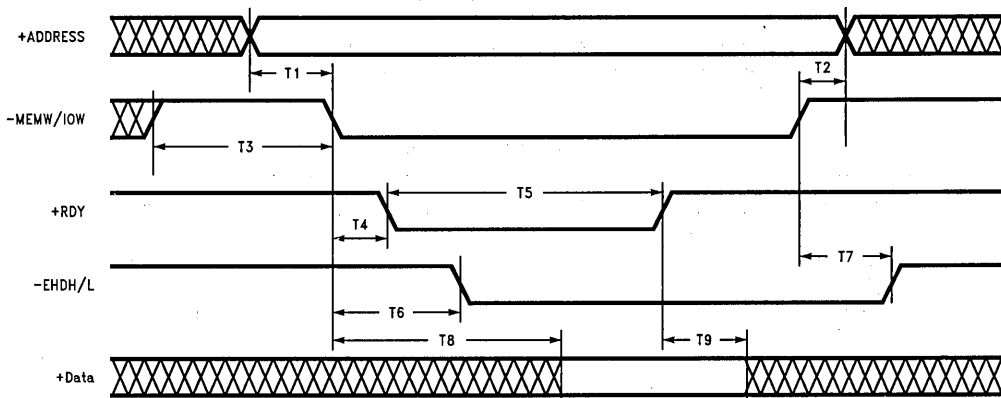
TL/F/11934-25

Note: — = Active low signal.

| Symbol | Parameter                                                           | Min              | Max                | Units |
|--------|---------------------------------------------------------------------|------------------|--------------------|-------|
| T1     | Address valid to MEMR/IOR active<br>REF inactive to MEMW/IOW active | 0<br>0           |                    | ns    |
| T2     | MEMR/IOR inactive to ADDRESS not valid                              | 5                |                    | ns    |
| T3     | MEMR/IOR inactive                                                   | 70               |                    | ns    |
| T4     | MEMR/IOR active to RDY low                                          | 15               | 40                 | ns    |
| T5     | RDY low<br>normal access SRAM<br>normal access DRAM<br>access error | 215<br>215<br>60 | 835<br>1210<br>180 | ns    |
| T6     | MEMR/IOR active to HDDIR active                                     | 10               | 30                 | ns    |
| T7     | MEMR/IOR inactive to HDDIR inactive                                 | 25               | 70                 | ns    |
| T8     | MEMR/IOR active to EHDH/L active                                    | 40               | 135                | ns    |
| T9     | MEMR/IOR inactive to EHDH/L inactive                                | 10               | 25                 | ns    |
| T10    | MEMR/IOR active to DATA TRI-STATE off                               | 40               | 135                | ns    |
| T11    | DATA valid to RDY high                                              | 15               |                    | ns    |
| T12    | MEMR/IOR inactive to DATA TRI-STATE                                 | 20               | 50                 | ns    |

## 11.0 DC and AC Specifications (Continued)

ISA Host—Write Timing

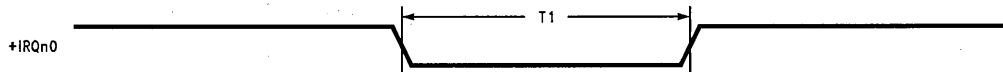


TL/F/11334-26

Note: - = Active low signal.

| Symbol | Parameter                                                           | Min              | Max                | Units |
|--------|---------------------------------------------------------------------|------------------|--------------------|-------|
| T1     | Address valid to MEMW/IOW active<br>REF inactive to MEMW/IOW active | 0                |                    | ns    |
| T2     | MEMR/IOW inactive to ADDRESS not valid                              | 5                |                    | ns    |
| T3     | MEMW/IOW inactive                                                   | 70               |                    | ns    |
| T4     | MEMW/IOW active to RDY low                                          | 15               | 40                 | ns    |
| T5     | RDY low<br>normal access SRAM<br>normal access DRAM<br>access error | 215<br>215<br>60 | 835<br>1210<br>180 | ns    |
| T6     | MEMW/IOW active to EHDH/L active                                    | 40               | 135                | ns    |
| T7     | MEMW/IOW inactive to EHDH/L inactive                                | 10               | 25                 | ns    |
| T8     | MEMW/IOW active to DATA valid                                       |                  | 180                | ns    |
| T9     | RDY high to DATA invalid                                            | 0                |                    | ns    |

ISA Host—Interrupt Request Timing



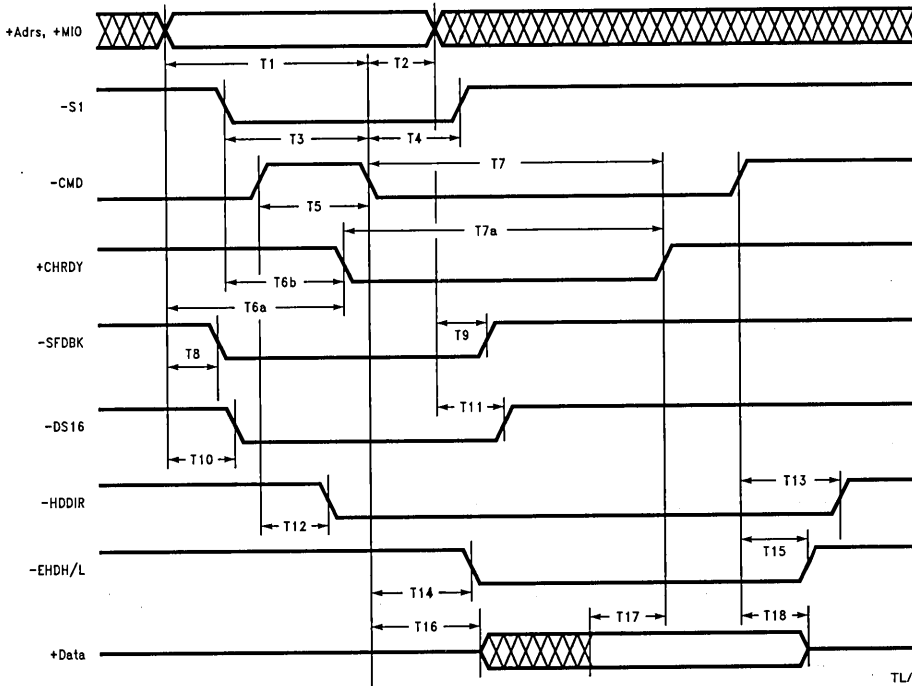
TL/F/11334-27

Note: - = Active low signal.

| Symbol | Parameter                       | Min | Max | Units |
|--------|---------------------------------|-----|-----|-------|
| T1     | Interrupt Request n pulse width | 125 | 440 | ns    |

11.0 DC and AC Specifications (Continued)

MicroChannel Host—Read Timing



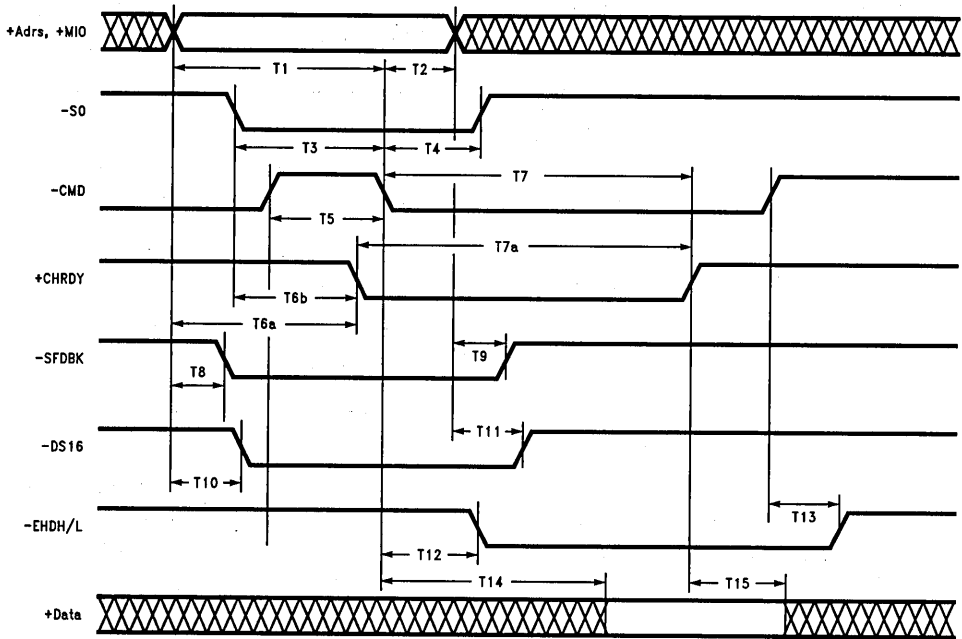
TL/F/11334-28

Note: - = Active low signal.

| Symbol | Parameter                                                         | Min        | Max         | Units |
|--------|-------------------------------------------------------------------|------------|-------------|-------|
| T1     | Address and MIO valid to CMD active                               | 5          |             | ns    |
| T2     | CMD active to Address and MIO not valid                           | 5          |             | ns    |
| T3     | S1 active to CMD active                                           | 10         |             | ns    |
| T4     | CMD active to S1 inactive                                         | 5          |             | ns    |
| T5     | CMD inactive                                                      | 70         |             | ns    |
| T6a    | Address valid to CHRDY low (b met)                                | 15         | 40          | ns    |
| T6b    | S1 active to CHRDY low (a met)                                    | 10         | 29          | ns    |
| T7     | CMD low to CHRDY high<br>normal access SRAM<br>normal access DRAM | 140<br>140 | 835<br>1210 | ns    |
| T8     | Address and MIO valid to SFDBK active                             | 10         | 30          | ns    |
| T9     | Address and MIO not valid to SFDBK inactive                       | 10         | 30          | ns    |
| T10    | Address and MIO valid to DS16 active                              | 10         | 30          | ns    |
| T11    | Address and MIO not valid to DS16 inactive                        | 10         | 30          | ns    |
| T12    | CMD inactive to HDDIR active                                      | 20         | 50          | ns    |
| T13    | CMD inactive to HDDIR inactive                                    | 20         | 50          | ns    |
| T14    | CMD active to EHDH/L active                                       | 10         | 25          | ns    |
| T15    | CMD inactive to EHDH/L inactive                                   | 10         | 25          | ns    |
| T16    | CMD active to DATA TRI-STATE off                                  | 10         | 30          | ns    |
| T17    | DATA valid to CHRDY high                                          | 5          |             | ns    |
| T18    | CMD inactive to DATA TRI-STATE                                    | 10         | 30          | ns    |

# 11.0 DC and AC Specifications (Continued)

MicroChannel Host—Write Timing



TL/F/11934-29

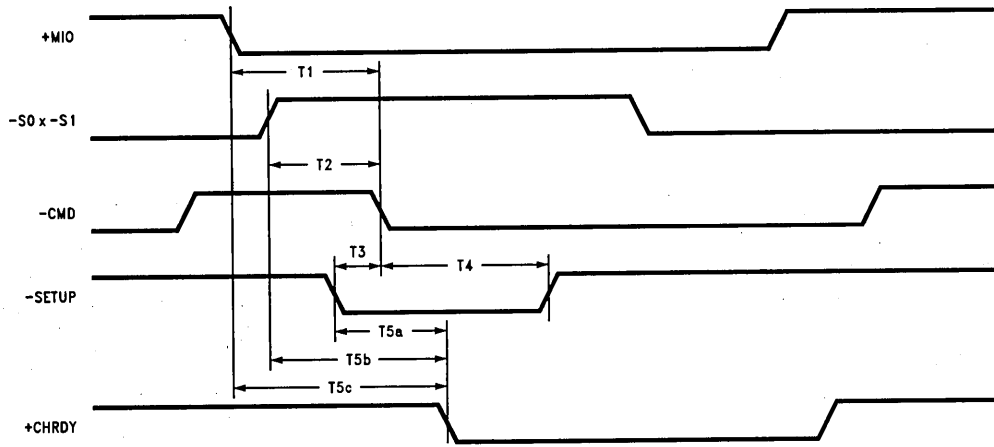
Note: HDDIR remains high throughout cycle.

Note: - = Active low signal.

| Symbol | Parameter                                                         | Min        | Max         | Units |
|--------|-------------------------------------------------------------------|------------|-------------|-------|
| T1     | Address and MIO valid to CMD active                               | 5          |             | ns    |
| T2     | CMD active to Address and MIO not valid                           | 5          |             | ns    |
| T3     | S0 active to CMD active                                           | 10         |             | ns    |
| T4     | CMD active to S0 inactive                                         | 5          |             | ns    |
| T5     | CMD inactive                                                      | 70         |             | ns    |
| T6a    | Address valid to CHRDY low (b met)                                | 17         | 40          | ns    |
| T6b    | S0 active to CHRDY low (a met)                                    | 11         | 29          |       |
| T7     | CMD low to CHRDY high<br>normal access SRAM<br>normal access DRAM | 140<br>140 | 835<br>1210 | ns    |
| T7a    | CHRDY low—access error                                            | 60         | 80          | ns    |
| T8     | Address and MIO valid to SFDBK active                             | 10         | 30          | ns    |
| T9     | Address and MIO not valid to SFDBK inactive                       | 10         | 30          | ns    |
| T10    | Address and MIO valid to DS16 active                              | 10         | 30          | ns    |
| T11    | Address and MIO not valid to DS16 inactive                        | 10         | 30          | ns    |
| T12    | CMD active to EHDH/L active                                       | 10         | 25          | ns    |
| T13    | CMD inactive to EHDH/L inactive                                   | 10         | 25          | ns    |
| T14    | CMD active to DATA valid                                          |            | 90          | ns    |
| T15    | CHRDY high to DATA not valid                                      | 0          |             | ns    |

# 11.0 DC and AC Specifications (Continued)

MicroChannel Host—Setup Timing



TL/F/11334-30

Note: — = Active low signal.

| Symbol | Parameter                               | Min | Max | Units |
|--------|-----------------------------------------|-----|-----|-------|
| T1     | MIO low to CMD active                   | 5   |     | ns    |
| T2     | S0 x S1 active to CMD active            | 5   |     | ns    |
| T3     | SETUP active to CMD active              | 5   |     | ns    |
| T4     | CMD active to SETUP inactive            | 10  |     | ns    |
| T5a    | SETUP to CHRDY low (b, c met)           | 10  | 30  | ns    |
| T5b    | (S0 x S1) valid to CHRDY low (a, c met) | 15  | 35  |       |
| T5c    | MIO low to CHRDY low (b, c met)         | 15  | 35  |       |

## 12.0 Connection Diagrams

### PIN DEFINITIONS

**Note:** Some pins have different definitions depending on the host bus type used, as indicated in the table.

I = Input-only digital, O = Output only digital,

B = Bidirectional digital, A = Analog

I-PU = Input-only digital with internal pullup\*, I-PD = Input-only digital with internal pulldown\*

B-PU = Bidirectional digital with internal pullup\*

\*Internal polysilicon resistor with nominal value of 15k  $\pm$ 30%

NC = No Connect (*should not* be connected for normal operation)

| Pin No.                        | Pin Name       | Type   |
|--------------------------------|----------------|--------|
| A01                            | RESET          | I      |
| A02                            | -EHPI          | O      |
| A03                            | HDP0           | B      |
| A04                            | HD0 (LSB)      | B      |
| A05                            | HD2            | B      |
| A06                            | HD5            | B      |
| A07                            | -EHDH          | O      |
| A08                            | HD8            | B      |
| A09                            | HD11           | B      |
| A10                            | -SD4           | B-PU   |
| A11                            | -SD1           | B-PU   |
| A12                            | -SDP1          | B-PU   |
| A13                            | -SD8           | B-PU   |
| A14                            | -SD12          | B-PU   |
| B01<br>(ISA)<br>(MicroChannel) | -BHE<br>-SBHE  | I<br>I |
| B02<br>(ISA)<br>(MicroChannel) | -REF<br>-REF   | I<br>I |
| B03                            | HDP1           | B      |
| B04                            | HD1            | B      |
| B05                            | HD3            | B      |
| B06                            | HD6            | B      |
| B07                            | -EHDL          | O      |
| B08                            | HD9            | B      |
| B09                            | HD12           | B      |
| B10                            | -SD5           | B-PU   |
| B11                            | -SD2           | B-PU   |
| B12                            | -SDP0          | B-PU   |
| B13                            | -SD9           | B-PU   |
| B14                            | -SD13          | B-PU   |
| C01<br>(ISA)<br>(MicroChannel) | NC<br>-DS16    | <br>O  |
| C02<br>(ISA)<br>(MicroChannel) | +RDY<br>+CHRDY | O<br>O |

| Pin No.                         | Pin Name          | Type   |
|---------------------------------|-------------------|--------|
| C03<br>(ISA)<br>(MicroChannel)  | IRQ2O<br>-IRQ2    | O<br>O |
| C04<br>(ISA)<br>(MicroChannel)  | +AEN<br>MIO       | I<br>I |
| C05                             | HD4               | B      |
| C06                             | HD7               | B      |
| C07                             | HDDIR             | O      |
| C08                             | HD10              | B      |
| C09                             | HD13              | B      |
| C10                             | -SD6              | B-PU   |
| C11                             | -SD3              | B-PU   |
| C12                             | -SD0 (LSB)        | B-PU   |
| C13                             | -SD10             | B-PU   |
| C14                             | -SD14             | B-PU   |
| D01<br>(ISA)<br>(MicroChannel)  | NC<br>-SFBK       | <br>O  |
| D02<br>(ISA)<br>(MicroChannel)  | IRQ7O<br>-IRQ7    | O<br>O |
| D03/<br>(ISA)<br>(MicroChannel) | IRQ6O<br>-IRQ6    | O<br>O |
| D04<br>(ISA)<br>(MicroChannel)  | -MEMR<br>-S1      | I<br>I |
| D05<br>(ISA)<br>(MicroChannel)  | -MEMW<br>-S0      | I<br>I |
| D06                             | V <sub>CC</sub>   |        |
| D07                             | GND               |        |
| D08                             | V <sub>CC</sub>   |        |
| D09                             | HD14              | B      |
| D10                             | -SD7              | B-PU   |
| D11                             | -CASLO<br>-SRAMLO | O<br>O |

| Pin No.                        | Pin Name          | Type   |
|--------------------------------|-------------------|--------|
| D12                            | -CASHI<br>-SRAMHI | O      |
| D13                            | -SD11             | B-PU   |
| D14                            | -SD15 (MSB)       | B-PU   |
| E01                            | NC                |        |
| E02<br>(ISA)<br>(MicroChannel) | IRQ3O<br>-IRQ3    | O<br>O |
| E03<br>(ISA)<br>(MicroChannel) | -CHCK<br>-CHCK    | O<br>O |
| E04<br>(ISA)<br>(MicroChannel) | -IOR<br>-CMD      | I<br>I |
| E05                            | V <sub>CC</sub>   |        |
| E06                            | GND               |        |
| E07                            | GND               |        |
| E08                            | GND               |        |
| E09                            | HD15 (MSB)        | B      |
| E10                            | -CFGLO            | O      |
| E11                            | -SRAMOE           | O      |
| E12                            | -RAS<br>+CO/-DAT  | O      |
| E13                            | -DRAMWE           | O      |
| E14                            | -SWRITE           | B      |
| F01                            | NC                |        |
| F02<br>(ISA)<br>(MicroChannel) | +DPEN<br>-DPEN1   | I<br>I |
| F03<br>(ISA)<br>(MicroChannel) | -IOW<br>-ADL      | I<br>I |
| F04                            | GND               |        |
| F05                            | HA12              | I      |
| F09                            | NC                |        |
| F10<br>(ISA)<br>(MicroChannel) | -BIOS<br>-BIOS    | O<br>O |



## 12.0 Connection Diagrams (Continued)

### PIN DEFINITIONS (Continued)

**Note:** Some pins have different definitions depending on the host bus type used, as indicated in the table.

I = Input-only digital, O = Output only digital,

B = Bidirectional digital, A = Analog

I-PU = Input-only digital with internal pullup\*, I-PD = Input-only digital with internal pulldown\*

B-PU = Bidirectional digital with internal pullup\*

\*Internal polysilicon resistor with nominal value of 15k  $\pm$ 30%

NC = No Connect (*should not* be connected for normal operation)

| Pin No. | Pin Name        | Type |
|---------|-----------------|------|
| F11     | NC              |      |
| F12     | -SA14 (MSB)     | B    |
| F13     | -SIP            | O    |
| F14     | 32MHZ           | I    |
| G01     | HA13 (LSB)      | I    |
| G02     | HA0 (LSB)       | I    |
| G03     | V <sub>CC</sub> |      |
| G04     | GND             |      |
| G10     | GND             |      |
| G11     | V <sub>CC</sub> |      |
| G12     | -ROM            | O    |
| G13     | NC              |      |
| G14     | -SA12           | B    |
| H01     | HA14            | I    |
| H02     | HA1             | I    |
| H03     | HA2             | I    |
| H04     | V <sub>CC</sub> |      |
| H10     | GND             |      |
| H11     | -SA13           | B    |
| H12     | NC              |      |
| H13     | -SA11           | B    |
| H14     | -SA10           | B    |
| J01     | NC              |      |
| J02     | HA15            | I    |
| J03     | V <sub>CC</sub> |      |
| J04     | GND             |      |
| J10     | GND             |      |
| J11     | V <sub>CC</sub> |      |
| J12     | -SA9            | B    |
| J13     | -SA8            | B    |
| J14     | -SA7            | B    |
| K01     | HA16            | I    |
| K02     | HA3             | I    |
| K03     | HA17            | I    |
| K04     | HA4             | I    |
| K05     | HA5             | I    |

| Pin No.                        | Pin Name        | Type   |
|--------------------------------|-----------------|--------|
| K09                            | -SA6            | B      |
| K10                            | V <sub>CC</sub> |        |
| K11                            | -SA5            | B      |
| K12                            | -SA4            | B      |
| K13                            | -SA3            | B      |
| K14                            | -SA2            | B      |
| L01                            | HA18            | I      |
| L02                            | HA19 (MSB)      | I      |
| L03                            | HA6             | I      |
| L04<br>(ISA)<br>(MicroChannel) | IRQ71<br>+ A20  | I<br>I |
| L05                            | GND             |        |
| L06                            | V <sub>CC</sub> |        |
| L07                            | V <sub>CC</sub> |        |
| L08                            | GND             |        |
| L09                            | GND             |        |
| L10                            | V <sub>CC</sub> | O      |
| L11                            | NC              |        |
| L12                            | NC              |        |
| L13                            | -SA1            | B      |
| L14                            | -SA0 (LSB)      | B      |
| M01                            | NC              |        |
| M02                            | HA7             | I      |
| M03                            | HA8             | I      |
| M04                            | HA9             | I      |
| M05                            | V <sub>CC</sub> |        |
| M06                            | V <sub>CC</sub> |        |
| M07                            | GND             |        |
| M08                            | V <sub>CC</sub> |        |
| M09                            | -CFG2           | I-PU   |
| M10                            | -CFG1           | I-PD   |
| M11                            | NC              |        |
| M12                            | NC              |        |
| M13                            | NC              |        |
| M14                            | NC              |        |
| N01                            | NC              |        |

| Pin No.                        | Pin Name       | Type   |
|--------------------------------|----------------|--------|
| N02<br>(ISA)<br>(MicroChannel) | IRQ61<br>+ A21 | I<br>I |
| N03                            | HA10           | I      |
| N04                            | HA11           | I      |
| N05                            | ROUTB          | A      |
| N06                            | GND            |        |
| N07                            | RINA           | A      |
| N08                            | -16MBPS        | O      |
| N09                            | -4MBPS         | O      |
| N10                            | -CFG0          | I-PU   |
| N11                            | NC             |        |
| N12                            | NC             |        |
| N13                            | NC             |        |
| N14                            | NC             |        |
| P01<br>(ISA)<br>(MicroChannel) | IRQ31<br>+ A22 | I<br>I |
| P02<br>(ISA)<br>(MicroChannel) | IRQ21<br>+ A23 | I<br>I |
| P03<br>(ISA)<br>(MicroChannel) | TH<br>+ MA24   | I<br>I |
| P04<br>(ISA)<br>(MicroChannel) | TH<br>- SETUP  | I<br>I |
| P05                            | ROUTA          | A      |
| P06                            | PHANTB         | A      |
| P07                            | PHANTA         | A      |
| P08                            | RINB           | A      |
| P09                            | PLL4           | A      |
| P10                            | PLL16          | A      |
| P11                            | -MIP           | I-PU   |
| P12                            | -SMI           | I-PU   |
| P13                            | NC             |        |
| P14                            | NC             |        |

# 12.0 Connection Diagrams (Continued)

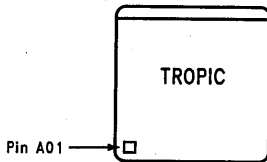
## TROPIC Pin Maps

ISA Bus Mode Pin Definitions (Bottom View)

|    | A                | B                | C                | D                          | E                          | F                 | G                          | H                           | J                           | K                           | L                             | M                             | N                   | P                  |                  |
|----|------------------|------------------|------------------|----------------------------|----------------------------|-------------------|----------------------------|-----------------------------|-----------------------------|-----------------------------|-------------------------------|-------------------------------|---------------------|--------------------|------------------|
| 1  | RESET<br>0<br>1  | -BHE<br>-0<br>15 | NC<br>-0<br>29   | NC<br>-0<br>43             | NC<br>0<br>57              | NC<br>0<br>71     | HA13<br>0<br>85            | HA14<br>0<br>99             | NC<br>0<br>113              | HA16<br>0<br>127            | HA18<br>0<br>141              | NC<br>0<br>155                | NC<br>0<br>169      | IRQ3I<br>0<br>183  |                  |
| 2  | -EHPI<br>0<br>2  | -REF<br>0<br>16  | +RDY<br>0<br>30  | IRQ70<br>0<br>44           | IRQ30<br>0<br>58           | +DPEN<br>0<br>72  | HA0<br>0<br>86             | HA1<br>0<br>100             | HA15<br>0<br>114            | HA3<br>0<br>128             | HA19<br>0<br>142              | HA7<br>0<br>156               | IRQ6I<br>0<br>170   | IRQ2I<br>0<br>184  |                  |
| 3  | HDPO<br>0<br>3   | HDP1<br>0<br>17  | IRQ20<br>0<br>31 | IRQ60<br>0<br>45           | -CHCK<br>0<br>59           | -IOW<br>0<br>73   | V <sub>CC</sub><br>0<br>87 | HA2<br>0<br>101             | V <sub>CC</sub><br>0<br>115 | HA17<br>0<br>129            | HA6<br>0<br>143               | HA8<br>0<br>157               | HA10<br>0<br>171    | TH<br>0<br>185     |                  |
| 4  | HD0<br>0<br>4    | HD1<br>0<br>18   | +AEN<br>0<br>32  | -MEMR<br>0<br>46           | -IOR<br>0<br>60            | GND<br>0<br>74    | GND<br>0<br>88             | V <sub>CC</sub><br>0<br>102 | GND<br>0<br>116             | HA4<br>0<br>130             | IRQ7I<br>0<br>144             | HA9<br>0<br>158               | HA11<br>0<br>172    | NC<br>0<br>186     |                  |
| 5  | HD2<br>0<br>5    | HD3<br>0<br>19   | HD4<br>0<br>33   | -MEMW<br>0<br>47           | V <sub>CC</sub><br>0<br>61 | HA12<br>0<br>75   |                            |                             |                             | HA5<br>0<br>131             | GND<br>0<br>145               | V <sub>CC</sub><br>0<br>159   | ROUTB<br>0<br>173   | ROUTA<br>0<br>187  |                  |
| 6  | HD5<br>0<br>6    | HD6<br>0<br>20   | HD7<br>0<br>34   | V <sub>CC</sub><br>0<br>48 | GND<br>0<br>62             |                   |                            |                             |                             |                             | V <sub>CC</sub> *<br>0<br>146 | V <sub>CC</sub> *<br>0<br>160 | GND*<br>0<br>174    | PHANTB<br>0<br>188 |                  |
| 7  | -EHDH<br>0<br>7  | -EHDL<br>0<br>21 | HDDIR<br>0<br>35 | GND<br>0<br>49             | GND<br>0<br>63             |                   |                            |                             |                             |                             | V <sub>CC</sub> *<br>0<br>147 | GND*<br>0<br>161              | RINA<br>0<br>175    | PHANTA<br>0<br>189 |                  |
| 8  | HDB<br>0<br>8    | HD9<br>0<br>22   | HD10<br>0<br>36  | V <sub>CC</sub><br>0<br>50 | GND<br>0<br>64             |                   |                            |                             |                             |                             | GND<br>0<br>148               | V <sub>CC</sub><br>0<br>162   | -16MBPS<br>0<br>176 | RINB<br>0<br>190   |                  |
| 9  | HD11<br>0<br>9   | HD12<br>0<br>23  | HD13<br>0<br>37  | HD14<br>0<br>51            | HD15<br>0<br>65            | NC<br>0<br>79     |                            |                             |                             |                             | -SA6<br>0<br>135              | GND<br>0<br>149               | -CFG2<br>0<br>163   | -4MBPS<br>0<br>177 | PLL4<br>0<br>191 |
| 10 | -SD4<br>0<br>10  | -SD5<br>0<br>24  | -SD6<br>0<br>38  | -SD7<br>0<br>52            | -CFGLD<br>0<br>66          | -BIOS<br>0<br>80  | GND<br>0<br>94             | GND<br>0<br>108             | GND<br>0<br>122             | V <sub>CC</sub><br>0<br>136 | V <sub>CC</sub><br>0<br>150   | -CFG1<br>0<br>164             | -CFG0<br>0<br>178   | PLL16<br>0<br>192  |                  |
| 11 | -SD1<br>0<br>11  | -SD2<br>0<br>25  | -SD3<br>0<br>39  | -CASLO<br>0<br>53          | -SRAMOE<br>0<br>67         | NC<br>0<br>81     | V <sub>CC</sub><br>0<br>95 | -SA13<br>0<br>109           | V <sub>CC</sub><br>0<br>123 | -SA5<br>0<br>137            | NC<br>0<br>151                | NC<br>0<br>165                | NC<br>0<br>179      | -MIP<br>0<br>193   |                  |
| 12 | -SDP1<br>0<br>12 | -SDP0<br>0<br>26 | -SD0<br>0<br>40  | -CASHI<br>0<br>54          | -RAS<br>0<br>68            | -SA14<br>0<br>82  | -ROM<br>0<br>96            | NC<br>0<br>110              | -SA9<br>0<br>124            | -SA4<br>0<br>138            | NC<br>0<br>152                | NC<br>0<br>166                | NC<br>0<br>180      | -SMI<br>0<br>194   |                  |
| 13 | -SDB<br>0<br>13  | -SD9<br>0<br>27  | -SD10<br>0<br>41 | -SD11<br>0<br>55           | -DRAMWE<br>0<br>69         | -AIP<br>0<br>83   | NC<br>0<br>97              | -SA11<br>0<br>111           | -SA8<br>0<br>125            | -SA3<br>0<br>139            | -SA1<br>0<br>153              | NC<br>0<br>167                | NC<br>0<br>181      | NC<br>0<br>195     |                  |
| 14 | -SD12<br>0<br>14 | -SD13<br>0<br>28 | -SD14<br>0<br>42 | -SD15<br>0<br>56           | -SWRITE<br>0<br>70         | 32 MHz<br>0<br>84 | -SA12<br>0<br>98           | -SA10<br>0<br>112           | -SA7<br>0<br>126            | -SA2<br>0<br>140            | -SA0<br>0<br>154              | NC<br>0<br>168                | NC<br>0<br>182      | NC<br>0<br>196     |                  |

Orientation - Top View

\* Indicates Analog Supply Source



12.0 Connection Diagrams (Continued)

MicroChannel Bus Mode Pin Definitions (Bottom View)

|    | A          | B           | C            | D                     | E                     | F            | G                     | H                      | J                      | K                      | L                        | M                        | N              | P             |
|----|------------|-------------|--------------|-----------------------|-----------------------|--------------|-----------------------|------------------------|------------------------|------------------------|--------------------------|--------------------------|----------------|---------------|
| 1  | RESET<br>0 | -SBHE<br>15 | -DS16<br>29  | -SFBK<br>43           | NC<br>57              | NC<br>71     | HA13<br>85            | HA14<br>99             | NC<br>113              | HA16<br>127            | HA18<br>141              | NC<br>155                | NC<br>169      | +A22<br>183   |
| 2  | -EHPI<br>0 | --REF<br>16 | +CHRDY<br>30 | -IRQ7<br>44           | -IRQ3<br>58           | -DPENI<br>72 | HA0<br>86             | HA1<br>100             | HA15<br>114            | HA3<br>128             | HA19<br>142              | HA7<br>156               | I+A21<br>170   | I+A23<br>184  |
| 3  | HDPO<br>0  | HDP1<br>17  | -IRQ2<br>31  | -IRQ6<br>45           | -CHCK<br>59           | -ADL<br>73   | V <sub>CC</sub><br>87 | HA2<br>101             | V <sub>CC</sub><br>115 | HA17<br>129            | HA6<br>143               | HAB<br>157               | HA10<br>171    | +MA24<br>185  |
| 4  | HD0<br>0   | HD1<br>18   | MIO<br>32    | --S1<br>46            | -CMD<br>60            | GND<br>74    | GND<br>88             | V <sub>CC</sub><br>102 | GND<br>116             | HA4<br>130             | I+A20<br>144             | HA9<br>158               | HA11<br>172    | -SETUP<br>186 |
| 5  | HD2<br>0   | HD3<br>19   | HD4<br>33    | -S0<br>47             | V <sub>CC</sub><br>61 | HA12<br>75   |                       |                        |                        | HA5<br>131             | GND<br>145               | V <sub>CC</sub><br>159   | ROUTB<br>173   | ROUTA<br>187  |
| 6  | HD5<br>0   | HD6<br>20   | HD7<br>34    | V <sub>CC</sub><br>48 | GND<br>62             |              |                       |                        |                        |                        | V <sub>CC</sub> *<br>146 | V <sub>CC</sub> *<br>160 | GND*<br>174    | PHANTB<br>188 |
| 7  | -EHDH<br>0 | -EHDL<br>21 | HDDIR<br>35  | GND<br>49             | GND<br>63             |              |                       |                        |                        |                        | V <sub>CC</sub> *<br>147 | GND*<br>161              | RINA<br>175    | PHANTA<br>189 |
| 8  | HD8<br>0   | HD9<br>22   | HD10<br>36   | V <sub>CC</sub><br>50 | GND<br>64             |              |                       |                        |                        |                        | GND<br>148               | V <sub>CC</sub><br>162   | -16MBPS<br>176 | RINB<br>190   |
| 9  | HD11<br>0  | HD12<br>23  | HD13<br>37   | HD14<br>51            | HD15<br>65            | NC<br>79     |                       |                        |                        | -SA6<br>135            | GND<br>149               | -CFG2<br>163             | -4MBPS<br>177  | PLL4<br>191   |
| 10 | -SD4<br>0  | -SD5<br>24  | -SD6<br>38   | -SD7<br>52            | -CFGLD<br>66          | -BIOS<br>80  | GND<br>94             | GND<br>108             | GND<br>122             | V <sub>CC</sub><br>136 | V <sub>CC</sub><br>150   | -CFG1<br>164             | -CFG0<br>178   | PLL16<br>192  |
| 11 | -SD1<br>0  | -SD2<br>25  | -SD3<br>39   | -CASLO<br>53          | -SRAMOE<br>67         | NC<br>81     | V <sub>CC</sub><br>95 | -SA13<br>109           | V <sub>CC</sub><br>123 | -SA5<br>137            | NC<br>151                | NC<br>165                | NC<br>179      | -MIP<br>193   |
| 12 | -SDP1<br>0 | -SDP0<br>26 | -SD0<br>40   | -CASHI<br>54          | -RAS<br>68            | -SA14<br>82  | -ROM<br>96            | NC<br>110              | -SA9<br>124            | -SA4<br>138            | NC<br>152                | NC<br>166                | NC<br>180      | -SMI<br>194   |
| 13 | -SD8<br>0  | -SD9<br>27  | -SD10<br>41  | -SD11<br>55           | -DRAMWE<br>69         | -AIP<br>83   | NC<br>97              | -SA11<br>111           | -SA8<br>125            | -SA3<br>139            | -SA1<br>153              | NC<br>167                | NC<br>181      | NC<br>195     |
| 14 | -SD12<br>0 | -SD13<br>28 | -SD14<br>42  | -SD15<br>56           | -SWRITE<br>70         | 32 MHz<br>84 | -SA12<br>98           | -SA10<br>112           | -SA7<br>126            | -SA2<br>140            | -SA0<br>154              | NC<br>168                | NC<br>182      | NC<br>196     |

\* Indicates Analog Supply Source

Orientation - Top View



Pin A01

TL/F/11334-34



# DP802511 TROPIC™ RAM Relocation Register Decoder

## General Description

The DP802511, DP802512 and DP802513 form the majority of the MEMCS\_16 circuitry that is responsible for notifying the ISA bus (by way of MEMCS\_16) that it can execute 16-bit bus transfers with the DP8025 TROPIC.

The areas of the architecture that will benefit most from the increased performance of 16-bit transfers are the shared memory interface and the host boot ROM (if so designed). For the boot ROM it is a relatively simple matter of matching the jumpered configuration bits SD9–SD15 (BIOS/MMIO base address) with the system address (SA) lines. The MEMCS\_16 signal's maximum propagation delay from the SA lines is about 25 ns (assuming 8 MHz IBM® PC-AT®).

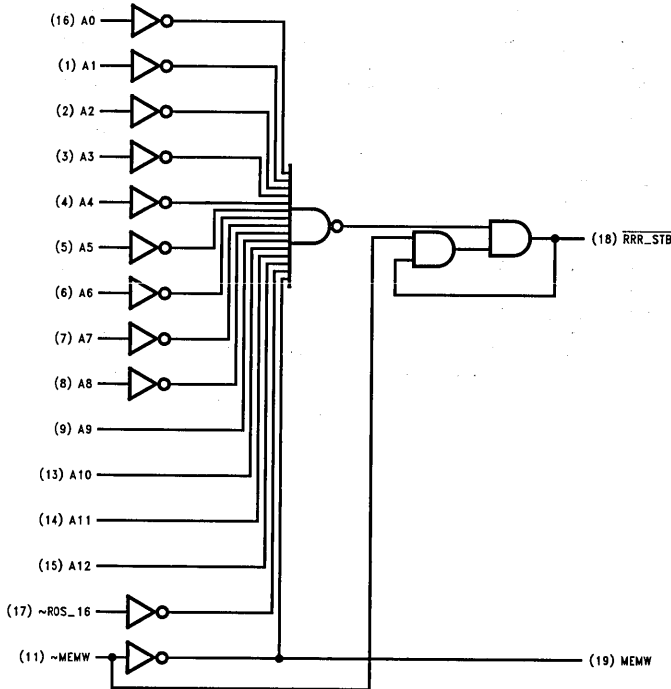
The shared memory interface RAM size is determined by jumper bits SD2 and SD3. These indicate the block size decoded to the shared memory MEMCS\_16 circuitry. The

address of this shared memory interface is software selectable. In order for the hardware to respond to the proper memory address it must shadow the RAM Relocation Register of the TROPIC's memory mapped I/O space. The data programmed into the RAM Relocation Register is latched into this shadowing register and used in conjunction with the system address lines to determine which address range contains the shared memory interface.

## Features

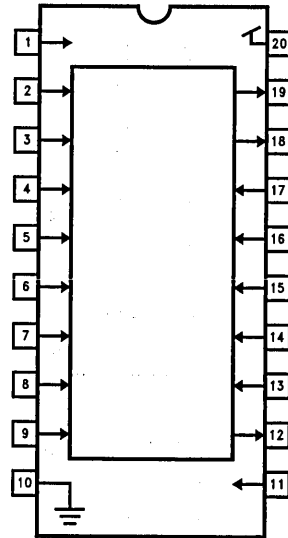
- Single chip custom logic solution
- Replaces glue logic
- Internal output latch
- t<sub>PD</sub> = 15 ns (max)

## Logic Diagram



TL/L/11444-1

## Block Diagram

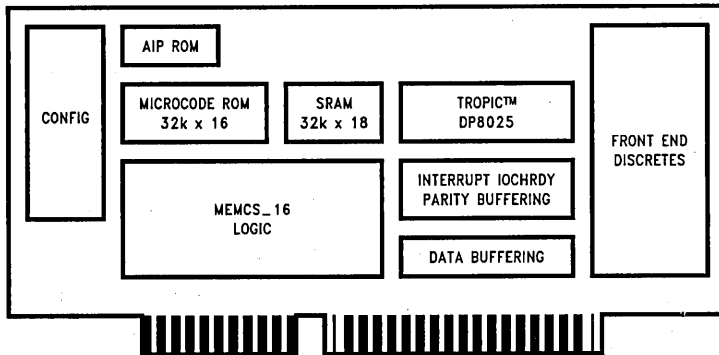


TL/L/11444-2

## Functional Description

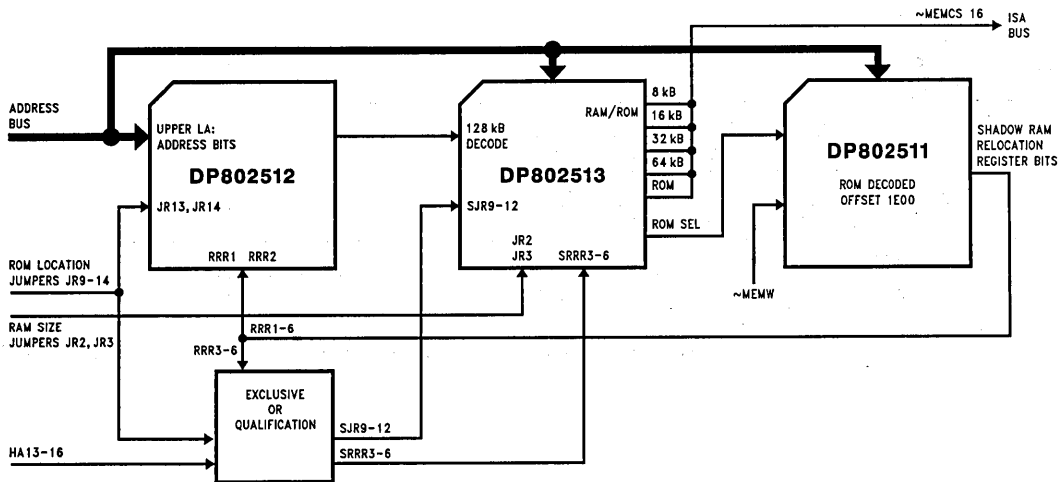
The DP802511 TROPIC RAM Relocation Register Decoder is manufactured using National's high performance 1.2 μm CMOS process and is responsible for generating the RAM relocation register strobe signal (RRR\_STB) that points to the memory mapped RAM relocation register on the

DP8025 TROPIC. The device decodes the offset address 1E00 from an upper level decode, to generate the output strobe. RRR\_STB will remain asserted for the duration of the memory write signal (~MEMW).



TL/L/11444-3

FIGURE 1. TROPIC™ 16-Bit ISA Token Ring Workstation Adapter



TL/L/11444-4

FIGURE 2. MEMCS\_16 Logic

**Absolute Maximum Ratings** (Note 1)

If Military/Aerospace specified devices are required, please contact the National Semiconductor Sales Office/Distributors for availability and specifications.

|                             |                          |
|-----------------------------|--------------------------|
| Supply Voltage ( $V_{CC}$ ) | -0.5V to +7.0V           |
| Input Voltage               | -2.5V to $V_{CC} + 1.0V$ |
| Off-State Output Voltage    | -2.5V to $V_{CC} + 1.0V$ |

|                                          |                 |
|------------------------------------------|-----------------|
| Output Current                           | $\pm 100$ mA    |
| Storage Temperature                      | -65°C to +150°C |
| Ambient Temperature with Power Applied   | -65°C to +125°C |
| Junction Temperature                     | -65°C to +150°C |
| Lead Temperature (Soldering, 10 seconds) | 260°C           |

**Recommended Operating Conditions****SUPPLY VOLTAGE AND TEMPERATURE**

| Symbol   | Parameter                      | Commercial |     |      | Units |
|----------|--------------------------------|------------|-----|------|-------|
|          |                                | Min        | Nom | Max  |       |
| $V_{CC}$ | Supply Voltage                 | 4.75       | 5   | 5.25 | V     |
| $T_A$    | Operating Free-Air Temperature | 0          | 25  | 75   | °C    |

**Electrical Characteristics** Over Recommended Operating Conditions

| Symbol     | Parameter                           | Conditions                                          | Temperature Range | Min  | Typ | Max          | Units         |
|------------|-------------------------------------|-----------------------------------------------------|-------------------|------|-----|--------------|---------------|
| $V_{IH}$   | High Level Input Voltage            |                                                     |                   | 2.0  |     | $V_{CC} + 1$ | V             |
| $V_{IL}$   | Low Level Input Voltage             |                                                     |                   | -0.5 |     | 0.8          | V             |
| $V_{OH}$   | High Level Output Voltage           | $V_{CC} = \text{Min}$ , $I_{OL} = -3.2$ mA          | COM               | 2.4  |     |              | V             |
| $V_{OL}$   | Low Level Output Voltage            | $V_{CC} = \text{Min}$ , $I_{OL} = 24$ mA            | COM               |      |     | 0.5          | V             |
| $I_{OZH}$  | High Level Off State Output Current | $V_{CC} = \text{Max}$ , $V_O = V_{CC} (\text{Max})$ |                   |      |     | 10           | $\mu\text{A}$ |
| $I_{OZL}$  | Low Level Off State Output Current  | $V_{CC} = \text{Max}$ , $V_O = \text{GND}$          |                   |      |     | -10          | $\mu\text{A}$ |
| $I_I$      | Maximum Input Current               | $V_{CC} = \text{Max}$ , $V_I = V_{CC} (\text{Max})$ |                   |      |     | 10           | $\mu\text{A}$ |
| $I_{IH}$   | High Level Input Current            | $V_{CC} = \text{Max}$ , $V_I = V_{CC} (\text{Max})$ |                   |      |     | 10           | $\mu\text{A}$ |
| $I_{IL}$   | Low Level Input Current             | $V_{CC} = 5.0V$ , $V_O = \text{GND}$                |                   |      |     | -10          | $\mu\text{A}$ |
| $I_{OS}^*$ | Output Short Circuit Current        | $V_{CC} = 5.0V$ , $V_O = \text{GND}$                | COM               | -30  |     | -150         | mA            |
| $I_{CC}$   | Supply Current                      | $V_{CC} = \text{Max}$                               |                   |      |     | 90           | mA            |
| $C_I$      | Input Capacitance                   | $V_{CC} = 5.0V$ , $V_I = 2.0V$                      |                   |      |     | 8            | pF            |

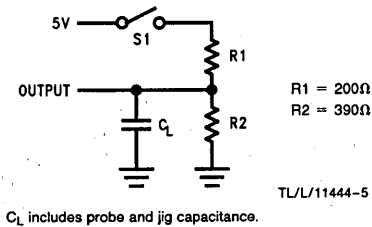
\*One output at a time for a maximum duration of one second.

**Note 1:** Absolute maximum ratings are those values beyond which the device may be permanently damaged. Proper operation is not guaranteed outside the specified recommended operating conditions.

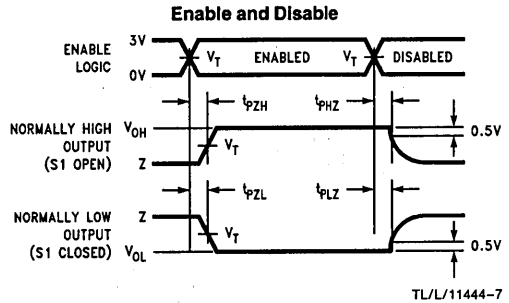
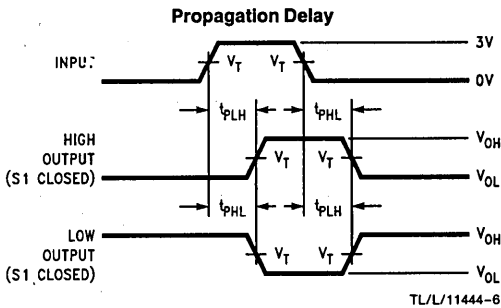
## Switching Characteristics Over Recommended Operating Conditions

| Symbol     | Parameter                                  | Conditions                                                                                  | DP802511   |     |       |
|------------|--------------------------------------------|---------------------------------------------------------------------------------------------|------------|-----|-------|
|            |                                            |                                                                                             | Commercial |     |       |
|            |                                            |                                                                                             | Min        | Max | Units |
| $t_{PD}$   | Input to Output                            | S1 Closed, $C_L = 50 \text{ pF}$                                                            |            | 15  | ns    |
| $t_{PZXI}$ | Input to Output Enabled via Control Logic  | Active High: S1 Open, $C_L = 50 \text{ pF}$<br>Active Low: S1 Closed, $C_L = 50 \text{ pF}$ |            | 15  | ns    |
| $t_{PXZI}$ | Input to Output Disabled via Control Logic | Active High: S1 Open, $C_L = 5 \text{ pF}$<br>Active Low: S1 Closed, $C_L = 5 \text{ pF}$   |            | 15  | ns    |

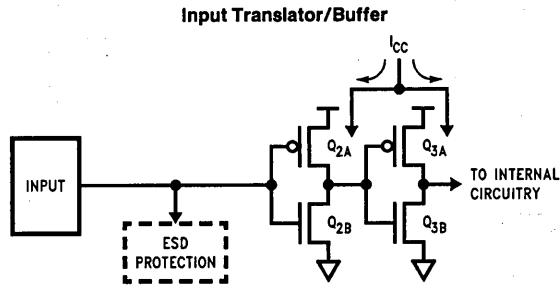
### AC Test Load



### Test Waveforms



### Input Schematic





# DP802512 TROPIC™ Upper Memory Decoder

## General Description

The DP802511, DP802512 and DP802513 form the majority of the MEMCS\_16 circuitry that is responsible for notifying the ISA bus (by way of MEMCS\_16) that it can execute 16-bit bus transfers with the DP8025 TROPIC.

The areas of the architecture that will benefit most from the increased performance of 16-bit transfers are the shared memory interface and the host boot ROM (if so designed). For the boot ROM it is a relatively simple matter of matching the jumpered configuration bits SD9–SD15 (BIOS/MMIO base address) with the system address (SA) lines. The MEMCS\_16 signal's maximum propagation delay from the SA lines is about 25 ns (assuming 8 MHz IBM® PC-AT®).

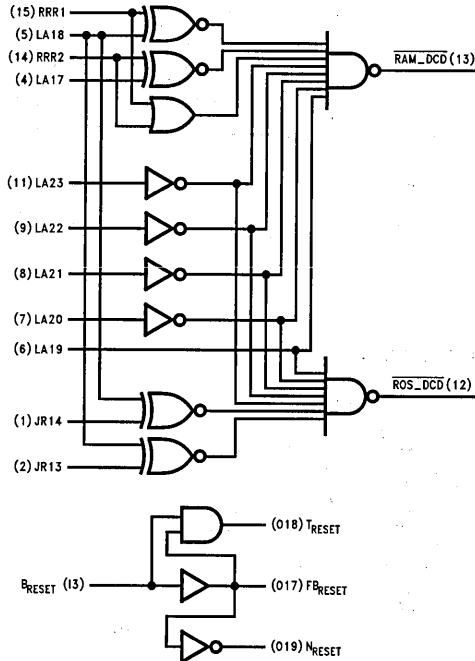
The shared memory interface RAM size is determined by jumper bits SD2 and SD3. These indicate the block size decoded to the shared memory MEMCS\_16 circuitry. The

address of this shared memory interface is software selectable. In order for the hardware to respond to the proper memory address it must shadow the RAM Relocation Register of the TROPIC's memory mapped I/O space. The data programmed into the RAM Relocation Register is latched into this shadowing register and used in conjunction with the system address lines to determine which address range contains the shared memory interface.

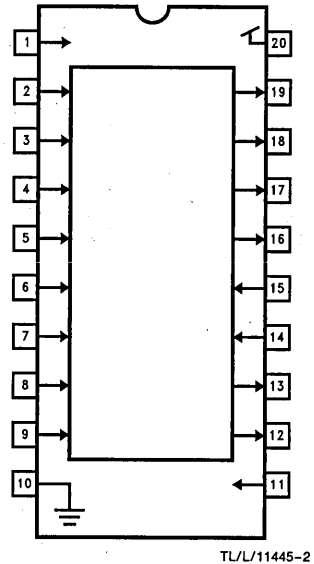
## Features

- Single chip custom logic solution
- Replaces glue logic
- Built-in noise filter
- t<sub>PD</sub> = 15 ns (max)

## Logic Diagram



## Block Diagram



TL/L/11445-1

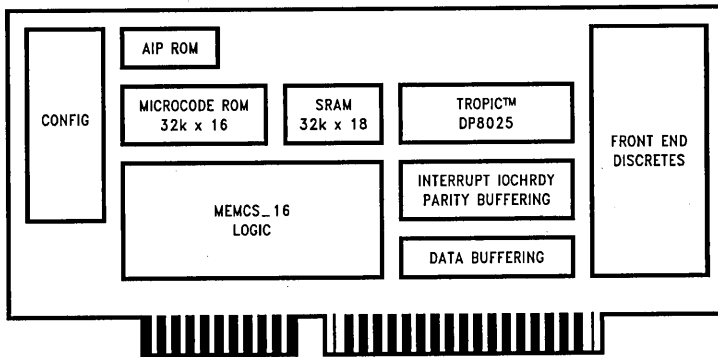


## Functional Description

The DP802512 TROPIC Upper Memory Decoder is manufactured using National's high performance 1.2  $\mu$ m CMOS process and generates two 128k block decode output signals. RAM\_DCD provides a 128k block decode of a user programmable base in the lower 1 Megabyte of system address space, excluding addresses E000 and F000.

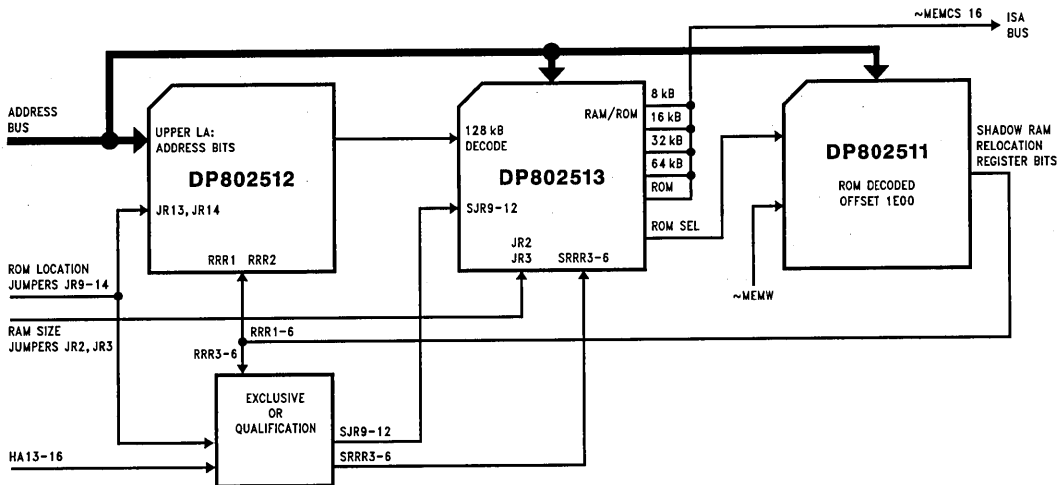
ROS\_DCD provides a 128k block decode of a user jumper selected base for the system boot ROM in the lower 1 Megabyte of system memory.

The device also contains a noise and glitch filter. Treset is a qualified version of the system reset signal, which ensures that any noise or glitches will be factored out.



TL/L/11445-3

FIGURE 1. TROPIC 16-Bit ISA Token Ring Workstation Adapter



TL/L/11445-4

FIGURE 2. MEMCS\_16 Logic

**Absolute Maximum Ratings** (Note 1)

If Military/Aerospace specified devices are required, please contact the National Semiconductor Sales Office/Distributors for availability and specifications.

|                             |                          |
|-----------------------------|--------------------------|
| Supply Voltage ( $V_{CC}$ ) | -0.5V to +7.0V           |
| Input Voltage               | -2.5V to $V_{CC} + 1.0V$ |
| Off-State Output Voltage    | -2.5V to $V_{CC} + 1.0V$ |
| Output Current              | $\pm 100$ mA             |

|                                          |                 |
|------------------------------------------|-----------------|
| Storage Temperature                      | -65°C to +150°C |
| Ambient Temperature with Power Applied   | -65°C to +125°C |
| Junction Temperature                     | -65°C to +150°C |
| Lead Temperature (Soldering, 10 seconds) | 260°C           |

**Recommended Operating Conditions****SUPPLY VOLTAGE AND TEMPERATURE**

| Symbol   | Parameter                      | Commercial |     |      | Units |
|----------|--------------------------------|------------|-----|------|-------|
|          |                                | Min        | Nom | Max  |       |
| $V_{CC}$ | Supply Voltage                 | 4.75       | 5   | 5.25 | V     |
| $T_A$    | Operating Free-Air Temperature | 0          | 25  | 75   | °C    |

**Electrical Characteristics** Over Recommended Operating Conditions

| Symbol     | Parameter                           | Conditions                                         | Temperature Range | Min  | Typ | Max          | Units         |
|------------|-------------------------------------|----------------------------------------------------|-------------------|------|-----|--------------|---------------|
| $V_{IH}$   | High Level Input Voltage            |                                                    |                   | 2.0  |     | $V_{CC} + 1$ | V             |
| $V_{IL}$   | Low Level Input Voltage             |                                                    |                   | -0.5 |     | 0.8          | V             |
| $V_{OH}$   | High Level Output Voltage           | $V_{CC} = \text{Min}$ , $I_{OL} = 3.2$ mA          | COM               | 2.4  |     |              | V             |
| $V_{OL}$   | Low Level Output Voltage            | $V_{CC} = \text{Min}$ , $I_{OL} = 24$ mA           | COM               |      |     | 0.5          | V             |
| $I_{OZH}$  | High Level Off State Output Current | $V_{CC} = \text{Max}$ , $V_O = V_{CC}(\text{Max})$ |                   |      |     | 10           | $\mu\text{A}$ |
| $I_{OZL}$  | Low Level Off State Output Current  | $V_{CC} = \text{Max}$ , $V_O = \text{GND}$         |                   |      |     | -10          | $\mu\text{A}$ |
| $I_I$      | Maximum Input Current               | $V_{CC} = \text{Max}$ , $V_I = V_{CC}(\text{Max})$ |                   |      |     | 10           | $\mu\text{A}$ |
| $I_{IH}$   | High Level Input Current            | $V_{CC} = \text{Max}$ , $V_I = V_{CC}(\text{Max})$ |                   |      |     | 10           | $\mu\text{A}$ |
| $I_{IL}$   | Low Level Input Current             | $V_{CC} = 5.0V$ , $V_O = \text{GND}$               |                   |      |     | -10          | $\mu\text{A}$ |
| $I_{OS}^*$ | Output Short Circuit Current        | $V_{CC} = 5.0V$ , $V_O = \text{GND}$               | COM               | -30  |     | -150         | mA            |
| $I_{CC}$   | Supply Current                      | $V_{CC} = \text{Max}$                              |                   |      |     | 90           | mA            |
| $C_I$      | Input Capacitance                   | $V_{CC} = 5.0V$ , $V_I = 2.0V$                     |                   |      |     | 8            | pF            |

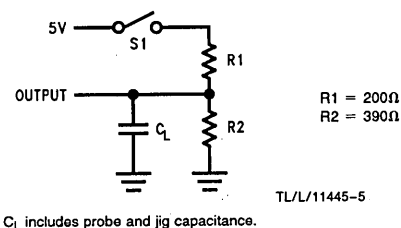
\*One output at a time for a maximum duration of one second.

**Note 1:** Absolute maximum ratings are those values beyond which the device may be permanently damaged. Proper operation is not guaranteed outside the specified recommended operating conditions.

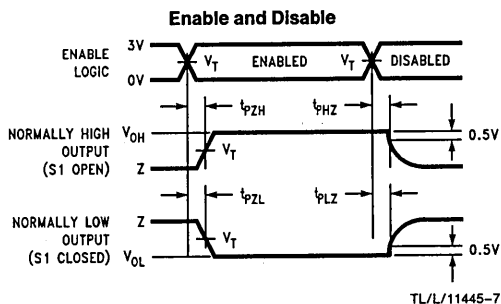
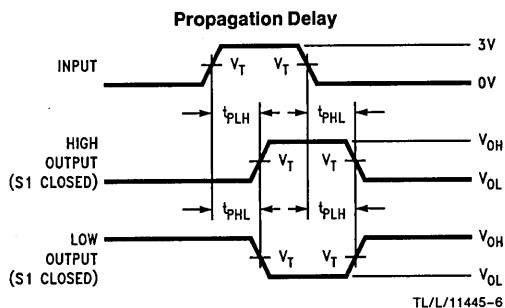
## Switching Characteristics Over Recommended Operating Conditions

| Symbol     | Parameter                                  | Conditions                                                                                  | DP802512   |     |       |
|------------|--------------------------------------------|---------------------------------------------------------------------------------------------|------------|-----|-------|
|            |                                            |                                                                                             | Commercial |     |       |
|            |                                            |                                                                                             | Min        | Max | Units |
| $t_{PD}$   | Input to Output                            | S1 Closed, $C_L = 50 \text{ pF}$                                                            |            | 15  | ns    |
| $t_{PZXI}$ | Input to Output Enabled via Control Logic  | Active High: S1 Open, $C_L = 50 \text{ pF}$<br>Active Low: S1 Closed, $C_L = 50 \text{ pF}$ |            | 15  | ns    |
| $t_{PXZI}$ | Input to Output Disabled via Control Logic | Active High: S1 Open, $C_L = 5 \text{ pF}$<br>Active Low: S1 Closed, $C_L = 5 \text{ pF}$   |            | 15  | ns    |

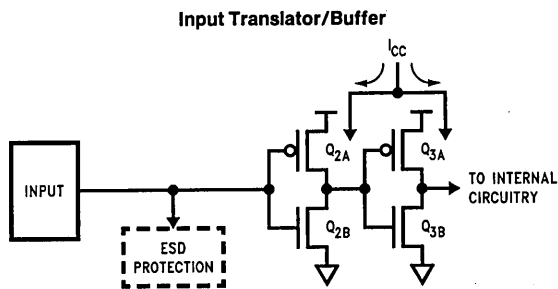
### AC Test Load



### Test Waveforms



### Input Schematic





# DP802513 TROPIC™ MEMCS\_16 Signal Decoder

## General Description

The DP802511, DP802512 and DP802513 form the majority of the MEMCS\_16 circuitry that is responsible for notifying the ISA bus (by way of MEMCS\_16) that it can execute 16-bit bus transfers with the DP8025 TROPIC.

The areas of the architecture that will benefit most from the increased performance of 16-bit transfers are the shared memory interface and the host boot ROM (if so designed). For the boot ROM it is a relatively simple matter of matching the jumpered configuration bits SD9-SD15 (BIOS/MMIO base address) with the system address (SA) lines. The MEMCS\_16 signal's maximum propagation delay from the SA lines is about 25 ns (assuming 8 MHz IBM® PC-AT®).

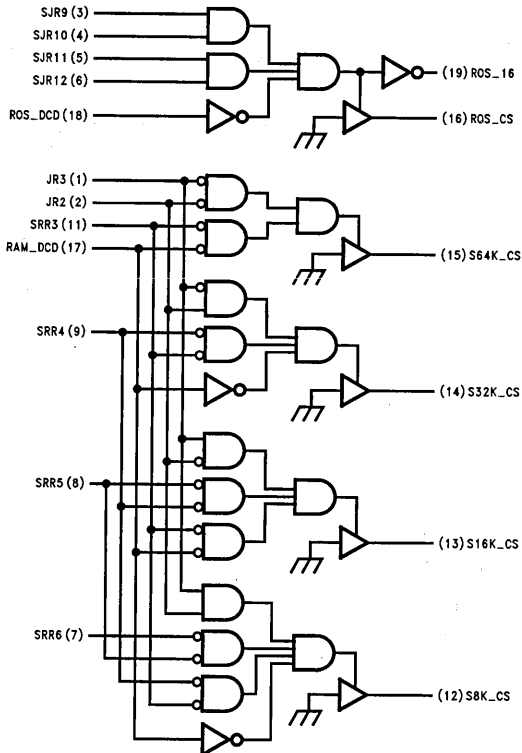
The shared memory interface RAM size is determined by jumper bits SD2 and SD3. These indicate the block size decoded to the shared memory MEMCS\_16 circuitry. The

address of this shared memory interface is software selectable. In order for the hardware to respond to the proper memory address it must shadow the RAM Relocation Register of the TROPIC's memory mapped I/O space. The data programmed into the RAM Relocation Register is latched into this shadowing register and used in conjunction with the system address lines to determine which address range contains the shared memory interface.

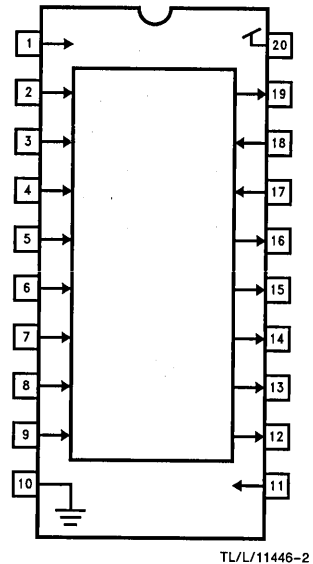
## Features

- High speed:  $t_{PD} = 7.0$  ns (max)
- Single chip custom logic solution
- Replaces glue logic

## Logic Diagram



## Block Diagram



TL/L/11446-1

# Functional Description

The DP802513 TROPIC MEMCS\_16 Signal Decoder is manufactured using National's high speed ASPECT II bipolar TTL process and provides further decode of a 128k block decode for generation of the MEMCS\_16 signal on the ISA bus. The ROS\_CS (Read Only Storage) signal is a decode of an 8k boundary that is wire-ORed externally with the four RAM decode outputs. The ROS\_16 signal is an identical decode as for ROS\_CS above, except that it is not wire-ORed to the MEMCS\_16 signal. Its purpose is to

notify the RAM relocation register strobe circuitry (DP802511) that the required address (1E00) is in the ROM address area.

Depending upon the position of the jumpers JR02 and JR03, for user selectable shared RAM size, the device provides a decode of either 8k, 16k, 32k or 64k for MEMCS\_16 generation. These signals are all output enabled and wire-ORed.

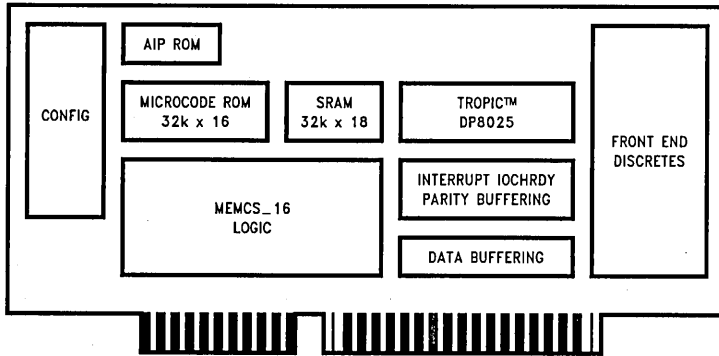


FIGURE 1. TROPIC 16-Bit ISA Token Ring Workstation Adapter

TL/L/11446-3

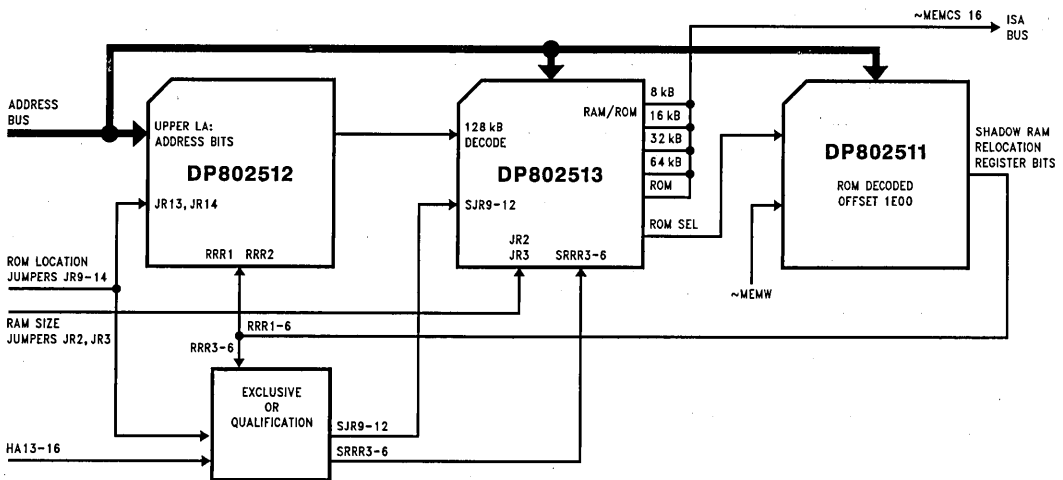


FIGURE 2. MEMCS\_16 Logic

TL/L/11446-4

**Absolute Maximum Ratings** (Note 1)

If Military/Aerospace specified devices are required, please contact the National Semiconductor Sales Office/Distributors for availability and specifications.

|                                             |                          |
|---------------------------------------------|--------------------------|
| Supply Voltage ( $V_{CC}$ )                 | -0.5V to +7.0V           |
| Input Voltage                               | -1.5V to $V_{CC} + 7.0V$ |
| Off-State Output Voltage ( $V_O$ ) (Note 2) | -1.5V to $V_{CC} + 5.5V$ |

|                                        |                     |
|----------------------------------------|---------------------|
| Input Current                          | -10.0 mA to +5.0 mA |
| Output Current ( $I_{OL}$ )            | 100 mA              |
| Storage Temperature                    | -65°C to +150°C     |
| Ambient Temperature with Power Applied | -65°C to +125°C     |
| Junction Temperature                   | -65°C to +150°C     |

**Recommended Operating Conditions****SUPPLY VOLTAGE AND TEMPERATURE**

| Symbol   | Parameter                      | Commercial |     |      | Units |
|----------|--------------------------------|------------|-----|------|-------|
|          |                                | Min        | Nom | Max  |       |
| $V_{CC}$ | Supply Voltage                 | 4.75       | 5   | 5.25 | V     |
| $T_A$    | Operating Free-Air Temperature | 0          | 25  | 75   | °C    |

**Electrical Characteristics** Over Recommended Operating Conditions

| Symbol    | Parameter                             | Conditions                                      | Min | Typ | Max  | Units         |
|-----------|---------------------------------------|-------------------------------------------------|-----|-----|------|---------------|
| $V_{IL}$  | Low Level Input Voltage (Note 3)      |                                                 |     |     | 0.8  | V             |
| $V_{IH}$  | High Level Input Voltage (Note 3)     |                                                 | 2   |     |      | V             |
| $V_{IC}$  | Input Clamp Voltage                   | $V_{CC} = \text{Min}, I = -18 \text{ mA}$       |     |     | -1.2 | V             |
| $I_{IL}$  | Low Level Input Current               | $V_{CC} = \text{Max}, V_I = 0.4V$               |     |     | -250 | $\mu\text{A}$ |
| $I_{IH}$  | High Level Input Current              | $V_{CC} = \text{Max}, V_I = 2.4V$               |     |     | 25   | $\mu\text{A}$ |
| $I_I$     | Maximum Input Current                 | $V_{CC} = \text{Max}, V_I = 5.5V$               |     |     | 100  | $\mu\text{A}$ |
| $V_{OL}$  | Low Level Output Voltage              | $V_{CC} = \text{Min}, I_{OL} = 24 \text{ mA}$   |     |     | 0.5  | V             |
| $V_{OH}$  | High Level Output Voltage             | $V_{CC} = \text{Min}, I_{OL} = -3.2 \text{ mA}$ | 2.7 |     |      | V             |
| $I_{OZL}$ | Low Level Off State Output Current    | $V_{CC} = \text{Max}, V_O = 0.4V$               |     |     | -50  | $\mu\text{A}$ |
| $I_{OZH}$ | High Level Off State Output Current   | $V_{CC} = \text{Max}, V_O = 2.4V$               |     |     | 50   | $\mu\text{A}$ |
| $I_{OS}$  | Output Short Circuit Current (Note 4) | $V_{CC} = 5V, V_O = 0V$                         | -50 |     | -130 | mA            |
| $I_{CC}$  | Supply Current                        | $V_{CC} = \text{Max}, \text{Output Open}$       |     | 125 | 180  | mA            |
| $C_I$     | Input Capacitance                     | $V_{CC} = 5.0V, V_I = 2.0V$                     |     | 8   |      | pF            |
| $C_O$     | Output Capacitance                    | $V_{CC} = 5.0V, V_O = 2.0V$                     |     | 8   |      | pF            |

**Note 1:** Absolute maximum ratings are those values beyond which the device may be permanently damaged. Proper operation is not guaranteed outside the specified recommended operating conditions.

**Note 2:**  $V_O$  must not exceed  $V_{CC} + 1V$ .

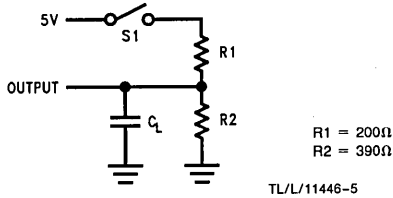
**Note 3:** These are absolute voltages with respect to the ground pin on the device and include all overshoots due to system and/or tester noise. Do not attempt to test these values without suitable equipment.

**Note 4:** To avoid invalid readings in other parameter tests it is preferable to conduct the  $I_{OS}$  test last. To minimize internal heating, only one output should be shorted at a time with a maximum duration of 1.0 second each. Prolonged shorting of a High output may raise the chip temperature above normal and permanent damage may result.

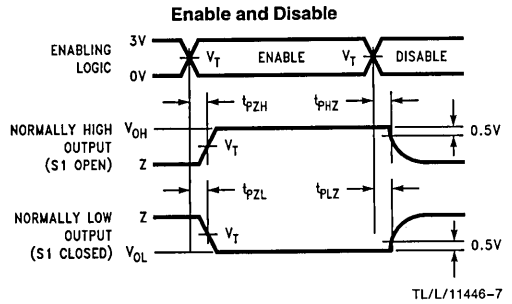
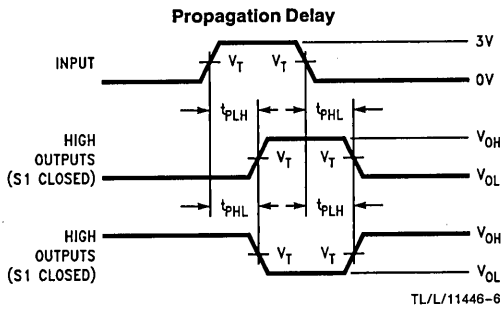
### Switching Characteristics Over Recommended Operating Conditions

| Symbol     | Parameter                                  | Conditions                                                                   | Commercial |     |     | Units |
|------------|--------------------------------------------|------------------------------------------------------------------------------|------------|-----|-----|-------|
|            |                                            |                                                                              | Min        | Typ | Max |       |
| $t_{PD}$   | Input to Output                            | $C_L = 50 \text{ pF}$ , S1 Closed                                            |            |     | 7.0 | ns    |
| $t_{PZXI}$ | Input to Output Enabled via Control Logic  | $C_L = 50 \text{ pF}$ , Active High: S1 Open<br>Active Low: S1 Closed        | 3.0        |     | 7.0 | ns    |
| $t_{PZXI}$ | Input to Output Disabled via Control Logic | $C_L = 5 \text{ pF}$ , From $V_{OH}$ : S1 Open,<br>From $V_{OL}$ : S1 Closed | 3.0        |     | 7.0 | ns    |

### Test Load



### Test Waveforms





# DP802514-1 TROPIC REEF +™, DP802515-1 TROPIC PELÉ +™, TROPIC™ Microcode ROM

## General Description

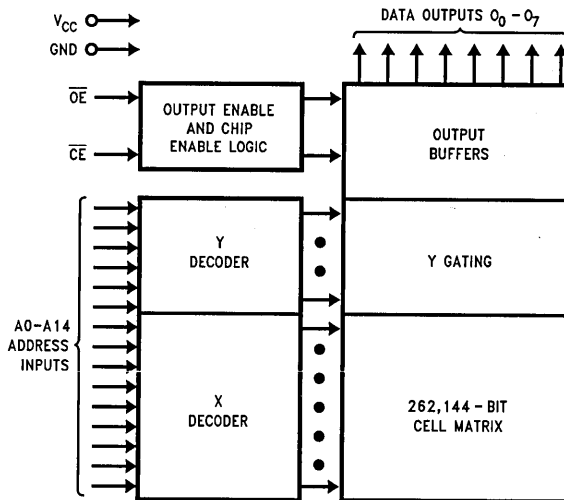
The DP802514-1 and DP802515-1 are the microcode ROMs for the TROPIC token ring network controllers. The DP802514-1 is a TROPIC REEF+ device and the DP802515-1 is a TROPIC PELÉ+ device. The devices feature an interface that is compatible to DP8025 interface controller to allow direct interfacing without the use of glue logic.

The DP802514-1 and DP802515-1 are implemented in National's double poly, single metal CMOS process. They operate from a single 5V ± 10% power supply. They are available in 28-pin, DIP or 32-pin PLCC.

## Features

- TROPIC compatible
  - Glueless interface
- High reliability CMOS processing
  - ESD protection exceeds 2000V
  - Latch up immunity to 200 mA
- Surface mount and DIP package
  - 28-pin molded plastic DIP
  - 32-pin PLCC

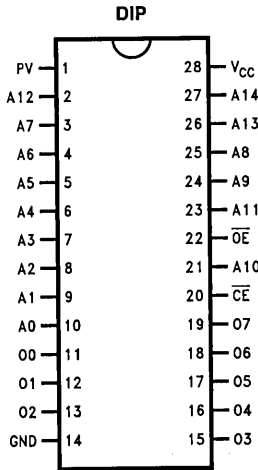
## Block Diagram



TL/D/11438-1

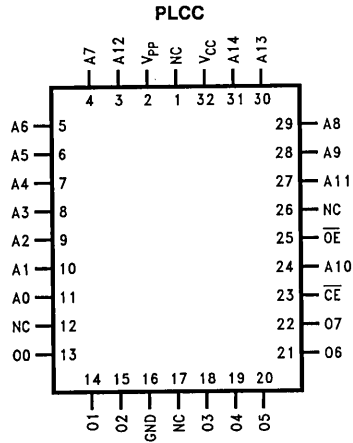


## Connection Diagrams



TL/D/11438-2

Order Number DP802514-1N or DP802515-1N  
See NS Package Number N28B



TL/D/11438-3

Order Number DP802514-1V or DP802515-1V  
See NS Package Number VA32A

**Commercial Temperature Range**  
(0°C to +70°C) V<sub>CC</sub> = 5V ± 10%

| Order Number   | Microcode Section | Check Sum |
|----------------|-------------------|-----------|
| DP802514-1N, V | Even/Lower        | 7940      |
| DP802515-1N, V | Odd/Upper         | D739      |

### Pin Names

| Symbol                         | Description                |
|--------------------------------|----------------------------|
| A0-A14                         | Addresses                  |
| $\overline{CE}$                | Chip Enable                |
| $\overline{OE}$                | Output Enable              |
| O <sub>0</sub> -O <sub>7</sub> | Outputs                    |
| PV*                            | Connect to V <sub>CC</sub> |

\*This function is used during test/manufacture.  
Should be connected to V<sub>CC</sub> in application.

### Absolute Maximum Ratings (Note 1)

If Military/Aerospace specified devices are required, please contact the National Semiconductor Sales Office/Distributors for availability and specifications.

|                                                       |                 |
|-------------------------------------------------------|-----------------|
| Storage Temperature                                   | -65°C to +150°C |
| All Input Voltages with Respect to Ground             | -0.6V to +7V    |
| V <sub>CC</sub> Supply Voltage with Respect to Ground | -0.6V to +7V    |

ESD Protection >2000V  
 All Output Voltages with Respect to Ground V<sub>CC</sub> + 1.0V to GND - 0.6V

### Operating Range

| Range      | Temperature    | V <sub>CC</sub> |
|------------|----------------|-----------------|
| Commercial | 0°C to +60°C   | 5V ± 10%        |
| Industrial | -40°C to +85°C | 5V ± 10%        |

## Read Operation

### DC Electrical Characteristics Over Operating Range

| Symbol             | Parameter                              | Test Conditions                                                           | Min                   | Max                 | Units |
|--------------------|----------------------------------------|---------------------------------------------------------------------------|-----------------------|---------------------|-------|
| V <sub>IL</sub>    | Input Low Level                        |                                                                           | -0.5                  | 0.8                 | V     |
| V <sub>IH</sub>    | Input High Level                       |                                                                           | 2.0                   | V <sub>CC</sub> + 1 | V     |
| V <sub>OL</sub>    | Output Low Voltage                     | I <sub>OL</sub> = 2.1 mA                                                  |                       | 0.4                 | V     |
| V <sub>OH</sub>    | Output High Voltage                    | I <sub>OH</sub> = -400 μA                                                 | 3.5                   |                     | V     |
| I <sub>CCSB1</sub> | V <sub>CC</sub> Standby Current (CMOS) | $\overline{CE} = V_{CC} \pm 0.3V$                                         |                       | 100                 | μA    |
| I <sub>CCSB2</sub> | V <sub>CC</sub> Standby Current        | $\overline{CE} = V_{IH}$                                                  |                       | 1                   | mA    |
| I <sub>CC</sub>    | V <sub>CC</sub> Standby Active Current | $\overline{CE} = \overline{OE} = V_{IL}, f = 5 \text{ MHz}$<br>I/O = 0 mA |                       | 35                  | mA    |
| I <sub>PP</sub>    | V <sub>PP</sub> Supply Current         | V <sub>PP</sub> = V <sub>CC</sub>                                         |                       | 10                  | μA    |
| V <sub>PP</sub>    | V <sub>PP</sub> Read Voltage           |                                                                           | V <sub>CC</sub> - 0.7 | V <sub>CC</sub>     | V     |
| I <sub>LI</sub>    | Input Load Current                     | V <sub>IN</sub> = 5.5V or GND                                             | -1                    | 1                   | μA    |
| I <sub>LO</sub>    | Output Leakage Current                 | V <sub>OUT</sub> = 5.5V or GND                                            | -10                   | 10                  | μA    |

### AC Electrical Characteristics Over Operating Range

| Symbol                      | Parameter                                                                                 | Min | Max |
|-----------------------------|-------------------------------------------------------------------------------------------|-----|-----|
| t <sub>ACC</sub>            | Address to Output Delay                                                                   |     | 95  |
| t <sub>CE</sub>             | $\overline{CE}$ to Output Delay                                                           |     | 95  |
| t <sub>OE</sub>             | $\overline{OE}$ to Output Delay                                                           |     | 40  |
| t <sub>DF</sub><br>(Note 2) | Output Disable to Output Float                                                            |     | 25  |
| t <sub>OH</sub><br>(Note 2) | Output Hold from Addresses, $\overline{CE}$ or $\overline{OE}$ , whichever occurred First | 7   |     |

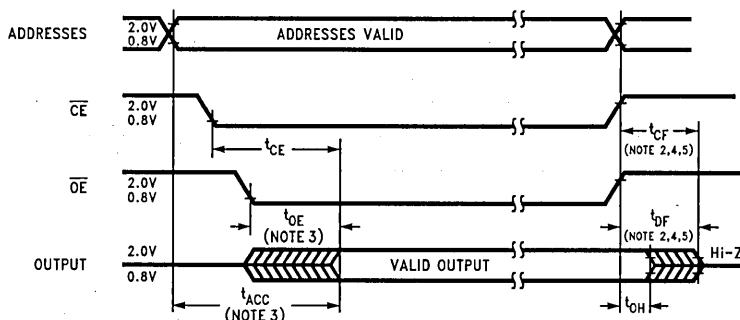
### Capacitance T<sub>A</sub> = +25°C, 1 = 1 MHz (Note 2)

| Symbol           | Parameter          | Conditions            | Typ | Max | Units |
|------------------|--------------------|-----------------------|-----|-----|-------|
| C <sub>IN</sub>  | Input Capacitance  | V <sub>IN</sub> = 0V  | 6   | 12  | pF    |
| C <sub>OUT</sub> | Output Capacitance | V <sub>OUT</sub> = 0V | 9   | 12  | pF    |

### AC Test Conditions

|                    |                                                         |                          |               |
|--------------------|---------------------------------------------------------|--------------------------|---------------|
| Output Load        | 1 TTL Gate and C <sub>L</sub> = 100 pF<br>(Note ≤ 5 ns) | Input Pulse Level        | 0.45V to 2.4V |
| Input Pulse Levels | 0.45V to 2.4V                                           | Timing Measurement Level | (Note 8)      |
|                    |                                                         | Inputs                   | 0.8V to 2V    |
|                    |                                                         | Outputs                  | 0.8V to 2V    |

## AC Waveforms (Notes 6, 7 and 9)



TL/D/11438-4

**Note 1:** Stresses above those listed under "Absolute Maximum Ratings" may cause permanent damage to the device. This is a stress rating only and functional operation of the device at these or any other conditions above those indicated in the operations sections of this specification is not implied. Exposure to absolute maximum rating conditions for extended periods may affect device reliability.

**Note 2:** This parameter is only sampled and is not 100% tested.

**Note 3:**  $\overline{OE}$  may be delayed up to  $t_{ACC} - t_{CE}$  after the falling edge of  $\overline{CE}$  without impacting  $t_{ACC}$ .

**Note 4:** The  $t_{DF}$  and  $t_{CF}$  compare level is determined as follows:  
High to TRI-STATE®, the measure  $V_{CH1}$  (DC) - 0.10V;  
Low to TRI-STATE, the measured  $V_{OL1}$  (DC) + 0.10V.

**Note 5:** TRI-STATE may be attained using  $\overline{OE}$  or  $\overline{CE}$ .

**Note 6:** The power switching characteristics require careful device decoupling. It is recommended that at least a 0.2  $\mu$ F ceramic capacitor be used on every device between  $V_{CC}$  and GND.

**Note 7:** The outputs must be restricted to  $V_{CC} + 1.0V$  to avoid latch-up and device damage.

**Note 8:** 1 TTL Gate:  $I_{OL} = 1.6$  mA,  $I_{OH} = -400$   $\mu$ A,  $C_L = 100$  pF includes fixture capacitance.

## Functional Description

### DEVICE OPERATION

The three modes of operation of the DP802514-1 and DP802515-1 are listed in Table I. It should be noted that all inputs for the three modes are at TTL levels. The power supply required is  $V_{CC}$ .

### READ MODE

THE DP802514-1 and DP802515-1 have two control functions, both of which must be logically active in order to obtain data at the outputs. Chip Enable ( $\overline{CE}$ ) is the power control and should be used for device selection. Output Enable ( $\overline{OE}$ ) is the output control and should be used to gate data to the output pins, independent of device selection. Assuming that addresses are stable, address access time ( $t_{ACC}$ ) is equal to the delay from  $\overline{CE}$  to output ( $t_{CE}$ ). Data is available at the outputs  $t_{OE}$  after the falling edge of  $\overline{OE}$ , assuming that  $\overline{CE}$  has been low and addresses have been stable for at least  $t_{ACC} - t_{OE}$ .

### STANDBY MODE

The DP802514-1 and DP802515-1 have a standby mode which reduces the active power dissipation by over 99%, from 75 mW to 0.55 mW. They are placed in the standby mode by applying a CMOS high signal to the  $\overline{CE}$  input. When in standby mode, the outputs are in a high impedance state, independent of the  $\overline{OE}$  input.

### OUTPUT DISABLE

The DP802514-1 and DP802515-1 are placed in output disable by applying a TTL high signal to the  $\overline{OE}$  input. When in output disable all circuitry is enabled, except the outputs are in a high impedance state (TRI-STATE).

### APPLICATION

In application, the DP802514-1 and DP802515-1 should be connected to the DP8025 TROPIC controller as shown in Figure 1. The DP802514-1 is the lower microcode ROM, and  $O_0$  thru  $O_7$  are to be connected to  $SD_0$  thru  $SD_7$ . The DP802515-1 is the upper microcode ROM and  $O_0$  thru  $O_7$  are to be connected to  $SD_8$  thru  $SD_{15}$  of the DP8025.

### SYSTEM CONSIDERATION

The power switching characteristics of DP802514-1 and DP802515-1 require careful decoupling of the devices. The supply current,  $I_{CC}$ , has three segments that are of interest to the system designer: the standby current level, the active current level, and the transient current peaks that are produced by voltage transitions on input pins. The magnitude of these transient current peaks is dependent of the output capacitance loading of the device. The associated  $V_{CC}$  transient voltage peaks can be suppressed by properly selected decoupling capacitors. It is recommended that at least a 0.2  $\mu$ F ceramic capacitor be used on every device between  $V_{CC}$  and GND for each eight devices. The bulk capacitor should be located near where the power supply is connected to the subsystem. The purpose of the bulk capacitor is to overcome the voltage drop caused by the inductive effects of the PC board traces.

### Mode Selection

The modes of operation of the DP802514-1 and DP802515-1 are listed in Table I. A single 5V power supply is required. All inputs are TTL levels except for  $PV = V_{CC}$ .

# Mode Selection (Continued)

TABLE I. Modes Selection

| Mode           | Pins | $\overline{CE}/PGM$ | $\overline{OE}$ | PV              | V <sub>CC</sub> | Outputs          |
|----------------|------|---------------------|-----------------|-----------------|-----------------|------------------|
| Read           |      | V <sub>IL</sub>     | V <sub>IL</sub> | V <sub>CC</sub> | 5.0V            | D <sub>OUT</sub> |
| Output Disable |      | X (Note 1)          | V <sub>IH</sub> | V <sub>CC</sub> | 5.0V            | High Z           |
| Standby        |      | V <sub>IH</sub>     | X               | V <sub>CC</sub> | 5.0V            | High Z           |

Note 1: X can be V<sub>IL</sub> or V<sub>IH</sub>.

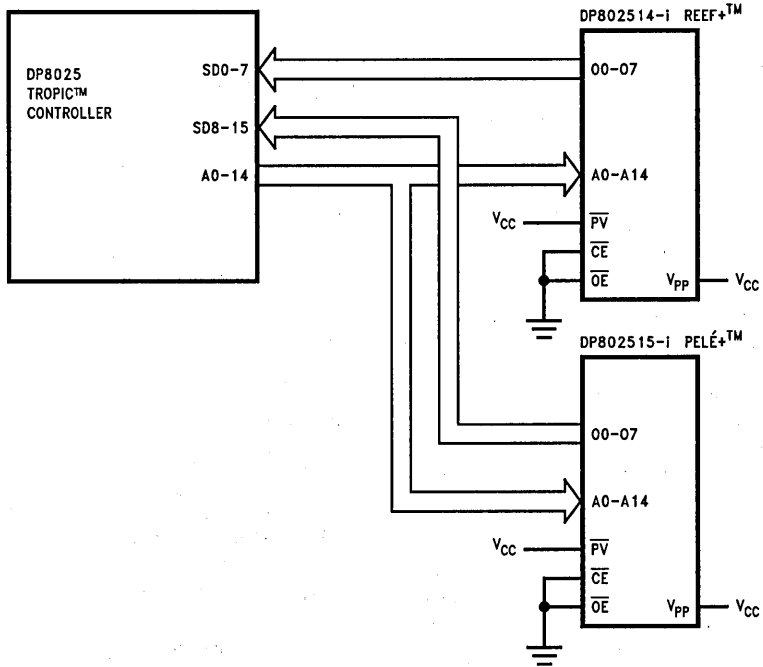


FIGURE 1. Typical TROPIC Connection

TL/D/11438-5

# An Introduction to Token Ring

National Semiconductor  
Application Note 857  
John von Voros



AN-857

## CONTENTS

- Introduction
- Physical Connection
- Ring Synchronization
- Frame Types
- Ring Operation
- Bridging
- Conclusion
- References
- Definitions

## INTRODUCTION

Token Ring and its associated hardware was first introduced by IBM® in the Fall of 1985. The token passing protocol was chosen because it would perform better under heavy network loading and be more easily integrated into existing IBM synchronous networks. In late 1985, the International Organization for Standardization (ISO) adopted the Token Ring Standard (ANSI/IEEE Std. 802.5-1985). A newer revision of the specification was approved by ISO in 1992 and has been published as International Standard ISO/IEC 8802-5:1992.

Initially, the 4 Mbps data rate was considered sufficient for most office automation and networking tasks. Realizing the need for increased bandwidth, IBM released the 16 Mbps version of Token Ring in 1989. Since its inception, Token Ring has become the most popular implementation of the token passing protocol and is second only to Ethernet® in nodes shipped.

In the token passing protocol, a token circulates around the ring until a station requests permission to transmit (Figure 1). Once granted, the transmitting station sends its information over the network. Each station along the ring checks the destination address of the data frame to determine if the packet is to be copied into a local buffer or simply repeated onto the ring. The data frame is removed from the ring by the originator of that frame and the token is released.

## PHYSICAL CONNECTION

Each station is linked to the ring via a concentrator (Figure 2). Although this appears as a star-based topology, closer inspection reveals that it is indeed a ring. Most of the current concentrators are based on a passive technique utilizing simple relay logic. Each station has transformer-coupled receive and transmit twisted-pair wires (either shielded or unshielded) which attach the station to the concentrator using a Media Interface Connector (MIC).

When inserting a new station into the ring, the station first completes some initialization routines to insure proper operation. The station then "impresses" a D.C. voltage onto the Media Interface Cable to power the relay in the concentrator (Figure 3). This is called a *phantom drive voltage* because it is transparent to symbols being transmitted (due to AC coupling). The relay closes the switches so that the concentrator changes from bypass to insertion mode.

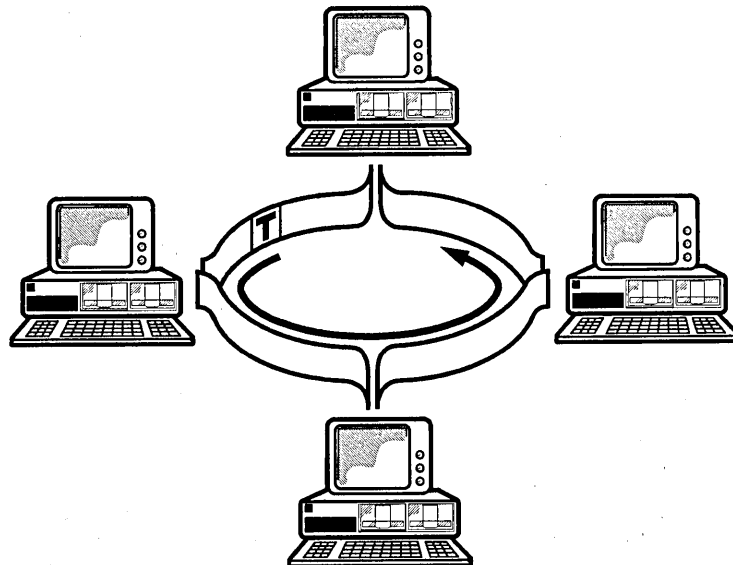


FIGURE 1. Token Ring

TL/F/11716-1

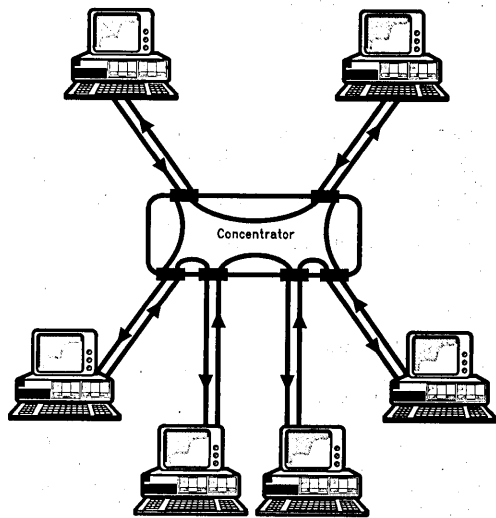


FIGURE 2. Station Connection to a Concentrator

TL/F/11716-2

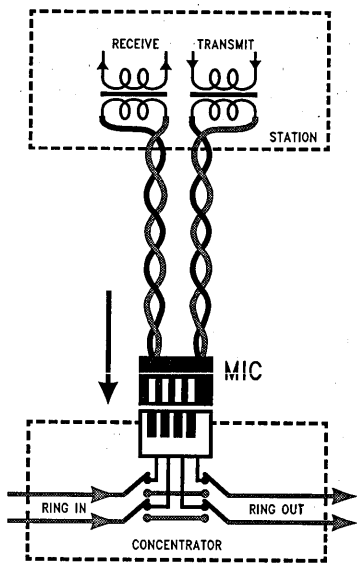


FIGURE 3. Physical Connection

TL/F/11716-3

**RING SYNCHRONIZATION**

Each ring must have a station (the Active Monitor) which is responsible for maintaining the master clock for all workstations. This is always the first station to get onto the ring. All other stations are considered Standby Monitors which constantly check the ring to make sure an Active Monitor is present. If a problem with the Active Monitor station develops, the other stations will negotiate to become the new Active Monitor.

The Active Monitor is the only station on a ring to synchronize to a clock oscillator (Figure 4). All other stations synchronize to the embedded clock of the incoming signal using a phase-locked loop (PLL). One disadvantage to this approach is that each PLL along the ring introduces jitter into the signal. Jitter is the time varying difference between the phase of the master clock and the clock recovered from the signal. If this accumulated jitter reaches a certain threshold, the next station will not be able to recover a clock and the entire ring will fail. This is why the standards committees and manufacturers are sensitive to the amount of jitter introduced by token ring equipment. The current I.E.E.E. specification only allows for 250 stations in a ring to limit the potential for this catastrophic error.

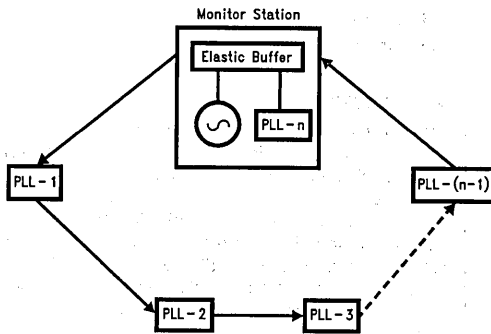


FIGURE 4. Ring Synchronization

TL/F/11716-4

Other responsibilities of the Active Monitor include recovery from error situations, Neighbor Notification, and maintaining a latency buffer. Neighbor Notification allows each station to know both its upstream and downstream neighbors on the ring. This is important for fault isolation. The latency buffer allows the Active Monitor to introduce a 24-bit delay (length of a token) to allow for a token to completely circulate around the ring without overlapping the originating station.

**FRAME TYPES**

The token ring standard currently supports two kinds of transmission units: tokens, and frames. As previously mentioned, tokens are responsible for controlling access to the network. The frames transfer data as well as control instructions for the network.

**Token Format**

The token is responsible for granting permission for an individual station to transmit onto the ring. This frame contains three fields: Starting Delimiter, Access Control, and Ending Delimiter (Figure 5).

| SD | AC | ED |
|----|----|----|
|----|----|----|

1 Byte      1 Byte      1 Byte

SD = Starting Delimiter  
 AC = Access Control  
 ED = Ending Delimiter

FIGURE 5. Token Format

The Starting Delimiter field is a unique sequence of symbols indicating the beginning of a frame or token (See TROPIC™-Front End Description, AN-850). This field is the same for all frame types.

As shown in Figure 6, the Access Control field contains 3 bits indicating the priority of the frame or token (PPP), 1-bit indicating whether this is a frame (T=1) or a token (T=0), 1-bit for monitoring the ring to prevent the recirculation of errant tokens or frames (M), and 3 bits for requesting the needed priority setting for the next available token (RRR). Each station on the ring is assigned a maximum priority with which it may transmit.



PPP = Priority Bits
T = Token Status
M = Monitor
RRR = Reservation Bits

FIGURE 6. Access Control Field

The Ending Delimiter field contains a unique pattern of symbols indicating the end of a frame or token. One bit, the Intermediate Frame Bit, is used to indicate if the current frame is the end of a station's series of transmitted frames. The Error Detected Bit, the last bit in this field, is set by any station on the ring that detects an error. All tokens and frames must contain the Ending Delimiter sequence to be considered valid.

Frame Format

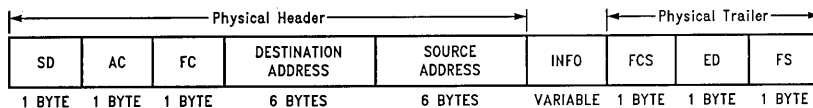
The frame is the basic data transmission unit of Token Ring networks. The IEEE standard for Token Ring (802.5) currently supports two frame types: MAC frames and LLC frames. The Medium Access Control (MAC) frames are used to control the operation of the ring. Examples of MAC frames include Claim Token, Duplicate Address Test, and Lobe Test which are explained in the Ring Insertion section. Logical Link Control (LLC) frames are responsible for the transmission of data and the establishment of communications between two or more nodes.

The basic frame format consists of the data to be sent encapsulated by a physical header and trailer (Figure 7). The SD, AC, and ED fields are the same as those in the token.

The Frame Control field (FC) defines the frame to be either a MAC or LLC frame. This field also indicates how a MAC frame is to be buffered.

The Destination Address field (DA) is a 6 byte ID Standardized by I.E.E.E. which identifies the address of the receiving station on the ring. Bit 0 of byte 0 (the first bit of the DA transmitted) indicates whether the address is an individual or group address. All bits are set to a "1" for a broadcast message.

The Source Address field (SA) is also a 6 byte ID which identifies the station that originated the frame. Bit 0 of byte 0 is used to specify whether the data portion of the frame contains a routing information field (see section on internetworking). Routing information is only needed for frames that will leave the source ring.



SD = Starting Delimiter
AC = Access Control
FC = Frame Control
FCS = Frame Check Sequence
ED = Ending Delimiter
FS = Frame Status

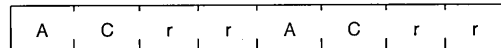
FIGURE 7. Frame Format

The data field is of variable length and ranges from 0 bytes to a limit defined by the maximum time a station is allowed to hold the token. The current I.E.E.E. specification for the Token Hold Timer (THT) states that each station must support an 8.9 ms hold time which corresponds to a maximum information field length of 17800 bytes.

The Frame Check Sequence field (FCS) is a 32-bit check word that is generated during transmission of the FC, DA, SA, and INFO fields and then appended to the outgoing frame. During reception, the receiving station will calculate this check word on these same fields and compare it with the FCS byte transmitted to determine if the frame was sent correctly. Each station on the ring checks every frame for correct transmission and sets the appropriate bit in the Ending Delimiter field.

The Frame Status field (FS) indicates whether the current frame's address was recognized and if the information was copied by the receiving station (Figure 8). The reserved bits are not currently used. The Address Recognized and Frame Copied bits are duplicated within the Frame Status byte because the error checking routine does not cover this field. These flags allow the network to determine three distinct conditions:

- 1. The station does not exist or is inactive.
2. The station exists, but the frame was not copied (this could be caused by network congestion).
3. The frame was copied properly by the receiving station.



A = Address Recognized
C = Frame Copied
r = Reserved

FIGURE 8. Frame Status Field

RING OPERATION

The following section covers the procedures for ring insertion, transmission of a frame, and frame reception. A more detailed explanation can be found in the Token Ring Network Architecture Reference by IBM (see references).

Ring Insertion

Step A: Check the physical connection and receive logic.

- 1. Transmit lobe test MAC frames onto the station's cable only (not onto the ring). This is done to verify cable attachment.
2. Transmit duplicate address test MAC frames (refer to Step C). These are only used for testing the receive logic at this point (not for actual address duplications).
3. After both tests are passed, the station is inserted into the ring by exerting the phantom voltage which causes the concentrator to switch the station into the ring.

**Step B:** Check for an active monitor on the ring.

1. Initiate countdown timer. (Join Ring Timer = 18 second maximum)
2. Within this time, the station must detect an active monitor by receiving any of three special MAC frame types: ring purge frame (**PRG**), active monitor present frame (**AMP**), or standby monitor present frame (**SMP**). If this occurs, the initialization routine proceeds to Step C.
3. If not, the station will assume one of three possibilities; This is the first station on the ring, no active monitor is present, or insertion of this station has broken the ring. The token claim process is initiated to contend to become the active monitor.

**Step C:** Check for a duplicate address on the ring.

1. Transmit a duplicate address test frame onto the ring to see if another station has the same physical address. This is done by setting the destination address to be the same as the address of your station. If the frame returns with the address recognized bit clear (address not recognized), proceed to Step D.
2. If the frame returns with the address recognized bit set, a duplicate physical address has been found. The station notifies the network manager and removes itself from the ring.

**Step D:** Neighbor notification (used for network management).

1. Determine the nearest available upstream neighbor (**NAUN**).
2. Notify the downstream neighbor of your station's identity.

**Step E:** Request initialization.

1. Identify your station to the network manager including the address, the address of the NAUN, the product instance identification, and the revision of the controller's micro-code.
2. The station is now active on the ring and enters the normal repeat mode.

**Transmitting on the Ring****Step A:** Capture token.

1. The station transmitting the frame must have a priority greater than or equal to the priority of the token in order to use it.
2. If a frame or a token with higher priority passes, the reservation bits RRR in the Access Control (AC) field are set to request a token of the appropriate priority.

**Step B:** Transmit Frame.

1. Upon receipt of a usable token, the station converts the token to a start of frame sequence (SFS) by setting the "T" bit in the AC field to a "1".

2. The station now changes from repeat mode to transmit mode and transmits its frame onto the ring.

3. The frame check sequence (FCS) is calculated and appended to the information field of the outgoing frame.

4. The address recognized (A) and frame copied (C) bits are cleared within the frame status (FS) field which is the final field transmitted in a frame.

**Step C:** Transmit token and strip frames from the ring.

1. Unless early token release is enabled (see note), the sending station will delay the transmission of the token until it receives the source address field of the last transmitted frame. This delay is accomplished by transmitting idles (any combination of 1's or 0's; a.k.a. fill bits) and may be of any length within the constraints of the maximum amount of time a token can be held by a station. These idles are required so that the PLL's of the stations maintain synchronization with the active monitor.

**Note:** Early Token Release (ETR) was introduced to make more efficient use of the available ring bandwidth. The token is immediately transmitted following the Frame Status byte of the outgoing frame. Without ETR, the sending station would wait until it had received the physical header back before releasing the token. If the header returns to the sending station before the token is released, the token will be transmitted with a priority equal to the reservation bits in the Access Control field. If the header has not yet been received, the token is released with a priority equal to the transmitted frame. Early token release still only allows one token on the ring at any one time.

2. While continuing to strip the frame, the sending station transmits a token with the appropriate priority as determined by the reservation bits in the Access Control field.

3. The sending station will continue to transmit idles after the token until the stripping process is completed.

**Step D:** Station returns to normal repeat mode.**Frame Reception**

**Step A:** Check the destination address of the incoming frame to determine if it matches your station's individual or group address, or is a broadcast address.

**Step B:** If no match occurs, the station repeats the frame onto the ring. This is known as normal repeat mode. The station will check the data in the tokens and frames received, and will set the appropriate A, C, and E (address recognized, frame copied, and error detected) bits within the Ending Delimiter and Frame Status fields at the end of the frame. If an error is detected by any station, the E bit will be set and the frame will not be copied by the destination station.

**Step C:** If the destination address matches, the station begins copying the frame into its buffer while simultaneously repeating the frame onto the ring. The station will then set the A, C, and E bits appropriately.



## TOKEN RING BRIDGING

Multiple rings are connected by bridges which are responsible for copying frames from the source ring and forwarding that information to the destination ring (Figure 9). Bridges are characterized by ring numbers, bridge numbers, hop count limits, largest frame sizes, and single route broadcast indicators. Ring numbers identify the numbers of the rings on either side of the bridge. Each bridge between two rings is assigned a unique bridge number. The hop count limits the number of rings an All Routes Broadcast frame can travel before the bridge discards it. The largest frame size indicates the length of the frame that is either supported by the bridge, or the rings on either side. The single route broadcast indicator determines if the bridge is capable of supporting single route broadcast frames.

Frames are routed through Token Ring networks by using a procedure called source routing in which frames carry the information on the route to be taken. In contrast, transparent bridging requires that the bridges keep track of all routes between stations.

When first determining a route, the source station sends a test frame on the local ring with the desired destination address. If the proper test frame response is not received, the station must look elsewhere on the network. Two methods are used to determine the routes to destinations on other rings: All Routes Broadcast Route Determination and Single Route Broadcast Determination.

When the All Routes Broadcast technique is chosen, the source station sends a test frame to all rings. As this frame traverses the network, it records information on the bridges it encounters on the way to the destination. Since multiple paths may exist between source and destination, many copies of this test frame may reach the destination with unique

routing information. As each copy is received by the destination, a test frame response is sent back, via the same route, to the source station with the acquired routing information. The source station then decides which route is preferred. This decision could be based on cost, bandwidth, network congestion, etc. Once the route has been determined, all dialogue between the two stations proceeds along the chosen path.

The other possible method of route determination, Single Route Broadcast, sends the test frame so that only one copy of the frame reaches the destination. This technique utilizes the single route broadcast method that is an inherent feature of source routing bridges. When the destination station receives the test frame, it answers with an All Routes Broadcast test response frame which could result in multiple copies appearing at the source station, each with its own routing information. Once again, the source station determines the preferred route of transmission.

Bridges scrutinize the routing information to make sure that a frame is not continuously circulating around the network. If a bridge discovers the number of the next ring included in the routing information field, it discards the frame. The bridge also discards frames if the hop count limit has been exceeded.

## CONCLUSION

Token Ring is gaining popularity due to standardization efforts and the decreasing cost of hardware. In mid-1992, IBM introduced the capability of using standard category 3, 4, or 5 unshielded twisted-pair for 16 Mbps Token Ring which should further reduce the cable plant cost. IEEE is expected to approve this standard by early 1993. In February of 1992, IBM licensed its Token Ring technology to National Semiconductor thus making IBM silicon available to O.E.M.'s for integration into their products.

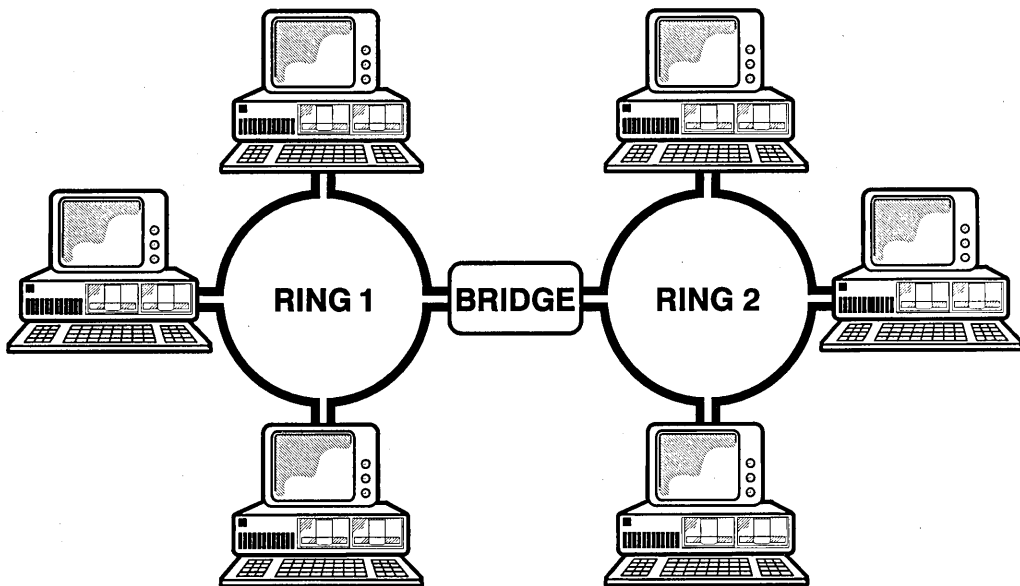


FIGURE 9. Token Ring Bridging

TL/F/11716-6

## REFERENCES

**International Standard ISO/IEC 8802-5:** 1992 (E) IEEE Std 802.5—1992

Naugle, Matthew G., "Local Area Networking", McGraw-Hill, Inc., San Francisco, CA, 1991.

"Token Ring Network Architecture Reference", 3rd ed., IBM Corporation. Research Triangle Park, N.C., 1989.

## DEFINITIONS

(From IEEE Specification)

**Abort Sequence.** A sequence that terminates the transmission of a frame prematurely.

**Accumulated Jitter.** The jitter measured against the clock of the active monitor. Like alignment jitter, this is not a type of jitter but a way to measure total jitter growth throughout the ring. It is normally used to determine the required size of the elastic buffer.

**Alignment Jitter.** The jitter measured against the clock of the upstream adapter. This is not a type of jitter per se; rather, it is a way to measure jitter. When "zero transferred jitter" is specified, the jitter measured is alignment jitter.

**Broadcast Transmission.** A transmission addressed to all stations.

**Channel.** The channel is the transmission path from the MIC at the transmitter to the first MIC at the receiver. It may include TCUs and connectors in addition to transmission line.

**Configuration Report Server (CRS).** A function that controls the configuration of the ring. It receives configuration information from the stations on the ring and either forwards them to the network manager or uses them to maintain a configuration of the ring. It can also, when requested by the network manager, check the status of stations on the ring, change operational parameters of stations on the ring, and remove stations from the ring.

**Correlated Jitter.** The portion of the total jitter that is related to the data pattern. Since every adapter receives the same *pattern*, this jitter is *correlated* among all adapters and therefore grows in a *systematic* way along the ring. Correlated jitter is also called *pattern jitter* or *systematic jitter*.

**Differential Manchester Encoding.** A signaling method used to encode clock and data bit information into bit symbols. Each bit symbol is split into two halves, where the second half is the inverse symbol of the first half. A 0 bit is represented by a polarity change at the start of the bit time. A 1 bit is represented by no polarity change at the start of the bit time. Differential Manchester encoding is polarity-independent.

**Fill.** A bit sequence that may be either 0 bits or 1 bits or any combination thereof.

**Frame.** A transmission unit that carries a protocol data unit (PDU) on the ring.

**Jitter.** The time-varying difference between the phase of the recovered clock and the phase of the source clock. Jitter is measured in fractions of a clock cycle, or unit interval (UI).

**Logical Link Control (Sublayer) (LLC).** That part of the data link layer that supports media-independent data link functions, and uses the services of the MAC to provide services to the network layer.

**Medium.** The material on which the data may be represented. Twisted pairs, coaxial cables, and optical fibers are examples of media.

**Medium Access Control (Sublayer) (MAC).** The portion of the data station that controls and mediates the access to the ring.

**Medium Interface Connector (MIC).** The connector between the station and TCU at which all transmitted and received signals are specified.

**Monitor.** The monitor is that function that recovers from various error situations. It is contained in each ring station; however, only the monitor in one of the stations on a ring is the *active monitor* at any point in time. The monitor function in all other stations on the ring is in standby mode.

**Multiple Frame Transmission.** A transmission where more than one frame is transmitted when a token is captured.

**Physical (Layer) (PHY).** The layer responsible for interfacing with the medium, detecting and generating signals on the medium, and converting and processing signals received from the medium and the MAC.

**Protocol Data Unit (PDU).** Information delivered as a unit between peer entities that contains control information, and optionally, data.

**Protocol Implementation Conformance Statement (PICS).** A statement of which capabilities and options have been implemented for a given Open Systems Interconnection protocol.

**Repeat.** The action of a station in receiving a bit stream (for example, frame, token, or fill) from the previous station and placing it on the medium to the next station. The station repeating the bit stream may copy it into a buffer or modify control bits as appropriate.

**Repeater.** A device used to extend the length, topology, or interconnectivity of the transmission medium beyond that imposed by a single transmission segment.

**Ring Error Monitor (REM).** A function that collects ring error data from ring stations. The REM may log the received errors, or analyze this data and record statistics on the errors.

**Ring Latency.** In a token ring MAC system, the time (measured in bit times at the data transmission rate) required for a signal to propagate once around the ring. The ring latency time includes the signal propagation delay through the ring medium plus the sum of the propagation delays through each station connected to the token ring.

**Ring Parameter Server (RPS).** That function that is responsible for initializing a set of operational parameters in ring stations on a particular ring.

**Routing Information.** A field, carried in a frame, used by source routing transparent bridges that provides source routing operation in a bridged LAN.

**Service Data Unit (SDU).** Information delivered as a unit between adjacent entities that may also contain a PDU of the upper layer.

**Source Routing.** A mechanism to route frames, through a bridged LAN. Within the source routed frame, the station specifies the route that the frame will traverse.

**Station (or Data Station).** A physical device that may be attached to a shared medium LAN for the purpose of transmitting and receiving information on that shared medium. A data station is identified by a destination address (DA).

**Static Phase Offset.** The constant difference between the phase of the recovered clock and the optimal sampling position of the received data.

**Station Management (SMT).** The conceptual control element of a station that interfaces with all of the layers of the station and is responsible for the setting and resetting of control parameters, obtaining reports of error conditions, and determining if the station should be connected to or disconnected from the medium.

**Token.** The symbol of authority that is passed between stations using a token access method to indicate which station is currently in control of the medium.

**Transferred Jitter.** The amount of jitter in the recovered clock of the upstream adapter. Transferred jitter is important because each adapter must both limit the amount of jitter it generates, and track the jitter delivered by the upstream adapter.

**Transmit.** The action of a station generating a frame, token, abort sequence, or fill and placing it on the medium to the next station. In use, this term contrasts with *repeat*.

**Transparent Bridging.** A bridging mechanism, in a bridged LAN, that is transparent to the end stations.

**Trunk Cable.** The transmission cable that interconnects two TCUs.

**Trunk Coupling Unit (TCU).** A physical device that enables a station to connect to a trunk cable. The TCU contains the means for inserting the station into the ring, or conversely, bypassing the station.

**Uncorrelated Jitter.** The portion of the total jitter that is independent of the data pattern. This jitter is generally caused by noise that is uncorrelated among adapters and therefore grows in a nonsystematic way along the ring. Uncorrelated jitter is also called *noise jitter* or *nonsystematic jitter*.

**Unit Interval (UI).** One half of a bit time. 125 ns for 4 Mb/s transmission and 31.25 ns for 16 Mb/s transmission. UI is used in the specification of jitter.

**Upstream Neighbor's Address (UNA).** The address of the station functioning upstream from a specific station.

# TROPIC™—A Front End Description

National Semiconductor  
Application Note 850  
Joel Martinez



## OVERVIEW

This application note describes the DP8025 Token-Ring Protocol Interface Controller (TROPIC) Front End Macro (FEM). The FEM is one internal block within TROPIC. TROPIC's analog FEM is transformer coupled directly to the Token-Ring system. The analog circuitry converts distorted receive signals into square wave signals used by TROPIC's digital circuitry. The receiver includes an external equalization circuit to make the conversion process more reliable. The driver circuit provides sufficient drive capability to transmit signals across the ring with acceptable distortion at the receiver end. The FEM does not decode or encode signals. The Protocol Handler (PH) performs the encoding and decoding function.

This application note supplements the DP8025-TROPIC datasheet. Application Note 816, "Layout Guidelines for a Token Ring Adapter Using the DP8025" illustrates the recommended layout for the FEM.

## INTRODUCTION

The TROPIC Front End Macro (FEM) combined with external equalization circuitry and components provides the modulation/demodulation function by which digital data is propagated over the analog transmission medium. Specifications and requirements of the FEM operation at 4 Mbps and 16 Mbps are included in the discussions. Performance objectives are given for the FEM and the transmission system operating at both speeds. For brevity in tables and figures, braces- { } denote items pertaining only to 16 Mbps operation. Parameters or combinations of parameters required to meet these objectives are defined and specified.

Unless otherwise specified, the functional definitions and tests are described assuming the external components given in Appendix A. The connection of these components is shown in Figures 6a and 6b in Appendix A. Figure 6c in Appendix A lists the component values and tolerances.

## DIFFERENTIAL MANCHESTER CODE

Differential Manchester coding used in Token Ring has four symbols; binary 1, binary 0, non-data J and K. The symbols used in the Token Ring physical layer are shown in Table I. Binary ones and zeroes have mid-bit transitions which convey inherent timing information on the channel. Binary "zeroes" transition at the beginning. Binary "ones" do not transition at the beginning. Non-data J and K do not have mid-bit transitions. K transitions at the start of the bit boundary (also called a "negative code violation"), while J does not (also called a "positive code violation").

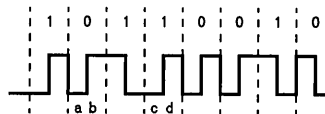
The symbols are transmitted through the medium in the form of differential Manchester encoding that is characterized by two signal elements per symbol—the leading and trailing element. The leading element polarity is dependent on the trailing element of the previously transmitted symbol. The polarity of three elements must be known to decode a single symbol; the trailing element of the previous symbol, and the leading and trailing elements of the current symbol.

TABLE I. Token Ring Differential Manchester Code Symbols

| Symbol | Description  | Transition @ beginning | Transition @ mid-bit |
|--------|--------------|------------------------|----------------------|
| 0      | binary zero  | yes                    | yes                  |
| 1      | binary one   | no                     | yes                  |
| J      | non-data "J" | no                     | no                   |
| K      | non-data "K" | yes                    | no                   |

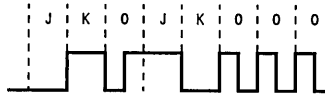
An example of differential Manchester coding is illustrated in Figure 1a. Let's decode a few of the symbols. A change in polarity (transition) between the trailing element and leading element at the beginning of the bit boundary, *a*, narrows the possibilities to a binary zero or a non-data K, as shown in Table I column "Transition @ beginning". A transition at mid-bit, *b*, leaves us to conclude the symbol is a binary zero. Let's try another, a lack of transition at bit boundary *c* narrows the possibilities to a binary one and non-data J. A transition at mid-bit, *d*, leaves us to conclude the symbol is a binary one.

J and K appear within the Starting Delimiter and Ending Delimiter fields as shown in Figures 1b and 1c. Frame fields are discussed in the following section.



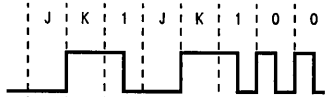
TL/F/11701-1

FIGURE 1a. Differential Manchester Data Stream Example



TL/F/11701-2

FIGURE 1b. SD Field Is Always JK0JK00



TL/F/11701-3

FIGURE 1c. The First Six Bits of the ED Field Is Always JK1JK100

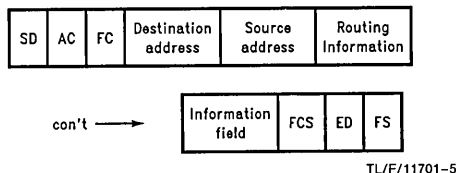
The basic transmission units on a Token Ring Network are tokens and frames. Tokens and frames traveling around the ring are differential Manchester encoded.

**TOKEN RING FRAME**

A Token Ring frame contains several fields; Starting Delimiter (SD), Access Control (AC), Frame Control (FC), Destination Address (DA), Source Address (SA), Information field, Framecheck Sequence (FCS), Ending Delimiter (ED) and Frame Status (FS) as shown in *Figure 2*.

A single 24-bit frame called a *token* continuously traverses the ring. A token consists of three fields; SD, AC and ED. A station must acquire the token before transmitting data onto the network.

The two other frames are the data frame and the MAC frame which control certain management functions on the Token Ring Network.



**FIGURE 2. Token Ring Frame has several fields. A token is a special frame which has only three fields; SD, AC and ED.**

A brief description of the frame fields shown in *Figure 2* are given in the following.

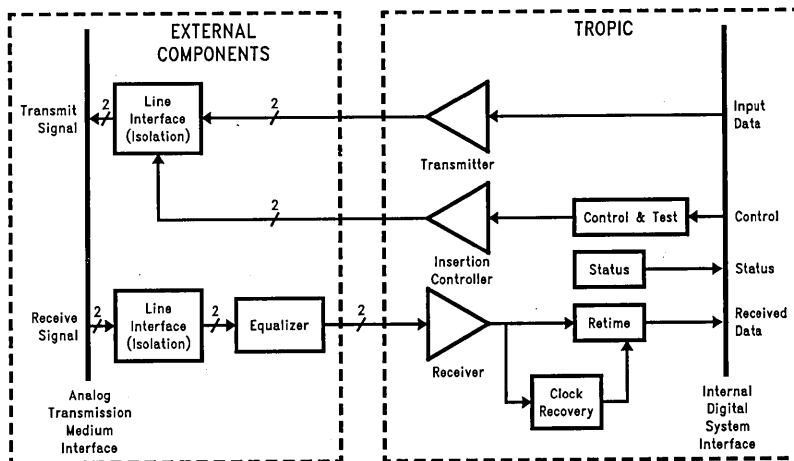
- Starting Delimiter (SD): This field indicates the beginning of a frame. SD is a single byte with the pattern shown in *Figure 1b*.
- Access Control (AC): This field is a single byte which contains priority information and indicates a token or frame.

- Frame Control (FC): This field is a single byte which indicates the frame as data or MAC-Media Access Control.
- Destination Address: Destination address identifies the station that is to copy the frame. This address always consists of six bytes.
- Source Address: Source address identifies the station that originated the frame. This address always consists of six bytes.
- Routing Information: Optional routing information follows the source address when the frame leaves the ring. This field, when present, consists of a 2-byte routing control field and up to eight 2-byte route designators.
- Information Field: Information Field contains an integral number of bytes of data. In an IBM Token-Ring Network, a ring station can hold a token for 10 ms, which limits the maximum frame size that a station can transmit.
- Framecheck Sequence (FCS): This field contains a 4-byte cyclic redundancy check (CRC) performed on the FC, DA, SA and information fields.
- Ending Delimiter (ED): ED is a single byte where the first six bits of the field indicate end of frame. One bit indicates error and another indicates whether successive frames will follow.
- Frame Status (FS): FS is a single byte field that indicates if the destination station recognized the address and successfully copied the frame.

**FRONT END**

A block diagram of the FEM and its associated external components is shown in *Figure 3*. The FEM provides the interface functions necessary to transmit and receive differential Manchester encoded data over the transmission channel. These functions consist of the following:

- Equalization of incoming received signal.
- Detection of the received signal.
- Clock recovery and retiming of the received data.
- Transmission of output data.
- Ring Insertion.



**FIGURE 3. Front End Macro (FEM) Functional Block Diagram Includes the TROPIC Internal Blocks and the External Equalizer Block**

## TIMING

Table II describes the timing characteristics of the system at the two bit rates—4 Mbps and 16 Mbps.

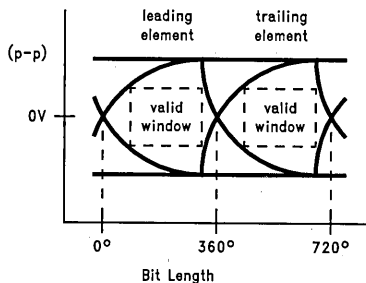
**TABLE II. 4 Mbps and 16 Mbps Timing Characteristics**

| Parameter                         | 4 Mbps | 16 Mbps  |
|-----------------------------------|--------|----------|
| 720° = bit length                 | 250 ns | 62.5 ns  |
| 360° = half-bit length or mid-bit | 125 ns | 31.25 ns |
| 1°                                | 347 ps | 87 ps    |
| Clock Rate                        | 8 MHz  | 32 MHz   |
| All 0's pattern (idles)           | 4 MHz  | 16 MHz   |
| All 1's pattern                   | 2 MHz  | 8 MHz    |

## RECEIVER

The FEM receiver consists of the following blocks; Receiver, Clock Recovery and Retime as shown in *Figure 3*. Data passes through the Equalizer and Receiver to the Retime and Clock Recovery block which samples half bit elements of the differential Manchester coded signal. The FEM receiver passes these signal elements to the internal digital system interface which decodes the signal elements to data bits (binary zeroes and one's) or code violations (non-data J's and K's). The performance of the FEM and transmission system depends upon the detectability of the half bit signal elements as shown in *Figure 4*.

The concept of a minimum valid signal at the FEM receiver input or Equalizer output is fundamental to detecting signal elements in the system environment. This minimum valid signal results from the worst case communication system distortions and has the minimum "EYE" pattern that the receiver must be expected to demodulate. The EYE pattern is determined by communication system parameters such as loss, noise and distortion from the transmission medium and equalizer circuit. System performance is determined largely by how accurately the local clock can define the center of the data EYE and the accuracy that the data sample is discerned in the presence of noise. The height and width of the window EYE must meet receiver requirements to reliably sample incoming signals. The EYE height specifies the minimum signal amplitude that the receiver is able to reliably detect a high or low. Signals with amplitudes falling within the EYE cannot be reliably detected as a high or low. The EYE width specifies the minimum phase range required by the PLL to lock onto and retime incoming signals.



**FIGURE 4. A bit is sampled at the leading and trailing symbol elements. The window formed by the EYE pattern must meet receiver input requirements.**

TL/F11701-6

## RECEIVE TIMING ALIGNMENT

All stations on a ring derive their clock from the Active Monitor which is the first station inserted into the ring. If the active monitor is de-inserted from the ring, another station takes its place as the Active Monitor. There is always one and only Active Monitor per ring. The Active Monitor sets the timing for the rest of the ring via the retiming of frames and tokens as they pass through the Active Monitor.

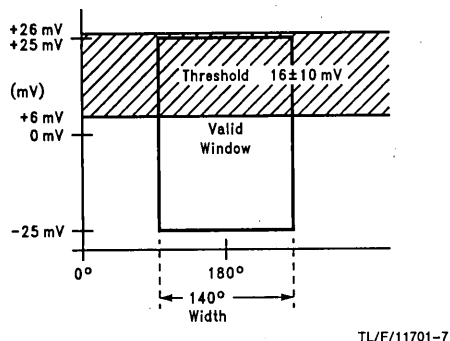
Each station, including the active monitor, recovers the clock embedded in the differential Manchester encoded signals when receiving frames or tokens. The difference between an Active Monitor and other stations is in transmitting frames and tokens back onto the ring. Stations use the recovered clock (the output of the clock recovery circuit of *Figure 3*) when transmitting differential Manchester encoded data while the Active Monitor uses a local reference clock (this clock is provided by the 32 MHz crystal). Frames and tokens coming out of the Active monitor have no jitter because they use a local reference clock. Jitter accumulates as the frame or token moves downstream from the active monitor. Each successive station will add jitter to the signal or frame until it has gone full circle back to the Active Monitor where the jitter is removed and the frame or token is transmitted jitter-free. The Active Monitor always receives the worse case accumulated jitter since it is the last station on the ring. Accumulated jitter increases with increasing number of stations and cable lengths between the Active Station and downstream station.

There are various sources of jitter on the ring which are illustrated in *Figure 7*. The jitter sources are found internal and external to the TROPIC. Transferred jitter, transmit channel jitter, concentrator jitter and receive channel jitter are sources external to the TROPIC. PLL jitter and transmitter jitter are sources internal to the TROPIC.

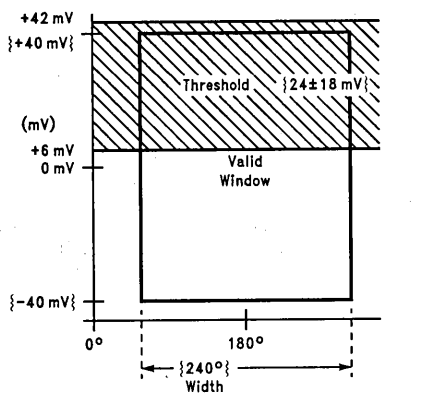
- Transferred jitter represents the accumulated jitter for all stations between the Active Monitor and current station.
- Transmit channel jitter is the jitter contributed by the lobe cable between the UMIC and the concentrator.
- Concentrator or TCU (Trunk Coupling Unit) jitter is the jitter contributed by the concentrator unit.
- Receive channel jitter is the sum of the jitter contributed by the lobe cable between the concentrator and the UMIC, the concentrator jitter and the transmit channel jitter. When using active concentrators (also called Retimed TCU's) the receive channel jitter is only the jitter contributed by the lobe cable between the concentrator and the UMIC.
- PLL jitter is the jitter contribution by the PLL of the current station, with zero transferred jitter.
- Transmitter jitter is the jitter contributed by the transmitter.

The receiver EYE width budget takes into account signal misalignment caused by a variety of sources including the jitter elements discussed above. The receiver PLL and set-up and hold times internal to TROPIC must also be accounted for in the timing budget.

To accommodate for worse case misalignment, the EYE width shall be greater than 140° at 4 Mbps and 240° at 16 Mbps as illustrated in *Figure 5*. The equalizer enables the incoming signals to meet the timing requirements specified above to ensure that the receiver samples valid data. The EYE width specification allows for jitter contribution from a variety of sources both internal and external to the TROPIC.



a) Window for 4 Mbps



b) Window for 16 Mbps

**FIGURE 5. The EYE must meet the receiver window characteristics above to maintain signal integrity.**

- a) Window characteristic for 4 Mbps.  
b) Window characteristic for 16 Mbps.

#### RECEIVE THRESHOLD AND HYSTERESIS

The EYE height must be at least 50 mV peak to peak at 4 Mbps (80 mV peak to peak at 16 Mbps) to accurately detect high and low signal levels. The FEM receiver input threshold is  $16 \pm 10$  mV peak to peak (6 mV to 26 mV) at 4 Mbps ( $24 \pm 18$  mV peak to peak (6 mV to 42 mV) at 16 Mbps). The threshold offset prevents low level noise from being interpreted as data signals. Input signals below the threshold will not be detected by the receiver. Input signals above the threshold will be received and passed on to the data re-timing latch and to the phase detector in the clock recovery block with no alteration. The receiver has no hysteresis.

#### EQUALIZER CIRCUIT

The equalizer circuit is external to the TROPIC and located between the isolation transformer and the receiver as shown in Figure 5. The equalizer is a high pass filter which compensates for lowpass behavior of the cable plant. The cable distorts the signal as it propagates down the line causing inter-symbol interference (inter-symbol interference forms the eye pattern) at the receiving station. The eye pattern formed by signals directly from the isolation interface (without equalization) will not meet the minimum "EYE" that the receiver requires to sample data. The equalizer filters the signals coming from the isolation interface to meet the minimum "EYE" which the TROPIC receiver requires to accurately sample data.

The external equalization circuit is composed of resistors, capacitors and two LM3045's (npn transistor array) as illustrated in Figure 6a in Appendix A. Signals proceed from right to left of the schematic. Ring In A and Ring In B are connected to the lobe cable which attaches to the ring. RINB and RINA are connected to TROPIC's receive pins. One LM3045 (Q1'-Q5') is used for the 16 Mbps equalization circuitry and the other is used for the 4 Mbps (Q1-Q5) equalization circuitry. The choice of ring speed is software programmable, which in turn selects the proper equalizer via TROPIC's output control pins ~ 16 Mbps and ~ 4 Mbps. When running at the 16 Mbps ring speed, ~ 16 Mbps is low (disabling the 4 Mbps circuitry (Q1-Q5)) and ~ 4 Mbps output is in TRI-STATE® (enabling the 16 Mbps circuitry (Q1'-Q5')). In the 4 Mbps mode ~ 16 Mbps is in TRI-STATE and ~ 4 Mbps is low.

Follow the recommended layout rules given in the "Layout Guidelines for the Token Ring Adapter Using the DP8025" to reduce the incident of improper layout that may adversely affect the equalizer circuit.

The 16 Mbps equalizer filter is composed of R24, R5 and C7. The 4 Mbps equalizer filter is composed of R33, R32 and C16. These combined with the transistors form high-pass filters which compensates for the lowpass cable characteristics. C14 and C15 decouples the DC component of the signal coming from the equalizer.

#### INPUT IMPEDANCE AND FILTERING

To prevent loading on the equalizer circuit, the magnitude of the differential input impedance of the FEM receiver is greater than  $750\Omega$  below 16 MHz and drops no more than 6 dB/octave from 16 MHz to 64 MHz. To provide protection against external noise, the receiver input has a lowpass filter with a single pole, located at  $16 \pm 3.5$  MHz for 4 Mbps operation and at  $64 \pm 14$  MHz for 16 Mbps operation.

### COMMON MODE REJECTION

The FEM input has the following common mode rejection over the range of input signal levels:

TABLE III. Common Mode Rejection

| Spectrum | Common Mode Rejection                     |
|----------|-------------------------------------------|
| 0-8 MHz  | > 40 dB                                   |
| 8-80 MHz | > (6 dB/octave decrease from 8 MHz value) |

### DATA RETIMING LATCH

Once data passes through the Receiver, shown in *Figure 3*, the data clock is extracted in the Clock Recovery block and used to realign the received data. The FEM contains a latch which samples the data according to the recovered clock and holds until the next clock cycle. Realigned data, still in Manchester coding, proceeds to the Protocol Handler. The Protocol Handler converts the serial Manchester encoded data stream into byte parallel data usable by the Multiprocessor Unit (MPU) within TROPIC. Information on the PH and MPU is found in the DS8025 TROPIC data sheet.

### CLOCK RECOVERY—PLL

The recovered data clock is derived from the incoming differential Manchester coded signal by means of a Phase-Locked Loop (PLL) timing circuit in the FEM. The PLL uses the inherent timing information from the mid-bit transitions of the incoming binary data. The basic objective of the PLL is to derive a data clock which defines the center of the valid data EYE-Ideal Sampling Point (as shown in *Figure 5*) in a stable manner. The performance of the communication system using the FEM is heavily dependent on the characteristics of the PLL. We highly recommend using the procedures given in "Layout Guidelines for a Token Ring Adapter Using the DP8025" —Application Note 816 when laying out external capacitors and resistors associated with PLL4 and PLL16 pins.

### TRANSMITTER

In the transmit mode the Protocol Handler encodes the data into differential Manchester code then sends it to FEM. The FEM transmitter drives the data stream to the isolation interface as shown in *Figure 3*. The transmitter output ROUTA and ROUTB are complimentary open-collector outputs with a nominal differential swing of  $\pm 4.0V$ . The differential voltage between ROUTA and ROUTB is referred to as TRANSMIT DATA.

The rise and fall times (measured from 10% to 90%) of the TRANSMIT DATA is below 58°.

### RING INSERTION

The ring insertion mechanism places a DC voltage on the medium interface. The DC voltage output on PHANTA and PHANTB is transparent with respect to the TRANSMIT DATA. When "ON", the driver activates a relay in the Multi-station Access Unit (MAU) and inserts the station into the ring. When "OFF", the station is de-inserted from the ring. To assure prompt de-insertion in the case of power-off on a slowly decaying voltage supply, the phantom drive will turn off using an undervoltage detection circuit. An undervoltage is detected if the supply voltage is less than  $4.0 \pm 0.4V$  and is decaying faster than 0.2 V/s. The phantom voltage will drop from 4V to below 1V within 350 ms of the undervoltage.

Under fault conditions where the transmission cable wires are accidentally shorted to ground, the FEM limits the available current to a value between 4 mA and 20 mA. Under normal operation the current from PHANTA and PHANTB is 1 mA.

### APPENDIX A:

#### DETAILED EXTERNAL FEM CIRCUITRY

TABLE IV. LM3045 NPN Transistor  
Array Pin Description

| npn | C  | B  | E  |
|-----|----|----|----|
| Q1  | 1  | 2  | 3  |
| Q2  | 5  | 4  | 3  |
| Q3  | 8  | 6  | 7  |
| Q4  | 11 | 9  | 10 |
| Q5  | 14 | 12 | 13 |



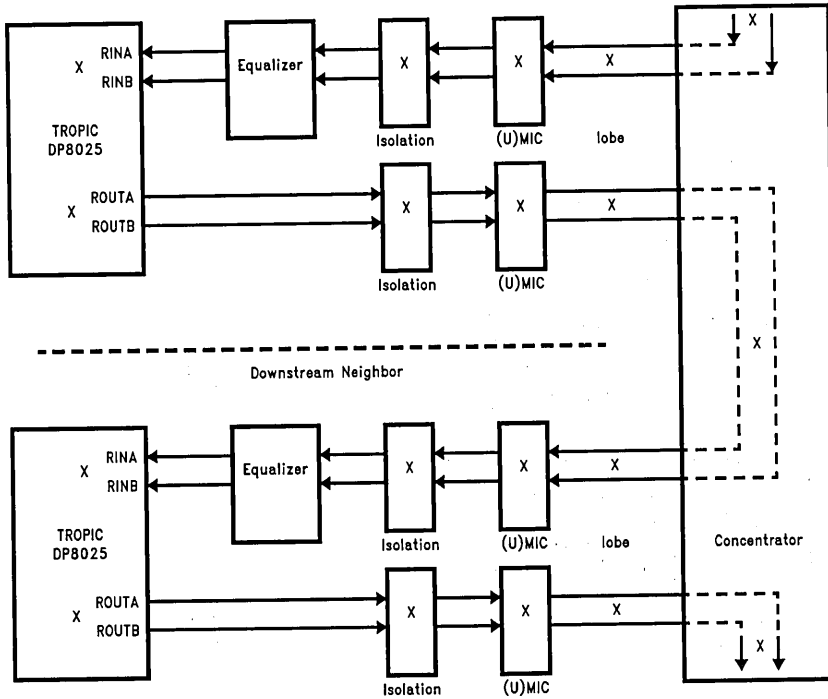
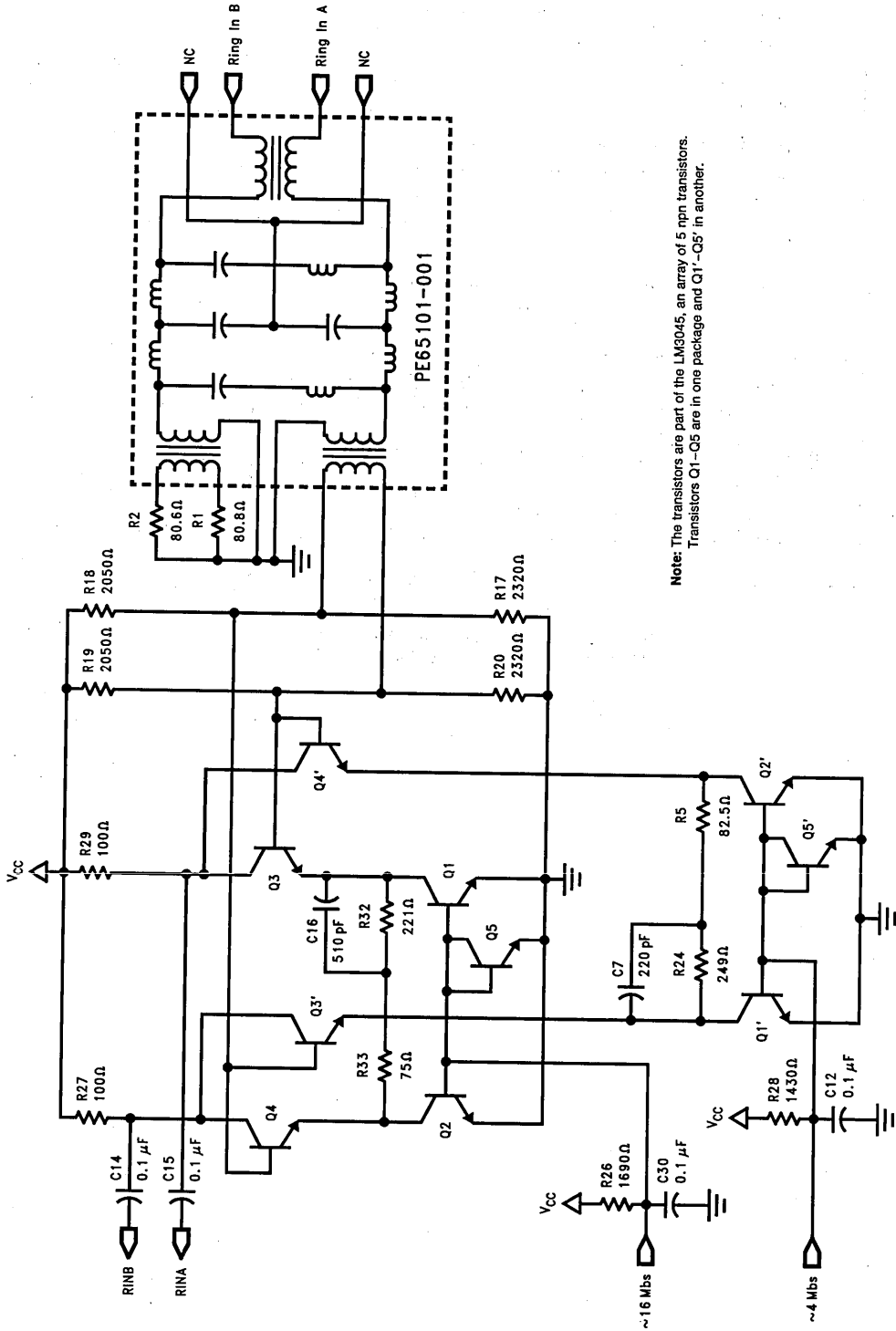


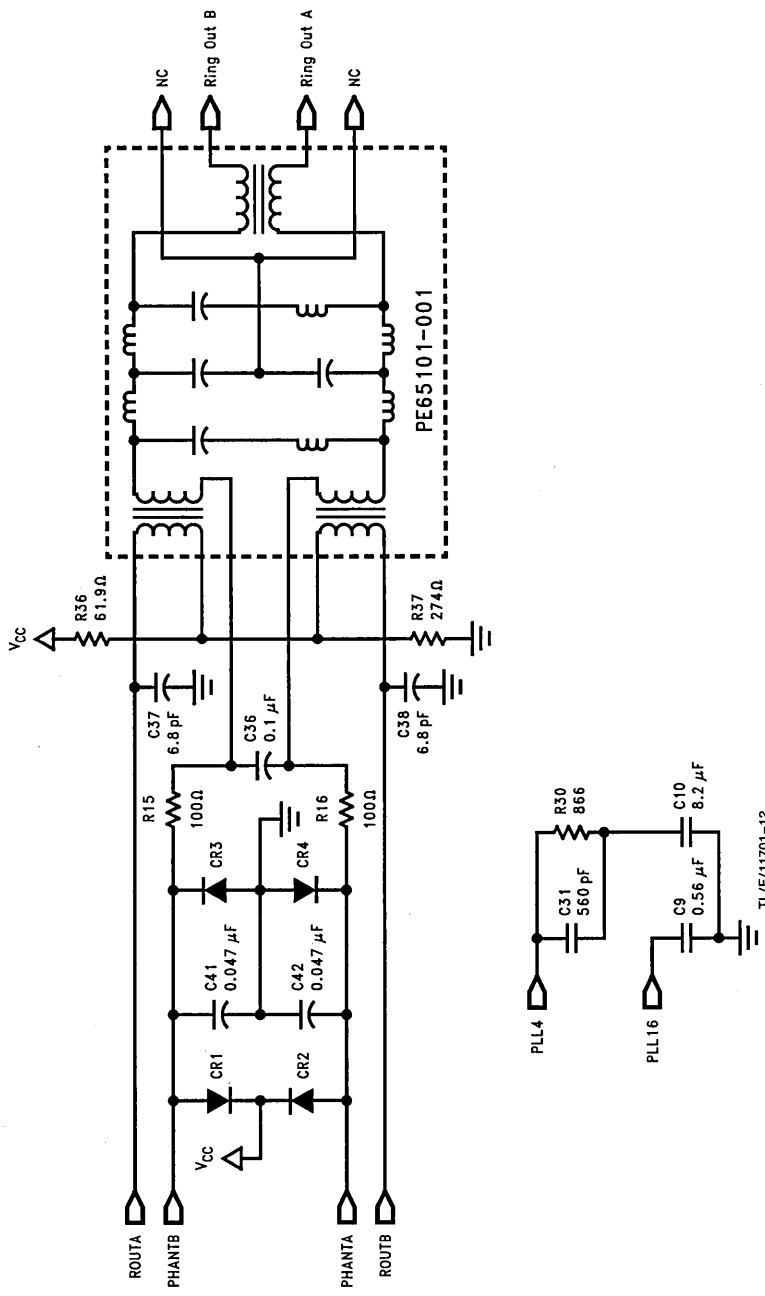
FIGURE 7. Token Ring Signal Path and Sources of Jitter (Jitter Sources are Designated with an "X")

TL/F/11701-9



Note: The transistors are part of the LM3045, an array of 5 npn transistors. Transistors Q1-Q5 are in one package and Q1'-Q5' in another.

FIGURE 6a. Receiver External Components Schematic



TLF/11701-11

TLF/11701-12

FIGURE 6b. Transmitter and PLL Filter External Components Schematic

# Layout Guideline for a Token Ring Adapter Using the DP8025 (TROPIC™)

National Semiconductor  
Application Note 816  
Jeff Lee



## TABLE OF CONTENTS

- 1.0 INTRODUCTION
- 2.0 GENERAL COMPONENT AND SIGNAL PLACEMENT
- 3.0 POWER AND GROUND PLANE AREAS
- 4.0 DISCRETE COMPONENT PLACEMENT AND ROUTING PRIORITY
- 5.0 ANALOG TRACE ROUTING
- 6.0 DIGITAL TRACE ROUTING
- 7.0 DECOUPLING CAPACITORS

### 1.0 INTRODUCTION

When designing a Token Ring adapter using TROPIC, the PCB layout must be divided into two distinct regions: the digital section, and the analog front-end section.

The digital section will contain host interface logic, miscellaneous glue logic, all memory devices, and the majority of the TROPIC pins. The layout of this section should follow standard common-sense digital layout techniques such as minimizing trace lengths, daisy-chaining bus signals, etc.

The analog front-end section, however, is extremely sensitive to physical layout in two areas: logic switching noise immunity, and electromagnetic interference. An improperly designed front-end layout can add excessive jitter to data repeated on the ring. Therefore, the layout of the analog section must be optimized to obtain correct operation.

**If possible, copy an existing analog layout which has been proven**, such as that used in National DP8025EB-AT 16-bit Adapter. Make an attempt to copy the layout exactly, without being tempted to make minor changes. The more closely the final layout matches the original, the greater the probability of success on the first pass.

Assuming that it is not possible to copy an existing analog layout, the following guidelines have been provided to assist a board designer in placing components, connections, and prioritizing the position of wiring nets. These guidelines have been developed through experience and theoretical analysis, most of which will be recognized simply as good design practice applied to this application. Unfortunately, these guidelines cannot, by themselves, guarantee correct operation. This can only be accomplished through thorough testing of the final design.

### 2.0 GENERAL COMPONENT AND SIGNAL PLACEMENT

The receive transformer module should be placed adjacent to the ring connector, followed by the equalization components and the TROPIC. All receiver components should be located near the edge or corner of the board to facilitate the isolation of the power and ground planes. The receive path components should be grouped together, and should be located between the receive transformer and TROPIC.

The transmit transformer module should be located between the TROPIC and the ring connector. The transmit path should be separated from the receive path, even if it means longer routing of the traces. It is still necessary to attempt to minimize transmit trace length to avoid radiation problems.

The 32 MHz oscillator should be located close to TROPIC but away from the analog section.

### 3.0 POWER AND GROUND PLANE AREAS

The power and ground planes need to be separated into three areas: Digital power/ground, Analog power/ground, and Chassis ground. This plane isolation helps to prevent digital logic noise from interfering with the analog circuit operation, and prevents all circuit noise from coupling onto the chassis. The separation between plane areas should be accomplished with a 0.100" gap or void in the plane copper. The electrical connection between the digital and analog planes should be made through a single connection point approximately 0.300" wide (a bridge). A low-frequency (22  $\mu$ F) and a high-frequency (0.1  $\mu$ F) decoupling capacitor should be placed in the bridge area. *Figure 1* illustrates the isolation of the plane areas.

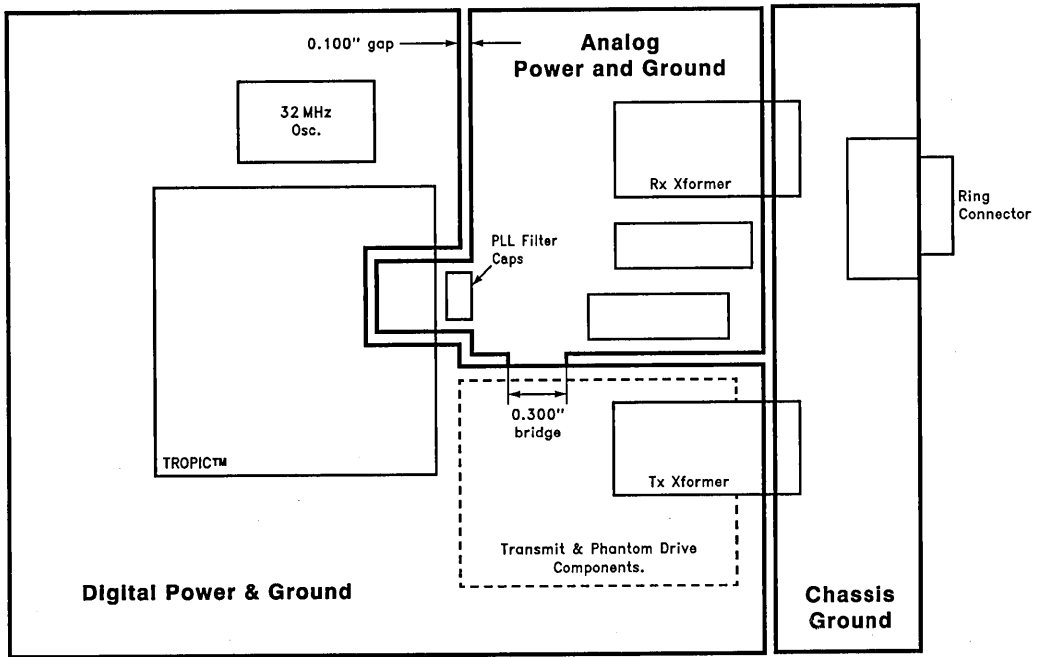
A higher level of noise isolation can be achieved if the digital and analog plane areas are completely separated (no bridge), and electrically connected via 0 $\Omega$  resistors placed where the bridge would be located. In this type of implementation, the decoupling capacitors would go on the smaller plane area (analog) near the resistor to plane connection. This case would also allow ferrite beads to be used instead of the 0 $\Omega$  resistors to provide better high frequency rejection.

The analog plane area should include all receive path components, all receive data signals, and the PLL filter components. The transmit and phantom drive components and signals should be placed in the digital plane under the analog plane as shown on *Figure 1*.

The chassis ground plane isolation is designed to limit the amount of high-frequency (> 100 MHz) radiated energy. This plane area should include all space underneath the chassis connection (i.e., the mounting brackets and/or screws), the ring connector, and the transmit and receive traces which run from the ring connector to their respective filter module. The power layer in this area should be voided.

All other logic components not previously mentioned should be included in the digital plane area.

**Note:** Care should be taken so differential lines (either analog or digital) are not routed in the channel adjacent to the edge of a plane. This could cause an imbalance to ground between the closer and further traces of the pair.



TL/F/11427-1

FIGURE 1. Power and Ground Plane Isolation

#### 4.0 DISCHETE COMPONENT PLACEMENT AND ROUTING PRIORITY

All discrete components should be placed as close to their associated TROPIC/equalizer/transformer module pins as possible. The next section should provide a better feel for how to place the discrettes, once their general location has been determined. The priority in placement is as follows:

**Note:** The component references given correspond to the NSC DP8025EB-AT 16-bit Adapter schematics.

1. C9
2. C10, C31, R30
3. R27, R29, C14, C15
4. R24, R5, C7
5. R32, R33, C16
6. R17, R18, R19, R20, R1, R2
7. C32, C33
8. C37, C38
9. R15, R16, C36, CR1-CR4

The priorities assigned must be used with a little common sense. For example (with the exception of C9) a high-priority component may be moved slightly to provide a better placement for several low-priority components. (Refer to Schematic Diagram on *Figure 3*.)

#### 5.0 ANALOG TRACE ROUTING

The cardinal rule of analog trace routing is to keep the area enclosed by a circuit loop as small as possible to minimize the potential of magnetic coupling. This can conflict, howev-

er, with the general rule of keeping trace lengths short. For example, if circuit components are positioned along three sides of a square, the best return route is back along the same three sides of the square, NOT directly back along the fourth side. This rule must be carried to extremes. Furthermore, there should never be an unnecessary via or feed-through inside the circuit loop. This also implies that the circuit loop should never encircle the power/ground planes (i.e., part of the circuit loop above and part below these planes). The concept is illustrated in *Figure 2*.

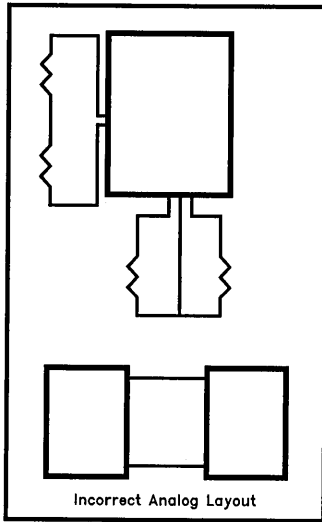
A simple case of this guideline applies to differential signal pairs. The two traces of the pair should always be routed in adjacent channels. Five sets of differential pairs exist in the TROPIC front-end section:

- Pre-filtered transmit data (TROPIC to transformer)
- Filtered transmit data (transformer to ring connector—ring data out)
- Pre-filtered receive data (ring connector to transformer—ring data in)
- Filtered receive data (transformer to equalizer circuits)
- Equalized receive data (equalizer to TROPIC)

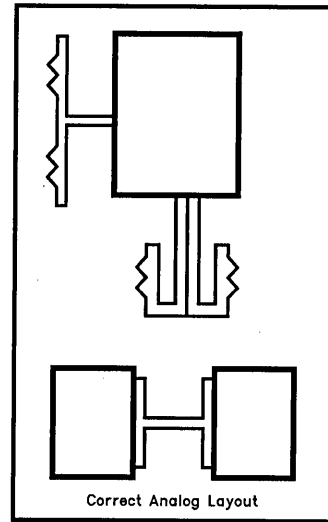
The Phantom Drive signals are not a differential pair and are not extremely sensitive. However, these signals are still capable of picking up enough noise to create false wire faults if placed too close to the transmit path.

**Note:** To limit radiation potential, it is advisable to keep the differential transmit and receive traces in the signal layer adjacent to the ground layer.

To reduce capacitive coupling, each circuit loop should be separated from the others. Circuit loops can be separated



TL/F/11427-2



TL/F/11427-3

**FIGURE 2. Analog Trace Layout Examples**

either by physical space (if located on the same signal layer), or by placement on signal layers on opposite sides of the power/ground planes. Items in the following list should be isolated from each other.

- Receiver and equalizer path
- Transmit path
- PLL filter components
- Phantom Drive path

#### 6.0 DIGITAL TRACE ROUTING

Placement of digital components and routing of digital traces should follow standard common-sense digital layout techniques such as minimizing trace lengths, daisy-chaining bus signals, etc. Except for the 32 MHz clock signal, the Transmit path, and the Phantom Drive path, auto-routing of traces in this section is permissible.

Care should be taken when routing the 32 MHz clock signal from the oscillator to TROPIC. This trace should be kept as short as possible and should contain no vias. The Transmit and Phantom Drive traces should be routed away from any digital signals.

#### 7.0 DECOUPLING CAPACITORS

As a general rule-of-thumb for a multi-layer PCB, using one 0.1  $\mu\text{F}$  bypass capacitor for each digital component provides adequate high-frequency decoupling. For most components, locating the capacitor near the  $V_{CC}$  pin and tying into the power and ground planes is sufficient. For high-speed switching components, such as a crystal oscillator, the capacitor should be tied directly across the component power pins via traces.

Depending on the size of the PCB a number of low-frequency capacitors (10  $\mu\text{F}$ –22  $\mu\text{F}$ ) should be placed around the periphery of the PCB. Two of these should be located near the host bus edge connector power entry pins.

As indicated in the discussion on plane isolation, a low-frequency (22  $\mu\text{F}$ ) and a high-frequency (0.1  $\mu\text{F}$ ) decoupling capacitor should be placed directly in the bridge area between the analog and digital plane sections. Additionally, the TROPIC analog supply pins should be directly decoupled. This should be accomplished by connecting 0.1  $\mu\text{F}$  capacitors via traces directly across TROPIC pins M06–M07 and L06–N07.

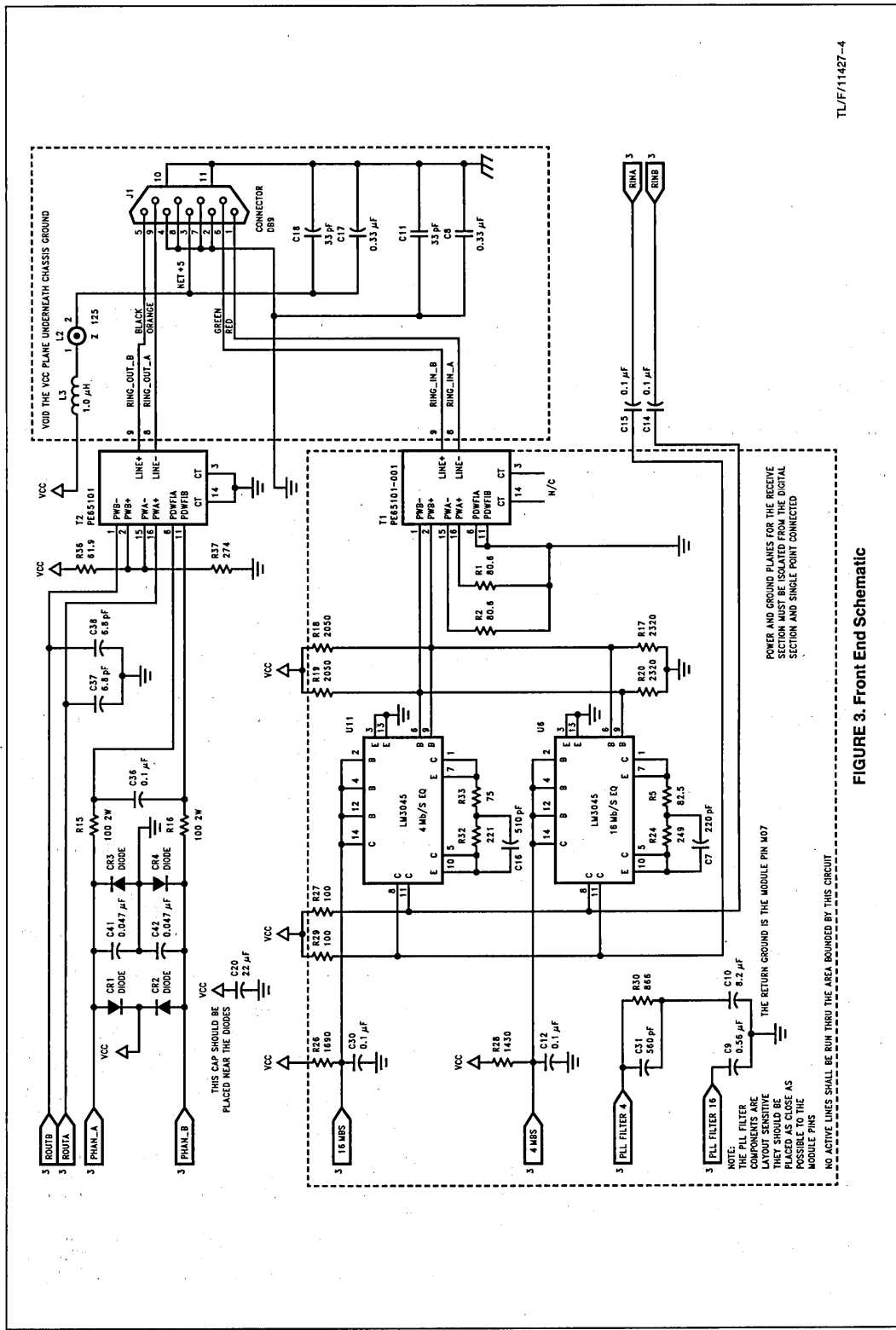


FIGURE 3. Front End Schematic

# ISA and MicroChannel Host Software Programmers Guide for the DP8025 TROPIC™ (Token-Ring Protocol Interface Controller)

National Semiconductor  
Application Note 848



## INTRODUCTION

The Token-Ring Protocol Interface Controller (TROPIC) is a microCMOS VLSI device designed for easy implementation of IEEE 802.5 Token-Ring LAN interface adapters. The TROPIC chip includes integrated Analog and Digital Token-Ring interfaces and bus interface support for ISA and MicroChannel hosts.

This document addresses programming issues for TROPIC-based adapters used in ISA or MicroChannel hosts.

In this document, any reference to "adapter", without a specific reference to a particular bus, applies to both ISA and MicroChannel TROPIC-based Token-Ring adapters.

## TABLE OF CONTENTS

- 1.0 TROPIC ADAPTER INTERFACE SUMMARY
- 2.0 HOST ADDRESS SPACE STRUCTURE
- 3.0 REGISTERS
- 4.0 SHARED RAM LAYOUT AND USAGE
- 5.0 SOFTWARE OPERATION OF TROPIC
- 6.0 BRIDGE OPERATION AND COMMANDS
- 7.0 EARLY TOKEN RELEASE ISSUES

### 1.0 TROPIC ADAPTER INTERFACE SUMMARY

The interface provided by TROPIC-based adapters allows Host software to communicate with the adapter hardware and software. Host software uses the hardware interface to issue commands, store and retrieve data, receive commands, use timing facilities, and identify the adapter.

TROPIC Token-Ring adapters contain several areas that allow communication between Host software and the adapter. These areas include:

- Programmed I/O (PIO)
- Memory Mapped I/O (MMIO)
- Shared RAM
- Basic Input/Output System (BIOS).

The PIO areas are accessed using IN (Read) and OUT (Write) I/O instructions. The MMIO and shared RAM areas are accessed using memory instructions. The BIOS area, which is read only, can contain an optional program that is executed by the Host during power-on.

Host Transmit and Receive buffers and control blocks are provided through the Shared RAM interface, which is managed by a TROPIC integral controller. The control blocks are used to pass commands and messages between the Host system and TROPIC.

Host software must perform the control functions and interrupt handling for the adapter. The Host software must load commands and parameters into the shared RAM and control interrupt bits in the adapter MMIO domain where the interrupt status registers are located. The Host software must then interrogate control blocks and registers when the adapter has updated shared RAM.

This document describes in detail the sequence of operations, shared RAM assignments, the process of initializing the adapter, and related responses.

### Overview of Adapter Interface Areas

This section briefly describes the adapter interface areas. Detailed mappings are provided in a later section.

#### PIO

The PIO area is used for adapter configuration information and control. The PIO area uses I/O addresses that range from:

- x0A20 to x0A27 for both the ISA Bus Adapter and the MicroChannel Bus Adapter
- x02F0 to x02F7 for the ISA Bus Adapter only.

These addresses are used to obtain the MMIO address and interrupt level used by the adapter and provide the ability to reset and release the adapter. For the MicroChannel Bus Adapter, they are also used to obtain the shared RAM address for the adapter.

#### MMIO

The MMIO area is a movable section of memory mapped I/O that is 512 bytes and consists of the following:

- **ACA:** The Attachment Control Area contains registers for adapter operations control. These registers include:

**RRR:** The shared RAM relocation register (RRR) is used to get information for the shared RAM on the adapter. For ISA Host adapters, it is also used to set the shared RAM address in Host memory.

**WRBR/WWOR/WWCR:** The write region base register (WRBR), write window open register (WWOR), and the write window close register (WWCR) are used to control the read/write access to the shared RAM on the adapter. The R/O access is used to protect the Token-Ring Network parameters. The R/W areas are used to pass data to the adapter.

**HISR/TISR:** The Host interrupt status register (HISR) and the TROPIC interrupt status register (TISR) are used for the main communication between the adapter and the Host.

- TROPIC's Host Programmable Timer is a general purpose timer for use by the Host software. The offset addresses of the timer registers are x1E0C and x1E0D within the BIOS/MMIO segment.



- The adapter ID PROM (AIP) is used to provide the adapter type and the adapter's encoded address.

**Shared RAM**

The shared RAM is a movable section of memory and can be 8 kB, 16 kB, 32 kB, or 64 kB. It is used for data transfer and control blocks. Shared RAM is where data and all of the software commands are stored.

**BIOS**

TROPIC has an optional BIOS area that is a movable 7.5 kB section of mapped memory. This area can be used for initialization code that is executed at power-on.

**Data Transfer**

Data can be obtained from three general adapter sections:

- PIO area (8 bits wide). Byte read and write I/O instructions can be used.
- MMIO area (8 bits wide). Both byte and word read and write memory instructions can be used except when accessing the AIP. The AIP is 8 bits wide, but only 4 bits are valid and should be accessed using a byte read memory instruction to an even address.
- Shared RAM area (8 or 16 bits wide for ISA Adapter and 16 bits wide for MicroChannel Adapter). Both byte and word read and write memory instructions can be used.

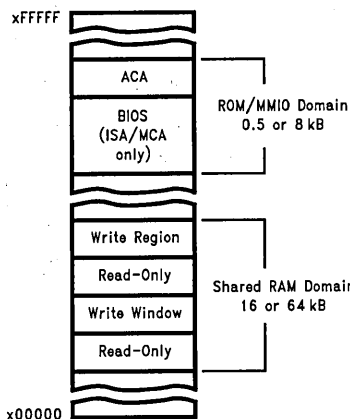
**Using Interrupts**

TROPIC uses interrupts to alert Host software that events have occurred on the adapter. Host software uses TROPIC interrupts to communicate with TROPIC's MPU.

**2.0 HOST ADDRESS SPACE STRUCTURE**

A TROPIC adapter's Host Address Space is divided into two domains: the Shared RAM domain and the ROM/MMIO domain, as shown below:

**Shared Memory—Host Address Map**



TL/F/11499-1

**Shared RAM Domain**

As discussed in Section 1.0, transmission and reception data and control blocks are transferred between TROPIC and the Host via the TROPIC Shared RAM area. This area can be either 16 kB or 64 kB, depending on the Host's upper memory area usage; its size and initial base address are configured during Reset initialization.

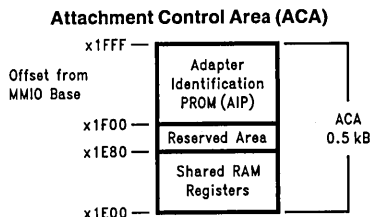
During operation, Shared RAM can be relocated and paged. Location and paging status are available through the

Shared RAM address parameters defined in the RAM Relocation Register (RRR) and Shared RAM Paging Register (SRPR), as described in Section 3.0.

Mapping of the buffers and control blocks in Shared RAM is controlled by microcode. Buffer management and handshaking are summarized in Section 5.0.

**ROM/MMIO Domain**

For MicroChannel and ISA Hosts, the ROM/MMIO domain is 8k and includes 7.5k for BIOS and 0.5k for an area called the Attachment Control Area (ACA).



TL/F/11499-2

The Adapter Identification PROM (AIP) area is a read-only region that contains unique adapter parameters, such as the IEEE node address and serial number. The area from x1E80 to x1EFF is reserved and *should not* be accessed by the Host.

The MMIO Registers (discussed in Section 3.0) serve as important status and control registers that are accessible to the Host during operation. Note that these registers are accessed by both TROPIC and the Host. The Host cannot "lock" a register to prevent TROPIC access.

**Addressing The ROM/MMIO Domain**

The address driven to TROPIC by the Host contains several fields when used in the MMIO area.

**Host Address Bits**

|                     |      |     |       |   |   |    |
|---------------------|------|-----|-------|---|---|----|
| A23                 | 8    | 7   | 6     | 5 | 4 | A0 |
| MMIO region address | Area | CMD | Reg # |   |   |    |

**Bits 23 through 9** select the MMIO region.

**Bits 8 and 7** select the 128-byte area within the region, as follows:

- b00 The attachment control area.
- b01 No access. This is a reserved area.
- b10 The adapter identification area A.
- b11 The adapter identification area B.

**Bits 6 and 5** select the specific MMIO command (CMD) to be performed.

**Bits 4 through 0** select the specific register (Reg #) and byte.

With the BIOS/MMIO domain address from the setup information obtained by using the PIO instructions, MMIO read or write instructions can be used to put data into or read data from the adapter registers. Four MMIO commands are used. These four commands are controlled by the specific address used, as follows:

**READ** Read the contents of an adapter control register into the Host register. A READ is performed by issuing a read instruction in the Host with an address pointing to the appropriate MMIO register of the adapter.

**WRITE** Transfer the contents of a Host register directly into the selected adapter register. A WRITE is performed by issuing a write instruction in the Host with an address pointing to the appropriate MMIO register of the adapter with the 2 bits in the address assigned as CMD being set to b00.

**OR** OR the contents of a Host register into the selected adapter register. An OR is performed by issuing a write instruction in the Host with an address pointing to the appropriate MMIO register of the adapter with the 2 bits in the address assigned as CMD being set to b10.

**AND** AND the contents of a Host register into the selected adapter register. An AND is performed by issuing a write instruction in the Host with an address pointing to the appropriate MMIO register of the adapter with the 2 bits in the address assigned as CMD being set to b01.

All but the last 512 bytes of the BIOS/MMIO domain are reserved for Host BIOS program storage.

The MMIO region is structured as follows:

**ROM/MMIO Layout**

Offset from  
ROM/MMIO  
Segment

x1F00  
x1E80  
x1E00  
x1DFF  
  
x0000

|                                     |
|-------------------------------------|
| AIP, 256 bytes (read only access)   |
| Reserved, 128 bytes (do not access) |
| Attachment Control Area, 128 bytes  |
| Reserved for BIOS                   |

**AIP (Adapter Identification PROM) Area Structure**

This section describes the AIP fields, which are used to identify the adapter and provide information on supported hardware functions. Only *even* addresses are valid, and only the lower four bits of each even location are defined. The upper four bits of each byte should *always* be masked off (because these bits are not guaranteed to be zero). AIP contents can vary. A typical AIP might have the contents shown in the table below (as seen from the Host).

**Example of a Typical AIP**

| ROM/MMIO<br>Offset Address | AIP Contents |    |    |    |    |    |    |    |    |    |    |    |    |    |    |    |
|----------------------------|--------------|----|----|----|----|----|----|----|----|----|----|----|----|----|----|----|
|                            | 0            | 1  | 2  | 3  | 4  | 5  | 6  | 7  | 8  | 9  | A  | B  | C  | D  | E  | F  |
| 1F00                       | 01           | 00 | 00 | 00 | 00 | 00 | 00 | 00 | 05 | 00 | 0A | 00 | 02 | 00 | 00 | 00 |
| 1F10                       | 00           | 00 | 01 | 00 | 0E | 00 | 03 | 00 | 0E | 00 | 0F | 00 | 0F | 00 | 0F | 00 |
| 1F20                       | 0A           | 00 | 05 | 00 | 0D | 00 | 0F | 00 | 0F | 00 | 0E | 00 | 01 | 00 | 0C | 00 |
| 1F30                       | 04           | 00 | 0D | 00 | 04 | 00 | 01 | 00 | 05 | 00 | 02 | 00 | 05 | 00 | 03 | 00 |
| 1F40                       | 03           | 00 | 06 | 00 | 03 | 00 | 03 | 00 | 05 | 00 | 08 | 00 | 03 | 00 | 04 | 00 |
| 1F50                       | 03           | 00 | 05 | 00 | 03 | 00 | 01 | 00 | 03 | 00 | 08 | 00 | 02 | 00 | 00 | 00 |
| 1F60                       | 0B           | 00 | 0F | 00 | 0F | 00 | 0F | 00 | 0F | 00 | 0F | 00 | 0F | 00 | 0F | 00 |
| 1F70                       | 0F           | 00 | 0F | 00 | 0F | 00 | 0F | 00 | 0F | 00 | 0F | 00 | 0F | 00 | 0F | 00 |
| 1F80                       | 00           | 00 | 02 | 00 | 04 | 00 | 06 | 00 | 08 | 00 | 0A | 00 | 0C | 00 | 0E | 00 |
| 1F90                       | 0F           | 00 | 0D | 00 | 0B | 00 | 09 | 00 | 07 | 00 | 05 | 00 | 03 | 00 | 01 | 00 |
| 1FA0                       | 0F           | 00 | 0F | 00 | 0F | 00 | 0F | 00 | 0F | 00 | 0F | 00 | 0F | 00 | 0F | 00 |
| 1FB0                       | 0F           | 00 | 0F | 00 | 0F | 00 | 0F | 00 | 0F | 00 | 0F | 00 | 0F | 00 | 0F | 00 |
| 1FC0                       | 0F           | 00 | 0F | 00 | 0F | 00 | 0F | 00 | 0F | 00 | 0F | 00 | 0F | 00 | 0F | 00 |
| 1FD0                       | 0F           | 00 | 0F | 00 | 0F | 00 | 0F | 00 | 0F | 00 | 0F | 00 | 0F | 00 | 0F | 00 |
| 1FE0                       | 0F           | 00 | 0F | 00 | 0F | 00 | 0F | 00 | 0F | 00 | 0F | 00 | 0F | 00 | 0F | 00 |
| 1FF0                       | 0F           | 00 | 0F | 00 | 0F | 00 | 0F | 00 | 0F | 00 | 0F | 00 | 0F | 00 | 0F | 00 |

A brief description of all AIP fields follows.

### Adapter's Encoded Address

Stored in the Host even locations from x1F00 to x1F16, this field contains a 48-bit universally administered address as defined by the IEEE 802 committee on local area networks. Each IBM Token-Ring Network adapter is programmed with its own unique address in this field. This address will be used as the adapter's node address unless specifically overridden.

The format is 12 nibbles from the even bytes with each nibble representing a hexadecimal digit. The most significant nibble (MSN) is the nibble at x1F00, and the least significant nibble (LSN) is at x1F16. For example, from the sample AIP above, read the even bytes from x1F00 to x1F16 as x1, x0, x0, x0, x5, xA, x2, x0, x0, x1, xE, x3. The resulting address is x10005A2001E3.

### One's Complement of the Adapter Encoded Address

The method for determining this value is the same as for the address, but using the even locations x1F18 to x1F2E. x1F18 is the MSN and x1F2E is the LSN. In the typical AIP above, read xE, xF, xF, xF, xA, x5, xD, xF, xF, xE, x1, xC for a one's complement address of xEFFF5DFFE1C.

This field contains the one's complement of the universally administered address as defined above.

### Channel Identifier

This field determines whether the adapter is an ISA Bus Adapter or a MicroChannel Bus Adapter. It uses Host even locations from x1F30 to x1F5E. The format is 24 nibbles from the even bytes with each nibble representing a hexadecimal digit. The MSN is the nibble at x1F30, and the LSN is at x1F5E.

In the sample AIP above, you would read:

x4, xD, x4, x1, x5, x2, x5, x3, x3, x6, x3, x3, x5, x8, x3, x4, x3, x5, x3, x1, x3, x8, x2, x0

for a value of x4D41 5253 3633 5834 3531 3820.

The two channel identifiers are:

- x5049 434F 3631 3130 3939 3020 for ISA Bus.
- x4D41 5253 3633 5834 3531 3820 for MicroChannel Bus.

### AIP Checksum # 1

The checksum is a Host even location of x1F60. The format is a hexadecimal nibble.

This field contains the first checksum for the AIP. If a 4-bit checksum (addition) of all valid (even) locations from 1F00 up to and including 1F60 is calculated, the result should be zero. This checksum is used to validate the encoded address and channel identifier. If an invalid checksum is obtained (non-zero value), then the previous values should be considered inaccurate.

### Test Pattern

This field contains a test pattern for use during adapter diagnostics. The test pattern is Host even and odd locations x1F80 to x1F9F. The format is 32 nibbles from all bytes with each nibble representing a hexadecimal digit. In the sample AIP above read:

x0, x0, x2, x0, x4, x0, x6, x0,  
x8, x0, xA, x0, xC, x0, xE, x0,  
xF, x0, xD, x0, xB, x0, x9, x0,  
x7, x0, x5, x0, x3, x0, x1, x0.

### Supported Functions Identifiers

These identifiers are Host even locations from x1FA0 to x1FEE. The format is a hexadecimal nibble from the even bytes. The sample AIP above reads xF, xF, xF . . .

These nibbles should be used to determine what functions the adapter supports. The Host software should read these nibbles to determine the capabilities of each specific adapter. The nibbles from the hexadecimal locations are defined as follows:

**x1FA0** Adapter Type where P=1st, E=2nd, D=3rd, . . .  
0=16th.

Used to identify different adapters within a given I/O bus or channel type. The sample above uses xF.

**x1FA2** Data Rate where F=4 Mbps, E=16 Mbps,  
D=4 Mbps and 16 Mbps, C to 0=reserve.

Used to identify data rates supported by the adapter.

**x1FA4** Early Token Release where F=No, E=4 Mbps,  
D=16 Mbps. C=4/16 Mbps, B to 0=reserved.

Used to identify which data rates support early token release.

**x1FA6** Total available shared RAM where F=use  
RRR(11,10), E=8 kB, D=16 kB, C=32 kB,  
B=64 kB (top 512 reserved and must be set to  
zero), A=64 kB (top 512 usable) 9 to 0=reserved.

Used to identify total shared RAM installed on the adapter. Use either the encoded value in the RRR register, or the specified value in the AIP. For value "B", the last 512 bytes (offset address FE00-FFFF) are reserved and must be set to 0 during adapter initialization in order to set RAM parity bits.

**x1FA8** Shared RAM paging where F=No, E=16 kB page,  
D=32 kB page, C=16 kB and 32 kB page, B to  
0=reserved.

Used to identify whether or not the adapter supports shared RAM paging and if so, at which page sizes.

**x1FAA** The Transmit Buffer size available at 4 Mbps where  
F=2048, E=4096, D=4464, C to 0=reserved.

Used to identify the maximum Transmit Buffer size at a 4 Mbps data rate (not applicable if adapter does not support 4 Mbps).

**x1FAC** The Transmit Buffer size available at 16 Mbps  
where F=2048, E=4096, D=8192, C=16384,  
B=17960, A to 0=reserved.

Used to identify the maximum Transmit Buffer size at a 16 Mbps data rate (not applicable if adapter does not support 16 Mbps).

**x1FAE** These locations are reserved.

to  
**x1FEE**

### AIP Checksum # 2

This field is stored at Host even location x1FF0. The format is a hexadecimal nibble.

This field contains the second checksum for the AIP. If a 4-bit checksum (addition) of all valid (even) locations from 1F00 up to and including 1FF0 is calculated, the result should be 0. This checksum is used to validate all defined

areas of the AIP. If an invalid checksum is obtained (non-zero value), then the previous values should be considered inaccurate. If an incorrect value is encountered, the only values used should be "default" values for the type of adapter identified by the channel identifier field.

**Reserved**

All undefined locations (both even and odd) are reserved and should not be used.

**3.0 REGISTERS**

The Host communicates with and controls TROPIC using three methods: Shared RAM, interrupts, and registers.

TROPIC supports three register areas:

- **MMIO Registers**—these are used by all Host bus types
- **Programmed I/O (PIO) Registers**—these are used by all Host bus types and are decoded during normal operation

- **MicroChannel Standard POS Registers**—these are used only by MicroChannel hosts and are decoded *only* during Setup

**Note:** POS Registers reside in PIO space, but are treated separately because they are only decoded during Setup.

**Register Usage and Location by Bus Type**

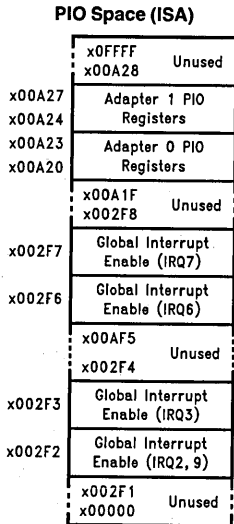
Register usage varies by bus type, as shown below.

**Register Usage by Bus Type**

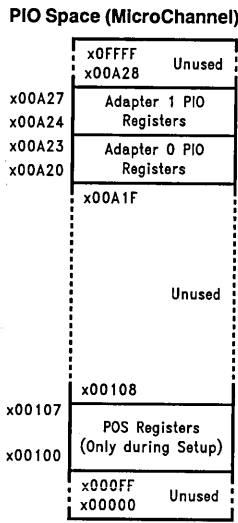
| Bus Type     | MMIO Registers | PIO Registers | MicroChannel POS Registers |
|--------------|----------------|---------------|----------------------------|
| MicroChannel | Yes            | Yes           | Yes                        |
| ISA          | Yes            | Yes           | No                         |

Memory allocation of registers is shown below.

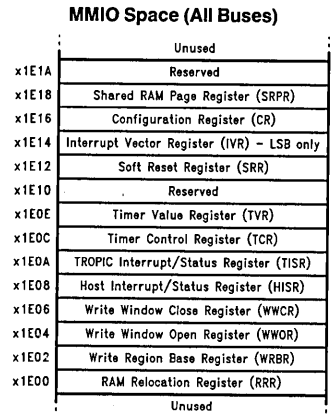
**Register Location by Bus Type**



TL/F/11499-3



TL/F/11499-4



TL/F/11499-5

**MMIO Registers—General**

The MMIO Registers are used by all bus types and are located within the ACA Host Address Space area. They include mostly read-only status registers, with a few Read/Write control registers. Some of these registers are replicated in the PIO Registers; in such cases, one register is usually read-only while the alternative location is read/write.

All of the MMIO Registers consist of two-byte (word) registers, each having its low order byte at an even address and its high order byte at the following odd address. Note that addresses are relative to the ROM/MMIO Base Address.

**RAM Relocation Register (RRR)**

This register is used to relocate the Shared RAM region and indicate its page size and location. It also contains bits used to control different TROPIC operating modes.

**Warning:** Reserved bits (indicated by “—”), though readable, are controlled by TROPIC. These bits should not be changed.

**ISA BUS MODE:**

|       |    |    |    |          |    |   |   |       |      |      |      |      |      |           |   |
|-------|----|----|----|----------|----|---|---|-------|------|------|------|------|------|-----------|---|
| x1E01 |    |    |    |          |    |   |   | x1E00 |      |      |      |      |      |           |   |
| 15    | 14 | 13 | 12 | 11       | 10 | 9 | 8 | 7     | 6    | 5    | 4    | 3    | 2    | 1         | 0 |
| —     | —  | —  | —  | RAM Size | —  | — | — | AB19  | AB18 | AB17 | AB16 | AB15 | AB14 | AB13 (=0) | — |

**MicroChannel BUS MODE:**

|       |    |    |    |          |    |   |   |       |   |   |   |   |   |   |   |
|-------|----|----|----|----------|----|---|---|-------|---|---|---|---|---|---|---|
| x1E01 |    |    |    |          |    |   |   | x1E00 |   |   |   |   |   |   |   |
| 15    | 14 | 13 | 12 | 11       | 10 | 9 | 8 | 7     | 6 | 5 | 4 | 3 | 2 | 1 | 0 |
| —     | —  | —  | —  | RAM Size | —  | — | — | —     | — | — | — | — | — | — | — |

| Bit(s) | Description                                                                                                                                                                                                                                                                                                                                                                                                                                                                                                                                                                                                                                                                                                                                                                                                                                                                                                                                                                                                                                                                                                                                                                                                      |           |    |           |   |   |      |   |   |       |   |   |       |   |   |       |
|--------|------------------------------------------------------------------------------------------------------------------------------------------------------------------------------------------------------------------------------------------------------------------------------------------------------------------------------------------------------------------------------------------------------------------------------------------------------------------------------------------------------------------------------------------------------------------------------------------------------------------------------------------------------------------------------------------------------------------------------------------------------------------------------------------------------------------------------------------------------------------------------------------------------------------------------------------------------------------------------------------------------------------------------------------------------------------------------------------------------------------------------------------------------------------------------------------------------------------|-----------|----|-----------|---|---|------|---|---|-------|---|---|-------|---|---|-------|
| 15–12  | Reserved.                                                                                                                                                                                                                                                                                                                                                                                                                                                                                                                                                                                                                                                                                                                                                                                                                                                                                                                                                                                                                                                                                                                                                                                                        |           |    |           |   |   |      |   |   |       |   |   |       |   |   |       |
| 11–10  | <p><b>Shared RAM Page Size (READ ONLY):</b> Displays the shared RAM page (window) size, i.e., the amount of the Host's memory space that was allocated to shared RAM during initialization. These bits are coded as follows:</p> <table border="1" style="margin-left: 40px;"> <tr> <td>11</td><td>10</td><td>Page Size</td> </tr> <tr> <td>0</td><td>0</td><td>8 kB</td> </tr> <tr> <td>0</td><td>1</td><td>16 kB</td> </tr> <tr> <td>1</td><td>0</td><td>32 kB</td> </tr> <tr> <td>1</td><td>1</td><td>64 kB</td> </tr> </table> <p>This shared RAM page size may not be the total amount of shared RAM on the adapter; instead, this value indicates the amount of shared RAM for the Host to map into its memory. For example, an adapter with 64 kB of available shared RAM can be set for a 16 kB page size to allow shared RAM paging. If the RRR bit 11 is set to 0 and bit 10 is set to 1, this would indicate 16 kB of shared RAM in the Host's memory map.</p> <p><b>Note:</b> To use Shared RAM paging, Host software must use the SRPR (Shared RAM Paging Register) correctly. See the later SRPR description for details.</p>                                                                      | 11        | 10 | Page Size | 0 | 0 | 8 kB | 0 | 1 | 16 kB | 1 | 0 | 32 kB | 1 | 1 | 64 kB |
| 11     | 10                                                                                                                                                                                                                                                                                                                                                                                                                                                                                                                                                                                                                                                                                                                                                                                                                                                                                                                                                                                                                                                                                                                                                                                                               | Page Size |    |           |   |   |      |   |   |       |   |   |       |   |   |       |
| 0      | 0                                                                                                                                                                                                                                                                                                                                                                                                                                                                                                                                                                                                                                                                                                                                                                                                                                                                                                                                                                                                                                                                                                                                                                                                                | 8 kB      |    |           |   |   |      |   |   |       |   |   |       |   |   |       |
| 0      | 1                                                                                                                                                                                                                                                                                                                                                                                                                                                                                                                                                                                                                                                                                                                                                                                                                                                                                                                                                                                                                                                                                                                                                                                                                | 16 kB     |    |           |   |   |      |   |   |       |   |   |       |   |   |       |
| 1      | 0                                                                                                                                                                                                                                                                                                                                                                                                                                                                                                                                                                                                                                                                                                                                                                                                                                                                                                                                                                                                                                                                                                                                                                                                                | 32 kB     |    |           |   |   |      |   |   |       |   |   |       |   |   |       |
| 1      | 1                                                                                                                                                                                                                                                                                                                                                                                                                                                                                                                                                                                                                                                                                                                                                                                                                                                                                                                                                                                                                                                                                                                                                                                                                | 64 kB     |    |           |   |   |      |   |   |       |   |   |       |   |   |       |
| 9–8    | Reserved.                                                                                                                                                                                                                                                                                                                                                                                                                                                                                                                                                                                                                                                                                                                                                                                                                                                                                                                                                                                                                                                                                                                                                                                                        |           |    |           |   |   |      |   |   |       |   |   |       |   |   |       |
| 7–1    | <p><b>(FOR MicroChannel BUS MODE) Reserved.</b></p> <p><b>(FOR ISA BUS MODE) Shared RAM Host Base Address:</b></p> <p>For TROPIC adapters in ISA I/O Bus mode, bits 7 through 1 of the RRR register are used to set the shared RAM starting address. This location must be set before the Shared RAM can be accessed and must be set to a location in the memory map that does not cause a conflict. These register bits default to zero on power-up or after an adapter reset. If the register contains zero, the shared RAM is not mapped into the memory map. This register must be set to a correct address boundary as follows:</p> <ul style="list-style-type: none"> <li>• 8 kB shared RAM page should be on an 8 kB address boundary.</li> <li>• 16 kB shared RAM page should be on a 16 kB address boundary.</li> <li>• 32 kB shared RAM page should be on a 32 kB address boundary.</li> <li>• 64 kB shared RAM page should be on a 64 kB address boundary.</li> </ul> <p>For shared RAM paging, the address boundary can be on a 16 kB boundary since only 16 kB of PC address space is used.</p> <p><b>Note:</b> To select a valid address boundary, RRR Bit 1 (AB13) should always be set to 0.</p> |           |    |           |   |   |      |   |   |       |   |   |       |   |   |       |
| 0      | Reserved.                                                                                                                                                                                                                                                                                                                                                                                                                                                                                                                                                                                                                                                                                                                                                                                                                                                                                                                                                                                                                                                                                                                                                                                                        |           |    |           |   |   |      |   |   |       |   |   |       |   |   |       |

**Write Region Base Register (WRBR)—READ ONLY**

**Write Window Open Register (WWOR)—READ ONLY**

**Write Window Close Register (WWCR)—READ ONLY**

The WRBR register indicates the base address of the primary Host write region in Shared RAM. The WWOR and WWCR registers together define the starting and ending addresses of a secondary Host write region. TROPIC uses all three registers to dynamically control the Host write access areas of Shared RAM, which are used to pass commands and data to TROPIC.

**WRBR (Read Only):**

|                                   |    |    |    |    |    |   |   |                                  |   |   |   |   |   |   |   |
|-----------------------------------|----|----|----|----|----|---|---|----------------------------------|---|---|---|---|---|---|---|
| x1E03                             |    |    |    |    |    |   |   | x1E02                            |   |   |   |   |   |   |   |
| 15                                | 14 | 13 | 12 | 11 | 10 | 9 | 8 | 7                                | 6 | 5 | 4 | 3 | 2 | 1 | 0 |
| LSB (Least Significant Byte) WRBR |    |    |    |    |    |   |   | MSB (Most Significant Byte) WRBR |   |   |   |   |   |   |   |

**WWOR (Read Only):**

|                                   |    |    |    |    |    |   |   |                                  |   |   |   |   |   |   |   |
|-----------------------------------|----|----|----|----|----|---|---|----------------------------------|---|---|---|---|---|---|---|
| x1E05                             |    |    |    |    |    |   |   | x1E04                            |   |   |   |   |   |   |   |
| 15                                | 14 | 13 | 12 | 11 | 10 | 9 | 8 | 7                                | 6 | 5 | 4 | 3 | 2 | 1 | 0 |
| LSB (Least Significant Byte) WWOR |    |    |    |    |    |   |   | MSB (Most Significant Byte) WWOR |   |   |   |   |   |   |   |

**WWCR (Read Only):**

|                                   |    |    |    |    |    |   |   |                                  |   |   |   |   |   |   |   |
|-----------------------------------|----|----|----|----|----|---|---|----------------------------------|---|---|---|---|---|---|---|
| x1E07                             |    |    |    |    |    |   |   | x1E06                            |   |   |   |   |   |   |   |
| 15                                | 14 | 13 | 12 | 11 | 10 | 9 | 8 | 7                                | 6 | 5 | 4 | 3 | 2 | 1 | 0 |
| LSB (Least Significant Byte) WWCR |    |    |    |    |    |   |   | MSB (Most Significant Byte) WWCR |   |   |   |   |   |   |   |

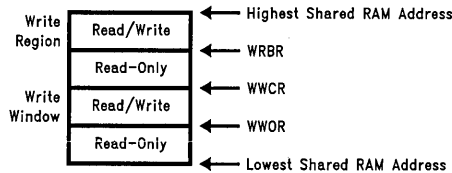
These management register pairs specify an offset into shared RAM. The offsets are 16-bit values. The even register contains the most significant byte of this value. For example:

- WRBR(15–8) at x1E03 = 24 (LSB)
- WRBR(7–0) at x1E02 = 47 (MSB)
- WRBR full register value = 2447

In this example, a 16-bit Read of the WRBR (at x1E02) returns 2447; however, the logical (useable) address value is 4724.

**IMPORTANT:** To obtain a usable address, Host software **must** perform a byte-swap on 16-bit Reads from the WRBR, WWOR, and WWCR registers.

As illustrated below, TROPIC can concurrently define two separate and independent computer write areas within the Shared RAM domain: the *write region* and the *write window*. The size of each of these areas can be individually defined in word (2-byte) increments from 2 bytes to the maximum size of the shared RAM domain.



TL/F/11499-6

The two areas differ only in how they are bound. The write region always extends from the highest address of the shared RAM domain down to a variable origin specified by the WRBR. The write window extends from a variable base defined by the WWOR pair to a variable limit defined by the WWCR pair. Also, the low-order bit in each odd register is zero since all write boundaries are word (2-byte) aligned.

Any address in the shared RAM not given specific Host write access by the shared RAM management registers is given Host read-only access. A Host write to any of these read-only memory addresses or to any shared RAM management register MMIO address will not be completed and will activate the Host Access error interrupt condition (HISR bit 2). Since the origin of the write region (WRBR) and the write window (WWOR) must be greater than zero if either write area is to be defined, the first 2 bytes of the shared RAM domain are always read-only to the Host.

The interface mechanism allows the Host read-only access to the entire shared RAM domain until TROPIC is initialized and Host write-access areas are defined by TROPIC.

The WRBR contains either zero or the offset of the beginning of the write region. When this field is zero, no write region is available. The WWOR contains either zero or the offset of the beginning of the write window. This field contains zero until TROPIC is opened, and when it is zero, no write window is available. The WWCR contains either zero or the first offset after the last writeable offset. This field is reserved until TROPIC is opened, and when it is zero, no write window is available.

### Host Interrupt/Status Register (HISR)

This read/write register contains interrupt and control bits to allow TROPIC to issue interrupts to Host software. For ISA and MicroChannel Hosts, this register also indicates which PIO addresses (x0A20 to x0A23 or x0A24 to x0A27) select the PIO addressable registers.

| x1E09 |      |      |      |      |      |      |   | x1E08 |      |   |      |      |      |      |       |
|-------|------|------|------|------|------|------|---|-------|------|---|------|------|------|------|-------|
| 15    | 14   | 13   | 12   | 11   | 10   | 9    | 8 | 7     | 6    | 5 | 4    | 3    | 2    | 1    | 0     |
| —     | TCHK | SRBR | ASBF | ARBC | SSBR | BFFC | — | CH/IR | INTE | — | TINT | EINT | AINT | IBLK | PR/AL |

| Bit(s) | Description                                                                                                                                                                                                                                                                                                                                                                                                                                                                                                                                                                                                                                                                                         |
|--------|-----------------------------------------------------------------------------------------------------------------------------------------------------------------------------------------------------------------------------------------------------------------------------------------------------------------------------------------------------------------------------------------------------------------------------------------------------------------------------------------------------------------------------------------------------------------------------------------------------------------------------------------------------------------------------------------------------|
| 15     | Reserved.                                                                                                                                                                                                                                                                                                                                                                                                                                                                                                                                                                                                                                                                                           |
| 14     | <b>TROPIC Check (TCHK):</b> TROPIC has encountered an unrecoverable error and is closed. The reason for the check may be read from the shared RAM using the address in the write window close management register pair in the attachment control area of the MMIO region.                                                                                                                                                                                                                                                                                                                                                                                                                           |
| 13     | <b>SRB Response (SRBR):</b> TROPIC has recognized an SRB request and has set the return code in the SRB. A return code of:<br>x00: Indicates successful completion of the SRB request.<br>x01–xFD: Indicates unsuccessful completion of the SRB request.<br>xFF: Indicates that the request has been accepted and is in process. A subsequent SSB response will be issued at the command completion. This interrupt bit is set for this return code only if the Host has set the "SRB Free Request" bit in the TISR.                                                                                                                                                                                |
| 12     | <b>ASB Free (ASBF):</b> TROPIC has read the response provided in the ASB, and the ASB is available for another response. This interrupt bit is set only if the Host has set the "ASB Free Request" bit in the TISR or if an error has been detected in the response.                                                                                                                                                                                                                                                                                                                                                                                                                                |
| 11     | <b>ARB Command (ARBC):</b> The ARB contains a command for the Host to act on.                                                                                                                                                                                                                                                                                                                                                                                                                                                                                                                                                                                                                       |
| 10     | <b>SSB Response (SSBR):</b> The SSB contains a response to a previous SRB command from the Host.                                                                                                                                                                                                                                                                                                                                                                                                                                                                                                                                                                                                    |
| 9      | <b>Bridge Frame Forward Complete (BRFC):</b> TROPIC has completed transmitting a frame forwarded by the bridge Host software.                                                                                                                                                                                                                                                                                                                                                                                                                                                                                                                                                                       |
| 8      | Reserved.                                                                                                                                                                                                                                                                                                                                                                                                                                                                                                                                                                                                                                                                                           |
| 7      | <b>CHCK/IRQ Steering Control (CH/IR):</b> This bit is used to control error interrupts. If 0, TROPIC will issue a CHCK. If 1, TROPIC will issue IRQ. CHCK is not supported in ISA and MicroChannel bus modes and, for those modes, this bit must be set to 1.                                                                                                                                                                                                                                                                                                                                                                                                                                       |
| 6      | <b>Interrupt Enable (INTE):</b> When this bit is on, interrupt requests will be presented to the Host. When this bit is off, all interrupts are masked off. The bit can be set by either TROPIC or the Host.                                                                                                                                                                                                                                                                                                                                                                                                                                                                                        |
| 5      | Reserved.                                                                                                                                                                                                                                                                                                                                                                                                                                                                                                                                                                                                                                                                                           |
| 4      | <b>Timer Interrupt (TINT):</b> When this bit is on, the TVR (7–0) has expired.                                                                                                                                                                                                                                                                                                                                                                                                                                                                                                                                                                                                                      |
| 3      | <b>Error Interrupt (EINT):</b> TROPIC has had a machine check occur, the TROPIC deadman timer expire, or the TROPIC timer overrun.                                                                                                                                                                                                                                                                                                                                                                                                                                                                                                                                                                  |
| 2      | <b>Access Interrupt (AINT):</b> When this bit is on, it indicates that a shared RAM access violation or an illegal MMIO operation by the Host to an Attachment Control Area register pair has occurred. The following conditions will set this bit: <ul style="list-style-type: none"> <li>• Any Host write to a write-protected location in the shared RAM domain</li> <li>• Any Host write to a shared RAM management (WRBR, WWCR, WWOR) register</li> <li>• Any Host write to HISR(7–0)</li> <li>• Any Host write to a nonzero interrupt field of TISR(15–8) or HISR(15–8). Nonzero interrupt fields of TISR(15–8) and HISR(15–8) must be manipulated using OR and AND MMIO commands.</li> </ul> |
| 1      | <b>ISA Bus Mode ONLY</b><br><b>Interrupt Block Bit (IBLK):</b> Set by TROPIC to prevent interrupts until interrupts are re-enabled.                                                                                                                                                                                                                                                                                                                                                                                                                                                                                                                                                                 |
| 0      | <b>Primary/Alternate Address (PR/AL):</b> This bit reflects the setting of the TROPIC primary/alternate setup information. If this bit is off, the primary adapter address is selected. If this bit is on, the alternate adapter address is selected.                                                                                                                                                                                                                                                                                                                                                                                                                                               |

**TROPIC Interrupt/Status Register (TISR)**

This read/write register provides interrupts (for Shared RAM management, errors, timeouts, and other events) and control values that allow Host software to issue interrupts to TROPIC (letting the Host and TROPIC communicate asynchronously). The Host software sets bits in TISR(14–8) to interrupt TROPIC.

| x1E0B |      |      |      |       |       |      |      | x1E0A |       |       |       |       |   |      |      |
|-------|------|------|------|-------|-------|------|------|-------|-------|-------|-------|-------|---|------|------|
| 15    | 14   | 13   | 12   | 11    | 10    | 9    | 8    | 7     | 6     | 5     | 4     | 3     | 2 | 1    | 0    |
| —     | BFFR | CSRB | RASB | SRBFR | ASBFR | ARBF | SSBF | IPE   | TINTT | AINTT | DTEXP | TCHKT | — | THIM | TSIM |

| Bit(s) | Description                                                                                                                                                                                                                              |
|--------|------------------------------------------------------------------------------------------------------------------------------------------------------------------------------------------------------------------------------------------|
| 15     | Reserved.                                                                                                                                                                                                                                |
| 14     | <b>Bridge Frame Forward Request (BRFR):</b> The Host software has placed a frame in the bridge transmit buffers and is requesting that the frame be forwarded.                                                                           |
| 13     | <b>Command in SRB (CSRB):</b> The Host software has placed a command in the SRB and is informing TROPIC.                                                                                                                                 |
| 12     | <b>Response in ASB (RASB):</b> The Host software has placed a response to an ARB request in the ASB and is informing TROPIC.                                                                                                             |
| 11     | <b>SRB Free Request (SRBFR):</b> The Host software wants to use the SRB, but a previous request is still being processed by TROPIC. TROPIC will return an "SRB free" interrupt when the SRB return code field has been set.              |
| 10     | <b>ASB Free Request (ASBFR):</b> The Host software wants to use the ASB, but a previous response is still being processed by TROPIC. TROPIC will return an "ASB free" interrupt when the ASB return code field has been set.             |
| 9      | <b>ARB Free (ARBF):</b> The command in the ARB has been read by the Host software and the ARB is available. If the command requires a response from the Host software (receive and transmit only), it will be provided in the ASB later. |
| 8      | <b>SSB Free (SSBF):</b> The response in the SSB has been read by the Host software and the SSB is available.                                                                                                                             |
| 7      | <b>Internal Parity Error (IPE):</b> If this bit was on, there was a parity error on TROPIC's internal bus.                                                                                                                               |
| 6      | <b>Timer Interrupt—TROPIC (TINTT):</b> At least one of the TCR(15–8) timers has an interrupt to present to TROPIC.                                                                                                                       |
| 5      | <b>Access Interrupt—TROPIC (AINTT):</b> When this bit is on, it indicates that a shared RAM access violation or an illegal MMIO operation by TROPIC to an Attachment Control Area register has occurred.                                 |
| 4      | <b>Deadman Timer Expired (DTEXP):</b> The deadman timer has expired, indicating an adapter microcode problem. This bit is one of the conditions that can set HISR bit 3.                                                                 |
| 3      | <b>TROPIC Processor Check—TROPIC (TCHKT):</b> This bit does not latch on but follows the state of the TROPIC processor machine check indication. This bit is one of the conditions that can set HISR bit 3.                              |
| 2      | Reserved.                                                                                                                                                                                                                                |
| 1      | <b>TROPIC Hardware Interrupt Mask (THIM):</b> When this bit is on, it prevents adapter hardware interrupts (TISR bits 7 and 5) from being presented to the TROPIC processor.                                                             |
| 0      | <b>TROPIC Software Interrupt Mask (TSIM):</b> When this bit is on, it prevents Host software interrupts (TISR bits 14–8) from being presented to the TROPIC processor.                                                                   |



**Timer Control Register (TCR)**

This register controls both Host and ring timing. TCR(7-0) is used with the TVR register to control the Host programmable timer. TCR(15-8) controls the fixed-duration timers used by TROPIC's microcode timing routines, and is reserved.

| x1E0D |    |    |    |    |    |   |   | x1E0C |      |      |      |      |      |   |   |
|-------|----|----|----|----|----|---|---|-------|------|------|------|------|------|---|---|
| 15    | 14 | 13 | 12 | 11 | 10 | 9 | 8 | 7     | 6    | 5    | 4    | 3    | 2    | 1 | 0 |
| —     | —  | —  | —  | —  | —  | — | — | PTIM  | PTRM | PTCG | PTOS | PTCS | HLCK | — | — |

| Bit(s) | Description                                                                                                                                                                                                                                                                                                                                                                                                                                                                                                                                                                                                               |
|--------|---------------------------------------------------------------------------------------------------------------------------------------------------------------------------------------------------------------------------------------------------------------------------------------------------------------------------------------------------------------------------------------------------------------------------------------------------------------------------------------------------------------------------------------------------------------------------------------------------------------------------|
| 15-8   | Reserved (TROPIC MPU timer control).                                                                                                                                                                                                                                                                                                                                                                                                                                                                                                                                                                                      |
| 7      | <b>Host Programmable Timer Interrupt Mask (PTIM):</b> This bit controls the timer interrupt operation. When this bit is on, the timer interrupts the Host when the programmable count expires. When the bit is off, the timer will not interrupt the Host, and the timer status must be obtained by polling either HISR bit 4 or TVR(7-0). The timer interrupt, like all Host interrupts, is also subject to the interrupt enable bit (HISR bit 6).                                                                                                                                                                       |
| 6      | <b>Host Programmable Timer Reload Mode (PTRM):</b> If this bit is on, the timer automatically reloads from TVR(15-8) when the countdown expires (reaches zero). When this bit is off, the timer must be reprogrammed or restarted after each countdown. Setting bit 6 while the count is counting reloads TVR(0-7) with the initial count in TVR(15-8).                                                                                                                                                                                                                                                                   |
| 5      | <b>Host Programmable Timer Count Gate (PTCG):</b> This bit enables/disables timer counting and also allows reloading of the initial countdown from TVR(15-8). Setting the bit to 1 enables the timer and starts counting. Resetting to 0 disables the timer and halts decrementing of the timer count. The countdown may be resumed by writing a 1 back to this bit, since the count contained in the timer is not changed when the gate bit is cleared. However, if a gate set is received when the gate bit is already on and timer count is 0, the countdown value reloads from TVR(15-8) and a full countdown begins. |
| 4      | <b>Host Programmable Timer Overrun Status (PTOS):</b> This bit is set when an overrun condition is detected with the Host timer interrupt. If the timer interrupt has not been reset before the end of the next timing period, the overrun bit is set at the end of that period. Once set, this status bit remains active until reset to zero by the Host.                                                                                                                                                                                                                                                                |
| 3      | <b>Host Programmable Timer Count Status (PTCS):</b> This bit is <b>Host Read-only</b> and is set by TROPIC when the timer contains a nonzero countdown value (the timer is loaded but not necessarily counting). If this bit is 1, the nonzero timer counter value can be obtained by reading TVR(7-0). Otherwise, reads to the TVR(7-0) return zeroes. When the timer countdown is halted by clearing of TCR bit 5 and the count value is not zero, this bit will remain active (set to 1).                                                                                                                              |
| 2      | <b>Host Interlock (HLCK):</b> This interlock allows TROPIC's internal diagnostic routine to check the functional capability of the Host timing facility without interference from the Host. When set to 1, this bit prevents Host MMIO writes from updating the contents of the TVR register and the Host portion (except this bit) of TCR(7-0). This bit will be set only when TROPIC's internal diagnostic procedures require exclusive use of the Host programmable timer.                                                                                                                                             |
| 1-0    | Reserved.                                                                                                                                                                                                                                                                                                                                                                                                                                                                                                                                                                                                                 |

**Timer Value Register (TVR)**

This register contains the Host timer initial countdown value in TVR(15-8) and the current Host timer count in TVR(7-0) (referred to as "the timer"). Reading TVR(15-8) always returns the last value written to it (zero following initial power-on). Both TVR(15-8) and TVR(7-0) are cleared after power-on reset. For each byte, possible values range from 10 ms (x01) to 2.55 seconds (xFF) in 10 ms increments.

If the timer contains zeros, writing a byte to TVR(15-8) transfers that value to the timer. Counting is then subject to the state of the TCR(5) gate bit. A read of TVR(7-0) returns the actual contents of the Host timer counter at the time the read is received by TROPIC. Writes to TVR(7-0) are ignored.

If the counter is loaded (nonzero), a write to the TVR(15-8) register will not cause the timer to be reloaded. The loading of the new TVR(15-8) value to the timer is governed by the state of the TCR gate and reload bits (TCR bits 5 and 6).

The TCR(3) count status bit and the TCR(5) gate bit are used with TVR(7-0). When the timer is loaded (the TCR(3) count status bit is 1), the value returned from TVR(7-0) is the actual timer count at the time of the read. If the TCR(3) gate bit is 1, then the counter will be counting and the value returned will reflect the current instantaneous counting state.

| x1E0F                       |    |    |    |    |    |   |   | x1E0E                      |   |   |   |   |   |   |   |
|-----------------------------|----|----|----|----|----|---|---|----------------------------|---|---|---|---|---|---|---|
| 15                          | 14 | 13 | 12 | 11 | 10 | 9 | 8 | 7                          | 6 | 5 | 4 | 3 | 2 | 1 | 0 |
| Timer Initial Count (TINIT) |    |    |    |    |    |   |   | Timer Current Count (TCUR) |   |   |   |   |   |   |   |

| Bit(s) | Description                                                                  |
|--------|------------------------------------------------------------------------------|
| 15-8   | <b>Host Programmable Timer Initial Count (TINIT):</b> See description above. |
| 7-0    | <b>Host Programmable Timer Current Count (TCUR):</b> See description above.  |

**Shared RAM Page Register (SRPR)**

Through the SRPR register, TROPIC allows the Host system to use memory paging schemes to allocate a smaller Shared RAM domain (in the Host memory space) than the actual physical Shared RAM size on the TROPIC adapter. For example, if the adapter needs 64k of Shared RAM, but the Host system can allocate only 16k, the 64k adapter RAM can be mapped to the 16k Host space as four separate 16k pages, any one of which is "visible" at a given moment. Note that TROPIC always has full access to the entire 64k space even if the Host is using a smaller page size.

The SRPR register is only valid in Host bus modes that support RAM paging. It is used before initialization to communicate to TROPIC's microcode the total amount of RAM to use, and is also used after initialization to "page" the shared RAM into the Host's memory map.

Before TROPIC is initialized, the Host's software must write the appropriate value to the SRPR to communicate to TROPIC's microcode how much total shared RAM to use. If a value of x0000 is written to the SRPR, TROPIC uses only the amount of RAM indicated by the Shared RAM size bits in the RRR register (bits 10 and 11). If the RRR Shared RAM size bits are set to the page size indicated in the ID PROM under the RAM paging function, the Host software can write x00C0 to the SRPR, (i.e., set bits 6 and 7 to a "11") and TROPIC's microcode will use all 64 kB of Shared RAM. The Host software can then access the entire 64 kB of shared RAM using RAM paging.

If RAM paging is selected, the SRPR can be used to "page" the Host "window" into the full 64 kB of Shared RAM after TROPIC is initialized. See Section 4.0 for more details on Shared RAM layout and usage.

|       |    |    |    |    |    |   |   |       |     |   |   |   |   |   |   |
|-------|----|----|----|----|----|---|---|-------|-----|---|---|---|---|---|---|
| x1E19 |    |    |    |    |    |   |   | x1E18 |     |   |   |   |   |   |   |
| 15    | 14 | 13 | 12 | 11 | 10 | 9 | 8 | 7     | 6   | 5 | 4 | 3 | 2 | 1 | 0 |
| —     | —  | —  | —  | —  | —  | — | — | PS1   | PS0 | — | — | — | — | — | — |

| Bit(s)             | Description                                                                                                                                                                                                                                                                                                                                                                                                                                                                                                                                                                                                                                                                                                                                                                                                                                                                                                                                                                                                                                                                                                                                                                                                                                                                                                                                                                                                          |                    |         |    |                                         |    |          |    |          |    |                                  |                    |         |    |                                 |    |                                 |    |                                 |    |                                 |
|--------------------|----------------------------------------------------------------------------------------------------------------------------------------------------------------------------------------------------------------------------------------------------------------------------------------------------------------------------------------------------------------------------------------------------------------------------------------------------------------------------------------------------------------------------------------------------------------------------------------------------------------------------------------------------------------------------------------------------------------------------------------------------------------------------------------------------------------------------------------------------------------------------------------------------------------------------------------------------------------------------------------------------------------------------------------------------------------------------------------------------------------------------------------------------------------------------------------------------------------------------------------------------------------------------------------------------------------------------------------------------------------------------------------------------------------------|--------------------|---------|----|-----------------------------------------|----|----------|----|----------|----|----------------------------------|--------------------|---------|----|---------------------------------|----|---------------------------------|----|---------------------------------|----|---------------------------------|
| 15-8               | Reserved.                                                                                                                                                                                                                                                                                                                                                                                                                                                                                                                                                                                                                                                                                                                                                                                                                                                                                                                                                                                                                                                                                                                                                                                                                                                                                                                                                                                                            |                    |         |    |                                         |    |          |    |          |    |                                  |                    |         |    |                                 |    |                                 |    |                                 |    |                                 |
| 7                  | <p><b>Page Select Bit 1 (PS1):</b></p> <p><i>Before initialization, this bit and bit 6 indicate whether RAM Paging should be used, as follows:</i></p> <table border="1" style="margin-left: 40px;"> <thead> <tr> <th style="text-align: center;">Value<br/>(PS1,PS0)</th> <th style="text-align: center;">Meaning</th> </tr> </thead> <tbody> <tr> <td style="text-align: center;">00</td> <td>Use RRR (10,11) as total RAM, no paging</td> </tr> <tr> <td style="text-align: center;">01</td> <td>Reserved</td> </tr> <tr> <td style="text-align: center;">10</td> <td>Reserved</td> </tr> <tr> <td style="text-align: center;">11</td> <td>Use 64k as total RAM, use paging</td> </tr> </tbody> </table> <p><i>After initialization, this bit and bit 6 are used to select the desired memory page, as follows:</i></p> <table border="1" style="margin-left: 40px;"> <thead> <tr> <th style="text-align: center;">Value<br/>(PS1,PS0)</th> <th style="text-align: center;">Meaning</th> </tr> </thead> <tbody> <tr> <td style="text-align: center;">00</td> <td>Map Page 1 into Host Memory Map</td> </tr> <tr> <td style="text-align: center;">01</td> <td>Map Page 2 into Host Memory Map</td> </tr> <tr> <td style="text-align: center;">10</td> <td>Map Page 3 into Host Memory Map</td> </tr> <tr> <td style="text-align: center;">11</td> <td>Map Page 4 into Host Memory Map</td> </tr> </tbody> </table> | Value<br>(PS1,PS0) | Meaning | 00 | Use RRR (10,11) as total RAM, no paging | 01 | Reserved | 10 | Reserved | 11 | Use 64k as total RAM, use paging | Value<br>(PS1,PS0) | Meaning | 00 | Map Page 1 into Host Memory Map | 01 | Map Page 2 into Host Memory Map | 10 | Map Page 3 into Host Memory Map | 11 | Map Page 4 into Host Memory Map |
| Value<br>(PS1,PS0) | Meaning                                                                                                                                                                                                                                                                                                                                                                                                                                                                                                                                                                                                                                                                                                                                                                                                                                                                                                                                                                                                                                                                                                                                                                                                                                                                                                                                                                                                              |                    |         |    |                                         |    |          |    |          |    |                                  |                    |         |    |                                 |    |                                 |    |                                 |    |                                 |
| 00                 | Use RRR (10,11) as total RAM, no paging                                                                                                                                                                                                                                                                                                                                                                                                                                                                                                                                                                                                                                                                                                                                                                                                                                                                                                                                                                                                                                                                                                                                                                                                                                                                                                                                                                              |                    |         |    |                                         |    |          |    |          |    |                                  |                    |         |    |                                 |    |                                 |    |                                 |    |                                 |
| 01                 | Reserved                                                                                                                                                                                                                                                                                                                                                                                                                                                                                                                                                                                                                                                                                                                                                                                                                                                                                                                                                                                                                                                                                                                                                                                                                                                                                                                                                                                                             |                    |         |    |                                         |    |          |    |          |    |                                  |                    |         |    |                                 |    |                                 |    |                                 |    |                                 |
| 10                 | Reserved                                                                                                                                                                                                                                                                                                                                                                                                                                                                                                                                                                                                                                                                                                                                                                                                                                                                                                                                                                                                                                                                                                                                                                                                                                                                                                                                                                                                             |                    |         |    |                                         |    |          |    |          |    |                                  |                    |         |    |                                 |    |                                 |    |                                 |    |                                 |
| 11                 | Use 64k as total RAM, use paging                                                                                                                                                                                                                                                                                                                                                                                                                                                                                                                                                                                                                                                                                                                                                                                                                                                                                                                                                                                                                                                                                                                                                                                                                                                                                                                                                                                     |                    |         |    |                                         |    |          |    |          |    |                                  |                    |         |    |                                 |    |                                 |    |                                 |    |                                 |
| Value<br>(PS1,PS0) | Meaning                                                                                                                                                                                                                                                                                                                                                                                                                                                                                                                                                                                                                                                                                                                                                                                                                                                                                                                                                                                                                                                                                                                                                                                                                                                                                                                                                                                                              |                    |         |    |                                         |    |          |    |          |    |                                  |                    |         |    |                                 |    |                                 |    |                                 |    |                                 |
| 00                 | Map Page 1 into Host Memory Map                                                                                                                                                                                                                                                                                                                                                                                                                                                                                                                                                                                                                                                                                                                                                                                                                                                                                                                                                                                                                                                                                                                                                                                                                                                                                                                                                                                      |                    |         |    |                                         |    |          |    |          |    |                                  |                    |         |    |                                 |    |                                 |    |                                 |    |                                 |
| 01                 | Map Page 2 into Host Memory Map                                                                                                                                                                                                                                                                                                                                                                                                                                                                                                                                                                                                                                                                                                                                                                                                                                                                                                                                                                                                                                                                                                                                                                                                                                                                                                                                                                                      |                    |         |    |                                         |    |          |    |          |    |                                  |                    |         |    |                                 |    |                                 |    |                                 |    |                                 |
| 10                 | Map Page 3 into Host Memory Map                                                                                                                                                                                                                                                                                                                                                                                                                                                                                                                                                                                                                                                                                                                                                                                                                                                                                                                                                                                                                                                                                                                                                                                                                                                                                                                                                                                      |                    |         |    |                                         |    |          |    |          |    |                                  |                    |         |    |                                 |    |                                 |    |                                 |    |                                 |
| 11                 | Map Page 4 into Host Memory Map                                                                                                                                                                                                                                                                                                                                                                                                                                                                                                                                                                                                                                                                                                                                                                                                                                                                                                                                                                                                                                                                                                                                                                                                                                                                                                                                                                                      |                    |         |    |                                         |    |          |    |          |    |                                  |                    |         |    |                                 |    |                                 |    |                                 |    |                                 |
| 6                  | <b>Page Select Bit 0 (PS0):</b> See PS1 above.                                                                                                                                                                                                                                                                                                                                                                                                                                                                                                                                                                                                                                                                                                                                                                                                                                                                                                                                                                                                                                                                                                                                                                                                                                                                                                                                                                       |                    |         |    |                                         |    |          |    |          |    |                                  |                    |         |    |                                 |    |                                 |    |                                 |    |                                 |
| 5-0                | Reserved.                                                                                                                                                                                                                                                                                                                                                                                                                                                                                                                                                                                                                                                                                                                                                                                                                                                                                                                                                                                                                                                                                                                                                                                                                                                                                                                                                                                                            |                    |         |    |                                         |    |          |    |          |    |                                  |                    |         |    |                                 |    |                                 |    |                                 |    |                                 |

**PIO Registers (ISA and MicroChannel)**

The PIO Registers provide access to certain MMIO Register data or controls that are unavailable to ISA and MicroChannel Hosts via the MMIO Registers. This includes Configuration Register information, Soft Reset Control, and ROM/MMIO Address information. The PIO registers also provide Shared RAM Address information for MicroChannel bus Hosts and Global Interrupt Enable registers for ISA bus Hosts.

There are four I/O addresses dedicated for PIO operations to each possible adapter type (primary or alternate). Read (IN) or write (OUT) operations to these addresses either cause an action or transfer data. The same address has different definitions based on whether Read or Write access is used, as described in the table below.

**Note:** The MicroChannel POS Registers also appear in Host I/O space, but are discussed separately in the next section.

**PIO Registers (ISA)**

|        | Read         | Write            |                         |
|--------|--------------|------------------|-------------------------|
| x00A27 | Reserved     | Interrupt Enable | Secondary Adapter       |
| x00A26 | Reserved     | Reset Release    |                         |
| x00A25 | Reserved     | Reset Latch      |                         |
| x00A24 | Setup Read 1 | Reserved         |                         |
| x00A23 | Reserved     | Interrupt Enable | Primary Adapter         |
| x00A22 | Reserved     | Reset Release    |                         |
| x00A21 | Reserved     | Reset Latch      |                         |
| x00A20 | Setup Read 1 | Reserved         |                         |
| x00A1F | Unused       |                  | Global Interrupt Enable |
| x002F8 | Unused       |                  |                         |
| x002F7 | Reserved     | IRQ7             |                         |
| x002F6 | Reserved     | IRQ6             |                         |
| x002F5 | Unused       |                  |                         |
| x002F4 | Unused       |                  |                         |
| x002F3 | Reserved     | IRQ3             |                         |
| x002F2 | Reserved     | IRQ2             |                         |

TL/F/11499-7

For ISA Bus mode, an I/O Write (OUT) to x002Fn issues a global interrupt enable. This resets interrupt generating circuits in *all* adapters sharing the Host interrupt facilities. The specific IRQ level is defined by the value of "n", as follows:

| Write to | Enables |
|----------|---------|
| x0002F7  | IRQ7    |
| x0002F6  | IRQ6    |
| x0002F3  | IRQ3    |
| x0002F2  | IRQ2,9  |

This command performs no function for MicroChannel Bus mode.

**PIO Registers (MicroChannel)**

|        | Read         | Write         |                   |
|--------|--------------|---------------|-------------------|
| x00A27 | Reserved     | Reserved      | Secondary Adapter |
| x00A26 | Setup Read 2 | Reset Release |                   |
| x00A25 | Reserved     | Reset Latch   |                   |
| x00A24 | Setup Read 1 | Reserved      |                   |
| x00A23 | Reserved     | Reserved      | Primary Adapter   |
| x00A22 | Setup Read 2 | Reset Release |                   |
| x00A21 | Reserved     | Reset Latch   |                   |
| x00A20 | Setup Read 1 | Reserved      |                   |

TL/F/11499-8

**Global interrupt Enable (IRQn)**

- x0002F7 (WRITE)
- x0002F6 (WRITE)
- x0002F3 (WRITE)
- x0002F2 (WRITE)

**Setup Read 1      x00A20 (x00A24) READ      ISA/MicroChannel**

A write to this register returns all but the high-order bit of the 1 byte ROM/MMIO domain base address (in Host's memory space) and 2 bits of interrupt level information.

For MicroChannel Host bus adapters, this information must have been set during the setup function of POST. The address specifies where, in a 512 kB portion of 1 MB of MicroChannel Host-addressable memory, TROPIC registers will be located.

For ISA Host bus adapters, this information must be set (by jumpers, switches, etc.) when the adapter is installed, or using a proprietary software downloading scheme, to define where in the Host-addressable memory TROPIC registers will reside.

**x00A20 (x00A24) READ**

| 7     | 6     | 5     | 4     | 3     | 2     | 1           | 0 |
|-------|-------|-------|-------|-------|-------|-------------|---|
| RAB18 | RAB17 | RAB16 | RAB15 | RAB14 | RAB13 | Encoded IRO |   |

| Bit(s)           | Description                                                                                                                                                                                                                                                                                                                                                                                                                                                                                                                                                                                                                                                                                                                                                                                                                                                                                                                                                                                                                                                                                                                                                                        |                      |                       |                      |                       |        |    |      |        |    |   |       |      |   |       |      |       |       |    |      |       |    |
|------------------|------------------------------------------------------------------------------------------------------------------------------------------------------------------------------------------------------------------------------------------------------------------------------------------------------------------------------------------------------------------------------------------------------------------------------------------------------------------------------------------------------------------------------------------------------------------------------------------------------------------------------------------------------------------------------------------------------------------------------------------------------------------------------------------------------------------------------------------------------------------------------------------------------------------------------------------------------------------------------------------------------------------------------------------------------------------------------------------------------------------------------------------------------------------------------------|----------------------|-----------------------|----------------------|-----------------------|--------|----|------|--------|----|---|-------|------|---|-------|------|-------|-------|----|------|-------|----|
| 7-2              | <p><b>ROM/MMIO Host Base Address:</b> (Address Bits 18-13, respectively): Used to determine all but the high order bit of the ROM/MMIO starting address, usually as part of initialization handshaking (see Section 7.0), as follows:</p> <table border="1"> <thead> <tr> <th>Setup Read 1 Bit</th> <th>Boundary</th> <th>ROM/MMIO Address Bit</th> </tr> </thead> <tbody> <tr> <td>7</td> <td>256 kB</td> <td>18</td> </tr> <tr> <td>6</td> <td>128 kB</td> <td>17</td> </tr> <tr> <td>5</td> <td>64 kB</td> <td>16</td> </tr> <tr> <td>4</td> <td>32 kB</td> <td>15</td> </tr> <tr> <td>3</td> <td>16 kB</td> <td>14</td> </tr> <tr> <td>2</td> <td>8 kB</td> <td>13</td> </tr> </tbody> </table> <p>The ROM/MMIO domain is mapped to any contiguous 8 kB block within a 1 MB Host address space. If an optional BIOS module is installed on the adapter that executes at power-on time, the ROM/MIO domain must be limited to the 96 kB of BIOS space in the Host (x0C8000-0DFFFF).</p> <p><b>Note:</b> For MicroChannel Host: See bit 0 of Setup Read 2 Register at x0A22 (x0A26) for the value of address bit 19 (512 kB).<br/>For ISA Host: Bit 19 is always equal to 1.</p> | Setup Read 1 Bit     | Boundary              | ROM/MMIO Address Bit | 7                     | 256 kB | 18 | 6    | 128 kB | 17 | 5 | 64 kB | 16   | 4 | 32 kB | 15   | 3     | 16 kB | 14 | 2    | 8 kB  | 13 |
| Setup Read 1 Bit | Boundary                                                                                                                                                                                                                                                                                                                                                                                                                                                                                                                                                                                                                                                                                                                                                                                                                                                                                                                                                                                                                                                                                                                                                                           | ROM/MMIO Address Bit |                       |                      |                       |        |    |      |        |    |   |       |      |   |       |      |       |       |    |      |       |    |
| 7                | 256 kB                                                                                                                                                                                                                                                                                                                                                                                                                                                                                                                                                                                                                                                                                                                                                                                                                                                                                                                                                                                                                                                                                                                                                                             | 18                   |                       |                      |                       |        |    |      |        |    |   |       |      |   |       |      |       |       |    |      |       |    |
| 6                | 128 kB                                                                                                                                                                                                                                                                                                                                                                                                                                                                                                                                                                                                                                                                                                                                                                                                                                                                                                                                                                                                                                                                                                                                                                             | 17                   |                       |                      |                       |        |    |      |        |    |   |       |      |   |       |      |       |       |    |      |       |    |
| 5                | 64 kB                                                                                                                                                                                                                                                                                                                                                                                                                                                                                                                                                                                                                                                                                                                                                                                                                                                                                                                                                                                                                                                                                                                                                                              | 16                   |                       |                      |                       |        |    |      |        |    |   |       |      |   |       |      |       |       |    |      |       |    |
| 4                | 32 kB                                                                                                                                                                                                                                                                                                                                                                                                                                                                                                                                                                                                                                                                                                                                                                                                                                                                                                                                                                                                                                                                                                                                                                              | 15                   |                       |                      |                       |        |    |      |        |    |   |       |      |   |       |      |       |       |    |      |       |    |
| 3                | 16 kB                                                                                                                                                                                                                                                                                                                                                                                                                                                                                                                                                                                                                                                                                                                                                                                                                                                                                                                                                                                                                                                                                                                                                                              | 14                   |                       |                      |                       |        |    |      |        |    |   |       |      |   |       |      |       |       |    |      |       |    |
| 2                | 8 kB                                                                                                                                                                                                                                                                                                                                                                                                                                                                                                                                                                                                                                                                                                                                                                                                                                                                                                                                                                                                                                                                                                                                                                               | 13                   |                       |                      |                       |        |    |      |        |    |   |       |      |   |       |      |       |       |    |      |       |    |
| 1-0              | <p>Encoded IRQ Level; Indicates interrupt level selected for adapter, as follows:</p> <table border="1"> <thead> <tr> <th>Bit 1</th> <th>Bit 0</th> <th>ISA Bus Mode</th> <th>MicroChannel Bus Mode</th> </tr> </thead> <tbody> <tr> <td>0</td> <td>0</td> <td>IRQ2</td> <td>IRQ2</td> </tr> <tr> <td>0</td> <td>1</td> <td>IRQ3</td> <td>IRQ3</td> </tr> <tr> <td>1</td> <td>0</td> <td>IRQ6</td> <td>IRQ10</td> </tr> <tr> <td>1</td> <td>1</td> <td>IRQ7</td> <td>IRQ11</td> </tr> </tbody> </table>                                                                                                                                                                                                                                                                                                                                                                                                                                                                                                                                                                                                                                                                            | Bit 1                | Bit 0                 | ISA Bus Mode         | MicroChannel Bus Mode | 0      | 0  | IRQ2 | IRQ2   | 0  | 1 | IRQ3  | IRQ3 | 1 | 0     | IRQ6 | IRQ10 | 1     | 1  | IRQ7 | IRQ11 |    |
| Bit 1            | Bit 0                                                                                                                                                                                                                                                                                                                                                                                                                                                                                                                                                                                                                                                                                                                                                                                                                                                                                                                                                                                                                                                                                                                                                                              | ISA Bus Mode         | MicroChannel Bus Mode |                      |                       |        |    |      |        |    |   |       |      |   |       |      |       |       |    |      |       |    |
| 0                | 0                                                                                                                                                                                                                                                                                                                                                                                                                                                                                                                                                                                                                                                                                                                                                                                                                                                                                                                                                                                                                                                                                                                                                                                  | IRQ2                 | IRQ2                  |                      |                       |        |    |      |        |    |   |       |      |   |       |      |       |       |    |      |       |    |
| 0                | 1                                                                                                                                                                                                                                                                                                                                                                                                                                                                                                                                                                                                                                                                                                                                                                                                                                                                                                                                                                                                                                                                                                                                                                                  | IRQ3                 | IRQ3                  |                      |                       |        |    |      |        |    |   |       |      |   |       |      |       |       |    |      |       |    |
| 1                | 0                                                                                                                                                                                                                                                                                                                                                                                                                                                                                                                                                                                                                                                                                                                                                                                                                                                                                                                                                                                                                                                                                                                                                                                  | IRQ6                 | IRQ10                 |                      |                       |        |    |      |        |    |   |       |      |   |       |      |       |       |    |      |       |    |
| 1                | 1                                                                                                                                                                                                                                                                                                                                                                                                                                                                                                                                                                                                                                                                                                                                                                                                                                                                                                                                                                                                                                                                                                                                                                                  | IRQ7                 | IRQ11                 |                      |                       |        |    |      |        |    |   |       |      |   |       |      |       |       |    |      |       |    |

**TROPIC Reset Latch      x00A21 (x00A25) WRITE      ISA/MicroChannel**

A Write to this register causes an unconditional TROPIC reset to be latched on. The entire TROPIC is held reset until a TROPIC Reset Release is received from the Host. The TROPIC reset state is similar to a power-on reset and is used to start TROPIC in a known state. While TROPIC is held reset, the Host cannot access either the Shared RAM or the MMIO region (except for the BIOS area).

**TROPIC Reset Release      x00A22 (x00A26) WRITE      ISA/MicroChannel**

A Write to this register turns off a TROPIC reset condition previously latched on by a TROPIC Reset Latch from the Host. Before TROPIC can be fully reset, at least 50 ms must elapse between a TROPIC Reset Latch and TROPIC Reset Release instruction. If TROPIC is not latched in a reset condition, the command is ignored.

**Setup Read 2      x00A22 (x00A26) READ      MicroChannel ONLY**

For MicroChannel Hosts only, a read to this register returns a 1 byte value containing the Shared RAM address *plus* the high-order bit of the ROM/MMIO domain base address. This information must have been set during the setup function of POST. The address specifies where, in a 1M space of MicroChannel Host-addressable memory, the Shared RAM on the adapter will be located. The ROM/MMIO address bit specifies which 512 kB portion of 1 MB MicroChannel Host-addressable memory the ROM/MMIO domain is in.

**Note:** For ISA Hosts, the Shared RAM domain is set by Host software using the RRR register (see earlier discussion of MMIO Registers).

**x00A22 (x00A26) READ—MicroChannel ONLY**

|       |       |       |       |       |       |       |       |
|-------|-------|-------|-------|-------|-------|-------|-------|
| 7     | 6     | 5     | 4     | 3     | 2     | 1     | 0     |
| SAB19 | SAB18 | SAB17 | SAB16 | SAB15 | SAB14 | SAB13 | RAB19 |

| Bit(s)           | Description                                                                                                                                                                                                                                                                                                                                                                                                                                                                                                                                                                                                                                                                                                                                                                                                                                                                                                                                                                                                                                                                                                                                                                                                                                                                                                                                                                                                                                                                            |                        |          |                        |   |        |    |   |        |    |   |        |    |   |       |    |   |       |    |   |       |    |   |      |    |
|------------------|----------------------------------------------------------------------------------------------------------------------------------------------------------------------------------------------------------------------------------------------------------------------------------------------------------------------------------------------------------------------------------------------------------------------------------------------------------------------------------------------------------------------------------------------------------------------------------------------------------------------------------------------------------------------------------------------------------------------------------------------------------------------------------------------------------------------------------------------------------------------------------------------------------------------------------------------------------------------------------------------------------------------------------------------------------------------------------------------------------------------------------------------------------------------------------------------------------------------------------------------------------------------------------------------------------------------------------------------------------------------------------------------------------------------------------------------------------------------------------------|------------------------|----------|------------------------|---|--------|----|---|--------|----|---|--------|----|---|-------|----|---|-------|----|---|-------|----|---|------|----|
| 7-1              | <p><b>MicroChannel Hosts Only</b><br/> <b>Shared RAM Host Base Address:</b> (Address Bits 19-13, respectively): Used by MicroChannel Hosts to determine the Shared RAM starting address, usually as part of Initialization handshaking (see Section 7.0), as follows:</p> <table border="1" style="margin-left: 40px;"> <thead> <tr> <th style="text-align: center;">Setup Read 2 Bit</th> <th style="text-align: center;">Boundary</th> <th style="text-align: center;">Shared RAM Address Bit</th> </tr> </thead> <tbody> <tr><td style="text-align: center;">7</td><td style="text-align: center;">512 kB</td><td style="text-align: center;">19</td></tr> <tr><td style="text-align: center;">6</td><td style="text-align: center;">256 kB</td><td style="text-align: center;">18</td></tr> <tr><td style="text-align: center;">5</td><td style="text-align: center;">128 kB</td><td style="text-align: center;">17</td></tr> <tr><td style="text-align: center;">4</td><td style="text-align: center;">64 kB</td><td style="text-align: center;">16</td></tr> <tr><td style="text-align: center;">3</td><td style="text-align: center;">32 kB</td><td style="text-align: center;">15</td></tr> <tr><td style="text-align: center;">2</td><td style="text-align: center;">16 kB</td><td style="text-align: center;">14</td></tr> <tr><td style="text-align: center;">1</td><td style="text-align: center;">8 kB</td><td style="text-align: center;">13</td></tr> </tbody> </table> | Setup Read 2 Bit       | Boundary | Shared RAM Address Bit | 7 | 512 kB | 19 | 6 | 256 kB | 18 | 5 | 128 kB | 17 | 4 | 64 kB | 16 | 3 | 32 kB | 15 | 2 | 16 kB | 14 | 1 | 8 kB | 13 |
| Setup Read 2 Bit | Boundary                                                                                                                                                                                                                                                                                                                                                                                                                                                                                                                                                                                                                                                                                                                                                                                                                                                                                                                                                                                                                                                                                                                                                                                                                                                                                                                                                                                                                                                                               | Shared RAM Address Bit |          |                        |   |        |    |   |        |    |   |        |    |   |       |    |   |       |    |   |       |    |   |      |    |
| 7                | 512 kB                                                                                                                                                                                                                                                                                                                                                                                                                                                                                                                                                                                                                                                                                                                                                                                                                                                                                                                                                                                                                                                                                                                                                                                                                                                                                                                                                                                                                                                                                 | 19                     |          |                        |   |        |    |   |        |    |   |        |    |   |       |    |   |       |    |   |       |    |   |      |    |
| 6                | 256 kB                                                                                                                                                                                                                                                                                                                                                                                                                                                                                                                                                                                                                                                                                                                                                                                                                                                                                                                                                                                                                                                                                                                                                                                                                                                                                                                                                                                                                                                                                 | 18                     |          |                        |   |        |    |   |        |    |   |        |    |   |       |    |   |       |    |   |       |    |   |      |    |
| 5                | 128 kB                                                                                                                                                                                                                                                                                                                                                                                                                                                                                                                                                                                                                                                                                                                                                                                                                                                                                                                                                                                                                                                                                                                                                                                                                                                                                                                                                                                                                                                                                 | 17                     |          |                        |   |        |    |   |        |    |   |        |    |   |       |    |   |       |    |   |       |    |   |      |    |
| 4                | 64 kB                                                                                                                                                                                                                                                                                                                                                                                                                                                                                                                                                                                                                                                                                                                                                                                                                                                                                                                                                                                                                                                                                                                                                                                                                                                                                                                                                                                                                                                                                  | 16                     |          |                        |   |        |    |   |        |    |   |        |    |   |       |    |   |       |    |   |       |    |   |      |    |
| 3                | 32 kB                                                                                                                                                                                                                                                                                                                                                                                                                                                                                                                                                                                                                                                                                                                                                                                                                                                                                                                                                                                                                                                                                                                                                                                                                                                                                                                                                                                                                                                                                  | 15                     |          |                        |   |        |    |   |        |    |   |        |    |   |       |    |   |       |    |   |       |    |   |      |    |
| 2                | 16 kB                                                                                                                                                                                                                                                                                                                                                                                                                                                                                                                                                                                                                                                                                                                                                                                                                                                                                                                                                                                                                                                                                                                                                                                                                                                                                                                                                                                                                                                                                  | 14                     |          |                        |   |        |    |   |        |    |   |        |    |   |       |    |   |       |    |   |       |    |   |      |    |
| 1                | 8 kB                                                                                                                                                                                                                                                                                                                                                                                                                                                                                                                                                                                                                                                                                                                                                                                                                                                                                                                                                                                                                                                                                                                                                                                                                                                                                                                                                                                                                                                                                   | 13                     |          |                        |   |        |    |   |        |    |   |        |    |   |       |    |   |       |    |   |       |    |   |      |    |
| 0                | <p><b>MicroChannel Hosts Only</b><br/> <b>ROM/MMIO Host Base Address: Bit 19:</b> Used by MicroChannel Hosts to determine bit 19 of the ROM/MMIO domain base address (see Setup Read 1 Register above for more information).</p>                                                                                                                                                                                                                                                                                                                                                                                                                                                                                                                                                                                                                                                                                                                                                                                                                                                                                                                                                                                                                                                                                                                                                                                                                                                       |                        |          |                        |   |        |    |   |        |    |   |        |    |   |       |    |   |       |    |   |       |    |   |      |    |

**Adapter Interrupt Enable      x00A23 (x00A27) WRITE      ISA ONLY**

A Write to this register Resets and re-enables only the TROPIC-based adapter's interrupt generation circuitry. Since this leaves all other Host adapters disabled, the TROPIC adapter is able to monopolize the interrupt facilities.

**MicroChannel POS Registers (MicroChannel Only)**

During Setup *only*, TROPIC provides PIO-addressable POS registers for polling and initializing adapters in MicroChannel Hosts, in keeping with MicroChannel architecture, these registers let configuration information be written from the non-volatile POS memory on the MicroChannel motherboard to TROPIC during Setup. However, these registers *are not* available during TROPIC operations after Setup. (During normal operation, refer instead to the Setup Read1 and Setup Read 2 PIO Registers for adapter information.) The POS Register region of PIO space has the following structure:

**MicroChannel POS Register Locations (only available during Setup)**

|        |                                                     |
|--------|-----------------------------------------------------|
| x00107 | Channel Check/Status Register (High Byte)—READ ONLY |
| x00106 | Channel Check/Status Register (Low Byte)—READ ONLY  |
| x00105 | Status/Check Register                               |
| x00104 | Configuration Register (High Byte)                  |
| x00103 | Configuration Register (Low Byte)                   |
| x00102 | Card Enable                                         |
| x00101 | MicroChannel Card ID (High Byte)—READ ONLY          |
| x00100 | MicroChannel Card ID (Low Byte)—READ ONLY           |

**MicroChannel Card ID Register Pair (Read Only)**

This read-only register pair provides the unique MicroChannel Card ID (as stored in the Adapter Identification PROM). Bits 15–4 of the ID are always set at xE00, so the range of unique Card ID values are xE000 to xE00F.

| x00101                                  |    |    |    |    |    |   |   | x00100                                                |   |   |   |                                                         |   |   |   |
|-----------------------------------------|----|----|----|----|----|---|---|-------------------------------------------------------|---|---|---|---------------------------------------------------------|---|---|---|
| 15                                      | 14 | 13 | 12 | 11 | 10 | 9 | 8 | 7                                                     | 6 | 5 | 4 | 3                                                       | 2 | 1 | 0 |
| CARD ID High Byte<br>(Hardwired to xE0) |    |    |    |    |    |   |   | Upper 4 Bits of CARD ID<br>Low Byte (Hardwired to x0) |   |   |   | Lower 4 Bits of CARD ID<br>Low Byte (Unique to Adapter) |   |   |   |

| Bit(s) | Description                                                                          |
|--------|--------------------------------------------------------------------------------------|
| 15–8   | <b>Card ID High Byte:</b> This is always “hardwired” to xE0.                         |
| 7–4    | <b>Card ID Low Byte (Most Significant 4 bits):</b> This is always “hardwired” to x0. |
| 3–0    | <b>Card ID Low Byte (Least Significant 4 bits):</b> These bits are card-specific.    |

**Card Enable Register**

This register contains the MicroChannel Card Enable bit and the Shared RAM Base Address (which is loaded from Configuration Register bits 15–9 during RESET).

| x00102 |      |      |      |      |      |              |      |
|--------|------|------|------|------|------|--------------|------|
| 7      | 6    | 5    | 4    | 3    | 2    | 1            | 0    |
| AB19   | AB18 | AB17 | AB16 | AB15 | AB14 | AB13<br>(=0) | CENA |

| Bit(s) | Description                                                                                                                                                                                                                                                                                                                                                                                                                                                                                                                                                                                                                                                                                                                                                                                                                                                                                                                                                                                                                                                                                                                                  |
|--------|----------------------------------------------------------------------------------------------------------------------------------------------------------------------------------------------------------------------------------------------------------------------------------------------------------------------------------------------------------------------------------------------------------------------------------------------------------------------------------------------------------------------------------------------------------------------------------------------------------------------------------------------------------------------------------------------------------------------------------------------------------------------------------------------------------------------------------------------------------------------------------------------------------------------------------------------------------------------------------------------------------------------------------------------------------------------------------------------------------------------------------------------|
| 7–1    | <p><b>Shared RAM Host Base Address:</b> (Address Bits 19–13): Used to set the shared RAM page starting address during Setup. This location must be set before the Shared RAM can be accessed and must be set to a location in the memory map that does not cause a conflict. These register bits default to the same setting as Configuration Register Bits 15–9 on power-up or after an adapter reset. If the register contains this value, the shared RAM page is not mapped into the memory map. This register must be set to a correct address boundary as follows:</p> <ul style="list-style-type: none"> <li>• 8 kB shared RAM page should be on an 8 kB address boundary.</li> <li>• 16 kB shared RAM page should be on a 16 kB address boundary.</li> <li>• 32 kB shared RAM page should be on a 32 kB address boundary.</li> <li>• 64 kB shared RAM page should be on a 64 kB address boundary.</li> </ul> <p>For RAM paging, the address boundary can be on a 16 kB boundary since only 16 kB of PC address space is used.</p> <p><b>Note:</b> To select a valid address boundary, RRR Bit 1 (AB13) should always be set to 0.</p> |
| 0      | <p><b>Card Enable Bit (CENA):</b> This bit, when set to 1, enables all MMIO and PIO operations along with the card Data Bus and return signal drivers. If set to 0, the card is disabled.</p>                                                                                                                                                                                                                                                                                                                                                                                                                                                                                                                                                                                                                                                                                                                                                                                                                                                                                                                                                |

### Configuration Register Pair

This register pair provides an alternative to hardware jumpers at Setup.

| x00104 |       |       |       |       |       |       |                   | x00103 |   |   |          |      |       |   |   |
|--------|-------|-------|-------|-------|-------|-------|-------------------|--------|---|---|----------|------|-------|---|---|
| 15     | 14    | 13    | 12    | 11    | 10    | 9     | 8                 | 7      | 6 | 5 | 4        | 3    | 2     | 1 | 0 |
| RMA19  | RMA18 | RMA17 | RMA16 | RMA15 | RMA14 | RMA13 | Encoded IRQ Level | —      | — | — | RAM Size | RATE | PR/AL |   |   |

| Bit(s) | Description                                                                                                                                                                                                                                                                                                                                                                                                                                                                                                                                                                                                                                                                                                                                                                                                                                                         |              |       |              |   |   |      |   |   |       |   |   |       |   |   |       |
|--------|---------------------------------------------------------------------------------------------------------------------------------------------------------------------------------------------------------------------------------------------------------------------------------------------------------------------------------------------------------------------------------------------------------------------------------------------------------------------------------------------------------------------------------------------------------------------------------------------------------------------------------------------------------------------------------------------------------------------------------------------------------------------------------------------------------------------------------------------------------------------|--------------|-------|--------------|---|---|------|---|---|-------|---|---|-------|---|---|-------|
| 15–9   | <b>ROM/MMIO Host Base Address:</b> (Address Bits 19–13): Used to set the ROM/MMIO starting address during Setup. This location must be set before the ROM/MMIO can be accessed and must be set to a location in the memory map that does not cause a conflict. The ROM/MMIO domain is mapped to any contiguous 8 kB block within a 1 MB Host address space.                                                                                                                                                                                                                                                                                                                                                                                                                                                                                                         |              |       |              |   |   |      |   |   |       |   |   |       |   |   |       |
| 8–7    | <b>Encoded IRQ Level:</b> Selects interrupt level for adapter, as follows: <table border="1" style="margin-left: 40px;"> <thead> <tr> <th>Bit 8</th><th>Bit 7</th><th>Selected IRQ</th></tr> </thead> <tbody> <tr><td>0</td><td>0</td><td>IRQ2</td></tr> <tr><td>0</td><td>1</td><td>IRQ3</td></tr> <tr><td>1</td><td>0</td><td>IRQ10</td></tr> <tr><td>1</td><td>1</td><td>IRQ11</td></tr> </tbody> </table>                                                                                                                                                                                                                                                                                                                                                                                                                                                       | Bit 8        | Bit 7 | Selected IRQ | 0 | 0 | IRQ2 | 0 | 1 | IRQ3  | 1 | 0 | IRQ10 | 1 | 1 | IRQ11 |
| Bit 8  | Bit 7                                                                                                                                                                                                                                                                                                                                                                                                                                                                                                                                                                                                                                                                                                                                                                                                                                                               | Selected IRQ |       |              |   |   |      |   |   |       |   |   |       |   |   |       |
| 0      | 0                                                                                                                                                                                                                                                                                                                                                                                                                                                                                                                                                                                                                                                                                                                                                                                                                                                                   | IRQ2         |       |              |   |   |      |   |   |       |   |   |       |   |   |       |
| 0      | 1                                                                                                                                                                                                                                                                                                                                                                                                                                                                                                                                                                                                                                                                                                                                                                                                                                                                   | IRQ3         |       |              |   |   |      |   |   |       |   |   |       |   |   |       |
| 1      | 0                                                                                                                                                                                                                                                                                                                                                                                                                                                                                                                                                                                                                                                                                                                                                                                                                                                                   | IRQ10        |       |              |   |   |      |   |   |       |   |   |       |   |   |       |
| 1      | 1                                                                                                                                                                                                                                                                                                                                                                                                                                                                                                                                                                                                                                                                                                                                                                                                                                                                   | IRQ11        |       |              |   |   |      |   |   |       |   |   |       |   |   |       |
| 6–4    | Reserved.                                                                                                                                                                                                                                                                                                                                                                                                                                                                                                                                                                                                                                                                                                                                                                                                                                                           |              |       |              |   |   |      |   |   |       |   |   |       |   |   |       |
| 3–2    | <b>Shared RAM Page Size:</b> Bits 3 and 2 select the shared RAM page (window) size, i.e., the amount of the Host's memory space that is allocated to shared RAM. These bits are coded as follows: <table border="1" style="margin-left: 40px;"> <thead> <tr> <th>Bit 3</th><th>Bit 2</th><th>Page Size</th></tr> </thead> <tbody> <tr><td>0</td><td>0</td><td>8 kB</td></tr> <tr><td>0</td><td>1</td><td>16 kB</td></tr> <tr><td>1</td><td>0</td><td>32 kB</td></tr> <tr><td>1</td><td>1</td><td>64 kB</td></tr> </tbody> </table> <p>This shared RAM page size may not be the total amount of shared RAM on the adapter. For example, an adapter with 64 kB of available shared RAM can be set for a 16 kB page size to allow shared RAM paging. If bit 3 is set to 1 and bit 2 is set to 0, this would indicate 16 kB of shared RAM in the Host's memory map.</p> | Bit 3        | Bit 2 | Page Size    | 0 | 0 | 8 kB | 0 | 1 | 16 kB | 1 | 0 | 32 kB | 1 | 1 | 64 kB |
| Bit 3  | Bit 2                                                                                                                                                                                                                                                                                                                                                                                                                                                                                                                                                                                                                                                                                                                                                                                                                                                               | Page Size    |       |              |   |   |      |   |   |       |   |   |       |   |   |       |
| 0      | 0                                                                                                                                                                                                                                                                                                                                                                                                                                                                                                                                                                                                                                                                                                                                                                                                                                                                   | 8 kB         |       |              |   |   |      |   |   |       |   |   |       |   |   |       |
| 0      | 1                                                                                                                                                                                                                                                                                                                                                                                                                                                                                                                                                                                                                                                                                                                                                                                                                                                                   | 16 kB        |       |              |   |   |      |   |   |       |   |   |       |   |   |       |
| 1      | 0                                                                                                                                                                                                                                                                                                                                                                                                                                                                                                                                                                                                                                                                                                                                                                                                                                                                   | 32 kB        |       |              |   |   |      |   |   |       |   |   |       |   |   |       |
| 1      | 1                                                                                                                                                                                                                                                                                                                                                                                                                                                                                                                                                                                                                                                                                                                                                                                                                                                                   | 64 kB        |       |              |   |   |      |   |   |       |   |   |       |   |   |       |
| 1      | <b>TROPIC Data Rate:</b> 0 = 4 Mbps, 1 = 16 Mbps                                                                                                                                                                                                                                                                                                                                                                                                                                                                                                                                                                                                                                                                                                                                                                                                                    |              |       |              |   |   |      |   |   |       |   |   |       |   |   |       |
| 0      | <b>Primary/Alternate Adapter Selection Bit:</b> 0 = Primary, 1 = Alternate                                                                                                                                                                                                                                                                                                                                                                                                                                                                                                                                                                                                                                                                                                                                                                                          |              |       |              |   |   |      |   |   |       |   |   |       |   |   |       |

### Status/Check Register

This register contains the MicroChannel Status and I/O Channel Check indicator bits.

| x00105 |       |   |   |   |   |   |   |
|--------|-------|---|---|---|---|---|---|
| 7      | 6     | 5 | 4 | 3 | 2 | 1 | 0 |
| CHCK   | CSTAT | — | — | — | — | — | — |

| Bit(s) | Description                                                                                                           |
|--------|-----------------------------------------------------------------------------------------------------------------------|
| 7      | <b>Channel Check:</b> Reflects the true value of —CHCK, TROPIC's I/O Channel Check Signal (0 = Active, 1 = Inactive). |
| 6      | <b>Channel Check Status:</b> Only valid if Channel Check is active (0 = Present, 1 = Not Present).                    |
| 5–0    | Reserved.                                                                                                             |

### Channel Check Status Registers (Read Only)

This read-only register pair holds the MicroChannel Channel Check Status bits. It should be considered a reserved area.

#### 4.0 SHARED RAM LAYOUT AND USAGE

Communication and control between the TROPIC adapter and the Host is by means of control blocks and buffers in the shared RAM and interrupts initiated in registers in the MMIO region.

##### Shared RAM Control Blocks

One use of Shared RAM is to provide buffers for passing Token-Ring data between TROPIC and the Host. A second, equally important use of the Shared RAM is to allow the passing of specialized data between TROPIC and the Host software in *Control Blocks*. Control Blocks are used to pass *Commands* (i.e., requests), and the status of requests between TROPIC and the Host software.

The Control Blocks are used in conjunction with interrupts to provide event-driven, asynchronous operation of TROPIC, as described later.

Control Block Commands include high level requests from the Host software to TROPIC for MAC (Media Access Control) and LLC (Logical Link Control) services, which are provided within TROPIC by its MPU and Protocol Handler. The Host software is therefore relieved from having to manage MAC, or LLC services, greatly reducing Host program size and complexity.

There are four Control Blocks, described next.

##### System Request Block (SRB)

The SRB is used to pass a command from the Host to the adapter. When the SRB is "filled in", the return code field must be set to xFE by the Host. If the command is completed upon receipt by the adapter, either successfully or with an error, the return code for the command is passed back to the Host in the SRB with an interrupt raised. If further processing is required by the adapter, a return code of xFF and a command correlator (which identifies a particular command in process) is placed in the SRB, but no interrupt to the Host will result unless the SRB free request is set. The adapter will later update the system status block (SSB) with status related to that command and interrupt the Host.

The SRB can be initially located by using the address in the write region base register (WRBR) in the attachment control area of the MMIO domain. When the adapter is opened, the future SRB location is indicated by the SRB response to a successful OPEN.ADAPTER SRB. The following four commands change the SRB location:

DIR.CLOSE.ADAPTER,  
DIR.CONFIG.BRIDGE.RAM,  
DIR.CONFIG.FAST.PATH.RAM,  
and DIR.OPEN.ADAPTER.

The SRB address is also changed if the adapter closes automatically due to an error condition.

Initially, the SRB is large enough to contain the 60 bytes (x3C) needed to issue a DIR.OPEN.ADAPTER command but is thereafter only 28 bytes (x1C) long. The SRB location after a DIR.OPEN.ADAPTER command is issued is returned in the SRB upon completion of the DIR.OPEN.ADAPTER command.

##### System Status Block (SSB)

The SSB passes the results of an SRB command to the Host when the SRB has been returned initially with an in-process return code xFF. If multiple commands of the same type are pending, the station ID and command correlator provided in the SRB with the xFF return code can be used to identify the commands being completed.

The SSB location is returned by the adapter in the SRB upon completion of a DIR.OPEN.ADAPTER command.

##### Adapter Request Block (ARB)

The ARB is used by the adapter to pass information or issue a command to the Host.

If information is passed with the ARB, no response is expected other than an indication that the information has been read and the ARB is available for reuse by TROPIC.

If a command is passed with the ARB, a response is expected from the Host in the adapter status block (ASB) when the command is complete.

The ARB location is returned by the adapter in the SRB upon completion of a DIR.OPEN.ADAPTER command.

##### The Adapter Status Block (ASB)

The ASB is used by the Host to respond to a command received from the adapter in the ARB. The response can indicate either that the command has been successfully completed or that an error has occurred.

The location of the ASB is returned by the adapter in the SRB upon completion of a DIR.OPEN.ADAPTER command. The return code field of the ASB is initialized to xFF by the adapter when the DIR.OPEN.ADAPTER command is completed.

##### Shared RAM Buffers

Shared RAM includes two types of buffers for passing Token-Ring data between TROPIC and the Host:

- Transmit Buffers (also called Data Holding Buffers, or DHBs)
- Receive Buffers

##### Transmit Buffers (DHBs)

TROPIC assembles and transmits frame data from the Transmit Buffers (based on transmit commands issued through the SRB [System Request Block] by the Host software).

The number and size of the Transmit Buffers is determined when TROPIC is issued an Open Adapter command or a DIR.CONFIG.FAST.PATH.RAM command (as described later).

##### Fast Path Interface

The Fast Path interface provides a pool of Transmit Buffers that Host software can fill asynchronously to the TROPIC MPU's processing. Host software moves Transmit commands and related data *together* to these buffers and then signals TROPIC that the pools have been updated. TROPIC then processes frames according to each data block's associated command.

The Fast Path transmit interface is activated by issuing a "DIR.CONFIG.FAST.PATH.RAM" SRB command to TROPIC. TROPIC subsequently processes transmit commands based on Fast Path interface procedures. See Section 6.0 for further details.

##### Receive Buffers

TROPIC takes frame data from the Token-Ring and writes it into Receive Buffers in Shared RAM. It then places a Receive command in the ARB and issues an interrupt to the Host software. Among other things, the Receive command information will include the starting address of the Receive buffer.



The total size of the Receive Buffers is determined indirectly when TROPIC is issued an Open Adapter command (described later); all Shared RAM that is not needed for work areas, control blocks, communication areas, and Transmit Buffers is configured as Receive Buffers. Multiple Receive Buffers may be chained together to hold a complete frame, in which case each buffer will contain a pointer to the next buffer in the chain (and the Receive command will indicate the starting address of the first Receive Buffer).

TROPIC assigns locations in shared RAM when the adapter is initialized and opened. From TROPIC's perspective, these consist of three main areas, as follows:

#### Start of Shared RAM (as seen from TROPIC)

| Host Read-Only Address Space               |                                                                           |
|--------------------------------------------|---------------------------------------------------------------------------|
| Adapter Private Variables and Work Areas   | Length: 1496 bytes                                                        |
| System Status Block (SSB)                  | Length: 20 bytes                                                          |
| Adapter Request Block (ARB)                | Length: 28 bytes                                                          |
| Receive Buffers                            | Length: space remaining after all SAPs/stations are defined               |
| SAP and Link Station Control Blocks        | Length: as defined by maximum number of SAPs/stations                     |
| Host Read/Write Address Space              |                                                                           |
| Data Holding Buffer (DHB)                  | Length: as specified at open adapter time. There may be one or more DHBs. |
| System Request Block (SRB)                 | Length: 28 bytes                                                          |
| Adapter Status Block (ASB)                 | Length: 12 bytes                                                          |
| Reserved Area on 64 kB Shared RAM Adapters |                                                                           |
| Reserved                                   | Length: 512 bytes                                                         |

#### End of Shared RAM (as seen from TROPIC)

Note: On 64 kB adapters, the 512 bytes at the end are reserved.

If the bridge function is used, shared RAM is formatted with an additional area. See the Bridge Operation discussion later in this document for shared RAM layout and a description of the bridge functions available.

#### Shared RAM Paging

Shared RAM paging is a technique that allows the Host software to access all the RAM on the adapter, without having to map the entire shared RAM into the Host's memory map. The shared RAM on the adapter is paged into the Host's memory map one area at a time.

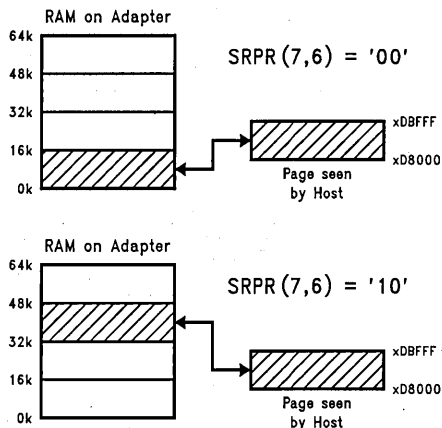
Shared RAM paging is only available on adapters that indicate that function within their ID PROM and only when they have the indicated amount of shared RAM mapped into the Host memory map. Shared RAM paging is controlled by the Host software using the Shared RAM Page Register (SRPR).

The Host software must follow these steps in order to use RAM paging:

1. Determine if the adapter has the appropriate amount of shared RAM mapped into the Host's memory map using information in the ID PROM and the RRR register shared RAM size bits (bits 11 and 10).
2. Using PIO, reset the adapter.
3. Set the SRPR bits to the desired value (xC0 for paging) before initializing TROPIC.
4. Initialize TROPIC (as described in the next section) to indicate to the TROPIC microcode the desired amount of total shared RAM to use.
  - The adapter's microcode uses the total shared RAM to determine where buffers, control blocks, and other pieces of information are placed in the adapter's shared RAM. Notice, however, that Receive and Fast Path RAM buffers will not cross page boundaries.
5. Use the SRPR to page to the desired section of shared RAM as required for operation.

Once the adapter has been initialized for RAM paging, the SRPR Page Select Bits (7 and 6) should be used to page the Host's mapped memory into the appropriate area of shared RAM. The figures below illustrate how the SRPR setting affects mapping of 64k of physical Shared RAM into a 16k Host memory paging window (which, in this example, is located at Host memory address xD8000).

#### Examples of Shared RAM Paging Using SRPR (After Initialization)



TL/F/11499-9

#### Uninitialized Shared RAM

All adapters that offer 64 kB of shared RAM and indicate in their AIP a "Total available shared RAM = B" need a portion of the shared RAM initialized to all zeros. The area of uninitialized shared RAM is from address xFE00 to xFFFF. These 512 bytes must be written to all zeros after initialization to set RAM parity bits.

## 5.0 SOFTWARE OPERATION OF TROPIC

As mentioned earlier, once TROPIC initialization is complete, the Host software communicates with and controls TROPIC through three methods: Shared RAM, interrupts, and registers. This section describes procedures for using those methods to operate TROPIC.

The adapter must be enabled and initialized before any commands can be processed. Initializing the adapter is performed using PIO and MMIO operations. Subsequent commands are performed using read and write memory instructions.

### Initialization Handshaking

Before beginning an operating session with TROPIC, the Host software must first perform an initialization to ensure a known starting point. The typical method is as follows:

1. Invoke a Reset condition on TROPIC (using an Adapter Reset PIO Register access for MicroChannel and ISA).
2. Delay for at least 50 ms.
3. Invoke a Reset Release (using a Reset Release PIO Register access for MicroChannel and ISA).

### Initialization SRB Response

In response to a Reset as described above, the SRB will contain the following:

4. If Shared RAM is to be paged, request paging by writing xC0 to SRPR (Shared RAM Page Register).
5. Set the Enable Interrupt bit of the HISR register (Host Interrupt/Status Register).
6. Wait for 1 to 3 seconds until TROPIC sets the "SRB Response" bit of the HISR register (indicating initialization and TROPIC's Adapter Diagnostics Program are complete).
7. Read the WRBR (Write Region Base Register). Use the offset in the WRBR and the Shared RAM Segment Address to calculate the initial SRB location where TROPIC has posted the results of the initialization (including any diagnostics failure messages).
8. Read and evaluate the results in the SRB (described below) and store important parameters. If diagnostics code indicates successful completion, proceed with operations.
9. If Fast Path Transmission will be used, fill out the SRB with CONFIG.FAST.PATH.RAM command information and interrupt TROPIC. Read the response in the SRB to get the new SRB address.

| Offset | Parameter Name  | Byte Length | Description                                                |
|--------|-----------------|-------------|------------------------------------------------------------|
| 0      | COMMAND         | 1           | x80, Initialization Complete                               |
| 1      | INIT_STATUS     | 1           | Initialization Status                                      |
| 2      |                 | 4           | Reserved                                                   |
| 6      | BRING_UP_CODE   | 2           | The Bring-Up Diagnostics Result Code                       |
| 8      | ENCODED_ADDRESS | 2           | Shared RAM Address Offset of the Adapter's Encoded Address |
| 10     | LEVEL_ADDRESS   | 2           | Shared RAM Offset to the Adapter Microcode Level           |
| 12     | ADAPTER_ADDRESS | 2           | Shared RAM Address Offset of the Adapter Addresses         |
| 14     | PARMS_ADDRESS   | 2           | Shared RAM Address Offset of the Adapter Parameters        |
| 16     | MAC_ADDRESS     | 2           | Shared RAM Address Offset of the Adapter MAC Buffer        |

### INIT\_STATUS

The bits of this INIT\_STATUS byte have the following meanings.

|          |                            |                                                                                                               |
|----------|----------------------------|---------------------------------------------------------------------------------------------------------------|
| Bits 7-6 | Reserved                   |                                                                                                               |
| Bit 5    | Fast Path                  | If on, indicates Fast Path Transmit is supported.                                                             |
| Bits 4-2 | Reserved                   |                                                                                                               |
| Bit 1    | Remote Program Load Option | If on, indicates open option bit 13 (Remote Program Load) is supported by this adapter (see DIR.OPEN.ADAPTER) |
| Bit 0    | Adapter Data Rate          | If bit 0 is 0, the adapter data rate is 4 Mbps, and if it is 1, the data rate is 16 Mbps.                     |

The INIT\_STATUS byte is only valid if the bring-up code is zero.

**BRING\_UP\_CODE**

One of the following codes will be provided to indicate the results of the bring-up tests.

| Code | 8086 Type | Meaning                                          |
|------|-----------|--------------------------------------------------|
| 0000 | DW        | Good Return Code                                 |
| 0020 | DW        | Diagnostics could not be Executed                |
| 0022 | DW        | ROM (ROS) Diagnostics Failed                     |
| 0024 | DW        | Shared RAM Diagnostics Failed                    |
| 0026 | DW        | Processor Instruction Test Failed                |
| 0028 | DW        | Processor Interrupt Test Failed                  |
| 002A | DW        | Shared RAM Interface Register Diagnostics Failed |
| 002C | DW        | Protocol-Handler Diagnostics Failed              |

**ADAPTER\_ADDRESS**

This parameter provides the shared RAM offset to the following information. The NODE\_ADDRESS is accessible as long as the adapter is initialized or open. The GROUP\_ADDRESS and FUNCTIONAL\_ADDR are invalid until the adapter is open.

| Offset | Parameter Name  | Byte Length | Description                |
|--------|-----------------|-------------|----------------------------|
| 0      | NODE_ADDRESS    | 6           | Adapter Node Address       |
| 6      | GROUP_ADDRESS   | 4           | Adapter Group Address      |
| 10     | FUNCTIONAL_ADDR | 4           | Adapter Functional Address |

**PARMS\_ADDRESS**

This parameter provides the shared RAM offset to the following information. This information is accessible as long as the adapter is initialized or open.

| Offset | Parameter Name  | Byte Length | Description                           |
|--------|-----------------|-------------|---------------------------------------|
| 0      | PHYS_ADDR       | 4           | Adapter Physical Address              |
| 4      | UP_NODE_ADDR    | 6           | Next Active Upstream Node Address     |
| 10     | UP_PHYS_ADDR    | 4           | Next Active Upstream Physical Address |
| 14     | POLL_ADDR       | 6           | Last Poll Address                     |
| 20     |                 | 2           | Reserved                              |
| 22     | ACC_PRIORITY    | 2           | Transmit Access Priority              |
| 24     | SOURCE_CLASS    | 2           | Source Class Authorization            |
| 26     | ATT_CODE        | 2           | Last Attention Code                   |
| 28     | SOURCE_ADDR     | 6           | Last Source Address                   |
| 34     | BEACON_TYPE     | 2           | Last Beacon Type                      |
| 36     | MAJOR_VECTOR    | 2           | Last Major Vector                     |
| 38     | NETW_STATUS     | 2           | Network Status                        |
| 40     | SOFT_ERROR      | 2           | Soft Error Timer Value                |
| 42     | FE_ERROR        | 2           | Front End Error Counter               |
| 44     | LOCAL_RING      | 2           | Ring Number                           |
| 46     | MON_ERROR       | 2           | Monitor Error Code                    |
| 48     | BEACON_TRANSMIT | 2           | Beacon Transmit Type                  |
| 50     | BEACON_RECEIVE  | 2           | Beacon Receive Type                   |
| 52     | FRAME_CORREL    | 2           | Frame Correlator Save                 |
| 54     | BEACON_NAUN     | 6           | Beaconing Station NAUN                |
| 60     |                 | 4           | Reserved                              |
| 64     | BEACON_PHYS     | 4           | Beaconing Station Physical Address    |

### Host-to-TROPIC Command Handshaking

Commands that Host software can issue to TROPIC using the SRB are summarized later in this section. The general procedure for issuing a command to TROPIC is:

1. Host software writes the appropriate Command code and related parameters into the SRB.
2. Host software sets the TISR register's "Command in SRB" bit to issue an interrupt to TROPIC.
3. TROPIC checks the validity of the SRB contents and either:
  - completely processes the command, sets a return code other than xFF in the SRB, and issues an interrupt to the Host software (by setting the HISR register's "Response in SRB" bit).
  - performs initial processing only, sets the return code to xFF in the SRB, and provides a "Command correlator." TROPIC issues an interrupt to the Host software (by setting the HISR register's "Response in SRB" bit) *only* if an SRB Free Request Interrupt is issued by the Host software (by setting the TISR register's "SRB Free Request" bit).
4. Depending on the command, TROPIC may request more data using the ARB (Adapter Request Block) and DHB (i.e., the Transmit Buffer). The Host software uses the ASB (Adapter Status Block) to indicate that the requested data has been moved to the appropriate Shared RAM location. After reading the ARB, the Host software interrupts TROPIC by setting the TISR "ARB Free" bit.
5. When processing is completed for a command in process (i.e., return code is xFF in Step 3), TROPIC puts the final return code in the SSB (System Status Block) and interrupts the Host software by setting HISR "SSB Response" bit).
6. After the Host software reads the return code from the SSB, it interrupts TROPIC by setting the TISR "SSB Free" bit.

### TROPIC-to-Host Command Handshaking

The commands which can be issued from TROPIC to the Host software using the ARB are summarized in a table later in this section. The general procedure for issuing a command to the Host software is as follows:

1. TROPIC writes the appropriate Command code and related parameters into the ARB.
2. TROPIC sets the HISR register's "ARB Command" bit to issue an interrupt to the Host software.
3. The Host software reads the ARB contents and issues an interrupt to TROPIC by setting the TISR register's "ARB Free" bit (to acknowledge command receipt and to indicate that TROPIC can re-use the ARB).
4. If a response is required based on the command, the Host software writes the response information into the ASB (Adapter Status Block) and issues an interrupt to TROPIC by setting the TISR register's "Response in ASB" bit.
5. After TROPIC reads the ASB response, it either:
  - sets a return code of xFF in the SRB, and issues an interrupt to the Host software by setting the HISR register's "ASB Free" bit *only* if the "ASB Free Request" interrupt bit is set.

— sets an error return code indicating that an error has been detected, and issues an interrupt to the Host software by setting the HISR register's "ASB Free" bit, regardless of the status of the "ASB Free Request" interrupt bit.

### 6.0 SRB (HOST-TO-TROPIC) COMMANDS

There are three general categories of Host-to-TROPIC commands:

- Direct
- DLC (IEEE 802.2 SAP and station interfaces)
- Data transmission.

These commands have certain qualities in common:

- The command request is made by loading information in the SRB and setting TISR(13).
- The adapter checks the validity of the SRB contents and either:
  - completely processes the command, sets a return code other than xFF, and interrupts the Host by setting HISR (13)
  - performs initial processing only, sets the return code to xFF, and provides a command correlator. HISR(13) will be set only if an SRB Free Request Interrupt is initiated by the Host setting TISR(11).
- Depending on the command the adapter may request further data using the ARB and DHB. The Host will use the ASB to indicate that the requested data has been moved.
- When processing for a request that is in process (return code = xFF) is complete, the adapter will put the final return code in the SSB and interrupt the Host by setting HISR(10).
- After the Host has read the return code from the SSB, it interrupts the adapter by setting TISR(8).

### SRB Conventions for Address and Two-Byte Integer Values

In the following command descriptions, whenever a Shared RAM address or a two-byte Integer value is specified, a byte-swap may be required to use the value. The even addressed byte is the most significant byte (MSB) and the odd addressed byte is the least significant byte (LSB). This byte ordering is the *reverse* of normal 8086 memory word access byte ordering.

For example, the TROPIC response to a DIR.OPEN.ADAPTER Host command contains a field that specifies the Shared RAM offset of the new SRB location. The byte at the current SRB offset 10 contains the most significant byte of the new SRB location and the byte at the current SRB offset 11 contains the least significant byte of the new SRB location. Consider:

```

If Current SRB Offset 10 = x0E8
and Current SRB Offset 11 = x024
then Shared RAM Offset to New SRB = xE824
 (not x24E8)

```

If 16k Pages are being used to map into the adapter's 64k memory, then the correct Memory Page must be selected, and the new SRB address offset must be adjusted for the correct offset into that Page. In this example (xE824 offset into the 64k adapter RAM), the Shared RAM Page Register

(SRPR) must be loaded with the value xC0 to select the Memory Page for addresses xC000 through xFFFF (Page 4). The offset into this Page is then:

$$xE824 - xC000 = x2824$$

For this example, then, to request a DIR.READ.LOG SRB (Command code = x08) under DOS using the instruction:

```
mov es:[di].command,a1
```

the registers must be set up as follows:

- ES= Shared RAM address segment value = xD800
- DI= Offset into Page to new SRB = x2824
- AL= Command to be stored in SRB = x08

**Direct Interface Commands**

These commands affect TROPIC as a whole, rather than specific SAPs (Service Access Points) or link stations, and do not involve LLC processing.

The adapter must have been successfully initialized before any of these commands can be performed. After initialization, or a successful DIR.CLOSE.ADAPTER command, the only acceptable commands are:

- DIR.OPEN.ADAPTER, DIR.CLOSE.ADAPTER,
- DIR.INTERRUPT, DIR.CONFIG.FAST.PATH.RAM, and
- DIR.CONFIG.BRIDGE RAM.

After successful completion of a DIR.OPEN.ADAPTER, any of the other direct interface commands can be issued.

All direct interface commands will be returned with HISR(13) set and return information located in the SRB. Return code xFF (in process) is never set for these commands.

| Command Name             | Code (Hex) | Description                                                                                                                                                                                                                                                     |
|--------------------------|------------|-----------------------------------------------------------------------------------------------------------------------------------------------------------------------------------------------------------------------------------------------------------------|
| DIR.CLOSE.ADAPTER        | 04         | Closes the adapter, terminating all Ring communications (or Open Wrap test, if in process)                                                                                                                                                                      |
| DIR.CONFIG.FAST.PATH.RAM | 12         | Tells adapter to use Fast Path interface techniques and sets values for the amount of shared RAM to allocate for the transmit interface and the size of the Fast Path buffers to be used; this command can only be issued when the adapter is in a Closed state |
| DIR.INTERRUPT            | 00         | Forces a TROPIC interrupt; has no effect on Ring communications                                                                                                                                                                                                 |
| DIR.MODIFY.OPEN.PARMS    | 01         | Modifies adapter options previously set by DIR.OPEN.ADAPTER                                                                                                                                                                                                     |
| DIR.OPEN.ADAPTER         | 03         | Opens adapter with specified options, preparing adapter for normal ring operations (in automatic receive mode) or adapter wrap test                                                                                                                             |
| DIR.READ.LOG             | 08         | Reads and resets adapter error counters                                                                                                                                                                                                                         |
| DIR.RESTORE.OPEN.PARMS   | 02         | Modifies adapter options set by DIR.OPEN.ADAPTER                                                                                                                                                                                                                |
| DIR.SET.FUNCT.ADDRESS    | 07         | Sets the functional address for the adapter to receive Ring messages                                                                                                                                                                                            |
| DIR.SET.GROUP.ADDRESS    | 06         | Sets the Group address for the adapter to receive Ring messages                                                                                                                                                                                                 |

A description of the SRB content for each of the commands follows. The command is explained and the fields provided by the Host and those returned by the adapter are shown.

See the Bridge Functions discussion later in this document for the direct interface commands used for bridge functions.

**DIR.CLOSE.ADAPTER x04**

SUMMARY: Close the adapter and terminate all ring communication or the "open wrap test".

This command is accepted anytime after the adapter has been initialized. Commands that have been accepted by the adapter and not completed remain incomplete and are not returned to the Host. The adapter is removed from the ring, if it was active, and the write region base register (WRBR) is reset to the value set before the DIR.OPEN.ADAPTER command was issued.

| Offset | Parameter Name | Byte Length | Description                    |
|--------|----------------|-------------|--------------------------------|
| 0      | COMMAND        | 1           | x04, DIR.CLOSE.ADAPTER         |
| 1      |                | 1           | Reserved                       |
| 2      | RETCODE        | 1           | Set by the adapter upon return |

When the adapter completes the operation, it sets the return code in the SRB and interrupts the Host by setting HISR(13).

**Valid Return Codes**

- x00 Operation completed successfully
- x01 Invalid command code.

**DIR.CONFIG.FAST.PATH.RAM x12**

**SUMMARY:** Used to activate Fast Path interface option and configure Fast Path RAM and buffers.

The Configure Fast Path RAM SRB command is used to select TROPIC's Fast Path interface option. Parameters of the command select the amount of RAM to be reserved for the transmit interface and the size of buffers to configure. This command can only be issued when the adapter is closed because it controls the configuration of the adapter's RAM during the open process. When the Host software issues a subsequent Open command to the adapter, the area reserved will be formatted into a Fast Path Transmit Control Area and a set of buffers to be used for transmissions (for more details, see the Transmit Command discussions later in this section).

During processing of the DIR.OPEN.ADAPTER command the adapter will configure the Fast Path RAM area into a 16 byte control area and a set of link-listed buffers. The buffer pool will be checked to verify that there is enough data area to hold at least one maximum size frame. This check is performed according to the formula:

$$\text{DHB\_SIZE} - 6 \leq (\# \text{ of Fast Path Buffers} - 1) * (\text{Fast Path Buffer Size} - 22)$$

If this is False the open command will be terminated with an error.

| Offset | Parameter Name | Byte Length | Description                    |
|--------|----------------|-------------|--------------------------------|
| 0      | COMMAND        | 1           | x12, DIR.CONFIG.FAST.PATH.RAM  |
| 1      |                | 1           | Reserved                       |
| 2      | RETCODE        | 1           | Set by the Adapter Upon Return |
| 3      |                | 5           | Reserved                       |
| 8      | RAM_SIZE       | 2           | RAM Size to Allocate           |
| 10     | BUFFER_SIZE    | 2           | Size of Transmit Buffers       |

**RAM\_SIZE**

This parameter specifies to TROPIC the number of *eight-byte blocks* of shared RAM to be allocated for the Fast Path interface. This RAM will be used for the Fast Path Transmit Control Area and the Fast Path Buffer Pool (described in detail later). The Transmit Control Area is *sixteen bytes* and the buffers are configured to the size in the BUFFER\_SIZE parameter.

**BUFFER\_SIZE**

This parameter specifies to TROPIC the size to configure each Fast Path Transmit Buffer. When configured, buffers will not cross the 16k (Page) boundaries in the Shared RAM. Each buffer has a 22-byte header for command passing and buffer management. The rest of the buffer is used for data. This parameter must be a multiple of 8 bytes, with a maximum value of 2048 bytes. The *recommended buffer size* is 512 bytes.

**SRB Response**

After the adapter processes this command, it sets bytes 8 through 11 in the SRB with return parameters and sets a return code in the RETCODE field. The adapter then interrupts the Host by setting HISR(13). The SRB content will then be as follows.

| Offset | Parameter Name | Byte Length | Description                        |
|--------|----------------|-------------|------------------------------------|
| 0      | COMMAND        | 1           | x12, DIR.CONFIG.FAST.PATH.RAM      |
| 1      |                | 1           | Reserved                           |
| 2      | RETCODE        | 1           | Return Code, see Below             |
| 3      |                | 5           | Reserved                           |
| 8      | FAST_PATH_XMIT | 2           | Offset to Transmit Control Area    |
| 10     | SRB_ADDRESS    | 2           | Offset to the Beginning of the SRB |

**Valid Return Codes**

- x00** Operation completed successfully
- x01** Invalid (unrecognized) command code
- x03** Adapter open, should be closed
- x06** Option(s) missing, invalid, or incomplete

**FAST\_PATH\_XMIT**

This is the offset from the start of Shared RAM where the Fast Path Transmit Control Area will be located. This parameter is only valid if the return code is x00.

**SRB\_ADDRESS**

This is the offset from the start of Shared RAM where the adapter will expect subsequent SRB commands to be located. This parameter is only valid if the return code is x00.

**DIR.INTERRUPT x00**

SUMMARY: Force an adapter interrupt.

This command performs no function. The adapter must have been initialized but does not have to be opened for this command to be accepted.

| Offset | Parameter Name | Byte Length | Description                    |
|--------|----------------|-------------|--------------------------------|
| 0      | COMMAND        | 1           | x00, DIR.INTERRUPT             |
| 1      |                | 1           | Reserved                       |
| 2      | RETCODE        | 1           | Set by the Adapter Upon Return |

When the adapter completes the operation, it sets the return code in the SRB and interrupts the Host by setting HISR(13).

**Valid Return Codes**

- x00 Operation completed successfully
- x01 Invalid command code

**DIR.MODIFY.OPEN.PARMS x01**

SUMMARY: Used to modify the OPEN\_OPTIONS set by the DIR.OPEN.ADAPTER command.  
The wrap option, remote program load, and token release bits will be ignored.

| Offset | Parameter Name | Byte Length | Description                                      |
|--------|----------------|-------------|--------------------------------------------------|
| 0      | COMMAND        | 1           | x01, DIR.MODIFY.OPEN.PARMS                       |
| 1      |                | 1           | Reserved                                         |
| 2      | RETCODE        | 1           | Set by the Adapter Upon Return                   |
| 3      |                | 1           | Reserved                                         |
| 4      | OPEN_OPTIONS   | 2           | New Options (Wrap Bit Left Unaltered in Adapter) |

See the DIR.OPEN.ADAPTER command for a description of the OPEN\_OPTIONS parameter.

When the adapter completes the operation, it sets the return code in the SRB and interrupts the Host by setting HISR(13).

**Valid Return Codes**

- x00 Operation completed successfully
- x01 Invalid command code
- x04 Adapter closed, should be open

**DIR.OPEN.ADAPTER x03**

**SUMMARY:** Prepare the adapter for either normal ring communication or an adapter wrap test.

This command is accepted after successful initialization of the adapter. Once an open adapter command has been completed successfully, the adapter must be closed or reset before another open adapter command will be accepted. After this command has been returned with a x00 return code, the adapter is in automatic receive mode and frames can be transmitted and received using the direct interface. DLC interface commands can also be issued.

The information provided along with this command is used to configure shared RAM (see Section 4.0). Space is allocated for:

- The adapter work areas
- The communication areas
- The requested individual and group SAP control blocks
- The requested link station control blocks
- The requested number of DHBs

The remaining shared RAM space is configured as receive buffers using the supplied receive buffer length parameter. The adapter then checks that the number of available receive buffers is equal to or greater than the number requested. If the number of receive buffers is inadequate, the open adapter command is rejected.

**Length of SRB**

The SRB in shared RAM is defined as 28 bytes in length and all Host commands to the adapter except the DIR.OPEN.ADAPTER require 28 or fewer bytes. The SRB after initialization and before an open command has been completed can accept enough information for the open parameters.

| Offset | Parameter Name | Byte Length | Description                      |
|--------|----------------|-------------|----------------------------------|
| 0      | COMMAND        | 1           | x03, DIR.OPEN.ADAPTER            |
| 1      |                | 7           | Reserved                         |
| 8      | OPEN_OPTIONS   | 2           | Open Options, see Description    |
| 10     | NODE_ADDRESS   | 6           | This Adapter's Ring Address      |
| 16     | GROUP_ADDRESS  | 4           | The Group Address to Set         |
| 20     | FUNCT_ADDRESS  | 4           | The Functional Address to Set    |
| 24     | NUM_RCV_BUF    | 2           | Number of Receive Buffers        |
| 26     | RCV_BUF_LEN    | 2           | Length of Receive Buffers        |
| 28     | DHB_LENGTH     | 2           | Length of Transmit Buffers       |
| 30     | NUM_DHB        | 1           | Number of DHBs                   |
| 31     |                | 1           | Reserved                         |
| 32     | DLC_MAX_SAP    | 1           | Maximum Number of SAPs           |
| 33     | DLC_MAX_STA    | 1           | Maximum Number of Link Stations  |
| 34     | DLC_MAX_GSAP   | 1           | Maximum Number of Group SAPs     |
| 35     | DLC_MAX_GMEM   | 1           | Maximum Members per Group SAP    |
| 36     | DLC_T1_TICK_1  | 1           | DLC Timer T1 Interval, Group One |
| 37     | DLC_T2_TICK_1  | 1           | DLC Timer T2 Interval, Group One |
| 38     | DLC_TI_TICK_1  | 1           | DLC Timer Ti Interval, Group One |
| 39     | DLC_T1_TICK_2  | 1           | DLC Timer T1 Interval, Group Two |
| 40     | DLC_T2_TICK_2  | 1           | DLC Timer T2 Interval, Group Two |
| 41     | DLC_TI_TICK_2  | 1           | DLC Timer Ti Interval, Group Two |
| 42     | PRODUCT_ID     | 18          | Product Identification           |



**OPEN\_OPTIONS**

Several options are each defined by a bit. A bit set to 1 selects an option for use. Bit 15 is the high-order (leftmost) bit.

|                  |                                  |                                                                                                                                                                                                                                                                                                                                                                                                  |
|------------------|----------------------------------|--------------------------------------------------------------------------------------------------------------------------------------------------------------------------------------------------------------------------------------------------------------------------------------------------------------------------------------------------------------------------------------------------|
| <b>Bit 15</b>    | <b>Pass Beacon MAC Frames</b>    | Passes, as direct interface data to the Host, the first beacon MAC frame and all subsequent beacon MAC frames that have a change in the source address or the beacon type.                                                                                                                                                                                                                       |
| <b>Bit 14</b>    | <b>Reserved</b>                  | Should be zero but is not checked.                                                                                                                                                                                                                                                                                                                                                               |
| <b>Bit 13</b>    | <b>Remote Program Load</b>       | This bit is only implemented in 16/4 adapters. It prevents the adapter from becoming a monitor during the open process. If this bit is on, the adapter will fail the open process if there is no other adapter on the ring when it attempts to insert on the ring.                                                                                                                               |
| <b>Bit 12</b>    | <b>Token Release</b>             | This bit is only available when operating at 16 Mbps. If not set, 16 Mbps adapters will get early token release as a default. Setting this bit on selects no early token release for an adapter at 16 Mbps.                                                                                                                                                                                      |
| <b>Bits 11-8</b> | <b>Reserved</b>                  | Should be zero, but the bits are not checked.                                                                                                                                                                                                                                                                                                                                                    |
| <b>Bit 7</b>     | <b>Wrap Interface</b>            | The adapter will not attach itself to the network. Instead it causes all user-transmitted data to be wrapped as received data.                                                                                                                                                                                                                                                                   |
| <b>Bit 6</b>     | <b>Disable Hard Error</b>        | Prevents network status changes involving "Hard Error" and "Transmit Beacon" bits from causing interrupts.                                                                                                                                                                                                                                                                                       |
| <b>Bit 5</b>     | <b>Disable Soft Errors</b>       | Prevents network status changes involving the "Soft Error" bit from causing interrupts.                                                                                                                                                                                                                                                                                                          |
| <b>Bit 4</b>     | <b>Pass Adapter MAC Frames</b>   | Passes, as direct interface data to the Host, all adapter class MAC frames that are received but not supported by the adapter. If this bit is off, these frames are ignored.                                                                                                                                                                                                                     |
| <b>Bit 3</b>     | <b>Pass Attention MAC Frames</b> | Passes, as direct interface data to the Host, all attention MAC frames that are not the same as the last received attention MAC frame. If this option is off, these frames are not passed to the Host software.                                                                                                                                                                                  |
| <b>Bit 2</b>     | <b>Reserved</b>                  | Should be zero, but is not checked.                                                                                                                                                                                                                                                                                                                                                              |
| <b>Bit 0</b>     | <b>Contender</b>                 | When the contender bit is on, the adapter participates in monitor contention (claim token) if the opportunity occurs. When the contender bit is off, and the need is detected by another adapter, this adapter will not participate.<br>If this adapter detects the need for a new active monitor, monitor contention (claim token) processing will be initiated by this adapter in either case. |

**NODE\_ADDRESS**

The 6-byte specific node address of this station on the ring. The high-order (leftmost) bit must be zero. If the value is zero, the adapter's encoded address will be the node address by default.

**GROUP\_ADDRESS**

Sets the group address that the adapter will receive messages for. If the value is zero, no group address is set. The group address can also be set, or changed, by a SET.GROUP.ADDRESS command. The two high-order bytes of the group address, before these four bytes, will be set to xC000.

**FUNCT\_ADDRESS**

Sets the functional address that the adapter will receive messages for. Bits 31, 1, and 0 are ignored. If the value is zero, no functional address is set. The functional address can also be set, or changed, by a DIR.SET.FUNCT.ADDRESS command. The functional address is also affected by the DIR.CONFIG.BRIDGE.RAM command. The two high-order bytes of the functional address will be set to xC000.

**NUM\_RCV\_BUF**

The number of receive buffers in shared RAM needed for the adapter to open. The adapter will configure as receive buffers all remaining shared RAM after other memory requirements have been met. If the number available is less than the number requested, the DIR.OPEN.ADAPTER command fails. If the number available is greater than the number requested, no action will occur. If this value is less than 2, the default of 8 is used.

**RCV\_BUF\_LEN**

The length of each of the receive buffers in the shared RAM. Receive buffers will be chained together to hold a frame that is too long for one buffer. However, only one frame will be put into a single buffer.

The value must be a multiple of 8; 96 is the minimum and 2048 is the maximum. If the value is zero, the default of 112 is used. Each buffer holds 8 fewer bytes of data than the specified size. Therefore, a buffer defined as 112 bytes long can hold only 104 bytes of data. The 8 bytes are overhead needed by the adapter.

**DHB\_LENGTH**

The length of each of the transmit buffers in the shared RAM. Only one buffer is used to hold transmit data, including header information, for a given frame for the direct interface and SAP interface. For the link station interface, this length applies to the information field of I frames. The value must be a multiple of 8 with 96 as minimum. For adapters operating at 4 Mbps, the maximum DHB size is 4464 bytes. For adapters operating at 16 Mbps, the maximum DHB size is 17960 bytes.

If the value is zero, the default of 600 is used. Each buffer holds 6 fewer bytes of data than the specified size. Therefore, a buffer defined as 600 can hold only 594 bytes.

**Note:** If a size greater than 2048 is used, it is important to make sure that all adapters receiving these frames can also handle the larger size.

**NUM\_DHB**

This defines the number of transmit buffers in the adapter shared RAM in which the data from the Host can be stored. The adapter accepts any value between 0 and 255, but the integrity of adapter operation cannot be guaranteed if the value is greater than 2. Requesting two buffers may improve adapter performance by allowing a frame to be moved into the second buffer while the adapter is transmitting from the first. However, this reduces the storage available for receive buffers. If the value is zero, the default of 1 is used.

**DLC\_MAX\_SAP**

The maximum number of individual SAPs that can be opened at one time. The maximum value allowed is 126. Each individual SAP control block requires 64 bytes of shared RAM. If this parameter is set to zero, no open SAP commands will be accepted and the DLC SAP and the DLC link station interfaces will not be available. However, the null and the global SAPs are activated.

**DLC\_MAX\_STA**

The maximum number of link stations that can be opened at one time. It does not determine the number of link stations that can be open for any one SAP. Each link station control block requires 144 bytes of shared RAM. If this parameter is not zero, the DLC\_MAX\_SAP parameter must not be zero.

**DLC\_MAX\_GSAP**

The maximum number of group SAPs that can be opened at one time. Each group SAP control block requires 14 bytes plus two times the DLC\_MAX\_GMEM parameter value in shared RAM. If the value is zero, no group SAPs are allowed, but the global SAP will be activated. The corresponding individual SAP control block, requiring 64 bytes, is required in order to open a group SAP. That is, group SAP x05 requires that individual SAP x04 must also be allocated.

**DLC\_MAX\_GMEM**

The maximum number of SAPs that can be assigned to any given group. This parameter is ignored if the DEC\_MAX\_GSAP parameter is zero and cannot be zero if that field is not zero.

**Timer Parameters Note:** The next six parameters, **DLC\_T1\_TICK\_1** through **DLCTI\_TICK\_2**, are timer parameters that are referenced by the DLC.OPEN.SAP and DLC.MODIFY commands.

**DLC\_T1\_TICK\_1**

The number of 40 ms intervals that make up a "tick" for DLC Wait For Response Timer, T1 (T1 timer values 1–5). If the value is zero, the default of 5 (200 ms) is used.

**DLC\_T2\_TICK\_1**

The number of 40 ms intervals between timer "ticks" for DLC Send an Acknowledgement Timer, T2 (T2 timer values 1–5). If the value is zero, the default of 1 (40–80 ms) is used.

**DLC\_Ti\_TICK\_1**

The number of 40 ms intervals between timer "ticks" for DLC Inactivity Timer, Ti (Ti timer values 1–5). If the value is zero, the default of 25 (1 second) is used.

**DLC\_T1\_TICK\_2**

The number of 40 ms intervals between timer "ticks" for DLC timer T1 (timer values 6–10). If the value is zero, the default of 25 (1 second) is used.

**DLC\_T2\_TICK\_2**

The number of 40 ms intervals between timer "ticks" for DLC timer T2 (timer values 6–10). If the value is zero, the default of 10 (400 ms) is used.

**DLC\_Ti\_TICK\_2**

The number of 40 ms intervals between timer "ticks" for DLC timer Ti (timer values 6–10). If the value is zero, the default of 125 (5 seconds) is used.

**PRODUCT\_ID**

This is the Host 18-byte product ID.

**SRB Response**

When the adapter completes the open command, bytes 6 through 15 in the SRB are set with return parameters, and the return code is placed in the RETCODE field. The adapter then interrupts the Host by setting HISR(13). The SRB content will then be as follows.

| Offset | Parameter Name  | Byte Length | Description                                                                  |
|--------|-----------------|-------------|------------------------------------------------------------------------------|
| 0      | COMMAND         | 1           | x03, DIR.OPEN.ADAPTER                                                        |
| 1      |                 | 1           | Reserved                                                                     |
| 2      | RETCODE         | 1           | Return Code, see Below                                                       |
| 3      |                 | 4           | Reserved                                                                     |
| 7      | OPEN_ERROR_CODE | 1           | Valid if RETCODE is x07. See the "Adapter Open Errors" Table in Section 8.0. |
| 8      | ASB_ADDRESS     | 2           | Offset to the Beginning of the ASB                                           |
| 10     | SRB_ADDRESS     | 2           | Offset to the Beginning of the SRB                                           |
| 12     | ARB_ADDRESS     | 2           | Offset to the Beginning of the ARB                                           |
| 14     | SSB_ADDRESS     | 2           | Offset to the Beginning of the SSB                                           |

**Valid Return Codes**

- x00** Operation completed successfully
- x01** Invalid command code
- x03** Adapter open, should be closed
- x05** Required parameters not provided
- x07** Command canceled, unrecoverable failure
- x30** Inadequate receive buffers for adapter to open
- x32** Invalid NODE\_ADDRESS
- x33** Invalid adapter receive buffer length defined
- x34** Invalid adapter transmit buffer length defined

**DIR.READ.LOG x08**

SUMMARY: Read and reset the adapter error counters.

This command should be issued if a ring status change ARB is received with the counter overflow set. This ARB is issued if one of the adapter error counters reaches a count of 255. The adapter will accept this command anytime after the adapter is opened and before a close adapter command is issued.

| Offset | Parameter Name | Byte Length | Description                             |
|--------|----------------|-------------|-----------------------------------------|
| 0      | COMMAND        | 1           | x08, DIR.READ.LOG                       |
| 1      |                | 1           | Reserved                                |
| 2      | RETCODE        | 1           | Set by the Adapter Upon Return          |
| 3      |                | 3           | Reserved                                |
| 6      | LOG_DATA       | 14          | 14 Bytes of Log Data Set by the Adapter |

### Adapter Error Counters

Refer to the *IBM Token-Ring Network Architecture Reference* for more about these error counters.

| Byte | Meaning                  |
|------|--------------------------|
| 0    | Line Errors              |
| 1    | Internal Errors          |
| 2    | Burst Errors             |
| 3    | A/C Errors               |
| 4    | Abort Delimiters         |
| 5    | Reserved                 |
| 6    | Lost Frames              |
| 7    | Receive Congestion Count |
| 8    | Frame Copied Errors      |
| 9    | Frequency Errors         |
| 10   | Token Errors             |
| 11   | Reserved                 |
| 12   | Reserved                 |
| 13   | Reserved                 |

When the adapter completes the operation, it sets the return code in the SRB and interrupts the Host by setting HISR(13).

#### Valid Return Codes

- x00** Operation completed successfully
- x01** Invalid command code
- x04** Adapter closed, should be open.

#### DIR.RESTORE.OPEN.PARMS x02

SUMMARY: Used to modify the OPEN\_OPTIONS set by the DIR.OPEN.ADAPTER command.

The wrap option, remote program load, and modified token release bits will be ignored.

| Offset | Parameter Name | Byte Length | Description                                      |
|--------|----------------|-------------|--------------------------------------------------|
| 0      | COMMAND        | 1           | x02, DIR.RESTORE.OPEN.PARMS                      |
| 1      |                | 1           | Reserved                                         |
| 2      | RETCODE        | 1           | Set by the Adapter Upon Return                   |
| 3      |                | 1           | Reserved                                         |
| 4      | OPEN_OPTIONS   | 2           | New Options (Wrap Bit Left Unaltered in Adapter) |

See the DIR.OPEN.ADAPTER command for a description of the OPEN\_OPTIONS parameter.

When the adapter completes the operation, it sets the return code in the SRB and interrupts the Host by setting HISR(13).

#### Valid Return Codes

- x00** Operation completed successfully
- x01** Invalid command code
- x04** Adapter closed, should be open

**DIR.SET.FUNCT.ADDRESS x07**

**SUMMARY:** Set the functional address for the adapter to receive messages. If this command is issued with the FUNCT\_\_ADDRESS field containing all zeros, any previously set functional address is disabled. Bits 31, 1, and 0 will be ignored. The adapter will accept this command anytime after the adapter is opened and before a close adapter command is issued. See the DIR.CONFIG.BRIDGE.RAM command, which can also alter the functional address. The upper 2 bytes of the 6-byte functional address will be set to xC000.

| Offset | Parameter Name | Byte Length | Description                    |
|--------|----------------|-------------|--------------------------------|
| 0      | COMMAND        | 1           | x07, DIR.SET.FUNCT.ADDRESS     |
| 1      |                | 1           | Reserved                       |
| 2      | RETCODE        | 1           | Set by the Adapter Upon Return |
| 3      |                | 3           | Reserved                       |
| 6      | FUNCT__ADDRESS | 4           | New Functional Address to Set  |

When the adapter completes the operation, it sets the return code in the SRB and interrupts the Host by setting HISR(13).

**Valid Return Codes**

- x00** Operation completed successfully
- x01** Invalid command code
- x04** Adapter closed, should be open

**DIR.SET.GROUP.ADDRESS x06**

**SUMMARY:** Set the group address for the adapter to receive messages.

The adapter will accept this command anytime after the adapter is opened and before a close adapter command is issued. The upper 2 bytes of the 6 byte group address will be set to xC000.

| Offset | Parameter Name | Byte Length | Description                    |
|--------|----------------|-------------|--------------------------------|
| 0      | COMMAND        | 1           | x06, DIR.SET.GROUP.ADDRESS     |
| 1      |                | 1           | Reserved                       |
| 2      | RETCODE        | 1           | Set by the Adapter Upon Return |
| 3      |                | 3           | Reserved                       |
| 6      | GROUP__ADDRESS | 4           | New Group Address to Set       |

When the adapter completes the operation, it sets the return code in the SRB and interrupts the Host by setting HISR(13).

**Valid Return Codes**

- x00** Operation completed successfully
- x01** Invalid command code
- x04** Adapter closed, should be open

**DLC (IEEE 802.2 SAP and Station Interfaces) SRB Commands**

These commands affect SAPs (Service Access Points) and link stations, and make use of LLC protocols. They may be issued by the Host software to the adapter. The adapter must have been initialized and opened with direct interface commands before it will accept any of these commands. Some of these commands apply only to the SAP interface (DLC.OPEN.SAP and DLC.CLOSE.SAP), and some apply only to the station interface (DLC.OPEN.STATION, DLC.CONNECT.STATION, DLC.CLOSE.STATION, DLC.STATISTICS). The rest apply to both interfaces.

| Command Name        | Code (Hex) | Description                                                                                                                                                                                                       |
|---------------------|------------|-------------------------------------------------------------------------------------------------------------------------------------------------------------------------------------------------------------------|
| DLC.CLOSE.SAP       | 16         | Closes (deactivates) an SAP and frees associated control block(s).                                                                                                                                                |
| DLC.CLOSE.STATION   | 1A         | Closes one link station; will not complete while Ring is "beaconing"                                                                                                                                              |
| DLC.CONNECT.STATION | 1B         | Initiates a SABME__UA exchange to place the local and remote link stations in a data transfer state, or completes such an exchange that has been initiated by the remote station                                  |
| DLC.FLOW.CONTROL    | 1D         | Controls the flow of data across a specified link station on an SAP, or every link on an SAP                                                                                                                      |
| DLC.MODIFY          | 1C         | Modifies selected working values on an open link station or the default values of an SAP                                                                                                                          |
| DLC.OPEN.SAP        | 15         | Opens (activates) an SAP and allocates an individual SAP control block                                                                                                                                            |
| DLC.OPEN.STATION    | 19         | Allocates resources to support a logical link connection                                                                                                                                                          |
| DLC.REALLOCATE      | 17         | Removes a given number of link station control blocks from an SAP and returns them to the adapter pool, or removes a given number of link station control blocks from the adapter pool and returns them to an SAP |
| DLC.RESET           | 14         | Resets one SAP and all associated link stations, or all SAPs and all associated link stations                                                                                                                     |
| DLC.STATISTICS      | 1E         | Reads statistics for a specific link station                                                                                                                                                                      |

**DLC.CLOSE.SAP x16**

**SUMMARY:** Close (deactivate) a service access point (SAP) and free the associated control blocks

This command is rejected if any links are open for the specified SAP, or the SAP was opened with the group option specified with any active members in the group. If the specified SAP is a group member, its membership should be canceled using a DLC.MODIFY command before issuing this command. If an adapter command to the Host is pending for the specified SAP when the DLC.CLOSE.SAP command is issued, the Host must complete that action before this command will be completed.

Any frames directed to the specified SAP that have been received by the adapter and for which the adapter has not posted a receive ARB will be discarded.

**Note:** If a x47 error code results when a DLC.CLOSE.SAP command closely follows a DLC.CLOSE.STATION command for the last open station for that SAP, reissue the DLC.CLOSE.SAP command.

| Offset | Parameter Name | Byte Length | Description                    |
|--------|----------------|-------------|--------------------------------|
| 0      | COMMAND        | 1           | x16, DLC.CLOSE.SAP             |
| 1      |                | 1           | Reserved                       |
| 2      | RETCODE        | 1           | Set by the Adapter Upon Return |
| 3      |                | 1           | Reserved                       |
| 4      | STATION_ID     | 2           | ID of the SAP to be Closed     |

When the adapter completes the operation, it sets the return code in the SRB and interrupts the Host by setting HISR(13).

**Valid Return Codes**

- x00** Operation completed successfully
- x01** Invalid command code
- x04** Adapter closed, should be open
- x40** Invalid STATION\_ID
- x47** SAP cannot close unless all link stations are closed
- x46** Group SAP cannot close until all member SAPs are closed
- x4C** Unable to close, commands pending

**DLC.CLOSE.STATION x1A**

**SUMMARY:** Close one link station. This command will not be completed while the ring is beaconing.

The link control block will be freed for use by another link station on the same SAP. This command will be rejected if there is a DLC.CLOSE.STATION or a DLC.CONNECT.STATION command pending for the specified link station. If the command is accepted, the adapter will either:

- Transmit a DISC command to the remote station and enter disconnecting mode while waiting for an acknowledgment
- Send a DM response if there is a SABME or DISC command pending, or if the link is in the disconnecting state, and close the link station when the response has been transmitted.

If there are pending Transmit I Frame requests when this command is accepted, they will not be returned by the adapter. If an adapter command to the Host is outstanding for the specified link station when DLC.CLOSE.STATION command is issued, the Host must complete that action before this command will be completed. Any frames directed to the specified link station that have been received by the adapter but not processed will be handled according to the state the adapter enters upon receipt of this command. Those link station states would be either disconnecting state or link closed state.

| Offset | Parameter Name | Byte Length | Description                         |
|--------|----------------|-------------|-------------------------------------|
| 0      | COMMAND        | 1           | x1A, DLC.CLOSE.STATION              |
| 1      | CMD__CORRELATE | 1           | Set by the Adapter Upon Return      |
| 2      | RETCODE        | 1           | Set by the Adapter Upon Return      |
| 3      |                | 1           | Reserved                            |
| 4      | STATION_ID     | 2           | ID of the Link Station to be Closed |

If there is no immediate error, the adapter sets the RETCODE to xFF (command in process), sets the CMD\_\_CORRELATE field in the SRB, and interrupts the Host by setting HISR(13) if an SRB Free Request interrupt is received by the adapter. When the command is completed later, the Host will be interrupted with a response in the SSB. If there is an immediate error, the adapter sets the RETCODE with the error code and sets HISR(13) to interrupt the Host.

**Valid Return Codes**

- x00** Operation completed successfully
- xFF** Command in process
- x01** Invalid command code
- x02** Duplicate command, one already pending
- x04** Adapter closed, should be open
- x40** Invalid STATION\_ID
- x4C** Unable to close, commands pending

**Final RETCODE in SSB**

- x00** Operation completed successfully
- x4B** Station closed, no remote acknowledgment



**DLC.CONNECT.STATION x1B**

SUMMARY: To initiate a SABME-UA exchange to place both the local and remote link stations in data transfer state, or to complete such an exchange initiated by the remote station.

This command will not be accepted if the link station is in the disconnecting or link closed state, or if a DLC.CLOSE.STATION or DLC.CONNECT.STATION command is in process. Any pending transmit commands queued to the link station will be lost.

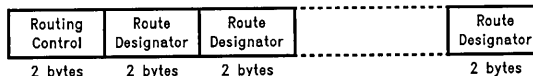
| Offset | Parameter Name | Byte Length | Description                         |
|--------|----------------|-------------|-------------------------------------|
| 0      | COMMAND        | 1           | x1B, DLC.CONNECT.STATION            |
| 1      | CMD_CORRELATE  | 1           | Set by the Adapter Upon Return      |
| 2      | RETCODE        | 1           | Set by the Adapter Upon Return      |
| 3      |                | 1           | Reserved                            |
| 4      | STATION_ID     | 2           | ID of the Link Station to be Closed |
| 6      | ROUTING_INFO   | 18          | See Following Description           |

**ROUTING\_INFO**

If the remote partner for this station is on a different ring, routing information is needed for frames to be exchanged. If the link is being established because of a DLC.OPEN.STATION command, the routing information must be provided with the command. If the link is being established due to receipt of a SABME from the remote partner, the adapter obtains the routing information from the received frame and ignores any ROUTING\_INFO provided with the DLC.CONNECT.STATION command. The DLC.CONNECT.STATION command may also be used to provide new routing information if there is a link failure. The information must be provided in the format in which it will be used in transmitted frames. If the routing information length field (discussed shortly) is zero and no SABME is outstanding, the remote partner will be assumed to be on the same ring. For more information on routing information and XID, see the *IBM Token-Ring Network Architecture Reference*. You may also want to refer to any documentation related to implementation by bridges in your network.

The Routing information field contains a 2 byte routing control field and up to eight 2 byte route designators, as shown below:

**Routing Information Field**



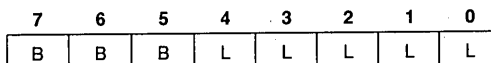
TL/F/11499-10

The Routing Control and Routing Designator sub-fields are described next.

**Routing Control Sub-Field**

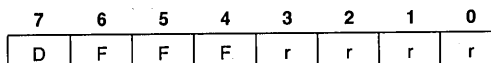
The Routing Control Sub-Field consist of two separate bytes of information, as shown below:

**First Byte (Offset 6 in DLC.CONNECT.STATION Command)**



B = Broadcast Indicators  
L = Length Bits

**Second Byte (Offset 7 in DLC.CONNECT.STATION Command)**



D = Direction Bit  
F = Largest Frame Bits  
r = Reserved Bits

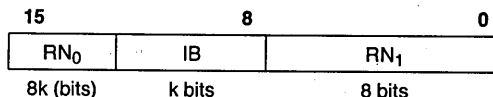
**Route Designator Sub-Fields**

Each 2-byte (word) Route Designator Sub-Field is divided into two portions:

- **Individual Bridge Portion**—This portion is  $k$ -bits long, where  $k$  is the same for all bridges in a given multiple-ring network. Bridges that are attached to the same ring can have the same Individual Bridge Portion value. However, parallel bridges (those that are attached to the same two rings) must have different values.
- **Ring Number Portion**—This portion is  $(16-k)$ -bits long. Bridges that are attached to different rings have different Ring Number Portion values; bridges that are attached to the same ring have the same value.

These portions are located in each Route Designator Sub-Field; a word (2 byte) read returns the Sub-Field as shown below:

**Route Designator Field (As Returned by Word Read)**

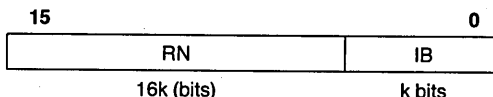


IB = Individual Bridge Portion

RN = Ring Number Portion (split into elements 0 and 1)

This word value must be byte-swapped before interpreting. The result is shown below:

**Route Designator Field (After Byte Swap)**



**Return Codes**

If there is no immediate error, the adapter sets the RETCODE field to xFF (command in process), sets the CMD\_CORRELATE field in the SRB, and interrupts the Host by setting HISR(13) if an SRB Free Request interrupt is received by the adapter. When the command is completed later, the Host will be interrupted with a response in the SSB. A successful return code indicates that the local link station has entered the link opened state. An unsuccessful return code indicates that it has entered the disconnect state.

If there is an immediate error, the adapter sets the RETCODE with the error code and sets HISR(13) to interrupt the Host.

**Valid Return Codes**

- xFF Command in process
- x01 Invalid command code
- x02 Duplicate command, one already pending
- x04 Adapter closed, should be open
- x40 Invalid STATION\_ID
- x41 Protocol error, link in invalid state for command
- x44 Invalid routing information
- x4A Sequence error, command in process

**Final RETCODE in SSB**

- x00 Operation completed successfully
- x4D Unsuccessful link station connection attempt

**DLC.FLOW.CONTROL 1D**

SUMMARY: To control the flow of data across a specified link station on an SAP, or every link station on an SAP.

Local busy state is set either because of a user request, or because a RECEIVED.DATA command from the adapter to the PC system has been rejected. In the latter case, the condition must be reset by the Host program when buffers become available, by using this command with option bit 6 set.

This command affects the secondary state of target link stations, causing the local busy states to be set or reset. The command will be completed successfully even if it makes no change to the existing state. That is, a request to reset local busy will be accepted even if the link is not in local busy state.

| Offset | Parameter Name | Byte Length | Description                    |
|--------|----------------|-------------|--------------------------------|
| 0      | COMMAND        | 1           | x1D, DLC.FLOW.CONTROL          |
| 1      |                | 1           | Reserved                       |
| 2      | RETCODE        | 1           | Set by the Adapter Upon Return |
| 3      |                | 1           | Reserved                       |
| 4      | STATION_ID     | 2           | ID of the Link Station or SAP  |
| 6      | FLOW_OPTIONS   | 1           | Option Byte                    |

**STATION\_ID**

If the STATION\_ID is an SAP (xnn00), the command will be applied to all link stations included in the SAP. If the STATION\_ID is a link station (xnns), the command will be applied only to the specified link station.

**FLOW\_OPTIONS**

The flow option byte is described below:

|                 |                                   |                                                                                                                                                                                                                                                                                                                                                                                                                                                                                                                                                                                                                                                                                                                                                                         |
|-----------------|-----------------------------------|-------------------------------------------------------------------------------------------------------------------------------------------------------------------------------------------------------------------------------------------------------------------------------------------------------------------------------------------------------------------------------------------------------------------------------------------------------------------------------------------------------------------------------------------------------------------------------------------------------------------------------------------------------------------------------------------------------------------------------------------------------------------------|
| <b>Bit 7</b>    | <b>Set/Reset Local Busy State</b> | If this bit is zero, the related link stations will enter the local busy link secondary state. If the station is in the link opened primary state and not already in local busy state, a Receiver Not Ready supervisory frame is transmitted. Then I frames received for this station are discarded until this condition is reset by the Host software.<br>If this bit is on, option bit 6 is checked to determine whether local busy (user set) or local busy (buffer set) should be reset. If both local busy states are reset after this command has been accepted and the primary link state is link opened, the link will enter either the checkpointing or clearing secondary state to ensure that the remote station is aware that the condition has been reset. |
| <b>Bit 6</b>    | <b>User/Buffer Reset</b>          | If bit 6 is 0 and option bit 7 is 1, local busy (user set) will be reset.<br>If bit 6 is 1 and option bit 7 is 1, local busy (buffer set) will be reset.<br>If option bit 7 is zero, this bit is ignored.                                                                                                                                                                                                                                                                                                                                                                                                                                                                                                                                                               |
| <b>Bits 5-0</b> | <b>Reserved</b>                   |                                                                                                                                                                                                                                                                                                                                                                                                                                                                                                                                                                                                                                                                                                                                                                         |

**Return Codes**

When the adapter completes the operation, it sets the return code in the SRB and interrupts the Host by setting HISR(13).

**Valid Return Codes**

- x00** Operation completed successfully
- x01** Invalid command code
- x02** Duplicate command, one already pending
- x04** Adapter closed, should be open
- x40** Invalid STATION\_ID

**DLC.MODIFY x1C**

**SUMMARY:** To modify certain working values of an open link station or the default values of an SAP.  
The values to be updated are included in the SRB.

| <b>Offset</b> | <b>Parameter Name</b> | <b>Byte Length</b> | <b>Description</b>                             |
|---------------|-----------------------|--------------------|------------------------------------------------|
| 0             | COMMAND               | 1                  | x1C, DLC.MODIFY                                |
| 1             |                       | 1                  | Reserved                                       |
| 2             | RETCODE               | 1                  | Set by the Adapter Upon Return                 |
| 3             |                       | 1                  | Reserved                                       |
| 4             | STATION_ID            | 2                  | SAP or Link Station ID                         |
| 6             | TIMER_T1              | 1                  | T1 Value, Response Timer                       |
| 7             | TIMER_T2              | 1                  | T2 Value, Acknowledgment Timer                 |
| 8             | TIMER_Ti              | 1                  | Ti Value, Inactivity Timer                     |
| 9             | MAXOUT                | 1                  | Max Transmits without a Receive Acknowledgment |
| 10            | MAXIN                 | 1                  | Max Receives without a Transmit Acknowledgment |
| 11            | MAXOUT_INCR           | 1                  | Dynamic Window Increment Value                 |
| 12            | MAX_RETRY_COUNT       | 1                  | N2 Value                                       |
| 13            | ACCESS_PRIORITY       | 1                  | New Access Priority for Transmission           |
| 14            | SAP_GSAP_MEM          | 1                  | Number of Following Group SAPs                 |
| 15            | GSAPS                 | n                  | GSAP List, Maximum 13                          |

**STATION\_ID**

If this is an SAP STATION\_ID, the command will affect the default values held in the SAP control block, but not the current values of open link stations. If it is a link station STATION\_ID, the command will affect the current values of the designated (open) link station.

**TIMER\_T1, TIMER\_T2, TIMER\_TI**

These values must be less than 11 for T1 and Ti. If a value greater than 10 is provided for T2, the acknowledgment timer will not run. If the field is zero, the existing value remains unchanged. For an explanation of the values, see the DLC.OPEN.SAP command description.

**MAXOUT**

This parameter cannot exceed 127. If the field is zero, the existing value remains unchanged.

**MAXIN**

This parameter cannot exceed 127. If the field is zero, the existing value remains unchanged.

**MAXOUT\_INCR**

This parameter cannot exceed 255. If the field is zero, the existing value remains unchanged.

**MAX\_RETRY\_COUNT**

This parameter cannot exceed 255. If the field is zero, the existing value remains unchanged.

**ACCESS\_PRIORITY**

If the requested access priority exceeds the limit authorized for the adapter, it will be rejected. The access priority is contained in the 3 low-order bits of this byte.

**SAP\_GSAP\_MEM**

The number of SAP\_VALUES in the GSAPS field.

This field is only checked and used if the SAP was opened as a group member. The maximum value is 13 (the greatest number of SAP\_VALUES that the SRB length will accommodate).

**GSAPS**

This field is used for an individual SAP to request membership in additional group SAPs or to request that membership be canceled. If the low-order bit of an SAP\_VALUE is zero, it indicates that membership in the associated group SAP is being requested. If the low-order bit of an SAP\_VALUE is 1, it indicates that membership should be canceled. The group SAPs must be open when the assignment is requested, and all members of a group SAP must have the same XID handling option selected. If an error is found while processing the list of group SAPs, an error return code will be set and processing will stop. The SAP\_GSAP\_MEM field will be overwritten with the value of the failing group SAP. Other parameter changes will take place as requested.

**SRB Response**

When the adapter completes the modify command, the return code is placed in the RETCODE field. The adapter then interrupts the Host by setting HISR(13).

**Valid Response Codes**

- x00** Operation completed successfully
- x01** Invalid command code
- x04** Adapter closed, should be open
- x08** Unauthorized access priority
- x40** Invalid STATION\_ID
- x42** Parameter exceeded maximum allowed
- x45** Membership requested in non-existent group SAP
- x49** Group SAP has reached maximum membership
- x4E** Member SAP not found in group SAP list

**DLC.OPEN.SAP x15**

SUMMARY: Open (activate) a service access point (SAP) and allocate an individual SAP control block.

A group SAP control block and one or more link station control blocks can also be allocated by this command.

| Offset | Parameter Name  | Byte Length | Description                                    |
|--------|-----------------|-------------|------------------------------------------------|
| 0      | COMMAND         | 1           | x15, DLC.OPEN.SAP                              |
| 1      |                 | 1           | Reserved                                       |
| 2      | RETCODE         | 1           | Set by the Adapter Upon Return                 |
| 3      |                 | 1           | Reserved                                       |
| 4      | STATION_ID      | 2           | Set by the Adapter Upon Return                 |
| 6      | TIMER_T1        | 1           | T1 Value, Response Timer                       |
| 7      | TIMER_T2        | 1           | T2 Value, Acknowledgment Timer                 |
| 8      | TIMER_Ti        | 1           | Ti Value, Inactivity Timer                     |
| 9      | MAXOUT          | 1           | Max Transmits without a Receive Acknowledgment |
| 10     | MAXIN           | 1           | Max Receives without a Transmit Acknowledgment |
| 11     | MAXOUT_INCR     | 1           | Dynamic Window Increment Value                 |
| 12     | MAX_RETRY_COUNT | 1           | N2 Value                                       |
| 13     | GSAP_MAX_MEM    | 1           | Maximum Number of SAPs for a Group SAP         |
| 14     | MAX_I_FIELD     | 2           | Maximum Received Information Field Length      |
| 16     | SAP_VALUE       | 1           | SAP Value to be Assigned                       |
| 17     | SAP_OPTIONS     | 1           | Option Byte, see Below                         |
| 18     | STATION_COUNT   | 1           | Number of Link Stations to Reserve             |
| 19     | SAP_GSAP_MEM    | 1           | Number of Entries in GSAP List                 |
| 20     | GSAPS           | n           | GSAP List, Maximum = 8                         |

**STATION\_ID**

The adapter will set this to the station ID to be used in future commands referencing this SAP

**TIMER\_T1, TIMER\_T2, TIMER\_Ti**

The LLC protocol uses timers called T1, T2, and Ti. The DLC.OPEN.SAP and DLC.OPEN.STATION commands specify the values to be used for these LLC timers in a rather unique way:

The DIR.OPEN.ADAPTER command specifies six timer values, two each for T1, T2, and Ti. When the DLC commands specify the 3 timer values, they specify a number from 1 to 10 for each timer. If a number from 1 to 5 is specified for a T(1, 2, i) timer, this number multiplied by the  $DLC\_T(1, 2, i)\_Tick\_1$  time becomes the value for T(1, 2, i). If a number from 6 to 10 is specified for a T(1, 2, i) timer, this number, minus 5, multiplied by the  $DLC\_T(1, 2, i)\_Tick\_2$  time becomes the value for T(1, 2, i).

The values must be less than 11 for T1 and Ti. If a value greater than 10 is provided for T2, the acknowledgment timer will not run. If the field is zero, the adapter will provide defaults. The default values are T1 = 5, T2 = 2, and Ti = 3.

**MAXOUT**

This parameter is the maximum number of unacknowledged transmitted I-frames. It cannot exceed 127. If a zero is provided, the default of 2 is used.

**MAXIN**

This parameter is the maximum number I-frames received before an acknowledgment is sent. It cannot exceed 127. If a zero is provided, the default of 1 is used.

**MAXOUT\_INCR**

This parameter specifies the dynamic windowing algorithm increment. It cannot exceed 255. If a zero is provided, the default of 1 is used.

**MAX\_RETRY\_COUNT**

This parameter is the maximum number of retransmissions of an I-frame. It cannot exceed 255. If a zero is provided, the default of 8 is used.

**GSAP\_\_MAX\_\_MEM**

The maximum number of individual SAPs that can be assigned membership in the group SAP if this SAP is designated to be a group SAP. Membership is assigned in the group SAP as the individual SAPs are opened. This parameter may not exceed the similar parameter provided with the DIR.OPEN.ADAPTER command and will default to that value if it is zero.

**MAX\_\_I\_\_FIELD**

This parameter defines the maximum length of a received I frame for a link station. If the STATION\_\_COUNT parameter is zero, this field is ignored. If this field is zero, the default will be 600 bytes long. The maximum length is 4905 bytes on a 4 Mbps ring and 18000 bytes on a 16 Mbps ring.

**SAP\_\_VALUE**

The value that will be used as the source SAP in transmitted frames and recognized as the destination SAP in received frames. The low-order bit of this field will be ignored. A DLC.OPEN.SAP command always allocates an individual SAP control block. A value of x00 is always rejected and a value of xFE will be rejected if the group SAP option is requested. If option bit 1 is a 1, the SAP\_\_VALUE with the low-order bit set to 1 will be the group SAP value. In other words, the next higher (odd-numbered) SAP control block will be allocated to be a group SAP.

**SAP\_\_OPTIONS**

| Bits | Name                | Description                                                                                                                                   |
|------|---------------------|-----------------------------------------------------------------------------------------------------------------------------------------------|
| 7-5  | Priority            | The transmission priority for this SAP. If the requested priority exceeds the limit authorized for the adapter, the command will be rejected. |
| 4    | Reserved            | Should be zero. Not checked.                                                                                                                  |
| 3    | XID Handling Option | If this is zero, XID commands are handled by the adapter. If this is 1, XID commands are passed to the Host software.                         |
| 2    | Individual Option   | If this bit is 1, the SAP will handle frames as an individual SAP.                                                                            |
| 1    | Group Option        | If this bit is 1, the SAP will handle frames as a group SAP.                                                                                  |
| 0    | Group Member        | If this bit is 1, the SAP may be a member of a group SAP.                                                                                     |

Note: If bit 0 is a 1, bit 2 must also be a 1. At least one of bits 2 and 1 *must* be Set.

**STATION\_\_COUNT**

This parameter specifies the maximum number of link stations that can be open for this SAP at the same time, and applies only if the SAP is an individual SAP. If the number of link stations requested for this SAP, together with those already requested for previously opened SAPs, exceeds the DLC\_\_MAX\_\_STATIONS parameter value from the DIR.OPEN.ADAPTER command, the DLC.OPEN.SAP command will be rejected.

**SAP\_\_GSAP\_\_MEM**

The number of SAP\_\_VALUES in the GSAPS field. The maximum value is 8. This parameter is ignored if SAP\_\_OPTIONS bit 0 (Group Member) is a zero.

**GSAPS**

Used for an individual SAP to request membership in group SAPs. SAP\_\_GSAP\_\_MEM indicates the number of valid values in this field. If additional membership is needed, the DLC.MODIFY command may be used for the requests. The group SAPs must be open when the assignment is requested, and all members of a group SAP must have the same XID handling option selected. If an error is found while processing the list of group SAPs, an error return code is set, processing stops, and the SAP\_\_GSAP\_\_MEM field is overwritten with the value of the failing group SAP. This will not affect the status of the SAP.

**SRB Response**

When the adapter completes the open command, the return code is placed in the RETCODE field. The adapter then interrupts the Host by setting HISR(13).

**Valid Response Codes**

- x00** Operation completed successfully
- x01** Invalid command code
- x04** Adapter closed, should be open
- x06** Options missing, invalid, or incompatible
- x08** Unauthorized access priority
- x42** Parameter exceeded maximum allowed
- x43** Invalid SAP\_\_VALUE or value already in use
- x45** Membership requested in non-existent group SAP
- x46** Requested resources not available
- x49** Group SAP has reached maximum membership

**DLC.OPEN.STATION x19**

**SUMMARY:** Allocate resources to support a logical link connection.

These resources may also be allocated when an SABME is received against an open SAP and the appropriate station is not already open.

| Offset | Parameter Name  | Byte Length | Description                                    |
|--------|-----------------|-------------|------------------------------------------------|
| 0      | COMMAND         | 1           | x19, DLC.OPEN.STATION                          |
| 1      |                 | 1           | Reserved                                       |
| 2      | RETCODE         | 1           | Set by the Adapter Upon Return                 |
| 3      |                 | 1           | Reserved                                       |
| 4      | STATION_ID      | 2           | SAP ID (xnn00)                                 |
| 6      | TIMER_T1        | 1           | T1 Value, Response Timer                       |
| 7      | TIMER_T2        | 1           | T2 Value, Acknowledgment Timer                 |
| 8      | TIMER_Ti        | 1           | Ti Value, Inactivity Timer                     |
| 9      | MAXOUT          | 1           | Max Transmits without a Receive Acknowledgment |
| 10     | MAXIN           | 1           | Max Receives without a Transmit Acknowledgment |
| 11     | MAXOUT_INCR     | 1           | Dynamic Window Increment Value                 |
| 12     | MAX_RETRY_COUNT | 1           | N2 Value                                       |
| 13     | RSAP_VALUE      | 1           | The Remote SAP Value                           |
| 14     | MAX_I_FIELD     | 2           | Maximum Received Information Field Length      |
| 16     | STATION_OPTIONS | 1           | Option Byte, see Following Explanation         |
| 17     |                 | 1           | Reserved                                       |
| 18     | REMOTE_ADDRESS  | 6           | Ring Address of the Remote Station             |

**STATION\_ID**

The Host software must specify the SAP STATION\_ID (xnn00) under which the new station is to be established, and the adapter will return the link ID (ss portion of xnnss) to be used in future commands referencing this station.

**TIMER\_T1 through  
MAX\_RETRY\_COUNT**

See the same parameters for the DLC.OPEN.SAP command.

**RSAP\_VALUE**

The value that will be used as the destination SAP in transmitted frames and recognized as the source SAP in received frames. The low-order bit of this field must be zero, indicating an individual SAP. A value of x00 (the null SAP) will be rejected.

**MAX\_I\_FIELD**

This parameter defines the maximum length of a received I frame. If this field is zero, the value from the SAP control block will be used.

**STATION\_OPTIONS**

The STATION\_OPTIONS bits are described in the following table:

| Bits | Name     | Description                                                                                                                                                                                                       |
|------|----------|-------------------------------------------------------------------------------------------------------------------------------------------------------------------------------------------------------------------|
| 7-5  | Priority | The transmission priority for this link station. If the requested priority exceeds the limit authorized for the adapter, the command will be rejected. If a zero is provided, an access priority of zero is used. |
| 4-0  | Reserved | Should be zero. Not checked.                                                                                                                                                                                      |

**REMOTE\_ADDRESS**

The 6 byte NODE\_ADDRESS of the remote station. The high-order bit of the high-order byte of this field must be zero, indicating a specific address.

**SRB Response**

When the adapter completes the open command, the return code is placed in the RETCODE field. The adapter then interrupts the Host by setting HISR(13). This command should be followed by a DLC.CONNECT.STATION command, which should include the routing information if the remote station is on a different ring.

**Valid Response Codes**

- x01** Invalid command code
- x04** Adapter closed, should be open
- x05** Required parameters not provided
- x08** Unauthorized access priority
- x40** Invalid STATION\_ID
- x42** Parameter exceeded maximum allowed
- x43** Invalid SAP\_VALUE or value already in use
- x46** Requested resources not available
- x4F** Invalid remote address

**DLC.REALLOCATE x17**

SUMMARY: This command removes a given number of link station control blocks from an SAP and returns them to the adapter pool, or removes a given number of link station control blocks from the adapter pool and adds them to an SAP.

| Offset | Parameter Name | Byte Length | Description                                                                      |
|--------|----------------|-------------|----------------------------------------------------------------------------------|
| 0      | COMMAND        | 1           | x17, DLC.REALLOCATE                                                              |
| 1      |                | 1           | Reserved                                                                         |
| 2      | RETCODE        | 1           | Set by the Adapter Upon Return                                                   |
| 3      |                | 1           | Reserved                                                                         |
| 4      | STATION_ID     | 2           | Link Station ID Affected                                                         |
| 6      | OPTION_BYTE    | 1           | Add/Subtract Option                                                              |
| 7      | STATION_COUNT  | 1           | Number of Link Station Control Blocks to Move                                    |
| 8      | ADAPTER_COUNT  | 1           | Number of Link Station Control Blocks for the Adapter. Set by Adapter on Return. |
| 9      | SAP_COUNT      | 1           | Number of Link Station Control Blocks for the SAP. Set by Adapter on Return.     |

**OPTION\_BYTE**

The OPTION\_BYTE bits are described as follows:

- If bit 0 is 0, then take link station control blocks from the adapter and add to the SAP.
- If bit 0 is 1, then take link station control blocks from the SAP and add to the adapter.
- Bits 1 through 7 are reserved.

**STATION\_COUNT**

The number of link station control blocks to be moved as indicated by the option byte. If more link station control blocks are requested than are available on the adapter or SAP, all those available will be moved.

**ADAPTER\_COUNT**

The number of link station control blocks available for the adapter (not allocated to an SAP), after the command has been completed. This field is only valid if the return code is x00 or x40.

**SAP\_COUNT**

The number of link station control blocks available for the SAP specified in the station ID field (not in use for an open station) after the command has been completed. This field is only valid if the return code is x00.

**SRB Response**

When the adapter completes the command, it sets the return code and the Host is interrupted with HISR(13) set.

**Valid Response Codes**

- x00** Operation completed successfully
- x01** Invalid command code
- x04** Adapter closed, should be open
- x40** Invalid STATION\_ID



**DLC.RESET x14**

**SUMMARY:** Reset either one SAP and all associated link stations, or all SAPs and all associated link stations.

After the command is completed the affected SAPs and link stations will be closed. No commands or communication directed to them will be accepted. The reset command will not be completed until all related resources can be freed. This means that transmissions already queued to the ring hardware and commands from the adapter to the Host must be complete before this command will be completed. Frames received for the affected SAPs and link stations but not passed to the Host will be discarded by the adapter. The same is true for frames received while the reset is in progress. Requests queued to SAPs and link stations that have not started completion will not be completed. A beaconing ring can cause this command to hang if transmits are queued to the hardware. The command will be completed when beaconing clears.

| Offset | Parameter Name | Byte Length | Description                                                                                                                  |
|--------|----------------|-------------|------------------------------------------------------------------------------------------------------------------------------|
| 0      | COMMAND        | 1           | x14, DLC.RESET                                                                                                               |
| 1      |                | 1           | Reserved                                                                                                                     |
| 2      | RETCODE        | 1           | Set by the Adapter Upon Return                                                                                               |
| 3      |                | 1           | Reserved                                                                                                                     |
| 4      | STATION_ID     | 2           | ID of the SAPs or stations to be reset<br><b>x0000</b> All SAPs and All Stations<br><b>xnn00</b> SAP nn and All its Stations |

When the adapter completes the operation, it sets the return code in the SRB and interrupts the Host by setting HISR(13).

**Valid Return Codes**

- x00** Operation completed successfully
- x01** Invalid command code
- x04** Adapter closed, should be open
- x40** Invalid STATION\_ID.

**DLC.STATISTICS x1E**

**SUMMARY:** Read statistics for a specific link station.

The error counters (first five station statistics) may be reset if requested. If a counter overflows (high-order bit of the field changes from zero to 1), a DLC status adapter request block (ARB) will be presented to the Host, indicating that this command should be issued.

| Offset | Parameter Name | Byte Length | Description                                                                               |
|--------|----------------|-------------|-------------------------------------------------------------------------------------------|
| 0      | COMMAND        | 1           | x1E, DLC.STATISTICS                                                                       |
| 1      |                | 1           | Reserved                                                                                  |
| 2      | RETCODE        | 1           | Set by the Adapter Upon Return                                                            |
| 3      |                | 1           | Reserved                                                                                  |
| 4      | STATION_ID     | 2           | The Link Station to Obtain Statistics from                                                |
| 6      | COUNTERS_ADDR  | 2           | Offset to the Address of the Statistics*                                                  |
| 8      | HEADER_ADDR    | 2           | Offset to the Address of the LAN Header*                                                  |
| 10     | HEADER_LENGTH  | 1           | Length of the LAN Header*                                                                 |
| 10     | RESET_OPTION   | 1           | Option Byte, see Following Explanation<br><b>Note:</b> Overwritten by TROPIC on response. |

\*Values set by TROPIC in response

**COUNTERS\_ADDR**

An address within the SRB where a copy of the counter contents is located. The Host software should move this information into Host memory before reusing the SRB. The structure of the counter statistics area is shown on the next page.

## Link Station Statistics (Pointed to by COUNTERS\_ADDR)

| Offset | Parameter Name     | Byte Length | Description                           |
|--------|--------------------|-------------|---------------------------------------|
| 0      | I_FRAME_XMIT_COUNT | 2           | The Number of I Frames Transmitted    |
| 2      | I_FRAME_RCV_COUNT  | 2           | The Number of I Frames Received       |
| 4      | I_FRAME_XMIT_ERR   | 1           | The Number of I Frame Transmit Errors |
| 5      | I_FRAME_RCV_ERR    | 1           | The Number of I Frame Receive Errors  |
| 6      | T1_EXPIRED         | 2           | The Number of Times T1 Expired        |
| 8      | STATION_RCVD_CMD   | 1           | The Last Command or Response Received |
| 9      | STATION_SENT_CMD   | 1           | The Last Command or Response Sent     |
| 10     | STATION_PRMY_STATE | 1           | The Link Primary State, see Below     |
| 11     | STATION_SCDY_STATE | 1           | The Link Secondary State, see Below   |
| 12     | STATION_VS         | 1           | The Send State Variable               |
| 13     | STATION_VR         | 1           | The Receive State Variable            |
| 14     | STATION_VA         | 1           | The Last Received NR                  |

Note: All values are set by TROPIC.

**HEADER\_ADDR**

The offset within shared RAM of the LAN header consisting of the access control (AC) field, the frame control (FC) field, the destination address, the source address, and the routing information. If no routing information is present, the header length will be 14 bytes. The source address field will not be set until the first frame is transmitted for the link station, except that the high-order bit of the high-order byte is set on if routing information is present.

**RESET\_OPTION**

The RESET\_OPTION bits are described in the following table:

| Bit(s) | Description                                                                                                                                                         |
|--------|---------------------------------------------------------------------------------------------------------------------------------------------------------------------|
| 7      | If this bit is zero, the adapter will not alter the contents of the error counters.<br>If this bit is 1, the adapter will reset the contents of the error counters. |
| 6-0    | Reserved                                                                                                                                                            |

**STATION\_PRMY\_STATE**

This field indicates the link station's primary state as maintained in the control block at the time the DLC.STATISTICS command is completed. It consists of eight mutually exclusive bit flags, as follows:

- Bit 7** Link Closed
- Bit 6** Disconnected
- Bit 5** Disconnecting
- Bit 4** Link Opening
- Bit 3** Resetting
- Bit 2** FRMR Sent
- Bit 1** FRMR Received
- Bit 0** Link Opened

**STATION\_SCDY\_STATE**

This field indicates the link station's secondary state as maintained in the control block at the time the DLC.STATISTICS command is completed. It consists of seven non-exclusive bit flags, as follows:

- Bit 7** Checkpointing
- Bit 6** Local Busy (user set)
- Bit 5** Local Busy (buffer set)
- Bit 4** Remote Busy
- Bit 3** Rejection
- Bit 2** Clearing
- Bit 1** Dynamic Window Algorithm Running
- Bit 0** Reserved (may appear as 0 or 1)

## Response Codes

When the adapter completes the operation, it sets the return code in the SRB and interrupts the Host by setting HISR(13).

### Valid Return Codes

- x00** Operation completed successfully
- x01** Invalid command code
- x04** Adapter closed, should be open
- x40** Invalid STATION\_ID

## SUMMARY OF TRANSMIT METHODS

### Fast Path Overview

The Fast Path interface provides a pool of transmit buffers that Host software can fill asynchronously to the TROPIC MPU's processing. Host software moves Transmit commands and related data together to these buffers and then signals TROPIC that the pools have been updated. TROPIC then processes frames according to each data block's associated command.

### SRB (Non-Fast Path) Transmit Commands

If Fast Path Transmit is not activated, then TROPIC operates in a less efficient transmission mode that requires the Host software to first issue a transmit command only, wait for a TROPIC response, and then move transmission data to the Transmit buffer. This mode exists primarily for compatibility with earlier drivers, and it should not be used in new software.

The processing sequence for an SRB (non-Fast Path) transmit command is:

1. The Host software issues a transmit command to the adapter.
2. The adapter sets a command correlator and in-process return code in the SRB.
3. The adapter issues a TRANSMIT.DATA.REQUEST command (x82) to the Host using the Adapter Request Block (ARB). This command supplies the command correlator, the STATION\_ID and the DHB address in shared RAM where the Host should start to transfer the data.
4. The Host moves the data into the DHB.
5. The Host responds using the adapter status block (ASB) providing the original transmit command used in the SRB, the command correlator, the STATION\_ID, and the transmit data length information.
6. The adapter transmits the frame.
7. The adapter sets completion information in the system status block (SSB) on completion of the transmission for the direct and SAP interfaces, or on receipt of acknowledgment, or determination that acknowledgment will not be received for the link station interface. The adapter then interrupts the Host.

## USING THE FAST PATH INTERFACE

### Fast Path Interface Selection

Fast Path transmit is an optional (but *strongly recommended*) interface to the adapter for transmitting frames. Because it is optional, it must be activated by the Host software. The Fast Path transmit interface is activated by issuing a DIR.CONFIG.FAST.PATH.RAM command to TROPIC *before* the adapter is opened. During the initialization, the adapter reserves a block of storage for this interface. When the command completes, the adapter returns a new SRB address where subsequent SRB commands can be issued to the adapter by the Host.

When the Fast Path interface is selected, it is the only interface that can be used to issue requests for the adapter to transmit frames. The Host software should not place Transmit commands in the SRB, but should instead place transmit commands into the Fast Path Buffer queue, described next. If transmit commands are placed in the SRB when Fast Path is selected, the adapter will not accept them.

**Note:** The adapter cannot be configured for both Fast Path Transmit and bridging functions. If an adapter will be used for bridging, then the Fast Path interface cannot be used.

### Fast Path Buffer Allocation

During processing of the DIR.OPEN.ADAPTER command after a DIR.CONFIG.FAST.PATH.RAM command, the adapter allocates buffers for the Fast Path interface into a free transmit queue and initializes the Fast Path Transmit Control Area (described next). The buffers are chained together in a link list with FREE\_QUEUE\_HEAD pointing to the first buffer and FREE\_QUEUE\_TAIL pointing to the last buffer.

### Fast Path Transmit Control Area

The Fast Path Transmit Control Area is located at the start of the storage allocated in the Shared RAM for the Fast Path interface. The offset to this allocated storage is returned to the Host in the DIR.CONFIG.FAST.PATH.RAM response SRB. This control area allows the adapter and Host software to jointly manage the buffers in the Fast Path buffer pool.

| Offset | Parameter Name        | Byte Length | Description                                                    |
|--------|-----------------------|-------------|----------------------------------------------------------------|
| 0      | BUFFER_COUNT          | 2           | Number of Buffers in the Buffer Pool                           |
| 2      | FREE_QUEUE_HEAD       | 2           | Offset to First Free Buffer                                    |
| 4      | FREE_QUEUE_TAIL       | 2           | Offset to Last Free Buffer                                     |
| 6      | ADAPTER_QUEUE_HEAD    | 2           | Offset to Next Expected First Buffer of Frame; TROPIC Use Only |
| 8      | BUFFER_SIZE           | 2           | Size in Bytes of Each Buffer including Buffer Head; READ-ONLY  |
| 10     | COMPLETION_QUEUE_TAIL | 2           | Offset of Last Completed Buffer                                |
| 12     |                       | 4           | Reserved                                                       |

#### BUFFER\_COUNT

This field is a count of the number of buffers that were configured in the transmit buffer pool during the open adapter. It is valid only after the open adapter completes, and is not subsequently updated by the adapter.

#### FREE\_QUEUE\_HEAD

This field contains the offset to the NEXT\_BUFFER field in the first buffer in the free transmit buffer queue. The adapter sets the value in this field only during the open adapter. When the Host software moves a frame to the buffer pool it must update this value to the NEXT\_BUFFER value in the last buffer containing the frame. The adapter examines this value to determine if a frame is present in the transmit buffer pool.

#### FREE\_QUEUE\_TAIL

This field contains the offset to the NEXT\_BUFFER field in the last buffer in the free transmit buffer queue. The adapter sets the value in this field only during the open adapter. The Host software adds buffers to the free transmit buffer queue after processing a frame on the completion queue by placing the LAST\_BUFFER value from the completed frame in the FREE\_QUEUE\_TAIL field. The buffer that is pointed to by this field may not be used for transmission until more frames are placed on the free transmit buffer queue and FREE\_QUEUE\_TAIL has been updated by the Host.

#### ADAPTER\_QUEUE\_HEAD

This field is used solely by the adapter to keep track of the next expected buffer to contain a transmit frame. The Host software should ignore this field.

#### BUFFER\_SIZE

The adapter stores the value of the requested buffer size from the DIR.CONFIG.FAST.PATH.RAM in this field. This field is used by the adapter at open adapter time to configure the transmit buffer queue. This field is read-only to the Host, but the Host software should not need to access this field since its value should already be known.

#### COMPLETION\_QUEUE\_TAIL

This field is used by the adapter to report the completion of frame transmissions. The adapter initializes this field to the value in FREE\_QUEUE\_TAIL during the open adapter. The adapter reports completion of frame transmissions by changing the NEXT\_BUFFER pointer in the buffer pointed to by COMPLETION\_QUEUE\_TAIL to reflect the NEXT\_BUFFER value of the last completed frame. COMPLETION\_QUEUE\_TAIL is then updated with the LAST\_BUFFER value of the first buffer of the completed frame.

The Host software must keep track of the next completed frame to process by keeping its own completion queue head pointer. This pointer must be initialized to the value in COMPLETION\_QUEUE\_TAIL at the completion of the open adapter command. The Host software can compare its completion queue head to COMPLETION\_QUEUE\_TAIL to determine if any buffers are on the completion queue. When the two values are equal, all of the frames on the completion queue have been processed. When the values are different, the Host software locates the first completed frame by using the NEXT\_BUFFER value pointed to by the value in the Host's completion queue head.

To remove the buffers associated with the completed frame from the completion queue and place them on the free queue, the Host software takes the LAST\_BUFFER value of the first buffer of the frame that has been completed and places it in FREE\_QUEUE\_TAIL and its own completion queue head. The Host software continues to process completed frames until its own completion queue head is equal to COMPLETION\_QUEUE\_TAIL.

### Fast Path Frame Transmission—Request

Before transmitting any frames the Host software must open any STATION\_IDs on which frames will be transmitted. The procedures for doing this are the same as the Host software would use if issuing SRB (non-Fast Path) transmit commands.

To set up a frame for transmission the Host fills in the required fields in the first free buffer in the free transmit buffer queue and uses as many additional buffers as needed to complete the whole frame for transmission. For subsequent buffers, the Host must fill in the buffer length and frame data. Before issuing the transmit request to the adapter, the entire frame must be in the buffers and all required buffer header fields must be filled in.

The buffer pointed to by FREE\_QUEUE\_TAIL cannot be used to issue a transmit frame. This buffer is used to maintain a link for the NEXT\_BUFFER field in the free queue and completion queue. If the Host reaches this buffer, it must wait until more buffers are added to the transmitted queue before requesting the transmission of the frame.

To issue the transmit request to the adapter, the Host places the value in the NEXT\_BUFFER pointer of the last buffer (of the frame) into the FREE\_QUEUE\_HEAD pointer in the Fast Path Transmit Control Area, and then sets TISR(14) to one. The Host does not have to wait for an adapter response to begin setting up transmission of another frame to the adapter. The adapter will preserve the new transmit request even if it has not processed the previous request.

### Fast Path Frame Transmission—Completion

After a frame has finished transmission, the adapter reports the completion by moving the buffers associated with the frame to the completion queue. The NEXT\_BUFFER field in the buffer pointed to by COMPLETION\_QUEUE\_TAIL is updated to point to the completed frame, and COMPLETION\_QUEUE\_TAIL is then set to point to the NEXT\_BUFFER field of the last buffer of the frame. The adapter then sets HISR(9) to a one to interrupt the Host.

After processing the completed frame, the Host software moves the frame to the free queue by filling FREE\_QUEUE\_TAIL with the contents of LAST\_BUFFER in the first buffer of the frame. Host software must maintain its own completion queue head to determine the location of the first buffer of the next completed frame. This is done by first setting the completion queue head to the contents of COMPLETION\_QUEUE\_TAIL when DIR.OPEN.ADAPTER completes. Subsequently, the completion queue head is set to the LAST\_BUFFER value in the first buffer of the completed frame. Host software locates the completed frame by using the NEXT\_BUFFER value in the buffer pointed to by its own completion queue head.

### Fast Path Protocol Considerations

The completion of a frame for Direct and SAP station IDs implies that the frame has been transmitted. Therefore, no retransmission requests will occur for these station IDs.

For a link station, however, the completion on the completion queue *does not* necessarily imply that the frame has been transmitted. The adapter will return frames on the completion queue that cannot be transmitted because of a change in the link status. These frames are returned to the Host system with a return code of x29, "Link retransmission in process." Frames are returned on the link when transmission of a frame would cause the frame to be out of sequence due to a frame being lost in the network, or when the remote link enters a busy state. Transmit completions with remote acknowledgments will be reported in the SSB as is done for the TRANSMIT.I.FRAME SRB.

The adapter issues a RETRANSMIT.DATA request ARB to the Host when it is ready to restart the transmission on a link. This ARB contains the correlator number of the frame that is to be transmitted next. The Host software issues the retransmits starting at the frame with the correlator indicated in the ARB. These transmits are issued to the adapter in the same manner that they were when initially issued. The adapter determines that the Host has acknowledged its retransmit request by finding the frame with the correlator indicated in the adapter's RETRANSMIT.DATA request ARB.

### Additional Fast Path Considerations

Some adapters may have an 8-bit interface. When reading or writing to the Fast Path Transmit Control Area of such an adapter, the 8-bit interface must be taken into account, as follows:

- COMPLETION\_QUEUE\_TAIL: The Host software should only use this value if two consecutive reads of the field return the same value. If the two reads return different values, then the Host software should repeat reads of the field until two consecutive reads return the same value.
- FREE\_QUEUE\_HEAD: When updating this field the Host software first sets the low order bit in the odd byte of this field to 1. The Host software then sets the field to the new value. This procedure should be done with interrupts disabled. The adapter will not use this value when the field's low order bit is 1. If the adapter reads 1 in the low order bit it will loop on reading the field contents until that bit changes to a 0.

Host software is responsible for scheduling frames in the transmit buffer pool, and therefore is responsible for maintaining "fairness" to all station IDs in the utilization of buffers. For link stations the Host software should not put more frames in the buffer pool than allowed by the MAXOUT parameter for that link station.

Adapter posting of completed frames to the Host is an asynchronous process. Host software may process a frame from the completion queue on a previous interrupt. The Host software may subsequently see an interrupt with no frames completed.

**TRANSMIT COMMANDS**

There are only two variants of the transmit command format, one for Fast Path transmits and one for non-Fast Path (SRB) transmits, with various subcommands indicating the data type to be transmitted. Fast Path transmit commands are placed in the first buffer in a chain of buffers that contain an entire frame. Non-Fast Path transmit commands are placed in the SRB.

All Fast Path transmit commands share a common format, with the only difference being the actual command code. Similarly, all non-Fast Path transmit commands share a common format, although this format is different from the Fast Path transmit format. The table below lists the various transmit commands, which have the same command name, code, and description for both Fast Path and non-Fast Path use.

| Command Name                | Code (Hex) | Description                                                                                                                                                                                                      |
|-----------------------------|------------|------------------------------------------------------------------------------------------------------------------------------------------------------------------------------------------------------------------|
| TRANSMIT.DIR.FRAME          | 0A         | Requests transmission of a Direct transmission; the application must assemble the entire message, leaving room for the source address, which TROPIC inserts; no LLC protocol assistance is provided in this mode |
| TRANSMIT.I.FRAME            | 0B         | Requests transmission of I-format (Information transfer format) frame                                                                                                                                            |
| TRANSMIT.UI.FRAME           | 0D         | Requests transmission of UI-format (Unsequenced Information transfer format) frame                                                                                                                               |
| TRANSMIT.XID.CMD            | 0E         | Requests transmission of XID-format (Exchange Identification format) Command frame                                                                                                                               |
| TRANSMIT.XID.RESP.FINAL     | 0F         | Requests transmission of XID-format final Response frame (in response to a XID Command being received)                                                                                                           |
| TRANSMIT.XID.RESP.NOT.FINAL | 10         | Requests transmission of XID-format non-final Response frame (in response to a XID Command being received)                                                                                                       |
| TRANSMIT.TEST.CMD           | 11         | Requests transmission of TEST-format Command frame                                                                                                                                                               |

**Transmit Summary**

Transmit commands can be summarized in the following categories:

**Direct Station** Can use only the TRANSMIT.DIR.FRAME command. No retry is provided.

**SAP Station** Can use all commands except the TRANSMIT.DIR.FRAME and TRANSMIT.I.FRAME commands. No retry is provided. The TRANSMIT.XID.RESP commands should only be issued to an SAP that has the XID handling option selected to pass XID frames to the Host software.

**Link Station** Can use only the TRANSMIT.I.FRAME command. All transmission retries are handled by the adapter.

**Fast Path Transmit Buffer Format**

Fast Path transmit buffers are transmitted out of buffers reserved for the Fast Path Interface. These buffers are allocated at open adapter time based on parameters in a previous DIR.CONFIG.FAST.PATH.RAM command issued by the Host. The format of Fast Path Transmit buffers is shown below:

| Offset | Parameter Name   | Byte Length | Description                                                                       |
|--------|------------------|-------------|-----------------------------------------------------------------------------------|
| 0      | XMIT__COMMAND    | 1           | TRANSMIT Command Code                                                             |
| 1      | XMIT__CORRELATOR | 1           | Transmit Correlator (0–127)                                                       |
| 2      | RETCODE          | 1           | Set by the Adapter Upon Return                                                    |
| 3      |                  | 1           | Reserved                                                                          |
| 4      | STATION__ID      | 2           | ID of the Station Sending the Data                                                |
| 6      | FRAME__LENGTH    | 2           | Total Amount of Data in All Buffers of the Frame                                  |
| 8      | HEADER__LENGTH   | 1           | Length of Frame Header                                                            |
| 9      | RSAP__VALUE      | 1           | Destination SAP Value                                                             |
| 10     |                  | 2           | Reserved                                                                          |
| 12     | LAST__BUFFER     | 2           | Offset in Shared RAM to NEXT__BUFFER field of the Last Buffer in the Frame        |
| 14     | FRAME__POINTER   | 2           | Reserved for the Adapter                                                          |
| 16     | NEXT__BUFFER     | 2           | Offset to NEXT__BUFFER Field of the Next Buffer in the Free Transmit Buffer Queue |
| 18     | XMIT__STATUS     | 1           | Reserved for the Adapter                                                          |
| 19     | STRIPPED__FS     | 1           | Final Status Returned from the Frame Stripping Process                            |
| 20     | BUFFER__LENGTH   | 2           | Length of Frame Data in this Buffer                                               |
| 22     | FRAME__DATA      | n           | The Frame Data to be Transmitted                                                  |

**XMIT\_\_COMMAND**

This specifies the type of transmit command being requested for this frame. The command is placed in the first (or only) buffer for the frame. The available commands are shown in the command table on the previous page.

**XMIT\_\_CORRELATOR**

This field specifies a sequence number for the frame being transmitted. It is placed in the first (or only) buffer for the frame, according to the following rules:

- each Station ID uses a unique set of correlators
- the correlator for the first frame transmitted on by a Station ID is 0
- the correlator for each subsequent frame for a Station ID is incremented by 1 and wraps to 0 after reaching 127
- the correlator is coded as a binary count in this one byte field
- a maximum of 127 correlators may be outstanding for any one Station ID

**RETCODE**

The Host initializes the return code to xFE in the first buffer of a frame.

**STATION\_\_ID**

This field specifies the STATION\_\_ID on which to transmit the frame. It is placed by the Host in the first (or only) buffer of a frame. Valid Station IDs are:

```
x0000 Direct Station
xnn00 SAP Station nn
xnnmm Link Station mm under SAP Station nn
```

**FRAME\_\_LENGTH**

This value is the sum of all the buffer lengths in the frame. It is placed by the Host in the first (or only) buffer of a frame. The adapter does not modify this value when returning completed frames.

**HEADER\_\_LENGTH**

This value is the length of the LAN header contained in FRAME\_\_DATA. It is placed by the Host in the first (or only) buffer of a frame only for frames that are to be transmitted on an SAP (Station ID = xnn00).

**RSAP\_VALUE**

This is the destination SAP (DSAP) value for a frame transmitted on an SAP. It is placed by the Host in the first (or only) buffer of a frame only for frames that are to be transmitted on an SAP (Station ID = *xnn00*).

**LAST\_BUFFER**

This is the offset in Shared RAM to NEXT\_BUFFER in the last frame buffer. It is placed in the first buffer by the Host.

**NEXT\_BUFFER**

This is the pointer to NEXT\_BUFFER in the next free buffer in the free transmit queue. It is maintained by the adapter and should not be changed by the Host.

**XMIT\_STATUS**

This is reserved for use by the adapter.

**STRIPPED\_FS**

This value is placed by the adapter into the last buffer of a frame after the frame has been transmitted, and is the FS of the transmitted frame. This value is only valid if the adapter return code is x22 (Adapter frame error).

**BUFFER\_LENGTH**

This value is the length of FRAME\_DATA in this buffer. It is placed in each buffer by the Host.

**FRAME\_DATA**

This is the content of the frame to be transmitted by the adapter. Its content varies depending on the transmit command used:

**TRANSMIT.I.frame** This is the data field of the frame to be transmitted. The adapter will provide the LAN and DLC headers.

**TRANSMIT.DIR.frame** This is the entire message, including the LAN header and any additional headers with space reserved for the LAN source address, which will be inserted by the adapter. If the LAN header contains routing information, the Host software must set the high order bit of the LAN source address field to a 1; otherwise, that bit should be a 0.

**All other transmit commands** This is the entire message, including the LAN header and any additional headers with space reserved for the LAN source address, which will be inserted by the adapter. The LAN header is followed by 3 bytes reserved for the adapter to insert the LLC header which is followed by the data. The adapter will determine if the routing information is present in the header by examining the HEADER\_LENGTH field in the buffer. The LAN header and reserved space for the LLC header must be in the first buffer for the frame.

**Valid Return Codes from Adapter (Fast Path Transmits)**

- x00 Operation completed successfully
- x01 Invalid command code
- x08 Unauthorized access authority
- x22 Error on frame transmission, examine STRIPPED\_FS
- x23 Error on frame transmit or strip process
- x24 Unauthorized MAC frame
- x25 Maximum commands exceeded
- x26 Invalid correlator
- x27 Link not transmitting I frames, state changed from link opened
- x28 Invalid transmit frame length command
- x29 Link retransmission in process, buffers free
- x40 Invalid STATION\_ID
- x41 Protocol error, link in invalid state for command



**Non-Fast Path (SRB) Transmit Command Format**

The table below shows the format for Transmit commands issued when the Fast Path interface *is not* activated. These commands are placed in the SRB.

| Offset | Parameter Name | Byte Length | Description                        |
|--------|----------------|-------------|------------------------------------|
| 0      | COMMAND        | 1           | xxx, TRANSMIT.xxx                  |
| 1      | CMD_CORRELATE  | 1           | Set by the Adapter Upon Return     |
| 2      | RETCODE        | 1           | Set by the Adapter Upon Return     |
| 3      |                | 1           | Reserved                           |
| 4      | STATION_ID     | 2           | ID of the Station Sending the Data |

If there is no immediate error, the adapter sets the RETCODE field to xFF and sets the command correlator field. The adapter will interrupt the Host by setting HISR(13) if an SRB Free Request interrupt is received by the adapter. If there is an immediate error, the adapter sets the RETCODE field with the appropriate code and interrupts the Host by setting HISR(13).

**Valid Return Codes (Non-Fast Path Transmits)**

- xFF** Command in process
- x01** Invalid command code
- x04** Adapter closed, should be open
- x25** Maximum commands exceeded
- x40** Invalid STATION\_ID
- x41** Protocol error, link in invalid state for command
- x4A** Sequence error, command in process

When the adapter completes the transmit command, it prepares the system status block (SSB) and interrupts the Host by setting HISR(10). If more than one TRANSMIT.I.FRAME command is being reported, the command correlate field will contain the correlator for the last command completed.

| Offset | Parameter Name | Byte Length | Description                            |
|--------|----------------|-------------|----------------------------------------|
| 0      | COMMAND        | 1           | xxx, The Transmit Command from the SRB |
| 1      | CMD_CORRELATE  | 1           | Host/Adapter Command Correlator        |
| 2      | RETCODE        | 1           | Completion Code                        |
| 3      |                | 1           | Reserved                               |
| 4      | STATION_ID     | 2           | ID of the Station Providing Status     |
| 6      | TRANSMIT_ERROR | 1           | If RETCODE = x22 the Returned FS Byte  |

**Valid SSB Return Codes (Non-Fast Path Transmits)**

- x00** Operation completed successfully
- x08** Unauthorized access priority
- x22** Error on frame transmission, check TRANSMIT\_FS data
- x23** Error in frame transmit or strip process
- x24** Unauthorized MAC frame
- x27** Link not transmitting I frames, state changed from link opened
- x28** Invalid transmit frame length command

**ARB (TROPIC-TO-HOST) COMMAND SUMMARY**

The commands in the table below can be issued to the Host by TROPIC. The commands have the following in common:

- TROPIC prepares the command in the ARB and interrupts the Host by setting HISR(11).
- The Host reads the command information and interrupts the adapter by setting TISR(9) to acknowledge receipt of the command and indicate that the adapter can reuse the ARB.
- If a response is required, the Host will put the response information in the ASB and interrupt the adapter by setting TISR(12).
- After reading the ASB response, the adapter does one of the following:
  - Sets the return code to xFF and interrupts the Host by setting HISR(12) if the ASB Free Request interrupt bit is set
  - Sets a return code indicating that an error has been detected and interrupt the Host by setting HISR(12) regardless of the state of the ASB Free Request interrupt bit.

| Command Name          | Code (Hex) | Description                                                                                                                                                                                                                            |
|-----------------------|------------|----------------------------------------------------------------------------------------------------------------------------------------------------------------------------------------------------------------------------------------|
| DLC.STATUS            | 83         | Indicates a change in DLC status to the Host                                                                                                                                                                                           |
| RECEIVED.DATA         | 81         | Informs the Host that data for a particular STATION_ID has been received; the Host must move the data from the Shared RAM Receive buffers to buffers in Host memory                                                                    |
| RETRANSMIT.DATA       | 86         | FAST PATH ONLY: Lets adapter request a retransmission of frames by the Host due to changes in link station status; the Host responds by moving frames to the transmit buffer pool starting at the frame with the correlator in the ARB |
| RING.STATUS.CHANGE    | 84         | Indicates a change in network status to the Host                                                                                                                                                                                       |
| TRANSMIT.DATA.REQUEST | 82         | NON-FAST PATH ONLY: When Fast Path is <i>not</i> used, informs the Host that TROPIC now needs data for a Transmit command previously issued by Host                                                                                    |

**DLC.STATUS x83**

SUMMARY: The adapter is indicating a change in DLC status to the Host.

When the Host has read the command information from the ARB, it will interrupt the adapter by setting TISR(9) to acknowledge receipt of the command and indicate that the adapter may reuse the ARB. No response is required for this command. However, see Section 8.0 for DLC Status codes and suggested responses.

| Offset | Parameter Name  | Byte Length | Description                                     |
|--------|-----------------|-------------|-------------------------------------------------|
| 0      | COMMAND         | 1           | x83, DLC.STATUS                                 |
| 1      |                 | 3           | Reserved                                        |
| 4      | STATION_ID      | 2           | ID of the SAPs or Stations Presenting Status    |
| 6      | STATUS          | 2           | DLC Status Indicator; see Following Explanation |
| 8      | FRMR_DATA       | 5           | Data Sent or Received with FRMR Response        |
| 13     | ACCESS_PRIORITY | 1           | New Access Priority for SAP or Station          |
| 14     | REMOTE_ADDRESS  | 6           | The Physical Ring Address of the Remote Station |
| 20     | RSAP_VALUE      | 1           | Remote Station's SAP_VALUE                      |

**STATUS**

More than one bit can be set in the status word if the adapter had to wait for the ARB to become available. The bit meanings are listed below. For more details and a list of responses to these conditions, see Section 8.

- Bit 15** Ti Timer has expired
- Bit 14** DLC counter overflow
- Bit 13** Access priority reduced
- Bits 12-9** Reserved
- Bit 8** Local station has entered "local busy" condition
- Bit 7** Link lost
- Bit 6** DM or DISC received, or DISC acknowledged
- Bit 5** FRME received
- Bit 4** FRME sent
- Bit 3** SABME received for an open link station
- Bit 2** SABME received, link station opened
- Bit 1** Remote station has entered local busy state
- Bit 0** Remote station has left local busy state

**RECEIVED.DATA x81**

**SUMMARY:** This command informs the Host that data for a particular STATION\_ID has been received. The data must be moved from the receive buffers in shared RAM and placed into buffers in Host memory.

When the Host has finished processing the RECEIVED.DATA command, it will provide a return code in the ASB and interrupt the adapter by setting TISR(12). If the return code is x20, and the frame was an I frame destined for a link station, the adapter will set local busy state (buffer set) for the affected link station. It is the Host software's responsibility to reset the local busy state when buffers become available.

| Offset | Parameter Name | Byte Length | Description                                                 |
|--------|----------------|-------------|-------------------------------------------------------------|
| 0      | COMMAND        | 1           | x81, RECEIVED.DATA                                          |
| 1      |                | 3           | Reserved                                                    |
| 4      | STATION_ID     | 2           | ID of the Receiving Station, see Following Explanation      |
| 6      | RECEIVE_BUFFER | 2           | Offset to the First Receive Buffer in Shared RAM            |
| 8      | LAN_HDR_LENGTH | 1           | The Length of the LAN Header Field                          |
| 9      | DLC_HDR_LENGTH | 1           | The Length of the LLC Header Field                          |
| 10     | FRAME_LENGTH   | 2           | Length of the Entire Frame                                  |
| 12     | NCB_TYPE       | 1           | Category of the Message Received, see Following Explanation |

**STATION\_ID**

This field will indicate the link station, the SAP, or (if x0000) the direct station that the data is destined for.

**DLC\_HDR\_LENGTH**

This is the actual LLC header length if the message is a non-MAC frame, and the destination is either an SAP or a link station. It is equal to x00 if the message is either a MAC frame or a non-MAC frame and the destination is the direct station.

**NCB\_\_TYPE**

Following are the different categories of messages received:

**Hex****Value Type**

**02** MAC frame  
**04** I frame  
**06** UI frame  
**08** XID command poll  
**0A** XID command not-poll  
**0C** XID response final  
**0E** XID response not final  
**10** TEST response final  
**12** TEST response not final  
**14** Other or unidentified.

**The ASB Response from the Host**

| Offset | Parameter Name | Byte Length | Description                                                     |
|--------|----------------|-------------|-----------------------------------------------------------------|
| 0      | COMMAND        | 1           | x81, RECEIVED.DATA                                              |
| 1      |                | 1           | Reserved                                                        |
| 2      | RETCODE        | 1           | Return (Completion) Provided by the Host Program                |
| 3      |                | 1           | Reserved                                                        |
| 4      | STATION_ID     | 2           | ID of the Station Receiving Data                                |
| 6      | RECEIVE_BUFFER | 2           | Offset to the Address of the First Receive Buffer in Shared RAM |

**Return Code to TROPIC**

**x00** Operation completed successfully  
**x20** Lost data on receive, no buffers available. Local busy will be set if NCB\_\_TYPE specified I-frame.

**Return Code to the Host**

**xFF** Response valid, ASB available  
**x01** Unrecognized command code  
**x26** Unrecognized command correlator, see following Note  
**x40** Invalid STATION\_ID

Note: For x26 only, "Unrecognized command correlator" means that the receive buffer address is not that which is expected by the adapter.

**Received Data**

Received data is held in the adapter shared RAM in one or more receive buffers, depending on the length of the frame. The address of the first, or only, receive buffer will be provided to the Host in the ARB with the RECEIVE.DATA command. In the last, or only buffer containing the frame, bytes 2 and 3 will contain x0000; otherwise they will contain the address of the next buffer plus 2 bytes.

**Receive Buffer Format**

| Offset | Parameter Name  | Byte Length | Description                                                                         |
|--------|-----------------|-------------|-------------------------------------------------------------------------------------|
| 0      |                 | 2           | Reserved                                                                            |
| 2      | BUFFER__POINTER | 2           | Offset to the Address of the Next Buffer Plus 2, or Zero if this is the Last Buffer |
| 4      |                 | 1           | Reserved                                                                            |
| 5      | RECEIVE__FS     | 1           | FS/Address Match (Last Buffer Only)                                                 |
| 6      | BUFFER__LENGTH  | 2           | Length of the Data in this Buffer                                                   |
| 8      | FRAME__DATA     | n           | Frame Data                                                                          |

**RECEIVE\_\_FS**

RECEIVE\_\_FS bits are described below:

- Bit 7** Address recognized indicator
- Bit 6** Frame copied indicator
- Bit 5** Reserved
- Bit 4** Reserved
- Bit 3** Address recognized indicator
- Bit 2** Frame copied indicator
- Bits 1-0** Reserved

**RETRANSMIT.DATA x86**

The adapter will use this ARB to request the retransmission of Fast Path transmitted frames due to changes in the status of a link station. This ARB is only used on the link interface. The Host software responds by moving frames to the transmit buffer pool starting at the frame with the correlator given in the ARB. See the earlier discussion of Fast Path Transmits for more information on retransmissions.

| Offset | Parameter Name | Byte Length | Description                                          |
|--------|----------------|-------------|------------------------------------------------------|
| 0      | COMMAND        | 1           | x86, RETRANSMIT.DATA                                 |
| 1      | CORRELATOR     | 1           | Correlator Number with which to Start Retransmission |
| 2      |                | 2           | Reserved                                             |
| 4      | STATION_ID     | 2           | Station ID of Link Requiring Retransmission          |

**RING.STATUS.CHANGE x84**

The adapter is indicating a change in the network status to the Host.

The status provided with this command is the current network status and may possibly equal the last status if the adapter has had to wait for the ARB to become available. When the Host has read the command information from the ARB, it will interrupt the adapter by setting TISR(9) to acknowledge receipt of the command and indicate that the adapter may reuse the ARB. No response is required for this command.

| Offset | Parameter Name | Byte Length | Description                             |
|--------|----------------|-------------|-----------------------------------------|
| 0      | COMMAND        | 1           | x84, RING.STATUS.CHANGE                 |
| 1      |                | 5           | Reserved                                |
| 6      | NETW__STATUS   | 2           | Current Network Status, see Section 8.0 |

**TRANSMIT.DATA.REQUEST x82**

This informs the Host that data for a non-Fast Path (SRB) transmit command previously issued by the Host is needed.

When the Host has read the command information from the ARB, it will interrupt the adapter by setting TISR(9) to acknowledge receipt of the command and indicate that the adapter may reuse the ARB. When the Host has completed processing the TRANSMIT.DATA.REQUEST command, it will provide a return code in the ASB and interrupt the adapter by setting TISR(12). Only a successful return code is expected by the adapter in response to this request. The Host program should make sure that the transmit request is valid before issuing the original command to the adapter.

| Offset | Parameter Name | Byte Length | Description                               |
|--------|----------------|-------------|-------------------------------------------|
| 0      | COMMAND        | 1           | x82, TRANSMIT.DATA.REQUEST                |
| 1      | CMD__CORRELATE | 1           | PC/Adapter Command Correlator             |
| 2      |                | 2           | Reserved                                  |
| 4      | STATION__ID    | 2           | ID of the Sending Station                 |
| 6      | DHB__ADDRESS   | 2           | The Address of the DHB to Put the Data in |

A description of DHB contents after the data move follows:

**TRANSMIT.I.frame** This is the data field of the frame to be transmitted. The adapter provides the LAB and DLC headers.

**TRANSMIT.DIR.frame** This is the entire message, including the LAN header and any additional headers, with space reserved for the LAN source address to be inserted by the adapter. If the LAN header contains routing information, the Host must set the high-order bit of the high-order byte of the source address field on.

**All other commands** These include the LAN header with space reserved for the LAN source address to be inserted by the adapter, followed by 3 bytes reserved for the adapter to insert the LLC header, followed by the data. The adapter determines whether or not the LAN header includes routing information by checking the length field in the ASB accompanying the DHB.

**ASB Response from Host**

| Offset | Parameter Name | Byte Length | Description                                                                      |
|--------|----------------|-------------|----------------------------------------------------------------------------------|
| 0      | COMMAND        | 1           | The Transmit Command as Provided in the Original SRB Command                     |
| 1      | CMD__CORRELATE | 1           | PC/Adapter Command Correlator                                                    |
| 2      | RETCODE        | 1           | Return (Completion) Provided by the Host Program                                 |
| 3      |                | 1           | Reserved                                                                         |
| 4      | STATION__ID    | 2           | ID of the Station Sending Data                                                   |
| 6      | FRAME__LENGTH  | 2           | Length of the Entire Frame                                                       |
| 8      | HEADER__LENGTH | 1           | Length of the LAN Header, Required Only for an SAP                               |
| 9      | RSAP__VALUE    | 1           | Remote SAP, the DSAP in the Transmitted Frame, Required Only for SAP Station IDs |

**Return Code to the Adapter**

**x00** Operation completed successfully

**Return Codes to the Host**

**xFF** Response valid, ASB available

**x01** Unrecognized command code

**x26** Unrecognized command correlator

**x40** Invalid STATION\_\_ID

## 6.0 BRIDGE OPERATION AND COMMANDS

By using two TROPIC-based adapters in the same workstation, each connected to a separate Ring, a bridge application program can forward frames between the two Rings. This capability is supported by some additional resources:

- two additional SRB commands
- one additional ARB command
- two additional Shared RAM areas—a Bridge Transmit Control area and Bridge Transmission buffers
- two additional interrupt register bits, one in the HISR and one in the TISR

A DIR.CONFIG.BRIDGE.RAM command must be issued before the DIR.OPEN.ADAPTER command. This ensures that the shared RAM will be prepared with the bridge transmit areas allocated when the open is performed.

After the adapter has been opened, a DIR.SET.BRIDGE.PARM command must be issued to enable frames to be received for forwarding.

An adapter that is opened for bridge functions interrogates all frames passing on the ring. Any received frame that does not have any other address match for the adapter and has a routing information (RI) field is to be forwarded. Refer to the *IBM Token-Ring Network Architecture Reference* for more about routing frames.

When the adapter receives a frame from the ring for forwarding, the adapter issues an ARB command (the RECEIVE.BRIDGE.DATA command) to the Host.

The Host software must move the frame data from the receive buffers of the receiving adapter in shared RAM to the transmit buffers in the shared RAM of the adapter connected to the other ring. Then the Host software must inform the receiving adapter that the frame has been accepted by responding to the ARB with an ASB.

The Host software must set TISR(14) to initiate transmitting the frame now in the bridge transmit buffer in shared RAM of the transmit adapter. When the adapter has completed transmitting the frame, it sets HISR(9) to inform the Host software.

The bridge transmit control area is used during the transmission to monitor buffer use and availability.

### The Bridge Commands

The following commands are provided to allow the use of TROPIC's bridge functions.

| Command Name          | Code (Hex) | Description                                                                                 |
|-----------------------|------------|---------------------------------------------------------------------------------------------|
| DIR.CONFIG.BRIDGE.RAM | 0C         | Tells adapter how much shared RAM to allocate for bridge transmit control areas and buffers |
| DIR.SET.BRIDGE.PARMS  | 09         | Lets Host set values and conditions for adapter to use when copying frames for forwarding   |
| RECEIVED.BRIDGE.DATA  | 85         | Informs Host that adapter has received frame that requires forwarding                       |

### Shared RAM Layout for Bridge Use

TROPIC assigns locations in shared RAM when the adapter is opened for bridge use in a format like the following:

#### Start of Shared RAM (as seen from TROPIC)

| Host Read-Only Address Space               |                                                                           |
|--------------------------------------------|---------------------------------------------------------------------------|
| Adapter Private Variables and Work Areas   | Length: 1496 bytes                                                        |
| System Status Block (SSB)                  | Length: 20 bytes                                                          |
| Adapter Request Block (ARB)                | Length: 28 bytes                                                          |
| Receiver Buffers                           | Length: space remaining after all SAPs or stations are defined            |
| SAP and Link Station Control Blocks        | Length: as defined by maximum number of SAPs or stations                  |
| Host Read/Write Address Space              |                                                                           |
| Data Holding Buffer (DHB)                  | Length: as specified at open adapter time. There may be one or more DHBs. |
| System Request Block (SRB)                 | Length: 28 bytes                                                          |
| Adapter Status Block (ASB)                 | Length: 12 bytes                                                          |
| Bridge Transmit Control Area               | Length: 16 bytes                                                          |
| Bridge Transmit Buffers                    | Length: defined by the DIR.CONFIG.BRIDGE.RAM command                      |
| Reserved Area on 64 kB Shared RAM Adapters |                                                                           |
| Reserved                                   | Length: 512 bytes                                                         |

#### End of Shared RAM (As Seen from TROPIC)

Note: On 64 kB adapters, the 512 bytes at the end are reserved.

The bridge transmit control area and the bridge transmit buffers are the additional fields defined in shared RAM for bridge functions (if the bridge functions are activated by a DIR.CONFIG.BRIDGE.RAM command).

**DIR.CONFIG.BRIDGE.RAM x0C**

**SUMMARY:** This command tells the adapter how much shared RAM to allocate for bridge transmit control area and buffers. The adapter must have been initialized and must not be open for this command to be accepted. When subsequent commands are issued, the conditions enabled by this command are incorporated.

In addition to the allocation of shared RAM, this command forces bit 8 of the functional address to be set on regardless of the parameter passed by a subsequent DIR.OPEN.ADAPTER or DIR.SET.FUNCTIONAL.ADDRESS command. Once set, this functional address can be reset only by either closing and reinitializing the adapter, or issuing a DIR.CONFIG.BRIDGE.RAM command with a shared RAM size of zero.

| Offset | Parameter Name | Byte Length | Description                                        |
|--------|----------------|-------------|----------------------------------------------------|
| 0      | COMMAND        | 1           | x0C, DIR.CONFIG.BRIDGE.RAM                         |
| 1      |                | 1           | Reserved                                           |
| 2      | RETCODE        | 1           | Set by the Adapter Upon Return                     |
| 3      |                | 5           | Reserved                                           |
| 8      | XMIT_RAM_SIZE  | 2           | The Amount of Shared RAM for Bridge Transmit Space |

**XMIT\_RAM\_SIZE**

The number of 8 byte blocks of shared RAM to dedicate for bridge transmit buffers and the associated bridge transmit control area. The transmit buffers will be formatted identically to the receive buffers when the adapter is opened. The minimum value for this field is 3 (24 bytes).

**SRB Response**

When the adapter completes the command, it sets return values in SRB bytes 8 through 11 and the return code is placed in the RETCODE field. The adapter then interrupts the Host by setting HISR(13). The SRB content will then be as shown below.

| Offset | Parameter Name | Byte Length | Description                                           |
|--------|----------------|-------------|-------------------------------------------------------|
| 0      | COMMAND        | 1           | x0C, DIR.CONFIG.BRIDGE.RAM                            |
| 1      |                | 1           | Reserved                                              |
| 2      | RETCODE        | 1           | Return Code, see Below                                |
| 3      |                | 5           | Reserved                                              |
| 8      | BRIDGE_XMIT    | 2           | Offset to the Address of Bridge Transmit Control Area |
| 10     | SRB_ADDRESS    | 2           | Offset to the Address of the SRB                      |

**Valid Return Codes**

- x00** Operation completed successfully
- x01** Invalid command code
- x03** Adapter open, should be closed



**DIR.SET.BRIDGE.PARMS x09**

**SUMMARY:** This command provides values and conditions for the adapter to use when copying frames for forwarding.

A DIR.CONFIG.BRIDGE.RAM command must have previously been completed successfully and the adapter must be open for this command to be accepted. A return code of x05 (required parameters not provided) is returned if the DIR.CONFIG.BRIDGE.RAM command was not previously completed successfully. The adapter does not check for parameters missing from this command.

| Offset | Parameter Name   | Byte Length | Description                           |
|--------|------------------|-------------|---------------------------------------|
| 0      | COMMAND          | 1           | x09, DIR.SET.BRIDGE.PARMS             |
| 1      |                  | 1           | Reserved                              |
| 2      | RETCODE          | 1           | Set by the Adapter Upon Return        |
| 3      |                  | 3           | Reserved                              |
| 6      | SOURCE_RING      | 2           | Source Ring Number                    |
| 8      | TARGET_RING      | 2           | Target Ring Number                    |
| 10     | BRIDGE_NUMBER    | 2           | Individual Bridge Number              |
| 12     | PARTITION_BITS   | 1           | Number of Partition Bits              |
| 13     | SROUTE_BROADCAST | 1           | Single-Route Broadcast Path Indicator |
| 14     | TOKEN_PRIORITY   | 1           | Access Priority for Forwarding Frames |

**SOURCE\_RING**

The adapter compares the value in this field with the routing information source ring field in frames received from the ring when determining if the frame is to be forwarded. This value must be the number of the ring to which this adapter is connected. For instance, the valid range of values is xX001 to xXFFF if the PARTITION\_BITS parameter value is 4. The SOURCE\_RING value must be different from the TARGET\_RING value.

**Note:** All bridges connected to a specific ring must refer to the ring with the same ring number value.

**TARGET\_RING**

The adapter compares the value in this field with the routing information target ring field in frames received from the ring when determining if the frame is to be forwarded. This value must be the number of the ring to which the other adapter in this Host is connected. For instance, the valid range of values is xX001 to xXFFF if the PARTITION\_BITS parameter value is 4. The TARGET\_RING value must be different from the SOURCE\_RING value. See the note above.

**BRIDGE\_NUMBER**

The adapter compares the value in this field with the routing information bridge number field in frames received from the ring when determining if the frame is to be forwarded.

**PARTITION\_BITS**

The value in this field is used to determine what portion of each 2-byte segment in the routing information field contains the bridge number. A value of 4 indicates that the low-order 4 bits of the segment contain the bridge number. The remaining 12 bits contain the ring number. There is no default value for this field. The Host software is responsible for maintaining a validity check on the value used. All bridges in the network must use the same value for this field or its equivalent. See "Routing Control Field" in the *IBM Token-Ring Network Architecture Reference*.

**SROUTE\_BROADCAST**

The value in this field is used to determine the handling of single-route broadcast frames that are received. If the value is zero, single-route broadcast frames will not be copied by the adapter. If the value is not zero, single-route broadcast frames will be copied by the adapter.

**TOKEN\_PRIORITY**

This value indicates the priority token that can be captured or requested for bridge forward frame use. The maximum value allowed is 4. A value greater than 4 will cause a return code of x08 (unauthorized access priority).

This parameter does not affect the priority of frames sent by the Host software using the standard transmit buffer path. Refer to the Transmit Commands discussion in Section 5.0.

**SRB Response**

When the adapter completes the DIR.SET.BRIDGE.PARMS operation, it sets the return code in the SRB and interrupts the Host by setting HISR(13).

**Valid Return Codes**

- x00** Operation completed successfully
- x01** Invalid command code
- x04** Adapter closed, should be open
- x05** Required parameters not provided
- x08** Unauthorized access priority

**RECEIVED.BRIDGE.DATA x85**

**SUMMARY:** This command informs the Host that the adapter has received a frame that does not have any other address match for the adapter (such as specific, group, or functional address match) and has an RI field. This command is only valid after a DIR.SET.BRIDGE.PARMS command has been received by the adapter.

All frames received by the adapter as bridge frames are given to the Host through the direct interface (station x0000). Therefore, until the Host issues an ASB response to the RECEIVE.BRIDGE.DATA ARB command, no other ARB interrupts for data received on the direct interface can be issued to the Host. This includes both MAC and additional frames to be forwarded.

The Host software must set TISR(9) to indicate that the command has been read from the ARB. After the Host software has completed processing the command and written the ASB, TISR(12) must be set to indicate completion to the adapter. Frames that have a destination address match are passed to the Host through the normal RECEIVE.DATA ARB (x81).

| Offset | Parameter Name | Byte Length | Description                                                     |
|--------|----------------|-------------|-----------------------------------------------------------------|
| 0      | COMMAND        | 1           | x85, RECEIVE.BRIDGE.DATA                                        |
| 1      |                | 3           | Reserved                                                        |
| 4      | STATION_ID     | 2           | ID of the Receiving Station, Always x0000                       |
| 6      | RECEIVE_BUFFER | 2           | Offset to the Address of the First Receive Buffer in Shared RAM |
| 8      | LAN_HDR_LENGTH | 1           | The Length of the LAN Header Field                              |
| 9      |                | 1           | Reserved                                                        |
| 10     | FRAME_LENGTH   | 2           | Length of the Entire Frame (Including CRC)                      |
| 12     | NCB_TYPE       | 1           | Category of the Message Received, Always x14 (Other)            |

**Note:** The last 4 bytes of data in the receive buffer for a frame received via a RECEIVE.BRIDGE.DATA (x85) ARB are the received cyclic redundancy check (CRC).

**The ASB Response from the Host**

The Host software should respond to the RECEIVE.BRIDGE.DATA (x85) ARB with a RECEIVED.DATA (x81) ASB as shown below.

| Offset | Parameter Name | Byte Length | Description                                                       |
|--------|----------------|-------------|-------------------------------------------------------------------|
| 0      | COMMAND        | 1           | x81, RECEIVED.DATA                                                |
| 1      |                | 1           | Reserved                                                          |
| 2      | RETCODE        | 1           | Return (Completion) Provided by the Host Program                  |
| 3      |                | 1           | Reserved                                                          |
| 4      | STATION_ID     | 2           | ID of the Station Receiving Data, Always x0000 (Direct Interface) |
| 6      | RECEIVE_BUFFER | 2           | Offset to the Address of the First Receive Buffer in Shared RAM   |

**Return Code to the Adapter**

**x00** Operation completed successfully

**Return Code to the PC System**

**xFF** Response valid, ASB available

**x01** Unrecognized command code

**x26** Unrecognized command correlator

**x40** Invalid STATION\_ID

**Note:** For this response only, "Unrecognized command correlator" means that the receive buffer address is not that which is expected by the adapter.

**The Received Data**

See the RECEIVED.DATA ARB command description for details about the receive buffers.

**TRANSMITTING BRIDGE FORWARDED FRAMES**

Transmitting frames forwarded by a Host bridge program using TROPIC is performed differently than normal transmitting. The frame data can be moved directly from the receive buffers in the shared RAM of the receiving adapter to the transmit buffers in the shared RAM of the transmit adapter.

The bridge transmit control area allows the adapter and the Host software to jointly manage the transmit buffer pool. The locations of the bridge transmit control area and the bridge transmit buffers in shared RAM are available at the completion of the DIR.CONFIG.BRIDGE.RAM SRB command.

**Bridge Transmit Control Area**

| Offset | Parameter Name | Byte Length | Description                                                                 |
|--------|----------------|-------------|-----------------------------------------------------------------------------|
| 0      |                | 2           | Reserved                                                                    |
| 2      | INPUT_COUNT    | 1           | Count of the Buffers in Use by the Host                                     |
| 3      | OUTPUT_COUNT   | 1           | Count of the Buffers Transmitted by the Adapter                             |
| 4      | RETURN_COUNT   | 1           | Count of the Buffers Returned to the Host by the Adapter after Transmission |
| 5      |                | 1           | Reserved for Host Use                                                       |
| 6      | MAX_BUFFERS    | 2           | The Total Number of Bridge Transmit Buffers                                 |
| 8      | NEXT_BUFFER    | 2           | The Address of the Next Available Buffer                                    |
| 10     | OLD_BUFFER     | 2           | The Address of the Buffer Containing the Next Data to Transmit              |
| 12     |                | 4           | Reserved for Adapter Work Area                                              |

**INPUT\_COUNT**

This field is incremented by the Host software to indicate the number of bridge transmit buffers filled. The adapter can only read this field.

**OUTPUT\_COUNT**

This field is incremented by the adapter to indicate the number of buffers that have been transmitted (successfully or unsuccessfully). The Host can only read this field.

**RETURN\_COUNT**

This field is set by the Host software to indicate the number of buffers that have been returned after transmission by the adapter. The adapter does not use this field.

**MAX\_BUFFERS**

This field contains the total number of bridge transmit buffers formatted when the adapter is opened with the bridge functions active. The Host can only read this field.

**NEXT\_BUFFER**

When the adapter is opened, it sets this field with the address in shared RAM of the first bridge transmit buffer. Thereafter, the adapter will neither read nor write this field.

**OLD\_BUFFER**

When the adapter is opened, it sets this field with the address in shared RAM of the first bridge transmit buffer (the same as the NEXT\_BUFFER field). Thereafter, the adapter will neither read nor write this field.

### Initiating Transmission

The Host software must follow these steps to transmit frames using the bridge transmit control area.

- Determine the number of transmit buffers currently available by the following calculation using 8-bit unsigned arithmetic.  

$$\text{Number of buffers available} = \text{MAX\_BUFFERS} - \text{INPUT\_COUNT} + \text{RETURN\_COUNT}$$
- If buffers are available, Host software then fills the data area of the buffers, sets BUFFER\_LENGTH to the length of data in the buffer, and sets XMIT\_CONTROL in the buffer appropriately (see "Bridge Transmit Buffer Layout" below).  
 If an insufficient number of buffers are available to hold the entire frame to be transmitted, the Host software may fill the available buffers and wait until additional buffers become available. The Host software must not update the INPUT\_COUNT field until the entire frame is copied into the bridge transmit buffers and the "last-buffer-indicator" bit in the XMIT\_CONTROL field has been set.
- After the Host software has placed an entire frame into the bridge transmit buffers, it must update the bridge transmit control area as follows:
  - It must update the NEXT\_BUFFER field to point to the next available buffer (that is, the value of BUFFER\_POINTER in the last buffer used is stored in the NEXT\_BUFFER field of the bridge transmit control area).
  - It must increment the INPUT\_COUNT field by the number of bridge transmit buffers used by the frame.
 The Host software must ensure that the "last-buffer-indicator" bit in the XMIT\_CONTROL field has been set in the last buffer before updating the INPUT\_COUNT field.

**Note:** Failure to do this can result in an adapter check with a reason code of x0001 (program-detected error).

- The Host software should then set the frame forward request (TISR bit 14) to indicate to the adapter that a bridge frame is ready for forwarding.

After the adapter has transmitted the frame (successfully or unsuccessfully), it updates the OUTPUT\_COUNT field of the bridge transmit control area and sets the frame forward complete (HISR bit 9) bit to interrupt the Host.

- The Host software must then update its fields in the bridge transmit control area so that joint buffer management may be maintained. For example, it would set the RETURN\_COUNT field equal to the OUTPUT\_COUNT field value.

**Note:** The BUFFER\_POINTER field of the last buffer of a frame always points to the first buffer of the next frame to be transmitted, because the bridge transmit buffers are linked in a circular queue.

### The Bridge Transmit Buffer Layout

Bridge frames are transmitted out of special buffers dedicated to bridge traffic. These buffers are formatted when the adapter is opened with bridge functions selected and are the same length as the receive buffers in that adapter. If both adapters are opened with the same parameters, the logic required to copy frames from the receive buffers of one adapter to the transmit buffers of the other is minimal.

There are two formats for the bridge transmit buffers: one for buffers filled by the Host software with the frame to forward and another for the buffers that are returned to the Host after the adapter has transmitted the frame.

The bridge transmit buffers before transmission are described in the table below:

#### Bridge Transmit Buffers (before Transmission)

| Offset | Parameter Name | Byte Length | Description                                                          |
|--------|----------------|-------------|----------------------------------------------------------------------|
| 0      | FRAME_LENGTH   | 2           | The Length of the Entire Frame (Including CRC), in First Buffer Only |
| 2      | BUFFER_POINTER | 2           | Offset to the Address of the Next Buffer Plus 2                      |
| 4      | XMIT CONTROL   | 1           | Control Bits                                                         |
| 5      |                | 1           | Reserved                                                             |
| 6      | BUFFER_LENGTH  | 2           | Length of the Data in this Buffer                                    |
| 8      | FRAME DATA     | n           | Frame Data                                                           |

#### FRAME\_LENGTH

This field must be set by the Host software to indicate the entire length of the frame to be transmitted. This field is valid in only the first buffer of the frame. The field is reserved in the rest of the buffers for the frame.

#### BUFFER\_POINTER

This field points to the BUFFER\_POINTER field of the next available bridge transmit buffer. This field must not be altered by the Host software. It can only be interrogated.

**XMIT\_CONTROL**

This field is set by the Host software to control the CRC generation and to flag the last buffer of a frame. The bit meanings are:

**Bits Description**

**7-5** Reserved

**4** CRC generation (required in first buffer only)  
 0 = CRC is to be calculated by the adapter and inserted after the buffer data.  
 1 = The last 4 bytes of data in the last buffer for the frame are the CRC to be sent with the frame.

**3-1** Reserved

**0** Last buffer indicator.  
 0 = There are additional buffers for the frame.  
 1 = This is the last buffer for the frame.

**BUFFER\_LENGTH**

This field contains the total number of bytes to be transmitted from this buffer.

The bridge transmit buffers after transmission are described in the table below.

**Bridge Transmit Buffers (after Transmission)**

| Offset | Parameter Name | Byte Length | Description                                                            |
|--------|----------------|-------------|------------------------------------------------------------------------|
| 0      | LAST_BUFFER    | 2           | The Address of the Last Buffer in the Frame, Plus 2, First Buffer Only |
| 2      | BUFFER_POINTER | 2           | Offset to the Address of the Next Buffer, Plus 2                       |
| 4      | XMIT_STATUS    | 1           | Transmit Completion Status, Last Buffer Only                           |
| 5      | STRIP_FS       | 1           | The FS Byte as Removed from the Frame, Last Buffer Only                |
| 6      | FRAME_LENGTH   | 2           | Length of the Entire Frame (Including CRC), Last Buffer Only           |
| 8      | NUMBER_BUFFERS | 1           | The Number of Buffers in the Frame, Last Buffer Only                   |
| 9      |                | n           | Data Area                                                              |

**LAST\_BUFFER**

This field contains the address of the BUFFER\_POINTER field of the last buffer in the transmitted frame. This field is valid in only the first buffer of the frame. The field is reserved in the rest of the buffers for the frame.

**BUFFER\_POINTER**

This field points to the BUFFER\_POINTER field of the next available bridge transmit buffer.

**XMIT\_STATUS**

This field is set by the adapter to indicate the transmit completion status of the frame. The bit meanings are:

| Bit # | Name                                | Description                                                                                                                                                                                                                                                                                                                                                                                                                                                                                                                                                                                                                                                                                |
|-------|-------------------------------------|--------------------------------------------------------------------------------------------------------------------------------------------------------------------------------------------------------------------------------------------------------------------------------------------------------------------------------------------------------------------------------------------------------------------------------------------------------------------------------------------------------------------------------------------------------------------------------------------------------------------------------------------------------------------------------------------|
| 7     | Purge Indicator                     | <p>0 = The frame has not been purged.<br/>           1 = The frame was not transmitted but was purged from the transmit queue by the adapter. The adapter may purge frames from the transmit queue under three conditions:</p> <ul style="list-style-type: none"> <li>— The ring the adapter is connected to is beaconing.</li> <li>— The source routing indicator bit in the source address field is not set.</li> </ul> <p><b>Note:</b> This bit is not checked by the adapter.</p> <ul style="list-style-type: none"> <li>— The frame is a MAC frame with a source class and destination class of "ring station."</li> </ul> <p>When this bit is set, bits 6 through 1 are not set.</p> |
| 6     | Strip Frame Error Detect (SFED)     | When this bit is set, the adapter detected a transmission error when removing the frame from the ring.                                                                                                                                                                                                                                                                                                                                                                                                                                                                                                                                                                                     |
| 5     | Strip Error Detect Indicator (SEDI) | This bit is a representation of the error-detected bit found in the ending delimiter (ED) byte of the frame after transmission.                                                                                                                                                                                                                                                                                                                                                                                                                                                                                                                                                            |
| 4-1   | Transmit Completion Code            | <p>These bits represent a transmit completion code which is placed into the last transmit buffer of a frame. The field definitions are:</p> <p>Bits 4-3—Parallel Completion</p> <ul style="list-style-type: none"> <li>00 = Good completion</li> <li>01 = DMA parity error</li> <li>10 = DMA underrun</li> <li>11 = Next buffer in chain unavailable</li> </ul> <p>Bits 2-1—Serial completion</p> <ul style="list-style-type: none"> <li>00 = Good completion</li> <li>01 = PTT timeout; this frame's ending delimiter never returned</li> <li>10 = Corrupted token</li> <li>11 = Either an implicit or explicit abort was stripped</li> </ul>                                             |
| 0     | Last Buffer Indicator               | This bit is always set to indicate the last buffer of a transmitted frame.                                                                                                                                                                                                                                                                                                                                                                                                                                                                                                                                                                                                                 |

**STRIP\_FS**

This field contains the frame status (FS) byte of the frame after transmission. This field is valid for only the last buffer of a frame. It is valid only when the purge bit in the XMIT\_STATUS field is zero.

**FRAME\_LENGTH**

This field contains the value of FRAME\_LENGTH before the frame was transmitted. This field is valid for only the last buffer of a frame.

**NUMBER\_BUFFERS**

This contains the number of bridge transmit buffers used for the frame. This field is valid for only the last buffer of a frame.

**Note:** This field overwrites the first byte of data in the last buffer of the frame.

**7.0 EARLY TOKEN RELEASE ISSUES**

Early Token Release (ETR) is a method of reducing the delay or latency that can occur within a token ring due to the signal propagation time on a 16 Mbps Token-Ring Network as intermediate nodes repeat the signal. As the physical ring length (number of active stations) or the data rate increase, the number of bytes required to "fill" the ring increases. The maximum efficiency of the standard token protocol can be affected if a high percentage of the frames are shorter than the latency of the ring, resulting in an overall average frame size that is less than the ring latency. This is due to the idle characters that must be inserted by a transmitting station until it has recognized its source address in the header of the returning frame and subsequent releasing of a new token. An early token release protocol allows a transmitting station to release a new token as soon as it has completed frame transmission, whether or not the frame header has returned to that station.

ETR can optimize the use of the available ring bandwidth when the average frame size is less than the ring length by decreasing the delay that subsequent stations would see before receiving a token. Frames from two or more different stations can be on the ring simultaneously with this enhancement to the protocol.

The ETR mode of operation alters the behavior of the priority protocol in that the station may not have received the header of the transmitted frame prior to releasing the token. When this occurs, the priority of the next token is the same as the token that was captured by the station prior to transmitting its frame. Any priority reservations that may appear in the header of the returning frame are ignored. However, application programs that offer a mixture of both long and short frames will see little or no negative performance impact due to this mode of operation.

The maximum ring efficiency is defined as that portion of the bandwidth that is available for frame information transfer. The maximum ring efficiency that can be achieved on a ring is simply the ratio of the average number of bytes per frame to the total number of bytes expended on the network to transfer the frame. If the average frame contains 100 bytes of information, but requires 25 idle bytes per frame, then a maximum ring efficiency of 80% can be achieved. This is expressed as:

$$\text{Max Ring Eff} = (\text{Number of Frame bytes}) / (\text{Frame bytes} + \text{Idle bytes})$$

$$\text{Max Ring Eff} = (100)/(100 + 25) = 0.80$$

The number of idle bytes varies depending upon the total frame length. The standard token protocol requires the sender to transmit idle characters onto the ring until it recognizes its own address in the returning header of the frame. The length of the idle field is thus a function of the frame size relative to the total latency of the ring.

The typical latency of a 4 Mbps ring is approximately 50 to 100 bytes. However, 16 Mbps rings are more likely to be used in large backbone rings where the ring latency could exceed 400 bytes. The benefits of the ETR protocol will be greater where a 16 Mbps ring spans a large area. With ETR, no idle characters are required to fill such a ring.

Hardware implementation may require a small inter-frame gap between the end of one frame and the beginning of the next frame.

#### **Additional Factors to Consider**

Small frames are normally used for frame acknowledgements and command/control data. High link utilization is more likely to be associated with simultaneous file transfers by several stations, thus having a higher percentage of "long" frames. Also, since the short frames could be back-to-back, a sequence of 40 frames at 50 bytes each causes about the same delay to a priority station as one continuous 2000 byte frame, assuming the priority station had to simply wait its turn for the token. Fairness of service ensures that all stations continue to receive their fair share of the ring bandwidth during periods of heavy load.

Priority access provides the most benefit to a user only when the link utilization is extremely high. Utilizations at these high levels should only occur during bursts of activity rather than for extended periods. During periods of low utilization, the priority reservation scheme should be invoked less frequently, thus offering negligible transfer time improvement.

#### **ETR Conclusion**

ETR can provide a substantial increase in available data bandwidth when the average frame size is shorter than the latency of the ring.

The priority reservation protocol may be affected by the early token release mode of operation due to the loss of some reservations. However, based on simulation results, there appears to be negligible delay at utilizations below 80%, and the delays above 80% utilization should be limited for most rings exhibiting a mixture of long and short frames. The elimination of ring latency as a limiting factor in maximum ring efficiency is a major benefit of the ETR protocol.







## Section 5

### SUPPORT TOOLS AND REFERENCE MATERIALS

#### **LAN Hardware and Software Support Products**



## Section 5 Contents

|                                                                    |     |
|--------------------------------------------------------------------|-----|
| AN-846 LAN Driver Software Support .....                           | 5-3 |
| Ethernet Magnetics Vendors for 10BASE-T, 10BASE2 and 10BASE5 ..... | 5-8 |

# LAN Driver Software Support

National Semiconductor  
Application Note 846



AN-846

## CONTENTS

- 1.0 HARDWARE
- 2.0 LAN DRIVER SOFTWARE
  - General Driver Information
  - Other Driver Software for SONIC™
- 3.0 "NO-SOFTWARE" ETHERNET LAN SYSTEMS DESIGN
- 4.0 NATIONAL SEMICONDUCTOR LAN DRIVER SOFTWARE DISTRIBUTION
- 5.0 EVALUATION SOFTWARE
- 6.0 CUSTOM DRIVER SUPPORT

## OVERVIEW

This document is intended as an overview of the National Semiconductor LAN software driver support. Primarily described here are various details about evaluation and driver software for National's LAN evaluation products. In addition to these products, National can develop custom drivers for special requirements.

Table I lists Evaluation boards currently in production or in development. Provided with these LAN evaluation products, are a number of software drivers and diagnostics that enable a customer to easily evaluate and implement designs using National's LAN products.

In Section 1.0 a short overview of the available Evaluation boards is given followed by an in-depth description of available software support, and information about developer programs and general support for creation of LAN drivers.

## 1.0 HARDWARE

The evaluation boards can be divided into four categories. One set of boards is based on the DP8390 family, the second set is based on the high performance DP83932 SONIC, the third set is based on the DP83950/955/6 repeaters, and the fourth is token ring boards based on TROPIC™. All four are summarized here, and listed in Table I.

### 16-Bit DP8390 Core Based Boards

The DP83902EB-AT utilizes the DP83902 ST-NIC™ to provide a very low cost 16-bit I/O mapped design (software compatible with Novell's NE2000). This design utilizes low cost octal bus interface components to provide an example of a simple bus interface. The DP83905EB-AT uses the integrated AT/LANTIC™ Ethernet Controller. This device provides a very small parts count, cost effective interface specifically for PC-AT® (ISA) bus compatible systems.

### 16-Bit/32-Bit SONIC Based Boards

The first SONIC based board is the DP839EB-ATS which provides a simple high-performance bus master interface for the PC-AT. This card shows the basic features of the SONIC, but due to the slowness of the AT bus cannot show SONIC's potential performance. The DP83916EB-AT has replaced the DP839EB-ATS, which is obsolete. This board uses an integrated bus interface from PLX Corp. (AT 9010), and also adds an interface to connect to the DP83950EB-AT's management interface.

TABLE I. LAN Evaluation Boards

| Part Number    | Description                                                                 | LAN Chips Supported |
|----------------|-----------------------------------------------------------------------------|---------------------|
| DP83902EB-AT   | ST-NIC PC-AT Compatible Ethernet Evaluation Board                           | DP83902 ST-NIC      |
| DP83905EB-AT   | AT/LANTIC Evaluation Board                                                  | DP83905 AT/LANTIC   |
| DP83916EB-AT   | 16-Bit PC-AT Bus Master Evaluation Board with Repeater Management Interface | DP83916 SONIC-16    |
| DP83932EB-EISA | 32-Bit EISA Bus Master Evaluation Board                                     | DP83832 SONIC       |
| DP83934EB-EISA | 32-Bit EISA Bus Master Evaluation Board                                     | DP83934 SONIC-T     |
| DP839EB-ATS    | 16-Bit PC-AT Bus Master Evaluation Board                                    | DP83932 SONIC       |
| DP839EB-MCS    | 32-Bit MicroChannel® Bus Master Evaluation Board                            | DP83932 SONIC       |
| DP83950EB-AT   | 12 Port PC-AT Repeater Evaluation Kit (RICKIT™)                             | DP83950 RIC™        |
| DP83956EB-AT   | 6 Port PC-AT Evaluation Hub Board                                           | DP83956 LERIC™      |
| DP8025EB-AT    | 16-Bit Token Ring Evaluation Board                                          | DP8025 TROPIC       |

The DP83932EB-EISA and DP83934EB-EISA are better indicators of performance. They are 32-bit bus master adapters using the PLX EISA9032 bus interface and are compatible with EISA PCs. The simple bus mastering interface yields very high performance for EISA client computers.

#### Repeater Evaluation Boards

The DP83950 Evaluation Kit is provided to enable evaluation of the DP83950. This kit provides a cascadable 12 10BASE-T port repeater with a PC-AT interface to enable a CPU to control. This design also has a management interface for network monitoring by a compatible card (such as that provided by the DP83916EB-AT).

The DP83956EB-AT is a low cost 6 port repeater/node board which plugs into a PC-AT compatible computer and demonstrates the integration of a repeater and standard Ethernet card into a PC. It has the functionality of an Ethernet adapter but adds a 6 port repeater.

#### Token Ring Boards

The DP8025EB-AT utilizing the TROPIC to provide a cost effective slave (shared memory) PC-AT compatible token ring adapter card. Contact your local National Semiconductor Sales office or authorized distributor for up-to-date information regarding driver software for TROPIC.

#### 2.0 LAN DRIVER SOFTWARE

For each of National Semiconductor's Evaluation boards, there is a set of drivers available (they are NOT generally supplied with the Evaluation Boards, see Section 5.0). The available drivers are listed in Table II.

National Semiconductor's goal is to develop a set of drivers which shows the operation and performance of the evaluation boards, and to provide example code for National Semiconductor's IC products which can be used to develop similar or related products. The intention is to simplify a customer's development by providing reliable software examples. In most cases, the boards and software provided come close to being product-quality design.

TABLE II. LAN Software Availability

| Product                    | Evaluation Software | NetWare™<br>2.15<br>(IPX)<br>(Note 6) | NetWare<br>3.11<br>(ODI)<br>(Note 1) | NetWare<br>Boot<br>ROM | LAN<br>Manager<br>2.0<br>(NDIS) | LAN<br>Manager<br>Boot<br>ROM | FTP<br>Packet<br>Driver | SCO<br>UNIX®<br>386 V5<br>3.2 | NDIS<br>3.0 |
|----------------------------|---------------------|---------------------------------------|--------------------------------------|------------------------|---------------------------------|-------------------------------|-------------------------|-------------------------------|-------------|
| DP83902EB-AT               | ✓                   | ✓                                     | ✓                                    | ✓                      | ✓                               | ✓                             | ✓                       | ✓                             | ✓           |
| DP83905EB-AT               | ✓                   | ✓                                     | ✓                                    | ✓                      | ✓                               | ✓                             | ✓                       | ✓                             | ✓           |
| DP839EB-MCS                | ✓                   | ✓                                     | ✓                                    |                        | ✓                               |                               | ✓                       | ✓                             |             |
| DP839EB-ATS                | ✓                   | ✓                                     | ✓                                    |                        |                                 |                               | ✓                       | ✓                             |             |
| DP83916EB-AT               | ✓                   | ✓                                     | (Note 4)                             |                        | (Note 2)                        |                               | ✓                       | ✓                             |             |
| DP83932EB-EISA<br>(Note 5) | ✓                   | ✓                                     | ✓                                    |                        | ✓                               |                               | ✓                       | ✓                             | ✓           |
| DP8025EB-AT                | ✓                   |                                       | ✓                                    |                        | ✓                               |                               |                         | ✓                             |             |
| DP83956EB-AT               | ✓                   | ✓                                     | (Note 3)                             | ✓                      | ✓                               | ✓                             | ✓                       | ✓                             |             |
| DP83950EB-AT               | ✓                   | NA                                    | NA                                   | NA                     | NA                              | NA                            | NA                      | NA                            |             |

**Note 1:** Includes DOS and OS/2 client and server drivers.

**Note 2:** Under development.

**Note 3:** The DP83956 is compatible with the DP83902EB-AT when using device drivers. Novell HMI (Hub Management Interface) drivers for NetWare 3.1x are under development.

**Note 4:** When used with the DP83950EB-AT can support Novell's HMI. This driver is under development.

**Note 5:** DP83934EB-EISA is software compatible and uses the same driver set.

**Note 6:** Novell is no longer certifying IPX workstation drivers; these have been superseded by ODI workstation drivers.

### General Driver Information

It is perhaps appropriate to discuss what constitutes a useful driver or set of drivers. To specify a particular driver three parameters are required:

1. A specific hardware implementation;
2. A network operation system;
3. A computer operating system.

If these are defined, then a single software driver can be specified. For example, if the computer is a PC with the DP83932EB-EISA, running NetWare 3.11 Net OS, and DOS OS, then a DOS ODI (Open DataLink Interface) driver is the specific driver required. Another example is a PS/2 with a SONIC MICROCHANNEL card running OS/2 with LAN Manager. This specifies an OS/2 NDIS (Network Driver Interface Specification) driver.

A category of drivers called boot ROMs (sometimes called RPL (remote program load) ROMs enable systems to load their operating system from a network server, eliminating the need for local storage on a local hard disk.

Depending on the Network Operating System, differing numbers of drivers are necessary to obtain a working network using a specific NOS. Table II presents an example list of the drivers for each NOS.

To develop these drivers information from each vendor is required. Most NOS vendors have a developer program that provides support and technical information to assist in the development of drivers. Address and phone information for some vendors is provided in Table VI. Also shown in Table VI are the Compiler/Assembler tools recommended to develop these software drivers.

### Other Driver Software for SONIC

A couple of other drivers are available or under development that may be useful as examples for applications other than PC market applications. These drivers are suited to providing examples of how drivers for embedded applications could be done. These drivers are:

1. Embedded UNIX Driver
2. Wind River's VxWorks Driver (available from Wind River Systems)

Both of these drivers are available. The Embedded driver is available from National, and can be used to provide fairly good generic examples of how to use the SONIC in an embedded application. The second driver is available from Wind River Systems (Phone: 510-748-4100).

### 3.0 "NO-SOFTWARE" ETHERNET LAN SYSTEMS DESIGN

For many designers, implementing a networking interface without having to provide or maintain a library of device drivers, can be a very attractive design option. If this can be accomplished then the costs and time associated with developing the device drivers can be eliminated, simplifying the LAN system design process.

Due to the fragmentation of hardware designs and architectures achieving the "No-Software" LAN implementation can be difficult. HOWEVER, a large number of Net OS software vendors have written and offer device drivers for Novell's NE2000 adapter. This adapter design was originally code-developed by National and Novell, it has become very popular, and now a number of adapter board manufacturers provide software compatible boards as well.

Due to the NE2000's popularity, many Net OS vendors ship drivers for NE2000's and compatibles with their products to ensure end-user acceptance of their hardware product. This is unique to the NE2000 architecture. Therefore the NE2000 has become an industry standard architecture that is widely supported by major network software vendors. (National Semiconductor provides hardware design information for implementing an NE2000 design in the 1992 LAN Data-book; see AN-752).

Table III Shows general information about some of the most popular LAN Net OS products. The right column describes the support for the NE2000 adapter provided.

This list is fairly comprehensive, but may not be complete, as many other smaller NOS vendors may have written drivers for the NE2000 also. The NE2000 drivers are generally available to Ethernet hardware developers and can be licensed to be shipped with the NE2000 hardware product. Licensing fees vary from company to company; the developer should contact the appropriate vendors for specifics on the licensing of the drivers.

TABLE III. Network Operating System Vendors

| Net OS              | NOS Drivers                                                                                            | Vendor                                                                                                                                 | Developer Tools                                                 | NE2000 Driver Availability                                                                          |
|---------------------|--------------------------------------------------------------------------------------------------------|----------------------------------------------------------------------------------------------------------------------------------------|-----------------------------------------------------------------|-----------------------------------------------------------------------------------------------------|
| NetWare             | ODI OS/2<br>ODI DOS<br>ODI Server (Note 3)<br><br>IPX Server<br>IPX Workstation (Obsolete)<br>Boot ROM | Novell Inc.<br>Independent Manufacturers<br>Support Program, B-17-1<br>122 East 1700 South<br>Provo, UT 84606<br>801-429-5713 (Note 1) | Phar Lap ASM<br>for server<br>Microsoft MASM<br>for workstation | Supplied with NetWare                                                                               |
| LAN Manager         | OS/2 NDIS (Note 1)<br>DOS NDIS<br>Boot ROM                                                             | Microsoft Corporation<br>System Software<br>One Microsoft Way<br>Redmond, WA<br>98052-6399<br>800-227-6444                             | Microsoft MASM,<br>Microsoft C                                  | Supplied with LAN Manager, may be licensed for use with other packages                              |
| Boot ROMs           | RPL (LAN Manager and NetWare)                                                                          | LANWorks<br>416-238-5528                                                                                                               | Microsoft MASM                                                  | Programs and sells ROMS for both NetWare and LAN Manager, may be licensed for use with OEM products |
| VINES               | OS/2 NDIS (Note 1)<br>DOS NDIS<br>Boot ROM                                                             | Banyan<br>508-898-1000                                                                                                                 | Various                                                         | Supplied with VINES, also uses NDIS drivers for clients                                             |
| NetBIOS             | NetBIOS Driver                                                                                         | Performance Technology<br>800-327-8526<br>512-524-0500                                                                                 | Various                                                         | Licenses a driver for many NetBIOS applications ( <b>Note:</b> LANtastic uses an NE2000 like card)  |
| SCO UNIX386 v3.2.4  | LLI Streams Driver                                                                                     | The Santa Cruz Operation, Inc.<br>SCO Developer Program<br>400 Encinal St.<br>P.O. Box 1900<br>Santa Cruz, CA 95061<br>408-425-7222    | SCO UNIX 386 v3.2.4 Development System with various LAN add-ons | Supplied by SCO in LLI 3.1 update (now available)                                                   |
| PC/TCP 2.X (Note 2) | DOS Packet Driver                                                                                      | FTP Software<br>P.O. Box 150<br>Kendall Square Branch<br>Boston, MA 02142                                                              | Microsoft C 4.0 or greater, Borland or Microsoft Assemblers     | General driver standard works with public domain and PC/TCP                                         |

**Note 1:** NDIS Drivers are also supported by other networking packages such as Banyan VINES, Sun® PC/NFS, and IBM LAN Server.

**Note 2:** The SCO UNIX driver provides connectivity for a PC running SCO UNIX in a TCP/IP network. The packet driver enables DOS PC communication in a TCP/IP network.

**Note 3:** To facilitate implementing Ethernet repeater management functions on servers, Novell provides an additional driver specification to support IEEE Hub Management specifications. This driver add-on is called HMI.

#### 4.0 NATIONAL SEMICONDUCTOR LAN DRIVER SOFTWARE DISTRIBUTION

National Semiconductor provides LAN software as a separate set of software products available on IBM compatible floppy disks, that may be ordered through an authorized National Semiconductor distributor or Sales office.

Availability of driver source code for some Net OS is limited. Some Net OS vendors, require developers to sign up to a certification or developer program, which usually involves paying fees, and signing a licensing agreement. The license agreement that National has signed for the drivers listed in this document may have certain limitations for distribution of the source code. (Distribution of object or binary code is not restricted). Table IV below highlights the requirements for National to distribute driver software.

In addition to the NOS vendor restrictions, National Semiconductor Corporation has an additional software license in the form of a sealed envelope license agreement that must be accepted before we distribute either source or executable code.

#### 5.0 EVALUATION SOFTWARE

Each board comes with Evaluation and Diagnostic software. This software provides example code for programming National's Ethernet integrated circuit products (typically in Microsoft™ C). These programs can be used to evaluate the behavior and operation of National's products on a network. The evaluation software can be used and/or modified to facilitate generation of hardware testing software. The evaluation software is provided with the evaluation boards (as shown in Table IV), and also can be requested separately.

#### 6.0 CUSTOM DRIVER SUPPORT

National Semiconductor has many years of driver development expertise. This expertise is available on a contract basis for specific software driver development. National is committed to providing the industry with drivers for the most common Network Operating Systems. There may be additional drivers or additional features which customers may wish to add to their products. National may be able to facilitate this development effort. For more information please contact a National Semiconductor franchised distributor or a National Semiconductor Sales office.

**Table IV. Driver Source Code Distribution Requirements**

| <b>Network OS</b>     | <b>Source Code Distribution Requirements</b>                                                                                                                                    |
|-----------------------|---------------------------------------------------------------------------------------------------------------------------------------------------------------------------------|
| Novell NetWare        | Customer or National must obtain a letter from Novell indicating customer can have access to National's source code, or signed Novell License agreement must be provided.       |
| Microsoft LAN Manager | Customer or National must obtain a letter from Microsoft indicating customer can have access to National's source code, or signed Microsoft License agreement must be provided. |
| SCO UNIX (LLI)        | No restrictions on source code. Customer must sign a non-disclosure with SCO to obtain LLI driver specification.                                                                |
| Packet Driver         | No Restrictions                                                                                                                                                                 |



## Ethernet Magnetics Vendors for 10BASE-T, 10BASE2, and 10BASE5

Enclosed is an overview of the magnetics components needed to interface National's Ethernet Products to each of the popular Ethernet cabling schemes.

### 10BASE-T TWISTED PAIR ETHERNET

This discusses the available components to interface National Semiconductor's 10BASE-T Ethernet LAN products to twisted-pair cable. The products offered by NSC include:

- DP83902 ST-NIC™ Serial Twisted Pair Network Interface Controller
- DP83905 AT/LANTIC™ Single Chip Ethernet Controller
- DP83934 SONIC™-T Systems Oriented Network Interface Controller for Twisted Pair
- DP83950 RIC™ Repeater Interface Controller
- DP83955/6 LERIC™ LiE Repeater Interface Controller

The types of solutions from these vendors vary and the designer is encouraged to contact these companies to obtain information on their various solutions. A brief overview of these products is presented here.

The interface from one of National Semiconductor's integrated circuits to the cable consists of the following blocks:

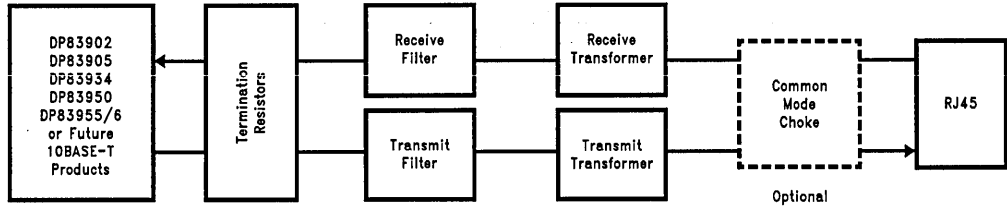
1. Termination resistors used to match the impedance of the twisted-pair interface to the cable.

2. Transmit and Receive Filters which are used to filter out receiver noise, and for the transmitter limit the harmonic content of the output waveform.
3. Transmit and Receive Pulse Transformers. These are required by the 10BASE-T standard to isolate the media from the data terminal equipment (DTE).
4. Optionally a common mode choke which is used to reduce common noise that could be emitted by the 10BASE-T interface. This may be necessary in some applications for meeting FCC or VDE EMI requirements as well as to meet 10BASE-T common mode output voltage noise specifications.

The components offered by the various manufacturers incorporate one or more or all of these. Table I shows some information on the available components. The components listed are primarily those that are more highly integrated. Also mostly DIP version part numbers of these devices are listed, however most vendors have surface mount versions of these products, as well as some products in SIP versions.

Table I is not a complete list of available components. The designer should use this list as a starting point for researching suitable products for his design. The addresses and phone numbers of the vendors listed are shown at the end of this paper in Table IV.

**Twisted Pair Cable Interface Blocks**



TL/F/11248-1



TABLE I. Partial List of 10BASE-T Transformer-Filter Products

| Part Number              | Filter | Transformer | Choke | Termination Resistor | National* Product  | Package†† Type | Tested** by National |
|--------------------------|--------|-------------|-------|----------------------|--------------------|----------------|----------------------|
| <b>PULSE ENGINEERING</b> |        |             |       |                      |                    |                |                      |
| PE65433                  | ✓      | ✓           | ✓     |                      | 902, 934, 950      | TH             | ✓                    |
| PE65425                  | ✓      | ✓           | ✓     |                      | 902, 905, 934, 950 | TH             |                      |
| PE65434                  | ✓      | ✓           | ✓     |                      | 902, 905, 934, 950 | SIP            |                      |
| PE65438                  | ✓      | ✓           | ✓     | ✓                    | 950, 955, 956      | SIP            | ✓                    |
| PE65483                  | ✓      | ✓           | ✓     | ✓                    | 902, 905, 934      | SMD            |                      |
| PE65443                  | ✓      | ✓           | ✓     | ✓                    |                    | SMD            |                      |
| <b>VALOR</b>             |        |             |       |                      |                    |                |                      |
| PT3877                   | ✓      | ✓           |       |                      | 902, 905, 934, 950 | TH             | ✓                    |
| FL1012                   | ✓      | ✓           | ✓†    |                      | 902, 905, 934, 950 | TH             | ✓                    |
| SF1012                   | ✓      | ✓           | ✓     |                      | 902, 905, 934      | SMD            |                      |
| FL1020/SF1020            | ✓      | ✓           | ✓     | ✓                    | 902, 905, 934, 950 | TH, SMD        | ✓                    |
| FL1085                   | ✓      | ✓           | ✓     | ✓                    | 950, 955, 956      | SIP            | ✓                    |
| FL1059                   | ✓      | ✓           | ✓     | ✓                    | 902, 905, 934      | TH             |                      |
| FL1010-002 (4 Channel)   | ✓      | ✓           | ✓     | ✓                    | 950, 955, 956      | TH             |                      |
| <b>FEE FIL-MAG</b>       |        |             |       |                      |                    |                |                      |
| 78Z1120B/D/F-01          | ✓      | ✓           |       |                      | 902, 905, 934      | TH             |                      |
| 78Z1122B/DF-01           | ✓      | ✓           | ✓     |                      | 902, 905, 934      | TH             |                      |
| 78Z1120B-03              | ✓      | ✓           |       |                      | 902, 905, 934, 950 |                |                      |
| 78Z1122B-11/12/13        | ✓      | ✓           | ✓     | ✓                    | 902, 905, 934, 950 | TH             |                      |
| 78Z1120F-01              | ✓      | ✓           | ✓     |                      | 950, 955, 956      | TH             |                      |
| <b>PCA ELECTRONICS</b>   |        |             |       |                      |                    |                |                      |
| EPA1990                  | ✓      | ✓           |       |                      | 902, 934, 950      | TH             |                      |
| EPA2013D                 | ✓      | ✓           | ✓†    |                      | 902, 934, 950      | TH             |                      |
| EPA2188A                 | ✓      | ✓           | ✓     | ✓                    | 950, 955, 956      | TH             |                      |
| EPA2162                  | ✓      | ✓           | ✓     |                      | 950, 955, 956      | SIP            |                      |

\*902 = DP83902, 950 = DP83950, DP83955, DP83956, 934 = DP83934.

\*\*National has evaluated a sampling of 10BASE-T filter-transformer products for operation with the products listed in the National product column. Other products listed should provide suitable performance but have not been evaluated at this time. These products have been tested to a subset of the 10BASE-T standard when using National Semiconductor's integrated circuits. This testing includes waveshape, amplitude, jitter, and general interoperability. Testing for EMI has not been done as this varies dramatically between test setups and real applications.

†There is a single common mode choke on the transmit channel only.

††TH = Thru-hole; SIP = Single-In-Line Package; SMD = Surface Mount Device

**10BASE2 AND 10BASE5 THIN AND THICK ETHERNET**

The interface for Thin (10BASE2) and Thick (10BASE5) Ethernet to the coaxial cable is nearly the same, and is illustrated by the block diagram in *Figure 2*. From the AUI (Attachment Unit Interface) to the coax cable there are three major blocks. A major requirement of the interface is the electrical isolation from the cable interface to the AUI. This isolation is required to be 500V for 10BASE2, and 2000V for 10BASE5. Two of the three blocks provide this isolation.

Starting from the AUI, there are 4 pairs of wires. One pair provides power, and the other three are the data and collision signals. The signal pairs connect to a triple pulse trans-

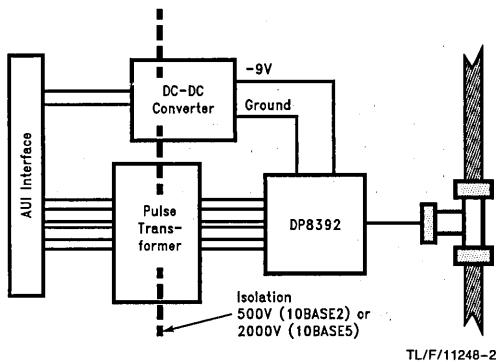
former that provides voltage isolation. These signals then connect to the DP8392, Coax Transceiver Interface (CTI) which converts AUI signaling to coax transmission and reception signals.

The DP8392 is powered from the AUI power pair which is fed from the AUI to a DC to DC Converter. The DC to DC Converter provides the voltage isolation of the power pair required by the IEEE standard, and in 10BASE5 converts the AUI 12V power to -9V required by the DP8392. (For 10BASE2 the DC to DC converter typically converts 5V to -9V).

Besides the DP8392 and a few discrete resistors and capacitors, the major additional magnetic components are the pulse transformer and the DC to DC converter. Both of these components are readily available from a number of sources. Table II shows a selection of manufacturers and their part numbers for Ethernet pulse transformers. All of these components are pin compatible and are available in 16-pin DIP package. Most of these manufacturers also have surface mount versions of these components.

Table III lists two vendors of DC to DC converters. As can be seen there are several different types of converters depending on input voltage and whether an enable function is desired.

Tables II and III are not a complete list of available components. The designer should use these lists as a starting point for researching suitable products for his design. The addresses and phone numbers of the vendors listed are shown at the end of this paper in Table IV.



**FIGURE 2. Coax Ethernet Cable Interface Block Diagram**

**TABLE II. Representative Ethernet Isolation Pulse Transformers for AUI (16-Pin DIP, Triple Transformer)**

| Inductance (Note 1) | Pulse Engineering                     | Valor Electronics                       | FEE Fil-Mag (Note 2) | PCA Electronics          |
|---------------------|---------------------------------------|-----------------------------------------|----------------------|--------------------------|
| 50 $\mu$ H          | 64101 (500V) (Note 4)<br>64106 (2 kV) | LT6001 (500V) (Note 4)<br>LT6031 (2 kV) |                      | EP9531-4 (2 kV) (Note 3) |
| 75 $\mu$ H          | 64102 (500V)<br>64107 (2 kV)          | LT6002 (500V)<br>LT6032 (2 kV)          | 23Z90                | EP9531-5 (2 kV)          |
| 100 $\mu$ H         | 64103 (500V)<br>64108 (2 kV)          | LT6003 (500V)<br>LT6033 (2 kV)          | 23Z91                | EP9531-6 (2 kV)          |
| 150 $\mu$ H         | 64104 (500V)<br>64109 (2 kV)          | LT6004 (500V)<br>LT6034 (2 kV)          | 23Z92                | EP9531-8 (2 kV)          |
| 250 $\mu$ H         |                                       | LT6005 (500V)<br>LT6035 (2 kV)          |                      | EP9531-11 (2 kV)         |

**Note 1:** Generally inductances range from 35  $\mu$ H to 300  $\mu$ H, this table only shows the more commonly used values.

**Note 2:** Information provided only listed 2 kV isolation components. To order surface mount add an "SM" to the part number.

**Note 3:** To specify 500V isolation add an "X" at the end of the part number.

**Note 4:** Surface mount versions also available.

**TABLE III. DC to DC Converters for the DP8392  
(-9V Output, ≥ 200 mA)**

|                 | 500V Isolation                                     |                                                    | 2000V Isolation                        |                                        |
|-----------------|----------------------------------------------------|----------------------------------------------------|----------------------------------------|----------------------------------------|
|                 | + 5V Input                                         | + 12V Input                                        | + 5V Input                             | + 12V Input                            |
| Valor           | PM7102                                             | PM7104                                             | PM6022<br>PM6045 (Note 1)              | PM6028<br>PM6030 (Note 1)              |
| (Switched)      |                                                    |                                                    | PM6044/PM6042                          | PM6079/PM6077                          |
| PCA Electronics | EPC1000P (Note 1)<br>EPC1015P (Note 1)<br>EPC1007P | EPC1005P (Note 1)<br>EPC1013P (Note 1)<br>EPC1008P | EPC1000H (Note 1)<br>EPC1015H (Note 1) | EPC1005H (Note 1)<br>EPC1013H (Note 1) |
| (Switched)      | EPC1002P (Note 1)                                  |                                                    | EPC1002H (Note 1)                      |                                        |

**Note 1:** These DC to DC Converters have a regulated output.

**TABLE IV. Pulse Transformer Vendors**

|   | Company and Address                                                               | Phone        | FAX          |
|---|-----------------------------------------------------------------------------------|--------------|--------------|
| 1 | <b>Pulse Engineering</b><br>P.O. Box 12235<br>San Diego, CA 92112                 | 619-674-8100 | 619-674-8262 |
| 2 | <b>Valor Electronics</b><br>9715 Business Park Avenue<br>San Diego, CA 92131-1642 | 619-537-2500 | 619-537-2525 |
| 3 | <b>FEE Fil-Mag</b><br>9445 Farnham<br>San Diego, CA 92123                         | 619-569-6577 | 619-569-6073 |
| 4 | <b>PCA Electronics</b><br>16799 Schoenborn St.<br>Sepulveda, CA 91343             | 818-892-0761 | 818-894-5791 |





## Section 6

# SUPPORT TOOLS AND REFERENCE MATERIALS

## **FDDI Products Summary**



## Section 6 Contents

|                                                                                |      |
|--------------------------------------------------------------------------------|------|
| DP83266 MACSI Device (FDDI Media Access Controller and System Interface) ..... | 6-3  |
| DP83256/DP83257 PLAYER + Device (FDDI Physical Layer Controller) .....         | 6-4  |
| DP83220 CDL Twisted Pair FDDI Transceiver Device .....                         | 6-5  |
| DP83265 BSI Device (FDDI System Interface) .....                               | 6-6  |
| DP83261 BMAC Device (FDDI Media Access Controller) .....                       | 6-7  |
| DP83251/DP83255 PLAYER Device (FDDI Physical Layer Controller) .....           | 6-8  |
| DP83241 CDD Device (FDDI Clock Distribution Device) .....                      | 6-9  |
| DP83231 CRD Device (FDDI Clock Recovery Device) .....                          | 6-10 |

## DP83266 MACSI™ Device (FDDI Media Access Controller and System Interface)

### General Description

The DP83266 Media Access Controller and System Interface (MACSI) implements the ANSI X3T9.5 Standard Media Access Control (MAC) protocol for operation in an FDDI token ring and provides a comprehensive System Interface.

The MACSI device transmits, receives, repeats, and strips tokens and frames. It produces and consumes optimized data structures for efficient data transfer. Full duplex architecture with through parity allows diagnostic transmission and self testing for error isolation and point-to-point connections.

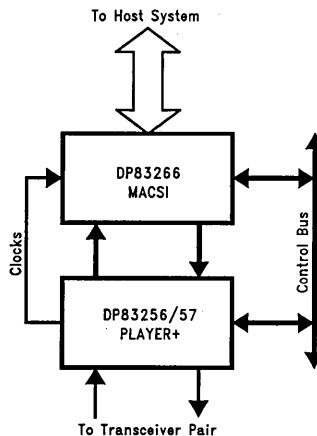
The MACSI device includes the functionality of both the DP83261 BMACTM device and the DP83265 BSI-2TM device with additional enhancements for higher performance and reliability.

### Features

- Over 9 kBytes of on-chip FIFO
- 5 DMA channels (2 Output and 3 Input)
- 12.5 MHz to 33 MHz operation
- Full duplex operation with through parity
- Supports JTAG boundary scan
- Real-time Void stripping indicator for bridges

- On-chip address bit swapping capability
- 32-bit wide Address/Data path with byte parity
- Programmable transfer burst sizes of 4 or 8 32-bit words
- Receive frame filtering services
- Frame-per-Page mode controllable on each DMA channel
- Demultiplexed Addresses supported on ABus
- New multicast address matching feature
- ANSI X3T9.5 MAC standard defined ring service options
- Supports all FDDI Ring Scheduling Classes (Synchronous, Asynchronous, etc.)
- Supports Individual, Group, Short, Long and External Addressing
- Generates Beacon, Claim, and Void frames
- Extensive ring and station statistics gathering
- Extensions for MAC level bridging
- Enhanced SBus compatibility
- Interfaces to DRAMs or directly to system bus
- Supports frame Header/Info splitting
- Programmable Big or Little Endian alignment

### Block Diagram



TL/F/11705-1

FIGURE 1-1. FDDI Chip Set Block Diagram



# DP83256/DP83257 PLAYER +™ Device (FDDI Physical Layer Controller)

## General Description

The DP83256/DP83257 Enhanced Physical Layer Controller (PLAYER+ device) implements one complete Physical Layer (PHY) entity as defined by the Fiber Distributed Data Interface (FDDI) ANSI X3T9.5 standard.

The PLAYER+ device integrates state of the art digital clock recovery and improved clock generation functions to enhance performance, eliminate external components and remove critical layout requirements.

FDDI Station Management (SMT) is aided by Link Error Monitoring support, Noise Event Timer (TNE) support, Optional Auto Scrubbing support, an integrated configuration switch and built-in functionality designed to remove all stringent response time requirements such as PC\_React and CF\_React.

## Features

- Single chip FDDI Physical Layer (PHY) solution
- Integrated Digital Clock Recovery Module provides enhanced tracking and greater lock acquisition range
- Integrated Clock Generation Module provides all necessary clock signals for an FDDI system from an external 12.5 MHz reference

- Alternate PMD Interface (DP83257) supports UTP twisted pair FDDI PMDs with no external clock recovery or clock generation functions required
- No External Filter Components
- Connection Management (CMT) Support (LEM, TNE, PC\_React, CF\_React, Auto Scrubbing)
- Full on-chip configuration switch
- Low Power CMOS-BIPOLAR design using a single 5V supply
- Full duplex operation with through parity
- Separate management interface (Control Bus)
- Selectable Parity on PHY-MAC Interface and Control Bus Interface
- Two levels of on-chip loopback
- 4B/5B encoder/decoder
- Framing logic
- Elasticity Buffer, Repeat Filter, and Smoother
- Line state detector/generator
- Supports single attach stations, dual attach stations and concentrators with no external logic
- DP83256 for SAS/DAS single path stations
- DP83257 for SAS/DAS single/dual path stations

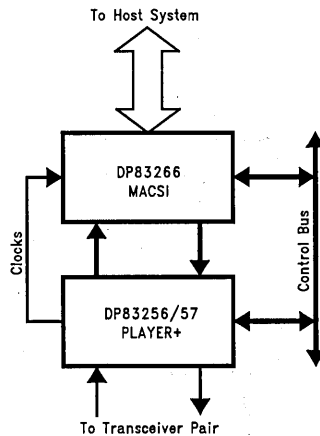


FIGURE 1-1. FDDI Chip Set Overview

TL/F/11708-1



## DP83220 CDL™ Twisted Pair FDDI Transceiver Device

### General Description

The Copper Data Link (CDL) Transceiver is an integrated circuit designed to interface directly with the National Semiconductor FDDI Chip Set or other FDDI PHY silicon, allowing low cost FDDI compatible data links over copper based media. The DP83220 Transceiver, with the proper compensation selected, will allow links of up to 100 meters over both Shielded Twisted Pair (STP) and Datagrade unshielded Twisted Pair (DTP). CDL surpasses a Bit Error Rate (BER) of  $<1 \times 10^{-12}$  over both STP and DTP. The CDL is designed to meet the SDDI specification for FDDI transmission across Type 1 STP cable when used in conjunction with the appropriate transformer/filter module from Pulse Engineering.

### Features

- Fully compatible with current FDDI PHY standard
- Fully compatible with the SDDI PMD specification
- Requires a single +5V supply
- Isolated TX and RX power supplies for minimum noise coupling
- Allows use of Type 1 STP and Category 5 DTP cables
- No Transmit Clock required
- Loopback feature for board diagnostics
- Link Detect input provided

### Block Diagram

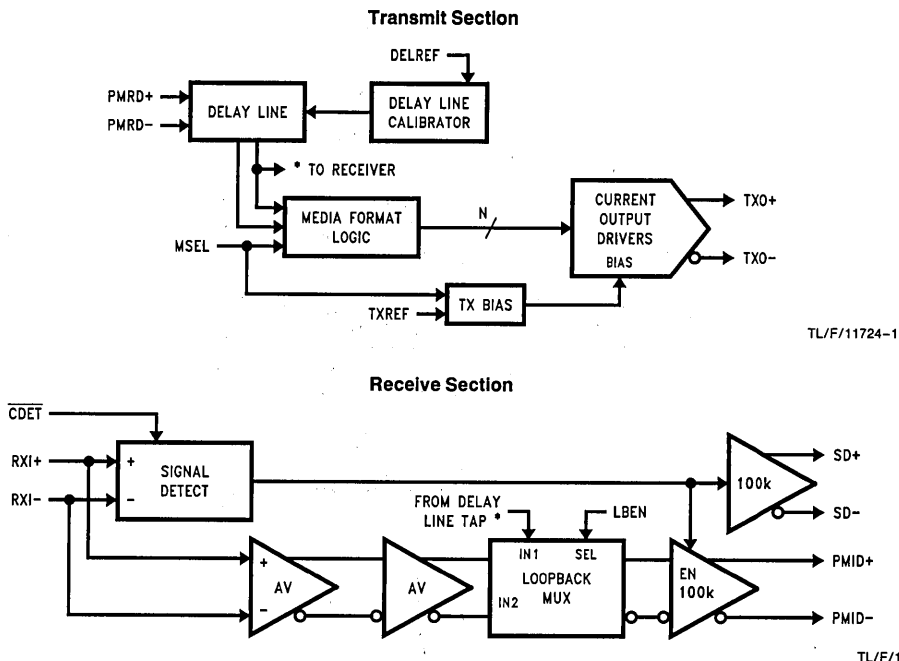


FIGURE 1. DP83220 Transceiver Block Diagram



# DP83265 BSI™ Device (FDDI System Interface)

## General Description

The DP83265 BSI device implements an interface between the National FDDI BMAC™ device and a host system. It provides a multi-frame, MAC-level interface to one or more MAC Users.

The BSI device accepts MAC User requests to receive and transmit multiple frames (Service Data Units). On reception (Indicate), it receives the byte stream from the BMAC device, packs it into 32-bit words and writes it to memory. On transmission (Request), it unpacks the 32-bit wide memory data and sends it a byte at a time to the BMAC device. The host software and the BSI device communicate via registers, descriptors, and an attention/notify scheme using clustered interrupts.

## Features

- 32-bit wide Address/Data path with byte parity
- Programmable transfer burst sizes of 4 or 8 32-bit words
- Interfaces to low-cost DRAMs or directly to system bus
- 2 Output and 3 Input Channels
- Supports Header/Info splitting
- Bridging support
- Efficient data structures
- Programmable Big or Little Endian alignment
- Full Duplex data path allows transmission to self
- Confirmation status batching services
- Receive frame filtering services
- Operates from 12.5 MHz to 25 MHz synchronously with host system

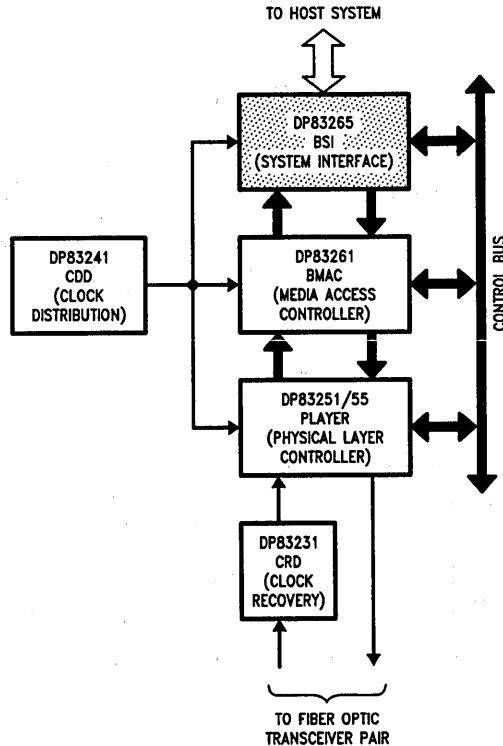


FIGURE 1. FDDI Chip Set Block Diagram

TL/F/10781-1

## DP83261 BMAC™ Device (FDDI Media Access Controller)

### General Description

The DP83261 BMAC device implements the Media Access Control (MAC) protocol for operation in an FDDI token ring. The BMAC device provides a flexible interface to the BSI™ device. The BMAC device offers the capabilities described in the ANSI X3T9.5 MAC Standard and several functional enhancements allowed by the Standard.

The BMAC device transmits, receives, repeats, and strips tokens and frames. It uses a full duplex architecture that allows diagnostic transmission and self testing for error isolation. The duplex architecture also allows full duplex data service on point-to-point connections. Management software is also aided by an array of on chip statistical counters, and the ability to internally generate Claim and Beacon frames without program intervention. A multi-frame streaming interface is provided to the system interface device.

### Features

- Full duplex operation with through parity
- Supports all FDDI ring scheduling classes (asynchronous, synchronous, restricted asynchronous, and immediate)
- Supports individual, group, short, long and external addressing
- Generates Beacon, Claim and Void frames without intervention
- Provides extensive ring and station statistics
- Provides extensions for MAC level bridging
- Provides separate management interface
- Uses low power microCMOS

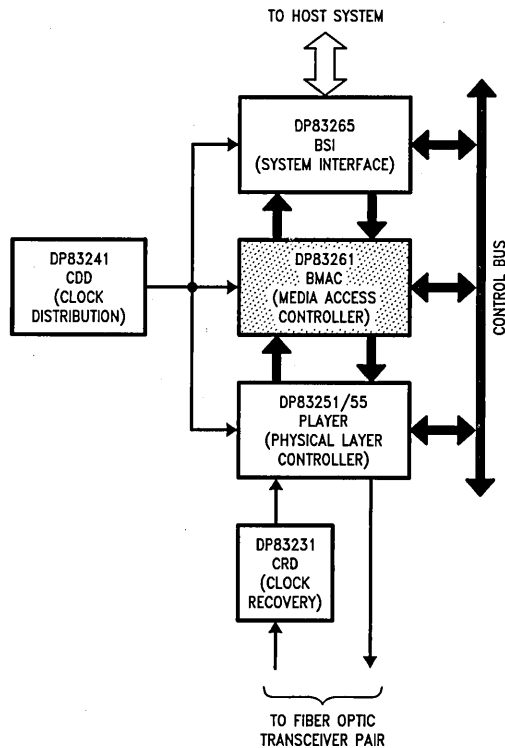


FIGURE 1-1. FDDI Chip Set Block Diagram

TL/F/10387-1



# DP83251/55 PLAYER™ Device (FDDI Physical Layer Controller)

## General Description

The DP83251/DP83255 PLAYER device implements one Physical Layer (PHY) entity as defined by the Fiber Distributed Data Interface (FDDI) ANSI X3T9.5 Standard. The PLAYER device contains NRZ/NRZI and 4B/5B encoders and decoders, serializer/deserializer, framing logic, elasticity buffer, line state detector/generator, link error detector, repeat filter, smoother, and configuration switch.

## Features

- Low power CMOS-BIPOLAR process
- Single 5V supply
- Full duplex operation
- Separate management interface (Control Bus)
- Parity on PHY-MAC Interface and Control Bus Interface
- On-chip configuration switch
- Internal and external loopback
- DP83251 for single attach stations
- DP83255 for dual attach stations

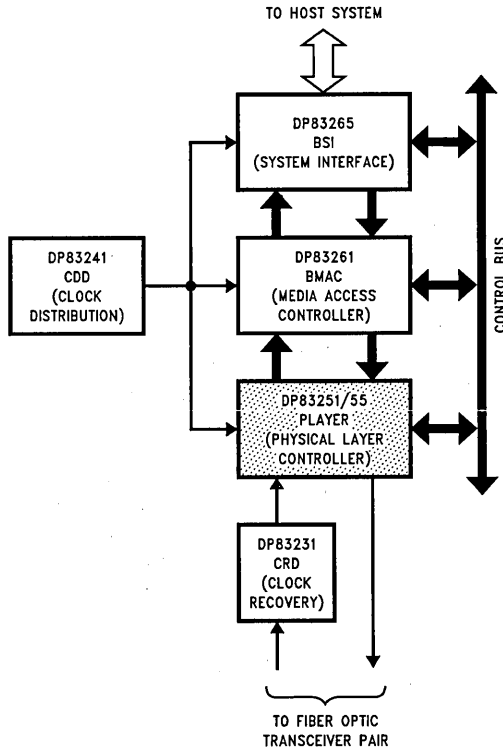


FIGURE 1-1. FDDI Chip Set Block Diagram

TL/F/10386-1

## DP83241 CDD™ Device (FDDI Clock Distribution Device)

### General Description

The CDD device is a clock generation and distribution device intended for use in FDDI (Fiber Distributed Data Interface) networks. The device provides the complete set of clocks required to convert byte wide data to serial format for fiber medium transmission and to move byte wide data between the PLAYER™ and BMAC™ devices in various station configurations. 12.5 MHz and 125 MHz differential ECL clocks are generated for the conversion of data to serial format and 12.5 MHz and 25 MHz TTL clocks are generated for the byte wide data transfers.

### Features

- Provides 12.5 MHz and 25 MHz TTL clocks
- 12.5 MHz and 125 MHz ECL clocks
- 5 phase TTL local byte clocks eliminate clock skew problems in concentrators
- Internal VCO requires no varactors, coils or adjustments
- Option for use of High Q external VCO
- 125 MHz clock generated from a 12.5 MHz crystal
- External PLL synchronizing reference for concentrator configurations
- 28-pin PLCC package
- BiCMOS processing

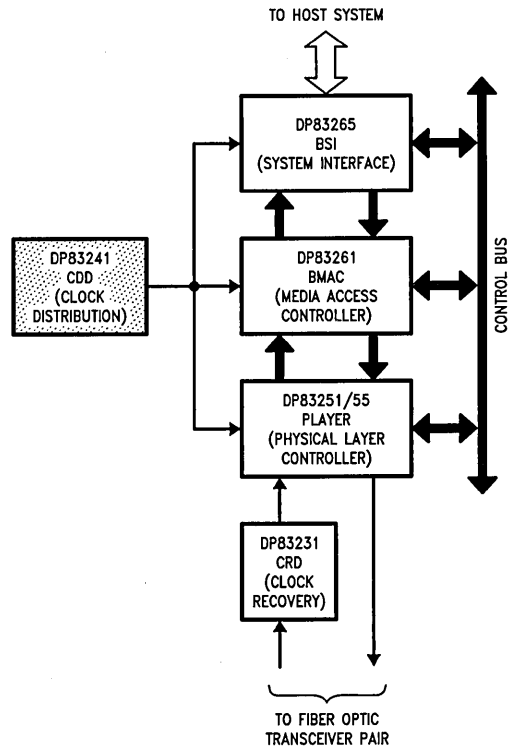


FIGURE 1-1. FDDI Chip Set Block Diagram

TL/F/10385-1



# DP83231 CRD™ Device (FDDI Clock Recovery Device)

## General Description

The DP83231 CRD device is a clock recovery device that has been designed for use in 100 Mbps FDDI (Fiber Distributed Data Interface) networks. The device receives serial data from a Fiber Optic Receiver in differential ECL NRZI 4B/5B group code format and outputs resynchronized NRZI received data and a 125 MHz received clock in differential ECL format for use by the DP83251/55 PLAYER™ device.

## Features

- Clock recovery at 100 Mbps data rate
- Internal 250 MHz VCO
  - 0.1% VCO operating range
  - Crystal controlled
- Precision window centering delay line
- Single +5V supply
- 28-pin PLCC package
- BiCMOS processing

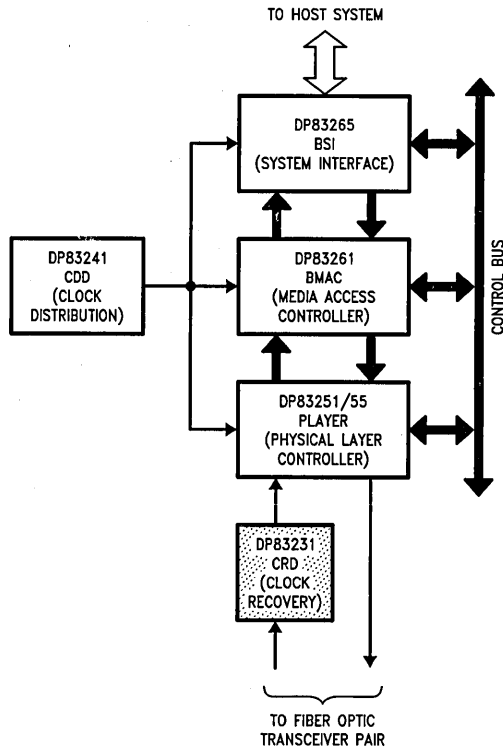


FIGURE 1-1. FDDI Chip Set Block Diagram

TL/F/10384-1



## Section 7

### SUPPORT TOOLS AND REFERENCE MATERIALS

#### **Glossary and Acronyms**



## Section 7 Contents

|                                                                       |      |
|-----------------------------------------------------------------------|------|
| Glossary of Local Area Networking and Data Communications Terms ..... | 7-3  |
| Ethernet and Networking Acronyms .....                                | 7-17 |



## Glossary of Local Area Networking and Data Communications Terms

If a term or acronym appears elsewhere in this databook and is not defined in the following glossary, please send your comments or inputs to:

Attn: LAN Applications  
National Semiconductor MS-D3635  
2900 Semiconductor Dr.  
Santa Clara, CA 95952-8090  
FAX: 408-739-6204

**AARP (Apple Address Resolution Protocol):** A protocol defined by Apple® for Appletalk® network similar in function to ARP.

**ABI (Application Binary Interface):** An application interface on AT&T's UNIX® System V Release 4. This interface enables binary compatibility for applications that run with UNIX on different platforms, and CPUs.

**Access Method:** In a data processing system, any of the techniques available to the user for moving data between main storage and an input/output device or channel. The techniques are usually part of the operating system.

**ACK:** Abbreviation for acknowledgement.

**Acknowledgement:** A response sent by a receiver to indicate successful reception of information. Acknowledgements may be implemented on any networking level.

**Active Open:** The operation that a client performs to establish a TCP connection with a server at a known address.

**Address:** A designator defining the ID of a DTE, peripheral device, or any other nodal component in a network. In Ethernet, each node is assigned a unique 6 byte address.

**Address Resolution:** Conversion of an Internet address into a corresponding physical address. This may require broadcasting on a local network. See ARP.

**AFP (AppleTalk File Protocol):** This is a network file system presentation layer protocol defined by Apple for use on Apple Macintosh® networks. It provides for access of remote file systems.

**ALAP (AppleTalk Link Access Protocol):** A Link level protocol that provides basic packet delivery transactions on Apple's Macintosh based networks.

**ANSI:** American National Standards Institute, an organization that sets information processing industry standards, represents the United States in the International Standards Organization (ISO).

**ANS X3T9.5:** The committee sponsored by ANSI which developed the standard for the Fiber Distributed Data Interface (FDDI).

**APPLETALK:** Originally defined by Apple Computer for Macintosh communication, AppleTalk protocols can now run over Ethernet networks, as well as the original, lower-speed AppleTalk network 230 Kbps (now called LocalTalk). AppleTalk is similar to NetBIOS™ in function and is supported by a number of vendors for communication between Macs and PCs, as well as simply between Macs.

AppleTalk was designed to be easy to use and requires little setup time compared to other networks.

**APPC (Advanced Program to Program Communications):** This is an interface that allows computers—and the programs running on them—to communicate over a network. APPC runs on IEEE 802.5, Ethernet, X.25 and SNA's synchronous data-link control. Although it was developed by IBM® and remains IBM-proprietary, work is under way within ISO to define an international protocol for "transaction programming" similar to APPC.

**Application Layer:** Level seven of the OSI model which provides the type of information transfer required, for example: file transfer or electronic messaging. See OSI.

**API (Application Program Interface):** A pre-defined software routine, that includes standardized and consistent interfaces to operating system functions, available for use by applications programmers designed to ensure, portability and accessibility to network resources.

**ARCnet:** A 2.5 Mbps baseband, token passing media-access protocol created by Datapoint Corp.

**ARP (Address Resolution Protocol):** Originally a Transmission Control Protocol/Internet Protocol (TCP/IP) process that maps IP addresses to Ethernet addresses; required by TCP/IP for use with Ethernet. Also referred to in other protocols as an address resolution protocol.

**ARP HACK:** See **Proxy ARP**.

**ARQ (Automatic Request for Retransmission):** A communications feature whereby the receiver asks the transmitter to resend a block or frame, generally due to errors detected by the receiver.

**ASCII (American Standard Code for Information Interchange):** A system used to represent alphanumeric data; a 7-bit-plus-parity character set established by ANSI and used for data communications and data processing; ASCII allows compatibility among data services; one of two such codes (see **EBCDIC**) used in data interchange, ASCII is normally used for asynchronous transmission.

**Asynchronous Data Transmission:** A mode of data transmission wherein the occurrence of each character is not related to a fixed time frame of reference. See **Synchronous transmission**.

**ATP (Apple Transaction Protocol):** A Transport layer protocol defined by Apple Computer. This protocol allows the reliable exchange of information between two processors on a Macintosh internet.

**Attachment-Unit Interface (AUI):** The interface between the Medium Attachment Unit (MAU) and the computing device or repeater.

**Attenuation:** The decrease in magnitude of the current, voltage or power of a signal transmitted over a wire, measured in decibels per kilometer. As attenuation increases, signal power decreases.

**Backbone Network:** High capacity network linking other networks of lower capacity. Example: FDDI as a backbone to multiple Ethernet and Token Ring LANs.

**Backoff:** In IEEE 802.3 networks when two or more nodes attempt a transmission and collide. The function of stopping transmission, and waiting a specified random time before retrying the transmission is considered backoff. In 802.3 networks a "truncated binary exponential backoff" algorithm is employed.

**BALUN (Balanced/Unbalanced):** In the IBM cabling system, refers to an impedance-matching device used to connect balanced twisted-pair cabling with unbalanced coaxial cables.

**Bandwidth:** 1. The difference, expressed in hertz, between the two limiting frequencies of a band. 2. The information capacity of a channel.

**Baseband:** A transmission scheme in which the entire bandwidth, or data-carrying capacity, of a medium (such as coaxial cable) is used to carry a single digital pulse (i.e., a signal) between multiple users. Because digital signals are not modulated, only one kind of data can be transmitted. Ethernet is among the most popular baseband LANs.

**Baud:** A unit of modulation rate or signaling speed used to designate the number of bits per second that can be transmitted in a given computer system.

**Big-Endian:** A binary data storage/transmission format in which the most significant byte (bit) comes first. DARPA Internet's standard is Big-Endian. See **Little-Endian**.

**BISYNC (BSC):** A family of IBM character-oriented binary synchronous communications protocols.

**Bit:** The smallest information unit in data processing. It has two possible states, "0" and "1". Bit is a contraction of Binary digit.

**Bit Duration:** The time it takes one encoded bit to pass a point on the transmission medium; in serial communications, a relative unit of time measurement, used for comparison of delay times (e.g., propagation delay, access latency) where the data rate of a (typically high-speed) transmission channel can vary.

**Bit-Oriented:** Used to describe communications protocols in which control information may be coded in fields as small as a single bit.

**BOOTP:** A UNIX protocol that enables diskless workstations to boot their operating system from across a network.

**BPS (Bits Per Second):** The basic unit of measure for serial data transmission capacity; Kbps for kilo (thousands of) bits per second; Mbps for mega (millions of) bits per second.

**Bridge:** Network interconnection device operating at the Media Access Control (MAC) sublayer of the OSI model's Data Link layer which provides a communication path between logically or physically separate networks. A hardware/software device that permits high-speed communication between two local or remote networks with similar or dissimilar protocols. Provides packet filtering across networks based on the Ethernet source and destination address fields. Two major bridge classifications supported are spanning tree and source routing.

**Broadband:** A means of transmission in which users are allocated different frequency channels and can therefore send data across a common path simultaneously. A data transmission scheme in which multiple signals share the bandwidth, or data-carrying capacity, of a media. This allows transmitting voice, data and video signals, for example, over a single cable, such as coaxial cable. Cable television uses broadband techniques to deliver several dozen channels over a single cable. See **Baseband**.

**Broadcast:** A method of transmitting messages to two or more stations simultaneously, such as over a bus-type local area network or by satellite; protocol mechanism whereby group and universal addressing is supported.

**Buffering:** The process of temporarily storing data in a software program or in RAM, to allow transmission devices to accommodate differences in data transmission rates.

**Bus:** A length of wire or a set of parallel wires. Units which wish to intercommunicate are all connected to the bus. There must be a means of determining when each can transmit to the bus (access control), and a common method of sending and receiving the data (protocol), which includes a means of addressing to determine which unit a piece of information is for. A transmission path or channel; an electrical connection, with one or more conductors, by which all attached devices receive all transmissions simultaneously.

**Bus Topology:** The physical layout of a Local Area Network in which each node or workstation is connected directly to a length of cable or set of parallel wires.

**Byte-Oriented:** Similar to bit-oriented; control information may be coded in fields of one-byte (character) length.

**Cable Access Method:** The technique used to arbitrate the use of the communications medium by granting access selectively. (e.g., token passing and CSMA/CD).

**Cable Plant:** The physical cabling connectors, splices and patch panels in an installation.

**Caching:** A data-retrieval technique that places often-used data, such as file-allocation tables, in a computer's random-access memory where it can be accessed quickly.

**Carrier Sense:** The ability of each node on an Ethernet LAN to detect any traffic on the channel.

**Carrier Sense Multiple Access with Collision Detect (CSMA/CD):** The technique by which nodes on an Ethernet LAN share the transmission channel. See also Multiple Access; Carrier Sense; and Collision Detect.

**CATV:** Cable television technology commonly employed by broadband LANs for signal distribution.

**CCITT (Consultative Committee International Telegraph and Telephony):** An international association that sets worldwide communications standard (e.g., V.21, V.22, X.25, X.25, etc.).

**Circuit Switching:** A method of communication whereby an electrical connection between calling and called stations is established on demand for exclusive use of the circuit until the connection is released.

**Channel:** A path for the transmission of information.

**Character:** Standard 8-bit unit representing a symbol, letter, number, or punctuation mark; generally means the same as byte.

**Character-Oriented:** A communications protocol or a transmission procedure that carries control information encoded in fields of one or more bytes; (compare with bit-oriented and byte-oriented).

**Character-Oriented Windows (COW) Interface:** An SAA compatible user interface for OS/2® applications.

**Characteristic Impedance:** The impedance termination of an (approximately) electrically uniform transmission line that minimizes reflections from the end of the line.

**CHEAPERNET:** Colloquial term for thin wire Ethernet, defined by IEEE 802.3 as 10Base2.

**Checksum:** The total of a group of data items or a segment of data that is used for error-checking purposes. Both numeric and alphabetic fields can be used in calculating a checksum, since the binary content of the data can be added. Just as a check digit tests the accuracy of a single number, a checksum serves to test an entire set of data which has been transmitted or stored. Checksums can detect single-bit errors and some multiple-bit errors.

**Cluster:** Several pieces of data terminal equipment (DTE) in close proximity such that it is easy to run cabling between them.

**CMIP/CMIS:** Common Management Information Protocol (CMIP) and Common Management Information Services (CMIS) are two OSI protocols that provide a standard way of managing an OSI network.

**CMOT (CMIP/CMIS over TCP):** Use of the ISO CMIP/CMIS network management protocols to manage devices in an internet environment. See CMIP.

**Coaxial Cable:** A transmission medium with a central copper-wire conductor surrounded by concentric layers of plastic/polyvinyl chloride, aluminum or aluminized mylar and a copper tube that acts as an insulator (ground) and source of shielding from electromagnetic and radio frequency interference (EMI/RFI). Two types of coaxial cable—known as "thick" and "thin" for their respective diameters—are used in Ethernet data transmission.

**Collision Detection:** The ability of a transmitting node on an Ethernet LAN to sense a change in the energy level of the channel and to interpret the phenomenon as a collision.

**Communications Server:** A hardware/software combination that allows terminals and host computers to access a network without implementing the necessary network protocols. The communications server communicates with other devices using standard built in protocols.

**Compression:** Any of several techniques that reduce the number of bits required to represent information in data transmission or storage (thus conserving bandwidth and/or memory), in which the original form of the information can be reconstructed; also called "compaction".

**Concentrator:** Any communications device that allows a shared transmission medium to accommodate more data sources that there are channels currently available within the transmission medium.

**Connectionless Service:** The packet delivery service offered by most hardware and by the Internet Protocol. It treats each packet or datagram as a separate entity that contains both the source and destination address. Connectionless service can lose packets or deliver them out of order.

**Conditioning:** Extra-cost options that users may apply to leased, or dedicated, voice-grade telephone lines in which line impedances are carefully balanced; will generally allow for higher-quality and/or higher-speed data transmission; in increasing order of resultant line quality and cost, conditioning may be C1, C2, C4, or D1; allows improved line performance with regard to frequency response and delay distortion.

**Contention:** In communications, the situation when multiple users vie for access to a transmission channel, whether a PBX circuit, a computer port, or a time slot, within a multiplexed digital facility.

**Core:** The central region of an optical waveguide through which light is transmitted; typically 8 to 12 microns in diameter for single mode fiber, and 50 to 100 microns for multimode fiber.

**Core Gateway:** One of a set of Internet gateways which exchange routing updates periodically to ensure consistency in routing because all groups must advertise their network paths to core gateways using Exterior Gateway Protocols (EGP).

**CRC (Cyclic Redundancy Check):** A basic error-checking mechanism for link-level data transmission; a characteristic link-level feature of (typically) bit-oriented data communications protocols. The data integrity of a received frame or packet is checked via a polynomial algorithm based on the content of the frame and then matched with the result that is performed by the sender and included in a (most often, 16-bit) field appended to the frame.

**CSMA/CD (Carrier Sense Multiple Access with Collision Detection):** A LAN protocol access method for in which the nodes are attached to a cable. When a node transmits data onto the network and raises the carrier, the remaining nodes detect the carrier, Carrier Sense, and "listen" for the information to detect if it is intended for them. The nodes have network access, Multiple Access, and can send if no other transmission is taking place. If two attempt to send simultaneously a collision takes place, Collision Detection and both must retry at random intervals.

**CSNET (Computer Science Network):** A network providing Internet connections and mail delivery service using dial-up. CSNET also provides an Internet domain name server for members who cannot run their own. CSNET was originally funded by the National Science Foundation, but is now self sufficient.

**CSU (Channel Service Unit):** A component of customer premises equipment used to terminate a digital circuit (such as DDS or T1) at the customer site; performs certain line-conditioning functions, ensures network compliance with

FCC rules, and responds to loopback commands from the central office, and ensures proper "ones" density in transmitted bit stream and corrects bipolar violations. See **DSU**.

**CTI (Coax Transceiver Interface):** Ethernet coaxial cable driver/receiver which interfaces the code electronics to the physical medium. National's DP8392.

**D4 Framing:** A T1 12-frame format in which the 193rd bit is used for framing and signaling information; ESF is an equivalent but newer 24-frame technology.

**DARPA (Defense Advanced Research Projects Agency):** Formerly ARPA. A government agency that funded ARPANET and later, the DARPA Internet.

**DARPA Internet:** The collection of gateways and networks, including ARPANET, MILNET, and NSFnet, that use the TCP/IP protocol suite and operate as a single, virtual network providing reliable full duplex stream delivery and unreliable connectionless packet delivery. It also features universal connectivity and applications level services such as electronic mail.

**DAS (Dual Attach Station):** A device attached to both rings of an FDDI network.

**Data Communications:** The transmission, reception, and validation of data; data transfer between data source (origin node) and data link (destination node) via one or more data links according to appropriate protocols.

**Datagram:** A packet that includes a complete destination address along with the data it carries. A finite-length packet with sufficient information to be independently routed from source to destination. Datagram transmission typically does not involve end-to-end session establishment and may or may not entail delivery confirmation acknowledgement.

**Data Link:** 1. The physical means of connecting one location to another for the purpose of transmitting and receiving data. 2. Synonymous with communication link. Any serial data-communications transmission path, generally between two adjacent nodes or devices and without intermediate switching nodes.

**Data Link Layer:** Second layer in the OSI model; the network processing entity that establishes, maintains, and releases data-link connections between (adjacent) elements in a network to enable transmission over the physical link. See **OSI**.

**Data Terminal Equipment (DTE):** The equipment that serves as a message source or a message destination and provides for the communication control function; subscriber equipment.

**Data Transfer Rate:** The average number of bits, characters, or blocks per unit of time transferred from a data source to a data link.

**DCE (Data Circuit Terminating Equipment):** Devices that provide the functions required to establish, maintain, and terminate a data transmission connection; e.g., a modem.

**DDCMP (Digital Data Communication Message Protocol):** Digital Equipment Corporation's link level protocol. It uses serial lines, delimits frames with special characters and includes link level checksums. NSFnet incorporates DDCMP over its backbone lines.

**DDN (Defense Department Network):** MILNET and associated parts of the DARPA Internet which connect to military installations. DDN provides both local and long-haul data communications and interconnectivity for the Department of Defense systems and follows the DoD protocol suite. DDN is sometimes used to refer to MILNET, ARPANET and the TCP/IP protocols that they use.

**DDS (Dataphone Digital Service):** A private-line digital service offered interLATA by BOCs and interLATA by AT&T Communications, with data rates typically at 2.4, 4.8, 9.6, and 56 Kbps; part of the services listed by AT&T under the Accunet family.

**DDS-SC:** Dataphone® Digital Service with Secondary Channel; also referred to as DDS II. A tariffed private-line service offered by AT&T and certain BOCs that allows 64 Kbps clear-channel data with a secondary channel that provides end-to-end supervisory, diagnostic, and control functions.

**DECnet®:** Digital Equipment Corporation's proprietary network architecture developed for use in WAN and includes significant Ethernet LAN capabilities, endowed with a peer-to-peer methodology.

**Dedicated Line:** A dedicated circuit, a nonswitched channel; also called a private line. See **Leased line**.

**Delay:** In communications, the time between two events; See **Propagation delay, response time**.

**Demultiplexor:** A hardware device which separates a single signal from a transmission line into several signals based on time or carrier frequency. It is used on broadband systems in combination with a multiplexor to allow multiple, simultaneous signal transmissions over a single medium. It allows multiple hardware devices to use a single communication link at the same time.

**DES (Data Encryption Standard):** A scheme approved by the National Bureau of Standards that encrypts data for security purposes. DES is the data-communications encryption standard specified by Federal Information Processing Systems (FIPS) Publication 46.

**Destination Field:** A field in a message header that contains the address of the station to which a message is being directed.

**Destination Node:** A network node to which a message is addressed.

**Disk/File Server:** A mass storage device that can be accessed by several computers; enables the creation, storage, and sharing of files.

**Disk Server:** A network device which usually gives dedicated non-shared space on a disk drive to client hosts.

**Distributed File Server:** A system by which file systems on disks distributed throughout a network are made available to workstations distributed throughout the network.

**Distribution Frame:** A wall-mounted structure for terminating telephone wiring, usually the permanent wires from or at the telephone central office, where cross connections are readily made to extensions; also called distribution block.

**DLC (Data Link Control):** The set of rules (protocol) used by two nodes, or stations on a network to perform an orderly exchange of information. A data link includes the physical transmission medium, the protocol and associated devices and programs so it is both a physical and a logical link.

**DMA (Direct Memory Access):** A technique for high speed data transfer between a device and computer memory.

**DNA (Digital Network Architecture):** Digital Equipment Corporation's eight layer data communications protocol.

**DNIC (Data Network Identification Code):** A four digit number assigned to public data networks and to specific services within those networks.

**Domain:** A part of the Internet naming hierarchy consisting of a series of names separated by periods. For example: a host named bar.vax.edu, bar is in domain vax, vax is in domain edu.

**Dotted Decimal Notation:** The method of representing a 32-bit number with four 8-bit numbers written in base ten and separated by periods. For example 255.128.52.1.

**Driver:** See **Network Device Driver**.

**Drop Cable:** The cable that allows connection to and access from the distribution and trunk cables on an Ethernet network. Also called a transceiver cable because it runs from the network node to a transceiver (i.e., a transmitter/receiver) attached to the trunk cable.

**DSU (Data Service Unit):** A component of customer premises equipment used to interface to a digital circuit (say, DDS or T1) combined with a channel service unit (CSU) converts a customer's data stream to bipolar format for transmission.

**DTE (Data Terminal Equipment):** Equipment where a communications path terminates. The User's equipment can be called DTE, and may include PCs, etc.

**EBCDIC (Extended Binary Coded Decimal Interchange Code):** An 8-bit character code used primarily in IBM equipment; the code provides for 256 different bit patterns; compare with ASCII.

**EGP (Exterior Gateway Protocol):** The protocol between external gateways of autonomous systems to advertise the Internet addresses of their respective systems. Every autonomous system must use EGP to advertise network reachability to the core gateway system.

**Encryption:** The process of systematically altering or encoding data to prevent unauthorized access.

**ENDEC:** Short for Encoder/Decoder. A functional block within network adapters, that performs two basic functions. First, this function encodes the data from the controller to be transmitted over the network. Second, it decodes the data on the network to a form suitable for the network controller chip. In the case of Ethernet, this function converts NRZ controller data to Manchester data (and back again).

**Ethernet:** A branching broadcast communications system for carrying digital data packets among locally distributed computing stations. A 10 Mbit/s baseband, Local Area Network that has evolved into the IEEE 802.3 specification. A data-link protocol that specifies how data is placed on and retrieved from a common transmission medium. Ethernet is used as the underlying transport vehicle by several upper-level protocols, including TCP/IP and Xerox Network System (XNS). See **IEEE 802.3**.

**FCC (Federal Communications Commission):** Board of commissioners appointed by the President under the Communications Act of 1934, with the authority to regulate all interstate telecommunications originating in the United States.

**FCS (Frame Check Sequence):** Often referred to as CRC. This is a field in a network packet that is used to check for transmission errors in a packet sent across the network. See **CRC**.

**FDDI (Fiber Distributed Data Interface):** An ANSI Standard for high speed 100 Mbps optical fiber-based LAN with dual counter-rotating rings. Incorporates token passing and supports circuit-switched voice and packetized data. Attachment device may be through SAS or DAS.

**FDM (Frequency Division Multiplexing):** A method of transmitting multiple independent signals across a single medium by assigning each a unique carrier frequency. See **Multiplexor** and **Demultiplexor**.

**FEP (Front End Processor):** A dedicated computer linked to one or more host computers or multiuser minicomputers; performs data-communications functions and serves to off-load the attached computers of network processing, in IBM SNA networks, an IBM 3704, 3705, 3725 or 3745 communications controller.

**Fiber-Optic Cable:** A transmission medium that uses glass or plastic fibers to transport data or voice signals. Information is imposed on the glass fiber via pulses (modulation) of light from a laser or light-emitting diode (LED). Its high bandwidth, 100 to 1,000 times the information-carrying capacity of copper wire, and lack of susceptibility to electromagnetic or radio frequency interference, make fiber-optic cable ideal for use in long-haul or noisy environments, and security applications.

**File:** A collection of logically related records, usually of the same type. A named increment of storage or an unstructured or user structured form of data storage.

**File-Allocation Tables (FAT):** An area of disk that acts as an index, or directory, that tells the operating system where data has been stored on the disk. A FAT substantially increases a disk system's ability to access stored information by "pointing" the operating system to the exact location of the data it is processing.

**File Server:** A specialized computer attached to a LAN that provides data-storage service to users on a Local Area Network.

**File Transfer:** The movement of files or data from one data terminal equipment to another.

**Flag:** In communications, a bit pattern of six consecutive "1" bits (character representation is 01111110) used in many bit-oriented protocols to mark the beginning of a frame.

**Flow Control:** The procedure or technique used to regulate the flow of data between devices; prevents the loss of data once a device's buffer has reached its capacity.

**Fourth-Generation Language (4GL):** A software productivity tool that aids programmers in the design and implementation of database management systems (DBMS).

**Fragment:** Part of a packet that is transmitted on the network. Fragments are usually generated during node collisions on 802.3 networks when one node transmits part of its packet before colliding. Also, one of the pieces that results from an Internet Gateway dividing an IP datagram into smaller pieces for transmission across a network which cannot handle the original datagram size.

**Frame:** A packet transmitted over a serial line; a physical level transmission. Derived from character-oriented protocols which added start-of-frame characters and end-of-frame characters when sending packets.

**Framing:** A control procedure used with multiplexed digital channels, such as T1 carriers, whereby bits are inserted so that the receiver can identify the time slots that are allocated to each subchannel. Framing bits may also carry alarm signals indicating specific conditions.

**Front End Processor (FEP):** A communications computer associated with a host computer. It may perform line control, message handling, code conversion, error control and applications functions such as control and operation of special purpose terminals.

**FTP (File Transfer Protocol):** A protocol and application primarily on UNIX machines that uploads and downloads files from remote systems across a network.

**Full Duplex:** The capability of transmitting in two directions simultaneously.

**Gateway:** A network interconnection device through which data flows from network to network. The gateway may reformat the data as necessary and also may participate in error and flow control protocols. Used to connect LANs employing different protocols or to public data networks.

**GBPS (Giga Bits Per Second):** A measure of the rate of data transmission referring to billions of bits per second.

**GGP (Gateway to Gateway Protocol):** The protocol used by core gateways to exchange routing information. GGP uses a shortest path routing computation.

**Hardware Address:** The low level addresses used by physical networks. Each type of hardware has its own addressing scheme.

**Head-end:** The point in a LAN where the inbound signals are transferred into outbound signals. The head-end may be passive or contain amplifier or frequency translation equipment. Used in broadband LANs and CATV.

**Header:** The control information added to the beginning of a message; contains the destination address, source address, and message number.

**Heartbeat:** In IEEE 802.3 networks this is a short burst of collision signal that is transmitted from the MAU to the DTE after every packet. Also called SQE (Signal Quality Error) test.

**Hierarchical Routing:** Routing based on hierarchical addressing by dividing the routing procedure into steps based on portions of the address. A gateway will use only the network portion of the address unless it can deliver the packet, then it also uses the host portion. Subnetting is a method of adding additional levels of hierarchical routing.

**HDLC (High-level Data Link Control):** The link level protocol defined by ISO for bit-oriented, frame-delimited data communications. An Internet standard link level communication protocol. Each frame ends with a frame check sequence for error detection. It is used in X.25 networks for link access protocol. It is increasingly used by PSN interfaces to transfer frames between a host and PSN.

**Host:** Any network node that a user can access for processing power, information files, and applications. Hosts are general purpose nodes that are not designed to perform network-specific functions.

**ICMP (Internet Control Message Protocol):** A protocol use primarily in UNIX networking. This protocol handles error and control messages, and low level functions.

**Idling Signal:** A signal used to communicate that no data is being transmitted but a connection is still established. Without idling signals, a pause in transmissions could be determined to be a lost connection and terminate.

**IEEE 802.3:** Standard set by the IEEE for CSMA/CD network protocol, that is a Physical Layer definition including specifications for cabling in addition to transmitting data and controlling cable access. See **Ethernet**.

**IEEE 802.5:** Called token ring and typically used by PCs and large computers to communicate with IBM computers. IEEE 802.5 can transmit up to 4 megabits per second, but with recent improvements can transmit up to 16 megabits per second. It runs on coaxial, twisted-pair and fiber-optic cable. Unlike IEEE 802.3, the IEEE 802.5 network has a circular rather than a linear topology. And, rather than contending

for resources, computers on the network take turns sending data by passing an electrical signal, a token, from one computer to the next. A computer can transmit data on the network only with possession of the token.

**IGP (Interior Gateway Protocol):** A term applied to any protocol used to communicate routing information and reachability within an autonomous system.

**IMP (Interface Message Processor):** Former name for Packet Switched Nodes, the Packet switches used in ARPANET. See **PSN**.

**Impedance:** The resistance a wire offers to a change in current, measured in ohms, as the current runs down the length of the wire. The greater the impedance, the shorter the current that can be sent down the wire. Ethernet, for example, calls for using coaxial cable with a 50 $\Omega$  impedance factor, while cable television coax offers a 75 $\Omega$  impedance factor.

**Interface:** A shared boundary; physical point of demarcation between two devices, where the electrical signals, connectors, timing, and handshaking are defined. The procedures, codes, and protocols that enable two entities to interact for exchange of information.

**Internet:** A collection of interconnected packet switched networks and gateways which function as one large network by adhering to common protocols.

**Internet Address:** The 32-bit address, consisting of an Internet address and local address, assigned to a host that wants to participate with the DARPA Internet using TCP/IP.

**Internet Layer:** A network protocol layer providing host-to-host delivery over an internet. This layer encapsulates messages in IP datagrams and determines delivery pathway information. It is also responsible for handling these datagrams when they are received.

**Internet Protocol (IP):** The TCP/IP Standard Protocol which defines Internet Datagram as the unit of information passed across the Internet and provides the basis for connectionless, best-effort delivery service.

**Interoperability:** The ability of many types of hardware and software to communicate and process information in a meaningful fashion.

**IP (Internet Protocol):** See **Internet Protocol**.

**IP Datagram:** The basic unit of information passed across the internet containing source and destination address along with data.

**IPG (Interpacket Gap):** In IEEE 802.3 the minimum time between the end of one packet and beginning of another. This time is 9.6  $\mu$ s.

**IPX/SPX (Internetwork Packet Exchange/Sequenced Packet Exchange):** Network protocol. Similar in concept to TCP/IP. This is the proprietary protocol used by Novell in its NetWare products. Based on XNS protocol.

**ISDN (Integrated Services Digital Network):** An integrated digital network in which the same digital switches and digital paths are used to establish connections for voice and data traffic on the same digital links.

**Inter-Networking:** The connection of two or more networks so that work nodes on both can communicate with each other.

**ISO:** International Standards Organization

**Jabber:** A condition on an Ethernet LAN network when a node transmits for longer than the specified time.

**Jam:** In IEEE 802.3, networks when a collision occurs the colliding nodes ensure that the collision is seen by the entire network by continuing to transmit for a minimum time during a collision. Called jamming.

**Jitter:** The slight movement of a transmission signal in time or phase that can introduce errors and loss of synchronization in high-speed synchronous communications.

**Jumper:** A patch cable or wire used to establish a circuit for testing or diagnostics.

**Kilobyte (kB):** Term denoting a thousand bytes, a group of adjacent and related binary digits. A kilobyte is really 1024 bytes (this is arrived by multiplying two by itself ten times, i.e.,  $2^{10}$ ).

**LAN (Local Area Network):** A communications system linking computers together to form a network whose dimensions typically are less than five kilometers. Transmissions within a Local Area Network generally are digital, carrying data among stations at rates usually above one megabit per second. An assembly of computing resources such as microcomputers (i.e., PCs), printers, minicomputers and mainframes linked by a common transmission medium, including coaxial cable or twisted-pair wiring.

**LAN Manager:** The multiuser network operating system co-developed by Microsoft and 3Com. LAN Manager offers a wide range of network management and control capabilities unavailable with existing PC-based network operating systems. It runs on Microsoft's OS/2 operating system.

**LAP (Link Access Procedure):** The data-link-level protocol specified in the CCITT X.25 interface standard; original LAP has been supplemented with LAPB (LAP-Balanced) and LAPD.

**LAPB (Link Access Procedure Balanced):** LAPB is the most common data link control protocol used to interface X.25 DTEs to X.25 DCEs. X.25 also specifies LAP (Link Access Protocol, not balanced). Both protocols are full duplex, bit synchronous protocols. The unit of transmission is a frame. Frames may contain one or more X.25 packets.

**LAPD (Link Access Procedure-D):** Link-level protocol devised for ISDN connections, differing from LAPB (LAP-Balanced) in its framing sequence. Likely to be used as basis for LAPM, the proposed CCITT modem error-control standard.

**Leased Line:** A dedicated circuit, typically supplied by the telephone company, that permanently interconnects two or more user locations; generally voice-grade in capacity and in range of frequencies supported; typically analog, though sometimes it refers to DDS sub-rate digital channels (2.4 Kbps to 9.6 Kbps); used for voice (2000 Series leased line) or data (3002 type); could be point-to-point or multipoint; may be enhanced with line conditioning; also, private line.

**Latency:** The time interval between when a network station seeks access to a transmission channel and when access is granted or received; equivalent to waiting time.

**Link Integrity Test:** A function specified by the 10BASE-T standard which provides indication of whether the cable linking the DTE to the HUB is properly connected.

**Link Layer:** Layer two of the OSI reference model; also known as the Data-Link Layer.

**Little-Endian:** A binary data storage/transmission format in which the least significant byte (bit) comes first. See **Big-Endian**.

**LLC (Logical Link Control):** A protocol developed by the IEEE 802 committee for data-link-level transmission control; the upper sublayer of the IEEE Layer 2 OSI protocol that complements the MAC protocol; IEEE standard 802.2; includes end-system addressing and error checking.

**LU 6.2:** In Systems Network Architecture, a set of protocols that provides peer-to-peer communications between applications.

**M Bit:** The More Data mark in an X.25 packet that allows the DTE or DCE to indicate a sequence of more than one packet.

**Mail Bridge:** A mail gateway which screens mail passing from one network to another for security and administrative purposes.

**Mail Explorer:** A program which accepts a piece of mail and a list of addresses, then sends a copy of the message to each listed address.

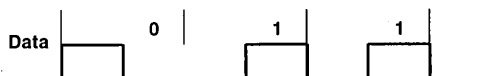
**Mail Gateway:** A machine which connects 2 or more mail systems and transfers mail among them, usually used between dissimilar systems on different networks; it will reformat messages according to destination's mailing system rules before forwarding the message.

**Mail Server:** The software and machine which provides message transfer services on a network.

**MAN (Metropolitan Area Network):** A high speed network provides facilities for data communication between sites within a neighborhood or city for distances up to 40 km and typically at data rates up to 2 Mb/s.

**MAC (Media-Access Control):** A sub-layer of the Data Link Layer, Level Two, of the ISO OSI model responsible for media control.

**Manchester Encoding:** Digital encoding technique (specified for the IEEE 802.3 Ethernet baseband network standard) in which each bit period is divided into two complementary halves; a negative-to-positive (voltage) transition in the middle of the bit period designates a binary "1", while a positive-to-negative transition represents a "0". The encoding technique also allows the receiving device to recover the transmitted clock from the incoming data stream (self-clocking).



**MAP (Manufacturing Automation Protocol):** A General Motors® originated suite of networking protocols, which tracks the seven layers of the OSI model.

**Mapping:** In networking operations, the logical association of one set of values, such as addresses on one network, with quantities or values of another set, such as devices on another network (e.g., name-address mapping, internetwork route mapping, protocol-to-protocol mapping).

**MAU (Medium Attachment Unit):** The physical and electrical component that provides the means of attaching computing devices to the local network medium. In 10BASE-T networks, it is a repeater or a network interface adapter board equipped with a medium-dependent interface.

**MDI (Medium-Dependent Interface):** The mechanical and electrical interface between the twisted-pair link and the MAU. In 10BASE-T networks, the MDI is an 8-pin RJ45 modular telephone connection.

**Medium:** Any material substance used for the propagation or transmission of signals, usually in the form of electrons or modulated radio, light, or acoustic waves; such as optical fiber, cable, wire, dielectric slab, water, or air.

**MHS (Message Handling System):** The standard defines by the CCITT as X.400 and by the ISO as Message Oriented Text Interchange Standard (MOTIS).

**Mid-Level Net:** One of many networks funded by the NSF which operated autonomously but was connected to the NSFnet Backbone.

**MIF (Minimum Internetworking Functionality):** A general principle within the ISO that calls for minimum Local Area Network station complexity when interconnecting with resources outside the Local Area Network.

**MILNET (Military Network):** A network which was separated from ARPANET to provide reliable service to the military while ARPANET was used for continued research.

**Mini-MAP (Mini-Manufacturing Automation Protocol):** A version of MAP consisting of only physical, link, and application layers intended for lower-cost process-control networks. With Mini-MAP, a device with a token can request a response from an addressed device; unlike a standard MAP protocol, the addressed Mini-MAP device need not wait for the token to respond.

**MPR (Multi-Port Repeater):** See Repeater. A repeater with numerous network connection ports at one point on the Ethernet. In coaxial networks these repeaters typically have 8 ports; in twisted pair Ethernet up to several hundred ports are possible.

**MS OS/2® LAN Manager:** The multiuser network operating system co-developed by Microsoft and 3Com. LAN Manager offers a wide range of network management and control capabilities unavailable with existing PC-based network operating systems.

**MTBF (Mean Time Between Failures):** A stated or published period of time for which a user may expect a device to operate before a failure occurs.

**MTTR (Mean Time To Repair):** The average time required to perform corrective maintenance on a failed device.

**Multimode:** An optical fiber designed to carry multiple signals, distinguished by frequency or phase, at the same time. Compare with **Single mode**.

**Multiple Access:** The ability of any node on an Ethernet LAN to send a message immediately upon sensing that the channel is free.

**Multiple Routing:** The process of sending a message to more than one recipient, usually when all destinations are specified in the header of the message.

**Multiplexor:** A hardware device which combines multiple signals from a transmission line based on time or carrier frequency. It is used on broadband systems in combination with a demultiplexor to allow multiple, simultaneous signal transmissions over a single medium. It allows multiple hardware devices to use a single communication link simultaneously.

**Multipoint Line:** A single communications line or circuit interconnecting several stations supporting terminals in several different locations. This type of line usually requires a polling mechanism, with each terminal having a unique address. Also called a multidrop line.

**Multipoint Link:** A single line that is shared by more than two nodes.

**Multitasking:** The concurrent execution of two or more tasks or applications by a computer; may also be the concurrent execution of a single program that is used by many tasks.

**Multistation Access Unit (MAU):** A multipoint connector, or concentrator, for Token Ring networks which allows devices to be connected to the ring; also provides a built-in relay that prevents a break in the network when devices are attached or removed.

**MUX:** See **Multiplexor**.

**NAK (Negative Acknowledgement):** A message sent from a receiver to a sender which indicates that the transmitted data contained errors from the transmission. Upon receiving a NAK, the sender will usually retransmit the data.

**Name Resolution:** The process of converting a host's name into a corresponding network address.

**Named Pipe:** The facility within the Microsoft OS/2 LAN Manager that allows processes on separate machines to communicate with each other across a network. Provide a simple way for application developers to write sophisticated distributed network applications.

**NCC (Network Control Center):** Any centralized network diagnostic and management station or site, such as that of a packet-switching network.

**NDIS (Network Driver Interface Specification):** Standard specification for network drivers for Microsoft's OS/2 LAN Manager.

**NetBIOS (Network Basic Input/Output System):** A programming interface to a data exchange protocol. Associated with several communications protocols and used to refer to the combination of the interface and the protocols.

It allows users and software developers to write PC programs that can communicate over a PC network in a peer-to-peer fashion.

Recent proposals define a way for NetBIOS—and, programs supporting it—to run over TCP/IP and OSI protocols.

**NetView®:** This is IBM's proprietary network management system that monitors, manages, and controls SNA networks. NetView allows other vendors' network management programs to communicate with it.

**Network:** An interconnected group of nodes; a series of points, nodes, or stations connected by communications channels; assembly of equipment with connections made between data stations.

**Network Address:** Refers to characters that identify the location of a node on a network. See **Address**.

**Network Architecture:** A set of design principles, including the organization of functions and the description of data formats and procedures, used as the basis for the design and implementation of a network (ISO).

**Network Interface Controller:** Electronic circuitry that connects a workstation to a network, usually a card that fits into one of the expansion slots inside a personal computer. It works with the network software and computer operating system to transmit and receive messages on the network; also, network interface card.

**Network Layer:** See **OSI**.



**Network Management:** Administrative services performed in managing a network; e.g., network topology and software configuration, software downloading, network statistics monitoring, maintenance of network operations, and troubleshooting and diagnosis.

**Network Topology:** The physical and logical relationship of nodes in building a network configuration; the schematic arrangement of the links and nodes of a network; networks are typically a star, ring, tree, or bus topology, or hybrid combination.

**NFS (Network File System):** An extension of TCP/IP, developed by SUN Microsystems, that allows files on remote nodes of a network to appear locally connected.

**NIC (Network Interface Controller):** National's Industry-Standard 8/16 bit Ethernet Controller. Part number DP8390.

**NLM (Netware Loadable Module):** Novell's NetWare 386 supports the ability to load and run programs on the server to enhance features of the server. Programs are called NLMs.

**Node:** An endpoint of any branch of a network, or a junction common to two or more branches of a network. In a data network, a point where one or more functional units interconnect data transmission lines. Distributed system nodes include information processors, network processors, terminal controllers and terminals.

**ODI (Open Data Link Interface):** Standard specification created by Novell to facilitate writing of drivers under NetWare 386. Similar intent as Microsoft's NDIS.

**Off-Line:** When a user, terminal, or other device is not connected to a computer or actively transmitting via a network.

**On-Line:** Condition in which a user, terminal, or other device is actively connected with the facilities of a communications network or computer. Opposite of off-line.

**Optical Fiber:** Any filament or fiber, made of dielectric materials, that is used to transmit laser- or LED-generated light signals. Optical fiber usually consists of a core which carries the signal, and cladding, a substance with a slightly higher refractive index than the core, which surrounds the core and serves to reflect the light signal.

**OSI (Open Systems Interconnection):** A logical structure model for network operations standardized within the ISO; a seven-layer network architecture used for the definition of network protocol standards to enable any OSI-compliant computer or device to communicate with any other OSI-compliant computer or device for a meaningful exchange of information. The layers are: Physical, Data Link, Network, Transport, Session, Presentation, Application:

1. **Physical Layer**—Network wire and cable systems, defines mechanical and electrical means by which devices are physically connected to a transmission medium.
2. **Data Link Layer**—Synchronizing the flow of data and handling error control across the physical data link.
3. **Network Layer**—Provides the means to establish, maintain, and terminate connections between systems; concerned with switching and routing of information.
4. **Transport Layer**—Checks the integrity of data transported over the network.
5. **Session Layer**—Standardizes the task of setting up a session and terminating it; coordination of the interaction between stations on the network.

6. **Presentation Layer**—Defines the character set and data code, and the way data is displayed on a screen or printer format, character set, and language.

7. **Application Layer**—Links the network operating system and the application programs to perform the type of information transfer required.

**OSINET:** A test network, sponsored by the National Bureau of Standards (NBS), designed to provide a forum for doing interoperability testing for vendors of products based on the OSI model.

**Overhead:** All information, such as control, routing, and error-checking characters, in addition to user-transmitted data, including information that carries network status or operational instructions, network routing information, and re-transmissions of user data messages that are received in error.

**Out of Window Collision:** A collision on an IEEE 802.3 network that occurs outside of the specified time (for 10 Mbit/sec standards the legal collision occurs within the first 51.2  $\mu$ s of the packet).

**Packet:** A series of bits forming a complete unit of information that is sent across a network. The packet has a defined format which includes who the packet is for and who sent it (destination address source address). See **Circuit Switching**. For IEEE 802.3 the physical layer packet consists of the following fields.

|                                         |
|-----------------------------------------|
| Preamble (62 bits)                      |
| Start of Frame Delimiter (SFD) (2 bits) |
| Destination Address (6 bytes)           |
| Source Address (6 bytes)                |
| Data Field (64–1500 bytes)              |
| CRC (4 bytes)                           |

**Packet Buffer:** A memory space set aside for storing a packet that is either waiting to be transmitted, or has been received. May be located in either the network interface controller or the computer attached to the controller.

**Packet Switching:** A mode of data transmission in which messages are broken into smaller increments called packets, each routed independently to the destination. 2. The process of routing and transferring data by means of addressed packets, whereby a channel is then available for the transfer of other packets.

**PAD (Packet Assembler/Disassembler):** For X.25, a PAD allows non-X.25 users to access an X.25 network. CCITT recommendations X.3, X.28 and X.29 define PAD parameters, terminal-to-PAD interface and PAD-to-X.25 host interface.

**Pass-Through:** Describing the ability to gain access to one network element through another.

**PBX (Private Branch Exchange):** A manual, user-owned telephone exchange.

**Peer-to-Peer Communications:** The ability of intelligent computing devices to communicate without relying on a host computer.

**Physical Layer:** See **OSI**.

**PLS (Physical Layer Signaling):** Is the portion of the interface that enables MAC function communications with the AUI interface in IEEE 802.3 specifications.

**PLP (Packet Level Procedures):** Defines protocols for the transfer of packets between X.25 DTE and X.25 DCE. X.25 PLP is a full duplex protocol that supports data sequencing, flow control, accountability, and error detection and recovery.

**PMA (Physical Medium Attachment):** In IEEE 802.3, the portion of the MAU that contains electronic circuitry.

**Pipe:** A communications process provided by the operating system that acts as an interface between a computer's devices—keyboard, disk drives, memory, etc.—and an application program. A pipe simplifies the development of applications programs by "buffering" the application program from the intricacies of the hardware and/or the software that controls the hardware: The application developer writes "code" to a single pipe, not several individual devices.

**Point-to-Point Connection:** 1. In data communications, a connection established between only two data stations for data transmission. The connection may include switching facilities. Describing a circuit that interconnects two points directly, where there are generally no intermediate processing nodes, computers, or branched circuits, although there could be switching facilities; a type of connection, such as a phone line circuit, that links two, and only two, logical entities, see **multipoint line, broadcast**.

**Port:** A point of access into a computer, a network, or other electronic device; the physical or electrical interface through which one gains access; the interface between a process and a communications or transmission facility.

**Presentation Layer:** See **OSI**.

**Print Server:** An intelligent device used to transfer information to a series of printers.

**Printer Spooler:** The software that allows a user to send a file to a shared printer over a network even when the printer is busy; the file is saved in temporary storage, then printed when the printer is free.

**Promiscuous ARP:** See **Proxy ARP**.

**Protocol:** Formal set of rules governing the format, timing sequencing, and error control of exchanged messages on a data network; may be oriented toward data transfer over an interface, between two logical units directly connected, or on an end-to-end basis between two users over a large and complex network.

**Protocol Port:** A method used by transport protocols to tell the difference between many possible destinations within a single host. Operating systems usually allow an application program to specify what port it wants to be.

**Proxy ARP:** When one machine, usually a gateway, answers ARP request intended for another by supplying its own physical address, thus accepting responsibility for routing packets to the correct machine. Proxy ARP is used to allow a site to use a single Internet address with more than one physical network. See **ARP Hack**.

**PSDN (Packet-Switched Data Network):** A vendor-managed network that uses the X.25 protocol to transport data between customers' computers connected to the PSDN. Tariffs for PSDNs are based on the volume of data sent rather than on the distance or connect time between communicating computers.

**PSN (Packet Switched Node):** The name for an ARPANET packet switch. Each PSN is connected to at least 2 others as well as up to 16 host computers.

**Public Network:** A network operated by common carriers or telecommunications administrations for the provision of circuit-switched, packet-switched, and leased-line circuits to the public.

**Queue:** Any group of items, such as computer jobs or messages, waiting for service. A line of prioritized tasks waiting to be executed. High priority tasks will be executed before low priority tasks.

**Queuing:** Sequencing of batch data sessions.

**Radio Frequency (RF):** A generic term referring to the technology used in cable television and broadband Local Area Networks. Uses electromagnetic waveforms, usually in the megahertz (MHz) range, for transmission.

**RARP (Reverse Address Resolution Protocol):** The inverse of ARP. A Transmission Control Protocol/Internet Protocol (TCP/IP) process that maps Ethernet addresses back to IP addresses; required by TCP/IP for use with Ethernet. Also referred to in other protocols as a reverse address resolution protocol.

**Real Time:** Operating mode that allows immediate interaction with data as it is created, as in a process-control system or computer-aided design system.

**Redundancy:** In data transmission, the portion of a message's gross information content that can be eliminated without losing essential information; also, duplicate facilities.

**Repeater:** A device used to extend the length and topology of a physical channel, particularly a LAN cable, up to the maximum allowable end-to-end channel propagation limit.

**Response Time:** For interactive sessions, the elapsed time between the end of an inquiry and the beginning of a response.

**Retransmissive Star:** In optical-fiber transmission, a passive component that permits the light signal on an input fiber to be retransmitted on multiple output fibers; formed by heating together a bundle of fibers to near the melting point; used mainly in fiber-based Local Area Network; also, star coupler.

**RFC (Request For Comment):** A series of notes which contain information about the development of the DARPA Internet, including proposed and accepted protocols for the Internet.

**RF MODEM:** A MODulator-DEMODulator that converts digital signals to analog signals (and vice versa), then modulates/demodulates them to/from their assigned frequencies. Used in broadband LANs.

**RFS (Remote File Service):** AT&T's network file protocol for UNIX networks. Similar to NFS, except that NFS was designed for connectivity of file structures across different platforms, and RFS provides complete support for the UNIX file system semantics, and therefore can only connect UNIX file systems across the network.

**Ring:** Two or more stations connected by a physical medium wherein information is passed sequentially between active stations, each station in turn examining or copying and repeating the information, finally returning it to the originating station.

**Ring Network:** A distributed system in which the information processors are connected via a circular arrangement of data communications facilities.

**Ring Topology:** A LAN configuration in which each computer, or other node, is connected to the next, with the "last" connected to the "first" to form a complete loop, or ring. This ring may be a true physical ring or an electrical (also called logical) ring. In a physical ring, nodes are connected serially, one after the other, in a closed loop. In a logical ring, nodes are connected to a central device that routes the data-carrying signal in a circular fashion.

**RIP (Routing Information Protocol):** An interior gateway protocol (IGP) used by Berkeley BSD 4.3 UNIX systems to exchange routing information between a small number of hosts.

**RJE (Remote Job Entry):** A service offered by many networks which allows a user to submit a batch job to a host from a remote site.

**RLOGIN (Remote Login):** A service offered by Berkeley 4.3 BSD UNIX systems allowing a user on one machine to connect with other internetworked UNIX machines as if their terminal were directly attached.

**Routed (Route DAEMON):** A 4.3 BSD UNIX program which updates routing information on local area networks using RIP protocols.

**Route:** The path taken by data traffic within a network or through an internet.

**Router:** A hardware-software device that connects geographically dispersed local area networks (often, of different types, such as Ethernet and token ring) together.

**Routing:** The process of selecting the correct circuit path for a message.

**RPC (Remote Procedure Call):** This is a UNIX session layer protocol for UNIX.

**RTT (Round Trip Time):** The time it takes for a single packet or datagram to leave one machine, reach its destination and then return to the source machine.

**RUNT Packet:** In 802.3 networks, a special case of a fragment packet when the length of the packet is less than 512 bit time.

**SAA (System Application Architecture):** An IBM developed set of standards that provides identical user interfaces for applications running on PCs, minicomputers, and mainframes.

**SAS (Single Attach Station):** A device attached to one ring of the FDDI network.

**SDLC (Synchronous Data Link Control):** A predecessor of HDLC defined by IBM Corporation and used in their SNA network products.

**Segment:** The unit of transfer between TCP's on different machines. Each segment contains a stream of bytes being sent between the machines as well as additional fields for identifications, error checking etc.

**Serial Transmission:** The sequential transmission of the bits constituting an entity of data over a data circuit.

**Server:** A specialized computer that provides a particular service, such as file or print service, to a network; increasingly, it comprises both the hardware and software which manage a network operation.

**Session Layer:** See OSI.

**SFD (Start of Frame Delimiter):** A bit pattern that enables the network board/controller to obtain byte synchronization to the incoming serial bit data from the network.

**SFT (System Fault Tolerant):** A version of Novell's NetWare that provide reliability features such as disk and file mirroring.

**Shielding:** Protective enclosure surrounding a transmission medium, such as coaxial cable, designed to minimize electromagnetic leakage and interference.

**Signal Quality Error:** See Heartbeat.

**Single Mode:** Describes an optical waveguide designed to propagate light of only a single wavelength and perhaps a single phase; essentially, an optical fiber that allows the transmission of only one light beam, or data-carrying lightwave channel, and is optimized for a particular lightwave frequency; compare with multimode.

**SLIP (Serial Line Internet Protocol):** Networking protocol to connect via a point-to-point serial link to network services.

**SMTP (Simple Mail Transfer Protocol):** The DARPA Internet standard protocol for transferring electronic mail messages from one machine to another. SMTP specifies how two mail systems interact and the format of control messages they exchange to transfer mail.

**SNA (Systems Network Architecture):** The IBM network architecture for communication among IBM devices, and between IBM and other IBM machines.

**SNI (Serial Network Interface):** National's Manchester encoder/decoder. Part number DP8391, or CMOS version DP83910.

**SNIC (Serial Network Interface Controller):** National's newer 8/16 Controller that also incorporates the SNI encoder/decoder function in addition to the controller. It is 100% software compatible with the NIC.

**SNMP (Simple Network Management Protocol):** Used to monitor IP devices and the networks they are attached to. The device must maintain a set of variables that specifies that all operations on the device are an effect of retrieving and storing to the data variables. It contains three parts: Structure of Management Information (SMI), Management Information Base (MIB), and the protocol. SMI and MIB define and store managed entities; SNMP conveys information to and from these entities. See CMOT or CMIP.

**Sockets:** A Berkeley BSD 4.3 network interface Specification to the transport layer. This interface provides 3 basic services. 1) Stream services which guarantees delivery of a sequence of data. 2) Datagram services which provides delivery of a data packet, but does not guarantee delivery. 3) Raw services which provide low level network functions.

**Source Node:** A network node that sends a message.

**Source Route:** A route is determined by the transmission source. The source establishes a sequence of machines that a datagram must visit to its destination.

**SPOOL (Simultaneous Peripheral Operation On Line):** A program or piece of hardware that controls data going to an output device.

**STARLAN:** A local area network design and specification, within the IEEE 802.3 standards, characterized by 1 Mbps baseband data transmission over two-pair twisted-pair wiring.

**Star Network:** 1. A computer network in which each peripheral network node is connected only to the computer or computers at a single central facility. 2. A configuration in which remote terminals and/or processors are connected radially to a central processing location.

**STAR Topology:** A LAN configuration in which nodes are connected individually to a common device, such as a concentrator, which acts as a focal point for network cabling.

**Step-Index:** A type of optical fiber that exhibits a uniform refractive index at its core and a sharp decrease in the refractive index at its core-cladding interface.

**Store-and-Forward:** A communications technique in which messages are received at intermediate routing points and stored temporarily, then re-transmitted to an additional routing point or final destination.

**Structured Query Language (SQL):** A formal data sub-language for specifying common database operations, such as retrieving, adding, changing or deleting.

**Subnet:** A local area network which resides within another network.

**Subnet Address:** An extension of the DARPA Internet addressing scheme that allows a site to use a single internet address for many physical networks. The subnet address is not looked at by the Internet portion of the routing, it is only used by local gateways and hosts to deliver the datagram to the correct physical address.

**SYN (Synchronizing Segment):** The first segment sent by the TCP protocol, used to synchronize the two ends of a connection in preparation for opening another connection.

**Synchronous:** Communications link in which the data characters and bits are transmitted at a fixed rate with the transmitter and receiver are synchronized, eliminates the need for individual start bits and stop bits surrounding each byte, thus providing greater efficiency. Contrast with asynchronous transmission.

**Synchronous Transmission:** Data transmission in which the occurrence of each signal representing a bit is related to a fixed time frame. Compare with asynchronous data transmission.

**TAP:** A device that connects a device cable to a transceiver (on baseband networks), or transfers a signal from the trunk line to a drop line (on broadband networks).

**T Carrier:** A time-division-multiplexed, typically telephone-company-supplied, digital transmission facility, usually operating at an aggregate data rate of 1.544 Mbps and above.

**TCP/IP:** The Transmission Control Protocol/Internet Protocol was formerly used only in the military, technical and university communities, but it is enjoying a surge in popularity as the commercial sector discovers its value for communicating between computers of different vendors, especially Unix systems.

TCP/IP is governed by a body of vendors and users, keeping it stable over more than a 15-year life span. TCP/IP predates OSI, and it includes several functions that properly belong in the upper level of the OSI model, such as applications that provide electronic mail, terminal emulation and file transfer.

**TELCO:** Telephone central office, in most usages; but also, a generic abbreviation for "telephone company".

**Telecommunications:** A term encompassing both voice and data communications in the form of coded signals over media.

**TELNET:** An application and protocol and program that primarily is to interface to UNIX computers. This allows terminal emulation across the network, allowing a user on one computer to log in to another computer as if the user's computer were a terminal.

**Terminal:** 1. A device, such as a teletypewriter or a keyboard/CRT device, which embodies a set of human/system interface functions. 2. A point in a system or communications network at which data can either enter or leave; a device, usually equipped with a keyboard, often with a display, capable of sending and receiving data over a communications link; generically the same as data terminal equipment.

**Terminal Emulation:** A program which runs at a workstation or terminal that makes it appear to be a specific type of data terminal to both the user and the software.

**Terminal Server:** A special purpose device on an Ethernet LAN that enables up to 32 terminals to be connected to the Ethernet cable via a single physical line. A terminal server frees network nodes of the burden of establishing connections between local terminals and remote nodes. Terminals connected to the terminal server have access to all nodes on the network.

**Terminated Line:** A circuit with a resistance at the far end equal to the characteristic impedance of the line, so no reflections or standing waves are present when a signal is entered at the near end.

**Text:** In communications, transmitted characters forming the part of a message that carries information to be conveyed; in some protocols, the character sequence between start-of-text (STX) and end-of-text (ETX) control characters; information for human, as opposed to computer, comprehension, intended for presentation in a two-dimensional form.

**TFTP (Trivial File Transfer Protocol):** The DARPA Internet standard protocol for file transfer with minimal overhead and capability. It depends only on the unreliable, connectionless datagram delivery service (UDP), so it can be used on diskless workstations that keep software in ROM in order to bootstrap themselves.

**T1:** AT&T term for a digital carrier facility used to transmit a DS-1 formatted digital signal at 1.544 Mbps.

**Timeout:** Expiration of predefined time period, at which time some specified action occurs; in communications, timeouts are employed to avoid unnecessary delays and improve traffic flow; used, for example, to specify maximum response times to polling and addressing before a procedure is automatically reinitiated.

**TPI (Twisted Pair Interface):** National's twisted pair Ethernet Transceiver for 10BASE-T. Part number DP83922.

**Token:** The password or character sequence used by network nodes to gain access to a token ring network. This character sequence (i.e., the token) passes from one node to another around the network; hence, the term "token passing" is used to describe the process.

**Token Ring:** A data-signaling network architecture where a data packet and a token are passed from one station to another along an electrical ring. When a station transmits, it takes possession of the token, transmits its data, then frees the token after the data has made a complete circuit of the electrical ring.

**TOP (Technical and Office Protocols):** A Boeing version of the MAP protocol suite aimed at office and engineering applications.

**Topology:** Description of the physical connections of a specific network's nodes—such as bus, branching bus (tree or star), or ring.

**Transaction:** In communications, a message destined for an application program; a computer-processed task that accomplishes a particular action or result; in interactive communications, an exchange between two devices, one of which is usually a computer; in batch or remote job entry, a job or job step.

**Transceiver:** A combined transmitter and receiver. An essential element of all LANs, its functions is required at each node of the network. For Ethernet it connects directly to the coaxial cable as a stand alone transceiver box. For Thin Ethernet the transceiver resides in the data terminal equipment.

**Transmission:** The dispatching of a signal, message, or other forms of intelligence by wire, radio, telegraphy, telephony, facsimile, or other means; a series of characters, messages, or blocks, including control information and user data; the signaling of data over communications channels.

**Transport Layer:** Layer four in the OSI reference model; provides a logical connection between processes on two machines. See **OSI**.

**Tree:** A LAN topology that recognizes only one route between two nodes on the network. The "map" resembles a tree or the letter T.

**Trunk:** A dedicated aggregated telephone circuit connecting two switching centers, central offices, or data-concentration devices.

**Twisted-Pair Transmission System:** In 10BASE-T terminology, refers to the twisted-pair wire link and its two attached MAUs.

**Twisted-Pair Wire:** A cable comprised of two 18 to 24 AWG (American Wire Gauge) solid copper strands twisted around each other. The twisting provides a measure of protection from electromagnetic and radio-frequency interference (EMI/RFI). Two types are available: shielded and unshielded. The former is wrapped inside a metallic sheath that provides protection from EMI/RFI. The latter, also known as telephone wire, is covered with plastic or PVC, which provides no protection from EMI/RFI.

**Type 3 Cable:** An unshielded twisted-pair wire that meets IBM specifications for use in token ring networks.

**UDP (User Datagram Protocol):** The TCP/IP transaction protocol used for applications such as remote network management and name service access; this lets users assign a name, such as "VAX™ 2", to a physical or numbered address.

**UTP (Unshielded Twisted-Pair Cable):** Also known as telephone wire. See **Twisted-Pair Wire**.

**User Transparency:** The quality in a network that enables users to access and transfer information without having to know how the network operates.

**VAN (Value Added Network):** A network whose services go beyond simple switching.

**VC (Virtual Circuit):** For X.25 a VC is a PLP logical connection between an X.25 DCE and an X.25 DTE. X.25 supports both switched VCs and permanent VCs. Switched VCs are analogous to dial up lines. They allow a particular X.25 DTE to establish connection with different X.25 DTEs on a per call basis. In contrast, permanent VCs are analogous to leased lines because they always connect two particular X.25 DTEs.

**Virtual Disk:** A portion of physical disk drive appearing to a dedicated host as a local disk resource.

**Virtual Storage:** Storage space that may be viewed as addressable main storage, but is actually auxiliary storage (usually peripheral mass storage) mapped into real addresses; amount of virtual storage is limited by the addressing scheme of the computer.

**VM™ (Virtual Memory System):** An Operating System developed by Digital Equipment Corporation for the VAX computer series.

**Well-Known Port:** Any set of protocol port numbers preassigned for specific uses by the transport layer protocols (i.e., TCP and UDP). Clients can locate servers at well-known port assignments. File transfer servers, echo servers and time servers are some examples of servers using well-known port assignments.

**Wide Area Network (WAN):** A network covering a large geographic area (50 miles or more); may include packet-switched, public data, and Value-Added Networks.

**Wide Band:** A system in which multiple channels access a medium (usually coaxial cable) that has a large bandwidth (10 Mbps is typical) using radio frequency modems. Each channel is modulated to a different frequency slot on the cable and is demodulated to its original frequency at the receiving end.

**Wiring Closet:** Central location for termination and routing on-premises wiring systems.

**Workstation:** Input/Output equipment that an operator works.

**XDR (External Data Representation):** A presentation layer protocol used by SUN microsystems. It provides a common way of representing data on a network consisting of different machines.

**XNS (Xerox Network System):** Used as the basis for many network operating systems, including early version of 3Com's 3+. It performs functions similar to those of TCP/IP and runs on top of IEEE 802.3.

**X.NN:** The X.nn series of the CCITT standards relate to the connection of digital equipment to a public data network which employs digital signaling.

**XON/XOFF (Transmitter On/Transmitter Off):** A method of flow control used when a computer is attached to a slower device which cannot process information as fast as the computer sends it. A common device using XON/XOFF is a printer. XON is sent as a CONTROL-Q, XOFF is sent as a CONTROL-S.

**X.25:** Defined by CCITT, and used most commonly in Europe.

The X.25 protocol is best suited for small to medium amounts of data traffic among multiple locations. It operates over telephone lines at up to 1.5 megabits per second (the maximum speed of a T-1 connection). X.25 breaks a data message into smaller pieces known as "packets" and transmits the packets individually to their destination, where they are reassembled. Because each packet is routed individually, packets may travel different paths to their destination, thereby speeding transmission.

**X.400:** This standard, approved by ISO, defines a means for exchanging electronic mail between computers. Supporting this standard allows electronic mail packages from different vendors to exchange messages.

**X.500:** Still under development, X.500 is a standard for directory management. It will allow users to find files and data on networks of different types of computers.

**10BASE5:** IEEE 802.3 Physical Layer Standard for thick cable Ethernet, utilizing thick double shielded coaxial cable. 10BASE5 stands for; 10 = 10 Mbits/sec. data rate, BASE = Baseband, 5 = 500 meters segment length.

**10BASE2:** IEEE 802.3 Physical Layer Standard for thin wire Ethernet (sometimes called cheapernet). This standard uses RG58 standard coaxial cable. 10BASE2 stands for; 10 = 10 Mbit/sec. data rate, BASE = Baseband, 2 = 200 meter segment length (actually is 185m).

**1BASE5:** IEEE 802.3 Physical Layer Standard for StarLAN twisted pair network. 1BASE5 stands for; 1 = 1 Mbit/sec. data rate, BASE = Baseband, 5 = 500 meter segment length.

**10BASE-T:** IEEE 802.3 Physical Layer Standard for the new twisted pair Ethernet in a star topology. 10BASE-T stands for; 10 = 10 Mbit/sec. data rate, BASE = Baseband, T = twisted pair wire over 100 meters nominal segment length.

**802.x:** The Institute of Electrical and Electronic Engineers (IEEE) committees that developed a set of standards defining some networks. The IEEE committees generally work on standards below 50 Mb/s including:

- IEEE 802.3 Ethernet
- IEEE 802.4 Token Bus
- IEEE 802.5 Token Ring
- IEEE 802.6 Metropolitan Area Networks
- IEEE 802.9 Integrated Data and Voice

**3270 and 5250:** These two IBM protocols have been around since the early 1970s. High Speed Serial Interface used with IBM mainframes and various peripherals. Data rates range from 1.2 Mbits/s to 52 Mbits/s.

## Ethernet and Networking Acronyms

| Acronym | Description                                               |
|---------|-----------------------------------------------------------|
| ANSI    | American National Standards Institute                     |
| CMIP    | Common Management Information Protocol                    |
| CRC     | Cyclic Redundancy Check                                   |
| CRD     | Clock Recovery Device—<br>Part of National's Solution     |
| CSMA/CD | Carrier-Sense Multiple<br>Access with Collision Detection |
| CTI     | Coaxial Transceiver Interface, NSC<br>DP8392              |
| DA      | Destination Address                                       |
| DAC     | Dual Attach Concentrator                                  |
| DAS     | Dual Attach Station                                       |
| DLL     | Data Link Layer                                           |
| ENDEC   | ENcoder, DECoder combination,<br>chip or function         |
| FC      | Frame Control                                             |
| FCS     | Frame Check Sequence                                      |
| FDDI    | Fiber Distributed Data Interface                          |
| FTP     | File Transfer Protocol                                    |
| IEEE    | Institute of Electrical and Electronic Engineers          |
| ISO     | International Standards Organization                      |
| LAN     | Local Area Network                                        |
| LEM     | Link Error Monitor                                        |
| LERIC   | Low End Repeater Interface Controller                     |
| LLC     | Logical Link Control                                      |
| MAC     | Media Access Control Layer                                |
| MAU     | Media Access Unit                                         |
| MIB     | Management Information Base                               |

| Acronym | Description                                                                                    |
|---------|------------------------------------------------------------------------------------------------|
| MPR     | Multi-Port Repeater                                                                            |
| NFS     | Network File System                                                                            |
| NIC     | Network Interface Controller (add-in<br>card); also NSC DP8390 Network<br>Interface Controller |
| NOS     | Network Operating System                                                                       |
| NRZ     | Non-Return to Zero                                                                             |
| NRZI    | Non-Return to Zero Invert on Ones                                                              |
| OSI     | Open Systems Interconnection                                                                   |
| PDU     | Protocol Data Unit                                                                             |
| PHY     | Physical Layer                                                                                 |
| PMD     | Physical Medium Dependent Layer                                                                |
| QLS     | Quiet Line State                                                                               |
| RIC     | Repeater Interface Controller, NSC<br>DP83950                                                  |
| SA      | Source Address                                                                                 |
| SAS     | Single Attach Station                                                                          |
| SDU     | Service Data Unit                                                                              |
| SNA     | Systems Network Architecture (IBM)<br>Protocol                                                 |
| SNMP    | Simple Network Management Protocol                                                             |
| SONIC   | Systems Oriented Network Interface<br>Controller, NSC DP83932                                  |
| ST-NIC  | Serial Network Interface Controller for<br>Twisted Pair, NSC DP83902                           |
| TCP/IP  | Transmission Control<br>Protocol/Internet Protocol                                             |
| WAN     | Wide Area Network                                                                              |
| XNS     | Xerox Network System Protocol                                                                  |







## Section 8

# SUPPORT TOOLS AND REFERENCE MATERIALS

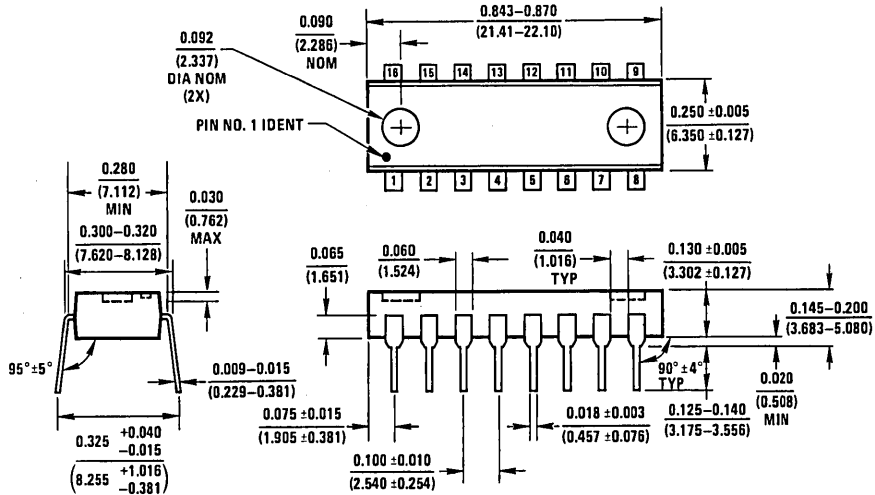
## **Appendix/ Physical Dimensions**



## Section 8 Contents

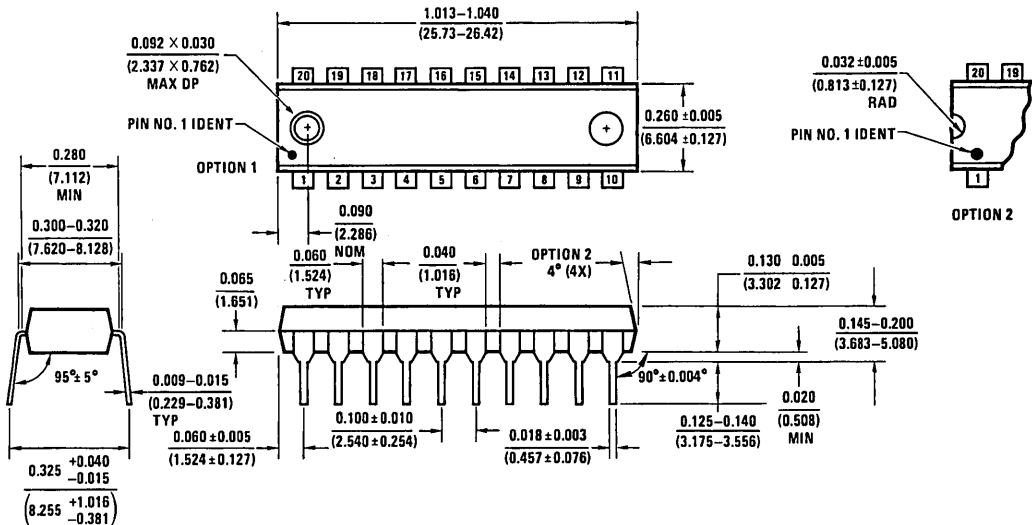
|                           |     |
|---------------------------|-----|
| Physical Dimensions ..... | 8-3 |
| Bookshelf                 |     |
| Distributors              |     |

### 16 Lead (0.300" Wide) Molded Dual-in-Line Package NS Package Number N16A



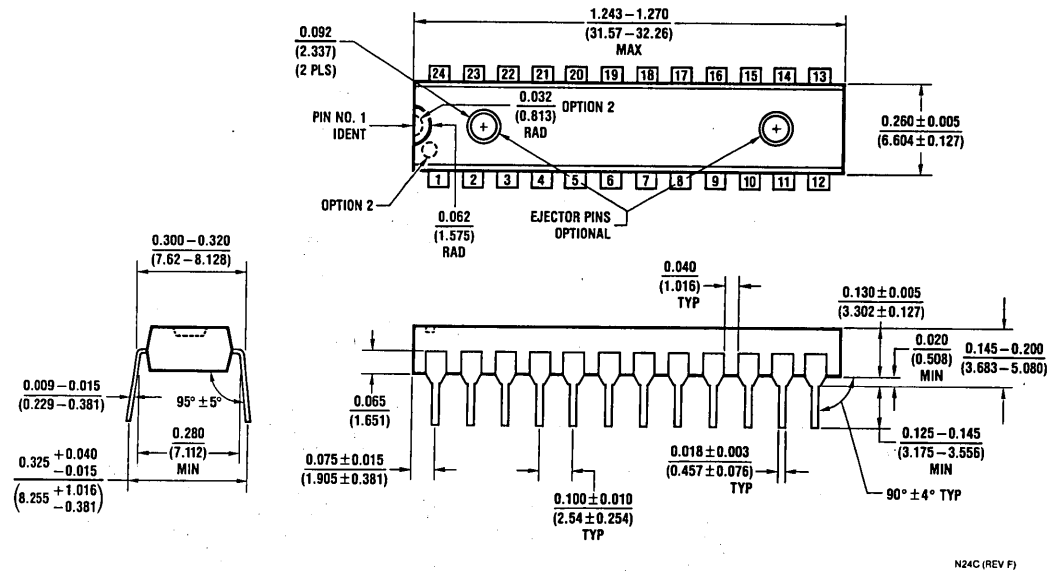
N16A (REV E)

### 20 Lead (0.300" Wide) Molded Dual-in-Line Package NS Package Number N20A



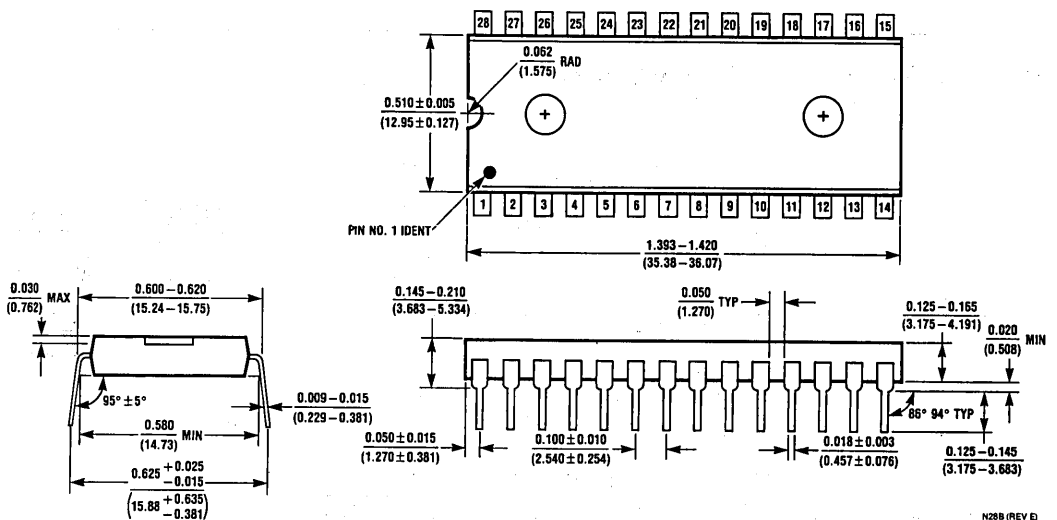
N20A (REV G)

### 24 Lead (0.300" Wide) Molded Dual-in-Line Package NS Package Number N24C



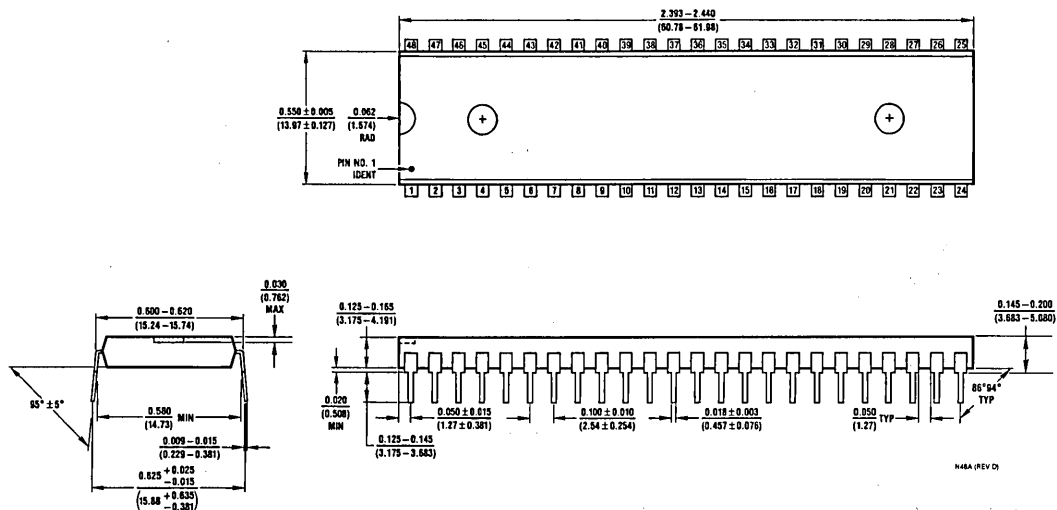
N24C (REV F)

### 28 Lead (0.600" Wide) Molded Dual-in-Line Package NS Package Number N28B

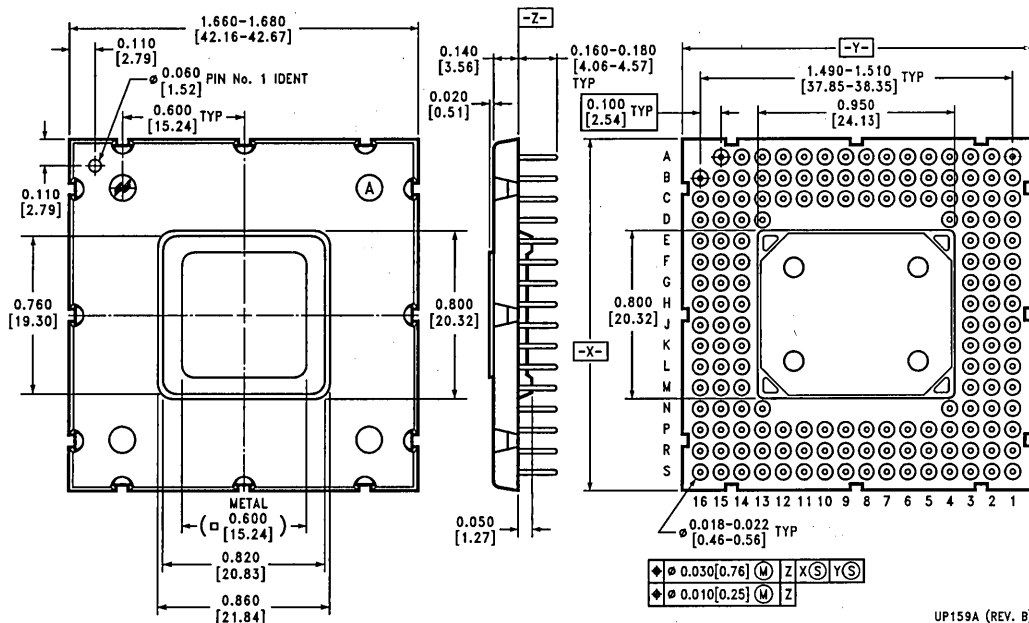


N28B (REV D)

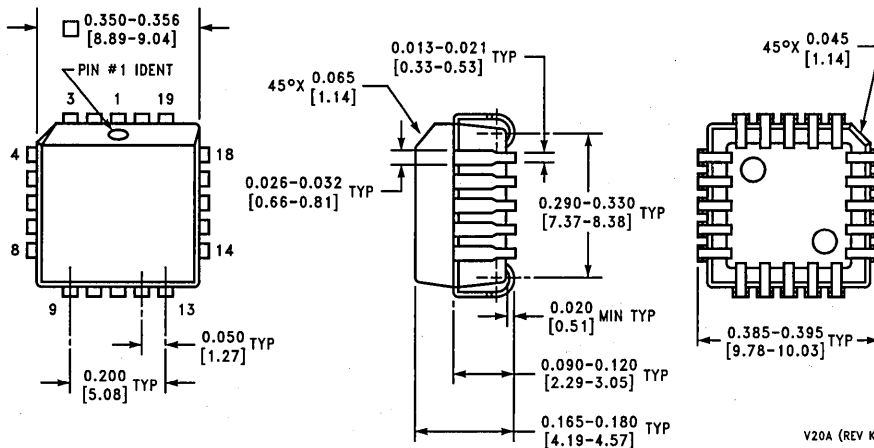
### 48 Lead (0.600" Wide) Molded Dual-in-Line Package NS Package Number N48A



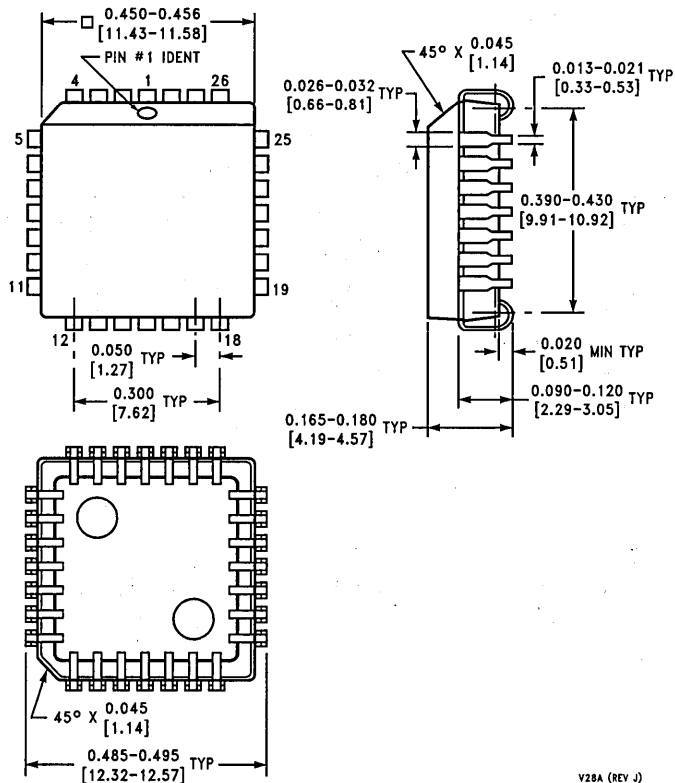
### 159 Pin Molded Plastic Pin Grid Array NS Package Number UP159A



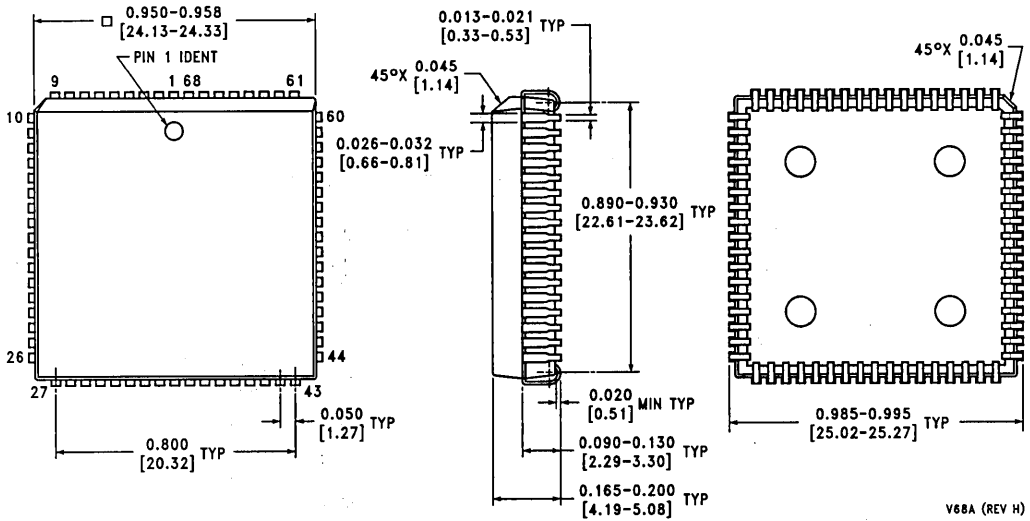
### 20 Lead Molded Plastic Leaded Chip Carrier NS Package Number V20A



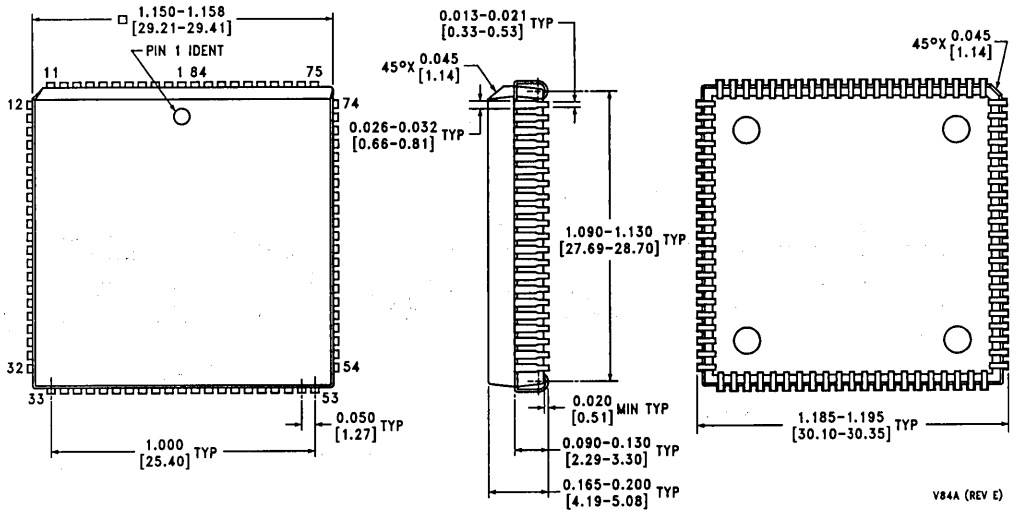
### 28 Lead Molded Plastic Leaded Chip Carrier NS Package Number V28A



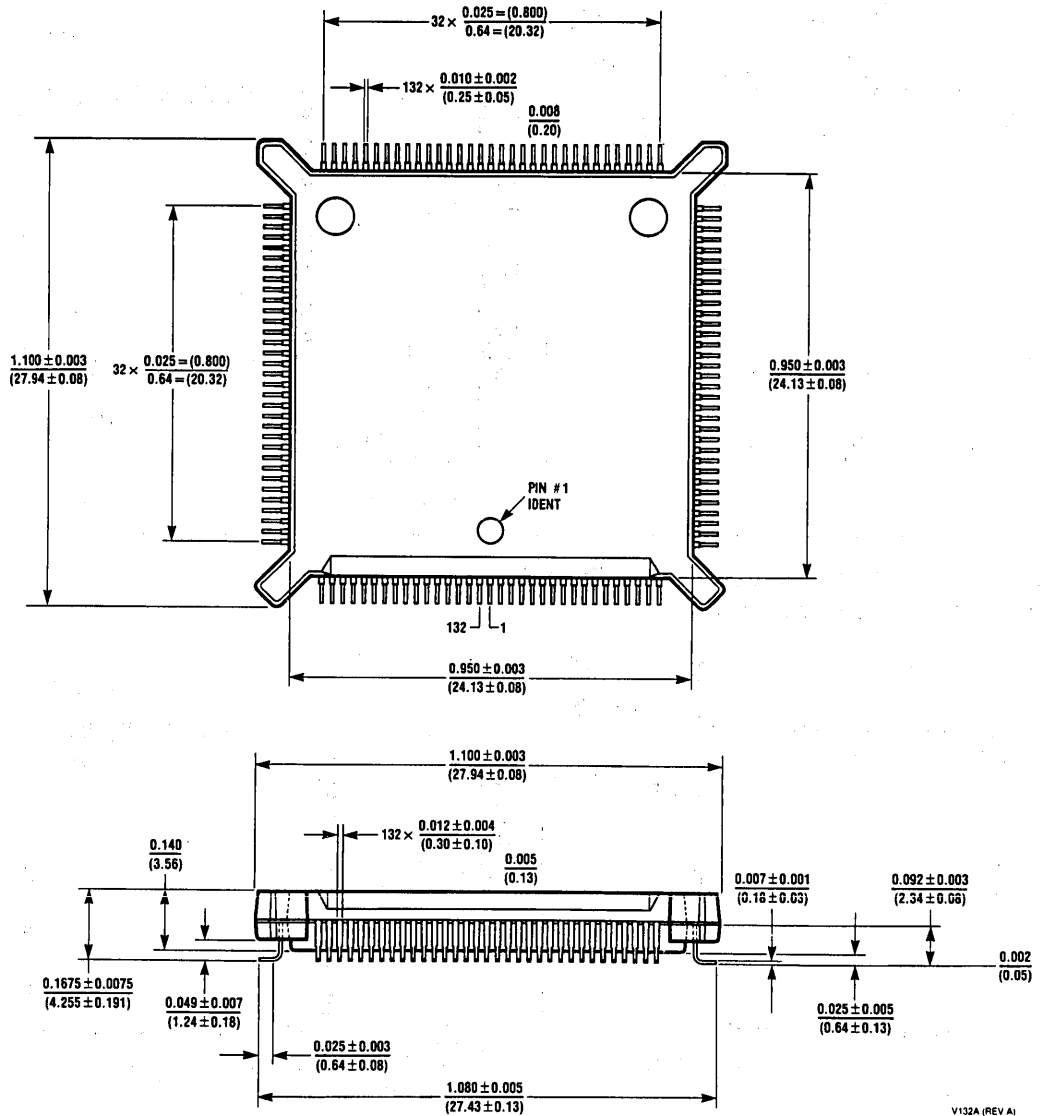
### 68 Lead Molded Plastic Leaded Chip Carrier NS Package Number V68A



### 84 Lead Molded Plastic Leaded Chip Carrier NS Package Number V84A



# 132 Lead Molded Plastic Leaded Chip Carrier NS Package Number V132A

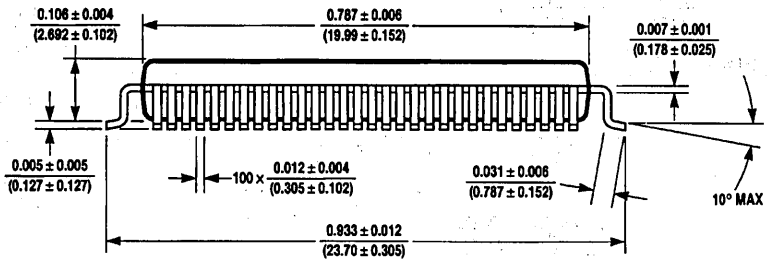
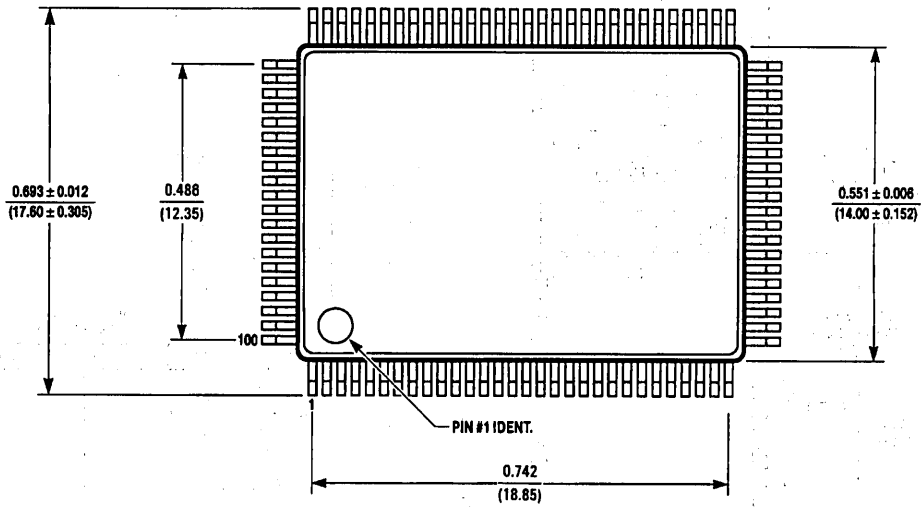


V132A (REV A)



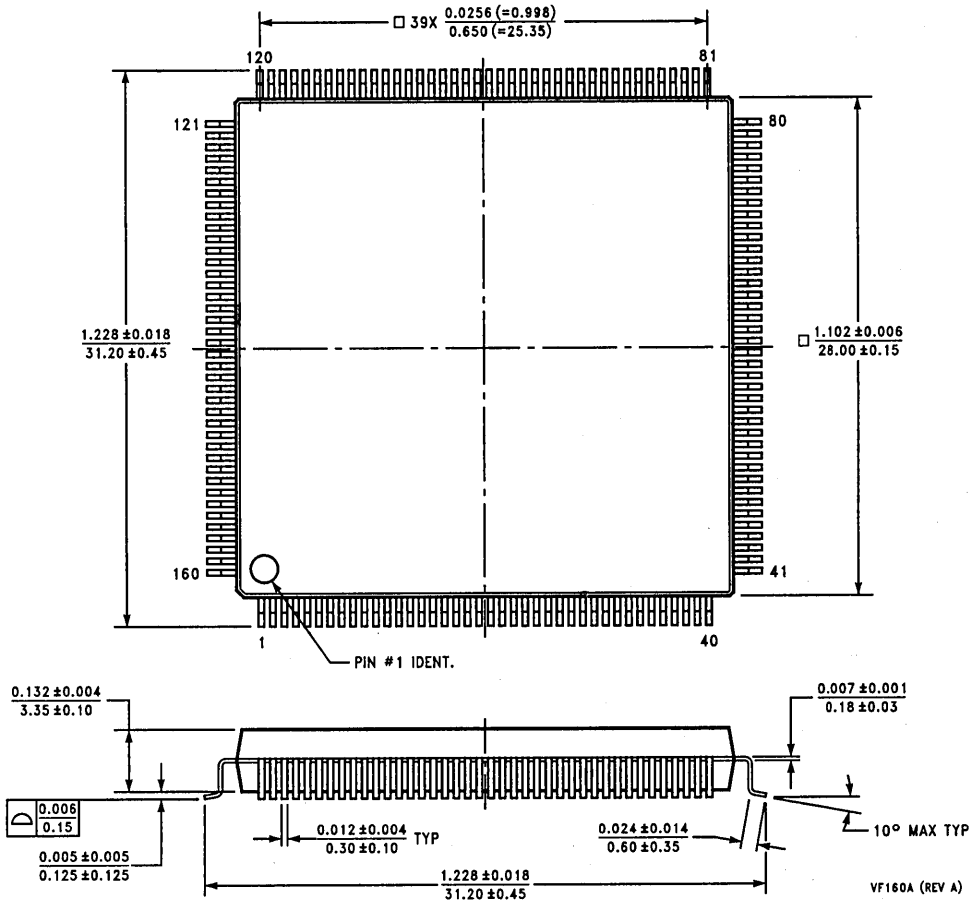


**100 Lead Plastic Quad Flat Package, EIAJ  
NS Package Number VF100B**

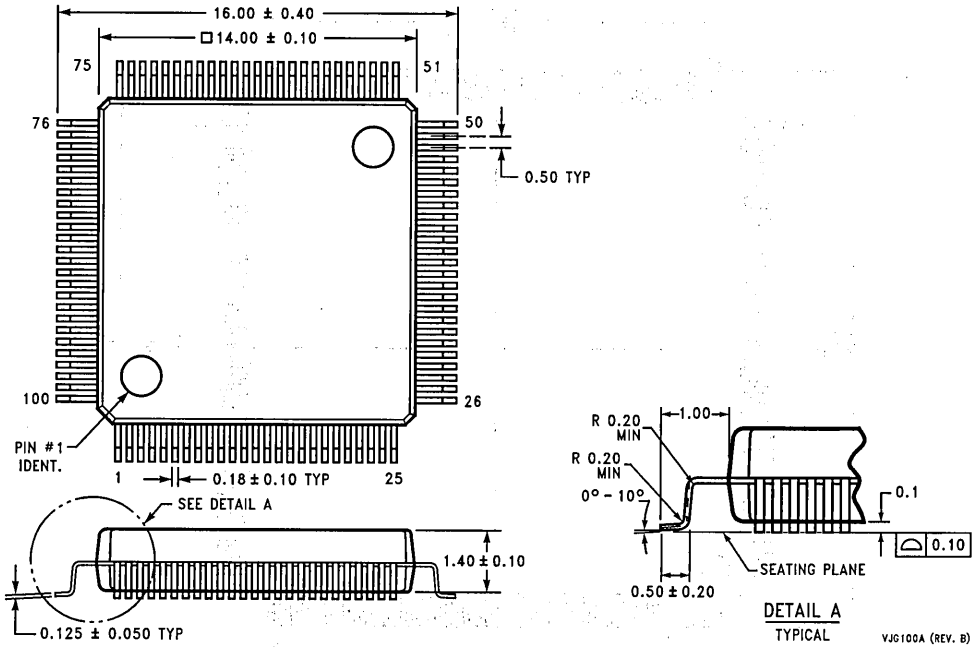


VF100B (REV C)

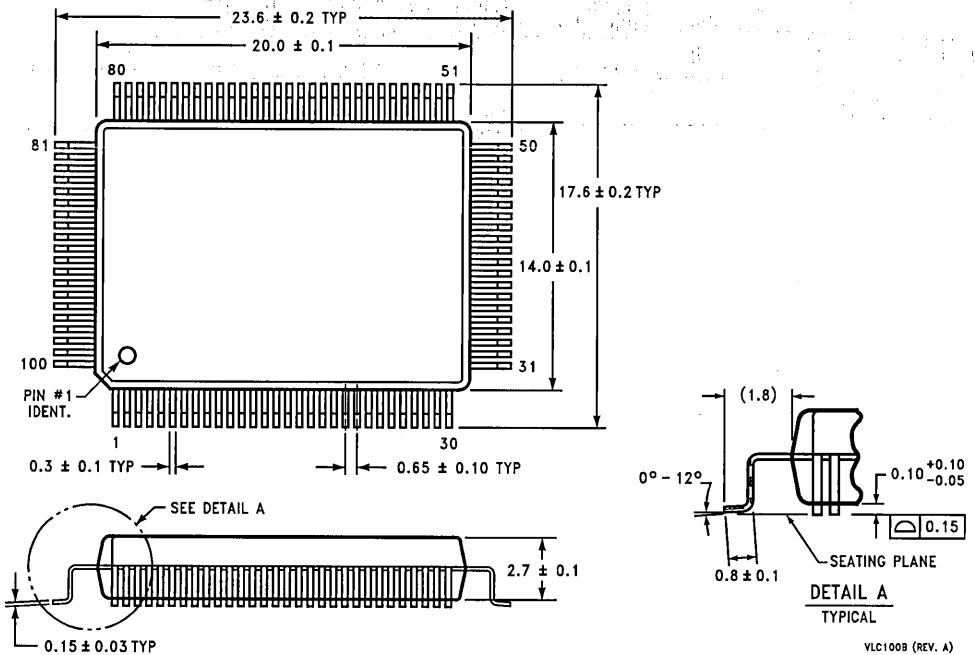
**160 Lead Plastic Quad Flat Package, EIAJ  
NS Package Number VF160A**



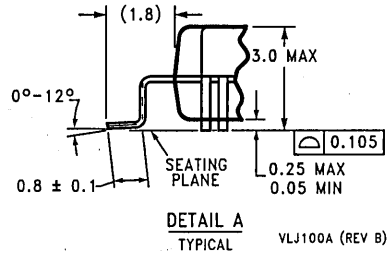
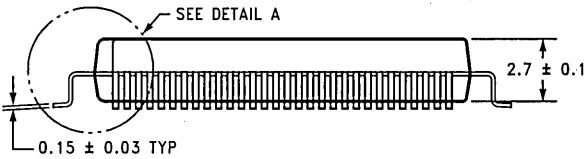
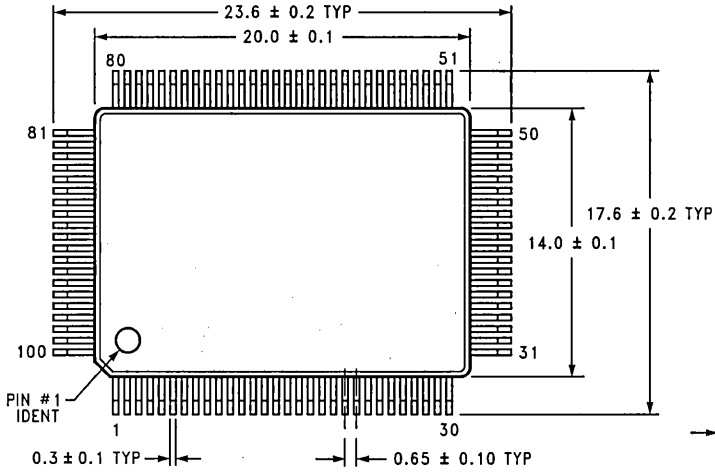
### 100 Lead (14mm x 14mm) Molded Plastic Quad Flat Package, JEDEC NS Package Number VJG100A



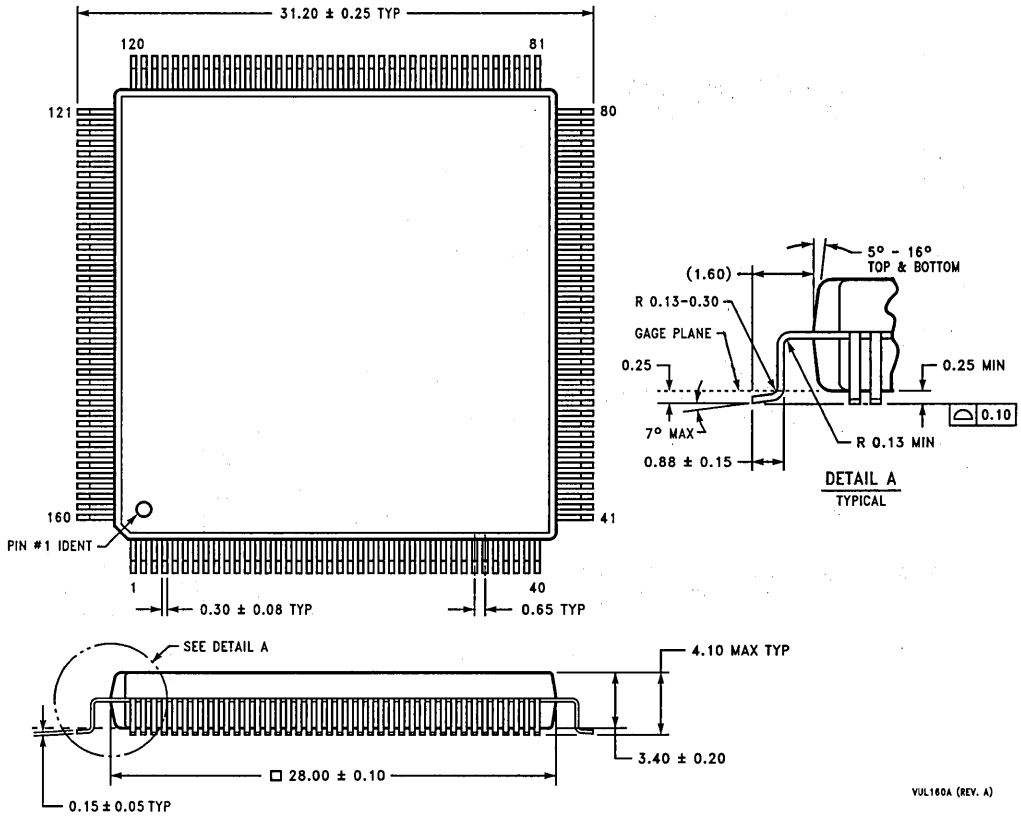
### 100 Lead JEDEC Metric Plastic Quad Flat Package NS Package Number VLC100B



**100 Lead (14mm x 20mm) Molded Plastic Quad Flat Package, EIAJ  
NS Package Number VLJ100A**



# 160 Lead (28mm x 28mm) Molded Plastic Quad Flat Package, JEDEC NS Package Number VUL160A



VUL160A (REV. A)



## **Bookshelf of Technical Support Information**

National Semiconductor Corporation recognizes the need to keep you informed about the availability of current technical literature.

This bookshelf is a compilation of books that are currently available. The listing that follows shows the publication year and section contents for each book.

For datasheets on new products and devices still in production but not found in a databook, please contact the National Semiconductor Customer Support Center at 1-800-272-9959.

We are interested in your comments on our technical literature and your suggestions for improvement.

Please send them to:

Technical Communications Dept. M/S 16-300  
2900 Semiconductor Drive  
P.O. Box 58090  
Santa Clara, CA 95052-8090

### **ADVANCED BiCMOS LOGIC (ABTC, IBF, BCT) DATABOOK—1993**

ABTC/BCT Description and Family Characteristics • ABTC/BCT Ratings, Specifications and Waveforms  
ABTC Applications and Design Considerations • Quality and Reliability • Integrated Bus Function (IBF) Introduction  
54/74ABT3283 Synchronous Datapath Multiplexer • 74FR900/25900 9-Bit 3-Port Latchable Datapath Multiplexer  
54/74ACTQ3283 32-Bit Latchable Transceiver with Parity Generator/Checker and Byte Multiplexing  
54/74ABTCXXX • 74BCTXXX

### **ALS/AS LOGIC DATABOOK—1990**

Introduction to Advanced Bipolar Logic • Advanced Low Power Schottky • Advanced Schottky

### **ASIC DESIGN MANUAL/GATE ARRAYS & STANDARD CELLS—1987**

SSI/MSI Functions • Peripheral Functions • LSI/VLSI Functions • Design Guidelines • Packaging

### **CMOS LOGIC DATABOOK—1988**

CMOS AC Switching Test Circuits and Timing Waveforms • CMOS Application Notes • MM54HC/MM74HC  
MM54HCT/MM74HCT • CD4XXX • MM54CXXX/MM74CXXX • Surface Mount

### **DATA ACQUISITION DATABOOK—1993**

Data Acquisition Systems • Analog-to-Digital Converters • Digital-to-Analog Converters • Voltage References  
Temperature Sensors • Active Filters • Analog Switches/Multiplexers • Surface Mount

### **DATA ACQUISITION DATABOOK SUPPLEMENT—1992**

New devices released since the printing of the 1989 Data Acquisition Linear Devices Databook.

### **DISCRETE SEMICONDUCTOR PRODUCTS DATABOOK—1989**

Selection Guide and Cross Reference Guides • Diodes • Bipolar NPN Transistors  
Bipolar PNP Transistors • JFET Transistors • Surface Mount Products • Pro-Electron Series  
Consumer Series • Power Components • Transistor Datasheets • Process Characteristics

### **DRAM MANAGEMENT HANDBOOK—1993**

Dynamic Memory Control • CPU Specific System Solutions • Error Detection and Correction  
Microprocessor Applications

### **EMBEDDED CONTROLLERS DATABOOK—1992**

COP400 Family • COP800 Family • COPS Applications • HPC Family • HPC Applications  
MICROWIRE and MICROWIRE/PLUS Peripherals • Microcontroller Development Tools

## **FDDI DATABOOK—1991**

FDDI Overview • DP83200 FDDI Chip Set • Development Support • Application Notes and System Briefs

## **F100K ECL LOGIC DATABOOK & DESIGN GUIDE—1992**

Family Overview • 300 Series (Low-Power) Datasheets • 100 Series Datasheets • 11C Datasheets  
Design Guide • Circuit Basics • Logic Design • Transmission Line Concepts • System Considerations  
Power Distribution and Thermal Considerations • Testing Techniques • 300 Series Package Qualification  
Quality Assurance and Reliability • Application Notes

## **FACT™ ADVANCED CMOS LOGIC DATABOOK—1993**

Description and Family Characteristics • Ratings, Specifications and Waveforms  
Design Considerations • 54AC/74ACXXX • 54ACT/74ACTXXX • Quiet Series: 54ACQ/74ACQXXX  
Quiet Series: 54ACTQ/74ACTQXXX • 54FCT/74FCTXXX • FCTA: 54FCTXXXA/74FCTXXXA/B

## **FAST® ADVANCED SCHOTTKY TTL LOGIC DATABOOK—1990**

Circuit Characteristics • Ratings, Specifications and Waveforms • Design Considerations • 54F/74FXXX

## **FAST® APPLICATIONS HANDBOOK—1990**

**Reprint of 1987 Fairchild FAST Applications Handbook**

Contains application information on the FAST family: Introduction • Multiplexers • Decoders • Encoders  
Operators • FIFOs • Counters • TTL Small Scale Integration • Line Driving and System Design  
FAST Characteristics and Testing • Packaging Characteristics

## **HIGH-PERFORMANCE BUS INTERFACE DESIGNER'S GUIDE—1992**

Futurebus+ /BTL Devices • BTL Transceiver Application Notes • Futurebus+ Application Notes  
High Performance TTL Bus Drivers • PI-Bus • Futurebus+ /BTL Reference

## **IBM DATA COMMUNICATIONS HANDBOOK—1992**

IBM Data Communications • Application Notes

## **INTERFACE: LINE DRIVERS AND RECEIVERS DATABOOK—1992**

EIA-232 • EIA-422/423 • EIA-485 • Line Drivers • Receivers • Repeaters • Transceivers • Application Notes

## **LINEAR APPLICATIONS HANDBOOK—1991**

The purpose of this handbook is to provide a fully indexed and cross-referenced collection of linear integrated circuit applications using both monolithic and hybrid circuits from National Semiconductor.

Individual application notes are normally written to explain the operation and use of one particular device or to detail various methods of accomplishing a given function. The organization of this handbook takes advantage of this innate coherence by keeping each application note intact, arranging them in numerical order, and providing a detailed Subject Index.

## **LINEAR APPLICATION SPECIFIC IC's DATABOOK—1993**

Audio Circuits • Radio Circuits • Video Circuits • Display Drivers • Clock Drivers • Frequency Synthesis  
Special Automotive • Special Functions • Surface Mount

## **LOCAL AREA NETWORKS DATABOOK—1993 SECOND EDITION**

Integrated Ethernet Network Interface Controller Products • Ethernet Physical Layer Transceivers  
Ethernet Repeater Interface Controller Products • Token-Ring Interface Controller (TROPIC)  
Hardware and Software Support Products • FDDI Products • Glossary and Acronyms

## **LOW VOLTAGE DATABOOK—1992**

This databook contains information on National's expanding portfolio of low and extended voltage products. Product datasheets included for: Low Voltage Logic (LVQ), Linear, EPROM, SRAM, Interface, ASIC, Embedded Controllers, Real Time Clocks, and Clock Generation and Support (CGS).

## **MASS STORAGE HANDBOOK—1989**

Rigid Disk Pulse Detectors • Rigid Disk Data Separators/Synchronizers and ENDECs  
Rigid Disk Data Controller • SCSI Bus Interface Circuits • Floppy Disk Controllers • Disk Drive Interface Circuits  
Rigid Disk Preamplifiers and Servo Control Circuits • Rigid Disk Microcontroller Circuits • Disk Interface Design Guide



## **MEMORY DATABOOK—1992**

CMOS EPROMs • CMOS EEPROMs • PROMs • Application Notes

## **MEMORY APPLICATION HANDBOOK—1993**

## **OPERATIONAL AMPLIFIERS DATABOOK—1993**

Operational Amplifiers • Buffers • Voltage Comparators • Instrumentation Amplifiers • Surface Mount

## **PACKAGING DATABOOK—1993**

Introduction to Packaging • Hermetic Packages • Plastic Packages • Advanced Packaging Technology  
Package Reliability Considerations • Packing Considerations • Surface Mount Considerations

## **POWER IC's DATABOOK—1993**

Linear Voltage Regulators • Low Dropout Voltage Regulators • Switching Voltage Regulators • Motion Control  
Peripheral Drivers • High Current Switches • Surface Mount

## **PROGRAMMABLE LOGIC DEVICE DATABOOK AND DESIGN GUIDE—1993**

Product Line Overview • Datasheets • Design Guide: Designing with PLDs • PLD Design Methodology  
PLD Design Development Tools • Fabrication of Programmable Logic • Application Examples

## **REAL TIME CLOCK HANDBOOK—1993**

3-Volt Low Voltage Real Time Clocks • Real Time Clocks and Timer Clock Peripherals • Application Notes

## **RELIABILITY HANDBOOK—1987**

Reliability and the Die • Internal Construction • Finished Package • MIL-STD-883 • MIL-M-38510  
The Specification Development Process • Reliability and the Hybrid Device • VLSI/VHSIC Devices  
Radiation Environment • Electrostatic Discharge • Discrete Device • Standardization  
Quality Assurance and Reliability Engineering • Reliability and Documentation • Commercial Grade Device  
European Reliability Programs • Reliability and the Cost of Semiconductor Ownership  
Reliability Testing at National Semiconductor • The Total Military/Aerospace Standardization Program  
883B/RET<sup>SM</sup> Products • MILS/RETS<sup>SM</sup> Products • 883/RETS<sup>SM</sup> Hybrids • MIL-M-38510 Class B Products  
Radiation Hardened Technology • Wafer Fabrication • Semiconductor Assembly and Packaging  
Semiconductor Packages • Glossary of Terms • Key Government Agencies • AN/ Numbers and Acronyms  
Bibliography • MIL-M-38510 and DESC Drawing Cross Listing

## **SCAN<sup>TM</sup> DATABOOK—1993**

Evolution of IEEE 1149.1 Standard • SCAN Buffers • System Test Products • Other IEEE 1149.1 Devices

## **TELECOMMUNICATIONS—1992**

COMBO and SLIC Devices • ISDN • Digital Loop Devices • Analog Telephone Components • Software  
Application Notes

## NOTES

# NATIONAL SEMICONDUCTOR CORPORATION DISTRIBUTORS

## ALABAMA

Huntsville  
Hamilton/Avnet  
(205) 837-7210  
Pioneer Technology  
(205) 837-9300

## ARIZONA

Chandler  
Hamilton/Avnet  
(602) 961-1211  
Tempe  
Anthem Electronics  
(602) 966-6600  
Bell Industries  
(602) 966-7800  
Time Electronics  
(602) 967-2000

## CALIFORNIA

Agora Hills  
Bell Industries  
(818) 706-2608  
Time Electronics  
(818) 707-2890  
Zeus Components  
(818) 889-3838  
Burbank  
Elmo Semiconductor  
(818) 768-7400  
Calabasas  
F/X Electronics  
(818) 591-9220  
Chatsworth  
Anthem Electronics  
(818) 775-1333  
Time Electronics  
(818) 593-8400  
Costa Mesa  
Hamilton Electro Sales  
(714) 641-4100  
Cypress  
Bell Industries  
(714) 895-7801  
Gardena  
Hamilton/Avnet  
(213) 516-8600  
Irvine  
Anthem Electronics  
(714) 768-4444  
Rocklin  
Anthem Electronics  
(916) 624-9744  
Bell Industries  
(916) 652-0414  
Roseville  
Hamilton/Avnet  
(916) 925-2216  
San Diego  
Anthem Electronics  
(619) 453-9005  
Hamilton/Avnet  
(619) 571-1900  
Time Electronics  
(619) 586-0129  
San Jose  
Anthem Electronics  
(408) 453-1200  
Pioneer Technology  
(408) 954-9100  
Zeus Components  
(408) 629-4789

Sunnyvale  
Bell Industries  
(408) 734-8570  
Hamilton/Avnet  
(408) 743-3300  
Time Electronics  
(408) 734-9888

Torrance  
Time Electronics  
(213) 320-0880  
Tustin  
Time Electronics  
(714) 669-0100  
Woodland Hills  
Hamilton/Avnet  
(818) 594-0404  
Yorba Linda  
Zeus Components  
(714) 921-9000

## COLORADO

Denver  
Bell Industries  
(303) 691-9010  
Englewood  
Anthem Electronics  
(303) 790-4500  
Hamilton/Avnet  
(303) 799-7800  
Time Electronics  
(303) 721-8882  
CONNECTICUT  
Danbury  
Hamilton/Avnet  
(203) 743-6077  
Shelton  
Pioneer Standard  
(203) 929-5600  
Waterbury  
Anthem Electronics  
(203) 575-1575

## FLORIDA

Altamonte Springs  
Bell Industries  
(407) 339-0078  
Pioneer Technology  
(407) 834-9090  
Zeus Components  
(407) 788-9100  
Deerfield Beach  
Pioneer Technology  
(305) 428-8877  
Fort Lauderdale  
Hamilton/Avnet  
(305) 767-6377  
Time Electronics  
(305) 484-1778  
Orlando  
Chip Supply  
(407) 298-7100  
Time Electronics  
(407) 841-6565  
St. Petersburg  
Hamilton/Avnet  
(813) 572-4329  
Winter Park  
Hamilton/Avnet  
(407) 657-3300

## GEORGIA

Duluth  
Hamilton/Avnet  
(404) 446-0611  
Pioneer Technology  
(404) 623-1003

Norcross  
Bell Industries  
(404) 662-0923  
Time Electronics  
(404) 368-0969

## ILLINOIS

Addison  
Pioneer Electronics  
(708) 495-9680  
Bensenville  
Hamilton/Avnet  
(708) 860-7700  
Elk Grove Village  
Bell Industries  
(708) 640-1910  
Schaumburg  
Anthem Electronics  
(708) 884-0200  
Time Electronics  
(708) 303-3000

## INDIANA

Carmel  
Hamilton/Avnet  
(317) 844-9533  
Fort Wayne  
Bell Industries  
(219) 423-3422  
Indianapolis  
Advent Electronics Inc.  
(317) 872-4910  
Bell Industries  
(317) 875-8200  
Pioneer Standard  
(317) 573-0880

## IOWA

Cedar Rapids  
Advent Electronics  
(319) 363-0221  
Hamilton/Avnet  
(319) 362-4757

## KANSAS

Lenexa  
Hamilton/Avnet  
(913) 888-8900

## MARYLAND

Columbia  
Anthem Electronics  
(410) 995-6840  
Time Electronics  
(410) 964-3091  
Zeus Components  
(410) 997-1118  
Gaithersburg  
Pioneer Technology  
(301) 921-0660

## MASSACHUSETTS

Andover  
Bell Industries  
(508) 474-8880  
Beverly  
Sertech Laboratories  
(508) 927-5820  
Lexington  
Pioneer Standard  
(617) 861-9200  
Norwood  
Gerber Electronics  
(617) 769-6000  
Peabody  
Hamilton/Avnet  
(508) 531-7430  
Time Electronics  
(508) 532-9900

Tyngsboro  
Port Electronics  
(508) 649-4880  
Wakefield  
Zeus Components  
(617) 246-8200  
Wilmington  
Anthem Electronics  
(508) 657-5170

## MICHIGAN

Grand Rapids  
Pioneer Standard  
(616) 698-1800  
Grandville  
Hamilton/Avnet  
(616) 243-8805  
Livonia  
Pioneer Standard  
(313) 525-1800  
Novi  
Hamilton/Avnet  
(313) 347-4720  
Wyoming  
R. M. Electronics, Inc.  
(616) 531-9300

## MINNESOTA

Eden Prairie  
Anthem Electronics  
(612) 944-5454  
Pioneer Standard  
(612) 944-3355  
Edina  
Time Electronics  
(612) 943-2433  
Minnetonka  
Hamilton/Avnet  
(612) 932-0600

## MISSOURI

Chesterfield  
Hamilton/Avnet  
(314) 537-1600  
St. Louis  
Time Electronics  
(314) 391-6444

## NEW JERSEY

Cherry Hill  
Hamilton/Avnet  
(609) 424-0110  
Fairfield  
Hamilton/Avnet  
(201) 575-3390  
Pioneer Standard  
(201) 575-3510  
Marlton  
Time Electronics  
(609) 596-6700  
Mount Laurel  
Seymour Electronics  
(609) 235-7474  
Pine Brook  
Anthem Electronics  
(201) 227-7960  
Wayne  
Time Electronics  
(201) 785-8250

## NEW MEXICO

Albuquerque  
Alliance Electronics Inc.  
(505) 292-3360  
Bell Industries  
(505) 292-2700  
Hamilton/Avnet  
(505) 345-0001

# NATIONAL SEMICONDUCTOR CORPORATION DISTRIBUTORS (Continued)

## NEW YORK

Binghamton  
Pioneer  
(607) 722-9300

Buñalo  
Summit Electronics  
(716) 887-2800

Commack  
Anthem Electronics  
(516) 864-6600

Fairport  
Pioneer Standard  
(716) 381-7070

Hauppauge  
Hamilton/Avnet  
(516) 231-9444  
Time Electronics  
(516) 273-0100

North Syracuse  
Hamilton/Avnet  
(315) 437-2641

Port Chester  
Zeus Components  
(914) 937-7400

Rochester  
Hamilton/Avnet  
(716) 292-0730  
Summit Electronics  
(716) 334-8110

Syracuse  
Time Electronics  
(315) 432-0355

Westbury  
Hamilton/Avnet Export Div.  
(516) 997-6868

Woodbury  
Pioneer Electronics  
(516) 921-8700

## NORTH CAROLINA

Charlotte  
Hamilton/Avnet  
(704) 527-2485  
Pioneer Technology  
(704) 527-8188

Durham  
Pioneer Technology  
(919) 544-5400

Morrisville  
Pioneer Technology  
(919) 460-1530

Raleigh  
Hamilton/Avnet  
(919) 878-0810

## OHIO

Cleveland  
Pioneer  
(216) 587-3600

Columbus  
Time Electronics  
(614) 794-3301

Dayton  
Bell Industries  
(513) 435-8660  
Bell Industries-Military  
(513) 434-8231  
Hamilton/Avnet  
(513) 439-6700  
Pioneer Standard  
(513) 236-9900  
Zeus Components  
(513) 293-6162

Independence  
Hamilton/Avnet  
(216) 349-5100

## OKLAHOMA

Tulsa  
Hamilton/Avnet  
(918) 664-0444  
Pioneer Standard  
(918) 665-7840  
Radio Inc.  
(918) 587-9123

## OREGON

Beaverton  
Anthem Electronics  
(503) 643-1114  
Bell Industries  
(503) 644-3444  
Hamilton/Avnet  
(800) 332-8638

Portland  
Time Electronics  
(503) 684-3780

## PENNSYLVANIA

Horsham  
Anthem Electronics  
(215) 443-5150  
Pioneer Technology  
(215) 674-4000

Mars  
Hamilton/Avnet  
(412) 281-4150

Pittsburgh  
Pioneer  
(412) 782-2300

## TEXAS

Austin  
Hamilton/Avnet  
(512) 837-8911  
Minco Technology Labs.  
(512) 834-2022  
Pioneer Standard  
(512) 835-4000  
Time Electronics  
(512) 346-7346

Dallas  
Hamilton/Avnet  
(214) 308-8111  
Pioneer Standard  
(214) 386-7300

Houston  
Hamilton/Avnet  
(713) 240-7733  
Pioneer Standard  
(713) 495-4700

Richardson  
Anthem Electronics  
(214) 238-7100  
Time Electronics  
(214) 644-4644  
Zeus Components  
(214) 783-7010

## UTAH

Midvale  
Bell Industries  
(801) 255-9611

Salt Lake City  
Anthem Electronics  
(801) 973-8555  
Hamilton/Avnet  
(801) 972-2800

West Valley  
Time Electronics  
(801) 973-8494

## WASHINGTON

Bothell  
Anthem Electronics  
(206) 483-1700

Kirkland  
Time Electronics  
(206) 820-1525

Redmond  
Bell Industries  
(206) 867-5410  
Hamilton/Avnet  
(801) 266-2022

## WISCONSIN

Brookfield  
Pioneer Electronics  
(414) 784-3480

Mequon  
Taylor Electric  
(414) 241-4321

Waukesha  
Bell Industries  
(414) 547-8879  
Hamilton/Avnet  
(414) 784-8205

## CANADA

WESTERN PROVINCES  
Burnaby  
Hamilton/Avnet  
(604) 420-4101  
Semad Electronics  
(604) 420-9889

Calgary  
Electro Sonic Inc.  
(403) 255-9550  
Semad Electronics  
(403) 252-5664  
Zentratics  
(403) 295-8838

Edmonton  
Zentratics  
(403) 482-3038

Markham  
Semad Electronics Ltd.  
(416) 475-3922

Richmond  
Electro Sonic Inc.  
(604) 273-2911  
Zentratics  
(604) 273-5575

Winnipeg  
Zentratics  
(204) 694-1957

## EASTERN PROVINCES

Mississauga  
Hamilton/Avnet  
(416) 795-3825  
Time Electronics  
(416) 672-5300  
Zentratics  
(416) 507-2600

Nepean  
Hamilton/Avnet  
(613) 226-1700  
Zentratics  
(613) 226-8840

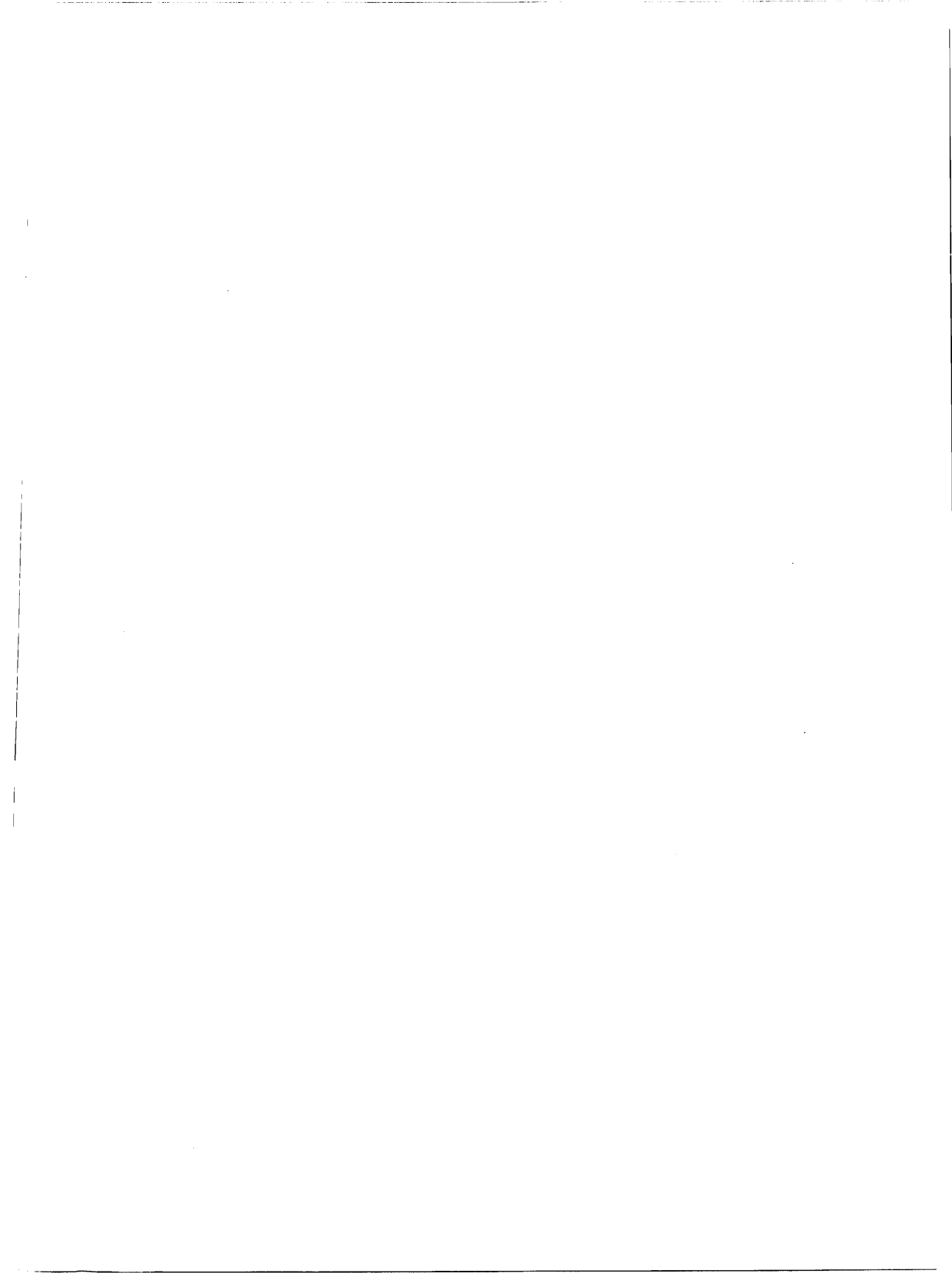
Ottawa  
Electro Sonic Inc.  
(613) 728-8333  
Semad Electronics  
(613) 727-8325

Pointe Claire  
Semad Electronics  
(514) 694-0860

St. Laurent  
Hamilton/Avnet  
(514) 335-1000  
Zentratics  
(514) 737-9700

Willowdale  
ElectroSonic Inc.  
(416) 494-1666

Winnipeg  
Electro Sonic Inc.  
(204) 783-3105



## National Semiconductor Corporation

2900 Semiconductor Drive  
P.O. Box 58090  
Santa Clara, CA 95052-8090

For sales, literature and technical support for North America, please contact the National Semiconductor Customer Support Center at 1-800-272-9959.

## SALES OFFICES

### CANADA

**National Semiconductor**  
5925 Airport Rd.  
Suite 615  
Mississauga, Ontario L4V 1W1  
Tel: (416) 678-2920  
Fax: (416) 678-2535

### PUERTO RICO

**National Semiconductor**  
La Electronica Bldg.  
Suite 312, R.D. #1 KM 14.5  
Rio Piedras, Puerto Rico 00927  
Tel: (809) 758-9211  
Fax: (809) 763-6959

### INTERNATIONAL OFFICES

**National Semiconductor**  
(Australia) Pty, Ltd.  
16 Business Park Dr.  
Notting Hill, VIC 3168  
Australia  
Tel: (3) 558-9999  
Fax: (3) 558-9998

**National Semicondutores**  
**Do Brazil Ltda.**  
Av. Brig. Faria Lima, 1409  
6 Andar  
Cep-01451, Paulistano,  
Sao Paulo, SP  
Brazil

Tel: (55-11) 212-5066  
Telex: 391-1131931 NSBR BR  
Fax: (55-11) 212-1181

**National Semiconductor**  
**Bulgaria**  
P.C.I.S.A.  
Dondukov Bld. 25/3  
Sofia 1000  
Bulgaria  
Tel: (02) 88 01 16  
Fax: (02) 80 36 18

**National Semiconductor**  
**(UK) Ltd.**  
Valdemarsgade 21  
DK-4100 Ringsted  
Denmark  
Tel: (57) 67 20 80  
Fax: (57) 67 20 82

**National Semiconductor**  
**(UK) Ltd.**  
Mekaanikonkatu 13  
SF-00810 Helsinki  
Finland  
Tel: 358-0-759-1855  
Telex: 126116  
Fax: 358-0-759-1393

**National Semiconductor**  
**France**  
Centre d'Affaires "La Boursidière"  
Bâtiment Champagne  
BP 90  
Route Nationale 186  
F-92357 Le Plessis Robinson  
Paris, France  
Tel: (01) 40-94-88-88  
Telex: 631065  
Fax: (01) 40-94-88-11

**National Semiconductor S.A.**  
Bâtiment ZETA-Z.A.  
COURTABOEUF  
3, Avenue du Canada  
F-91966 LES ULIS Cedex 16  
Tel: (1) 69 18 37 00  
Fax: (1) 69 18 37 69

**National Semiconductor**  
**GmbH**  
Dieselstrasse 23  
D-3004 Isernhagen 2  
Germany  
Tel: (05-11) 72 34 49  
Fax: (05-11) 77 88 72

**National Semiconductor**  
**GmbH**  
Eschborner Landstrasse 130-132  
D-6000 Frankfurt 90  
Germany  
Tel: (0-69) 78 91 09 0  
Fax: (0-69) 78-94-38-3

**National Semiconductor**  
**GmbH**  
Industriestrasse 10  
D-8080 Fürstentfeldbruck  
Germany  
Tel: (0-81-41) 103-0  
Telex: 527649  
Fax: (0-81-41) 10-35-06

**National Semiconductor**  
**GmbH**  
Untere Waldplätze 37  
D-7000 Stuttgart 80  
Germany  
Tel: (07-11) 68-65-11  
Telex: 7255993  
Fax: (07-11) 68-65-260

**National Semiconductor**  
**Hong Kong Ltd.**  
13th Floor, Straight Block  
Ocean Centre  
5 Canton Rd.  
Tsimshatsui, Kowloon  
Hong Kong  
Tel: (852) 737-1600  
Telex: 51292 NSHKL  
Fax: (852) 736-9360

**National Semiconductor**  
**(UK) Ltd.**  
Unit 2A  
Clonskeagh Square  
Clonskeagh Road  
Dublin 14  
Ireland  
Tel: (01) 269-5344  
Fax: (01) 283-0650

**National Semiconductor SpA**  
Strada 7, Pallazo R/3  
I-20089 Rozzano-Milanofiori  
Italy  
Tel: (02) 57500300  
Telex: 352647  
Fax: (02) 57500400

**National Semiconductor**  
**Japan Ltd.**  
Sanseido Bldg. 5F  
4-15-3, Nishi-shinjuku,  
Shinjuku-ku  
Tokyo  
Japan 160  
Tel: (03) 3299-7001  
Fax: (03) 3299-7000

**National Semiconductor**  
**(Far East) Ltd.**  
Korea Branch  
13th Floor, Dai Han  
Life Insurance 63 Building  
60, Yoido-dong, Youngdeungpo-ku  
Seoul  
Korea 150-763  
Tel: (02) 784-8051  
Telex: 24842 NSRKLO  
Fax: (02) 784-8054

**Electronica NSC**  
**de Mexico SA**  
Juventino Rosas No. 118-2  
Col Guadalupe Inn  
Mexico, 01020 D.F. Mexico  
Tel: (525) 524-8402  
Fax: (525) 524-9342

**National Semiconductor**  
**Benelux B.V.**  
Flevolaan 4  
Postbus 90  
1380 AB Weesp  
The Netherlands  
Tel: (02) 94 03 04 48  
Fax: (02) 94 03 04 30

**National Semiconductor**  
**(UK) Ltd.**  
Isveien 45  
N-1390 Vollen  
Norway  
Tel: (2) 79-6500  
Fax: (2) 79-6040

**National Semiconductor**  
**Asia Pacific Pte. Ltd.**  
200 Cantonment Road # 13-01  
Southpoint  
Singapore 0208  
Singapore  
Tel: (65) 225-2226  
Telex: NATSEMI RS 33877  
Fax: (65) 225-7080

**National Semiconductor**  
Calle Agustin de Foxa, 27 (9ºD)  
E-28036 Madrid  
Spain  
Tel: (01) 7-33-29-58  
Telex: 46133  
Fax: (01) 7-33-80-18

**National Semiconductor AB**  
P.O. Box 1009  
Grosshandlarvargen 7  
S-12123 Johanneshov  
Sweden  
Tel: (08) 7228050  
Fax: (08) 7229095

**National Semiconductor**  
Alte Winterthurerstrasse 53  
CH-8304 Wallisellen-Zürich  
Switzerland  
Tel: (01) 8-30-27-27  
Fax: (01) 8-30-19-00

**National Semiconductor**  
**(Far East) Ltd.**  
Taiwan Branch  
9th Floor, No. 18  
Sec. 1, Chang An East Road  
Taipei, Taiwan, R.O.C.  
Tel: (02) 521-3288  
Fax: (02) 561-3054

**National Semiconductor**  
**(UK) Ltd.**  
The Maples, Kembrey Park  
Swindon, Wiltshire SN2 6UT  
United Kingdom  
Tel: (07-93) 61 41 41  
Telex: 444674  
Fax: (07-93) 52 21 80

