

APPENDIX D

NATIONAL SEMICONDUCTOR NS253M

INSTALLATION GUIDE

TABLE OF CONTENTS

| TITLE/MODEL NO. | DRAWING NO. | REV. | PAGE NO. |
|--|--------------------|-------------|-----------------|
| NS23M 256K Byte Memory Installation Guide | 409103882-001 | A | D-1 |
| NS23M Schematic | 870103882-001 | E | D-11 |

TABLE OF CONTENTS

| Chapter | Page |
|-------------------------------|------|
| 1.1 INTRODUCTION | 3 |
| 1.2 UNPACKING AND INSPECTION | 5 |
| 1.3 ADDRESS RANGE SELECTION | 5 |
| 1.4 BATTERY BACK-UP | 9 |
| 1.5 INTERNAL/EXTERNAL REFRESH | 9 |
| 1.6 INSTALLATION | 10 |
| | |
| 2.0 MAINTENANCE | 10 |

TABLES AND FIGURES

| Table | Page |
|--------------------------------|------|
| 1.1 JUMPER DEFINITIONS | 3-4 |
| 1.2 SWITCH DEFINITIONS | 4-5 |
| 1.3 BUS TYPE SELECTION | 5 |
| 1.4 STARTING ADDRESS SELECTION | 7 |
| 1.5 ADDRESS RANGE SELECTION | 8 |
| 1.6 I/O SPACE SELECTION | 8 |
| 1.7 MEMORY SIZE SELECTION | 9 |

| Figure | Page |
|---------------------------------|------|
| 1.1 JUMPER AND SWITCH PLACEMENT | 6 |
| 1.2 EXTERNAL REFRESH TIMING | 10 |



National Semiconductor Corporation
 2900 Semiconductor Drive, Santa Clara, Calif. 95051

SIZE
A

DWG. NO.
409103882-001

A

SCALE _____

SHEET 2 OF _____

4230007

**CHAPTER I
INSTALLATION AND MAINTENANCE**

1.1 INTRODUCTION

This section will provide the information necessary to install the NS23M, install or remove any of the options, and maintain the memory. Table 1.1 lists the configuration jumpers and a description of each, Table 1.2 lists the switches and their functions and Figure 1.1 shows the placement of the jumpers and switches.

| | |
|------|--|
| W1* | I = 200 ns DRAM R = 150 ns DRAM |
| W2* | I = 150 ns DRAM R = 200 ns DRAM |
| W3* | I = Test Only R = Standard Configuration |
| W4* | I = Standard Configuration R = Test Only |
| W5* | I = 32K DRAM R = 16K or 64K DRAM |
| W6* | I = 64K DRAM R = 16K or 32K DRAM |
| W7* | I = 16K DRAM R = 32K or 64K DRAM |
| W8* | I = Test Only R = Standard Configuration |
| W9* | I = Standard Configuration R = Test Only |
| W10 | I = Internal Refresh R = External Refresh |
| W11 | I = External Refresh R = Internal Refresh |
| W12* | I = 16K or 64K DRAM R = 32K DRAM |

Table 1.1
Jumper Definition



National Semiconductor Corporation
2900 Semiconductor Drive, Santa Clara, Calif. 95051

SIZE DWG. NO.

A

409103882-001

A

SCALE _____

SHEET 3 OF _____

4230007

Table 1.1 (Continued)

| | |
|-------------|---|
| W13* | I = 32K DRAM - Upper R = 16K or 32K Lower or 64K DRAM |
| W14* | I = 32K DRAM - Lower R = 16K, 32K Upper or 64K DRAM |
| W15 | I = 18 Bit Address Bus R = 22 Bit Address Bus |
| W16 | I = External Refresh to MEMSEL R = External Refresh isolated from MEMSEL |
| W17* | I = 150 ns DRAM R = 200 ns DRAM |
| W18* | I = 200 ns DRAM R = 150 ns DRAM |
| W19 | I = +5v Battery Back-up R = +5v Standard |
| W20 | I = +5v Standard R = +5v Battery Back-up |

*** Factory Configuration - Do not Alter!**

DIP SWITCH 1

| | |
|--------------|------------------------------------|
| S1-1 | Starting Address Select LSB |
| S1-2 | Starting Address Select |
| S1-3 | |
| S1-4 | |
| S1-5 | |
| S1-6 | |
| S1-7 | |
| S1-8 | |
| S1-9 | Starting Address Select MSB |
| S1-10 | 2K/4K I/O Space |

Table 1.2
Switch Definitions



National Semiconductor Corporation
2900 Semiconductor Drive, Santa Clara, Calif. 95051

SIZE
A

DWG. NO.
409103882-001

A

SCALE _____

SHEET 4 OF _____

Table 1.2 (Continued)

DIP SWITCH 2

| | |
|------|-----------------|
| S2-1 | Memory Size LSB |
| S2-2 | Memory Size |
| S2-3 | Memory Size |
| S2-4 | Memory Size MSB |

1.2 UNPACKING AND INSPECTION

Follow the steps listed below to unpack and inspect the NS23M memory module:

1. Remove all packing material from shipping container.
2. Remove memory board from its container.
3. Inspect the board for damage, checking for bent parts, damaged IC's, broken wires or connectors, broken switches, etc. If any damage is found, do not attempt to install the memory.

1.3 ADDRESS RANGE SELECTION

The address range is set by assigning a bus type, selecting the proper I/O space, assigning a starting address and memory size. Refer to Table 1.3 for bus type selection, Table 1.4 and 1.5 for starting address selection, Table 1.6 for I/O space selection, and Table 1.7 for memory size selection.

| | |
|--------------------|--------------------|
| Bus Type | Install/ Remove |
| 18 Bit Address Bus | Install Jumper W15 |
| 22 Bit Address Bus | Remove Jumper W15 |

Table 1.3 Bus Type Selection



National Semiconductor Corporation
2900 Semiconductor Drive, Santa Clara, Calif. 95051

SIZE

DWG. NO.

A

409103882-001

A

SCALE

SHEET 5 OF

4230007

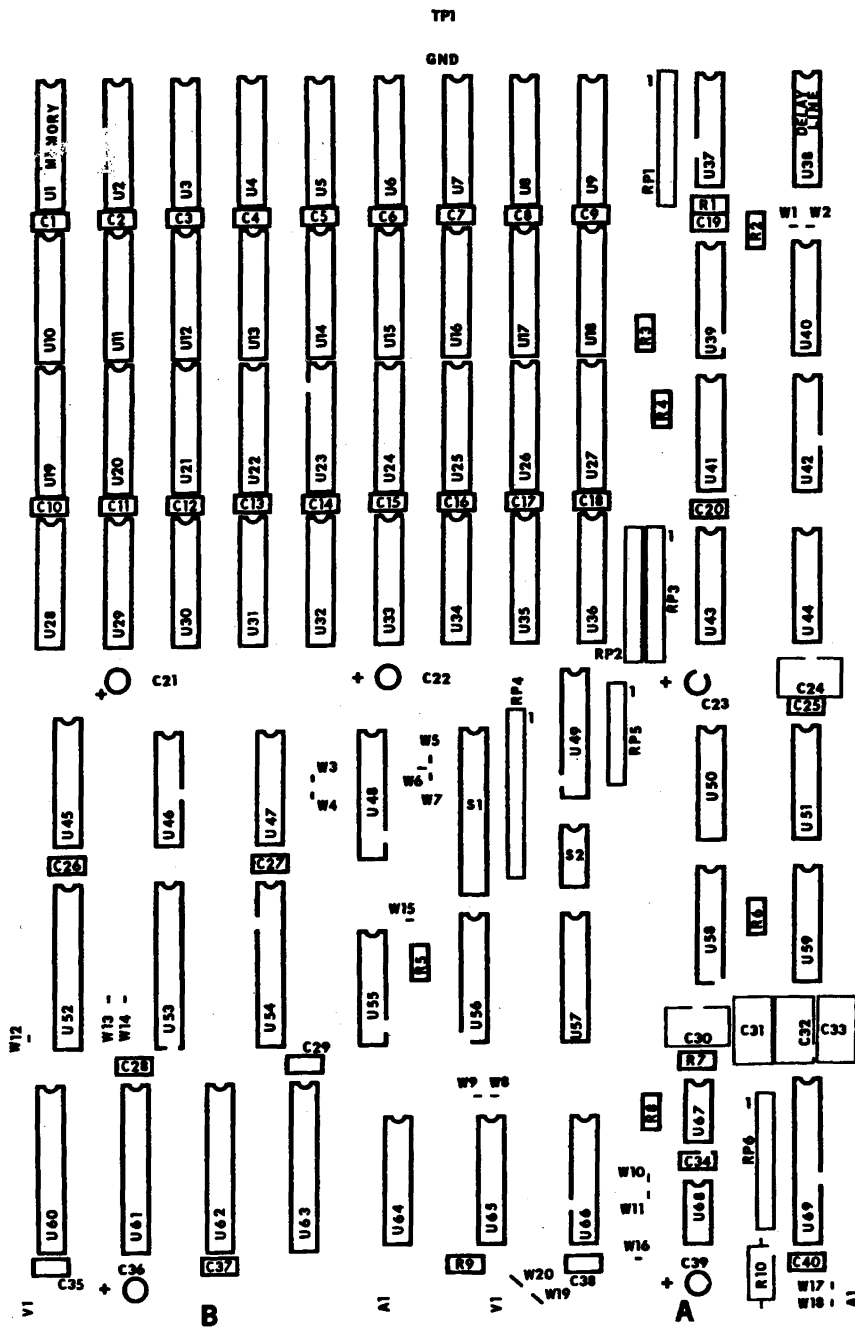


Figure 1.1 Jumper and Switch Placement



National Semiconductor Corporation
2900 Semiconductor Drive, Santa Clara, Calif. 95051

SIZE DWG. NO.
A 409103882-001

A

SCALE SHEET 6 OF

4230007

| STARTING ADDRESS* | SWITCH SETTINGS** | | | | |
|-------------------|-------------------|------|------|------|------|
| | S1-5 | S1-4 | S1-3 | S1-2 | S1-1 |
| 0K | 0 | 0 | 0 | 0 | 0 |
| 4K | 0 | 0 | 0 | 0 | 1 |
| 8K | 0 | 0 | 0 | 1 | 0 |
| 12K | 0 | 0 | 0 | 1 | 1 |
| 16K | 0 | 0 | 1 | 0 | 0 |
| 20K | 0 | 0 | 1 | 0 | 1 |
| 24K | 0 | 0 | 1 | 1 | 0 |
| 28K | 0 | 0 | 1 | 1 | 1 |
| 32K | 0 | 1 | 0 | 0 | 0 |
| 36K | 0 | 1 | 0 | 0 | 1 |
| 40K | 0 | 1 | 0 | 1 | 0 |
| 44K | 0 | 1 | 0 | 1 | 1 |
| 48K | 0 | 1 | 1 | 0 | 0 |
| 52K | 0 | 1 | 1 | 0 | 1 |
| 56K | 0 | 1 | 1 | 1 | 0 |
| 60K | 0 | 1 | 1 | 1 | 1 |
| 64K | 1 | 0 | 0 | 0 | 0 |
| 68K | 1 | 0 | 0 | 0 | 1 |
| 72K | 1 | 0 | 0 | 1 | 0 |
| 76K | 1 | 0 | 0 | 1 | 1 |
| 80K | 1 | 0 | 1 | 0 | 0 |
| 84K | 1 | 0 | 1 | 0 | 1 |
| 88K | 1 | 0 | 1 | 1 | 0 |
| 92K | 1 | 0 | 1 | 1 | 1 |
| 96K | 1 | 1 | 0 | 0 | 0 |
| 100K | 1 | 1 | 0 | 0 | 1 |
| 104K | 1 | 1 | 0 | 1 | 0 |
| 108K | 1 | 1 | 0 | 1 | 1 |
| 112K | 1 | 1 | 1 | 0 | 0 |
| 116K | 1 | 1 | 1 | 0 | 1 |
| 120K | 1 | 1 | 1 | 1 | 0 |
| 124K | 1 | 1 | 1 | 1 | 1 |

* In 4K word increments

** 0 = Open (OFF)
1 = CLOSED (ON)

Table 1.4 - STARTING ADDRESS SELECTION



National Semiconductor Corporation
2900 Semiconductor Drive, Santa Clara, Calif. 95051

SIZE
A

DWG. NO.
409103882-001

A

SCALE

SHEET 7 OF

4230007

| ADDRESS RANGE | S1-9 | S1-8 | S1-7 | S1-6 |
|---------------|------|------|------|------|
| 0K-128 | 0 | 0 | 0 | 0 |
| 128K-256K | 0 | 0 | 0 | 1 |
| 256K-384K | 0 | 0 | 1 | 0 |
| 384K-512K | 0 | 0 | 1 | 1 |
| 512K-640K | 0 | 1 | 0 | 0 |
| 640K-768K | 0 | 1 | 0 | 1 |
| 768K-896K | 0 | 1 | 1 | 0 |
| 896K-1024K | 0 | 1 | 1 | 1 |
| 1024K-1152K | 1 | 0 | 0 | 0 |
| 1152K-1280K | 1 | 0 | 0 | 1 |
| 1280K-1408K | 1 | 0 | 1 | 0 |
| 1408K-1536K | 1 | 0 | 1 | 1 |
| 1536K-1664K | 1 | 1 | 0 | 0 |
| 1664K-1792K | 1 | 1 | 0 | 1 |
| 1792K-1920K | 1 | 1 | 1 | 0 |
| 1920K-2048K | 1 | 1 | 1 | 1 |

* To use addresses above 128K, 22 bit addressing must be used. In this case, the starting address will be the sum of the address in Table 1.5 and the lower limit of the range in Table 1.6.

** 0 = OPEN (OFF)
1 = CLOSED (ON)

Table 1.5. - ADDRESS RANGE SELECTION

| | |
|-----------|-------|
| I/O SPACE | S1-10 |
| 2K I/O | Close |
| 4K I/O | Open |

Table 1.6 I/O Space Selection



National Semiconductor Corporation
2900 Semiconductor Drive, Santa Clara, Calif. 95051

SIZE
A

DWG. NO.

409103882-001

A

SCALE

SHEET 8 OF

| Memory Size* | Switch Settings | | | |
|--------------|-----------------|------|------|------|
| | S2-4 | S2-3 | S2-2 | S2-1 |
| 8K | 0 | 0 | 0 | 0 |
| 16K | 0 | 0 | 0 | 1 |
| 24K | 0 | 0 | 1 | 0 |
| 32K | 0 | 0 | 1 | 1 |
| 40K | 0 | 1 | 0 | 0 |
| 48K | 0 | 1 | 0 | 1 |
| 56K | 0 | 1 | 1 | 0 |
| 64K | 0 | 1 | 1 | 1 |
| 72K | 1 | 0 | 0 | 0 |
| 80K | 1 | 0 | 0 | 1 |
| 88K | 1 | 0 | 1 | 0 |
| 96K | 1 | 0 | 1 | 1 |
| 104K | 1 | 1 | 0 | 0 |
| 112K | 1 | 1 | 0 | 1 |
| 120K | 1 | 1 | 1 | 0 |
| 128K | 1 | 1 | 1 | 1 |

0 = open
1 = closed

* In K words, K = 1024

Table 1.7 Memory Size

1.4 BATTERY BACK-UP

The NS23M has a separated power plane so that battery back-up may be used if desired. The module requires +5 volts only and has the battery back-up input at pin AVI. To implement battery back-up remove jumper W20 and install W19. W20 may originally be in etch which means it must be cut. The battery back-up must be able to supply 1A at +5 volts d.c. to the memory module.

1.5 INTERNAL/EXTERNAL REFRESH

Refresh may be supplied from either an internal or external source. If supplied from an external source, a refresh cycle will be initiated on a low to high voltage transition and may be either synchronous or asynchronous. To maintain valid data, 256 refresh cycles must be completed every 4 ms. This can be accomplished by initiating one cycle every 15 +/- 1us. Figure 1.2 shows the suggested external refresh timing.



National Semiconductor Corporation
2900 Semiconductor Drive, Santa Clara, Calif. 95051

SIZE

A

DWG. NO.

409103882-001

A

SCALE

SHEET 9

OF

4230007

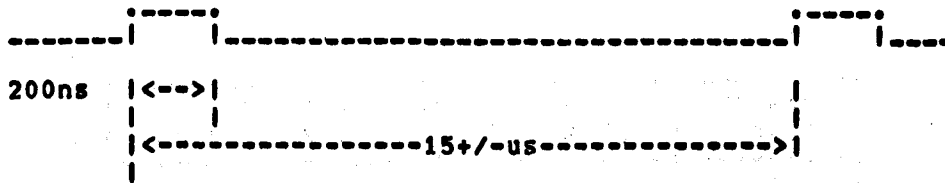


Figure 1.2 External Refresh Timing

1.6 INSTALLATION

The NS23M may be installed in any backplane wired for Q-Bus. Listed below are some guidelines:

A. Standard LSI-11 Backplanes

The NS23M Memory Card is designed to plug directly into Standard H9270 ("Quad") LSI-11 backplane/card guide assembly, and the DDV11-B ("Hex") expansion unit, the H9273-A Backplane and the H9281 backplane.

B. Precautions

In the H9270 backplane, slot one is reserved for the LSI-11 processor. The Memory Card may be inserted into any slot in this backplane with the exception of slot number one.

If the DDV11 expansion backplane is utilized, the memory card must be inserted into the A,B connectors or the C,D connectors of the backplane.

Install the card with components facing row 1, apply power and run system diagnostics. Never install or remove modules from the backplane while power is applied.

2.0 MAINTENANCE

No routine maintenance is required on the NS23M. If problems are encountered check the following:

- o Is the system configured properly? Is the bus priority daisy chain maintained?
- o Are all switches and jumpers configured properly?
- o Are the board edge contacts clean and is the board completely seated?
- o Is DC power present at the backplane?



National Semiconductor Corporation
2900 Semiconductor Drive, Santa Clara, Calif. 95051

SIZE
A

DWG. NO.

409103882-001

A

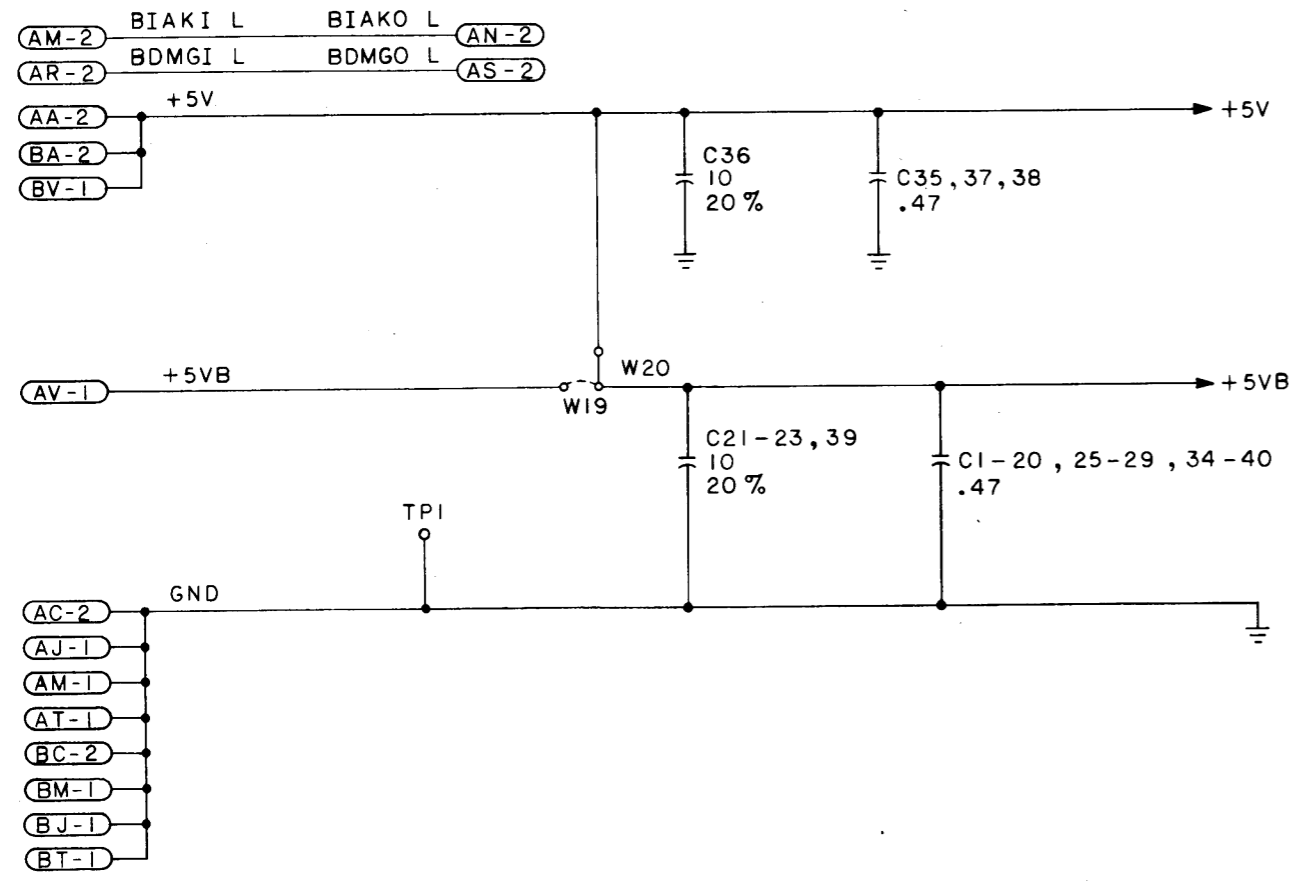
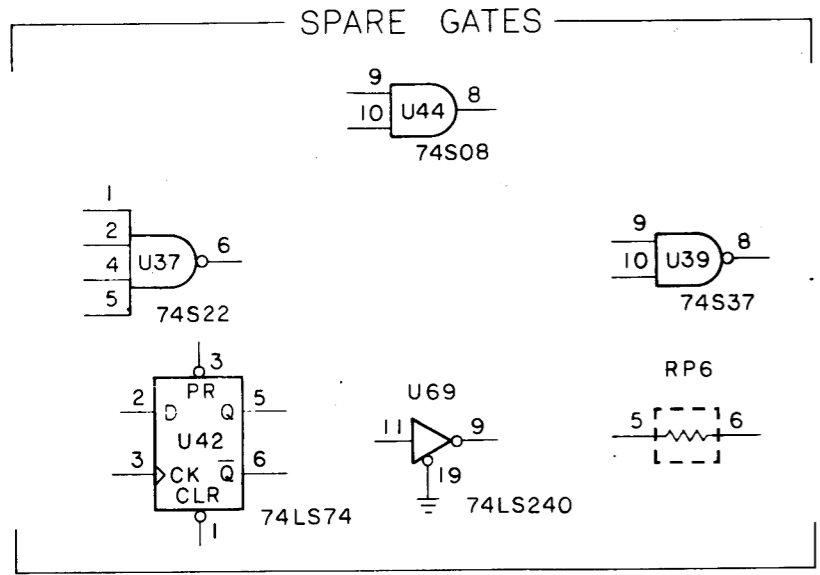
SCALE

SHEET 10 OF

| REFERENCE DESIGNATION | |
|-----------------------|----------|
| LAST USED | NOT USED |
| C40 | |
| R12 | |
| RP6 | |
| S2 | |
| TPI | |
| U69 | |
| W20 | |

| VOLTAGE CHART | | | | |
|-------------------|-----|------|------|-----------------------|
| TYPE | +5V | +5VB | GND | REFERENCE DESIGNATION |
| 74LSC0 | | 14 | 7 | U40 |
| 74S00 | | 14 | 7 | U47, 59 |
| 74S08 | | 14 | 7 | U44, 55 |
| 74S22 | | 14 | 7 | U37 |
| 74S32 | | 14 | 7 | U43 |
| 74S37 | | 14 | 7 | U39, 41 |
| 74S74 | | 14 | 7 | U58 |
| 74S132 | | 14 | 7 | U51 |
| 74S135 | | 16 | 8 | U45 |
| 74S175 | | 16 | 8 | U48 |
| 74LS240 | | 20 | 10 | U69 |
| 74S260 | | 14 | 7 | U50 |
| 74S283 | | 16 | 8 | U49, 56, 57 |
| 74S373 | | 20 | 10 | U52, 53, 54 |
| 74S393 | | 14 | 7 | U46 |
| 75452B | | 8 | 4 | U68 |
| 2908 | 20 | | 5,16 | U60, 61, 62, 63 |
| 8641 | 16 | | 8 | U64, 65, 66 |
| LM555 | | 8 | 1 | U67 |
| DELAY LINE, 200NS | | | 1,14 | U38 |
| 74LS74 | | 14 | 7 | U42 |

| REVISIONS | | | |
|-----------|----------|-----------|-------|
| REV | DATE | ECO NO. | APPVD |
| A | 10-11-74 | PCO 24165 | |
| B | 11-11-75 | PCO 24173 | |
| C | 11-11-75 | PCO 24188 | |
| D | 12-7-77 | PCO 24201 | |
| E | 6-3-82 | PCO 24285 | |

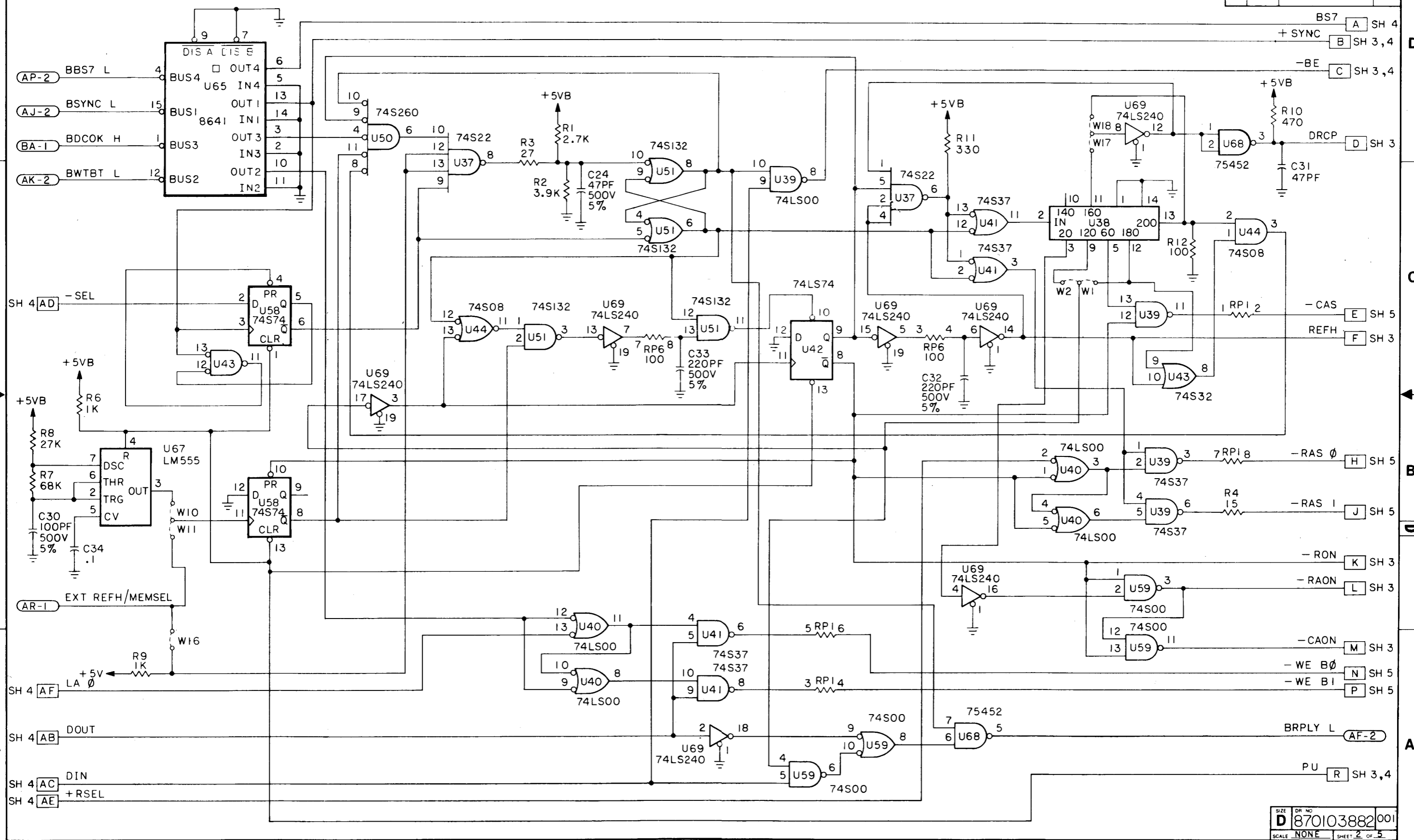


NOTES UNLESS OTHERWISE SPECIFIED:

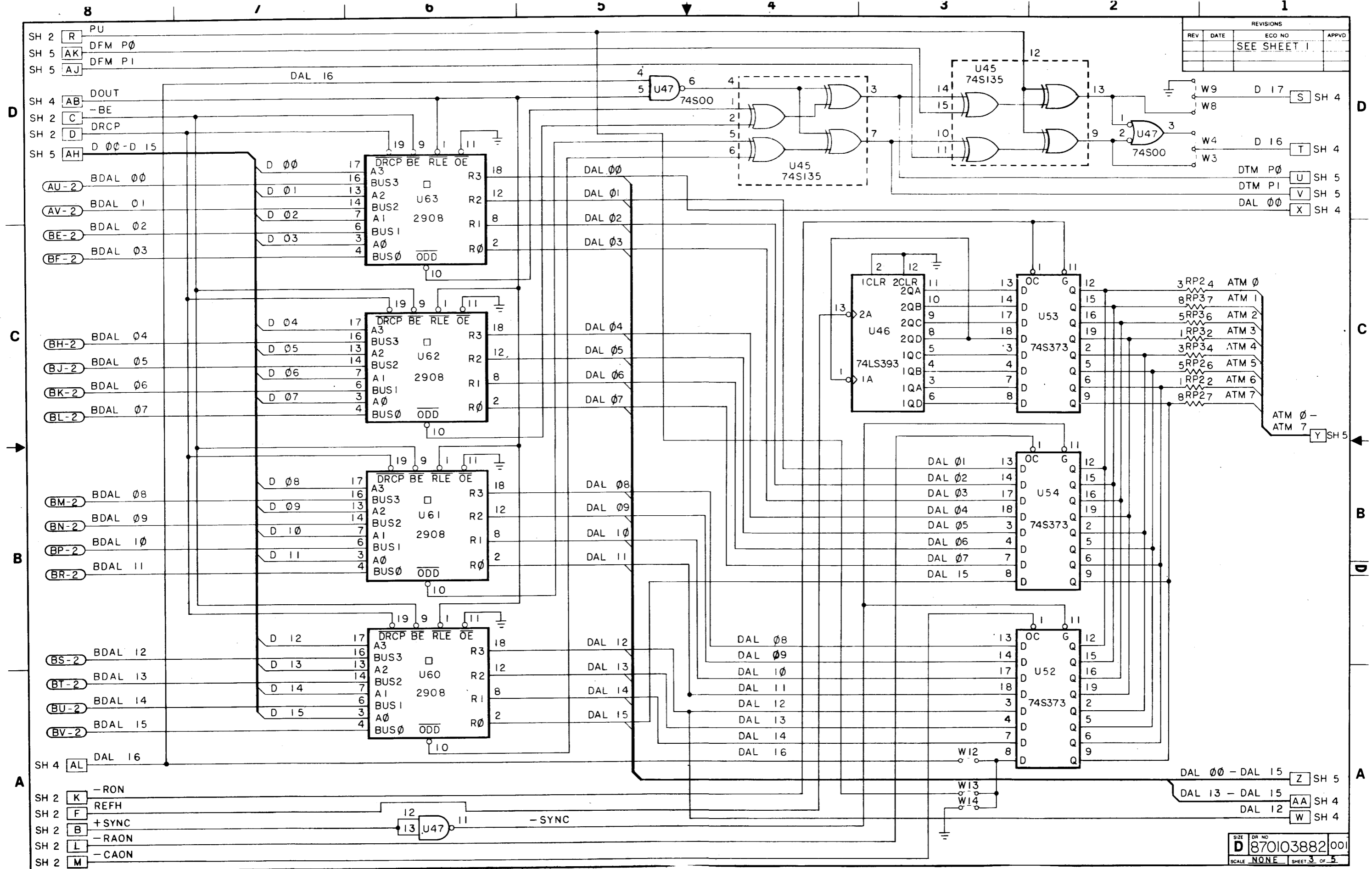
1. RESISTANCE VALUES ARE IN OHMS, 1/8W, 5%.
2. CAPACITANCE VALUES ARE IN MICROFARADS, 25V, +80% -20%.
3. □ INDICATES +5V ONLY.
4. ALL RESISTOR PACKS (RP) ARE 22 OHMS.

| | | | | |
|-----------|--|---|----------------------------|---|
| MATERIAL | | DR BY <i>W. V. ...</i> | 6-3-81 | National Semiconductor Corporation 2900 Semiconductor Drive, Santa Clara, Calif. 95051 |
| FINISH | | CHK BY <i>...</i> | | |
| TOLERANCE | | DIMENSIONS ARE IN INCHES AND INCLUDE CHEMICALLY APPLIED OR PLATED FINISHES REMOVE BURRS AND SHARP EDGES BREAK SHARP CORNERS 015 MAX | | SCHEMATIC DIAGRAM NS23M |
| NEXT ASSY | | USED ON | SCALE NONE SHEET 1 OF 5 | |

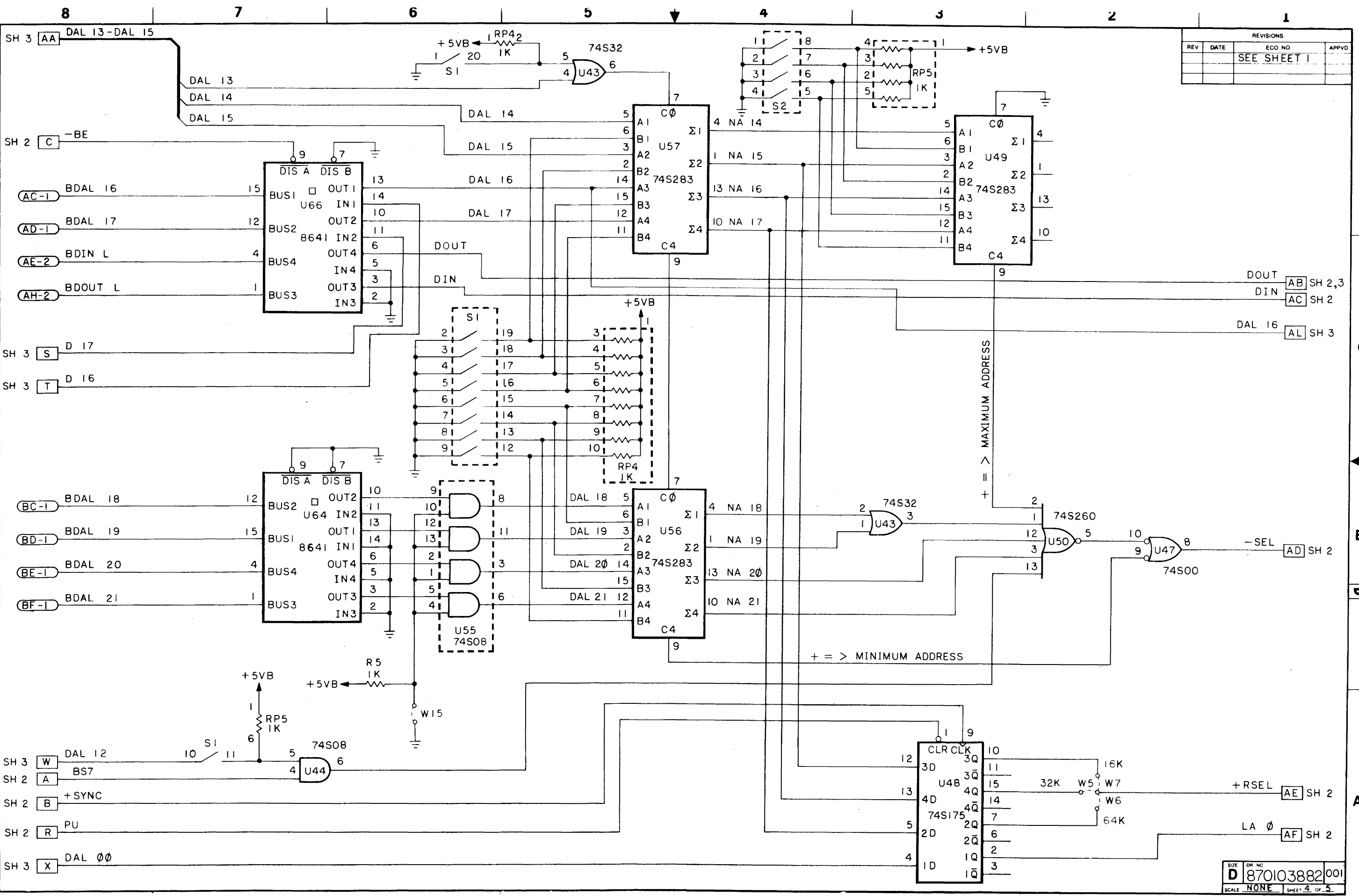
| REVISIONS | | | |
|-------------|------|--------|-------|
| REV | DATE | ECO NO | APPVD |
| | | | |
| SEE SHEET 1 | | | |



SIZE OR NO
D 870103882 001
 SCALE NONE SHEET 2 OF 5



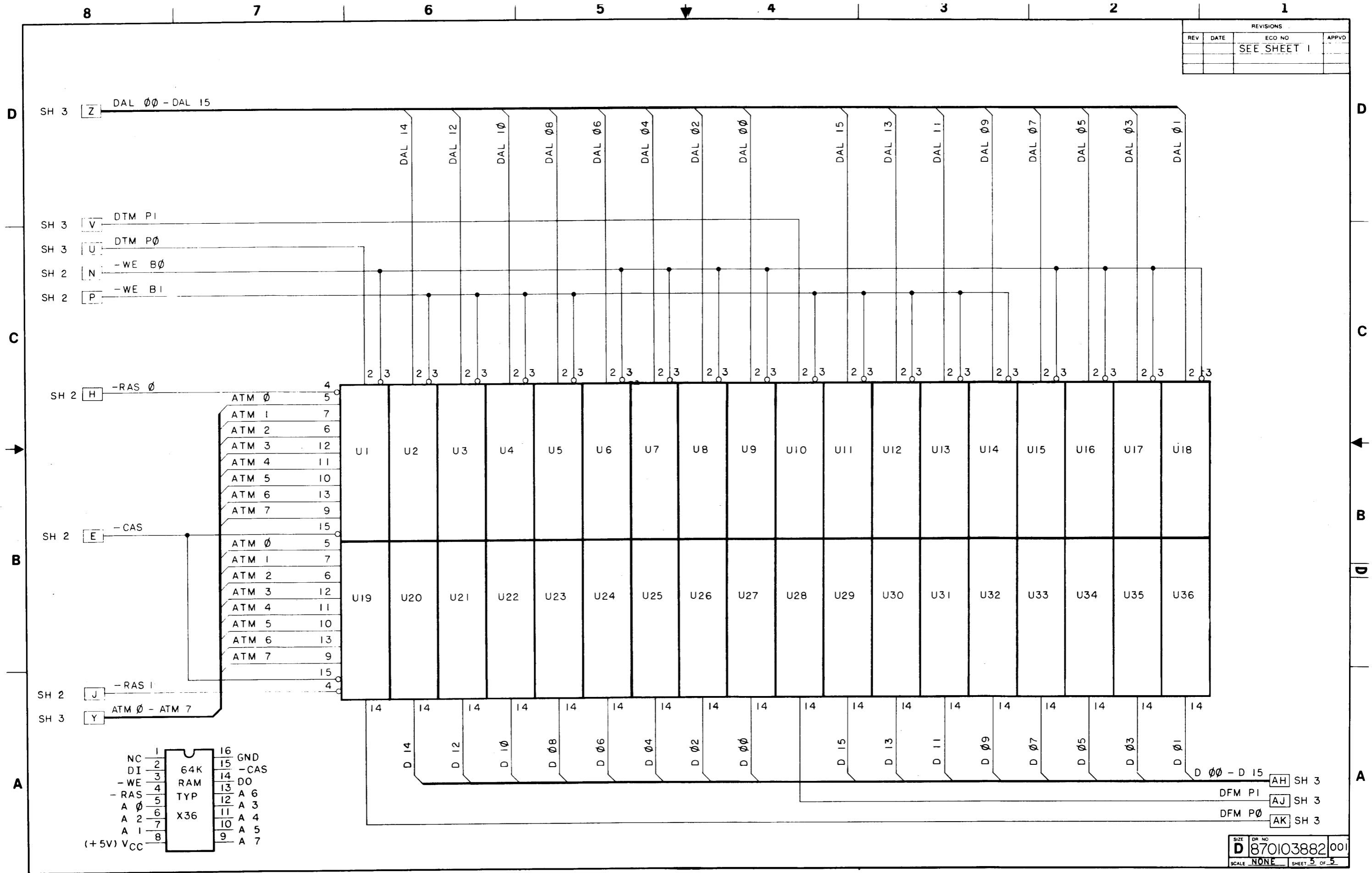
SIZE DR NO
D 870103882 001
 SCALE NONE SHEET 3 OF 5



| REVISIONS | | | |
|-----------|------|-------------|-------|
| REV | DATE | ECO NO | APPVD |
| | | SEE SHEET 1 | |

| | | | |
|-------|-------|--------------|-----|
| SIZE | DR NO | 870103882 | 001 |
| SCALE | NONE | SHEET 4 OF 5 | |

| REVISIONS | | | |
|-----------|------|-------------|-------|
| REV | DATE | ECO NO | APPVD |
| | | SEE SHEET 1 | |



SIZE OR NO
D 870103882 001
 SCALE NONE SHEET 5 OF 5