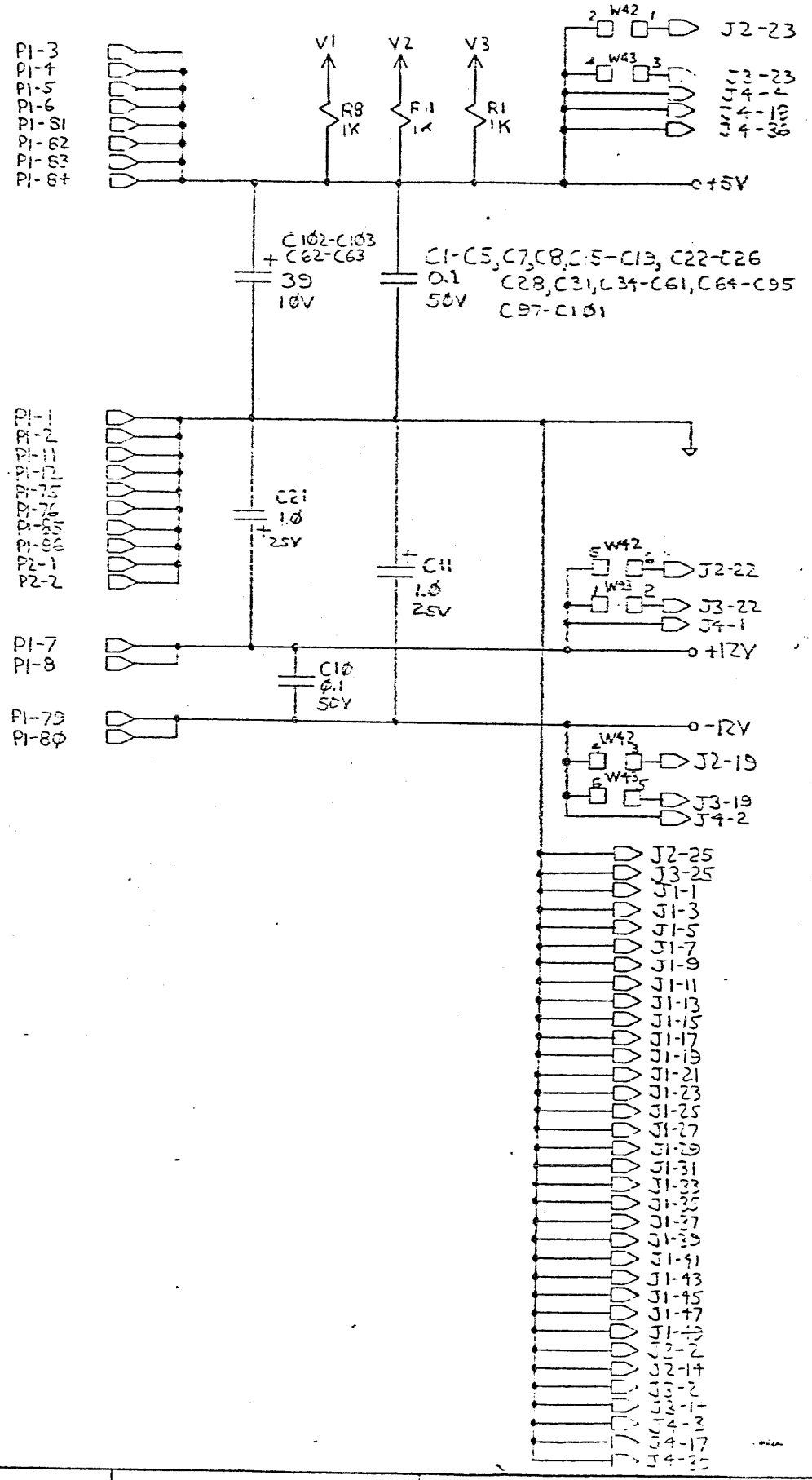


DR. FOR	5/1/83	REV.	1
EN	5/1/84	REV.	2
DESIGNED BY	5/1/84	REV.	3
CHECKED BY	5/1/84	REV.	4
SCHEMATIC DB 32016			
NONE			
1 15 83009735-01 E			

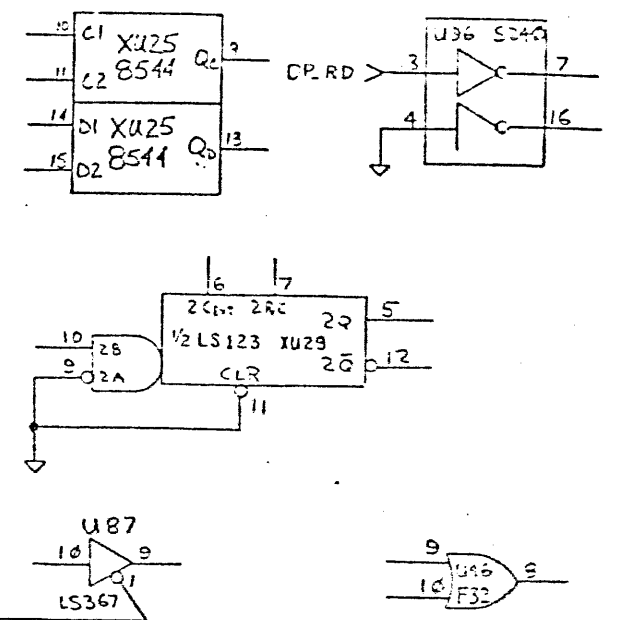
8 7 6 5 4 3 2 1



POWER CONNECTION TABLE

DEVICE	REFERENCE	GND	+5V	+12V	-12V
74LS00	XU10, XU11, XU12	16	28		
74LS01	XU10, XU11	7	14		
MC1483	XU10, XU11	7		14	1
PAL16A1A	XU10, XU11, XU12	10	28		
74LS241	U101	10	28		
74LS32	U11, U33, U46	7	14		
2712E	XU15-XU18	14	28		
8251A-5	XU19	7	26		
8253-5	XU20	12	24		
N55222	XU21	28	48		
74LS22	XU22	10	5		
74LS11	U23, U24	7	14		
DM8544	XU25	8	16		
74F64	U26	7	14		
74F74	U27, U28, U29	7	14		
74LS123	X29	8	16		
Oscillator	XU30, XU32	7	14		
74LS161	U31	8	16		
74F258	U30, U37, U33	8	16		
8264A	XU30, XU32, XU34, XU35	16	8		
74LS394	XU42	8	16		
74F128	U43, U44	8	16		
74LS248	U44, U78, U56	10	28		
7407	U47	7	14		
74LS259	U49	8	16		
DM8155-5	U50	10	28		
DM8544	U51, U68, U28, U31, U32	10	28		
N55222	XU52	12, 13	24		
N55222	XU53	12	24		
PAL16A1A	XU54	10	28		
74F375	U55, U65, U66, U102	10	28		
8251A	XU6, XU7	4	26		
74LS393	U60	7	14		
74F00	U62	7	14		
74F18	U63	7	14		
N55222	XU63	24, 25	48		
63516-1	XU70	10	28		
DM74567	U71, U87	8	16		
74F257	U72, U74, U75	8	16		
N55222	XU76	24, 25	48		
PAL16A1A	XU77, XU93	10	28		
74LS167	U8, U13	8	16		
74LS14	U81	7	14		
74LS85	U84	8	16		
74LS248	U85, U89, U90	10	28		
MC1489	U91, U12	7	14		
Delay Line	U94	7	14		
74LS72B	XU37	9	18		
74F374	U98, U99	10	28		
74F139	U27	8	16		

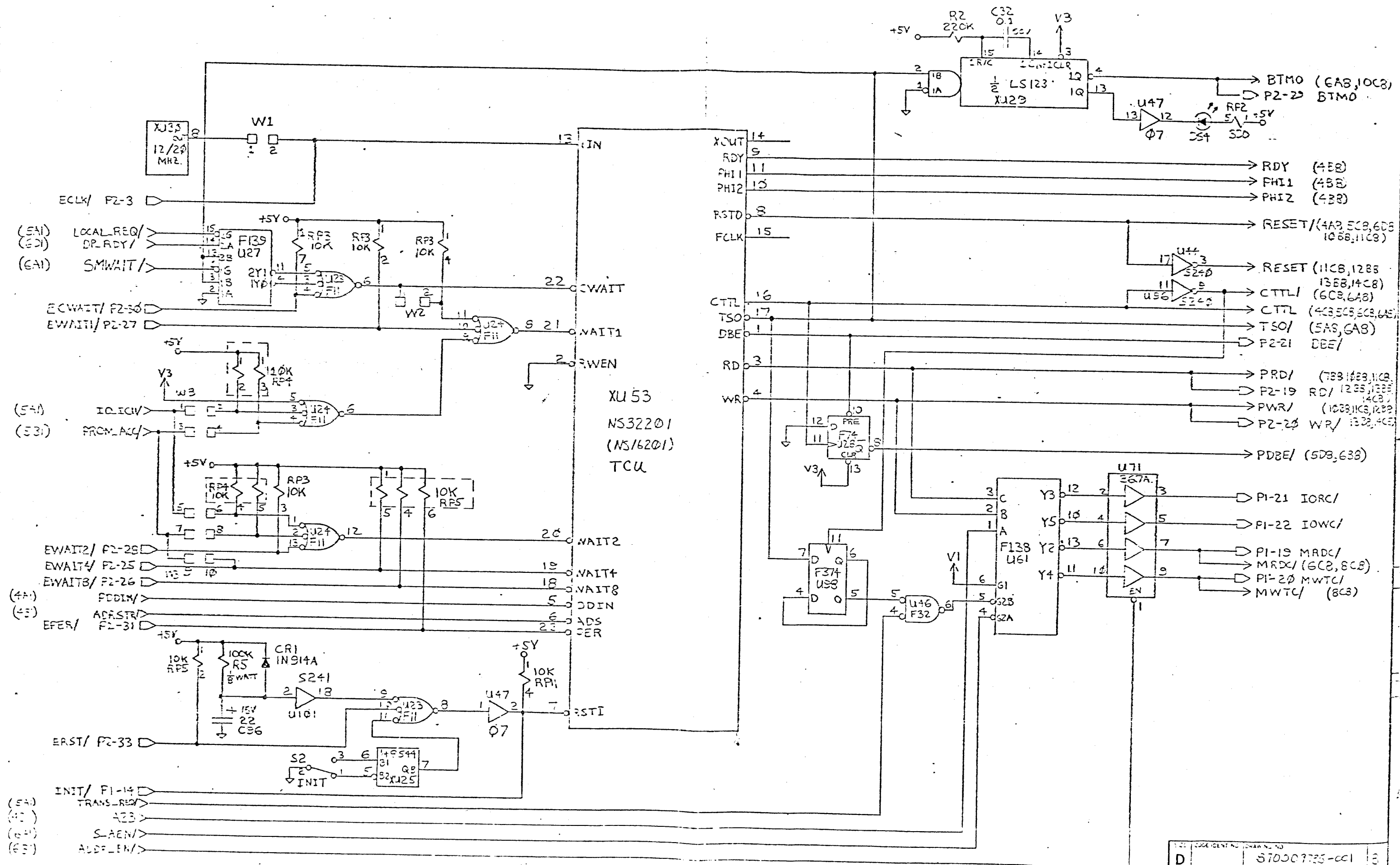
- NOTES: UNLESS OTHERWISE SPECIFIED.
1. ALL RESISTOR VALUES ARE IN OHMS, ± 5%, 1/4 WATT.
 2. ALL CAPACITOR VALUES ARE IN MICROFARADS, +80%, -20%.
 3. ALL INTEGRATED CIRCUITS ARE 74XXX SERIES.
 4. WITH N55222 CPU IN USE, INSTALL U86 & U88, REMOVE U84; WITH N55222 CPU IN USE, INSTALL U84, REMOVE U86 & U88.
 5. U21 & U22 ARE MUTUALLY EXCLUSIVE, ONLY ONE CAN BE INSTALLED.

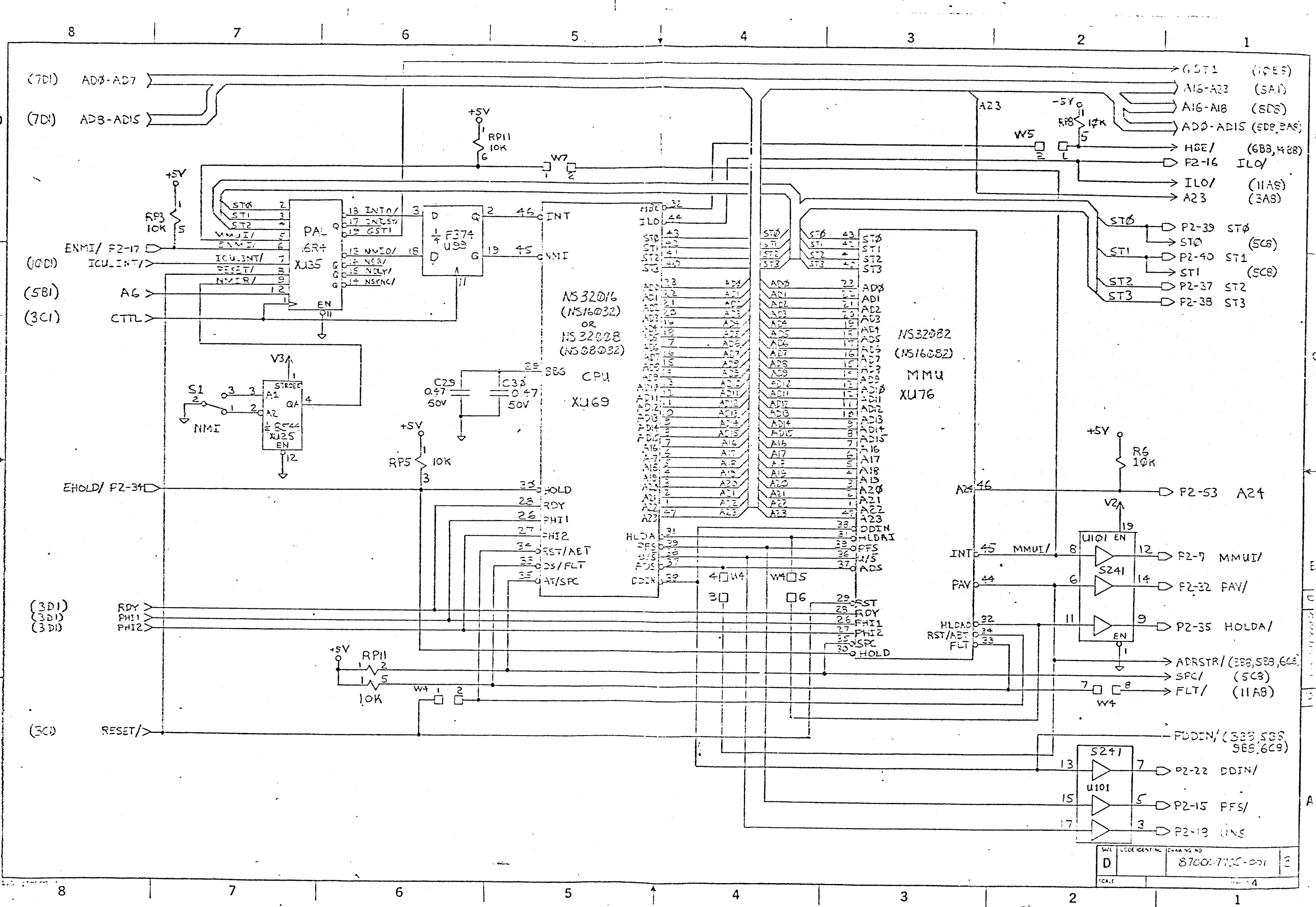


UNUSED GATES

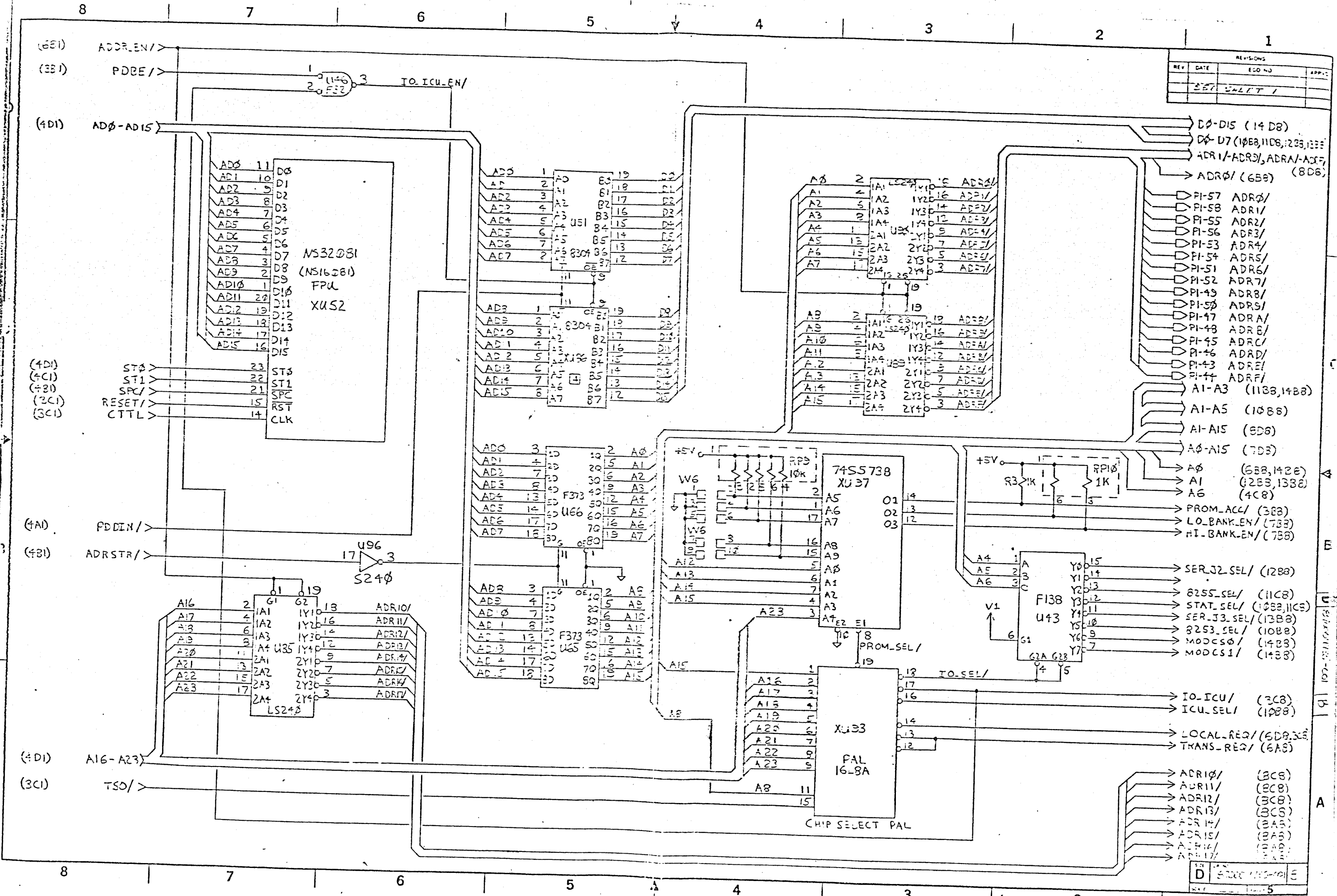
RESISTOR PACK CHART

REFERENCE DESIGNATION	RESISTOR VALUE	PACKAGE # PINS/TYP	USED PIN NUMBERS
RP4, 5, 9, 11	10K	6 / SIP	RP4-6, RP11-3
RP10	1K	6 / SIP	RP10-2, A, 5
RP2	330	6 / SIP	RP2-3
RP3, 7, 8	10K	8 / SIP	RP8-7
RP12	47	16 / DIP	
RP6	10K	10 / SIP	RP6-10
RP1	4.7K	10 / SIP	

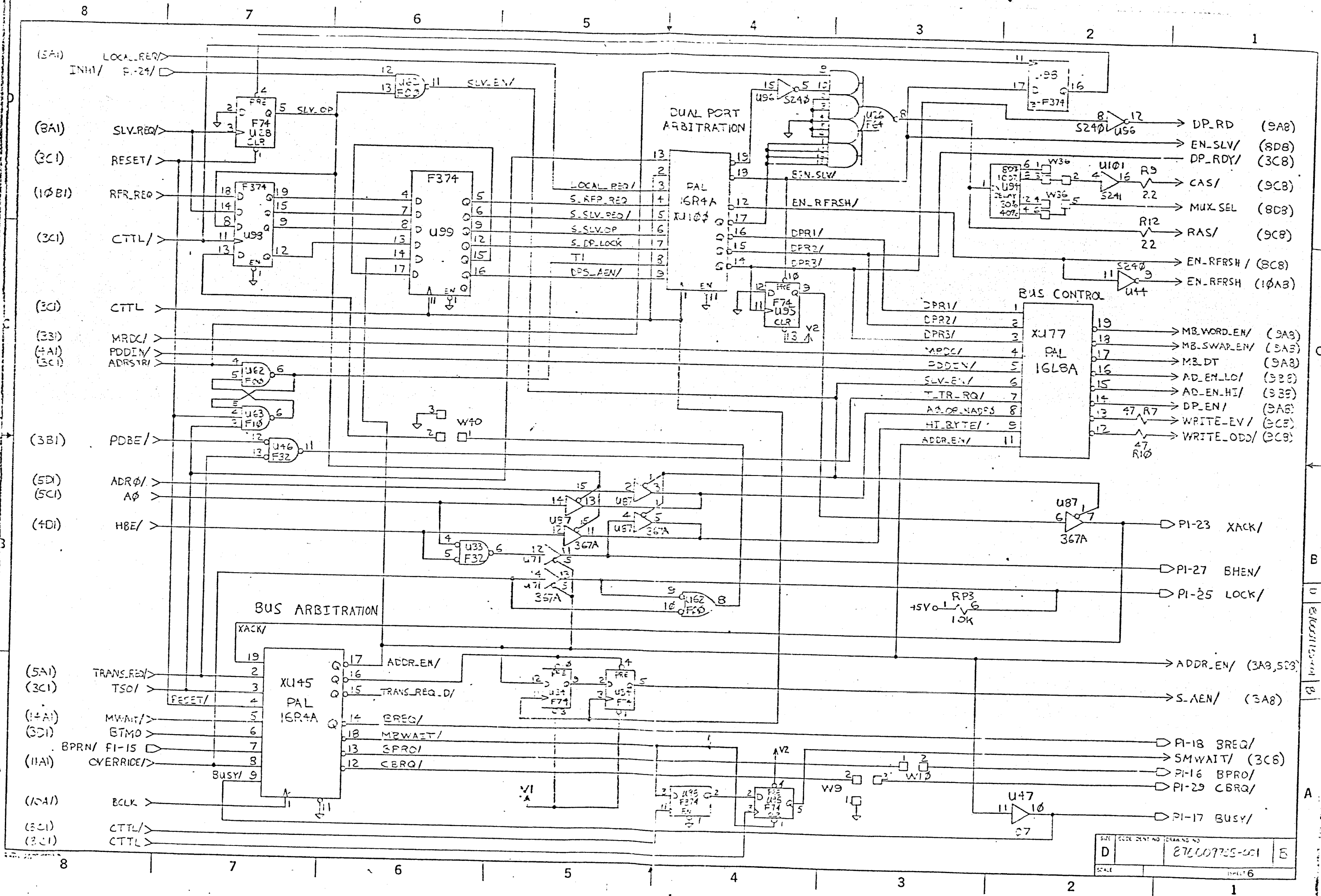




REVISIONS			
REV	DATE	ECO NO	APP'D
1	2/27	54417	

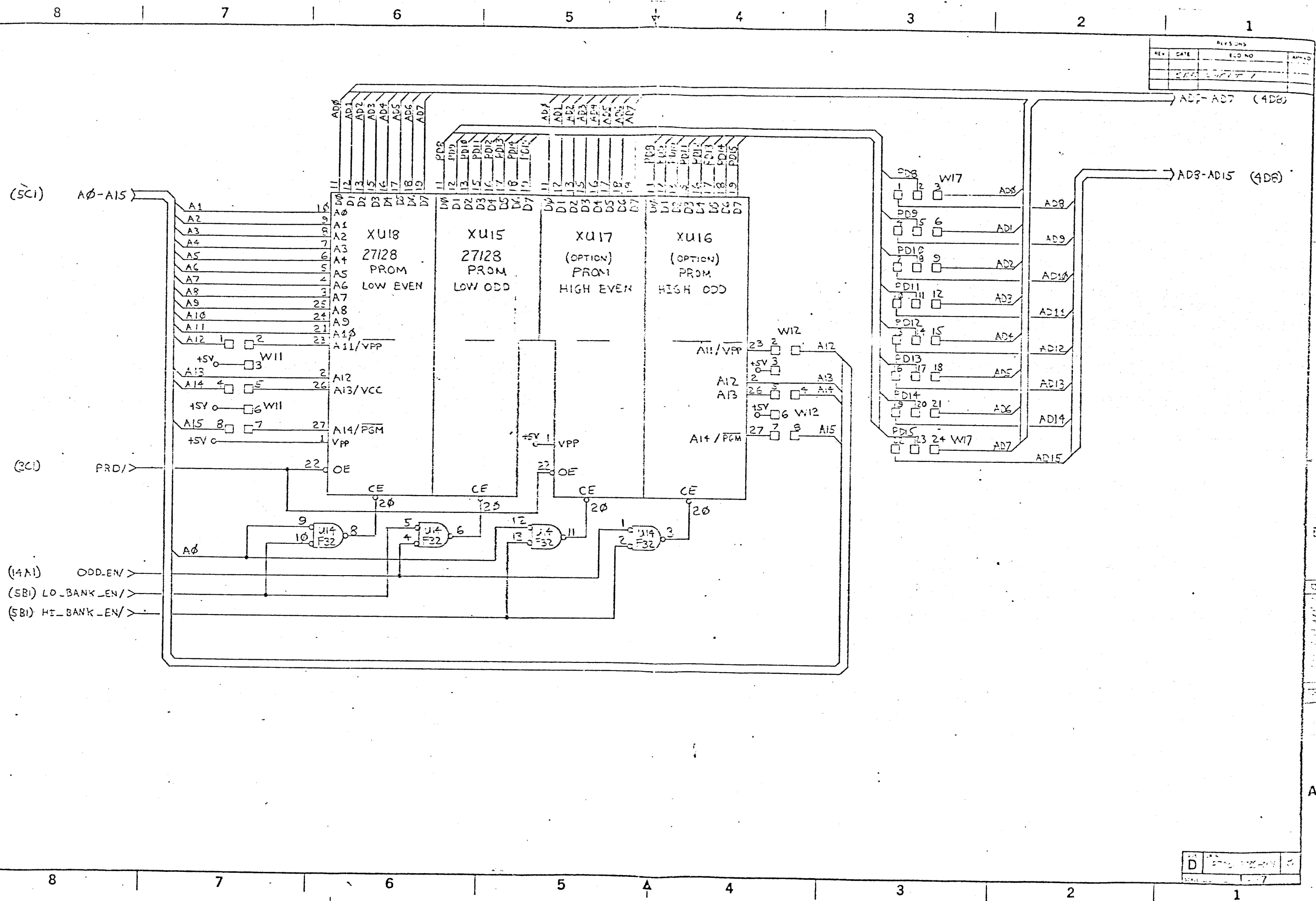


REV	DATE	ECO NO	APP'D
D	2/27	54417	



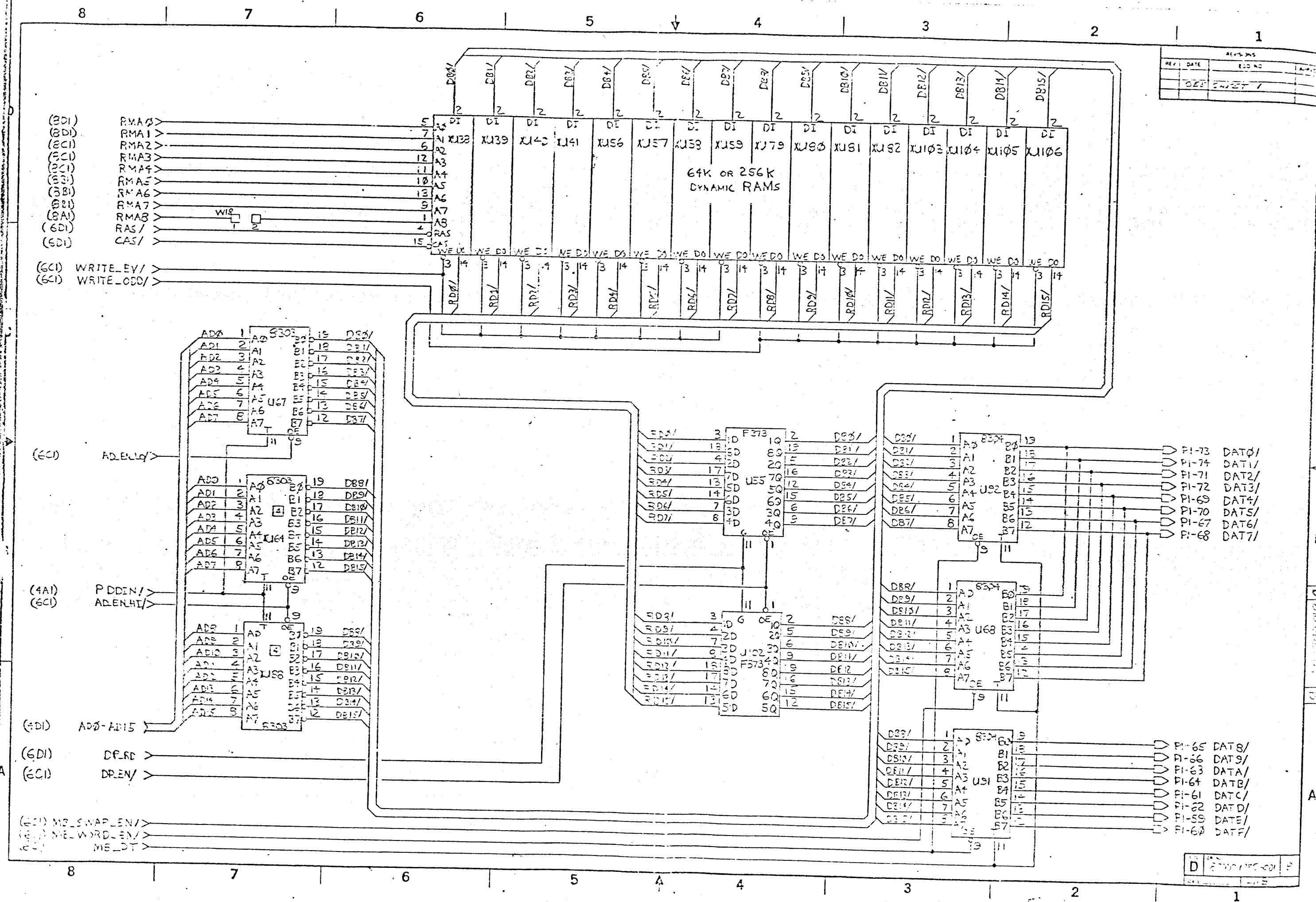
SIZE	CODE	REV	NO	ISSUING	NO
D				27600725-001	E
SCALE					1/16

REV'S ONLY			
REV	DATE	ED NO	APPROV



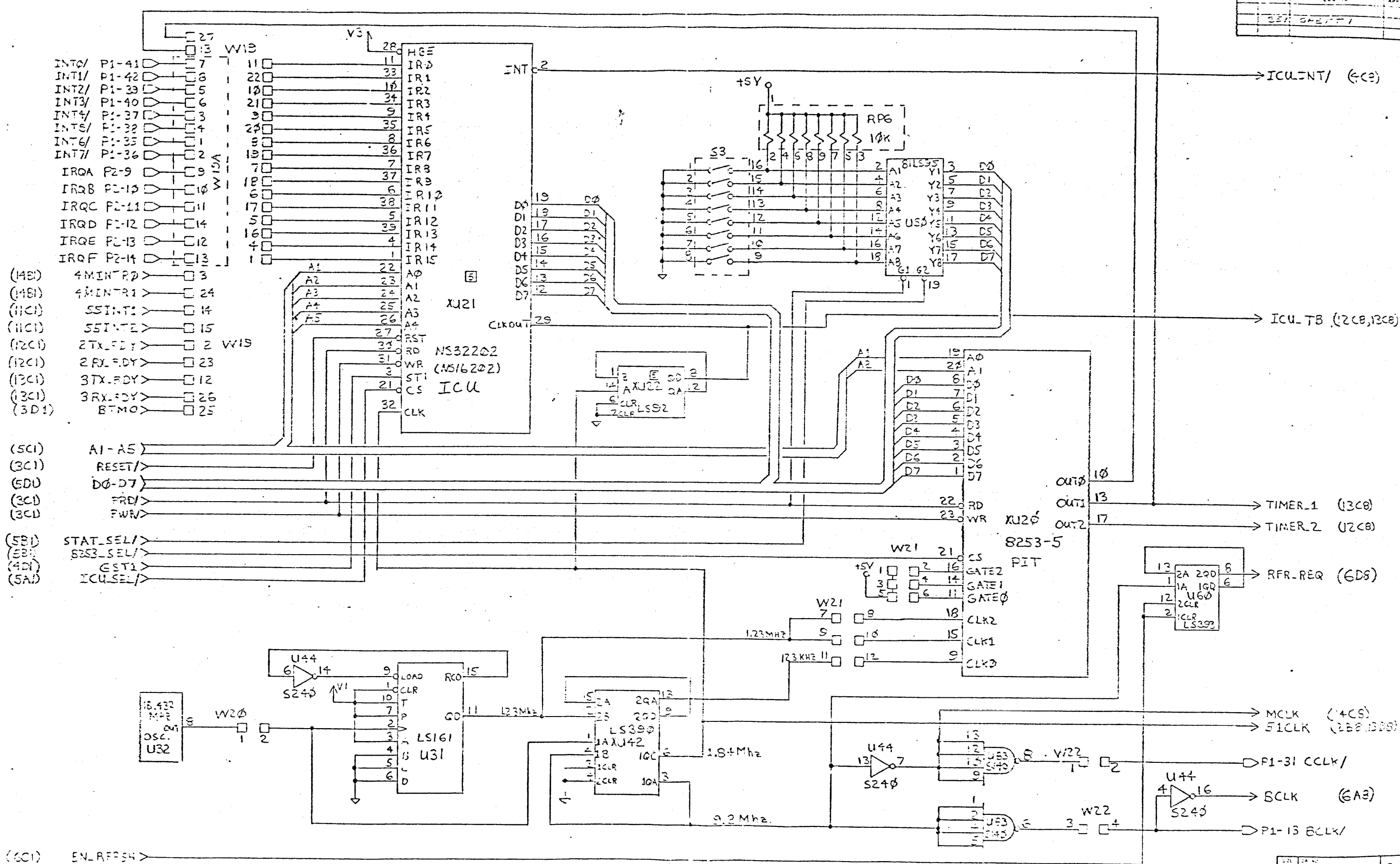
D			
---	--	--	--

REV	DATE	ED NO	APP
001	01/27/71	1	



REV	DATE	ED NO	APP
001	01/27/71	1	

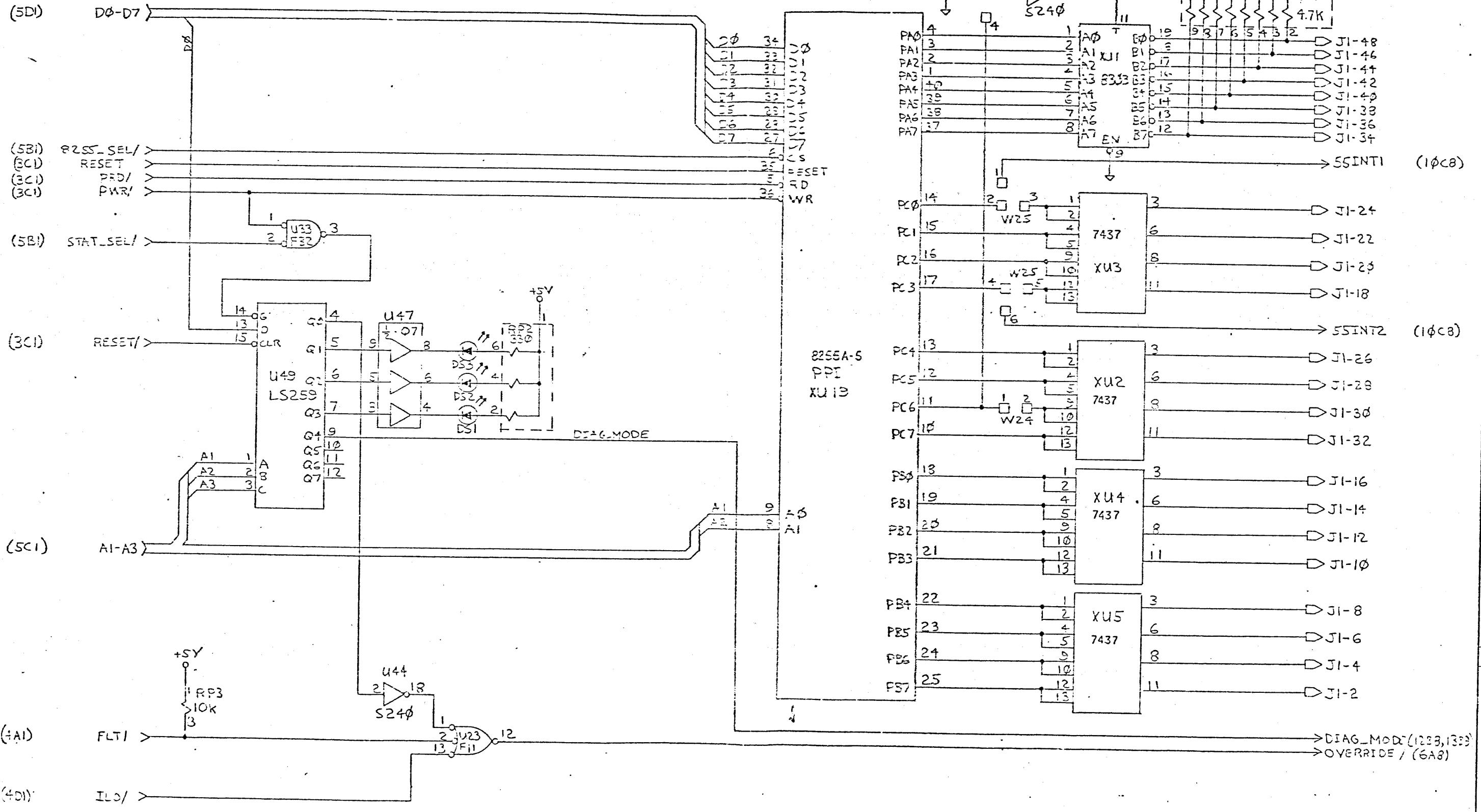
REVISIONS		
REV	DATE	DESCRIPTION
1		REV SHEET 1



REV	DATE	DESCRIPTION
D		

8 7 6 5 4 3 2 1

REVISIONS		
REV. NO.	DATE	BY
1		



(SD) D0-D7

(SB) PZSS_SEL/

(BC) RESET

(CC) PFD/

(CI) PWR/

(SB) STAT_SEL/

(3C) RESET/

(5C) A1-A3

(4A) FLT1

(4D) ILO/

PA0 4

PA1 3

PA2 2

PA3 1

PA4 10

PA5 20

PA6 30

PA7 17

PC0 14

PC1 15

PC2 16

PC3 17

PC4 13

PC5 12

PC6 11

PC7 10

PB0 18

PB1 19

PB2 20

PB3 21

PB4 22

PB5 23

PB6 24

PB7 25

EN 87

SSINT1 (10C8)

J1-48

J1-46

J1-44

J1-42

J1-40

J1-38

J1-36

J1-34

J1-24

J1-22

J1-20

J1-18

SSINT2 (10C8)

J1-26

J1-28

J1-30

J1-32

J1-16

J1-14

J1-12

J1-10

J1-8

J1-6

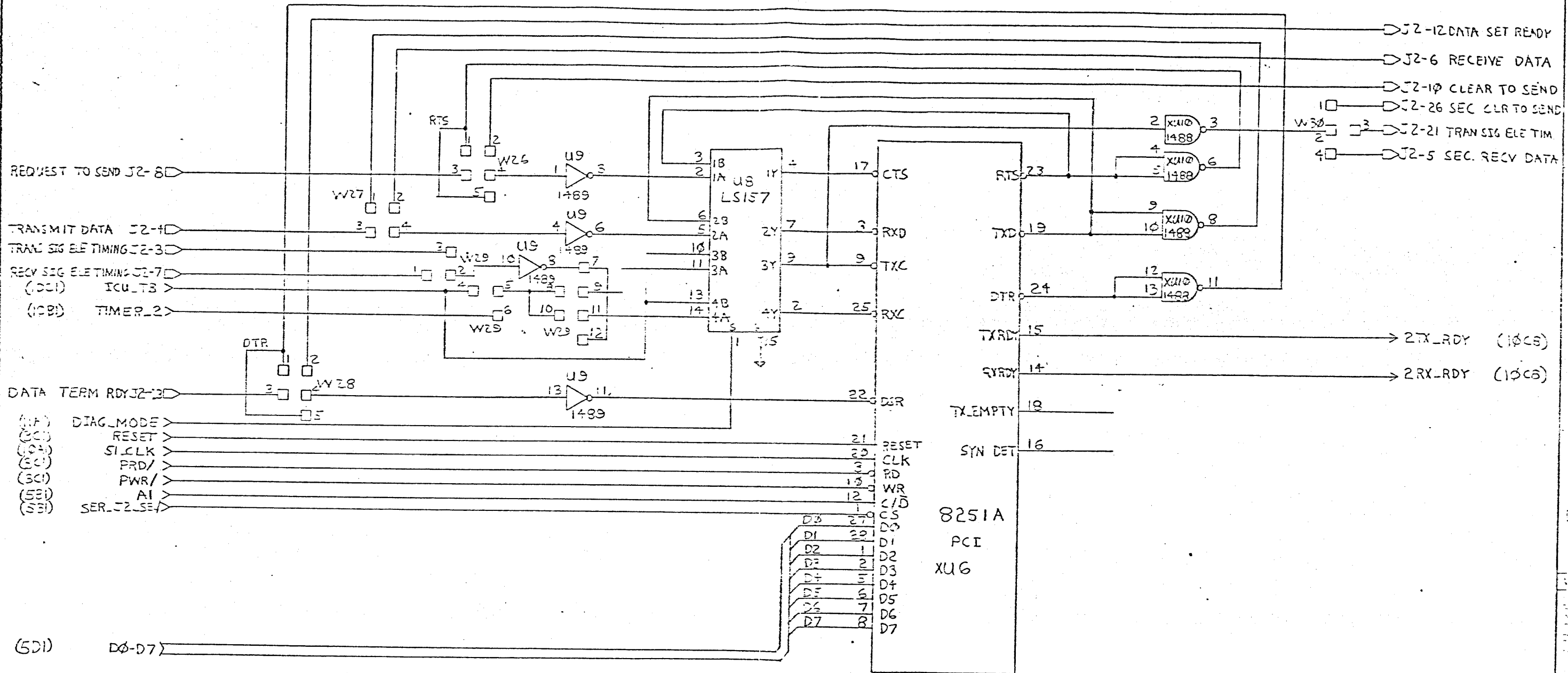
J1-4

J1-2

8 7 6 5 4 3 2 1

8 | 7 | 6 | 5 | 4 | 4 | 3 | 2 | 1

REV	DATE	ISS NO	APPV

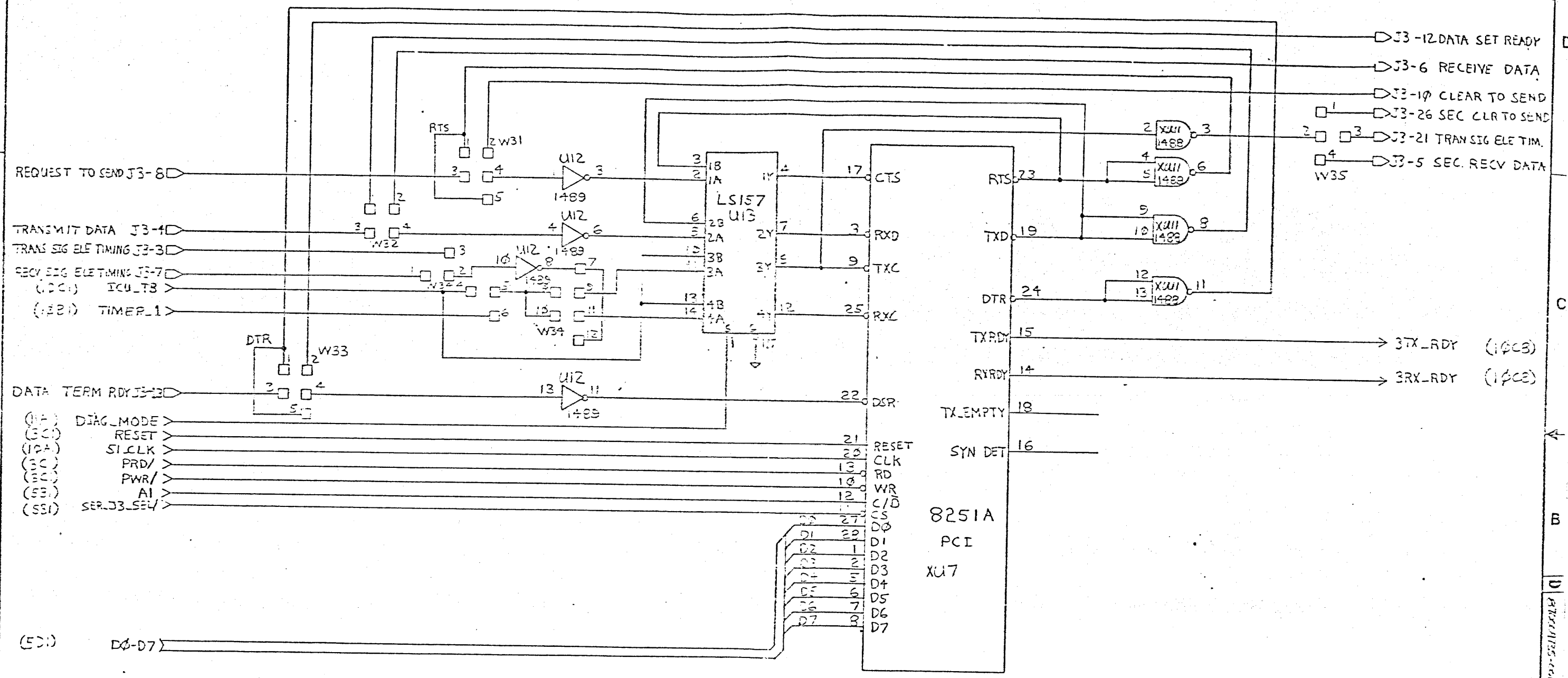


8 | 7 | 6 | 5 | 4 | 4 | 3 | 2 | 1

D		
---	--	--

8 | 7 | 6 | 5 | 4 | 3 | 2 | 1

REVISIONS		
REV	DATE	APPV



REQUEST TO SEND J3-8
 TRANSMIT DATA J3-4
 TRANS SIG ELE TIMING J3-3
 RECV SIG ELE TIMING J3-7
 (DC) ICU_T3
 (ZB) TIMER_1

DATA TERM RDY J3-2
 (1F) DIAG_MODE
 (EC) RESET
 (12A) SI_CLK
 (EC) PRD/
 (EC) PWR/
 (EB) AI
 (SS) SER_J3_SEL

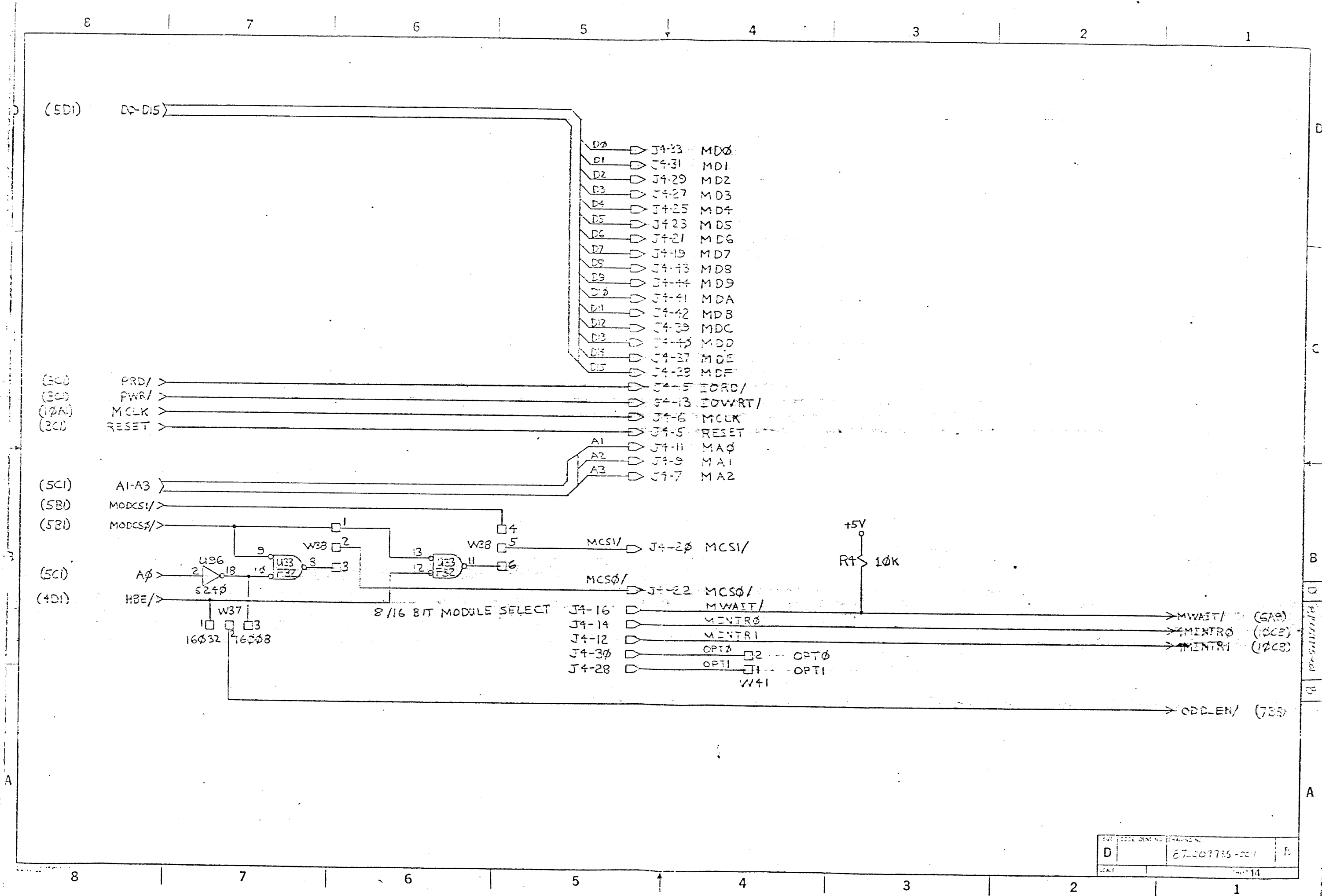
(ED) D0-D7

J3-12 DATA SET READY
 J3-6 RECEIVE DATA
 J3-17 CLEAR TO SEND
 J3-26 SEC CLR TO SEND
 J3-21 TRAN SIG ELE TIM
 J3-5 SEC. RECV DATA
 W35

3TX_RDY (10C3)
 3RX_RDY (10C2)

8251A
 PCI
 XU7

8 | 7 | 6 | 5 | 4 | 3 | 2 | 1



REV	CODE	DATE	DESIGNED BY	DRAWING NO.	SCALE
D				27-007735-001	1:1
					14

CONNECTOR P1 PIN ASSIGNMENTS			
COMPONENT SIDE		SOLDER SIDE	
PIN	SIGNAL	PIN	SIGNAL
1	GND	2	GND
3	+5V	4	+5V
5	+5V	6	+5V
7	+12V	8	+12V
9		10	
11	GND	12	GND
13	BDCLK	14	INIT0
15	EPD0V	16	EPD0V
17	BUSY	18	EPD0V
19	MFCC0	20	INIT0
21	IOCS0	22	IOCS0
23	XACK	24	INIT0
25	LOCK	25	
27	AREV	28	AD0V
29	CE0V	30	AD1V
31	CLKV	32	AD2V
33		34	AD3V
35	INT6	36	INT7
37	INT4	38	INT5
39	INT2	40	INT3
41	INT0	42	INT1
43	ADFE0	44	ADFE0
45	ADFE1	46	ADFE1
47	ADFE2	48	ADFE2
49	ADFE3	50	ADFE3
51	ADFE4	52	ADFE4
53	ADFE5	54	ADFE5
55	ADFE6	56	ADFE6
57	ADFE7	58	ADFE7
59	DAT0	60	DAT0
61	DAT1	62	DAT1
63	DAT2	64	DAT2
65	DAT3	66	DAT3
67	DAT4	68	DAT4
69	DAT5	70	DAT5
71	DAT6	72	DAT6
73	DAT7	74	DAT7
75	GND	76	GND
77		78	
79	-12V	80	-12V
81	+5V	82	+5V
83	+5V	84	+5V
85	GND	86	GND

CONNECTOR P2 PIN ASSIGNMENTS			
COMPONENT SIDE		SOLDER SIDE	
PIN	SIGNAL	PIN	SIGNAL
1	GND	2	GND
3	CLK	4	
5		6	
7	INIT0	8	IR0B
9	IR0A	10	IR0D
11	IR0C	12	IR0F
13	IR0E	14	IR0G
15	IR0V	16	IR0Y
17	EN0V	18	US
19	IR0V	20	IR0V
21	IR0V	22	GG0V
23		24	
25	D-AIT0	26	D-AIT0
27	D-AIT1	28	D-AIT1
29	D-AIT2	30	D-AIT2
31	D-AIT3	32	D-AIT3
33	D-AIT4	34	D-AIT4
35	D-AIT5	36	D-AIT5
37	D-AIT6	38	D-AIT6
39	D-AIT7	40	D-AIT7
41	ST0	42	ST0
43	ST1	44	ST1
45		46	
47		48	
49		50	
51		52	
53		54	
55	AD0V	56	AD0V
57	AD1V	58	AD1V
	AD2V	60	AD2V
	AD3V	62	AD3V
	AD4V	64	AD4V
	AD5V	66	AD5V
	AD6V	68	AD6V
	AD7V	70	AD7V
	AD8V	72	AD8V
	AD9V	74	AD9V
	AD10V	76	AD10V
	AD11V	78	AD11V
	AD12V	80	AD12V
	AD13V	82	AD13V
	AD14V	84	AD14V
	AD15V	86	AD15V

CONNECTOR J1 PIN ASSIGNMENTS			
COMPONENT SIDE		SOLDER SIDE	
PIN	SIGNAL	PIN	SIGNAL
1	GND	2	PORT J, BIT 7
3	GND	4	PORT B, BIT 6
5	GND	6	PORT B, BIT 5
7	GND	8	PORT B, BIT 4
9	GND	10	PORT B, BIT 3
11	GND	12	PORT B, BIT 2
13	GND	14	PORT B, BIT 1
15	GND	16	PORT B, BIT 0
17	GND	18	PORT C, BIT 3
19	GND	20	PORT C, BIT 2
21	GND	22	PORT C, BIT 1
23	GND	24	PORT C, BIT 0
25	GND	26	PORT C, BIT 4
27	GND	28	PORT C, BIT 5
29	GND	30	PORT C, BIT 6
31	GND	32	PORT C, BIT 7
33	GND	34	PORT A, BIT 7
35	GND	36	PORT A, BIT 6
37	GND	38	PORT A, BIT 5
39	GND	40	PORT A, BIT 4
41	GND	42	PORT A, BIT 3
43	GND	44	PORT A, BIT 2
45	GND	46	PORT A, BIT 1
47	GND	48	PORT A, BIT 0
49	GND	50	NO CONNECT

CONNECTOR J4 PIN ASSIGNMENTS			
PIN	SIGNAL	PIN	SIGNAL
1	+12V	2	-12V
3	GND	4	+5V
5	RESET	6	CLK
7	MD0	8	
9	MD1	10	
11	MD2	12	MINTR1
13	MD3	14	MINTR0
15	MD4	16	MDA17
17	MD5	18	MDA17
19	MD6	20	MDA17
21	MD6	22	MDA17
23	MD5	24	MDA17
25	MD4	26	
27	MD3	28	OPT1
29	MD2	30	OPT2
31	MD1	32	
33	MD0	34	
35	GND	36	+5V
37	MD0	38	MD0
39	MD0	40	MD0
41	MD0	42	MD0
43	MD0	44	MD0

CONNECTOR C PIN ASSIGNMENTS			
COMPONENT SIDE		SOLDER SIDE	
PIN	SIGNAL	PIN	SIGNAL
1	-	2	GROUND
3	TRAN SIG ELE TIMING	4	TRANSMIT DATA
5	SEC RECEIVE	6	RECEIVE DATA
7	EXTERNAL CLOCK	8	REQUEST TO SEND
9	-	10	CLEAR TO SEND
11	-	12	DATA SET READY
13	DATA TERMINAL READY	14	GROUND
15	-	16	-
17	-	18	-
19	-12 VOLTS DC*	20	-
21	TRAN SIG ELE TIMING	22	+12 VOLTS DC*
23	+5 VOLTS DC*	24	-
25	GROUND	26	SECONDARY CTS

* REQUIRES J4 FOR TO ENABLE

CONNECTOR C PIN ASSIGNMENTS			
COMPONENT SIDE		SOLDER SIDE	
PIN	SIGNAL	PIN	SIGNAL
1	-	2	GROUND
3	TRAN SIG ELE TIMING	4	TRANSMIT DATA
5	SEC RECEIVE	6	RECEIVE DATA
7	EXTERNAL CLOCK	8	REQUEST TO SEND
9	-	10	CLEAR TO SEND
11	-	12	DATA SET READY
13	DATA TERMINAL READY	14	GROUND
15	-	16	-
17	-	18	-
19	-12 VOLTS DC*	20	-
21	TRAN SIG ELE TIMING	22	+12 VOLTS DC*
23	+5 VOLTS DC*	24	-
25	GROUND	26	SECONDARY CTS