

TMS320C3x/C4x Assembly Language Tools User's Guide

Literature Number: SPRU035D
June 1998



Printed on Recycled Paper

IMPORTANT NOTICE

Texas Instruments and its subsidiaries (TI) reserve the right to make changes to their products or to discontinue any product or service without notice, and advise customers to obtain the latest version of relevant information to verify, before placing orders, that information being relied on is current and complete. All products are sold subject to the terms and conditions of sale supplied at the time of order acknowledgement, including those pertaining to warranty, patent infringement, and limitation of liability.

TI warrants performance of its semiconductor products to the specifications applicable at the time of sale in accordance with TI's standard warranty. Testing and other quality control techniques are utilized to the extent TI deems necessary to support this warranty. Specific testing of all parameters of each device is not necessarily performed, except those mandated by government requirements.

CERTAIN APPLICATIONS USING SEMICONDUCTOR PRODUCTS MAY INVOLVE POTENTIAL RISKS OF DEATH, PERSONAL INJURY, OR SEVERE PROPERTY OR ENVIRONMENTAL DAMAGE ("CRITICAL APPLICATIONS"). TI SEMICONDUCTOR PRODUCTS ARE NOT DESIGNED, AUTHORIZED, OR WARRANTED TO BE SUITABLE FOR USE IN LIFE-SUPPORT DEVICES OR SYSTEMS OR OTHER CRITICAL APPLICATIONS. INCLUSION OF TI PRODUCTS IN SUCH APPLICATIONS IS UNDERSTOOD TO BE FULLY AT THE CUSTOMER'S RISK.

In order to minimize risks associated with the customer's applications, adequate design and operating safeguards must be provided by the customer to minimize inherent or procedural hazards.

TI assumes no liability for applications assistance or customer product design. TI does not warrant or represent that any license, either express or implied, is granted under any patent right, copyright, mask work right, or other intellectual property right of TI covering or relating to any combination, machine, or process in which such semiconductor products or services might be or are used. TI's publication of information regarding any third party's products or services does not constitute TI's approval, warranty or endorsement thereof.

Read This First

About This Manual

The *TMS320C3x/C4x Assembly Language Tools User's Guide* tells you how to use these assembly language tools:

- Assembler
- Archiver
- Linker
- Hex conversion utility

Before you can use this book, you should read the *TMS320C3x/C4x Code Generation Tools Getting Started Guide* to install the assembly language tools.

How to Use This Manual

The goal of this book is to help you learn how to use the Texas Instruments assembly language tools specifically designed for the TMS320C3x/C4x floating-point DSPs. This book is divided into four distinct parts:

- Part I: Introductory Information** gives you an overview of the assembly language development tools and also discusses common object file format (COFF) which helps you to use the TMS320C3x and TMS320C4x tools more efficiently. *Read Chapter 2 before using the assembler and linker.*
- Part II: Assembler Description** contains detailed information about using the assembler. This section explains how to invoke the assembler and discusses source statement format, valid constants and expressions, assembler output, and assembler directives.
- Part III: Additional Assembly Language Tools** describes in detail each of the tools provided with the assembler to help you create assembly language source files. For example, Chapter 8 explains how to invoke the linker, how the linker operates, and how to use linker directives. Chapter 10 explains how to use the hex conversion utility.

- ❑ **Part IV: Reference Material** provides supplementary information. This section contains technical data about the internal format and structure of COFF object files. It discusses symbolic debugging directives that the TMS320C3x/C4x C compiler uses. Finally, it includes sample linker command files, assembler and linker error messages, and a glossary.

Notational Conventions

This document uses the following conventions.

- ❑ Program listings, program examples, and interactive displays are shown in a *special typeface* similar to a typewriter's. Examples use a **bold version** of the special typeface for emphasis; interactive displays use a **bold version** of the special typeface to distinguish commands that you enter from items that the system displays (such as prompts, command output, error messages, etc.).

Here is a sample program listing:

```
0011 0005 0001      .field  1, 2
0012 0005 0003      .field  3, 4
0013 0005 0006      .field  6, 3
0014 0006           .even
```

- ❑ In syntax descriptions, the instruction, command, or directive is in a **bold typeface** font and parameters are in an *italic typeface*. Portions of a syntax that are in **bold** should be entered as shown; portions of a syntax that are in *italics* describe the type of information that should be entered. Here is an example of command line syntax:

```
asm30 filename
```

Here **asm30** is a command. The command invokes the assembler and has one parameter, indicated by *filename*. When you invoke the assembler, you supply the name of the file that the assembler uses as input.

- ❑ Square brackets ([and]) identify an optional parameter. If you use an optional parameter, you specify the information within the brackets; you don't enter the brackets themselves. Here's an example of an instruction that has an optional parameter:

```
hex30 [-options] filename
```

The **hex30** command has two parameters. The first parameter, *-options*, is optional. Since *options* is plural, you may select several options. The second parameter, *filename*, is required.

Square brackets are also used as part of the pathname specification for VMS pathnames; in this case, the brackets are actually part of the pathname (they are not optional).

- In assembler syntax statements, column one is reserved for the first character of a label or symbol. If the label or symbol is **optional**, it is usually not shown. If it is a **required** parameter, then it will be shown starting against the left margin of the shaded box, as in the example below. No instruction, command, directive, or parameter, other than a symbol or label, should begin in column one.

```
symbol .usect "section name", size in bytes
```

The *symbol* is **required** for the .usect directive and must begin in **column one**. The *section name* must be enclosed in quotes, and the *size in bytes* must be separated from the *section name* by a comma.

- Braces ({ and }) indicate a list. The symbol | (read as *or*) separates items within the list. Here's an example of a list:

```
{ * | *+ | *- }
```

This provides three choices: *, *+, or *-.

Unless the list is enclosed in square brackets, you must choose one item from the list.

- Some directives can have a varying number of parameters. For example, the .byte directive can have up to 100 parameters. The syntax for this directive is:

```
.byte value1 [, ... , valuen]
```

This syntax shows that .byte must have at least one value parameter, but you have the option of supplying additional value parameters, separated by commas.

Related Documentation From Texas Instruments

The following books describe the TMS320C3x/C4x and related support tools. To obtain a copy of any of these TI documents, call the Texas Instruments Literature Response Center at (800) 477–8924. When ordering, please identify the book by its title and literature number.

TMS320C3x/C4x Code Generation Tools Getting Started Guide (literature number SPRU119) describes how to install the TMS320C3x/C4x assembly language tools and the C compiler. Installation instructions are included for MS–DOS™, Windows 3.x, Windows NT, Windows 95, SunOS™, Solaris, and HP–UX™ systems.

TMS320C3x/C4x Optimizing C Compiler User's Guide (literature number SPRU034) describes the TMS320 floating-point C compiler. This C compiler accepts ANSI standard C source code and produces TMS320 assembly language source code for the 'C3x and 'C4x generations of devices.

TMS320C3x C Source Debugger User's Guide (literature number SPRU053) tells you how to invoke the 'C3x emulator, evaluation module, and simulator versions of the C source debugger interface. This book discusses various aspects of the debugger interface, including window management, command entry, code execution, data management, and breakpoints. It also includes a tutorial that introduces basic debugger functionality.

TMS320C4x C Source Debugger User's Guide (literature number SPRU054) tells you how to invoke the 'C4x emulator and simulator versions of the C source debugger interface. This book discusses various aspects of the debugger interface, including window management, command entry, code execution, data management, and breakpoints. It also includes a tutorial that introduces basic debugger functionality.

TMS320C3x User's Guide (literature number SPRU031) describes the 'C3x 32-bit floating-point microprocessor (developed for digital signal processing as well as general applications), its architecture, internal register structure, instruction set, pipeline, specifications, and DMA and serial port operation. Software and hardware applications are included.

TMS320C32 Addendum to the TMS320C3x User's Guide (literature number SPRU132) describes the TMS320C32 floating-point microprocessor (developed for digital signal processing as well as general applications). Discusses its architecture, internal register structure, specifications, and DMA and serial port operation. Hardware applications are also included.

TMS320C4x User's Guide (literature number SPRU063) describes the 'C4x 32-bit floating-point processor, developed for digital signal processing as well as parallel processing applications. Covered are its architecture, internal register structure, instruction set, pipeline, specifications, and operation of its six DMA channels and six communication ports.

Parallel Processing with the TMS320C4x (literature number SPRA031) describes parallel processing and how the 'C4x can be used in parallel processing. Also provides sample parallel processing applications.

TMS320C4x General-Purpose Applications User's Guide (literature number SPRU159) describes software and hardware applications for the 'C4x processor. Also includes development support information, parts lists, and XDS510 emulator design considerations.

TMS320C30 Evaluation Module Technical Reference (literature number SPRU069) describes board-level operation of the TMS320C30 EVM.

Digital Signal Processing Applications With the TMS320C30 Evaluation Module Selected Application Notes (literature number SPRA021) contains useful information for people who are preparing and debugging code. The book gives additional information about the TMS320C30 EVM, as well as C coding tips.

TMS320 DSP Development Support Reference Guide (literature number SPRU011) describes the TMS320 family of digital signal processors and the tools that support these devices. Included are code-generation tools (compilers, assemblers, linkers, etc.) and system integration and debug tools (simulators, emulators, evaluation modules, etc.). Also covered are available documentation, seminars, the university program, and factory repair and exchange.

Digital Signal Processing Applications with the TMS320 Family, Volumes 1, 2, and 3 (literature numbers SPRA012, SPRA016, SPRA017) Volumes 1 and 2 cover applications using the 'C10 and 'C20 families of fixed-point processors. Volume 3 documents applications using both fixed-point processors, as well as the 'C30 floating-point processor.

TMS320 DSP Designer's Notebook: Volume 1 (literature number SPRT125) presents solutions to common design problems using 'C2x, 'C3x, 'C4x, 'C5x, and other TI DSPs.

TMS320 Third-Party Support Reference Guide (literature number SPRU052) alphabetically lists over 100 third parties that provide various products that serve the family of '320 digital signal processors. A myriad of products and applications are offered—software and hardware development tools, speech recognition, image processing, noise cancellation, modems, etc.

Trademarks

HP-UX is a trademark of Hewlett-Packard Company.

MS-DOS is a registered trademark of Microsoft Corporation.

PC-DOS is a trademark of International Business Machines Corporation.

Solaris is a trademark of Sun Microsystems, Inc.

SunOS is a trademark of Sun Microsystems, Inc.

UNIX is a registered trademark in the United States and other countries, licensed exclusively through X/Open Company Limited.

XDS is a trademark of Texas Instruments Incorporated.

If You Need Assistance . . . **World-Wide Web Sites**

TI Online	http://www.ti.com
Semiconductor Product Information Center (PIC)	http://www.ti.com/sc/docs/pic/home.htm
DSP Solutions	http://www.ti.com/dsps
320 Hotline On-line™	http://www.ti.com/sc/docs/dsps/support.htm

 North America, South America, Central America

Product Information Center (PIC)	(972) 644-5580	
TI Literature Response Center U.S.A.	(800) 477-8924	
Software Registration/Upgrades	(214) 638-0333	Fax: (214) 638-7742
U.S.A. Factory Repair/Hardware Upgrades	(281) 274-2285	
U.S. Technical Training Organization	(972) 644-5580	
DSP Hotline	(281) 274-2320	Fax: (281) 274-2324 Email: dsph@ti.com
DSP Modem BBS	(281) 274-2323	
DSP Internet BBS via anonymous ftp to ftp://ftp.ti.com/pub/tms320bbs		

 Europe, Middle East, Africa

European Product Information Center (EPIC) Hotlines:

Multi-Language Support	+33 1 30 70 11 69	Fax: +33 1 30 70 10 32 Email: epic@ti.com
Deutsch	+49 8161 80 33 11 or +33 1 30 70 11 68	
English	+33 1 30 70 11 65	
Francais	+33 1 30 70 11 64	
Italiano	+33 1 30 70 11 67	
EPIC Modem BBS	+33 1 30 70 11 99	
European Factory Repair	+33 4 93 22 25 40	
Europe Customer Training Helpline		Fax: +49 81 61 80 40 10

 Asia-Pacific

Literature Response Center	+852 2 956 7288	Fax: +852 2 956 2200
Hong Kong DSP Hotline	+852 2 956 7268	Fax: +852 2 956 1002
Korea DSP Hotline	+82 2 551 2804	Fax: +82 2 551 2828
Korea DSP Modem BBS	+82 2 551 2914	
Singapore DSP Hotline		Fax: +65 390 7179
Taiwan DSP Hotline	+886 2 377 1450	Fax: +886 2 377 2718
Taiwan DSP Modem BBS	+886 2 376 2592	
Taiwan DSP Internet BBS via anonymous ftp to ftp://dsp.ee.tit.edu.tw/pub/TI/		

 Japan

Product Information Center	+0120-81-0026 (in Japan)	Fax: +0120-81-0036 (in Japan)
	+03-3457-0972 or (INTL) 813-3457-0972	Fax: +03-3457-1259 or (INTL) 813-3457-1259
DSP Hotline	+03-3769-8735 or (INTL) 813-3769-8735	Fax: +03-3457-7071 or (INTL) 813-3457-7071
DSP BBS via Nifty-Serve	Type "Go TIASP"	

 Documentation

When making suggestions or reporting errors in documentation, please include the following information that is on the title page: the full title of the book, the publication date, and the literature number.

Mail: Texas Instruments Incorporated	Email: comments@books.sc.ti.com
Technical Documentation Services, MS 702	
P.O. Box 1443	
Houston, Texas 77251-1443	

Note: When calling a Literature Response Center to order documentation, please specify the literature number of the book.

Contents

1	Introduction	1-1
	<i>Provides an overview of the assembly language development tools, installation information, and a walkthrough.</i>	
1.1	Software Development Tools Overview	1-2
1.2	Tools Descriptions	1-3
2	Introduction to Common Object File Format	2-1
	<i>Discusses the basic COFF concept of sections and how they can help you use the assembler and linker more efficiently. Common Object File Format, or COFF, is the object file format used by the TMS320 family floating-point tools. Read Chapter 2 before using the assembler and linker.</i>	
2.1	COFF File Types	2-2
2.2	Sections	2-2
2.3	How the Assembler Handles Sections	2-4
2.3.1	Uninitialized Sections	2-4
2.3.2	Initialized Sections	2-5
2.3.3	Named Sections	2-6
2.3.4	Subsections	2-8
2.3.5	Section Program Counters	2-8
2.3.6	An Example That Uses Sections Directives	2-9
2.4	How the Linker Handles Sections	2-12
2.4.1	Default Allocation	2-12
2.4.2	Placing Sections in the Memory Map	2-15
2.5	Relocation	2-18
2.6	Runtime Relocation	2-20
2.7	Loading a Program	2-21
2.8	Symbols in a COFF File	2-22
2.8.1	External Symbols	2-22
2.8.2	The Symbol Table	2-22

3	Assembler Description	3-1
	<i>Tells you how to invoke the assembler and discusses source statement format, valid constants and expressions, and assembler output.</i>	
3.1	Assembler Overview	3-2
3.2	Assembler Development Flow	3-3
3.3	Invoking the Assembler	3-4
3.4	Porting Upward Compatible Code	3-6
3.5	Naming Alternate Directories for Assembler Input	3-7
	3.5.1 <code>-i</code> Assembler Option	3-7
	3.5.2 Environment Variable (<code>A_DIR</code>)	3-8
3.6	Source Statement Format	3-10
	3.6.1 Label Field	3-10
	3.6.2 Mnemonic Field	3-11
	3.6.3 Operand Field	3-11
	3.6.4 Comment Field	3-11
3.7	Constants	3-12
	3.7.1 Binary Integers	3-12
	3.7.2 Octal Integers	3-12
	3.7.3 Decimal Integers	3-12
	3.7.4 Hexadecimal Integers	3-13
	3.7.5 Character Constants	3-13
	3.7.6 Floating-Point Constants	3-13
	3.7.7 Assembly-Time Constants	3-14
3.8	Character Strings	3-15
3.9	Symbols	3-16
	3.9.1 Labels	3-16
	3.9.2 Constants	3-16
	3.9.3 Symbolic Constants	3-17
	3.9.4 Substitution Symbols	3-18
3.10	Expressions	3-20
	3.10.1 Floating-Point Expressions	3-20
	3.10.2 Floating-Point to Integer Conversions	3-21
	3.10.3 Operators	3-22
	3.10.4 Expression Overflow or Underflow	3-22
	3.10.5 Well-Defined Expressions	3-22
	3.10.6 Conditional Expressions	3-23
	3.10.7 Relocatable Symbols and Legal Expressions	3-23
3.11	Source Listings	3-25
3.12	Cross-Reference Listings	3-27

4	Assembler Directives	4-1
	<i>Describes the directives according to function, and lists the directives in alphabetical order.</i>	
4.1	Directives Summary	4-2
4.2	Directives That Define Sections	4-6
4.3	Directives That Initialize Constants	4-7
4.4	Directives That Align the Section Program Counter	4-10
4.5	Directives That Format the Output Listing	4-11
4.6	Directives That Reference Other Files	4-13
4.7	Conditional Assembly Directives	4-14
4.8	Assembly-Time Symbol Directives	4-15
4.9	Miscellaneous Directives	4-16
4.10	Directives Reference	4-17
5	Instruction Set	5-1
	<i>Summarizes the TMS320C3x and TMS320C4x instruction sets alphabetically and according to function, with information on addressing modes, optional syntaxes, condition codes and flags, abbreviations and symbols.</i>	
5.1	Using the Instruction Set Summary	5-2
5.1.1	Addressing Modes	5-2
5.1.2	Optional Syntax	5-3
5.1.3	Condition Codes and Flags	5-4
5.1.4	Symbols and Abbreviations	5-6
5.2	Functional Summary of the Instruction Set	5-8
5.2.1	Load-and-Store Instructions	5-8
5.2.2	Arithmetic Instructions	5-10
5.2.3	Logic Instructions	5-11
5.2.4	Program-Control Instructions	5-11
5.2.5	Interlocked-Operation Instructions	5-12
5.2.6	Conversion Instructions	5-13
5.2.7	Three-Operand Instructions	5-13
5.2.8	Parallel Instructions	5-14
5.2.9	TMS320C4x-Only Instructions	5-18
5.2.10	LDP and LDPK Instructions	5-19
5.3	Instruction Set Summary Table	5-20
6	Macro Language	6-1
	<i>Describes an easy way to create your own instructions to better automate repetitive machine tasks. Included is information on macro directives and substitution symbols used as macro parameters.</i>	
6.1	Using Macros	6-2
6.2	Defining Macros	6-3

6.3	Macro Parameters/Substitution Symbols	6-5
6.3.1	Substitution Symbols	6-5
6.3.2	Directives That Define Substitution Symbols	6-6
6.3.3	Built-In Substitution Functions	6-7
6.3.4	Recursive Substitution Symbols	6-9
6.3.5	Forced Substitution	6-9
6.3.6	Accessing Individual Characters of Subscripted Substitution Symbols	6-10
6.3.7	Substitution Symbols as Local Variables in Macros	6-12
6.4	Macro Libraries	6-13
6.5	Using Conditional Assembly in Macros	6-14
6.6	Using Labels in Macros	6-16
6.7	Producing Messages in Macros	6-17
6.8	Formatting the Output Listing	6-19
6.9	Using Recursive and Nested Macros	6-20
6.10	Macro Directives Summary	6-22
7	Archiver Description	7-1
	<i>Contains instructions for invoking the archiver, creating new archive libraries and modifying existing libraries.</i>	
7.1	Archiver Development Flow	7-2
7.2	Invoking the Archiver	7-3
7.3	Archiver Examples	7-5
8	Linker Description	8-1
	<i>Describes the process of creating executable modules by combining COFF object files; describes how to invoke and use the linker, and presents a detailed example.</i>	
8.1	Linker Development Flow	8-2
8.2	Invoking the Linker	8-4
8.3	Linker Options	8-6
8.3.1	Relocation Capability (-a and -r Options)	8-7
8.3.2	Disable Merge of Symbolic Debugging Information (-b Option)	8-9
8.3.3	C Language Options (-c and -cr Options)	8-9
8.3.4	Define an Entry Point (-e global symbol Option)	8-9
8.3.5	Set Default Fill Value (-f cc Option)	8-10
8.3.6	Make All Global Symbols Static (-h Option)	8-10
8.3.7	Keep a Global Symbol (-g symbol Option)	8-11
8.3.8	Define Heap Size (-heap size, -heap8 size, and -heap16 size Options)	8-11
8.3.9	Alter the Library Search Algorithm (-i dir & -l filename/C_DIR)	8-12
8.3.10	-i Linker Option	8-13
8.3.11	Environment Variable (C_DIR or A_DIR)	8-13
8.3.12	Create a Map File (-m filename Option)	8-14
8.3.13	Name an Output Module (-o filename Option)	8-14
8.3.14	Specify a Quiet Run (-q Option)	8-14

8.3.15	Strip Symbolic Information (<code>-s</code> Option)	8-14
8.3.16	Define Stack Size (<code>-stack size</code> Option)	8-15
8.3.17	Introduce an Unresolved Symbol (<code>-u symbol</code> Option)	8-15
8.3.18	COFF Format Version (<code>-vn</code> Option)	8-16
8.3.19	Warning Switch (<code>-w</code> Option)	8-16
8.3.20	Exhaustively Read Libraries (<code>-x</code> option)	8-17
8.4	Linker Command Files	8-18
8.5	Object Libraries	8-21
8.6	The MEMORY Directive	8-23
8.6.1	Default Memory Model	8-23
8.6.2	MEMORY Directive Syntax	8-23
8.7	The SECTIONS Directive	8-27
8.7.1	Default Sections Configuration	8-27
8.7.2	SECTIONS Directive Syntax	8-27
8.7.3	Specifying the Address of Output Sections (Allocation)	8-29
8.7.4	Specifying Input Sections	8-32
8.8	Specifying a Section's Runtime Address	8-35
8.8.1	Specifying Two Addresses	8-35
8.8.2	Uninitialized Sections	8-36
8.8.3	Referring to a Load Address by Using the <code>.label</code> Directive	8-36
8.9	Using UNION and GROUP Statements	8-39
8.9.1	Overlaying Sections With the UNION Directive	8-39
8.9.2	Grouping Output Sections Together	8-41
8.10	Overlay Pages	8-42
8.10.1	Using the MEMORY Directive to Define Overlay Pages	8-42
8.10.2	Using Overlay Pages With the SECTIONS Directive	8-44
8.10.3	Page Definition Syntax	8-45
8.11	Default Allocation	8-47
8.11.1	Allocation Algorithm	8-47
8.11.2	General Rules for Output Sections	8-48
8.12	Special Section Types (DSECT, COPY, and NOLOAD)	8-49
8.13	Assigning Symbols at Link Time	8-50
8.13.1	Syntax of Assignment Statements	8-50
8.13.2	Assigning the SPC to a Symbol	8-50
8.13.3	Assignment Expressions	8-51
8.13.4	Symbols Defined by the Linker	8-53
8.14	Creating and Filling Holes	8-54
8.14.1	Initialized and Uninitialized Sections	8-54
8.14.2	Creating Holes	8-54
8.14.3	Filling Holes	8-56
8.14.4	Explicit Initialization of Uninitialized Sections	8-57
8.15	Partial (Incremental) Linking	8-58

- 8.16 Linking C Code 8-60
 - 8.16.1 Runtime Initialization 8-60
 - 8.16.2 Object Libraries and Runtime Support 8-60
 - 8.16.3 Setting the Size of the Stack and Heap Sections 8-61
 - 8.16.4 Autoinitialization (ROM and RAM Models) 8-61
 - 8.16.5 The `-c` and `-cr` Linker Options 8-63
- 8.17 Linker Example 8-64
- 9 Absolute Lister Description 9-1**

Explains how to invoke the absolute lister to obtain a listing of the absolute addresses of an object file.

 - 9.1 Producing an Absolute Listing 9-2
 - 9.2 Invoking the Absolute Lister 9-3
 - 9.3 Absolute Lister Example 9-5
- 10 Hex Conversion Utility Description 10-1**

Tells you how to use the hex conversion utility to translate a COFF object file into one of several standard ASCII hexadecimal formats suitable for loading into an EPROM programmer.

 - 10.1 Hex Conversion Utility Development Flow 10-2
 - 10.2 Invoking the Hex Conversion Utility 10-3
 - 10.3 Using Command Files 10-6
 - 10.4 Creating a Compatible File Format 10-7
 - 10.4.1 Defining Input Data in the 'C32 10-8
 - 10.4.2 Specifying the Width 10-9
 - 10.4.3 Partitioning Data Into Output Files 10-12
 - 10.4.4 A Memory Configuration Example 10-14
 - 10.4.5 Specifying Word Order for Output Files 10-14
 - 10.5 Using the ROMS Directive to Specify Memory Configuration 10-16
 - 10.5.1 When to Use the ROMS Directive 10-18
 - 10.5.2 An Example of the ROMS Directive 10-19
 - 10.5.3 Creating Map Files and the `-map` option 10-21
 - 10.6 Using the SECTIONS Directive to Convert COFF File Sections 10-22
 - 10.7 Output Filenames 10-24
 - 10.8 Image Mode and the `-fill` Option 10-26
 - 10.8.1 The `-image` Option 10-26
 - 10.8.2 Specifying a Fill Value 10-27
 - 10.8.3 Steps to Follow in Image Mode 10-27

10.9	Building a Boot-Table From an On-Chip Boot Loader	10-28
10.9.1	Description of the Boot Table	10-28
10.9.2	The Boot Table Format	10-28
10.9.3	How to Build the Boot Table	10-29
10.9.4	Booting From a Device Peripheral	10-31
10.9.5	Setting the Entry Point for the Boot Table	10-31
10.9.6	Setting Control Registers	10-31
10.9.7	Creating a Boot Loader Table for the 'C31	10-32
10.9.8	TMS320C32 Boot Loader Table Generation	10-34
10.9.9	TMS320C4x Boot Loader Table Generation	10-37
10.10	Controlling the ROM Device Address	10-39
10.10.1	Controlling the Starting Address	10-39
10.10.2	Controlling the Address Increment Index	10-41
10.10.3	Dealing With Address Holes	10-42
10.11	Description of the Object Formats	10-43
10.11.1	ASCII-Hex Object Format (-a Option)	10-44
10.11.2	Intel MCS-86 Object Format (-i Option)	10-45
10.11.3	Motorola-S Object Format (-m1, -m2, -m3 Options)	10-46
10.11.4	TI-Tagged Object Format (-t Option)	10-47
10.11.5	Extended Tektronix Object Format (-x Option)	10-48
10.12	Hex Conversion Utility Error Messages	10-49
A	Common Object File Format	A-1
	<i>Contains supplemental technical data about the internal format and structure of COFF object files.</i>	
A.1	How the COFF File Is Structured	A-2
A.1.1	Impact of Switching Operating Systems	A-4
A.2	File Header Structure	A-5
A.3	Optional File Header Format	A-6
A.4	Section Header Structure	A-7
A.5	Structuring Relocation Information	A-10
A.6	Line-Number Table Structure	A-12
A.7	Symbol Table Structure and Content	A-14
A.7.1	Special Symbols	A-16
A.7.2	Symbol Name Format	A-18
A.7.3	String Table Structure	A-18
A.7.4	Storage Classes	A-19
A.7.5	Symbol Values	A-20
A.7.6	Section Number	A-21
A.7.7	Type Entry	A-21
A.7.8	Auxiliary Entries	A-23

B	Symbolic Debugging Directives	B-1
	<i>Lists several directives that the TMS320 floating-point C compiler uses for symbolic debugging.</i>	
C	Assembler Error Messages	C-1
	<i>Lists the fatal, nonfatal and macro error messages that the assembler issues.</i>	
D	Linker Error Messages	D-1
	<i>Lists all the types of error messages issued by the linker, including syntax and command errors, allocation errors and I/O errors.</i>	
E	Hex Conversion Utility Examples	E-1
	<i>Illustrates command file development for a variety of memory systems and situations.</i>	
E.1	Building a Command File for Two 16-Bit EPROMs	E-3
E.2	Building a Command File for Booting From the 'C4x Communications Port	E-9
E.3	Building a Command File to Convert Code for a 'C32	E-15
E.4	Building a Command File for a Four 8-Bit EPROM System	E-20
E.5	Avoiding Holes Between Multiple Sections	E-21
E.6	Building a Command File for a 'C31 Serial Port Boot Load	E-23
E.7	Dealing With Three Different Addresses	E-24
E.8	Building a Command File to Generate a Boot Table for the 'C32	E-26
F	Glossary	F-1
	<i>Explains the terms and phrases and acronyms used in this book.</i>	

Figures

1-1	TMS320 Family Assembly Language Development Flow	1-2
2-1	Partitioning Memory Into Logical Blocks	2-3
2-2	Object Code Generated by Example 2-1	2-11
2-3	Default Allocation for the Object Code in Figure 2-2	2-13
2-4	Combining Input Sections From Two Files (Default Allocation)	2-14
2-5	Rearranging the Memory Map From Figure 2-3	2-17
3-1	Assembler Development Flow	3-3
4-1	The .align Directive	4-18
4-2	The .space Directive	4-62
4-3	The .usect Directive	4-71
7-1	Archiver Development Flow	7-2
8-1	Linker Development Flow	8-3
8-2	Memory Map Defined in Example 8-3	8-26
8-3	Section Allocation Defined by Example 8-4	8-29
8-4	Runtime Execution of Example 8-6	8-38
8-5	Memory Allocation for Example 8-7 and Example 8-8	8-40
8-6	Section Allocation Defined by Example 8-9	8-41
8-7	Overlay Pages Defined by Example 8-10	8-43
8-8	RAM Model of Autoinitialization	8-62
8-9	ROM Model of Autoinitialization	8-63
8-10	Linker Command File, demo.cmd	8-65
8-11	Output Map File, demo.map	8-66
9-1	Absolute Lister Development Flow	9-2
9-2	module1.lst	9-9
9-3	module2.lst	9-10
10-1	Hex Conversion Utility Development Flow	10-2
10-2	Hex Conversion Utility Process Flow	10-7
10-3	Target and Data Widths	10-9
10-4	Target, Data, and Memory Widths	10-11
10-5	Target, Memory, and ROM Widths	10-13
10-6	'C3x/'C4x Memory Configuration Example	10-14
10-7	Varying the Word Order	10-15
10-8	The infile.out File from Example 10-1 Partitioned Into Eight Output Files	10-20
10-9	ASCII-Hex Object Format	10-44
10-10	Intel Hex Object Format	10-45
10-11	Motorola-S Format	10-46

10-12	TI-Tagged Object Format	10-47
10-13	Extended Tektronix Hex Object Format	10-48
A-1	COFF File Structure	A-2
A-2	Sample COFF Object File	A-3
A-3	An Example of Section Header Pointers for the .text Section	A-9
A-4	Line-Number Blocks	A-12
A-5	Line-Number Entries Example	A-13
A-6	Symbol Table Contents	A-14
A-7	Symbols for Blocks	A-17
A-8	Symbols for Functions	A-17
A-9	Sample String Table	A-18
E-1	System With Two 16-bit EPROMs	E-3
E-2	Linker Command File for Two 16-bit EPROMs	E-4
E-3	Data From Output File resulting from Example E-2	E-7
E-4	A Sample EPROM System for a 'C4x	E-9
E-5	Data From Output File (boot.tbl) resulting from Example E-5	E-13
E-6	Sample EPROM System for a 'C32	E-15
E-7	Data from Hex Output File (tutor3.hex) Resulting From Example E-8	E-19
E-8	Sample EPROM System for a 'C32	E-26
E-9	Output File for Example 8 (example8.hex) Resulting From Example E-18	E-30

Tables

3-1	Operators	3-22
3-2	Expressions With Absolute and Relocatable Symbols	3-23
3-3	Symbol Attributes	3-28
4-1	Directives Summary	4-2
5-1	Indirect Addressing	5-3
5-2	Condition Codes and Flags	5-5
5-3	Instruction Symbols	5-6
5-4	Summary of Load-and-Store Instructions	5-9
5-5	Summary of Arithmetic Instructions	5-10
5-6	Summary of Logical Instructions	5-11
5-7	Summary of Program-Control Instructions	5-11
5-8	Summary of Interlocked-Operation Instructions	5-12
5-9	Summary of Conversion Instructions	5-13
5-10	Summary of Three-Operand Instructions	5-14
5-11	Summary of Parallel Instructions	5-16
5-12	Summary of TMS320C4x-Only Instructions	5-18
6-1	Function Definitions	6-8
6-2	Creating Macros	6-22
6-3	Manipulating Substitution Symbols	6-22
6-4	Conditional Assembly	6-22
6-5	Producing Assembly-Time Messages	6-23
6-6	Formatting the Listing	6-23
8-1	Linker Options Summary	8-6
8-2	Operators in Assignment Expressions	8-52
10-1	Basic Options	10-4
10-2	Boot-Loader Utility Options	10-29
10-3	Control Register Options	10-32
10-4	Options for Specifying Hex Conversion Formats	10-43
A-1	File Header Contents	A-5
A-2	File Header Flags (Bytes 18 and 19)	A-6
A-3	Optional File Header Contents	A-6
A-4	Section Header Contents for COFF 0 and COFF1 Files	A-7
A-5	Section Header Contents for COFF2 Files	A-7
A-6	Section Header Flags	A-8
A-7	Relocation Entry Contents	A-10
A-8	Relocation Types (Bytes 8 and 9)	A-11

A-9	Line-Number Entry Format	A-12
A-10	Symbol Table Entry Contents	A-15
A-11	Special Symbols in the Symbol Table	A-16
A-12	Symbol Storage Classes	A-19
A-13	Special Symbols and Their Storage Classes	A-20
A-14	Symbol Values and Storage Classes	A-20
A-15	Section Numbers	A-21
A-16	Basic Types	A-22
A-17	Derived Types	A-22
A-18	Auxiliary Symbol Table Entries Format	A-23
A-19	Filename Format for Auxiliary Table Entries	A-24
A-20	Section Format for Auxiliary Table Entries	A-24
A-21	Tag Name Format for Auxiliary Table Entries	A-24
A-22	End-of-Structure Format for Auxiliary Table Entries	A-25
A-23	Function Format for Auxiliary Table Entries	A-25
A-24	Array Format for Auxiliary Table Entries	A-26
A-25	End-of-Blocks and Functions Format for Auxiliary Table Entries	A-26
A-26	Beginning-of-Blocks and Functions Format for Auxiliary Table Entries	A-27
A-27	Structure, Union, and Enumeration Names Format for Auxiliary Table Entries	A-27

Examples

2-1	Using Section Directives	2-10
2-2	MEMORY and SECTIONS Directives for Figure 2-5	2-16
2-3	Code That Generates Relocation Entries	2-18
3-1	An Assembler Listing	3-26
3-2	An Assembler Cross-Reference Listing	3-27
4-1	Initialization Directives	4-8
4-2	The .field Directive	4-9
4-3	The .space Directive	4-9
4-4	The .align Directive	4-10
4-5	The .even Directive	4-10
4-6	The .even Directive	4-32
4-7	The .field Directive	4-36
4-8	Defining Two Uninitialized, Named Sections	4-71
6-1	Macro Definition, Call, and Expansion	6-4
6-2	Calling a Macro With Varying Numbers of Arguments	6-6
6-3	Using the .asg Directive	6-7
6-4	Using the .eval Directive	6-7
6-5	Using Built-In Substitution Symbol Functions to Redefine an Instruction	6-8
6-6	Recursive Substitution	6-9
6-7	Using the Forced Substitution Operator	6-10
6-8	Using Subscripted Substitution Symbols	6-11
6-9	Using Subscripted Substitution Symbols to Find Substrings	6-11
6-10	Using the .loop/.break/.endloop Directives	6-15
6-11	Nested Conditional Assembly Directives	6-15
6-12	Using the .if, .else, and .endif Directives	6-15
6-13	Unique Labels in a Macro	6-16
6-14	Producing Messages in a Macro	6-18
6-15	Using Nested Macros	6-20
6-16	Using Recursive Macros	6-21
8-1	An Example of a Linker Command File	8-18
8-2	A Command File With Linker Directives	8-19
8-3	The MEMORY Directive	8-24
8-4	The SECTIONS Directive	8-28
8-5	The Most Common Method of Specifying Section Contents	8-32
8-6	Copying a Section From ROM to RAM	8-37
8-7	Illustrates the Form of the UNION Statement	8-39

8-8	Illustrates Separate Load Addresses for UNION Sections	8-39
8-9	Using the GROUP Directive	8-41
8-10	Overlay Pages	8-43
8-11	SECTIONS Directive Definition for Figure 8-7	8-44
10-1	A ROMS Directive Example	10-19
10-2	Map File Output from Example 10-1 Showing Memory Ranges	10-21
10-3	Using the TMS320C31 Boot Loader	10-33
10-4	Using the TMS320C32 Boot Loader	10-36
10-5	Using the 'C4x Boot Loader	10-38
10-6	Hex Command File For Hole Avoidance	10-42
E-1	Sample ASM Code	E-2
E-2	Command File for Two 16-bit EPROMs	E-6
E-3	Hex Conversion Map File Resulting From Example E-2	E-8
E-4	Linker Command File for Booting From the 'C4x COMM Port	E-10
E-5	Command File for Booting From the 'C4x COMM Port	E-12
E-6	Map File Resulting From Example E-5	E-14
E-7	Linker Command File for a 'C32	E-16
E-8	Sample Hex Command File for a 'C32	E-18
E-9	Code for Four 8-Bit EPROM Files	E-20
E-10	Linker Command File for Avoiding Holes: Method One	E-21
E-11	Hex Conversion Utility Command File for Avoiding Holes: Method One	E-22
E-12	Linker Command File for Avoiding Holes: Method Two	E-22
E-13	Hex Conversion Utility Command File for Avoiding Holes: Method Two	E-22
E-14	Command File for a 'C31 SERIAL Port Boot Load	E-23
E-15	Linker Command File for Dealing With Three Different Addresses	E-24
E-16	Hex Command File for Dealing With Three Different Addresses	E-25
E-17	Linker Command File for a 'C32	E-27
E-18	Hex Command File For a 'C32 Boot Table	E-28

Introduction

The TMS320C3x/C4x DSPs are supported by the following assembly language tools:

- Assembler
- Archiver
- Linker
- Hex conversion utility

This chapter shows how these tools fit into the general software tools development flow and gives a brief description of each tool. For convenience, it also summarizes the C compiler and debugging tools; however, the compiler and debugger are not shipped with the assembly language tools. For detailed information on the compiler and debugger and for complete descriptions of the TMS320C3x/C4x devices, refer to books listed in *Related Documentation From Texas Instruments*, page vi.

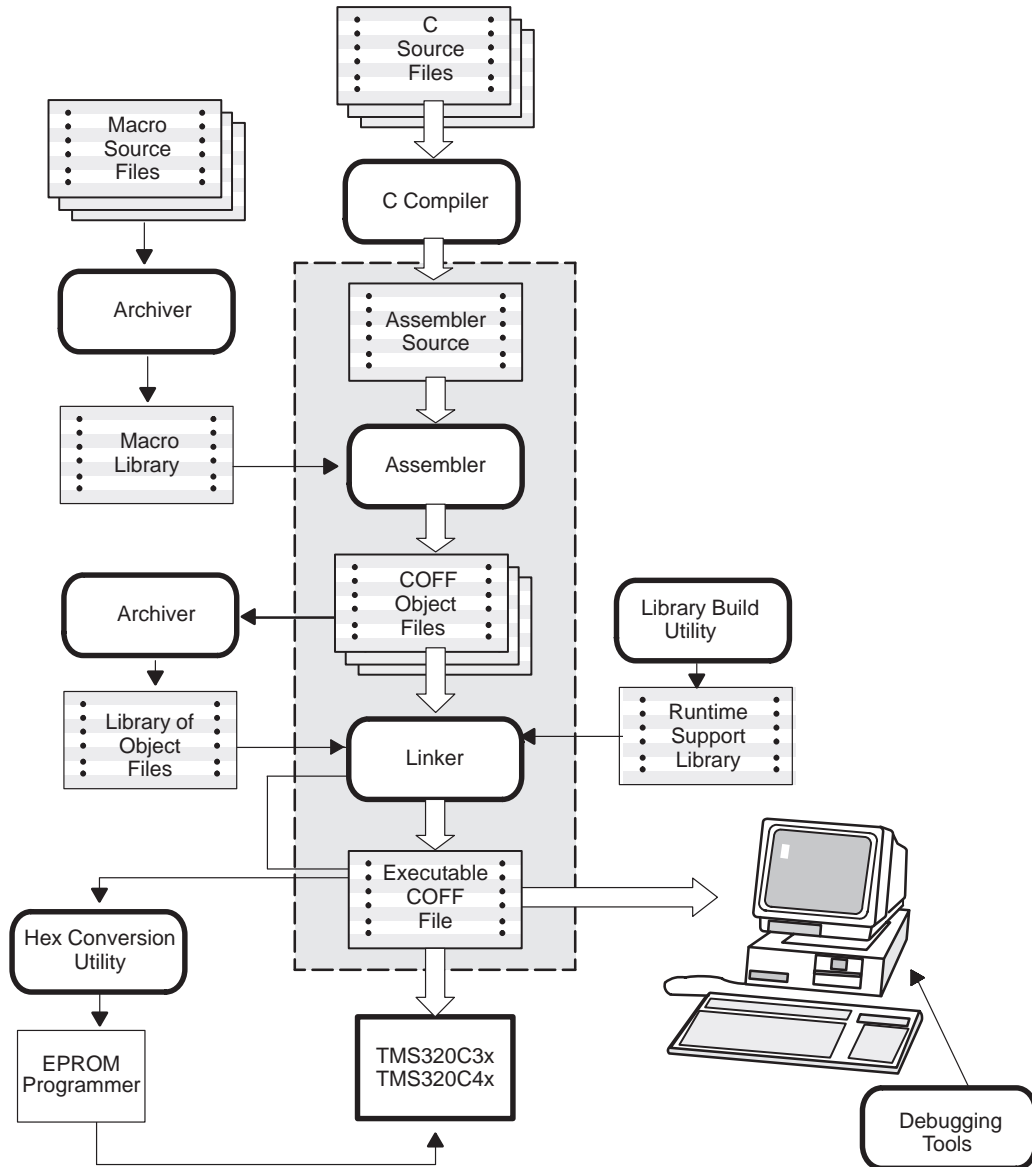
The assembly language tools create and use object files in common object file format (COFF) to facilitate modular programming. Object files contain separate blocks (called sections) of code and data that you can load into TMS320 memory spaces. You can program the TMS320 devices more efficiently if you have a basic understanding of COFF. Chapter 2, *Introduction to Common Object File Format*, discusses this object format in detail.

Topic	Page
1.1 Software Development Tools Overview	1-2
1.2 Tools Descriptions	1-3

1.1 Software Development Tools Overview

Figure 1–1 shows the assembly language development flow. The shaded portion highlights the most common development path; the other portions are optional.

Figure 1–1. TMS320 Family Assembly Language Development Flow



1.2 Tools Descriptions

- ❑ The **C compiler** translates C source code into TMS320C3x or TMS320C4x assembly language source code. The C compiler is not included as part of the assembly language tools package.
- ❑ The **assembler** translates assembly language source files into machine language object files. Source files can contain instructions, assembler directives, and macro directives. You can use assembler directives to control various aspects of the assembly process, such as the source listing format, data alignment, and section content.
- ❑ The **linker** combines object files into a single executable object module. As it creates the executable module, it performs relocation and resolves external references. The linker accepts relocatable COFF object files (created by the assembler) as input. It also accepts archiver library members and output modules created by a previous linker run. Linker directives allow you to combine object file sections, bind sections or symbols to addresses or within memory ranges, and define or redefine global symbols.
- ❑ The **archiver** allows you to collect a group of files into a single archive file. For example, you can collect several macros together into a macro library. The assembler will search through the library and use the members that are called as macros by the source file. You can also use the archiver to collect a group of object files into an object library. The linker will include the members in the library that resolve external references during the link.
- ❑ The **absolute lister** accepts linked object files as input and creates .abs files as output. You assemble .abs files to produce a listing that contains absolute rather than relative addresses. Without the absolute lister, producing such a listing would be tedious and require many manual operations.
- ❑ The main purpose of this development process is to produce a module that can be executed in a system that contains a **TMS320 device**. There are several debugging tools available for the various TMS320 devices:
 - The **simulator** is a software program that simulates TMS320 instructions. The simulator can execute linked COFF object modules. The simulator is not included with the assembly language package.
 - The **XDS** (extended development support) **emulator** is a real-time, in-circuit emulator with the same screen-oriented interface as the software simulator. The emulator is not included with the assembly language package.

- The **evaluation module** (EVM) is a low-cost development board that provides full-speed in-circuit emulation and hardware debugging. The EVM is available now for the TMS320C3x devices and will be available soon for the TMS320C4x devices.
- The **C source debugger** is a software interface to the simulator, emulator, and EVM.
- The TMS320C3x/4x devices accept COFF files as input, but most EPROM programmers do not. The **hex conversion utility** converts a COFF object file into TI-tagged, Intel, Motorola S1/S2/S3, or Tektronix object format. The converted file can be downloaded to an EPROM programmer.

Introduction to Common Object File Format

The assembler and linker create object files that can be executed by a TMS320C3x/C4x device. The format that these object files are in is called *common object file format*, or **COFF**.

COFF makes modular programming easier because it encourages you to think in terms of *blocks* of code and data when you write an assembly language program. These blocks are known as **sections**. Both the assembler and the linker provide directives that allow you to create and manipulate sections.

In addition to this chapter, Appendix A details COFF object file structure. For example, it describes the fields in a file header and the structure of a symbol table entry. Appendix A is useful mainly for those of you who are interested in the internal format of object files.

Topic	Page
2.1 COFF File Types	2-2
2.2 Sections	2-2
2.3 How the Assembler Handles Sections	2-4
2.4 How the Linker Handles Sections	2-12
2.5 Relocation	2-18
2.6 Runtime Relocation	2-20
2.7 Loading a Program	2-21
2.8 Symbols in a COFF File	2-22

2.1 COFF File Types

The following types of COFF files exist:

- COFF0
- COFF1
- COFF2

Each COFF file type has a different header format. The data portions of the COFF files are identical. For details about the COFF file structure, see Appendix A, *Common Object File Format*.

The TMS320C3x/C4x assembler and C compiler create COFF2 files. The linker can read and write all types of COFF files. By default, the linker creates COFF2 files. Use the `-v` linker option to specify a different format. The linker supports COFF0 and COFF1 files for older versions of the assembler and C compiler only.

2.2 Sections

The smallest unit of an object file is called a **section**. A section is a block of code or data that will ultimately occupy contiguous space in the TMS320C3x/C4x memory map. Each section of an object file is separate and distinct from the other sections. COFF object files always contain three default sections:

- .text** usually contains executable code.
- .data** usually contains initialized data.
- .bss** usually reserves space for uninitialized variables.

In addition, the assembler and linker allow you to create, name, and link **named** sections that are used similarly to the `.data`, `.text`, and `.bss` sections.

It is important to note that there are two basic types of sections:

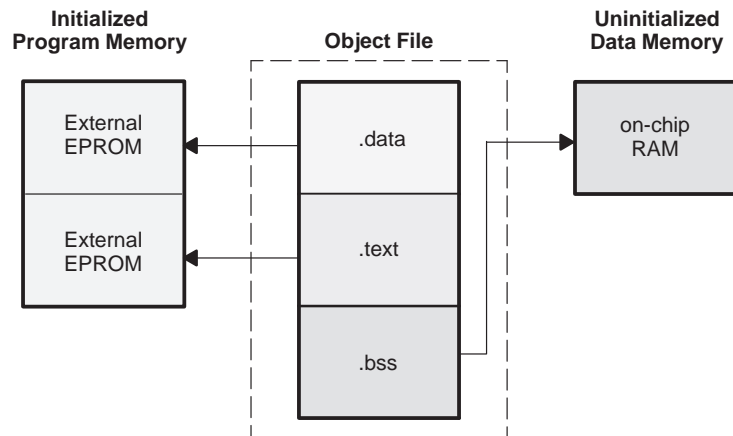
- Initialized sections** contain data or code. The `.text` and `.data` sections are initialized; named sections created with the `.sect` and `.asect` assembler directives are also initialized.
- Uninitialized sections** reserve space in the memory map for uninitialized data. The `.bss` section is uninitialized; named sections created with the `.usect` assembler directive are also uninitialized.

The assembler provides several directives that allow you to associate various portions of code and data with the appropriate sections. The assembler builds these sections during the assembly process, creating an object file that is organized similarly to the object file shown in Figure 2–1.

One of the linker's functions is to relocate sections into the target memory map; this is called **allocation**. Because most systems contain several different types of memory, using sections can help you to use target memory more efficiently. All sections are independently relocatable; you can place different sections into various blocks of target memory. For example, you can define a section that contains an initialization routine and then allocate the routine into a portion of the memory map that contains EPROM.

Figure 2–1 shows the relationship between sections in an object file and a hypothetical target memory.

Figure 2–1. Partitioning Memory Into Logical Blocks



2.3 How the Assembler Handles Sections

The assembler identifies the portions of an assembly language program that belong in a section. The assembler has six directives that support this function:

- .bss**
- .usect**
- .text**
- .data**
- .sect**
- .asect**

The `.bss` and `.usect` directives create *uninitialized sections*; the `.text`, `.data`, `.sect`, and `.asect` directives create *initialized sections*.

Note: Default Section Directive

If you don't use any of the sections directives, the assembler assembles everything into the `.text` section.

2.3.1 Uninitialized Sections

Uninitialized sections reserve space in TMS320C3x/C4x memory; they are usually allocated into RAM. These sections have no actual contents in the object file; they simply reserve memory. A program can use this space at run time for creating and storing variables.

Uninitialized data areas are built by using the `.bss` and `.usect` assembler directives. The `.bss` directive reserves space in the `.bss` section. The `.usect` directive reserves space in a specific uninitialized named section. Each time you invoke the `.bss` directive, the assembler reserves more space in the `.bss` section. Each time you invoke the `.usect` directive, the assembler reserves more space in the specified named section.

The syntax for each directive is

```
.bss symbol, size in words  
symbol .usect "section name", size in words [alignment flag]
```

<i>symbol</i>	points to the first byte reserved by this invocation of the <code>.bss</code> or <code>.usect</code> directive. The <i>symbol</i> corresponds to the name of the variable for which you're reserving space. It can be referenced by any other section and can also be declared as a global symbol (with the <code>.global</code> assembler directive).
<i>size</i>	is an absolute expression. The <code>.bss</code> directive reserves <i>size</i> words in the <code>.bss</code> section; the <code>.usect</code> directive reserves <i>size</i> words in <i>section name</i> . There is no default size for the <code>.bss</code> section.
<i>section name</i>	tells the assembler which named section to reserve space in. For more information about named sections, refer to subsection 2.3.3.
<i>blocking flag</i>	is an optional parameter. If present and nonzero, the flag means that this section will be blocked. Blocking is an address alignment mechanism similar to alignment, but weaker. It means a section is guaranteed not to cross a page boundary (128 words) if it is smaller than a page, and to start on a page boundary if it is larger than a page. This blocking applies to the section, not to the object declared with this instance of the <code>.usect</code> directive.
<i>alignment flag</i>	is an optional parameter. If present and nonzero, the section will be aligned to a long word boundary.

The `.text`, `.data`, `.sect`, and `.asect` directives tell the assembler to stop assembling into the current section and begin assembling into the indicated section. The `.bss` and `.usect` directives, however, *do not* end the current section and begin a new one; they simply *escape* from the current section temporarily. The `.bss` and `.usect` directives can appear anywhere in an initialized section without affecting the contents of the initialized section.

2.3.2 Initialized Sections

Initialized sections contain executable code or initialized data. The contents of these sections are stored in the object file and placed in TMS320C3x/C4x memory when the program is loaded. Each initialized section is separately relocatable and may reference symbols that are defined in other sections. The linker automatically resolves these section-relative references.

Three directives tell the assembler to place code or data into a section. The syntax for each directive is

```
.text  
.data  
.sect "section name" [, value]
```

When the assembler encounters one of these directives, it stops assembling into the current section; the directive acts as an implied “end current section” command. The assembler then assembles subsequent code into the section designated by the directive until it encounters another `.text`, `.data`, or `.sect` directive.

Sections are built up through an iterative process. For example, when the assembler *first* encounters a `.data` directive, the `.data` section is empty. The statements following this first `.data` directive are assembled into the `.data` section (until the assembler encounters a `.text`, `.sect`, or `.asect` directive). If the assembler encounters subsequent `.data` directives, it *adds* the statements following these `.data` directives to the statements that are already in the `.data` section. This creates a single `.data` section that can be allocated contiguously into memory.

2.3.3 Named Sections

Named sections are sections that *you* create. You can use them like the default `.text`, `.data`, and `.bss` sections, but they are assembled separately from the default sections.

For example, repeated use of the `.text` directive builds up a single `.text` section in the object file. When linked, this `.text` section is allocated into memory as a single unit. Suppose there is a portion of executable code (perhaps an initialization routine) that you don’t want allocated with `.text`. If you assemble this segment of code into a named section, it will be assembled separately from `.text`, and you will be able to allocate it into memory separately from `.text`. Note that you can also assemble initialized data that is separate from the `.data` section, and you can reserve space for uninitialized variables that is separate from the `.bss` section.

Three directives let you create named sections:

- The **.usect** directive creates sections that are used like the `.bss` section. These sections reserve space in RAM for variables.
- The **.sect** directive creates sections that can contain code or data, similar to the default `.text` and `.data` sections. The `.sect` directive creates named sections with *relocatable* addresses.

The syntax for each directive is:

```
symbol .usect "section name", size in words [, alignment flag]  
.sect "section name" [, value]
```

The *section name* parameter is the name of the section. Section names are significant to 8 characters. You can create up to 32,767 separate named sections.

Each time you invoke one of these directives with a new name, you create a new named section. Each time you invoke one of these directives with a name that was already used, the assembler assembles code or data (or reserves space) into the section with that name. *You cannot use the same names with different directives.* That is, you cannot create a section with the `.usect` directive and then try to use the same section with `.sect`.

2.3.4 Subsections

Subsections are smaller sections within larger sections. Like sections, subsections can be manipulated by the linker. Subsections give you tighter control of the memory map. You can create subsections by using the `.sect` or `.usect` directive. The syntax for a subsection name is:

```
section name:subsection name
```

A subsection is identified by the base section name followed by a colon, then the name of the subsection. A subsection can be allocated separately or grouped with other sections using the same base name. For example, to create a subsection called `_func` within the `.text` section, enter the following:

```
.sect ".text:_func"
```

You can allocate `_func` separately or within all the `.text` sections.

You can create two types of subsections:

- Initialized subsections are created using the `.sect` directive. See subsection 2.3.2, *Initialized Sections*, on page 2-5.
- Uninitialized subsections are created using the `.usect` directive. See subsection 2.3.1, *Uninitialized Sections*, on page 2-4.

Subsections are allocated in the same manner as sections. See Section 8.7, *The SECTIONS Directive*, on page 8-27 for more information.

2.3.5 Section Program Counters

The assembler maintains a separate program counter *for each section*. These program counters are known as *section program counters*, or **SPCs**.

An SPC represents the current address within a section of code or data. Initially, the assembler sets each SPC to 0. As the assembler fills a section with code or data, it increments the appropriate SPC. If you *resume* assembling into a section, the assembler remembers the appropriate SPC's previous value and continues incrementing the SPC at that point.

The assembler treats each section as if it begins at address 0; the linker relocates each section according to its final location in the memory map.

2.3.6 An Example That Uses Sections Directives

Figure 2–1 shows how you can build COFF sections incrementally, using the sections directives to swap back and forth between the different sections. You can use sections directives to

- Begin assembling into a section for the first time, or
- Continue assembling into a section that already contains code. In this case, the assembler simply appends the new code to the code that is already in the section.

The format in this example is a listing file. Example 2–1 shows how the SPCs are modified during assembly. A line in a listing file has four fields:

- | | |
|----------------|---|
| Field 1 | contains the source code line counter. |
| Field 2 | contains the section program counter. |
| Field 3 | contains the object code. |
| Field 4 | contains the original source statement. |

Example 2–1. Using Section Directives

```

1          *****
2          ** Assemble an initialized table into data **
3          *****
4 00000000          .data
5 00000000 00000011  coeff  .word      011h, 022h, 033h
6 00000001 00000022
7 00000002 00000033
8          *****
9          ** Reserve space in .bss for two variables **
10         *****
11         .bss      var1,1
12         .bss      buffer, 10
13         *****
14         ** Still in data **
15         *****
16 ptr  .word      0123h
17         *****
18         ** Assemble code into .text section **
19         *****
20         .text
21 00000000 0869000a  add:   LDI      10,AR1
22 00000001 08610000          LDI      0,R1
23 00000002          aloop:
24 00000002 02412001          ADDI     *AR0++,R1
25 00000003 6e46fffe          DBNZ    AR1,aloop
26 00000004 15210000-        STI     R1,@var1
27
28         *****
29         ** Assemble another initialized table **
30         ** into the data section **
31         *****
32         .data
33 00000004 000000aa  ivals  .word      0AAh, 0BBh, 0CCh
34 00000005 000000bb
35 00000006 000000cc
36         *****
37         ** Define another section for more variables**
38         *****
39         var2  .usect  "newvars",1
40         inbuf .usect  "newvars",7
41         *****
42         ** Assemble more code into .text section **
43         *****
44         .text
45 00000005 0869000a  mpy:   LDI      10,AR1
46 00000006 08610000          LDI      0,R1
47 00000007          mloop:
48 00000007 0ac12001          MPYI    *AR0++,R1
49 00000008 6e46fffe          DBNZ    AR1,mloop
50 00000009 15210000-        STI     R1,@var2
51
52         *****
53         ** Define a named section for int. vectors **
54         *****
55         .sect  "vectors"
56 00000000          .word      add,mpy
57 00000001 00000005'

```

Field 1 Field 2 Field 3 Field 4

As Figure 2–2 shows, the file in Example 2–1 creates five sections:

.text	contains 10 words of object code.
.data	contains 7 words of object code.
vectors	is a named section created with the <code>.sect</code> directive; it contains 2 words of initialized data.
.bss	reserves 11 words in memory.
newvars	is a named section created with the <code>.usect</code> directive; it reserves 8 words in memory.

The second column shows the object code that is assembled into these sections; the first column shows the source statements that generated the object code.

Figure 2–2. Object Code Generated by Example 2–1

Line Numbers	Object Code	Section
21 22 24 25 26 44 45 47 48 49	0869000A 08610000 02412001 6E46FFFE 15210000 0869000A 0861000A 0AC12001 6E46FFFE 15210000	.text section
5 5 5 15 33 37 33	00000011 00000022 00000033 00000123 000000AA 000000BB 000000CC	.data section
55 55	00000000 00000005	vectors
9, 10	No data 11 words reserved	.bss
37, 38	No data 8 words reserved	newvars

2.4 How the Linker Handles Sections

The linker has two main functions in regard to sections. First, the linker uses the sections in COFF object files as building blocks; it combines input sections (when more than one file is being linked) to create output sections in an executable COFF output module. Second, the linker chooses memory addresses for the output sections.

The linker provides two directives that support these functions:

- ❑ The **MEMORY directive** allows you to define the memory map of a target system. You can name portions of memory and specify their starting addresses and their lengths.
- ❑ The **SECTIONS directive** tells the linker how to combine input sections and where to place the output sections in memory.

It is not always necessary to use linker directives. If you don't use them, the linker uses the target processor's default allocation algorithm described in subsection 2.4.1. When you *do* use linker directives, you must specify them in a linker command file.

Refer to the following sections for more information about linker command files and linker directives:

Section	Page
8.4 Linker Command Files	8-18
8.6 The MEMORY Directive	8-23
8.7 The SECTIONS Directive	8-27
8.11 Default Allocation	8-47

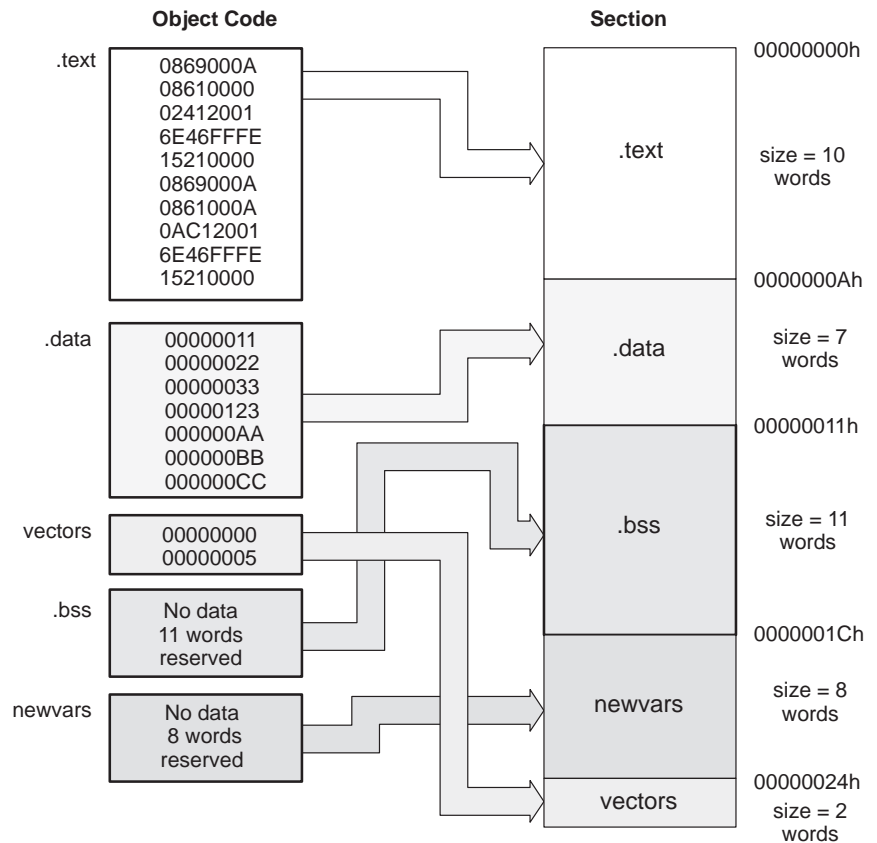
2.4.1 Default Allocation

You can link files without specifying a MEMORY or SECTIONS directive. The linker uses a default model to combine sections (if necessary) and allocate them into memory. When using the default model, the linker

- 1) Assumes that memory begins at address 0h.
- 2) Assumes that 2^{32} words are available to allocate object code into.
- 3) Allocates .text into memory, beginning at address 0.
- 4) Allocates .data into memory, immediately following .text.
- 5) Allocates .bss into memory, immediately following .data.
- 6) Allocates all named sections into memory, immediately following .bss. Named sections are allocated in the order that they're encountered in the input files.

Figure 2–3 shows how a *single* file would be allocated into memory by using default allocation for the TMS320C3x/C4x. Note that the linker does not actually place object code into memory; it assigns addresses to sections so that a *loader* can place the code in memory.

Figure 2–3. Default Allocation for the Object Code in Figure 2–2



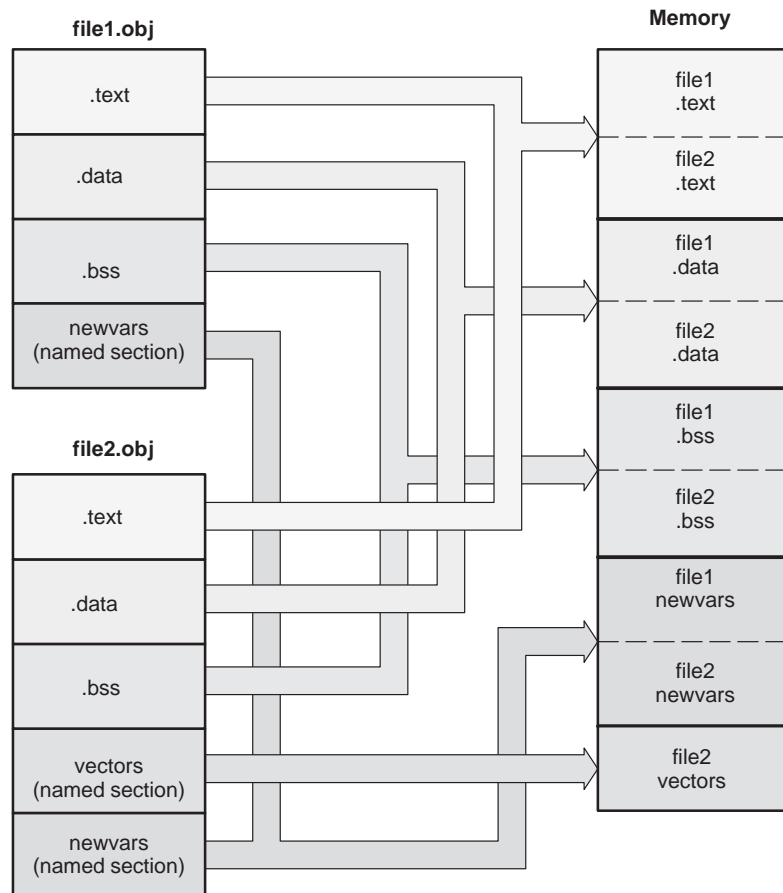
As Figure 2–3 shows, the linker:

- 1) Allocates the `.text` section first, beginning at address `0h`. The `.text` section contains 10 words of object code.
- 2) Allocates the `.data` section next, beginning at address `Ah`. The `.data` section contains 7 words of object code.
- 3) Allocates the `.bss` section third, beginning at address `11h`. The `.bss` section reserves 11 words in memory.

- 4) Allocates the named section, newvars, at address 1Ch. (newvars was the first named section encountered in the original input file. See Example 2–1.) The newvars section reserves 8 words in memory.
- 5) Allocates the named section vectors at address 24h. The vectors section contains 2 words of object code.

Figure 2–4 shows a simple example of how *two* files would be linked together. When you link several files using the default algorithm, the linker combines all input sections that have the same name into one output section that has this same name. For example, the linker combines the .text sections from two input files to create one .text output section.

Figure 2–4. Combining Input Sections From Two Files (Default Allocation)



In Figure 2–4, *file1.obj* and *file2.obj* each contain the `.text`, `.data`, and `.bss` default sections and a named section called *newvars*; *file2.obj* also contains a named section called *vectors*. As Figure 2–4 shows, the linker:

- 1) Combines *file1.text* with *file2.text* to form one `.text` output section. The `.text` output section is allocated at address 0h.
- 2) Combines *file1.data* with *file2.data* to form the `.data` output section. The `.data` output section is allocated following the `.text` output section.
- 3) Combines *file1.bss* with *file2.bss* to form the `.bss` output section. The `.bss` output section is allocated following the `.data` output section.
- 4) Combines *file1.newvars* with *file2.newvars* to form the `newvars` output section. (The `newvars` section is the first named section that is encountered during the link, so it is allocated before the second named section, `vectors`.) The `newvars` output section is allocated following the `.bss` output section.
- 5) Allocates the `vectors` section from *file2* after the `newvars` section.

For more information about default allocation algorithms, refer to Section 8.11 on page 8-47.

2.4.2 Placing Sections in the Memory Map

Figure 2–3 and Figure 2–4 illustrate the linker’s default methods for combining sections and allocating them into memory. Sometimes you may not want to use the default setup. For example, you may not want to combine all of the `.text` sections into a single `.text` section. Or, you might want a named section placed at address 40h instead of the `.text` section. Most memory maps are composed of various types of memories (DRAM, ROM, EPROM, etc.) in varying amounts; you may want to place a section in a particular type of memory.

The next two illustrations show another possible combination of the sections from Figure 2–3:

Example 2–2 contains linker MEMORY and SECTIONS definitions.

Figure 2–5 shows how the sections from Example 2–2 are allocated into the memory map.

Example 2–2. MEMORY and SECTIONS Directives for Figure 2–5

```
/* *****  
/* Linker command file          *****  
/* *****  
  
MEMORY  
{  
    VECS:  origin = 00000000h  length = 40h  
    ROM:   origin = 00000040h  length = FC0h  
    RAM0:  origin = 00801000h  length = 400h  
    RAM1:  origin = 00801400h  length = 400h  
}  
  
SECTIONS  
{  
    vectors : load = 0000000h  
    .text  : load = ROM  
    .data  : load = ROM  
    .bss   : load = RAM0  
    newvars:load = RAM1  
}
```

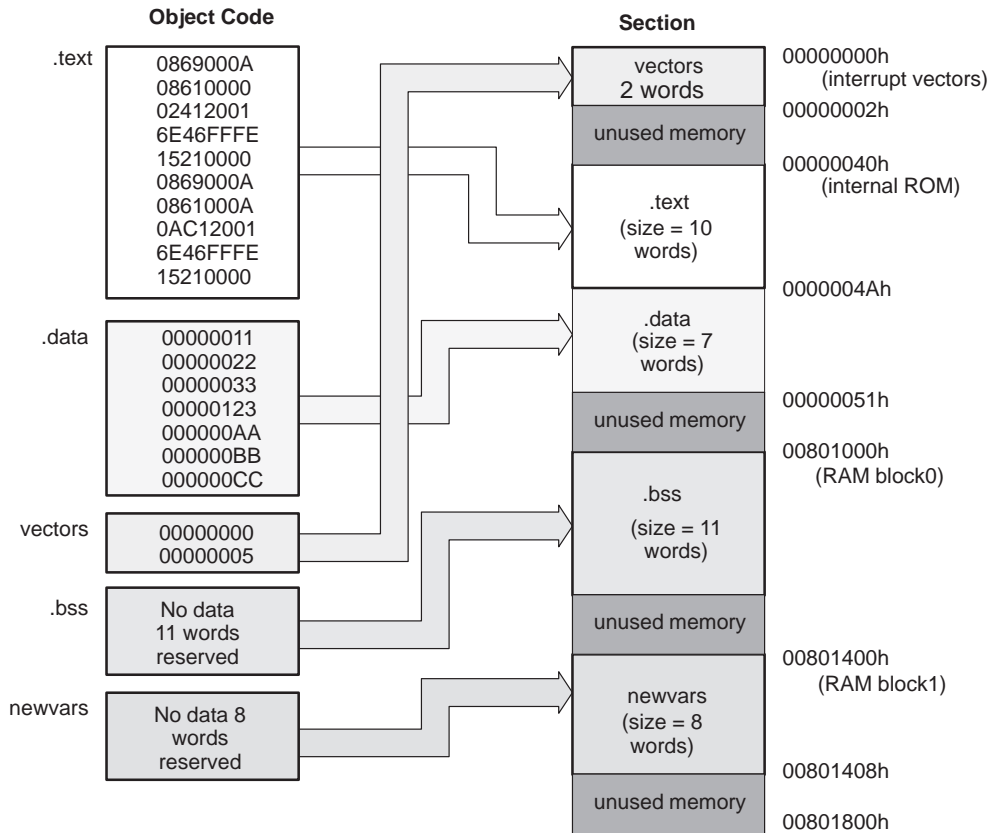
- The MEMORY directive in Example 2–2 defines four memory ranges:

VECS
ROM
RAM0
RAM1

The *origin* for each of these ranges identifies the range's starting address in memory. The *length* specifies the length of the range. For example, memory range RAM0, with starting address 00801000h and length 400h, defines the addresses 00801000h through 008013FFh in memory.

- The SECTIONS directive in Example 2–2 defines the order in which the sections are allocated into memory. The vectors section must begin at address 0. Both .text and .data are allocated into the ROM area that was defined by the MEMORY directive. The .bss section is allocated into RAM0, and newvars is allocated into RAM1.

Figure 2–5. Rearranging the Memory Map From Figure 2–3



2.5 Relocation

The assembler treats each section as if it begins at address 0. All relocatable symbols (labels) are relative to address 0 in their sections. Of course, all sections can't actually begin at address 0 in memory, so the linker **relocates** sections by:

- Allocating sections into the memory map so that they begin at the appropriate address
- Adjusting symbol values to correspond to the new section addresses
- Adjusting references to relocated symbols to reflect the adjusted symbol values

The linker uses *relocation entries* to adjust references to symbol values. The assembler creates a relocation entry each time a relocatable symbol is referenced. The linker then uses these entries to patch the references after the symbols are relocated. Example 2–3 contains a code segment that generates relocation entries.

Example 2–3. Code That Generates Relocation Entries

```

1          .ref    X
2 00000000 .text
3 00000000 60FFFFFF! BR    X      ; Generates a relocation entry
4 00000001 08200002' LDI   @Y,R0 ; Generates a relocation entry
5 00000002 06000000 Y: IDLE

```

In Example 2–3, both symbols *X* and *Y* are relocatable. *X* is defined in some other module; *Y* is defined in the `.text` section of this module. When assembled, *X* has a value of 0 (the assembler assumes all undefined external symbols have values of 0) and *Y* has a value of 2 (relative to address 0 in the `.text` section). The assembler generates two relocation entries, one for *X* and one for *Y*. The reference to *X* is an external reference (indicated by the `!` character in the listing). The reference to *Y* is to an internally defined relocatable symbol (indicated by the `'` character in the listing).

After linking, suppose that *X* is relocated to address 100h. Suppose also that the `.text` section is relocated to begin at address 200h; *Y* now has a relocated value of 204h. The linker uses the two relocation entries to patch the two references in the object code:

```

60000000 BR    X      becomes          60000100
08200002 LDI   @Y,R0 becomes          08200202

```

Each section in a COFF object file has a table of relocation entries. The table contains one relocation entry for each relocatable reference in the section. The linker usually removes relocation entries after it uses them. This prevents the output file from being relocated again (if it is relinked or when it is loaded). A file that contains no relocation entries is an *absolute* file (all of its addresses are absolute addresses). If you want the linker to retain relocation entries, invoke the linker with the `-r` option.

2.6 Runtime Relocation

It may be necessary or desirable at times to load code into one area of memory and run it in another. For example, you may have performance critical code in a ROM-based system. The code must be loaded into ROM but would run much faster if it were in RAM.

The linker provides a simple way to specify this. In the `SECTIONS` directive, you can optionally direct the linker to allocate a section twice: once to set its load address, and again to set its run address.

Use the *load* keyword for the load address and the *run* keyword for the run address.

The load address determines where a loader will place the raw data for the section. Any references to the section (such as labels in it) refer to its run address. The application must copy the section from its load address to its run address; this does **not** happen automatically just because you specify a separate run address.

If you provide only one allocation (either load or run) for a section, the section is allocated only once and will load and run at the same address. If you provide both allocations, the section is actually allocated as if it were two different sections of the same size.

Uninitialized sections (such as `.bss`) are not loaded, so the only address of significance is the run address. The linker allocates uninitialized sections only once: if you specify both run and load addresses, the linker warns you and ignores the load address.

For a complete description of runtime relocation, see Section 8.8 on page 8-35.

2.7 Loading a Program

The linker produces executable COFF object modules. An executable object file has the same COFF format as object files that are used as linker input; however, the sections in an executable object file are combined and relocated to fit into target memory.

In order to run a program, the data in the executable object module must be transferred, or **loaded**, into target system memory.

Several methods can be used for loading a program, depending on the execution environment. Some of the more common situations are listed below.

- ❑ The TMS320C3x/C4x debugging tools, including the software simulator, XDS emulator, and software development system, have built-in loaders. Each of these tools has a LOAD command that invokes a COFF loader; the loader reads the executable file and copies the program into target memory.
- ❑ If you are using a ROM- or EPROM-based system, you can use the object format converter, which is shipped as part of the assembly language package, to convert the executable COFF object module into one of several hexadecimal object file formats. You can then use the converted file with an EPROM programmer to burn the program into an EPROM.
- ❑ Some TMS320C3x/C4x programs are loaded under the control of an operating system or monitor software running directly on the target system. In this type of application, the target system usually has an interface to the file system on which the executable module is stored. You must write a custom loader for this type of system. Refer to Appendix A for supplementary information about the internal format of COFF object files. The loader must comprehend the file system (in order to access the file) as well as the memory organization of the target system (to load the program into memory).

Source code for the TMS320C3x/C4x COFF loader is available through the TI DSP bulletin board (call the DSP hotline listed in the front of this manual for instructions). This loader provides all the basic mechanisms for reading a TMS320C3x/C4x COFF file and loading it into a target system. A simple interface allows customization to fit the requirements of most applications.

2.8 Symbols in a COFF File

A COFF file contains a symbol table that stores information about symbols in the program. The linker uses this table when it performs relocation. Debugging tools can also use the symbol table to provide symbolic debugging.

2.8.1 External Symbols

External symbols are symbols that are defined in one module and referenced in another module. You can use the `.global` directive to identify symbols as external. In a source module, an external symbol can be either a `ref` or `def`:

Defined (DEF)	Defined in the current module and used in another module
Referenced (REF)	Referenced in the current module, but defined in another module

The following code segment illustrates these definitions.

```
        .global  x          ; DEF of x
        .global  y          ; REF of y
x:      LDI     R0,R1      ; Define x
        LDI     @y,R0     ; Reference y
```

The `.global` definition of `x` says that it is an external symbol defined in this module and that other modules can reference `x`. The `.global` definition of `y` says that it is an undefined symbol that is defined in some other module.

The assembler places both `x` and `y` in the object file's symbol table. When the file is linked with other object files, the entry for `x` defines unresolved references to `x` from other files. The entry for `y` causes the linker to look through the symbol tables of other files for `y`'s definition.

The linker must match all references with corresponding definitions. If the linker cannot find a symbol's definition, it prints an error message about the unresolved reference. This type of error prevents the linker from creating an executable object module.

2.8.2 The Symbol Table

The assembler always generates an entry in the symbol table when it encounters an external symbol (both definitions and references). The assembler also creates special symbols that point to the beginning of each section; the linker uses these symbols to relocate references to other symbols in a section.

The assembler does not usually create symbol table entries for any other type of symbol, because the linker does not use them. For example, labels are not included in the symbol table unless they are declared with `.global`. For symbolic debugging purposes, it is sometimes useful to have entries in the symbol table for each symbol in a program. To accomplish this, invoke the assembler with the `-s` option.

Assembler Description

The assembler translates assembly-language source files into object files. These files are in common object file format (COFF), which is discussed in Chapter 2 and Appendix A. Source files can contain the following assembly language elements:

- Assembler directives described in Chapter 4
- Assembly language instructions described in Chapter 5
- Macro directives described in Chapter 6

Topic	Page
3.1 Assembler Overview	3-2
3.2 Assembler Development Flow	3-3
3.3 Invoking the Assembler	3-4
3.4 Porting Upward Compatible Code	3-6
3.5 Naming Alternate Directories for Assembler Input	3-7
3.6 Source Statement Format	3-10
3.7 Constants	3-12
3.8 Character Strings	3-15
3.9 Symbols	3-16
3.10 Expressions	3-20
3.11 Source Listings	3-25
3.12 Cross-Reference Listings	3-27

3.1 Assembler Overview

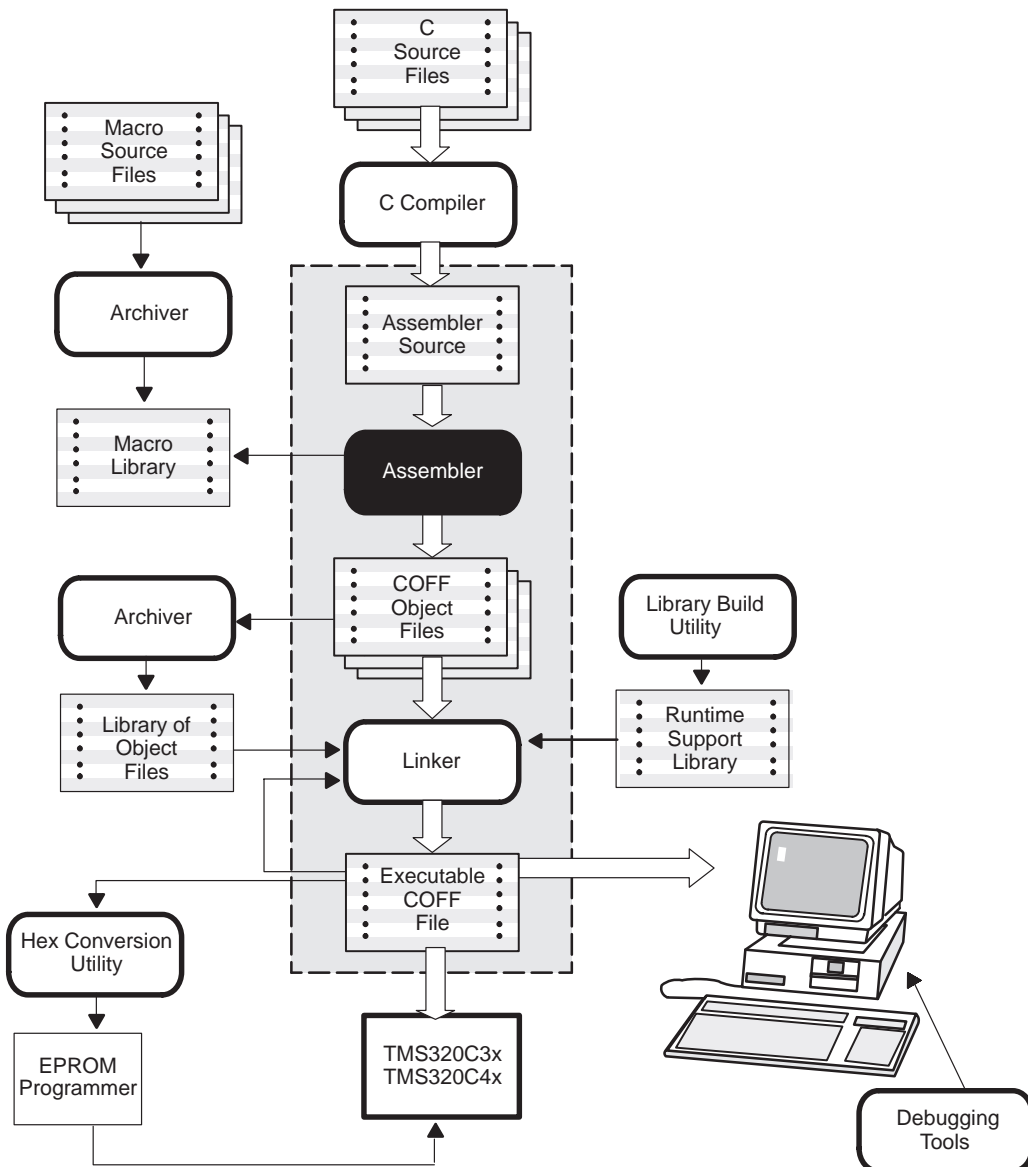
The assembler does the following:

- Processes the source statements in a text file to produce a relocatable object file
- Produces a source listing (if requested) and provides you with control over this listing
- Allows you to segment your code into sections and maintain an SPC (section program counter) for each section of object code
- Defines and references global symbols and appends a cross-reference listing to the source listing (if requested)
- Assembles conditional blocks
- Supports macros, allowing you to define macros inline or in a library
- Allows you to assemble TMS320C3x and TMS320C4x code

3.2 Assembler Development Flow

Figure 3–1 illustrates the assembler’s role in the assembly language development flow. The assembler accepts assembly language source files as input. The TMS320C3x/C4x floating-point assembler also accepts assembly language files created by the TMS320C3x/C4x C compiler.

Figure 3–1. Assembler Development Flow



3.3 Invoking the Assembler

To invoke the assembler, enter the following:

```
asm30 [input file [object file [listing file] ] ] [-options]
```

- asm30** is the command that invokes the assembler.
- input file* names the assembly language source file. If you do not supply an extension for *input file*, the assembler assumes that the input file has the default extension *.asm*. If you do not supply an input filename when you invoke the assembler, the assembler will prompt you for one.
- object file* names the object file that the assembler creates. If you do not supply an extension, the assembler uses *.obj* as a default extension. If you do not supply an object file, the assembler creates a file that uses the input file name with the *.obj* extension.
- listing file* names the optional listing file that the assembler can create. If you do not supply a name for a listing file, the assembler does not create one unless you use the *-l* option. In this case, the assembler uses the input filename and, if you do not supply an extension, the assembler uses *.lst* as a default extension.
- options* identify the assembler options that you want to use.

Options *are not* case sensitive and can appear anywhere on the command line, following the command. Precede each option with a hyphen (*-*). You can string the options together; for example, *-lc* is equivalent to *-l-c*. Note that the assembler accepts *-mbir*, which is equivalent to *-mb -mi -mr*. However, it will not accept *-mbirq*, because the “q” is read as *-mq* and not as *-q*. The valid assembler options are as follows:

- a** creates an absolute listing. When you use *-a*, the assembler does not produce an object file. The *-a* option is used in conjunction with the absolute lister.
- c** makes case insignificant in the assembly language files. For example, *-c* will make the symbols *ABC* and *abc* equivalent. *If you do not use this option, case is significant (default).*
- dname[=def]** predefines the constant *name* for the assembler. This is equivalent to inserting *#define name def* at the top of each source file. If the optional *def* is omitted, *-dname* sets *name* equal to 1.

- i** specifies a directory where the assembler can find files named by the `.copy`, `.include`, or `.mlib` directives. The format of the `-i` option is `-ipathname`. You can specify up to 10 directories in this manner; each pathname must be preceded by the `-i` option.
- l** (lowercase “L”) produces a listing file.
- mb** predefines the `.BIGMODEL` symbol. This option is used when assembly code will be linked with a C module that uses the large memory runtime model.
- mi** predefines the `.C30INTERRUPT` symbol. This option is used when the assembly code will be used with code compiled with the shell’s `-mi` option.
- mr** predefines the `.REGPARM` symbol. This option is used when assembly code will be linked with a C module that uses the register-argument runtime model.
- mx** predefines the `.TMX320C40` symbol. This option is used to support legacy assembly code and may be removed in a future release.
- q** (quiet) suppresses the banner and all progress information.
- s** puts all defined symbols in the object file’s symbol table. The assembler usually puts only global symbols into the symbol table. When you use `-s`, symbols that are defined as labels or as assembly-time constants are also placed in the symbol table. See also subsection 2.8.2 on page 2-22.
- uname** overrides any `-d` options for the specified constant and undefines the predefined constant name.

- v** specifies a version. The version tells the assembler which of the following TMS320C3x/C4x devices it should produce code for (The default is `-v30`):
 - v30** selects the TMS320C30
 - v31** selects the TMS320C31
 - v32** selects the TMS320C32
 - v40** selects the TMS320C40
 - v44** selects the TMS320C44

- msrevx** the $x = 1, 2, 3$, etc.
specifies the silicon revision of the target chip to enable additional functionality for more recent silicon releases. Used in conjunction with `-v` flag.
Example:
 - `-msrev6 -v31`: enable new (1996) 'C31 parallel instructions
 - `-msrev2 -v32`: enable new (1996) 'C32 parallel instructions

- x** produces a cross-reference table and appends it to the end of the listing file. If you do not request a listing file, the assembler creates one anyway, but the listing contains only the cross-reference table.

3.4 Porting Upward Compatible Code

The floating-point processors in the TMS320C3x/C4x family are upwardly source code compatible. For example, code originally written for the TMS320C30 can be assembled for the TMS320C40 with `-v40` assembler option. The `-v` version option is explained in detail on page 3-6.

All of the processors are capable of handling upwardly ported code as long as the target processor's number is the same as or greater than the original target processor. Porting code downward, however, produces undefined results; in most cases the code will fail to assemble.

The TMS320C3x and TMS320C4x families are not object code compatible. Code for the 'C3x must be reassembled in order to run on a 'C4x and vice versa.

3.5 Naming Alternate Directories for Assembler Input

The `.copy`, `.include`, and `.mlib` directives tell the assembler to use code from external files. The `.copy` and `.include` directives tell the assembler to read source statements from another file, and the `.mlib` directive names a library that contains macro functions. Chapter 4, *Assembler Directives*, contains examples of the `.copy`, `.include`, and `.mlib` directives. The syntax for these directives is

```
.copy "filename"
.include "filename"
.mlib "filename"
```

The *filename* names a copy/include file that the assembler reads statements from or a macro library that contains macro definitions. The *filename* may be a complete pathname or a filename with no path information. If you provide a pathname, the assembler uses that path and *does not look* for the file in any other directories. If you do not provide path information, the assembler searches for the file in the following directories:

- 1) The directory that contains the current source file. The current source file is the file being assembled when the `.copy`, `.include`, or `.mlib` directive is encountered.
- 2) Any directories named with the `-i` assembler option.
- 3) Any directories set with the environment variable `A_DIR`.

You can augment the assembler's directory search algorithm by using the `-i` assembler option or the environment variable.

3.5.1 `-i` Assembler Option

The `-i` assembler option names an alternate directory that contains copy/include files or macro libraries. The format of the `-i` option is as follows:

```
asm30 -ipathname source filename
```

You can use up to 10 `-i` options per invocation; each `-i` option names one *pathname*. In assembly source, you can use the `.copy`, `.include`, or `.mlib` directive without specifying any path information. If the assembler doesn't find the file in the directory that contains the current source file, it searches the paths provided by the `-i` options.

For example, assume that a file called *source.asm* is in the current directory; *source.asm* contains the following directive statement:

```
.copy "copy.asm"
```

	Pathname for <i>copy.asm</i>	Invocation Command
DOS	c:\dsp\files\copy.asm	asm30 -ic:\dsp\files source.asm
UNIX	/dsp/files/copy.asm	asm30 -i/dsp/files source.asm

The assembler first searches for *copy.asm* in the current directory because *source.asm* is in the current directory. Then, the assembler searches in the directory named with the `-i` option.

3.5.2 Environment Variable (A_DIR)

An environment variable is a system symbol that you define and assign a string to. The assembler uses the environment variable **A_DIR** to name alternate directories that contain copy/include files or macro libraries. The command for assigning the environment variable is as follows:

	Invocation Command
DOS	set A_DIR= <i>pathname;another pathname ...</i>
UNIX	setenv A_DIR " <i>pathname;another pathname ...</i> "

The *pathnames* are directories that contain copy/include files or macro libraries. You can separate the pathnames with a semicolon or with blanks. In assembly source, you can use the `.copy`, `.include`, or `.mlib` directive without specifying any path information. If the assembler doesn't find the file in the directory that contains the current source file or in directories named by `-i`, it searches the paths named by the environment variable.

For example, assume that a file called `source.asm` contains these statements:

```
.copy "copy1.asm"
.copy "copy2.asm"
```

	Pathname	Invocation Command
DOS	<code>c:\320\files\copy1.asm</code> <code>c:\dsys\copy2.asm</code>	<code>set A_DIR=c:\dsys</code> <code>asm30 -ic:\320\files source.asm</code>
UNIX	<code>/320/files/copy1.asm</code> <code>/dsys/copy2.asm</code>	<code>set A_DIR /dsys</code> <code>asm30 -i/320/files source.asm</code>

The assembler first searches for `copy1.asm` and `copy2.asm` in the current directory because `source.asm` is in the current directory. Then, the assembler searches in the directory named with the `-i` option and finds `copy1.asm`. Finally, the assembler searches the directory named with `A_DIR` and finds `copy2.asm`.

Note that the environment variable remains set until you reboot the system or reset the variable by entering one of these commands:

```
DOS   set      A_DIR=
UNIX  unsetenv  A_DIR
```

3.6 Source Statement Format

TMS320C3x/C4x assembly language source programs consist of source statements that can contain assembler directives, assembly language instructions, macro directives, and comments. Source statement lines can be as long as the source file format allows, but the assembler reads up to 200 characters per line. If a statement contains more than 200 characters, the assembler truncates the line and issues a warning.

The next several lines show examples of source statements:

```
SYM1 .set 0A5h      ; Symbol SYM = 0A5h
Begin: ADDI SYM+5,R1 ; Add (SYM+5) to the contents of R1
      LDI  R1,R2    ; Move contents of R1 to R2
```

A source statement can contain four ordered fields. The general syntax for source statements is as follows:

<code>[label] [:] mnemonic [operand list] [;comment]</code>
--

Follow these guidelines:

- All statements must begin with a label, a blank, an asterisk, or a semicolon.
- Labels are optional; if used, they must begin in column 1.
- One or more blanks must separate each field. Note that tab characters are equivalent to blanks.
- Comments are optional. Comments that begin in column 1 can begin with an asterisk or a semicolon (* or ;), but comments that begin in any other column **must** begin with a semicolon.

3.6.1 Label Field

Labels are optional for all assembly language instructions and for most (but not all) assembler directives. When used, a label **must** begin in column 1 of a source statement. A label can contain up to 32 alphanumeric characters (A–Z, a–z, 0–9, _, and \$). Labels are case sensitive, and the first character cannot be a number. A label can be followed by a colon (:); the colon is not treated as part of the label name. If you don't use a label, then the first character position must contain a blank, a semicolon, or an asterisk.

When you use a label, its value is the current value of the section program counter (the label points to the statement it's associated with). If, for example, you use the `.word` directive to initialize several words, a label would point to the first word. In the following example, the label *Start* has the value 40h.

```

.
.
.
2  0000003F          *Assume some other code was assembled
3  00000040 0000000A Start: .word 0Ah,3,7
   00000041 00000003
   00000042 00000007

```

A label on a line by itself is a valid statement. It assigns the current value of the section program counter to the label; this is equivalent to the following directive statement:

```
label .set $ ; $ provides the current value of the SPC
```

When a label appears on a line by itself, it points to the instruction on the next line (the SPC is not incremented):

```

5  00000050          Here:
6  00000050 08010000          LDI R0, R1

```

3.6.2 Mnemonic Field

The mnemonic field follows the label field. *The mnemonic field cannot start in column 1, or it would be interpreted as a label.* The mnemonic field can contain one of the following opcodes:

- Machine-instruction mnemonic (such as ADDI, MPYF, LDI)
- Assembler directive (such as .data, .list, .set)
- Macro directive (such as .macro, .loop, .endloop)
- A macro invocation

3.6.3 Operand Field

The operand field is a list of operands that follow the mnemonic field. An operand can be a constant (see Section 3.7), a symbol (see Section 3.9), or a combination of constants and symbols in an expression. You must separate operands with commas.

3.6.4 Comment Field

A comment can begin in any column and extends to the end of the source line. A comment can contain any ASCII character, including blanks. Comments are printed in the assembly source listing, but they do not affect the assembly.

A source statement that contains only a comment is valid. If it begins in column 1, it can start with a ; or a *. Comments that begin anywhere else on the line **must** begin with a ;. The * symbol identifies a comment only if it appears in column 1.

3.7 Constants

The assembler supports seven types of constants:

- Binary integer constants
- Octal integer constants
- Decimal integer constants
- Hexadecimal integer constants
- Floating-point constants
- Character constants
- Assembly-time constants

The assembler maintains each constant internally as a 32-bit quantity. Note that constants **are not sign extended**. For example, the constant 0FFFFH is equal to 0000FFFF₁₆ or 65,535₁₀; it **does not** equal -1.

3.7.1 Binary Integers

A binary integer constant is a string of up to 32 binary digits (0s and 1s) followed by the suffix **B** (or **b**). If less than 32 digits are specified, the assembler right-justifies the value and zero-fills the unspecified bits. Examples of valid binary constants include:

- 00000000B** Constant equal to 0
- 0100000b** Constant equal to 32₁₀ or 20₁₆
- 01b** Constant equal to 1
- 11111000B** Constant equal to 248₁₀ or 0F8₁₆

3.7.2 Octal Integers

An octal integer constant is a string of up to 11 octal digits (0 through 7) followed by the suffix **Q** (or **q**). Examples of valid octal constants include:

- 10Q** Constant equal to 8
- 10000Q** Constant equal to 32,768₁₀ or 8000₁₆
- 226Q** Constant equal to 150₁₀ or 96₁₆

3.7.3 Decimal Integers

A decimal integer constant is a string of decimal digits, ranging from -2,147,483,647 to 4,294,967,295. Examples of valid decimal constants include:

- 1000** Constant equal to 1000₁₀ or 3E8₁₆
- 32768** Constant equal to -32,768₁₀ or 8000₁₆
- 25** Constant equal to 25₁₀ or 19₁₆

3.7.4 Hexadecimal Integers

A hexadecimal integer constant is a string of up to 8 hexadecimal digits followed by the suffix **H** (or **h**). Hexadecimal digits include the decimal values 0–9 and the letters A–F and a–f. A *hexadecimal constant must begin with a decimal value (0–9)*. If less than 8 hexadecimal digits are specified, the assembler right-justifies the bits. Examples of valid hexadecimal constants include:

78h Constant equal to 120_{10} or 0078_{16}

0Fh Constant equal to 15_{10} or $000F_{16}$

37ACH Constant equal to $14,252_{10}$ or $37AC_{16}$

3.7.5 Character Constants

A character constant is a string of 1 to 4 characters enclosed in *single quotes*. The characters are represented internally as 8-bit ASCII characters. Two consecutive single quotes are required to represent each single quote within a character constant. A character constant consisting only of two single quotes (no letter) is valid and is assigned the value 0. If more than one character is specified, the assembler packs them into a 32-bit word, starting with the least-significant byte. If fewer than four characters is specified, the assembler right-justifies the bits. Examples of valid character constants include:

'ab' Represented internally as 00006261_{16}

'C' Represented internally as 00000043_{16}

""D' Represented internally as 00004427_{16}

'abcd' Represented internally as 64636261_{16}

Note the difference between character *constants* and character *strings* (Section 3.8 discusses character strings). A character constant represents a single integer value; a string is a list of characters.

3.7.6 Floating-Point Constants

A floating-point constant is a string of decimal digits, followed by an optional decimal point, fractional portion, and exponent portion. The syntax for a floating-point number is:

[+|-] [nnn] . [nnn [E|e [+|-] nnn]]

where *nnn* is a string of decimal digits. A floating-point constant may be preceded with a + or a -. You must specify a decimal point; for example, 3.e5 is valid, but 3e5 is illegal. The exponent indicates a power of 10.

Valid floating-point constants include:

3.0

3.14

.3

-0.314e13

+314.59e-2

For more information about floating-point format, refer to the *TMS320C3x User's Guide* and the *TMS320C4x User's Guide*.

3.7.7 Assembly-Time Constants

If you use the `.set` directive to assign a constant value to a symbol, the symbol becomes an assembly-time constant. In order to use this constant in expressions, the value that is assigned to it must be absolute. For example:

```
sym    .set    3
        LDI    sym,R0    ; Load the constant 3 into R0
```

If you assign a floating-point constant to a symbol, then the symbol can be used only as a floating-point constant. Similarly, if you assign an integer constant to a symbol, then the symbol can be used only as an integer constant. The following example is *illegal*:

```
sym    .set    3          ; Integer constant
        LDF    sym,R0    ; Invalid - floating-point
                          ; constant required
```

You can also use the `.set` directive to assign symbolic constants for register names. In this case, the symbol becomes a synonym for the register:

```
sym    .set    R0
        LDI    10,sym
```

3.8 Character Strings

A character string is a string of characters enclosed in *double* quotes. Double quotes that are part of character strings are represented by two consecutive double quotes. The maximum length of a string varies and is defined for each directive that requires a character string. Characters are represented internally as 8-bit ASCII characters.

These are examples of valid character strings:

"sample program" defines a 14-character string, *sample program*

"PLAN "C"" defines an 8-character string, *PLAN "C"*

Character strings are used for the following:

- Filenames as in `.copy "filename"`
- Section names as in `.sect "section name"`
- Data initialization directives as in `.byte "charstring"`
- Operand of `.string` directive

3.9 Symbols

Symbols are used as labels, constants, and substitution symbols. A symbol name is a string of up to 32 alphanumeric characters (A–Z, a–z, 0–9, \$, and _). The first character in a symbol cannot be a number; symbols cannot contain embedded blanks. The symbols you define are case sensitive; for example, the assembler recognizes *ABC*, *Abc*, and *abc* as three unique symbols. You can override case sensitivity with the `-c` assembler option. This type of symbol is valid only during the assembly in which it is defined, unless you use the `.global` directive to declare it as an external symbol.

Note: If You Use the `-c` Option

If you use the `-c` option, the assembler translates all symbols to uppercase. If other modules that reference these symbols were not also assembled with the `-c` option, the linker may fail to match global symbols.

3.9.1 Labels

Symbols that are used as labels become symbolic addresses that are associated with locations in the program. A label used locally within a file must be unique. Mnemonic opcodes and assembler directive names (without the `'` prefix) are valid label names.

Labels can also be used as the operand of a `.global`, `.ref`, `.def`, or `.bss` directive; for example,

```
                .global  label1  
  
label2  nop  
        add    label1  
        b      label2
```

3.9.2 Constants

Symbols can be set to constant values. By using constants, you can equate meaningful names with constant values. The `.set` and `.struct/tag/endstruct` directives enable you to set constants to symbolic names. Symbolic constants **cannot** be redefined. The following example shows how these directives can be used:

```

K      .set  1024          ; constant definitions
maxbuf .set  2*K

item  .struct             ; item structure definition
      .int  value         ; constant offsets value = 0
      .int  delta         ; constant offsets delta = 1
i_len .endstruct         ; constant offset i_len = 2

array .tag  item          ; array declaration
      .bss  array, i_len*K

      LDI   R0, array.delta ; array+1

```

The assembler also has several predefined symbolic constants; these are discussed in the next section.

3.9.3 Symbolic Constants

The assembler has several predefined symbols, including the following:

- \$**, the dollar sign character, represents the current value of the section program counter (SPC).

- Register symbols:**

```

AR0–AR7  IR0      RE      R0–R7
BK       IR1      RC      SP
DP       PC       RS      ST
and, for the 'C3x only;
IF       IE       IOF
plus, for the 'C4x only;
R8–R11  DIE      IIE      IIF      IVTP
TVTP

```

- Version symbols** are predefined assembler constants that you can use to direct the assembler to produce code for various target processors. Use the version symbols with the target version switch or the .version directive.

Symbols	Value	Description
.TMS320xx	30, 31, 32, 40, or 44	set according to -v flag
.C3X or .C3x	1 or 0	1 if -v30, -v31, or -v32
.C30	1 or 0	1 if -v30
.C31	1 or 0	1 if -v31
.C32	1 or 0	1 if -v32
.C4X or .C4x	1 or 0	1 if -v40 or -v44
.C40	1 or 0	1 if -v40
.C44	1 or 0	1 if -v44

The following symbols are currently supported, but are obsolete and will be removed in a later release:

Symbols	Value	Description
.TMS320C30	1 or 0	1 if -v30, -v31, or -v32
.TMS320C31	1 or 0	1 if -v31
.TMS320C32	1 or 0	1 if -v32
.TMS320C40	1 or 0	1 if -v40 or -v44
.TMS320C44	1 or 0	1 if -v44

The .TMS320xx constant is set to the value of the version switch. For example, if the assembler is invoked with the following command

```
asm30 -v30 filename
```

then .TMS320xx equals 30.

You can use the version symbols to direct the assembler to produce code for specific target devices. For example, the following code can produce code for differing target devices, depending on how you invoked the assembler.

```
.if .TMS320xx = 30
.
.
.endif
.if .C40
.
.
.endif
```

- ❑ **C Compiler Model Symbols** are predefined assembler constants corresponding to the code generation model of the C compiler. You can use these to vary the source code to correctly interface to C code.

Symbols	Value	Description
.REGPARAM	1 or 0	1 if -mr option used
.BIGMODEL	1 or 0	1 if -mb option used

3.9.4 Substitution Symbols

Symbols can be assigned a string value (variable). This enables you to alias strings of text by equating them to symbolic names. Symbols that represent text strings are called substitution symbols. When the assembler encounters a substitution symbol, its string value is substituted for the symbol name. Unlike symbolic constants, substitution symbols **can** be redefined.

A string can be assigned to a substitution symbol anywhere within a program; for example,

```
.asg "ar3", FP ; frame pointer
.asg "*-FP(2)", PARM1
LDI PARM1, R0 ; expands to LDI *-FP(2), R0
```

When you are using macros, substitution symbols are important because macro parameters are actually substitution symbols that are assigned a macro argument. The following code shows how substitution symbols are used in macros:

```
SUMI  .macro src1,src2,dest
      LDI   src1,dest
      ADDI  src2,dest
      .endm
```

invocation:

```
SUMI  @a, @b, R4
```

For more information about macros, refer to Chapter 6.

3.10 Expressions

An expression is an integer or floating-point constant, a symbol equated to an integer or floating-point value, or a series of constants and symbols separated by arithmetic operators. The range of valid expression values is $-2,147,483,647$ to $4,294,967,295$ ($-(2^{31}-1)$ to $(2^{32}-1)$).

Three factors influence the order of expression evaluation:

Parentheses

Expressions that are enclosed in parentheses are always evaluated first.

Example: $8/(4/2) = 4$, but $8/4/2 = 1$

Note that you **cannot** substitute braces (`{ }`) or brackets (`[]`) for parentheses.

Precedence groups

Operators (listed in Table 3–1) are divided into four precedence groups. When the order of expression evaluation is not determined by parentheses, the highest-precedence operation is evaluated first.

Example: $8 + 4/2 = 10$ ($4/2$ is evaluated first)

Left-to-right evaluation

When parentheses and precedence groups do not determine the order of expression evaluation, the expressions are evaluated from left to right; note that the highest precedence group is evaluated from right to left.

Example: $8/4*2 = 4$, but $8/(4*2) = 1$

3.10.1 Floating-Point Expressions

A floating-point constant is a string of decimal digits, followed by a decimal point, a fractional portion, and an exponent portion.

The syntax for a floating-point constant is as follows:

[`+/-`] *nnn.nnn* [`E/e` [`+/-`] *nnn*]

nnn is a string of decimal digits.

Floating-point constants may be preceded by a `+` or a `-` sign; `+` is the default. Floating-point constants may be assigned to symbols with the `.set` directive. Symbols equated to floating-point values may be used freely in place of floating-point constants.

A floating-point expression is an expression with at least one floating-point value in it. You can use a floating-point expression as an operand for the `.set`, `.float`, and `.double` directives, and for any instruction that expects a floating-point value as an operand. Integer values used in floating-point expressions are converted to floating-point values automatically by the assembler. If you use a floating-point expression in an instruction that expects an integer value, the assembler will generate an error. You cannot use bitwise operators in floating-point expressions. Floating-point expressions can be converted to Integers using one of the conversion functions.

Here are some examples of legal floating-point expressions:

Examples

```
flt1 .set 1.23
```

This example attaches the constant 1.23 to the symbol `flt1`. This symbol can be used in another floating-point expression:

```
flt2 .float 6.57 - flt1
```

After this example is executed, `flt2` is the symbolic address of the value 5.34 in memory.

3.10.2 Floating-Point to Integer Conversions

The assembler provides four built-in functions which round floating-point values to integer values:

\$trunc returns the result of the expression rounded towards zero.

\$round returns the result of the expression rounded to the nearest integer.

\$floor returns the largest integer that is not greater than the expression.

\$ceil returns the smallest integer that is not less than the expression.

Each function returns a signed integer value. Here are some examples that use floating-point to integer conversions:

Examples

```
flt1 .set 1.23
flt2 .set 3.45/flt1
flt3 .set flt2 * $ceil(flt1)
```

This example attaches a value roughly equal to 5.61 to `flt3`.

3.10.3 Operators

Table 3–1 lists the operators that can be used in expressions. They are listed according to precedence group.

Table 3–1. Operators

Group 1 (Highest Precedence) Right-to-Left Evaluation		Group 3 Left-to-Right Evaluation	
+	Unary plus (positive expression)	+	Addition
–	Unary minus (negative expression)	–	Subtraction
~	1s complement	^	Bitwise exclusive-OR
			Bitwise OR
		&	Bitwise AND
			Logical OR
		&&	Logical AND
Group 2 Left-to-Right Evaluation		Group 4 (Relational Operators) Left-to-Right Evaluation	
*	Multiplication	<	Less than
/	Division	>	Greater than
%	Modulo	<=	Less than or equal to
<<	Left shift	>=	Greater than to equal to
>>	Right shift	=	(==) Equal to
		!=	Not equal to

Notes: 1) Operators within parentheses () indicate an alternate form.
2) Bitwise operations on floating-point constants will cause an error

3.10.4 Expression Overflow or Underflow

The assembler checks for overflow and underflow conditions when arithmetic operations are performed at assembly time. The assembler will issue a **Value Truncated** warning whenever an overflow or underflow occurs. The assembler does not check for overflow or underflow in multiplication.

3.10.5 Well-Defined Expressions

Some assembler directives require well-defined expressions as operands. Well-defined expressions contain only symbols or assembly-time constants that are defined before they are encountered in the expression. The evaluation of a well-defined expression must be absolute. This is an example of a well-defined expression:

```
1000h+X    X has been previously defined as an absolute symbol.
```

3.10.6 Conditional Expressions

The assembler supports relational operators that can be used in any expression; they are especially useful for conditional assembly. Relational operators include the following:

<code>>=</code>	Greater than or equal to	<code>!=</code>	Not equal to
<code>==</code>	Equal	<code><</code>	Less than
<code><=</code>	Less than or equal to	<code>></code>	Greater than

These operations have the lowest precedence; however, each has the same precedence within the group, so they are evaluated left to right. Conditional expressions evaluate to 1 if true and 0 if false.

3.10.7 Relocatable Symbols and Legal Expressions

Table 3–2 summarizes valid operations on absolute, relocatable, and external symbols. An expression cannot multiply or divide by a relocatable or external symbol. An expression cannot contain unresolved symbols that are relocatable with respect to different sections.

Table 3–2. Expressions With Absolute and Relocatable Symbols

If A is...	and	B is...	A+B is...	A–B is...
absolute	absolute	absolute	absolute	absolute
absolute	external	external	external	illegal
absolute	relocatable	relocatable	relocatable	illegal
relocatable	absolute	relocatable	relocatable	relocatable
relocatable	relocatable	relocatable	illegal	absolute †
relocatable	external	external	illegal	illegal
external	absolute	external	external	external
external	relocatable	relocatable	illegal	illegal
external	external	external	illegal	illegal

† A and B must be in the same section; otherwise, this is illegal.

Here are some examples of expressions that use relocatable and absolute symbols. These examples use four symbols that are defined as follows:

```

                .global extern_1      ;Defined in an external module
intern_1:      .word 1234             ;Relocatable, defined in current module
LAB1:         .set 2                  ;absolute
intern_2:     ;Relocatable, defined in current module

```


❑ Example 1

The statements in this example use an absolute symbol, LAB1. The first statement puts the value 51 into register R0, the second statement puts the value 8033h in R0, and the third puts 27 in memory address 8033h.

```
LDI    LAB1 + ((4+3) * 7), AR0    ; AR0 = 51
LDI    LAB1 + 4 + 3 * 7, AR0     ; AR0 = 27
```

❑ Example 2

All legal expressions can be reduced to one of two forms:

$$\text{relocatable symbol} \pm \text{absolute symbol}$$

or

$$\text{absolute value}$$

Unary operators can be applied only to absolute values; they cannot be applied to relocatable symbols. Expressions that cannot be reduced to contain only one relocatable symbol are illegal. The first statement in the following example is legal; the statements that follow it are invalid.

```
LDI extern_1 - 10, AR0 ;Legal
LDI 10-extern_1, AR0  ;Can't negate reloc. symbol
LDI -(intern_1), AR0  ;Can't negate reloc. symbol
LDI extern_1/10, AR0  ;/isn't an additive operator
LDI intern_1 + extern_1, AR0 ; Multiple relocatables
```

❑ Example 3

The first statement below is legal; although intern_1 and intern_2 are relocatable, their difference is absolute because they're in the same section. Subtracting one relocatable symbol from another reduces the expression to **absolute value + relocatable symbol** which is relocatable. The second statement is illegal because the sum of two relocatable symbols is not an absolute value.

```
LDI intern_1 - intern_2 + extern_1, AR0 ; Legal
LDI intern_1 + intern_2 + extern_1, AR0 ; Illegal
```

❑ Example 4

An external symbol's placement in an expression is important to expression evaluation. Although the statement below is similar to the first statement in the previous example, it is illegal. This is because of left-to-right operator precedence; the assembler attempts to add intern_1 to extern_1.

```
LDI intern_1 + extern_2 - intern_2, AR0 ; Illegal
```

3.11 Source Listings

A source listing shows source statements and the object code they produce. To obtain a listing file, invoke the assembler with the `-l` (lowercase “L”) option.

At the top of each source listing page are two banner lines, a blank line, and a title line. Any title supplied by a `.title` directive is printed on this line; a page number is printed to the right of the title. If you don’t use the `.title` directive, the title area is left blank. The assembler inserts a blank line below the title line.

Each line in the source file may produce a line in the listing file that shows a source statement number, an SPC value, the object code assembled, and the source statement. A source statement may produce more than one word of object code. The assembler lists the SPC value and object code on a separate line for each additional word. Each additional line is listed immediately following the source statement line.

Field 1 Source Statement Number

Line Number

The source statement number is a decimal number. The assembler numbers source lines as it encounters them in the source file; some statements increment the line counter but are not listed (for example, `.title` statements and statements following a `.nolist` are not listed). The difference between two consecutive source line numbers indicates the number of statements in the source file that are not listed.

Include File Letter

The assembler may precede a line with a letter; the letter indicates that the line is assembled from an include file.

Nesting Level Number

The assembler may precede a line with a number; the number indicates the nesting level of macro expansions and loop blocks.

Field 2 Section Program Counter

This field contains the section program counter, or **SPC**, value (hexadecimal). Each section (`.text`, `.data`, `.bss`, and named sections) maintains a separate SPC. Some directives do not affect the SPC; they leave this field blank.

Field 3 Object Code

This field contains the hexadecimal representation of the object code. All machine instructions and directives use this field to list object code. This field also indicates the relocation type by appending one of the following characters to the end of the field:

- ! undefined external reference ' .text relocatable
- " .data relocatable + .sect relocatable
- .bss, .usect relocatable ^ .asect relocatable

Field 4 Source Statement Field

This field contains the characters of the source statement as they were scanned by the assembler. The assembler accepts a maximum line length of 200 characters. Spacing in this field is determined by the spacing in the source statement.

Example 3-1 shows an example of an assembler listing with each of the four fields identified.

Example 3-1. An Assembler Listing

```

TMS320C3x/4x COFF Assembler Version x.xx Wed Jan 22 10:59:27 1997
Copyright (c) 1987-1997 Texas Instruments Incorporated
PAGE 1
2 *****
3 * TMS320C30 32x32 Integer Multiply *
4 * * *
5 * Inputs: x in R0, y in R1 *
6 * AR0 points to 2 words of temporary memory *
7 * * *
8 * Outputs: x * y in R0 *
9 * * *
10 * Operation: *
11 * Let x0 = 8 MSBs of x, y0 = 8 MSBs of y *
12 * * *
13 * result = (x0 * y) + (y0 * x) + xy *
14 *****
15
16 .global mpy32
17
18 00000000 mpy32:
19 00000000 C20100C0 STI R0,*AR0 ; save x
20 || STI R1,*+AR0 ; save y
21 00000001 03E0FFE8 ASH -24,R0 ; x0 into R0
22 00000002 03E1FFE8 ASH -24,R1 ; y0 into R1
23 00000003 0AC00001 MPYI *+AR0,R0 ; mpy upper bytes: x0 * y
24 00000004 0AC1C000 MPYI *AR0,R1 ; y0 * x
25 00000005 880800C0 MPYI *AR0,*+AR0,R0 ; mpy lower words
26 || ADDI R0,R1,R2 ; add product MSBs
27 00000006 03E20018 ASH 24,R2 ; shift back to top of word
28 00000007 02000002 ADDI R2,R0 ; add to LSBs
29 00000008 78800000 RETS
30 .end
    
```

Field 1
Field 2
Field 3
Field 4

3.12 Cross-Reference Listings

A cross-reference listing shows symbols and their definitions. To obtain a cross-reference listing, invoke the assembler with the `-x` option or use the `.option` directive. The assembler will append the cross-reference to the end of the source listing.

Example 3–2. An Assembler Cross-Reference Listing

TMS320C3x/4x COFF Assembler				Version x.xx		Wed Jan 22 10:59:27 1997		
Copyright (c) 1987–1997 Texas Instruments Incorporated								
							PAGE	3
LABEL	VALUE	DEFN	REF					
K16	0000AABB	0007	0041					
K24	00AABBCC	0008	0049					
K32	AABBCCDD	0009	0057					
K8	000000AA	0006	0071					
KFLOAT	E5541885	0010	0065					
ext	REF		0011	0026	0034	0042	0050	
			0058	0072				
label0	00000002+	0019	0028	0036	0044	0052	0060	
			0074					
label1	00000003'	0028	0027	0035	0043	0051	0059	
			0073					

- label** column contains each symbol that was defined or referenced during the assembly.
- value** column contains a 8-digit hexadecimal number, which is the value assigned to the symbol *or* a name that describes the symbol's attributes. A value may also be followed by a character that describes the symbol's attributes. Table 3–3 lists these characters and names.
- definition** (DEFN) column contains the statement number that defines the symbol. This column is blank for undefined symbols.
- reference** (REF) column lists the line numbers of statements that reference the symbol. A blank in this column indicates that the symbol was never used.

Table 3–3. *Symbol Attributes*

Character or Name	Meaning
REF	External reference (global symbol)
UND	Undefined
'	Symbol defined in a .text section
"	Symbol defined in a .data section
+	Symbol defined in a .sect section
–	Symbol defined in a .bss or .usect section

Assembler Directives

Assembler directives supply program data and control the assembly process. Assembler directives allow you to:

- Assemble code and data into specified sections
- Reserve space in memory for uninitialized variables
- Control the appearance of listings
- Initialize memory
- Assemble conditional blocks
- Define global variables
- Specify libraries that the assembler can obtain macros from
- Examine symbolic debugging information

This section is divided into two parts: the first part (Sections 4.1 through 4.9) describes the directives according to function, and the second part (Section 4.10) is an alphabetical reference. This section includes:

Topic	Page
4.1 Directives Summary	4-2
4.2 Directives That Define Sections	4-6
4.3 Directives That Initialize Constants	4-7
4.4 Directives That Align the Section Program Counter	4-10
4.5 Directives That Format the Output Listing	4-11
4.6 Directives That Reference Other Files	4-13
4.7 Conditional Assembly Directives	4-14
4.8 Assembly-Time Symbol Directives	4-15
4.9 Miscellaneous Directives	4-16
4.10 Directives Reference	4-17

4.1 Directives Summary

Table 4–1 summarizes the assembler directives. All source statements that contain a directive may have a label and a comment. To improve readability, they are not shown as part of the directive's syntax.

Table 4–1. Directives Summary

Directives That Define Sections	
<i>Mnemonic and Syntax</i>	<i>Description</i>
.asect "section name", address	Assemble into an absolute named (initialized) section (This directive is obsolete)
.bss symbol, size in words [, blocking flag]	Reserve size words in the .bss (uninitialized data) section
.data	Assemble into the .data (initialized data) section
.sect "section name"	Assemble into a named (initialized) section
.text	Assemble into the .text (executable code) section
symbol .usect "section name", size in words, [blocking flag]	Reserve size words in a named (uninitialized) section
Directives That Initialize Constants (Data and Memory)	
<i>Mnemonic and Syntax</i>	<i>Description</i>
.byte value ₁ [, ... , value _n]	Initialize one or more successive bytes in the current section
.double value ₁ [, ... , value _n]	Initialize one or more 32-bit, TMS320 single precision, floating-point constants
.field value [, size in bits]	Initialize a variable-length field
.float value ₁ [, ... , value _n]	Initialize one or more 32-bit, TMS320 single precision, floating-point constants
.hword value ₁ [, ... , value _n]	Initialize one or more 16-bit (half-word) values
.ieee value ₁ [, ... , value _n]	Initialize one or more 32-bit, single precision, IEEE floating-point constant
.int value ₁ [, ... , value _n]	Initialize one or more 16-bit integers
.ldouble value	Initialize a 40-bit long double extended precision floating-point constant in a compiler supported format
.long value ₁ [, ... , value _n]	Initialize one or more 32-bit integers
.sfloat value ₁ [, ... , value _n]	(C32 only) Initialize one or more 32-bit, single precision, TMS320 floating-point constants
.space size in bits	Reserve size bits in the current section; a label points to the beginning of the reserved space

Table 4–1. Directives Summary (Continued)

Directives That Initialize Constants (Data and Memory)	
<i>Mnemonic and Syntax</i>	<i>Description</i>
.string "string ₁ " [, ... , "string _n "]	Initialize one or more text strings
.word value ₁ [, ... , value _n]	Initialize one or more 16-bit integers
Directives That Align the Section Program Counter (SPC)	
<i>Mnemonic and Syntax</i>	<i>Description</i>
.align	Align the SPC on a page boundary
.even	Align the SPC on an even word boundary
Directives That Format the Output Listing	
<i>Mnemonic and Syntax</i>	<i>Description</i>
.drlist	Enable listing of all directive lines (default)
.drnolist	Inhibit listing of certain directive lines
.fclist	Allow false conditional code block listing (default)
.fcnolist	Inhibit false conditional code block listing
.length <i>page length</i>	Set the page length of the source listing
.list	Restart the source listing
.mlist	Allow macro listings and loop blocks (default)
.mnolist	Inhibit macro listings and loop blocks
.nolist	Stop the source listing
.option { <i>B</i> <i>D</i> <i>F</i> <i>L</i> <i>M</i> <i>T</i> <i>X</i> }	Select output listing options
.page	Eject a page in the source listing
.sslist	Allow expanded substitution symbol listing
.ssnolist	Inhibit expanded substitution symbol listing (default)
.title "string"	Print a title in the listing page heading
.width <i>page width</i>	Set the page width of the source listing

Table 4–1. Directives Summary (Continued)

Directives That Reference Other Files	
<i>Mnemonic and Syntax</i>	<i>Description</i>
.copy ["filename"]	Include source statements from another file
.def <i>symbol</i> ₁ [, ... , <i>symbol</i> _n]	Identify one or more symbols that are defined in the current module and used in other modules
.global <i>symbol</i> ₁ [, ... , <i>symbol</i> _n]	Identify one or more global (external) symbols
.include ["filename"]	Include source statements from another file
.mlib ["filename"]	Define macro library
.ref <i>symbol</i> ₁ [, ... , <i>symbol</i> _n]	Identify one or more symbols that are used in the current module but defined in another module

Conditional Assembly Directives	
<i>Mnemonic and Syntax</i>	<i>Description</i>
.break [<i>well-defined expression</i>]	End .loop assembly if condition is true. The .break construct is optional.
.else	Assemble code block if the .if condition is false. The .else construct is optional.
.elseif <i>well-defined expression</i>	Assemble code block if the .if condition is false and the .elseif condition is true. The .elseif construct is optional.
.endif	End .if code block
.endloop	End .loop code block
.if <i>well-defined expression</i>	Assemble code block if the condition is true
.loop [<i>well-defined expression</i>]	Begin repeatable assembly of a code block

Table 4–1. Directives Summary (Concluded)

Assembly-Time Symbols	
<i>Mnemonic and Syntax</i>	<i>Description</i>
.asg [<i>character string</i> ['], <i>substitution symbol</i>	Assign a character string to a substitution symbol
.endstruct	End structure definition
.eval <i>well-defined expression</i> , <i>substitution symbol</i>	Perform arithmetic on numeric substitution symbols
.label " <i>symbol</i> "	Define a load-time relocatable label in a section
.set	Equate a value with a symbol
.struct	Begin structure definition
.tag	Assign structure attributes to a label
Miscellaneous Directives	
<i>Mnemonic and Syntax</i>	<i>Description</i>
.emsg <i>string</i>	Send user-defined error messages to the output device
.end	End program
.mmregs	Enter memory-mapped registers into symbol table
.mmsg <i>string</i>	Send user-defined messages to the output device
.regalias	Use F_n registers as aliases for R_n registers
.version <i>generation #number</i>	Set processor version
.wmsg <i>string</i>	Send user-defined warning messages to the output device

4.2 Directives That Define Sections

Six directives associate the various portions of an assembly language program with the appropriate sections:

- The **.bss** directive reserves space in the `.bss` section for variables.
- The **.usect** directive reserves space in an uninitialized named section. The `.usect` directive is similar to the `.bss` directive, but it allows you to reserve space separately from the `.bss` section.
- The **.text** directive identifies portions of code in the `.text` section. The `.text` section usually contains executable code.
- The **.data** directive identifies portions of code in the `.data` section. The `.data` section usually contains initialized data.
- The **.sect** directive defines initialized named sections, and associates subsequent code or data with that section. Named sections are initialized and contain code or data.
- The **.asect** directive creates initialized named sections that have *absolute addresses*. You can use the **.label** directive to define labels with absolute addresses.

Chapter 2 discusses COFF sections in detail.

4.3 Directives That Initialize Constants

Several directives assemble values into the current section:

- ❑ The **.byte** directive places one or more 8-bit values into consecutive words of the current section. This directive is similar to `.word`, except that the width of each value is restricted to 8 bits.
- ❑ The **.hword** directive places one or more 16-bit half-word values into consecutive words in the current section. This directive is similar to `.word`, except that the width of each value is restricted to 16 bits.
- ❑ The **.word**, **.int**, and **.long** directives place one or more 32-bit values into consecutive locations in the current section.
- ❑ The **.string** directive places 8-bit characters from one or more character strings into the current section. This directive is similar to `.byte`, except that four 8-bit values are packed into each word. The last word in a string is padded with null characters (0s) if necessary.
- ❑ The **.float** and **.double** directives calculate the single-precision (32-bit) floating-point representations of specified floating-point values and store them in consecutive words in the current section. Here's an example of a `.float` directive and the object code that it generates:


```
5 00000003 0274ED91      .float  7.654
```
- ❑ The **.ieee** directive is like the `.float` directive, but the floating-point values are converted to single-precision IEEE floating-point format.
- ❑ The **.ldouble** directive calculates the extended-precision floating-point representation of a long double floating-point constant and stores it into two consecutive 32-bit words in the current section. Each constant is converted to a floating-point value in 40-bit format.
- ❑ The **.sfloat** directive is available only with the `-v32` assembler option. The `.sfloat` directive calculates the single-precision (32-bit) floating-point representations of specified floating-point values and stores them in consecutive words in the current section. The format is the normal single-precision format right shifted by 16 bits.

Note: How the Initializing Directives Function in a `.struct/.endstruct` Sequence

The `.byte`, `.word`, `.int`, `.long`, `.string`, `.float`, `ieee`, `.sfloat`, and `.field` directives *do not* initialize memory when they are part of a `.struct/.endstruct` sequence; rather, they define a member's size. For more information about the `.struct/.endstruct` directives, refer to Section 4.8.

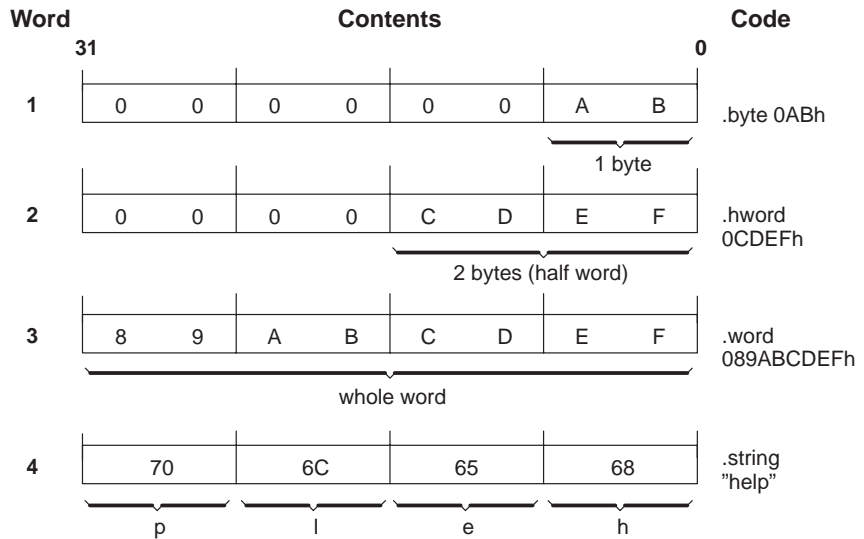
Example 4–1 compares the `.byte`, `.hword`, `.word`, and `.string` directives; for this example, assume the following code was assembled:

```

1  00000000 000000AB      .byte    0ABh
2  00000001 0000CDEF      .hword   0CDEFh
3  00000002 89ABCDEF      .word    089ABCDEFh
4  00000003 706C6568      .string  "help"

```

Example 4–1. Initialization Directives



- The **.field** directive places a single value into a specified number of bits in the current word, starting with the least significant bits of the word. You can pack multiple fields into a single word; the assembler will not increment the SPC until a word is filled.

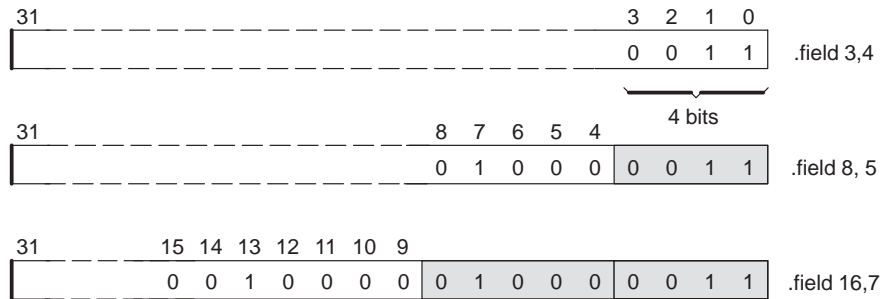
Example 4–2 shows how fields are packed into a word. For this example, assume the following code has been assembled; notice that the SPC doesn't change (the fields are packed into the same word):

```

6  00000004 00000003      .field   3,4
7  00000004 00000083      .field   8,5
8  00000004 00002083      .field  16,7

```

Example 4–2. The `.field` Directive



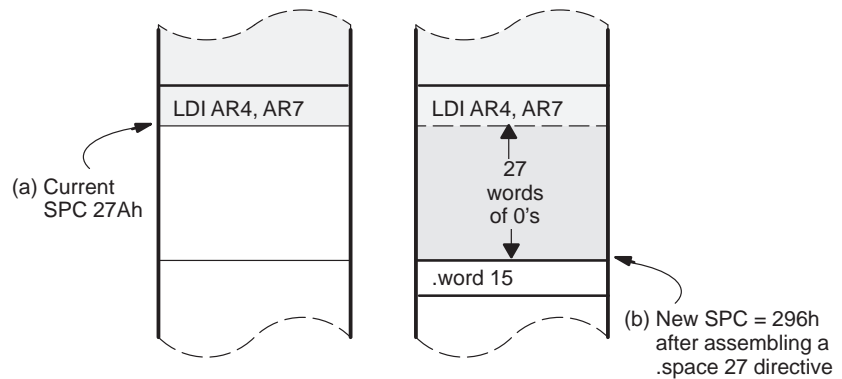
- The `.space` directive reserves a specified number of words in the current section. The assembler fills these reserved words with 0s.

Example 4–3 shows the `.space` directive; assume the following code has been assembled:

```

.
.
.
154 0000027A 080F000C LDI     AR4, AR7
155 0000027B 00000000 .space  27
156 00000296 0000000F .word  15
    
```

Example 4–3. The `.space` Directive



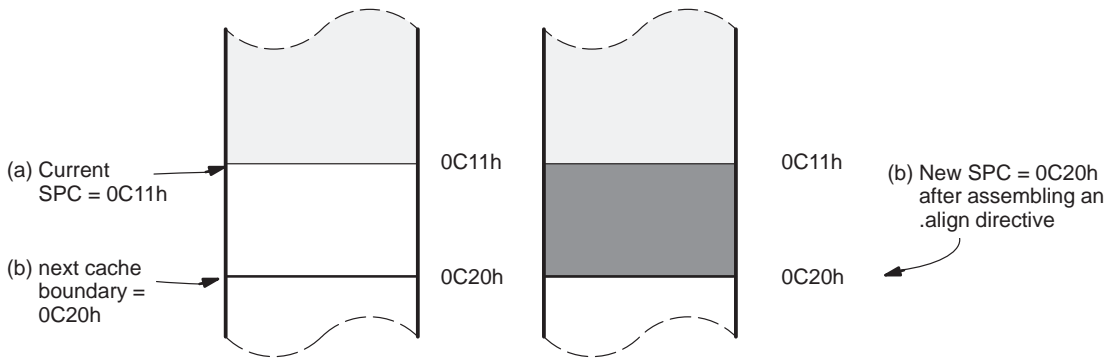
4.4 Directives That Align the Section Program Counter

- The **.align** directive aligns the SPC on a 32-word (20 hex) boundary. This ensures that the code following the **.align** directive begins on a cache boundary. If the SPC is already aligned at a 32-word boundary, then it is not incremented and **.align** has no effect. Example 4–4 shows the **.align** directive; assume that the following code has been assembled:

```

202 00000C11      00000004      .byte 4
201 00000C11      00000000      .align
203 00000C20      00000003      .byte 3
    
```

Example 4–4. The **.align** Directive



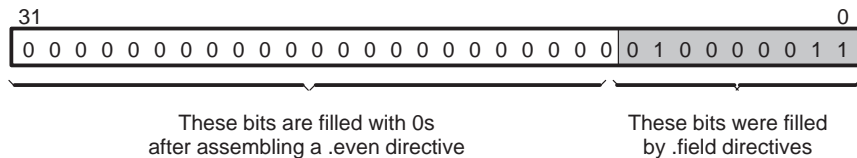
- The **.even** directive aligns the SPC so that it points to the next full word. You should use **.even** between field directives when you want the next field to start in a new word. Any unused bits in the current word are filled with 0s.

Example 4–5 shows the effect of assembling a **.even** directive after a **.field** directive. Assume the following code has been assembled:

```

6 00000004 00000003      .field 3,4
7 00000004 00000083      .field 8,5
8 00000005                .even
    
```

Example 4–5. The **.even** Directive



4.5 Directives That Format the Output Listing

Several directives format the listing file:

- The source code contains a listing of false conditional blocks that do not generate code. The **.fclist** and **.fcnolist** directives turn this listing on and off. You can use the **.fclist** directive to list false conditional blocks exactly as they appear in the source code. You can use the **.fcnolist** directive to list only the conditional blocks that are actually assembled.
- The **.drlist** and **.drnolist** directives turn the printing of directive lines to the listing file on and off. You can use the **.drnolist** directive to inhibit the printing of the following directives:

.asg	.eval,	.length	.mnolist	.var
.break	.fclist	.mmsg	.sslist,	.width
.emsg	.fcnolist	.mlist	.ssnolist	.wmsg

- The **.length** directive controls the page length of the listing file. You can use this directive to adjust listings for various output devices.
- The **.width** directive controls the page width of the listing file. You can use this directive to adjust listings for various output devices.
- The **.list** and **.nolist** directives turn the output listing on and off. You can use the **.nolist** directive to stop the assembler from printing selected source statements in the listing file. Use the **.list** directive to turn the listing back on.
- The **.mlist** and **.mnolist** directives allow and inhibit macro expansion listings.
- The **.option** directive controls several features in the listing file. This directive has several operands:
 - B** Limits the listing of **.byte** directives to one line.
 - H** Limits the listing of **.hword** directives to one line.
 - F** Resets the **B**, **H**, **L**, **M**, and **T** options.
 - L** Limits the listing of **.long**, **.int**, and **.word** directives to one line.
 - M** Limits macro expansions to one line.
 - T** Limits the listing of **.string** directives to one line.
 - X** Produces a cross-reference listing of symbols. (You can also obtain a cross-reference listing by invoking the assembler with the **-x** option.)
- The **.page** directive causes a page eject in the output listing.

The **.solist** and **.snoislist** directives allow and inhibit substitution symbol expansion listing. These directives are useful for debugging substitution symbols outside of macros.

The **.title** directive supplies a title that the assembler prints on the second line of each page.

4.6 Directives That Reference Other Files

These directives supply information for or about other files:

- ❑ The **.copy** and **.include** directives tell the assembler to begin reading source statements from another file. When the assembler is finished reading the source statements in the copy/include file, it resumes reading source statements from the current file. The statements read from a copied file are printed in the listing file; the statements read from an included file are *not* printed in the listing file.
- ❑ The **.global** directive declares a symbol to be external so that it is available to other modules at link time. The **.global** directive does double duty, acting as a **.def** for defined symbols and as a **.ref** for undefined symbols. Note that the linker will resolve an undefined global symbol only if it is used in the program.
- ❑ The **.def** directive identifies a symbol that is defined in the current module and can be used by other modules. The assembler puts the symbol in the symbol table.
- ❑ The **.ref** directive identifies a symbol that is used in the current module but defined in another module. The assembler marks the symbol as an undefined external symbol and puts it in the object symbol table so that the linker can resolve its definition.
- ❑ The **.mlib** directive supplies the assembler with the name of an archive library that contains macro definitions. When the assembler encounters a macro that is not defined in the current module, it will then be able to search for it in the specified macro library.

4.7 Conditional Assembly Directives

Conditional assembly directives enable you to instruct the assembler to assemble certain sections of code according to a true or false evaluation of an expression. Two sets of directives allow you to assemble conditional blocks of code:

- The **.if/.elseif/.else/.endif** directives tell the assembler to conditionally assemble a block of code according to the evaluation of an expression.

.if *expression* Marks the beginning of a conditional block and assembles code if the .if condition is true.

.elseif *expression* Marks a block of code to be assembled if .if is false and .elseif is true.

.else Marks a block of code to be assembled if .if is false.

.endif Marks the end of a conditional block and terminates the block.

- The **.loop/.break/.endloop** directives tell the assembler to repeatedly assemble a block of code according to the evaluation of an expression.

.loop *expression* Marks the beginning a repeatable block of code.

.break *expression* Continue to repeatedly assemble when the .break expression is false. Go to code immediately after .endloop if expression is true.

.endloop Marks the end of a repeatable block.

The assembler supports several relational operators that are especially useful for conditional expressions. For more information about relational operators, refer to Section 3.10 on page 3-20.

4.8 Assembly-Time Symbol Directives

These directives equate meaningful symbol names to constant values or strings.

- The **.set** directive sets a constant value to a symbol. The symbol is stored in the symbol table and cannot be redefined; for example,

```
bval .set 0100h
      .word bval, bval*2, bval+12
      LDI  bval, R0
```

Note that the **.set** directive produces no object code.

- The **.struct/.endstruct** directives set up C-like structure definitions, and the **.tag** directive assigns the C-like structure characteristics to a label.

The **.struct/.endstruct** directives enable you to set up a C-like structure definition so that similar elements can be grouped together. Element offset calculation is then left up to the assembler. The **.struct/.endstruct** directives do not allocate memory. They simply create a symbolic template that can be used repeatedly.

The **.tag** directive assigns structure characteristics to a label. This simplifies the symbolic representation and also provides the ability to define structures that contain other structures. The **.tag** directive does not allocate memory, and the structure tag (**stag**) must be defined before it is used.

```
type  .struct           ; structure tag definition
x     .int              ; member x offset = 0
y     .int              ; member y offset = 1
t_len .endstruct       ; end structure, symbol t_len = 2

coord .tag type        ; associate coord w/ structure type

      ADDI @coord.y, R0

      .bss coord, t_len ; actual memory allocation
```

- The **.asg** directive assigns a text string to a substitution symbol. The value is stored in the substitution symbol table. When the assembler encounters a substitution symbol, it replaces the symbol with its character string value. Substitution symbols can be redefined.

```
.asg "10, 20, 30, 40", coefficients

.word coefficients
```

- The **.eval** directive evaluates an expression, translates the results into a text string and assigns the string to a substitution symbol. This directive is most useful for manipulating counters; for example,

```
.asg 1, x ; assigns "1" to x
.eval x+1, x ; assigns "2" to x
```

4.9 Miscellaneous Directives

This section discusses miscellaneous directives.

- ❑ The **.version** directive is the same as the `-v` assembler option. This tells the assembler which generation processor the code is for. Valid generation numbers are 30 and 40. The default is 30. The `.version` directive must appear before any other instruction or directive, or else an error will occur.
- ❑ The **.end** directive terminates assembly. It should be the last source statement of a program. This directive has the same effect as an end-of-file.
- ❑ The **.regalias** directive allows F_n registers to be used as aliases for R_n registers.

These three directives enable you to produce your own error and warning messages:

- ❑ The **.emsg** directive sends error messages to the standard output device. The `.emsg` directive generates errors in the same manner as the assembler does, incrementing the error count and preventing the assembler from producing an object file.
- ❑ The **.wmsg** directive sends warning messages to the standard output device. The `.wmsg` directive functions in the same manner as the `.emsg` directive but increments the warning count.
- ❑ The **.mmsg** directive sends assembly-time messages to the standard output device. The `.mmsg` directive functions in the same manner as the `.emsg` and `.wmsg` directives but does not set the error count or the warning count, and does not prevent an object file from being produced.

4.10 Directives Reference

The remainder of this chapter is a reference. Generally, the directives are organized alphabetically, one directive per page; however, related directives (such as `.if/.else/.endif`) are presented together on one page. Here's an alphabetical table of contents for the directives reference:

Directive	Page	Directive	Page
<code>.align</code>	4-18	<code>.ldouble</code>	4-46
<code>.asect</code>	4-19	<code>.length</code>	4-47
<code>.asg</code>	4-20	<code>.list</code>	4-48
<code>.break</code>	4-50	<code>.long</code>	4-44
<code>.bss</code>	4-22	<code>.loop</code>	4-50
<code>.byte</code>	4-23	<code>.mlib</code>	4-52
<code>.copy</code>	4-24	<code>.mlist</code>	4-54
<code>.data</code>	4-26	<code>.mmsg</code>	4-29
<code>.def</code>	4-39	<code>.mnoist</code>	4-54
<code>.double</code>	4-37	<code>.newblock</code>	4-55
<code>.drlist</code>	4-27	<code>.nolist</code>	4-48
<code>.drnoist</code>	4-27	<code>.option</code>	4-56
<code>.else</code>	4-42	<code>.page</code>	4-58
<code>.elseif</code>	4-42	<code>.ref</code>	4-39
<code>.emsg</code>	4-29	<code>.regalias</code>	4-59
<code>.end</code>	4-31	<code>.sect</code>	4-60
<code>.endloop</code>	4-50	<code>.set</code>	4-61
<code>.endif</code>	4-42	<code>.sfloat</code>	4-37
<code>.endstruct</code>	4-65	<code>.space</code>	4-62
<code>.equ</code>	4-61	<code>.sslist</code>	4-63
<code>.eval</code>	4-20	<code>.ssnoist</code>	4-63
<code>.even</code>	4-32	<code>.string</code>	4-23
<code>.fclist</code>	4-33	<code>.struct</code>	4-65
<code>.fcnolist</code>	4-33	<code>.tab</code>	4-67
<code>.field</code>	4-34	<code>.tag</code>	4-65
<code>.float</code>	4-37	<code>.text</code>	4-68
<code>.global</code>	4-39	<code>.title</code>	4-69
<code>.hword</code>	4-41	<code>.usect</code>	4-70
<code>.ieee</code>	4-37	<code>.version</code>	4-72
<code>.if</code>	4-42	<code>.width</code>	4-47
<code>.include</code>	4-24	<code>.wmsg</code>	4-29
<code>.int</code>	4-44	<code>.word</code>	4-44
<code>.label</code>	4-45		

Syntax

.align

Description

The `.align` directive aligns the section program counter on the next 32-word boundary. If necessary, the assembler inserts words containing NOPs. If more than 4 NOPs are inserted, the assembler also inserts a branch instruction around the NOPs to the next instruction. This directive is useful for aligning code on a cache boundary.

Using the `.align` directive has two effects:

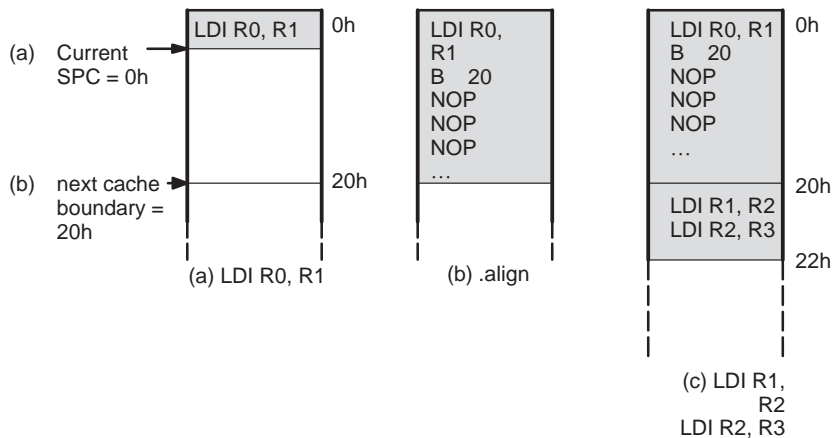
- ❑ The assembler aligns the SPC on a 32-word boundary *within* the current section.
- ❑ The assembler sets a flag that forces the linker to align the entire section on a 32-word boundary. This ensures that individual alignments remain intact when a section is loaded into memory.

Example

This example aligns the SPC on the next 32-word boundary to ensure that the code that follows it will start on a cache boundary. Figure 4–1 shows how this code aligns the SPC.

```
1 00000000 08010000      LDI    R0,R1
2                          .align
3 00000020 08020001 x:   LDI    R1,R2
4 00000021 08030002      LDI    R2,R3
```

Figure 4–1. The `.align` Directive



Syntax

```
.asect "section name", address
```

Description

The `.asect` directive defines a named section whose addresses are absolute with respect to *address*. This command is obsolete. Any section can now be loaded and run at two separate addresses using the linker. The command functions as before for compatibility.

section name a required parameter that identifies the name of the absolute section. It be enclosed in double quotes.

address a required parameter that identifies the section's absolute starting address in target memory, which is *required* the first time you assemble into a specific absolute section. If you use `.asect` to continue an assembly into an a section that contains code, you *cannot* use the address parameter.

Absolute sections are useful for loading sections of code from off-chip memory into faster on-chip memory. In order to use an absolute section, you must know which location you want the section to execute from and specify it as the *address* parameter.

Most sections directives create sections with relocatable addresses. The starting SPC value for these sections is always zero; the linker then relocates them where appropriate. The starting SPC value for an absolute section, however, is the specified *address*. The addresses of all code assembled into an absolute section are offsets from the specified address. The linker *does* relocate sections defined with `.asect`; however, any labels defined within an absolute section retain their absolute (*runtime*) addresses. Thus, references to these labels refer to their *runtime* addresses, even though the section is not initially loaded at its runtime address.

All labels in an absolute section have absolute addresses. The `.label` directive creates *labels* with relocatable addresses; this allows you to define a symbol that points to the section's loadtime location in off-chip memory.

Note that after you define a section with `.asect`, you can use the `.sect` directive later in the program to continue assembling code into the absolute section.

Note: The `.asect` Directive Is Obsolete

The `.asect` directive is obsolete because the linker's `SECTIONS` directive now allows separate load and run addresses for *any* section. The `.asect` directive is fully functional to allow compatibility with previous versions of the assembler. For more information, refer to Section 8.7 on page 8-27.

Syntax

.asg [*”*character string*”*], substitution symbol
.eval well-defined expression, substitution symbol

Description

The **.asg** directive assigns character strings to substitution symbols. Substitution symbols are stored in the substitution symbol table.

The **.asg** directive can be used in many of the same ways as the **.set** directive, but while **.set** assigns a constant value (cannot be redefined) to a symbol, **.asg** assigns a string (can be redefined) to a substitution symbol.

The **.eval** directive performs arithmetic on substitution symbols. This directive evaluates the expression and assigns the *string value* of the result to the substitution symbol. The **.eval** directive is especially useful as a counter in **.loop/.endloop** blocks.

character string

Is assigned to the substitution symbol by the assembler. The quotation marks are optional. If there are no quotation marks, the assembler reads characters up to the first comma and removes leading and trailing blanks. In either case, a character string is read and assigned to the substitution symbol.

substitution symbol

Is a required parameter that must be a valid symbol name. The substitution symbol may be 32 characters long and must begin with a letter. Remaining characters of the symbol can be a combination of alphanumeric characters, underscores, and dollar signs. When the assembler encounters a substitution symbol in a source statement, it substitutes the assigned string for the symbol and rescans the line. In this way, substitution symbols provide a general text replacement mechanism.

well-defined expression

Is an alphanumeric expression consisting of legal values that have been previously defined, so that the result is an absolute.

Example

This example shows how .asg and .eval can be used.

```
1 .sslist
2 .asg AR3, FP
3 .asg R0, TEMP
4 00000000 02400302 ADDI *+FP(2), TEMP
# ADDI *+AR3(2), R0
5 00000001 02400301 ADDI *+AR3(1), R0
6
7 .asg 0,x
8 .loop 5
9 .eval x+1, x
10 .word x
11 .endloop
1 .eval x+1, x
# .eval 0+1, x
1 00000002 00000001 .word x
# .word 1
1 .eval x+1, x
# .eval 1+1, x
1 00000003 00000002 .word x
# .word 2
1 .eval x+1, x
# .eval 2+1, x
1 00000004 00000003 .word x
# .word 3
1 .eval x+1, x
# .eval 3+1, x
1 00000005 00000004 .word x
# .word 4
1 .eval x+1, x
# .eval 4+1, x
1 00000006 00000005 .word x
# .word 5
```

Syntax

.bss *symbol, size in words*

Description

The `.bss` directive reserves space in the `.bss` section for variables. This directive is usually used to allocate variables in RAM.

symbol Is a required parameter. It defines a label that points to the first location reserved by the directive. The symbol name should correspond to the variable that you're reserving space for.

size in words Is a required parameter; it must be an absolute expression. The assembler allocates *size* words in the `.bss` section. There is no default size.

Note that the `.usect` directive is similar to the `.bss` directive; it also reserves space in memory. However, `.usect` creates *named* uninitialized sections that can be allocated separately from the `.bss` section.

Other section directives (`.text`, `.data`, `.sect`, and `.asect`) end the current section and begin assembling into another section. The `.bss` directive, however, does not affect the current section. The assembler assembles the `.bss` directive and then resumes assembling code into the current section. For more information about COFF sections, see Chapter 2.

Example

This example uses the `.bss` directive to allocate space for the variable `array`. The symbol `array` points to 100 words of uninitialized space (the `.bss` `SPC = 0`). Note that symbols declared with the `.bss` directive can be referenced in the same manner as other symbols and can also be declared external.

```
1          *****
2          * Begin assembling into .text          *
3          *****
4 00000000          .text
5 00000000 08010000          LDI    R0,R1
6          *****
7          * Allocate 100 words in .bss          *
8          *****
9 00000000          .bss    array,100
10         *****
11         * Still in .text                        *
12         *****
13 00000001 08020001          LDI    R1,R2
14         *****
15         * Declare external .bss symbol          *
16         *****
17         .global array
```

Syntax

```
.byte value1 [, ... , valuen]
```

Description

The `.byte` directive places one or more 8-bit values into consecutive words in the current section. Each *value* can be either:

- An expression that the assembler evaluates and treats as an 8-bit signed number, **or**
- A character string enclosed in double quotes. Each character represents a separate value.

Values are not packed or sign extended; each byte value occupies the least significant 8 bits of a full 32-bit word. The assembler truncates values that are greater than 8 bits. You can define up to 100 values per `.byte` instruction, however, the line length, including label (if any), the `.byte` directive itself and all values, cannot exceed 200 characters. Each character in a string is counted as a separate operand.

If you use a label, it points to the location at which the assembler places the first byte.

Example

This example places the 8-bit values 10, -1, abc and a into four consecutive words in memory. The label `strx` has the value 64h, which is the location of the first initialized word.

```
1
2 00000064 0000000A strx:    .byte 10,-1,"abc",'a'
   00000065 000000FF
   00000066 00000061
   00000067 00000062
   00000068 00000063
   00000069 00000061
```

Syntax

```
.copy ["filename"]  
.include ["filename"]
```

Description

The `.copy` and `.include` directives tell the assembler to read source statements from a different file. The statements that are assembled from a copy file are printed in the assembly listing. The statements that are assembled from an included file are *not* printed in the assembly listing, regardless of the number of `.list/.nolist` directives that are assembled. The assembler:

- 1) Stops assembling statements in the current source file,
- 2) Assembles the statements in the copied/included file, and
- 3) Resumes assembling statements in the main source file, starting with the statement that follows the `.copy` or `.include` directive.

The *filename* is a required parameter that names a source file; the *filename* may be enclosed in double quotes. The *filename* must follow operating system conventions. You can specify a full pathname (for example, `.copy c:\dsp\file1.asm`). If you do not specify a full pathname, the assembler searches for the file in:

- 1) The directory that contains the current source file.
- 2) Any directories named with the `-i` assembler option.
- 3) Any directories specified by the environment variable `A_DIR`.

For more information about the `-i` option and the environment variable, see Section 3.5, *Naming Alternate Directories for Assembler Input*, on page 3-7.

The `.copy` and `.include` directives may be nested within a file being copied or included. The assembler limits this type of nesting to ten levels; the host operating system may set additional restrictions. The assembler precedes the line numbers of copied files with a letter code to identify the level of copying. An **A** indicates the first copied file, **B** indicates a second copied file, etc.

Example 1

This example uses the `.copy` directive to read and assemble source statements from other files, then resumes assembling into the current file.

The original file, `copy.asm`, contains a `.copy` statement copying the file `byte.asm`. When `copy.asm` assembles, the assembler copies `byte.asm` into its place in the listing (note listing below). The copy file `byte.asm` contains a `.copy` statement for a second file, `word.asm`.

When it encounters the `.copy` statement for `word.asm`, the assembler switches to `word.asm` to continue copying and assembling. Then the assembler returns to its place in `byte.asm` to continue copying and assembling. After completing assembly of `byte.asm`, the assembler returns to `copy.asm` to assemble its remaining statement.

copy.asm

```
.space 29
.copy byte.asm
** Back in copy.asm
.string "done"
```

byte.asm

```
** In byte.asm
.byte 32,1+'A'
.copy "word.asm"
** Back in byte.asm
.byte 67h + 3q
```

word.asm

```
** In word.asm
.word 0ABCDh, 56q
```

This is the listing file:

```

1 00000000 00000000          .space 29
2                               .copy byte.asm
A 1                               ** In byte.asm
A 2 0000001d 00000020          .byte 32,1+'A'
   0000001e 00000042
A 3                               .copy "word.asm"
B 1                               ** In word.asm
B 2 0000001f 0000abcd          .word 0ABCDh, 56q
   00000020 0000002e
A 4                               ** Back in byte.asm
A 5 00000021 0000006a          .byte 67h + 3q
   3                               ** Back in copy.asm
4 00000022 656e6f64          .string "done"
```

Example 2

This example uses the `.include` directive to read and assemble source statements from other files, then resumes assembling into the current file.

include.asm

```
.space 29
.include byte2.asm
** Back in include.asm
.string "done"
```

byte2.asm

```
** In byte2.asm
.byte 32,1+'A'
.include "word2.asm"
** Back in byte2.asm
.byte 67h + 3q
```

word2.asm

```
** In word2.asm
.word 0ABCDh, 56q
```

This is the listing file:

```

1 00000000 00000000          .space 29
2                               .include byte2.asm
3                               ** Back in include.asm
4 00000022 656e6f64          .string "done"
```

Syntax

.data

Description

The .data directive tells the assembler to begin assembling source code into the .data section; .data becomes the current section. The .data section is normally used to contain tables of data or preinitialized variables.

Chapter 2 provides a detailed explanation about COFF sections.

Note that the assembler assumes that .text is the default section. Therefore, at the beginning of an assembly, the assembler assembles code into the .text section unless you specify an explicit section control directive.

Example

This example assembles code into the .data and .text sections.

```
1          *****
2          ** Reserve space in .data          **
3          *****
4 00000000          .data
5 00000000 00000000          .space 0CCh
6          *****
7          ** Assemble into .text          **
8          *****
9 00000000          .text
10 00000000 00800000          ABSI R0
11          *****
12          ** Assemble into .data          **
13          *****
14 000000cc          table: .data
15 000000cc ffffffff          .word -1 ; Assemble 32-bit
                                ; constant into .data
16 000000cd 000000ff          .byte 0FFh ; Assemble 8-bit
                                ; constant into .data
17 000000ce 08010000          LDI R0,R1 ; Assemble code into .data
18          *****
19          ** Assemble into .text          **
20          *****
21 00000001          .text
22 00000001 08010000          LDI R0,R1
23          *****
24          ** Resume assembling into .data**
25          ** at address 0CFh          **
26          *****
27 000000cf          .data
28
```

Syntax

.drlist
.drnolist

Description

The `.drlist` directive causes the assembler to print to the listing file all directives lines. By default the assembler behaves as if you had used `.drlist`. The `.drnolist` directive suppress the printing of the followings directives in the listing file:

```
.asg      .fclist   .mmsg     .var
.break    .fcnolist  .mnolist   .wmsg
.emsg     .length   .sslist    .width
.eval     .mlist    .ssnolist
```

Example

This example shows how `.drnolist` inhibits the listing of the above named directives. By default, the assembler behaves as if you had used `.drlist`.

Source file:

```
*
*   .drlist/.drnolist example
*
    .length 65
    .width  85
    .asg    0, x
    .loop   2
    .eval   x+1, x
    .endloop

    .drnolist

    .length 55
    .width  95
    .asg    1, x
    .loop   3
    .eval   x+1, x
    .endloop
```

Listing file:

```
1                                     *
2
*  .drlist/.drnolist example
3                                     *
4                                     .length 65
5                                     .width 85
6                                     .asg 0, x
7                                     .loop 2
8                                     .eval x+1, x
9                                     .endloop
1                                     .eval 0+1, x
1                                     .eval 1+1, x
10
11
12
13
14
15
16                                     .loop 3
17                                     .eval x+1, x
18                                     .endloop
```

Syntax

```
.emsg string  
.mmsg string  
.wmsg string
```

Description

Use these directives to produce your own error and warning messages. Note that the assembler tracks the number of errors and warnings it encounters and prints these numbers on the last line of the listing file.

- ❑ The **.emsg** directive sends error messages to the standard output device. The **.emsg** directive generates errors in the same manner as the assembler does, incrementing the error count and preventing the assembler from producing an object file.
- ❑ The **.wmsg** directive sends warning messages to the standard output device. The **.wmsg** directive functions in the same manner as the **.emsg** directive but increments the warning count.
- ❑ The **.mmsg** directive sends assembly-time messages to the standard output device. The **.mmsg** directive functions in the same manner as the **.emsg** and **.wmsg** directives but does not set the error count or the warning count, and does not prevent the assembler from producing an object file.

Example

In this example, the macro `MSG_EX` requires one parameter. The first time the macro is invoked it has a parameter, `PARAM`, and it assembles normally. The second time, the parameter is missing and an error is generated.

Source file:

```
MSG_EX    .macro a  
          .if    $symlen(a) = 0  
          .emsg  "ERROR -- MISSING PARAMETER"  
          .else  
            ADDI  @a, R4  
          .endif  
          .endm  
  
          .global param  
          MSG_EX param  
  
          MSG_EX
```

Listing file:

```
1          MSG_EX    .macro a
2                  .if    $symlen(a) = 0
3                  .msg   "ERROR -- MISSING PARAMETER"
4                  .else
5                  ADDI   @a, R4
6                  .endif
7                  .endm
8
9                  .global param
10 00000000        MSG_EX param
1                  .if    $symlen(a) = 0
1                  .msg   "ERROR -- MISSING PARAMETER"
1                  .else
1 00000000 02240000!  ADDI   @param, R4
1                  .endif
11
12 00000001        MSG_EX
1                  .if    $symlen(a) = 0
1                  .msg   "ERROR -- MISSING PARAMETER"
***** USER ERROR - ERROR -- MISSING PARAMETER
1                  .else
1                  ADDI   @a, R4
1                  .endif
13
1 Error, No Warnings
```

The following message is sent to standard output when the file is assembled:

```
"emsg.asm" line 12: ** USER ERROR **
  ERROR -- MISSING PARAMETER
```

1 Error, No Warnings

Errors in source - Assembler Aborted

Syntax**.end****Description**

The `.end` directive is an optional directive that terminates assembly. It should be the last source statement of a program. The assembler will ignore any source statements that follow an `.end` directive.

Note that this directive has the same effect as an end-of-file.

Note: Use `.endm` to End a Macro

Do not use the `.end` directive to terminate a macro; use the `.endm` macro directive instead.

Example

This example shows how the `.end` directive terminates assembly. If any source statements follow the `.end` directive, the assembler ignores them.

```
1 0000          Start: .space    300
2          000F temp    .set      15
3 0000          .bss      loc1, 48h
4 0013 CE1B          ABS
5 0014 000F          ADD      temp
6 0015 6000          SACL     loc1
7                      .end
```

Syntax

.even

Description

The `.even` directive aligns the section program counter (SPC) on the next full word. When you use the `.field` directive, you can follow it with the `.even` directive. This forces the assembler to write out a partially filled word before initializing fields in the next word. The assembler will fill the unused bits with 0s. If the SPC is already on a word boundary (no word is partially filled), `.even` has no effect.

All directives that initialize memory other than `.field` (such as `.word` and `.float`) perform an implicit `.even`. Therefore, it is necessary to use `.even` only after a `.field` directive, and only when word alignment is required for another **immediately following** `.field` directive.

Note that when you use `.even` in a `.struct/.endstruct` sequence, `.even` aligns structure members; it does not initialize memory. For more information about `.struct/.endstruct`, refer to Section 4.8.

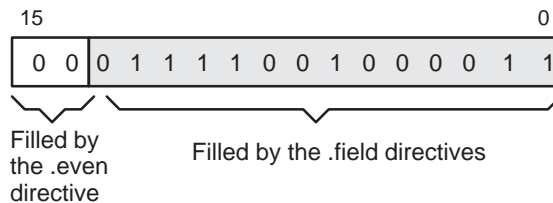
Example

Here's an example of the `.even` directive. Word 0 is initialized with several fields; the `.even` directive causes the next field to be placed in word 1.

```
1 00000000 00000003      .field      03h,2    ; Initialize a 2-bit field
2 00000000 0000002f      .field      0Bh,5    ; Initialize a 5-bit field
3 00000001                .even                ; Write out the word
4 00000001 00000007      .field      07h,3    ; field is in the next word
```

Example 4–6 shows how this example initializes word 0. The first 7 bits are initialized by `.field` directives; the remaining bits are set to 0 by the `.even` directive. The next 3-bit `.field` goes into word 1.

Example 4–6. The `.even` Directive



Syntax

.fclist
.fcnolist

Description

Two directives enable you to control the listing of false conditional blocks.

- The **.fclist** directive allows the listing of conditional blocks that do not produce code (false blocks). *By default, the assembler behaves as if you had used .fclist.*
- The **.fcnolist** directive inhibits the listing of false conditional blocks. Only code in the conditional block that actually assembles appears in the listing. The **.if**, **.elseif**, **.else**, and **.endif** directives do not appear.

Example

This example shows the assembly language file and the listing file for code with and without the conditional blocks listed. This is the unassembled file:

Source file:

```
a      .set  1
b      .set  0
      .fclist           ; list false
                        ; conditional blocks

      .if      a
      ADDI    5, R0
      .else
      ADDI    5*10, R0
      .endif

      .fcnolist        ; do not list

      .if      a
      ADDI    5, R0
      .else
      ADDI    5*10, R0
      .endif
```

Listing file:

```
1      00000001 a      .set  1
2      00000000 b      .set  0
3      .fclist           ; list false
4      .               ; conditional blocks
5
6      .if      a
7 00000000 02600005   ADDI    5, R0
8      .else
9      ADDI    5*10, R0
10     .endif
11
12     .fcnolist        ; do not list
13
15 00000001 02600005   ADDI    5, R0
```

Syntax

```
.field value [, size in bits]
```

Description

The `.field` directive initializes multiple-bit fields within a single word of memory. This directive has two operands:

- The *value* is a required parameter; it is an expression that is evaluated and placed in the field. If the value is relocatable, *size* must be 32.
- The *size* is an optional parameter; it specifies a number from 1–32, which is the number of bits the field consists of. If you do not specify a size, the assembler uses a default size of 32 bits. Note that the assembler will truncate the value if you specify a field that is not wide enough to contain the value. For example, `.field 3,1` will cause the assembler to truncate the value 3 to 1; the assemble also prints the message:

```
***warning - value truncated.
```

Successive field directives pack values into the specified number of bits in the current word. Fields are packed starting at the least significant part of the word, moving toward the most significant part as more fields are added. If the assembler encounters a field size that does not fit into the current word, it writes out the word, increments the SPC, and begins packing fields into the next word.

You can use the `.even` directive to force the next `.field` directive to begin packing into a new word. If you use a label, it points to the word that contains the field.

Note also that when you use `.field` in a `.struct/.endstruct` sequence, `.field` defines a member's size; it does not initialize memory. For more information about `.struct/.endstruct`, refer to Section 4.8.

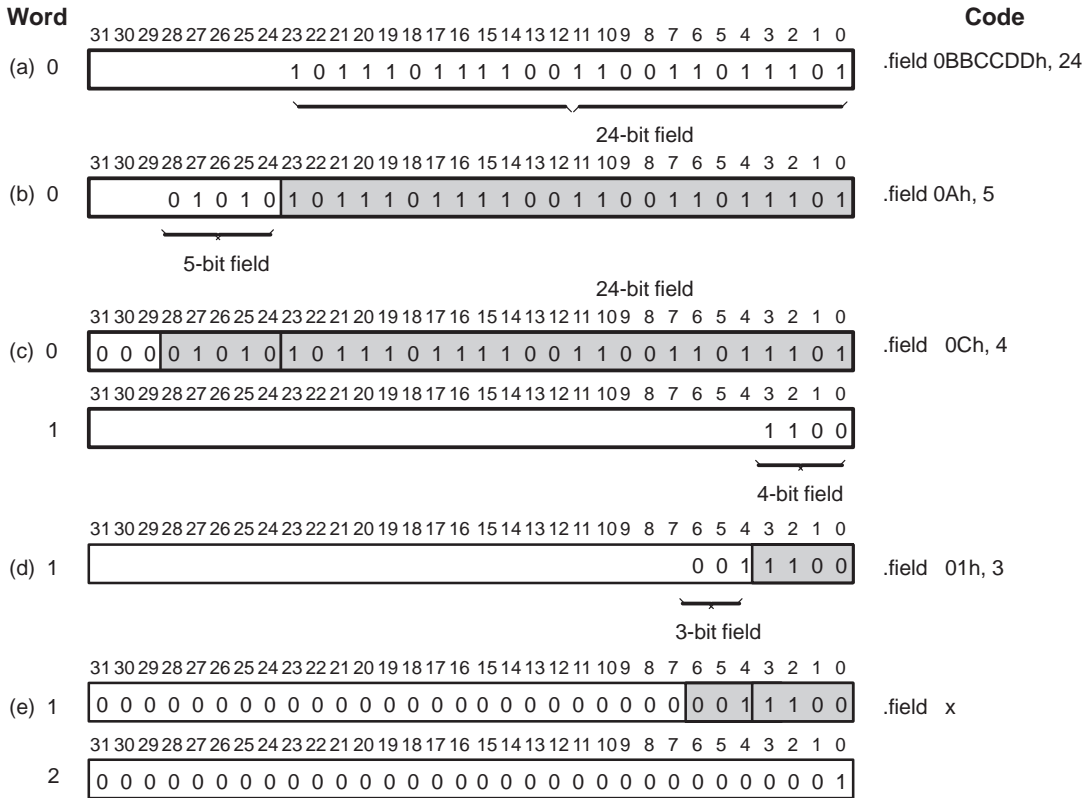
Example

This example shows how fields are packed into a word. Notice that the SPC does not change until a word is filled and the next word is begun.

```
1          *****
2          * Initialize a 24-bit field          *
3          *****
4 00000000 00bbccdd          .field 0BCCDDh,24
5          *****
6          * Initialize a 5-bit field          *
7          *****
8 00000000 0abbccdd          .field 0Ah,5
9          *****
10         * Initialize a 4-bit field (new) word *
11         *****
12 00000001 0000000c          .field 0Ch,4
13         *****
14         * Initialize a 3-bit field          *
15         *****
16 00000001 0000001c x:      .field 01h,3
17         *****
18         * Initialize a 32-bit relocatable   *
19         * field in the next word          *
20         *****
21 00000002 00000001'          .field x
22
```

Example 4–7 shows how the directives in this example affect memory.

Example 4–7. The .field Directive



Syntax

```
.float  value1 [, ... , valuen]  
.double value1 [, ... , valuen]  
.ieee  value1 [, ... , valuen]  
.sfloat value1 [, ... , valuen]
```

Description

The **.float** directive places the floating-point representation of one or more floating-point constants into successive words in the current section. Each *value* must be either a floating-point constant or a symbol that has been equated to a floating-point constant. Each constant is converted to a floating-point value in TMS320 single-precision (32-bit) format.

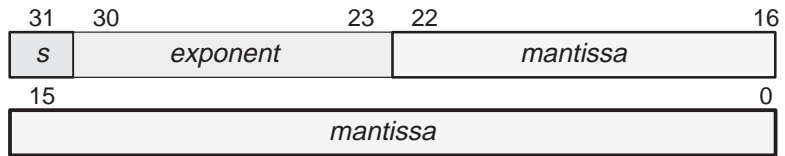
The **.double** directive behaves just like the **.float**; it is generated by the compiler for double variables.

The **.ieee** directive (available with the `-v40` assembler option) also behaves like the **.float** except that the value is converted to IEEE single-precision (32-bit) format.

The IEEE floating-point format consists of three fields:

- A 1-bit sign field (*s*)
- An 8-bit biased exponent (*exponent*)

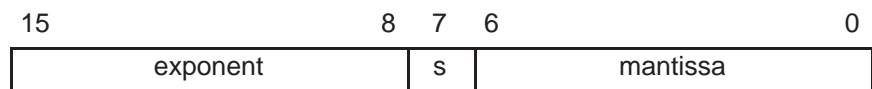
- A 23-bit normalized mantissa (*mantissa*)



$$value = (-1)^s \times (1.0 + 0.mantissa) \times 2^{exponent-127}$$

The **.sfloat** directive is available only with the `-v32` assembler option. The `.sfloat` directive places the floating-point representation of one or more floating-point constants into successive words in the current section. Each *value* must be either a floating-point constant or a symbol that has been equated to a floating-point constant. The format is the normal single-precision format right-shifted by 16 bits so that:

- Bits 31 through 16 are zero
- Bits 15 through 8 are the 8-bit exponent
- Bit 7 is the sign bit
- Bits 6 through 0 are the 7-bit mantissa



The `.sfloat` directive can be used to place floating point values into 16-bit external memory. When the values are loaded into the CPU registers (LDF),

the number will be loaded in the upper 16-bits with the lower 16-bits set to 0. See page 4-2 of the *1995 TMS320C32 Addendum to the TMS320C3x User's Guide* for more information.

Note that when you use `.float` in a `.struct/.endstruct` sequence, `.float` defines a member's size; it does not initialize memory. For more information about `.struct/.endstruct`, refer to Section 4.8.

Example

Here are some examples of the `.float` directive.

```
1 00000000 53fba6af      .float  -1.0e25
2 00000001 01400000      .float  3
3 00000002 06760000      .float  123, 0.5
  00000003 ff000000
4          0003243f PI:    .set    3.14159
5          0002b7e1 E:    .set    2.71828
6 00000004 01490fd0      .float  PI,E
  00000005 012df84d
```

Syntax

```
.global symbol1 [, ... , symboln]  
.def symbol1 [, ... , symboln]  
.ref symbol1 [, ... , symboln]
```

Description

The `.global`, `.def`, and `.ref` directives identify global symbols, which are defined externally, or can be referenced externally.

- The `.def` directive identifies a symbol that is defined in the current module and can be accessed by other files. The assembler places this symbol in the the symbol table.
- The `.ref` directive identifies a symbol that is used in the current module but defined in another module. The linker resolves this symbol's definition at link time.
- The `.global` directive acts as a `.ref` or a `.def`, as needed.

A global symbol is *defined* in the same manner as any other symbol; that is, it appears as a label or is defined by the `.set`, `.bss`, or `.usect` directive. As with all symbols, if a global symbol is defined more than once, the linker issues a multiple-definition error. Note that `.ref` always creates an entry for a symbol, whether the module uses the symbol or not; `.global`, however, creates a symbol table entry only if the module actually uses the symbol.

A symbol may be declared global for two reasons:

- 1) If the symbol is *not defined in the current module* (including macro, `.copy`, and include files), the `.global` or `.ref` directive tells the assembler that the symbol is defined in an external module. This prevents the assembler from issuing an unresolved reference error. At link time, the linker looks for the symbol's definition in other modules.
- 2) If the symbol *is defined in the current module*, the `.global` or `.def` directive declares that the symbol and its definition can be used externally in other modules. These types of references are resolved at link time.

Example

This example uses four files:

- `file1.lst` and `file3.lst` are equivalent. Both files define the symbol `Init` and make it available to other modules; both files use the external symbols `x`, `y`, and `z`. `file1.lst` uses the `.global` directive to identify these global symbols; `file3.lst` uses `.ref` and `.def` to identify the symbols.
- `file2.lst` and `file4.lst` are equivalent. Both files define the symbols `x`, `y`, and `z` and make them available to other modules; both files use the external symbol `Init`. `file2.lst` uses the `.global` directive to identify these global symbols; `file4.lst` uses `.ref` and `.def` to identify the symbols.

file1.lst:

```
    .global  Init      ; Global symbol defined in this file
    .global  x, y, z   ; Global symbols defined file2.lst
Init:
    LDI     R0,R1      ; Symbol definition
    .word   x
                                ;
                                ;
                                ;
    .end
```

file2.lst:

```
    .global  x, y, z   ; Global symbols defined this file
    .global  Init      ; Global symbol defined in file1.lst
x: .set     1          ; Symbol definitions
y: .set     2
z: .set     x + y
    .word   Init
                                ;
                                ;
                                ;
    .end
```

file3.lst:

```
    .def     Init      ; Global symbol defined in this file
    .ref     x, y, z   ; Global symbols defined in file4.lst
Init:
    LDI     R0,R1
    .word   x
                                ;
                                ;
                                ;
    .end
```

file4.lst:

```
    .def     x, y, z   ; Global symbols defined in this file
    .ref     Init      ; Global symbol defined in file3.lst
x: .set     1          ; Symbol definitions
y: .set     2
z: .set     x + y
    .word   Init
                                ;
                                ;
                                ;
    .end
```

Syntax

```
.hword value1 [, ... , valuen]
```

Description

The `.hword` directive places one or more 16-bit values into consecutive words in the current section. Each *value* may be either:

- An expression that the assembler evaluates and treats as a 16-bit signed number, or
- A character string enclosed in double quotes. Each character represents a separate value.

Values are not packed or sign extended; each value occupies the least significant 16 bits of a full 32-bit word.

The assembler truncates any value that is greater than 16 bits. The `.hword` directive can have up to 100 operands, but they must fit on a single line.

If you use a label, it points to the location of the first word that is initialized.

Example

This example assembles several 16-bit values into words in the current section. The label `vlist` has the value 6Ah, which is the location of the first initialized word.

```
1
2
3 0000006A 0000000A vlist: .hword 10,-1,"abc",'ab'
   0000006B 0000FFFF
   0000006C 00000061
   0000006D 00000062
   0000006E 00000063
   0000006F 00006261
4
5
```

Syntax

.if *well-defined expression*
assemble code block when the expression is true

.elseif *well-defined expression*
assemble code block when the .if expression is false
and the .elseif expression is true

.else
assemble code block when the expression is false

.endif
terminate condition block

Description

Four directives provide conditional assembly:

- The **.if** directive marks the beginning of a conditional block. The *expression* is a required parameter.
 - If the expression evaluates to *true* (nonzero), then the assembler assembles the code that follows it (up to an .elseif, an .else, or an .endif).
 - If the expression evaluates to *false* (0), then the assembler assembles code that follows a .elseif (if present), a else (if present), or a .endif (if no .elseif or .else is present).
- The **.elseif** directive identifies a block of code to be assembled when the .if expression is false (0) and the .elseif expression is true (nonzero). When the .elseif expression is false, the assembler continues to a .else (if present) or an .endif. The .elseif directive is optional in the conditional block; if an expression is false and there is no .elseif statement, the assembler continues with the code that follows a .else (if present) or a .endif.
- The **.else** directive identifies a block of code that the assembler assembles when the .if expression is false (0). This directive is optional in the conditional block; if an expression is false and there is no .else statement, then the assembler continues with the code that follows the .endif.
- The **.endif** directive terminates a conditional block.

The .elseif and .else directives can be used in the same conditional assembly block and can be used more than once within a conditional assembly block.

For information on the conditional operators that the assembler supports, refer to subsection 3.10.6, *Conditional Expressions*, on page 3-23.

Example

Here are some examples of conditional assembly:

```
1          00000001 sym1  .set    1
2          00000002 sym2  .set    2
3          00000003 sym3  .set    3
4          00000004 sym4  .set    4
5          If_4:  .if     sym4 = sym2 * sym2
6 00000000 00000004  .byte   sym4          ; equal values
7          .else
8          .byte   sym2 * sym2      ; unequal values
9          .endif
10         If_5:  .if     sym1 <= 10
11 00000001 0000000a  .byte   10            ; less than/equal
12         .else
13         .byte   sym1            ; greater than
14         .endif
15         If_6:  .if     sym3 * sym2 != sym4 + sym2
16         .byte   sym3 * sym2      ; unequal values
17         17          .else
18         .byte   sym4 + sym2      ; equal values
19         .endif
20         If_7:  .if     sym1 = 2
21         .byte   sym1
22         .ifelse sym2 + sym3
23         .endif
24
```

Syntax

```
.int value1 [, ... , valuen]  
.long value1 [, ... , valuen]  
.word value1 [, ... , valuen]
```

Description

The `.int`, `.long`, and `.word` directives are equivalent; they place one or more values into consecutive 32-bit fields in the current section. Each value is either:

- An expression that the assembler evaluates and treats as a 32-bit signed value, or
- A character string enclosed in double quotes. Each character represents a separate value.

The *values* can be either absolute or relocatable expressions. If an expression is relocatable, the assembler generates a relocation entry that refers to the appropriate symbol; the linker can then correctly patch (relocate) the reference. This allows you to initialize memory with pointers to variables or labels.

You can use as many *values* as fit on a single line. If you use a label, it points to the first word that is initialized.

Example 3

This example uses the `.int` directive to initialize words. Notice that the symbol `symptr` puts the symbol's address in the object code and generates a relocatable reference (indicated by the `'` character appended to the object word).

```
5 00000070 08010000 symptr LDI R0,R1  
6 00000071 0000000A .int 10,symptr,-1,"abc",'abc'  
00000072 00000070 '  
00000073 FFFFFFFF  
00000074 00000061  
00000075 00000062  
00000076 00000063  
00000077 00636261
```

Example 4

This example initializes two 32-bit fields and defines `DAT1` to point to the first location. The contents of the resulting 32-bit fields are `FFFFABCDh` and `141h`.

```
1 00000000 FFFFABCD DAT1: .long 0FFFFABCDH,'A'+100h  
00000001 00000141
```

Example 5

This example initializes five words. The symbol `WordX` points to the first word.

```
1 00000000 00000C80 WordX: .word 3200,1+'AB',-'AF',0F410h,'A'  
00000001 00004242  
00000002 FFFFB9BF  
00000003 0000F410  
00000004 00000041
```

Syntax

.label *symbol*

Description

The `.label` directive defines a special symbol that refers to the loadtime address rather than the runtime address within the current section. Most sections created by the assembler have relocatable addresses. The assembler assembles each section as if they start at zero, and the linker relocates them to the address at which they load and run.

For some applications, it is desirable to have a section load at one address and run at a **different** address. For example, you may wish to load a block of performance-critical code into slower off-chip memory to save space, and then move the code to high-speed on-chip memory to run it.

Such a section is assigned two addresses at link time: a load address and a separate run address. All labels defined in the section are relocated to refer to the runtime address so that references to the section (such as branches) are correct when the code runs.

The `.label` directive creates a special “label” that refers to the *loadtime* address. This is useful primarily so that the code that relocates the section knows where the section was loaded. For example:

```
;-----  
; .label Example  
;-----  
        .sect ".examp"  
        .label examp_load    ; load address of section  
start:  ; run address of section <code>  
finish: ; run address of section end  
        .label examp_end    ; load address of section end
```

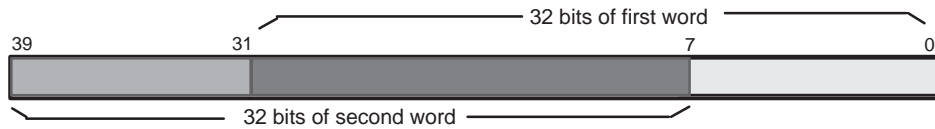
For more information about assigning runtime and loadtime addresses in the linker, refer to Section 8.8 on page 8-35.

Syntax

```
.ldouble value
```

Description

The `.ldouble` directive places the floating-point representation of a long double floating-point constant into two consecutive 32-bit words in the current section. The *value* must be a floating-point constant. Each constant is converted to a floating-point value in 40-bit LDF/LDI format with a 24-bit overlap.



Example

Here are some examples of the `.ldouble` directive.

```
1 00000 c520 .ldouble -1.0e25
   00002 8b2a
   00004 2c28
   00006 0291
2 00008 4008 .ldouble 3
   0000a 0000
   0000c 0000
   0000e 0000
3 00010 405e .ldouble 123
   00012 c000
   00014 0000
   00016 0000
4
```

To load an `.ldouble` value, execute a LDF and then an LDI into the same data register from successive memory locations:

```
LDF @var,R0 ;Load upper bits
LDI @var+1,R0 ;Load lower bits
```

The LDF must be performed first, as it clears the lower 8 bits of the register.

Syntax

```
.length page length  
.width page width
```

Description

The **.length** directive sets the page length of the output listing file. It affects the current page and following pages; you can reset the page length with another **.length** directive.

- Default length: 60 lines
- Minimum length: 20 lines
- Maximum length: 32,767 lines

The **.width** directive sets the page width of the output listing file. It affects the next line assembled and following lines; you can reset the page width with another **.width** directive.

- Default width: 80 characters
- Minimum width: 80 characters
- Maximum width: 200 characters

Note that the width refers to a full line in a listing file; the line counter value, SPC value, and object code are counted as part of the width of a line. Comments and other portions of a source statement that extend beyond the page width are truncated in the listing.

The assembler does not list the **.width** and **.length** directives.

Example

The following example sets the page length and page width to various values.

```
TMS320C3x/4x COFF Assembler      Version x.xx      Wed Feb  1 09:55:52 1997  
Copyright (c) 1987-1997 Texas Instruments Incorporated  
  
***** Length and Width *****                                PAGE    1  
2          *****  
3          ** The page length is limited to 60                **  
4          ** lines per page. The page width is              **  
5          ** limited to 80 characters per line.              **  
6          *****  
7          .length 60  
8          .width 80  
9          *****  
10         ** The page length is limited to 50                **  
11         ** lines per page. The page width is              **  
12         ** limited to 200 characters per line.            **  
13         *****  
14         .length 50  
15         .width 200  
16
```

Syntax

```
.list  
.nolist
```

Description

The `.nolist` directive suppresses the source listing output until a `.list` directive is encountered. The `.list` directive tells the assembler to resume printing the source listing after it has been stopped by a `.nolist` directive. *By default, the assembler acts as if a `.list` directive had been specified.* The `.nolist` directive can be used to reduce assembly time and the size of the source listing; it can be used in macro definitions to inhibit the listing of the macro expansion.

Description

The `.nolist` directive suppresses the source listing output until a `.list` directive is encountered. The `.list` directive tells the assembler to resume printing the source listing after it has been stopped by a `.nolist` directive. By default, the assembler behaves as if a `.list` directive has been specified. The `.nolist` directive can be used to reduce assembly time and the size of the source listing; it is frequently used in macro definitions to inhibit the listing of the macro expansion.

The assembler does not print the `.list` or `.nolist` directives or the source statements that appear after a `.nolist` directive; however, it continues to increment the line counter. You can nest the `.list/.nolist` directives; each `.nolist` needs a matching `.list` to restore the listing. At the beginning of an assembly, the assembler acts as if it has assembled a `.list` directive.

Note: Using the `.list` Directive Without Requesting a Listing File

If you don't request a listing file when you invoke the assembler, the assembler ignores the `.list` directive.

Example

This example uses the `.copy` directive to insert source statements from another file. The first time this directive is encountered, the assembler lists the copied source lines in the listing file. The second time `.copy` is encountered the assembler does not list the copied source lines, because a `.nolist` directive was assembled. Note that the `.nolist`, the second `.copy`, and `.list` directives do not appear in the listing file; note also that the line counter is incremented even when source statements are not listed.

Source file:

```
.copy    byte.asm  
.nolist  
.copy    byte.asm  
.list  
* Back in original file  
.string  "Done"
```

Listing file:

```
1          .copy  byte.asm
A 1          ** IN BYTE.ASM (copy file)
A 2 00000000 00000020  .byte 32, 1+ 'A'
   00000001 00000042
5          * Back in original file
6 00000004 656e6f44  .string "Done"
```

Syntax

```
.loop [well-defined expression]  
    repeatedly assemble code block  
.break [well-defined expression]  
    assemble repeatedly while the .break expression is false  
    (zero); go to code following .endloop if true (nonzero)  
.endloop  
    execute when .break directive is true (nonzero) or when  
    number of loops performed equals loop count given  
    by .loop
```

Description

Three directives enable you to repeatedly assemble a block of code:

- The **.loop** directive begins a repeatable block of code. The optional expression evaluates to the loop count (the number of loops to be performed). If there is no expression, the loop count defaults to 1024, unless the assembler first encounters a **.break** directive with an expression that is true (nonzero) or omitted.
- The **.break** directive is optional, along with its expression. When the expression is false (0), the loop continues. When the expression is true (nonzero), or omitted, the assembler breaks the loop and assembles the code after the **.endloop** directive.
- The **.endloop** directive terminates a repeatable block of code.

Example

This example illustrates how these directives can be used with the **.eval** directive. The following assembly language code generates the listing shown on the next page.

Source file:

```
coef    .eval    0, x  
        .loop    ;coefficient table  
  
        .word    x * 2  
        .eval    x + 1, x  
        .break   x = 6  
        .endloop
```

Listing file:

```
1          1          .eval  0, x
2          coef      .loop  ;coefficient table
3
4          .word  x * 2
5          .eval  x + 1, x
6          .break  x = 6
7          .endloop

1
1          00000000 00000000 .word  0 * 2
1          .eval  0 + 1, x
1          .break  1 = 6
1
1          00000001 00000002 .word  1 * 2
1          .eval  1 + 1, x
1          .break  2 = 6
1
1          00000002 00000004 .word  2 * 2
1          .eval  2 + 1, x
1          .break  3 = 6
1
1          00000003 00000006 .word  3 * 2
1          .eval  3 + 1, x
1          .break  4 = 6
1
1          00000004 00000008 .word  4 * 2
1          .eval  4 + 1, x
1          .break  5 = 6
1
1          00000005 0000000a .word  5 * 2
1          .eval  5 + 1, x
1          .break  6 = 6
```

Syntax

```
.mlib ["filename"]
```

Description

The `.mlib` directive provides the assembler with the name of a macro library. A macro library is a collection of files that contain macro definitions. These files are bound into a single file (called an archive or library) by the archiver. Each file in a macro library may contain one macro definition that corresponds to the name of the file. Note that:

- Macro library members must be **source** files (not object files).
- The filename of a macro library member must be the same as the macro name, and its extension must be `.asm`.

The *filename* must follow host operating system conventions; it may be enclosed in double quotes. You can specify a full pathname (for example, `.mlib C:\dsp\macs.lib`). If you do not specify a full pathname, the assembler searches for the file in:

- 1) The directory that contains the current source file.
- 2) Any directories named with the `-i` assembler option.
- 3) Any directories specified by the environment variable `A_DIR`.

For more information about the `-i` option and the environment variable, see Section 3.5, *Naming Alternate Directories for Assembler Input*, on page 3-7.

When the assembler encounters an `.mlib` directive, it opens the library and creates a table of its contents. The assembler enters the names of the individual library members into the opcode table as library entries; this redefines any existing opcodes or macros that have the same name. If one of these macros is called, the assembler extracts the entry from the library and loads it into the macro table. The assembler expands the library entry in the same manner as other macros, but it does not place the source code into the listing. Only macros that are actually called from the library are extracted.

Example

This example creates a macro library that defines two macros, *inc1* and *dec1*. The file *inc1.asm* contains the definition of *inc1*, and *dec1.asm* contains the definition of *dec1*.

inc1.asm

```
** Macro for incrementing a register **
incl  .macro reg
    ADDI  1, reg
    .endm
```

dec1.asm

```
** Macro for decrementing a register **
decl  .macro reg
    SUBI  1, reg
    .endm
```

Use the archiver to create a macro library:

```
ar30 -a mac incl.asm decl.asm
```

Now you can use the `.mlib` directive to reference the macro library and call the *inc1* and *dec1* macros:

```
.mlist
.mlib "mac.lib"
incl R0      ;macro call
decl R1      ;macro call
```

This is the resulting assembly:

```
1          .mlist
2          .mlib  "mac.lib"
3 00000000 incl R0      ;macro call
1 00000000 02600001 ADDI  1, R0
4 00000001 decl R1      ;macro call
1 00000001 18610001 SUBI  1, R1
```

Syntax

.mlist
.mnolist

Description

Two directives provide you with the ability to control the listing of macro expansions in the listing file:

- The **.mlist** directive allows macro expansions in the listing file (default.)
- The **.mno**list directive inhibits macro expansions in the listing file.

By default, all macro expansions are listed. The line counter restarts counting at 1 during a macro expansion; it resumes counting from its previous value when the macro expansion is complete.

Example

This example defines a macro named *str_3*. The first time the macro is called, the macro expansion is listed (by default). The second time the macro is called, the macro expansion is not listed because a **.mno**list directive was assembled. The third time the macro is called, the macro expansion is again listed because a **.mlist** directive was assembled.

```
1          str_3  .macro  parm1, parm2, parm3
2              .string ":parm1:", ":parm2:", ":parm3:"
3              .endm
4
5 00000000          str_3  "red", "green", "blue"
1 00000000 67646572  .string "red", "green", "blue"
   00000001 6e656572
   00000002 65756c62
6
7 00000003          .mno
8          str_3  "Raphael", "Michelangelo", "Donatello"
9          .m
1 0000000a          str_3  "Huron", "Michigan", "Superior"
   0000000a 6f727548  .string "Huron", "Michigan", "Superior"
   0000000b 63694d6e
   0000000c 61676968
   0000000d 7075536e
   0000000e 6f697265
   0000000f 00000072
```

Syntax

.newblock

Description

The `.newblock` directive undefines any local labels currently defined. A local label, by nature, is temporary; the `.newblock` directive resets local labels and terminates their scope.

A local label is a label in the form `$n`, where `n` is a single decimal digit. A local label, like other labels, points to an instruction byte. Unlike other labels, local labels cannot be used in expressions; they can be used only as the operand in 8-bit jump instructions. Local labels are not included in the symbol table.

After a local label has been defined and (perhaps) used, you should use the `.newblock` directive to reset it. Note that the `.text`, `.data`, and `.sect` directives also reset local labels and that local labels that are defined within an include file are not valid outside of the include file.

Example

This example shows how the local label `$1` is declared, reset, and then declared again.

```
1 00000 0223 Label1: mov     r2, r3
2 00002 'c401      bne     $1
3 00004 1a03      mov     #-1, r3
   00006 ffff
4 00008 6031 $1      cmp     r3, r1
5                                .newblock          ; undefine $1
6 0000a 'c400      bne     $1
7 0000c 8213      inc     r3
8 0000e 3034 $1      add     r3, r4
9
```

Syntax**.option** *option list***Description**

The `.option` directive selects several options for the assembler output listing. The *option list* is a list of options separated by commas; each option selects a listing feature. Valid options include:

- B** Limits the listing of `.byte` directives to one line.
- F** Resets the B, M, T, and W options.
- H** Limit the listing of `.hword` directives to one line.
- L** Limit the listing of `.long`, `.int`, and `.word` directives to one line.
- M** Turns off macro expansions in the listing.
- T** Limits the listing of `.string` directives to one line.
- X** Produces a symbol cross-reference listing.

Options *are not* case sensitive.

Example

This example limits the listings of the `.byte`, `.hword`, `.long`, `.word`, `.int`, and `.string` directives to one line each.

```
1
2
3
4
5
6 0000 bd
7 0003 15aa
8 0007 59
9
10
11
12
13 000a bd
    000b b0
    000c 05
14 000d 15aa
    000f 0078
15 0011 59
    0012 45
    0013 53
16
17
18
19
20
21
22
23 0014 bd
    0015 b0
    0016 05
24 0017 15aa
    0019 0078
25 001b 59
    001c 45
    001d 53
26
```

```
*****
* Limit the listing of .byte, .word, *
* .string directives to 1 line each *
*****
        .option B, W, T
        .byte  -'C', 0B0h, 5
        .word  5546, 78h
        .string "YES"
*****
* Reset the listing options *
*****
        .option F
        .byte  -'C', 0B0h, 5
        .word  5546, 78h
        .string "YES"
*****
* Use the A option to ignore all *
* other options and directives *
*****
        .option A
        .nolist
        .option B, W, T
        .byte  -'C', 0B0h, 5
        .word  5546, 78h
        .string "YES"
        .list
```

Syntax**.page****Description**

The `.page` directive produces a page eject in the listing file. The source statement is not printed in the source listing, but the line counter is incremented. Using the `.page` directive to divide the source listing into logical divisions improves program readability.

Example

This example causes the assembler to begin a new page of the source listing.

This is the source file:

```
.title  "**** The PAGE DIRECTIVE ****"  
.string "Page 1"  
.page           ;the directive won't be printed  
.string "Page 2"
```

This is the listing file:

```
TMS320C3x/4x COFF Assembler   Version x.xx   Wed Feb  1 11:09:27 1997  
Copyright (c) 1987-1997 Texas Instruments Incorporated
```

```
**** The PAGE DIRECTIVE ****                                PAGE    1  
      2 00000000 65676150      .string "Page 1"  
      00000001 00003120
```

```
TMS320C3x/4x COFF Assembler   Version x.xx   Wed Feb  1 11:09:27 1997  
Copyright (c) 1987-1997 Texas Instruments Incorporated
```

```
**** The PAGE DIRECTIVE ****                                PAGE    2  
      4 00000002 65676150      .string "Page 2"  
      00000003 00003220  
      5
```

Syntax**.regalias****Description**

The `.regalias` directive allows registers named F_n to be aliases for floating-point versions of R_n data registers. This type of aliasing makes floating-point operations more obvious within the assembly code.

This directive should be placed near the beginning of an assembly file. The assembler does not accept F register aliasing by default, since you may have existing code that uses F aliases for other purposes.

The code generator uses this directive in every file it creates, because it always refers to F registers in floating-point instructions.

Example

The code below displays assembly instructions without F aliasing:

```
addi    r1,r2,r3
sti     r3,@C1
addf    r4,r5,r6
stf     r6,@C2
fix     r3,r3
```

Here is the equivalent code that includes the `.regalias` directive and F aliasing:

```
.regalias
addi    r1,r2,r3
sti     r3,@C1
addf    f4,f5,f6
stf     f6,@C2
fix     f3,r3
```

Syntax

```
.sect "section name" [, value]
```

Description

The `.sect` directive defines named sections that are used like the default `.text` and `.data` sections. The `.sect` directive begins assembling source code into the named section. Named sections can be used for data or code that must be allocated into memory separately from `.text` or `.data`.

The *section name* identifies a section that the assembler assembles code into. The *name* is significant to 8 characters and may be enclosed in quotes.

Note that the `.asect` directive is similar to the `.sect` directive; however, `.asect` creates a named section that has *absolute addresses*. If you use the `.asect` directive to define an absolute named section, you can use the `.sect` directive later in the program to continue assembling code into the absolute section.

Chapter 2 provides additional information about named sections.

Example

This example defines a section, *Sym_Defs*, and assembles code into it.

```
1          *****
2          ** Begin assembling into .text          **
3          *****
4 00000000          .text
5 00000000 07020001          LDF      R1,R2
6 00000001 07040003          LDF      R3,R4
7          *****
8          ** Begin assembling into Sym_.Defs      **
9          *****
10 00000000          .sect   "Sym_Defs"
11 00000000 0148f5c3          .float  3.14
12 00000001 0000000f          .hword 0Fh
13 00000002 07060005          LDF      R5,R6
14          *****
15          ** Resume assembling into .text          **
16          *****
17 00000002          .text
18 00000002 080a0009          LDI      AR1,AR2
19 00000003 00000003          .byte   3,4
20          *****
21          ** Resume assembling into Sym_.Defs      **
22          *****
23 00000003          .sect   "Sym_Defs"
24 00000003 aabbccdd          .long   0aabbccddh
```

Syntax

```
symbol .set value
symbol .equ value
```

Description

The `.set` and `.equ` directives equate a constant value to a symbol. The symbol can then be used in place of a value in assembly source. This allows you to equate meaningful names with constants and other values. The `.set` and `.equ` directives are identical and can be used interchangeably.

- ❑ The *symbol* must appear in the label field.
- ❑ The *value* must be a well-defined expression; that is, all symbols in the expression must have been previously defined in the current module.

Undefined symbols or symbols that are defined later in the module cannot be used in the expression. If the expression is relocatable, the symbol to which it is assigned is also relocatable.

The value of the expression appears in the object field of the listing. This value is not part of the actual object code and is not written to the output file.

Symbols defined with `.set` can be made externally visible with the `.def` or `.global` directive. In this way you can define “global” absolute constants.

The `.asg` directive can be used in many of the same ways as the `.set` directive, but while `.set` assigns a constant value (cannot be redefined) to a symbol, `.asg` assigns a string (can be redefined) to a substitution symbol.

Example

This example shows how symbols can be assigned with `.set`.

```
1          *****
2          ** Equate symbol FP with register AR3 **
3          *****
4          0000000b FP      .set      AR3
5 00000000 0840c300      LDI *FP, R0
6          *****
7          ** Set symbol "count" to an integer and **
8          ** use it as an immediate operand **
9          *****
10         0000012c count .set      300
11 00000001 0860012c      LDI count, R0
12         *****
13         ** Set PI and use it as a constant **
14         *****
15         0003243f PI      .equ    3.141592654
16 00000002 01490fdb      .float PI
```

Syntax

.space *size in words*

Description

The .space directive reserves *size* number of words in the current section and fills them with 0s. The section program counter is incremented to point to the word following the reserved space.

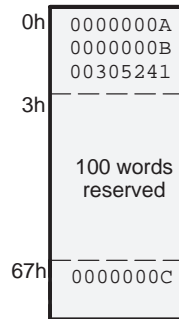
The .space directive is equivalent to *size* number of .word 0 directives.

Example

This example reserves 100 0-filled words in the .text section. Note that the SPC equals 03h before the .space directive is assembled; after the .space directive is assembled, the SPC is incremented to equal 067h.

```
1          *****
2          * Begin assembling into .text          *
3          *****
4 00000000          .text
5 00000000 0000000a          .word  0Ah, 0Bh
   00000001 0000000b
6 00000002 00305241          .string "AR0"
7          *****
8          * Reserve a block of 100 words in .text *
9          *****
10 00000003 00000000 Sp_X:   .space 100
11 00000067 0000000c          .word  0Ch          ; Still in .text
12 00000068 00000003'          .word  Sp_X
13
```

Figure 4–2. The .space Directive



Syntax

.sslist
.ssnolist

Description

Two directives enable you to control substitution symbol expansion in the listing file:

- The **.sslist** directive allows substitution symbol expansion in the listing file. The expanded line appears below the actual source line.
- The **.ssnolist** directive inhibits substitution symbol expansion in the listing file.

By default, all substitution symbol expansion in the listing file is inhibited. The lines with the pound (#) character denote expanded substitution symbols.

Example

This example shows code that by default (.ssnolist directive) inhibits the listing of substitution symbol expansion, and it shows the .sslist directive assembled, which tells the assembler to list substitution symbol code expansion.

```
          1 00000000          .bss    x, 1
          2 00000001          .bss    y, 1
          3                      ADDTWO .macro a, b, reg
          4                      LDI     @a, reg
          5                      ADDI    @b, reg
          6                      STI     reg, @98EAh
          7                      .endm
          8
          9 00000000          ADDTWO  x,y,R0
1         00000000 08200000-   LDI     @x, R0
1         00000001 02200001-   ADDI    @y, R0
1         00000002 152098ea   STI     R0, @98EAh
          10
          11 00000003          ADDTWO  x,y,R1
1         00000003 08210000-   LDI     @a, reg
#         #                      LDI     @x, R1
1         00000004 02210001-   ADDI    @b, reg
#         #                      ADDI    @y, R1
1         00000005 152198ea   STI     reg, @98EAh
#         #                      STI     R1, @98EAh
```

Syntax

```
.string "string1" [, ... , "stringn"]
```

Description

The `.string` directive places 8-bit characters from a character string into the current section. The data is packed so that each word contains four 8-bit values. Each *string* is either:

- An expression that the assembler will evaluate and treat as a 32-bit signed number, or
- A character string enclosed in double quotes. Each character represents a separate value.

Values are packed into words, starting with the least significant byte of the word and moving toward the most significant portion as more bytes are added. Any unused space is padded with null bytes (0s). This directive differs from `.byte` in that `.byte` does not pack values into words.

The assembler truncates any values that are greater than 8 bits. You may have up to 100 operands, but they must fit on a single source statement line.

If you use a label, it points to the first word that is initialized.

Example

This example places 8-bit values into words in the current section.

```
1 00000000 44434241 Str_3:  .string  "ABCD"
2 00000001 54535251      .string  51h, 52h, 53h, 54h
3 00000002 73756F48      .string  "Houston"
  00000003 006E6F74
4 00000004 00000030      .string  36 + 12
```

Syntax

```
[ stag ]      .struct      [ expr ]
[ mem0 ]    element      [ expr0 ]
[ mem1 ]    element      [ expr1 ]
.            .            .
.            .            .
[ memn ]    .tag stag     [ exprn ]
.            .            .
[ memN ]    element      [ exprN ]
[ size ]     .endstruct
label       .tag          stag
```

Description

The `.struct` directive assigns symbolic offsets to the elements of a data structure definition. This enables you to group similar data elements together and then let the assembler do the element offset calculation. This is similar to a C structure or a Pascal record. The `.struct` directive does not allocate any memory; it merely creates a symbolic template that can be used repeatedly.

The `.tag` directive gives structure characteristics to a label, simplifying the symbolic representation and providing the ability to define structures that contain other structures. `.tag` does not allocate memory. The structure tag (`stag`) of a `.tag` directive must have been previously defined.

- [*stag*] Is the structure's tag. Its value is associated with the beginning of the structure. If no `stag` is present, this tells the assembler to put the structure members in the global symbol table with their value being their absolute offset from the top of the structure.
- [*expr*] Is an expression indicating the beginning offset of the structure. Structures default to start at 0.
- [*mem_n*] Is a label for a member of the structure. This label is absolute and equates to the present offset from the beginning of the structure. A label for a member structure cannot be declared global.
- element* Is one of the following descriptors: `.string`, `.byte`, `.word`, `.float`, `.tag`, `.struct`, and `.field`. All of these, except `.tag`, are typical directives that initialize memory. Following a `.struct` directive, these directives describe the structure element's size. They **do not** allocate memory. A `.tag` directive is a special case because a `stag` must be specified (as in the definition).
- [*expr_n*] Is an expression for the number of elements described. This value defaults to 1. Note that a `.string` element is considered to be one byte in size, and a `.field` element is one bit.
- [*size*] Is a label for the total size of the structure.

Note: The Types of Directives That Can Appear in a struct/.endstruct Sequence

The only directives that can appear in a .struct/.endstruct sequence are element descriptors, conditional assembly directives, and the .align directive, which aligns the member offsets on byte boundaries. Note that empty structures are illegal.

```
Example 1  1      0000      real_rec .struct      ; stag
            2      0000      nom      .byte        ; member1 = 0
            3      0001      den      .byte        ; member2 = 1
            4      0002      real_len .endstruct ; real_len = 2
            5
            6 0000 -8a0001      mov      &real+real_rec.den, A ; access
            7
            8 0000      .bss real, real_len      ; allocate

Example 2  6      0000      cplx_rec .struct      ; stag
            7      0000      reali   .tag real_rec ; member1 = 0
            8      0002      imagi   .tag real_rec ; member2 = 2
            9      0004      cplx_len .endstruct      ; cplx_len = 4
           10
           11      complex .tag cplx_rec
           12 0000      .bss complex, cplx_len ; allocate
           13
           14 0000 -8a0002      mov      &complex.imagi.nom, A
           15 0003 -8d0001      cmp      &complex.reali.den, A
           16

Example 3  1      0000      .struct      ; no stag puts memNs into
            2      0000      ; global symbol table
            3      0000      x      .byte        ; create 3 dim templates
            4      0001      y      .byte
            5      0002      z      .byte
            6      .endstruct

Example 4  1      0000      bit_rec.struct ; stag
            2      0000      stream .string 64
            3      0040      bit7   .field 7
            4      0040      bit1   .field 1
            5      0041      bit5   .field 5
            6      0042      x_int  .byte
            7      0043      bit_len.endstruct
            8
            9
           10      bits   .tag bit_rec
           11 0000      .bss bits, bit_len
           12
           13 0000 -8a0040      mov &bits.bit7, A ; load field
           14 0003 237f      and #7fh, A ; mask off garbage
```

Syntax**.tab** *size***Description**

The `.tab` directive defines the tab size. Tabs encountered in the source input will be translated to size spaces in the listing. The default tab size is eight.

Example

Each of the following lines consists of a single tab character followed by a NOP instruction, another tab, and a comment.

```
1                                     ; default tab size
2 00000000 0c800000          nop      ;no-op
3 00000001 0c800000          nop      ;no-op
4 00000002 0c800000          nop      ;no-op
5                                     .tab 4
6 00000003 0c800000          nop ;no-op
7 00000004 0c800000          nop ;no-op
8 00000005 0c800000          nop ;no-op
9                                     .tab 16
10 00000006 0c800000          nop              ;no-op
11 00000007 0c800000          nop              ;no-op
12 00000008 0c800000          nop              ;no-op
13
```

Syntax

.text

Description

The `.text` directive tells the assembler to begin assembling into the `.text` section, which typically contains executable code. The section program counter is set to 0 if nothing has yet been assembled into the `.text` section. If code has already been assembled into the `.text` section, the section program counter resumes its previous value in the section.

Note that the assembler assumes that `.text` is the default section. Therefore, at the beginning of an assembly, the assembler assembles code into the `.text` section unless you specify one of the other initialized-section directives (`.data`, `.sect`, or `.asect`).

For more information about COFF sections, see Chapter 2.

Example

This example assembles code into the `.text` and `.data` sections. The `.text` section contains bytes 1, 2, 3, and 4, and the `.data` section contains bytes 5, 6, 7, and 8.

```
1          ****
2          ** .text section (default)          **
3          ****
4 00000000 00000001          .byte  1
5 00000001 00000002          .byte  2,3
   00000002 00000003
6          ****
7          ** switch to .data                  **
8          ****
9 00000000          .data
10 00000000 00000007          .byte  7,8
   00000001 00000008
11         ****
12         ** Resume assembling into .text     **
13         ****
14 00000003          .text
15 00000003 00000004          .byte  4
16
```

Syntax

```
.title "string"
```

Description

The `.title` directive supplies a title that is printed in the heading on each listing page. The source statement itself is not printed, but the line counter is incremented. The *string* is a quote-enclosed title of up to 50 characters. If you supply more than 50 characters, the assembler truncates the string and issues a warning.

The assembler prints the title on the page that follows the directive, and on subsequent pages until another `.title` directive is processed. If you want a title on the first page of a listing, then the first source statement must be a `.title` directive.

Example

This example prints the title `**** Floating Point Routines ****` in the page headings of the source listing.

Source file:

```
.title **** Floating Point Routines ****
```

Listing file:

```
TMS320C3x/4x COFF Assembler    Version x.xx    Wed Feb  1 11:09:27 1997
Copyright (c) 1987-1997 Texas Instruments Incorporated
**** Floating Point Routines ****                                PAGE    1
```

Syntax

```
symbol .usect "section name", size in words [, word alignment flag]
```

Description

The `.usect` directive reserves space for variables in an uninitialized, named section. This directive is similar to the `.bss` directive; both simply reserve space for data and have no contents. However, `.usect` defines additional sections that can be placed anywhere in memory, independently of the `.bss` section.

- ❑ The *symbol* points to the first location reserved by this invocation of the `.usect` directive. The *symbol* corresponds to the name of the variable that you're reserving space for.
- ❑ Only the first 8 characters of the *section name* are significant. The *section name* may be enclosed in quotes. This parameter names the uninitialized section.
- ❑ The *size* is an expression that defines the number of words that will be reserved in section *name*.

Other sections directives (`.text`, `.data`, `.sect`, and `.asect`) end the current section and tell the assembler to begin assembling into another section. The `.usect` and the `.bss` directives, however, do not affect the current section. The assembler assembles the `.usect` and the `.bss` directives and then resumes assembling into the current section.

You can repeat the `.usect` directive to define more than one variable in the specified section. Variables that can be located contiguously in memory can be defined in the same section by using multiple `.usect` directives with the same section name.

For more information about COFF sections, see Chapter 2.

Example

This example uses the `.usect` directive to define two uninitialized, named sections, *var1* and *var2*. The symbol *ptr* points to the first word reserved in the *var1* section. The symbol *array* points to the first word in a block of 100 words reserved in *var1*, and *dflag* points to the first word in a block of 50 words in *var1*. The symbol *vec* points to the first word reserved in the *var2* section.

Figure 4–3 on page 4-72 shows how this example reserves space in two uninitialized sections, *var1* and *var2*.

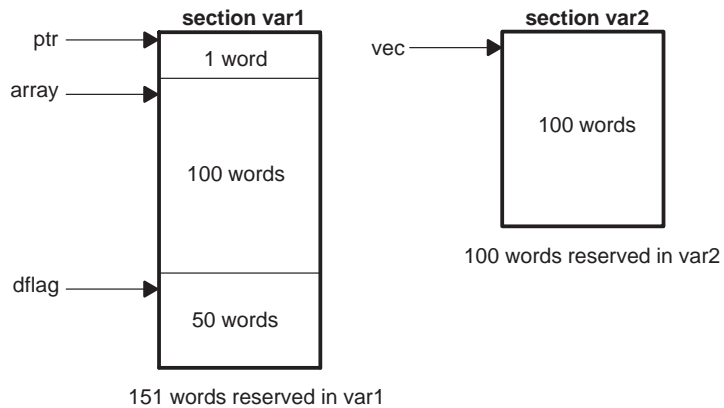
Example 4–8. Defining Two Uninitialized, Named Sections

```

1          *****
2          * Assemble into .text          *
3          *****
4 00000000          .text
5 00000000 08010000          LDI    R0,R1
6          *****
7          * Reserve 1 word in var1      *
8          *****
9 00000000          ptr    .usect  "var1", 1
10         *****
11         * Reserve 100 more words in var1 *
12         *****
13 00000001          array  .usect  "var1", 100
14 00000001 08020001          LDI    R1,R2 ; Still in .text
15         *****
16         * Reserve 50 more words in var1 *
17         *****
18 00000065          dflag  .usect  "var1", 50
19 00000002 08030002          LDI    R2,R3 ; Still in .text
20         *****
21         * Reserve 100 words in var2    *
22         *****
23 00000000          vec    .usect  "var2", 100
24 00000003 08200000-        LDI    @vec,R0 ; Still in .text
25         *****
26         * Declare an external .usect symbol *
27         *****
28         .global array
29

```

Figure 4–3. The `.usect` Directive



Syntax

.version *generation number*

Description

The `.version` directive tells the assembler which generation processor this code is for. Valid generation numbers are 30, 31, 32, 40 and 44. The default is 30. The version directive must appear before an instruction or directive, or else an error will occur. The version directive can be used instead of the `-v` command line option.

Example

In this example, the code will always be assembled and linked for the 'C40 processor unless overridden by a `-v` command line option:

```
.version 40                ; target is TMS320C40
    ADDI    5,  *+AR0(5), R0
```

Instruction Set

The TMS320C3x/C4x assembler supports a base set of general-purpose instructions as well as arithmetic instructions that are particularly suited for digital signal processing and other numeric-intensive applications.

This chapter does not cover topics such as opcodes or instruction timing; the *TMS320C3x User's Guide* and *TMS320C4x User's Guide* discuss the instruction set in detail. Those user's guides also contain an alphabetical presentation, which is similar to the directives reference in Chapter 4 of this book.

This chapter provides a general summary of the TMS320C3x and TMS320C4x instruction sets:

- Section 5.1 lists information that will help you use the instruction set, including addressing modes, optional syntaxes, condition codes and flags, and abbreviations and symbols.
- Section 5.2 describes the instructions according to function.
- Section 5.3 contains the instruction set summary table, which provides each instruction's syntax, operation, and description.

Topic	Page
5.1 Using the Instruction Set Summary	5-2
5.2 Functional Summary of the Instruction Set	5-8
5.3 Instruction Set Summary Table	5-20

5.1 Using the Instruction Set Summary

This section summarizes addressing modes, optional syntaxes, condition codes and flags, and symbols and abbreviations used in the summary table.

5.1.1 Addressing Modes

The *TMS320C3x* and *TMS320C4x User's Guides* discuss addressing modes in detail. In some cases, the addressing modes are different for the TMS320C30 and TMS320C40:

□ General addressing modes

Register mode: The operand is a CPU register. For floating-point operations, use an extended register, (R0–R7) (R0–R11 on the C40). For integer operations, use any register.

Direct mode: The operand is the contents of a 32-bit address, specified by @addr. The 16 MSBs of the address are specified by the DP register; the 16 LSBs are specified by the instruction word. On the C30, addresses are limited to 24 bits.

Indirect mode: An auxiliary register contains the address of the operand. Table 5–1 lists the various forms that indirect operands may take. The displacement may be specified as a value from 0–255 or as one of the index registers (IR0 or IR1).

It is not necessary to specify the displacement if it is 1, because the assembler assumes a default displacement of 1. For example, `*++ARn` is equivalent to `*++ARn(1)`.

Short immediate mode: The operand is a 16-bit immediate value. Short immediate operands may be signed integers, unsigned integers, or floating-point values, depending on the instruction.

□ Three-operand addressing modes

All three-operand instructions are written **OP3 src2, src1, dest**

OP opcode, 3 is optional

src2, src1 operands (see Table 5–1 for legal combinations)

dest destination register

Register mode: Same as for general addressing modes. Must be R0–R7 for floating-point operations.

Indirect mode with 1-bit displacement: Same as for general addressing modes, except the displacement is limited to 0, 1, IR0, or IR1.

Immediate mode (C40 Only): The operand is a 5-bit signed integer constant in the range -16 to 15 . This mode is available for integer operations only.

Indirect mode with 5-bit displacement (C40 only): $*+AR$ (0 to 31)

Parallel addressing modes

Register mode: The operand is an extended register (R0–R7). In some cases, only R0/R1 or R2/R3 can be used as an operand.

Indirect mode: Same as for general addressing modes, except that the displacement is limited to 0, 1, IR0, or IR1.

Conditional-branch addressing modes

Register mode: The contents of the register are loaded into the PC.

PC-relative mode: A signed 16-bit or 24-bit displacement (LSBs of the instruction word) is added to the PC. The destination address is usually specified as a label; the assembler calculates the displacement.

Table 5–1. Indirect Addressing

Operand	Description
*ARn	Indirect with no displacement
*+ARn(<i>disp</i>)	Indirect with predisplacement or preindex add
*-ARn(<i>disp</i>)	Indirect with predisplacement or preindex subtract
*++ARn(<i>disp</i>)	Indirect with predisplacement or preindex add and modification
*--ARn(<i>disp</i>)	Indirect with predisplacement or preindex subtract and modification
*ARn++(<i>disp</i>)[%] †	Indirect with postdisplacement or postindex add and modification
*ARn--(<i>disp</i>)[%] †	Indirect with postdisplacement or postindex subtract and modification
*ARn++(IR0)B	Indirect with postindex (IR0) and bit-reversed modification

† Optional circular modification (specified by %)

5.1.2 Optional Syntax

The assembler allows a relaxed syntax form for several instructions. These optional forms simplify the assembly language so that you can ignore special-case syntax for some instructions.

- If the source and destination register are the same, you need specify the register only once. Instructions that can use this optional syntax include: **ABSF**, **ABSI**, **FIX**, **FLOAT**, **NEGB**, **NEGF**, **NEGI**, **NORM**, **NOT**, **RND**, **RCPF**, **RSQRF**, **TOIEEE**, **FRIIEE**, **SIGI**. For example,

- ABSIR0,R0 *can be written as* ABSIR0
- ❑ You can omit the displacement for indirect operands; the assembler will assume a displacement of 1. Instructions that use general addressing modes, three-operand addressing modes, or parallel addressing modes may have indirect address operands. For example,
LDI *AR0++(1),R0 *can be written as* LDI *AR0++,R0
 - ❑ Immediate-mode operands can be written with an @ symbol. The branch and call instructions can use this optional syntax. For example,
BR label *can be written as* BR @label
 - ❑ All 3-operand instructions can be written without the 3. For example,
ADDI3 R0,R1,R2 *can be written as* ADDI R0,R1,R2
 - ❑ All conditional instructions accept the suffix U to indicate unconditional operation. Also, the U can be omitted from unconditional short branch instructions. For example,
BU label *can be written as* B label
 - ❑ Labels can be written with or without a trailing colon. For example,
label0: NOP *can be written as* label0 NOP
 - ❑ STIK can be written as STI:
STIK 5, *AR1 *can be written as* STI 5, *AR1
 - ❑ Any commutative 3-operand instruction can be written with the operands in any order. This applies to **ADDC**, **ADDI**, **MPYI**, **AND**, **OR**, **XOR**, **ADDF**, **MPYF**, **MPYSHI**, **MPYUI**, **TSTB**.
ADDI3 10,*AR3++(1),R2 *can be written as* ADDI *AR3+(1),10,R2

5.1.3 Condition Codes and Flags

The TMS320C3x/C4x assembler provides 20 condition codes (00000–10100 excluding 01011) and seven condition flags for use with the conditional instructions, such as *RETScond* or *LDFcond*.

The conditions include signed and unsigned comparisons, comparisons to zero, and comparisons based on the status of individual condition flags. Note that all conditional instructions can accept the suffix U to indicate unconditional operation.

The seven condition flags supply information about properties of the result of arithmetic and logical instructions. The condition flags are stored in the status

register (ST) and are affected by an instruction according to the SET COND bit of the status register.

Table 5–2 summarizes the condition codes and flags:

Table 5–2. Condition Codes and Flags

Unconditional Compares			
Condition	Code	Description	Flag
U	00000	Unconditional	Don't care
Unsigned Compares			
LO	00001	Lower than	C
LS	00010	Lower than or same as	C OR Z
HI	00011	Higher than	\sim C AND \sim Z
HS	00100	Higher than or same as	\sim C
EQ	00101	Equal to	Z
NE	00110	Not Equal to	\sim Z
Signed Compares			
L	00111	Less than	N
LE	01000	Less than or equal to	N OR Z
GT	01001	Greater than	\sim N AND \sim Z
GE	01010	Greater than or equal to	\sim N
EQ	00101	Equal to	Z
NE	00110	Not equal to	\sim Z
Compare to Zero			
Z	00101	Zero	Z
NZ	00110	Not zero	\sim Z
P	01001	Positive	\sim N AND \sim Z
N	00111	Negative	N
NN	01010	Nonnegative	\sim N

Table 5–2 Condition Codes and Flags (Continued)

Compare to Condition Flags			
NN	01010	Nonnegative	~N
N	00111	Negative	N
NZ	00110	Nonzero	~Z
Z	00101	Zero	Z
NV	01100	No overflow	~V
V	01101	Overflow	V
NUF	01110	No underflow	~UF
UF	01111	Underflow	UF
NC	00100	No carry	~C
C	00001	Carry	C
NLV	10000	No latched overflow	~LV
LV	10001	Latched overflow	LV
NLUF	10010	No latched floating-point underflow	~LUF
LUF	10011	Latched floating-point underflow	LUF
ZUF	10100	Zero or floating-point underflow	Z OR UF

Note: The ~ means logical complement .

5.1.4 Symbols and Abbreviations

Table 5–3 lists the symbols and abbreviations used in the individual instruction descriptions.

Table 5–3. Instruction Symbols

Symbol	Meaning
src	Source operand
src1	Source operand 1
src2	Source operand 2
src3	Source operand 3
src4	Source operand 4
dst	Destination operand
dst1	Destination operand 1
dst2	Destination operand 2
disp	Displacement
cond	Condition
count	Shift count
G	General addressing modes
T	Three-operand addressing modes
P	Parallel addressing modes
B	Conditional-branch addressing modes

Table 5–3 Instruction Symbols (Continued)

Symbol	Meaning
ARn	Auxiliary register n
IRn	Index register n
Rn	Register address n
RC	Repeat count register
RE	Repeat end address register
RS	Repeat start address register
ST	Status register
C	Carry bit
GIE	Global interrupt enable bit
N	Trap vector
PC	Program counter
RM	Repeat mode flag
SP	System stack pointer
x	Absolute value of x
$x \rightarrow y$	Assign the value of x to destination y
$x(man)$	Mantissa field (sign + fraction) of x
$x(exp)$	Exponent field of x

5.2 Functional Summary of the Instruction Set

The TMS320C3x/C4x instruction set is exceptionally well-suited to digital signal processing and other numeric-intensive applications. All instructions are a single machine word long, and most instructions take a single cycle to execute.

The instruction set contains 135 instructions organized into the following functional groups:

Subject	Page
Load and Store	5-8
Arithmetic	5-10
Logic	5-11
Program Control	5-11
Interlocked Operations	5-12
Conversion	5-13
Three Operand	5-13
Parallel	5-14
TMS320C40 only	5-18
LDP and LDPK Instructions	5-19

5.2.1 Load-and-Store Instructions

The TMS320C3x and TMS320C4x support 23 load and store instructions, which are summarized in Table 5–4. These instructions:

- Load a word from memory into a register,
- Store a word from a register into memory, or
- Manipulate data on the system stack.

Two of these instructions can load data conditionally. This is useful for locating the maximum or minimum value in a data set. See the *TMS320C4x User's Guide* for more information about the condition codes.

Table 5–4. Summary of Load-and-Store Instructions

Instruction	Description	'C4x Only
<i>LBb</i>	Load byte (signed)	√
<i>LBUb</i>	Load byte (unsigned)	√
<i>LDA</i>	Load address register	√
<i>LDE</i>	Load floating-point exponent	
<i>LDF</i>	Load floating-point value	
<i>LDFcond</i>	Load floating-point value conditionally	
<i>LDHI</i>	Load 16-bit unsigned immediate into 16 MSBs	√
<i>LDI</i>	Load integer	
<i>LDIcond</i>	Load integer conditionally	
<i>LDM</i>	Load floating-point mantissa	
<i>LDPE</i>	Load integer, primary register to expansion file register	√
<i>LDPK</i>	Load DP register immediate	√
<i>LHW</i>	Load half-word signed	√
<i>LHUw</i>	Load half-word unsigned	√
<i>LWLct</i>	Load word left-shifted	√
<i>LWRct</i>	Load word right-shifted	√
<i>POPF</i>	Pop floating-point value from stack	
<i>PUSH</i>	Push integer on stack	
<i>PUSHF</i>	Push floating-point value on stack	
<i>STF</i>	Store floating-point value	
<i>STI</i>	Store integer	
<i>STIK</i>	Store integer immediate	√

5.2.2 Arithmetic Instructions

The TMS320C3x and TMS320C4x support a complete set of arithmetic instructions. These instructions provide integer operations, floating-point operations, and multiprecision arithmetic. Table 5–5 summarizes these instructions.

Table 5–5. Summary of Arithmetic Instructions

Instruction	Description	'C4x Only
ABSF	Absolute value of a floating-point number	
ABSI	Absolute value of an integer	
ADDC †	Add integers with carry	
ADDF †	Add floating-point values	
ADDI †	Add integers	
ASH †	Arithmetic shift	
CMPF †	Compare floating-point values	
CMPI †	Compare integers	
FIX	Convert floating-point value to integer	
FLOAT	Convert integer to floating-point value	
MPYF †	Multiply floating-point values	
MPYI †	Multiply integers	
MPYSHI †	Multiply signed integers; store 32 MSB product	√
MPYUHI †	Multiply unsigned integers; store 32 MSB product	√
NEGB	Negate integer with borrow	
NEGF	Negate floating-point value	
NEGI	Negate integer	
NORM	Normalize floating-point value	
RCPR	Reciprocal of floating point	√
RND	Round floating-point value	
RSQRF	Reciprocal of square root, floating point	√
SUBB †	Subtract integers with borrow	
SUBC	Subtract integers conditionally	
SUBF †	Subtract floating-point values	
SUBRB	Subtract reverse-integer with borrow	
SUBRF	Subtract reverse floating-point value	
SUBRI	Subtract reverse integer	

† Two- and three-operand versions

5.2.3 Logic Instructions

The TMS320C3x and TMS320C4x support a complete set of logical instructions, which are summarized in Table 5–6.

Table 5–6. Summary of Logical Instructions

Instruction	Description	'C4x Only
AND †	Bitwise logical AND	
ANDN †	Bitwise logical AND with complement	
LSH †	Logical shift	
NOT	Bitwise logical complement	
OR †	Bitwise logical OR	
ROL	Rotate left	
ROLC	Rotate left through carry	
ROR	Rotate right	
RORC	Rotate right through carry	
TSTB †	Test bit fields	
XOR †	Bitwise exclusive OR	

† Two- and three-operand versions

5.2.4 Program-Control Instructions

The program-control instruction group consists of all of those instructions (23) that affect program flow. The repeat mode allows repetition of a block of code (RPTB) or of a single line of code (RPTS). Both standard and delayed (single-cycle) branching are supported. Several of the program control instructions are capable of conditional operations. Table 5–7 lists the program control instructions.

Table 5–7. Summary of Program-Control Instructions

Instruction	Description	'C4x Only
<i>Bcond</i>	Branch conditionally (standard)	
<i>BcondAF</i>	Branch conditionally delayed and annul if false	√
<i>BcondAT</i>	Branch conditionally delayed and annul if true	√
<i>BcondD</i>	Branch conditionally, delayed	
BR	Branch unconditionally, standard	
BRD	Branch unconditionally, delayed	
CALL	Call subroutine	
<i>CALLcond</i>	Call subroutine conditionally	
<i>DBcond</i>	Decrement and branch conditionally, standard	

Table 5–7 Summary of Program-Control Instructions(Continued)

Instruction	Description	'C4x Only
DB <i>cond</i> [D]	Decrement and branch conditionally, delayed	
IDLE	Idle until interrupt	
IDLE2	Low–power idle	
LAJ	Link and jump	√
LAJ <i>cond</i>	Link and jump conditional	√
LAT <i>cond</i>	Link and trap conditional	√
LOPOWER	Divide clock by 16 ('C31 only)	
MAXSPEED	Restore clock to regular speed ('C31 only)	
NOP	No operation	
RET <i>cond</i>	Return from interrupt conditionally	
RET <i>cond</i> D	Return from trap or interrupt, delayed	√
RET <i>Scond</i>	Return from subroutine conditionally	
RPTB	Repeat block of instructions	
RPTBD	Repeat block, delayed	√
RPTS	Repeat single instruction	
SWI	Software interrupt	
TRAP <i>cond</i>	Trap conditionally	

5.2.5 Interlocked-Operation Instructions

The interlocked-operations instructions support multiprocessor communication and the use of external signals to allow for powerful synchronization mechanisms. They also guarantee the integrity of the communication and result in a high-speed operation. Table 5–8 lists the interlocked-operation instructions.

Table 5–8. Summary of Interlocked-Operation Instructions

Instruction	Description	'C4x Only
LDFI	Load floating-point value, interlocked	
LDII	Load integer, interlocked	
SIGI	Signal, interlocked	
STFI	Store floating-point value, interlocked	
STII	Store integer, interlocked	

5.2.6 Conversion Instructions

The TMS320C40 supports two floating-point format conversion instructions:

Table 5–9. Summary of Conversion Instructions

Instruction	Description	'C4x Only
FRIEEE	Convert IEEE floating-point format to 2s-complement floating-point format	√
TOIEEE	Convert 2s-complement format to IEEE floating-point format	√

5.2.7 Three-Operand Instructions

Most instructions have only two operands; however, several arithmetic and logical instructions have three-operand versions. Three-operand instructions allow the TMS320C3x/C4x to read two operands from memory or the register file in a single cycle. The following differentiates the two- and three-operand instructions:

- Two-operand instructions have a single source operand (or shift count) and a destination operand.
- Three-operand instructions may have two source operands (or one source operand and a count operand) and a destination operand. A source operand may be a memory word or a register. The destination of a three-operand instruction is always a register.

Table 5–10 lists the instructions that have three-operand versions. Note that the 3 in the mnemonic can be omitted from three-operand instructions.

Table 5–10. Summary of Three-Operand Instructions

Instruction	Description	'C4x Only
ADDC3	Add with carry	
ADDF3	Add floating-point values	
ADDI3	Add integers	
AND3	Bitwise logical AND	
ANDN3	Bitwise logical AND with complement	
ASH3	Arithmetic shift	
CMPF3	Compare floating-point values	
CMPI3	Compare integers	
LSH3	Logical shift	
MPYF3	Multiply floating-point values	
MPYI3	Multiply integers	
MPYSHI3	Multiply signed integer; store 32-MSB product	√
MPYUHI3	Multiply unsigned integer; store 32-MSB product	√
OR3	Bitwise logical OR	
SUBB3	Subtract integers with borrow	
SUBF3	Subtract floating-point values	
SUBI3	Subtract integers	
TSTB3	Test bit fields	
XOR3	Bitwise exclusive-OR	

5.2.8 Parallel Instructions

Some of the TMS320 instructions can occur in pairs that will be executed in parallel. Table 5–11 lists the valid instruction pairs. These **parallel instructions** allow:

- Parallel loading of register,
- Parallel arithmetic operations, **and**
- Arithmetic or logical instructions that can be used in parallel with a store instruction.

Each instruction in a pair is entered as a separate source statement; the second instruction must be preceded by two vertical bars (||). This example shows the syntax for parallel instructions:

```
label:   ADDI3  R0, *AR0, R1           ; Part 1 (label is
      || STI   R4, *+AR11.           ; optional)
      ; Part 2
```

Note that the first instruction in the pair may have a label, but the second instruction **cannot** have a label.

The assembler allows several relaxed syntax forms for parallel instructions:

- ❑ The vertical bars can be placed in column 1 or anywhere between column 1 and the mnemonic. Here is another example of valid syntax for parallel instructions:

```
label:    MPYI3  R0,*AR1,R0
          || ADDI3  *AR2,R1,R2
```

- ❑ The instructions in a parallel instruction pair may be specified in either order. For instance, the preceding example could also be specified as:

```
label:    ADDI3  *AR2,R1,R2
          || MPYI3  R0,*AR1,R0
```

- ❑ Alternate forms of the parallel/load and store/store instructions allow you to explicitly specify the execution order. These have the same syntax as the normal forms but the mnemonics are suffixed with “1” and “2”. For example, this is the normal form:

```
    STI    R0,*AR4    ; executes second
|| STI    R1,*AR4    ; executes first
```

can be written as

```
    STI1   R0,*AR4    ; executes first
|| STI2   R1,*AR4    ; executes second
```

- ❑ If one of the instructions in a pair uses a three-operand instruction, you can omit the 3 for that instruction.

```
    MPYI3  R0,*AR1,R0    can be           MPYI   R0,*AR1,R0
|| ADDI3  *AR2,R1,R2    written as || ADDI   *AR2,R1,R2
```

- ❑ All commutative operations can be written in either order. For example,

```
ADDI  *AR0,R1,R2    can be written as  ADDI  R1,*AR0,R2
```

- ❑ The third operand of a three-operand instruction specifies a destination register. You can omit the third operand if it is the same as the second operand. This allows you to use three-operand instructions that look like two-operand instructions. For example,

```
ADDI3  *AR0,R2,R2    can be           ADDI  *AR0,R2
MPYI3  *AR1,R0,R0    written as      MPYI  *AR1,R0
```

- ❑ Instructions that can use the preceding two syntaxes include:

```
ADDC3  AND3   LSH3   OR3   SUBI3
ADDF3  ANDN3  MPYF3  SUBB3  XOR3
ADDI3  ASH3   MPYI3
```

Note that all registers are read at the beginning of the execution cycle and loaded at the end of the execution cycle. If an instruction in a pair reads a register and another instruction writes to the same register, then the former instruction uses the contents of the register *before it is modified by the latter instruction*.

Table 5–11. Summary of Parallel Instructions

Parallel Arithmetic With Store Instructions		
Mnemonic	Description	'C4x Only
ABSF STF	Absolute value of a floating-point number and store floating-point value	
ABSI STI	Absolute value of an integer and store integer	
ADDF3 STF	Add floating-point values and store floating-point value	
ADDI3 STI	Add integers and store integer	
AND3 STI	Bitwise logical-AND and store integer	
ASH3 STI	Arithmetic shift and store integer	
FIX STI	Convert floating-point to integer and store integer	
FLOAT STF	Convert integer to floating-point value and store floating-point value	
FRIEEE STF	Convert IEEE floating point format and store	√
LDF STF	Load floating-point value and store floating-point value	
LDI STI	Load integer and store integer	
LSH3 STI	Logical shift and store integer	
MPYF3 STF	Multiply floating-point values and store floating-point value	
MPYI3 STI	Multiply integer and store integer	
NEGF STF	Negate floating-point value and store floating-point value	
NEGI STI	Negate integer and store integer	
NOT3 STI	Complement value and store integer	
OR3 STI	Bitwise logical-OR value and store integer	
STF STF	Store floating-point values	
STI STI	Store integers	
SUBF3 STF	Subtract floating-point value and store floating-point value	
TOIEEE STF	Convert to IEEE format and store	√
SUB3 STI	Subtract integer and store integer	
XOR3 STI	Bitwise exclusive-OR values and store integer	

Table 5–11. Summary of Parallel Instructions (Continued)

Parallel Load Instructions		
Mnemonic	Description	'C4x Only
LDF LDF	Load floating-point	
LDI LDI	Load integer	
Parallel Multiply and Add/Subtract Instructions		
Mnemonic	Description	'C4x Only
MPYF3 ADDF3	Multiply and add floating-point	
MPYF3 SUBF3	Multiply and subtract floating-point	
MPYI3 ADDI3	Multiply and add integer	
MPYI3 SUBI3	Multiply and subtract integer	

5.2.9 TMS320C4x-Only Instructions

Some of the instructions work only on the TMS320C4x. Table 5–12 lists these instructions.

Table 5–12. Summary of TMS320C4x-Only Instructions

Instruction	Description
<i>BcondAF</i>	Branch conditionally delayed and annul if false
<i>BcondAT</i>	Branch conditionally delayed and annul if true
FRIEEE	Convert from IEEE format
FRIEEE STF	Parallel FRIEEE and STF
LAJ	Link and Jump (Single-cycle subroutine call)
<i>LAJcond</i>	Link and jump conditionally (Single-cycle subroutine call)
<i>LATcond</i>	Link and trap conditional delayed (delayed conditional trap)
LBb	Load sign-extended byte
LBUb	Load unsigned byte
LDA	Load address register (faster than LDI for select registers)
LDEP	Load integer from expansion register file to primary register file
LDHI	Load 16 MSBs with 16-bit immediate
LDPE	Load integer from primary register file to expansion register file
LDPK	Load data-page pointer immediate
LHw	Load sign-extended half-word
LHUw	Load unsigned half-word
<i>LWLct</i>	Load word left-shifted (ct = no. of bytes to shift left, 1, 2, or 3)
<i>LWRct</i>	Load word right-shifted (ct = no. of bytes to shift right, 1, 2, or 3)
<i>MBct</i>	Merge byte left-shifted (ct = no. of bytes to shift left, 1, 2, or 3)
<i>MHct</i>	Merge half-word left-shifted (ct = no. of bytes to shift left)
MPYSHI	Multiply signed integer and produce 32 MSBs
MPYSHI3	Multiply signed integer and produce 32 MSBs (3 operand)
MPYUHI	Multiply unsigned integer and produce 32 MSBs
MPYUHI3	Multiply unsigned integer and produce 32 MSBs (3 operand)

Table 5–12. Summary of TMS320C4x-Only Instructions (Continued)

Instruction	Description
RCPF	Reciprocal of floating-point value
RET condD	Return from interrupt conditionally or trap conditionally delayed
RPTBD	Repeat block delayed
RSQRF	Reciprocal of the square root of a floating-point value
STIK	Store integer immediate value
TOIEEE	Convert to IEEE format
TOIEEE STF	Parallel TOIEEE and STF

5.2.10 LDP and LDPK Instructions

The **LDP** (load data page pointer) and **LDPK** (load data page pointer, immediate) instructions are special forms of the LDI (load integer) instruction.

LDP enables you to load a register (usually the DP register) with the page number of a relocatable address. A page number is represented by the eight MSBs of a 24-bit address. The page number is combined with the 16 LSBs of an instruction word to form a direct address.

LDP is a pseudo-op on the C4x only. If the destination register is the DP (default value), this instruction actually generates an LDPK instruction. Otherwise, it generates an LDIU instruction. Since the 'C30 does not have an LDPK instruction, LDP always generates an LDIU instruction.

LDPK allows you to load a 16-bit unsigned immediate value into the DP register. The value is loaded and ready for the next instruction for immediate addressing.

5.3 Instruction Set Summary Table

Syntax	Description	'C4x Only
ABSF <i>src,dst</i> [ABSF <i>dst</i>]	Absolute Value of a Floating-Point Number Operation: $ src \rightarrow dst$ Load the absolute value of the source operand into the destination register. The operands are floating-point numbers.	
ABSI <i>src,dst</i> [ABSI <i>dst</i>]	Absolute Value of an Integer Operation: $ src \rightarrow dst$ Load the absolute value of the source operand into the destination register. The operands are signed integers.	
ADDC <i>src,dst</i>	Add Integers With Carry Operation: $src + dst + C \rightarrow dst$ Add the contents of the source operand, the destination register, and the carry bit together, and store the sum in the destination register. The operands are signed integers.	
ADDC3 <i>src2,src1,dst</i> [ADDC <i>src2,src1,dst</i>]	Add Integers With Carry (3-Operand) Operation: $src1 + src2 + C \rightarrow dst$ Add source 1, source 2, and the carry bit together, and store the sum in the destination register. The operands are signed integers.	
ADDF <i>src,dst</i>	Add Floating-Point Values Operation: $src + dst \rightarrow dst$ Add the contents of the source operand to the contents of destination register and store the result in the destination register. The operands are floating-point numbers.	
ADDF3 <i>src2,src1,dst</i> [ADDF <i>src2,src1,dst</i>]	Add Floating-Point Values (3-Operand) Operation: $src1 + src2 \rightarrow dst$ Add source 1 and source 2 together and store the sum in the destination register. The operands are floating-point numbers.	
ADDI <i>src,dst</i>	Add Integers Operation: $src + dst \rightarrow dst$ Add the source operand to the contents of the destination register and store the sum in the destination register. The operands are signed integers.	
ADDI3 <i>src2,src1,dst</i> [ADDI <i>src2,src1,dst</i>]	Add Integers (3-Operand) Operation: $src1 + src2 \rightarrow dst$ Add source 1 and source 2 together and store the sum in the destination register. The operands are signed integers.	

Syntax	Description	'C4x Only
AND <i>src,dst</i> [AND <i>src,dst]</i>	Bitwise Logical AND Operation: $dst \text{ AND } src \rightarrow dst$ Perform a bitwise logical AND of the source operand and the destination register and store the result in the destination register. The operands are unsigned integers.	
AND3 <i>src2,src1,dst</i> [AND <i>src2,src1,dst]</i>	Bitwise Logical AND (3-Operand) Operation: $src1 \text{ AND } src2 \rightarrow dst$ Perform a bitwise logical AND of source 1 and source 2 and store the result in the destination register. All the operands are signed integers.	
ANDN <i>src, dst</i>	Bitwise Logical AND With Complement Operation: $dst \text{ AND } \sim src \rightarrow dst$ Perform a bitwise logical AND of the destination register and the bitwise logical complement (\sim) of the source operand, and store the result into the destination register. Both operands are unsigned integers.	
ANDN3 <i>src2,src1,dst</i> [ANDN <i>src2,src1,dst]</i>	Bitwise Logical ANDN (3-Operand) Operation: $src1 \text{ AND } \sim src2 \rightarrow dst$ Perform a bitwise logical AND of source operand 1 and the bitwise logical complement (\sim) of the source operand 2, and store the result into the destination register. All the operands are signed integers.	
ASH <i>count,dst</i>	Arithmetic Shift Operation: If $count \geq 0$ $dst \ll count \rightarrow dst$ Else $dst \gg count \rightarrow dst$ The seven LSBs of count are used to generate the 2s-complement shift count (up to 32 bits). If $count > 0$, left-shift the contents of the destination register by count. Low-order bits are filled with 0s, and high-order bits are shifted out through the carry bit. If $count < 0$, right-shift the contents of the destination register by the absolute value of count. High-order bits are sign-extended as they are right-shifted, and low-order bits are shifted out through the carry bit. If $count = 0$, no shift is performed and the carry bit is set to 0. Both operands are signed integers.	

Syntax	Description	'C4x Only
ASH3 <i>count,src,dst</i> [ASH <i>count,src,dst]</i>	<p>Arithmetic Shift (3-Operand)</p> <p>Operation: If $count \geq 0$ $src \ll count \rightarrow dst$ Else $src \gg count \rightarrow dst$</p> <p>The seven LSBs of count are used to generate the 2s-complement shift count (up to 32 bits).</p> <p>If $count > 0$, left-shift the source operand by count. Low-order bits will be filled with 0s, and high-order bits are shifted out through the carry bit.</p> <p>If $count < 0$, right-shift the contents of the destination register by the absolute value of count. High-order bits are sign-extended as they are right-shifted, and low-order bits are shifted out through the carry bit.</p> <p>If $count = 0$, no shift is performed and the carry bit is set to 0.</p>	
Bcond <i>src</i> [Bcond <i>@src]</i>	<p>Branch Conditionally (Standard)</p> <p>Operation: If <i>cond</i> = true If <i>src</i> is a register, $src \rightarrow PC$ If <i>src</i> is in PC-relative mode, $displacement + PC + 1 \rightarrow PC$ Else, continue</p> <p>Performs a branch if the condition is true.</p> <p>If the source operand is a register, its contents are loaded into the PC. If the source operand is expressed in PC-relative mode, the assembler generates a displacement: $displacement = label - (PC \text{ of branch instruction} + 1)$. The displacement is stored as a 16-bit signed integer in the 16 least significant bits of the branch instruction word. This displacement is added to the PC of the branch instruction + 1 to generate the new PC.</p> <p>The TMS320C40 provides 20 condition codes for use with this instruction. See the <i>TMS320C4x User's Guide</i> for more information.</p>	
BcondAF <i>src</i>	<p>Branch Conditionally Delayed and Annul if False</p> <p>Operation: If <i>cond</i> = true If <i>src</i> is a register, $src \rightarrow PC$ If <i>src</i> is in PC-relative mode, $src + PC \text{ of branch} + 3 \rightarrow PC$ Else If <i>cond</i> is false annul execute phase results of next three instructions and continue</p> <p>If the condition is true, the instruction performs a branch and the next three instructions. If the condition is false, the instruction annuls the effect of the execute phase of the next three instructions and continues.</p> <p>If the source operand is a register, its contents are loaded into the PC. If the source operand is an immediate value, then the sum of the PC (of the branch instruction) + 3 and the <i>src</i> are loaded into the PC.</p> <p>The three instructions following the BcondAF instruction may not modify the program flow.</p>	√

Syntax	Description	'C4x Only
BcondAT <i>src</i>	<p>Branch Conditionally Delayed and Annul if True</p> <p>Operation: If <i>cond</i> = true If <i>src</i> is a register, $src \rightarrow PC$ annul execute phase results of next three instructions If <i>src</i> is in PC-relative mode, $src + PC \text{ of branch} + 3 \rightarrow PC$ annul execute phase results of next three instructions Else, continue</p> <p>If the condition is true, the instruction performs a branch and annuls the effect of the execute phase of the next three instructions.</p> <p>If the source operand is a register, its contents are loaded into the PC. If the source operand is an immediate value, then the sum of the PC (of the branch instruction) + 3 and the <i>src</i> are loaded into the PC.</p> <p>The three instructions following the <i>BcondAT</i> instruction may not modify the program flow.</p>	√
BcondD <i>src</i> [BcondD @ <i>src</i>]	<p>Branch Conditionally (Delayed)</p> <p>Operation: If <i>cond</i> = true If <i>src</i> is a register, $src \rightarrow PC$ If <i>src</i> is in PC-relative mode, $displacement + PC + 3 \rightarrow PC$ Else, continue</p> <p>Performs a delayed branch that allows the three instructions after the delayed branch to be fetched before the condition is true if the condition is true.</p> <p>If the source operand is expressed as a register, its contents are loaded into the PC. If the source operand is expressed in PC-relative mode, the assembler generates a displacement: $displacement = label - (PC \text{ of branch instruction} + 1)$. The displacement is stored as a 16-bit signed integer in the 16 least significant bits of the branch instruction word.</p> <p>The three instructions following the <i>BcondD</i> instruction may not modify the program flow.</p>	
BR <i>src</i> [BR @ <i>src</i>]	<p>Branch Unconditionally</p> <p>Operation: $src \rightarrow PC$ C3x $PC + 1 + src \rightarrow PC$ C4x</p> <p>Performs an unconditional branch. The source operand is a 24-bit signed integer for the 'C4x only (in the PC-concatenation addressing mode). The source operand is a 24-bit unsigned address for the 'C3x.</p>	
BRD <i>src</i> [BRD @ <i>src</i>]	<p>Branch Unconditionally Delayed</p> <p>Operation: $src \rightarrow PC$ C3x $PC + 3 + src \rightarrow PC$ C4x</p> <p>Perform an unconditional branch. The source operand is a 24-bit signed integer for the 'C4x only (in the PC-concatenation addressing mode). The source operand is a 24-bit unsigned address for the 'C3x.</p>	

Syntax	Description	'C4x Only
CALL <i>src</i> [Call <i>@src]</i>	<p>Call Subroutine</p> <p>Operation: Next PC \rightarrow $^{*}(++SP)$ PC + 1 + <i>src</i> \rightarrow PC C4x <i>src</i> \rightarrow PC C3x</p> <p>Calls a subroutine. The next PC value is pushed onto the system stack. The source operand + 1 + PC (of the call) is loaded into the PC. The source operand is a 24-bit signed immediate value for the 'C4x only. The source operand is a 24-bit unsigned address for the 'C3x.</p>	
CALLcond <i>src</i> [Callcond <i>@src]</i>	<p>Call Subroutine Conditionally</p> <p>Operation: If <i>cond</i> = true Next PC \rightarrow $^{*}(++SP)$ If <i>src</i> is a register, <i>src</i> \rightarrow PC If <i>src</i> is in PC-relative mode, displacement + PC + 1 \rightarrow PC Else, continue</p> <p>Call a subroutine if the condition is true.</p> <p>If the source operand is expressed as a register, its contents are loaded into the PC. If the source operand is expressed in PC-relative mode, the assembler generates a displacement: displacement = label – (PC of branch instruction + 1). The displacement is stored as a 16-bit signed integer in the 16 LSBs of the branch instruction word. The displacement is added to the PC of the call instruction + 1 to generate the new PC.</p> <p>The TMS320C40 provides 20 condition codes for use with this instruction. See the <i>TMS320C4x User's Guide</i> for more information.</p>	
CMPF <i>src,dst</i>	<p>Compare Floating-Point Values</p> <p>Operation: <i>dst</i> – <i>src</i></p> <p>Compare the source and destination operands by subtracting the source from the destination. The result of the subtraction is not stored; this is a nondestructive compare. Both operands are floating-point numbers.</p>	
CMPF3 <i>src2,src1</i> [CMPF <i>src2,src1]</i>	<p>Compare Floating-Point Values (3-Operand)</p> <p>Operation: <i>src1</i> – <i>src2</i></p> <p>Compare the source operands by subtracting source 2 from source 1. The result of the subtraction is not stored; this is a nondestructive compare. Both operands are floating-point numbers.</p>	
CMPI <i>src,dst</i>	<p>Compare Integers</p> <p>Operation: <i>dst</i> – <i>src</i></p> <p>Compare the source and destination operands by subtracting the source from the destination. The result of the subtraction is not stored; this is a nondestructive compare. Both operands are integers.</p>	

Syntax	Description	'C4x Only
CMPI3 <i>src2,src1</i> [CMPI <i>src2,src1]</i>	<p>Compare Integers (3-Operand)</p> <p>Operation: $src1 - src2$</p> <p>Compare the two source operands by subtracting source 2 from source 1. The result of the subtraction is not stored; this is a nondestructive compare. Both operands are integers.</p>	
DBcond <i>ARn,src</i> [DBcond <i>ARn,@src]</i>	<p>Decrement and Branch Conditionally (Standard)</p> <p>Operation: $ARn - 1 \rightarrow ARn$ If <i>cond</i> = true and $ARn \geq 0$ If <i>src</i> is a register, $src \rightarrow PC$ If <i>src</i> is in PC-relative mode, $displacement + PC + 1 \rightarrow PC$ Else, continue</p> <p>Decrement the specified auxiliary register and branch if the condition is true and the specified auxiliary register is not zero. (Executes in four cycles.) The auxiliary register is treated as a 24-bit signed integer (32 for 'C4x).</p> <p>If the source operand is expressed as a register, its contents are loaded into the PC. If the source operand is expressed in PC-relative mode, the assembler generates a displacement: $displacement = label - (PC \text{ of branch instruction} + 1)$. The displacement is stored as a 16-bit signed integer in the 16 least significant bits of the branch instruction word. The displacement is added to the PC of the call instruction + 1 to generate the new PC.</p>	
DBcondD <i>ARn,src</i> [DBcond <i>ARn,@src]</i>	<p>Decrement and Branch Conditionally (Delayed)</p> <p>Operation: $ARn - 1 \rightarrow ARn$ If <i>cond</i> = true and $ARn \geq 0$ If <i>src</i> is a register, $src \rightarrow PC$ If <i>src</i> is in PC-relative mode, $displacement + PC + 3 \rightarrow PC$ Else, continue</p> <p>Decrement the specified auxiliary register and branch if the condition is true and the specified auxiliary register is not zero. The auxiliary register is treated as a 24-bit signed integer (32 for 'C4x).</p> <p>If the source operand is expressed as a register, its contents are loaded into the PC. If the source operand is expressed in PC-relative mode, the assembler generates a displacement: $displacement = label - (PC \text{ of branch instruction} + 3)$. The displacement is stored as a 16-bit signed integer in the 16 least significant bits of the branch instruction word. The displacement is added to the PC of the call instruction + 3 to generate the new PC.</p> <p>The three instructions following the <i>DBcondD</i> instruction may not modify the program flow.</p>	
FIX <i>src,dst</i> [FIX <i>dst]</i>	<p>Convert Floating-Point Value to Integer</p> <p>Operation: $fix(src) \rightarrow dst$</p> <p>Convert a floating-point operand to the nearest integer that is less than or equal to its absolute value and load the result into the destination register.</p>	

Syntax	Description	'C4x Only
FLOAT <i>src,dst</i> [FLOAT <i>dst]</i>	Convert Integer to Floating-Point Value Operation: float(src) → dst Convert an integer into a floating-point value and load the result into the destination register.	
FRIEEE <i>src,dst</i>	Convert From IEEE Format Operation: convert src from IEEE → dst Convert the source operand from a IEEE floating-point format to the 2s-complement floating-point format, and store the result into the destination (extended-precision) register. The source operand comes from memory. The converted result is stored as a single-precision floating-point number.	√
IACK <i>src</i>	Interrupt Acknowledge Operation: Perform a dummy read operation with $\overline{\text{IACK}} = 0$. At end of dummy read, set $\overline{\text{IACK}} = 1$. Perform a dummy read operation with $\overline{\text{IACK}} = 0$. $\overline{\text{IACK}}$ is set to 1 at the end of the dummy read. This instruction can be used to generate an external interrupt acknowledge. If the specified address is off-chip, the processor reads the data at that address. Then, the $\overline{\text{IACK}}$ signal and the address can be used to signal an interrupt acknowledge to external devices. The data read by the processor is not used.	
IDLE	Idle Until Interrupt Operation: 1 → ST(GIE) Next PC → PC Idle until interrupt Load the next PC value into the PC, and the CPU idles until an interrupt is received. When an interrupt is received, the contents of the PC are pushed onto the system stack.	
IDLE2	Low-power Idle ('C31, 'C40, 'C44 only) Operation: 1 → ST(GIE) Next PC → PC Idle until interrupt Performs the same function as IDLE, except that it removes the functional clock input from the internal device. This allows for extremely low power mode. The PC is incremented once, and the device remains in an idle state until one of the external interrupts (INT0–3) is asserted.	

Syntax	Description	'C4x Only
<p>LAJ <i>src</i></p>	<p>Link and Jump</p> <p>Operation: PC of LAJ + 4 → R31 (extended-precision register R11) src [+ 3 + PC of LAJ] → PC</p> <p>Performs a single-cycle subroutine call. The three instructions following the LAJ instruction are performed. The return address (address of LAJ instruction + 4) is placed in extended-precision register R11. The source operand is a 24-bit signed integer (in the PC-concatenation addressing mode).</p> <p>The three instructions following the <i>DBcondD</i> instruction may not modify the program flow.</p>	<p>√</p>
<p>LAJcond <i>src</i></p>	<p>Link and Jump Conditionally</p> <p>Operation: If <i>cond</i> = true If <i>src</i> is a register PC of LAJcond + 4 → extended-precision register R11 <i>src</i> → PC If <i>src</i> is in PC-relative mode PC of LAJcond + 4 → extended-precision register R11 <i>src</i> + PC of LAJ + 3 → PC Else, continue</p> <p>Performs a conditional single-cycle subroutine call. The three instructions following the LAJcond instruction are performed. The return address (address of LAJ instruction + 4) is placed in extended-precision register R11.</p> <p>The three instructions following the LAJcond instruction may not modify the program flow.</p>	<p>√</p>
<p>LATcond N</p>	<p>Link and Trap Conditionally</p> <p>Operation: If <i>cond</i> = true [ST(GIE) → ST (PGIE) ST(CF) → ST(PCF)] 0 → ST(GIE) 1 → ST(CF) PC of LATcond + 4 → R31 (extend-precision register R11) trap vector N → PC Else, continue</p> <p>Performs a delayed conditional trap. If you nest the traps, you may have to save the status register before executing LATcond.</p> <p>If the condition is true: GIE and CF are saved in PGIE and PCF in the status register, all interrupts are disabled, the cache is frozen, the contents of the PC (of LATcond + 4) are placed in R31, and the PC is loaded with the contents of the specified trap vector (N). If the condition is not true, then normal execution continues.</p> <p>The three instructions following LATcond are fetched and executed. None of these three instructions may modify the program flow.</p>	<p>√</p>

Syntax	Description	'C4x Only
LBb (0,1,2,3) <i>src,dst</i>	<p>Load Byte, Signed</p> <p>Operation: sign-extended byte (0,1,2,3) of <i>src</i> → <i>dst</i></p> <p>Sign-extend and right-shift the specified byte of the source operand, and then load it into the 8 LSBs of the destination register. The source operand is signed.</p>	√
LBUb (0,1,2,3) <i>src,dst</i>	<p>Load Byte, Unsigned</p> <p>Operation: byte (0,1,2,3) of <i>src</i> → <i>dst</i></p> <p>Right-shift the specified byte of the source operand and load it into the 8 LSBs of the destination register. The source operand is unsigned.</p>	√
LDA <i>src,dst</i>	<p>Load Address Register</p> <p>Operation: <i>src</i> → <i>dst</i></p> <p>Load the source operand into the destination register. The destination register may be any of these address registers: AR0–AR7, IR0, IR1, DP, BK, or SP. The load is finished by the end of the read phase of the pipeline; therefore, LDA is one cycle faster than LDI for loading these registers. All the operands are treated as signed integers.</p>	√
LDE <i>src,dst</i>	<p>Load Floating-Point Exponent</p> <p>Operation: <i>src</i>(exponent) → <i>dst</i>(exponent)</p> <p>Load the exponent portion of a word into the exponent field of an extended-precision register. The operands are floating-point values.</p>	
LDEP <i>src,dst</i>	<p>Load Integer From Expansion-Register File to Primary-Register File</p> <p>Operation: <i>src</i> → <i>dst</i></p> <p>Load the source operand (from expansion-register file) into the destination register (from the primary-register file). The destination register is an integer.</p>	√
LDF <i>src,dst</i>	<p>Load Floating-Point</p> <p>Operation: <i>src</i> → <i>dst</i></p> <p>Load the source operand into the destination operand. Both operands are assumed to be floating-point numbers.</p>	
LDFcond <i>src,dst</i>	<p>Load Floating-Point, Conditionally</p> <p>Operation: If <i>cond</i> = true <i>src</i> → <i>dst</i> Else, <i>dst</i> is not changed</p> <p>If the specified condition is true, load the source operand into the destination operand. If the condition is false, the value is not loaded. Both operands are assumed to be floating-point numbers.</p>	

Syntax	Description	'C4x Only
LDFI <i>src,dst</i>	<p>Load Floating-Point Value, Interlocked</p> <p>Operation: Signal interlocked operation src → dst</p> <p>Load the source operand into the destination register. An interlocked operation is signaled over the $\overline{\text{LOCK}}$ and $\overline{\text{LLOCK}}$ pins. Only direct and indirect modes are allowed. The operands are floating-point values.</p>	
LDHI <i>src,dst</i>	<p>Load 16 MSBs With 16-Bit Immediate</p> <p>Operation: src → 16 MSBs of dst 0 → 16 LSBs of dst</p> <p>Load the 16-bit unsigned immediate value into the 16 MSBs of the destination register. Load 0 into the 16 LSBs of the destination register. The destination register is an integer.</p>	√
LDI <i>src,dst</i>	<p>Load Integer</p> <p>Operation: src → dst</p> <p>Load the contents of the source operand into the destination register. The operands are signed integers.</p>	
LDIcond <i>src,dst</i>	<p>Load Integer Conditionally</p> <p>Operation: If <i>cond</i> = true src → dst Else, dst is not changed</p> <p>If the specified condition is true, load the contents of the source operand into the destination register. If the condition is false, the source operand is not loaded. The operands are signed integers.</p> <p>The TMS320C40 provides 20 condition codes for use with this instruction. See the <i>TMS320C4x User's Guide</i> for more information.</p>	
LDII <i>src,dst</i>	<p>Load Integer, Interlocked</p> <p>Operation: Signal interlocked operation src → dst</p> <p>The source operand is loaded into the destination register, and an interlocked operation is signaled over the $\overline{\text{LOCK}}$ and $\overline{\text{LLOCK}}$ pins. Only direct and indirect modes are allowed. The operands are signed integers.</p>	
LDM <i>src,dst</i>	<p>Load Floating-Point Mantissa</p> <p>Operation: src(mantissa) → dst(mantissa)</p> <p>Load the mantissa field of the source operand into the mantissa field of an the destination register. The source and destination operands are floating-point numbers.</p>	

Syntax	Description	'C4x Only
LDP <i>src,dst</i>	<p>Load Data Page Pointer</p> <p>Operation: $src \rightarrow DP$</p> <p>LDP is an alternate form of LDI, except that LDP is always in the immediate addressing mode. The source operand field contains the 16 MSBs of the absolute value 32-bit source address. These 16 bits are loaded into the 16 LSBs of the data page pointer.</p>	
LDPE <i>src,dst</i>	<p>Load Integer From Primary-Register File to Expansion-Register File</p> <p>Operation: $src \rightarrow dst$</p> <p>Load the source operand (from the primary-register file) into the destination (from the expansion-register file). The destination register is an integer.</p>	√
LDPK <i>src,dst</i>	<p>Load Data Page Pointer Immediate</p> <p>Operation: $src \rightarrow DP$</p> <p>Load the 16-bit unsigned immediate into the DP register. This operation is completed by the end of the read phase of the pipeline; thus, the value loaded is ready for the next instruction for direct addressing.</p>	√
LHw(0,1) <i>src,dst</i>	<p>Load Half-Word</p> <p>Operation: sign-extended half-word (0,1) of $src \rightarrow dst$</p> <p>The specified half-word of the source operand is sign-extended and right-shifted into the 16 LSBs of the destination register. The half-word is signed.</p>	√
LHUw(0,1) <i>src,dst</i>	<p>Load Half-Word Unsigned</p> <p>Operation: unsigned half-word (0,1) of $src \rightarrow dst$</p> <p>The specified half-word of the source operand (unsigned) is right-shifted into the 16 LSBs of the destination register. The half-word is unsigned.</p>	√
LOPOWER	<p>Divide Clock by 16 ('C31 only)</p> <p>Operation: $H1/16 \rightarrow H1$</p> <p>The device continues to execute instructions, but at the reduced rate of the CLKIN frequency divided by 16. This allows for low-power operations. See also MAXSPEED.</p>	

Syntax	Description	'C4x Only
LSH <i>count,dst</i>	<p>Logical Shift</p> <p>Operation: If $\text{count} \geq 0$ $\text{dst} \ll \text{count} \rightarrow \text{dst}$ Else, $\text{dst} \gg \text{count} \rightarrow \text{dst}$</p> <p>The seven LSBs of count are used to generate the 2s-complement shift count (up to 32 bits).</p> <p>If count is greater than zero, left-shift the contents of the destination register by count. Low-order bits are filled with 0s, and high-order bits are shifted out through the carry bit.</p> <p>If count is less than zero, right-shift the contents of the destination register by the absolute value of count. High-order bits are filled with 0s, and low-order bits are shifted out through the carry bit.</p> <p>If count is equal to zero, no shift is performed and the carry bit is set to 0.</p> <p>The count operand is a signed integer; dst is an unsigned integer.</p>	
LSH3 <i>count,src,dst</i> [LSH <i>count,src,dst]</i>	<p>Logical Shift (3-Operand)</p> <p>Operation: If $\text{count} \geq 0$ $\text{src} \ll \text{count} \rightarrow \text{dst}$ Else, $\text{src} \gg \text{count} \rightarrow \text{dst}$</p> <p>The seven LSBs of count are used to generate the 2s-complement shift count (up to 32 bits).</p> <p>If count is greater than zero, left-shift the source operand by count. Low-order bits are filled with 0s, and high-order bits are shifted out through the carry bit. The result is stored in the destination register.</p> <p>If count is less than zero, right-shift the source operand by the absolute value of count. High-order bits are filled with 0s, and low-order bits are shifted out through the carry bit.</p> <p>If count is equal to zero, no shift is performed and the carry bit is set to 0.</p> <p>The count operand is a signed integer; the source operand is an unsigned integer. The result is stored in the destination register.</p>	
LWLct (0,1,2,3) <i>src,dst</i>	<p>Load Word Left-Shifted</p> <p>Operation: $\text{src} \ll (0,1,2,3)$ and merged with $\text{dst} \rightarrow \text{dst}$</p> <p>The source operand is left-shifted the specified number of bytes and merged with the bytes of the destination register that are below the left-shifted LSBs of the source register.</p>	√
LWRct (0,1,2,3) <i>src,dst</i>	<p>Load Word Right-Shifted</p> <p>Operation: $\text{src} \gg (0,1,2,3)$ and merged with $\text{dst} \rightarrow \text{dst}$</p> <p>The source operand is right-shifted the specified number of bytes and merged with the bytes of the destination register that are below the right-shifted LSBs of the source register.</p>	√

Syntax	Description	'C4x Only
MAXSPEED	<p>Restore Clock to Regular Speed ('C31 only)</p> <p>Operation: H1 → H1</p> <p>Exits LOPOWER power-down mode. The 'LC31 resumes full-speed operation during the read phase of this instruction. See also LOPOWER.</p>	
MBct (0,1,2,3) <i>src,dst</i>	<p>Merge Byte</p> <p>Operation: 8 LSBs of <i>src</i> << (0,1,2,3) bytes merged with <i>dst</i> → <i>dst</i></p> <p>The 8 LSBs of source operand are left-shifted the specified number of bytes and merged with the destination register.</p>	√
MHct (0,1) <i>src,dst</i>	<p>Merge Half-Word</p> <p>Operation: 16 LSBs of <i>src</i> << (0,1) half-words merged with <i>dst</i> → <i>dst</i></p> <p>The 16 LSBs of source operand are left-shifted the specified number of half-words and merged with the destination register.</p>	√
MPYF <i>src,dst</i>	<p>Multiply Floating-Point Values</p> <p>Operation: <i>src</i> × <i>dst</i> → <i>dst</i></p> <p>Multiply the source operand by the contents of the destination operand and store the result in the destination register. The source operand is a single-precision floating-point number, and the destination is an extended-precision floating-point number.</p>	
MPYF3 <i>src2,src1,dst</i> [MPYF <i>src2,src1,dst</i>]	<p>Multiply Floating-Point Values (3-Operand)</p> <p>Operation: <i>src1</i> × <i>src2</i> → <i>dst</i></p> <p>Multiply source 1 by source 2 and store the result in the destination register. All the operands are extended-precision floating-point numbers.</p>	
MPYI <i>src,dst</i>	<p>Multiply Integers</p> <p>Operation: <i>src</i> × <i>dst</i> → <i>dst</i></p> <p>Multiply the source operand by the contents of the destination operand and store the result in the destination register. The source and destination operands are 32-bit signed integers for the 'C4x and 24-bit signed integers for the 'C3x. The result is a 64-bit integer. The output to the destination register is the 32 LSBs of the product.</p>	
MPYI3 <i>src2,src1,dst</i> [MPYI <i>src2,src1,dst</i>]	<p>Multiply Integers (3-Operand)</p> <p>Operation: <i>src1</i> × <i>src2</i> → <i>dst</i></p> <p>Multiply source 1 by source 2 and store the result in the destination register. The source operands are 32-bit signed integers for the 'C4x, 24-bit signed integers for the 'C3x. The result is a 64-bit integer. The output to the destination register is the 32 LSBs of the product.</p>	

Syntax	Description	'C4x Only
MPYSHI <i>src,dst</i>	<p>Multiply Signed Integers and Produce 32 MSBs</p> <p>Operation: $dst \times src \rightarrow dst$</p> <p>Multiply the source operand by the destination operand and store the 32 MSBs of the result in the destination register. Both operands are 32-bit signed integers. The result is a 64-bit integer. The output to the destination register is the 32 MSBs of the product.</p>	√
MPYSHI3 <i>src2,src1,dst</i>	<p>Multiply Signed Integers and Produce 32 MSBs (3 Operand)</p> <p>Operation: $src1 \times src2 \rightarrow dst$</p> <p>Multiply source 1 by source 2 and store the 32 MSBs of the result in the destination register. The source operands are 32-bit signed integers. The result is a 64-bit signed integer. The output to the destination register is the 32 MSBs of the product.</p>	√
MPYUHI <i>src,dst</i>	<p>Multiply Unsigned Integers and Produce 32 MSBs</p> <p>Operation: $dst \times src \rightarrow dst$</p> <p>Multiply the source operand by the destination operand and store the 32 MSBs of the result in the destination register. Both operands are 32-bit unsigned integers. The result is a 64-bit unsigned integer. The output to the destination register is the 32 MSBs of the product.</p>	√
MPYUHI3 <i>src1, src2, dst</i>	<p>Multiply Unsigned Integers and Produce 32 MSBs, 3 Operand</p> <p>Operation: $src1 \times src2 \rightarrow dst$</p> <p>Multiply source 1 by source 2 and store the 32 MSBs of the result in the destination register. The source operands are 32-bit unsigned integers. The result is a 64-bit unsigned integer. The output to the destination register is the 32 MSBs of the product.</p>	√
NEGB <i>src,dst</i> [NEGB <i>dst]</i>	<p>Negate Integer With Borrow</p> <p>Operation: $0 - src - C \rightarrow dst$</p> <p>Subtract the source operand from zero, subtract the carry bit from that result, and load the final result into the destination register. The operands are signed integers.</p>	
NEGF <i>src,dst</i> [NEGF <i>dst]</i>	<p>Negate Floating-Point Value</p> <p>Operation: $0 - src \rightarrow dst$</p> <p>Load the difference between 0 and the source operand into the extended-precision register. The operands are floating-point numbers.</p>	
NEGI <i>src,dst</i> [NEGI <i>dst]</i>	<p>Negate Integer</p> <p>Operation: $0 - src \rightarrow dst$</p> <p>Load the difference between 0 and the source operand into the destination register. The operands are signed integers.</p>	

Syntax	Description	'C4x Only
NOP [NOP <i>src</i>]	No Operation Operation: No ALU or multiplier operations. ARn is modified if <i>src</i> is specified in indirect mode. If the source operand is specified in the indirect mode, the specified addressing operation is performed and a dummy memory read occurs. If the source operand is omitted, no operation is performed.	
NORM <i>src,dst</i> [NORM <i>dst</i>]	Normalize Floating-Point Value Operation: <code>normalize(src) → dst</code> Normalize a floating-point number and load the result into an extended-precision register.	
NOT <i>src,dst</i> [NOT <i>dst</i>]	Bitwise Logical Complement Operation: <code>~src → dst</code> Load the bitwise logical complement (~) of the source operand into the destination register. The operands are unsigned integers.	
OR <i>src,dst</i>	Bitwise Logical OR Operation: <code>dst OR src → dst</code> Load the bitwise logical OR between the source and the destination into the destination register. The operands are unsigned integers.	
OR3 <i>src2,src1,dst</i> [OR <i>src2,src1,dst</i>]	Bitwise Logical OR (3-Operand) Operation: <code>src1 OR src2 → dst</code> Load the bitwise logical OR between source 1 and source 2 into the destination register. The operands are unsigned integers.	
POP <i>dst</i>	Pop Integer From Stack Operation: <code>*SP-- → dst</code> Pop the contents of the top of the system stack into the destination register. The top of the stack is an integer.	
POPF <i>dst</i>	Pop Floating-Point Value From Stack Operation: <code>*SP-- → dst</code> Pop the contents of the top of the system stack into the destination register. The top of the stack is a floating-point number.	
PUSH <i>src</i>	Push Integer Onto Stack Operation: <code>src → *++SP</code> Push the contents of the source register onto the top of the system stack. The value pushed on the stack is a signed integer.	

Syntax	Description	'C4x Only
PUSHF <i>src</i>	<p>Push Floating-Point Value on Stack</p> <p>Operation: $src \rightarrow *++SP$</p> <p>Push the contents of an extended-precision register onto the top of the system stack. The value pushed on the stack is a floating-point number.</p>	
RCPF <i>src,dst</i>	<p>Reciprocal Floating-Point Value</p> <p>Operation: 16-bit reciprocal of $src \rightarrow dst$</p> <p>Load the 16-bit approximation of the reciprocal of the source operand into the destination register. Both operands are floating-point numbers.</p>	√
RETI <i>cond</i>	<p>Return From Interrupt Conditionally or Trap Conditionally</p> <p>Operation: If <i>cond</i> = true $*(SP--) \rightarrow PC$ $ST(PGIE) \rightarrow ST(GIE)$ $ST(PCF) \rightarrow ST(CF)$ Else, continue</p> <p>Performs a return from an interrupt or a trap. If the condition is true, pop the top of the stack to the PC, copy GIE to PGIE, and copy CF to PCF. If the condition is false, continue normal operation.</p>	
RETI <i>condD</i>	<p>Return From Interrupt Conditionally or Trap Conditionally Delayed</p> <p>Operation: If <i>cond</i> = true $*(SP--) \rightarrow PC$ $ST(PGIE) \rightarrow ST(GIE)$ $ST(PCF) \rightarrow ST(CF)$ Else, continue</p> <p>Performs a delayed return from an interrupt or a trap. If the condition is true, pop the top of the stack to the PC, copy GIE to PGIE, and copy CF to PCF. Because this is a delayed return, the three instructions following RETI<i>condD</i> are fetched and executed. If the condition is false, continue normal operation.</p> <p>The three instructions following the RETI<i>condD</i> instruction may not modify the program flow.</p>	
RETS <i>cond</i> [RETS]	<p>Return From Subroutine Conditionally</p> <p>Operation: If <i>cond</i> = true $*SP-- \rightarrow PC$ Else, continue</p> <p>Perform a conditional return. If the condition is true, pop the top of the system stack into the PC.</p> <p>The TMS320C40 provides 20 condition codes for use with this instruction. See the <i>TMS320C4x User's Guide</i> for more information.</p>	
RND <i>src,dst</i> [RND <i>dst</i>]	<p>Round Floating-Point Value</p> <p>Operation: $round(src) \rightarrow dst$</p> <p>Round the source operand to the nearest single-precision floating-point number and load it into an extended-precision destination register.</p>	

Syntax	Description	'C4x Only
ROL <i>dst</i>	<p>Rotate Left</p> <p>Operation: <i>dst</i> is left-rotated 1 bit → <i>dst</i></p> <p>Rotate the contents of the destination register left one bit and store the result back into the destination register. The carry bit is set to the original value of the MSB.</p>	
ROLC <i>dst</i>	<p>Rotate Left Through Carry</p> <p>Operation: <i>dst</i> is left-rotated 1 bit through carry → <i>dst</i></p> <p>Rotate the contents of the destination register left one bit through the carry bit and store the result back into the destination register. The carry bit is set to the original value of the MSB, and the new LSB value is set to the original value of the carry bit.</p>	
ROR <i>dst</i>	<p>Rotate Right</p> <p>Operation: <i>dst</i> is right-rotated 1 bit through carry bit → <i>dst</i></p> <p>Rotate the contents of the destination register right one bit and store the result back into the destination register. The carry bit is set to the original value of the LSB.</p>	
RORC <i>dst</i>	<p>Rotate Right Through Carry</p> <p>Operation: <i>dst</i> is right-rotated 1 bit through carry → <i>dst</i></p> <p>Rotate the contents of the destination register right one bit through the carry bit and store the result back into the destination register. The carry bit is set to the original value of the LSB, and the new MSB value is set to the original value of the carry bit.</p>	
RPTB <i>src</i>	<p>Repeat Block of Instructions</p> <p>Operation: If <i>src</i> is an immediate value $src + PC + 1 \rightarrow RE$ Else if <i>src</i> is a register $src \rightarrow RE$ $1 \rightarrow ST(RM)$ $next\ PC \rightarrow RS$</p> <p>Repeats a block of instructions a number of times without penalty for looping. Activates the block-repeat mode for updating the PC. The source operand can be a 24-bit immediate value or a 32-bit register that is loaded into the repeat end address (RE) register. The RM (repeat mode) status bit is set to 1, and the address of the next instruction is loaded into the repeat start address (RS) register.</p>	

Syntax	Description	'C4x Only
RPTBD <i>src</i>	<p>Repeat Block of Instructions Delayed</p> <p>Operation: if <i>src</i> is an immediate value $src + PC + 1 \rightarrow RE$ else if <i>src</i> is a register $src \rightarrow RE$ $1 \rightarrow ST(RM)$ $PC \text{ of RPTBD} + 4 \rightarrow RS$</p> <p>Repeats a block of instructions a number of times without penalty for looping. Activates the block-repeat mode for updating the PC. The source operand can be a 24-bit immediate value or a 32-bit register that is loaded into the repeat end address (RE) register. The RM (repeat mode) status bit is set to 1, and the address of the next instruction + 3 is loaded into the repeat start address (RS) register.</p> <p>The three instructions following the RPTBD instruction may not modify the program flow, nor may the instructions be part of the block that is repeated and cannot modify RC, RS, or RE.</p>	√
RPTS <i>src</i>	<p>Repeat Single Instruction</p> <p>Operation: $src \rightarrow RC$ $1 \rightarrow ST(RM)$ $1 \rightarrow S$ next PC $\rightarrow RS$ next PC $\rightarrow RE$</p> <p>Repeat a single instruction by the number in the RC (repeat counter) register. The source operand is loaded into the RC (repeat counter) register. A one is written into the repeat mode bit (RM) of the status register (ST) A one is also written into the repeat single bit (S). This indicates that the program fetches are to be performed only from the instruction register. The next PC is loaded into the repeat start address (RS) and repeat end address (RE) registers.</p>	
RSQRF <i>src,dst</i>	<p>Reciprocal of Square Root Floating-Point</p> <p>Operation: 16-bit reciprocal of the square root of <i>src</i> \rightarrow <i>dst</i></p> <p>Load the 16-bit approximation of the reciprocal of the square root of the source operand into the destination register. The source operand is positive; the operation for negative inputs is undefined. Both operands are floating-point numbers.</p>	√
SIGI <i>src,dst</i> SIGI	<p>Signal and Read Integer Interlocked</p> <p>Operation: \overline{LOCK} (or \overline{LLOCK}) pin brought low $src \rightarrow dst$ \overline{LOCK} (or \overline{LLOCK}) pin brought high</p> <p>An interlocked operation is signaled using the appropriate bus-lock signal (\overline{LOCK} or \overline{LLOCK}) if and only if external memory access is performed. After the read, the bus-lock signal is deasserted. If an internal memory access is performed, SIGI will perform the read but will not assert a bus-lock signal. The source and destination operands are signed integers. Operation differs for 'C3x. Refer to <i>TMS320C3x User's Guide</i>.</p>	

Syntax	Description	'C4x Only
STF <i>src,dst</i>	<p>Store Floating-Point Value</p> <p>Operation: $src \rightarrow dst$</p> <p>Store the contents of the source register into the destination memory location. The operands are floating-point values.</p>	
STFI <i>src,dst</i>	<p>Store Floating-Point Value, Interlocked</p> <p>Operation: $src \rightarrow dst$ Signal end of interlocked operation</p> <p>Store the contents of the source register into the destination memory location. An interlocked operation is signaled over LOCK and LLOCK. The operands are floating-point values.</p>	
STI <i>src,dst</i>	<p>Store Integer</p> <p>Operation: $src \rightarrow dst$</p> <p>Store the contents of the source register into the destination memory location. The operands are signed integers.</p>	
STII <i>src,dst</i>	<p>Store Integer, Interlocked</p> <p>Operation: $src \rightarrow dst$ Signal end of interlocked operation</p> <p>The contents of the source operand are stored at the destination. An interlocked operation is signaled over LOCK and LLOCK. The operands are signed integers.</p>	
STIK <i>src,dst</i>	<p>Store Integer Immediate Value</p> <p>Operation: $src \rightarrow dst$</p> <p>Store the 5-bit signed integer (in the source register field) into the destination memory location. The operands are signed integers.</p>	√
SUBB <i>src,dst</i>	<p>Subtract Integers With Borrow</p> <p>Operation: $dst - src - C \rightarrow dst$</p> <p>Subtract the source operand from the destination register, subtract the carry bit from the result, and load the final result into the destination register. The operands are signed integers.</p>	
SUBB3 <i>src2,src1,dst</i> [SUBB <i>src2,src1,dst]</i>	<p>Subtract Integers With Borrow (3-Operand)</p> <p>Operation: $src1 - src2 - C \rightarrow dst$</p> <p>Subtract source operand 2 from source operand 1, subtract the carry bit from the result, and load the final result into the destination register. The operands are signed integers.</p>	

Syntax	Description	'C4x Only
SUBC <i>src,dst</i>	<p>Subtract Integers Conditionally</p> <p>Operation: If $dst - src \geq 0$ $(dst - src \ll 1)$ OR $1 \rightarrow dst$ Else $dst \ll 1 \rightarrow dst$</p> <p>If the difference between the destination and the source operands is greater than or equal to 0, then shift the difference left 1 bit, set the LSB to 1, and store the result in the destination register.</p> <p>If the difference between the destination and source is less than zero, left-shift the contents of the destination register by 1 bit.</p> <p>The operands are signed integers.</p>	
SUBF <i>src,dst</i>	<p>Subtract Floating-Point Values</p> <p>Operation: $dst - src \rightarrow dst$</p> <p>Subtract the source operand from the contents of the destination operand and store the result in the destination register. Both operands are floating-point numbers.</p>	
SUBF3 <i>src2,src1,dst</i> [SUBF <i>src2,src1,dst</i>]	<p>Subtract Floating-Point Values (3-Operand)</p> <p>Operation: $src1 - src2 \rightarrow dst$</p> <p>Subtract source 2 from source 1 and store the result in the destination register. All the operands are floating-point numbers.</p>	
SUBI <i>src,dst</i>	<p>Subtract Integers</p> <p>Operation: $dst - src \rightarrow dst$</p> <p>Subtract the source operand from the contents of the destination register and store the result in the destination register. Both operands are signed integers.</p>	
SUBI3 <i>src2,src1,dst</i> [SUBI <i>src2,src1,dst</i>]	<p>Subtract Integers (3-Operand)</p> <p>Operation: $src1 - src2 \rightarrow dst$</p> <p>Subtract source 2 from source 1 and store the result in the destination register. All the operands are signed integers.</p>	
SUBRB <i>src,dst</i>	<p>Subtract Reverse Integer With Borrow</p> <p>Operation: $src - dst - C \rightarrow dst$</p> <p>Subtract the destination register from the source register, subtract the carry bit from the result, and load the final result into the destination register. Both operands are signed integers.</p>	
SUBRF <i>src,dst</i>	<p>Subtract Reverse Floating-Point Value</p> <p>Operation: $src - dst \rightarrow dst$</p> <p>Subtract the contents of the destination register from the source operand and store the result into the destination register. Both operands are floating-point numbers.</p>	

Syntax	Description	'C4x Only
SUBRI <i>src,dst</i>	<p>Subtract Reverse Integer</p> <p>Operation: $src - dst \rightarrow dst$</p> <p>Subtract the contents of the destination register from the source operand and store the result into the destination register. Both operands are signed integers.</p>	
SWI	<p>Software Interrupt</p> <p>Operation: Perform emulator interrupt sequence.</p> <p>Performs an emulator interrupt. This is a reserved instruction and should not be used in normal programming.</p>	
TOIEEE <i>src,dst</i>	<p>Convert To IEEE Format</p> <p>Operation: convert <i>src</i> to IEEE \rightarrow <i>dst</i></p> <p>Convert the source operand (single-precision floating-point) from 2s-complement floating-point format to IEEE floating-point format, and store the result into the 32 MSBs of the destination register. You can use STF to store the result in memory.</p>	√
TRAP <i>cond N</i> [TRAP <i>N</i>]	<p>Trap Conditionally</p> <p>Operation: if <i>cond</i> is true [ST(GIE) \rightarrow ST (PGIE) ST(CF) \rightarrow ST(PCF)] 0 \rightarrow ST(GIE) 1 \rightarrow ST(CF) next PC \rightarrow *(++SP) trap vector <i>N</i> \rightarrow PC Else, continue</p> <p>Performs a conditional trap. If you nest the traps, you may have to save the status register before executing TRAP<i>cond N</i>.</p> <p>If the condition is true: GIE and CF are saved in PGIE and PCF in the status register, all interrupts are disabled, the cache is frozen, the contents of the PC are pushed on the system stack, and PC is loaded with the contents of the specified trap vector (<i>N</i>). If the condition is false, then continue normal operation.</p>	
TSTB <i>src,dst</i>	<p>Test Bit Fields</p> <p>Operation: <i>dst</i> AND <i>src</i></p> <p>Perform a bitwise logical AND of the source and destination and set the appropriate flags on the result. This is a nondestructive compare; the results of the compare are not stored. The operands are unsigned integers.</p>	

Syntax	Description	'C4x Only
TSTB3 <i>src1,src2</i> [TSTB <i>src1,src2]</i>	Test Bit Fields (3-Operand) Operation: <i>src1</i> AND <i>src2</i> Perform a bitwise logical AND of source 1 and source 2 and set the appropriate flags on the result. This is a nondestructive compare; the results of the compare are not stored. The source operands are signed integers.	
XOR <i>src,dst</i>	Bitwise Exclusive OR Operation: <i>dst</i> XOR <i>src</i> → <i>dst</i> Perform a bitwise exclusive OR of the source and destination operands and store the result in the destination register. The operand are unsigned integers.	
XOR3 <i>src2,src1,dst</i> [XOR <i>src2,src1,dst]</i>	Bitwise Exclusive OR (3-Operand) Operation: <i>src1</i> XOR <i>src2</i> → <i>dst</i> Perform a bitwise exclusive OR of source 1 and source 2 and store the result in the destination register. The source operands are signed integers.	

Macro Language

The TMS320C3x/C4x assembler supports a macro language that enables you to create your own “instructions”. This is especially useful when a program executes a particular task several times. The macro language enables you to do the following:

- Define your own macros and redefine existing macros,
- Simplify long or complicated assembly code,
- Access macro libraries created with the archiver,
- Define conditional and repeatable blocks within a macro,
- Manipulate strings within a macro, and
- Control expansion listing.

This chapter discusses the following topics:

Topic	Page
6.1 Using Macros	6-2
6.2 Defining Macros	6-3
6.3 Macro Parameters/Substitution Symbols	6-5
6.4 Macro Libraries	6-13
6.5 Using Conditional Assembly in Macros	6-14
6.6 Using Labels in Macros	6-16
6.7 Producing Messages in Macros	6-17
6.8 Formatting the Output Listing	6-19
6.9 Using Recursive and Nested Macros	6-20
6.10 Macro Directives Summary	6-22

6.1 Using Macros

Programs often contain routines that are executed several times. Instead of repeating the source statements for a routine, you can define the routine as a macro, then call the macro in the places where you would normally repeat the routine. This simplifies and shortens your source program.

If you want to call a macro several times, but with different data each time, you can assign parameters to a macro. This enables you to pass different information to the macro each time you call it. The macro language supports a special symbol called a **substitution symbol**, which is used for macro parameters. In this chapter, we use the terms *macro parameters* and *substitution symbols* interchangeably.

Using a macro is a three-step process.

Step 1: Define the macro. You must define macros before you can use them in your program. There are two methods for defining macros:

- Macros can be defined at the beginning of a *source file* or in an *.include/.copy* file. Refer to Section 6.2 for more information.
- Macros can also be defined in a *macro library*. A macro library is a collection of files in archive format, created by the archiver. Each member of the archive file (macro library) may contain one macro definition corresponding to the member name. You can access a macro library by using the *.mlib* directive. Macro libraries are discussed in Section 6.4 on page 6-13.

Step 2: Call the macro. After you have defined a macro, you can call it by using the macro name as an opcode in the source program. This is referred to as a *macro call*.

Step 3: Expand the macro. The assembler expands your macros when the source program calls them. During expansion, the assembler passes arguments by variable to the macro parameters, replaces the macro call statement with the macro definition, then assembles the source code. By default, the macro expansions are printed in the listing file. You can turn off expansion listing by using the *.mno* directive. For more information, refer to Section 6.8 on page 6-19.

When the assembler encounters a macro definition, it places the macro name in the opcode table. This redefines any previously defined macro, library entry, directive, or instruction mnemonic that has the same name as the encountered macro. This allows you to expand the functions of directives and instructions, as well as add new instructions.

6.2 Defining Macros

You can define a macro anywhere in your program, but you must define the macro before you can use it. Macros can be defined at the beginning of a source file or in an `.include/.copy` file; they can also be defined in a macro library. For more information about macro libraries, refer to Section 6.4 on page 6-13.

The contents of a macro definition must be contained in the same file. Macro definitions can be nested, and they can call other macros. Nested macros are discussed in Section 6.9 on page 6-20.

```

macname  .macro [parameter1] [, ... , parametern]

           model statements or macro directives

           [.mexit]

           .endm

```

<i>macname</i>	names the macro. You must place the name in the source statement's label field. Only the first 32 characters of a macro name are significant. The assembler places the macro name in the internal opcode table, replacing any instruction or previous macro definition with the same name.
.macro	is a directive that identifies the source statement as the first line of a macro definition. You must place <code>.macro</code> in the opcode field.
<i>[parameters]</i>	are optional substitution symbols that appear as operands for the <code>.macro</code> directive. Parameters are discussed in Section 6.3, page 6-5.
<i>model statements</i>	are instructions or assembler directives that are executed each time the macro is called.
<i>macro directives</i>	are used to control macro expansion.
[.mexit]	functions as a "goto <code>.endm</code> ". The <code>.mexit</code> directive is useful when error testing confirms that macro expansion will fail.
.endm	terminates the macro definition.

The following example shows the definition, call, and expansion of a macro.

Example 6–1. Macro Definition, Call, and Expansion

Macro Definition: The following code defines a macro, `add4`, with 4 parameters:

```

6      ADD4  .MACRO    p1, p2, p3, p4  ; macro definition
7
8          !  add4  p1, p2, p3, p4
9          !  p4 = p1 + p2 + p3 + p4
10         !  requires R0
11         !
12
13         LDI    p4, R0
14         ADDI  p1, R0
15         ADDI  p2, R0
16         ADDI  p3, R0
17         STI   R0, p4
18
19         .ENDM

```

Macro Call: The following code calls the `ADD4` macro with 4 arguments:

```

22 00000000 ADD4  @l1,@l2,@l3,@l4 ; macro invocation

```

Macro Expansion: The following code shows the substitution of the macro definition for the macro call. The assembler passes the arguments (supplied in the macro call) by variable to the parameters (substitution symbols).

```

1
1
1      00000000 08200003-    LDI    @l4,R0
1      00000001 02200000-    ADDI  @l1,R0
1      00000002 02200001-    ADDI  @l2,R0
1      00000003 02200002-    ADDI  @l3,R0
1      00000004 15200003-    STI   R0,@l4
1

```

If you want to include comments with your macro definition but *don't* want those comments to appear in the macro expansion, use an exclamation point to precede your comments. If you *do* want your comments to appear in the macro expansion, use an asterisk or semicolon. For more information about macro comments, refer to Section 6.7 on page 6-17.

6.3 Macro Parameters/Substitution Symbols

If you want to call a macro several times, but with different data each time, you can assign parameters to the macro. The macro language supports a special symbol, called a **substitution symbol**, which is used for macro parameters.

6.3.1 Substitution Symbols

Macro parameters are substitution symbols. Substitution symbols are symbols that represent a character string. Besides being used as macro parameters, these symbols can also be manipulated by `.asg` or `.eval`, outside of macros, to equate a character string to a symbol name.

Valid substitution symbols may be 32 characters long and *must begin with a letter*. The remainder of the symbol can be a combination of alphanumeric characters, underscores, and dollar signs.

Substitution symbols used as macro parameters are local to the macro they are defined in. You can define up to 32 local substitution symbols (including substitution symbols defined with the `.var` directive) per macro. For more information about the `.var` directive, refer to page 6-12.

During macro expansion, the assembler passes arguments by variable to the macro parameters. The character-string equivalent of each argument is assigned to the corresponding parameter. Parameters without corresponding arguments are set to the null string. If the number of arguments exceeds the number of parameters, the last parameter is assigned the character-string equivalent of all remaining arguments.

If you pass a list of arguments to one parameter, or if you pass a comma or semicolon to a parameter, you must surround the arguments with quotation marks.

At assembly time, the assembler first replaces the substitution symbol with its corresponding character string, then translates the source code into object code.

Example 6–2 shows the expansion of a macro with varying numbers of arguments.

Example 6–2. Calling a Macro With Varying Numbers of Arguments

Macro Definition	
<pre> Parms .macro a,b,c ; a = :a: ; b = :b: ; c = :c: .endm </pre>	
Calling the Macro, Parmes	
<pre> Parms 100,label ; a = 100 ; b = label ; c = " " </pre>	<pre> Parms 100,label,x,y ; a = 100 ; b = label ; c = x,y </pre>
<pre> Parms 100, , x ; a = 100 ; b = " " ; c = x </pre>	<pre> Parms "100,200,300",x,y ; a= 100,200,300 ; b = x ; c = y </pre>
<pre> Parms ""string"" ,x,y ; a = "string" ; b = x ; c = y </pre>	

6.3.2 Directives That Define Substitution Symbols

You can manipulate substitution symbols with the **.asg** and **.eval** directives.

- The **.asg** directive assigns a character string to a substitution symbol.

The syntax of the **.asg** directive is:

```
.asg ["]character string["], substitution symbol
```

The quotation marks are optional. If there are no quotation marks, the assembler reads characters up to the first comma and removes leading and trailing blanks. In either case, a character string is read and assigned to the substitution symbol.

Example 6–3 shows character strings being assigned to substitution symbols.

Example 6–3. Using the `.asg` Directive

```
.asg R1, RETURN          ; return register
.asg IR0, INDEX0        ; index register
.asg ""Version 4.0"", version
.asg "p1, p2, p3", list
```

- ❑ The `.eval` directive performs arithmetic on numeric substitution symbols.

The syntax of the `.eval` directive is:

```
.eval well-defined expression, substitution symbol
```

The `.eval` directive evaluates the expression and assigns the *string value* of the result to the substitution symbol. If the expression is not well defined, the assembler generates an error and assigns the null string to the symbol.

Example 6–4 shows arithmetic being performed on substitution symbols.

Example 6–4. Using the `.eval` Directive

```
.asg      1,counter
.loop    100
.word    counter
.eval    counter + 1,counter
.endloop
```

In Example 6–4, the `.asg` directive could be replaced with the `.eval` directive (`.eval 1, counter`) without changing the output. In simple cases like this, you can use `.eval` and `.asg` interchangeably. However, if you want to calculate a *value* from an expression, you must use the `.eval` directive.

The `.asg` directive only assigns a character string to a substitution symbol, while the `.eval` directive evaluates an expression and then assigns the character string equivalent to a substitution symbol.

6.3.3 Built-In Substitution Functions

The following built-in substitution symbol functions enable you to make decisions based on the string value of substitution symbols. These functions always return a value, and they can be used in expressions. Built-in substitution symbol functions are especially useful in conditional assembly expressions. Parameters to these functions are substitution symbols or character-string constants.

In Table 6–1, *a* and *b* are parameters that represent substitution symbols or character string constants. The term *string*, used below, refers to the string value of the parameter.

Table 6–1. Function Definitions

Function	Return Value
\$symlen (<i>a</i>)	length of string <i>a</i>
\$symcmp (<i>a,b</i>)	< 0 if <i>a</i> < <i>b</i> > 0 if <i>a</i> > <i>b</i> 0 if <i>a</i> = <i>b</i>
\$firstch (<i>a,ch</i>)	index of the first occurrence of character constant <i>ch</i> in string <i>a</i>
\$lastch (<i>a,ch</i>)	index of the last occurrence of character constant <i>ch</i> in string <i>a</i>
\$isdefed (<i>a</i>)	1 if string <i>a</i> is defined in the symbol table 0 if string <i>a</i> is not defined in the symbol table
\$ismember (<i>a,b</i>)	top member of list <i>b</i> is assigned to string <i>a</i> 0 if <i>b</i> is a null string
\$iscons (<i>a</i>)	1 if string <i>a</i> is a binary constant 2 if string <i>a</i> is an octal constant 3 if string <i>a</i> is a hexadecimal constant 4 if string <i>a</i> is a character constant 5 if string <i>a</i> is a decimal constant
\$isname (<i>a</i>)	1 if string <i>a</i> is a valid symbol name 0 if string <i>a</i> is not a valid symbol name
\$isreg (<i>a</i>)	1 if string <i>a</i> is a valid predefined register name 0 if string <i>a</i> is not a valid predefined register name

Example 6–5 shows built-in substitution symbol functions.

Example 6–5. Using Built-In Substitution Symbol Functions to Redefine an Instruction

```
PUSHX .MACRO    list
!
! Push more than one item
! $ismember removes the first item in the list

    .var    item
    .loop
    .break ($ismember(item, list) = 0)
    PUSH    item
    .endloop
    .ENDM
```

6.3.4 Recursive Substitution Symbols

When the assembler encounters a substitution symbol, it attempts to substitute the corresponding character string. If that string is also a substitution symbol, the assembler performs substitution again. The assembler continues doing this until it encounters a token that is not a substitution symbol or until it encounters a substitution symbol that it has already encountered during this evaluation.

In Example 6–6, the `x` is substituted for `z`; `z` is substituted for `y`; and `y` is substituted for `x`. The assembler recognizes this as infinite recursion and ceases substitution.

Example 6–6. Recursive Substitution

```
.asg  "x",z ; declare z and assign z = "x"
.asg  "z",y ; declare y and assign y = "z"
.asg  "y",x ; declare x and assign x = "y"
add   x      ; recursive expansion
```

6.3.5 Forced Substitution

In some cases, substitution symbols are not recognizable to the assembler. The forced substitution operator, which is a set of colons, enables you to force the substitution of a symbol's character string. Simply surround a symbol with colons to force the substitution. Do not include any spaces between the colons and the symbol.

The syntax for the forced substitution operator is:

```
:symbol:
```

The assembler expands substitution symbols surrounded by colons before it expands any other substitution symbols.

You can use the forced substitution operator only inside macros, and you cannot nest a forced substitution operator within another forced substitution operator.

Example 6–7. Using the Forced Substitution Operator

```
force .macro x
      .asg      0,x
      .loop 8   ;.loop/.endloop are discussed
              ;on page 6-14
AUX:x: .set   x
      .eval  x+1,x
      .endloop
      .endm
```

The force macro would generate the following source code:

```
AUX0 .set  0
AUX1 .set  1
.
.
.
AUX7 .set  7
```

6.3.6 Accessing Individual Characters of Subscripted Substitution Symbols

In a macro, you can access the individual characters (substrings) of a substitution symbol with subscripted substitution symbols. You must use the forced substitution operator for clarity. You can access substrings in two ways.

:symbol (well-defined expression):

This method of subscripting evaluates to a character string with one character.

:symbol (well-defined expression₁, well-defined expression₂):

In this method, expression₁ represents the substring's starting position, and expression₂ represents the substring's length. You can specify exactly where to begin subscripting and the exact length of the resulting character string. *The index of substring characters begins with 1, not 0.*

Example 6–8 and Example 6–9 show built-in substitution symbol functions used with subscripted substitution symbols.

Example 6–8. Using Subscripted Substitution Symbols

```

MODE   .MACRO in, out
!
! Parse addressing mode
  .if    ($symcmp(":in(1):", "***") = 0)
    .asg "IND", out
  .elseif ($symcmp(":in(1):", "@") = 0)
    .asg "DIR", out
  .elseif $isreg(in)
    .asg "REG", out
  .elseif $isname(in)
    .asg "DIR", out
  .endif

  .ENDM

Invocation of MODE:

  .asg  "NONE", type
MODE   *+ar7,type

```

In Example 6–8, subscripted substitution symbols are used to determine the addressing mode of a macro parameter.

Example 6–9. Using Subscripted Substitution Symbols to Find Substrings

```

substr  .macro    start, strg1, strg2, pos
        .var      len1, len2, i, tmp
        .if       $symlen(start) = 0
        .eval     start, 1
        .endif
        .eval     0, pos
        .eval     1, i
        .eval     $symlen(strg1), len1
        .eval     $symlen(strg2), len2
        .loop
        .break   i = (len2 - len1 + 1)
        .asg     ":strg2(i, len1):", tmp
        .if      $symcmp(strg1, tmp) = 0
        .eval   i, pos
        .break
        .else
        .eval   i + 1, i
        .endif
        .endloop
        .endm

        .asg     0, pos
        .asg     "ar1 ar2 ar3 ar4", regs
substr    1, "ar2", regs, pos
        .word    pos           ; pos has value 5

```

In Example 6–9, the subscripted substitution symbol is used to find a substring *strg1* beginning at position *start* in the string *strg2*. The position of the substring *strg1* is assigned to the substitution symbol *pos*.

6.3.7 Substitution Symbols as Local Variables in Macros

If you want to use substitution symbols as local variables within a macro, you can use the **.var** directive to define up to 32 local macro substitution symbols (including parameters) per macro. The **.var** directive creates temporary substitution symbols with the initial value of the null string. These symbols are not passed in as parameters, and, after expansion, these symbols are lost.

```
.var  sym1 [sym2] ... [symn]
```

```
.var  sym1 [sym2] ... [symn]
```

The **.var** directive is used in Example 6–9.

6.4 Macro Libraries

One of the ways you can define macros is in a macro library. A macro library is a collection of files that contain macro definitions. You must use the archiver to collect these files, or members, into a single file (called an archive). Each member of a macro library contains one macro definition. The files in a macro library must be unassembled source files. The macro name and the member name must be the same, and the macro filename's extension must be `.asm`. For example,

Macro Name	Filename in Macro Library
<code>simple</code>	<code>simple.asm</code>
<code>mode</code>	<code>mode.asm</code>

You can access the macro library by using the `.mlib` assembler directive.

.mlib *macro library filename*

When the assembler encounters an `.mlib` directive, it opens the library and creates a table of its contents. The assembler enters the names of the individual members within the library into the opcode tables as library entries; this redefines any existing opcodes or macros that have the same name. If one of these macros is called, the assembler extracts the entry from the library and loads it into the macro table. The assembler expands the library entry in the same manner as other macros. You can control the listing of library entry expansions with the `.mlist` directive. For more information about the `.mlist` directive, refer to Section 6.8 on page 6-19. Only macros that are actually called from the library are extracted, and they are extracted only once. For more information about the `.mlib` directive, refer to page 4-53.

You can create a macro library with the archiver by simply including the desired files in an archive. A macro library is no different from any other archive, except that the assembler expects the macro library to contain macro definitions. The assembler expects **only** macro definitions in a macro library; putting object code or miscellaneous source files into the library may produce undesirable effects.

6.5 Using Conditional Assembly in Macros

The conditional assembly directives are **.if/.elseif/.else/.endif** and **.loop/.break/.endloop**. They can be nested within each other up to 32 levels deep. The format of a conditional block is

.if *well-defined expression*

code block to execute when the .if expression is true (nonzero)

[.elseif *well-defined expression*]

code block to execute when the if expression is false and the .elseif expression is true (nonzero)

[.else]

code block to execute when the .if expression and the .elseif expression are false (zero)

.endif

The .elseif and .else directives are optional, and they can be used more than once within a conditional assembly code block. When they are omitted, and when the .if expression is false (zero), the assembler continues to the code following the .endif directive.

The **.loop/.break/.endloop** directives enable you to assemble a code block repeatedly. The format of a repeatable block is

.loop [*well-defined expression*]

code block to repeatedly assemble

[.break [*well-defined expression*]]

continue to repeatedly assemble when the .break expression is false (zero)

.endloop

code block to execute when the .break expression is true (nonzero) or when the .break expression is omitted and the loop count equals *expression*.

The .loop directive's optional expression evaluates to the loop count. If the expression is omitted, the loop count defaults to 1024, unless the assembler encounters a .break directive.

The .break directive and its expression are optional. If the expression evaluates to false, the loop continues. The assembler breaks the loop when the .break expression evaluates to true or when the .break expression is omitted and the loop count equals *expression*. When the loop is broken, the assembler continues with the code after the .endloop directive.

The following examples show the `.loop/.break/.endloop` directives, properly nested conditional assembly directives, and built-in substitution symbol functions used in a conditional assembly code block.

Example 6–10. Using the `.loop/.break/.endloop` Directives

```

.asg  1,x
.loop                ;  "infinite"

.break (x == 10) ;  if x == 10, quit loop/break with
*                               expression

.eval  x+1,x
.endloop

```

Example 6–11. Nested Conditional Assembly Directives

```

.asg  1,x
.loop                ;  "infinite"

.if (x == 10) ;  if x == 10 quit loop
.break        ;  force break
.endif

.eval  x+1,x
.endloop

```

Example 6–12. Using the `.if`, `.else`, and `.endif` Directives

```

ADDK3 .MACRO k, src, dst
!
! dst = dst + src +k

.if.tms320C30
LDIsrc, dst
ADDI  k, dst
.else
ADDI  k, src, dst
.endif

.ENDM

```

For more information about conditional assembly directives, refer to Section 6.5 on page 6-14.

6.6 Using Labels in Macros

All labels in an assembly language program must be unique. This includes labels in macros. If a macro is expanded more than once, its labels are defined more than once. *Defining a label more than once is illegal.* The macro language provides a method of defining labels in macros so that the labels are unique. Simply follow the label with a question mark, and the assembler will replace the question mark with a unique number. When the macro is expanded, *you will not see the unique number in the listing file.* Your label will appear with the question mark like it did in the macro definition. The syntax for a unique label is:

```
label?
```

The following figure shows unique label generation in a macro.

Example 6–13. Unique Labels in a Macro

```
MIN.MACRO src, dst
!
! dst = minimum(src, dst)

    CMPI    src, dst
    BHS    L?
    LDI    src, dst
L?                                ; unique label
    .ENDM

MINR0, R1
```

6.7 Producing Messages in Macros

The macro language supports three directives that enable you to define your own assembly-time error and warning messages. These directives are especially useful when you want to create messages specific to your needs. The last line of the listing file shows the error and warning counts. These counts alert you to problems in your code and are especially useful during debugging.

- .emsg** sends error messages to the listing file. The `.emsg` directive generates errors in the same manner as the assembler does, incrementing the error count and preventing the assembler from producing an object file.
- .wmsg** sends warning messages to the listing file. The `.wmsg` directive functions in the same manner as the `.emsg` directive but also increments the warning count.
- .mmsg** sends warnings or assembly-time messages to the listing file. The `.mmsg` directive functions in the same manner as the `.emsg` directive but does not set the error count.

Macro comments are comments that appear in the definition of the macro *but do not show up in the expansion of the macro*. An exclamation point in column 1 identifies a macro comment. If you want your comments to appear in the macro expansion, precede your comment with an asterisk or semicolon.

Example 6–14 shows user messages in macros and macro comments that will not appear in the macro expansion.

Example 6–14. Producing Messages in a Macro

```
TEST .MACRO    x,y
!  
! This macro checks for the correct number of parameters.  
! The macro generates an error message  
! if x and y are not present.  
!  
    .if    ($symlen(x) == 0|$symlen(y) == 0)    ; Test for  
                                                ; proper input  
    .emsg "ERROR - missing parameter in call to TEST"  
    .mexit  
    .else  
        .  
        .  
    .endif  
    .if  
        .  
        .  
    .endif  
    .endm  
  
1 error, no warnings
```

6.8 Formatting the Output Listing

Macros, substitution symbols, and conditional assembly directives may hide information. You may need to see this hidden information, so the macro language supports an expanded listing capability.

By default, the assembler shows macro expansions and false conditional blocks in the list output file. You may want to turn this listing off or on within your listing file. The assembler provides three sets of directives that enable you to control the listing of this information.

❑ Macro and Loop Expansion Listing

.mlist expands macros and `.loop/.endloop` blocks. The `.mlist` directive prints to the listing all code encountered in those blocks. *By default, the assembler behaves as if you had used `.mlist`.*

.mnolist suppresses the listing expansion of macros and `.loop/.endloop` blocks.

❑ False Conditional Block Listing

.fclist causes the assembler to print to the listing file all false conditional blocks that do not generate code. Conditional blocks appear in the listing exactly as they appear in the source code. *By default, the assembler behaves as if you had used `.fclist`.*

.fcnolist suppresses the listing of false conditional blocks. Only the code in conditional blocks that actually assembles appears in the listing. The `.if`, `.elseif`, `.else`, and `.endif` directives do not appear in the listing.

❑ Substitution Symbol Expansion Listing

.sslist expands substitution symbols in the listing. This is useful for debugging the expansion of substitution symbols. The expanded line appears below the actual source line.

.ssnolist turns off substitution symbol expansion in the listing. *By default, the assembler behaves as if you had used `.ssnolist`.*

6.9 Using Recursive and Nested Macros

The macro language supports recursive and nested macro calls. This means that you can call other macros from inside a macro definition. When you use nested macros, you can call different macros from your macro definition. You can nest macros up to 32 levels deep. When you use recursive macros, you call a macro from its own definition (the macro calls itself).

When you create recursive or nested macros, you should pay close attention to the arguments that you pass to macro parameters because the assembler uses dynamic scoping for parameters. This means that the called macro uses the environment of the macro from which it was called.

In the following example of nested macros, notice that the `y` in the `in_block` macro hides the `y` in the `out_block` macro. However, the `x` and `z` from the `out_block` macro are accessible to the `in_block` macro.

Example 6–15. Using Nested Macros

```
in_block .macro y,a
        .          ; visible parameters are y,a and
        .          ;      x,z from the calling macro
        .endm

out_block .macro x,y,z
        .          ; visible parameters are x,y,z
        .
        in_block x,y ; macro call with x and y as
                    ;      arguments
        .
        .
        .endm
out_block      ; macro call
```

In the following example of recursive macros, the `fact` macro produces assembly code necessary to calculate the factorial of `n` where `n` is an immediate value. The `fact` macro stores that value at data memory address `loc`. The `fact` macro accomplishes this by calling `fact1`, which calls itself recursively.

Example 6–16. Using Recursive Macros

```
FACT .MACRO n, reg
!
! Compute factorial
! n = integer constant
! reg = dst register

    .if n < 2
    LDI 1, reg
    .else
    LDI n, reg
    .eval n-1, n
    FACT1
    .endif

    .ENDM

FACT1 .MACRO
!
! Use calling environment of FACT macro

    .if n > 1
    MPYI n, reg
    .eval n-1,n
    FACT1 ; RECURSIVE CALL
    .endif

    .ENDM

Invocation of FACT:

    FACT 7, R0
```

6.10 Macro Directives Summary

Table 6–2. Creating Macros

Mnemonic and Syntax	Description
macname .macro [<i>parameter</i> ₁]...[, <i>parameter</i> _n]	Define macro
.mlib <i>filename</i>	Identify library containing macro definitions
.mexit	Go to .endm
.endm	End macro definition

Table 6–3. Manipulating Substitution Symbols

Mnemonic and Syntax	Description
.asg [" <i>character string</i> "], <i>substitution symbol</i>	Assign character string to substitution symbol
.eval <i>well-defined expression</i> , <i>substitution symbol</i>	Perform arithmetic on numeric substitution symbols
.var <i>substitution symbol</i> ₁ ... <i>substitution symbol</i> _n	Define local macro symbols

Table 6–4. Conditional Assembly

Mnemonic and Syntax	Description
.if <i>well-defined expression</i>	Assemble code block if the condition is true
.elseif <i>well-defined expression</i>	Assemble code block if the .if condition is false and the .elseif condition is true. The .elseif construct is optional.
.else	Assemble code block if the .if condition is false. The .else construct is optional.
.endif	End .if code block
.loop [<i>well-defined expression</i>]	Begin repeatable assembly of a code block
.break [<i>well-defined expression</i>]	End .loop assembly if condition is true. The .break construct is optional.
.endloop	End .loop code block

Table 6–5. Producing Assembly-Time Messages

Mnemonic and Syntax	Description
<code>.emsg</code>	Send error message to standard output
<code>.wmsg</code>	Send warning message to standard output
<code>.mmsg</code>	Send assembly-time message to standard output

Table 6–6. Formatting the Listing

Mnemonic and Syntax	Description
<code>.fclist</code>	Allow false conditional code block listing (default)
<code>.fcnolist</code>	Inhibit false conditional code block listing
<code>.mlist</code>	Allow macro listings (default)
<code>.mnolist</code>	Inhibit macro listings
<code>.sslist</code>	Allow expanded substitution symbol listing
<code>.ssnolist</code>	Inhibit expanded substitution symbol listing (default)

Archiver Description

The TMS320C3x/C4x archiver lets you combine several individual files into a single file called an **archive** or a **library**. Each file within the archive is called a **member**. Once you have created an archive, you can use the archiver to add more files to the library, delete or replace existing members, or extract members.

You can build libraries out of any type of files. Both the assembler and the linker accept archive libraries as input; the assembler can use libraries that contain individual source files, and the linker can use libraries that contain individual object files.

One of the most useful applications of the archiver is to build a library of object modules. For example, you could write several arithmetic routines, assemble them, and then use the archiver to collect the object files into a single, logical group. You can then specify an object library as linker input. The linker will search through the library and include any members that resolve external references.

You can also use the archiver to build macro libraries. You can create several separate source files, each of which contains a single macro, and then use the archiver to collect these macros into a single, functional group. The `.mlib` assembler directive lets you specify the name of a macro library to the assembler; during the assembly process, the assembler will search the specified library for the macros that you call. Chapter 6 discusses macros and macro libraries in detail.

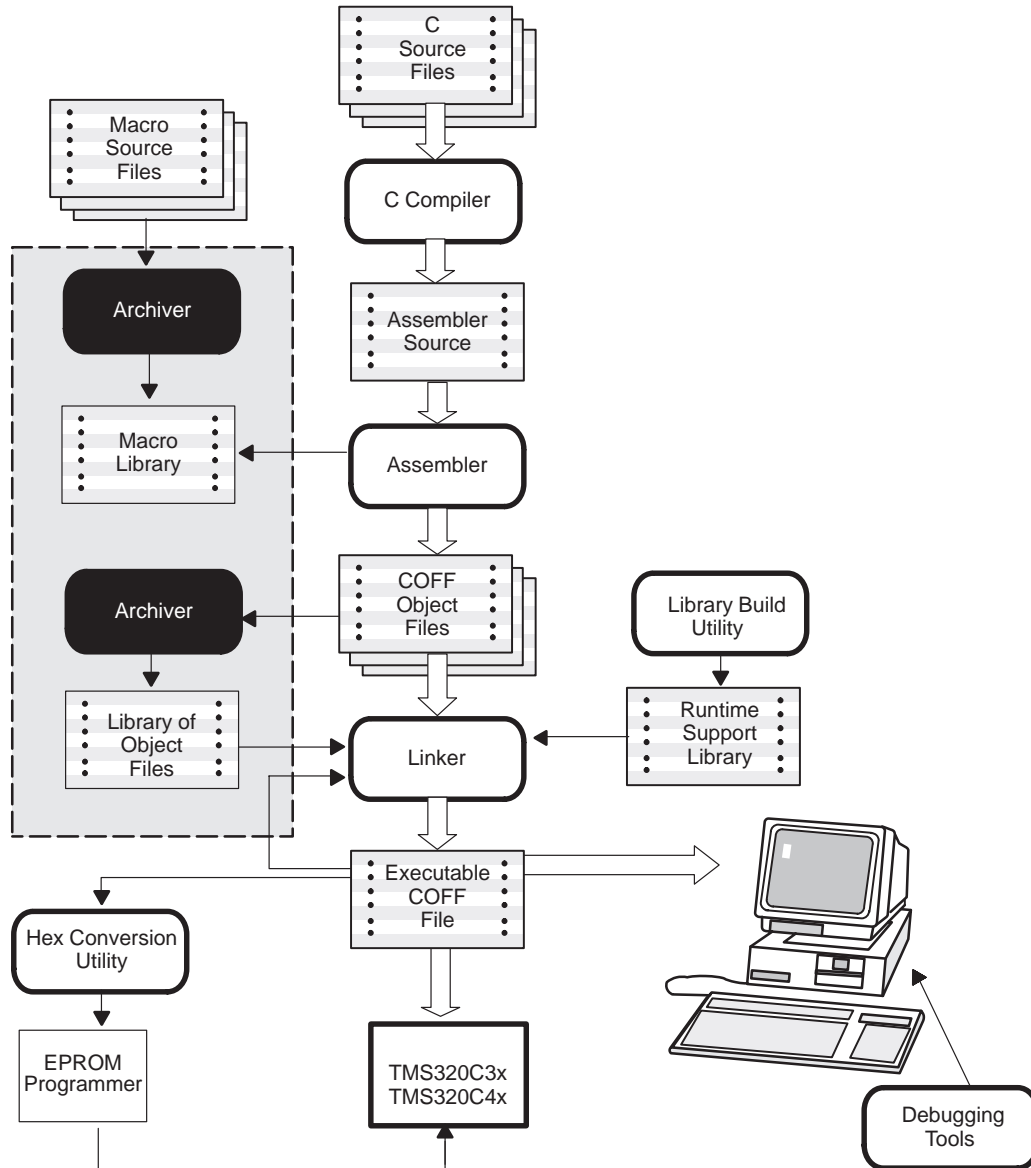
These are the topics covered in this chapter:

Topic	Page
7.1 Archiver Development Flow	7-2
7.2 Invoking the Archiver	7-3
7.3 Archiver Examples	7-5

7.1 Archiver Development Flow

Figure 7–1 shows the archiver’s role in the assembly language development process. Both the assembler and the linker accept libraries as input.

Figure 7–1. Archiver Development Flow



7.2 Invoking the Archiver

The archiver can be invoked with command line options:

```
ar30 [-]command [option] libname [filename1 ... filenamen]
```

or with a command file:

```
ar30 @command_file
```

- ar30** is the command that invokes the archiver.
- libname* names an archive library. If you don't specify an extension for *libname*, the archiver uses the default extension **.lib**.
- filename* names individual member files that are associated with the library. If you don't specify an extension for a *filename*, the archiver uses the default extension **.obj**.
- command* tells the archiver how to manipulate the library members. A command can be preceded by an optional hyphen. You **must** use one of the following commands when you invoke the archiver, but you can use only **one** command per invocation.
- a** adds the specified files to the library. Note that this command *does not replace* an existing member that has the same name as an added file; it simply *appends* new members to the end of the archive. It is possible to have several members with the same name in an archive. If you want to *replace* existing members, use the **r** command.
 - d** deletes the specified members from the library.
 - r** replaces the specified members in the library. If you don't specify any filenames, the archiver replaces the library members with files of the same name in the current directory. If the specified file is not found in the library, the archiver adds it instead of replacing it.
 - t** prints a table of contents of the library. If you specify filenames, only those files are listed. If you don't specify any filenames, the archiver lists all library members.

- u** only replaces the specified members in the library if the replacements are newer (have a more recent modification date). This command should be used in conjunction with the **r** command.
- x** extracts the specified files. If you don't specify member names, the archiver extracts all library members. When the archiver extracts a member, it simply copies the member into the current directory; it *doesn't* remove it from the library.

In addition to one of the *commands*, you can specify the following *options*:

- e** tells the archiver not to use the default extension `.obj` for member names.
- q** (quiet) suppresses the banner and status messages.
- s** prints a list of the global symbols that are defined in the library. (This option is valid only with the **-a**, **-r**, and **-d** commands.)
- v** (verbose) provides a file-by-file description of the creation of a new library from an old library and its constituent members.

When invoking the archiver with a command file, the `@` character must be specified before the command file name. The command file can specify archiver commands, options, library names, and file names. Comments can only appear in the command file on a separate line beginning with a semicolon (`;`). The command file should be of the form:

```
i comments  
[ command ] [ option ] [ . . . ]  
libname  
filename1  
.  
.  
filenamen
```

Note: Naming Library Members

It is possible (but not desirable) for a library to contain several members with the same name. If you attempt to delete, replace, or extract a member, and the library contains more than one member with the specified name, then the archiver deletes, replaces, or extracts the first member with that name.

7.3 Archiver Examples

Here are some examples of using the archiver.

❑ Example 1

This example creates a library called `function.lib` that contains the files `sine.obj`, `cos.obj`, and `flt.obj`.

```
ar30 -a function sine cos flt
TMS320C3x/4x Archiver          Version x.xx
Copyright (c) 1987-1997 Texas Instruments Incorporated
==>  new archive 'function.lib'
==>  building archive 'function.lib'
```

Because these examples use the default extensions (`.lib` for the library and `.obj` for the members), it is not necessary to specify them.

❑ Example 2

You can print a table of contents of `function.lib` with the `-t` option:

```
ar30 -t function
TMS320C3x/4x Archiver          Version x.xx
Copyright (c) 1987-1997 Texas Instruments Incorporated
      FILE NAME          SIZE  DATE
-----
      sine.obj           248   Mon Nov 19 01:25:44 1997
      cos.obj            248   Mon Nov 19 01:25:44 1997
      flt.obj            248   Mon Nov 19 01:25:44 1997
```

❑ Example 3

You can explicitly specify extensions if you don't want the archiver to use the default extensions; for example:

```
ar30 -av function.fn sine.asm cos.asm flt.asm
TMS320C3x/4x Archiver          Version x.xx
Copyright (c) 1987-1997 Texas Instruments Incorporated
==>  add 'sine.asm'
==>  add 'cos.asm'
==>  add 'flt.asm'
==>  building archive 'function.fn'
```

This creates a library called `function.fn` that contains the files `sine.asm`, `cos.asm`, and `flt.asm`. (`-v` is the verbose option.)

❑ Example 4

If you want to add new members to the library, specify

```
ar30 -as function tan.obj arctan.obj area.obj
TMS320C3x/4x Archiver          Version x.xx
Copyright (c) 1987-1997 Texas Instruments Incorporated
==>  symbol defined: 'K2'
==>  symbol defined: 'Rossignol'
==>  building archive 'function.lib'
```

Because this example doesn't specify an extension for the libname, the archiver adds the files to the library called `function.lib`. If `function.lib` didn't exist, the archiver would create it. (The `-s` option tells the archiver to list the global symbols that are defined in the library.)

❑ **Example 5**

If you want to modify a member in a library, you can extract it, edit it, and replace it. In this example, assume there's a library named `macros.lib` that contains the members `push.asm`, `pop.asm`, and `swap.asm`.

```
ar30 -x macros push.asm
```

The archiver makes a copy of `push.asm` and places it in the current directory; it doesn't remove `push.asm` from the library, though. Now you can edit the extracted file. To replace the copy of `push.asm` that's in the library with the edited copy, enter

```
ar30 -r macros push.asm
```

Linker Description

The TMS320C3x/C4x linker creates executable modules by combining COFF object files. As the linker combines object files, it performs the following tasks:

- It allocates sections into the target system's configured memory.
- It relocates symbols and sections to assign them to final addresses.
- It resolves undefined external references between input files.

The linker supports a command language that controls memory configuration, output section definition, and address binding. The language supports expression assignment and evaluation and provides two powerful directives, MEMORY and SECTIONS, that allow you to:

- Define a memory model that conforms to target system memory,
- Combine object file sections,
- Allocate sections into specific areas of memory, and
- Define or redefine global symbols at link time.

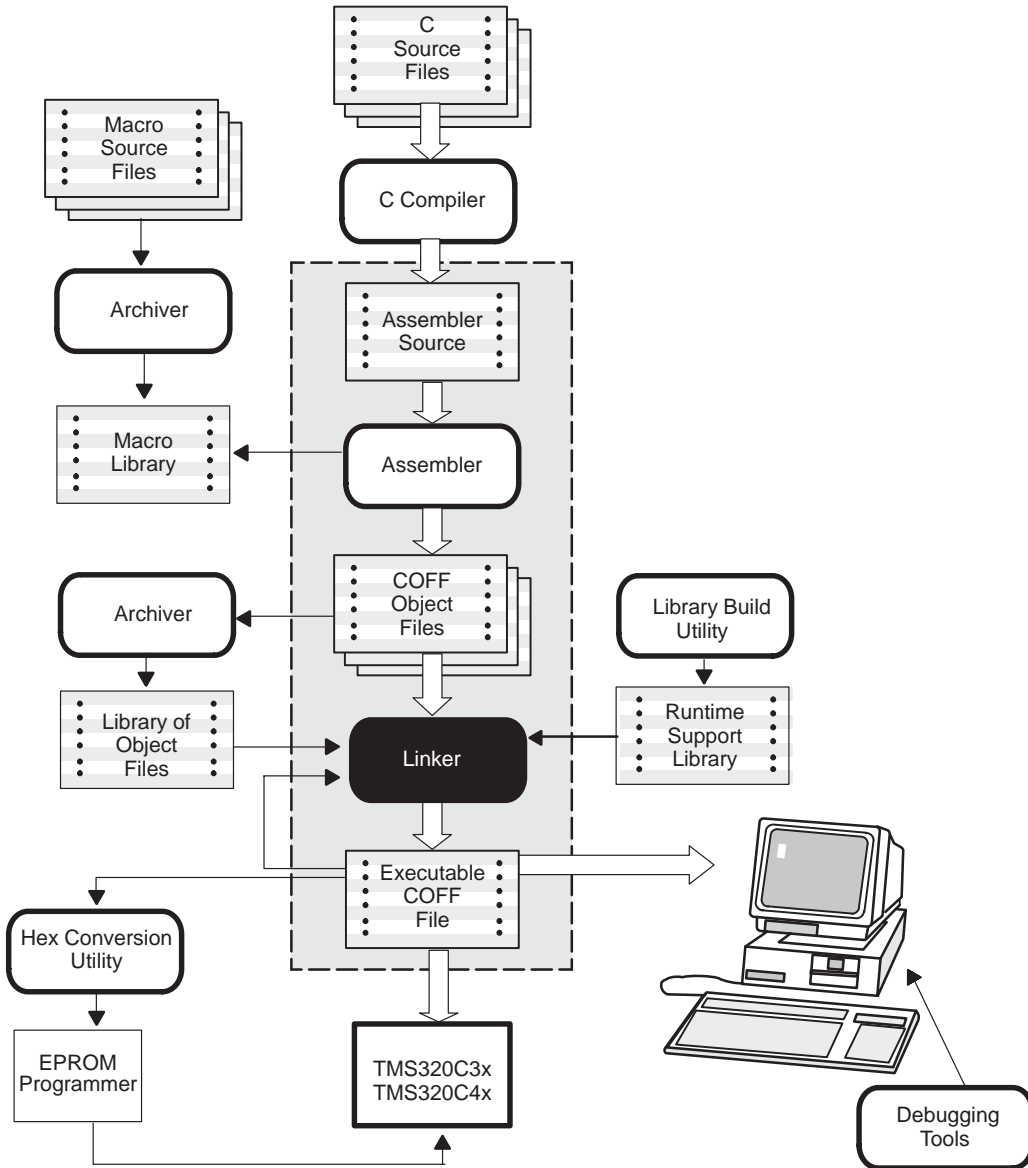
Topic	Page
8.1 Linker Development Flow	8-2
8.2 Invoking the Linker	8-4
8.3 Linker Options	8-6
8.4 Linker Command Files	8-18
8.5 Object Libraries	8-21
8.6 The MEMORY Directive	8-23
8.7 The SECTIONS Directive	8-27
8.8 Specifying a Section's Runtime Address	8-35
8.9 Using UNION and GROUP Statements	8-39
8.10 Overlay Pages	8-42
8.11 Default Allocation	8-47
8.12 Special Section Types (DSECT, COPY, and NOLOAD)	8-49
8.13 Assigning Symbols at Link Time	8-50
8.14 Creating and Filling Holes	8-54
8.15 Partial (Incremental) Linking	8-58
8.16 Linking C Code	8-60
8.17 Linker Example	8-64

8.1 Linker Development Flow

Figure 8–1 illustrates the linker’s role in the assembly language development process. The linker accepts several types of files as input, including object files, command files, libraries, and partially linked files. The linker creates an executable COFF object module that can be downloaded to one of several development tools or executed by a TMS320C3x/C4x device.

Input files generated by TMS320C3x/C4x tools can be created on any supported host machine and then linked by the TMS320C3x/C4x linker on a different machine. For example, an input file assembled by the TMS320C3x/C4x assembler on a PC can be linked by the TMS320C3x/C4x linker on a SPARCstation. If a TMS320C3x/C4x tool was not used to create an input file, the file must have the appropriate byte–swapping done before it can be linked on a different machine.

Figure 8–1. Linker Development Flow



8.2 Invoking the Linker

The general syntax for invoking the linker is:

```
lnk30 [-options] filename1 ... filenamen
```

lnk30	is the command that invokes the linker.
<i>options</i>	can appear anywhere on the command line or in a linker command file. (Options are discussed in Section 8.3.)
<i>filenames</i>	can be object files, linker command files, or archive libraries. The default extension for all input files is <i>.obj</i> ; any other extension must be explicitly specified. The linker can determine whether the input file is an object file or an ASCII file that contains linker commands. The default output filename is <i>a.out</i> .

There are three methods for invoking the linker:

- Specify options and filenames on the command line. This example links two files, `file1.obj` and `file2.obj`, and uses the `-o` option to create an output module named `link.out`.

```
lnk30 file1.obj file2.obj -o link.out
```

- Enter the **lnk30** command with no filenames and no options; the linker will prompt for them:

```
Command files :
Object files [.obj] :
Output files [ ] :
Options :
```

For *command files*, enter one or more command file names.

For *object files*, enter one or more object file names. The default extension is *.obj*. Separate the filenames with spaces or commas; if the last character is a comma, the linker will prompt for an additional line of object file names.

The *output file* is the name of the linker output module. This overrides any `-o` options entered with any of the other prompts. If there are no `-o` options and you do not answer this prompt, the linker will create an object file with the default filename of ***a.out***.

The *options* prompt is for additional options, although you can also enter options in a command file. Enter them with hyphens, just as you would on the command line.

- Put filenames and options in a linker command file. For example, assume the file `linker.cmd` contains the following lines:

```
-o link.out
file1.obj
file2.obj
```


Now you can invoke the linker from the command line; specify the command file name as an input file:

```
lnk30 linker.cmd
```

When you use a command file, you can also specify other options and files on the command line. For example, you could enter:

```
lnk30 -m link.map linker.cmd file3.obj
```

The linker reads and processes a command file as soon as it encounters it on the command line, so it links the files in this order: file1.obj, file2.obj, and file3.obj. This example creates an output file called link.out and a map file called link.map.

Note: Version Number Not Required for Linker

The linker does not have a version option to specify the target CPU. The target CPU type is encoded in the object files and the linker automatically links for the correct processor. The linker will issue an error message if you attempt to link object files assembled for different processors.

8.3 Linker Options

Linker options control linking operations. They can be placed on the command line or in a command file. All linker options must be preceded by a hyphen (-). The order in which options are specified is unimportant, except for the -l and -i options. Options are separated from arguments (if they have them) by an optional space. Table 8-1 summarizes the linker options.

Table 8-1. Linker Options Summary

Option	Description
-a	Produce an absolute, executable module. This is the default; if neither -a nor -r is specified, the linker acts as if -a is specified.
-ar	Produce a relocatable, executable object module.
-b	The linker will not merge any duplicate symbol table entries that may exist from multiple files. This has the effect of making the linker run faster at the expense of a larger COFF output file.
-c	Use linking conventions defined by the ROM autoinitialization model of the C compiler.
-cr	Use linking conventions defined by the RAM autoinitialization model of the C compiler.
-e	Defines a <i>global symbol</i> that specifies the primary entry point for the output module.
-f <i>fill value</i>	Set the default fill value for holes within output sections; <i>fill value</i> is a 4-byte constant.
-g <i>symbol</i>	Maintain the specified symbol as a global symbol, regardless of the use of the -h option.
-h	Make all global symbols static.
-heap <i>size</i>	Set heap size (for the C memory pool command malloc()) to <i>size</i> words and define the global symbol <code>_SYSMEM_SIZE</code> to specify heap size. Default = 1K words
-heap8 <i>size</i>	Set the size for the 'C32's 8-bit memory heap, and define the global symbol <code>_SYSMEM8_SIZE</code> to that value. The size and the symbol are used by the 8-bit memory routines. Defaults to 0 words and an undefined symbol if the 8-bit memory routines are not used.
-heap16 <i>size</i>	Set the size for the 'C32's 16-bit memory heap, and define the global symbol <code>_SYSMEM16_SIZE</code> to that value. The size and the symbols are used by the 16-bit memory routines. Defaults to 0 words and an undefined symbol if the 16-bit memory routines are not used.
-i <i>dir</i>	Alter the library-search algorithm to look in <i>dir</i> before looking in the default location. This option must appear before the -l option.
-l <i>filename</i> †	Name an archive library file as linker input; <i>filename</i> is an archive library name.
-m <i>filename</i> †	Produce a map or listing of the input and output sections, including holes, and place the listing in <i>filename</i> .
-o <i>filename</i> †	Name the executable output module. The default filename is <i>a.out</i> .

-q	Request a quiet run (suppress the banner). Must be the first argument on the command line.
-r	Retain relocation entries in the output module.
-s	Strip symbol table information and line number entries from the output modules.
-stack size	Sets C system stack size to size words and defines a <i>global symbol</i> that specifies the stack size. Default = 1K words
-u symbol	Place an unresolved external <i>symbol</i> into the output module's symbol table.
-vn	Generate version <i>n</i> COFF format, where <i>n</i> is 0, 1, or 2. The default is 2.
-w	Generate a warning when an output section that is not specified with the SECTIONS directive is created.
-x	Forces rereading of libraries. Resolves "back" references.

† The *filename* must follow operating system conventions

8.3.1 Relocation Capability (**-a** and **-r** Options)

One of the tasks the linker performs is *relocation*. Relocation is the process of adjusting all references to a symbol when the symbol's address changes. The linker supports two options (**-a** and **-r**) that allow you to choose whether you will produce an absolute or a relocatable output module. Default is **-a**.

Producing an Absolute Output Module (**-a** Option)

When you use the **-a** option without the **-r** option, the linker produces an *executable, absolute* output module. Absolute files contain *no* relocation entries. Executable files contain the following:

- special symbols defined by the linker (subsection 8.13.4 on page 8-53 describes these symbols),
- an optional header that describes information such as the program entry point, **and**
- *no* unresolved references.

This example links `file1.obj` and `file2.obj` and creates an absolute output module called `a.out`:

```
lnk30 -a file1.obj file2.obj
```

Producing a Relocatable Output Module (**-r** Option)

When you use the **-r** option without the **-a** option, the linker retains relocation entries in the output module. If the output module will be relocated (at loadtime) or relinked (by another linker execution), use **-r** to retain the relocation entries.

The linker produces an *unexecutable* file when you use the **-r** option without **-a**. A file that is not executable does not contain special linker symbols

or an optional header. The file may contain unresolved references, but these references do not prevent creation of an output module.

This example links file1.obj and file2.obj and creates a relocatable output module called a.out:

```
lnk30 -r file1.obj file2.obj
```

The output file a.out can be relinked with other object files or relocated at loadtime. (Linking a file that will be relinked with other files is called *partial linking*. For more information, see Section 8.15 on page 8-58.)

❑ **Producing an *Executable Relocatable Output Module* (-ar)**

If you invoke the linker with both the -a and -r options, the linker produces an *executable, relocatable* object module. The output file contains the special linker symbols and an optional header. All symbol references are resolved (this is normal for a relocatable file); however, the relocation information is retained.

This example links file1.obj and file2.obj and creates an executable, relocatable output module called xr.out:

```
lnk30 -ar file1.obj file2.obj -o xr.out
```

Note that you can string the options together (lnk30 -ar) or you can enter them separately (lnk30 -a -r).

❑ **Relocating or Relinking an Absolute Output Module**

The linker issues a warning message (but continues executing) when it encounters a file that contains no relocation or symbol table information. Relinking an absolute file can be successful only if each input file contains no information that needs to be relocated (that is, each file has no unresolved references and is bound to the same virtual address that it was bound to when the linker created it).

8.3.2 Disable Merge of Symbolic Debugging Information (`-b` Option)

By default, the linker eliminates duplicate entries of symbolic debugging information. Such duplicate information is commonly generated when a C program is compiled for debugging. For example:

```
- [ header.h ] -
typedef struct
{
    <define some structure members>
} XYZ;

- [ f1.c ] -
#include "header.h"
...

- [ f2.c ] -
#include "header.h"
...
```

When these files are compiled for debugging, both `f1.obj` and `f2.obj` will have symbolic debugging entries to describe type `XYZ`. For the final output file, only one set of these entries is necessary. The linker will eliminate the duplicate entries automatically.

Using the `-b` option causes the linker to keep such duplicate entries. Keeping these entries allows the linker to run faster and use less machine memory at the expense of producing a larger COFF output file.

8.3.3 C Language Options (`-c` and `-cr` Options)

The `-c` and `-cr` options cause the linker to use linking conventions that are required by the TMS320C3x/C4x C compiler.

- The `-c` option tells the linker to use the ROM autoinitialization model.
- The `-cr` option tells the linker to use the RAM autoinitialization model.

For more information about linking C code, see Section 8.16 on page 8-60.

8.3.4 Define an Entry Point (`-e` *global symbol* Option)

The memory address that a program begins executing from is called the **entry point**. When a loader loads a program into target memory, the program counter must be initialized to the entry point; the PC then points to the beginning of the program.

The linker can assign one of four possible values to the entry point. These values are listed below in the order in which the linker tries to use them. If you use

one of the first three values, it must be an external symbol in the symbol table. Possible entry point values include:

- The value specified by the `-e` option. The syntax is `-e global symbol` where *global symbol* defines the entry point and must appear as an external symbol in one of the input files to be linked.
- The value of symbol `_c_int00` (if present). `_c_int00` **must** be the entry point if you are linking code produced by the C compiler.
- The value of symbol `_main` (if present).
- Zero (default value).

This example links `file1.obj` and `file2.obj` and sets the entry point to the value of the symbol `begin`. This symbol must be defined as external in `file1` or `file2`.

```
lnk30 -e begin file1.obj file2.obj
```

8.3.5 Set Default Fill Value (`-f cc` Option)

The `-f` option fills the holes formed within output sections or initializes uninitialized sections when they are combined with initialized sections. This allows you to initialize memory areas during link time without reassembling a source file. The argument `cc` is a 4-byte constant (up to eight hexadecimal digits). If you do not use `-f`, the linker uses 0 as the default fill value.

This example fills holes with the hexadecimal value `AABBCCDDh`:

```
lnk30 -f 0AABBCCDDh file1.obj file2.obj
```

For more information about holes, see Section 8.14 on page 8-54.

8.3.6 Make All Global Symbols Static (`-h` Option)

The `-h` option makes output global symbols static. This is useful when you are using partial linking to link related object files into self-contained modules, then relinking the modules into a final system. If there are global symbols in one module that have the same name as global symbols in other modules, but you want to treat them as separate symbols, use the `-h` option when building the modules. The global symbols in the modules, which would normally be visible to the other modules and cause possible redefinition problems in the final link, are made static so that they are not visible to the other modules.

For example, assume `b1.obj`, `b2.obj`, and `b3.obj` are related and reference a global variable `GLOB`. Also assume that `d1.obj`, `d2.obj`, and `d3.obj` are related and also reference a separate global variable `GLOB`. You can link the related files with the following commands:

```
lnk30 -h -r b1.obj b2.obj b3.obj -o bpart.out
lnk30 -h -r d1.obj d2.obj d3.obj -o dpart.out
```

The `-h` option guarantees that *bpart.out* and *dpart.out* will not have global symbols and therefore two distinct versions of GLOB exist. The `-r` option is used to allow *bpart.out* and *dpart.out* to retain their relocation entries. These two partially linked files can then be safely linked with the following command:

```
lnk30 bpart.out dpart.out -o system.out
```

For more information about partial linking, see Section 8.15 on page 8-58.

8.3.7 Keep a Global Symbol (`-g symbol` Option)

The `-g` option allows you to keep the named symbol as a non-static global symbol, despite the use of the `-h` option. This allows the sharing of specific symbols across multiple object files with variables of the same name. Any symbols of the specified name will be visible to all modules, and an error will result if the symbol has a definition in more than one file.

8.3.8 Define Heap Size (`-heap size`, `-heap8 size`, and `-heap16 size` Options)

The TMS320C3x/C4x C compiler uses an uninitialized section called `.systemem` for the C runtime memory pool used by `malloc()`. You can set the size of this memory pool at link time by using the `-heap` option. Specify the size in words as a four byte constant immediately after the option:

```
lnk30 -heap 0x4000 /* defines a 256K byte heap (.systemem section)*/
```

The linker creates the `.systemem` section only if there is a `.systemem` section in an input file.

The linker also creates a global symbol `__SYSTEMEM_SIZE` and assigns it a value equal to the size of the heap. The default size is 1K words.

To support the TMS320C32, the 'C3x runtime support library adds 8-bit and 16-bit versions of the dynamic memory management functions. These functions are analogous to the 32-bit versions described in Chapter 5, *Runtime Support Functions*, of the *TMS320C3x/C4x Optimizing C Compiler User's Guide*. The only difference is that the 8-bit and 16-bit versions allocate space from the `.sysm8` and `.sysm16` uninitialized sections rather than the `.systemem` section.

```
void *calloc8(size_t _num, size_t _size);
void free8(void *_ptr);
void *malloc8(size_t _size);
void *bmalloc8(size_t _size);
void minit8(void);
void *realloc8(void *_ptr, size_t _size);

void *calloc16(size_t _num, size_t _size);
void free16(void *_ptr);
void *malloc16(size_t _size);
void *bmalloc16(size_t _size);
void minit16(void);
void *realloc16(void *_ptr, size_t _size);
```

The sizes of the `.sysm8` and `.sysm16` sections can be set by using the `-heap8` and `-heap16` linker options, respectively. If the memory management functions are used but the `-heap8` and `-heap16` options are not used, the default size of each heap is 1K words. If the memory management functions are not used, the linker will not allocate the `.sysm8` and `.sysm16` sections. If the sections are created, the linker sets the constant heap size values in the `_SYSMEM8_SIZE` and `_SYSMEM16_SIZE` symbols, respectively. The `stdlib.h` header file should be included in any file that uses these new functions.

For more information about linking C code, see Section 8.16 on page 8-60.

8.3.9 Alter the Library Search Algorithm (`-i dir` & `-l filename/C_DIR`)

Usually when you want to specify a library input, you simply enter the library name as you would any other input filename; the linker looks for the library in the current directory. For example, suppose the current directory contains the library *object.lib*. Assume that this library defines symbols that are referenced in the file *file1.obj*. This is how you link the files:

```
lnk30 file1.obj object.lib
```

If you want to use a library that is not in the current directory, use the `-l` (lowercase “L”) linker option. The syntax for this option is `-l filename`. The *filename* is the name of an archive library; the space between `-l` and the filename is optional.

You can augment the linker’s directory search algorithm by using the `-i` linker option or the environment variable. The linker searches for any file specified with `-l` in the following order:

- 1) It searches directories named with the `-i` linker option.
- 2) It searches directories named with the environment variable `C_DIR`.
- 3) If `C_DIR` is not set, it searches directories named with the assembler’s environment variable, `A_DIR`.
- 4) It searches the current directory.

8.3.10 `-i` Linker Option

The `-i` option names an alternate directory that contains object libraries. The syntax for this option is `-i dir`. *dir* names a directory that contains object libraries; the space between `-i` and the directory name is optional. When the linker is searching for object libraries named with the `-l` option, it searches through directories named with `-i` first. Each `-i` option specifies only one directory, but you can use several `-i` options per invocation. When you use the `-i` option to name an alternate directory, it must precede the `-l` option on the command line or in a command file.

As an example, assume that there are two archive libraries called `r.lib` and `lib2.lib`. The table below shows the directories that `r.lib` and `lib2.lib` reside in, how to set environment variable, and how to use both libraries during a link. Select the row for your operating system:

	Sample Pathname	Invocation Command
DOS	<code>\c30</code> and <code>\c302</code>	<code>lnk30 f1.obj f2.obj -i\c30 -i\c302 -l r.lib -l lib2.lib</code>
UNIX	<code>/c30</code> and <code>/c302</code>	<code>lnk30 f1.obj f2.obj -i/c30 -i/c302 -l r.lib -l lib2.lib</code>

8.3.11 Environment Variable (`C_DIR` or `A_DIR`)

An environment variable is a system symbol that you define and assign a string to. The linker uses an environment variable named `C_DIR` to name alternate directories that contain object libraries. The command for assigning the environment variable is:

	Sample Pathname	Invocation Command
DOS	<code>\dsp</code> and <code>\dsp2</code>	<code>set C_DIR=\dsp;\dsp2</code> <code>lnk30 f1.obj f2.obj -l r.lib -l lib2.lib</code>
UNIX	<code>/dsp</code> and <code>/dsp2</code>	<code>setenv C_DIR /dsp:/dsp2</code> <code>lnk30 f1.obj f2.obj -l r.lib -l lib2.lib</code>

The *pathnames* are directories that contain object libraries. Use the `-l` option on the command line or in a command file to tell the linker which libraries to search for.

The assembler uses an environment variable named `A_DIR` to name alternate directories that contain copy/include files or macro libraries. If `C_DIR` is not set, the linker will search for object libraries in the directories named with `A_DIR`. Section 8.5 (page 8-21) contains more information about object libraries.

8.3.12 Create a Map File (`-m filename` Option)

The `-m` option creates a link map listing and puts it in *filename*. This map describes:

- Memory configuration
- Input and output section allocation
- The addresses of external symbols after they have been relocated

The map file contains the name of the output module and the entry point; it may also contain up to three tables:

- A table showing the memory configuration, **if** any nondefault memory is specified.
- A table showing the linked addresses of each output section and the input sections that make up the output sections.
- A table showing each external symbol and its address. This table has two columns: the left column contains the symbols sorted by name, and the right column contains the symbols sorted by address.

This example links `file1.obj` and `file2.obj` and creates a map file called *map.out*:

```
lnk30 file1.obj file2.obj -m map.out
```

Section 8.17 (page 8-64) shows an example of a map file.

8.3.13 Name an Output Module (`-o filename` Option)

The linker creates an executable output module. If you do not specify a filename for the output module, the linker gives it the default name ***a.out***. If you want to the output module to have another name, use the `-o` option. The *filename* is the new output module name.

This example links `file1.obj` and `file2.obj` and creates an output module named *run.out*:

```
lnk30 -o run.out file1.obj file2.obj
```

8.3.14 Specify a Quiet Run (`-q` Option)

The `-q` option suppresses the linker's banner when `-q` is the first option on the command line or in a command file. This option is useful for batch operation.

8.3.15 Strip Symbolic Information (`-s` Option)

The `-s` option creates a smaller output module by omitting symbol table information and line number entries. The `-s` option is useful for production applications when you must create the smallest possible output module.

This example links `file1.obj` and `file2.obj` and places them in an output module, stripped of line numbers and symbol table information, named `nolink.out`:

```
lnk30 -o nolink.out -s file1.obj file2.obj
```

Note that using the `-s` option limits later use of a symbolic debugger and may prevent a file from being relinked.

8.3.16 Define Stack Size (`-stack size` Option)

The TMS320C3x/C4x C compiler uses an uninitialized section, `.stack`, to allocate space for the runtime stack. You can set the size of the `.stack` section at link time with the `-stack` option. Specify the size in words as a constant immediately after the option:

```
lnk30 -stack 0x1000 /* defines a 4K stack (.stack section) */
```

If you specified a different stack size in an input section, the input section stack size is ignored. Any symbols defined in the input section remain valid; only the stack size will be different.

When the linker defines the `.stack` section, it also defines a global symbol, `__STACK_SIZE`, and assigns it a value equal to the size of the section. The default stack size is 1K words.

8.3.17 Introduce an Unresolved Symbol (`-u symbol` Option)

The `-u` option introduces an unresolved symbol into the linker's symbol table. This forces the linker to search through a library and include the module that defines the symbol. Note that the linker must encounter the `-u` option *before* it links in the member that defines the symbol.

For example, suppose a library named `sym.lib` contains a member that defines the symbol `symtab`; none of the object files you are linking reference to `symtab`. However, suppose you plan to relink the output module, and you would like to include the library member that defines `symtab` in this link. Using the `-u` option as shown below forces the linker to search `sym.lib` for the member that defines `symtab` and to link in the member.

```
lnk30 -u symtab file1.obj file2.obj sym.lib
```

If you do not use `-u`, this member would not be included because there is no explicit reference to it from `file1.obj` or `file2.obj`.

8.3.18 COFF Format Version (`-vn` Option)

The `-v` option allows you to specify the version of COFF used in the created executable. *n* can be 0, 1, or 2, with 2 as the default. Previous versions of the tools supported only COFF version 0. This option is available for backward compatibility and may be removed in a future release. For a description of COFF, see Appendix A.

The COFF version used to create the executable must also be supported by any debugger or simulator used. Note that the current simulators only support COFF version 0. The following debuggers support COFF versions 1 and 2:

Debugger	Version
C3x XDS510	5.20
C3x EVM	5.20
C4x XDS510	2.50

If you are not using one of these debuggers, you must use the `-v0` option when creating your final executable. To attain a debugger or simulator, see the *Microprocessor Development Systems Customer Support Guide* provided with this product.

8.3.19 Warning Switch (`-w` Option)

The `-w` option generates a warning message if an output section is created that is not explicitly specified with the `SECTIONS` directive. For example:

```
- [ fl.asm ] -  
.sect "xsect"  
.word 0  
  
- [ link.cmd ] -  
SECTIONS  
{  
  <no output section specifications reference xsect>  
}
```

The linker creates an output section called `xsect` that consists of the input section `xsect` from other object files; the linker then uses the default allocation rules to allocate this output section into memory. If you used the `-w` switch when linking, the preceding example would generate the message:

```
>> warning: creating output section xsect without SECTIONS specification
```

8.3.20 Exhaustively Read Libraries (`-x` option)

The linker normally reads input files, archive libraries included, only once when they are encountered on the command line or in the command file. When an archive is read, any members that resolve references to undefined symbols are included in the link. If an input file later references a symbol defined in a previously read archive library (this is called a *back reference*), the reference will not be resolved.

You can force the linker to repeatedly reread all libraries with the `-x` option. The linker will continue to reread libraries until no more references can be resolved. For example, if `a.lib` contains a reference to a symbol defined in `b.lib`, and `b.lib` contains a reference to a symbol defined in `a.lib`, you can resolve the mutual dependencies by listing one of the libraries twice, as in:

```
lnk30 -la.lib -lb.lib -la.lib
```

or you can force the linker to do it for you:

```
lnk30 -x -la.lib -lb.lib
```

8.4 Linker Command Files

Linker command files allow you to put linking information in a file; this is useful when you often invoke the linker with the same information. Linker command files are also useful because they allow you to use the `MEMORY` and `SECTIONS` directives to customize your application. You must use these directives in a command file; you cannot use them on the command line. Command files are ASCII files that contain one or more of the following:

- ❑ Input filenames, which specify object files, archive libraries, or other command files. (If a command file calls another command file as input, this statement must be the *last* statement in the calling command file. The linker does not return from called command files.)
- ❑ Linker options, which can be used in the command file in the same manner that they are used on the command line.
- ❑ The `MEMORY` and `SECTIONS` linker directives. The `MEMORY` directive allows you to specify the target memory configuration. The `SECTIONS` directive controls how sections are built and allocated.
- ❑ Assignment statements, which define and assign values to global symbols.

To invoke the linker with a command file, enter the **Ink30** command and follow it with the name of the command file:

Ink30 *command file name*

The linker processes input files in the order that it encounters them. If the linker recognizes a file as an object file, it links the file. Otherwise, it assumes that a file is a command file and begins reading and processing commands from it. Note that command filenames are upper/lower-case sensitive, regardless of the system used.

Example 8–1 shows a sample linker command file called *link.cmd*. (Subsection 2.4.2 on page 2-15 contains another example of a linker command file.)

Example 8–1. An Example of a Linker Command File

```
/*  
/*      Sample Linker Command File      */  
/*  
a.obj          /* First input filename  */  
b.obj          /* Second input filename */  
-o prog.out    /* Option to specify output file */  
-m prog.map    /* Option to specify map file     */
```

Example 8–1 contains only filenames and options. (Note that you can place comments in a command file by delimiting them with `/*` and `*/`.) To invoke the linker with this command file, enter:

```
lnk30 link.cmd
```

You can also place other parameters on the command line when you use a command file:

```
lnk30 -r link.cmd c.obj d.obj
```

The linker processes the command file as soon as it encounters it, so `a.obj` and `b.obj` are linked into the output module before `c.obj` and `d.obj`.

You can also specify multiple command files. If, for example, you have a file called `names.lst` that contains filenames and another file called `dir.cmd` that contains linker directives, you can enter:

```
lnk30 names.lst dir.cmd
```

A command file can call another command file; this type of nesting is limited to 16 levels. If a command file names another command file as input, this statement must be the *last* statement in the calling command file.

Blanks and blank lines that appear in a command file are insignificant except as delimiters. This also applies to the format of linker directives in a command file. Example 8–2 shows a sample command file that contains linker directives. (Linker directive formats are discussed in later sections.)

Example 8–2. A Command File With Linker Directives

```

/*****
/*      Sample Linker Command File with Directives      */
/*****
a.obj b.obj c.obj          /* Input filenames          */
-o prog.out -m prog.map    /* Options              */

MEMORY                    /* MEMORY directive    */
{
  RAM:  o = 100h          1 = 0100h
  ROM:  o = 01000h       1 = 0100h
}

SECTIONS                  /* SECTIONS directive  */
{
  .text:                  > ROM
  .data:                  > ROM
  .bss:  > RAM
}

```

Note: Command Files Are Always Case Sensitive

Within a command file, all filenames are case sensitive, *even on systems where case sensitivity does not apply to filenames (DOS, VMS.)* If an input file appears more than once in a command file, its case must be the same in all instances.

The following names are reserved as key words for linker directives. Do not use them as symbol or section names in a command file.

Reserved Keywords		
align	GROUP	origin
attr	l (lowercase "L")	ORIGIN
ATTR	len	page
ALIGN	length	PAGE
block	LENGTH	run
BLOCK	load	RUN
COPY	LOAD	SECTIONS
DSECT	MEMORY	type
f	NOLOAD	TYPE
fill	o	UNION
FILL	org	

8.5 Object Libraries

An object library is a partitioned archive file that contains complete object files as members. Usually, a group of related modules are grouped together into a library. When you specify an object library as linker input, the linker includes any members of the library that define existing unresolved symbol references. You can use the TMS320C3x/C4x archiver to build and maintain archive libraries; Chapter 7 contains more information about the archiver.

Using object libraries can reduce linking time and can reduce the size of the executable module. If a normal object file is specified at link time, it is linked whether it is used or not; however, if that same file is placed in an archive library, it is included only if it is referenced.

The order in which libraries are specified is important because the linker includes only those members that resolve symbols that are undefined when the library is searched. The same library can be specified as often as necessary; it is searched each time it is included. An alternative is to use the `-x` option, which continually searches all libraries until all references are resolved. A library has a table that lists all external symbols defined in the library; the linker searches through the table until it determines that it cannot use the library to resolve any more references.

The following example links several object files and libraries; assume the following:

- Input files `f1.obj` and `f2.obj` both reference an external function named `clrscr`.
- Input file `f1.obj` references the symbol `origin`.
- Input file `f2.obj` references the symbol `fillclr`.
- Library `libc.lib`, member 0, contains a definition of `origin`.
- Library `liba.lib`, member 3, contains a definition of `fillclr`.
- Member 1 of both libraries defines `clrscr`.

If you enter

```
lnk30 f1.obj liba.lib f2.obj libc.lib
```

then:

- Member 1 of `liba.lib` satisfies both references to `clrscr`, because the library is searched and `clrscr` is defined before `f2.obj` references it.
- Member 0 of `libc.lib` satisfies the reference to `origin`.
- Member 3 of `liba.lib` satisfies the reference to `fillclr`.

If, however, you enter:

```
lnk30 f1.obj f2.obj libc.lib liba.lib
```

then the references to `clrscr` are satisfied by member 1 of `libc.lib`.

If none of the linked files reference symbols defined in a library, you can use the `-u` option to force the linker to include a library member. The next example creates an undefined symbol `rout1` in the linker's global symbol table:

```
lnk30 -u rout1 libc.lib
```

If any members of `libc.lib` define `rout1`, then the linker includes those members. Note that it is not possible to control the allocation of individual library members; members are allocated according to the `SECTIONS` directive default allocation algorithm.

Subsection 8.3.9 (page 8-12) describes methods for specifying directories that contain object libraries.

8.6 The MEMORY Directive

The linker determines where output sections should be allocated into memory; the linker must have a model of target memory to accomplish this task. The MEMORY directive allows you to specify a model of target memory, so you can define the types of memory your system contains and the address ranges they occupy. The linker maintains the model as it allocates output sections, and uses the model to determine which memory locations in the target system can be used for object code.

The memory configurations of TMS320 systems differ from application to application. The MEMORY directive allows you to specify a variety of configurations to meet all applications. After you use the MEMORY directive to define a memory model, you can use the SECTIONS directive to allocate output sections into defined memory.

8.6.1 Default Memory Model

If you do not use the MEMORY directive, the linker uses a default memory model that is based on the TMS320C3x/C4x architecture. This model assumes that the full 32-bit address space (2^{32} locations) is present in the system and available for use.

8.6.2 MEMORY Directive Syntax

The MEMORY directive identifies ranges of memory that are physically present in the target system and can be used by a program. Each memory range has a *name*, a *starting address*, and a *length*.

When you use the MEMORY directive, be sure to identify all the memory ranges that are available to load object code into. Memory that is defined by the MEMORY directive is *configured memory*; any memory that you do not explicitly account for with the MEMORY directive is *unconfigured memory*. The linker does not place any part of a program into unconfigured memory. You can represent nonexistent memory spaces by simply not including an address range in a MEMORY directive statement.

The MEMORY directive is specified in a command file by the word MEMORY (uppercase), followed by a list of memory range specifications enclosed in braces. The MEMORY directive in Example 8–3 defines a system that has 4K words of ROM at address 0 and 8K of RAM at address 0E000h.

Example 8–3. The MEMORY Directive

```

MEMORY directive
/*****
/* Sample command file with MEMORY directive */
/*****
file1.obj file2.obj      /* Input files */
-o prog.out             /* Options */

MEMORY
{
    ROM: origin = 00000h , length = 1000h
    RAM: origin = 0E000h , length = 2000h
}
origins
lengths
    
```

Now you could use the SECTIONS directive to tell the linker where to link the sections. For example, you could allocate the .text and .data sections into the area named ROM and allocate the .bss section into the area named RAM.

The general syntax for the MEMORY directive is:

```

MEMORY
{
    PAGE 0 : name 1 [(attr)] :origin = constant, length = constant
    PAGE n : name n [(attr)] :origin = constant, length = constant
}
    
```

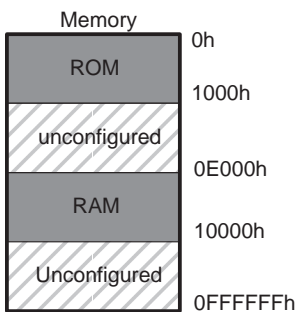
PAGE identifies a memory space. You can specify up to 255 pages, depending on your configuration; usually, PAGE 0 specifies program memory, and PAGE 1 specifies data memory. If you do not specify a PAGE, the linker acts as if you specified PAGE 0. Each PAGE represents a completely independent address space. Configured memory on PAGE 0 can overlap configured memory on PAGE 1.

name Names a memory range. A memory name may be 1 to 8 characters; valid characters include A–Z, a–z, \$, ., and _. The names have no special significance to the linker; they simply identify memory ranges. Memory range names are internal to the linker and are not retained in the output file or in the symbol table. Memory ranges on separate pages can have the same name; within a page, however, all memory ranges must have unique names and must not overlap.

<i>attr</i>	<p>Specifies one to four attributes associated with the named range. Attributes are optional; when used, they must be enclosed in parentheses. Attributes can restrict the allocation of output sections into certain memory ranges. If you do not use any attributes, you can allocate any output section into any range with no restrictions. Any memory for which no attributes are specified (including all memory in the default model) has all four attributes. Valid attributes include:</p> <p>R specifies that the memory can be read W specifies that the memory can be written to X specifies that the memory can contain executable code I specifies that the memory can be initialized</p> <p>If you do not specify any attributes for a memory range, then the range <i>has all four attributes</i>. All memory in the default model has all four attributes. The following example defines a memory range that is readable and executable:</p> <pre>MEMORY { ROM (RX) : o = 0, l = 01000h }</pre>
origin	<p>Specifies the starting address of a memory range; enter as <i>origin</i>, <i>org</i>, or <i>o</i>. The value, specified in bytes, is a 16-bit constant and may be decimal, octal, or hexadecimal.</p>
length	<p>Specifies the length of a memory range; enter as <i>length</i>, <i>len</i>, or <i>l</i>. The value, specified in bytes, is a 16-bit constant and may be decimal, octal, or hexadecimal.</p>
fill	<p>Specifies a fill character for the memory range; enter as <i>fill</i> or <i>f</i>. Fills are optional. The value is a two-byte integer constant and may be decimal, octal, or hexadecimal. The fill value will be used to fill areas of the memory range that are not allocated to a section.</p>

Figure 8–2 illustrates the memory map defined by Example 8–3.

Figure 8–2. Memory Map Defined in Example 8–3



8.7 The *SECTIONS* Directive

The *SECTIONS* directive tells the linker how to combine sections from input files into sections in the output module and where to place the output sections in memory. In summary, the *SECTIONS* directive:

- Describes how input sections are combined into output sections,
- Defines output sections in the executable program,
- Specifies where output sections are placed in memory (in relation to each other and to the entire memory space), **and**
- Permits renaming of output sections.

8.7.1 Default Sections Configuration

If you do not specify a *SECTIONS* directive, the linker uses a default algorithm for combining and allocating the sections. Section 8.11 (page 8-47) describes this algorithm in detail.

8.7.2 *SECTIONS* Directive Syntax

Note: Compatibility With Previous Versions

In previous versions of the linker, many of these constructs were specified differently. The linker accepts any of the older forms.

The *SECTIONS* directive is specified in a command file by the word *SECTIONS* (uppercase), followed by a list of output section specifications enclosed in braces.

The general syntax for the *SECTIONS* directive is:

```
SECTIONS
{
    name : [ property, property, property, ... ]
    name : [ property, property, property, ... ]
    name : [ property, property, property, ... ]
}
```

Each section specification, beginning with *name*, defines an output section. (An output section is a section in the output file.) After the section *name* is a list of properties that define the sections contents and how it is allocated. The

properties may be separated by optional commas. Possible properties for a section are:

LOAD ALLOCATION Defines where in memory the section is to be loaded.

Syntax: **load = allocation** or
allocation or
> allocation

RUN ALLOCATION defines where in memory the section is to be run.

Syntax: **run = allocation** or
run > allocation

INPUT SECTIONS defines the input sections comprising the section.

Syntax: { input_sections }

SECTION TYPE defines flags for special section types.

Syntax: **type = COPY** or
type = DSECT or
type = NOLOAD

For more information on section types, see Section 8.12.

FILL VALUE defines the value used to fill uninitialized "holes"

Syntax: **fill = value** or
name: ... { ... } = value

For more information on creating and filling holes, see Section 8.14.

Example 8–4 shows a *SECTIONS* directive in a sample linker command file.

Figure 8–3 shows how these sections are allocated in memory.

Example 8–4. The *SECTIONS* Directive

SECTIONS directive	SECTIONS
{	.text: load = ROM
	.const: load = ROM, run = 0809800h
	.bss: load = RAM, block = 010000h
	vectors: load = 0h
	{
	t1.obj(.intvec1)
	t2.obj(.intvec2)
	endvec = .;
	}
}	.data: align = 32
	}

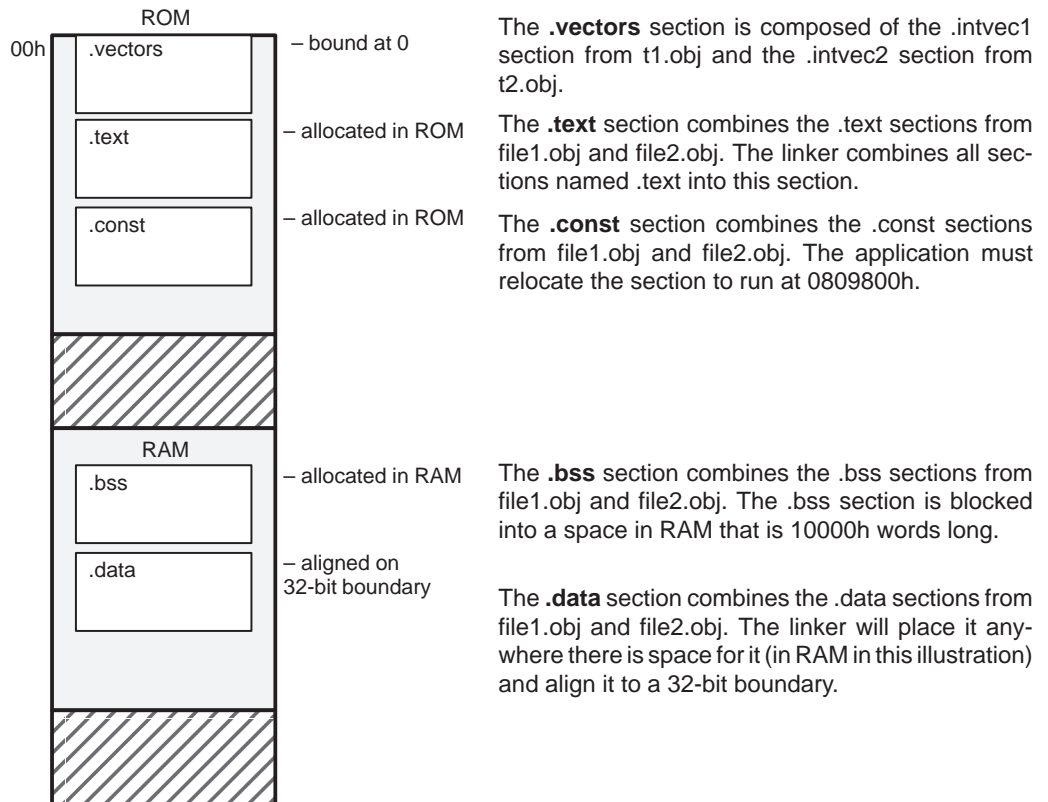
```

/*****
/* Sample command file with SECTIONS directive */
/*****
file1.obj file2.obj          /* Input files */
-o prog.out                 /* Options   */
SECTIONS
{
  .text:  load = ROM
  .const: load = ROM, run = 0809800h
  .bss:   load = RAM, block = 010000h
  vectors: load = 0h
    {
      t1.obj(.intvec1)
      t2.obj(.intvec2)
      endvec = .;
    }
  .data:  align = 32
}

```


Figure 8–3 shows the five output sections defined by the sections directive in Example 8–4; `.vectors`, `.text`, `.const`, `.bss`, and `.data`.

Figure 8–3. Section Allocation Defined by Example 8–4



8.7.3 Specifying the Address of Output Sections (Allocation)

The linker assigns each output section two locations in target memory: the location where the section will be loaded and the location where it will be run. Usually, these are the same and you can think of each section as having only a single address. In any case, the process of locating the output section in the target's memory and assigning its address(es) is called allocation. For more information about using separate load and run allocation, see Section 8.8 on page 8-35.

If you do not tell the linker how a section is to be allocated, it uses a default algorithm to allocate the section. Generally, the linker puts sections wherever they fit into configured memory. You can override this default allocation for a section by defining it within a `SECTIONS` directive and providing instructions on how to allocate it.

You control allocation by specifying one or more allocation parameters. Each parameter consists of a keyword, an optional equals sign or greater-than sign, and a value optionally enclosed in parentheses. If load and run allocation is separate, all parameters following the keyword `LOAD` apply to load allocation, and those following `RUN` apply to run allocation. Possible allocation parameters are:

- BINDING** allocates a section at a specific address
`.text: load = 0x1000`
- MEMORY** allocates the section into a range defined in the `MEMORY` directive with the specified name or attributes
`.text: load > ROM`
- ALIGNMENT** specifies that the section should start on an address boundary
`.text: align = 0x100`
- BLOCKING** provides another method of section alignment
`.text: block(0x10000)`
- PAGE** specifies the memory page to be used (see Section 8.10 on page 8-42)
`.text: PAGE 0`

For the load (usually the only) allocation, you may simply use a greater-than sign and omit the `LOAD` keyword:

```
.text: > ROM                    .text: {...} > ROM  
.text: > 0x1000
```

If more than one parameter is used, you can string them together as follows:

```
.text: > ROM align 16 page 2
```

Or if you prefer, use parentheses for readability:

```
.text: load = (ROM align(16) page (2))
```

Binding

You can supply a specific starting address for an output section by following the section name with an address:

```
.text: 0x1000
```

This example specifies that the `.text` section must begin at location 1000h. The binding address must be a 32-bit constant.

Output sections can be bound anywhere in configured memory (assuming there is enough space), but they cannot overlap. If there is not enough space to bind a section to a specified address, the linker issues an error message.

Note: Binding and Alignment or Named Memory Are Incompatible

You cannot bind a section to an address if you use alignment or named memory. If you try to do this, the linker issues an error message.

Memory

You can allocate a section into a memory range that is defined by the MEMORY directive. This example names ranges and links sections into them:

```
MEMORY
{
    ROM (RIX) : origin = 0h,    length = 1000h
    RAM (RWIX): origin = 3000h, length = 1000h
}
SECTIONS
{
    .text :                > ROM
    .data ALIGN(64) :      > RAM
    .bss  :                > RAM
}
```

In this example, the linker places `.text` into the area called ROM. The `.data` and `.bss` output sections are allocated into RAM. You can align a section within a named memory range; the `.data` section is aligned on a 64-word boundary within the RAM range.

Similarly, you can link a section into an area of memory that has particular attributes. To do this, specify a set of attributes (enclosed in parentheses) instead of a memory name. Using the same MEMORY directive declaration, you can specify:

```
SECTIONS
{
    .text: > (X)           /* .text --> executable memory */
    .data: > (RI) /* .data --> read or init memory */
    .bss : > (RW) /* .bss --> read or write memory */
}
```

In this example, the `.text` output section can be linked into either the ROM or RAM area because both areas have the X attribute. The `.data` section can also go into either ROM or RAM because both areas have the R and I attributes. The `.bss` output section, however, must go into the RAM area because only RAM is declared with the W attribute.

You cannot control where in a named memory range a section is allocated, although the linker uses lower memory addresses first and avoids fragmentation

when possible. In the preceding examples, assuming no other sections had been bound to addresses that would interfere with this allocation process, the `.text` section would start at address 0. If a section must start on a specific address, use binding instead of named memory.

Alignment and Blocking

You can tell the linker to place an output section at an address that falls on an n -word boundary, where n is a power of 2. For example,

```
.text: load = align(32)
```

allocates `.text` so that it falls on a cache boundary.

Blocking is a weaker form of alignment. As with alignment, n must be a power of 2. For example,

```
bss: load = block(0x10000)
```

tells the linker to

- Make sure that the output section does not cross a 0x10000 page if it is smaller than 0x10000 in length, or
- Make sure that it is aligned to start at the beginning of a 0x10000 page if it is larger than 0x10000 in length.

The `block` keyword does not tell the linker to make sure that the output section is not longer than 0x10000.

You can use alignment or blocking alone or in conjunction with a memory area, but alignment and blocking cannot be used together.

8.7.4 Specifying Input Sections

An input section specification identifies the sections from input files that are combined to form an output section. The linker combines input sections by concatenating them in the order in which they are specified. The size of an output section is the sum of the sizes of the input sections that make up the output section.

Example 8–5 shows the most common type of section specification; note that *no* input sections are listed.

Example 8–5. The Most Common Method of Specifying Section Contents

```
SECTIONS
{
    .text:
    .data:
    .bss:
}
```

In Example 8–5, the linker takes all the `.text` sections from the input files and combines them into the `.text` output section. The linker concatenates the `.text` input sections in the order that it encounters them in the input files. The linker performs similar operations with the `.data` and `.bss` sections. You can use this type of specification for *any* output section.

You can explicitly specify the input sections that form an output section. Each input section is identified by its filename and section name:

```
SECTIONS
{
  .text :                /* Build .text output section    */
  {
    f1.obj(.text)      /* Link .text section from f1.obj    */
    f2.obj(sec1)       /* Link sec1 section from f2.obj     */
    f3.obj              /* Link ALL sections from f3.obj     */
    f4.obj(.text,sec2) /* Link .text and sec2 from f4.obj   */
  }
}
```

Note that it is not necessary for input sections to have the same name as each other or as the output section they become part of. If a file is listed with no sections, **all** of its sections are included in the output section. If any additional input sections have the same name as an output section but are not explicitly specified by the SECTIONS directive, they are automatically linked in at the end of the output section. For example, if the linker found more `.text` sections in the preceding example, and these `.text` sections *were not* specified anywhere in the SECTIONS directive, then the linker would concatenate these extra sections after `f4.obj(sec2)`.

The specifications in Example 8–5 are actually a shorthand method for the following:

```
SECTIONS
{
  .text: { *(.text) }
  .data: { *(.data) }
  .bss:  { *(.bss)  }
}
```

The `*(.text)` means *the unallocated .text sections from all the input files*. This format is useful when:

- You want the output section to contain all input sections that have a certain name, but the output section name is different from the input sections' name.
- You want the linker to allocate the input sections *before* it processes additional input sections or commands within the braces.

Here's an example that uses this method:

```
SECTIONS
{
    .text : {
        abc.obj(xqt)
        *(.text)
    }
    .data : {
        *(.data)
        fil.obj(table)
    }
}
```

In this example, the `.text` output section contains a named section **xqt** from file *abc.obj*, which is followed by *all* the `.text` input sections. The `.data` section contains *all* the `.data` input sections, followed by a named section *table* from the file *fil.obj*. Note that this method includes all the *unallocated* sections. For example, if one of the `.text` input sections was already included in another output section when the linker encountered `*(.text)`, the linker could not include that first `.text` input section in the second output section.

8.8 Specifying a Section's Runtime Address

It may be necessary or desirable at times to load code into one area of memory and run it in another. For example, you may have performance-critical code in a ROM-based system. The code must be loaded into ROM but would run much faster if it were in RAM.

The linker provides a simple way to specify this. In the `SECTIONS` directive, you can optionally direct the linker to allocate a section twice: once to set its load address and again to set its run address. For example:

```
.fir: load = ROM, run = RAM
```

Use the *load* keyword for the load address and the *run* keyword for the run address.

8.8.1 Specifying Two Addresses

The load address determines where a loader will place the raw data for the section. Any references to the section (such as labels in it) refer to its run address. The application must copy the section from its load address to its run address; this does **not** happen automatically just by specifying a separate run address.

If you provide only one allocation (either load or run) for a section, the section is allocated only once and will load and run at the same address. If you provide both allocations, the section is actually allocated as if it were two different sections of the same size. This means that both allocations occupy space in the memory map and cannot overlay each other or other sections. (The `UNION` directive provides a way to overlay sections; see subsection 8.9.1.)

If either the load or run address has additional parameters, such as alignment or blocking, list them after the appropriate keyword. Everything having to do with allocation after the keyword *load* affects the load address until the keyword *run* is seen, after which everything affects the run address. The load and run allocations are completely independent, so any qualification of one (such as alignment) has no effect on the other. You may also specify run first, then load. Use parentheses to improve readability. Examples:

```
.data: load = ROM, align = 32, run = RAM
```

(align applies only to load)

```
.data: load = (ROM align 32), run = RAM
```

(identical to previous example)

```
.data:run    = RAM, align 32,
      load   = align 16
```

(align 32 in RAM for run, align 16 anywhere for load)

8.8.2 Uninitialized Sections

Uninitialized sections (such as `.bss`) are not loaded, so the only address of significance is the run address. The linker allocates uninitialized sections only once: if you specify both run and load addresses, the linker warns you and ignores the load address. Otherwise, if you specify only one address, the linker treats it as a run address, regardless of whether you call it load or run. Examples:

```
.bss: load = 0x1000, run = RAM
```

A warning is issued, load is ignored, space is allocated in RAM. All of the following examples have the same effect. The `.bss` section is allocated in RAM.

```
.bss: load = RAM  
.bss: run = RAM  
.bss: > RAM
```

8.8.3 Referring to a Load Address by Using the `.label` Directive

Any reference to a normal symbol in a section refers to its runtime address. However, it may be necessary at runtime to refer to a load-time address. In particular, the code that copies a section from its load address to its run address must know where it was loaded. The `.label` directive in the assembler defines a special type of symbol that refers to the load address of the section. Thus, whereas normal symbols are relocated with respect to the run address, `.label` symbols are relocated with respect to the load address. For more information on the `.label` directive, see page 4-46.

Note: The `.asect` Directive Is Obsolete

Allowing separate allocation of run addresses in the linker makes the `.asect` directive obsolete. Any `.asect` section can be written as a normal section (with `.sect`) and given an *absolute* run address at link time. However, the `.asect` directive continues to work exactly as before and can still be used. Also, the `.label` directive in an `asect` works exactly as it did before: it defines a relocatable symbol. Now, however, `.label` can ALSO be used in ANY section to define a (relocatable) symbol that refers to the load address.

Example 8–6. Copying a Section From ROM to RAM

```

;-----
;  define a section to be copied from ROM to RAM
;-----
        .sect  ".fir"
        .label fir_src          ; load address of section
fir:    <code here>             ; run address of section
        <code here>             ; code for the section
        .label fir_end         ; load address of section end

;-----
;  copy .fir section into on-chip RAM
;-----
        .text
src     .word  fir_src          ; src = load address
dest   .word  fir              ; run address

        LDI   @src,AR0          ; fetch load address
        LDI   @dest,AR1        ; fetch run address
        LDI   *AR0++,R0         ; block copy
        RPTS  fir_end - fir_src -1
        LDI   *AR0++,R0
||     STI   R0,AR1++

;-----
;  jump to section, now on-chip
;-----
        CALL  fir              ; jump to (runtime) address

```

Linker Command File

```

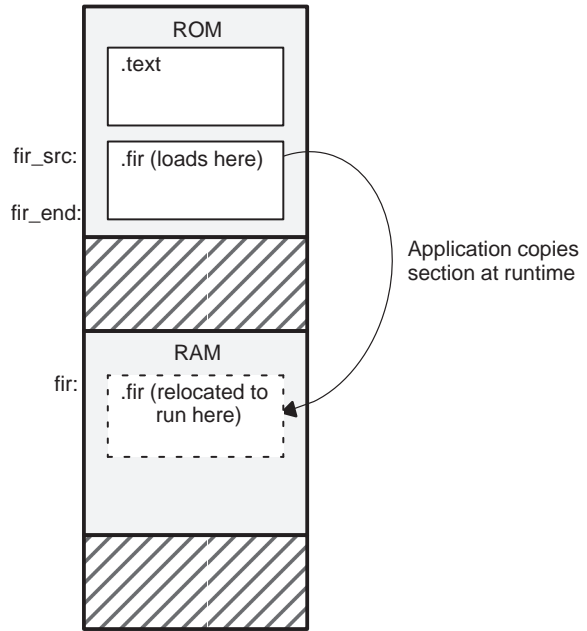
/*****
/* PARTIAL LINKER COMMAND FILE FOR FIR EXAMPLE */
/*****
MEMORY
{
    ROM: origin = 01000h, length = 0F000h
    RAM: origin = 0809800h, length = 0400h
}

SECTIONS
{
    .text: load = ROM
    .fir: load = ROM, run = RAM
}

```

Figure 8–4 illustrates the runtime execution of this example.

Figure 8–4. Runtime Execution of Example 8–6



8.9 Using UNION and GROUP Statements

Two SECTIONS statements allow you to conserve memory by GROUPing or UNIONing output sections together. Unioning sections causes the linker to allocate the same run address to the sections. Grouping sections causes the linker to allocate them contiguously in memory.

8.9.1 Overlaying Sections With the UNION Directive

For some applications, you may wish to allocate more than one section to run at the same address; for example, you may have several routines you want in on-chip RAM at various stages of the program's execution. Or you may want several data objects that you know will not be active at the same time to share a block of memory. The UNION statement within the SECTIONS directive provides a way to allocate several sections at the same run address.

Example 8–7. Illustrates the Form of the UNION Statement

```
SECTIONS
{
    .text: load = ROM
    UNION: run = RAM
    {
        .bss1: { file1.obj(.bss) }
        .bss2: { file2.obj(.bss) }
    }
    .bss3: run = RAM { globals.obj(.bss) }
}
```

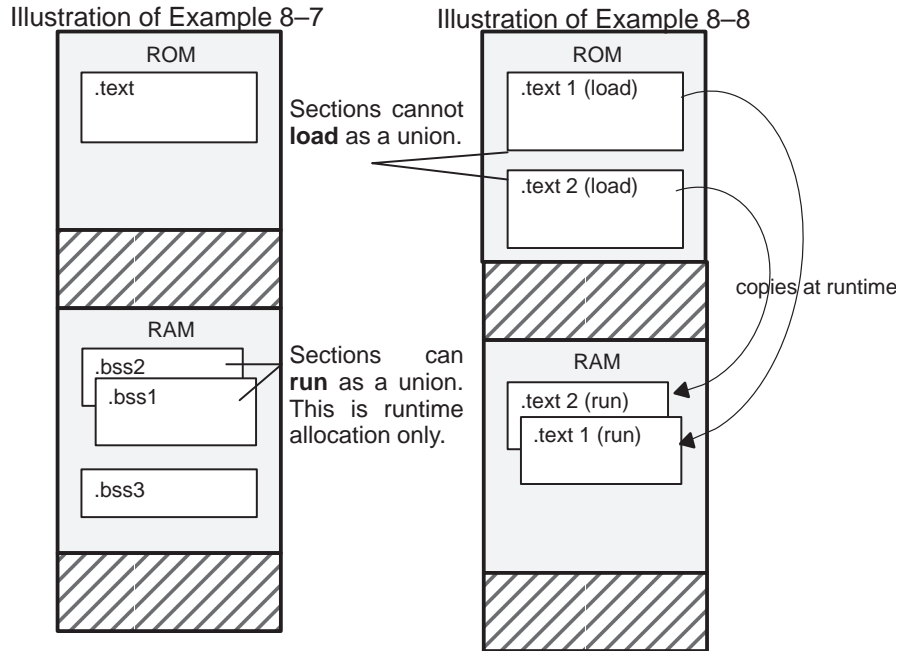
In Example 8–7, the .bss sections from file1.obj and file2.obj are allocated *at the same address* in RAM. The union occupies as much space in the memory map as its largest component. The components of a union remain independent sections; they are simply allocated together as a unit.

Allocation of a section as part of a union affects only its *run address*. **Under no circumstances can sections be overlaid for loading.** If an initialized section is a union member (an initialized section has raw data, such as .text), its load allocation **must** be separately specified. For example:

Example 8–8. Illustrates Separate Load Addresses for UNION Sections

```
UNION run = RAM
{
    .text1: load = ROM, { file1.obj(.text) }
    .text2: load = ROM, { file2.obj(.text) }
}
```

Figure 8–5. Memory Allocation for Example 8–7 and Example 8–8



Since the .text sections contain data, they cannot load as a union, although they can be run as a union. Therefore, they each require their own load address. If you fail to provide a load allocation for an initialized section within a UNION, the linker issues a warning and allocates load space anywhere it fits in configured memory.

Uninitialized sections do not require load addresses. Uninitialized sections are not loaded.

The UNION statement applies only to allocation of run addresses, so it is redundant to specify a load address for the union itself. For purposes of allocation, the union is treated as an uninitialized section: any one allocation specified is considered a run address, and if both are specified, the linker issues a warning and ignores the load address.

Note: Unions and Overlay Pages Are Not the Same

The UNION capability and the overlay page capability (Section 8.10) may sound similar, since they both deal with “overlays”. They are, in fact, quite different. UNION allows multiple sections to be overlaid within the same memory space. Overlay pages, on the other hand, define multiple memory spaces. It is possible to use the page facility to approximate the function of UNION, but this is cumbersome.

8.9.2 Grouping Output Sections Together

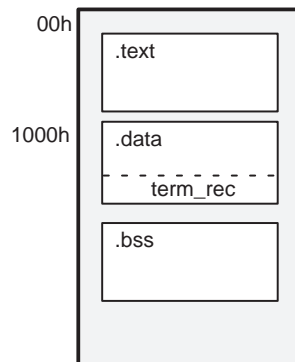
The SECTIONS directive has a GROUP option that forces several output sections to be allocated contiguously. For example, assume that a section named *term_rec* contains a termination record for a table in the *.data* section. You can force the linker to allocate *.data* and *term_rec* together:

Example 8–9. Using the GROUP Directive

```
SECTIONS
{
    .text          /* Normal output section          */
    .bss           /* Normal output section          */
    GROUP 1000h :  /* Specify a group of sections
*/
    {
        .data      /* First section in the group      */
        term_rec   /* Allocated immediately after .data */
    }
}
```

You can use binding, alignment, or named memory to allocate a GROUP in the same manner as a single output section, as shown in Figure 8–6.

Figure 8–6. Section Allocation Defined by Example 8–9



The *.data* section is bound to address 1000h and *term_rec* follows it in memory.

Note: You Cannot Specify Addresses for Sections Within a GROUP

When you use the GROUP option, binding, alignment, or allocation into named memory can be specified *for the group only*. You cannot use binding, named memory, or alignment for sections *within* a group.

8.10 Overlay Pages

Some target systems use an overlay memory configuration in which all or part of the memory space is overlaid by shadow memory. This allows the system to map different banks of physical memory in and out of a single address range in response to hardware selection signals. In this situation, multiple areas of physical memory overlay each other at one address. You may want the linker to load various output sections into each of these areas or into areas that are not mapped at loadtime.

The linker supports this feature by providing *overlay pages*. Overlay pages allow you to define a memory model that has multiple address spaces. To the linker, each possible overlay configuration represents a separate address space. Each address range is treated as a separate page and must be configured separately with the MEMORY directive. You can then use the SECTIONS directive to specify which sections will be mapped into various pages.

8.10.1 Using the MEMORY Directive to Define Overlay Pages

Each separately configured address space is called a *page*. To the linker, each page represents a completely separate memory that has the full 32-bit range of addressable locations. This allows you to link two or more sections at the same (or overlapping) addresses *if they are on different pages*.

Pages are numbered sequentially, beginning with 0. Page 0 represents the normal address space of the TMS320C3x/C4x. The default memory model resides entirely on page 0. If a memory range is specified without a page number, the linker assumes it is in page 0. This allows you to ignore the page feature for most cases; usually, all sections can be linked in page 0 with no overlays.

For example, assume that your system can select among three 4K-word long banks of physical memory to map into the address space from 1000h to 2000h. Although only one bank can be selected at a time, you can initialize each bank with different data. Assume you have three output sections called sect0, sect1, and sect2 that must be linked into the three banks of memory. This is how you would use the MEMORY directive to obtain this configuration:

Example 8–10. Overlay Pages

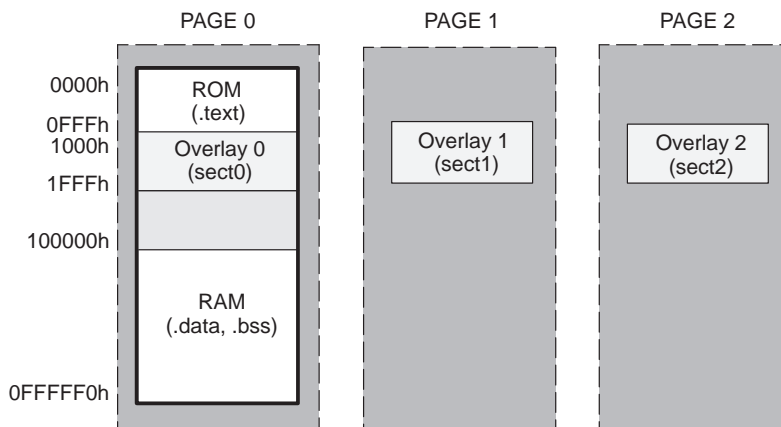
```

/*****
/* Example of MEMORY directive with overlay pages */
/*****
MEMORY
{
    PAGE 0 : ROM    : origin =    0h,    length= 1000h
           RAM    : origin = 100000h, length= 0F0000
0h
           OVR_MEM : origin = 1000h,  length= 1000h
    PAGE 1 : OVR_MEM : origin = 1000h,  length= 1000h
    PAGE 2 : OVR_MEM : origin = 1000h,  length= 1000h
}

```

This example defines three separate address spaces. Page 0 is the normal address space of the TMS320C3x/C4x. It contains the memory ranges ROM and RAM; suppose they represent all the memory in the normal address space. Page 0 also contains the first bank of overlay memory (OVR_MEM). The other two address spaces contain only the additional banks of overlay memory, both labeled OVR_MEM. Note that all three OVR_MEM ranges cover the same address range. This is possible because each range is on a different page and therefore represents a different memory space.

Figure 8–7. Overlay Pages Defined by Example 8–10



8.10.2 Using Overlay Pages With the SECTIONS Directive

The SECTIONS directive allows you to tell the linker which page an output section should be linked into. Each output section of the program is assigned a page as well as an address. You can assign an output section to an overlay page by following the section specification with the PAGE option and a page number. Assume the use of the MEMORY directive from Example 8–10, the SECTIONS definition would be:

Example 8–11. SECTIONS Directive Definition for Figure 8–7

```
SECTIONS
{
    .text: load = ROM                /* Link .text in ROM on page 0 */
    .data: load = RAM                /* Link .data in RAM on page 0 */
    .bss : load = RAM                /* Link .bss in RAM on page 0 */
    sect0: load = OVR_MEM, page = 0 /* Link sect0 into bank 0 */
    sect1: load = OVR_MEM, page = 1 /* Link sect1 into bank 1 */
    sect2: load = OVR_MEM, page = 2 /* Link sect2 into bank 2 */
}
```

If you don't specify a page number for an output section, the linker assumes page 0. In this example, .text, .data, and .bss are all linked into the named memory areas on page 0. (The PAGE 0 could have been omitted from the sect0 definition as well.)

The PAGE specifications for sect0, sect1, and sect2 tell the linker to link these output sections into the corresponding overlay pages. As a result, they all are linked to address 1000h, *but in different memory spaces*. When the program is loaded, a loader can configure hardware in such a way that each of these sections is loaded into the appropriate bank of memory.

Within a page, you can bind output sections or use named memory areas in the usual way. In the preceding example, notice how sect1 is allocated into the memory range OVR_MEM. This allows you to define the allocation of sections within a page, just as you can in a single memory space.

For example, the following statement:

```
sect1 : load = 1200h, page = 1
```

links sect1 at address 1200h in page 1. You can also use page as a “qualifier” on the address. For example:

```
sect1 : load = (1200 PAGE 1)
```

If you do not specify any binding or named memory range for the section, the linker allocates the section into the page wherever it can (just as it normally does with a single memory space). For example, sect2 could also be specified as:

```
sect2 : PAGE 2
```

Because OVR_MEM is the only memory on page 2, it is not necessary (but acceptable) to specify = OVR_MEM for the section.

8.10.3 Page Definition Syntax

As illustrated in the preceding examples, overlay pages are specified in the MEMORY directive by using the following syntax:

```
MEMORY
{
  PAGE 0 : memory range
           memory range

  PAGE n : memory range
           memory range
}
```

Each page is introduced by the keyword PAGE and a page number, followed by a colon and a list of memory ranges the page contains. Memory ranges are specified in the normal way. You can define up to 255 overlay pages. Because each page represents a completely independent address space, memory ranges on different pages can have the same name. Configured memory on any page can overlap configured memory on any other page. *Within a single page, however, all memory ranges must have unique names and must not overlap.*

Any memory ranges listed outside the scope of a PAGE specification default to page 0. Consider the following example:

```
MEMORY
{
    ROM      :   org =    0h   len = 1000h
    EPROM    :   org = 1000h   len = 1000h
    RAM      :   org = 2000h   len = 0E000h
    PAGE 1:  XROM   :   org =    0h   len = 1000h
            XRAM   :   org = 2000h   len = 0E000h
}
```

The memory ranges *ROM*, *EPROM*, and *RAM* are all on page 0 (because no page is specified). *XROM* and *XRAM* are on page 1. Note that *XROM* on page 1 overlays *ROM* on page 0, and *XRAM* on page 1 overlays *RAM* on page 0.

In the output link map (obtained with the `-m` linker option), the listing of the memory model is keyed by pages. This provides you with an easy method of verifying that you specified the memory model correctly. Also, the listing of output sections has a PAGE column that identifies the memory space into which each section will be loaded.

8.11 Default Allocation

The MEMORY and SECTIONS directives provide flexible methods for building, combining, and allocating sections. However, any memory locations or sections that you choose *not* to specify must still be handled by the linker. Within the specifications you supply, the linker uses default algorithms to build and allocate sections. Subsections 8.11.1 and 8.11.2 describe default allocation algorithms.

8.11.1 Allocation Algorithm

If you do not use the MEMORY directive the linker assumes that the full 32-bit address space is configured and allocates output sections into memory, beginning at address 0.

If you do not use the SECTIONS directive, the linker allocates the output sections as though the following SECTIONS directive was specified:

```
SECTIONS
{
    .text :
    .data :
    .bss  :
}
```

All .text input sections are concatenated to form a .text output section in the executable output file. All .data input sections are combined to form a .data output section, and all .bss sections are combined to form a .bss output section. Each output section is then allocated into configured memory.

If the input files contain named sections, the linker links them in after the .bss section. Input sections that have the same name are combined into a single output section with this name.

Note: Using the SECTIONS Directive Affects Allocation

When you use the SECTIONS directive, the linker performs **no part** of the default allocation. Allocation is performed according to the rules specified by the SECTIONS directive and the rules discussed in subsection 8.11.2.

8.11.2 General Rules for Output Sections

An output section can be formed in one of two ways:

Rule 1 As the result of a SECTIONS directive definition.

Rule 2 By combining input sections with the same names into output sections that are not defined in a SECTIONS directive.

If an output section is formed as a result of a SECTIONS directive (rule 1), this definition completely determines its contents. (See Section 8.7, page 8-27, for examples of how to specify the contents of output sections.)

An output section can also be formed when input sections are encountered that are not specified by any SECTIONS directive (rule 2). In this case, the linker combines all such input sections that have the same name into an output section with this name. For example, suppose that the files `f1.obj` and `f2.obj` both contain named sections called *Vectors* and that the SECTIONS directive does not define an output section to contain them. The linker will combine the two *Vectors* sections from the input files into a single output section named *Vectors*, allocate it into memory, and include it in the output file.

After the linker determines the composition of all the output sections, it must allocate them into configured memory. The MEMORY directive specifies which portions of memory are configured, or if there is no MEMORY directive, the linker uses the default configuration.

The linker's allocation algorithm attempts to minimize memory fragmentation. This allows memory to be used more efficiently and increases the probability that your program will fit into memory. This is the algorithm:

- 1) Any output section for which you have listed a specific binding address is placed in memory at that address.
- 2) Any output section that is included in a specific named memory range or that has memory attribute restrictions is allocated. Each output section is placed into the first available space within the named area, considering alignment where necessary.
- 3) Any remaining sections are allocated in the order in which they were defined. Sections not defined in a SECTIONS directive are allocated in the order in which they were encountered. Each output section is placed into the first available memory space, considering alignment or blocking where necessary.

8.12 Special Section Types (DSECT, COPY, and NOLOAD)

You can assign three special types to output sections: DSECT, COPY, and NOLOAD. These types affect the way that the section is treated when it is linked and loaded. You can assign a type to a section by using the type property in the section definition. For example:

```
SECTIONS
{
    sec1: load = 200000h, type = DSECT {f1.obj}
    sec2: load = 400000h, type = COPY   {f2.obj}
    sec3: load = 600000h, type = NOLOAD {f3.obj}
}
```

- The DSECT type creates a *dummy section* with the following qualities:
 - It is not included in the output section memory allocation. It takes up no memory and is not included in the memory map listing.
 - It can overlay other output sections, other DSECTs, and unconfigured memory.
 - Global symbols defined in a dummy section are relocated normally. They appear in the output module's symbol table with the same value they would have if the DSECT had actually been loaded. These symbols can be referenced by other input sections.
 - Undefined external symbols found in a DSECT cause specified archive libraries to be searched.
 - The section's contents, relocation information, and line number information are not placed in the output module.

In the preceding example, none of the sections from f1.obj are allocated, but all the symbols are relocated as though the sections were linked at address 200000h. The other sections can refer to any of the global symbols in sec1.

- A COPY section is similar to a DSECT section, except that its contents and associated information are written to the output module. The .cinit section that contains initialization tables for the C compiler has this attribute under the RAM model.
- A NOLOAD section differs from a normal output section in one respect: the section's contents, relocation information, and line number information are not placed in the output module. The linker allocates space for the section, the section is listed in the memory map listing, etc.

8.13 Assigning Symbols at Link Time

Linker assignment statements allow you to define external (global) symbols and assign values to them at link time. You can use this feature to assign an allocation-dependent value to a variable or a pointer.

8.13.1 Syntax of Assignment Statements

The syntax of assignment statements in the linker is similar to that of C assignment statements:

```
symbol = expression; Assigns the value of expression to symbol
```

```
symbol += expression; Adds the value of expression to symbol
```

```
symbol -= expression; Subtracts the value of expression from symbol
```

```
symbol *= expression; Multiplies symbol by expression
```

```
symbol /= expression; Divides symbol by expression
```

The symbol should be defined externally in the program. If it is not, the linker defines a new symbol and enters it into the symbol table. The expression must follow the rules defined in subsection 8.13.3. Assignment statements **must** be terminated with a semicolon.

The linker processes assignment statements *after* it allocates all the output sections. Thus, if an expression contains a symbol, the address used for that symbol reflects the symbol's address in the executable output file.

For example, suppose a program reads data from one of two tables identified by two external symbols, Table1 and Table2. The program uses the symbol *cur_tab* as the address of the current table; *cur_tab* must point to either Table1 or Table2. You could accomplish this in the assembly code, but you would need to reassemble the program in order to change tables. Instead, you can use a linker assignment statement to assign *cur_tab* at link time:

```
prog.obj          /* Input file */  
cur_tab = Table1; /* Assign cur_tab to one of the tables */
```

8.13.2 Assigning the SPC to a Symbol

A special symbol, denoted by a dot (*.*), represents the current value of the SPC during allocation. The linker's dot (*.*) symbol is analogous to the assembler's dollar sign (\$) symbol. The dot (*.*) symbol can be used only in assignment

statements within a SECTIONS directive, because dot (.) is meaningful only during allocation, and the SECTIONS directive controls the allocation process.

For example, suppose a program needs to know the address of the beginning of the .data section. You can create an external undefined variable called *Dstart* in the program by using the .global directive. Then, assign the value of “.” to Dstart:

```
SECTIONS
{
    .text:
    .data: { Dstart = .; } /* Dstart = current SPC value */
    .bss :
}
```

This defines Dstart to be the ultimate linked address of the .data section. The linker will relocate all references to Dstart. If the section has separate load and run addresses, “.” refers to the run address.

A special type of assignment assigns a value to the “.” symbol. This adjusts the location counter within an output section and creates a hole between two input sections. Any value assigned to “.” to create a hole is relative to the beginning of the section, not to the address actually represented by “.”. Assignments to “.” and holes are described in Section 8.14.

8.13.3 Assignment Expressions

These rules apply to linker expressions:

- Expressions can contain global symbols, constants, and the C language operators listed in Table 8–2.
- All numbers are treated as long (32-bit) integers.
- Constants are identified in the same manner as they are by the assembler. That is, numbers are recognized as decimals unless they have a suffix (H or h for hexadecimal and Q or q for octal). C language prefixes are also recognized (0 for octal and 0x for hex). Hexadecimal constants must begin with a digit. No binary constants are allowed.
- Symbols within an expression have only the value of the symbol’s *address*. No type checking is performed.
- Linker expressions can be absolute or relocatable. If an expression contains **any** relocatable symbols (and zero or more constants or absolute symbols), it is relocatable. Otherwise, the expression is absolute. If a symbol is assigned the value of a relocatable expression, the symbol is

relocatable; if assigned the value of an absolute expression, the symbol is absolute.

The linker supports the C language operators listed in Table 8–2 in order of precedence. Operators in the same group have the same precedence.

Besides the operators listed in Table 8–2, the linker also has an *align* operator that allows a symbol to be aligned on an *n*-word boundary within an output section (*n* is a power of 2). For example, the expression:

```
. = align(16);
```

aligns the SPC within the current section on the next 16-word boundary. Because the align operator is a function of the current SPC, it can be used only in the same context as “.” — that is, within a SECTIONS directive.

Table 8–2. Operators in Assignment Expressions

Group 1 (Highest Precedence)		Group 6	
!	Logical not	&	Bitwise AND
~	Bitwise not		
–	Negative		
Group 2		Group 7	
*	Multiplication		Bitwise OR
/	Division		
%	Mod		
Group 3		Group 8	
+	Addition	&&	Logical AND
–	Minus		
Group 4		Group 9	
>>	Arithmetic right shift		Logical OR
<<	Arithmetic left shift		
Group 5		Group 10 (Lowest Precedence)	
==	Equal to	=	Assignment
!=	Not equal to	+=	A += B → A = A + B
>	Greater than	-=	A -= B → A = A – B
<	Less than	*=	A *= B → A = A * B
<=	Less than or equal to	/=	A /= B → A = A / B
>=	Greater than or equal to		

8.13.4 Symbols Defined by the Linker

The linker automatically defines six symbols that a program can use at runtime to determine where a section is linked. These symbols are external, so they appear in the link map. They can be accessed in any assembly language module if they are declared with a `.global` directive.

Values are assigned to these symbols as follows:

- .text** is assigned the first address following the `.text` output section. (It marks the *beginning* of executable code.)
- etext** is assigned the first address following the `.text` output section. (It marks the *end* of executable code.)
- .data** is assigned the first address following the `.data` output section. (It marks the *beginning* of initialized data tables.)
- edata** is assigned the first address following the `.data` output section. (It marks the *end* of initialized data tables.)
- .bss** is assigned the first address of the `.bss` output section. (It marks the *beginning* of uninitialized data.)
- end** is assigned the first address following the `.bss` output section. (It marks the *end* of uninitialized data.)

Symbols Defined Only for C Support (-c or -cr option)

- cinit** is assigned the first address of the `.cinit` section (`-l` for `-cr`).
- __STACK_SIZE** is assigned the size of the `.stack` section.
- __SYSTEMEM_SIZE** is assigned the size of the `.systemem` section.
- __SYSTEMEM8_SIZE** is assigned the size of the `.sysm8` section ('C32 only).
- __SYSTEMEM16_SIZE** is assigned the size of the `.sysm16` section ('C32 only).

8.14 Creating and Filling Holes

The linker provides you with the ability to create areas *within output sections* that have nothing linked into them. These areas are called **holes**. In special cases, uninitialized sections can also be treated as holes. This section describes how the linker handles such holes and how you can fill holes (and uninitialized sections) with a value.

8.14.1 Initialized and Uninitialized Sections

There are two rules to remember about the contents of an output section. An output section contains either:

- An output section contains raw data for the *entire* section, or
- An output section contains *no* raw data.

A section that has raw data is referred to as **initialized**. This means that the object file contains the actual memory image contents of the section. When the section is loaded, this image is loaded into memory at the section's specified starting address. The `.text` and `.data` sections **always** have raw data if anything was assembled into them. Named sections defined with the `.sect` or `.asect` assembler directives also have raw data.

By default, the `.bss` section and `.usect` sections have no raw data (they are **uninitialized**). They occupy space in the memory map but have no actual contents. Uninitialized sections typically reserve space in RAM for variables. In the object file, an uninitialized section has a normal section header and may have symbols defined in it; however, no memory image is stored in the section.

8.14.2 Creating Holes

You can create a hole in an initialized output section. A hole is created when you force the linker to leave extra space between input sections when building an output section. When such a hole is created, *the linker must follow the first guideline and supply raw data for the hole*.

Holes can be created only *within* output sections. There can also be space *between* output sections, but such spaces are not holes. There is no way to fill or initialize the space between output sections.

To create a hole in an output section, you must use a special type of linker assignment statement within an output section definition. The assignment statement modifies the SPC (denoted by `."`) by adding to it, assigning a greater value to it, or aligning it on an address boundary. The operators, expressions, and syntax of assignment statements are described in Section 8.13 (page 8-50).

The following example shows how holes can be created in output sections using assignment statements:

```
SECTIONS
{
    outsect:
    {
        file1.obj(.text)
        . += 100h;          /* Create a hole with size 100h */
        file2.obj(.text)
        . = align(16);     /* Create a hole to align the SPC */
        file3.obj
    }
}
```

The output section *outsect* is built as follows:

- The `.text` section from `file1.obj` is linked in.
- The linker creates a 256-word hole.
- The `.text` section from `file2.obj` is linked in after the hole.
- The linker creates another hole by aligning the SPC on a 16-word boundary.
- Finally, the `.text` section from `file3.obj` is linked in.

All values assigned to the “.” symbol within a section refer to the *relative address within the section*. The linker handles assignments to the “.” symbol as if the section started at address 0 (even if you specify a binding address). Consider the statement `. = align(16)` in the preceding example. This statement effectively aligns `file3.obj .text` to start on a 16-word boundary within `outsect`. If `outsect` is ultimately allocated to start on an address that is not aligned, then `file3.text` will not be aligned either.

Expressions that decrement “.” are illegal. For example, it is invalid to use the `-=` operator in an assignment to “.”. The most common operators used in assignments to “.” are `+=` and `align`.

If an output section contains all input sections of a certain type (such as `.text`), you can use the following statements to create a hole at the beginning or end of the output section:

```
.text:    { . += 100h; }      /* Hole at the beginning */
.data:    {
           *(.data)
           . += 100h; }     /* Hole at the end */
```

Another way to create a hole in an output section is to combine an uninitialized section with initialized sections to form a single output section. *In this case, the linker treats the uninitialized section as a hole and supplies data for it.* An example of creating a hole in this way is:

```
SECTIONS
{
    outsect:
    {
        file1.obj(.text)
        file1.obj(.bss)    /* This becomes a hole */
    }
}
```

Because the .text section has raw data, all of *outsect* must also contain raw data (first guideline). Therefore, the uninitialized .bss section becomes a hole.

Note that uninitialized sections become holes only when they are combined with initialized sections. If multiple uninitialized sections are linked together, the resulting output section is also uninitialized.

8.14.3 Filling Holes

Whenever there is a hole in an initialized output section, the linker must supply raw data to fill it. The linker fills holes with a 4-byte fill value that is replicated through memory until it fills the hole. The linker determines the fill value as follows:

- 1) If the hole is formed by combining an uninitialized section with an initialized section, you can specify a fill value for that specific initialized section. Follow the section name with an = symbol and a 4-byte constant:

```
SECTIONS
{
    outsect:
    {
        file1.obj(.text)
        file2.obj(.bss) = 0FFh    /* Fill this hole */
    }                             /* with 00000FFh */
}
```

- 2) You can also specify a fill value for all the holes in an output section by using the fill keyword. For example,

```
SECTIONS
{
    outsect:fill = 0FF00h /* fills holes with 0FF00h */
    {
        . += 10h;        /* This creates a hole */
        file1.obj(.text)
        file1.obj(.bss) /* This creates another hole */
    }
}
```

- 3) If you do not specify an initialization value for a hole, the linker fills the hole with the value specified with `-f`. For example, suppose the command file `link.cmd` contains the following `SECTIONS` directive:

```
SECTIONS
{
    .text: { .= 100; }    /* Create a 100-word hole*/
}
```

Now invoke the linker with the `-f` option:

```
lnk30 -f 0FFFFFFFFh link.cmd
```

This fills the hole with `0FFFFFFFFh`.

- 4) If you do not invoke the linker with `-f`, the linker fills holes with 0s.

Whenever a hole is created and filled in an initialized output section, the hole is identified in the link map along with the value the linker uses to fill it.

8.14.4 Explicit Initialization of Uninitialized Sections

An uninitialized section becomes a hole only when it is combined with an initialized section. When uninitialized sections are combined with each other, the resulting output section remains uninitialized and has no raw data in the output file.

However, you can force the linker to initialize an uninitialized section simply by specifying an explicit fill value for it in the `SECTIONS` directive. This causes the entire section to have raw data (the fill value). For example,

```
SECTIONS
{
    .bss: fill = 11223344h    /* Fills .bss with 11223344h */
}
```

Note: Filling Sections

Because filling a section (even with 0s) causes raw data to be generated for the entire section in the output file, your output file will be very large if you specify fill values for large sections or holes.

8.15 Partial (Incremental) Linking

An output file that has been linked can be linked again with additional modules. This is known as **partial linking** or incremental linking. Partial linking allows you to partition large applications, link each part separately, and then link all the parts together to create the final executable program.

Follow these guidelines for producing a file that you will relink:

- Intermediate files **must** have relocation information. Use the `-r` option when you link the file the first time.
- Intermediate files **must** have symbolic information. By default, the linker retains symbolic information in its output. Do not use the `-s` option if you plan to relink a file, because `-s` strips symbolic information from the output module.
- Intermediate link steps should be concerned only with the formation of output sections and not with allocation. All allocation, binding, and MEMORY directives should be performed in the final link.
- If the intermediate files have global symbols that have the same name as global symbols in other files and you wish them to be treated as static (visible only within the intermediate file), you must link the files with the `-h` option (See subsection 8.3.6 on page 8-10.)
- If you are linking C code, don't use `-c` or `-cr` until the final link step. Every time you invoke the linker with the `-c` or `-cr` option the linker will attempt to create an entry point.

The following example shows how you can use partial linking:

Step 1: Link the file *file1.com*; use the `-r` option to retain relocation information in the output file *tempout1.out*.

```
lnk30 -r -o tempout1 file1.com
```

file1.com contains:

```
SECTIONS
{
    ss1: {
        f1.obj
        f2.obj
        .
        .
        fn.obj
    }
}
```

Step 2: Link the file *file2.com*; use the `-r` option to retain relocation information in the output file *tempout2.out*.

```
lnk30 -r -o tempout2 file2.com
```

file2.com contains:

```
SECTIONS
{
    ss2: {
        g1.obj
        g2.obj
        .
        .
        gn.obj
    }
}
```

Step 3: Link *tempout1.out* and *tempout2.out*.

```
lnk30 -m final.map -o final.out tempout1.out tempout2.out
```

8.16 Linking C Code

The TMS320C3x/C4x C compiler produces assembly language source code that can be assembled and linked. For example, a C program consisting of modules *prog1*, *prog2*, etc., can be assembled and then linked to produce an executable file called *prog.out*:

```
lnk30 -c -o prog.out prog1.obj prog2.obj ... rts.lib
```

The `-c` option tells the linker to use special conventions that are defined by the C environment. The archive library *rts.lib* contains C runtime support functions.

For more information about C, including the runtime environment and runtime support functions, see the *TMS320C3x/C4x Optimizing C Compiler User's Guide*.

8.16.1 Runtime Initialization

All C programs must be linked with an object module called *boot.obj*, which contains code and data for initializing the runtime environment.

When a program begins running, this code is executed first and performs the following actions:

- Sets up the system stack
- Processes the runtime initialization table and autoinitializes global variables (in the ROM model).
- Disables interrupts and calls *_main*

The runtime support source library, *rts.src*, contains *boot.obj*. You can:

- Use the archiver to extract *boot.obj* from the library and then link it in directly, or
- Include a library created from *rts.src* (such as *rts30.lib* or *rts40.lib*) as an input file, and the linker will extract *boot.obj* when you use the `-c` or `-cr` option.

8.16.2 Object Libraries and Runtime Support

The *TMS320C3x/C4x Optimizing C Compiler User's Guide* describes additional runtime support functions that are included in *rts.src*. If your program uses any of these functions, you must link a library created from *rts.src* with your object files.

You can also create your own object libraries and link them. The linker will include and link only those modules in a library that resolve undefined references.

8.16.3 Setting the Size of the Stack and Heap Sections

For 32-bit memory widths, C uses the uninitialized section called `.system` for the memory pool used by `malloc()`.

For the 'C32's 8-bit and 16-bit memory widths, the uninitialized sections `.sysm8` and `.sysm16` are used for the memory pool used by `malloc8()` and `malloc16()`, respectively.

In any memory width, the uninitialized section called `.stack` is used for the memory pool used by the runtime stack.

You can set the size of these sections by using the `-heap`, `-heap8`, `-heap16`, or `-stack` option and specifying the size of the section as a four byte constant immediately after the option. The default size for the `.stack` and `.heap` sections is 1K words.

The `.sysm8` and `.sysm16` sections are not created unless the 8-bit or 16-bit memory allocation functions are used in the executable. In this case, the sections default to 1K 8-bit words or 1K 16-bit words, respectively. Specifying the `-heap8` or `-heap16` option when the memory functions are not used has no effect.

If the `-w` option has been specified, a warning will be issued when one of these sections is created with its default size.

8.16.4 Autoinitialization (ROM and RAM Models)

The C compiler produces tables of data that are used to autoinitialize global variables. These are contained in a special section called `.cinit`. The initialization tables can be used for autoinitialization in either of two ways.

RAM Model (`-cr` option)

Variables are initialized at *loadtime*. This can enhance performance by reducing boot time and can save memory used by the initialization tables. (Note that you must use a smart loader to take advantage of the RAM model of autoinitialization.)

When you use `-cr`, the linker marks the `.cinit` section with a special attribute. This attribute tells the linker *not* to load the `.cinit` section into memory. The linker also sets the `cinit` symbol to `-1`; this informs the C boot routine that initialization tables *are not* present in memory. Thus, no runtime initialization is performed at boot time.

When the program is loaded, the loader must be able to:

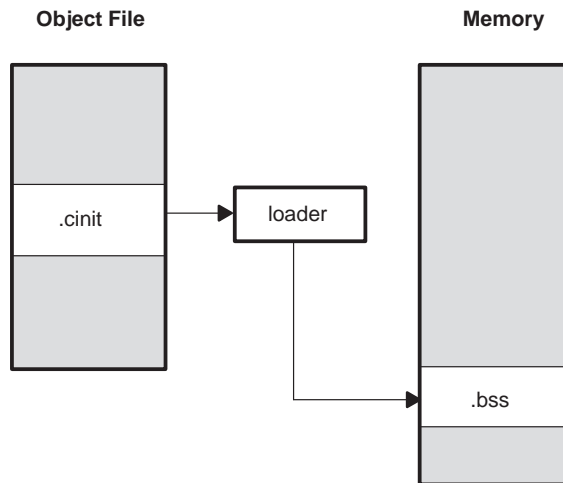
- Detect the presence of the `.cinit` section in the object file.

- Detect the presence of the attribute that tells it not to copy the `.cinit` section.
- Understand the format of the initialization tables (this is described in the *TMS320C3x/C4x Optimizing C Compiler User's Guide*).

The loader then uses the initialization tables directly from the object file to initialize variables in `.bss`.

Figure 8–8 illustrates the RAM autoinitialization model.

Figure 8–8. RAM Model of Autoinitialization

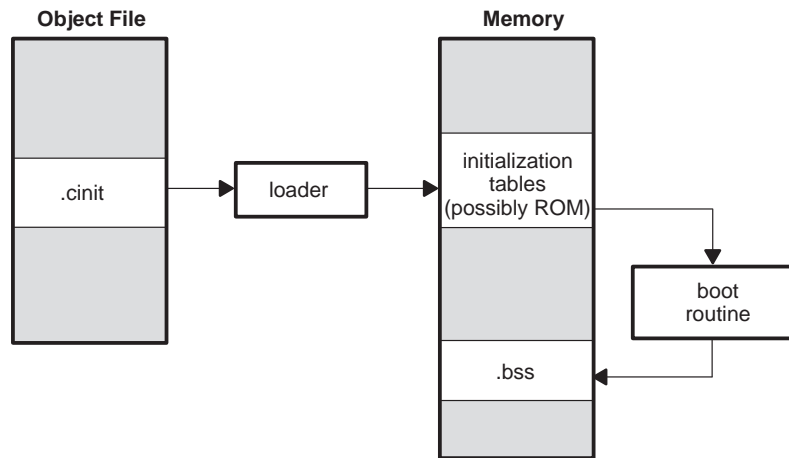


❑ ROM Model (`-c` option)

Variables are initialized at *runtime*. The `.cinit` section is loaded into memory along with all the other sections. The linker defines a special symbol called `cinit` that points to the beginning of the tables in memory. When the program begins running, the C boot routine copies data from the tables into the specified variables in the `.bss` section. This allows initialization data to be stored in ROM and then copied to RAM each time the program is started.

Figure 8–9 illustrates the ROM autoinitialization model.

Figure 8–9. ROM Model of Autoinitialization



8.16.5 The `-c` and `-cr` Linker Options

The following list outlines what happens when you invoke the linker with the `-c` or `-cr` option.

- The symbol `_c_int00` is defined as the program entry point. `_c_int00` is the start of the C boot routine in `boot.obj`; referencing `_c_int00` ensures that `boot.obj` will automatically be linked in from the runtime support library.
- The `.cinit` output section is padded with a termination record so that the boot routine (ROM model) or the loader (RAM model) knows when to stop reading the initialization tables.
- In the ROM model (`-c` option), the linker defines the symbol `cinit` as the starting address of the `.cinit` section. The C boot routine uses this symbol as the starting point for autoinitialization.
- In the RAM model (`-cr` option):
 - The linker sets the symbol `cinit` to `-1`. This indicates that the initialization tables are not in memory, so no initialization is performed at boot time.
 - The `STYP_COPY` flag (010h) is set in the `.cinit` section header. `STYP_COPY` is the special attribute that tells the loader to perform autoinitialization directly and not to load the `.cinit` section into memory. The linker does not allocate space in memory for the `.cinit` section.

8.17 Linker Example

This example links three object files named *demo.obj*, *fft.obj*, and *tables.obj* and creates a program called *demo.out*. The symbol *SETUP* is the program entry point.

Assume that target memory has the following configuration:

Address Range:	Contents:
000000h to 000FFFh	4K on-chip ROM
809800h to 809BFFh	Internal RAM block B0
809C00h to 809FFFh	Internal RAM block B1
80A000h to 10087FFh	External RAM

The output sections are constructed from the following input sections:

- A set of interrupt vectors from section *int_vecs* in the file *tables.obj* must be linked at address 0 in ROM.
- Executable code, contained in the *.text* sections of *demo.obj* and *fft.obj*, must also be linked into ROM.
- Two tables of coefficients, which are in the *.data* sections of the files *tables.obj* and *fft.obj*, must be linked into RAM block B0. The remainder of block B0 must be initialized to the value 0FFCC1122h.
- The *.bss* section from *fft.obj*, which contains variables, must be linked into block B1 of data RAM. The unused part of this RAM must be initialized to 0FFFFFFFh.
- The *.bss* section from *demo.obj*, which contains buffers and variables, must be linked into external RAM.

Figure 8–10 shows the linker command file for this example; Figure 8–11 shows the map file.

Figure 8–10. Linker Command File, *demo.cmd*

```

/*****
Specify Linker Options
*****/

-e SETUP          /* Define the entry point          */
-o demo.out       /* Name the output file           */
-m demo.map       /* Create a load map              */

/*****
Specify the Input Files
*****/

demo.obj
fft.obj
tables.obj

/*****
Specify the Memory Configuration
*****/

MEMORY
{
    ROM:      origin = 0000000h    length = 01000h
    RAM_B0:   origin = 0809800h    length = 0400h
    RAM_B1:   origin = 0809C00h    length = 0400h
    RAM       origin = 080A000h    length = 07FE800h
}

/*****
Specify the Output Section
*****/

SECTIONS
{
    text: load = ROM          /* Link all .text sections into ROM          */
    int_vecs: load = 0h       /* Link interrupts at 0                      */
    .data: load = RAM_B0     /* Link the .data sections into B0          */
    {
        tables.obj(.data)    /* .data input section                      */
        fft.obj(.data)      /* .data input section                      */
        . = 400h;            /* Create a hole to end of block           */
    }, fill = 0FFCC1122h    /* and fill with 0FFCC1122h                */
    fftvars: load = RAM_B1   /* Create a new fftvars section            */
    {
        fft.obj(.bss)        /* link into B1 and fill w/0FFFFFFFh       */
    }, fill = 0FFFFFFFh
    .bss: load = RAM         /* Link all remaining .bss sections        */
}

/*****
End of Command File
*****/

```

Invoke the linker with the following command:

```
lnk30 demo.cmd
```

This creates the map file shown in Figure 8–11 and an output file called *demo.out* that can be run on the TMS320C3x.

Figure 8–11. Output Map File, demo.map

```

*****
TMS320C3x/4x COFF Linker          Version x.xx
*****

OUTPUT FILE NAME:  <demo.out>
ENTRY POINT SYMBOL: "SETUP"  address: 00000028

MEMORY CONFIGURATION

      name          origin          length          attributes          fill
-----
      ROM            00000000          000001000          RWIX
      RAM_B0         00809800          000000400          RWIX
      RAM_B1         00809c00          000000400          RWIX
      RAM            0080a000          0007fe800          RWIX

SECTION ALLOCATION MAP

  output
  section  page      origin          length          attributes/
-----
text       0      00000000          00000000          UNINITIALIZED

int_vecs   0      00000000          00000028          tables.obj (int_vecs)
           00000000          00000028

.data      0      00809800          00000400          tables.obj (.data)
           00809800          00000064          fft.obj (.data)
           00809864          00000014          --HOLE-- [fill = ffcc1122]
           00809878          00000388

fftvars    0      00809c00          00000080          fft.obj (.bss) [fill = ffffffff]
           00809c00          00000080

.bss       0      0080a000          00000020          UNINITIALIZED
           0080a000          00000020          demo.obj (.bss)

.text      0      00000028          000000ff          demo.obj (.text)
           00000028          000000ee          fft.obj (.text)
           00000116          00000011

GLOBAL SYMBOLS

address  name          address  name
-----
0080a000 .bss          00000028 .text
00809800 .data         00000028 SETUP
00000028 .text         00000047 main
00000028 SETUP      000000ec sub
00809864 coeff      00000116 fft
00809c00 data_in    00000127 etext
00809c00 edata      00809800 tables
0080a020 end        00809800 .data
00000127 etext      00809864 coeff
00000116 fft        00809c00 edata
00000047 main       00809c00 data_in
000000ec sub        0080a000 vars
00809800 tables     0080a000 .bss
0080a000 vars       0080a020 end

[14 symbols]

```

Absolute Lister Description

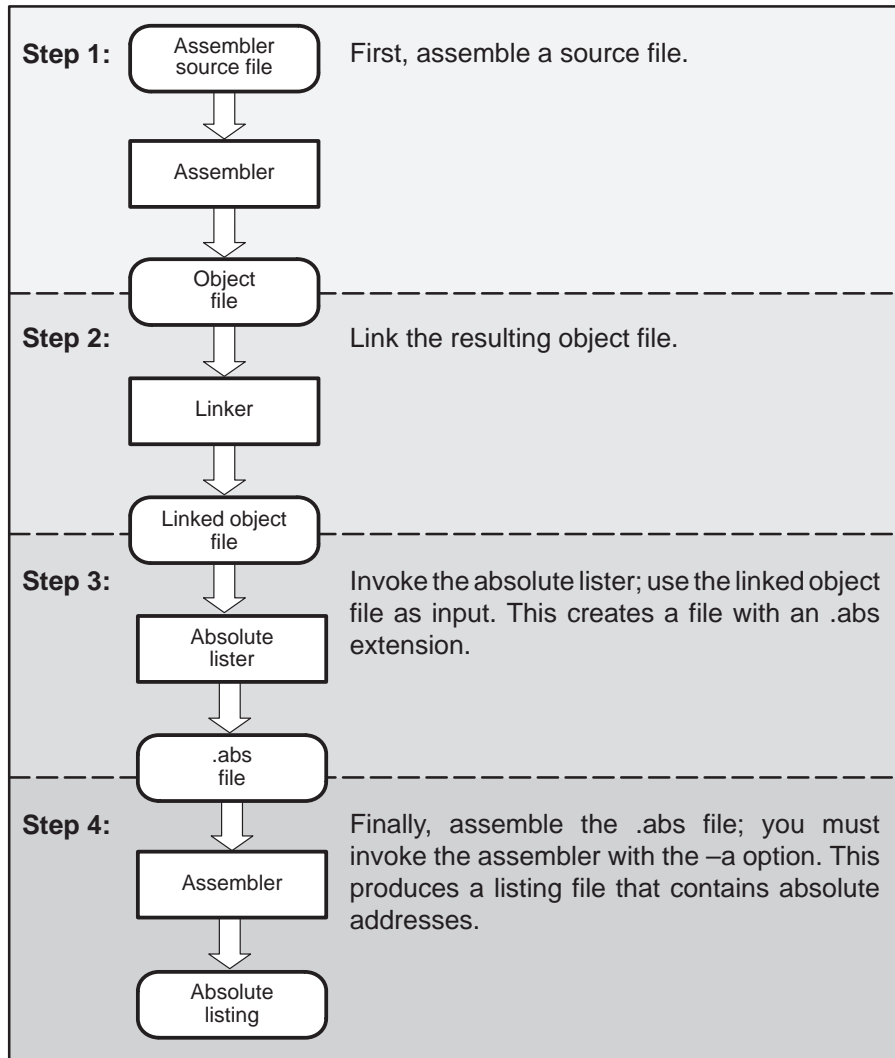
The absolute lister is a debugging tool that accepts linked object files as input and creates .abs files as output. These .abs files can be assembled to produce a listing that shows the absolute addresses of object code. Manually, this could be a tedious process requiring many operations; however, the absolute lister utility performs these operations automatically.

Topic	Page
9.1 Producing an Absolute Listing	9-2
9.2 Invoking the Absolute Lister	9-3
9.3 Absolute Lister Example	9-5

9.1 Producing an Absolute Listing

Figure 9–1 illustrates the steps required to produce an absolute listing.

Figure 9–1. Absolute Lister Development Flow



9.2 Invoking the Absolute Lister

The syntax for invoking the absolute lister is:

```
abs30 [options] input file
```

abs30 is the command that invokes the absolute lister.

options identifies the absolute lister options that you want to use. Options are not case sensitive and can appear anywhere on the command line following the command. Precede each option with a hyphen (-). The absolute lister options are as follows:

-e enables you to change the default naming conventions for filename extensions on assembly files, C source files, and C header files. The three options are listed below.

-ea [*.asmext*] for assembly files (default is .asm)

-ec [*.cext*] for C source files (default is .c)

-eh [*.hext*] for C header files (default is .h)

The "." in the extensions and the space between the option and the extension are optional.

-q (quiet) suppresses the banner and all progress information.

input file names the linked object file. If you do not supply an extension, the absolute lister assumes that the input file has the default extension .out. If you do not supply an input filename when you invoke the absolute lister, the absolute lister will prompt you for one.

The absolute lister produces an output file for each file that was linked. These files are named with the input filenames and an extension of .abs. Header files, however, do not generate a corresponding .abs file.

Assemble these files with the **-a** assembler option as follows to create the absolute listing:

```
asm30 -a filename.abs
```

The **-e** options affect both the interpretation of filenames on the command line and the names of the output files. They should always precede any filename on the command line.

The `-e` options are particularly useful when:

- the linked object file is created from C files compiled with the debugging option (`-g` compiler option) **and**
- the source files do not use the standard extensions (`.c` for C source files, `.h` for header files, and `.asm` for assembly files).

The absolute lister uses file extensions to determine how to treat the source files listed in the linked object file.

For example, suppose the C source file `hello.csr` is compiled with debugging set; this generates the assembly file `hello.s`. `hello.csr` also includes `hello.hsr`. Assuming the executable file created is called `hello.out`, the following command will generate the proper `.abs` file:

```
abs30 -ea s -ec csr -eh hsr hello.out
```

With the `-e` options appropriately specified in this example, the absolute lister will:

- recognize `hello.hsr` as a header file and therefore not create an `.abs` file for it
- create `hello.abs` for the `hello.csr` file
- use the `.copy` directive within the `hello.abs` file to include assembly file `hello.s`, rather than `hello.asm`

Note that you need to use the `-k` compiler option when compiling the original source file so that you retain the assembly files for inclusion when you re-assemble the `.abs` files.

9.3 Absolute Lister Example

This example uses three source files. `module1.asm` and `module2.asm` both include the file `globals.def`.

`module1.asm`

```
.text
.bss  array,100
.bss  dflag, 2
.copy globals.def
ldp   offset, DP
ldi   @offset, R1
ldp   dflag, DP
ldi   @dflag, R1
```

`module2.asm`

```
.bss  offset, 2
.copy globals.def
ldp   offset, DP
ldi   @offset, R1
ldp   array, DP
ldi   @array, R1
```

`globals.def`

```
.global dflag
.global array
.global offset
```

The following steps create absolute listings for the files `module1.asm` and `module2.asm`:

Step 1: First, assemble `module1.asm` and `module2.asm`:

```
asm30 module1
asm30 module2
```

This creates two object files called `module1.obj` and `module2.obj`.

Step 2: Next, link module1.obj and module2.obj. using the following linker command file, called bttest.cmd:

```

/*****/
/* File bttest.cmd -- COFF linker command file */
/*      for linking TMS320C3x modules      */
/*****/
-o bttest.out          /* Name the output file */
-m bttest.map         /* Create an output map */

/*****/
/*      Specify the Input Files      */
/*****/
module1.obj
module2.obj

/*****/
/*      Specify the Memory Configurations      */
/*****/
MEMORY
{
    RAM0:  org=0x809800  len=0x400  /* RAM BLOCK 0*/
    RAM1:  org=0x809c00  len=0x400  /* RAM BLOCK 1*/
}

/*****/
/*      Specify the Output Sections      */
/*****/
SECTIONS
{
    .data:  >  RAM0          /* Initialize Data      */
    .text:  >  RAM0          /* Variables            */
    .bss:   >  RAM1          /* Code                 */
}

```

Invoke the linker:

lnk30 bttest.cmd

This creates an executable object file called bttest.out; use this new file as input for the absolute lister.

Step 3: Now, invoke the absolute lister:

```
abs30 bttest.out
```

This creates two files called module1.abs and module2.abs:

module1.abs:

```

                .nolist
array          .setsym      000809800h
dflag         .setsym      000809864h
offset        .setsym      000809866h
.data         .setsym      000809800h
edata        .setsym      000809800h
.bss         .setsym      000809800h
end           .setsym      000809868h
.text        .setsym      0008098c00h
etext        .setsym      0008098c08h
                .setsect    ".text",0008098c00h
                .setsect    ".data",000809800h
                .setsect    ".bss",000809800h
                .list
                .text
                .copy      "module1.asm"
```

module2.abs:

```

                .nolist
array          .setsym      000809800h
dflag         .setsym      000809864h
offset        .setsym      000809866h
.data         .setsym      000809800h
edata        .setsym      000809800h
.bss         .setsym      000809800h
end           .setsym      000809868h
.text        .setsym      0008098c00h
etext        .setsym      0008098c08h
                .setsect    ".text",0008098c04h
                .setsect    ".data",000809800h
                .setsect    ".bss",000809866h
                .list
                .text
                .copy      "module2.asm"
```

These files contain the following information that the assembler needs when you invoke it in step 4:

- ❑ They contain `.setsym` directives, which equate values to global symbols. Both files contain global equates for the symbol `dflag`. The symbol `dflag` was defined in the file `globals.def`, which was included in `module1.asm` and `module2.asm`.
- ❑ They contain `.setsect` directives, which define the absolute addresses for sections.
- ❑ They contain `.copy` directives, which tell the assembler which assembly language source file to include.

The `.setsym` and `.setsect` directives are not useful in normal assembly; they are useful only for creating absolute listings.

Step 4: Finally, assemble the .abs files created by the absolute lister (remember that you must use the `-a` option when you invoke the assembler):

```
asm30 -a module1.abs
asm30 -a module2.abs
```

This creates two listing files called `module1.lst` and `module2.lst`; no object code is produced. These listing files are similar to normal listing files; however, the addresses shown are absolute addresses.

The absolute listing files created are `module1.lst` (see Figure 9–2) and `module2.lst` (see Figure 9–3).

Figure 9–2. *module1.lst*

```
TMS320C3x/C4x COFF Assembler      Version x.xx      Wed Oct 16 12:00:05 1997
Copyright (c) 1987-1997      Texas Instruments Incorporated

module1.abs                                PAGE      1
      15 00809c00          .text
      16          .copy      "module1.asm"
A      1 00809c00          .text
A      2 00809800          .bss  array, 100
A      3 00809864          .bss  dflag, 2
A      4          .copy  globals.def
B      1          .global dflag
B      2          .global array
B      3          .global offset
B      4
A      5 00809c00 08700080!    ldp   offset, DP
A      6 00809c01 08219866!    ldi   @offset, R1
A      7 00809c02 08700080-    ldp   dflag, DP
A      8 00809c03 08219864-    ldi   @dflag, R1

No Errors, No Warnings
```

Figure 9–3. *module2.lst*

```
TMS320C3x/C4x COFF Assembler      Version x.xx      Wed Oct 16 12:00:17 1997
Copyright (c) 1987-1997      Texas Instruments Incorporated

module2.abs                                PAGE      1

      15 00809c04          .text
      16                    .copy      "module2.asm"
A      1 00809866          .bss      offset, 2
A      2                    .copy      globals.def
B      1                    .global  dflag
B      2                    .global  array
B      3                    .global  offset
B      4
A      3 00809c04 08700080-      ldp      offset, DP
A      4 00809c05 08219866-      ldi      @offset, R1
A      5 00809c06 08700080!      ldp      array, DP
A      6 00809c07 08219800      ldi      @array, R1

No Errors, No Warnings
```


Hex Conversion Utility Description

The TMS320C3x/C4x assembler and linker create object files that are in common object file format (COFF), a binary object file format that encourages modular programming and provides flexible methods for managing code segments.

Most EPROM programmers do not accept COFF object files as input. The hex conversion utility translates a COFF object file into one of several standard ASCII hexadecimal formats, suitable for loading into an EPROM programmer. The utility is also useful in other applications that require a hexadecimal translation of a COFF object file (for example, debuggers and loaders). This utility also supports the on-chip boot loader built into the 'C3x or 'C4x, automating the code creation process for the 'C3x and 'C4x.

The hex conversion utility can produce these output file formats:

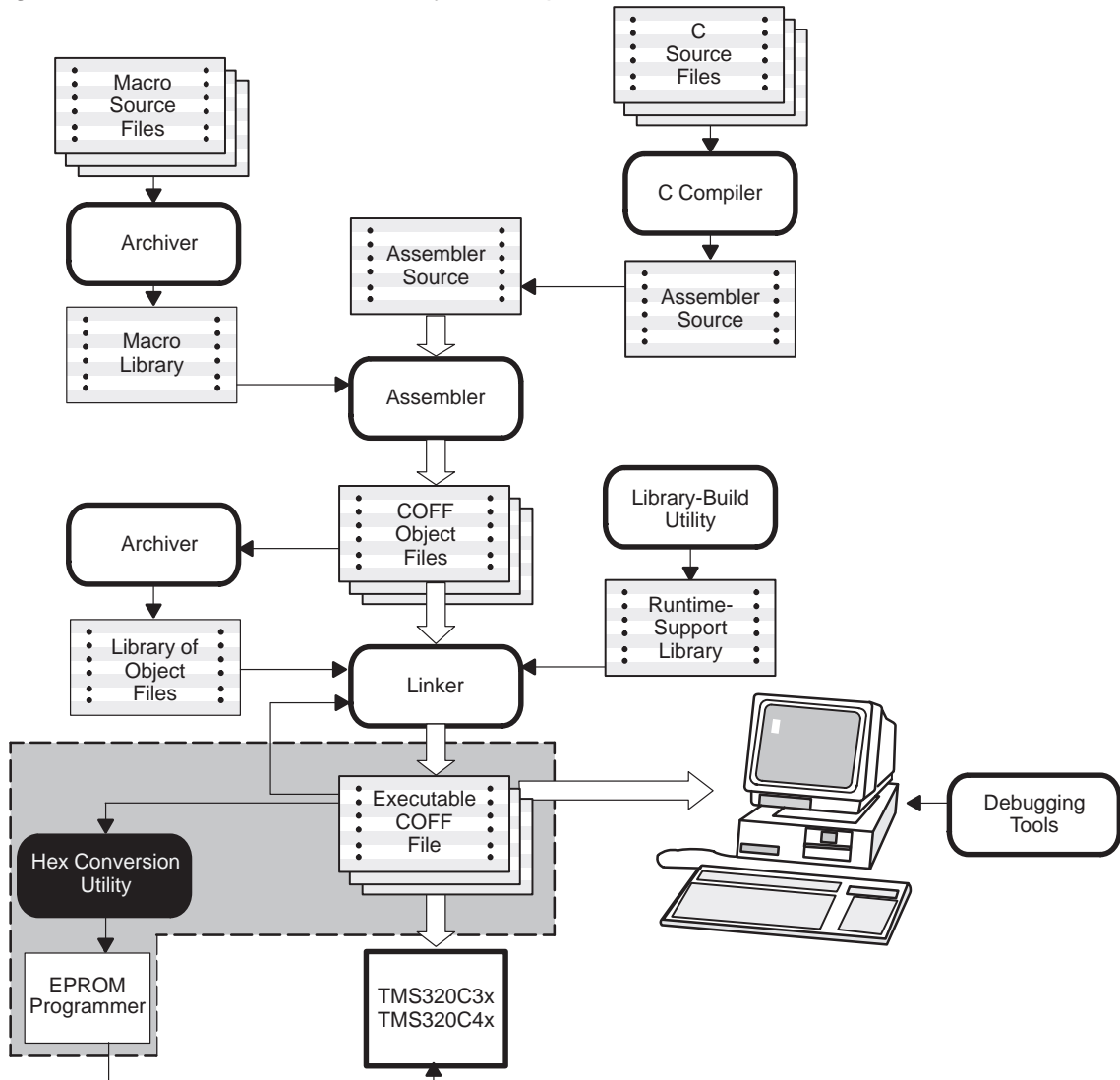
- ASCII-Hex, supporting 16-bit addresses
- Extended Tektronix Hexadecimal (Tektronix), supporting 32-bit addresses
- Intel MCS-86 Hexadecimal (Intel) supporting 32-bit addresses
- Motorola Exorciser (Motorola-S), supporting 16-bit, 24-bit, and 32-bit addresses
- Texas Instruments SDSMAC (TI-Tagged), supporting 16-bit addresses

Topic	Page
10.1 Hex Conversion Utility Development Flow	10-2
10.2 Invoking the Hex Conversion Utility	10-3
10.3 Using Command Files	10-6
10.4 Creating a Compatible File Format	10-7
10.5 Using the ROMS Directive to Specify Memory Configuration	10-16
10.6 Using the SECTIONS Directive to Convert COFF File Sections	10-22
10.7 Output Filenames	10-24
10.8 Image Mode and the -fill Option	10-26
10.9 Building a Boot Table From an On-Chip Boot Loader	10-28
10.10 Controlling the ROM Device Address	10-39
10.11 Description of the Object Formats	10-43
10.12 Hex Conversion Utility Error Messages	10-49

10.1 Hex Conversion Utility Development Flow

Figure 10–1 highlights the role of the hex conversion utility in the assembly language development process.

Figure 10–1. Hex Conversion Utility Development Flow



10.2 Invoking the Hex Conversion Utility

Invoking the Hex Conversion Utility From the Command Line

To invoke the hex conversion utility, enter:

```
hex30 [-options] filename
```

- hex30** is the command that invokes the hex conversion utility.
- options** supply additional information that controls the hex conversion process. You can use options on the command line or in a command file.
- All options are preceded by a dash and are not case-sensitive.
 - Several options have an additional parameter that must be separated from the option by at least one space.
 - Options with multicharacter names must be spelled exactly as shown in this document; no abbreviations are allowed.
 - Options are not affected by the order in which they are used. The exception to this rule is the `-q` option, which must be used before any other options.
- filename** names a COFF object file or a command file (for more information on command files, see Section 10.3, page 10-6).

Table 10–1 lists basic options and also bootloader options for the 'C3x and 'C4x on-chip bootloaders. The bootloader is discussed in more detail on page 10-28.

Table 10–1. Basic Options

General Options	Option	Description	Page
Control overall operation	<code>–map filename</code>	Generate a map file	10-21
	<code>–o filename</code>	Specify an output filename	10-24
	<code>–q</code>	Run quietly (when used, it must appear <i>before</i> other options)	10-6
Image Options	Option	Description	Page
Allow you to create a continuous image of a range of target memory.	<code>–byte</code>	Number bytes sequentially	10-41
	<code>–fill value</code>	Fill holes with value (default value =0)	10-26
	<code>–image</code>	Specify image mode	10-26
	<code>–zero</code>	Reset the address origin to zero	10-40
Memory Options	Option	Description	Page
Allow you to configure the memory widths for output files.	<code>–datawidth value</code>	Define the logical data word width (default = 32 bits)	10-8
	<code>–memwidth value</code>	Define the system memory word width (default 32)	10-9
	<code>–order {LS MS}</code>	Specify the memory word ordering	10-14
	<code>–romwidth value</code>	Specify the ROM device width (default depends on format used)	10-12
Format Options	Option	Description	Page
Allow you to specify the output format.	<code>–a</code>	ASCII-Hex format	10-44
	<code>–i</code>	Intel format	10-45
	<code>–m1</code>	Motorola-S1 format	10-46
	<code>–m2</code> or <code>–m</code>	Motorola-S2 format	10-46
	<code>–m3</code>	Motorola-S3 format	10-46
	<code>–t</code>	TI-Tagged format	10-47
<code>–x</code>	Tektronix format	10-48	

Table 10–1. Basic Options (Continued)

Bootloader Options	Option	Description	Page
Allow you to control the 'C3x and 'C4x on-chip bootloaders	<code>-boot</code>	Convert all sections into bootable form (use instead of a SECTIONS directive)	10-29
	<code>-bootorg value</code>	Specify the source address of the boot loader table	10-31
	<code>-bootpage value</code>	Specify the target page number of the boot loader table	10-30
	<code>-cg value</code>	Set the primary bus global control register ('C31 only)	10-32
	<code>-cg value</code>	Set the global memory configuration register ('C4x only)	10-37
	<code>-cl value</code>	Set the local memory configuration register ('C4x only)	10-37
	<code>-e value</code>	Specify the PC value after loading	10-31
	<code>-iack value</code>	Specify the IACK memory location ('C4x only)	10-37
	<code>-ivtp value</code>	Set the interrupt vector table pointer ('C4x only)	10-37
	<code>-tvtp value</code>	Set the trap vector table pointer ('C4x only)	10-37
	<code>-iostrb value</code>	Set the IOSTRB control register ('C32 only)	10-34
	<code>-strb0 value</code>	Set the STRB0 control register ('C32 only)	10-34
	<code>-strb1 value</code>	Set the STRB1 control register ('C32 only)	10-34

10.3 Using Command Files

Using a command file is useful if you plan to invoke the utility more than once with the same input files and options. It is also useful if you want to use the ROMS and SECTIONS hex conversion utility directives to customize the conversion process.

Command files are ASCII files that contain one or more of the following:

- Options and filenames.** These are specified in a command file in exactly the same manner as on the command line.
- ROMS directives.** The ROMS directive defines the physical memory configuration of your system as a list of address-range parameters.
- SECTIONS directives.** The SECTIONS directive specifies which sections from the COFF object file should be selected. You can also use this directive to identify specific sections that will be initialized by an on-chip boot loader. For more information about the ROMS or SECTIONS directives, see Section 10.5 or 10.6, respectively. For more information on the on-chip boot loader, see Section 10.9, page 10-28.
- Comments.** You can add comments to your command file by using the `/*` and `*/` delimiters. For example: `/* this is a comment */`

To invoke the utility and use the options you defined in a command file, enter:

```
hex30 commandfilename
```

You can also specify other options and files on the command line. You could invoke the utility using both a command file and command line options:

```
hex30 firmware.cmd -map firmware.mxp
```

The order in which these options and file names appear is not important. The utility reads all input from the command line and all information from the command file before starting the conversion process. However, if you are using the `-q` option, *it must appear as the first option on the command line or in a command file.*

The `-q` option suppresses the utility's normal banner and progress information.

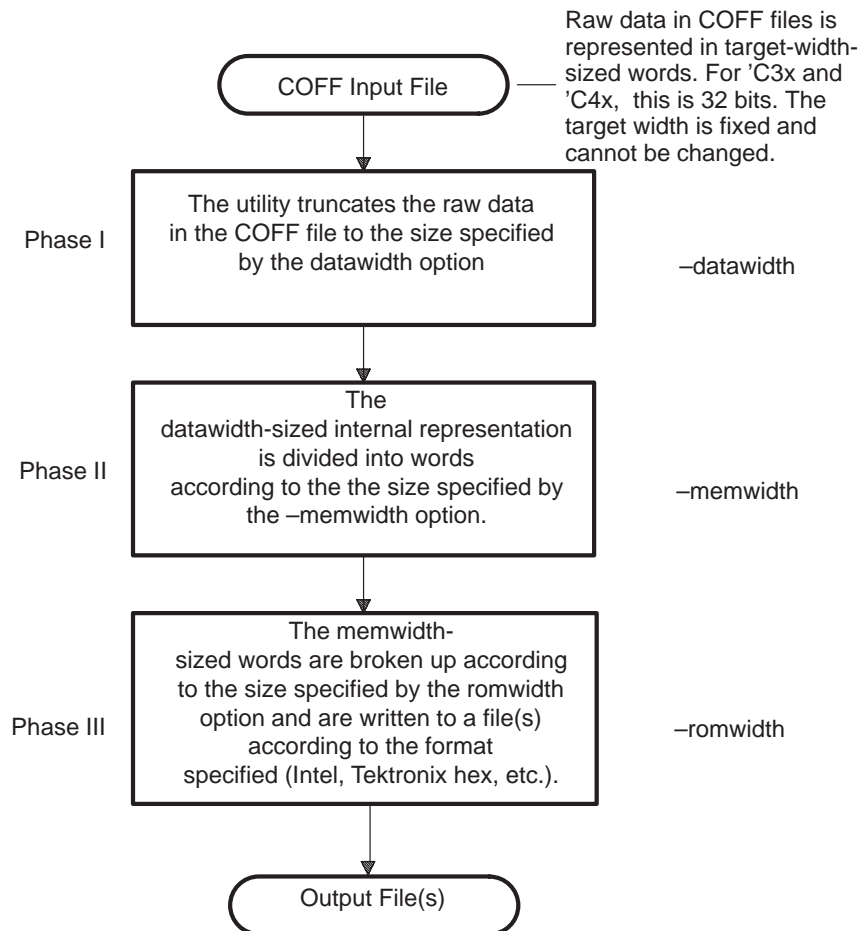
```
hex30 -t firmware -o firm.lsb -o firm.msb
```

10.4 Creating a Compatible File Format

The hex conversion utility means full flexibility for different memory architectures. In order to use the hex conversion utility, **you must understand how the utility treats word widths**. [A word width is the number of bits in a word.] Four widths are important in the conversion process: target width, data width, memory width, and ROM width. When we refer to these terms, we refer to a word of such a width.

Figure 10–2 illustrates the three separate and distinct phases of the hex conversion utility's process flow.

Figure 10–2. Hex Conversion Utility Process Flow



- ❑ **Target Width.** Target width is the unit size (in bits) of raw data fields in the COFF file. This corresponds to the size of an opcode on the target processor. The width is fixed for each target and cannot be changed. The 'C3x and 'C4x are 32 bits wide.
- ❑ **Data Width.** Data width is the logical width (in bits) of the data words stored in a particular section of a COFF file.
- ❑ **Memory Width.** Memory width is the physical width (in bits) of the memory system.
- ❑ **ROM width.** The ROM width specifies the physical width (in bits) of each ROM device and corresponding output file (usually one byte or eight bits).

10.4.1 Defining Input Data in the 'C32

Usually, the data width is the same as the target width. In the 'C32, however, data words can be narrower than the width of the processor.

Do not change the data width unless you are using the 'C32 processor.

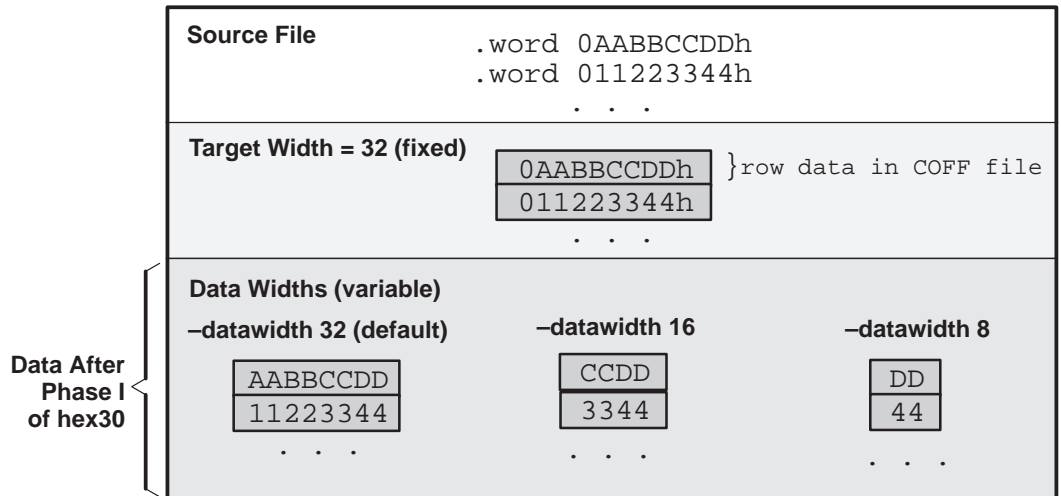
The 'C32 processor can access values narrower than the processor target width. The 'C32 device can access data that is 8, 16, or 32 bits wide. The hex conversion utility can extract the appropriate number of bits from the COFF file for each data word and store only those bits, even though the COFF file uses 32 bits to store each data word. The hex conversion utility simply truncates the COFF word to the specified length, preserving only the least significant bits of the COFF word.

You can change the data width by:

- ❑ Using the **-datawidth** option. This changes the size of data words inside all sections in a COFF file. For example, **-datawidth 8** changes the size of the data words to 8 bits.
- ❑ Setting the **data width** parameter of the SECTIONS directive. This changes the size of data words for the specific section and overrides the **-datawidth** option for that section. Refer to Section 10.6 for details.

Figure 10–3 shows how the data width is related to the target width.

Figure 10–3. Target and Data Widths



10.4.2 Specifying the Width

Usually, the memory system is physically the same width as the target processor width: a 32-bit processor has a 32-bit memory architecture. However, some applications, such as boot loaders, require target words to be broken up into multiple, consecutive, narrower memory words.

Moreover, with certain processors like the 'C32, the memory width can be narrower than the target width. In that case, the hex conversion utility defaults memory width to the target width (in this case, 32 bits).

You can change the memory width by:

- Using the **–memwidth** option. This changes the memory width value for the entire file, or
- Setting the **memwidth** parameter of the ROMS directive. This changes the memory width for the address range specified in the ROMS directive and overrides the **–memwidth** option for that range. See Section 10.5, page 10-16.

The *value* used must be a power of two greater than or equal to eight.

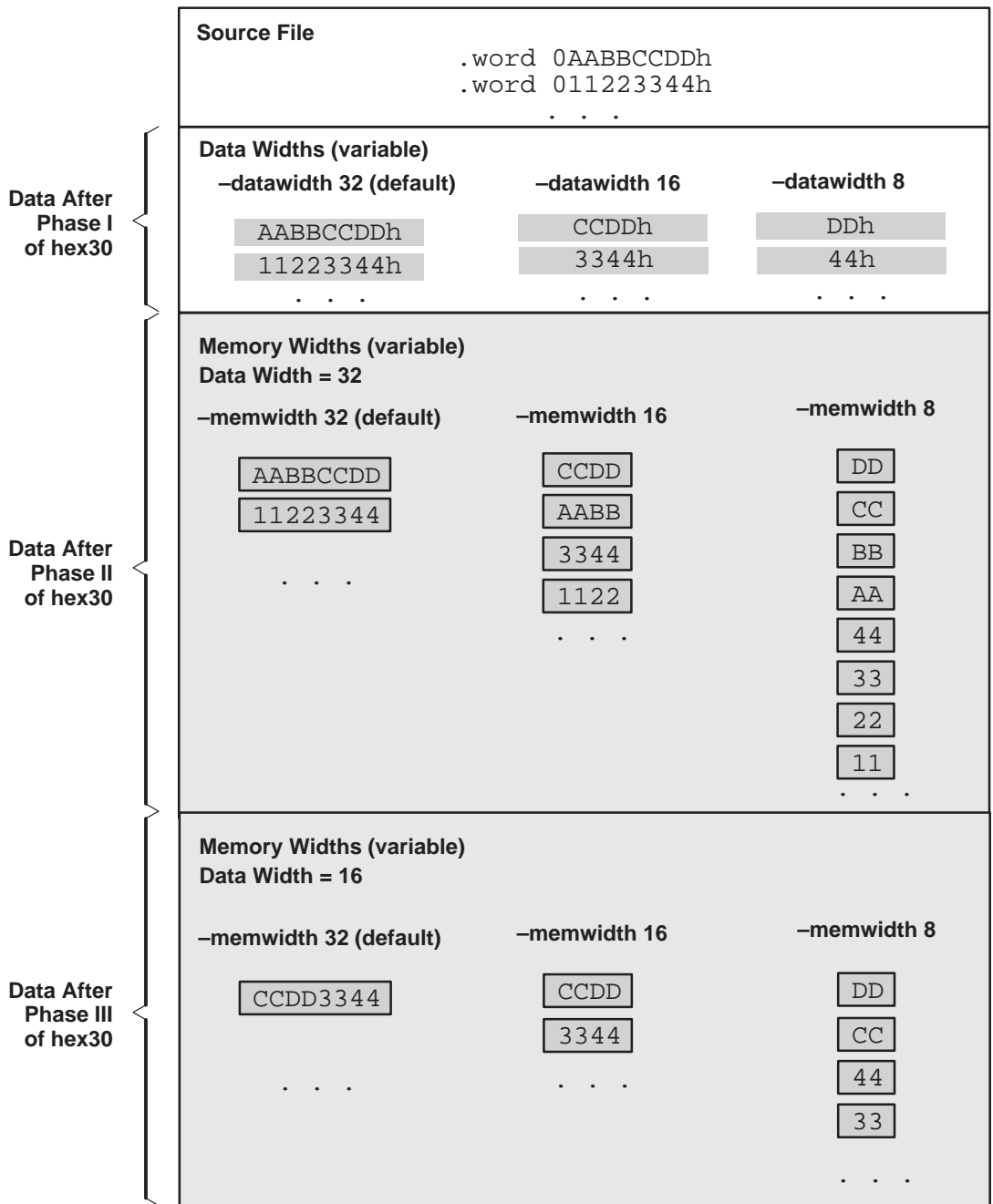
You should change the memory width default value of 32 only in exceptional situations:

Single target words broken into consecutive, narrower memory words.

Situations in which memory words are narrower than target words are most common when you use on-chip boot loaders—several of which support booting from narrower memory. For example, a 32-bit TMS320C31 can be booted from 8-bit memory, with each 32-bit value occupying four memory locations (this would be specified as `-memwidth 8`).

Figure 10–4 demonstrates how the memory width is related to the target width.

Figure 10–4. Target, Data, and Memory Widths



10.4.3 Partitioning Data Into Output Files

The ROM width determines how the hex conversion utility partitions the data into output files. After the target words are mapped to the memory words, the memory words are broken into one or more output files. The number of output files is determined by the following formula:

$\text{number of files} = \text{memory width} \div \text{ROM width}$ <p style="text-align: center;">where memory width > ROM width</p>

For example, for a memory width of 32, you could specify a ROM width value of 32 and get a single output file containing 32-bit words. Or you can use a ROM width value of 16 to get two files, each containing 16 bits of each word.

The default ROM width that the hex conversion utility uses depends on the output format:

- All hex formats except TI-Tagged are oriented as lists of 8-bit bytes; the default ROM width for these formats is 8 bits.
- TI's format is 16-bit; the default ROM width for TI-Tagged format is 16 bits.

<p>Note: The TI Format is 16 Bits Wide</p> <p>You cannot change the ROM width of the TI-Tagged format. The TI-Tagged format supports a 16-bit ROM width only.</p>
--

You can change the ROM width by:

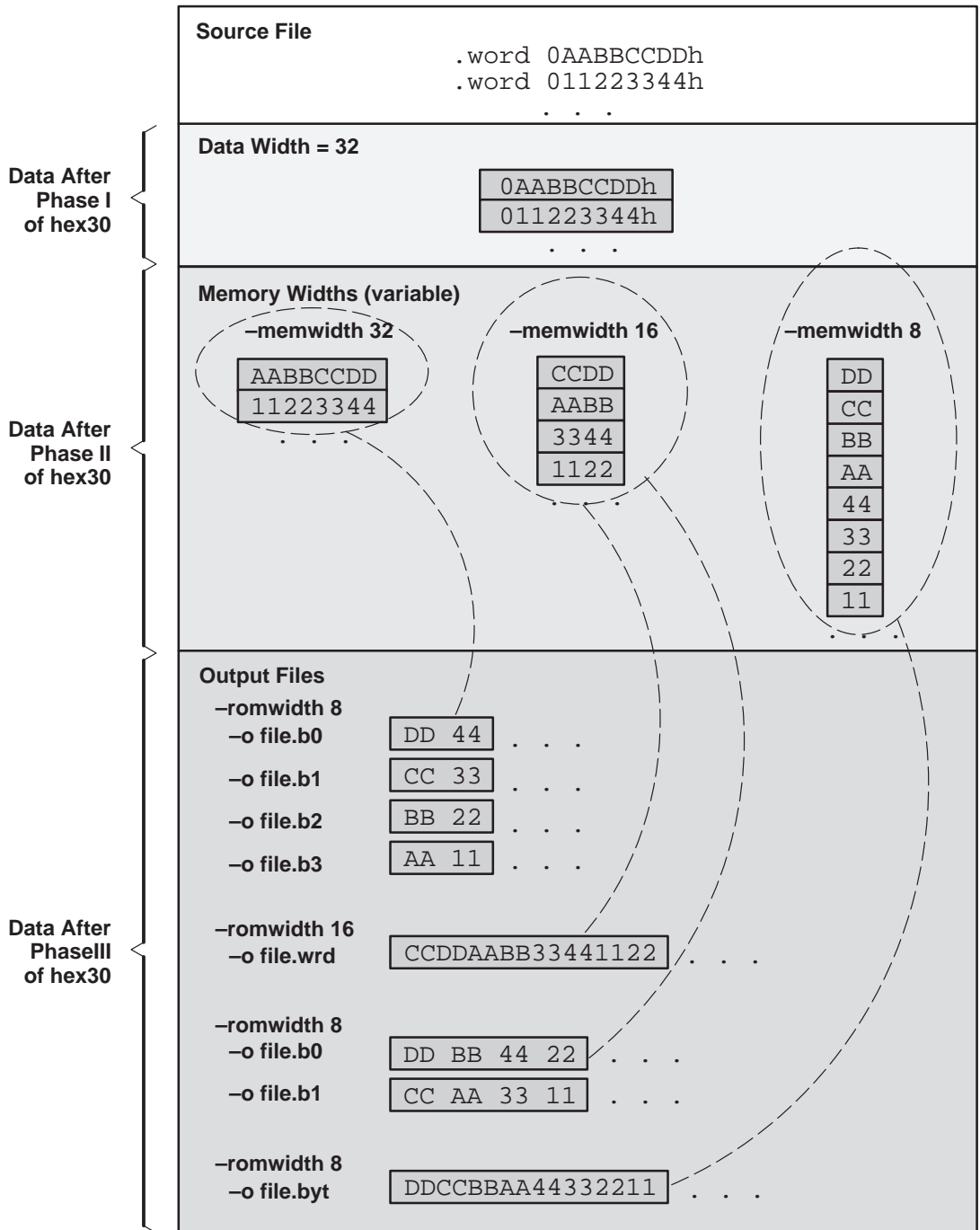
- Using the **-romwidth** option. This changes the ROM width value for the entire COFF file
- Setting the **romwidth** parameter of the **ROMS** directive. Setting this parameter changes the ROM width value for a specific ROM address range and overrides the **-romwidth** option for that range. See Section 10.5, page 10-16.

For both, use a value that is a multiple of eight and power of two.

If you select a ROM width that is wider than the natural size of the output format (16 bits for TI-Tagged or 8 bits for all others), the utility simply writes multibyte fields into the file.

Figure 10–5 illustrates how the target, memory, and ROM widths are related to one another.

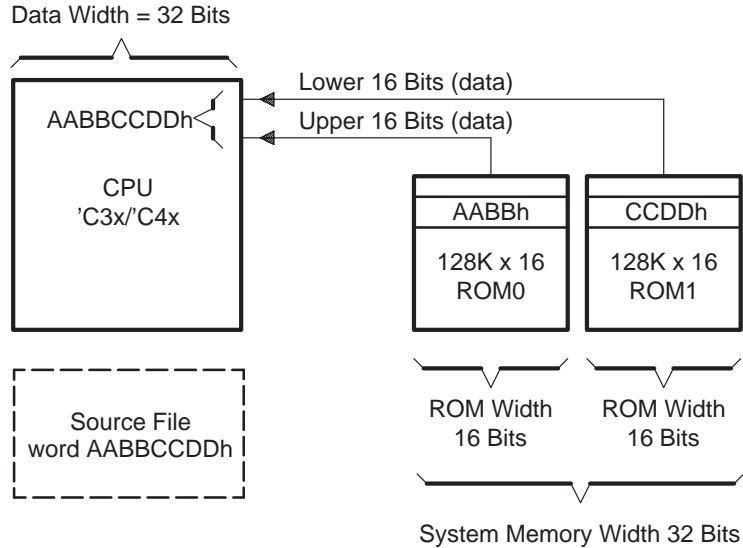
Figure 10–5. Target, Memory, and ROM Widths



10.4.4 A Memory Configuration Example

Figure 10–6 shows a typical memory configuration example. This memory system consists of two 128K x 16-bit ROM devices.

Figure 10–6. 'C3x'/'C4x Memory Configuration Example



10.4.5 Specifying Word Order for Output Files

When memory words are narrower than target words (memory width < 32) target words are split into multiple consecutive memory words. There are two ways to split a wide word into consecutive memory locations in the same hex conversion utility output file:

- order MS** specifies **big-endian** ordering, in which the most significant part of the wide word occupies the first of the consecutive locations
- order LS** specifies **little-endian** ordering, in which the the least significant part occupies the first location

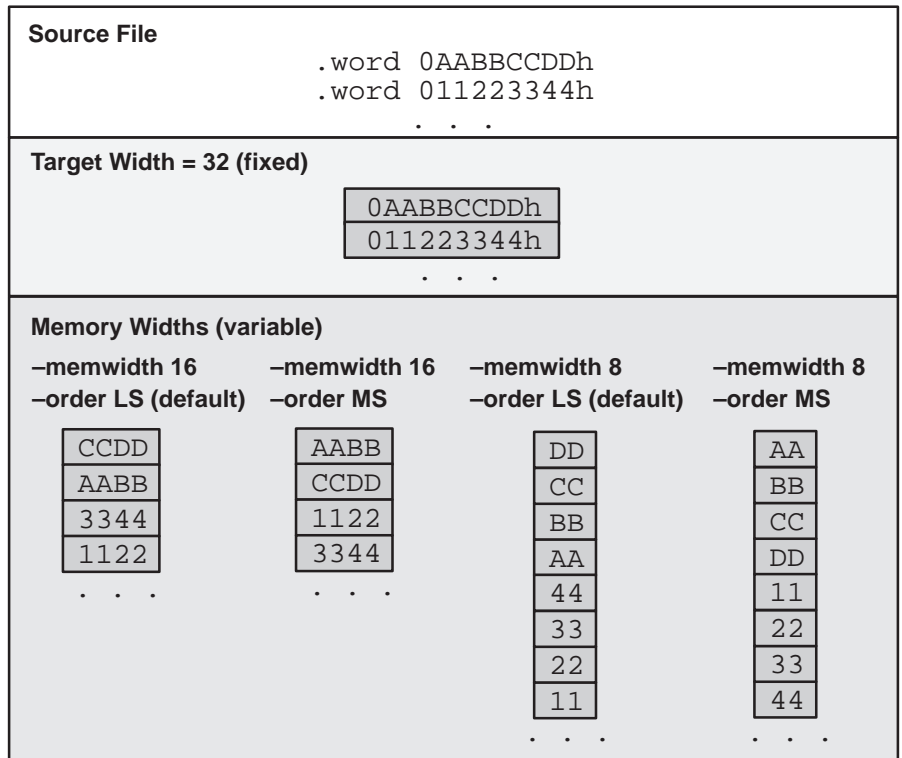
By default, the utility uses little-endian format, because the 'C3x/'C4x boot loaders expect the data in this order. Unless you are using your own boot loader program, avoid using `-order MS`.

Note: When the `-order` Option Applies

- This option applies only when you use a memory width with a value less than 32. Otherwise, the `-order` is ignored.
- The option does not affect the way memory words are split into output files. Think of the files as a set: the set contains a least significant file and a most significant file. When you list filenames for a set of files, you *always* list the least significant first, regardless of the `-order` option.

Figure 10–7 demonstrates how `-order LS` and `-order MS` affect the conversion process. (This figure, and Figure 10–5, explain the condition of the data in the hex conversion utility output files.)

Figure 10–7. Varying the Word Order



10.5 Using the ROMS Directive to Specify Memory Configuration

The ROMS directive specifies the physical memory configuration of your system as a list of address-range parameters.

Each address range will produce one set of files containing the hex conversion utility output data corresponding to that address range. Each file will then be used to program a single ROM device.

The ROMS directive is similar to the MEMORY directive of the TMS320 linker: both define the memory map of the target address space. Each line entry in the ROMS directive defines a specific address range. The general syntax is:

```

ROMS
{
  [PAGE n:]
    romname: [origin=value,] [length=value,] [romwidth=value,]
              [memwidth=value,] [fill=value,]
              [files={filename1, filename2, ...}]

    romname: [origin=value,] [length=value,] [romwidth=value,]
              [memwidth=value,] [fill=value,]
              [files={filename1, filename2, ...}]

  ...
}

```

- ROMS** begins the directive definition.
- PAGE** identifies a memory space for processors that use multiple address spaces or memory overlay pages. Each memory range you define after the PAGE command belongs to that page until you specify another page. If you don't include PAGE, all ranges belong to page 0. Note that the 'C3x/C4x processors do not offer multiple address spaces.
- romname* identifies a memory range. The name of the memory range may be one to eight characters in length. The name has no significance to the program; it simply identifies the range. (Duplicate memory range names are allowed.)
- origin** specifies the starting address of a memory range. It may be typed as *origin*, *org*, or *o*. The associated value must be a decimal, octal, or hexadecimal constant. If you omit the origin value, the origin defaults to 0.

The following table summarizes the notation you can use to specify a decimal, octal, or hexadecimal constant:

Constant	Notation	Example
Hexadecimal	0x prefix or h suffix	0x77 or 077h
Octal	0 prefix	077
Decimal	No prefix or suffix	77

length specifies the length of a memory range as a physical length of the ROM device. It may be entered as `length`, `len`, or `l`. The value must be a decimal, octal, or hexadecimal constant. If you omit the length value, it defaults to fill the rest of the address space.

romwidth specifies the physical ROM width of this range in bits (see page 10-12). Any value you specify here overrides the `-romwidth` option. The value must be a decimal, octal, or hexadecimal constant that is a power of two greater than or equal to eight.

memwidth specifies the memory width of this range in bits (see page 10-9). Any value you specify here overrides the `-memwidth` option. The value must be a decimal, octal, or hexadecimal constant that is a power of two greater than or equal to eight. *When using `-memwidth`, you must also specify the `paddr` parameter for each section in the `SECTIONS` directive.*

fill specifies a fill value to use for this range. In image mode, the hex conversion utility uses this value to fill any holes between sections in a range. The value must be a decimal, octal, or hexadecimal constant with a width equal to the target width. Any value you specify here overrides the `-fill` option. [You must also use the `-image` option when using `fill`.] See page 10-26.

files identify the names of the output files that correspond to this range. Enclose the list of names in curly braces and order them from *least significant* to *most significant* output file.

The number of file names should equal the number of output files that the range will generate. The utility warns you if you list too many or too few filenames.

Unless you are using the `-image` option, all of the parameters defining a range are optional. A range with no origin or length defines the entire address space. In image mode, an origin and length are required for all ranges. The commas and equals signs are also optional.

Ranges on the same page must not overlap and must be listed in order of ascending address.

10.5.1 When to Use the ROMS Directive

If you don't use a ROMS directive, the utility defines a single default range that includes the entire program address space (PAGE 0). This is equivalent to a ROMS directive with a single range without origin or length.

Use the ROMS Directive when you want to:

- Program large amounts of data into fixed-size ROMs.** When you specify memory ranges corresponding to the length of your ROMs, the utility automatically breaks the output into blocks that fit into the ROMs.
- Restrict output to certain segments.** You can also use the ROMS directive to restrict the conversion to a certain segment or segments of the target address space. The utility does not convert the data that falls outside of the ranges defined by the ROMS directive. Sections can span range boundaries; the utility splits them at the boundary into multiple ranges. If a section falls completely outside any of the ranges you define, the utility does not convert that section and issues no messages or warnings. In this way, you can exclude sections without listing them by name with the SECTIONS directive. However, if a section falls partially in a range and partially in unconfigured memory, the utility issues a warning and converts only the part within the range.
- Use the `-image` option.** When you use this option, you must use a ROMS directive. Each range is filled completely so that each output file in a range contains data for the whole range. Gaps before, between or after sections are filled with the fill value from the ROMS directive, with the value specified with the `-fill` option, or with the default value of zero.

10.5.2 An Example of the ROMS Directive

The ROMS directive in Example 10–1 shows how 16K words of 32-bit memory could be partitioned for eight 8K x 8-bit EPROMs.

Example 10–1. A ROMS Directive Example

```

/*****
/* Sample command file with ROMS directive      */
/*****
infile.out
-image
-memwidth 32

ROMS
{
    EPROM1: org = 04000h, len = 02000h, romwidth = 8
           files = { rom4000.b0, rom4000.b1,
                    rom4000.b2, rom4000.b3 }

    EPROM2: org = 06000h, len = 02000h, romwidth = 8,
           fill = 0FFh,
           files = { rom6000.b0, rom6000.b1,
                    rom6000.b2, rom6000.b3 }
}

```

In this example, EPROM1 defines the address range from 4000h through 5FFFh. The range contains the following sections:

This section	Has this range
.text	4000h through 487Fh
.data	5B80H through 5FFFh

The rest of the range is filled with 0h (the default fill value). The data from this range is converted into four output files:

- rom4000.b0 contains bits 0 through 7
- rom4000.b1 contains bits 8 through 15
- rom4000.b2 contains bits 16 through 23
- rom4000.b3 contains bits 24 through 31

EPROM2 defines the address range from 6000h through 7FFFh. The range contains the following section:

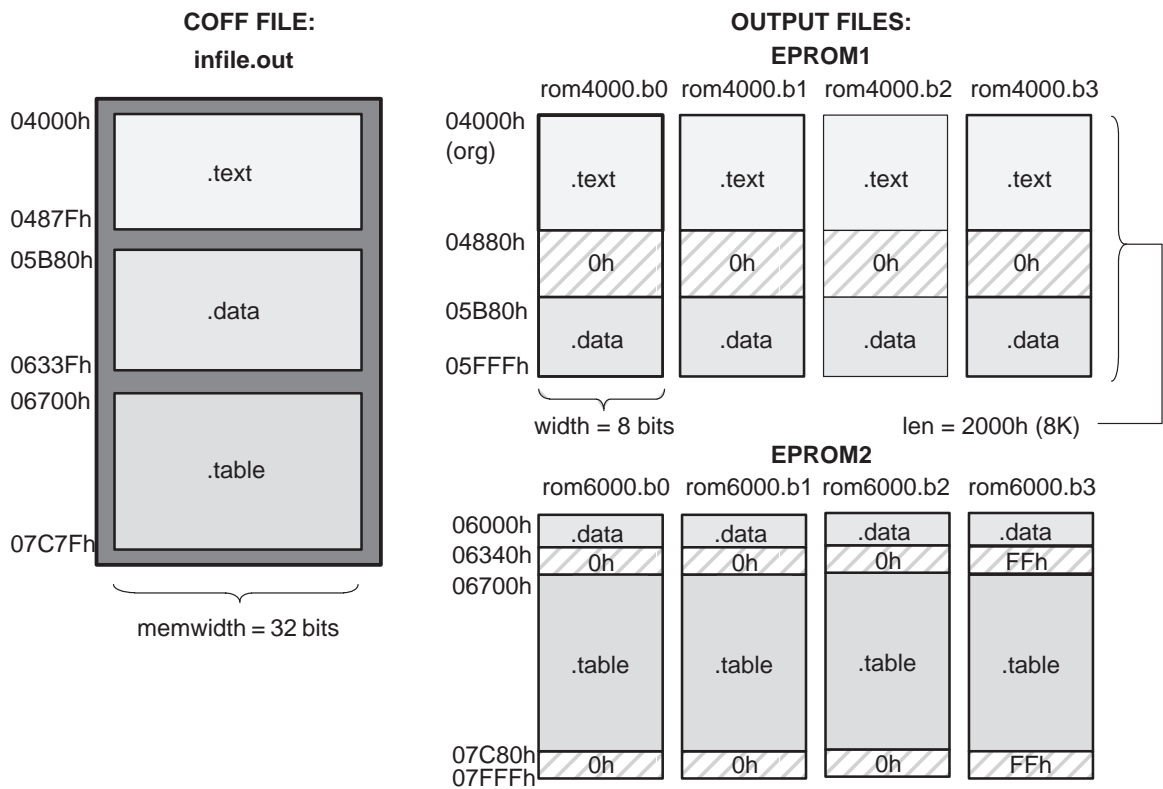
This section	Has this range
.data	6000h through 633Fh
.table	6700h through 7C7Fh

The rest of the range is filled with 0FFh (from the specified fill value). The data from this range is converted into four output files:

- ❑ rom6000.b0 contains bits 0 through 7
- ❑ rom6000.b1 contains bits 8 through 15
- ❑ rom6000.b2 contains bits 16 through 23
- ❑ rom6000.b0 contains bits 24 through 31

Figure 10–8 shows how the ROMS directive partitions the infile.out file into eight output files.

Figure 10–8. The infile.out File from Example 10–1 Partitioned Into Eight Output Files



10.5.3 Creating Map Files and the `-map` option

The map file (specified with the `-map` option) is very useful when you use the ROMS directive with multiple ranges. The map file shows each range, its parameters, names of associated output files, and a list of contents (section names and fill values) broken down by address. Here's a segment of the map file resulting from the example in Example 10–1.

Example 10–2. Map File Output from Example 10–1 Showing Memory Ranges

```
-----
00004000..00005fff Page=0 Width=8 "EPROM1"
-----
OUTPUT FILES:  rom4000.b0  [b0..b7]
                rom4000.b1  [b8..b15]
                rom4000.b2  [b16..b23]
                rom4000.b3  [b24..b31]

CONTENTS: 00004000..0000487f .text
          00004880..00005b7f FILL = 00000000
          00005b80..00005fff .data
-----
00006000..00007fff Page=0 Width=8 "EPROM2"
-----
OUTPUT FILES:  rom6000.b0  [b0..b7]
                rom6000.b1  [b8..b15]
                rom6000.b2  [b16..b23]
                rom6000.b3  [b24..b31]

CONTENTS: 00006000..0000633f .data
          00006340..000066ff FILL = 000000ff
          00006700..00007c7f .table
          00007c80..00007fff FILL = 000000ff
```

10.6 Using the `SECTIONS` Directive to Convert COFF File Sections

You may convert specific sections of the COFF file by name with the `SECTIONS` directive. You can also specify those sections you want the utility to configure for loading from an on-chip boot loader, and those sections that you wish to locate in ROM at a different address than the *load* address specified in the linker command file.

If you:

- Use a `SECTIONS` directive, the utility converts only the sections that you list in the directive; the utility ignores any other sections in the COFF file that you don't specify in the directive.
- Don't use a `SECTIONS` directive, the utility converts any initialized section that falls within the configured memory. TMS320C3x/C4x compiler-generated initialized sections include: `.text`, `.const`, and `.cinit`.

Note: Sections Generated by the C Compiler

Uninitialized sections are *never* converted, whether or not you specify them in a `SECTIONS` directive. TMS320C3x/C4x compiler uninitialized sections include: `.bss`, `.stack`, and `.systemem`.

Use the `SECTIONS` directive in a command file. (For more information about using a command file, see Section 10.3, page 10-6.) The general syntax for the `SECTIONS` directive is:

```
SECTIONS
{
    sname: [paddr=value] [datawidth=value],
    sname: [paddr=boot]
    sname [ = boot ],
    ...
}
```

- | | |
|------------------------|--|
| SECTIONS | begins the directive definition. |
| <i>sname</i> | identifies a section in the COFF input file. If you specify a section that doesn't exist, the utility issues a warning and ignores the name. |
| datawidth=value | specifies the logical width of the data in the section (see page 10-8). |

- `paddr=value`** specifies the physical ROM address at which this section should be located. This value overrides the section load address given by the linker. (Refer to Section 10.10). This value must be a decimal, octal, or hexadecimal constant; it can also be the word **`boot`** to indicate a boot table section for use with the on-chip boot loader. [Boot sections have a physical address determined both by the target processor type and by the various boot-loader-specific command line options.] *If your file contains multiple sections, and if one section uses a `-paddr` option, then all sections must use a `-paddr` option.*
- `= boot`** configures a section for loading by the on-chip boot loader. This is equivalent to using `paddr=boot`.

The commas are optional. For more similarity with the linker's `SECTIONS` directive, you can use colons after the section names and in place of the equals sign on the boot keyboard. For example,

```
SECTIONS { .text: .data: boot }
SECTIONS { .text, .data = boot }
```

are equivalent.

For example, suppose a COFF file contains six initialized sections: `.text`, `.data`, `.const`, `.vectors`, `.coeff`, and `.tables`. If you want only `.text` and `.data` to be converted, use a `SECTIONS` directive to specify this:

```
SECTIONS { .text, .data }
```

To configure both of these sections for boot loading, add the boot keyword:

```
SECTIONS { .text = boot, .data = boot }
```

Note: Using the `-boot` Option and the `SECTIONS` Directive

When you use the `SECTIONS` directive with the on-chip boot loader, note that the `-boot` option is ignored. You must explicitly specify any boot sections in the `SECTIONS` directive. For more information about `-boot` and other command line options associated with the on-chip boot loader, see Table 10–2, *Boot Loader Utility Options*, page 10-29.

10.7 Output Filenames

When the hex conversion utility translates your COFF object file into a data format, it partitions the data into one or more output files. When multiple files are formed by splitting data into byte-wide or word-wide files, *filenames are always assigned in order from least to most significant*. This is true regardless of target or COFF endian ordering, or of any `-order` option.

Assigning Output Filenames

The hex conversion utility follows this sequence when assigning output filenames:

- 1) **It looks for the ROMS directive.** If the file is associated with a range in the ROMS directive, and you have included a list of files (`files = { . . . }`) on that range, the utility takes the filename from the list.

For example, assume that the target data is 32-bit words being converted to four files, eight bits wide. To name the output files using the ROMS directive, you could use specify:

```
ROMS
{
  RANGE1: romwidth=8, files={ xyz.b0 xyz.b1 xyz.b2 xyz.b3 }
}
```

The utility creates the output files by writing the least significant bits (LSBs) to `xyz.b0` and the most significant bits (MSBs) to `xyz.b3`.

- 2) **It looks for the `-o` options.** The hex conversion utility often splits the target data from the COFF object file on byte, word, or half-word boundaries. It also partitions the data into files of fixed length according to the configuration you specify. This results in multiple output files. You can specify names for the output files by using the `-o` option. The following line has the same effect as the example above using the ROMS directive:

```
-o xyz.b0 -o xyz.b1 -o xyz.b2 -o xyz.b3
```

Note that if both the ROMS directive and `-o` options are used together, the ROMS directive overrides the `-o` options.

- 3) **It assigns a default filename.** If you specify no file names or fewer names than output files, the utility assigns a default filename.

A default filename consists of the base name from the COFF input file plus a 2- to 3-character extension. The extension has three parts:

- A format character, based on the output format:
 - a** for ASCII-Hex
 - i** for Intel
 - t** for TI-Tagged
 - m** for Motorola-S
 - x** for Tektronix
- The range number in the ROMS directive. Ranges are numbered starting with 0. If there is no ROMS directive, or only one range, the utility omits this character.
- The file number in the set of files for the range, starting with 0 for the least significant file.

For example, assume `coff.out` is for a 32-bit target processor and you are creating Intel-format output. With no output file names specified, the utility produces four output files named `coff.i0`, `coff.i1`, `coff.i2`, and `coff.i3`:

If you include the following ROMS directive when you invoke the hex conversion utility, you would have eight output files:

```

ROMS
{
  range1: o = 1000h 1 = 1000h
  range2: o = 2000h 1 = 1000h
}

```

These Output Files	Contain this data
<code>coff.i00</code> , <code>coff.i01</code> , <code>coff.i02</code> , and <code>coff.i03</code>	1000h through 1FFFh
<code>coff.i10</code> , <code>coff.i11</code> , <code>coff.i12</code> , and <code>coff.i13</code>	2000h through 2FFFh

10.8 Image Mode and the `-fill` Option

This section explains the advantages of operating in image mode, and details the method of producing output files with a precise, continuous image of a target memory range.

10.8.1 The `-image` Option

With the `-image` option, the utility generates a memory image by completely filling all of the mapped ranges specified in the `ROMS` directive.

A COFF file consists of blocks of memory (sections) with assigned memory locations. Typically, all sections are not adjacent: there are gaps between sections in the address space for which there is no data. When such a file is converted *without* the use of image mode, the hex conversion utility bridges these gaps by using the address records in the output file to skip ahead to the start of the next section. In other words, there may be discontinuities in the output file addresses. Some EPROM programmers do not support address discontinuities.

In image mode, there are no discontinuities. Each output file contains a continuous stream of data that corresponds exactly to an address range in target memory. Any gaps before, between, or after sections are filled with a fill value that you supply.

An output file converted by using image mode still has address records because many of the hex formats require an address on each line. However, in image mode, these addresses will always be contiguous.

Note: Defining the Ranges of Target Memory

If you use image mode, you must also use a `ROMS` directive. In image mode, each output file corresponds directly to a range of target memory. You must define the ranges. If you don't supply the ranges of target memory, the utility tries to build a memory image of the entire target processor address space—potentially a huge amount of output data. To prevent this situation, the utility requires you to explicitly restrict the address space with the `ROMS` directive.

10.8.2 Specifying a Fill Value

The `-fill` option specifies a value for filling the holes between sections. The fill value must be specified as an integer constant following the `-fill` option. The width of the constant is assumed to be that of a word on the target processor. For example, on the 'C3x, specifying `-fill 0FFFFh` results in a fill pattern of `0000FFFFh`. The constant value is not sign-extended.

Note: If You Do Not Specify A Value With The Fill Option

The hex conversion utility uses a default fill value of 0 if you don't specify a value with the fill option. The `-fill` option is valid only when you use `-image`; otherwise it is ignored.

10.8.3 Steps to Follow in Image Mode

- Step 1:** Define the ranges of target memory with a ROMS directive (see Section 10.5).
- Step 2:** Invoke the hex conversion utility with the `-image` option. You can optionally use the `-byte` option to number the bytes sequentially and the `-zero` option to reset the address origin to zero for each output file. If you don't specify a fill value with the ROMS directive and you want a value other than the default, use the `-fill` option.

10.9 Building a Boot-Table From an On-Chip Boot Loader

Some DSP devices such as the 'C31, 'C32, and 'C4x have a built-in boot loader that initializes memory with one or more blocks of code or data. The boot loader uses a special table (a *boot table*) stored in memory (such as EPROM) or loaded from a device peripheral (such as a serial or communications port) to initialize the code or data. The hex conversion utility supports the boot loader by automatically building the boot table.

10.9.1 Description of the Boot Table

The input for a boot loader is called the boot table (also known as a *source program*). The boot table contains records that instruct the on-chip loader to copy blocks of data contained in the table to specified destination addresses. Some boot tables also contain values for initializing various processor control registers. The boot table can be stored in memory or read in through a device peripheral.

The hex conversion utility automatically builds the boot table for the boot loader. Using the utility, you specify the COFF sections you want the boot loader to initialize, the table location, and the values for any control registers. The hex conversion utility identifies the target device type from the COFF file, builds a complete image of the table according to the format required by that device, and converts it into hexadecimal in the output files. Then, you can burn the table into ROM or load it by other means.

Boot loaders support loading from memory that is narrower than the normal width of memory. For example, you can boot a 32-bit TMS320C31, TMS320C32, or TMS320C40 from a single eight-bit EPROM by using the `-memwidth` option to configure the width of the boot table. The hex conversion utility automatically adjusts the table's format and length.

10.9.2 The Boot Table Format

The boot table format includes a header record containing the width of the table and possibly some values for various control registers. Each subsequent block has a header containing the size and destination address of the block followed by data for the block. Multiple blocks can be entered; a termination block follows the last block. Finally, the table can have a footer containing more control register values. Refer to the boot-loader section in the specific device user's guide for more information.

10.9.3 How to Build the Boot Table

Table 10–2 summarizes the hex conversion utility options available for the boot loader. You can choose from these options in addition to the options listed in Table 10–1, page 10-4.

Table 10–2. *Boot-Loader Utility Options*

Option	Description
–boot	Convert all sections into bootable form (use instead of a SECTIONS directive)
–bootorg <i>value</i>	Specify the source address of the boot loader table
–bootpage <i>value</i>	Specify the target page number of the boot loader table
–cg <i>value</i>	Set the primary bus global control register ('C31 only)
–cg <i>value</i>	Set the global memory configuration register ('C4x only)
–cl <i>value</i>	Set the local memory configuration register ('C4x only)
–e <i>value</i>	Specify the PC value after loading
–iack <i>value</i>	Specify the IACK memory location ('C4x only)
–ivtp <i>value</i>	Set the interrupt vector table pointer ('C4x only)
–tvtp <i>value</i>	Set the trap vector table pointer ('C4x only)
–iostrb <i>value</i>	Set the IOSTRB control register ('C32 only)
–strb0 <i>value</i>	Set the STRB0 control register ('C32 only)
–strb1 <i>value</i>	Set the STRB1 control register ('C32 only)

To build the boot table, follow these steps below:

Step 1: Link the file. Each block of the boot table data corresponds to an initialized section in the COFF file. Uninitialized sections are not converted by the hex conversion utility, see Section 10.6, page 10-22.

When you select a section for placement in a boot-loader table, the hex conversion utility places its *load address* in the destination address field for the block in the boot table. The section content is then treated as raw data for that block.

Step 2: Identify the bootable sections. You can use the –boot option to tell the hex conversion utility to configure all sections for boot loading. Or you can use a SECTIONS directive with the utility to select specific sections to be configured. Refer to Section 10.6. Note that if you use a SECTIONS directive, the –boot option is ignored.

Step 3: Set the ROM address of the boot table. Use the `-bootorg` option to set the source address of the complete table. For example, if you are using the 'C4x and booting from memory location 40000000h, specify `-bootorg 40000000h`. The address field in the the hex conversion utility output file will then start at 40000000h.

If you use `-bootorg SERIAL` or `-bootorg COMM`, or if you do not use the `-bootorg` option at all, the utility places the table at the origin of the first memory range in a ROMS directive. If you do not use a ROMS directive, the table will start at the first section load address. There is also a `-bootpage` option for starting the table somewhere other than page 0.

Step 4: Set boot-loader-specific options, such as entry point, memory control registers, as needed.

Step 5: Describe your system memory configuration. Refer to Section 10.4, page 10-7, and Section 10.5, page 10-16 for details.

The complete boot table is similar to a single section containing all of the header records and data for the boot loader. The address of this “section” is the boot table origin. As part of the normal conversion process, the hex conversion utility converts the boot table to hexadecimal format and maps it into the output files like any other section.

Be sure to leave room in the memory map for the boot table, especially when you are using the ROMS directive. The boot table cannot overlap other non-boot sections or unconfigured memory. Usually, this is not a problem; typically, a portion of memory in your system is reserved for the boot table. Simply configure this memory as one or more ranges in the ROMS directive, and use the `-bootorg` option to specify the starting address.

10.9.4 Booting From a Device Peripheral

You can choose to boot from a serial or other port by using the SERIAL or COMM keyword with the `–bootorg` option. Your selection of a keyword depends on the target device and the channel you want to use. For example, to boot a 'C31 or 'C32 from its serial port, specify `–bootorg SERIAL` on the command line or in a command file. To boot a TMS320C4x from one of its communication ports, specify `–bootorg COMM`.

Notes:

- q **Possible Memory Conflicts** When you boot from a device peripheral, the boot table is not actually in memory; it is being received through the device peripheral. However, as explained in Step Three, page 10-30, a memory address is assigned.
- q **Why the System Might Require an EPROM Format for a Peripheral Boot Loader Address** In a typical system, a parent processor boots a child processor through that child's peripheral. The boot loader table itself may occupy space in the memory map of the child processor. The EPROM format and ROMS directive address used correspond to the one used by the parent processor, not the one that is used by the child.

10.9.5 Setting the Entry Point for the Boot Table

After completing the boot load process, program execution starts at the address of the first block loaded (default entry point). By using the `–e` option with the hex conversion utility, you can set the entry point to a different address.

For example, if you want your program to start running at address 0123456h after loading, specify `–e 0123456h` on the command line or in a command file. The value must be a constant; **the hex conversion utility cannot evaluate symbolic expressions, like `c_int00` (default entry point assigned by the C compiler).** You can determine the `–e` address by looking at the map file that the linker generates.

When you use the `–e` option, the utility builds a dummy block of length 1 and data value 0 that loads at the specified address. Your blocks follow this dummy block. Since the dummy block is boot-loaded first, the dummy value of 0 is overwritten by the subsequent blocks. Then, the boot loader jumps to its address after the boot load is completed.

10.9.6 Setting Control Registers

In addition to loading data into memory, some boot loaders can also initialize processor control registers from values in the boot table. The hex conversion utility provides special options that you can use to set the values for these registers. Table 10–3 lists the control register options. Each of these options requires a constant value as its argument.

Table 10–3. Control Register Options

Option	Register
<code>-cg value</code>	Primary bus global control register ('C31 and 'C32 only)
<code>-cg value</code>	Global memory configuration register ('C4x only)
<code>-cl value</code>	Local memory configuration register ('C4x only)
<code>-iack value</code>	IACK memory location ('C4x only)
<code>-ivtp value</code>	Interrupt vector table pointer ('C4x only)
<code>-tvtp value</code>	Trap vector table pointer ('C4x only)
<code>-iostrb value</code>	IOSTRB control register ('C32 only)
<code>-strb0 value</code>	STRB0 control register ('C32 only)
<code>-strb1 value</code>	STRB1 control register ('C32 only)

10.9.7 Creating a Boot Loader Table for the 'C31

The 'C31 boot loader has two modes: external memory and serial port. External memory can be 8, 16, or 32 bits wide. The serial port assumes 32-bit burst mode. The 'C31 can boot multiple blocks, so you can specify more than one section to boot. (For detailed information on the 'C31 boot loader, refer to the *TMS320C3x User's Guide*.) Furthermore, you can use the `-e` option to set the entry point where execution begins after loading ends.

Booting From External Memory

If you are booting from external memory, the boot table has a two-word header:

- The first word defines the width of the memory, which the utility sets to the memory width selected. (Refer to Section 10.4, page 10-7.)
- The second word is the primary memory configuration register value, which you can set with the `-cg` option. Because the memory configuration register controls how external memory is being accessed, a `-cg` with an incorrect value may cause problems in the boot load process.

Following the header are blocks of data, each preceded with a size and destination address. A size field of 0 terminates the list. If the memory width is less than 32, the data must be ordered from least to most significant. The conversion utility automatically builds the table in the correct format.

To configure one or more sections to boot from external memory, link each section with a load address equal to its destination address. Refer to page 10-29 for details on the basic steps to follow to build a boot-loader table.

Booting From a Serial Port

Booting from the serial port is similar to booting from external memory. Here, however, you specify `-bootorg SERIAL`. In serial mode, the two-word boot table header is omitted and the table immediately starts with the size of the first block. Refer to page 10-31.

An Example: Booting the 'C31 From Memory

Suppose you want to boot the 'C31 from a 16-bit memory system at location 1000h with the following conditions:

- The 16-bit memory system consists of two side-by-side 8K x 8-bit EPROMs, specified in the ROMS directive.
- You have three sections to load: `.text`, `.cinit`, and `.const`, specified in the SECTIONS directive.
- You want the program to start running at address 0809802h after loading (use `-e 0809802h`).
- You want to set the primary bus control register to zero wait-states, no bank switching and external ready.

Example 10-3 uses the ROMS directive to define the EPROMs as memory ranges and the `-image` option to fill all 8K locations of each output file.

Example 10-3. Using the TMS320C31 Boot Loader

```

/*****
/* Sample command file for C31 EPROM Boot          */
/*****
abc.out          /* input file                    */
-i              /* Intel format                      */
-memwidth 16    /* 16-bit memory system                          */
-bootorg 1000h  /* location of the external boot memory         */
-cg 0h         /*primary bus configuration                    */
ROMS
{
  EPROM: org = 01000h, len = 02000h, romwidth = 8, /* 8K x 8   */
        files = { abc.lsb, abc.msb }
}
SECTIONS { .text: BOOT, .cinit: BOOT, .const: BOOT }

```

This example produces two output files, one for each EPROM, each containing 8-bit wide data. If you want a single output file with all 16 bits (one single 8K x 16-bit ROM device used), use `ROMwidth=16` instead of `ROMwidth = 8`.

10.9.8 TMS320C32 Boot Loader Table Generation

The 'C32 boot loader has two modes: external memory and serial port. External memory can be 8, 16, or 32 bits wide. The serial port assumes 32-bit burst mode. The 'C32 can boot multiple blocks, so you can specify more than one section to boot. Furthermore, you can use the `-e` option to set the entry point where execution begins after loading ends. For more detailed information on the 'C32 boot loader, refer to the *TMS320C3x User's Guide* and the *'C32 User's Guide*.

Booting From External Memory

If you are booting from external memory, the boot table has a four-word header:

- The first word defines the width of the memory system, which the utility sets to the memory width selected, as explained in Section 10.4, page 10-7.
- The second word is the configuration value for the IOSTRB control register, which you can set with the `-iostrb` option.
- The third word is the configuration value for the STRB0 control register, which you can set with the `-strb0` option.
- The fourth word is the configuration value for the STRB1 control register, which you can set with the `-strb1` option.

Following the header are blocks of data, each block preceded with a header that defines a size, a destination address, and a strobe-control register value. A size field of zero terminates the list. If the memory width is less than 32, the data is ordered from least to most significant. If the data width is less than 32 for any section in the boot table, only the least significant datawidth bits are stored in the output files. The conversion utility automatically builds the table in the correct format.

To configure one or more sections to boot from external memory, link each section with a load address equal to its destination address. Refer to page 10-29 for the steps required in boot-loader table generation.

If there are multiple data widths in the boot table, you can use the data width parameter of the `SECTIONS` directive to specify data width, or the `-datawidth` option to specify the global data width. **The data width for any section containing code or address values must always be set to 32. Otherwise, the boot loading process may fail.**

Booting From a Serial Port

Booting from the serial port is similar. Specify `-bootorg SERIAL`. In serial mode, the first word of the boot table header is omitted and the table immediately starts with the configuration value for the IOSTRB control register.

Booting the 'C32 from Memory

Suppose you want to boot the 'C32 from 16-bit memory at location 1000h with the following conditions:

- The 16-bit memory consists of two side-by-side 8K x 8 EPROMs, specified in the ROMS directive.
- You have four sections to load:

Section	Data width
.text	32
.cinit	32
.const	32
.userdata	8

- The program will start running at 0809802h after loading (use `-e 0809802h`).
- You want to set the IOSTRB global control register to 0 wait state
- You want to set STRB0 to 0 wait state, no bank switching, external ready, and 32-bit data width in 32-bit wide memory
- You want to set STRB1 to 0 wait state, no bank switching, external ready and 8-bit data in 8-bit wide memory.

Example 10–4 shows a command file that uses the ROMS directive to define the EPROMs as a memory range and the `-image` option to fill all 8K locations of each output file.

Example 10–4. Using the TMS320C32 Boot Loader

```
/* ***** */
/* Sample command file for C32 EPROM Boot          */
/* ***** */
abc.out          /* input file                    */
-i              /* Intel format                                */
-memwidth 16    /* 16-bit memory                              */
-bootorg 1000h  /* external memory boot                       */
-iostrb 0h     /* IOSTRB configuration                       */
-strb0 0F0000h /* STRBO configuration                       */
-strb1 050000h /* STRB1 configuration                       */
ROMS
{
  EPROM: org = 01000h, len = 02000h, romwidth = 8, /* 8K x 8 */
        files = { abc.lsb, abc.msb }
}

SECTIONS {
  .text: BOOT
  .cinit: BOOT
  .const: BOOT
  .userdata: BOOT
  datawidth = 8
}
```

This example produces two output files, one for each EPROM, each containing 8-bit wide data. If you want a single output file with all 16 bits, use ROMwidth = 16 instead of ROMwidth = 8.

10.9.9 TMS320C4x Boot Loader Table Generation

The 'C4x boot loader can boot through either external memory or one of the communication ports. External memory can be 8, 16, or 32 bits wide. The communication ports are 8-bit channels that use internal buffering to effect 32-bit transfers. The 'C4x can boot multiple blocks, so you can specify more than one section to boot. Furthermore, you can use the `-e` option to set the entry point where execution begins after loading ends. Refer to the *TMS320C4x User's Guide* for details on boot loader operation.

Booting From External Memory

The boot table has a three-word header:

- The first word defines the width of the memory, which the utility sets to the *memory width* value. See Section 10.4.
- The second and third words are the configuration values for global and local memory, which you can set with the `-cg` and `-cl` options, respectively.

Following the header are blocks of data, each preceded with a size and destination address. A size field of 0 terminates the list. Following the table are three more configuration values for the IVTP register, TVTP register, and IACK memory location. You can set these with the `-ivtp`, `-tvtp`, and `-iack` options. If the memory width is less than 32, the partial words are ordered from least to most significant. The hex conversion utility automatically builds the table in the correct format.

To configure one or more sections to boot from external memory, link each section with a load address equal to its destination address. Refer to page 10-29 for the basic steps to follow when building a boot loader table. For information on how to describe your external memory system, refer to Section 10.7, page 10-24.

Booting From a Communications Port

Booting from a communications port is similar to booting from external memory. Simply specify `-bootorg COMM`. In comm port mode, the first word of the boot table header (the memory width) is omitted. Refer to page 10-31 for more information.

An Example: Booting a 'C4x From a Communications Port

Suppose you want to boot a 'C4x child processor from a communications port connected to a parent C4x processor. The following conditions apply:

- You want to set the child global memory control register to a 1D78C9F0h value.
- You want to set the child local memory control register to a 1D739250h value.
- You want to set the location of the interrupt vector table and the trap vector table of the child processor in location 2ff800h.
- You want all of the initialized sections to boot automatically (use `-boot`).
- You want the program to start running in the child processor at 40000000h after loading (use `-e 40000000h`).
- The parent processor will have the child boot loader table information stored in its own memory at address 0x300000 (one single eight-bit ROM device)

The command file is shown in Example 10–5.

Example 10–5. Using the 'C4x Boot Loader

```

/*****
/* Sample command file for C40 COMM Boot                                     */
/*****
abc.out          /* input file (child processor executable)                 */
-o abc.i         /* output file (parent processor ROM)                               */
-i              /* Intel format (parent processor)                                       */
-memwidth 8     /* parent processor memory system width                                   */
-romwidth 8     /* physical width of each ROM device                                     */
-boot          /* boot all initialized sections of the child processor                 */
-bootorg COMM  /* boot from comm port (child processor)                                */
-cg 01D7BC9F0h /* global memory config (child processor)                               */
-cl 01D739250h /* local memory config (child processor)                                */

-ivtp 02FF800h /* IVTP initializer (child processor)                                   */
-tvtp 02FF800h /* TVTP initializer (child processor)                                   */
-iack 0300000h /* IACK memory location (child processor)                               */
ROMS
{
EPROM: org= 0300000h, len = 2000h /* parent memory                                     */
}

```

This example produces a single file, called `abc.i`, to be burned in the parent processor EPROM, with a list of bytes; four per word. If you want the file to contain 32-bit words instead, use `-memwidth 32` and `-romwidth 32`.

10.10 Controlling the ROM Device Address

The hex conversion utility output address field corresponds to the ROM device address. The EPROM programmer burns the data in the location specified by the hex conversion utility output file address field. The hex conversion utility offers some mechanisms to control the starting address in ROM of each section and/or control the address index used to increment the address field. However many EPROM programmers offer direct control of the location in ROM in which the data is burned.

10.10.1 Controlling the Starting Address

Depending on the condition of the boot loader, the the hex conversion utility output file controlling mechanisms are different.

Non Boot-loader mode

The address field of the hex conversion utility output file is controlled by the following mechanisms listed from low to high priority:

1. The linker command file:

By default, the address field of a the hex conversion utility output file is a function of the load address (as given in the linker command file) and the hex conversion utility parameter values. The relationship is summarized as follows:

$$\text{out_file_addr}^\dagger = \text{load_addr} \times (\text{data_width} \div \text{mem_width})$$

out_file_addr	The address of the output file.
load_addr	The linker-assigned load address
data_width	Data width can be specified by the <code>-datawidth</code> command or the <code>datawidth</code> option inside the <code>SECTIONS</code> directive. See Section 10.4.
mem_width	The memory width of the memory system. You can specify the memory width by the <code>-memwidth</code> command or the <code>memwidth</code> option inside the <code>ROMS</code> directive. See Section 10.4.

† If `paddr` is not specified

Consider the value of data width divided by memory width a correction factor for address generation. If data width is larger than memory width, then the correction factor *expands* the address space.

For example, if the load address is 0x1 and datawidth divided by memory width is 4, the output file address field would be 0x4. The data is split into four consecutive locations of size memory width.

When data width is less than memory width, then the correction factor *compresses* the address space.

For example, assume that a section in the COFF input file contains four words of 8-bit data width with linker-assigned load addresses of 0x0, 0x1, 0x2, and 0x3, respectively. If memory width is equal to 32, then data width divided by memory width is equal to 1/4. Therefore, the four 8-bit data words will be packed into one single 32-bit memory word with an address of 0x0. (Notice that the address is truncated to an integer.)

2. The *-paddr* option inside the *SECTIONS* directive:

When *-paddr* is specified for a section, the hex conversion utility bypasses the section load address and places the section in the address specified by *-paddr*. The relation between the hex conversion utility output file address field and *-paddr* can be summarized as follows:

$$\text{out_file_addr}^\dagger = \text{paddr_val} + (\text{load_addr} - \text{sect_beg_load_addr}) \times (\text{data_width} \div \text{mem_width})$$

- out_file_addr The address of the output file
- paddr_val The value supplied with the *-paddr* option inside the *SECTIONS* directive
- sect_beg_load_addr Section beginning load address assigned by linker

†If *paddr* is specified

The value of data width divided by memory width is a correction factor for address generation. The load address – section beginning load address factor is an offset from the beginning of the section.

3. The *zero* option

When you use the *-zero* option, the utility resets the address origin to zero for each output file. Since each file starts at zero and counts upward, any address records represent offsets from the beginning of the file (the address within the ROM) rather than actual target addresses of the data.

You must use this option in conjunction with the *-image* option to force the starting address in each output file to be zero. If you specify the *-zero* option without the *-image* option, the utility issues a warning and ignores the option.

□ **Boot-Loader Mode**

In the boot-loader case, the hex conversion utility places the different COFF sections inside the boot loader table in consecutive memory locations. Each COFF section becomes a boot loader table block whose destination address is equal to the section linker-assigned load address.

The address field of the the hex conversion utility output file is not related to the section load addresses assigned by the linker. The address fields are simply offsets to the beginning of the table, multiplied by the correction factor (data width divided by memory width, as previously explained.)

The beginning of the boot loader table defaults to the linked load address of the first bootable section in the COFF input file, unless you use one of the following mechanisms, listed here from low- to high-priority. Higher priority mechanisms override the values set by low priority options in the overlapping range.

1. The ROM origin specified in the ROMS directive:

The hex conversion utility places the boot loader table at the origin of the first memory range in a ROMS directive.

2. The `-bootorg` option:

The hex conversion utility places the boot loader table at the address specified by the `-bootorg` option if you select boot loading from memory. Neither `-bootorg COMM` nor `-bootorg SERIAL` affect the address field.

10.10.2 Controlling the Address Increment Index

By default, the hex conversion utility increments the output file address field based on memory width value. If the memory width equals 16 bits, the address will increment based on how many 16-bit words are present in each line of the output file.

□ The `-byte` option

Some EPROM programmers may require the address field of the hex conversion utility output file increments in a byte basis. If you use the `-byte` option, the output file address is incremented once for each byte. In an example in which the starting address is 0h and the first line contains eight words, with `-byte`, the second line would start at address 32 (020h). The data is the the same; `-byte` affects only the calculation of the output file address field, not the actual target processor address of the converted data.

The `-byte` option causes the address records in an output file to refer to byte locations within the file, whether the target processor is byte-addressable or not.

10.10.3 Dealing With Address Holes

When memory width is different from data width, the automatic multiplication of the load address by the correction factor might create holes at the beginning of a section or between sections.

For example, assume you wanted to load a COFF section (.sec1) at address 0x0100 of an 8-bit EPROM. If you specify the load address in the linker command file at location 0x100, the hex conversion utility will multiply the address by four (data width divided by memory width = $32/8 = 4$), giving the output file a starting address of 0x400. Unless you control the starting address of the EPROM with your EPROM programmer, you could create holes within the EPROM. The EPROM will burn the data starting at location 0x400 instead of 0x100. You can solve this by:

Using the `paddr` command parameter of the `SECTIONS` directive.

This forces a section to start at the provided value. Example 10–6 shows a hex command file that can be used to avoid the hole at the beginning of .sec1.

Example 10–6. Hex Command File For Hole Avoidance

```

-i
a.out
-map a.map

ROMS
{
  ROM : org = 0x0100, length = 0x200, romwidth = 8, memwidth = 8,
}

SECTIONS
{
  sec1: paddr = 0x100
}

```

Note: Conditions for Using the `paddr` Parameter

If one section uses a `paddr` parameter, then all sections must use the `paddr` parameter.

Using the `bootorg` command line, or using the `ROMS` origin option

As described on page 10-42, the EPROM address of the entire boot-loader table can be controlled by the `-bootorg` option or by the `ROMs` directive.

10.11 Description of the Object Formats

The hex conversion utility converts a COFF object file into one of five object formats that most EPROM programmers accept as input: ASCII-Hex, Intel MCS-86, Motorola-S, Extended Tektronix, and TI-Tagged. This section describes each object format.

You can use one of the options in Table 10–4 to specify the hex format you want to use for the output files.

- If you use more than one of these options, the last one you list overrides the others.
- The default output format is Tektronix (`-x` option).

Table 10–4. Options for Specifying Hex Conversion Formats

Option	Format	Address Bits	Default Width
<code>-a</code>	ASCII-Hex	16	8
<code>-i</code>	Intel	32	8
<code>-m1</code>	Motorola-S1	16	8
<code>-m2</code> or <code>-m</code>	Motorola-S2	24	8
<code>-m3</code>	Motorola-S3	32	8
<code>-t</code>	TI-Tagged	16	16
<code>-x</code>	Tektronix	32	8

Address bits determine how many bits of the address information the format supports. The formats with 16-bit addresses only support addresses up to 64K. The utility truncates target addresses to fit in the number of bits available.

The **default width** determines the default output width of the format. You can change the default width by using the `-romwidth` option or by specifying the `-romwidth` option in the ROMS directive. You cannot change the default width of the TI-Tagged format. The TI-Tagged format supports a 16-bit width only.

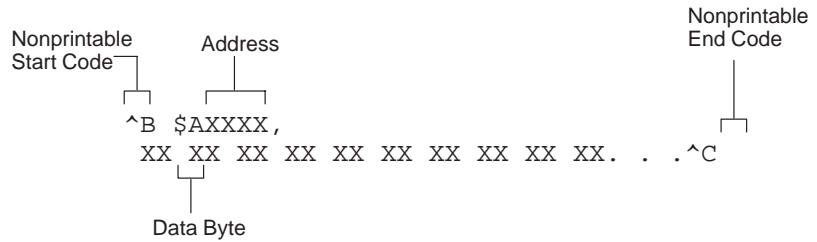
Note: Using the Intel Format

The Intel format has been extended to support 32-bit addresses. Special linear address records (record type = 04h) are used to represent the upper 16 bits of any address requiring more than 16 bits.

10.11.1 ASCII-Hex Object Format (`-a` Option)

The ASCII-Hex object format supports 16-bit addresses. The format consists of a byte stream with bytes separated by spaces. Figure 10–9 illustrates the ASCII-Hex format.

Figure 10–9. ASCII-Hex Object Format



The file begins with an ASCII STX character (ctrl-B, 02h) and ends with an ASCII ETX character (ctrl-C, 03h). Address records are indicated with `$AXXXX`, where `XXXX` is a four-digit (16-bit) hexadecimal address. The address records are present only in the following situations:

- When discontinuities occur
- When the byte stream does not begin at address 0

You can avoid all discontinuities and any address records by using the `-image` and `-zero` options. This creates output that is simply a list of byte values.

10.11.2 Intel MCS-86 Object Format (-i Option)

The Intel object format supports 16-bit addresses and 32-bit extended addresses. Intel format consists of a nine-character (four-field) prefix, which defines the start of record, byte count, load address, and record type, and a two-character checksum suffix.

The 9-character prefix represents three record types:

Record Type	Description
00	Data record
01	End-of-file record
04	Extended linear address record

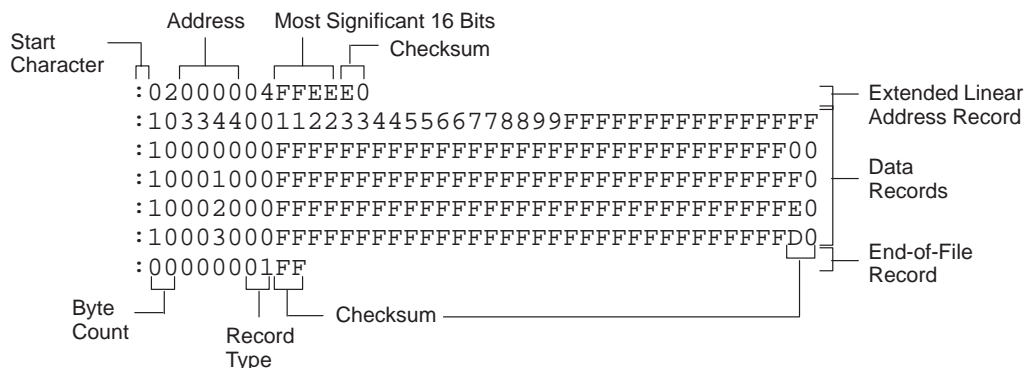
Record type *00*, the data record, begins with a colon (:) and is followed by the byte count, the address of the first data byte, the record type (00), and the checksum. Note that the address is the least significant 16 bits of a 32-bit address; this value is concatenated with the value from the most recent 04 (extended linear address) record to create a full 32-bit address. The checksum is the 2s complement (in binary form) of the preceding bytes in the record, including byte count, address, and data bytes.

Record type *01*, the end-of-file record, also begins with a colon (:), followed by the byte count, the address, the record type (01), and the checksum.

Record type *04*, the extended linear address record, is used to specify the upper 16 address bits. It begins with a colon (:), followed by the byte count, a dummy address of 0h, the record type (04), the most significant 16 bits of the address, and the checksum. The subsequent address fields in the data records contain the least significant bits of the address.

Figure 10–10 illustrates the Intel hex object format.

Figure 10–10. Intel Hex Object Format



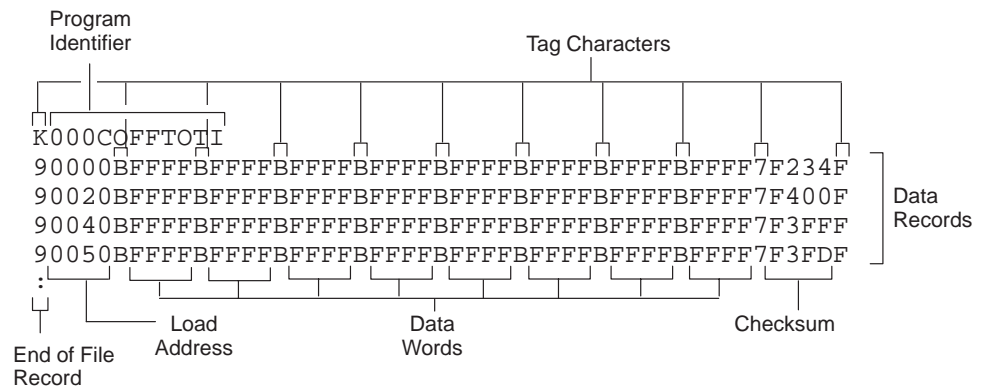
10.11.4 TI-Tagged Object Format (-t Option)

The TI-Tagged object format supports 16-bit addresses. It consists of a start-of-file record, data records, and end-of-file record. Each of the data records is made up of a series of small fields and is signified by a tag character. The significant tag characters are:

Tag Character	Description
K	followed by the program identifier
7	followed by a checksum
8	followed by a dummy checksum (ignored)
9	followed by a 16-bit load address
B	followed by a data word (four characters)
F	identifies the end of a data record
*	followed by a data byte (two characters)

Figure 10–12 illustrates the tag characters in TI-Tagged object format.

Figure 10–12. TI-Tagged Object Format



In the example above, each of the lines begin with a load address. Note that this is not always the case; a line can begin with a data word (specified by the B tag).

If any data fields appear before the first address, the first field is assigned address 0000h. Address fields may be expressed for any data byte, but none is required. The checksum field, which is preceded by the tag character 7, is a 2s complement of the sum of the 8-bit ASCII values of characters, beginning with the first tag character and ending with the checksum tag character (7 or 8). The end-of-file record is a colon (:).

10.11.5 Extended Tektronix Object Format (-x Option)

The Tektronix object format supports 32-bit addresses and has two types of records:

data record contains the header field, the load address, and the object code.

termination record signifies the end of a module.

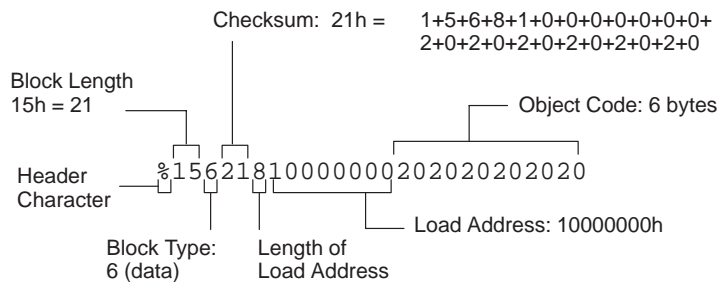
The header field in the data record contains the following information:

Item	Number of ASCII Characters	Description
%	1	Data type is Extended Tektronix hex format
Block length	2	Number of characters in the record, minus the %
Block type	1	6 = data record 8 = termination record
Checksum	2	A two-digit hex sum modulo 256 of all values in the record except the % and the checksum itself.

The load address in the data record specifies where the object code will be located. The first digit specifies the address length; this is always 8. The remaining characters of the data record contain the object code, two characters per byte.

Figure 10–13 illustrates the Tektronix object format.

Figure 10–13. Extended Tektronix Hex Object Format



10.12 Hex Conversion Utility Error Messages

section mapped to reserved memory message

Description A section or a boot-loader table is mapped into a reserved memory area as listed in the processor memory map.

Action Correct section or boot-loader address. For valid memory locations, refer to the user's guide for the specific processor .

sections overlapping

Description Two or more COFF section load addresses overlap or a boot table address overlaps another section.

Action This problem may be caused by an incorrect translation from load address to hex output file address that is performed by the hex conversion utility when memory width is less than data width. Refer to Section 10.4, page 10-7 and Section 10.10, page 10-39.

unconfigured memory

Description This error could have one of two causes:

- The COFF file contains a section whose load address falls outside the memory range defined in the ROMS directive.
- The boot-loader table address is not within the memory range defined by the ROMS directive.

Action Correct your ROM range as defined in your ROMS directive to cover the memory range as needed, or modify the section load address or boot-loader table address. Remember that if the ROMS directive is not used, the memory range defaults to the entire processor address space. For this reason, removing the ROMS directive could also be a workaround.

Common Object File Format

The TMS320C3x/C4x assembler and linker create object files that are in common object file format (COFF). COFF is an implementation of an object file format of the same name that was developed by AT&T for use on UNIX-based systems. This object file format has been chosen because it encourages modular programming and provides more powerful and flexible methods for managing code segments and target system memory.

One of the basic COFF concepts is *sections*. Chapter 2, *Introduction to Common Object File Format*, discusses COFF sections in detail. If you understand section operation, you will be able to use the TMS320 assembly language tools more efficiently.

This appendix contains technical details about COFF object file structure. Most of this information pertains to the symbolic debugging information that is produced by the TMS320C3x/C4x C compiler. The main purpose of this appendix is to provide supplementary information for those of you who are interested in the internal format of COFF object files.

Topics in this appendix include:

Topic	Page
A.1 How the COFF File Is Structured	A-2
A.2 File Header Structure	A-5
A.3 Optional File Header Format	A-6
A.4 Section Header Structure	A-7
A.5 Structuring Relocation Information	A-10
A.6 Line-Number Table Structure	A-12
A.7 Symbol Table Structure and Content	A-14

A.1 How the COFF File Is Structured

The elements of a COFF object file describe the file's sections and symbolic debugging information. These elements include:

- A file header
- Optional header information
- A table of section headers
- Raw data for each initialized section
- Relocation information for each initialized section
- Line number entries for each initialized section
- A symbol table
- A string table

The assembler and linker produce object files with the same COFF structure; however, a program that is linked for the final time will not contain relocation entries. Figure A-1 illustrates the overall object file structure.

Figure A-1. COFF File Structure

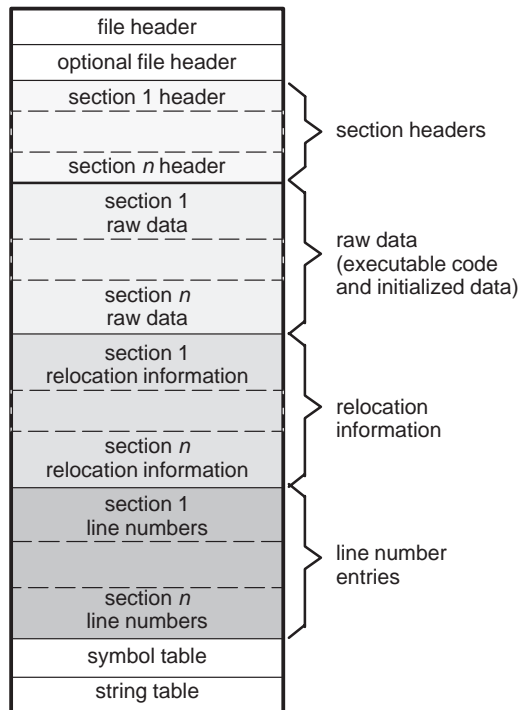
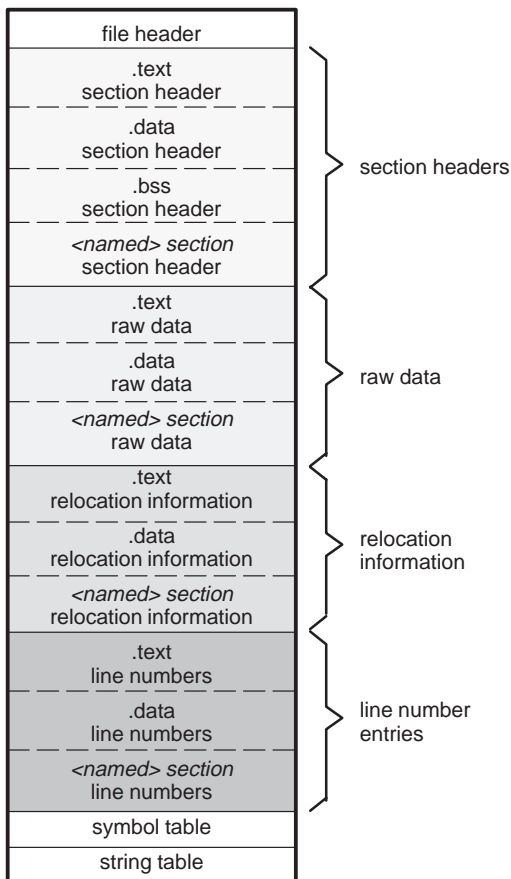


Figure A–2 shows a typical example of a COFF object file that contains the three default sections, .text, .data, and .bss, and a named section (referred to as <named>). By default, the tools place sections into the object file in the following order: .text, .data, initialized named sections, .bss, and uninitialized named sections. Although uninitialized sections have a section headers, they have no raw data, relocation information, or line number entries. This is because the .bss and .usect directives simply reserve space for uninitialized data; uninitialized sections contain no actual code.

Figure A–2. Sample COFF Object File



A.1.1 Impact of Switching Operating Systems

The TMS320C3x/C4x COFF files are recognized by all operating system versions of the development tools. When you switch from one operating system to another, only the file header information in the COFF files needs to be byte swapped. The raw data in the COFF files does not need any changes.

The development tools can detect the difference in the file headers and automatically compensate for it. This is true if using only TMS320C3x/C4x development tools.

To tell the difference between COFF files, you can look at the magic number in the optional file header. Bytes 0 and 1 contain the magic number. For the SunOS™ or HP-UX™ operating systems, the magic number is 108h. For the DOS operating system, the magic number is 801h.

A.2 File Header Structure

The file header contains 20 (COFF 0) or 22 (COFF 1 and 2) bytes of information that describe the general format of an object file. Table A–1 shows the structure of the file header.

Table A–1. File Header Contents

Byte Numbers	Type	Description
0–1	Unsigned short integer	COFF 0: Contains magic number (093h) to indicate the file can be executed in a TMS320C3x/C4x system. COFF 1 and 2: Contains COFF version number, either 0c1h (COFF1) or 0c2h (COFF 2)
2–3	Unsigned short integer	Number of section headers
4–7	Long integer	Time and date stamp; indicates when the file was created
8–11	Long integer	File pointer; contains the symbol table's starting address
12–15	Long integer	Number of entries in the symbol table
16–17	Unsigned short integer	Number of bytes in the optional header. This field is either 0 or 28; if it is 0, there is no optional file header.
18–19	Unsigned short integer	Flags (see Table A–2)
20–21	Unsigned short integer	Included for COFF 1 and 2 only. Contains magic number (093h) to indicate the file can be executed in a TMS320C3x/C4x system.

Table A–2 lists the flags that can appear in bytes 18 and 19 of the file header. Any number and combination of these flags can be set at the same time (for example, if bytes 18 and 19 are set to 0003h, F_RELFLG and F_EXEC are both set).

Table A–2. File Header Flags (Bytes 18 and 19)

Mnemonic	Flag	Description
F_VERS0	0000h	TMS320C30/C31 object code
F_RELFLG	0001h	Relocation information was stripped from the file
F_EXEC	0002h	The file is executable (it contains no unresolved external references)
F_LNNO	0004h	Line numbers were stripped from the file
F_LSYMS	0008h	Local symbols were stripped from the file
F_VERS1	0010h	TMS320C40/C44 object code
F_VERS2	0020h	TMS320C32 object code
F_LITTLE	0100h	Object data LSB first

A.3 Optional File Header Format

The linker creates the optional file header and uses it to perform relocation at download time. Partially linked files do not contain optional file headers. Table A–3 illustrates the optional file header format.

Table A–3. Optional File Header Contents

Byte Number	Type	Description
0–1	Short integer	Magic number (0108h)
2–3	Short integer	Version stamp
4–7	Long integer	Size (in words) of executable code
8–11	Long integer	Size (in words) of initialized data
12–15	Long integer	Size (in bits) of uninitialized data
16–19	Long integer	Entry point
20–23	Long integer	Beginning address of executable code
24–27	Long integer	Beginning address of initialized data

A.4 Section Header Structure

COFF object files contain a table of section headers that specify where each section begins in the object file. Each section has its own section header. The COFF0, COFF1, and COFF2 file types contain different section header information. Table A–4 shows the section header contents for COFF0 and COFF1 files. Table A–5 shows the section header contents for COFF2 files.

Table A–4. Section Header Contents for COFF 0 and COFF1 Files

Byte Number	Type	Description
0–7	Character	8-character section name, padded with nulls
8–11	Long integer	Section's physical address
12–15	Long integer	Section's virtual address
16–19	Long integer	Section size in words
20–23	Long integer	File pointer to raw data
24–27	Long integer	File pointer to relocation entries
28–31	Long integer	File pointer to line number entries
32–33	Unsigned short integer	Number of relocation entries
34–35	Unsigned short integer	Number of line number entries
36–37	Unsigned short integer	Flags (see Table A–6)
38	Character	Reserved
39	Unsigned character	Memory page number

Table A–5. Section Header Contents for COFF2 Files

Byte	Type	Description
0–7	Character	8-character section name, padded with nulls
8–11	Long integer	Section's physical address
12–15	Long integer	Section's virtual address
16–19	Long integer	Section size in words
20–23	Long integer	File pointer to raw data
24–27	Long integer	File pointer to relocation entries
28–31	Long integer	File pointer to line-number entries
32–35	Unsigned long	Number of relocation entries
36–39	Unsigned long	Number of line-number entries
40–43	Unsigned long	Flags (see Table A–6)
44–45	Short	Reserved
46–47	Unsigned short	Memory page number

Table A–6 lists the flags that can appear in the section header.

Table A–6. Section Header Flags

Mnemonic	Flag	Description
STYP_REG	0000h	Regular section (allocated, relocated, loaded)
STYP_DSECT	0001h	Dummy section (relocated, not allocated, not loaded)
STYP_NOLOAD	0002h	Noload section (allocated, relocated, not loaded)
STYP_GROUP	0004h	Grouped section (formed from several input sections)
STYP_PAD	0008h	Padding section (loaded, not allocated, not relocated)
STYP_COPY	0010h	Copy section (relocated, loaded, but not allocated; relocation and line-number entries are processed normally)
STYP_TEXT	0020h	Section that contains executable code
STYP_DATA	0040h	Section that contains initialized data
STYP_BSS	0080h	Section that contains uninitialized data
STYP_ALIGN	0700h	Section that is aligned on a page boundary

Note: The term *loaded* means that the raw data for this section appears in the object file.

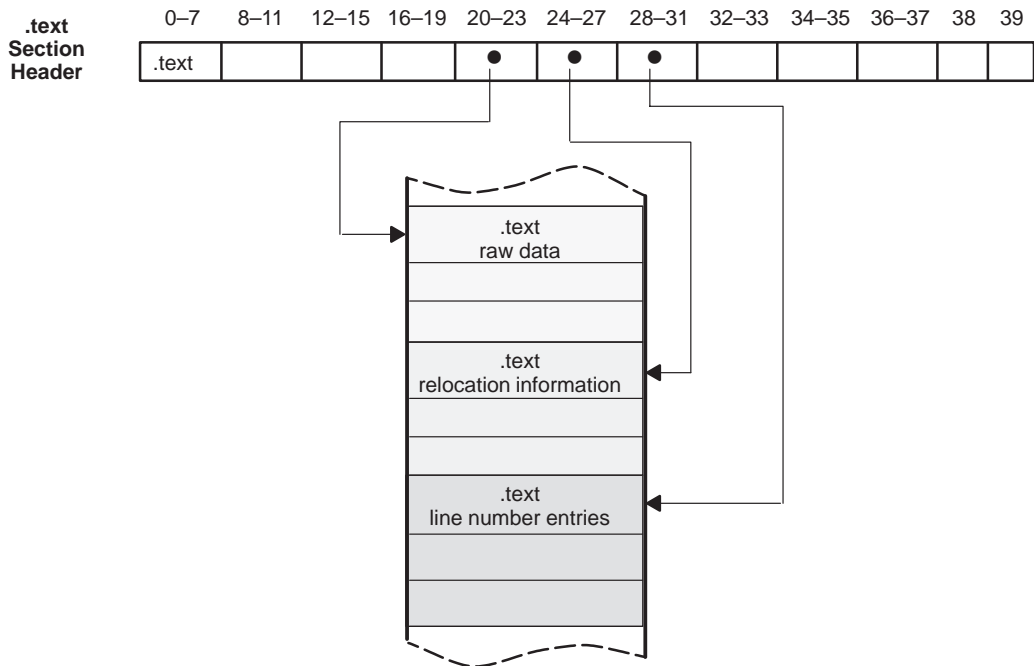
The flags listed in Table A–6 can be combined; for example, if the flags word is set to 024h, then both STYP_GROUP and STYP_TEXT are set. Bits 8–11 of the section header flags specify alignment. The alignment is 2^n where n is the value in bits 8–11.

The flags are in:

Bytes	For This COFF Format
36 and 37	COFF1
40 to 43	COFF2

Figure A–3 illustrates how the pointers in a section header would point to the various elements in an object file that are associated with the `.text` section.

Figure A–3. An Example of Section Header Pointers for the `.text` Section



As Figure A–2 on page A-3, shows, uninitialized sections (created with `.bss` and `.usect` directives) vary from this format. Although uninitialized sections have section headers, they have no raw data, relocation information, and line number information. They occupy no actual space in the object file. Therefore, the number of relocation entries, the number of line number entries, and the file pointers are 0 for an uninitialized section. The header of an uninitialized section simply tells the linker how much space for variables it should reserve in the memory map.

A.5 Structuring Relocation Information

A COFF object file has one relocation entry for each relocatable reference. The assembler automatically generates relocation entries. The linker reads the relocation entries as it reads each input section and performs relocation. The relocation entries determine how references within an input section are treated.

The relocation information entries use the format shown in Table A–7.

Table A–7. Relocation Entry Contents

Bytes	Type	Description
<i>COFF 0:</i>		
0–3	Long integer	Virtual address of the reference
4–5	Unsigned short integer	Symbol table index (0–65535)
6–7	Unsigned short integer	16 LSBs of reference, for R_PARTMS8
8–9	Unsigned short integer	Relocation type (see Table A–8)
<i>COFF 1 and COFF 2:</i>		
0–3	Long integer	Virtual address of the reference
4–7	Unsigned long integer	Symbol table index (0–65535)
8–9	Unsigned short integer	COFF 1: Reserved COFF 2: Additional byte used for extended address calculations
10–11	Unsigned short integer	Relocation type (see Table A–8)

The **virtual address** is the symbol's address in the current section *before* relocation; it specifies *where* a relocation must occur. (This is the address of the field in the object code that must be patched.)

Following is an example of code that generates a relocation entry:

```
0002                .global  X
0003 0000 FF80      B        X
          0001 0000!
```

In this example, the virtual address of the relocatable field is 0001.

The **symbol table index** is the index of the referenced symbol. In the preceding example, this field would contain the index of X in the symbol table. The amount of the relocation is the difference between the symbol's current address in the section and its assembly-time address. The relocatable field must be relocated by the same amount as the referenced symbol. In the example, X has a value of 0 before relocation. Suppose X is relocated to address 2000h. This is the relocation amount (2000h – 0 = 2000h), so the relocation field at address 1 is patched by adding 2000h to it.

You can determine a symbol's relocated address if you know which section it is defined in. For example, if X is defined in .data and .data is relocated by 2000h, X is relocated by 2000h.

If the symbol table index in a relocation entry is -1 (0FFFFh), this is called an *internal relocation*. In this case, the relocation amount is simply the amount by which the current section is being relocated.

The **relocation type** specifies the size of the field to be patched and describes how the patched value should be calculated. The type field depends on the addressing mode that was used to generate the relocatable reference. In the preceding example, the actual address of the referenced symbol (X) will be placed in a 16-bit field in the object code. This is a 16-bit direct relocation, so the relocation type is R_RELWORD. Table A–8 lists the relocation types.

Table A–8. Relocation Types (Bytes 8 and 9)

Mnemonic	Flag	Relocation Type
R_ABS	0	Absolute address, no relocation
R_REL24	05	24-bit direct reference to symbol's address
R_RELWORD	020	16-bit direct reference to symbol's address
R_RELLONG	021	32-bit direct reference to symbol's address
R_PCRWORD	023	16-bit PC-relative reference
R_PCR24	025	24-bit PC-relative reference
R_PARTLS16	040	16-bit offset of 24-bit address
R_PARTMS8	041	8-bit page of 24-bit address (16-bit data page reference)

A.6 Line-Number Table Structure

The object file contains a table of line number entries that are useful for symbolic debugging. When the C compiler produces several lines of assembly language code, it creates a line number entry that maps these lines back to the original line of C source code that generated them. Each single line number entry contains 6 bytes of information. Table A–9 shows the format of a line-number entry.

Table A–9. Line-Number Entry Format

Byte Number	Type	Description
0–3	Long integer	This entry may have one of two values: <ol style="list-style-type: none"> 1) If it is the first entry in a block of line-number entries, it points to a symbol entry in the symbol table. 2) If it is not the first entry in a block, it is the physical address of the line indicated by bytes 4–5.
4–5	Unsigned short integer	This entry may have one of two values: <ol style="list-style-type: none"> 1) If this field is 0, this is the first line of a function entry. 2) If this field is <i>not</i> 0, this is the line number of a line of C source code.

Figure A–4 shows how line number entries are grouped into blocks.

Figure A–4. Line-Number Blocks

Symbol Index 1	0
physical address	line number
physical address	line number
Symbol Index <i>n</i>	0
physical address	line number
physical address	line number

As Figure A–4 shows, each entry is divided into halves:

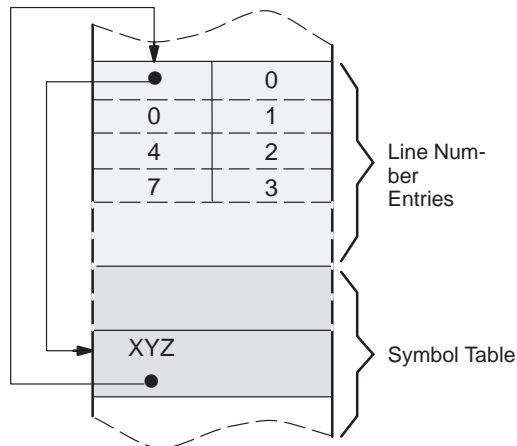
- For the *first line* of a function, bytes 0–3 point to the name of a symbol or a function in the symbol table and bytes 4–5 contain a 0, which indicates the beginning of a block.

- For the *remaining lines* in a function, bytes 0–3 show the physical address (the number of words created by a line of C source) and bytes 4–5 show the address of the original C source, relative to its appearance in the C source program.

The line entry table can contain many of these blocks.

Figure A–5 illustrates the line number entries for a function named XYZ. As shown, the function name is entered as a symbol in the symbol table. The first portion on XYZ’s block of line number entries points to the function name in the symbol table. Assume that the original function in the C source contained three lines of code. The first line of code produces 4 words of assembly language code, the second line produces 3 words, and the third line produces 10 words.

Figure A–5. Line-Number Entries Example



(Note that the symbol table entry for XYZ has a field that points back to the beginning of the line number block.)

Because line numbers are not often needed, the linker provides an option (-s) that strips line number information from the object file; this provides a more compact object module.

A.7 Symbol Table Structure and Content

The order of symbols in the symbol table is very important; they appear in the sequence shown in Figure A–6.

Figure A–6. Symbol Table Contents

filename 1
<i>function 1</i>
local symbols for function 1
<i>function 2</i>
local symbols for function 2
filename 2
<i>function 1</i>
local symbols for function 1
static variables
defined global symbols
undefined global symbols

Static variables refer to symbols defined in C that have storage class `static` outside any function. If you have several modules that use symbols with the same name, making them `static` confines the scope of each symbol to the module that defines it (this eliminates multiple-definition conflicts).

The entry for each symbol in the symbol table contains the symbol's:

- Name (or a pointer into the string table)
- Type
- Value
- Section it was defined in
- Storage class
- Basic type (integer, character, etc.)
- Derived type (array, structure, etc.)
- Dimensions
- Line number of the source code that defined the symbol

Section names are also defined in the symbol table.

All symbol entries, regardless of class and type, have the same format in the symbol table. Each symbol table entry contains the 18 bytes of information listed in Table A–10. Each symbol may also have an 18-byte auxiliary entry; the special symbols listed in Table A–11 on page A-16, always have an auxiliary entry. Some symbols may not have all the characteristics listed above; if a particular field is not set, it is set to null.

Table A–10. Symbol Table Entry Contents

Byte Number	Type	Description
0–7	Character	This field contains one of the following: <ol style="list-style-type: none"> 1) An 8-character symbol name, padded with nulls 2) An offset into the string table if the symbol name is longer than 8 characters
8–11	Long integer	Symbol value; storage class dependent
12–13	Short integer	Section number of the symbol
14–15	Unsigned short integer	Basic and derived type specification
16	Character	Storage class of the symbol
17	Character	Number of auxiliary entries (always 0 or 1)

A.7.1 Special Symbols

The symbol table contains some special symbols that are generated by the compiler, assembler, and linker. Each special symbol contains ordinary symbol table information and an auxiliary entry. Table A–11 lists these symbols.

Table A–11. *Special Symbols in the Symbol Table*

Symbol	Description
.file	File name
.text	Address of the .text section
.data	Address of the .data section
.bss	Address of the .bss section
.bb	Address of the beginning of a block
.eb	Address of the end of a block
.bf	Address of the beginning of a function
.ef	Address of the end of a function
.target	Pointer to a structure or union that is returned by a function
.nfake	Dummy tag name for a structure, union, or enumeration
.eos	End of a structure, union, or enumeration
etext	Next available address after the end of the .text output section
edata	Next available address after the end of the .data output section
end	Next available address after the end of the .bss output section

Several of these symbols appear in pairs:

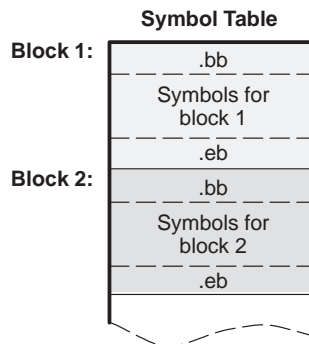
- .bb/.eb indicate the beginning and end of a block.
- .bf/.ef indicate the beginning and end of a function.
- nfake/.eos name and define the limits of structures, unions, and enumerations that were not named. The .eos symbol is also paired with named structures, unions, and enumerations.

When a structure, union, or enumeration has no tag name, the compiler assigns it a name so that it can be entered into the symbol table. These names are of the form *nfake*, where *n* is an integer. The compiler begins numbering these symbol names at 0.

Symbols and Blocks

In C, a block is a compound statement that begins and ends with braces. A block always contains symbols. The symbol definitions for any particular block are grouped together in the symbol table, and are delineated by the `.bb/.eb` special symbols. Blocks can be nested in C, and their symbol table entries can be nested correspondingly. Figure A–7 shows how block symbols are grouped in the symbol table.

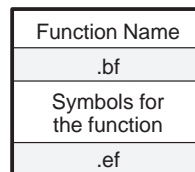
Figure A–7. Symbols for Blocks



Symbols and Functions

The symbol definitions for a function appear in the symbol table as a group, delineated by `.bf/.ef` special symbols. The symbol table entry for the function name precedes the `.bf` special symbol. Figure A–8 shows the format of symbol table entries for a function.

Figure A–8. Symbols for Functions



If a function returns a structure or union, then a symbol table entry for the special symbol `.target` will appear between the entries for the function name and the `.bf` special symbol.

A.7.2 Symbol Name Format

The first 8 bytes of a symbol table entry (bytes 0–7) indicate a symbol’s name:

- ❑ If the symbol name is 8 characters or less, this field has type *character*. The name is padded with nulls (if necessary) and stored in bytes 0–7.
- ❑ If the symbol name is greater than 8 characters, this field is treated as two long integers. The entire symbol name is stored in the string table. Bytes 0–3 contain 0, and bytes 4–7 are an offset into the string table.

A.7.3 String Table Structure

Symbol names that are longer than eight characters are stored in the string table. The field in the symbol table entry that would normally contain the symbol’s name contains, instead, a pointer to the symbol’s name in the string table. Names are stored contiguously in the string table, delimited by a null byte. The first four bytes of the string table contain the size of the string table in bytes; thus, offsets into the string table are greater than or equal to four.

Figure A–9 is a string table that contains two symbol names, Adaptive–Filter and Fourier–Transform. The index in the string table is 4 for Adaptive–Filter and 20 for Fourier–Transform.

Figure A–9. Sample String Table

40			
'A'	'd'	'a'	'p'
't'	'i'	'v'	'e'
'_'	'F'	'i'	'l'
't'	'e'	'r'	'\0'
'F'	'o'	'u'	'r'
'i'	'e'	'r'	'_'
'T'	'r'	'a'	'n'
's'	'f'	'o'	'r'
'm'	'\0'	'\0'	'\0'

A.7.4 Storage Classes

Byte 16 of the symbol table entry indicates the storage class of the symbol. Storage classes refer to the method in which the C compiler accesses a symbol. Table A–12 lists valid storage classes.

Table A–12. *Symbol Storage Classes*

Mnemonic	Value	Storage Class	Mnemonic	Value	Storage Class
C_NULL	0	No storage class	C_USTATIC	14	Uninitialized static
C_AUTO	1	Automatic variable	C_ENTAG	15	Enumeration tag
C_EXT	2	External symbol	C_MOE	16	Member of an enumeration
C_STAT	3	Static	C_REGPARAM	17	Register parameter
C_REG	4	Register variable	C_FIELD	18	Bit field
C_EXTDEF	5	External definition	C_UEXT	19	Tentative definition
C_LABEL	6	Label	C_STATLAB	20	Static .label symbol
C_ULABEL	7	Undefined label	C_EXTLAB	21	External .label symbol
C_MOS	8	Member of a structure	C_BLOCK	100	Beginning or end of a block; used only for the .bb and .eb special symbols
C_ARG	9	Function argument	C_FCN	101	Beginning or end of a function; used only for the .bf and .ef special symbols
C_STRTAG	10	Structure tag	C_EOS	102	End of structure; used only for the .eos special symbol
C_MOU	11	Member of a union	C_FILE	103	Filename; used only for the .file special symbol
C_UNTAG	12	Union tag	C_LINE	104	Used only by utility programs
C_TPDEF	13	Type definition			

Some special symbols are restricted to certain storage classes. Table A–13 lists these symbols and their storage classes.

Table A–13. *Special Symbols and Their Storage Classes*

Special Symbol	Restricted to This Storage Class	Special Symbol	Restricted to This Storage Class
.file	C_FILE	.eos	C_EOS
.bb	C_BLOCK	.text	C_STAT
.eb	C_BLOCK	.data	C_STAT
.bf	C_FCN	.bss	C_STAT
.ef	C_FCN		

A.7.5 Symbol Values

Bytes 8–11 of a symbol table entry indicate a symbol’s value. A symbol’s value depends on the symbol’s storage class; Table A–14 summarizes the storage classes and related values.

Table A–14. *Symbol Values and Storage Classes*

Storage Class	Value Description	Storage Class	Value Description
C_AUTO	Stack offset in bits	C_UNTAG	0
C_EXT	Relocatable address	C_TPDEF	0
C_UEXT	0	C_NULL	none
C_EXTDEF	Relocatable address	C_USTATIC	0
C_STAT	Relocatable address	C_ENTAG	0
C_REG	Register number	C_MOE	Enumeration value
C_LABEL	Relocatable address	C_REGPARM	Register number
C_ULABLE	Relocatable address	C_STATLAB	Relocatable address
C_MOS	Offset in bits	C_FIELD	Bit displacement
C_ARG	Stack offset in bits	C_BLOCK	Relocatable address
C_STRTAG	0	C_FCN	Relocatable address
C_EOS	0	C_LINE	0
C_MOU	Offset in bits	C_FILE	0
C_EXTLAB	Relocatable address		

If a symbol’s storage class is C_FILE, the symbol’s value is a pointer to the next .file symbol. Thus, the .file symbols form a one-way linked list in the symbol table. When there are no more .file symbols, the final .file symbol points back to the first .file symbol in the symbol table.

The value of a relocatable symbol is its virtual address. When the linker relocates a section, the value of a relocatable symbol changes accordingly.

A.7.6 Section Number

Bytes 12–13 of a symbol table entry contain a number that indicates which section the symbol was defined in. Table A–15 lists these numbers and the sections they indicate.

Table A–15. Section Numbers

Mnemonic	Section Number	Description
N_DEBUG	–2	Special symbolic debugging symbol
N_ABS	–1	Absolute symbol
N_UNDEF	0	Undefined external symbol
N_SCNUM	1	.text section (typical)
N_SCNUM	2	.data section (typical)
N_SCNUM	3	.bss section (typical)
N_SCNUM	4–32,767	Section number of a named section, in the order in which the named sections are encountered

If there were no .text, .data, or .bss sections, the numbering of named sections would begin with 1.

If a symbol has a section number of 0, –1, or –2, then it is not defined in a section. A section number of –2 indicates a symbolic debugging symbol, which includes structure, union, and enumeration tag names; type definitions; and filenames. A section number of –1 indicates that the symbol has a value but is not relocatable. A section number of 0 indicates a relocatable external symbol that is not defined in the current file.

A.7.7 Type Entry

Bytes 14–15 of the symbol table entry define the symbol's type. Each symbol has one basic type and one to six derived types.

Following is the format for this 16-bit type entry:

	Derived Type 6	Derived Type 5	Derived Type 4	Derived Type 3	Derived Type 2	Derived Type 1	Basic Type
Size (in bits):	2	2	2	2	2	2	4

Bits 0–3 of the type field indicate the basic type. Table A–16 lists valid basic types.

Table A–16. *Basic Types*

Mnemonic	Value	Type
T_NULL	0	Type not assigned
T_CHAR	2	Character
T_SHORT	3	Short integer
T_INT	4	Integer
T_LONG	5	Long integer
T_FLOAT	6	Floating point
T_DOUBLE	7	Double word
T_STRUCT	8	Structure
T_UNION	9	Union
T_ENUM	10	Enumeration
T_MOE	11	Member of an enumeration
T_UCHAR	12	Unsigned character
T_USHORT	13	Unsigned short integer

Bits 4–15 of the type field are arranged as six 2-bit fields, which can indicate 1 to 6 derived types. Table A–17 lists the possible derived types.

Table A–17. *Derived Types*

Mnemonic	Value	Type
DT_NON	0	No derived type
DT_PTR	1	Pointer
DT_FCN	2	Function
DT_ARY	3	Array

An example of a symbol with several derived types would be a symbol with a type entry of 0000000011010011₂. This entry indicates that the symbol is a pointer to an array of short integers.

A.7.8 Auxiliary Entries

Each symbol table entry may have **one** or **no** auxiliary entry. An auxiliary symbol table entry contains the same number of bytes as a symbol table entry (18), but the format of an auxiliary entry depends on the symbol's type and storage class. Table A–18 summarizes these relationships.

Table A–18. Auxiliary Symbol Table Entries Format

Name	Storage Class	Type Entry		Auxiliary Entry Format
		Derived Type 1	Basic Type	
.file	C_FILE	DT_NON	T_NULL	Filename (see Table A–19)
.text, .data, .bss	C_STAT	DT_NON	T_NULL	Section (see Table A–20)
tagname	C_STRTAG C_UNTAG C_ENTAG	DT_NON	T_NULL	Tag name (see Table A–21)
.eos	C_EOS	DT_NON	T_NULL	End of structure (see Table A–22)
fctype	C_EXT C_STAT	DT_FCN	(See note 1)	Function (see Table A–23)
arrname	(See note 2)	DT_ARY	(See note 1)	Array (see Table A–24)
.bb, .eb	C_BLOCK	DT_NON	T_NULL	Beginning and end of a block (see Table A–25 and Table A–26)
.bf, .ef	C_FCN	DT_NON	T_NULL	Beginning and end of a function (see Table A–25 and Table A–26)
Name related to a structure, union, or enumeration	(See note 2)	DT_PTR DT_ARR DT_NON	T_STRUCT T_UNION T_ENUM	Name related to a structure, union, or enumeration (see Table A–27)

Notes: 1) Any except T_MOE
2) C_AUTO, C_STAT, C_MOS, C_MOU, C_TPDEF

In Table A–18, *tagname* refers to any symbol name (including the special symbol *nfake*). *Fctype* and *arrname* refer to any symbol name.

A symbol that satisfies more than one condition in Table A–18 should have a union format in its auxiliary entry. A symbol that satisfies none of these conditions should not have an auxiliary entry.

Filenames

Each of the auxiliary table entries for a filename contains a 14-character file name in bytes 0–13. Bytes 14–17 are not used.

Table A–19. *Filename Format for Auxiliary Table Entries*

Byte Number	Type	Description
0–13	Character	File name
14–17	—	Unused

Sections

Table A–20 illustrates the format of the auxiliary table entries.

Table A–20. *Section Format for Auxiliary Table Entries*

Byte Number	Type	Description
0–3	Long integer	Section length
4–6	Unsigned short integer	Number of relocation entries
7–8	Unsigned short integer	Number of line number entries
9–17	—	Unused (zero filled)

Tag Names

Table A–21 illustrates the format of auxiliary table entries for tag names.

Table A–21. *Tag Name Format for Auxiliary Table Entries*

Byte Number	Type	Description
0–5	—	Unused (zero filled)
6–7	Unsigned short integer	Size of structure, union, or enumeration
8–11	—	Unused (zero filled)
12–15	Long integer	Index of next entry beyond this structure, union, or enumeration
16–17	—	Unused (zero filled)

End of Structure

Table A–22 illustrates the format of auxiliary table entries for ends of structures.

Table A–22. *End-of-Structure Format for Auxiliary Table Entries*

Byte Number	Type	Description
0–3	Long integer	Tag index
4–5	—	Unused (zero filled)
6–7	Unsigned short integer	Size of structure, union, or enumeration
8–17	—	Unused (zero filled)

Functions

Table A–23 illustrates the format of auxiliary table entries for functions.

Table A–23. *Function Format for Auxiliary Table Entries*

Byte Number	Type	Description
0–3	Long integer	Tag index
4–7	Long integer	Size of function (in bits)
8–11	Long integer	File pointer to line number
12–15	Long integer	Index of next entry beyond this function
16–17	—	Unused (zero filled)

Arrays

Table A–24 illustrates the format of auxiliary table entries for arrays.

Table A–24. *Array Format for Auxiliary Table Entries*

Byte Number	Type	Description
0–3	Long integer	Tag index
4–5	Unsigned short integer	Line number declaration
6–7	Unsigned short integer	Size of array
8–9	Unsigned short integer	First dimension
10–11	Unsigned short integer	Second dimension
12–13	Unsigned short integer	Third dimension
14–15	Unsigned short integer	Fourth dimension
16–17	—	Unused (zero filled)

End of Blocks and Functions

Table A–25 illustrates the format of auxiliary table entries for the ends of blocks and functions.

Table A–25. *End-of-Blocks and Functions Format for Auxiliary Table Entries*

Byte Number	Type	Description
0–3	—	Unused (zero filled)
4–5	Unsigned short integer	C source line number
6–17	—	Unused (zero filled)

Beginning of Blocks and Functions

Table A–26 illustrates the format of auxiliary table entries for the beginnings of blocks and functions.

Table A–26. Beginning-of-Blocks and Functions Format for Auxiliary Table Entries

Byte Number	Type	Description
0–3	—	Unused (zero filled)
4–5	Unsigned short integer	C source line number of block begin
6–11	—	Unused (zero filled)
12–15	Long integer	Index of next entry past this block
16–17	—	Unused (zero filled)

Names Related to Structures, Unions, and Enumerations

Table A–27 illustrates the format of auxiliary table entries for the names of structures, unions, and enumerations.

Table A–27. Structure, Union, and Enumeration Names Format for Auxiliary Table Entries

Byte Number	Type	Description
0–3	Long integer	Tag index
4–5	—	Unused (zero filled)
6–7	Unsigned short integer	Size of the structure, union, or enumeration
8–17	—	Unused (zero filled)

Symbolic Debugging Directives

The TMS320C3x/C4x assembler supports several directives that the TMS320C3x/C4x C compiler uses for symbolic debugging:

- ❑ The **.sym** directive defines a global variable, a local variable, or a function. Several parameters allow you to associate various debugging information with the symbol or function.
- ❑ The **.stag**, **.etag**, and **.utag** directives define structures, enumerations, and unions, respectively. The **.member** directive specifies a member of a structure, enumeration, or union. The **.eos** directive ends a structure, enumeration, or union definition.
- ❑ The **.func** and **.endfunc** directives specify the bounds of C blocks.
- ❑ The **.block** and **.endblock** directives specify the bounds of C blocks.
- ❑ The **.file** directive defines a symbol in the symbol table that identifies the current source file name.
- ❑ The **.line** directive identifies the line number of a C source statement.

These symbolic debugging directives are not usually listed in the assembly language file that the compiler creates. If you want them to be listed, invoke the compiler with the `-g` option, as shown below:

```
c130 -g <input file>
```

This appendix contains an alphabetical directory of the symbolic debugging directives. Each directive contains an example of C source and the resulting assembly language code.

Syntax

```
.block beginning line number  
.endblock ending line number
```

Description

The `.block` and `.endblock` directives specify the beginning and end of a C block. The line numbers are optional; they specify the location in the source file where the block is defined.

Note that block definitions can be nested. The assembler will detect improper block nesting.

Example

Here is an example of C source that defines a block, and the resulting assembly language code.

C source:

```
    .  
    .  
    {                               /* Beginning of a block */  
        int  a,b;  
        a = b;  
    }                               /* End of a block      */  
    .  
    .  
    .
```

Resulting assembly language code:

```
.block 12  
.sym      _a,6,4,1,32  
.sym      _b,7,4,1,32  
.line 13  
LDI  *+FP(2), R0  
STI  R0,*+FP(1)  
.endblock 14
```

Syntax

```
.file "filename"
```

Description

The `.file` directive allows a debugger to map locations in memory back to lines in a C source file. The *filename* is the name of the file that contains the original C source program. The first 14 characters of the filename are significant.

You can also use the `.file` directive in assembly code to provide a name in the file and improve program readability.

Example

Here is an example of the `.file` directive. The filename named *text.c* contained the C source that produced this directive.

```
.file    "text.c"
```

Syntax

```
.func beginning line number  
.endfunc ending line number [, save on entry mask,  
local frame size]
```

Description

The `.func` and `.endfunc` directives specify the beginning and end of a C function. The parameters are optional; the line numbers specify the location in the source file where the function is defined. The save-on-entry mask and local frame size are generated by the compiler. The save-on-entry mask is used to identify (for debugging purposes) the registers that have been pushed on the stack at the start of this function. The local frame size value, if given, is also used by the debugger to locate auto variables, and the value listed in this directive equals the amount of space set aside on the stack for local variables of the corresponding function.

Note that function definitions cannot be nested.

Example

Here is an example of C source that defines a function, and the resulting assembly language code.

C source:

```
add1 (int x)  
{  
    int y;  
  
    y = x+1;  
    return y;  
}
```


Resulting assembly language code:

```

23             .global      _add1
24             .sym         _add1,_add1,36,2,0
25             .func       1
26             ;*****
27             ; * FUNCTION NAME : _add1                *
28             ; *                                                    *
29             ; * Architecture      :TMS320C30        *
30             ; * Calling Convention: Stack Parameter Convention *
31             ; * Function Uses Regs: r0                *
32             ; * Regs Saved       :                   *
33             ; * Stack Frame      : Full (w/ debug)   *
34             ; * Total Frame Size  : 1 Parm + 1 Auto + 0 SOE = 3 bytes*
35             ;*****
36 00000000      _add1:
37             .line      1
38 00000000 0f2b0000    PUSH      FP
39 00000001 500b0014    LDIU      SP,FP
40 00000002 02740001    ADDI      1, SP
41             .sym      _x,-1,4,9,32
42             .sym      _y,1,4,1,32
43             .line      2
44             .line      5
45 00000003 50600001    LDIU      1,R0
46 00000004 02400B02    ADDI      *-FP(2),R0
47 00000005 15400301    STI      R0,*+FP(1)
48             .line      6
49             .line      7
51 00000006 50410b01    LDIU      *-FP(1),R1
52 00000007 504bc300    LDIU      *FP,FP
54 00000008 50440003    SUBI     3,SP
55 00000009 68000001    BU      R1
57             .endfunc      7,000000000H,0

```

Syntax**.line** *line number* [, *address*]**Description**

The `.line` directive creates a line number entry in the object file. Line number entries are used in symbolic debugging to associate addresses in the object code with the lines in the source code that generated them.

The `.line` directive has two operands:

- ❑ *Line number* indicates the line of the C source that generated a portion of code. Line numbers are relative to the beginning of the current function. This is a required parameter.
- ❑ *Address* is an expression that is the address associated with the line number. This is an optional parameter; if you don't specify an address, the assembler will use the current SPC value.

Example

The `.line` directive is followed by the assembly language source statements that are generated by the indicated line of C source. For example, assume that the lines of C source below are lines 4 and 5 in the original C source; these lines may produce the assembly language statements shown below.

C source:

```
for (i = 1; i <= n; ++i)
    p = p * x;
```

Resulting assembly language code:

```
64                                     .line 4
68 0000000c 50600001                   ldiu    1,R0
69 0000000d 15400301                   sti     R0, *+fp(1)
70 0000000e 04c00304                   cmpi   *+fp(4),R0
71 0000000f 6a090009                   bgt    L3
73 00000010                               L2:
74                                     .line 5
78 00000010 50400305                   ldiu   *+fp(5),R0
79 00000011 50410306                   ldiu   *+fp(6),R1
80 00000012 62000000!                  call   MPY_I30
82 00000013 15400305                   sti     R0, *+fp(5)
83                                     .line 4
84 00000014 50600001                   ldiu    1,R0
85 00000015 02400301                   addi   *+fp(1),R0
86 00000016 15400301                   sti     R0, *+fp(1)
87 00000017 04c00304                   cmpi   *+fp(4),R0
88 00000018 6a08fff7                   ble    L2
90 00000019                               L3:
91                                     .line 6
```

Syntax

```
.member name, value [, type, storage class, size, tag, dims]
```

Description

The `.member` directive defines a member of a structure, union, or enumeration. It is valid only when it appears in a structure, union, or enumeration definition.

- Name* is the name of the member that is put in the symbol table. The first 32 characters of the name are significant.
- Value* is the value associated with the member. Any legal expression (absolute or relocatable) is acceptable.
- Type* is the C type of the member. Appendix A contains more information about C types.
- Storage class* is the C storage class of the member. Appendix A contains more information about C storage classes.
- Size* is the number of bits of memory required to contain this member.
- Tag* is the name of the type (if any) or structure of which this member is a type. This name **must** have been previously declared by a `.stag`, `.etag`, or `.utag` directive.
- Dims* may be one to four expressions separated by commas. This allows up to four dimensions to be specified for the member.

The order of parameters is significant. *Name* and *value* are required parameters. All other parameters may be omitted or empty (adjacent commas indicate an empty entry). This allows you to skip a parameter and specify a parameter that occurs later in the list. Operands that are omitted or empty assume a null value.

Example

Here is an example of a C structure definition and the corresponding assembly language statements:

C source:

```
struct doc {
    char title;
    char group;
    int  job_number;
} doc_info;
```

Resulting assembly language code:

```
.stag    doc,48
.member  _title,0,2,8,8
.member  _group,8,2,8,8
.member  _job_number,16,4,8,32
.eos
```

Syntax

```
.stag  name [, size]
        member definitions
.eos
.etag name [, size]
        member definitions
.eos
.utag name [, size]
        member definitions
.eos
```

Description

The `.stag` directive begins a structure definition. The `.etag` directive begins an enumeration definition. The `.utag` directive begins a union definition. The `.eos` directive ends a structure, enumeration, or union definition.

- Name* is the name of the structure, enumeration, or union. The first 32 characters of the name are significant. This is a required parameter.
- Size* is the number of bits the structure, enumeration, or union occupies in memory. This is an optional parameter; if omitted, the size is unspecified.

The `.stag`, `.etag`, or `.utag` directive should be followed by a number of `.member` directives, which define members in the structure. The `.member` directive is the only directive that can appear inside a structure, enumeration, or union definition.

The assembler does not allow nested structures, enumerations, or unions. The C compiler unwinds nested structures by defining them separately and then referencing them from the structure they are referenced in.

Example 1

Here is an example of a structure definition.

C source:

```
struct doc
{
    char title;
    char group;
    int  job_number;
} doc_info;
```

Resulting assembly language code:

```
.stag  _doc,96
.member _title,0,2,8,32
.member _group,32,2,8,32
.member _job_number,64,4,8,32
.eos
```

Example 2

Here is an example of a union definition.

C source:

```
union u_tag {
    int    val1;
    float  val2;
    char   valc;
} valu;
```

Resulting assembly language code:

```
.utag    _u_tag,96
.member  _val1,0,2,8,32
.member  _val2,32,4,8,32
.member  _valc,64,4,8,32
.eos
```

Example 3

Here is an example of an enumeration definition.

C Source:

```
{
    enum o_ty { reg_1, reg_2, result } otypes;
}
```

Resulting assembly language code:

```
.etag    _o_ty32
.member  _reg_1,10,11,16,32
.member  _reg_2,1,11,16,32
.member  _result,2,11,16,32
.eos
```

Syntax

```
.sym name, value [, type, storage class, size, tag, dims]
```

Description

The `.sym` directive specifies symbolic debug information about a global variable, local variable, or a function.

- Name* is the name of the variable that is put in the object symbol table. The first 32 characters of the name are significant.
- Value* is the value associated with the variable. Any legal expression (absolute or relocatable) is acceptable.
- Type* is the C type of the variable. Appendix A contains more information about C types.
- Storage class* is the C storage class of the variable. Appendix A contains more information about C storage classes.
- Size* is the number of bits of memory required to contain this variable.
- Tag* is the name of the type (if any) or structure of which this variable is a type. This name **must** have been previously declared by a `.stag`, `.etag`, or `.utag` directive.
- Dims* may be up to four expressions separated by commas. This allows up to four dimensions to be specified for the variable.

The order of parameters is significant. *Name* and *value* are required parameters. All other parameters may be omitted or empty (adjacent commas indicate an empty entry). This allows you to skip a parameter and specify a parameter that occurs later in the list. Operands that are omitted or empty assume a null value.

Example

These lines of C source produce the `.sym` directives shown below:

C source:

```
struct s { int member1, member2; } str;  
int     ext;  
int     array[5][10];  
long *ptr;  
int     strcmp();  
  
main(arg1, arg2)  
    int  arg1;  
    char *arg2;  
{  
    register r1;  
}
```

Resulting assembly language code:

```
.sym    _str,_str,8,2,64,_s
.sym    _ext,_ext,4,2,32
.sym    _array,_array,244,2,1600,,5,10
.sym    _ptr,_ptr,21,2,32
.sym    _main,_main,36,2,0
.sym    _arg1,_arg1,-2,4,9,32
.sym    _arg2,_arg2,-3,18,9,32
.sym    _r1,4,4,4,32
```

Assembler Error Messages

The assembler issues several types of error messages:

- Fatal
- Nonfatal
- Macro

When the assembler completes its second pass, it reports any errors that it encountered during the assembly. It also prints these errors in the listing file (if one is created). An error is printed following the source line that incurred it.

This appendix discusses the three types of assembler error messages. They are listed in alphabetical order. Most errors are fatal; if an error is not fatal or if it is a macro error, this is noted in the list. Most error messages have a *description* of the problem and an *action* that suggests possible remedies. Where the error message itself is an adequate description, you may find only the action suggested. Where the action is obvious from the description (inspect and correct code), the action is omitted.

A

absolute value required

Description A relocatable symbol was used where an absolute symbol was expected.

Action Use an absolute symbol.

a component of the expression is invalid

Description Something other than a constant identifier or operator was used in the expression.

Action Identify and eliminate the offending component.

address register required: SP, DP, IRX, or ARX

Description The operand of the LDA instruction must be one of these registers.

address required

Description This instruction requires an address as an operand.

an identifier in the expression is invalid

Description A character-matching function requires a character constant operand.

Action Use a character constant.

argument must be character constant

Description A character-matching function requires a character constant

Action Use a character constant.

auxiliary register required for indirect

Description This instruction requires an auxiliary register as an operand.

B

bad macro library format

Description The macro library specified was not in the format expected.

Action Macro libraries must be unassembled assembler source files. The macro name and member name must be the same, and the extension of the file must be .asm.

blank missing

Description A blank or blanks must separate each field of the source statement.

.break encountered outside loop block

Description The .break directive is valid only inside a loop block.

Action Examine code for a misplaced .endloop directive or remove the .break directive.

C

cannot equate an external to an external

Description Both of the operands of this .set directive are used with .global directives.

Action One and only one of the operands may be .global.

cannot open library

Description A library name specified with the .mlib directive does not exist or is already being used.

Action Check spelling, pathname, environment variables, etc.

cannot open listing file : filename

Description The specified filename is inaccessible for some reason.

Action Check spelling, pathname, environment variables, etc.

cannot open object file : filename

Description The specified filename is inaccessible for some reason.

Action Check spelling, pathname, environment variables, etc.

cannot open source file : filename

Description The specified filename is inaccessible for some reason.

Action Check spelling, pathname, environment variables, etc.

cannot redefine register

Description An attempt was made to redefine a register name.

Action Register names cannot be used as labels.

character constant overflows a word

Description Character constants should be limited to four characters.

close ()) missing

Description Mismatched parentheses.

close (]) missing

Description Mismatched brackets.

close quote missing

Description Mismatched or missing quotes.

Action All strings must be enclosed in quotes.

comma missing

Description The assembler expected a comma but did not find one.

Action In most cases, the instruction requires more operands than were found.

conditional block nesting level exceeded

Description Conditional block nesting cannot exceed 32 levels.

conflicts with previous section definition

Description A section defined with `.sect` or `.usect` cannot be redefined with the other directive.

Action Change the directives to match or rename one of the sections.

copy file open error

Description A file specified by a `.copy` directive does not exist or is already being used.

Action Check spelling, pathname, environment variables, etc.

D

directive only valid if (-a) option used

Description The `.setsect` and `.setsym` directives can be used only if the `-a` (absolute list) option is specified.

Action Remove statements or invoke assembler with `-a`.

divide by zero

Description An expression or well-defined expression contains invalid division.

duplicate definition

Description The symbol appears as an operand of a REF statement, as well as in the the label field of the source, or the symbol appears more than once in the label field of the source.

Action Examine code for above. Use `.newblock` to reuse local labels.

E**duplicate definition of a structure component**

Description A structure tag, member, or size symbol was defined elsewhere or used in a .global directive.

.else or .elseif needs corresponding .if

Description An .else or .elseif directive was not preceded by an .if directive.

empty structure

Description A .struct/.endstruct sequence must have at least one member.

expansion register required

Description This instruction requires a 'C4x expansion file register.

expression changed values due to branch expansion

Description An expression is dependent on the amount of code between two labels. If the assembler expands a branch in the code between these two labels, this expression will evaluate to different values in pass1 and pass2.

Action Manually expand any branches between the two labels in your source code that were automatically expanded by the assembler.

expression not terminated properly

Description Expressions must be delimited by commas, parentheses, or blanks.

expression out of bounds

Description The value specified is too large for this particular instruction or directive.

extended register R0–R7 required

Description Parallel instructions operate only on these registers.

F

filename missing

Description The specified filename cannot be found.

Action Check spelling, pathname, environment variables, etc.

floating-point number not valid in expression

Description A floating-point expression was used where an integer expression is required.

G

garbage on command line

Description The specified options are illegal or unrecognized.

I

illegal label

Description A label cannot be used for the second instruction of a parallel instruction pair.

illegal operation in expression

Description This message is usually generated by an illegal combination of relocatable or external operands.

Action Consult Table 3–2 on page 3-23.

illegal structure definition

Description The `.stag/.eos` structure definition cannot be nested and cannot contain any debugging directives other than `member`.

illegal structure member

Description Only directives that reserve space are allowed in structure definitions.

Action Consult *Directives that Initialize Constants* in beginning on page 4-7.

illegal structure, union, or enumeration tag

Description The operands of .stag must be identifiers.

illegal use of local label

Description Local labels are not allowed in expressions.

incompatible addressing modes

Description Although each operand is correctly formed, the combination is not valid for this instruction.

index register required for displacement

Description Indirect displacement must be a constant, IR0, or IR1.

indirect address required

Description This instruction expects an indirect address as an operand.

indirect displacement must be 0 or 1

Description This message applies to several 3-operand and parallel instructions.

indirect displacement out of bounds

Description Range must be 0–255.

invalid binary constant

Description The only valid binary integers are 0 and 1; the constant must be suffixed with b or B.

invalid bit-reversed modification

Description Bit-reversed modification is legal only with *AR++(IR0) addressing mode.

invalid branch displacement

Description PC relative branch destination is too far away.

invalid circular modification

Description Circular modification legal with *AR++(*disp*), *AR—(*disp*), *AR++(IR), or *AR—(IR) only.

invalid decimal constant

Description The only valid decimal integers are 0–9.

Action This error is most commonly caused by failure to use h or H as the postfix on a hexadecimal number.

invalid expression

Description This may indicate invalid use of a relocatable symbol in arithmetic.

invalid floating-point constant

Description Either the floating-point constant is incorrectly formed, or an integer constant is used where a floating-point constant is required.

invalid hexadecimal constant

Description The only valid hexadecimal digits are the integers are 0–9 and the letters A–F. The constant must be suffixed with h or H, and it must begin with an integer.

invalid octal constant

Description The only valid octal digits are the integers are 0–8; the constant must be suffixed with q or Q.

invalid opcode

Description The command field of the source record has an entry that is not a defined instruction, directive, or macro name.

invalid opcode for selected version

Description An illegal instruction is used for selected CPU. Check the –v option or .version directive.

invalid operand combination—check version

Description An illegal instruction is used for selected CPU. Check the `-v` option or `.version` directive.

invalid option

Description An option specified by the `.option` directive is invalid.

invalid parallel instruction combination

Description These two instructions cannot be combined as one parallel instruction. Only certain combinations are legal.

invalid symbol qualifier

Description A symbol name is a string of up to 32 alphanumeric characters (A–Z (either case), 0–9, \$, and `_`) and cannot begin with a number.

L**label required**

Description The flagged directive must have a label.

library not in archive format

Description A file specified with an `.mlib` directive is not an archive file.

Action Macro libraries must be unassembled assembler source files. The macro name and member name must be the same, and the extension of the file must be `.asm`.

local label multiply defined in block

Description Local labels cannot be defined more than once in the current block.

Action Use the `.newblock` directive to reuse local labels in the same block.

local label not defined in block

Description A local label is used outside the block that it is defined in, or it is not defined at all.

local macro variable is not a valid symbol

Description The operand of .var must be a valid symbol.

Action Consult subsection 6.3.7 on page 6-12.

M

macro parameter is not a valid symbol

Description The macro parameter must be a valid identifier.

Action Section 6.3, beginning on page 6-5, discusses macro parameters.

maximum macro nesting level exceeded

Description The maximum nesting level is 32.

maximum number of copy files exceeded

Description The maximum nesting level for .copy or .include files is 10.

.mexit directive encountered outside macro

Description The .mexit directive is valid only inside macros.

missing .endif directive

Description An .if directive has no matching .endif.

missing .endloop directive

Description A .loop directive has no matching .endloop.

missing .endm directive

Description A .macro directive has no matching .endmacro directive.

missing first half of parallel instruction

Description The || symbol was used on the first statement in a section or the first instruction was badly formed.

missing macro name

Description The .macro directive requires a name.

missing structure tag

Description The .tag directive requires a symbol name.

N**no include/copy files in macro or loop blocks**

Description .include and .copy directives are not allowed inside macros (.macro/.endm) or loop blocks (.loop/.break/.endloop).

no parameters for macro arguments

Description A macro was called with arguments, but no matching parameters were found in the macro definition.

O**open “(“ expected**

Description A built-in function was used improperly, or mismatched parentheses were found.

operand missing

Action An operand must be supplied.

operand must be an immediate value

Description The operand for this instruction must be an immediate value.

operand must be register or indirect

Description For 3-operand or parallel instructions.

out of memory, aborting

Description The assembler has run out of memory and cannot continue.

Action Break the assembly language file into smaller files that can be assembled at one time.

overflow in floating-point constant

Description Floating-point value too large to be represented.

P

pass1/pass2 operand conflict

Description A symbol in the symbol table did not have the same value in pass1 and pass2.

Action This is an internal assembler error. If it occurs repeatedly, the assembler may be corrupt.

positive value required

Description Negative or zero value not allowed.

R

redefinition of local substitution symbol

Description Local substitution symbols can be defined only once in a macro.

register required

Description This instruction requires a register as an operand.

S**string required**

Description You must supply a string that is enclosed in double quotes.

string table larger than PC segment size

Description The maximum size for a string table is 64 K bytes.

substitution symbol stack overflow

Description Maximum number of nested substitution symbols is 10.

substitution symbol string too long

Description Maximum substitution symbol length is 200 characters.

subtraction of labels not allowed

Description Subtraction of labels or relationals involving the amount of code between labels is not allowed in expressions used in some contexts.

Action Refer to Table 3–2 on page 3-23.

symbol required

Description The .global directive requires a symbol as an operand.

symbol used in both REF and DEF

Description A REFed symbol is already defined.

syntax error

Description An expression is improperly formed.

T**too many local substitution symbols**

Description The maximum number of local substitution symbols is \approx 64,000.

U

unable to open temp macro library *filename*

Description The assembler uses a temporary file for holding macro definitions. It was unable to create/open this file.

Action Check disk space and protection.

unbalanced symbol table entries

Description Incorrectly scoped `.block` and `.func` directives.

undefined structure member

Description A symbol referenced with structure reference notation (a.b) is not declared in a `.struct/.endstruct` sequence.

undefined structure tag

Description The operand of `.tag` must be defined with a `.struct` directive.

undefined substitution symbol

Description The operand of a substitution symbol must be defined either as a macro parameter or with a `.asg` or `.eval` directive.

undefined symbol

Description An undefined symbol was used where a well-defined expression is required.

underflow in floating-point constant

Description Floating-point value is too small to represent.

unexpected `.endif` encountered

Description An `.endif` directive was not preceded by a `.loop` directive.

unexpected `.endloop` encountered

Description An `.endloop` directive was not preceded by a `.loop` directive.

unexpected .endm directive encountered

Description An .endm directive was not preceded by a .macro directive.

unexpected .endstruct directive encountered

Description An .endstruct directive was not preceded by a .struct directive.

unknown model option [-m_], ignored

Description Unrecognized -m option.

****USER ERROR****

Description Output from an .emsg directive.

****USER MESSAGE****

Description Output from a .mmsg directive.

****USER WARNING****

Description Output from a .wmsg directive.

V**value is out of range**

Description The value specified is outside the legal range.

.var directive encountered outside macro

Description The .var directive is legal inside macros (.macro/.endm) only.

version number changed

Description The operand of the .version directive does not match a previous .version directive or the -v command line option.

W

warning — block open at end of file

Description A .block or .func directive is missing its corresponding .endblock or .endfunc.

warning — function .sym required before .func

Description A .sym directive defining the function should appear before the .func directive.

warning — immediate operand not absolute

Description Immediate operands should be absolute expressions.

Action Refer to Table 3–2 on page 3-23.

warning — line truncated

Description Any characters after the 200th on an input line are ignored.

warning — null string defined

Description An empty string (one whose length = 0) is defined for string input for directives that require a null string operand.

warning — register converted to immediate

Description A constant was expected as an operand.

warning — string length exceeds maximum limit

Description The maximum length of the .title directive is 64 characters.

warning — symbol truncated

Description The maximum length for a symbol is eight characters. The assembler ignores the extra characters.

warning — trailing operand(s)

Description The assembler found fewer or more operands than expected in the flagged instruction.

warning — value out of range

Description The value specified is outside the legal range.

warning — value truncated

Description The expression given was too large to fit within the instruction opcode or the required number of bits.

Linker Error Messages

The linker issues several types of error messages:

- Syntax and command errors
- Allocation errors
- I/O errors

This appendix discusses the three types of errors; they are listed alphabetically within each category. In these listings, the symbol (...) represents the name of an object that the linker is attempting to interact with when an error occurs.

Syntax/Command Errors

These errors are caused by incorrect use of linker directives, misuse of an input expression, or invalid options. Check the syntax of all expressions, and check the input directives for accuracy. Review the various options you are using and check for conflicts.

A

absolute symbol (...) being redefined

Description An absolute symbol cannot be redefined.

adding name (...) to multiple output sections

Description The input section is mentioned twice in the SECTIONS directive.

ALIGN illegal in this context

Description Alignment of a symbol can be performed only within a SECTIONS directive.

attempt to decrement DOT

Description Statements such as `.-= value` are illegal. Assignments to `dot` can be used only to create holes.

B

bad fill value

Description The fill value must be a 16-bit constant.

binding address for (...) redefined

Description Only one binding value is allowed for each section.

blocking for (...) redefined

Description Only one blocking value is allowed for each section.

C

-c requires fill value of 0 in .cinit (... overridden)

Description C runtime conventions require the `.cinit` tables to be terminated with 0.

can't open filename

Description Specified filename cannot be opened for some reason; file doesn't exist, wrong file type, etc.

Action Check spelling, pathname, environment variables, etc.

cannot resize (...), section has initialized definition in (...)

Description An *initialized* input section named `.stack` or `.heap` exists, preventing the linker from resizing the section.

cannot specify a page for a section within a GROUP

Description The SECTIONS directive GROUP option forces several output sections to be allocated contiguously. Therefore, you cannot specify a page for a section within a GROUP.

cannot specify both binding and memory area for (...)

Description The two are mutually exclusive. If you wish the code to be placed at a specific address, use binding only.

command file nesting exceeded with file (...)

Description Command file nesting is allowed up to 16 levels.

E**-e flag does not specify a legal symbol name (...)**

Description The -e option requires a valid symbol name as an operand.

entry point other than _c_int00 specified

Description For -c or -cr option only. The runtime conventions of the compiler assume that _c_int00 is the one and only entry point.

entry point symbol (...) undefined

Description The symbol used with the -e option is not defined.

errors in input - (...) not built

Description Previous errors prevent the creation of an output file.

F**fill value for (...) redefined**

Description Only one fill value is allowed per output section. Individual holes can be filled with different values with the section definition.



-i path too long (...)

Description The maximum number of characters in an -i path is 256.

illegal input character

Description There is a control character or other unrecognized character in the command file.

illegal memory attributes for (...)

Description The attributes must be some combination of R, W, I, and X.

illegal operator in expression

Description Review legal expression operators.

illegal option within SECTIONS

Description The -l (lowercase L) is the only option allowed within a SECTIONS directive.

invalid path specified with -i flag

Description The operand of the -i flag must be a valid file or pathname.

invalid value for -f flag

Description The value for -f must be a 2-byte constant.

invalid value for -heap flag

Description The value for -heap must be a 2-byte constant.

invalid value for -stack flag

Description The value for -stack must be a 2-byte constant.

invalid value for -v flag

Description The value for -v must be a constant.

L**length redefined for memory area (...)**

Description Each memory area in a MEMORY directive can have only one length.

M**-m flag does not specify a valid filename**

Description You must specify a valid filename for the file you are writing the output map file to.

memory area for (...) redefined

Description Only one named memory allocation is allowed for each output section.

memory page for (...) redefined

Description Only one page allocation is allowed for each section.

memory attributes redefined for (...)

Description Only one set of memory attributes is allowed for each output section.

missing filename on -l; use -l <filename>

Description The -l (lowercase L) option requires the use of a filename operand.

misuse of DOT symbol in assignment instruction

Description The dot symbol cannot be used in assignment statements that are outside SECTIONS directives.

N

no input files

Description The linker cannot operate without at least one input COFF file.

O

-o flag does specify a valid file name : *string*

Description The filename must follow the operating system conventions.

output file has no .bss section

Description This is a warning. This section is usually present in a COFF file. There is no real requirement for it to be present.

output file has no .data section

Description This is a warning. This section is usually present in a COFF file. There is no real requirement for it to be present.

output file has no .text section

Description This is a warning. This section is usually present in a COFF file. There is no real requirement for it to be present.

origin missing for memory area (...)

Description The origin is the beginning address for a memory range. Both the origin and length are required.

origin redefined for memory area (...)

Description The origin of a memory range has been redefined.

Action Check to make sure that you haven't named two memory ranges with the same name.

R**-r incompatible with -s (-s ignored)**

Description Since the `-s` option strips the relocation information and `-r` requests a relocatable object file, these options are in conflict with each other.

S**section (...) not built**

Description The most likely cause of this is a syntax error in the `SECTIONS` directive.

semicolon required after assignment

Description There is a syntax error in the command file.

statement ignored

Description Caused by a syntax error in an expression.

symbol referencing errors — (...) not built

Description Symbol references could not be resolved. Therefore, an object module could not be built.

symbol (...) from file (...) being redefined

Description A defined symbol cannot be redefined in an assignment statement.

T**too many arguments – use a command file**

Description You are limited to ten arguments on a command line or in response to prompts.

too many -i options, 7 allowed

Action Additional search directories can be specified with a `C_DIR` or `A_DIR` environment variable.

type flags for (...) redefined

Description Only one section type is allowed per section. Note that type COPY has all of the attributes of type DSECT, so DSECT need not be specified separately.

type flags not allowed for GROUP or UNION

Description Special section types apply to individual sections only.

U

-u does not specify a legal symbol name

Description The -u option must specify a legal symbol name that exists in one of the files that you are linking.

undefined symbol in expression

Description An assignment statement contains an undefined symbol.

unexpected EOF (end of file)

Description Syntax error in the linker command file.

unrecognized option (...)

Action Check the list of valid options.

Z

zero or missing length for memory area (...)

Description Each memory range defined with the MEMORY directive must have a nonzero length.

Allocation Errors

These error messages appear during the allocation phase of linking. They generally appear if a section or group does not fit at a certain address or if the MEMORY and SECTIONS directives conflict in some way.

A

alignment for (...) must be a power of 2

Description Section alignment must be a power of 2.

Action In hexadecimal, all powers of 2 consist of the integers 1, 2, 4, or 8 followed by a series of zero or more 0s.

alignment for (...) redefined

Description Only one alignment is allowed for each section.

B

binding address (...) for section (...) is outside all memory on page (...)

Description Each section must fall within memory configured with the MEMORY directive.

Action If you are using a linker command file, check that the MEMORY and SECTIONS directives allow enough room to ensure that no sections are being placed in unconfigured memory.

binding address (...) for section (...) overlays (...) at (...)

Description Two sections overlap and cannot be allocated.

Action If you are using a linker command file, check that the MEMORY and SECTIONS directives allow enough room to ensure that no sections are being placed in unconfigured memory.

binding address (...) incompatible with alignment for section (...)

Description The section has an alignment requirement from an `.align` directive or previous link. The binding address violates this requirement.

blocking for (...) must be a power of 2

Description Section blocking must be a power of 2.

Action In hexadecimal, all powers of 2 consist of the integers 1, 2, 4, or 8 followed by a series of zero or more 0s.

C

can't align a section within GROUP – (...) not aligned

Description The entire GROUP is treated as one unit, so the GROUP can be aligned or bound to an address, but the sections making up the GROUP cannot be handled individually.

can't align within UNION – section (...) not aligned

Description The entire UNION is treated as one unit, so the UNION can be aligned or bound to an address, but the sections making up the UNION cannot be handled individually.

can't allocate (...), size ... (page ...)

Description A section can't be allocated, because no configured memory area exists that is large enough to hold it.

Action If you are using a linker command file, check that the MEMORY and SECTIONS directives allow enough room to ensure that no sections are being placed in unconfigured memory.

L**load address for uninitialized section (...) ignored**

Description Uninitialized sections have no load addresses—only run addresses.

load address for UNION ignored

Description UNION refers only to the section's run address.

load allocation required for uninitialized UNION member (...)

Description UNIONS refer to runtime allocation only. You must specify the load address for all sections within a UNION separately.

M**memory types (...) and (...) on page (...) overlap**

Description Memory ranges on the same page cannot overlap.

Action If you are using a linker command file, check that the MEMORY and SECTIONS directives allow enough room to ensure that no sections are being placed in unconfigured memory.

N**no allocation allowed for uninitialized UNION member**

Description An uninitialized section with a UNION gets its run allocation from the UNION and has no load address, so no allocation is valid for the member.

no allocation allowed with a GROUP—allocation for section (...) ignored

Description The entire group is treated as one unit, so the group can be aligned or bound to an address, but the sections making up the group cannot be handled individually.

no load address specified for (...); using run address

Description If an initialized section has a run address only, the section is allocated to run and load at the same address.

no run allocation allowed for union member (...)

Description A UNION defines the run address for all of its members; therefore, individual run allocations are illegal.

O

output file (...) not executable

Description The output file created may have unresolved symbols or other problems stemming from other errors. This condition is not fatal.

P

PC-relative displacement overflow at address (...) in file (...)

Description relocation of a PC-relative jump resulted in a jump displacement too large to encode in the instruction.

S

section (...) at (...) overlays at address (...)

Description The two sections overlap and cannot be allocated.

Action If you are using a linker command file, check that the MEMORY and SECTIONS directives allow enough room to ensure that no sections overlap.

section (...) enters unconfigured memory at address (...)

Description A section can't be allocated because no configured memory area exists that is large enough to hold it.

Action If you are using a linker command file, check that the MEMORY and SECTIONS directives allow enough room to ensure that no sections are being placed in unconfigured memory.

section (...) not found

Description An input section specified in a SECTIONS directive was not found in the input file.

section (...) won't fit into configured memory

Description A section can't be allocated, because no configured memory area exists that is large enough to hold it.

Action If you are using a linker command file, check that the MEMORY and SECTIONS directives allow enough room to ensure that no sections are being placed in unconfigured memory.

U**undefined symbol (...) first referenced in file (...)**

Description Unless the `-r` option is used, the linker requires that all referenced symbols be defined. This condition prevents the creation of an executable output file.

Action Link using the `-r` option or define the symbol.

I/O and Internal Overflow Errors:

The following error messages indicate that the input file is corrupt, nonexistent, or unreadable, or that the output file cannot be opened or written to. Messages in this category may also indicate that the linker is out of memory or table space.

C

cannot complete output file (...), write error

Description Usually means that the file system is out of space.

cannot create output file (...)

Description Usually indicates an illegal filename.

Action Check spelling, pathname, environment variables, etc. The filename must conform to operating system conventions.

can't create map file (...)

Description Usually indicates an illegal filename.

Action Check spelling, pathname, environment variables, etc. The filename must conform to operating system conventions.

can't find input file *filename*

Description The file, *filename*, is not in your PATH, is misspelled, etc.

Action Check spelling, pathname, environment variables, etc.

can't open (...)

Description The specified file does not exist.

Action Check spelling, pathname, environment variables, etc.

can't read (...)

Description The file may be corrupt.

Action If the input file is corrupt, try reassembling it.

can't seek (...)

Description The file may be corrupt.

Action If the input file is corrupt, try reassembling it.

can't write (...)

Description Disk may be full or protected.

Action Check disk volume and protection.

F**fail to copy (...)**

Description The file may be corrupt.

Action If the input file is corrupt, try reassembling it.

fail to read (...)

Description The file may be corrupt.

Action If the input file is corrupt, try reassembling it.

fail to seek (...)

Description The file may be corrupt.

Action If the input file is corrupt, try reassembling it.

fail to skip (...)

Description The file may be corrupt.

Action If the input file is corrupt, try reassembling it.

fail to write (...)

Description Disk may be full or protected.

Action Check disk volume and protection.

file (...) has no relocation information

Description You have attempted to relink a file that was not linked with `-r`.

file (...) is of unknown type, magic number = (...)

Description The binary input file is not a COFF file.

I

illegal relocation type (...) found in section(s) of file (...)

Description The binary file is corrupt.

internal error (...)

Description Indicates an internal error in the linker.

invalid archive size for file (...)

Description The archive file is corrupt.

I/O error on output file (...)

Description Disk may be full or protected.

Action Check disk volume and protection.

L

library (...) member (...) has no relocation information

Description Library members may not have relocation information; however, then they cannot satisfy unresolved references in other files when linking.

line number entry found for absolute symbol

Description The input file may be corrupt.

Action If the input file is corrupt, try reassembling it.

M**making aux entry *filename* for symbol *n* out of sequence**

Description The input file may be corrupt.

Action If the input file is corrupt, try reassembling it.

N**no string table in file *filename***

Description The input file may be corrupt.

Action If the input file is corrupt, try reassembling it.

no symbol map produced – not enough memory

Description This is a nonfatal condition that prevents the generation of the symbol list in the map file.

O**overwriting aux entry *filename* of symbol *n***

Description The input file may be corrupt.

Action If the input file is corrupt, try reassembling it.

out of memory, aborting

Description Your system does not have enough memory to perform all required tasks.

Action Try breaking the assembly language files into multiple smaller files and do partial linking. Refer to Section 8.15 on page 8-58.

R**relocation entries out of order in section (...) of file (...)**

Description The input file may be corrupt.

Action If the input file is corrupt, try reassembling it.

relocation symbol not found: index (...), section (...), file (...)

Description The input file may be corrupt.

Action If the input file is corrupt, try reassembling it.

S

seek to (...) failed

Description The input file may be corrupt.

Action If the input file is corrupt, try reassembling it.

T

too few symbol names in string table for archive n

Description The archive file may be corrupt.

Action If the input file is corrupt, try recreating the archive.

Hex Conversion Utility Examples

This section contains eight examples that will illustrate the development of command files for a variety of memory systems and situations.

Topic	Page
E.1 Building a Command File for Two 16-Bit EPROMS	E-3
E.2 Building a Command File for Booting From the 'C4x Communications Port	E-9
E.3 Building a Command File to Convert Code for a 'C32	E-15
E.4 Building a Command File for a Four 8-Bit EPROM System	E-20
E.5 Avoiding Holes Between Multiple Sections	E-21
E.6 Building a Command File for a 'C31 Serial Port Boot Load	E-23
E.7 Dealing With Three Different Addresses	E-24
E.8 Building a Command File to Generate a Boot Table for a 'C32	E-26

All examples use the assembly code in Example E-1.

Example E-1. Sample ASM Code

```
;-----;
; Sample ASM file                                     ;
;-----;

;-----;
; Assemble two words into section sec1               ;
;-----;

        .sect "sec1"
        .word 12345678h
        .word 12345678h

;-----;
; Assemble two words into section sec2               ;
;-----;

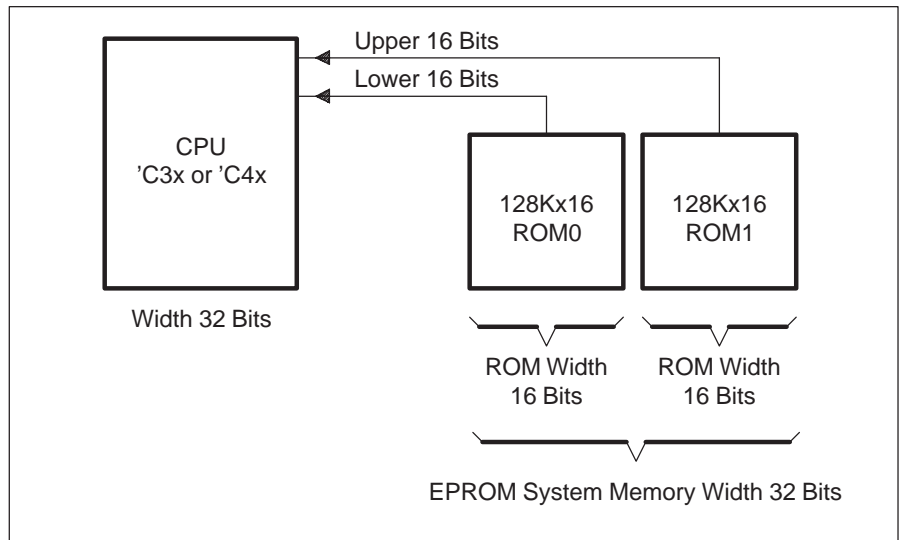
        .sect "sec2"
        .word 0aabbccddh
        .word 0aabbccddh

        .end
```

E.1 Building a Command File for Two 16-Bit EPROMs

This example illustrates how to build the hex command file necessary to convert a COFF object for the memory system shown in Figure E–1. In this system, there are two external 128K x16-bit EPROMs interfacing with a 'C3x/'C4x target processor. Each EPROM contributes 16 bits toward making a single, 32-bit word for the target processor.

Figure E–1. System With Two 16-bit EPROMs



As an added requirement for this application, code linked at load address 0x300000 must actually reside in physical EPROM address 0x10. The circuitry of the target board handles the translation of this address space.

By default, the hex conversion utility will use the linker load address to generate addresses in the converted output file. For this application, the code will reside at an address (0x10) that is different than the one specified by the linker (0x300000). The `paddr` parameter places a section at a location different than the linker load address. This will effect the burn of code at EPROM address 0x10. When using `paddr`, you must use it for all sections and ensure that the specified addresses do not cause overlap of the linker-assigned section load addresses of sections that follow.

In this example, two sections are defined: `sec1` and `sec2`. Therefore, it is not difficult to add a `paddr` option for each of these sections. However, the task may become unmanageable for large applications with many sections, or in cases where section sizes may change often during code development.

To work around this problem, you can combine the sections at link stage, creating a single section for conversion. The linker command file that accomplishes this is shown in Figure E-2.

Figure E-2. Linker Command File for Two 16-bit EPROMs

```
/*-----*/
/* Sample Linker Command file for Example 1      */
/*-----*/

test.obj
-o a.out
-m test.map

/* SPECIFY THE SYSTEM MEMORY MAP */

MEMORY
{
  RAM: org = 0x300000 len = 0x100
}

/* SPECIFY THE SECTIONS ALLOCATION INTO MEMORY */

SECTIONS
{
  outsec: {*(sec1)
          *(sec2) } > RAM
}
```

The EPROM programmer used in this application requires Intel format and byte addressing. Application requirements include:

- Data in a COFF file that is 32 bits wide
- The EPROM system memory width must be 32
- ROM1 contains the upper 16 bits of the words
- ROM0 contains the lower 16 bits of the words
- Locate code starting at EPROM address 0x10
- Intel format for EPROM programmer
- Byte addresses must be used in the output file

To satisfy the requirements of the EPROM programmer, use the `-i` and `-byte` options. The `-i` option selects conversion to Intel format. The `-byte` option causes addresses to be incremented by byte rather than by the system memory width.

To meet the requirements of the memory system, select the following options:

```
-datawidth 32 /* This is default and refers to relevant size of raw data
              contained in the COFF input file */
-byte        /* use byte increment for addresses in converted output file */
-memwidth 32 /* Physical width of EPROM system */
-romwidth 16 /* Physical width of ROM device */
```

The `-memwidth 32` option tells the hex conversion utility that the system memory width is 32 bits. This corresponds to the EPROM system memory width, as described in Figure E-1. The `-romwidth` option specifies the width (in bits) of the physical ROM device. You can set the option globally since the width of both ROM devices is the same.

With the memory width and ROM width values above, the utility will automatically generate two output files. The ratio of memory width to ROM width determines the number of output files. One file contains the lower 16 of the 32 bits of raw data and the other contains the upper 16 bits of the corresponding data.

Example E-2 shows the command file with all of the selected options.

Example E-2. Command File for Two 16-bit EPROMs

```

a.out                /* COFF object input file          */
-map tutor1.mxp      /* Create a map of converted output          */

/*-----*/
/* Set parameters for EPROM programmer          */
/*-----*/

-i                   /* Select Intel format                      */
-byte               /* Select byte addressing for output file*/

/*-----*/
/* Set options required to describe EPROM system */
/*-----*/

-datawidth 32       /* Set relevant data width for COFF file */
-memwidth 32        /* Set EPROM system memory width          */
-romwidth 16        /* Set physical width of ROM devices      */

ROMS
{
    EPROM: origin = 0x10, length = 0x30,
    files = { low16.bytx , upp16.bytx }
}

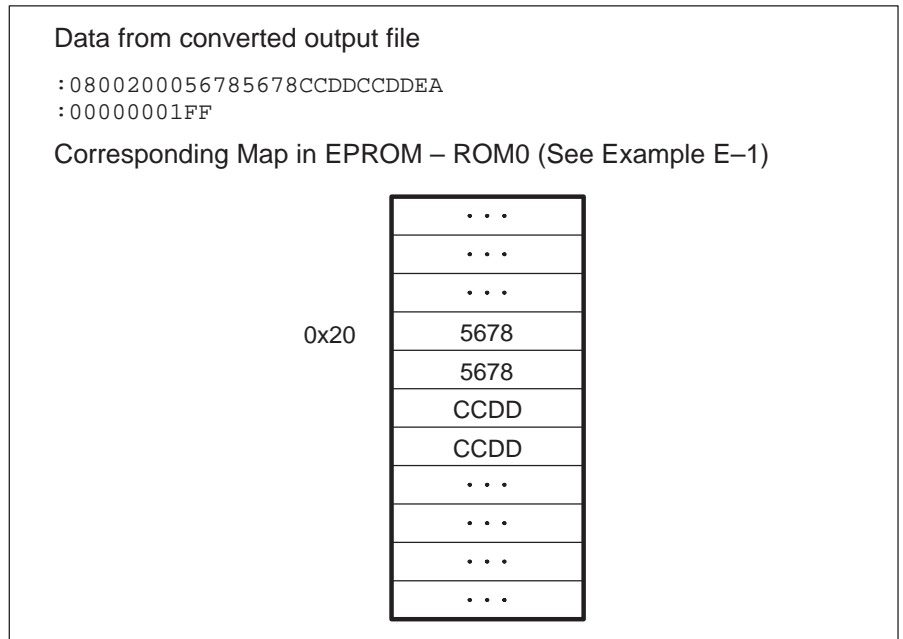
SECTIONS
{
    outsec: paddr=0x10
}

```

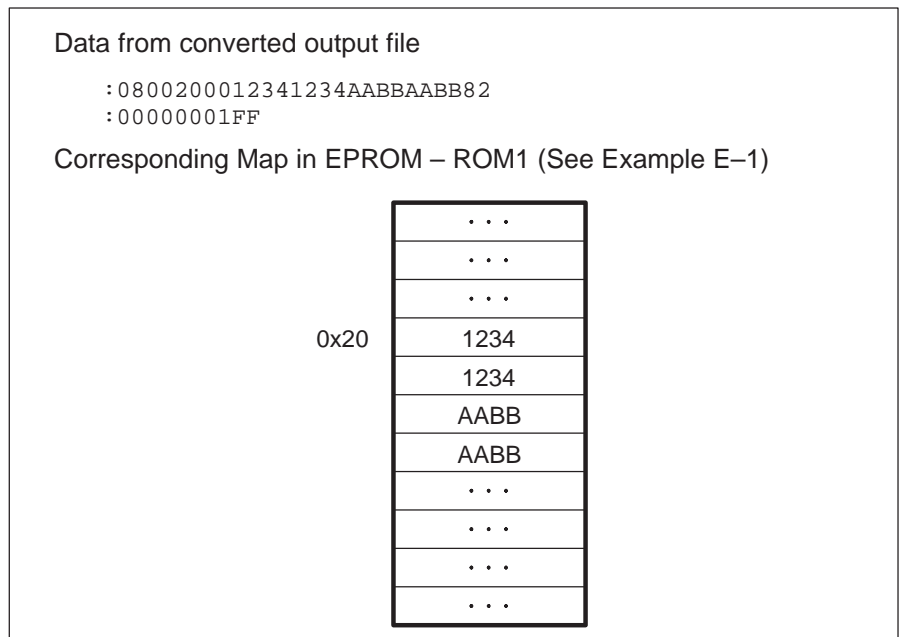
Figure E-3 shows the contents of the converted file for ROM0 (low16.bit) which contains the lower 16 bits, and the contents of the converted file for ROM1 (upp16.bit) containing the upper 16 bits of data. Note that the addresses specified in the hex output files have been multiplied by a factor of two because of the `-byte` option. With byte addressing, the hex conversion utility expanded the 16-bit word address provided by `paddr` to the appropriate byte address. For more information, see Section 10.10.

Figure E-3. Data From Output File resulting from Example E-2

(a) *low16.bit:(Lower Bits)*



(b) *upp16.bit:(upper bits)*



To illustrate precisely how the utility performs the conversion, specify the `-map` option. Although not required, the `-map` option generates useful information about the output. The resulting map is shown in Example E-3.

Example E-3. Hex Conversion Map File Resulting From Example E-2

```
*****
TMS320C3x/4x Hex Converter  Version X.XX
*****
Mon Nov 14 15:00:56 1997

INPUT FILE NAME: <a.out>
OUTPUT FORMAT: Intel

PHYSICAL MEMORY PARAMETERS
Default data width: 32
Default memory width: 32
Default output width: 16

OUTPUT TRANSLATION MAP
-----
00000010..0000003f Page=0 ROM Width=16 Memory Width=32 "EPROM"
-----

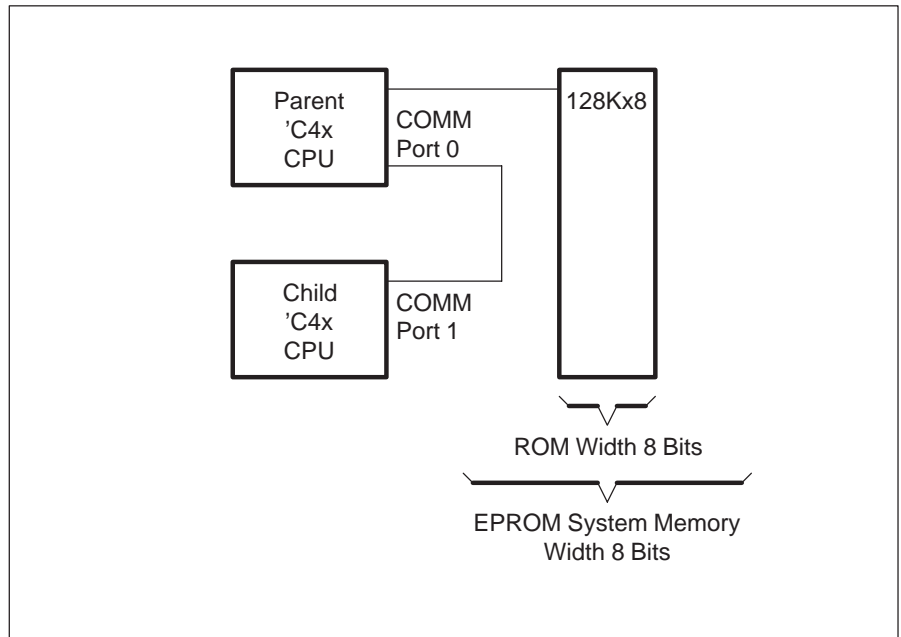
OUTPUT FILES: low16.bytx [b0..b15]
              upp16.bytx [b16..b31]

CONTENTS: 00000010..00000013 Data Width=4 outsec
```

E.2 Building a Command File for Booting From the 'C4x Communications Port

This example uses the same sample code given in Example E-1, but will be converting the code for the EPROM system shown in Figure E-4.

Figure E-4. A Sample EPROM System for a 'C4x



This application involves two 'C4x devices. One acts as a parent and boots the second (child) processor via the communications port. The child processor's boot table is stored in an external EPROM connected to the parent.

The parent processor reads the boot table for the child processor from the EPROM and writes this data to communications port 0. The child's on-chip boot loader reads the code from communications port 1 and writes it starting at location 0x4000 0000.

Once the boot process has completed on the child processor, the child code located in section sec1 copies section sec2 to location 0x2ff800 for faster execution.

The parent 'C4x device, as shown in Figure E-4, requires the boot table to load at ROM address 0x100.

The linker command file in Example E-4 specifies the appropriate run and load addresses for the code. In the command file, the load address and run address for sec1 is set to $\geq 0x40000000$. Section sec2 will load at address $\geq 0x40000000$ but it will run at location $0x2ff800$.

Example E-4. Linker Command File for Booting From the 'C4x COMM Port

```
/*-----*/
/* Sample Linker file for Example 2          */
/*-----*/

test.obj
-o a.out
-m test.map

/* SPECIFY THE SYSTEM MEMORY MAP */

MEMORY
{
  INT: org = 0x2ff800 len = 0x400
  EXT: org = 0x40000000 len = 0x400
}

/* SPECIFY THE SECTIONS ALLOCATION INTO MEMORY */

SECTIONS
{
  sec1: {} > EXT
  sec2: {} load = EXT, run = INT
}
```

The EPROM programmer requires only that the Intel format be used. To satisfy this requirement, use the `-i` option.

System requirements include:

- A boot table suitable for the communications port boot load
- 32-bit wide data in the COFF file
- 8-bit wide EPROM system memory
- Single output file containing converted data for a 128K x 8-bit EPROM
- Boot table location at parent ROM address $0x100$
- Intel format for converted file

To satisfy the conditions for boot table generation and the requirements for the EPROM system, select the following options:

```
-datawidth 32 /* This default value refers to the */
              /* relevant size of the raw data */
              /* contained in the COFF input file */
-memwidth 8 /* Physical width of EPROM system */
-romwidth 8 /* Physical width of each EPROM device */
-boot /* Generate a Boot Table */
-bootorg COMM /* Use Boot Table format suitable for */
             /* communications port boot load */
```

The `-memwidth` option sets the EPROM system memory width. According to the system memory configuration shown in Figure E-4, this value is eight bits wide. Similarly, using the `-romwidth` option sets the physical width of the EPROM device. The `-boot` option tells the hex conversion utility to generate a boot table and `-bootorg COMM` creates a boot table suitable for comm port loading.

Using these values for memory width and ROM width, the utility creates a single output file, since the number of output files is determined by the ratio of memory width to ROM width.

Finally, the converted file must initiate boot-table loading at address 0x100 in the ROM device. Use the `ROMS` directive to control the placement of the boot table in the EPROM connected to the parent processor. The hex conversion utility will use the origin specified in the `ROMS` directive as the base address for the boot table.

Example E-5 shows the command file that includes all of the selected options. Note the command file also shows options `-cg`, `-cl`, `ivtp`, and `-iack`, which define values for control registers.

The values used in this example are not real; they are not valid quantities for any real physical system. These options are used only to provide an illustration. Each individual target board and application require unique values.

To define the entry point, the address to which the boot loader will branch for execution upon completing the boot process, use the `-e` option.

Example E-5. Command File for Booting From the 'C4x COMM Port

```

/*-----*/
/* Sample Hex Conversion Utility Command File for Example 2          */
/*-----*/

a.out                /* COFF object input file          */
-map tutor2.mxp      /* Create a map of converted output      */

/*-----*/
/* Set parameters for EPROM programmer                              */
/*-----*/

-i                   /* Select Intel format                  */

/*-----*/
/* Set options required to describe EPROM system                  */
/*-----*/

-datawidth 32        /* Set raw data size from COFF          */
-memwidth 8          /* Set parent EPROM system memory width */
-romwidth 8          /* Set physical width of ROM devices     */

/*-----*/
/* Set options for Boot Table generation                          */
/*-----*/

-boot                /* Generate boot table                  */
-bootorg COMM        /* Use Boot Table format suitable for load
                    from communications port */

-cg 0x11111111       /* Set child Global Bus Control Register */
-cl 0x22222222       /* Set child Local Bus Control Register  */

-ivtp 0x00300000     /* Set child Interrupt Vector Location   */
-tvtp 0x00400000     /* Set child Trap Vector Location        */
-iack 0x00500000     /* Set child IACK acknowledge location   */

-e 0x40000000        /* Set entry point                      */

/*-----*/
/* Use ROMS directive to set load location for boot table        */
/* on ROM device (parent processor)                              */
/*-----*/

ROMS
{
  EPROM: origin = 0x100, length = 0x1FF00, files = { boot.tbl }
}

SECTIONS
{
  sec1:paddr=boot
  sec2:paddr=boot
}

/* If SECTIONS directive is used, -boot option is ignored and you need to specify
 = boot; refer to section 10.6.                                     */

```

Figure E-5 shows the converted output generated by the command file. The linker-assigned load address is used as the destination address for each of the sections included in the boot table. The boot loader places the code at the linker load address. Notice that although a run address is specified for sec2, the run address does not appear anywhere in the file. This is because the hex conversion utility operates on load addresses only. It ignores run addresses because they have no meaning in the context of the converted file.

Figure E-5. Data From Output File (boot.tbl) resulting from Example E-5

(a) Data from converted output file

```
:180100001111111122222222020000000000000407856341278563412B1
:200118000200000002000040DDCCBBAADDCCBBA00000000000003000000400000005000A7
:00000001FF
```

(b) Corresponding Map in EPROM – ROM1 (See Example E-1)

...
...
...
11
11
11
11
22
22
22
22
02
00
00
00
00
00
00
40
78
56
34
12
...
...
...
...

0x100

Example E-6. Map File Resulting From Example E-5

```
*****
* TMS320C3x/4x Hex Converter                               Version X.XX *
*****
Tue Nov 15 10:34:43 1997

INPUT FILE NAME: <a.out>
OUTPUT FORMAT: Intel

PHYSICAL MEMORY PARAMETERS
Default data width: 32
Default memory width: 8 (LS-->MS)
Default output width: 8

BOOT LOADER PARAMETERS
Table Address:  COMM PORT
Entry Point:   40000000
Global Memory Configuration: 11111111
Local Memory Configuration: 22222222
Interrupt Vector Table Pointer (IVTP): 00300000
Trap Vector Table Pointer (TVTP): 00400000
IACK Location:  00500000

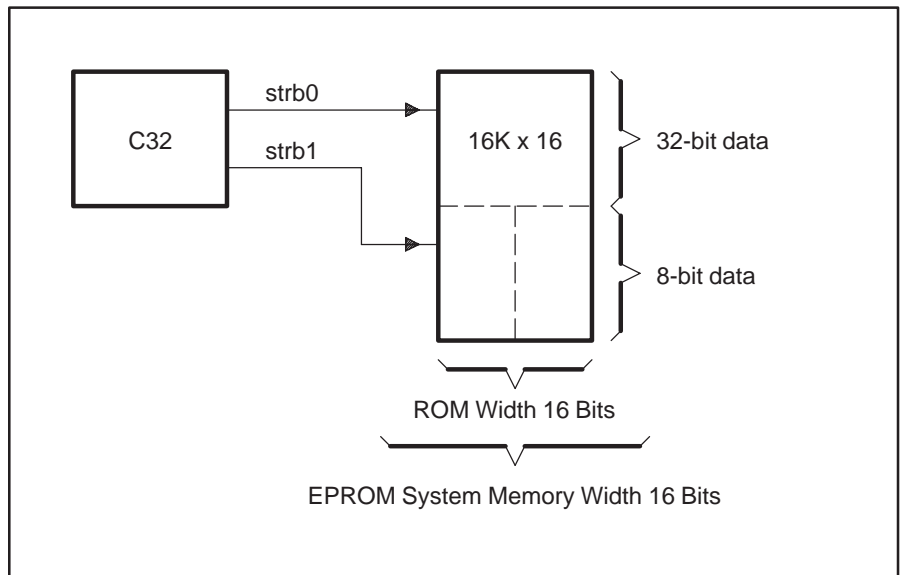
OUTPUT TRANSLATION MAP
-----
00000100..0001ffff Page=0 ROM Width=8 Memory Width=8 "EPROM"
-----
OUTPUT FILES: boot.tbl [b0..b7]

CONTENTS: 00000100..00000137 BOOT TABLE
secl : dest=40000000 size=00000002 width=00000004
```


E.3 Building a Command File to Convert Code for a 'C32

This example creates a hex command file to convert code for a 'C32. A 'C32 can access 8-, 16-, or 32-bit external data. Figure E–6 shows a memory system that with a 'C32 processor that accesses memory on a single, 16-bit EPROM using STRB0 and STRB1. The EPROM will contain applications code stored as 32-bit data (STRB0) and a set of coefficient tables used by the applications code that is stored as 8-bit data (STRB1).

Figure E–6. Sample EPROM System for a 'C32



Sample code in Example E–1 is used here. However, in this situation, it has been linked so that code and data in sec1 is allocated in an address space starting at address 0x0 where STRB0 is active and sec2 is allocated at address 0x9000000 where STRB1 is active. The linker command file used is shown in Example E–7.

Example E-7. Linker Command File for a 'C32

```
/*-----*/
/* Sample Linker Command file for Example 3      */
/*-----*/

test.obj
-o a.out
-m test.map

/* SPECIFY THE SYSTEM MEMORY MAP */

MEMORY
{
  STRB0: org = 0x0000 len = 0x1000
  STRB1: org = 0x900000 len = 0x1000
}

/* SPECIFY THE SECTIONS ALLOCATION INTO MEMORY */

SECTIONS
{
  sec1: {} > STRB0
  sec2: {} > STRB1
}
```

System requirements include:

- 16-bit wide system memory
- Physical EPROM width of 16 bits
- Data width of application code measuring 32 bits (sec1)
- Data width of coefficient tables measuring 8 bits (sec2)
- Applications code is loaded at EPROM address 0 (STRB0)
- 8-bit data tables loaded at EPROM address 0x2000 (STRB1)
- Intel format for EPROM programmer

The data widths for sec1 and sec2 are not the same. Because these sections will be loaded at EPROM addresses different than those specified at link time, you must use a ROMS and SECTIONS directive.

The data widths and load addresses can be specified for each section using datawidth and paddr attributes for the sections.

```

SECTIONS
{
    sec1 : datawidth=32, paddr=0x0
    sec2 : datawidth=8, paddr=0x2000
}

```

This SECTIONS directive sets the EPROM load address via paddr and sets the data width size using –datawidth for each of the sections. Note that selecting the datawidth effects the output. The datawidth determines the size of the data that is considered relevant in the raw data contained in the COFF input file. All raw data in the COFF input file is 32 bits wide, the native width of the target 'C32.

When data width is set to 32, the hex conversion utility uses the entire 32 bits of raw data in the COFF input. When data width is set to a value <32, then the raw data is truncated to the appropriate size before translation into the required data format. The assembly code for sec2 is:

```

.sect "sec2"
.word 0aabbccddh
.word 089abcdefh

```

With the data width set to 8, the utility will take only the lower 8 bits of the data word for translation. The upper 24 bits are discarded. Therefore, each of the words defined will be truncated to 0xdd,0xef, respectively.

The data width value also affects the addresses in the output file. The 32-bit data words for sec1 are broken up into successive 16-bit words for loading on the EPROM. The 8-bit data words for the tables in sec2 will be packed into the 16-bit words of the EPROM.

In the load of sec1, the addresses in the hex output file will be expanded by a factor of two, determined by the ratio of data width to memory width. Whereas for the load of sec2, the address space will be divided by a factor of two, again determined by the ratio of data width to memory width. For a detailed explanation of the effects of data width and memory width on the address space, please refer to Section 10.10.

The –memwidth option sets the system memory width. For the memory system described in Figure E–6, this is 16 bits (–memwidth 16). The –romwidth option sets the physical EPROM width, which is also 16 bits (–romwidth 16).

Example E-8 shows the resulting command file with all the options necessary to convert the COFF file for the EPROM system in Figure E-6.

Example E-8. Sample Hex Command File for a 'C32

```
/*-----*/
/* Sample Command File for Example 3                               */
/*-----*/

a.out                /* COFF object input file                    */
-map tutor23.mxp     /* Create a map of converted output                            */

/*-----*/
/* Set parameters for EPROM programmer                            */
/*-----*/

-i                  /* Select Intel format                                        */

/*-----*/
/* Set options required to describe EPROM system                */
/*-----*/

-memwidth 16        /* Set EPROM system memory width                              */
-romwidth 16        /* Set physical width of ROM devices                          */

ROMS
{
  EPROM: origin = 0x000, length = 0x4000, files = { tutor3.hex }
}

SECTIONS
{
  sec1:paddr=0x0, datawidth=32
  sec2:paddr=0x2000, datawidth=8
}
```

Figure E-7 displays the contents of the hex output file tutor3.hex.

E.4 Building a Command File for a Four 8-Bit EPROM System

This example provides a set of commands for generating conversion files for four 8-bit EPROMs

The command file in Example E–9 will generate separate files for four 8-bit EPROMs that will be used to form the 32-bit data for a 'C3x or 'C4x processor.

- Note that the load address becomes the output file address, and
- The EPROM address for each of the files is the same because the processor will fetch one byte from each of the four EPROMs simultaneously to form one 32-bit word.

Example E–9. Code for Four 8-Bit EPROM Files

```
-i      /* Intel format          */
a.out  /* COFF file input       */
-map example.mxp /* Generate a map file ROMS */
{
  ROM : org = 0x0, length = 0xffffffff,

  /*-----*/
  /*      Set Physical Width of EPROM to 8 bits      */
  /*-----*/
  romwidth = 8,

  /*-----*/
  /*      Set Memory Width of EPROM system to 32 bits  */
  /*-----*/
  memwidth = 32,
  /*-----*/
  /* The following directive specifies the names of   */
  /* the output files where converted data is to be   */
  /* stored. The hex conversion utility will store byte 0 in the   */
  /* first file , byte 1 in the next, etc.. Use of */
  /* this directive is optional.                      */
  /*-----*/
  files = {
  example.b0, example.b1, example.b2, example.b3 }
}
```

E.5 Avoiding Holes Between Multiple Sections

When the memory width is less than the data width, holes may appear at the beginning of a section or between sections. This is caused by multiplication of the load address by a correction factor.

If it is necessary to eliminate the holes between converted sections, they can be made contiguous in one of two ways.

- ❑ Specify a *paddr* for each section listed in a SECTIONS directive. This forces the hex conversion utility to use that specific address for the output file address field. A sample command file to do this is shown in Example E-11.
- ❑ If there are many sections, this can become tedious as it is necessary also to ensure that the addresses will not overlap. To avoid this problem, link the sections together into one output section for conversion.

Example E-12 shows a sample linker command file that illustrates how this can be done. The linker should be executed using this command file before executing the hex conversion utility with the set of commands that appear in Example E-13.

Example E-10. Linker Command File for Avoiding Holes: Method One

```
/* SPECIFY THE SYSTEM MEMORY MAP */  
  
MEMORY  
{  
  RAM: org = 0x2ff800 len = 0x0400  
  SRAM: org = 0x80000000 len = 0x1000  
}  
  
/* SPECIFY THE SECTIONS ALLOCATION INTO MEMORY */  
  
SECTIONS  
{  
  sec1 : load = SRAM  
  sec2 : load = SRAM, run = RAM  
}
```

Example E–11. Hex Conversion Utility Command File for Avoiding Holes: Method One

```
-i
a.out
-map example.mxp

ROMS
{
  ROM : org = 0x000, length = 0x800, romwidth = 16, memwidth = 16
}

SECTIONS
{
  sec1 : paddr = 0x000
  sec2 : paddr = 0x004
}
```

Example E–12. Linker Command File for Avoiding Holes: Method Two

```
/* SPECIFY THE SYSTEM MEMORY MAP */
MEMORY
{
  ROM: org = 0x000004 len = 0x1000 /* INTERNAL ROM */
}

/* SPECIFY THE SECTIONS ALLOCATION INTO MEMORY */
SECTIONS
{
  outsec : { *(sec1)
            *(sec2) } > ROM
}
```

Example E–13. Hex Conversion Utility Command File for Avoiding Holes: Method Two

```
-i
a.out
-map example.mxp

ROMS
{
  ROM : org = 0x100, length = 0x800, romwidth = 16, memwidth = 16,
  files = {example.hex}
}

SECTIONS
{
  outsec : paddr = 0x100
}
```


E.6 Building a Command File for a 'C31 Serial Port Boot Load

Example E–14 shows a hex command file for generating a boot load table for the 'C31 serial port.

Example E–14. Command File for a 'C31 SERIAL Port Boot Load

```
a.out /* COFF file input */
-i /* Intel format */
-romwidth 32
-map example.mxp /* Generate a map file */
-boot
-bootorg SERIAL
-cg 0x12345678 /* This value is board specific */
-o example.hex
```

In this example, the output file locates the start of the boot table at the load address of the first bootable section in the COFF input file. This is because no ROMS directive was specified.

E.7 Dealing With Three Different Addresses

Building a boot table may require that you specify three different addresses:

- Boot Table Load Address
- Applications Code Load Address
- Applications Code Run Address

Some applications may require that after the booting process completes, you move the code loaded into one area of memory (applications code load address) to a different memory location for execution (applications code run address). For example, for faster code execution, you may move code that was boot loaded into an external memory location to internal memory.

The linker is used to define the load and run addresses for the applications code. You can use the hex conversion utility to build the boot table and assign its address in the output file.

Example E–15 shows the linker command file needed to specify the load and run addresses for the applications code. The linker load address serves as the destination address for the section that will appear in the hex conversion utility’s boot table. The linker resolves all symbol references with respect to the run address specified, but this address will not appear in the hex output file. Notice that the linker command file defines two sections. Section `sec1` contains the code that will copy `sec2` to on-chip memory.

Example E–15. Linker Command File for Dealing With Three Different Addresses

```
/* SPECIFY THE SYSTEM MEMORY MAP */

MEMORY
{
  RAM: org = 0x2ff800 len = 0x0400
  SRAM: org = 0x80000000 len = 0x1000
}

/* SPECIFY THE SECTIONS ALLOCATION INTO MEMORY */

SECTIONS
{
  sec1 : load = SRAM
  sec2 : load = SRAM, run = RAM
}
```

Example E–16 shows the command file that will build the boot table. The address for the boot table can be controlled by either using a ROMS directive or using the `–bootorg` option. We are using the `–bootorg` option.

Example E–16. Hex Command File for Dealing With Three Different Addresses

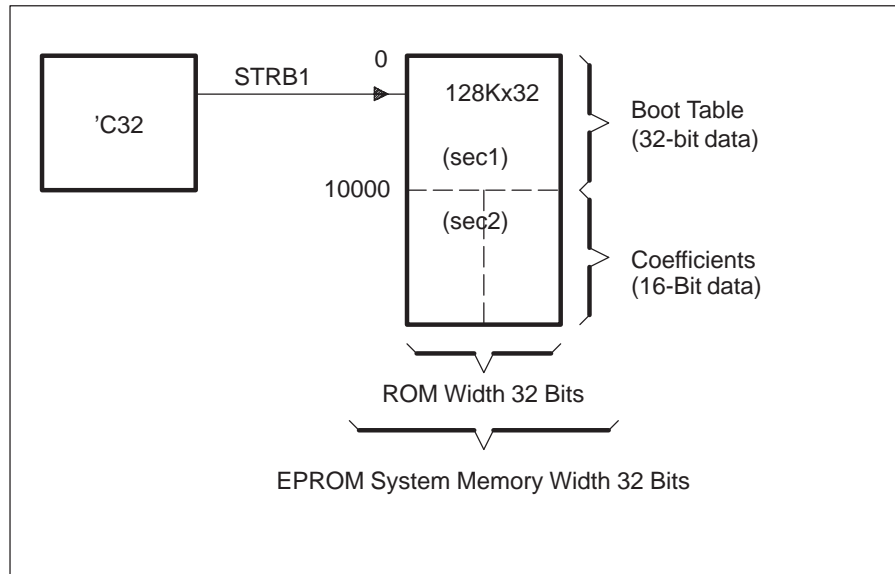
```
a.out      /* COFF file input */

-i         /* Intel format */
-memwidth 8
-romwidth 8
-map sample.mxp /* Generate a map file */
-boot
-bootorg 0x4000000
-cg 0x11111111 /* Target Board Dependent */
-cl 0x22222222 /* Target Board Dependent */
-ivtp 0x06000000 /* Target Board Dependent */
-tvtp 0x06200000 /* Target Board Dependent */
-iack 0x04000000 /* Target Board Dependent */
```

E.8 Building a Command File to Generate a Boot Table for the 'C32

This example illustrates a command file that generates a boot table and a coefficient/data table for a sample EPROM system (shown in Figure E–8). This example is applicable to 'C32 only, since it requires varying data widths.

Figure E–8. Sample EPROM System for a 'C32



In this example, the boot table is treated as 32-bit data, but the coefficient data table is treated as 16-bit data. Both boot and coefficient tables will be in memory where STRB1 is active. The boot table header contains records for each STRB control register that sets the desired value for that register at boot. The boot loader resets the control registers to these values once boot load completes.

The values for these registers can be set using the `-strb0`, `-strb1`, and `-iostrb` options to set the STRB0, STRB1, and IOSTRB registers, respectively. In addition to the STRB values given in the boot table header, there is also a word at the start of each source block that contains the proper STRB configuration for that block. This enables you to configure a STRB control register for each source block, since the destination and data sizes vary for each block. The hex conversion utility will create this word automatically, basing it on the EPROM system memory width and data width of each bootable section. For a more detailed explanation of the on-chip boot loader process, refer to the *TMS320C32 User's Guide*, Section 3.4.

Example E–17 shows the linker command file used to build the application. Both applications code and data will be accessed via STRB1.

Example E-17. Linker Command File for a 'C32

```
test.obj
-o a.out
-m test.map

/* SPECIFY THE SYSTEM MEMORY MAP */

MEMORY
{
    STRB0: org = 0x00000 len = 0x1000
    STRB1: org = 0x900000 len = 0x200000
}

/* SPECIFY THE SECTIONS ALLOCATION INTO MEMORY */

SECTIONS
{
    sec1: {} load = 0x900000
    sec2: {} load = 0x910000
}
```

Example E-18 displays the command file used to convert the COFF file for Intel format, creating a boot table for the applications code contained in sec1 and converting the coefficient/table data in sec2. Note that the 16-bit data values in sec2 will be packed into the 32-bit words of the EPROM.

Example E-18. Hex Command File For a 'C32 Boot Table

```

/*-----*/
/* Sample Hex Conversion Utility Command File for Example 8          */
/* This hex command file creates a boot table                       */
/* and also converts a data section for burning                    */
/* on a32-bit wide EPROM. This example is                          */
/* valid for 'C32 only since variable datawidths                  */
/* are used.                                                       */
/*-----*/

a.out                /* COFF object input file          */
-map example8.mxp    /* Create a map of converted output */
-o example8.hex      /* output file name                */

/*-----*/
/* Set parameters for EPROM programmer                             */
/*-----*/

-i                    /* Select Intel format             */

/*-----*/
/* Set options required to describe EPROM system                 */
/*-----*/

-memwidth 32         /* Set EPROM system memory width   */
-romwidth 32         /* Set physical width of ROM devices */

*-----*/
/* Set options required for boot table generation                 */
/*-----*/

-bootorg 0x000000    /* Aet address origin for boot table */
-strb1 0xD0000      /* Set value for STRB1              */

ROMS
{
  EPROM: origin = 0x000, length = 0x4000, files = { tutor3.hex }
}

SECTIONS
{
  sec1:paddr=boot, datawidth = 32
  sec2:paddr=0x10000, datawidth = 16
}

```

Note: Values and data sizes

In this example, that the value of STRB1 is set to 0xD0000. This implies a memory size of 32 bits and a data size of 16. This will be the setting for STRB1 after the boot load is complete. For program fetches to occur correctly, the PRGW pin must be set to 1 so that two consecutive 16-bit reads are done to form a single program word. For more information about the PRGW pin strobe control registers, refer to the *TMS320C32 User's Guide*.

Figure E–9 shows the contents of the output file, example8.hex. Note that the hex conversion utility automatically created the correct data word for the STRB setting for the source block containing sec1.

Glossary

A

absolute address: An address that is permanently assigned to a memory location.

absolute section: A named section defined with the `.aset` directive. All addresses except those defined with `.label` in an absolute section are absolute.

alignment: A process in which the linker places an output section at an address that falls on an n -bit boundary, where n is a power of 2. You can specify alignment with the `SECTIONS` linker directive.

allocation: A process in which the linker calculates the final memory addresses of output sections.

archive library: A collection of individual files that have been grouped into a single file.

archiver: A software program that allows you to collect several individual files into a single file called an archive library. The archiver also allows you to delete, extract, or replace members of the archive library, as well as add new members.

assembler: A software program that creates a machine-language program from a source file that contains assembly language instructions, directives, and macro directives. The assembler substitutes absolute operation codes for symbolic operation codes, and absolute or relocatable addresses for symbolic addresses.

assembly-time constant: A symbol that is assigned a constant value with the `.set` directive.

assignment statement: A statement that assigns a value to a variable.

autoinitialization: The process of initializing global C variables (contained in the `.cinit` section) before beginning program execution.

auxiliary entry: The extra entry that a symbol may have in the symbol table and that contains additional information about the symbol (whether the symbol is a filename, a section name, a function name, etc.).

B

binding: A process in which you specify an address for an output section or a symbol.

block: A set of declarations and statements that are grouped together with braces.

.bss: One of the default COFF sections. You can use the `.bss` directive to reserve a specified amount of space in the memory map that can later be used for storing data. The `.bss` section is normally uninitialized.

C

C compiler: A program that translates C source statements into floating-point assembly language source statements.

command file: A file that contains linker options and names input files for the linker.

comment: A source statement (or portion of a source statement) that is used to document or improve readability of a source file. Comments are not compiled, assembled, or linked; they have no effect on the object file.

common object file format (COFF): A binary object file format that promotes modular programming by supporting the concept of *sections*.

conditional processing: A method of processing one block of source code or an alternate block of source code, based upon the evaluation of a specified expression.

configured memory: Memory that the linker has specified for allocation.

constant: A numeric value that can be used as an operand.

cross-reference listing: An output file created by the assembler that lists the symbols that were defined, what line they were defined on, which lines referenced them, and their final values.

D

.data: One of the default COFF sections. The `.data` section is an initialized section that contains initialized data. You can use the `.data` directive to assemble code into the `.data` section.

directive: Special-purpose commands that control the actions and functions of a software tool (as opposed to assembly language instructions, which control the actions of a device).

E

emulator: A hardware development system that emulates TMS320C3x/C4x operation.

entry point: The starting execution point in target memory.

executable module: An object file that has been linked and can be executed in a TMS320C3x/C4x system.

expression: A constant, a symbol, or a series of constants and symbols separated by arithmetic operators.

external symbol: A kind of symbol that is either 1) defined in the current module and accessed in another, or 2) accessed in the current module but defined in another.

F

field: For the TMS320C3x/C4x, a software-configurable data type whose length can be programmed to be any value in the range of 1-16 bits.

file header: A portion of a COFF object file that contains general information about the object file (such as the number of section headers, the type of system the object file can be downloaded to, the number of symbols in the symbol table, and the symbol table's starting address).

G

global: A kind of symbol that is either 1) defined in the current module and accessed in another, or 2) accessed in the current module but defined in another.

GROUP: An option of the SECTIONS directive that forces specified output sections to be allocated contiguously (as a group).

H

hex conversion utility: A utility that converts COFF object files into one of several standard ASCII hexadecimal formats, suitable for loading into an EPROM programmer.

high-level language debugging: The ability of a compiler to retain symbolic and high-level language information (such as type and function definitions) so that a debugging tool can use this information.

hole: An area between the input sections that compose an output section that contains no actual code or data.

I

incremental linking: Linking files that have already been linked.

initialized section: A COFF section that contains executable code or initialized data. An initialized section can be built up with the `.data`, `.text`, or `.sect` directive.

input section: A section from an object file that will be linked into an executable module.

L

label: A symbol that begins in column 1 of a source statement and corresponds to the address of that statement.

line number entry: An entry in a COFF output module that maps lines of assembly code back to the original C source file that created them.

linker: A software tool that combines object files to form an object module that can be allocated into system memory and executed by the device.

listing file: An output file created by the assembler that lists source statements, their line numbers, and their effects on the SPC.

load address: The address that a section loads at.

loader: A device that loads an executable module into system memory.

M

macro: A user-defined routine that can be used as an instruction.

macro call: The process of invoking a macro.

macro definition: A block of source statements that define the name and the code that make up a macro.

macro expansion: The source statements that are substituted for the macro call and are subsequently assembled.

macro library: An archive library composed of macros. Each file in the library must contain one macro; its name must be the same as the macro name it defines, and it must have an extension of `.asm`.

magic number: A COFF file header entry that identifies an object file as a module that can be executed by the TMS320C3x/C4x.

map file: An output file, created by the linker, that shows the memory configuration, section composition, and section allocation, as well as symbols and the addresses at which they were defined.

member: The elements or variables of a structure, union, archive, or enumeration.

memory map: A map of target system memory space, which is partitioned into functional blocks.

mnemonic: An instruction name that the assembler translates into machine code.

model statement: Instructions or assembler directives in a macro definition that are assembled each time a macro is invoked.

N

named section: An initialized section that is defined with a `.sect` directive.

O

object file: A file that has been assembled or linked and contains machine-language object code.

object format converter: A program that converts COFF object files into Intel-format or Tektronix-format object files.

object library: An archive library made up of individual object files.

operand: The arguments, or parameters, of an assembly language instruction, assembler directive, or macro directive.

optional header: A portion of a COFF object file that the linker uses to perform relocation at download time.

options: Command parameters that allow you to request additional or specific functions when you invoke a software tool.

output module: A linked, executable object file that can be downloaded and executed on a target system.

overlay page: A section of physical memory that is mapped into the same address range as another section of memory. A hardware switch determines which range is active.

P

partial linking: The linking of a file that will be linked again.

R

RAM model: An autoinitialization model used by the linker when linking C code. The linker uses this model when you invoke the linker with the `-cr` option. The RAM model allows variables to be initialized at load time instead of runtime.

raw data: Executable code or initialized data in an output section.

relocation: A process in which the linker adjusts all the references to a symbol when the symbol's address changes.

ROM model: An autoinitialization model used by the linker when linking C code. The linker uses this model when you invoke the linker with the `-c` option. In the ROM model, the linker loads the `.cinit` section of data tables into memory, and variables are initialized at runtime.

run address: The address that a section runs at.

S

section: A relocatable block of code or data that will ultimately occupy contiguous space in the TMS320C3x/C4x memory map.

section header: A portion of a COFF object file that contains information about a section in the file. Each section has its own header; the header points to the section's starting address, contains the section's size, etc.

section program counter: See SPC.

sign-extend: To fill the unused MSBs of a value with the value's sign bit.

simulator: A software development system that simulates TMS320C3x/C4x operation.

source file: A file that contains C code or assembly language code that will be compiled or assembled to form an object file.

SPC: An element of the assembler that keeps track of the current location within a section; each section has its own SPC.

static: A kind of variable whose scope is confined to a function or a program. The values of static variables are not discarded when the function or program is exited; their previous value is resumed when the function or program is re-entered.

storage class: Any entry in the symbol table that indicates how a symbol should be accessed.

string table: A table that stores symbol names that are longer than 8 characters (symbol names of 8 characters or longer cannot be stored in the symbol table; instead, they are stored in the string table). The name portion of the symbol's entry points to the location of the string in the string table.

structure: A collection of one or more variables grouped together under a single name.

symbol: A string of alphanumeric characters that represents an address or a value.

symbolic debugging: The ability of a software tool to retain symbolic information so that it can be used by a debugging tool such as a simulator or an emulator.

symbol table: A portion of a COFF object file that contains information about the symbols that are defined and used by the file.

T

tag: An optional "type" name that can be assigned to a structure, union, or enumeration.

target memory: Physical memory in a system into which executable object code is loaded.

.text: One of the default COFF sections. The .text section is an initialized section that contains executable code. You can use the .text directive to assemble code into the .text section.

U

unconfigured memory: Memory that is not defined as part of the TMS320C3x/C4x memory map and cannot be loaded with code or data.

uninitialized section: A COFF section that reserves space in the TMS320C3x/C4x memory map but that has no actual contents. These sections are built up with the `.bss` and `.usect` directives.

union: A variable that may hold (at different times) objects of different types and sizes.

UNION: Allocating multiple sections to run at the same address.

unsigned: A kind of value that is treated as a positive number, regardless of its actual sign.

W

well-defined expression: An expression that contains only symbols or assembly-time constants that have been defined before they appear in the expression.

word: A 16-bit addressable location in target memory.

A

- a archiver command 7-3
- a assembler option 3-4
- a hex conversion utility option 10-4, 10-44
- a linker option 8-7 to 8-8
- A_DIR assembler environment variable 3-7, 3-8, 8-13
- absolute lister
 - creating the absolute listing file 9-2
 - described 1-3
 - development flow 9-2
 - example 9-5 to 9-10
 - invoking 9-3
 - options 9-3
- absolute listing
 - producing 9-2
- absolute output module 8-7
- absolute symbols 3-23
- addressing modes 5-2 to 5-42
- .align assembler directive 4-10, 4-18
- alignment 4-10, 4-18, 4-32, 8-32
- allocation 2-12, 4-22, 8-29 to 8-32
 - alignment 4-18, 4-32, 8-32
 - binding 8-30
 - blocking 8-32
 - default algorithm 8-47
 - GROUP 8-41
 - named memory 8-31
 - UNION 8-39
- alternate directories
 - assembler 3-7 to 3-28
 - C_DIR 8-12
 - linker 8-12
- ar30 7-3
- archive libraries 3-7, 4-52, 7-1 to 7-6, 8-12, 8-15, 8-21 to 8-22
 - back referencing 8-17
- archiver 1-3, 7-1 to 7-6
 - examples 7-5
 - in the development flow 7-2
 - input 7-1
 - invocation 7-3
 - invoking with command file 7-3
 - options 7-3
 - output 7-1
- arithmetic instructions 5-10 to 5-42
- arithmetic operators 8-52
- array definitions A-26
- ASCII-Hex object format 10-44
- .asect assembler directive 2-4 to 2-11, 4-6, 4-19, 8-36
- .asg assembler directive 4-15, 4-20, 6-6
 - listing control 4-11, 4-27
- asm30 command 3-4
- assembler 1-3
 - character strings 3-15
 - constants 3-12, 3-13, 3-14 to 3-16
 - cross-reference listings 3-27
 - error messages C-1 to C-18
 - expressions 3-20
 - conditional expressions* 3-23
 - legal expressions* 3-23 to 3-28
 - operators* 3-22
 - overflow/underflow* 3-22
 - relocatable symbols* 3-23 to 3-28
 - well-defined* 3-22
 - in the development flow 3-3
 - invocation 3-4
 - macros 6-1 to 6-24

assembler (continued)

output 3-25, 4-11

*listing*enable 4-48
length 4-11
page control 4-58
page size 4-47
suppress 4-48
title 4-69
width 4-11, 4-47

overview 3-2

relocation 2-18 to 2-22

runtime relocation 2-20 to 2-22

section program counters 2-8

sections 2-4 to 2-11

sections directives

.asect 2-4
.bss 2-4 to 2-11
.data 2-4
.sect 2-4
.text 2-4
.usect 2-4

source listings 3-25

source statement format 3-10 to 3-28

symbols 2-22, 3-16

assembler directives

assembly-time directives

.asg 4-15
.endstruct 4-15
.eval 4-15
.set 4-15
.struct 4-15
.tag 4-15

conditional assembly directives

.break 4-14
.elseif 4-14
.endloop 4-14
.loop 4-14
.else 4-14
.endif 4-14
.if 4-14

miscellaneous directives

.msg 4-16
.end 4-16
.mmsg 4-16
.regalias 4-16
.version 4-16, 4-72
.wmsg 4-16

assembler directives (continued)

sections directives

.asect 4-6, 4-19
.bss 4-6
.data 4-6
.label 4-6
.sect 4-6
.text 4-6
.usect 4-6

summary table 4-2 to 4-5

symbolic debugging directives B-1

.utag/.eos B-8
.block/.endblock B-1, B-2, B-6
.etag/.eos B-1, B-8
.file B-1, B-3
.func/.endfunc B-1, B-4
.line B-1, B-6
.member B-1, B-7
.stag/.eos B-1, B-8
.sym B-1, B-10
.utag/.eos B-1

that align the SPC 4-10

.align 4-10
.even 4-10

that format the output listing 4-11 to 4-12

.sslist 4-12
.ssnolist 4-12
.list 4-11
.mlist 4-11
.mnolist 4-11
.nolist 4-11
.option 4-11
.page 4-11
.title 4-12

that initialize constants 4-7 to 4-9

.hword 4-7
.byte 4-7
.field 4-8
.float 4-7
.hword 4-41
.int 4-7, 4-44
.long 4-7, 4-44
.space 4-9
.string 4-7, 4-64
.word 4-7, 4-44

- assembler directives (continued)
 - that reference other files 4-13
 - .copy* 4-13
 - .def* 4-13
 - .global* 4-13
 - .include* 4-13
 - .mlib* 4-13
 - .ref* 4-13
 - assembler output 3-25, 4-11
 - assembly language development flow 1-2, 3-3, 7-2, 8-2
 - assembly language instructions
 - categories 5-8
 - symbols used to define 5-6 to 5-42
 - assembly-time constants 3-14, 4-61
 - assembly-time directives 4-15
 - assigning a value to a symbol 4-61
 - assigning symbols at link time 8-50 to 8-53
 - assigning the SPC to a symbol 8-50 to 8-51
 - assignment expressions 8-51 to 8-52
 - autoinitialization 8-61
 - RAM model 8-9, 8-61
 - ROM model 8-9, 8-62
 - auxiliary entries A-23 to A-28
- B**
- b linker option 8-9
 - big-endian ordering 10-14
 - binary integers 3-12
 - binding 8-30
 - .block* assembler directive B-1, B-2
 - block definitions A-17, A-26, A-27, B-2
 - blocking 8-32
 - boot hex conversion utility option 10-5, 10-29
 - boot loader. *See* on-chip boot loader
 - boot table
 - See also* on-chip boot loader, boot table
 - building using the hex conversion utility 10-28 to 10-31
 - format 10-28
 - boot.obj 8-60, 8-63
 - bootorg hex conversion utility option 10-5, 10-29, 10-31
 - bootpage hex conversion utility option 10-5, 10-29
 - .break* assembler directive 4-14, 4-50, 6-14
 - listing control 4-11, 4-27
 - .bss* assembler directive 2-4 to 2-11, 4-6, 4-22
 - .bss* section 2-4 to 2-11, 4-6, 8-47, 8-54, A-3
 - holes 8-57
 - initialization 8-57
 - byte alignment 4-18
 - .byte* assembler directive 4-7, 4-23
 - byte hex conversion utility option 10-4, 10-27
- C**
- c assembler option 3-4
 - C compiler 8-9, 8-60, A-1, B-1
 - block definitions B-2
 - enumeration definitions B-8
 - file identification B-3
 - function definitions B-4
 - line number entries A-12, B-6
 - line number information A-12
 - linking C code 8-9
 - member definitions B-7
 - model symbols 3-18
 - special symbols A-16
 - storage classes A-19 to A-20
 - structure definitions B-8
 - symbol table entries B-10
 - union definitions B-8
 - c linker option 8-9, 8-63
 - C memory pool 8-11, 8-61
 - C system stack 8-15, 8-61
 - C_DIR linker environment variable 8-12, 8-13
 - .C30* 3-17
 - .C31* 3-17
 - .C32* 3-17
 - .C3x* 3-17
 - .C40* 3-17
 - .C44* 3-17
 - .C4x* 3-17
 - cache alignment 4-10, 4-18
 - cg hex conversion utility option 10-5, 10-29, 10-32, 10-35
 - character constants 3-13
 - character strings 3-15
 - .cinit* section 8-47, 8-61
 - cl hex conversion utility option 10-5, 10-29, 10-32, 10-35

- COFF 2-1 to 2-22, 8-1, A-1 to A-28
 - auxiliary entries A-23 to A-28
 - default sections 2-2
 - file structure A-2 to A-4
 - file types 2-2
 - initialized sections 2-2
 - line number entries A-12 to A-28, B-6
 - line-number table A-12 to A-13
 - named sections 2-2, 2-6
 - optional file header format A-6
 - relocation information A-10 to A-11
 - relocation type* A-11
 - symbol table index* A-10
 - virtual address* A-10
 - section headers A-7 to A-9
 - section program counters 2-8
 - sections 2-1 to 2-22
 - special symbols A-16
 - storage classes A-19 to A-20
 - string table A-18
 - subsections 2-8
 - symbol table A-14 to A-28
 - symbolic debugging A-12 to A-28
 - uninitialized sections 2-2
 - command files (hex conversion utility) 10-6
 - invoking 10-6
 - ROMS directive 10-6
 - SECTIONS directive 10-6
 - command files (linker) 2-15, 8-4, 8-18 to 8-20
 - example 8-64
 - reserved words 8-20
 - comments
 - in a linker command file 8-19
 - in assembly language source code 3-11, 8-19
 - that extend past page width 4-47
 - common object file format. *See* COFF
 - compatibility 3-6
 - compiler 1-3
 - condition codes
 - for the instruction set 5-4 to 5-42
 - conditional assembly directives 4-14
 - conditional blocks
 - assembler directives 4-14, 4-42
 - in macros 6-14
 - conditional expressions 3-23
 - configured memory 8-23, 8-47
 - constants 3-12, 3-16
 - assembly-time constants 3-14, 4-61
 - binary integers 3-12
 - character constants 3-13
 - decimal integers 3-12
 - floating-point 3-12, 4-37, 4-46
 - hexadecimal integers 3-13
 - octal integers 3-12
 - conversion instructions 5-13
 - .copy* assembler directive 3-7, 4-13, 4-24
 - copy files 3-7, 4-24
 - COPY section 8-49
 - cr* linker option 8-9, 8-61, 8-63
 - creating holes 8-54 to 8-57
 - cross-reference listings 3-27
- D**
- d* archiver command 7-3
 - d* assembler option 3-4
 - .data* assembler directive 2-4 to 2-11, 4-6, 4-26
 - data memory 8-23, 8-47
 - .data* section 2-4 to 2-11, 4-6, 4-26, 8-47, A-3
 - decimal integers 3-12
 - .def* assembler directive 4-13, 4-39
 - default allocation 2-12, 8-47 to 8-48
 - default fill value for holes 8-10
 - default sections 2-2, 4-22, 4-68
 - defining macros 6-3 to 6-4
 - directives
 - See also* assembler directives
 - assembler
 - absolute lister* 9-8
 - assembly-time symbols*
 - .equ* 4-61
 - .asg* 4-20
 - .eval* 4-20
 - .newblock* 4-55
 - .set* 4-61
 - conditional assembly*
 - .break* 4-50
 - .else* 4-42
 - .elseif* 4-42
 - .endif* 4-42
 - .endloop* 4-50
 - .if* 4-42
 - .loop* 4-50

directives, assembler (continued)

miscellaneous

.emsg 4-29
 .end 4-31
 .label 4-45
 .mmsg 4-29
 .wmsg 4-29

symbolic debugging directives

.sym B-10

that align the section program counter (SPC)

.align 4-18
 .even 4-32

that define sections

.bss 4-22
 .data 4-26
 .sect 4-60
 .text 4-68
 .usect 4-70

that format the output listing

.drlist 4-11
 .drnolist 4-11
 .fclist 4-11, 4-33
 .fcnolist 4-11, 4-33
 .length 4-11, 4-47
 .list 4-48
 .mlist 4-54
 .mnolist 4-54
 .nolist 4-48
 .option 4-56
 .page 4-58
 .sslist 4-63
 .ssnolist 4-63
 .tab 4-67
 .title 4-69
 .width 4-11, 4-47

that initialize constants

.double 4-37
 .ieee 4-37
 .sfloat 4-37
 .byte 4-23
 .field 4-34
 .float 4-37
 .ldouble 4-46
 .space 4-62

that reference other files

.copy 4-24
 .def 4-39
 .global 4-39
 .include 4-24
 .mlib 4-52
 .ref 4-39

directives that align the section program
 counter 4-10

directives that define sections 4-6

directives that format the output listing 4-11 to 4-12

directives that initialize constants 4-7 to 4-9

directives that reference other files 4-13

.double assembler directive 4-7, 4-37

.drlist assembler directive 4-11

.drnolist assembler directive 4-11

DSECT section 8-49

dummy section 8-49

E

–e absolute lister option 9-3

–e archiver option 7-4

–e hex conversion utility option 10-5, 10-29, 10-31

–e linker option 8-9

.else assembler directive 4-14, 4-42, 6-14

.elseif assembler directive 4-14, 4-42, 6-14

.emsg assembler directive 4-16, 4-29, 6-17
 listing control 4-11, 4-27

emulator 1-3

.end assembler directive 4-16, 4-31

.endblock assembler directive B-1, B-2

.endfunc assembler directive B-1, B-4

.endif assembler directive 4-14, 4-42, 6-14

.endloop assembler directive 4-14, 4-50, 6-14

.endm assembler directive 6-3

.endstruct assembler directive 4-15

entry points

 _c_int00 8-9, 8-63

 for C code 8-63

 for the linker 8-9

 _main 8-9

enumeration definitions B-8

environment variables

 A_DIR 3-7, 3-8

 C_DIR (linker) 8-12

.eos assembler directive B-1, B-8

.equ assembler directive 4-61

error messages

 assembler C-1 to C-18

 linker D-1

.etag assembler directive B-1, B-8

.eval assembler directive 4-15, 4-20, 6-7
 listing control 4-11, 4-27

evaluation module 1-4

.even assembler directive 4-10, 4-32

examples

- hex conversion utility E-1

expressions 3-20, 8-50

- conditional 3-23
- legal 3-23
- underflow/overflow 3-22
- well-defined 3-22

Extended Tektronix Hexadecimal object

- format 10-48

external symbols 4-13, 4-39, 4-61

F

- f linker option 8-10

- .fclist assembler directive 4-11, 4-33, 6-19

- listing control 4-11, 4-27

- .fcnolist assembler directive 4-11, 4-33, 6-19

- listing control 4-11, 4-27

- .field assembler directive 4-8, 4-34

- .file assembler directive B-1, B-3

file header A-5 to A-6

- COFF A-5 to A-6
- contents A-5
- flags A-5

file identification B-3

file structure A-2 to A-4

filenames

- See also hex conversion utility, output filenames
- copy/include files 3-7
- extensions
 - changing defaults 9-3

fill

- MEMORY specification 8-25

- fill hex conversion utility option 10-4, 10-27

filling holes 8-54 to 8-57

- .float assembler directive 4-7, 4-37

- floating-point constants 3-13 to 3-28, 4-37, 4-46

- .func assembler directive B-1, B-4

- function definitions A-17, A-26, A-27, B-4

G

- g linker option 8-11

- .global assembler directive 2-22, 4-13, 4-39

- GROUP (SECTIONS directive) 8-41

H

- h linker option 8-10 to 8-11

- heap definition 8-11, 8-61

- heap linker option 8-11, 8-61

- heap16 linker option 8-11, 8-61

- heap8 linker option 8-11, 8-61

- hex conversion utility 10-1 to 10-49

- command files 10-6

- invoking 10-6

- ROMS directive 10-6

- SECTIONS directive 10-6

- configuring memory widths

- defining memory word width

- (memwidth) 10-4

- ordering memory words 10-4

- specifying output width (romwidth) 10-4

- description F-3

- development flow 10-2

- examples E-1

- generating a map file 10-4

- generating a quiet run 10-4

- hex30 command 10-3

- image mode

- defining the target memory 10-27

- filling holes 10-4, 10-27

- invoking 10-4, 10-27

- numbering bytes sequentially 10-4, 10-27

- resetting address origin 10-4, 10-27

- invoking 10-3 to 10-5

- in a command file 10-6

- memory width (memwidth) 10-9 to 10-11

- exceptions 10-9

- object formats

- address bits 10-43

- ASCII-Hex 10-44

- selecting 10-4

- descriptions 10-39 to 10-49

- Extended Tektronix Hexadecimal 10-48

- selecting 10-4

- Intel MCS-86 Hexadecimal 10-45

- selecting 10-4

- Motorola-S 10-46

- output width 10-43

- TI-Tagged 10-47

- selecting 10-4

- on-chip boot loader

- See also on-chip boot loader

- options 10-5, 10-29

- hex conversion utility (continued)
 - options 10-4 to 10-5
 - See also on-chip boot loader, options*
 - a* 10-4, 10-44
 - byte* 10-4, 10-27
 - fill* 10-4, 10-27
 - i* 10-4, 10-45
 - image* 10-4, 10-27
 - m* 10-46
 - map* 10-4
 - memwidth* 10-4
 - o* 10-4
 - order* 10-4
 - restrictions 10-15
 - q* 10-4
 - romwidth* 10-4
 - t* 10-4, 10-47
 - x* 10-4, 10-48
 - zero* 10-4, 10-27
 - ordering memory words 10-14 to 10-15
 - big-endian ordering* 10-14
 - little-endian ordering* 10-14
 - output filenames 10-4
 - default filenames* 10-24
 - ROMS directive
 - defining the target memory* 10-27
 - effect* 10-19 to 10-20
 - SECTIONS directive 10-28 to 10-38
 - syntax* 10-28
 - target width 10-8
- hex30 command 10-3
 - options 10-3
 - See also hex conversion utility, options*
- hexadecimal integers 3-13
- holes 8-10, 8-54 to 8-57
 - fill values 8-56
 - in output sections 8-54
- .hword assembler directive 4-7, 4-41
- .if assembler directive 4-14, 4-42, 6-14
- image hex conversion utility option 10-4, 10-27
- image mode. *See* hex conversion utility, image mode
- .include assembler directive 3-7, 4-13, 4-24
- include files 3-7, 4-24
- incremental linking 8-58 to 8-59
- initialized sections 2-2, 2-5 to 2-22, 4-26, 4-60, 4-68, 8-47, 8-54
- input
 - archiver 7-1
 - assembler 7-1
 - linker 7-1, 8-2, 8-18
- instruction set summary
 - function listing 5-8
 - table 5-20 to 5-42
- instructions
 - arithmetic 5-10 to 5-42
 - conversion 5-13
 - interlocked-operation 5-12
 - load 5-8 to 5-42
 - logic 5-11
 - parallel 5-14
 - program-control 5-11
 - store 5-8 to 5-42
 - three-operand 5-13
- .int assembler directive 4-7, 4-44
- Intel MCS-86 Hexadecimal object format 10-45
- interlocked-operation instructions 5-12
- invoking the ...
 - absolute lister 9-3
 - archiver 7-3 to 7-4
 - assembler 3-4
 - hex conversion utility 10-3 to 10-5
 - linker 8-4 to 8-5
- ivtp hex conversion utility option 10-5, 10-29, 10-32

I

- i assembler option 3-5, 3-7
- i hex conversion utility option 10-4, 10-45
- i linker option 8-13
- I MEMORY attribute 8-25
- iack hex conversion utility option 10-5, 10-29, 10-32, 10-35
- .ieee assembler directive 4-7, 4-37

K

- key words linker 8-20

L

- l assembler option 3-5
- l linker option 8-12
- .label assembler directive 4-6, 4-45

- labels 3-10, 3-16
 - local labels (resetting) 4-55
 - using with `.byte` directive 4-23
- `.ldouble` assembler directive 4-7, 4-46
- LDPK Instruction 5-19
- legal expressions 3-23 to 3-28
- `.length` assembler directive 4-11, 4-47
 - listing control 4-11, 4-27
- length MEMORY specification 8-25
- `.line` assembler directive B-1, B-6
- line number entries A-12 to A-28, B-6
- line-number table A-12 to A-13
- linker 1-3
 - COFF 2-12 to 2-22, 8-1
 - command files 8-4, 8-18
 - example* 8-64
 - command options summary 8-6
 - configured memory 8-23, 8-47
 - development flow 8-2 to 8-3
 - error messages D-1
 - example 8-64
 - expressions 8-50
 - in the development flow 8-2
 - incremental linking 4-60, 8-58
 - input 8-18
 - input from different host machine 8-2
 - invocation 8-4
 - linking C code 8-60 to 8-63
 - Ink30 command 8-4
 - loading a program 2-21
 - map file
 - example* 8-65
 - operators 8-51
 - options summary 8-6
 - output 8-64
 - relocation 2-18 to 2-22
 - runtime relocation 2-20 to 2-22
 - sections 2-12 to 2-22
 - SECTIONS directive 8-27 to 8-34
 - symbols 2-22
 - unconfigured memory 8-23, 8-47
- linker command options 8-6 to 8-17
- linker input 8-2
- linker output 8-2, 8-14
- linking C code 8-9, 8-60 to 8-63
- `.list` assembler directive 4-11, 4-48
- lister, absolute 9-1 to 9-10
- listing
 - control 4-48, 4-56, 4-58
 - page size 4-47
- listing control 4-48, 4-54, 4-56, 4-58, 4-69
- listing file 4-11
- listing page size 4-47
- little-endian ordering 10-14
- Ink30 command 8-4
 - `-a` option 8-7 to 8-8
 - `-b` option 8-9
 - `-c` option 8-9, 8-60, 8-62, 8-63
 - `-cr` option 8-9, 8-60, 8-61, 8-63
 - `-e` option 8-9
 - `-l` option 8-12
 - `-m` option 8-14
 - `-o` option 8-14
 - `-r` option 8-7 to 8-8
 - `-s` option 8-14
 - `-ar` option 8-8
 - `-f` option 8-10
 - `-g` option 8-11
 - `-h` option 8-10
 - options summary 8-6
 - `-q` option 8-14
 - `-u` option 8-15
 - `-v` option 8-16
 - `-w` option 8-16
- load instructions 5-8 to 5-42
- load linker keyword 2-20, 8-35
- loading a program 2-21
- local labels 4-55
- logic instructions 5-11
- `.long` assembler directive 4-7, 4-44
- `.loop` assembler directive 4-14, 4-50, 6-14

M

- `-m` assembler option 3-5
- `-m` hex conversion utility option 10-46
- `-m` linker option 8-14
- `.macro` assembler directive 6-3
- macro comments 6-4
- macro libraries 3-7, 4-52, 7-1
- macros 6-1 to 6-24
 - conditional assembly 6-14 to 6-15
 - defining a macro 6-3
 - description 6-2
 - directives summary 6-22 to 6-24

- macros (continued)
 - formatting the output listing 6-19
 - labels 6-16
 - macro comments 6-4, 6-17
 - macro libraries 4-52, 6-13
 - .mlib assembler directive 3-7, 4-52
 - .mlist assembler directive 4-54
 - nested macros 6-20 to 6-21
 - parameters 6-5 to 6-12
 - producing messages 6-17 to 6-18
 - recursive macros 6-20 to 6-21
 - substitution symbols 6-5 to 6-12
 - malloc() 8-11, 8-61
 - malloc16() 8-61
 - malloc8() 8-61
 - map file 8-14
 - example 8-65
 - map hex conversion utility option 10-4
 - .member assembler directive B-1, B-7
 - member definitions B-7
 - MEMORY linker directive 2-12, 8-23 to 8-26
 - default model 2-12 to 2-22, 8-23, 8-47
 - examples 2-15 to 2-22
 - overlay pages 8-42 to 8-43
 - PAGE option 8-23, 8-47
 - syntax 8-23 to 8-27
 - memory pool
 - C language 8-11, 8-61
 - memory width (memwidth) 10-9 to 10-11
 - exceptions 10-9
 - memory widths
 - memory width (memwidth) 10-9 to 10-11
 - exceptions 10-9*
 - ordering memory words 10-14 to 10-15
 - big-endian ordering 10-14*
 - little-endian ordering 10-14*
 - target width 10-8
 - memory words, ordering 10-14 to 10-15
 - big-endian 10-14
 - little-endian 10-14
 - .MEMPARM 3-18
 - memwidth hex conversion utility option 10-4
 - messages 4-29
 - .mexit macro directive 6-3
 - mi assembler option 3-5
 - .mlib assembler directive 3-7, 4-13, 4-52, 6-13
 - use in macros 3-7
 - .mlist assembler directive 4-11, 4-54, 6-19
 - listing control 4-11, 4-27
 - .mmsg assembler directive 4-16, 4-29, 6-17
 - listing control 4-11, 4-27
 - mnemonic field 3-11
 - .mnolist assembler directive 4-11, 4-54, 6-19
 - listing control 4-11, 4-27
 - Motorola-S object format 10-46
 - mr assembler option 3-5
 - mx assembler option 3-5
- ## N
- named memory 8-31
 - named sections 2-2, 2-6 to 2-7, 4-6, 4-70, 8-47, 8-54, A-3
 - .asect 2-4 to 2-11, 4-6, 4-19
 - .sect 2-4 to 2-11, 4-6, 4-60
 - .usect 2-4 to 2-11, 4-6, 4-70
 - naming an output module 8-14
 - .newblock assembler directive 4-55
 - .nolist assembler directive 4-11, 4-48
 - NOLOAD section 8-49
- ## O
- o hex conversion utility option 10-4
 - o linker option 8-14
 - object code 3-26
 - object file format. *See* COFF
 - object formats
 - address bits 10-43
 - ASCII-Hex 10-44
 - descriptions 10-39 to 10-49
 - Extended Tektronix Hexadecimal 10-48
 - Intel MCS-86 Hexadecimal 10-45
 - Motorola-S 10-46
 - output width 10-43
 - TI-Tagged 10-47
 - object libraries 7-1, 8-12, 8-21 to 8-22, 8-60
 - octal integers 3-12
 - on-chip boot loader
 - boot table
 - building using the hex conversion utility 10-29*
 - format 10-28*
 - booting from communications port 10-31

on-chip boot loader (continued)
 description 10-28
 options 10-5, 10-29
 -boot 10-5, 10-29
 -bootorg 10-5, 10-29, 10-31
 -bootpage 10-5, 10-29
 -cg 10-5, 10-29, 10-32, 10-35
 -cl 10-5, 10-29, 10-32, 10-35
 -e 10-5, 10-29, 10-31
 -iack 10-5, 10-29, 10-32, 10-35
 -ivtp 10-5, 10-29, 10-32
 -tvtp 10-5, 10-29, 10-32
 setting the entry point 10-31
 operands 3-11
 operators 3-22
 .option assembler directive 4-11, 4-56
 optional file header format A-6
 options, absolute lister 9-3
-order hex conversion utility option 10-4
 restrictions 10-15
 ordering memory words 10-14 to 10-15
 big-endian ordering 10-14
 little-endian ordering 10-14
 origin MEMORY specification 8-25
 output 8-2
 archiver 7-1
 assembler 4-11
 linker 8-14, 8-64
 output filenames. *See* hex conversion utility, output
 filenames
 output listing 4-11
 overflow
 expression overflow 3-22
 overlay pages 8-42 to 8-46
 overlaying sections 8-39 to 8-40

P

page
 control 4-58
 length 4-47
 title 4-69
 width 4-47
 .page assembler directive 4-11, 4-58
 page definition syntax 8-45 to 8-47
 PAGE option (MEMORY directive) 8-47
 parallel instructions 5-14

partial linking 8-58 to 8-59
 partially linked files 8-58
 predefined symbols 3-17
 program memory 8-23, 8-47
 program-control instructions 5-11

Q

-q absolute lister option 9-3
-q archiver option 7-4
-q assembler option 3-5
-q hex conversion utility option 10-4
-q linker option 8-14

R

-r archiver command 7-3
-r linker option 8-7 to 8-8, 8-58
 R MEMORY attribute 8-25
 RAM model of autoinitialization (C compiler) 8-9,
 8-61
 .ref assembler directive 4-13, 4-39
 .regalias assembler directive 4-16, 4-59
 .REGPARM 3-18
 relinking 8-7, 8-8, 8-14
 affected by *-s* 8-14
 relocatable output module 8-7
 relocatable symbols 3-23 to 3-28
 relocation 2-18 to 2-22, 3-14, 8-7
 runtime 2-20
 relocation information A-10 to A-11
 reserved words 8-20
 ROM model of autoinitialization (C compiler) 8-9,
 8-62
 ROMS directive hex conversion utility. *See* hex
 conversion utility, ROMS directive
-romwidth hex conversion utility option 10-4
 run linker keyword 2-20, 8-35
 runtime initialization 8-60
 runtime relocation 2-20 to 2-22
 runtime support 8-60

S

- s archiver option 7-4
- s assembler option 3-5
- s linker option 8-14
- .sect assembler directive 2-4 to 2-11, 4-6, 4-60
- section headers A-7 to A-9
- section program counter 3-25
- section specifications 8-27
- sections 2-1 to 2-22
 - .bss section 4-22
 - converting specified sections 10-28 to 10-38
 - .data section 4-26
 - default sections 2-2, 4-22, 4-26, 4-60
 - directives 4-6
 - example 2-9 to 2-12*
 - initialized sections 2-2, 4-26, 4-60, 4-68
 - named sections 2-2, 2-6, 4-60, 4-68, 4-70
 - section program counters 2-8
 - special section types 8-49
 - subsections 2-8
 - .text section 4-68
 - uninitialized sections 2-2, 4-22, 4-70
- SECTIONS directive (hex conversion utility). *See*
 - hex conversion utility, SECTIONS directive
- sections directives
 - .bss 4-22
- SECTIONS linker directive 2-12, 8-27 to 8-34
 - alignment 8-32
 - allocation 8-27, 8-29 to 8-32
 - binding 8-30
 - blocking 8-32
 - default allocation 2-12 to 2-22, 8-47
 - default model 8-25, 8-27
 - examples 2-15 to 2-22
 - GROUP 8-41
 - named memory 8-31
 - overlay pages 8-44 to 8-45
 - section specifications 8-27
 - specifying runtime address 2-20, 8-35
 - specifying two addresses 2-20, 8-35
 - syntax 8-27
 - UNION 8-39
- .set assembler directive 4-15, 4-61
- .setsect assembler directive 9-8
- .setsym assembler directive 9-8
- .sfloat assembler directive 4-7, 4-37
- simulator 1-3
- software development tools 1-2
- source listings 3-25
- source statement field 3-26
- source statement format 3-10 to 3-28
 - comment field 3-11
 - label field 3-10
 - mnemonic field 3-11
 - operand field 3-11
 - optional syntaxes 5-3 to 5-42
 - parallel instructions 5-14
- source statement number 3-25
- .space assembler directive 4-9, 4-62
- SPC 2-8, 8-50
 - aligning
 - to byte boundaries 4-18, 4-32*
 - to word boundaries 4-32*
 - assembler symbol 3-11
 - linker symbol 8-50, 8-54
- special section types 8-49
- special symbols in the symbol table A-16 to A-28
- .sslist assembler directive 4-12, 4-63, 6-19
 - listing control 4-11, 4-27
- .ssnolist assembler directive 4-12, 4-63, 6-19
 - listing control 4-11, 4-27
- stack
 - definition (C system) 8-15, 8-61
- stack linker option 8-15, 8-61
- .stack section 8-15, 8-61
- __STACK_SIZE 8-15, 8-53, 8-61
- .stag assembler directive B-1, B-8
- static variables A-14
- storage classes A-19 to A-20
- store instructions 5-8 to 5-42
- .string assembler directive 4-7, 4-64
- string table A-18
- stripping line number entries 8-14
- stripping symbolic information 8-14
- .struct assembler directive 4-15
- structure definitions A-25, B-8
- subsections
 - overview 2-8

- substitution symbols
 - built-in functions 6-7
 - directives 6-6
 - expansion listing 4-63
 - forcing substitution 6-9
 - in macros 6-5 to 6-12
 - substitution symbols
 - local macro symbols 6-12
 - recursive substitution 6-9
 - subscripted substitution 6-10
 - .var (macro directive) 6-12
 - support tools 1-2
 - .sym assembler directive B-1
 - .sym symbolic debugging directive B-10
 - symbol table
 - entry from .sym directive B-10
 - index A-10
 - symbol names A-18
 - reserved words 8-20
 - symbol table 2-22, A-14 to A-28
 - symbol values A-20 to A-21
 - symbolic constants 3-17
 - symbolic debugging 8-14, A-12 to A-28, B-1
 - assembler directives B-1
 - block definitions B-2
 - directives
 - .sym B-10
 - enumeration definitions B-8
 - file identification B-3
 - function definitions B-4
 - line number entries B-6
 - member definitions B-7
 - s assembler option 3-5
 - structure definitions B-8
 - union definitions B-8
 - symbols 2-22, 3-16, 6-6
 - assigning values to 4-61
 - at link time 8-50
 - C compiler model
 - .MEMPARM 3-18
 - .REGPARM 3-18
 - character strings 3-15
 - predefined 3-17
 - substitution 3-18, 6-5 to 6-12
 - symbols (continued)
 - version
 - .C30 3-17
 - .C31 3-17
 - .C32 3-17
 - .C3x 3-17
 - .C40 3-17
 - .C44 3-17
 - .C4x 3-17
 - .TMS320C30 3-18
 - .TMS320C31 3-18
 - .TMS320C32 3-18
 - .TMS320C40 3-18
 - .TMS320C44 3-18
 - .TMS320xx 3-17
 - symbols defined by the linker 8-53 to 8-54
 - .sym16 section 8-11, 8-61
 - .sym8 section 8-11, 8-61
 - .system section 8-11, 8-61
 - __SYSTEMEM_SIZE 8-11, 8-53, 8-61
 - __SYSTEMEM16_SIZE 8-53
 - __SYSTEMEM8_SIZE 8-53
 - system stack
 - C language 8-15, 8-61
- T
- t archiver command 7-3
 - t hex conversion utility option 10-4, 10-47
 - .tab assembler directive 4-67
 - .tag assembler directive 4-15
 - target width 10-8
 - Tektronix object format 10-48
 - .text assembler directive 2-4 to 2-11, 4-6, 4-68
 - .text section 2-4 to 2-11, 4-6, 8-47, A-3
 - three-operand instructions 5-13
 - TI-Tagged object format 10-47
 - .title assembler directive 4-12, 4-69
 - TMS320 archiver. *See* archiver
 - .TMS320C30 3-18
 - .TMS320C31 3-18
 - .TMS320C32 3-18
 - .TMS320C40 3-18
 - .TMS320C44 3-18
 - .TMS320xx 3-17
 - tvt hex conversion utility option 10-5, 10-29, 10-32

U

- u archiver command 7-4
- u assembler option 3-5
- u linker option 8-15
- unconfigured memory 8-23, 8-47
- underflow
 - expression underflow 3-22
- uninitialized sections 2-2, 2-4 to 2-5, 4-22, 4-70, 8-47, 8-54
 - holes 8-57
 - initialization 8-57
- UNION (SECTIONS directive) 8-39
- union definitions B-8
- upward compatibility 3-6
- .usect assembler directive 2-4 to 2-11, 4-6, 4-70
- .utag assembler directive B-1, B-8

V

- v archiver option 7-4
- v assembler option 3-6
- v linker option 8-16
- .var assembler directive
 - listing control 4-11, 4-27
- .var macro directive 6-12
- .version assembler directive 4-16, 4-72

W

- w linker option 8-16
- W MEMORY attribute 8-25
- well-defined expressions 3-22
- .width assembler directive 4-11, 4-47
 - listing control 4-11, 4-27
- widths. *See* memory widths
- .wmsg assembler directive 4-16, 4-29, 6-17
 - listing control 4-11, 4-27
- word alignment 4-32
- .word assembler directive 4-7, 4-44

X

- x archiver command 7-4
- x assembler option 3-6
- x hex conversion utility option 10-4, 10-48
- x linker option 8-17
- X MEMORY attribute 8-25
- XDS emulator 1-3

Z

- zero hex conversion utility option 10-4, 10-27