

PARTS MANUAL

FOR

MODEL G-15D COMPUTER

CONTROL DATA
CORPORATION

Note: This manual contains cross referenced
Bendix and Control Data Part Numbers.

Pub. No. 60061400

Printed in the United States of America

PREFACE

This manual is a pictorial representation of the parts for the Bendix Model G-15D Computer. It should be used when ordering replacement parts for the computer and when filling out service reports to insure the use of correct part numbers.

There are two assembly classifications, the major sub-assembly and the minor sub-assembly. A major sub-assembly is a complete working unit; a minor sub-assembly is a part that is composed of more than one component. As an example, the "tape reader" illustrates both classifications. It is a major sub-assembly consisting of many minor sub-assemblies.

The first section of the manual shows the location of each major sub-assembly. Sections 2 through 18 contain complete identification of parts used in each major sub-assembly. The major sub-assemblies and their respective sections are listed in the index at the beginning of the manual.

The parts listed in the manual are divided into two classes and identified by the following styles of lettering:

1. **INDIVIDUAL COMPONENTS**

2. *MINOR SUB-ASSEMBLIES*

These two letter styles indicate the difference between the parts that may be ordered as individual components and those parts that must be ordered as minor sub-assemblies.

This **THIRD STYLE OF LETTERING** is used so that various individual components may be referred to on the schematic drawings, i.e., **R-11, C-10**.

All small, standard parts should be purchased at a local electronics parts distributor.

Price and delivery information may be obtained by consulting the Marketing Department of:

Bendix Computer Division
5630 Arbor Vitae Street
Los Angeles 45, California

INDEX OF SECTIONS

TITLE	SECTIONS	PART NO.
Blower Assy.	5	1C659
Capacitor Box Assy.	4	1C654
Clock Chassis Assy.	14	1D999
Control Panel Assy.	10	1E911
Diode Package Assys.	18	
Frame Assy. G-15D	1	1R937
G-15D Computer	1	1C1423
Magazine Assy.	2	1C487
Memory Drum Assy.	6	1E667
Panel Assy., Left Logic	12	1R932
Panel Assy., Right Logic	11	1R931
Read Pre-Amp Assy.	7	1E731
Rectifier Assy.	16	1D1560
Relay Chassis Assy.	13	1E908
Tape Reader Assy.	8	1E839
Test Panel Assy.	3	1D596
Tube Package Assys.	17	
Typewriter Assy.	15	1C1001

INDEX OF ILLUSTRATIONS

SECTION ONE

G-15D COMPUTER 1C1423

PAGE NO.	TITLE
1.2	G-15D Computer and Typewriter
1.3	Trim, Frame Assembly (G-15D Left Side and Rear)
1.4	Trim, Frame Assembly (G-15D Right Side and Front)
1.5	Frame Assembly (G-15D Left, Door Open)
1.6	Frame Assembly (G-15D Right, Door Open)
1.7	Frame Assembly (G-15D Left, Door Open)
1.8	Frame Assembly (G-15D Right, Door Open)
1.9	Rear Center Upper Trim Panel (Front)
1.10	Rear Center Upper Trim Panel (Rear)
1.11	Power Supply Section (G-15D)
1.12	Logic and Power Fuse Blocks
1.13	Filament Dropping and Marginal Checking Resistors
1.14	Power Assembly, Power Supply - 1B930
1.14	Power Cable Assembly - 1C595
1.15	Slide Assembly

SECTION TWO

MAGAZINE ASSEMBLY 1C487

2.2	Magazine Assembly (Inside)
-----	----------------------------

SECTION THREE

MAGAZINE PANEL ASSEMBLY 1D596

3.2	Test Panel (Front)
3.3	Test Panel (Rear)

SECTION FOUR
CAPACITOR BOX ASSEMBLY 1D654

- 4.2 Capacitor Box (Front)
- 4.3 Capacitor Box (Rear, Cover Removed)

SECTION FIVE
BLOWER ASSEMBLY 1C659

- 5.2 Blower Assembly (Filter Removed)

SECTION SIX
FINAL ASSEMBLY MEMORY DRUM 1E667

- 6.2 Drum and Motor Assembly
- 6.3 Memory Drum (Left)
- 6.4 Memory Drum (Cover Removed)

SECTION SEVEN
FINAL ASSEMBLY READ PRE-AMP 1E731

- 7.2 Rear Pre-Amp (Front)
- 7.3 Rear Pre-Amp (Rear, Cover Removed)
- 7.4 Turret Assembly 1C392
- 7.5 Read Pre-Amp Rear Cover

SECTION EIGHT
WIRED ASSEMBLY TAPE READER

- 8.2 Front Panel
- 8.3 Tape Reader (Bottom-Rear View)
- 8.4 Exploded View, Front Panel Mechanics
- 8.5 Tape Reader (Rear)

- 8.6 Photo Diode Potentiometer Assembly (Rear)
- 8.7 Motor and Drive Coupling
- 8.8 Exploded View, Drive Coupling
- 8.9 Upper Chassis (Top)
- 8.10 Board Assembly TB-1 1B806
- 8.10 Board Assembly TB-2 1B807
- 8.11 Lower Chassis (Top)
- 8.12 Board Assembly 1B919
- 8.13 Upper Chassis (Bottom)
- 8.14 Lower Chassis (Bottom)
- 8.15 Board Assembly, Component 1D837
- 8.16 Board Assembly, Component List 1D837
- 8.17 Photo Head Assembly 1D808
- 8.18 Exploded View, Photo Head Assembly

SECTION NINE
TAPE PUNCH 1E908

- 9.2 Tape Punch (Right)
- 9.3 Tape Punch (Left, Cover Removed)
- 9.4 Board Assy. Component 1D912

SECTION TEN
CONTROL PANEL 1E911

- 10.2 Control Panel (Front)
- 10.3 Control Panel (Rear)
- 10.4 Variac Transformer & Power Switch Assy.
- 10.5 Switch Assembly, Control Panel 1C664

SECTION ELEVEN

PANEL ASSEMBLY RT. LOGIC 1R931

- 11.2 Panel Assembly, Right Logic (Door Open)
- 11.3 Panel Assembly, Right (Logic View)
- 11.4 Filament Bus Bars
- 11.5 Latch Mechanism
- 11.6 Logic Panel Fan Motors
- 11.6 Logic Panel Taper Pin Blocks
- 11.7 Door, Right Logic

SECTION TWELVE

PANEL ASSEMBLY LEFT LOGIC 1R932

- 12.2 Panel Assembly, Left Logic (Door Open)
- 12.3 Panel Assembly, Left (Logic View)
- 12.4 Filament Bus Bars
- 12.5 Latch Mechanism
- 12.6 Logic Panel Fan Motors
- 12.6 Logic Panel Taper Pin Blocks
- 12.7 Door, Left Logic

SECTION THIRTEEN

WIRED ASSEMBLY, RELAY CHASSIS 1E962

- 13.2 Relay Chassis (Component side)
- 13.3 Relay Chassis (Tube Side)
- 13.4 Relay Chassis (Tube Side)
- 13.5.1 Relay Chassis (Component Side, Relay Cover Removed)
- 13.5.2 Relay Chassis (Component Side, Relay Cover Removed)
- 13.6.1 Board Assembly, Relay Chassis - 1C953
- 13.6.2 Board Assembly, Relay Chassis - 1C1715
- 13.7 Board Assembly, Component List, Relay Chassis - 1C952
- 13.8 Board Assembly, Component List, Relay Chassis - 1C952

SECTION FOURTEEN
FINAL ASSEMBLY, CLOCK 1D999

- 14.2 Clock Chassis (Tube Side)
- 14.3 Clock Chassis (Component Side)
- 14.4 Board Assembly, Clock Chassis - 1D965
- 14.5 1D965 Board Assembly Component List
- 14.6 1D965 Board Assembly Component List

SECTION FIFTEEN
TYPEWRITER ASSEMBLY 1C100 1

- 15.2 Typewriter Assembly
- 15.3 Upper Typewriter Assembly (Rear Cover Removed)
- 15.4 Upper Typewriter Assembly (Bottom)
- 15.5 Key, Solenoid Actuating Mechanism
- 15.6 Key, Finger Contract Mechanism
- 15.7 Base Assembly, Typewriter
- 15.8 Board Assembly, Terminal - 1B706
- 15.8 Relay Assembly, Typewriter Base
- 15.9 Board Assembly, Diode - 1D1005
- 15.10 Component List, 1D1005 Board Assembly
- 15.11 Exploded View, Typewriter Micro Switches (TAB, CR.)

SECTION SIXTEEN
RECTIFIER ASSEMBLY 1D1560

- 16.2 Rectifier Assembly (Top)

SECTION SEVENTEEN

TUBE PACKAGES

17.2	Final Assy. Rd. Clk. Pkg.	1C1428
17.3	Final Assy. Rd. Amp. Pkg. Component List	
17.4	Final Assy. Rd. Amp. Pkg.	1C1007
17.5	Final Assy. Flip Flop Component List	
17.6	Final Assy. Flip Flop	1C998
17.7	Final Assy. Buff. Inver. Component List	
17.8	Final Assy. Buff Inver.	1C1140
17.9	Final Assy., Buffer H.C. Component List	
17.10	Final Assy. Buffer H.C.	1C1517
17.11	Final Assy., Write Amp. Component List	
17.12	Final Assy. Write Amp.	1C1155
17.13	Final Assy. Cath. Fol. 1	1C1144
17.14	Final Assy. Cath. Fol. 2	1C1107

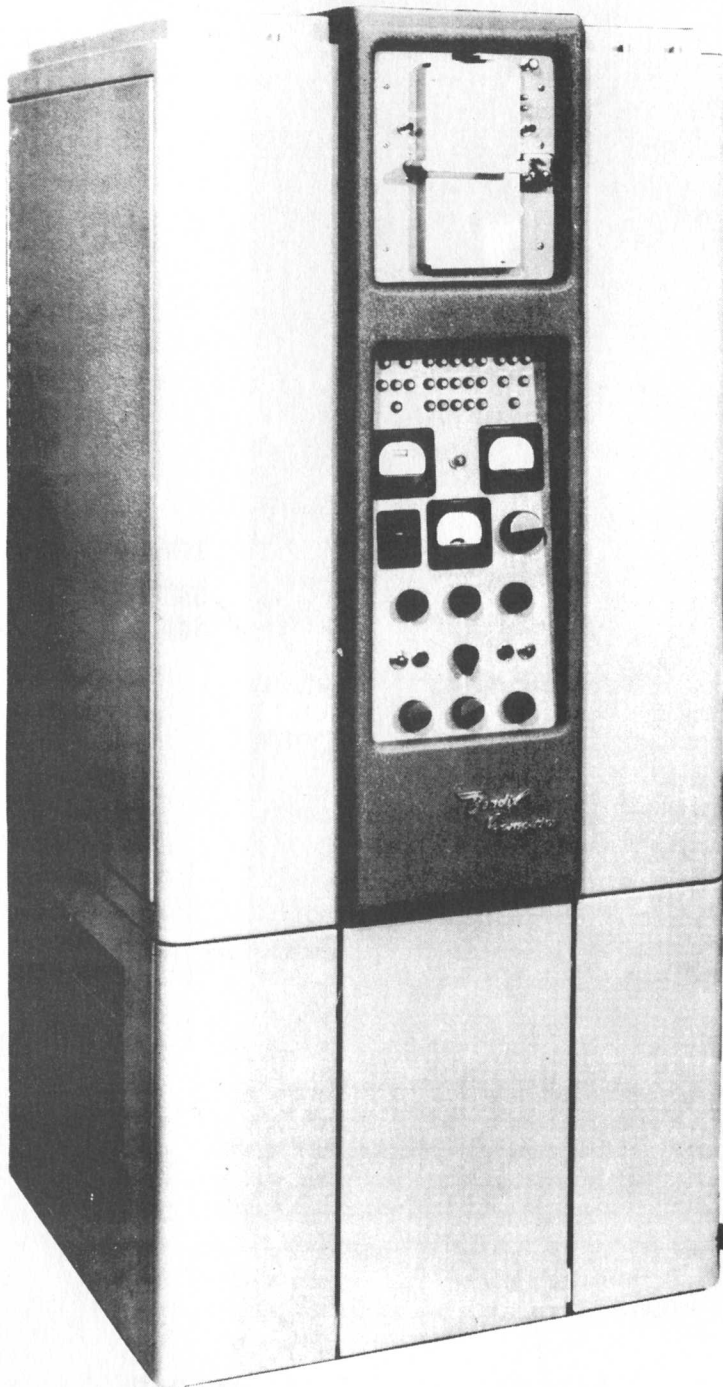
SECTION EIGHTEEN

DIODE PACKAGES

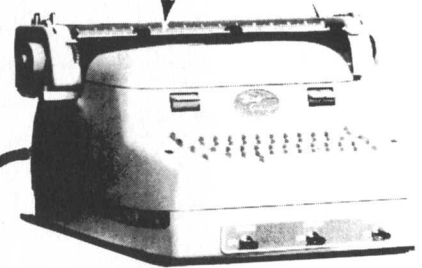
18.2	Final Assy. Diode 1 Pkg.	1C964
18.3	Final Assy. Diode 2 Pkg.	1C991
18.4	Final Assy. Diode 3 Pkg.	1C1142
18.5	Board Assy. Clamp Pkg.	1C993
18.6	Final Assy. Clk. Clp. Pkg.	1C1009

SECTION ONE
G-15D COMPUTER
G-15D FRAME ASSEMBLY

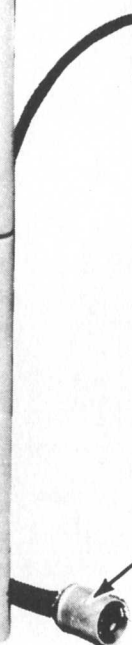
1C1423
FINAL ASSY., G-15D



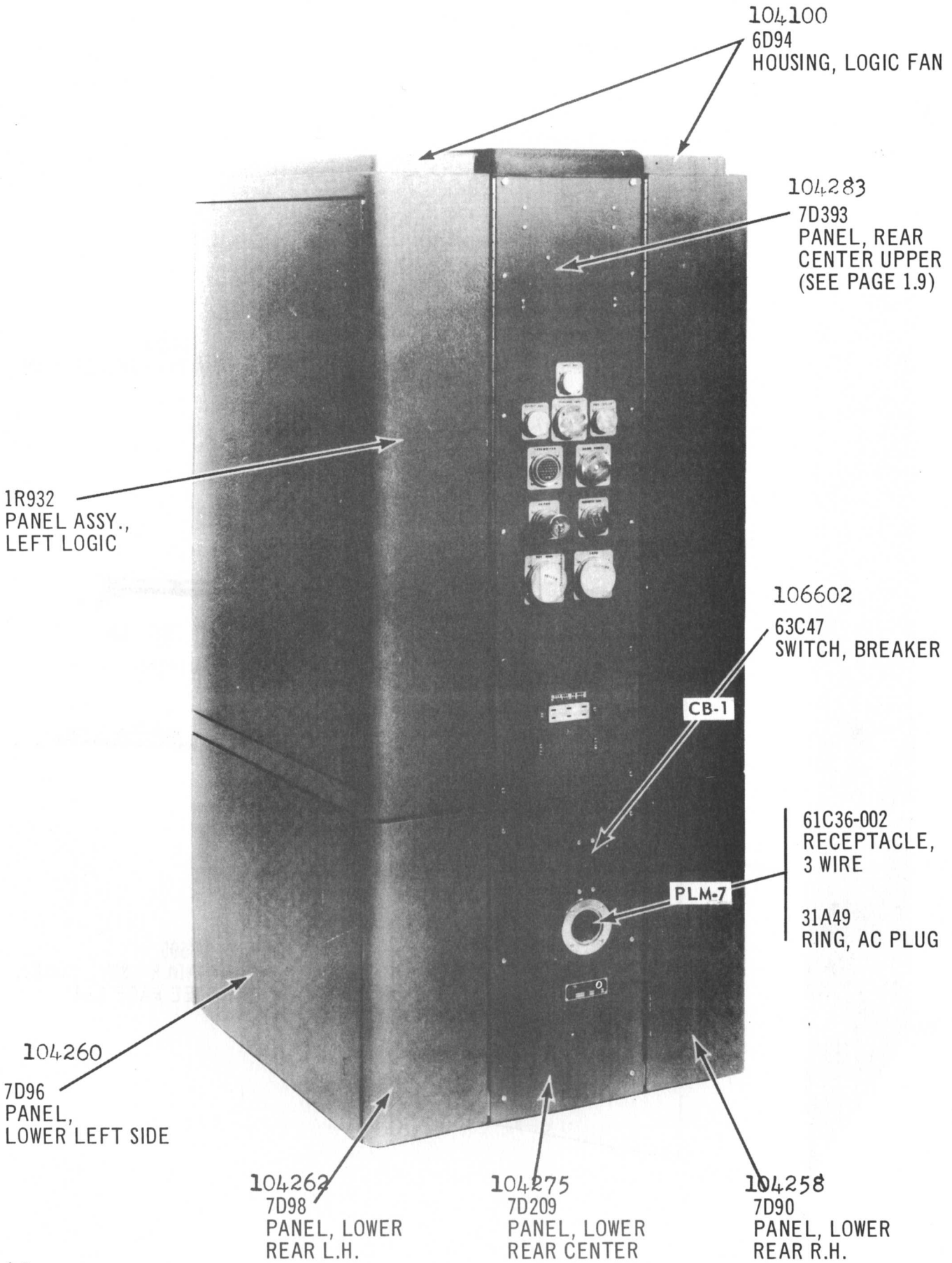
1C1001
TYPEWRITER ASSY.



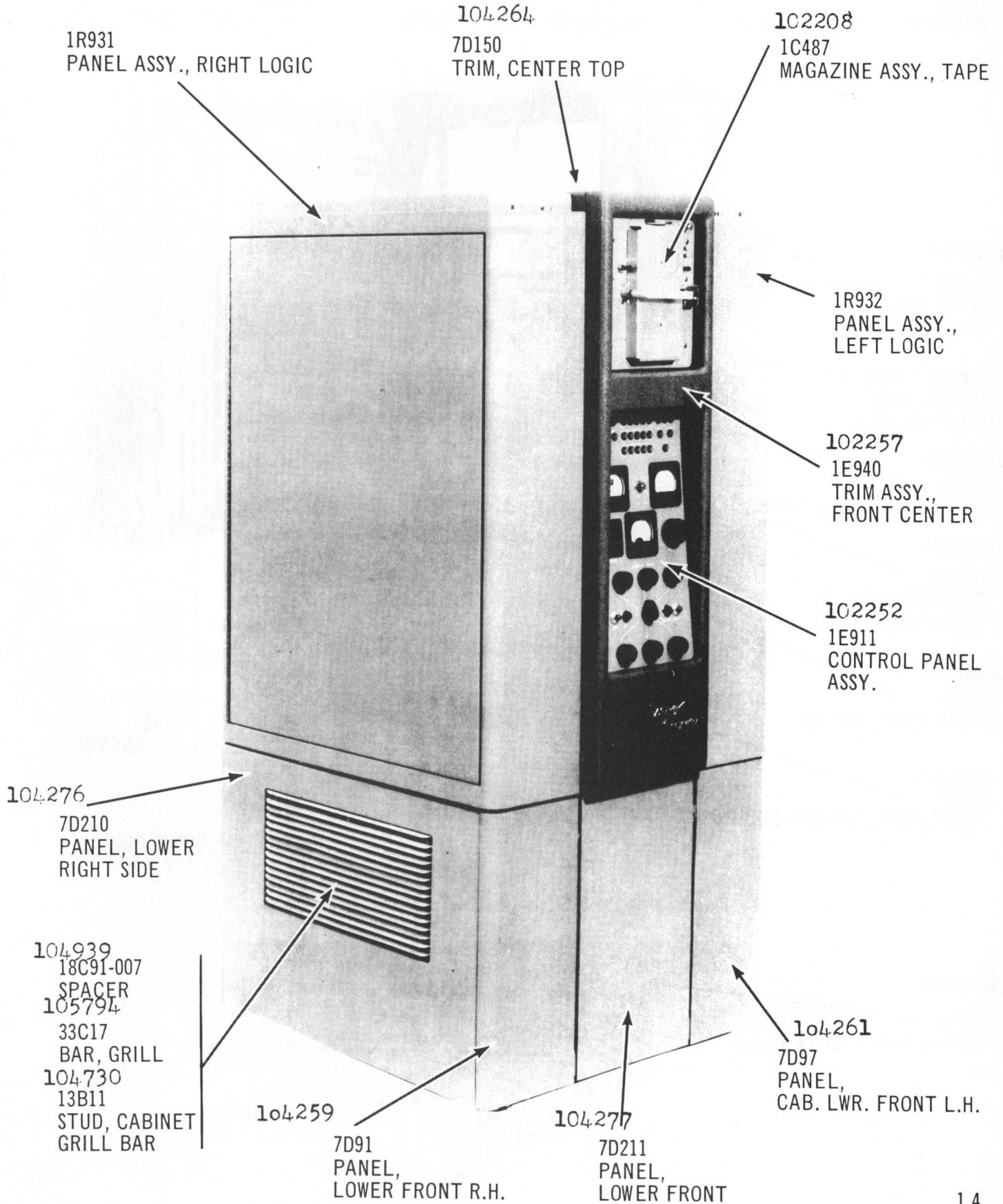
1C595
CABLE ASSY., POWER
(SEE PAGE 1.14)



1R937
FRAME ASSY., G-15D



1R937
FRAME ASSY., G-15D



1R937
FRAME ASSY., G-15D
(LEFT SIDE)

102246

1E839
WIRED ASSY., TAPE READER

1E908
WIRED ASSY., TAPE PUNCH

1R932
PANEL ASSY., LEFT LOGIC

102259

1E962
WIRED ASSY.,
RELAY CHASSIS

VARIAC TRANS. &
PWR. SW. ASSY.
(SEE PAGE 10.4)

102220

1D596
WIRED ASSY., TEST PANEL

102297

1D1560
BRACKET ASSY.,
RECTIFIER

102266

1D999
FINAL ASSY., CLOCK

102223

1E667
FINAL ASSY., MEMORY-DRUM

PLM-3

1R955
CABLE ASSY.,
PRE-AMP.

106403
61A35
CONNECTOR

102236

1E731
FINAL ASSY., READ PRE-AMP.

102258

1E950
CABLE ASSY., WRITE PLUG

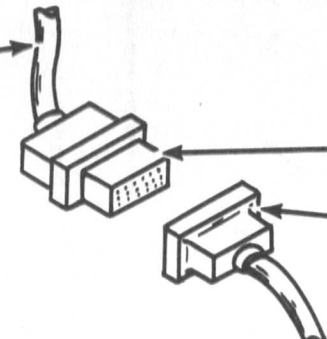
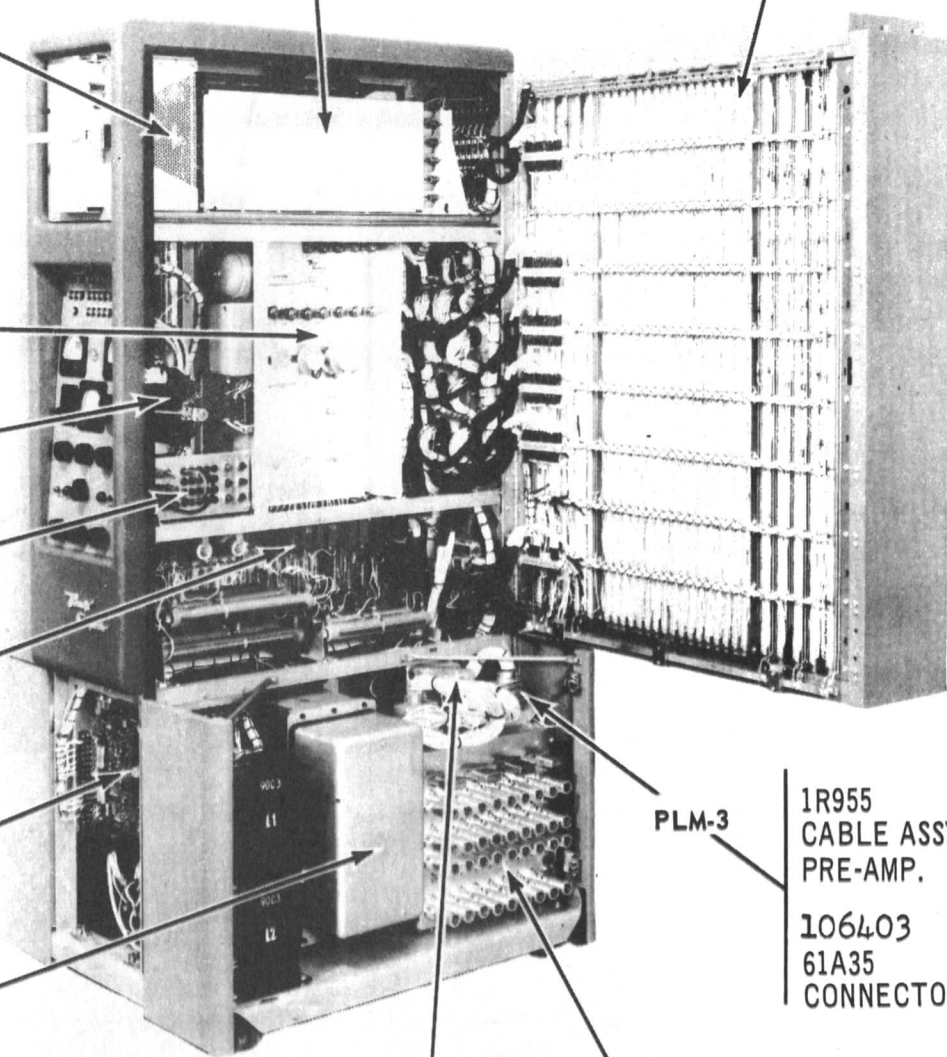
106397

PLF-2

61A28
CONNECTOR

PLM-2

106403
61A35
CONNECTOR



1R937
FRAME ASSY., G-15D
(RIGHT SIDE)

REAR PANEL COMPONENTS
(SEE PAGE 1.10)

102264
1D996
CABLE ASSY.

1R931
PANEL ASSY., RIGHT LOGIC

PLF-6 PLF-15

SLIDE ASSY.,
(SEE PAGE 1.15)

1C6139
48D8
BOX, CHAD

102252
1E911
CONTROL PANEL ASSY.

102259
1E962
WIRED ASSY.,
RELAY CHASSIS

TB-3

TB-11

R30 107512
R29 81C5
RESISTOR
10 OHMS 100W

TS-4

102266
1D999
FINAL ASSY., CLOCK

67A87
CABLE, FILAMENT

66C1-030
TUBING, BLACK VINYL

TB-6

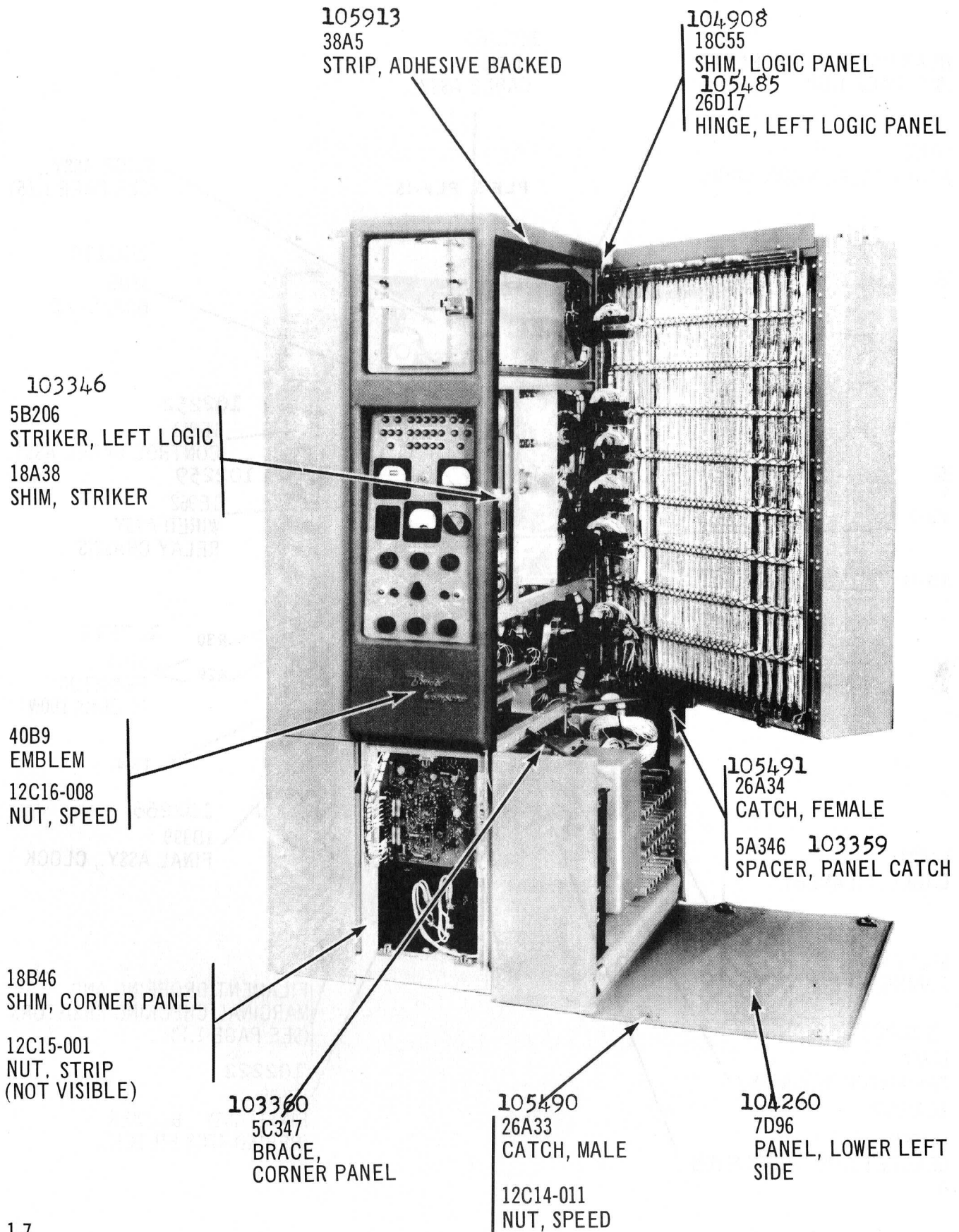
FILAMENT DROPPING AND
MARGINAL CHECKING RESISTORS
(SEE PAGE 1.13)

102221
1C654
CAPACITOR BOX ASSY.

102297
1D1560
BRACKET ASSY., RECTIFIER

102222
1D659
FINAL ASSY., BLOWER
(BEHIND 47C8 FILTER)

1R937
FRAME ASSY., G-15D



1R937
FRAME ASSY., G-15D

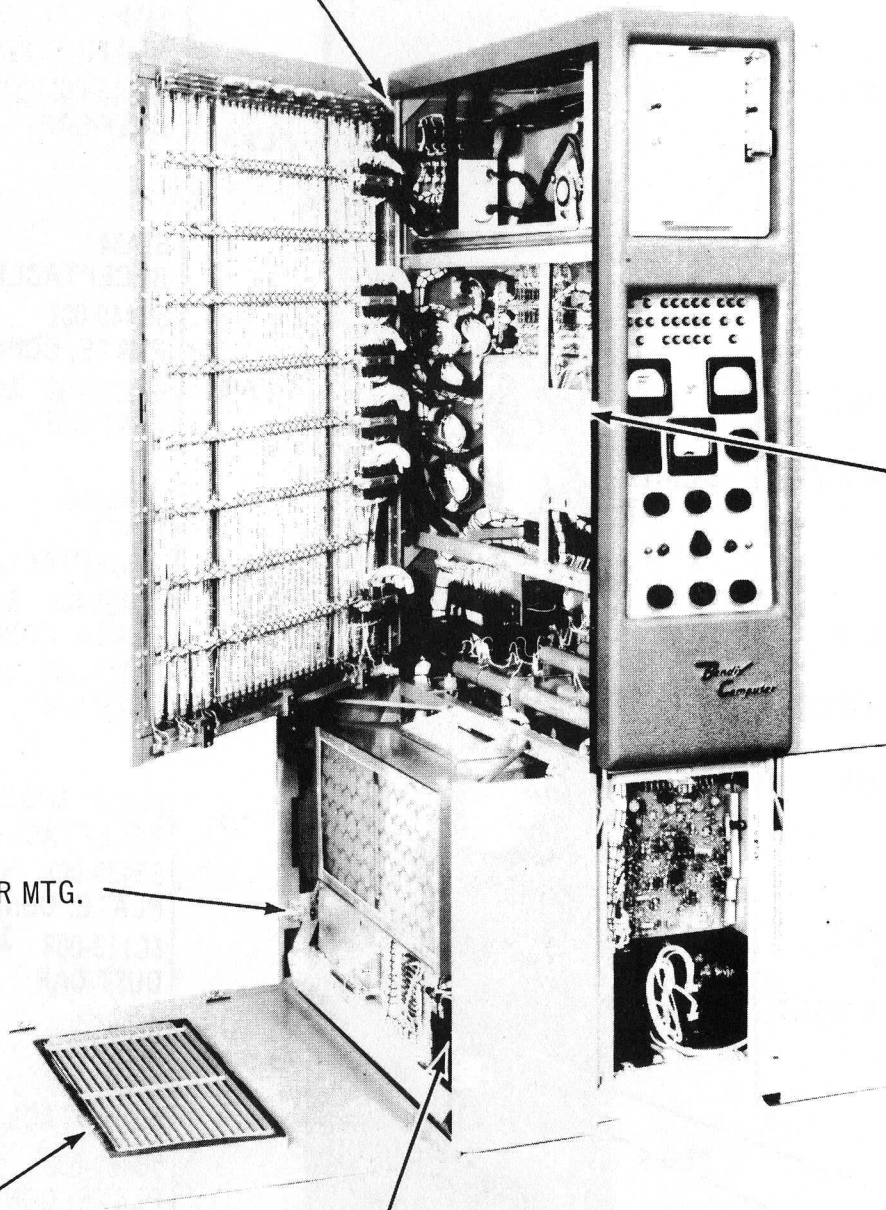
105486
26D18
HINGE, RIGHT LOGIC PANEL

103347
5B207
STRIKER,
RIGHT LOGIC

103357
5A343
BRACKET, REAR MTG.

105914
38A6
STRIP, ADHESIVE BACKED

103358
5A344
BRKT.. PANEL MTG.
(NOT VISIBLE)



OUTSIDE VIEW
REAR CENTER UPPER
TRIM PANEL

106432

61A98
CONNECTOR, MOD. FEMALE
5B438-003 103376
PLATE, CONNECTOR IDENT.
6C113-004 104108
DUST CAP

104283

7D393
PANEL, REAR CENTER UPPER

106390

61A20
RECEPTACLE, FEMALE
5B440-002 103379
PLATE, CONNECTOR IDENT.
6C113-002 104106
DUST CAP

106393

61A23
RECEPTACLE, FEMALE
5B463 103390
PLATE, CONNECTOR IDENT.
6C113-001 104105
DUST CAP

106402

61A33
RECEPTACLE, FEMALE
5B438-002 103375
PLATE, CONNECTOR IDENT.

61A34
RECEPTACLE, FEMALE
5B440-001
PLATE, CONNECTOR IDENT.
6C113-002 104106
DUST CAP

61A21 106391
RECEPTACLE, FEMALE
5B439-002 103378
PLATE, CONNECTOR IDENT.
1B1426
PLUG ASSY., SHORTING

106426

61A77
RECEPTACLE, FEMALE
5B438-001 103374
PLATE, CONNECTOR IDENT.
6C113-004 104108
DUST CAP

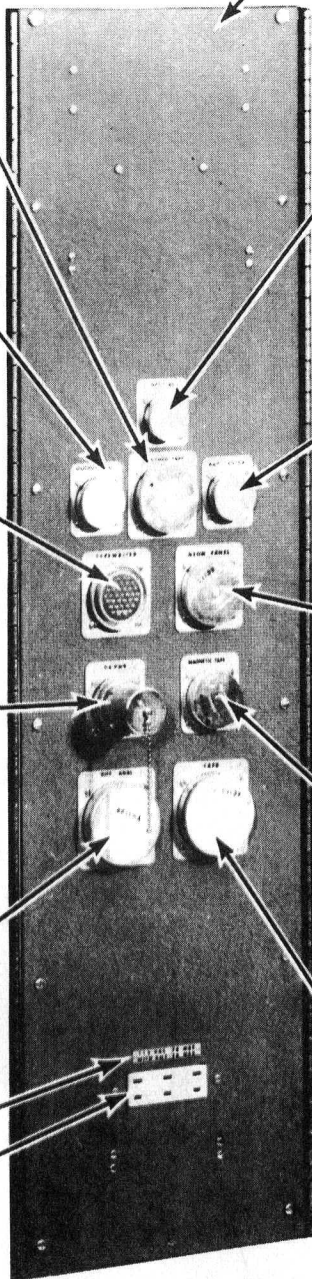
61A31 106400
RECEPTACLE, FEMALE
5B462-001 103388
PLATE, CONNECTOR IDENT.
6C113-005 104109
DUST CAP

61A30 106399
RECEPTACLE, FEMALE
5B439-001 103377
PLATE, CONNECTOR IDENT.
6C113-003 104107
DUST CAP

106005
40A36
NAME PLATE
61A67 106423
RECEPTACLE, AC OUTLET

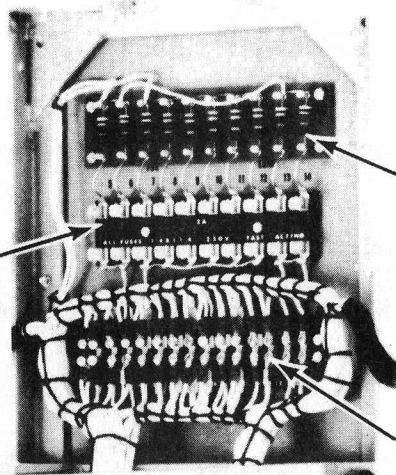
106392

61A22
RECEPTACLE, FEMALE
5B462-002 103389
PLATE, CONNECTOR IDENT.
6C113-005 104109
DUST CAP



INSIDE VIEW
REAR CENTER UPPER
TRIM PANEL

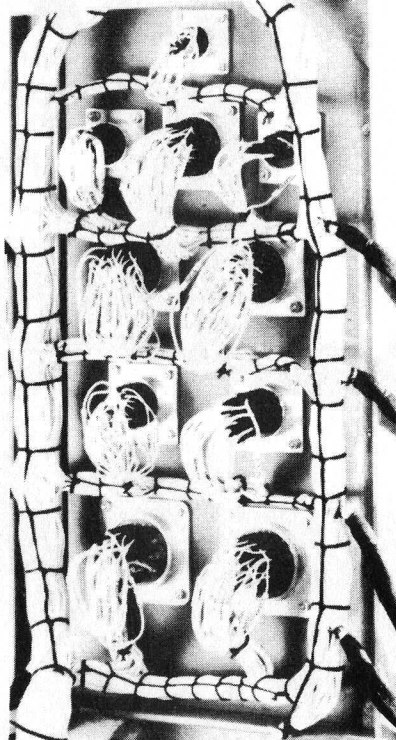
106806
68C4-002
FUSE MTG. STRIP, 3AG
105082
20A92
MARKER STRIP, FUSE
(SEE PAGE 1.12)



102254
1B930
BD. ASSY., PWR. SUPPLY
(SEE PAGE 1.14)
8B263 104427
BOARD, TERMINAL INSULATE

TS-1

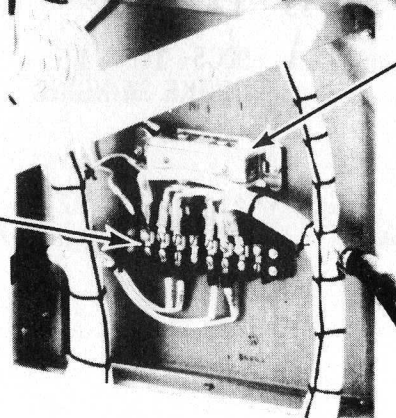
104447
8C273-014
STRIP, SCR. TERM. BARRIER
20B47 105065
STRIP, TS-1 MARKER



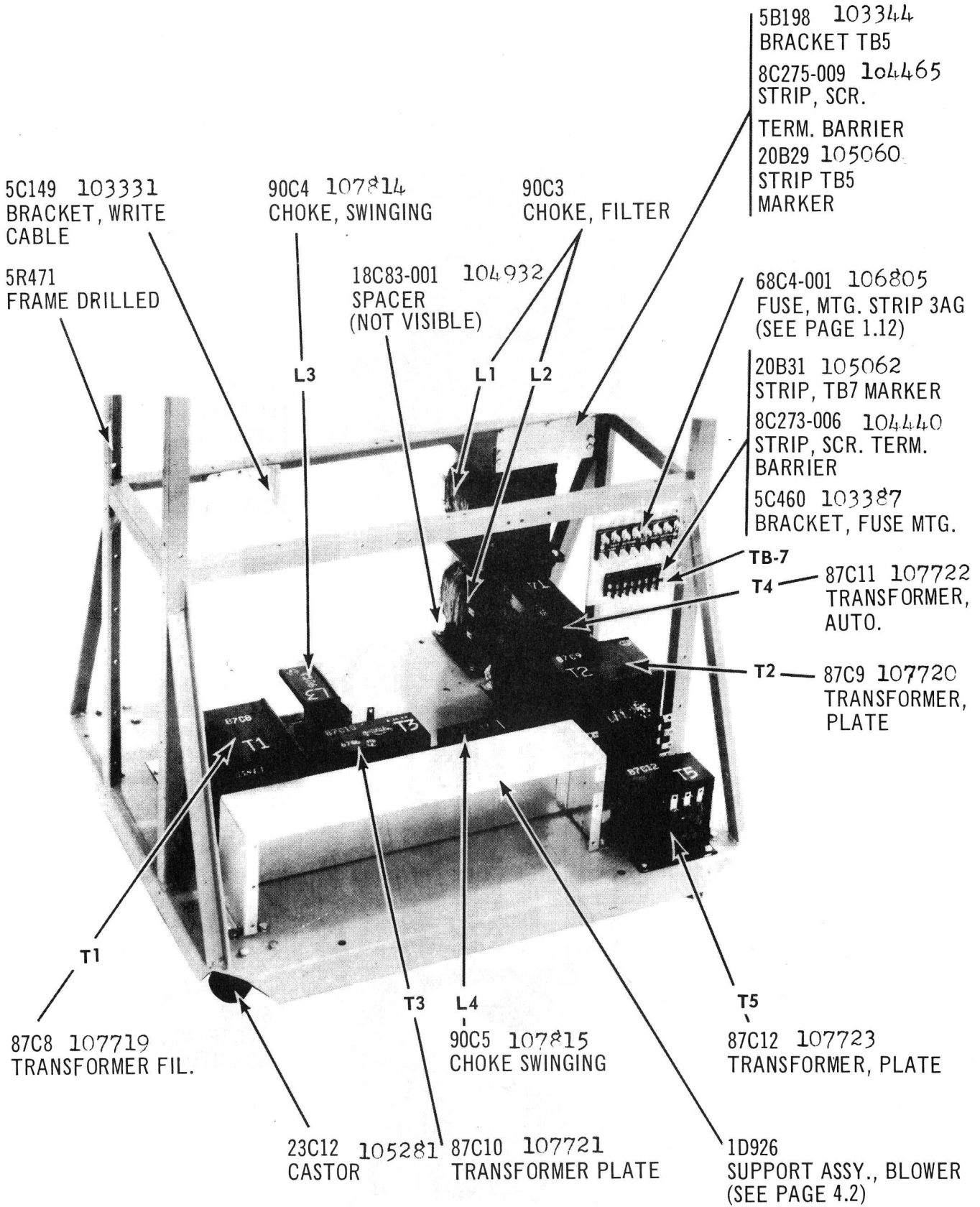
106423
61A67
RECEPTACLE,
AC OUTLET

104442
8C273-008
STRIP, SCR. TERM BARRIER
20B46 105064
STRIP, TB-9 MARKER

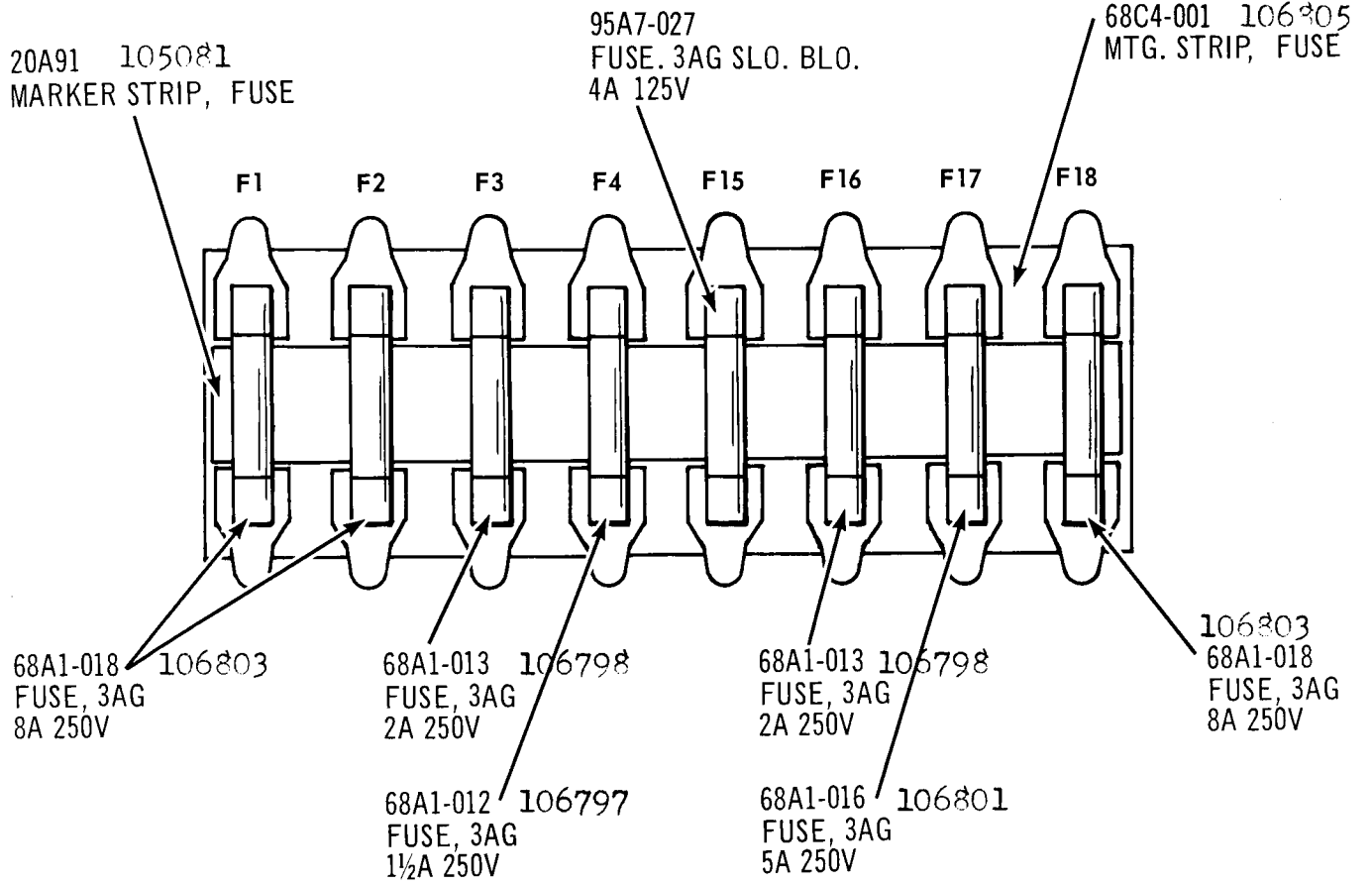
TB-9



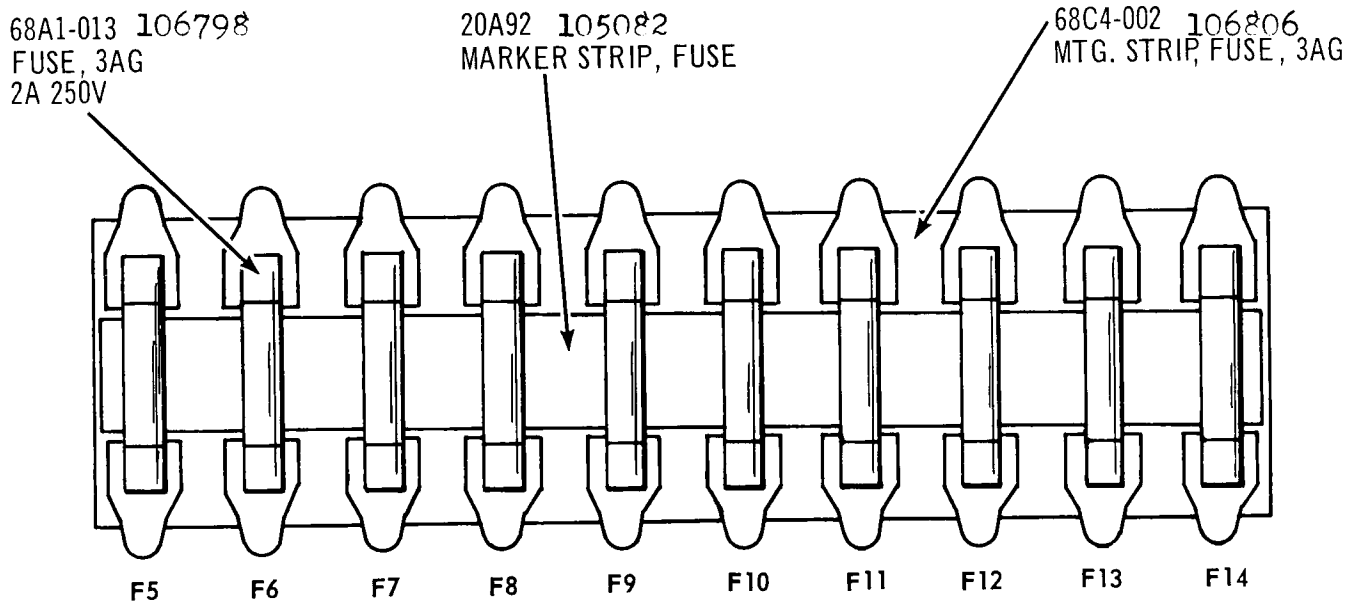
1R937
PWR SUPPLY SECTION



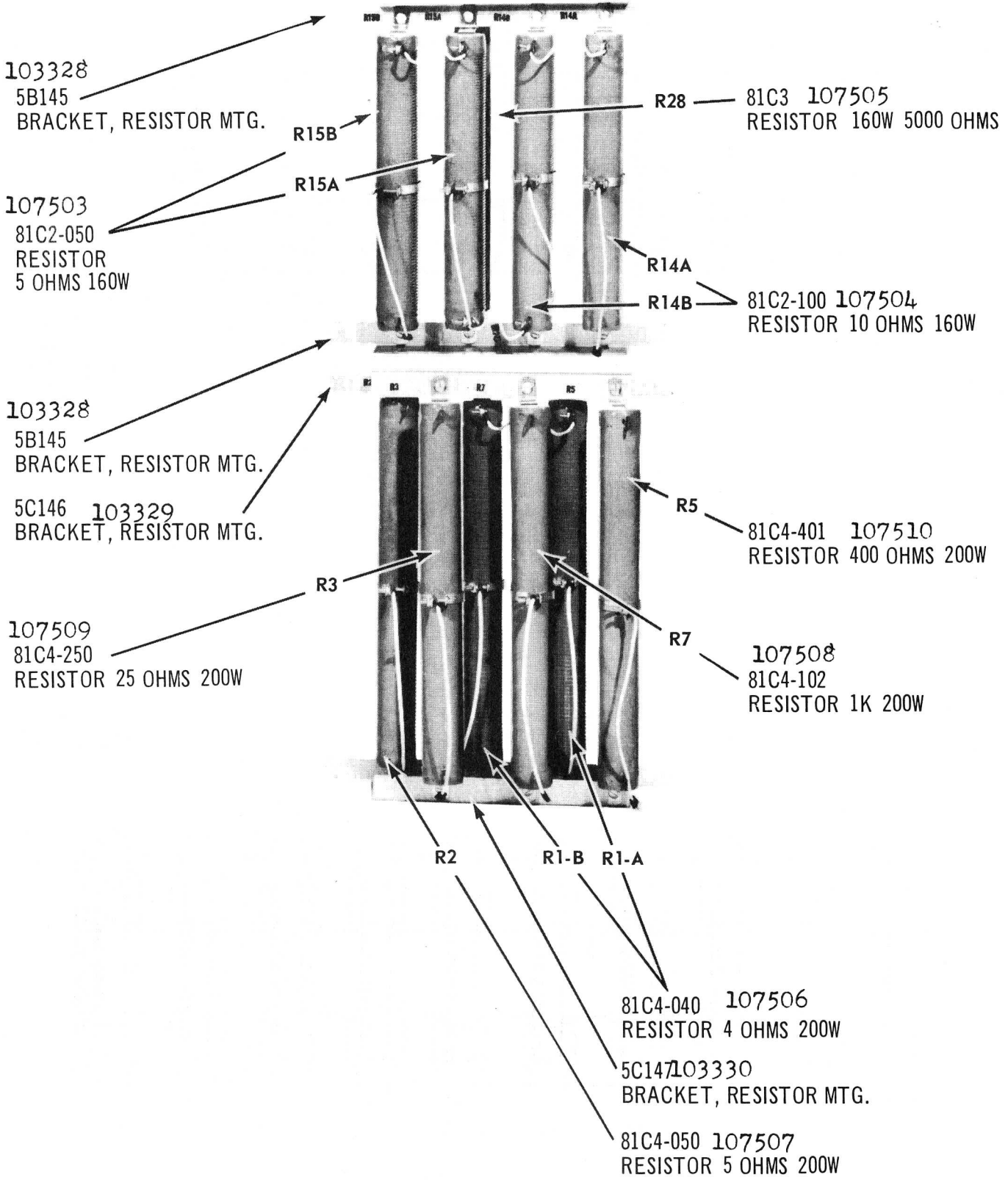
MAIN POWER FUSE BLOCK



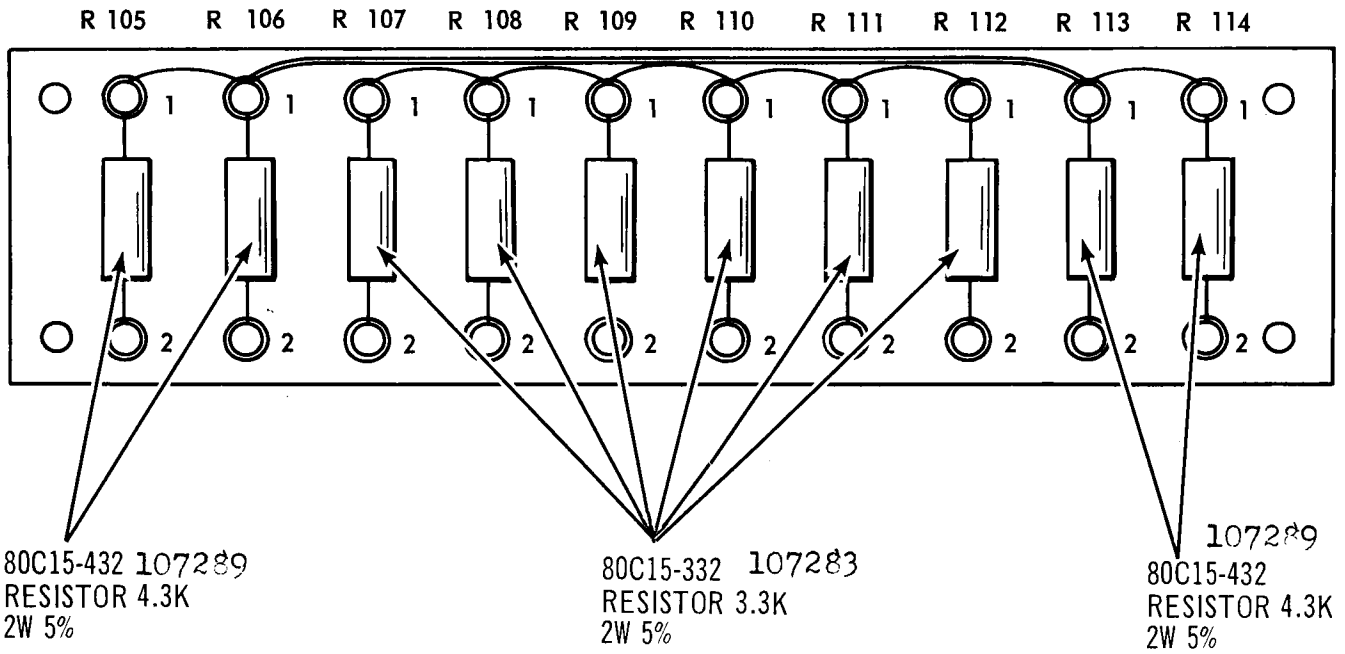
LOGIC FUSE BLOCK



FILAMENT DROPPING AND MARGINAL CHECKING RESISTORS



1B930
BOARD ASSY., PWR. SUPPLY



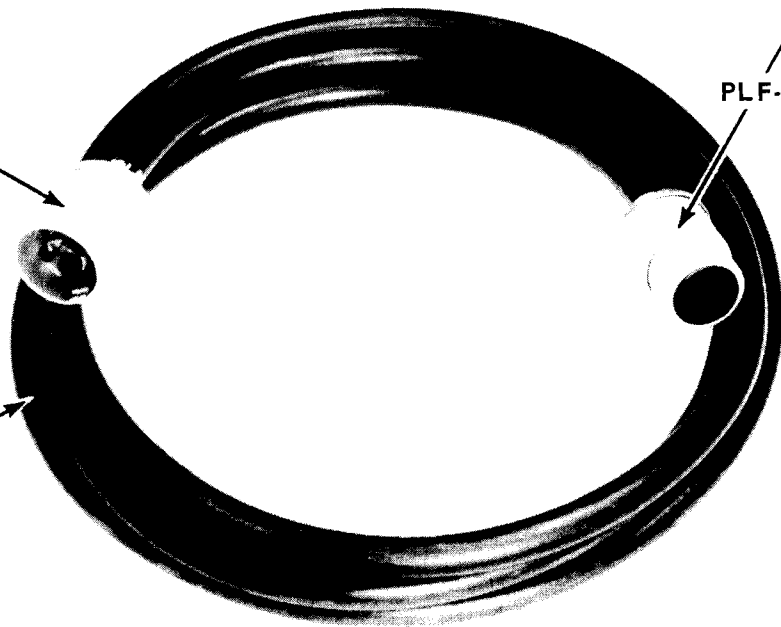
1C595
CABLE ASSY., POWER

61A25
CONNECTOR, CAP

61A27 106396
CONNECTOR, BODY

PLF-7

67A98
CABLE AWG 8



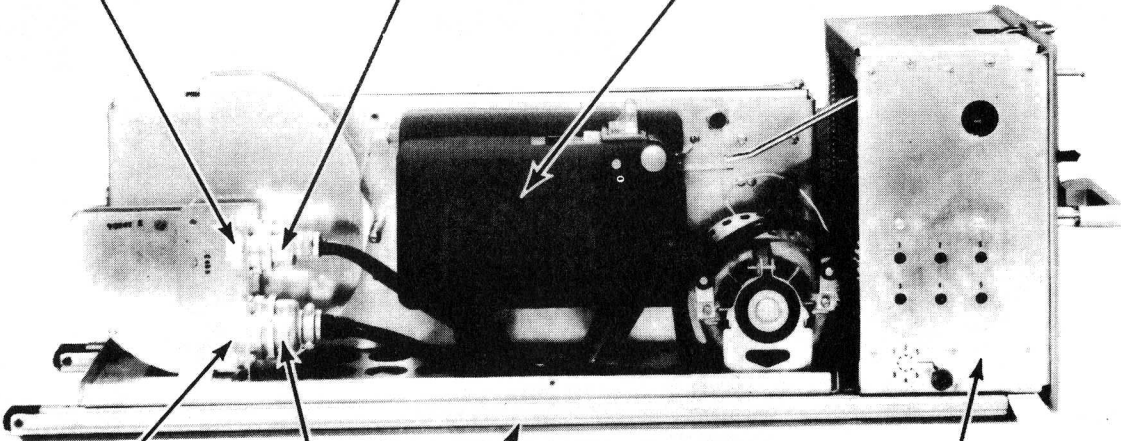
SLIDE ASSEMBLY

61A34
RECEPTACLE, FEMALE

PLF-15

PLM-15

1E908 102251
WIRED ASSY., TAPE PUNCH



PLF-6

PLM-6

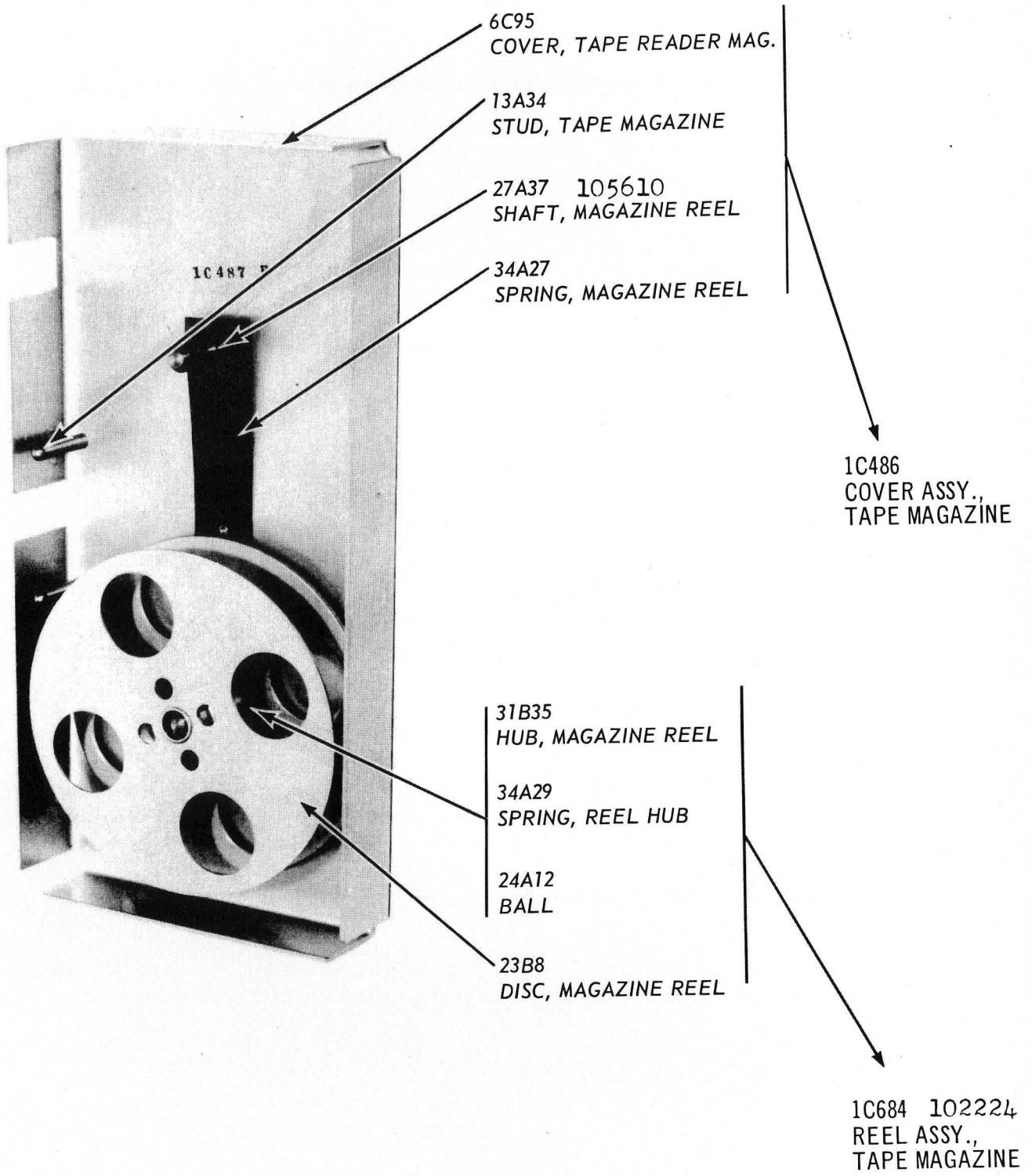
61A29 106398
RECEPTACLE, FEMALE

26C22 105489
SLIDE SUPPORT MOD.

1E839 102246
WIRED ASSY., TAPE READER

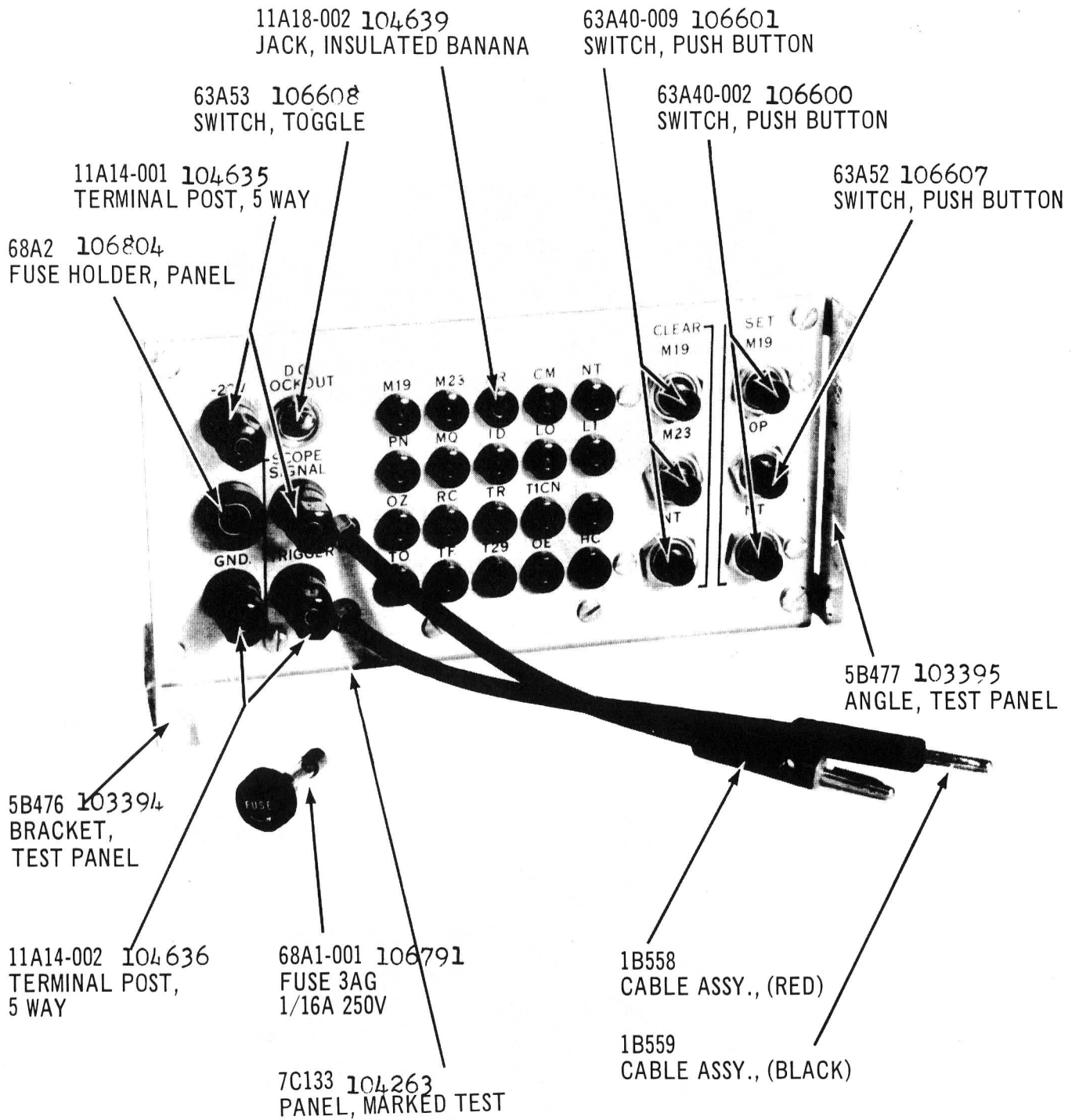
SECTION TWO
MAGAZINE ASSEMBLY

1C487
MAGAZINE ASSY., TAPE



SECTION THREE
TEST PANEL ASSEMBLY

1D596 102220
 TEST PANEL
 FRONT



ID596 10220X 102220
 TEST PANEL,
 REAR

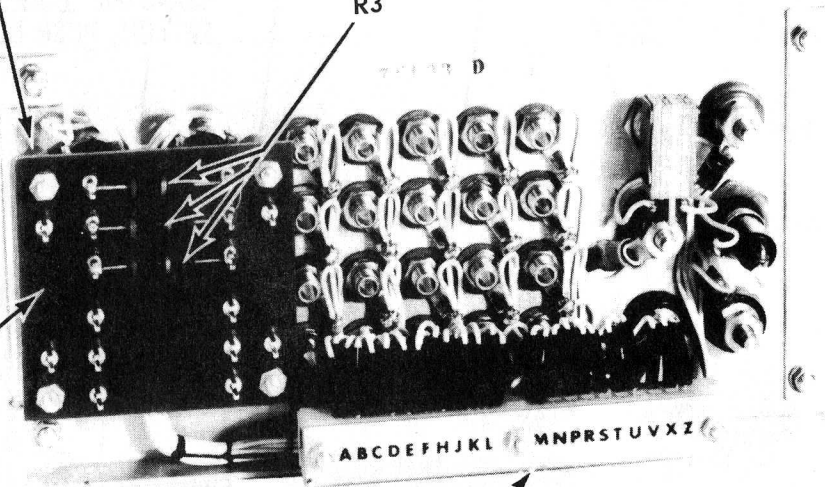
18C82-004 104.926
 SPACER

80C13-102 107198
 RESISTOR 1K 1W 5PRCT

R1

R2

R3



1B555
 BOARD ASSY., TEST PANEL

1B909
 TAPER PIN BLOCK ASSY.

61A14 106384
 CONNECTOR, TAPER PIN

61A11 106383
 CAP, TAPER PIN BLOCK

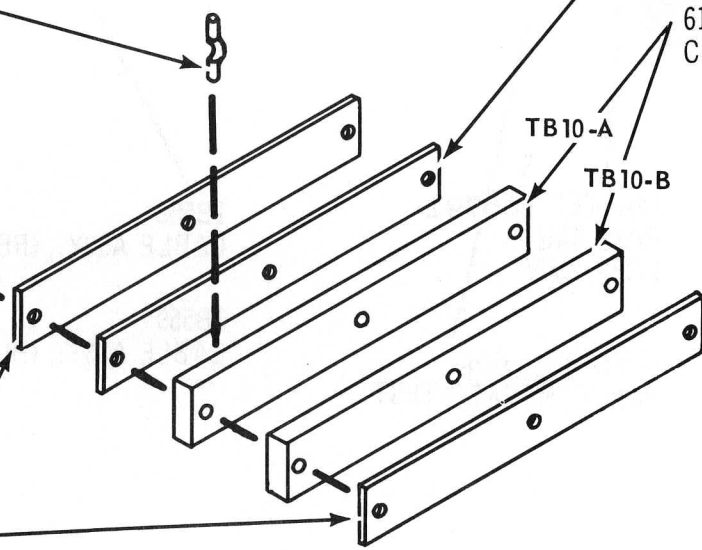
18C82-005 104927
 SPACER
 (NOT PART OF 1B909)

61A10 106382
 CONNECTOR, TAPER PIN

104900
 18A27
 SPACER, TAPER PIN

TB10-A

TB10-B



SECTION FOUR
CAPACITOR BOX ASSEMBLY

1C654 102221
CAPACITOR BOX ASSY.

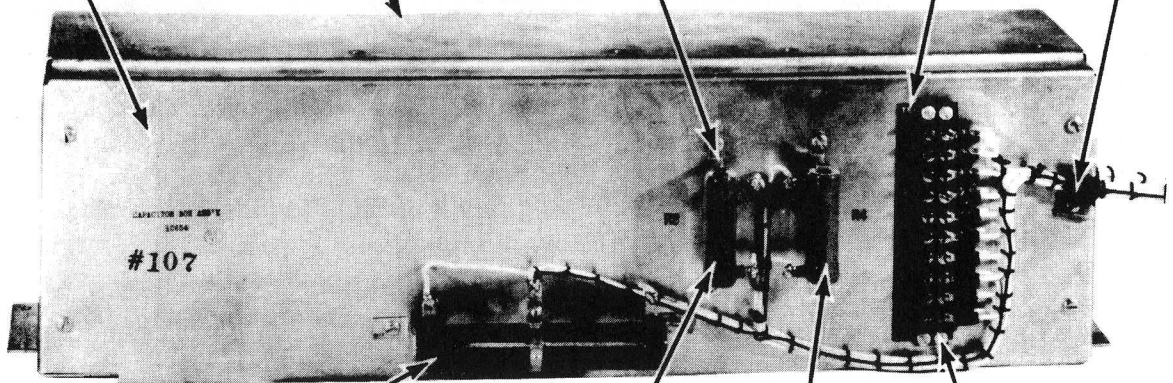
1D926
SUPPORT ASSY., BLOWER

5A518 103404
BRACKET, SPRING CLIP

20B30 105061
STRIP, TB6 MARKER

6D68 104094
COVER, PWR. SUPPLY CAP.

25C24-002
CABLE CLAMP,
CUSHIONED



R6
81C27-021 107605
RESISTOR, ADJ.
1.5K 50W

R8
81C8-026 107553
RESISTOR, 1.5K
20W 5%

R4
81C8-041 107555
RESISTOR, 7.5K
20W 5%

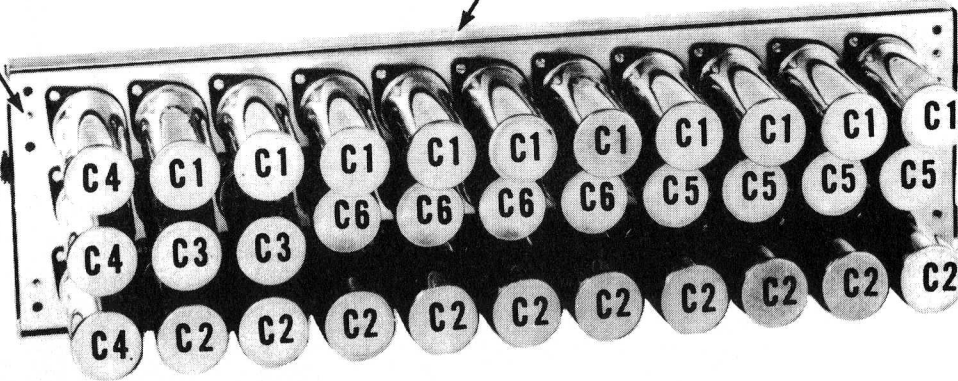
TB-6
8C276-010 104479
STRIP, SCR.
TERM. BARRIER

1C654 102221
CAPACITOR BOX ASSY.

5C539-018 103410
STANDOFF, SWAGE TYPE

4D29 103287
CHASSIS, PWR. SUPPLY CAPACITOR

17C5-004 104849
GROMMET



C1	70A7-001	CAPACITOR	150MFD	300V	106829
C2	70A7-001	CAPACITOR	150MFD	300V	106829
C3	70A7-001	CAPACITOR	150MFD	300V	106829
C4	70A7-002	CAPACITOR	90 MFD	475V	106830
C5	70A6	CAPACITOR	1000MFD	25V	106828
C6	70A6	CAPACITOR	1000MFD	25V	106828

SECTION FIVE
BLOWER ASSEMBLY

1C659 102222
BLOWER ASSEMBLY

1E371 102205
BLOWER ASSY.,
SPOTWELDED

5C158 103334
BKT., FAN MTG

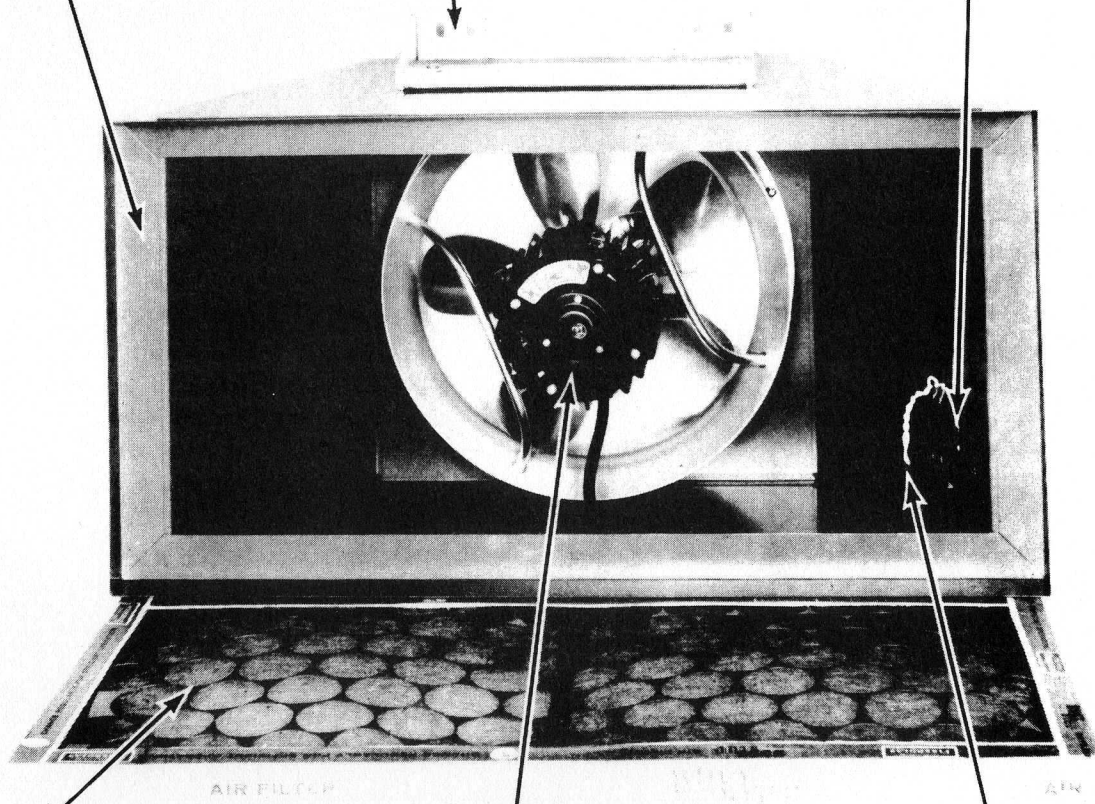
8C273-003 104438
STRIP, SCR. TER, BARRIER
20A45 105063
STRIP, TS-3 MARKER

TS-3

47C8 106131
FILTER, AIR

56A23 106174
FAN
1550 RPM

17C9-003 104856
GROMMET, RUBBER



SECTION SIX

MEMORY DRUM ASSEMBLY

The memory drum is a precision unit and must be adjusted only by Bendix authorized personnel. Incorrect adjustment procedure may cause damage to the memory rotor.

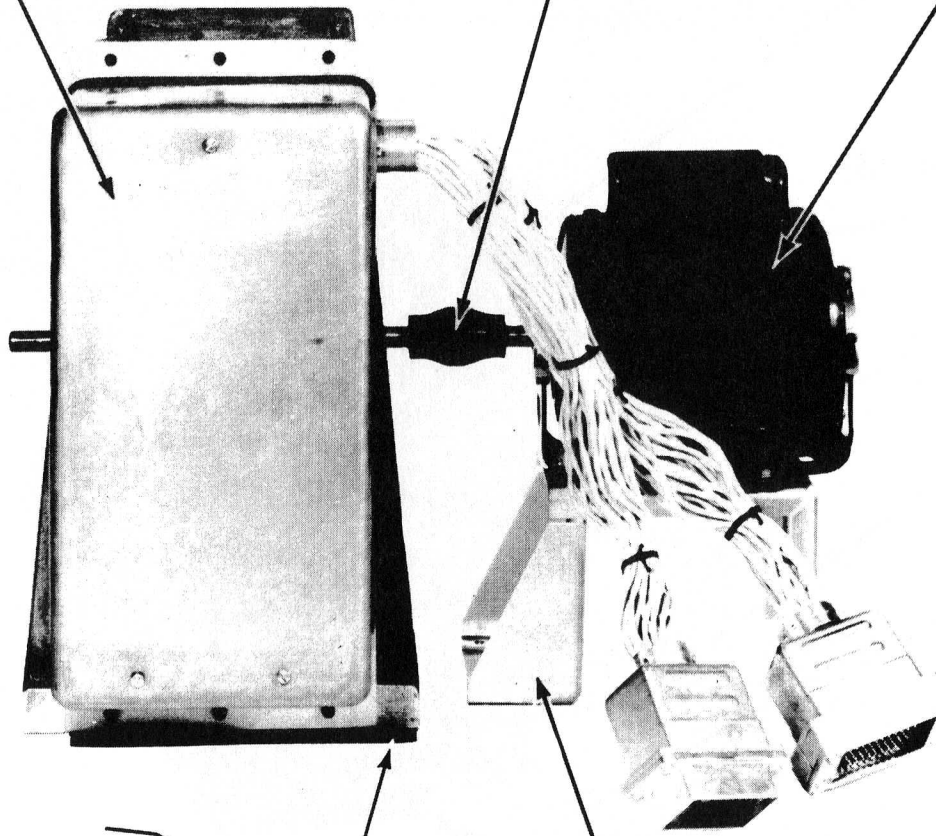
Removal of the cover by an unauthorized person voids any guarantee, warranty, or responsibility of the Computer Division of Bendix Aviation Corporation.

DRUM & MOTOR ASSEMBLY

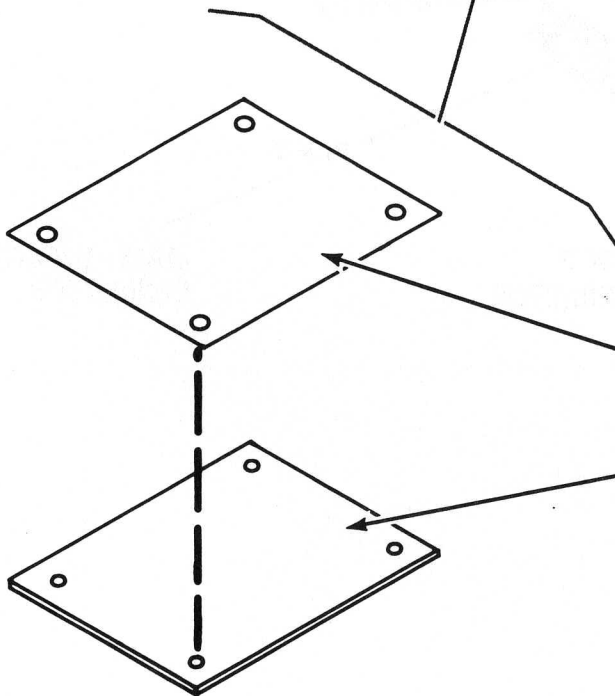
1E667 102223
FINAL ASSY., MEMORY DRUM

30A9 105686
COUPLING, FLEXIBLE

106173
56C21
MOTOR



1C418
BRACKET ASSY., SUPPORT



18C93 104941
SHIM, MEMORY DRUM

38C2 105912
PAD, MEMORY DRUM

1E667 102223
FINAL ASSEMBLY, MEMORY DRUM

21A14 105260
GASKET, EXTERIOR NEOPRENE

21B8 105259
GASKET, REAR DUST COVER

6C26 104090
COVER, DUST

6D63 104093
COVER, HD. MOUNT DUST

READ CABLE

WRITE CABLE

61C47 106411
CONNECTOR, SHELL

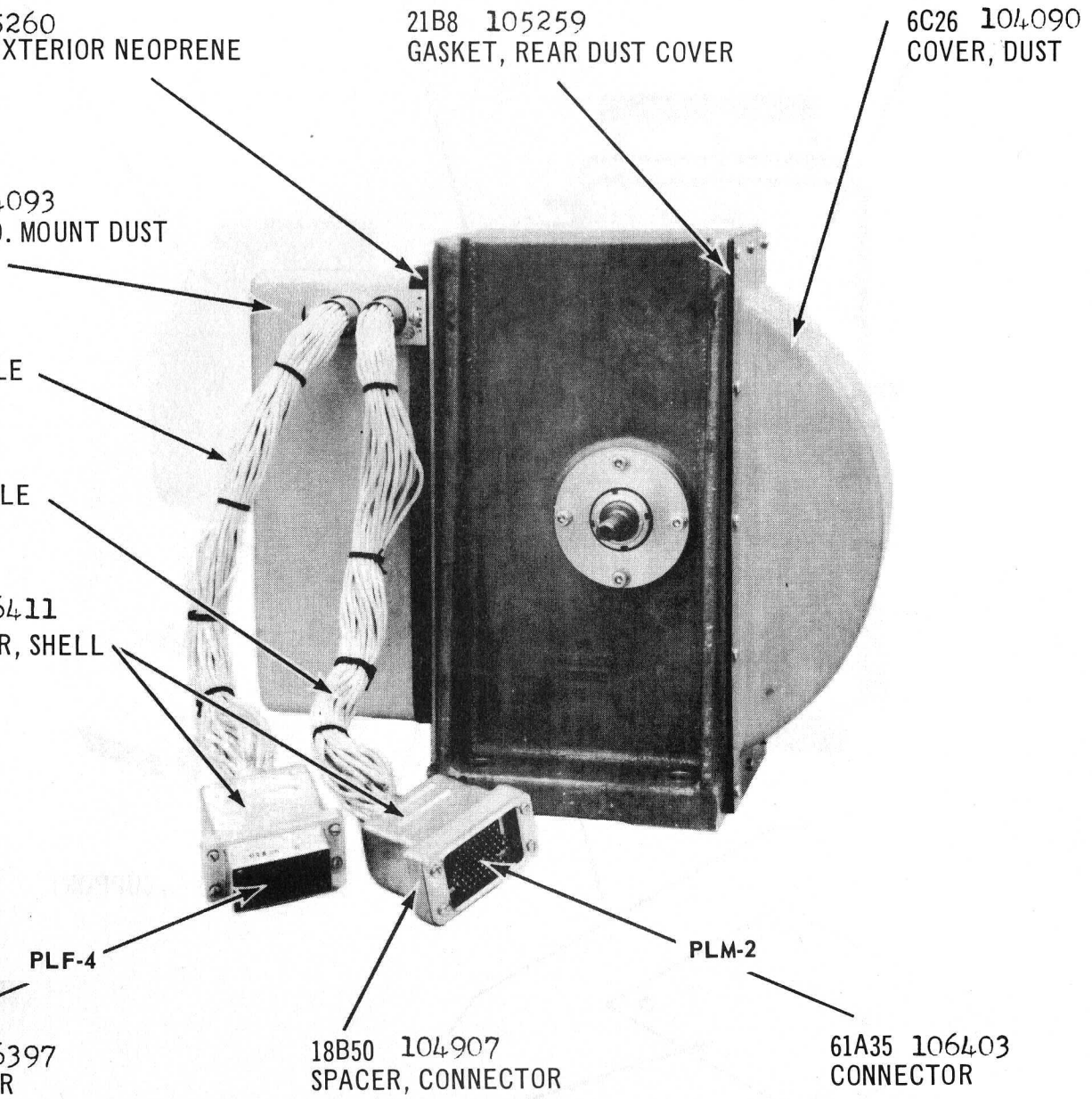
PLF-4

61A28 106397
CONNECTOR

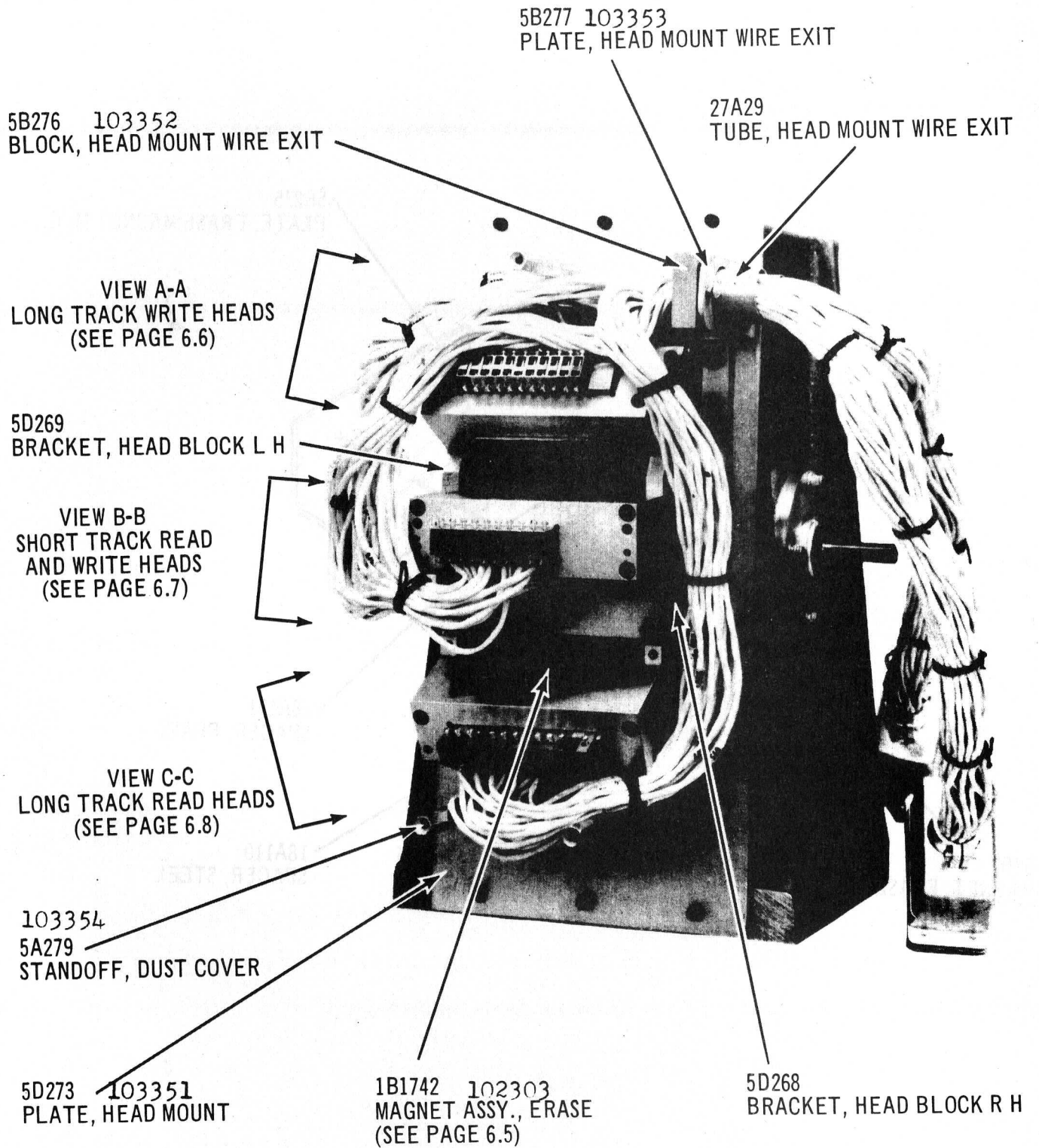
18B50 104907
SPACER, CONNECTOR

PLM-2

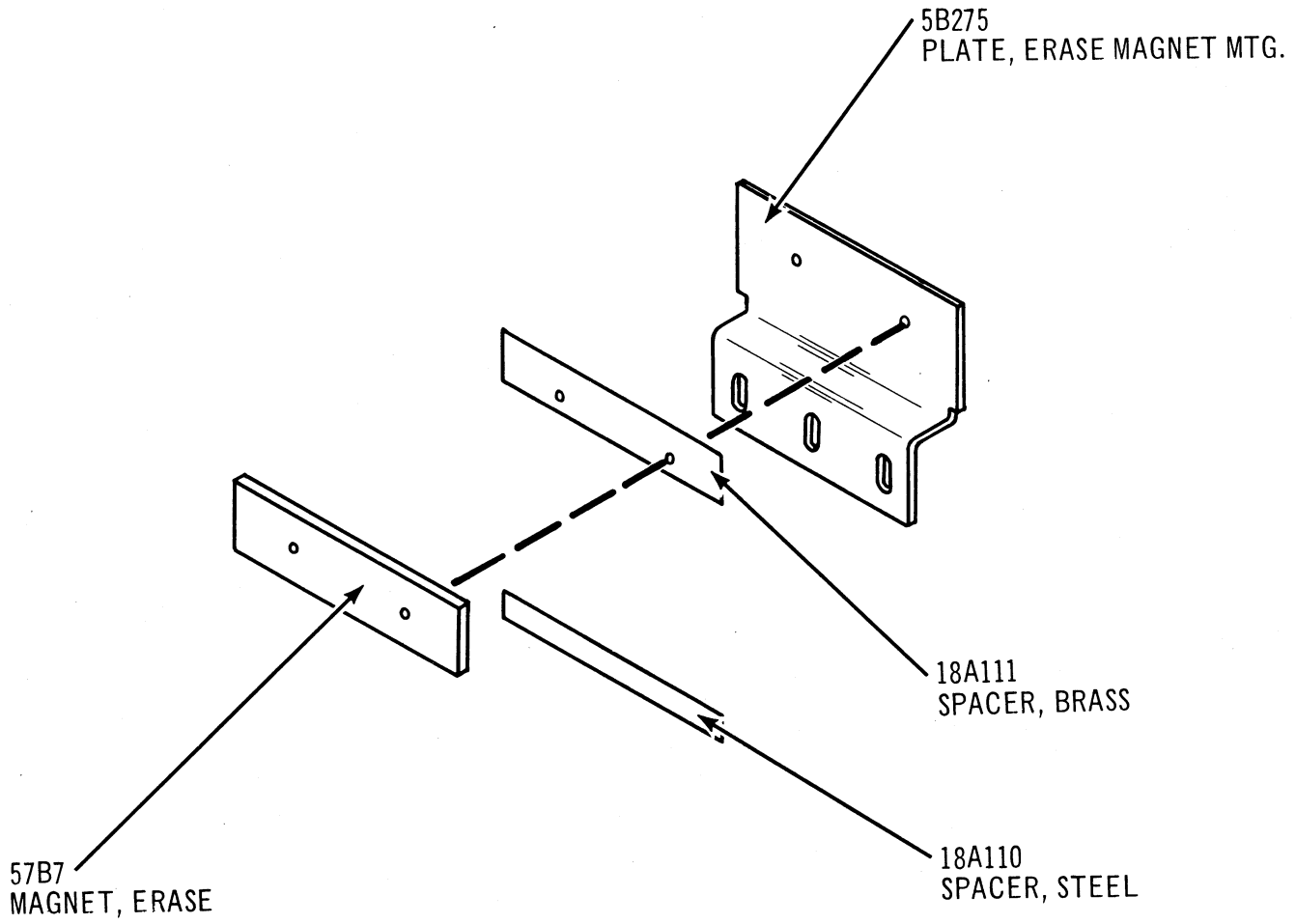
61A35 106403
CONNECTOR

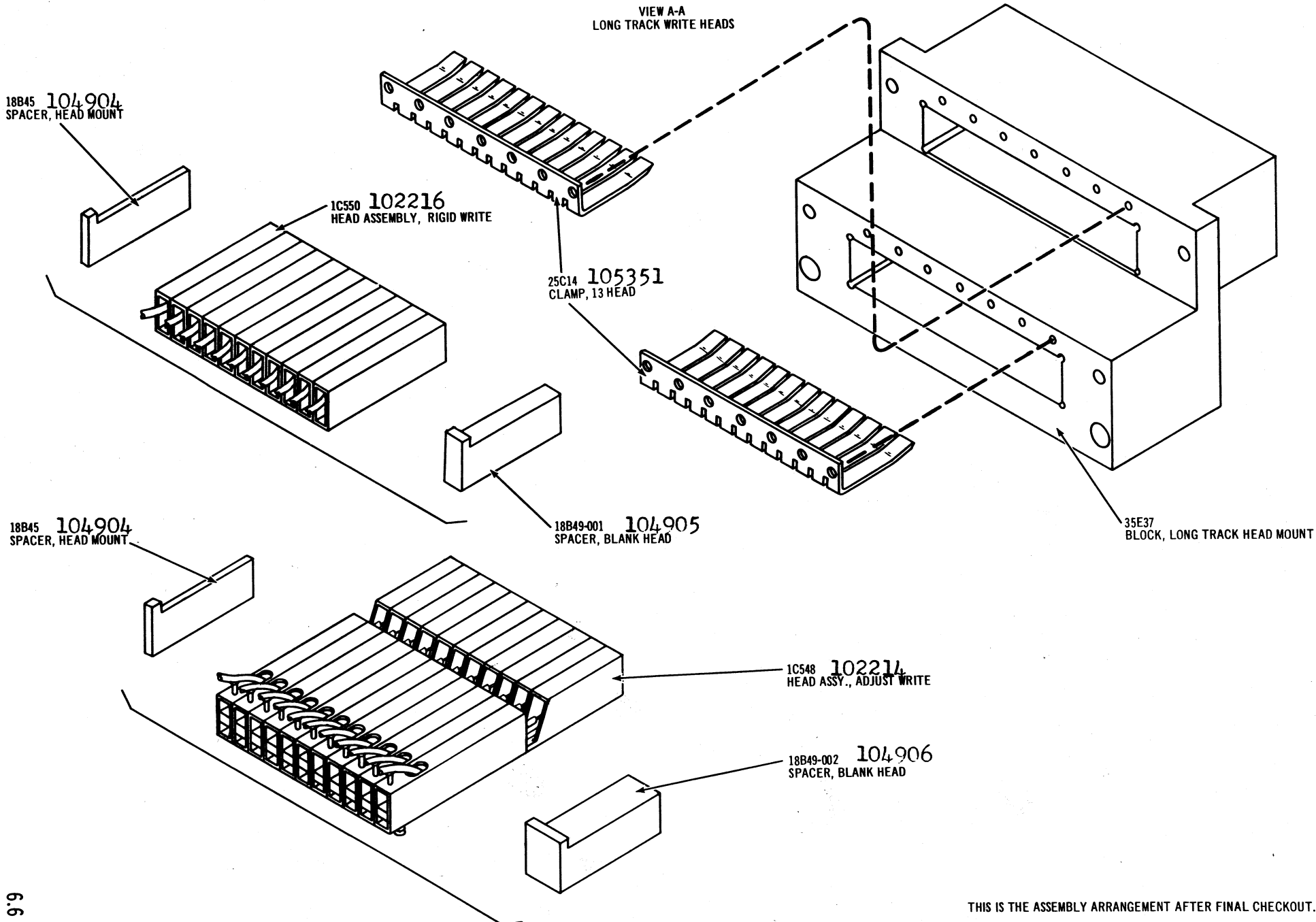


1E667 102223
MEMORY DRUM
(COVER REMOVED)



1B1742 102303
MAGNET ASSY., ERASE





THIS IS THE ASSEMBLY ARRANGEMENT AFTER FINAL CHECKOUT.

VIEW B-B
SHORT TRACK READ AND WRITE HEADS

18B45
SPACER, HEAD MOUNT
104904

25B16
CLAMP, 5 HEAD
105352

64B2
SHIELD, 2/4 WORD 10 HEAD
106700

1C550
HEAD ASSY., RIGID WRITE
102216

64B3
SHIFLD, 2/4 WORD 5 HEAD
106701

35E36
BLOCK 2, 2/4 WORD HEAD MOUNT

25C13
CLAMP, 10 HEAD
105350

35E38
BLOCK 1, 2/4 WORD HEAD MOUNT

18B45
SPACER, HEAD MOUNT
104904

1C547
HEAD ASSY., ADJ. READ
102213

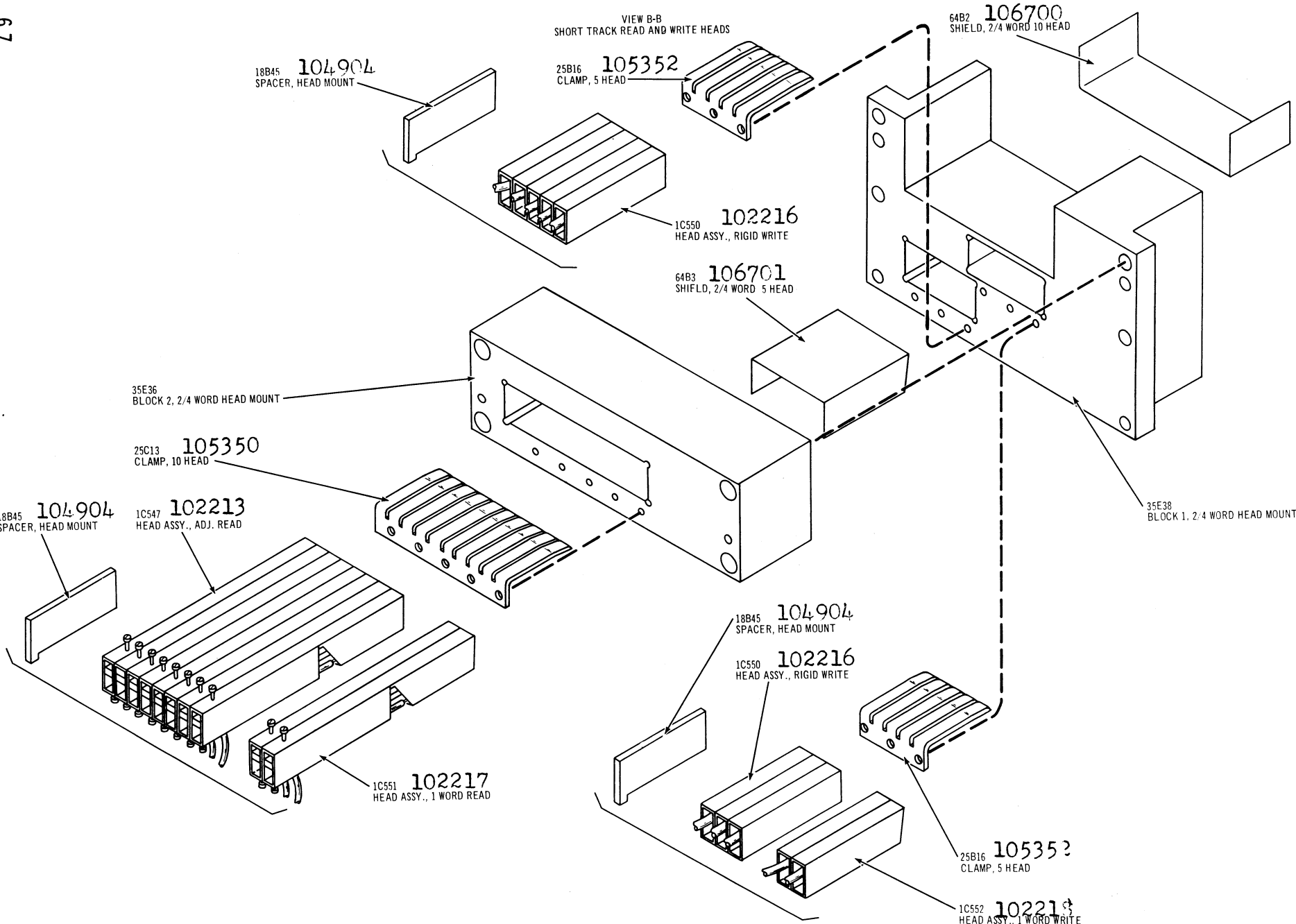
18B45
SPACER, HEAD MOUNT
104904

1C550
HEAD ASSY., RIGID WRITE
102216

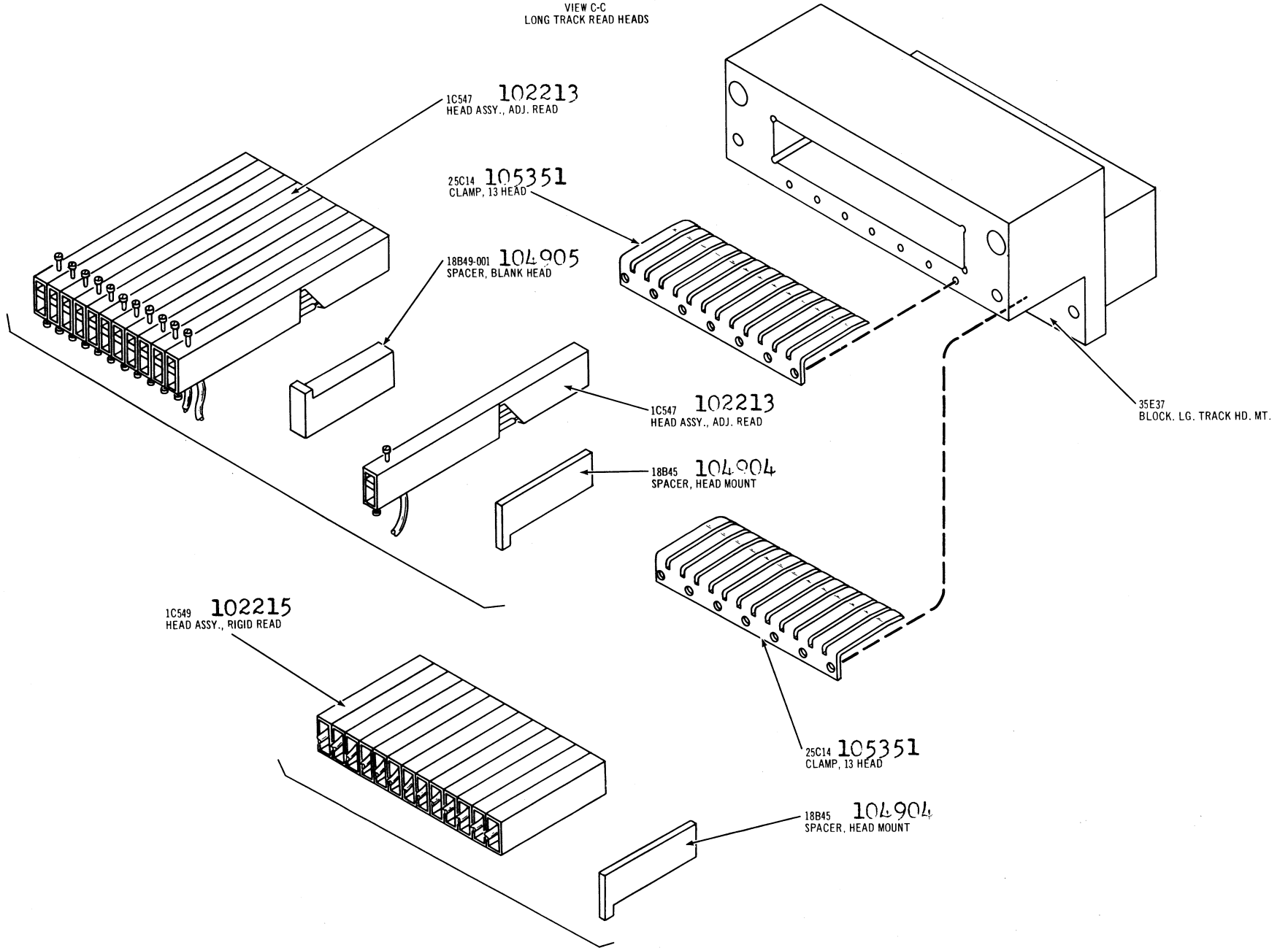
1C551
HEAD ASSY., 1 WORD READ
102217

25B16
CLAMP, 5 HEAD
105352

1C552
HEAD ASSY., 1 WORD WRITE
102218



VIEW C-C
LONG TRACK READ HEADS



SECTION SEVEN
READ PRE-AMP. ASSEMBLY

1E731 102236
FINAL ASSY., READ PREAMP.

8C276-005 104474
STRIP, SCR. TERM. BARRIER
20A28 105059
STRIP, READ PREAMP. MARKER

61A35 106403
CONNECTOR

17C9-010 104859
GROMMET, RUBBER

61A28 106397
CONNECTOR

PLM-4

TB-4

PLF-3

70A11 106834
CAPACITOR
1 MFD 400V

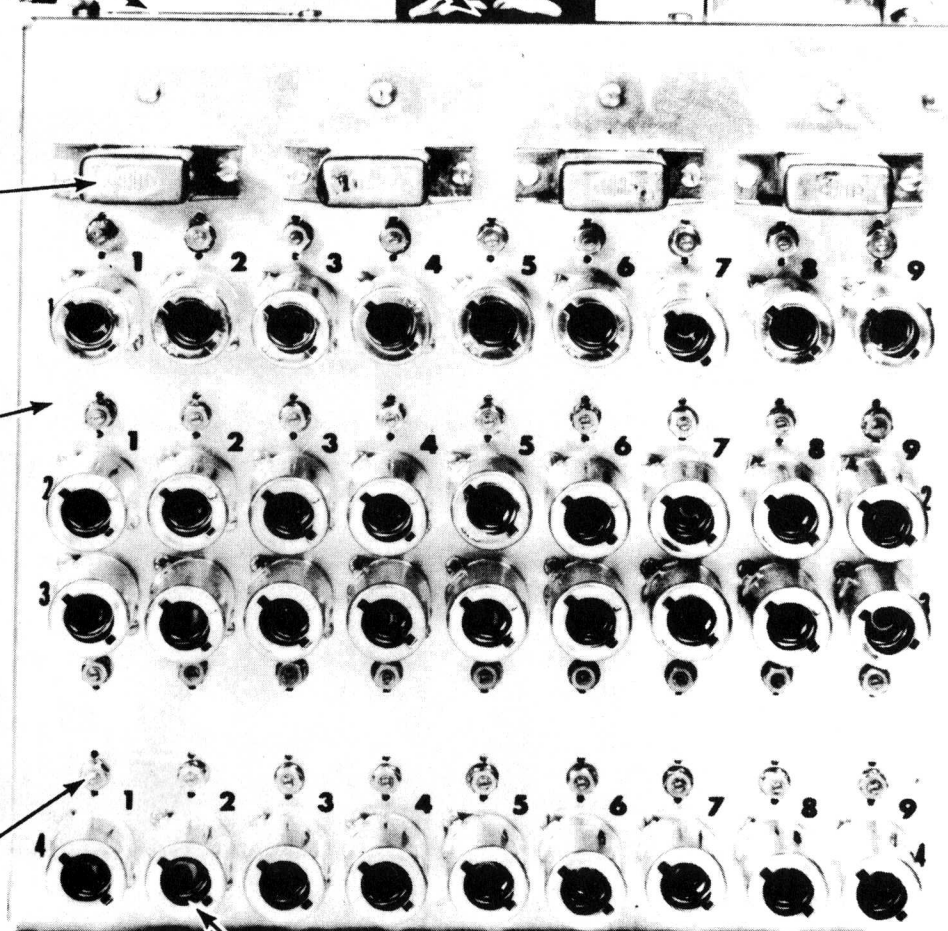
4D19 103286
CHASSIS,
PREAMP MARKED

84C9-103 107683
RESISTOR, VARIABLE LOCK
10K 1/2W 20%

64A6-002 106702
SHIELD, TUBE

93A2 107943
TUBE 5965

5A517 103403
BASE, TUBE SHIELD



1E731 102236
FINAL ASSY., READ PREAMP.

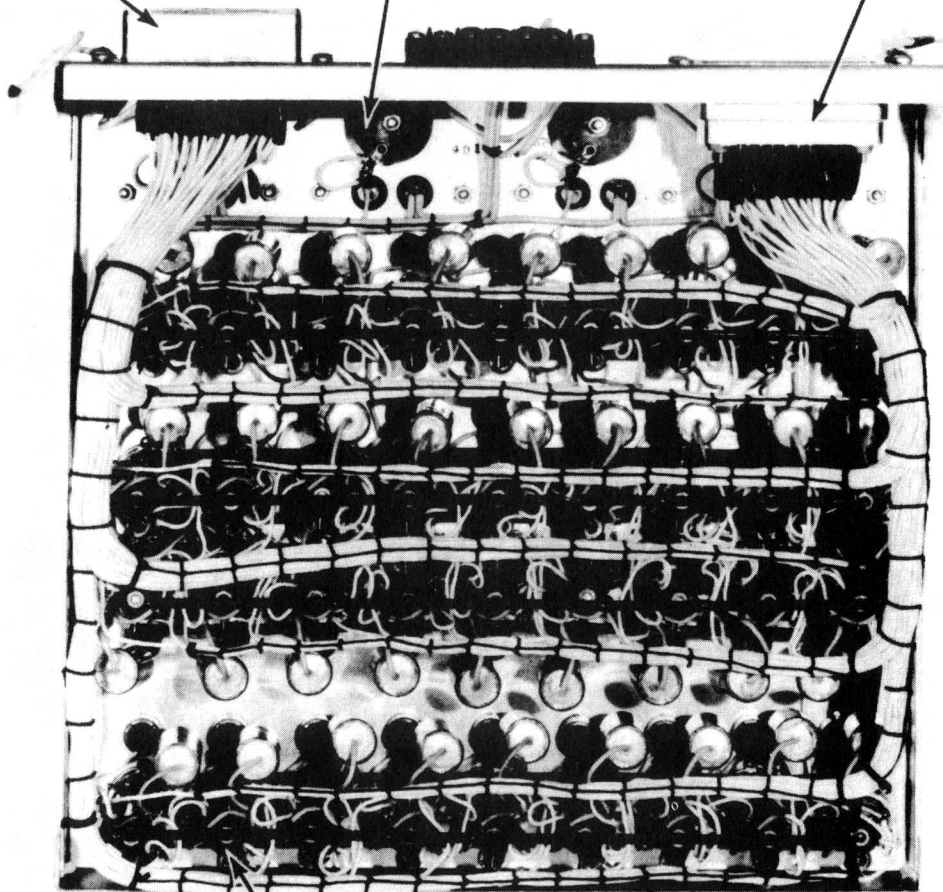
61A28 106397
CONNECTOR

90A8-011 107816
CHOKE, AIR CORE TYPE

61A35 106403
CONNECTOR

PLF-3

PLM-4



1C392 102206
TURRET ASSY., PREAMP.
(SEE PAGE 7.4)

1C392 102206
TURRET ASSY., PREAMP.

80C10-104 107048
RESISTOR 100K
1/2W 5%

80C10-221 107082
RESISTOR 220 OHMS
1/2W 5%

73C2-103 106997
CAPACITOR .01 MFD
400V

80C10-182 107073
RESISTOR 1.8K
1/2W 5%

62A7-005 106575
TURRET, SOCKET

73C3-274 107011
CAPACITOR .27 MFD
200V

R2

C2

R6

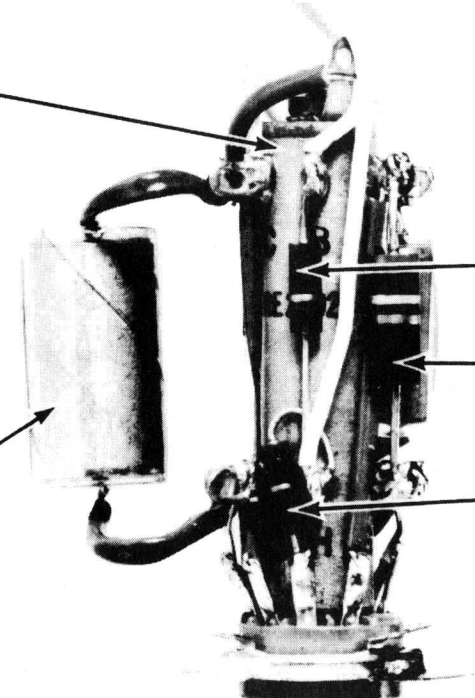
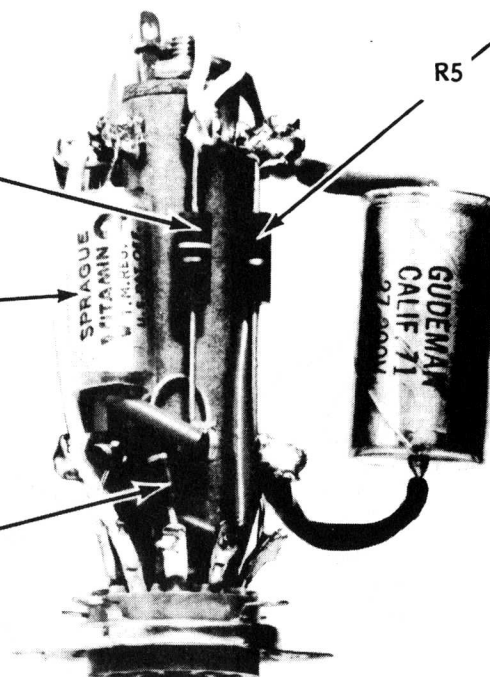
R5

R3

R1

R4

C1

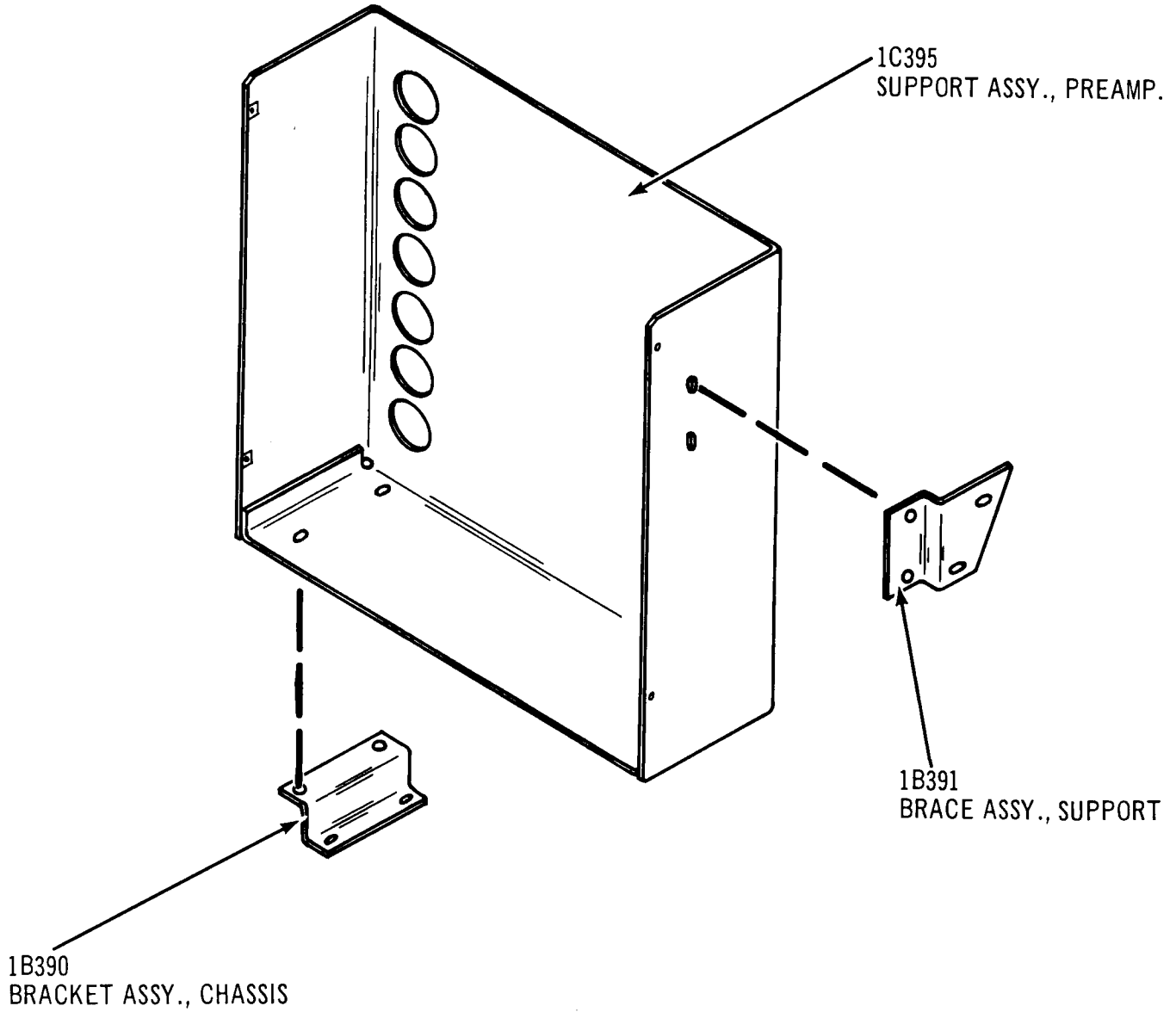


80C10-222 107083
RESISTOR 2.2K
1/2W 5%

80C13-153 107204
RESISTOR 15K
1W 5%

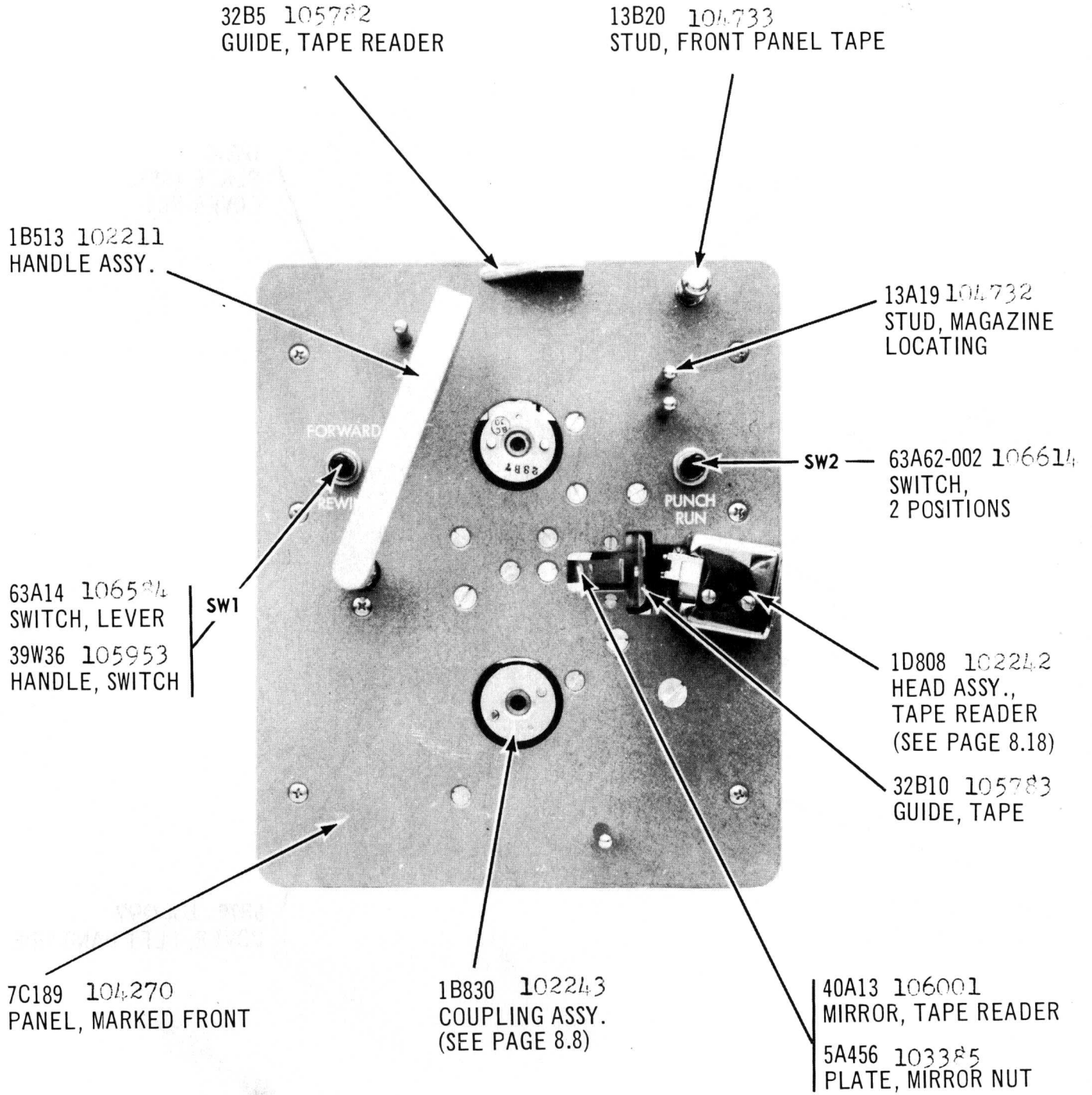
80C10-182 107073
RESISTOR 1.8K
1/2W 5%

SUPPORT AND BRACKET ASSEMBLIES, PREAMP.

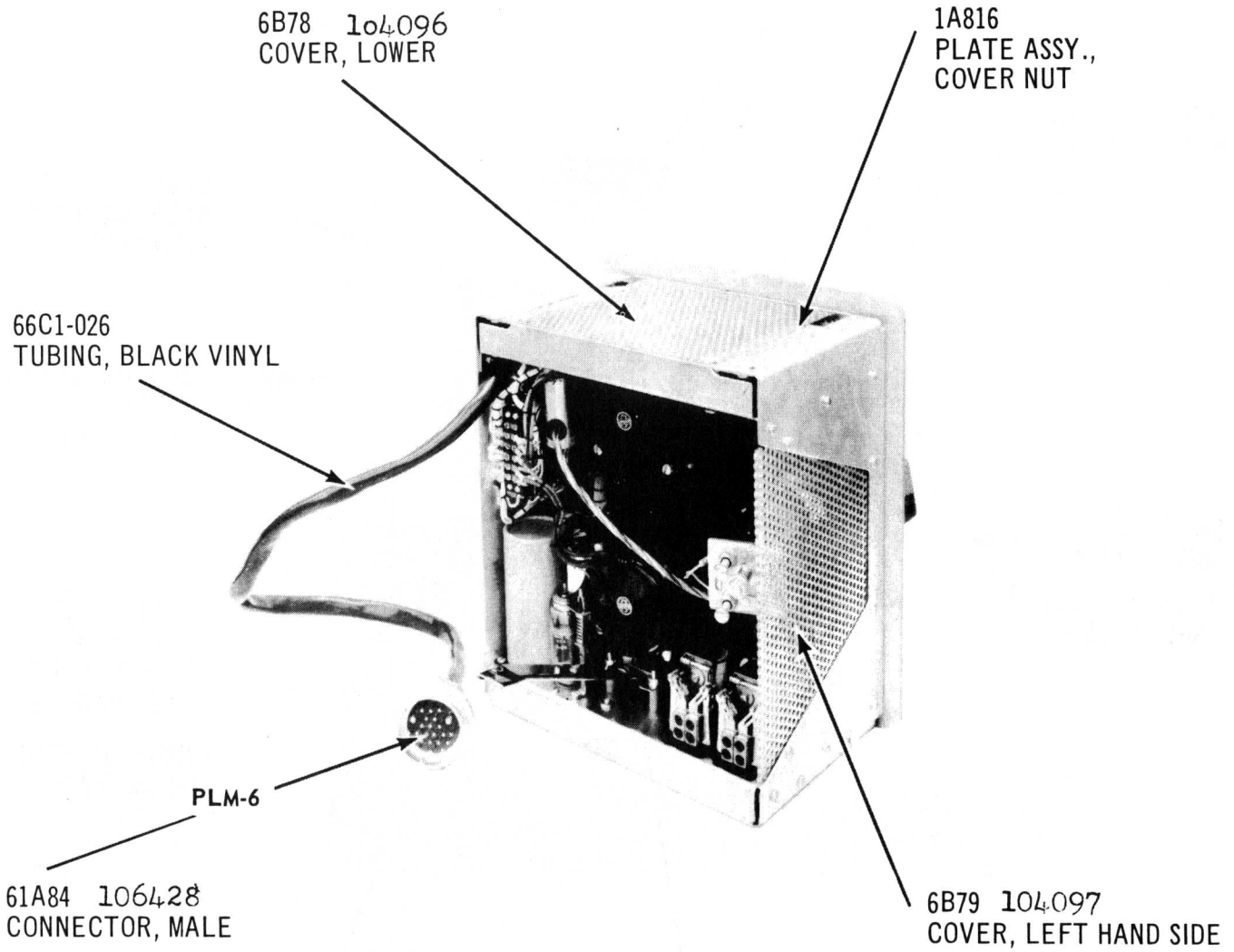


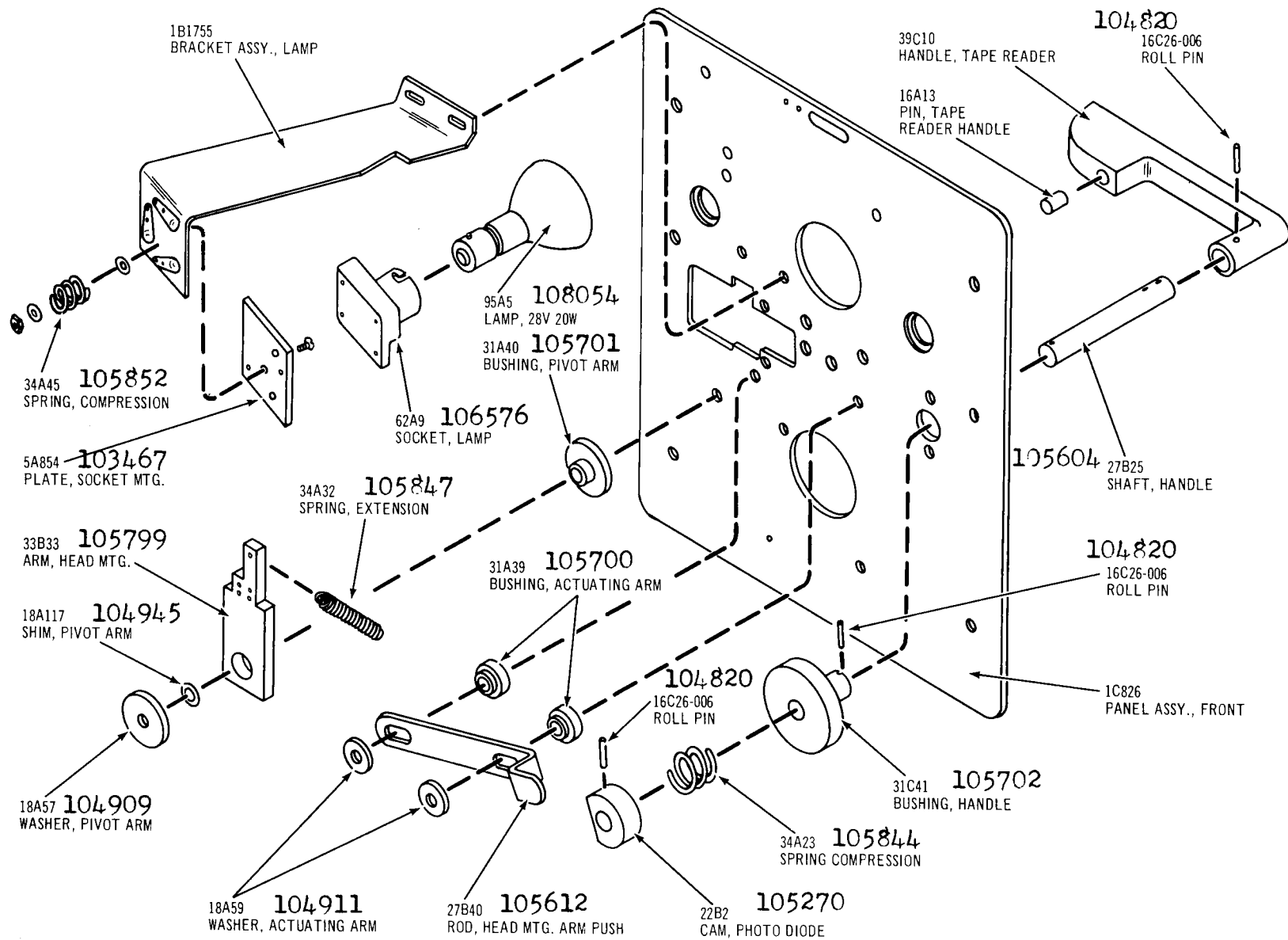
SECTION EIGHT
TAPE READER ASSEMBLY

FRONT PANEL
(FRONT VIEW)



1E839 102246
WIRED ASSY., TAPE READER
(BOTTOM-REAR VIEW)





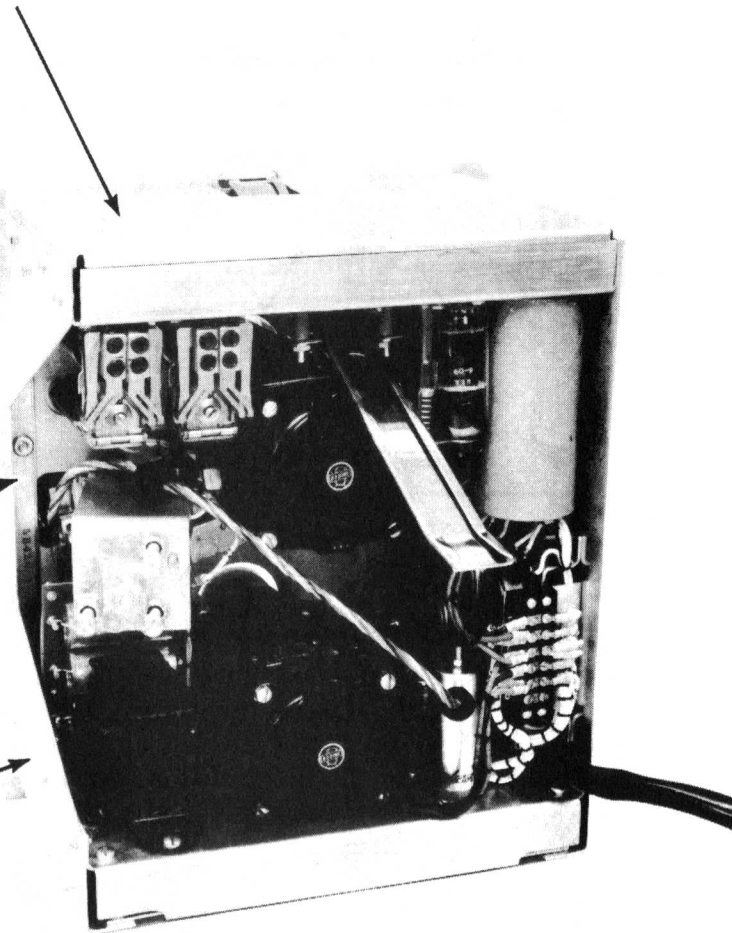
FRONT PANEL
HANDLE AND LIGHT MECHANISM
(REAR VIEW)

1E839 102246
WIRED ASSY., TAPE READER
(TOP-REAR VIEW)

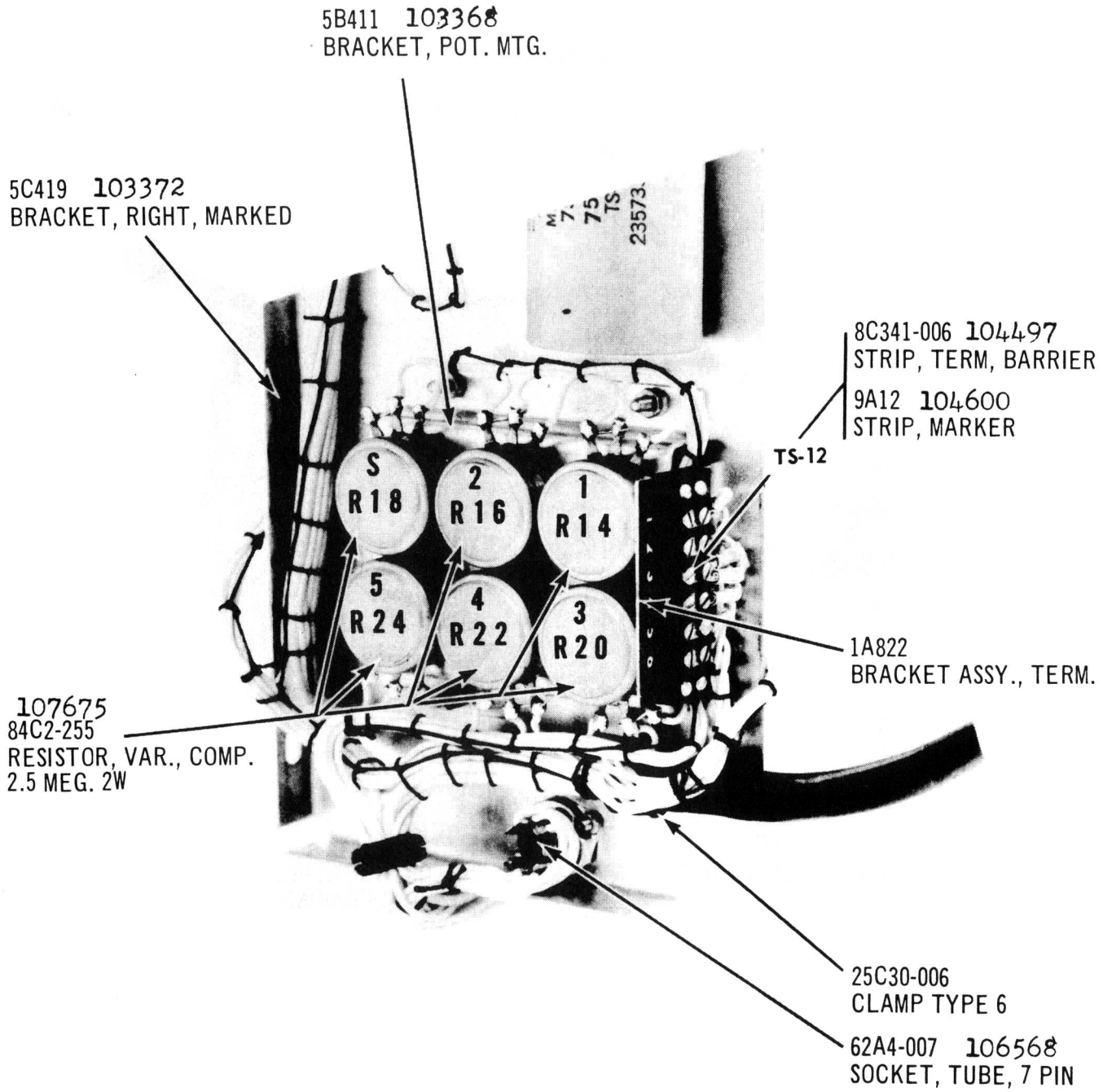
1C846
COVER ASSY.

1B829
PLATE ASSY., NUT

5D414 103371
BRACKET, LEFT



POTENTIOMETER ASSY.

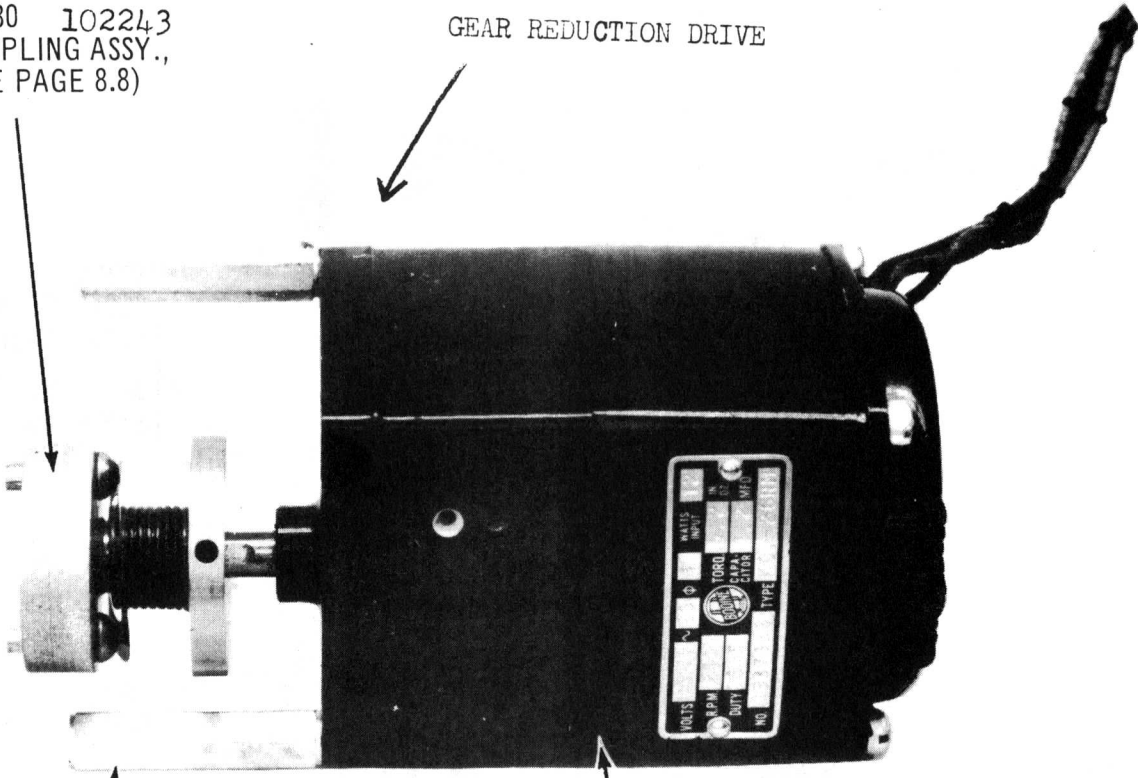


1C832
MOTOR ASSY., TAPE READER

1B830 102243
COUPLING ASSY.,
(SEE PAGE 8.8)

K 813

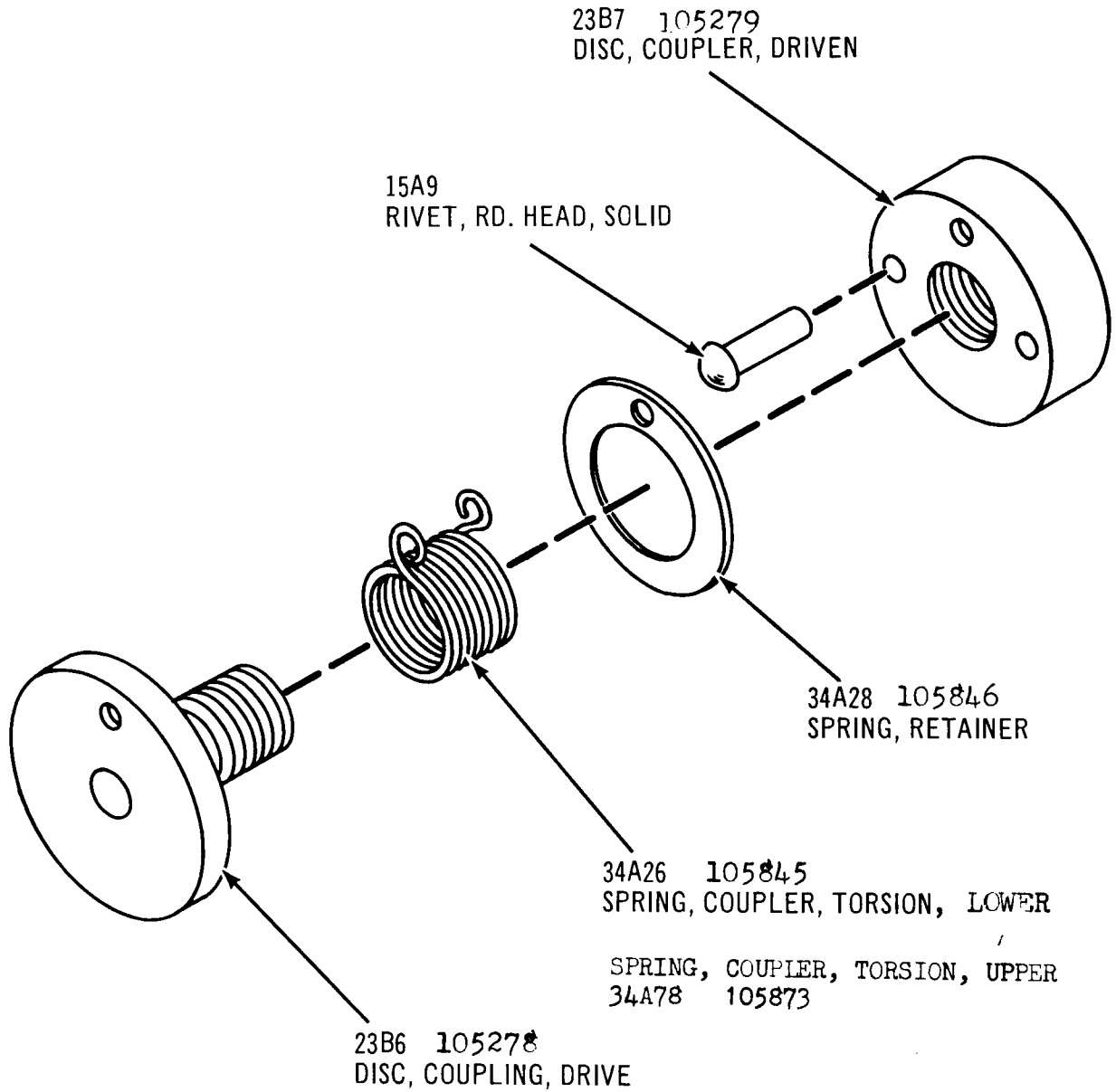
GEAR REDUCTION DRIVE



5A387 103364
STANDOFF, DRIVE MOTOR

56C28 106178
MOTOR, NON-SYNC.
DYNAMIC BRAKING

1B830 102243
COUPLING ASSEMBLY

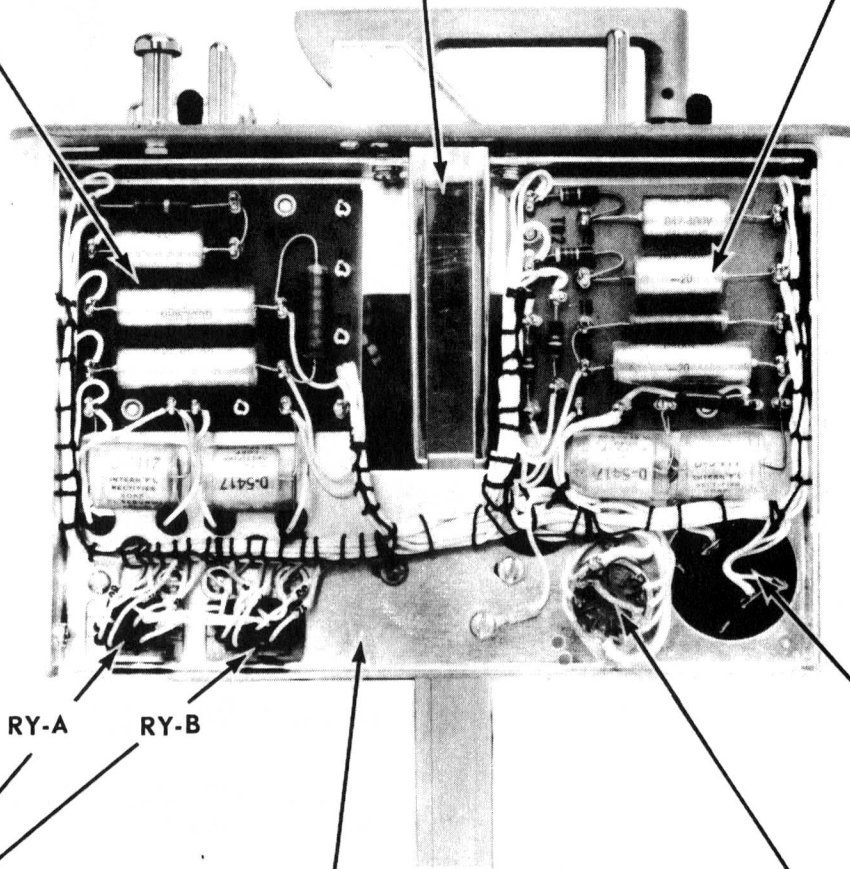


TAPE READER
CHASSIS, UPPER

1B806
BOARD ASSY., TB1, WIRED
(SEE PAGE 8.10)

1C798 102239
GUIDE ASSY., TAPE

1B807
BOARD ASSY., TB2, WIRED
(SEE PAGE 8.10)



RY-A RY-B

C3

57A5 106239
RELAY, 4PDT

4D38 103290
CHASSIS, UPPER

70A3 106826
CAPACITOR
75-75MFD 300V

62B2 106567
SOCKET, 9 PIN, TUBE

1B806
BOARD ASSY., TB1 WIRED

107202
80C13-150
RESISTOR 15 OHMS
1W 5%

107007
73C3-104
CAPACITOR
.1 MFD. 200V

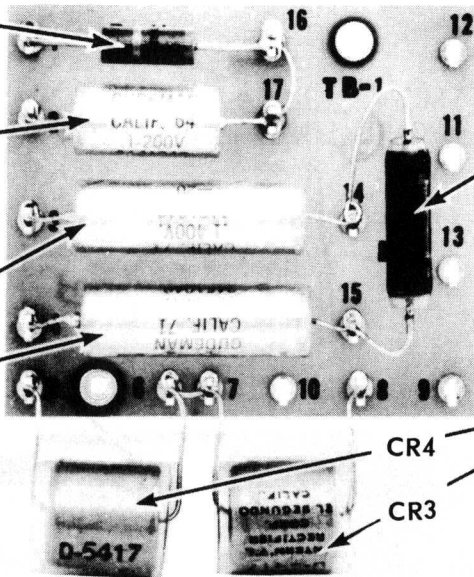
106998
73C2-104
CAPACITOR
.1 MFD. 400V

R11

C8

C9

C11



91A1-005 107860
CHOKE, RF, IRON CORE

93A6 107947
RECTIFIER
66C2-029
TUBING, CLEAR VINYL

CR4

CR3

1B807
BOARD ASSY., TB2 WIRED

107117
80C10-471
RESISTOR 470 OHMS 1/2W 5%

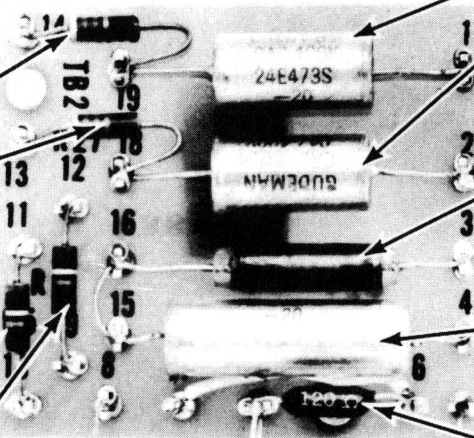
80C10-104 107048
RESISTOR 100K 1/2W 5%

R10

R27

R5

R6



C7

C6

L2

C10

R59

73C2-473 107004
CAPACITOR
.047 MFD. 400V

91A1-005 107560
CHOKE, RF,
IRON CORE

73C2-104 106998
CAPACITOR
.1 MFD. 400V

81C21-121 107588
RESISTOR 120 OHMS
3W 5%

CR1

CR2

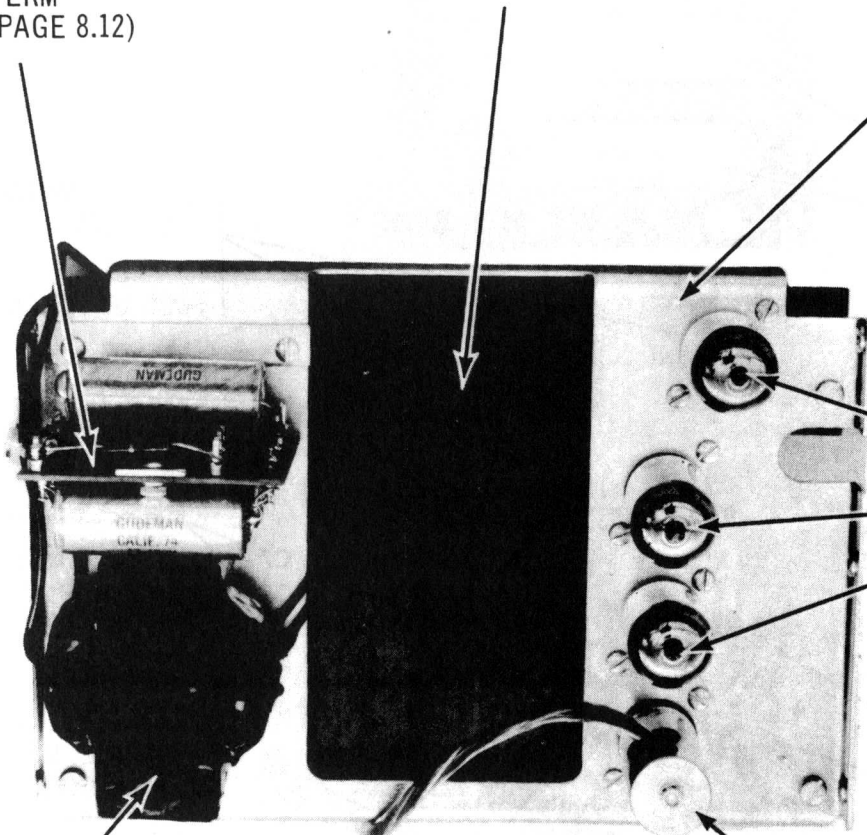
93A6 107947
RECTIFIER
66C2-029
TUBING, CLEAR VINYL

LOWER CHASSIS
(TOP VIEW)

1B919
BOARD ASSY.,
TB3 TERM
(SEE PAGE 8.12)

8C224 104425
BOARD, LOWER INSUL.

4D39 103291
CHASSIS, LOWER



V3

V2

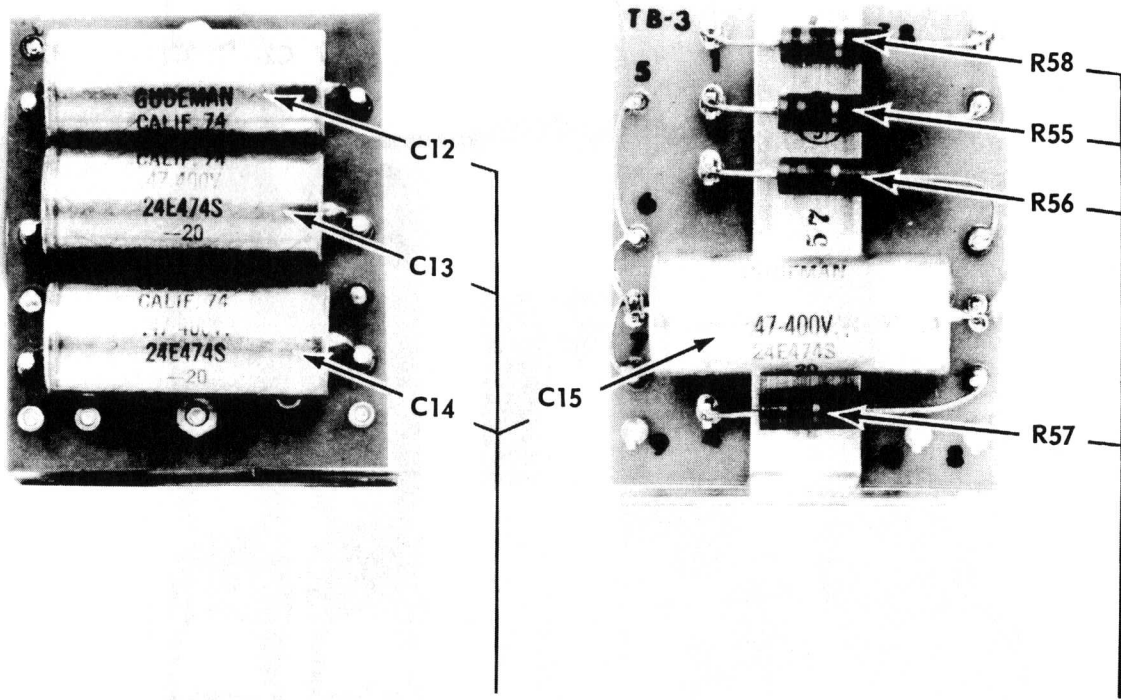
V1

93A2 107943
TUBE 5965

1C1232 102288
TRANSFORMER, 24V

31A56 105714
PLUG, 9 PIN
(SEE PAGE 8.17)

1B919
 BOARD ASSY., TB3 TERM



73C2-474 107005
 CAPACITOR .47 MFD. 400V

80C13-180 107205
 RESISTOR 18 OHMS 1W

UPPER CHASSIS
(BOTTOM VIEW)

81C18-021 107581
RESISTOR, 1K 25W VAR.

4D38 103290
CHASSIS, UPPER

CAPACITORS SUPPLIED
WITH MOTOR
1.15 TO 1.25 MFD
220 VAC

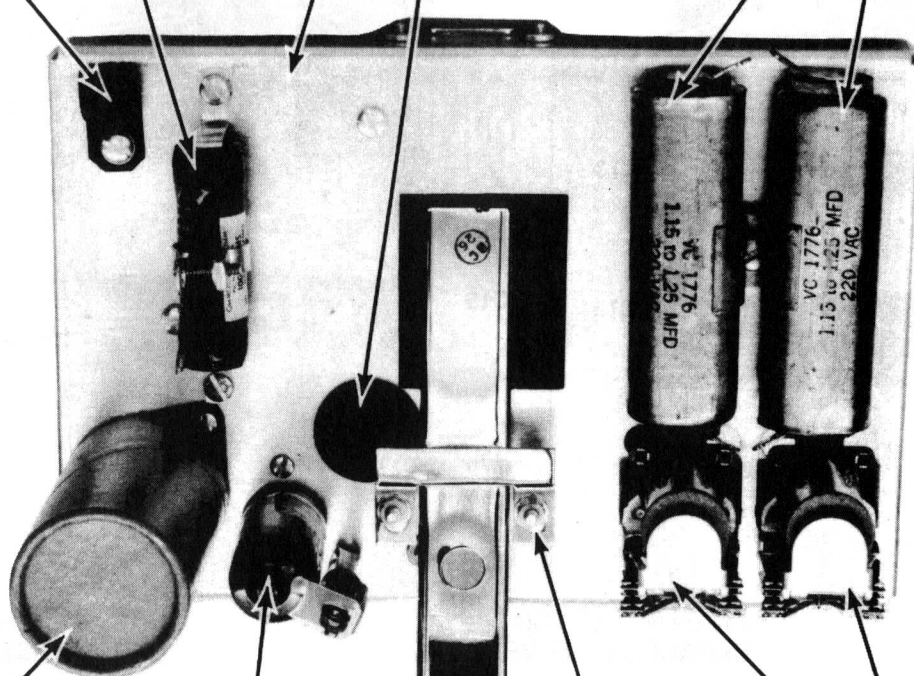
25C30-006
CLAMP, TYPE 6

17C9-019 104865
GROMMET, RUBBER

R12

C2

C1



C3

V4

RY-B

RY-A

70A3 106826
CAPACITOR
75-75 MFD 300V
31A63 105721
SLEEVE, INSULATION

* 93A4 107945
TUBE, 6350
25A33-001
CLAMP, TUBE

105365

18C82-003 104925
SPACER

57A5 106239
RELAY, 4PDT

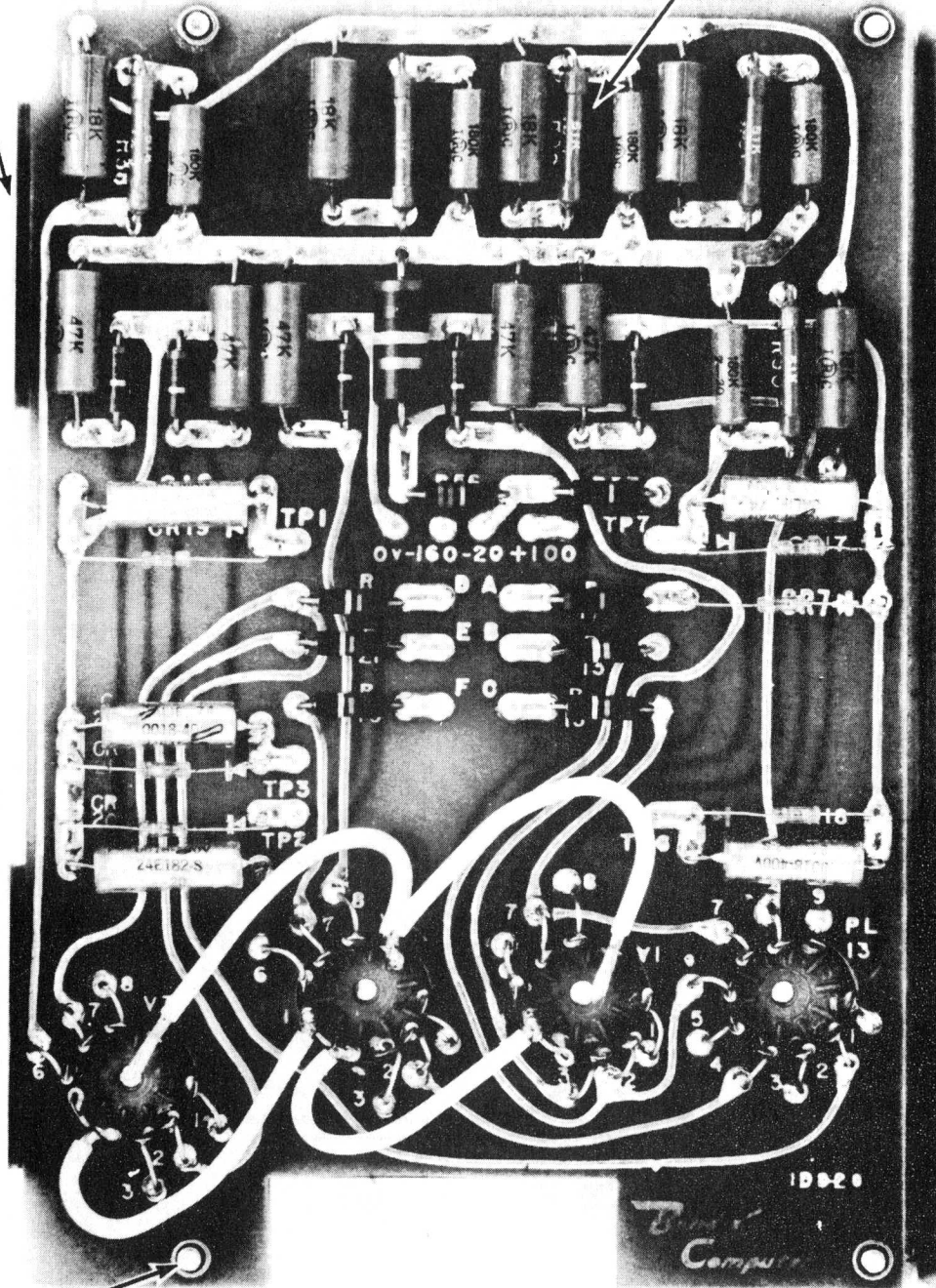
1C798 102239
GUIDE ASSY., TAPE

*SERIAL 1 THRU 132 USE 93A7 TUBE,
UNLESS SOCKET WIRING IS MODIFIED

LOWER CHASSIS
(BOTTOM VIEW)

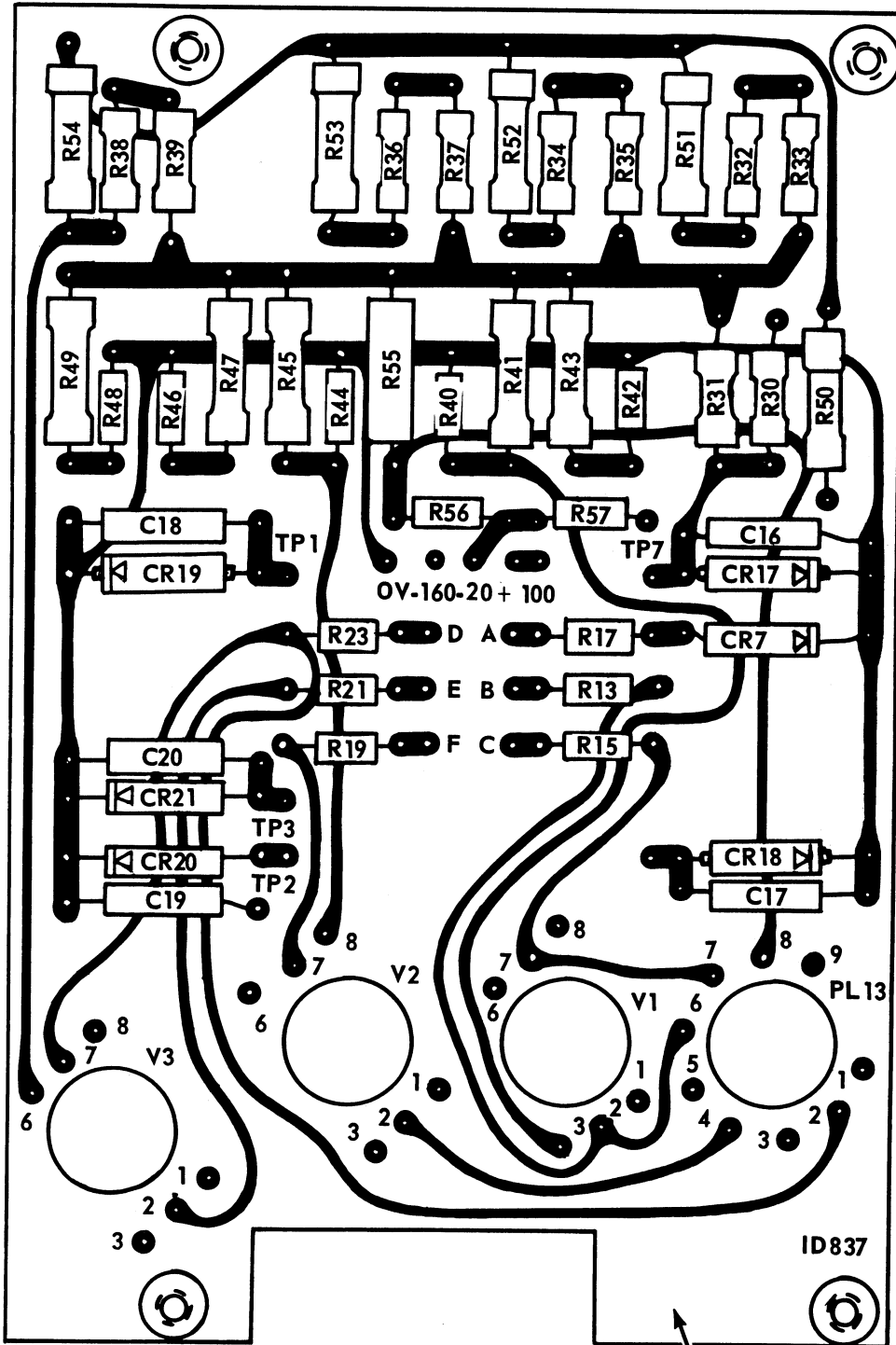
4D39 103291
CHASSIS, LOWER

1D837 102245
BOARD ASSY., COMPONENT



18C82-002 104924
SPACER
(NOT VISIBLE)

1D837 102245
BOARD ASSY., COMPONENT



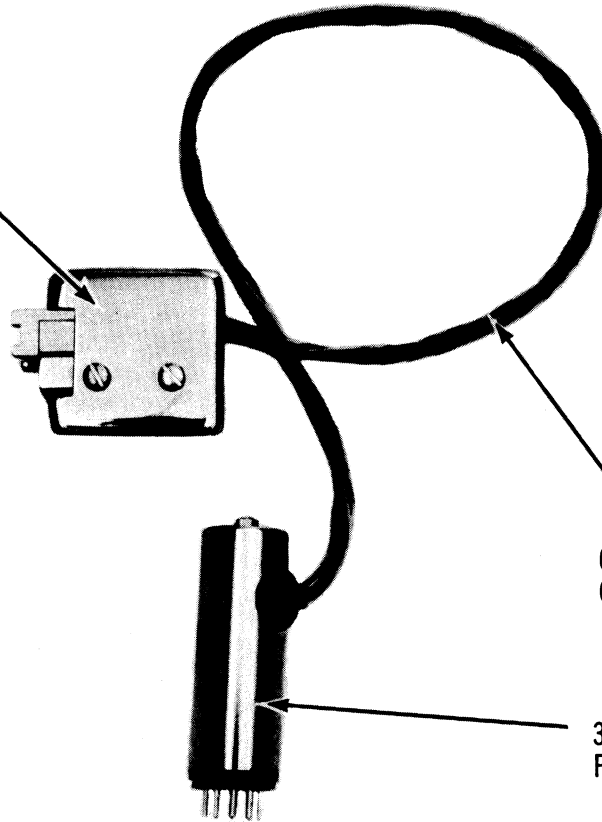
ID836 102244
BOARD ASSY., EYELETTED

1D837
BOARD ASSEMBLY, COMPONENT

CIRC. SYM.	PART NO.	DESCRIPTION
R13, 15, 19, 21, 23	80C10-204 107080	RESISTOR 1/2W 5%
R17	80C10-105 107049	RESISTOR 1/2W 5%
R30, 32, 34, 36, 38	80C28-513 107318	RESISTOR, 1/4W 1%
R31, 33, 35, 37, 39	80C28-184 107315	RESISTOR 1/4W 1%
R40, 42, 44, 46, 48	80C10-152 107065	RESISTOR 1/2W 5%
R41, 43, 45, 47, 49	80C30-473 107327	RESISTOR 1/2W 1%
CR17, 18, 19, 20, 21	94C1 107964	DIODE, GERMANIUM GP
R50, 51, 52, 53, 54	80C30-183 107323	RESISTOR 1/2W 1%
R55	80C15-153 107263	RESISTOR 2W 5%
R56	80C10-511 107122	RESISTOR 1/2W 5%
R57	80C10-222 107083	RESISTOR 1/2W 5%
C16 THRU C20	73C2-182 106999	CAPACITOR

1D808 102242
HEAD ASSY., TAPE READER

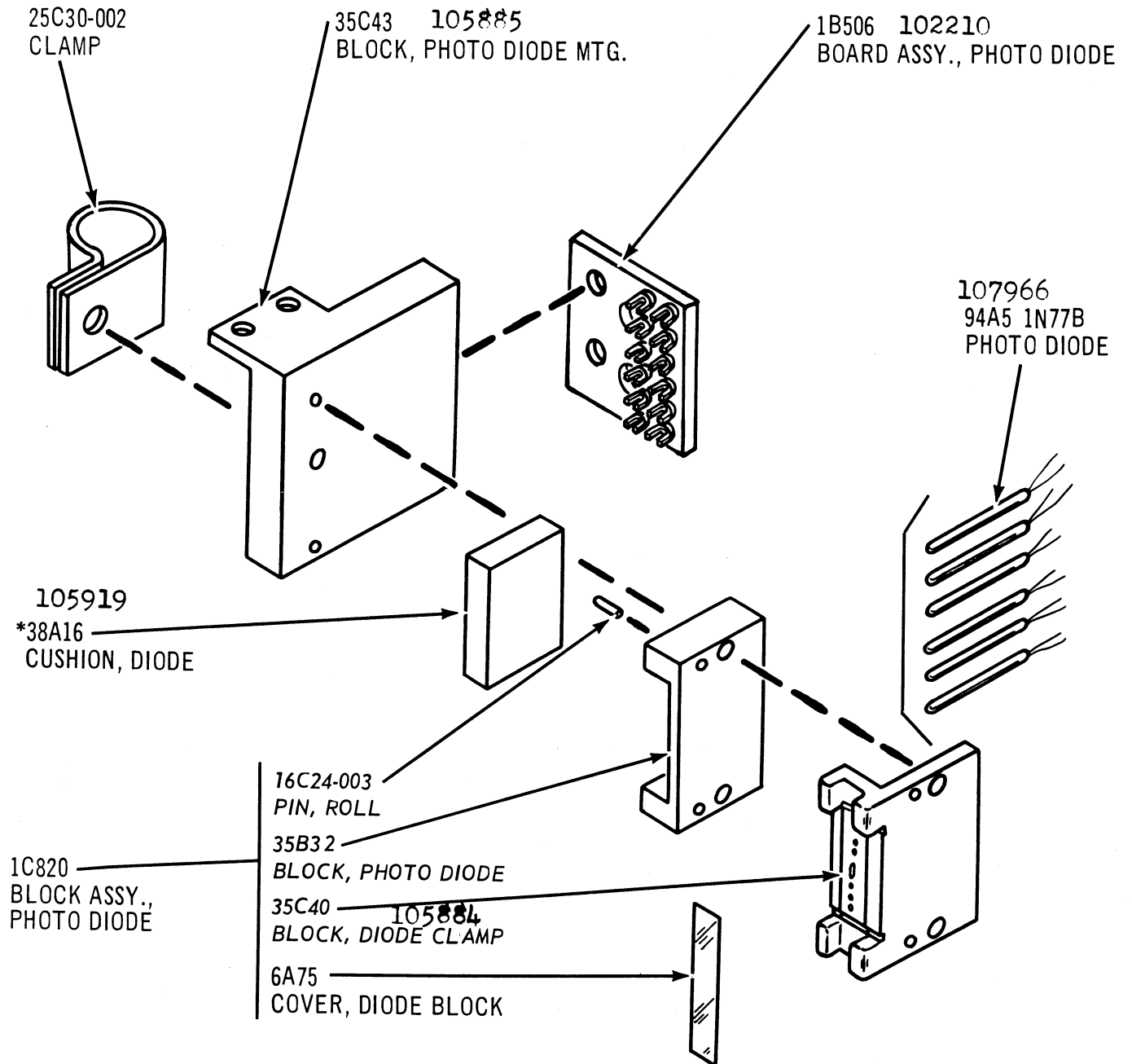
6B48 104091
COVER, PHOTO DIODE BLK.



67A83-008
CABLE, MULTICONDUCTOR

31A56 105714
PLUG, 9 PIN

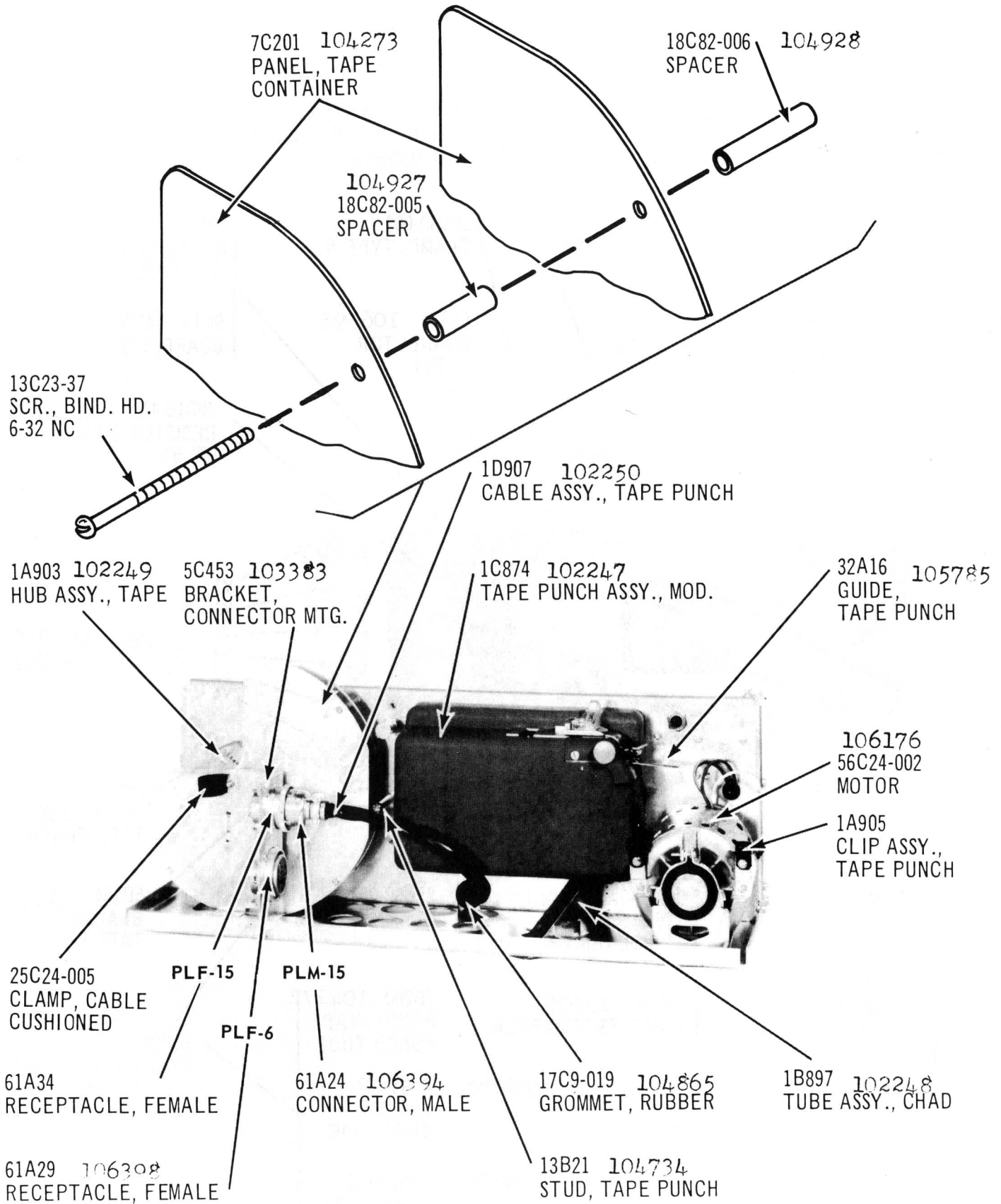
1D808 102242
 HEAD ASSY., TAPE READER



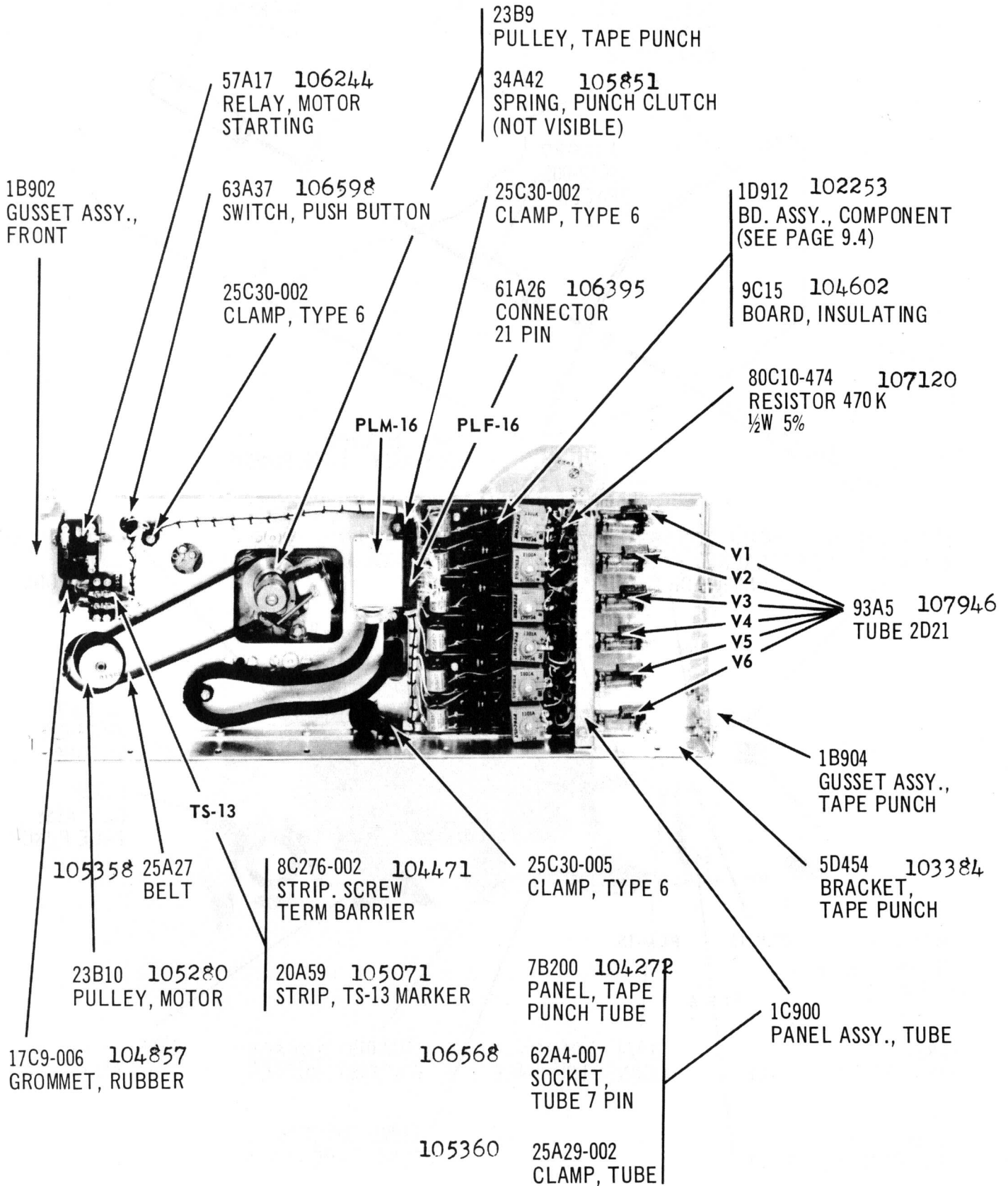
*USE 38A3 CUSHION
 WHEN USING PHOTO
 DIODE TYPE 1N77A

**SECTION NINE
TAPE PUNCH ASSEMBLY**

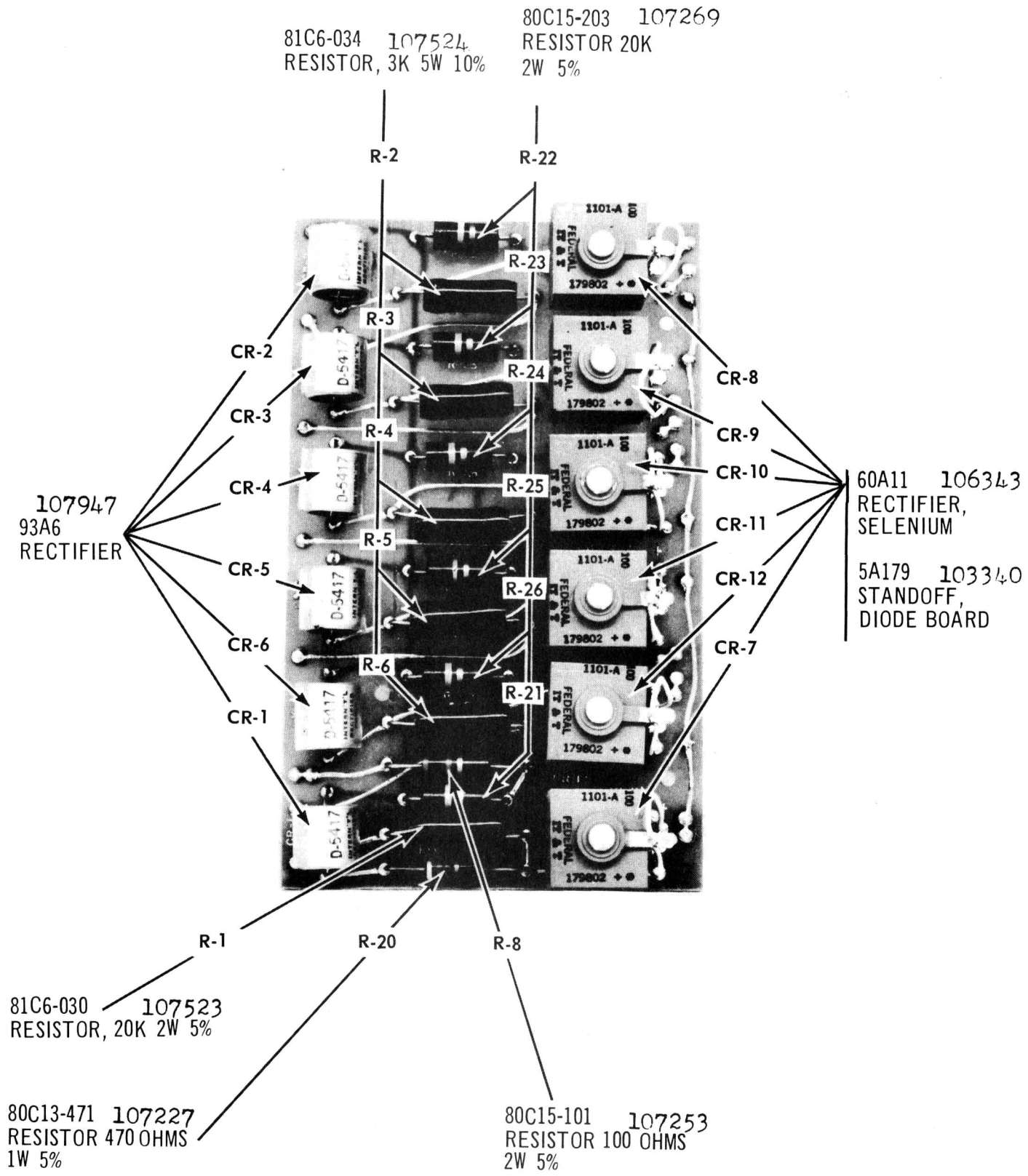
1E908 102251
WIRED ASSY., TAPE PUNCH



1E908 102251
WIRED ASSY., TAPE PUNCH

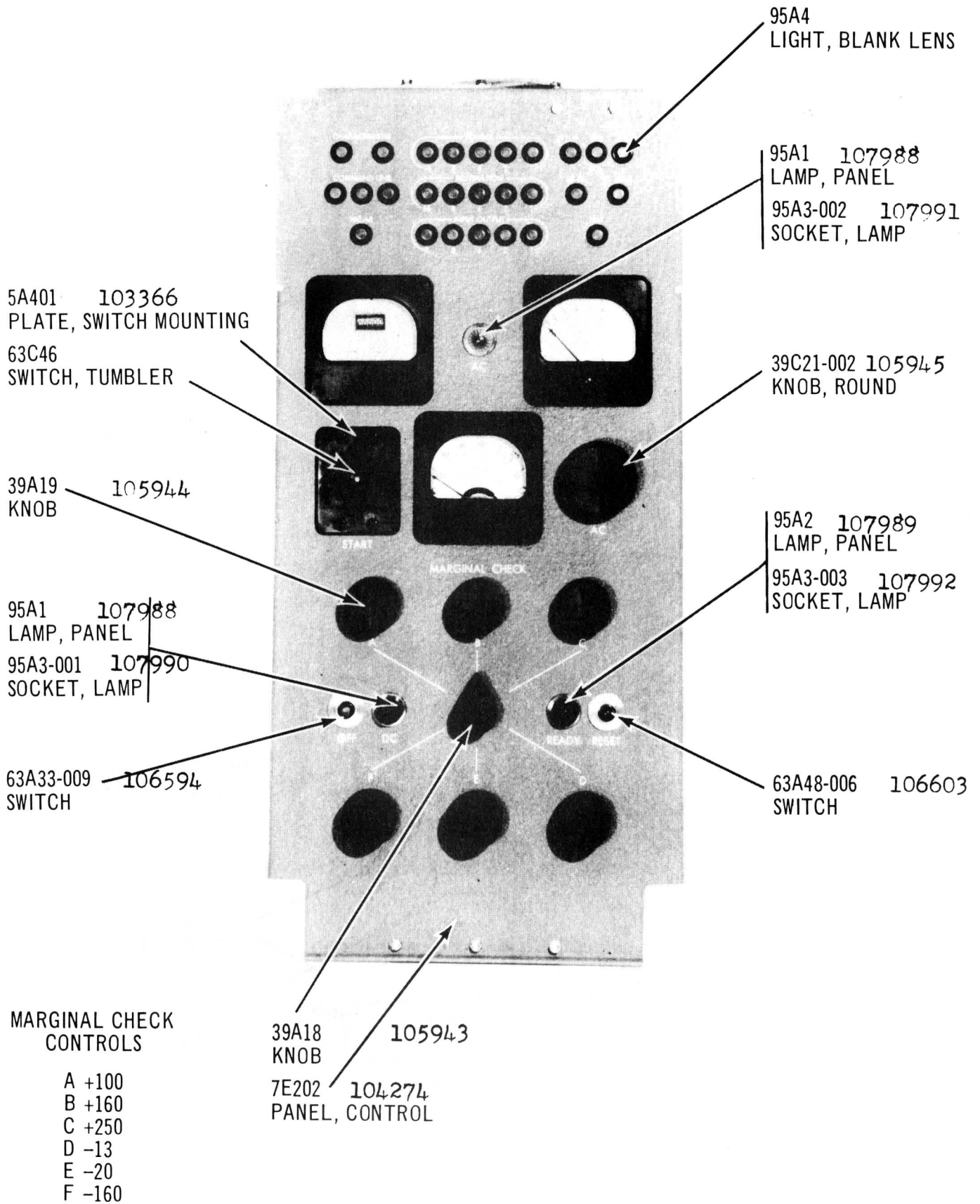


1D912 102253
BOARD ASSY., COMPONENT



SECTION TEN
CONTROL PANEL ASSEMBLY

1E911 102252
 CABLE ASSY., CONTROL PANEL
 (FRONT)



80C15-103 107255
RESISTOR 10K
2W 5%

1E911 102252
CABLE ASSY., CONTROL PANEL
(REAR)

1B909
TAPER PIN BLK. ASSY.

32B14 105784
GUIDE, CHAD BOX

11A15 104636
TERMINAL, INSULATED

TB-14

59C3
METER, MOD., ELAPSED TIME

84C2-103 107672
RESISTOR VAR. COMP.
10K 2W 20%

59C6-004
VOLTMETER AC

24A11 105325
BEARING, PANEL

63A61 106613
SWITCH, ROTARY SPDT

59A1
METER, PERCENT DC VOLTS

84A3 107680
VAR. TRANS.

1C664
SWITCH ASSY., CONTROL
PANEL
(SEE PAGE 10.5)

84A4 107681
RHEOSTAT 4 OHMS 50W

R12
R13

63A61 106613
SWITCH, ROTARY SPDT

61A14 106384
CONNECTOR, TAPER PIN

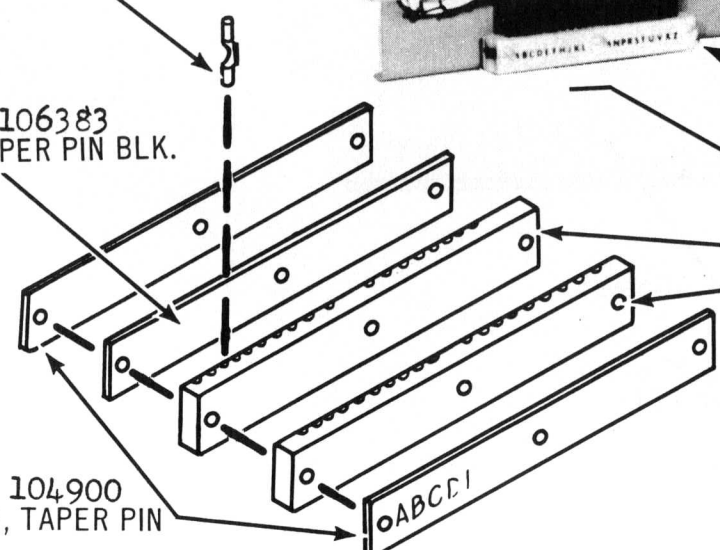
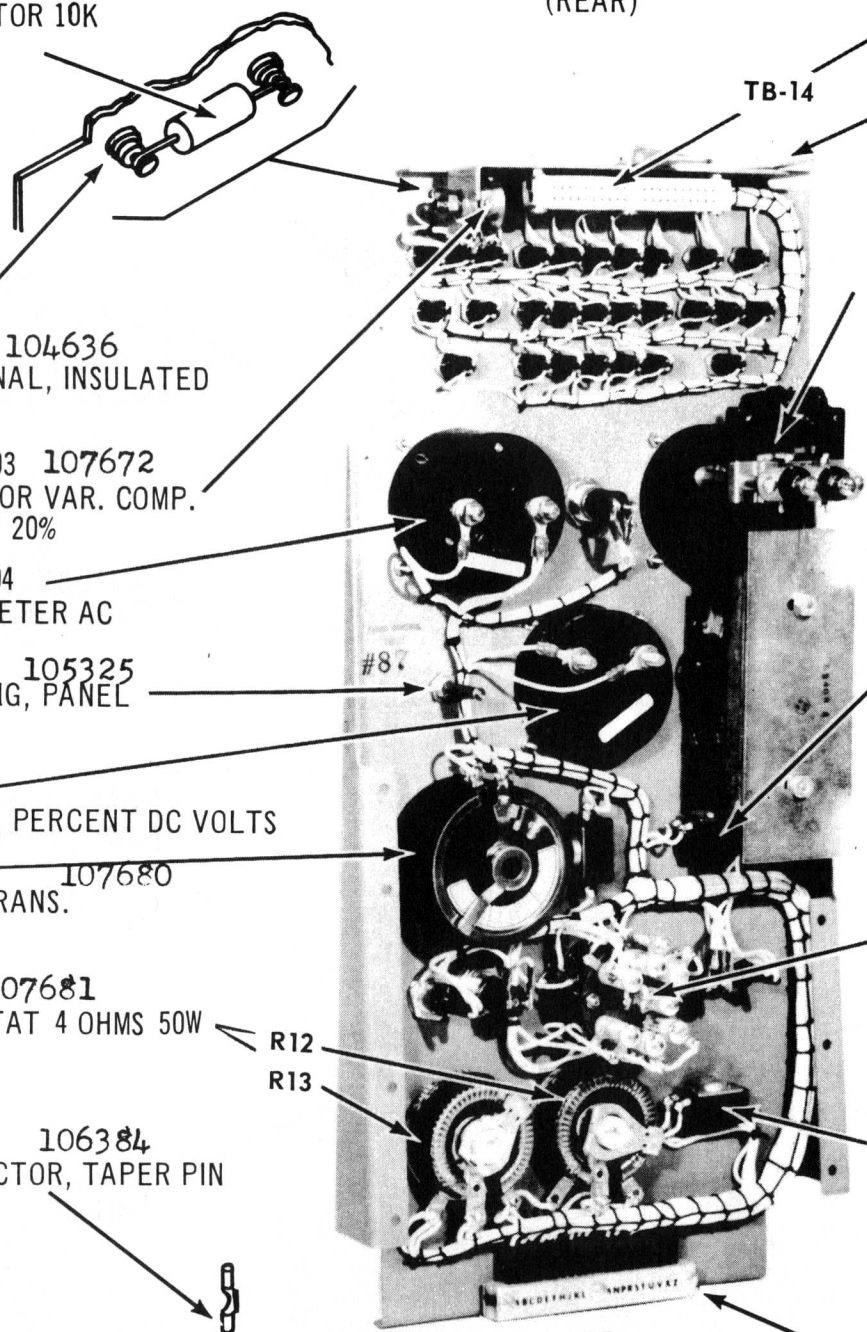
61A11 106383
CAP, TAPER PIN BLK.

1B909
TAPER PIN BLOCK ASSY.

TB8-B
TB8-A

61A10 106382
CONNECTOR, TAPER PIN

18A27 104900
SPACER, TAPER PIN



VARIAC TRANSFORMER & POWER SWITCH ASSY.

8A219 104423
BD., SWITCH INSUL.

5B408 103367
ANGLE, SWITCH MTG

63C46
SWITCH, TUMBLER

5D400 103365
BKT., VAR. TRANS. MTG

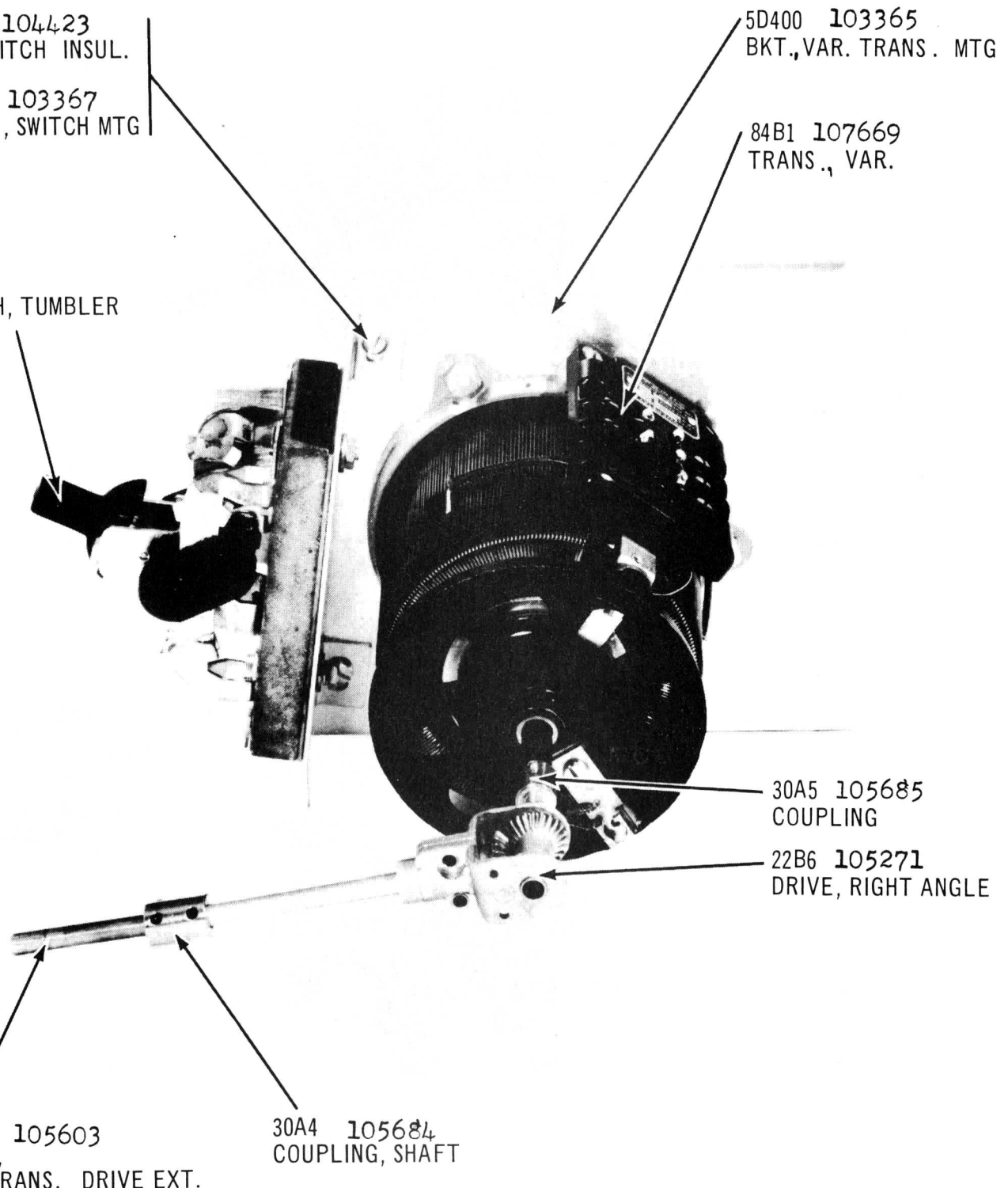
84B1 107669
TRANS., VAR.

30A5 105685
COUPLING

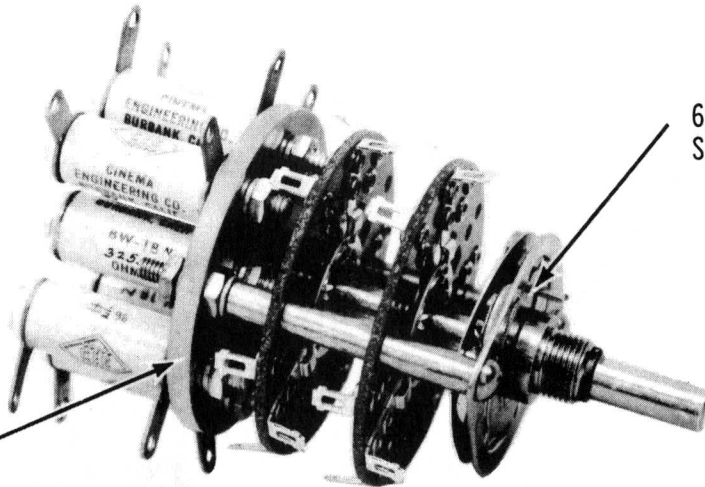
22B6 105271
DRIVE, RIGHT ANGLE

27A22 105603
SHAFT,
VAR. TRANS. DRIVE EXT.

30A4 105684
COUPLING, SHAFT

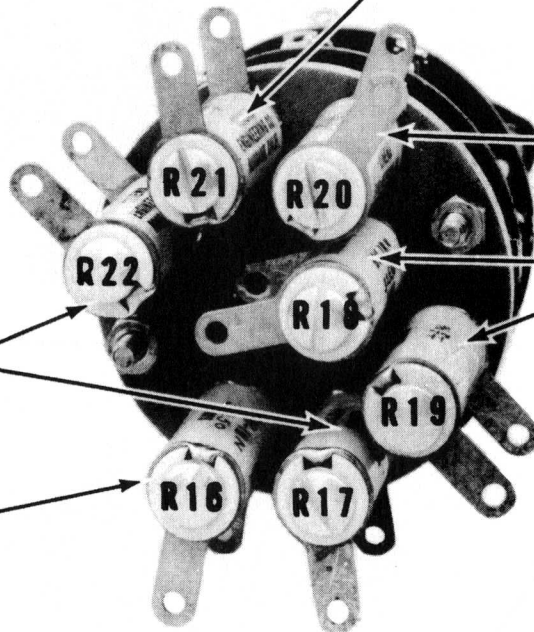


1C664
SWITCH ASSY., CONTROL PANEL



63B17 106585
SWITCH, VM SELECTOR

9B6 104599
BOARD, RESISTOR MTG.



81C23-002 107593
RESISTOR 5208 OHMS
1W 1/2%

81C23-001
RESISTOR 3385 OHMS
1W 1/2%

81C23-004 107595
RESISTOR 32550 OHMS
1W 1/2%

81C23-005 107596
RESISTOR 41680 OHMS
1W 1/2%

81C23-003 107594
RESISTOR 31250 OHMS
1W 1/2%

SECTION ELEVEN
RIGHT LOGIC PANEL ASSEMBLY

1R931
PANEL ASSY., RIGHT LOGIC

7D296 104279
PANEL, LOGIC DOOR
(SEE PAGE 11.7)

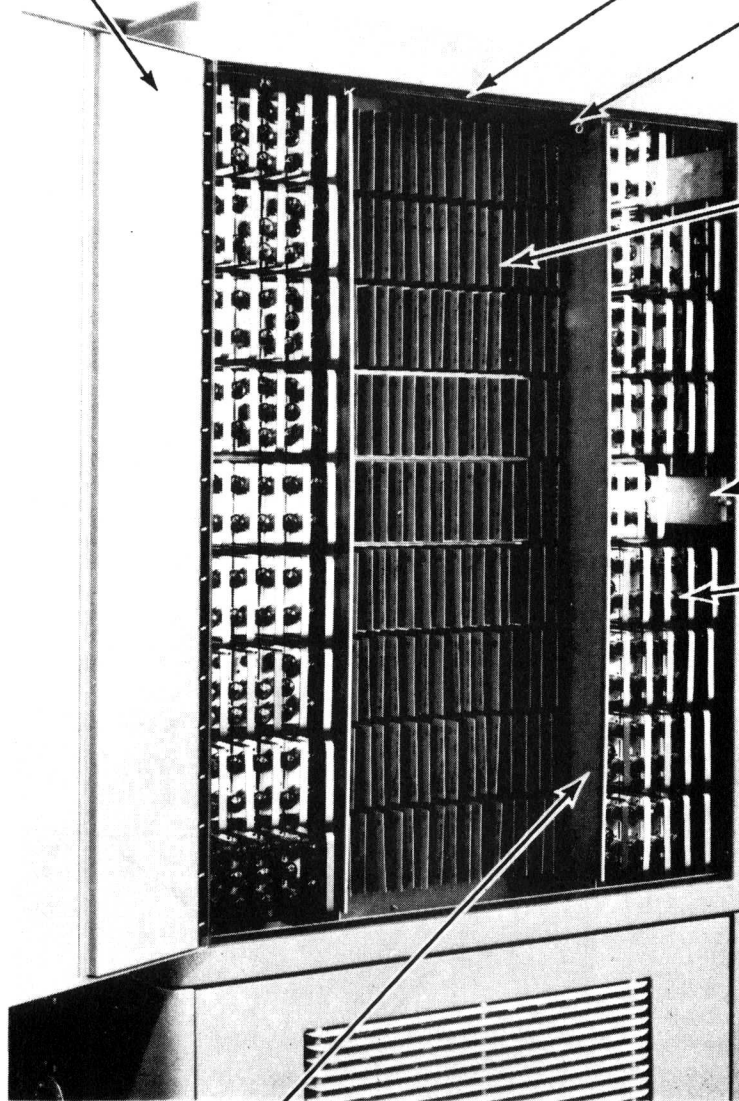
38A10 105917
STRIP, SPONGE RUBBER

8C273-002 104437
STRIP, SCR TERM BARRIER

DIODE PACKAGES
(SEE SECTION 18)

1C489 102209
BRACKET ASSY., LATCH
(SEE PAGE 11.5)

TUBE PACKAGES
(SEE SECTION 17)



7D70 104257
PLATE, LOGIC BAFFLE

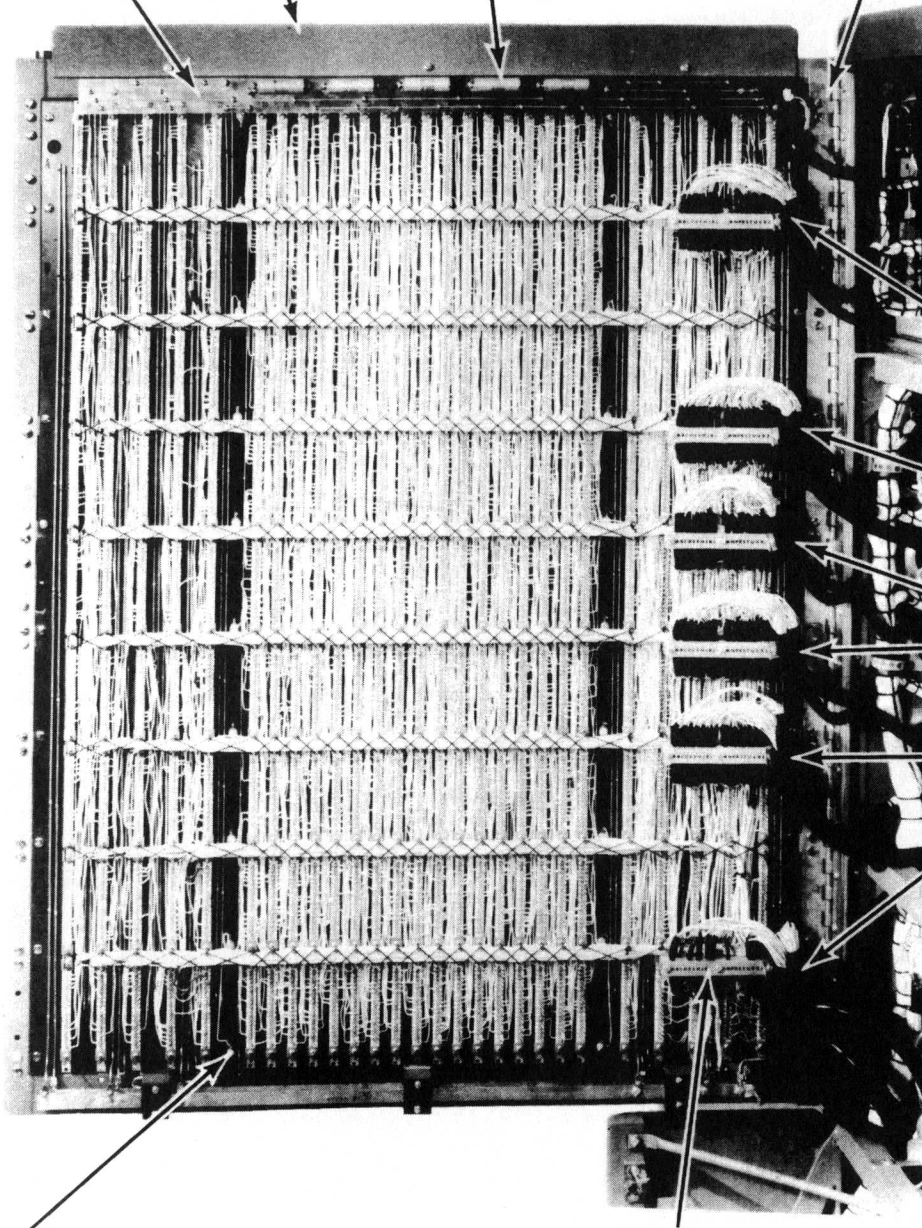
1R931
PANEL ASSY., RIGHT LOGIC

6D94 104100
HOUSING, LOGIC FAN

1D935
BOARD ASSY.,
PRIMARY BUS

70A16 106839
CAPACITOR
47MFD 200V

26D18 105486
HINGE, RIGHT LOGIC PANEL



25C24-004
CLAMP, CABLE,
CUSHIONED

25C24-006
CLAMP, CABLE,
CUSHIONED

25C24-004
CLAMP, CABLE,
CUSHIONED

25C24-007
CLAMP, CABLE,
CUSHIONED

11A10-002 104629
TERMINAL, Y TYPE, SOLDER

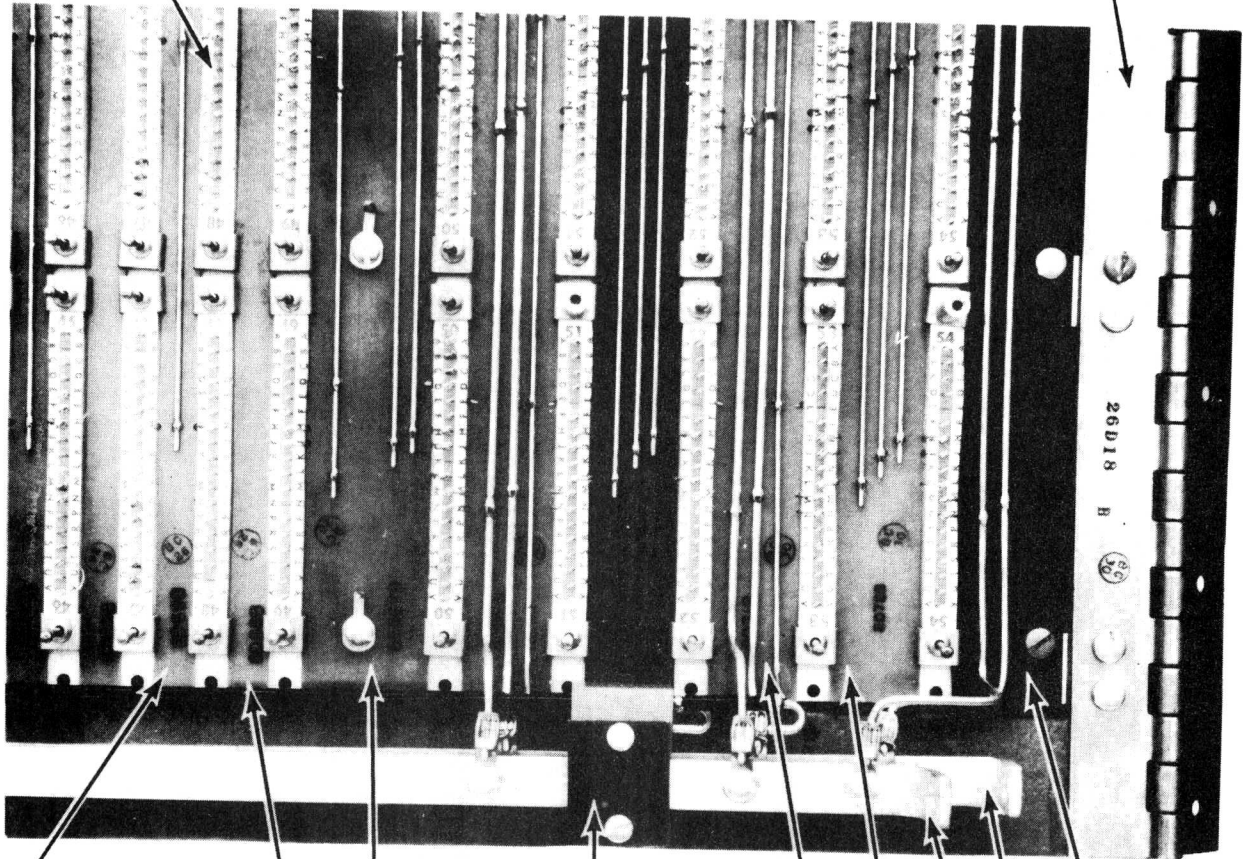
TAPER PIN BLOCK
(SEE PAGE 11.6)

1R931

PANEL ASSY., RIGHT LOGIC

61C16 106386
CONNECTOR, PLUG-IN PACKAGE

26D18 105486
HINGE RIGHT LOGIC PANEL



8D69 104413
BOARD, SECONDARY BUS

8D68 104412
BOARD, SECONDARY BUS

8D267 104431
BOARD, SECONDARY BUS

8D264 104428
BOARD, SECONDARY BUS

67D19-001 106710
BAR, FIL BUS

67D19-002 106711
BAR, FIL BUS

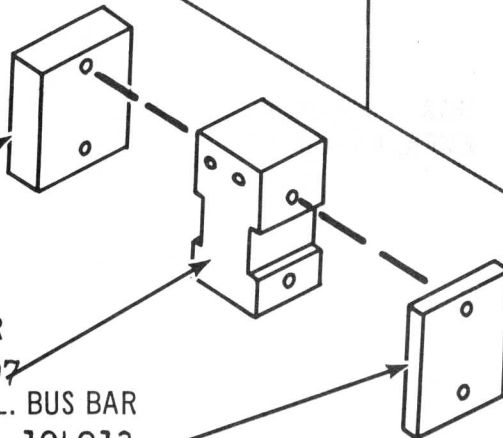
8D72 104415
BOARD, SECONDARY BUS

8D71 104414
BOARD, SECONDARY BUS

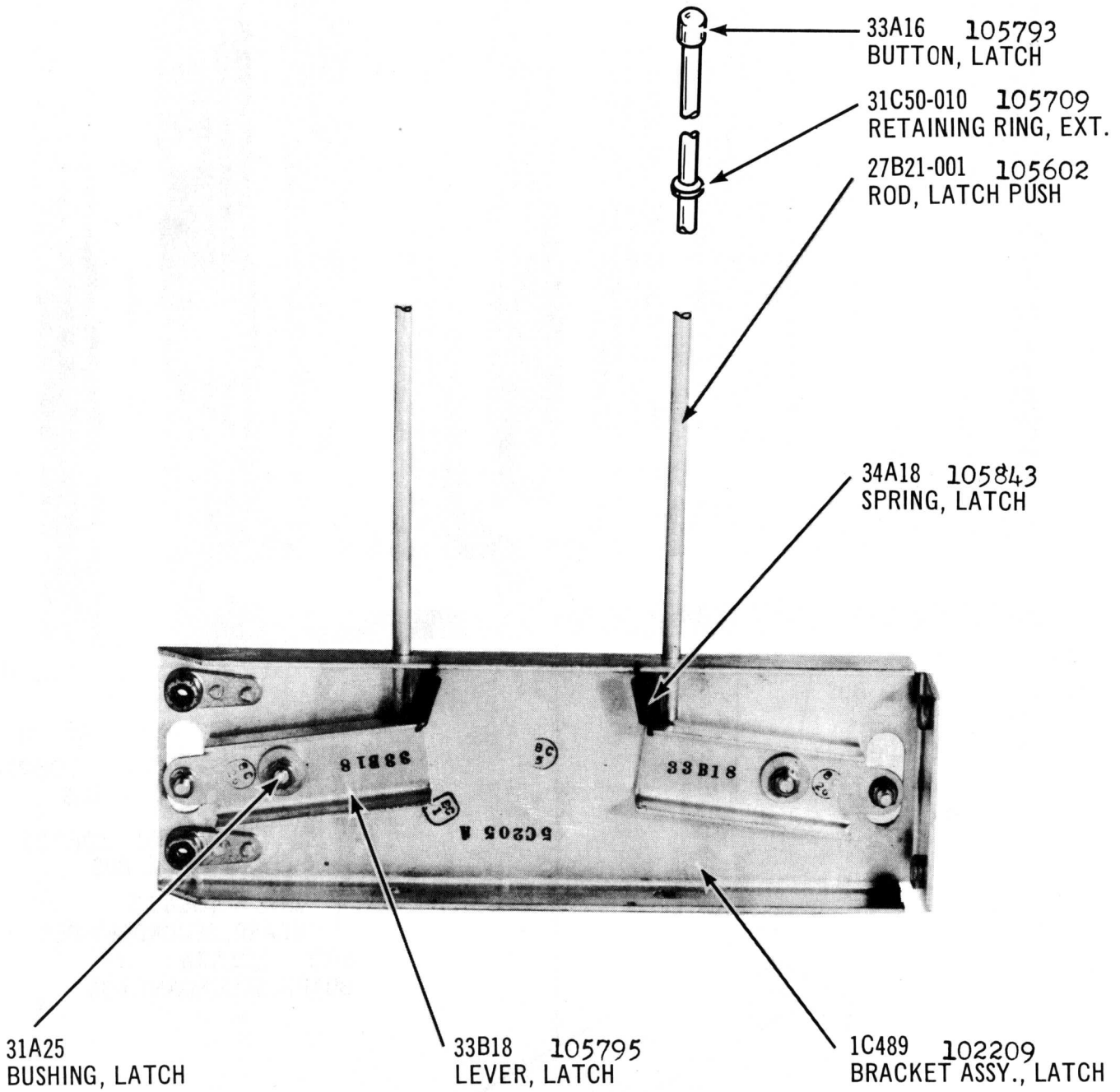
18A66 104912
SPACER, FIL. BUS BAR

31A48 105707
RETAINER, FIL. BUS BAR

18A67 104913
SPACER, FIL. BUS BAR



LATCH MECHANISM

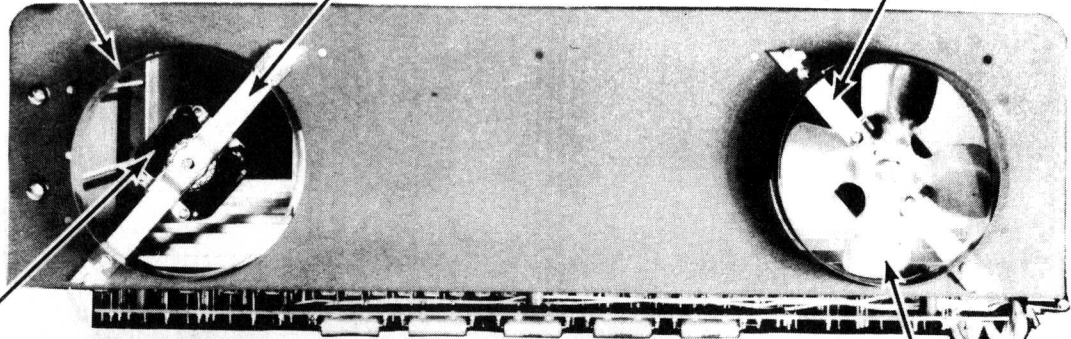


1R931
 PANEL ASSY., RIGHT LOGIC

31C47 105706
 RING, LOGIC PANEL FAN

25B22 105355
 STRAP, FAN MTG.

25B23 105356
 STRAP, FAN MTG.



56C33 106180
 MOTOR, LOGIC PANEL FAN

56C17 106170
 FAN, LOGIC PANEL

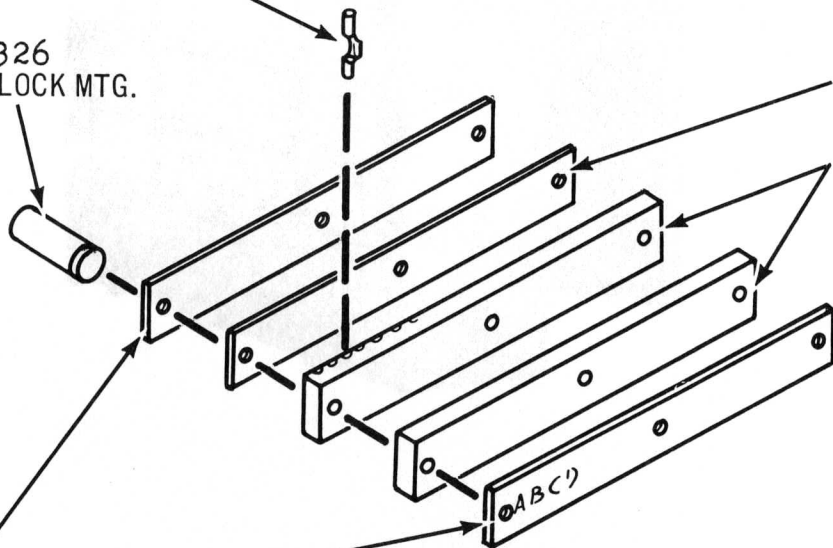
TAPER PIN BLOCK (TYP)
 (SEE PAGE 11.3)

61A14 106384
 CONNECTOR, TAPER PIN

5A121 103326
 STANDOFF, BLOCK MTG.

61A11 106383
 CAP, TAPER PIN BLK.

61A10 106382
 CONNECTOR, TAPER PIN



18A27 104900
 SPACER, TAPER PIN

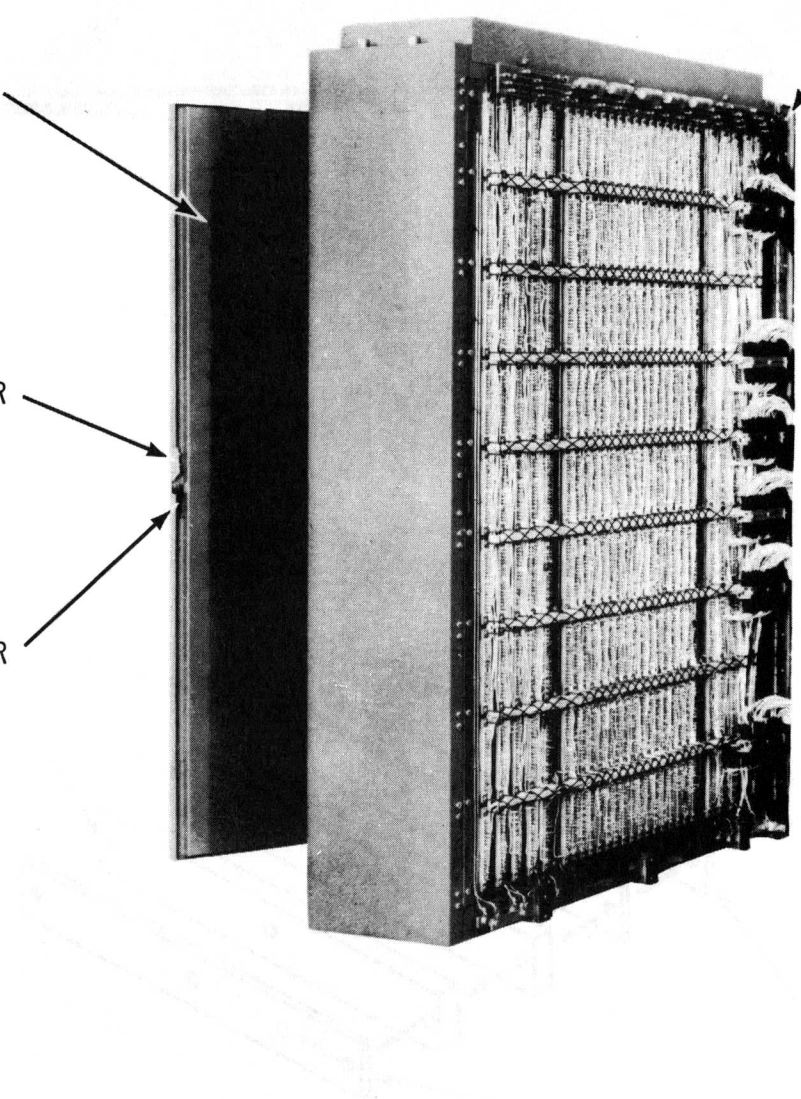
DOOR, RIGHT LOGIC

7D296 104279
PANEL, LOGIC DOOR

5A689 103425
PLATE, DOOR STRIKER

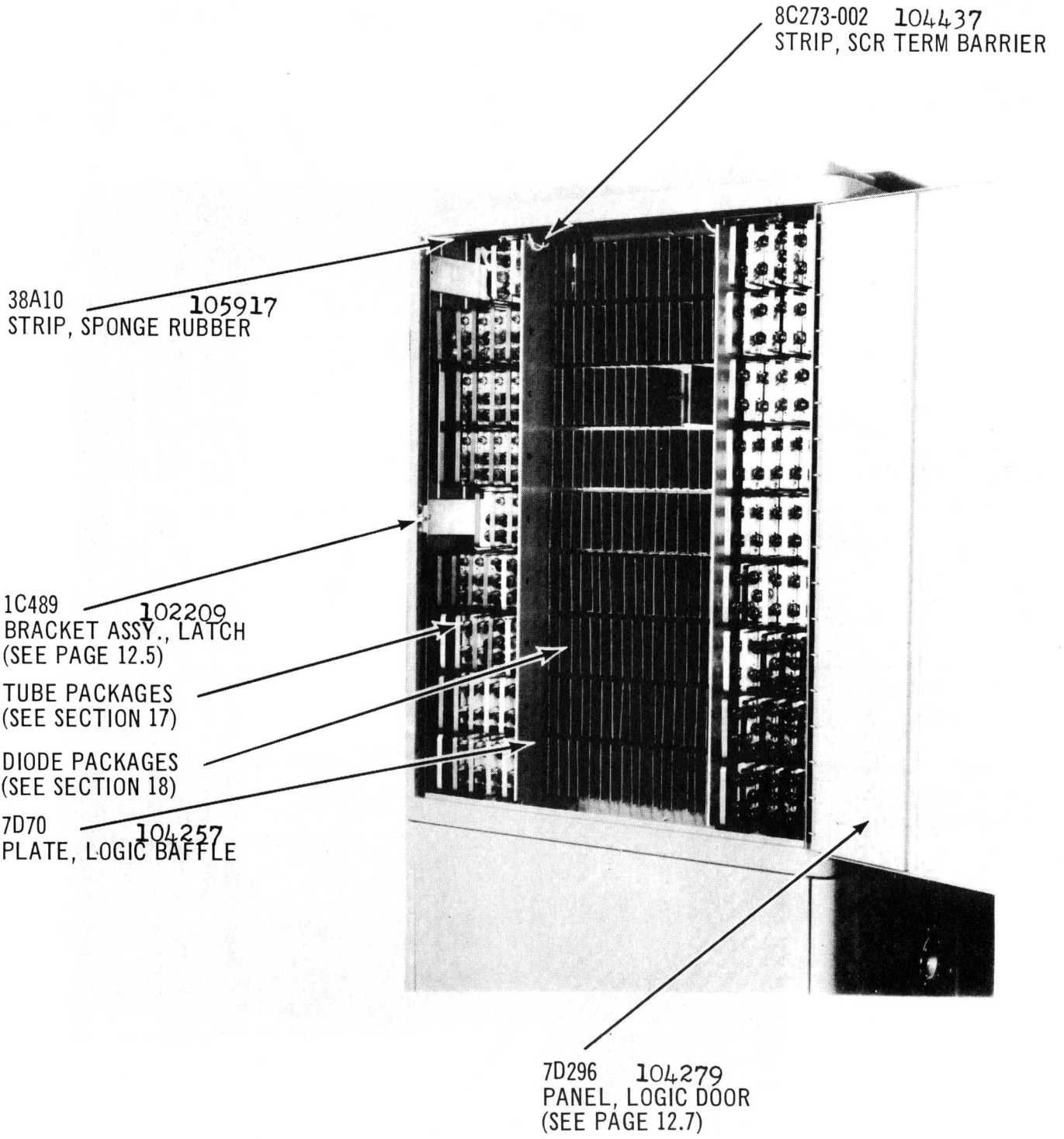
5A634 103423
PLATE, DOOR STRIKER

26D18 105486
HINGE, DOOR



SECTION TWELVE
LEFT LOGIC PANEL ASSEMBLY

1R932
PANEL ASSY., LEFT LOGIC



IR932
PANEL ASSY., LEFT LOGIC

ID936
BOARD ASSY., PRIMARY BUS

11A10-002 104629
TERMINAL, Y TYPE SOLDER

70A16 106839
CAPACITOR
.47MFD 200V

26D17 105485
HINGE, LEFT LOGIC PANEL

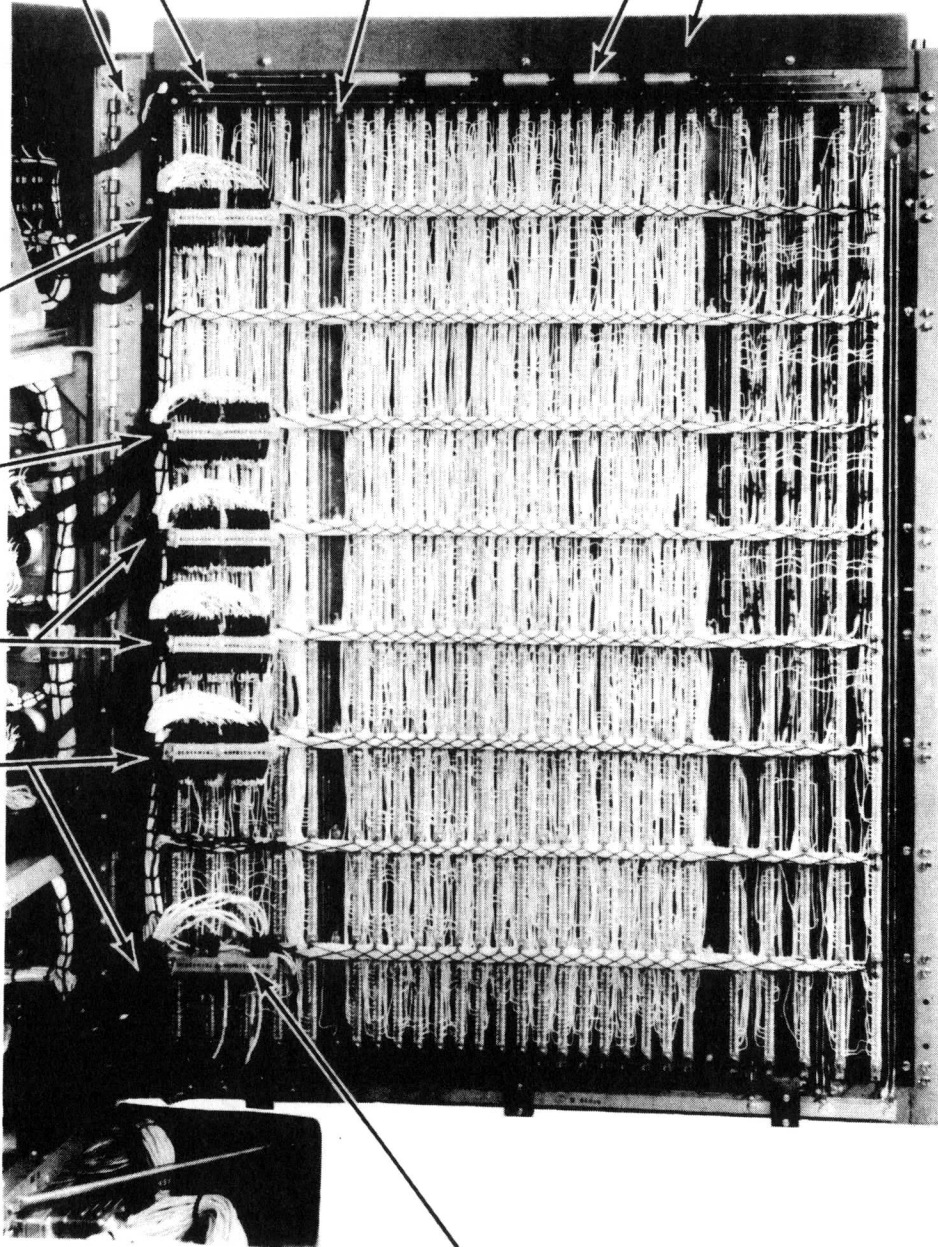
6D94 104100
HOUSING, LOGIC FAN

25C24-004
CLAMP, CABLE
CUSHIONED

25C24-006
CLAMP, CABLE
CUSHIONED

25C24-004
CLAMP, CABLE
CUSHIONED

25C24-007
CLAMP, CABLE
CUSHIONED

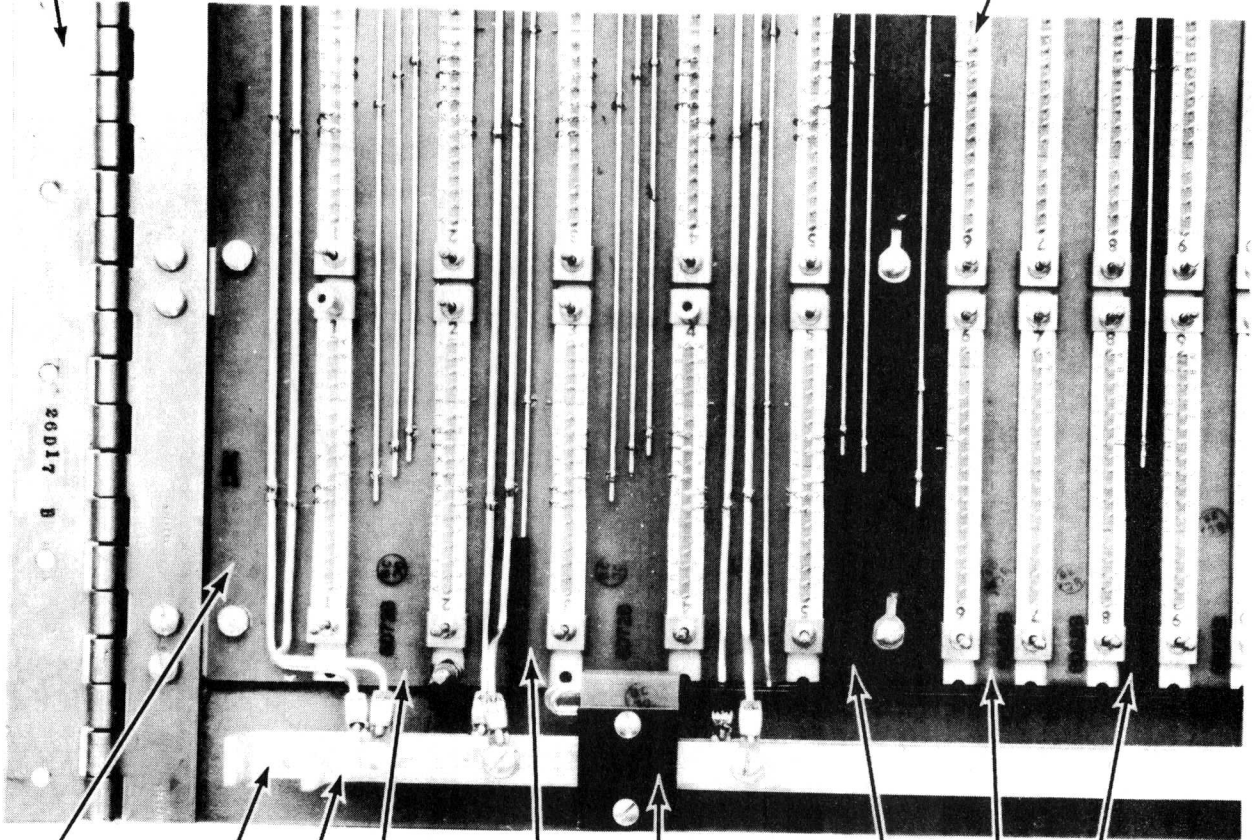


TAPER PIN BLOCK ASSY.
(SEE PAGE 12.6)

26D17 105485
HINGE, LEFT
LOGIC PANEL

1R932
PANEL ASSY., LEFT LOGIC

61C16 106386
CONNECTOR,
PLUG-IN PACKAGE



8D264 104428
BOARD,
SECONDARY BUS

67D19-001 106710
BAR, FIL. BUS

67D19-002 106711
BAR, FIL. BUS

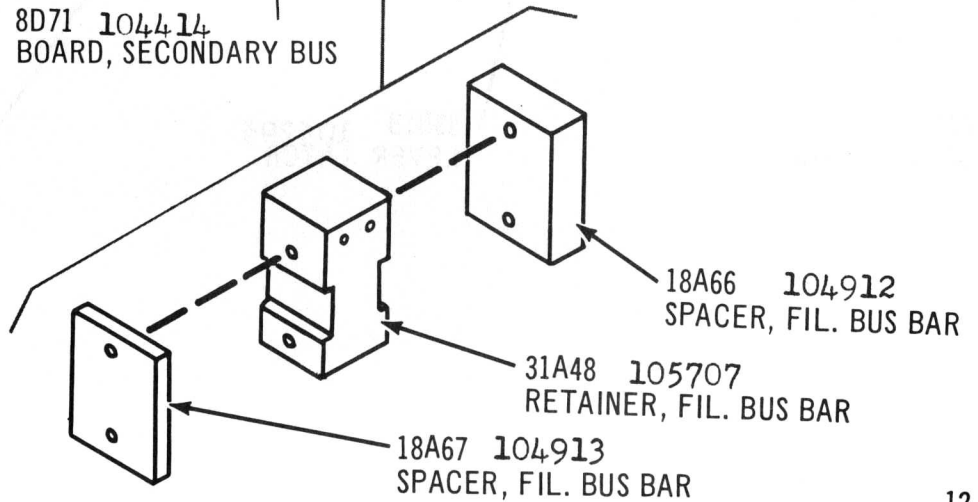
8D72 104415
BOARD, SECONDARY BUS

8D71 104414
BOARD, SECONDARY BUS

8D69 104413
BOARD,
SECONDARY BUS

8D68 104412
BOARD, SECONDARY BUS

8D267 104431
BOARD, SECONDARY BUS

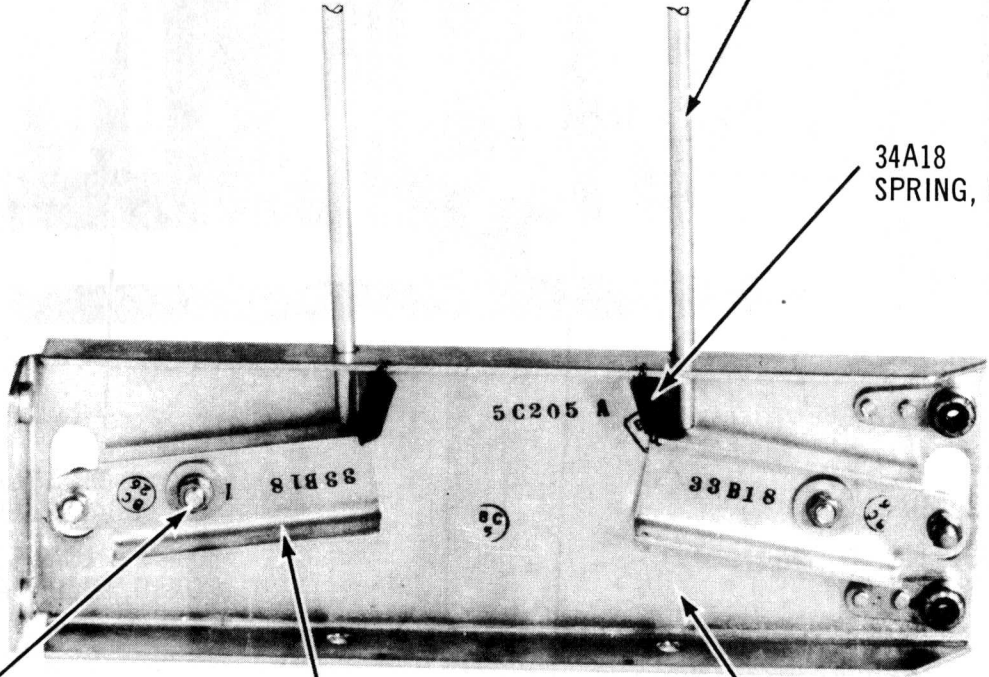
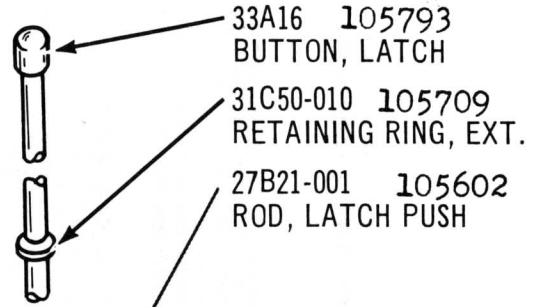


18A66 104912
SPACER, FIL. BUS BAR

31A48 105707
RETAINER, FIL. BUS BAR

18A67 104913
SPACER, FIL. BUS BAR

LATCH MECHANISM



34A18 105843
SPRING, LATCH

31A25
BUSHING, LATCH

33B18 105795
LEVER, LATCH

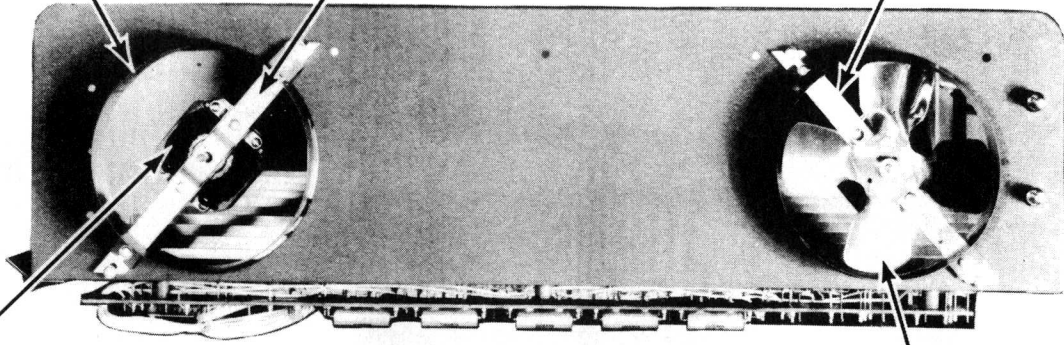
1C489 102209
BRACKET ASSY., LATCH

1R932
 PANEL ASSY., LEFT LOGIC

31C47 105706
 RING, LOGIC PANEL FAN

25B22 105355
 STRAP, FAN MTG.

25B23 105356
 STRAP, FAN MTG.



56C33 106180
 MOTOR, LOGIC PANEL FAN

56C17 106170
 FAN, LOGIC PANEL

TAPER PIN BLOCK (TYP)
 (SEE PAGE 12.3)

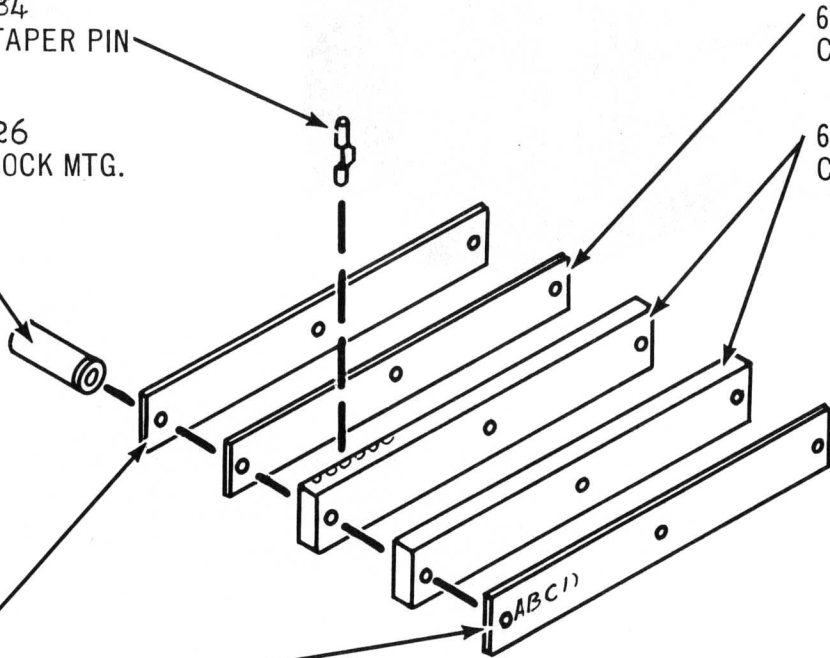
61A14 106384
 CONNECTOR, TAPER PIN

61A11 106383
 CAP, TAPER PIN BLK.

5A121 103326
 STANDOFF, BLOCK MTG.

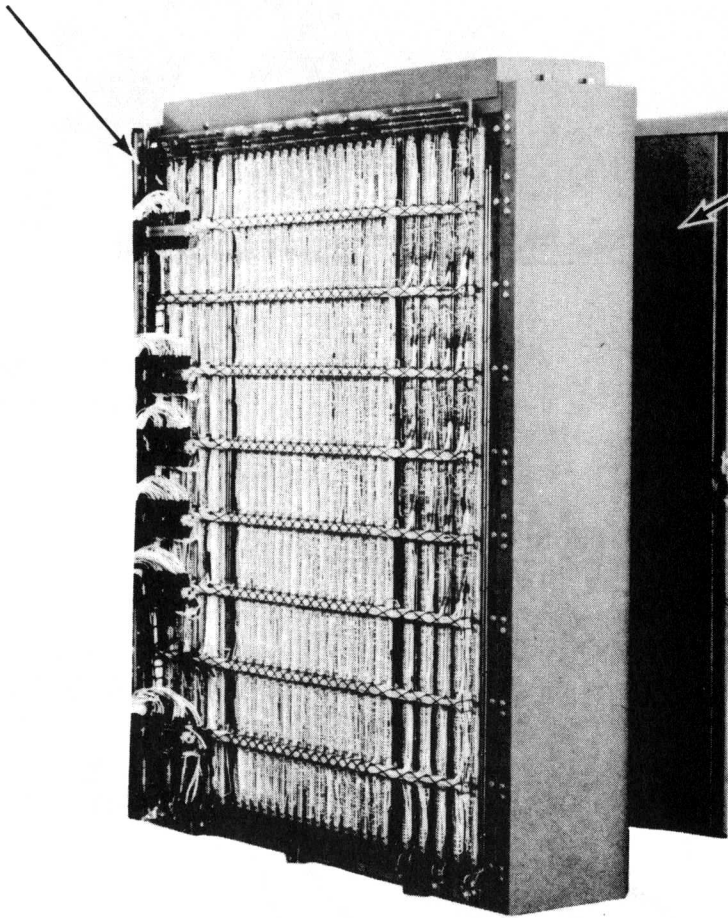
61A10 106382
 CONNECTOR, TAPER PIN

18A27 104900
 SPACER, TAPER PIN



DOOR, LEFT LOGIC

26D17 105485
HINGE, DOOR



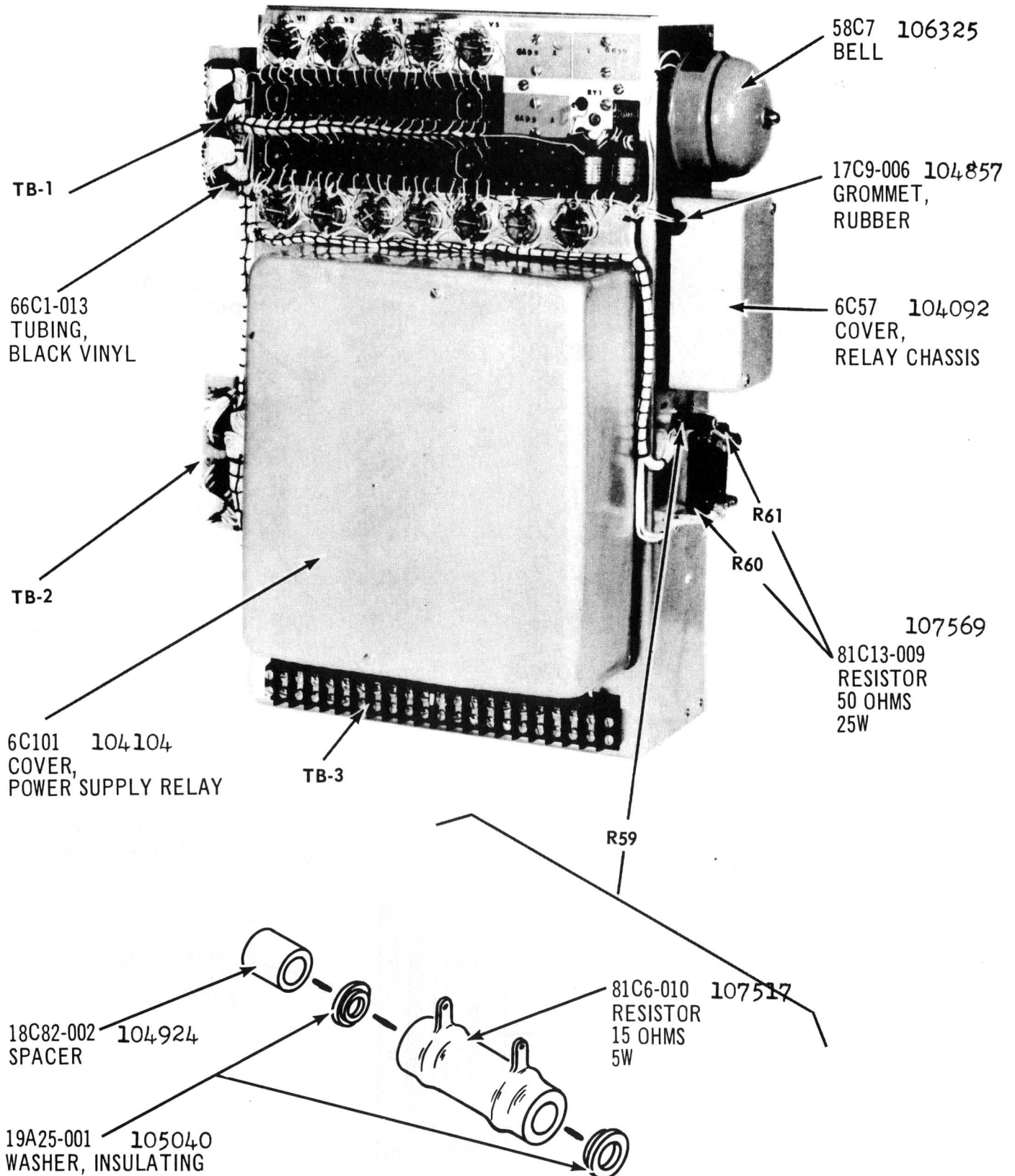
7D296 104279
PANEL, LOGIC DOOR

5A689 103425
PLATE, DOOR STRIKER

5A634 103423
PLATE, DOOR STRIKER

SECTION THIRTEEN
RELAY CHASSIS ASSEMBLY

1E962
WIRED ASSEMBLY, RELAY CHASSIS



1E962
WIRED ASSEMBLY, RELAY CHASSIS

6B100 104103
COVER, LOGIC RELAY

V5 V4 V3 V2 V1

63A36 106597
SWITCH, TOGGLE

57C20 RELAY 106247

K7
K5
K8
K6

93A4 107945
TUBE

V12 V11 V10 V9 V8 V7 V6

19A6 105034
SPACER, TAPER PIN BLOCK

61A10 106382
CONNECTOR, TAPER PIN

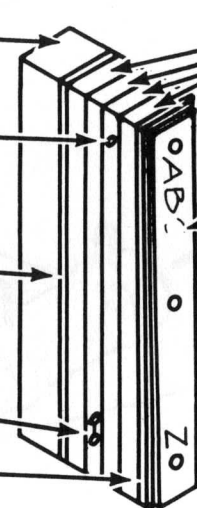
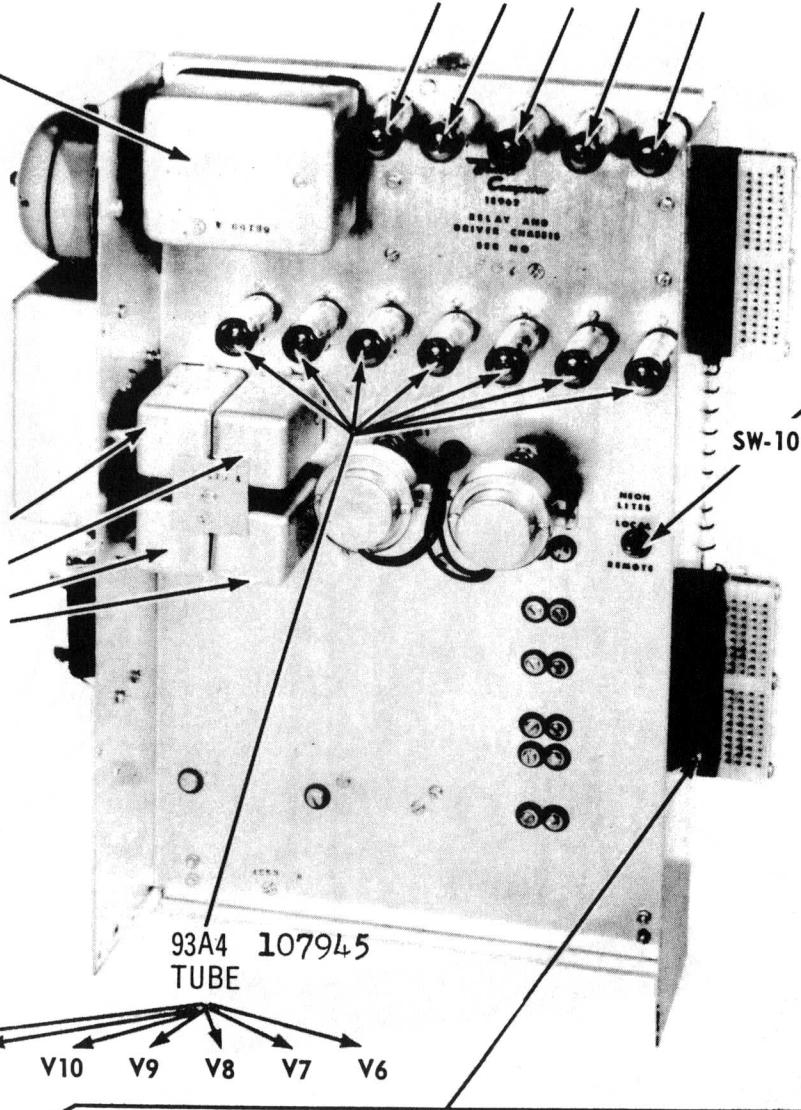
61A14
CONNECTOR, SINGLE TAPER PIN 106384

61A11
CAP, TAPER PIN BLOCK 106383

18A27 104900
SPACER, TAPER PIN

61A15 106385
CONNECTOR DOUBLE TAPER PIN

61A11
CAP, TAPER PIN BLOCK 106383



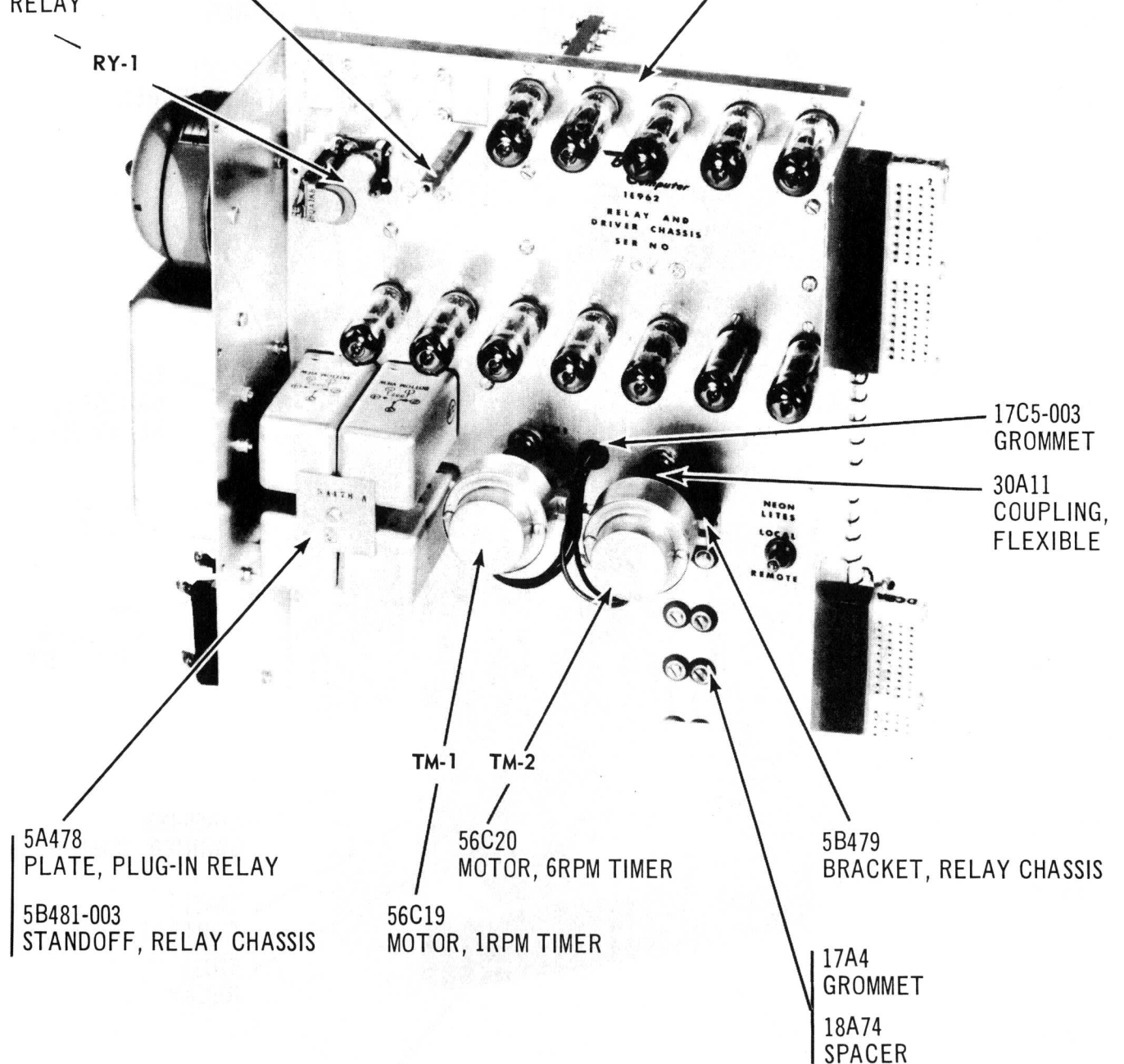
1E962
WIRED ASSEMBLY, RELAY CHASSIS

5B481-002
STANDOFF, RELAY CHASSIS

57A5
RELAY

RY-1

4E53
CHASSIS, RELAY DRIVE TUBE



17C5-003
GROMMET

30A11
COUPLING,
FLEXIBLE

5A478
PLATE, PLUG-IN RELAY

5B481-003
STANDOFF, RELAY CHASSIS

TM-1 TM-2

56C20
MOTOR, 6RPM TIMER

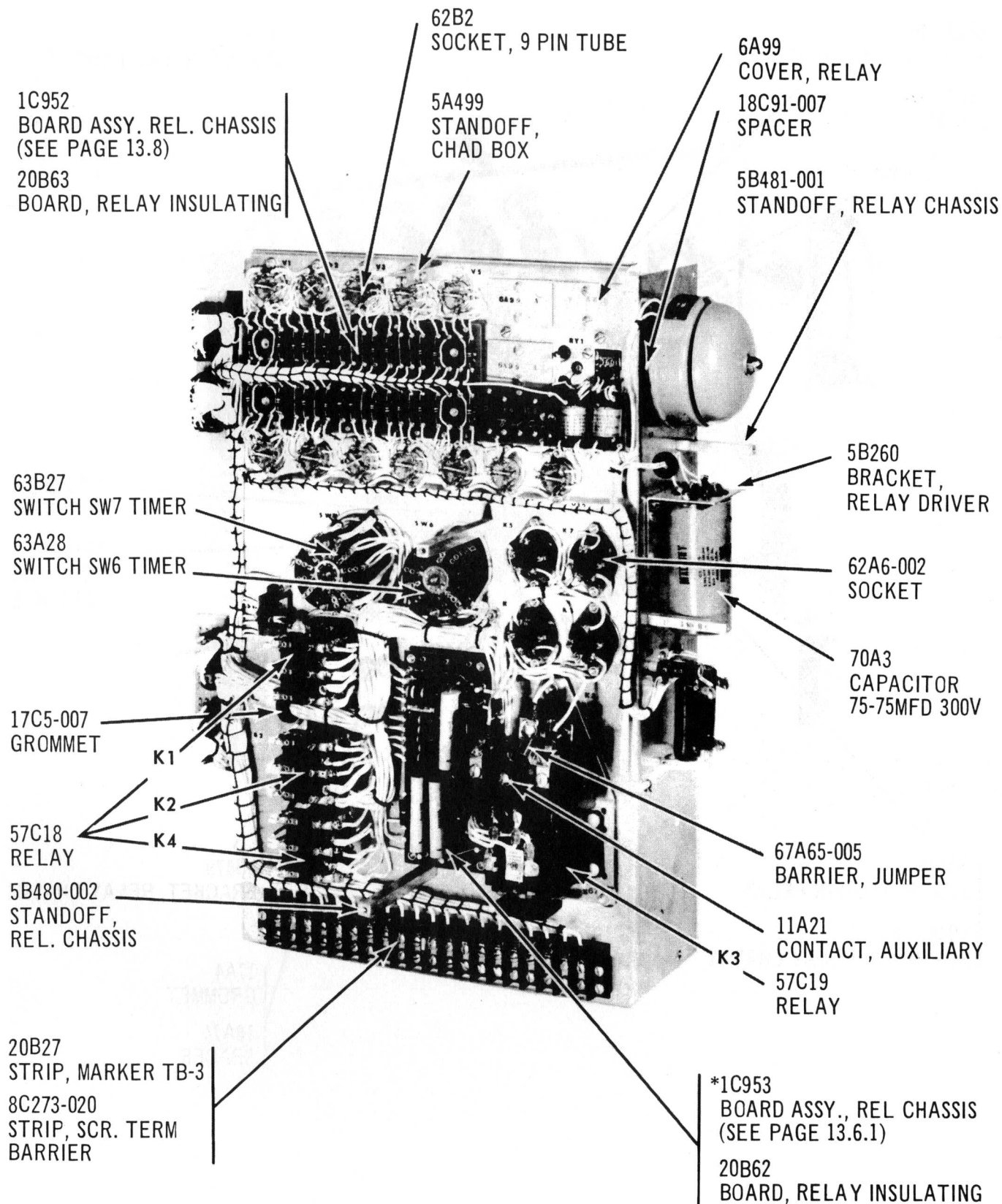
56C19
MOTOR, 1RPM TIMER

5B479
BRACKET, RELAY CHASSIS

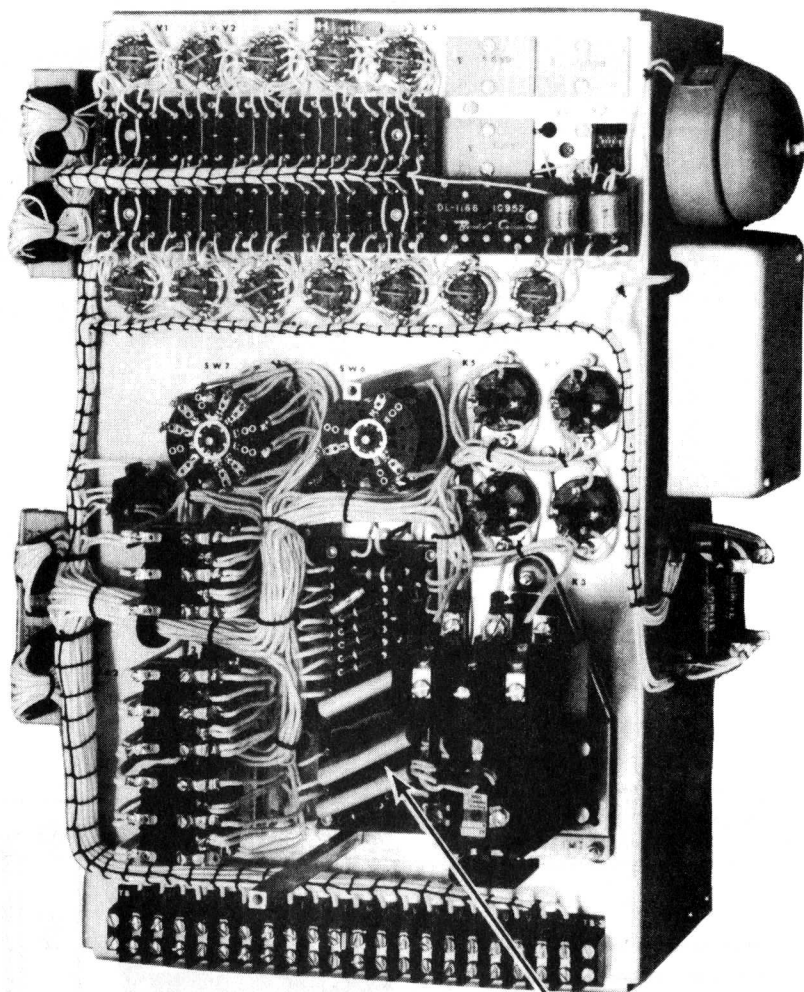
17A4
GROMMET

18A74
SPACER

1E962
WIRED ASSEMBLY, RELAY CHASSIS



1E962
WIRED ASSEMBLY, RELAY CHASSIS

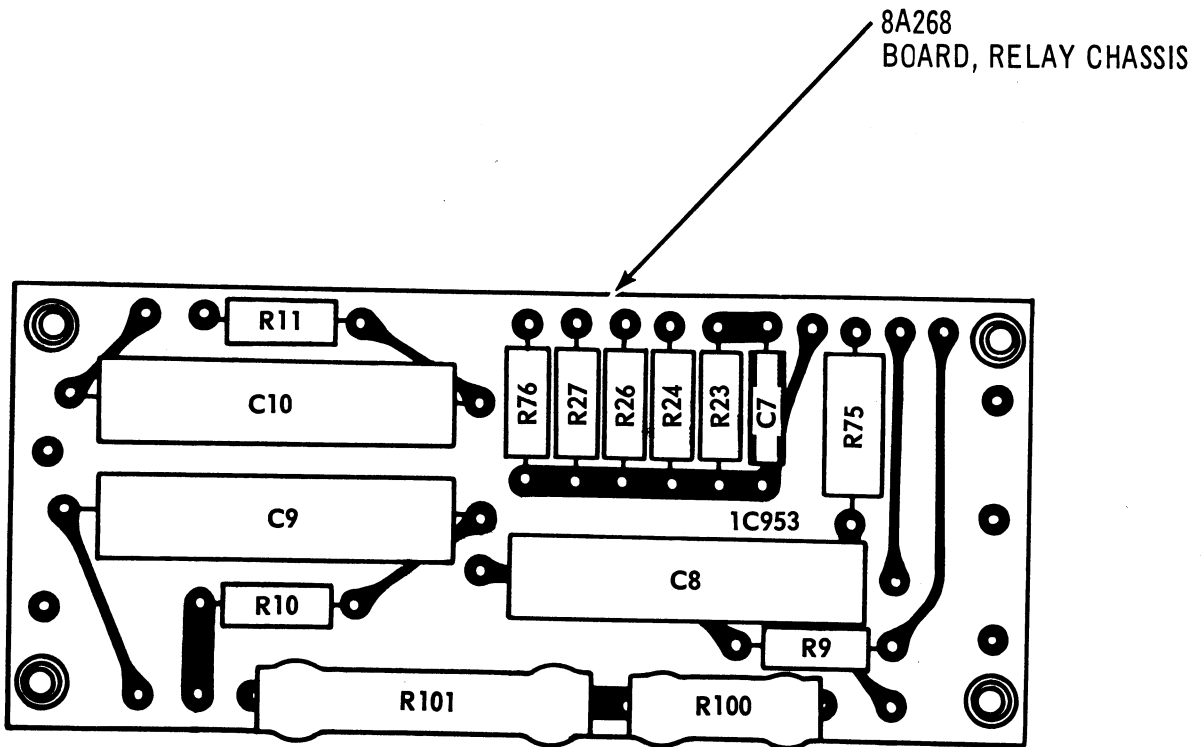


*1C1715
BOARD ASSY., REL CHASSIS
(SEE PAGE 13.6.2)

*USED ON MACHINES SERIAL 105 UP

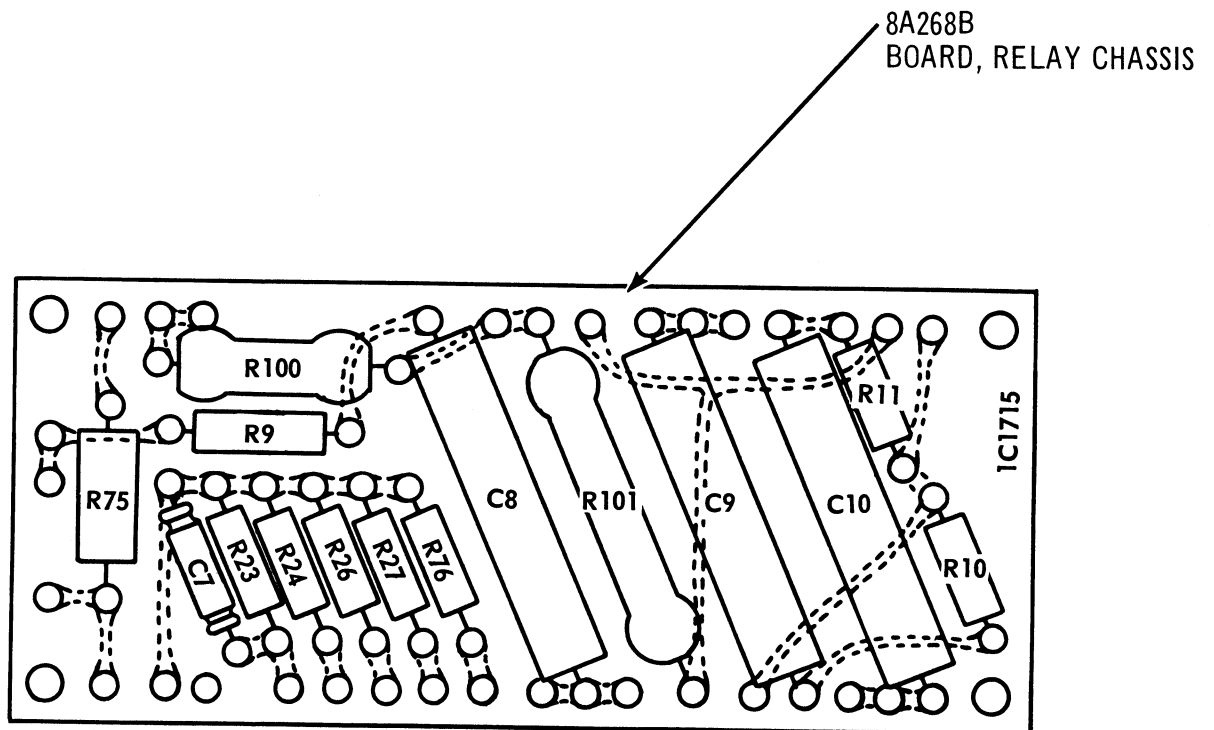
1C953
BOARD ASSEMBLY, REL. CHASSIS

CIRC. SYM.	PART NO.	DESCRIPTION
R9, 10, 11	80C12-180	RESISTOR 18 OHMS 1W 10%
R23, 24, 27, 76	80C12-821	RESISTOR 820 OHMS 1W 10%
R26	80C12-152	RESISTOR 1.5K 1W 10%
R75	80C14-392	RESISTOR 39K 2W 10%
R100	81A25-001	RESISTOR 5K 5W 5%
R101	81A24-001	RESISTOR 8K 10W 5%
C7	70A2	CAPACITOR 4 MFD 60V
C8, 9, 10	70C1-018	CAPACITOR .33 MFD 400V



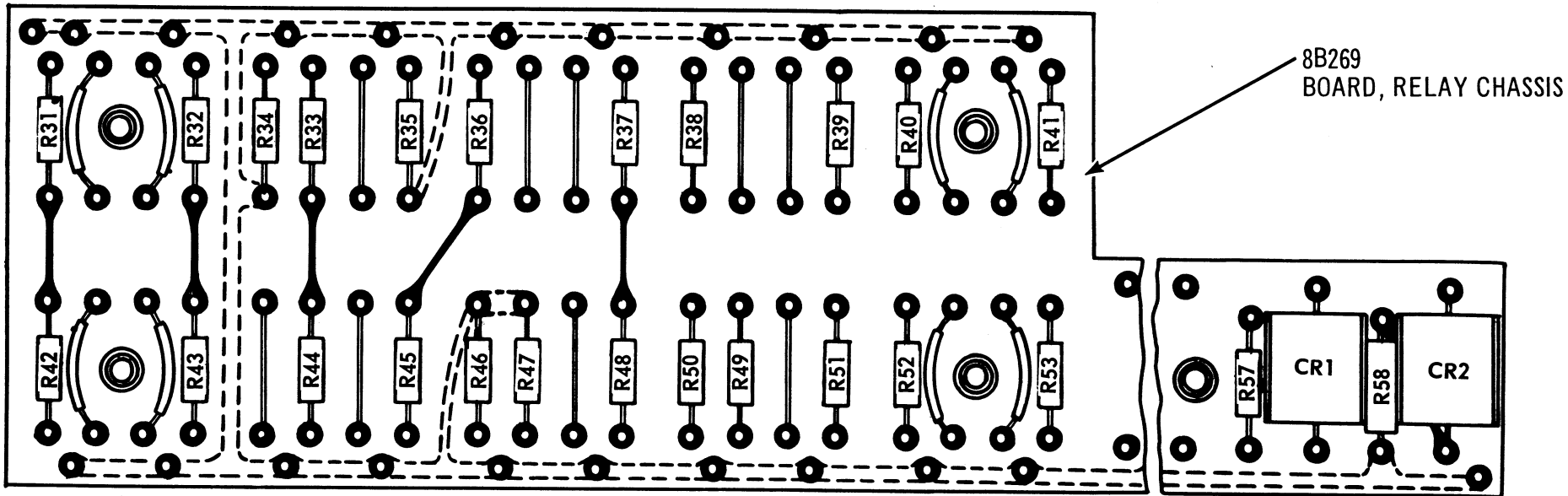
1C1715
BOARD ASSEMBLY, RELAY CHASSIS

CIRC. SYM.	PART NO.	DESCRIPTION
R9, 10, 11	80C12-180	RESISTOR 18 OHMS 1W 10%
R23, 24, 27, 76	80C12-821	RESISTOR 820 OHMS 1W 10%
R26	80C12-152	RESISTOR 1.5K 1W 10%
R75	80C14-392	RESISTOR 3.9K 2W 10%
R100	81A25-001	RESISTOR 5K 5W 5%
R101	81A24-001	RESISTOR 8K 10W 5%
C7	70A2	CAPACITOR 4 MFD 60V
C8, 9, 10	70C1-018	CAPACITOR .33 MFD 400V



1C952
BOARD ASSEMBLY, RELAY CHASSIS

CIRC. SYM.	PART NO.	DESCRIPTION
R31-33, 36-45, 48, 49, 51-53, 57	80C11-103	RESISTOR 10K 1/2W 10%
R34,35,46,47	80C11-101	RESISTOR 100OHMS 1/2W 10%
R50	80C11-124	RESISTOR 120K 1/2W 10%
R58	80C12-471	RESISTOR 470 OHMS 1W 10%
CR1,2	93A6	RECTIFIER



8B269
BOARD, RELAY CHASSIS

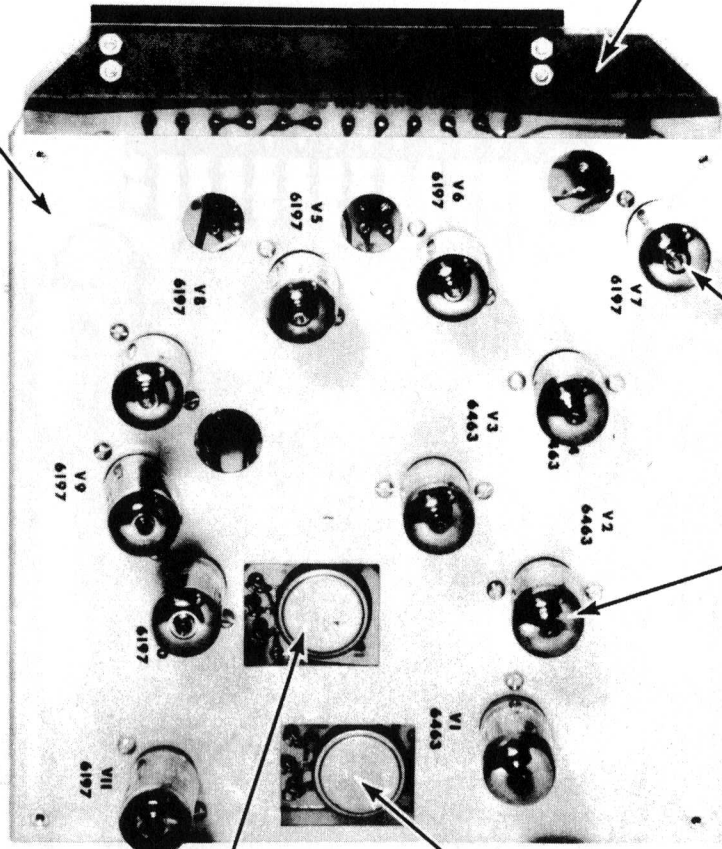
1C952
BOARD ASSEMBLY, RELAY CHASSIS

SECTION FOURTEEN
CLOCK CHASSIS ASSEMBLY

1D999
FINAL ASSEMBLY, CLOCK

4D52
CHASSIS, CLOCK

5B828
ANGLE, CLOCK CHASSIS



93A3
TUBE, 6197

93A8
TUBE, 6463

V1-V4 = 93A8
V5-V11 = 93A3

84C2-504
RESISTOR, VAR. COMP.
.5 MEG 2W 20%

84C2-254
RESISTOR, VAR. COMP.
.25 MEG 2W 20%

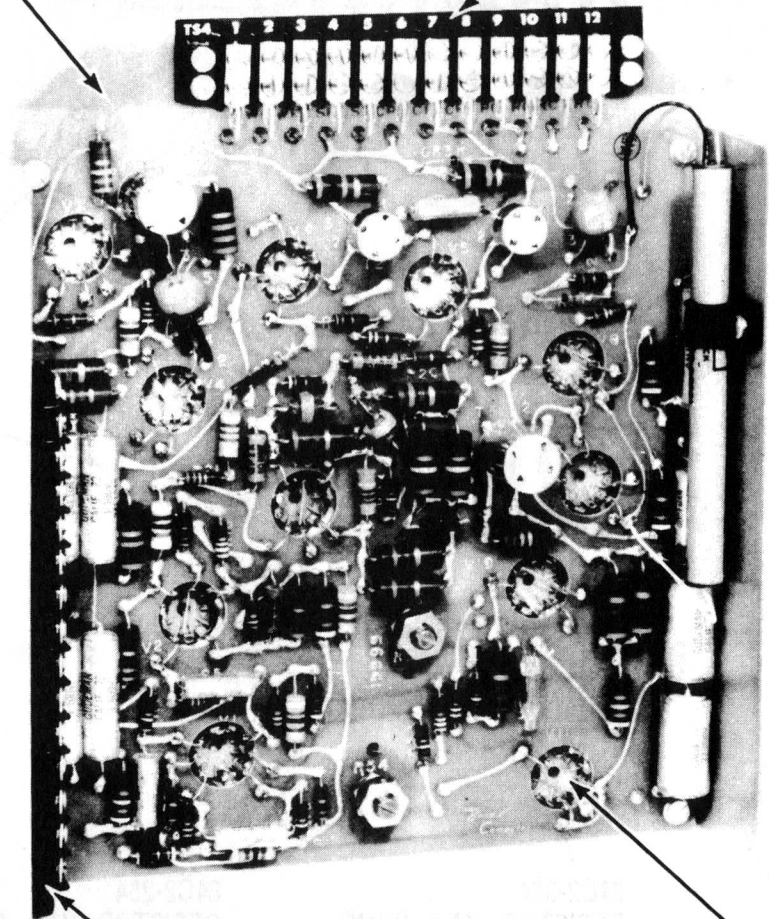
1D999
FINAL ASSEMBLY, CLOCK

1D965
BOARD ASSY., CLOCK
(SEE PAGE 14.4)

8C274-012
STRIP, TERM. BARRIER

40B22
STRIP, TS4 MARKER

TS-4



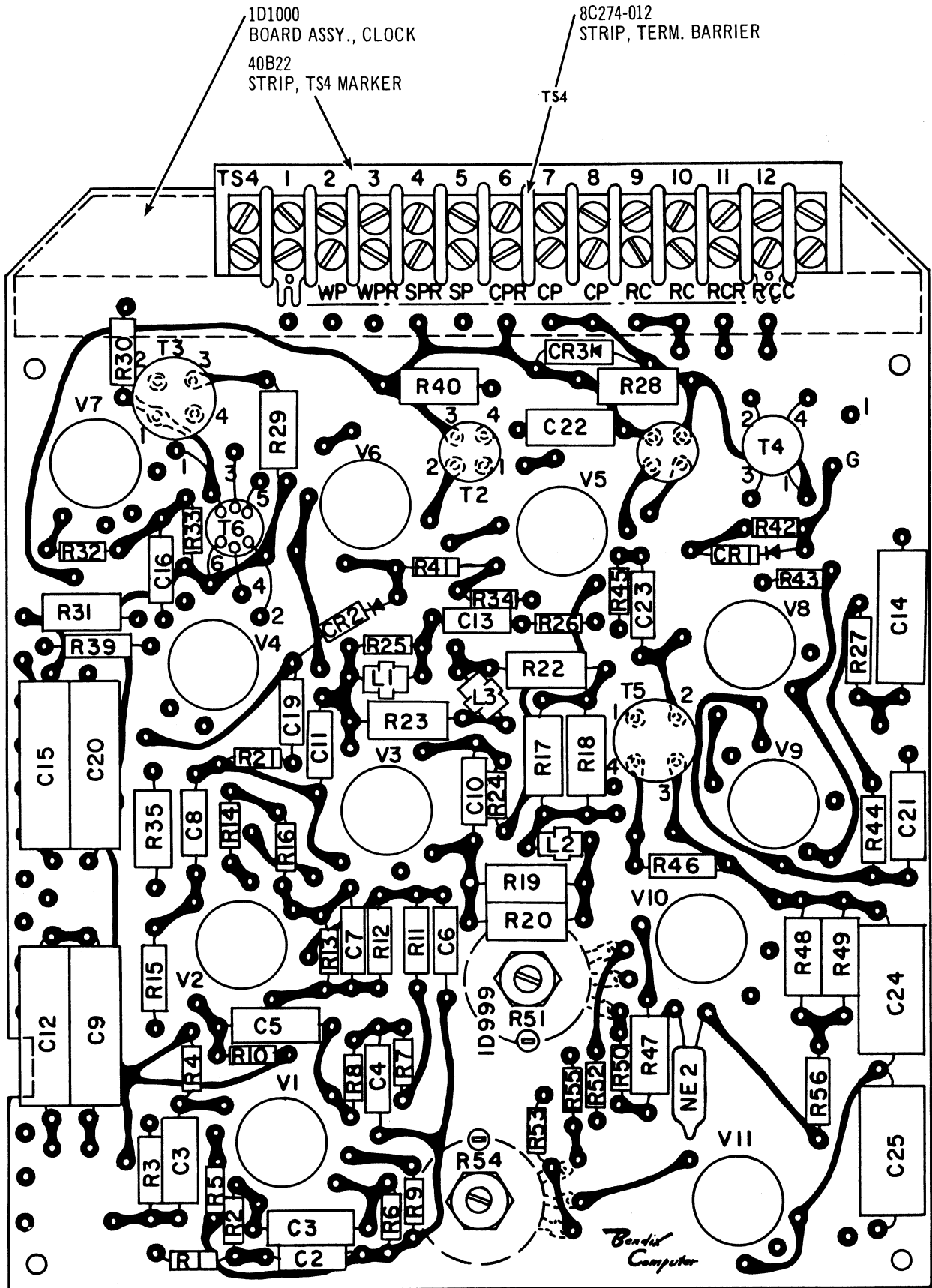
#92

TS-2

8C274-014
STRIP, TERM. BARRIER
20B65
STRIP, TS2 INSULATING

62B2
SOCKET, 9 PIN, TUBE

1D965
BOARD ASSY., CLOCK



1D965
BOARD ASSEMBLY CLOCK

CIRC. SYM.	PART NO.		DESCRIPTION		
R1, 7, 25	80C10-472	RESISTOR	4.7K	1/2W	5%
R2, 8	80C10-513	RESISTOR	51K	1/2W	5%
R3, 56	80C13-473	RESISTOR	47K	1 W	5%
R4, 6	80C10-104	RESISTOR	100K	1/2W	5%
R5, 32	80C10-102	RESISTOR	1K	1/2W	5%
R9	80C10-182	RESISTOR	1.8K	1/2W	5%
R10, 52	80C10-244	RESISTOR	240K	1/2W	5%
R11, 27, 39, 44	80C13-472	RESISTOR	4.7K	1 W	5%
R12	80C13-822	RESISTOR	8.2K	1 W	5%
R13	80C10-563	RESISTOR	56K	1/2W	5%
R14, 41	80C10-682	RESISTOR	6.8K	1/2W	5%
R15	80C13-682	RESISTOR	6.8K	1 W	5%
R16	80C10-393	RESISTOR	39K	1/2W	5%
R17, 18	80C15-103	RESISTOR	10K	2 W	5%
R19, 20	80C15-562	RESISTOR	5.6K	2 W	5%
R21	80C10-183	RESISTOR	18K	1/2W	5%
R22	80C15-272	RESISTOR	2.7K	2 W	5%
R23	80C15-152	RESISTOR	1.5K	2 W	5%
R24	80C10-823	RESISTOR	82K	1/2W	5%
R26	80C10-822	RESISTOR	8.2K	1/2W	5%
R28, 40	80C15-101	RESISTOR	100 OHMS	2 W	5%
R29	80C15-681	RESISTOR	680 OHMS	2 W	5%
R30	80C13-183	RESISTOR	18K	1 W	5%
R33	80C10-473	RESISTOR	47K	1/2W	5%
R34, 45	80C10-332	RESISTOR	3.3K	1/2W	5%
R35	80C15-121	RESISTOR	120 OHMS	2 W	5%
R42	80C10-562	RESISTOR	5.6K	1/2W	5%
14.5 R43	80C10-153	RESISTOR	15K	1/2W	5%

BOARD ASSEMBLY CLOCK

CIRC. SYM.	PART NO.		DESCRIPTION	
R46	80C13-221	RESISTOR	220 OHMS	1 W 5%
R47	80C15-222	RESISTOR	2.2K	2 W 5%
R48, 49	80C15-752	RESISTOR	7.5K	2 W 5%
R50	80C10-274	RESISTOR	270K	1/2W 5%
R51	84C2-504	RESISTOR	500K	VAR. COMP. 2W
R53	80C10-824	RESISTOR	820K	1/2W 5%
R54	84C2-254	RESISTOR	250K	VAR. COMP. 2W
R55	80C10-394	RESISTOR	390K	1/2W 5%
C1, 3, 5	73C2-472	CAPACITOR	.47MM MFD	400V
C2, 4, 6, 16	72C2-102	CAPACITOR	1000 MMFD	500V
C7, 11, 13	72C2-500	CAPACITOR	50 MMFD	500V
C8	72C2-200	CAPACITOR	20 MMFD	500V
C9, 12, 14, 15, 20	73C2-104	CAPACITOR	.10 MFD	400V
C10, 23	72C2-101	CAPACITOR	100 MMFD	500V
C19	72C2-251	CAPACITOR	250 MMFD	500V
C21,	73C2-103	CAPACITOR	.01 MFD	400V
C22	73C3-103	CAPACITOR	.01 MFD	200V
C24, 25	73C3-274	CAPACITOR	.27 MFD	200V
T1, 2	88A3	TRANSFORMER - PULSE		
T3	88A4	TRANSFORMER - PULSE		
T4	88A6	TRANSFORMER - PULSE		
T5	88A5	TRANSFORMER - PULSE		
L1	96C2-010	COIL ----- PEAKING		
L2	96C2-003	COIL ----- PEAKING		
L3	96C2-013	COIL ----- PEAKING		
NE2	93A1	TUBE ----- NEON NE2		
CR1, 2	94C1	DIODE ----- GERMANIUM GP		
CR3	94W11	DIODE ----- T 7G		
T6	88A12	TRANSFORMER - PULSE		

SECTION FIFTEEN
TYPEWRITER ASSEMBLY

1C1001
TYPEWRITER ASSEMBLY

1E583
TYPEWRITER ASSY., MOD.



40B12
NAME PLATE
12C25-014
NUT, SPEED

1C1002
BASE ASSY.

PLM-1

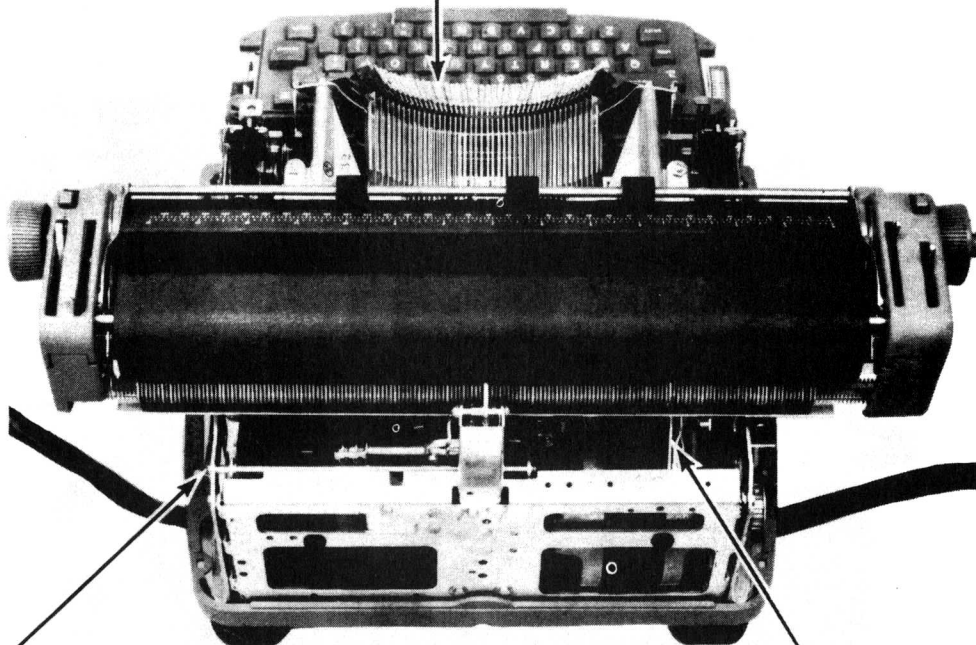
61A37
CONNECTOR, MALE

1E583
TYPEWRITER ASSY., MODIFIED

56A6
TYPEWRITER IBM ELECT

1E598
TYPEWRITER MODIFIED

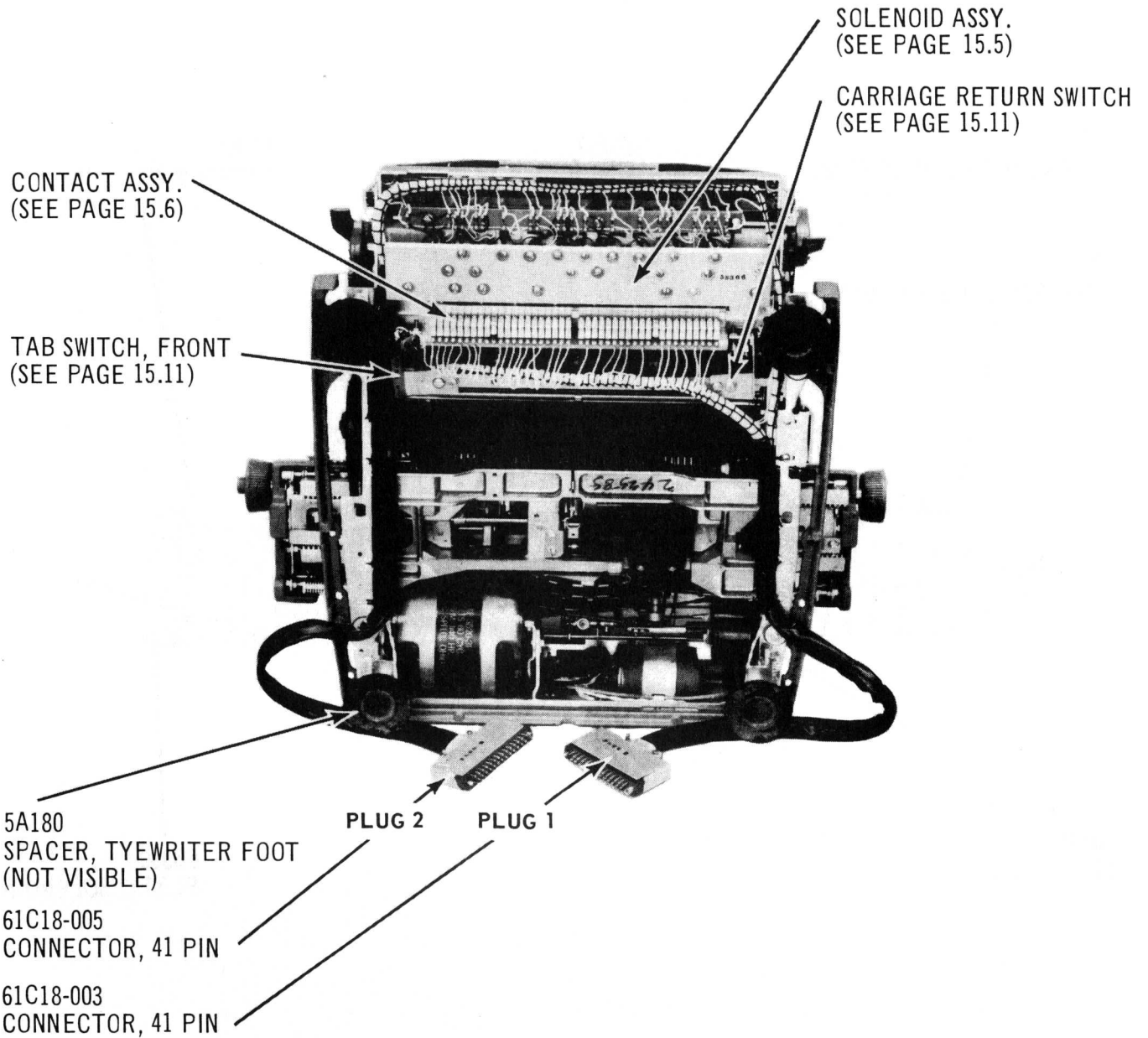
1E583
TYPEWRITER ASSY. MODIFIED



63B18
SWITCH, ON-OFF

TAB SWITCH, REAR
(SEE PAGE 15.11)

1E583
TYPEWRITER ASSY., MOD.



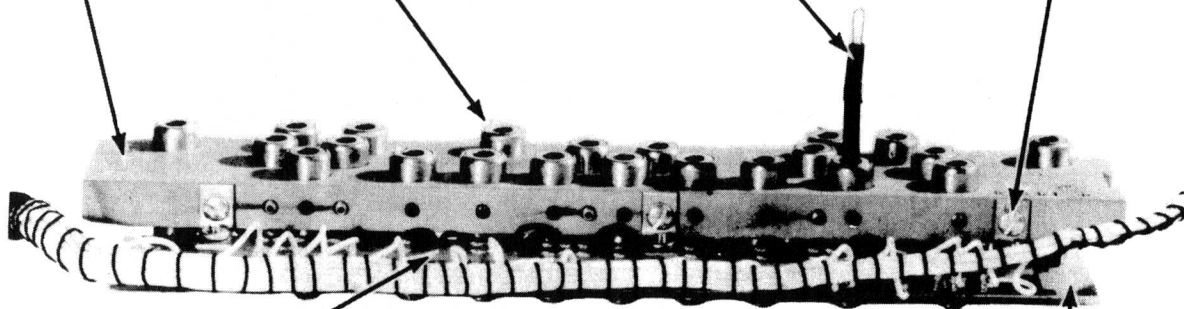
SOLENOID MTG. BKT.

57B9
SOLENOID, KEY OPERATING

34B17
SPRING, SOLENOID

1B456
SUPPORT ASSY., BUS. BD.

5D191
BRACKET, SOLENOID MTG.



1B541
BD. ASSY., BUS.

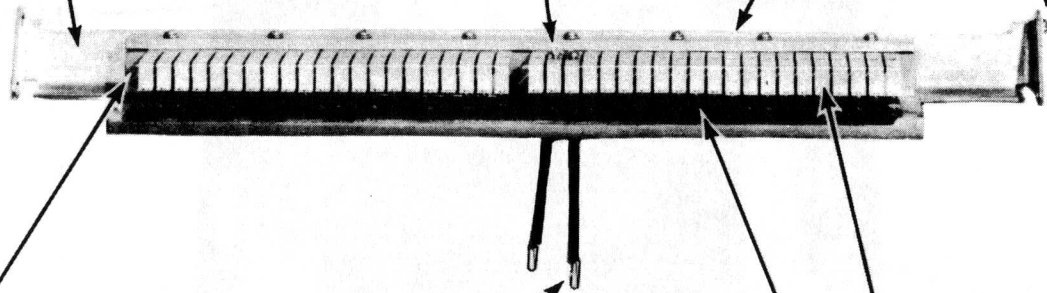
5B366
PLATE, SOLENOID

CONTACT ASSEMBLY

5C188
BRACKET, CONTACT MTG.

13C57-012
SCREW, RD HD 2-56NC

25B11
CLAMP, CONTACT
18C82-001
SPACER



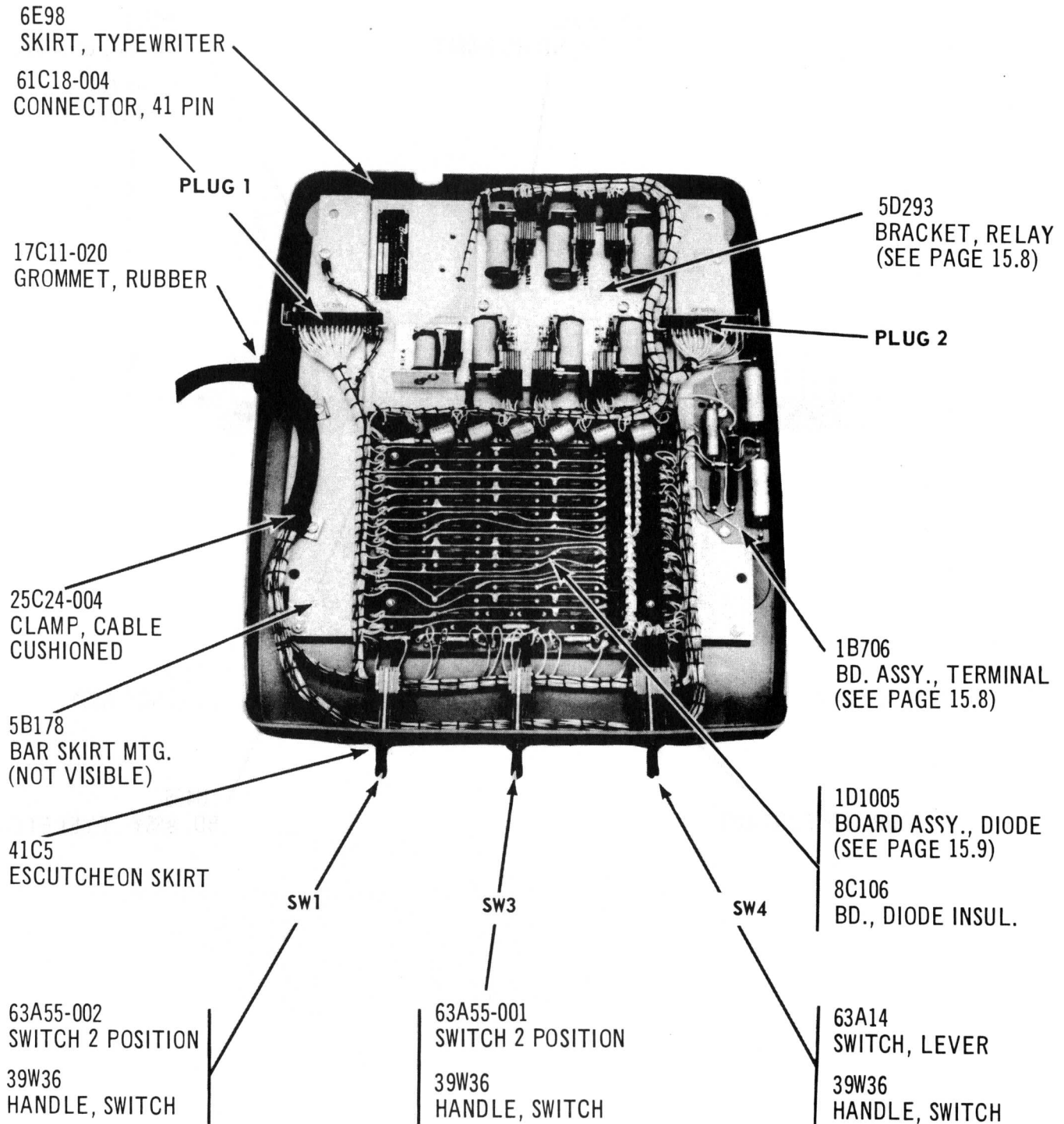
5B190
SPACER, TYPEWRITER CONTACT

1B582
CONTACT ASSY.

34A16
SPRING, TYPEWRITER CONTACT

1B405
BD. ASSY., EYELETED

1C1002
BASE ASSY., TYPEWRITER



1B706
BD. ASSY., TERMINAL

73C3-105
CAPACITOR, FIXED
1 MFD 200V

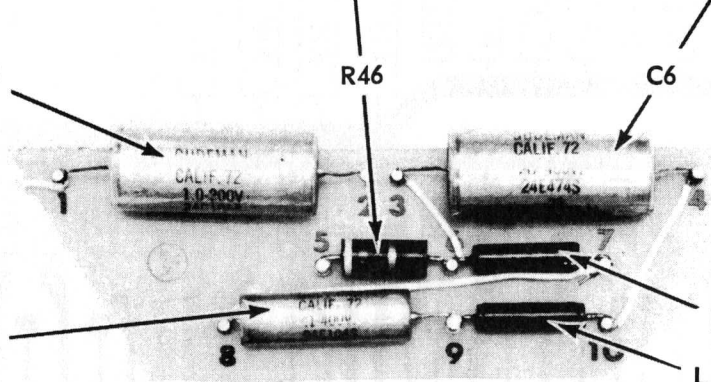
80C15-470
RESISTOR 470 OHMS
2W 5%

73C2-474
CAPACITOR
.47MFD 400V

73C2-104
CAPACITOR
.1MFD 400V

8B187
BD. TERM., INSULATING

91A1-005
CHOKE, RF IRON CORE



RELAY ASSY., - TYPEWRITER

57A6
RELAY SPST

RLY-6

RLY-4B

RLY-4A

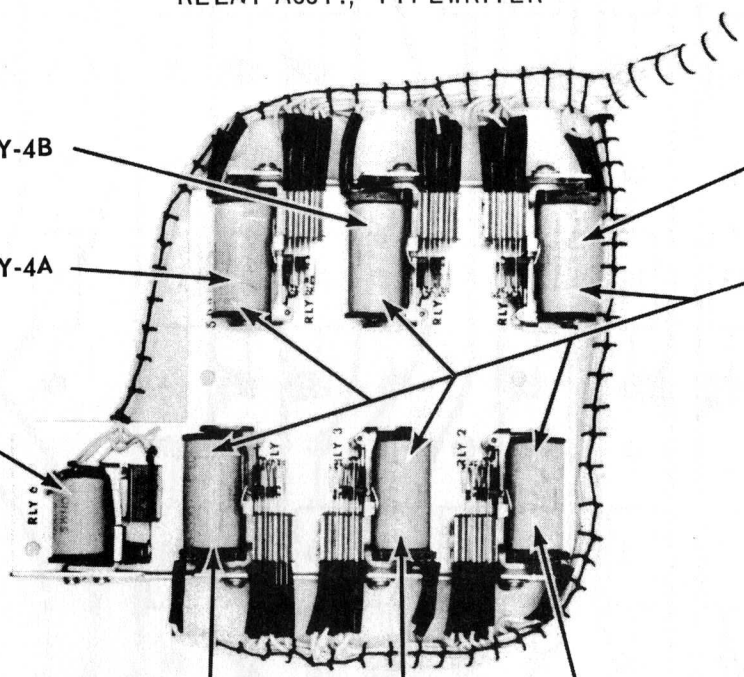
RLY-5

RLY-3

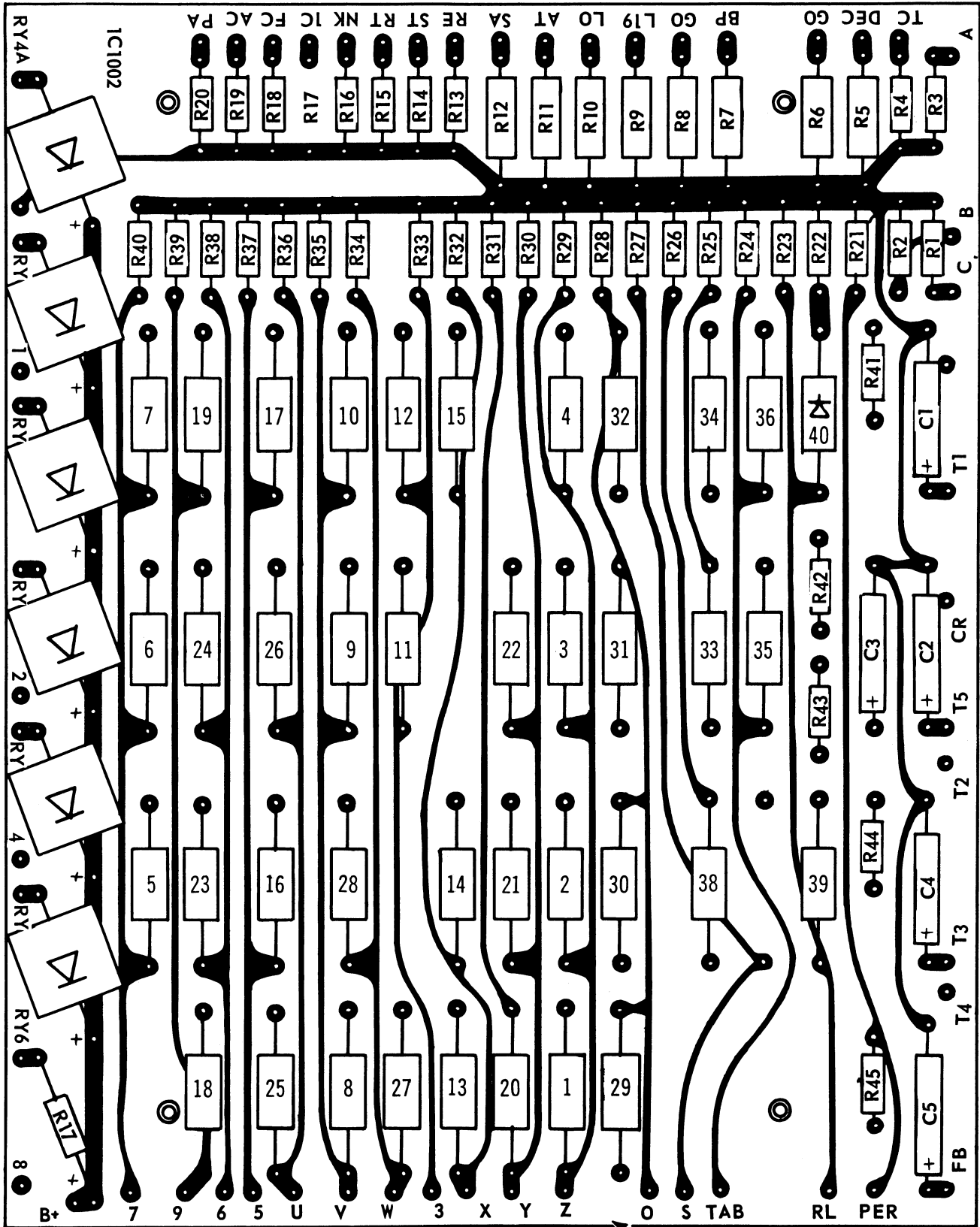
RLY-2

RLY-1

57A5
RELAY 4PDT



1D1005
 BD. ASSY., DIODE

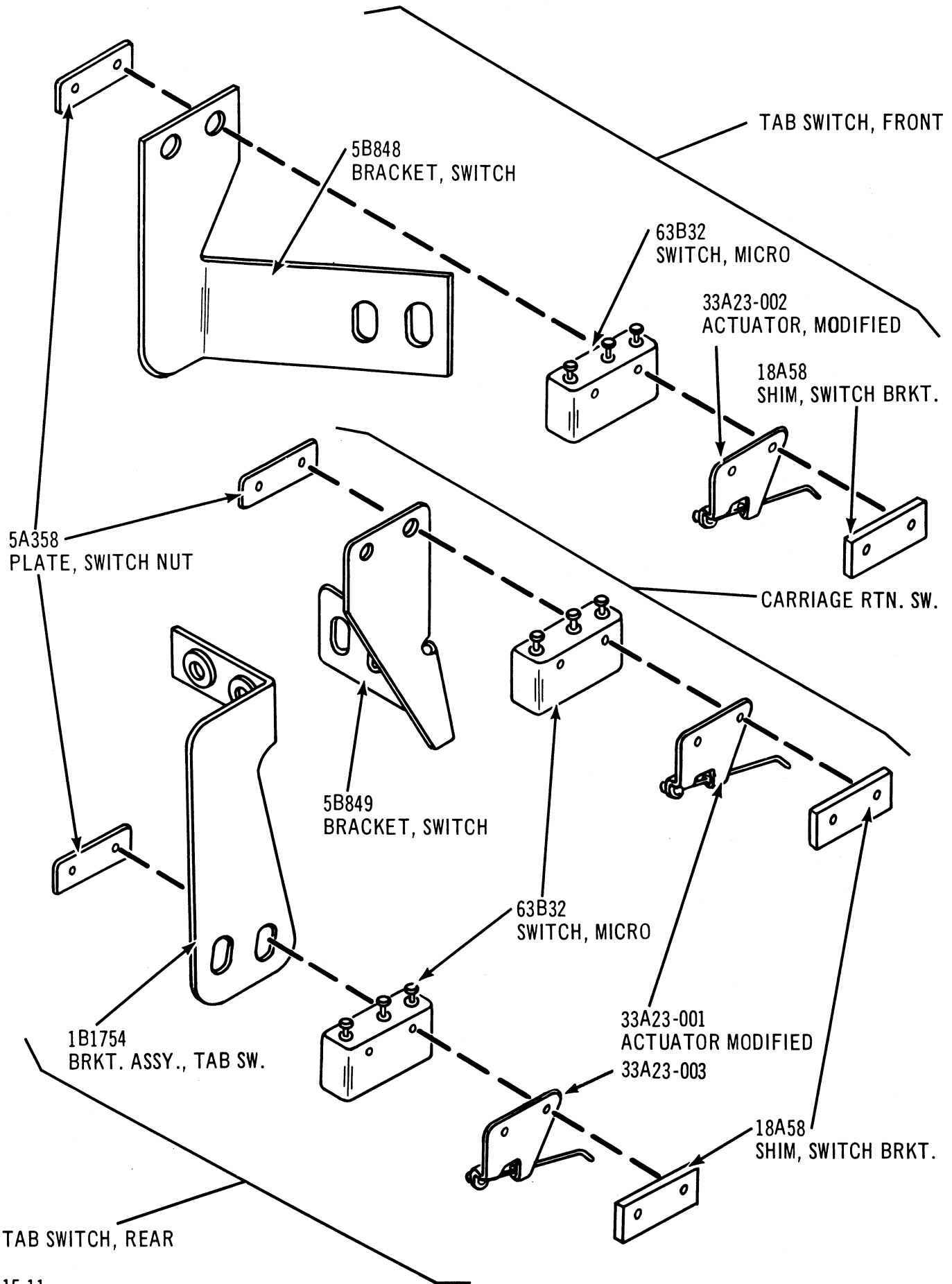


1D535
 BOARD ASSY., EYELETTED

1D1005
BOARD ASSY., DIODE

CIRC. SYM.	PART NO.	DESCRIPTION
R47	80C13-203	RESISTOR 20K 1W 5%
R1, 2, 3, 4, 13, 14, 15, 16, 18, 19, 20, 23, 24, 27, 29, 30, 32 THRU 45	80C10-102	RESISTOR 1K 1/2W 5%
R5 THRU R12	80C13-102	RESISTOR 1K 1W 5%
R21, 22, 25, 26, 28, 31	80C10-472	RESISTOR 4.7K 1/2W 5%
C1 THRU C5	70A2	CAPACITOR 4MFD 60V
	94C1	DIODE, GERMANIUM GP
	93A6	RECTIFIER

TYPEWRITER MICRO-SWITCHES



SECTION SIXTEEN
RECTIFIER ASSEMBLY

1D1560
BRKT. ASSY., RECTIFIER

60A16
RECT. MULTIPLE FIN
(-160V)

5D739
BRKT.. RECT. MTG.

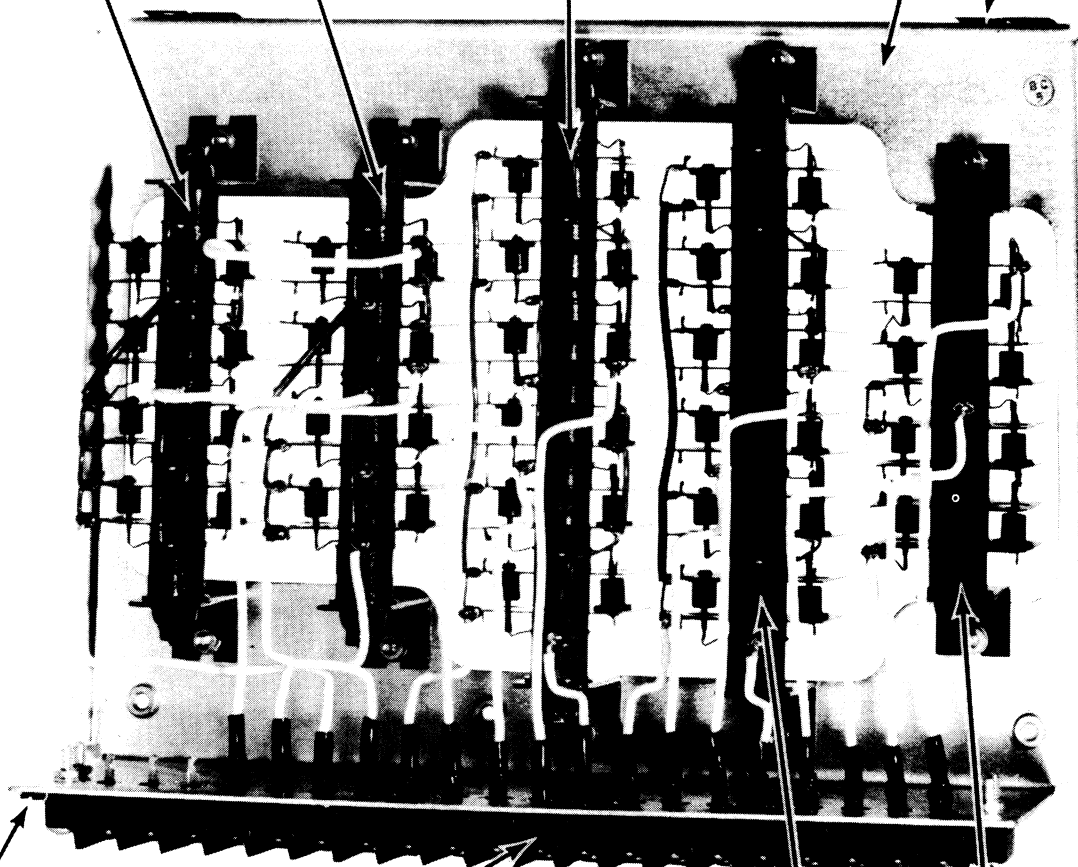
60A17
RECT. MULTIPLE FIN
(100V)

12C16-008
NUT, SPEED

RECT. 1B

RECT. 1A

RECT. 2



20B57
STRIP TB11 MARKER
8C271-020
STRIP Y LUG BARRIER

60B4
RECT. MULTIPLE FIN
(160V)

RECT. 3

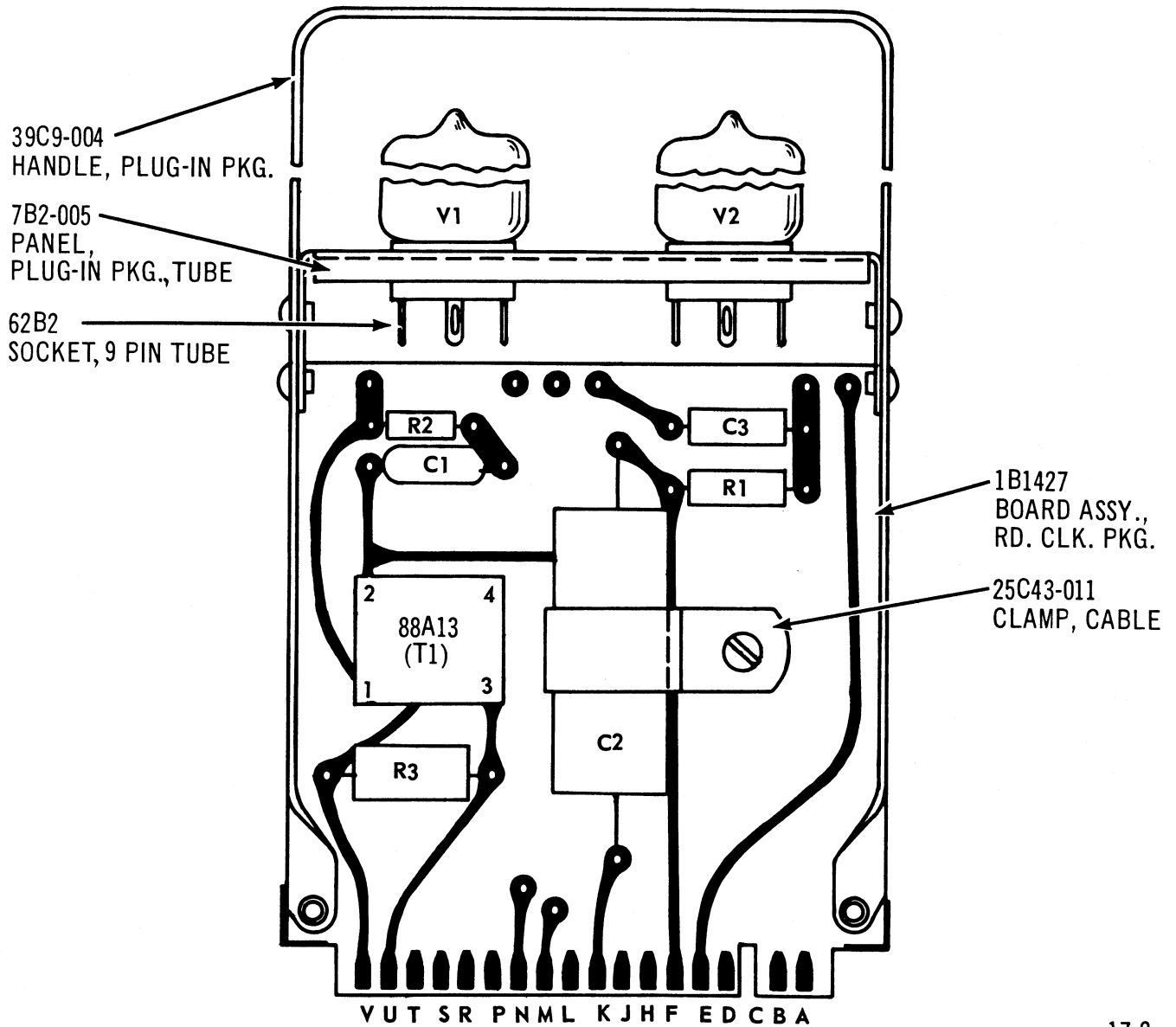
RECT. 4

60A15
RECT. MULTIPLE FIN
(250V)

SECTION SEVENTEEN
TUBE PACKAGES

1C1428
FINAL ASSEMBLY, RD. CLK. PKG.

CIRC. SYM.	PART NO.	DESCRIPTION
R1	80C13-472	RESISTOR 4.7K 1W 5%
R2	80C10-332	RESISTOR 3.3K 1/2W 5%
R3	80C15-181	RESISTOR 180 OHMS 2W 5%
C1	72C2-101	CAPACITOR 100 MMFD 500V
C2	73C1-474	CAPACITOR .47 MFD 400V
C3	73C3-103	CAPACITOR .01 MFD 200V
C4, 5	72C2-501	CAPACITOR 500 MMFD 500V
V1, 2	93A3	TUBE 6197
T1	88A13	TRANSFORMER, PULSE



1C1007
FINAL ASSY., RD. AMP. PKG.

CIRC. SYM.	PART NO.	DESCRIPTION
R1, 2, 14	80C11-122	RESISTOR 1.2K 1/2W 10%
R3, 8	80C28-823	RESISTOR 82 K 1/4W 1%
R4, 7	80C13-392	RESISTOR 3.9K 1 W 5%
R5, 6	80C28-333	RESISTOR 33 K 1/4W 1%
R9	80C30-392	RESISTOR 3.9K 1/2W 1%
R10	80C13-682	RESISTOR 6.8K 1 W 5%
R11	80C13-822	RESISTOR 8.2K 1 W 5%
R12	80C11-181	RESISTOR 180 OHMS 1/2W 10%
R13	80C15-822	RESISTOR 8.2K 2 W 5%
R15	80C11-121	RESISTOR 120 OHMS 1/2W 10%
R16	80C12-153	RESISTOR 15 K 1 W 10%
R17	80C11-222	RESISTOR 2.2K 1/2W 10%
R18	84C2-501	RESISTOR 500 OHMS 2 W VAR.
C1	72C2-200	CAPACITOR 20 MMFD 500V
C2	72C2-500	CAPACITOR 50 MMFD 500V
C3	72C2-300	CAPACITOR 30 MMFD 500V
C4	72C2-102	CAPACITOR 1000 MMFD 500V
C5	73C3-274	CAPACITOR .27 MFD 200V
C6	72C2-150	CAPACITOR 15 MMFD 500V
T1	88A7	TRANSFORMER
V1, 2	93A2	TUBE 5965
CR1	94C4	DIODE, TRIGGER

1C1007
FINAL ASSY., RD. AMP. PKG.

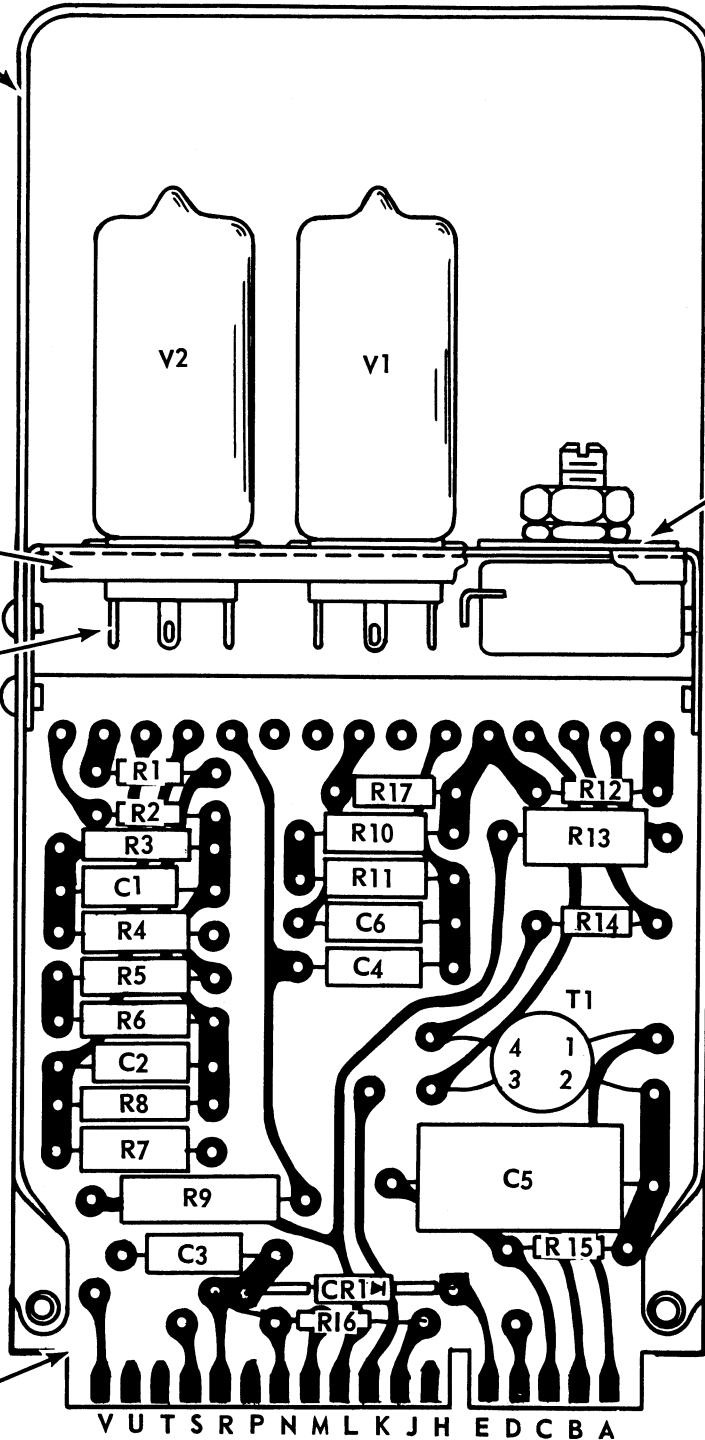
39C9-004
HANDLE, PLUG-IN PKG.

7B65-005
PANEL,
THREE TUBE PKG.

62B2
SOCKET, 9 PIN TUBE

1B1006
BOARD ASSY., RD. AMP. PKG.

5A217
PLATE,
POT MOUNTING



1C998
FINAL ASSY., FLIP FLOP

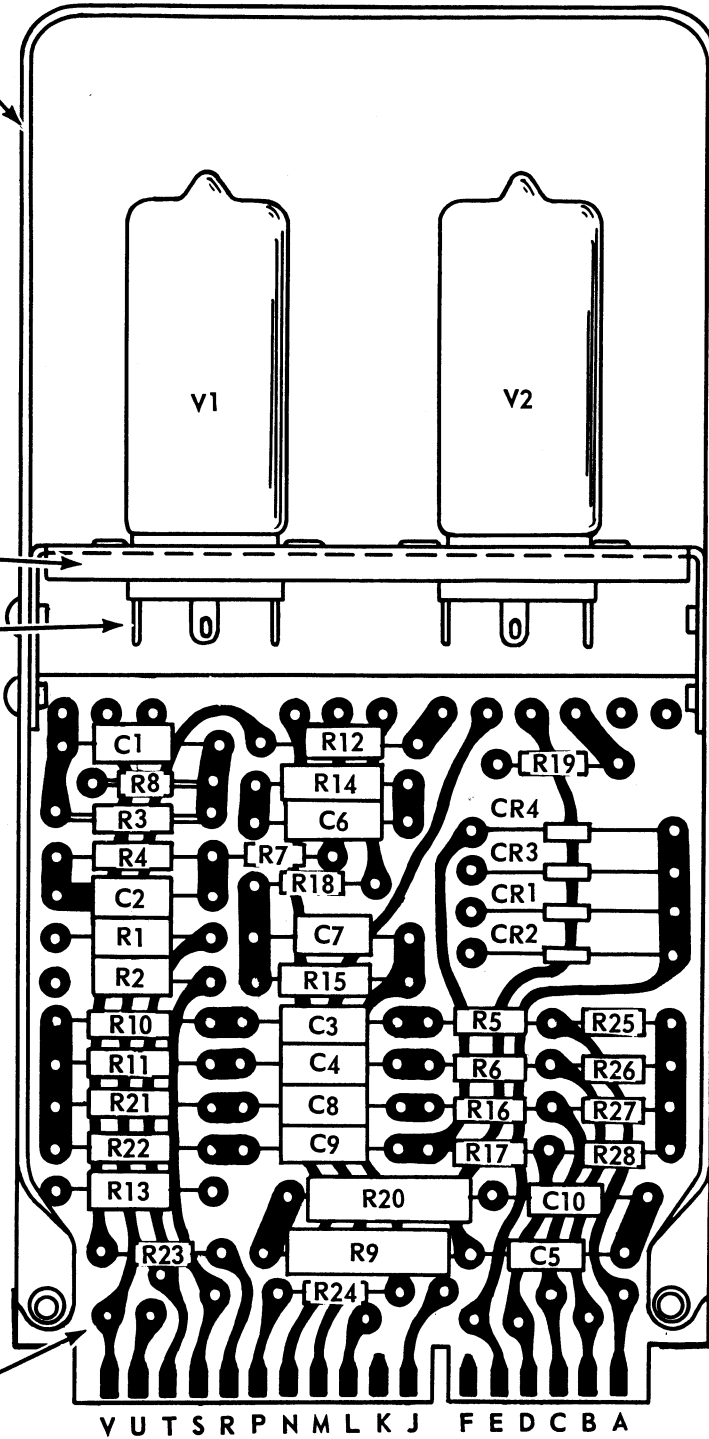
CIRC. SYM.	PART NO.	DESCRIPTION
R1, 2, 12, 13	80C13-392	RESISTOR 3.9K 1W 5%
R3, 4, 14, 15	80C28-823	RESISTOR 82K 1/4W 1%
R5, 6, 16, 17	80C10-333	RESISTOR 33K 1/2W 5%
R7, 8, 18, 19	80C11-122	RESISTOR 1.2K 1/2W 10%
R9, 20	80C30-392	RESISTOR 3.9K 1/2W 1%
R10, 11, 21, 22	80C28-333	RESISTOR 33K 1/4W 1%
R23, 24	80C11-124	RESISTOR 120K 1/2W 10%
R25, 26, 27, 28	80C10-434	RESISTOR 430K 1/2W 5%
C1, 2, 6, 7	72C2-500	CAPACITOR 50 MMFD 500V
C3, 4, 8, 9	72C2-300	CAPACITOR 30 MMFD 500V
C5, 10	72C2-102	CAPACITOR 1000MMFD 500V
CR1-CR4	94C4	DIODE, TRIGGER
V1, 2	93A2	TUBE 5965

1C998
FINAL ASSY., FLIP FLOP

39C9-001
HANDLE, PLUG-IN PKG.

7B2-005
PANEL, PLUG-IN PKG.

62B2
SOCKET, 9 PIN TUBE



1B997
BOARD ASSY., FLIP FLOP

1C1140
FINAL ASSY., BUFFER INVERTER

*CIRC. SYM.	PART NO.	DESCRIPTION
R1, 17	80C10-333	RESISTOR 33K 1/2W 5%
R2, 3, 15, 16	80C13-392	RESISTOR 3.9K 1W 5%
R4, 19	80C28-274	RESISTOR 270K 1/4W 1%
R5, 18	80C28-823	RESISTOR 82K 1/4W 1%
R6, 8	80C10-564	RESISTOR 560K 1/2W 5%
R7, 20	80C10-122	RESISTOR 1.2K 1/2W 5%
R9, 26	80C13-823	RESISTOR 82K 1W 5%
R10, 25	80C10-432	RESISTOR 4.3K 1/2W 5%
R11, 24	80C10-114	RESISTOR 110K 1/2W 5%
R12, 23	80C28-333	RESISTOR 33K 1/4W 1%
R13, 22	80C30-392	RESISTOR 3.9K 1/2W 1%
R14, 21	80C28-563	RESISTOR 56K 1/4W 1%
C1, 3, 7, 8	72C2-300	CAPACITOR 30MMFD 500V
C2, 4, 5, 6	72C2-301	CAPACITOR 300MMFD 500V
V1, 2, 3	93A2	TUBE 5965

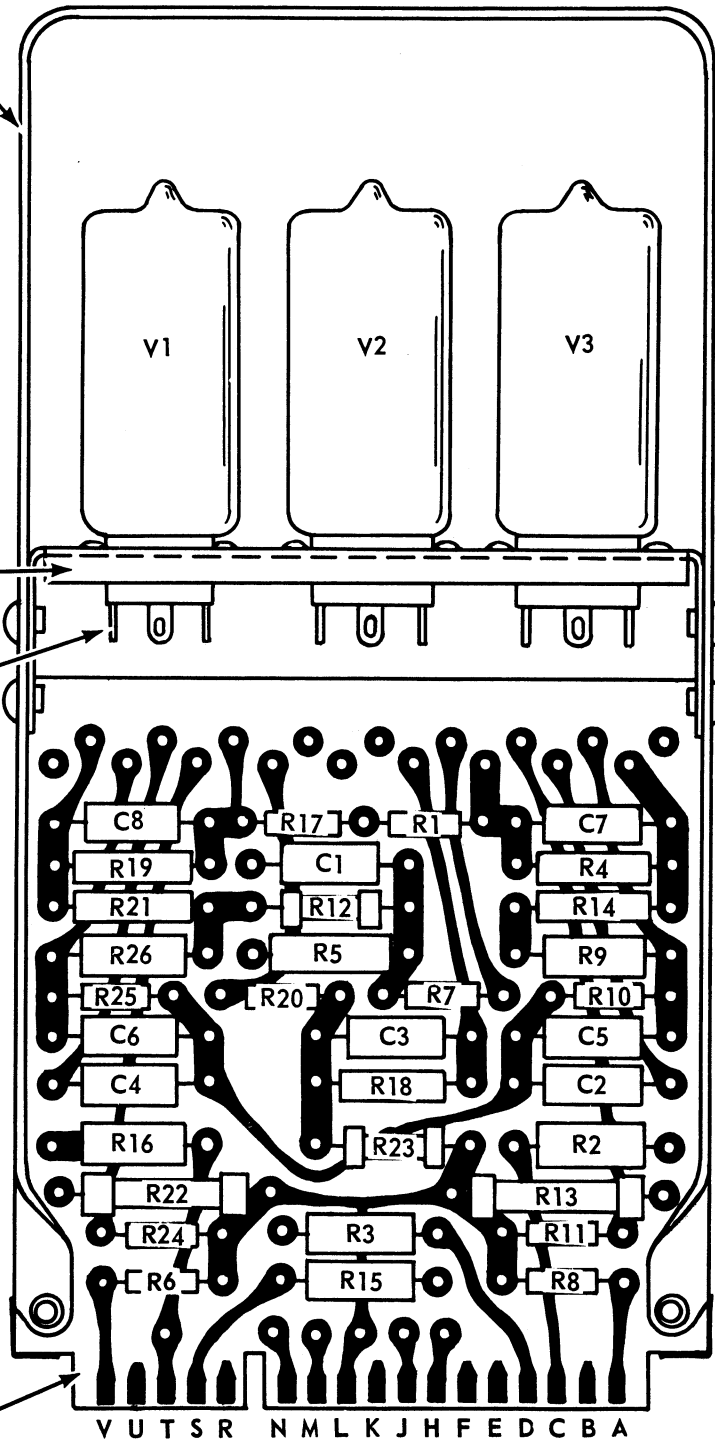
1C1140
FINAL ASSY., BUFF. INVER

39C9-003
HANDLE, PLUG-IN PACKAGE

7B65-005
PANEL,
THREE TUBE PKG.

62B2
SOCKET, 9 PIN TUBE

1B1139
BOARD ASSY.
BUFFER INVERTER



1C1517
FINAL ASSY., BUFFER H.C.

CIRC. SYM.	PART NO.	DESCRIPTION
R1, 17	80C10-333	RESISTOR 33K 1/2W 5%
R2, 3, 15, 16	80C13-392	RESISTOR 3.9K 1W 5%
R4, 19	80C28-274	RESISTOR 270K 1/4W 1%
R5, 18	80C28-823	RESISTOR 82K 1/4W 1%
R6, 8	80C10-564	RESISTOR 560K 1/2W 5%
R7, 20	80C10-122	RESISTOR 1.2K 1/2W 5%
R9, 26	80C13-823	RESISTOR 82K 1W 5%
R10, 25	80C10-432	RESISTOR 4.3K 1/2W 5%
R11, 24	80C10-114	RESISTOR 110K 1/2W 5%
R12, 23	80C28-333	RESISTOR 33K 1/4W 1%
R13, 22	80C30-392	RESISTOR 3.9K 1/2W 1%
R14, 21	80C28-563	RESISTOR 56K 1/4W 1%
C1, 3, 7	72C2-300	CAPACITOR 30MMFD 500V
C2, 4, 5, 6	72C2-301	CAPACITOR 300MMFD 500V
V1, 2, 3	93A2	TUBE 5965

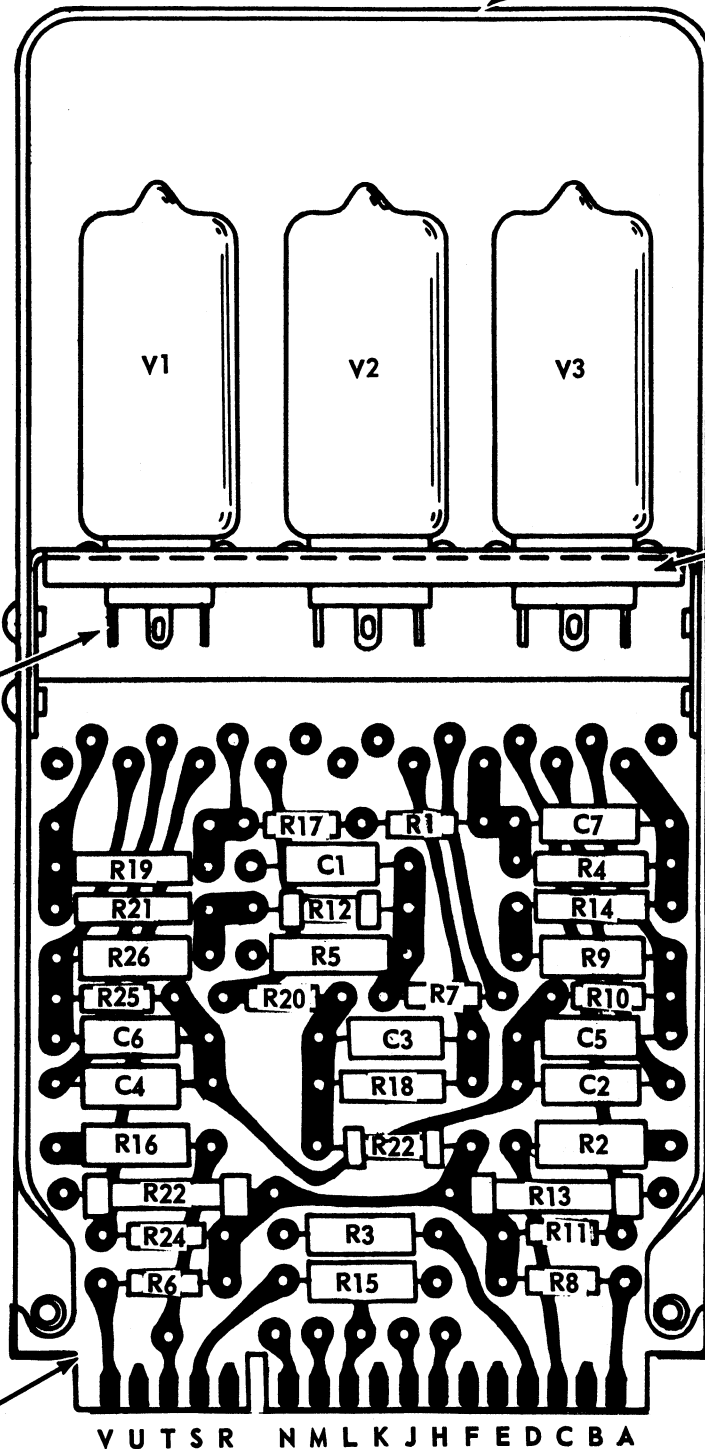
1C1517
FINAL ASSY., BUFFER H.C.

39C9-003
HANDLE, PLUG-IN PACKAGE

62B2
SOCKET, 9 PIN TUBE

7B65-005
PANEL,
THREE TUBE PKG.

1B1139
BOARD ASSY., BUFFER INVERTER



1C1155
FINAL ASSY., WRITE AMP

CIRC. SYM.	PART NO.	DESCRIPTION
R1, 12	80C13-472	RESISTOR 4.7K 1W 5%
R2, 8	80C10-114	RESISTOR 110K 1/2W 5%
R3, 7	80C10-272	RESISTOR 2.7K 1/2W 5%
R4, 9	80C10-122	RESISTOR 1.2K 1/2W 5%
R5, 11	80C15-243	RESISTOR 24K 2W 5%
R6, 10	80C10-564	RESISTOR 560K 1/2W 5%
R13, 14	80C10-470	RESISTOR 470HMS 1/2W 5%
R15	80C10-121	RESISTOR 1200HMS 1/2W 5%
C1, 2	72C2-102	CAPACITOR
C3	73C2-474	CAPACITOR
CR1-CR4	94C1	DIODE, GERMANIUM G.P.
V1, 3	93A3	TUBE 6197
V2	93A2	TUBE 5965

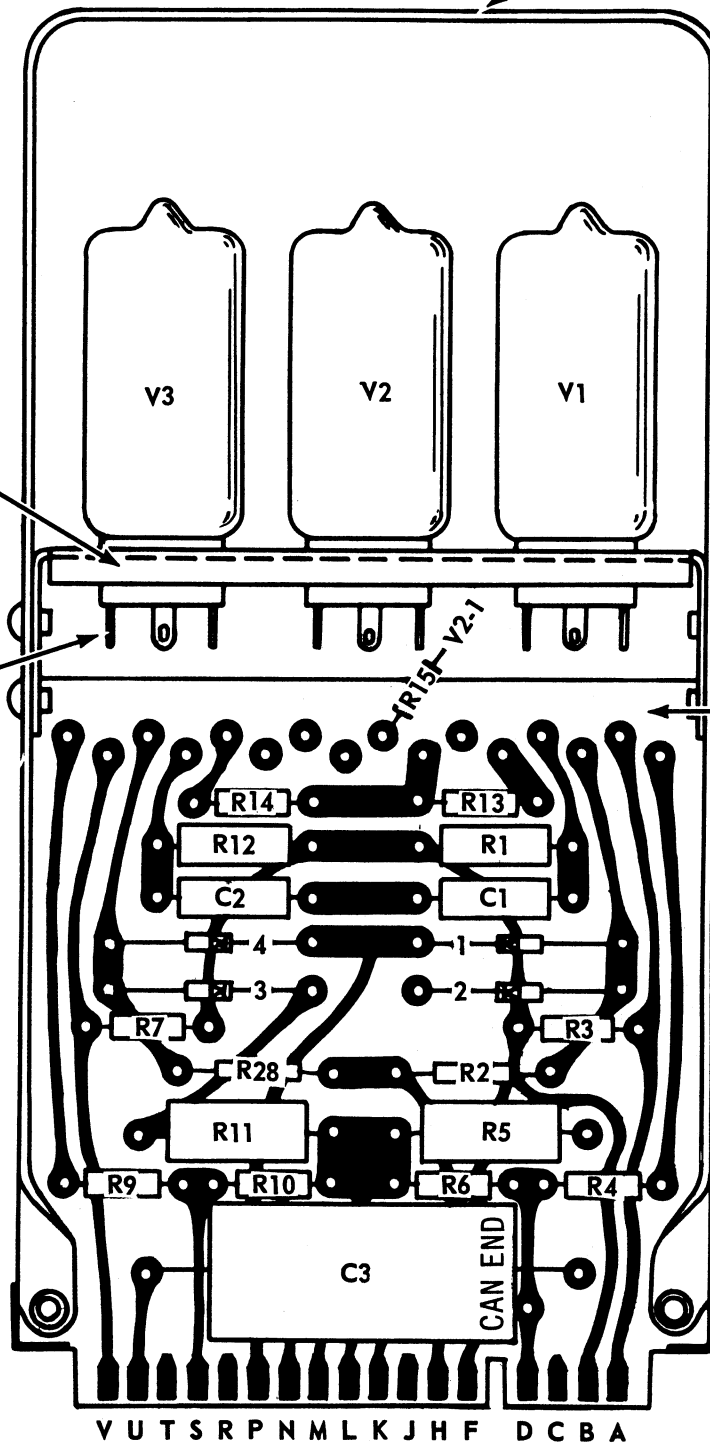
1C1155
FINAL ASSY., WRITE AMP

39C9-006
HANDLE, PLUG-IN PACKAGE

7B65-005
PANEL, PLUG-IN
PKG. TUBE

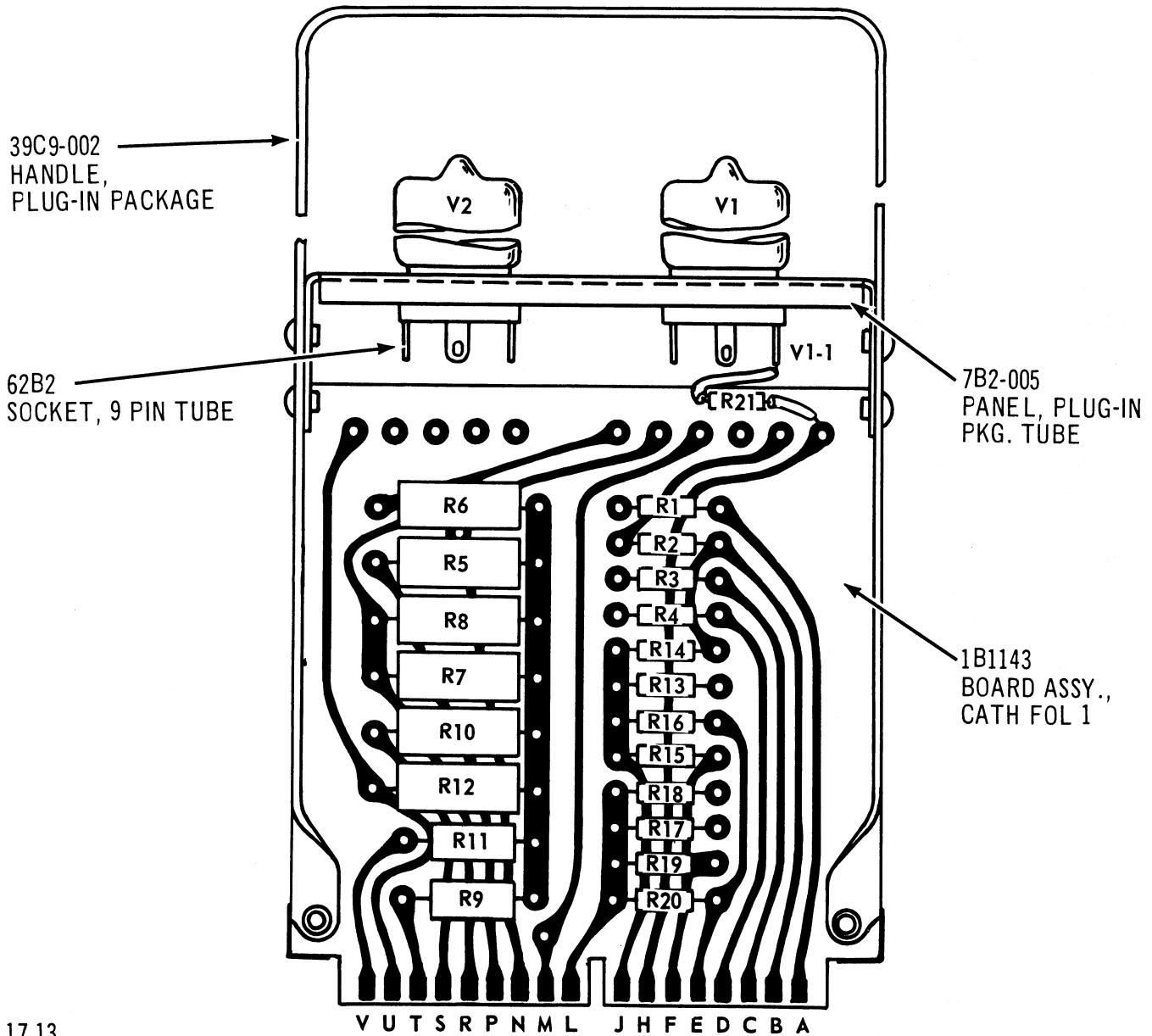
62B2
SOCKET, 9 PIN TUBE

1B1156
BOARD ASSY.,
WRITE AMP.



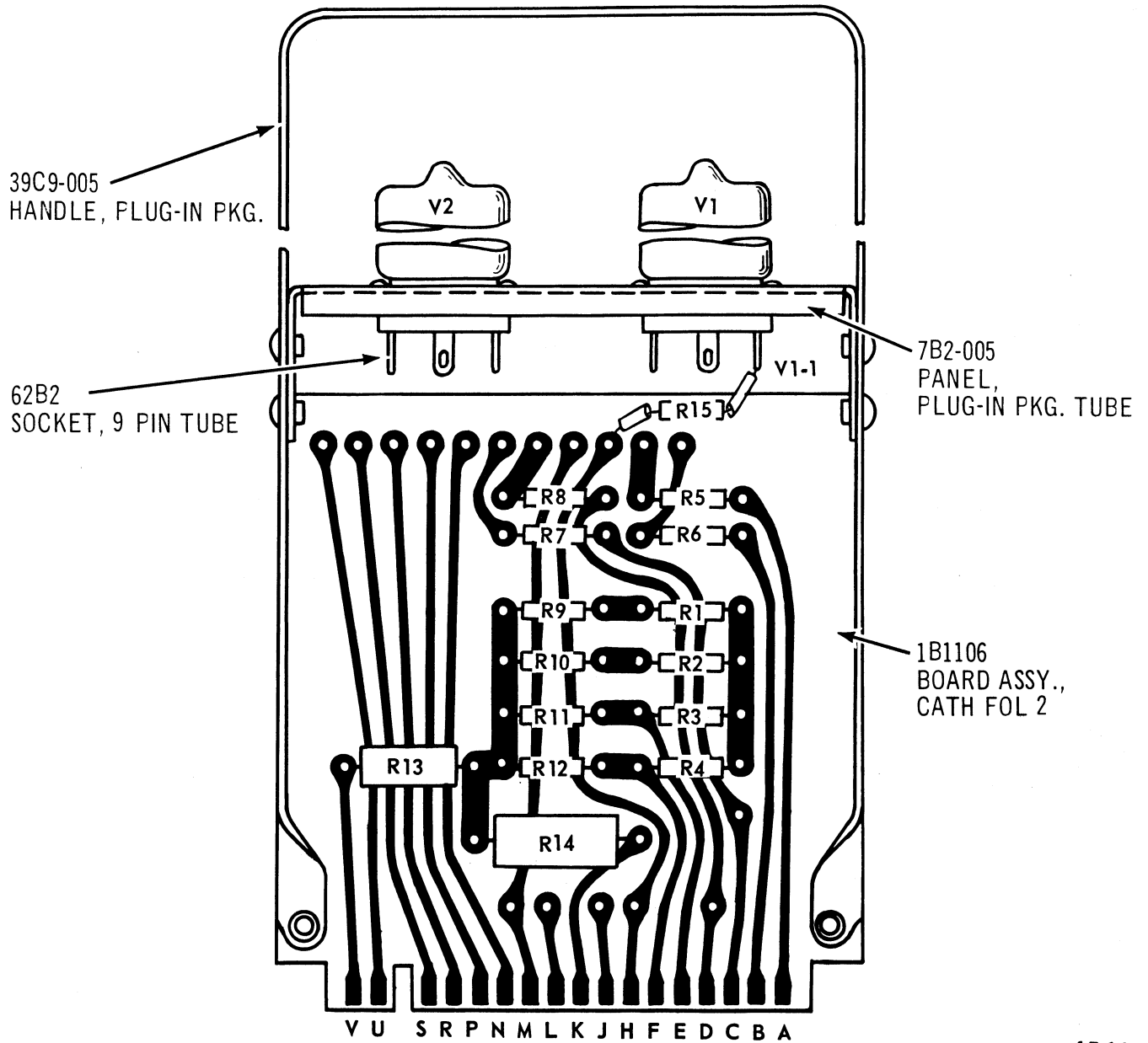
1C1144
FINAL ASSY., CATH FOL 1

CIRC. SYM.	PART NO.	DESCRIPTION
R1, 2, 3, 4	80C10-122	RESISTOR 1.2K 1/2W 5%
R5, 6, 7, 8	80C15-303	RESISTOR 30K 2W 5%
R9, 11	80C13-473	RESISTOR 47K 1W 5%
R10, 12	80C15-243	RESISTOR 24K 2W 5%
R13, 14, 15, 16	80C10-754	RESISTOR 750K 1/2W 5%
R17, 18, 19, 20	80C10-564	RESISTOR 560K 1/2W 5%
R21	80C10-131	RESISTOR 130OHMS 1/2W 5%
V1, 2	93A2	TUBE 5965



1C1107
FINAL ASSY., CATHODE FOLLOWER 2

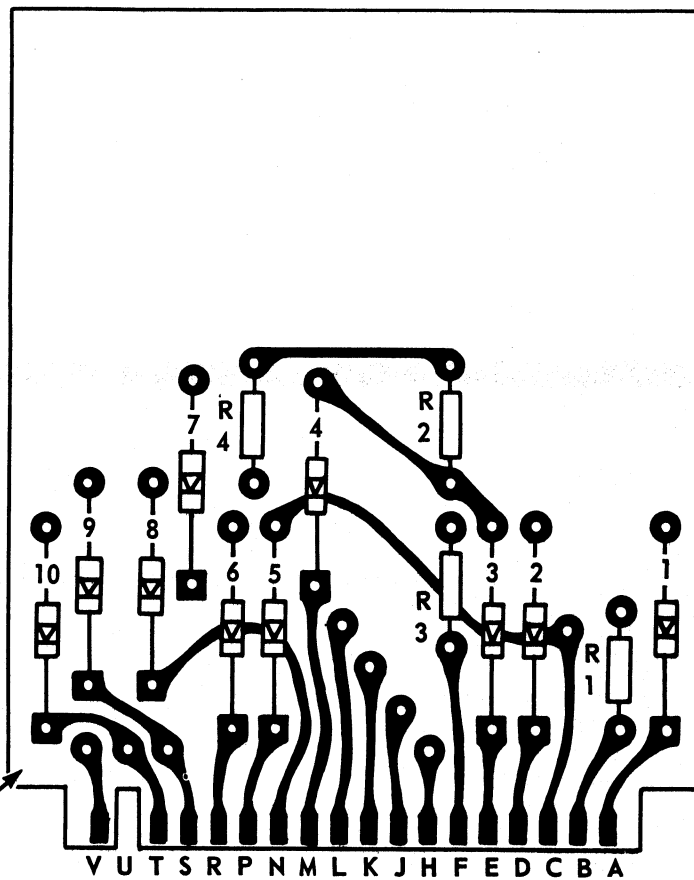
CIRC. SYM.	PART NO.	DESCRIPTION
R1, 2, 3, 4	80C10-754	RESISTOR 750K 1/2W 5%
R5, 6, 7, 8	80C10-122	RESISTOR 1.2K 1/2W 5%
R9, 10, 11, 12	80C10-564	RESISTOR 560K 1/2W 5%
R13	80C13-473	RESISTOR 47K 1W 5%
R14	80C15-243	RESISTOR 24K 2W 5%
R15	80C10-131	RESISTOR 130OHMS 1/2W 5%
V1, 2	93A2	TUBE 5965



SECTION 18
DIODE PACKAGES

1C964
FINAL ASSY., DIODE 1 PKG.

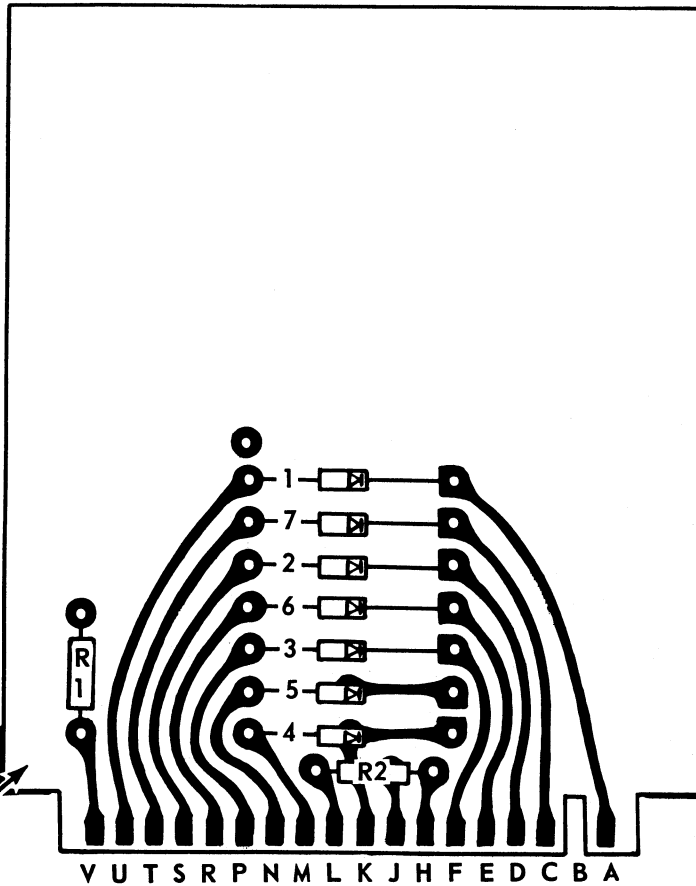
CIRC. SYM.	PART NO.	DESCRIPTION
CR1-CR10	94C1	DIODE, GERMANIUM, G.P.
R1, 2, 4	80C10-114	RESISTOR 110K 1/2W 5%
R3	80C10-154	RESISTOR 150K 1/2W 5%



1B963
BOARD ASSY., DIODE 1 PKG.

1C991
FINAL ASSY., DIODE 2 PKG.

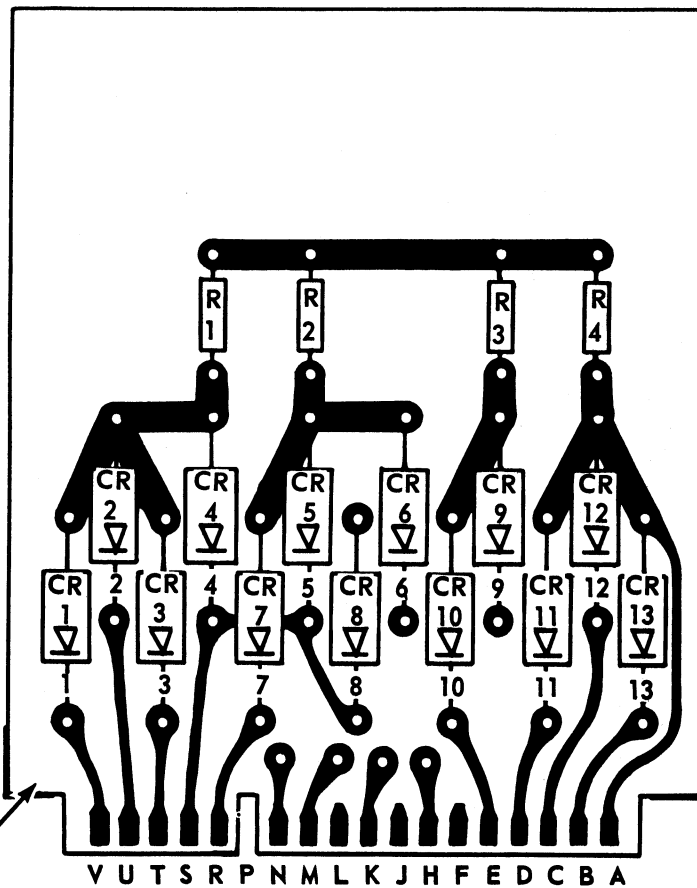
CIRC. SYM.	PART NO.	DESCRIPTION
CR1-CR7	94C1	DIODE, GERMANIUM G.P.
R1, R2	80C10-114	RESISTOR 110K 1/2W 5%



1B990
BOARD ASSY., DIODE 2 PKG.

1C1142
 FINAL ASSY., DIODE 3 PKG.

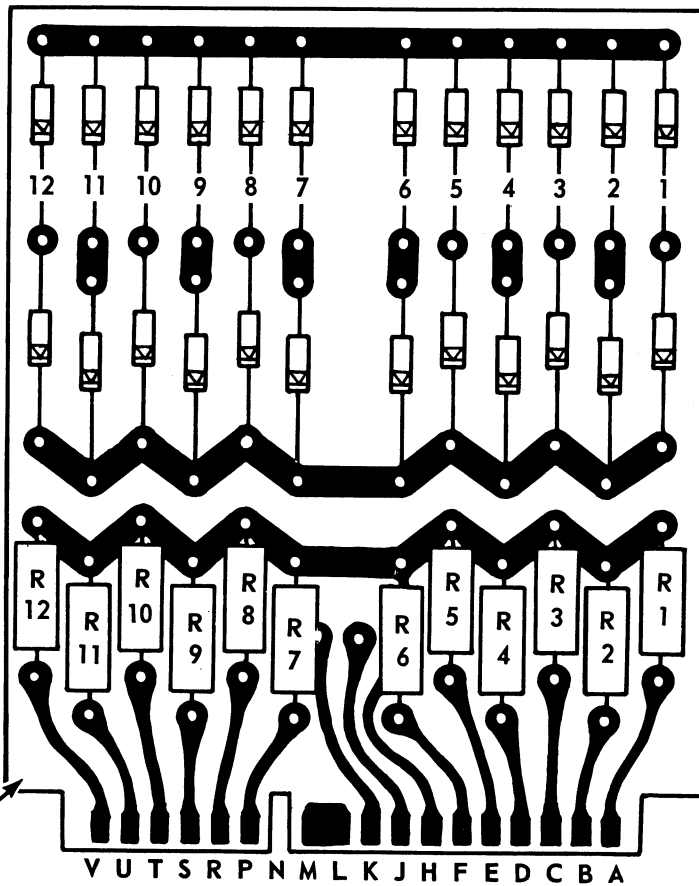
CIRC. SYM.	PART NO.	DESCRIPTION
R1-R4	80C10-114	RESISTOR 110K 1/2W 5%
CR1-CR13	94C1	DIODE, GERMANIUM G.P.



1B1141
 BOARD ASSY., DIODE 3 PKG.

1C993
BOARD ASSY., CLAMP PKG.

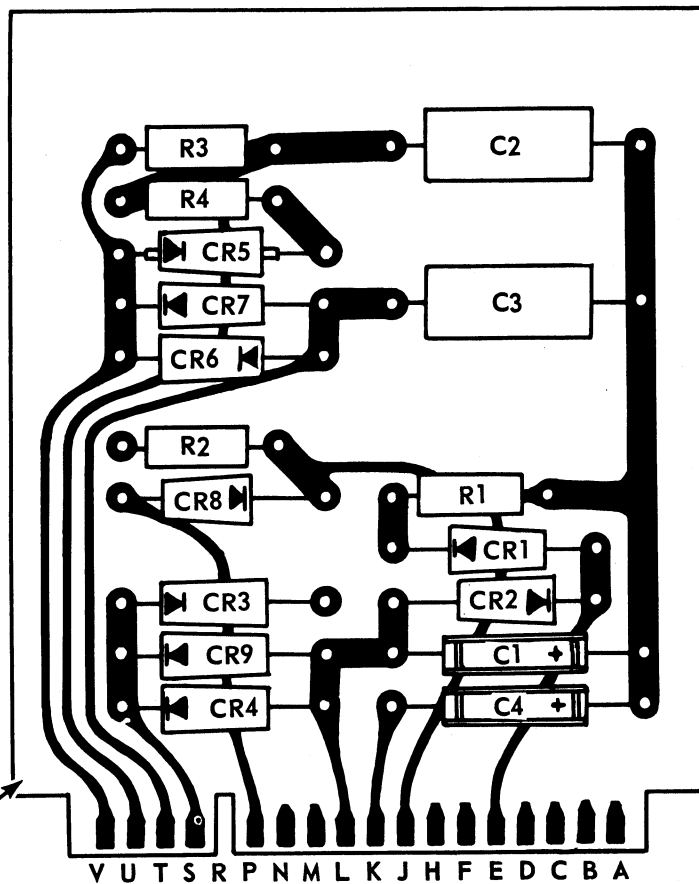
CIRC. SYM.	PART NO.	DESCRIPTION
U1-U12 L1-L12	94C1	DIODE, GERMANIUM G.P.
R1-R12	80C13-393	RESISTOR 39K 1W 5%



1B992
BOARD ASSY., DIODE CLAMP

IC1009
FINAL ASSY., CLK. CLP. PKG.

CIRC. SYM.	PART NO.	DESCRIPTION
CR1,3,5	94C1	DIODE, GERMANIUM G.P.
CR2,4,6,7,8,9	94W11	DIODE, T7G
R1,2,4	80C13-330	RESISTOR 33 OHMS 1W 5%
R3	80C13-391	RESISTOR 390 OHMS 1W 5%
C1,4	70A2	CAPACITOR
C2,3	73C3-104	CAPACITOR



1B1008
BOARD ASSY., CLK. CLP. PKG.