

TECHNICAL MANUAL 4053-1

**BURROUGHS 220
SCHEMATICS**

December 1, 1958

Burroughs Corporation
ELECTRODATA DIVISION

FIELD ENGINEERING DEPARTMENT
460 SIERRA MADRE VILLA, PASADENA, CALIFORNIA

COPYRIGHT © 1958



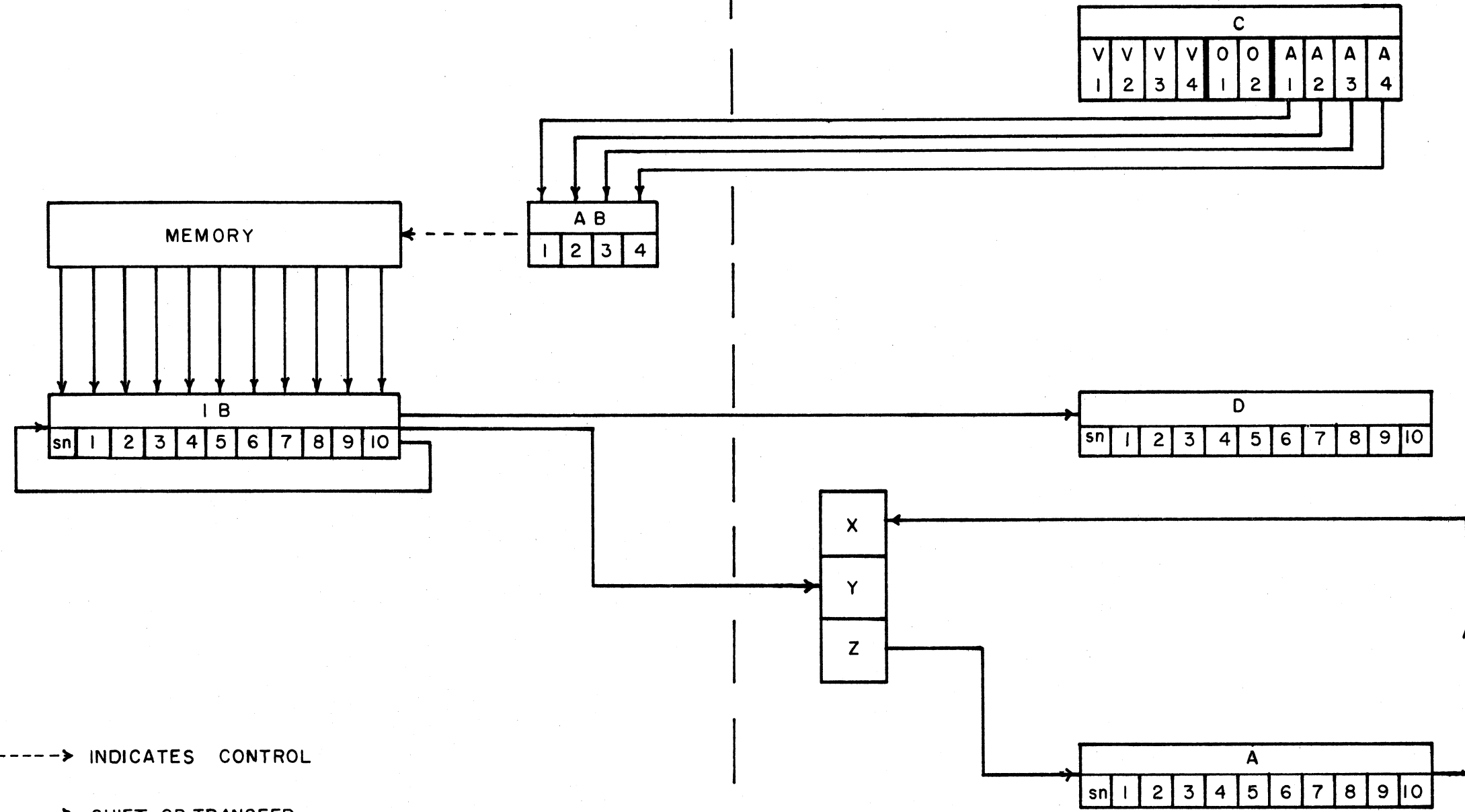
Burroughs Corporation

PAGE #

1.	ADD
2.	MEMORY-LOCATOR
3.	MEMORY-RACK "A"
4.	MEMORY-RACK "C"
5.	MEMORY-RACK "B"
6.	DATA PROCESSOR LOCATOR
7.	"S" REG GATING
8.	ORDER MATRIX
9.	MANUAL STATUS FLOW
10.	BRANCH
11.	MEMORY TEST FLOW
12.	STORE REGISTERS A, R, OR B
13.	FETCH CYCLE
14.	KEYBOARD

← MEMORY

COMPUTER →

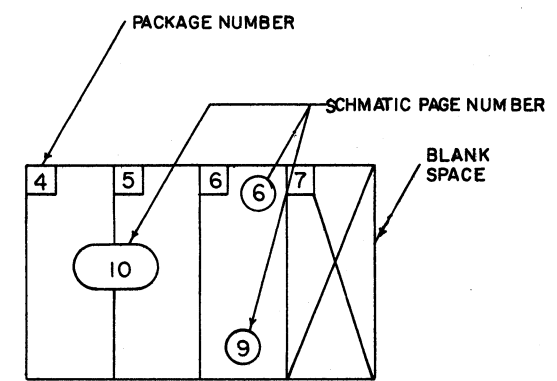
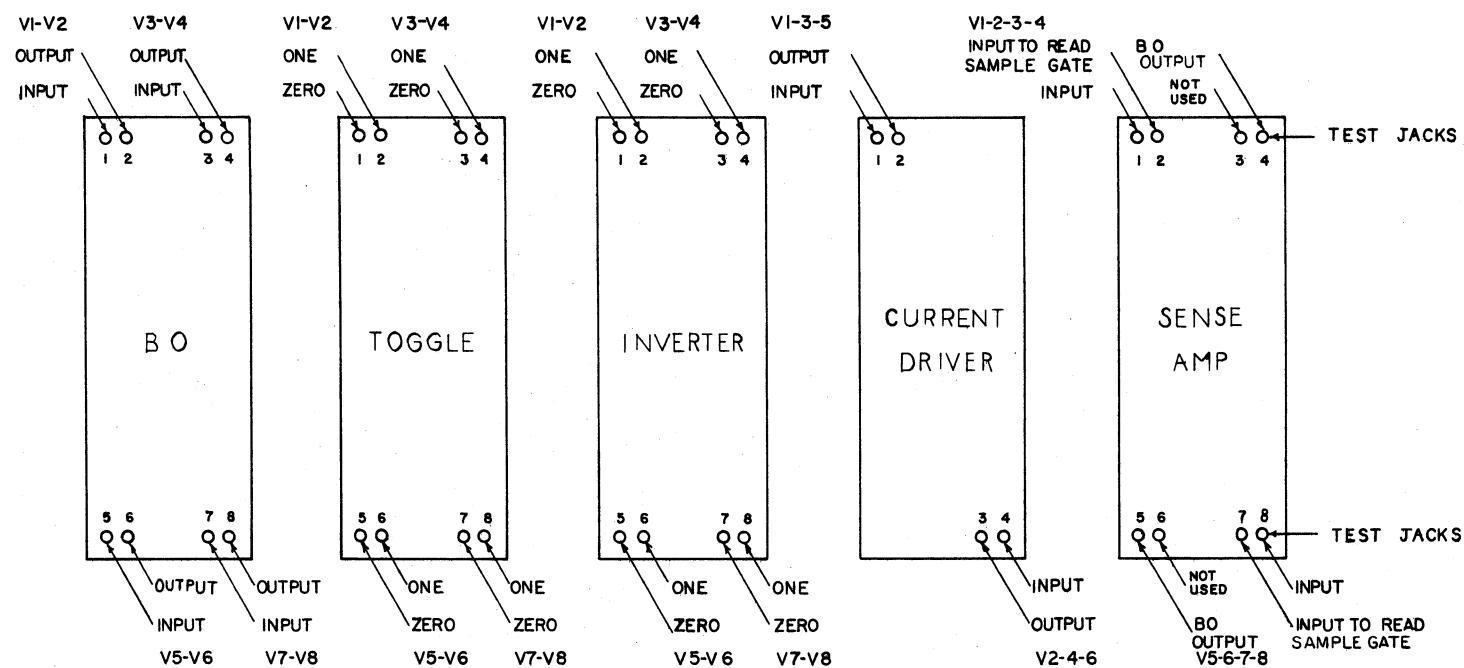


-----> INDICATES CONTROL
-----> SHIFT OR TRANSFER

NOTICE
FOR EDUCATIONAL USE ONLY

REVISIONS					
A ORIGINAL ISSUE					
REV.	DCN. NO.	DRFTMN.	CHKR.	APPR.	DATE

SYMBOL	ZONE	DESCRIPTION	NO. REQD.	PART NO.	ITEM NO.

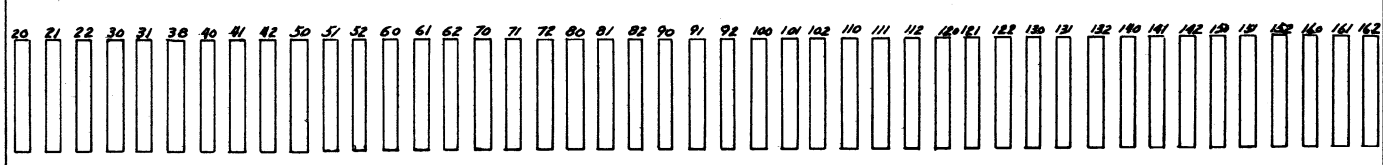


NOTICE FOR EDUCATIONAL USE ONLY

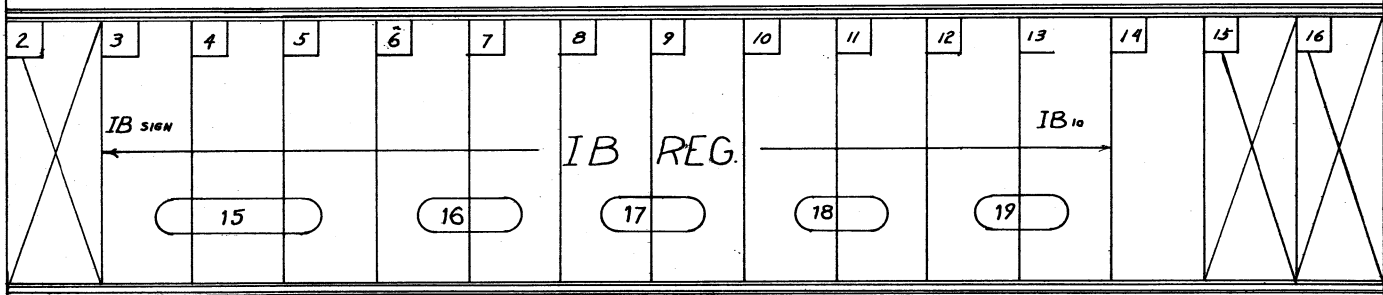
LIMITS ON DIMS		SPECIFICATIONS UNLESS OTHERWISE NOTED	
ANGULAR		1. BREAK ALL SHARP CORNERS 0.15 MAX.	
FRACTIONAL		2. SURFACE ROUGHNESS 63 MICROINCH R.M.S. MAX.	
DECIMAL		3. DIAMETERS TO BE CONCENTRIC WITHIN .005 T.I.R.	
MATL.		4. FILLET RADIUS .010 MAX.	5. THREADS—CLASS 2
FINISH		SCALE	DO NOT SCALE DRAWING
		DRAWN BY	CHECKED
		APPROVED	PROJ. ENGR.
BURROUGHS CORPORATION			
ELECTRODATA DIV., PASADENA, CALIFORNIA			
UNIT	NEXT ASSY.	REV.	

RACK " A "

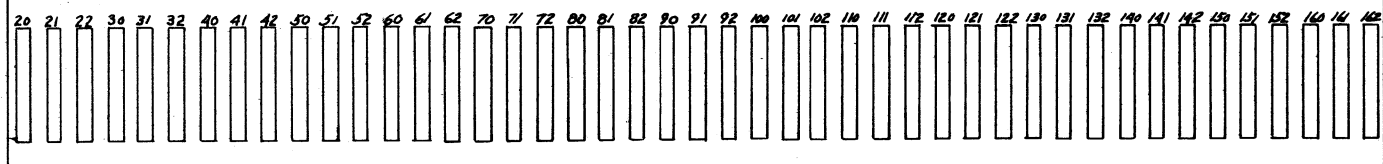
B



C



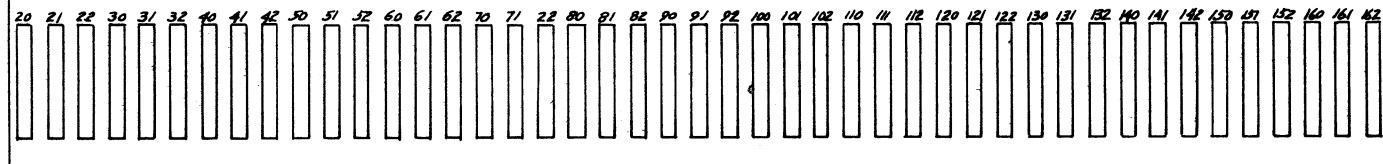
D



E

2	3	4	5	6	7	8	9	10	11	12	13	14	15	16
4	4	4	4	5	5	6	6	7	7	7	8	8	11	11
CD 1's											001	401	0001	4001
CD 10's	C	AB-1	C	AB-2	C	AB-3	C	AB-4	C	C	101	501	2001	6001
CD 100's	F		F		F		F		F	F	201	601	801	8001
CD 1000's	9		9		11		8		11		301	701	901	ACRI
														4

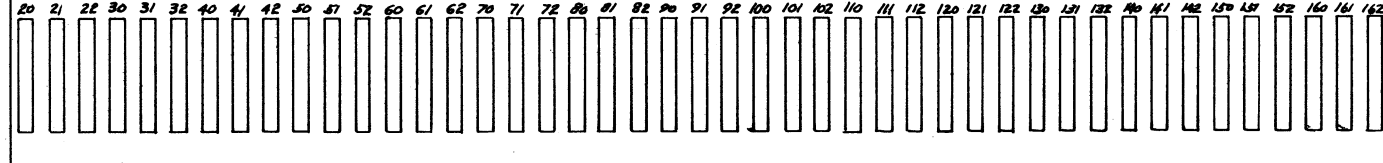
F



G

2	3	4	5	6	7	8	9	10	11	12	13	14	15	16
3	3	2B	15	4	29	29	29	29	29		2B	2B	29	
SET IB SIGN	SET IB SIGN	IB SIGN TO SIGN 7	IBCP	ACP-4	CAI-1	C	COMP-8	CTCI	C	IB SIGN TO SIGN 7	IB → DP	IB → DP	MCT-8	
		SIBP 3	JSCP	ACP-3	CAI-2		COMP-4	CGI		ACIP 4			MCT-4	
		CI BP 3	RSP SI-I R S P SI-II	ACP-2	CAI-3	F	COMP-2	MALI 26	F	SABP 3			MCT-2	
		SMAP 3		ACP-1	CAI-4		COMP-1	SUI 25					MCT-1	

H

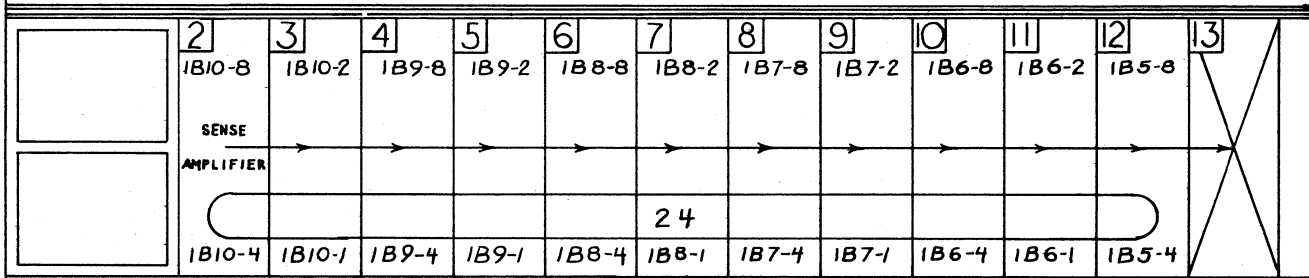


2	3	4	5	6	7	8	9	10	11	12	13	14	15	16
11	2B	8	2B	2B	2B	25	25	29	2B	26	2B	25	25	25
C	TSP	C	TEST CLOCK	MTCT-8	TACT-2	MTOP	C	TCT	C	MALP	TWP	PULSE AMP.	RBGT	WGT
F	TOP	F		MTCT-4	TACT-1	TMOP	F	MALT 26	F	MOCP	TRP		RGT	PWDT
	TLDP			MTCT-2	CCT	DMSP		ABT 3		ROCP	ACP			
	TACP			MTCT-1	MWT 25	CLP 30				WOCP 25			IGT	

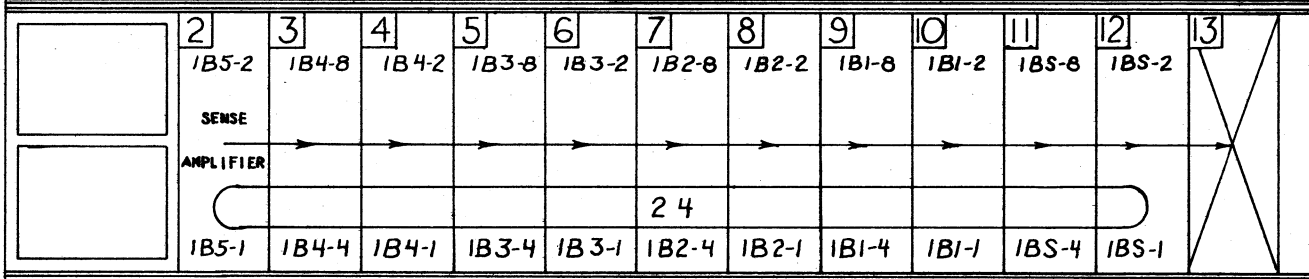
NOTICE
 FOR EDUCATIONAL USE ONLY

RACK "C"

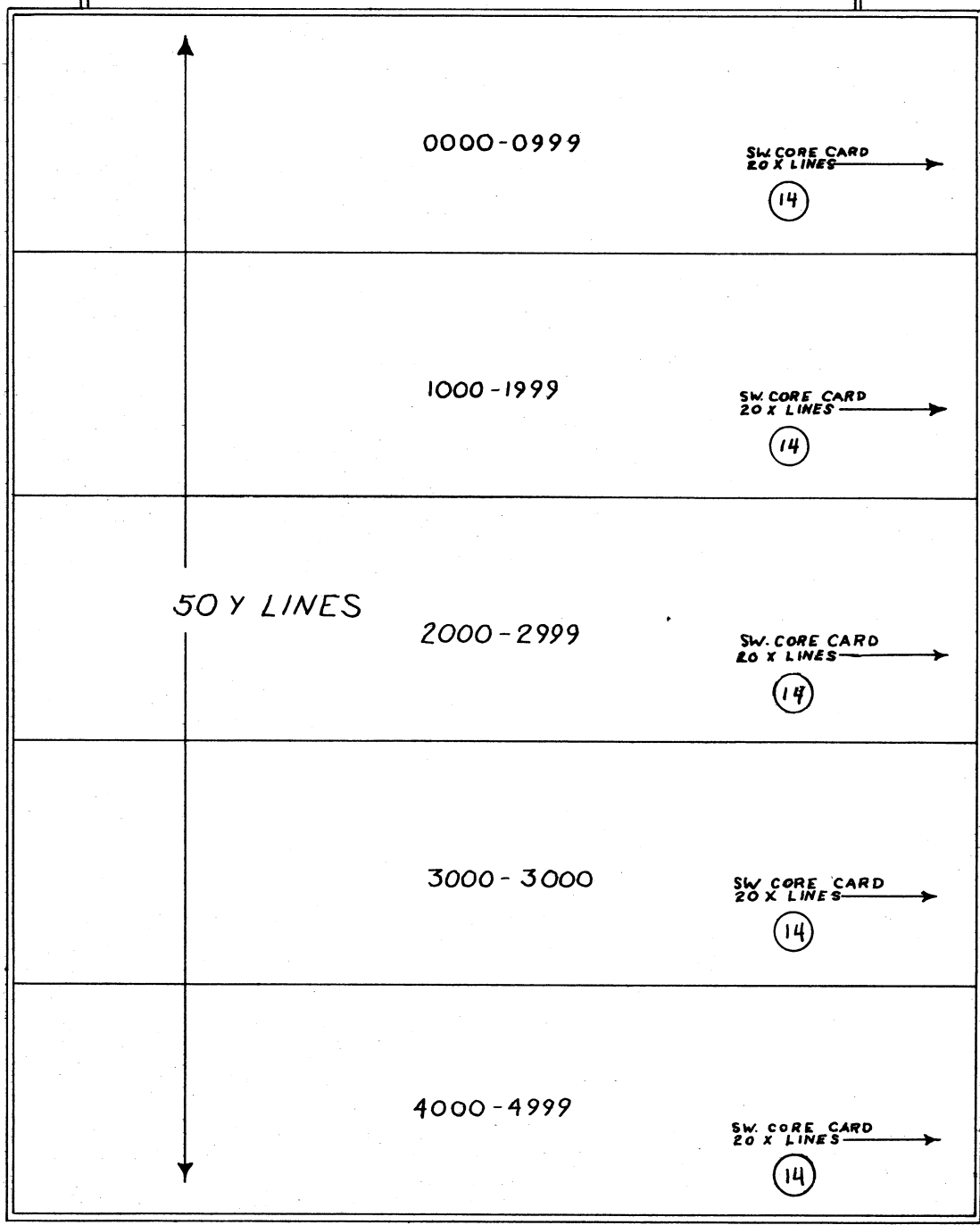
B



C



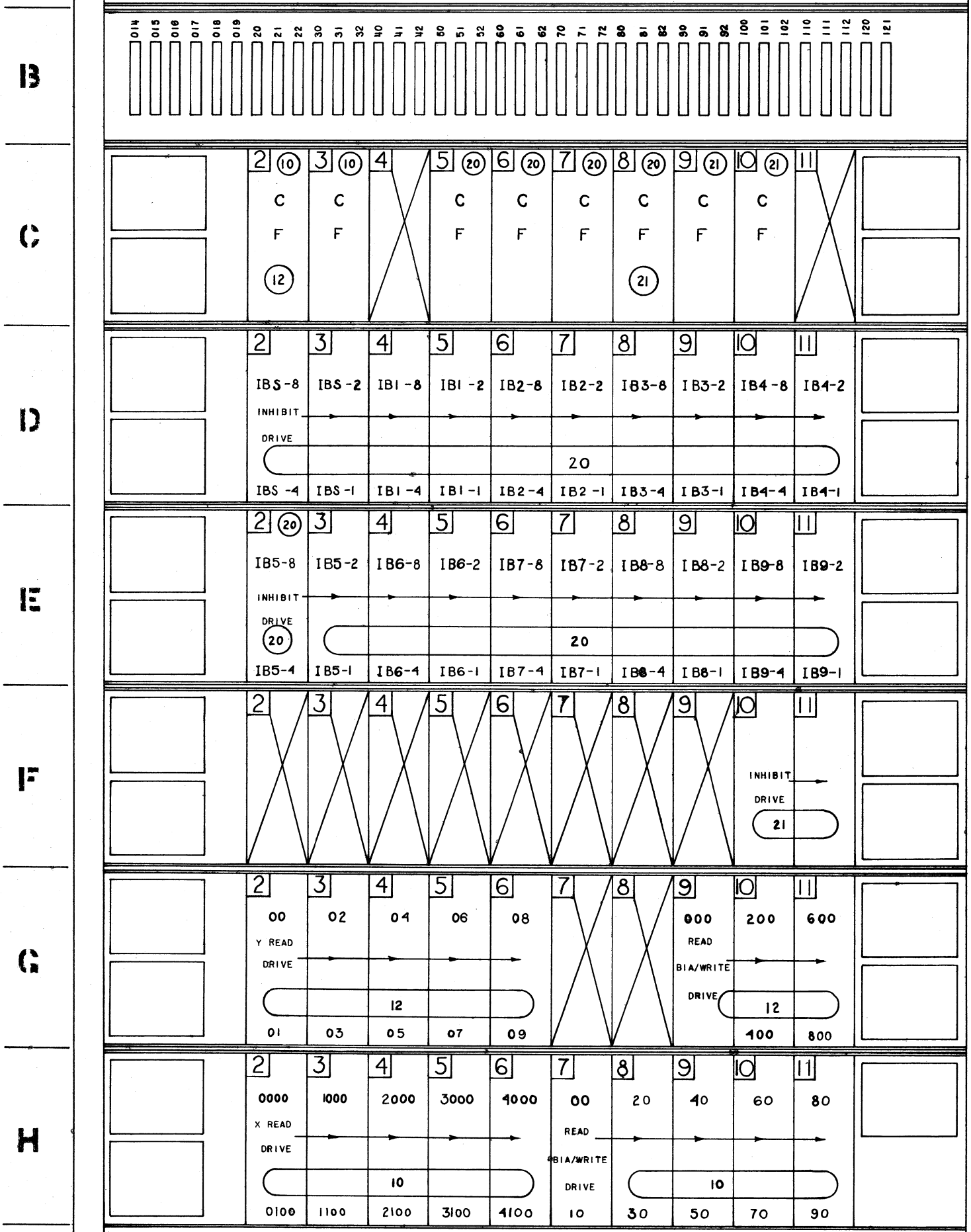
Y LINE SW CORE CARDS (13)



NOTICE
 FOR EDUCATIONAL USE ONLY

REVISIONS	
REV.	DATE
A	ORIGINAL ISSUE
B	
C	
D	
E	
F	
G	
H	

RACK "B"



B

C

D

E

F

G

H

LIST
 DRAWN BY: R. V. ...
 CHECKED: ...
 APPROVED: ...
 REV. DATE

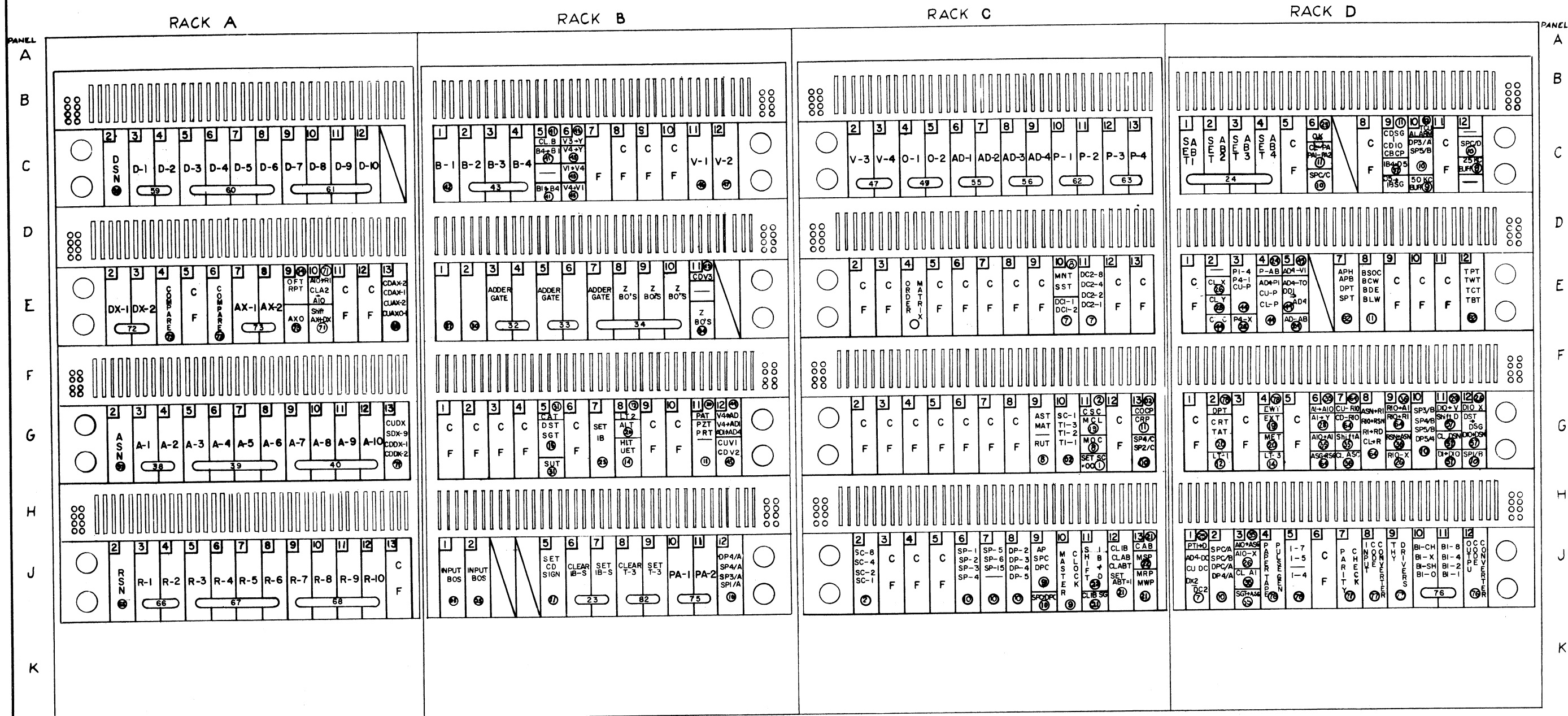
BURROUGHS CORPORATION
 ELECTRODATA DIV.
 PASADENA, CALIFORNIA
 PROPERTY OF BURROUGHS CORPORATION—NOT TO BE REPRODUCED, FOR USE
 FOR MANUFACTURING PURPOSES, EXCEPT ON BURROUGHS ORDER OR FROM
 BURROUGHS SYSTEMS

NOTICE
 FOR EDUCATIONAL USE ONLY

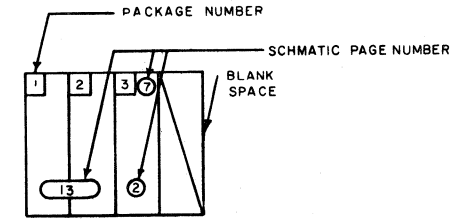
MEMORY RACK B

REV. DATE

REVISIONS						
A ORIGINAL ISSUE						
REV.	SO. NO.	DESCRIPTION	CHKD.	APPR.	DATE	



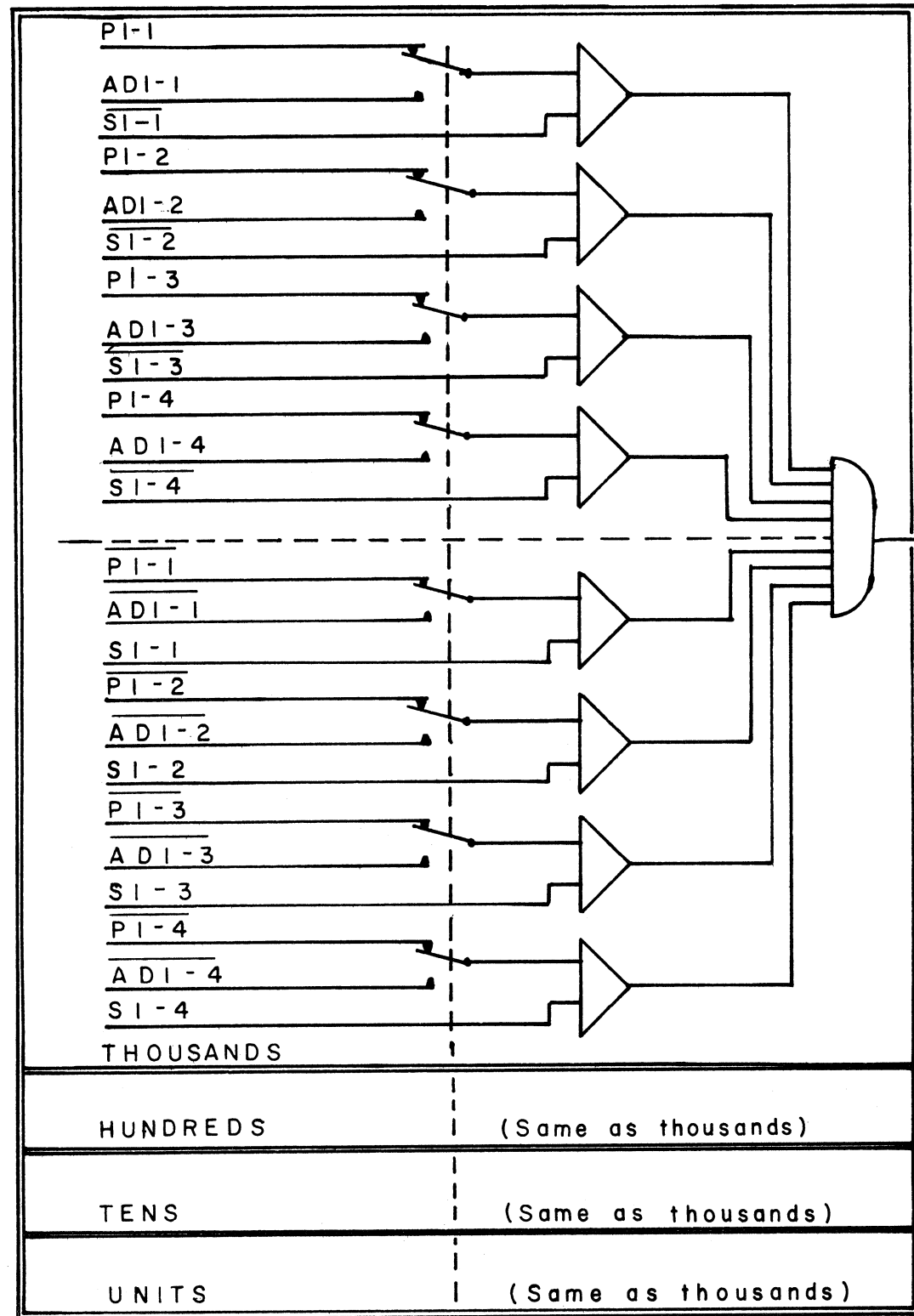
FRONT VIEW



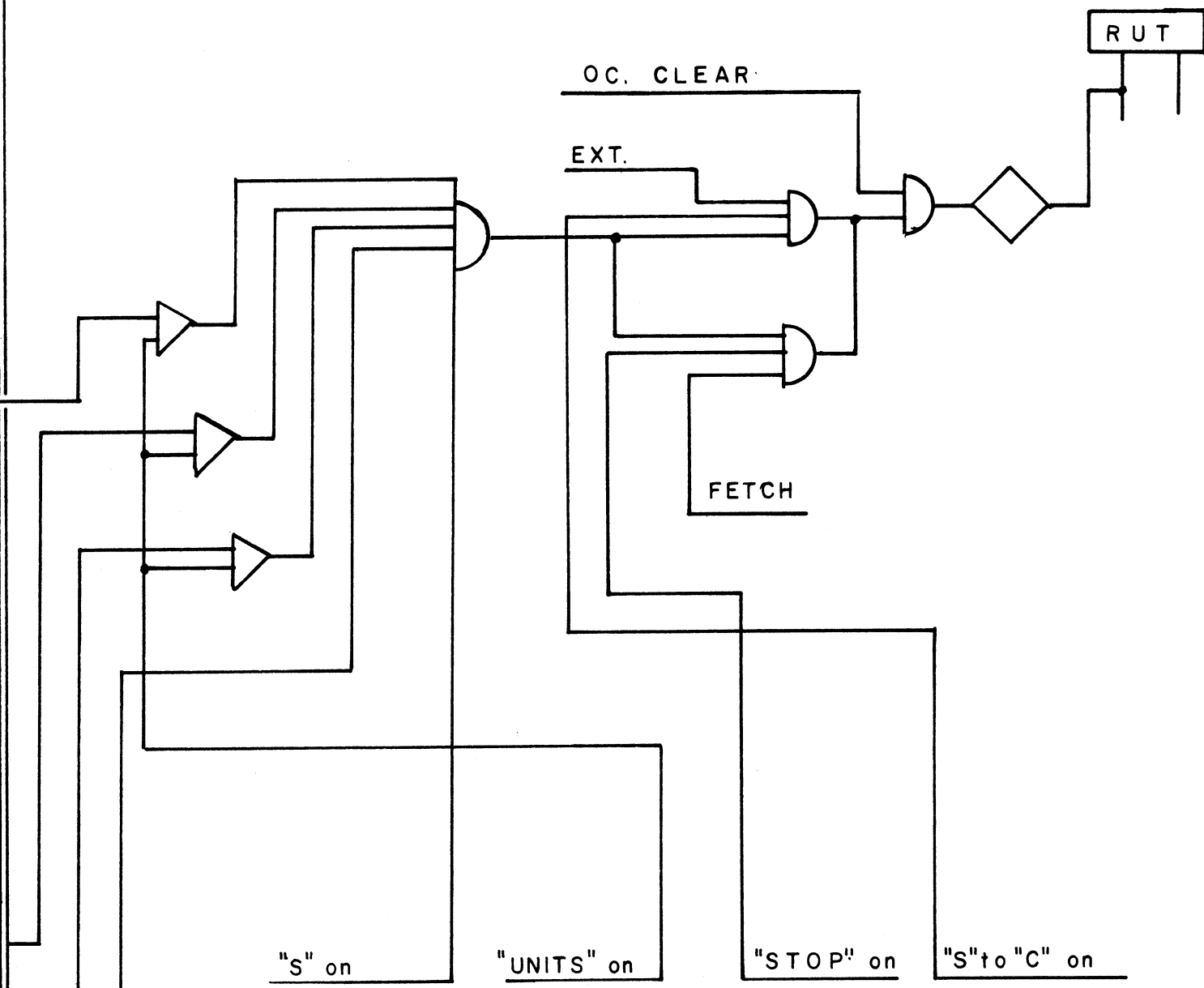
LIMITS ON DIMS		SPECIFICATIONS UNLESS OTHERWISE NOTED	
ANGULAR	1. BREAK ALL SHARP CORNERS .015 MAX.	2. SURFACE ROUGHNESS 63 MICRORINCH R.M.S. MAX.	3. DIAMETERS TO BE CONCENTRIC WITHIN .005 T.I.R.
FRACTIONAL	4. FILLET RADIUS .015 MAX.	5. THREADS—CLASS 2	
DECIMAL	SCALE	DO NOT SCALE DRAWING	
MATL		DRAWN BY <i>Se...</i> 7-8-57	
FINISH		CHECKED	
		APPROVED	
		PROJ. ENGR.	
56105		BURROUGHS CORPORATION ELECTRODATA DIV., PASADENA, CALIFORNIA	
UNIT	NEXT ASSY. PARTS LIST	DATA PROCESSOR OR LOCATOR	REV. D-6

NOTICE FOR EDUCATIONAL USE ONLY

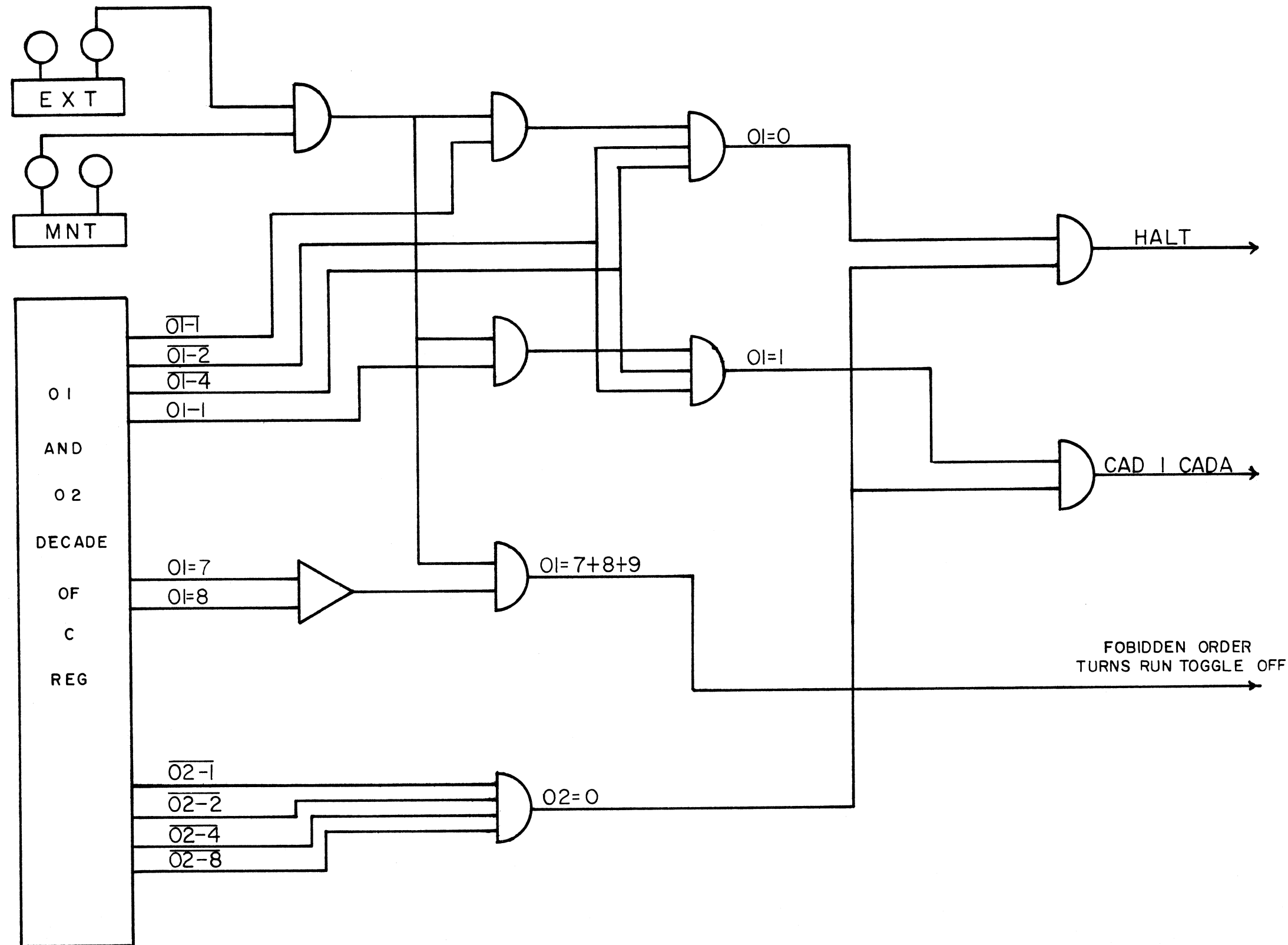
OR LOCATOR



TRANSFER WITH "S" to "C" on



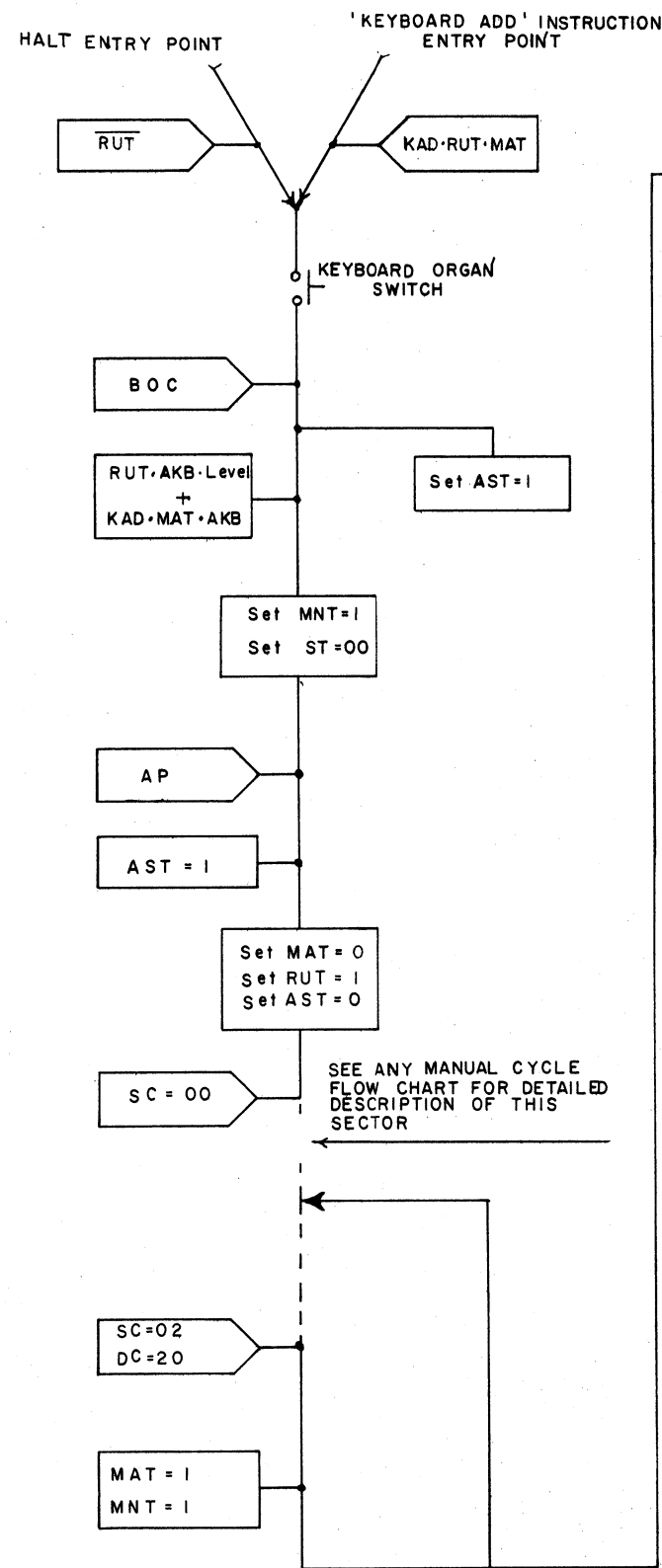
NOTICE
FOR EDUCATIONAL USE ONLY



NOTICE
FOR EDUCATIONAL USE ONLY

REVISIONS					
A ORIGINAL ISSUE					
REV.	DCN. NO.	DRFTMN.	CHKR.	APPR.	DATE

SYMBOL	ZONE	DESCRIPTION	NO. RGD.	PART NO.	ITEM NO.



MANUAL STATUS FLOW CHART

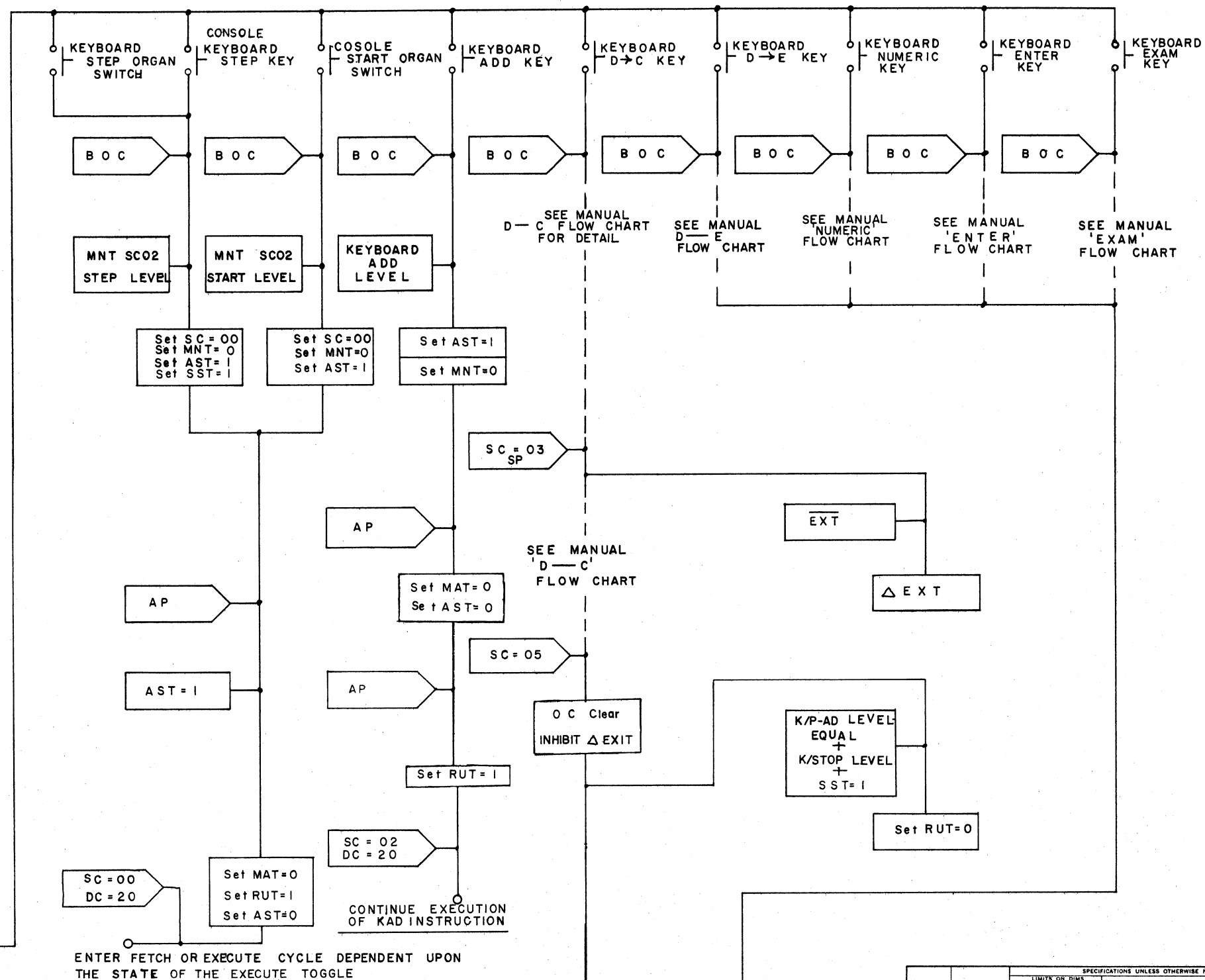
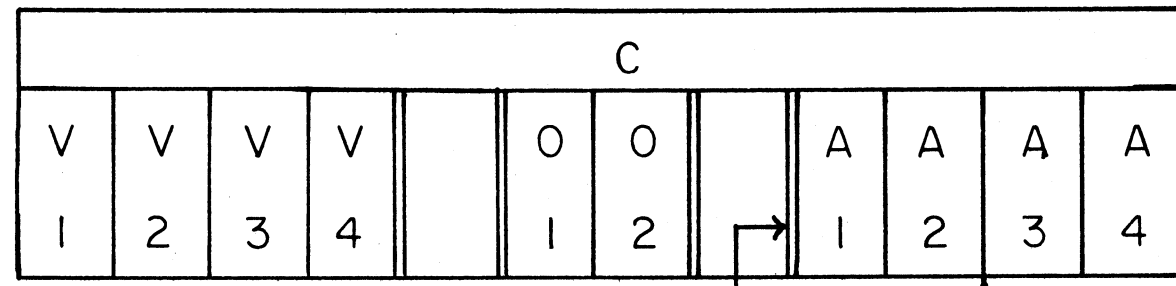


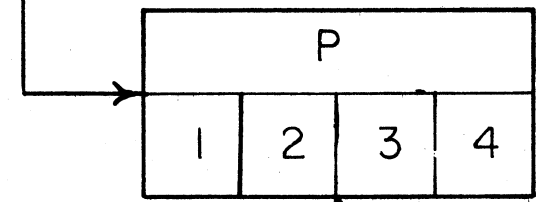
FIG. 4-19

LIMITS OR DIMS		SPECIFICATIONS UNLESS OTHERWISE NOTED	
ANGULAR		1. BREAK ALL SHARP CORNERS .015 MAX.	
FRACTIONAL		2. SURFACE ROUGHNESS 63 MICRORINCH R.M.S. MAX.	
DECIMAL		3. DIAMETERS TO BE CONCENTRIC WITHIN .005 T.I.R.	
MAT'L		4. FILLET RADIUS .015 MAX.	
FINISH		5. THREADS—CLASS 2	
		SCALE	DO NOT SCALE DRAWING
		DRAWN BY	CHECKED
		APPROVED	PROJ. ENGR.
		BURROUGHS CORPORATION ELECTRODATA DIV., PASADENA, CALIFORNIA	
UNIT	NEXT ASSY.		

COMPUTER



CONTROLLED BY BRANCH LOGIC



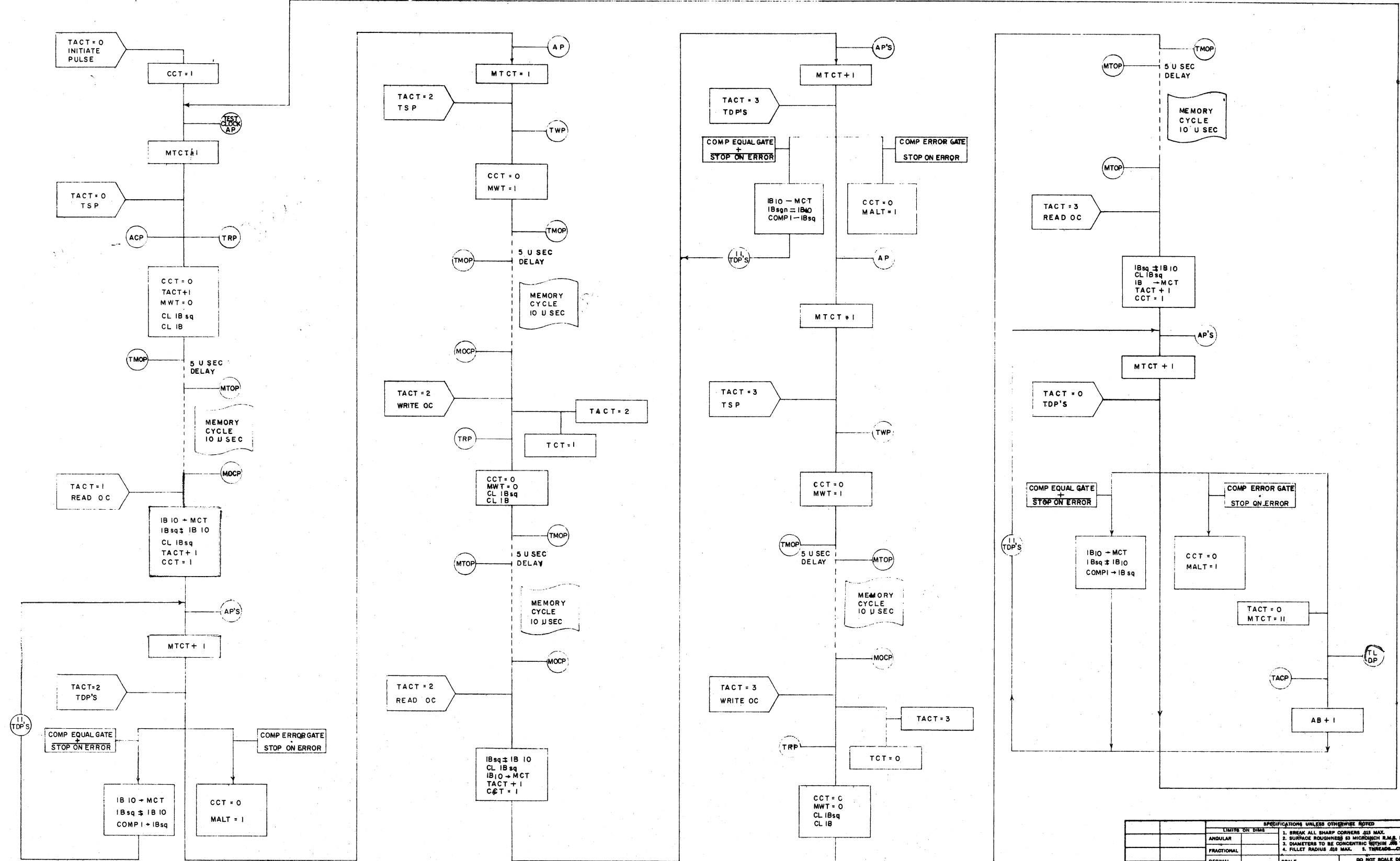
-----> INDICATES CONTROL
 -----> SHIFT OR TRANSFER

BRANCH

NOTICE
FOR EDUCATIONAL USE ONLY

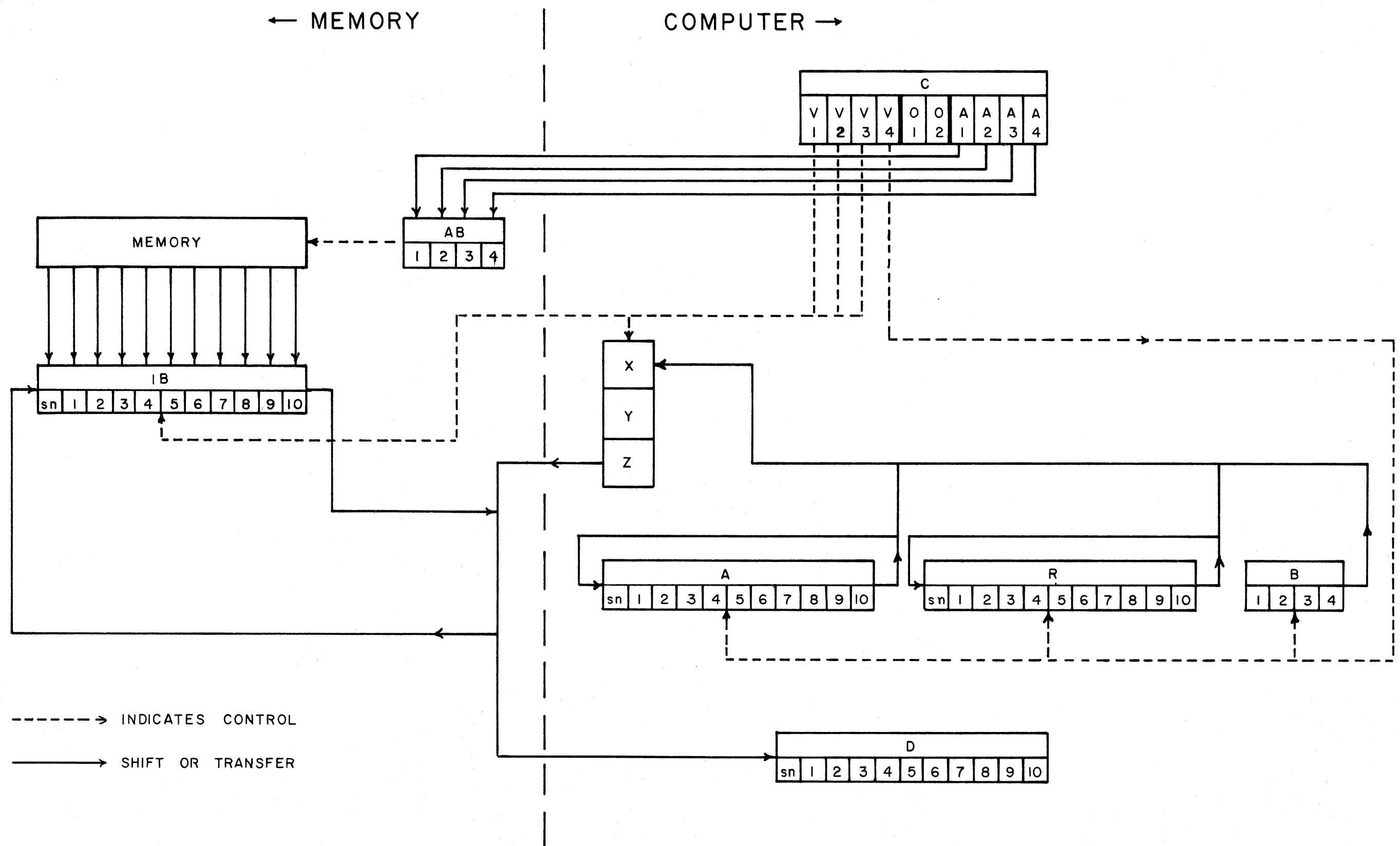
REVISIONS					
A ORIGINAL ISSUE					
REV.	DCN. NO.	DRFTM.	CHKR.	APPR.	DATE

SYMBOL	ZONE	DESCRIPTION	REV.	PART NO.	ITEM NO.



LIMITS ON DIMS		SPECIFICATIONS UNLESS OTHERWISE NOTED	
ANGULAR		1. BREAK ALL SHARP CORNERS .015 MAX.	
FRACTIONAL		2. SURFACE ROUGHNESS 63 MICRONS R.M.S. MAX.	
DECIMAL		3. DIAMETERS TO BE CONCENTRIC WITHIN .001 T.I.R.	
MATL.		4. FILLET RADIUS .015 MAX.	5. THREADS—CLASS 2
FINISH		SCALE	DO NOT SCALE DRAWING
		CHECKED	DRAWN BY
		APPROVED	
		PROJ. ENGR.	
BURROUGHS CORPORATION ELECTRODATA DIV., PASADENA, CALIFORNIA			
UNIT	NEXT ASSY.	MEMORY TEST FLOW D-	REV.

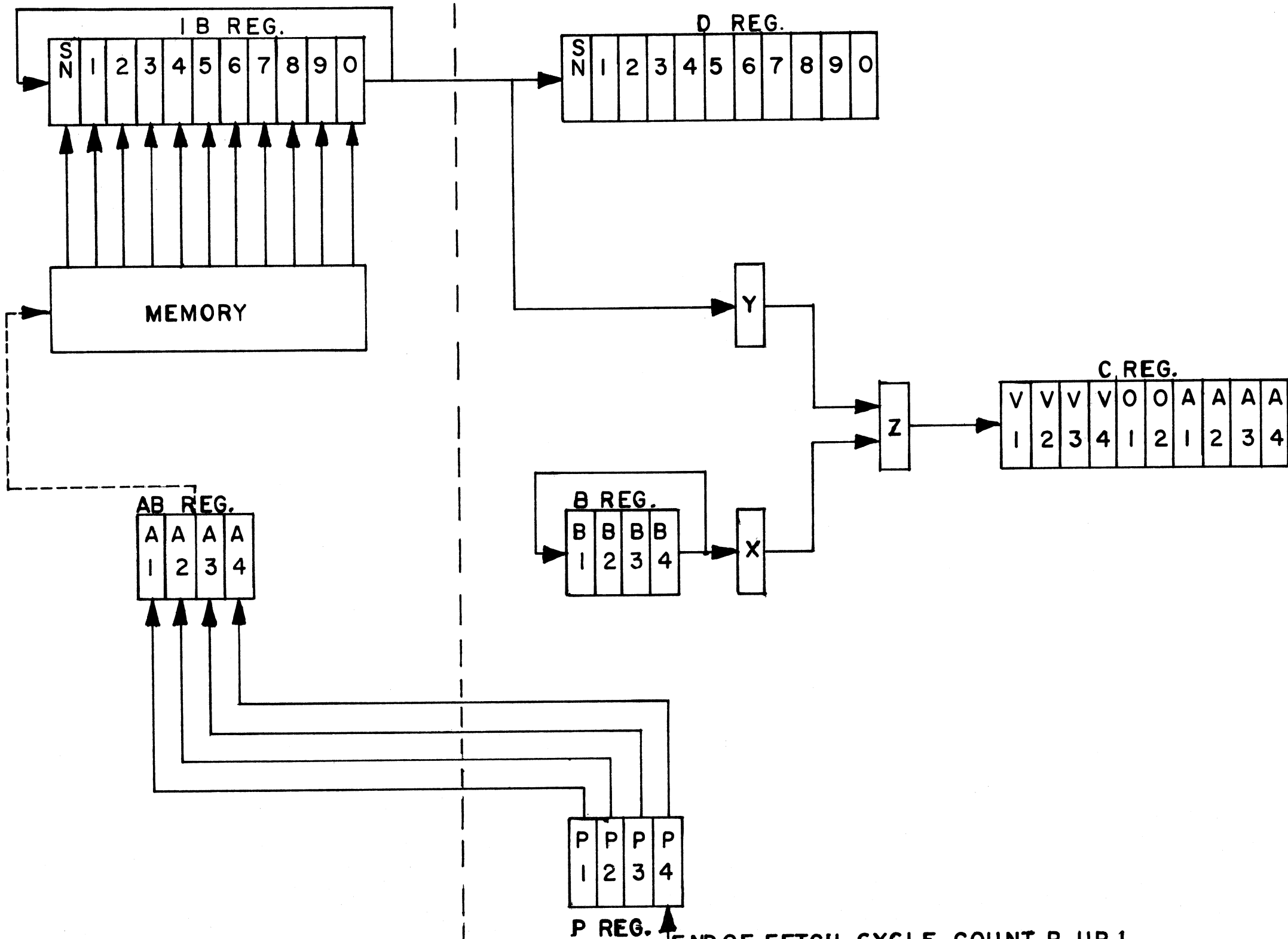
NOTICE FOR EDUCATIONAL USE ONLY



NOTICE
FOR EDUCATIONAL USE ONLY

MEMORY

COMPUTER



---▶ CONTROL
 —▶ TRANSFER OR SHIFT

END OF FETCH CYCLE, COUNT P UP 1

FETCH CYCLE

NOTICE
 FOR EDUCATIONAL USE ONLY

REVISIONS				
A ORIGINAL ISSUE				
REV.	DCN. NO.	DRFTMN.	CHKR.	APPR. DATE

SYMBOL	ZONE	DESCRIPTION	NO. RGD.	PART NO.	ITEM NO.

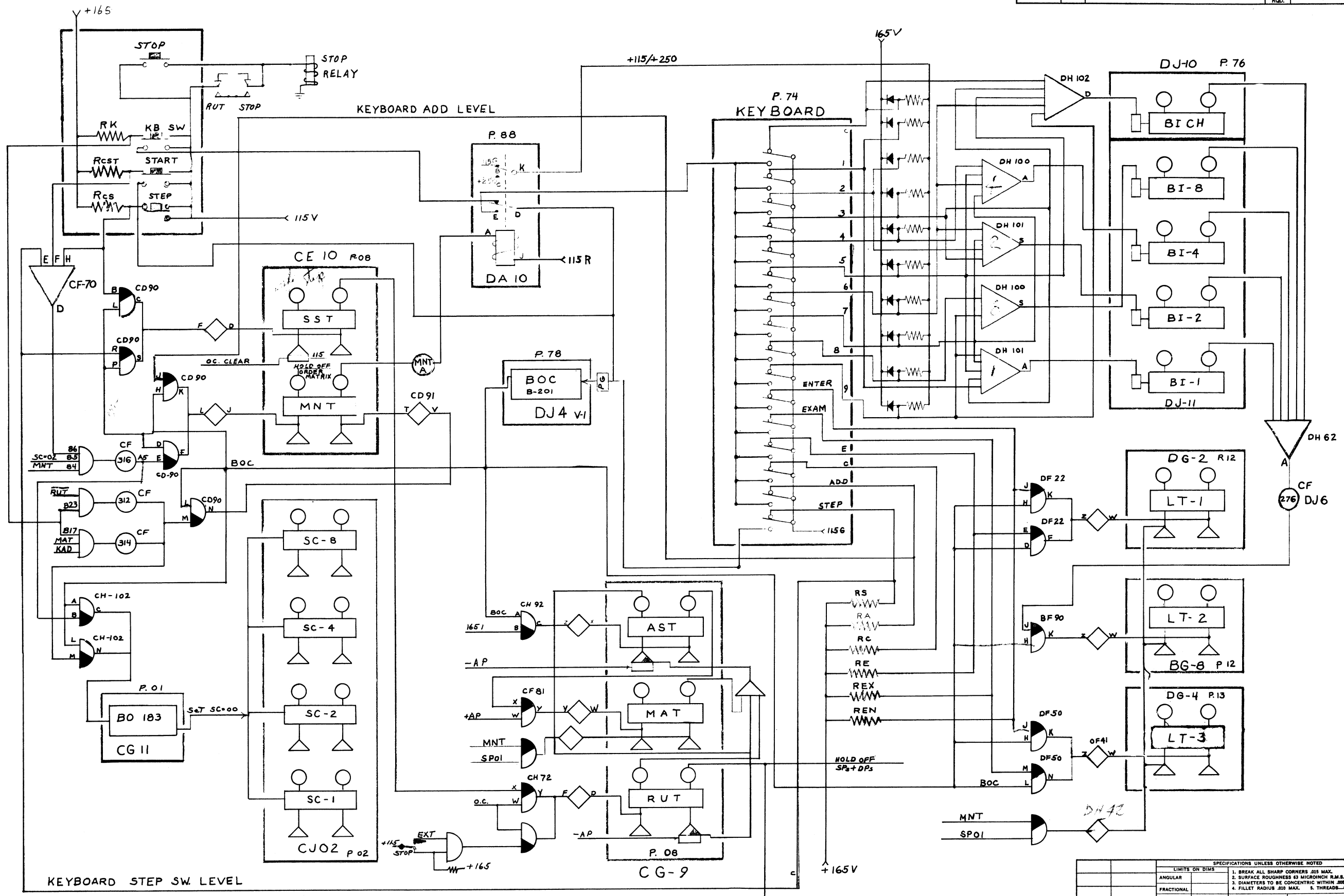
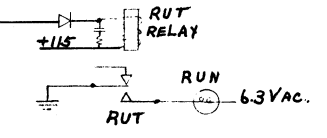


FIG. 2-10



LIMITS ON DIMS		SPECIFICATIONS UNLESS OTHERWISE NOTED	
ANGULAR		1. BREAK ALL SHARP CORNERS .015 MAX.	
FRACTIONAL		2. SURFACE ROUGHNESS #3 MICRONCH R.M.S. MAX.	
DECIMAL		3. DIAMETERS TO BE CONCENTRIC WITHIN .005 T.I.R.	
MAT'L		4. FILLET RADIUS .010 MAX. 5. THREADS—CLASS 2	
FINISH			DO NOT SCALE DRAWING
UNIT	NEXT ASSY.		DRAWN BY
			CHECKED
			APPROVED
			PROJ. ENGR.
		BURROUGHS CORPORATION ELECTRODATA DIV., PASADENA, CALIFORNIA	
			REV. D-14