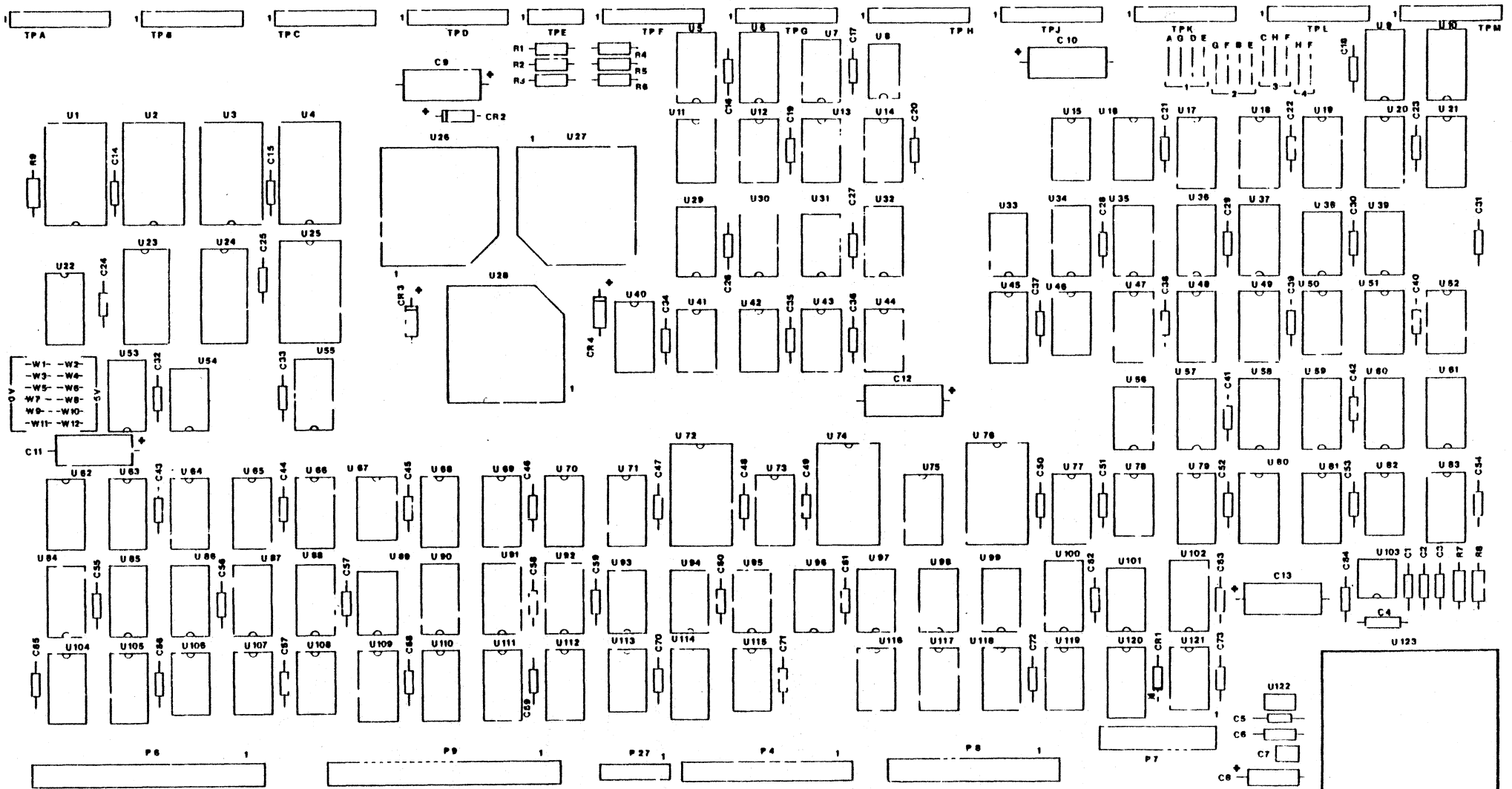




9249 30/50 PRINTER

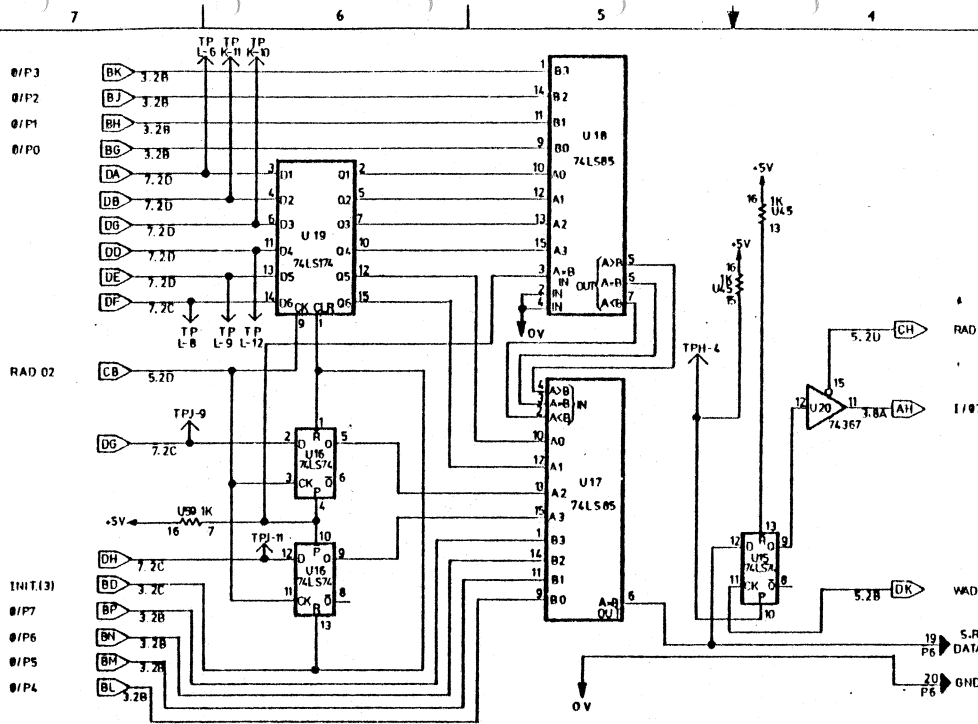
LOGIC BOOK



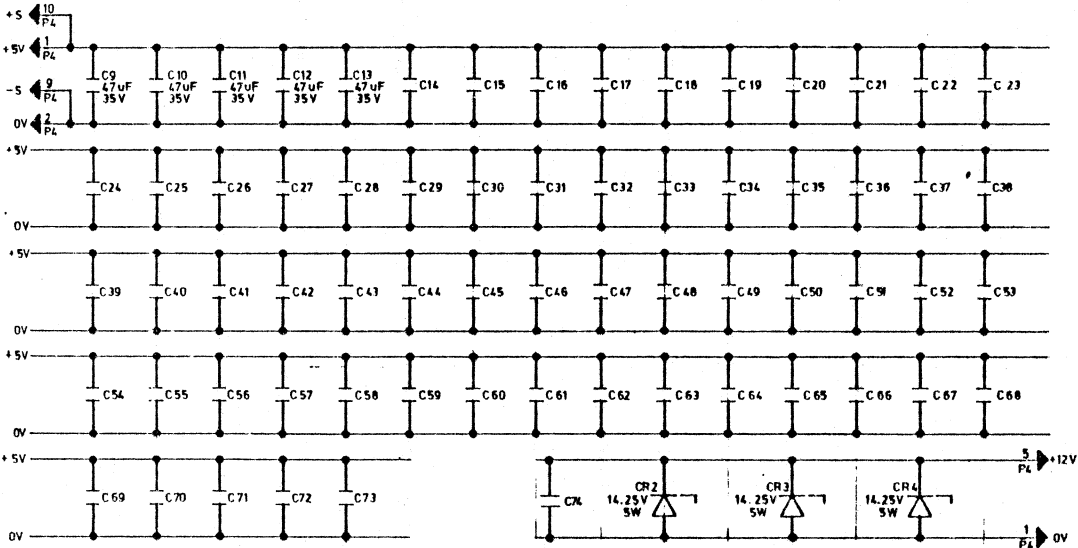


LOGIC PWR. ASSY 2808 2808 REV:

**REFERENCE ONLY**



- 0/P3 BK 3.2R
- 0/P2 BJ 3.2R
- 0/P1 BH 3.2R
- 0/P0 BC 3.2R
- 7.20 DG
- 7.20 UB
- 7.20 DG
- 7.20 DD
- 7.20 DE
- 7.20 DF
- RAD 02 CB 5.20
- 7.20 DG
- 7.20 DH
- 7.20 BD
- 3.2R BP
- 3.2R BN
- 3.2R BM
- 3.2R BL



IC TYPE	PART NO.	NO OF PINS	PWR. DISTR.	+5V	0V
7400	1447 3516	14	14	7	7
74LS00	2807 1787	14	14	7	7
74S00	2800 1407	14	14	7	7
74LS02	2807 1795	14	14	7	7
7404	1447 3532	14	14	7	7
74LS04	2807 1803	14	14	7	7
74S04	2800 1825	14	14	7	7
7405	2810 1895	14	14	7	7
74LS08	2816 6647	14	14	7	7
74LS16	1270 8927	14	14	7	7
74LS20	2818 6854	14	14	7	7
74S24	2831 2781	14	14	7	7
7474	1447 3607	14	14	7	7
74LS74	2816 6898	14	14	7	7
74LS95	1459 4222	16	16	8	8
74188	1459 6860	14	14	7	7
74LS133	1270 9150	16	16	8	8
74LS188	2818 5761	16	16	8	8
74154	1525 7555	24	24	12	12
74195	1459 3722	16	16	8	8
74LS161	2818 6133	16	16	8	8
74LS162	2818 6143	16	16	8	8
74LS164	2808 2081	14	14	8	8
74LS173	2818 4961	16	16	8	8
74172	1459 1260	16	16	8	8
74LS174	2808 6498	16	16	8	8
74LS175	2818 6454	16	16	8	8
74S175	2808 6018	16	16	8	8
74S287	2895 0210	16	16	8	8
74367	1408 5051	16	16	8	8
74C455	2113 2820	8	8	4	4
74114	1270 8802	24	24	12	12
DM8212	1270 8715	24	24	12	12
USC 74M04	2895 4487	4	4	2	2
RES 1K	2895 2716	16	16	8	8
RES 5K	2895 2059	16	16	8	8
RES 10K	2895 3009	16	16	8	8

IC TYPE	PART NO.	NO OF PINS	PWR. DISTR.	+5V	0V	+12V	-12V
2316 E	2895 1010	24	24	12	12		
3314	2876 6275	16	16	8	8		
3312	1270 8814	16	16	8	8		
HA	2574 4319	51	39	1	26		
TMS	2799 5915	51	39	1	26		
ALU	2799 5943	51	39	1	26		
4316 E	2895 1028	24	24	12	12		
2316 E	2895 1036	24	24	12	12		
2316 E	2895 1044	24	24	12	12		

IC TYPE	REF DES	SPARE GATES
74S00	U7 (89X)	
74S04	U4 (12)(89)(10)(11)(12)(13)	
74367	U31 (11)(12)(13)(14)	
RES 1K	U43 (1)(2)(3)(4)(5)	
74LS20	U38 (1)(2)(3)(4)(5)(6)(7)(8)(9)(10)(11)(12)(13)	
74LS00	U33 (1)(2)(3)(4)(5)(6)(7)(8)(9)(10)(11)(12)(13)	
RES 10K	U40 (9)(10)(11)(12)(13)(14)(15)	
74LS04	U42 (10)(11)(12)(13)	
7405	U44 (1)(2)(3)(4)(5)(6)(7)(8)(9)(10)(11)	
RES 1K	U41 (1)(2)(3)(4)(5)(6)(7)(8)(9)(10)(11)(12)(13)	
74LS08	U45 (89)(10)(11)(12)(13)	

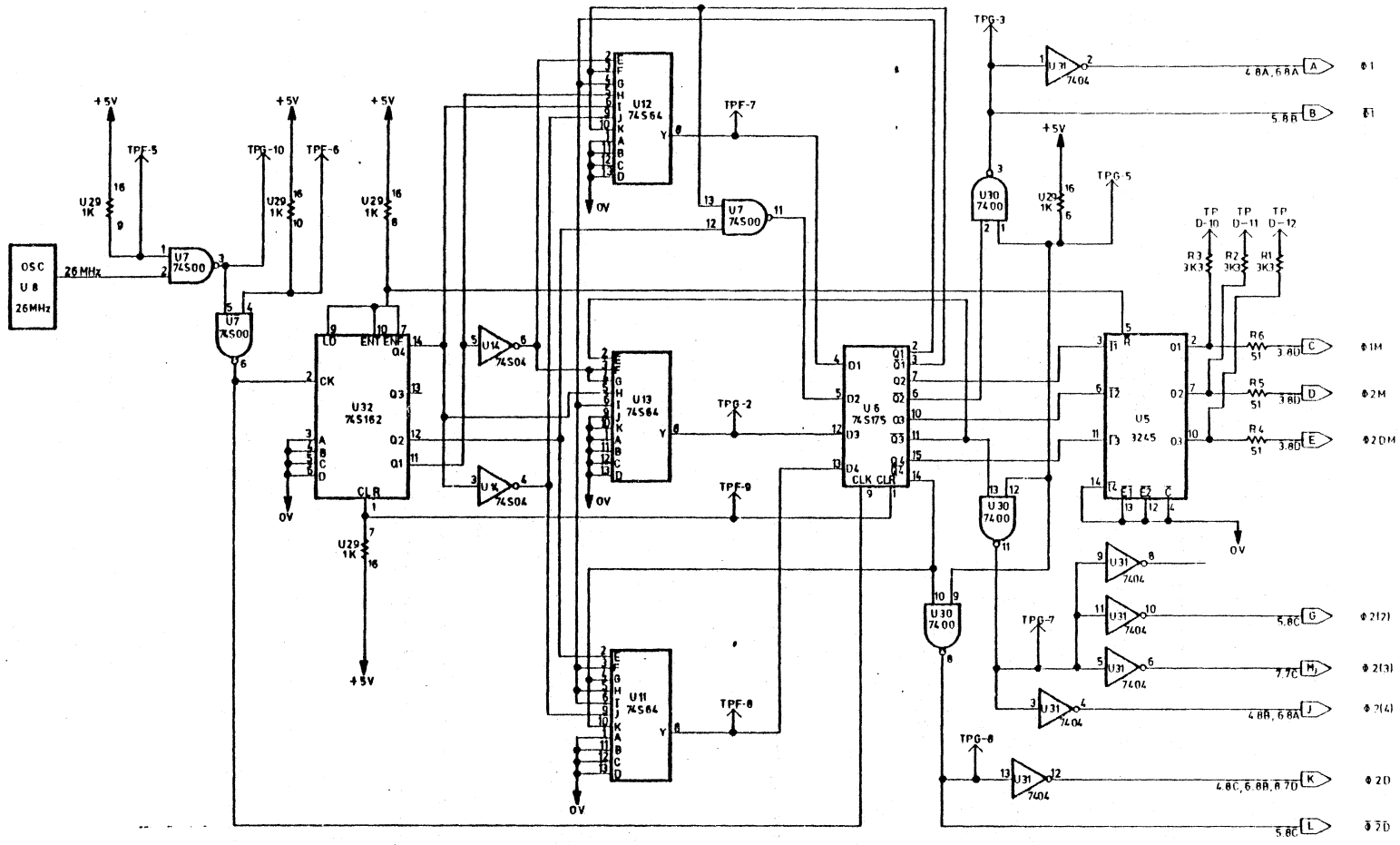
IC TYPE	REF DES	SPARE GATES
RES 10K	U51	12,14
74LS74	U52	16,6
RES 1K	U55	2
RES 1K	U59	2, 11, 12, 13
RES 1K	U60	1, 14, 15, 16, 8, 10
74LS08	U58	1, 14, 15, 16
74LS12	U57	15, 6, 8, 9, 10
74LS12	U56	15, 6, 8, 9, 10, 11, 12, 13
RES 1K	U65	8, 10, 11, 12
RES 1K	U16	8, 9, 10, 11, 12, 13
RES 1K	U11	16, 28, 9, 11
RES 10K	U12	8, 10, 11, 12, 13, 14, 15

CODES USED FOR COMPONENT PART NO ARE AS FOLLOWS -  
 DIODES  
 1N487 - 1321 6205  
 TRANSIENT VOLTAGE SUPPRESSOR  
 DIODE - 2626 1602

- NOTES
- FOR ASSY. SEE 2808 1420 THRU 2808 1495.
  - ALL CAPACITORS ON SHEETS 1 TO 9 ARE 0.1UF, 50V, UNLESS STATED OTHERWISE.
  - ALL DISCRETE RESISTORS ARE .5W UNLESS STATED OTHERWISE.

2808 2824  
 SHEET NO. 1 of 9  
 RELEASED DEC 1, 78  
 ER 30024  
 RE: FEB 28 79  
 17C AMK11  
 LABELING OF HDG COMPLETED  
 RE: 2808 PART NO WAS 1270 8215  
 RE: 2808 PART NO WAS 2574 4315  
 RE: 2808 PART NO WAS 2574 4317  
 SHEET IS 74.9 ALTERED  
 [E.C.N 30082]  
 RE: APR 4 79  
 PART NO 2808 2716  
 WAS 2808 2716  
 PART NO 2808 2860  
 WAS 2808 2716  
 [E.C.N 30182]  
 RE: AUG 24 79  
 SHEET 6, 7, 8, 10, 11, 12, 13, 14, 15  
 [E.C.N 30315]  
 RE: NOV 21 79  
 PART NO 2895 0210  
 WAS 1270 2636  
 PART NO 2895 0110  
 WAS 1270 8754  
 PART NOS 2895 1028,  
 2895 1036, 2895 1044  
 [E.C.N 30388]

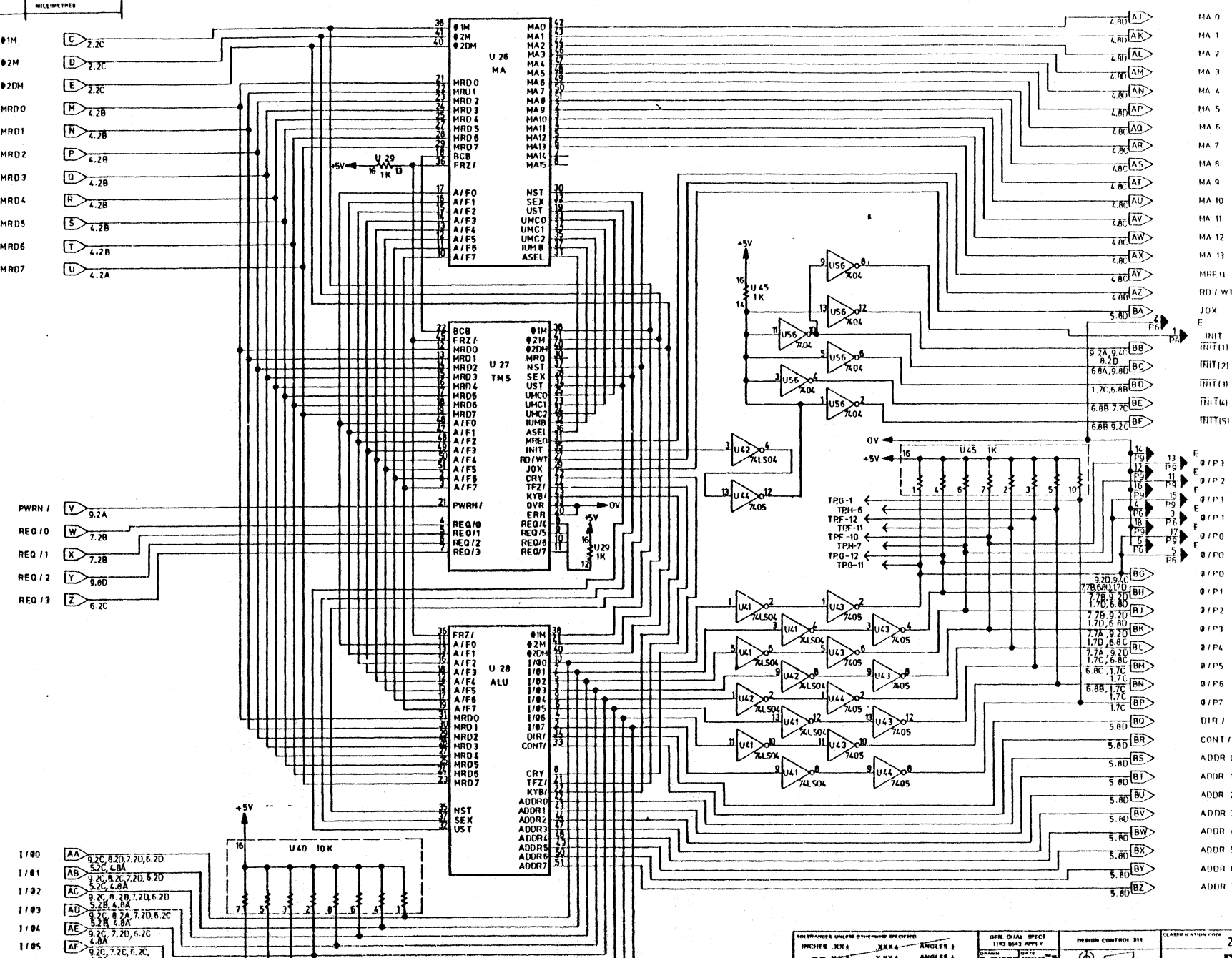
TOLERANCES UNLESS OTHERWISE SPECIFIED INCHES .XXX ANGLES .XXX	GEN. DESIG. SPEC. 1183 5843 APPLY	DESIGN CONTROL 811	CLASSIFICATION CODE 2-9520	DATE
MATERIAL	DATE	TECHNICAL SERVICES	Burroughs	
HEAT TREATMENT	DATE	MATERIAL SURFACE TREATMENT	SCHEMATIC LOGIC PWB	
SURFACE TREATMENT	DATE	MATERIAL & HEAT TREATMENT	SCALE	2808 2824
PROPERTY OF BURROUGHS. NOT TO BE REPRODUCED OR USED FOR ANY OTHER PURPOSE WITHOUT THE WRITTEN CONSENT OF BURROUGHS.				



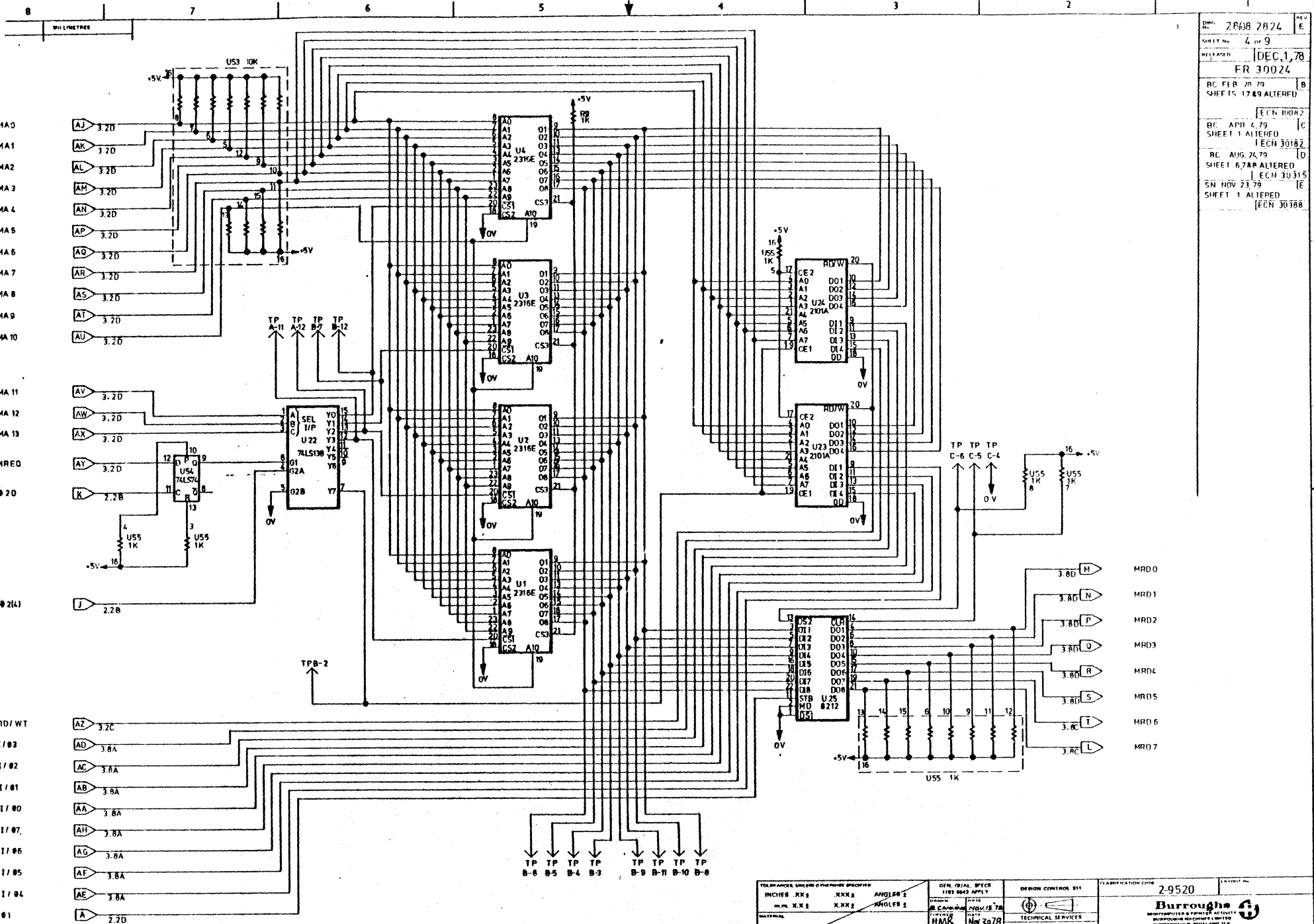
2808 2824  
 SHEET No. 2 of 9  
 RELEASED DEC. 1, 78  
 ER 30024  
 RC FEB. 29, 79  
 SHEETS 1, 7, 8, 9 ALTERED  
 [ECN 30082]  
 RC APR. 4, 79  
 SHEET 1 ALTERED  
 [ECN 30182]  
 RC AUG. 24, 79  
 SHEET 6, 7, 8, 9 ALTERED  
 [ECN 30315]  
 SN NOV. 21, 79  
 SHEET 1 ALTERED  
 [ECN 30398]

DIMENSIONS UNLESS OTHERWISE SPECIFIED INCHES .XXX ANGLES ± MILLIMETERS .XXX ANGLES ±		GEN. QUAL. SPEC 1183 8443 APPLY	DESIGN CONTROL 311 	CLASSIFICATION CODE 2-9520 PART NO.
MATERIAL HEAT TREATMENT SURFACE TREATMENT		DRAWING NO. 2808 2824 DATE 11/78 DESIGNED BY CHECKED BY	TECHNICAL SERVICES MATERIAL & SURFACE TREATMENT	BURROUGHS MICROCOMPUTER & PERIPHERAL DEVICES 3601 KENNEDY AVENUE DUBLIN, CALIF. 94568
SCHEMATIC LOGIC P.W.B.				SCALE PWD BY AT 2808 2824 2 of 9

8 7 6 5 4 3 2 1

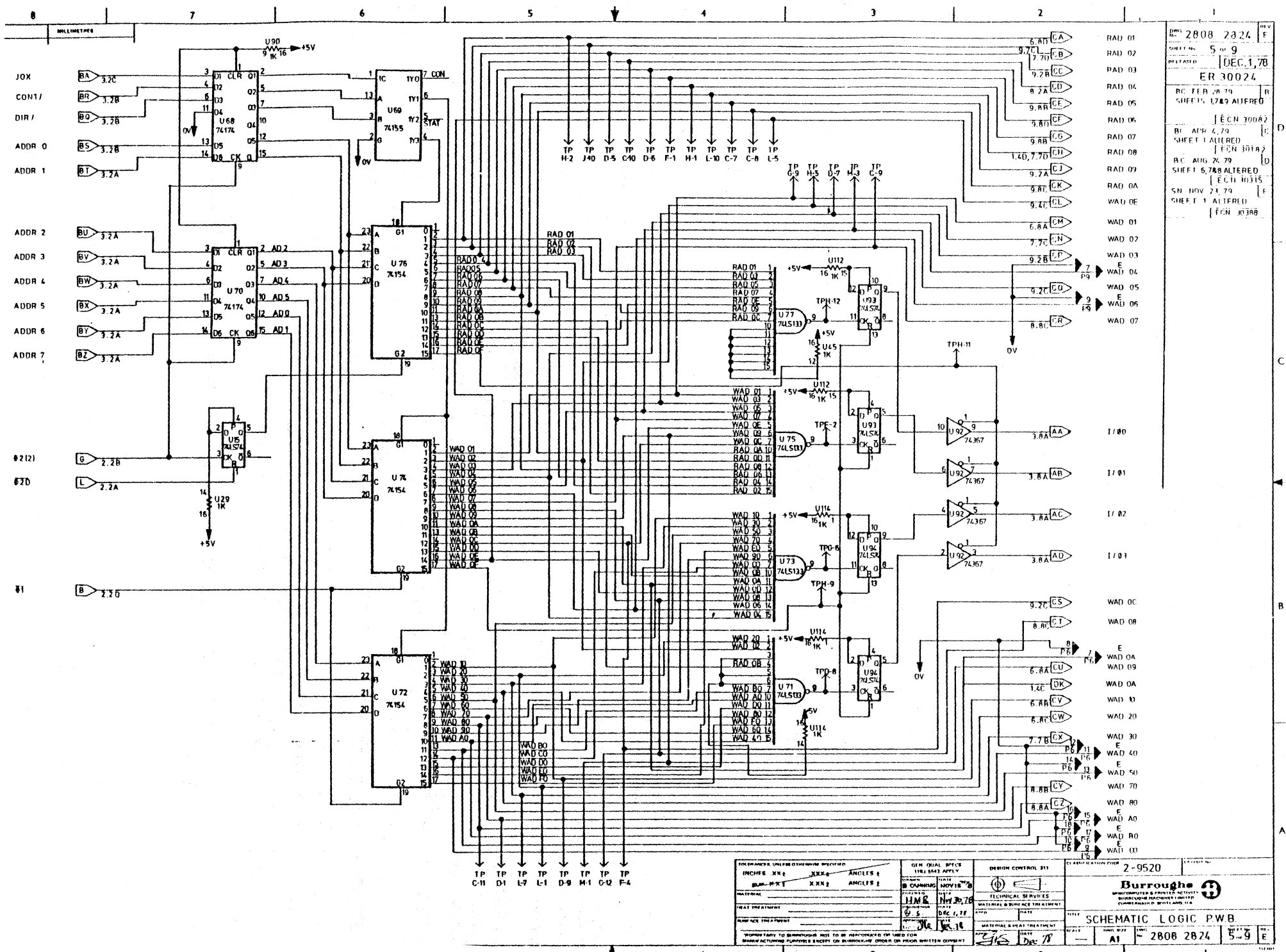


REV	2808 2824	E
SHEET NO.	3 of 9	
RELEASED	DEC 1, 78	
ER	30024	
BC	FEB 28 79	[n
SHEETS	17 of 17	ALTERED
ECN	30082	[C
BC	APR 4 79	SHEET 1 ALTERED
ECN	30192	[D
BC	AUG 24 79	SHEET 6, 7 & 8 ALTERED
ECN	30315	[E
SN	NOV 23 79	SHEET 1 ALTERED
ECN	30388	



REV	E
2808 2824	
SHEET NO	4 of 9
RELEASED	DEC 1, 78
	FR 30024
RC FEB 20 79	B
SHEETS	17 of 19
	ECN 30182
BE APR 4 79	C
SHEET 1 ALTERED	
	ECN 30182
RC AUG 26 79	D
SHEET 6,7,8 ALTERED	
	ECN 30315
SN NOV 23 79	E
SHEET 1 ALTERED	
	ECN 30388

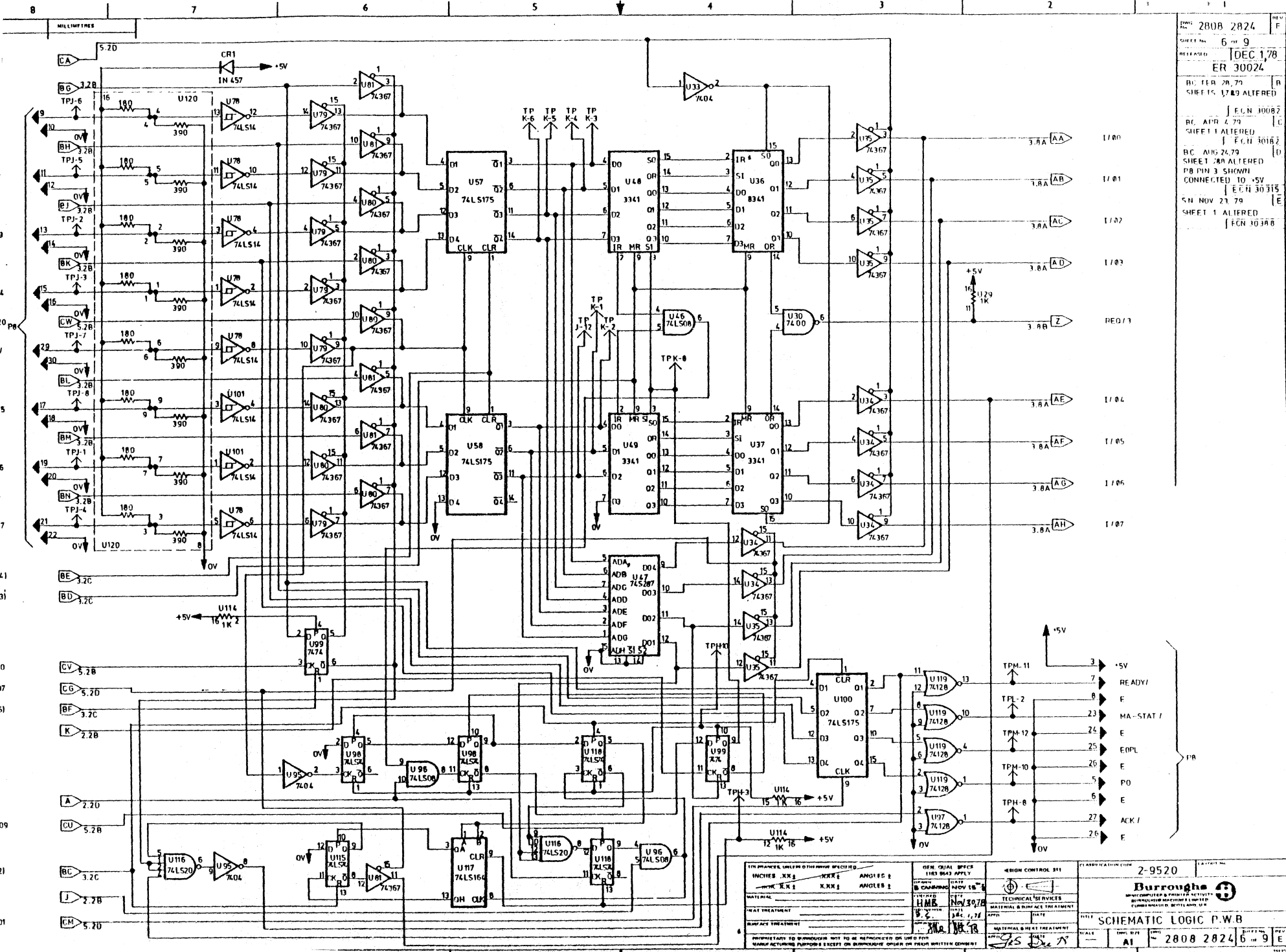
TOLERANCES UNLESS OTHERWISE SPECIFIED INCHES .XX ±    .XXX ±    ANGLES ± METR. X.X ±    X.XX ±    ANGLES ±		GEN. DIAL. SPEC 1183 9643 APPL Y	DESIGN CONTROL 811	CLASSIFICATION CODE 2-9520	CATEGORY NO.
MATERIAL HYNIX DATE DEC 1, 78		DATE NOV 30 78	TECHNICAL SERVICES MATERIAL & SURFACE TREATMENT	<b>Burroughs</b> MULTICOMPUTER & PERIPHERAL ACTIVITY BURROUGHS MICROFILM & INFO CENTER/ANN ARBOR, MICHIGAN, U.S.A.	
HEAT TREATMENT SURFACE TREATMENT		DATE DEC 1, 78	MATERIAL & HEAT TREATMENT	SCHEMATIC LOGIC PWB	
PROPRIETARY TO BURROUGHS, NOT TO BE REPRODUCED OR USED FOR MANUFACTURING PURPOSES EXCEPT BY BURROUGHS OR FROM WRITTEN CONSENT		DATE DEC 1, 78	MATERIAL & HEAT TREATMENT	SCALE A1	PART NO. 2808 2824
		DATE DEC 1, 78	MATERIAL & HEAT TREATMENT	SHEET NO. 4 of 9	REV. E



REV	F
2808 2824	
SHEET NO.	5 of 9
RELEASED	DEC 1, 78
ER 30024	
RC FEB 28 79	
SHEET 1283 ALTERED	
ECN 30082	
RC APR 4 79	
ECN 30182	
RC AUG 28 79	
SHEET 5, 7, 8 ALTERED	
ECN 30315	
SN NOV 24 79	
SHEET 1 ALTERED	
ECN 30388	

DIMENSIONS UNLESS OTHERWISE SPECIFIED INCHES XXX-4 ANGLES 2 DIM-XXX-1 XXX-2 ANGLES 2 MATERIAL HEAT TREATMENT FINISH TREATMENT PLATING SPECIAL FINISH	GEN. ORAL SPEC. (SEE 3643 APPLY) DATE DRAWN BY CHECKED BY DATE DATE DATE	DESIGN CONTROL 313 BURRAGE & COMPANY ELECTRICAL SERVICES MATERIAL & FINISH TREATMENT	2-9520 SCHEMATIC LOGIC PWB 2808 2824 5 of 9
---	--	---	---

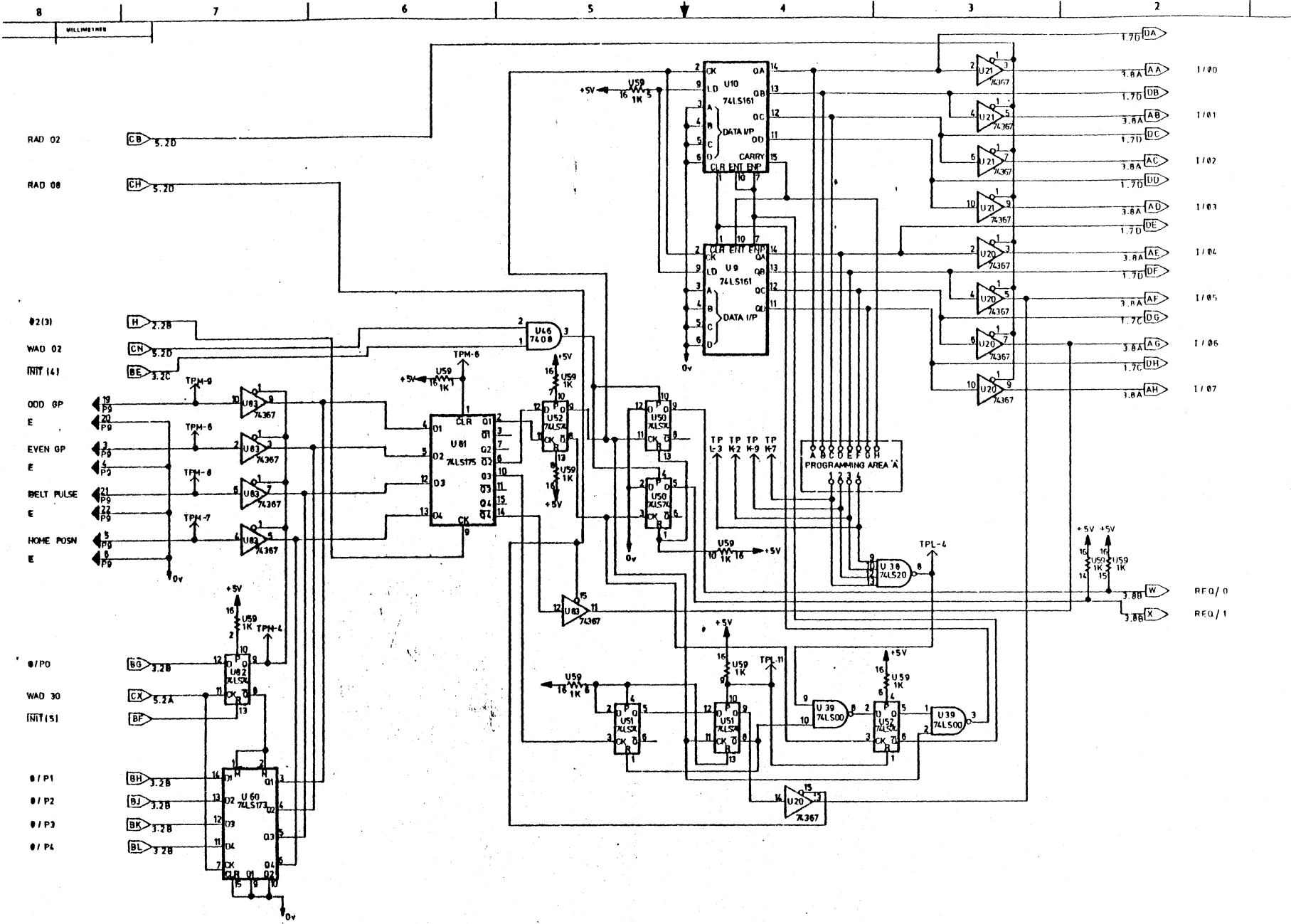




2808 2824  
 SHEET No. 6 of 9  
 RELEASED DEC 1978  
 ER 30024  
 BY: TER 28, 79  
 SHEETS 178 ALTERED  
 EGN 30082  
 BY: APR 4, 79  
 SHEET 28 ALTERED  
 EGN 30162  
 BY: AUG 24, 79  
 SHEET 28 ALTERED  
 PB PIN 3 SHOWN  
 CONNECTED TO +5V  
 EGN 30315  
 BY: NOV 23, 79  
 SHEET 1 ALTERED  
 EGN 30388

1/00  
 1/01  
 1/02  
 1/03  
 REQ/1  
 1/04  
 1/05  
 1/06  
 1/07

DIMENSIONS UNLESS OTHERWISE SPECIFIED INCHES .XXX .XXX ANGLES 1 METRIC .XXX .XXX ANGLES 1		GEN. ORAL SPEC. 1183 8343 APPLY DATE NOV 16 '78 HMR NOV 30 '78 DATE 12/1/78	REGION CONTROL 311 TECHNICAL SERVICES MATERIAL & SURFACE TREATMENT DATE	CLASSIFICATION CODE 2-9520 BURROUGHS SCHEMATIC LOGIC P.W.B. 2808 2824 6 of 9
---	--	--	--	---

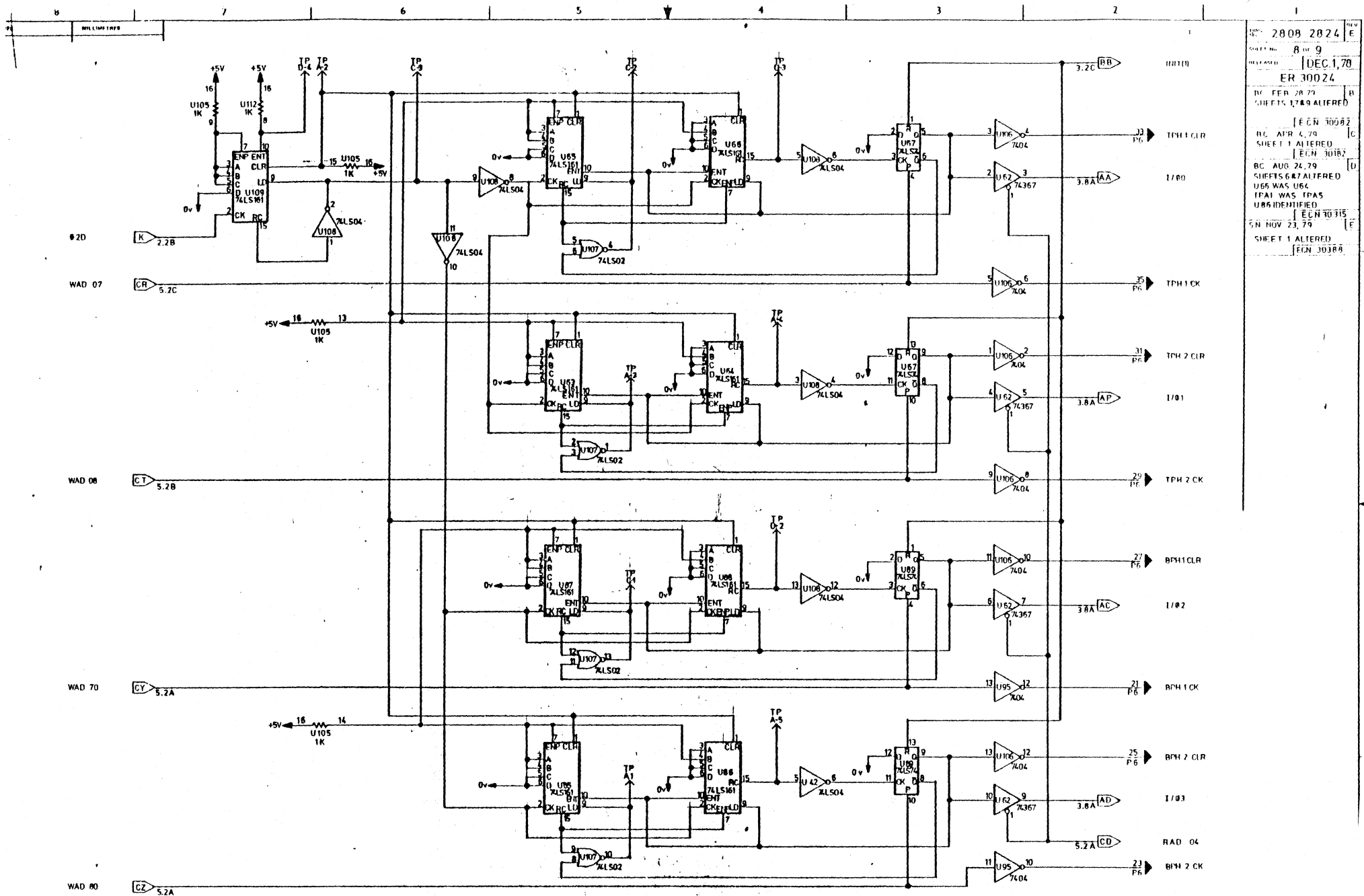


RAD 02      CB 5.20  
 RAD 08      CH 5.20  
 #2(3)      H 2.28  
 WAD 02      CN 5.20  
 INIT (4)      BE 3.2C  
 ODD GP  
 E  
 EVEN GP  
 E  
 BELT PULSE  
 E  
 HOME POSN  
 E  
 #1 P0  
 WAD 30      CX 5.2A  
 INIT (5)      BF 3.2B  
 #1 P1      BH 3.2B  
 #1 P2      BJ 3.2B  
 #1 P3      BK 3.2B  
 #1 P4      BL 3.2B

DRW NO.	280B 2824	REV	E
SHEET NO.	7	OF	9
RELEASED	DEC 1, 78		
	ER 30024		
RC FEB 28, 79	[ ECH 1008 ]		
USING 3 WAS CORRECTED	[ ECH 1016 ]		
TO 1161 PIN 11	[ ECH 1016 ]		
SHEETS 1 & 9 ALTERED	[ ECH 1016 ]		
	[ ECH 1016 ]		
RC APR 4, 79	[ ECH 1016 ]		
SHEET 11 ALTERED	[ ECH 1016 ]		
	[ ECH 1016 ]		
RC AUG 26, 79	[ ECH 1016 ]		
U20 PINS 13, 14, 15 ADDED	[ ECH 30315 ]		
SHEET 6 & 8 ALTERED	[ ECH 30315 ]		
	[ ECH 30315 ]		
SN NOV 27, 79	[ ECH 30315 ]		
SHEET 1 ALTERED	[ ECH 30315 ]		
	[ ECH 30315 ]		

1/00  
 1/01  
 1/02  
 1/03  
 1/04  
 1/05  
 1/06  
 1/07  
 REQ/0  
 REQ/1

TO: PRINCE, URM & BROWN SPECIFIED INCHES: XX X ANGLES: 2 MATERIAL: XXXX FINISH: XXXX TREATMENT: XXXX SURFACE TREATMENT: XXXX	GEN: DIAL SPEC (18) 8543 APPLY DATE: NOV 30 1978 BY: J.M.E. CHECKED: P.J. DATE: DEC 1, 78	DESIGN CONTROL 311 TECHNICAL SERVICES MATERIAL & SURFACE TREATMENT	IDENTIFICATION CODE 2-9520 SCALE: A1 DATE: DEC 78	DRAWN BY: P.W.B. CHECKED BY: J.M.E. DATE: DEC 78
Burroughs MICROCOMPUTER & PERIPHERAL SYSTEMS BURLINGTON, MASSACHUSETTS COMMERCIAL & INDUSTRIAL USE			SCHEMATIC, LOGIC P.W.B.	
BURROUGHS 280B 2824			SHEET NO. 7 OF 9	



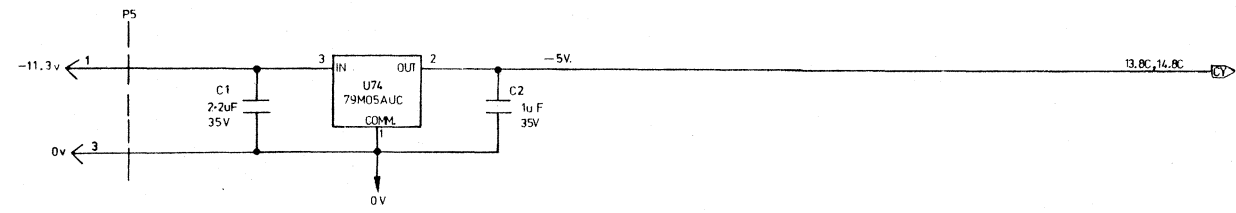
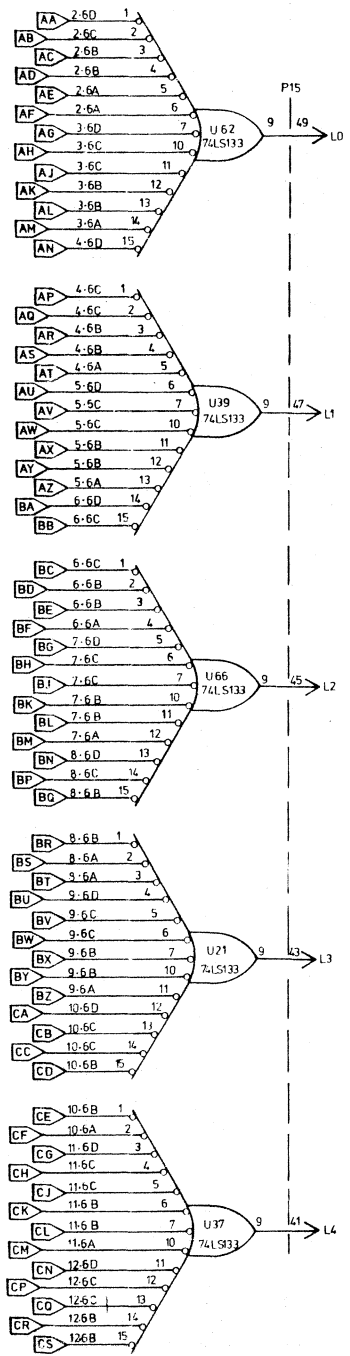
2808 2824  
 8 of 9  
 DEC. 1, 79  
 ER 30024  
 FEB 28 79  
 SHEETS 1749 ALTERED  
 E CN 30082  
 APR 4 79  
 SHEET 1 ALTERED  
 E CN 30182  
 AUG 24 79  
 SHEETS 647 ALTERED  
 U65 WAS U64  
 U64 WAS TP45  
 UNIDENTIFIED  
 E CN 30315  
 NOV 23 79  
 SHEET 1 ALTERED  
 E CN 30388

TOLERANCES UNLESS OTHERWISE SPECIFIED		GEN. DRWG. SPEC. 1180 8643 APPL.		DESIGN CONTROL #11		CLASSIFICATION CODE 2-9520	
DIMENSIONS IN INCHES .XXS .XXXS ANGLES 1		DIMENSIONS IN MILLIMETERS .XXS .XXXS ANGLES 1		MATERIAL		TECHNICAL SERVICES	
HEAT TREATMENT		SURFACE TREATMENT		MATERIAL & SURFACE TREATMENT		MATERIAL & HEAT TREATMENT	
BURROUGHS CORPORATION 3601 KENNEDY AVENUE PITTSBURGH, PA 15201-0001 TEL: 412-781-2000 FAX: 412-781-2001				BURROUGHS CORPORATION 3601 KENNEDY AVENUE PITTSBURGH, PA 15201-0001 TEL: 412-781-2000 FAX: 412-781-2001			
SCHEMATIC, LOGIC P.W.B. A1 2808 2824 8-9 E				2808 2824 8-9 E			





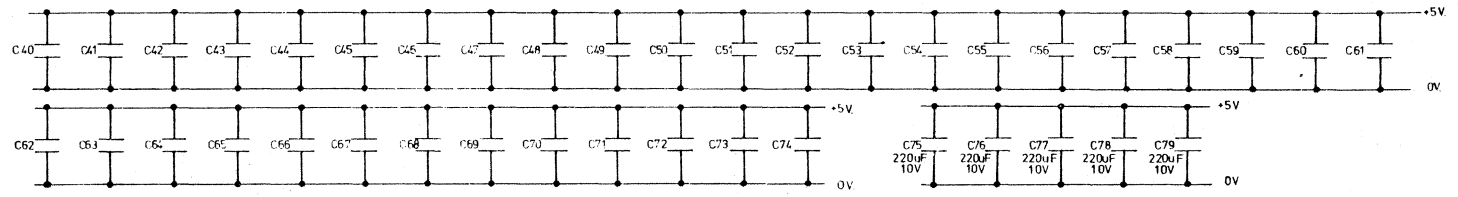
DWG No: 2808 2899 REV D  
 SHEET No: 1 of 14  
 RELEASED DEC. 1 '78  
 ER 30001  
 J.R.L. FEB. 73 '79 B  
 SHT. 13 ALTERED  
 ECN 30076  
 J.R.L. JUN 13 '79 C  
 REMOVED SPARE GATE  
 7404 - U79 - 12/13  
 SHT 14 ALTERED  
 ECN 30271  
 B.C. AUG. 24 '79 D  
 SHEETS 13 & 14 ALTERED  
 ECN 30313



I/C TYPE	PART NO.	Nº OF PINS	POWER	DIST.	PINS
74LS174	2608 6298	16	16	8	
74LS164	2608 2081	14	14	7	
74LS74	2816 6666	14	14	7	
74LS02	2607 1795	14	14	7	
7406	1874 4363	14	14	7	
7402	1447 3632	14	14	7	
74LS133	1270 9150	16	16	8	
7417	2600 1669	14	14	7	
339	2118 9497	14	16	8	3 12
74LS175	2746 6445	16	16	8	
79MOSAUC	2894 3710	14	16	8	3
74128	1269 6860	14	14	7	

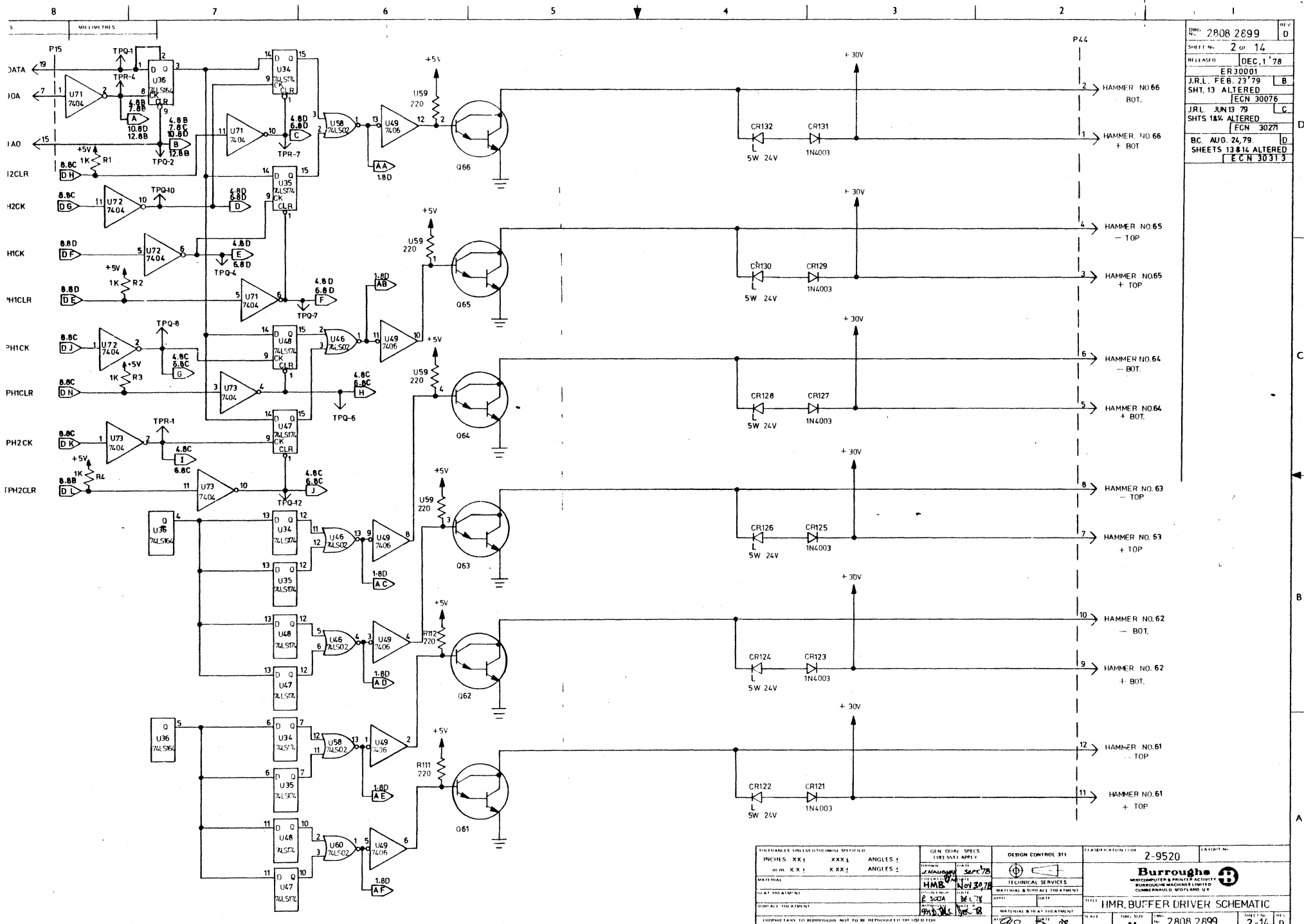
I.C. TYPE	REF DES.	SPARE GATES
74LS174	U1	10,11,12,13,14,15
74LS74	U2	8,9,10,11,12,13
74LS174	U3	2,3,4,5,6,7
74LS74	U4	2,3,4,5,6,7
74LS74	U5	2,3,4,5,6,7
74LS02	U22	8,9,10,11,12,13
7404	U71	12,13
339	U81	7,8
74128	U82	12,13,14,15,16,17,18

CODES USED FOR COMPONENT PART NOS ARE AS FOLLOWS:-  
**TRANSISTORS**  
 2N930 — 1472 8349  
 2N6667 — 2894 3801  
 071,75,79,83,88,92,95 — 2894 3835  
 01-66.  
**DIODES**  
 1N4154 — 1471 4703  
 1N4003 — 1072 7931  
 ESM755 100R — 2894 3884  
 BYW29 100 — 2894 3876  
 5W 24V ZENER — 2894 9212  
 1W 12V ZENER — 2894 5947



- NOTES:-
1. ALL DISCRETE RESISTORS ARE 0.5W UNLESS STATED OTHERWISE.
  2. ALL CAPACITORS ON SHEETS 1 TO 12 ARE 0.1uF 50V, UNLESS STATED OTHERWISE.
  3. FOR ASSY. SEE 2808 2873.
  4. ALL DIODES ARE TYPE 1N4154 UNLESS STATED OTHERWISE.

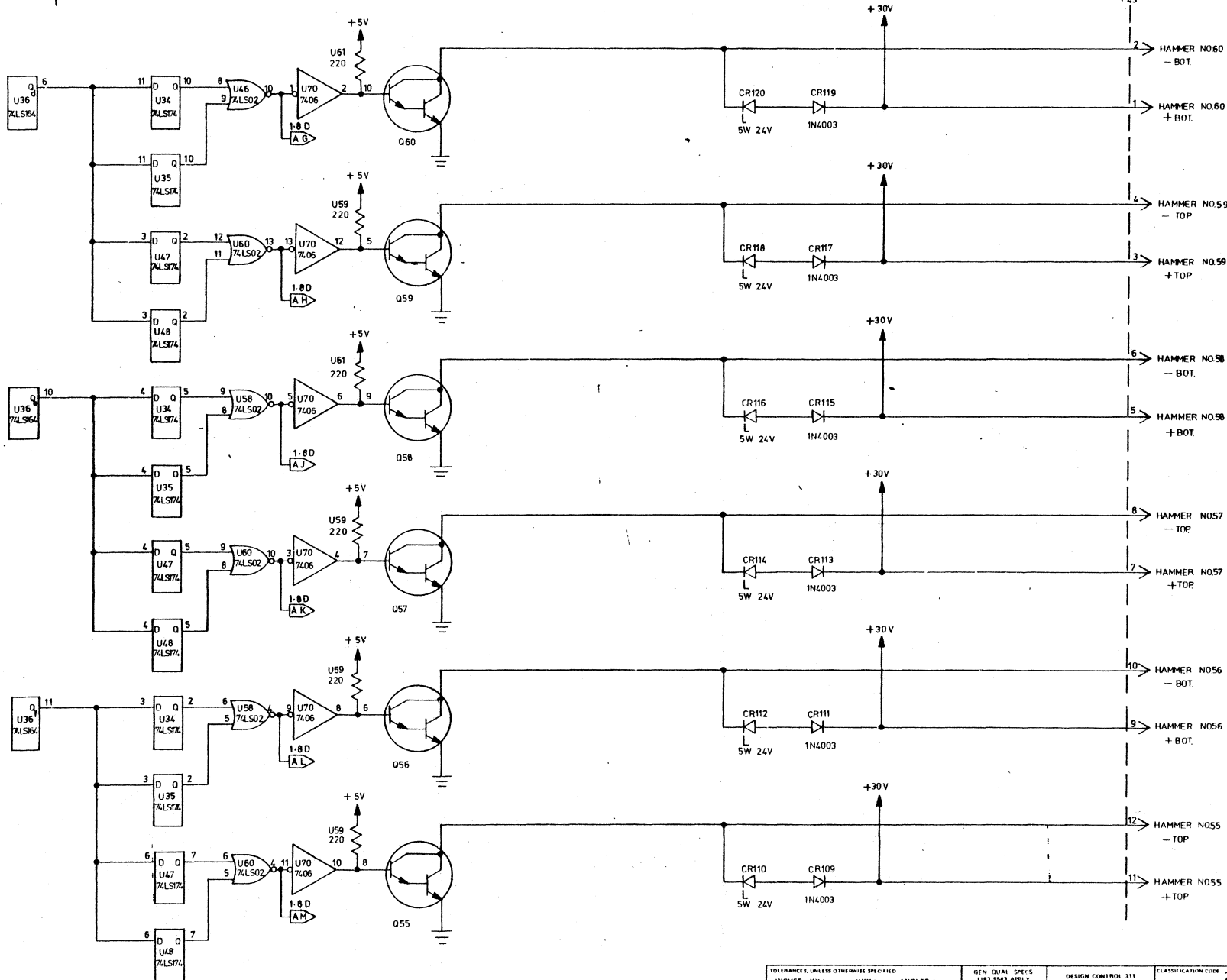
TOLERANCE UNLESS OTHERWISE SPECIFIED INCHES .XX ± .XXX ± ANGLES ± m.m. .XX ± .XXX ± ANGLES ±	GEN. QUAL. SPECS 1183 5543 APPLY	DESIGN CONTROL 911	CLASSIFICATION CODE 2-9520	LAYOUT No.
MATERIAL	DATE 11/15/78	TECHNICAL SERVICES	 BURROUGHS USER & PRINTER ACTIVITY BURROUGHS MACHINES LIMITED CLUMBERNAULD, SCOTLAND, U.K.	
HEAT TREATMENT	DATE 11/15/78	MATERIAL & SURFACE TREATMENT		
SURFACE TREATMENT	DATE 11/15/78	MATERIAL & HEAT TREATMENT	TITLE HMR, BUFFER DRIVER SCHEMATIC	
PURCHASE EARLY TO BURROUGHS NOT TO BE REPRODUCED OR USED FOR MANUFACTURING PURPOSES EXCEPT ON BURROUGHS ORDER OR PRIOR WRITTEN CONSENT				
SCALE DWG. SIZE A1			SHEET No. 2808 2899 1 of 14	



2808 2899  
 SHEET No. 2 of 14  
 RELEASED DEC. 1 '78  
 ER 30001  
 J.R.L. FEB 23 79 B  
 SHT. 13 ALTERED  
 ECN 30076  
 J.R.L. JUN 19 79 C  
 SHTS 1&4 ALTERED  
 ECN 30271  
 B.C. AUG. 24, 79. D  
 SHEETS 13 & 14 ALTERED  
 E C N 30313

DIMENSIONS UNLESS OTHERWISE SPECIFIED INCHES .XX ±    ANGLES ± m.m. .XX ±    X.XX ±		GEN. DRAL. SPECS LIST 5041 APPLY	DESIGN CONTROL 311	CLASSIFICATION 2-9520	EXHIBIT No.
MATERIAL		DATE 23 NOV 78	TECHNICAL SERVICES	Burroughs MICROCOMPUTER & PRINTER ACTIVITY BURROUGHS MACHINES LIMITED GUMBRIDGE, SCOTLAND U.K.	
BY AT THE WORKS		BY P. SCOTLAND	MATERIAL & SURFACE TREATMENT	HMR, BUFFER DRIVER SCHEMATIC	
SURFACE TREATMENT		DATE 23 NOV 78	MATERIAL & SURFACE TREATMENT	DATE	REV. 2-14
THERMAL TANKS FOR BURROUGHS MUST BE REFINISHED BY THE USER FOR MANUAL TYPING, PUNCHES & KEYS OR BURROUGHS CONTROL OR PUNCH-WIRELESS CONTROL		DATE	DATE	DATE	DATE

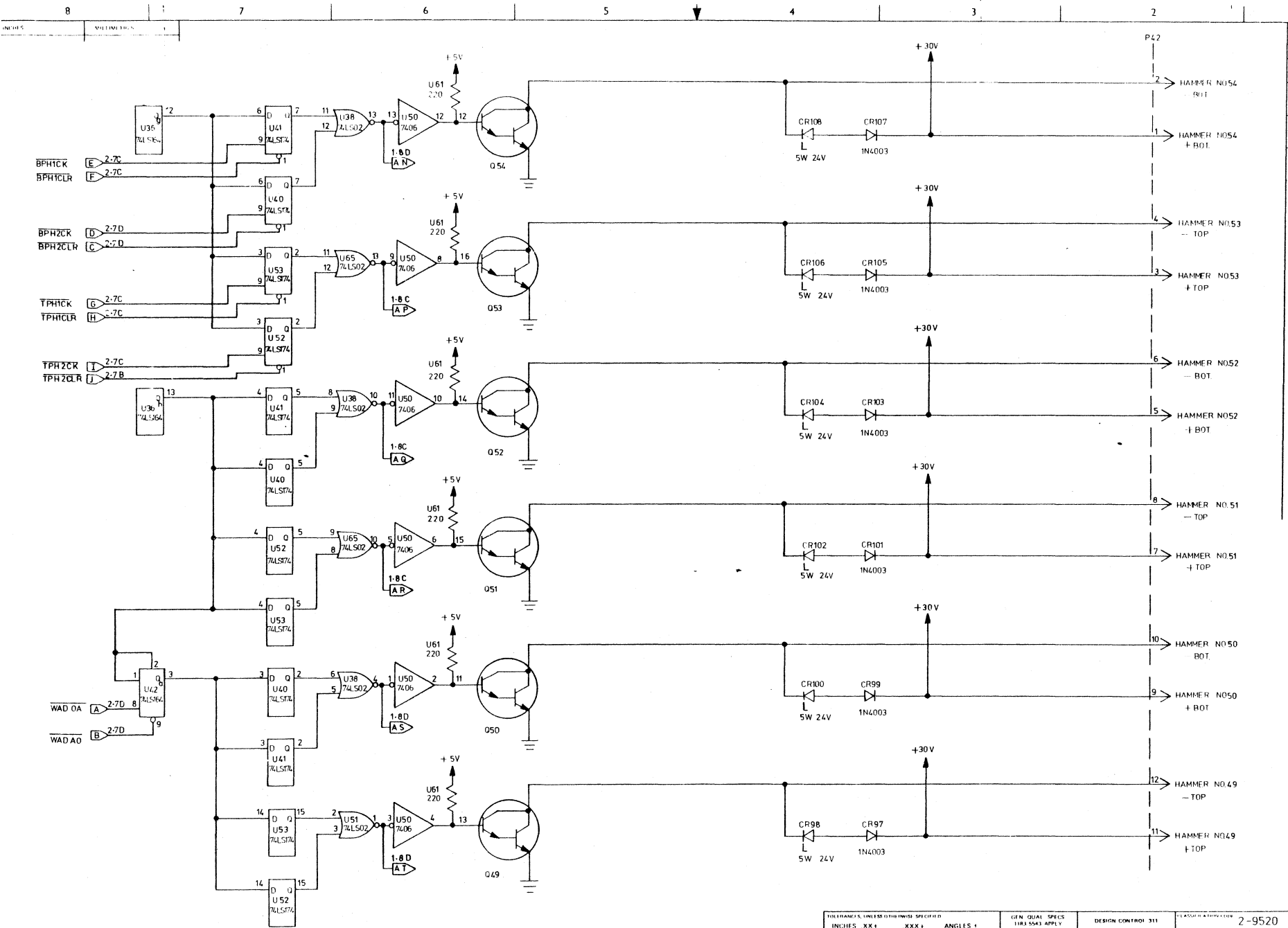
MILLIMETRES



DWG No.	2808 2899	REV.	D
SHEET No.	3 of 14		
RELEASED	DEC. 1 '78		
	ER 30001		
J.R.L. FEB. 23. 79	SHT. 13 ALTERED		B
	ECN 30076		
J.R.L. JUN 13 '79	SHTS 1814 ALTERED		C
	ECN 30271		
B.C. AUG 24, 79	SHEETS 13 & 14 ALTERED		D
	ECN 30313		

TOLERANCE, UNLESS OTHERWISE SPECIFIED		GEN. QUAL. SPECS. 1183 5543 APPLY		DESIGN CONTROL 311	CLASSIFICATION CODE 2-9520	LAYOUT No.
INCHES .XX ±	.XXX ±	ANGLES ±				
m.m. .XX ±	.XXX ±	ANGLES ±				
MATERIAL	DATE	BY	CHKD	APPRD	Burroughs	
HEAT TREATMENT	DATE	BY	CHKD	APPRD	MICROCOMPUTER & PRINTER DIVISION	
RUMFORD TREATMENT	DATE	BY	CHKD	APPRD	BURROUGHS MACHINES LIMITED	
					CUMBERNAULD, SCOTLAND, U.K.	
PROPRIETARY TO BURROUGHS - NOT TO BE REPRODUCED OR USED FOR MANUFACTURING PURPOSES EXCEPT ON BURROUGHS' ORDER OR PRIOR WRITTEN CONSENT				TITLE HMR BUFFER DRIVER SCHEMATIC		
SCALE		DWG. SHEET		DWG. No. 2808 2899		SHEET No. 3 of 14
		AT				REV. D

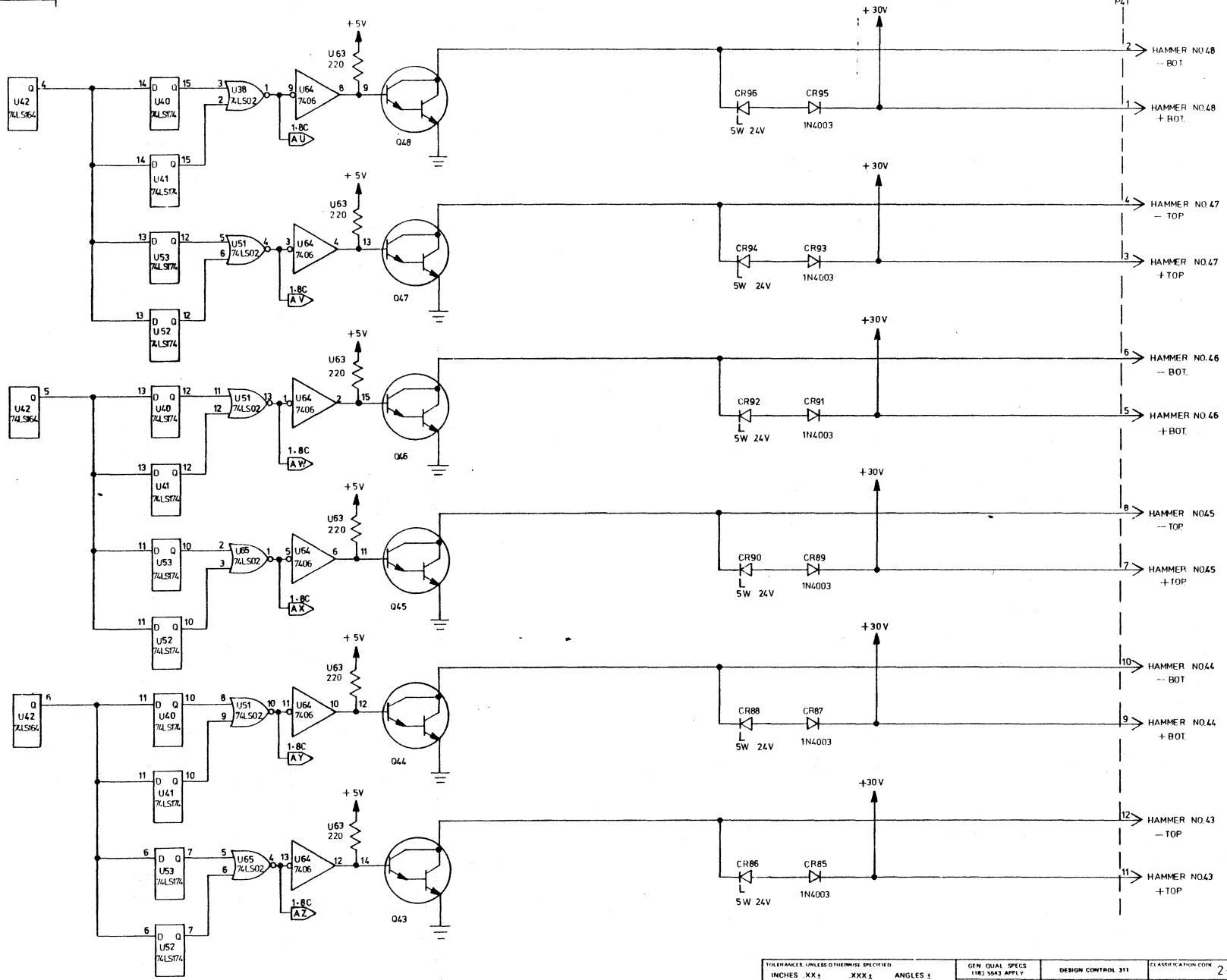




2808 2899  
 SHEET No. 4 of 14  
 RELEASED DEC. 1 '78  
 ER 30001  
 J.R.L. FEB. 23 '79 B  
 SHT. 13 ALTERED ECN 30976  
 J.R.L. JUN. 13 '79 C  
 SHTS 18 & 19 ALTERED ECN 30271  
 B.C. AUG. 24, '79 D  
 SHEETS 13 & 14 ALTERED ECN 30313

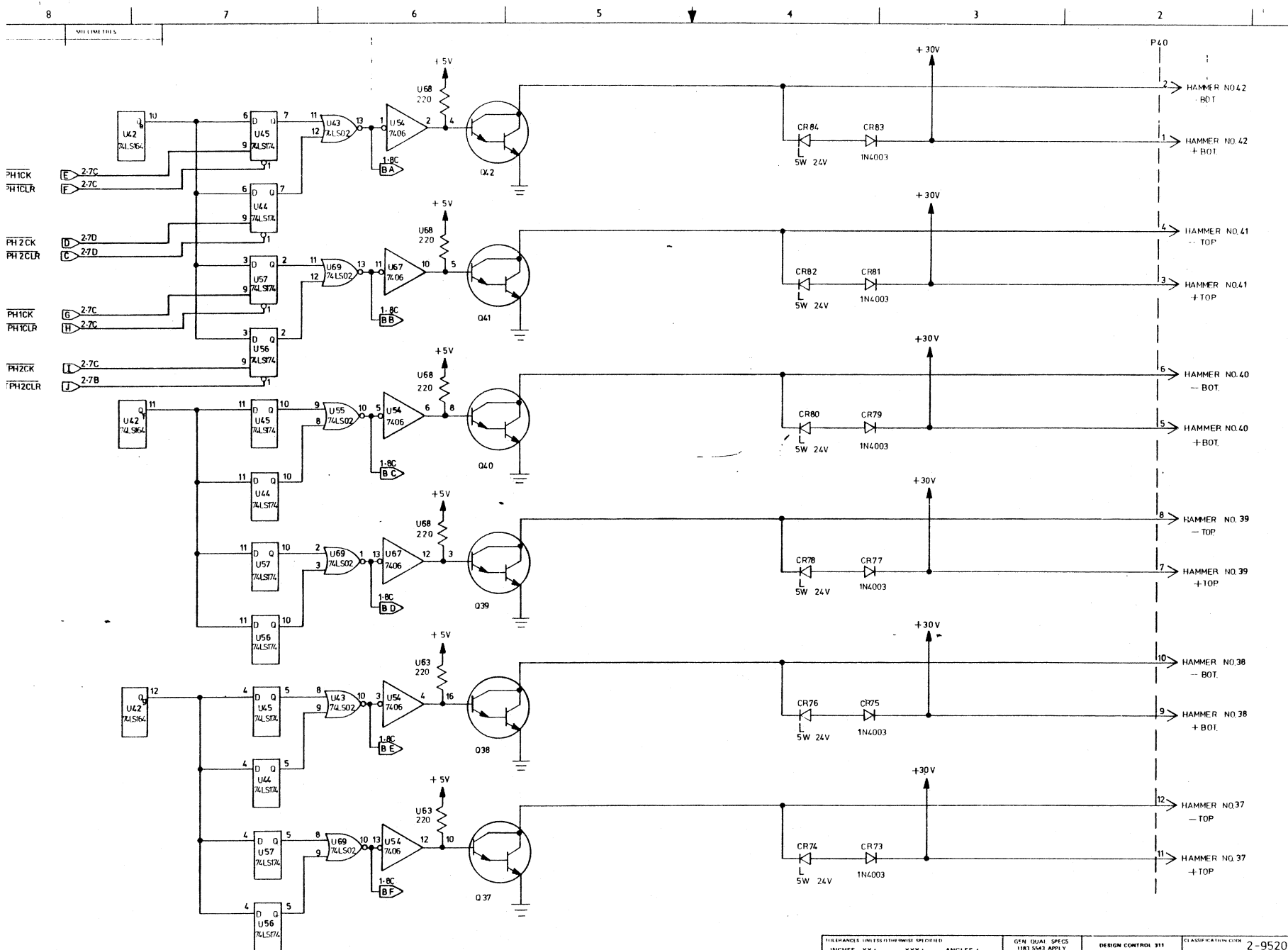
TOLERANCES, UNLESS OTHERWISE SPECIFIED		GEN. DIM. SPECS. UNLESS OTHERWISE SPECIFIED		DESIGN CONTROL 311		2-9520	
INCHES .XX1	XXX1	ANGLES 1					
mm .XX1	XXX1	ANGLES 2		HMR SEP 78 HMB Nov 30 78 TECHNICAL SERVICES BURROUGHS MACHINES LIMITED GLENVALE, SCOTLAND, U.K.		HMR BUFFER DRIVER SCHEMATIC 2808 2899 4-14 D	
MATERIAL		FINISH		DATE		SCALE	
HEAT TREATMENT		COAT		APPROVED		DRAWN	
OTHER TREATMENT		MATERIAL & HEAT TREATMENT		APPROVED		DRAWN	
PROVIDE BARYTE RADIATION PROTECTION. MUST BE REPRODUCED BY ONE USER ONLY. MANAGE AT FILING PURPOSES. EXCEPT FOR BURROUGHS' OFFICE OR OTHER WRITTEN CONSENT.							

MILLIMETRES



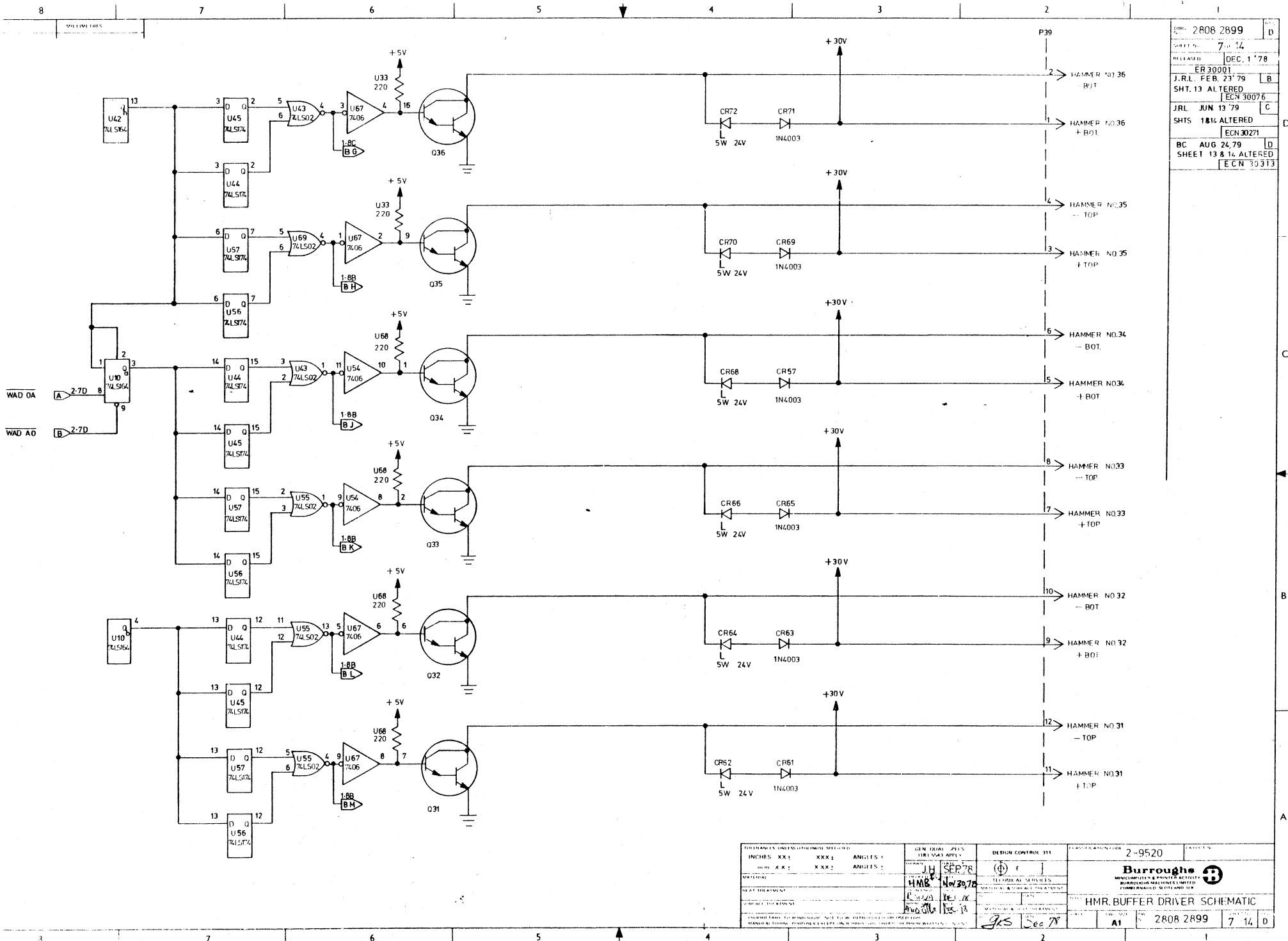
DWG No.	2808 2899	REV	D
SHEET No.	5 of 14		
RELEASED	DEC. 1 '78		
	ER 30001		
J.R.L. FEB 23 '79	SHT. 13 ALTERED		B
	ECN 30076		C
J.R.L. JUN 13 '79	SHTS 1 & 14 ALTERED		D
	ECN 30271		
B.C. AUG 24, 79	SHEETS 13 & 14 ALTERED		D
	ECN 30313		

TOLERANCES, UNLESS OTHERWISE SPECIFIED: INCHES .XX ±    .XXX ±    ANGLES ± M.M. X.X ±    X.XX ±	GEN. EQUAL SPECS 1182 5543 APPLY	DESIGN CONTROL 311	CLASSIFICATION CODE 2-9520	LAYOUT No.
MATERIAL	DATE: J.H. SEP 78	TECHNICAL SERVICES	 <b>Burroughs</b> MICROCOMPUTER & PRINTER ACTIVITY BURROUGHS MACHINES LIMITED CUMBERNAULD, SCOTLAND, U.K.	
HEAT TREATMENT	DATE: H.M. Nov 30 78	MATERIAL & SURFACE TREATMENT		
SURFACE TREATMENT	DATE: R.S. 18 78	MATERIAL & HEAT TREATMENT	TITLE: HMR BUFFER DRIVER SCHEMATIC DRAWN: G.S. DATE: 28 78 CHECKED: DATE:	
PROGRAM TITLES: ALL BURROUGHS MUST TO BE REPRODUCED OR IN USE FOR MANUFACTURING PURPOSES EXCEPT ON BURROUGHS' EQUIPMENT OR PRIOR WRITTEN CONSENT				
PROJECT No. 2808 2899 SHEET No. 5 of 14 REV. D			CLASSIFICATION CODE 2-9520 LAYOUT No.	



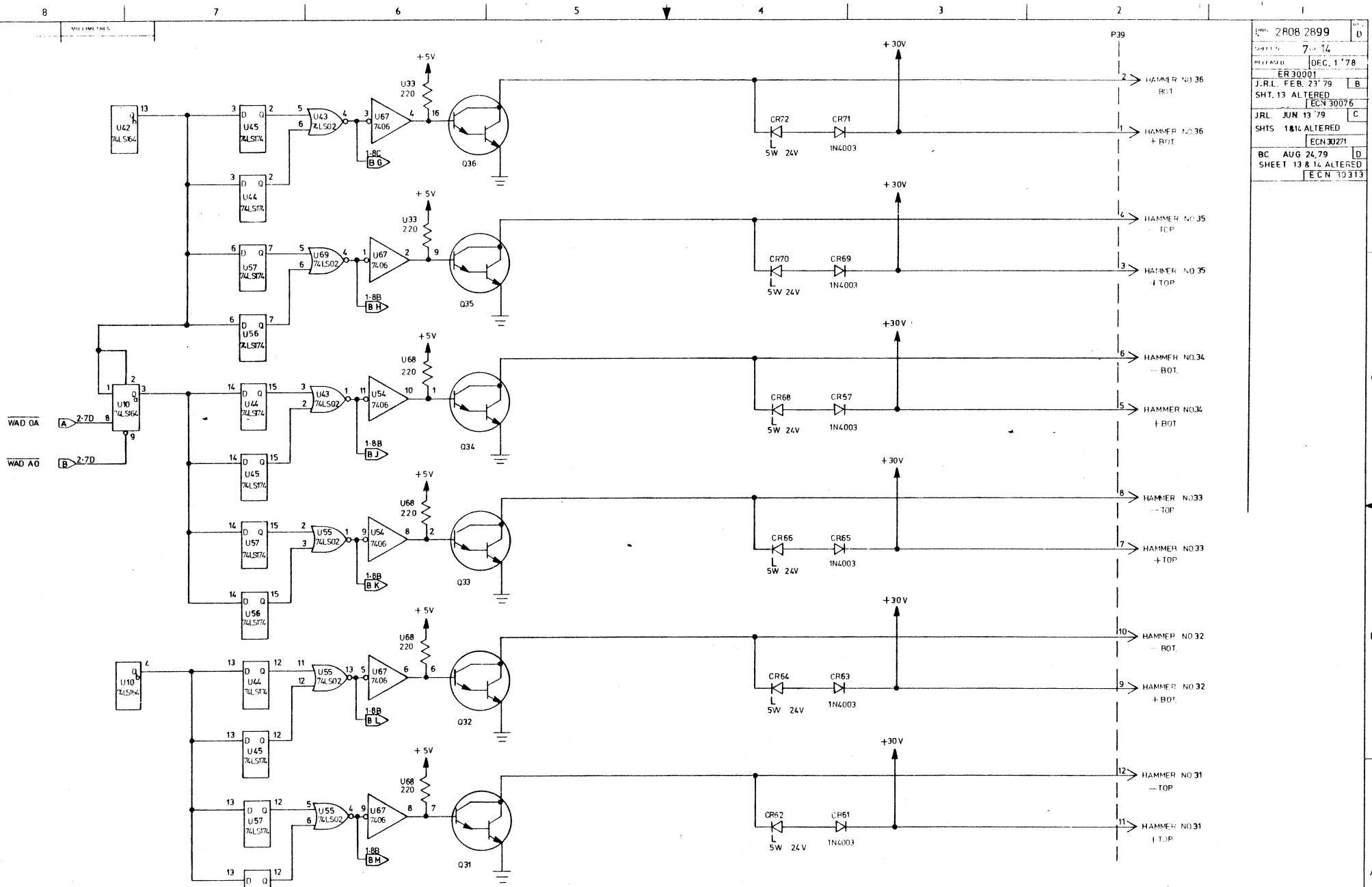
REV	D
2808 2899	
SHEET No.	6 of 14
RELEASED	DEC 1 1978
ER 30001	
J.R.L. FEB 23 79	B
SHT 13 ALTERED	
[ECN 30076	
JRL JUN 13 79	C
SHTS 1814 ALTERED	
[ECN 30271	
BC AUG 24 79	D
SHEETS 13 & 14 ALTERED	
[ECN 30313	

TOLERANCES UNLESS OTHERWISE SPECIFIED: INCHES .XX ± .XXX ± mm .XX ± .XXX ±	ANGLES ± ANGLES ±	GEN. EQUAL SPECS UNLESS OTHERWISE SPECIFIED	DESIGN CONTROL 311	CLASSIFICATION CODE 2-9520	DATE
MATERIAL	HEAT TREATMENT	SURFACE TREATMENT	FORMING TREATMENT	PHYSICAL TREATMENT	FINISH
DRAWN: JH SER 78 CHECKED: HMR Nov 29 78 APPROVED: R 2078 DATE: Dec 28		TECHNICAL SERVICES MATERIAL & SURFACE TREATMENT DATE:		BURROUGHS MICROCOMPUTER & PERIPHERALS BURROUGHS MACHINE LIMITED COMMERCIAL, SCOTLAND, U.K.	
TITLE: HMR BUFFER DRIVER SCHEMATIC			SCALE: A1	REV: 2808 2899	SHEET NO.: 6-14



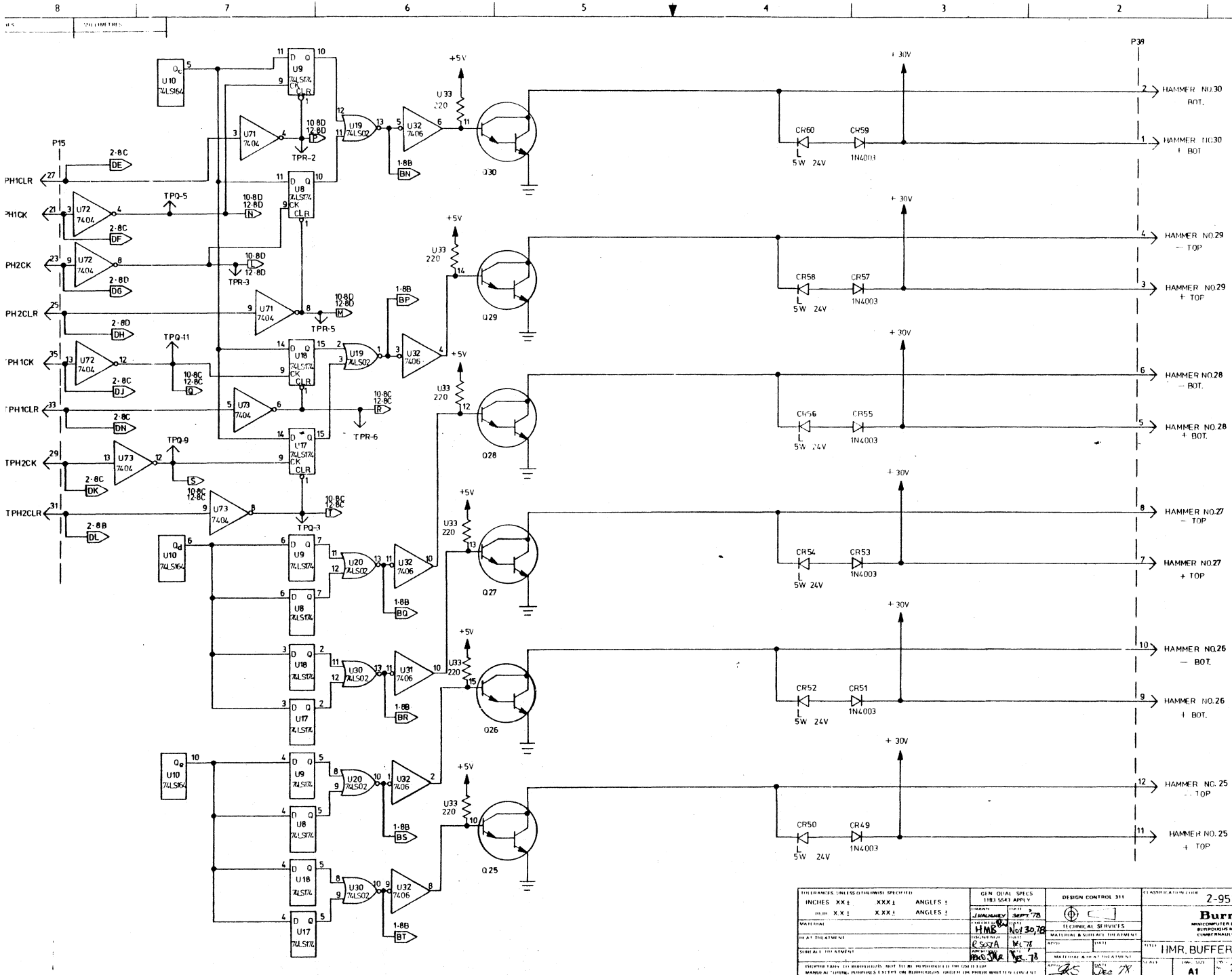
2808 2899	D
7 14	
DEC. 1 '78	
ER 30001	B
SHT. 13 ALTERED	
ECN 30076	
JRL JUN 13 '79	C
SHTS 1814 ALTERED	
ECN 30271	
BC AUG 24 '79	D
SHEET 13 & 14 ALTERED	
ECN 30313	

DIMENSIONS UNLESS OTHERWISE SPECIFIED: INCHES: XX.1 XXX.1 ANGLES: ° DECIMALS: .XX .XXX ANGLES: °	GEN. DESIG. SHEET (SEE 2843 APP. 1) JH SEP 78 HMR Nov 29 78 2808 2899 13-13	DESIGN CONTROL 311 (Φ r J) THERMAL SERIES METALLIC AND ALL TOLERANCES UNLESS OTHERWISE SPECIFIED	CLASSIFICATION 2-9520 Burroughs MICROCOMPUTER & PRINTER ACTIVITY BURROUGHS-MULLINEX LIMITED HILLS BROADWAY, WESTLAND, U.K.
HMR BUFFER DRIVER SCHEMATIC			A1 2808 2899 7 14 D



2808 2899	REV. D
7-14	
DEC. 1 '78	
ER 30001	
J.R.L. FEB. 23 '79	B
SHT. 13 ALTERED	
ECN 30076	
J.R.L. JUN 13 '79	C
SHTS 18 & 14 ALTERED	
ECN 30271	
BC AUG 24, 79	D
SHEET 13 & 14 ALTERED	
ECN 30313	

TOLERANCES UNLESS OTHERWISE SPECIFIED			GEN. SERIAL SPECS.	DESIGN CONTROL 311	REVISION NUMBER
INCHES .XX1	XXX1	ANGLES 1	XXX1	ANGLES 1	2-9520
MATERIAL					
DATE OF DRAWING					
DATE OF THE DESIGN					
DATE OF THE ASSEMBLY					
APPROVED FOR FABRICATION: <i>[Signature]</i> APPROVED FOR ASSEMBLY: <i>[Signature]</i>			JH SEP 78 HMB INW 2078 RES JK HMB 12-12-78	TELEPHONE SERVICES BURROUGHS CORPORATION BURROUGHS BUILDING BURROUGHS, PENNSYLVANIA	BURROUGHS HMR BUFFER DRIVER SCHEMATIC
BURROUGHS CORPORATION 300 NORTH ZEEB ROAD WARREN, MICHIGAN 48090			A1	2808 2899	7 14 D

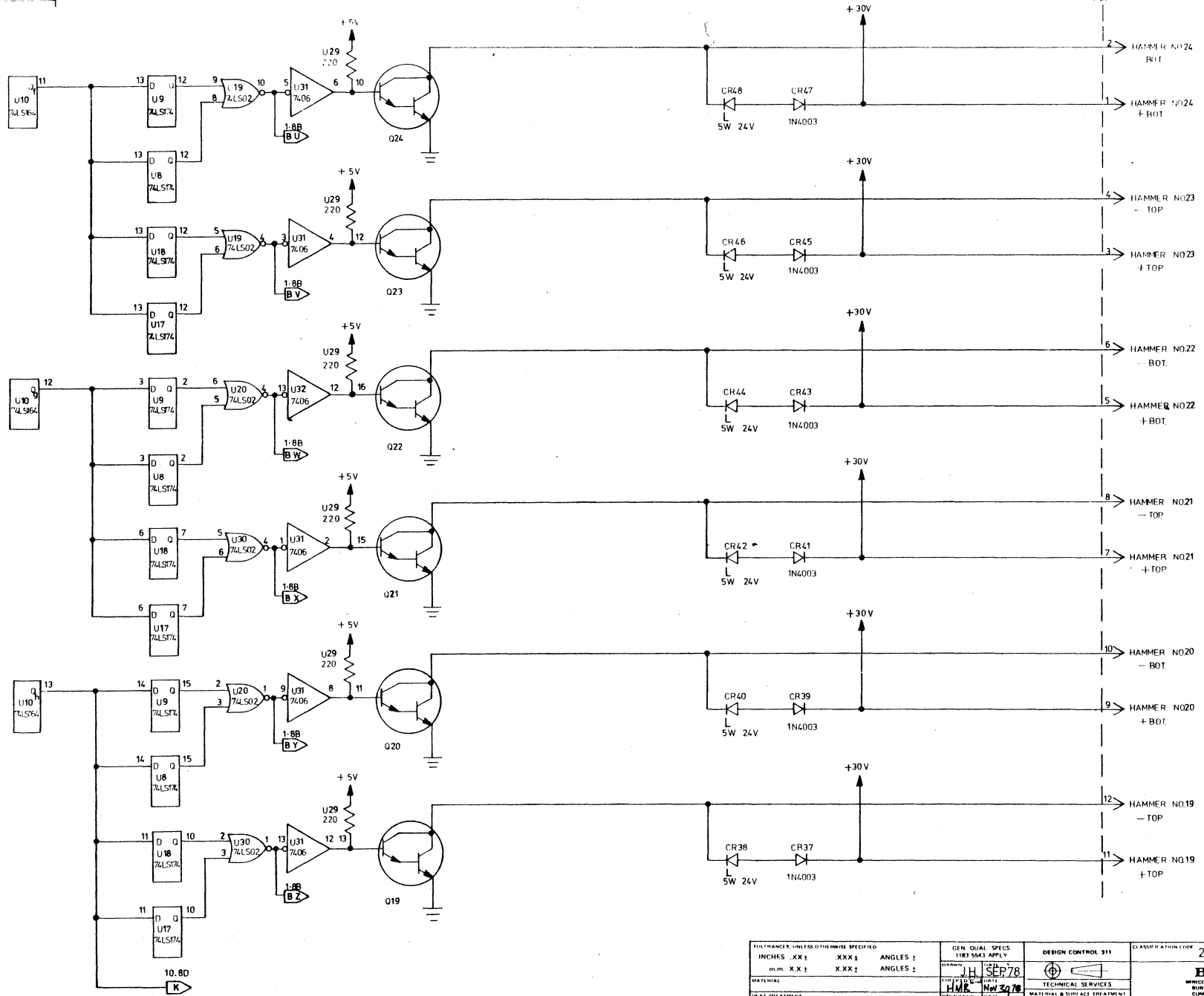


REV. 2808 2899 D  
 SHEET No. 8 of 14  
 RELEASED DEC. 1 '78  
 ER 30001  
 J.R.L. FEB. 23 '79 B  
 SHT. 13 ALTERED  
 ECN 30076  
 J.R.L. JUN 13 '79 C  
 SHTS 1814 ALTERED  
 ECN 30271  
 BC AUG 24, 79 D  
 SHEETS 13 & 14 ALTERED  
 ECN 30313

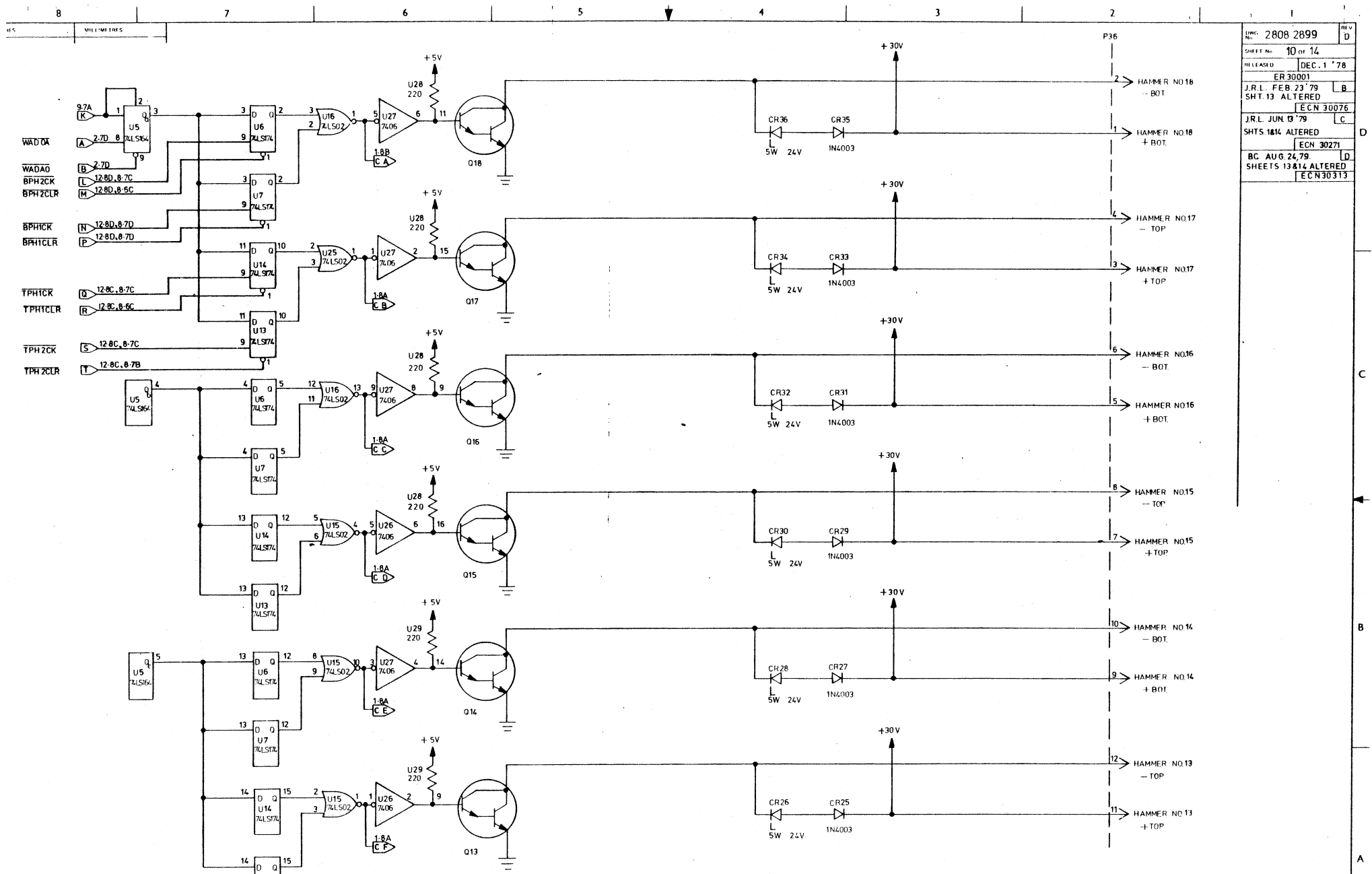
TOLERANCES UNLESS OTHERWISE SPECIFIED		GEN. ORIAL SPECS 1185 5543 APPLY	DESIGN CONTROL 311	CLASSIFICATION CODE 2-9520	ISSUE NO.
INCHES .XX ±	XXX ±	ANGLES 1		 <b>Burrhead</b> MICROFILM & PRINTS ACTIVITY BURROUGHS CORPORATION 3601 MARKET STREET, SUITE 400 DENVER, CO 80202	HMR BUFFER DRIVER SCHEMATIC A1 2808 2899 8 - 14 D
MILLIMETERS .XX ±	XXX ±	ANGLES 1			
DATE: 11/28/78 DRAWN BY: J.M.M. CHECKED BY: R.S.A. APPROVED BY: R.S.A.		DATE: SEPT 78 DRAWN BY: J.M.M. CHECKED BY: R.S.A. APPROVED BY: R.S.A.	DATE: SEPT 78 DRAWN BY: J.M.M. CHECKED BY: R.S.A. APPROVED BY: R.S.A.		

MILLIMETERS

2808 2899  
 SHEET NO. 9 of 14  
 RELEASED DEC. 1 '78  
 ER 30001  
 J.R.L. FEB. 23 '79 B  
 SHT. 13 ALTERED  
 ECN 30076  
 J.R.L. JUN 13 '79 C  
 SHTS 18 & ALTERED  
 ECN 30271  
 B.C. AUG. 24 '79 D  
 SHEETS 13 & 14 ALTERED  
 E.C.N 30313



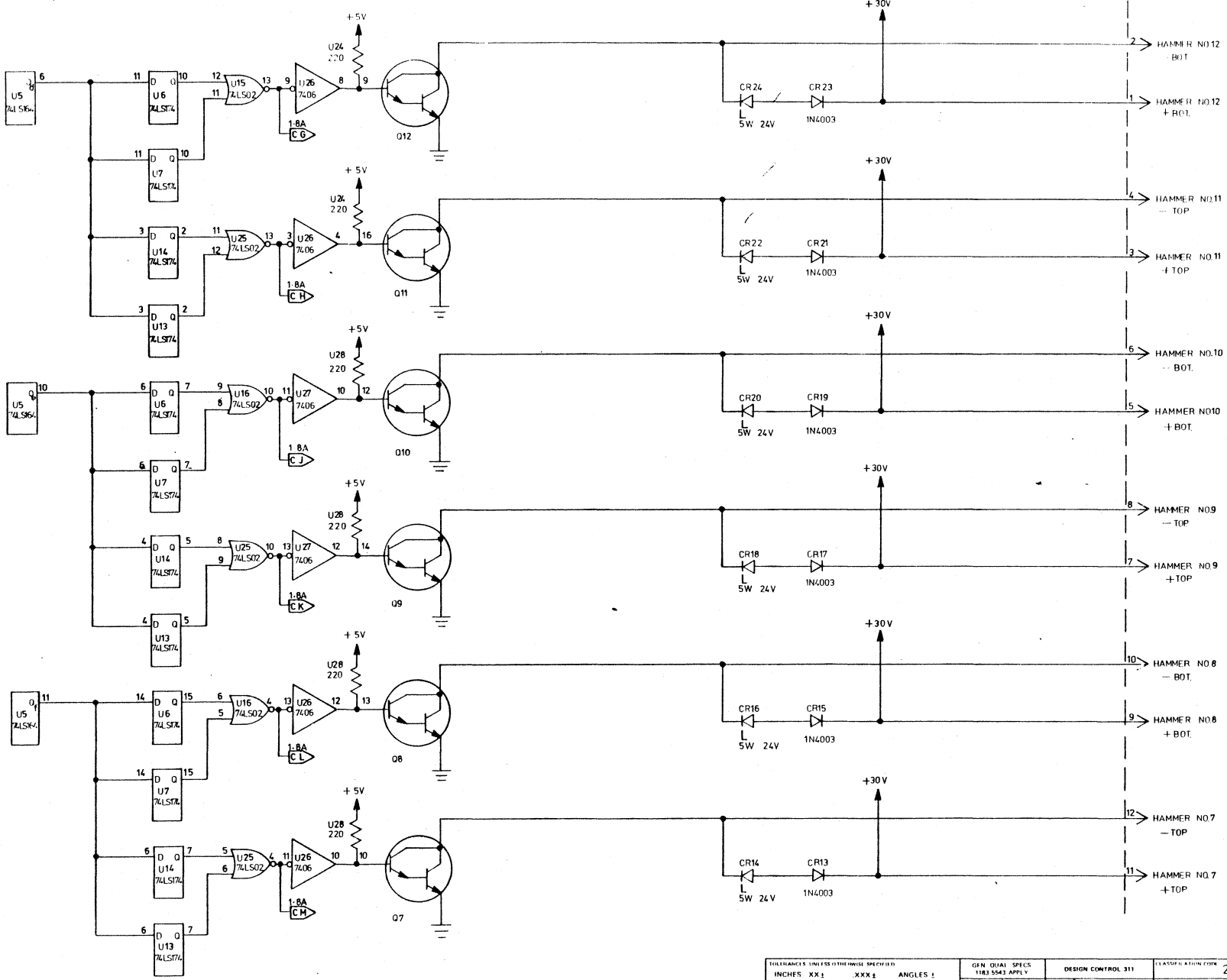
TOLERANCES UNLESS OTHERWISE SPECIFIED INCHES .XX ± .XXX ± ANGLES ± M.M. XX ± X.XX ± ANGLES ±		GEN. DIM. SPECS 1183 5543 APPLY	DESIGN CONTROL 311	CLASSIFICATION CODE 2-9520
MATERIAL HEAT TREATMENT SURFACE TREATMENT		DRAWN J.H. SEP 78 CHECKED H.M.R. NOV 29 78 DESIGNED R.S. DEC 78 DATE DEC 78	TECHNICAL SERVICES MATERIAL & SIMILAR TREATMENT	BURROUGHS MICROCOMPUTER & PERIPHERAL ACTIVITY BURROUGHS-HEWLETT LIMITED COLLEENAVILLE, IRELAND
PRINTED IN THE U.S.A. PRINTED IN THE U.S.A. UNLESS OTHERWISE SPECIFIED OR INDICATED OTHERWISE ON THIS DRAWING.		APPL. GKS DATE DEC 78	MATERIAL & HEAT TREATMENT	HMR.BUFFER DRIVER SCHEMATIC 2808 2899 SHEET NO. 9 of 14



HW: 2808 2899	REV D
SHEET No. 10 of 14	
RELEASED DEC. 1 '78	
ER 30001	
J.R.L. FEB 23 '79	B
SHT. 13 ALTERED	
J.R.L. JUN 9 '79	C
SHTS 184 ALTERED	
ECN 30076	
J.R.L. AUG 24 '79	D
SHEETS 13 & 14 ALTERED	
ECN 30271	
ECN 30313	

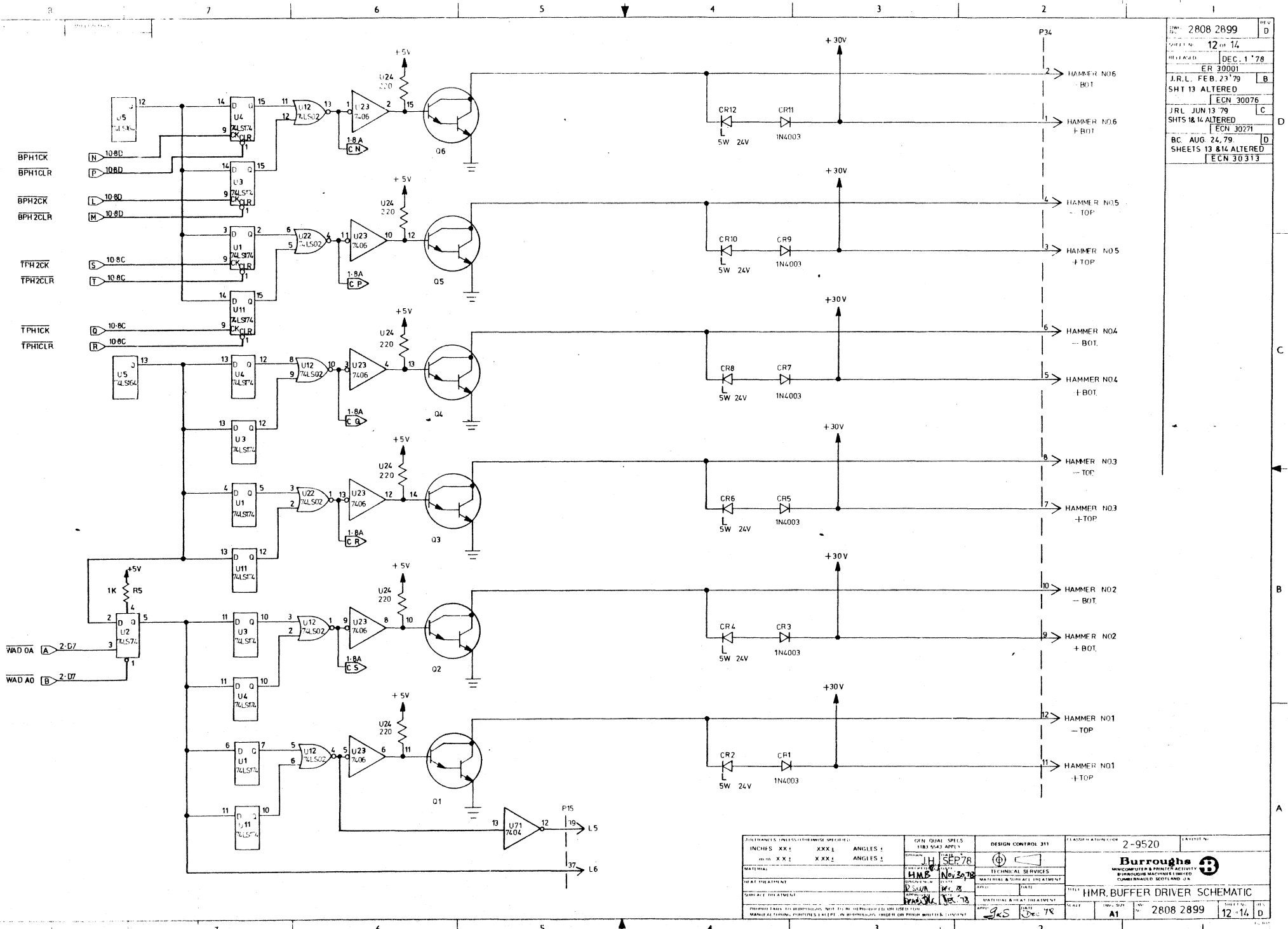
TOLERANCES UNLESS OTHERWISE SPECIFIED: INCHES: XX ±, XXX ±, ANGLES: ° mm: XX ±, XXX ±, ANGLES: °	GEN. DIM. SPECS 1183 5643 APPLY	DESIGN CONTROL 311	CLASSIFICATION CODE 2-9520	LAYOUT No.
DRAWN: JH SEP 78 CHECKED: HMS NOV 30 78 DESIGNED: R 3028 DATE: 12/1/78 APPROVED: HMS NOV 78		TECHNICAL SERVICES MATERIAL & SURFACE TREATMENT FINISH: 100% DATE: 12/1/78	<b>Burroughs</b> MICROCOMPUTER & PRINTER ACTIVITY BURROUGHS MACHINES LIMITED CLERMONT, SCOTLAND, U.K.	
HEAT TREATMENT: NONE SURFACE TREATMENT: NONE			TITLE: HMR BUFFER DRIVER SCHEMATIC	
MATERIAL: 100% DATE: 12/1/78		SHEET No. 10 of 14 HW: 2808 2899 REV D		





FORM No. 2808 2899	REV. D
SHEET No. 11 of 14	
RELEASED DEC. 1 '78	
ER 30001	
J.R.L. FEB. 23 '79	B
SHT. 13 ALTERED	
ECN 30076	
J.R.L. JUN 13 '79	C
SHTS 14 W. ALTERED	
ECN 30271	
B.C. AUG. 24, '79	D
SHEETS 13 & 14 ALTERED	
ECN 30313	

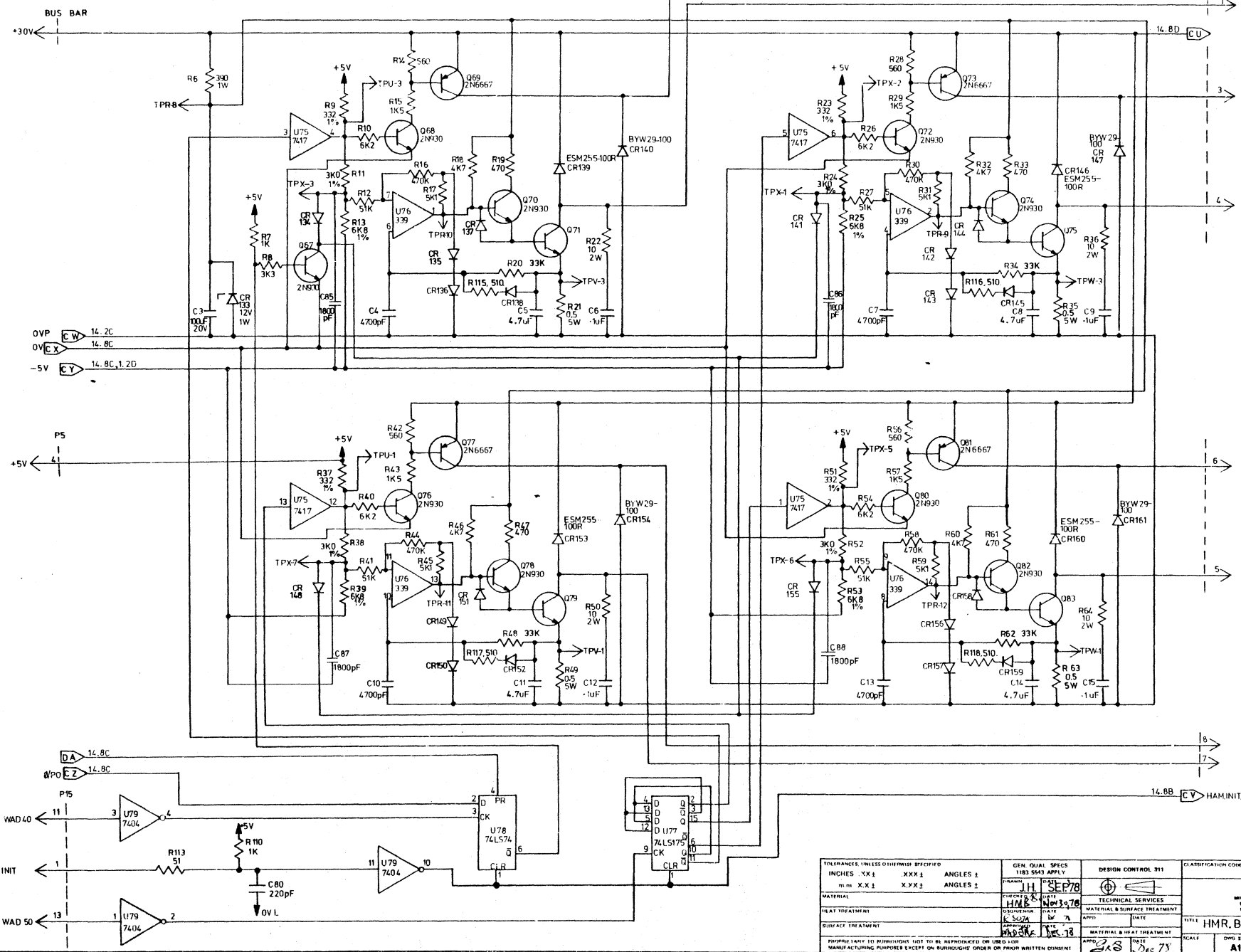
TOLERANCES UNLESS OTHERWISE SPECIFIED		DESIGN CONTROL 311	CLASSIFICATION CODE 2-9520
INCHES .XX1	XXX1	ANGLES 1	
MM .XX1	XXX1	ANGLES 2	
MATERIAL	DESIGNED BY JH SEP 78	TECHNICAL SERVICES	
HEAT TREATMENT	CHKD BY HMB 11/29/78	MANUFACTURE & CONTROL TREATMENT	
SURFACE TREATMENT	DATE 12/27/78	APPL. DATE 12/27/78	
PROPERTY OF BURROUGHS WELLS INC. THIS DOCUMENT IS THE PROPERTY OF BURROUGHS WELLS INC. IT IS TO BE REPRODUCED OR TRANSMITTED IN ANY FORM OR BY ANY MEANS WITHOUT PERMISSION IN WRITING FROM BURROUGHS WELLS INC.		DATE 12/27/78	APPROVED BY SRS
TITLE HMR BUFFER DRIVER SCHEMATIC		SCALE A1	FORM NO. 2808 2899
SHEET NO. 11 of 14		REV. D	



REV	D
2808 2899	
SHEET	12 of 14
RELEASED	DEC. 1 '78
ER	30001
J.R.L. FEB. 23 '79	B
SHT 13 ALTERED	
ECN	30076
J.R.L. JUN 13 '79	C
SHTS 13 & 14 ALTERED	
ECN	30271
B.C. AUG. 24 '79	D
SHEETS 13 & 14 ALTERED	
ECN	30313

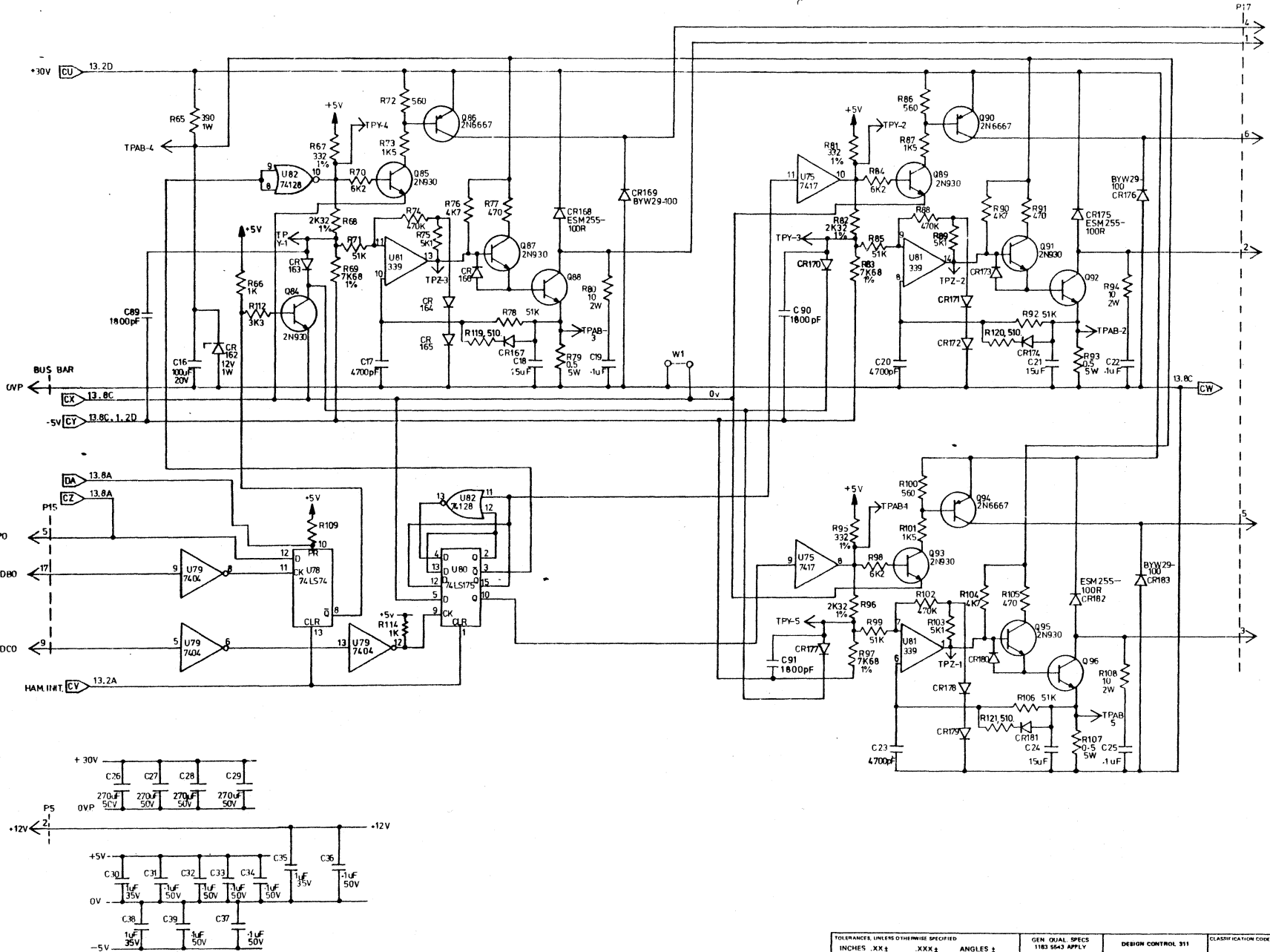
DIMENSIONS UNLESS OTHERWISE SPECIFIED: INCHES: XX ± .XXX MILLIMETERS: XX ± .XX	ANGLES: ± ANGLES: ±	GENERAL SPECS: 183 543 APPL J.H. SER 78 H.M.S. Nov 20 78 P.S.M. Nov 28 78 WAD 0A Ver 13	DESIGN CONTROL 311 	CLASSIFICATION NUMBER: 2-9520 DRAWING NO.: <b>Burroughs</b> MICROCOMPUTER & PERIPHERAL EQUIPMENT BURROUGHS MACHINES LIMITED GUMBRIDGE, SCOTLAND, U.K.
MATERIAL: HEAT TREATMENT: SURFACE TREATMENT:		MATERIAL & HEAT TREATMENT: DATE: 78 BY: G.S.	TITLE: HMR BUFFER DRIVER SCHEMATIC	SHEET NO.: 2808 2899 OF: 12-14 REV: D

MILLIMETERS



Dwg No: 2808 2899 REV D  
 SHEET No: 13 OF 14  
 RELEASED: DEC. 1 '78  
 ER30001  
 JRL FEB. 23, 79 [B  
 ADDD:- C85, 86, 87, 88,  
 R11, 24, 38, 52, WERE 3K16  
 R20, 34, 48, 62, WERE 51K  
 C 5, 8, 11, 14, WERE 15F  
 [ECN 30076  
 JRL JUN 13 79 [C  
 SHTS 1&14 ALTERED  
 [ECN 30271  
 BC AUG, 24, 79 [D  
 R115, 116, 117, 118, ADDED  
 C85, 86, 87, 88 WAS  
 CONNECTED TO OVP.  
 [ECN 30313

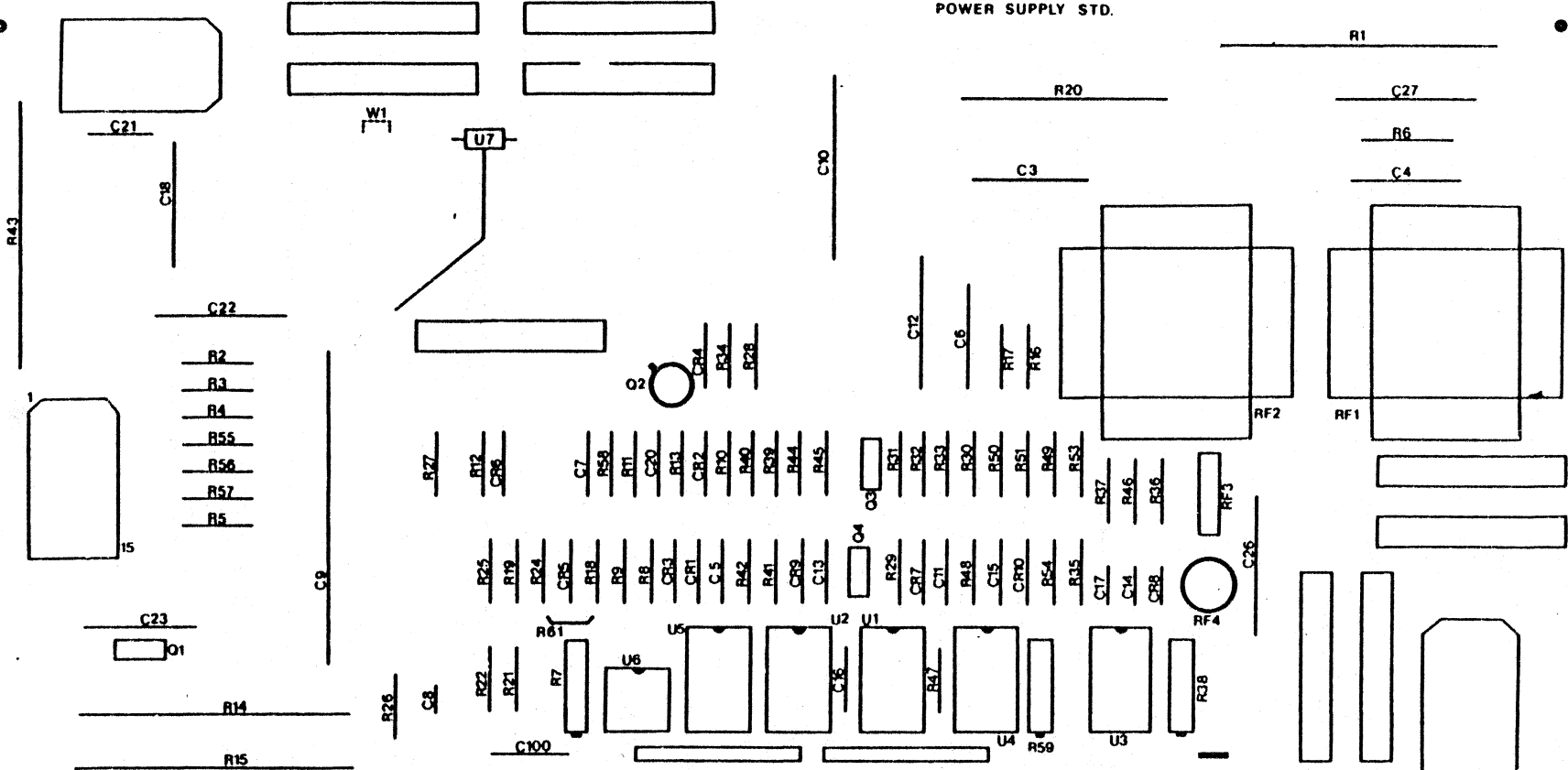
TOLERANCES, UNLESS OTHERWISE SPECIFIED: INCHES .XX ± .XXX ± ANGLES ± mm .XX ± .XXX ±		GEN. QUAL. SPECS 1183 5543 APPLY	DESIGN CONTROL 311	CLASSIFICATION CODE 2-9520	LAYOUT No.
MATERIAL TREAT TREATMENT CONTACT TREATMENT		DRAWN: JH CHECKED: HMK DATE: 11 SEP 78 DESIGNED: R SOZA DATE: 7 APPROVED: HMK DATE: 12 DEC 78	TECHNICAL SERVICES MATERIAL & SURFACE TREATMENT	<b>Burroughs</b> MICROCOMPUTER & PRINTING ACTIVITY BURROUGHS MACHINES LIMITED CUMBERNAULD, SCOTLAND, U.K.	
PROJECT: HMR, BUFFER DRIVER SCHEMATIC		APP'D: JAS	DATE: DEC 78	SCALE: A1	DWG No: 2808 2899
PROPERTY IN THE BURROUGHS FOLD TO BE REPRODUCED OR USED FOR MANUFACTURING PURPOSES EXCEPT ON BURROUGHS ORDER OR PRIOR WRITTEN CONSENT		SHEET No: 13 OF 14		REV D	



DWG No	2808 2899	REV	D
SHEET No	14 of 14		
RELEASED	DEC. 1 '78		
ER 30001			
J.R.L. FEB. 23 '79			B
SMT. 13 ALTERED			
ECN 30076			
J.R.L. JUN 13 '79			C
ADDED U79-12/13 & R114			
SMT 1 ALTERED			
ECN 30271			
BC. AUG 24, 79.			D
R119, 120, 121, ADDED			
C89, 90, 91, ADDED			
ECN 30313			

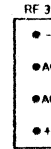
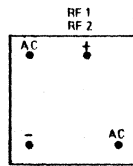
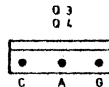
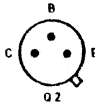
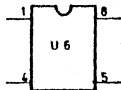
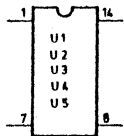
TOLERANCES, UNLESS OTHERWISE SPECIFIED	GEN. DUAL SPECS	DESIGN CONTROL 311	CLASSIFICATION CODE	LAYOUT No.
INCHES: .XX ±	ANGLES: 1	1185 S&S APPLY	2-9520	
M.M.: .XX ±	ANGLES: 1			
MATERIAL	DESIGNED BY	TECHNICAL SERVICES	 <b>Burroughs</b> <small>MICROCOMPUTER &amp; PRINTER ACTIVITY</small> <small>BURROUGHS MACHINES LIMITED</small> <small>CLAREMONT, S.W. ENGLAND, U.K.</small>	
HEAT TREATMENT	DATE	MATERIAL & SURFACE TREATMENT		
SURFACE TREATMENT	APPROVED	DATE		
PROPRIETARY TO BURROUGHS NOT TO BE REPRODUCED OR USED FOR MANUFACTURING PURPOSES EXCEPT ON BURROUGHS ORDER OR PRIOR WRITTEN CONSENT	APPROVED	DATE		
HMR, BUFFER DRIVER SCHEMATIC SCALE: A1 DWG. NO: 2808 2899 SHEET: 14 of 14 REV: D		TITLE: HMR, BUFFER DRIVER SCHEMATIC SCALE: A1 DWG. NO: 2808 2899 SHEET: 14 of 14 REV: D		

POWER SUPPLY STD.

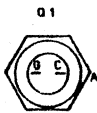


ASSY 2808 2949  
REV

MILLIMETERS



VIEW ON TOP OF COMPONENTS



NOTES:-

1 FOR ASSEMBLY SEE 2808 2949

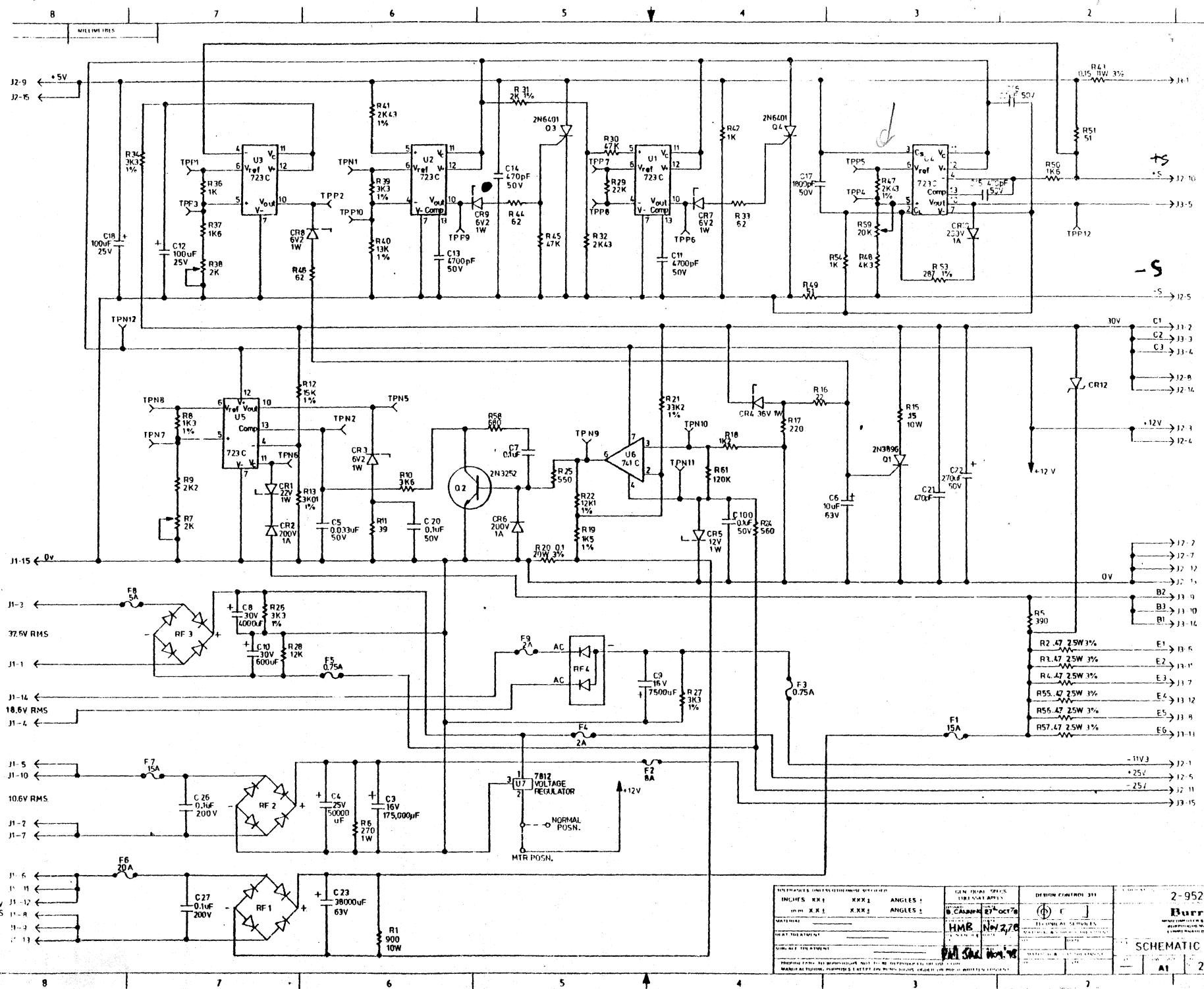
2 CODES USED FOR COMPONENT PART NOS ARE AS FOLLOWS.

IC <sup>1</sup>	U1 = 1677 1149	DIODES	CR1 = 2894 6002	SCR <sup>2</sup>	Q1 = 2160 3681	TRANSISTOR	Q2 = 1476 1118
	U2 = " "		CR2 = 1072 7931		O3 = 2894 5673		
	U3 = " "		CR3 = 2894 5871		O4 = " "		
	U4 = " "		CR4 = 2894 6051				
	U5 = " "		CR5 = 2894 5947				
	U6 = 1270 8939		CR6 = 1072 7931				
			CR7 = 2894 5871				
			CR8 = " "				
			CR9 = " "				
			CR10 = 1072 7931				
			CR12 = 2894 5947				

3 UNLESS OTHERWISE SPECIFIED RESISTOR VALUES ARE IN OHMS, ±5% 1/2W

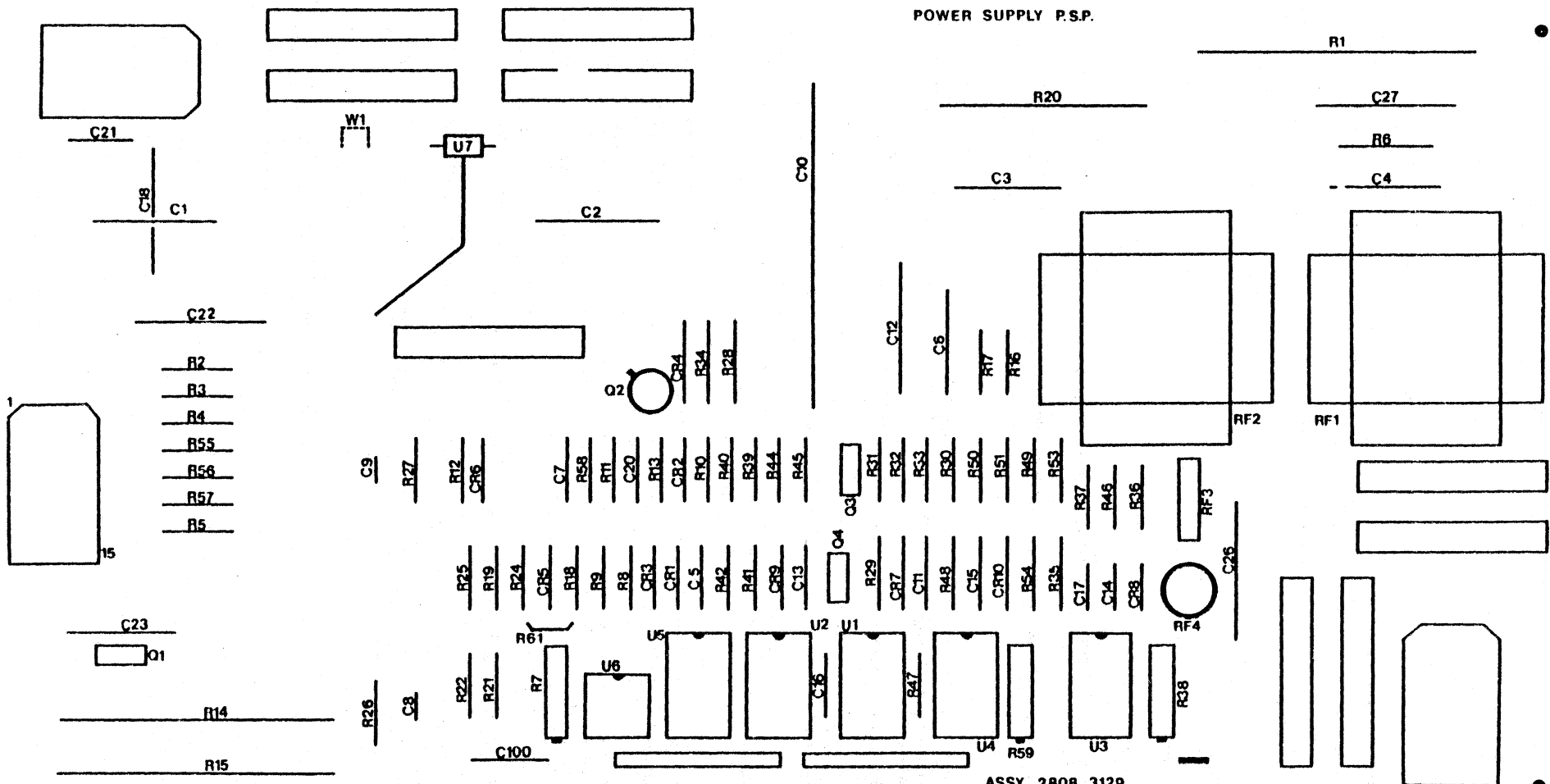
2808 2964	REV E
SHEET No 1 of 2	
RELEASED	OCT 27 78
ER30006	
J.R.L. FEB 21 79	B
SHT 2 ALTERED	
ECN 30090	
BC AUG. 31 79	C
SHEET 2 ALTERED	
ECN 30264	
SN MAR 7 80	D
SHEET 2 ALTERED	
ECN 30531	
AW MAR 30 80	E
COMP Q1 ALTERED	
SHEET 2 ALTERED	
ECN 30488	

TOLERANCES UNLESS OTHERWISE SPECIFIED		DEF. QUAL. SPEC. (SEE 5543 APPLY)		DESIGN CONTROL 311		CLASSIFICATION CODE 2-9520		DRAWING NO.	
INCHES .XX ±	.XXX ±	ANGLES ±		DATE					
m.m. X.X ±	X.XX ±	ANGLES ±		C.M.G. OCT 31 78					
MATERIAL				DATE					
HEAT TREATMENT				DATE					
SURFACE TREATMENT				DATE					
MATERIAL & HEAT TREATMENT		MATERIAL & SURFACE TREATMENT		TITLE		SCHEMATIC POWER SUPPLY (STD)		SHEET NO.	
APPROV		DATE		SCALE		REV. A1		2808 2964	
PROPRIETARY TO BURROUGHS NOT TO BE REPRODUCED OR USED FOR MANUFACTURING PURPOSES EXCEPT ON SUPPLYING UNDER OR PRIOR WRITTEN CONSENT								1 of 2	



2808 2964 E  
 2 2  
 OCT 28 79  
**ER 30006**  
 J.R.L. FEB 21 79 [B]  
 EXTENSIVE MODIFICATIONS [ECN 30080]  
 BC AUG 11 79 [C]  
 C100 WAS C 30 [ECN 10782]  
 SN MAR 7 80 [D]  
 CR 12 ADDED [ECN 30531]  
 AW MAR 30 80 [E]  
 EXTENSIVE MODIFICATIONS [ECN 30466]  
 SHEET 1 ALTERED

UNLESS OTHERWISE SPECIFIED: DIMENSIONS IN MILLIMETERS UNLESS OTHERWISE SPECIFIED: DIMENSIONS IN INCHES TOLERANCES UNLESS OTHERWISE SPECIFIED: MILLIMETERS: FRACTIONAL DECIMALS INCHES: FRACTIONAL DECIMALS MANUFACTURING DIMENSIONS: DECIMALS UNLESS OTHERWISE SPECIFIED: DIMENSIONS IN MILLIMETERS UNLESS OTHERWISE SPECIFIED: DIMENSIONS IN INCHES	DESIGN CONTROL 311 H.M.R. 11/2/79 H.M.R. 11/2/79 H.M.R. 11/2/79	2-9520 <b>Burroughs</b> SCHEMATIC POWER SUPPLY (STD)
---	--	--

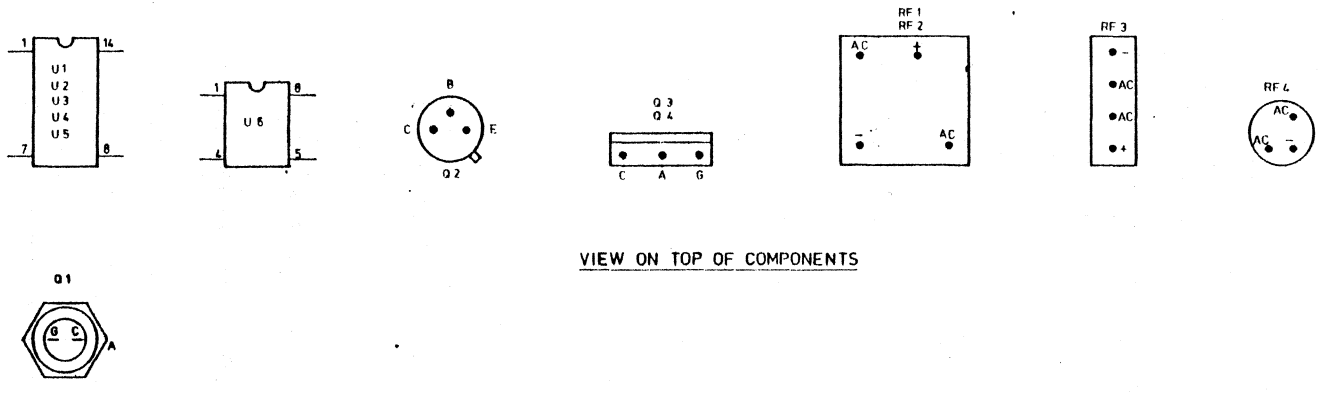


POWER SUPPLY P.S.P.

ASSY. 2808 3129  
REV.





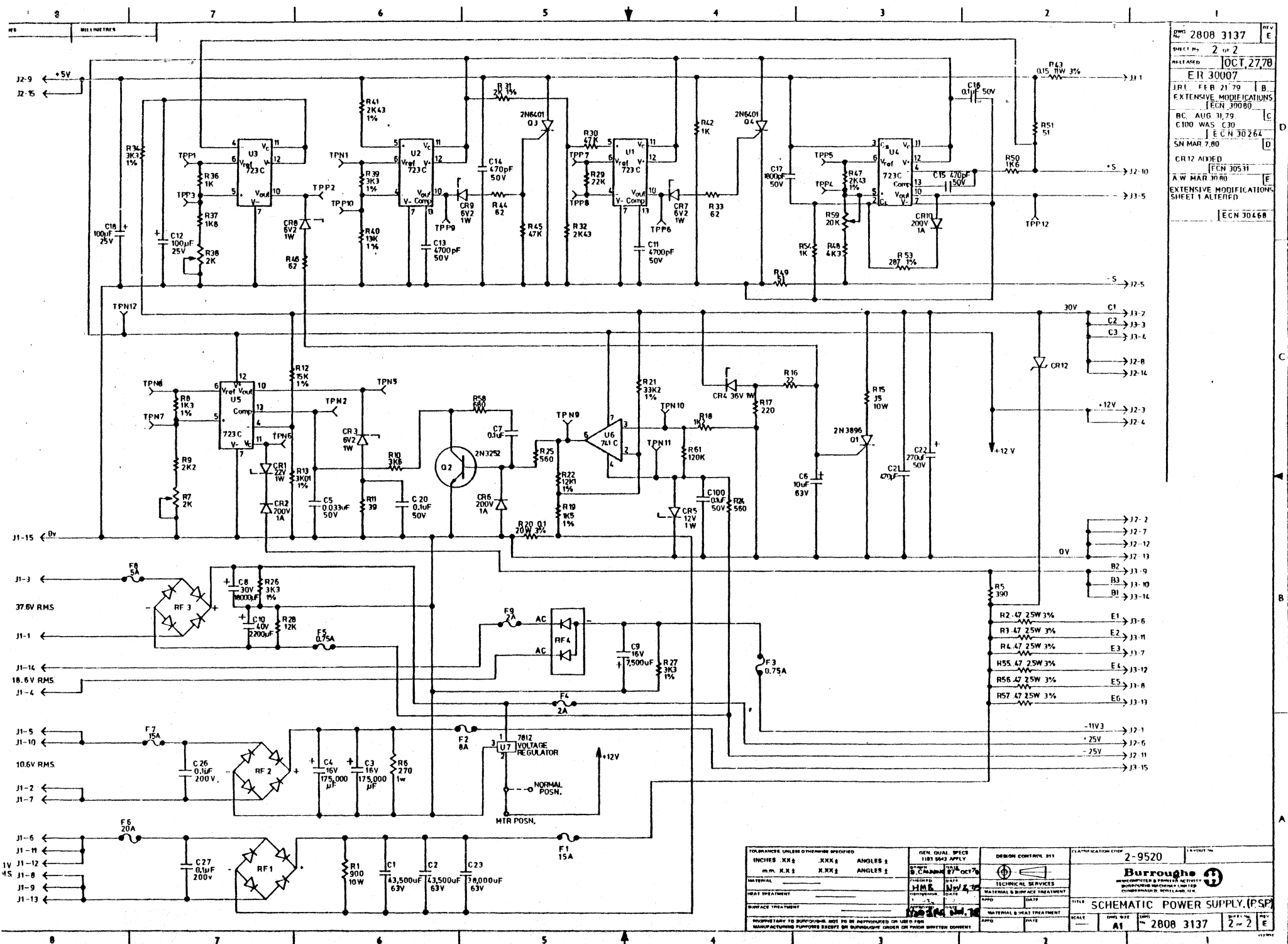


VIEW ON TOP OF COMPONENTS

NOTES:-  
 1. FOR ASSEMBLY SEE 2808 3129  
 2. CODES USED FOR COMPONENT PART NOS ARE AS FOLLOWS.  
 IC<sup>3</sup> U1 = 1677 1149 DIODES, CR1 = 2894 6002 SCR<sup>3</sup> Q1 = 2160 3881 TRANSISTOR, Q2 = 1476 1118  
 U2 = " " CR2 = 1072 7931 Q3 = 2894 5673  
 U3 = " " CR3 = 2894 5871 Q4 = " "  
 U4 = " " CR4 = 2894 6051  
 U5 = " " CR5 = 294 5947  
 U6 = 1270 8939 CR6 = 1072 7931  
 CR7 = 2894 5871  
 CR8 = " "  
 CR9 = " "  
 CR10 = 1072 7931  
 CR12 = 294 5947  
 3 UNLESS OTHERWISE SPECIFIED RESISTOR VALUES ARE IN OHMS, ±5% 1/2W

2808 3137	E
1 2	
RELEASED OCT 27 78	
ER 30007	
J.R.I. FEB 21 79	B
S.H.I. 2 ALTERED	
ECN 30080	
BC AUG 31 79	C
SHEET 2 ALTERED	
ECN 30264	
SN MAR 7 80	D
SHEET 2 ALTERED	
ECN 30531	
A.W. MAR 30 80	E
COMP Q1 ALTERED	
SHEET 2 ALTERED	
ECN 30468	

TOLERANCES UNLESS OTHERWISE SPECIFIED		LEN (DIM) DIMS	DESIGN CONTROL 311	2-9520
INCHES .XX	.XXX	ANGLES 1		
MILL .X.X	.X.XX	ANGLES 1		
MATERIAL	CHG	OCT 31 78		
HEAT TREATMENT	HMR	NOV 2 78		
SURFACE TREATMENT				
PROPERTY OF BURROUGHS WIRE & ELECTRONICS DIVISION		MANUFACTURING PURPOSES - KEEP FOR BURROUGHS UNDER NO OTHER DESIGNATION		
Burrage				
SHEETS				
SCHEMATIC POWER SUPPLY (PSP)				
A1				
2808 3137				
1 2 E				

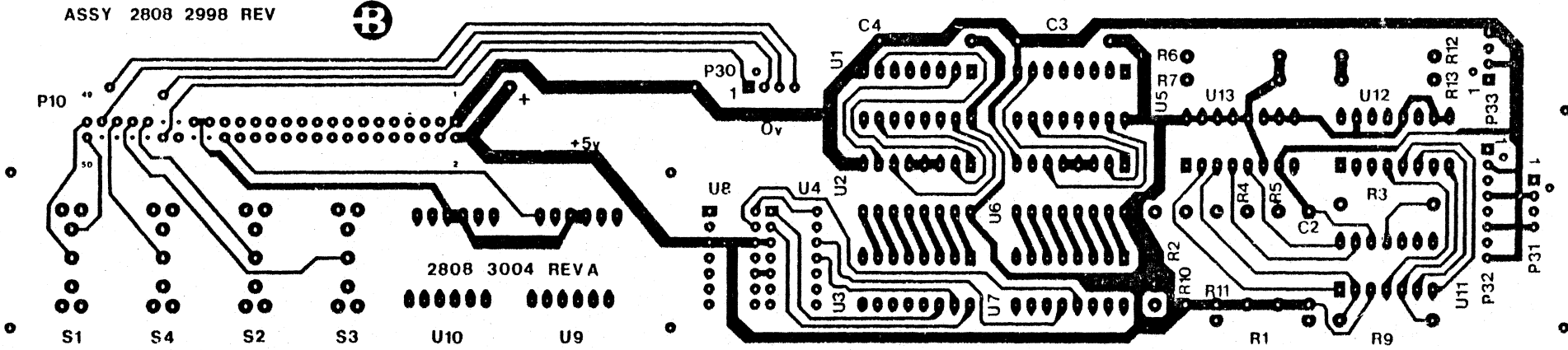


DWG No. 2808 3137 REV E  
 SHEET No. 2 of 2  
 RELEASED OCT 27 78  
 ER 30007  
 JPL FEB 21 79  
 EXTENSIVE MODIFICATIONS  
 FCN 30080  
 BC AUG 31 79  
 C100 WAS C30  
 E CN 30 264  
 SN MAR 7 80  
 CR12 ADDED  
 FCN 30531  
 A W MAR 30 80  
 EXTENSIVE MODIFICATIONS  
 SHEET 1 ALTERED  
 ECN 30468

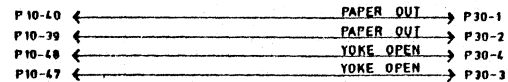
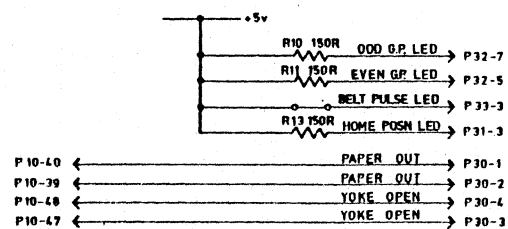
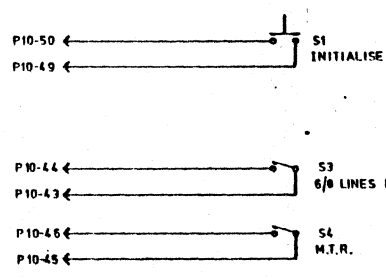
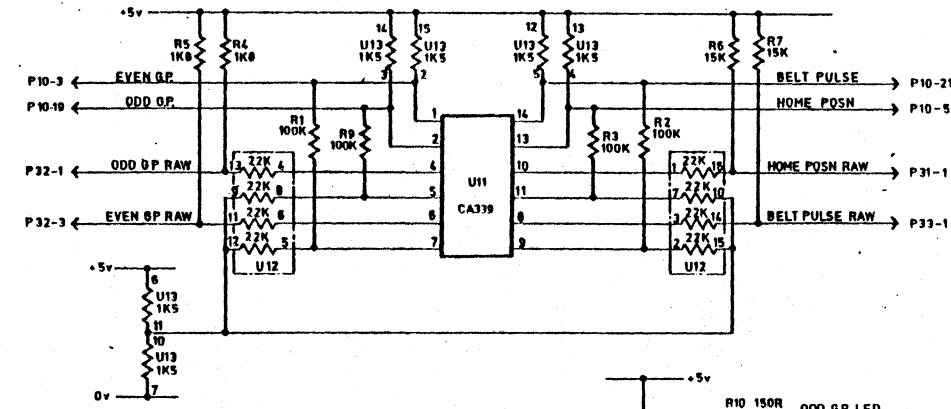
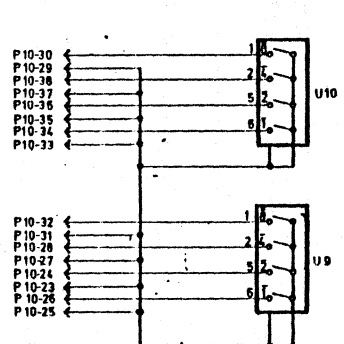
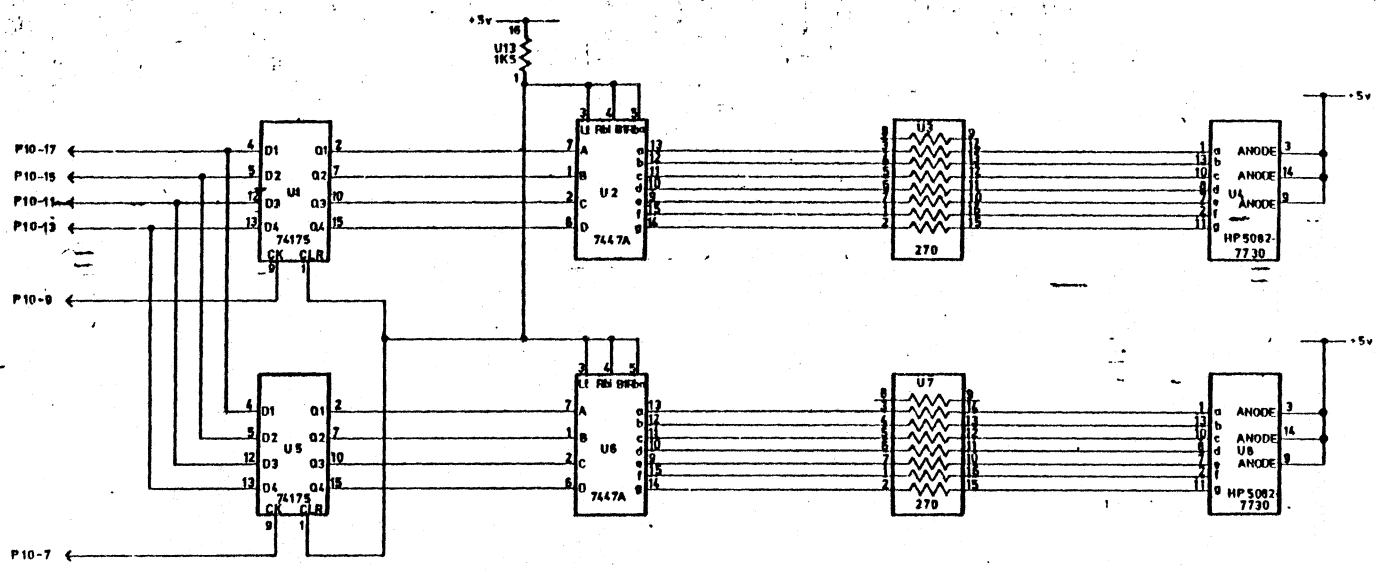
TOLERANCES UNLESS OTHERWISE SPECIFIED INCHES .XX ± .XXX ± ANGLES ± M.M. .XX ± .XXX ± ANGLES ±		GEN. QVAL. SPEC. 1181 5843 APPLY DATE 27 OCT 78 BY JMR		DESIGN CONTROL 311 DRAWING NO. 2808 3137 SHEET NO. 2 OF 2		CLASSIFICATION CODE 2-9520 DRAWING NO. 2808 3137 SHEET NO. 2 OF 2	
MATERIAL HEAT TREATMENT SURFACE TREATMENT		TECHNICAL SERVICES DATE 27 OCT 78 BY JMR		MATERIAL & SURFACE TREATMENT DATE BY		SCHEMATIC POWER SUPPLY (PSP) BURROUGHS CORPORATION 3601 MARKET STREET PHILADELPHIA, PA. 19104	
PROPERTY TO BURROUGHS NOT TO BE REPRODUCED OR USED IN ANY MANUFACTURING PROCESS EXCEPT BY AUTHORIZED ORDER OR FROM WRITTEN CONSENT		APPROV. DATE JMR 27 OCT 78		MATERIAL & HEAT TREATMENT APPROV. DATE		SCALE AT	

ASSY 2808 2998 REV

**B**

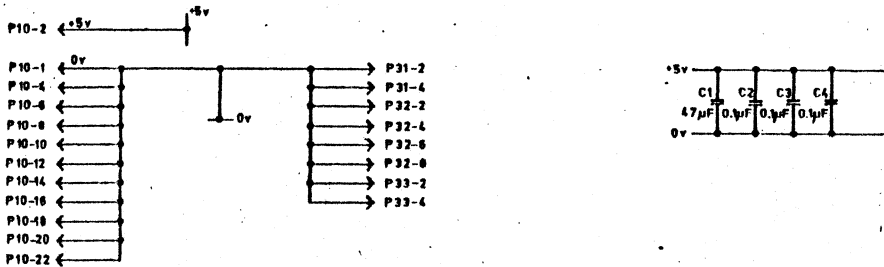
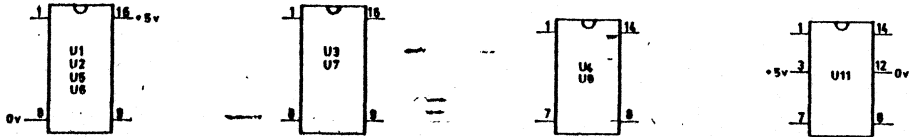


REFERENCE ONLY



REV	D
NO. 2808 3012	
DRYET No. 1 OF 2	
RELEASED	NOV. 22, '78
ECN 30023	
BC MAR 13 79	
DIAG. MOTOR CONTROL SWITCH, REMOVED.	
ECN 30133	
BC MAY 30 79	
PIN 9 ON U4 & U8 TO +5V	
ECN 30211	
AL JAN 15 80	
WIRE LINK REPLACES R12 150R. REF. P33-3	
ECN 30467	

TOLERANCES UNLESS OTHERWISE SPECIFIED		DRN. QUAL. SPEC. THIS DRAW. APPLY		DESIGN CONTROL 351		SYMBOLIZATION CODE		LAYOUT No.	
DIMENSIONS XXX ± .XXX ANGLES ±		DIMENSIONS XXX ± .XXX ANGLES ±		DATE MAR, 78		2-9520			
MATERIAL		MATERIAL		J.H.		TECHNICAL SERVICES		Burroughs	
HEAT TREATMENT		HEAT TREATMENT		HMB		MATERIAL & SURFACE TREATMENT		MANUFACTURER & FINISHER	
SURFACE TREATMENT		SURFACE TREATMENT		Q.S.		DATE 2/2/78		BIRMINGHAM, ALABAMA, U.S.A.	
MATERIAL & HEAT TREATMENT		MATERIAL & HEAT TREATMENT		SCALE 1:1		TITLE SCHEMATIC CONTROL BOARD, 30/50		DRYET No. 1 OF 2	
APPROVED FOR PURCHASE ONLY TO BE REPRODUCED OR USED FOR ANY OTHER PURPOSE WITHOUT THE WRITTEN CONSENT OF BURROUGHS CORPORATION		APPROVED FOR PURCHASE ONLY TO BE REPRODUCED OR USED FOR ANY OTHER PURPOSE WITHOUT THE WRITTEN CONSENT OF BURROUGHS CORPORATION		DATE 2/2/78		SCALE 1:1		DRYET No. 1 OF 2	

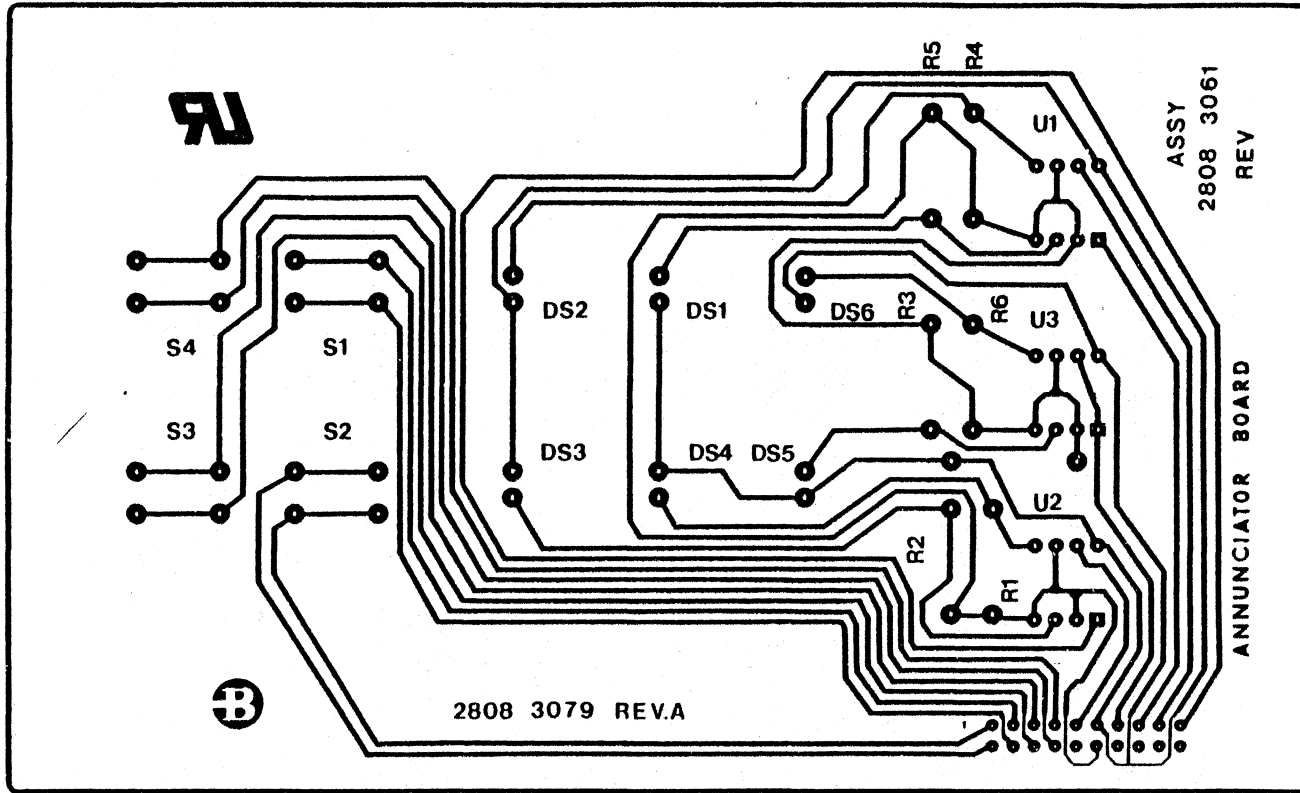


NOTES.

1. FOR ASSEMBLY SEE 2808 2998
2. CODES USED FOR COMPONENT PART NOS. ARE AS FOLLOWS  
I.C.'s  
 U1BU5 2848 6748  
 U2BU6 1074 0835  
 U3BU7 2894 1870  
 U4BU8 1270 8731  
 U5BU9 2804 3512  
 U11 2118 8297
3. UNLESS OTHERWISE SPECIFIED RESISTOR VALUES ARE  
IN OHMS ±5% 0.5w

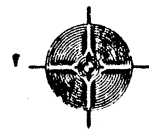
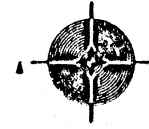
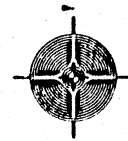
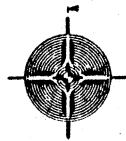
Rev 2808 3012	REV D
SHEET No. 2 of 2	
RELEASED NOV. 22, '78	
ER30022	
BC MAR 13 79	B
SHEET 1 ALTERED	
ECN 30132	
BC MAY 30, 79	C
SHEET 1 ALTERED	
ECN 30211	
A.L. JAN 15 80	D
SHEET 1 ALTERED	
ECN 30467	

POLYMER, UNLESS OTHERWISE SPECIFIED		GEN. DIM. SPEC		DIM. CONTROL 911		CLASSIFICATION CODE		LAYOUT No.	
INCHES .XX ±		.XXX ±		1:1 9943 APPLY		2-9520			
MIL. KX ±		K.KX ±		DATE J.H. MAR 78		TECHNICAL SERVICES		Burroughs	
MATERIAL		FINISH		DATE		TECHNICAL & SURFACE TREATMENT		INTEGRATED & FINITE ELEMENTS	
SURFACE TREATMENT		MATERIAL & SURFACE TREATMENT		DATE		SCHEMATIC CONTROL P.W.B. 30/50		BURROUGHS MICROELECTRONICS	
PROPERTY TO BURROUGHS, NOT TO BE REPRODUCED OR USED FOR MANUFACTURING PURPOSES EXCEPT BY BURROUGHS OR FROM SOURCE COMPANY		DATE		DATE		SCALE		SHEET No.	
		DATE		DATE		SCALE		2 of 2	
		DATE		DATE		SCALE		D	



REDUCE TO 4.000 IN.

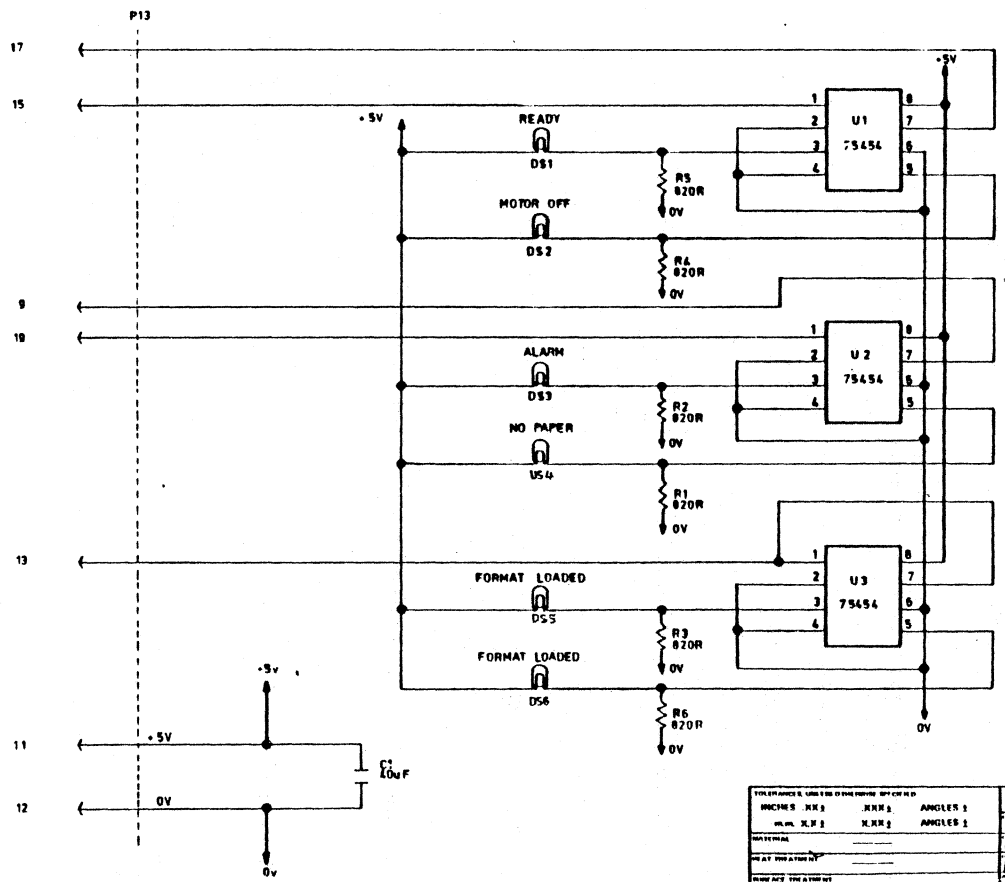
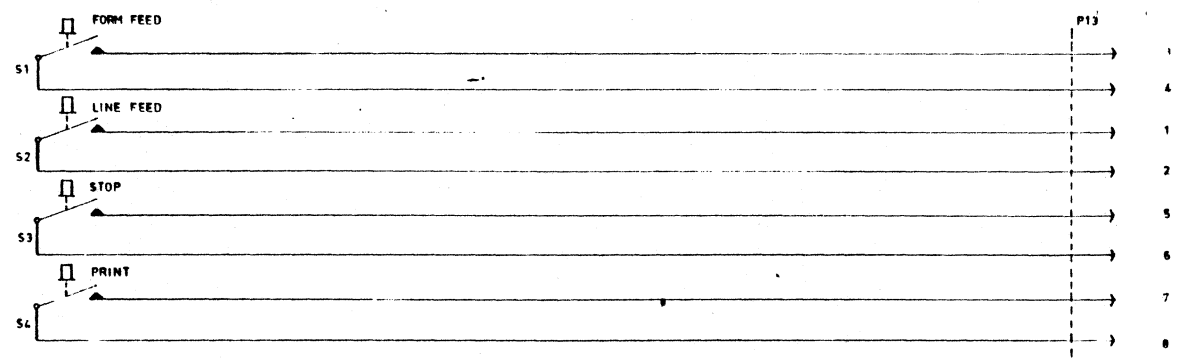
REDUCE TO 2.500 IN.



DATA FROM C.D.U.T. SITE

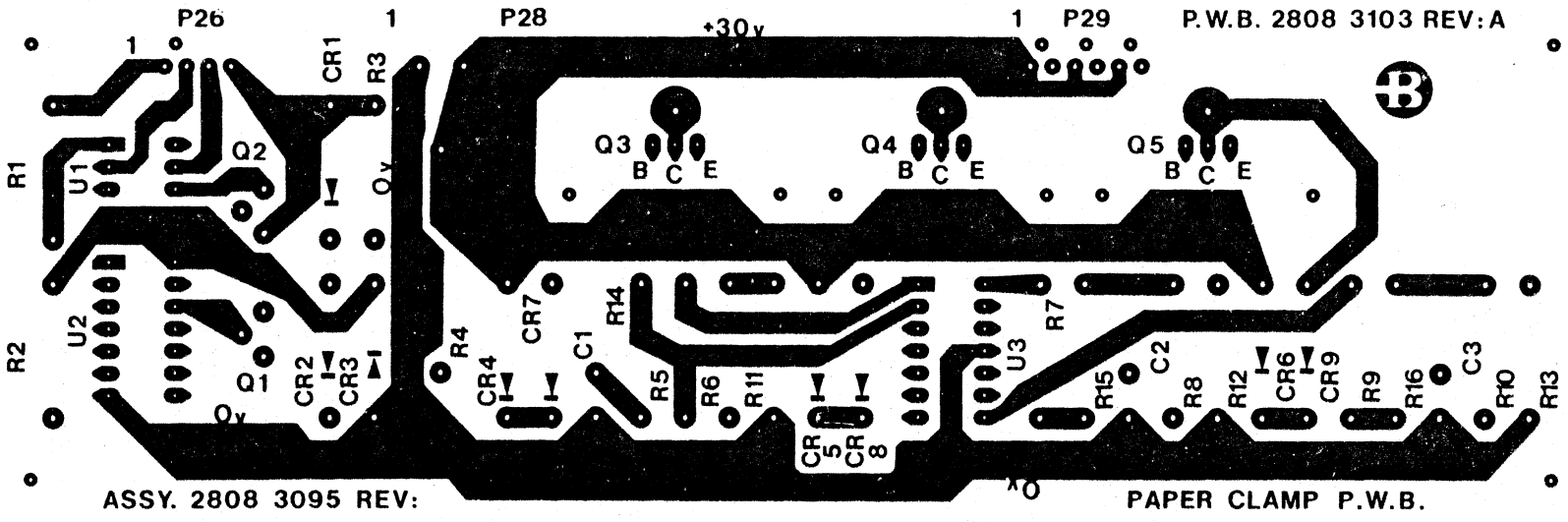

  
 BURROUGHS CORPORATION
   
 2808 3079 REV.A

2808 3087  
 SHEET No. 1 of 1  
 RELEASED NOV. 24, 78  
 ER 30001



NOTES  
 1. FOR ASSY SEE 2808 3061  
 2. CODES USED FOR COMPONENT PART NOS. ARE AS FOLLOWS  
 IC'S  
 U1 — 1270 8780  
 U2 —  
 U3 —  
 3. RESISTOR VALUES ARE IN OHMS ±5%, 0.5W.

TOLERANCES UNLESS OTHERWISE SPECIFIED		DATE	DESIGN CONTROL	CLASSIFICATION	REVISED BY
MACHINE	NO. 1	SEP 15 1977	AGK	2-9520	
WARRANTY			TECHNICAL SERVICES		
REVISION					
BUREAU OF ELECTRONIC EQUIPMENT		Burrage		ANNUNCIATOR SCHEMATIC	
2808 3087		A1		1 of 1	



P.W.B. 2808 3103 REV: A

ASSY. 2808 3095 REV:

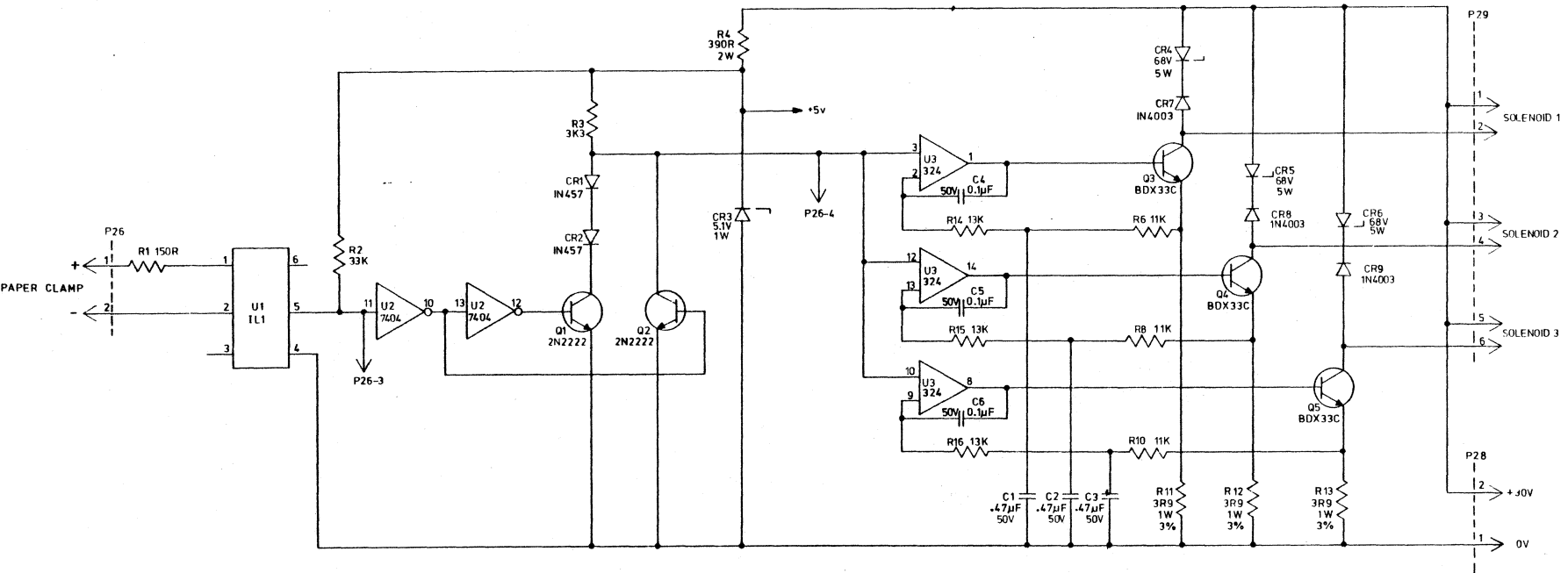
PAPER CLAMP P.W.B.

8.000

PROJ NO	DATE	DESIGN CONTROL NO	REV
1	1183 06-17 APPL	2-7010	
BURROUGHS CORPORATION TECHNICAL SERVICES 300 NORTH ZEEB ROAD FREEHOLD, NEW JERSEY 07861			
RETRYING PAPER CLAMP P.W.B.			
1	A4	2808 3103	



DWG No.	2808 3111	REV	B
SHEET No.	1 of 1		
RELEASED	ER 30023		
J.R.L.	JUNE, 13, 79		B
R11, R12, R13, WERE REMOVED R5, 7, 9, 24KΩ ADDED C 4, 5, 6,			
ECN	30160		
ECN	30210		



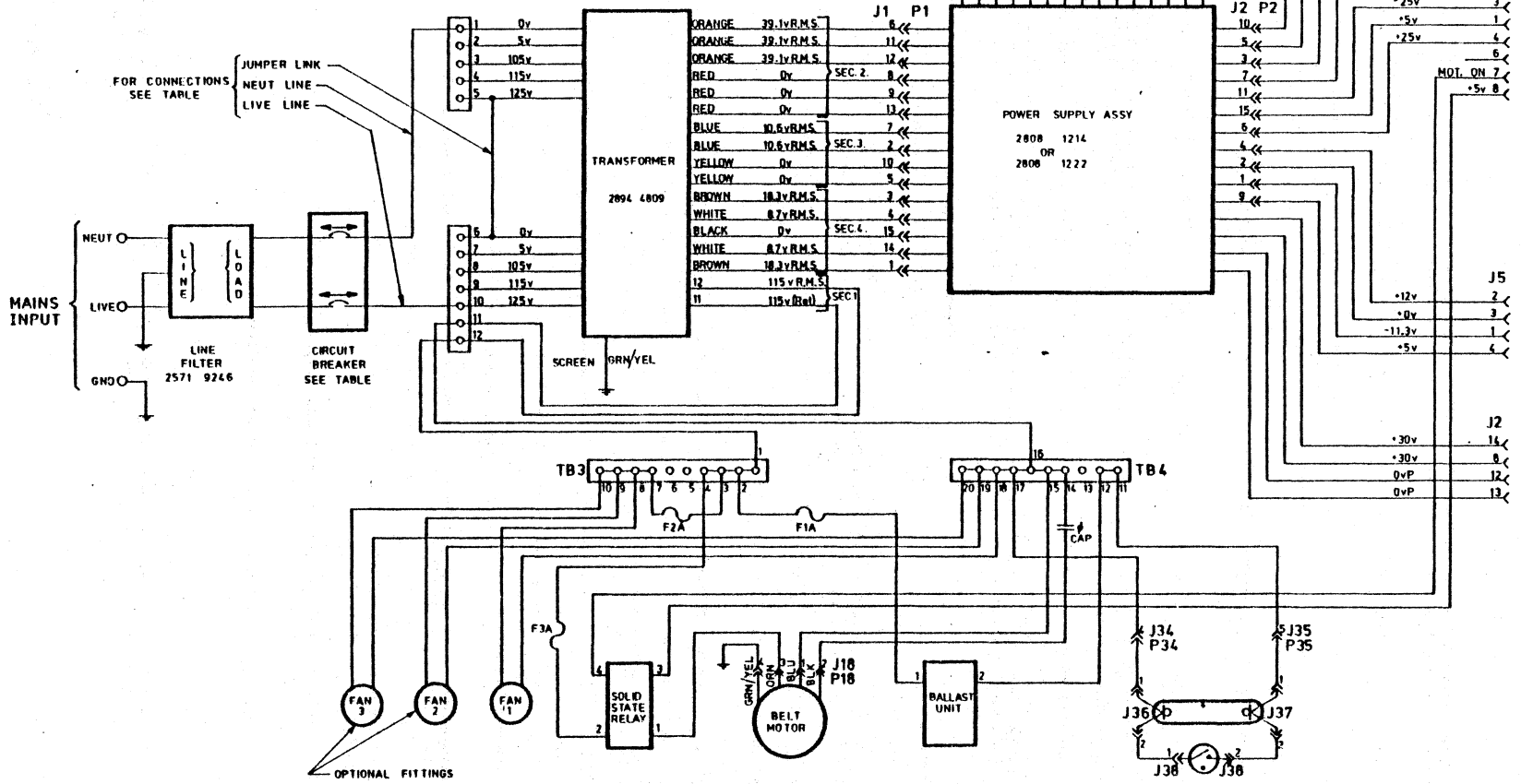
I.C. TYPE	PART NO.	NO. OF PINS	PWR. D.S.T.
7404	1447 3537	14	14 7
324	1289 7207	14	4 11

I.C. TYPE	REF. DES.	SPARE GATES
7404	U2	12:34:56:8
324	U3	5:6:7

- NOTES -  
 1. FOR ASSY. SEE 2808 3095.  
 2. ALL RESISTOR VALUES IN OHMS, .5W, ±5% UNLESS OTHERWISE SPECIFIED.

TOLERANCES, UNLESS OTHERWISE SPECIFIED	GEN. QUAL. SPECS 1183 5845 APPLY	DESIGN CONTROL 311	CLASSIFICATION CODE 2-9520	LAYOUT No.
INCHES .XX ± .XXX ±	ANGLES ±			
MATERIAL	DATE	APPROVED	<b>Burroughs</b> BURROUGHS COMPUTER & PRINTER ACTIVITY BURROUGHS PARCELLE LIMITED CLIMBURNHALL, ROOTLAND, U.K.	
HEAT TREATMENT	DATE	APPROVED	PAPER CLAMP RWB SCHEMATIC	
SURFACE TREATMENT	DATE	APPROVED	SCALE	DWG. No. 2808 3111
PROPRIETARY TO BURROUGHS. NOT TO BE REPRODUCED OR USED FOR MANUFACTURING PURPOSES EXCEPT ON BURROUGHS ORDER OR PRIOR WRITTEN CONSENT.				
			SHEET No. 1 of 1	REV. B

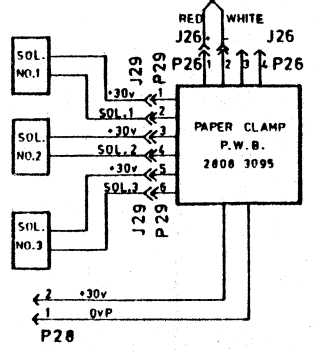
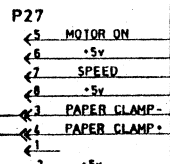
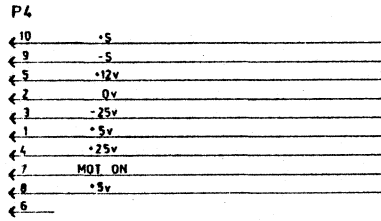
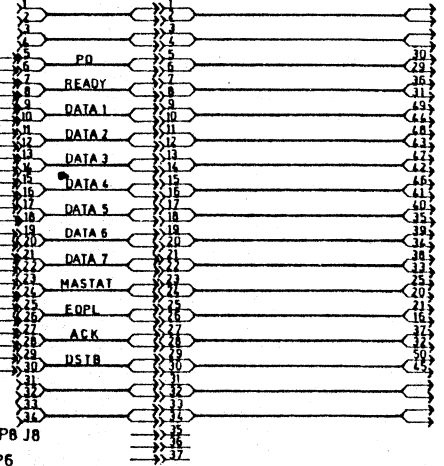
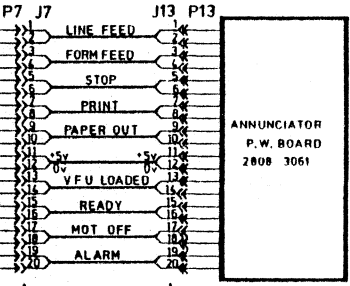
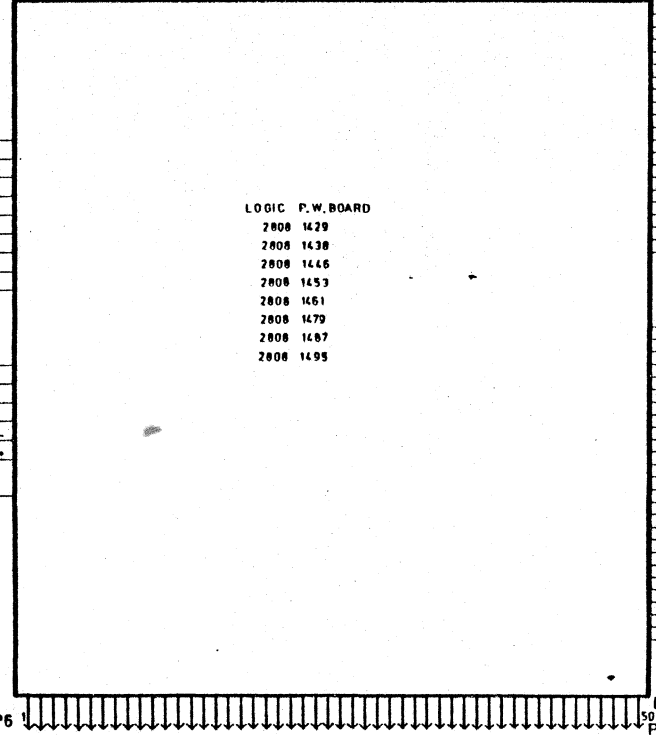
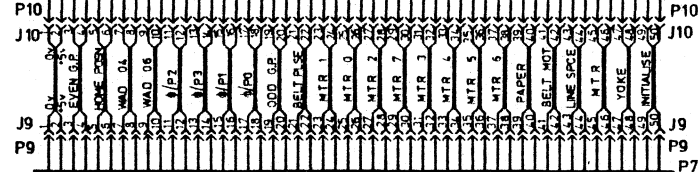
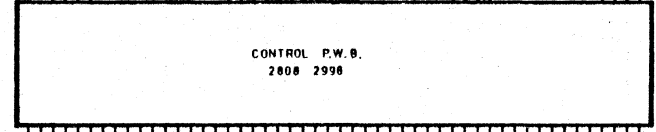
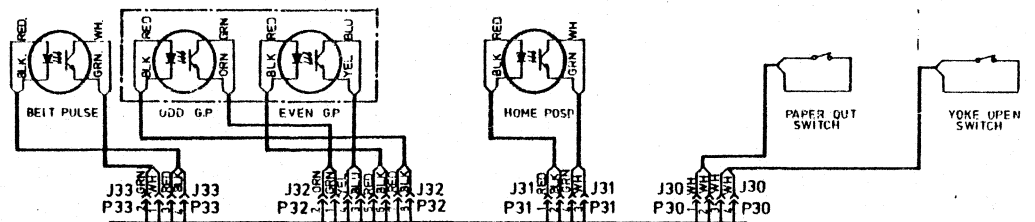
INPUT POWER OPTIONS				
PRIMARY INPUT VOLTAGE	PRIMARY CONNECTIONS		JUMPER LINKS FROM TO	CIRCUIT BREAKER
	LIVE	NEUT		
100v	8	7	2 7 3 8	2894 3305
105v	8	6	1 6 3 8	
110	9	7	2 7 4 9	
115v	9	6	1 6 4 9	
120v	10	7	2 7 5 10	
125v	10	6	1 6 5 10	2894 3264
200v	8	2	3 7	
210v	8	1	3 6	
220v	9	2	4 7	
230v	9	1	4 6	
240v	10	2	5 7	
250v	10	1	5 6	



REFERENCE ONLY

REV 2808 1107  
SHEET No 1 of 3  
RELEASED

MATERIALS UNLESS OTHERWISE SPECIFIED		GEN. QUAL. SPECS. (SEE 3103)	DESIGN CONTROL 311	CLASSIFICATION CODE	LA. UNIT No.
INCHES: XX 1/2	XX 1/4	ANGLES: 1	DATE: MAR 22 79	2-9520	
MATERIAL: M.L.M. K.K. 1	K.K.K. 1	ANGLES: 2	DATE: MAR 22 79		
TECHNICAL SERVICES		MATERIAL & SURFACE TREATMENT		SCHEMATIC, 9249-30/50	
HEAT TREATMENT		DATE		SCALE: DIM. DIM. 1 of 3	
SURFACE TREATMENT		DATE		REV: 2808 1107 1 of 3	
PROPERTY IS THE PROPERTY OF BURROUGHS AND SHOULD NOT BE REPRODUCED OR USED FOR MANUFACTURING PURPOSES EXCEPT ON BURROUGHS ORDERS OR YOUR WRITTEN CONSENT					

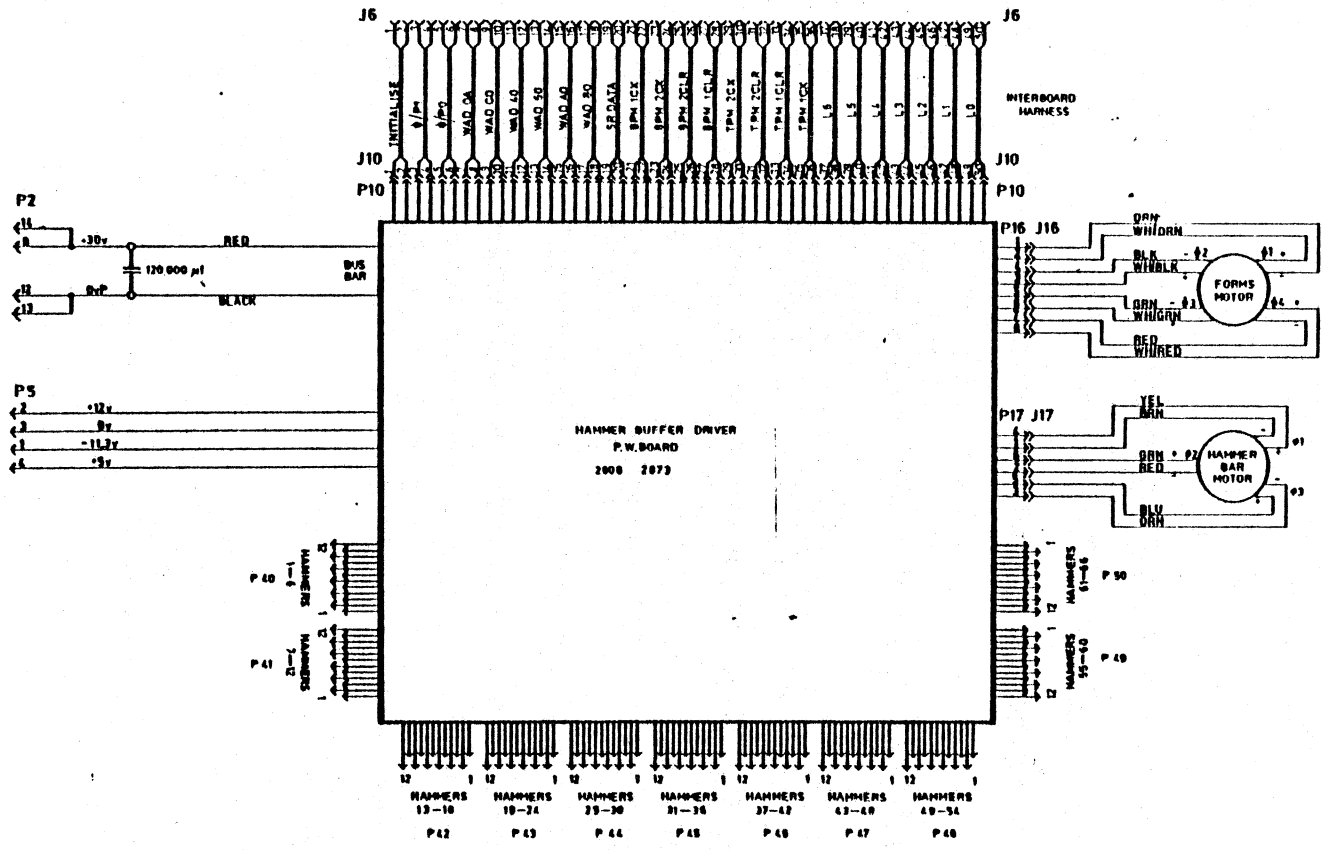


CONNECTOR TO HAMMER BUFFER BOARD  
 (SEE SHEET 3)

REFERENCE ONLY

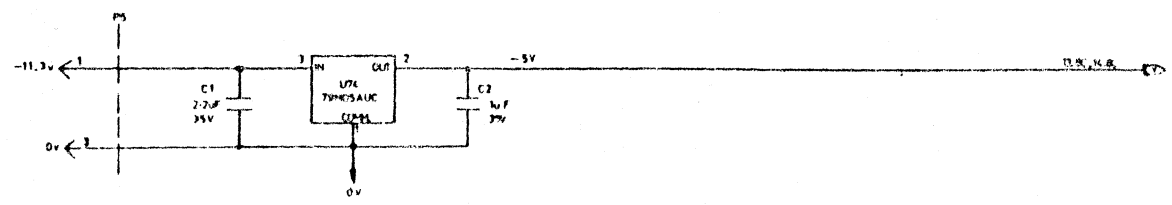
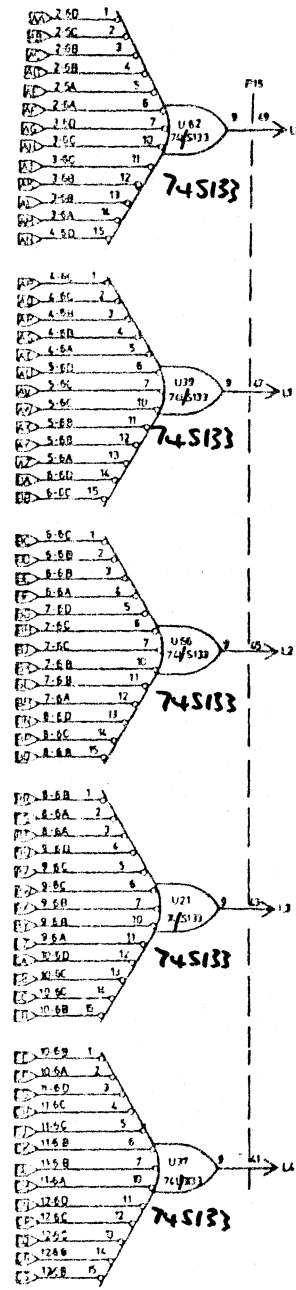
TOLERANCES UNLESS OTHERWISE SPECIFIED		GEN. QUAL. SPEC. 1183 8643 APPL Y		DESIGN CONTROL 511		CLASSIFICATION CODE 2-9520		LAYOUT No.	
INCHES .X.X	.X.X X	ANGLES 1		DATE 2.11.67	BY J. R. L.	DATE MAR 22 1979	TECHNICAL SERVICES		
M.M. X.X X	X.X X	ANGLES 1		MATERIAL	PROVIDER	DATE	MATERIAL & SURFACE TREATMENT		
HEAT TREATMENT		PROVIDER		DATE		DATE		TITLE	
SURFACE TREATMENT		PROVIDER		DATE		DATE		SCALE	
PROPRIETARY TO BURROUGHS. NOT TO BE REPRODUCED OR USED FOR MANUFACTURING PURPOSES EXCEPT ON BURROUGHS ORDER OR WRITTEN CONSENT.									
Burroughs INFORMATION & COMMUNICATIONS SYSTEMS BURROUGHS CORPORATION CHARLOTTE, N.C. 28201, U.S.A.							SCHEMATIC 9249 - 30/50		
SHEET No. 2 of 3							2808 1107		REV 1

REFERENCE ONLY



DIMENSIONS AND DRILLING SPECIFICATIONS INCHES (FR) ANGLES (S) MILL (MR) ANGLES (S)		DRILL SPEC 1180 DRILL APPLY	DIMENSIONS AND DRILLING SPECIFICATIONS 2.9520	DRAWING NO. 2008 1107	SHEET NO. 3 of 3
MATERIALS AND FINISHES PARTS LIST		FINISHES POLISH	TECHNICAL SERVICES MATERIAL & SUPPLY TREATMENT	TITLE <b>SCHEMATIC 9249 - 30/50</b>	
SPECIAL TREATMENT NONE		FINISHES NONE	NATIONAL & HEAT TREATMENT NONE	PRICE A1	2008 1107 3-3 11

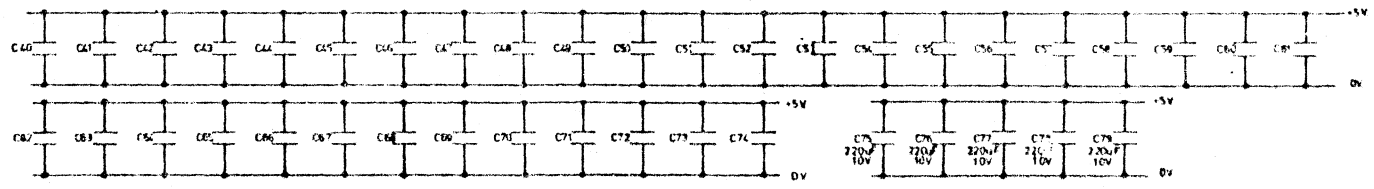
2808 2899	B
Sheet No. 1 of 14	
Release: ER 30001	
JPL PER 217M	L
SAF 33 617800	
ECN 30678	



JIC TYPE	PART NO.	NO OF PINS	PACKAGE	REF. DES.
74LS138	2808 2899	16	TO-18	12
74LS139	2808 2899	16	TO-18	13
74LS14	2808 2899	14	TO-18	14
74LS15	2808 2899	14	TO-18	15
74LS16	2808 2899	14	TO-18	16
74LS17	2808 2899	14	TO-18	17
74LS18	2808 2899	14	TO-18	18
74LS19	2808 2899	14	TO-18	19
74LS20	2808 2899	14	TO-18	20
74LS21	2808 2899	14	TO-18	21
74LS22	2808 2899	14	TO-18	22
74LS23	2808 2899	14	TO-18	23
74LS24	2808 2899	14	TO-18	24
74LS25	2808 2899	14	TO-18	25
74LS26	2808 2899	14	TO-18	26
74LS27	2808 2899	14	TO-18	27
74LS28	2808 2899	14	TO-18	28
74LS29	2808 2899	14	TO-18	29
74LS30	2808 2899	14	TO-18	30
74LS31	2808 2899	14	TO-18	31
74LS32	2808 2899	14	TO-18	32
74LS33	2808 2899	14	TO-18	33
74LS34	2808 2899	14	TO-18	34
74LS35	2808 2899	14	TO-18	35
74LS36	2808 2899	14	TO-18	36
74LS37	2808 2899	14	TO-18	37
74LS38	2808 2899	14	TO-18	38
74LS39	2808 2899	14	TO-18	39
74LS40	2808 2899	14	TO-18	40
74LS41	2808 2899	14	TO-18	41
74LS42	2808 2899	14	TO-18	42
74LS43	2808 2899	14	TO-18	43
74LS44	2808 2899	14	TO-18	44
74LS45	2808 2899	14	TO-18	45
74LS46	2808 2899	14	TO-18	46
74LS47	2808 2899	14	TO-18	47
74LS48	2808 2899	14	TO-18	48
74LS49	2808 2899	14	TO-18	49
74LS50	2808 2899	14	TO-18	50
74LS51	2808 2899	14	TO-18	51
74LS52	2808 2899	14	TO-18	52
74LS53	2808 2899	14	TO-18	53
74LS54	2808 2899	14	TO-18	54
74LS55	2808 2899	14	TO-18	55
74LS56	2808 2899	14	TO-18	56
74LS57	2808 2899	14	TO-18	57
74LS58	2808 2899	14	TO-18	58
74LS59	2808 2899	14	TO-18	59
74LS60	2808 2899	14	TO-18	60
74LS61	2808 2899	14	TO-18	61
74LS62	2808 2899	14	TO-18	62
74LS63	2808 2899	14	TO-18	63
74LS64	2808 2899	14	TO-18	64
74LS65	2808 2899	14	TO-18	65
74LS66	2808 2899	14	TO-18	66
74LS67	2808 2899	14	TO-18	67
74LS68	2808 2899	14	TO-18	68
74LS69	2808 2899	14	TO-18	69
74LS70	2808 2899	14	TO-18	70
74LS71	2808 2899	14	TO-18	71
74LS72	2808 2899	14	TO-18	72
74LS73	2808 2899	14	TO-18	73
74LS74	2808 2899	14	TO-18	74
74LS75	2808 2899	14	TO-18	75
74LS76	2808 2899	14	TO-18	76
74LS77	2808 2899	14	TO-18	77
74LS78	2808 2899	14	TO-18	78
74LS79	2808 2899	14	TO-18	79
74LS80	2808 2899	14	TO-18	80
74LS81	2808 2899	14	TO-18	81
74LS82	2808 2899	14	TO-18	82
74LS83	2808 2899	14	TO-18	83
74LS84	2808 2899	14	TO-18	84
74LS85	2808 2899	14	TO-18	85
74LS86	2808 2899	14	TO-18	86
74LS87	2808 2899	14	TO-18	87
74LS88	2808 2899	14	TO-18	88
74LS89	2808 2899	14	TO-18	89
74LS90	2808 2899	14	TO-18	90
74LS91	2808 2899	14	TO-18	91
74LS92	2808 2899	14	TO-18	92
74LS93	2808 2899	14	TO-18	93
74LS94	2808 2899	14	TO-18	94
74LS95	2808 2899	14	TO-18	95
74LS96	2808 2899	14	TO-18	96
74LS97	2808 2899	14	TO-18	97
74LS98	2808 2899	14	TO-18	98
74LS99	2808 2899	14	TO-18	99

JIC TYPE	PART NO.	NO OF PINS	PACKAGE	REF. DES.
74LS138	2808 2899	16	TO-18	12
74LS139	2808 2899	16	TO-18	13
74LS14	2808 2899	14	TO-18	14
74LS15	2808 2899	14	TO-18	15
74LS16	2808 2899	14	TO-18	16
74LS17	2808 2899	14	TO-18	17
74LS18	2808 2899	14	TO-18	18
74LS19	2808 2899	14	TO-18	19
74LS20	2808 2899	14	TO-18	20
74LS21	2808 2899	14	TO-18	21
74LS22	2808 2899	14	TO-18	22
74LS23	2808 2899	14	TO-18	23
74LS24	2808 2899	14	TO-18	24
74LS25	2808 2899	14	TO-18	25
74LS26	2808 2899	14	TO-18	26
74LS27	2808 2899	14	TO-18	27
74LS28	2808 2899	14	TO-18	28
74LS29	2808 2899	14	TO-18	29
74LS30	2808 2899	14	TO-18	30
74LS31	2808 2899	14	TO-18	31
74LS32	2808 2899	14	TO-18	32
74LS33	2808 2899	14	TO-18	33
74LS34	2808 2899	14	TO-18	34
74LS35	2808 2899	14	TO-18	35
74LS36	2808 2899	14	TO-18	36
74LS37	2808 2899	14	TO-18	37
74LS38	2808 2899	14	TO-18	38
74LS39	2808 2899	14	TO-18	39
74LS40	2808 2899	14	TO-18	40
74LS41	2808 2899	14	TO-18	41
74LS42	2808 2899	14	TO-18	42
74LS43	2808 2899	14	TO-18	43
74LS44	2808 2899	14	TO-18	44
74LS45	2808 2899	14	TO-18	45
74LS46	2808 2899	14	TO-18	46
74LS47	2808 2899	14	TO-18	47
74LS48	2808 2899	14	TO-18	48
74LS49	2808 2899	14	TO-18	49
74LS50	2808 2899	14	TO-18	50
74LS51	2808 2899	14	TO-18	51
74LS52	2808 2899	14	TO-18	52
74LS53	2808 2899	14	TO-18	53
74LS54	2808 2899	14	TO-18	54
74LS55	2808 2899	14	TO-18	55
74LS56	2808 2899	14	TO-18	56
74LS57	2808 2899	14	TO-18	57
74LS58	2808 2899	14	TO-18	58
74LS59	2808 2899	14	TO-18	59
74LS60	2808 2899	14	TO-18	60
74LS61	2808 2899	14	TO-18	61
74LS62	2808 2899	14	TO-18	62
74LS63	2808 2899	14	TO-18	63
74LS64	2808 2899	14	TO-18	64
74LS65	2808 2899	14	TO-18	65
74LS66	2808 2899	14	TO-18	66
74LS67	2808 2899	14	TO-18	67
74LS68	2808 2899	14	TO-18	68
74LS69	2808 2899	14	TO-18	69
74LS70	2808 2899	14	TO-18	70
74LS71	2808 2899	14	TO-18	71
74LS72	2808 2899	14	TO-18	72
74LS73	2808 2899	14	TO-18	73
74LS74	2808 2899	14	TO-18	74
74LS75	2808 2899	14	TO-18	75
74LS76	2808 2899	14	TO-18	76
74LS77	2808 2899	14	TO-18	77
74LS78	2808 2899	14	TO-18	78
74LS79	2808 2899	14	TO-18	79
74LS80	2808 2899	14	TO-18	80
74LS81	2808 2899	14	TO-18	81
74LS82	2808 2899	14	TO-18	82
74LS83	2808 2899	14	TO-18	83
74LS84	2808 2899	14	TO-18	84
74LS85	2808 2899	14	TO-18	85
74LS86	2808 2899	14	TO-18	86
74LS87	2808 2899	14	TO-18	87
74LS88	2808 2899	14	TO-18	88
74LS89	2808 2899	14	TO-18	89
74LS90	2808 2899	14	TO-18	90
74LS91	2808 2899	14	TO-18	91
74LS92	2808 2899	14	TO-18	92
74LS93	2808 2899	14	TO-18	93
74LS94	2808 2899	14	TO-18	94
74LS95	2808 2899	14	TO-18	95
74LS96	2808 2899	14	TO-18	96
74LS97	2808 2899	14	TO-18	97
74LS98	2808 2899	14	TO-18	98
74LS99	2808 2899	14	TO-18	99

CODES USED FOR COMPONENT PART NOS ARE AS FOLLOWS:-  
 2M930 --- 1472 8340  
 2N6667 --- 2894 3801  
 2N75, 79, 81, 92, 96 --- 2894 3835  
 01 66  
 DIODES  
 1N4154 --- 1471 4703  
 1N4003 --- 1072 7371  
 6M75 33M --- 2894 3894  
 81M 25 10J --- 2894 3876  
 5W 12ZENER --- 2894 8212  
 1W 12ZENER --- 2894 5867



- NOTES:-
1. ALL DISCRETE RESISTORS ARE 05W UNLESS STATED OTHERWISE.
  2. ALL CAPACITORS ON SHEETS 1 TO 12 ARE 0.1µF 50V UNLESS STATED OTHERWISE.
  3. FOR ASSY SEE 2808 2873.
  4. ALL DIODES ARE TYPE 1N4154 UNLESS STATED OTHERWISE.

FOR DRAWING UNDER THIS TITLE SHOWN	DATE: 14 SEP 78	REVISION: 2-0520
INCHES: XXX	ANGLES: XXX	
NO. XXX	NO. XXX	
DATE: 14 SEP 78	BY: [Signature]	<b>Burrush</b> TELECOMMUNICATIONS ELECTRONIC & RADIO EQUIPMENT MANUFACTURING DIVISION
DATE: 14 SEP 78	BY: [Signature]	<b>HMR BUFFER DRIVER SCHEMATIC</b> 2808 2899