

**B 1700  
SYSTEMS**

**ILLUSTRATED  
PARTS**

**Burroughs**   
**FIELD ENGINEERING**

(This new edition replaces complete prior issue)

F. E. Dist. Code

**BB**

Printed in U.S. America 10-20-75

For Library Binder 17 (Blue Label)

Form 1057692

### ✓ CHANGES OR ADDITIONS

On "Revised" pages, the check mark (✓) shown to the left of items or subject titles indicates changes or additions since last issue.

This complete reprint also includes information released under the following PCN's:

PCN-001

PCN-002

PCN-003

Any comments or suggestions regarding this publication should be forwarded to Systems Documentation – Parts Catalogs, Technical Information Organization, TIO-Central, Burroughs Corporation, Detroit, Michigan 48232

LIST OF EFFECTIVE PAGES

<u>PAGE</u>	<u>ISSUE</u>
Title .....	Original
ii .....	Original
iii .....	PCN-002
iv .....	PCN-003
Index .....	PCN-003
vi .....	Blank

PLATE

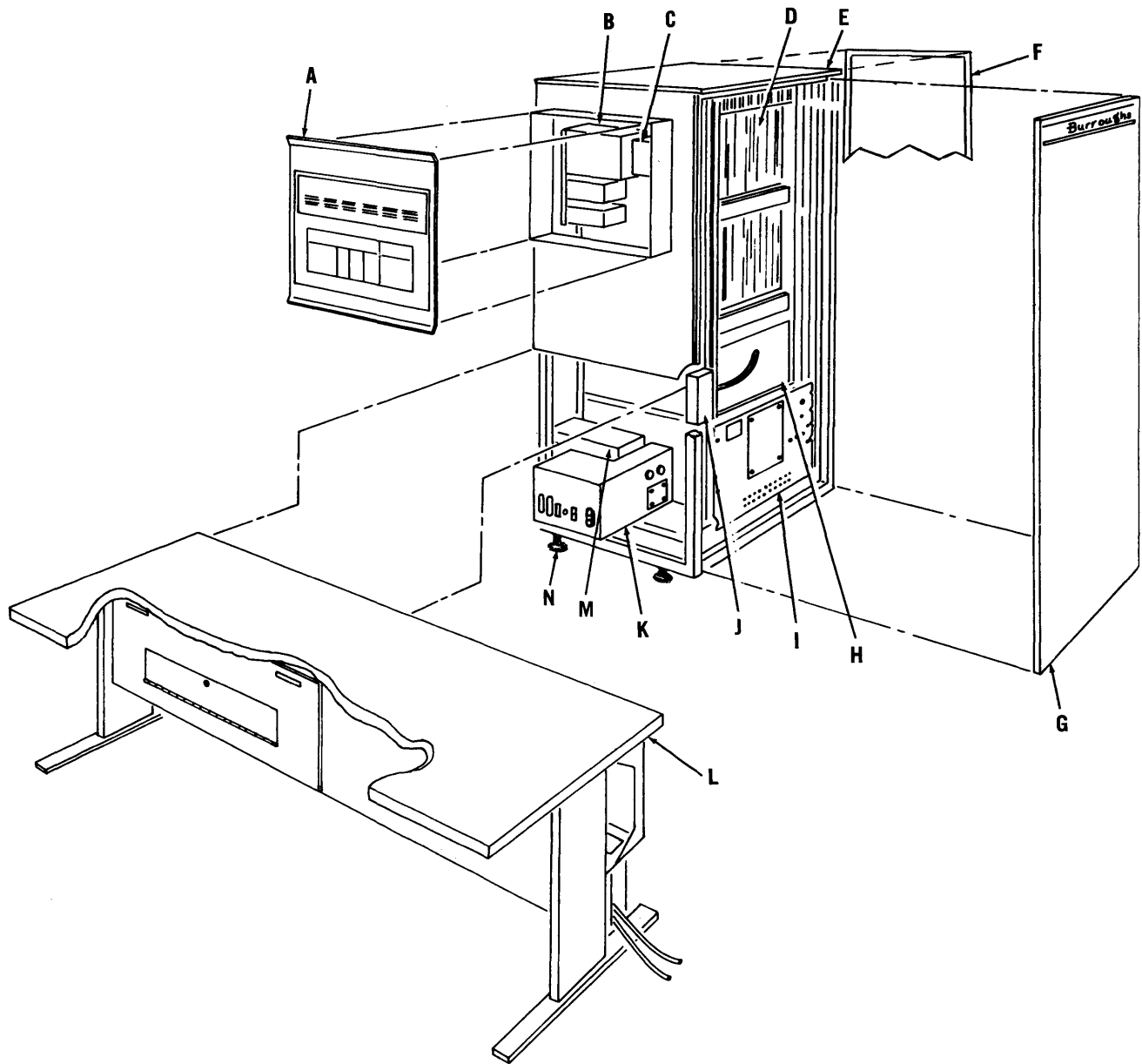
1 .....	Original
1-1 thru 1-3 .....	PCN-002
2 and 3 .....	Original
4 and 4-1 .....	PCN-002
5 .....	PCN-003
5-1 .....	PCN-002
5-2 and 5-3 .....	Original
5-4 .....	PCN-002
5-5 thru 8 .....	Original
8-1 .....	PCN-002
9 thru 11 .....	Original
11-1 .....	PCN-003
12 and 13 .....	Original
14 and 15 .....	PCN-002
16 .....	PCN-003
17 thru 19 .....	Original
20 thru 24 .....	PCN-003

INDEX

	<u>PLATE NO.</u>		<u>PLATE NO.</u>
AC Power Distribution Assemblies			
Early Style . . . . .	8	√ Logic Power Supplies -3 and -4	
New Style . . . . .	8-1	Card Chart . . . . .	6
AC Power Junction Box . . . . .	13	Control Supply Voltage Card . . . . .	6-4
Cabinet Panels		Gate Driver Card . . . . .	6-2
Early Style . . . . .	1 & 3	VCO Timing Card	
New Style . . . . .	4	for B1712/B1714. . . . .	6-7
Cables		for B1726. . . . .	6-1
I/O Interface Cables . . . . .	19	-2 Volt Shunt Card	
Ribbon Cables . . . . .	18	for B1712/B1714. . . . .	6-8
Cassette (Dual & EXT-1) . . . . .	1-1	for B1726. . . . .	6-5
Interface Card Assembly . . . . .	1-2	+12 Volt Card . . . . .	6-6
+5V Power Supply Assembly . . . . .	1-3	-12 Volt Card . . . . .	6-6
Chassis Assembly (24V) . . . . .	7	-160 Volt Regulator Card . . . . .	6-3
Connectors (P&J) . . . . .	14	√ Logic Power Supplies -2 and -5	
Control Panel		Complete Power Supply . . . . .	20
Early Style-1 . . . . .	2	Electrical Components . . . . .	24
New Style-2 . . . . .	4-1	Heatsink Assemblies #1, #2, #3A & #3B . . . . .	21
DC Power Outlet . . . . .	12	Heatsink Assembly #4 . . . . .	22
Fan Assembly . . . . .	10	Heatsink Assemblies #5, #6, & #7 . . . . .	23
Integrated Circuits (Chips) . . . . .	11	Memory Power Supply	
√ Logic Cards		Early Style . . . . .	9 & 9A
Power Supplies -3 and -4 . . . . .	6 thru 6-8	North Electric Model No. PEC 3604 . . . . .	9-1
Processor . . . . .	15	North Electric Model No. PEC 3604A or PEC 3604B . . . . .	9-3
Logic Card Guides . . . . .	17	Regulator Card for Model PEC 3604 . . . . .	9-2
√ Logic Power Supplies -3 and -4		Regulator Card Assembly - A1 . . . . .	9-4
Front View . . . . .	5	Regulator Card Assembly - A2 . . . . .	9-5
Rear View . . . . .	5-1	Memory Power Supply-CSP . . . . .	11-1
Bottom View . . . . .	5-2	P&J Connectors . . . . .	14
Top View . . . . .	5-3	Processor Logic Cards . . . . .	15
RFI Filter . . . . .	5-4	Ribbon Cables . . . . .	18 & 19
Heatsink . . . . .	5-5	Table and Panel Assembly . . . . .	3
Upper & Lower Comp. Bracket Assembly . . . . .	5-6		



CABINET ASSEMBLY (PLATE 1)  
(Early Style)



PART NUMBERS (PLATE 1)

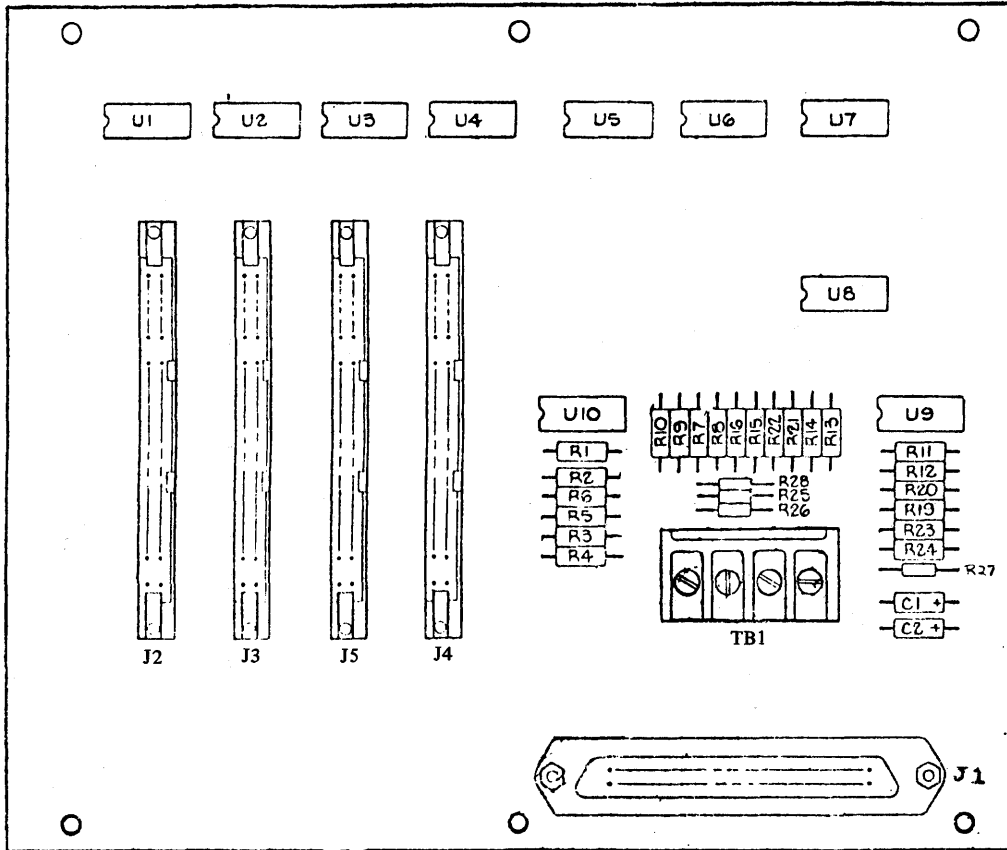
A	---	---	refer to CONTROL PANEL ASSEMBLY	G	2204 3699	side panel assembly, includes:
B	---	---	refer to MEMORY POWER SUPPLY ASSEMBLY			1920 2662 magnetic latch
C	---	---	refer to CASSETTE PARTS CATALOG, Form 1062296			2205 4845 protective bumper
D	2204 9944		card housing assembly	H	---	refer to FAN ASSEMBLY
E	2207 9875		top panel	I	---	refer to POWER SUPPLY ASSEMBLY
F	2204 3731		end panel assembly, includes:	J	---	refer to D.C. POWER OUTLET
			1920 2662 magnetic latch	K	---	refer to AC POWER DISTRIBUTION ASSEMBLY
			2205 4845 protective bumper	L	---	refer to TABLE AND PANEL ASSEMBLY
			1923 6041 medallion (blue "B")	M	---	refer to 24V CHASSIS ASSEMBLY
			1128 5855 medallion plate	N	2207 5634	adjustable foot assembly
			1907 7684 clip		2206 9058	caster assembly



PART NUMBERS (PLATE 1-1)

A	2211 1645	skin assembly	V	2212 6783	retainer, use:
B	2212 2907	screw			1256 0843 screw
C	2213 6337	horizontal support			1256 7442 lockwasher
D	2213 6345	vertical support			1256 8010 washer
E	2212 6916	chassis slide plate			2156 8118 nylon washer
F	1256 1544	screw, use:	W	2212 7195	dual cassette assembly
		1256 7467 lockwasher		2213 3995	dual cassette EXT-1 assembly
		1256 8044 washer	X	1190 2558	clip on receptacle
G	1256 1148	screw, use:	Y	1701 7807	rubber bumper, use:
		1256 7459 lockwasher			1256 7467 lockwasher
		1256 8028 washer			1256 8051 washer
H	2212 6924	chassis hanger slide			2205 9984 cap nut
I	1117 5833	spacer		2212 6940	spacer (for dual cassette EXT-1), use:
J	2213 6378	slide			1256 1502 screw
K	1256 1114	screw, use:			1256 7467 lockwasher
		1256 7459 lockwasher			1256 8044 washer
		1256 8028 washer	Z	2041 9073	screw, use:
		1256 5263 nut			1256 7426 lockwasher
L	1103 1986	cable clamp			1256 7996 washer
M	1103 7462	loop clip	AA	2215 5592	cable (connector B)
N	1472 3498	connector assembly, use:		2215 5717	cable (connector C, dual cassette EXT-1)
		2212 2667 male solder contact (3 req'd)	AB	2215 5584	cable (connector A)
		1472 0726 female contact (40 req'd)		2215 5709	cable (connector D, dual cassette EXT-1)
		2212 2634 female solder contact (3 req'd)	AC	2213 4514	bezel retainer
O	2212 7054	door	AD	1256 5958	spring nut
P	1256 0371	screw, use:	AE	--- ---	refer to CASSETTE PARTS CATALOG (Form 1062296)
		1256 7426 lockwasher	AF	2472 6499	bezel
		1256 7996 washer	AG	2212 6817	hanger
Q	2212 2659	fastener, use:	AH	2215 5451	magnet mounting bracket, use:
		2212 2311 ejector spring			1954 0681 magnet catch
		1190 2699 retainer			1256 1114 screw
R	--- ---	refer to CASSETTE INTERFACE CARD ASSEMBLY			1256 7459 lockwasher
S	2212 2394	connector assembly, use:			1256 8028 washer
		2212 2469 hood	AI	2212 6932	1256 5263 nut
T	2212 7211	cassette interface cable, includes N, S	AJ	1256 1486	stop
U	2212 7724	+5V power/interface board cable			screw, use:
					1256 7467 lockwasher
					1256 8044 washer

CASSETTE INTERFACE CARD ASSEMBLY (PLATE 1-2)

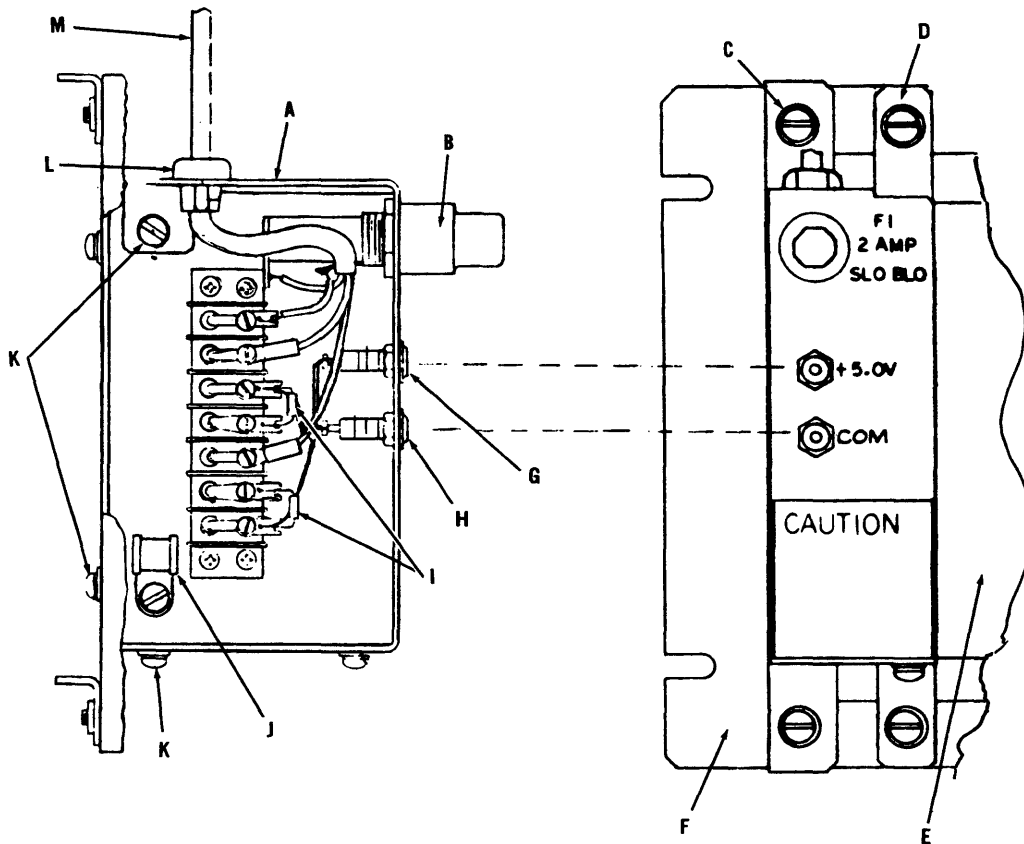


PART NUMBERS (PLATE 1-2)

2215 5550 complete cassette interface card assembly

DESCRIPTION	SCHEMATIC DESIGNATION	PART NUMBER
<b><u>CAPACITORS</u></b>		
.1uF, 50V, 20%	C1	2300 5820
6.8uF, 15V, 10%	C2	2046 9912
<b><u>INTEGRATED CIRCUITS</u></b>		
IHCN-56, DTL	U9, U10	1471 4356
QUAD 21/P, DTL	U1 thru U8	1446 6932
<b><u>P&amp;J CONNECTORS</u></b>		
MODIFIED CONN	J2 thru J5	2215 5626
50 CONTACT CONN RECPT	J1	2212 4069
<b><u>RESISTORS</u></b>		
237 ohms, ½W, 1%	R2, R4, R6, R7, R9, R12, R14, R16, R20, R21, R24	1114 8673
316 ohms, ½W, 1%	R1, R3, R5, R8, R10, R11, R13, R15, R19, R22, R23	1114 8707
1K ¼W, 2%	R27	1111 8734
<b><u>TERMINAL BLOCK</u></b>		
4 pin	TB1	2212 2485

**+5V POWER SUPPLY ASSEMBLY (PLATE 1-3)**  
(for dual cassette and extension)

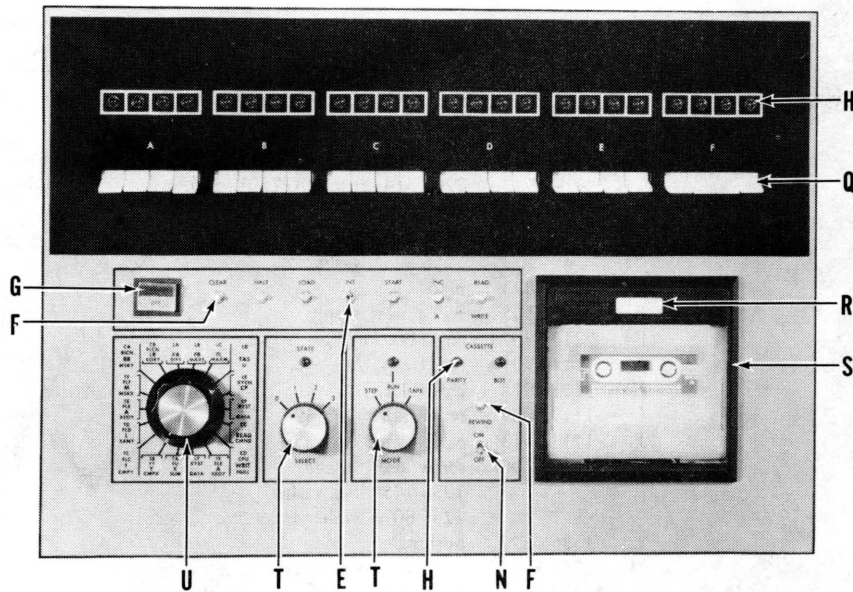
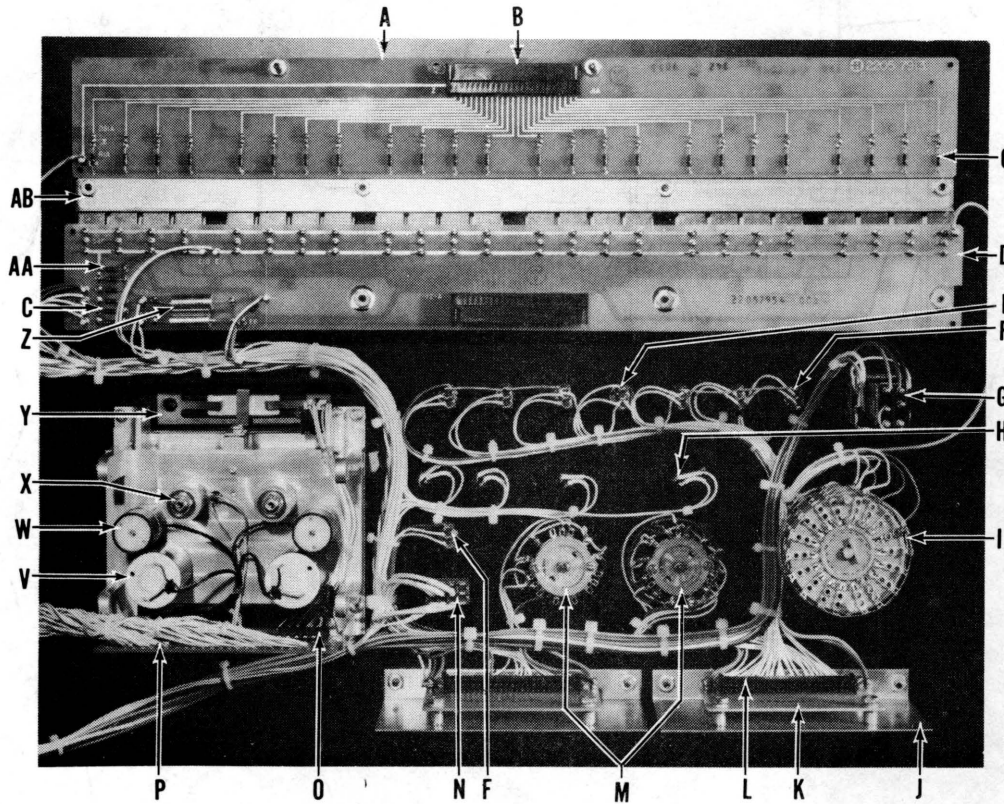


**PART NUMBERS (PLATE 1-3)**

A	2212 7849	fuse mounting bracket
B	1102 1268	fuse holder, use: 2208 6144 fuse (2A, 250V, SB)
C	1256 1486	screw, use: 1256 7467 lockwasher 1256 8051 washer
D	2212 7823	plate
E	2212 2535	+5V power supply
F	2212 7807	angle bracket
G	1111 5904	jack (red)
H	1111 5912	jack (black)
I	1117 9389	resistor (10 ohm, 1/2W, 1%)
J	1117 8613	cable clamp
K	1256 1106	screw, use: 1256 7459 lockwasher 1256 8028 washer
L	1535 6520	bushing
M	2213 3425	+5V power supply cord
	*2212 3087	triple outlet adapter (not displayed)

\* Available for International Applications

CONTROL PANEL ASSEMBLY-1 (PLATE 2)



PART NUMBERS (PLATE 2)

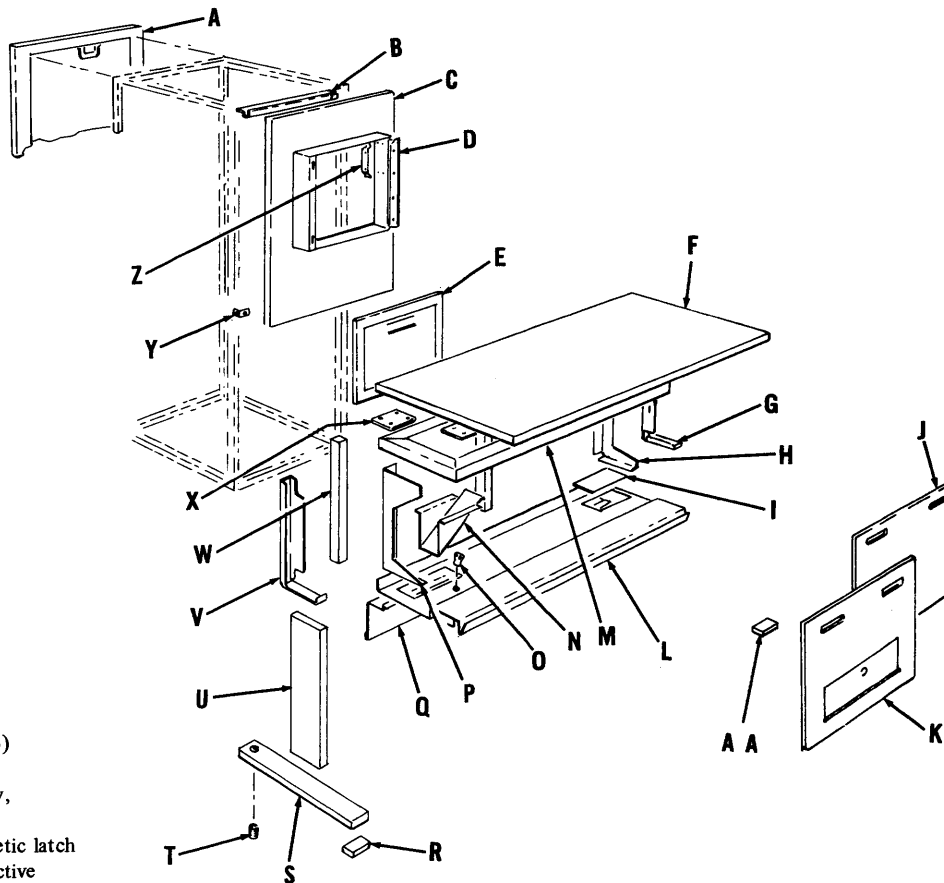
A	2205 7962	lamp board assembly includes B, C	H	2201 3700	solid state lamp, use: 2201 7750 mounting clip
B	2204 9027	connector (50 pin)	I	2201 3692	rotary switch, use: 1311 4483 washer
C	1111 8478	resistor (82.5 ohm, 1/4W)	J	2201 5911	bracket
D	2205 7954	switch board assembly, includes B, C, Z, AA	K	2201 5846	connector board assembly, includes L
E	2201 7768	toggle switch (SPDT) use: 2157 8042 switch cap	L	2204 9027	connector (50 pin)
F	2201 7966	pushbutton switch (SPDT)	M	2205 9463	rotary switch
G	2205 8424	pushbutton switch, use: 2157 0759 miniature lamp (387)			

PART NUMBERS CONTINUED ON NEXT PAGE

PART NUMBERS (PLATE 2) CONTINUED

N	2204 8516	toggle switch (4 PDT), use: 2157 8042 switch cap	X	2040 6740	spindle shaft, use: 2041 0411 bearing 1255 1909 ring 1101 8595 wavy washer 1127 7126 washer spring
O	2041 2516	connector, use: 2041 2524 connector contact 2041 2540 polarizing key	Y	2045 9384	capacitor (220 UF, 10V)
P	2040 5981	remote cable assembly, includes item O and 2040 6492 connect board	Z	1267 9395	resistor (42.2 ohm, ¼W)
Q	2205 4720	paddle handle toggle switch	AA	1111 8403	switch board bracket plate, use: 2204 3681 mounting bracket 1256 7723 lockwasher 1256 8010 washer 1256 5248 nut
R	2040 6286	button	AB	2205 7970	
S	2040 6047	bezel assembly, includes R, Y			
T	2205 4761	instrument knob			
U	2012 3493	instrument knob			
V	2040 8423	motor			
W	2047 9242	drag brake field kit			

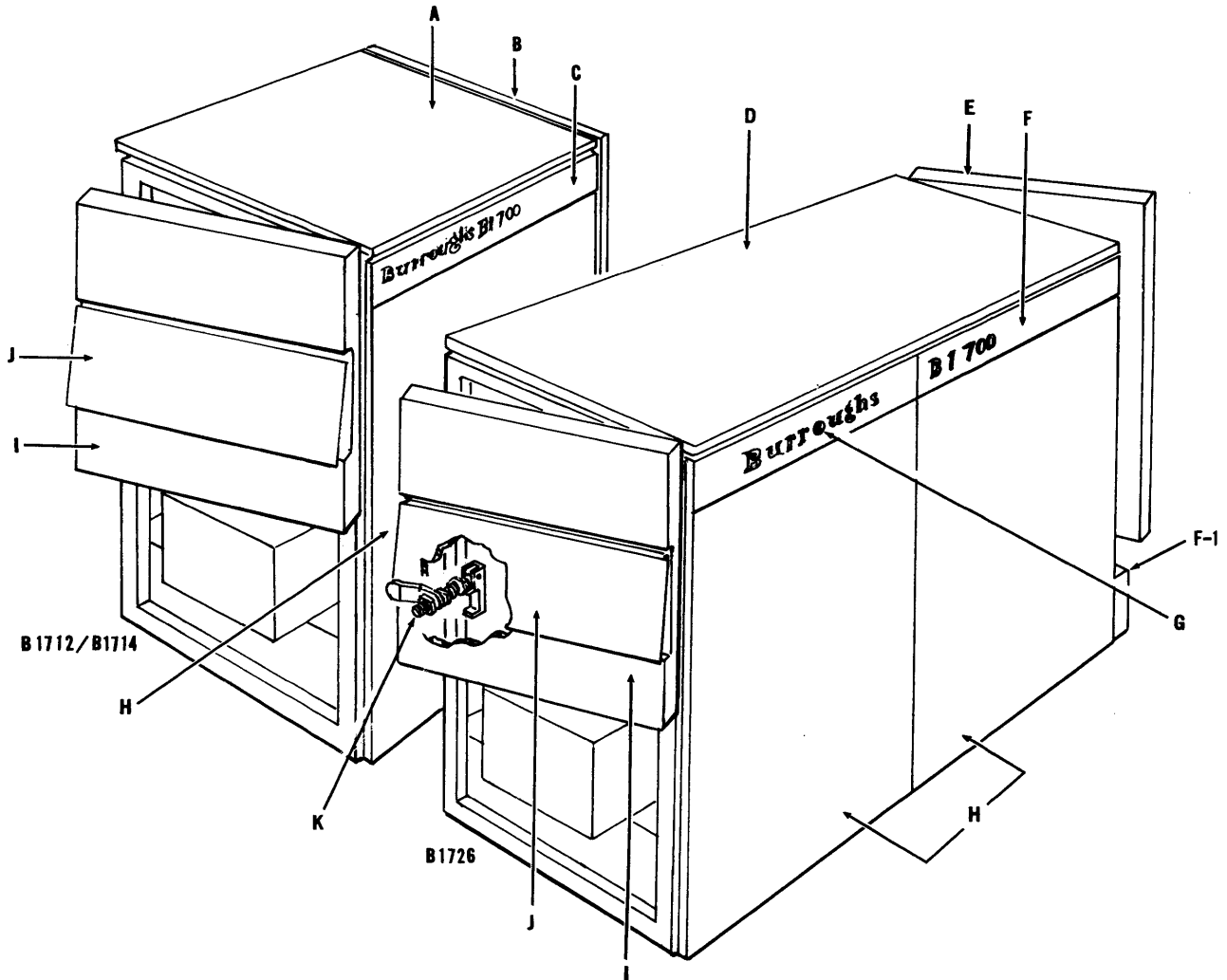
TABLE AND PANEL ASSEMBLY (PLATE 3)



PART NUMBERS (PLATE 3)

A	2204 3731	end skin assembly, includes: 1920 2662 magnetic latch 2205 4845 protective bumper 1923 6041 medallion (blue) 1128 5855 medallion plate 1907 7684 stud clip	G	2206 2996	bracket	P	2206 1899	bracket (left hand)
B	2205 8044	mounting angle	H	2206 1907	cable bracket (right hand)	Q	2206 1881	filler panel
C	2205 8028	panel over table 3	I	2206 2962	cover	R	2206 2079	protective bumper
D	2205 8051	console shadow trim, use: 2012 3121 magnetic catch	J	2206 1766	front panel assembly (right side)	S	2206 1709	table leg foot
E	2206 1741	rear panel assembly	K	2206 1774	front panel assembly (left side)	T	2206 1733	foot adjust screw
F	2204 5827	table top (walnut)	L	2206 1980	cable way bottom	U	2206 1691	table leg
	2207 9925	table top (white)	M	2206 1972	cable way top	V	2206 2988	bracket
			N	2205 8218	cable chute	W	2205 8226	table/frame spacer
			O	1907 8369	grounding terminal	X	2206 4299	table attach plate
						Y	2205 8036	panel mounting bracket
						Z	2205 8101	cassette mounting bracket
						AA	2205 8762	magnetic fastener

NEW STYLE CABINET PANELS (PLATE 4)



PART NUMBERS (PLATE 4)

A	2207 9875	top panel, gray 230 (B1712/B1714)
B	2204 3731	end panel assembly, includes: 1920 2662 magnetic latch 2205 4845 protective bumper 1923 6041 medallion 1128 5855 medallion plate 1907 7684 clip
C	2207 0825	"Burroughs B1700" identity strip
D	2209 5723	top panel, gray 230 (B1726)
E	2207 7788	end panel assembly, includes: magnetic catch and other items listed under B
F	2207 9867	"B1700" identity strip
√ F-1	2207 9180	control panel
G	2207 9859	"Burroughs" identity strip
H	2204 3699	side panel assembly, includes: magnetic latch & bumper listed under B
I	2207 7275	front door panel, gray 230
J	---	see PLATE 4-1 for control panel
K	2206 9835	door latch assembly



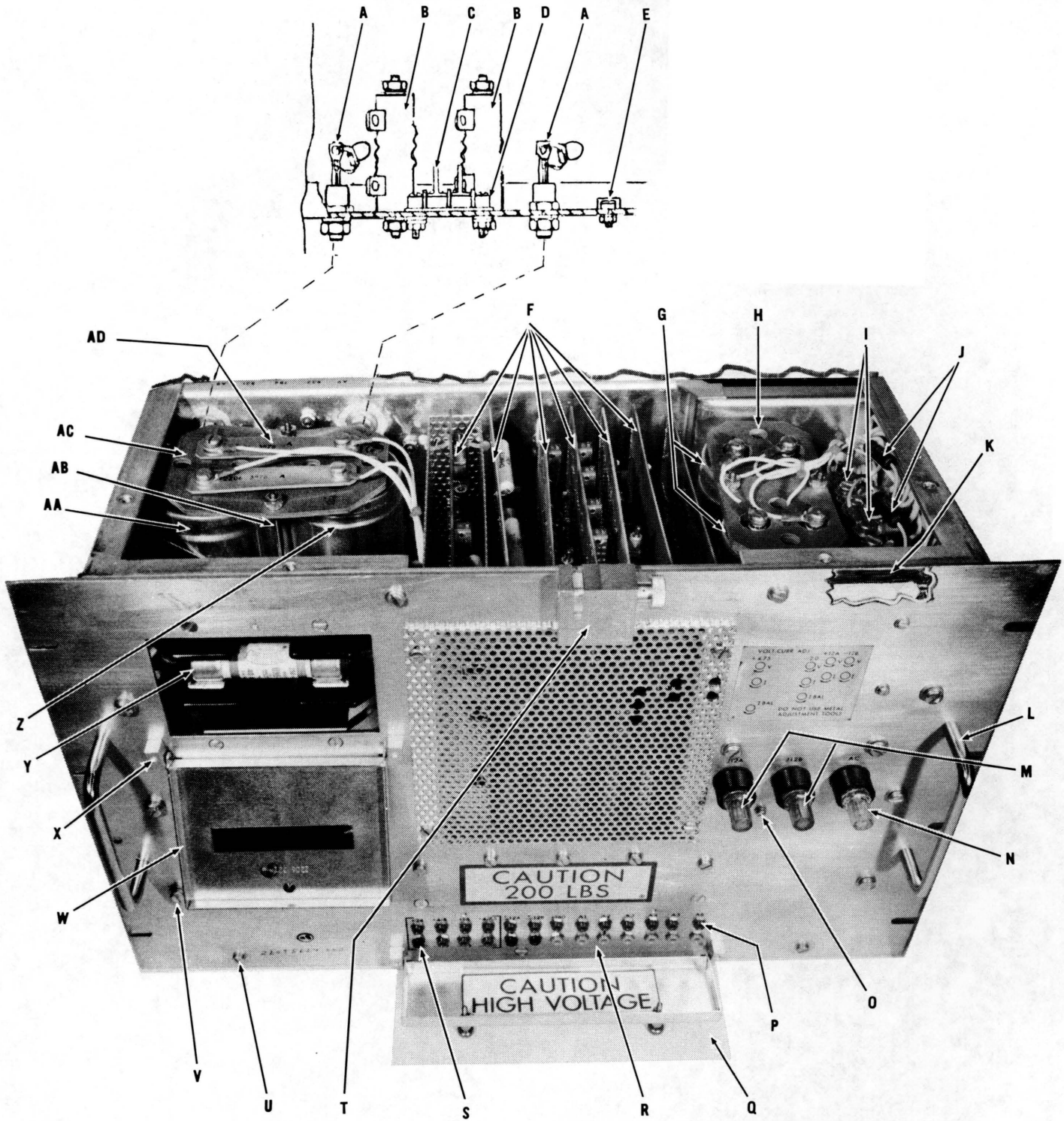
Reserved for future use.



## PART NUMBERS (PLATE 4-1)

	---	---	control panel-2
A	2207	6855	connector board assembly, includes: 2207 7986 connector board 2204 9027 connector, 50 pin 1103 9252 terminal lug 2206 7730 spacer
B	2204	9027	connector, 50 pin
C	2207	6657	lamp board assembly, includes: 2207 6517 lamp board 2204 9027 connector, 50 pin 2201 3700 lamp 1111 8478 resistor, 82.5 ohm, ¼W 1103 9252 terminal lug 2206 7730 spacer
D	1111	8478	resistor, 82.5 ohm, ¼W
E	2209	6358	switchboard assembly, includes: 2210 1042 switchboard 2205 4720 switch, toggle 1111 8403 resistor, 42.2 ohm, ¼W 1267 9395 capacitor, 220 uf, 10 VDC 2204 9027 connector, 50 pin 1103 9252 terminal lug
√ F	2201	7966	pushbutton switch, SPDT (includes white cap)
G	2207	6822	lamp board assembly, small, includes: 2207 6814 lamp board 2157 0759 lamp 1103 9252 terminal lug 1111 8478 resistor, 82.5 ohm, ¼W 1111 8403 resistor, 42.2 ohm, ¼W 2206 7730 spacer
H	2201	3692	rotary switch, use: 2206 7425 knob
I	2205	9463	rotary switch, use: 2206 7466 knob
√ J	2207	8778	switch assembly, On/Off, includes: 2208 4073 control switch
	<del>1064</del> 3366		<del>2157 0759</del> lamp, miniature (387) 2206 9256 cover
J-1	2157	0759	lamp
K	2201	3700	lamp
L	2205	4720	switch, toggle
M	2204	8516	switch, toggle, 4 P.D.T.
N	2206	7466	knob, for: 2205 9463 rotary switch
O	2206	7425	knob, for: 2201 3692 rotary switch
P	2201	7768	switch, toggle, S.P.D.T.
Q	2212	7591	control panel assembly
R	---	---	refer to CASSETTE PARTS CATALOG, Form 1062296, for part numbers

LOGIC POWER SUPPLY - 3 & 4 - FRONT VIEW (PLATE 5)



## PART NUMBERS (PLATE 5)

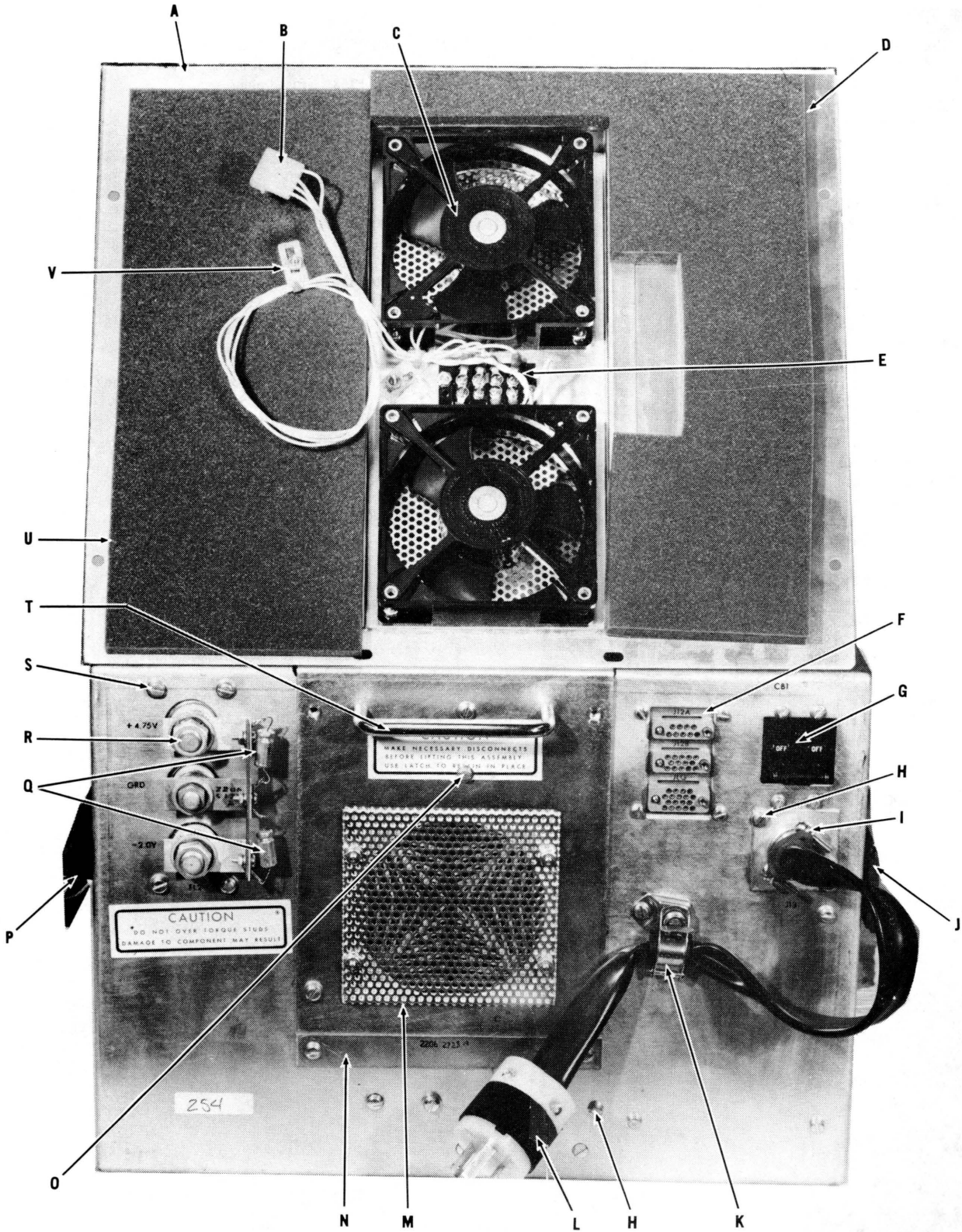
- \* 2207 9354 complete power supply-3 assembly (for B1712/B1714)  
 \* 2209 5624 complete power supply-4 assembly (for B1726)

A	2204 6825	rectifier (A8 & A9), use: 1114 8574 resistor, 100 ohm, ½W (R10 & R11) 1104 6455 capacitor, .005 uf, 1000V (C12 & C13)	M	1109 9520	fuse holder, use: 1110 2019 fuse, 15 amp
B	2204 7435	resistor, .16 ohm, 36W (R31 & R32), use: 2205 9653 threaded rod 1102 4247 terminal lug 1256 8036 washer 1257 4133 nut	N	1102 1268	fuse holder, use: 2208 6342 fuse, 4 amp
C	1140 8747	terminal lug	O	2206 7086	resistor, 300 ohm, 10W (R45 & R46), use: 1256 7996 washer 2205 5818 nut 1256 0413 screw
D	1103 4469	terminal block (TB4), use: 1102 6895 marker strip 1256 0900 screw 1256 8010 washer 1256 7723 lockwasher 1256 5248 nut	P	1111 5904	test jack, red
E	2012 6686	cable clamp, use: 1256 7731 lockwasher 1256 8036 washer 1256 1148 screw 1256 5263 nut 1112 0607 cable strap	Q	2206 3085	test jack cover
F	---	see PLATES 6 thru 6-8 for cards & related parts	R	1111 5946	test jack, orange
G	2300 3775	capacitor, 44,000 uf, 30V, (C32 & C33)	S	1111 5912	test jack, black
H	2204 3608	clamp, use: 2205 9638 threaded rod 1256 8036 washer 1256 7731 lockwasher 1256 5263 nut	T	2206 4414	latch assembly, includes: 2206 4380 knob 2206 4398 pin 2206 4406 socket 1101 7068 spring pin 1197 2643 compression spring, use: 1256 1155 screw 1256 8036 washer 1256 7731 lockwasher
I	1635 2262	capacitor, 2800 uf, 50V (C34 & C35), use: 2205 9604 threaded rod 1256 8036 washer 1256 7731 lockwasher 1256 5263 nut	U	1256 1122	screw, use: 1256 8036 washer 1256 7731 lockwasher
J	1100 3142	resistor, 100 ohm, 5W (R35 & R40)	V	1256 1460	screw, use: 1256 8051 washer 1256 7749 lockwasher
K	1100 7945	bridge rectifier (CR5), use: 1110 0542 screw 1256 7996 washer 2205 5818 nut	W	2206 3226	fuse cover
L	2208 5690	handle, use: 1256 1502 screw 1256 8051 washer 1256 7749 lockwasher	X	2206 3093	mounting block, use: 1256 0900 screw 1256 8010 washer 1256 7723 lockwasher
			Y	1634 8104	fuse, 40 amp
			Z	2300 3809	capacitor, 24,000 uf, 75V (C16)
			AA	2300 3817	capacitor, 16,800 uf, 75V (C118)
			AB	2205 9661	threaded rod, use: 1256 8036 washer 1256 7731 lockwasher 1256 5263 nut
			AC	2206 3937	clamp
			AD	2206 3978	jumper strap

✓ \*No new power supplies of this part number are available; check for availability of reworked assemblies. If reworked assemblies are not available, refer to RIN's R 0281-006 and -009 (1070281) (B1712/B1714) or R 0281-007 and -008 (1070281) (B1726) whichever is applicable.



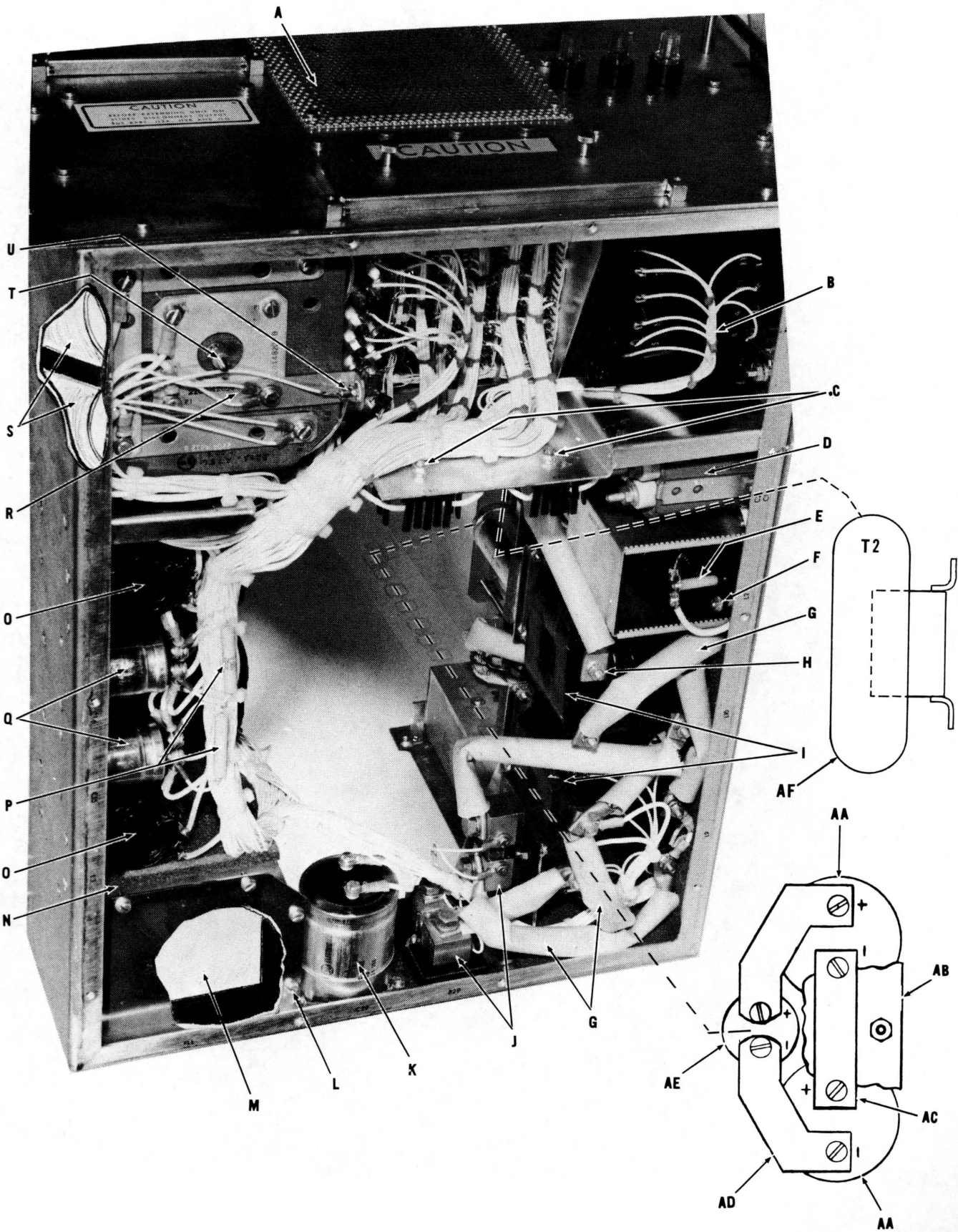
LOGIC POWER SUPPLY-3 & 4, REAR VIEW (PLATE 5-1)



## PART NUMBERS (PLATE 5-1)

A	2206 4612	top cover assembly, includes A thru E, U & V
B	1908 0456	connector (P8), use: 1908 0472 contact pin
C	1117 7813	fan, use: 1256 0884 screw 1256 7442 lockwasher 1256 8010 washer 1256 5248 nut
D	2206 5080	insulation
E	1103 4485	terminal block, use: 1256 0884 screw 1256 7442 lockwasher 1256 8010 washer 1472 7994 nut
F	---	see Plate 5-4, RFI FILTER ASSEMBLY
G	2205 4712	circuit breaker (20 amp), use: 1256 0884 screw 1256 7723 lockwasher 1256 8010 washer
H	1256 1122	screw, use: 1256 8036 washer 1256 7731 lockwasher 1256 5263 nut
I	2206 7334	cable clamp
J	2204 7088	slide (LH), use: 1255 5637 screw 1256 8051 washer 2205 5800 nut
K	2206 0776	cable clamp
√ L	2206 6237	connector (twist lock), use: 2206 6245 receptacle
M	2205 0116	shield for fan, use: 1256 5289 nut 1256 8051 washer 1256 7749 lockwasher
N	2206 2723	stop plate, use: 1256 0884 screw 1256 8010 washer 1257 4125 nut
O	1256 1106	screw, use: 1256 7731 washer
P	2204 7096	slide (RH) use same hardware as item J
Q	2204 7666	capacitor, 1000uF, 10VDC (C36 and C37)
R	2204 9589	output filter (FL2)
S	1256 1502	screw, use: 1256 8051 washer 2205 5800 nut
T	2208 5690	handle, use: 1256 1502 screw 1256 7749 washer
U	2206 5098	insulation
V	1112 0581	anchor tie, use: 1112 0599 cable strap and same hardware as item C

LOGIC POWER SUPPLY 3 & 4, BOTTOM VIEW (PLATE 5-2)

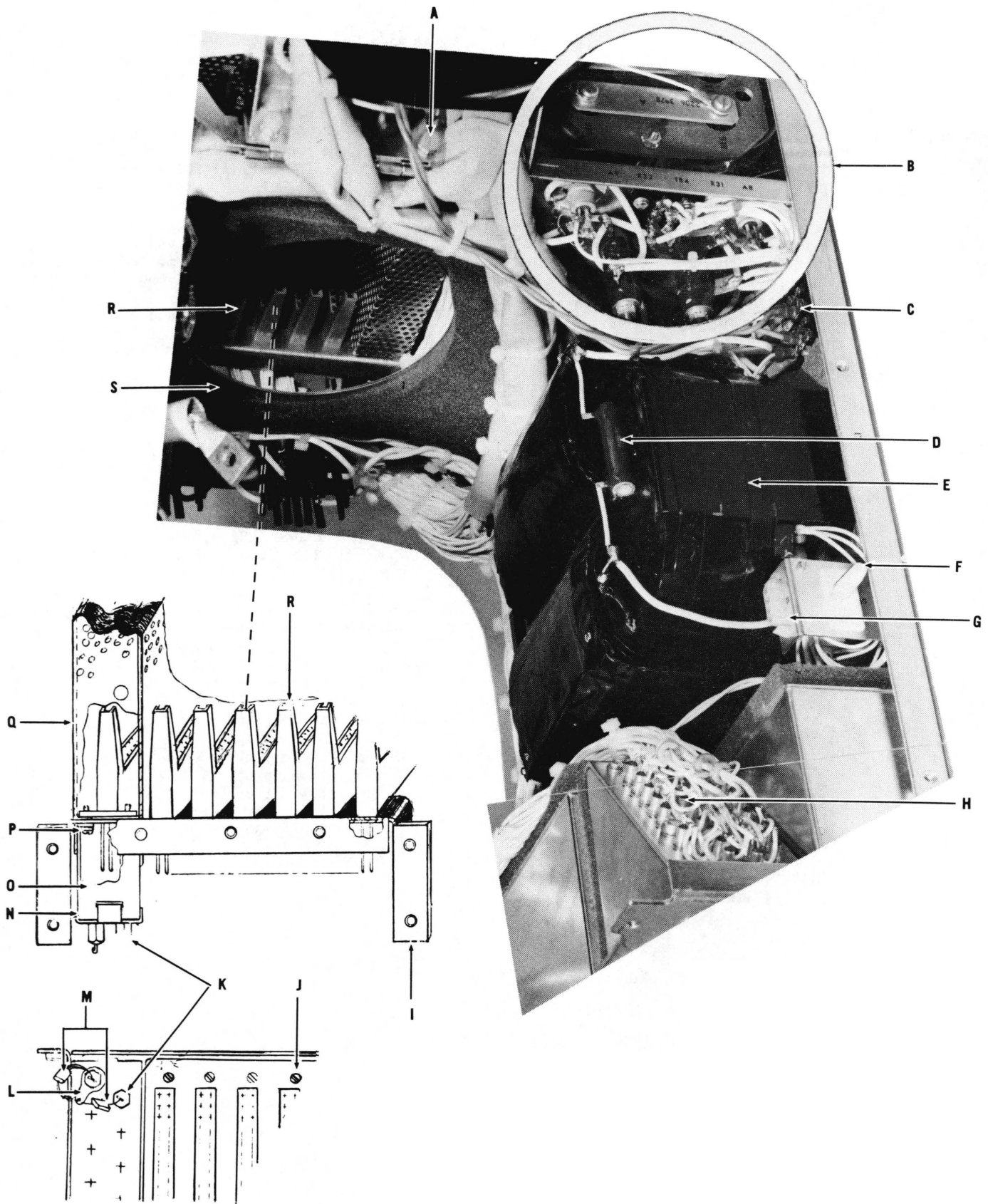




PART NUMBERS (PLATE 5-2)

- | A         | 2209 6218 | shield, use:<br>1256 1148 screw<br>1256 8036 washer<br>1257 4133 nut   | K        | 2207 0304 | capacitor, 34000uf (C29), use:<br>1255 5256 screw<br>1256 8036 washer<br>1257 4133 nut                                  |    |           |       |           |       |           |       |           |     |           |       |           |     |           |        |           |     |   |           |  |
|-----------|-----------|--|----------|-----------|---|----|-----------|-------|-----------|-------|-----------|-------|-----------|-----|-----------|-------|-----------|-----|-----------|--------|-----------|-----|---|-----------|--|
| B         | 2204 9563 | transformer (T1), use:<br>1255 5678 screw<br>1256 8051 washer<br>2205 5800 nut   | L        | 1256 1122 | screw, use:<br>1256 7731 lockwasher<br>1256 8036 washer   |    |           |       |           |       |           |       |           |     |           |       |           |     |           |        |           |     |   |           |  |
| C         | 2205 9182 | bridge rectifier (CR11 and CR13), use:<br>2206 4471 heatsink<br>1256 1510 screw<br>1256 8051 washer<br>2205 5800 nut   | M        | 2204 9571 | line filter (FL1), use:<br>screw L and related washers  |    |           |       |           |       |           |       |           |     |           |       |           |     |           |        |           |     |   |           |  |
| D         | 2204 7062 | capacitor (C1 & C2), use:<br>2205 9158 mounting bracket<br>1255 5272 screw<br>1256 8036 washer<br>1257 4133 nut  | N        | 2206 4752 | insulation  |    |           |       |           |       |           |       |           |     |           |       |           |     |           |        |           |     |   |           |  |
| E         | 2204 9548 | inductor 8.3 UH (L2)   | O        | 2204 9621 | choke, 2MH, 11A (L3 and L4) use hardware listed under K   |    |           |       |           |       |           |       |           |     |           |       |           |     |           |        |           |     |   |           |  |
| F         | 1257 4133 | nut, use:<br>1255 5306 screw<br>1103 8759 spacer<br>1256 8036 washer   | P        | 1100 3431 | resistor, 100 ohm, 10W (R42 & R43)  |    |           |       |           |       |           |       |           |     |           |       |           |     |           |        |           |     |   |           |  |
| G         | -----     | Jumper Cables:<br><br><table border="1"> <thead> <tr> <th>Part No.</th> <th>Length</th> </tr> </thead> <tbody> <tr><td>2206 4901</td><td>4"</td></tr> <tr><td>2206 4919</td><td>4.38"</td></tr> <tr><td>2206 4927</td><td>5.38"</td></tr> <tr><td>2206 4935</td><td>8.75"</td></tr> <tr><td>2206 4943</td><td>12"</td></tr> <tr><td>2206 4950</td><td>13.5"</td></tr> <tr><td>2206 4968</td><td>16"</td></tr> <tr><td>2206 4976</td><td>16.75"</td></tr> <tr><td>2206 4984</td><td>19"</td></tr> </tbody> </table> Use:<br>2206 0222 sleeving (.625) | Part No. | Length    | 2206 4901   | 4" | 2206 4919 | 4.38" | 2206 4927 | 5.38" | 2206 4935 | 8.75" | 2206 4943 | 12" | 2206 4950 | 13.5" | 2206 4968 | 16" | 2206 4976 | 16.75" | 2206 4984 | 19" | Q | 2204 7757 | capacitor, 850uf, 50V (C14 & C15), use:<br>hardware listed under K |
| Part No.  | Length    |  |          |           |   |    |           |       |           |       |           |       |           |     |           |       |           |     |           |        |           |     |   |           |  |
| 2206 4901 | 4"        |  |          |           |   |    |           |       |           |       |           |       |           |     |           |       |           |     |           |        |           |     |   |           |  |
| 2206 4919 | 4.38"     |  |          |           |   |    |           |       |           |       |           |       |           |     |           |       |           |     |           |        |           |     |   |           |  |
| 2206 4927 | 5.38"     |  |          |           |   |    |           |       |           |       |           |       |           |     |           |       |           |     |           |        |           |     |   |           |  |
| 2206 4935 | 8.75"     |  |          |           |   |    |           |       |           |       |           |       |           |     |           |       |           |     |           |        |           |     |   |           |  |
| 2206 4943 | 12"       |  |          |           |   |    |           |       |           |       |           |       |           |     |           |       |           |     |           |        |           |     |   |           |  |
| 2206 4950 | 13.5"     |  |          |           |   |    |           |       |           |       |           |       |           |     |           |       |           |     |           |        |           |     |   |           |  |
| 2206 4968 | 16"       |  |          |           |   |    |           |       |           |       |           |       |           |     |           |       |           |     |           |        |           |     |   |           |  |
| 2206 4976 | 16.75"    |  |          |           |   |    |           |       |           |       |           |       |           |     |           |       |           |     |           |        |           |     |   |           |  |
| 2206 4984 | 19"       |  |          |           |   |    |           |       |           |       |           |       |           |     |           |       |           |     |           |        |           |     |   |           |  |
| H         | 1256 1510 | screw, use:<br>1256 8051 washer<br>2205 5800 nut   | R        | 2204 4820 | link plate, use:  |    |           |       |           |       |           |       |           |     |           |       |           |     |           |        |           |     |   |           |  |
| I         | 2204 9522 | choke, 40UH, 200A (L9 & L10), use:<br>hardware listed under item A   | S        | 1635 2270 | capacitor, 5400uf, 200V (C3, C4, C5 & C6), use:<br>2204 4705 insulator plate<br>2204 4812 link strap<br>2204 3582 clamp |    |           |       |           |       |           |       |           |     |           |       |           |     |           |        |           |     |   |           |  |
| J         | 2204 7054 | shunt (R29 & R30)<br>1256 1155 screw<br>1256 8036 washer<br>1257 4133 nut  | T        | 2205 9513 | threaded rod, use:<br>1256 8051 washer<br>1256 7749 lockwasher<br>1256 5289 nut<br>1119 6748 spacer                     |    |           |       |           |       |           |       |           |     |           |       |           |     |           |        |           |     |   |           |  |
|           |           |  | U        | 2205 9414 | diode (CR27), use:<br>2206 4265 mounting link   |    |           |       |           |       |           |       |           |     |           |       |           |     |           |        |           |     |   |           |  |
|           |           |  | AA       | 2207 0304 | capacitor, 34000 uf (C24 & C25)   |    |           |       |           |       |           |       |           |     |           |       |           |     |           |        |           |     |   |           |  |
|           |           |  | AB       | 2204 3590 | clamp, use:<br>2205 9604 threaded rod<br>1256 8036 washer<br>1256 7731 lockwasher<br>1256 5263 nut                      |    |           |       |           |       |           |       |           |     |           |       |           |     |           |        |           |     |   |           |  |
|           |           |  | AC       | 2204 5041 | link strap  |    |           |       |           |       |           |       |           |     |           |       |           |     |           |        |           |     |   |           |  |
|           |           |  | AD       | 2204 5033 | link strap  |    |           |       |           |       |           |       |           |     |           |       |           |     |           |        |           |     |   |           |  |
|           |           |  | AE       | 2207 0312 | capacitor, 15000 uf (C26)   |    |           |       |           |       |           |       |           |     |           |       |           |     |           |        |           |     |   |           |  |
|           |           |  | AF       | 2206 5155 | transformer (T2), use:<br>1255 5686 screw<br>1256 8051 washer<br>2205 5800 nut  |    |           |       |           |       |           |       |           |     |           |       |           |     |           |        |           |     |   |           |  |

LOGIC POWER SUPPLY 3 & 4, TOP VIEW (PLATE 5-3)



## PART NUMBERS (PLATE 5-3)

A 2205 9976 nut cap, use:  
1257 4125 nut  
1256 8010 washer  
1255 4903 screw

B ---- ---- see PLATE 5 for part numbers

C 1103 4485 terminal block (TB2), use:  
1102 9378 marker strip  
1104 9533 jumper  
1255 4952 screw  
1256 8010 washer  
1257 4125 nut

D 2205 4662 resistor, 1500 ohm 20W (R12)

E 2204 9514 choke, 60 MH, 15A (L1), use:  
1255 5652 screw  
1256 8051 washer  
2205 5800 nut

F 1105 1893 switch (S1) use:  
2206 3622 mounting bracket  
1255 4903 screw  
1256 8010 washer  
1257 4125 nut  
1103 7066 terminal lug

G 1920 4114 connector (J8), use:  
1908 0464 contact socket

H ---- ---- see PLATE 5-4 for part numbers

I 2206 4349 card housing

J 1142 8984 screw

K 2204 7013 capacitor, .01uf, 500V

L 1103 7082 terminal lug

M 1907 8831 capacitor, .1uf, 50V

N 2204 1925 shield cover

O 2204 1917 shield base

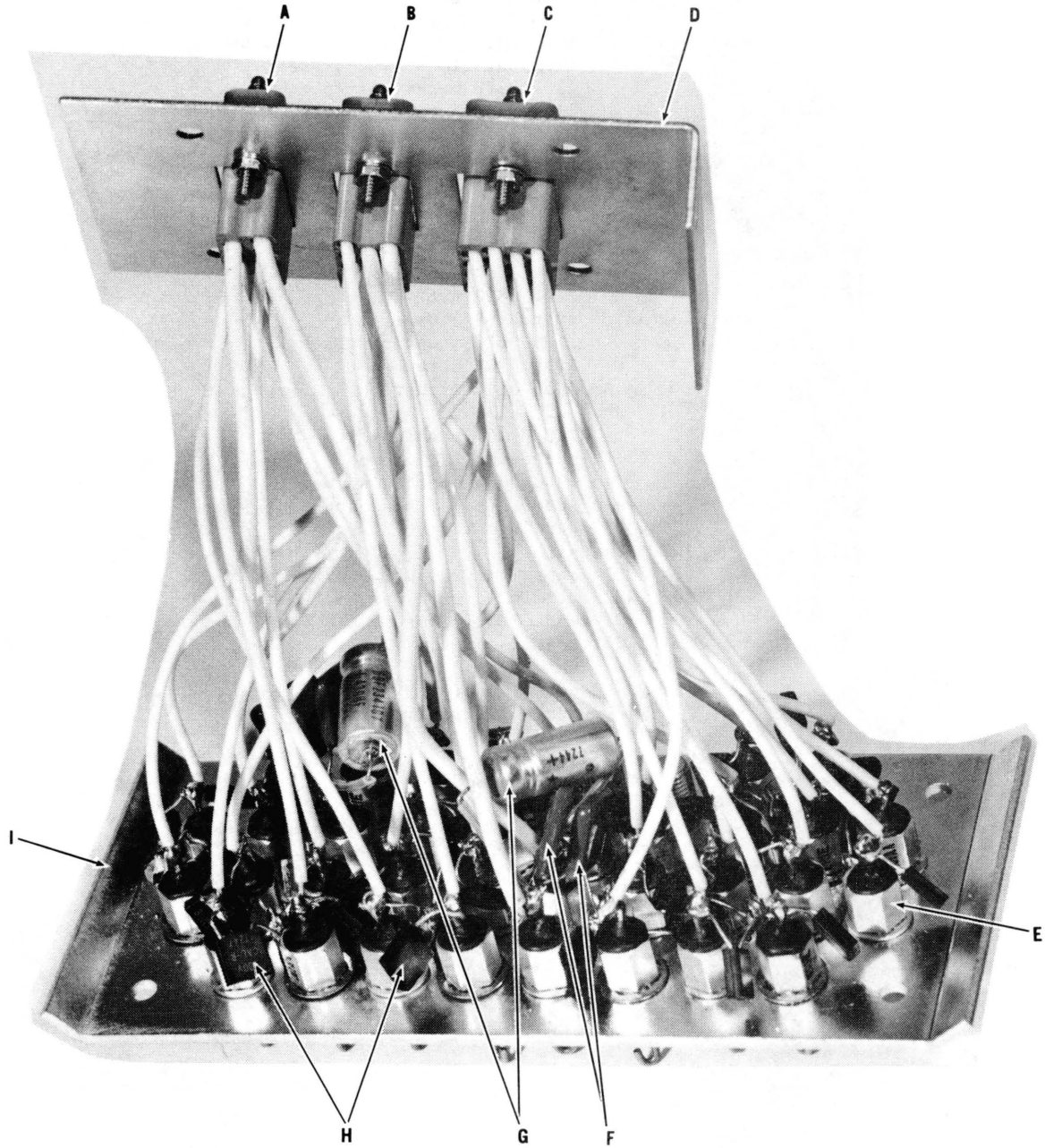
P 1256 0371 screw, use:  
1256 7707 lockwasher

Q 2209 7430 card shield

R 1901 1204 connector, 50 pin, use screw J

S 2206 4786 insulation

LOGIC POWER SUPPLY 3 & 4, RFI FILTER ASSEMBLY (PLATE 5-4)

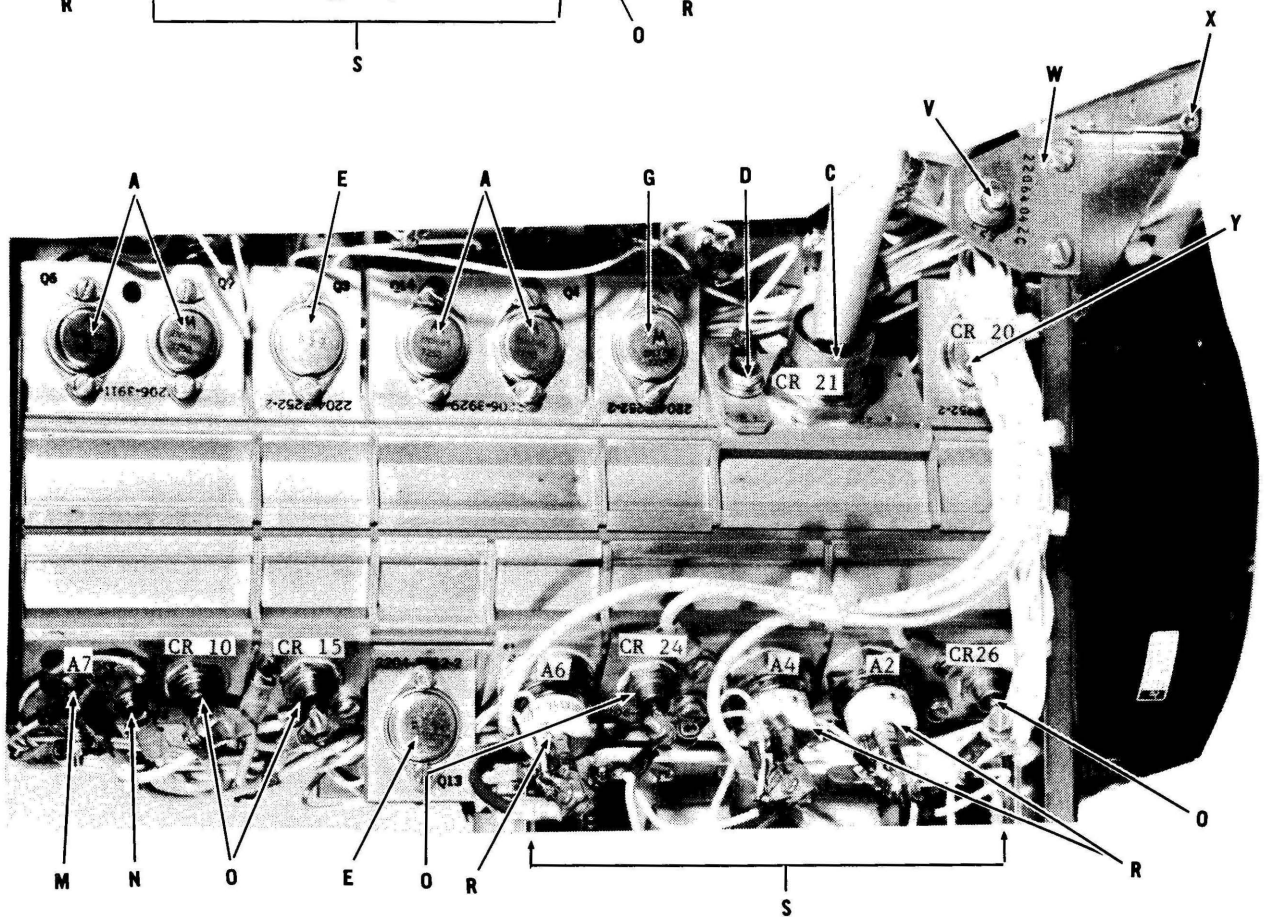
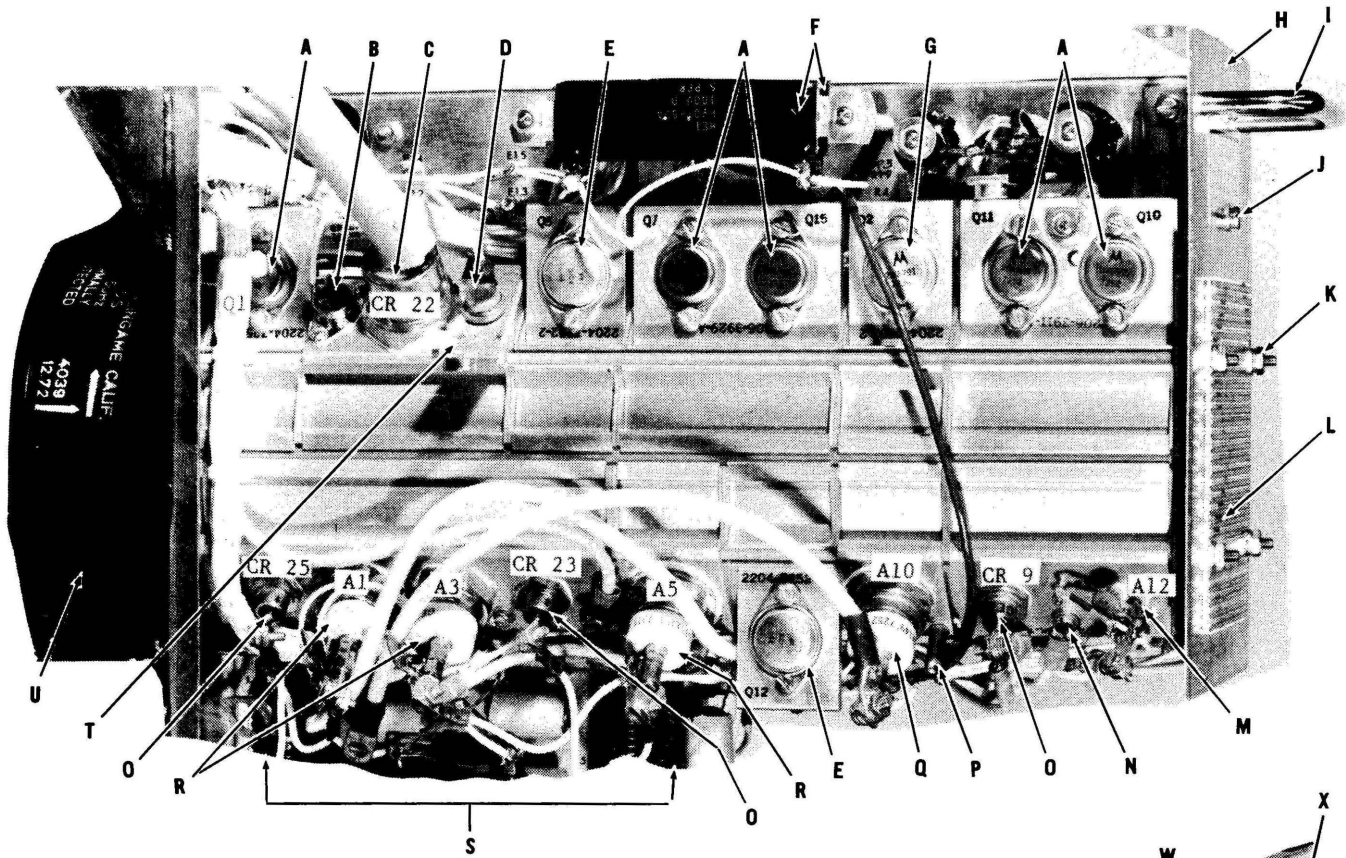


PART NUMBERS (PLATE 5-4)

	2206 4257	complete RFI filter assy. (for B1712/B1714) includes A thru I
	2209 6143	complete RFI filter assy. (for B1726) includes A thru I
√ *A	2205 5354	connector (J12A), use: 2206 9413 mating connector
√ *B	2205 5362	connector (J12B), use: 2205 5396 mating connector
√ *C	2205 5370	connector (JLG), use: 2205 5404 mating connector
		connectors A, B & C, use: 1180 5058 contact pins (female)
D	2206 4034	mounting plate, use: 1256 0884 screw 1256 7723 lockwasher 1256 8010 washer
E	2204 7013	capacitor, .01uF, 500V
F	1907 8765	capacitor, 2.2uF, 100V
G	2204 7690	capacitor, 430uF, 30V
H	2200 0905	capacitor, .1uF
I	2206 5692	cover (for B1712/B1714) } use:
	2209 6168	cover (for B1726) } 1257 1220 screw 1256 7764 lockwasher

\* Mounting hardware is supplied with connector

LOGIC POWER SUPPLY 3 & 4, HEAT SINK ASSEMBLY (PLATE 5-5)



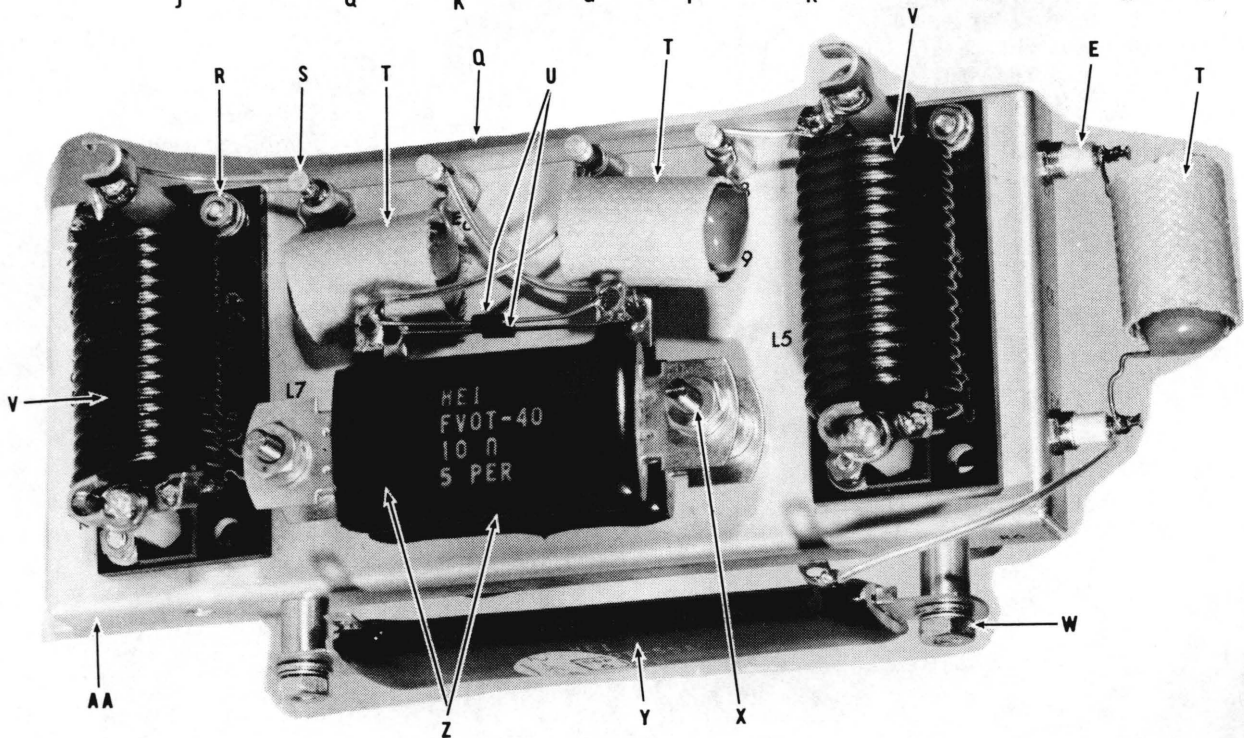
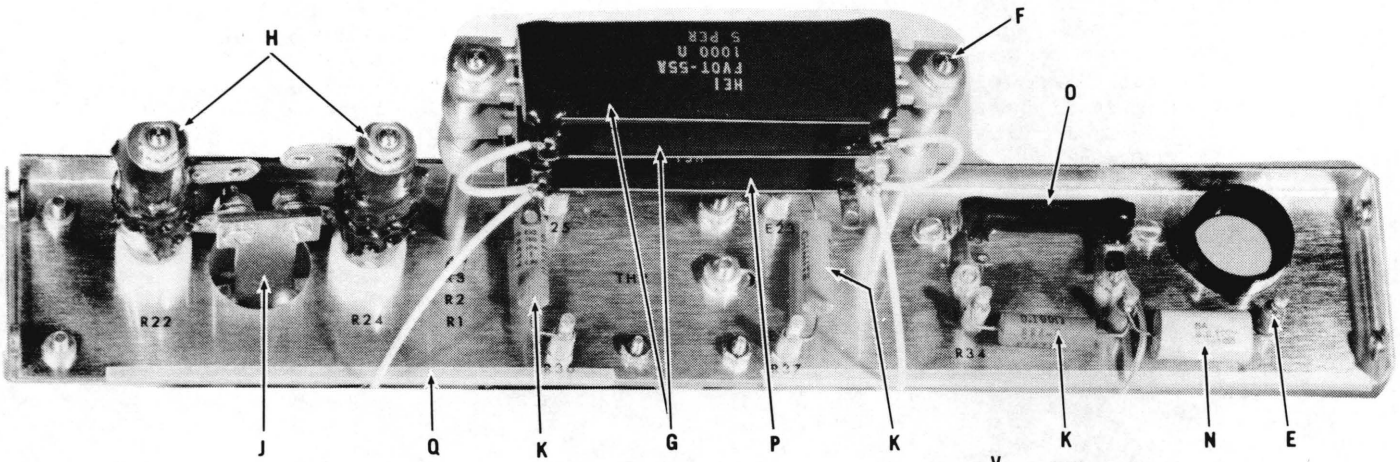
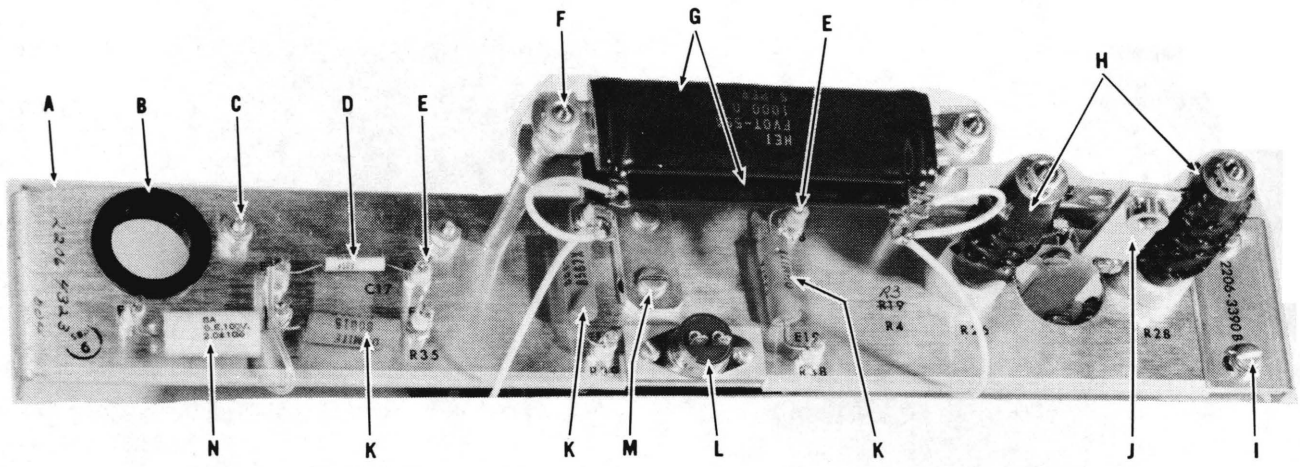
## PART NUMBERS (PLATE 5-5)

2206 4489 complete assembled heat sink,

A	2204 9407	transistor 2N5685 (Q1, Q4, Q6, Q7, Q9, Q10, Q11, Q14, Q15) use: 1256 0900 screw 1256 7723 lockwasher 1256 0876 screw 1256 5248 nut 1180 5058 contact pin (female)	N	1256 1098	screw, use: 1256 7731 lockwasher
B	2206 7490	thermostat, use: 1256 0843 screw 1256 7442 lockwasher	O	2204 9613	rectifier DO-5 (CR9, CR10, CR15, CR23, CR24, CR25 & CR26) use: 1256 1122 screw 1256 7731 lockwasher 1256 5263 nut
C	2205 4886	rectifier (CR21 and CR22)	P	2206 0297	standoff terminal
D	1256 6089	screw, use: 1256 8093 washer 1256 7483 lockwasher	Q	2205 4696	rectifier, SCR C45U (A10) use: 1114 8574 resistor 100 ohm 1/2 W 2200 0921 capacitor 1.0 uf, 50V 1103 7082 solder terminal 1256 1486 screw 1256 7467 lockwasher 1256 5289 nut
E	1116 6527	transistor type AQ (Q3, Q5, Q12 & Q13) 1184 6086 socket 2205 9828 solder terminal and hardware listed under item A	R	2204 6809	rectifier (A1, A2, A3, A4, A5 & A6) use: 1114 8574 resistor 100 ohm, 1/2 W 1104 6455 capacitor .005uf, 1000 V and hardware listed under item Q
F	-----	see PLATE 5-6 for upper component bracket assy.	S	-----	see PLATE 5-6 for lower component bracket assy.
G	1700 9523	transistor 2N3791 (Q2 & Q8) use: hardware listed under A, plus 2205 9828 solder terminal 1184 6086 socket	T	2206 3283	link
H	2206 2715	plate	U	2204 8128	fan, use 1256 7731 lockwasher 1256 1122 screw
I	2208 5690	handle, use: 1256 1502 screw 1256 7749 lockwasher	V	1256 6105	screw, use: 1256 8093 washer 1256 5404 nut
J	1256 1106	screw, use: 1256 7731 lockwasher	W	2206 4042	insulator connector
K	1256 5289	nut, use: 1256 8093 washer 1256 7483 lockwasher	X	2206 3531	hinge, use: 1255 4929 screw 1256 7723 lockwasher 1256 5248 nut 2205 9976 nut cap
L	2205 0116	shield	Y	2204 6924	diode IN2823B (CR20), use: hardware listed under item A, plus: 2209 6465 socket 1256 7970 washer 1256 0157 screw 1256 7681 lockwasher
M	2204 6833	rectifier 16 RC 6008 (A7 & A12) use: 1103 7066 terminal lug 1104 6455 capacitor .005uf, 1000V 1900 4126 resistor 10 ohm 1/2 W 1256 0876 screw 1256 7442 lockwasher 1256 5248 nut 1119 5070 standoff terminal			



LOGIC POWER SUPPLY 3 & 4, UPPER AND LOWER COMPONENT BRACKET ASSEMBLIES (PLATE 5-6)





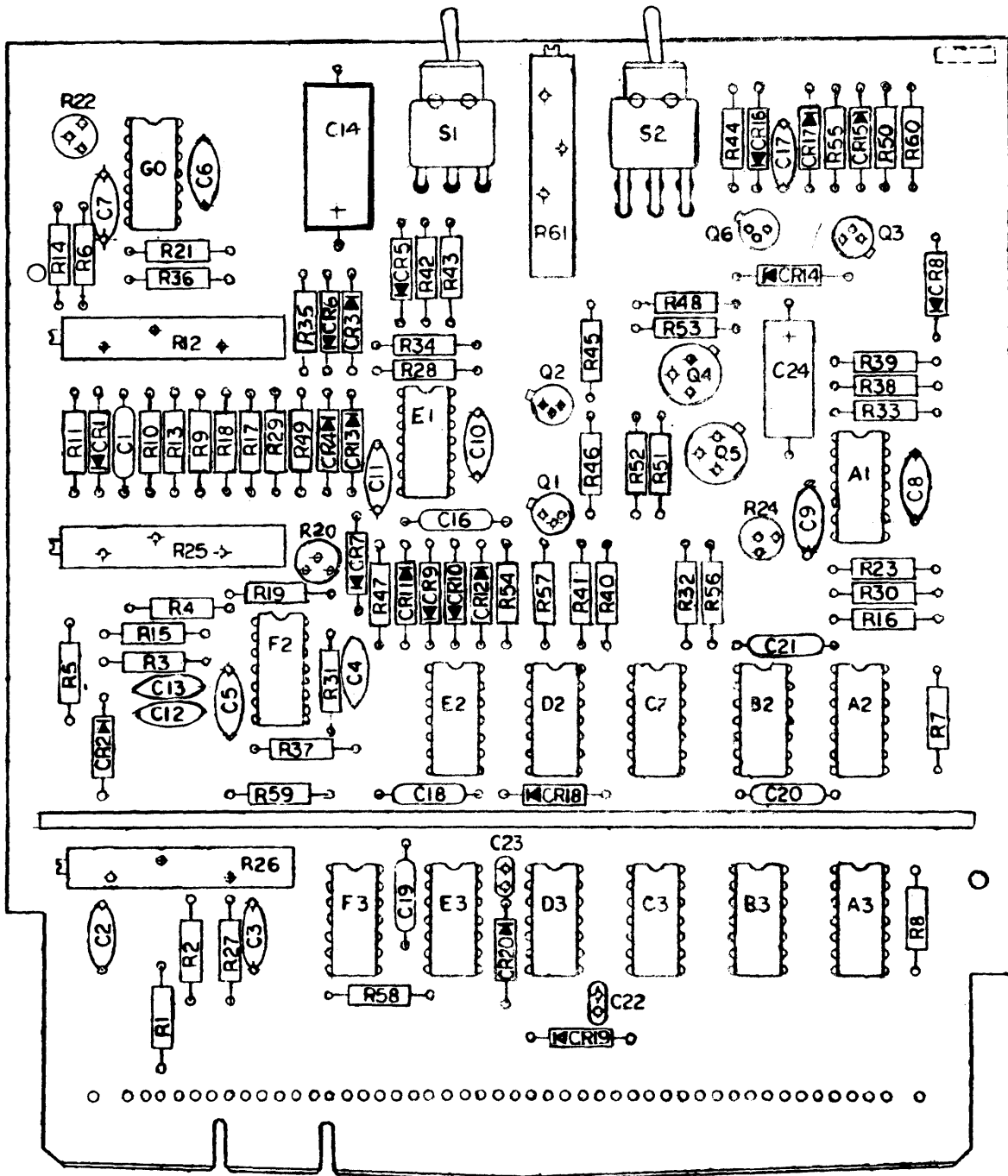
## PART NUMBERS (PLATE 5-6)

A	2206 4323	upper component Bracket Assembly, includes B thru Q	M	2206 4240	latch, use hardware listed under I, plus 1256 5263 nut
B	1107 5504	nylon bushing	N	2204 7807	capacitor 2.0uf, 100 V (C77 & C116)
C	1256 0884	screw, use: 1256 8010 washer 1256 7442 lockwasher 1256 5248 nut	O	2204 7518	resistor 50 ohm, 12 W (R17)
D	1101 5682	capacitor 25uf, 50 V (C17)	P	2204 7286	resistor 7.5 ohm, 55 W (R19)
E	2206 6252	terminal, use: 1256 5206 nut	Q	1110 0823	nylon insulator strip
F	2205 9620	threaded rod, use: 1103 8734 spacer 1256 8036 washer 1256 7459 lockwasher 1256 5263 nut 1117 5866 spacer	R	1762 8165	nut, use: 1256 7442 lockwasher 1256 8010 washer 1256 0884 screw
G	2204 7302	resistor 1K ohm, 55 W (R1, R2, R3, R4)	S	2206 6377	insulated terminal
H	2204 7419	resistor .02 ohm, 36 W (R22, R24, R26, R28), use: 2205 9638 threaded rod 1256 5263 nut 2205 9372 washer	T	2205 9711	capacitor 0.1uf, 600 V (C7, C8, C9, C10, C11)
I	1255 5256	2205 9364 insulator bushing screw, use: 1256 8036 washer 1256 7459 lockwasher	U	2201 8584	rectifier A114A (CR1, CR2, CR3, CR4)
J	2206 3200	bus bar, use hardware listed under item C, plus 2157 5238 solder terminal lug	V	2204 9555	inductor 2.1 UH (L5, L6, L7, L8) includes hardware
K	2205 4639	resistor .1 ohm, 5 W (R34, R35, R36, R37, R38, R39)	W	1256 1155	screw, use: 1256 5263 nut 1256 7459 lockwasher 1256 8036 washer
L	2206 7490	thermostat (th2), use 2206 4679 heat sink 1256 0371 screw 1256 7996 washer 1256 7426 lockwasher 1256 5206 nut	X	2205 9679	threaded rod, use hardware listed under item F
			Y	2204 7294	resistor 25 ohm, 55 W (R6)
			Z	1900 3565	resistor 10 ohm 40 W (R5, R7, R8, R9)
			AA	2206 4331	lower component bracket assy., includes R thru Z

LOGIC POWER SUPPLY 3 & 4 CARD CHART (PLATE 6)

POWER SUPPLY PART NO. →	*	2207 9354	2209 5624
	Early Style B1712/B1714	Current B1712/B1714	Current B1726
CARD ASSY. PART NUMBER			
VCO Timing Card	2206 2251	2206 2251	2209 6036
Gate Driver Card	**	2207 8380	2207 8380
-160 Volt Regulator Card	***	2207 9370	2207 9370
Control Supply Voltage Card	2206 2269	2206 2269	2206 2269
-2 Volt Shunt Card	2206 2293	2206 2293	2209 6192
+12 Volt Card	2206 2285	2206 2285	2206 2285
-12 Volt Card	2206 2285	2206 2285	2206 2285
*Part number for early style power supply is obsolete and replaced by 2207 9354.			
**Gate Driver Card 2206 2277 is no longer available. It is replaced by Gate Driver Card 2207 8380 and Document Package 1060837 (which outlines wiring changes required).			
***Use 2207 9370 when replacement of former card is necessary.			

VCO TIMING CARD ASSEMBLY (PLATE 6-1)  
FOR B1726



## PART NUMBERS (PLATE 6-1)

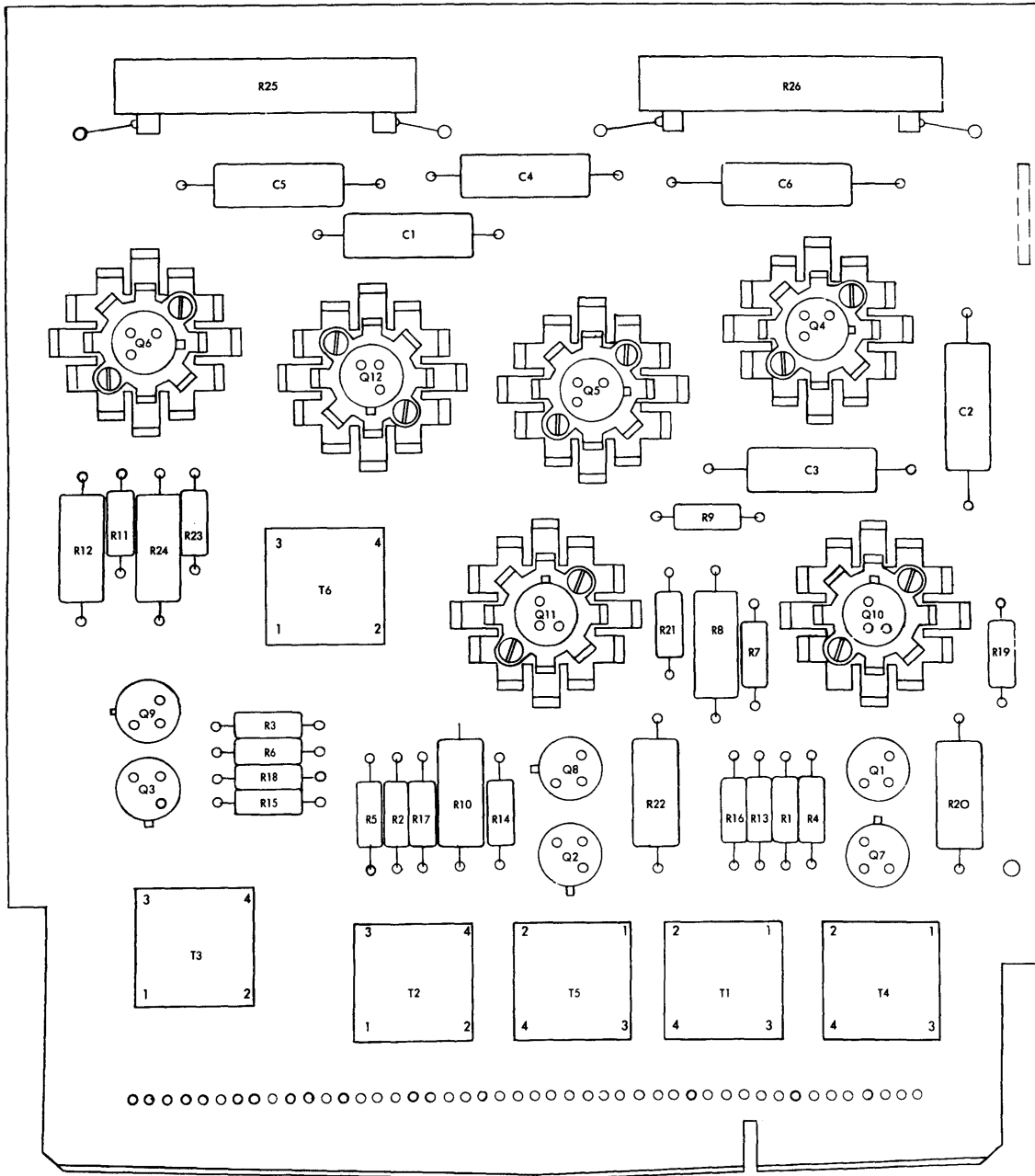
\* 2209 6036 Complete timing card assembly for B1726

DESCRIPTION	SCHEMATIC DESIGNATION	PART NUMBER
<u>CAPACITORS</u>		
.0058uf. 100V	C16	2206 6997
.005uf. 50V	C22,23	2204 7583
.039uf. 100V	C18	2206 7011
.01uf. 100V	C1,19,20,21	2206 7003
.1uf. 50V	C2,3,12,13	2200 0905
1.0uf. 50V	C4 thru C11	2200 0921
2.2uf. 25V	C17	1119 6680
3.3uf. 35V	C24	1101 5278
430uf. 30V	C14	2204 7690
<u>DIODES</u>		
LVA4-7V	CR14,CR22	2204 6981
1N753A	CR1,4	1126 3241
1N756A	CR15	1126 3258
1N4448	CR2,3,5 thru 13, 16 thru 20, and 21	2208 6011
<u>RESISTORS</u>		
7.5 ohm $\frac{1}{2}$ W	R36	2208 4701
10 ohm $\frac{1}{2}$ W	R1,R2	1117 9389
69.8 ohm $\frac{1}{2}$ W	R56	1268 7885
100 ohm $\frac{1}{2}$ W	R52	1114 8574
133 ohm $\frac{1}{2}$ W	R59	1114 8608
147 ohm $\frac{1}{2}$ W	R11	1114 8616
196 ohm $\frac{1}{2}$ W	R54,57	1114 8640
215 ohm $\frac{1}{2}$ W	R58	1114 8657
383 ohm $\frac{1}{2}$ W	R10	1114 8723
511 ohm $\frac{1}{2}$ W	R9,40	1114 8756
825 ohm $\frac{1}{2}$ W	R35	1114 8806
1K. ohm $\frac{1}{2}$ W	R3-R8,18,31,32, 33	1114 8822
1.33K ohm $\frac{1}{2}$ W	R41	1114 8855
1.47K ohm $\frac{1}{2}$ W	R27,44,49	1114 8863
2K ohm $\frac{1}{2}$ W	R34	1114 9432
2.26K ohm $\frac{1}{2}$ W	R17	1900 1213
2.49K ohm $\frac{1}{2}$ W	R30	1268 8479
2.74K ohm $\frac{1}{2}$ W	R13	1268 8495
3.01K ohm $\frac{1}{2}$ W	R53	1114 9366
4.22K ohm $\frac{1}{2}$ W	R39	1114 8970
6.8 K ohm $\frac{1}{2}$ W	R55	1114 9465
6.98K ohm $\frac{1}{2}$ W	R47	1127 9585

DESCRIPTION	SCHEMATIC DESIGNATION	PART NUMBER
7.5 K ohm $\frac{1}{2}$ W	R60	1114 9036
10K ohm $\frac{1}{2}$ W	R43,48,51,63	1114 9069
14.7K ohm $\frac{1}{2}$ W	R46	1114 9101
16.9K ohm $\frac{1}{2}$ W	R42	1268 8685
20K ohm $\frac{1}{2}$ W	R15,19	1114 9473
22.1K ohm $\frac{1}{2}$ W	R38	1268 8735
24.9K ohm $\frac{1}{2}$ W	R37,62	1268 8743
28.7K ohm $\frac{1}{2}$ W	R29	1114 9176
51.1K ohm $\frac{1}{2}$ W	R45	1114 9234
90.9K ohm $\frac{1}{2}$ W	R16,23	1114 9291
100K ohm $\frac{1}{2}$ W	R14,21,28	1114 9309
499K ohm $\frac{1}{2}$ W	R50	1268 9493
<u>VARIABLE RESISTORS</u>		
1K ohm	R25,26	2208 3976
2K ohm	R12	2208 3984
10K ohm	R20,22,24	2005 6925
10K ohm	R61	2208 4008
<u>TRANSISTORS</u>		
TYPE AR	Q4,Q7	1116 6535
TYPE AT	Q2,Q3,Q6	1120 0482
TYPE BA	Q1	1123 7336
TYPE CK	Q5	2204 9431
<u>SWITCHES</u>		
TOGGLE, SPDT	S1	2205 4837
TOGGLE, DPDT	S2	2208 4909
<u>PACKAGES</u>		
AMPL. OPER. DUAL	A1,E1,G0,F2	1907 7726
BA-N	A3,B3,C2,C3, D3,E2	1123 9092
FA-O	D2	1123 9100
IA-N	A2,B2,E3	1123 9050
TAON	F3	1901 7102

\*Component part numbers for VCO Timing Card used on B1712/B1714 are shown on Plate 6-7

GATE DRIVER CARD ASSEMBLY (PLATE 6-2)

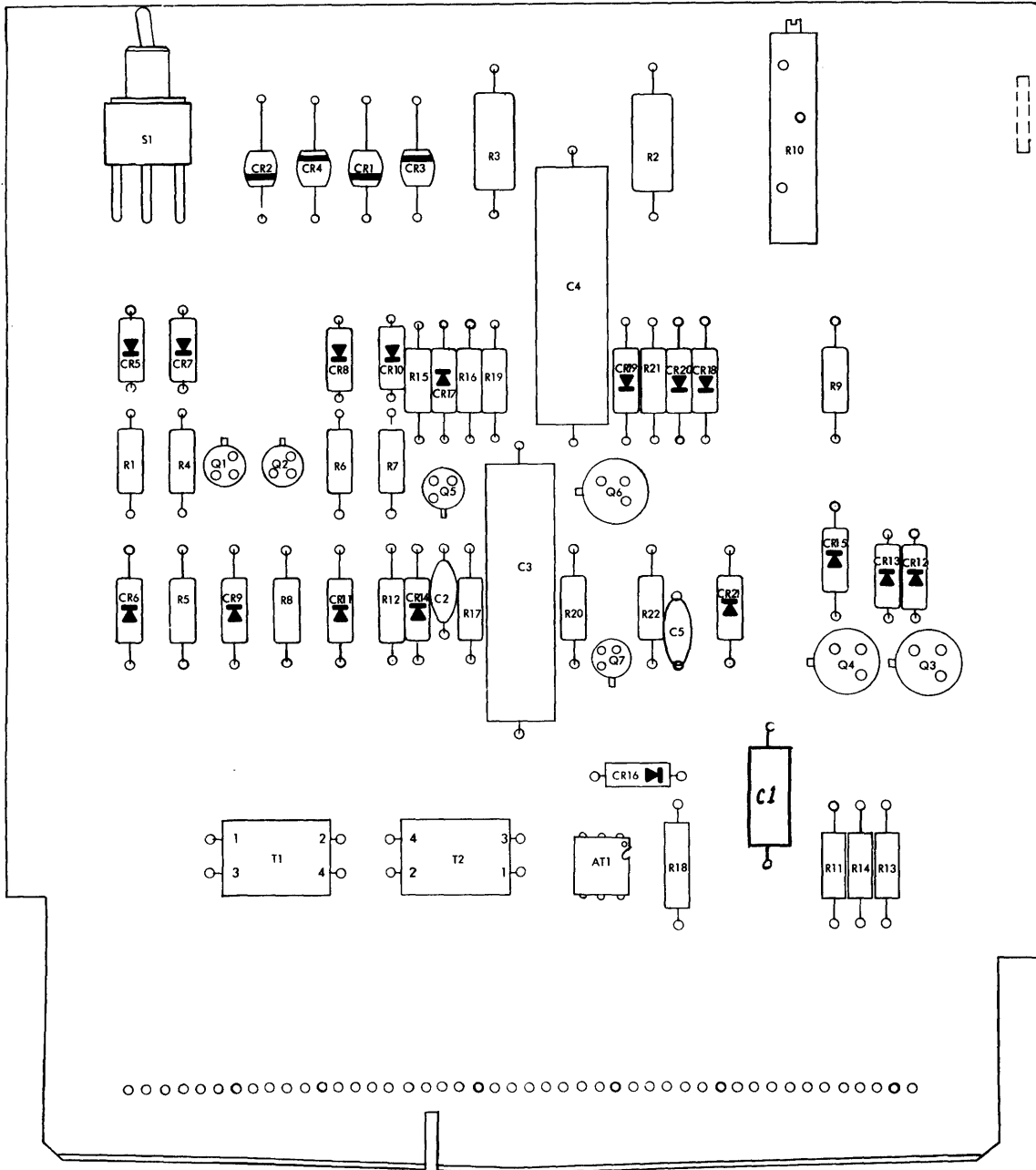


## PART NUMBERS (PLATE 6-2)

2207 8380 Complete gate driver card assembly

DESCRIPTION	SCHEMATIC DESIGNATION	PART NUMBER
<u>CAPACITORS</u>		
.47uf 100V	C5,6	2204 7815
200uf 30V	C1,2,3,4	2204 7716
<u>RESISTORS</u>		
15 ohm 11W	R25,26	2206 6542
51.1 ohm ½W	R9,11,19,21,23	1114 8509
90 ohm 3W	R8,10,12,20,22 24	1196 5456
169 ohm ½W	R1,2,3,13,14,15	1268 8081
402 ohm ½W	R4,5,6,16,17,18	1268 8255
<u>TRANSISTORS</u>		
TYPE CH	Q1,2,3,7,8,9	2204 9415
TYPE CJ	Q4,5,6,10,11,12	2204 9423
<u>TRANSFORMER</u>		
PULSE	T1 thru T6	2204 9498

-160 VOLT REGULATOR CARD ASSEMBLY (PLATE 6-3)



PART NUMBERS (PLATE 6-3)

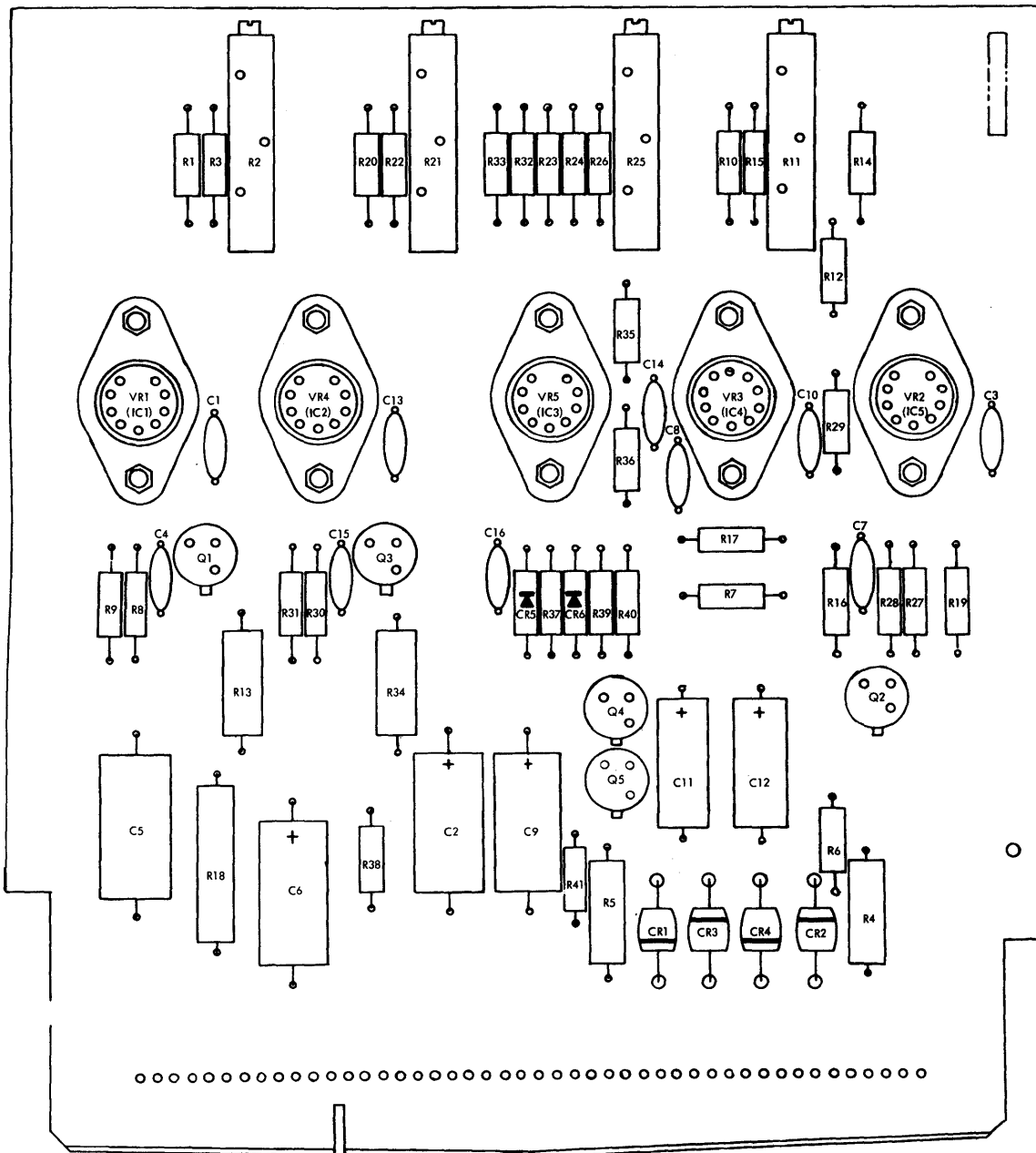
2207 9370 complete -160 volt regulator assembly

DESCRIPTION	SCHEMATIC DESIGNATION	PART NUMBER
<u>CAPACITORS</u>		
. .1uf. 25V	C5	1196 6587
.082uf. 50V	C2	2300 5812
.68uf. 200V	C1	2204 7799
100uf. 50V	C3,4	2011 1829
<u>DIODES</u>		
RECT. A14D	CR1 thru CR4	2204 6999
LVA 47A	CR15,17	2204 6981
1N3027B	CR11	2204 6908
1N3030B	CR6,9,21	2204 6916
1N4448	CR5,7,8,10,12,13, 14,16,18,19,20	2208 6011
<u>RESISTORS</u>		
100 ohm ½W	R4,7	1114 8574
215 ohm ½W	R21	1114 8657
1K ohm ½W	R5,8,9	1114 8822
1.15K ohm ½W	R15	1907 9359
1.3K ohm 3W	R18	1196 5860
4.7K ohm ½W	R16	1114 9457
6.8K ohm ½W	R1,6	1114 9465
5K ohm 3W	R2,R3	1196 6041
9.09K ohm ½W	R17	1114 9051
12.1K ohm ½W	R12	1114 9085
34.8K ohm ½W	R14	1114 9192
38.3K ohm ½W	R13	1114 9200
51K ohm ½W	R11	1114 9234
71.5K ohm ½W	R19	1900 1239
100K ohm ½W	R22	1114 9309
162K ohm ½W	R20	1114 9382
<u>TRANSISTORS</u>		
TYPE AR	Q3,4,6	1116 6535
TYPE AT	Q5,7	1120 0482
TYPE CL	Q1,2	2204 9464
* OPT. ISOLATOR	AT1	2201 4260
<u>TRANSFORMER</u>		
PULSE	T1,T2	2204 9506
<u>VARIABLE RESISTOR</u>		
1K ohm	R10	2200 0954
<u>SWITCH</u>		
TOGGLE-D.P.D.T.	S1	2201 8394

\*Use part number 2204 9597 for Optical Isolator (AT1) on early style -160 volt regulator cards (former part number 2206 2483).



CONTROL SUPPLY CARD ASSEMBLY (PLATE 6-4)



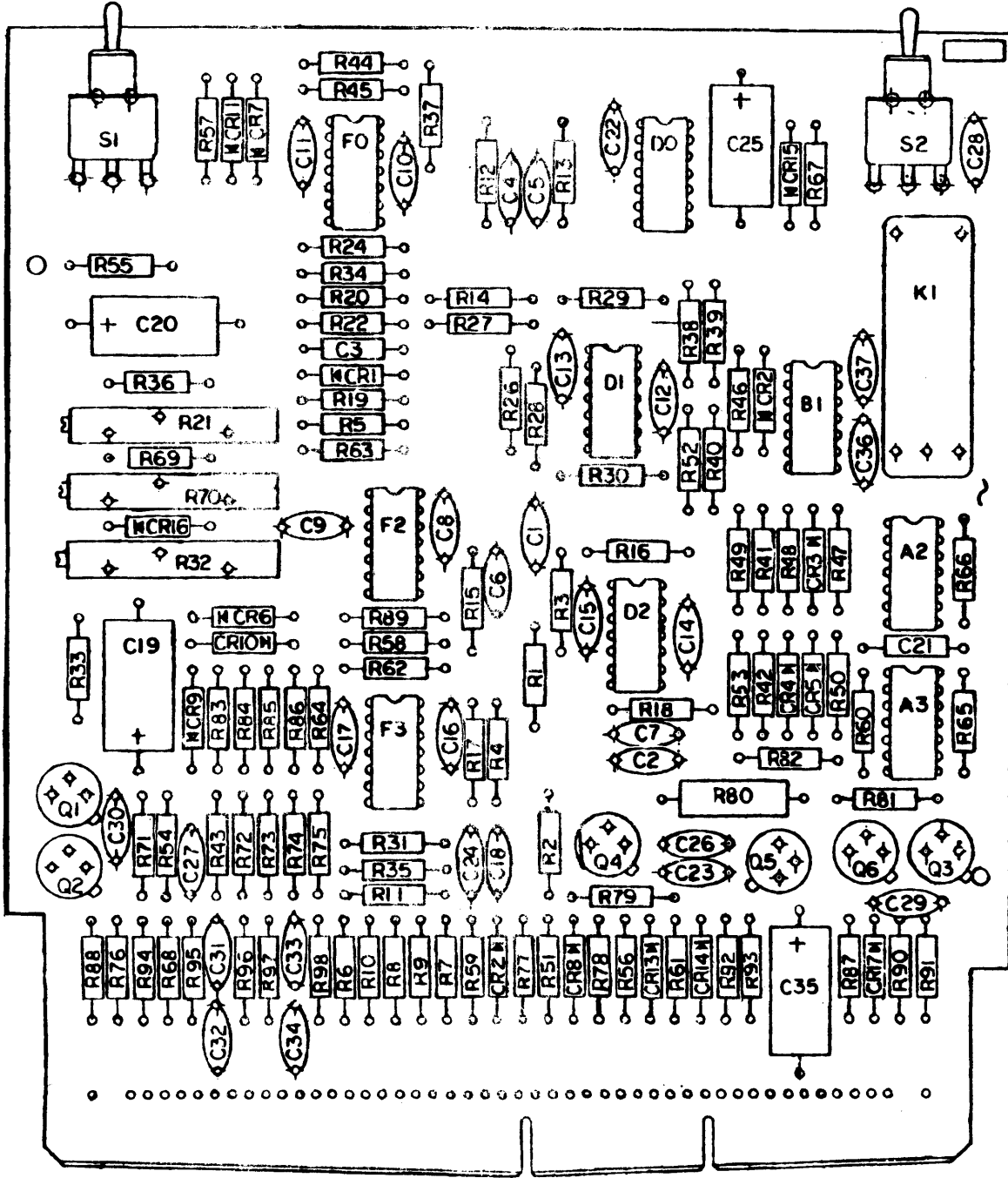
## PART NUMBERS (PLATE 6-4)

2206 2269 complete control supply voltage card assembly

DESCRIPTION	SCHEMATIC DESIGNATION	PART NUMBER
<u>CAPACITORS</u>		
.1uf. 25V	C1,3,4,7,8,10,13, 14,15,16	1196 6587
270uf. 50V	C9	2204 7708
430uf. 30V	C5	2204 7690
510uf. 10V	C2	2204 7682
510uf. 25V	C11,12	2204 7674
1000uf. 10V	C6	2204 7666
<u>DIODES</u>		
1N965B	CR6	2205 5156
1N4448	CR5	2208 6011
Rect. 3A, 50V	CR1 thru 4	2204 6874
<u>RESISTORS</u>		
.3 ohm 3W	R5,13,34	2204 7377
.6 ohm 1W	R17,19	2204 7344
1.0 ohm 3W	R4	1100 6194
41.2 ohm ½W	R39	1268 7794
46.4 ohm 1W	R38	1100 1781
82.5 ohm ½W	R40	1114 8558
100 ohm ½W	R8,16,29,30	1114 8574
250 ohm 5W	R18	2204 7443
316 ohm 1W	R27,28	1100 1955
511 ohm ½W	R31	1114 8756
1K ohm ½W	R6,7	1114 8822
1.62K ohm ½W	R12	1114 8871
1.69K ohm ½W	R20	1268 8438
2K ohm ½W	R24,37	1114 9432
2.49K ohm ½W	R9	1268 8479
2.55K ohm ½W	R32	1634 8914
6.8K ohm ½W	R3,10,22,26	1114 9465
8.25K ohm ½W	R14	1114 8806
10K ohm ½W	R23,35,41	1114 9069
13.3K ohm ½W	R33	1114 9093
14K ohm ½W	R36	1907 9466
18.2K ohm ½W	R15	1907 6017
34.8K ohm ½W	R1	1114 9192

DESCRIPTION	SCHEMATIC DESIGNATION	PART NUMBER
<u>VARIABLE RESISTORS</u>		
2K ohm	R21,25	2200 6803
10K ohm	R2, 11	2200 0962
<u>TRANSISTORS</u>		
TYPE AR	Q1 thru Q4	1116 6535
TYPE CK	Q5	2204 9431
<u>I.C. PACKAGES</u>		
IC1,2,3,5	VR1,2,4,5	2204 9472
IC4	VR3	2204 9480

-2 VOLT SHUNT REGULATOR CARD ASSEMBLY (PLATE 6-5)  
FOR B1726



PART NUMBERS (PLATE 6-5)

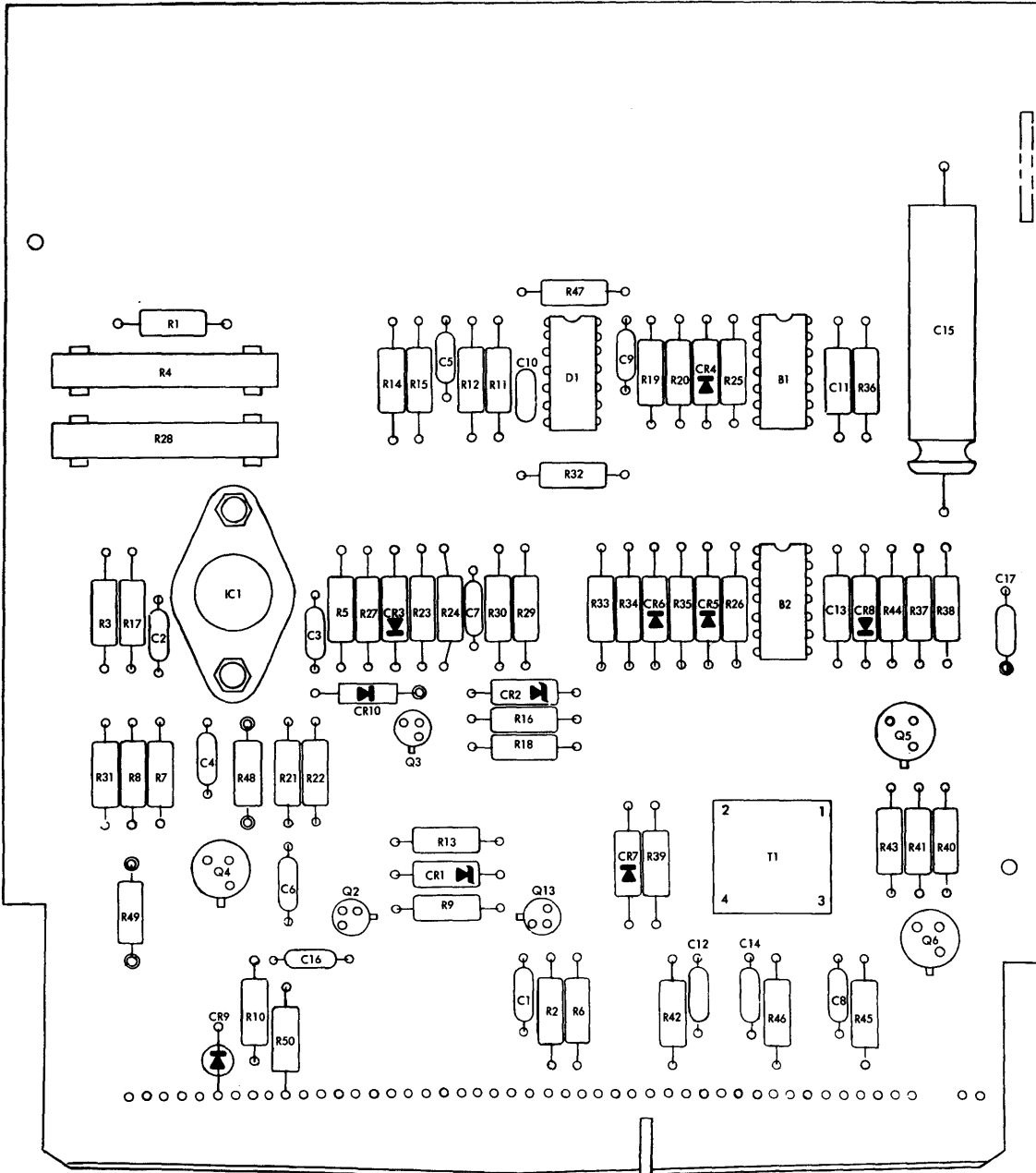
\* 2209 6192 complete -2 volt shunt regulator card assembly for B1726

DESCRIPTION	SCHEMATIC DESIGNATION	PART NUMBER
<u>CAPACITORS</u>		
.01uf. 50V	C3	2300 5697
.047uf. 50V	C21	2300 5788
.1uf. 25V	C4--7,22,29--34	1196 6587
1uf. 50V	C1,2,8--17,28,36,37	2200 0921
2.2uf. 25V	C18,23,24,26	1119 6680
4.7uf. 50V	C27	1907 8591
47uf. 20V	C25	1101 4875
82uf. 20V	C19	1267 9346
150uf. 30V	C20	2204 7724
270uf. 50V	C35	2204 7708
<u>DIODES</u>		
1N753A	CR1	1126 3241
1N754A	CR16	2204 6957
1N4448	CR2 thru CR15,17	2208 6011
<u>RESISTORS</u>		
3.30 ohm 1/2W	R54	2208 4685
5.1 ohm 1/2W	R55	2208 4693
10 ohm 1/2W	R6,7,68	1117 9389
30.1 ohm 1/2W	R95---98	1268 7729
51.1 ohm 1/2W	R79,90,94	1114 8509
90 ohm 3W	R80	1196 5456
100 ohm 1/2W	R1,2,58,77,78,81,92,93	1114 8574
169 ohm 1/2W	R65	1268 8081
196 ohm 1/2W	R82	1114 8640
215 ohm 1/2W	R60	1114 8657
383 ohm 1/2W	R19	1114 8723
402 ohm 1/2W	R66	1268 8255
511 ohm 1/2W	R5,43,44,87	1114 8756
750 ohm 1/2W	R11,24	1114 8798
825 ohm 1/2W	R63	1114 8806
1K ohm 1/2W	R8,9,10,22,33,35,36,37,64,72--76,83--86,88,91	1114 8822
1.33K ohm 1/2W	R71	1100 3936
1.62K ohm 1/2W	R15	1114 8871
2K ohm 1/2W	R57	1114 8657
2.15K ohm 1/2W	R26,28	1114 8905
2.43K ohm 1/2W	R59	1268 8461
2.61K ohm 1/2W	R46,47,48,50,51,56,59,61	1114 8921

DESCRIPTION	SCHEMATIC DESIGNATION	PART NUMBER
<u>RESISTORS CONTINUED</u>		
3K ohm 1/2W	R34	1268 2431
3.24K ohm 1/2W	R20	1907 9441
3.83K ohm 1/2W	R27	1114 8962
5.11K ohm 1/2W	R38--42,49,52,53,89	1114 8996
6.19K ohm 1/2W	R14	1114 9010
8.87K ohm 1/2W	R13	1907 6009
9.53K ohm 1/2W	R69	1634 8963
11.3K ohm 1/2W	R12	1268 8636
12.7K ohm 1/2W	R4	1900 1320
13.3K ohm 1/2W	R3	1114 9093
17.8K ohm 1/2W	R45	1114 9127
24.9K ohm 1/2W	R62	1268 8743
38.3K ohm 1/2W	R67	1114 9200
100K ohm 1/2W	R31	1114 9309
215K ohm 1/2W	R16,18,29,30	1104 6711
<u>VARIABLE RESISTORS</u>		
1K ohm	R32,70	2208 3976
2K ohm	R21	2208 3984
<u>TRANSISTORS</u>		
TYPE AR	Q1,2	1116 6535
TYPE CH	Q3,6	2204 9415
TYPE CJ	Q4,5	2204 9423
<u>I.C. PACKAGES</u>		
BA-N	A2,A3,B1	1123 9092
DUAL OPER. AMP	D1,D2,F0,F2,F3	1907 7726
TAON	D0	1901 7102
<u>RELAY</u>		
MERCURY	K1	2201 8113
<u>SWITCH</u>		
S.P.D.T. TOGGLE	S1, S2	2205 4837

\*Component part numbers for the -2 volt shunt regulator card used on B1712/B1714 are shown on Plate 6-8

COMPLETE 12-VOLT POWER SUPPLY BOARD ASSEMBLY (PLATE 6-6)



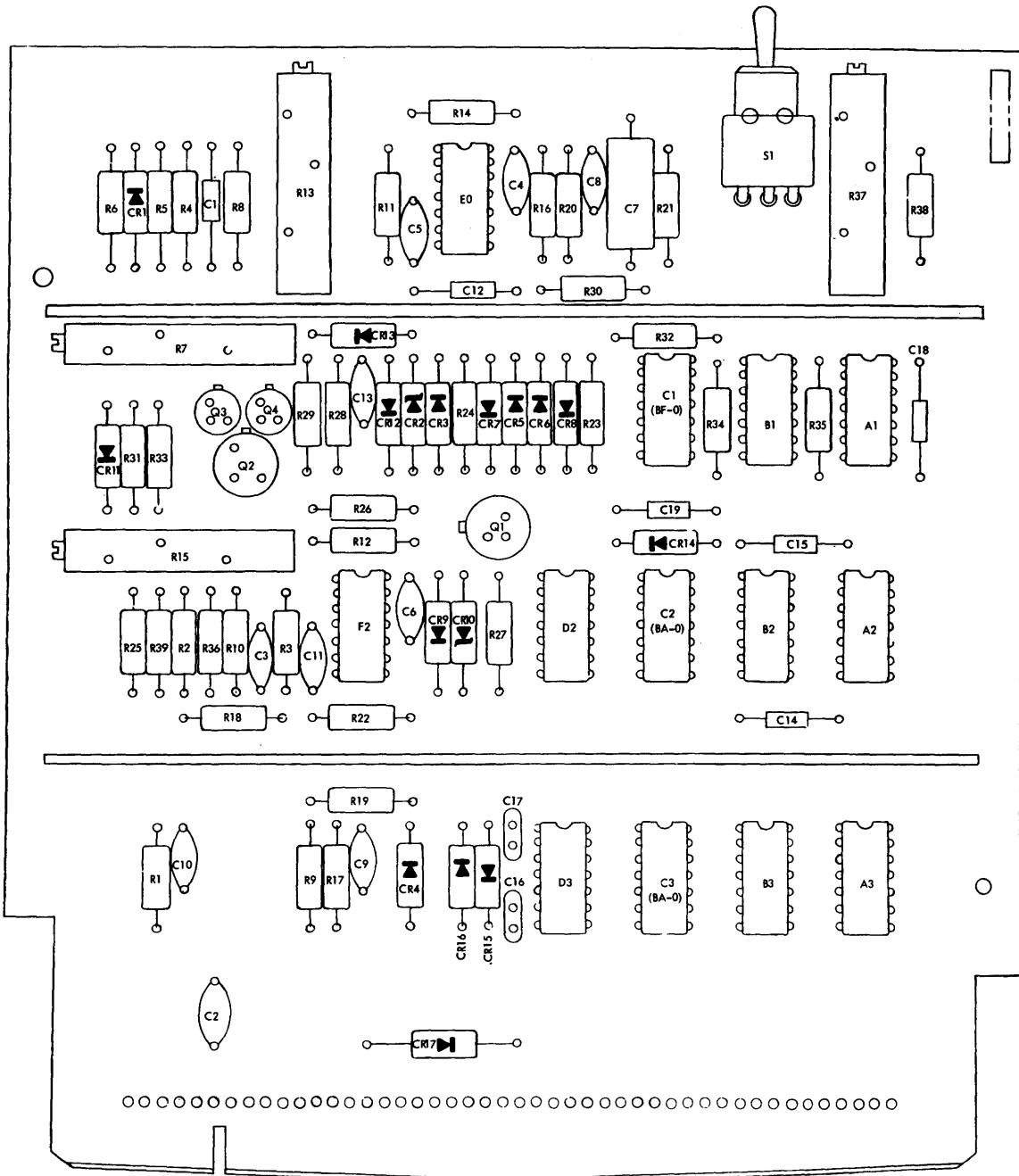
## PART NUMBERS (PLATE 6-6)

2206 2285 complete 12 volt card assembly

DESCRIPTION	SCHEMATIC DESIGNATION	PART NUMBER
<u>CAPACITORS</u>		
.022uf 25V	C11	1119 7712
.1uf 25V	C1--5,7 & 17	1196 6587
1uf 50V	C9,10	2200 0921
2.2uf 50V	C6,8,12,14,16	2010 2083
5uf 30V	C13	1101 5864
<u>DIODES</u>		
A114A	CR9	2201 8584
1N751A	CR2	1105 9052
1N754A	CR3	2204 6957
1N758A	CR1	2204 6965
1N4448	CR4 thru 8	2208 6011
1N5823	CR10	2208 5492
<u>RESISTORS</u>		
10 ohm $\frac{1}{2}W$	R10,21	1117 9389
42.2 ohm $\frac{1}{2}W$	R43	1117 9405
51.1 ohm $\frac{1}{2}W$	R40	1114 8509
90.9 ohm $\frac{1}{2}W$	R41	1114 8566
100 ohm $\frac{1}{2}W$	R27,31,42, 45,46,48,49	1114 8574
169 ohm $\frac{1}{2}W$	R37	1268 8081
221 ohm $\frac{1}{2}W$	R18	1114 8665
402 ohm $\frac{1}{2}W$	R38	1268 8255
511 ohm $\frac{1}{2}W$	R2,30,50	1114 8756
1K ohm $\frac{1}{2}W$	R7,8,36	1114 8822
1.3K ohm $\frac{1}{2}W$	R6	1100 3936
1.33K ohm $\frac{1}{2}W$	R17	1114 8855
2K ohm $\frac{1}{2}W$	R13,16	1114 9432
2.37K ohm $\frac{1}{2}W$	R24	1114 8913
2.61K ohm $\frac{1}{2}W$	R25,26,35,39	1114 8921
3.01K ohm $\frac{1}{2}W$	R12,R30	1114 9366
3.16K ohm $\frac{1}{2}W$	R14	1114 8947
3.65K ohm $\frac{1}{2}W$	R15	1117 9488
4.32K ohm $\frac{1}{2}W$	R23	1900 1288
5.11K ohm $\frac{1}{2}W$	R19,20,33,34	1114 8996
6.8K ohm $\frac{1}{2}W$	R5	1114 9465
9.09K ohm $\frac{1}{2}W$	R11,29	1114 9051
10.5K ohm $\frac{1}{2}W$	R3	1907 9615
12.7K ohm $\frac{1}{2}W$	R22	1900 1320
24.9K ohm $\frac{1}{2}W$	R44	1268 8743
36.5K ohm $\frac{1}{2}W$	R1	1268 8818
215 K ohm $\frac{1}{2}W$	R32,47	1104 6711

DESCRIPTION	SCHEMATIC DESIGNATION	PART NUMBER
<u>VARIABLE RESISTORS</u>		
1K ohm	R28	2200 0954
20K ohm	R4	2200 6795
<u>TRANSISTORS</u>		
TYPE AR	Q4	1116 6535
TYPE AT	Q2,3	1120 0482
TYPE BA	Q13	1123 7336
TYPE CH	Q5	2204 9415
TYPE CJ	Q6	2204 9423
<u>TRANSFORMER</u>		
	T1	2204 9498
<u>PACKAGES</u>		
Voltage Regulator	IC1	2204 9472
Dual Amplifier	D1	1907 7726
TAON	B1,B2	1901 7102

VCO TIMING CARD ASSEMBLY (PLATE 6-7)



PART NUMBERS ON NEXT PAGE

PART NUMBERS (PLATE 6-7)

2206 2251 complete assembled VCO Timing Card  
(for B1712/B1714)

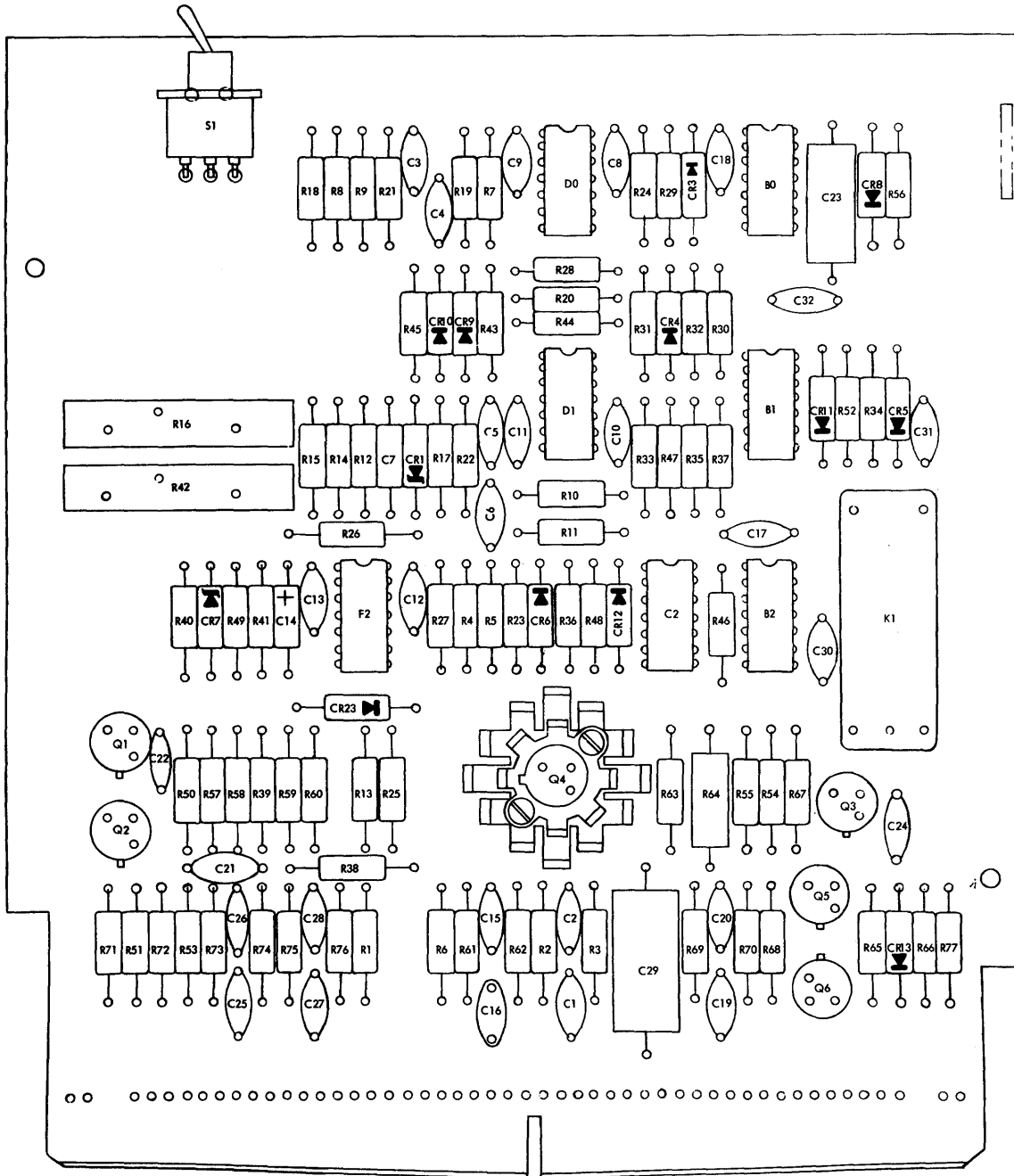
DESCRIPTION	SCHEMATIC DESIGNATION	PART NUMBER
<b>CAPACITORS</b>		
.005uf 50V	C16, 17	2204 7583
.0068uf 100V	C12	2206 6997
.01uf 100V	C1, 14, 15, 18	2206 7003
.039uf 100V	C19	2206 7011
.1uf 50V	C2, 3, 9, 10	2200 0905
1uf 50V	C4, 5, 6, 8, 11	1907 8815
2.2uf 25V	C13	1119 6680
47uf 20V	C7	1101 4875
<b>DIODES</b>		
LVA47A	CR10	2204 6981
1N753A	CR1	1126 3241
1N754A	CR2	2204 6957
1N756A	CR11	1126 3258
1N4448	CR3 thru 9, 12 thru 17	2208 6011
<b>RESISTORS</b>		
10 ohm ½W	R1, 9	1117 9389
68.1 ohm ½W	R21	1114 8533
69.8 ohm ½W	R29	1268 7885
75 ohm ½W	R36	1268 2050
100 ohm ½W	R26	1114 8574
133 ohm ½W	R35	1114 8608
147 ohm ½W	R6	1114 8616
196 ohm ½W	R30, R32	1114 8640
215 ohm ½W	R34	1114 8657
383 ohm ½W	R5	1114 8723
511 ohm ½W	R4	1114 8756
1K ohm ½W	R2, 3, 11, 17, 18, 19	1114 8822
2.74K ohm ½W	R8	1268 8495
3.01K ohm ½W	R27	1114 9366
6.8K ohm ½W	R33	1114 9465
7.5K ohm ½W	R24, R38	1114 9036
10K ohm ½W	R16, 23, 28	1114 9069
11.8K ohm ½W	R39	1268 8644
19.6K ohm ½W	R20	1114 9135
51.1K ohm ½W	R22	1114 9234
88.7K ohm ½W	R25	1268 9014
100K ohm ½W	R10, 12, 14	1114 9309
499K ohm ½W	R31	1268 9493

DESCRIPTION	SCHEMATIC DESIGNATION	PART NUMBER
<b>VARIABLE RESISTORS</b>		
2K ohm	R7, R15	2200 6803
10K ohm	R13, R37	2200 0962
<b>TRANSISTORS</b>		
*TYPE AR	Q1	1116 6535
**TYPE AT	Q3, Q4	1120 0482
*TYPE CK	Q2	2204 9431
<b>I.C. PACKAGES</b>		
AMPL. Oper. Dual	E0, F2	1907 7726
BA-N Chip	A3, B3, C1, C2, C3, D3	1123 9092
FA-O Chip	D2	1123 9100
IA-N Chip	A2, B1, B2	1123 9050
TAON Chip	A1	1901 7102
<b>SWITCH</b>		
SPDT, Toggle	S1	2205 8630
<b>BUS BAR</b>		
S BD TYPE 1		1918 3896

\*Use: 1103 2372 mounting pad  
\*\*Use: 1103 2398 mounting pad



-2 VOLT SHUNT REGULATOR CARD ASSEMBLY (PLATE 6-8)  
(For B1712/B1714)



PART NUMBERS ON NEXT PAGE

PART NUMBERS (PLATE 6-8)

2206 2293 complete assembled -2 Volt shunt regulator card  
(for B1712/B1714)

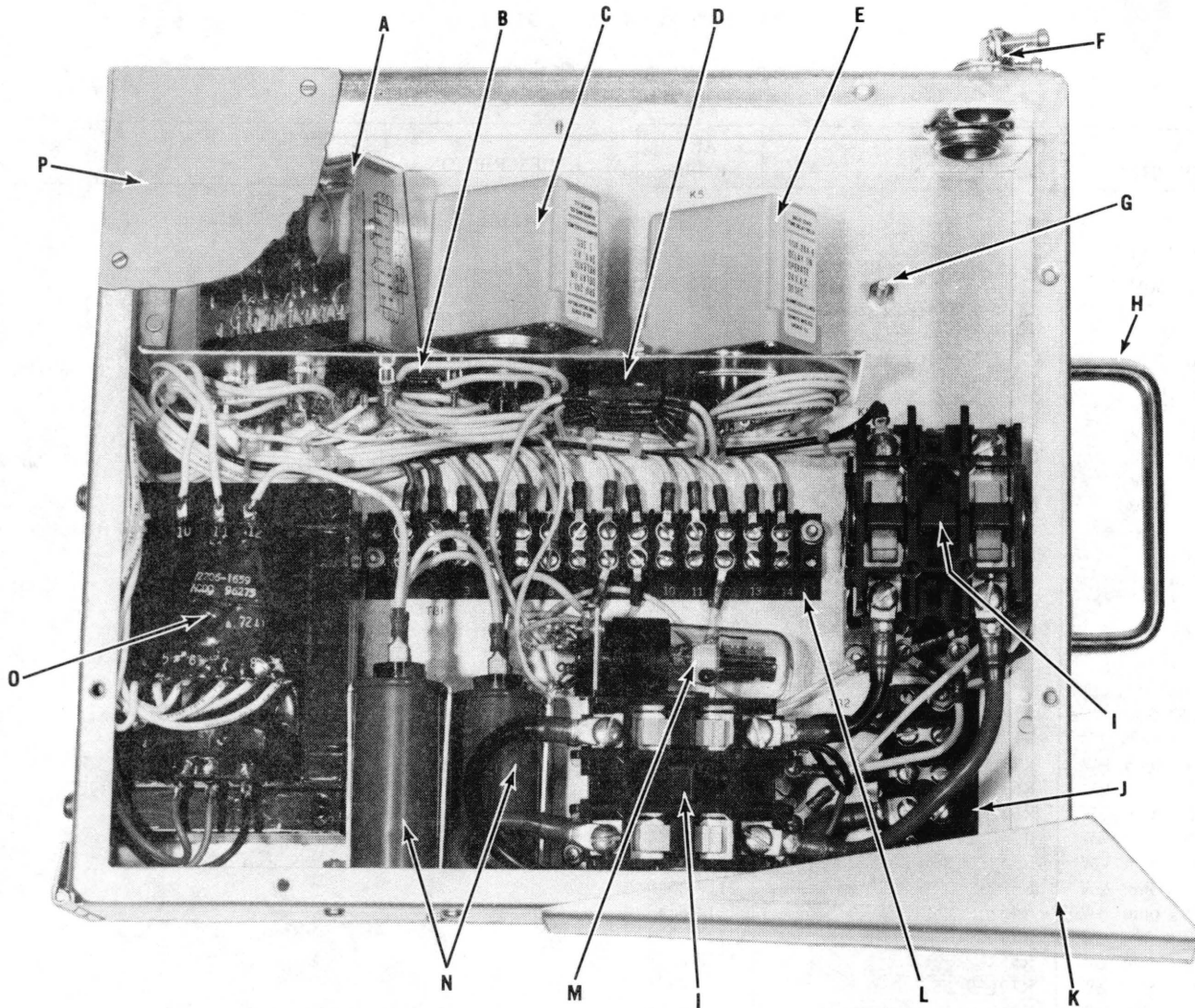
DESCRIPTION	SCHEMATIC DESIGNATION	PART NUMBER
<b>CAPACITORS</b>		
.01uf 50V	C7	2300 5697
.047uf 50V	C17	2300 5788
.1uf 25V	C3, 4, 5, 6, 18, 22, 24, 25, 26, 27, 28	1196 6587
1uf 50V	C1, 2, 8, 9, 10, 11, 12, 13, 30, 31, 32	1907 8815
2.2uf 25V	C15, 16, 19, 20	1119 6680
4.7uf 50V	C21	1907 8591
10uf 25V	C14	1900 1643
47uf 20V	C23	1101 4875
270uf 50V	C29	2204 7708
<b>DIODES</b>		
1N753A	CR1	1126 3241
1N754A	CR7	2204 6957
1N4448	CR3, 4, 5, 6, 8, 9, 10, 11, 12, 13, 23	2208 6011
<b>RESISTORS</b>		
10 ohm ½W	R1, 6, 53	1117 9389
30.1 ohm ½W	R73, 74, 75, 76	1268 7729
51.1 ohm ½W	R63, 72, 77	1114 8509
90 ohm 3W	R64	1196 5456
100 ohm ½W	R2, 3, 27, 61, 62, 67, 69, 70	1114 8574
169 ohm ½W	R54	1268 8081
196 ohm ½W	R68	1114 8640
215 ohm ½W	R46	1114 8657
383 ohm ½W	R14	1114 8723
402 ohm ½W	R55	1268 8255
511 ohm ½W	R12, 39, 65	1114 8756
825 ohm ½W	R49	1114 8806
1K ohm ½W	R13, 17, 38, 41, 51, 57, 58, 59, 60, 66, 71	1114 8822
1.33K ohm ½W	R50	1100 3936
1.62K ohm ½W	R22	1114 8871
2.15K ohm ½W	R7, 19	1114 8905
2.43K ohm ½W	R23	1268 8461
2.61K ohm ½W	R30, 32, 34, 36, 43, 45, 48, 52	1114 8921
3.24K ohm ½W	R15	1907 9441
3.83K ohm ½W	R18	1114 8962
5.11K ohm ½W	R28, 29, 31, 33, 35, 37, 44, 47	1114 8996
6.19K ohm ½W	R21	1114 9010
8.87K ohm ½W	R9	1907 6009
9.53K ohm ½W	R40	1634 8963
11.3K ohm ½W	R8	1268 8636
12.7K ohm ½W	R5	1900 1320
13.3K ohm ½W	R4	1114 9093
24.9K ohm ½W	R26	1268 8743
38.3K ohm ½W	R56	1114 9200
100K ohm ½W	R25	1114 9309
215K ohm ½W	R10, 11, 20, 24	1104 6711

DESCRIPTION	SCHEMATIC DESIGNATION	PART NUMBER
<b>VARIABLE RESISTORS</b>		
1K ohm	R42	2200 0954
2K ohm	R16	2200 6803
<b>*TRANSISTORS</b>		
TYPE AR	Q1, Q2	1116 6535
TYPE CH	Q3, Q6	2204 9415
**TYPE CJ	Q4, Q5	2204 9423
<b>I.C. PACKAGES</b>		
AMPL. Oper. Dual	D0, D1, F2	1907 7726
BA-N Chip	B1, B2, C2	1123 9092
TAON Chip	B0	1901 7102
<b>RELAY</b>		
Mercury	K1	2201 8113
<b>SWITCH</b>		
Toggle	S1	2205 4837

\* Use: 1103 2372 mounting pad

\*\* Use: 2204 6841 heat sink  
1103 4352 nylon washer  
1103 4386 nylon washer

24 VOLT CHASSIS ASSEMBLY (PLATE 7)



PART NUMBERS (PLATE 7)

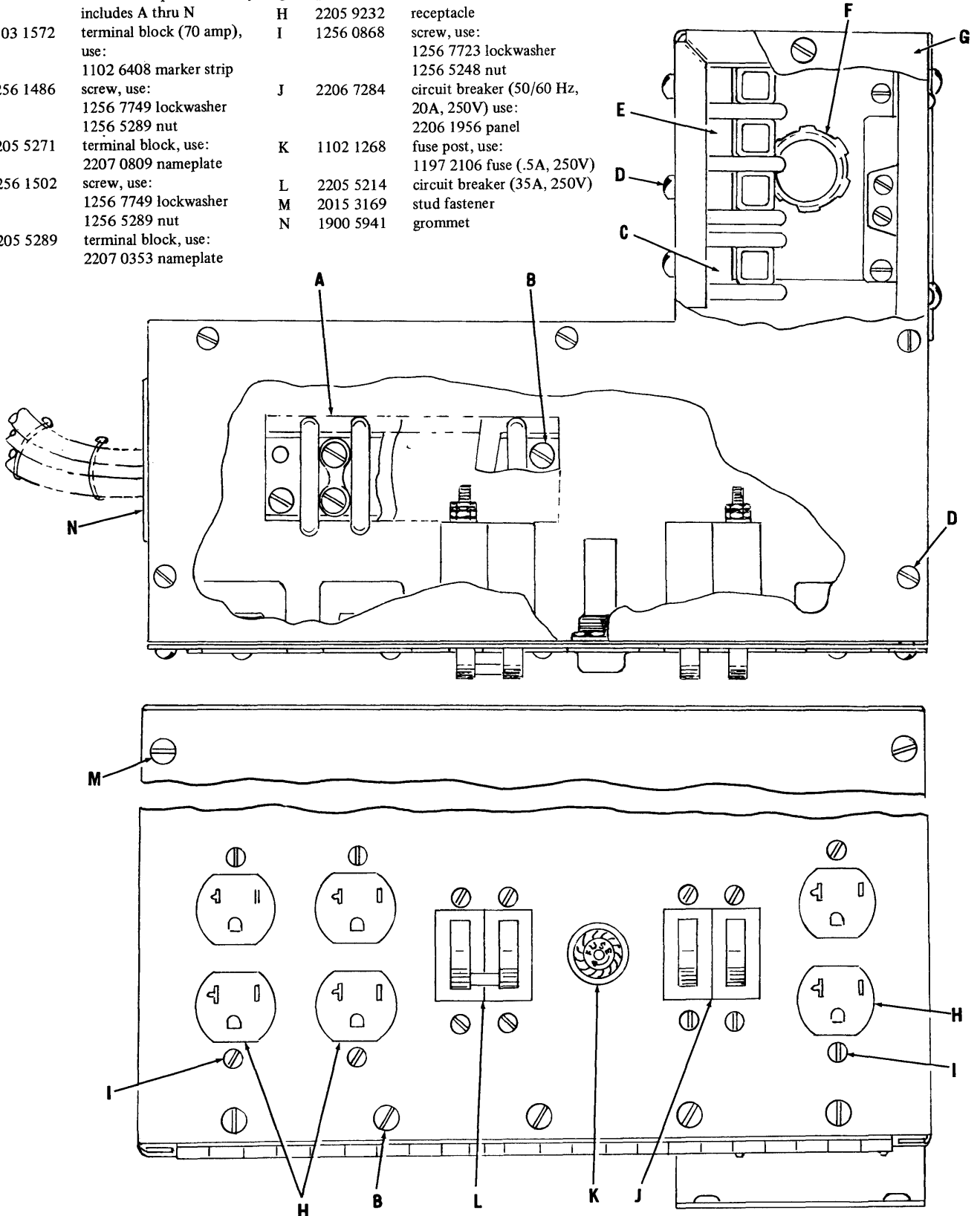
2206 3580	complete 24V chassis assembly, includes A thru P	*E	2205 8457	time delay relay (30 sec.), use: 2205 8804 socket (12 contact) and hardware listed under A	K	2206 6013	support, use: 1256 7749 lockwasher 1256 5289 nut	
*A	2205 8465	latching relay, use: 2205 8820 socket (24 contact) 1256 0868 screw 1256 7723 lockwasher 1256 5248 nut	F	1103 5656	cable connector, use: 2206 6641 grommet 1102 7398 bushing	L	1102 7133	terminal block, use: 1103 2653 marker strip 1256 0884 screw 1256 7723 lockwasher 1256 5248 nut
B	1110 8347	resistor 200 ohm, 10W, use: 1256 0389 screw 1256 7707 lockwasher 1256 5206 nut	G	1104 8360	screw, use: 1257 4273 washer 1256 5792 nut	M	1102 2415	time delay relay, use: 1159 3282 tube socket 2209 9501 bracket, use hardware listed under I 1256 0355 screw 1256 7707 lockwasher 1256 5206 nut
C	2205 8440	time delay relay (1 sec.), use: 2205 8812 socket (11 contact) and hardware listed under A	H	1141 0982	handle, use: 1256 1486 screw 1256 7749 lockwasher	N	2208 6029	capacitor 2 UF, 660V, use: 2205 9166 mounting bracket 1111 6324 terminal lug 1256 1122 screw 1256 7731 lockwasher 1256 5263 nut
D	1102 7182	terminal block, use: 1103 5391 marker strip 1104 9541 terminal strip jumper 1256 1148 screw 1256 7731 lockwasher 1256 5263 nut	I	2205 5222	magnetic contactor, use: 1256 1460 screw 1256 7749 lockwasher 1256 5289 nut	O	2206 1659	transformer, use screw and washer listed under I
			J	1111 0384	terminal block, use: 1104 7065 marker strip 1256 0900 screw 1256 7723 lockwasher 1256 5248 nut	P	2207 0098	cover, use screw and washer listed under I

\*NOTE: Mounted underneath  
A & E on some units are:  
1114 9309 resistor, 100K ohm, ½W  
1110 1003 terminal solder lug

AC POWER DISTRIBUTION ASSEMBLY (PLATE 8)

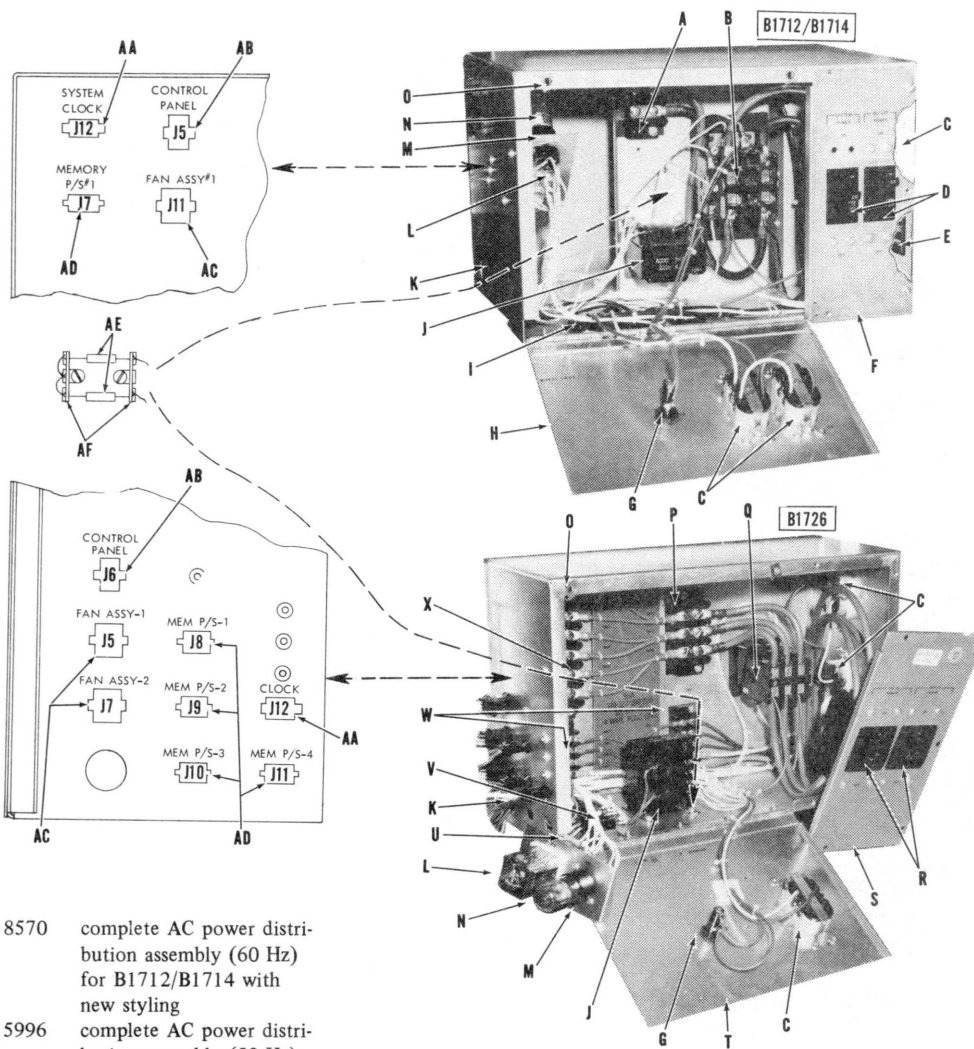
PART NUMBERS (PLATE 8)

2206 1931	complete AC power distribution panel assembly includes A thru N	F	1103 5656	cable connector cover
A	1103 1572 terminal block (70 amp), use:	G	2206 2020	receptacle screw, use:
	1102 6408 marker strip	H	2205 9232	1256 7723 lockwasher
	1256 1486 screw, use:	I	1256 0868	1256 5248 nut
B	1256 1486 screw, use:	J	2206 7284	circuit breaker (50/60 Hz, 20A, 250V) use:
	1256 7749 lockwasher			2206 1956 panel
	1256 5289 nut	K	1102 1268	fuse post, use:
C	2205 5271 terminal block, use:	L	2205 5214	1197 2106 fuse (.5A, 250V)
	2207 0809 nameplate	M	2015 3169	circuit breaker (35A, 250V)
D	1256 1502 screw, use:	N	1900 5941	stud fastener
	1256 7749 lockwasher			grommet
	1256 5289 nut			
E	2205 5289 terminal block, use:			
	2207 0353 nameplate			



PART NUMBERS ON NEXT PAGE

NEW STYLE AC POWER DISTRIBUTION ASSEMBLIES (PLATE 8-1)



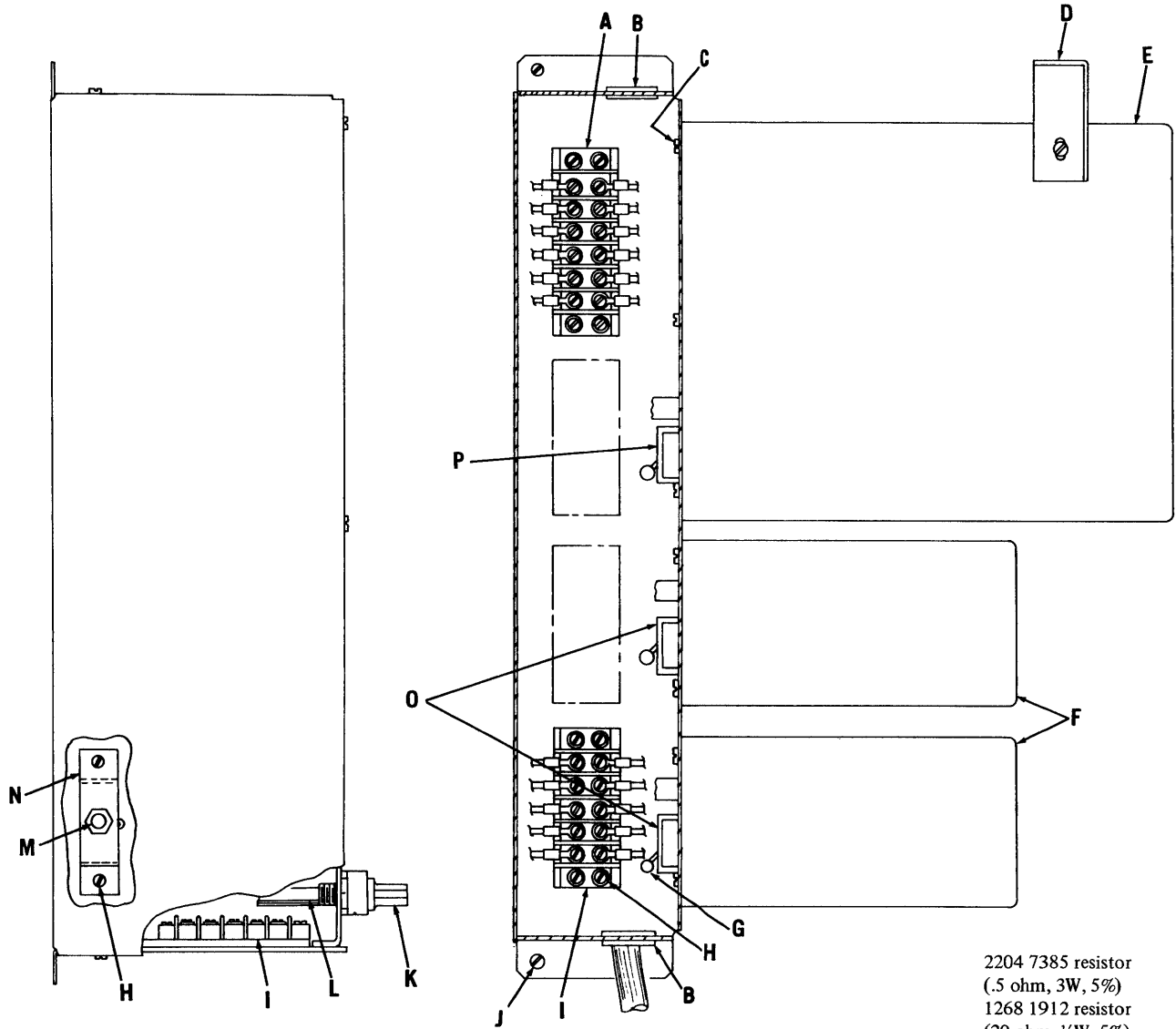
- 2207 8570 complete AC power distribution assembly (60 Hz) for B1712/B1714 with new styling
- 2209 5996 complete AC power distribution assembly (50 Hz) for B1712/B1714
- 2209 8230 complete AC power distribution assembly 2A, 50A (60 Hz) for B1726/B1728
- 2209 9816 complete AC power distribution assembly 2B, 50A (50/60 Hz) for B1726/B1728
- 2209 9865 complete AC power distribution assembly 2C, 30A (50/60 Hz) for B1726/B1728
- A 1103 1598 terminal block, use: 1102 6424 marker strip contactor (K1), use: 2209 5905 insulator pad 1114 8574 resistor, 100 ohm, 1/2W
- B 2208 4628 circuit breaker, 20 amp. circuit breaker, 40 amp.
- C 2205 9232 terminal block, TB2
- D 2206 9777 mounting plate
- E 2205 5297 fuse holder, use: 1197 2155 fuse, 1 amp 250V
- 2205 5289 front panel, use: 2015 3169 stud fastener 1190 2699 retainer ring
- F 2207 9784 terminal block (POWER), TB1
- G 2207 9784 terminal block, TB2
- H 1102 1268 circuit breaker (CB1) circuit breaker (CB2) mounting plate
- I 2209 8214 front panel, use: 2015 3169 stud fastener 1190 2699 retainer ring
- J 2204 7815 capacitor .47 UF, 100V
- K 2204 7815 capacitor .47 UF, 100V
- L 2204 7815 capacitor .47 UF, 100V
- M 2204 7815 capacitor .47 UF, 100V
- N 2204 7815 capacitor .47 UF, 100V
- O 2204 7815 capacitor .47 UF, 100V
- P 2204 7815 capacitor .47 UF, 100V
- Q 2204 7815 capacitor .47 UF, 100V
- R 2204 7815 capacitor .47 UF, 100V
- S 2204 7815 capacitor .47 UF, 100V
- T 2204 7815 capacitor .47 UF, 100V
- U 2204 7815 capacitor .47 UF, 100V
- V 1111 0426 terminal block (TB5), use: 1104 7107 marker strip terminal block (TB2 & TB4), use: 1104 7230 marker strip terminal block (TB3), use: 1102 6457 marker strip connector plug (3 pin) use: 2206 9546 contact pin connector receptacle (6 pin) use: 2206 9561 contact socket connector receptacle (9 pin) use: 2206 9561 contact socket connector receptacle (3 pin) use: 2206 9561 contact socket resistors, 100K ohm, 1/2W
- W 1111 0384 terminal strip, use: 1256 0835 screw 1256 7723 lockwasher 1256 5248 nut
- X 1103 1622 terminal block (TB3), use: 1102 6457 marker strip connector plug (3 pin) use: 2206 9546 contact pin connector receptacle (6 pin) use: 2206 9561 contact socket connector receptacle (9 pin) use: 2206 9561 contact socket connector receptacle (3 pin) use: 2206 9561 contact socket resistors, 100K ohm, 1/2W
- AA 2206 9397 terminal block, TB2
- AB 2206 9355 terminal block, TB1
- AC 2206 9363 terminal block, TB3
- AD 2206 9348 terminal block, TB4
- AE 1114 9309 terminal block, TB5
- AF 1143 1467 terminal block, TB6

PART NUMBERS (PLATE 8-1)

- I 1102 7174 terminal block (TB3), use: 1103 5458 marker strip
- J 2201 4294 transformer
- K 2207 8646 grommet
- L 2206 9207 relay (K2), use: 2156 9769 socket
- M 2207 7853 bracket
- N 1102 2332 relay (K3), use: 1159 3282 socket 2204 7815 capacitor .47 UF, 100V
- O 1190 2558 clip-on fastener
- P 1103 1606 terminal block, use: 1102 6432 marker strip contactor (K1), use: 2209 8479 insulator pad 1114 8574 resistor, 100 ohm, 1/2W
- Q 2208 5310 circuit breaker (CB1) circuit breaker (CB2) mounting plate
- R 2208 5286 front panel, use: 2015 3169 stud fastener 1190 2699 retainer ring
- S 2209 8222 capacitor .47 UF, 100V
- T 2209 8214 capacitor .47 UF, 100V
- U 2204 7815 capacitor .47 UF, 100V

- V 1111 0426 terminal block (TB5), use: 1104 7107 marker strip terminal block (TB2 & TB4), use: 1104 7230 marker strip terminal block (TB3), use: 1102 6457 marker strip connector plug (3 pin) use: 2206 9546 contact pin connector receptacle (6 pin) use: 2206 9561 contact socket connector receptacle (9 pin) use: 2206 9561 contact socket connector receptacle (3 pin) use: 2206 9561 contact socket resistors, 100K ohm, 1/2W
- W 1111 0384 terminal strip, use: 1256 0835 screw 1256 7723 lockwasher 1256 5248 nut
- X 1103 1622 terminal block (TB3), use: 1102 6457 marker strip connector plug (3 pin) use: 2206 9546 contact pin connector receptacle (6 pin) use: 2206 9561 contact socket connector receptacle (9 pin) use: 2206 9561 contact socket connector receptacle (3 pin) use: 2206 9561 contact socket resistors, 100K ohm, 1/2W
- AA 2206 9397 terminal block, TB2
- AB 2206 9355 terminal block, TB1
- AC 2206 9363 terminal block, TB3
- AD 2206 9348 terminal block, TB4
- AE 1114 9309 terminal block, TB5
- AF 1143 1467 terminal block, TB6

MEMORY POWER SUPPLY ASSEMBLY (PLATE 9)



PART NUMBERS (PLATE 9)

- 2204 5793 complete memory power supply assembly includes A thru P
- A 1102 7091 terminal block, use 1111 3289 marker strip
- B 1101 7613 grommet
- C 1256 1106 screw, use: 1256 7731 lockwasher 1256 8036 washer
- D 2206 5205 mounting brace
- E 2204 7997 complete (20VDC) power supply
- F 2204 7989 complete (0-7.5VDC) power supply } use:
- 1104 3957 capacitor (.001UF, 200V, 5%)
- 1104 4047 capacitor (.033UF, 200V, 5%)
- 1104 4062 capacitor (.047UF, 200V, 5%)

- 1104 7941 capacitor (.068UF, 100V, 5%)
- 1104 4179 capacitor (.1UF, 200V, 5%)
- 1104 4070 capacitor (.22UF, 200V, 5%)
- 1101 5344 capacitor (10UF, 35V, 5%)
- 1101 3851 capacitor (10UF, 50V, -10%/+75%)
- 2011 1829 capacitor (100UF, 50V, -10%/+50%)
- 2206 0438 capacitor (450UF, 15V)
- 2206 0446 capacitor (1,500UF, 25V)
- 2300 3742 capacitor (5,000UF, 20V)
- 2300 3734 capacitor (19,000UF, 40V)

- 2204 7385 resistor (.5 ohm, 3W, 5%)
- 1268 1912 resistor (20 ohm, 1/2W, 5%)
- 1100 3100 resistor (25 ohm, 5W, 5%)
- 1268 1953 resistor (30 ohm, 1/2W, 5%)
- 1196 5522 resistor (175 ohm, 3W, 5%)
- 1266 5063 resistor (200 ohm, 10W, 5%)
- 2206 0479 resistor (500 ohm, 1/2W, 10%)
- 1268 2266 resistor (560 ohm, 1/2W, 5%)
- 1102 4932 resistor (698 ohm, 1/4W, 1%)
- 1266 9503 resistor (715 ohm, 1/4W, 1%)
- 1268 2316 resistor (910 ohm, 1/2W, 5%)
- 1268 2324 resistor (1K, 1/2W, 5%)
- 2206 0453 resistor (1K, 2W, 10%)

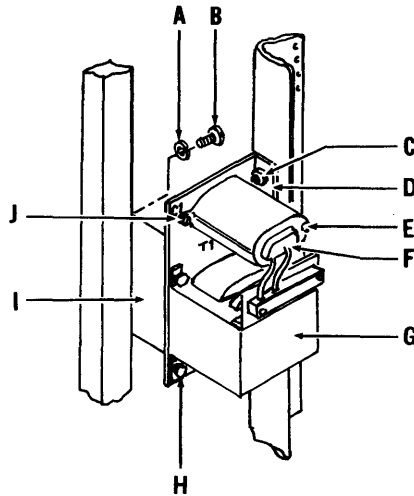
PART NUMBERS CONTINUED ON NEXT PAGE

PART NUMBERS (PLATE 9) CONTINUED

1142 7135 resistor (1.21K, ¼W, 1%)	2206 0370 rectifier bridge (1.5A, 50 PRV)	G 1102 6119	capacitor (4UF, 60V)
1268 2357 resistor (1.3K, ½W, 5%)	1112 2637 diode (1N645)	H 1256 0900	screw use: 1101 8041 lockwasher 1256 8010 washer 1256 5248 nut
2206 0461 resistor (1.6K, 2W, 10%)	2206 0362 diode (1N1185A)	I 1102 7182	terminal block, use: 1111 3271 marker strip
1266 9875 resistor (4.22K, ¼W, 1%)	1119 4800 diode (1N4721)	J 1256 1486	screw use: 1256 7749 lockwasher 1256 5289 nut 1256 8051 washer
1268 2480 resistor (4.7K, ½W, 5%)	1105 9052 zener diode (5.1V, 1N751A)	K 1102 1268	fuse post
1268 2506 resistor (5.6K, ½W, 5%)	2204 6965 zener diode (10V, 1N758A)	L 1102 8065	fuse (4A, 250V)
1321 8615 fuse (1.5A, 250V)	2206 0354 zener diode (15V)	M 2204 9605	rectifier
2206 0339 fuse (5A, 125V)	*1116 6527 transistor (2N3055 W/TO-3 case)	N 2206 3333	bracket
2206 0347 fuse (20A, 600V)	2206 0412 transistor (2N3055 W/TO-41 case)	O 2208 6201	over voltage protector (NZ3)
	2204 9431 transistor (2N4036)	P 2208 6219	over voltage protector (NZ18)
	2200 7371 integrated circuit (voltage regulator)		

\*for supply E  
for supply F 2206 0420

CONSTANT VOLTAGE TRANSFORMER (PLATE 9A)  
(For Memory Power Supply Assembly 2204 5793)



PART NUMBERS (PLATE 9A)

A 1256 7749	lockwasher	G 2201 4237	transformer
B 1143 0691	screw	H 1256 6105	screw, use: 1256 8093 washer 1256 7764 lockwasher 1256 5404 nut
C 1255 5686	screw, use: 1256 8051 washer 1256 7749 lockwasher 1256 5289 nut	I 2207 6137	bracket
D 2207 6129	bracket	J 1255 4267	screw, use: 1256 7996 washer 1256 7707 lockwasher 1256 5206 nut
E 1900 1692	capacitor, use: 2205 9174 mounting bracket		
F 1107 4440	terminal boot		

MEMORY POWER SUPPLY ASSEMBLY (PLATE 9-1)

2212 0067 Complete Memory Power Supply Assembly

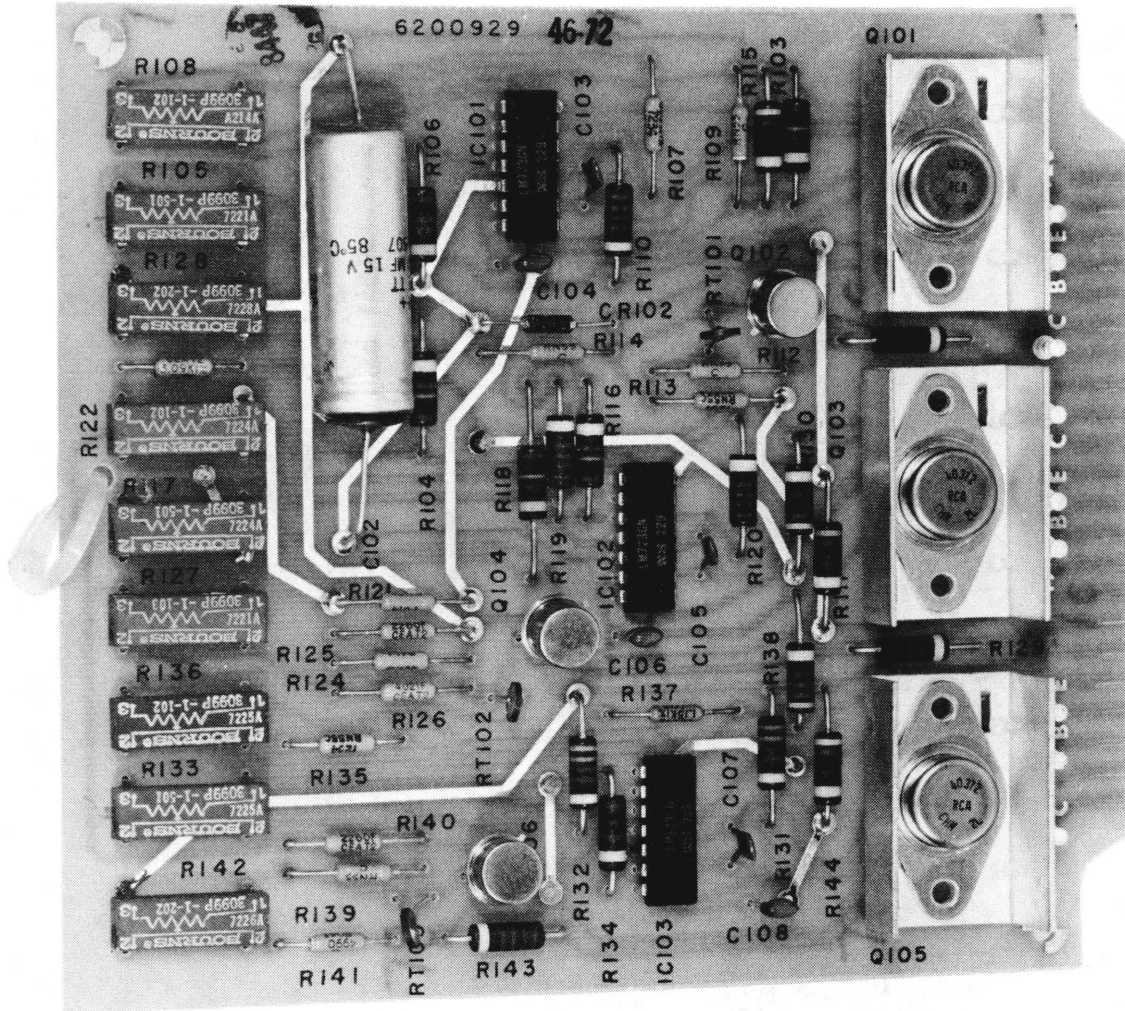
(North Electric Model PEC 3604)

DESCRIPTION	SCHEMATIC DESIGNATION	PART NUMBER
<u>CAPACITORS</u>		
800uf, 25V	C4	2208 5823
1,000uf, 10V	C1, C2, C7	1105 9995
5,000uf, 15V	C8, C9	2208 5781
17,600uf, 20V	C5	2200 8924
19,000uf, 40V	C10, C11	2300 3734
<u>DIODES</u>		
1N1201A	CR1, CR2, CR3, CR4	1635 2775
1N4719	CR6, CR7	1064 1116
2N4167	Q14, Q17, Q18	2208 5856
<u>FUSES</u>		
2 Amp, 250V	F2	* 1102 8032
3 Amp, 250V	F4	* 1102 8057
4 Amp, 250V	F1	2157 1427
15 Amp, 32V	F3	* 1102 8263
<u>P.C. CARD</u>		
--- --- ---	Regulator Card Assembly	2208 6086
<u>RESISTORS</u>		
.3 ohms, 3W, 5%	R1	2204 7377
.402 ohms, 3W, 1%	R18, R19	1117 7896
.5 ohms, 10W, 10%	R16	2208 5864
.604 ohms, 3W, 1%	R2 thru R13	1117 7904
2 ohms, 25W, 1%	R27	2208 5872
15 ohms, 25W, 10%	R14, R26	1266 6764
40 ohms, 5W, 10%	R17	1100 3126
43 ohms, ½W, 2%	R24	1117 9405
60 ohms, 3W, 10%	R23	1196 5399
220 ohms, ½W, 2%	R22, R119, R129, R143, R145	1114 8665
470 ohms, ½W, 2%	R15, R21, R25, R138	1100 3738
1200 ohms, ½W, 2%	R20	2009 3126
<u>TRANSFORMER</u>		
6022764	T1	2208 9130
<u>TRANSISTORS</u>		
2N3055	Q1 thru Q13, Q15, Q16	1080 5364

\*Use: Round Fuse Holder 2157 0544  
 Square Fuse Holder 2208 9254



MEMORY REGULATOR CARD ASSEMBLY (PLATE 9-2)  
(for memory power supply PEC 3604)



PART NUMBERS (PLATE 9-2)  
 2208 6086 complete regulator card assembly  
 (for memory power supply PEC 3604)

DESCRIPTION	SCHEMATIC DESIGNATION	PART NUMBER
<u>CAPACITORS</u>		
.001uf. 100V	C103, 105, 107	2041 6293
.0022uf. 100V	C104, 106, 108	2041 6301
1uf. 35V	C3, 6, 12	1101 5211
800uf. 25V	C4	2208 5823
1Kuf. 10V	C1, 2, 7	1105 9995
1.3Kuf. 15V	C102	2208 5815
5Kuf. 15V	C8, 9	2208 5781
17.6Kuf. 20V	C5	2200 8924
19Kuf. 40V	C10,11	2300 3734
<u>DIODES</u>		
1N645	CR102	1112 2637
1N1201A	CR1,2,3,4	1635 2775
2N4167(SCR)	Q14, 17, 18	2208 5856
1N4719	CR6, 7	1064 1116
MBD-5400(Rect.)	CR5	1941 2345
<u>FUSES</u>		
2 AMP. 250V	F2	1321 8631
3 AMP. 250V	F4	1321 8557
4 AMP. 250V	F1	2157 1427
15 AMP. 32V	F3	1102 8263
<u>RESISTORS</u>		
.3 ohm, 3W, 5%	R1	2204 7377
.402 ohm, 3W, 1%	R18, 19	1117 7896
.5 ohm, 10W, 10%	R16	2208 5864
.604 ohm, 3W, 1%	R2 thru R13	1117 7904
2 ohm, 25W, 1%	R27	2208 5872
10 ohm 1/2W, 2%	R111, 115, 130, 144	1268 7414
<del>15 ohm, 25W, 10%</del>	<del>R14, 26</del>	<del>1266 6764</del>
20 ohm, 1/2W, 2%	R134	1268 7620
40 ohm, 5W, 10%	R17	1100 3126
<del>43 ohm, 1/2W, 2%</del>	<del>R24</del>	<del>1117 9405</del>
60 ohm, 3W, 1%	R23	1196 5399
100 ohm, 1/2W, 2%	R106	1114 8574
75 Ω	R14, 26	
43 Ω 1W	R24	

DESCRIPTION	SCHEMATIC DESIGNATION	PART NUMBER
<u>RESISTORS CONTINUED</u>		
220 ohm, 1/2W, 2%	R22, 119, 129, 143, 145	1114 8665
226 ohm, 1/2W, 1%	R113, <del>125</del> , 135, 140	2157 6269
422 ohm, 1/2W, 1%	R112, <del>124</del> , 139	2157 6392
470 ohm, 1/2W, 2%	R15, 21, 25, 138	1100 3738
499 ohm, 1/2W, 1%	R114, 141	2157 6434
536 ohm, 1/2W, 1%	R107	2157 6459
620 ohm, 1/2W, 2%	R110	1114 8772
825 ohm, 1/2W, 1%	R109	2157 6541
1.15K ohm, 1/2W, 1%	R137	2157 6616
1.2K ohm, 1W, 2%	R20	2009 3126
2.2K ohm, 1/2W, 2%	R120	1104 6547
3.09K ohm, 1/2W, 1%	R123	1267 3927
3.3K ohm, 1/2W, 2%	R132	1117 9470
<del>4.02K ohm, 1/2W, 1%</del>	<del>R128</del> 1.0k R125, 126	<del>2157 6871</del>
5.49K ohm, 1/2W, 1%	R121	1267 4016
6.8K ohm, 1/2W, 2%	R131	1114 9465
10K ohm, 1/2W, 2%	R103, 104, 116, 118	1114 9069
<u>POTENTIOMETER</u>		
500 ohm, 3/4W, 10%	R105, 117, 133	1907 7163
1K ohm, 3/4W, 10%	R108, 122, 136	1907 7171
2K ohm, 3/4W, 10%	R128, 142, <del>R127</del>	1944 1153
<del>10K ohm, 3/4W, 10%</del>	<del>R127</del>	1907 7197
<u>THERMISTOR</u>		
KA31J1, 1K ohm	RT101, <del>102</del> , 103	2208 5880
<u>TRANSISTOR</u>		
2N3054	Q101, 103, 105	1123 3335
2N3055	Q1 thru 13, 15, 16	1080 5364
2N3133	Q102, 104, 106	1526 2926
<u>I.C. PACKAGE</u>		
723 CJ	IC101, 103	1908 0266

R124 82

## MEMORY POWER SUPPLY ASSEMBLY (PLATE 9-3)

2212 0067 Complete Memory Power Supply Assembly

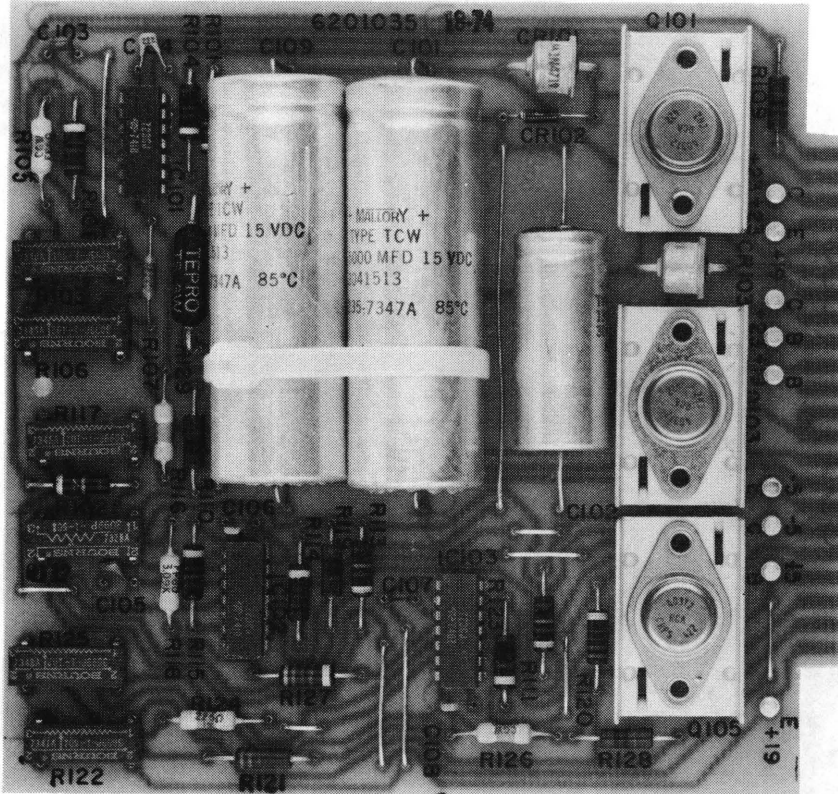
(North Electric Model PEC 3604A or PEC 3604B)

DESCRIPTION	SCHEMATIC DESIGNATION	PART NUMBER	DESCRIPTION	SCHEMATIC DESIGNATION	PART NUMBER
<b>CAPACITORS</b>			<b>RESISTORS (CONTINUED)</b>		
.0022uf, 100V, 20%	C104, C106, C108	2041 6301	15 ohms, 25W, 10%	R14, R15	1266 6764
.001uf, 100V, 20%	C103, C105, C107	2041 6293	20 ohms, ½W, 2%	R123	1268 7620
1uf, 35V, 20%	C202, C204, C207	1101 5211	40 ohms, 5W, 10%	R16	1100 3126
800uf, 25V	C203	2208 5823	43 ohms, ½W, 2%	R225	1117 9405
1,000uf, 10V	C201, C205, C206	1105 9995	60 ohms, 3W, 1%	R129	1196 5399
1,300uf, 15V	C102	2208 5815	100 ohms, ½W, 2%	R104	1114 8574
5,000uf, 15V	C101, C109	2208 5781	220 ohms, ½W, 2%	R114, R201, R206, R208	1114 8665
17,600uf, 20V	C3	2200 8924	226 ohms, ½W, 1%	R124, R203, R210, R219	2157 6269
19,000uf, 45V	C1, C2	2208 9163	422 ohms, ½W, 1%	R202, R218	2157 6392
<b>DIODES</b>			470 ohms, ½W, 2%	R127, R207, R213, R203	1100 3738
5026 - Light Emitting	CR201, CR202, CR203	2208 9122	499 ohms, ½W, 1%	R204, R220	2157 6434
1N4719	CR101, CR103	1064 1116	536 ohms, ½W, 1%	R105, R209	2157 6459
2N4167 or NCR 2305-1	Q202, Q204, Q206	2208 5856	620 ohms, ½W, 2%	R108	1114 8772
1N645	CR102	1112 2637	825 ohms, ½W, 1%	R107	2157 6541
1N1201A	CR1-4	1635 2775	1.15 K, ¼W, 1%	R126	2157 6616
MBD-5400	CR204	1941 2345	1.2 K, 1W, 2%	R216	2009 3126
<b>FUSES</b>			2.2 K, ½W, 2%	R115	1104 6547
2 Amp, 250V	F2	1102 8032	3.09 K, ¼W, 1%	R118	1267 3927
3 Amp, 250	F4	1102 8057	3.3 K, ½W, 2%	R121	1117 9470
4 Amp, 250V	F1	2157 1427	5.11 K, ¼W, 1%	R211	1266 9917
15 Amp, 32V	F3	1102 8263	5.49 K, ½W, 1%	R116	1267 4016
<b>INTEGRATED CIRCUIT</b>			6.8 K, ½W, 2%	R120	1114 9465
N5723A, 723CJ or U6E7723393	IC101, IC102, IC103	1627 1520	10 K, ½W, 2%	R101, R102, R111, R113	1114 9069
<b>POTENTIOMETERS</b>			<b>TRANSISTORS</b>		
500 ohms, ¼W, 10%	R103, R112, R122	1907 7163	2N3133	Q201, Q203, Q205	2208 5898
1K ohm, ¼W, 10%	R106, R117, R125	1907 7171	2N3055	Q1 thru Q13, Q15, Q16	1080 5364
2K ¼W, 10%	R205, R221	1944 1153	40372	Q101, Q103, Q105	1123 3335
5K ¼W, 10%	R212	1944 1161	<b>MISCELLANEOUS</b>		
<b>RESISTORS</b>			<b>THERMISTOR</b>		
.3 ohms, 3W, 5%	R1	2204 7377	1K ohm, 25°C	RT201, RT202, RT203	2208 5880
.402 ohms, 3W, 1%	R18, R19	1117 7896	KA31J1 or 31D10		
.5 ohms, 10W, 10%	R214	2208 5864	<b>TRANSFORMER</b>		
.604 ohms, 3W, 1%	R2 thru R13	1117 7904	6022764	T1	2208 9130
2 ohms, 25W, 1%	R17	2208 5872	<b>PRINTED CIRCUIT CARD</b>		
10 ohms, ½W, 2%	R109, R110, R119, R128	1268 7414	6201035	Regulator A1	2208 9148
			6201036	Regulator A2	2208 9155

REGULATOR CARD ASSEMBLY—A1 (PLATE 9-4)

2208 9148 Complete Regulator Card Assembly – A1

(for Memory Power Supply PEC 3604A or PEC 3604B)

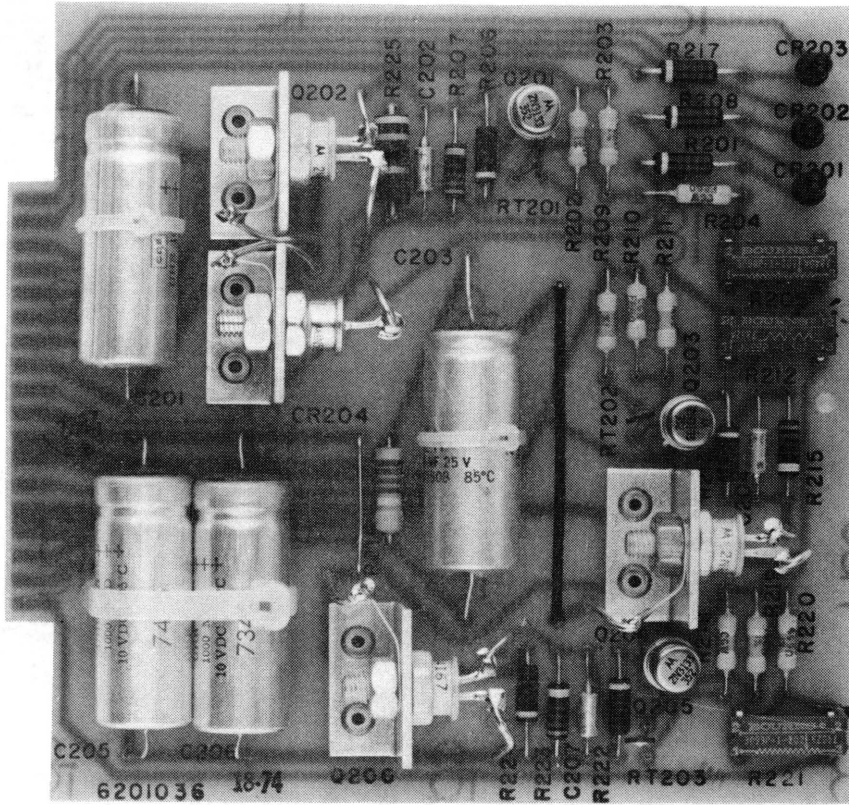


DESCRIPTION	SCHEMATIC DESIGNATION	PART NUMBER
<b>CAPACITORS</b>		
.0022uf, 100V, 20%	C104, C106, C108	2041 6301
.001uf, 100V, 20%	C103, C107	2041 6293
1,300uf, 15V	C102	2208 5815
5,000uf, 15V	C101, C109	2208 5781
<b>DIODES</b>		
1N645	CR102	1112 2637
1N4719	CR101, CR103	1064 1116
<b>INTEGRATED CIRCUIT</b>		
723CJ	IC101, IC102, IC103	1627 1520
<b>POTENTIOMETER</b>		
500 ohms, ¼W, 10%	R103, R122	1907 7163
1K ¼W, 10%	R106, R117, R125	1907 7171
5K ¼W, 10%	R212	1944 1161

DESCRIPTION	SCHEMATIC DESIGNATION	PART NUMBER
<b>RESISTORS</b>		
10 ohms, ½W, 2%	R109, R110, R119, R128	1268 7414
20 ohms, ½W, 2%	R123	1268 7620
60 ohms, 3W, 1%	R129	1196 5399
100 ohms, ½W, 2%	R104	1114 8574
220 ohms, ½W, 2%	R114	1114 8665
226 ohms, ¼W, 1%	R124	2157 6269
470 ohms, ½W, 2%	R127	1100 3738
536 ohms, ¼W, 1%	R105	2157 6459
620 ohms, ½W, 2%	R108	1114 8772
825 ohms, ¼W, 1%	R107	2157 6541
1.15K ¼W, 1%	R126	2157 6616
2.2K ½W, 2%	R115	1104 6547
3.09K ¼W, 1%	R118	1267 3927
3.3K ½W, 2%	R121	1117 9470
5.49K ½W, 1%	R116	1267 4016
6.8 K ½W, 2%	R120	1114 9465
10K ½W, 2%	R102, R111	1114 9069
<b>TRANSISTORS</b>		
40372	Q101, Q103, Q105	1123 3335

REGULATOR CARD ASSEMBLY-A2 (PLATE 9-5)

2208 9155 Complete Regulator Card Assembly - A2  
(for Memory Power Supply PEC 3604A or PEC 3604B)



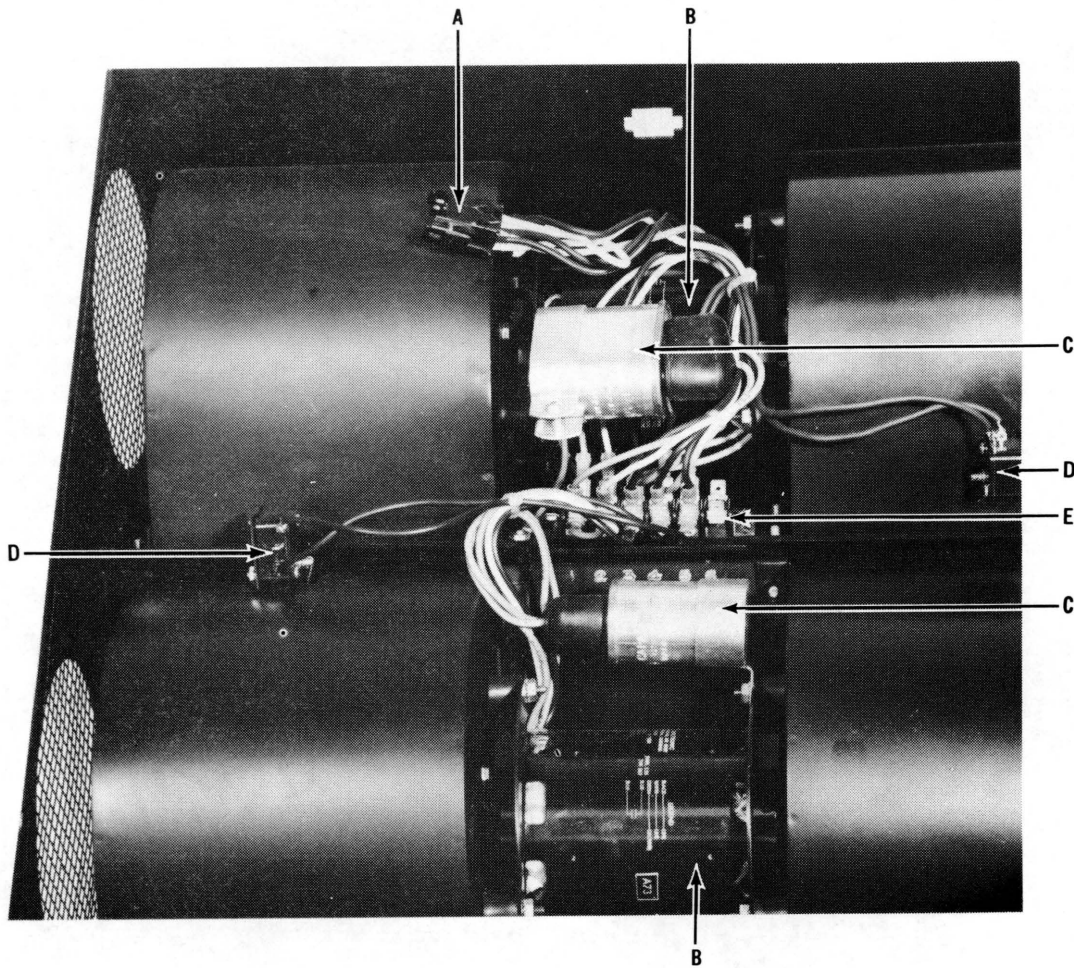
DESCRIPTION	SCHEMATIC DESIGNATION	PART NUMBER
1uf, 35V, 20%	C202, C204	1101 5211
800uf, 25V	C203	2208 5823
1,000uf, 10V	C201, C205, C206	1105 9995
<b>DIODES</b>		
5026 - Light Emitting	CR201, CR202, CR203	2208 9122
2N4167 or NCR2305-1	Q202, Q204, Q206	2208 5856
MBD-5400	CR204	1941 2345
<b>POTENTIOMETERS</b>		
2K, 3/4W, 10%	R205, R221	1944 1153
5K, 3/4W, 10%	R212	1944 1161
<b>RESISTORS</b>		
43 ohms, 1/2W, 2%	R225	1117 9405
220 ohms, 1/2W, 2%	R201, R206, R208	1114 8665

DESCRIPTION	SCHEMATIC DESIGNATION	PART NUMBER
<b>RESISTORS (CONTINUED)</b>		
226 ohms, 1/4W, 1%	R203, R210, R219	2157 6269
422 ohms, 1/4W, 1%	R202, R218	2157 6392
470 ohms, 1/2W, 2%	R207, R213	1100 3738
499 ohms, 1/2W, 1%	R204, R220	2157 6434
536 ohms, 1/4W, 1%	R209	2157 6459
1.2K, 1W, 2%	R216	2009 3126
5.11K, 1/4W, 1%	R211	1266 9917
10K, 1/2W, 2%	R111	1114 9069
<b>THERMISTORS</b>		
KA31J1 or 31D10	RT201, RT202, RT203	2208 5880
<b>TRANSISTORS</b>		
2N3133	Q201, Q203, Q205	2208 5898





BLOWER ASSEMBLY (PLATE 10-1)



PART NUMBERS (PLATE 10-1)

	2209 6101	complete blower assembly
A	2206 9413	connector plug, 9 pin, use: 2206 9538 contact pins
B	2208 6284	motor, 220V, 50/60 Hz
C	2208 6045	capacitor 4UF, 370V
D	2208 6276	switch
E	2208 6292	terminal block, use: 1111 6324 fast-on terminal lugs

NOTE: Use 2208 6417 air filter

ELECTRONIC COMPONENTS FOR LOGIC AND MEMORY CARDS (PLATE 11)

CAPACITORS

DESCRIPTION		PART NUMBER
100pf	100V	1100 9487
220pf	50V	1269 5383
220pf	500V	1101 1053
1,000pf	100V	2011 1093
10,000pf		2204 7013
47,000pf	50V	1920 2068
.001uf	100V	1141 0347
.001uf	200V	2200 0681
.005uf	50V	2204 7583
.005uf	200V	1104 6455
.0068uf	100V	2206 6997
.01uf	50V	1920 1979
.022uf		1119 7712
.039uf	100V	2206 7011
.082uf	50V	1920 2092
.1uf	50V	1920 2100
.1uf	600V	2205 9711
.47uf	100V	2204 7815
.68uf	200V	2204 7799
1uf	50V	1907 8815
2uf	100V	2204 7807
2uf	600V	2204 7062
2.2uf	25V	1119 6680
2.2 uf	50V	2010 2083
2.2uf	100V	1907 8765
3.3uf	35V	1101 5278
4.7uf	50V	1907 8591
10uf	25V	1900 1643
22uf	35V	1267 9213
33uf	4V	2010 0715
47uf	20V	1101 4875
82uf	20V	1267 9346
100uf	20V	1267 9361
100uf	50V	2011 1829
150uf	30V	2204 7724
180uf	6V	1105 6694
200uf	30V	2204 7716
220uf	10V	1267 9395
270uf	50V	2204 7708
430uf	30V	2204 7690
450uf	15V	2206 0438
510uf	10V	2204 7682
510uf	25V	2204 7674
850uf		2204 7757
1,000uf	10V	2204 7666
2,800uf		1635 2262
5,400uf	200V	1635 2270
15,000uf		2207 0312
16,800uf	75V	2300 3817
24,000uf	75V	2300 3809
34,000uf		2207 0304
44,000uf	30V	2300 3775

CRYSTALS

DESCRIPTION	PART NUMBER
6MHz	2200 8452
8MHz	2204 4176

DIODES

DESCRIPTION	PART NUMBER
Type 4	1170 4855
Type 5	1170 4848
Type 7	1178 7173
Type 13	1106 0936
Type 19	1115 9860
Type 23	1124 1023
300μ10A	2205 4886
A15B	2204 6874
A14D	2204 6999
MDA 962-3	Bridge Rect. 1100 7945
683-1	Bridge Rect. 2205 9182
C156DX131	2204 6809
C 45μ	SCR 2205 4696
	SCR 2204 6833
MDA D0-5	2204 9613
LVA 47A	2204 6981
1N704A	Zener 4V 1166 8274
1N747A	Zener 3.6V 1109 7714
1N750	Zener 4.7V 1119 6078
1N751A	Zener 5.1V 1105 9052
1N753A	Zener 6.2V 1126 3241
1N754A	2204 6957
1N756A	Zener 8.2V 1126 3258
1N758A	2204 6965
1N965B	2205 5156
1N2823B	Zener 2204 6924
1N3009RA	Zener 2205 9414
1N3027B	Zener 20V 2204 6908
1N3030B	2204 6916
1N4448	2208 6011
2N682	Rectifier 2204 6825

CONTINUED ON NEXT PAGE



## ELECTRONIC COMPONENTS FOR LOGIC AND MEMORY CARDS PART NUMBERS (PLATE 11) CONTINUED

## INTEGRATED CIRCUITS (CHIPS)

DESCRIPTION	STY. NO.	PART NUMBER
AFAN DUAL ADDER/SUB	708	1904 0179
AMCN 8 BIT MEMORY	103	1123 9134
BA-N BUFFER	108	1123 9092
BF-N DUAL BUFFER	308	1705 7563
BG-N DUAL BUFFER		1705 7563
BHAN HEX RESTORER	702	1904 0245
CFAN 4 BIT COMPARATOR	706	1904 0195
CFBN CARRY LOGIC GATE	707	1909 0513
CP1N CAP NETWORK/8 ELEM	631	2208 4834
DFAN 1 OF 8 DECODER	703	1904 0161
DFBN 7-SEGMENT DECODER		1627 2080
DFRN DIFF DUAL LINE	775	1942 6428
DL2N 20NS DELAY LINE	615	2200 8478
DL5N 50NS DELAY LINE	616	2200 8486
DLCN 100NS DELAY LINE	617	2200 8494
EFAN PRIORITY ENCODER	722	1914 0748
FA-O J-K FLIP FLOP	112	1123 9100
FFAN DUAL JK/D F <sup>2</sup> F	715	1909 0505
GB7N CTL MOS CLCK CONVR		2210 9821
GB8N CTL MOS CLCK CONVR		2210 9839
GB9N CTL MOS CLCK CONVR		2210 9847
GBFN 8 INPUT AND GATE	411	1916 5158
GFBN 4, 4 AND GATE	407	1916 5851
GFEN 1, 1, 1, 1 GATE	410	1916 5133
GFFN 2, 2, 2<2 GATE	404	1916 5794
GFIN 4, 3, 3 GATE	415	1911 9098
GFJN 3, 2, 2, 2, GATE	420	1911 9106
GFKN 3, 2, 2, 2 GATE (N/L)	414	1918 4282
IA-N INVERTER	105	1123 9050
IDCN DUAL NAND GATES 4,4		1471 4398
IF-N DUAL INVERTER	305	1705 7480
IHAN HEX INVERTER	701	1904 0252
IHCN DTL HEX INVERTER		1471 4356
IHDN TTL HEX INVERTER	154	1674 4963
IQAN QUAD MOS DRIVER *		1674 4971
IQAN QUAD MOS DRIVER **		2539 7167
ITT DUAL INVERTER	9852	1779 6038
JPRN BLANK JUMPER CHIP	F1008-16	2201 4732
LDAN DUAL LINE DRIVER		1741 2057
LDFN DUAL LINE DRIVER	713	1901 7144
LDGN QUAD LINE DRIVER	143	2201 7602
LDPN DUAL LINE DRIVER	780	2207 8299
LFAN 4BIT LATCH	705	1904 0203
LRFN DUAL LINE RECEIVER	714	1904 0047
LRGN QUAD LINE RECEIVER	144	2201 7628
LRPN DUAL LINE REC	779	2207 8273
MFAN 8-INPUT MULTIPLEX	704	1904 0187
MF4N EBCDIC BCL 256 1/4	731	1918 3516
MF5N EBCDIC BCL 256 2/4	732	1918 3524
MF6N EBCDIC BCL 256 3/4	733	1918 3532
MF7N EBCDIC BCL 256 4/4	734	1918 3540

DESCRIPTION	STY. NO.	PART NUMBER
MF8N BCL EBCDIC 256 1/2	735	1918 3557
MF9N BCL EBCDIC 256 2/2	736	1918 3565
MH1N HOLL/EBCDIC (LSB)	749	2201 4146
MH2N HOLL/EBCDIC (MSB)	750	2201 4153
MH3N EBCDIC/HOLL (LSB)	747	2201 4161
MH4N EBCDIC/HOLL (MSB)	748	2201 4179
MI1N EBCDIC ASCII MSB	724	1918 3599
MI2N EBCDIC ASCII LSB	725	1918 3607
MI3N ASCII EBCDIC MSB	726	1918 3615
MI4N ASCII EBCDIC LSB	727	1918 3623
MJ1N 96 COL EBCDIC LSB	753	2204 4200
MJ2N 96 COL EBCDIC MSB	754	2204 4218
MJ3N EBCDIC 96 COL LSB	755	2204 4226
MJ4N EBCDIC 96 COL MSB	756	2204 4234
MK1N EBCDIC BCL+PAR LSB	757	2204 5124
MK2N EBCDIC BCL+PAR MSB	758	2204 5132
MOPN MICRO-OPERATOR	419	1916 6115
RAM1 1024 BIT RAM MEM		1674 5150
RAM3 DIP MEMORY ARRAY		1673 7108
RFAN 3 BIT REGISTER	745	2201 4096
RFBN 4 BIT REGISTER	746	2201 4062
RFCN 64 BIT MEM	752	2205 2609
RFCN 64 BIT MEMORY	723	2205 2609
RFDN 256 BIT RAM	765	2206 1626
RM1N EBCDIC/KATAKANA LS	776	2208 0014
RM2N EBCDIC/KATAKANA MS	777	2208 0022
RPAN 200 OHM RES PACK		1675 0754
RPBN 1K RESISTOR PACK		1675 0556
RPCN RES/CAPACITOR PACK		1675 0580
RPDN 25 OHM RES PACK		1675 0572
RPEN RESISTOR NETWORK		1677 1032
RPFN RESISTOR NETWORK		1918 3573
RPNN 500 OHM RES PACK	618	2200 8320
RP2N 13 2.2K RES PACK		2205 6188
RP6N 13 MIXED RES PACK	633	2206 6922
RP8N 13 MIXED RES PACK	634	2206 6930
SAMN DUAL SENSE AMPLIFR		1677 7682
SBMN DUAL COMP/SENSE		1673 0004
SSAN 100 BIT SHIFT REG	772	2207 1716
SSRN 100 BIT SHIFT REG		2204 9761
TAON MULTIVIBRATOR	118	1901 7102
I.C. VIDEO AMP	511	2200 8460
DUAL 100 BIT	142	2204 9761

\* 1674 4971 chips used on "A" and "B" memory storage boards only.

\*\* 2539 7167 chips used on "D" memory storage boards only.

CONTINUED ON NEXT PAGE

## ELECTRONIC COMPONENTS FOR LOGIC AND MEMORY CARDS PART NUMBERS (PLATE 11) CONTINUED

RESISTORS

DESCRIPTION		PART NUMBER	DESCRIPTION		PART NUMBER
.02 ohms	36W	2204 7419	196 ohms	½W	1114 8640
.1 ohms	5W	2205 4639	200 ohms	½W	2206 6849
.16 ohms	36W	2204 7435	215 ohms	¼W	1111 8577
.6 ohms	1W	2204 7344	215 ohms	½W	1114 8657
1 ohms	3W	1100 6194	220 ohms	½W	2206 6807
3.3 ohms	½W	2208 4685	221 ohms	½W	1114 8665
5.1 ohms	½W	2208 4693	237 ohms	¼W	1111 8585
7.5 ohms	½W	2208 4701	237 ohms	½W	1114 8673
7.5 ohms	55W	2204 7286	240 ohms	½W	2206 6815
10 ohms	½W, 1%	1117 9389	249 ohms	¼W	1266 9289
10 ohms	½W	1900 4126	250 ohms	5W	2204 7443
10 ohms	40W	1900 3565	261 ohms	¼W	1111 8593
15 ohms	11W	2206 6542	261 ohms	½W	1114 8681
21.5 ohms	¼W	1111 8338	287 ohms	¼W	1111 8601
25 ohms	55W	2204 7294	300 ohms	1W	1268 3314
42.2 ohms	¼W	1111 8403	300 ohms	10W	2206 7086
42.2 ohms	½W	1117 9405	316 ohms	¼W	1111 8619
43 ohms	1W	1268 3124	316 ohms	½W	1114 8707
46.4 ohms	1W	1100 1781	316 ohms	1W	1100 1955
50 ohms	5W	2204 7518	330 ohms	1W	1268 3322
51.1 ohms	¼W	1266 8950	348 ohms	¼W	1111 8627
51.1 ohms	½W	1114 8509	383 ohms	¼W	1111 8635
56.2 ohms	¼W	1111 8437	383 ohms	½W	1114 8723
61.9 ohms	¼W	1111 8445	402 ohms	½W	1268 8255
68.1 ohms	½W	1114 8533	422 ohms	¼W	1111 8643
69.8 ohms	½W	1268 7885	464 ohms	¼W	1111 8650
75 ohms	¼W	1111 8460	464 ohms	½W	1114 8749
75 ohms	½W	1268 2050	510 ohms	1W	1268 3363
82 ohms	½W	2206 6732	511 ohms	¼W	1111 8668
82.5 ohms	¼W	1111 8478	511 ohms	½W	1114 8756
82.5 ohms	½W	1114 8558	562 ohms	¼W	1111 8676
90 ohms	3W	1196 5456	681 ohms	¼W	1142 7077
90.9 ohms	¼W	1111 8486	750 ohms	¼W	1111 8700
91 ohms	½W	2206 6823	750 ohms	½W	1114 8798
100 ohms	1W	1268 3215	825 ohms	¼W	1111 8718
100 ohms	¼W	1265 3978	825 ohms	½W	1114 8806
100 ohms	½W	2206 6740	1K	¼W	1111 8734
100 ohms	5W	1100 3142	1K	½W	1114 8822
100 ohms	10W	1100 3431	1K	55W	2204 7302
110 ohms	¼W	1111 8502	1.1K	¼W	1111 8742
110 ohms	½W	2206 6831	1.15K	½W	1907 9359
120 ohms	½W	2206 6757	1.3K	½W	1100 3936
121 ohms	¼W	1111 8510	1.3K	3W	1196 5860
130 ohms	½W	2206 6765	1.33K	¼W	1111 8767
133 ohms	¼W	1111 8528	1.33K	½W	1114 8855
133 ohms	½W	1114 8608	1.4K	½W	1114 8863
147 ohms	¼W	1111 8536	1.47K	¼W	1111 8775
147 ohms	½W	1114 8616	1.5K	20W	2205 4662
150 ohms	¼W	1265 4091	1.62K	¼W	1111 8783
150 ohms	½W	2206 6773	1.62K	½W	1114 8871
160 ohms	¼W	1265 4133	1.69K	½W	1268 8438
160 ohms	½W	2206 6781	1.78K	¼W	1111 8791
162 ohms	½W	1114 8624	1.96K	¼W	1111 8809
162 ohms	¼W	1111 8544	2K	½W	1268 2399
169 ohms	¼W	1266 9206	2K	½W	1114 9432
169 ohms	½W	1268 8081	2.15K	¼W	1111 8817
178 ohms	¼W, 2%	1111 8551	2.15K	½W	1114 8905
178 ohms	¼W	1142 6939	2.26K	½W	1900 1213
180 ohms	½W	2206 6799	2.37K	½W	1114 8913
196 ohms	¼W	1142 6947	2.43K	½W	1268 8461

CONTINUED ON NEXT PAGE

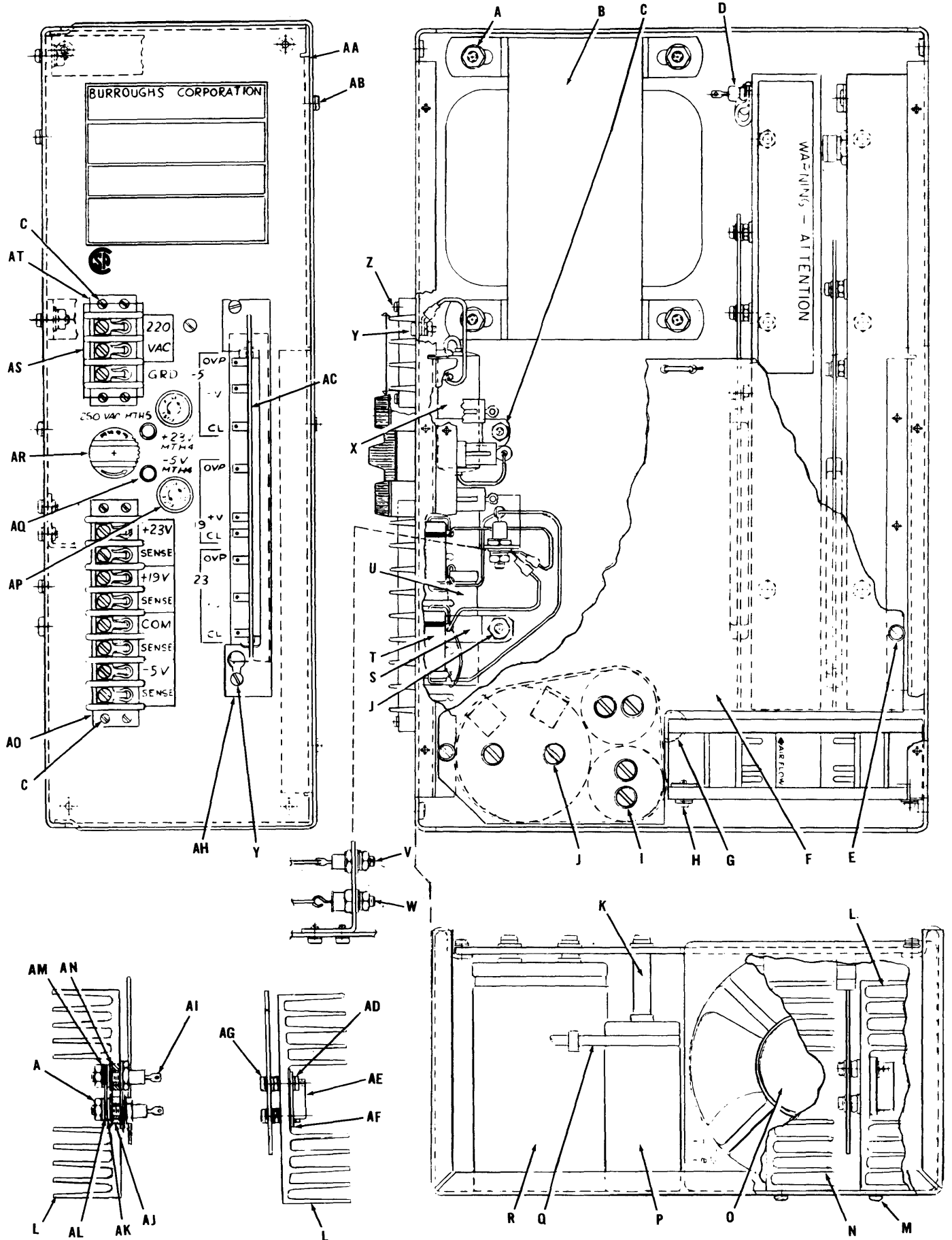
## ELECTRONIC COMPONENTS FOR LOGIC AND MEMORY CARDS PART NUMBERS (PLATE 11) CONTINUED

RESISTORS (continued)

DESCRIPTION	PART NUMBER
2.49K	½W 1268 8479
2.55K	½W 1634 8914
2.61K	½W 1114 8921
2.74K	½W 1268 8495
2.87K	¼W 1111 8841
3K	½W 1268 2431
3.01K	½W 1114 9366
3.16K	¼W 1111 8858
3.16K	½W 1114 8947
3.24K	½W 1907 9441
3.48K	¼W 1111 8866
3.65K	½W 1117 9488
3.83K	¼W 1111 8874
3.83K	½W 1114 8962
4.22K	¼W 1111 8882
4.22K	½W 1114 8970
4.32K	½W 1900 1288
4.7K	½W 1114 9457
5K	3W 1196 6041
5.11K	¼W, 2% 1111 8908
5.11K	½W 1114 8996
5.62K	¼W 1111 8916
5.62K	½W 2206 6856
6.19K	¼W 1111 8924
6.19K	½W 1114 9010
6.8K	½W 1114 9465
6.98K	½W 1127 9585
7.5K	½W 1114 9036
8.87K	½W 1907 6009
9.09K	½W 1114 9051
9.53K	½W 1634 8963
10K	¼W 1111 8973
10K	½W 1114 9069
10.5K	½W 1907 9615
11.8K	½W 1268 8644
11.3K	½W 1268 8636
12.1K	¼W 1111 8999
12.1K	½W 1114 9085
12.7K	½W 1900 1320
13.3K	½W 1114 9093
14K	½W 1907 9466
14.7K	½W 1114 9101
16.2K	¼W 1111 9021
16.9K	½W 1268 8685
17.8K	½W 1114 9127
18.2K	½W 1907 6017
19.6K	¼W 1111 9047
19.6K	½W 1114 9135
20K	½W 1114 9473
21.5K	1111 9054
22.1K	½W 1268 8735
24.9K	½W 1268 8743
28.7K	½W 1114 9176
30.1K	½W 1267 0287
31.6K	¼W 1111 9393
33.2K	¼W 1142 7630
34.8K	½W 1114 9192
36.5K	½W 1268 8818
38.3K	½W 1114 9200
51.1K	½W 1114 9234

DESCRIPTION	PART NUMBER
71.5K	½W 1900 1239
88.7K	1268 9014
90.9K	½W 1114 9291
100K	½W 1114 9309
162K	¼W 1114 9382
215K	½W 1104 6711
499K	½W 1268 9493
<u>VARIABLE RESISTORS</u>	
1K	.5W 2200 0954
1K	1W 2208 3976
2K	.5W 2200 6803
2K	1W 2208 3984
10K	.5W 2200 0962
10K	1W 2208 4008
10K	2005 6925
20K	.3W 2205 6055
20K	.5W 2200 6795
<u>SOCKETS</u>	
DIP	14 Pin 1674 4922
DIP	16 Pin 2201 3122
JPRN	16 Pin 2201 4732
DIP	18 Pin 1674 4948
<u>TRANSISTORS</u>	
Type AP	1116 5776
Type AQ	1116 6527
Type AR	1116 6535
Type AT	1120 0482
Type BA	1123 7336
Type BC	1123 7351
Type BJ	1141 6062
Type CG	2204 9407
Type CH	2204 9415
Type CJ	2204 9423
Type CK	2204 9431
Type CL	2204 9464
Type SJ	1640H 1700 9523

MEMORY POWER SUPPLY CSP (PLATE 11-1)

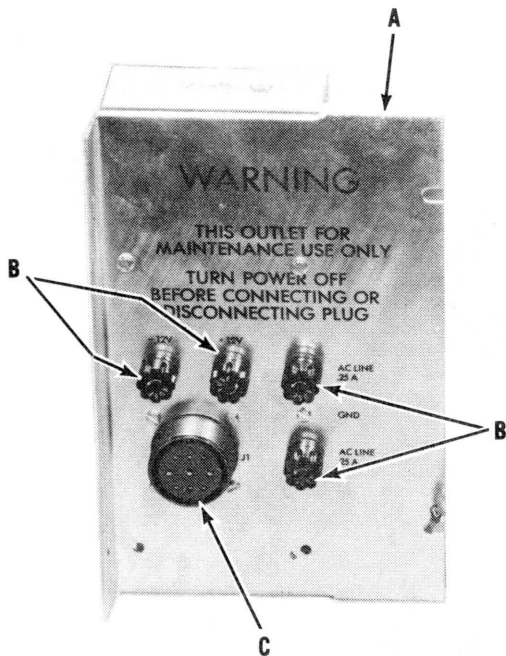


PART NUMBERS ON NEXT PAGE

## PART NUMBERS (PLATE 11-1)

	√2211 2049	complete memory power supply-CSP	W	1432 8504	rectifier, use:
A	1256 5289	nut, use:			1433 3363 insulating washer
		1256 7467 spring washer			1535 3048 nylon bushing
		1256 8051 washer			1256 8051 washer
B	1434 9435	transformer			1140 7517 terminal lug
C	1256 0892	screw, use:			1256 7467 spring washer
		1256 7442 spring washer			1256 5289 nut
		1256 8010 washer	X	1434 9476	capacitor, use:
		1323 9314 cable clamp			1104 0516 TFE sleeving
		1256 5248 nut			1111 3891 shrink sleeving
D	1323 9371	cable clamp, use:	Y	1257 3408	screw, use:
		1256 1098 screw			1140 7491 terminal lug
		1256 7459 lockwasher			1196 7858 lockwasher
		1256 8036 washer			1256 7442 spring washer
E	1256 0868	screw, use:			1256 5248 nut
		1256 7442 spring washer	Z	1433 9964	mounting clip
		1256 8010 washer	AA	1432 8298	cover
F	1432 8231	main PC board assembly	AB	1256 0843	screw, use:
G	1112 0599	cable strap			1256 7442 spring washer
H	1256 0884	screw, use:			1256 8010 washer
		1256 7442 spring washer	AC	1432 8439	control PC board assembly
		1256 8010 washer	AD	1256 5743	nut, use:
I	1256 1569	screw, use:			1256 7442 spring washer
		1256 7467 spring washer	AE	1116 6527	transistor (2N3055B)
		1256 8051 washer	AF	1433 3330	insulator
J	1256 1486	screw, use:	AG	1433 0690	screw, use:
		1256 7467 spring washer			1256 7442 spring washer
		1256 8051 washer			1256 8010 washer
K	1433 4163	spacer	AH	1433 6424	cover
L	1432 8371	heatsink assembly 2	AI	1126 3357	rectifier (1N1202, 12A)
M	1256 1098	screw, use:	AJ	1907 6413	insulator bushing
		1256 7459 lockwasher	AK	1256 8051	washer
N	1432 8264	heatsink assembly 1	AL	1432 8363	bus bar
O	1080 9242	muffin fan	AM	1256 7749	washer
P	1432 8538	capacitor	AN	1433 3363	insulating washer
Q	1112 0615	cable strap	AO	1115 2626	terminal block
R	1434 7470	capacitor (26K uF, 50V, -10%, +75%)	AP	1343 1259	fuse holder, use:
S	1323 9330	cable clamp			1323 8100 fuse (4A, 250V)
T	1432 8512	capacitor, use:	AQ	1436 5654	LED socket, use:
		1104 0516 TFE sleeving			1432 3919 LED
U	1432 8520	capacitor, use:			1436 5662 retainer ring
		1104 0516 TFE sleeving	AR	1432 8579	fuse holder, use:
V	1126 3357	rectifier, use:			1341 1061 fuse (5A, 250V)
		1433 3363 insulating washer	AS	1435 6109	terminal board cover
		1535 3048 nylon bushing	AT	1115 2576	terminal block
		1256 8051 washer			
		1140 7582 terminal lug			
		1256 7467 spring washer			
		1256 5289 nut			

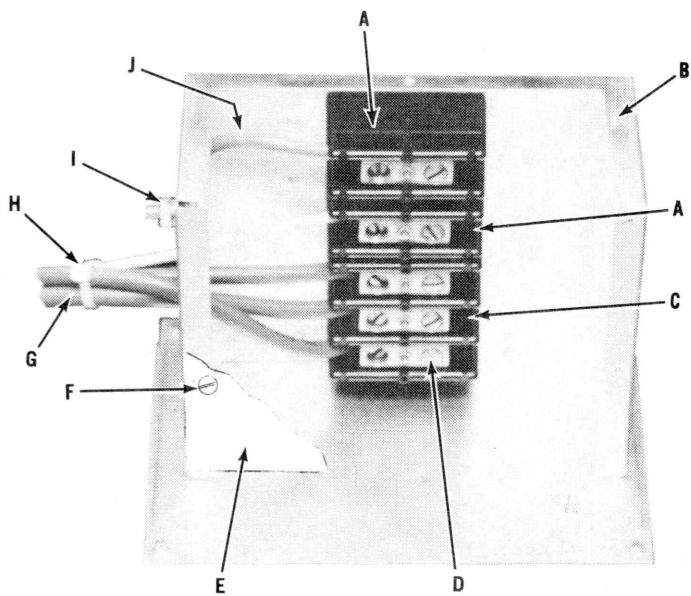
DC POWER OUTLET (FOR FIELD CARD TESTER) (PLATE 12)



PART NUMBERS (PLATE 12)

- |           |   |
|-----------|---|
| 2206 6021 | complete DC power outlet assembly, includes A thru C and: |
|           | 2207 6103 insulator                                       |
|           | 1256 1528 screw   |
|           | 1256 5289 nut   |
|           | 1101 7605 grommet   |
| A         | 2207 6780 mounting panel, use:                            |
|           | 1256 1155 screw   |
|           | 1103 8742 spacer  |
|           | 1256 5263 nut   |
| *B        | 1150 2200 fuse holder, use:                               |
|           | 1197 2064 fuse (.25 amp, 250V)                            |
|           | 1102 2852 fuse (5 amp SB)                                 |
| C         | 2205 7095 connector receptacle, use:                      |
|           | 1256 0884 screw   |
|           | 1256 7723 lockwasher                                      |
|           | 1256 5248 nut   |
- \*NOTE: For Early Style B1712/B1714 units use:
- |  |                              |
|--|------------------------------|
|  | 2012 3402 fuse holder        |
|  | 1944 1799 fuse (30 amp)      |
|  | 2204 7633 fuse holder        |
|  | 1634 8104 fuse (40 amp)      |
|  | 1150 2200 fuse holder        |
|  | 1197 2007 fuse (1/10 amp SB) |

AC POWER JUNCTION BOX (PLATE 13)



PART NUMBERS (PLATE 13)

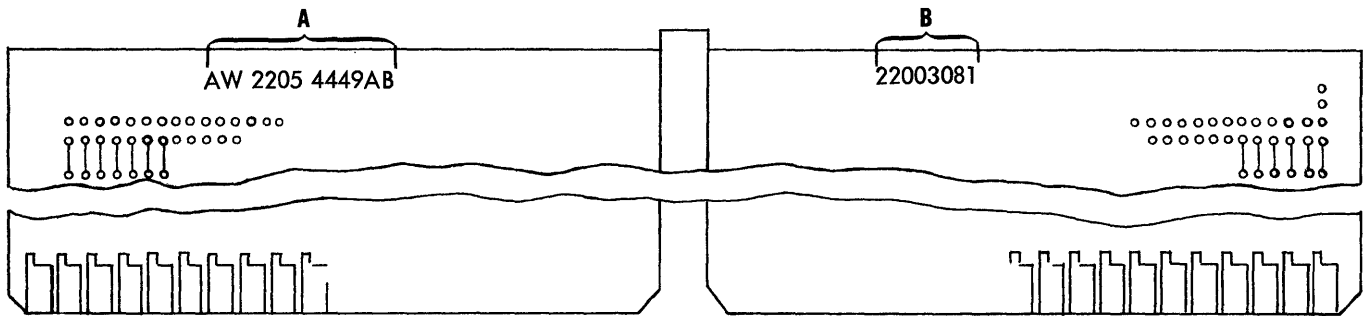
- |           |  |
|-----------|--|
| 2209 8362 | complete junction box assembly, includes A thru J                          |
| A         | 2205 5289 terminal block   |
| B         | 2209 8370 junction box   |
| C         | 2205 5297 terminal block   |
| D         | 1256 1502 screw, use:  |
|           | 1256 7749 lockwasher   |
| E         | 2209 8354 cover  |
| F         | 1256 0868 screw, use:  |
|           | 1256 7723 lockwasher   |
| G         | 2209 8552 cable, 4 wire (one 10 gauge stranded and three 6 gauge stranded) |
| H         | 1112 0599 plastic cable strap  |
| I         | 1256 1635 screw, use:  |
|           | 1101 7928 lockwasher   |
|           | 1256 5404 nut  |
| J         | 2206 8985 wire, 6 gauge stranded (specify length), use:                    |
|           | 1102 4148 terminal lug   |

P & J CONNECTORS (PLATE 14)

No. of Pin Positions	P Connectors (Plugs)	Contact Pins	J Connectors (Jacks)	Contact Sockets
3	2206 9397	2206 9538	2206 9348	2206 9553
4	2206 9439	2206 9538	2206 9389	2206 9553
6	2206 9405	2206 9538	2206 9355	2206 9553
* 9	2206 9413	2206 9538	2206 9363	2206 9553
** 9	2205 5388	1180 5041	2205 5354	1180 5058
12	1920 3983	1908 0472	1920 4023	1908 0464
** 14	2205 5396	1180 5041	2205 5362	1180 5058
** 18	2205 5404	1180 5041	2205 5370	1180 5058
20	2206 9421	2206 9538	2206 9371	2206 9561

\* For AC Power Distribution  
 \*\* For 12A, 12B and LG of Logic Power Supply

PROCESSOR & I/O LOGIC CARDS (PLATE 15)

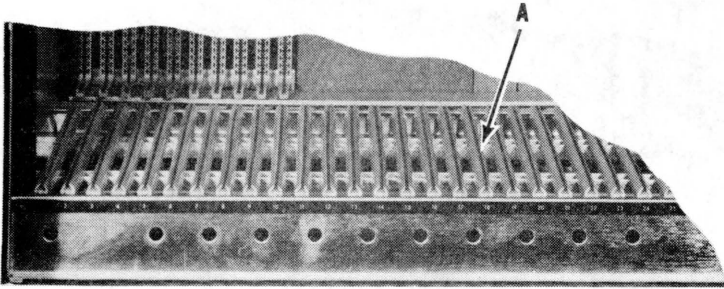


Order replacement processor and I/O cards using the eight digit number stamped in black ink on the card (example B). Numbers etched into board (example A) are for manufacturing reference only and are not to be ordered.

PLATE 16

✓ RESERVED FOR FUTURE USE

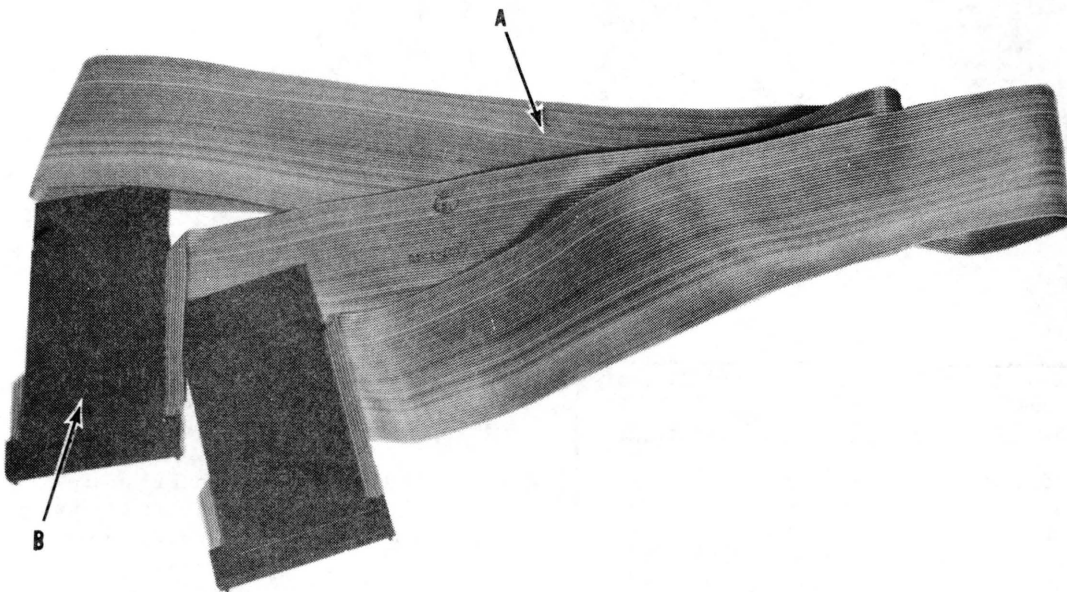
LOGIC CARD GUIDES (PLATE 17)



PART NUMBERS (PLATE 17)

A 2205 0652 plastic card guide

RIBBON CABLES (PLATE 18)

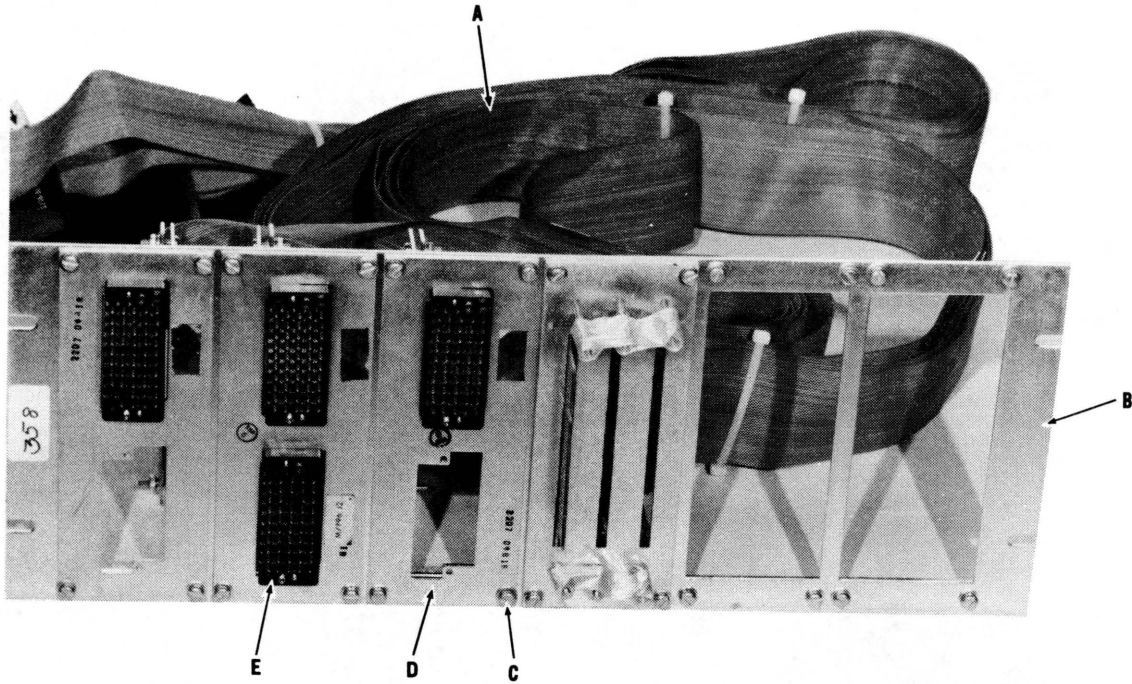


PART NUMBERS (PLATE 18)

A	----	Standard ribbon cables (includes connectors)
		Approx. Length
		<u>6"</u>
		2207 1989
		2207 7622 36"
		2207 7150 42"
		2207 1971 53"
		2207 1948 55"
		2207 1963 57"
		2206 3416 64"
		Special resistor terminated memory ribbon cables
		2209 9642 20"
		2209 9667 24"
		2209 9634 28"
		2209 9659 33"
		2209 9675 36"
		2209 9600 52"
		2209 9592 57"
		2209 9584 62"
		2209 9618 72"
		2209 9626 75"
B	2206 3648	handle



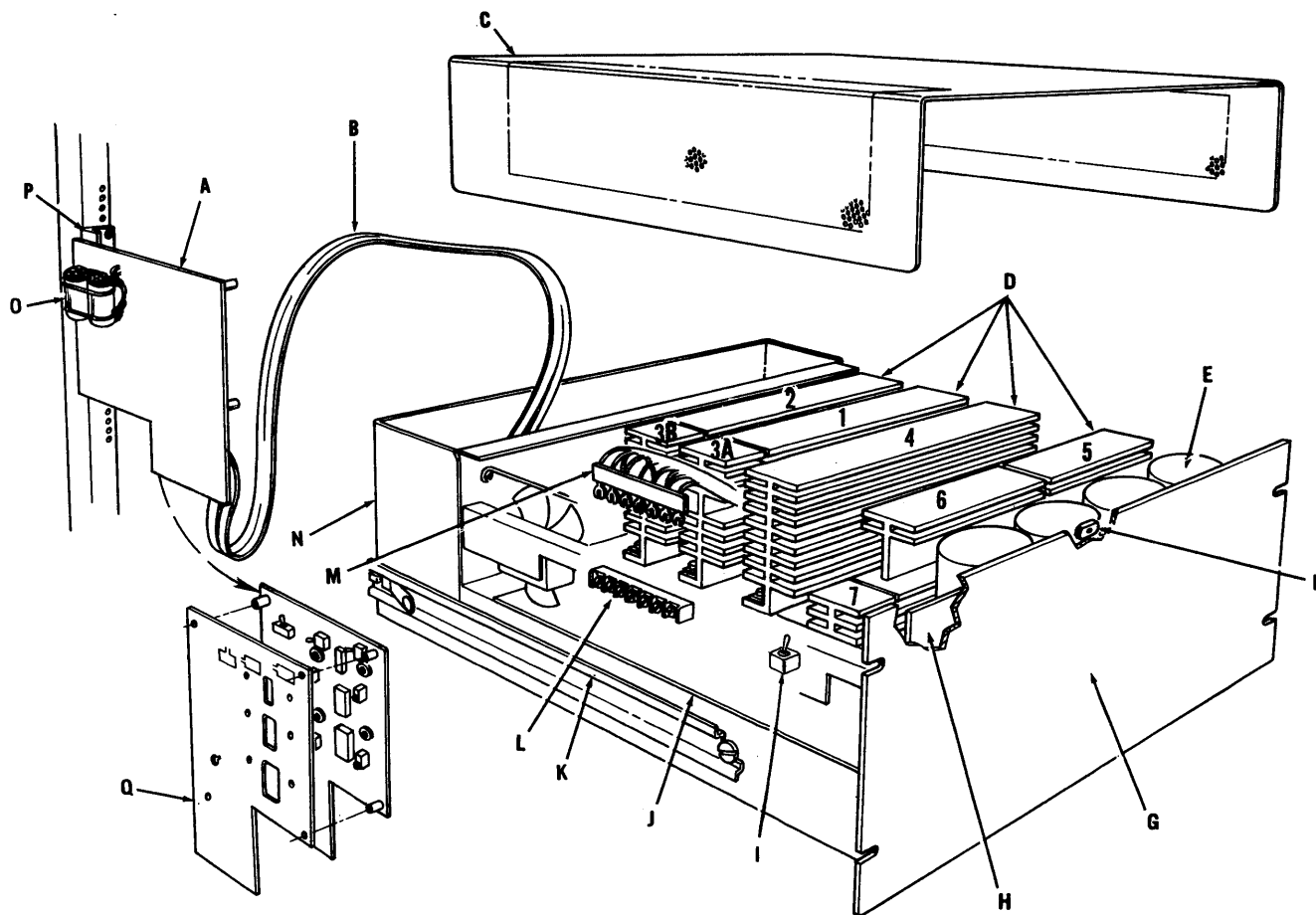
I/O INTERFACE PANEL & ADAPTER RIBBON CABLES (PLATE 19)



PART NUMBERS (PLATE 19)

A	A and/or B Model Number	Description	I/O Control Adapter Cable No.	B	2204 3111	interface panel screw, use:
				C	1256 1486	1256 8051 washer 1256 7749 lockwasher
	9115/9116	Card Reader	2207 2722	D	2207 0981	mounting plate
	9134/9135/9136	Reader Sorter	2207 6236		2210 4798	mounting bracket (2 req.)
	9210	Card Punch	2209 7703	E	2206 6575	connector shell (50 pin), use:
	9240/9245	Line Printer	2206 4448			2206 6591 contact pins
	9247	Line Printer	2210 1158			1472 3415 screw
	9249	Line Printer	2209 7422			1472 3423 screw
	9319/9419	96-Col. Reader/Punch, and Data Recorder				1256 7426 lockwasher
			2207 6343			1256 5206 nut
	9340	Console Printer	2206 4430			
	9371/9374	Disk File 1A and 1C				
	9373/9375		2209 9105			
	9381	Mag. Tape Cluster Interface #1	2209 8693			
		Interface #2	2209 8685			
	9390	Mag. Tape Unit	2210 2180			
	9480/9481	Disk Cart-ridge	2206 4455			
	9491	Mag. Tape Unit (Part No. of the ribbon cable between cards 5 and 6 of the 9491 Control is 2210 0762)	2207 6343			
	- - -	Single Line Control	2204 3418			

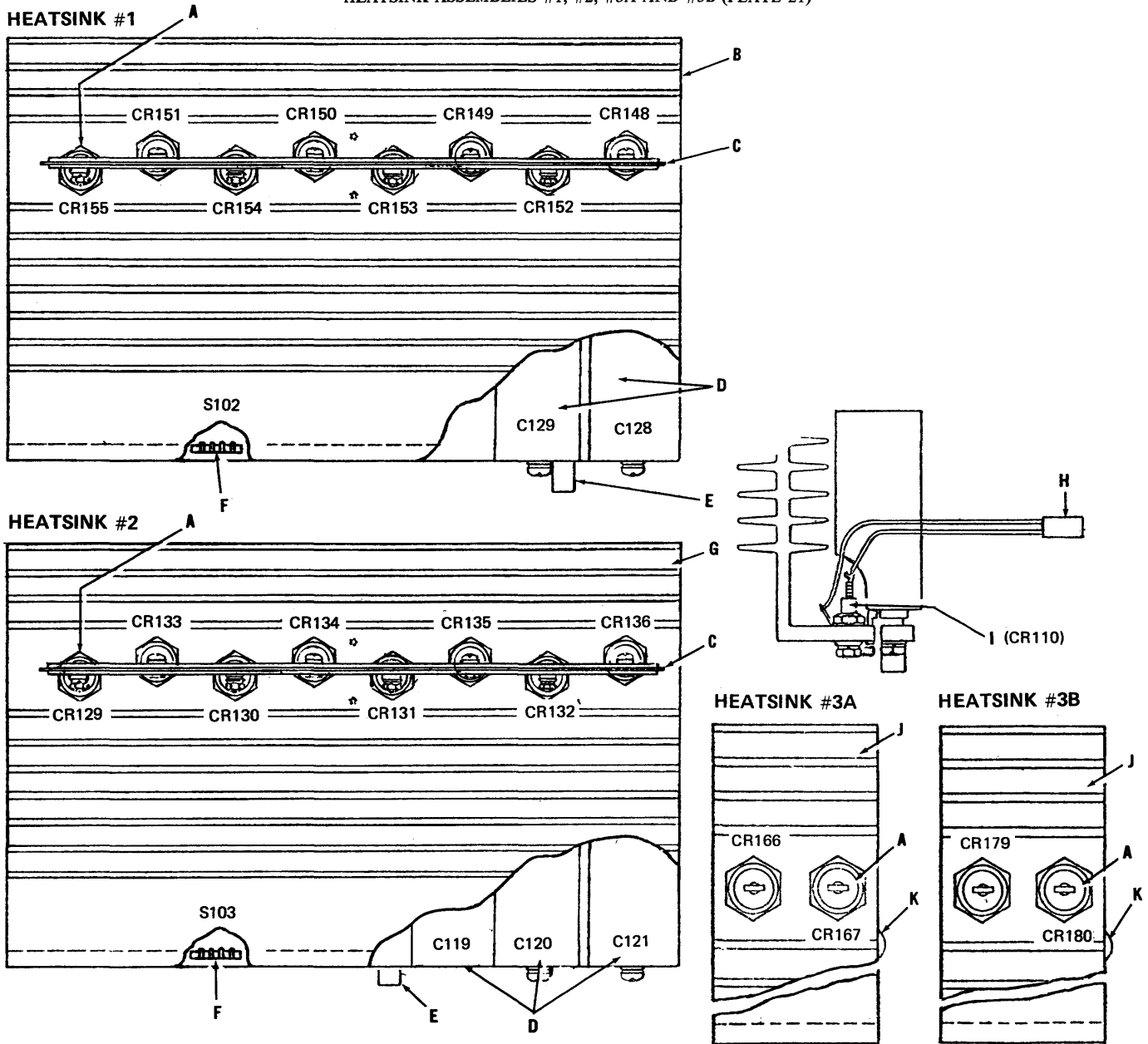
✓ LOGIC POWER SUPPLIES -2 AND -5 (PLATE 20)



PART NUMBERS (PLATE 20)

✓	2201 4112	complete logic power supply-2 assembly
A	2211 3161	complete logic power supply-5 assembly
	1436 5019	regulator board assembly (CSP)
B	2208 8629	ribbon cable 40" (14 pin)
	2208 8611	ribbon cable 57" (16 pin)
C	2211 1025	top cover
D	---	heatsink assemblies #1 thru #7 (see following plates for part numbers)
E	2208 8066	capacitor, 1500 uf, 400V (C102 thru C105)
F	2208 8686	safety switch (S101)
G	2211 3179	front panel
H	2208 3455	input control board assembly
I	2208 8678	switch (S105)
J	2211 1215	main power circuit board assembly (PMI)
	1436 5134	main power circuit board assembly (CSP)
K	2210 6223	slide (LH)
	2210 6215	slide (RH)
L	2208 8991	terminal block (J105)
M	2211 1256	harness, includes: 2208 9007 connector (P105)
N	2211 3187	rear panel
O	2208 3414	capacitor, 11,500 uf, 18V (C241 and C249)
P	2210 8625	bracket, use: 1256 1562 screw 1256 8044 washer 1256 7467 lockwasher
Q	2211 3096	plastic overlay (component locator)

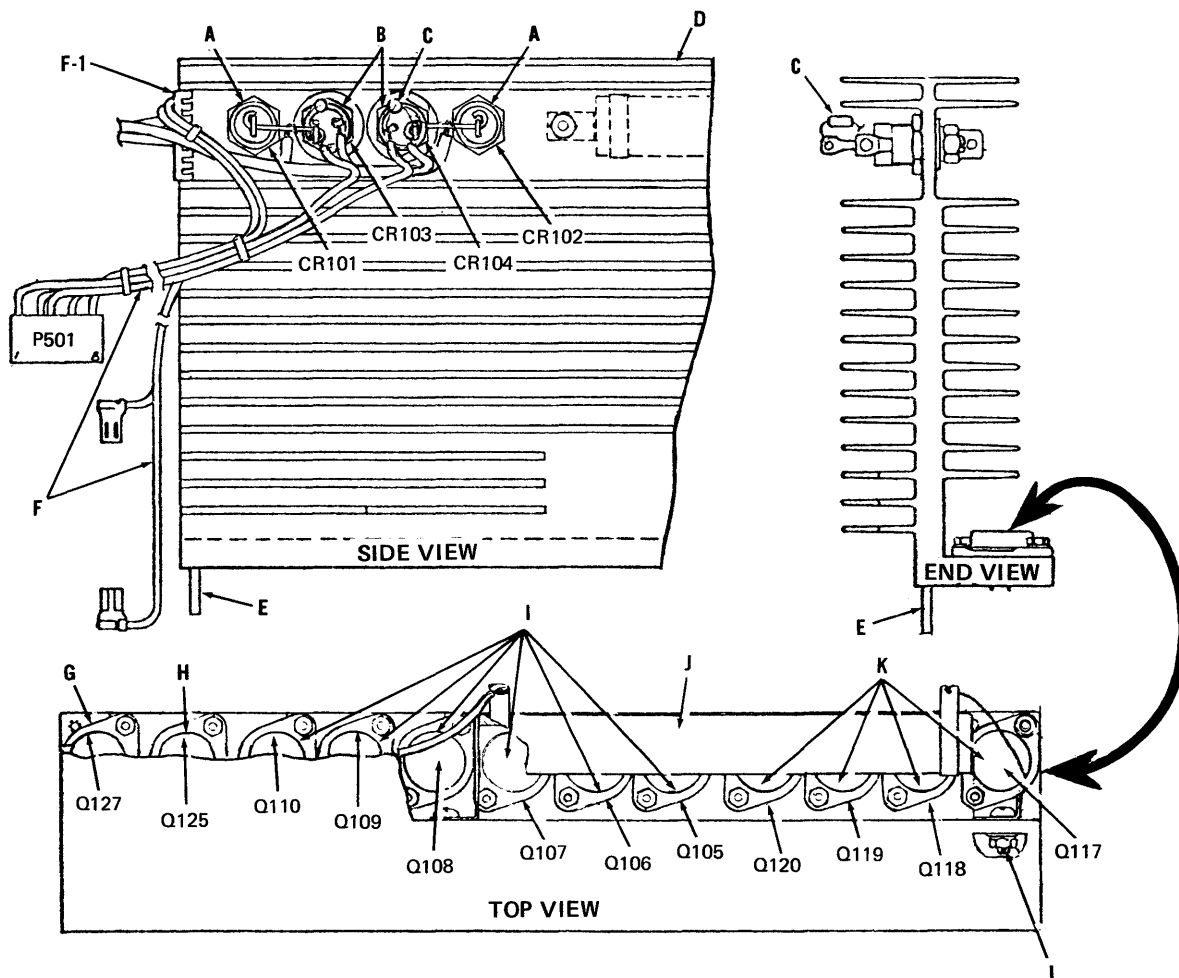
✓ LOGIC POWER SUPPLIES -2 AND -5  
HEATSINK ASSEMBLIES #1, #2, #3A AND #3B (PLATE 21)



PART NUMBERS (PLATE 21)

- |           |                                      |  |           |                  |                                    |
|-----------|--------------------------------------|--|-----------|------------------|------------------------------------|
| 2211 1140 | complete heatsink assembly #1        | E  | 1103 4006 | spacer, use:     |                                    |
| 2211 1157 | complete heatsink assembly #2        |  |           | 1256 1122 screw  |                                    |
| 2211 1165 | complete heatsink assembly #3A or 3B |  |           | 1256 8036 washer |                                    |
| A         | 2208 3380                            | diode (CR129 thru 136, CR148 thru 155, CR166, CR167, 179, 180) | F         | 2208 8561        | 1256 7459 lockwasher               |
| B         | 2211 0761                            | heatsink #1  |           |                  | switch (S102 and S103) use:        |
| C         | 2211 0845                            | bus #2   |           |                  | 1256 0330 screw                    |
|           | 2211 1009                            | insulation strip   |           |                  | 1256 7996 washer                   |
|           | 2211 0837                            | bus #1   |           |                  | 1256 7426 lockwasher               |
|           |                                      | 1256 0868 screw  | G         | 2211 0779        | heatsink #2                        |
|           |                                      | 1256 8010 washer   | H         | 2208 8769        | connector plug (P103A) 2 pin, use: |
|           |                                      | 1256 7442 lockwasher   |           |                  | 2208 8892 pin                      |
|           |                                      | 1256 5248 nut  |           |                  | 1109 9553 terminal lug             |
| D         | 2208 3414                            | capacitor, 11,500 uf, 18V (C119, 120, 121, 128, 129) use:      |           |                  | 1127 6177 washer                   |
|           |                                      | 1256 1494 screw  | I         | 2208 7001        | 2208 9197 spacer                   |
|           |                                      | 1256 8051 washer   |           |                  | 1256 5792 nut                      |
|           |                                      | 1256 7467 lockwasher   | J         | 2211 0787        | diode, 1N2979B (CR110)             |
|           |                                      | 2211 0852 bus bar on heatsink #1                               | K         | 2208 9189        | heatsink, #3A or #3B               |
|           |                                      | 2211 0860 bus bar on heatsink #2                               |           |                  | clip                               |

LOGIC POWER SUPPLIES -2 AND -5  
HEATSINK ASSEMBLY #4 (PLATE 22)



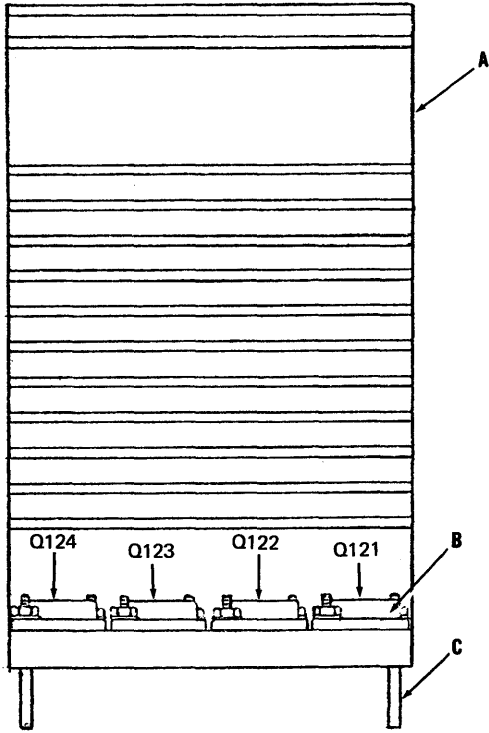
PART NUMBERS (PLATE 22)

	2211 1173	complete heatsink assembly #4
	1436 5043	complete heatsink assembly #4 (CSP)
A	2208 7316	diode, S32100 (CR101 and 102)
B	2208 8041	diode, 40C60 (CR103 and 104), use: 2208 9171 nylon spacer 1127 6185 washer
C	1268 2084	resistor, 100 ohm, 1/2W, 5% (R101 and R102)
D	2211 0795	heatsink #4
E	1255 0661	pin
F	2211 1249	harness assembly P501, use: 2208 8801 connector, 8 pin 1033 9844 fast-on terminal lug
F-1	1110 0849	nylon grommet
G	2208 3406	transistor, PM1500111 (Q127), use: 2204 8490 screw 1256 7723 lockwasher 1256 5248 nut
H	2208 3398	transistor, PM1500042-0 (Q125), use same hardware listed under item G
I	2208 3562	transistor, PM1500042-2 (Q105 thru Q110), use same hardware listed under item G
J	2208 8496	resistor, 1.5K ohm, 100W, 5% (R176)
K	2208 3554	transistor, PM1500042-1 (Q117 thru Q120)
	2208 3562	transistor, CSP (Q117 thru Q120)
L	1256 1122	screw, use: 1256 8036 washer 1256 7459 lockwasher 1256 5263 nut

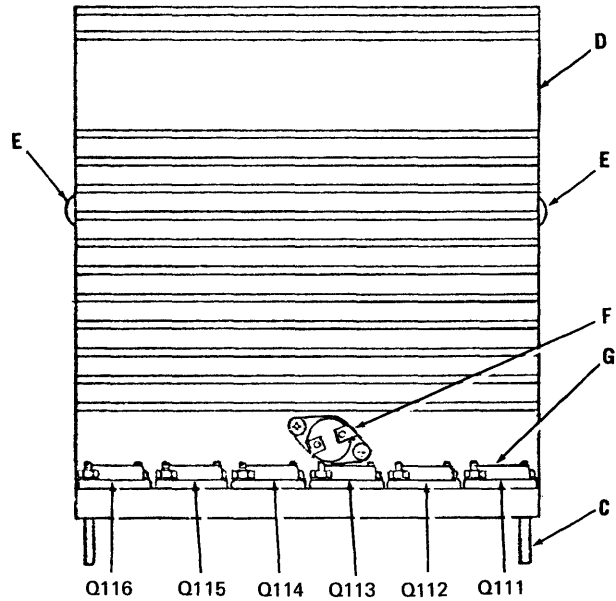
√ LOGIC POWER SUPPLIES -2 AND -5

HEATSINK ASSEMBLIES #5, #6 AND #7 (PLATE 23)

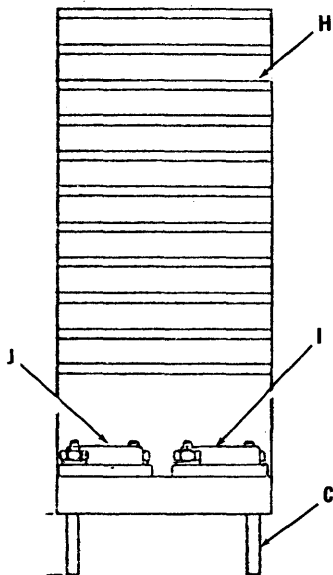
HEATSINK #5



HEATSINK #6



HEATSINK #7



PART NUMBERS (PLATE 23)

	2211 1181	complete heatsink assembly #5	
	1436 4988	complete heatsink assembly #5 (CSP)	
	2211 1199	complete heatsink assembly #6	
	2211 1207	complete heatsink assembly #7	
	1436 4954	complete heatsink assembly #7 (CSP)	
A	2211 0803	heatsink #5	
B	2208 3554	transistor, PM1500042-1 (Q121 thru Q124)	} use:
	2208 3562	transistor, CSP (Q121 thru Q124)	
		2204 8490 screw	
		1256 7723 lockwasher	
		1256 5248 nut	
C	1255 0661	pin	
D	2211 0811	heatsink #6	
E	2208 9189	clip	
F	2208 8561	switch (S104), use:	
		1256 0355 screw	
		1256 7996 washer	
		1256 7426 lockwasher	
G	2208 3562	transistor, PM1500042-2 (Q111 thru Q116), use	
		same hardware listed under item B	
H	2211 0829	heatsink #7	
I	2208 3398	transistor, PM1500042-0 (Q126)	} use:
	2208 3562	transistor, CSP (Q125, Q126)	
		hardware listed under item B	
J	2208 3406	transistor, PM1500111 (Q128), use	
		same hardware listed under item B	

✓ LOGIC POWER SUPPLIES -2 AND -5 ELECTRICAL COMPONENTS (PLATE 24)

DESCRIPTION	SCHEMATIC DESIGNATION	PART NUMBER
<b>CAPACITORS</b>		
5pf 500V	C224, 231	2208 8322
30pf 500V	C215	2208 8330
270pf 500V	C237, 245	2200 6746
470pf 500V	C235, 243	2208 8348
.001uf 200V	C201, 204, 220, 255	2208 8140
.001uf 600V	C134, 142	2205 9752
.0012uf 200V	C202, 203, 205, 206, 208, 209, 211, 212	2208 8157
.0022uf 200V	C157, 223, 225, 229, 230	2208 8165
.0022uf 600V	C115, 116, 126	2205 9760
.003uf 200V	C132, 133, 140, 141	2208 8173
.0047uf 200V	C156	2208 8231
.01uf 200V	C118, 158	2208 8181
.015uf 200V	C111, 112, 113, 114, 124, 125	2208 8215
.033uf 200V	C109, 135, 143	2208 8223
.1uf 200V	C207, 210, 263, 264	2208 8199
.22uf 200V	C218, 502, 503, 504, 505, 506	2208 8249
.33uf 35V	C216	2208 8389
.47uf 200V	C7, 9, 106, 117, 127, 137, 145, 219, 240, 248, 250	2208 8256
.47uf 600V	C101	2205 9778
4uf 100V	C110, 131	2208 8298
5uf 400V	C507	2208 8108
10uf 25V	C213, 214, 217, 221, 222, 226, 227, 228, 232, 233, 234, 238, 239, 242, 246, 247, 256 thru 262	2208 8397
50uf 50V	C108	2208 8116
100uf 50V	C501	2208 8124
1,500uf 400V	C102, 103, 104, 105	2208 8066
3,000uf 200V	C122, 123	2208 8074
6,200uf 40V	C107	2208 8082
11,500uf 18V	C119, 120, 121, 128, 129, 138, 146, 241, 249	2208 3414
47,000uf 7.5V	C8, C10	2208 8090
<b>MARKING</b>		
<b>DIODES</b>		
1N746A	CR218	1110 2373
1N751A	CR217	1105 9052
1N752A	CR223	1319 0095
1N823	CR222	1115 1784
1N2979B	CR110	2208 7001
1N4148	CR201 thru 216, 219, 220, 221, 224, 225, 228 thru 239, 242 thru 251, 253, 255 thru 263, 265, 267 thru 285, 503, 504, 505, 508, 510	1627 0175
1N4753A	CR226, 227, 240, 241, 252, 254, 264, 266	2208 7035
2N4184 (SCR)	CR156, 171, 184	2158 3323
DRS1851	CR118, 121, 124, 127, 143, 146	2208 6847
DRS1851R	CR117, 120, 123, 126, 142, 145	2208 6854
ID200 (SCR)	CR112, 169, 182	2208 6870
ID301 (SCR)	CR511, 514	2208 6862
SOM	CR501, 502, 507, 509, 513	2208 6912
S2F	CR114, 115, 137, 140, 157, 158	2208 6888
S2M	CR107, 108, 111, 113, 116, 141, 159, 168, 172, 181, 189, 512, 515, 518	2208 6896
S6M	CR119, 122, 125, 128, 162, 165, 175, 178, 516, 517	2208 6904

DESCRIPTION	SCHEMATIC DESIGNATION	PART NUMBER
S32100	CR101, 102	2208 7316
SS2956	CR160, 161, 163, 164	2208 6953
105017	CR173, 174, 176, 177	2211 0993
(Each pkg. contains: 2 diodes mounted on a heatsink)		
3SF2	CR138, 139	2208 6938
3SM2	CR105, 106	2208 6946
40C60 (SCR)	CR103, 104	2208 8041
500107	CR129 thru 136, 148 thru 155, 166, 167, 179, 180	2208 3380
500123	CR144, 147	2208 8058
<b>INTEGRATED CIRCUITS</b>		
FCHLD LM301AH	Z201 thru Z213	2208 6839
<b>RESISTORS</b>		
.47 ohm 2W 5%	R125, 144, 155	1197 1967
3.3 ohm ½W 5%	R262, 279	2208 7175
6.8 ohm 1W 5%	R263	1265 8001
15 ohm ½W 5%	R118, 119, 121, 122, 129, 130	1268 1888
25 ohm 12W 5%	R520	2204 7492
27 ohm 5W 5%	R116	1102 4700
30 ohm 10W 5%	R114, 117	2208 7266
47 ohm ½W 5%	R136, 137, 147, 148, 285, 328, 330, 361	1268 2001
50 ohm 12W 5%	R521	2208 8454
75 ohm 12W 5%	R120, 123, 131	2208 8462
82 ohm 5W 5%	R105	1102 4601
90 ohm 5W 5%	R133	2208 7258
100 ohm ½W 5%	R101, 102, 178, 327, 329, 359, 360, 390, 391, 392, 393, 419 thru 422	1268 2084
100 ohm 5W 5%	R135, 146	1102 4619
120 ohm ½W 5%	R117, 309, 341, 372, 404, 436	1268 2100
150 ohm ½W 5%	R229	1268 2126
200 ohm ½W 1%	R225	1117 9322
200 ohm 5W 5%	R138, 149	1100 3159
220 ohm ½W 5%	R179, 293 thru 296, 331, 332, 362, 363, 394, 395, 437 thru 440	1268 2167
250 ohm (POT.)	R226	2208 7100
261 ohm ½W 1%	R217	1114 8681
390 ohm 1W 5%	R103, 139, 150, 180, 181	1268 5418
453 ohm ½W 1%	R204	1900 1163
470 ohm ½W 5%	R124, 278, 316, 348, 377, 409	1268 2241
560 ohm ½W 5%	R228, 267	1268 2266
604 ohm ½W 1%	R209	1114 9390
634 ohm ½W 1%	R222	1900 1403
680 ohm ½W 5%	R286, 289, 386, 441, 442	1268 2282
732 ohm ½W 1%	R212	1268 8339
845 ohm ½W 1%	R215	1268 8362
910 ohm ½W 5%	R277	1268 2316
1 K ½W 5%	R112, 115, 134, 141, 152, 233, 237, 241, 245, 249, 253, 257, 261, 287, 288	1268 2324
1 K (POT.)	R108, 265	2208 7118
1.18 K ½W 1%	R202	1268 8404
1.2 K ½W 5%	R297, 299, 301, 303, 333, 335	1268 2340
1.43 K ½W 1%	R224	1907 9375
1.47 K ½W 1%	R218	1114 8863
1.5 K 100W 5%	R176	2208 8496
1.8 K ½W 5%	R284	1268 2381
2.2 K ½W 5%	R264, 266, 298, 300, 302, 304, 334, 336, 380, 503, 510, 513, 515, 517, 518	1268 2407

CONTINUED ON NEXT PAGE

√ LOGIC POWER SUPPLIES -2 AND -5 ELECTRICAL COMPONENTS (PLATE 24) (CONTINUED) (PAGE 2)

DESCRIPTION	SCHEMATIC DESIGNATION	PART NUMBER	SCHEMATIC DESIGNATION	PART NUMBER
<b>RESISTORS (Cont'd)</b>			<b>SWITCHES</b>	
2.7 K ½W 5%	R364, 366, 396, 398	1268 2423	S101	2208 8686
2.74 K ½W 1%	R219	1268 8495	S102, 103, 104	2208 8561
2.87 K ½W 1%	R227	1114 8939	S105	2208 8678
3.01 K ½W 1%	R223	1114 9366	S201, 203	2208 8652
3.3 K ½W 5%	R106, 308, 340, 371, 387, 403	1268 2449	S202	2208 8660
3.6 K ½W 5%	R320, 322, 352, 354, 381, 383, 412, 414	1268 2456	<b>TRANSFORMERS &amp; INDUCTORS</b>	
4.22 K ½W 1%	R208	1114 8970	T5	2208 8546
4.42 K ½W 1%	R207	1127 9502	*T6, 9, 11	2208 8520
4.7 K ½W 5%	R104, 107, 113, 140, 151, 280, 281, 283, 305, 311, 318, 337, 343, 349, 368, 400, 428, 430, 433, 435, 508, 514, 519	1268 2480	*T7, 8, 10	2208 8512
4.75 K ½W 1%	R216	1268 8552	#T101, 102	2208 3216
5 K (POT.)	R321, 353, 382, 413	2208 8421	#T103	2208 3570
5 K (POT.)	R317, 350, 378, 410	2208 7126	T104	2208 3588
5.1 K ½W 5%	R315, 346	1268 2498	T105, 106, 107, 108	2208 3315
5.11 K ½W 1%	R213	1114 8996	*T109, 110	2208 8538
5.23 K ½W 1%	R210	1127 9528	T111	2208 3513
5.6 K ½W 5%	R231, 235, 239, 243, 247, 251, 255, 259, 290, 365, 367, 397, 399	1268 2506	T112	2208 3331
5.62 K ½W 1%	R205, 206	1114 9002	T113	2208 3240
6.19 K ½W 1%	R211	1114 9010	T114	2208 3208
6.34 K ½W 1%	R201	1127 9569	##T115, 116	2208 3224
6.49 K ½W 1%	R214, 221	1127 9577	T117	2208 3232
7.15 K ½W 1%	R220	1127 9593	T118, 119	2208 3273
8.2 K ½W 5%	R373, 375, 405, 408	1268 2548	T120	2208 3521
9.1 K ½W 5%	R384, 415	1268 2555	T121	2208 3356
10 K ½W 5%	R109, 273, 282, 306, 307, 338, 339, 369, 370, 401, 402, 429, 431, 432, 434	1268 2563	T122	2208 3240
10 K 7W 5%	R126, 127, 128	2208 7241	T123	2208 3539
12 K ½W 5%	R385, 416, 423	1268 2589	T124	2208 3505
14.7 K ½W 1%	R203	1114 9101	T125	2208 3299
15 K ½W 5%	R505, 506	1268 2605	T126	2208 3257
15 K 2W 5%	R511, 516	1268 4916	T127	2208 3307
20 K ½W 5%	R357, 358	1268 2639	T128	2208 3505
22 K ½W 5%	R232, 236, 240, 244, 248, 252, 256, 260, 268, 269, 270, 271, 272, 310, 342	1268 2647	T131	2208 3299
24 K ½W 5%	R323, 356	1268 2654	T132	2208 3257
25 K (POT.)	R312, 344	2208 7134	T133, 134 135	2208 3372
27 K ½W 5%	R276, 324, 355	1268 2662	T201	2208 3497
47 K ½W 5%	R325, 326	1268 2720	T202	2208 8520
47 K 1W 5%	R522	1268 3835		
56 K ½W 5%	R388, 389, 417, 418	1268 2746		
68 K ½W 5%	R292	1268 2761		
100 K ½W 5%	R502	1268 2803		
100 K 1W 5%	R501, 504, 507, 509	1268 3918		
120 K ½W 5%	R291, 424, 425, 426, 427	1268 2829		
330K ½W 5%	R274, 275	1268 2928		
681K ½W 1%	R319, 351 (CSP)	1268 9618		
1M ½W 5%	R230, 234, 238, 242, 246, 250, 254, 258	1268 9774		
2.4M ½W 5%	R319, 351 (PMI)	1265 7144		
4.7 M ½W 5%	R379, 411	1265 7367		

\* Tubular Ferrite Bead

# T101, T102, T103 are included in Transformer Assembly 2208 3463

## T115 and T116 are included in Transformer Assembly 2208 3471

CONTINUED ON NEXT PAGE

## √ LOGIC POWER SUPPLIES -2 AND -5 ELECTRICAL COMPONENTS (PLATE 24) (CONTINUED) (PAGE 3)

SCHEMATIC DESIGNATION	PART NUMBER
<b>P &amp; J CONNECTORS</b>	
P101 (16 pin)	2208 9056
P102 (14 pin)	2208 9049
P103A (2 pin)	2208 8769
P103B (4 pin)	2208 8785
P104 (3 pin)	2208 8777
P105 (terminal strip)	2208 9007
P106 (5 pin)	2208 8793
P112 (3 pin)	2208 8777
P203 (12 pin)	2208 8702
P501 (8 pin)	2208 8801
JLG	2205 5370
J1	2208 8694
J12A	2205 5354
J12B	2205 5362
J103 (6 pin)	2208 8850
J104 (3 pin)	2208 8835
J105 (terminal strip)	2208 8991
J106 (5 pin)	2208 8843
J107 (6 pin)	2208 8850
J112 (3 pin)	2208 8835
J113 (8 pin)	2208 8868
J115 (6 pin)	2208 8850
J116 (3 pin)	2208 8835
J201 (16 pin)	2208 9031
J202 (14 pin)	2208 9023
J203 (12 pin)	2208 8736
J501 (8 pin)	2208 8868

MARKING	SCHEMATIC DESIGNATION	PART NUMBER
<b>TRANSISTORS</b>		
2N2222A	Q103, 201 thru 209, 218 thru 221, 223, 225, 227, 229, 232, 234, 236, 238, 241, 243 thru 247, 249, 251 thru 256, 258, 261, 503, 504, 505	2208 4362
2N2369	Q231, 240, 259, 262	1109 5924
2N2907A	Q102, 210 thru 217, 230, 233, 239, 242, 248, 250, 257, 260, 263 thru 266, 501, 502	2047 0159
2N3019	Q222, 224, 226, 228, 235, 237	2208 6813
MJ4000	Q101	2208 6805
DELCO DTS 423	Q117 thru Q126(CSP) (Selected)	2208 3562
PMI500042-0	Q125, Q126 (PMI)	2208 3398
PMI500042-1	Q117 thru Q124 (PMI)	2208 3554
PMI500042-2	Q105 thru Q116	2208 3562
PMI500111	Q127, 128	2208 3406

DESCRIPTION	SCHEMATIC DESIGNATION	PART NUMBER
<b>MISCELLANEOUS</b>		
Circuit Breaker	CB1	2208 7407
Fan Motor (4 Pole)	B1, B2	2208 8579
Fan Motor (2 Pole)	B3	2208 7431
Fan Blade (6")		2208 8595
Fan Blade (6½")		2208 8587
Guide Sleeve 1/4		2208 8918
Guide Sleeve 3/8		2208 8900
Input Filter	FL1	2208 3422
Relay (REED) 12V	K201	2208 8553
Standoff Test Terminals	TP1 thru 28, 31 thru 34	2208 9015