

MASTER DRAWING LIST

This drawing and specifications, herein, are the property of Digital Equipment Corporation and shall not be reproduced or copied or used in whole or in part as the basis for the manufacture or sale of items without written permission.

DWG. NO.	REV. LET.	NO. OF SHEETS	TITLE
D-UA-RS64-Ø-Ø		1	DISK FILE (RS64-A)
A-PL-RS64-Ø-Ø		1	DISK FILE (RS64-A)
D-DI-RS64-Ø-1	A	1	DRAWING INDEX LIST
D-BS-RS64-Ø-2	A	1	TIMING PATH
D-BS-RS64-Ø-3	B	1	DATA PATH
D-BS-RS64-Ø-4		1	TRACK SELECTORS
D-BS-RS64-Ø-5	A	1	I/O CONNECTORS
D-BS-RS64-Ø-6		1	HEAD MATRICES
K-WL-RS64-Ø-7	B	1	WIRE LIST
K-WL-RS64-0-12		1	SPECIAL ROUTING
D-MU-RS64-Ø-8		1	MODULE UTILIZATION
C-BD-RS64-Ø-9		1	SIGNAL BUS CONFIGURATION
C-BD-RS64-Ø-1Ø		1	POWER CABLE CONFIGURATION
E-UA-RS64-P-Ø	A	2	POWER CONTROL & LOGIC ASSY (RS64-PA)
A-PL-RS64-P-Ø	A	3	POWER CONTROL & LOGIC ASSY (RS64-PA)
D-DI-RS64-P-1	A	1	DRAWING INDEX LIST
D-AD-7007132-0-0	B	3	WIRED ASSY
A-PL-7007132-0-0	B	1	WIRED ASSY
-H736-Ø-Ø		1	POWER SUPPLY
-H736-Ø-Ø		1	POWER SUPPLY
E-UA-RS64-M-Ø		1	DISK ASSY (RS64-M)
A-PL-RS64-M-Ø		2	DISK ASSY (RS64-M)
D-DI-RS64-M-1	A	1	DRAWING INDEX LIST

REVISIONS				DRN.	DATE	EQUIPMENT CORPORATION MAYNARD, MASSACHUSETTS
REV.	DATE	CHG. NO.	APP'D.	J. CAHILL	2-25-7	
A	5/71	00003	P.M.	<i>J. Cahill</i>	3-8-71	TITLE MASTER LIST (RS64-A)
B	5/71	RS64-4	J.L.	<i>J.L.</i>	3-8-71	
C	5/71	RS64-5	P.M.	<i>P.M.</i>	3-8-71	
D	6/71	RS64-6	P.M.	<i>P.M.</i>	3-8-71	
E	6/71	RS64-7	P.M.	<i>P.M.</i>	3-8-71	
F	6/71	RS64 P-2	P.M.	<i>P.M.</i>	3-8-71	
H	6/71	RS64 M-2	<i>ace</i>	<i>ace</i>	3-8-71	

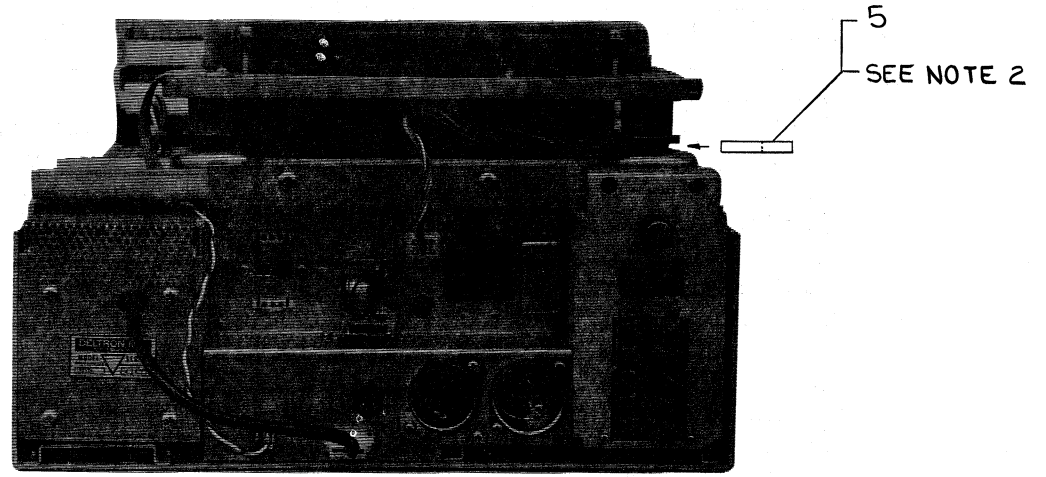
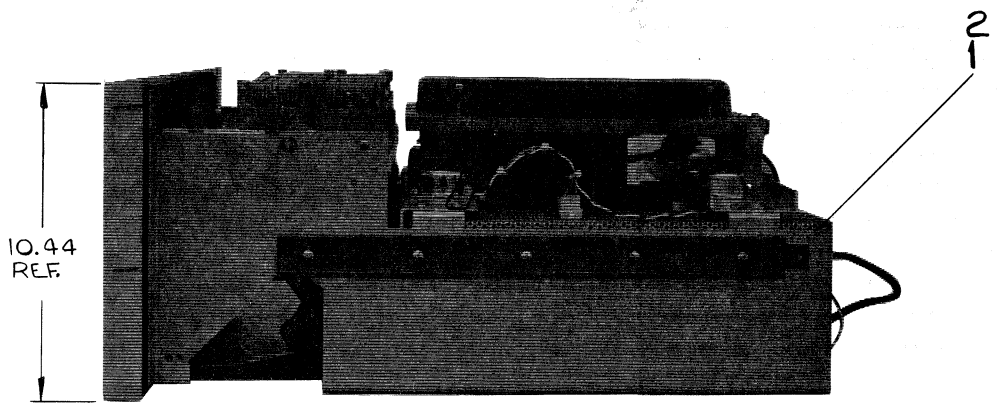
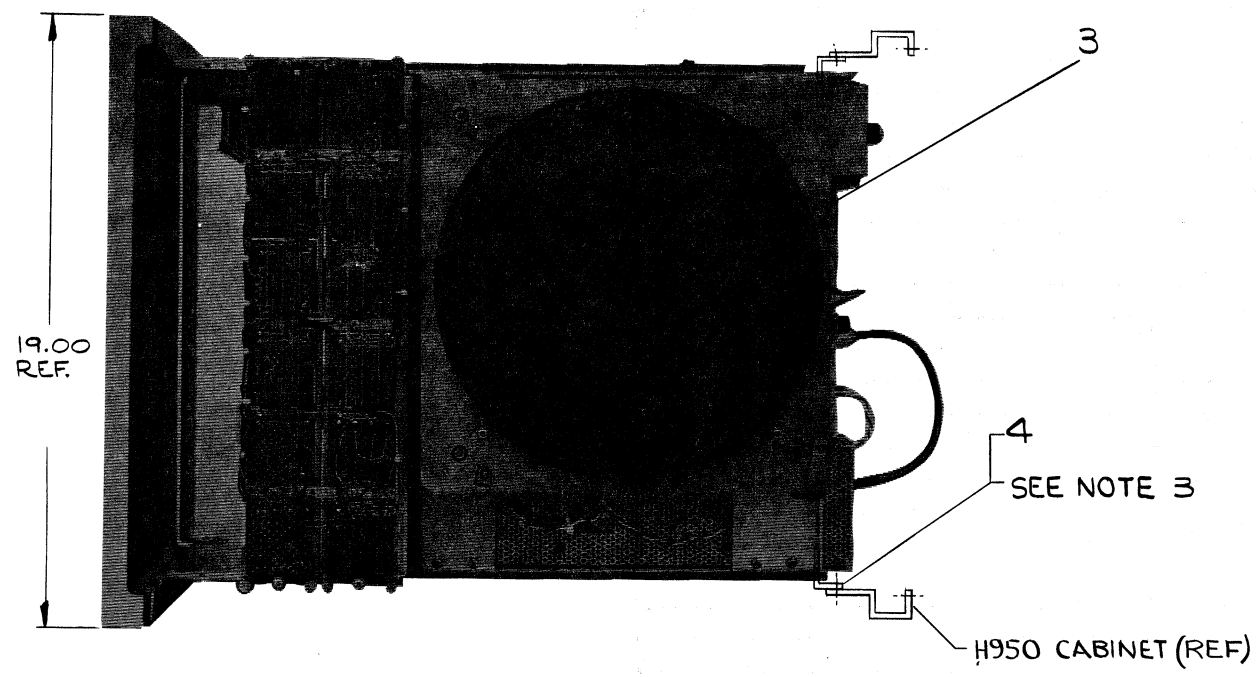
FIRST USED ON		SIZE	CODE	NUMBER	REV.
RS64		A	ML	RS64-A	H
SCALE	NONE				
SHEET	1 OF 1	DIST.			

This drawing and specifications, herein, are the property of Digital Equipment Corporation and shall not be reproduced or copied or used in whole or in part as the basis for the manufacture or sale of items without written permission.

REV. 2
DUA RS64-0-0

LEGEND	
NUMBER	VARIATION
RS64-A	115 VAC
RS64-B	230 VAC

- NOTES:
- FOR DRAWING INDEX REFER TO D-DI-RS64-0-1
 - WHEN SHIPPING OR MOVING DISC FILE ITEM #5 (SHOCK MOUNT LOCK OUT YOKE) MUST BE FASTENED TO SHOCK MOUNTS AS SHOWN. MOTOR LOCK (C-MD-7408858-0-0) MUST ALSO BE FASTENED PER E-UA-RS64-M-0.
 - WHEN SHIPPING DISC FILE IN H950 CABINET ITEM #4 (LOCKING BRACKET) MUST BE FASTENED TO CABINET AS SHOWN.
 - MOTOR LOCK (C-MD-7408858-0-0), ITEM #4 (LOCKING BRACKET) & ITEM #5 (SHOCK MOUNT LOCKOUT YOKE) ARE TO BE BAGGED AND ATTACHED TO DISC FILE WHEN NOT IN USE.



REV.	
CHANGE NO.	
CHK	

FIRST USED ON OPTION/MODEL
RS64

DO NOT SCALE DRAWING
UNLESS OTHERWISE SPECIFIED
DIMENSION IN INCHES
TOLERANCES
DECIMALS FRACTIONS ANGLES
± .006 ± .001 ± 0°30'
FINAL SURFACE QUALITY
REMOVE BURRS AND BREAK SHARP CORNERS
MATERIAL
FINISH

QTY.	DESCRIPTION	PART NO.	ITEM NO.
PARTS LIST			
DRN. <i>[Signature]</i> DATE 2-23-71		digital EQUIPMENT CORPORATION MAYNARD, MASSACHUSETTS	
CHK'D. <i>[Signature]</i> DATE 3-8-71	ENG. <i>[Signature]</i> DATE 3-8-71		
TITLE		DISK FILE	
PROD. <i>[Signature]</i> DATE 3-11-71	NEXT HIGHER ASSY A-M-L-RS64-A	SIZE CODE DUA	NUMBER RS64-0-0
SCALE NONE	SHEET OF	DIST.	REV.

REV. 2
DUA RS64-0-0

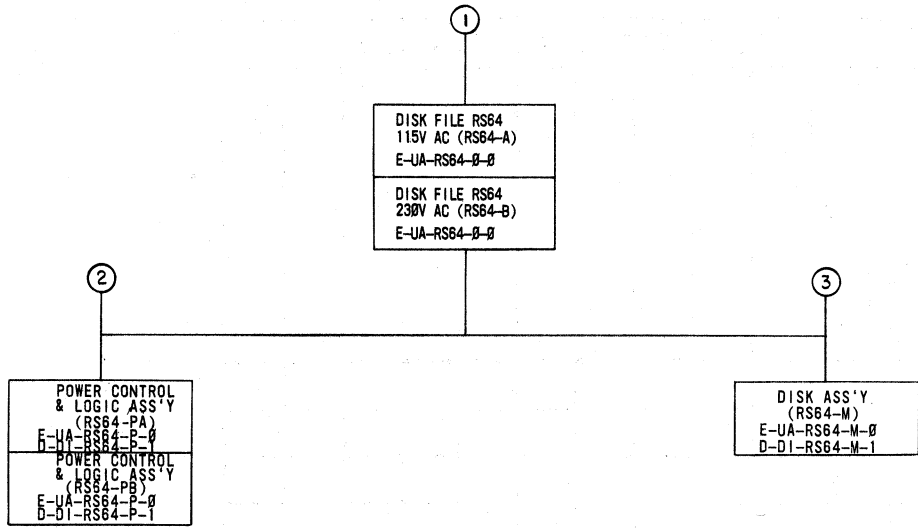
This drawing and specifications, herein, are the property of Digital Equipment Corporation and shall not be reproduced or copied or used in whole or in part as the basis for the manufacture or sale of items without written permission.

D

C

B

A



DEPT USAGE			DEPT USAGE								
FIND NO.	DESCRIPTION	PART NO.	PROD	CUST	F/C	FIND NO.	DESCRIPTION	PART NO.	PROD	CUST	F/C
1.	DISK FILE RS64 115V AC (RS64-A) DISK FILE RS64 115V AC (RS64-B) DISK FILE RS64 230V AC (RS64-B) DISK FILE RS64 230V AC (RS64-B) RS64 RACK MOUNTABLE DISK PACKAGE	E-UA-RS64-B-B A-PL-RS64-B-B E-UA-RS64-B-B A-PL-RS64-B-B A-PE3700045-0-0				1.	DISK FILE RS64 115V AC RS64-A DISK FILE RS64 230V AC RS64-B TIMING PATH DATA PATH TRACK SELECTORS I/O CONNECTORS HEAD MATRICES WIRE LIST MODULE UTILIZATION SIGNAL BUS CONFIGURATION POWER CABLE CONFIGURATION	A-WL-RS64-A A-WL-RS64-B D-BS-RS64-B-2 D-BS-RS64-B-3 D-BS-RS64-B-4 D-BS-RS64-B-5 D-BS-RS64-B-6 A-WL-RS64-B-7 D-MU-RS64-B-8 C-BD-RS64-B-9 C-BD-RS64-B-10			
2.	POWER CONTROL & LOGIC ASSY RS64-PA POWER CONTROL & LOGIC ASSY RS64-PA DRAWING INDEX LIST (RS64-P) POWER CONTROL & LOGIC ASSY (RS64-PB) POWER CONTROL & LOGIC ASSY (RS64-PB) DRAWING INDEX LIST (RS64-P)	E-UA-RS64-P-B A-PL-RS64-P-B D-D1-RS64-P-1 F-UA-RS64-P-B A-PL-RS64-P-B D-D1-RS64-P-1									
3.	DISK ASSY (RS64-M) DISK ASSY (RS64-M) DRAWING INDEX LIST (RS64-M)	E-UA-RS64-M-B A-PL-RS64-M-B D-D1-RS64-M-1									

D

C

B

A

REV	CHANGE NO.	CHK	DATE
A	00004	G. Wilson	5/24/71
		J. Lawrence	5-25-71

FIRST USED ON OPTION/MODEL RS64	DRN. <i>[Signature]</i> DATE 1/28/71
	CHK'D. <i>[Signature]</i> DATE 2-3-71
	ENG. <i>[Signature]</i> DATE 2-3-71
	PROJ. ENG. <i>[Signature]</i> DATE 2-3-71
	PROD. <i>[Signature]</i> DATE 2-3-71
NEXT HIGHER ASSY D-47-RS64-00	

digital EQUIPMENT CORPORATION
MAYNARD, MASSACHUSETTS

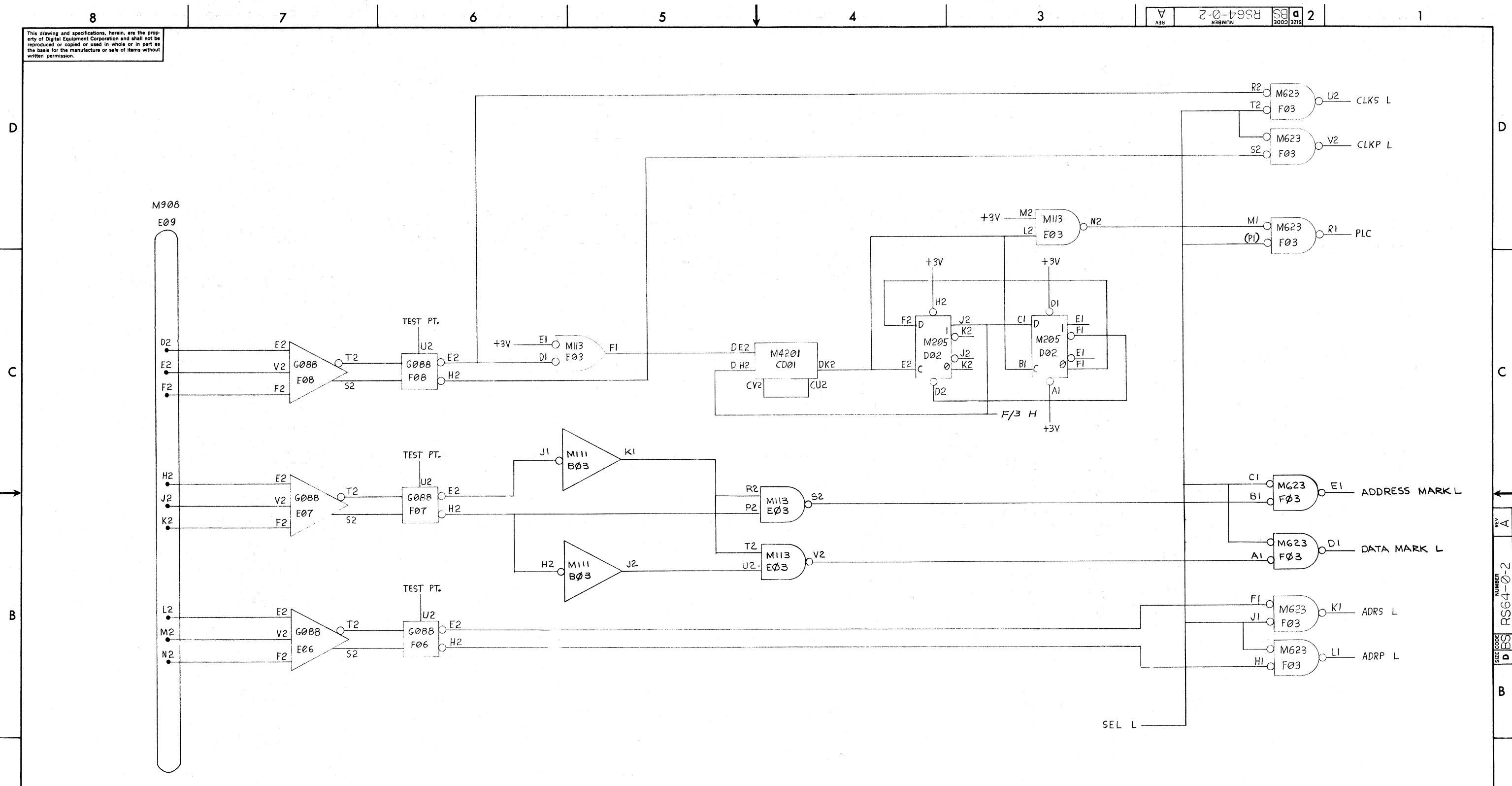
TITLE
DRAWING INDEX LIST (RS64)

SIZE CODE: **D** NUMBER: **RS64-0-1** REV: **A**

SCALE: **1** OF **1** SHEET

SIZE CODE: **D** NUMBER: **RS64-0-1** REV: **A**

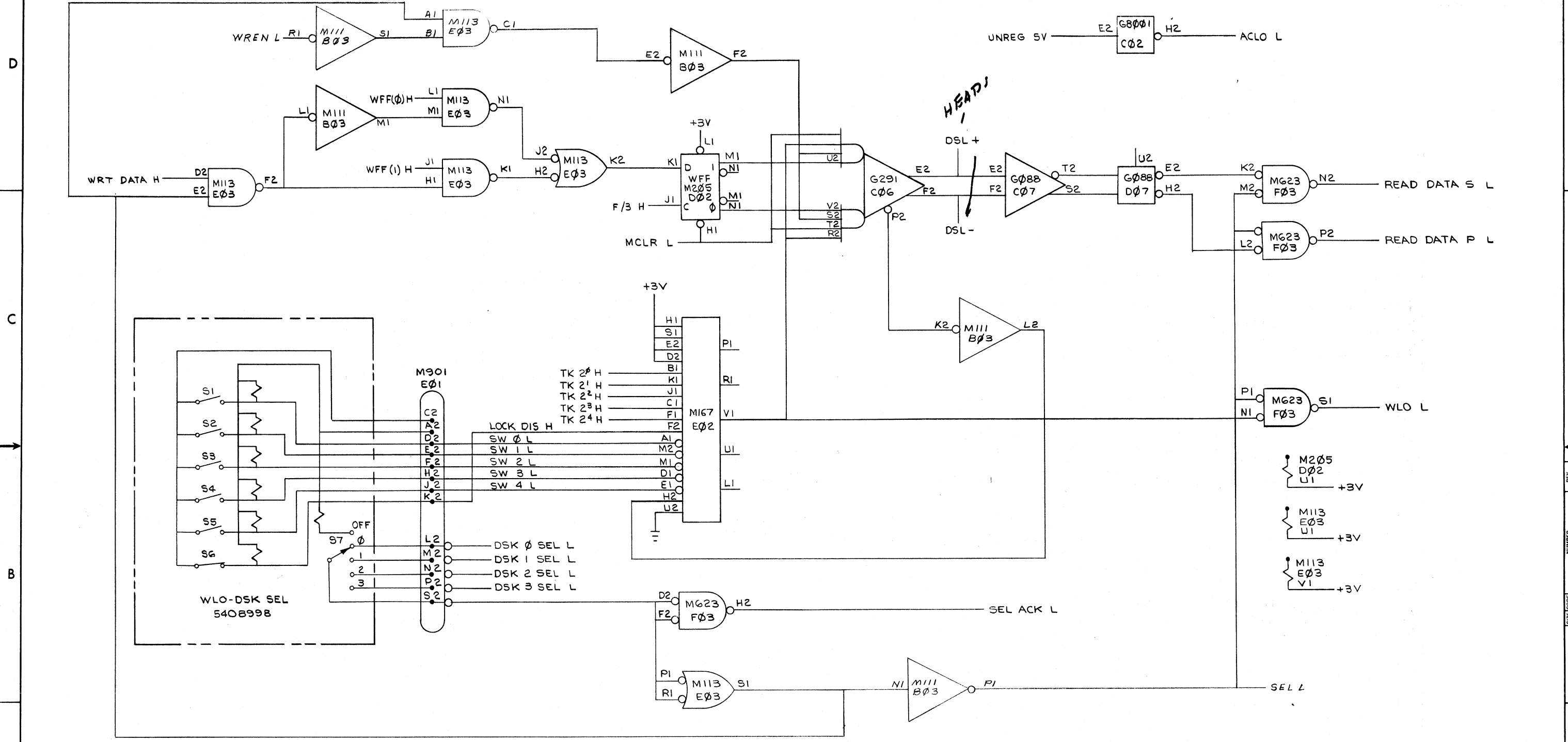
This drawing and specifications, herein, are the property of Digital Equipment Corporation and shall not be reproduced or copied or used in whole or in part as the basis for the manufacture or sale of items without written permission.



REV.	A
CHANGE NO.	00003
CHK	RS64-00003
DESIGNED BY	W. M. M.
DRAWN BY	M. M.
CHECKED BY	M. M.
DATE	5-4-71
BY	M. M.
DATE	

FIRST USED ON OPTION/MODEL RS64	QTY.	DESCRIPTION	PART NO.	ITEM NO.
PARTS LIST				
UNLESS OTHERWISE SPECIFIED	DRN. S. HILL	DATE 12-21-70	digital EQUIPMENT CORPORATION MAYNARD, MASSACHUSETTS	
UNLESS OTHERWISE SPECIFIED	CHK'D. P. Miller	DATE 12-22-70	TITLE	
DIMENSION IN INCHES	ENG. J. M. M.	DATE 2-3-71	TIMING PATH	
TOLERANCES	PROJ. ENG. W. M. M.	DATE 2-3-71	NEXT HIGHER ASSY	
DECIMALS FRACTIONS ANGLES	PROD. W. M. M.	DATE 1/4/71	A-ML-RS64-0-0	
± .005 ± 1/64 ± 0°30'			SCALE	
FINAL SURFACE QUALITY			SHEET OF	
REMOVE BURRS AND BREAK SHARP CORNERS			DIST.	
MATERIAL			SIZE CODE NUMBER REV.	
FINISH			D BS RS64-0-2 A	

This drawing and specifications, herein, are the property of Digital Equipment Corporation and shall not be reproduced or copied or used in whole or in part as the basis for the manufacture or sale of items without written permission.

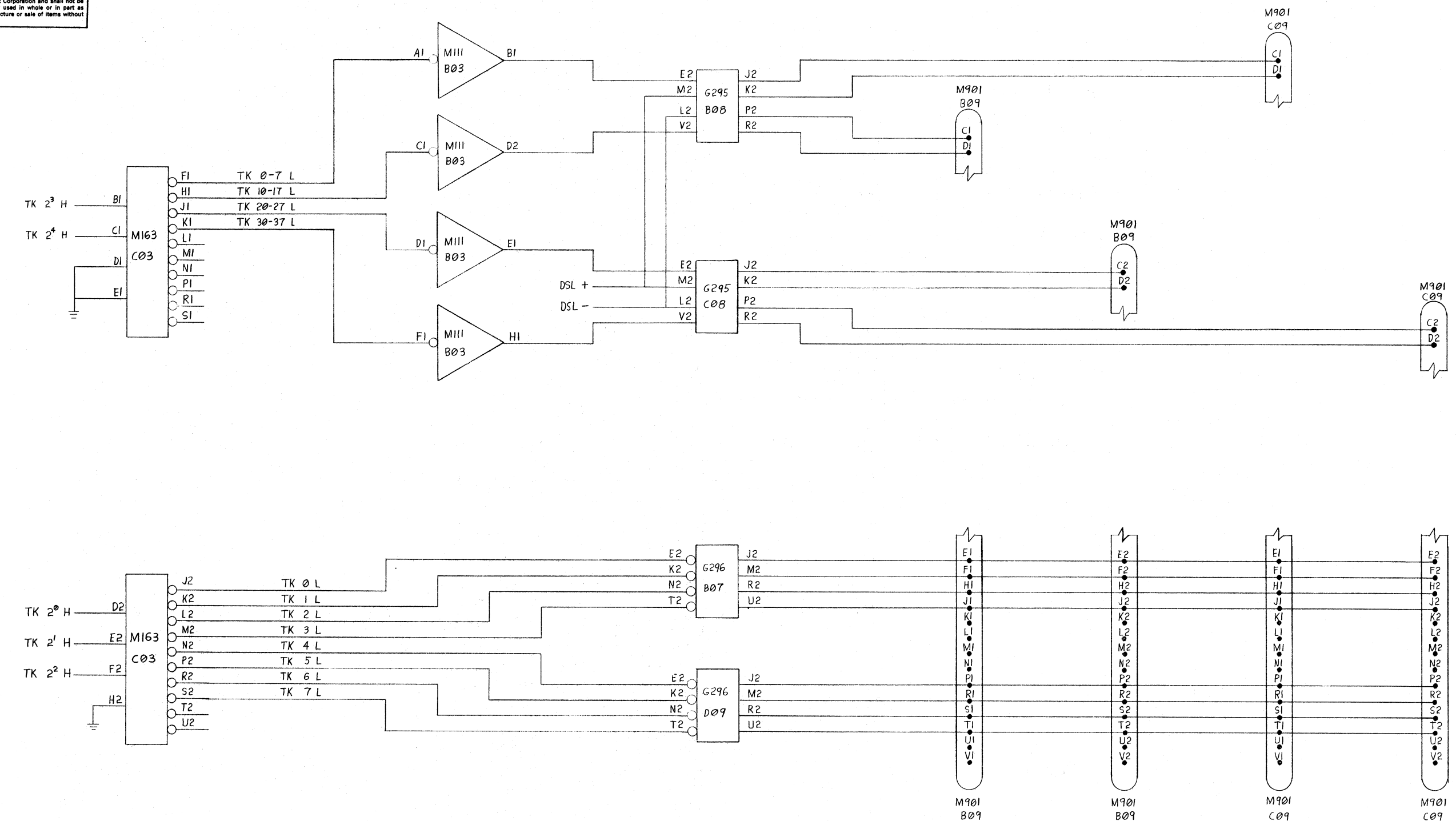


REV.	CHANGE NO.	DATE
A	00002	5-4-71
B	00007	5-6-71
	00008	7-6-71

MCMAN
 MCMAN
 MCMAN

FIRST USED ON OPTION/MODEL	QTY.	DESCRIPTION	PART NO.	ITEM NO.
RS64				
PARTS LIST				
UNLESS OTHERWISE SPECIFIED	DRN. P. Milano	DATE 12-18-70	digital EQUIPMENT CORPORATION MAYNARD, MASSACHUSETTS	
UNLESS OTHERWISE SPECIFIED	CHK'D. P. Milano	DATE 12-22-70		
DIMENSION IN INCHES	ENG. DATE 2-2-71	TITLE		
TOLERANCES	PROJ. ENG. DATE 1-11			
DECIMALS FRACTIONS ANGLES	PROD. DATE 1-11			
± .005 ± 1/64 ± 0°30'				
FINAL SURFACE QUALITY REMOVE BURRS AND BREAK SHARP CORNERS				
MATERIAL	NEXT HIGHER ASSY			
FINISH	A-ML-RS64-0-0			
	SCALE		SIZE CODE DBS	NUMBER RS64-0-3
	SHEET 1 OF 1			REV. B

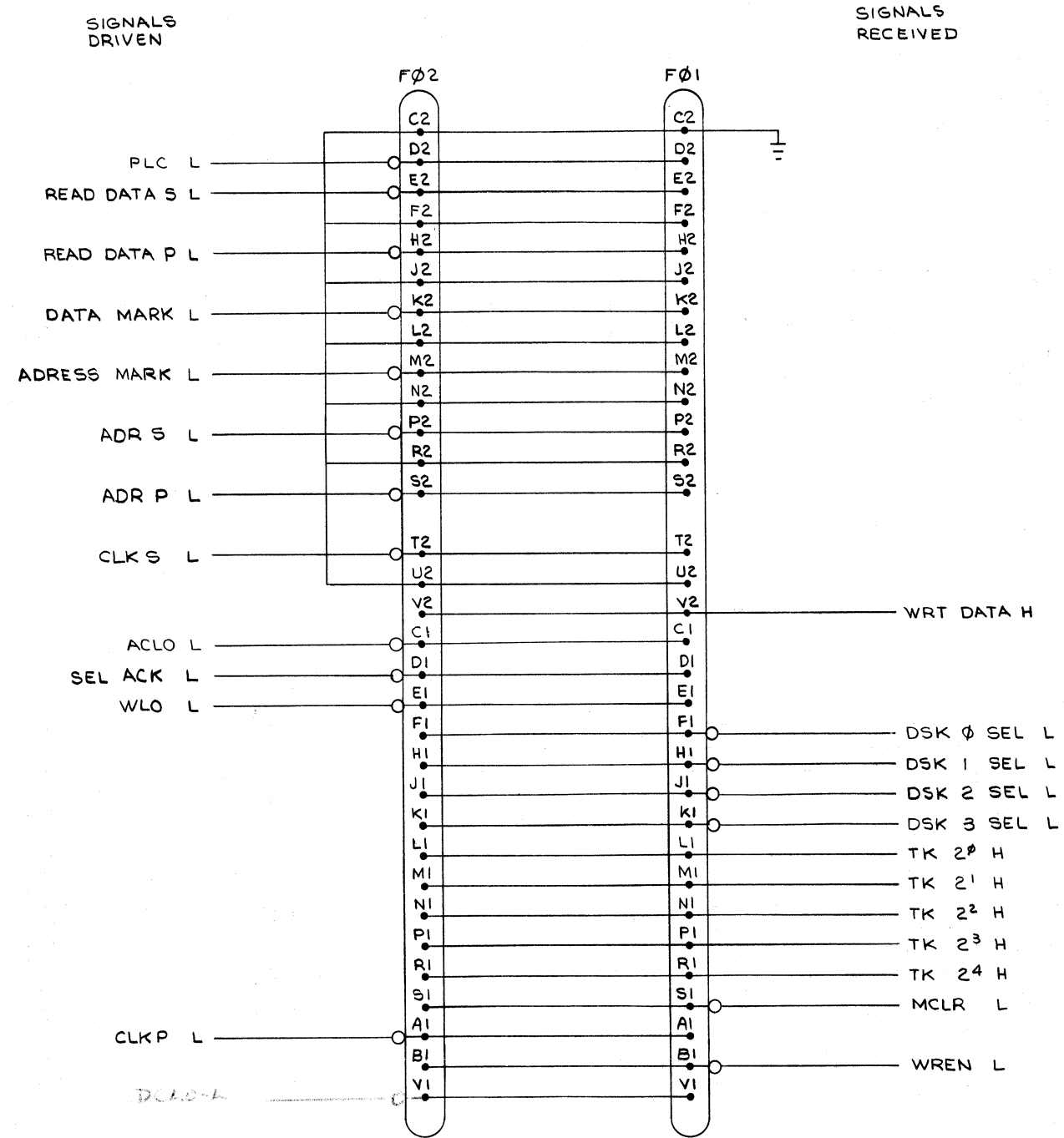
This drawing and specifications, herein, are the property of Digital Equipment Corporation and shall not be reproduced or copied or used in whole or in part as the basis for the manufacture or sale of items without written permission.



REV.	
CHANGE NO.	
CHK	

FIRST USED ON OPTION/MODEL RS64	QTY.	DESCRIPTION	PART NO.	ITEM NO.
PARTS LIST				
UNLESS OTHERWISE SPECIFIED DRN. S. HILL DATE 12-21-70	 digital EQUIPMENT CORPORATION MAYNARD, MASSACHUSETTS			
UNLESS OTHERWISE SPECIFIED DIMENSION IN INCHES TOLERANCES DECIMALS FRACTIONS ANGLES ± .005 ± 1/64 ± 0°30'				
FINAL SURFACE QUALITY REMOVE BURRS AND BREAK SHARP CORNERS				
MATERIAL / / /				
FINISH / / /				
PROJ. ENG. DATE 2-3-71	TITLE TRACK SELECTORS			
PROD. DATE 2/3/71	NEXT HIGHER ASSY A-ML-RS64-0-φ			
SCALE	SHEET	OF	DIST.	REV.
SIZE CODE D		NUMBER BS RS64-0-4		

This drawing and specifications, herein, are the property of Digital Equipment Corporation and shall not be reproduced or copied or used in whole or in part as the basis for the manufacture or sale of items without written permission.



D
C
B
A

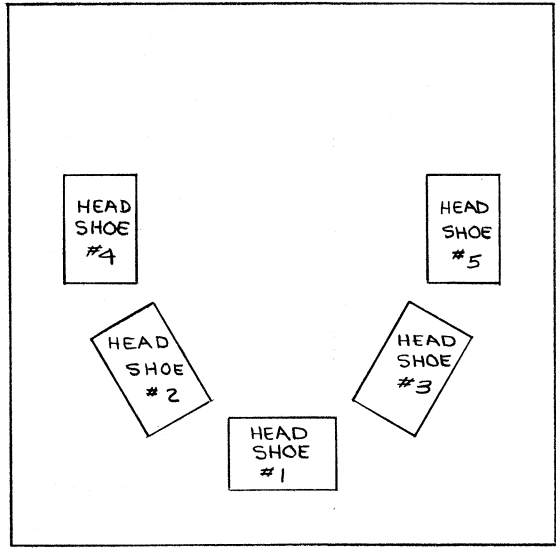
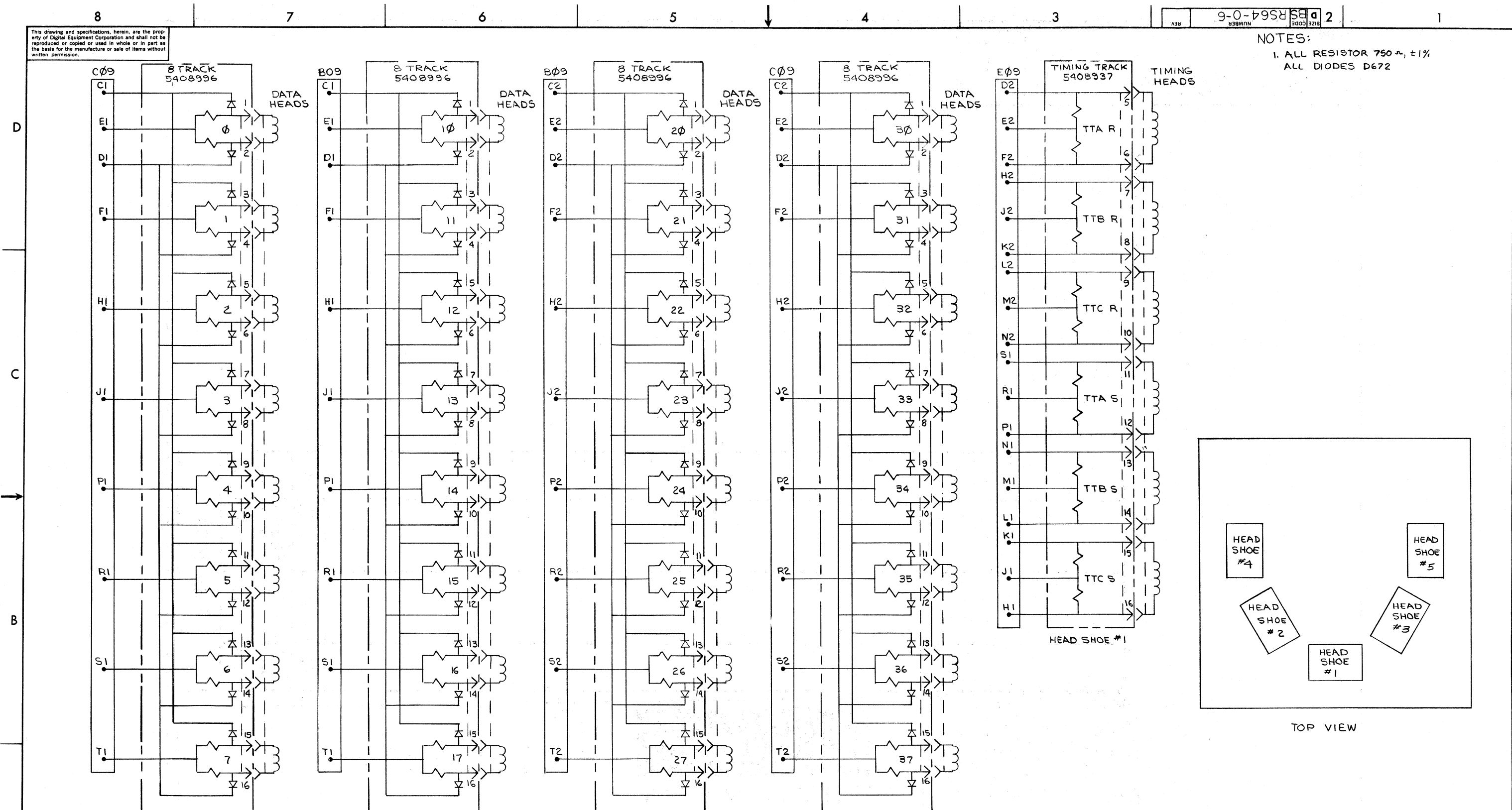
D
C
B
A

REVISIONS	CHK	CHANGE NO.	REV.
		RS64-00001	A
MCLAN		<i>[Signature]</i>	

FIRST USED ON OPTION/MOD RS64	QTY.	DESCRIPTION	PART NO.	ITEM NO.
UNLESS OTHERWISE SPECIFIED	DRN <i>P Milan</i>	DATE 12-18-70	PARTS LIST	
UNLESS OTHERWISE SPECIFIED	CHK'D <i>P Milan</i>	DATE 12-22-70	digital EQUIPMENT CORPORATION MAYNARD, MASSACHUSETTS	
TOLERANCES	ENG <i>[Signature]</i>	DATE 2-3-71	TITLE	
DECIMALS ± .005	PROJ. ENG <i>[Signature]</i>	DATE 2-3-71	I/O CONNECTORS	
FRACTIONS ± 1/64	PROD <i>[Signature]</i>	DATE 3-3-71		
ANGLES ± 0°30'				
FINAL SURFACE QUALITY				
REMOVE BURRS AND BREAK SHARP CORNERS				
MATERIAL	NEXT HIGHER ASSY		SIZE CODE	NUMBER
++	A-ML-RS64-0-0		DBS	RS64-0-5
FINISH	SCALE		DIST.	REV.
++	1 OF 1			<i>[Signature]</i>

This drawing and specifications, herein, are the property of Digital Equipment Corporation and shall not be reproduced or copied or used in whole or in part as the base for the manufacture or sale of items without written permission.

NOTES:
1. ALL RESISTOR 750 Ω, ±1%
ALL DIODES D672



TOP VIEW

REV.	
CHG.	
CHK.	

FIRST USED ON OPTION/MODEL RS64	QTY.	DESCRIPTION	PART NO.	ITEM NO.
PARTS LIST				
UNLESS OTHERWISE SPECIFIED DIMENSION IN INCHES TOLERANCES DECIMALS ± .005 FRACTIONS ± 1/64 ANGLES = 0°30' FINISH SURFACE QUALITY REMOVE BURRS AND BREAK SHARP CORNERS	DRN. <i>F. Milano</i> DATE 12-16-70	CHK'D. <i>P. Milano</i> DATE 12-22-70	digital EQUIPMENT CORPORATION MAYNARD, MASSACHUSETTS	
MATERIAL + +	ENG. <i>[Signature]</i> DATE 2-2-71	PROJ. ENG. <i>[Signature]</i> DATE 5-11	TITLE HEAD MATRICES	
FINISH + +	PROD. <i>[Signature]</i> DATE 2-2-71	NEXT HIGHER ASSY A-ML-RS64-0-0		
SCALE NONE	SHEET OF	SIZE CODE DBS	NUMBER RS64-0-6	REV.


DRWG NO

K-WL-RS64-Ø-7

REVLTR

B


REVISIONS			
REV LTR	ECO NO	DATE	ENG
A	RS64-00003	5-12-71	<i>[Signature]</i>
B	RS64-00007	6-29-71	<i>[Signature]</i>

DRAWN <i>A. Campbell</i>	DATE 4-5-71		TITLE WIRE LIST		
CHECKED <i>[Signature]</i>	DATE 4/5/71		FOR TAPE # FILE #		
ENG <i>[Signature]</i>	DATE 4/5/71		ASSY NO D-AD-7007132-0-0	SIZE K	CODE WL
PROJ ENG <i>[Signature]</i>	DATE 4/5/71		SCALE ++	DWG. NO. RS64-Ø-7	REV LTR B
PROD <i>[Signature]</i>	DATE 4/5/71	SHEET / OF /	DIST.		

DRWG NO
K-WL-RS64-Ø-12

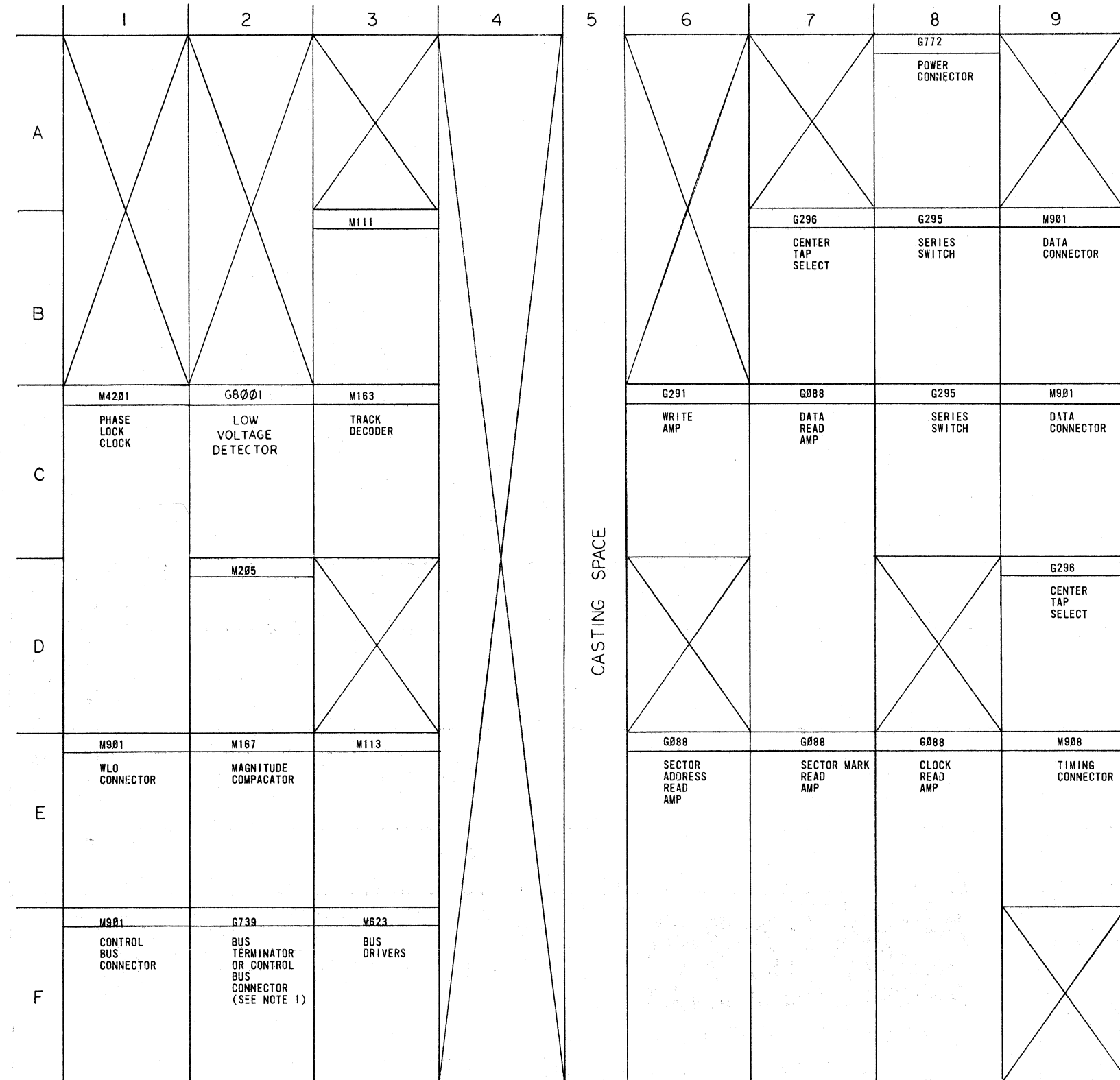
REVLTR

REVISIONS			
REV LTR	ECONO	DATE	ENG

DRAWN <i>T. Daigneault</i>	DATE 5/19/71		TITLE SPECIAL ROUTING		
CHECKED <i>S. Kophany</i>	DATE 5/19/71		FOR TAPE # FILE #		
ENG <i>P. M. Jones</i>	DATE 6/3/71		SIZE K	CODE WL	DWG. NO. RS64-Ø-12
PROJ ENG <i>P. M. Jones</i>	DATE 6/3/71		ASSY NO D-AD-7007132-0-0	REV LTR	
PROD <i>W. Shuman</i>	DATE 6/4/71	SCALE ++	SHEET 1	OF 1	
DIST.					

This drawing and specifications, herein, are the property of Digital Equipment Corporation and shall not be reproduced or copied or used in whole or in part as the basis for the manufacture or sale of items without written permission.

NOTES
 1. IF MULTIPLE DRIVES ARE INTERCONNECTED ON THE CONTROL BUS, THE BUS CONNECTOR TO FURTHER DRIVES IS IN THIS LOCATION. THE TERMINATOR IS PLACED IN THIS LOCATION IN THE LAST DRIVE OF THE CHAIN.



REV.	
CHANGE NO.	
CHK	

REV. NUMBER SIZE CODE D M U RS64-0-8 B

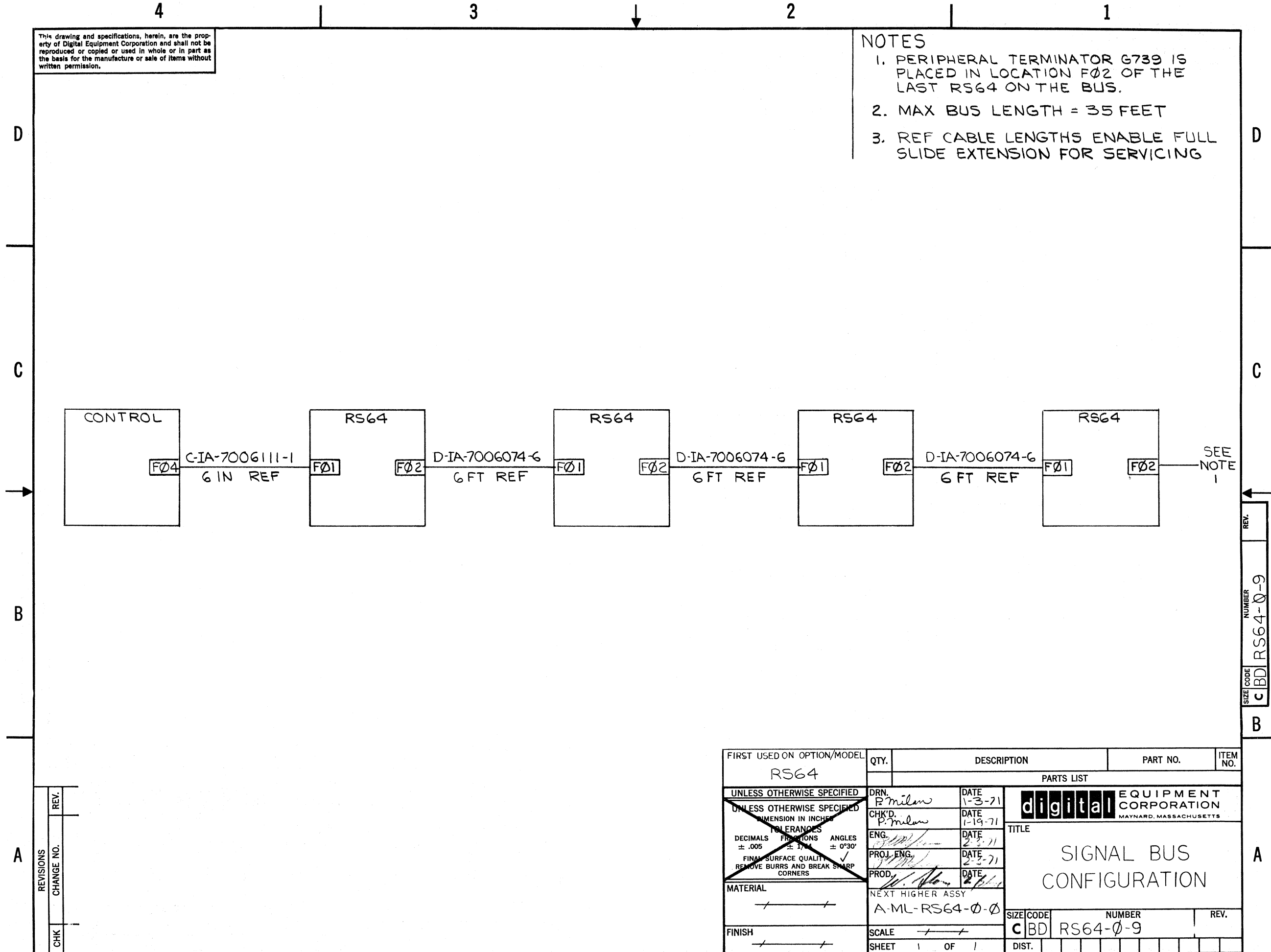
FIRST USED ON OPTION / MODEL
 RS64

DO NOT SCALE DRAWING
 UNLESS OTHERWISE SPECIFIED
 DIMENSION IN INCHES
 TOLERANCES
 DECIMALS FRACTIONS ANGLES
 ± .005 ± 1/64 ± 0°30'
 FINAL SURFACE QUALITY
 REMOVE BURRS AND BREAK SHARP CORNERS
 MATERIAL
 FINISH

QTY.	DESCRIPTION	PART NO.	ITEM NO.
PARTS LIST			
DRN. P. Milan	DATE 12-17-70	digital EQUIPMENT CORPORATION MATNARD, MASSACHUSETTS	
CHK'D. P. Milan	DATE 12-22-70		
ENG. J. Milan	DATE 2-3-71		
PROJ. ENG. J. Milan	DATE 2-3-71		
PROD. J. Milan	DATE 1/1/71	TITLE MODULE UTILIZATION	
NEXT HIGHER ASSY A-ML-RS64-0		SIZE CODE D M U	NUMBER RS64-0-8
SCALE NONE		DIST.	REV.
SHEET 1 OF 1			

This drawing and specifications, herein, are the property of Digital Equipment Corporation and shall not be reproduced or copied or used in whole or in part as the basis for the manufacture or sale of items without written permission.

- NOTES
1. PERIPHERAL TERMINATOR G739 IS PLACED IN LOCATION F02 OF THE LAST RS64 ON THE BUS.
 2. MAX BUS LENGTH = 35 FEET
 3. REF CABLE LENGTHS ENABLE FULL SLIDE EXTENSION FOR SERVICING

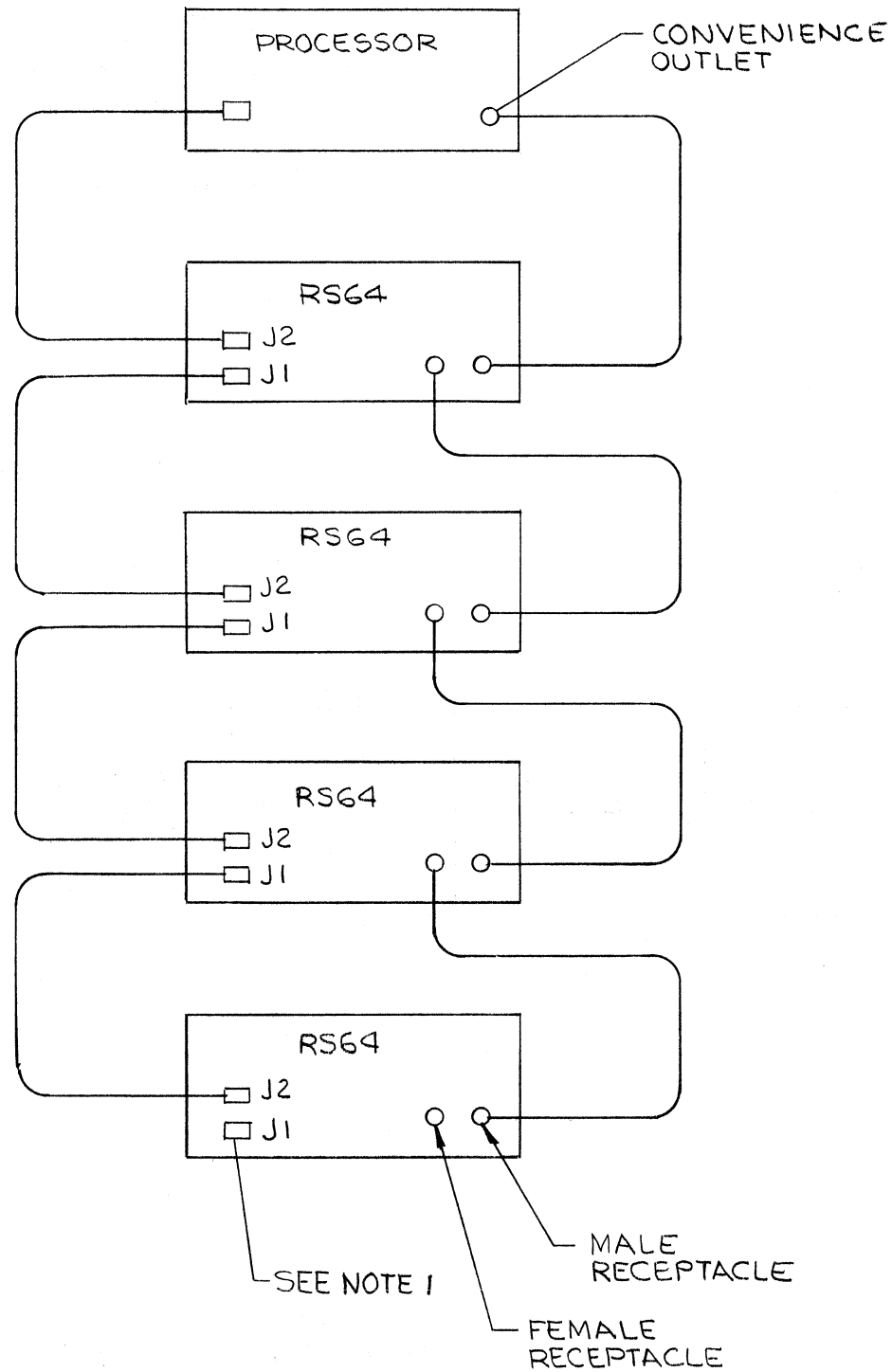


REV.	
CHANGE NO.	
CHK	

FIRST USED ON OPTION/MODEL	QTY.	DESCRIPTION	PART NO.	ITEM NO.
RS64		PARTS LIST		
UNLESS OTHERWISE SPECIFIED		DRN. <i>R. Milon</i>	DATE 1-3-71	digital EQUIPMENT CORPORATION MAYNARD, MASSACHUSETTS TITLE SIGNAL BUS CONFIGURATION
UNLESS OTHERWISE SPECIFIED		CHK'D. <i>P. Milon</i>	DATE 1-19-71	
DIMENSION IN INCHES		ENG. <i>[Signature]</i>	DATE 2-3-71	
TOLERANCES		PROJ. ENG. <i>[Signature]</i>	DATE 2-3-71	
DECIMALS ± .005		PROD. <i>[Signature]</i>	DATE	
FRACTIONS ± 1/64				
ANGLES ± 0°30'				
FINAL SURFACE QUALITY				
REMOVE BURRS AND BREAK SHARP CORNERS				
MATERIAL		NEXT HIGHER ASSY		
		A-ML-RS64-0-0		
FINISH		SCALE	SIZE CODE	NUMBER
			C BD	RS64-0-9
		SHEET 1 OF 1	DIST.	

REV. NUMBER
C BD RS64-0-9

This drawing and specifications, herein, are the property of Digital Equipment Corporation and shall not be reproduced or copied or used in whole or in part as the basis for the manufacture or sale of items without written permission.



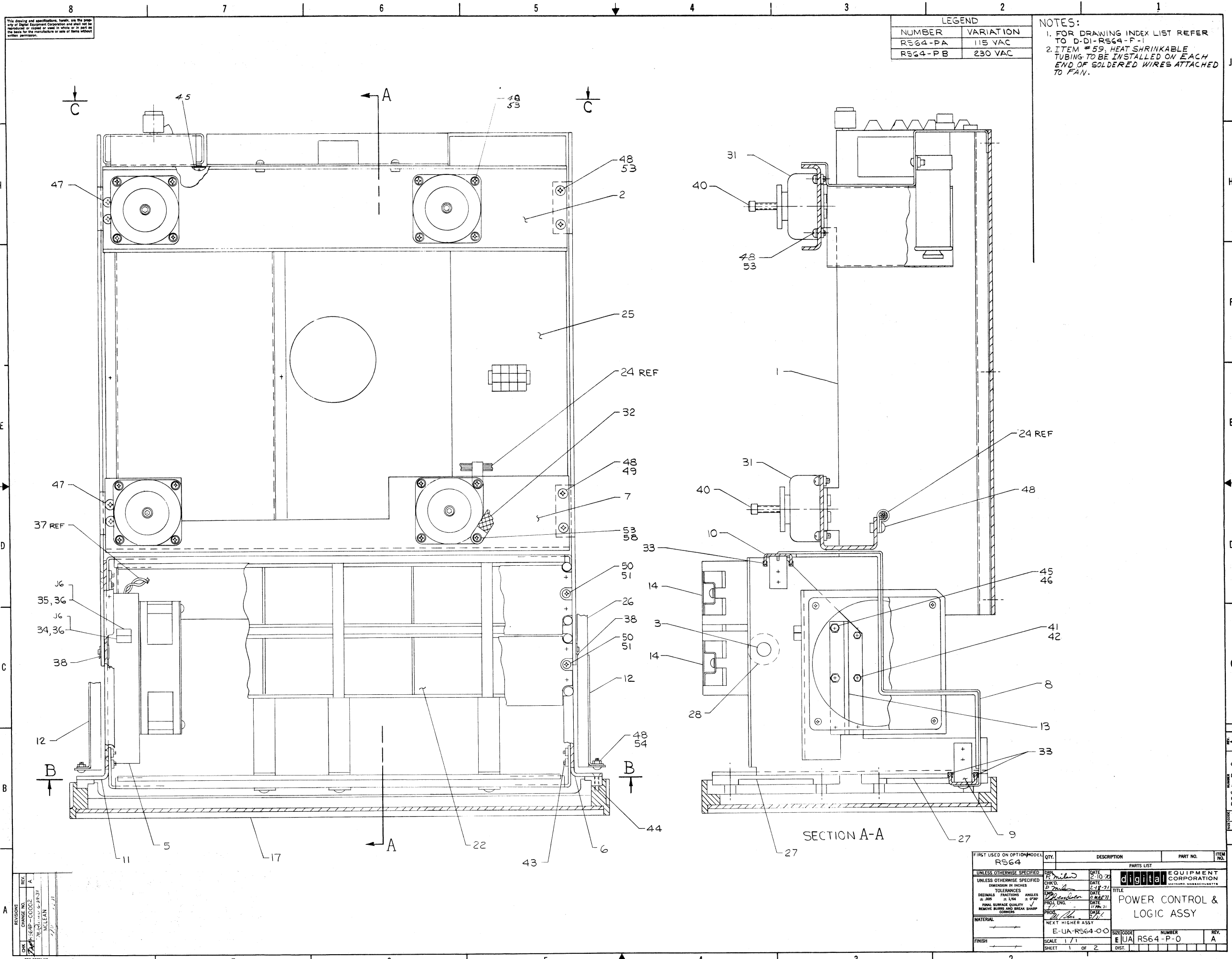
NOTES:

1. LAST UNIT ON REMOTE POWER CONTROL BUS HAS TERMINATOR ON J1 WHICH JUMPER PIN1 TO PIN 2

REV.	
CHANGE NO.	
CHK	

FIRST USED ON OPTION/MODEL RS64	QTY.	DESCRIPTION	PART NO.	ITEM NO.
PARTS LIST				
UNLESS OTHERWISE SPECIFIED	DRN. <i>P. Milan</i>	DATE 1-4-70	digital EQUIPMENT CORPORATION MAYNARD, MASSACHUSETTS TITLE POWER CABLE CONFIGURATION	
UNLESS OTHERWISE SPECIFIED	CHK'D. <i>P. Milan</i>	DATE 1-19-70		
TOLERANCES	ENG. <i>J. Miller</i>	DATE 2-3-71		
DECIMALS FRACTIONS ANGLES ±.005 ±.004 ± 0°30'	PROJ. ENG. <i>J. Miller</i>	DATE 2-3-71		
MATERIAL	PROD. <i>J. Miller</i>	DATE 2-4-71	NEXT HIGHER ASSY A-ML-RS64-0-0 SIZE CODE C BD NUMBER RS64-0-10 REV.	
FINISH	SCALE	SHEET	DIST.	
	+	1	OF 1	

REV.	
NUMBER	RS64-0-10
SIZE CODE	C BD



LEGEND	
NUMBER	VARIATION
RS64-PA	115 VAC
RS64-PB	230 VAC

NOTES:
 1. FOR DRAWING INDEX LIST REFER TO D-DI-RS64-F-1
 2. ITEM # 59, HEAT SHRINKABLE TUBING TO BE INSTALLED ON EACH END OF SOLDERED WIRES ATTACHED TO FAN.

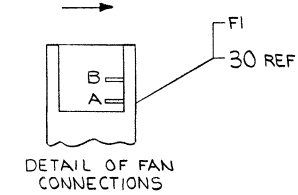
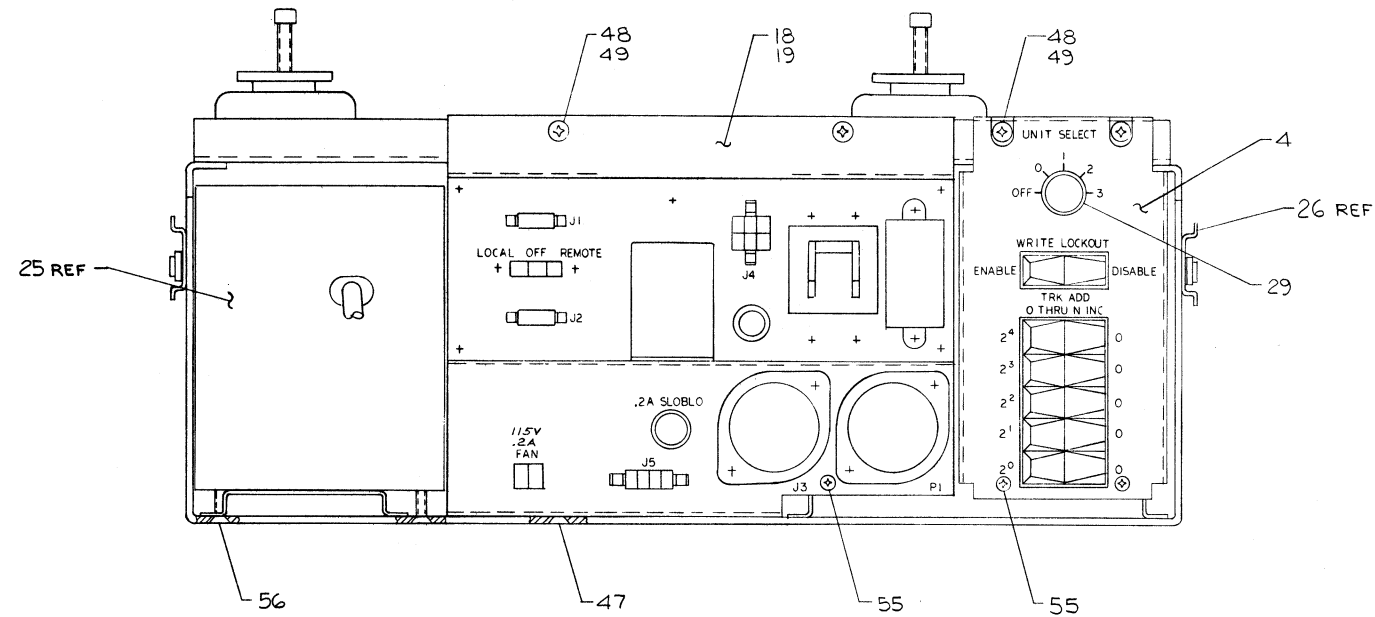
FIRST USED ON OPTION MODEL	QTY.	DESCRIPTION	PART NO.	ITEM NO.
RS64				
UNLESS OTHERWISE SPECIFIED				
DIMENSIONS IN INCHES				
TOLERANCES				
DECIMALS	FRACTIONS	ANGLES		
± .005	± 1/64	± 0°30'		
FINAL SURFACE QUALITY				
REMOVE BURRS AND BREAK SHARP CORNERS				
MATERIAL				
NEXT HIGHER ASSY				
E-UA-RS64-00				
FINISH				
SCALE 1/1				
SHEET 1 OF 2				

REV.	DATE	BY	CHKD.	DESCRIPTION
1	2-10-72	W. J.
2	2-17-72
3	7-18-72
4	7-18-72

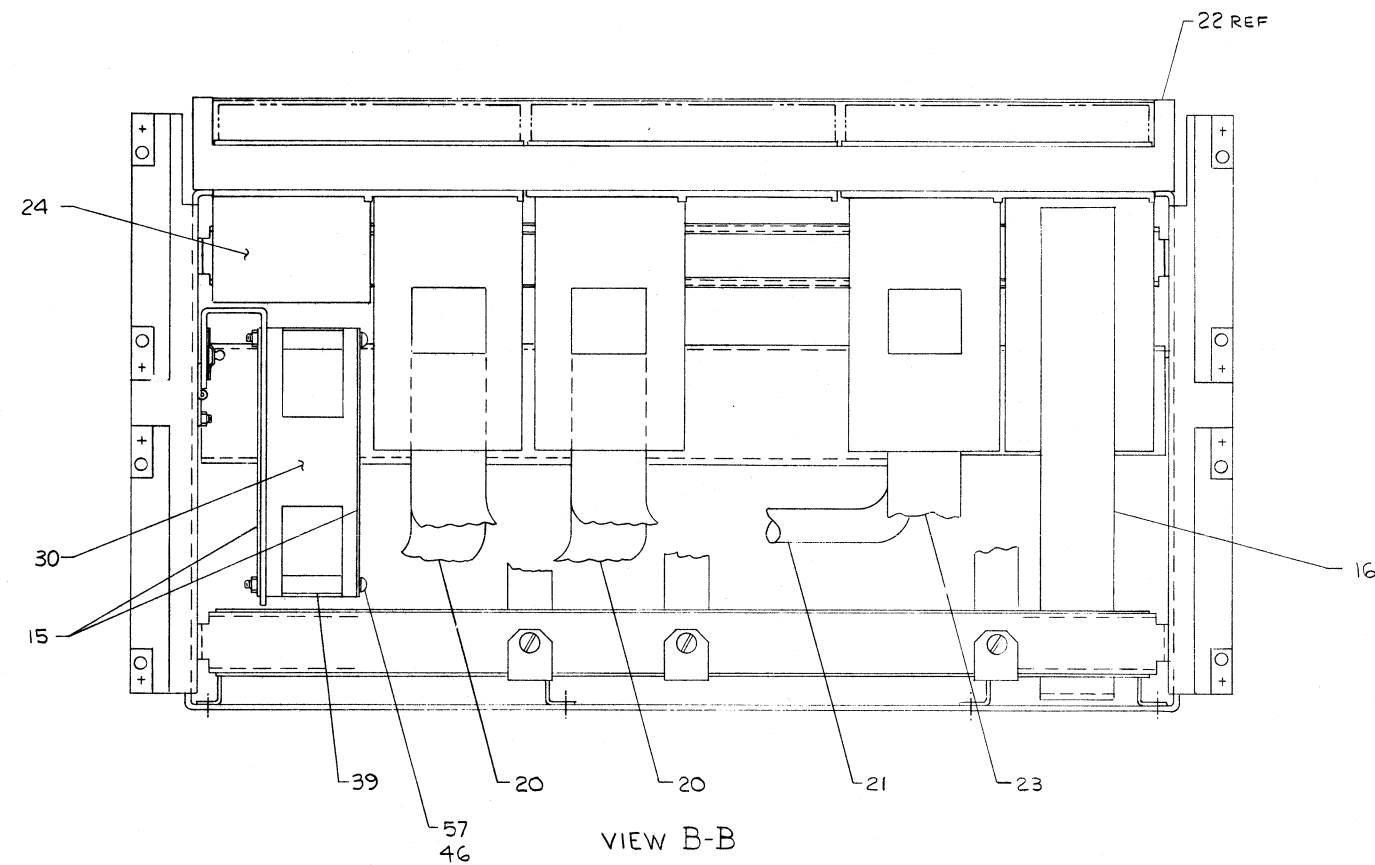
EUA RS64-P-0

This drawing and specifications, herein, are the property of Digital Equipment Corporation and shall not be reproduced or copied in whole or in part, or in any manner, for the manufacture or sale of items without written permission.

WIRE TABLE							
ITEM NO	DESCRIPTION	FROM			TO		REMARKS
		AWG	COLOR	CONNECTION	WITH CONNECTION	WITH CONNECTION	
37	#18	RED	F1-A	SOLDER	J6-RED	SOLDER	ITEM # 59
		WHT	F1-B	SOLDER	J6-WHT	SOLDER	SEE NOTE 2



VIEW C-C
ROTATED 180°



VIEW B-B

FIRST USED ON OPTION MODEL		QTY.	DESCRIPTION	PART NO.	ITEM NO.
RS64					
UNLESS OTHERWISE SPECIFIED		DRN	DATE	PARTS LIST	
UNLESS OTHERWISE SPECIFIED		DRN	DATE	digital EQUIPMENT CORPORATION	
DIMENSION IN INCHES		DRN	DATE	MAYNARD MASSACHUSETTS	
TOLERANCES		DRN	DATE	TITLE	
DECIMALS	FRACTIONS	DRN	DATE	POWER CONTROL & LOGIC ASSY	
.005	1/64	DRN	DATE	REV. A	
FINAL SURFACE QUALITY		DRN	DATE	SIZE CODE NUMBER	
REMOVE BURRS AND BREAK SHARP CORNERS		DRN	DATE	EUA RS64-P-0	
MATERIAL		DRN	DATE	REV. A	
NEXT HIGHER ASSY		DRN	DATE	SCALE	
D-UA-RS64-0-0		DRN	DATE	1/1	
FINISH		DRN	DATE	SHEET	
		DRN	DATE	2 OF 2	

REVISIONS
NO. DATE BY

SEC FORM NO. 100

REV. A
EUA RS64-P-0

DIGITAL EQUIPMENT CORPORATION
MAYNARD, MASSACHUSETTS

PARTS LIST

MADE BY P. MILAN
DATE 2-10-71
ENG *P. Milan*
DATE 3-3-71

CHECKED P. Milan
DATE 2-18-71
PROD *P. Milan*
DATE 3-19-71

SECTION 1
ISSUED SECT. 1

ITEM NO.	DWG NO. / PART NO.	DESCRIPTION	RS64-PA	RS64-PB	QUANTITY / VARIATION			
1	E-IA-7408146-0-0	CHASSIS	1	1				
2	D-IA-7408149-0-0	REAR DECK SUPPORT	1	1				
3	C-MD-7408155-0-0	PIVOT BUSHING	2	2				
4	C-IA-7408163-0-0	SWITCH PLATE	1	1				
5	D-MD-7408164-0-0	FAN BRACKET	1	1				
6	D-IA-7408165-0-0	R.H. PIVOT	1	1				
7	D-IA-7408254-0-0	FRONT DECK SUPPORT	1	1				
8	C-IA-7408307-0-0	ETCH BD RETAINER	3	3				
9	D-IA-7408308-0-0	FRONT BRACE	1	1				
10	D-IA-7408309-0-0	REAR BRACE	1	1				
11	D-IA-7408312-0-0	L.H. PIVOT	1	1				
12	C-MD-7408590-0-0	BRACKET, TRACK MTG	2	2				
13	C-MD-7408592-0-0	HINGE	1	1				
14	C-IA-7408624-0-0	COVER MODULE	2	2				
15	C-MD-74-4881-0-0	FAN, SCREEN	2	2				
16	D-IA-7006111-01	I/O CABLE	1	1				
17	D-IA-7006856-0-0	FRONT PANEL ASSY	1	1				
18	D-AD-7006858-1	CONTROL PANEL ASSY 115V	1	0				
19	D-AD-7006858-2	CONTROL PANEL ASSY 230V	0	1				
20	D-IA-7007049-0-0	DATA CABLE ASSY	2	2				
21	D-IA-7007050-0-0	TIMING CABLE ASSY	1	1				
22	D-AD-7007132-0-0	WIRED ASSY	1	1				

TITLE POWER CONTROL AND LOGIC ASSY

ASSY NO. E-UA-RS64-P-Ø

SIZE CODE A PL

NUMBER RS64-P-Ø

REV. RS64P-00002

SHEET 1 OF 3

DIST. 6

DEC FORM NO.16-1031
DRA 110

DIGITAL EQUIPMENT CORPORATION
MAYNARD, MASSACHUSETTS

PARTS LIST

MADE BY P. MILAN
DATE 2-10-71
ENG *P. Milan*
DATE 3-3-71

CHECKED P. Milan
DATE 2-18-71
PROD *P. Milan*
DATE 3-19-71

SECTION
ISSUED SECT.

ITEM NO.	DWG NO. / PART NO.	DESCRIPTION	RS64-PA	RS64-PB	QUANTITY / VARIATION			
23	D-IA-7007214-0-0	WLO SELECT CABLE ASSY	1	1				
24	D-IA-7007238-Ø-Ø	POWER CABLE ASSY	1	1				
25	H736-0-0	POWER SUPPLY	1	1				
26	D-SC-1209154-0-0	CHASSIS SLIDE	2	2				
27	C-SC-1209224-0-0	LATCH MOLDING	4	4				
28	9007962	WASHER 3/40D x 1/2ID x .013 THK NYLON	2	2				
29	1204747	KNOB	1	1				
30	1205033-Ø1	FAN	1	1				
31	1210204	ISOLATOR 990-7 (BARRY)	4	4				
32	9006990	GROUND STRAP 5" (JANCO)	1	1				
33	9007046	GROMMET STRIP	A/RA/R					
34	9007231	BUSH, JUNC, TERM, RED, DC202-1 (HEYMAN)	1	1				
35	9007235	BUSH, JUNC TERM, WHI, DC202-1 (HEYMAN)	1	1				
36	9007238	TAB SOLDER T202S (HEYMAN)	2	2				
37	9107430-29	WIRE #18 TW PR TEFLON TYPE E	A/RA/R					
38	9008377	RETAINING RING	2	2				
39	9006824	SPACER 3/8 AF X 1.00 LG #6 HOLE	4	4				
40	9006377-8	SCREW SOC HD CAP #1-20 X 1.50 LG	4	4				
41	9006010-2	SCREW PH FL HD #4-40 X .31 LG	3	3				
42	9006557	#4-40 KEPS NUT	3	3				
43	9006020-2	SCREW PH FL HD #6-32 X .25 LG	8	8				
44	9008275	SCREW SELF TAP FL HD #8-32 X .50 LG	8	8				

TITLE POWER CONTROL AND LOGIC ASSY

ASSY NO. E-UA-RS64-P-Ø

SIZE CODE A PL

NUMBER RS64-P-Ø

REV. A

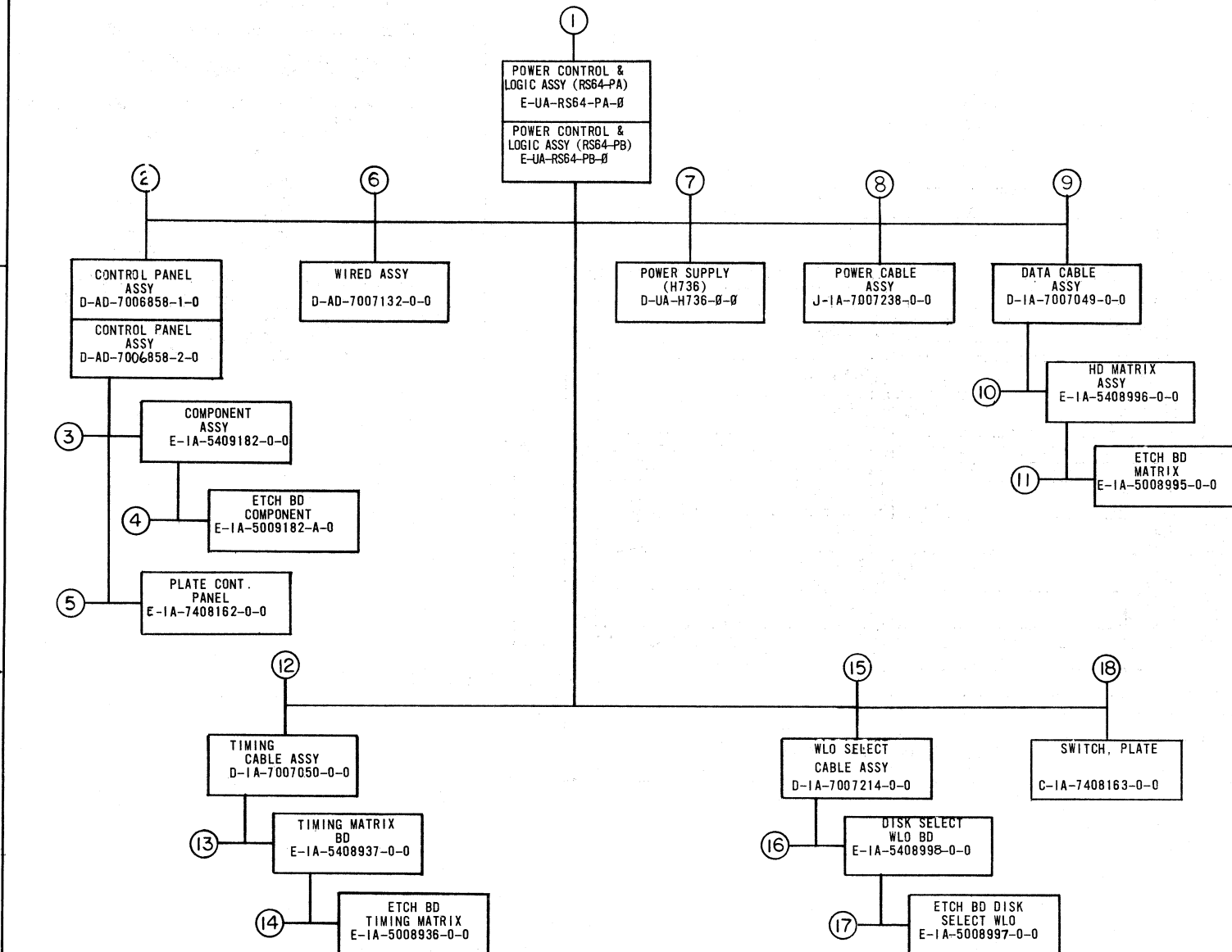
SHEET 2 OF 3

DIST.

DEC FORM NO.16-1031
DRA 110

This drawing and specifications, herein, are the property of Digital Equipment Corporation and shall not be reproduced or copied or used in whole or in part as the basis for the manufacture or sale of items without written permission.

MECHANICAL			DEPT USAGE			MECHANICAL			DEPT USAGE		
FIND NO.	DESCRIPTION	PART NO.	PROD	CUST	F/C	FIND NO.	DESCRIPTION	PART NO.	PROD	CUST	F/C
1.	POWER CONTROL & LOGIC ASSY (RS64-PA) POWER CONTROL & LOGIC ASSY (RS64-PA) PL POWER CONTROL & LOGIC ASSY (RS64-PB) POWER CONTROL & LOGIC ASSY (RS64-PB) PL CHASSIS PANEL ASSY PIVOT L.H. FAN BRACKET PIVOT R.H. FRONT DECK SUPPORT REAR DECK SUPPORT FRONT BRACE REAR BRACE ETCH BD RETAINER PIVOT BUSHING PIVOT SPACER HINGE-PIVOT SUPPORT BRACKET TRACK MTG. COVER MODULE CHASSIS SLIDE FAN SCREEN LATCH MOLDING	E-UA-RS64-PA-0 A-PL-RS64-PA-0 E-UA-RS64-PB-0 A-PL-RS64-PB-0 E-1A-7408146-0-0 D-1A-7006856-0-0 D-1A-7408312-0-0 D-1A-7408164-0-0 D-1A-7408165-0-0 D-1A-7408254-0-0 D-1A-7408149-0-0 D-1A-7408308-0-0 D-1A-7408309-0-0 C-1A-7408307-0-0 C-MD-7408155-0-0 B-PS-1210251-0-0 C-MD-7408592-0-0 C-MD-7408590-0-0 C-1A-7408624-0-0 D-SC-1209154-0-0 C-MD-7404881-0-0 C-SC-1209224-0-0				16.	DISK SELECT WLO BD.	E-1A-5408998-0-0			
						17.	ETCH BD. DISK SELECT WLO.	E-1A-5008997-0-0			
						18.	SWITCH PLATE SILK SCREEN	C-1A-7408163-0-0 C-SS-7408163-0-1			
2.	CONTROL PANEL 1 ASSY CONTROL PANEL 1 ASSY (PL) CONTROL PANEL 2 ASSY CONTROL PANEL 2 ASSY (PL) GUARD, CONT. PANEL CAPACITOR CLAMP	D-AD-7006858-1-0 A-PL-7006858-1-0 D-AD-7006858-2-0 A-PL-7006858-2-0 C-MD-7408314-0-0 B-MD-7408263-0-0				3.	COMPONENT ASSY	E-1A-5409182-0-0			
						4.	ETCH BD COMPONENT	E-1A-5009182-A-0			
						5.	PLATE CONTROL PANEL SILK SCREEN	E-1A-7408162-0-0 C-SS-7408162-0-1			
						6.	WIRED ASSY WIRED ASSY (PL) LOGIC FRAME (DOUBLE) LOGIC FRAME (FL) LOGIC FRAME #DECAL	D-AD-7007132-0-0 A-PL-7007132-0-0 D-AD-7006404-0-0 A-PL-7006404-0-0 A-SS-7407846-0-0			
7.	POWER SUPPLY POWER SUPPLY (PL)	D-UA-H736-0-0 A-PL-H736-0-0				7.	POWER SUPPLY (PL)	D-UA-H736-0-0 A-PL-H736-0-0			
						8.	POWER CABLE ASSY	J-1A-7007238-0-0			
						9.	DATA CABLE ASSY	D-1A-7007049-0-0			
						10.	HD. MATRIX BD. ASSY	E-1A-5408996-0-0			
						11.	ETCH BD MATRIX	E-1A-5008995-0-0			
						12.	TIMING CABLE ASSY	D-1A-7007050-0-0			
						13.	TIMING MATRIX BD.	E-1A-5408937-0-0			
						14.	ETCH BD. TIMING BD.	E-1A-5008936-0-0			
						15.	WLO SELECT CABLE ASSY	D-1A-7007214-0-0			



REV.	CHANGE NO.	CHK
A	0002	RS64P
		McLEAN

FIRST USED ON OPTION/MODEL
RS64

DRN.	DATE
CHK'D.	DATE
ENG.	DATE
PROJ. ENG.	DATE
PROD.	DATE
NEXT HIGHER ASSY	
E-UA-RS64-0-0	
SCALE	OF
SHEET	OF

digital EQUIPMENT CORPORATION
MAYNARD, MASSACHUSETTS

TITLE
DRAWING INDEX LIST (RS64-P)

SIZE CODE	NUMBER	REV.
DDI	RS64-P-1	A

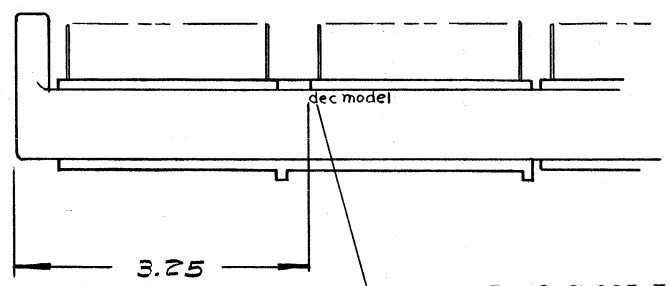
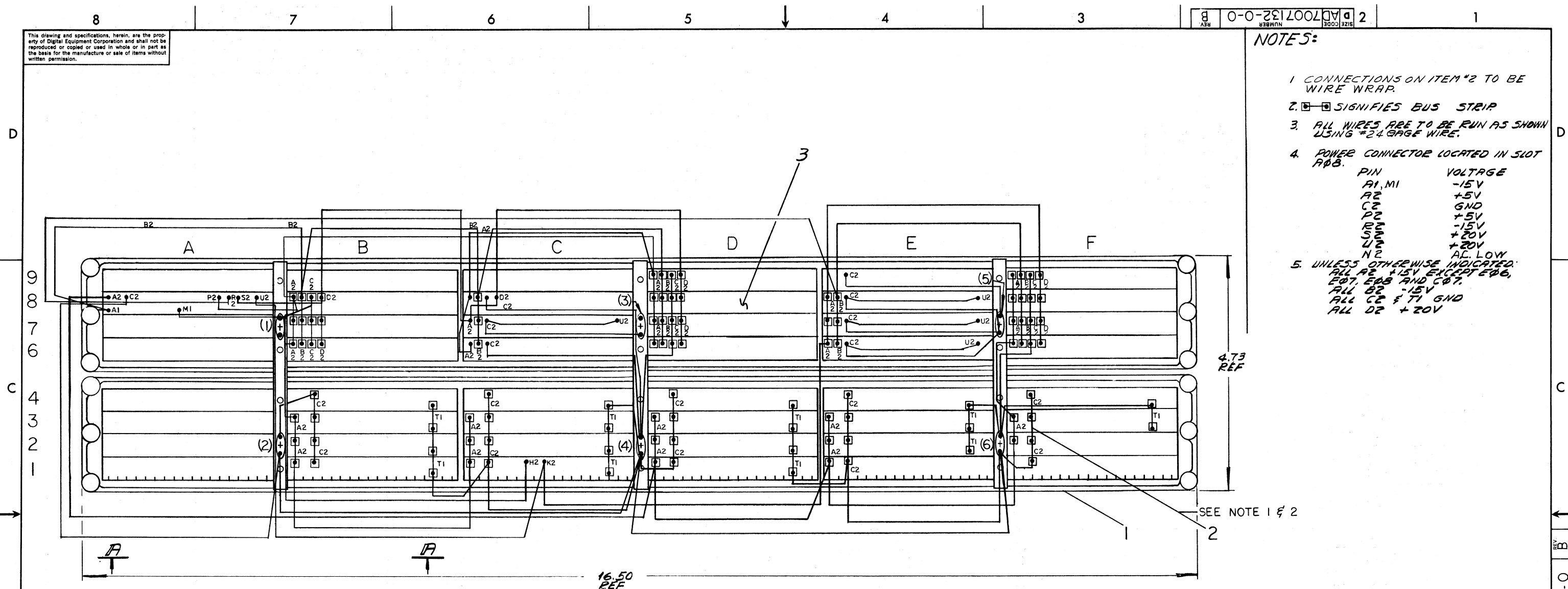
This drawing and specifications, herein, are the property of Digital Equipment Corporation and shall not be reproduced or copied or used in whole or in part as the basis for the manufacture or sale of items without written permission.

REV B AD7007132-0-0 2

NOTES:

- 1 CONNECTIONS ON ITEM #2 TO BE WIRE WRAP.
2. SIGNIFIES BUS STRIP
3. ALL WIRES ARE TO BE RUN AS SHOWN USING #24 GAGE WIRE.
4. POWER CONNECTOR LOCATED IN SLOT ABB.

PIN	VOLTAGE
A1, M1	-15V
A2	+5V
C2	GND
P2	+5V
R2	-15V
S2	+20V
U2	+20V
N2	AC. LOW
5. UNLESS OTHERWISE INDICATED:
 ALL A2 +15V EXCEPT EDB,
 EDB, EDB AND CBT,
 ALL C2 -15V
 ALL C2 & T1 GND
 ALL D2 +20V



REV.	CHANGE NO.	DATE
A	RS64-00005	10-13-70
B	RS64-00006	12-16-70

MC LEAN
 6-4-71
 M. O'NEILL
 6-16-71
 M. O'NEILL
 6-17-71

FIRST USED ON OPTION / MODEL RS64	DO NOT SCALE DRAWING UNLESS OTHERWISE SPECIFIED DIMENSION IN INCHES
TOLERANCES DECIMAL XXX = ± .005 XX = ± .02 X = ± .1	TOLERANCES DECIMAL FRACTIONS ANGLES ± .005 ± .004 ± 0°30'
MATERIAL H	FINISH H

QTY.	DESCRIPTION	PART NO.	ITEM NO.
PARTS LIST			
DRN. DATE 10-13-70			
CHKD. DATE 10-13-70			
ENG. DATE 12-16-70		TITLE	
PROD. DATE 12-16-70		WIRED ASS'Y (RS64)	
NEXT HIGHER ASSY E-VA-RS64-P-Ø		SIZE CODE D AD7007132-0-0	REV. B
SCALE NONE	SHEET 1 OF 3	DIST. G	

This drawing and specifications, herein, are the property of Digital Equipment Corporation and shall not be reproduced or copied or used in whole or in part as the basis for the manufacture or sale of items without written permission.

WIRE TABLE I						
ITEM NO.	DESCRIPTION	FROM	TO	WITH	CONNECTION	WITH
4	24	RED	B01A2	Δ	C01A2	Δ
4		RED	B03A2	Δ	B06A2	Δ
7		BLK	B04C2	*	GND(2)	*
7		BLK	B01T1	Δ	C01C2	Δ
7		BLK	C01C2	*	GND(4)	*
5		ORG	C01K2	Δ	A08U2	Δ
5		ORG	C01K2	Δ	E06A2	Δ
7		BLK	C04T1	*	GND(4)	*
4		RED	D01A2	Δ	A08A2	Δ
4		RED	D01A2	Δ	E01A2	Δ
7		BLK	D01C2	*	GND(4)	*
7		BLK	D01T1	Δ	E01C2	Δ
7		BLK	E01C2	*	GND(6)	*
4		RED	E01A2	Δ	F02A2	Δ
7		BLK	E04T1	*	GND(6)	*
7		BLK	F01C2	*	GND(6)	*
7		BLK	F04T1	*	GND(6)	*
4		RED	F03A2	Δ	F06A2	Δ
7		BLK	GND(6)	*	GND(4)	*
7		BLK	GND(4)	*	GND(2)	*
7		BLK	GND(2)	*	A08C2	Δ
6		BLU	A08A1	Δ	B08B2	Δ
4		RED	A08P2	Δ	B08A2	Δ
4		RED	B08A2	Δ	D09A2	Δ
6		BLU	A08E2	Δ	E08B2	Δ
6		BLU	A08B2	Δ	A08C1	Δ
6			A08A1	Δ	A08B2	Δ
6			A08C1	Δ	A08E1	Δ
6			A08E1	Δ	A08H1	Δ
6			A08H1	Δ	A08K1	Δ
6			A08K1	Δ	A08M1	Δ
6		BLU	A08M1	Δ	C01H2	Δ
7		BLK	A08C2	*	A08E2	Δ
7			A08E2	Δ	A08N1	Δ
7			A08N1	Δ	A08R1	Δ
7			A08R1	Δ	A08T1	Δ
7		BLK	A08T1	*	A08Y1	Δ
4		RED	A08A2	Δ	A08H2	Δ
4		RED	A08H2	Δ	A08K2	Δ
4		RED	A08K2	Δ	A08M2	Δ
5		ORN	A08T2	Δ	A08Y2	Δ
5	24	ORN	A08Y2	Δ	A08U2	Δ

WIRE TABLE I						
ITEM NO.	DESCRIPTION	FROM	TO	WITH	CONNECTION	WITH
5	24	ORG	A08S2	Δ	B08D2	Δ
6		BLU	B08B2	Δ	C08B2	Δ
7		BLK	B08C2	*	GND(1)	*
5		ORG	B08D2	Δ	C07A2	Δ
4		RED	C06A2	Δ	C08A2	Δ
7		BLK	C06C2	*	GND(4)	*
5		ORG	C07A2	Δ	C08D2	Δ
7		BLK	C07C2	Δ	C07U2	Δ
7		BLK	C07C2	*	GND(3)	*
4		RED	C08A2	Δ	D09A2	Δ
6		BLU	C08B2	Δ	D09B2	Δ
7		BLK	C08C2	*	GND(4)	*
5		ORG	C08D2	Δ	D09D2	Δ
7		BLK	D06C2	*	GND(4)	*
7		BLK	E06C2	*	GND(5)	*
7		BLK	E07C2	*	E07U2	Δ
7		BLK	E07C2	*	GND(5)	*
7		BLK	E08C2	Δ	E08U2	Δ
7		BLK	E08C2	*	GND(5)	*
5		ORG	E08A2	Δ	F09D2	Δ
6		BLU	E08B2	Δ	F09B2	Δ
7		BLK	E09C2	*	GND(5)	*
7	24	BLK	F06C2	*	GND(6)	*

* SIGNIFIES WIRE TO BE SOLDERED ON TO PIN
 Δ SIGNIFIES WIRE TO BE WIREWRAP ON TO PIN

WIRE TABLE II						
ITEM NO.	DESCRIPTION	FROM	TO	WITH	CONNECTION	WITH
9	30	RED	B08J2	Δ	C09C1	Δ
		WHT	B08K2	Δ	C09D1	Δ
9		RED	B08P2	Δ	B09C1	Δ
		WHT	B08R2	Δ	B09D1	Δ
9		RED	C08J2	Δ	B09C2	Δ
		WHT	C08K2	Δ	B09D2	Δ
9		RED	C08P2	Δ	C09C2	Δ
		WHT	C08R2	Δ	C09D2	Δ
9		RED	E09D2	Δ	E08E2	Δ
		WHT	E09F2	Δ	E08F2	Δ
9		RED	E09K2	Δ	E07F2	Δ
		WHT	E09H2	Δ	E07E2	Δ
9		RED	E09L2	Δ	E06E2	Δ
9	30	WHT	E09N2	Δ	E06F2	Δ

NOTE:
 1. WIRES IN WIRE TABLE II ARE ROUTED SHORTEST DISTANCE BETWEEN THE TWO CONNECTIONS.

REV	
CHK	

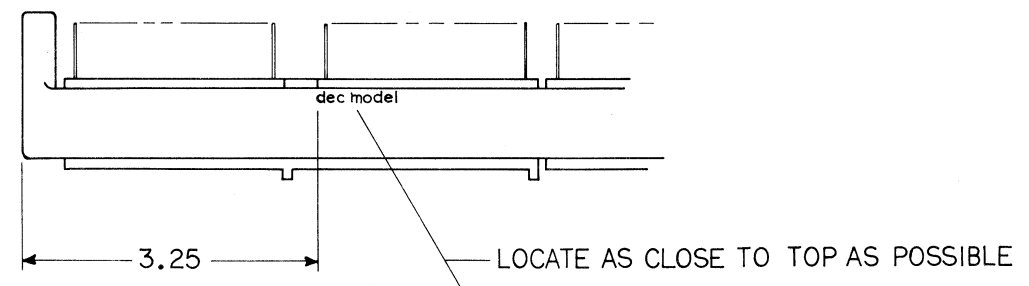
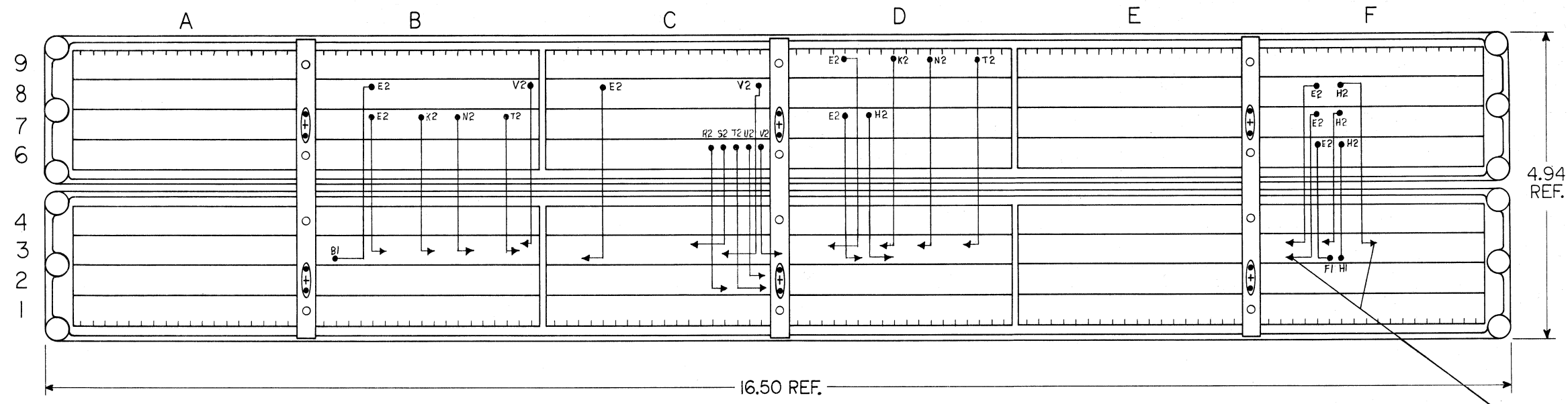
FIRST USED ON OPTION / MODEL
 RS64

DO NOT SCALE DRAWING
 UNLESS OTHERWISE SPECIFIED
 DIMENSION IN INCHES
 TOLERANCES
 DECIMALS FRACTIONS ANGLES
 ± .005 ± 1/64 ± 0°30'
 FINAL SURFACE QUALITY
 REMOVE BURRS AND BREAK SHARP CORNERS
 MATERIAL
 FINISH

QTY.	DESCRIPTION	PART NO.	ITEM NO.
PARTS LIST			
DRN	DATE	digital EQUIPMENT CORPORATION MAYNARD, MASSACHUSETTS	
CHKD	DATE	TITLE	
ENG	DATE	WIRED ASSY (RS64)	
PRJ. ENG.	DATE	NEXT HIGHER ASSY	
PROD.	DATE	E-11A-RS64-P-0	
SCALE	SHEET	SIZE CODE	NUMBER
2 OF 3		DAD	7007132-0-0
		DIST.	

This drawing and specifications, herein, are the property of Digital Equipment Corporation and shall not be reproduced or copied or used in whole or in part as the basis for the manufacture or sale of items without written permission.

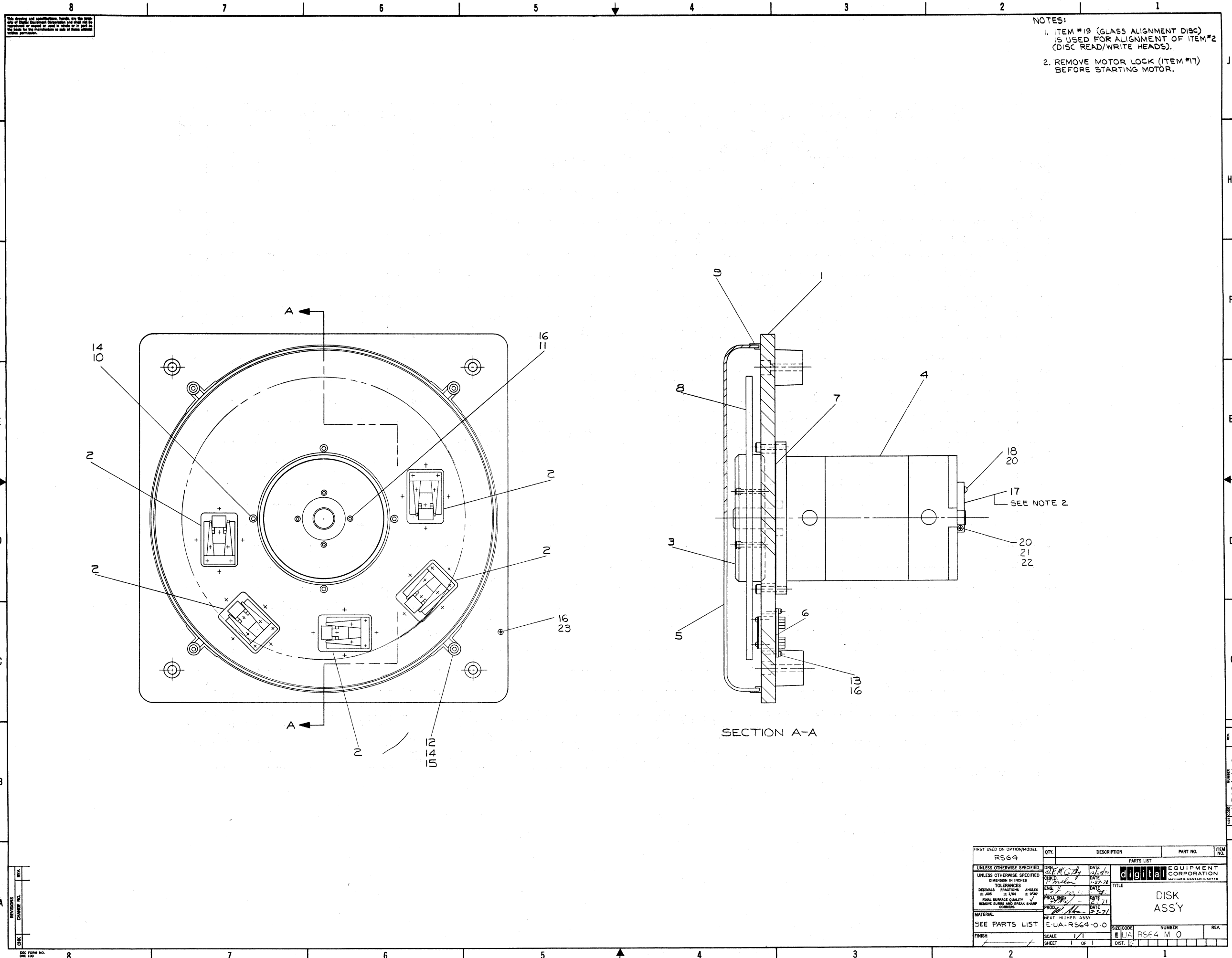
NOTES:
 1. WIRES WILL BE RUN AS SHOWN WHEN USING THE RS64 SPECIAL ROUTING WIRE LISTING # K-WL-RS64-0-12
 2. WIRES CONTINUE STRAIGHT TO DESIGNATED PIN



FIRST USED ON OPTION/MODEL	QTY.	DESCRIPTION	PART NO.	ITEM NO.
RS64				
PARTS LIST				
UNLESS OTHERWISE SPECIFIED DIMENSION IN INCHES. TOLERANCES		DRN. S. HILL DATE 06-07-71	digital EQUIPMENT CORPORATION MAYNARD MASSACHUSETTS	
DECIMALS	ANGLES	CHK'D. B. Milow DATE 6-8-71		
.XXX = .005	±0° 30'	ENG. DATE 6-8-71	TITLE WIRED ASS'Y	
.XX = .02		PROJ. ENG. DATE 6-8-71		
.X = .1		PROD. DATE 6-8-71		
REMOVE BURRS AND BREAK SHARP CORNERS SURFACE QUALITY				
MATERIAL	NEXT HIGHER ASSY.			
	E-UA-RS64-P-0	SIZE CODE	NUMBER	REV.
FINISH	SCALE	DAD	7007132-0-0	B
	SHEET 3 OF 3	DIST.		

REVISIONS	REV.
CHANGE NO.	
CHK	

REV. B
NUMBER
DAD 7007132-0-0



NOTES:
 1. ITEM #19 (GLASS ALIGNMENT DISC) IS USED FOR ALIGNMENT OF ITEM #2 (DISC READ/WRITE HEADS).
 2. REMOVE MOTOR LOCK (ITEM #17) BEFORE STARTING MOTOR.

SECTION A-A

FIRST USED ON OPTION/MODEL RS64	QTY.	DESCRIPTION	PART NO.	ITEM NO.
PARTS LIST				
UNLESS OTHERWISE SPECIFIED				
DRN	DATE	digital EQUIPMENT CORPORATION		
CHKD	DATE	CORPORATION		
ENGR	DATE	TITLE		
PROJ. ENGR	DATE	DISK ASSY		
PROD.	DATE	REV.		
MATERIAL				
SEE PARTS LIST				
FINISH				
SCALE				
SHEET 1 OF 1				
SIZE CODE		NUMBER		REV.
EUA		RS64 M 0		
DIST.				

REV. 1
EUA RS64-M-0

This drawing and specifications, herein, are the property of Digital Equipment Corporation and shall not be reproduced, stored in a retrieval system, or transmitted in any form or by any means, electronic, mechanical, photocopying, recording, or by any information storage and retrieval system, without the prior written permission of Digital Equipment Corporation.

DEC FORM NO. 100
 8 7 6 5 4 3 2 1

This drawing and specifications, herein, are the property of Digital Equipment Corporation and shall not be reproduced or copied or used in whole or in part as the basis for the manufacture or sale of items without written permission.

D

C

B

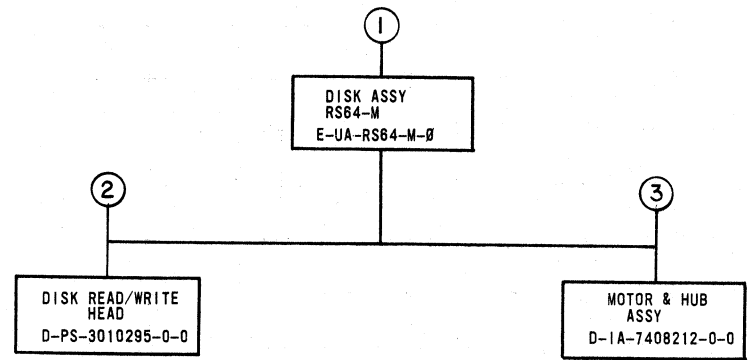
A

D

C

B

A



MECHANICAL			DEPT USAGE			ELECTRICAL			DEPT USAGE		
FIND NO.	DESCRIPTION	PART NO.	PROD	CUST	F/C	FIND NO.	DESCRIPTION	PART NO.	PROD	CUST	F/C
1.	DISK ASSY (RS64-M) DISK ASSY (RS64M) P.L. DECK MACHINING DECK CASTING DISK RETAINING FLANGE COVER DISK HEAD GASKET MOTOR GASKET MOTOR LOCK ALIGNMENT DISK	E-UA-RS64-M-Ø A-PL-RS64-M-Ø E-IA-7408147-0-0 D-SC-1210053-0-0 C-MD-7408151-0-0 D-IA-7408154-0-0 C-PS-1210252-0-0 C-PS-1210253-0-0 C-MD-7408858-0-0 D-MD-9305189-0-0									
2.	DISK READ/WRITE HEAD HEAD BLOCK PLATE CONNECTOR SPRING PLATE FERRITE CORE PIN SUSPENSION	D-PS-3010295-0-0 D-SC-1210026-0-0 C-SC-1210158-0-0 B-MD-7407264-0-0 A-MD-7407326-0-0 D-IA-7407636-0-0 A-MD-7407323-0-0 B-MD-7407265-0-0									
3.	MOTOR & HUB ASSY DISK MOTOR (115-230 VAC) HUB MOTOR	D-IA-7408212-0-0 D-SC-1210132-0-0 C-MU-7408148-0-0									

REV.	A
CHANGE NO.	0002
CHK	MC LEAN
DATE	7-2-71

FIRST USED ON OPTION/MODEL
RS64

DRW	DATE	1-28-71
CHK	DATE	2-3-71
ENG	DATE	
PROJ. ENG.	DATE	
PROD.	DATE	
NEXT HIGHER ASSY		
E-UA-RS64-Ø-Ø		
SCALE	OF	
SHEET	OF	

digital EQUIPMENT CORPORATION
MAYNARD, MASSACHUSETTS

TITLE
DRAWING INDEX LIST (RS64M)

SIZE CODE NUMBER REV.
DDI RS64-M-1 A