

TITLE	SHEET 2 OF 3	SIZE CODE	NUMBER	REV
CONTROLLER, TMØ3		B DD	TMØ3-Ø	B

FIND NO.	DRAWING NO.	DESCRIPTION	TYPE	FIND NO.	DRAWING NO.	DESCRIPTION	TYPE
1	B-TC-TM03-0-1	TM03 TABLE OF CONTENTS	-	3	A-DC-5309899-0-0	POWER CONTROL DECAL 115V	M
	MP00349	FIELD MAINTENANCE PRINT SET	-		C-IA-5409824-0-0	POWER CONTROL BOARD 115V	M
	E-UA-TM03-0-0	CONTROLLER TM03	M				
	A-PL-TM03-0-0	PARTS LIST	M				
	D-CS-M8908-0-1	RECEIVER TERMINATOR	E	4	C-UA-BC05J-0-0	LINE SET 230V AC 4 AMP	
	D-CS-M8908-YA-1	RECEIVER TERMINATOR	E				
	D-CS-M8909-0-1	MASS BUSS INTERFACE	E				
	D-CS-M5903-YA-1	MASS BUS TERMINAL	E	5	D-UA-H400-0-0	AC INPUT BOX H400B	M
	D-CS-M8914-0-1	18 BIT FIDDLER	E		A-PL-H400-0-0	AC INPUT BOX	M
	D-CS-M5903-0-1	MASS BUS TERMINAL	E		D-IA-5309845-0-0	BOX	M
	D-BS-TM02-2	MASS BUS RECEIVER	E		C-MD-5309849-0-0	COVER	M
	D-BS-TU16-0-2	MASS BUS TRANSCEIVER	E		A-DC-5309900-0-0	POWER CONTROL (DECAL 230V)	M
	D-CS-M8901-YB	45 IPS DATA SYNC	E		C-IA-5409825-0-0	POWER CONTROL BOARD 230V	M
	D-CS-M8901-YC	75 IPS DATA SYNC	E				
	D-CS-M8901-YD-1	125 IPS DATA SYNC	E				
	D-CS-M8932-0-1	TAPE CONTROL PHASE ENC.	E	6	D-AD-7013616-0-0	HARNESS/LOGIC ASSY (TM03)	E/M
	D-CS-M8933-0-1	TAPE CONTROL COMMON MODE	E		E-IA-7013614-0-0	HARNESS/LOGIC (TM03)	E/M
	D-CS-M8934-0	TAPE CONTROL NRZI	E				
	D-CS-M8905-YB	MAINTENANCE REGISTER	E	7	D-AD-7013615-0-0	WIRED ASSY (TM03)	E/M
	D-CS-M8906-0-1	16 BIT FIDDLER	E		A-DC-7411881-1-0	DECAL LOGIC, REVISIONS	M
	D-CS-M8909-YA-1	MASS BUS INTERFACE	E				
	D-CS-M8914-0-1	18 BIT FIDDLER FORMAT	E	8	E-IA-5409728-0-0	REGULATOR BOARD	M
	D-CS-M8915-0-1	UNIVERSAL DATA FORMATTER	E		D-CS-5409728-0-1	REGULATOR BOARD	M
	D-CS-M8937-0-1	CONNECTOR TERMINATOR	E		C-MD-5510892-1	#1 THERMAL STRIP	M
	D-IA-7010075-0-0	LOGIC, BOX	M		C-MD-5510891-1	#2 THERMAL STRIP	M
	D-CS-5411128-0-1	MOUNT, SELECT SWITCH	E		C-IA-5310126-0-0	HOLDER, CAPACITOR	M
	A-DC-7412377-0-0	DECAL, CONTROLLER	M		C-MD-5309779-0-0	CONTACT, COMMON CAPACITOR	M
	D-UA-H740DA-0	POWER SUPPLY	M		C-MD-5309781-0-0	CONTACT CAPACITOR	M
	C-IA-7010418-0-0	CABLE FAN	M				
	C-IA-7412368-0-0	BRACKET SHIPPING	M				
	C-MD-7409479-0-0	PLATE, PRESSURE	M	9	D-AD-7010187-0-0	FRONT PANEL ASSY	M
	A-PL-7014352-0-0	CODING KEYS, SET OF	M				
	E-MD-7414624-0-0	COVER SIDE	M				
	C-MD-7414626-0-0	CARD GUIDE REWORK	M	10	D-CS-5410856-0-0	FRONT PANEL TM02	E
	D-MU-TM03-0-MU	MODULE UTILIZATION	E				
	D-CS-M8934-YA-1	TAPE CONTROL NRZI 75 IPS	E				
	A-SP-TM03-0-4	ACCEPTANCE SPEC					
	A-SP-TM03-0-3	ENGINEERING SPEC					
2	C-UA-BC05H-0-0	LINE SET 115V AC 7 AMP	M				
3	D-UA-H400-0-0	AC INPUT BOX, H400A	M				
	A-PL-H400-0-0	AC INPUT BOX	M				
	D-IA-5309845-0-0	BOX	M				
	C-MD-5309849-0-0	COVER	M				

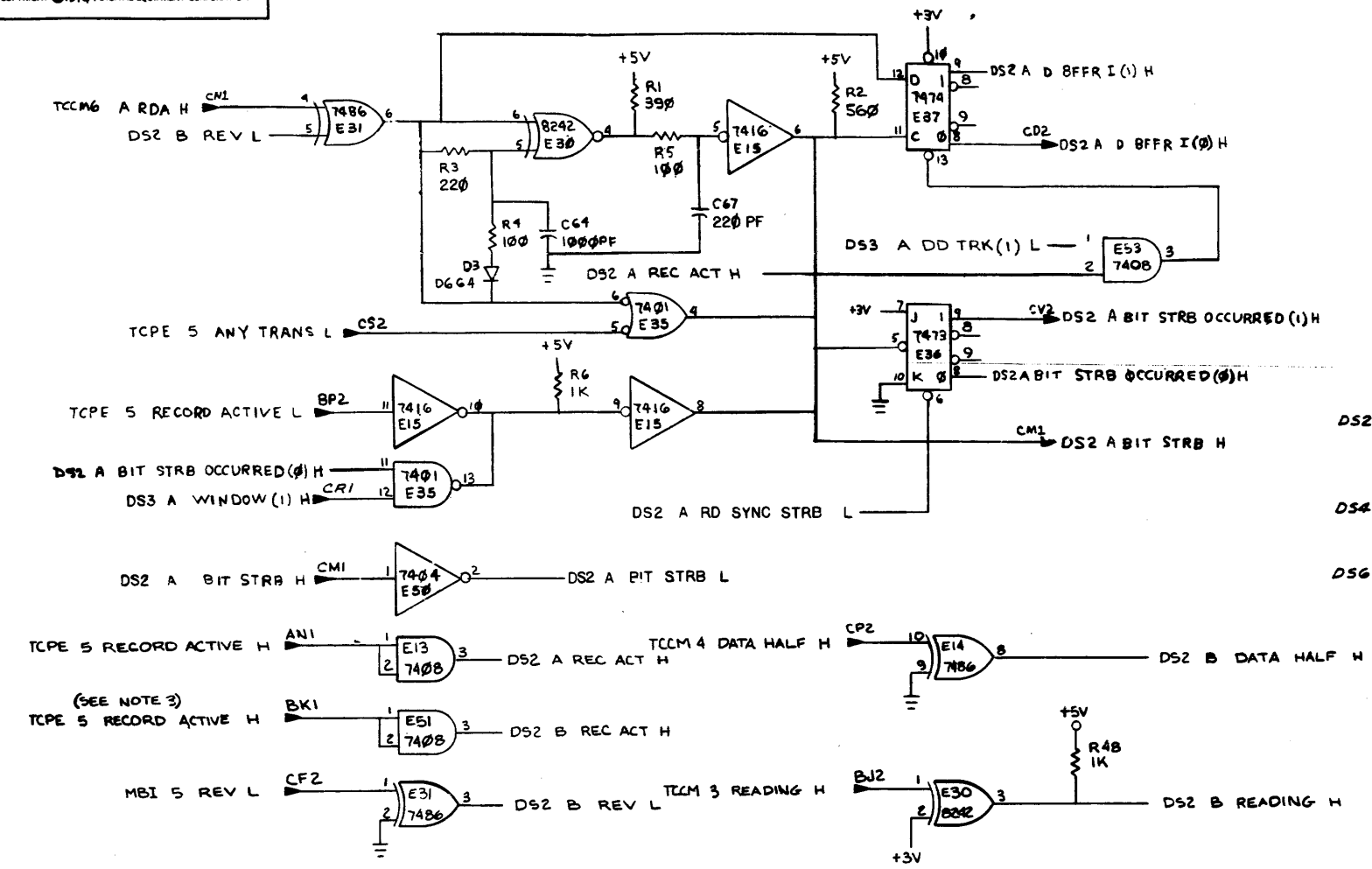
TYPE: E ELECTRICAL
M MECHANICAL
E/M ELECTROMECHANICAL



TITLE CONTROLLER, TM03 SHEET 3 OF 3 SIZE CODE B DD NUMBER TM03-0 REV

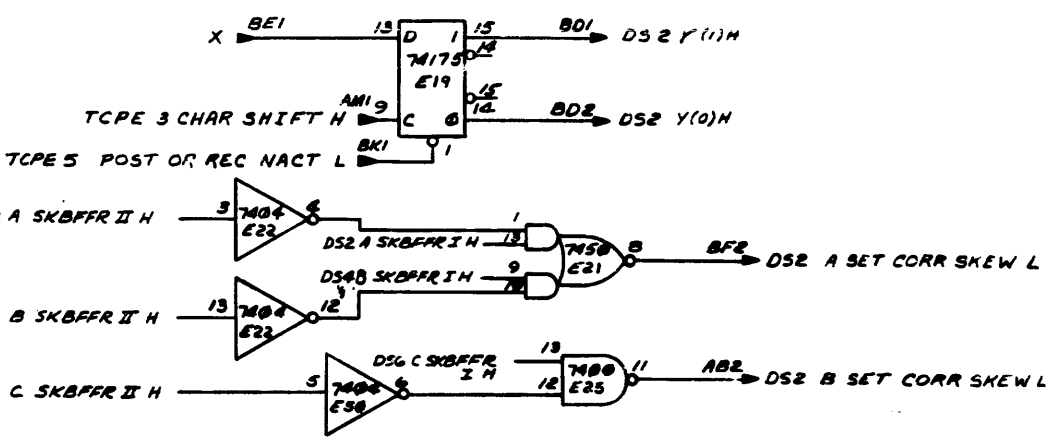
"THIS DRAWING AND SPECIFICATIONS HEREIN ARE THE PROPERTY OF DIGITAL EQUIPMENT CORPORATION AND SHALL NOT BE REPRODUCED OR COPIED OR USED IN WHOLE OR IN PART AS THE BASIS FOR THE MANUFACTURE OR SALE OF ITEMS WITHOUT WRITTEN PERMISSION. COPYRIGHT © 1974, DIGITAL EQUIPMENT CORPORATION"

BIT STROBE AND WINDOW

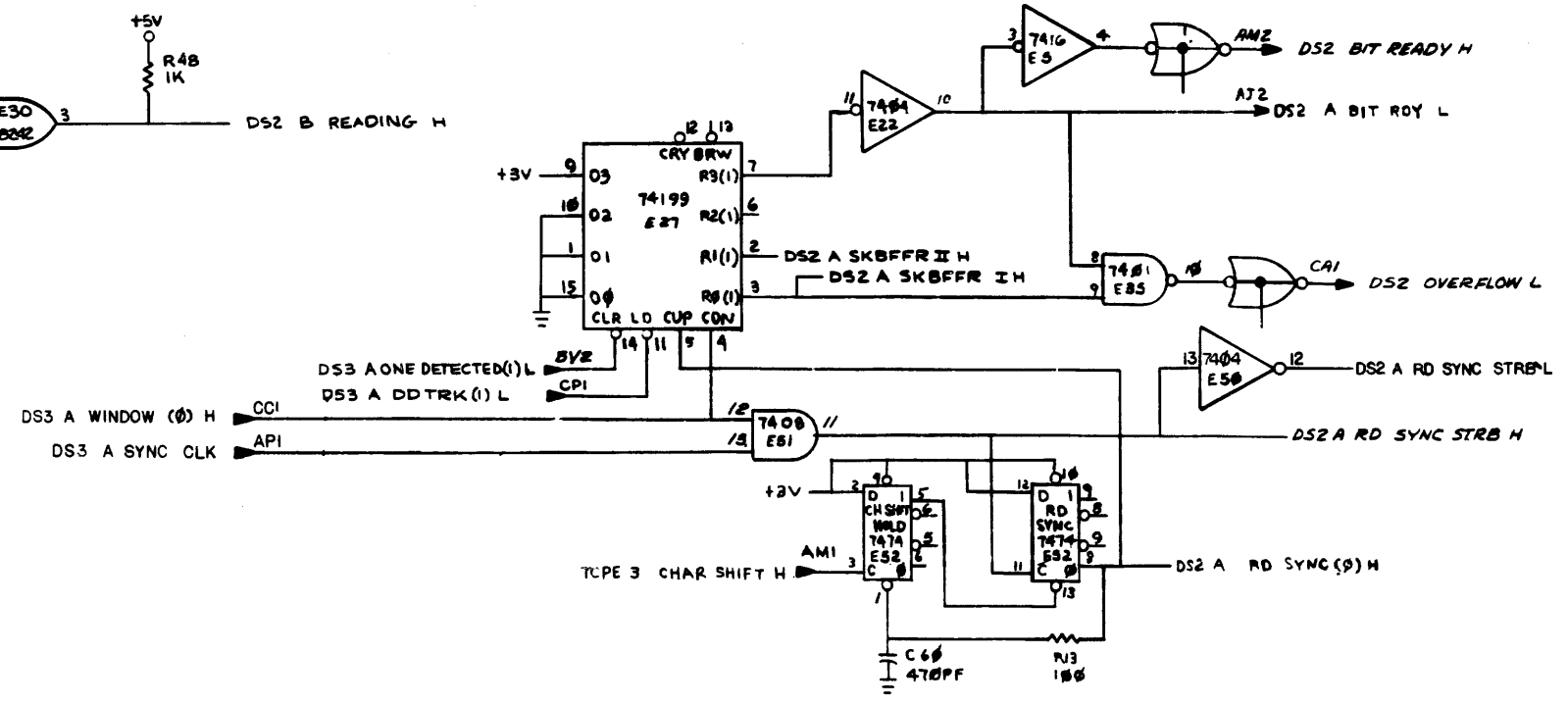


	SLOT 1	SLOT 2	SLOT 3
X	SINGLE DD TRK H		INC COND H
Y(1)H	CER 1(H)		INC DATA(1)H

USE X, Y, CHART TO DETERMINE INPUTS & OUTPUTS OF 74175 FLOP.

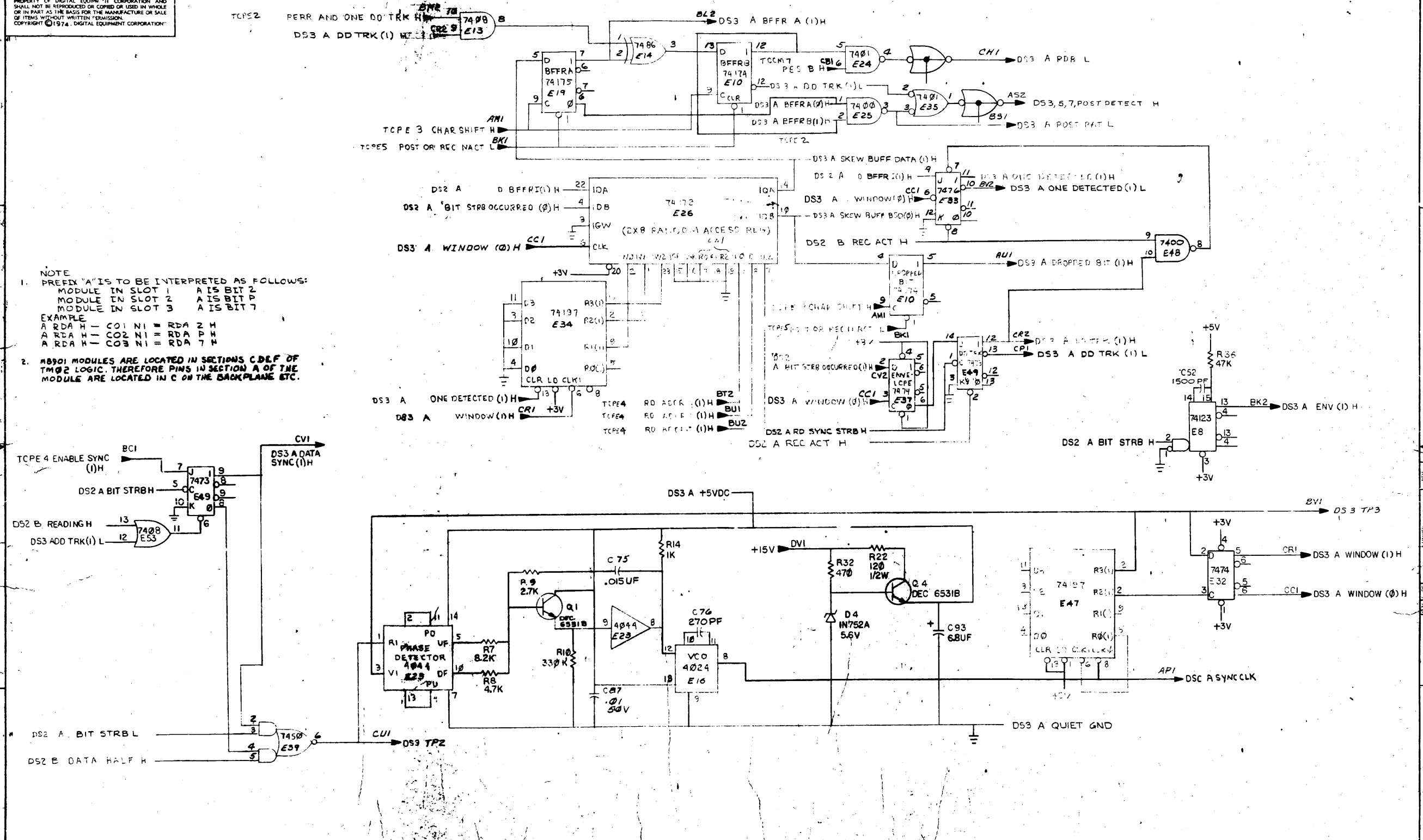


NOTE
 1. PREFIX "A" IS TO BE INTERPRETED AS FOLLOWS:
 MODULE IN SLOT 1 A IS BIT 2
 " MODULE IN SLOT 2 A IS BIT P
 " MODULE IN SLOT 3 A IS BIT 7
 EXAMPLE:
 A RDA H - CO1 N1 = RDA 2 H
 A RDA H - CO2 N1 = RDA PH
 A RDA H - CO3 N1 = RDA 7 H
 2. M8901 MODULES ARE LOCATED IN SECTIONS C, D, E, F OF TMO2 LOGIC. THEREFORE PINS IN SECTION A OF THE MODULE ARE LOCATED IN C ON THE BACKPLANE ETC.
 3. PIN BK1 IS "TCPE 5 POST OR REC NACT L" ON ALL M8901'S WHEN IN TMO2.



REVISIONS		
CHK	CHANGE NO.	REV.

THIS DRAWING AND SPECIFICATIONS HEREIN ARE THE PROPERTY OF DIGITAL EQUIPMENT CORPORATION AND SHALL NOT BE REPRODUCED OR COPIED OR USED IN WHOLE OR IN PART AS THE BASIS FOR THE MANUFACTURE OR SALE OF ITEMS WITHOUT WRITTEN PERMISSION. COPYRIGHT © 1974, DIGITAL EQUIPMENT CORPORATION.



NOTE
 1. PREFIX "A" IS TO BE INTERPRETED AS FOLLOWS:
 MODULE IN SLOT 1 A IS BIT 2
 MODULE IN SLOT 2 A IS BIT P
 MODULE IN SLOT 3 A IS BIT 7
 EXAMPLE
 A RDA H - CO1 N1 = RDA 2 H
 A RDA H - CO2 N1 = RDA P H
 A RDA H - CO3 N1 = RDA 7 H
 2. M8901 MODULES ARE LOCATED IN SECTIONS C, D, E, F OF TM02 LOGIC. THEREFORE PINS IN SECTION A OF THE MODULE ARE LOCATED IN C ON THE BACKPLANE ETC.

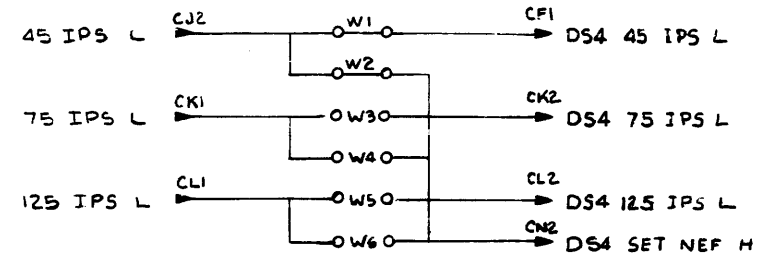
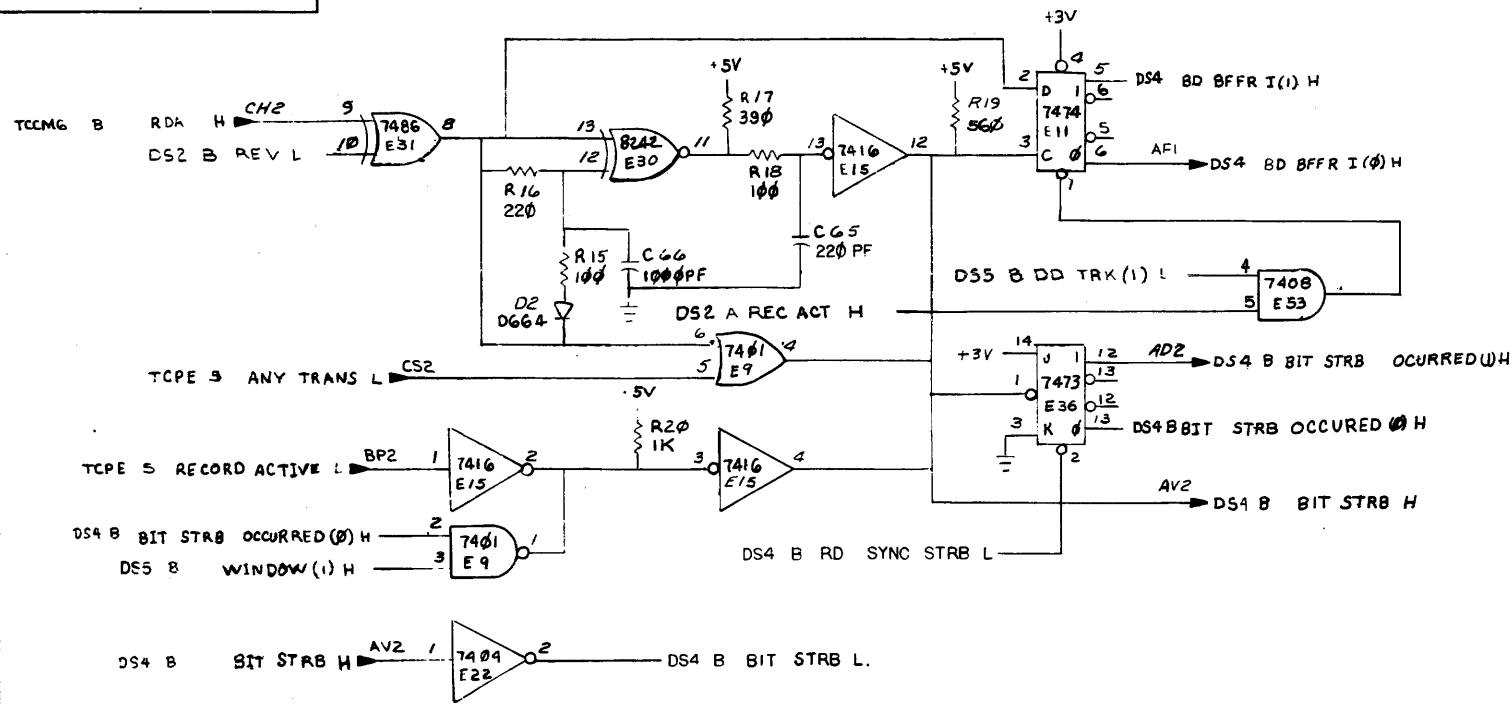
REVISIONS		
CHK	CHANGE NO	REV

TITLE	DATA SYNC (DS3)	SIZE CODE	D CS M8901-YB-1	NUMBER		REV.	J
SCALE		SHEET	3	OF	7	DIST.	

"THIS DRAWING AND SPECIFICATIONS, HEREIN, ARE THE PROPERTY OF DIGITAL EQUIPMENT CORPORATION AND SHALL NOT BE REPRODUCED OR COPIED OR USED IN WHOLE OR IN PART AS THE BASIS FOR THE MANUFACTURE OR SALE OF ITEMS WITHOUT WRITTEN PERMISSION. COPYRIGHT © 1974, DIGITAL EQUIPMENT CORPORATION"

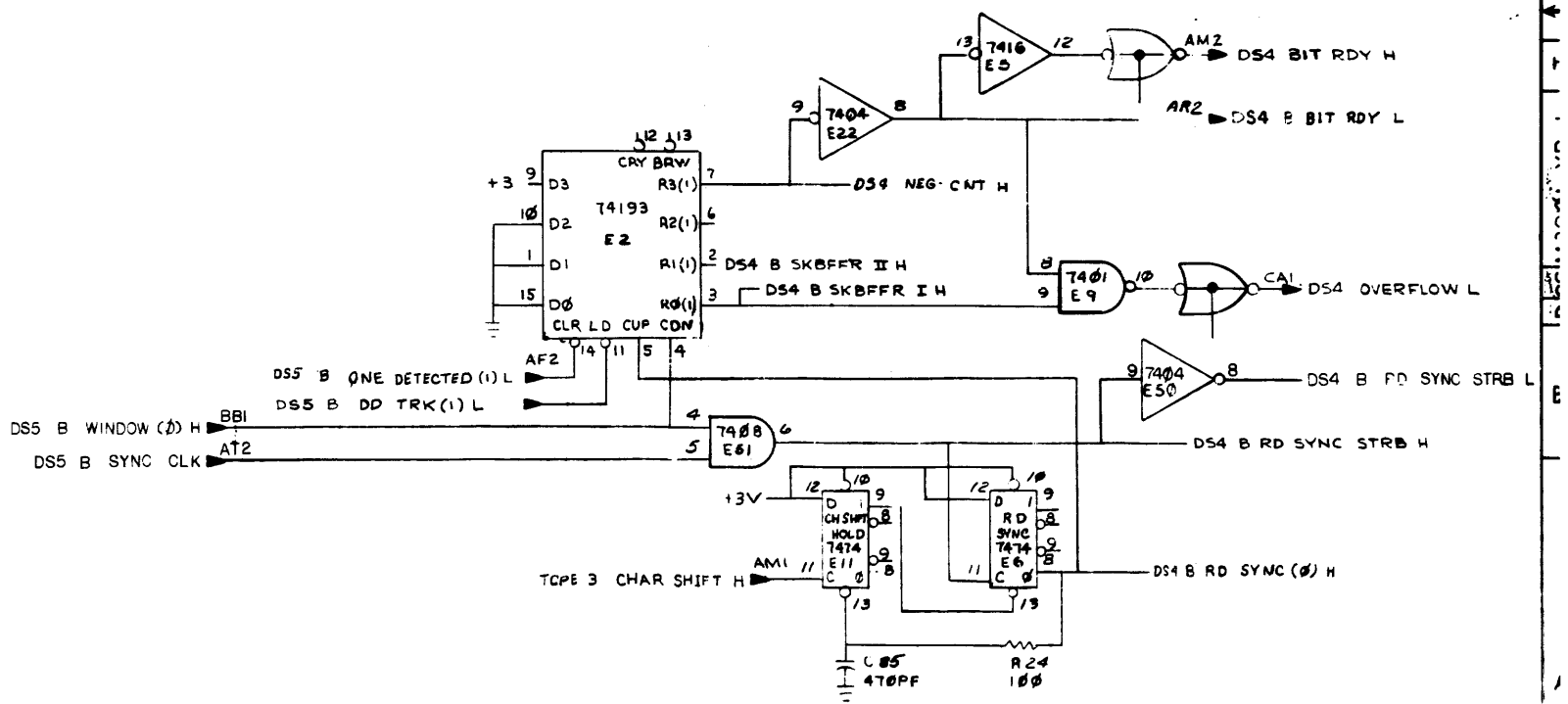
BIT STROBE AND WINDOW

NOTE:
JUMPERS W1 THRU W6 INDICATES THE TAPE SPEED THE MODULE IS BUILT FOR. CHANGING THE JUMPERS DOES NOT CHANGE THE SPEED CAPABILITY OF THE MODULE.



NOTE
PREFIX "B" IS TO BE INTERPRETED AS FOLLOWS:
MODULE IN SLOT 1 B IS BIT 0
MODULE IN SLOT 2 B IS BIT 5
MODULE IN SLOT 3 B IS BIT 1
EXAMPLE:
B RDA H - C01 CH2 = RDA 0 H
B RDA H - C02 CH2 = RDA 5 H
B RDA H - C03 CH2 = RDA 1 H

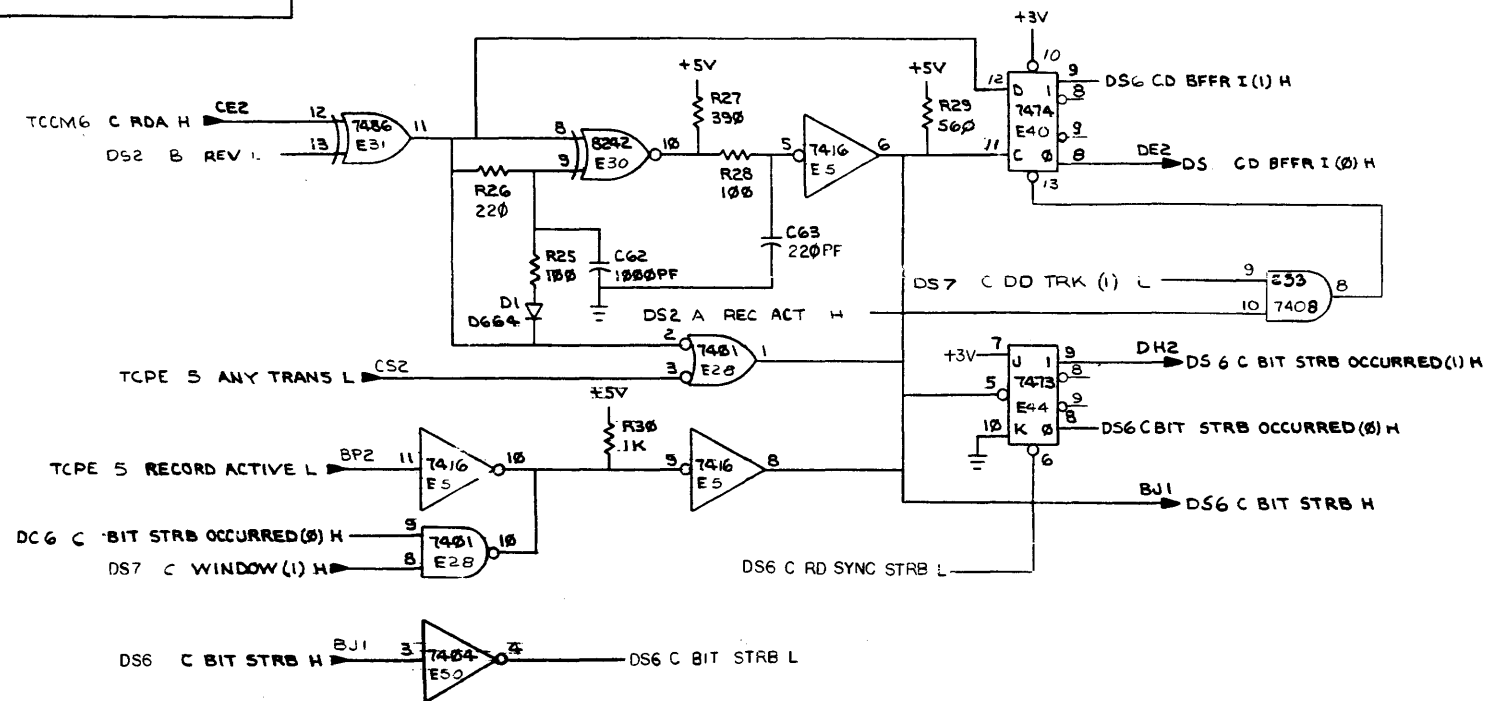
2. 00001 MODULES ARE LOCATED IN SECTIONS CDEF OF TMS2 LOGIC. THEREFORE PINS IN SECTION A OF THIS MODULE ARE LOCATED IN C ON THE BACKPLANE ETC.



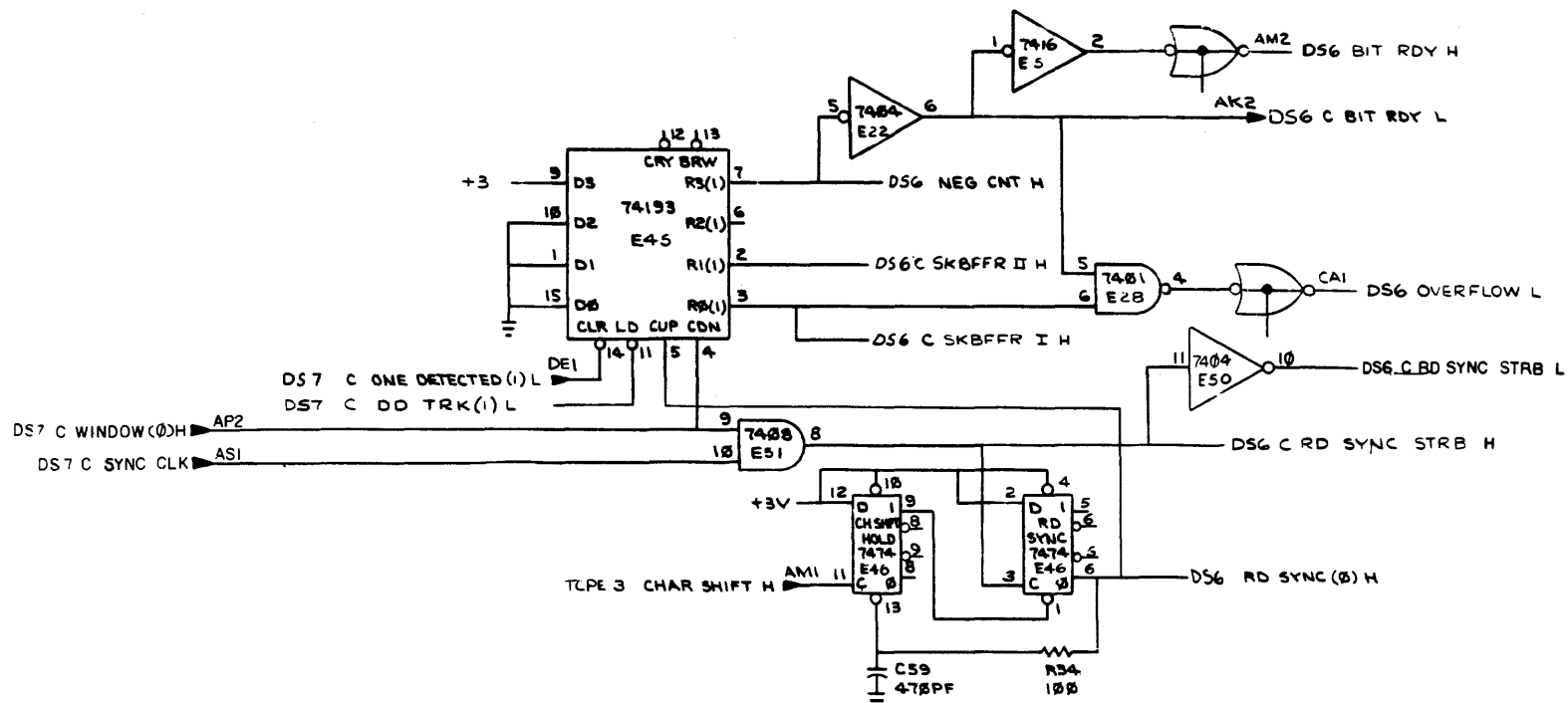
REVISIONS		
CHK	CHANGE NO.	REV.

THIS DRAWING AND SPECIFICATIONS HEREIN ARE THE PROPERTY OF DIGITAL EQUIPMENT CORPORATION AND SHALL NOT BE REPRODUCED OR COPIED OR USED IN WHOLE OR IN PART AS THE BASIS FOR THE MANUFACTURE OR SALE OF ITEMS WITHOUT WRITTEN PERMISSION. COPYRIGHT © 1973 DIGITAL EQUIPMENT CORPORATION.

BIT STROBE AND WINDOW

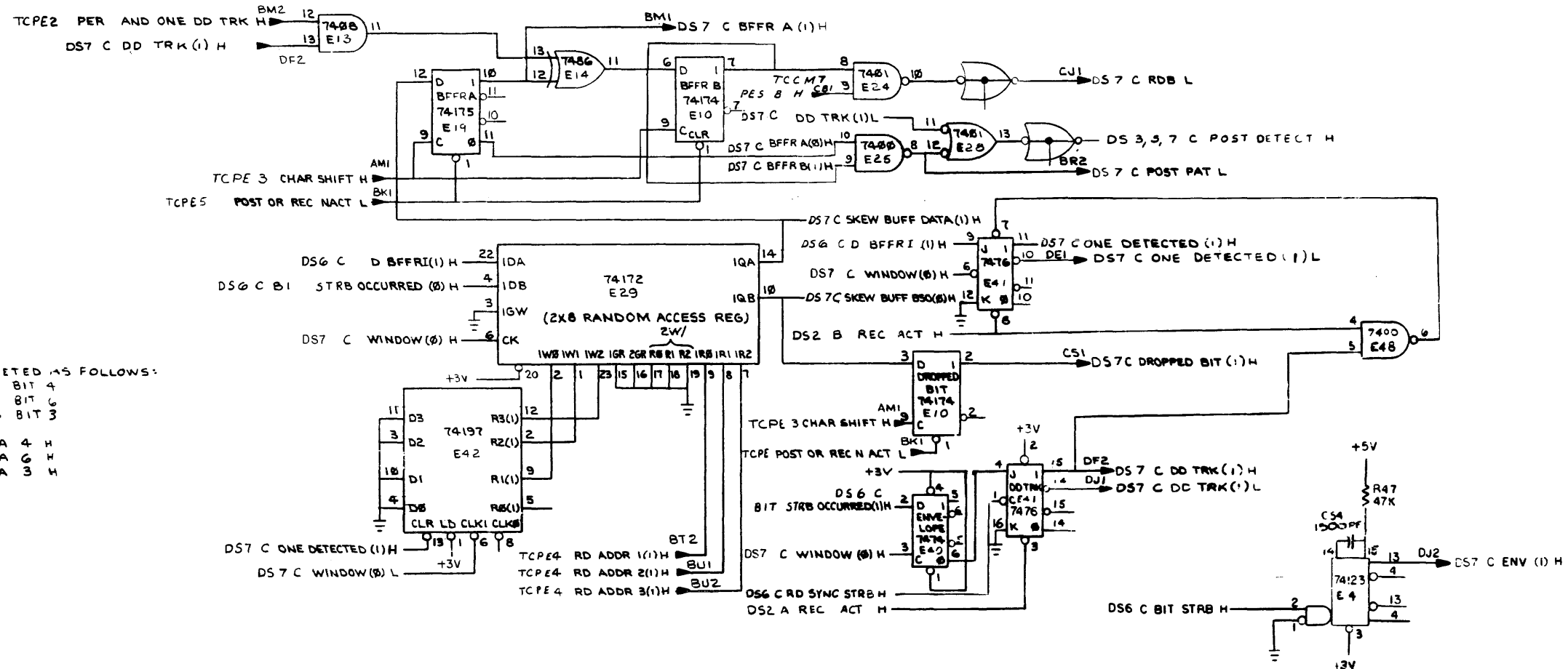


NOTE
 PREFIX "C" IS TO BE INTERPRETED AS FOLLOWS:
 MODULE IN SLOT 1 C IS BIT 4
 MODULE IN SLOT 2 C IS BIT 6
 MODULE IN SLOT 3 C IS BIT 3
 EXAMPLE:
 C RDA H - C01 E2 = RDA 4 H
 C RDA H - C02 E2 = RDA 6 H
 C RDA H - C03 E2 = RDA 3 H

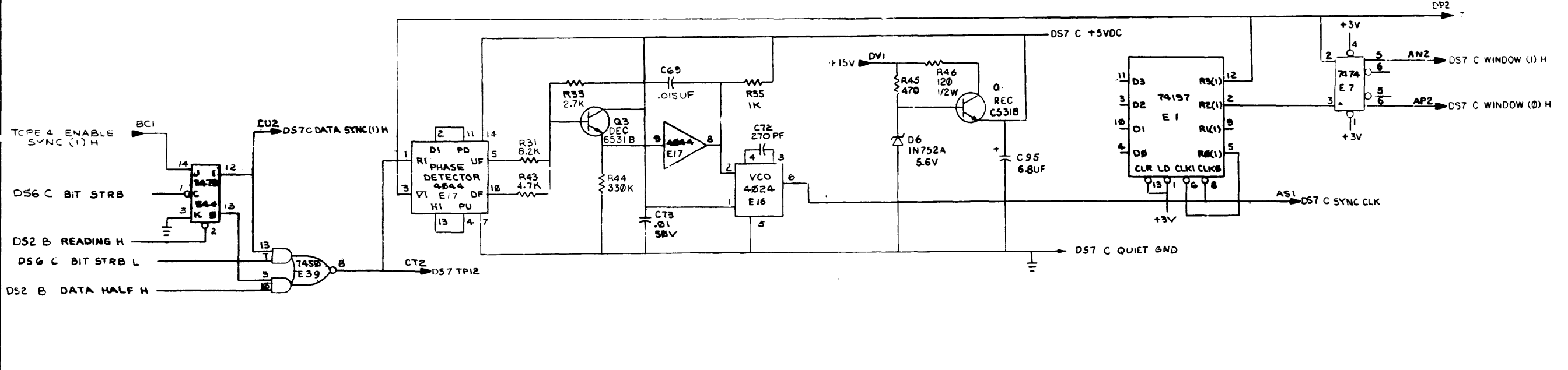


REVISIONS		
CHK	CHANGE NO.	REV.

THIS DRAWING AND SPECIFICATIONS HEREIN ARE THE PROPERTY OF DIGITAL EQUIPMENT CORPORATION AND SHALL NOT BE REPRODUCED OR COPIED IN WHOLE OR IN PART AS THE BASIS FOR THE MANUFACTURE OR SALE OF ITEMS WITHOUT WRITTEN PERMISSION. COPYRIGHT © 1973 DIGITAL EQUIPMENT CORPORATION.



NOTE
 PREFIX "C" IS TO BE INTERPRETED AS FOLLOWS:
 MODULE IN SLOT 1 C IS BIT 4
 MODULE IN SLOT 2 C IS BIT 6
 MODULE IN SLOT 3 C IS BIT 3
 EXAMPLE
 C RDA H — CO1 E2 = RDA 4 H
 C RDA H — CO2 E2 = RDA 6 H
 C RDA H — CO3 E2 = RDA 3 H

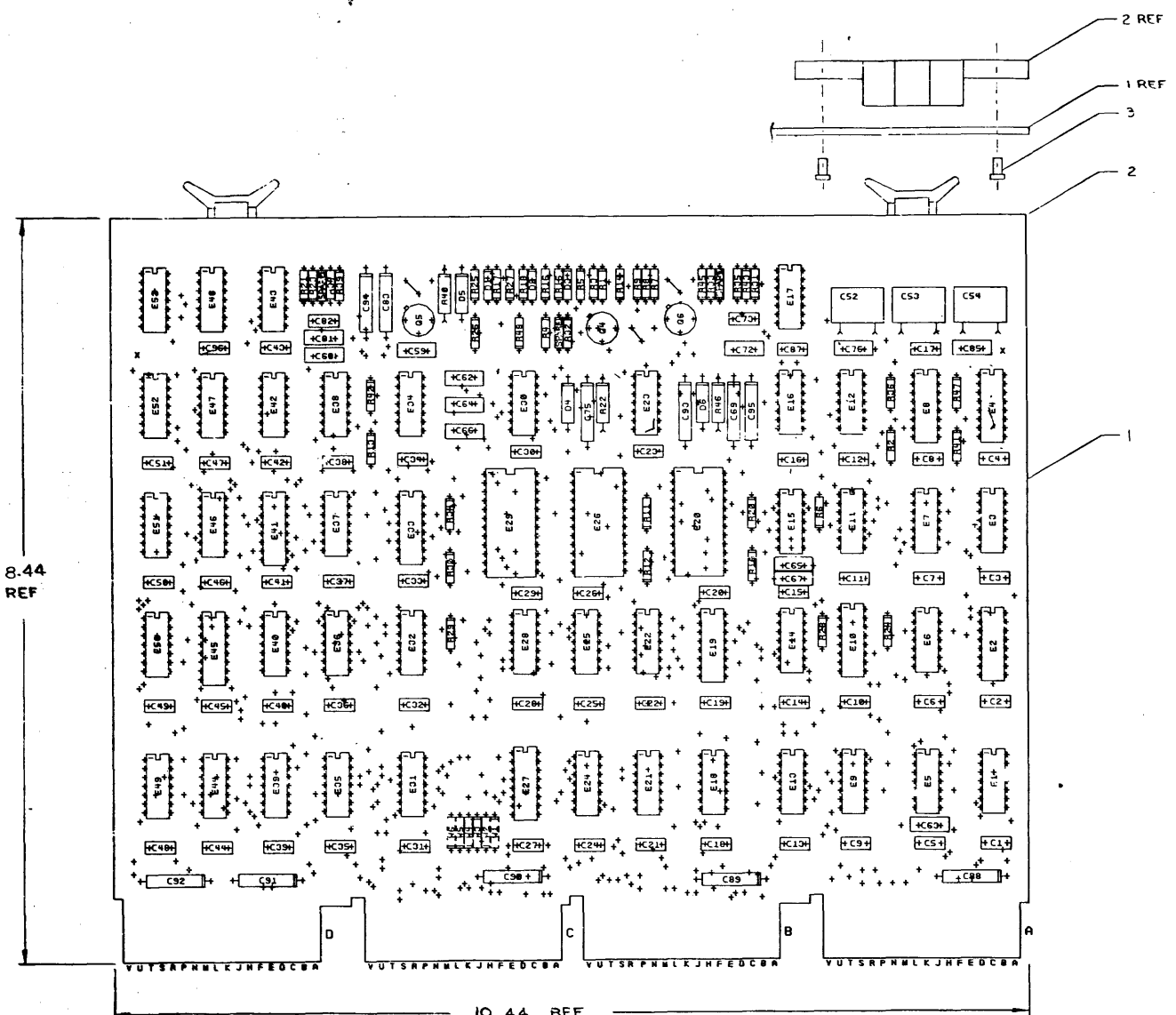


REVISIONS		
CHK	CHANGE NO	REV

8 7 6 5 4 3 2 1

THIS DRAWING AND SPECIFICATIONS, HEREIN, ARE THE PROPERTY OF DIGITAL EQUIPMENT CORPORATION AND SHALL NOT BE REPRODUCED OR COPIED OR USED IN WHOLE OR IN PART AS THE BASIS FOR THE MANUFACTURE OR SALE OF ITEMS WITHOUT WRITTEN PERMISSION. DIGITAL EQUIPMENT CORPORATION. COPYRIGHT © 1976.

NOTES: 1. W1, W2, W5 & W6 ARE OPTIONAL JUMPERS.

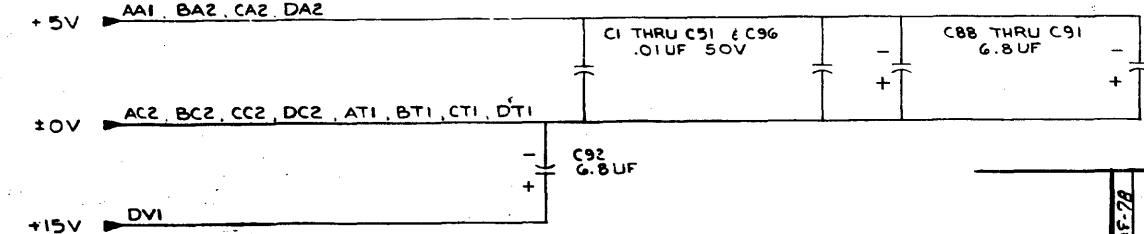


QTY	REF. DESIGNATION	DESCRIPTION	PART NO.	ITEM NO.
				50
				49
				48
				47
2	W3, W4	JUMPER INSULATED	90-9185	46
3	E13, E1, E3	IC 7408	1910155	45
3	E20, E6, E9	IC 74172	1911293	44
3	E17, E23, E43	IC 4044	1911039	44
2	E16, E38	IC 4024	1911038	43
1	E10	IC 74174	1910652	42
1	E19	IC 74175	1910651	41
3	R2, R9, E9	RES 560 1/4W 5%	1301890	40
6	E1, E3, E12, E34, E42, E47	IC 74197	1910035	39
3	E2, E27, E45	IC 74193	1910018	38
2	E14, E31	IC 74186	1910011	37
2	E4, E8	IC 74123	1910436	36
2	E5, E15	IC 7416	1909928	35
1	E30	IC 8242	1909772	34
2	E22, E50	IC 7404	1909686	33
4	E9, E24, E28, E35	IC 7401	1905590	32
4	E18, E36, E44, E49	IC 7473	1905587	31
2	E33, E41	IC 7476	1905585	30
2	E21, E39	IC 7450	1905580	29
2	E25, E48	IC 7400	1905575	28
8	E6, E7, E11, E32, E37, E40, E46, E52	IC 7474	1905547	27
3	R8, R37, R43	RES. 4.7K 1/4W 5%	1300447	26
3	R7, R21, R31	RES. 3K 1/4W 5%	1300432	25
3	R10, R38, R44	RES. 330K 1/4W 5%	1300431	24
3	R22, R40, R46	RES 120 1/2W 5%	1300243	23
3	R36, R41, R47	RES 47K 1/4W 5%	1302177	22
3	R9, R23, R33	RES 27K 1/4W 5%	1300426	21
4	R6, R28, R38, R48	RES 1K 1/4W 5%	1300365	20
3	R32, R39, R45	RES 470 1/4W 5%	1300316	19
3	R1, R17, R27	RES 390 1/4W 5%	1300309	18
1	R12	RES 330 1/4W 5%	1300295	17
7	R3, R11, R16, R26, R41, R42, R35	RES 220 1/4W 5%	1300271	16
9	R4, R5, R13, R15, R18, R24, R25, R28, R34	RES 100 1/4W 5%	1300229	15
3	D4, D5, D6	DIODE 1N752A 5.6V 5% ZENER	112808	14
3	D1, D2, D3	DIODE D664	1100114	13
3	C72, C76, C81	CAP 150 PF 100V 5% D.F.	1000019	12
3	C52, C53, C54	CAP 820 PF 100V 5%	1000027	11
8	C88 THRU C95	CAP 6.8UF 35V 10%	1005306	10
55	C1 THRU C51, C73, C82, C87, C96	CAP .01UF 50V	1001610	9
3	C69, C75, C83	CAP .0154UF 100V 10% MYLAR	1002630	8
3	C62, C64, C66	CAP 1000PF 100V D.M.	1000042	7
3	C59, C60, C85	CAP 470 PF D.M.	1000024	6
3	Q4, Q5, Q6	TRANSISTOR DEC 6531 B	1509338	5
3	C63, C65, C67	CAP 220PF 100V D.M.	1000021	4
8		EYELET	9006792	3
4		HANDLE, FLIP-CHIP (MAGENTA)	9008337-G	2
1		ETCHED CIRCUIT BOARD	5010467	1
REF		MODULE ECO HISTORY	B-MH-M8901-YB-6	REF
REF		ASSY/DRILLING HOLE LAYOUT	D-AH-M8901-YB-5	REF
REF		X-Y COORDINATE HOLE LOCATION	K-CO-M8901-YB-4	REF

IC TYPE	QTY	GRID	COORDINATE
74172	12		24
4024	9		13
74174	8		16
74175	8		16
74193	8		16
7473	11		4
7476	13		5
IC TYPE	QTY	GRID	COORDINATE

GND AND BY ARE USUALLY PIN 7 AND 14 RESPECTIVELY EXCEPTIONS ARE STATED ABOVE

IC PIN LOCATIONS



H. D. D. 3-25-78
H. D. D. 3-25-78
H. D. D. 3-25-78
H. D. D. 3-25-78
H. D. D. 3-25-78
H. D. D. 3-25-78
H. D. D. 3-25-78
H. D. D. 3-25-78
H. D. D. 3-25-78
H. D. D. 3-25-78

FIRST USED ON OPTION MODEL

ETCH BOARD REV. E

DATE 12-28-78
DATE 12-28-78
DATE 12-28-78
DATE 12-28-78
DATE 12-28-78
DATE 12-28-78
DATE 12-28-78
DATE 12-28-78
DATE 12-28-78
DATE 12-28-78

digital

DAIA SYNC (DSI)

DEC NO. EIA NO. DEC NO. EIA NO.

SEMICONDUCTOR CONVERSION CHART

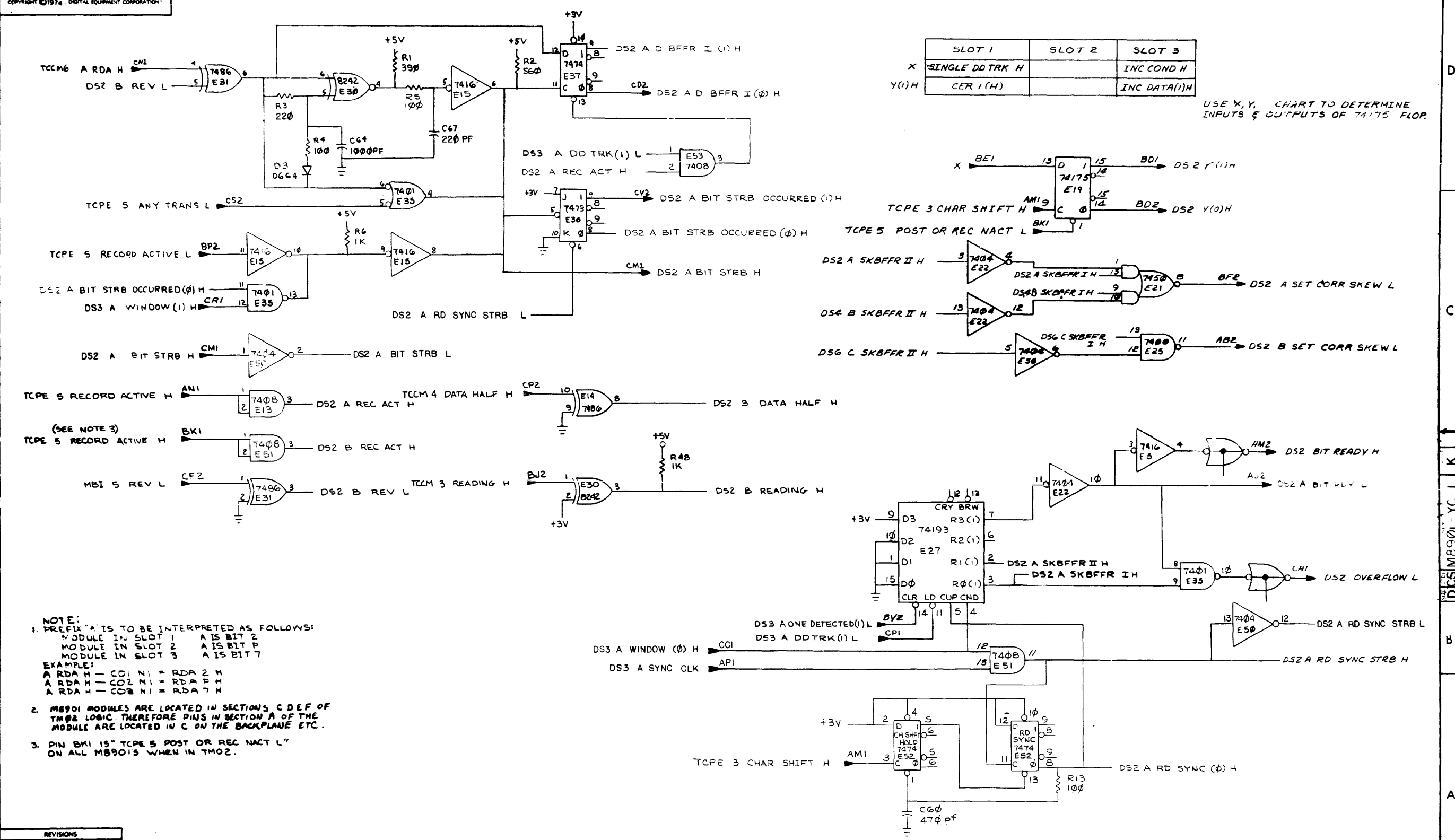
SCALE 1 OF 7

MODEL CODE DCS M8901-YC-1

8 7 6 5 4 3 2 1

THIS DRAWING AND SPECIFICATIONS HEREIN ARE THE PROPERTY OF DIGITAL EQUIPMENT CORPORATION AND SHALL NOT BE REPRODUCED OR COPIED IN WHOLE OR IN PART AS THE BASIS FOR THE MANUFACTURE OR SALE OF ITEMS WITHOUT WRITTEN PERMISSION. COPYRIGHT © 1974, DIGITAL EQUIPMENT CORPORATION.

BIT STROBE AND WINDOW



	SLOT 1	SLOT 2	SLOT 3
X	SINGLE DD TRK H		INC COND H
Y(1)H	CER 1(H)		INC DATA(1)H

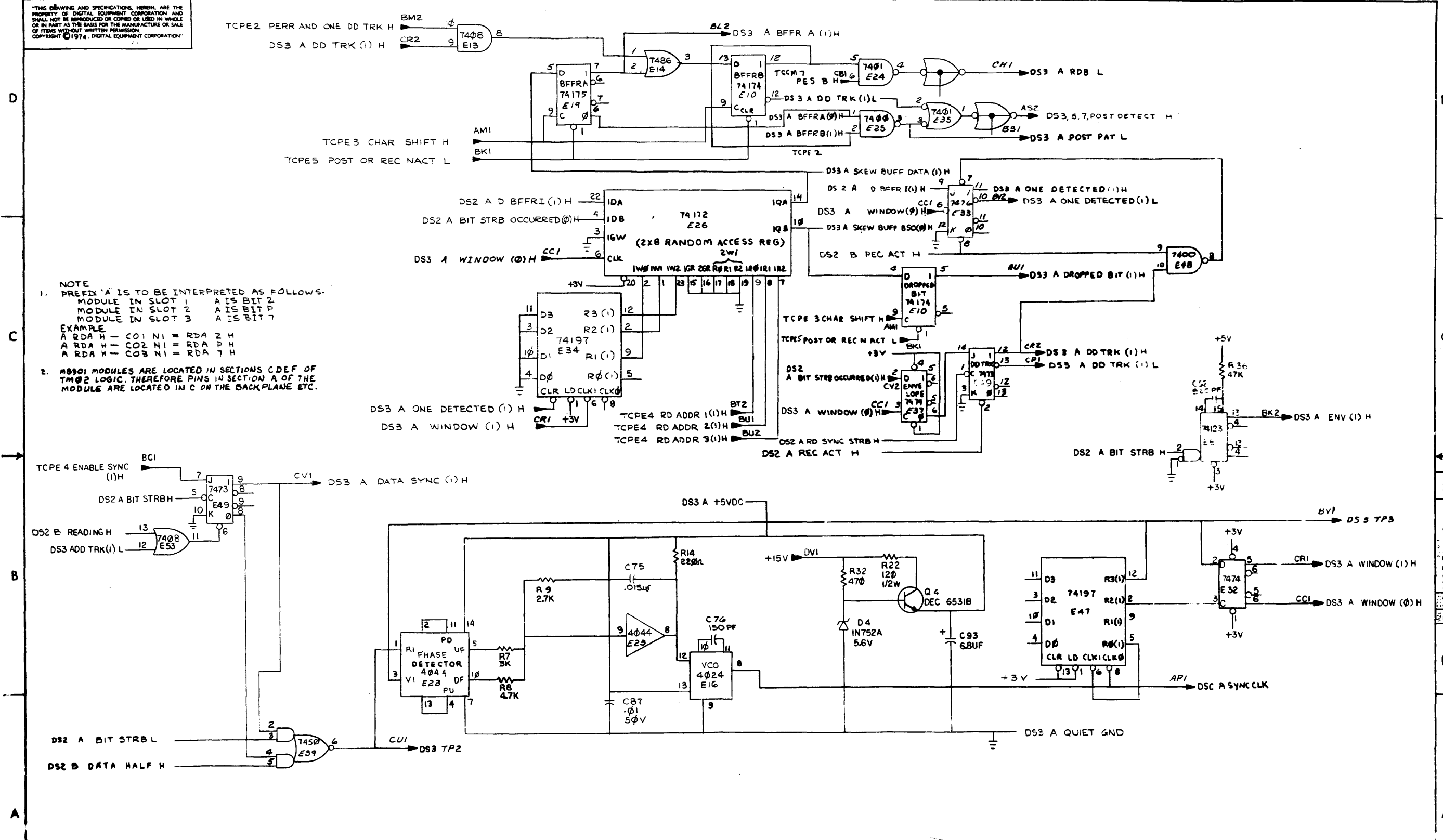
USE X, Y, CHART TO DETERMINE INPUTS & OUTPUTS OF 74175 FLOP.

NOTE:
 1. PREFIX 'A' IS TO BE INTERPRETED AS FOLLOWS:
 MODULE IN SLOT 1 A IS BIT 2
 MODULE IN SLOT 2 A IS BIT 7
 MODULE IN SLOT 3 A IS BIT 7
 EXAMPLE:
 A RDA H - CO1 N1 = RDA 2 H
 A RDA H - CO2 N1 = RDA 7 H
 A RDA H - CO3 N1 = RDA 7 H
 2. M8901 MODULES ARE LOCATED IN SECTIONS C, D, E, F OF THE LOGIC. THEREFORE PINS IN SECTION A OF THE MODULE ARE LOCATED IN C ON THE BACKPLANE ETC.
 3. PIN BK1 IS "TCPE 5 POST OR REC NACT L" ON ALL M8901S WHEN IN TMOZ.

REVISIONS		
CHK	CHANGE NO	REV

TITLE	DATA SYNC (DS2)	SIZE CODE	DCS M8901-YC-1	NUMBER		REV.	K
SCALE	←	SHEET	2 OF 7	DIST.			

THIS DRAWING AND SPECIFICATIONS HEREIN ARE THE PROPERTY OF DIGITAL EQUIPMENT CORPORATION AND SHALL NOT BE REPRODUCED OR COPIED OR USED IN WHOLE OR IN PART AS THE BASIS FOR THE MANUFACTURE OR SALE OF ITEMS WITHOUT WRITTEN PERMISSION. COPYRIGHT © 1974, DIGITAL EQUIPMENT CORPORATION.



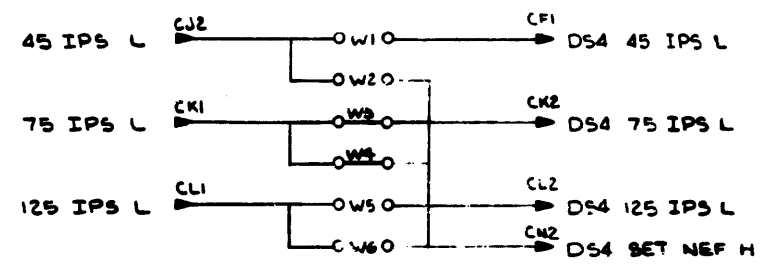
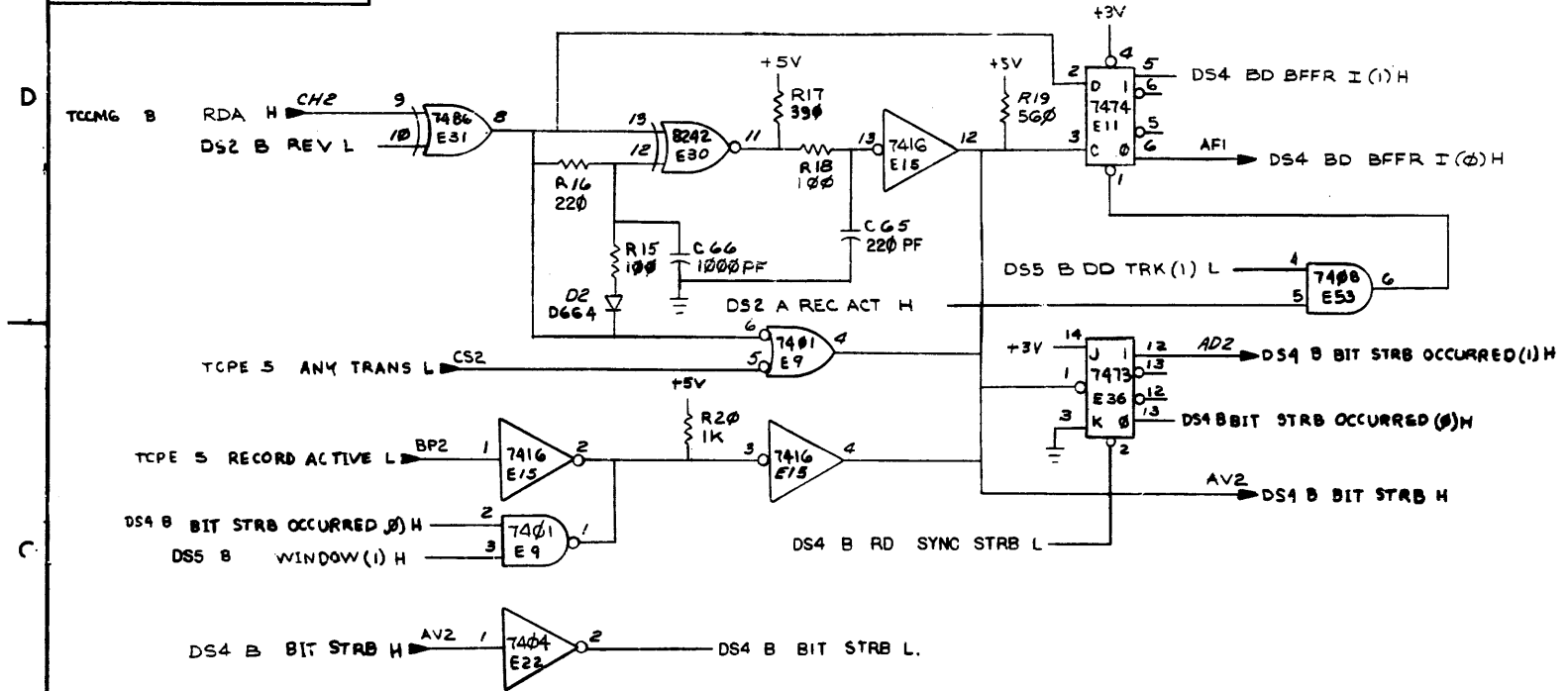
NOTE
 1. PREFIX 'A' IS TO BE INTERPRETED AS FOLLOWS:
 MODULE IN SLOT 1 A IS BIT 2
 MODULE IN SLOT 2 A IS BIT 6
 MODULE IN SLOT 3 A IS BIT 7
 EXAMPLE
 A RDA H - C01 N1 = RDA 2 H
 A RDA H - C02 N1 = RDA 6 H
 A RDA H - C03 N1 = RDA 7 H
 2. M8901 MODULES ARE LOCATED IN SECTIONS C, D, E, F OF THE LOGIC. THEREFORE PINS IN SECTION A OF THE MODULE ARE LOCATED IN C ON THE BACKPLANE ETC.

REVISIONS		
CHK	CHANGE NO.	REV.

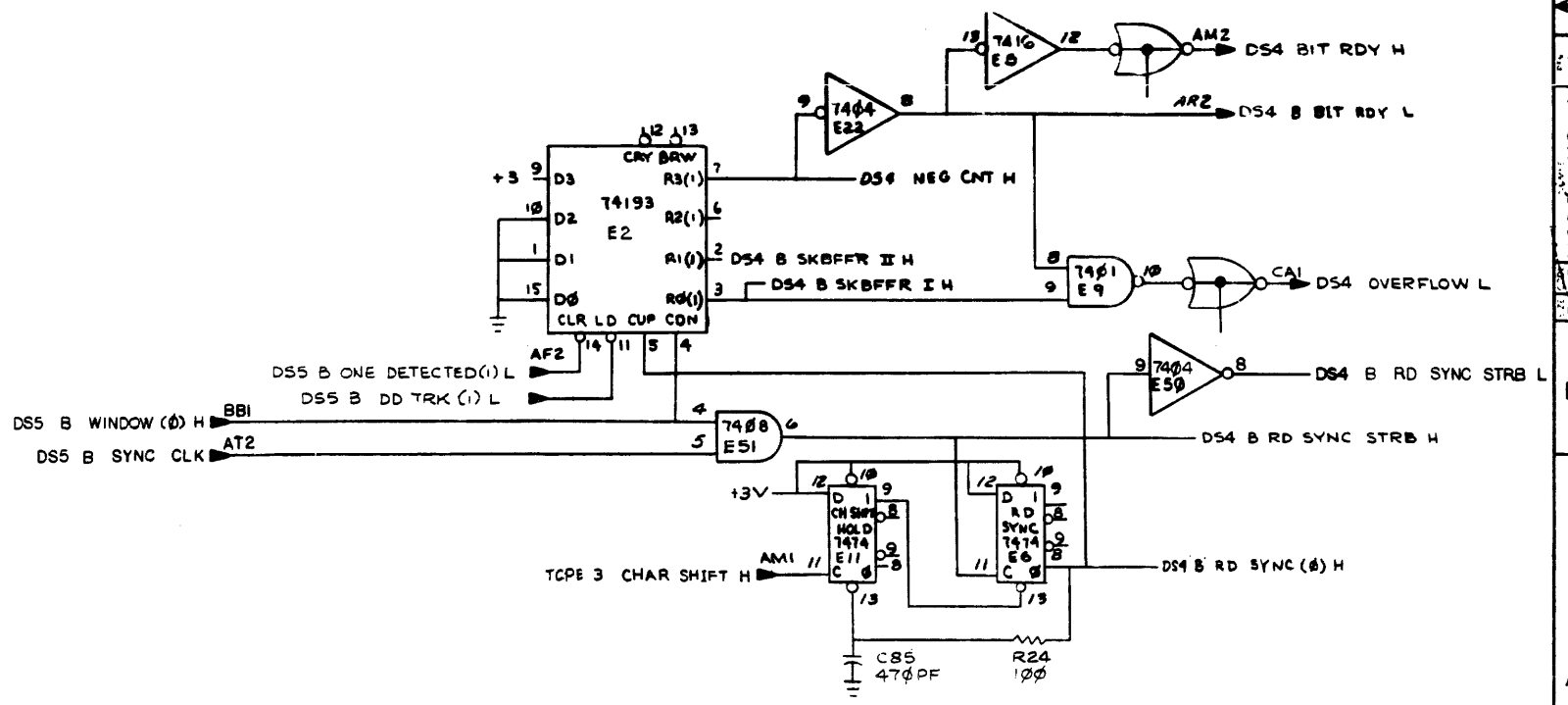
THIS DRAWING AND SPECIFICATIONS HEREIN ARE THE PROPERTY OF DIGITAL EQUIPMENT CORPORATION AND SHALL NOT BE REPRODUCED OR COPIED OR USED IN WHOLE OR IN PART AS THE BASIS FOR THE MANUFACTURE OR SALE OF ITEMS WITHOUT WRITTEN PERMISSION. COPYRIGHT © 1974, DIGITAL EQUIPMENT CORPORATION.

BIT STROBE AND WINDOW

NOTE.
JUMPERS WITHRU W6 INDICATE THE TAPE SPEED THE MODULE IS BUILT FOR. CHANGING THE JUMPERS DOES NOT CHANGE THE SPEED CAPABILITY OF THE MODULE.

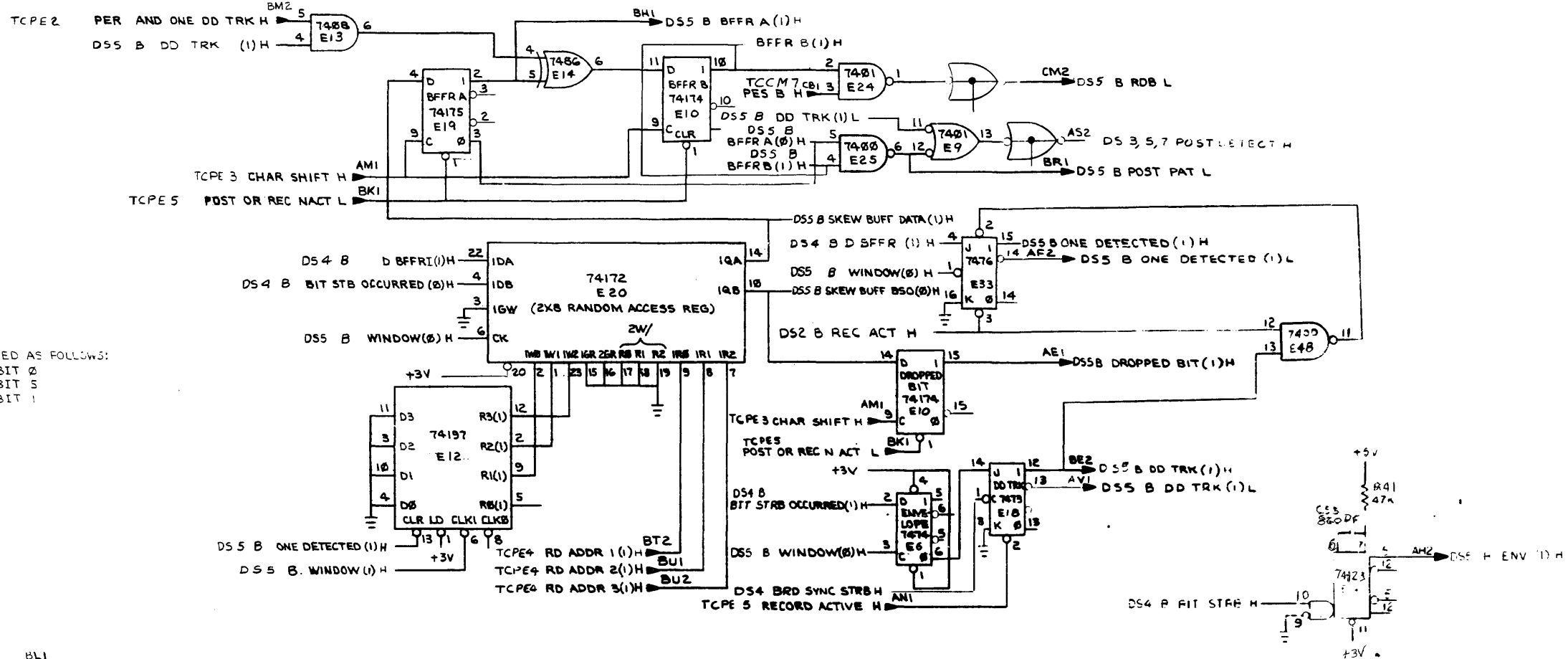


NOTE
1. PREFIX "B" IS TO BE INTERPRETED AS FOLLOWS:
MODULE IN SLOT 1 B IS BIT 0
MODULE IN SLOT 2 B IS BIT 5
MODULE IN SLOT 3 B IS BIT 1
EXAMPLE:
B RDA H - C01 CH2 = RDA 0 H
B RDA H - C02 CH2 = RDA 5 H
B RDA H - C03 CH2 = RDA 1 H
2. M8901 MODULES ARE LOCATED IN SECTIONS CDEF OF TM#2 LOGIC. THEREFORE PINS IN SECTION A OF THE MODULE ARE LOCATED IN C ON THE BACKPLANE ETC.

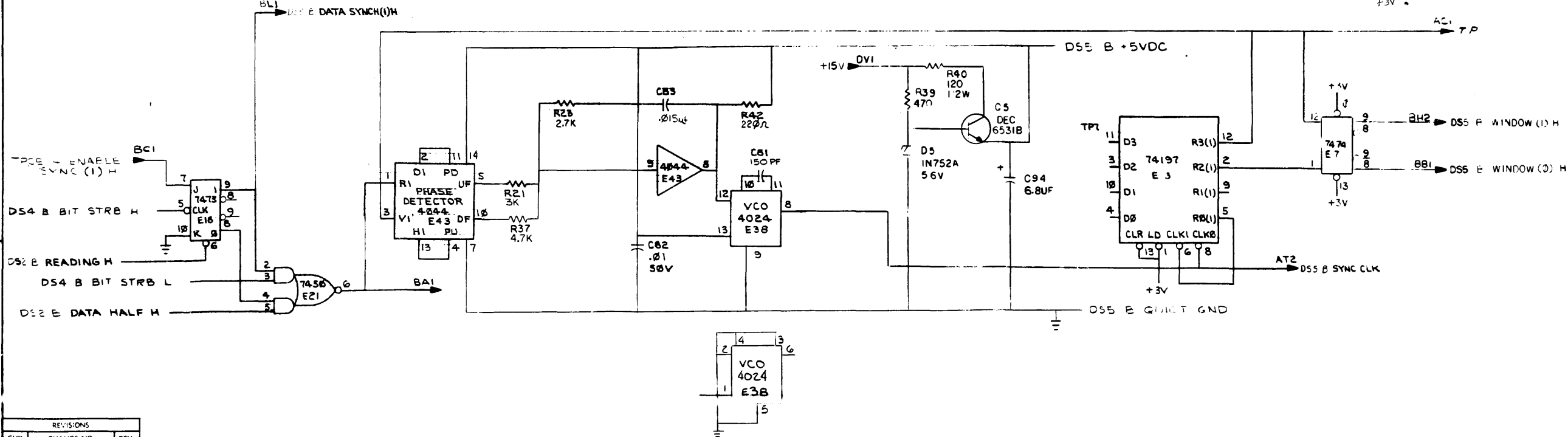


REVISIONS		
CHK	CHANGE NO.	REV.

THIS DRAWING AND SPECIFICATIONS, HEREIN, ARE THE PROPERTY OF DIGITAL EQUIPMENT CORPORATION AND SHALL NOT BE REPRODUCED OR COPIED OR USED IN WHOLE OR IN PART AS THE BASIS FOR THE MANUFACTURE OR SALE OF ITEMS WITHOUT WRITTEN PERMISSION. COPYRIGHT © 1973 DIGITAL EQUIPMENT CORPORATION.



NOTE
 PREFIX 'B' IS TO BE INTERPRETED AS FOLLOWS:
 MODULE IN SLOT 1 B IS BIT 0
 MODULE IN SLOT 2 B IS BIT 5
 MODULE IN SLOT 3 B IS BIT 1
 EXAMPLE:
 B RDA H — C01 CH2 = RDA 0 H
 B RDA H — C02 CH2 = RDA 5 H
 B RDA H — C03 CH2 = RDA 1 H

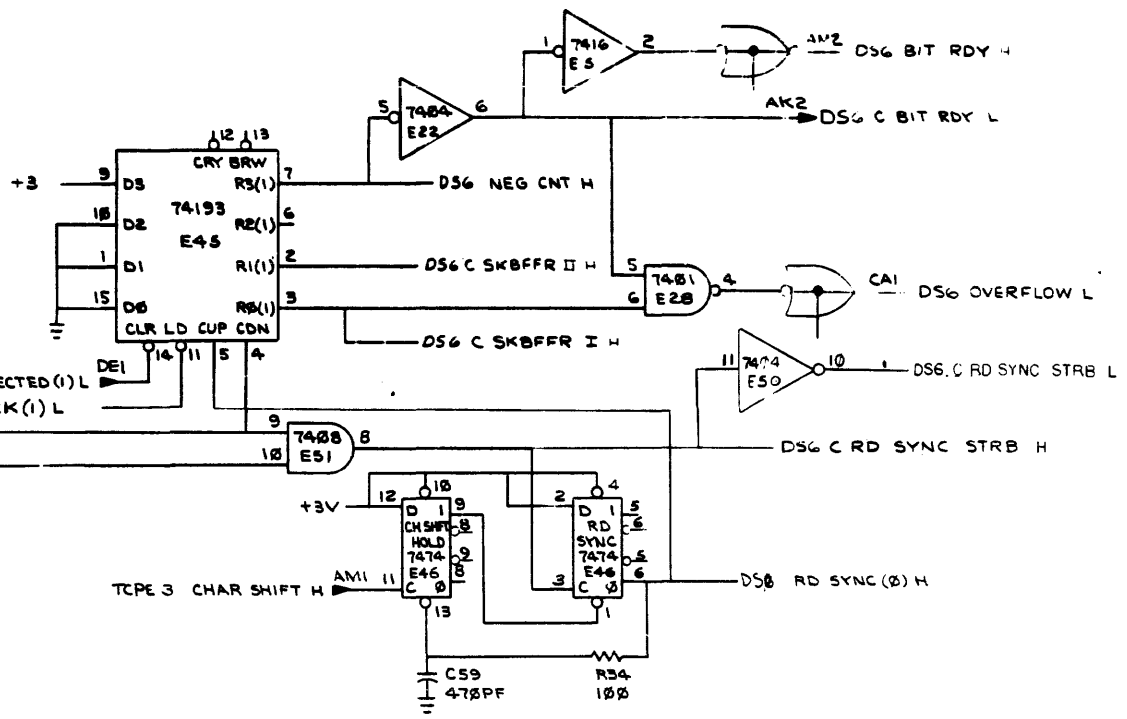
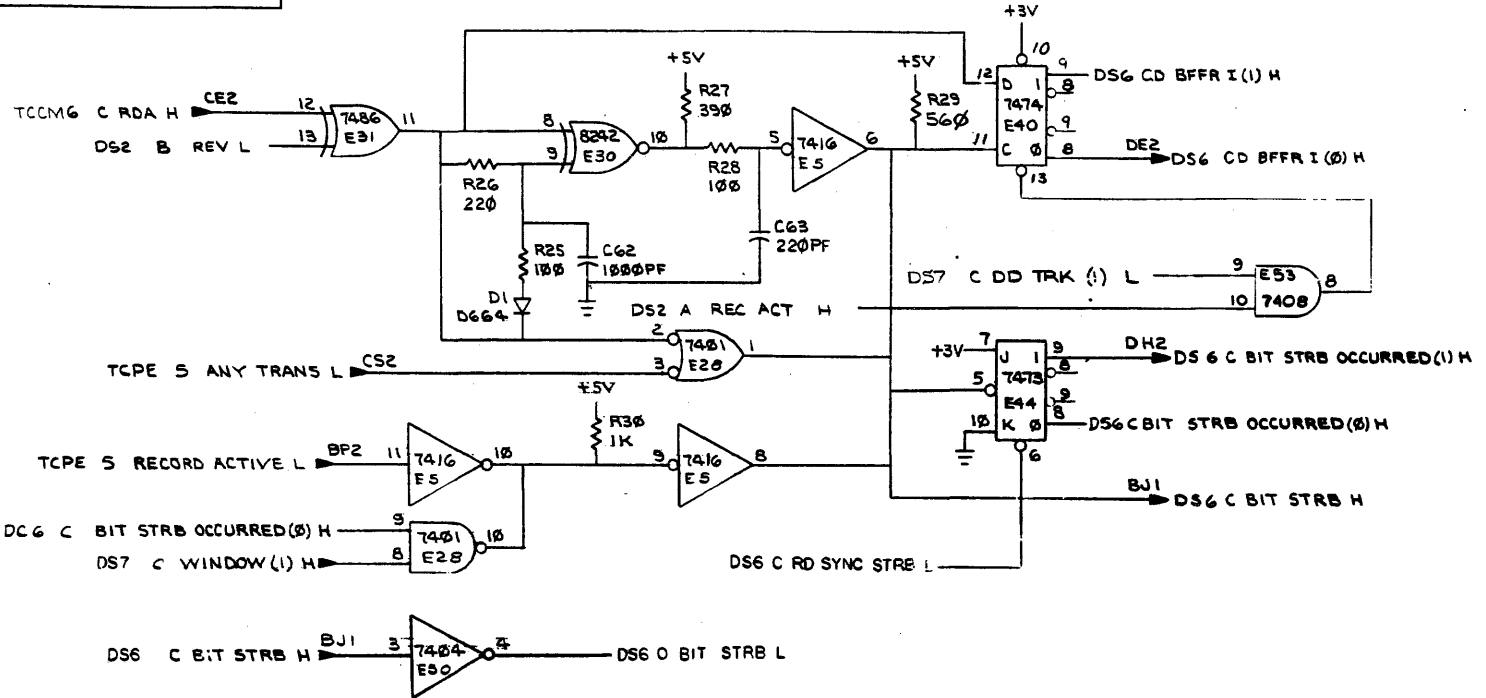


REVISIONS		
CHK	CHANGE NO	REV

TITLE	DATA SYNC (DS3)	SIZE CODE	D CS	NUMBER	M8901-1C-1	REV.	K
SCALE	5-5	SHEET	5 OF 7	DIST			

THIS DRAWING AND SPECIFICATIONS HEREIN ARE THE PROPERTY OF DIGITAL EQUIPMENT CORPORATION AND SHALL NOT BE REPRODUCED OR COPIED OR USED IN WHOLE OR IN PART AS THE BASIS FOR THE MANUFACTURE OR SALE OF ITEMS WITHOUT WRITTEN PERMISSION. COPYRIGHT © 1973 DIGITAL EQUIPMENT CORPORATION.

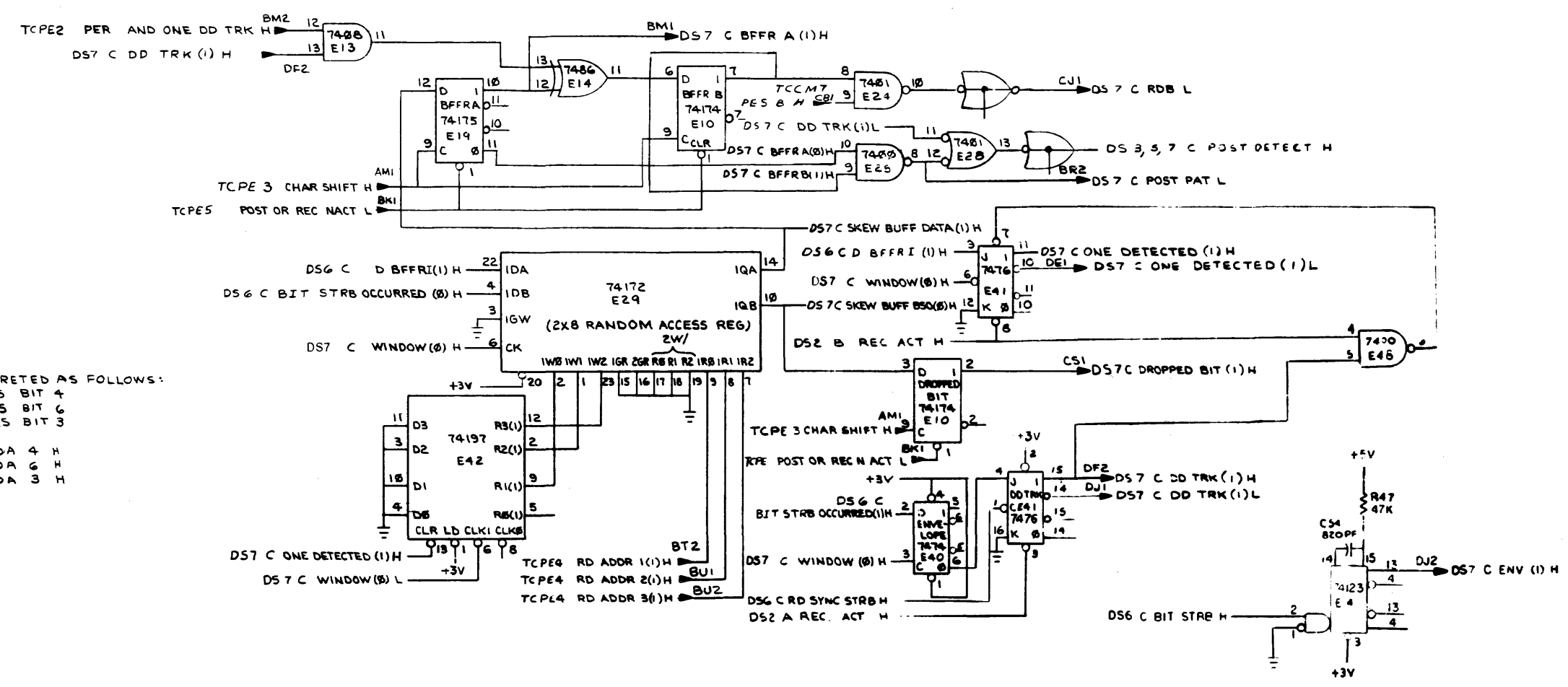
BIT STROBE AND WINDOW



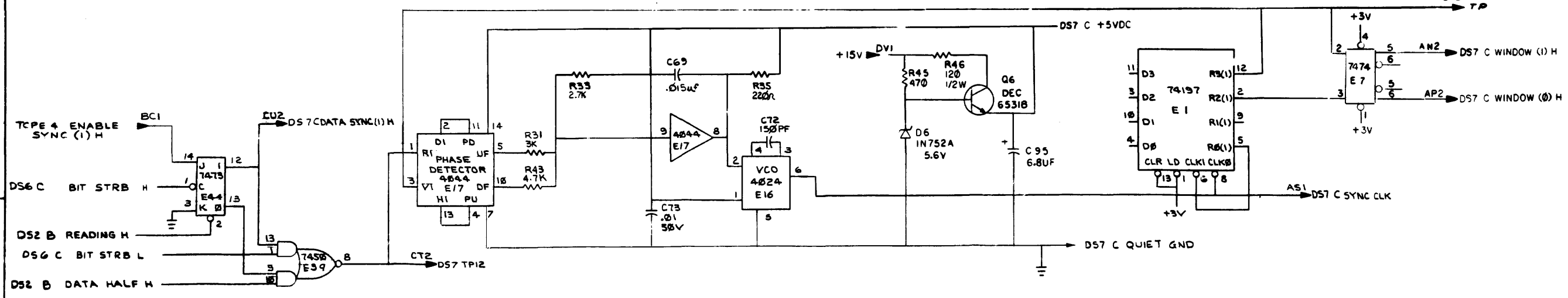
NOTE
 PREFIX "C" IS TO BE INTERPRETED AS FOLLOWS:
 MODULE IN SLOT 1 C IS BIT 4
 MODULE IN SLOT 2 C IS BIT 6
 MODULE IN SLOT 3 C IS BIT 3
 EXAMPLE:
 C RDA H - C01 E2 = RDA 4 H
 C RDA H - C02 E2 = RDA 6 H
 C RDA H - C03 E2 = RDA 3 H

REVISIONS		
CHK	CHANGE NO	REV

THIS DRAWING AND SPECIFICATIONS HEREIN ARE THE PROPERTY OF DIGITAL EQUIPMENT CORPORATION AND SHALL NOT BE REPRODUCED OR COPIED OR USED IN WHOLE OR IN PART AS THE BASIS FOR THE MANUFACTURE OR SALE OF ITEMS WITHOUT WRITTEN PERMISSION. COPYRIGHT © 1973 DIGITAL EQUIPMENT CORPORATION

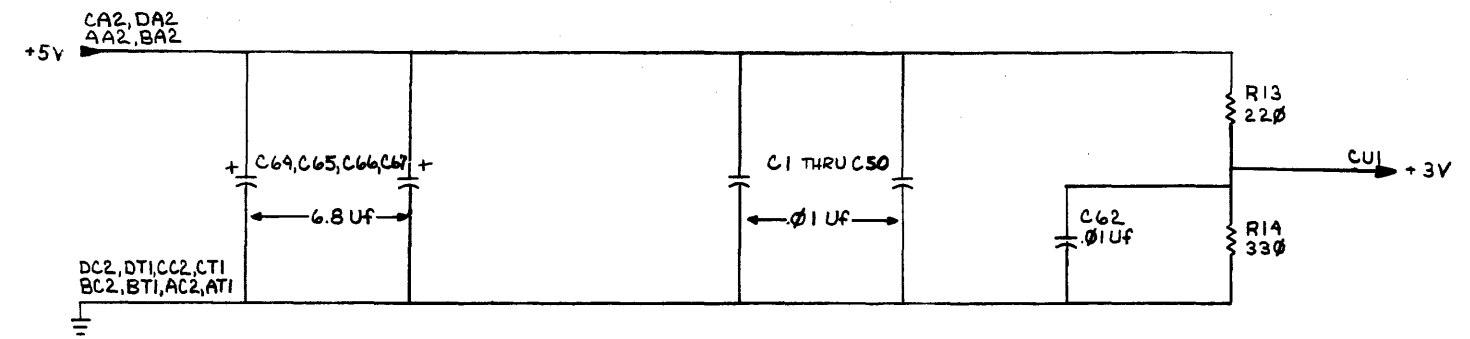


NOTE
 PREFIX "C" IS TO BE INTERPRETED AS FOLLOWS:
 MODULE IN SLOT 1 C IS BIT 4
 MODULE IN SLOT 2 C IS BIT 6
 MODULE IN SLOT 3 C IS BIT 3
 EXAMPLE:
 C RDA H — C01 E2 = RDA 4 H
 C RDA H — C02 E2 = RDA 6 H
 C RDA H — C03 E2 = RDA 3 H



REVISIONS		
CHK	CHANGE NO	REV

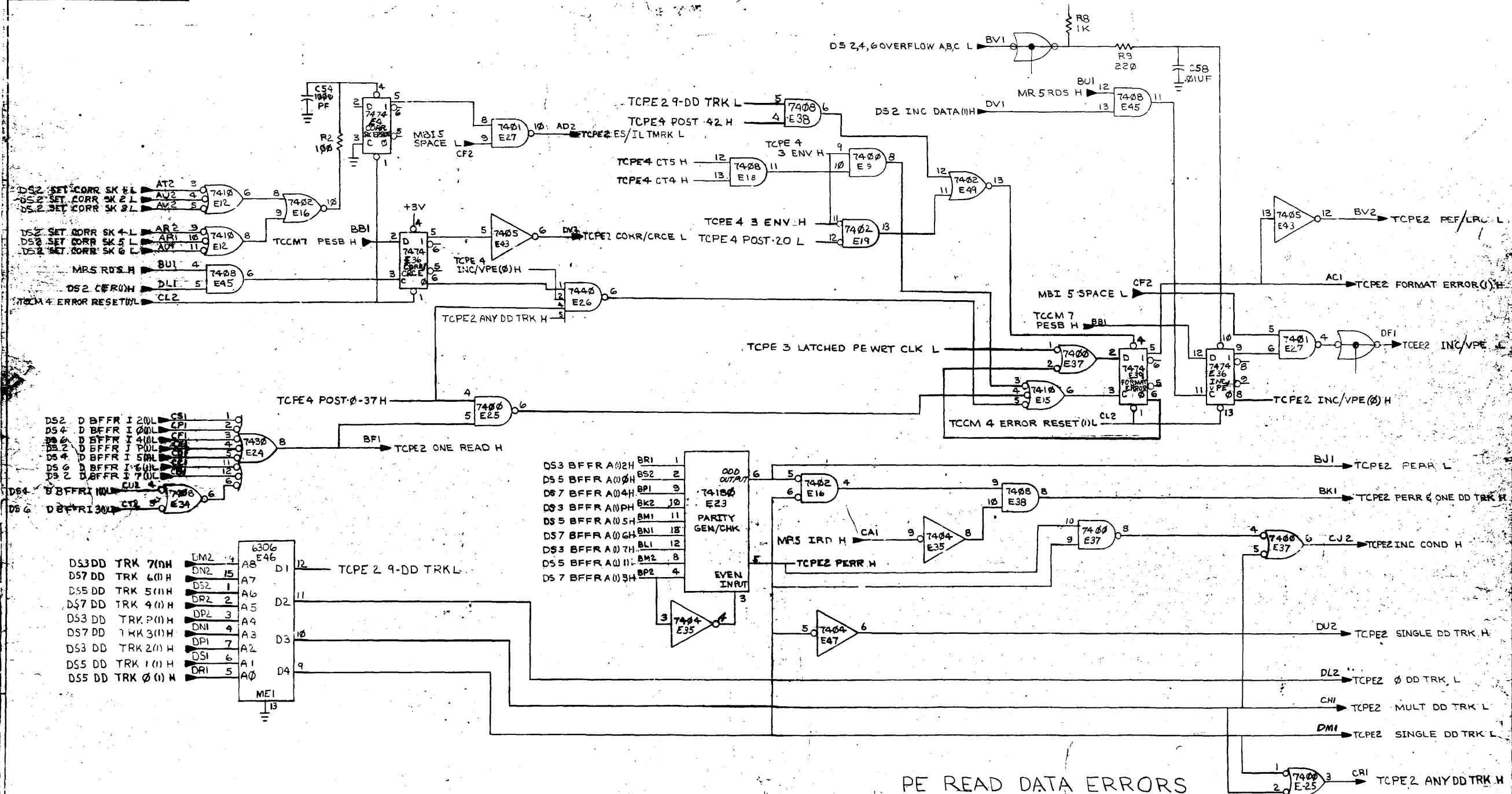
THIS DRAWING AND SPECIFICATIONS HEREIN ARE THE PROPERTY OF DIGITAL EQUIPMENT CORPORATION AND SHALL NOT BE REPRODUCED OR COPIED OR IN WHOLE OR IN PART AS THE BASIS FOR THE MANUFACTURE OR SALE OF ITEMS WITHOUT WRITTEN PERMISSION. COPYRIGHT © 1976 DIGITAL EQUIPMENT CORPORATION



DATE	11/11/77
DESIGNED BY	J. VAGIAS
CHECKED BY	J. VAGIAS
APPROVED BY	J. VAGIAS
DATE	11/11/77

DRN. G. HOBBS	22 Oct 77	FIRST USED ON	TM03	DIGITAL
CHK'D. J. VAGIAS	10/11/77	TITLE	TAPE CONTROL PHASE ENCODED (TCPE)	
ENG. J. VAGIAS	1-24-77	SCALE	1/1	
PROJ. ENG. J. VAGIAS	1-24-77	SIZE CODE	D	CS M8932-0-1
PROD. J. VAGIAS	11/11/77	NUMBER	1	REV. B
NEXT HIGHER ASSY.		SHEET	1	OF 5

THIS DRAWING AND SPECIFICATIONS HEREIN ARE THE PROPERTY OF DIGITAL EQUIPMENT CORPORATION AND SHALL NOT BE REPRODUCED OR COPIED OR USED IN WHOLE OR IN PART AS THE BASIS FOR THE MANUFACTURE OR SALE OF ITEMS WITHOUT WRITTEN PERMISSION. COPYRIGHT © 1976, DIGITAL EQUIPMENT CORPORATION.



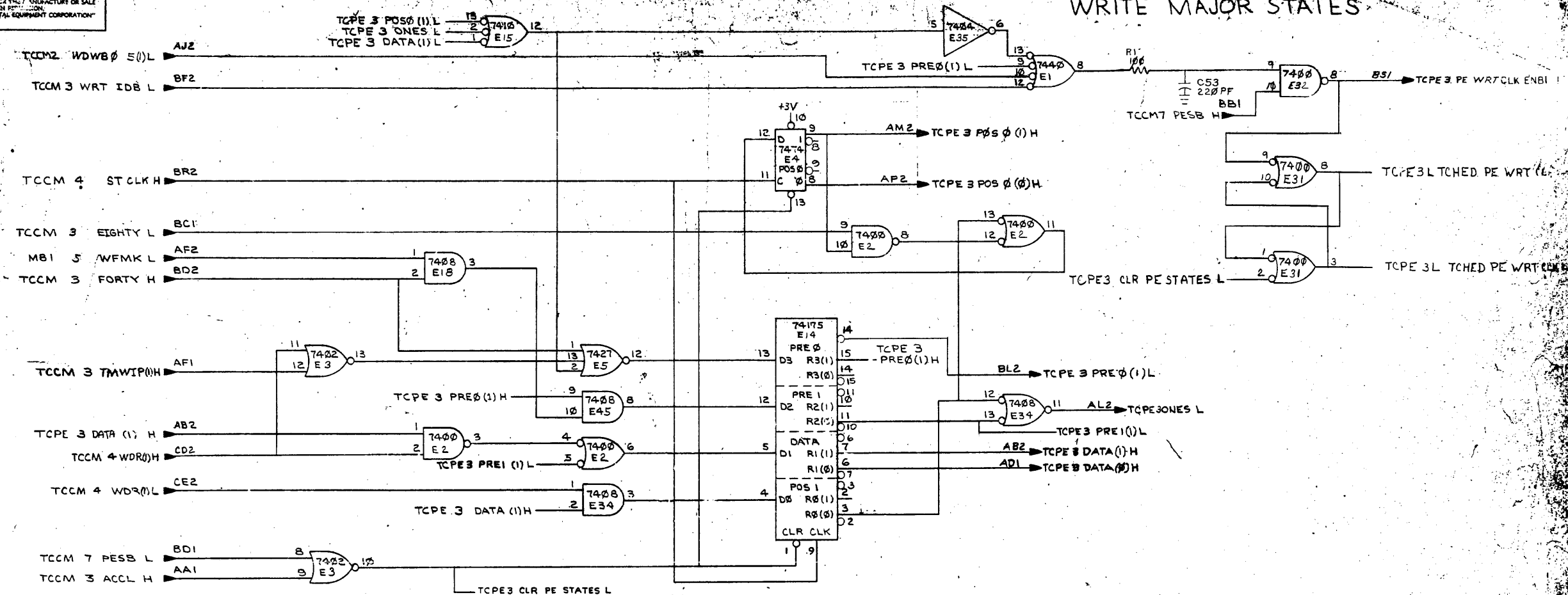
PE READ DATA ERRORS

REVISIONS		
CHANGE NO	REV	

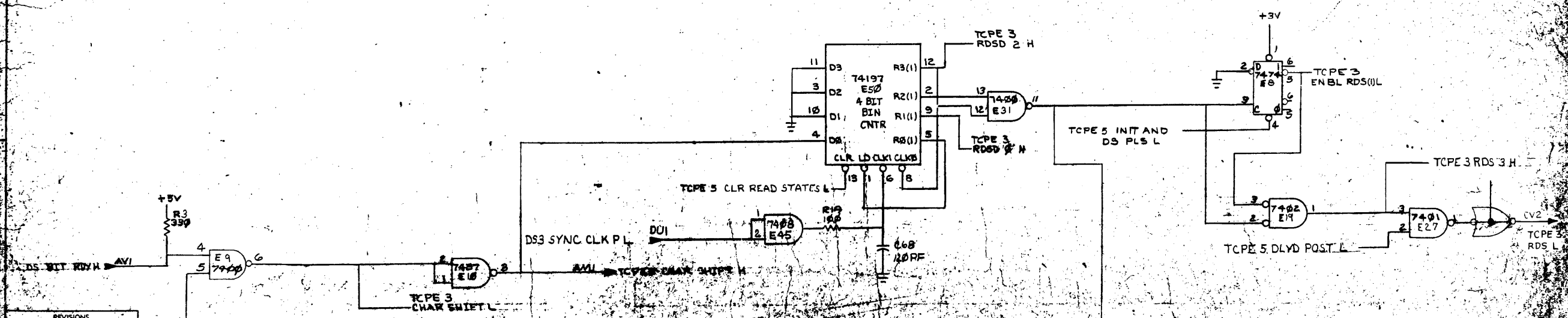
TITLE	TAPE CONTROL	SIZE CODE	D CS	NUMBER	M8932-0-1	REV	B
SCALE		SHEET	2	OF	5	DIST.	

ALL SPECIFICATIONS HEREIN ARE THE PROPERTY OF INTERNATIONAL TELEGRAPH AND TELEPHONE CORPORATION AND ARE TO BE USED IN WHOLE OR IN PART FOR THE MANUFACTURE OR SALE OF EQUIPMENT WITHOUT THE WRITTEN PERMISSION OF INTERNATIONAL TELEGRAPH AND TELEPHONE CORPORATION.

WRITE MAJOR STATES



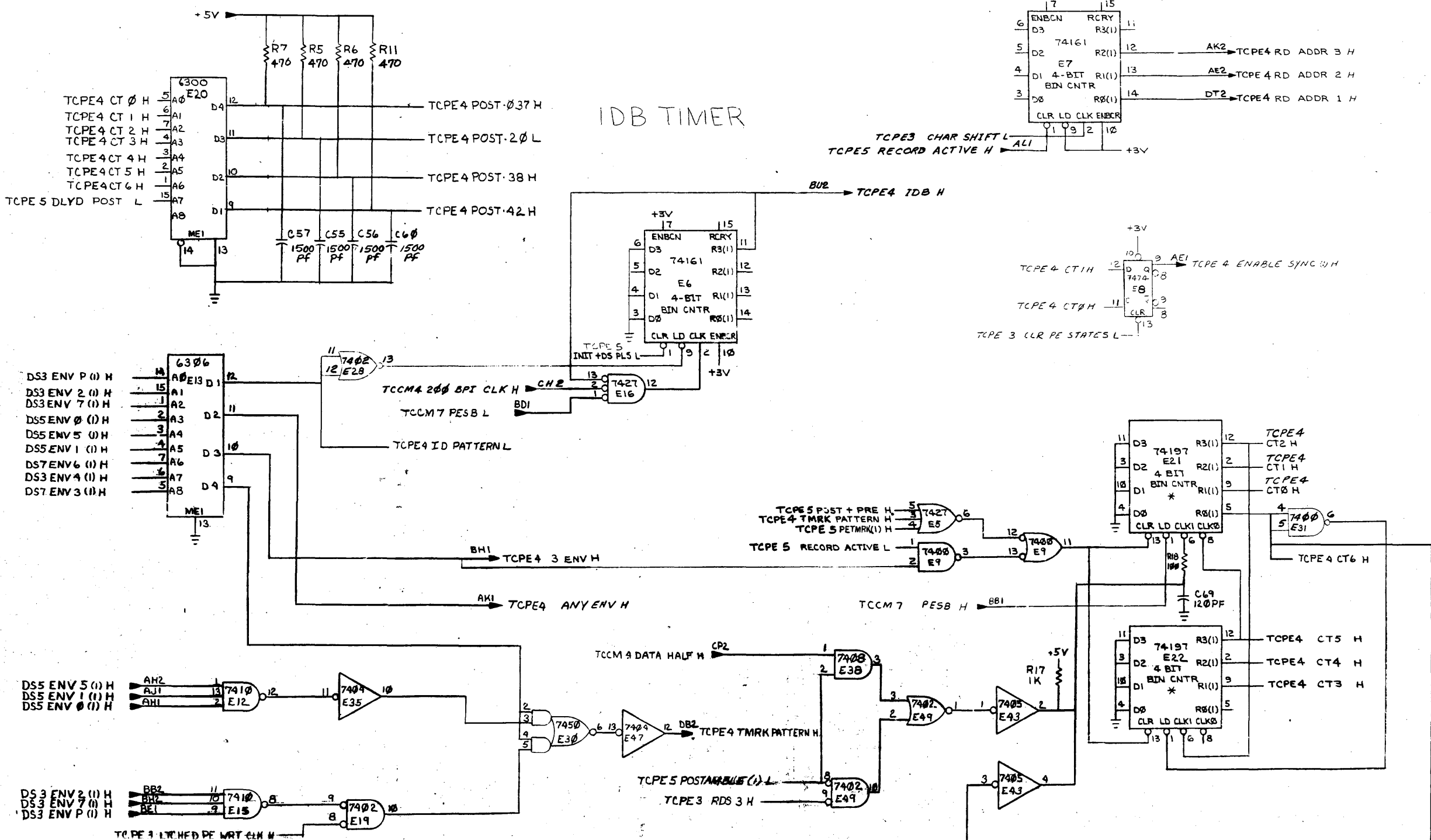
PE READ DATA STROBE GENERATOR



REVISIONS		
CHK	CHANGE NO	REV.

THIS DRAWING AND SPECIFICATIONS, HEREIN ARE THE PROPERTY OF DIGITAL EQUIPMENT CORPORATION, AND SHALL NOT BE REPRODUCED OR COPIED OR USED IN WHOLE OR IN PART AS THE BASIS FOR THE MANUFACTURE OR SALE OF ITEMS WITHOUT WRITTEN PERMISSION. COPYRIGHT © 1976 DIGITAL EQUIPMENT CORPORATION

DESKEW BUFFER READ ADDRESS COUNTER

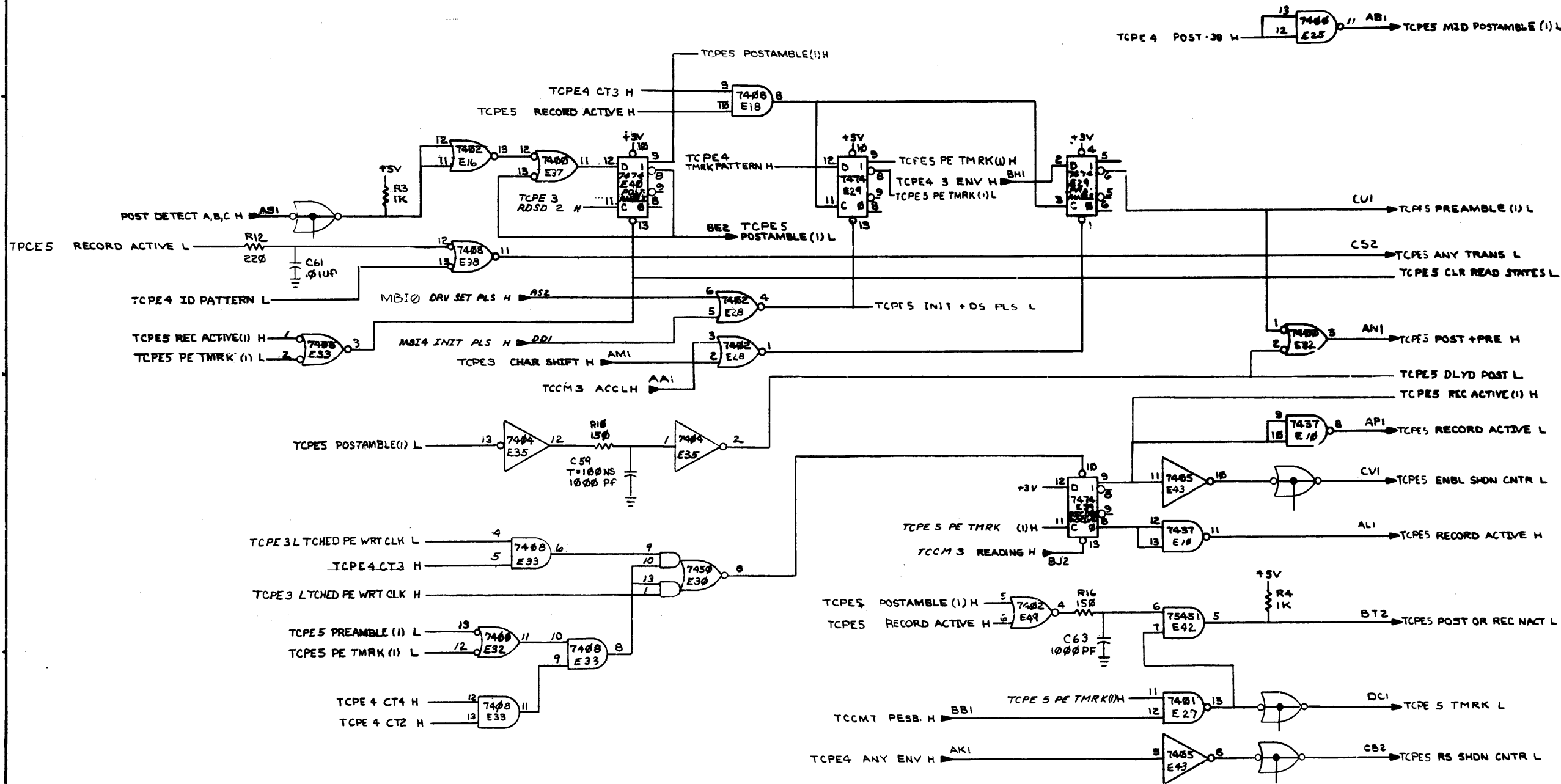


REVISIONS		
CHK	CHANGE NO	REV.

TITLE	TAPE CONTROL (TCPE4)	SIZE	ROCK	NUM BER	REV
	PHASE ENCODED	D	CS	M8932-0	1 B
SCALE	1	SHEET	4 OF 5	DIST	

THIS DRAWING AND SPECIFICATIONS, HEREIN, ARE THE PROPERTY OF DIGITAL EQUIPMENT CORPORATION AND SHALL NOT BE REPRODUCED OR COPIED OR USED IN WHOLE OR IN PART AS THE BASIS FOR THE MANUFACTURE OR SALE OF ITEMS WITHOUT WRITTEN PERMISSION. COPYRIGHT © 1976, DIGITAL EQUIPMENT CORPORATION.

READ MAJOR STATES

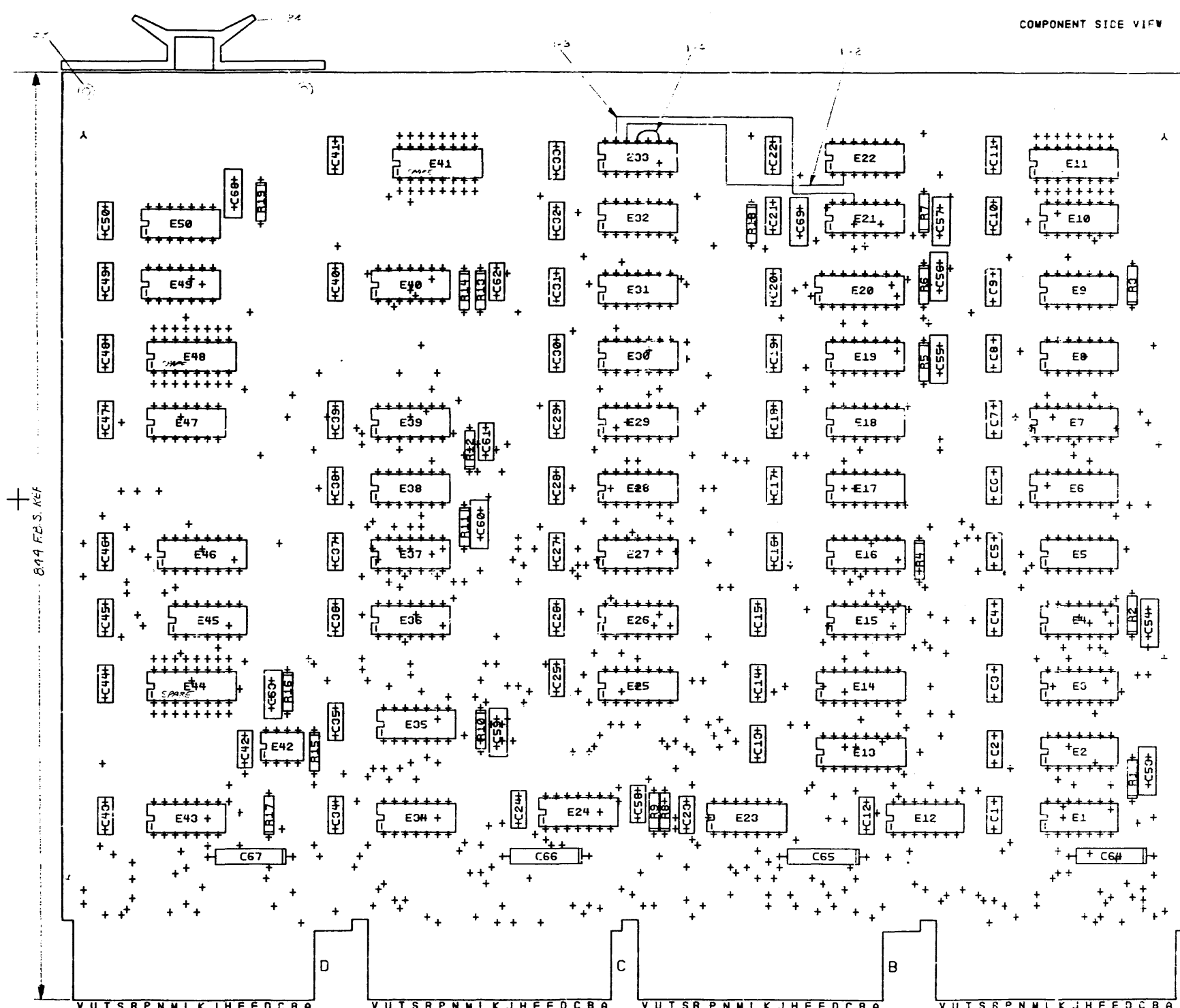


REVISIONS		
CHK	CHANGE NO.	REV.

TITLE	TAPE CONTROL PHASE ENCODED (TCPE5)	SIZE CODE	D	NUMBER	CSM8932-0-1	REV.	B
SCALE		SHEET	5 OF 5	DIST.			

THIS DRAWING AND SPECIFICATIONS, GENERAL AND THE PARTS LIST ARE THE PROPERTY OF DIGITAL EQUIPMENT CORPORATION AND SHALL NOT BE REPRODUCED OR TRANSMITTED IN ANY FORM OR BY ANY MEANS, ELECTRONIC OR MECHANICAL, INCLUDING PHOTOCOPYING, RECORDING, OR BY ANY INFORMATION STORAGE AND RETRIEVAL SYSTEM, WITHOUT THE WRITTEN PERMISSION OF DIGITAL EQUIPMENT CORPORATION. © 1974

REWORK INSTRUCTIONS
 ECO #1
 ETCH CUTS SIDE 2:
 1-1. AT E22-2
 WIRE ADDS SIDE 1:
 1-2. FROM E22-2 TO E33-12
 1-3. FROM E21-12 TO E33-13
 1-4. FROM E33-11 TO E33-9



NOTES:

CHG	REV	DATE	BY
2	B	11-17-77	J. VAGIAS
1	A		

ETCH REV. 3
 P.C. DESIGN DATA BASE REV. 3

SIGNATURES		DATE	TITLE
DRN. [Signature]	[Signature]	11-17-77	TAPE CONTROL PE
ENG. [Signature]	[Signature]		
PROJ. ENG. [Signature]	[Signature]		
PROD. [Signature]	[Signature]		
SCALE 1 OF 5	SIZE CODE	NUMBER	REV
NEXT HIGHER ASSY. 3-22-1000-2	0 1/2	119932-0-01B	

DIGITAL EQUIPMENT CORPORATION

PARTS LIST

QUANTITY / VARIATION

NOTES:

MADE BY Joan Rogers	CHECKED <i>P. Eoceman</i>	SECTION 1
DATE 28 July 76	DATE 27 OCT 76	
ENG <i>Jim Vague</i>	PROD <i>H. Dillard</i>	ISSUED SECTION 1
DATE 1-21-77	DATE 24 JAN 77	

USED ON OPTION / MODEL
TMO3

ITEM NO.	DRAWING NO.	PART NO.	DESCRIPTION	REF	QUANTITY	VARIATION	REF DESIGNATION
	D-CS-M8932-0-1		CIRCUIT SCHEMATIC	REF			
	D-UA-M8932-0-0		UNIT ASSEMBLY	REF			
	B-DD-M8932-0		DWG DIRECTORY	REF			
1	D-MD-5012383-0-0		ETCHED CIRCUIT BD.	1			
2		10-00021-00	CAP 220 PF	1			C53
3		10-00054-00	CAP 1500 PF 250V DISC	4			C55, C56, C57, C60
4		10-00042-00	CAP 1000 PF MICA	3			C54, C59, C63
5		10-01610-01	CAP .01 MFD 100V 20% DISC	53			C1 thru C50, C58, C61, C62
6		10-05306-00	CAP 6.8 MFD 35V 10% S. TANT	4			C64, C65, C66, C67
7		13-00229-00	RES 100 1/4W 5%	4			R1, R2, R18, R19
8		13-00250-00	RES 150 1/4W 5%	2			R10, R16
9		13-00271-00	RES 220 1/4W 5%	3			R9, R12, R13
10		13-00295-00	RES 330 1/4W 5%	2			R3, R14
11		13-00365-00	RES 1K 1/4W 5%	4			R4, R8, R15, R17
37		13-00316-00	RES 470 1/4W 5%	4			R5, R6, R7, R11
12		19-05547-00	I.C. DEC 7474	6			E4, E8, E29, E36, E39, E40
13		19-05575-00	I.C. DEC 7400	6			E2, E9, F25, E31, E32, E37
14		19-05576-00	I.C. DEC 7400	2			E12, E15
15		19-05578-00	I.C. DEC 7430	1			E24

ECO. NO. 00001

THIS DRAWING AND SPECIFICATIONS, HEREIN, ARE THE PROPERTY OF DIGITAL EQUIPMENT CORPORATION AND SHALL NOT BE REPRODUCED OR COPIED OR USED IN WHOLE OR IN PART AS THE BASIS FOR THE MANUFACTURE OR SALE OF ITEMS WITHOUT WRITTEN PERMISSION. COPYRIGHT © 1976 DIGITAL EQUIPMENT CORPORATION

TITLE
TAPE CONTROL PE

ASSY NO.
D-UA-M8932-0-0
SHEET 1 OF 3

SIZE CODE NUMBER
B PL M8932-0-0
INSERTION PARTS LIST DATA BASE REV A

REV.
B

DIGITAL EQUIPMENT CORPORATION

PARTS LIST

QUANTITY / VARIATION

NOTES:

USED ON OPTION/MODEL
TM03

MADE BY Joan Rogers	CHECKED <i>S. Brennan</i>	SECTION 1
DATE 28 July 76	DATE 27 OCT 76	
ENG <i>Joan Rogers</i>	PROD <i>G. Dillard</i>	ISSUED SECTION 1
DATE 1-21-77	DATE 24 JAN 77	

ITEM NO.	DRAWING NO.	PART NO.	DESCRIPTION	QUANTITY	REF DESIGNATION
16		19-05579-00	I.C. DEC 7440	2	E1, E26
17		19-05580-00	I.C. DEC 7450	1	E30
18		19-05590-00	I.C. DEC 7401	1	E27
19		19-09004-00	I.C. DEC 7402	5	E3, E16, E19, E28, E49
20		19-09686-00	I.C. DEC 7404	2	E35, E47
21		19-09930-00	I.C. DEC 7405	1	E43
22		19-10035-00	I.C. DEC 74197	3	E21, E22, E50
23		19-10091-00	I.C. DEC 7437	1	E10
24		19-10155-00	I.C. DEC 7408	5	E18, E33, E34, E38, E45
25		19-10406-00	I.C. DEC 75451	1	E42
26		19-10650-00	I.C. DEC 74161	2	E6, E7
27		19-10651-00	I.C. DEC 74175	1	E14
28		19-10724-00	I.C. DEC 74180	1	E23
29		19-10878-00	I.C. DEC 7427	2	E5, E17
30			SPARES 16 PIN I.C.	4	E11, E41, E44, E48
31		23-359A2-00	256 x 4 BIT PROM OPEN COLLECTOR	1	E20
32		23-409A9-00	512 x 4 BIT BIPOLAR, TRI-STATE	1	E13
33		90-06732-00	EYELET	8	
34		90-08337-06	HANDLE, FLIP CHIP, MAGENTA	4	

ECO. NO.

THIS DRAWING AND SPECIFICATIONS, HEREIN, ARE THE PROPERTY OF DIGITAL EQUIPMENT CORPORATION AND SHALL NOT BE REPRODUCED OR COPIED OR USED IN WHOLE OR IN PART AS THE BASIS FOR THE MANUFACTURE OR SALE OF ITEMS WITHOUT THE WRITTEN PERMISSION. COPYRIGHT © 1976 DIGITAL EQUIPMENT CORPORATION.	TITLE	ASSY NO.	SIZE	CODE	NUMBER	REV.
	TAPE CONTROL PE	D-UA-M8932-0-0	B	PL	M8932-0-0	B
		SHEET 2 OF 3	INSERTION PARTS LIST DATA BASE REV A			

DIGITAL EQUIPMENT CORPORATION

PARTS LIST

MADE BY Joan Rogers	CHECKED <i>P. Brennan</i>	SECTION 1
DATE 28 July 76	DATE 27 Oct 76	
ENG <i>Jim Vajda</i>	PROD <i>H. Dillard</i>	ISSUED SECTION 1
DATE 1-21-77	DATE 24 JAN 77	

QUANTITY / VARIATION

NOTES:

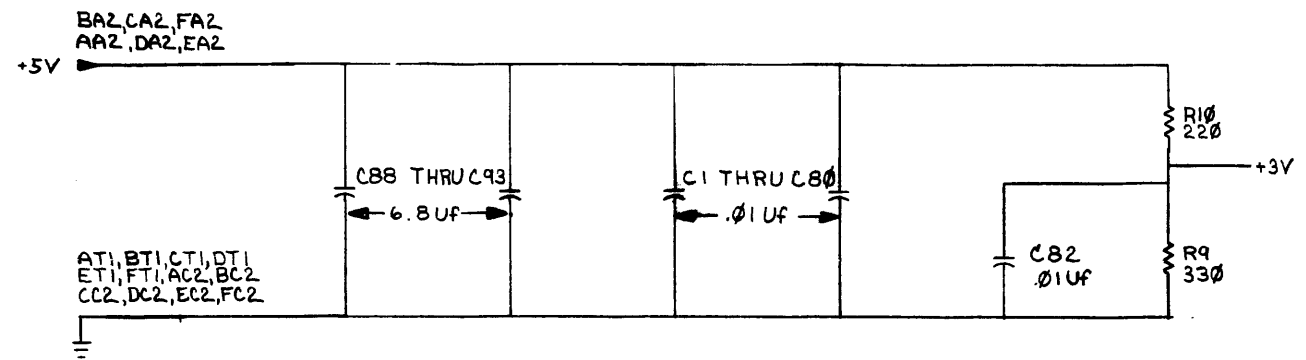
USED ON OPTION/MODEL
7M03

ITEM NO.	DRAWING NO.	PART NO.	DESCRIPTION	QUANTITY	UNIT	REF DESIGNATION
35		10-00018-00	CAP 120 PF 100V MICA	2		C68,C69
36		23-408A9-00	512 X 4 BIT BIPOLAR, TRI-STATE	1		E46
37		91-05740-55	WIRE 30AWG, GREEN	A/R		

E.C.O. NO.

THIS DRAWING AND SPECIFICATIONS, HEREIN, ARE THE PROPERTY OF DIGITAL EQUIPMENT CORPORATION AND SHALL NOT BE REPRODUCED OR COPIED OR USED IN WHOLE OR IN PART AS THE BASIS FOR THE MANUFACTURE OR SALE OF ITEMS WITHOUT WRITTEN PERMISSION. COPYRIGHT © 1976 . DIGITAL EQUIPMENT CORPORATION	TITLE	ASSY NO.	SIZE	CODE	NUMBER	REV.
	TAPE CONTROL PE	D-UA-M8932-0-0	B	PL	M8932-0-0	B
		SHEET 3 OF 3	INSERTION PARTS LIST DATA BASE REV			

"THIS DRAWING AND SPECIFICATIONS, HEREIN, ARE THE PROPERTY OF DIGITAL EQUIPMENT CORPORATION AND SHALL NOT BE REPRODUCED OR COPIED OR USED IN WHOLE OR IN PART AS THE BASIS FOR THE MANUFACTURE OR SALE OF ITEMS WITHOUT WRITTEN PERMISSION. COPYRIGHT © 1971, DIGITAL EQUIPMENT CORPORATION."



74153 FUNCTION TABLE

SELECT INPUTS		DATA INPUTS				OUTPUT
SI	SO	A	B	C	D	F
L	L	L	X	X	X	L
L	L	H	X	X	X	H
L	H	X	L	X	X	L
L	H	X	H	X	X	H
H	L	X	X	L	X	L
H	L	X	X	H	X	H
H	H	X	X	X	L	L
H	H	X	X	X	H	H

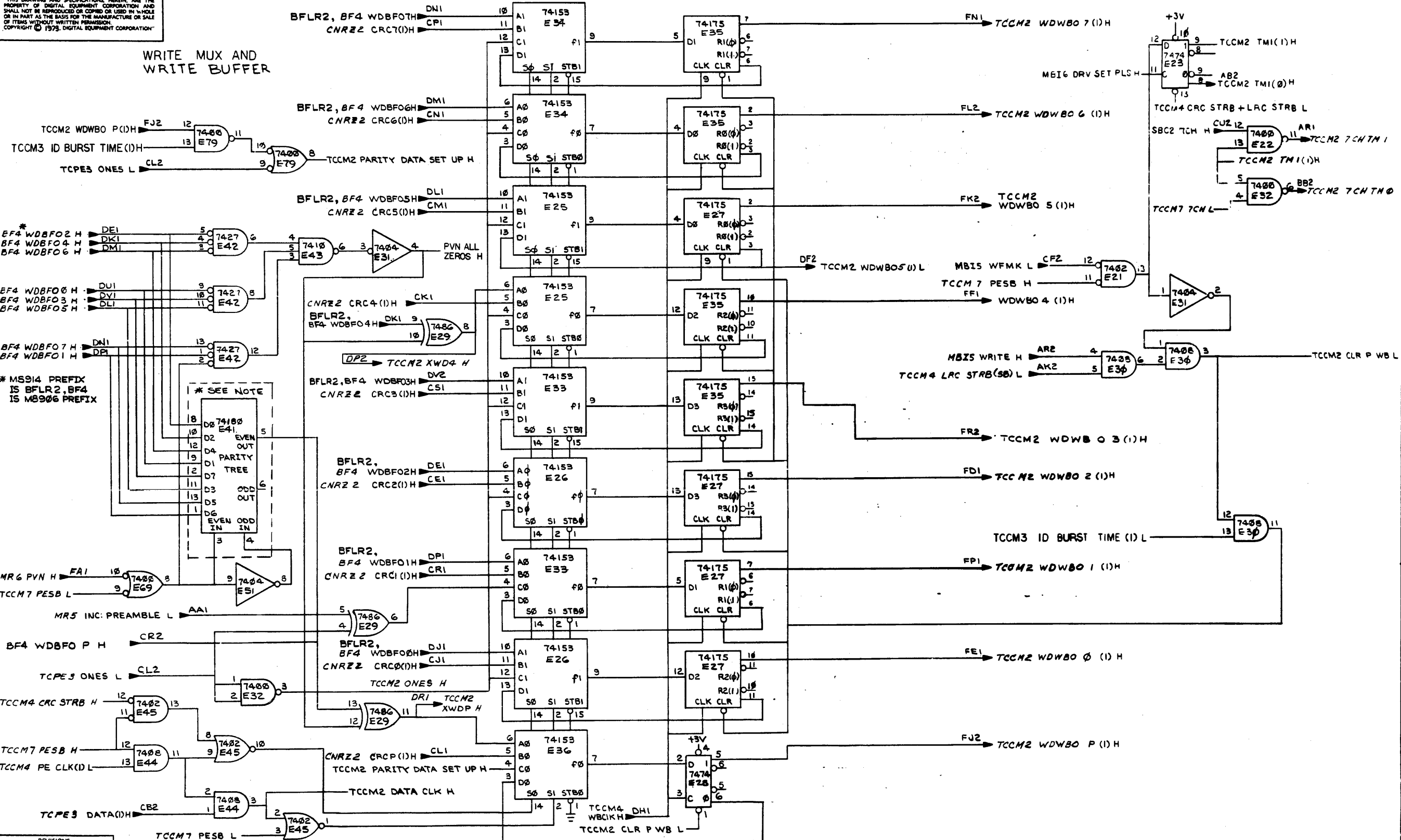
NOTE
 IF M8933 IS TO BE USED IN TM02 BACK PANEL IT WILL BE NECESSARY TO ADD A 74180 IC AT LOC E-41 M8933 IS NORMALLY BUILT FOR TM03 BACKPANEL WIRING AND WILL HAVE LOC. E-44 EMPTY. FOR TM03 SIGNAL WDBFO PH IS WIRED ON BACKPANEL, FOR TM02 OPERATION THIS SIGNAL IS NOT USED

REV. 1	DATE 11/1/71	BY J. VAGIAS
REV. 2	DATE 11/1/71	BY J. VAGIAS
REV. 3	DATE 11/1/71	BY J. VAGIAS
REV. 4	DATE 11/1/71	BY J. VAGIAS
REV. 5	DATE 11/1/71	BY J. VAGIAS
REV. 6	DATE 11/1/71	BY J. VAGIAS
REV. 7	DATE 11/1/71	BY J. VAGIAS

DRN. G.M.C.S.	FIRST USED ON	TM03
ENG. J. VAGIAS	TITLE	TAPE CONTROL COMMON MODE (T.C.C.M.2)
PROJ. ENG. J. VAGIAS	SCALE	1 OF 7
PROD. H. DILLON	SIZE	D
NEXT HIGHER ASBY.	NUMBER	M8933-0-1
B-DD-M8933-0	DIST.	
REV. 1		

"THIS DRAWING AND SPECIFICATIONS HEREIN ARE THE PROPERTY OF DIGITAL EQUIPMENT CORPORATION AND SHALL NOT BE REPRODUCED OR COPIED OR USED IN WHOLE OR IN PART AS THE BASIS FOR THE MANUFACTURE OR SALE OF ITEMS WITHOUT WRITTEN PERMISSION. COPYRIGHT © 1975, DIGITAL EQUIPMENT CORPORATION"

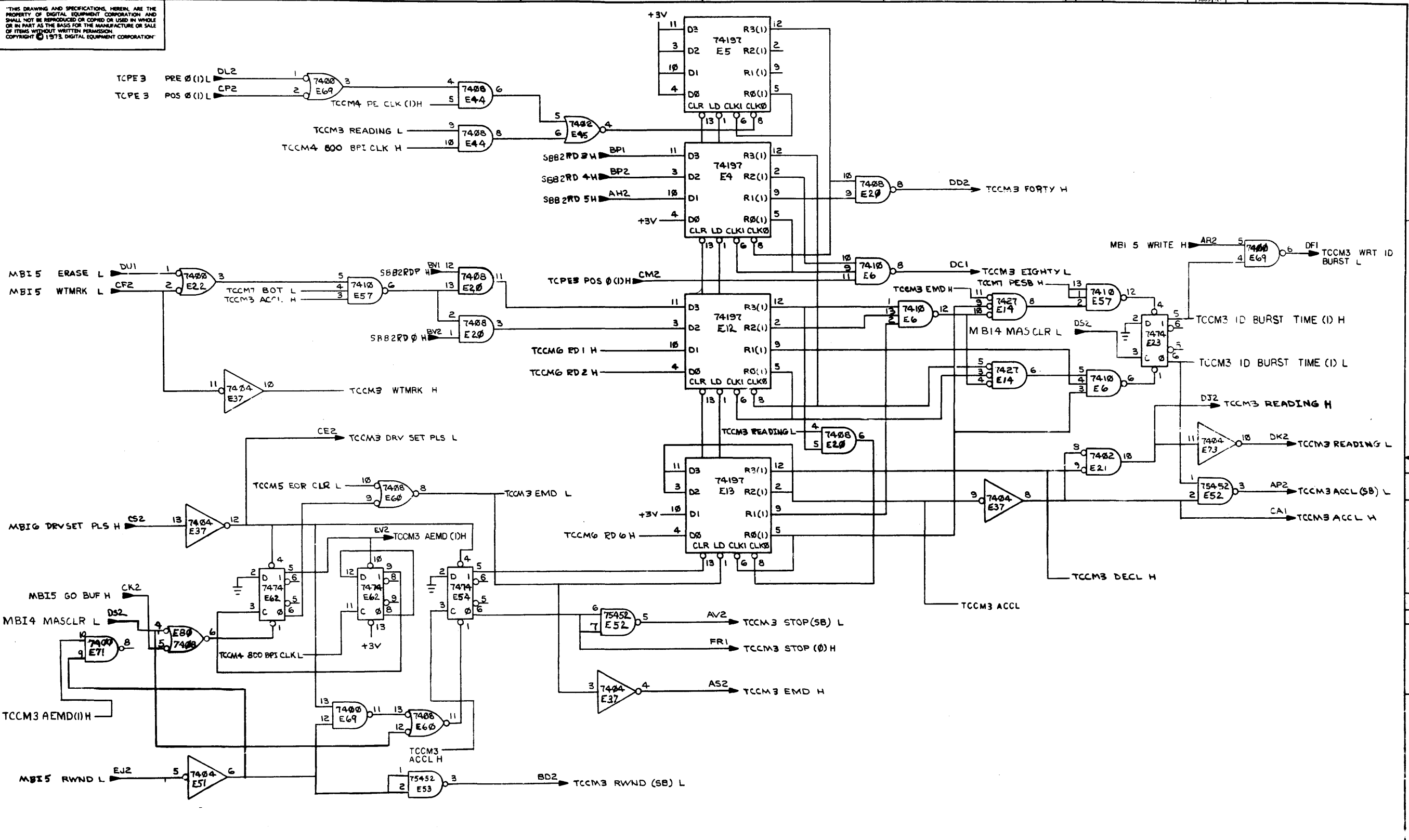
WRITE MUX AND WRITE BUFFER



REVISIONS		
CHK	CHANGE NO	REV

TITLE	TAPE CONTROL	SIZE CODE	NUMBER	REV.
	COMMON MODE (TCCM2)	D CS	M8933-0-1	B
SCALE	SHEET 2 OF 7	DIST		

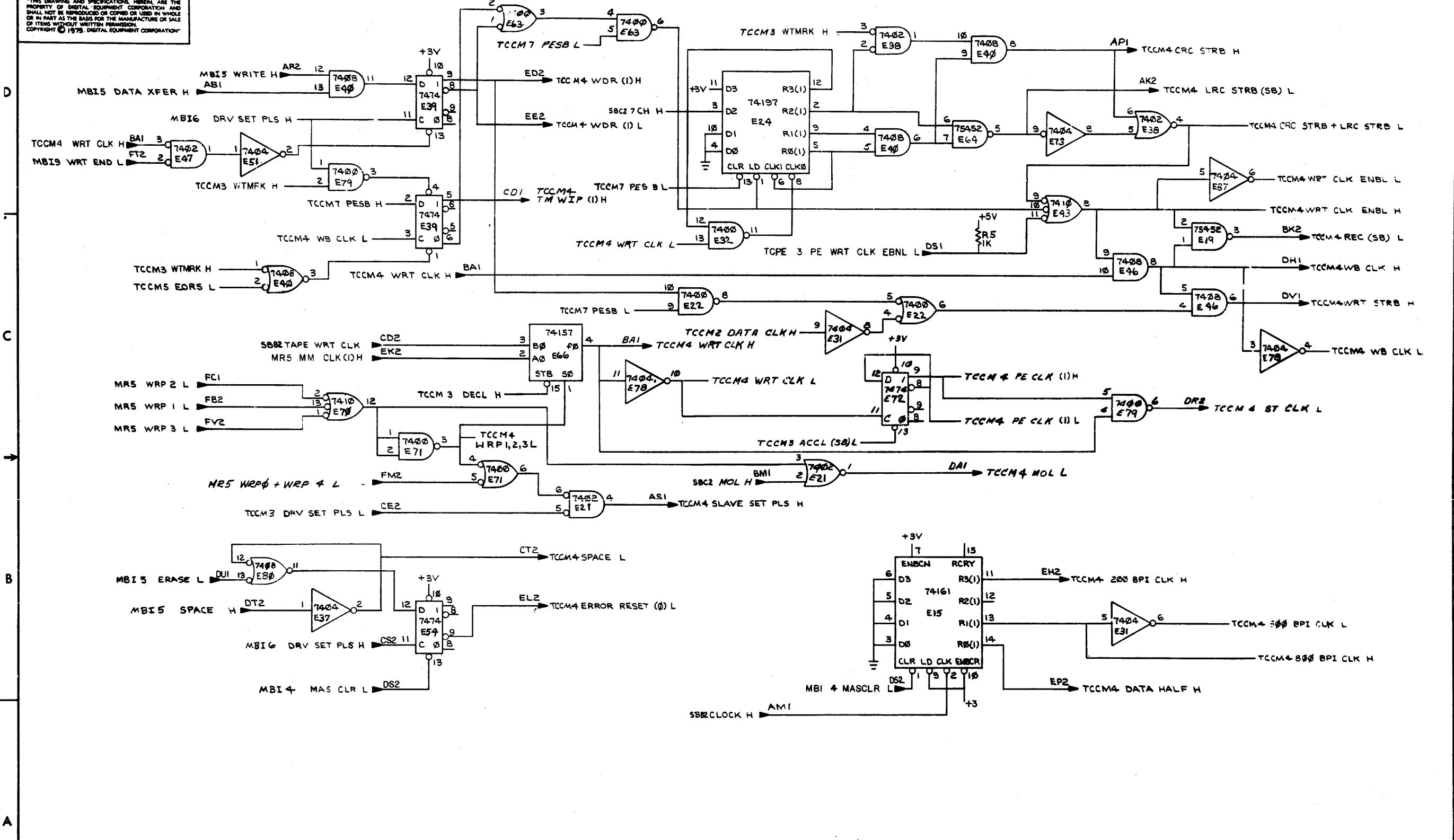
THIS DRAWING AND SPECIFICATIONS HEREIN ARE THE PROPERTY OF DIGITAL EQUIPMENT CORPORATION AND SHALL NOT BE REPRODUCED OR COPIED OR USED IN WHOLE OR IN PART AS THE BASIS FOR THE MANUFACTURE OR SALE OF ITEMS WITHOUT WRITTEN PERMISSION. COPYRIGHT © 1973, DIGITAL EQUIPMENT CORPORATION.



REVISIONS		
CHK	CHANGE NO	REV.

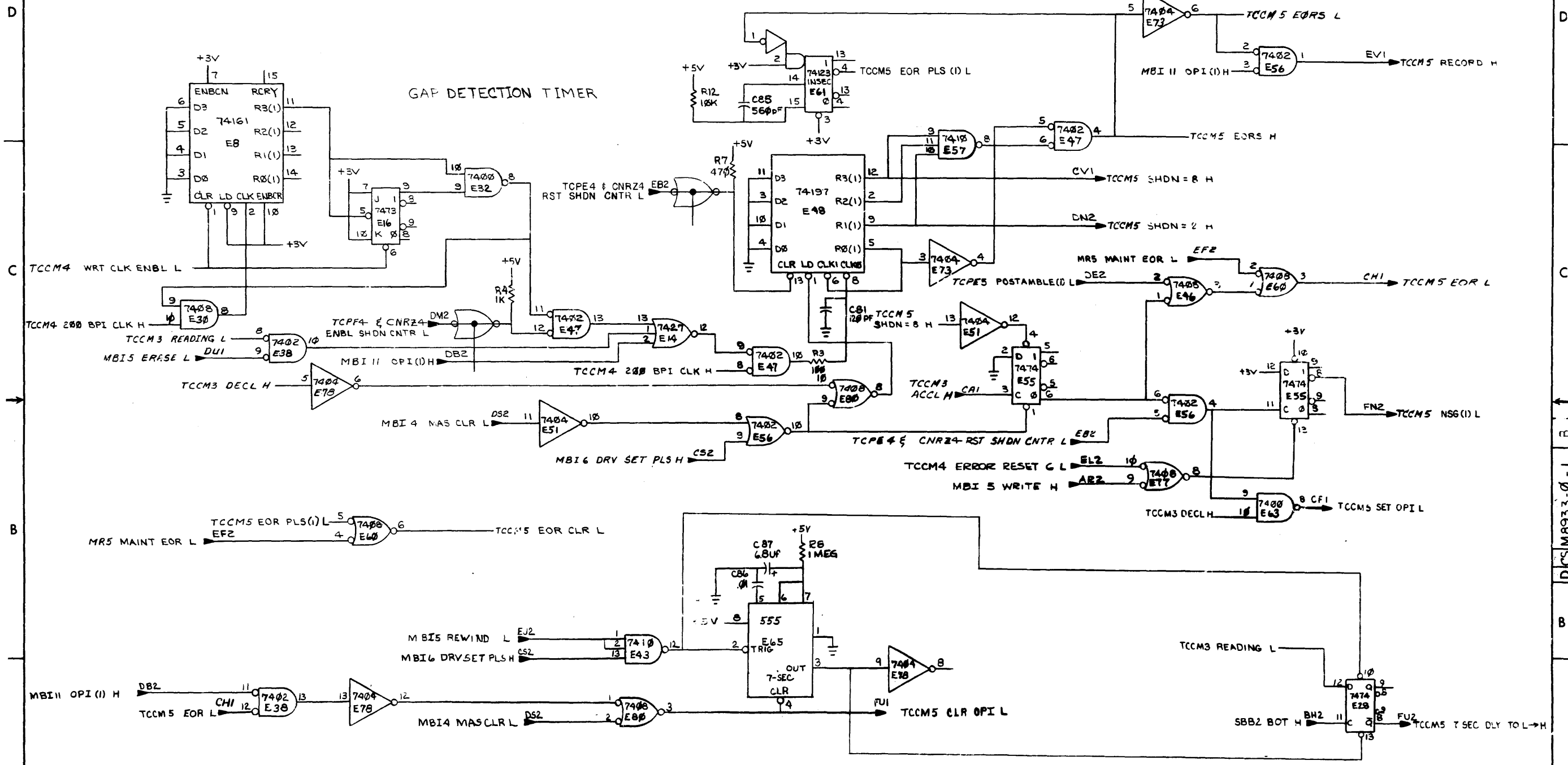
TITLE	TAPE CONTROL COMMON MODE (TCCM3)	SIZE CODE	DCS	NUMBER	M8933-0-1	REV.	B
SCALE	+	SHEET	3	0	7	DIST.	

THIS DRAWING AND SPECIFICATIONS HEREIN ARE THE PROPERTY OF DIGITAL EQUIPMENT CORPORATION AND SHALL NOT BE REPRODUCED OR COPIED OR USED IN WHOLE OR IN PART AS THE BASIS FOR THE MANUFACTURE OR SALE OF ITEMS WITHOUT WRITTEN PERMISSION. COPYRIGHT © 1979, DIGITAL EQUIPMENT CORPORATION.



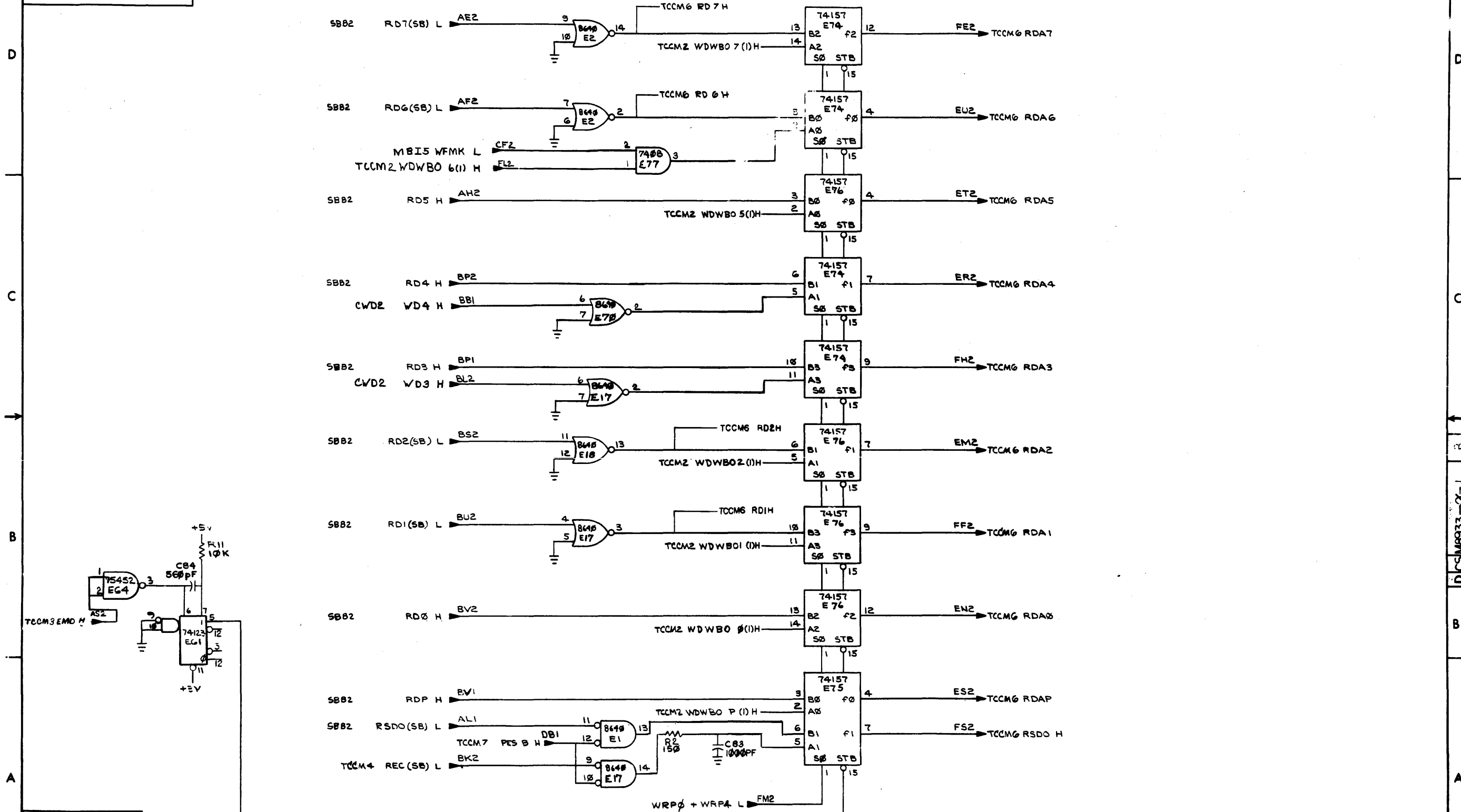
REVISIONS		
CHK	CHANGE NO	REV

THIS DRAWING AND SPECIFICATIONS HEREIN ARE THE PROPERTY OF DIGITAL EQUIPMENT CORPORATION AND SHALL NOT BE REPRODUCED OR COPIED OR USED IN WHOLE OR IN PART AS THE BASIS FOR THE MANUFACTURE OR SALE OF ITEMS WITHOUT WRITTEN PERMISSION. COPYRIGHT © 1973 DIGITAL EQUIPMENT CORPORATION



REVISIONS		
CHK	CHANGE NO	REV

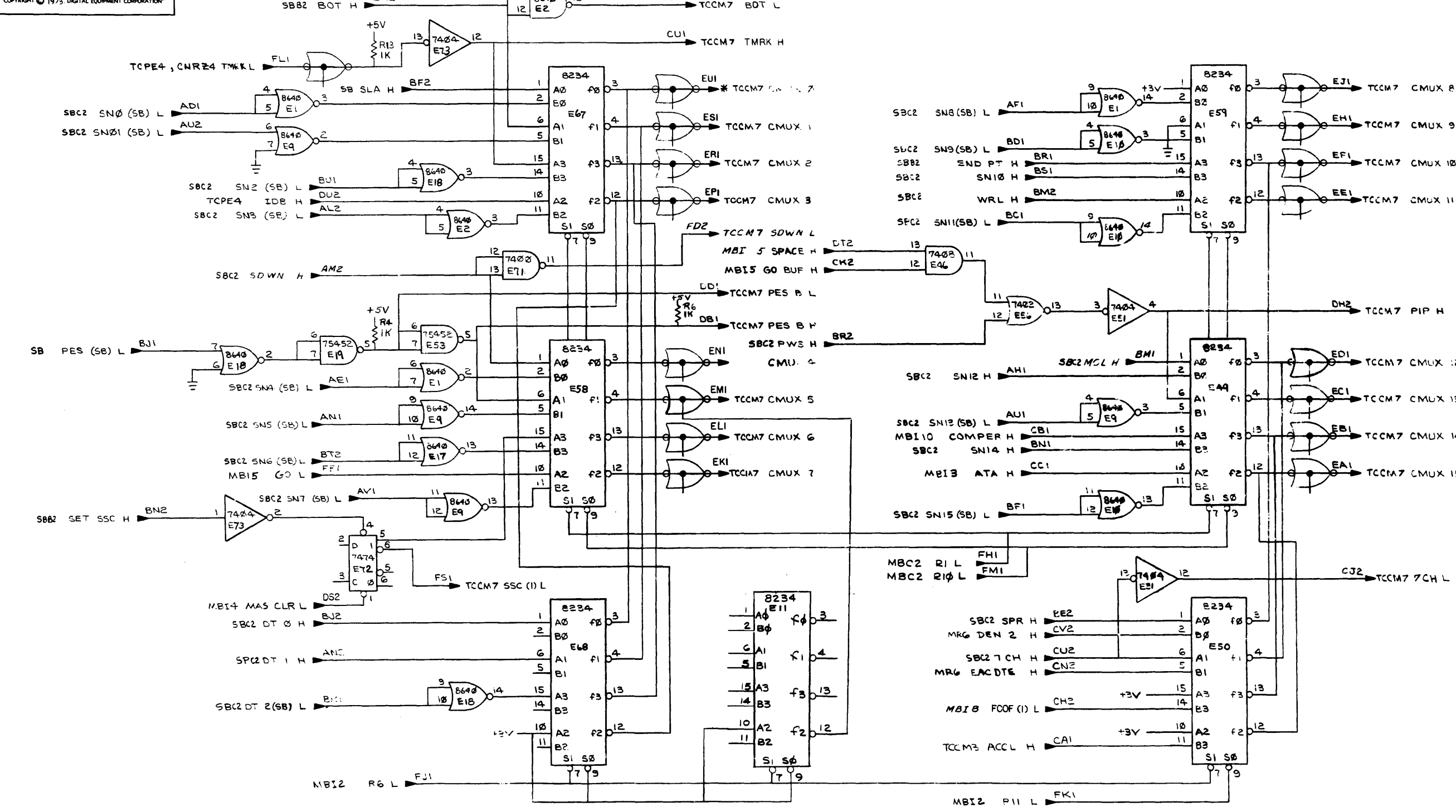
THIS DRAWING AND SPECIFICATIONS HEREIN ARE THE PROPERTY OF DIGITAL EQUIPMENT CORPORATION AND SHALL NOT BE REPRODUCED OR COPIED OR USED IN WHOLE OR IN PART AS THE BASIS FOR THE MANUFACTURE OR SALE OF ITEMS WITHOUT WRITTEN PERMISSION. COPYRIGHT © 1975, DIGITAL EQUIPMENT CORPORATION



REVISIONS		
CHK	CHANGE NO	REV.

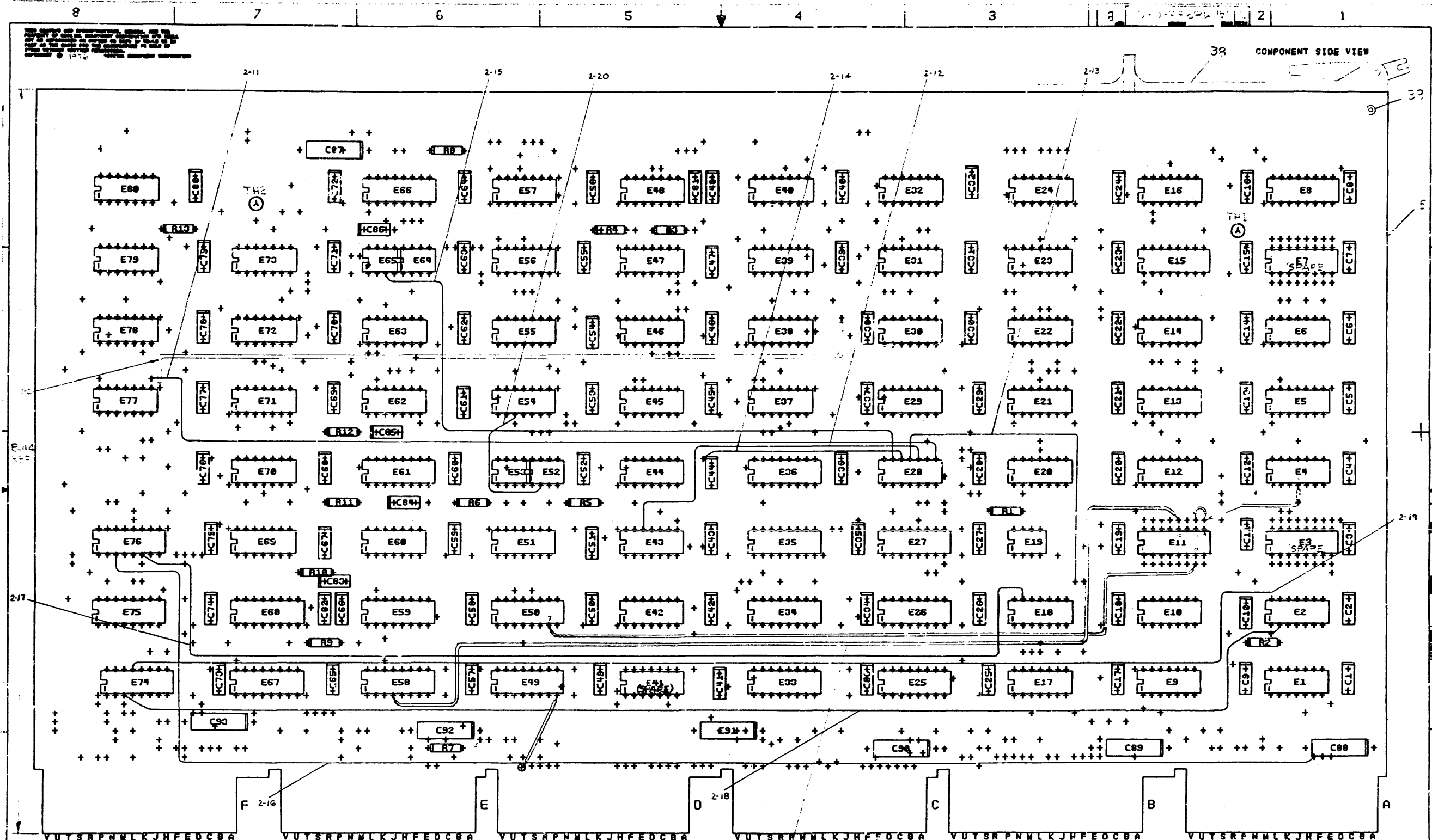
THIS DRAWING AND SPECIFICATIONS, HEREIN, ARE THE PROPERTY OF DIGITAL EQUIPMENT CORPORATION AND SHALL NOT BE REPRODUCED OR COPIED OR USED IN WHOLE OR IN PART AS THE BASIS FOR THE MANUFACTURE OR SALE OF ITEMS WITHOUT WRITTEN PERMISSION. COPYRIGHT © 1973, DIGITAL EQUIPMENT CORPORATION.

SN,DS REGISTER MUX



* CMUX LINES ALSO DRIVEN FROM M8905, M8909

REVISIONS		
CHK	CHANGE NO	REV



COMPONENT SIDE VIEW

- NOTES:
1. ADD IC 4238 (DEC PT 9) IN THE MOUNT LOCATION E11.
 2. ADD JUMPERS:
 - A. E11-9 TO E11-10
 - B. E11-9 TO E11-4
 - C. E11-12 TO E11-4
 - D. E11-7 TO E11-7
 - E. E11-8 TO FEEDTHRU COLLECTING TO 311

CHANGE NO	REV	DATE	BY	CHK'D
2706933	1	A	J. VAGAS	
2706933	2	B	P. RAY	

40 TYP
SEE NOTES FOR
NETWORK INST.

ETCH REV.	P.C. DESIGN DATA BRSE REV.
1	1

SIGNATURES		DATE
DRN. M. W.		2-77
CHK'D. J. V.		2-77
ENG. J. V.		2-77
PROJ. ENG. J. V.		2-77
PROD. J. V.		2-77
SCALE 2/1		
SHT. 1 OF 8		
NEXT NUMBER REV. B-DDM		

digital

TITLE	TAPE CONTROL
MINI-MODE	
SIZE CODE	NUMBER
0 UA M3955-1-0	5

LINE	ITEM	DOCUMENT NO.	PART NO.	DESCRIPTION	QTY	REFERENCE DESIGNATORS
1	1	D-CS-M8933-0-1		CIRCUIT SCHEMATIC		REF
2	2	D-UA-M8933-0-0		UNIT ASSY.		REF
3	3	D-MD-5012482-0-0		DRILL & ETCH DRAWING		REF
4	4	B-DD-M8933-0-0		DWG. DIRECTORY		REF
5	5		5012482-00	M8933		1
6	6		1001610-00	.01 MFD 50V Z5U 309CER/8000PF MIN	82	C1-C80,C82,C86
7	7		1005306-00	6.8MFD 35V 10% 150D S.TA (10-00	7	C87-C93
8	8		1000018-00	120.0 MMF 100V 5X200PPM DM15S (10-00	1	C81
9	9		1000042-00	1000.0 MMF 100V 5X200PPM DM15S (10-00	1	C83
10	10		1000025-00	560.0 MMF 100V 5X200PPM DM15S (10-00	2	C84,C85
11	11		1300316-00	470 1/4W 5% CC (13-00	1	R7
12	12		1300365-00	1 K 1/4W 5% CC (13-00	5	R1,R4-R6,R13
13	13		1300479-00	10 K 1/4W 5% CC (13-00	2	R11,R12
14	14		1300229-00	100 1/4W 5% CC (13-00	1	R3
15	15		1300250-00	150 1/4W 5% CC (13-00	1	R2
16	16		1300271-00	220 1/4W 5% CC (13-00	1	R10
17	17		1300295-00	330 1/4W 5% CC (13-00	1	R9
18	18		1309595-00	1 M 1/4W 5% CC (13-00	1	R8
19	19		1905575-00	7400 NAND GATE-QUAD 2IN	4	E22,E32,E63,E69,E71,E79
20	20		1909004-00	DEC 7402 NOR GATE-QUAD 2IN	5	E21,E38,E45,E47,E56
21	21		1909686-00	7404 INVERTER GATE-HEX 1IN	5	E31,E37,E51,E73,E78
22	22		1911944-00	555CN TIMER,FUNCT.BLOCK	1	E65
23	23		1910155-00	DEC 7408 AND GATE,POS.QUAD 2IN	14	E20,E30,E40,E44,E46,E60,E77, CONT E80
24	24		1905576-00	7410 NAND GATE-TRIPLE 3IN	4	E6,E43,E57,E70
25	25		1910878-00	7427 NOR GATE-TRIPLE 3IN	2	E14,E42
26	26		1905587-00	DEC 7473 FF-JK DUAL,MASTER SLAVE,10MHZ	1	E16
27	27		1905547-00	DEC 7474 FF-D DUAL,EDGE TRIGGER,15MHZ	7	E23,E28,E39,E54,E55,E62,E72
28	28		1910011-00	DEC 7486 X-OR GATE-QUAD 2INPUT	1	E29
29	29		1910436-00	DEC 74123 ONE SHOT-DUAL,RETRIGGERABLE	1	E61

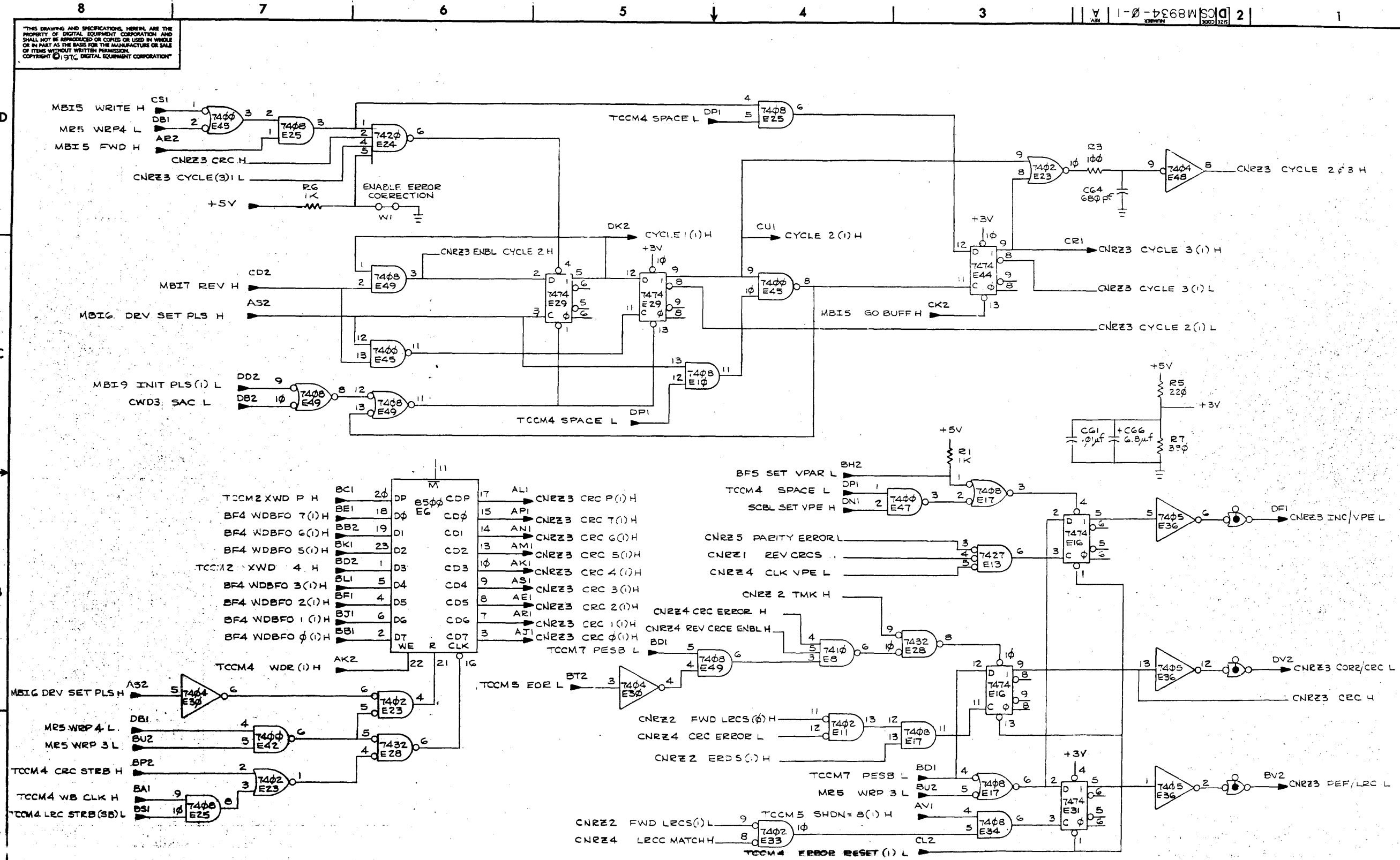
REVISION HISTORY			VARIATIONS FOR THIS ASSY.		
CHK	ECO NO	REV	FIRST USED ON: TM03		
R.R	00002	B	DIGITAL EQUIPMENT CORPORATION MAYNARD, MASSACHUSETTS		
			MADE BY: M.RIPLEY	DATE: 14-MAR-78	TITLE
					PARTS LIST
			CHECKED: P.BOSSMAN	DATE: 14-MAR-78	TAPE CONTROL COMMON MODE
			DSN.ENG.: J.VAGIAS	DATE: 14-MAR-78	
			PROD.: G.DILLARD	DATE: 14-MAR-78	SIZE CODE DOCUMENT NUMBER REV
					K PL M8933-0-DBP B
			RESP.ENG.: J.VAGIAS	DATE: 14-MAR-78	ASSY.NO.: D-UA-M8933-0-0 EDIT#
					6

*THIS DRAWING AND SPECIFICATIONS HEREIN, ARE THE PROPERTY OF DIGITAL EQUIPMENT CORPORATION AND SHALL NOT BE REPRODUCED OR COPIED OR USED IN WHOLE OR IN PART AS THE BASIS FOR THE MANUFACTURE OR SALE OF ITEMS WITHOUT WRITTEN PERMISSION.
COPYRIGHT 1978, DIGITAL EQUIPMENT CORPORATION *

LINE	ITEM	DOCUMENT NO.	PART NO.	DESCRIPTION	QTY	REFERENCE DESIGNATORS
30	30		1909937-00	74153 MUX 1 OF 4 (DUAL)	5	E25,E26,E33,E34,E36
31	31		1910655-00	74157 MUX 1 OF 2 (QUAD)	4	E66,E74-E76
32	32		1910650-00	74161 COUNTER, SYNCHR. UP	2	E8,E15
33	33		1910651-00	DEC 74175 FF-D QUAD	2	E27,E35
34	34		1910035-00	DEC 74197 COUNTER, ASYNCH UP, H1 SPEED 828	6	E4,E5,E12,E13,E24,E48
35	35		1910645-00	75452 DRIVER, PERIPH, DUAL, NAND	4	E19,E52,E53,E64
36	36		1911315-00	8234 MUX 1 OF 4	7	E49,E50,E58,E59,E67,E68,E11
37	37		1911469-00	DEC 8640 RECEIVER, BUS, QUAD, UNIBUS, Q-BU	6	E1,E2,E9,E10,E17,E18
38	38		1210711-02	HANDLE ASSY, MOD DOEHLER-JARVIS	1	
39	39		9006732-00	EYELET, ROLLED FLANGE, .121 OD X .219 LG	12	
40	40		9105740-55	WIRE(WRAP)30AWG III 1423 (91-00 A/R		

DIGITAL EQUIPMENT CORPORATION MAYNARD, MASSACHUSETTS		TITLE PARTS LIST TAPE CONTROL COMMON MODE	SIZE K	CODE PL	DOCUMENT NUMBER M8933-0-DBP	REV B
---	--	---	-----------	------------	--------------------------------	----------

THIS DRAWING AND SPECIFICATIONS, HEREIN, ARE THE PROPERTY OF DIGITAL EQUIPMENT CORPORATION AND SHALL NOT BE REPRODUCED OR COPIED OR USED IN WHOLE OR IN PART AS THE BASIS FOR THE MANUFACTURE OR SALE OF ITEMS WITHOUT WRITTEN PERMISSION. COPYRIGHT © 1976 DIGITAL EQUIPMENT CORPORATION



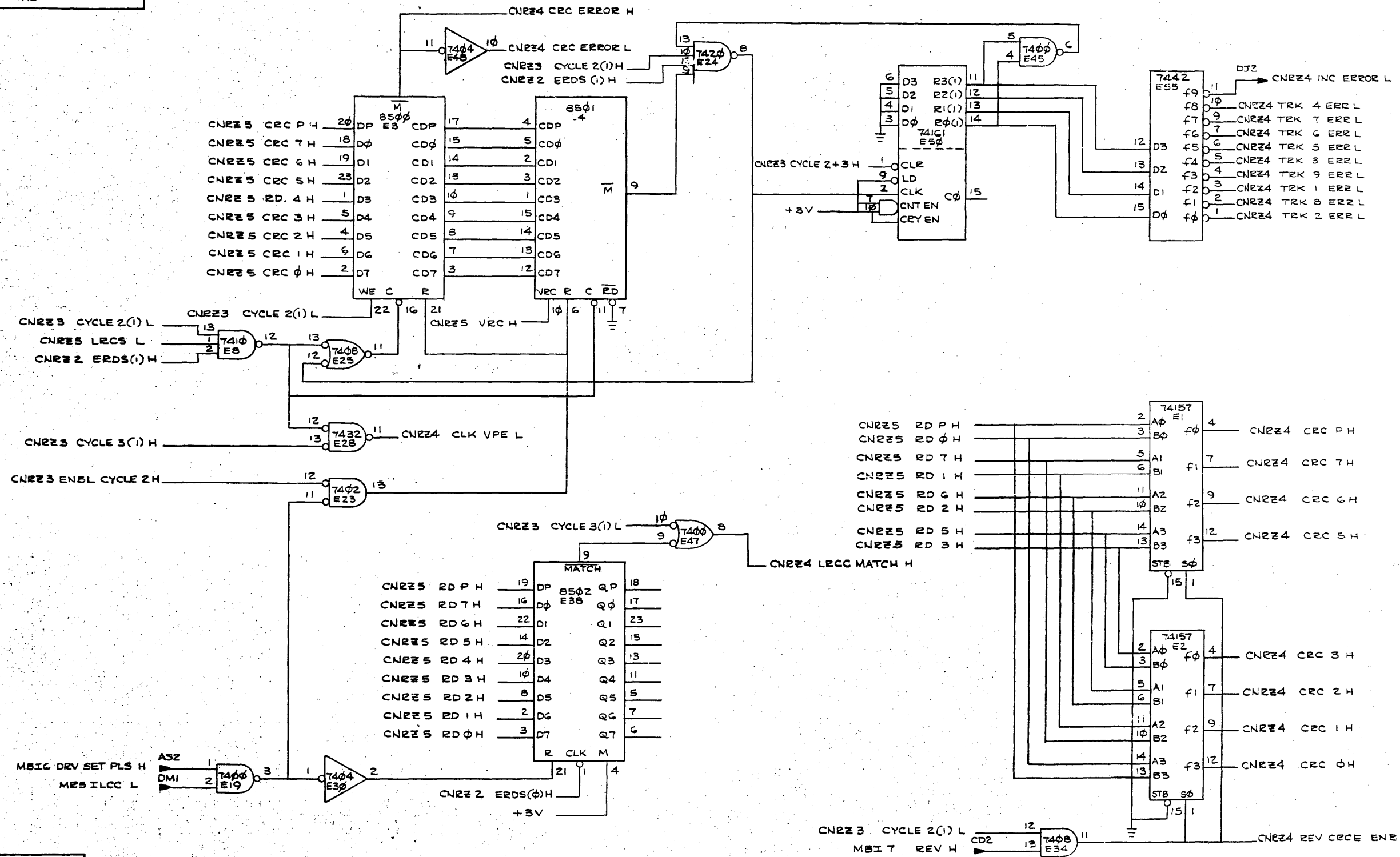
REVISIONS		
CHK	CHANGE NO.	REV.

TITLE	TAPE CONTROL (CNRZ3)	SIZE CODE	NUMBER	REV.
SCALE	1:1	SHEET	3 OF 5	DIST.

REV. A
D CS MR934-0-1

THIS DRAWING AND SPECIFICATIONS HEREON ARE THE PROPERTY OF DIGITAL EQUIPMENT CORPORATION AND SHALL NOT BE REPRODUCED OR COPIED OR USED IN WHOLE OR IN PART AS THE BASIS FOR THE MANUFACTURE OR SALE OF ITEMS WITHOUT WRITTEN PERMISSION. COPYRIGHT © 1976 DIGITAL EQUIPMENT CORPORATION

REV. 1-1-76 DCS M8934-0-1



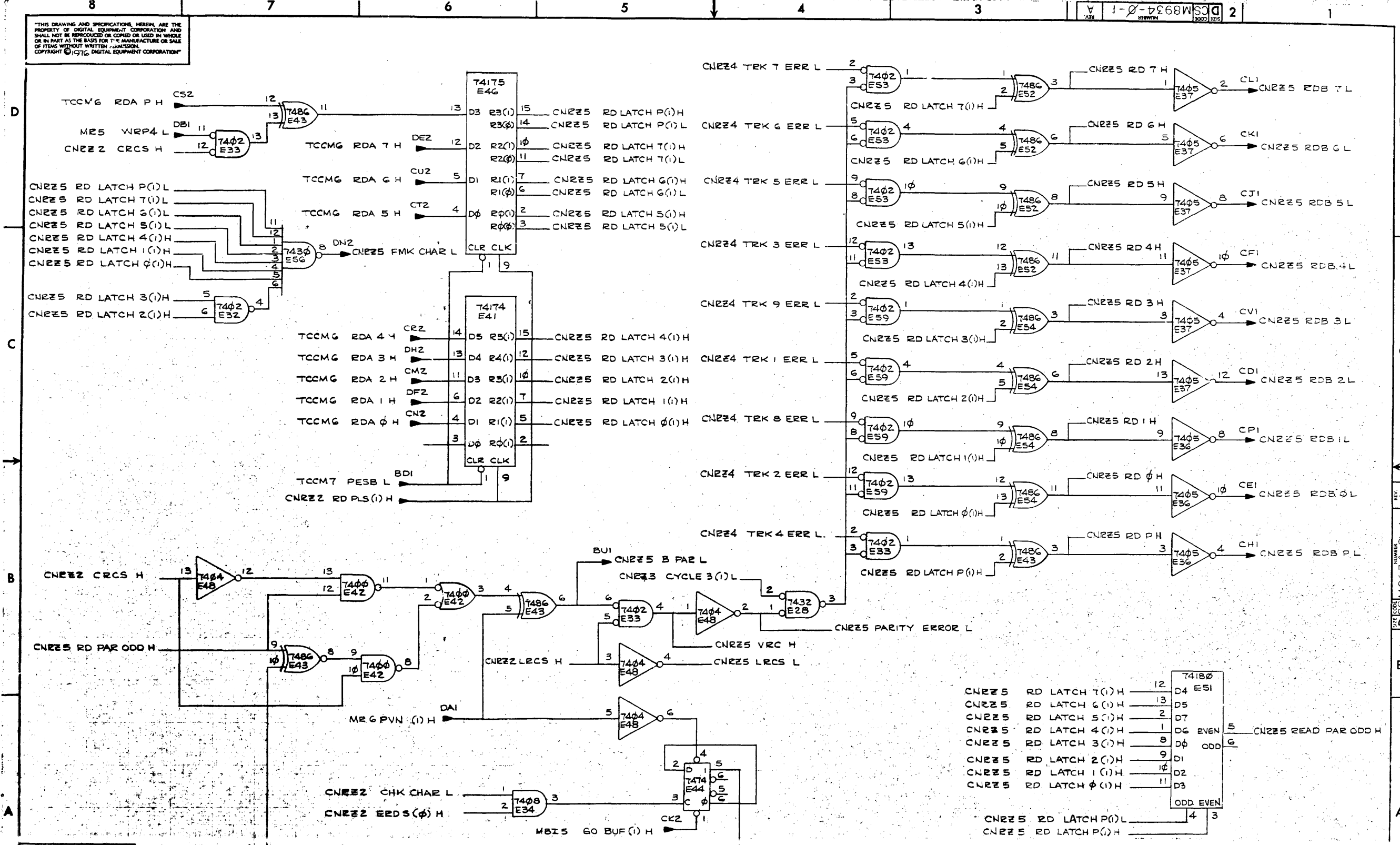
REVISIONS		
CHK	CHANGE NO.	REV.

TITLE TAPE CONTROL (CNRZ4) SIZE CODE DCS M8934-0-1 NUMBER REV. A SCALE SHEET 4 OF 5

REV. 1-1-76 DCS M8934-0-1

THIS DRAWING AND SPECIFICATIONS HEREIN ARE THE PROPERTY OF DIGITAL EQUIPMENT CORPORATION AND SHALL NOT BE REPRODUCED OR COPIED OR USED IN WHOLE OR IN PART AS THE BASIS FOR THE MANUFACTURE OR SALE OF ITEMS WITHOUT WRITTEN PERMISSION. COPYRIGHT © 1976, DIGITAL EQUIPMENT CORPORATION.

DCS M3934-0-1
REV. 1



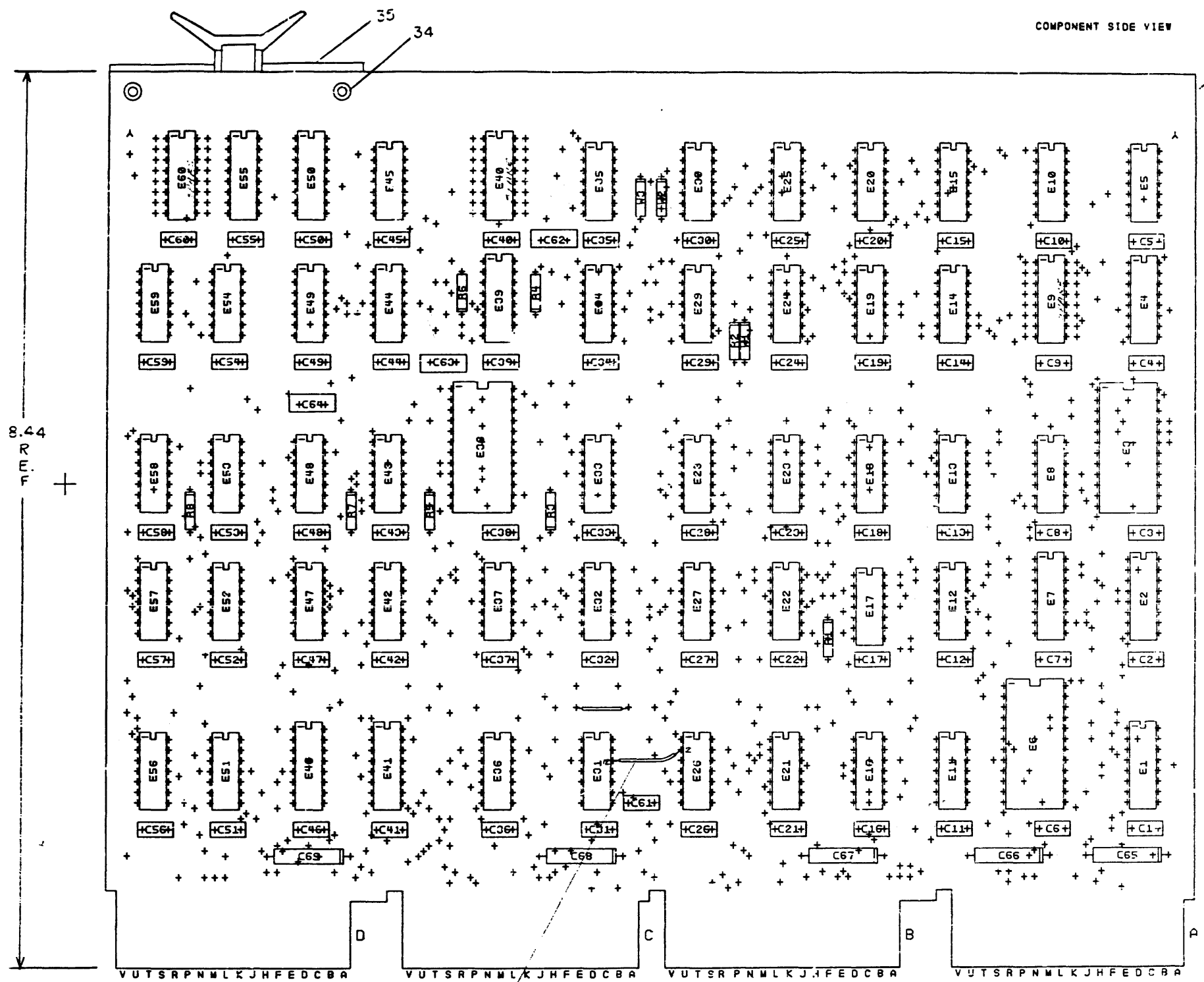
REVISIONS		
CHK	CHANGE NO.	REV.

TITLE TAPE CONTROL (CNRZ5) SIZE CODE DCS NUMBER M3934-0-1 REV. A
SCALE / / SHEET 5 OF 5 DIST. / /

REV. 1
DCS M3934-0-1
A

THIS DRAWING AND ASSOCIATED PARTS LIST ARE THE PROPERTY OF THE UNITED STATES GOVERNMENT. IT IS TO BE REPRODUCED AND TRANSMITTED IN ANY FORM AND BY ANY MEANS, ELECTRONIC OR MECHANICAL, INCLUDING PHOTOCOPYING, RECORDING, OR BY ANY INFORMATION STORAGE AND RETRIEVAL SYSTEM, WITHOUT PERMISSION IN WRITING FROM THE ASSISTANT SECRETARY (ACQUISITION) OFFICE, DEFENSE ACQUISITION ADMINISTRATION, WASHINGTON, D.C. 20301-4000. © 1976

COMPONENT SIDE VIEW



NOTES: 1. REWORK INSTRUCTIONS:
ADD 2 (TW) JUMPER WIRES AS SHOWN USING ITEM 40.

CHANGE NO	REV

FOR PARTS LIST REFER TO B-PL-M8934-0-0

SEE NOTE 1

ETCH REV.	
P.C. DESIGN DATA BASE REV.	

SIGNATURES		DATE
DRN.	<i>[Signature]</i>	
CHK'D.	<i>[Signature]</i>	
PROJ. ENG.	<i>[Signature]</i>	
PROD.	<i>[Signature]</i>	
SCALE	2/1	
SHT.	1 OF 3	
NEXT HIGHER ASSY. B-00-M8934-		

digital	
TITLE	TAPE CONTROL
STZCODE	NUMBER
UA	M8934-0-0
REV	7

DIGITAL EQUIPMENT CORPORATION

PARTS LIST

MADE BY Steve Marlow	CHECKED <i>G. Bosman</i>	SECTION
DATE Sept 10 1976	DATE 16 Nov 76	
ENG <i>John R. Hoover</i>	PROD <i>J. Dillard</i>	ISSUED SECTION
DATE	DATE 17 DEC 76	

QUANTITY / VARIATION

NOTES:

USED ON OPTION / MODEL
TM03

ITEM NO.	DRAWING NO.	PART NO.	DESCRIPTION	REF	QUANTITY	VARIATION	REF DESIGNATION
	D-CS-M8934-0-1		CIRCUIT SCHEMATIC	REF			
	D-UA-M8934-0-0		UNIT ASSEMBLY	REF			
	B-DD-M8934-0		DWG DIRECTORY	REF			
1	D-MD-5012400-0-0	5012400	ETCHED CIRCUIT BOARD	1			
2		10-00016-00	CAP 100PF 100V	1			C63
3		10-00018-00	CAP 120PF 100V	1			C62
4		10-00026-00	CAP 680PF 100V	1			C64
5		10-01610-01	CAP .01UF 100V DISC	61			C1 thru C61
6		10-05306-00	CAP 6.8UF 35V 10%	5			C65 thru C69
7		13-00229-00	RES 100 1/2W 5%	1			R3
8		13-00271-00	RES 220 1/2W 5%	1			R5
9		13-00295-00	RES 330 1/2W 5%	1			R7
10		13-00365-00	RES 1K 1/2W 5%	3			R1, R2, R8
11		13-00479-00	RES 10K 1/2W 5%	1			R4
12		13-01874-00	RES 5.6K 1/2W 5%	1			R6
13		19-05547-00	I.C. DEC 7474	8			E5, E14, E15, E16, E27, E29, E44, E31
14		19-05575-00	I.C. DEC 7400	6			E12, E19, E22, E42, E45, E47
15		19-05576-00	I.C. DEC 7410	2			E8, E18
16		19-05577-00	I.C. DEC 7420	1			E24

E.C.O. NO.

THESE DRAWING AND SPECIFICATIONS, HEREIN, ARE THE PROPERTY OF DIGITAL EQUIPMENT CORPORATION AND SHALL NOT BE REPRODUCED OR COPIED OR USED IN WHOLE OR IN PART AS THE BASIS FOR THE MANUFACTURE OR SALE OF ITEMS WITHOUT WRITTEN PERMISSION. COPYRIGHT © 1976 DIGITAL EQUIPMENT CORPORATION.	TITLE	ASSY NO.	SIZE	CODE	NUMBER	REV.
	TAPE CONTROL NRZ1	D-UA-M8934-0-0	B	PL	M8934-0-0	A
		SHEET 1 OF 3	INSERTION PARTS LIST DATA BASE REV 4			

DIGITAL EQUIPMENT CORPORATION				QUANTITY / VARIATION								NOTES:
PARTS LIST												USED ON OPTION / MODEL
MADE BY Steve Marlow		CHECKED <i>J. Goodman</i>										TM03
DATE Sept 1, 1976		DATE 16 Nov 76										
ENG <i>John P. Fleis</i>		PROD <i>G. Dillard</i>										
DATE		DATE 17 DEC 76										
ITEM NO.	DRAWING NO.	PART NO.	DESCRIPTION									REF DESIGNATION
17		19-05578-00	I.C. DEC 7430	1								E56
18		19-05590-00	I.C. DEC 7401	1								E57
19		19-09004-00	I.C. DEC 7402	6								E11, E23, E32, E33, E53, E59
20		19-09686-00	I.C. DEC 7404	2								E30, E48
21		19-09930-00	I.C. DEC 7405	3								E21, E37, E36
22		19-10011-00	I.C. DEC 7486	4								E43, E52, E54, E58
23		19-10035-00	I.C. DEC 74197	2								E20, E35
24		19-10046-00	I.C. DEC 7442	1								E55
25		19-10155-00	I.C. DEC 7408	6								E10, E17, E25, E26, E34, E49.
26		19-10436-00	I.C. DEC 74123	1								E39
27		19-10650-00	I.C. DEC 74161	2								E7, E50
28		19-10655-00	I.C. DEC 74157	2								E1, E2
29		19-10878-00	I.C. DEC 7427	1								E13
30		19-11521-00	I.C. DEC 7432	1								E28
31		19-13750-00	I.C. MC 8500	2								E3, E6
32		19-13751-00	I.C. MC 8501	1								E4
33		19-13749-00	I.C. MC 8502	1								E38
34		90-06732-00	EYELET	8								
35		90-08337-06	HANDLE, FLIP CHIP, MAGNETA	4								

E.C.O. NO.

THIS DOCUMENT CONTAINS THE SPECIFICATIONS. HEREIN, ARE THE PROPERTY OF DIGITAL EQUIPMENT CORPORATION AND SHALL NOT BE REPRODUCED OR COPIED OR USED IN WHOLE OR IN PART FOR THE MANUFACTURE OR SALE OF ITEMS WITHOUT WRITTEN PERMISSION OF DIGITAL EQUIPMENT CORPORATION. COPYRIGHT © 1976.	TITLE	ASSY NO.	SIZE	CODE	NUMBER	REV.
	TAPE CONTROL NR21	D-UA-M8934-0-0	B	PL	M8934-0-0	A
		SHEET 2 OF 3	INSERTION PARTS LIST DATA BASE REV A			

DIGITAL EQUIPMENT CORPORATION

PARTS LIST

QUANTITY / VARIATION

NOTES:

USED ON OPTION / MODEL
TM03

MADE BY Steve Marlow	CHECKED <i>P. Goodman</i>	SECTION 1
DATE Sept 10, 1976	DATE 16 Nov 76	
ENG <i>John P. [unclear]</i>	PROD <i>B. Dillman</i>	ISSUED SECTION 1
DATE	DATE 17 DEC 76	

ITEM NO.	DRAWING NO.	PART NO.	DESCRIPTION	QUANTITY	VARIATION	REF DESIGNATION
36		90-09185-00	INSULATED JUMPERS	3		W1, W2, W3
37		19-10651-00	I.C. 74175	1		E46
38		19-10652-00	I.C. 74174	1		E41
39		19-10724-00	I.C. 74180	1		E51
40		9105740-55	WIRE, #30 AWG, GRN	AR		

THE DRAWING AND SPECIFICATIONS HERETO ARE THE PROPERTY OF DIGITAL EQUIPMENT CORPORATION AND SHALL NOT BE REPRODUCED OR COPIED OR USED IN WHOLE OR IN PART FOR THE MANUFACTURE OR SALE OF ITEMS WITHOUT WRITTEN PERMISSION. COPYRIGHT © 1976 DIGITAL EQUIPMENT CORPORATION.	TITLE	ASSY NO.	SIZE	CODE	NUMBER	REV.
	TAPE CONTROL NRZ1	D-4A-M8934-0-0	B	FL	M8934-0-0	A
		SHEET 3 OF 3	INSERTION PARTS LIST DATA BASE REV A			

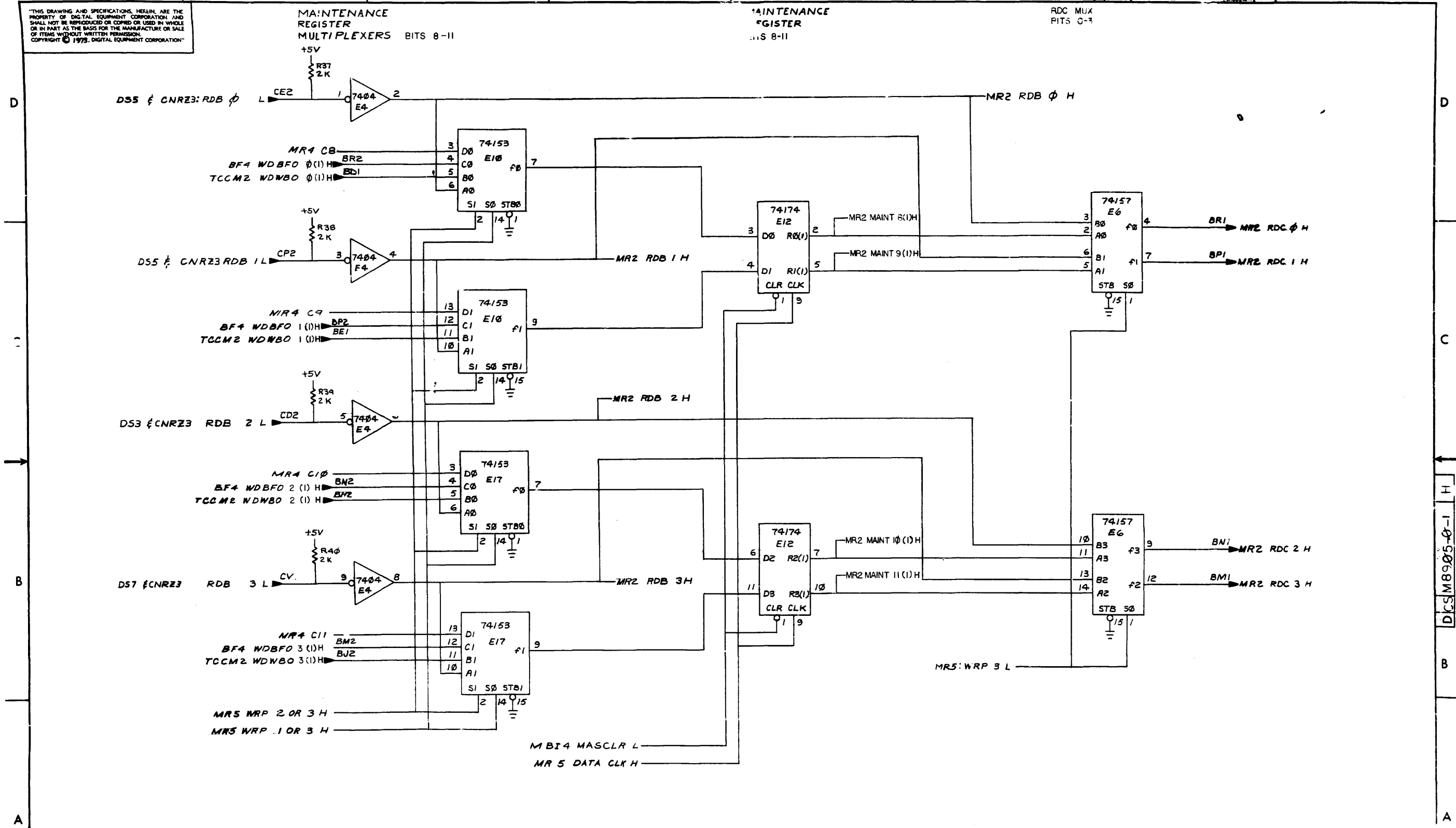
"THIS DRAWING AND SPECIFICATIONS HEREIN ARE THE PROPERTY OF DIGITAL EQUIPMENT CORPORATION AND SHALL NOT BE REPRODUCED OR COPIED OR USED IN WHOLE OR IN PART AS THE BASIS FOR THE MANUFACTURE OR SALE OF ITEMS WITHOUT WRITTEN PERMISSION. COPYRIGHT © 1975, DIGITAL EQUIPMENT CORPORATION"

MAINTENANCE REGISTER
MULTIPLEXERS BITS 8-11

MAINTENANCE REGISTER
BITS 8-11

RDC MUX
BITS 0-3

DCS M8905-0-1 2



REVISIONS		
CHK	CHANGE NO.	REV.

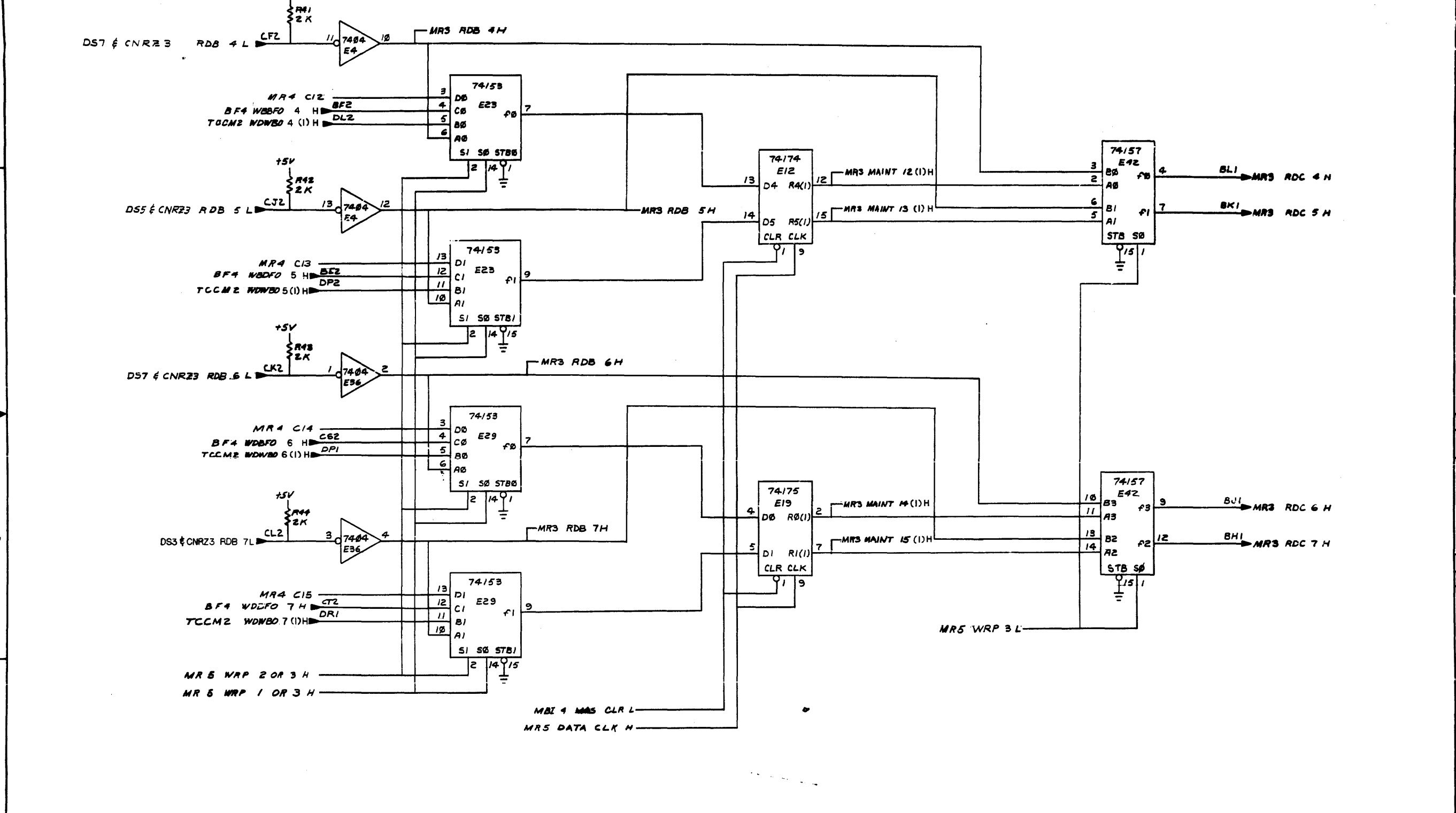
TITLE	MAINTENANCE REGISTER (MR2)	SIZE CODE	DCS M8905-0-1	NUMBER		REV.	
SCALE		SHEET	2	OF	6	DIST.	

"THIS DRAWING AND SPECIFICATIONS HEREIN ARE THE PROPERTY OF DIGITAL EQUIPMENT CORPORATION AND SHALL NOT BE REPRODUCED OR COPIED OR USED IN WHOLE OR IN PART AS THE BASIS FOR THE MANUFACTURE OR SALE OF ITEMS WITHOUT WRITTEN PERMISSION. COPYRIGHT © 1978, DIGITAL EQUIPMENT CORPORATION"

MAINTENANCE REGISTER MULTIPLEXER
BITS 12-15

MAINTENANCE REGISTER
BITS 12-15

RDC MUX
BITS 4-7



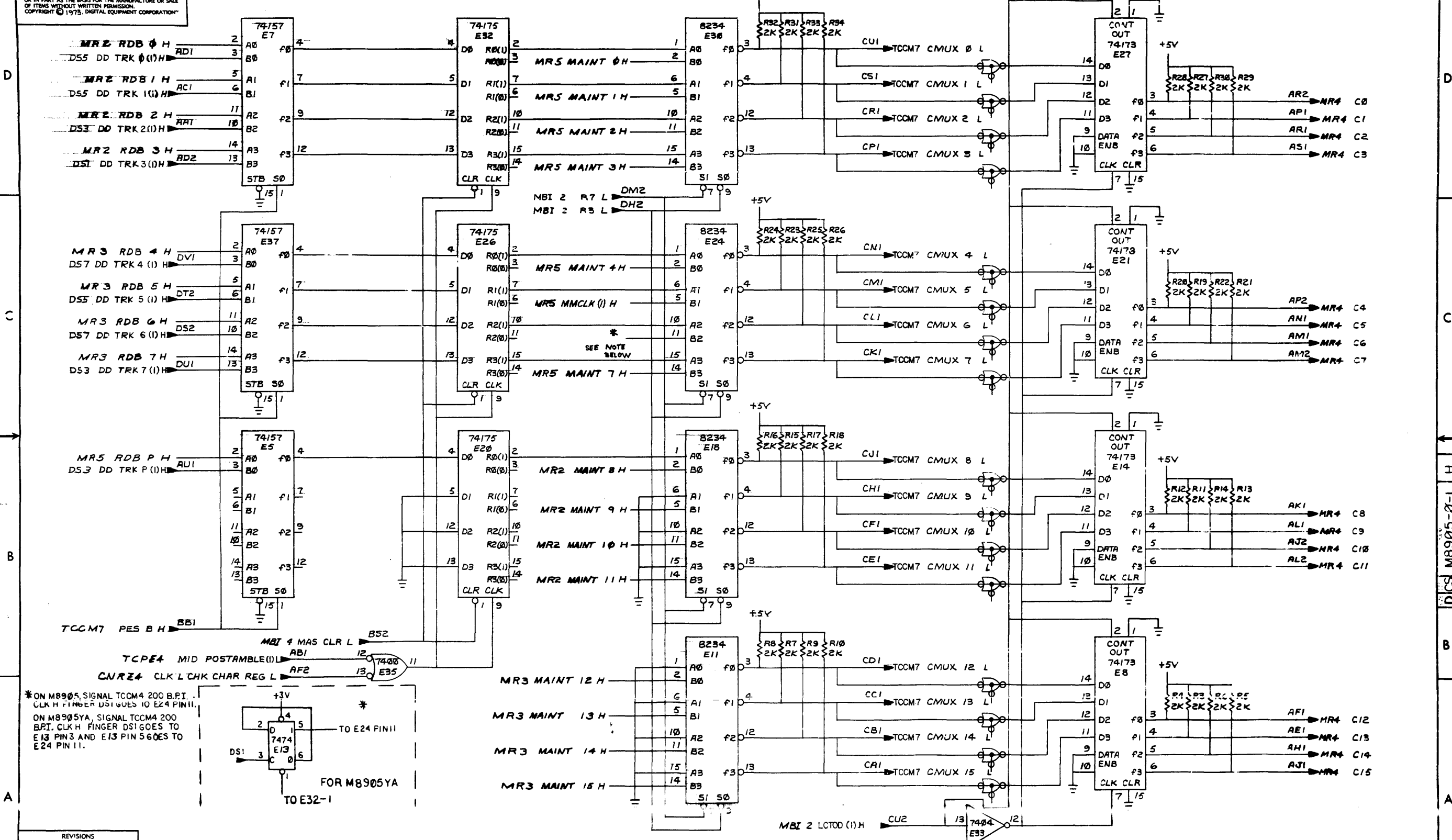
REVISIONS		
CHK	CHANGE NO.	REV.

DCS M8905-0-1 H

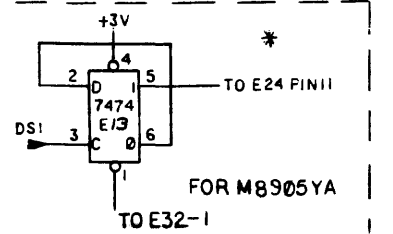
"THIS DRAWING AND SPECIFICATIONS, HEREIN, ARE THE PROPERTY OF DIGITAL EQUIPMENT CORPORATION AND SHALL NOT BE REPRODUCED OR COPIED OR USED IN WHOLE OR IN PART AS THE BASIS FOR THE MANUFACTURE OR SALE OF ITEMS WITHOUT WRITTEN PERMISSION. COPYRIGHT © 1975, DIGITAL EQUIPMENT CORPORATION"

CHECK CHAR. REGISTER

C-LINE LATCHES



* ON M8905, SIGNAL TCCM4 200 B.P.I. CLK H FINGER DS1 GOES TO E24 PIN 11.
 ON M8905YA, SIGNAL TCCM4 200 B.P.I. CLK H FINGER DS1 GOES TO E13 PIN 3 AND E13 PIN 5 GOES TO E24 PIN 11.

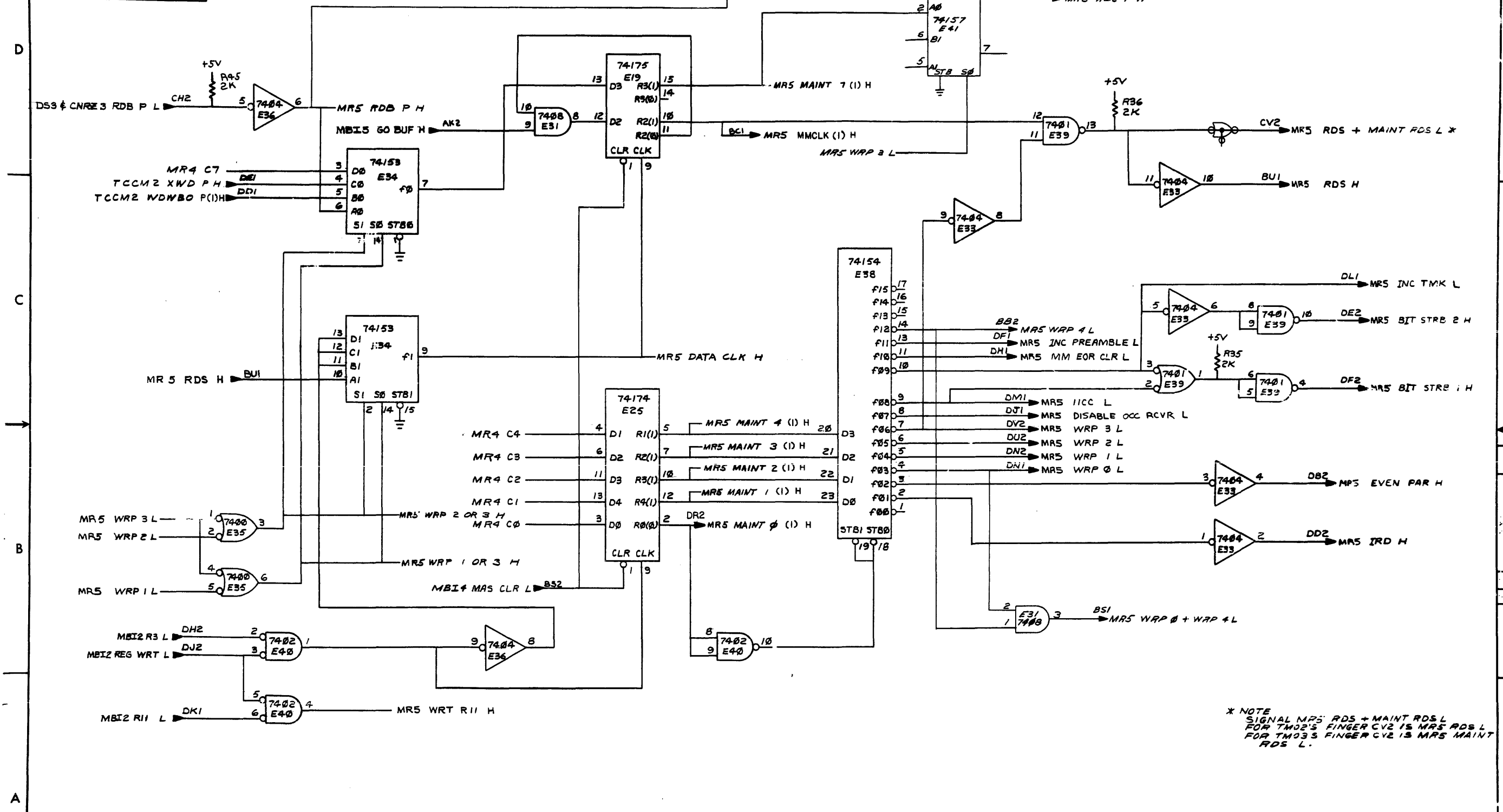


REVISIONS		
CHK	CHANGE NO.	REV.

DCS M8905-0-1 H

THIS DRAWING AND SPECIFICATIONS HEREIN ARE THE PROPERTY OF DIGITAL EQUIPMENT CORPORATION AND SHALL NOT BE REPRODUCED OR COPIED OR USED IN WHOLE OR IN PART AS THE BASIS FOR THE MANUFACTURE OR SALE OF ITEMS WITHOUT WRITTEN PERMISSION. COPYRIGHT © 1973, DIGITAL EQUIPMENT CORPORATION

MAINTENANCE REGISTER BITS 0-7



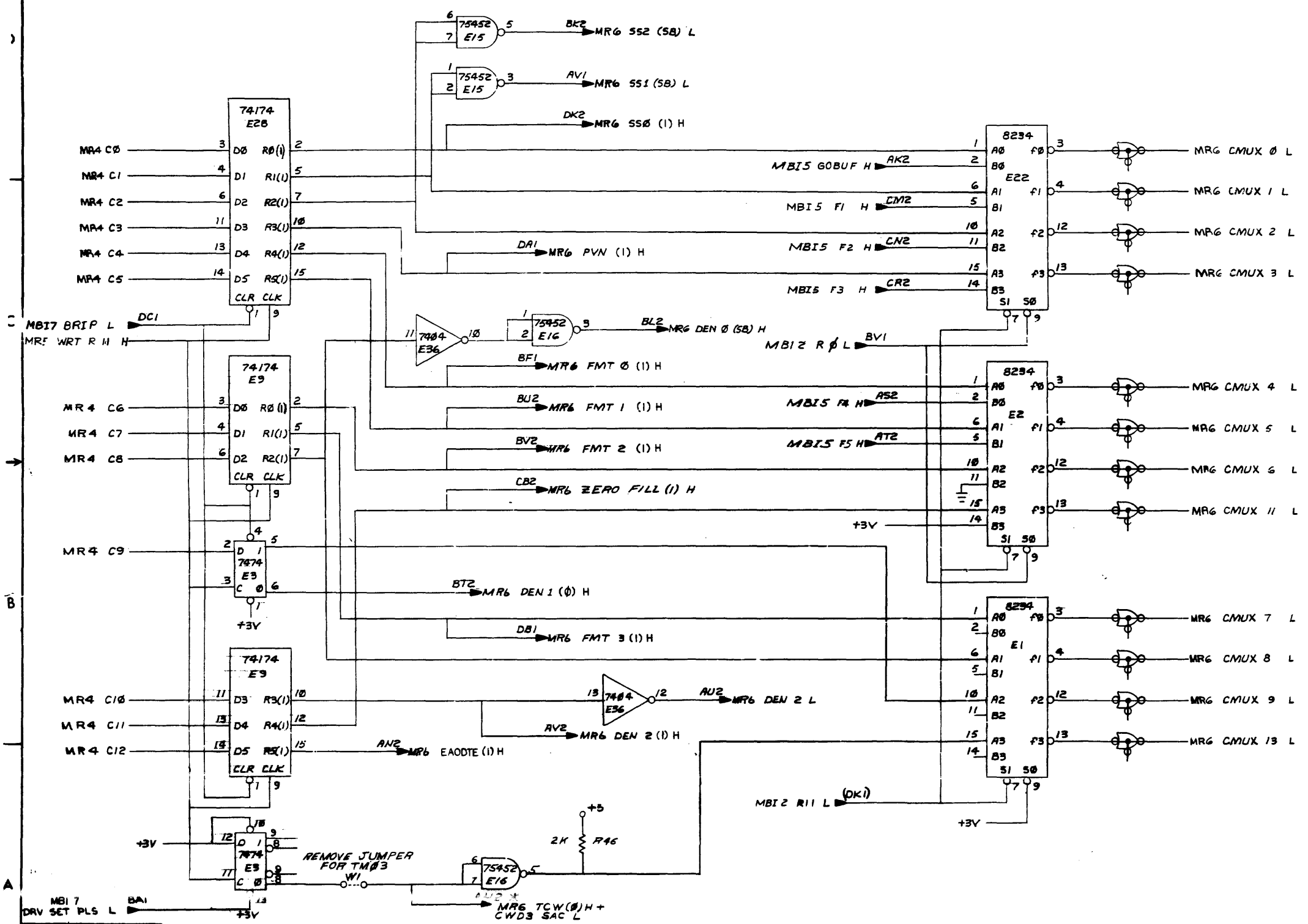
* NOTE
SIGNAL MRS RDS + MAINT RDS L
FOR TM02'S FINGER CV2 IS MRS RDS L
FOR TM03'S FINGER CV2 IS MRS MAINT
RDS L.

REVISIONS		
CHK	CHANGE NO.	REV

TITLE	MAINTENANCE REGISTER (MRS)	SIZE CODE	NUMBER	REV.
SCALE	SHEET 5 OF 6	DIST.	DCS M8905-0-1	H

THE DRAWING AND SPECIFICATIONS HEREIN ARE THE PROPERTY OF DIGITAL EQUIPMENT CORPORATION AND SHALL NOT BE REPRODUCED OR LOANED OR USED IN WHOLE OR IN PART AS THE BASIS FOR THE MANUFACTURE OR SALE OF ITEMS WITHOUT WRITTEN PERMISSION. COPYRIGHT © 1973, DIGITAL EQUIPMENT CORPORATION

TAPE CONTROL REGISTER

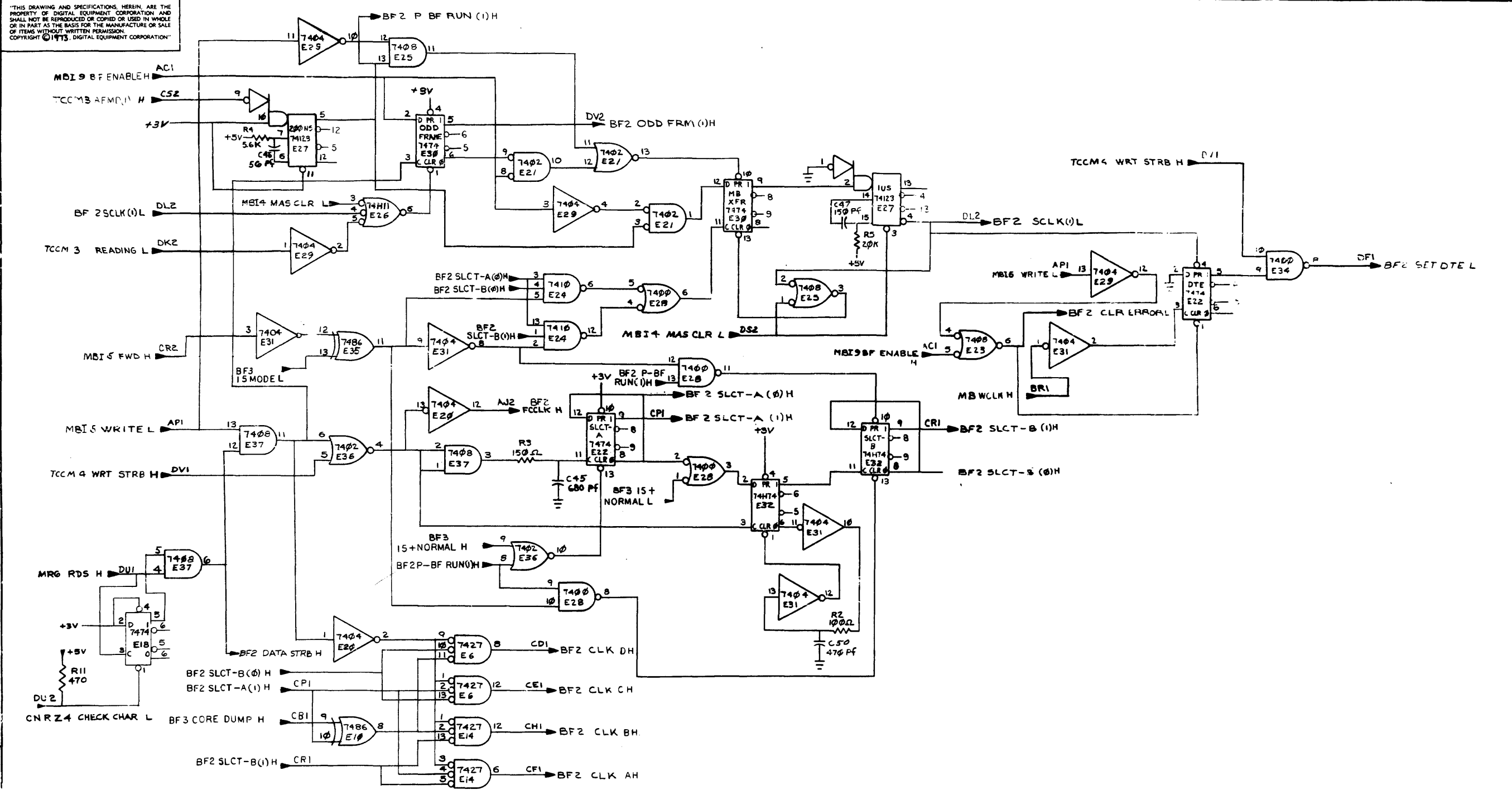


*NOTE FOR TM02'S FINGER AH2 IS MR6 TCW(0)H, FOR TM03'S FINGER AH2 IS CWD3 SAC L.

REVISIONS		
CHK	CHANGE NO	REV

DCS M8905-0-1 H

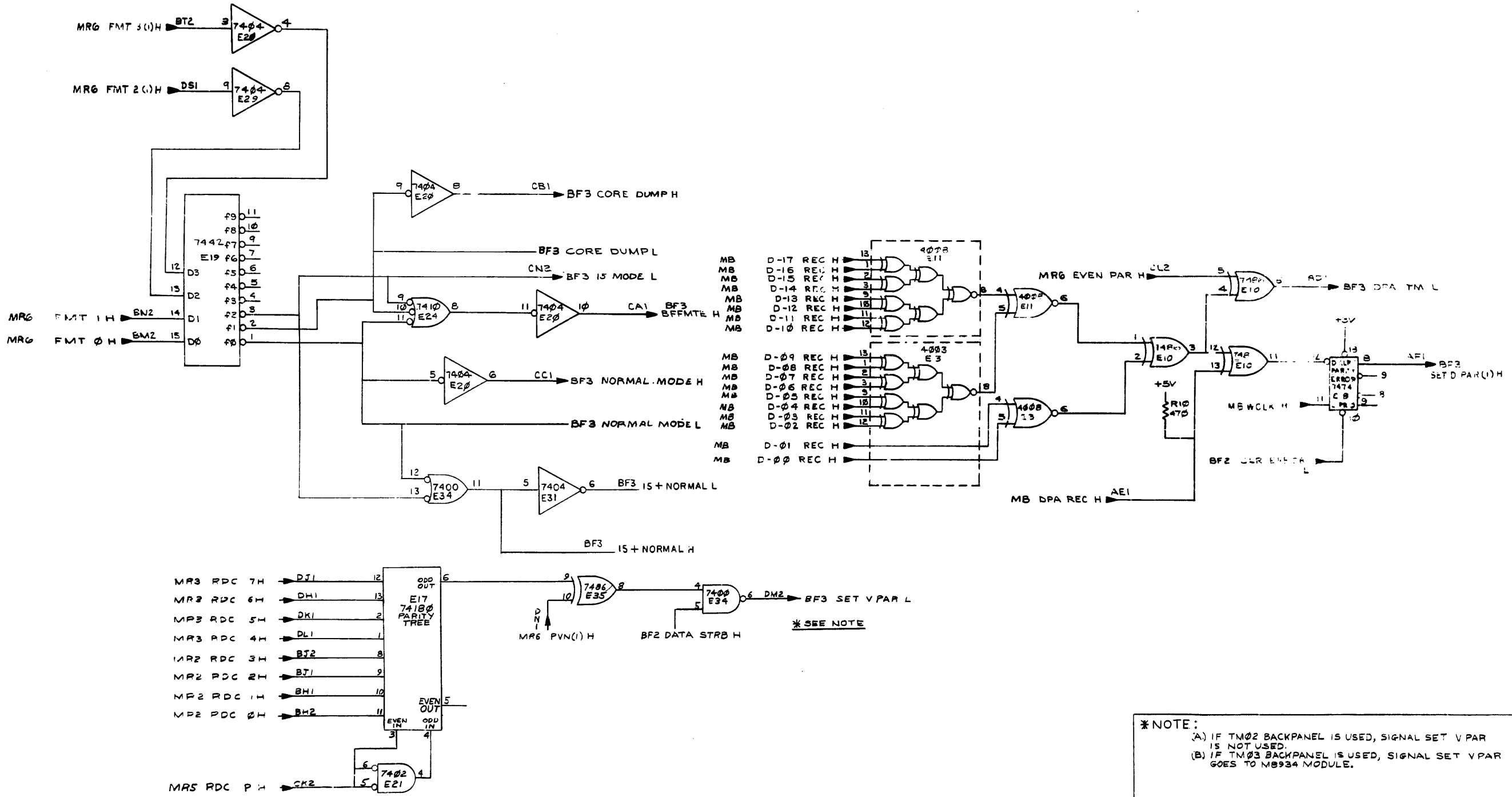
THIS DRAWING AND SPECIFICATIONS, HEREIN, ARE THE PROPERTY OF DIGITAL EQUIPMENT CORPORATION AND SHALL NOT BE REPRODUCED OR COPIED OR USED IN WHOLE OR IN PART AS THE BASIS FOR THE MANUFACTURE OR SALE OF ITEMS WITHOUT WRITTEN PERMISSION. COPYRIGHT © 1973, DIGITAL EQUIPMENT CORPORATION.



REVISIONS		
CHK	CHANGE NO	REV

TITLE	16 BIT - (BF2) BIT FIDDLER	SIZE CODE	DICS	NUMBER	M8906-0-1	REV.	
SCALE		SHEET	2	OF	5	DIST.	

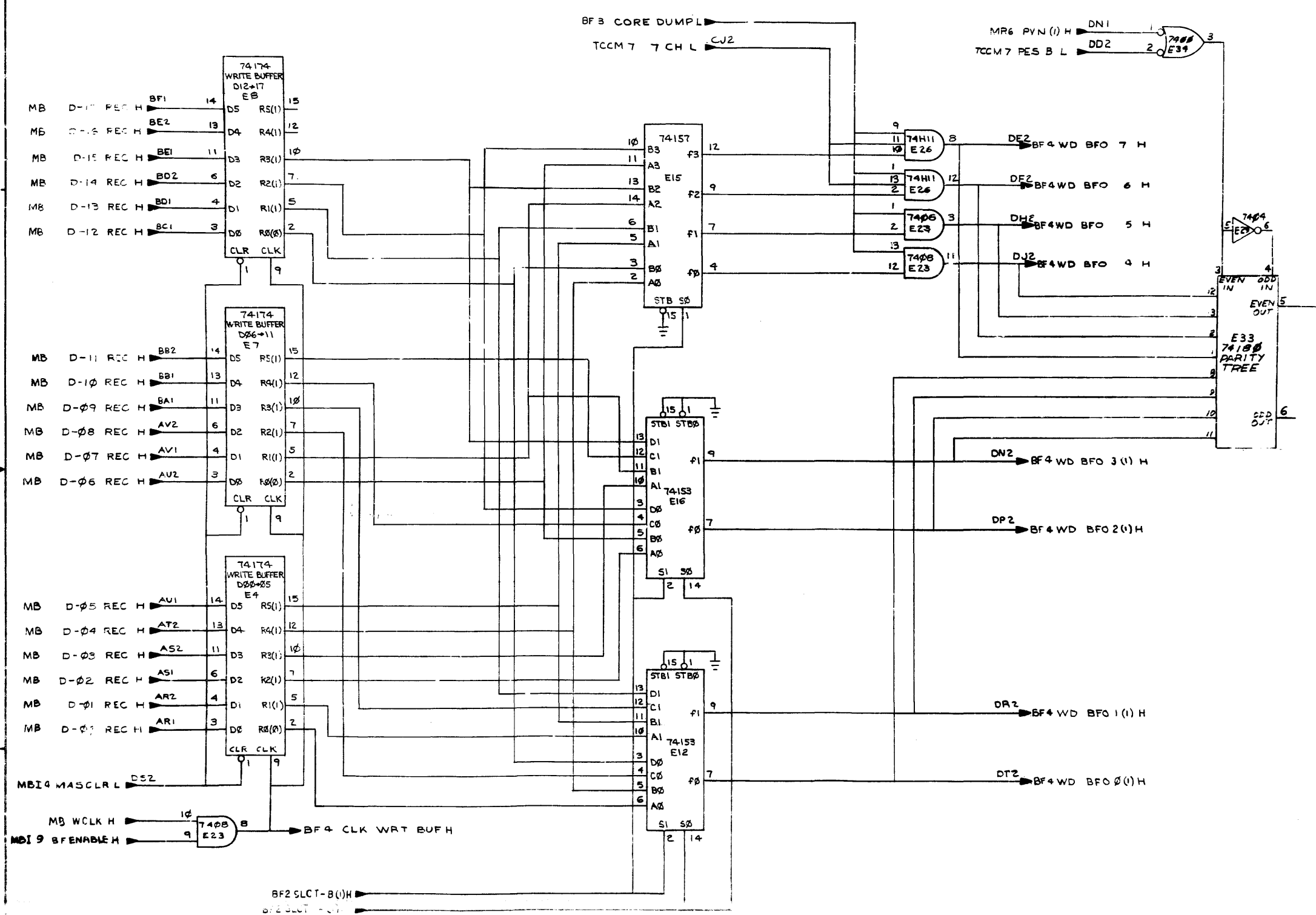
"THIS DRAWING AND SPECIFICATIONS HEREIN ARE THE PROPERTY OF DIGITAL EQUIPMENT CORPORATION AND SHALL NOT BE REPRODUCED OR COPIED OR USED IN WHOLE OR IN PART AS THE BASIS FOR THE MANUFACTURE OR SALE OF ITEMS WITHOUT WRITTEN PERMISSION. COPYRIGHT © 1972, DIGITAL EQUIPMENT CORPORATION."



*NOTE:
 (A) IF TM02 BACKPANEL IS USED, SIGNAL SET V PAR IS NOT USED.
 (B) IF TM03 BACKPANEL IS USED, SIGNAL SET V PAR GOES TO M8934 MODULE.

REVISIONS		
CHK	CHANGE NO	REV

"THIS DRAWING AND SPECIFICATIONS, HEREIN, ARE THE PROPERTY OF DIGITAL EQUIPMENT CORPORATION AND SHALL NOT BE REPRODUCED OR COPIED OR USED IN WHOLE OR IN PART AS THE BASIS FOR THE MANUFACTURE OR SALE OF ITEMS WITHOUT WRITTEN PERMISSION. COPYRIGHT © 1973, DIGITAL EQUIPMENT CORPORATION"

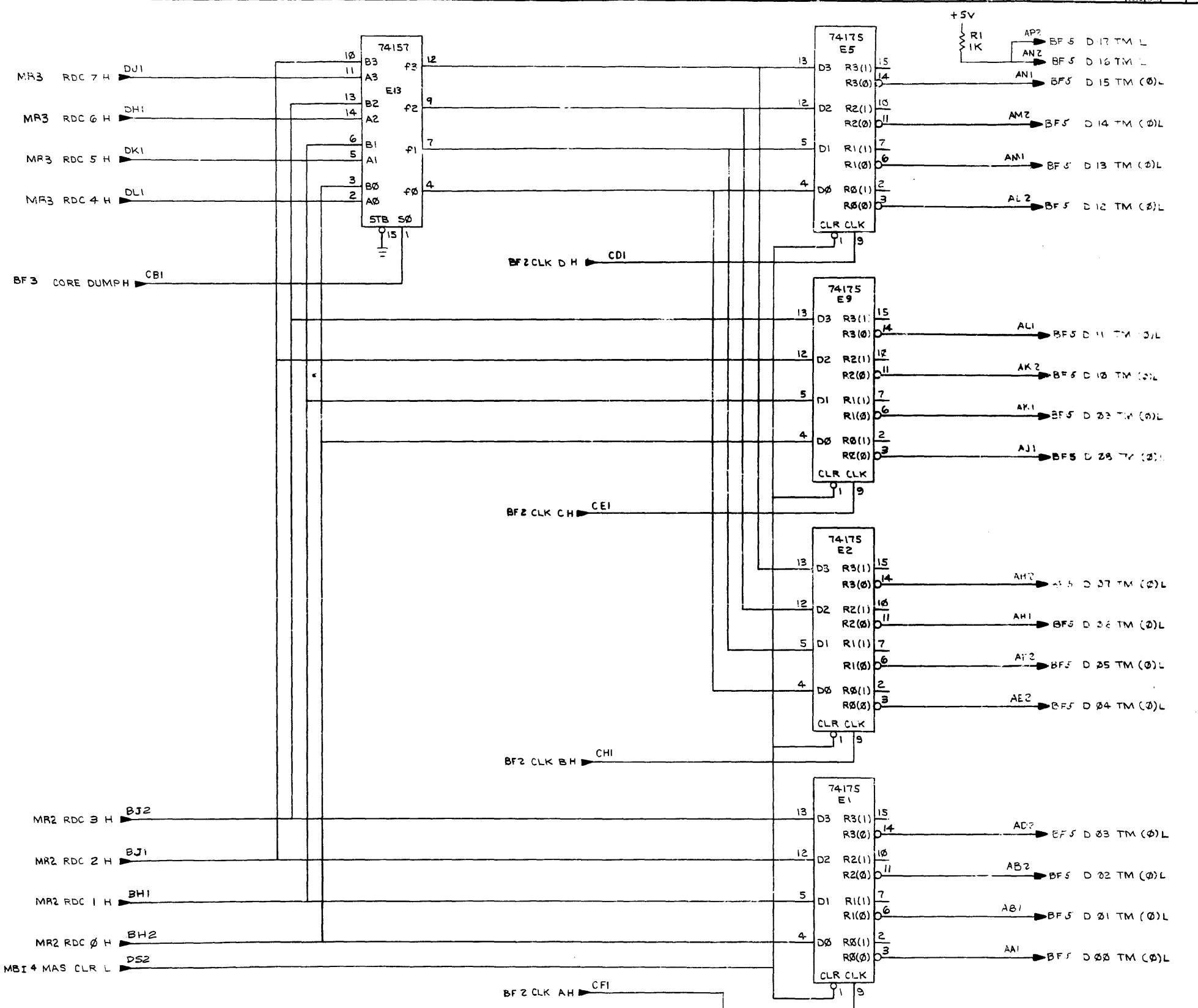


NOTE:
 IF TM02 BACKPANEL IS USED, SIGNAL WDBFO P IS NORMALLY UNUSED.
 IF TM33 BACKPANEL IS USED, SIGNAL WDBFO R GOES TO M8933 MODULE.

SLCT-B	SLCT-A	FUNCTION
0	2	II[749TRK-CD-1ST FRM]+(LD-INT FRM)
0	1	II[749TRK-CD-2ND FRM]
1	0	II[749TRK-CD-ND FRM]+(CD-3RD FRM)
1	1	II[749TRK-CD-4TH FRM]

REVISIONS		
CHK	CHANGE NO	REV

THIS DRAWING AND SPECIFICATIONS HEREIN ARE THE PROPERTY OF DIGITAL EQUIPMENT CORPORATION AND SHALL NOT BE REPRODUCED OR COPIED OR USED IN WHOLE OR IN PART AS THE BASIS FOR THE MANUFACTURE OR SALE OF ITEMS WITHOUT WRITTEN PERMISSION. COPYRIGHT © 1973, DIGITAL EQUIPMENT CORPORATION.

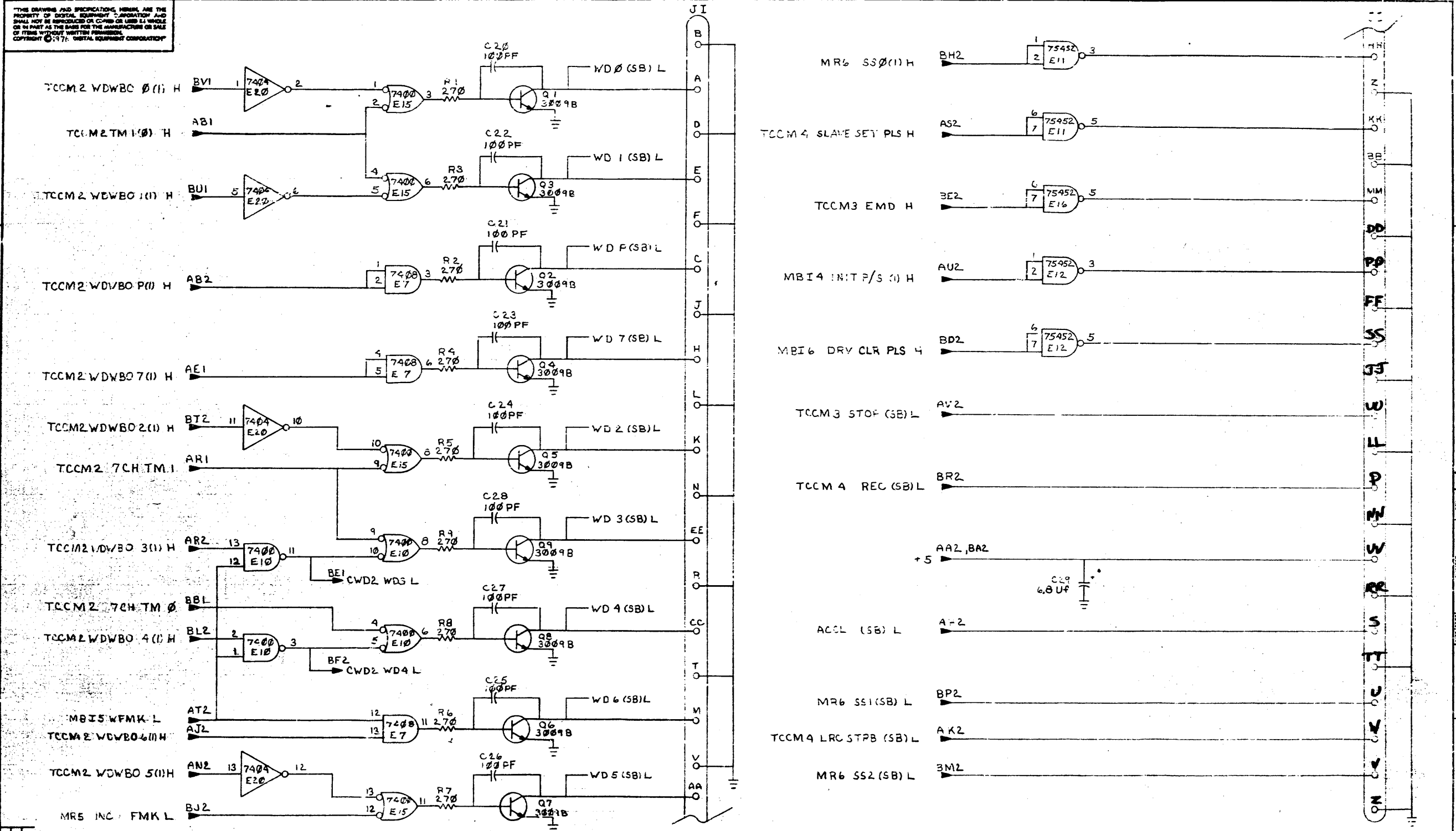


REVISIONS		
CHK	CHANGE NO	REV

TITLE	16 BIT - (BF5) BIT FIDDLER	SIZE/CODE	D CS	NUMBER	M8926-0-1	REV.	D
SCALE	+	SHEET	5	OF	5	DIST.	

THE DRAWING AND SPECIFICATIONS HEREIN ARE THE PROPERTY OF DIGITAL EQUIPMENT CORPORATION AND SHALL NOT BE REPRODUCED OR COPIED OR USED IN WHOLE OR IN PART AS THE BASIS FOR THE MANUFACTURE OR SALE OF ITEMS WITHOUT WRITTEN PERMISSION. COPYRIGHT © 1977, DIGITAL EQUIPMENT CORPORATION.

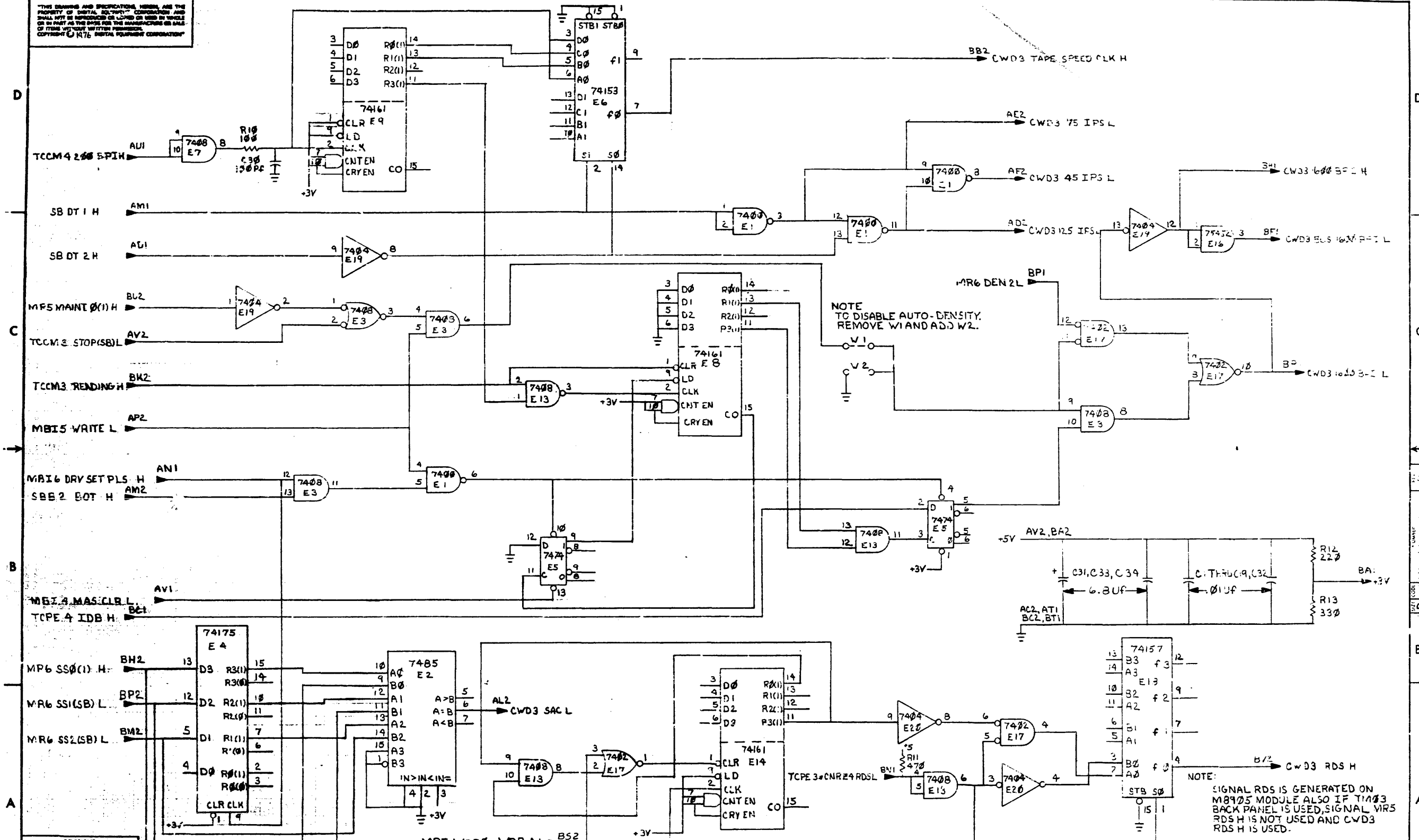
8 7 6 5 4 3 2 1



DRN. G40425	77-5-76	FIRST USED ON	digital
CHK'D BY	2 JUN 77	TITLE	TM03
PRD. ENG. BY	1 JUN 77	TM03 CONTROL & WRITE DRIVERS (CWD2)	
PROD. BY	1 JUN 77	NEXT HIGHER ASSY.	
B-DD-M8937-0-0		SIZE	CODE
SCALE	1	D	LS#8937-0-1
SHEET	1	OF	2
		DIST.	

8 7 6 5 4 3 2 1

THIS DRAWING AND SPECIFICATIONS HEREIN ARE THE PROPERTY OF DIGITAL EQUIPMENT CORPORATION AND SHALL NOT BE REPRODUCED OR COPIED OR USED IN WHOLE OR IN PART AS THE BASIS FOR THE MANUFACTURE OR SALE OF ITEMS WITHOUT WRITTEN PERMISSION. COPYRIGHT © 1976 DIGITAL EQUIPMENT CORPORATION



NOTE TO DISABLE AUTO-DENSITY. REMOVE W1 AND ADD W2.

NOTE: SIGNAL RDS IS GENERATED ON M8905 MODULE ALSO IF TIME3 BACK PANEL IS USED, SIGNAL MRS RDS H IS NOT USED AND CWD3 RDS H IS USED.

REVISIONS		
CHK	CHANGE NO.	REV.

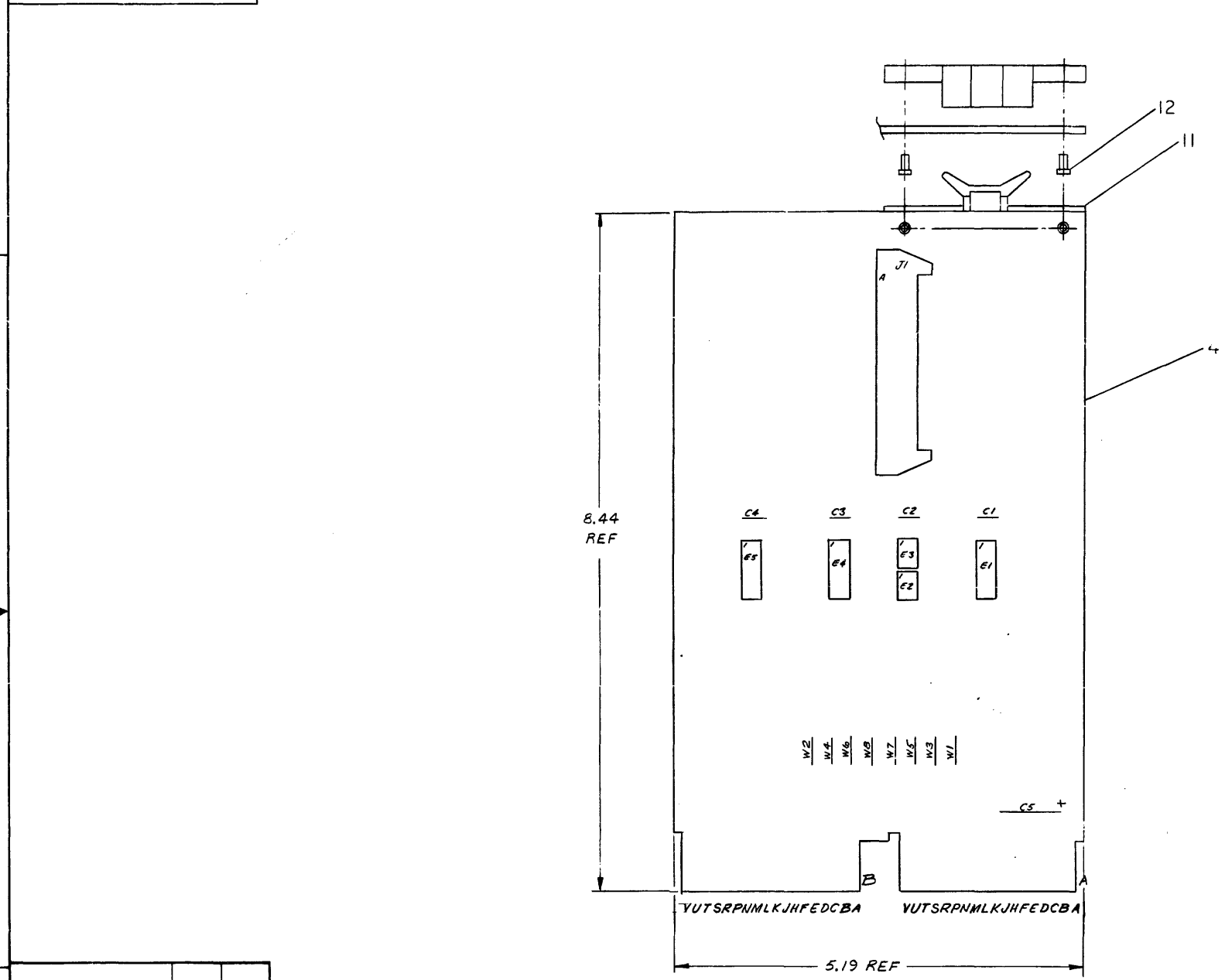
TITLE	TM03 CONTROL + WRITE DRIVERS (CWD3)	SIZE CODE	NUMBER	REV.
SCALE	SHEET 2 OF 2	DIST.	D CS M2937-0-1	B

DIGITAL EQUIPMENT CORPORATION				QUANTITY / VARIATION								NOTES:
PARTS LIST												USED ON OPTION/MODEL-TM03
MADE BY Stu Klotzle		CHECKED <i>[Signature]</i>										
DATE 8/28/76		DATE 1/15/77										
ENG JIM VAGIAS		PROD <i>[Signature]</i>										
DATE 4 JAN 77		DATE 4 JAN 77										
ITEM NO.	DRAWING NO.	PART NO.	DESCRIPTION									REF DESIGNATION
17		19-10155-00	I.C. 7408	3								E3,E7,E13
18		19-10224-00	I.C. 7485	1								E2
19		19-10645-00	I.C. 75452	3								E11,E12,E16
20		19-10650-00	I.C. 74161	3								E8,E9,E14
21		19-10651-00	I.C. 74175	1								E4
22		19-10655-00	I.C.74157	1								E18
23		9008337-06	HANDLE, FLIP CHIP	2								
24		9006732-00	EYELET	4								
25												
26												
27		90-09185-00	JUMPER, WIRE, WHT INS.	2								W1,W2

E.C. NO.	THIS DRAWING AND SPECIFICATIONS HEREIN ARE THE PROPERTY OF DIGITAL EQUIPMENT CORPORATION AND SHALL NOT BE REPRODUCED OR COPIED OR USED IN WHOLE OR IN PART AS THE BASIS FOR THE MANUFACTURE OR SALE OF ITEMS WITHOUT PERMISSION. COPYRIGHT © 1976, DIGITAL EQUIPMENT CORPORATION.			TITLE	ASSY NO.	SIZE	CODE	NUMBER	REV.
				TM03 CONTROL AND WRITE DRIVERS	D-UA-M8937-0-0	B	PL	M8937-0-0	B
					SHEET 2 OF 2	INSERTION PARTS LIST DATA BASE REV 5			

"THIS DRAWING AND SPECIFICATIONS, HEREIN, ARE THE PROPERTY OF DIGITAL EQUIPMENT CORPORATION AND SHALL NOT BE REPRODUCED OR COPIED OR USED IN WHOLE OR IN PART AS THE BASIS FOR THE MANUFACTURE OR SALE OF ITEMS WITHOUT WRITTEN PERMISSION. COPYRIGHT © 1974, DIGITAL EQUIPMENT CORPORATION"

NOTES:



IC TYPE	GND	+5V
75452	4	8
11380	1	8

GND AND 5V ARE USUALLY PIN 7 AND 14 RESPECTIVELY. EXCEPTIONS ARE STATED ABOVE

IC PIN LOCATIONS

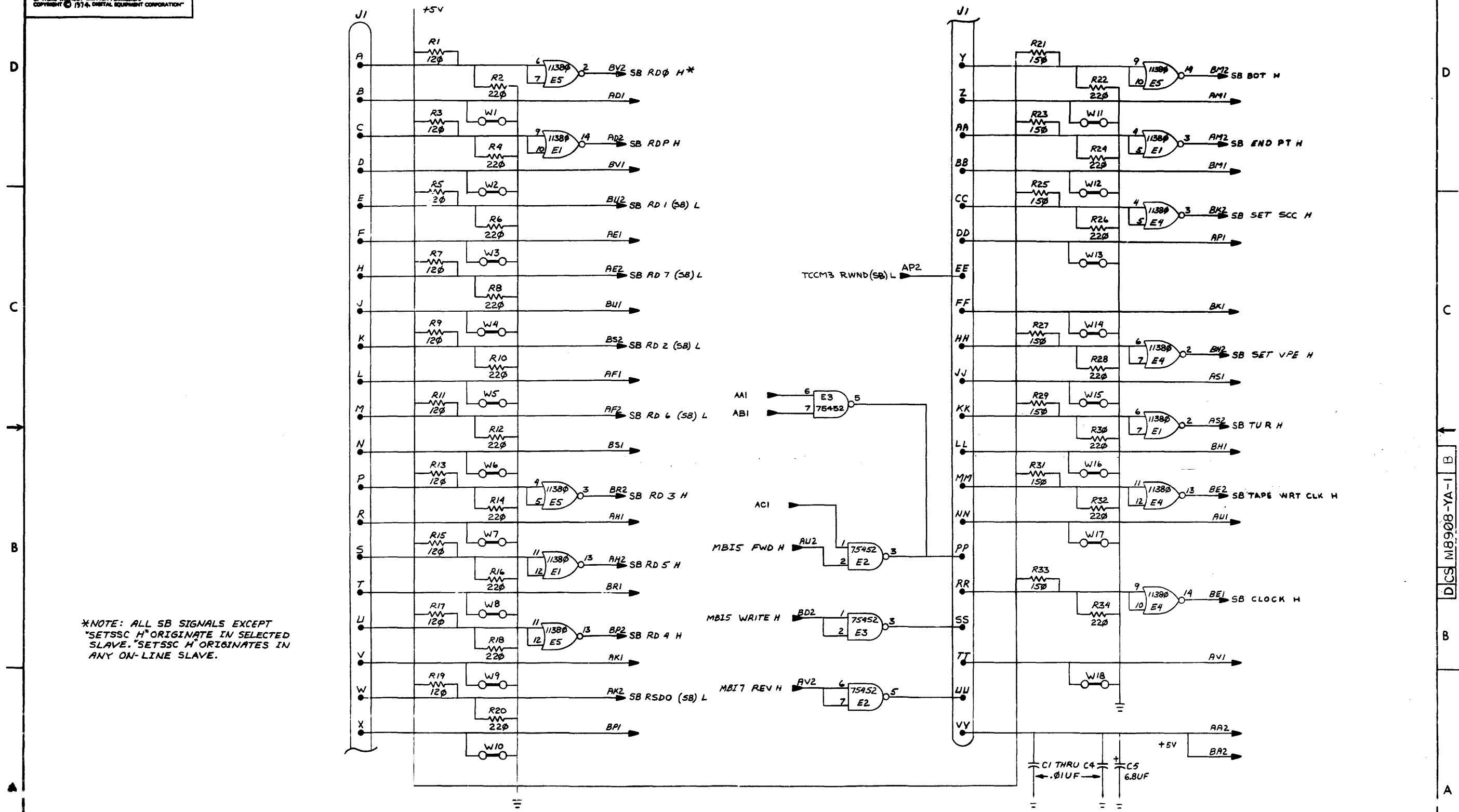
REF	X-Y COORDINATE	HOLE LOCATION	QTY	ITEM NO.
REF				
REF				
REF				
1				
4	C1 THRU C4	CAP .01UF 100V 20% DISC	1001610-01	5
1	C5	CAP 6.8UF 35V 2% TAN	1005306	6
1	J1	CONN 40 PIN	1209941-02	7
2	E2, E3	IC 75452	1910645-01	8
3	E1, E4, E5	IC 11380	1911113	9
8	W1 THRU W8	JUMPER, INSULATED	9009185	10
2		HANDLE, FLIP-CHIP MAGENTA	9008337-6	11
4		EYELET	9006732	12

FIRST USED ON OPTION MODEL TU16		ETCH BOARD REV B	
PARTS LIST			
QTY	REF DESIGNATION	DESCRIPTION	PART NO. ITEM NO.
DRN <i>[Signature]</i>		DATE 2/27/74	<p>digital EQUIPMENT CORPORATION MARTIN, MASSACHUSETTS</p> <p>TITLE RECEIVER TERMINATOR</p> <p>SIZE/CODE NUMBER REV. DCS M8908-0-1 C</p>
CHK'D <i>[Signature]</i>	DATE 3/5/74		
ENGR <i>[Signature]</i>	DATE 3/5/74		
PROJ. ENG. <i>[Signature]</i>	DATE 3-6-74		
PROD. <i>[Signature]</i>	DATE 3-7-74		
NEXT HIGHER ASSY			
SEMICONDUCTOR CONVERSION CHART			
DEC NO.	EIA NO.	DEC NO.	EIA NO.
SCALE SHEET 1 OF 2		DRGT.	

DRN J. HESS 2-25-77	CHK'D J. HESS 3-1-74	ENGR H. DRAB 10-12-76	PROD. H. DRAB 10-12-76	REV. 1 H. DRAB 6-1-74	REV. 2 H. DRAB 6-1-74	REV. 3 H. DRAB 6-1-74	REV. 4 H. DRAB 6-1-74
---------------------------	----------------------------	-----------------------------	------------------------------	-----------------------------	-----------------------------	-----------------------------	-----------------------------

"THE DRAWING AND SPECIFICATIONS, HEREIN, ARE THE PROPERTY OF DIGITAL EQUIPMENT CORPORATION AND SHALL NOT BE REPRODUCED OR COPIED OR USED IN WHOLE OR IN PART AS THE BASIS FOR THE MANUFACTURE OR SALE OF ITEMS WITHOUT WRITTEN PERMISSION. COPYRIGHT © 1974, DIGITAL EQUIPMENT CORPORATION"

8 1-VA-8068W SCD 2



*NOTE: ALL SB SIGNALS EXCEPT "SETSSC H" ORIGINATE IN SELECTED SLAVE. "SETSSC H" ORIGINATES IN ANY ON-LINE SLAVE.

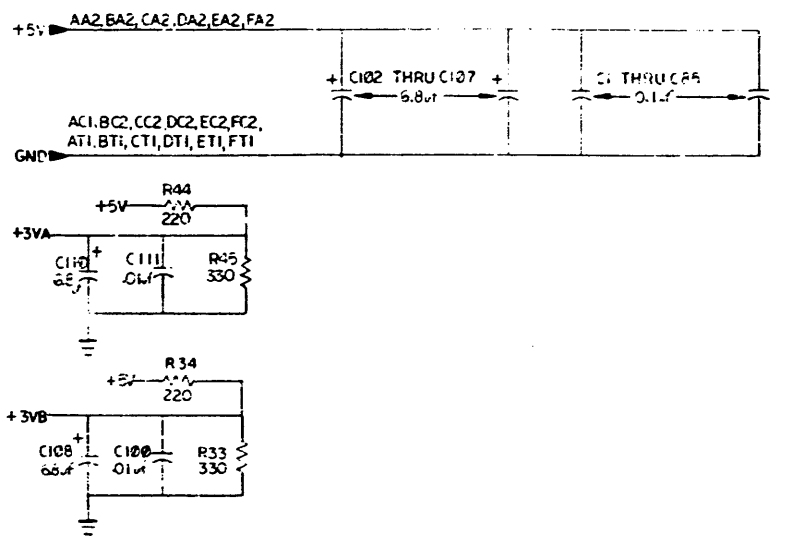
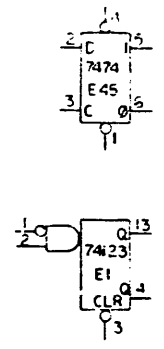
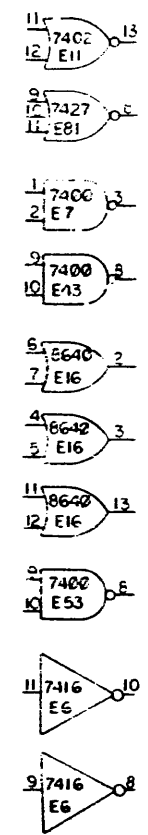
C1 THRU C4
← .01UF →
+5V
C5
6.8UF

REVISIONS		
CHK	CHANGE NO.	REV.

THIS DRAWING AND SPECIFICATIONS, HEREIN, ARE THE PROPERTY OF DIGITAL EQUIPMENT CORPORATION AND SHALL NOT BE REPRODUCED OR COPIED OR USED IN WHOLE OR IN PART AS THE BASIS FOR THE MANUFACTURE OR SALE OF ITEMS WITHOUT WRITTEN PERMISSION. DIGITAL EQUIPMENT CORPORATION

NOTES:
 1. UNLESS OTHERWISE SPECIFIED:
 A. RESISTANCE IN OHMS
 B. CAPACITANCE IN MICROFARADS

SPARE IC'S

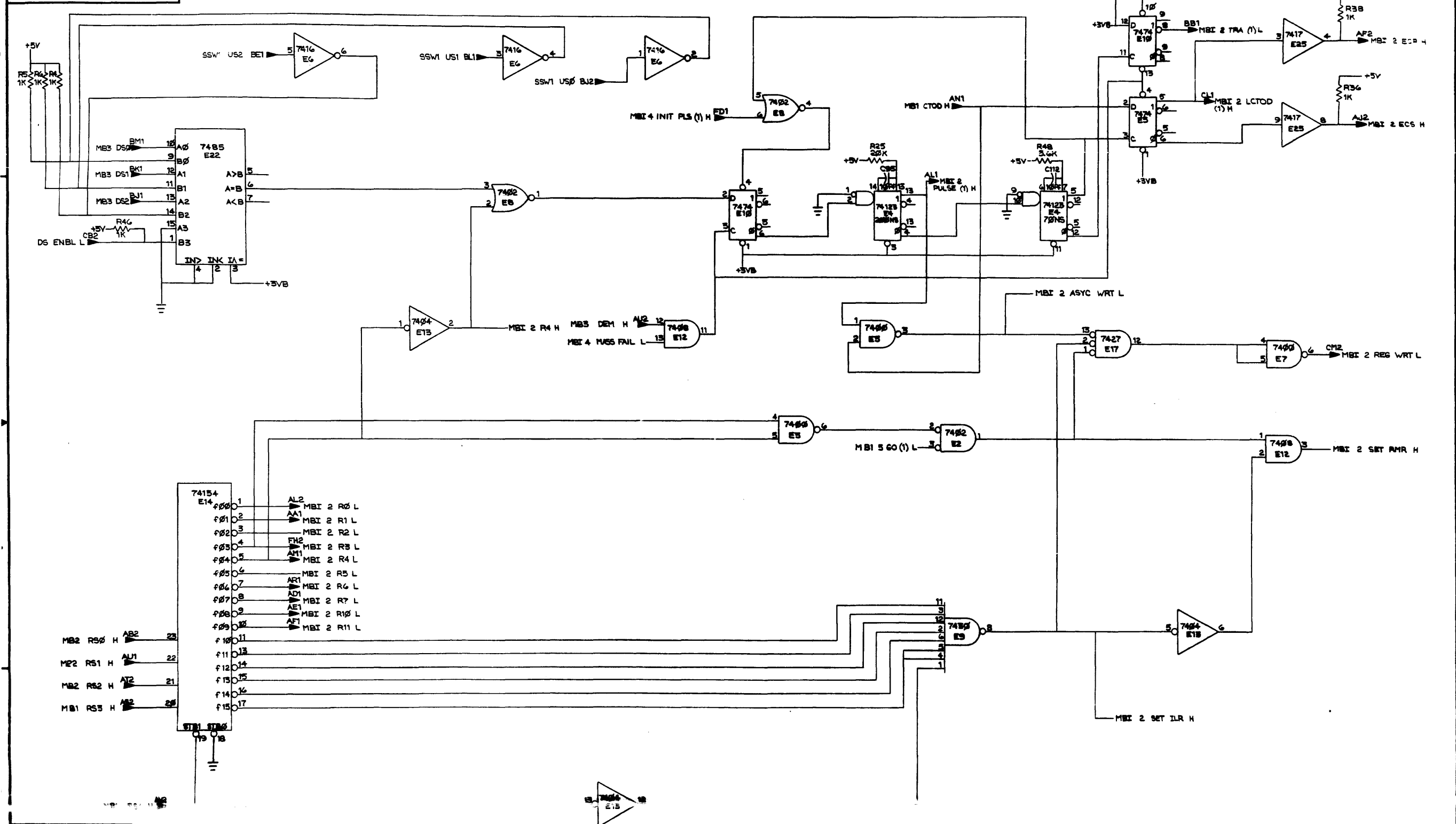


DEC 7475	12	5
DEC 7485	8	16
DEC 74123	8	16
DEC 74145	8	16
DEC 74151	8	16
DEC 74154	12	24
DEC 74155	8	16
DEC 74193	8	16
DEC 384	1	8
DEC 8234	8	16

IC TYPE GND +5V
 GND AND 5V ARE USUALLY PIN 7 AND 14 RESPECTIVELY EXCEPT WHERE STATED ABOVE
 IC PIN LOCATIONS

FIRST USED ON OPTION MODEL		QTY	REF. DESIGNATION	DESCRIPTION	PART NO.	ITEM NO.
TU16						
ETCH BOARD REV.		PARTS LIST				
C						
DRW. M. PORRIER	DATE 11-8-73					
CHG'D. F. CANBERRY	DATE 1-22-74					
ENGR. H. DRAB	DATE 1-22-74					
PROJ. ENGR. H. DRAB	DATE 1-22-74					
PROJ. R. KOCUON	DATE 1-22-74	TITLE				
NEXT HIGHER ASSY		MASS BUS (MBI 1) INTERFACE				
DEC NO.	EIA NO.	DEC NO.	EIA NO.	SIZE	CODE	NUMBER
		D664	IN3606	D	CS	M8909-YA-1
SEMICONDUCTOR CONVERSION CHART						REV. J
SCALE						1 OF 11
SHEET						DIST.

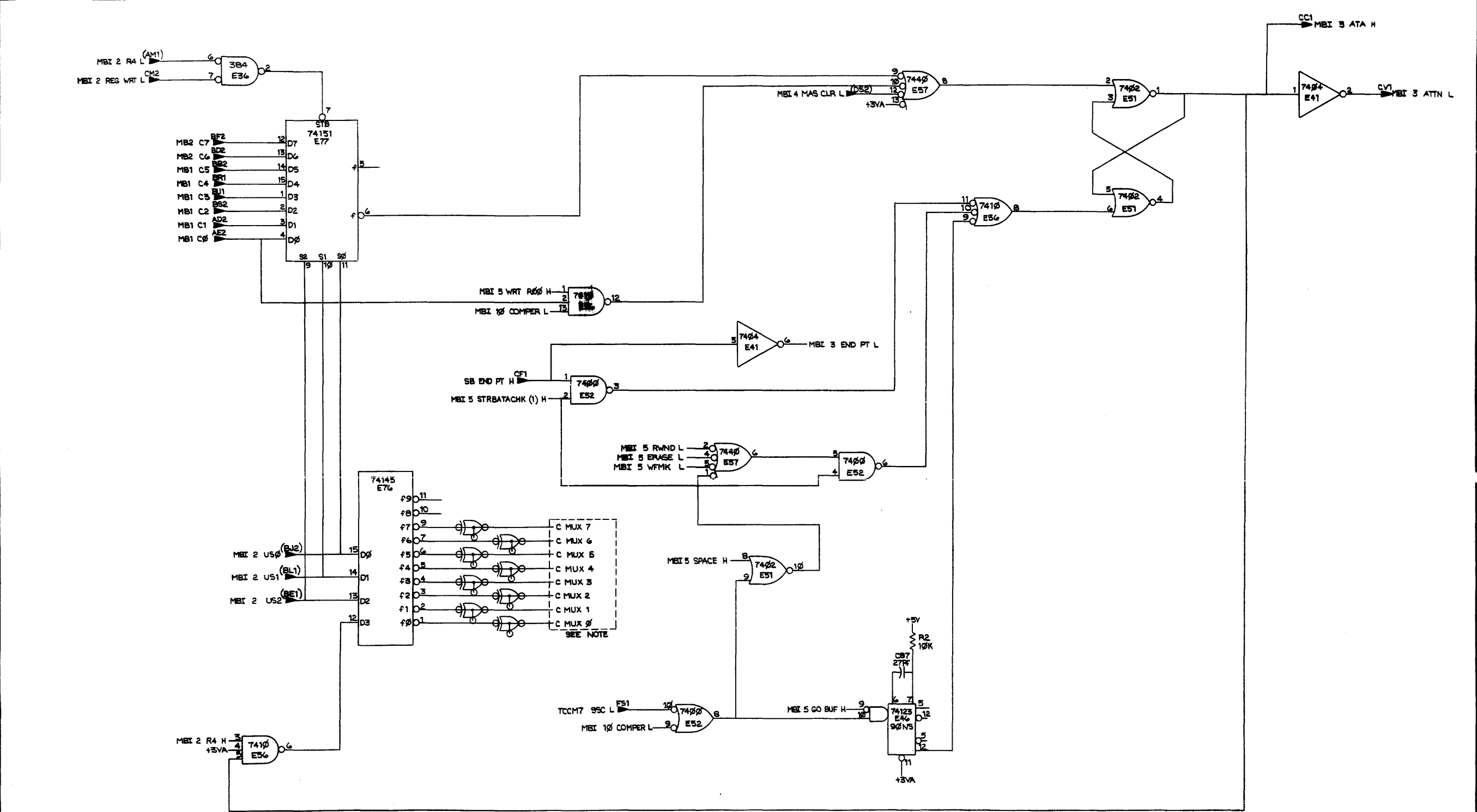
"THIS DRAWING AND SPECIFICATIONS HEREIN ARE THE PROPERTY OF DIGITAL EQUIPMENT CORPORATION AND SHALL NOT BE REPRODUCED OR COPIED OR USED IN WHOLE OR IN PART AS THE BASIS FOR THE MANUFACTURE OR SALE OF ITEMS WITHOUT WRITTEN PERMISSION. COPYRIGHT © 1973 DIGITAL EQUIPMENT CORPORATION"



REVISIONS		
CHK	CHANGE NO.	REV.

TITLE	MASS BUS INTERFACE (MBI 2)	SIZE CODE	D CS	NUMBER	M8909-YA-1	REV.	J
SCALE		SHEET	2 OF 11	DIST.			

"THE DRAWING AND SPECIFICATIONS HEREIN ARE THE PROPERTY OF SEBEC INCORPORATED AND SHALL NOT BE REPRODUCED OR COPIED OR USED IN WHOLE OR IN PART AS THE BASIS FOR THE MANUFACTURE OR SALE OF ITEMS WITHOUT WRITTEN PERMISSION. COPYRIGHT © 1975 SEBEC INCORPORATED"

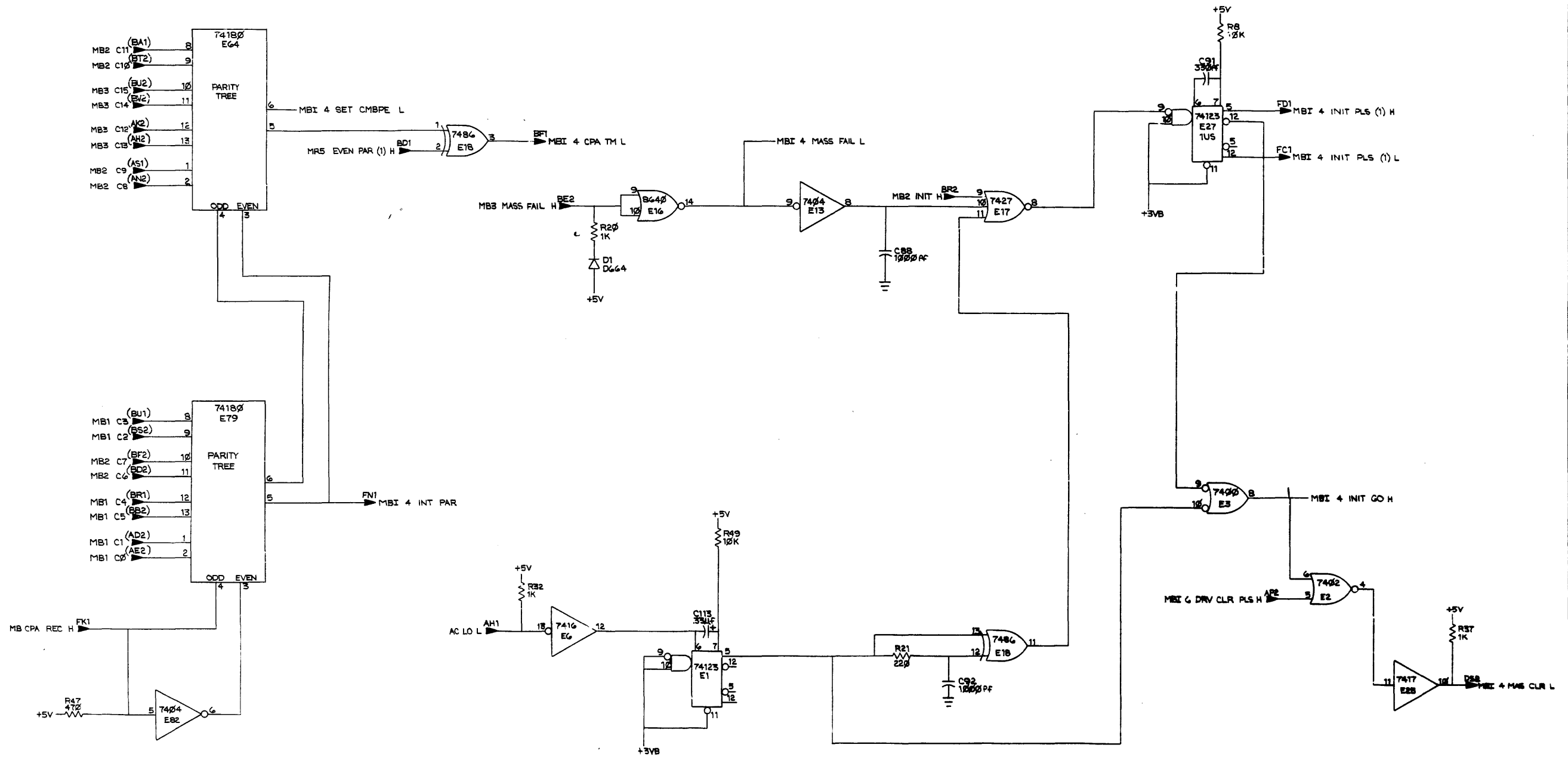


NOTE:
C MUX LINES ARE GENERATED ON M8909, M8903, M8905

CHK	CHANGE NO.	REV.

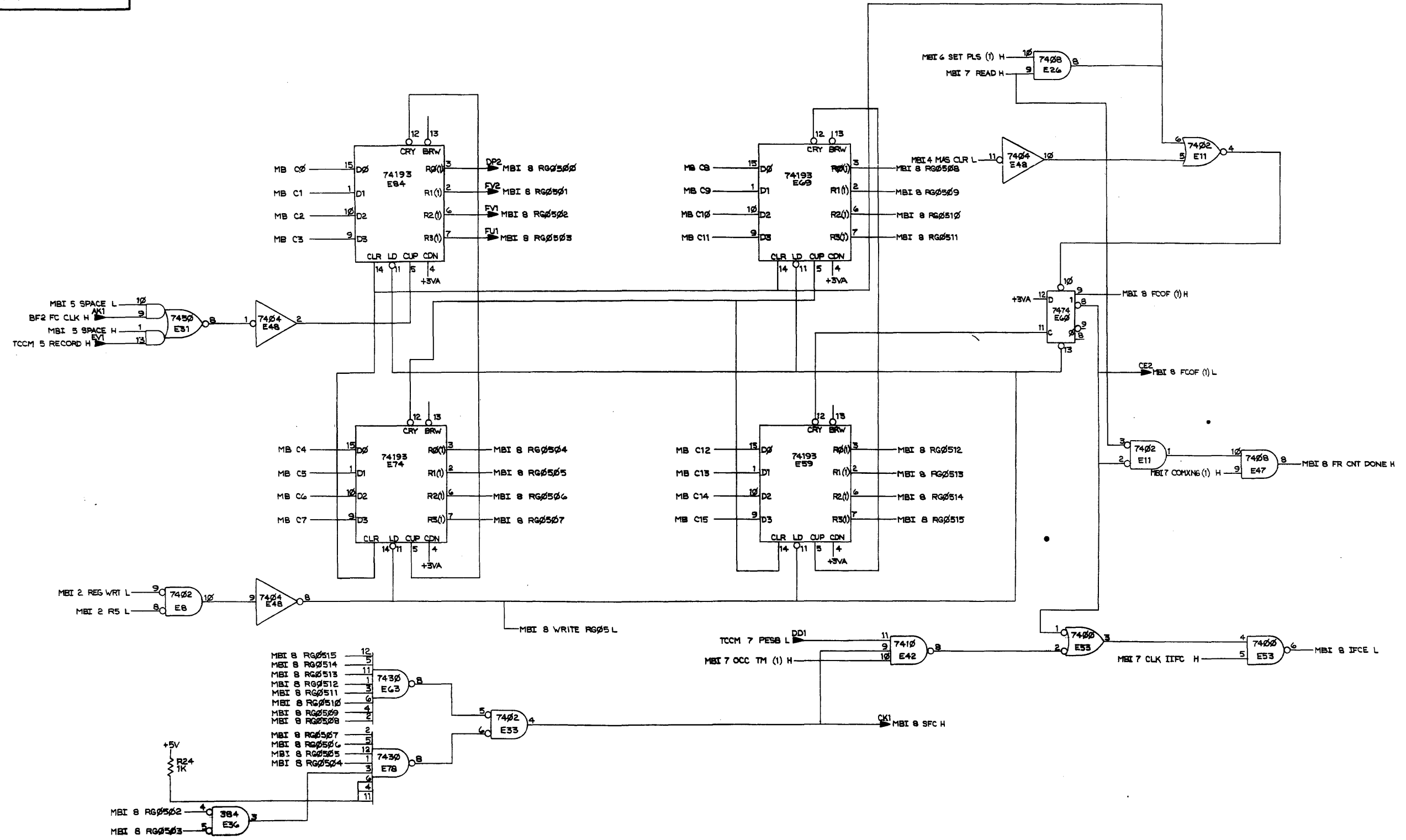
TITLE		SIZE CODE	NUMBER	REV.
MASS BUS INTERFACE (MBI 3)		D CS	M8909-YA-1	J
SCALE	SHEET	3 OF 11		DATE

"THIS DRAWING AND SPECIFICATIONS, HEREIN, ARE THE PROPERTY OF DIGITAL EQUIPMENT CORPORATION AND SHALL NOT BE REPRODUCED OR COPIED OR USED IN WHOLE OR IN PART AS THE BASIS FOR THE MANUFACTURE OR SALE OF ITEMS WITHOUT WRITTEN PERMISSION. COPYRIGHT © 1973 DIGITAL EQUIPMENT CORPORATION"



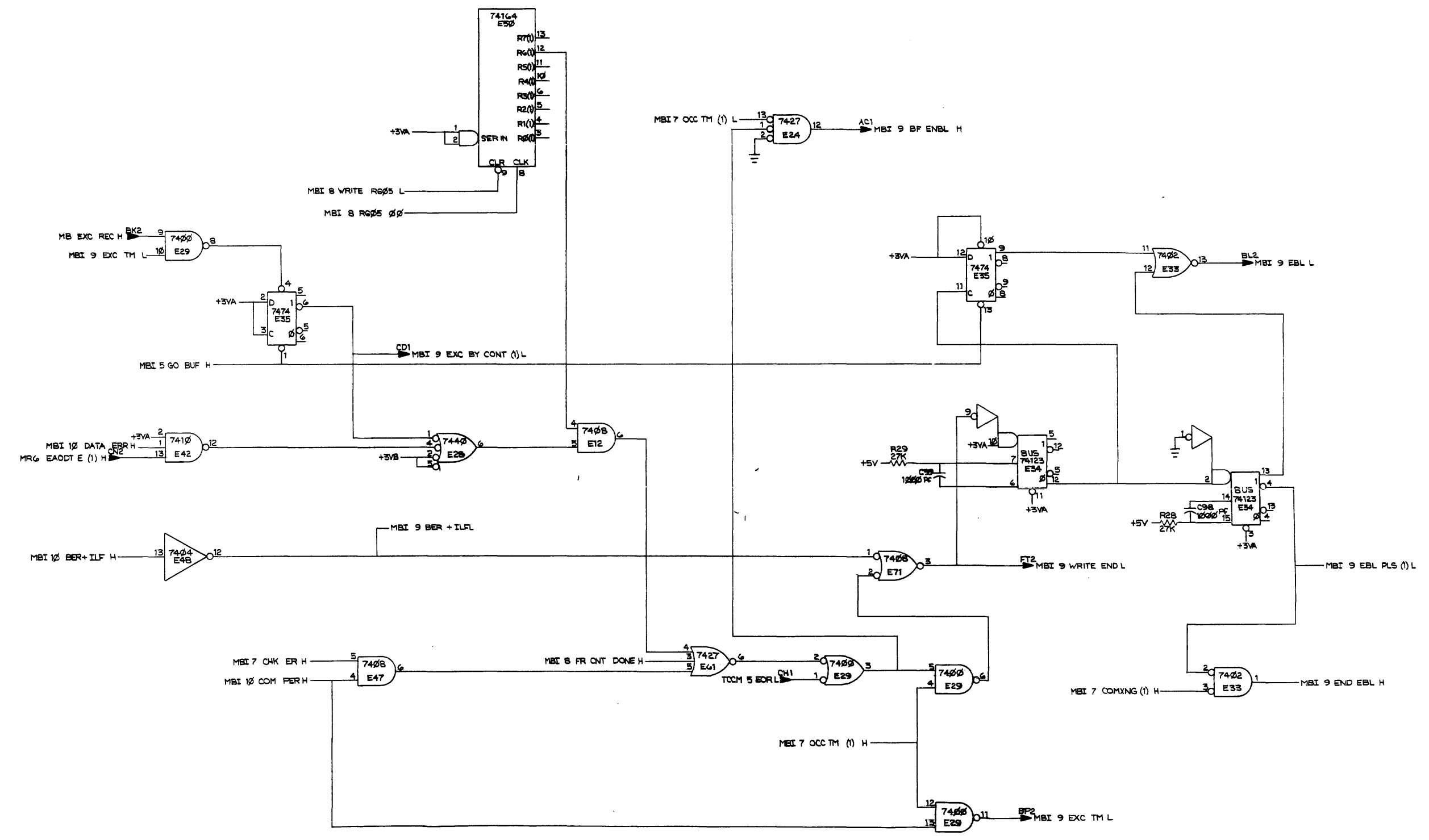
REVISIONS		
CHK	CHANGE NO.	REV.

"THIS DRAWING AND SPECIFICATIONS HEREIN ARE THE PROPERTY OF DIGITAL EQUIPMENT CORPORATION AND SHALL NOT BE REPRODUCED OR COPIED OR USED IN WHOLE OR IN PART AS THE BASIS FOR THE MANUFACTURE OR SALE OF ITEMS WITHOUT WRITTEN PERMISSION. COPYRIGHT © 1973 DIGITAL EQUIPMENT CORPORATION"



REV.	CHANGE NO.	REV.

"THE DRAWING AND SPECIFICATIONS HEREIN ARE THE PROPERTY OF DIGITAL EQUIPMENT CORPORATION AND SHALL NOT BE REPRODUCED OR COPIED OR USED IN WHOLE OR IN PART AS THE BASIS FOR THE MANUFACTURE OR SALE OF ITEMS WITHOUT WRITTEN PERMISSION. COPYRIGHT © 1973 DIGITAL EQUIPMENT CORPORATION"

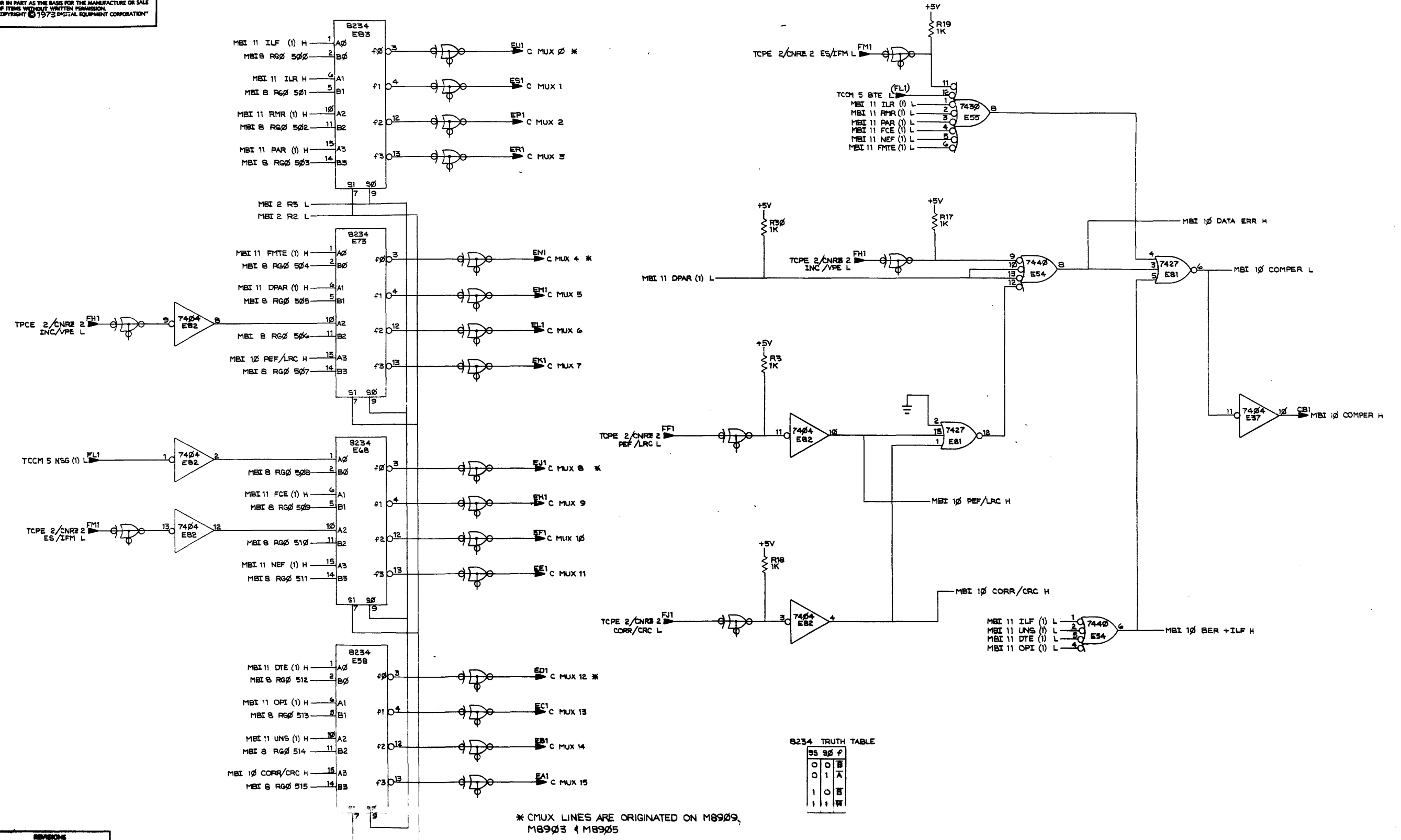


REVISIONS		
REV.	CHANGE NO.	REV.

TITLE	MASS BUS INTERFACE (MBI 9)	SIZE CODE	D CS	NUMBER	M8909-YA-1	REV.	1
SCALE	1/8"	SHEET	9 OF 11	DIST.			

REV. 1

THIS DRAWING AND SPECIFICATIONS, HEREIN, ARE THE PROPERTY OF DIGITAL EQUIPMENT CORPORATION AND SHALL NOT BE REPRODUCED OR COPIED OR USED IN WHOLE OR IN PART AS THE BASIS FOR THE MANUFACTURE OR SALE OF ITEMS WITHOUT WRITTEN PERMISSION. COPYRIGHT © 1973 DIGITAL EQUIPMENT CORPORATION



8234 TRUTH TABLE

SS	S0	f
0	0	B
0	1	A
1	0	B
1	1	A

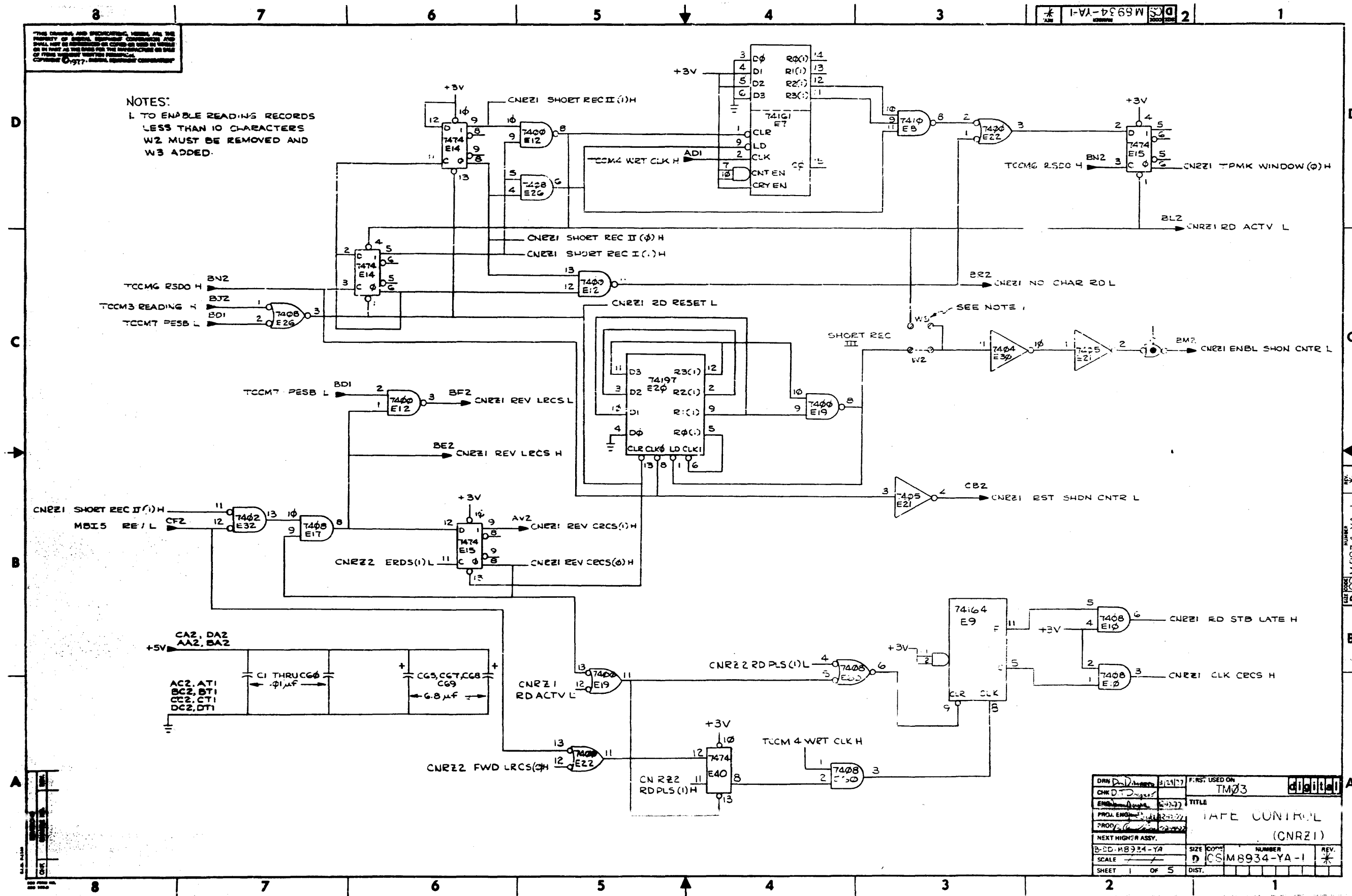
* CMUX LINES ARE ORIGINATED ON M8909, M8903 & M8905

REVISIONS

CHK	CHANGE NO.	REV.

THE DESIGN AND SPECIFICATIONS HEREIN ARE THE PROPERTY OF GENERAL ELECTRIC COMPANY AND SHALL NOT BE REPRODUCED OR USED IN WHOLE OR IN PART AS THE BASIS FOR THE REPRODUCTION OF THIS DOCUMENT WITHOUT EXPRESS WRITTEN CONSENT OF THE GENERAL ELECTRIC COMPANY.

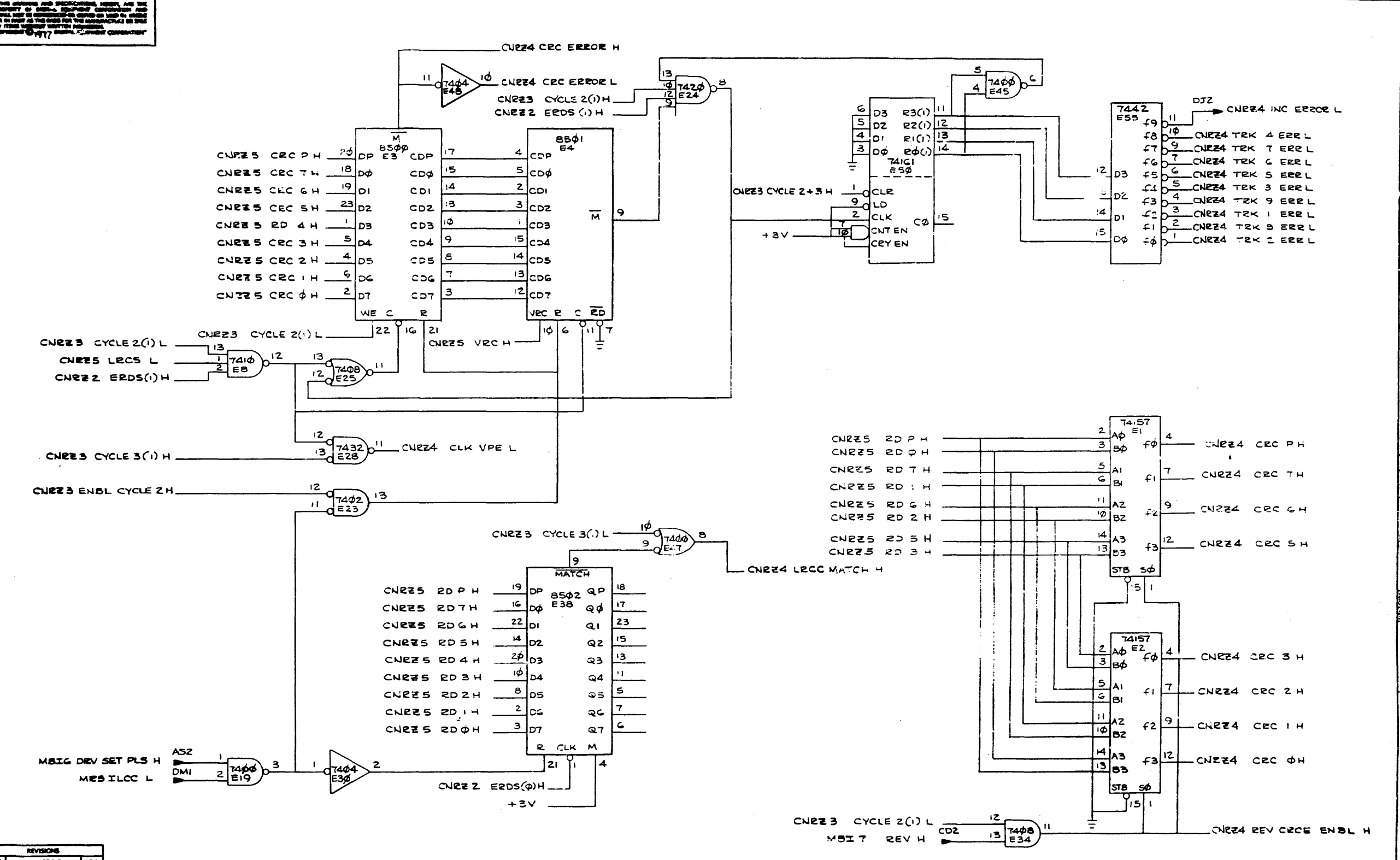
NOTES:
 1. TO ENABLE READING RECORDS LESS THAN 10 CHARACTERS W2 MUST BE REMOVED AND W3 ADDED.



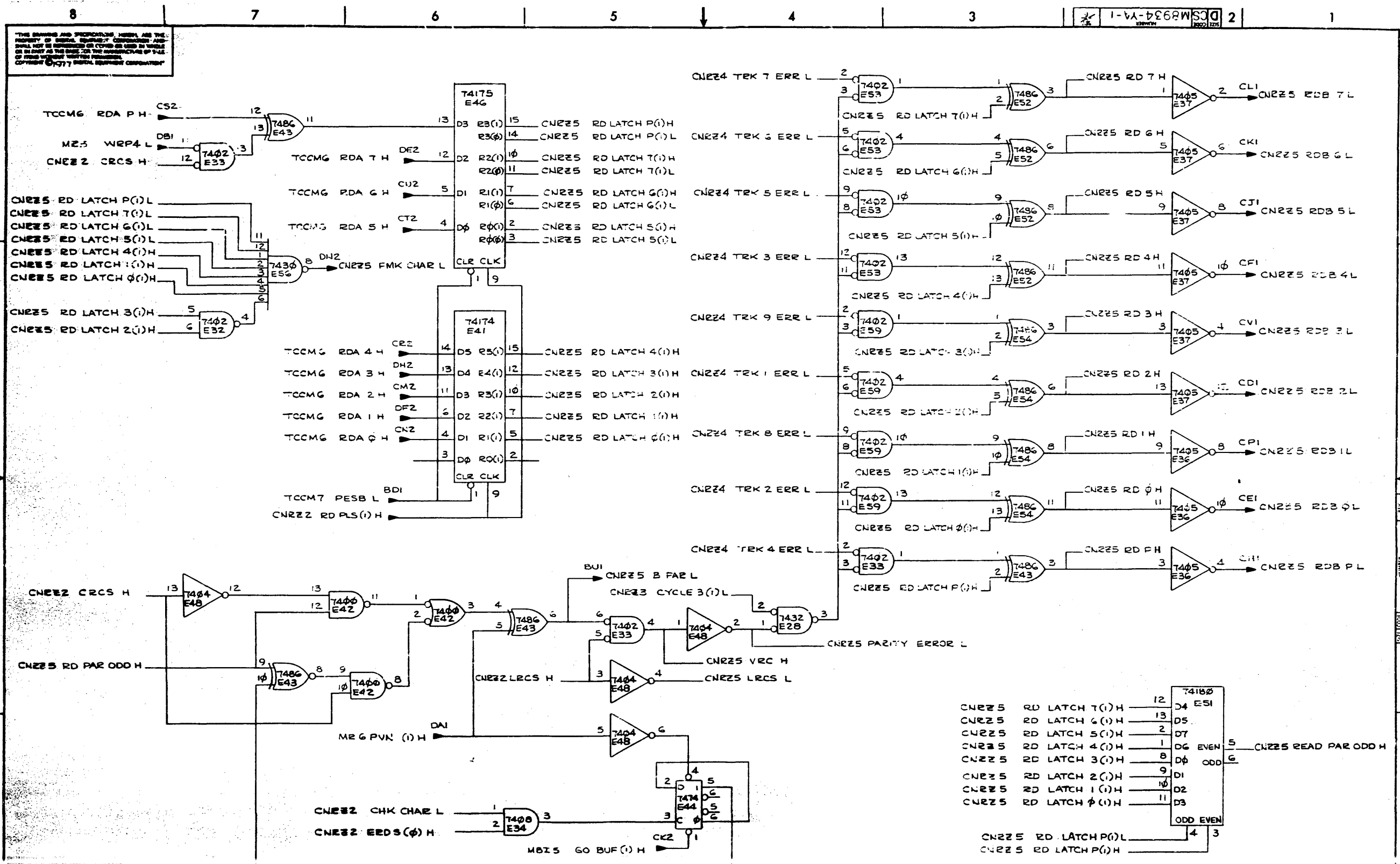
DRN D. D. [Signature]	DATE 8/24/77	FIRST USED ON	TM03
CHK D. D. [Signature]	DATE 8/24/77	TITLE	TAPE CONTROL
ENGR [Signature]	DATE 8/24/77		(CNRZ1)
PRCL ENGR [Signature]	DATE 8/24/77		
PROV [Signature]	DATE 8/24/77		
NEXT HIGHER ASSY.			
B-DD-MB934-YA	SIZE COM	NUMBER	REV.
SCALE	D	CS MB934-YA-1	*
SHEET 1 OF 5	DIST.		

REV. NUMBER
 CS MB934-YA-1

THIS DRAWING AND SPECIFICATIONS HEREBY ARE THE PROPERTY OF DEPT. OF DEFENSE. REPRODUCTION AND DISSEMINATION OF THIS DRAWING IS PROHIBITED UNLESS AUTHORIZED BY THE DIRECTOR OF DEFENSE RESEARCH AND ENGINEERING.



DCS M 8934-YA-1



THE DESIGN AND SPECIFICATIONS HEREIN ARE THE PROPERTY OF DIGITAL EQUIPMENT CORPORATION AND SHALL NOT BE REPRODUCED OR COPIED OR USED IN WHOLE OR IN PART AS THE BASIS FOR THE REPRODUCTION OF THIS OR ANY OTHER DIGITAL EQUIPMENT CORPORATION DOCUMENT © 1977 DIGITAL EQUIPMENT CORPORATION

1-VA-469W 2

REVISIONS		
CHK	CHANGE NO.	REV.

TITLE TAPE CONTROL (CNRZ5) SIZE CODE NUMBER REV. DCS M8934-YA-1 *
SCALE SHEET 5 OF 5 DIST.

DCS M8934-YA-1

DIGITAL EQUIPMENT CORPORATION

PARTS LIST

QUANTITY / VARIATION

NOTES:

USED ON

OPTION / MODEL
TM05

MADE BY *D. ESCOFFEAUX*
DATE *11-29-77*
ENG *Jamie Doyle*
DATE *12-12-77*

CHECKED *S. Chypanka*
DATE *11-30-77*
PROD *R. Santucci*
DATE *12-14-77*

SECTION
ISSUED SECTION

M8934-YA

ITEM NO.	DRAWING NO.	PART NO.	DESCRIPTION	REF	QUANTITY	VARIATION	REF DESIGNATION
	D-CS-M8934-YA-1		CIRCUIT SCHEMATIC	REF			
	D-UA-M8934-YA-Ø		UNIT ASSEMBLY	REF			
	B-DD-M8934-YA		DWG DIRECTORY	REF			
1	D-MD-5012400-0-0	5012400	ETCHED CIRCUIT BOARD	1			
2		10-00016-00	CAP 100PF 100V	1			C63
3		10-00018-00	CAP 120PF 100V	1			C62
4		10-00026-00	CAP 680PF 100V	1			C64
5		10-01610-01	CAP .01UF 100V DISC	61			C1 thru C61
6		10-05306-00	CAP 6.8UF 35V 10%	5			C65 thru C69
7		13-00229-00	RES 100 1/4W 5%	1			R3
8		13-00271-00	RES 220 1/4W 5%	1			R5
9		13-00295-00	RES 330 1/4W 5%	1			R7
10		13-00365-00	RES 1K 1/4W 5%	3			R1, R2, R8
11		13-00479-00	RES 10K 1/4W 5%	1			R4
12		13-01874-00	RES 5.6K 1/4W 5%	1			R6
13		19-05547-00	I.C. DEC 7474	9			E5, E14, E15, E16, E27, E29, E44, E31, E40
14		19-05575-00	I.C. DEC 7400	6			E12, E19, E22, E42, E45, E47
15		19-05576-00	I.C. DEC 7410	2			E8, E18
16		19-05577-00	I.C. DEC 7420	1			E24

E.C.O. NO.

THIS DRAWING AND SPECIFICATIONS, HEREIN, ARE THE PROPERTY OF DIGITAL EQUIPMENT CORPORATION AND SHALL NOT BE REPRODUCED OR COPIED OR USED IN WHOLE OR IN PART AS THE BASIS FOR THE MANUFACTURE OR SALE OF ITEMS WITHOUT WRITTEN PERMISSION. COPYRIGHT © 1977 DIGITAL EQUIPMENT CORPORATION

TITLE
TAPE CONTROL
NR Z1

ASSY NO.
D-UA-M8934-YA-Ø
SHEET 1 OF 3

SIZE CODE NUMBER REV.
B PL M8934-YA-Ø *

INSERTION PARTS LIST DATA BASE REV 4

DIGITAL EQUIPMENT CORPORATION

PARTS LIST

QUANTITY / VARIATION

NOTES:

USED ON OPTION / MODEL
TM03

MADE BY	CHECKED	SECTION
DATE	DATE	ISSUED SECTION
ENG	PROD	
DATE	DATE	

ITEM NO.	DRAWING NO.	PART NO.	DESCRIPTION	M8934-YA	QUANTITY / VARIATION	REF DESIGNATION
36		90-09185-00	INSULATED JUMPERS	3		W1, W2, W3
37		19-10651-00	I.C. 74175	1		E46
38		19-10652-00	I.C. 74174	1		E41
39		19-10724-00	I.C. 74180	1		E51
40		9105740-55	WIRE, #30 AWG, GRN	AR		
41		19-10041	I.C. 74164	1		E9

DRAWINGS AND SPECIFICATIONS, HEREIN, ARE THE PROPERTY OF DIGITAL EQUIPMENT CORPORATION AND SHALL NOT BE REPRODUCED OR COPIED OR USED IN WHOLE OR IN PART AS THE BASIS FOR THE MANUFACTURE OR SALE OF ITEMS WITHOUT WRITTEN PERMISSION. COPYRIGHT © 1977 DIGITAL EQUIPMENT CORPORATION

TAPE CONTROL NRZ1

ASSY NO.

D-4A-M8934-YA-φ

SIZE

CODE

B PL

NUMBER

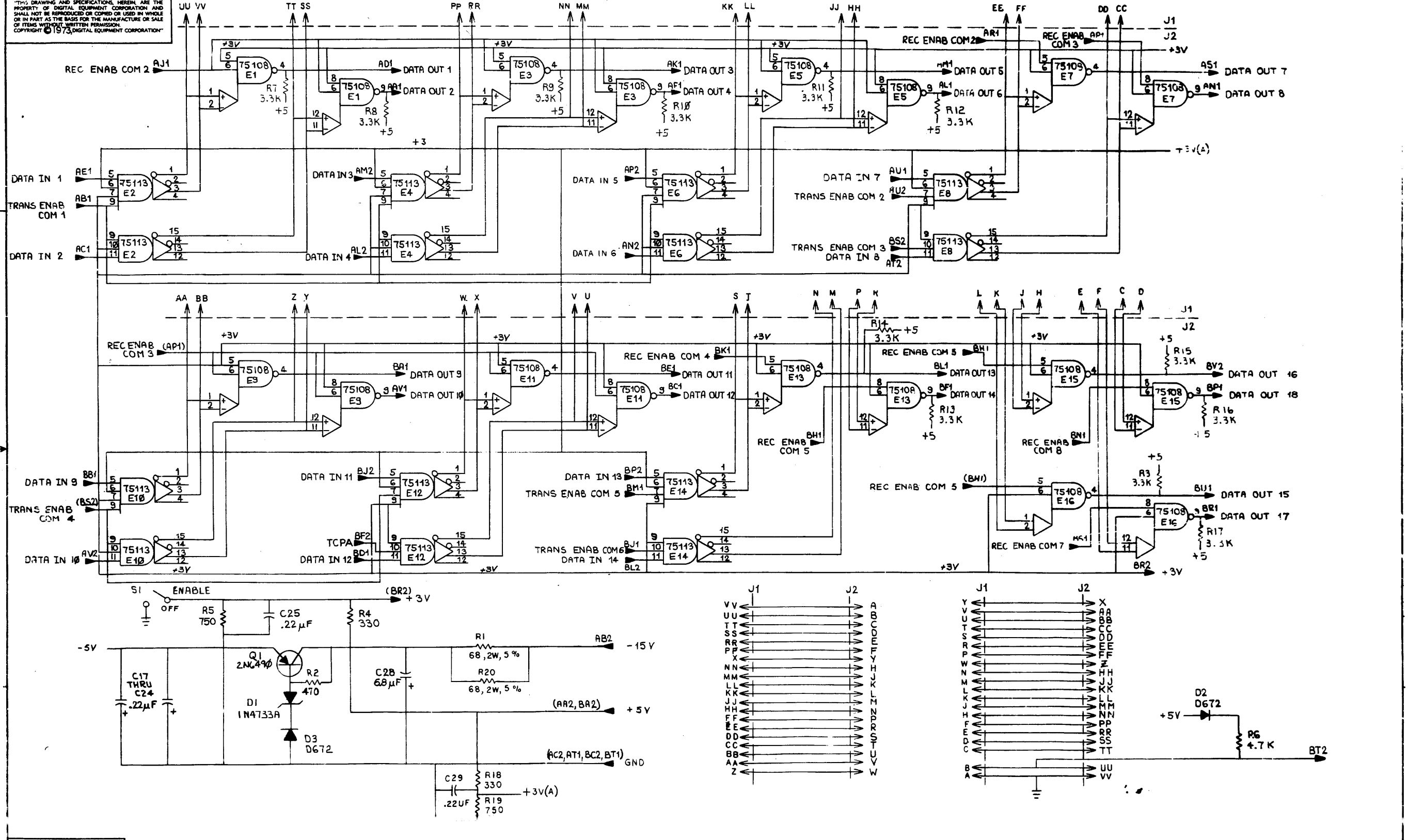
M8934-YA-φ

REV.

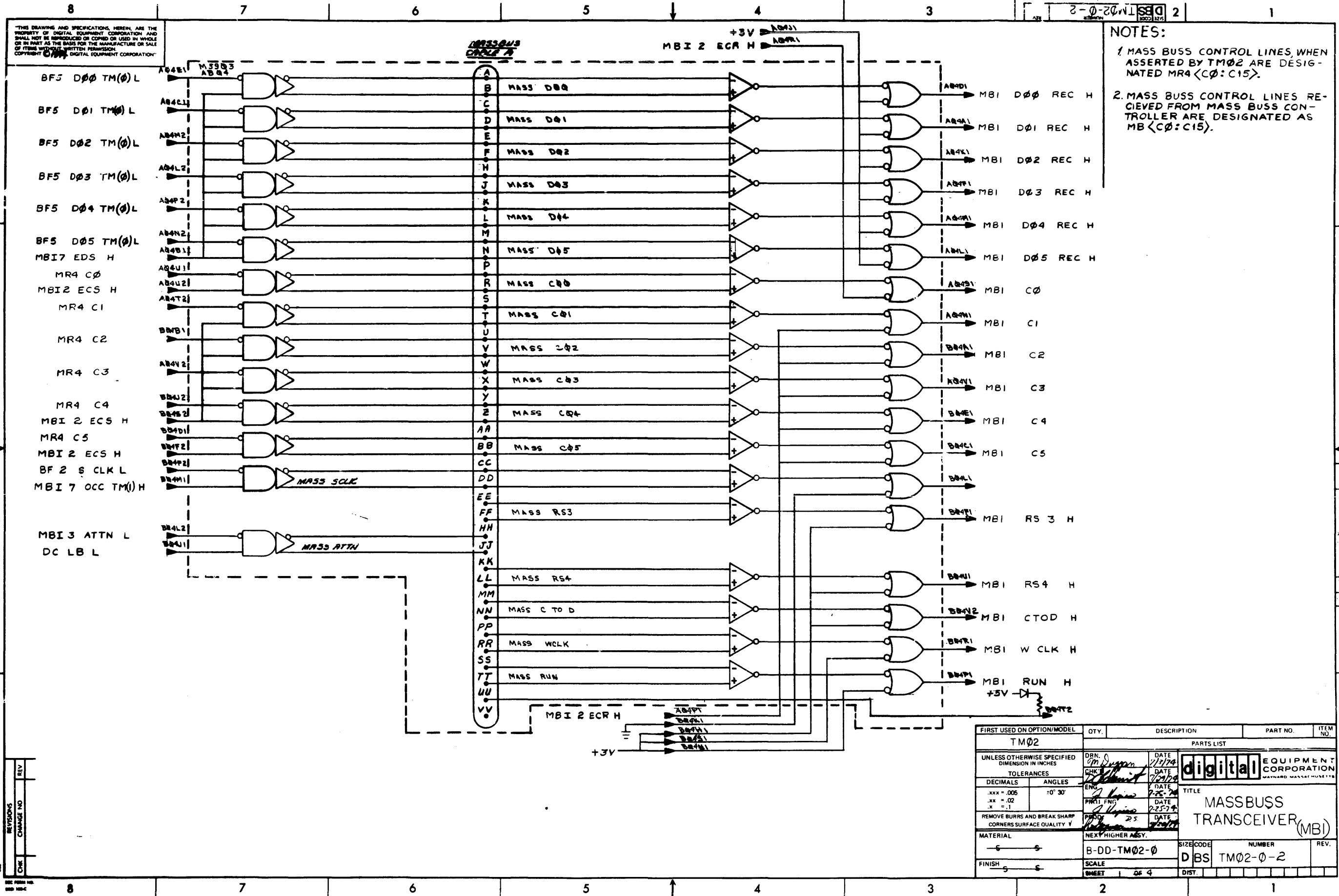
*

SHEET 3 OF 3

INSERTION PARTS LIST DATA BASE REV A



REVISIONS		
CHK	CHANGE NO.	REV.

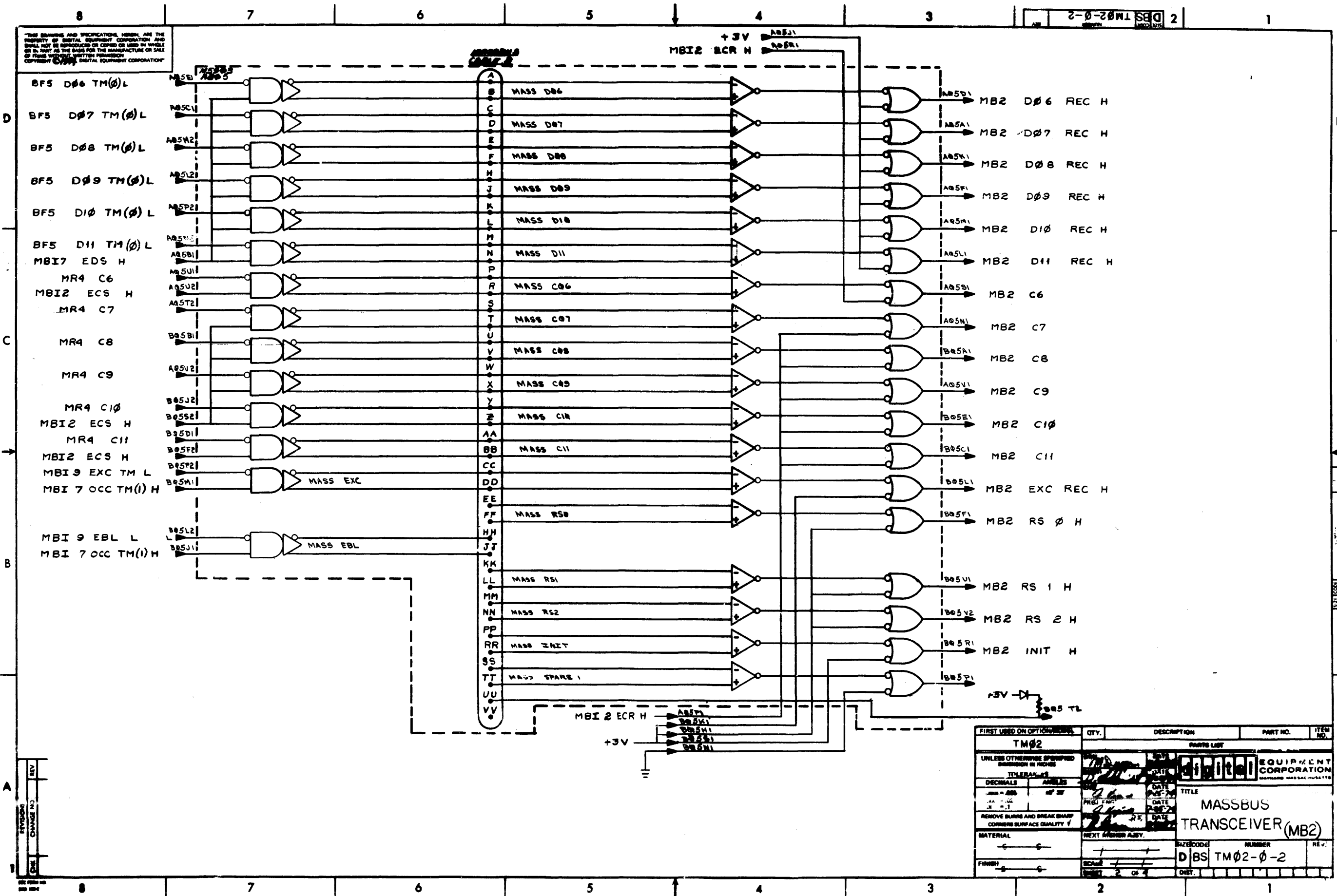


THIS DRAWING AND SPECIFICATIONS, HEREIN, ARE THE PROPERTY OF DIGITAL EQUIPMENT CORPORATION AND SHALL NOT BE REPRODUCED OR COPIED OR USED IN WHOLE OR IN PART AS THE BASIS FOR THE MANUFACTURE OR SALE OF ITEMS WITHOUT WRITTEN PERMISSION. COPYRIGHT © 1974 DIGITAL EQUIPMENT CORPORATION.

NOTES:
 1. MASS BUSS CONTROL LINES, WHEN ASSERTED BY TM02 ARE DESIGNATED MR4 <C0: C15>.
 2. MASS BUSS CONTROL LINES RECEIVED FROM MASS BUSS CONTROLLER ARE DESIGNATED AS MB <C0: C15>.

REV	CHG	NO

FIRST USED ON OPTION/MODEL TM02	QTY.	DESCRIPTION	PART NO.	ITEM NO.
UNLESS OTHERWISE SPECIFIED DIMENSION IN INCHES				
TOLERANCES		PARTS LIST		
DECIMALS	ANGLES	digital EQUIPMENT CORPORATION		
.XXX = .005	:0° 30'	MAYNARD MASSACHUSETTS		
.XX = .02		TITLE		
.X = .1		MASSBUSS TRANSCEIVER (MB)		
REMOVE BURRS AND BREAK SHARP CORNERS SURFACE QUALITY V				
MATERIAL	NEXT HIGHER ASSY.	SIZE CODE	NUMBER	REV.
FINISH	B-DD-TM02-0	DBS	TM02-0-2	
SCALE		SHEET 1 OF 4		
DIST.				

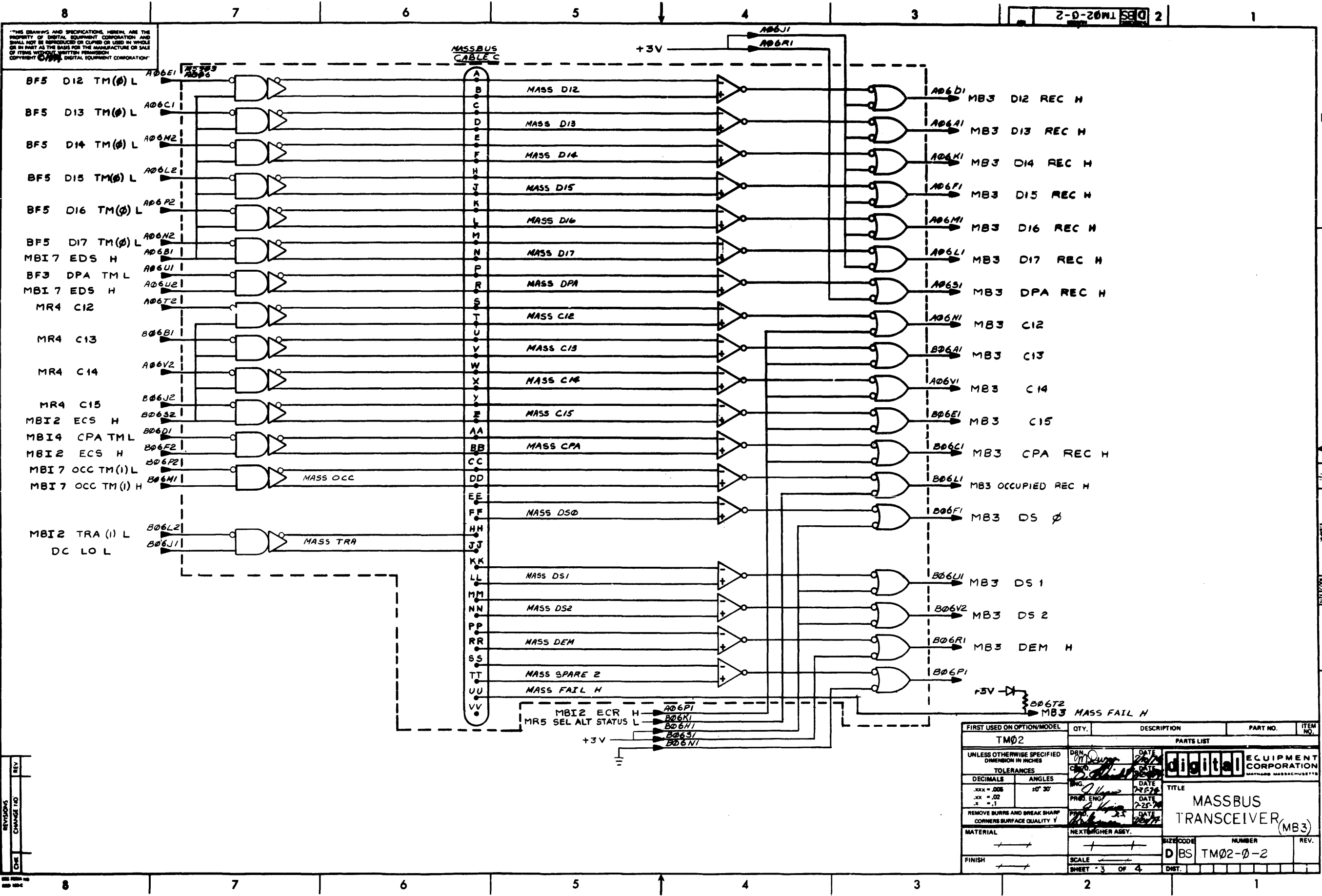


THE DRAWING AND SPECIFICATIONS HEREIN ARE THE PROPERTY OF DIGITAL EQUIPMENT CORPORATION AND SHALL NOT BE REPRODUCED OR COPIED OR USED IN WHOLE OR IN PART AS THE BASIS FOR THE MANUFACTURE OR SALE OF ITEMS WITHOUT WRITTEN PERMISSION. COPYRIGHT © 1974 DIGITAL EQUIPMENT CORPORATION

DBS TM02-0-2

FIRST USED ON OPTION NUMBER	QTY.	DESCRIPTION	PART NO.	ITEM NO.
TM02		MASSBUS TRANSCEIVER (MB2)		
UNLESS OTHERWISE SPECIFIED DIMENSIONS IN INCHES				
TOLERANCES				
DECIMALS	FRACTIONS	DATE		
.005 - .010	1/32"	DATE	DATE	DATE
.010 - .020	1/16"	DATE	DATE	DATE
.020 - .030	3/32"	DATE	DATE	DATE
REMOVE BURRS AND BREAK SHARP CORNERS SURFACE QUALITY 1				
MATERIAL	FINISH	SCALE	DATE	DATE
C	C	1/8"		
NEXT APPROX ASBY.				
DATE				
PAGE 2 OF 4				

DBS TM02-0-2



THIS DRAWING AND SPECIFICATIONS HEREIN ARE THE PROPERTY OF DIGITAL EQUIPMENT CORPORATION AND SHALL NOT BE REPRODUCED OR CLIPPED OR USED IN WHOLE OR IN PART AS THE BASIS FOR THE MANUFACTURE OR SALE OF ITEMS WITHOUT WRITTEN PERMISSION. COPYRIGHT © 1971, DIGITAL EQUIPMENT CORPORATION.

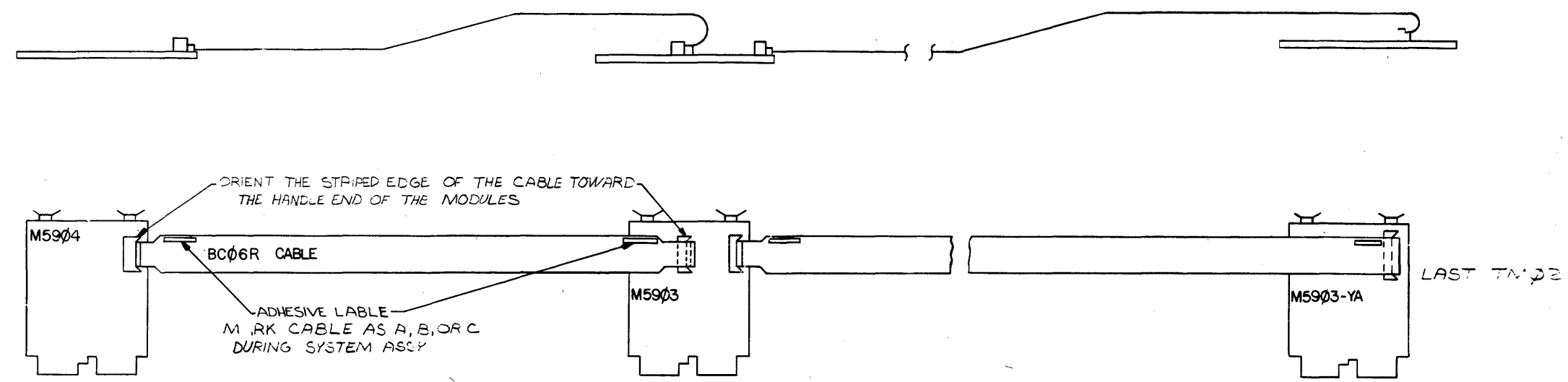
REV	DATE	BY	CHK

FIRST USED ON OPTION/MODEL TM02	QTY.	DESCRIPTION	PART NO.	ITEM NO.
UNLESS OTHERWISE SPECIFIED DIMENSION IN INCHES				
TOLERANCES				
DECIMALS	ANGLES	DATE	PARTS LIST	
.XXX = .005	±0° 30'	DATE	digital EQUIPMENT CORPORATION MAYNARD MASSACHUSETTS	
.XX = .02		DATE	TITLE	
.X = .1		DATE	MASSBUS TRANSCIVER (MB3)	
REMOVE BURRS AND BREAK SHARP CORNERS SURFACE QUALITY V				
MATERIAL	NEXT HIGHER ASSY.	SCALE	SIZE CODE	NUMBER
FINISH		SHEET 3 OF 4	D BS	TM02-0-2

"THIS DRAWING AND SPECIFICATIONS HEREIN ARE THE PROPERTY OF DIGITAL EQUIPMENT CORPORATION AND SHALL NOT BE REPRODUCED OR COPIED OR USED IN WHOLE OR IN PART AS THE BASIS FOR THE MANUFACTURE OR SALE OF ITEMS WITHOUT WRITTEN PERMISSION. COPYRIGHT © 1974, DIGITAL EQUIPMENT CORPORATION"

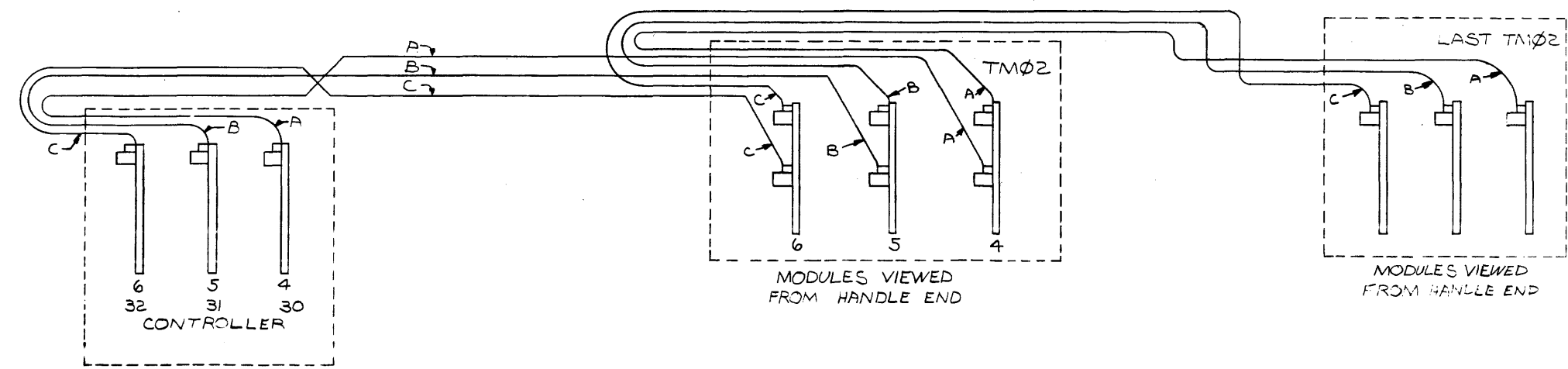
2-0-20W188 2

8 7 6 5 4 3 2 1



IN THE RH-11 MASSBUS CONTROLLER
 SLOT 4 IS FOR CABLE A
 SLOT 5 IS FOR CABLE B
 SLOT 6 IS FOR CABLE C
 IN THE RH 10 MASSBUS CONTROLLER
 SLOT 30 IS FOR CABLE A
 SLOT 31 IS FOR CABLE B
 SLOT 32 IS FOR CABLE C

IN THE TM02 TAPE CONTROLLER
 SLOT 4 IS FOR CABLE A
 SLOT 5 IS FOR CABLE B
 SLOT 6 IS FOR CABLE C



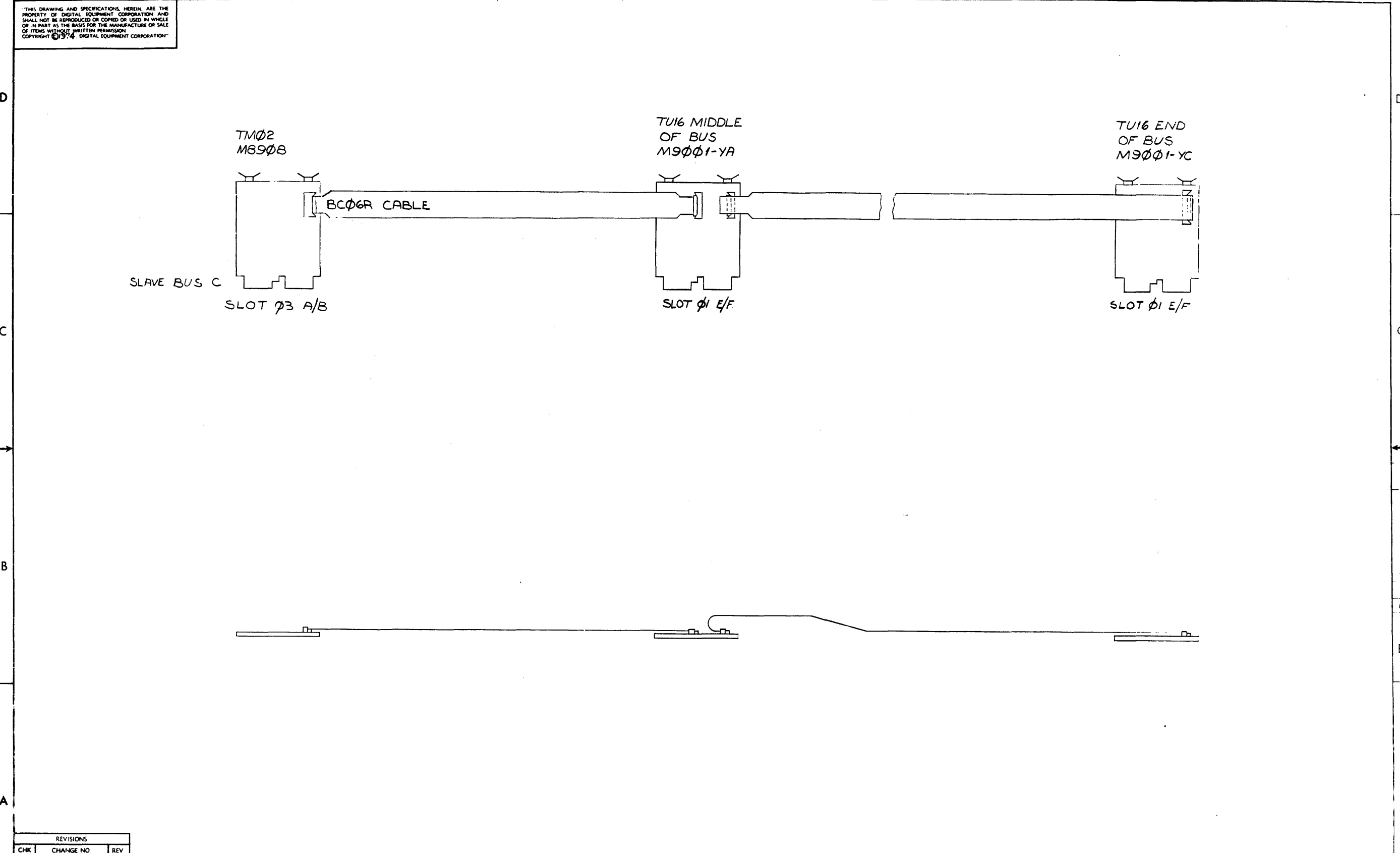
REVISIONS		
CHK	CHANGE NO	REV

TITLE	TM02	SIZE CODE	NUMBER	REV.
MASSBUS TRANSCIVER	D BS	TM02-0-2		
SCALE		SHEET	4 OF 4	DIST.

8 7 6 5 4 3 2 1

THIS DRAWING AND SPECIFICATIONS, HEREIN, ARE THE PROPERTY OF DIGITAL EQUIPMENT CORPORATION AND SHALL NOT BE REPRODUCED OR COPIED OR USED IN WHOLE OR IN PART AS THE BASIS FOR THE MANUFACTURE OR SALE OF ITEMS WITHOUT WRITTEN PERMISSION. COPYRIGHT © 1974, DIGITAL EQUIPMENT CORPORATION.

DESIGN NUMBER
 TUI6-0-2
 SHEET 2 OF 2

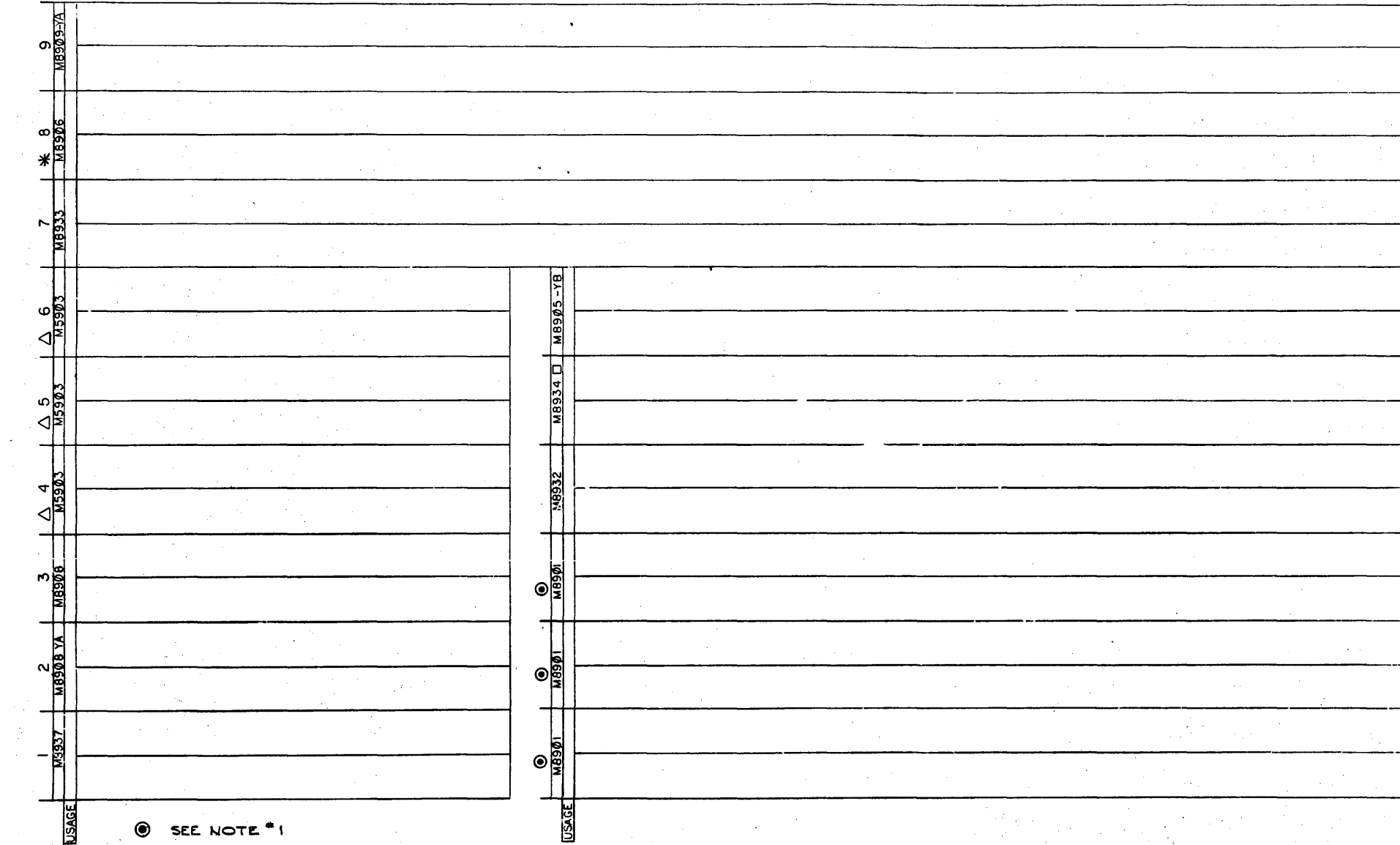


REVISIONS		
CHK	CHANGE NO	REV

TITLE	DES	SIZE/CODE	NUMBER	REV.
MASSBUS TRANSCIEVER (TUI6)	D ES	TUI6 - 0 - 2	2 OF 2	
SCALE	SHEET	DIST.		
	2			

DEC FORM NO
 DWG 137

THIS DRAWING AND SPECIFICATIONS HEREIN ARE THE PROPERTY OF DIGITAL EQUIPMENT CORPORATION AND SHALL NOT BE REPRODUCED OR COPIED OR USED IN WHOLE OR IN PART AS THE BASIS FOR THE MANUFACTURE OR SALE OF ITEMS WITHOUT WRITTEN PERMISSION.
 COPYRIGHT © 1977, DIGITAL EQUIPMENT CORPORATION



REV.	CHANGE NO.	REV.
A	00001	
B	00002	

J. VAGIAS
 P. RAIKUNEN
 81-000-28

NOTES:

1. TM03-CA, CB, FA, FB WILL USE M8901 YB.
 TM03-CE, CF, FE, FF WILL USE M8901 YC.
 TM03-CN, FN WILL USE M8901 YD
2. M5903 MODULES LOCATED IN THE LAST TM03 ON THE MASSBUS SHOULD HAVE H370 TERMINATORS INSTALLED.
3. M8906 IS REPLACED BY M8915 (OR M8915-YA) IN TM03 CA, CB, CE, & CF.
 M8906 IS REPLACED BY M8915-YA IN TM03-CN.
4. M8934 IS REPLACED BY M8934-YA IN TM03-CE, CF, FE & FF.

DESCRIPTION	DWG. PART NO.	ITEM NO.
1 TAPE CONT PHASE ENC.	M8932	11
1 MAINTENANCE REGIST	M8905-YB	10
3 MASS BUS TERMINAL	M5903	9
1 MASS BUS INTF.	M8909-YA	8
1 RECEIVER TERMINATOR	M8908-YA	7
1 RECEIVER TERMINATOR	M8908	6
1 CONN TERMINATOR	M8937	5
1 16 BIT FIDDLER	M8906	4
1 TAPE CONTROL NRZ1	M8934	3
1 TAPE CONT COMMON MODE	M8933	2
3 T116 DATA SYNC	M8901	1

QUANTITY & VARIATION		UNLESS OTHERWISE SPECIFIED DIMENSIONS ARE IN INCHES								
THIRD ANGLE PROJECTION	DRN. T. Guillen 7/28/77	ANGLES 90° 30'		CLASS OF ACCURACY		NOMINAL DIMENSION RANGE INCHES				
REMOVE BURRS AND BREAK SHARP CORNERS	CHK'D J. G. King 20/11/77	SURFACE QUALITY IN	MICROINCHES	OVER TO 0.2	OVER TO 1.2	OVER TO 4.0	OVER TO 12.0	OVER TO 40.0	OVER TO 100.0	OVER TO 100.0
DO NOT SCALE DWG	ENG. J. King 4-5-77			MEDIUM	±.004	±.008	±.012	±.016	±.024	±.04
MATERIAL	PROL. ENG. J. King 4-5-77	PREFERRED		±.012	±.016	±.025	±.04	±.063	±.1	
FINISH	PROD. J. King 4-5-77	NEXT HIGHER ASSY.		FIRST USED ON						
				TM03 digital						
				TITLE						
				MODULE UTILIZATION						
				SIZE	CODE	NUMBER	REV.			
				E-UA-TM03-0-0	D	MU	TM03-0-MU	B		
				SCALE						
				SHEET 1	OF 1	DIST.				

This drawing and specifications, herein, are the property of Digital Equipment Corporation and shall not be reproduced or copied or used in whole or in part as the basis for the manufacture or sale of items without written permission.

COPYRIGHT © 1976 DIGITAL EQUIPMENT CORP.

↓ | Δ | TMØ3-Ø-WL | K|WL | 2 | 1

B

B

↓

↓

A

A

FIRST USED ON OPTION MODEL	QTY.	DESCRIPTION	PART NO.	ITEM NO.
TMØ3				
PARTS LIST				
DRN.	<i>T. Diullen</i>	DATE	EQUIPMENT CORPORATION MAYNARD, MASSACHUSETTS	
CHK'D.	<i>F. Carlsmy</i>	DATE	TITLE	
ENG.	<i>J. V...</i>	DATE	WIRE LIST (TMØ3)	
PROJ. ENG.	<i>J. V...</i>	DATE		
PROD.	<i>L. ...</i>	DATE		
NEXT HIGHER ASSEMBLY			SIZE CODE	NUMBER
B-DD-TMØ3-Ø			K WL	TMØ3-Ø-WL
SCALE	<i>1/1</i>			REV.
SHEET	1	OF	1	A

REVISIONS	CHANGE NO.	REV.
	TMØ3-MLØØ3	A
CHK	<i>[Signature]</i>	

DEC FORM NO. DRB 109

4 | 3 | 2 | 1

TM03.A
RUN NAME

WRAPD ,V35(102)-1 03-JUN-77
A/P PIN ORDER BAY - Q DRAW RV RG Y X Z
NAME PIN ORDER OPT

REMARKS

28-Aug-78

12:58 PAGE 1
NC LENGTH EXCEPTIONS
FLAG

RUN
NUMBER

TM03.A RUN NAME	WRAPD ,V35(102)-1 A/P PIN ORDER NAME PIN	03-JUN-77 BAY - Q ORDER	DRAW RV RG Y OPT	X	Z	REMARKS	28-Aug-78	12:58 PAGE 1 NC LENGTH FLAG	EXCEPTIONS	RUN NUMBER
+15V	F01V1	1-01 * P			1			1		1
+15V	F02V1	1-02 * P			2			1		1
+15V	F03V1	1-03 * P								1
+15V		1						2-0/8		1
+3V	A03P2	1-01 *			1			2-2/8		2
+3V	B01A1	1-02 *								2
+3V		1						2-2/8		2
+5V 01	A01A2	1-01 * P			1			3-2/8		3
+5V 01	B01A2	1-02 * P			2			3		3
+5V 01	C01A2	1-03 * P			1			3-2/8		3
+5V 01	D01A2	1-04 * P			2			3		3
+5V 01	E01A2	1-05 * P			1			3-2/8		3
+5V 01	F01A2	1-06 * P								3
+5V 01		1						15-6/8		3
+5V 02	A02A2	1-01 * P			1			3-2/8		4
+5V 02	B02A2	1-02 * P			2			3		4
+5V 02	C02A2	1-03 * P			1			3-2/8		4
+5V 02	D02A2	1-04 * P			2			3		4
+5V 02	E02A2	1-05 * P			1			3-2/8		4
+5V 02	F02A2	1-06 * P								4
+5V 02		1						15-6/8		4
+5V 03	A03A2	1-01 * P			1			3-2/8		5
+5V 03	B03A2	1-02 * P			2			3		5
+5V 03	C03A2	1-03 * P			1			3-2/8		5
+5V 03	D03A2	1-04 * P			2			3		5
+5V 03	E03A2	1-05 * P			1			3-2/8		5
+5V 03	F03A2	1-06 * P								5
+5V 03		1						15-6/8		5
+5V 04	A04A2	1-01 * P			1			3-2/8		6
+5V 04	B04A2	1-02 * P			2			3		6
+5V 04	C04A2	1-03 * P			1			3-2/8		6
+5V 04	D04A2	1-04 * P			2			3		6
+5V 04	E04A2	1-05 * P			1			3-2/8		6
+5V 04	F04A2	1-06 * P								6
+5V 04		1						15-6/8		6
+5V 05	A05A2	1-01 * P			1			3-2/8		7
+5V 05	B05A2	1-02 * P			2			3		7
+5V 05	C05A2	1-03 * P			1			3-2/8		7
+5V 05	D05A2	1-04 * P			2			3		7
+5V 05	E05A2	1-05 * P			1			3-2/8		7
+5V 05	F05A2	1-06 * P								7
+5V 05		1						15-6/8		7
+5V 06	A06A2	1-01 * P			1			3-2/8		8
+5V 06	B06A2	1-02 * P			2			3		8
+5V 06	C06A2	1-03 * P			1			3-2/8		8
+5V 06	D06A2	1-04 * P			2			3		8
+5V 06	E06A2	1-05 * P			1			3-2/8		8
+5V 06	F06A2	1-06 * P								8
+5V 06		1						15-6/8		8

TM03,A RUN NAME	WRAPD ,V35(102)-1 A/P PIN ORDER NAME PIN	03-JUN-77 BAY - ORDER	Q DRAW	RV HG Y OPT	X Z	REMARKS	28-AUG-78	12158 NC LENGTH FLAG	PAGE 2 EXCEPTIONS	RUN NUMBER
+5V 07	A07A2	1-01 * P			1			3-2/8		9
+5V 07	B07A2	1-02 * P			2			3		9
+5V 07	C07A2	1-03 * P			1			3-2/8		9
+5V 07	D07A2	1-04 * P			2			3		9
+5V 07	E07A2	1-05 * P			1			3-2/8		9
+5V 07	F07A2	1-06 * P								9
+5V 07		1						15-6/8		9
+5V 08	A08A2	1-01 * P			1			3-2/8		10
+5V 08	B08A2	1-02 * P			2					10
+5V 08	C08A2	1-03 * P			1			3-2/8		10
+5V 08	D08A2	1-04 * P			2					10
+5V 08	E08A2	1-05 * P			1			1-2/8		10
+5V 08	F08A2	1-06 * P								10
+5V 08		1						11-6/8		10
+5V 09	A09A2	1-01 * P			1			3-2/8		11
+5V 09	B09A2	1-02 * P			2			3		11
+5V 09	C09A2	1-03 * P			1			3-2/8		11
+5V 09	D09A2	1-04 * P			2			3		11
+5V 09	E09A2	1-05 * P			1			3-2/8		11
+5V 09	F09A2	1-06 * P								11
+5V 09		1						15-6/8		11
-15V	A04B2	1-01 * P			1			0-5/8		12
-15V	A04E2	1-02 * P			2			1-2/8		12
-15V	A05B2	1-03 * P			2			1		12
-15V	A06B2	1-04 * P			1			4-1/8		12
-15V	B04B2	1-05 * P			2			1		12
-15V	B05B2	1-06 * P			2			1		12
-15V	B06B2	1-07 * P								12
-15V		1						9-0/8		12
125 IP8(1) L	A01D2	1-01 *			1			11-7/8		13
125 IP8(1) L	E01L1	1-02 *								13
125 IP8(1) L		1						11-7/8		13
125 IP8(2) L	E01L2	1-01 *			1			0-4/8		14
125 IP8(2) L	E02L1	1-02 *								14
125 IP8(2) L		1						0-4/8		14
125 IP8(3) L	E02L2	1-01 *			1			0-4/8		15
125 IP8(3) L	E03L1	1-02 *								15
125 IP8(3) L		1						0-4/8		15
15 MODE-	C08N2								1-PIN RUN	16
1600 BPI L	B01R1	1-01 *			1			2-2/8		17
1600 BPI L	B03D2	1-02 *								17
1600 BPI L		1						2-2/8		17
200 BPICLK(1) H	E04H2	1-01 * P			2			2		18
200 BPICLK(1) H	E07H2	1-02 *			1			12-7/8		18
200 BPICLK(1) H	A01U1	1-03 *								18
200 BPICLK(1) H		1						14-7/8		18

TM03,A RUN NAME	WRAPD ,V35(102)-1 A/P PIN ORDER NAME PIN	03-JUN-77 BAY - ORDER	Q DRAW	RV HG Y OPT	X Z	REMARKS	28-AUG-78	12158 NC LENGTH FLAG	PAGE 3 EXCEPTIONS	RUN NUMBER
24-32 H	D04A1								1-PIN RUN	19
3 ENV H	D04H1								1-PIN RUN	20
45 IP8(1) L	A01F2	1-01 *			1			11-2/8		21
45 IP8(1) L	E01J2	1-02 *								21
45 IP8(1) L		1						11-2/8		21
45 IP8(2) L	E01F1	1-01 *			1			1-3/8		22
45 IP8(2) L	E02J2	1-02 *								22
45 IP8(2) L		1						1-3/8		22
45 IP8(3) L	E02F1	1-01 *			2			1-3/8		23
45 IP8(3) L	E03J2	1-02 *			1			4-7/8		23
45 IP8(3) L	F05R2	1-03 *								23
45 IP8(3) L		1						6-2/8		23
7 CH H	A03D2	1-01 *			1			7-3/8		24
7 CH H	C03U2	1-02 * P			2			1		24
7 CH H	C02U2	1-03 * P			1			3		24
7 CH H	C07U2	1-04 *			1			3-4/8		24
7 CH H	C01U2	1-05 *								24
7 CH H		1						14-7/8		24
7 CH L	C05J2	1-01 * P			2			1-4/8		25
7 CH L	C07J2	1-02 * P			2			1		25
7 CH L	C08J2	1-03 *								25
7 CH L		1						2-4/8		25
7 CH TM0	B07B2	1-01 *			1			3-6/8		26
7 CH TM0	B01B1	1-02 *								26
7 CH TM0		1						3-6/8		26
7 CH TM1	A07K1	1-01 *			1			3-4/8		27
7 CH TM1	A01R1	1-02 *								27
7 CH TM1		1						3-4/8		27
7 SEC D*Y TOL IO H	F07U2	1-01 * P			1			1-4/8		28
7 SEC D*Y TOL IO H	F09U2	1-02 *								28
7 SEC D*Y TOL IO H		1						1-4/8		28
75 IP8(1) L	A01E2	1-01 *			1			11-5/8		29
75 IP8(1) L	E01K1	1-02 *								29
75 IP8(1) L		1						11-5/8		29
75 IP8(2) L	E01K2	1-01 *			1			0-4/8		30
75 IP8(2) L	E02K1	1-02 *								30
75 IP8(2) L		1						0-4/8		30
75 IP8(3) L	E02K2	1-01 *			1			0-4/8		31
75 IP8(3) L	E03K1	1-02 *								31
75 IP8(3) L		1						0-4/8		31

TM03,A RUN NAME	WRAPD ,V35(102)-1		03-JUN-77		DRAW	RV	RG	Y	X	Z	REMARKS	28-Aug-78	12158 NC LENGTH FLAG	PAGE 4 EXCEPTIONS	RUN NUMBER
	A/P	PIN NAME	ORDER PIN	QAY - ORDER											
A EMD(1) H		C09J1		1-01 *						2			1-5/8		32
A EMD(1) H		C0852		1-02 *						1			5-1/8		32
A EMD(1) H		E07V2		1-03 *	P					2			1-4/8		32
A EMD(1) H		E09V2		1-04 *											32
A EMD(1) H				1									9-4/8		32
AC LO L		A09H1												1-PIN RUN	33
ACCL H		C04A1		1-01 *	P					1			2		34
ACCL H		C07A1		1-02 *											34
ACCL H				1									2-0/8		34
ACCL(SB) L		A01H2		1-01 *						1			4-1/8		35
ACCL(SB) L		A07P2		1-02 *											35
ACCL(SB) L				1									4-1/8		35
ANY DD TRK H		E04R1												1-PIN RUN	36
ANY ENV H		C04K1												1-PIN RUN	37
ANY TPANS L		E0182		1-01 *						2			1		38
ANY TRANS L		E0282		1-02 *	P					1			1		38
ANY TRANS L		E0382		1-03 *	P					2			1		38
ANY TRANS L		E0482		1-04 *											38
ANY TRANS L				1									3-0/8		38
ATA H		C07C1		1-01 *	P					1			1-4/8		39
ATA H		C09C1		1-02 *											39
ATA H				1									1-4/8		39
ATTN L		B04L2		1-01 *						1			6-1/8		40
ATTN L		C09V1		1-02 *											40
ATTN L				1									6-1/8		40
BF ENBL H		A08C1		1-01 *	P					1			1		41
BF ENBL H		A09C1		1-02 *											41
BF ENBL H				1									1-0/8		41
BF FMTE H		C08A1		1-01 *	P					1			1		42
BF FMTE H		C09A1		1-02 *											42
BF FMTE H				1									1-0/8		42
BFFR A 0		D01H1		1-01 *						1			3-1/8		43
BFFR A 0		D0482		1-02 *											43
BFFR A 0				1									3-1/8		43
BFFR A 1		D03H1		1-01 *	P					1			1-3/8		44
BFFR A 1		D04M2		1-02 *											44
BFFR A 1				1									1-3/8		44
BFFR A 2		D01L2		1-01 *						1			2-1/8		45
BFFR A 2		D04R1		1-02 *											45
BFFR A 2				1									4-1/8		45

TM03,A RUN NAME	WRAPD ,V35(102)-1		03-JUN-77		DRAW	RV	RG	Y	X	Z	REMARKS	28-Aug-78	12158 NC LENGTH FLAG	PAGE 5 EXCEPTIONS	RUN NUMBER
	A/P	PIN NAME	ORDER PIN	QAY - ORDER											
BFFR A 3		D03M1		1-01 *	P					1			1-3/8		46
BFFR A 3		D04P2		1-02 *											46
BFFR A 3				1									1-3/8		46
BFFR A 4		D01M1		1-01 *						1			2-1/8		47
BFFR A 4		D04P1		1-02 *											47
BFFR A 4				1									2-1/8		47
BFFR A 5		D02H1		1-01 *						1			1-7/8		48
BFFR A 5		D04M1		1-02 *											48
BFFR A 5				1									1-7/8		48
BFFR A 6		D02M1		1-01 *	P					1			1-5/8		49
BFFR A 6		D04N1		1-02 *											49
BFFR A 6				1									1-5/8		49
BFFR A 7		D03L2		1-01 *	P					1			0-4/8		50
BFFR A 7		D04L1		1-02 *											50
BFFR A 7				1									0-4/8		50
BFFR A P		D02L2		1-01 *	P					1			1-3/8		51
BFFR A P		D04K2		1-02 *											51
BFFR A P				1									1-3/8		51
BIT RDY 1 L		D01R2												1-PIN RUN	52
BIT RDY 2 L		C01R2												1-PIN RUN	53
BIT RDY 3 L		E01T2												1-PIN RUN	54
BIT RDY 4 L		D02R2												1-PIN RUN	55
BIT RDY 5 L		C02R2												1-PIN RUN	56
BIT RDY 6 L		E02T2												1-PIN RUN	57
BIT RDY 7 L		D03R2												1-PIN RUN	58
BIT RDY 8 L		C03R2												1-PIN RUN	59
BIT RDY 9 L		E03T2												1-PIN RUN	60
BIT RDY H		C01M2		1-01 *						1			1		61
BIT RDY H		C02M2		1-02 *	P					2			1		61
BIT RDY H		C03M2		1-03 *	P					1			1-5/8		61
BIT RDY H		C04V1		1-04 *											61
BIT RDY H				1									3-5/8		61
BIT STRB 1 H		C03V2		1-01 *						1			0-3/8		62
BIT STRB 1 H		F06F2		1-02 *											62
BIT STRB 1 H				1									0-3/8		62
BIT STRB 2 H		E01M1		1-01 *						1			4-5/8		63
BIT STRB 2 H		F06E2		1-02 *											63
BIT STRB 2 H				1									4-5/8		63

TH03,A RUN NAME	WRAPD ,V35(102)-1 A/P PIN ORDER PIN	03-JUN-77 DAY = Q ORDER	DRAW RV KG Y X Z OPT	REMARKS	28-AUG-78	12158 NC LENGTH FLAG	PAGE 6 EXCEPTIONS	RUN NUMBER
BOT H	B02M2	1-01 *				A-3/8		64
BOT H	B07H2	1-02 *	P			1-4/8		64
BOT H	B09H2	1-03 *				6-5/8		64
BOT H	A01M2	1-04 *						64
BOT H		1				11-4/8		64
BOT L	B07H1	1-01 *	P			1-4/8		65
BOT L	B09H1	1-02 *				1-4/8		65
BOT L		1						65
BPAR L	L08B1	1-01 *				2-5/8		66
BPAR L	L05U1	1-02 *						66
BPAR L		1				2-5/8		66
BRIP(1) L	C09U2	1-01 *				8-3/8		67
BRIP(1) L	F06C1	1-02 *						67
BRIP(1) L		1				8-3/8		67
C00	A09E2	1-01 *	P			4-3/8		68
C00	A04S1	1-02 *	P			0-4/8		68
C00	A04U1	1-03 *				6-5/8		68
C00	C06R2	1-04 *						68
C00		1				11-4/8		68
C01	A09D2	1-01 *	P			4-1/8		69
C01	A04N1	1-02 *	P			1		69
C01	A04T2	1-03 *				5-7/8		69
C01	C06P1	1-04 *						69
C01		1				11-0/8		69
C02	B04A1	1-01 *	P			0-1/8		70
C02	B04B1	1-02 *	P			4-5/8		70
C02	B09S2	1-03 *				4-1/8		70
C02	C06R1	1-04 *						70
C02		1				0-7/8		70
C03	A04V2	1-01 *	P			0-4/8		71
C03	A04V1	1-02 *				4		71
C03	B09U1	1-03 *				3-7/8		71
C03	C06S1	1-04 *						71
C03		1				8-3/8		71
C04	B04E1	1-01 *	P			0-5/8		72
C04	B04J2	1-02 *	P			3-3/8		72
C04	B09R1	1-03 *				4-1/8		72
C04	C06P2	1-04 *						72
C04		1				8-1/8		72
C05	B09B2	1-01 *	P			3-3/8		73
C05	B04C1	1-02 *	P			0-1/8		73
C05	B04D1	1-03 *				4-7/8		73
C05	C06N1	1-04 *						73
C05		1				0-3/8		73

TH03,A RUN NAME	WRAPD ,V35(102)-1 A/P PIN ORDER PIN	03-JUN-77 DAY = Q ORDER	DRAW RV KG Y X Z OPT	REMARKS	28-AUG-78	12158 NC LENGTH FLAG	PAGE 7 EXCEPTIONS	RUN NUMBER
C06	A05S1	1-01 *	P			0-4/8		74
C06	A05U1	1-02 *				3-7/8		74
C06	B09D2	1-03 *				5-5/8		74
C06	C06M1	1-04 *						74
C06		1				10-0/8		74
C07	A05N1	1-01 *	P			1		75
C07	A05T2	1-02 *				3-2/8		75
C07	B09F2	1-03 *				5-1/8		75
C07	C06M2	1-04 *						75
C07		1				9-3/8		75
C08	A09N2	1-01 *				3-7/8		76
C08	B05B1	1-02 *	P			0-1/8		76
C08	B05A1	1-03 *				4-3/8		76
C08	C06K1	1-04 *						76
C08		1				0-3/8		76
C09	A09S1	1-01 *	P			2-3/8		77
C09	A05V2	1-02 *	P			0-4/8		77
C09	A05V1	1-03 *				5-1/8		77
C09	C06L1	1-04 *						77
C09		1				8-0/8		77
C10	B05E1	1-01 *	P			0-5/8		78
C10	B05J2	1-02 *				3-3/8		78
C10	C06J2	1-03 *				2-5/8		78
C10	B09T2	1-04 *						78
C10		1				6-5/8		78
C11	B09A1	1-01 *	P			2-5/8		79
C11	B05C1	1-02 *	P			0-1/8		79
C11	B05D1	1-03 *				4-3/8		79
C11	C06L2	1-04 *						79
C11		1				7-1/8		79
C12	A09K2	1-01 *				2-3/8		80
C12	A06N1	1-02 *	P			1		80
C12	A06T2	1-03 *				4-5/8		80
C12	C06F1	1-04 *						80
C12		1				8-0/8		80
C13	A09H2	1-01 *				3-1/8		81
C13	B06A1	1-02 *	P			0-1/8		81
C13	B06B1	1-03 *				3-3/8		81
C13	C06E1	1-04 *						81
C13		1				6-5/8		81
C14	A06V2	1-01 *	P			0-4/8		82
C14	A06V1	1-02 *				4-3/8		82
C14	C06H1	1-03 *				3-3/8		82
C14	B09V2	1-04 *						82
C14		1				0-2/8		82

TR03, A RUN NAME	WRAPD ,V35(102)-1		03-JUN-77		DRAW	RV	RG	Y	X	Z	REMARKS	28-AUG-78	12:58 NC FLAG	PAGE 8 LENGTH EXCEPTIONS	RUN NUMBER
	A/P	PIN	ORDER	DAY - ORDER											
C15		B06E1		1-01	*	P				1					83
C15		B06J2		1-02	*	P				2			0-5/8		83
C15		B09U2		1-03	*					1			2-2/8		83
C15		C06J1		1-04	*								2-5/8		83
C15				1									5-4/8		83
CER(1) H		D01D1		1-01	*					1			7-7/8		84
CER(1) H		F04L1		1-02	*										84
CER(1) H				1									7-7/8		84
CHAR CNTO H		F01S1		1-01	*					1			1		85
CHAR CNTO H		F02S1		1-02	*	P				2			1		85
CHAR CNTO H		F03S1		1-03	*					1			10-3/8		85
CHAR CNTO H		C04C1		1-04	*										85
CHAR CNTO H				1									12-3/8		85
CHAR SHIFT H		C01M1		1-01	*					2			1		86
CHAR SHIFT H		C02M1		1-02	*	P				1			1		86
CHAR SHIFT H		C03M1		1-03	*	P				2			1		86
CHAR SHIFT H		C04M1		1-04	*										86
CHAR SHIFT H				1									3-0/8		86
CHK CHAR L		C05N2		1-01	*					1			5-1/8		87
CHK CHAR L		D08U2		1-02	*										87
CHK CHAR L				1									5-1/8		87
CLK A H		C00F1												1-PIN RUN	88
CLK B H		C00H1												1-PIN RUN	89
CLK C H		C00E1												1-PIN RUN	90
CLK D H		C00D1												1-PIN RUN	91
CLK L CK CHAP REG L		C05F2		1-01	*	P				1			1		92
CLK L CK CHAR REG L		C06F2		1-02	*										92
CLK L CK CHAR REG L				1									1-0/8		92
CLOCK H		A07M1		1-01	*					1			4		93
CLOCK H		B02E1		1-02	*										93
CLOCK H				1									4-0/8		93
CLR OPI L		F07U1		1-01	*					1			6-5/8		94
CLR OPI L		D09U1		1-02	*										94
CLR OPI L				1									6-5/8		94
CMUX 00		E06U1		1-01	*	P				1			1		95
CMUX 00		E07U1		1-02	*	P				2			1-4/8		95
CMUX 00		E09U1		1-03	*										95
CMUX 00				1									2-4/8		95
CMUX 01		E06S1		1-01	*	P				1			1		96
CMUX 01		E07S1		1-02	*	P				2			1-4/8		96
CMUX 01		E09S1		1-03	*										96
CMUX 01				1									2-4/8		96

TR03, A RUN NAME	WRAPD ,V35(102)-1		03-JUN-77		DRAW	RV	RG	Y	X	Z	REMARKS	28-AUG-78	12:58 NC FLAG	PAGE 9 LENGTH EXCEPTIONS	RUN NUMBER
	A/P	PIN	ORDER	DAY - ORDER											
CMUX 02		E06R1		1-01	*	P				1			1		97
CMUX 02		E07R1		1-02	*	P				2			1-3/8		97
CMUX 02		E09P1		1-03	*										97
CMUX 02				1									2-3/8		97
CMUX 03		E06P1		1-01	*	P				1			1		98
CMUX 03		E07P1		1-02	*	P				2			1-5/8		98
CMUX 03		E09R1		1-03	*										98
CMUX 03				1									2-5/8		98
CMUX 04		E06N1		1-01	*					2			1		99
CMUX 04		E07N1		1-02	*	P				1			1-4/8		99
CMUX 04		E09N1		1-03	*										99
CMUX 04				1									2-4/8		99
CMUX 05		E06M1		1-01	*	P				1			1		100
CMUX 05		E07M1		1-02	*	P				2			1-4/8		100
CMUX 05		E09M1		1-03	*										100
CMUX 05				1									2-4/8		100
CMUX 06		E06L1		1-01	*	P				1			1		101
CMUX 06		E07L1		1-02	*	P				2			1-4/8		101
CMUX 06		E09L1		1-03	*										101
CMUX 06				1									2-4/8		101
CMUX 07		E06K1		1-01	*	P				1			1		102
CMUX 07		E07K1		1-02	*	P				2			1-4/8		102
CMUX 07		E09K1		1-03	*										102
CMUX 07				1									2-4/8		102
CMUX 08		E06J1		1-01	*	P				1			1		103
CMUX 08		E07J1		1-02	*	P				2			1-4/8		103
CMUX 08		E09J1		1-03	*										103
CMUX 08				1									2-4/8		103
CMUX 09		E06H1		1-01	*	P				1			1		104
CMUX 09		E07H1		1-02	*	P				2			1-4/8		104
CMUX 09		E09H1		1-03	*										104
CMUX 09				1									2-4/8		104
CMUX 10		E06F1		1-01	*	P				1			1		105
CMUX 10		E07F1		1-02	*	P				2			1-4/8		105
CMUX 10		E09F1		1-03	*										105
CMUX 10				1									2-4/8		105
CMUX 11		E06E1		1-01	*	P				1			1		106
CMUX 11		E07E1		1-02	*	P				2			1-4/8		106
CMUX 11		E09E1		1-03	*										106
CMUX 11				1									2-4/8		106
CMUX 12		E06D1		1-01	*	P				1			1		107
CMUX 12		E07D1		1-02	*	P				2			1-4/8		107
CMUX 12		E09D1		1-03	*										107
CMUX 12				1									2-4/8		107

TM03,A RUN NAME	WRAPD .V35(102)-1 A/P PIN NAME	ORDER PIN	03-JUN-77 BAY * ORDER	Q	DRAW OPT	RV RG Y	X	Z	REMARKS	28-Aug-78	12158 NC LENGTH FLAG	PAGE 10 EXCEPTIONS	RUN NUMBER
CMUX 13	E06C1		1-01 *					2			1		108
CMUX 13	E07C1		1-02 *	P				1			1-4/8		108
CMUX 13	E09C1		1-03 *										108
CMUX 13			1								2-4/8		108
CMUX 14	E06B1		1-01 *	P				1			1		109
CMUX 14	E07B1		1-02 *	P				2			1-4/8		109
CMUX 14	E09B1		1-03 *										109
CMUX 14			1								2-4/8		109
CMUX 15	E06A1		1-01 *	P				1			1		110
CMUX 15	E07A1		1-02 *	P				2			1-4/8		110
CMUX 15	E09A1		1-03 *										110
CMUX 15			1								2-4/8		110
COMPER H	C07B1		1-01 *	P				1			1-4/8		111
COMPER H	C09B1		1-02 *										111
COMPER H			1								1-4/8		111
CORE DUMP	C08B1											1-PIN RUN	112
CORR/CRCE,L	F04V2		1-01 *	P				1			1		113
CORR/CRCE,L	F05V2		1-02 *	P				2			2-7/8		113
CORR/CRCE,L	F09J1		1-03 *										113
CORR/CRCE,L			1								3-7/8		113
CPA REC H	B06C1		1-01 *					1			13-1/8		114
CPA REC H	F09K1		1-02 *										114
CPA REC H			1								13-1/8		114
CPA TM L	B06D1		1-01 *	P				1			2-1/8		115
CPA TM L	B09F1		1-02 *										115
CPA TM L			1								2-1/8		115
CRC 0(1) H	C05J1		1-01 *	P				1			1-4/8		116
CRC 0(1) H	C07J1		1-02 *										116
CRC 0(1) H			1								1-4/8		116
CRC 1(1) H	C05R1		1-01 *	P				1			1-4/8		117
CRC 1(1) H	C07R1		1-02 *										117
CRC 1(1) H			1								1-4/8		117
CRC 2(1) H	C05E1		1-01 *	P				1			1-4/8		118
CRC 2(1) H	C07E1		1-02 *										118
CRC 2(1) H			1								1-4/8		118
CRC 3(1) H	C05S1		1-01 *	P				1			1-4/8		119
CRC 3(1) H	C07S1		1-02 *										119
CRC 3(1) H			1								1-4/8		119
CRC 4(1) H	C05K1		1-01 *	P				1			1-4/8		120
CRC 4(1) H	C07K1		1-02 *										120
CRC 4(1) H			1								1-4/8		120

TM03,A RUN NAME	WRAPD .V35(102)-1 A/P PIN NAME	ORDER PIN	03-JUN-77 BAY * ORDER	Q	DRAW OPT	RV RG Y	X	Z	REMARKS	28-Aug-78	12158 NC LENGTH FLAG	PAGE 11 EXCEPTIONS	RUN NUMBER
CRC 5(1) H	C05M1		1-01 *	P				1			1-4/8		121
CRC 5(1) H	C07M1		1-02 *										121
CRC 5(1) H			1								1-4/8		121
CRC 6(1) H	C05N1		1-01 *	P				1			1-4/8		122
CRC 6(1) H	C07N1		1-02 *										122
CRC 6(1) H			1								1-4/8		122
CRC 7(1) H	C05P1		1-01 *	P				1			1-4/8		123
CRC 7(1) H	C07P1		1-02 *										123
CRC 7(1) H			1								1-4/8		123
CRC P(1) H	C05L1		1-01 *	P				1			1-4/8		124
CRC P(1) H	C07L1		1-02 *										124
CRC P(1) H			1								1-4/8		124
CRC STRB H	D05P2		1-01 *					1			9-1/8		125
CRC STRB H	A07P1		1-02 *										125
CRC STRB H			1								9-1/8		125
CTOD H	A09N1		1-01 *					1			6-1/8		126
CTOD H	B04V2		1-02 *										126
CTOD H			1								6-1/8		126
CYCLE 1(1) H	F05K2											1-PIN RUN	127
CYCLE 2(1) H	E05U1											1-PIN RUN	128
CYCLE 3(1) H	E05R1											1-PIN RUN	129
D BFFR I 0 L	C01F1		1-01 *					1			7-7/8		130
D BFFR I 0 L	E04P1		1-02 *										130
D BFFR I 0 L			1								7-7/8		130
D BFFR I 1 L	C03F1		1-01 *					1			7-5/8		131
D BFFR I 1 L	E04U2		1-02 *										131
D BFFR I 1 L			1								7-5/8		131
D BFFR I 2 L	E01D2		1-01 *					1			2-2/8		132
D BFFR I 2 L	E04S1		1-02 *										132
D BFFR I 2 L			1								2-2/8		132
D BFFR I 3 L	E04T2		1-01 *					1			2-3/8		133
D BFFR I 3 L	F03E2		1-02 *										133
D BFFR I 3 L			1								2-3/8		133
D BFFR I 4 L	F04F1		1-01 *					1			4-3/8		134
D BFFR I 4 L	F01E2		1-02 *										134
D BFFR I 4 L			1								4-3/8		134
D BFFR I 5 L	C02F1		1-01 *					1			6-3/8		135
D BFFR I 5 L	E04D1		1-02 *										135
D BFFR I 5 L			1								6-3/8		135

TM03,A RUN NAME	WRAPD .V35(102)-1 03-JUN-77			BAY - Q	DRAW	RV	RG	Y	X	Z	REMARKS	28-AUG-78	12154 NC LENGTH FLAG	PAGE 12 EXCEPTIONS	RUN NUMBER
	A/P	PIN NAME	ORDER PIN												
D BFFR I 6 L		E04C1		1-01 *						1			4-1/8		136
D BFFR I 6 L		F02E2		1-02 *											136
D BFFR I 6 L				1									4-1/8		136
D BFFR I 7 L		E03D2		1-01 *	P					1			0-4/8		137
D BFFR I 7 L		E04B1		1-02 *									0-4/8		137
D BFFR I 7 L				1									0-4/8		137
D BFFR I P L		E02D2		1-01 *	P					1			1-1/8		138
D BFFR I P L		E04E1		1-02 *									1-1/8		138
D BFFR I P L				1									1-1/8		138
D00 REC H		A04D1		1-01 *						1			3-4/8		139
D00 REC H		A08R1		1-02 *											139
D00 REC H				1									3-4/8		139
D00 TM(0) L		A04E1		1-01 *	P					1			2-7/8		140
D00 TM(0) L		A08A1		1-02 *											140
D00 TM(0) L				1									2-7/8		140
D01 REC H		A04A1		1-01 *						1			4-1/8		141
D01 REC H		A08R2		1-02 *											141
D01 REC H				1									4-1/8		141
D01 TM(0) L		A04C1		1-01 *	P					1			2-5/8		142
D01 TM(0) L		A08B1		1-02 *											142
D01 TM(0) L				1									2-5/8		142
D02 REC H		A04K1		1-01 *	P					1			3-1/8		143
D02 REC H		A08S1		1-02 *											143
D02 REC H				1									3-1/8		143
D02 TM(0) L		A04M2		1-01 *	P					1			3-5/8		144
D02 TM(0) L		A08B2		1-02 *											144
D02 TM(0) L				1									3-5/8		144
D03 REC H		A04F1		1-01 *						1			3-5/8		145
D03 REC H		A08S2		1-02 *											145
D03 REC H				1									3-5/8		145
D03 TM L		A04L2		1-01 *						1			3-1/8		146
D03 TM L		A08D2		1-02 *											146
D03 TM L				1									3-1/8		146
D04 REC H		A04M1		1-01 *						1			3-3/8		147
D04 REC H		A08T2		1-02 *											147
D04 REC H				1									3-3/8		147
D04 TM(0) L		A04P2		1-01 *						1			3-3/8		148
D04 TM(0) L		A08E2		1-02 *											148
D04 TM(0) L				1									3-3/8		148
D05 REC H		A04L1		1-01 *						1			3-1/8		149
D05 REC H		A08U1		1-02 *											149
D05 REC H				1									3-1/8		149

TM03,A RUN NAME	WRAPD .V35(102)-1 03-JUN-77			BAY - Q	DRAW	RV	RG	Y	X	Z	REMARKS	28-AUG-78	12154 NC LENGTH FLAG	PAGE 13 EXCEPTIONS	RUN NUMBER
	A/P	PIN NAME	ORDER PIN												
D05 TM(0) L		A04N2		1-01 *						1			3-1/8		150
D05 TM(0) L		A08F2		1-02 *											150
D05 TM(0) L				1									3-1/8		150
D06 REC H		A05D1		1-01 *						1			2-6/8		151
D06 REC H		A08U2		1-02 *											151
D06 REC H				1									2-6/8		151
D06 TM(0) L		A05E1		1-01 *	P					1			2-1/8		152
D06 TM(0) L		A08H1		1-02 *											152
D06 TM(0) L				1									2-1/8		152
D07 REC H		A05A1		1-01 *						1			3-4/8		153
D07 REC H		A08V1		1-02 *											153
D07 REC H				1									3-4/8		153
D07 TM(0) L		A05C1		1-01 *						1			2-5/8		154
D07 TM(0) L		A08H2		1-02 *											154
D07 TM(0) L				1									2-5/8		154
D08 REC H		A05K1		1-01 *						1			3-3/8		155
D08 REC H		A08V2		1-02 *											155
D08 REC H				1									3-3/8		155
D08 TM(0) L		A05M2		1-01 *						1			2-1/8		156
D08 TM(0) L		A08J1		1-02 *											156
D08 TM(0) L				1									2-1/8		156
D09 REC H		A05F1		1-01 *						1			3-6/8		157
D09 REC H		B08A1		1-02 *											157
D09 REC H				1									3-6/8		157
D09 TM(0) L		A05L2		1-01 *	P					1			1-5/8		158
D09 TM(0) L		A08K1		1-02 *											158
D09 TM(0) L				1									1-5/8		158
D10 REC H		A05M1		1-01 *						1			2-6/8		159
D10 REC H		B08B1		1-02 *											159
D10 REC H				1									2-6/8		159
D10 TM(0) L		A05P2		1-01 *						1			2-3/8		160
D10 TM(0) L		A08K2		1-02 *											160
D10 TM(0) L				1									2-3/8		160
D11 REC H		A05L1		1-01 *						1			2-7/8		161
D11 REC H		B08B2		1-02 *											161
D11 REC H				1									2-7/8		161
D11 TM(0) L		A05N2		1-01 *						1			1-7/8		162
D11 TM(0) L		A08L1		1-02 *											162
D11 TM(0) L				1									1-7/8		162
D12 REC H		A06D1		1-01 *						1			3-7/8		163
D12 REC H		B08C1		1-02 *											163
D12 REC H				1									3-7/8		163

TM03,A RUN NAME	WRAPD .V35(102)-1 A/P PIN ORDER NAME PIN	03-JUN-77 BAY = Q DRAW RV RG Y X Z ORDER OPT	REMARKS	20-AUG-78	12:58 NC LENGTH FLAG	PAGE 14 EXCEPTIONS	RUN NUMBER
D12 TM(0) L	A06E1	1-01 *			2-3/8		164
D12 TM(0) L	A08L2	1-02 *					164
D12 TM(0) L		1			2-3/8		164
D13 REC H	A06A1	1-01 *			4-5/8		165
D13 REC H	B08D1	1-02 *					165
D13 REC H		1			4-5/8		165
D13 TM(0) L	A06C1	1-01 *			1-7/8		166
D13 TM(0) L	A08M1	1-02 *					166
D13 TM(0) L		1			1-7/8		166
D14 REC H	A06K1	1-01 *			3-6/8		167
D14 REC H	B08D2	1-02 *					167
D14 REC H		1			3-6/8		167
D14 TM(0) L	A06M2	1-01 * P			1-4/8		168
D14 TM(0) L	A08M2	1-02 *					168
D14 TM(0) L		1			1-4/8		168
D15 REC H	A06F1	1-01 *			3-7/8		169
D15 REC H	B08E1	1-02 *					169
D15 REC H		1			3-7/8		169
D15 TM(0) L	A06L2	1-01 *			1-3/8		170
D15 TM(0) L	A08N1	1-02 *					170
D15 TM(0) L		1			1-3/8		170
D16 REC H	A06M1	1-01 *			3-4/8		171
D16 REC H	B08E2	1-02 *					171
D16 REC H		1			3-4/8		171
D16 TM(0) L	A06P2	1-01 * P			1-5/8		172
D16 TM(0) L	A08N2	1-02 *					172
D16 TM(0) L		1			1-5/8		172
D17 REC H	A06L1	1-01 *			3-5/8		173
D17 REC H	B08F1	1-02 *					173
D17 REC H		1			3-5/8		173
D17 TM(0) L	A06N2	1-01 * P			1-3/8		174
D17 TM(0) L	A08P2	1-02 *					174
D17 TM(0) L		1			1-3/8		174
DATA H	C04B2	1-01 * P			2		175
DATA H	C07B2	1-02 *					175
DATA H		1			2-0/8		175
DATA HALF(1) F	E01P2	1-01 *			1		176
DATA HALF(1) F	E02P2	1-02 * P			1		176
DATA HALF(1) F	E03P2	1-03 * P			1		176
DATA HALF(1) F	E04P2	1-04 * P			2		176
DATA HALF(1) F	E07P2	1-05 *					176
DATA HALF(1) F		1			5-0/8		176

TM03,A RUN NAME	WRAPD .V35(102)-1 A/P PIN ORDER NAME PIN	03-JUN-77 BAY = Q DRAW RV RG Y X Z ORDER OPT	REMARKS	20-AUG-78	12:58 NC LENGTH FLAG	PAGE 15 EXCEPTIONS	RUN NUMBER
DATA L	C04D1					1-PIN RUN	177
DATA XFER H	A07B1	1-01 * P			1-4/8		178
DATA XFER H	A09B1	1-02 *					178
DATA XFER H		1			1-4/8		178
DC LO L	A09J1	1-01 *			4-2/8		179
DC LO L	B04J1	1-02 * P			1-4/8		179
DC LO L	B06J1	1-03 *					179
DC LO L		1			5-6/8		179
DD TRK 0(1) H	C06D1	1-01 *			4-4/8		180
DD TRK 0(1) H	D01E2	1-02 *			6-1/8		180
DD TRK 0(1) H	F04R1	1-03 *					180
DD TRK 0(1) H		1			12-5/8		180
DD TRK 0(1) L	C01V1	1-01 *			7-5/8		181
DD TRK 0(1) L	F04A1	1-02 *					181
DD TRK 0(1) L		1			7-5/8		181
DD TRK 1(1) H	C06C1	1-01 *			4-5/8		182
DD TRK 1(1) H	D03E2	1-02 *			7-1/8		182
DD TRK 1(1) H	F04S1	1-03 *					182
DD TRK 1(1) H		1			11-6/8		182
DD TRK 1(1) L	C03V1	1-01 *			7-5/8		183
DD TRK 1(1) L	F04H2	1-02 *					183
DD TRK 1(1) L		1			7-5/8		183
DD TRK 2(1) H	C06A1	1-01 *			9-3/8		184
DD TRK 2(1) H	E01R2	1-02 *			4-1/8		184
DD TRK 2(1) H	F04P1	1-03 *					184
DD TRK 2(1) H		1			13-4/8		184
DD TRK 2(1) L	E01P1	1-01 *			2-5/8		185
DD TRK 2(1) L	F04B1	1-02 *					185
DD TRK 2(1) L		1			2-5/8		185
DD TRK 3(1) H	C06D2	1-01 *			10-1/8		186
DD TRK 3(1) H	F03P2	1-02 * P			1-3/8		186
DD TRK 3(1) H	F04N1	1-03 *					186
DD TRK 3(1) H		1			11-4/8		186
DD TRK 3(1) L	F03J1	1-01 * P			1-1/8		187
DD TRK 3(1) L	F04K2	1-02 *					187
DD TRK 3(1) L		1			1-1/8		187
DD TRK 4(1) H	F01P2	1-01 *			2-5/8		188
DD TRK 4(1) H	F04R2	1-02 * P			1-3/8		188
DD TRK 4(1) H	F06V1	1-03 *					188
DD TRK 4(1) H		1			4-0/8		188
DD TRK 4(1) L	F01J1	1-01 *			2-5/8		189
DD TRK 4(1) L	F04D2	1-02 *					189
DD TRK 4(1) L		1			2-5/8		189

TM03,A RUN NAME	WRAPD ,V35(102)=1 A/P PIN ORDER NAME PTN	03-JUN-77 BAY = Q ORDER	Q DRAW RV HG Y OPT	X Z	REMARKS	28-AUG-78	12158 NC LENGTH FLAG	PAGE 16 EXCEPTIONS	RUN NUMBER
DD TRK 5(1) H	D02E2	1-01 *		1			7-7/H		190
DD TRK 5(1) H	F04S2	1-02 * P		2			1-5/H		190
DD TRK 5(1) H	F06T2	1-03 *							190
DD TRK 5(1) H		1					9-4/H		190
DD TRK 5(1) L	C02V1	1-01 *		1			7-5/H		191
DD TRK 5(1) L	F04E1	1-02 *							191
DD TRK 5(1) L		1					7-5/H		191
DD TRK 6(1) H	F02F2	1-01 *		2			1-6/H		192
DD TRK 6(1) H	F04N2	1-02 * P		1			1-5/H		192
DD TRK 6(1) H	F06S2	1-03 *							192
DD TRK 6(1) H		1					3-3/H		192
DD TRK 6(1) L	F02J1	1-01 * P		1			1-7/H		193
DD TRK 6(1) L	F04E2	1-02 *							193
DD TRK 6(1) L		1					1-7/H		193
DD TRK 7(1) H	E03R2	1-01 *		1			3-1/H		194
DD TRK 7(1) H	F04M2	1-02 * P		2			1-4/H		194
DD TRK 7(1) H	F06U1	1-03 *							194
DD TRK 7(1) H		1					4-5/H		194
DD TRK 7(1) L	E03P1	1-01 *		1			3-1/H		195
DD TRK 7(1) L	F04F2	1-02 *							195
DD TRK 7(1) L		1					3-1/H		195
DD TRK P H	C06U1	1-01 *		1			6-7/H		196
DD TRK P H	E02R2	1-02 *		2			3-7/H		196
DD TRK P H	F04P2	1-03 *							196
DD TRK P H		1					10-6/H		196
DD TRK P L	E02P1	1-01 *		1			3-3/H		197
DD TRK P L	F04H1	1-02 *							197
DD TRK P L		1					3-3/H		197
DEM H	A09U2	1-01 *		1			4-1/H		198
DEM H	B06R1	1-02 *							198
DEM H		1					4-1/H		198
DEN 0 (SB) H	D06L2							1-PIN RUN	199
DEN 1(0) H	D06T2							1-PIN RUN	200
DEN 2 L	B01P1	1-01 *		1			4-5/H		201
DEN 2 L	C06U2	1-02 *							201
DEN 2 L		1					4-5/H		201
DEN 2(1) H	C06V2	1-01 * P		1			1		202
DEN 2(1) H	C07V2	1-02 *		1			2-3/H		202
DEN 2(1) H	D09H2	1-03 *							202
DEN 2(1) H		1					3-3/H		202
DPA REC H	A06S1	1-01 *		1			2-1/H		203
DPA REC H	A08E1	1-02 *							203
DPA REC H		1					2-1/H		203

TM03,A RUN NAME	WRAPD ,V35(102)=1 A/P PIN ORDER NAME PIN	03-JUN-77 BAY = Q ORDER	Q DRAW RV RG Y OPT	X Z	REMARKS	28-AUG-78	12158 NC LENGTH FLAG	PAGE 17 EXCEPTIONS	RUN NUMBER
DPA TM L	A06U1	1-01 *		1			2-6/H		204
DPA TM L	A08D1	1-02 *		2			12-1/H		204
DPA TM L	E08P1	1-03 *							204
DPA TM L		1					14-7/H		204
DROPPED BIT 0 H	C01E1							1-PIN RUN	205
DROPPED BIT 1 H	C03E1							1-PIN RUN	206
DROPPED BIT 2 H	C01U1							1-PIN RUN	207
DROPPED BIT 3 H	E03S1							1-PIN RUN	208
DROPPED BIT 4 H	E01S1							1-PIN RUN	209
DROPPED BIT 5 H	C02E1							1-PIN RUN	210
DROPPED BIT 6 H	E02S1							1-PIN RUN	211
DROPPED BIT 7 H	C03U1							1-PIN RUN	212
DROPPED BIT P H	C02U1							1-PIN RUN	213
DRV CLR PLS H	A09P2	1-01 *		1			5-7/H		214
DRV CLR PLS H	B01D2	1-02 *							214
DRV CLR PLS H		1					5-7/H		214
DRV SET PLS H	C04S2	1-01 * P		1			1		215
DRV SET PLS H	C05S2	1-02 * P		2			1-4/H		215
DRV SET PLS H	C07S2	1-03 * P		2			1-4/H		215
DRV SET PLS H	C09S2	1-04 *		1			7-6/H		215
DRV SET PLS H	A01N1	1-05 *							215
DRV SET PLS H		1					11-6/H		215
DRV SET PLS L	C05E2	1-01 * P		1			1-4/H		216
DRV SET PLS L	C07E2	1-02 * P		2			1-6/H		216
DRV SET PLS L	C09P1	1-03 *		1			2-4/H		216
DRV SET PLS L	D06A1	1-04 *							216
DRV SET PLS L		1					5-6/H		216
DS ENABLE	C09B2	1-01 *		1			8-6/H		217
DS ENABLE	F09D2	1-02 *							217
DS ENABLE		1					8-6/H		217
DS0	B06F1	1-01 * P		1			2-3/H		218
DS0	B09H1	1-02 *							218
DS0		1					2-3/H		218
DS1	B06U1	1-01 * P		1			2-5/H		219
DS1	B09K1	1-02 *							219
DS1		1					2-5/H		219
DS2	B06V2	1-01 *		1			2-2/H		220
DS2	B09J1	1-02 *							220
DS2		1					2-2/H		220

TM03,A RUN NAME	WRAPD ,V35(102)-1 A/P PIN NAME	ORDER PIN	BAY - ORDER	Q	DRAW OPT	RV RG Y	X	Z	REMARKS	28-Aug-78	1215H NC LENGTH FLAG	PAGE 18 EXCEPTIONS	RUN NUMBER
DT0 H	B03H2		1-01 *					1			2-5/8		221
DT0 H	B07J2		1-02 *										221
DT0 H			1								2-5/8		221
DT1 H	A03M2		1-01 *					1			1-6/8		222
DT1 H	A01M1		1-02 *					2			3-7/8		222
DT1 H	A07N2		1-03 *										222
DT1 H			1								5-5/8		222
DT2 (8B) L	B03P1		1-01 *					1			5-1/8		223
DT2 (8B) L	A01D1		1-02 *					2			5-2/8		223
DT2 (8B) L	H07K1		1-03 *										223
DT2 (8B) L			1								10-3/8		223
EA0DTE(1) H	C06N2		1-01 *	P				1			1		224
EA0DTE(1) H	C07N2		1-02 *	P				2			1-4/8		224
EA0DTE(1) H	C09N2		1-03 *										224
EA0DTE(1) H			1								2-4/8		224
EBL L	B05L2		1-01 *	P				1			2-4/8		225
EBL L	B09L2		1-02 *										225
EBL L			1								2-4/8		225
ECR H	A04P1		1-01 *	P				1			0-1/8		226
ECR H	A04R1		1-02 *	P				2			0-5/8		226
ECR H	A05P1		1-03 *	P				2			0-1/8		226
ECR H	A05R1		1-04 *	P				2			0-5/8		226
ECR H	A06P1		1-05 *	P				2			3-1/8		226
ECR H	A09F2		1-06 *										226
ECR H			1								4-5/8		226
ECS H	A09J2		1-01 *					1			3-5/8		227
ECS H	A05U2		1-02 *	P				2			1		227
ECS H	A04U2		1-03 *					1			1-7/8		227
ECS H	B04F2		1-04 *	P				2			1		227
ECS H	B05F2		1-05 *	P				1			1		227
ECS H	B06F2		1-06 *					2			1-5/8		227
ECS H	B06S2		1-07 *	P				1			1		227
ECS H	B05S2		1-08 *	P				2			1		227
ECS H	B04S2		1-09 *										227
ECS H			1								12-1/8		227
EDS H	A05B1		1-01 *	P				1			1		228
EDS H	A04B1		1-02 *	P				2			1-4/8		228
EDS H	A06B1		1-03 *	P				2			2-3/8		228
EDS H	A06U2		1-04 *	P				2			2-5/8		228
EDS H	A09M2		1-05 *										228
EDS H			1								7-4/8		228
EIGHTY L	D04C1		1-01 *	P				1			2		229
EIGHTY L	D07C1		1-02 *										229
EIGHTY L			1								2-0/8		229

TM03,A RUN NAME	WRAPD ,V35(102)-1 A/P PIN NAME	ORDER PIN	BAY - ORDER	Q	DRAW OPT	RV RG Y	X	Z	REMARKS	28-Aug-78	1215H NC LENGTH FLAG	PAGE 19 EXCEPTIONS	RUN NUMBER
EMD H	A07S2		1-01 *					1			4-7/8		230
EMD H	B01E2		1-02 *										230
EMD H			1								4-7/8		230
ENABLE SYNC(1) H	C04E1		1-01 *					1			3-3/8		231
ENABLE SYNC(1) H	D03C1		1-02 *	P				2			1		231
ENABLE SYNC(1) H	D02C1		1-03 *					1			1		231
ENABLE SYNC(1) H	D01C1		1-04 *										231
ENABLE SYNC(1) H			1								5-3/8		231
ENBL SHDN CNTR L	D07M2		1-01 *	P				1			1-4/8		232
ENBL SHDN CNTR L	D05M2		1-02 *					1			4-3/8		232
ENBL SHDN CNTR L	E04V1		1-03 *					2			3-3/8		232
ENBL SHDN CNTR L	F09A1		1-04 *										232
ENBL SHDN CNTR L			1								9-2/8		232
END PT H	A02M2		1-01 *					1			5-1/8		233
END PT H	B07R1		1-02 *					2			2-5/8		233
END PT H	C09F1		1-03 *										233
END PT H			1								7-6/8		233
ENV 1(1) H	D01K2		1-01 *					1			2-7/8		234
ENV 1(1) H	D04B2		1-02 *										234
ENV 1(1) H			1								2-7/8		234
ENV 2(1) H	C01H2		1-01 *					1			1-6/8		235
ENV 2(1) H	C04H1		1-02 *										235
ENV 2(1) H			1								1-6/8		235
ENV 3(1) H	F01J2		1-01 *					1			1-6/8		236
ENV 3(1) H	F04J1		1-02 *										236
ENV 3(1) H			1								1-6/8		236
ENV 4(1) H	D02K2		1-01 *	P				1			1-3/8		237
ENV 4(1) H	D04E1		1-02 *										237
ENV 4(1) H			1								1-3/8		237
ENV 5(1) H	C02H2		1-01 *	P				1			1-4/8		238
ENV 5(1) H	C04H2		1-02 *										238
ENV 5(1) H			1								1-4/8		238
ENV 6(1) H	F02J2		1-01 *	P				1			1-4/8		239
ENV 6(1) H	F04J2		1-02 *										239
ENV 6(1) H			1								1-4/8		239
ENV 7(1) H	D03K2		1-01 *	P				1			1		240
ENV 7(1) H	D04H2		1-02 *										240
ENV 7(1) H			1								1-0/8		240
ENV 8(1) H	C03H2		1-01 *	P				1			0-5/8		241
ENV 8(1) H	C04J1		1-02 *										241
ENV 8(1) H			1								0-5/8		241
ENV 9(1) H	F03J2		1-01 *	P				1			0-1/8		242
ENV 9(1) H	F04K1		1-02 *										242
ENV 9(1) H			1								0-1/8		242

TM03,A RUN NAME	WRAPD ,V35(102)-1 A/P PIN NAME	ORDER PIN	03-JUN-77 BAY = ORDER	Q	DRAW	RV HG Y	X	Z	REMARKS	28-AUG-78	12158 NC LENGTH FLAG	PAGE 20 EXCEPTIONS	RUN NUMBER
EOR L	C07H1		1-01 *	P				1			1-4/8		243
EOR L	C09H1		1-02 *					1			5-7/8		243
EOR L	U05T2		1-03 *										243
EOR L			1								7-3/8		243
ERASE L	D07U1		1-01 *	P				1			2-5/8		244
ERASE L	D09E1		1-02 *										244
ERASE L			1								2-5/8		244
ERDS(0) H	C05H2											1-PIN RUN	245
ERDS(1) H	D05M1											1-PIN RUN	246
ERROR RESET L	E04L2		1-01 *	P				1			1		247
ERROR RESET L	E05L2		1-02 *	P				2			1-4/8		247
ERROR RESET L	E07L2		1-03 *										247
ERROR RESET L			1								2-4/8		247
ES/IL TMRK L	C04D2		1-01 *	P				1			1		248
ES/IL TMRK L	C05D2		1-02 *					1			10-7/8		248
ES/IL TMRK L	F09M1		1-03 *										248
ES/IL TMRK L			1								11-7/8		248
EVEN PAR H	B09D1		1-01 *					2			3-7/8		249
EVEN PAR H	C08L2		1-02 *					1			8-3/8		249
EVEN PAR H	F06B2		1-03 *										249
EVEN PAR H			1								12-2/8		249
EXC BY CONT(1) L	C09D1											1-PIN RUN	250
EXC REC H	B05L1		1-01 *					1			2-5/8		251
EXC REC H	B09K2		1-02 *										251
EXC REC H			1								2-5/8		251
EXC TM L	B05P2		1-01 *	P				1			2-4/8		252
EXC TM L	B09P2		1-02 *										252
EXC TM L			1								2-4/8		252
F1 H	E06M2		1-01 *					1			2		253
F1 H	E09M2		1-02 *										253
F1 H			1								2-0/8		253
F2 H	E06N2		1-01 *	P				1			2		254
F2 H	E09N2		1-02 *										254
F2 H			1								2-0/8		254
F3 H	E06R2		1-01 *	P				1			2		255
F3 H	E09R2		1-02 *										255
F3 H			1								2-0/8		255
F4 H	C06S2		1-01 *					1			7-1/8		256
F4 H	E09S2		1-02 *										256
F4 H			1								7-1/8		256

TM03,A RUN NAME	WRAPD ,V35(102)-1 A/P PIN NAME	ORDER PIN	03-JUN-77 BAY = ORDER	Q	DRAW	RV HG Y	X	Z	REMARKS	28-AUG-78	12158 NC LENGTH FLAG	PAGE 21 EXCEPTIONS	RUN NUMBER
F5 H	C06T2		1-01 *					1			7-1/8		257
F5 H	E09T2		1-02 *										257
F5 H			1								7-1/8		257
FCCLK H	A08J2		1-01 *	P				1			0-1/8		258
FCCLK H	A09K1		1-02 *										258
FCCLK H			1								0-1/8		258
FCOF(1) L	C07H2		1-01 *	P				1			1-5/8		259
FCOF(1) L	C09E2		1-02 *										259
FCOF(1) L			1								1-5/8		259
FMK PATTERN H	F04B2											1-PIN RUN	260
FMT 0(1) H	B08M2		1-01 *					1			6-1/8		261
FMT 0(1) H	D06F1		1-02 *										261
FMT 0(1) H			1								6-1/8		261
FMT 1(1) H	B08N2		1-01 *					1			7-3/8		262
FMT 1(1) H	D06U2		1-02 *										262
FMT 1(1) H			1								7-3/8		262
FMT 2(1) H	D06V2		1-01 *	P				1			1-2/8		263
FMT 2(1) H	D08S1		1-02 *										263
FMT 2(1) H			1								1-2/8		263
FMT 3(1) H	B08T2		1-01 *					1			10-3/8		264
FMT 3(1) H	F06B1		1-02 *										264
FMT 3(1) H			1								10-3/8		264
FORTY H	D04D2		1-01 *					1			2		265
FORTY H	D07D2		1-02 *										265
FORTY H			1								2-0/8		265
FWD CRCB(1) H	C05B2											1-PIN RUN	266
FWD H	A02A1		1-01 *	P				1			0-1/8		267
FWD H	A02B1		1-02 *	P				2			0-1/8		267
FWD H	A02C1		1-03 *	P				2			2-3/8		267
FWD H	A02U2		1-04 *					1			6-7/8		267
FWD H	C09R2		1-05 *	P				2			1		267
FWD H	C08R2		1-06 *	P				1			2		267
FWD H	C05R2		1-07 *										267
FWD H			1								12-4/8		267
FWD L	D05H1											1-PIN RUN	268
FWD LRCB(1) H	C05U2											1-PIN RUN	269

TM03,A RUN NAME	WRAPD .V35(102)-1 A/P PIN ORDER PIN	03-JUN-77 BAY - O ORDER	DRAW RV RG Y X Z OPT	REMARKS	28-AUG-78	1215H NC LENGTH FLAG	PAGE 22 EXCEPTIONS	RUN NUMBER
GND 01	A01C2	1-01 * P				2-1/8		270
GND 01	A01T1	1-02 * P				1-5/8		270
GND 01	B01C2	1-03 * P				2-1/8		270
GND 01	B01T1	1-04 * P				1-3/8		270
GND 01	C01C2	1-05 * P				2-1/8		270
GND 01	C01T1	1-06 * P				1-5/8		270
GND 01	D01C2	1-07 * P				2-1/8		270
GND 01	D01T1	1-08 * P				1-3/8		270
GND 01	E01C2	1-09 * P				2-1/8		270
GND 01	E01T1	1-10 * P				1-5/8		270
GND 01	F01C2	1-11 * P				2-1/8		270
GND 01	F01T1	1-12 *						270
GND 01		1				20-3/8		270
GND 02	A02C2	1-01 * P				2-1/8		271
GND 02	A02T1	1-02 * P				1-5/8		271
GND 02	B02C2	1-03 * P				2-1/8		271
GND 02	B02T1	1-04 * P				1-3/8		271
GND 02	C02C2	1-05 * P				2-1/8		271
GND 02	C02T1	1-06 * P				1-5/8		271
GND 02	D02C2	1-07 * P				2-1/8		271
GND 02	D02T1	1-08 * P				1-3/8		271
GND 02	E02C2	1-09 * P				2-1/8		271
GND 02	E02T1	1-10 * P				1-5/8		271
GND 02	F02C2	1-11 * P				2-1/8		271
GND 02	F02T1	1-12 *						271
GND 02		1				20-3/8		271
GND 03	A03C2	1-01 * P				2-1/8		272
GND 03	A03T1	1-02 * P				1-5/8		272
GND 03	B03C2	1-03 * P				2-1/8		272
GND 03	B03T1	1-04 * P				1-3/8		272
GND 03	C03C2	1-05 * P				2-1/8		272
GND 03	C03T1	1-06 * P				1-5/8		272
GND 03	D03C2	1-07 * P				2-1/8		272
GND 03	D03T1	1-08 * P				1-3/8		272
GND 03	E03C2	1-09 * P				2-1/8		272
GND 03	E03T1	1-10 * P				1-5/8		272
GND 03	F03C2	1-11 * P				2-1/8		272
GND 03	F03T1	1-12 *				13-5/8		272
GND 03	A03V2	1-13 *						272
GND 03		1				34-0/8		272

TM03,A RUN NAME	WRAPD .V35(102)-1 A/P PIN ORDER PIN	03-JUN-77 BAY - O ORDER	DRAW RV RG Y X Z OPT	REMARKS	28-AUG-78	1215H NC LENGTH FLAG	PAGE 23 EXCEPTIONS	RUN NUMBER
GND 04	A04C2	1-01 * P				2-1/8		273
GND 04	A04T1	1-02 * P				1-5/8		273
GND 04	B04C2	1-03 * P				1-3/8		273
GND 04	B04K1	1-04 * P				1-3/8		273
GND 04	B04T1	1-05 * P				1-3/8		273
GND 04	C04C2	1-06 * P				2-1/8		273
GND 04	C04T1	1-07 * P				1-5/8		273
GND 04	D04C2	1-08 * P				2-1/8		273
GND 04	D04T1	1-09 * P				1-3/8		273
GND 04	E04C2	1-10 * P				2-1/8		273
GND 04	E04T1	1-11 * P				1-5/8		273
GND 04	F04C2	1-12 * P				2-1/8		273
GND 04	F04T1	1-13 *						273
GND 04		1				21-0/8		273
GND 05	A05C2	1-01 * P				2-1/8		274
GND 05	A05T1	1-02 * P				1-5/8		274
GND 05	B05C2	1-03 * P				1-5/8		274
GND 05	B05N1	1-04 * P				1		274
GND 05	B05T1	1-05 * P				1-3/8		274
GND 05	C05C2	1-06 * P				2-1/8		274
GND 05	C05T1	1-07 * P				1-5/8		274
GND 05	D05C2	1-08 * P				2-1/8		274
GND 05	D05T1	1-09 * P				1-3/8		274
GND 05	E05C2	1-10 * P				2-1/8		274
GND 05	E05T1	1-11 * P				1-5/8		274
GND 05	F05C2	1-12 * P				2-1/8		274
GND 05	F05T1	1-13 *						274
GND 05		1				20-7/8		274
GND 06	A06C2	1-01 * P				2-1/8		275
GND 06	A06T1	1-02 * P				1-5/8		275
GND 06	B06C2	1-03 * P				1-5/8		275
GND 06	B06N1	1-04 * P				1		275
GND 06	B06T1	1-05 * P				1-3/8		275
GND 06	C06C2	1-06 * P				2-1/8		275
GND 06	C06T1	1-07 * P				1-5/8		275
GND 06	D06C2	1-08 * P				2-1/8		275
GND 06	D06T1	1-09 * P				1-3/8		275
GND 06	E06C2	1-10 * P				2-1/8		275
GND 06	E06T1	1-11 * P				1-5/8		275
GND 06	F06C2	1-12 * P				2-1/8		275
GND 06	F06T1	1-13 *						275
GND 06		1				20-7/8		275

TM03,A RUN NAME	WRAPD .V35(102)-1 A/P PIN NAME	ORDER PIN	RAY - ORDER	Q	DRAW OPT	PV RG Y	X	Z	REMARKS	28-AUG-78	12158 NC LENGTH FLAG	PAGE 24 EXCEPTIONS	RUN NUMBER
GND 07	A07C2		1-01 * P					1			2-1/8		276
GND 07	A07T1		1-02 * P					2			1-5/8		276
GND 07	B07C2		1-03 * P					1			2-1/8		276
GND 07	B07T1		1-04 * P					2			1-3/8		276
GND 07	C07C2		1-05 * P					1			2-1/8		276
GND 07	C07T1		1-06 * P					2			1-5/8		276
GND 07	D07C2		1-07 * P					1			2-1/8		276
GND 07	D07T1		1-08 * P					2			1-3/8		276
GND 07	E07C2		1-09 * P					1			2-1/8		276
GND 07	E07T1		1-10 * P					2			1-5/8		276
GND 07	F07C2		1-11 * P					1			2-1/8		276
GND 07	F07T1		1-12 *					1			20-3/8		276
GND 08	A08C2		1-01 * P					1			2-1/8		277
GND 08	A08T1		1-02 * P					2			1-5/8		277
GND 08	B08C2		1-03 * P					1			2-1/8		277
GND 08	B08T1		1-04 * P					2			1-3/8		277
GND 08	C08C2		1-05 * P					1			2-1/8		277
GND 08	C08T1		1-06 * P					2			1-5/8		277
GND 08	D08C2		1-07 * P					1			2-1/8		277
GND 08	D08T1		1-08 * P					2			1-3/8		277
GND 08	E08C2		1-09 * P					1			2-1/8		277
GND 08	E08T1		1-10 * P					2			1-5/8		277
GND 08	F08C2		1-11 * P					1			2-1/8		277
GND 08	F08T1		1-12 *					1			20-3/8		277
GND 09	A09C2		1-01 * P					1			2-1/8		278
GND 09	A09T1		1-02 * P					2			1-5/8		278
GND 09	B09C2		1-03 * P					1			2-1/8		278
GND 09	B09T1		1-04 * P					2			1-3/8		278
GND 09	C09C2		1-05 * P					1			2-1/8		278
GND 09	C09T1		1-06 * P					2			1-5/8		278
GND 09	D09C2		1-07 * P					1			2-1/8		278
GND 09	D09T1		1-08 * P					2			1-3/8		278
GND 09	E09C2		1-09 * P					1			2-1/8		278
GND 09	E09T1		1-10 * P					2			1-5/8		278
GND 09	F09C2		1-11 * P					1			2-1/8		278
GND 09	F09T1		1-12 *					1			20-3/8		278
GO BUF H	C06K2		1-01 * P					1			1		279
GO BUF H	C07K2		1-02 * P					2			1-4/8		279
GO BUF H	C09K2		1-03 *					2			5-3/8		279
GO BUF H	E08D2		1-04 *					1			2-5/8		279
GO BUF H	E05K2		1-05 *					1			10-4/8		279
GO L	F07B1		1-01 * P					1			1-4/8		280
GO L	F09B1		1-02 *					1			1-4/8		280
GO L			1					1			1-4/8		280

TM03,A RUN NAME	WRAPD .V35(102)-1 A/P PIN NAME	ORDER PIN	RAY - ORDER	Q	DRAW OPT	PV RG Y	X	Z	REMARKS	28-AUG-78	12158 NC LENGTH FLAG	PAGE 25 EXCEPTIONS	RUN NUMBER
IDB(1) H	D04U2		1-01 * P					1			2		281
IDB(1) H	D07U2		1-02 *					1			10-5/8		281
IDB(1) H	B01C1		1-03 *					1			12-5/8		281
IDB(1) H			1					1			12-5/8		281
II CC L	F05M1		1-01 * P					1			1		282
II CC L	F06M1		1-02 *					1			1-0/8		282
II CC L			1					1			1-0/8		282
INC COND H	D03E1		1-01 *					1			4-1/8		283
INC COND H	E04J2		1-02 *					1			4-1/8		283
INC COND H			1					1			4-1/8		283
INC DATA H	D03D1		1-01 *					1			7-7/8		284
INC DATA H	F04V1		1-02 *					1			7-7/8		284
INC DATA H			1					1			7-7/8		284
INC ERROR L	F05J2											1-PIN RUN	285
INC FPK L	F01J2		1-01 *					1			13-3/8		286
INC FPK L	F06L1		1-02 *					1			13-3/8		286
INC FPK L			1					1			13-3/8		286
INC PREAMBLE L	A07A1		1-01 *					1			14-5/8		287
INC PREAMBLE L	F06F1		1-02 *					1			14-5/8		287
INC PREAMBLE L			1					1			14-5/8		287
INC/VPE L	F04F1		1-01 * P					1			1		288
INC/VPE L	F05F1		1-02 * P					2			2-3/8		288
INC/VPE L	F09H1		1-03 *					1			3-3/8		288
INC/VPE L			1					1			3-3/8		288
INIT H	B05R1		1-01 * P					1			2-6/8		289
INIT H	B09R2		1-02 *					1			2-0/8		289
INIT H			1					1			2-0/8		289
INIT PLS(1) H	A01U2		1-01 *					1			13-3/8		290
INIT PLS(1) H	F04D1		1-02 *					2			1		290
INIT PLS(1) H	F05D1		1-03 * P					1			2-4/8		290
INIT PLS(1) H	F09D1		1-04 *					1			16-7/8		290
INIT PLS(1) H			1					1			16-7/8		290
INIT PLS(1) L	F09C1		1-01 *					1			2-1/8		291
INIT PLS(1) L	F05D2		1-02 *					1			2-1/8		291
INIT PLS(1) L			1					1			2-1/8		291
INT PAR	F09H1											1-PIN RUN	292
IRD H	A03U2		1-01 *					1			9-1/8		293
IRD H	E04A1		1-02 *					2			4-7/8		293
IRD H	F06D2		1-03 *					1			14-0/8		293
IRD H			1					1			14-0/8		293
LCTOD(1) H	C09L1		1-01 *					1			7-7/8		294
LCTOD(1) H	E06U2		1-02 *					1			7-7/8		294
LCTOD(1) H			1					1			7-7/8		294

IM03.A RUN NAME	WRAPD V35(102)-1 A/P PIN ORDER	03-JUN-77 BAY - O	DRAW RV RG Y X Z	REMARKS	28-AUG-78	12158 NC LENGTH FLAG	PAGE 26 EXCEPTIONS	RUN NUMBER
LRC STRB (SB) L	A01K2	1-01 *				3-4/8		295
LRC STRB (SB) L	A07K2	1-02 *				10-3/8		295
LRC STRB (SB) L	U05S1	1-03 *						295
LRC STRB (SB) L		1				13-7/8		295
MAINT 0(1) H	B01U2	1-01 *				13-1/8		296
MAINT 0(1) H	F06R2	1-02 *						296
MAINT 0(1) H		1				13-1/8		296
MAINT RDS L	C05T2	1-01 *				6-3/8		297
MAINT RDS L	K06V2	1-02 *						297
MAINT RDS L		1				6-3/8		297
MAS CLR L	D06S2	1-01 * P				1		298
MAS CLR L	D07S2	1-02 * P				1		298
MAS CLR L	D08S2	1-03 * P				1		298
MAS CLR L	D09S2	1-04 *				12-1/8		298
MAS CLR L	A01V1	1-05 *						298
MAS CLR L		1				15-1/8		298
MAS FAIL H	B06T2	1-01 *				2-3/8		299
MAS FAIL H	H09E2	1-02 *						299
MAS FAIL H		1				2-3/8		299
MASS BUS ENBL H	A04J1	1-01 * P				1		300
MASS BUS ENBL H	A05J1	1-02 * P				1		300
MASS BUS ENBL H	A06J1	1-03 *				1-2/8		300
MASS BUS ENBL H	A06R1	1-04 *				2-3/8		300
MASS BUS ENBL H	B06H1	1-05 * P				1-4/8		300
MASS BUS ENBL H	B04H1	1-06 * P				1		300
MASS BUS ENBL H	B05H1	1-07 * P				0-4/8		300
MASS BUS ENBL H	B05K1	1-08 * P				0-5/8		300
MASS BUS ENBL H	B04N1	1-09 * P				0-4/8		300
MASS BUS ENBL H	B04R2	1-10 * P				0-1/8		300
MASS BUS ENBL H	B05S1	1-11 * P				0-5/8		300
MASS BUS ENBL H	B05R2	1-12 * P				0-1/8		300
MASS BUS ENBL H	B06S1	1-13 * P				0-5/8		300
MASS BUS ENBL H	H06R2	1-14 *				2-2/8		300
MASS BUS ENBL H	B09C1	1-15 *						300
MASS BUS ENBL H		1				13-4/8		300
MID POSTBLE(0) H	C04B1	1-01 * P				1-4/8		301
MID POSTBLE(0) H	C06B1	1-02 *						301
MID POSTBLE(0) H		1				1-4/8		301
NM EOR CLR L	E07F2	1-01 *				4-1/8		302
NM EOR CLR L	F06H1	1-02 *						302
NM EOR CLR L		1				4-1/8		302
NMCLK(1) H	D06C1	1-01 *				4-3/8		303
NMCLK(1) H	E07K2	1-02 *						303
NMCLK(1) H		1				4-3/8		303

IM03.A RUN NAME	WRAPD V35(102)-1 A/P PIN ORDER	03-JUN-77 BAY - O	DRAW RV RG Y X Z	REMARKS	28-AUG-78	12158 NC LENGTH FLAG	PAGE 27 EXCEPTIONS	RUN NUMBER
NOL H	B03V2	1-01 *				2-7/8		304
NOL H	B07M1	1-02 *						304
NOL H		1				2-7/8		304
NOL L	D07A1	1-01 * P				1-4/8		305
NOL L	D09A1	1-02 *						305
NOL L		1				1-4/8		305
MULT DD TRK L	E04H1						1-PIN RUN	306
NO CHAR RD L	D05R2						1-PIN RUN	307
NORMAL MODE	C08C1						1-PIN RUN	308
NRZ FPK CHAR L	F05N2						1-PIN RUN	309
NSG(1) L	F07A2	1-01 * P				1-3/8		310
NSG(1) L	F09L1	1-02 *						310
NSG(1) L		1				1-3/8		310
OCC TM(1) H	B04M1	1-01 * P				1		311
OCC TM(1) H	B05M1	1-02 * P				0-5/8		311
OCC TM(1) H	B05J1	1-03 * P				0-5/8		311
OCC TM(1) H	B06M1	1-04 *				0-1/8		311
OCC TM(1) H	D09C1	1-05 *						311
OCC TM(1) H		1				0-3/8		311
OCC TM(1) L	B06P2	1-01 * P				1-0/8		312
OCC TM(1) L	B09P1	1-02 *						312
OCC TM(1) L		1				1-6/8		312
OCCUPIED REC H	B06L1	1-01 *				0-1/8		313
OCCUPIED REC H	D09B1	1-02 *						313
OCCUPIED REC H		1				0-1/8		313
ODD FRM H	B08F2						1-PIN RUN	314
ONE DET 0 L	C01F2	1-01 *				7-3/8		315
ONE DET 0 L	F04L1	1-02 *						315
ONE DET 0 L		1				7-3/8		315
ONE DET 1 L	C03F2	1-01 *				0-5/8		316
ONE DET 1 L	E04M2	1-02 *						316
ONE DET 1 L		1				0-5/8		316
ONE DET 2 L	D01V2	1-01 *				2-2/8		317
ONE DET 2 L	K04K1	1-02 *						317
ONE DET 2 L		1				2-2/8		317
ONE DET 3 L	E04M2	1-01 *				3-1/8		318
ONE DET 3 L	F03E1	1-02 *						318
ONE DET 3 L		1				3-1/8		318
ONE DET 4 L	E04M1	1-01 *				3-2/8		319
ONE DET 4 L	F01E1	1-02 *						319
ONE DET 4 L		1				3-2/8		319

TM03,A RUN NAME	WRAPD .V35(102)-1 A/P PIN ORDER NAME PIN	03-JUN-77 BAY = Q DRAW ORDER OPT	RV RG Y	X Z	REMARKS	28-AUG-78	12158 NC LENGTH FLAG	PAGE 28 EXCEPTIONS	RUN NUMBER
ONE DET 5 L	C02F2	1-01 *		1			7-1/8		320
ONE DET 5 L	E04N1	1-02 *							320
ONE DET 5 L		1					7-1/8		320
ONE DET 6 L	E04K2	1-01 *		1			3-7/8		321
ONE DET 6 L	F02E1	1-02 *							321
ONE DET 6 L		1					3-7/8		321
ONE DET 7 L	D03V2	1-01 *		1			2-7/8		322
ONE DET 7 L	E04R2	1-02 *							322
ONE DET 7 L		1					2-7/8		322
ONE DET P L	D02V2							1-PIN RUN	323
ONE READ H	D04F1							1-PIN RUN	324
ONES L	C04L2	1-01 * P		1			2		325
ONES L	C07L2	1-02 *							325
ONES L		1					2-0/8		325
OPI(1) H	D07B2	1-01 * P		1			1-4/8		326
OPI(1) H	D09B2	1-02 *							326
OPI(1) H		1					1-4/8		326
OVERFLOW A,B,C, L	D04V1	1-01 *		1			1-2/8		327
OVERFLOW A,B,C, L	E03A1	1-02 * P		2			1		327
OVERFLOW A,B,C, L	E02A1	1-03 *		1			1		327
OVERFLOW A,B,C, L	E01A1	1-04 *							327
OVERFLOW A,B,C, L		1					3-2/8		327
PE WRT CLK ENBL L	D04B1	1-01 * P		1			2		328
PE WRT CLK ENBL L	D07B1	1-02 *							328
PE WRT CLK ENBL L		1					2-0/8		328
PEF/LRC L	D04V2	1-01 * P		1			1		329
PEF/LRC L	D05V2	1-02 *		1			5-7/8		329
PEF/LRC L	F09F1	1-03 *							329
PEF/LRC L		1					6-7/8		329
PERR AND ONE DD TRK H	D01M2	1-01 *		1			1		330
PERR AND ONE DD TRK H	D02M2	1-02 * P		2			1		330
PERR AND ONE DD TRK H	D03M2	1-03 * P		1			0-4/8		330
PERR AND ONE DD TRK H	D04K1	1-04 *							330
PERR AND ONE DD TRK H		1					2-4/8		330
PERR L	D04J1							1-PIN RUN	331
PES(8B) L	A03D1	1-01 *		1			5-5/8		332
PES(8B) L	B07J1	1-02 *							332
PES(8B) L		1					5-5/8		332

TM03,A RUN NAME	WRAPD .V35(102)-1 A/P PIN ORDER NAME PIN	03-JUN-77 BAY = Q DRAW ORDER OPT	RV RG Y	X Z	REMARKS	28-AUG-78	12158 NC LENGTH FLAG	PAGE 29 EXCEPTIONS	RUN NUMBER
PESB H	A03B1	1-01 *		1			0-7/8		333
PESB H	D04B1	1-02 * P		2			1-4/8		333
PESB H	D06B1	1-03 * P		2			1		333
PESB H	D07B1	1-04 *		1			4-3/8		333
PESB H	E08L1	1-05 * P		2			3-7/8		333
PESB H	E03B1	1-06 * P		2			1		333
PESB H	E02B1	1-07 *		1			1		333
PESB H	E01B1	1-08 *							333
PESB H		1					21-5/8		333
PESB L	A03C1	1-01 *		1			9-1/8		334
PESB L	D04D1	1-02 * P		2			1		334
PESB L	D05D1	1-03 * P		1			1-4/8		334
PESB L	D07D1	1-04 * P		2			1-4/8		334
PESB L	D09D1	1-05 *		1			4-4/8		334
PESB L	D00D2	1-06 *							334
PESB L		1					13-5/8		334
PIP H	C09V2	1-01 *		1			2-2/8		335
PIP H	D07H2	1-02 *							335
PIP H		1					2-2/8		335
POS 0(0) H	C04P2	1-01 * P		1			2		336
POS 0(0) H	C07P2	1-02 *							336
POS 0(0) H		1					2-0/8		336
POS 0(1) H	C04N2	1-01 * P		1			2		337
POS 0(1) H	C07N2	1-02 *							337
POS 0(1) H		1					2-0/8		337
POST DETECT A,B,C H	C01B2	1-01 *		1			1		338
POST DETECT A,B,C H	C02B2	1-02 * P		2			1		338
POST DETECT A,B,C H	C03B2	1-03 * P		1			0-4/8		338
POST DETECT A,B,C H	C04B1	1-04 *							338
POST DETECT A,B,C H		1					2-4/8		338
POST OR PRE H	C04N1							1-PIN RUN	339
POST OR REC N ACT L	A03A1	1-01 *		1			11-1/8		340
POST OR REC N ACT L	D04T2	1-02 *							340
POST OR REC N ACT L		1					11-1/8		340
POSTAMBLE(0) H	D04E2	1-01 *		1			2		341
POSTAMBLE(0) H	D07E2	1-02 *							341
POSTAMBLE(0) H		1					2-0/8		341
PRE 0(1) L	D04L2	1-01 * P		1			2		342
PRE 0(1) L	D07L2	1-02 *							342
PRE 0(1) L		1					2-0/8		342
PREAMBLE(0) H	E04U1							1-PIN RUN	343
PULSE(1) H	A09L1							1-PIN RUN	344

TM03,A RUN NAME	WRAPD ,V35(102)=1 A/P PIN ORDER NAME PIN	03=JUN=77 BAY = Q ORDER	Q DRAW OPT	RV RG Y X Z	REMARKS	28=Aug-78	12158 NC DE LGTH FLAG	PAGE 30 EXCEPTIONS	RUN NUMBER
PVN(1) H	F05A1	1-01 *	P				1		345
PVN(1) H	F06A1	1-02 *	P				1		345
PVN(1) H	F07A1	1-03 *					4-7/8		345
PVN(1) H	D08N1	1-04 *							345
PVN(1) H		1					6-7/8		345
R00 L	A09L2	1-01 *					11-1/8		346
R00 L	D06V1	1-02 *							346
R00 L		1					11-1/8		346
R01 L	A09A1	1-01 *					15-3/8		347
R01 L	F07H1	1-02 *							347
R01 L		1					15-3/8		347
R03 L	F06H2	1-01 *	P				2		348
R03 L	F09H2	1-02 *							348
R03 L		1					2-0/8		348
R04 L	A09M1							1=PIN RUN	349
R06 L	A09R1	1-01 *					13-7/8		350
R06 L	F07J1	1-02 *							350
R06 L		1					13-7/8		350
R07 L	A09D1	1-01 *					15-7/8		351
R07 L	F06M2	1-02 *							351
R07 L		1					15-7/8		351
R10 L	A09E1	1-01 *					15-3/8		352
R10 L	F07H1	1-02 *							352
R10 L		1					15-3/8		352
R11 L	A09F1	1-01 *					15-1/8		353
R11 L	F07K1	1-02 *	P				1		353
R11 L	F06K1	1-03 *							353
R11 L		1					16-1/8		353
RD 0 H	B02V2	1-01 *	P				3		354
RD 0 H	B07V2	1-02 *							354
RD 0 H		1					3-0/8		354
RD 1(88) L	B02U2	1-01 *	P				3		355
RD 1(88) L	B07U2	1-02 *							355
RD 1(88) L		1					3-0/8		355
RD 2(88) L	B0282	1-01 *					3		356
RD 2(88) L	B0782	1-02 *							356
RD 2(88) L		1					3-0/8		356
RD 3 H	B02R2	1-01 *					2-5/8		357
RD 3 H	B07P1	1-02 *							357
RD 3 H		1					2-5/8		357
RD 4 H	B02P2	1-01 *					3		358
RD 4 H	B07P2	1-02 *							358
RD 4 H		1					3-0/8		358

TM03,A RUN NAME	WRAPD ,V35(102)=1 A/P PIN ORDER NAME PIN	03=JUN=77 BAY = Q ORDER	Q DRAW OPT	RV RG Y X Z	REMARKS	28=Aug-78	12158 NC DE LGTH FLAG	PAGE 31 EXCEPTIONS	RUN NUMBER
RD 5 H	A02H2	1-01 *	P				3		359
RD 5 H	A07H2	1-02 *							359
RD 5 H		1					3-0/8		359
RD 6(88) L	A02F2	1-01 *	P				3		360
RD 6(88) L	A07F2	1-02 *							360
RD 6(88) L		1					3-0/8		360
RD 7(88) L	A02E2	1-01 *					3		361
RD 7(88) L	A07E2	1-02 *							361
RD 7(88) L		1					3-0/8		361
RD ACTV L	D05L2							1=PIN RUN	362
RD ADDR 1(1) H	D01T2	1-01 *					1		363
RD ADDR 1(1) H	D02T2	1-02 *	P				1		363
RD ADDR 1(1) H	D03T2	1-03 *					6-1/8		363
RD ADDR 1(1) H	F04T2	1-04 *							363
RD ADDR 1(1) H		1					8-1/8		363
RD ADDR 2(1) H	C04E2	1-01 *					5-3/8		364
RD ADDR 2(1) H	D03U1	1-02 *	P				1		364
RD ADDR 2(1) H	D02U1	1-03 *					1		364
RD ADDR 2(1) H	D01U1	1-04 *							364
RD ADDR 2(1) H		1					7-3/8		364
RD ADDR 3(1) H	C04K2	1-01 *					4-5/8		365
RD ADDR 3(1) H	D03U2	1-02 *	P				1		365
RD ADDR 3(1) H	D02U2	1-03 *					1		365
RD ADDR 3(1) H	D01U2	1-04 *							365
RD ADDR 3(1) H		1					6-5/8		365
RD P H	A02D2	1-01 *					7-1/8		366
RD P H	B07V1	1-02 *							366
RD P H		1					7-1/8		366
RDA 0 H	E01N2	1-01 *					3-1/8		367
RDA 0 H	E05N2	1-02 *							367
RDA 0 H	E07N2	1-03 *					1-4/8		367
RDA 0 H		1					4-5/8		367
RDA 1 H	E03N2	1-01 *					4-1/8		368
RDA 1 H	F07F2	1-02 *	P				1-4/8		368
RDA 1 H	F05F2	1-03 *							368
RDA 1 H		1					5-5/8		368
RDA 2 H	E01N1	1-01 *					2-5/8		369
RDA 2 H	E05N2	1-02 *	P				1-4/8		369
RDA 2 H	E07N2	1-03 *							369
RDA 2 H		1					4-1/8		369
RDA 3 H	E03E2	1-01 *					4-3/8		370
RDA 3 H	F05N2	1-02 *	P				1-4/8		370
RDA 3 H	F07N2	1-03 *							370
RDA 3 H		1					5-7/8		370

TM03,A RUN NAME	WRAPD .V35(102)=1 03-JUN-77				DRAW	RV	RG	Y	X	Z	REMARKS	28-AUG-78	12158 NC LENGTH FLAG	PAGE 32 EXCEPTIONS	RUN NUMBER
	A/P	PIN NAME	ORDER PIN	BAY = ORDER											
RDA 4 H		E01E2	1-01 *							1			3-5/H		371
RDA 4 H		E05R2	1-02 *							2			1-4/H		371
RDA 4 H		E07R2	1-03 *												371
RDA 4 H			1										5-1/H		371
RDA 5 H		E02H2	1-01 *							1			2-6/H		372
RDA 5 H		E05I2	1-02 *	P						2			1-4/H		372
RDA 5 H		E07T2	1-03 *												372
RDA 5 H			1										4-2/H		372
RDA 6 H		E02E2	1-01 *							1			2-5/H		373
RDA 6 H		E05U2	1-02 *	P						2			1-4/H		373
RDA 6 H		E07U2	1-03 *												373
RDA 6 H			1										4-1/H		373
RDA 7 H		E03N1	1-01 *							1			3-3/H		374
RDA 7 H		E07E2	1-02 *	P						2			1-4/H		374
RDA 7 H		E05E2	1-03 *												374
RDA 7 H			1										4-7/H		374
RDA P H		E02N1	1-01 *	P						1			2-3/H		375
RDA P H		E05S2	1-02 *	P						2			1-4/H		375
RDA P H		E07S2	1-03 *												375
RDA P H			1										3-7/H		375
RDB 0 L		E01M2	1-01 *							1			2-7/H		376
RDB 0 L		E05E1	1-02 *	P						2			1-2/H		376
RDB 0 L		E06E2	1-03 *												376
RDB 0 L			1										4-1/H		376
RDB 1 L		E03M2	1-01 *	P						1			1-3/H		377
RDB 1 L		E05P1	1-02 *	P						2			1-2/H		377
RDB 1 L		E06P2	1-03 *												377
RDB 1 L			1										2-5/H		377
RDB 2 L		E01H1	1-01 *							1			2-7/H		378
RDB 2 L		E05D1	1-02 *	P						2			1-2/H		378
RDB 2 L		E06D2	1-03 *												378
RDB 2 L			1										4-1/H		378
RDB 3 L		E03J1	1-01 *	P						2			2-1/H		379
RDB 3 L		E05V1	1-02 *	P						2			1		379
RDB 3 L		E06V1	1-03 *												379
RDB 3 L			1										3-1/H		379
RDB 4 L		E01J1	1-01 *							1			2-5/H		380
RDB 4 L		E05F1	1-02 *	P						2			1-2/H		380
RDB 4 L		E06F2	1-03 *												380
RDB 4 L			1										3-7/H		380
RDB 5 L		E02M2	1-01 *	P						1			2-1/H		381
RDB 5 L		E05J1	1-02 *	P						2			1-2/H		381
RDB 5 L		E06J2	1-03 *												381
RDB 5 L			1										3-3/H		381

TM03,A RUN NAME	WRAPD .V35(102)=1 03-JUN-77				DRAW	RV	RG	Y	X	Z	REMARKS	28-AUG-78	12158 NC LENGTH FLAG	PAGE 33 EXCEPTIONS	RUN NUMBER
	A/P	PIN NAME	ORDER PIN	BAY = ORDER											
RDB 6 L		E02J1	1-01 *	P						1			1-7/H		382
RDB 6 L		E05K1	1-02 *	P						2			1-2/H		382
RDB 6 L		E06K2	1-03 *												382
RDB 6 L			1										3-1/H		382
RDB 7 L		E03H1	1-01 *	P						1			1-7/H		383
RDB 7 L		E05L1	1-02 *							2			1-2/H		383
RDB 7 L		E06L2	1-03 *												383
RDB 7 L			1										3-1/H		383
RDB P L		E02H1	1-01 *	P						1			2		384
RDB P L		E05H1	1-02 *							2			1-2/H		384
RDB P L		E06H2	1-03 *												384
RDB P L			1										3-2/H		384
RDC 0 H		B00H2	1-01 *							1			7-5/H		385
RDC 0 H		D06R1	1-02 *												385
RDC 0 H			1										7-5/H		385
RDC 1 H		B00H1	1-01 *							1			7-3/H		386
RDC 1 H		U06P1	1-02 *												386
RDC 1 H			1										7-3/H		386
RDC 2 H		B00J1	1-01 *							1			7-1/H		387
RDC 2 H		D06N1	1-02 *												387
RDC 2 H			1										7-1/H		387
RDC 3 H		B00J2	1-01 *							1			7-3/H		388
RDC 3 H		D06M1	1-02 *												388
RDC 3 H			1										7-3/H		388
RDC 4 H		D06L1	1-01 *							1			1-4/H		389
RDC 4 H		D08L1	1-02 *												389
RDC 4 H			1										1-4/H		389
RDC 5 H		D06K1	1-01 *							1			1-4/H		390
RDC 5 H		D08K1	1-02 *												390
RDC 5 H			1										1-4/H		390
RDC 6 H		D06J1	1-01 *	P						1			1-4/H		391
RDC 6 H		U00J1	1-02 *												391
RDC 6 H			1										1-4/H		391
RDC 7 H		D06H1	1-01 *							1			1-4/H		392
RDC 7 H		D08H1	1-02 *												392
RDC 7 H			1										1-4/H		392
RDC P H		C06E2	1-01 *							1			1-7/H		393
RDC P H		C08K2	1-02 *												393
RDC P H			1										1-7/H		393
RDS H		D04U1	1-01 *	P						1			2-4/H		394
RDS H		D08U1	1-02 *							1			1-4/H		394
RDS H		E06U1	1-03 *							2			7-5/H		394
RDS H		B01V2	1-04 *												394
RDS H			1										11-5/H		394

IN03,A RUN NAME	WRAPD .V35(102)=1 A/P PIN ORDER PIN	03-JUN-77 BAY = Q DRAW RV RG Y X Z	REMARKS	28-Aug-78	12158 NC LENGTH EXCEPTIONS FLAG	PAGE 34	RUN NUMBER
RDS L	B01N1	1-01 *			10-5/8		395
RDS L	E04V2	1-02 * P			1		395
RDS L	F05V2	1-03 * P					395
RDS L		1			11-5/P		395
READING H	D01J2	1-01 *			1		396
READING H	D02J2	1-02 * P			1		396
READING H	D03J2	1-03 *			1		396
READING H	D04J2	1-04 * P			1		396
READING H	D05J2	1-05 *			7-5/8		396
READING H	B01K2	1-06 *			8-5/8		396
READING H	D07J2	1-07 *					396
READING H		1			20-2/8		396
READING L	D05K2	1-01 * P			1-4/8		397
READING L	D07K2	1-02 * P			1		397
READING L	D08K2	1-03 *					397
READING L		1			2-4/8		397
REC (SB) L	B01R2	1-01 *			3-7/8		398
REC (SB) L	B07K2	1-02 *					398
REC (SB) L		1			3-7/8		398
RECORD ACTIVE H	C01N1	1-01 *			1		399
RECORD ACTIVE H	C02N1	1-02 * P			1		399
RECORD ACTIVE H	C03N1	1-03 * P			1		399
RECORD ACTIVE H	C04L1	1-04 *			4-5/8		399
RECORD ACTIVE H	D01K1	1-05 *			1		399
RECORD ACTIVE H	D02K1	1-06 *			1		399
RECORD ACTIVE H	D03K1	1-07 *					399
RECORD ACTIVE H		1			9-5/8		399
RECORD ACTIVE L	C04P1	1-01 *			3-3/8		400
RECORD ACTIVE L	D03P2	1-02 * P			1		400
RECORD ACTIVE L	D02P2	1-03 *			1		400
RECORD ACTIVE L	D01P2	1-04 *					400
RECORD ACTIVE L		1			5-3/8		400
RECORD H	E07V1	1-01 * P			1-4/8		401
RECORD H	E09V1	1-02 *					401
RECORD H		1			1-4/8		401
REG WRT L	C09M2	1-01 *			9-3/8		402
REG WRT L	F06J2	1-02 *					402
REG WRT L		1			9-3/8		402
REV CRC8(1) H	C05V2					1-PIN RUN	403
REV H	A02V2	1-01 *			5-1/8		404
REV H	B0981	1-02 *			8-3/8		404
REV H	E05D2	1-03 *					404
REV H		1			13-4/8		404

IN03,A RUN NAME	WRAPD .V35(102)=1 A/P PIN ORDER PIN	03-JUN-77 BAY = Q DRAW RV RG Y X Z	REMARKS	28-AUG-78	12158 NC LENGTH EXCEPTIONS FLAG	PAGE 35	RUN NUMBER
REV L	E01F2	1-01 *			1		405
REV L	E02F2	1-02 * P			1		405
REV L	E03F2	1-03 * P			1-4/8		405
REV L	E05F2	1-04 *			2-4/8		405
REV L	E09F2	1-05 *					405
REV L		1			6-0/8		405
REV LRCH H	D05E2					1-PIN RUN	406
REV LRCH L	D05F2					1-PIN RUN	407
RG 0500	D09P2	1-01 *			2-7/8		408
RG 0500	E00H1	1-02 *					408
RG 0500		1			2-7/8		408
RG 0501	F09V2	1-01 * P			1-6/8		409
RG 0501	F00L1	1-02 *					409
RG 0501		1			1-6/8		409
RG 0502	F09V1	1-01 * P			1-3/8		410
RG 0502	F00N1	1-02 *					410
RG 0502		1			1-3/8		410
RG 0503	F09U1	1-01 * P			1		411
RG 0503	F0081	1-02 *					411
RG 0503		1			1-0/8		411
RB 0 H	A09B2	1-01 *			5-4/8		412
RB 0 H	B05F1	1-02 *					412
RB 0 H		1			5-4/8		412
RB 1 H	A09U1	1-01 *			4-5/8		413
RB 1 H	B05U1	1-02 *					413
RB 1 H		1			4-5/8		413
RB 2 H	A09T2	1-01 *			5-2/8		414
RB 2 H	B05V2	1-02 *					414
RB 2 H		1			5-2/8		414
RB 3 H	A0982	1-01 *			4-1/8		415
RB 3 H	B04F1	1-02 *					415
RB 3 H		1			4-5/8		415
RB 4 H	A09V2	1-01 *			4-3/8		416
RB 4 H	B04U1	1-02 *					416
RB 4 H		1			4-3/8		416
RB SHDN CNTR L	E04B2	1-01 * P			1		417
RB SHDN CNTR L	E00B2	1-02 * P			1-4/8		417
RB SHDN CNTR L	E07B2	1-03 *					417
RB SHDN CNTR L		1			2-4/8		417
R000 H	D09N2	1-01 *			6-7/8		418
R000 H	F0782	1-02 *					418
R000 H		1			6-7/8		418

TH03,A RUN NAME	WRAPD ,V35(102)-1 A/P PIN NAME	ORDER PIN	03-JUN-77 DAY = ORDER	Q	DRAM	RV	RG	Y	X	Z	REMARKS	28-AUG-78	1215W NC LENGTH FLAG	PAGE 36 EXCEPTIONS	RUN NUMBER
R000(SB) L	A02K2		1-01 *							1			2-7/8		419
R000(SB) L	A07L1		1-02 *												419
R000(SB) L			1										2-7/8		419
RUN H	B04P1		1-01 *	P						1			3-1/8		420
RUN H	B09N1		1-02 *												420
RUN H			1										3-1/8		420
RWND (SB) L	A02P2		1-01 *							1			4-5/8		421
RWND (SB) L	B07D2		1-02 *												421
RWND (SB) L			1										4-5/8		421
RWND L	E07J2		1-01 *	P						1			1-4/8		422
RWND L	E09J2		1-02 *												422
RWND L			1										1-4/8		422
RWS H	B03M2		1-01 *	P						1			2-7/8		423
RWS H	B07R2		1-02 *												423
RWS H			1										2-7/8		423
S CLK L	B04P2		1-01 *							1			7-3/8		424
S CLK L	D00L2		1-02 *												424
S CLK L			1										7-3/8		424
SAC L	A01L2		1-01 *							1			14-5/8		425
SAC L	F05B2		1-02 *							2			8-1/8		425
SAC L	C06H2		1-03 *	P						2			1-7/8		425
SAC L	C09E1		1-04 *												425
SAC L			1										24-5/8		425
SDWN H	A03S2		1-01 *							1			2-7/8		426
SDWN H	A07H2		1-02 *												426
SDWN H			1										2-7/8		426
SDWN L	C09R1		1-01 *							1			7-7/8		427
SDWN L	F07D2		1-02 *												427
SDWN L			1										7-7/8		427
SELALT STATUS L	B06K1		1-01 *							1			10-7/8		428
SELALT STATUS L	F06J1		1-02 *												428
SELALT STATUS L			1										10-7/8		428
SET SF PAR F/F L	D09M2													1-PIN RUN	429
SET CORR SK 1 L	C04T2		1-01 *							1			2-5/8		430
SET CORR SK 1 L	D01F2		1-02 *												430
SET CORR SK 1 L			1										2-5/8		430
SET CORR SK 2 L	C01B2		1-01 *							1			3-1/8		431
SET CORR SK 2 L	C04U2		1-02 *												431
SET CORR SK 2 L			1										3-1/8		431
SET CORR SK 3 L	C04V2		1-01 *							1			2-1/8		432
SET CORR SK 3 L	D02F2		1-02 *												432
SET CORR SK 3 L			1										2-1/8		432

TH03,A RUN NAME	WRAPD ,V35(102)-1 A/P PIN NAME	ORDER PIN	03-JUN-77 DAY = ORDER	Q	DRAM	RV	RG	Y	X	Z	REMARKS	28-AUG-78	1215W NC LENGTH FLAG	PAGE 37 EXCEPTIONS	RUN NUMBER
SET CORR SK 4 L	C02B2		1-01 *	P						1			2-5/8		433
SET CORR SK 4 L	C04R2		1-02 *												433
SET CORR SK 4 L			1										2-5/8		433
SET CORR SK 5 L	C04R1		1-01 *							1			2-3/8		434
SET CORR SK 5 L	D03F2		1-02 *												434
SET CORR SK 5 L			1										2-3/8		434
SET CORR SK 6 L	C03B2		1-01 *	P						1			2-3/8		435
SET CORR SK 6 L	C04U1		1-02 *												435
SET CORR SK 6 L			1										2-3/8		435
SET D PAR(1) H	A00F1		1-01 *							1			14-7/8		436
SET D PAR(1) H	F09P1		1-02 *												436
SET D PAR(1) H			1										14-7/8		436
SET DTE L	D00F1		1-01 *	P						1			1		437
SET DTE L	D09F1		1-02 *												437
SET DTE L			1										1-0/8		437
SET NEF H	E03N2		1-01 *							1			3-7/8		438
SET NEF H	E09U2		1-02 *												438
SET NEF H			1										3-7/8		438
SET OPI L	C07F1		1-01 *							1			6-5/8		439
SET OPI L	E09D2		1-02 *												439
SET OPI L			1										6-5/8		439
SET SCC H	B02K2		1-01 *							1			3-3/8		440
SET SCC H	B07N2		1-02 *												440
SET SCC H			1										3-3/8		440
SET VPAR L	D05H2		1-01 *							1			2-3/8		441
SET VPAR L	D06M2		1-02 *												441
SET VPAR L			1										2-3/8		441
SET VPE H	B02H2		1-01 *							1			12-7/8		442
SET VPE H	F05N1		1-02 *												442
SET VPE H			1										12-7/8		442
SFC H	C09K1		1-01 *							1			6-1/8		443
SFC H	E08K1		1-02 *												443
SFC H			1										6-1/8		443
SHDN 2(1) H	D04N2		1-01 *	P						1			2		444
SHDN 2(1) H	D07N2		1-02 *												444
SHDN 2(1) H			1										2-0/8		444
SHDN 8(1) H	C05V1		1-01 *	P						1			1-4/8		445
SHDN 8(1) H	C07V1		1-02 *												445
SHDN 8(1) H			1										1-4/8		445
SINGLE DD TRK H	D01E1		1-01 *							1			0-7/8		446
SINGLE DD TRK H	F04U2		1-02 *												446
SINGLE DD TRK H			1										0-7/8		446

TH03, A RUN NAME	WRAPD ,V35(102)-1 A/P PIN ORDER NAME PIN	03-JUN-77 RAY - Q ORDER	DRAW RV RG Y X Z OPI	REMARKS	28-Aug-78	12158 NC LENGTH FLAG	PAGE 38 EXCEPTIONS	RUN NUMBER
SINGLE DD TRK L	F04M1						1-PIN RUN	447
SLA H	F03E2	1-01 *	P			2-5/H		448
SLA H	B07F2	1-02 *						448
SLA H		1				2-5/H		448
SLAVE SET PLS H	A01S2	1-01 *				3-2/H		449
SLAVE SET PLS H	A07S1	1-02 *						449
SLAVE SET PLS H		1				3-2/H		449
SLCT-A	C00P1						1-PIN RUN	450
SLCT-B	C00R1						1-PIN RUN	451
SN0(SB) L	A07D1	1-01 *				6-7/H		452
SN0(SB) L	B03V1	1-02 *						452
SN0(SB) L		1				6-7/H		452
SN01(SB) L	A07U2	1-01 *				4		453
SN01(SB) L	B03S2	1-02 *						453
SN01(SB) L		1				4-0/H		453
SN02(SB) L	B03U2	1-01 *	P			2-2/H		454
SN02(SB) L	B07U1	1-02 *						454
SN02(SB) L		1				2-2/H		454
SN03(SB) L	A03K2	1-01 *				2-5/H		455
SN03(SB) L	A07L2	1-02 *						455
SN03(SB) L		1				2-5/H		455
SN04(SB) L	A03E2	1-01 *	P			2-2/H		456
SN04(SB) L	A07E1	1-02 *						456
SN04(SB) L		1				2-2/H		456
SN05(SB) L	A03E1	1-01 *				3-3/H		457
SN05(SB) L	A07N1	1-02 *						457
SN05(SB) L		1				3-3/H		457
SN06(SB) L	B03U1	1-01 *				2-7/H		458
SN06(SB) L	B07T2	1-02 *						458
SN06(SB) L		1				2-7/H		458
SN07(SB) L	A03F1	1-01 *				3-2/H		459
SN07(SB) L	A07V1	1-02 *						459
SN07(SB) L		1				3-2/H		459
SN08(SB) L	A03F2	1-01 *				2-2/H		460
SN08(SB) L	A07F1	1-02 *						460
SN08(SB) L		1				2-2/H		460
SN09(SB) L	B03S1	1-01 *				3-6/H		461
SN09(SB) L	B07D1	1-02 *						461
SN09(SB) L		1				3-6/H		461

TH03, A RUN NAME	WRAPD ,V35(102)-1 A/P PIN ORDER NAME PIN	03-JUN-77 RAY - Q ORDER	DRAW RV RG Y X Z OPT	REMARKS	28-Aug-78	12158 NC LENGTH FLAG	PAGE 39 EXCEPTIONS	RUN NUMBER
SN10 H	B03R2	1-01 *				2-1/H		462
SN10 H	B07S1	1-02 *						462
SN10 H		1				2-1/H		462
SN11(SB) L	A03H1	1-01 *				3-4/H		463
SN11(SB) L	B07C1	1-02 *						463
SN11(SB) L		1				3-4/H		463
SN12 H	A03H2	1-01 *	P			2-2/H		464
SN12 H	A07H1	1-02 *						464
SN12 H		1				2-2/H		464
SN13(SB) L	A07U1	1-01 *				3-7/H		465
SN13(SB) L	B03R1	1-02 *						465
SN13(SB) L		1				3-7/H		465
SN14 H	B03P2	1-01 *				2-3/H		466
SN14 H	B07N1	1-02 *						466
SN14 H		1				2-3/H		466
SN15(SB) L	A03K1	1-01 *				3-6/H		467
SN15(SB) L	B07F1	1-02 *						467
SN15(SB) L		1				3-6/H		467
SPACE H	D07T2	1-01 *				1-4/H		468
SPACE H	D09T2	1-02 *						468
SPACE H		1				1-4/H		468
SPACE L	C07T2	1-01 *				5-7/H		469
SPACE L	E04F2	1-02 *				4-1/H		469
SPACE L	F05P1	1-03 *						469
SPACE L		1				10-0/H		469
SPR H	B03E1	1-01 *				2-6/H		470
SPR H	B07E2	1-02 *						470
SPR H		1				2-6/H		470
SS0(1) H	B01H2	1-01 *				13-5/H		471
SS0(1) H	F06K2	1-02 *						471
SS0(1) H		1				13-5/H		471
SS1(SB) L	B01P2	1-01 *				5-1/H		472
SS1(SB) L	C06V1	1-02 *						472
SS1(SB) L		1				5-1/H		472
SS2(SB) L	B01M2	1-01 *				7-7/H		473
SS2(SB) L	D06K2	1-02 *						473
SS2(SB) L		1				7-7/H		473
SSC L	F07S1	1-01 *	P			1-4/H		474
SSC L	F09S1	1-02 *						474
SSC L		1				1-4/H		474
ST CLK	D04P2	1-01 *	P			2		475
ST CLK	D07R2	1-02 *						475
ST CLK		1				2-0/H		475

TM03,A RUN NAME	WRAPD ,V35(102)-1 A/P PIN NAME	ORDER PIN	BAY = ORDER	Q	DRAW	RV HG Y OPT	X	Z	REMARKS	28-AUG-78	1215H NC LENGTH FLAG	PAGE 42 EXCEPTIONS	RUN NUMBER
WD BFO 7(1) H	D05E1		1-01 *					1			2-2/H		501
WD BFO 7(1) H	D08E2		1-02 *					2			1-5/H		501
WD BFO 7(1) H	D07H1		1-03 *					1			3-5/H		501
WD BFO 7(1) H	E06T2		1-04 *										501
WD BFO 7(1) H			1								7-4/H		501
WD BFO P(1) H	C07F2		1-01 *					1			2-1/H		502
WD BFO P(1) H	D08D1		1-02 *										502
WD BFO P(1) H			1								2-1/H		502
WD WBO 0(1) H	D06D1		1-01 *					1			6-1/H		503
WD WBO 0(1) H	F07F1		1-02 *					2			12-1/H		503
WD WBO 0(1) H	B01V1		1-03 *										503
WD WBO 0(1) H			1								18-2/H		503
WD WBO 1(1) H	D06E1		1-01 *					1			7-1/H		504
WD WBO 1(1) H	F07P1		1-02 *					2			13-3/H		504
WD WBO 1(1) H	B01U1		1-03 *										504
WD WBO 1(1) H			1								20-4/H		504
WD WBO 2(1) H	D06H2		1-01 *					1			5-5/H		505
WD WBO 2(1) H	F07D1		1-02 *					2			12-1/H		505
WD WBO 2(1) H	B01T2		1-03 *										505
WD WBO 2(1) H			1								17-6/H		505
WD WBO 3(1) H	D06J2		1-01 *					1			6-7/H		506
WD WBO 3(1) H	F07R2		1-02 *					2			16-5/H		506
WD WBO 3(1) H	A01R2		1-03 *										506
WD WBO 3(1) H			1								23-4/H		506
WD WBO 4(1) H	F06L2		1-01 *		P			1			1		507
WD WBO 4(1) H	F07F1		1-02 *					2			13-1/H		507
WD WBO 4(1) H	B01L2		1-03 *										507
WD WBO 4(1) H			1								14-1/H		507
WD WBO 5 L	C04J2		1-01 *					1			4-3/H		508
WD WBO 5 L	D07F2		1-02 *										508
WD WBO 5 L			1								4-3/H		508
WD WBO 5(1) H	F06P2		1-01 *		P			2			1-1/H		509
WD WBO 5(1) H	F07K2		1-02 *					2			16-1/H		509
WD WBO 5(1) H	A01N2		1-03 *										509
WD WBO 5(1) H			1								17-2/H		509
WD WBO 6(1) H	F06P1		1-01 *		P			2			1-5/H		510
WD WBO 6(1) H	F07L2		1-02 *					2			16-7/H		510
WD WBO 6(1) H	A01J2		1-03 *										510
WD WBO 6(1) H			1								18-4/H		510
WD WBO 7(1) H	F06R1		1-01 *		P			1			1		511
WD WBO 7(1) H	F07N1		1-02 *					2			17-5/H		511
WD WBO 7(1) H	A01E1		1-03 *										511
WD WBO 7(1) H			1								18-5/H		511

TM03,A RUN NAME	WRAPD ,V35(102)-1 A/P PIN NAME	ORDER PIN	BAY = ORDER	Q	DRAW	RV HG Y OPT	X	Z	REMARKS	28-AUG-78	1215H NC LENGTH FLAG	PAGE 43 EXCEPTIONS	RUN NUMBER
WD WBO P H	F06D1		1-01 *		P			2			1-3/H		512
WD WBO P H	F07J2		1-02 *					2			17-3/H		512
WD WBO P H	A01B2		1-03 *										512
WD WBO P H			1								18-6/H		512
WDR(0) H	E04E2		1-01 *					1			2		513
WDR(0) H	E07E2		1-02 *										513
WDR(0) H			1								2-0/H		513
WDR(1) H	E04D2		1-01 *					1			2		514
WDR(1) H	E07D2		1-02 *					2			6-1/H		514
WDR(1) H	C05K2		1-03 *										514
WDR(1) H			1								8-1/H		514
WFMK L	A01T2		1-01 *					1			5-7/H		515
WFMK L	C04F2		1-02 *		P			1			2		515
WFMK L	C07F2		1-03 *		P			2			1-4/H		515
WFMK L	C09F2		1-04 *										515
WFMK L			1								9-3/H		515
WRITE END L	A09V1		1-01 *					1			13-5/H		516
WRITE END L	F09T2		1-02 *		P			2			1-4/H		516
WRITE END L	F07T2		1-03 *										516
WRITE END L			1								15-1/H		516
WRITE H	A09R2		1-01 *		P			2			1-4/H		517
WRITE H	A07R2		1-02 *					1			12-3/H		517
WRITE H	E05B1		1-03 *					2			10-5/H		517
WRITE H	B02D2		1-04 *										517
WRITE H			1								24-4/H		517
WRITE IDB L	D04F2		1-01 *		P			1			1-6/H		518
WRITE IDB L	D07F1		1-02 *										518
WRITE IDB L			1								1-6/H		518
WRITE L	A08P1		1-01 *		P			1			1		519
WRITE L	A09P1		1-02 *					1			4-2/H		519
WRITE L	A01P2		1-03 *										519
WRITE L			1								5-2/H		519
WRL H	B03K2		1-01 *					1			2-5/H		520
WRL H	B07M2		1-02 *					2			1-4/H		520
WRL H	B09M2		1-03 *										520
WRL H			1								4-1/H		520
WRP 0 L	F06N1											1-PIN HUB	521
WRP 1 L	F06N2		1-01 *		P			1			2-1/H		522
WRP 1 L	F07B2		1-02 *										522
WRP 1 L			1								2-1/H		522
WRP 2 L	F06U2		1-01 *					1			2-3/H		523
WRP 2 L	F07C1		1-02 *										523
WRP 2 L			1								2-3/H		523

IM03.A
RUN NAME

WRAPD ,V35(102)-1 03-JUN-77
A/P PIN ORDER BAY - Q DRAW RV RG Y X Z
NAME PIN ORDER OPT

28-AUG-78

12:56 PAGE 44
NC LENGTH EXCEPTIONS
FLAG

RUN
NUMBER

WRP 3 L	B04S1	1-01 *										1			12-5/8		524
WRP 3 L	F06V2	1-02 *	P									2			1		524
WRP 3 L	F07V2	1-03 *										1			6-7/8		524
WRP 3 L	D05U2	1-04 *															524
WRP 3 L		1													20-4/8		524
WRP0+WRP4 L	C04N2	1-01 *										2			9-5/8		525
WRP0+WRP4 L	F07M2	1-02 *										1			13-3/8		525
WRP0+WRP4 L	B01S2	1-03 *										2			7-7/8		525
WRP0+WRP4 L	D06B1	1-04 *															525
WRP0+WRP4 L		1													30-7/8		525
WRP4 L	F05B1	1-01 *										1			6-3/8		526
WRP4 L	D06B2	1-02 *															526
WRP4 L		1													6-3/8		526
WRT CLK H	B07A1	1-01 *										1			4-1/8		527
WRT CLA H	C05D1	1-02 *															527
WRT CLK H		1													4-1/8		527
WRT STRB H	D07V1	1-01 *	P									1			1		528
WRT STRB H	D08V1	1-02 *															528
WRT STRB H		1													1-0/8		528
X WD P H	D05C1	1-01 *										2			2-2/8		529
X WD P H	D07R1	1-02 *										1			5-1/8		529
X WD P H	F06E1	1-03 *															529
X WD P H		1													7-3/8		529
X WD 4 H	D05D2	1-01 *										1			1-7/8		530
X WD 4 H	D07P2	1-02 *															530
X WD 4 H		1													1-7/8		530
ZERO FILL(1) H	C08V2	1-01 *										1			4-5/8		531
ZERO FILL(1) H	E06B2	1-02 *															531
ZERO FILL(1) H		1													4-5/8		531

THIS DRAWING AND SPECIFICATIONS HEREIN ARE THE PROPERTY OF DIGITAL EQUIPMENT CORPORATION AND SHALL NOT BE REPRODUCED OR COPIED OR USED IN WHOLE OR IN PART AS THE BASIS FOR THE MANUFACTURE OR SALE OF ITEMS WITHOUT WRITTEN PERMISSION. COPYRIGHT © 1976 DIGITAL EQUIPMENT CORPORATION

EXTERNAL COMPONENT TABLE

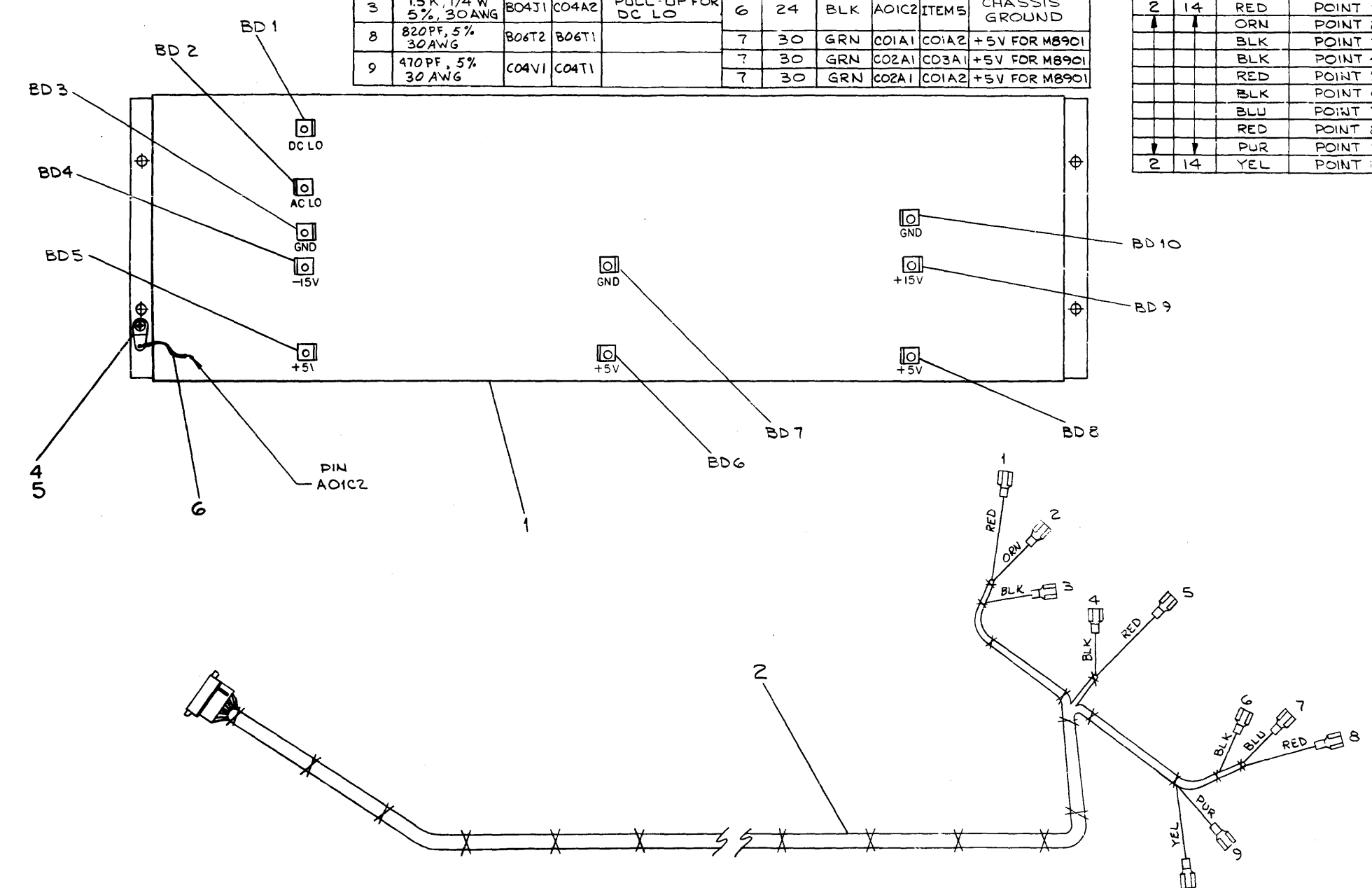
ITEM NO.	DESCRIPTION	FROM	TO	REMARKS
3	1.5K, 1/4 W 5%, 30AWG	B04J1	C04A2	PULL-UP FOR DC LO
8	820PF, 5% 30AWG	B06T2	B06T1	
9	470PF, 5% 30 AWG	C04V1	C04T1	

WIRE TABLE

ITEM NO.	DESCRIPTION	FROM	TO	REMARKS
6	24 BLK	AOIC2	ITEM5	CHASSIS GROUND
7	30 GRN	CO1A1	CO1A2	+5V FOR M8901
7	30 GRN	CO2A1	CO3A1	+5V FOR M8901
7	30 GRN	CO2A1	CO1A2	+5V FOR M8901

WIRE TABLE

ITEM NO.	DESCRIPTION	FROM	TO
2	14 RED	POINT 1	BD 8 - +5V
	ORN	POINT 2	BD 9 - +15V
	BLK	POINT 3	BD 10 - GND
	BLK	POINT 4	BD 7 - GND
	RED	POINT 5	BD 6 - +5V
	BLK	POINT 6	BD 3 - GND
	BLU	POINT 7	BD 4 - -15V
	RED	POINT 8	BD 5 - +5V
	PUR	POINT 9	BD 1 - DC LO
2	14 YEL	POINT 10	BD 2 - AC LO



1	470PF 5% 30AWG	7015403	9
1	820PF 5% 30AWG	7015404	8
1	WIRE #30 AWG SOLID GRN	9105740-55	7
1	WIRE #24 AWG SOLID BLK	9107688-00	6
1	TERMINAL SOLDER SCR MOUNT	9006766-00	5
1	SCR. PHL. PAN HD #8 32x.25	9006035-1	4
1	1.5K. 1/4W 5% 30 AWG	7407751	3
1	HARNESS, LOGIC (TMØ3)	D-14-7013616-0-0	2
1	WIRED ASSY (TMØ3)	D-AD-7013615-0-0	1

UNLESS OTHERWISE SPECIFIED DIMENSIONS ARE IN MILLIMETERS	
ANGLES 30° 30'	CLASS OF ACCURACY
SURFACE QUALITY IN MICRONS	(CHECK ONE)
MEDIUM	<input type="checkbox"/> ±0.1 <input type="checkbox"/> ±0.2 <input type="checkbox"/> ±0.3 <input type="checkbox"/> ±0.4 <input type="checkbox"/> ±0.5 <input type="checkbox"/> ±0.6
PREFERRED	<input type="checkbox"/> ±0.3 <input type="checkbox"/> ±0.4 <input type="checkbox"/> ±0.5 <input type="checkbox"/> ±0.6 <input type="checkbox"/> ±0.8 <input type="checkbox"/> ±1.0

THIRD ANGLE PROJECTION

DRN: *[Signature]* 1/25/76
 CHK'D: *[Signature]* 1/25/76

REMOVE BURRS AND BREAK SHARP CORNERS

DO NOT SCALE DWG

MATERIAL: *E-1A-TMØ3-Ø-Ø*
 SEE PARTS LIST

FINISH: *++*

FIRST USED ON: **TMØ3**

TITLE: **HARNESS/LOGIC ASSY (TMØ3)**

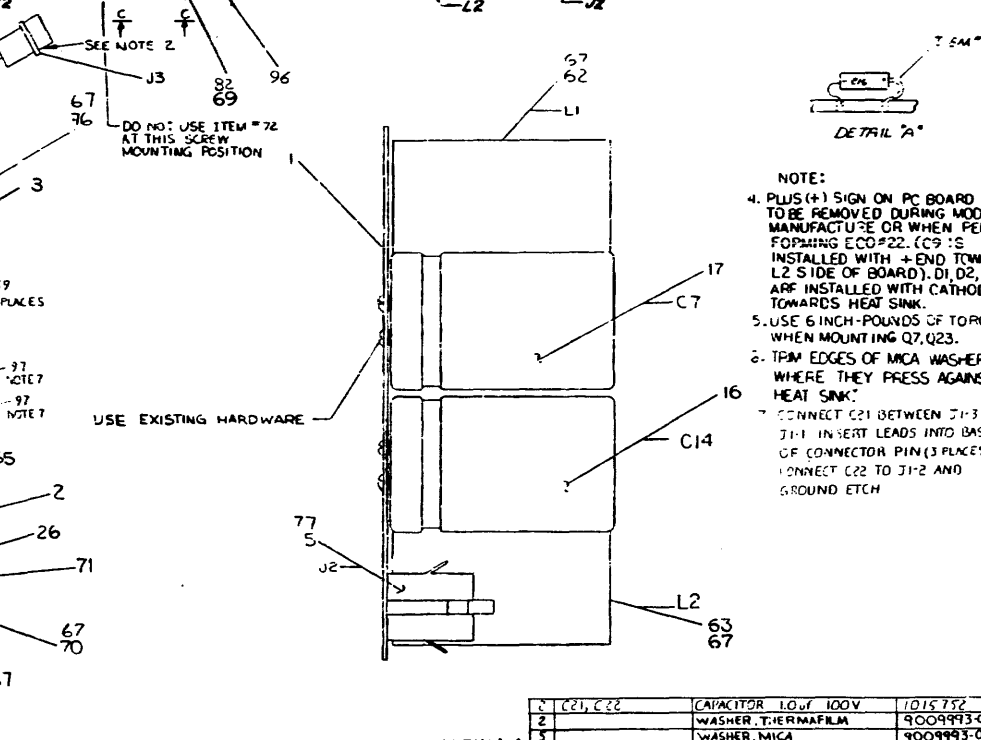
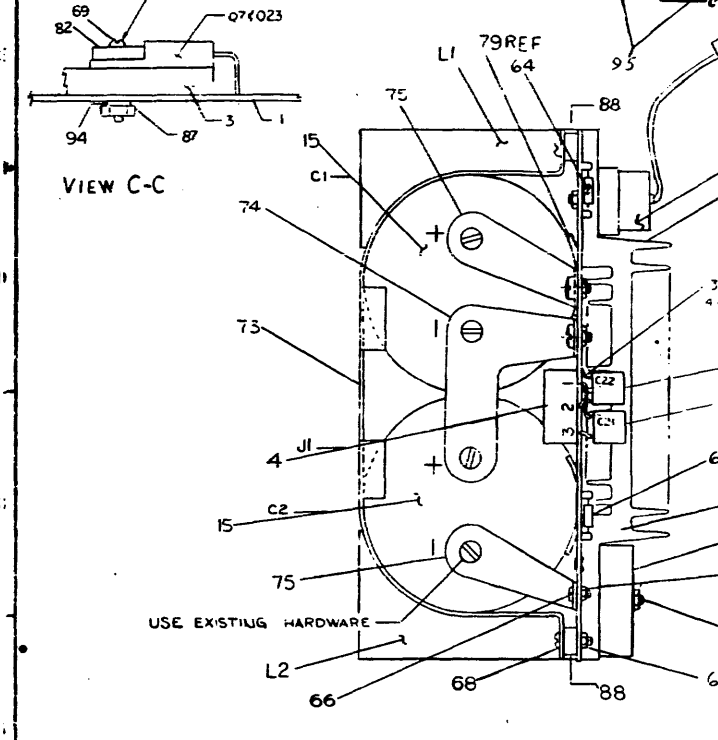
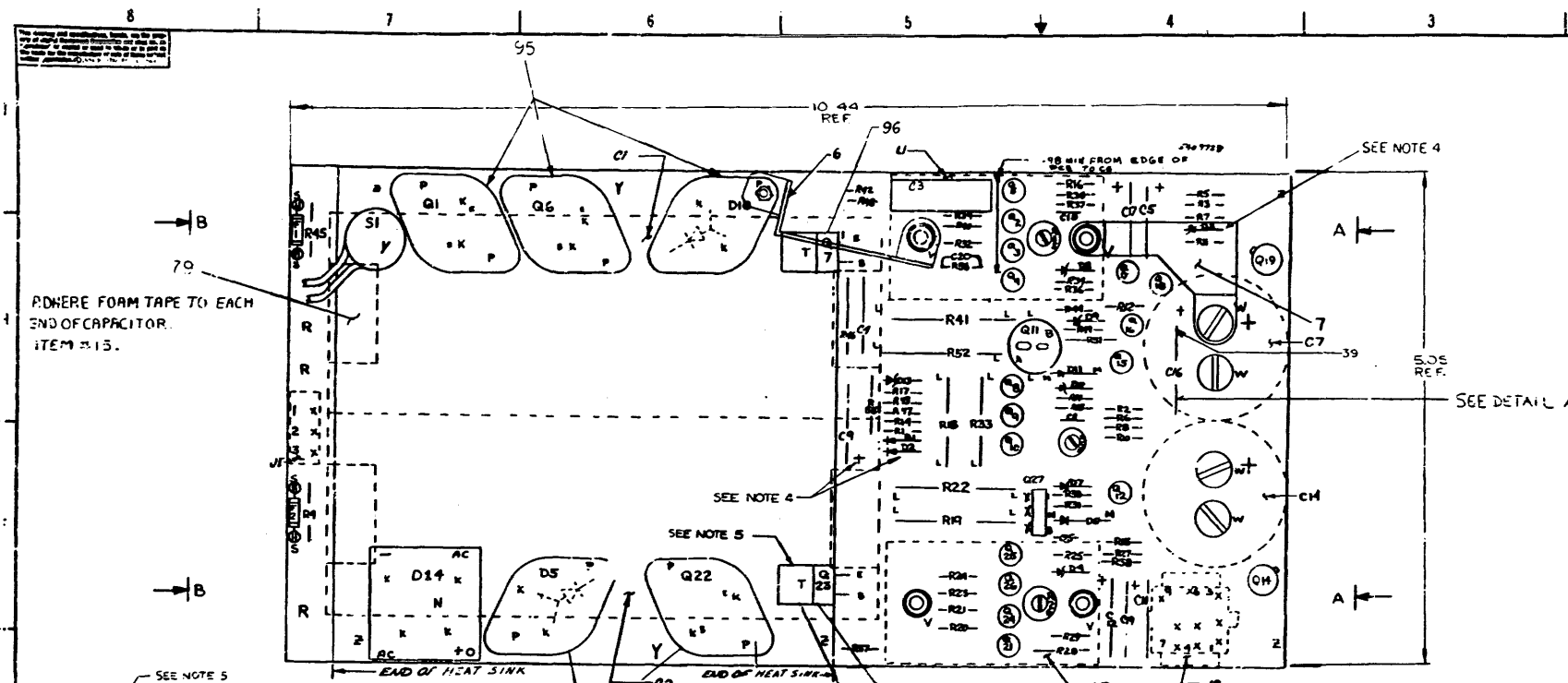
SCALE: *1*

SHEET: **1** OF **1**

SIZE: **D** CODE: **AD7013616-0-0** REV. **A**

CHK	CHANGE NO.	REV.
	7013616-00001	2

P. RÄTKÖNEN
 1 FEB 76



- NOTES:
1. APPLY ITEM #8 (THERMAL COMPOUND) BETWEEN 1 AND HEAT SINK.
 2. TRIM LEADS ON ITEM #76 (THERMOSTAT) TO (5) INCHES AND ATTACH ITEM #84 (PINS) AND ITEM #83 (HOUSING) AS SHOWN.
 3. APPLY FLAT WASHER ITEM #72 BETWEEN SCR. HD. AND ETCHED BOARD WHEN MOUNTING COMPONENTS Q1, Q2, Q3, Q5 & Q10.

Q	REF DESIGNATION	DESCRIPTION	PART NO.	QTY	REF DESIGNATION	DESCRIPTION	PART NO.	QTY
1	Q1	SCR PAN H3 6-32-3/8 LG	9004020-1	1	1	Q1	SCR PAN H3 6-32-3/8 LG	9004020-1
1	Q2	SCR PAN H3 6-32-3/8 LG	9004020-1	1	2	Q2	SCR PAN H3 6-32-3/8 LG	9004020-1
1	Q3	SCR PAN H3 6-32-3/8 LG	9004020-1	1	3	Q3	SCR PAN H3 6-32-3/8 LG	9004020-1
1	Q5	SCR PAN H3 6-32-3/8 LG	9004020-1	1	4	Q5	SCR PAN H3 6-32-3/8 LG	9004020-1
1	Q10	SCR PAN H3 6-32-3/8 LG	9004020-1	1	5	Q10	SCR PAN H3 6-32-3/8 LG	9004020-1

Q	REF DESIGNATION	DESCRIPTION	PART NO.	QTY	REF DESIGNATION	DESCRIPTION	PART NO.	QTY
1	C1, C2	CAPACITOR 100V 1015752	1015752	97	1	Q1	SCR PAN H3 6-32-3/8 LG	9004020-1
2	WASHER, THERMAFILM	9004993-01	96	1	2	Q2	SCR PAN H3 6-32-3/8 LG	9004020-1
1	WASHER, MILA	9004993-00	95	1	3	Q3	SCR PAN H3 6-32-3/8 LG	9004020-1
1	WASHER, RE SPIT	9007800	94	1	4	Q5	SCR PAN H3 6-32-3/8 LG	9004020-1
1	SPRINTER PLANT (CUSTOMER Pkg)	A-SP-340778-0-03	93	1	5	Q10	SCR PAN H3 6-32-3/8 LG	9004020-1
1	MANUFACTURING SPECIFICATION	A-SP-340778-0-02	92	1	6	Q1	SCR PAN H3 6-32-3/8 LG	9004020-1
1	ASSEMBLY PROCEDURE	A-SP-340778-0-01	91	1	7	Q2	SCR PAN H3 6-32-3/8 LG	9004020-1
1	INSPECTION PROCEDURE	A-SP-340778-0-04	90	1	8	Q3	SCR PAN H3 6-32-3/8 LG	9004020-1
1	MANUFACTURING TEST PROCEDURE	A-SP-340778-0-05	89	1	9	Q5	SCR PAN H3 6-32-3/8 LG	9004020-1

IC TYPE	QTY	FROM PT	TO PT	JUMPER LIST
74181	1	1	2	
74182	1	1	2	
74183	1	1	2	
74184	1	1	2	
74185	1	1	2	
74186	1	1	2	
74187	1	1	2	
74188	1	1	2	
74189	1	1	2	
74190	1	1	2	
74191	1	1	2	
74192	1	1	2	
74193	1	1	2	
74194	1	1	2	
74195	1	1	2	
74196	1	1	2	
74197	1	1	2	
74198	1	1	2	
74199	1	1	2	
74200	1	1	2	

11/05

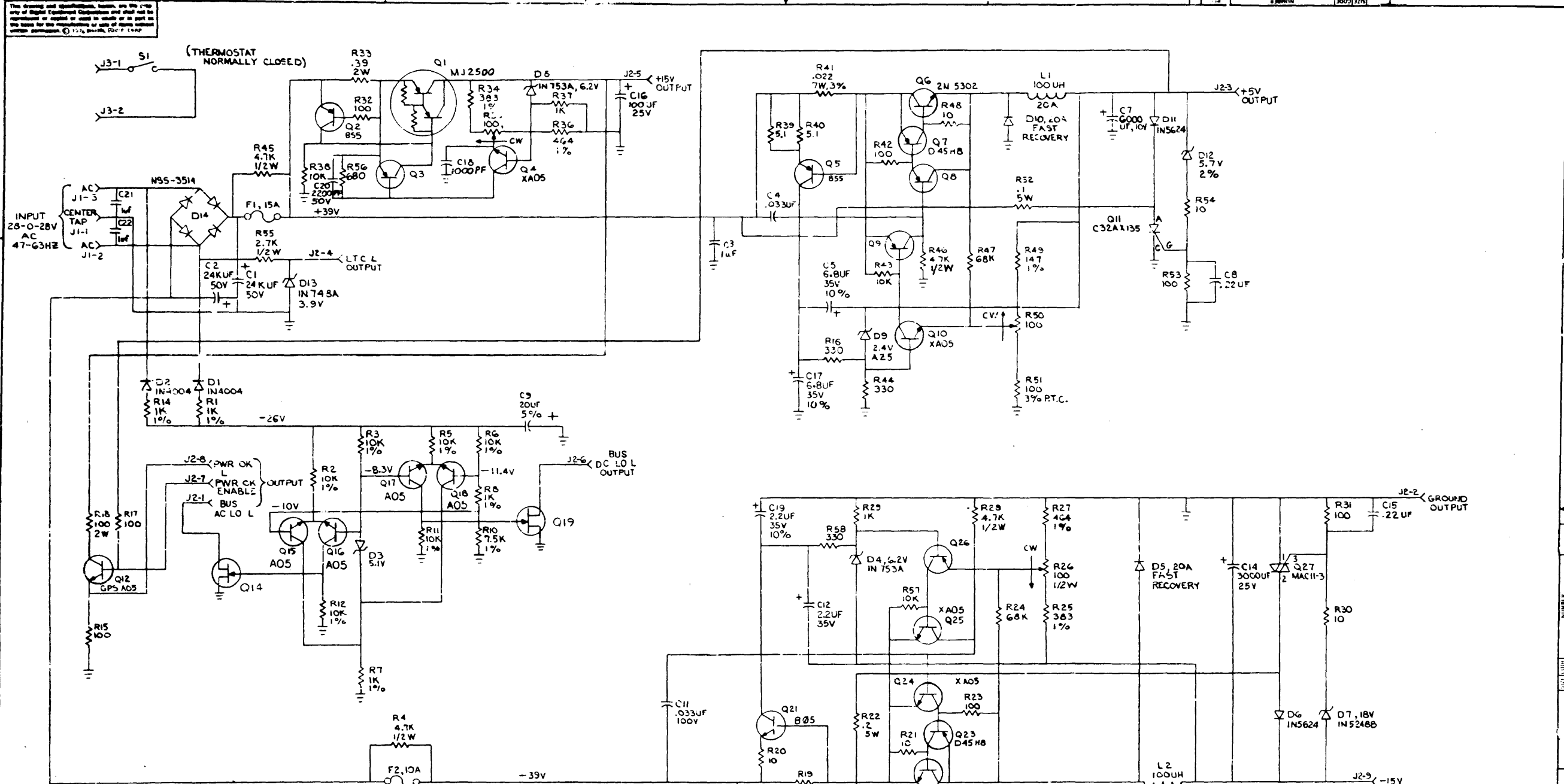
ETCH BOARD REV #

EQUIPMENT CORPORATION

REGULATOR BOARD

DEC NO. EIA NO. DEC NO. EIA NO.

REG. NO. 5409728-0-0

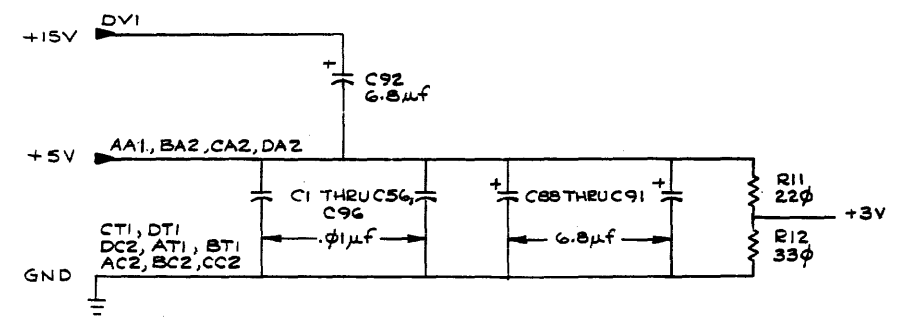


UNLESS OTHERWISE INDICATED:
 1% RESISTORS ARE 1/8W
 VOLTAGES ARE TAKEN AT NO LOAD WITH 115 VAC LINE
 VOLTAGES ARE ±10% TAKEN BY A ±10MΩ METER
 TRANSISTORS = XA55

QTY	REF DESIGNATION	DESCRIPTION	PART NO.	ITEM NO.											
PARTS LIST															
ETCH BOARD REV 5															
<table border="1"> <tr> <td>DRN. BY</td> <td>DATE</td> <td rowspan="5" style="text-align: center;"> digital EQUIPMENT CORPORATION WATERTOWN, MASSACHUSETTS </td> </tr> <tr> <td>CHKD. BY</td> <td>DATE</td> </tr> <tr> <td>ENG. BY</td> <td>DATE</td> </tr> <tr> <td>PROJ. ENG. BY</td> <td>DATE</td> </tr> <tr> <td>PROD. BY</td> <td>DATE</td> </tr> </table>					DRN. BY	DATE	digital EQUIPMENT CORPORATION WATERTOWN, MASSACHUSETTS	CHKD. BY	DATE	ENG. BY	DATE	PROJ. ENG. BY	DATE	PROD. BY	DATE
DRN. BY	DATE	digital EQUIPMENT CORPORATION WATERTOWN, MASSACHUSETTS													
CHKD. BY	DATE														
ENG. BY	DATE														
PROJ. ENG. BY	DATE														
PROD. BY	DATE														
TITLE			REGULATOR BOARD FOR H740												
NEXT HIGHER ASSY															
DEC. NO.		EIA. NO.		SCALE											
SEMICONDUCTOR CONVERSION CHART		SHEET		OF											
D/C/S			NUMBER 5409728-0-1												
			REV. AB												

THE DRAWING AND SPECIFICATIONS HEREIN ARE THE PROPERTY OF DIGITAL EQUIPMENT CORPORATION AND SHALL NOT BE REPRODUCED OR COPIED OR USED IN WHOLE OR IN PART AS THE BASIS FOR THE MANUFACTURE OR SALE OF ITEMS WITHOUT WRITTEN PERMISSION.
 COPYRIGHT © 1978, DIGITAL EQUIPMENT CORPORATION

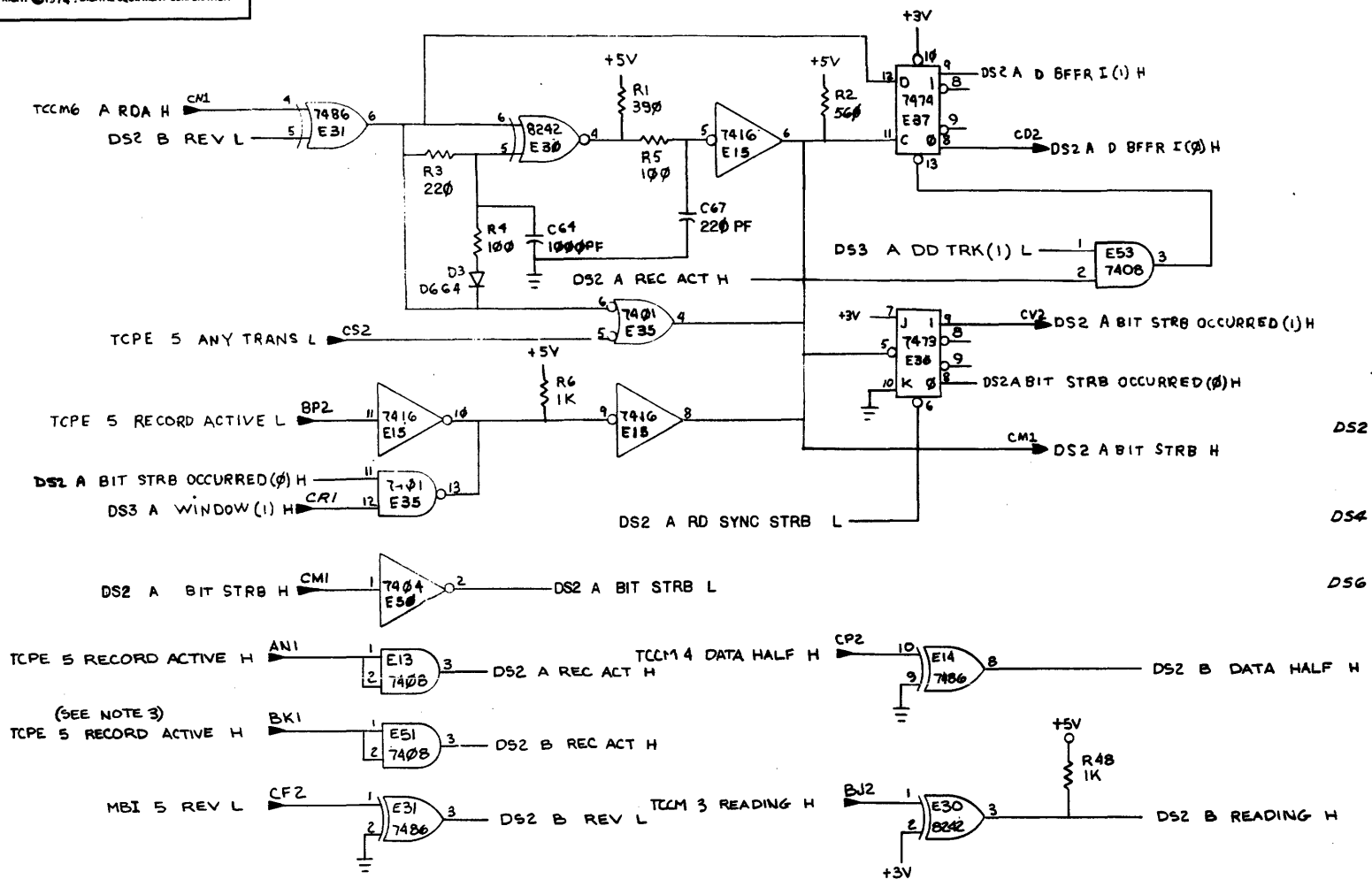
CS M8901-YD-1 2



DRN: <i>[Signature]</i>	DATE: <i>[Date]</i>	FIRST USED ON	DIGITAL
CHK'D: <i>[Signature]</i>	DATE: <i>[Date]</i>	TU77	
ENG: <i>[Signature]</i>	DATE: <i>[Date]</i>	TITLE	
PROJ. ENG: <i>[Signature]</i>	DATE: <i>[Date]</i>	DATA SYNC	
PROD: <i>[Signature]</i>	DATE: <i>[Date]</i>	(DS1)	
NEXT HIGHER ASSY.			
SCALE	SIZE	CODE	NUMBER
SHEET 1 OF 7	D	CS	M8901-YD-1
			REV. J

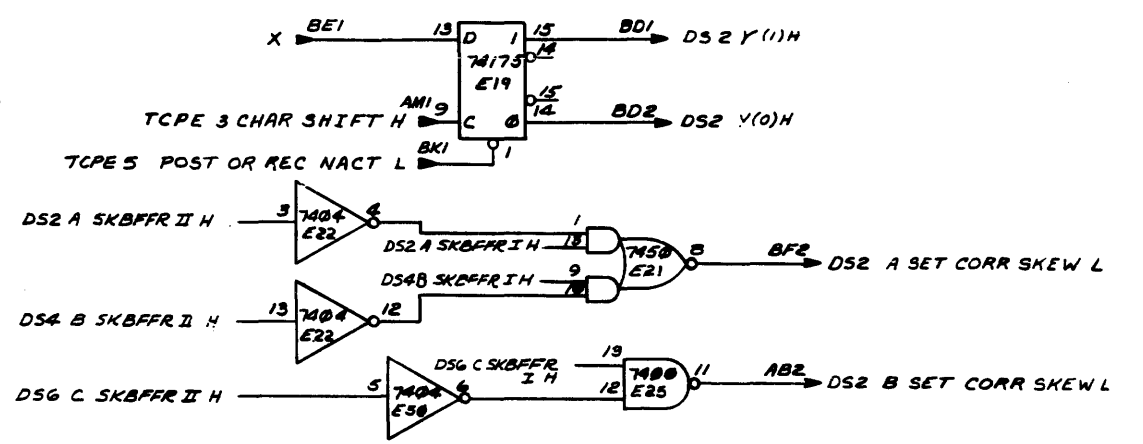
THIS DRAWING AND SPECIFICATIONS, HEREIN, ARE THE PROPERTY OF DIGITAL EQUIPMENT CORPORATION AND SHALL NOT BE REPRODUCED OR COPIED OR USED IN WHOLE OR IN PART AS THE BASIS FOR THE MANUFACTURE OR SALE OF ITEMS WITHOUT WRITTEN PERMISSION. COPYRIGHT © 1974, DIGITAL EQUIPMENT CORPORATION.

BIT STROBE AND WINDOW



	SLOT 1	SLOT 2	SLOT 3
X	SINGLE DD TRK H		INC COND N
Y(1)H	CER 1(H)		INC DATA(1)H

USE X, Y, CHART TO DETERMINE INPUTS & OUTPUTS OF 74175 FLOP.

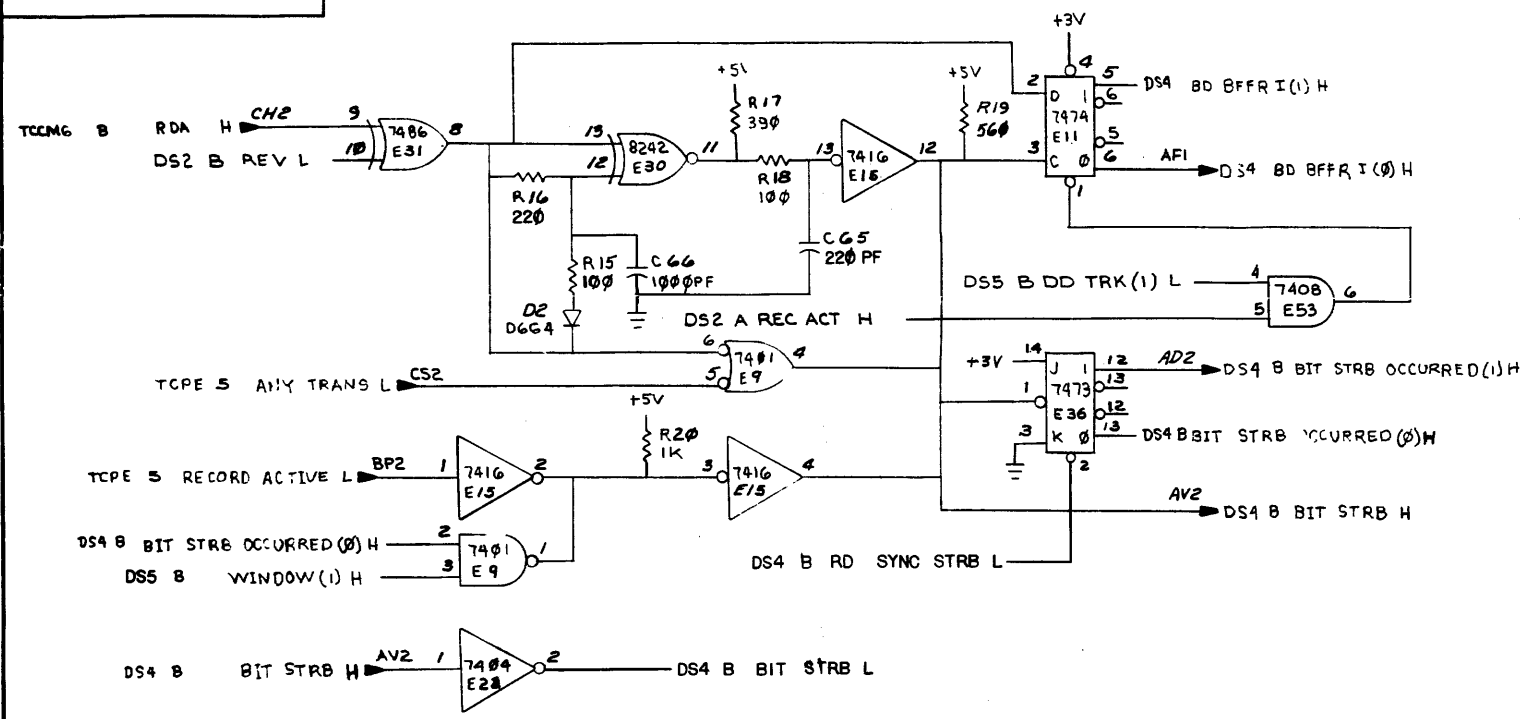


- NOTE
1. PREFIX "A" IS TO BE INTERPRETED AS FOLLOWS:
 MODULE IN SLOT 1 A IS BIT 2
 MODULE IN SLOT 2 A IS BIT 7
 MODULE IN SLOT 3 A IS BIT 7
 EXAMPLE:
 A RDA H - CO1 N1 = RDA 2 H
 A RDA H - CO2 N1 = RDA 7 H
 A RDA H - CO3 N1 = RDA 7 H
 2. M8901 MODULES ARE LOCATED IN SECTIONS C, D, E, F OF TMO2 LOGIC. THEREFORE PINS IN SECTION A OF THE MODULE ARE LOCATED IN C ON THE BACKPLANE ETC.
 3. PIN BK1 IS "TCPE 5 POST OR REC NACT L" ON ALL M8901'S WHEN IN TMO2.

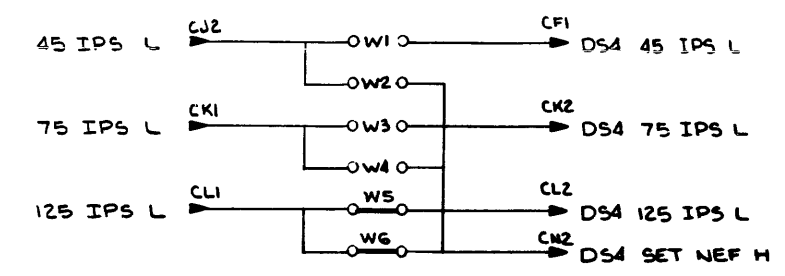
REVISIONS		
CHK	CHANGE NO.	REV.

THIS DRAWING AND SPECIFICATIONS HEREIN ARE THE PROPERTY OF DIGITAL EQUIPMENT CORPORATION AND SHALL NOT BE REPRODUCED OR COPIED OR USED IN WHOLE OR IN PART AS THE BASIS FOR THE MANUFACTURE OR SALE OF ITEMS WITHOUT WRITTEN PERMISSION. COPYRIGHT © 1974, DIGITAL EQUIPMENT CORPORATION.

BIT STROBE AND WINDOW



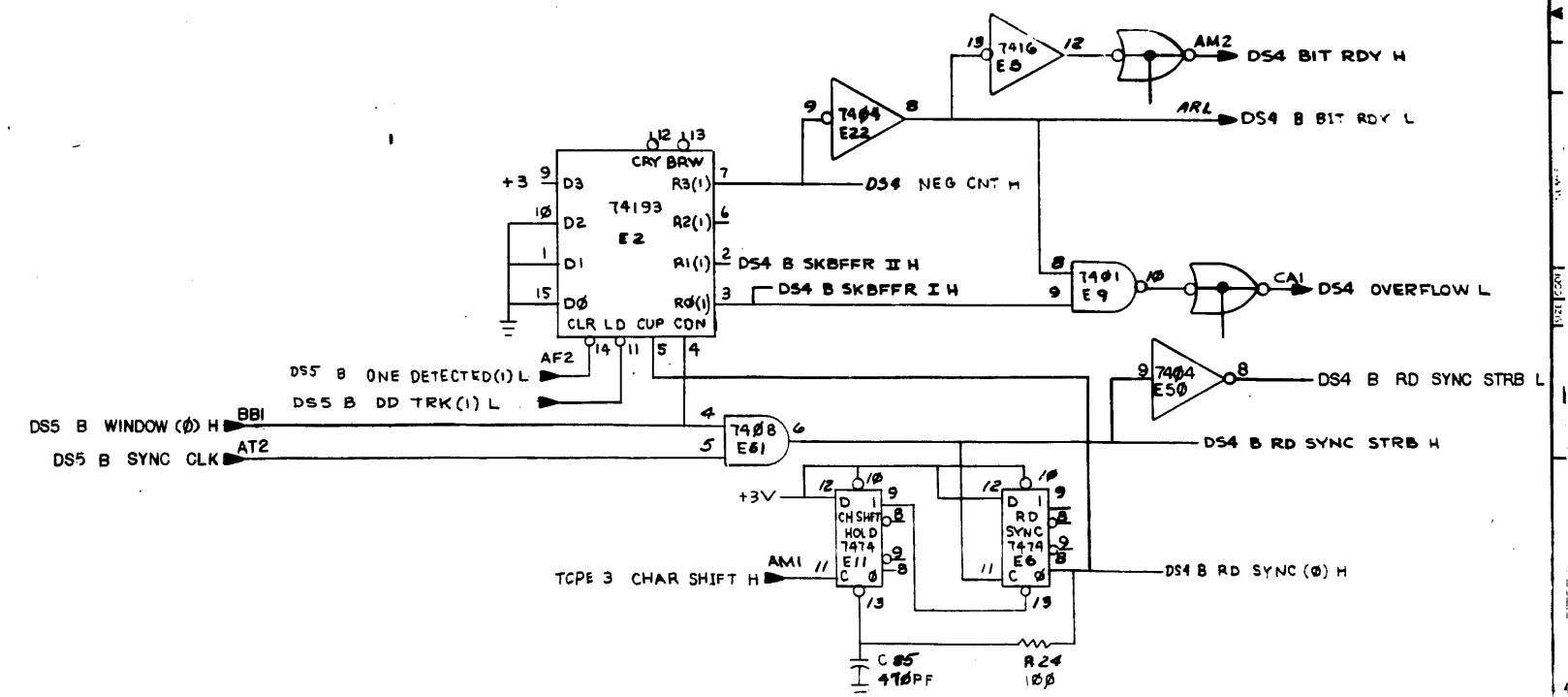
NOTE:
JUMPERS W1 THRU W6 INDICATES THE TAPE SPEED THE MODULE IS BUILT FOR. CHANGING THE JUMPERS DOES NOT CHANGE THE SPEED CAPABILITY OF THE MODULE.



NOTE
1. PREFIX "B" IS TO BE INTERPRETED AS FOLLOWS:
MODULE IN SLOT 1 B IS BIT 0
MODULE IN SLOT 2 B IS BIT 5
MODULE IN SLOT 3 B IS BIT 1

EXAMPLE:
B RDA H — C01 CH2 = RDA 0 H
B RDA H — C02 CH2 = RDA 5 H
B RDA H — C03 CH2 = RDA 1 H

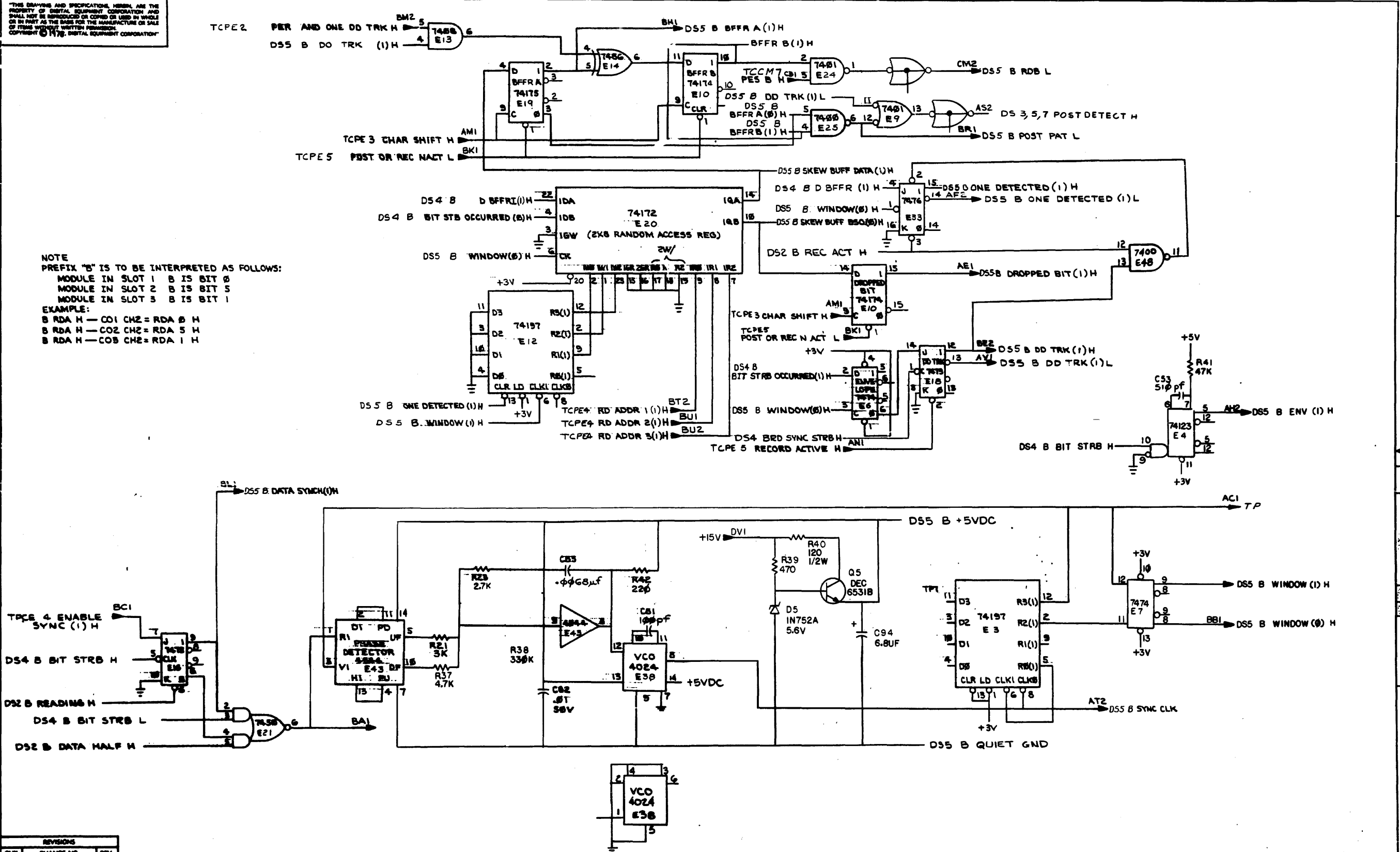
2. M8901 MODULES ARE LOCATED IN SECTIONS CDEF OF TM03 LOGIC. THEREFORE PINS IN SECTION A OF THIS MODULE ARE LOCATED IN C ON THE BACKPLANE ETC.



REVISIONS		
CHK	CHANGE NO.	REV.

TITLE	DATA SYNC (DS4)	SIZE CODE	DCS M8901-YD-1	NUMBER		REV	
SCALE		SHEET	4 OF 7	DIST.			

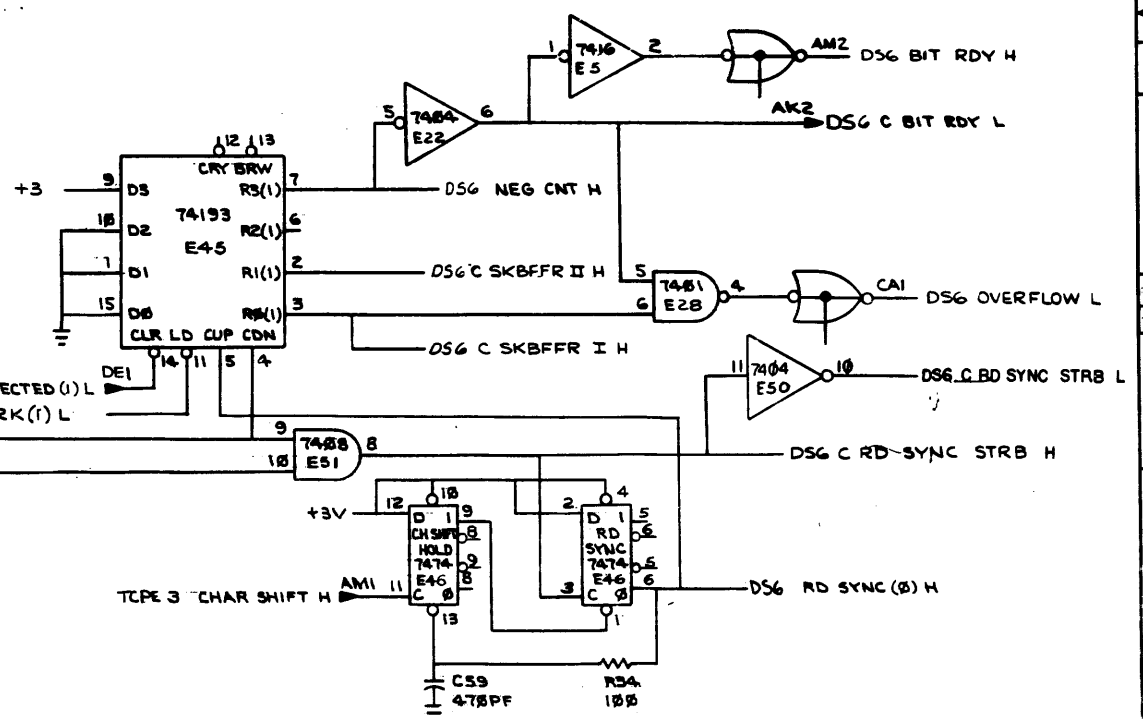
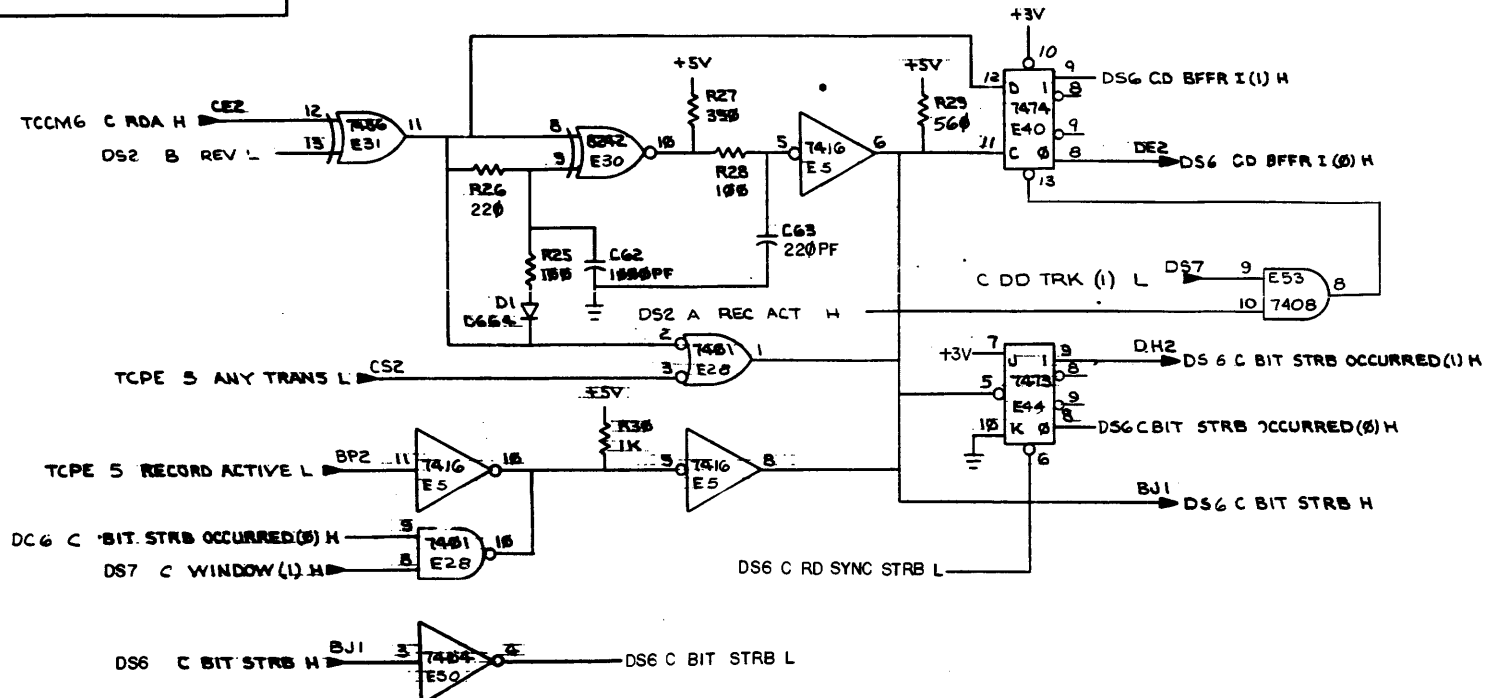
THIS DRAWING AND SPECIFICATIONS HEREIN ARE THE PROPERTY OF DIGITAL EQUIPMENT CORPORATION AND SHALL NOT BE REPRODUCED OR COPIED OR USED IN WHOLE OR IN PART AS THE BASIS FOR THE MANUFACTURE OR SALE OF ITEMS WITHOUT WRITTEN PERMISSION. COPYRIGHT © 1978, DIGITAL EQUIPMENT CORPORATION.



REVISIONS		
CHK	CHANGE NO.	REV.

"THIS DRAWING AND SPECIFICATIONS HEREIN ARE THE PROPERTY OF DIGITAL EQUIPMENT CORPORATION AND SHALL NOT BE REPRODUCED OR COPIED OR USED IN WHOLE OR IN PART AS THE BASIS FOR THE MANUFACTURE OR SALE OF ITEMS WITHOUT WRITTEN PERMISSION. COPYRIGHT © 1973 DIGITAL EQUIPMENT CORPORATION"

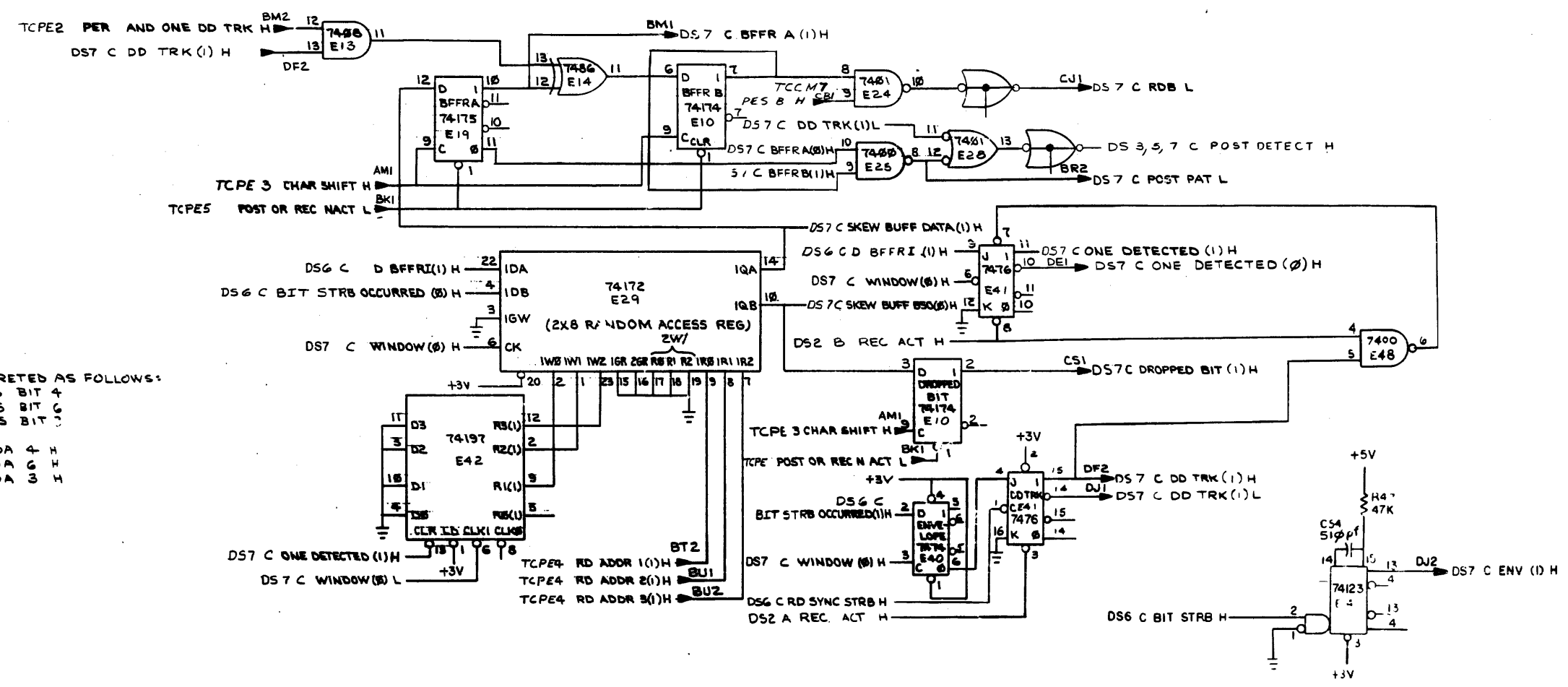
BIT STROBE AND WINDOW



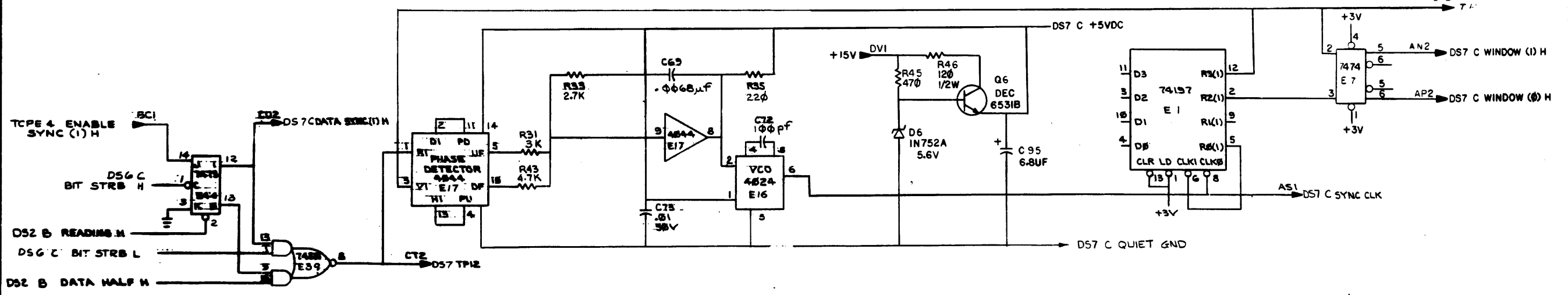
NOTE
 PREFIX "C" IS TO BE INTERPRETED AS FOLLOWS:
 MODULE IN SLOT 1 C IS BIT 4
 MODULE IN SLOT 2 C IS BIT 6
 MODULE IN SLOT 3 C IS BIT 3
 EXAMPLE:
 C RDA H - C01 E2 = RDA 4 H
 C RDA H - C02 E2 = RDA 6 H
 C RDA H - C03 E2 = RDA 3 H

REVISIONS		
CHK	CHANGE NO	REV.

THIS DRAWING AND SPECIFICATIONS, HEREIN, ARE THE PROPERTY OF DIGITAL EQUIPMENT CORPORATION AND SHALL NOT BE REPRODUCED OR COPIED OR USED IN WHOLE OR IN PART AS THE BASIS FOR THE MANUFACTURE OR SALE OF ITEMS WITHOUT WRITTEN PERMISSION. COPYRIGHT © 1973 DIGITAL EQUIPMENT CORPORATION



NOTE
 PREFIX "C" IS TO BE INTERPRETED AS FOLLOWS:
 MODULE IN SLOT 1 C IS BIT 4
 MODULE IN SLOT 2 C IS BIT 6
 MODULE IN SLOT 3 C IS BIT 7
 EXAMPLE:
 C RDA H — CO1 E2 = RDA 4 H
 C RDA H — CO2 E2 = RDA 6 H
 C RDA H — CO3 E2 = RDA 3 H



REVISIONS		
CHK	CHANGE NO.	REV.

8

7

6

5

4

3

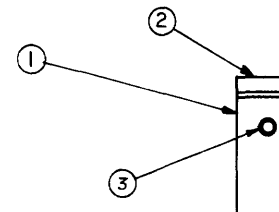
2

1

DUA M8901-YD-0 J

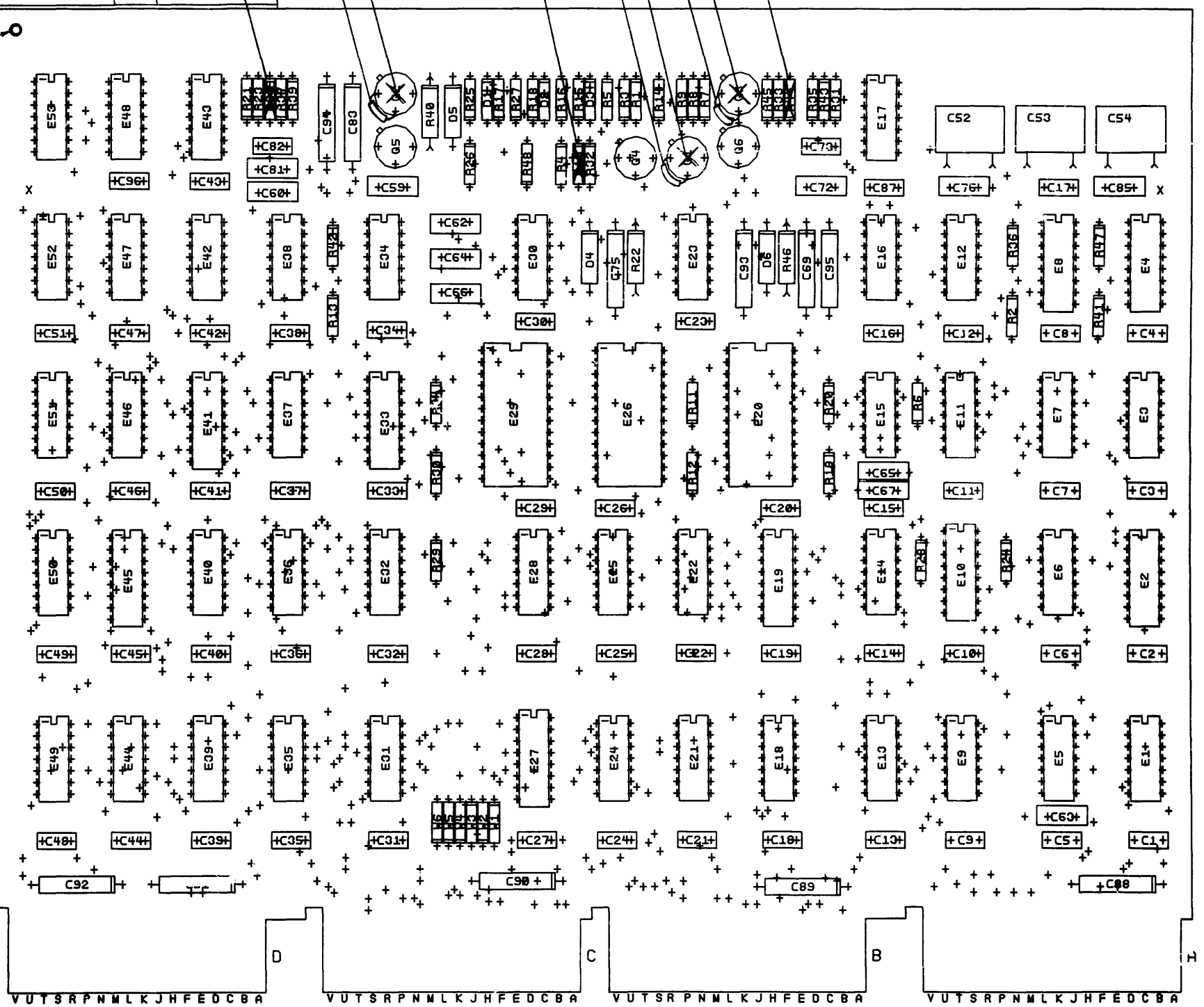
THIS DRAWING AND SPECIFICATIONS, HEREIN, ARE THE PROPERTY OF DIGITAL EQUIPMENT CORPORATION AND SHALL NOT BE REPRODUCED OR TRANSMITTED IN ANY FORM OR BY ANY MEANS, ELECTRONIC OR MECHANICAL, INCLUDING PHOTOCOPYING, RECORDING, OR BY ANY INFORMATION STORAGE AND RETRIEVAL SYSTEM, WITHOUT PERMISSION IN WRITING FROM DIGITAL EQUIPMENT CORPORATION. COPYRIGHT © 1977

COMPONENT SIDE VIEW



NOTE 1
NOTE 2-47

NOTE 1
NOTE 2-47
NOTE 1



NOTES:

1. DELETE ALL COMPONENTS NOT SHOWN.
2. ADD WIRE AS SHOWN Q1, Q2, Q3

CHANGE NO.	REV.

ETCH REV. EP2
P.C. DESIGN DATA BASE REV. EP2

SIGNATURES		DATE	DIGITAL
DRN. L. METZGER		2-28-77	
CHK'D. [Signature]		3-8-78	
ENG. [Signature]		5-22-78	
PROJ. ENG. [Signature]		5-22-78	
PROD. [Signature]		5-22-78	
SCALE 2/1			TITLE DATA SYNC
SHT. 1 OF 1	SIZE CODE	NUMBER	
NEXT HIGHER ASSY. B-DD-M8901-YD			UA M8901-YD-0 J

8

7

6

5

4

3

2

1 MS# 160405

LINE	ITEM	DOCUMENT NO.	PART NO.	DESCRIPTION	QTY	REFERENCE DESIGNATORS
1	1		5010467-00	M8901 C	1	
2	2		9008337-06	HANDLE, FLIP CHIP, MAGENTA	4	
3	3		9006732-00	EYELET, ROLLED FLANGE, .121 OD X .219 LG	8	
4	4		1000021-00	220.0 MMF 100V 5X200PPM DM15S (10-00)	3	C63,C65,C67
5	5		1509338-00	DEC6531B NPN 310MW SI 40 90 P	3	Q4-Q6
6	6		1000024-00	470.0 MMF 100V 5X200PPM DM15S (10-00)	3	C59,C60,C85
7	7		1000042-00	1000.0 MMF 100V 5X200PPM DM15S (10-00)	3	C62,C64,C66
8	8		1000060-00	6800.0 MMF 200V 10X 192P MYLR #	3	C69,C75,C83
9	9		1001610-00	.01 MFD 50V Z5U 309CER/8000PF MIN	55	C1-C51,C73,C82,C87,C96
10	10		1005306-00	6.8MFD 35V 10X 150D S.TA (10-00)	8	C88-C95
11	11		1002476-00	510.0 MMF 100V 5X200PPM DM15S (10-00)	3	C52-C54
12	12		1000016-00	100.0 MMF 100V 5X200PPM DM15S (10-00)	3	C72,C76,C81
13	13		1100114-00	D 664 QS\75PCB PIV= 25V SP	3	D1-D3
14	14		1102808-00	1N 752A VZ= 5.6 5% .40W P	3	D4-D6
15	15		1300229-00	100 1/4W 5% CC (13-00)	9	R4,R5,R13,R15,R18,R24,R25,R28,
					CONT	R34
16	16		1300271-00	220 1/4W 5% CC (13-00)	7	R3,R11,R14,R16,R26,R35,R42
17	17		1300295-00	330 1/4W 5% CC (13-00)	1	R12
18	18		1300309-00	390 1/4W 5% CC (13-00)	3	R1,R17,R27
19	19		1300316-00	470 1/4W 5% CC (13-00)	3	R32,R39,R45
20	20		1300365-00	1 K 1/4W 5% CC (13-00)	4	R6,R20,R30,R48
21	21		1300426-00	2.7 K 1/4W 5% CC (13-00)	3	R9,R23,R33
22	22		1302177-00	47 K 1/4W 5% CC (13-00)	3	R36,R41,R47
23	23		1300243-00	120 1/2W 5% CC (13-00)	3	R22,R40,R46
24	24		1300432-00	3 K 1/4W 5% CC (13-00)	3	R7,R21,R31
25	25		1300447-00	4.7 K 1/4W 5% CC (13-00)	3	R8,R37,R43
26	26		1905547-00	DEC 7474 FF-D DUAL,EDGE TRIGGER,15MHZ	8	E6,E7,E11,E32,E37,E40,E46,E52
27	27		1905575-00	7400 NAND GATE-QUAD 2IN	2	E25,E48
28	28		1905580-00	DEC 7450 A-0-I XPNDBLE GATE-DUAL 2X2	2	E21,E39
29	29		1905585-00	7476 FF-JK DUAL,MASTER SLAVE,15MHZ	2	E33,E41

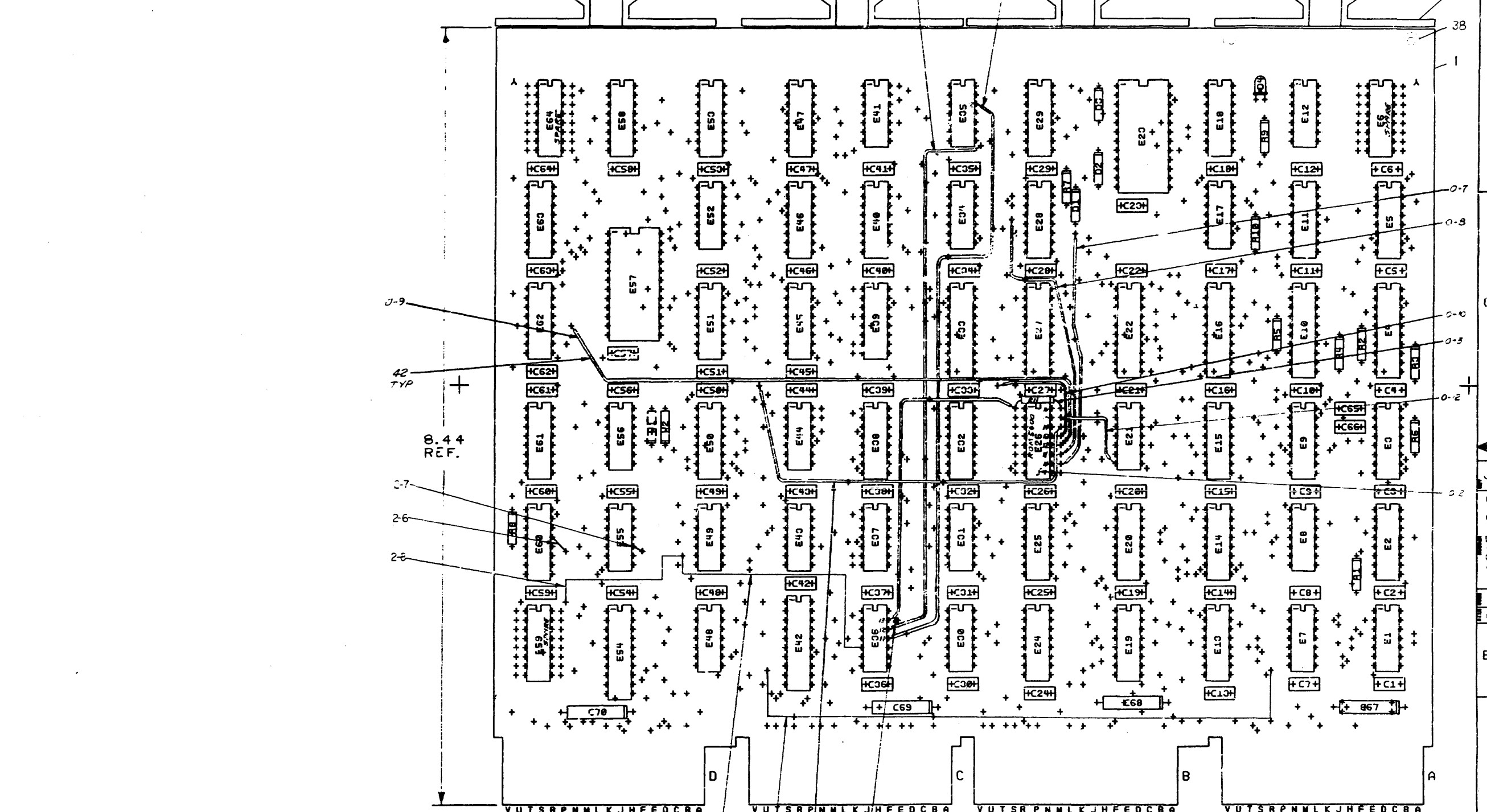
REVISION HISTORY			VARIATIONS FOR THIS ASSY.		
CHK	ECO NO	REV	FIRST USED ON: TM03-CN/FN		
---	INIT	J	DIGITAL EQUIPMENT CORPORATION MAYNARD, MASSACHUSETTS		
			MADE BY: P.BOSSMAN	DATE: 27-MAR-78	TITLE PARTS LIST
			CHECKED: P.RAIKUNEN	DATE: 27-MAR-78	DATA SYNC
			DSN.ENG.: P.RAIKUNEN	DATE: 27-MAR-78	
			PROD.: P.RAIKUNEN	DATE: 27-MAR-78	SIZE: CODE: DOCUMENT NUMBER: REV:
					K PL M8901-YD-DBP J
			RESP.ENG.: P.RAIKUNEN	DATE: 27-MAR-78	ASSY.NO.: D-UA-M8901-YD-0 EDIT# 6

*THIS DRAWING AND SPECIFICATIONS HEREIN, ARE THE PROPERTY OF DIGITAL EQUIPMENT CORPORATION AND SHALL NOT BE REPRODUCED OR COPIED OR USED IN WHOLE OR IN PART AS THE BASIS FOR THE MANUFACTURE OR SALE OF ITEMS WITHOUT WRITTEN PERMISSION.
COPYRIGHT 1978. DIGITAL EQUIPMENT CORPORATION *

LINE	ITEM	DOCUMENT NO.	PART NO.	DESCRIPTION	QTY	REFERENCE DESIGNATORS
30	30		1905587-00	DEC 7473 FF-JK DUAL,MASTER SLAVE,10MHZ	4	E18,E36,E44,E49
31	31		1905590-00	DEC 7401 NAND GATE-QUAD 2IN,OPN COLLECT	4	E9,E24,E28,E35
32	32		1909686-00	7404 INVERTER GATE-HEX 1IN	2	E22,E50
33	33		1909712-00	DEC 8242 COMPARATOR-4BIT N,OPN COLL.	1	E30
34	34		1909928-00	7416 INVERTER GATE-HEX 1IN,(7406 FA	2	E5,E15
35	35		1910436-00	DEC 74123 ONE SHOT-DUAL,RETRIGGERABLE	2	E4,E8
36	36		1910011-00	DEC 7486 X-OR GATE-QUAD 2INPUT	2	E14,E31
37	37		1910018-00	DEC 74193 COUNTER,SYNCHR. UP/DOWN	3	E2,E27,E45
38	38		1910035-00	DEC 74197 COUNTER,ASYNCH UP,H1 SPEED 828	6	E1,E3,E12,E34,E42,E47
39	39		1301890-00	560 1/4W 5% CC (13-00	3	R2,R19,R29
40	40		1910651-00	DEC 74175 FF-D QUAD	1	E19
41	41		1910652-00	74174 FF-D HEX	1	E10
42	42		1911038-00	4024 OSCILLATOR	2	E16,E38
43	43		1911039-00	4044 PHASE FREQUENCY DETECTOR	3	E17,E23,E43
44	44		1911293-00	74172 REGISTER FILE,16BIT MULTIPLE P	3	E20,E26,E29
45	45		1910155-00	DEC 7408 AND GATE,POS.QUAD 2IN 14	3	E13,E51,E53
46	46		9009185-00	JUMPER, WIRE, INSULATED, BLACK BAND	2	W5,W6
47	47		9105740-55	WIRE(WRAP)30AWG UL1423 (91-00 A/R		

DIGITAL EQUIPMENT CORPORATION MAYNARD, MASSACHUSETTS	TITLE DATA SYNC	PARTS LIST	SIZE K	CODE PL	DOCUMENT NUMBER M8901-YD-DBP	REV J
---	--------------------	------------	-----------	------------	---------------------------------	----------

THIS DRAWING AND SPECIFICATIONS, HEREIN, ARE THE PROPERTY OF DIGITAL EQUIPMENT CORPORATION AND ARE TO BE KEPT IN CONFIDENCE. IT IS TO BE USED ONLY FOR THE PURPOSES AND IN THE MANNER SPECIFIED HEREIN. ANY REPRODUCTION OR TRANSMISSION OF THIS DRAWING OR SPECIFICATIONS IN ANY FORM OR BY ANY MEANS WITHOUT THE WRITTEN PERMISSION OF DIGITAL EQUIPMENT CORPORATION IS PROHIBITED.



NOTES:

CHANGE NO	REV	DATE	BY	CHK'D
1	A	11/14/77	W. J.
2	B	12/17/77
3	C	12/17/77
4	D	12/17/77

ETCH REV. B	DATE
P.C. DESIGN DATA BASE REV. M8915-0-0	12/17/77

SIGNATURES		DATE	digital
DRN.	11/14/77	
CHK'D.	12/17/77	TITLE UNIVERSAL DATA FORMATTER
ENG.	12/30/77	
PROJ. ENG.	12/30/77	
PROD.	12/17/77	
SCALE 2:1	SIZE	CODE	NUMBER
SHT. 1 OF 4	D	UA	
NEXT HIGHER ASSY. B-DD-M8915-0			REV
			C

LINE	ITEM	DOCUMENT NO.	PART NO.	DESCRIPTION	QTY	REFERENCE DESIGNATORS
1	1	D-MU-5012682-0-0	5012682-00	M8915	1	
2	2		1000019-00	150.0 MHF 100V 50200PPM DM158 (10-00)	1	C65
3	3		1001610-01	.01 MFD 100V OR 50V Z5U DISC/800PF MIN	65	C1-C64,C66
4	4		1005306-00	6.0MFD 35V 10% 150D S.TA (10-00)	4	C67-C70
5	5		1100114-00	D 664 QS75PCB PIV= 25V SP	3	D1-D3
6	6		1110064-00	LED 2MCDR10MA	1	D4
7	7		1300229-00	100 1/4W 5% CC (13-00)	1	R9
8	8		1300295-00	330 1/4W 5% CC (13-00)	4	R2-R5
9	9		1300316-00	470 1/4W 5% CC (13-00)	2	R1,R8
10	10		1300365-00	1 K 1/4W 5% CC (13-00)	1	R10
11	11		1301972-00	270 1/4W 5% CC (13-00)	1	R7
12	12		1302391-00	20 K 1/4W 5% CC (13-00)	1	R6
13	13		1811660-01	OSCILLATOR, CRYSTAL, 10MHZ, 14PIN DIP	1	E56
14	14		1905547-00	DEC 7474 FF-D DUAL,EDGE TRIGGER,15MHZ	1	E49
15	15		1909686-00	7404 INVERTER GATE-HEX 1IN	1	E41
16	16		1909701-00	74154 1 OF 16,BINARY SELECT	1	E23
17	17		1909930-00	7405 INVERTER GATE-HEX 1IN,OPEN COL	1	E17
18	18		1910724-00	74180 PARITY TREE,8BIT GEN/CHK	1	E52
19	19		1911573-00	748280 PARITY GEN/CHKR,9BIT ODD/EVEN	4	E12,E21,E31,E48
20	20		1912697-00	LS174 FF-D HEX W/CLEAR	1	E46
21	21		1912799-00	LS00 NAND-GATE-QUAD 2IN,POSITIVE	2	E35,E55
22	22		1912803-00	LS04 INVERTER GATE-HEX 1IN	5	E1,E7,E8,E43,E44
23	23		1912805-00	LS00 AND GATE-QUAD 2IN,POSITIVE	1	E36
24	24		1912819-00	LS42 DECODER,BCD-DECIMAL	3	E29,E53,E60
25	25		1912820-00	LS51 A-O-I GATE 2-WIDE 2IN/3IN	1	E27
26	26		1912829-00	LS06 X-OR GATE-QUAD 2IN	2	E30,E34
27	27		1912834-00	LS112 FF-JK DUAL,EDGE TRIGGER,NEG.	7	E32,E39,E45,E47,E50,E51,E61
28	28		1912837-00	LS123 ONE SHOT-DUAL,RETRIGGERABLE	1	E3
29	29		1912844-00	LS151 MUX 1 OF 8 & DATA SELECTOR	2	E10,E30
30	30		1912847-00	LS157 MUX 1 OF 2(QUAD)	1	E5

REVISION HISTORY			VARIATIONS FOR THIS ASSY,		FIRST USED ON; TM03		DIGITAL EQUIPMENT CORPORATION MAYNARD, MASSACHUSETTS			
CHK	ECO NO	REV	00, YA	MADE BY:	DATE:	TITLE	SIZE	CODE	DOCUMENT NUMBER	REV
ER	00002	C		F. MAY	01-AUG-78	PARTS LIST				
				C. BEVERLIE	01-AUG-78	UNIVERSAL DATA FORMATTER (VAR. 00)				
				J. VAGIAS	01-AUG-78					
				G. R. DILLARD	01-AUG-78		K	PL	M8915-0-DBP	C
				J. VAGIAS	01-AUG-78	ASSY. NO.:			D-UA-M8915-0-0	EDITS 3

"THIS DRAWING AND SPECIFICATIONS HEREIN, ARE THE PROPERTY OF DIGITAL EQUIPMENT CORPORATION AND SHALL NOT BE REPRODUCED OR COPIED OR USED IN WHOLE OR IN PART AS THE BASIS FOR THE MANUFACTURE OR SALE OF ITEMS WITHOUT WRITTEN PERMISSION. COPYRIGHT 1978, DIGITAL EQUIPMENT CORPORATION"

LINE	ITEM	DOCUMENT NO.	PART NO.	DESCRIPTION	QTY	REFERENCE DESIGNATORS
31	31		1912849-00	LS161 COUNTER, SYNCHR, 4BIT BINARY	2	E58, E63
32	32		1912864-00	LS279 LATCH, QUAD-S-R	1	E28
33	33		1912867-00	LS298 MUX 1 OF 4, 2IN W/STORAGE	11	E2, E9, E11, E13-E15, E19, E20, E24, E25, E40
34	34		1914414-00	2987 TRANSCEIVER, BUS, QUAD	CONT	E4, E10, E16, E22, E27, E33, E42, E54
35	35		23014D1-00	D1-02 PROM,	1	E57
36	36		23196A1-00	A1-07 PROM,	1	E62
37	37		9008337-00	HANDLE, FLIP CHIP, MAGENTA	8	
38	38		9006732-00	EYELET, ROLLED FLANGE, .121 OD X .219 LG	8	
39	39		9009105-00	JUMPER, WIRE, INSULATED, BLACK BAND	1	W2
40	40		23212A1-00	A1-03, A1-04, A1-05 PROM,	1	E26
41	41		1300432-00	3 K 174W 5% CC (13-00)	1	R11
42	42		9105740-05	WIRE(WRAP)30AWG UL1423 (91-00) A/R		
43	43		1301423-00	***** THIS ITEM IS NOT USED *****	-	
44	44		1011660-03	***** THIS ITEM IS NOT USED *****	-	
45	45		1912389-00	***** THIS ITEM IS NOT USED *****	-	
46	46		1912096-00	***** THIS ITEM IS NOT USED *****	-	
47	47		1910548-00	***** THIS ITEM IS NOT USED *****	-	
48	48		1910986-00	***** THIS ITEM IS NOT USED *****	-	
49	49	I.C. SPARES		I.C. SPARES	3	E6, E59, E64
50	50	B-DD-M8915-0-0		DRAWING DIRECTORY	REF	
51	51	D-UA-M8915-0-0		UNIT ASSEMBLY	REF	
52	52	D-CS-M8915-0-UDF		CIRCUIT SCHEMATICS	REF	

DIGITAL EQUIPMENT CORPORATION MAYNARD, MASSACHUSETTS	TITLE UNIVERSAL DATA FORMATTER (VAR. 00)	PARTS LIST	SIZE: CODE: K PL	DOCUMENT NUMBER M8915-0-DBP	REV C
---	--	------------	---------------------	--------------------------------	----------