

"THE MATERIAL HEREIN IS FOR INFORMATION PURPOSES ONLY AND IS SUBJECT TO CHANGE WITHOUT NOTICE. DIGITAL EQUIPMENT CORPORATION ASSUMES NO RESPONSIBILITY FOR ANY ERRORS WHICH MAY APPEAR HEREIN."

FIELD MAINTENANCE PRINT SET

"THIS DRAWING AND SPECIFICATIONS, HEREIN, ARE THE PROPERTY OF DIGITAL EQUIPMENT CORPORATION AND SHALL NOT BE REPRODUCED OR COPIED OR USED IN WHOLE OR IN PART AS THE BASIS FOR THE MANUFACTURE OR SALE OF ITEMS WITHOUT WRITTEN PERMISSION. COPYRIGHT © 1975, DIGITAL EQUIPMENT CORPORATION."

TABLE OF CONTENTS


B-TC-TR79-FA-1	TR79-FA FIELD MAINTENANCE PRINT SET
B-DD-TR79-FA	DRAWING DIRECTORY
D-UA-TR79-FA-Ø	MAGTAPE TR79-FA
A-PL-TR79-FA-Ø	MAGTAPE TR79-FA (PL)
C-UA-TR79-F-Ø	H797ØE TCU TO PDP-11 INTERFACE
D-AD-7009104-0-0	WIRED ASSY
A-WF-7009104-0	AWT STATUS FOR TR79F
B-MU-TR79-F-TØ1	MODULE UTILIZATION
A-PL-TR79-F-TØ1	MODULE UTILIZATION (PL)
C-BS-TR79-F-TØ2	ADDRESS SELECTION
C-BS-TR79-F-TØ3	STATUS REGISTER
C-BS-TR79-F-TØ4	CONTROL REGISTER
C-BS-TR79-F-TØ5	ILLEGAL COMMANDS
C-BS-TR79-F-TØ6	CONTROL FUNCTIONS
C-BS-TR79-F-TØ7	MTT COMMANDS
C-BS-TR79-F-TØ8	GAP TIMING
C-BS-TR79-F-TØ9	MOTION CONTROL
C-BS-TR79-F-T1Ø	MTT TO TCU RECEIVERS
C-BS-TR79-F-T11	BUFFER CONTROL
C-BS-TR79-F-T12	READ-WRITE BUFFER
C-BS-TR79-F-T13	READ & WRITE PARITY GENERATOR
C-BS-TR79-F-T14	DMA CONTROL
C-BS-TR79-F-T15	CBUS DATA
C-BS-TR79-F-T16	BUS DATA
C-BS-TR79-F-T17	TCU TO MTT DRIVERS
C-IC-TR79-F-T18	MTT CABLES
C-IC-TR79-F-T19	UNTBUS CONNECTORS
D-IA-7009156-0-0	MTT CABLE ASSY
D-TD-TR79-F-T20	WRITE TIMING
K-WL-TR79-F-T21	WIRE LIST (H797ØE TCU TO PDP-11 INTERFACE)

UNIT VARIATIONS COVERED BY THIS PRINT SET
TR79-FA

TR79-FA
Field Maintenance Print Set

Digital Equipment Corporation
PRINT SET ORDER NO.
MPØØØ26

TR79-FA

REVISIONS	REV.		USED ON OPTION/MODEL		DRN.	DATE		
	CHG. NO.				DJGGAN	NOV 6 1975		TITLE: MAGTAPE ASSY, TR79-FA
	DATE				CHD <i>[Signature]</i> PROJ. ENG/ <i>[Signature]</i> FIELD SERV. <i>[Signature]</i>	DATE 24 FEB 76 DATE 7 Mar 76		
SIZE	CODE	NUMBER	REV.	DIST.				
B	TC	TR79-FA-1						

EN-D-126 18-1 (8-75) (327)

D-DI-H72Ø-E-2
 D-UA-H72Ø-E-Ø
 A-PL-H72Ø-E-Ø
 D-CS-H72Ø-E-1
 E-IA-5409267-0-0
 D-CS-5409267-0-0
 E-IA-5409Ø30-Ø-Ø
 B-CS-540Ø30-Ø-1

 D-AD-7ØØ8308-0-C
 A-PL-7ØØ8308-Ø-Ø

 E-UA-861-Ø-Ø
 D-CS-861-C-1
 D-CS-5410206-Ø-1

DRAWING INDEX H72Ø-E
 POWER SUPPLY H72Ø-E
 POWER SUPPLY H72Ø-E (PL)
 CIRCUIT SCHEMATIC H72Ø-E
 POWER REG. BOARD (H72Ø-E & F)
 POWER REG. BOARD SCHEMATIC (H72Ø E & F)
 SWITCH BOARD (H72ØE & F)
 SWITCH BOARD SCHEMATIC (H72Ø E & F)

 HEAT SINK ASSY (H720 E & F)
 HEAT SINK ASSY (PL) (H72Ø E & F)

 POWER CONTROL 861
 CIRCUIT SCHEMATIC
 PILOT CONTROL

TITLE	SHEET OF	SIZE CODE	NUMBER	REV
MAGTAPB TR79-FA	1 OF 1	B TC	TR79-FA	

CUSTOMER PRINT SET INDEX

THIS IS PRINT SET

SEQUENCE 77

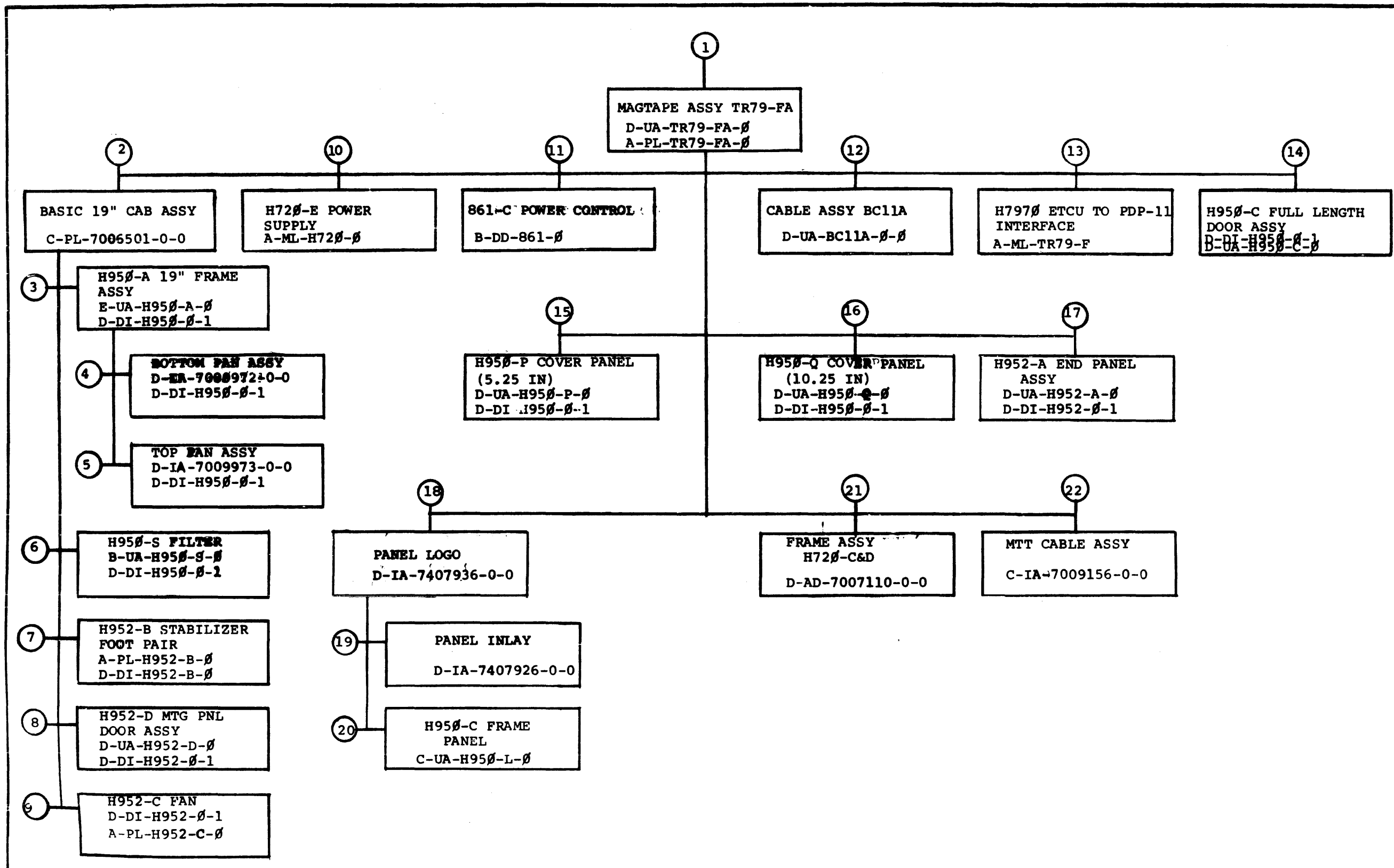
SEQUENCE 77

FOR FIELD MAINTENANCE
 PRINT SET SEE B-TC-TR79-FA-1

UNIT VARIATIONS		PRINT SET
VAR	TITLE	
TR79-FA	MAGTAPE ASSY, TR79-FA	

EN-01062-1A-16-R/R/2(328)

REVISIONS	REV				USED ON OPTION/MODEL	DRN. MP DUGGAN	DATE 11 FEB 76	TITLE				
	CHG. NO.					CHK'D. <i>[Signature]</i>	DATE 23 FEB 76	MAGTAPE ASSY, TR79-FA				
	DATE					PROJ ENG <i>[Signature]</i>	DATE 21 FEB 76	SIZE	CODE	NUMBER	REV	
							DATE 5 MAR 76	B	DD	TR79-FA		
						FIELD SERV. <i>[Signature]</i>	DATE 9 MAR 76	DIST				
SHEET 1 OF 5												



TITLE	SHEET	OF	SIZE	CODE	NUMBER	REV
MAGTAPE ASSY, TR79-FA	2	5	B	DD	TR79-FA	

CUSTOMER PRINT SET		ELECTRICAL					CUSTOMER PRINT SET		MECHANICAL					
INFO SET	FIND NO.	DRAWING NO.	REV	NO OF SHT	DESCRIPTION	OPTION NO./FILE DATE	INFO SET	FIND NO.	DRAWING NO.	REV	NO OF SHT	DESCRIPTION	OPTION NO./FILE DATE	
	10	A-ML-H720-0		3	H720-E POWER SUPPLY			1	D-UA-TR79-FA-0		2	TR79-FA UNIT ASSY		
									A-PL-TR79-FA-0		2	TR79-FA UNIT ASSY (PL)		
									C-SC-1209224-0-0		1	LATCH MOLDING		
									C-PS-1211386-0-0		2	THICK LATCH SPACER ASSY		
									D-MD-7406676-0-0		1	STANDOFF SUPPORT CHANNEL		
									C-IA-7406748-0-0		2	FILLER STRIP, FRONT		
									C-IA-7406749-0-0		2	FILLER STRIP, REAR		
									C-MD-7415371-00		1	PANEL, BLANK FILLER		
									C-MD-7406828-0-0		1	PANEL, COVER		
									3012663			TAPE TRANSPORT TR79		
									A-DC-7415511-0-0		1	DECAL, POWER SUPPLY		
									A-DC-7408910-0-0		1	DECAL, (VR14)		
									C-MD-7408463-0-0		1	COVER, TERMINAL STRIP		
	11	B-DD-861-0		3	861-C POWER CONTROL									
	12	D-UA-BC11A-0-0		1	CABLE ASSY, BC11A									
	13	A-ML-TR79-F		2	H790ETCU TO PDP-11 INTERFACE			2	C-PL-7006501-0-0		1	BASIC 19" CABINET ASSY		
									C-MD-7406782-0-0		1	KICK PLATE		
									D-PS-1210568-0-0			SHIPPING SKID, CUSHIONED		
	22	C-IA-7009156-0-0		1	MTT CABLE ASSY									
								3	D-UA-H950-A-0		1	H950-AA 19" FRAME ASSY		
									A-P-H950-A-0			H950-AA 19" FRAME ASSY (PL)		
									D-DI-H950-0-1		1	DRAWING INDEX LIST H950		
								4	E-IA-7009972-0-0		1	BOTTOM PAN ASSY		
									D-DI-H950-0-1		1	DRAWING INDEX LIST H950		
CUSTOMER PRINT SET CODES	X = PRINT OF DOCUMENT INCLUDED IN PRINT SET C = INCLUDES ALL PRINTS INDICATED ON DOCUMENT S = CONFIDENTIAL AUTHORIZED SIGNATURE REQUIRED					TITLE	M-GTAPB ASSY, TR79-F		SIZE CODE	B DD		NUMBER	TR79-F	REV

DRB 108

digital EN-01062-2B-10-R972-(325)

CUSTOMER PRINT SET		MECHANICAL					CUSTOMER PRINT SET		MECHANICAL				
NO.	REV	DRAWING NO.	REV	NO OF SHT	DESCRIPTION	OPTION NO./FILE DATE	NO.	REV	DRAWING NO.	REV	NO OF SHT	DESCRIPTION	OPTION NO./FILE DATE
		5		D-IA-7009973-0-0	1	TOP PAN ASSY			12		D-UA-BC11A-0-0	1	CABLE ASSY BC11A
				D-DI-H950-0-1	1	DRAWING INDEX LIST H950							
		6		B-UA-H950-0-1	1	H950-S FILTER			13		A-ML-TR79-F	2	H7970ETCU TO PDP-11 INTERFACE
				D-DI-H950-0-1	1	DRAWING INDEX LIST H950							
		7		A-PL-H952-B-0	1	H952-B STABLIZER FT. PAIR			14		D-UA-H950-C-0	1	H950-C FULL LENGTH DR ASSY
				D-DI-H952-0-1	1	DRAWING INDEX LIST H952					D-DI-H950-0-1	1	DWG INDEX LIST H950
		8		D-UA-H950-D-0	1	H950-D 19" MTG PNL DR ASSY			15		D-UA-H950-P-0		H950-P COVER PANEL
				A-PL-H950-D-0	1	H950-D 19" MTG PNL DR ASSY					D-DI-H950-0-1		DWG INDEX LIST H950
				D-DI-H950-0-1	1	DWG INDEX LIST H950							
		9		A-PL-H952-C-0	1	H952-C FAN			16		D-UA-H950-0-0	1	H950-Q COVER PANEL
				D-DI-H952-0-1	1	DWG INDEX LIST H952					D-DI-H950-0-1	1	DWG INDEX LIST H950
		10		A-ML-H720-0	3	H720-E POWER SUPPLY			17		D-UA-H952-A-0	1	H952-A END PANEL
											D-DI-H952-0-1	1	DWG INDEX LIST H952
		11		B-DD-861-0	3	B-1-C POWER CONTROL							

CUSTOMER PRINT SET
 X = PRINT OF DOCUMENT INCLUDED IN PRINT SET
 C = INCLUDES ALL PRINTS INDICATED ON DOCUMENT
 S = CONFIDENTIAL AUTHORIZED SIGNATURE REQUIRED

TITLE
 MAGTAPE ASSY, TR79-FA
 SHEET 4 OF 5
 SIZE CODE
 8 DD
 NUMBER
 TR79-FA
 REV

DRB 108

digital

EN-01062-2B-16-R972-(325)

CUSTOMER PRINT SET		MECHANICAL					CUSTOMER PRINT SET		MECHANICAL				
MPG SET	FIG NO.	DRAWING NO.	REV	NO OF SHT	DESCRIPTION	OPTION NO./FILE DATE	MPG SET	FIG NO.	DRAWING NO.	REV	NO OF SHT	DESCRIPTION	OPTION NO./FILE DATE
	18	D-IA-7407936-0-0		1	PANEL LOGO								
	19	D-IA-7407926-1-0		1	PANEL INLAY								
		C-SS-7407926-0-1		1	LOGL COLOR								
		C-SS-7407926-0-2		1	LOGO COLOR								
		C-SS-7407926-0-3		1	LOGO COLOR								
	20	C-UA-H95Ø-L-Ø		2	H95Ø-L FRAME PANEL								
		A-PL-H95Ø-L-Ø		1	H95Ø-L FRAME PANEL (PL)								
		D-SC-1209693-0-0		1	PANEL, FRAME PLASTIC								
	21	D-AD-7007110-0-0		1	FRAME ASSY (H72Ø-C & D)								
		A-PL-7007110-0-0		1	FRAME ASSY (H72Ø-C & D) PL								
CUSTOMER PRINT SET CODES						TITLE		SIZE CODE		NUMBER		REV	
X = PRINT OF DOCUMENT INCLUDED IN PRINT SET						MAGTAPE ASSY, TR79-FA		B DD		TR79-FA			
C = INCLUDES ALL PRINTS INDICATED ON DOCUMENT													
S = CONFIDENTIAL AUTHORIZED SIGNATURE REQUIRED													
						SHEET 5 OF 5							

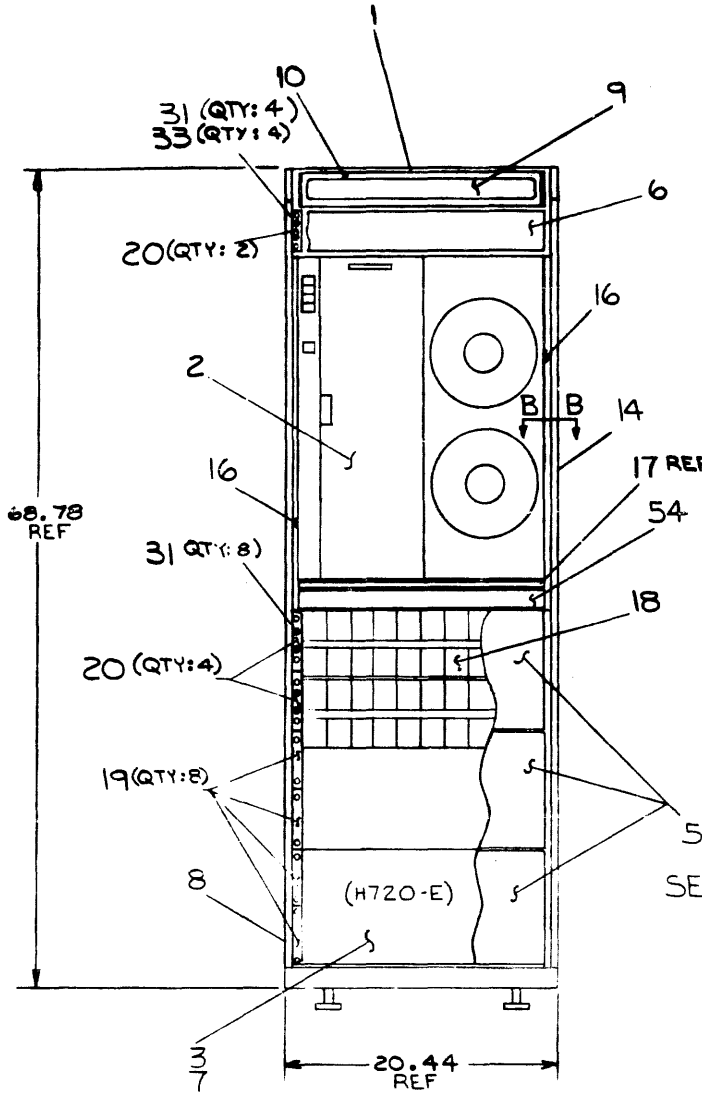
DRB 108

digital EN-01062-2B-16-R972-(325)

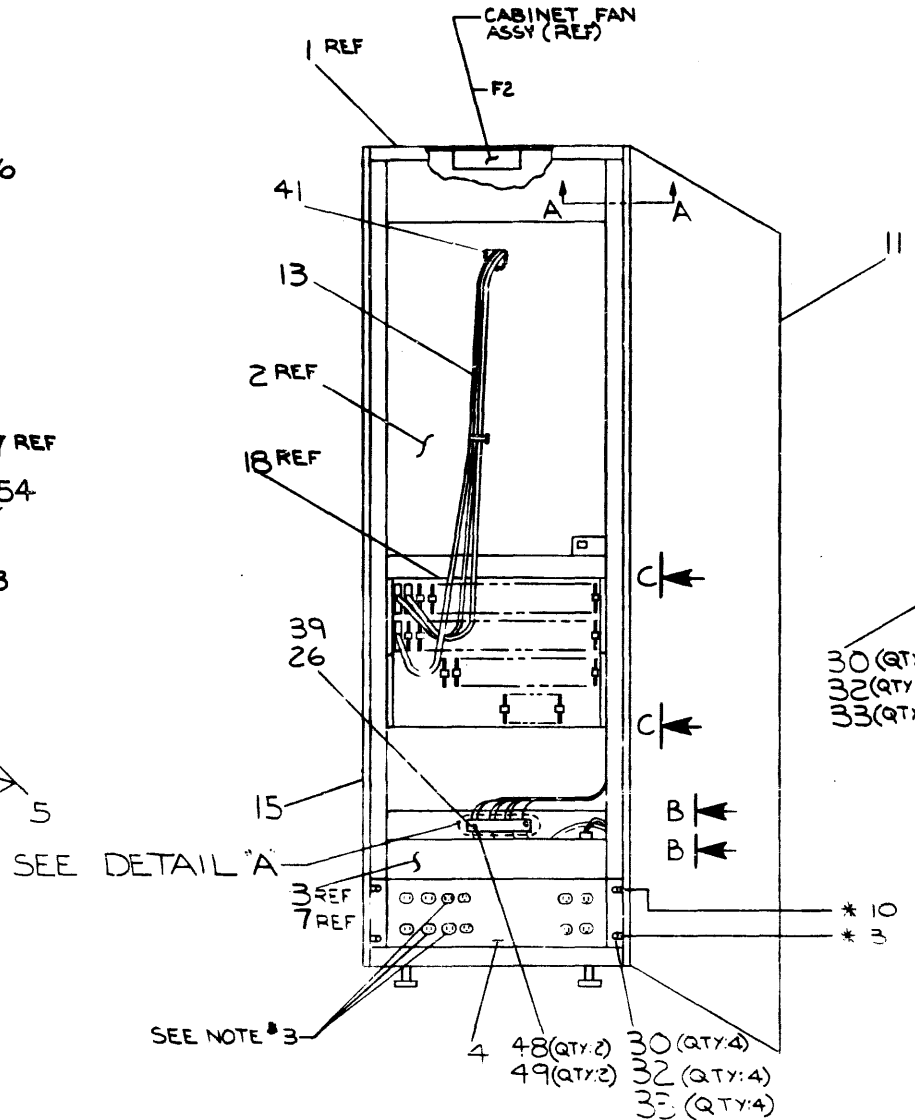
THIS DRAWING AND SPECIFICATIONS HEREIN ARE THE PROPERTY OF DIGITAL EQUIPMENT CORPORATION AND SHALL NOT BE REPRODUCED OR COPIED OR USED IN WHOLE OR IN PART AS THE BASIS FOR THE MANUFACTURE OR SALE OF ITEMS WITHOUT THE WRITTEN PERMISSION OF DIGITAL EQUIPMENT CORPORATION.

0-93-6281 (REV) 2

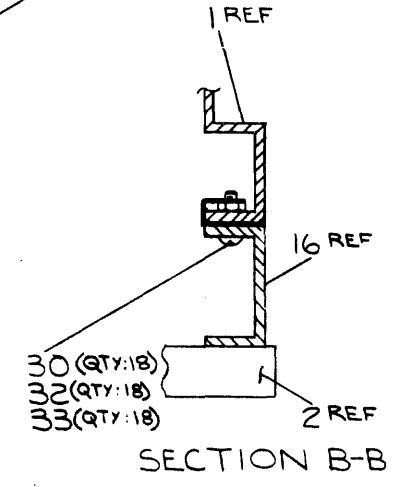
- NOTES:
1. 'BC1A CABLE' (ITEM #12) PLUGS INTO SLOT AB01 ON 'H7970E TCU TO PDP-11 INTERFACE' (ITEM #18).
 2. 'MTT CABLE' (ITEM #15) PLUGS INTO SLOTS AB31 & AB32 ON 'H7970E TCU TO PDP-11 INTERFACE' (ITEM #18) (REFER TO DWG 'D-IA-7009156-0-0')
 3. POWER CORDS FROM '861 POWER CONTROL' (ITEM #4) TO BE CONNECTED FROM:
 - A. CIRCUIT #2 ON THE SWITCHED SIDE TO THE 'H720 POWER SUPPLY' (ITEM #3)
 - B. CIRCUIT #1 ON THE SWITCHED SIDE TO THE 'TAPE TRANSPORT' (ITEM #2)
 - C. CIRCUIT #1 ON THE SWITCHED SIDE TO 'CABINET FAN ASSY' (ITEM #1) WITH 'POWER CORD' (ITEM #9) SEE DETAIL 'B'.



FRONT VIEW



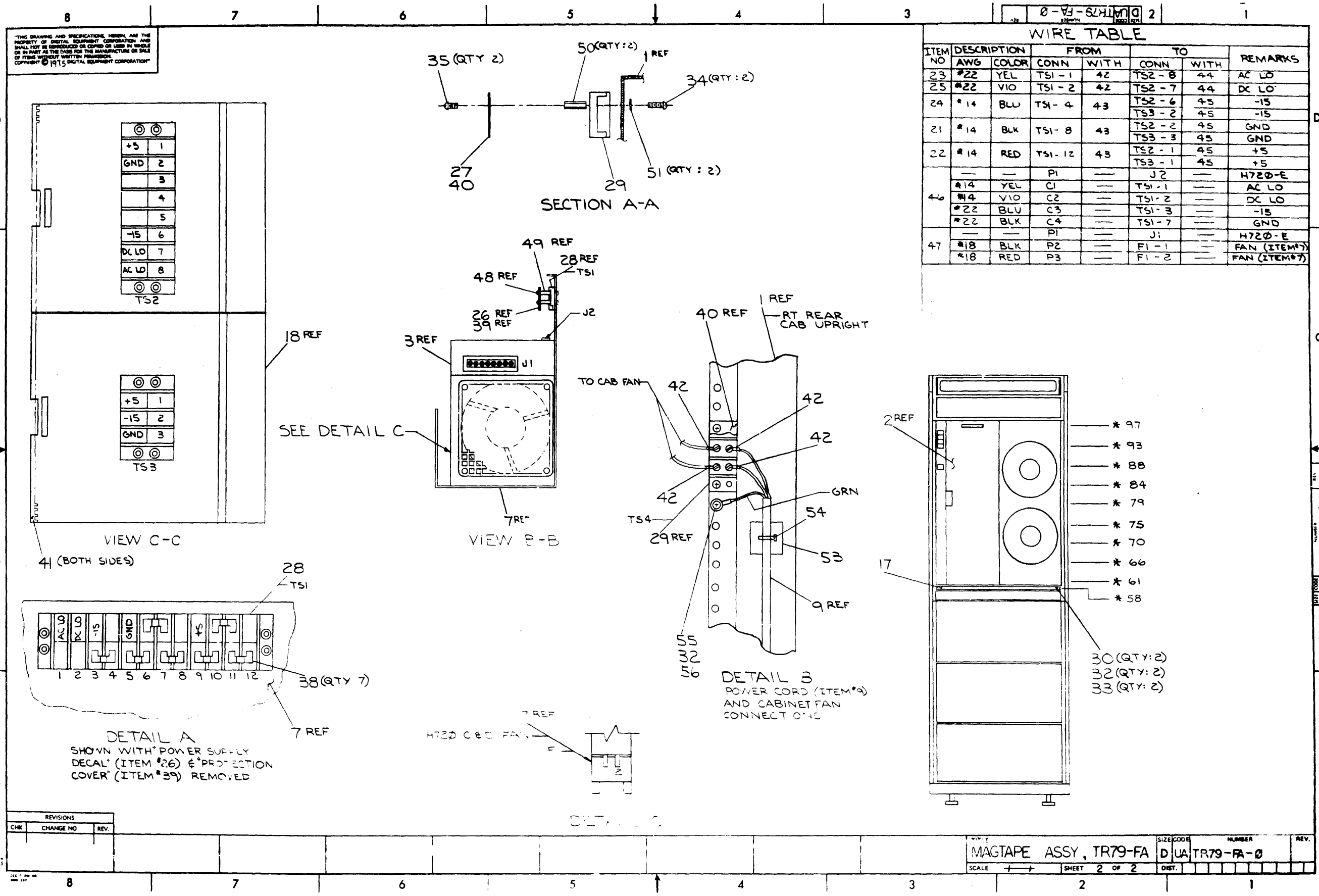
REAR VIEW



SECTION B-B

UNLESS OTHERWISE SPECIFIED DIMENSIONS ARE IN INCHES		NORMAL DIMENSION RANGES	
CLASS OF ACCURACY	CHECK CASE	0 TO 1.2	1.2 TO 3.0
ANGLES 10' 30'		0.2	0.5
SURFACE QUALITY IN		0.2	0.5
MICROINCHES		1.004	1.012
		1.008	1.016
		1.024	1.032
		1.040	1.048

THIRD ANGLE PROJECTION	DRN: [Signature]	FIRST USED ON: TR79-FA
REMOVE BURRS AND BREAK SHARP CORNERS	CHKD: [Signature]	TITLE: MAGTAPE ASSY, TR79-FA
DO NOT SCALE DWG	ENG: [Signature]	SIZE: B-D0-TR79-FA
MATERIAL SEE PARTS LIST	PROJ: [Signature]	SCALE: D WA TR79-FA-0
FINISH: [Symbol]	DO NOT SCALE DWG	SHEET OF: [Blank]



DIGITAL EQUIPMENT CORPORATION MAYNARD, MASSACHUSETTS			QUANTITY/VARIATION																		
PARTS LIST			TR79-FA																		
MADE BY	CHECKED	SECTION																			
DATE	DATE	ISSUED SECT.																			
ENG	PROD	ISSUED SECT.																			
DATE	DATE	ISSUED SECT.																			
ITEM NO.	DWG NO. / PART NO.	DESCRIPTION																			
1	C-PL-7006501-1-0	BASIC 19" CABINET ASSY	1																		
2	3012663	TAPE TRANSPORT, TR79	1																		
3	D-UA-H72B-E-B	H72B POWER SUPPLY	1																		
4	D-UA-861-C-B	861 POWER CONTROL SUPPLY	1																		
5	D-UA-H95B-Q-B	H95B-Q COVER PANEL (10.5IN)	3																		
6	D-UA-H95B-P-B	H95B-P COVER PANEL (5.25 IN)	1																		
7	D-AD-7007110-0-0	FRAME ASSY H72B-C&D	1																		
8	D-UA-H952-A-B	END PANEL ASSY, H952-A	1																		
9	1700006-06	POWER CORD (115V), 6 FT	1																		
10	D-IA-7407936-1-0	PANEL LOGO	1																		
11	D-UA-H95B-CB-B	H95B-C FULL LENGTH DOOR	1																		
12	C-UA-BC11A-08	CABLE ASSY (BC11A)	1																		
13	DIA-7009156-B-B	MTT CABLE ASSY	1																		
14	C-IA-7406748-0-0	FILLER STRIP (FRONT)	1																		
15	C-IA-7406749-0-0	FILLER STRIP (REAR)	1																		
16	D-MD-7406676-11-0	STANDOFF SUPPORT CHANNEL	2																		
17	C-MD-7415371-0-0	PANEL, BLANK FILLER	1																		
18	C-UA-TR79-F-B	H791E TCU TO PDP-11 INTERFACE	1																		
19	C-PS-1211386-00	THICK LATCH SPACER ASSY	6																		
20	C-SC-1209224-00	LATCH MOLDING	8																		
21	9107370-00	WIRE #14 AWG STRD (BLK)	A/R																		
22	9107370-22	WIRE #14 AWG STRD (RED)	A/R																		
TITLE MAGTAPE ASSY, TR79-FA			ASSY NO. D-UA-TR79-FA-B	SIZE CODE A PL	NUMBER TR79-FA-B	REV.	ECO NO.														
SHEET 1 OF 3			DIST.																		

DEC FORM DEC 16 (325) 1031-N870
DPA 110

DIGITAL EQUIPMENT CORPORATION MAYNARD, MASSACHUSETTS			QUANTITY/VARIATION																		
PARTS LIST			TR79-FA																		
MADE BY	CHECKED	SECTION																			
DATE	DATE	ISSUED SECT.																			
ENG	PROD	ISSUED SECT.																			
DATE	DATE	ISSUED SECT.																			
ITEM NO.	DWG NO. / PART NO.	DESCRIPTION																			
45	9007919-00	TERMINAL, QUICK CONNECT, #14-16 AWG	6																		
46	C-IA-7012461-0-0	JUMPER, H72B-E (NO.2)	1																		
47	C-IA-7012460-0-0	JUMPER, H72B-E (NO.1)	1																		
48	9006029-01	SCR PHL PAN HD #6-32 x 1.25LG	2																		
49	9007868-00	SPACER, #8 x .75 LG	2																		
50	9009246-00	SPACER, #8-32 x .75 LG	4																		
51	9006634-00	WASH, INT TOOTH LOCK #8	4																		
52	C-MD-7406828-0-0	PANEL COVER	1																		
53	9008264-00	MOUNT, CABLE TIE	9																		
54	9007032-00	TIE CABLE	A/R																		
55	9006073-03	SCR, PHL HD #10-32 x .50 LG	1																		
56	9006565	NUT, KEPS #10-32	1																		
TITLE MAGTAPE ASSY, TR79-F			ASSY NO. D-UA-TR79-FA	SIZE CODE A PL	NUMBER TR79-FA-B	REV.	ECO NO.														
SHEET 3 OF 3			DIST.																		

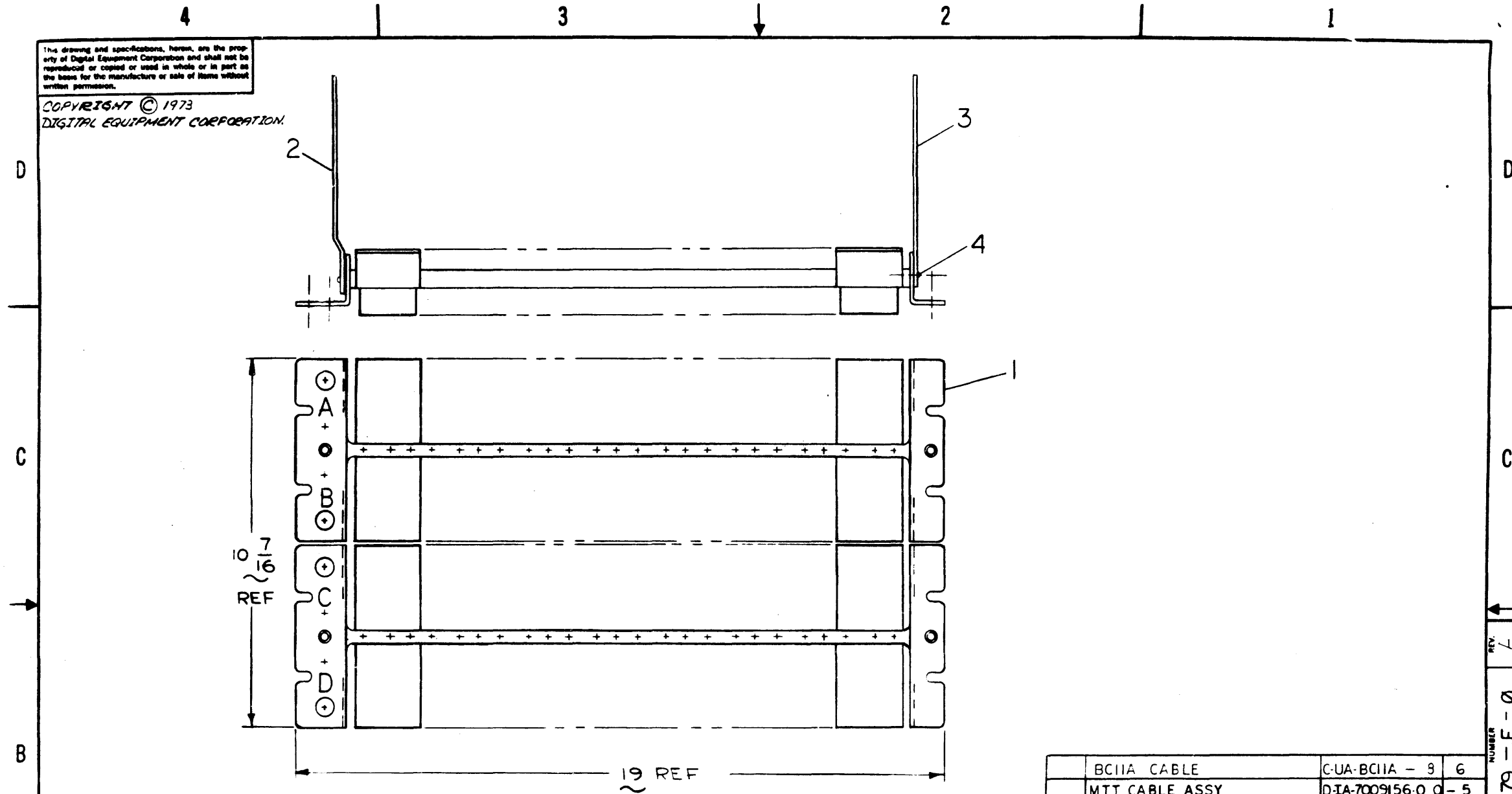
DEC FORM DEC 16 (325) 1031-N870
DPA 110

DIGITAL EQUIPMENT CORPORATION MAYNARD, MASSACHUSETTS			QUANTITY/VARIATION																		
PARTS LIST			TR79-FA																		
MADE BY	CHECKED	SECTION																			
DATE	DATE	ISSUED SECT.																			
ENG	PROD	ISSUED SECT.																			
DATE	DATE	ISSUED SECT.																			
ITEM NO.	DWG NO. / PART NO.	DESCRIPTION																			
23	9107350-44	WIRE #22 AWG STRD (YEL)	A/R																		
24	9107370-66	WIRE #14 AWG STRD (BLU)	A/R																		
25	9107350-77	WIRE, #22 AWG STRD (VIO)	A/R																		
26	A-DC-7415511-0-0	DECAL, POWER SUPPLY	1																		
27	A-DC-7408910-0-0	DECAL, (VR14)	1																		
28	9006917-00	TERMINAL BLOCK, 12 TERMS	1																		
29	9006900-00	TERMINAL BLOCK, 2 TERMS	1																		
30	9006074-03	SCR, PHL TRUSS HD, #10-32 x .62 LG	24																		
31	9006075-02	SCR, PHL FLAT HD, #10-32 x .75 LG	12																		
32	9007651-00	WASH, EXT TOOTH LOCK #10	22																		
33	9007786-00	NUT, SPEED #10-32	34																		
34	9007846-01	SCR, PHL PAN HD #8-32 x .69 LG	4																		
35	9006037-01	SCR PHL PAN HD #8-32 x .39 LG	4																		
36	9107360-00	WIRE, #18 AWG STRD (BLK)	A/R																		
37	9107360-22	WIRE, #18 AWG STRD (RED)	A/R																		
38	9009003-00	JUMPER BLOCK STRIP	7																		
39	C-MD-7408463-12	COVER TERMINAL STRIP (141 & 541)	1																		
40	C-MD-7408463-2	COVER TERMINAL STRIP (141 & 541)	1																		
41	9007035-00	GROMMET, CATERPILLER	A/P																		
42	9007929-01	TERMINAL, RING TOUNGE (RED)	6																		
43	9007927-01	TERMINAL, RING TOUNGE (BLU)	2																		
44	9007917-00	TERMINAL QUICK CONNECT #18-22 AWG	2																		
TITLE MAGTAPE ASSY, TR79-FA			ASSY NO. D-UA-TR79-FA-B	SIZE CODE A PL	NUMBER TR79-FA-B	REV.	ECO NO.														
SHEET 2 OF 3			DIST.																		

DEC FORM DEC 16 (325) 1031-N870
DPA 110

The drawing and specifications, herein, are the property of Digital Equipment Corporation and shall not be reproduced or copied or used in whole or in part as the basis for the manufacture or sale of items without written permission.

COPYRIGHT © 1973
DIGITAL EQUIPMENT CORPORATION.



QTY.	DESCRIPTION	PART NO.	ITEM NO.
	BC11A CABLE	C-UA-BC11A - 9	6
	MTT CABLE ASSY	D-IA-7009156-0	5
16	RIVET POP # AD43ABS U.S.M.C.	9006509	4
2	RIGHT END PANEL	GMD-5302406-0-0	3
2	LEFT END PANEL	C-IA-5404490-0-0	2
1	WIRED ASSY	D-AD-7009104-0-0	1

FIRST USED ON OPTION/MODEL	QTY.	DESCRIPTION	PART NO.	ITEM NO.
PDP-11				
PARTS LIST				
UNLESS OTHERWISE SPECIFIED DIMENSION IN INCHES TOLERANCES	DATE 1-17-73			
DECIMALS	ANGLES	TITLE		
XXX .005	:0' 30'	H7970 ETCU TO PDP-11 INTERFACE		
XX .02		A-ML-TR79-F		
X .1		C UA TR79-F-0		
REMOVE BURRS AND BREAK SHARP CORNERS SURFACE QUALITY	DATE 1-22-73	REV. A		
MATERIAL	NEXT HIGHER ASSY.	SCALE NONE		
FINISH		SHEET 1 OF 1		

REV.	CHANGE NO.	DATE	BY
A	TR79F-00001	1-17-73	DUANE

DEC FORM NO. 106A

REV. L
NUMBER C UA TR79-F-0
SIZE CODE B

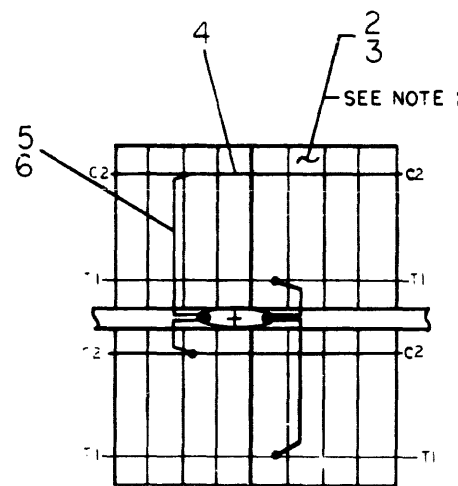
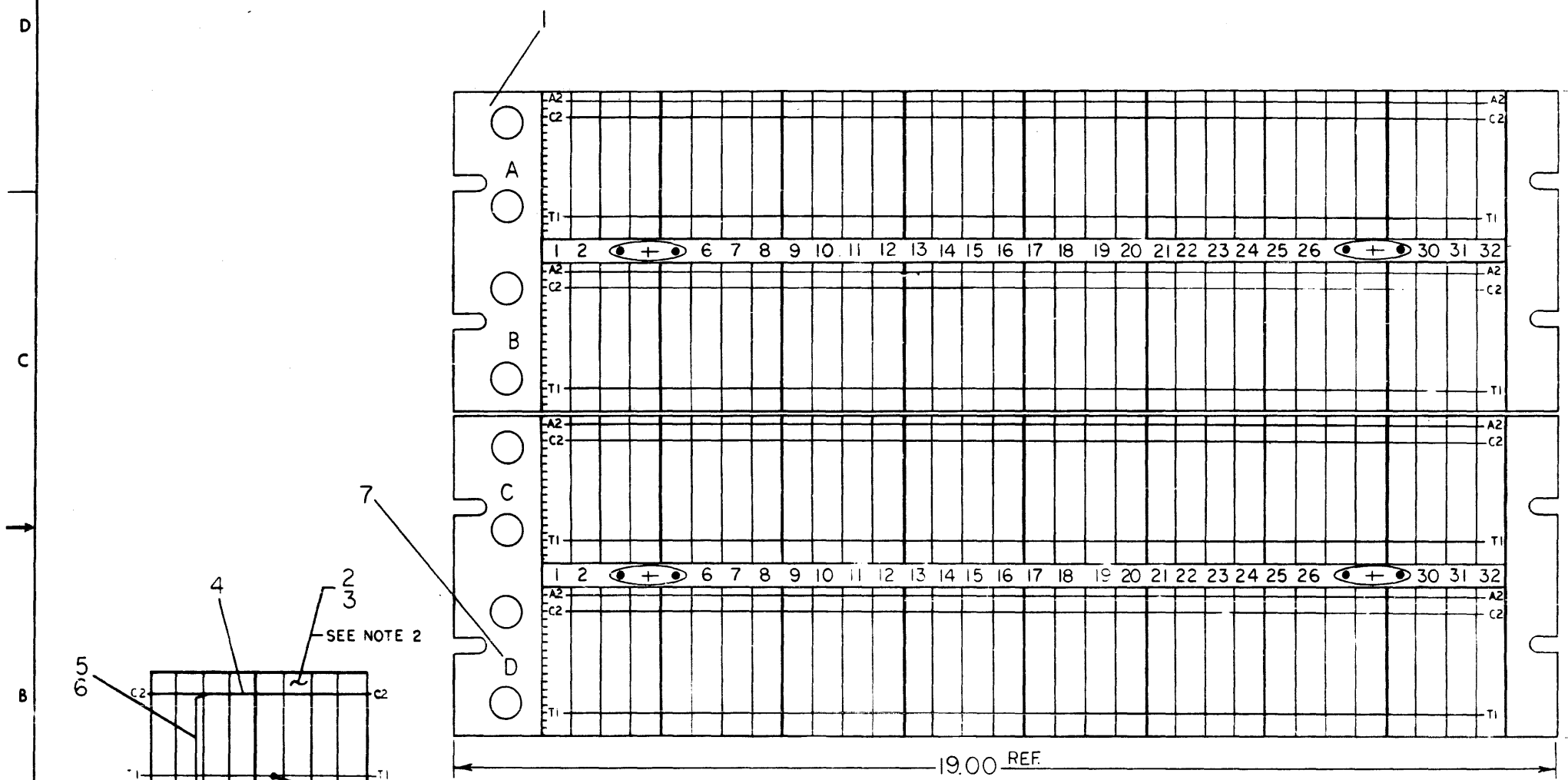
This drawing and specifications, herein, are the property of Digital Equipment Corporation and shall not be reproduced or copied in whole or in part or the name for the manufacturer or job of work without written permission.

COPYRIGHT © DIGITAL EQUIPMENT CORPORATION

0-0-701600-002

NOTES:

1. CONNECTIONS ON ITEMS 4 & 5 TO BE LOCATED & SOLDERED AT MINIMUM PRACTICAL HEIGHT ABOVE BLOCKS
2. USE YELLOW WIRE (ITEM #2) FOR MACHINE WRAPPED AND BLUE WIRE (ITEM #3) FOR HAND WRAPPED.
3. THE ATTACHING BARS ARE HELD TO SIDES OF PANEL BY WASHERS (ITEM #13) AND SCREWS (ITEM #12).



DETAIL A
4 PLACES


A/R COMPRESS-O-CARTON	9905016-4	16
REF PACKAGING INSTRUCTIONS	3700040-0-0	15
DECAL LOGIC ASS'Y	A-DC-741188101	14
WASHER FLAT	9006669	13
SCR PPH 10-32x1/2	9006073-01	12
BAR ATTACHING	5508153-02	11
BAR ATTACHING	5508153-01	10
REF AWT REVISION STATUS	A-WT-7009109-0	9
REF WIRE LIST	K-UTR79-F-0	8
AIR LOGIC FRAME DECALS	AD-7009104-0	7
A/R #22 TUBING TEFLON WHITE	9107256-09	6
A/R #22 AWG BUS WIRE	9107560-01	5
A/R BUS STRIP	9003428	4
A/R #30 AWG SOLID KYNAR WIRE, BLU.	9105700-66	3
A/R #30 AWG SOLID KYNAR WIRE, YEL.	9105700-44	2
H911 MTG PANEL	DAD-3409100	1

FIRST USED ON OPTION/MODEL		QTY.		DESCRIPTION		PART NO.		ITEM NO.	
PDP 11									
UNLESS OTHERWISE SPECIFIED DIMENSION IN INCHES TOLERANCES		DATE		DATE		DATE		DATE	
DECIMALS ANGLES		10-11-72		1-11-73		1-18-72		1-18-72	
XXX - .005		E.H. DUNN		E.H. DUNN		E.H. DUNN		E.H. DUNN	
XX - .02		PROJ. ENG.		PROJ. ENG.		PROJ. ENG.		PROJ. ENG.	
X - .1		REMOVE BURRS AND BREAK SHARP CORNERS SURFACE QUALITY		DATE		DATE		DATE	
MATERIAL		NEXT HIGHER ASBY		C-UA-TR79-F-0		DAD7009104 0-0		REV. A	
FINISH		SCALE NONE		SHEET 1 OF 1		DWT.			

This drawing and specifications, herein, are the property of Digital Equipment Corporation and shall not be reproduced or copied or used in whole or in part as the basis for the manufacture or sale of items without written permission.

DRAWING NUMBER	INIT REL	AUTOMATIC WIRE TESTER (AWT) REVISION STATUS															REV.		
	*	B	C	C															D
K-WI,-TR79-F-T21	A	B	C	C															
D-AD-7009104-0-0	*	*	*	A															

REVISIONS	
CHK	CHANGE NO.
	TR79F-00002 B
	ORIGINATED
	TR79F-00003 C
	3-5-74
	S KOZIOL
	1/12 Kozal 2/10/75
	TR79-F-00005 D

DRN. M. HUNTER	DATE 10-14-74	 DIGITAL EQUIPMENT CORPORATION MAYNARD MASSACHUSETTS
CHK'D <i>[Signature]</i>	DATE 10-15-74	
ENG. <i>[Signature]</i>	DATE 10-17-74	
PROJ. ENG. <i>[Signature]</i>	DATE 10-17-74	
PROD. <i>[Signature]</i>	DATE 10-17-74	
FIRST USED ON		TITLE TF79-F
SCALE <i>[Signature]</i>		AWT REVISION STATUS
SHEET 1 OF 1		SIZE CODE A WT
		NUMBER 009104-0
		REV. D

DRA 123
DEC 16-(325)-1097-N174

This drawing and specifications, herein, are the property of Digital Equipment Corporation and shall not be reproduced or copied or used in whole or in part as the basis for the manufacture or sale of items without written permission.

REV. D
 SIZE CODE B MU
 NUMBER TR79-F-T01

	1	2	3	4	5	6	7	8	9	10	11	12	13	14	15	16	17	18	19	20	21	22	23	24	25	26	27	28	29	30	31	32
A	9-03	9-03	9-03	784	5-0	3	4	2	3	3	3	2	7	6	2	2	2	2	2	2	2	2	2	2	2	2	2	2	2	2	2	2
B	9-03	9-03	9-03	784	5-0	3	4	2	3	3	3	2	7	6	2	2	2	2	2	2	2	2	2	2	2	2	2	2	2	2	2	2
C	9-03	9-03	9-03	784	5-0	3	4	2	3	3	3	2	7	6	2	2	2	2	2	2	2	2	2	2	2	2	2	2	2	2	2	2
D	9-03	9-03	9-03	784	5-0	3	4	2	3	3	3	2	7	6	2	2	2	2	2	2	2	2	2	2	2	2	2	2	2	2	2	2

CHK	CHANGE NO.	REV.
TR79F-0001	A	
J. Charlier 6-27-73		
DUANE		
R. Duane 7/9/73		
TR79F-00002	B	
R. Duane 10-14-74		
S. KOZIOL		
Steve Koziol 10-17-74		
TR79F-00003	C	
S. Mandeville 3-5-75		
S. KOZIOL		
Steve Koziol 10-17-74		
TR79F-00004	D	
J. Charlier 12-30-75		
J. MCINTYRE		
McIntyre 12-30-75		

FIRST USED ON OPTION/ MODEL	DRN.	DATE
PDP-11	<i>R. Duane</i>	11-17-73
	CHK'D.	DATE
	<i>Raimondi</i>	1-17-75
	ENG.	DATE
	<i>R. H. Duane</i>	1-18-73
	PROJ. ENG.	DATE
	<i>R. H. Duane</i>	1-18-73
	PROP.	DATE
	<i>R. Duane</i>	1-22-73
NEXT HIGHER ASSEMBLY		
A-ML-TR79-F		
SCALE	NCNE	
SHEET	OF	

DIGITAL EQUIPMENT CORPORATION
 MAYNARD, MASSACHUSETTS

TITLE
MODULE UTILIZATION

SIZE CODE B MU
 NUMBER TR79-F-T01
 REV. D

DEC FORM NO. DRB 109

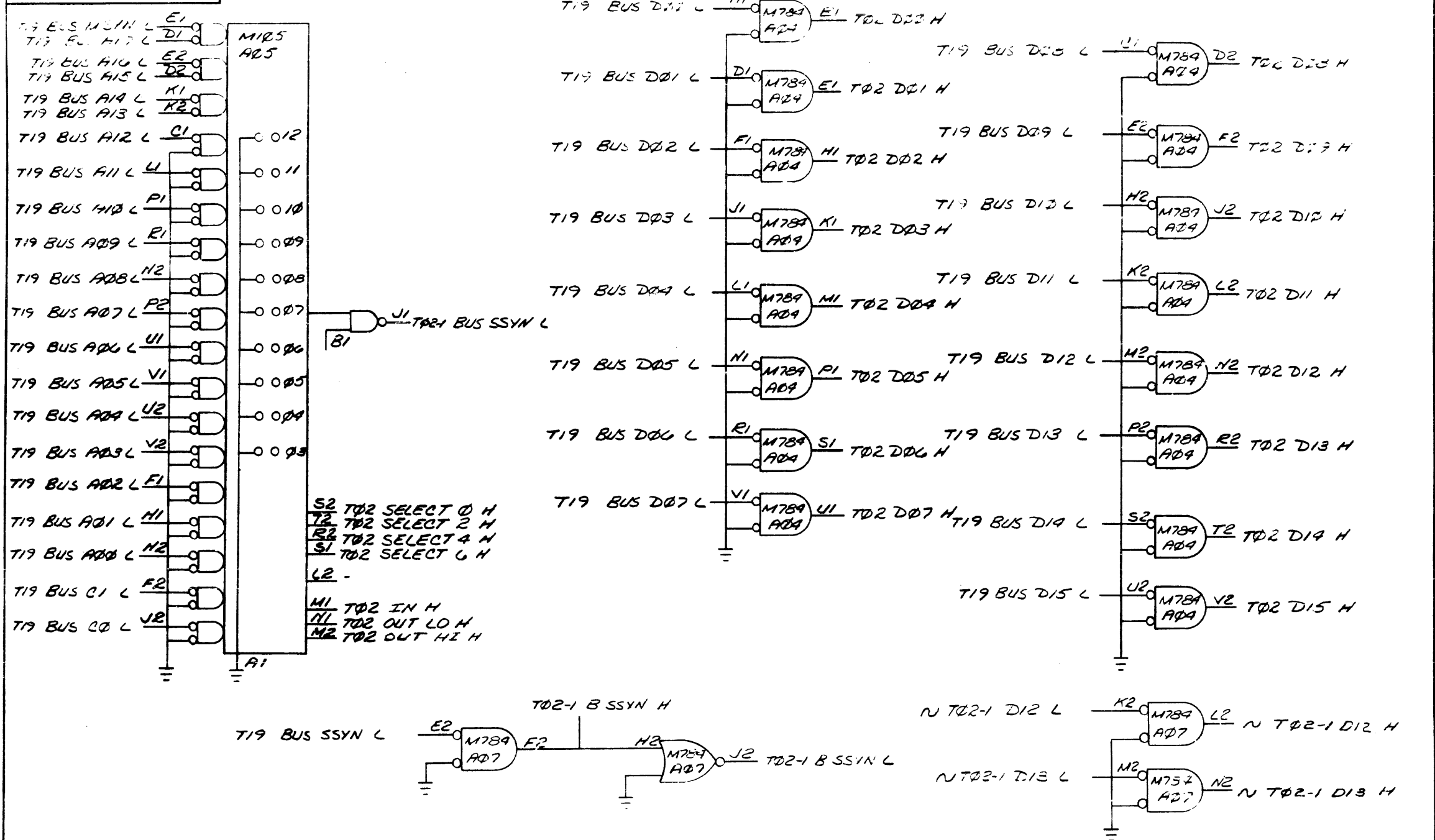
DIGITAL EQUIPMENT CORPORATION MAYNARD, MASSACHUSETTS PARTS LIST				QUANTITY / VARIATION													
MADE BY FRATICELLI		CHECKED RAIMONDI		SECTION 1													
DATE 1-15-73		DATE 1-16-73															
ENG R. H. DUAL		PROD J. STEPHAN		ISSUED SECT. 1													
DATE 1-18-73		DATE 1-22-73															
ITEM NO.	DWG NO. / PART NO.	DESCRIPTION															
	M105	ADDRESS SELECTOR				1											
	M111	INVERTER				5											
	M112	NOR GATE				4											
	M113	10 - 2 INPUT NAND GATES				8											
	M115	8 - 3 INPUT NAND GATES				3											
	M117	6 - 4 INPUT NAND GATES				3											
	M119	3 - 8 INPUT NAND GATES				2											
	M121	AND - NOR GATES				1											
	M149	9 X 12 NAND WIRED OR MATRIX				2											
	M162	PARITY CIRCUIT				3											
	M163	DUAL BINARY TO DECIMAL DECODER				1											
	M203	SET RESET FLIP-FLOP MODULE				2											
	M204	COUNTER BUFFER				1											
	M205	5 "D" FLIP FLOPS				8											
	M206	SIX FLIP FLOPS (3-3 CONFIGURATION)				9											
	M207	FLIP FLOPS (3-3 CONFIGURATION)				1											
	M302	DUAL DELAY MULTIVIBRATOR				5											
	M304	ONE SHOT DELAY				1											
	M306	INTERGRATING ONE SHOT				2											
	M606	PULSE GENERATOR				5											
	M617	6 - 4 INPUT NOR BUFFERS				1											
	M622	BUS DRIVERS				3											
TITLE MODULE UTILIZATION				ASSY NO. B-MU-TR79-F-T01		SIZE CODE A PL		NUMBER TR79-F-T01				REV. D		ECO NO. TR79F-00004			
				SHEET 1 OF 2		DIST.											

DEC FORM DEC 16-(325)-1031-N870
DRA 110

DIGITAL EQUIPMENT CORPORATION MAYNARD, MASSACHUSETTS PARTS LIST				QUANTITY / VARIATION													
MADE BY FRATICELLI		CHECKED RAIMONDI		SECTION 1													
DATE 1-15-73		DATE 1-16-73															
ENG R. H. DUAL		PROD J. STEPHAN		ISSUED SECT. 1													
DATE 1-18-73		DATE 1-22-73															
ITEM NO.	DWG NO. / PART NO.	DESCRIPTION															
	M783	UNIBUS DRIVERS				2											
	M784	UNIBUS RECEIVERS				2											
	M795	WC AND CMA				1											
	M796	UNIBUS MASTER CONTROL				1											
	M798	UNIBUS DRIVERS				1											
	M906	CABLE TERMINATOR				2											
	M912	I/O BUS CONNECTOR CARD				2											
	M919	BUS CONNECTOR				4											
	M1103	2 INPUT AND GATES				2											
	M1307	6 - 4 INPUT AND GATES				1											
	M7821	INTERRUPT CONTROL				1											
	G736	JUMPER MODULE				1											
TITLE MODULE UTILIZATION				ASSY NO. B-MU-TR79-F-T01		SIZE CODE A PL		NUMBER TR79-F-T01				REV. D		ECO NO.			
				SHEET 2 OF 2		DIST.											

DEC FORM DEC 16-(325)-1031-N870
DRA 110

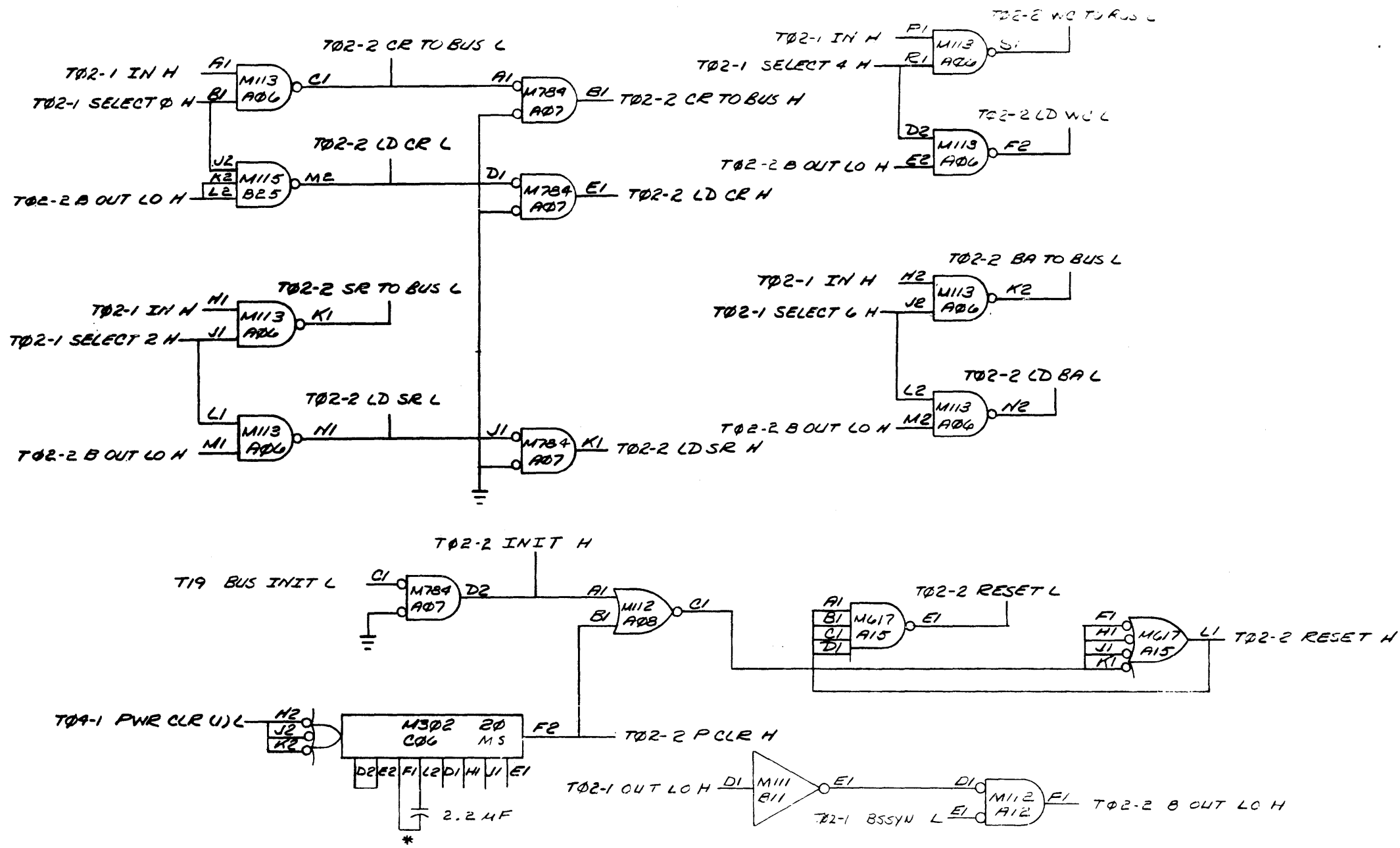
This drawing and specifications herein are the property of Digital Equipment Corporation and shall not be reproduced or copied or used in whole or in part as the basis for the manufacture or sale of items without written permission.



REVISED	NO.	DATE	BY
1	1	1/17/73	S. KOZLOL
2	1	1-17-73	S. KOZLOL
3	1	1-23-73	J. MCINTYRE
4	1	1-23-73	J. MCINTYRE

DATE	1-23-73	CHK'D.	DATE	1-23-73
ENG.	DATE	PROJ. ENG.	DATE	1-23-73
PROD.	DATE	SCALE	1:1	
NEXT HIGHER ASSY.				
A-ML-TR79-F				
SHEET 1 OF 2				
TITLE		ADDRESS SELECTION		
SIZE CODE	NUMBER	REV.		
C BS	TR79-F-T02	C		
DIST.				

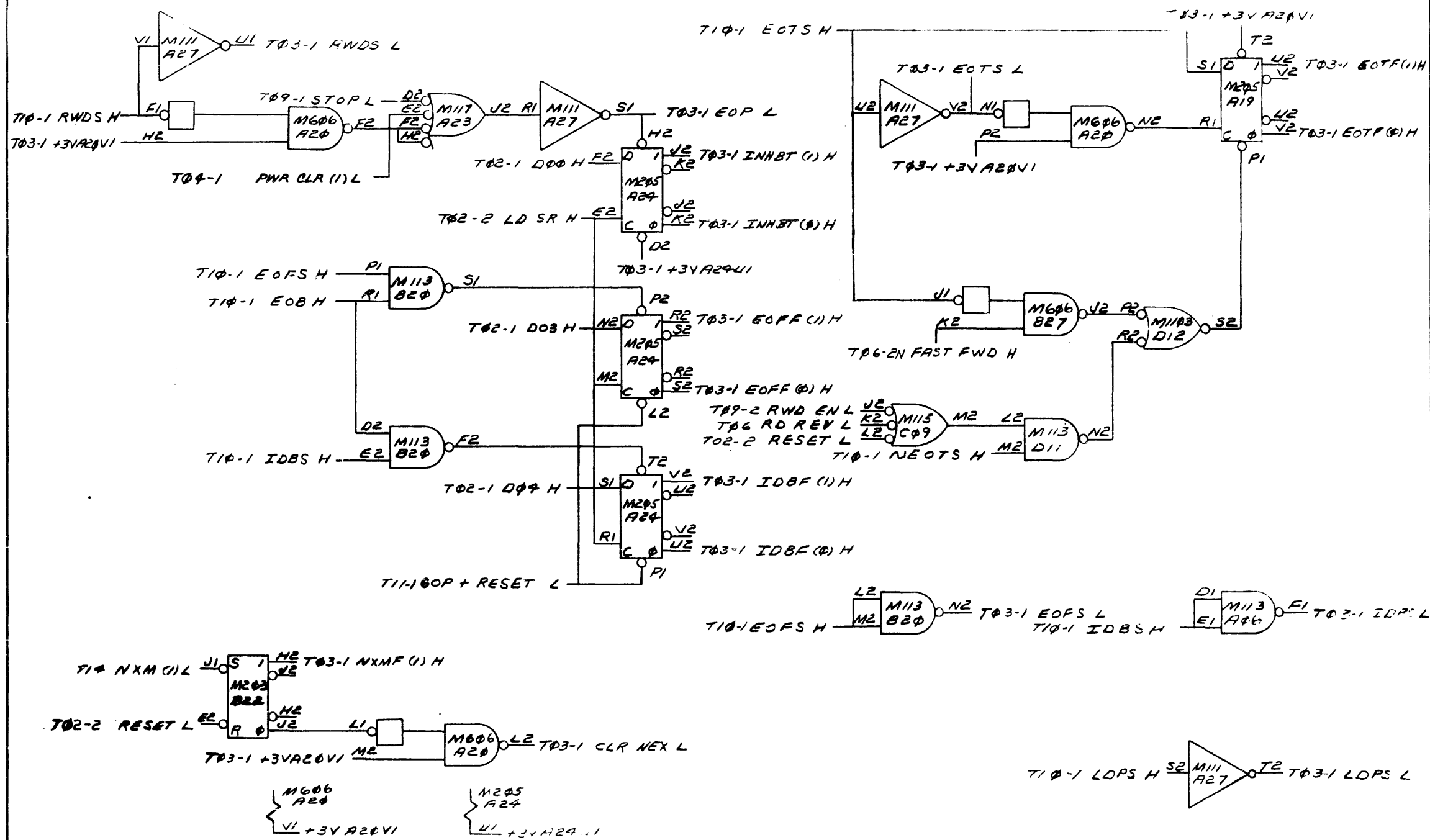
This drawing and specifications, herein, are the property of Digital Equipment Corporation and shall not be reproduced or copied or used in whole or in part as the basis for the manufacture or sale of items without written permission.



* EXTERNAL COMPONENT

FIRST USED ON OPTION/MOD	DRN.	DATE	digital EQUIPMENT CORPORATION MAYNARD, MASSACHUSETTS
PDR-11	CHK'D.	DATE	
	ENG.	DATE	TITLE ADDRESS SELECTION
	PROJ. ENG.	DATE	
	PROD.	DATE	SIZE CODE NUMBER REV. C B9 TR79 - F - T02 C
	NEXT HIGHER ASSY		
A-ML-TR79 - F			SCALE NONE
SHEET 2 OF 2			

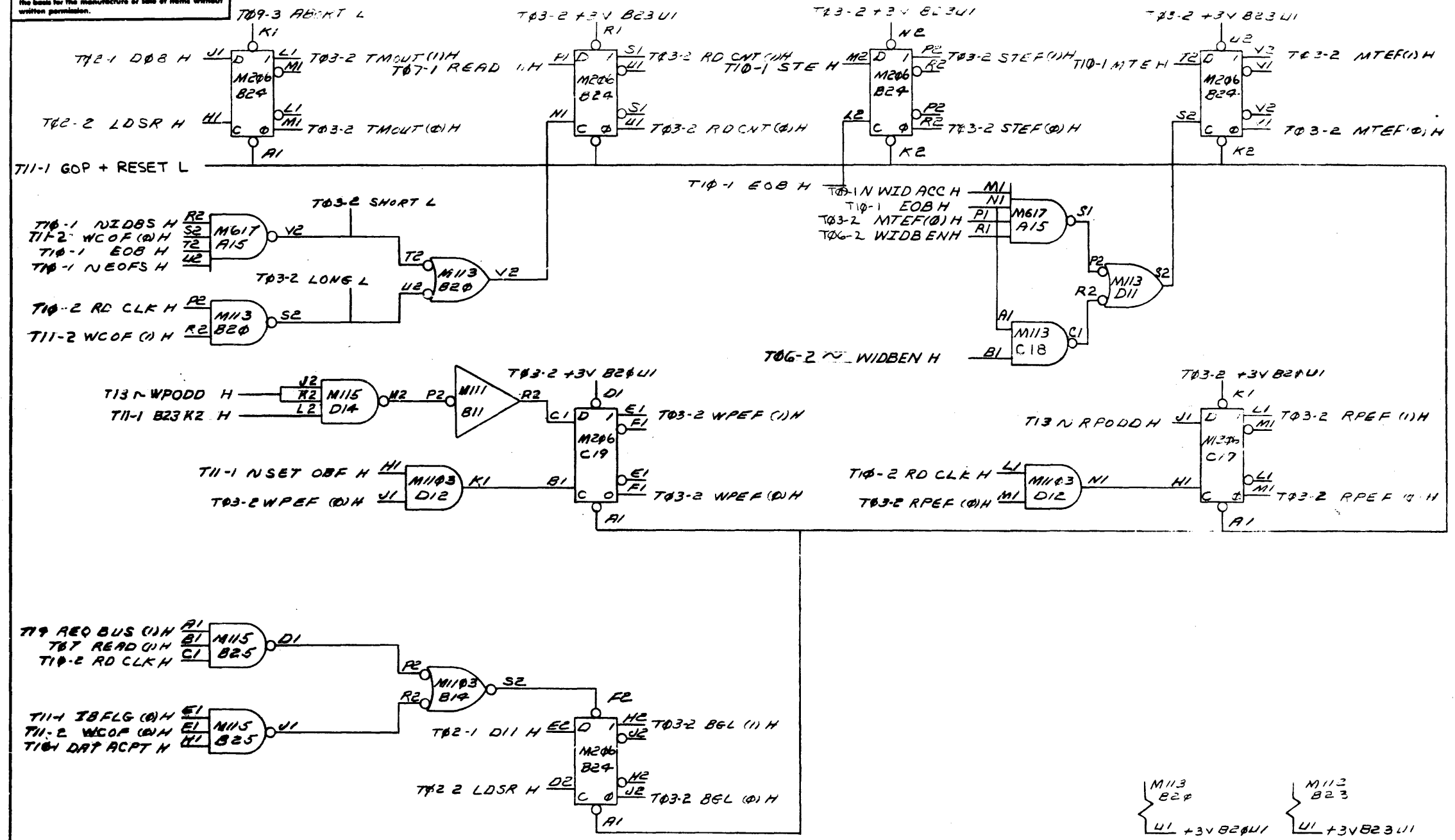
This drawing and specifications, herein, are the property of Digital Equipment Corporation and shall not be reproduced or copied or used in whole or in part on the basis for the manufacture or sale of items without written permission.



REV	NO.	DATE	BY	CHK'D.
A	00001	6-23-73	DJANE	
B	00002	7/5/73	R. D. Dwyer	
C	00003	10-17-74	S. KOZAK	
D	00004	12-30-75	S. KOZAK	

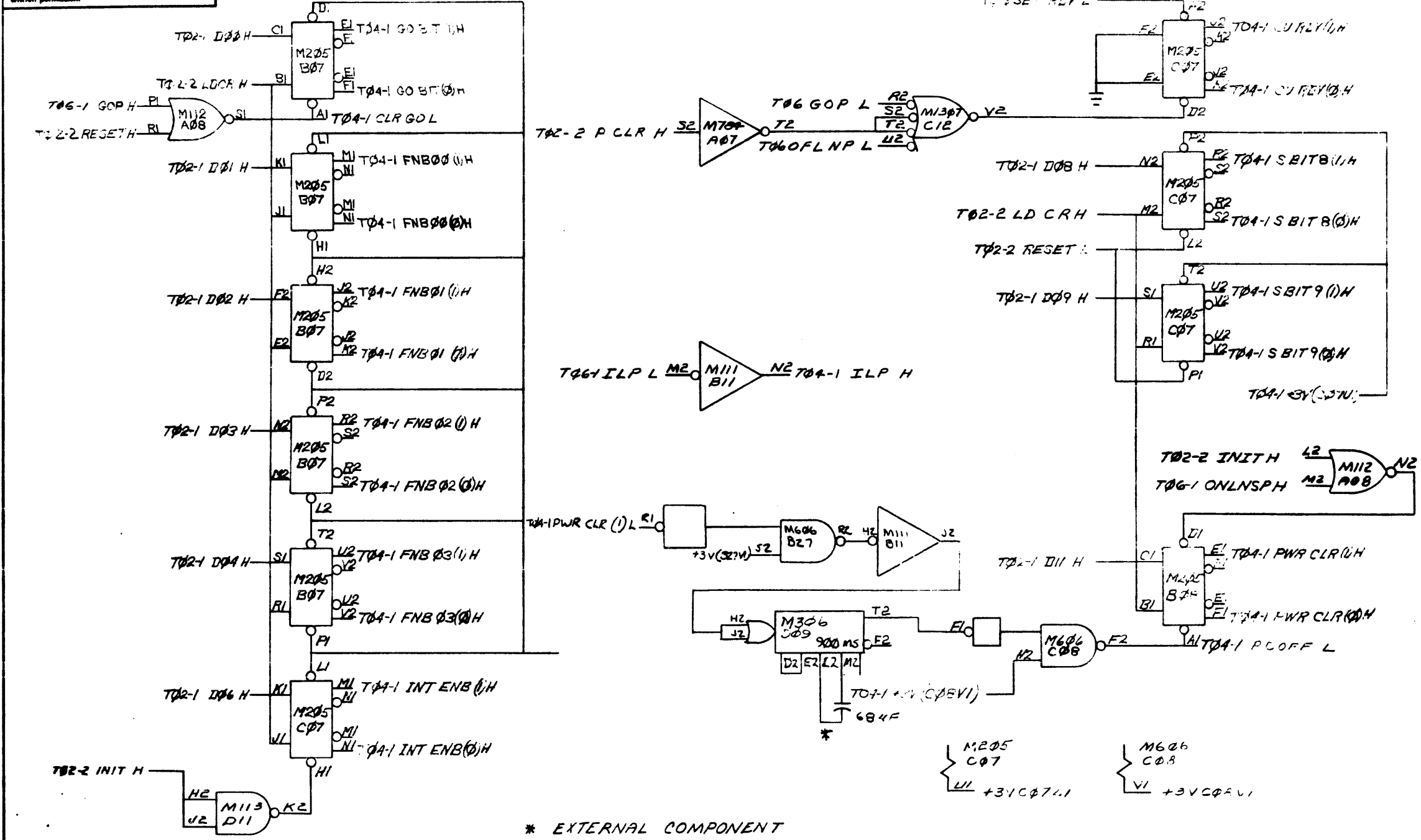
DRN.	DATE	
CHK'D.	DATE	
ENG.	DATE	
PROJ. ENG.	DATE	
PROP.	DATE	
FIRST USED ON	DATE	
FDP-11		TITLE
SCALE NONE		STATUS REGISTER
SHEET 1 OF 2	DIST.	SIZE CODE C BS
		NUMBER TR79-F-T03
		REV. D

This drawing and specifications, herein, are the property of Digital Equipment Corporation and shall not be reproduced or copied or used in whole or in part as the basis for the manufacture or sale of items without written permission.



DRN PDP-11	DATE 1-18-73	digital EQUIPMENT CORPORATION MAYNARD, MASSACHUSETTS
CHK'D. R. H. D...	DATE 1-17-73	
ENG. R. H. D...	DATE 1-18-73	TITLE
PROJ. ENG. R. H. D...	DATE 1-18-73	STATUS REGISTER
PROD. R. H. D...	DATE 1-22-73	
FIRST USED ON PDP-11	SIZE CODE C BS	NUMBER TR79-F-T03
SCALE NONE	SHEET 2 OF 2	REV. D

This drawing and specifications, herein, are the property of Digital Equipment Corporation and shall not be reproduced or copied or used in whole or in part as the basis for the manufacture or sale of items without written permission.

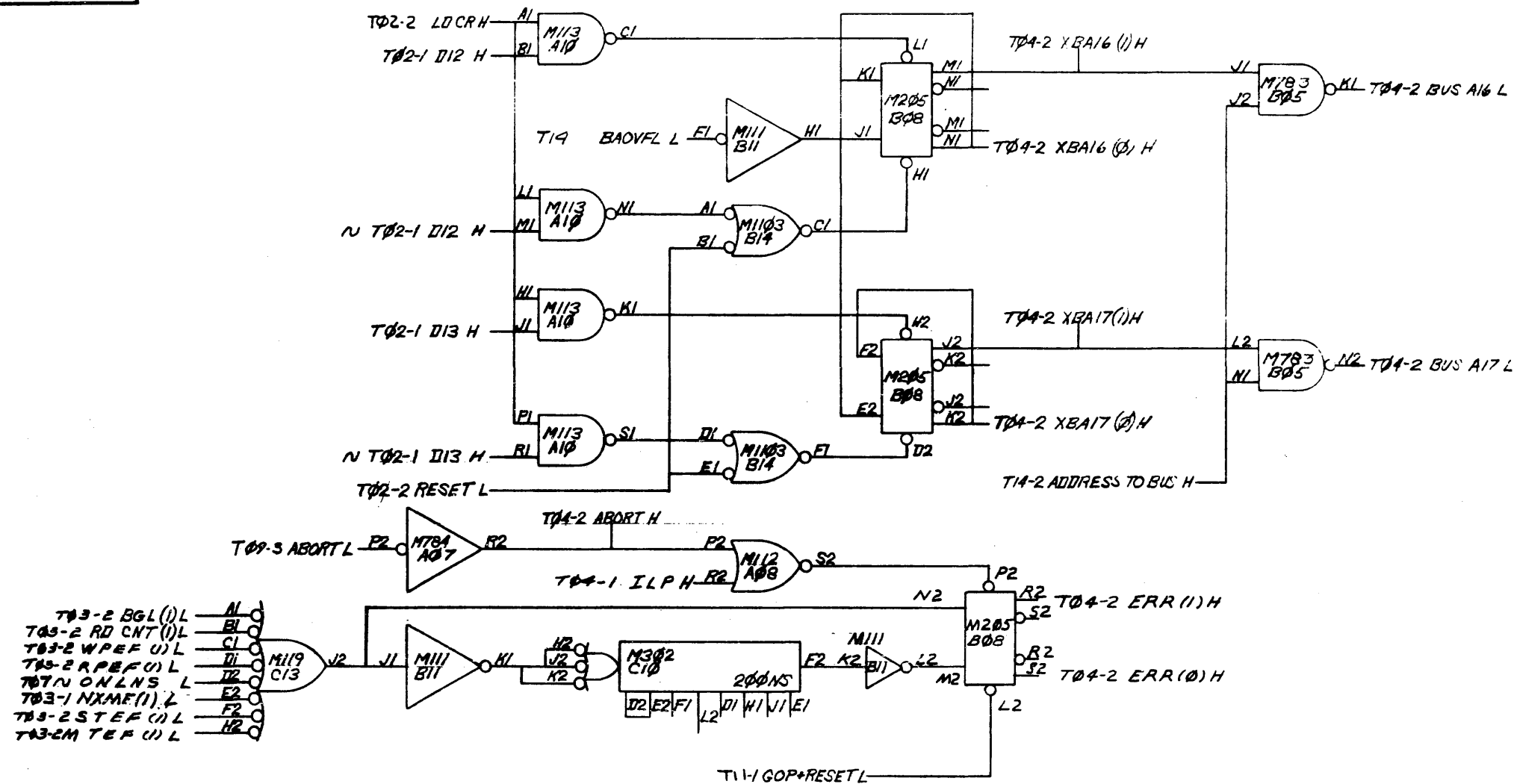


* EXTERNAL COMPONENT

1	2	3	4	5	6	7	8	9	10
1	2	3	4	5	6	7	8	9	10
1	2	3	4	5	6	7	8	9	10
1	2	3	4	5	6	7	8	9	10
1	2	3	4	5	6	7	8	9	10
1	2	3	4	5	6	7	8	9	10
1	2	3	4	5	6	7	8	9	10
1	2	3	4	5	6	7	8	9	10
1	2	3	4	5	6	7	8	9	10
1	2	3	4	5	6	7	8	9	10

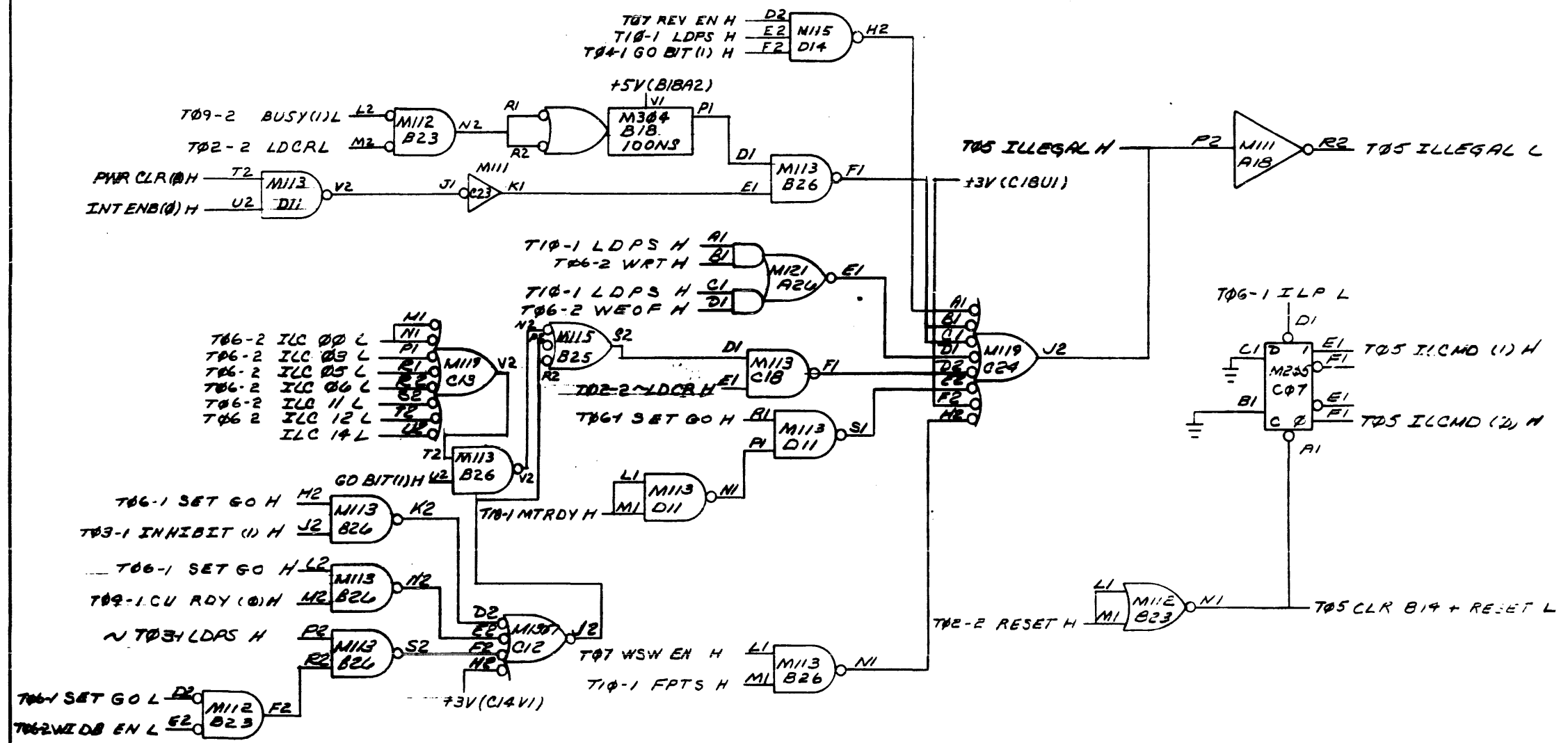
DRN R. Barione	DATE 9-25-72	digital EQUIPMENT CORPORATION MAYNARD, MASSACHUSETTS
CHK'D.	DATE	
ENG. R. H. Du...	DATE 1-13-73	TITLE
PROJ. ENG. R. H. Du...	DATE 1-18-73	CONTROL REGISTER
PROD. R. H. Du...	DATE 1-22-73	
FIRST USED ON PDP-11	SCALE NONE	SIZE CODE C BS
SHEET 1	OF 2	NUMBER TR79-F-T04
		REV. D

This drawing and specifications herein, are the property of Digital Equipment Corporation and shall not be reproduced or copied in whole or in part or the basis for the manufacture or sale of items without written permission.



DRN. R. Barilone	DATE 9-25-72	digital EQUIPMENT CORPORATION MAYNARD, MASSACHUSETTS
CHK'D. R. H. D. [signature]	DATE 1-17-73	
ENG. R. H. D. [signature]	DATE 1-18-73	TITLE
PROJ. ENG. R. H. D. [signature]	DATE 1-18-73	CONTROL REGISTER
PROD. [signature]	DATE 1-22-73	
FIRST/USED ON PDP-11	SIZE CODE C BS	NUMBER TR79-F-T04
SCALE NONE		REV. D
SHEET 2 OF 2	DIST.	

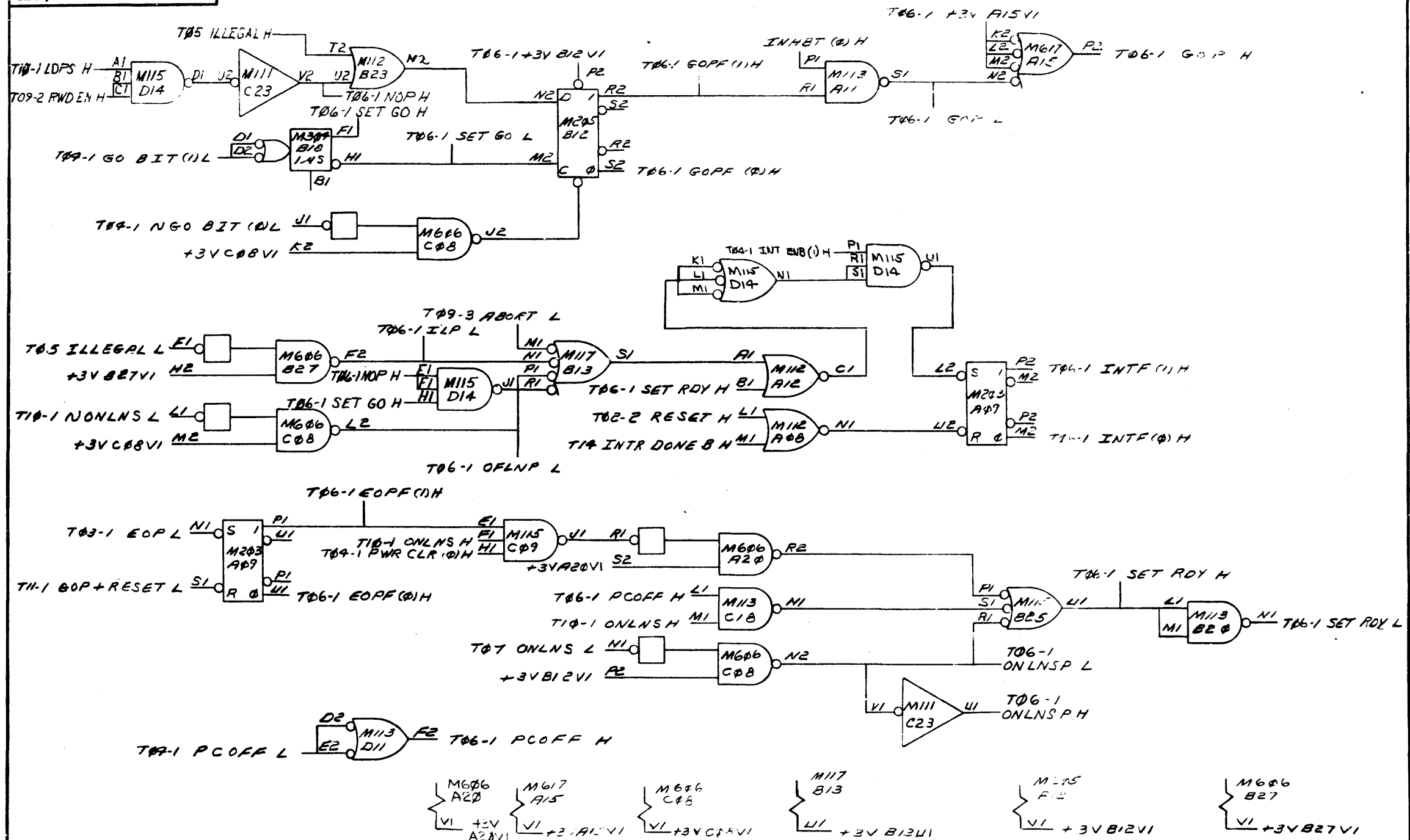
This drawing and specifications, herein, are the property of Digital Equipment Corporation and shall not be reproduced or copied or used in whole or in part as the basis for the manufacture or sale of items without written permission.



REVISED	BY	DATE
1
2
3
4
5
6
7
8
9
10
11
12
13
14
15
16
17
18
19
20

DRN	DATE	digital EQUIPMENT CORPORATION MAYNARD, MASSACHUSETTS
CHK'D	DATE	
ENG.	DATE	TITLE
PROJ. ENG.	DATE	ILLEGAL COMMANDS
APP'D	DATE	
FIRST USED ON		
PDP-11		SIZE CODE NUMBER REV.
SCALE NONE		C BS TR79-F-T05 C
SHEET 1 OF 1		DIST.

This drawing and specifications herein, are the property of Digital Equipment Corporation and shall not be reproduced or copied or used in whole or in part as the basis for the manufacture or sale of items without written permission.



DRN	DATE
CHK'D	DATE
ENG.	DATE
PROJ. ENG.	DATE
FRP'D	DATE
FIRST USED ON	
SCALE	NONE
SHEET	1 OF 2

DRN	DATE
CHK'D	DATE
ENG.	DATE
PROJ. ENG.	DATE
FRP'D	DATE
FIRST USED ON	
SCALE	NONE
SHEET	1 OF 2

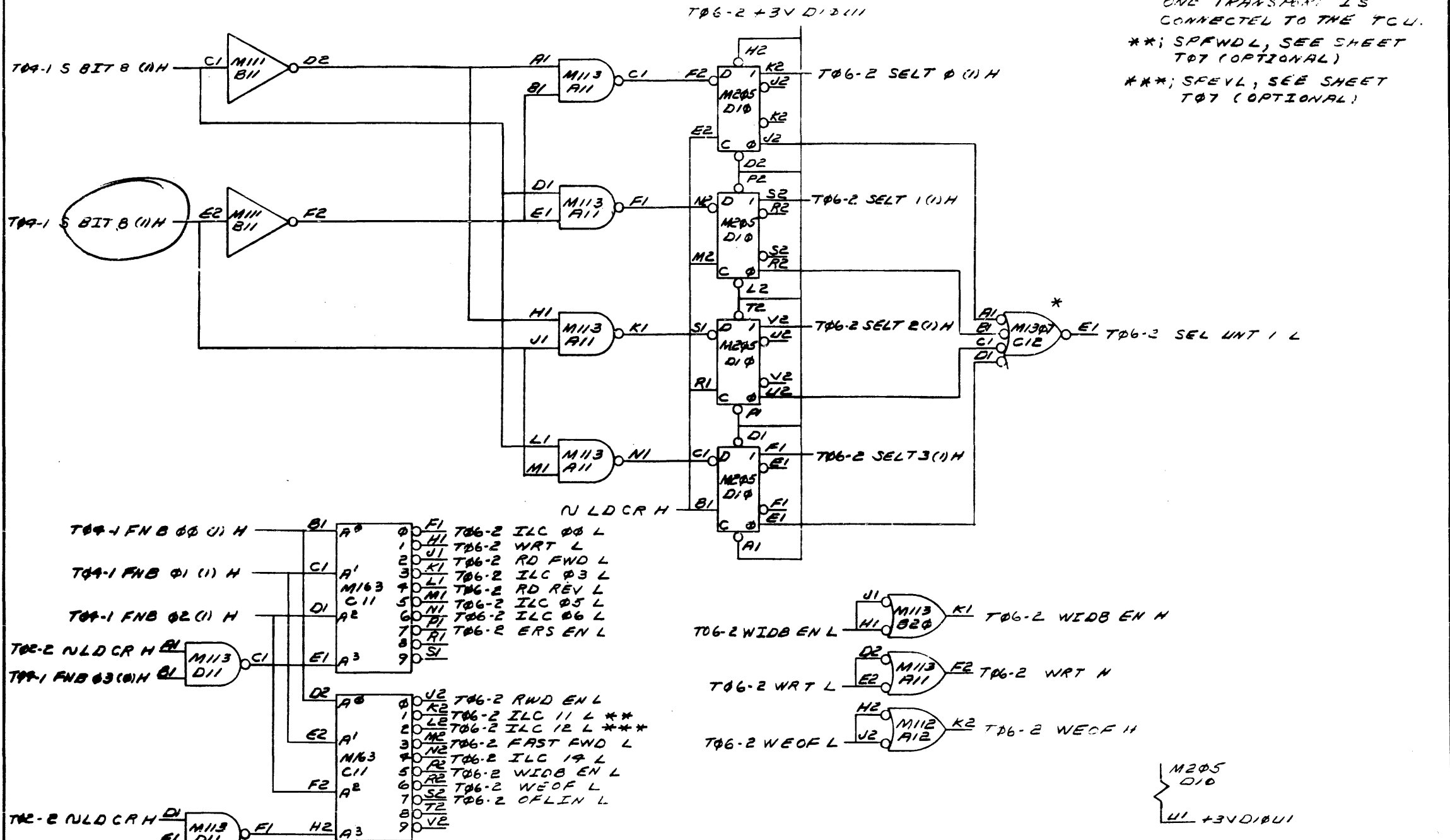
DRN	DATE
CHK'D	DATE
ENG.	DATE
PROJ. ENG.	DATE
FRP'D	DATE
FIRST USED ON	
SCALE	NONE
SHEET	1 OF 2

digital EQUIPMENT CORPORATION		
TITLE		
CONTROL FUNCTIONS		
SIZE CODE	NUMBER	REV.
C BS	TR79-F-T06	D
DIST.		

This drawing and specifications, herein, are the property of Digital Equipment Corporation and shall not be reproduced or copied or used in whole or in part as the basis for the manufacture or sale of items without written permission.

NOTES:

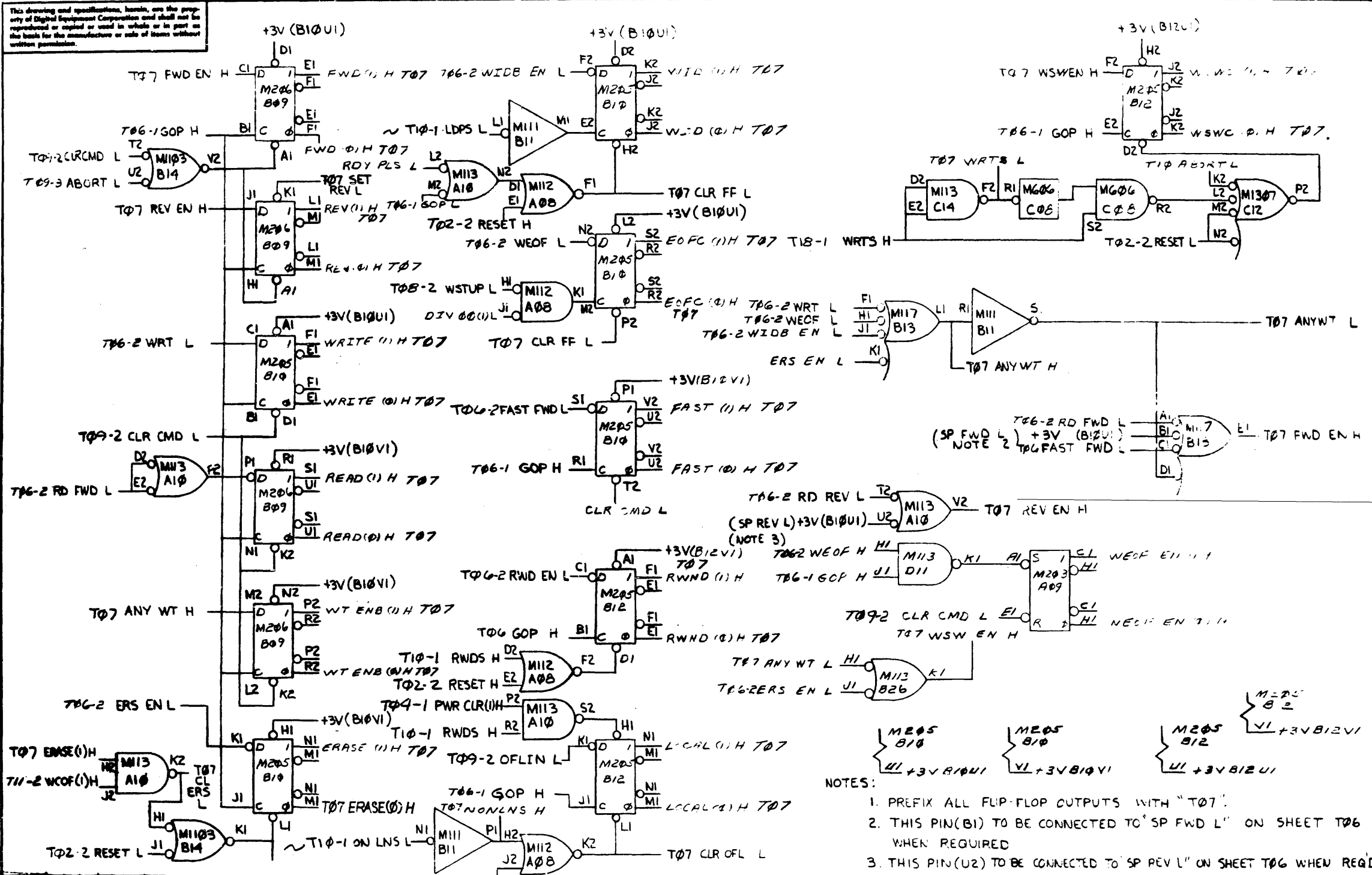
- *; THIS GATE IS TO BE REMOVED IF MORE THAN ONE TRANSPORT IS CONNECTED TO THE TCU.
- **; SPFWDL, SEE SHEET T07 (OPTIONAL)
- ***; SFEVL, SEE SHEET T07 (OPTIONAL)



M205
D10
U1 +3V D1BUI

DRN. <i>1001</i>	DATE <i>1-18-72</i>	digital EQUIPMENT CORPORATION <small>MAYNARD, MASSACHUSETTS</small>	
CHK'D. <i>Kaunert</i>	DATE <i>1-17-72</i>	TITLE	
ENG. <i>R. H. Dunne</i>	DATE <i>1-18-72</i>	CONTROL FUNCTIONS	
PROJ. ENG. <i>R. H. Dunne</i>	DATE <i>1-18-72</i>		
DRG. <i>R. H. Dunne</i>	DATE <i>1-22-72</i>	FIRST USED ON	
PDP-11		SIZE CODE	NUMBER
SCALE NONE	C BSTR79-F-T06		REV. D
SHEET 2 OF 2	DIST.		

This drawing and specifications, herein, are the property of Digital Equipment Corporation and shall not be reproduced or copied or used in whole or in part as the basis for the manufacture or sale of items without written permission.

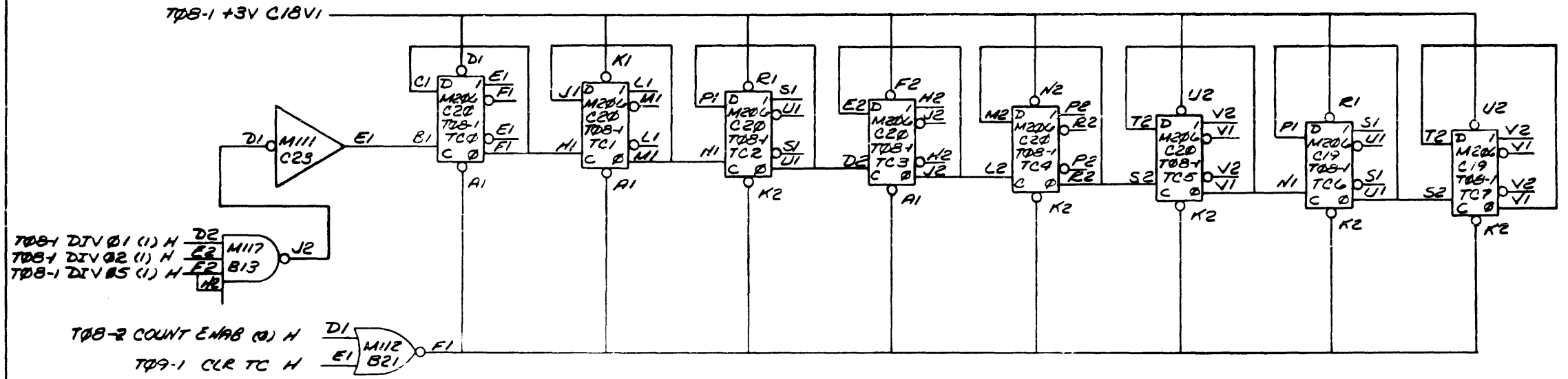
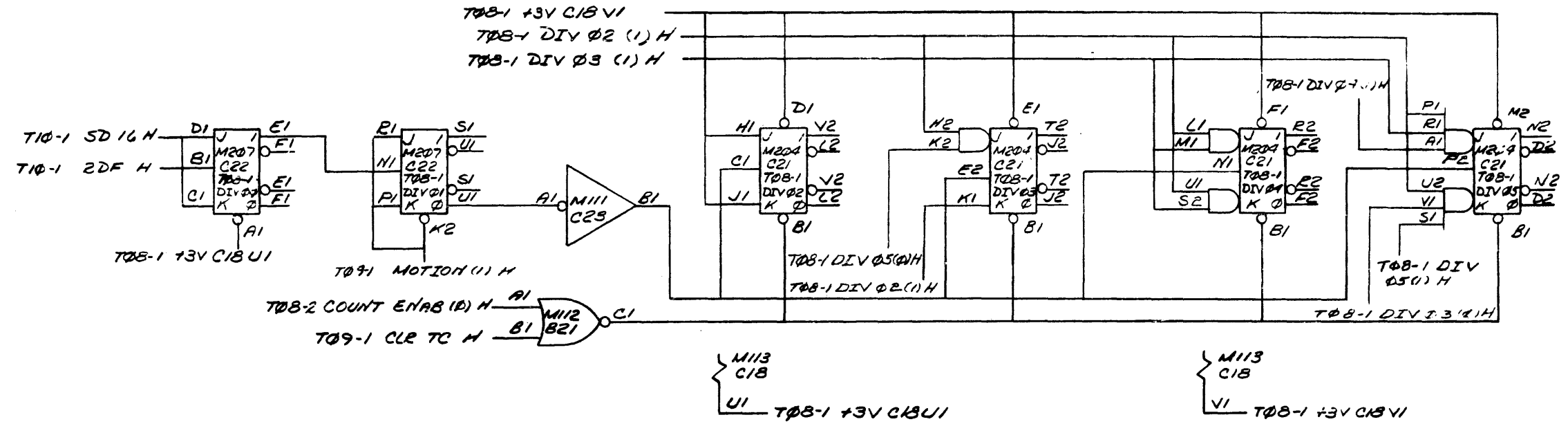


- NOTES:
1. PREFIX ALL FLIP-FLOP OUTPUTS WITH "T07".
 2. THIS PIN(BI) TO BE CONNECTED TO "SP FWD L" ON SHEET T06 WHEN REQUIRED.
 3. THIS PIN(U2) TO BE CONNECTED TO "SP REV L" ON SHEET T06 WHEN REQ'D.

DRN.	A. LE FORT	DATE	9-15-72
CHK'D.		DATE	1-17-73
ENG.	E. H. DUANE	DATE	1-13-73
PROJ. ENG.	E. H. DUANE	DATE	1-18-73
PROD.		DATE	1-22-73
FIRST USED ON			
	PDP-11		
SCALE			
SHEET	1 OF 1		

digital EQUIPMENT CORPORATION MAYNARD, MASSACHUSETTS	
TITLE MTT COMMANDS	
SIZE CODE C BSTR 79-F-T07	NUMBER B
DIST.	

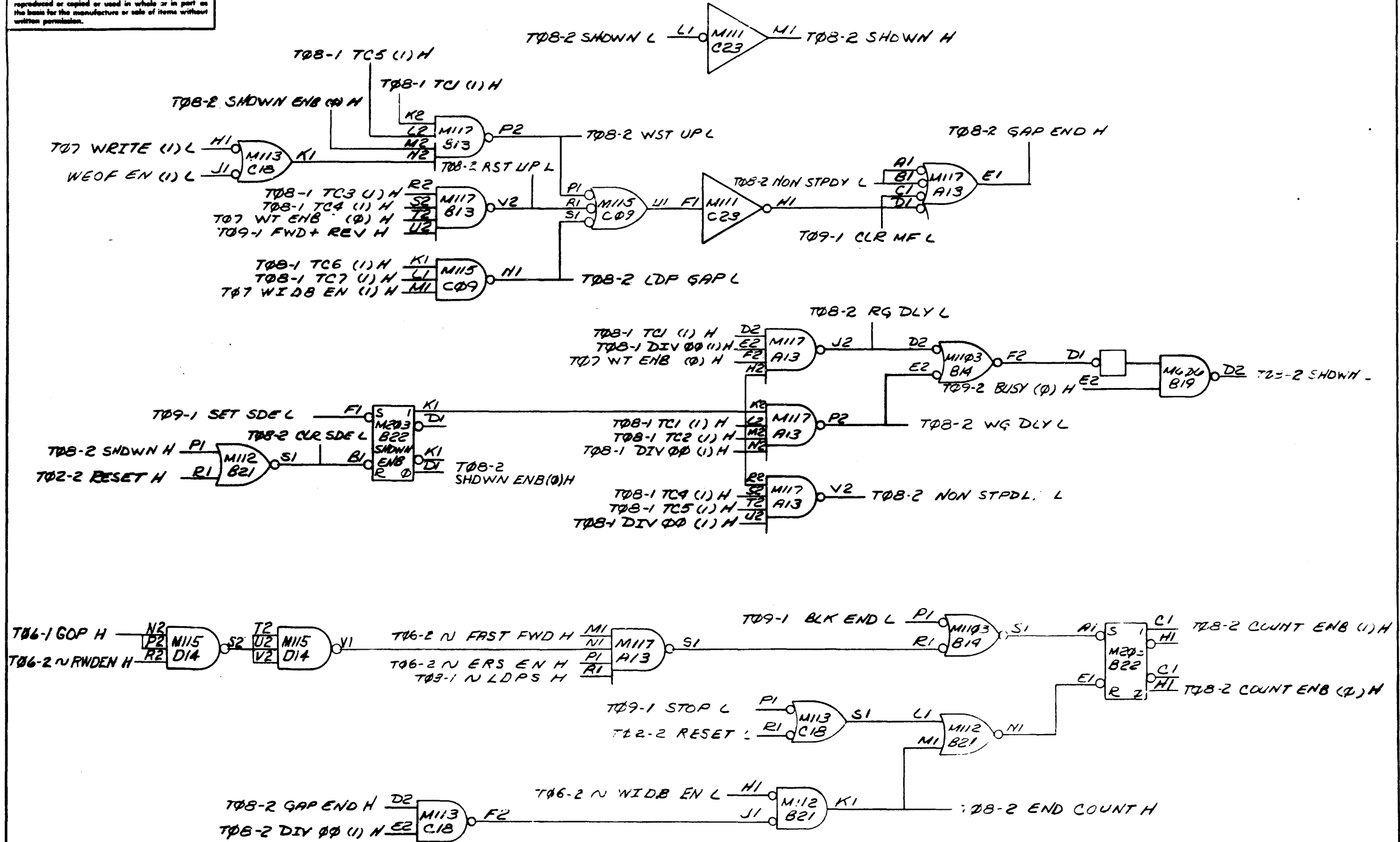
This drawing and specifications, herein, are the property of Digital Equipment Corporation and shall not be reproduced or copied or used in whole or in part as the basis for the manufacture or sale of items without written permission.



REV.	DATE	BY	CHK'D.
A	1-17-73	J. C. [Signature]	[Signature]
B	1-18-73	[Signature]	[Signature]
C	1-18-73	[Signature]	[Signature]
D	1-18-73	[Signature]	[Signature]
E	1-22-73	[Signature]	[Signature]

DRN	DATE	digital EQUIPMENT CORPORATION MAYNARD, MASSACHUSETTS		
CHK'D.	DATE			
ENG.	DATE			
PROJ. ENG.	DATE			
PROD.	DATE			
FIRST USED ON		TITLE		
PDP-11		GAP TIMING		
SCALE		SIZE CODE	NUMBER	REV.
SHEET 1 OF 2		C	BS TR79-F-T08	C

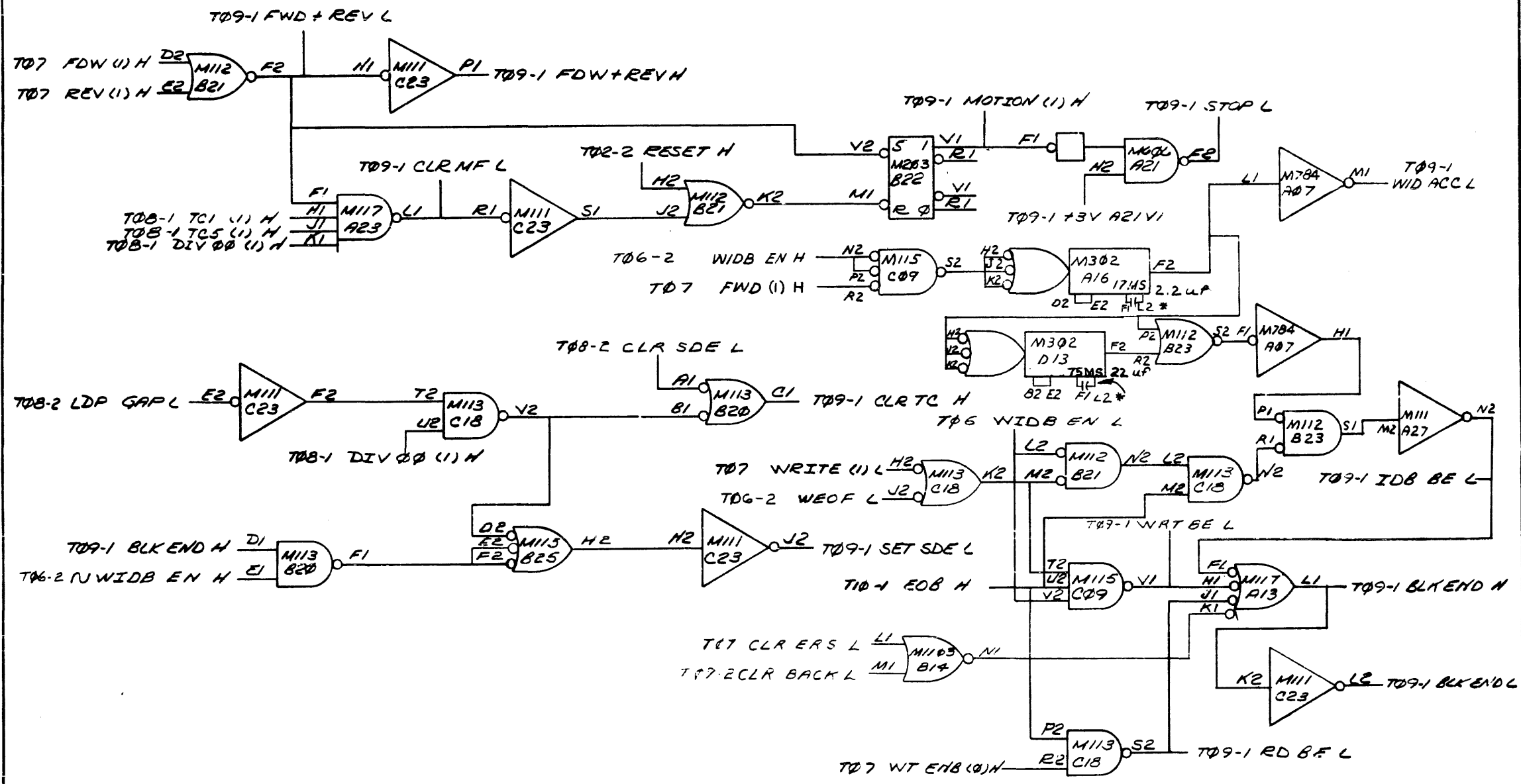
This drawing and specifications, herein, are the property of Digital Equipment Corporation and shall not be reproduced or copied in whole or in part on the basis for the manufacture or sale of items without written permission.



DRW: <i>K.E.</i>	DATE	digital EQUIPMENT CORPORATION MAYNARD, MASSACHUSETTS
CHK'D:	DATE	
ENG. <i>R.H. D...</i>	DATE	TITLE GAP TIMING
PROJ. ENG. <i>R.H. D...</i>	DATE	
PROD. <i>R.H. D...</i>	DATE	
FIRST USED ON PDP-11	DATE	
SCALE <i>NONE</i>	SIZE CODE C BS	NUMBER TR79-F-T08
SHEET 2 OF 2	DIST.	REV. C

This drawing and specifications, herein, are the property of Digital Equipment Corporation and shall not be reproduced or copied or used in whole or in part as the basis for the manufacture or sale of items without written permission.

M606
A21
VI T09-1 +3V A21VI

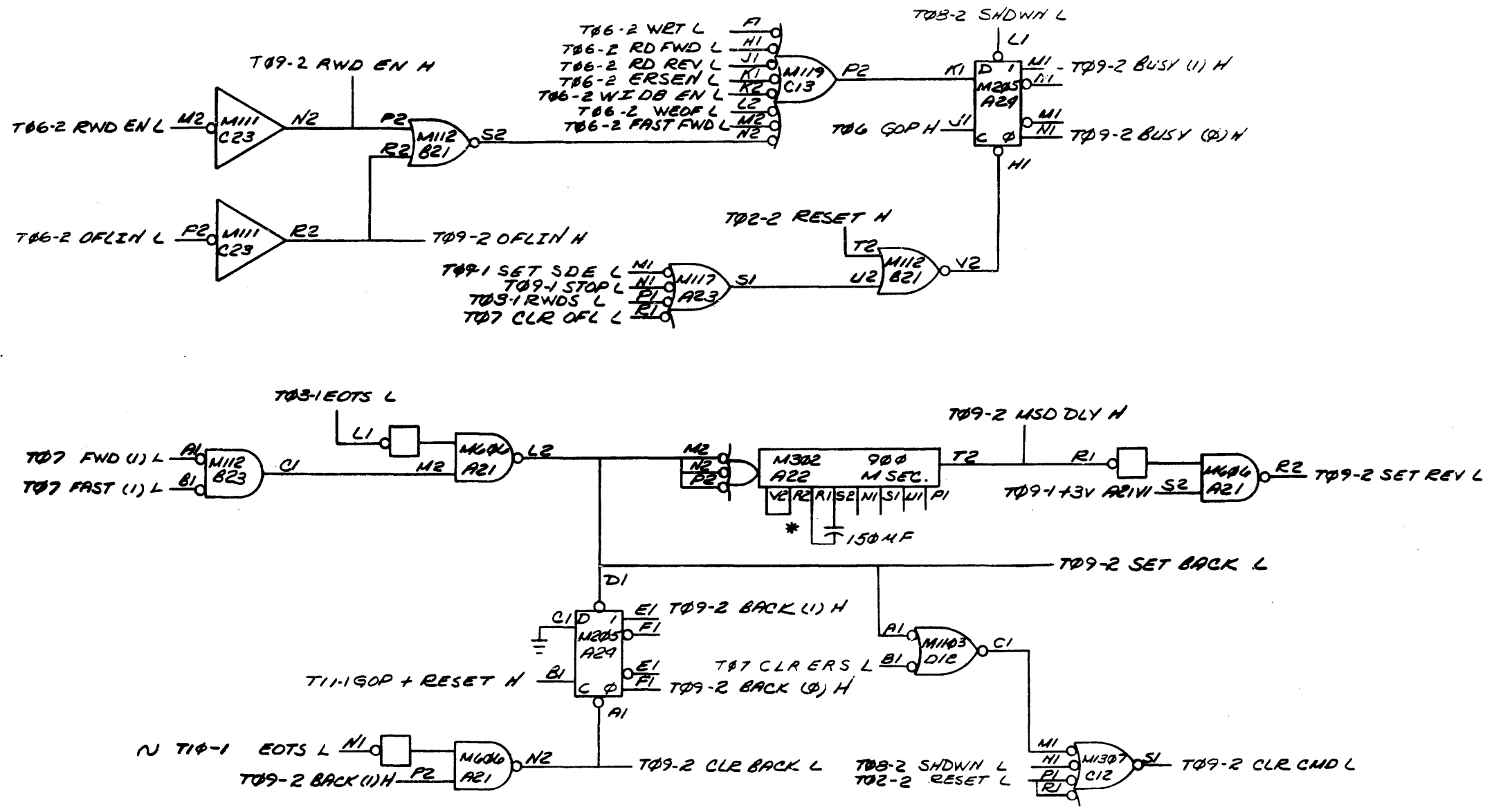


* EXTERNAL COMPONENT

REV	CHANGE NO.	DATE	BY
1	TR79F-00001	7/1/73	DUANE
2	TR79F-00002	7/1/73	S. KOZIOL
3	TR79F-00003	10-17-74	S. KOZIOL
4	TR79F-00004	3/10/75	S. KOZIOL
5	TR79F-00005	12-30-75	J. MCINTYRE
6	TR79F-00006	12-30-75	J. MCINTYRE

DRN /	DATE	digital EQUIPMENT CORPORATION BAYBURN, MASSACHUSETTS
CHK'D.	DATE	
ENG.	DATE	TITLE
PROJ. ENG.	DATE	MOTION CONTROL
PROD.	DATE	
FIRST USED ON		SIZE CODE
PDP-11		NUMBER
SCALE		TR79-F-T09
SHEET 1 OF 3		REV. D

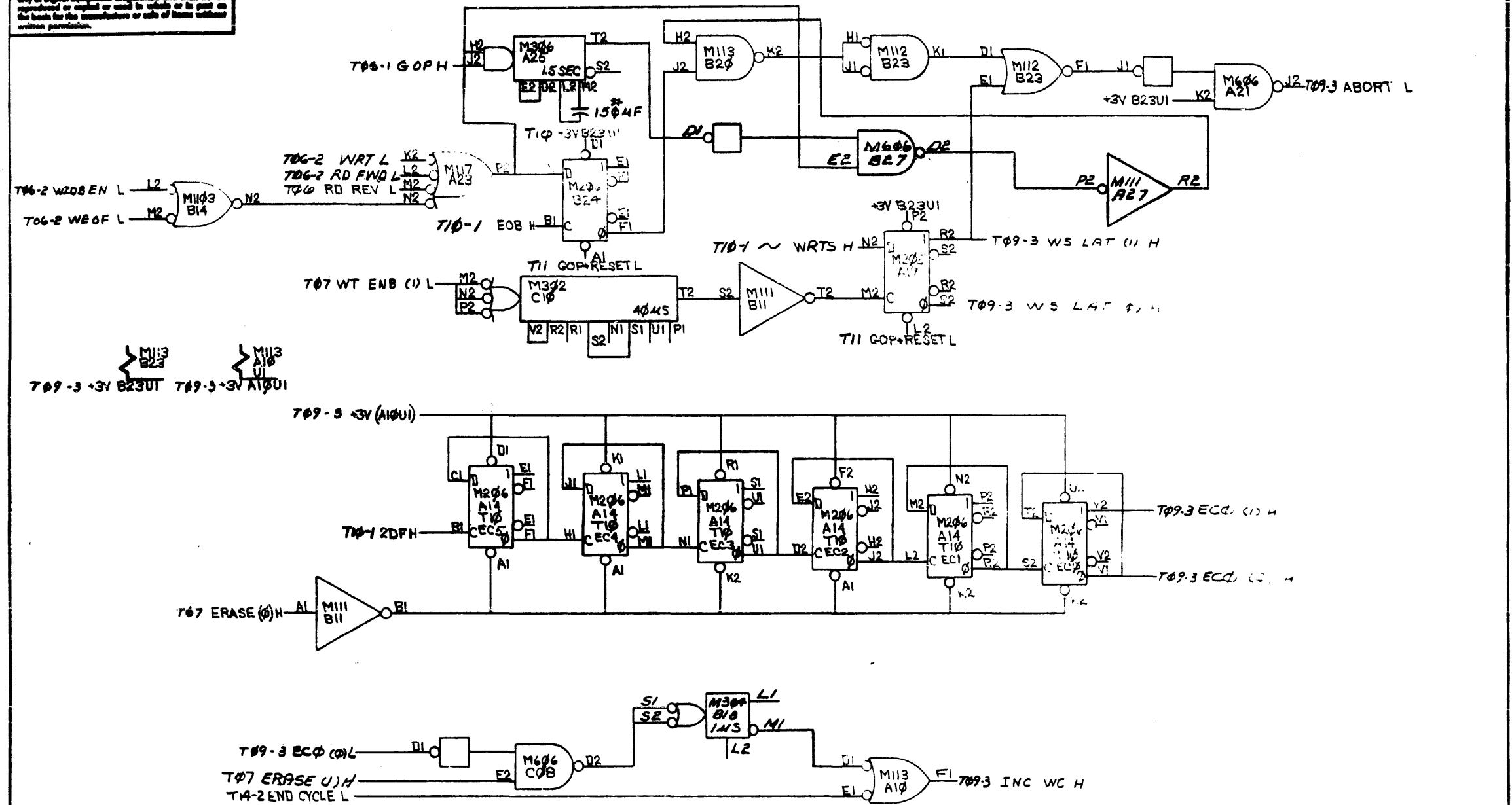
The drawing and specifications herein are the property of Digital Equipment Corporation and shall not be reproduced or copied or used in whole or in part as the basis for the manufacture or sale of items without written permission.



* EXTERNAL COMPONENT

DRG. <i>L. J. ...</i>	DATE <i>1-17-73</i>	digital EQUIPMENT CORPORATION MAYFIELD, MASSACHUSETTS
CHK'D. <i>S. ...</i>	DATE <i>1-17-73</i>	
ENG. <i>R. H. ...</i>	DATE <i>1-18-73</i>	TITLE
PROJ. ENG. <i>R. H. ...</i>	DATE <i>1-18-73</i>	MOTION CONTROL
PRD. <i>M. ...</i>	DATE <i>1-22-73</i>	
(FIRST USED ON)		
PDP-11	SIZE CODE	NUMBER
SCALE <i>NONE</i>	C	BSTR79-F-T09
SHEET <i>2</i> OF <i>3</i>	DIST.	REV. <i>D</i>

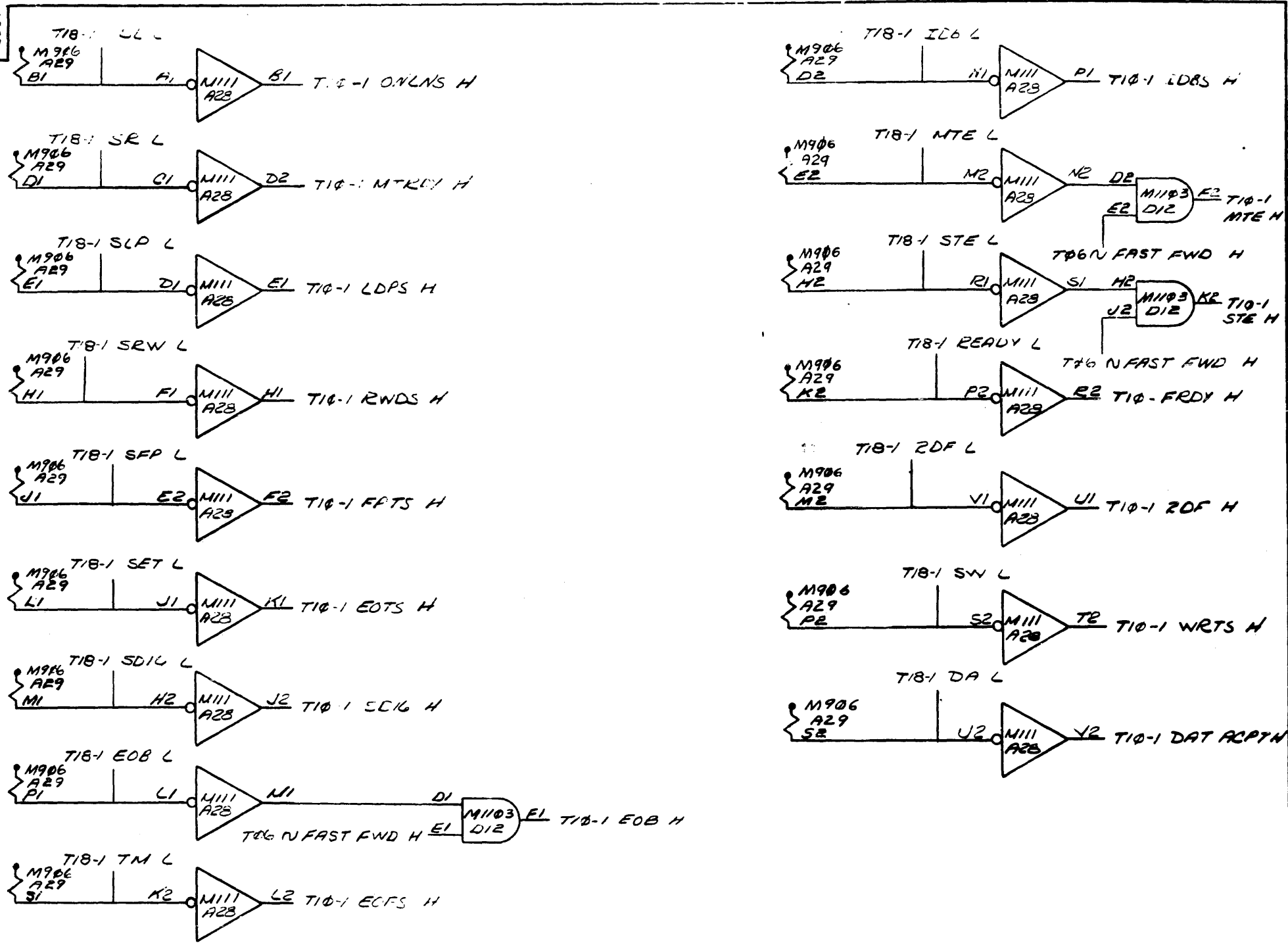
This drawing and specifications herein are the property of Digital Equipment Corporation and shall not be reproduced or copied or used in whole or in part as the basis for the manufacture or sale of items without written permission.



* EXTERNAL COMPONENT

DRN. <i>John F. L.</i>	DATE	digital EQUIPMENT CORPORATION MAYNARD, MASSACHUSETTS
<i>Tramlin</i>	1-22-73	
CHK'D.	DATE	TITLE MOTION CONTROL
<i>K. Amundson</i>	1-17-73	
ENG.	DATE	
<i>R. H. Dwyer</i>	1-18-73	
PROJ. ENG.	DATE	
<i>R. H. Dwyer</i>	1-18-73	
PROD.	DATE	SIZE CODE
<i>J. Stebbins</i>	1-22-73	C BS
FIRST USED ON		NUMBER
PDP-11		TR79-F-T09
SCALE NONE		REV.
		D
SHEET 3 OF 3		DIST.

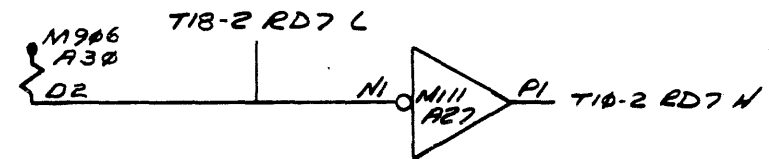
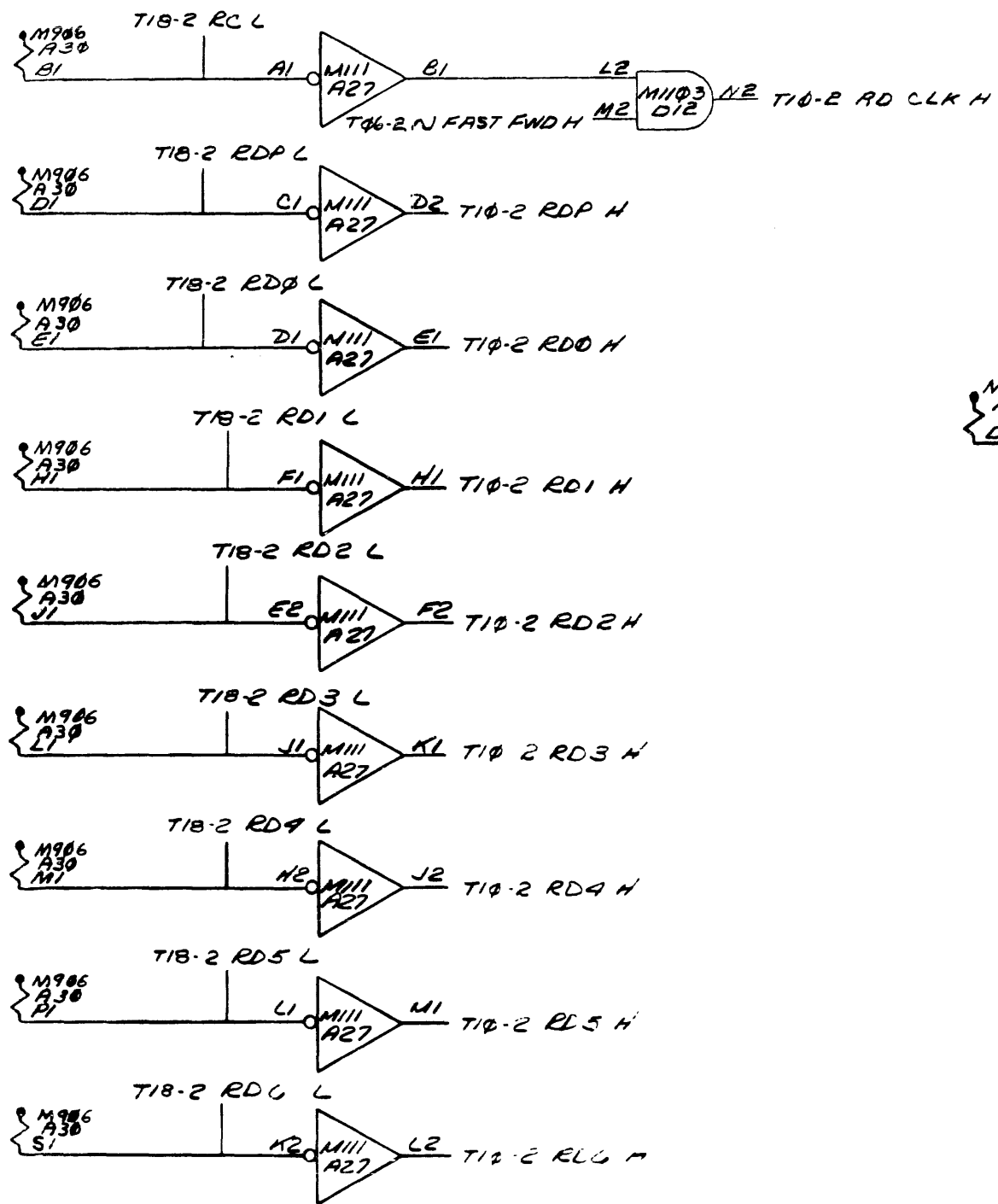
This drawing and specifications, herein, are the property of Digital Equipment Corporation and shall not be reproduced or copied or used in whole or in part as the basis for the manufacture or sale of items without written permission.



REVISIONS	DATE	BY
CHG	NO.	REV.
TR79F-00001	A	
J. CLARK	6-22-73	
DUANE		
A. F. TR79F-00003	B	
S. M. CLARK	5-6-75	
S. K. CLARK		
Steve Kay	3/17/75	

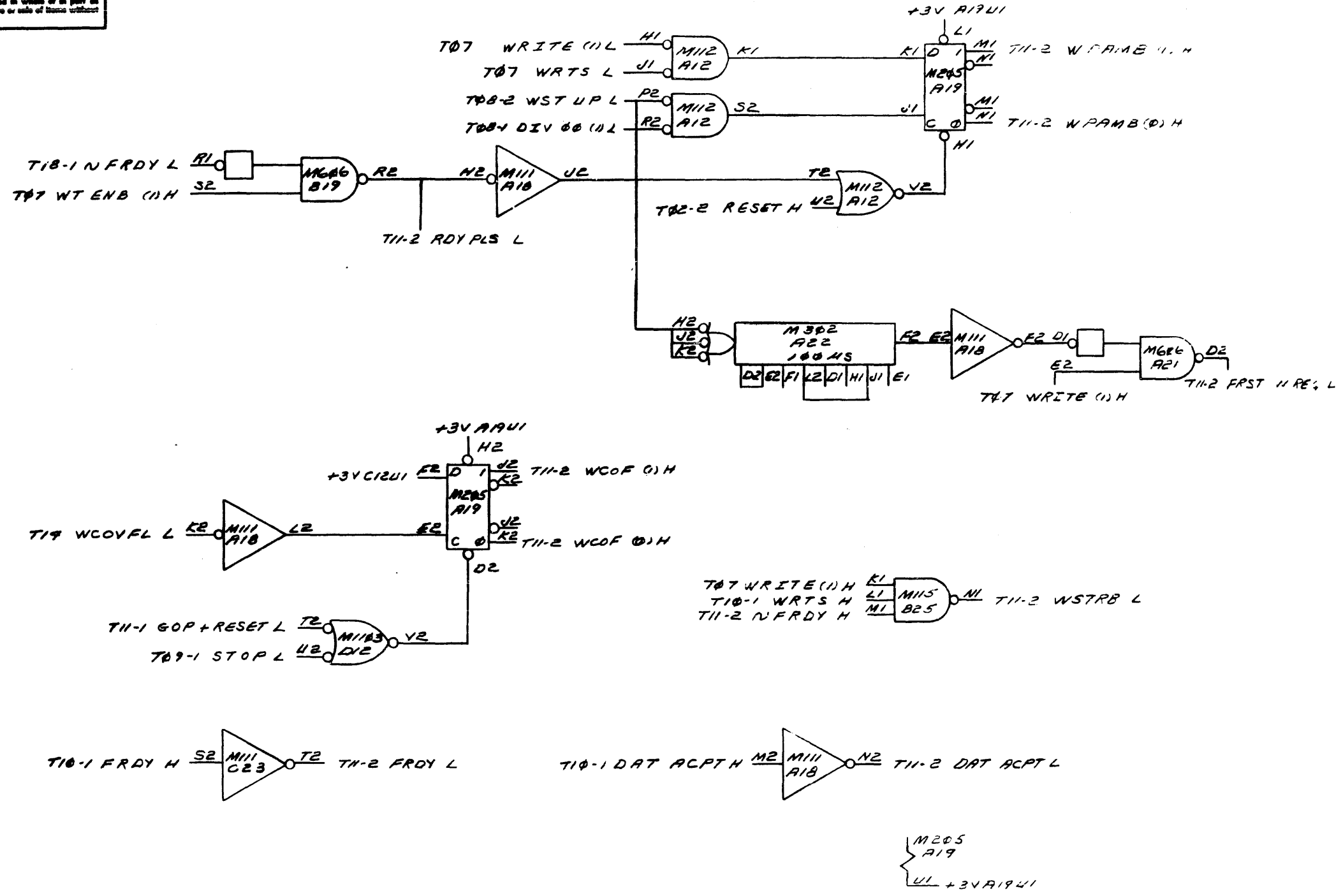
DESIGNED BY	DATE	digital EQUIPMENT CORPORATION
CHK'D.	DATE	
ENG.	DATE	TITLE
PROJ. ENG.	DATE	MTT TO TCU
PROD.	DATE	RECEIVERS
FIRST USED ON		SIZE CODE
PDP-11		NUMBER
SCALE NONE		REV.
SHEET 1 OF 2		C B STR79-F-T10 B

This drawing and specifications, herein, are the property of Digital Equipment Corporation and shall not be reproduced or copied or used in whole or in part as the basis for the manufacture or sale of items without written permission.



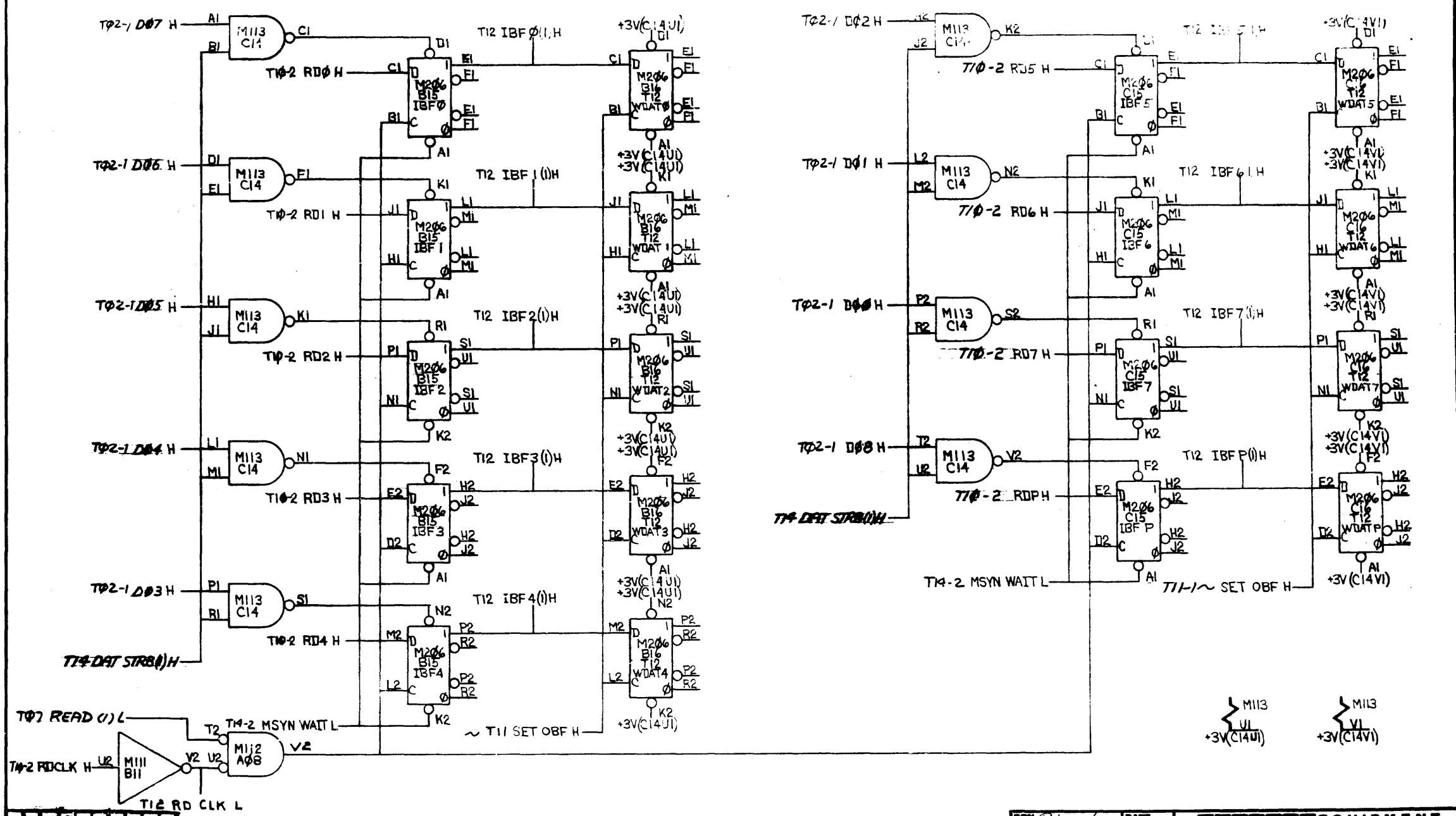
DATE	DATE	digital EQUIPMENT CORPORATION
DATE	DATE	
DATE	DATE	TITLE
DATE	DATE	
DATE	DATE	
DATE	DATE	
DATE	DATE	MTT TO TCU RECEIVERS
DATE	DATE	SIZE CODE
DATE	DATE	C BSTR79-F-T10
DATE	DATE	REV.
DATE	DATE	B
DATE	DATE	SCALE
DATE	DATE	1/15
DATE	DATE	SHEET
DATE	DATE	2 OF 2

This drawing and specifications remain the property of Digital Equipment Corporation and shall not be reproduced or copied or used in whole or in part as the basis for the manufacture or sale of items without written permission.



DRN. 7/16/72	DATE 7/16/72	digital EQUIPMENT CORPORATION MAYFIELD, MASSACHUSETTS	
CHK'D. KAWARSDI	DATE 1-17-73	TITLE BUFFER CONTROL	
ENG. R. H. Duval	DATE 1-18-73	SIZE CODE C BS	NUMBER TR79-F-T11
PROJ. ENG. R. H. Duval	DATE 1-18-73	DIST.	REV. D
PROP. J. Stenami	DATE 1-22-73		
FIRST/USED ON FDF-11			
SCALE NONE			
SHEET 2 OF 2			

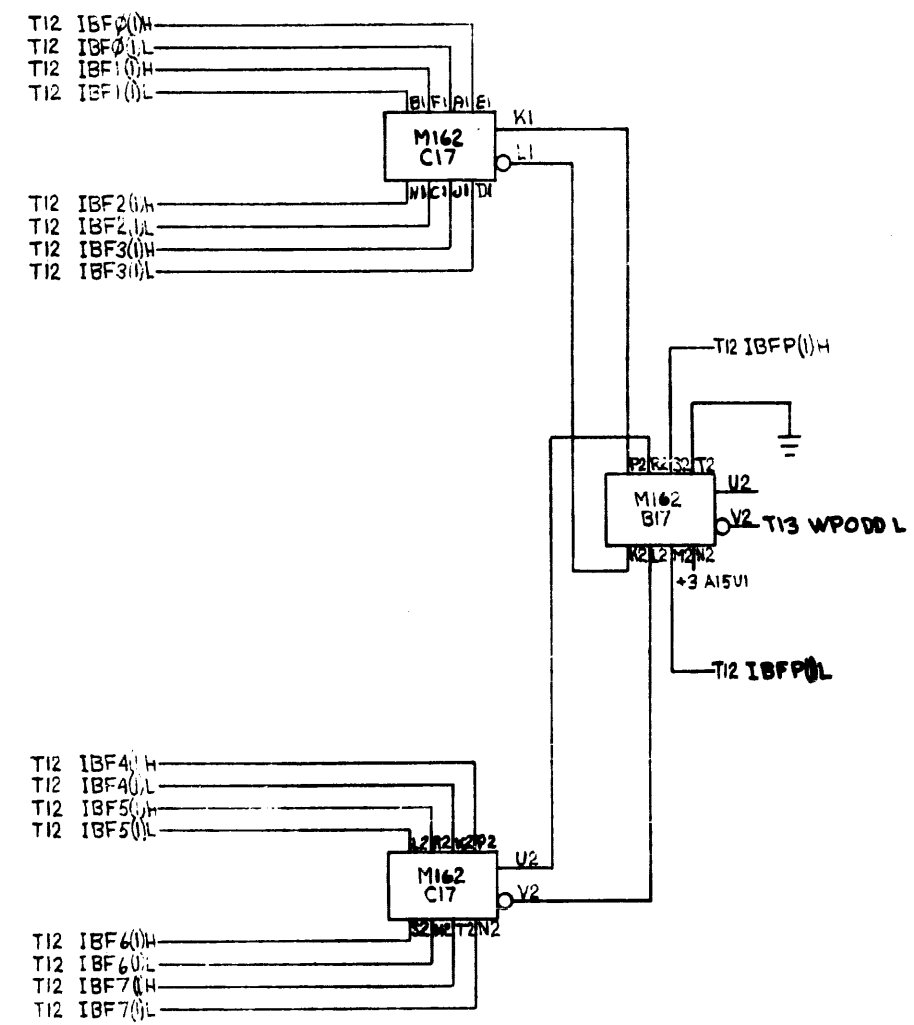
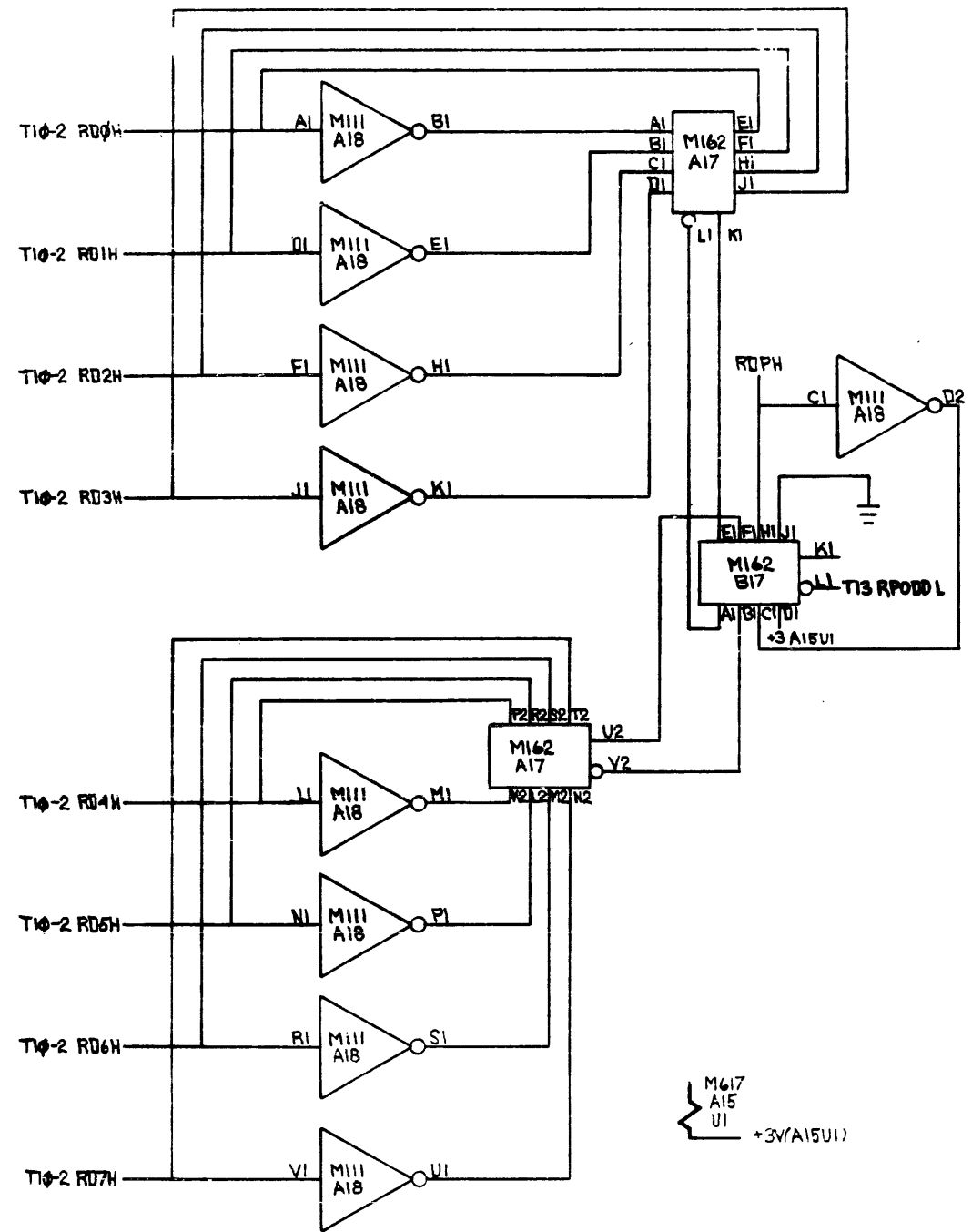
This drawing and specifications, herein, are the property of Digital Equipment Corporation and shall not be reproduced or copied or used in whole or in part as the basis for the manufacture or sale of items without written permission.



REV	DATE	BY	CHK'D
1	7/1/73	R.H. Duval	R.H. Duval
2	7/10/73	R.H. Duval	R.H. Duval
3	7/10/73	R.H. Duval	R.H. Duval
4	7/10/73	R.H. Duval	R.H. Duval

DRN. Robert L. Tardieu	DATE 9-18-74	digital EQUIPMENT CORPORATION
CHK'D. R. H. Duval	DATE 1-17-73	
ENG. R. H. Duval	DATE 1-18-73	TITLE
PROJ. ENG. R. H. Duval	DATE 1-18-73	READ - WRITE BUFFER
DATE 1-22-73		
USED ON PDP-11	SIZE CODE C BS	TR79-F-T12
SCALE NONE		
SHEET OF		

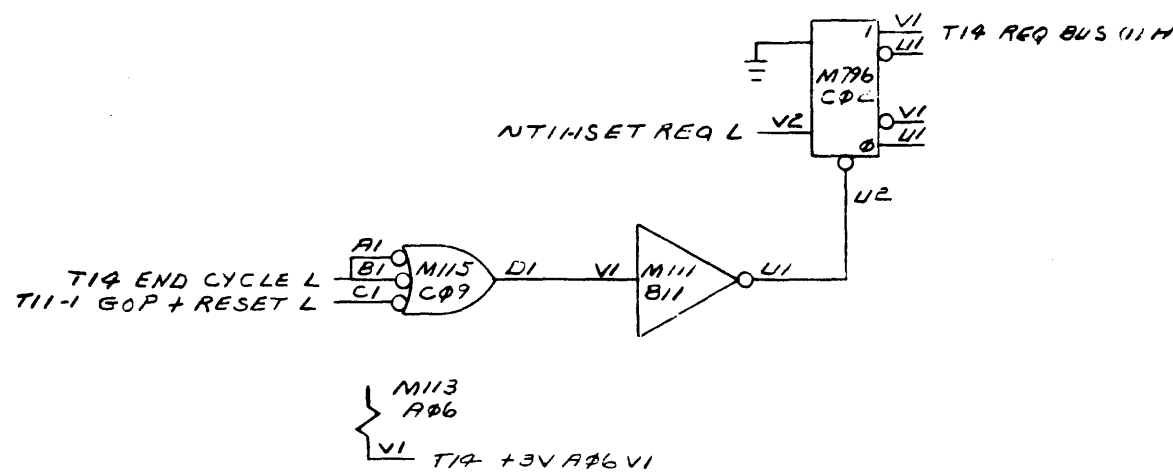
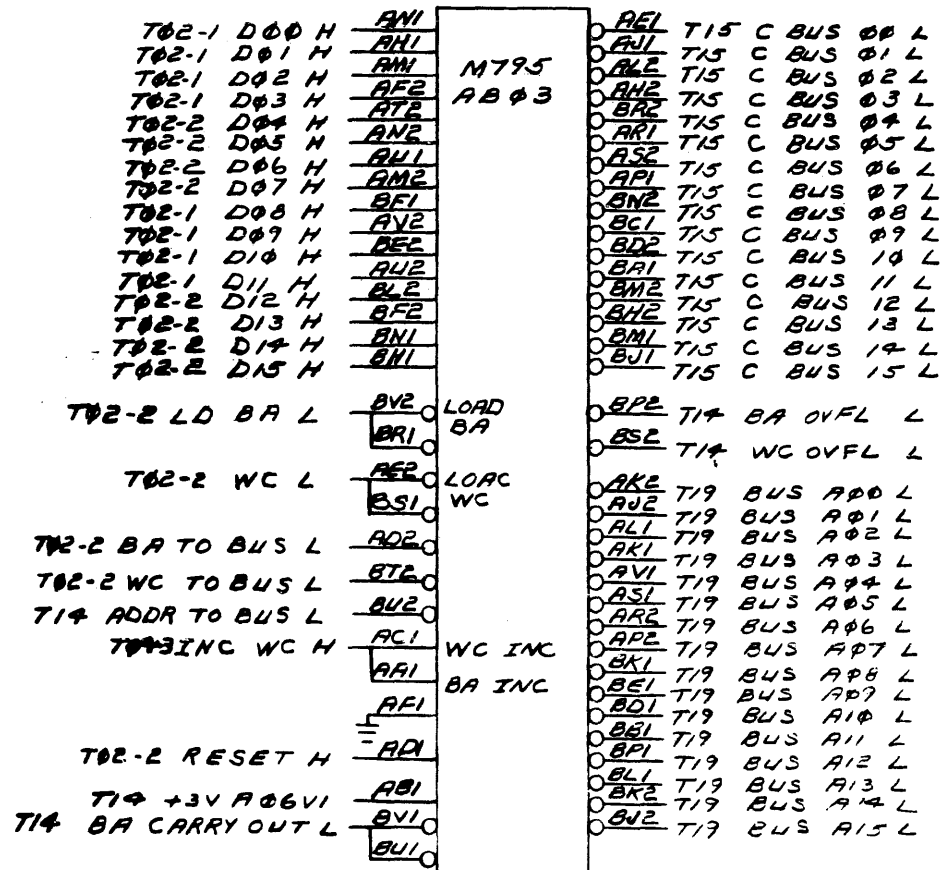
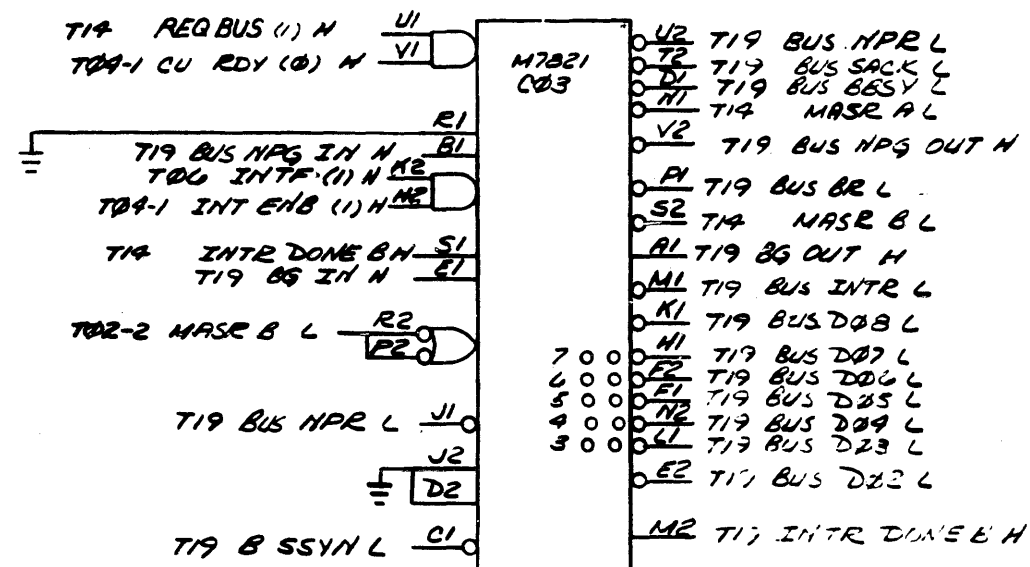
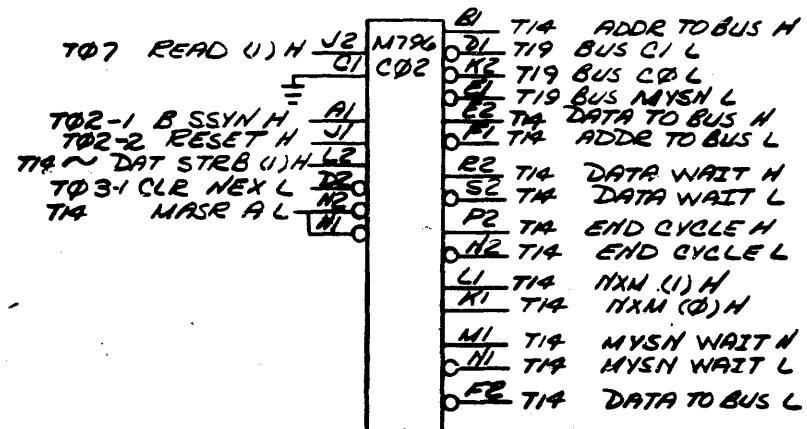
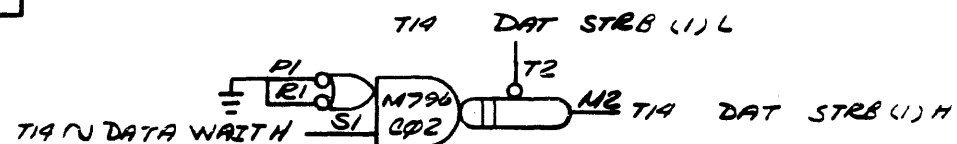
This drawing and specifications, herein, are the property of Digital Equipment Corporation and shall not be reproduced or copied or used in whole or in part on the basis for the manufacture or sale of items without written permission.



REV. NO.	REV. DATE	REV. BY
1	12-30-72	...
2	1-12-73	...

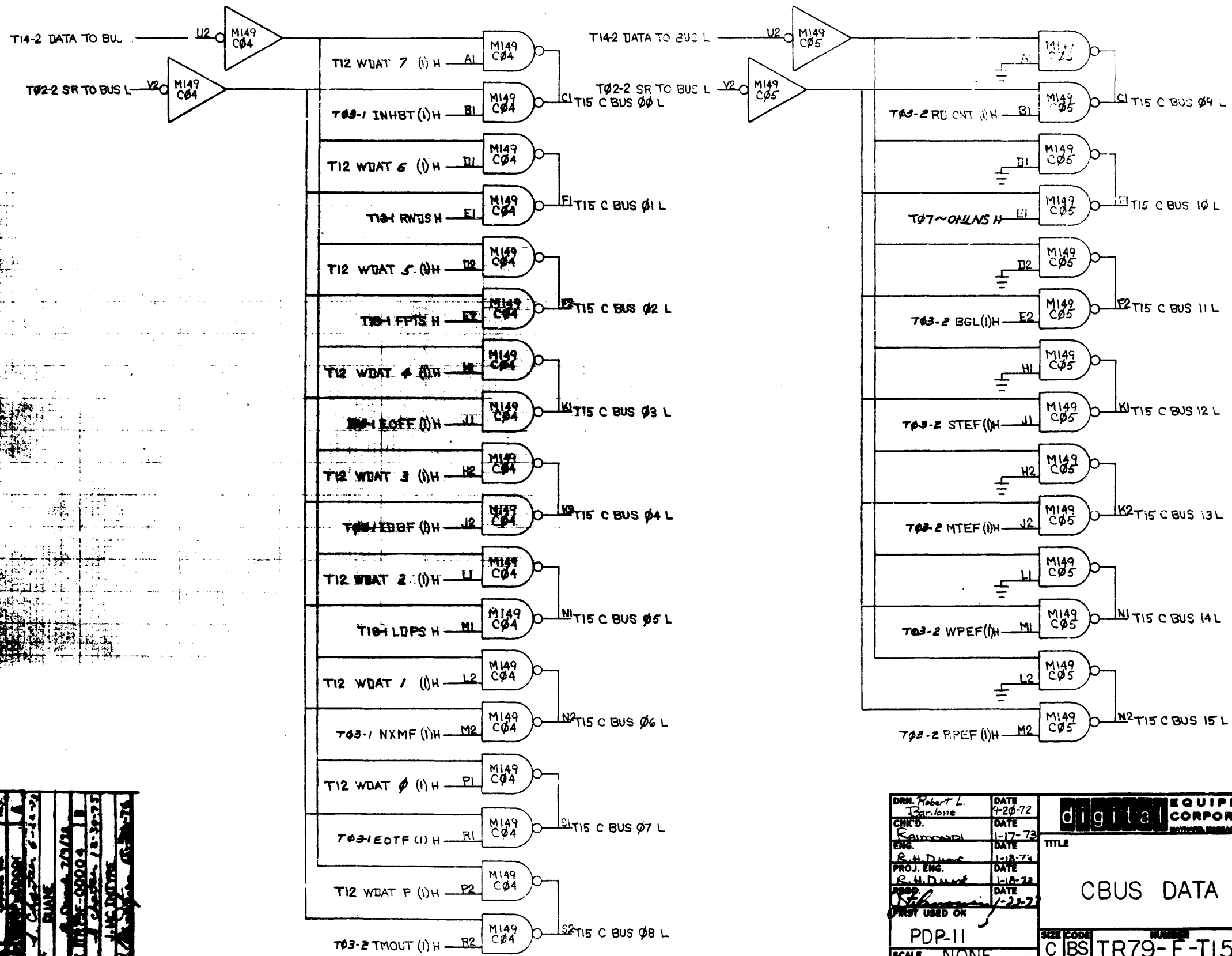
DRN. Project 2	DATE 9-15-72	digital EQUIPMENT CORPORATION BAYBURN, MASSACHUSETTS TITLE READ & WRITE PARITY GENERATOR
CHK'D. Ramond	DATE 1-17-73	
ENG. R.H.D.	DATE 1-18-73	
PROJ. ENG. S.H.D.	DATE 1-18-73	
PROD. S.H.D.	DATE 1-22-73	
FIRST USED ON PDP-11		
SCALE NONE	SIZE CODE C BS	NUMBER TR79-F-T13
SHEET OF	DIST.	REV. A

This drawing and specifications, herein, are the property of Digital Equipment Corporation and shall not be reproduced or copied in whole or in part or the basis for the manufacture or sale of items without written permission.



DATE 7-1-72 CHK'D. DATE 1-17-73 ENG. DATE 1-18-73 PROJ. ENG. DATE 1-18-73 PROY. DATE 1-22-73 FIRST USED ON	digital EQUIPMENT CORPORATION BAYTOWN, MASSACHUSETTS	TITLE		
		DMA CONTROL		
		SIZE CODE	NUMBER	REV.
		C BSTR 79-F-T14	B	
PDP-11	SHEET 1 OF 1		DIST.	

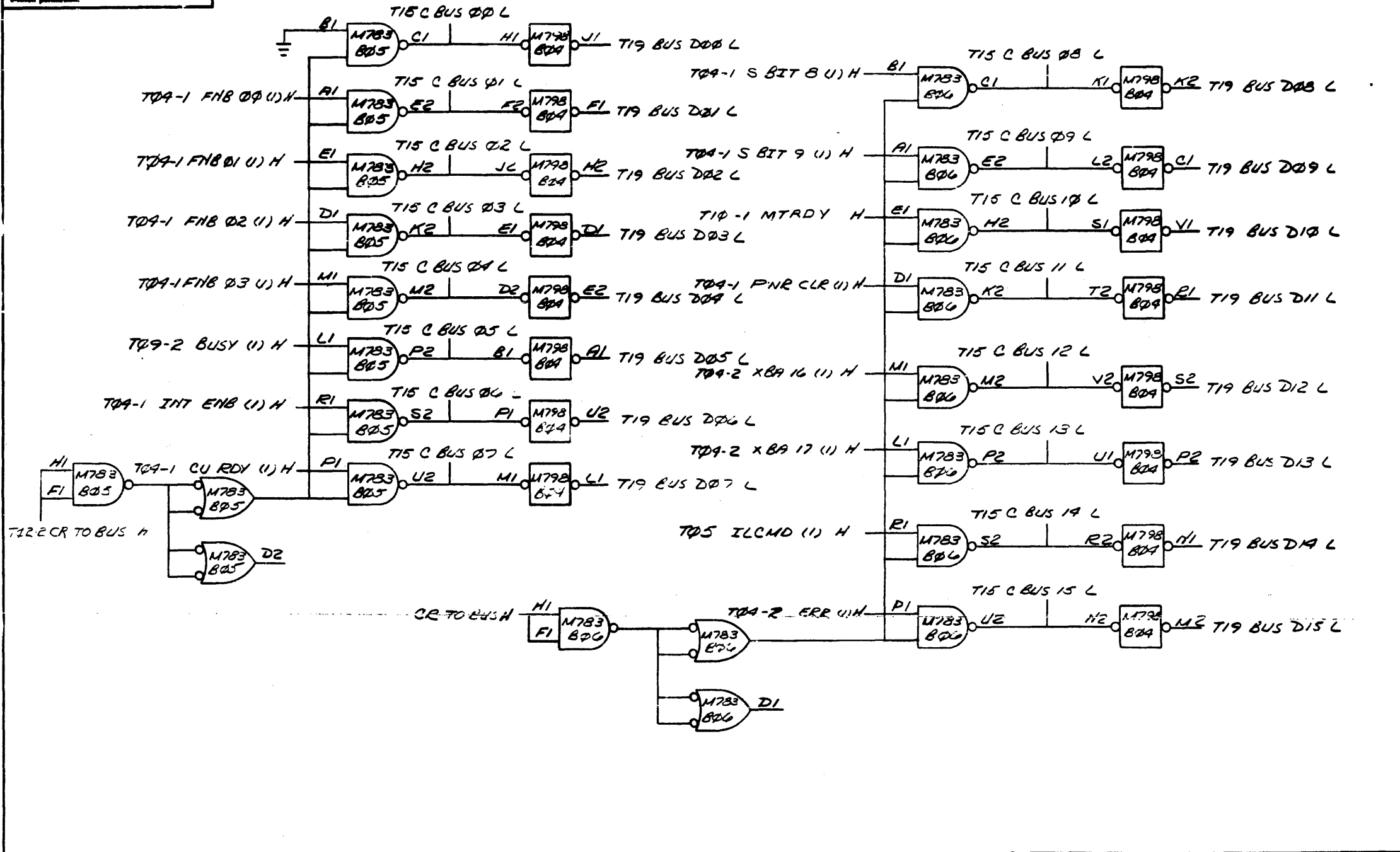
This drawing and specifications, herein, are the property of Digital Equipment Corporation and shall not be reproduced or copied or used in whole or in part as the basis for the manufacture or sale of items without written permission.



REV	REV
1	1
2	2
3	3
4	4
5	5
6	6
7	7
8	8
9	9
10	10

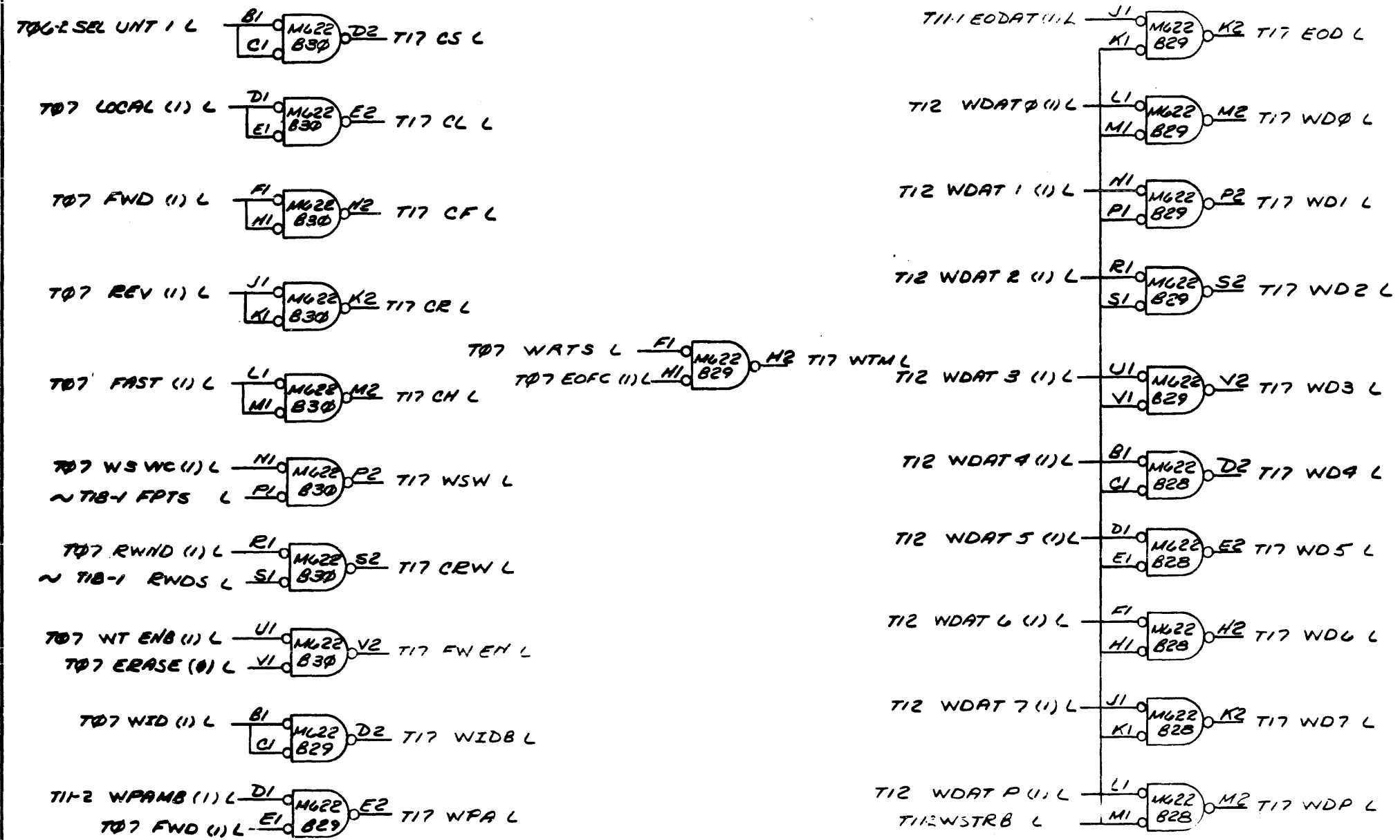
DRN. Robert L. Baciore	DATE 4-20-72	digital EQUIPMENT CORPORATION
CHK'D. Raymond	DATE 1-17-73	
ENG. R. H. Dwyer	DATE 1-18-74	TITLE
PROJ. ENG. R. H. Dwyer	DATE 1-18-74	CBUS DATA
DESIGNER R. H. Dwyer	DATE 1-2-72	
FIRST USED ON		SIZE CODE
PDP-11		C BS
SCALE NONE		NUMBER
SHEET	OF	TR79-F-T15
		REV.
		8

This drawing and specifications, herein, are the property of Digital Equipment Corporation and shall not be reproduced or copied or used in whole or in part as the basis for the manufacture or sale of items without permission.



DATE	9-19-72	digital EQUIPMENT CORPORATION MAYNARD, MASSACHUSETTS
CHK'D.	1-17-73	
ENG.	1-18-73	
PROJ. ENG.	1-18-73	
PROJ.	1-22-73	
FIRST USED ON		
PDP-11		TITLE
SCALE NONE		BUS DATA
SHEET 1 OF 1	SIZE CODE C	NUMBER TR79-F-116
	DIST.	REV.

This drawing and specifications, herein, are the property of Digital Equipment Corporation and shall not be reproduced or copied or used in whole or in part as the basis for the manufacture or sale of items without written permission.

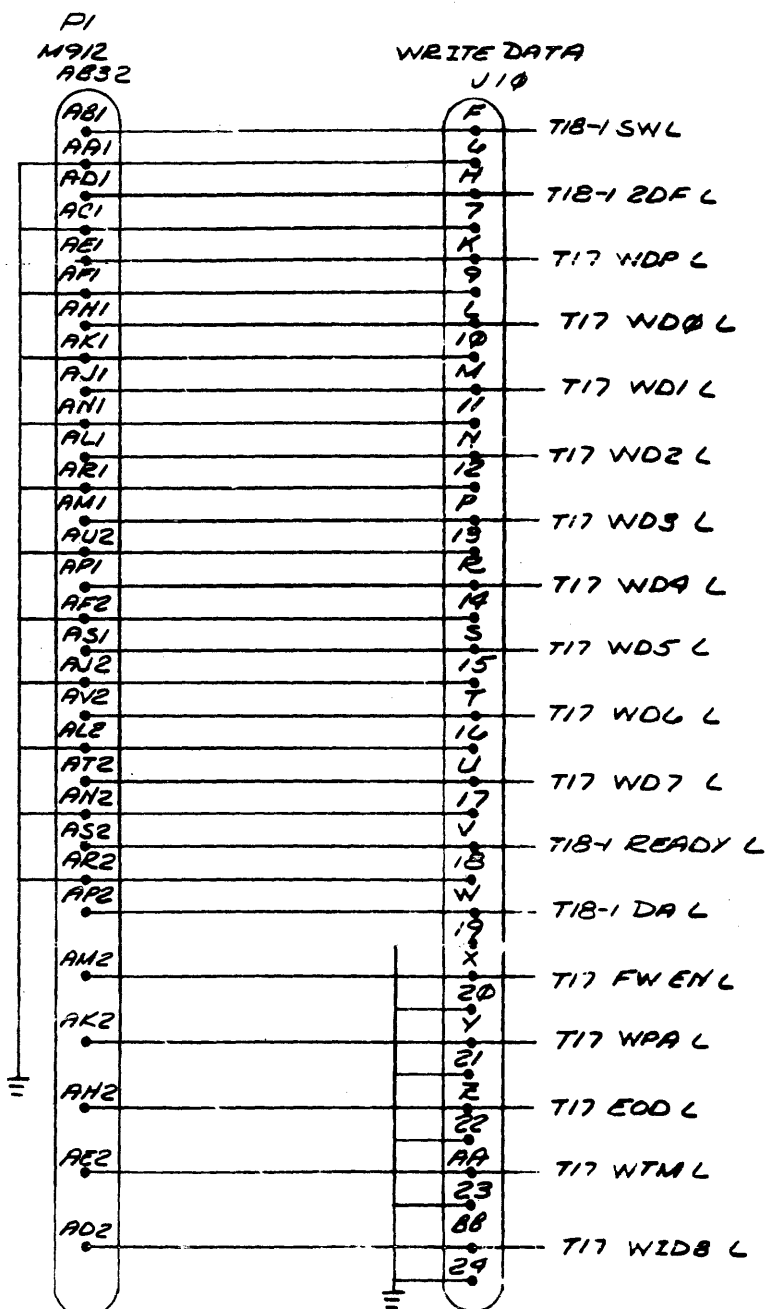
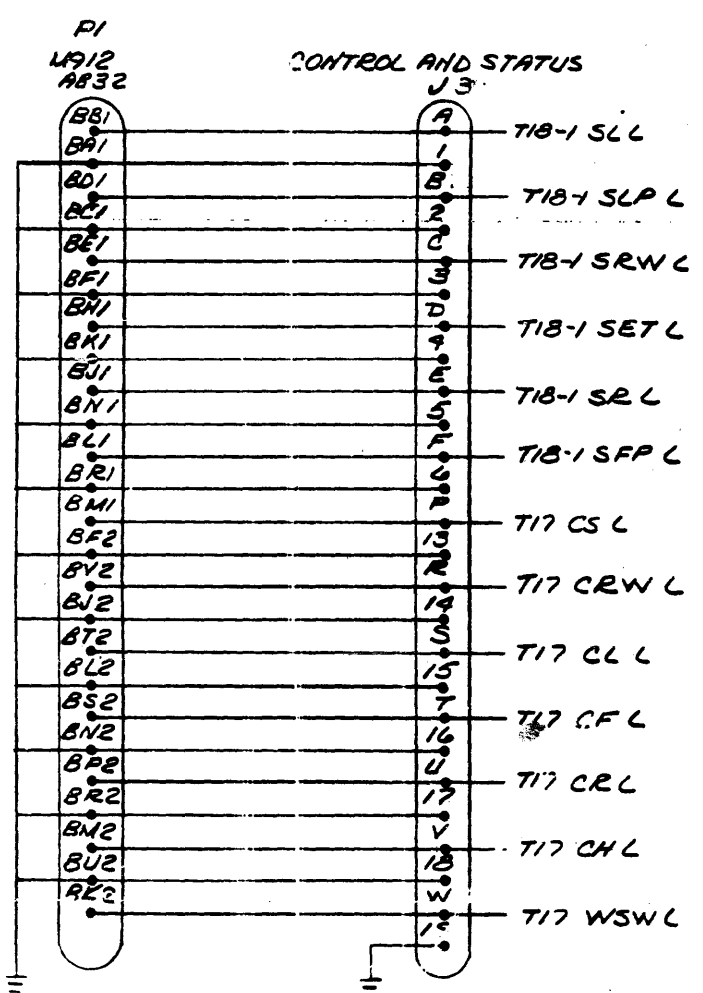


REVISIONS	DATE	BY
CHG	NO	REV
1	11/17/74	A
2	12/10/75	B
DUANE		
J. MCINTYRE		

DRW	DATE	 digital EQUIPMENT CORPORATION <small>MAYNARD, MASSACHUSETTS</small>
CHK'D	DATE	
ENG	DATE	
PROJ ENG	DATE	
PROP	DATE	
FIRST USED ON		TITLE
		TCU TO MTT DRIVERS
SCALE		SIZE CODE
SHEET	OF	NUMBER
		REV
		DIST

This drawing and specifications, herein, are the property of Digital Equipment Corporation and shall not be reproduced or copied or used in whole or in part as the basis for the manufacture or sale of item without written permission.

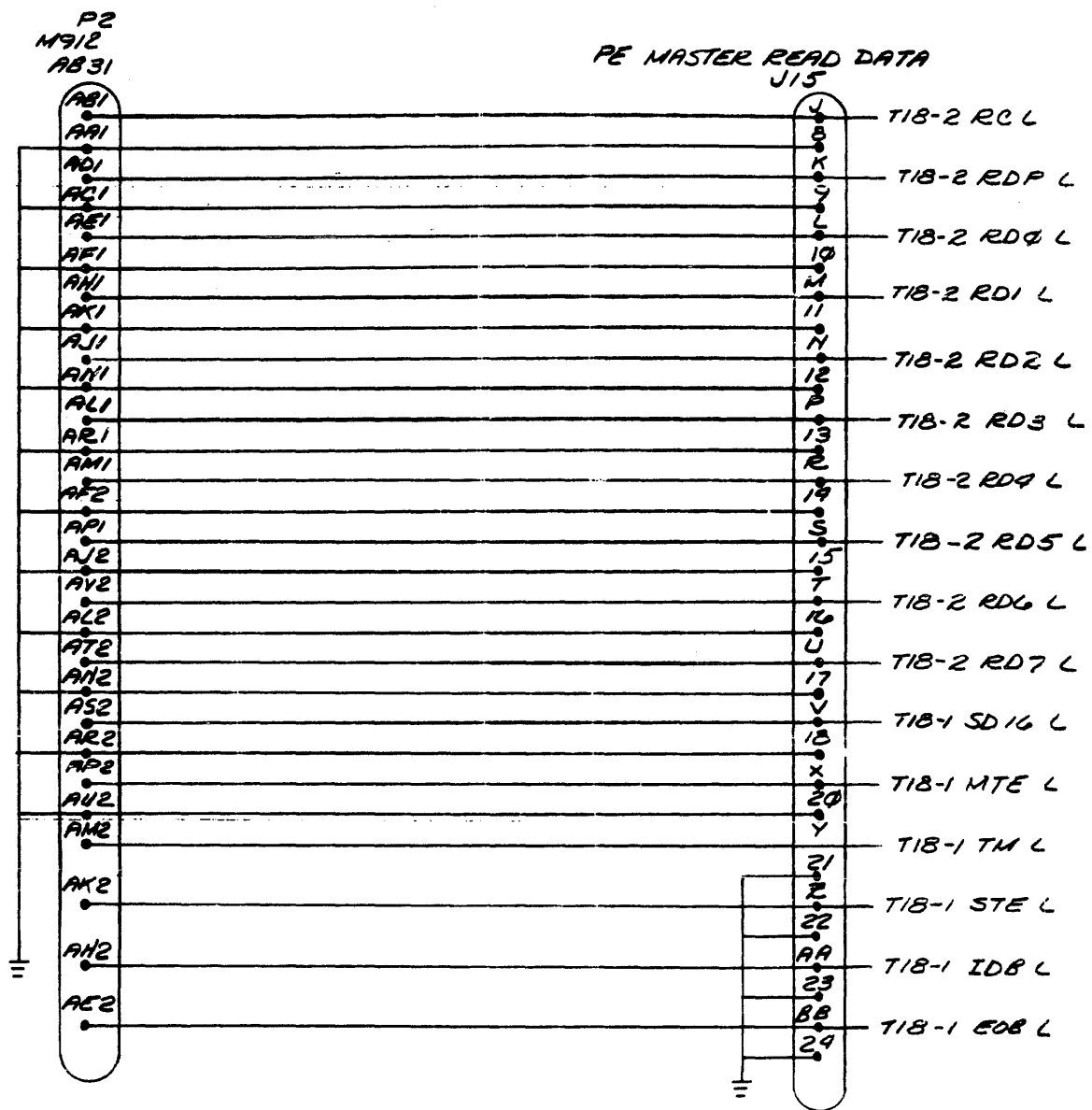
COPYRIGHT © DIGITAL EQUIPMENT CORPORATION.



DRW. K. L. H.	DATE 11-9-73	digital EQUIPMENT CORPORATION
CHK'D. R. H. D.	DATE 11-17-73	
ENG. R. H. D.	DATE 11-19-73	TITLE
PROJ. ENG. R. H. D.	DATE 11-19-73	MTT CABLES
PROG. S. J.	DATE 11-22-73	
FIRST USED ON PDP 11		SIZE CODE NUMBER REV.
SCALE 1:1		C ICTR79-F-T18
SHEET 1 OF 2		DIST.

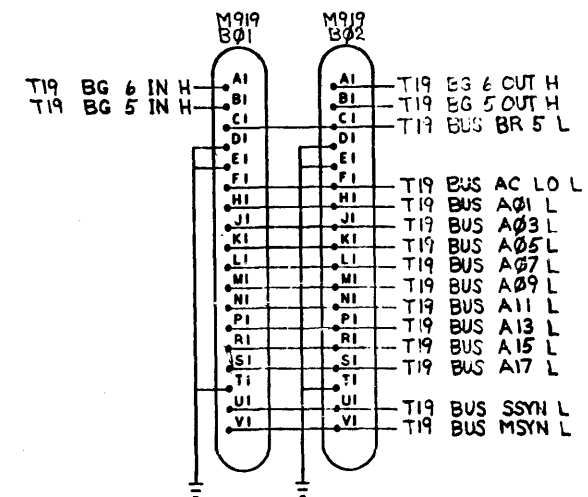
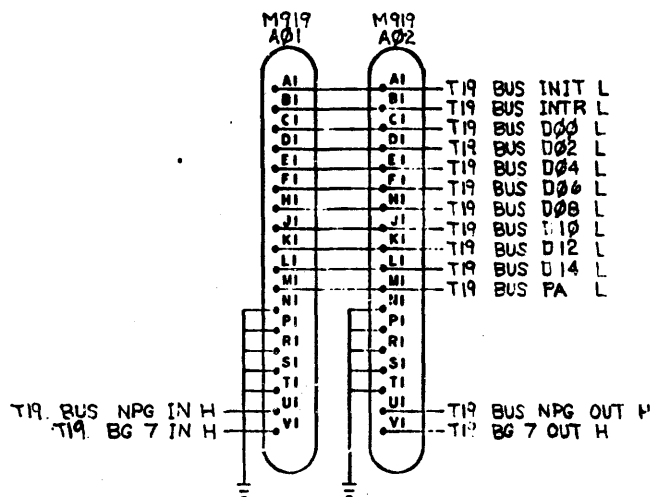
This drawing and specifications, herein, are the property of Digital Equipment Corporation and shall not be reproduced or copied or used in whole or in part as the basis for the manufacture or sale of items without written permission.

COPYRIGHT ©
DIGITAL EQUIPMENT CORPORATION.

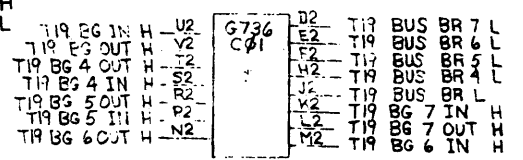
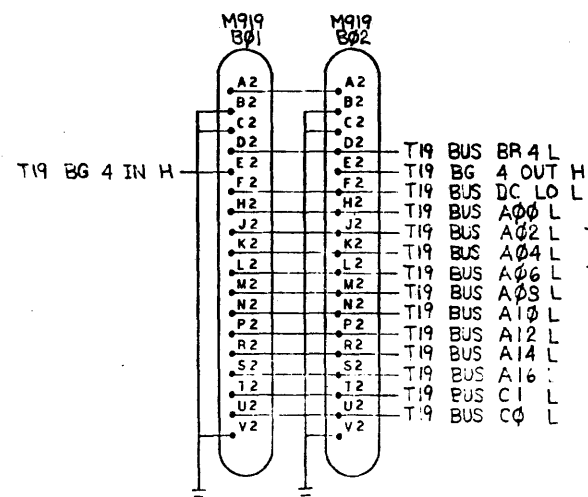
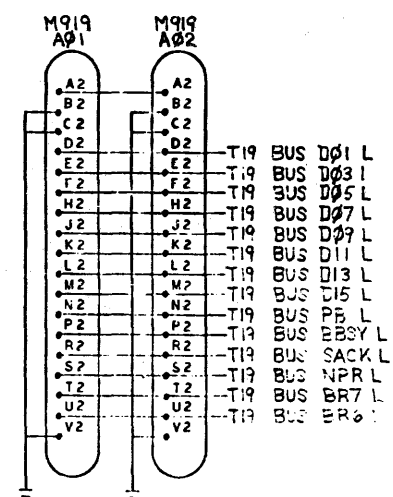


CHK'D. <i>CHL/CLB</i>	DATE <i>11-5-73</i>	digital EQUIPMENT CORPORATION <small>BAYFRONT, MASSACHUSETTS</small>	
CHK'D.	DATE	TITLE	
CHK'D.	DATE	MTT CABLES	
ENG. <i>R.H.D.</i>	DATE <i>1-18-73</i>	SIZE CODE	NUMBER
PROJ. ENG. <i>R.H.D.</i>	DATE <i>1-18-73</i>	C	IC TR79-F-T18
PROD. <i>St...</i>	DATE <i>1-22-73</i>	DIST.	REV.
FIRST USED ON PDP-11			
SCALE <i>NONE</i>	SHEET <i>2</i> OF <i>2</i>		

"THIS DRAWING AND SPECIFICATIONS HEREIN ARE THE PROPERTY OF DIGITAL EQUIPMENT CORPORATION AND SHALL NOT BE REPRODUCED OR COPIED OR USED IN WHOLE OR IN PART AS THE BASIS FOR THE MANUFACTURE OR SALE OF ITEMS WITHOUT WRITTEN PERMISSION. COPYRIGHT © 1973, DIGITAL EQUIPMENT CORPORATION"



NOTES:
THE UNIBUS CONNECTOR IS A DOUBLE HEIGHT MODULE.



* USE LEVEL 4 JUMPER

REVISIONS	REV. A	DATE	7/7/73
CHANGE NO.	TR79F-00001	BY	DUANE
CHK	Charles	DATE	7/7/73

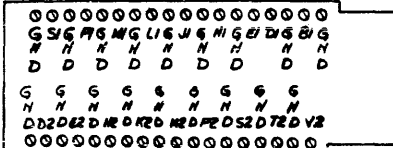
FIRST USED ON OPTION/MODEL	QTY.	DESCRIPTION	PART NO.	ITEM NO.
PDP-11				
UNLESS OTHERWISE SPECIFIED DIMENSION IN INCHES				
TOLERANCES				
DECIMALS	ANGLES			
.xxx = .005	±0° 30'			
.xx = .02				
.x = .1				
REMOVE BURRS AND BREAK SHARP CORNERS SURFACE QUALITY Y				
MATERIAL				
NEXT HIGHER ASSY.				
FINISH				
PARTS LIST				
DRN. ROBERT L. BARILONE	DATE 9-14-72			
CHK'D. RAIMONDI	DATE 1-17-73			
ENG. S.H. Duane	DATE 1-18-73			
PROJ. ENG. S.H. Duane	DATE 1-18-73			
MATERIAL		TITLE		
NEXT HIGHER ASSY.		UNIBUS CONNECTORS		
A-ML-TR79-F		SIZE CODE	NUMBER	REV.
SCALE NONE		C IC	TR79-F-T19	A
SHEET 1 OF 1		DIST.		

SIZE CODE C IC
 NUMBER TR79-F-T19
 REV. A

This drawing and specifications herein are the property of Digital Equipment Corporation and shall not be reproduced or copied or used in whole or in part without the consent of the manufacturer or sale of items without written permission.

COPYRIGHT © DIGITAL EQUIPMENT CORPORATION.

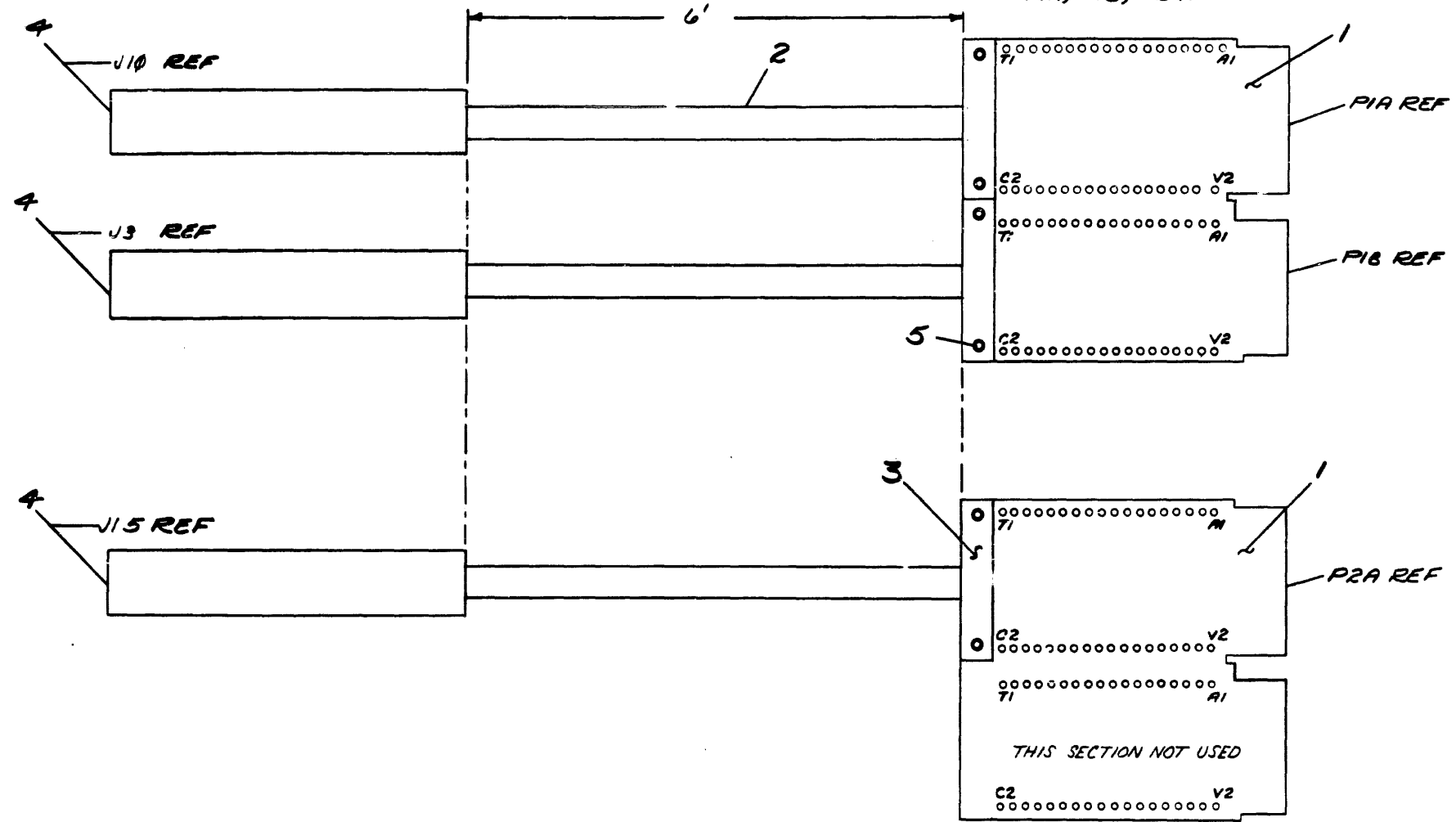
0-0-99160UZVT 2



NOTE:
 1. KEY POSITION FOR J3, J10, J15
 2. J10 BETWEEN 18 AND 19.
 3. J3 BETWEEN 5 AND 6.
 4. J15 BETWEEN 17 AND 18.



DETAIL A
 PIN CONFIGURATION FOR PIA, PIB, P2A.



QTY.	DESCRIPTION	PART NO.	ITEM NO.
6	FLAT FLANGE EYELET	9006733	5
3	CINCH CONNECTOR H.P. 1251-0335	+ +	4
3	CABLE CLAMP	1202790	3
36	COND. CABLE 24 AWG, 18 TWP.	9107760	2
2	CONNECTOR MODULE (M912)	M912	1

FIRST USED ON OPTION/MODEL		QTY.	DESCRIPTION	PART NO.	ITEM NO.
PDP-11					
UNLESS OTHERWISE SPECIFIED DIMENSION IN INCHES					
TOLERANCES					
DECIMALS	ANGLES	DATE			
XXX - .005	± 0° 30'	10-3-74			
XX - .010		DATE			
X - .015		1-17-75			
BURRS AND BREAK SHARP		DATE		TITLE	
2DIMP. 5 SURFACE QUALITY		1-18-75		MTT CABLE ASSY.	
MATERIAL:		NEXT HIGHER ASSY.		DATE	
+ +		C-UA-TR79-F-0		1-22-75	
FINISH		SCALE NONE		DATE	
+ +		SCALE NONE		1-22-75	
SHEET 1 OF 2		DIA		NUMBER	
		7009156-0-0		REV.	
				B	

REV.	DATE	BY	CHKD.
1	7/1/75	J. J. TR79	S. KOZLO
2	6-27-75	J. J. TR79	S. KOZLO
3	6-27-75	J. J. TR79	S. KOZLO
4	6-27-75	J. J. TR79	S. KOZLO
5	6-27-75	J. J. TR79	S. KOZLO
6	6-27-75	J. J. TR79	S. KOZLO
7	6-27-75	J. J. TR79	S. KOZLO
8	6-27-75	J. J. TR79	S. KOZLO
9	6-27-75	J. J. TR79	S. KOZLO
10	6-27-75	J. J. TR79	S. KOZLO

8 7 6 5 4 3 2 1

0-0-99 6004 2

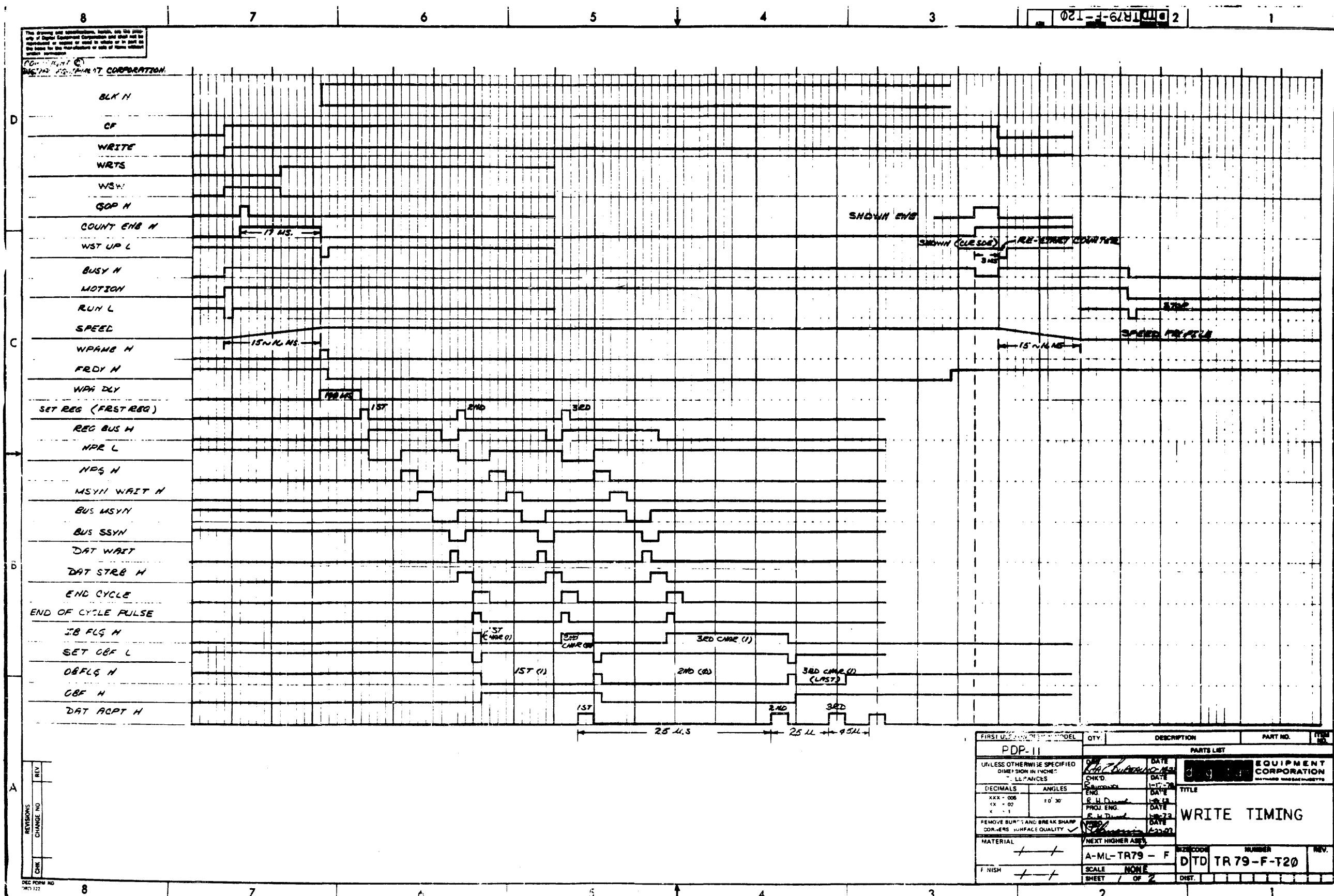
Copyright © 1977
DIGITAL EQUIPMENT CORPORATION.

WIRE TABLE

ITEM NO.	DESCRIPTION	FROM	TO	REMARKS	ITEM NO.	DESCRIPTION	FROM	TO	REMARKS	ITEM NO.	DESCRIPTION	FROM	TO	REMARKS						
2	24	RED	J10-F	PIA-B1	TWP	2	24	GRY	J10-AA	PIA-E2	TWP	2	24	RED	J15-K	P2A-D1	TWP			
		GRY	J10-G	PIA-GND	TWP			WHT	J10-23	PIA-GND	TWP			BRN	J15-9	P2A-GND	TWP			
		RED	J10-H	PIA-D1	TWP			BRN	J10-BB	PIA-D2	TWP			BLU	J15-L	P2A-E1	TWP			
		BRN	J10-7	PIA-GND	TWP			WHT	J10-24	PIA-GND	TWP			BLK	J15-10	P2A-GND	TWP			
		BLU	J10-K	PIA-E1	TWP			RED	J3-A	PIB-B1	TWP			ORN	J15-M	P2A-H1	TWP			
		BLK	J10-9	PIA-GND	TWP			GRY	J3-1	PIB-GND	TWP			BLK	J15-11	P2A-GND	TWP			
		ORN	J10-L	PIA-H1	TWP			RED	J3-B	PIB-D1	TWP			GRN	J15-N	P2A-J1	TWP			
		BLK	J10-10	PIA-GND	TWP			BRN	J3-2	PIB-GND	TWP			BLK	J15-12	P2A-GND	TWP			
		GRN	J10-M	PIA-J1	TWP			BLU	J3-C	PIB-E1	TWP			BRN	J15-P	P2A-L1	TWP			
		BLK	J10-11	PIA-GND	TWP			BLK	J3-3	PIB-GND	TWP			BLK	J15-13	P2A-GND	TWP			
		BRN	J10-N	PIA-L1	TWP			ORN	J3-D	PIB-H1	TWP			GRN	J15-R	P2A-M1	TWP			
		BLK	J10-12	PIA-GND	TWP			BLK	J3-4	PIB-GND	TWP			WHT	J15-S	P2A-GND	TWP			
		GRN	J10-P	PIA-M1	TWP			GRY	J3-E	PIB-J1	TWP			ORN	J15-5	P2A-P1	TWP			
		WHT	J10-13	PIA-GND	TWP			BLK	J3-5	PIB-GND	TWP			WHT	J15-15	P2A-GND	TWP			
		ORN	J10-R	PIA-P1	TWP			BRN	J3-F	PIB-L1	TWP			RED	J15-T	P2A-V2	TWP			
		WHT	J10-14	PIA-GND	TWP			BLK	J3-6	PIB-GND	TWP			ORN	J15-16	P2A-GND	TWP			
		GRY	J10-5	PIA-S1	TWP			GRN	J3-P	PIB-M1	TWP			RED	J15-U	P2A-T2	TWP			
		BLK	J10-15	PIA-GND	TWP			WHT	J3-13	PIB-GND	TWP			GRN	J15-17	P2A-GND	TWP			
		RED	J10-T	PIA-V2	TWP			RED	J3-R	PIB-V2	TWP			GRN	J15-V	P2A-S2	TWP			
		ORN	J10-16	PIA-GND	TWP			ORN	J3-14	PIB-GND	TWP			YEL	J15-18	P2A-GND	TWP			
		RED	J10-U	PIA-T2	TWP			RED	J3-5	PIB-T2	TWP			ORN	J15-X	P2A-P2	TWP			
		GRN	J10-17	PIA-GND	TWP			GRN	J3-15	PIB-GND	TWP			YEL	J15-20	P2A-GND	TWP			
		GRN	J10-V	PIA-S2	TWP			GRN	J3-7	PIB-S2	TWP			BLU	J15-21	P2A-GND	TWP			
		YEL	J10-18	PIA-GND	TWP			YEL	J3-16	PIB-GND	TWP			RED	J15-Z	P2A-K2	TWP			
		ORN	J10-W	PIA-P2	TWP			ORN	J3-U	PIB-P2	TWP			BLU	J15-22	P2A-GND	TWP			
		YEL	J10-19	PIA-GND	TWP			YEL	J3-17	PIB-GND	TWP			BLU	J15-AA	P2A-H2	TWP			
		YEL	J10-X	PIA-M2	TWP			YEL	J3-V	PIB-M2	TWP			WHT	J15-23	P2A-GND	TWP			
		BLU	J10-20	PIA-GND	TWP			BLU	J3-18	PIB-GND	TWP			GRY	J15-BB	P2A-E2	TWP			
		RED	J10-Y	PIA-K2	TWP			BLU	J3-19	PIB-GND	TWP			2	24	WHT	J15-29	P2A-GND	TWP	
		BLU	J10-21	PIA-GND	TWP			RED	J15-J	P2A-B1	TWP									
		BLU	J10-Z	PIA-H2	TWP			GRY	J15-8	P2A-GND	TWP									
		2	24	WHT	J10-22	PIA-GND	TWP		BLU	J3-N	PIB-P1	TWP								
									WHT	J3-12	PIB-GND	TWP								
									GRY	J3-M	PIB-E2	TWP								
									WHT	J3-11	PIB-GND	TWP								
									BRN	J3-L	PIB-H2	TWP								
									2	24	WHT	J3-10	PIB-GND	TWP						

REV
CHANGE NO

FIRST USE	QTY	DESCRIPTION	PART NO	ITEM NO
PDP				
UNLESS OTHERWISE SPECIFIED		PARTS LIST		
TOLERANCES	DATE	digital EQUIPMENT CORPORATION		
DECIMALS	12-1-72	TITLE		
ANGLES	DATE	MTT CABLE ASSY		
XXX 005	1-17-73	DATE		
X 1	1-17-73	DATE		
REMOVE ROUNDS AND BREAK SHARP CORNERS SURFACE QUALITY	1-17-73	DATE		
MATERIAL	NEXT HIGHER ASSY	SCALE		
+	C-UA-TR79-F-0	SCALE NONE		
FINISH		SHEET 2 OF 2		
		DIST		



The drawing and specifications herein are the property of Digital Equipment Corporation and shall not be reproduced or used in whole or in part in any form without the written permission of Digital Equipment Corporation.

DIGITAL EQUIPMENT CORPORATION

WCOF H

EODAT H

EOB H

WRITE PERIPHERAL TIME

WRITE PERIPHERAL TIME

FIRST USED ON OPTION/MODEL	QTY.	DESCRIPTION	PART NO.
PDP-11			
PARTS LIST			
UNLESS OTHERWISE SPECIFIED DIMENSION IN INCHES	DATE	DIGITAL EQUIPMENT CORPORATION	
TOLERANCES	CHK'D.	TITLE	
DECIMALS	ENG.	WRITE TIMING	
ANGLES	PROJ. ENG.	D/TD TR79-F-T20	
XXX - 008		SCALE NONE	
XX - 02		SHEET 2 OF 2	
✓ -		DWT.	
REMOVE BURRS AND BREAK SHARP CORNERS SURFACE QUALITY			
MATERIAL			
FINISH			

REV.	NO.	DATE

PDP-11-TR79-F-T20

This drawing and specifications, herein, are the property of Digital Equipment Corporation and shall not be reproduced or copied or used in whole or in part as the basis for the manufacture or sale of items without written permission.

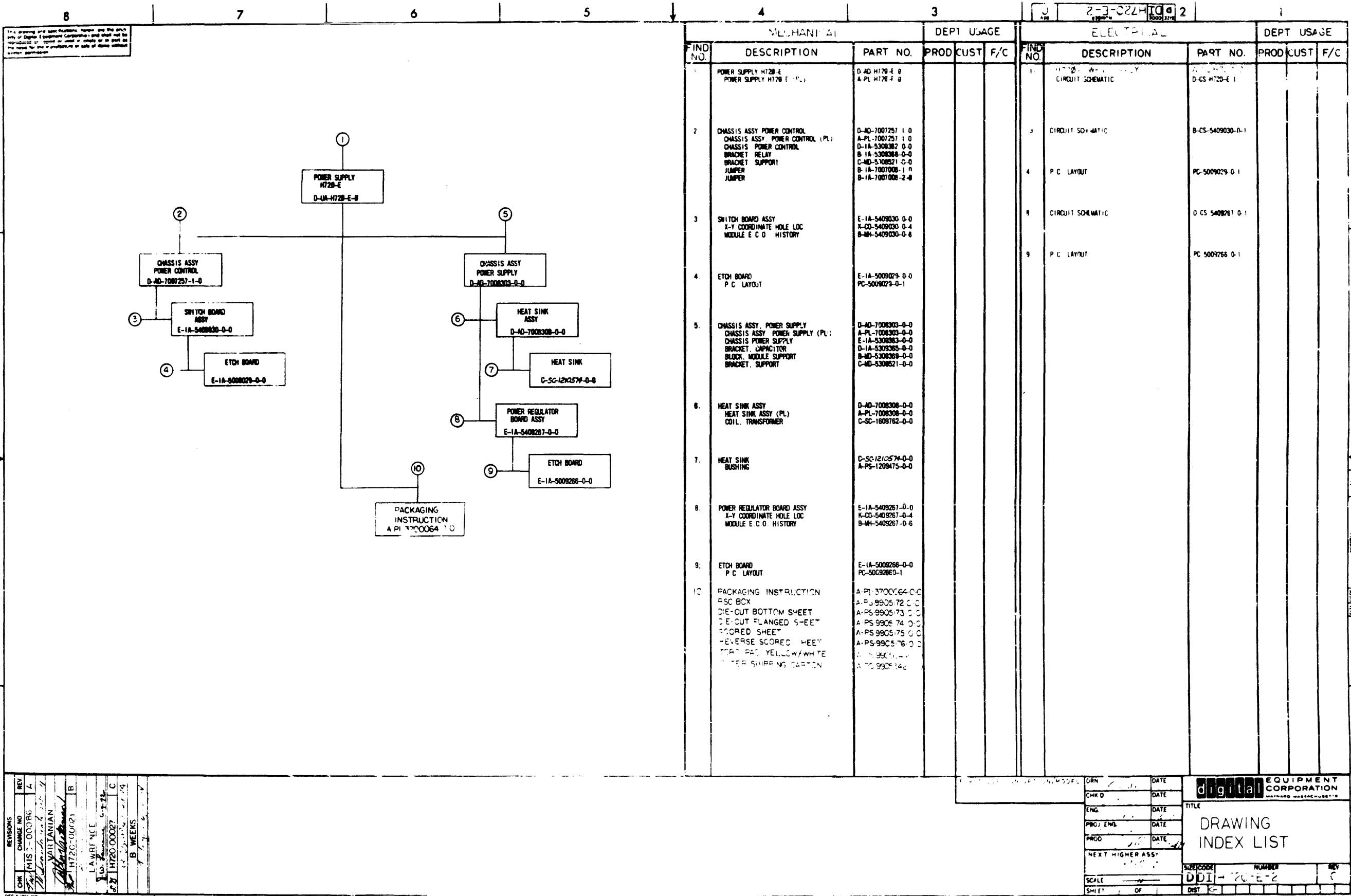
COPYRIGHT © 1973
DIGITAL EQUIPMENT CORPORATION.

REV. C
NUMBER
K WL TR79-F-T21
SIZE CODE
2

REV.	CHANGE NO.	CHK	DATE
A	TR79F-0001	J. Charton	6-27-73
B	TR79F-00002	R. Duane	7/9/73
C	TR79F-00003	S. Koziol	10-15-74
		S. Koziol	10-17-74
		S. Manders	3-5-75
		S. Koziol	3/19/75

FIRST USED ON OPTION/MODEL	QTY.	DESCRIPTION	PART NO.	ITEM NO.
PDP-11				
PARTS LIST				
DRN. <i>KITAC, BUREAU</i> CHK'D. <i>Raymond</i> ENG. <i>R. H. Duane</i> PROJ. ENG. <i>R. H. Duane</i> PROD. <i>Stebbins</i> NEXT HIGHER ASSEMBLY		DATE <i>10-5-72</i> DATE <i>1-17-73</i> DATE <i>1-18-73</i> DATE <i>1-18-73</i> DATE <i>1-22-73</i>	digital EQUIPMENT CORPORATION MAYNARD, MASSACHUSETTS	
D-AD-7009104-0-0		TITLE WIRE LIST (H7970 ETCU TO PDP-11 INTERFACE)		
SCALE <i>NONE</i>	SHEET <i>1</i> OF <i>1</i>	SIZE CODE K WL	NUMBER TR79-F-T21	REV. C
DIST.				

DESIGN FORM NO. DR-3 109



MECHANICAL				ELECTRICAL			
FIND NO.	DESCRIPTION	PART NO.	DEPT USAGE	FIND NO.	DESCRIPTION	PART NO.	DEPT USAGE
1	POWER SUPPLY H720-E POWER SUPPLY H720 E (PL)	D-AD-H720-E-0 A-PL-H720-E-0		1	H720-E W/... CIRCUIT SCHEMATIC	D-CS-H720-E-1	
2	CHASSIS ASSY POWER CONTROL CHASSIS ASSY POWER CONTROL (PL) CHASSIS POWER CONTROL BRACKET RELAY BRACKET SUPPORT JUMPER	D-AD-7007257-1-0 A-PL-7007257-1-0 D-1A-5308382-0-0 B-1A-5308388-0-0 C-AD-5308321-0-0 B-1A-7007008-1-0 B-1A-7007008-2-0		3	CIRCUIT SCHEMATIC	B-CS-5409030-0-1	
3	SWITCH BOARD ASSY X-Y COORDINATE HOLE LOC MODULE E.C.D. HISTORY	E-1A-5408030-0-0 X-CO-5409030-0-4 B-MH-5409030-0-8		4	P.C. LAYOUT	PC-5009029-0-1	
4	ETCH BOARD P.C. LAYOUT	E-1A-5009029-0-0 PC-5009029-0-1		8	CIRCUIT SCHEMATIC	D-CS-5408267-0-1	
5	CHASSIS ASSY POWER SUPPLY CHASSIS ASSY POWER SUPPLY (PL) CHASSIS POWER SUPPLY BRACKET CAPACITOR BLOCK, MODULE SUPPORT BRACKET, SUPPORT	D-AD-7008303-0-0 A-PL-7008303-0-0 E-1A-5308383-0-0 D-1A-5308385-0-0 B-AD-5308389-0-0 C-AD-5308321-0-0		9	P.C. LAYOUT	PC-5009286-0-1	
6	HEAT SINK ASSY HEAT SINK ASSY (PL) COIL, TRANSFORMER	D-AD-7008308-0-0 A-PL-7008308-0-0 C-SC-1809762-0-0					
7	HEAT SINK BUSHING	C-SC-1210574-0-0 A-PS-1209475-0-0					
8	POWER REGULATOR BOARD ASSY X-Y COORDINATE HOLE LOC MODULE E.C.D. HISTORY	E-1A-5408287-0-0 X-CO-5409267-0-4 B-MH-5409267-0-6					
9	ETCH BOARD P.C. LAYOUT	E-1A-5009286-0-0 PC-5009286-0-1					
10	PACKAGING INSTRUCTION PSC BOX DIE-CUT BOTTOM SHEET DIE-CUT FLANGED SHEET SCORED SHEET REVERSE SCORED SHEET TOP PAD YELLOW/WHITE PAPER SHIPPING CARTON	A-PI-3700064-1-0 A-PS-990572-0-0 A-PS-990573-0-0 A-PS-990574-0-0 A-PS-990575-0-0 A-PS-990576-0-0 A-PS-990577-0-0 A-PS-990578-0-0					

REV	NO	DATE	BY	CHKD
A	1	10/1/72	W. J. ...	
B	2	10/1/72	W. J. ...	
C	3	10/1/72	W. J. ...	

DRN	DATE	CHKD	DATE	ENG.	DATE	PROJ. ENGR.	DATE	PROD.	DATE	NEXT HIGHER ASSY	SCALE	SHEET	OF

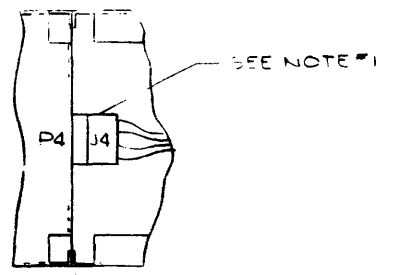
digital EQUIPMENT CORPORATION
MAYNARD MASSACHUSETTS

TITLE
DRAWING INDEX LIST

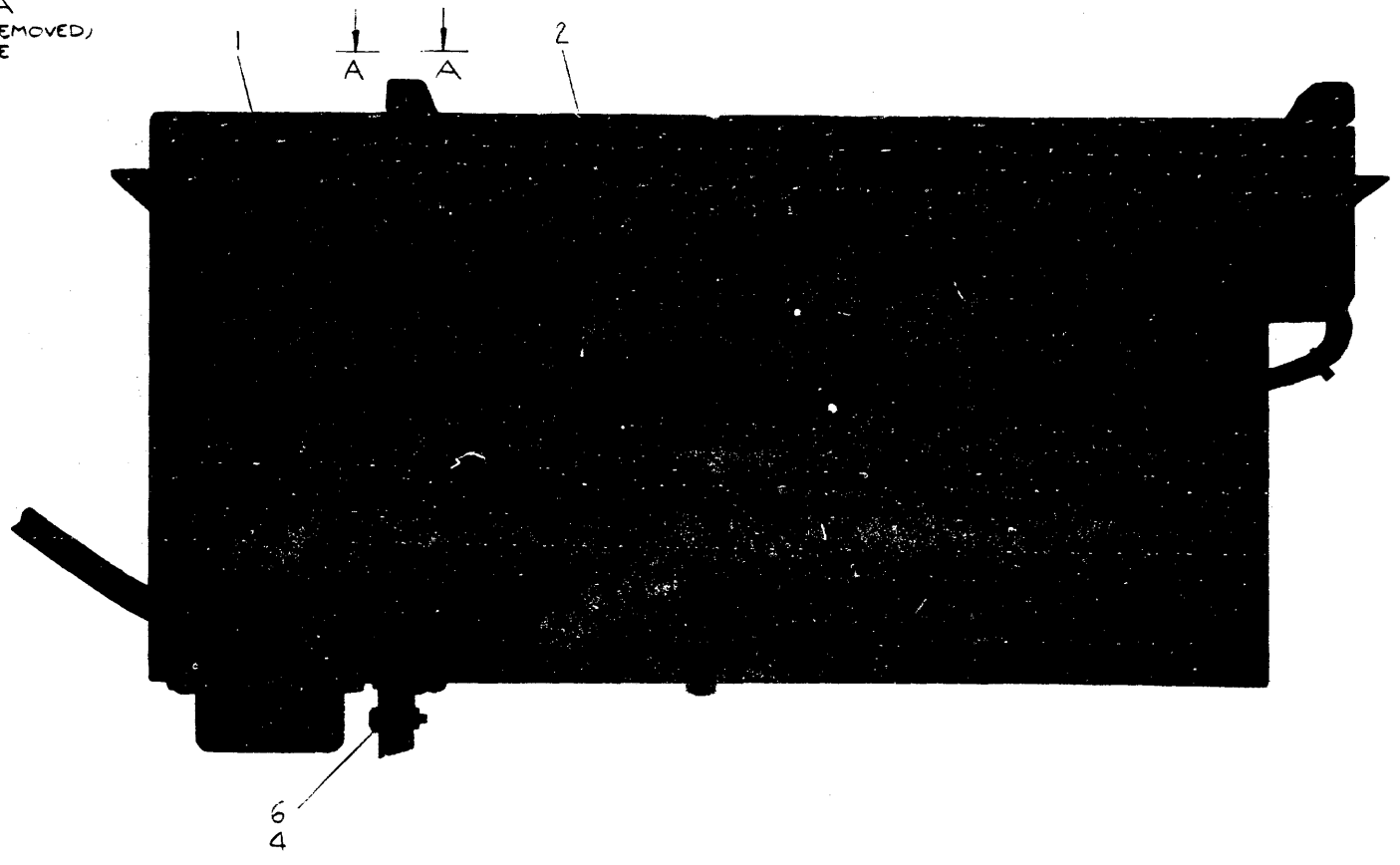
REV
C

This drawing and specifications herein are the property of Digital Equipment Corporation and shall not be reproduced or copied or used in whole or in part as the basis for the manufacture or sale of items without written permission.

- NOTES:
- CONNECTORS MARKED J4 OR P4 ARE TO BE CONNECTED BEFORE ASSEMBLING ITEM #1 TO ITEM #2.
 - FOR DWG INDEX LIST REFER TO DWG D-DI-H720-E-2.



VIEW A-A
(WITH COVER REMOVED)
SCALE: NONE



REV.	CHANGE NO.	DATE	BY	CHKD.
1	1	1/20/71	LAWRENCE	
2	1	5-23-74	B. WEEKS	
3	1	11/7/76	A. EAGON	

FIRST USED ON OPTION/MODEL

DO NOT SCALE DRAWING
UNLESS OTHERWISE SPECIFIED
DIMENSION IN INCHES
TOLERANCES
DECIMALS FRACTIONS ANGLES
± .005 ± .004 ± .002
FINAL SURFACE QUALITY
REMOVE BURRS AND BREAK SHARP CORNERS

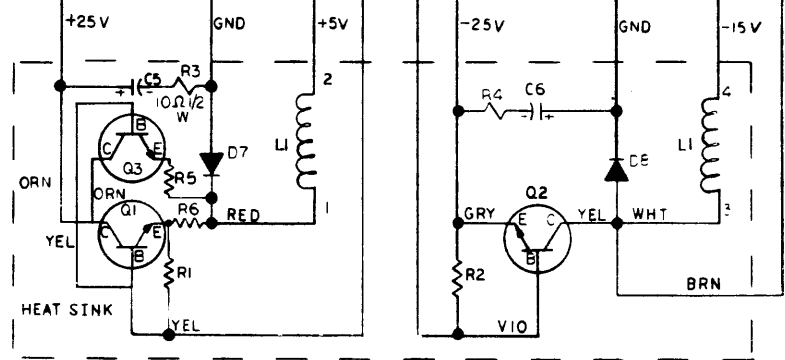
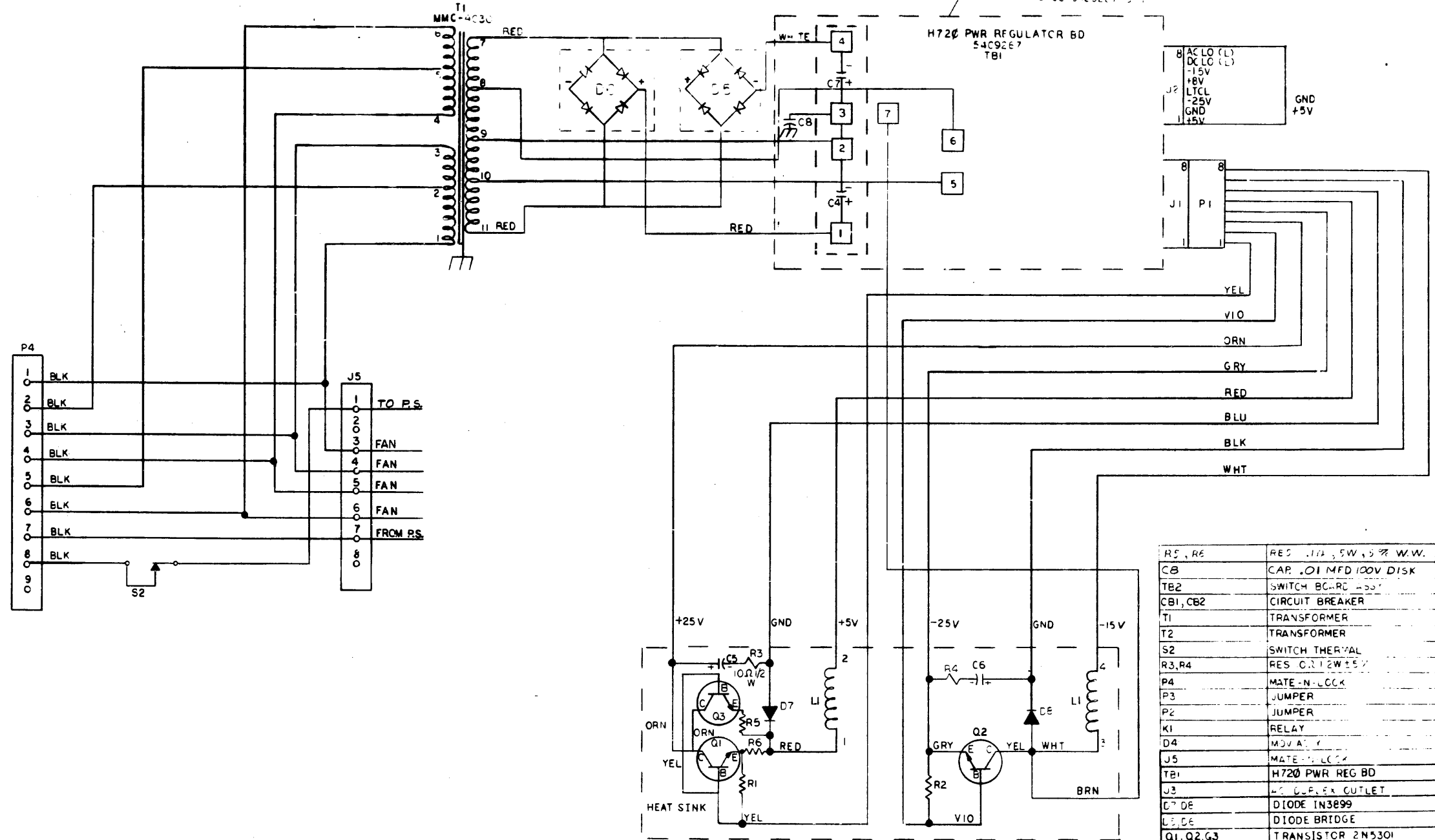
DRN. *W. Parker* DATE *1/23/71*
CHKD. *J.P. Quinn* DATE *1/23/71*
ENGR. *R.B. Coe* DATE *1/23/71*
PROD. *W. Call* DATE *1/23/71*

QTY.	DESCRIPTION	PART NO.	ITEM NO.
	PARTS LIST		
	EQUIPMENT CORPORATION MAYFIELD, MASSACHUSETTS		
	TITLE POWER SUPPLY H720-E		
	NEXT HIGHER ASSY A-M-H-100-E		
	SCALE DUAH720-E-0		
	SHEET 1 OF 1		

DIGITAL EQUIPMENT CORPORATION MAYNARD, MASSACHUSETTS PARTS LIST					QUANTITY / VARIATION															
MADE BY G. FLANDERS		CHECKED J. FLEMING		SECTION																
DATE 4/28/71		DATE 5/8/71		1																
ENG <i>CK Blaw</i>		PROD <i>W. Cull</i>		ISSUED SECT.																
DATE 5/25/71		DATE 5/26/71		1																
ITEM NO.	DWG NO. / PART NO.	DESCRIPTION																		
1	D-AD-7007257-1-0	CHASSIS ASSY, POWER CONTROL			1															
2	D-AD-7008303-0-0	CHASSIS ASSY, POWER SUPPLY			1															
3	9006033-1	SCR PHL HD PAN #8-32 X 5/16 SST			4															
4	9006634	WASHER INT TOOTH #8			4															
5	A-PI-3700064-0-0	H720-E,-F POWER SUPPLY PACKAGE			1															
6	9006037-1	SCR PHL HD PAN #8-32 X 3/8			4															
REF	D-CS-H720-E-1	CIRCUIT SCHEMATIC																		
TITLE POWER SUPPLY H720-E		ASSY NO. D-NA-H720-E-0		SIZE A	CODE PL	NUMBER H720-E-0		REV. C	ECO NO. H720E-0003											
		SHEET 1 OF 1		DIST.																

THIS SCHEMATIC IS FURNISHED ONLY FOR TEST AND MAINTENANCE PURPOSES. THE CIRCUITS ARE PROPRIETARY IN NATURE AND SHOULD BE TREATED ACCORDINGLY. COPYRIGHT 1971 BY BENTON ELECTRONIC CORPORATION

FOR CIRCUIT SCHEMATIC SEE DWG D-CS-5409267-01



R5, R6	RES 1/4W 5% W.W.	110972
C8	CAP .01 MFD 100V DISK	1001610
TB2	SWITCH BC-RC 450V	5404030
CB1, CB2	CIRCUIT BREAKER	1210191-0
T1	TRANSFORMER	1610284
T2	TRANSFORMER	1610150-0
S2	SWITCH THERMAL	210159
R3, R4	RES 1/2W 5% W.W.	1302558
P4	MATE-N-LOCK	1205351-09
P2	JUMPER	1007006-1
P1	JUMPER	1007006-2
K1	RELAY	1210277
D4	DIODE	1109781
J5	MATE-N-LOCK	1205351-09
TBI	H720 PWR REG BD	5409267
J3	AC POWER OUTLET	1205351
D7, D8	DIODE IN3899	1109781
D3, D6	DIODE BRIDGE	1109781
Q1, Q2, Q3	TRANSISTOR 2N5301	1509730
R1, R2	RES 270W 5% CC	1302558
C5, C6	CAP 1MFD 150V	1000063
C1, C2	CAP 22000 MFD 50V	1009189
C3, C4	CAP 2X 1MFD 1000V	1002153
P1	CONNECTOR 1A80460-0	120934001
L4	INDUCTOR	1609762
L1	TRANSFORMER COIL	1609762
REF DESIGNATION		DESCRIPTION

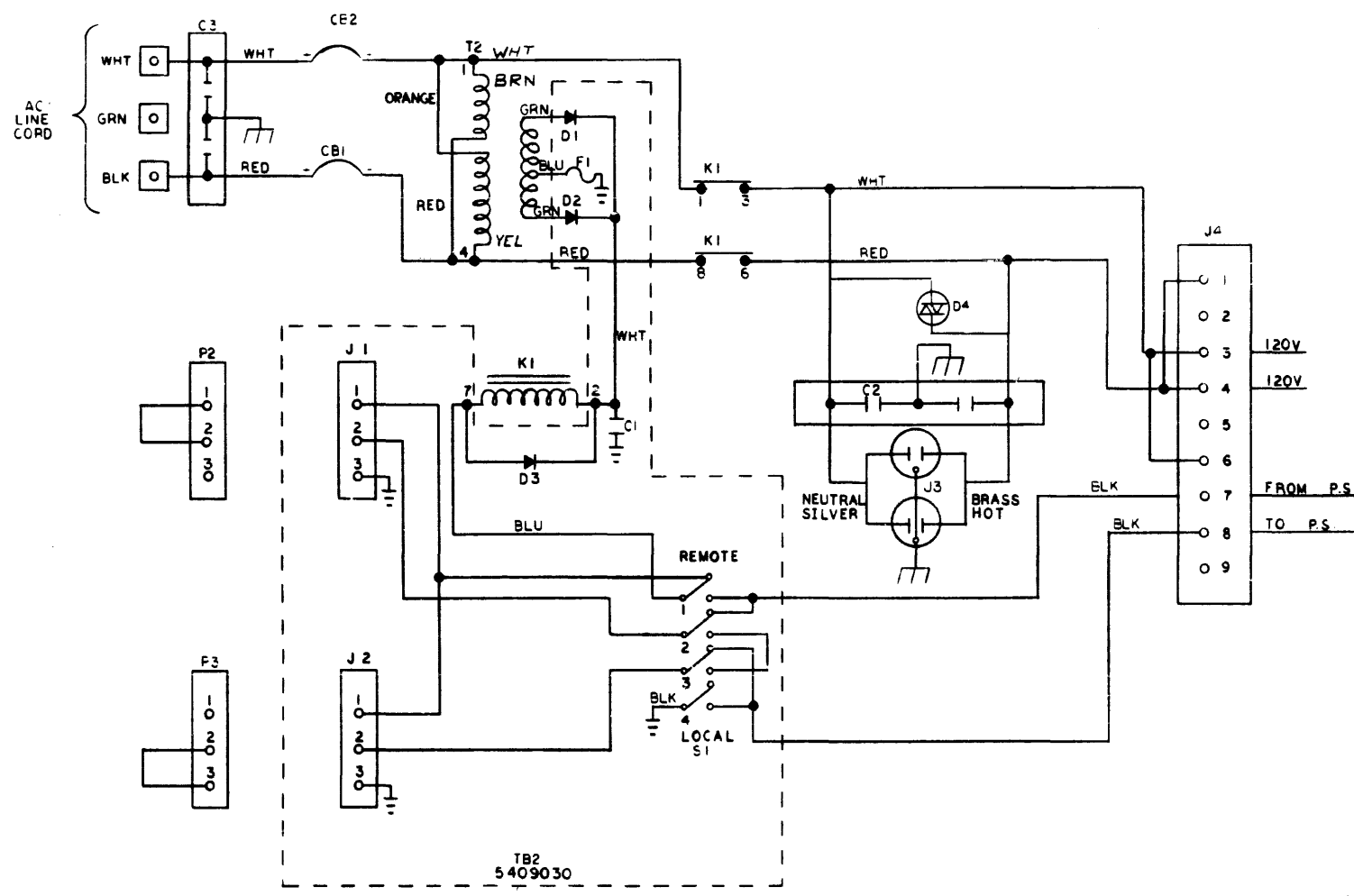
SHEET 1 OF 2

REV	DATE	BY	CHK	APP	DESCRIPTION
1	11/20/71
2	11/23/71

EQUIPMENT CORPORATION		POWER SUPPLY H720-E	
D CS H720-E-1		REV 1	

THIS SCHEMATIC IS FURNISHED ONLY FOR TEST AND MAINTENANCE PURPOSES. THE CIRCUITS ARE PROPRIETARY IN NATURE AND SHOULD BE TREATED ACCORDINGLY. COPYRIGHT © 1971 BY METAL EQUIPMENT CORPORATION.

53 0
100 103

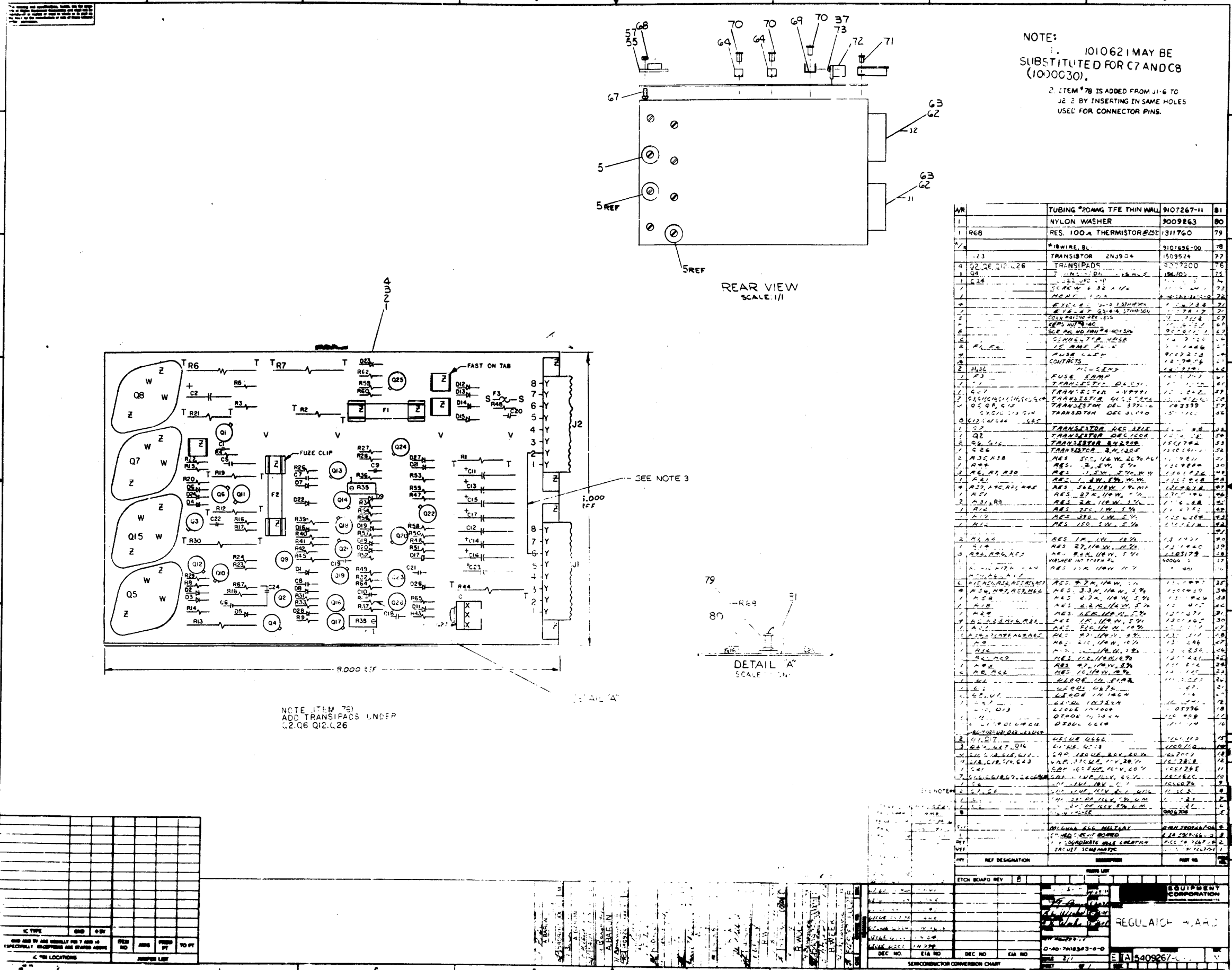


FOR CIRCUIT SCHEMATIC
SEE DWG # B-CS-5409030-0-1

NOTES:
J4 SHOWN WIRED FOR 117 V INPUT;
FOR 102 V INPUT TAKE JUMPER FROM
J4-1 AND INSERT IT IN J4-2 AND
TAKE JUMPER FROM J4-6 AND INSERT
IT IN J4-5.

SHEET 2 OF 2

REVISIONS DATE BY	DATE	BY	TRANSISTOR & DIODE CONVERSION CHART	DATE	BY	POWER SUPPLY H720-E
	DEC	EA	DEC	EA	EA	EA
EQUIPMENT CORPORATION			EQUIPMENT CORPORATION			DATE
HARTFORD, CONNECTICUT			HARTFORD, CONNECTICUT			BY
PRINTED CIRCUIT BOARD			PRINTED CIRCUIT BOARD			NO.



NOTE:
1. 1010621 MAY BE
SUBSTITUTED FOR C7 AND C8
(1030030).
2. ITEM #78 IS ADDED FROM J1-6 TO
J2-2 BY INSERTING IN SAME HOLES
USED FOR CONNECTOR PINS.

NOTE ITEM 78
ADD TRANSIPADS UNDER
Q2, Q6, Q12, C26

SEE NOTE 3

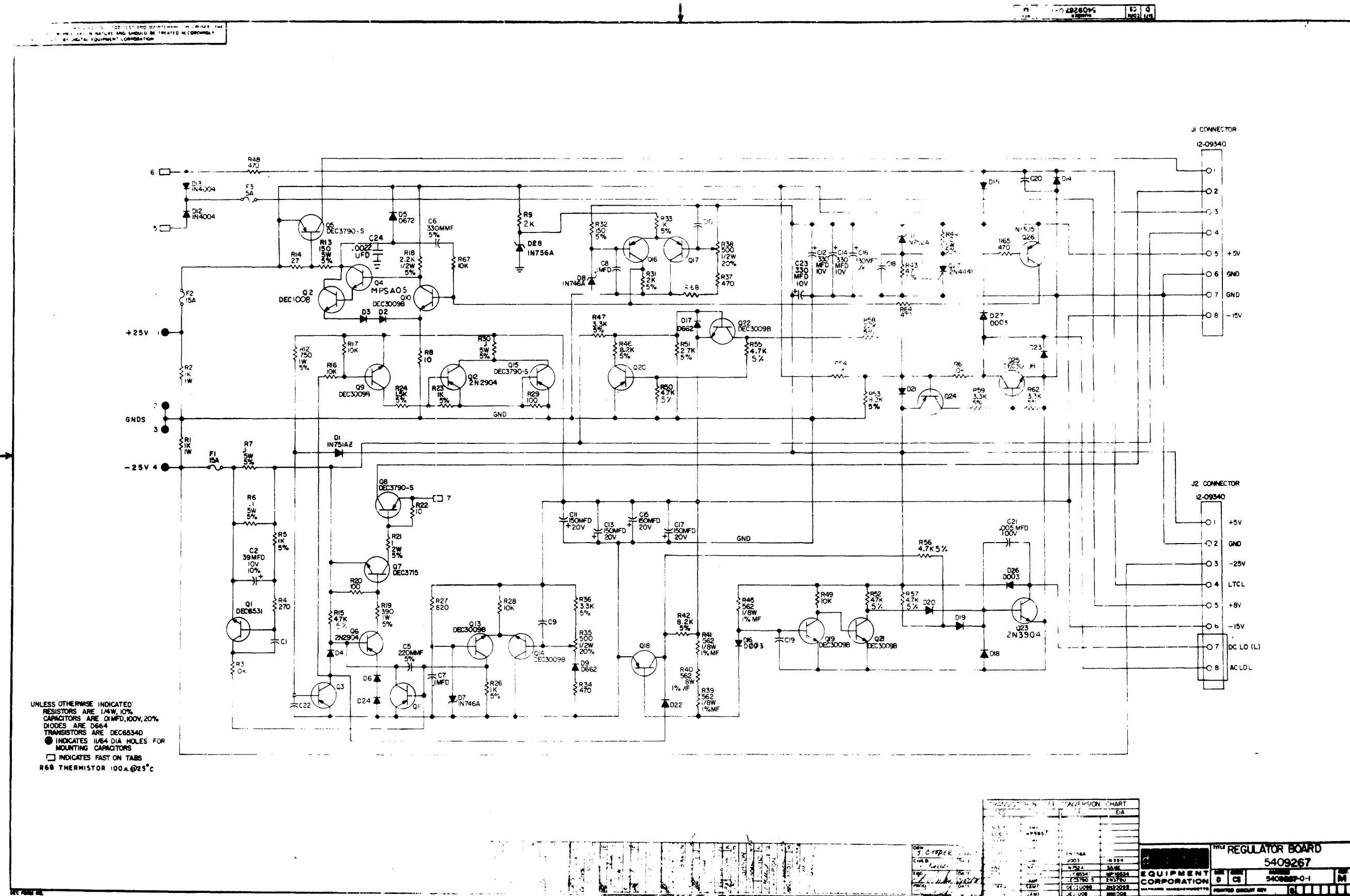
IC TYPE	QIB	Q-97	REV NO	ANG	FRONT PT	TO PT

REF	DESIGNATION	DESCRIPTION	QTY
1	R68	RES. 100 OHM THERMISTOR	1
2	J1-6	CONNECTOR	1
2	J2-2	CONNECTOR	1
3	Q1	TRANSISTOR	1
3	Q2	TRANSISTOR	1
3	Q3	TRANSISTOR	1
3	Q4	TRANSISTOR	1
3	Q5	TRANSISTOR	1
3	Q6	TRANSISTOR	1
3	Q7	TRANSISTOR	1
3	Q8	TRANSISTOR	1
3	Q9	TRANSISTOR	1
3	Q10	TRANSISTOR	1
3	Q11	TRANSISTOR	1
3	Q12	TRANSISTOR	1
3	Q13	TRANSISTOR	1
3	Q14	TRANSISTOR	1
3	Q15	TRANSISTOR	1
3	Q16	TRANSISTOR	1
3	Q17	TRANSISTOR	1
3	Q18	TRANSISTOR	1
3	Q19	TRANSISTOR	1
3	Q20	TRANSISTOR	1
3	Q21	TRANSISTOR	1
3	Q22	TRANSISTOR	1
3	Q23	TRANSISTOR	1
3	Q24	TRANSISTOR	1
3	Q25	TRANSISTOR	1
3	Q26	TRANSISTOR	1
3	Q27	TRANSISTOR	1
3	Q28	TRANSISTOR	1
3	Q29	TRANSISTOR	1
3	Q30	TRANSISTOR	1
3	Q31	TRANSISTOR	1
3	Q32	TRANSISTOR	1
3	Q33	TRANSISTOR	1
3	Q34	TRANSISTOR	1
3	Q35	TRANSISTOR	1
3	Q36	TRANSISTOR	1
3	Q37	TRANSISTOR	1
3	Q38	TRANSISTOR	1
3	Q39	TRANSISTOR	1
3	Q40	TRANSISTOR	1
3	Q41	TRANSISTOR	1
3	Q42	TRANSISTOR	1
3	Q43	TRANSISTOR	1
3	Q44	TRANSISTOR	1
3	Q45	TRANSISTOR	1
3	Q46	TRANSISTOR	1
3	Q47	TRANSISTOR	1
3	Q48	TRANSISTOR	1
3	Q49	TRANSISTOR	1
3	Q50	TRANSISTOR	1
3	Q51	TRANSISTOR	1
3	Q52	TRANSISTOR	1
3	Q53	TRANSISTOR	1
3	Q54	TRANSISTOR	1
3	Q55	TRANSISTOR	1
3	Q56	TRANSISTOR	1
3	Q57	TRANSISTOR	1
3	Q58	TRANSISTOR	1
3	Q59	TRANSISTOR	1
3	Q60	TRANSISTOR	1
3	Q61	TRANSISTOR	1
3	Q62	TRANSISTOR	1
3	Q63	TRANSISTOR	1
3	Q64	TRANSISTOR	1
3	Q65	TRANSISTOR	1
3	Q66	TRANSISTOR	1
3	Q67	TRANSISTOR	1
3	Q68	TRANSISTOR	1
3	Q69	TRANSISTOR	1
3	Q70	TRANSISTOR	1
3	Q71	TRANSISTOR	1
3	Q72	TRANSISTOR	1
3	Q73	TRANSISTOR	1
3	Q74	TRANSISTOR	1
3	Q75	TRANSISTOR	1
3	Q76	TRANSISTOR	1
3	Q77	TRANSISTOR	1
3	Q78	TRANSISTOR	1
3	Q79	TRANSISTOR	1
3	Q80	TRANSISTOR	1
3	Q81	TRANSISTOR	1
3	Q82	TRANSISTOR	1
3	Q83	TRANSISTOR	1
3	Q84	TRANSISTOR	1
3	Q85	TRANSISTOR	1
3	Q86	TRANSISTOR	1
3	Q87	TRANSISTOR	1
3	Q88	TRANSISTOR	1
3	Q89	TRANSISTOR	1
3	Q90	TRANSISTOR	1
3	Q91	TRANSISTOR	1
3	Q92	TRANSISTOR	1
3	Q93	TRANSISTOR	1
3	Q94	TRANSISTOR	1
3	Q95	TRANSISTOR	1
3	Q96	TRANSISTOR	1
3	Q97	TRANSISTOR	1
3	Q98	TRANSISTOR	1
3	Q99	TRANSISTOR	1
3	Q100	TRANSISTOR	1

REGULATOR BOARD

REVISION HISTORY

REV	DESCRIPTION	DATE
1



UNLESS OTHERWISE INDICATED:
 RESISTORS ARE 1/4W, 10%
 CAPACITORS ARE 0.1MFD, 100V, 20%
 DIODES ARE D664
 TRANSISTORS ARE DEC6534D
 ● INDICATES 1/16" DIA HOLES FOR MOUNTING CAPACITORS
 □ INDICATES FAST ON TABS
 R68 THERMISTOR 100A @ 23°C

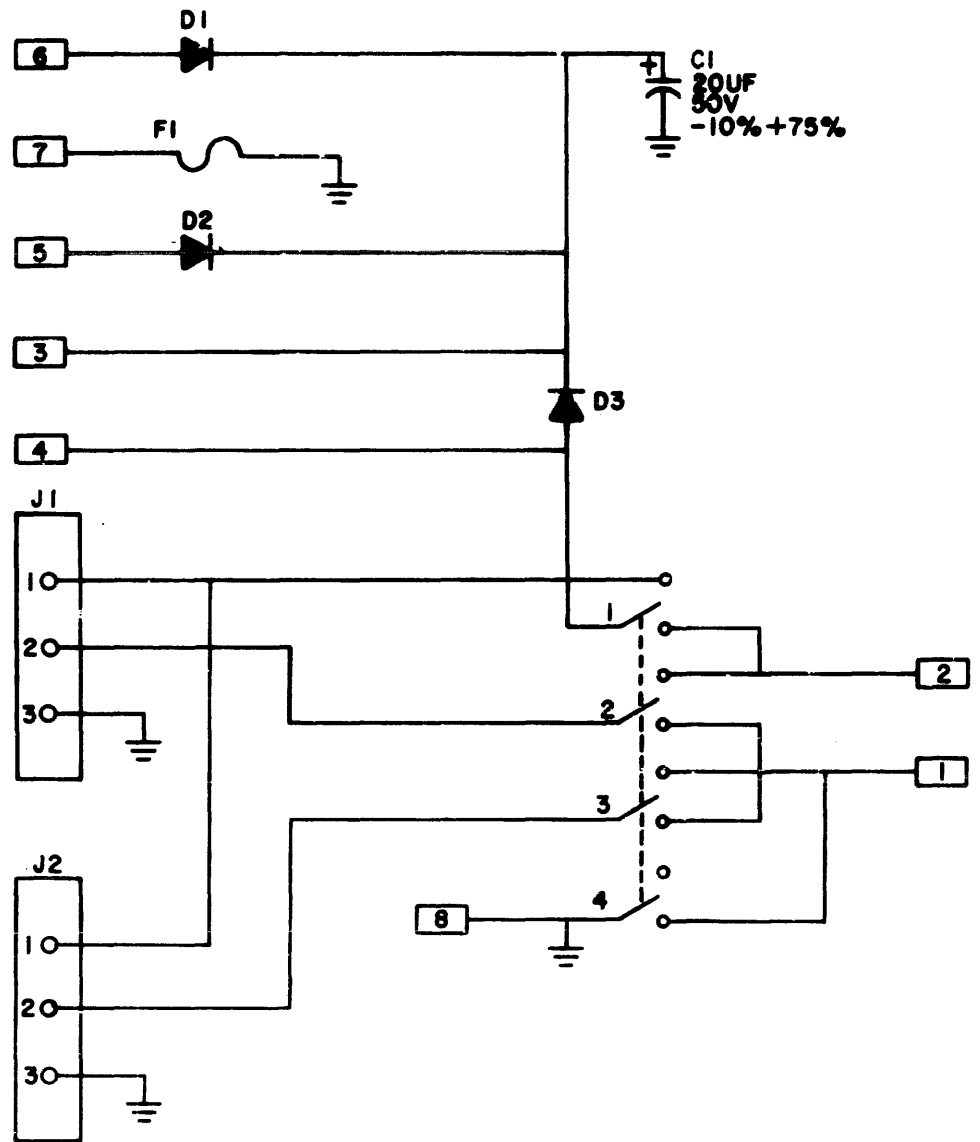
EQUIPMENT		REVISION CHART	
REV	DESCRIPTION	REV	DESCRIPTION
1	INITIAL	1	INITIAL
2	...	2	...
3	...	3	...
4	...	4	...
5	...	5	...
6	...	6	...
7	...	7	...
8	...	8	...
9	...	9	...
10	...	10	...

REGULATOR BOARD
 5409267
 EQUIPMENT CORPORATION
 5409267-0-1
 PRINTED CIRCUIT REV 10

058

PINK

THIS SCHEMATIC IS FURNISHED ONLY FOR TEST AND MAINTENANCE PURPOSES. THE CIRCUITS ARE PROPRIETARY IN NATURE AND SHOULD BE TREATED ACCORDINGLY. COPYRIGHT 1971 BY DIGITAL EQUIPMENT CORPORATION



UNLESS OTHERWISE INDICATED:
 DIODES ARE 1N4001
 F1 = 0.2 AMP (3AG) FUSE
 CONNECTORS ARE 12-09379-01
 □ = FASTON TABS

REVISIONS	CHK	CHG	NO	REV

DRN	S. Cooper	DATE	3/10/71
CHK'D	R. Walden	DATE	3/17/71
ENG	J. P. ...	DATE	
PROJ		DATE	

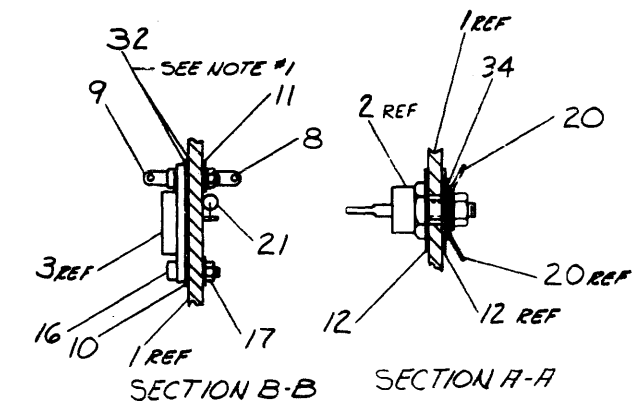
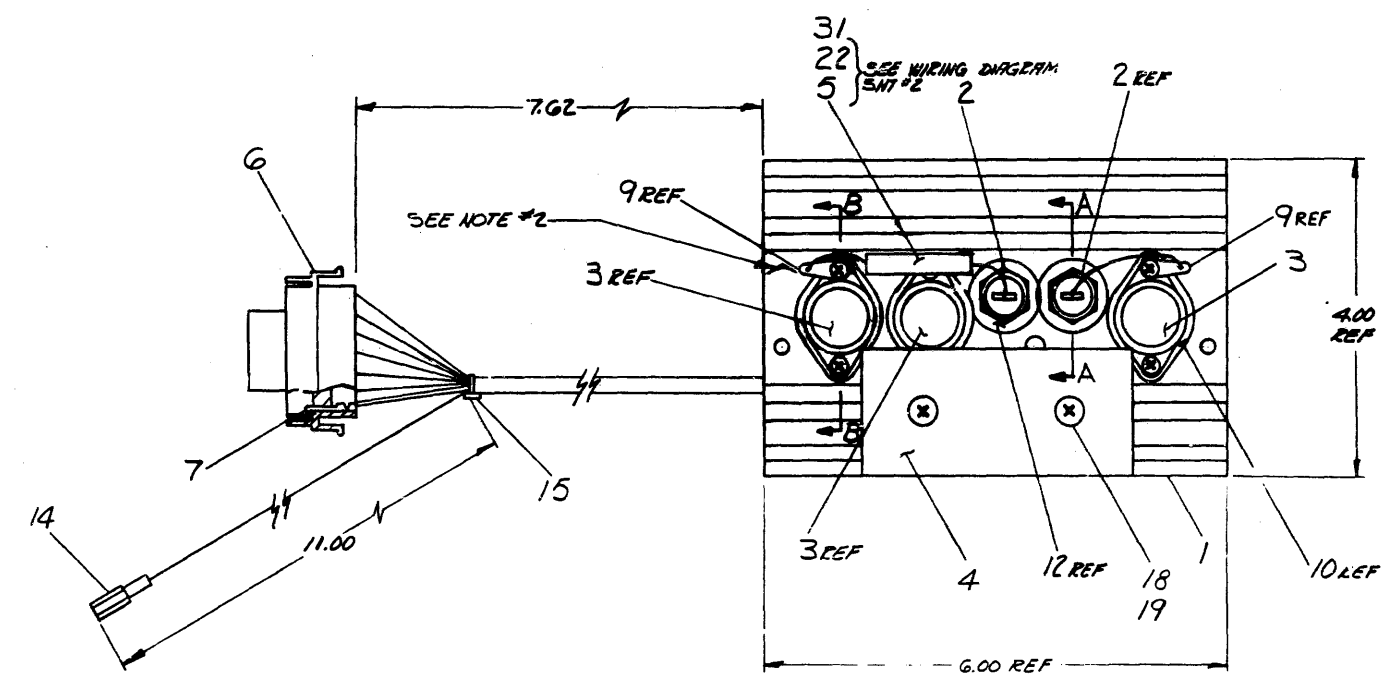
TRANSISTOR & DIODE CONVERSION CHART			
DEC		EIA	
IN4001	MR-2064		

DIGITAL
EQUIPMENT CORPORATION
 MAYNARD, MASSACHUSETTS

TITLE			
POWER INTERLOCK			
SIZE	CODE	NUMBER	REV
B	CS	5409030-0-1	A
PRINTED CIRCUIT REV			B

This drawing and specifications, herein, are the property of Digital Equipment Corporation and shall not be reproduced or copied in whole or in part, or the text for the manufacturing or sale of items without written permission.

- NOTES:
1. APPLY ITEM # 32 (THERMAL COMPOUND) BETWEEN ITEM # 3 (TRANSISTOR) & ITEM # 10 (WASHER), ALSO BETWEEN ITEM # 10 (WASHER) & ITEM # 1 (HEAT SINK.)
 2. ORIENTATION MARK (A) TO BE LOCATED AS SHOWN WHEN ASSEMBLING UNIT.



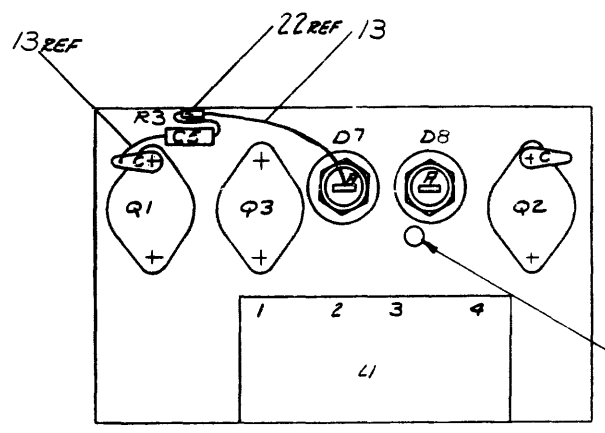
REV	CHANGE NO	DATE	BY
A	00026	2-19-73	R. WOLF
B	00027	2-21-73	R. WOLF

QTY	DESCRIPTION	PART NO	ITEM NO
	472Φ-E		
PARTS LIST			
UNLESS OTHERWISE SPECIFIED		DATE	
DIMENSION IN INCHES		2/27/73	
TOLERANCES		DATE	
ANGLES		2/27/73	
FINAL SURFACE QUALITY		DATE	
REMOVE BURRS AND BREAK SHEAR CORNERS		2/27/73	
MATERIAL		DATE	
FINISH		DATE	
SCALE		DATE	
SHEET 1 OF 2		DATE	

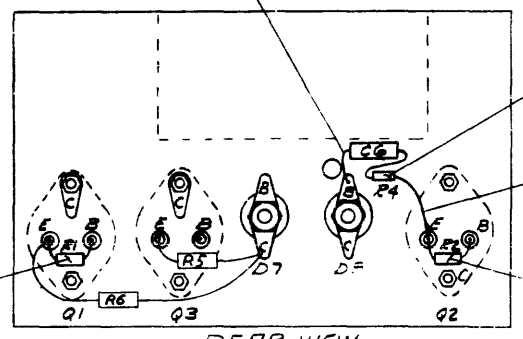
digital EQUIPMENT CORPORATION
 HEAT SINK ASSY
 DAD 7008308-0-0 A

WIRE TABLE							
ITEM NO	DESCRIPTION	FROM	TO				
NO	AWG	COLOR	CONN	WITH	CONN	WITH	
4	16	WHT	L1-3		DB-A	SOLDER	
27	18	YEL	DB-A	SOLDER	Q2-C	SOLDER	
4	16	RED	L1-1		D7-B	SOLDER	
4	16	RED	L1-2		P1-5	7	
4	16	WHT	L1-4		P1-8	7	
24	18	BRN	DB-A	SOLDER	F	14	
26		ORN	Q1-C		P1-3	7	
27		YEL	Q3-B		P1-1		
28		BLU	D7-A		P1-6		
23		BLK	DB-C		P1-7		
29		VIO	Q2-B		P1-2		
30		GRY	Q2-E		P1-4	7	
26		ORN	Q1-C	SOLDER	Q3-C	SOLDER	
27	18	YEL	Q1-B	SOLDER	Q3-B	SOLDER	

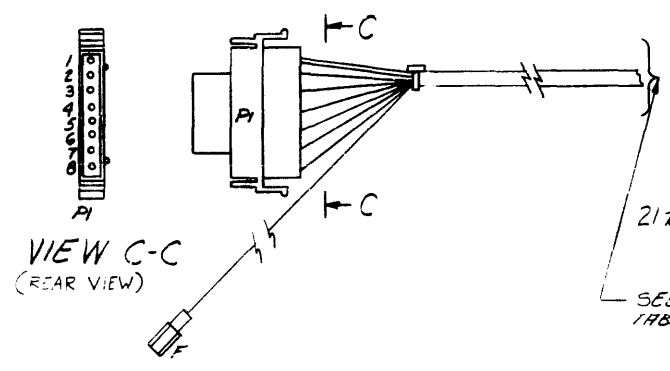
EXTERNAL COMPONENT LIST									
ITEM NO	DESCRIPTION	POL	FROM	WITH	POL	TO	WITH	REMARKS	
5	CAP C5	POS	Q1-C	13	NEG	R3		ALL CONNECTIONS ARE TO BE SOLDERED	
22	RES R3		C5			D7-A	13,31		
5	CAP C6	POS	DB-B	13	NEG	R4			
22	RES R4		C6			Q2-E	13,31		
21	RES R1		Q1-E			Q1-B			
21	RES R2		Q2-E			Q2-B			
33	RES R5		Q3-E			D7-C			
33	RES R6		Q1-E			D7-C			



THIS HOLE TO BE USED FOR LEADING ALL WIRES FROM FRONT TO THE REAR OF HEAT SINK



SEE WIRE TABLE & EXTERNAL COMPONENT TABLE FOR CONNECTIONS



QTY	DESCRIPTION	PART NO	ITEM NO
PARTS LIST			
UNLESS OTHERWISE SPECIFIED			
DRN	DATE	EQUIPMENT CORPORATION	
CHKD	DATE	digital	
ENG	DATE	TITLE	
PROJ. ENG.	DATE	HEAT SINK ASSY	
PROD	DATE	NUMBER	
		DAD7008308-0-0 A	
		SIZE CODE	
		DIBT	
		SHEET 2 OF 2	

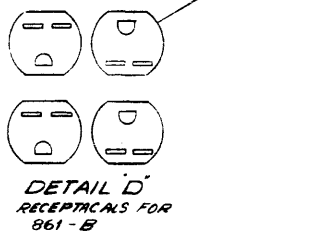
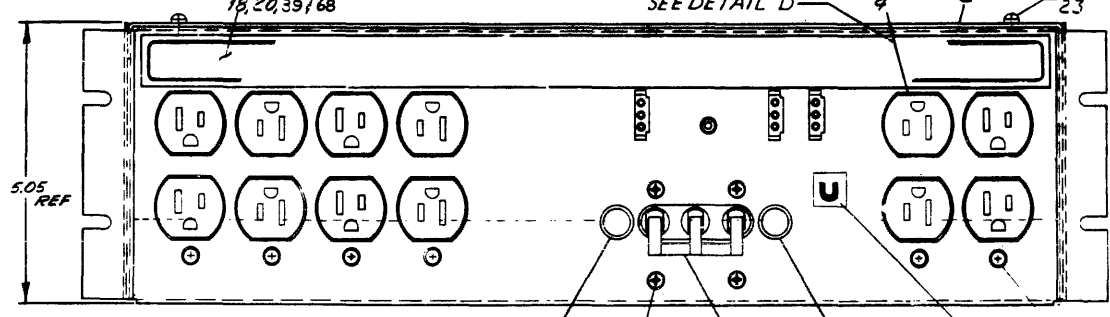
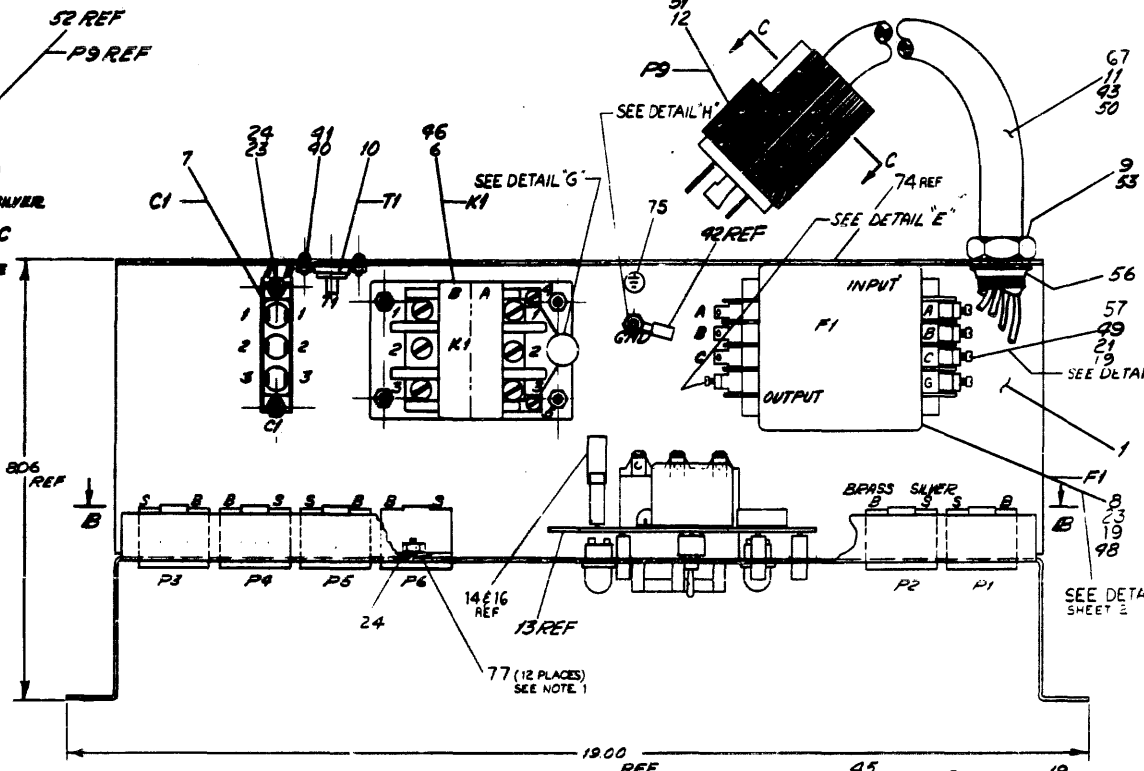
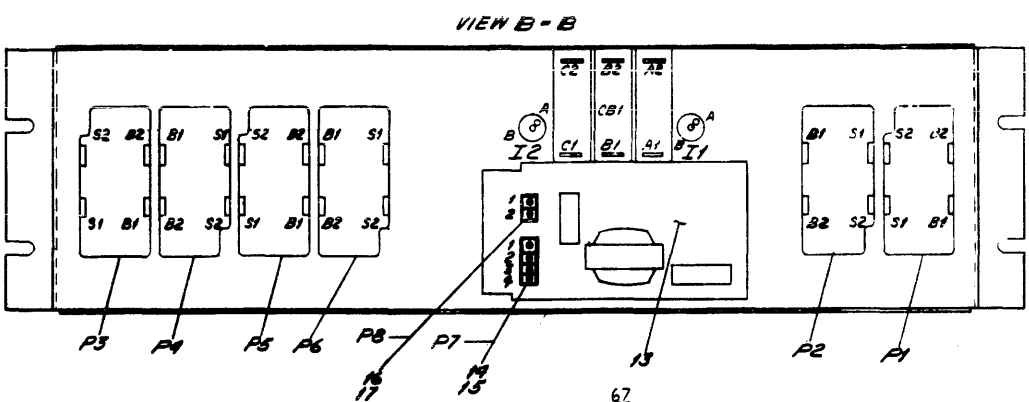
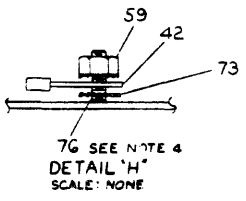
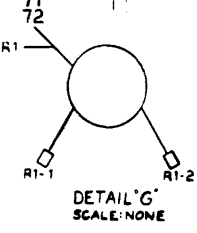
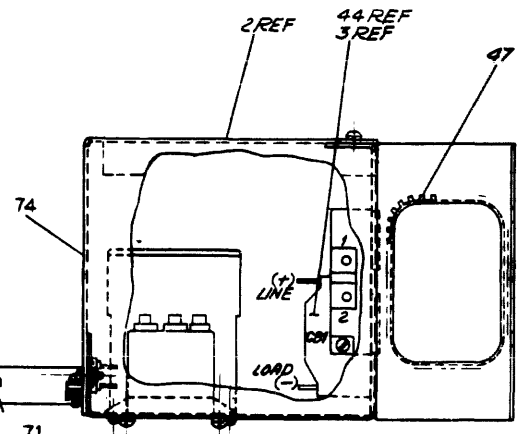
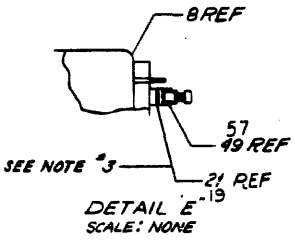
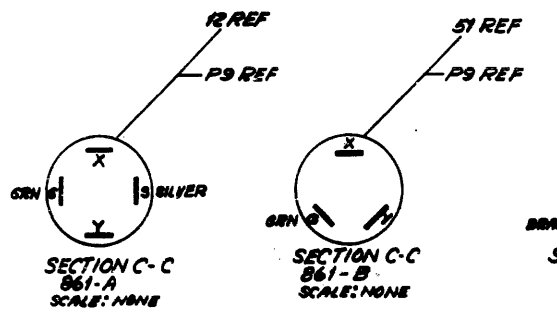
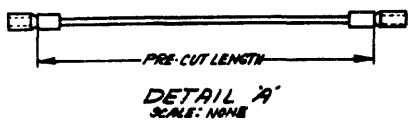
DIGITAL EQUIPMENT CORPORATION MAYNARD, MASSACHUSETTS PARTS LIST					QUANTITY/VARIATION																
MADE BY G. FLANDERS		CHECKED J. FLEMING		SECTION																	
DATE 2/1/71		DATE 5/20/71		1																	
ENG <i>CRB</i>		PROD DON CALL		ISSUED SECT.																	
DATE 5/25/71		DATE 5/26/71		1																	
ITEM NO.	DWG NO. / PART NO.	DESCRIPTION																			
1	C-SC-1210874-0-0	HEAT SINK				1															
2	1109781	DIODE IN3899				2															
3	1509737	TRANSISTOR 2N5301				3															
4	C-SC-1609762-0-0	COIL TRANSFORMER				1															
5	1000063	CAPACTTOR 1 MED 150 VDC				2															
6	1209340-00	CONNECTOR #1-480460-0 MATE-N-LOCK				1															
7	1209378-01	PIN #60620-4 AMP				8															
8	9006760	TERMINAL #2104-06-00 SHAKEPROOF				2															
9	9006762	TERMINAL #2103-06-00 SHAKEPROOF				2															
10	9006721	INSULATING WASHER #294457				3															
11	9007951	NYLON SHOULDER WASHER				6															
12	9008425	INSULATING WASHER				4															
13	9107256-09	#22 TEFLON TUBING WHT				A/R															
14	9007917	SOLDERLESS CONN #50902 ARKLESS				1															
15	9007031	TIE WRAP #SST-1-B PANDUIT				5															
16	9007793-1	SCR PHL HD PAN #6-32 X 9/16 LG SST				6															
17	906560	NUT KEPS #6-32 SST				6															
18	9006080-3	SCR PHL HD TRUSS #10-32X1-3/4 LG				2															
19	9007651	LOCK WASHER #10 EXT TOOTH				2															
20	9006764	TERMINAL #2101-14-00 SHAKEPROOF				4															
21	1302558	RESISTOR 27 W.C. 5%				2															
22	1300168	RESISTOR 10 WI 5%				2															
TITLE HEAT SINK ASSY				ASSY NO. D-AD-7008308-0-0		SIZE CODE A PL		NUMBER 7008308-0-0				REV. A		ECO NO. H720-00026							
SHEET 1 OF 2				DIST. G																	

DEC FORM DEC 16-(325)-1031-N870
DRA 110

DIGITAL EQUIPMENT CORPORATION MAYNARD, MASSACHUSETTS PARTS LIST					QUANTITY/VARIATION																
MADE BY G. FLANDERS		CHECKED		SECTION																	
DATE 2/1/71		DATE		1																	
ENG		PROD		ISSUED SECT.																	
DATE		DATE		1																	
ITEM NO.	DWG NO. / PART NO.	DESCRIPTION																			
23	9107360-00	#18 AWG STRD TEF INS WIRE BLK				A/R															
24	9107360-11	#18 AWG STRD TEF INS WIRE BRN				A/R															
25	9107360-22	#18 AWG STRD TEF INS WIRE RED				A/R															
26	9107360-33	#18 AWG STRD TEF INS WIRE ORN				A/R															
27	9107360-44	#18 AWG STRD TEF INS WIRE YEL				A/R															
28	9107360-66	#18 AWG STRD TEF INS WIRE BLU				A/R															
29	9107360-77	#18 AWG STRD TEF INS WIRE VIO				A/R															
30	9107360-88	#18 AWG STRD TEF INS WIRE GRY				A/R															
31	9107252	HEAT SHRINKABLE TUBING 3/8 WHT				A/R															
32	9008268	COMPOUND, THERMAL JOINT				A/R															
33	1305372	RESISTOR .1Ω, 5W, 5%				2															
34	9006669	FLAT WASHER				2															
TITLE HEAT SINK ASS'Y				ASSY NO. D-AD-7008308-0-0		SIZE CODE A PL		NUMBER 7008308-0-0				REV. A		ECO NO.							
SHEET 2 OF 2				DIST. G																	

DEC FORM DEC 16-(325)-1031-N870
DRA 110

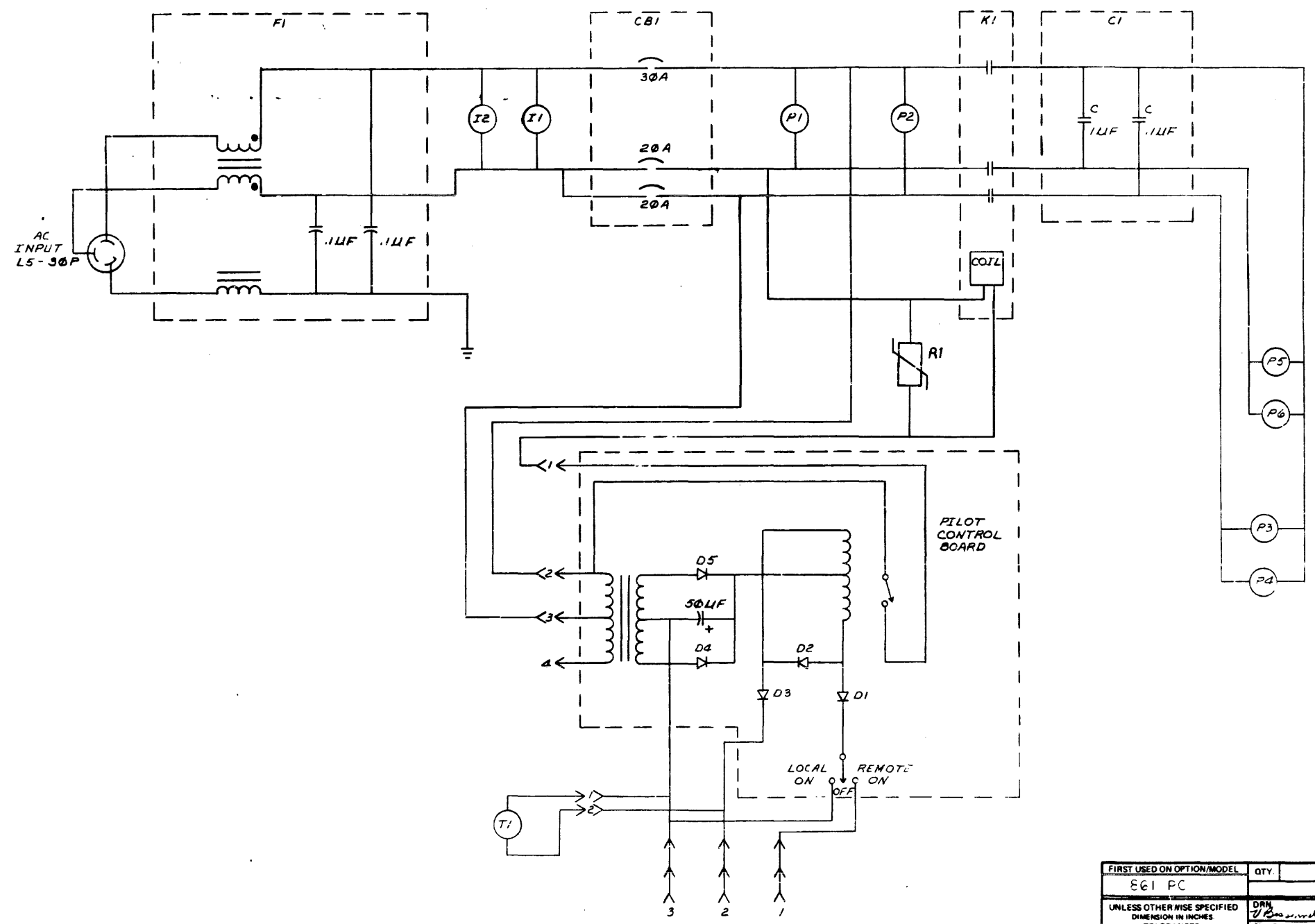
DWG. NO.	VARIATION	AMPS	OUT
861-A	120	2	32
861-B	240	1	16
861-C	120	1	25
861-F	120	1	12



QTY	CTY	DESCRIPTION	PART NO.	ITEM NO.
6	6	WASHER #120-46	305144	1
1	1	GREASE CONDUCTIVE	403112	2
1	1	DECAL SAFETY BND	361660	3
1	1	DECAL, PAT. JES. MV	361267	4
1	1	WASHER #120-46	305144	5
1	1	M.V. ASSY. 15V	121198	6
1	1	M.V. ASSY. 15V	121198	7
1	1	M.V. ASSY. 15V	121198	8
1	1	M.V. ASSY. 15V	121198	9
1	1	M.V. ASSY. 15V	121198	10
1	1	M.V. ASSY. 15V	121198	11
1	1	M.V. ASSY. 15V	121198	12
1	1	M.V. ASSY. 15V	121198	13
1	1	M.V. ASSY. 15V	121198	14
1	1	M.V. ASSY. 15V	121198	15
1	1	M.V. ASSY. 15V	121198	16
1	1	M.V. ASSY. 15V	121198	17
1	1	M.V. ASSY. 15V	121198	18
1	1	M.V. ASSY. 15V	121198	19
1	1	M.V. ASSY. 15V	121198	20
1	1	M.V. ASSY. 15V	121198	21
1	1	M.V. ASSY. 15V	121198	22
1	1	M.V. ASSY. 15V	121198	23
1	1	M.V. ASSY. 15V	121198	24
1	1	M.V. ASSY. 15V	121198	25
1	1	M.V. ASSY. 15V	121198	26
1	1	M.V. ASSY. 15V	121198	27
1	1	M.V. ASSY. 15V	121198	28
1	1	M.V. ASSY. 15V	121198	29
1	1	M.V. ASSY. 15V	121198	30
1	1	M.V. ASSY. 15V	121198	31
1	1	M.V. ASSY. 15V	121198	32
1	1	M.V. ASSY. 15V	121198	33
1	1	M.V. ASSY. 15V	121198	34
1	1	M.V. ASSY. 15V	121198	35
1	1	M.V. ASSY. 15V	121198	36
1	1	M.V. ASSY. 15V	121198	37
1	1	M.V. ASSY. 15V	121198	38
1	1	M.V. ASSY. 15V	121198	39
1	1	M.V. ASSY. 15V	121198	40
1	1	M.V. ASSY. 15V	121198	41
1	1	M.V. ASSY. 15V	121198	42
1	1	M.V. ASSY. 15V	121198	43
1	1	M.V. ASSY. 15V	121198	44
1	1	M.V. ASSY. 15V	121198	45
1	1	M.V. ASSY. 15V	121198	46
1	1	M.V. ASSY. 15V	121198	47
1	1	M.V. ASSY. 15V	121198	48
1	1	M.V. ASSY. 15V	121198	49
1	1	M.V. ASSY. 15V	121198	50
1	1	M.V. ASSY. 15V	121198	51
1	1	M.V. ASSY. 15V	121198	52
1	1	M.V. ASSY. 15V	121198	53
1	1	M.V. ASSY. 15V	121198	54
1	1	M.V. ASSY. 15V	121198	55
1	1	M.V. ASSY. 15V	121198	56
1	1	M.V. ASSY. 15V	121198	57
1	1	M.V. ASSY. 15V	121198	58
1	1	M.V. ASSY. 15V	121198	59
1	1	M.V. ASSY. 15V	121198	60
1	1	M.V. ASSY. 15V	121198	61
1	1	M.V. ASSY. 15V	121198	62
1	1	M.V. ASSY. 15V	121198	63
1	1	M.V. ASSY. 15V	121198	64
1	1	M.V. ASSY. 15V	121198	65
1	1	M.V. ASSY. 15V	121198	66
1	1	M.V. ASSY. 15V	121198	67
1	1	M.V. ASSY. 15V	121198	68
1	1	M.V. ASSY. 15V	121198	69
1	1	M.V. ASSY. 15V	121198	70
1	1	M.V. ASSY. 15V	121198	71
1	1	M.V. ASSY. 15V	121198	72
1	1	M.V. ASSY. 15V	121198	73
1	1	M.V. ASSY. 15V	121198	74
1	1	M.V. ASSY. 15V	121198	75
1	1	M.V. ASSY. 15V	121198	76
1	1	M.V. ASSY. 15V	121198	77
1	1	M.V. ASSY. 15V	121198	78
1	1	M.V. ASSY. 15V	121198	79
1	1	M.V. ASSY. 15V	121198	80
1	1	M.V. ASSY. 15V	121198	81
1	1	M.V. ASSY. 15V	121198	82
1	1	M.V. ASSY. 15V	121198	83
1	1	M.V. ASSY. 15V	121198	84
1	1	M.V. ASSY. 15V	121198	85
1	1	M.V. ASSY. 15V	121198	86
1	1	M.V. ASSY. 15V	121198	87
1	1	M.V. ASSY. 15V	121198	88
1	1	M.V. ASSY. 15V	121198	89
1	1	M.V. ASSY. 15V	121198	90
1	1	M.V. ASSY. 15V	121198	91
1	1	M.V. ASSY. 15V	121198	92
1	1	M.V. ASSY. 15V	121198	93
1	1	M.V. ASSY. 15V	121198	94
1	1	M.V. ASSY. 15V	121198	95
1	1	M.V. ASSY. 15V	121198	96
1	1	M.V. ASSY. 15V	121198	97
1	1	M.V. ASSY. 15V	121198	98
1	1	M.V. ASSY. 15V	121198	99
1	1	M.V. ASSY. 15V	121198	100

UNLESS OTHERWISE SPECIFIED	DATE	BY	REVISION
DIMENSIONS	10/15/68	J. BURTON	1
ANGLES			
FINISH			
REMOVE BURRS AND BREAK SHARP CORNERS SURFACE QUALITY			
SEE PARTS LIST			
MATERIAL	6-00-861-C		
SCALE	E.A. 861-C		
SHEET	OF 2		

All drawings and specifications herein are the property of Digital Equipment Corporation and shall not be reproduced or copied in whole or in part or be used as the basis for the manufacture or sale of items without written permission.



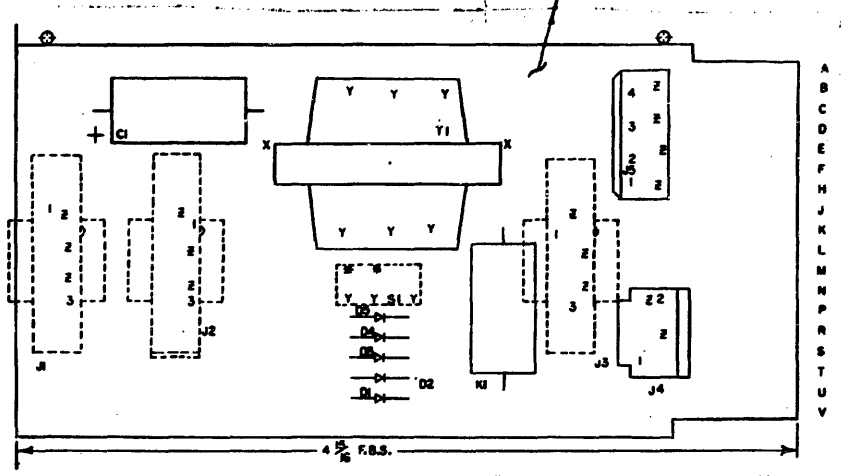
REV	CHANGE NO	DATE	BY	CHKD
A	00006	12-10-72		
B	00009	12-10-72		

R. KENNEDY
 R. KENNEDY

FIRST USED ON OPTION/MODEL	QTY	DESCRIPTION	PART NO.	ITEM NO.
E61 PC				
PARTS LIST				
UNLESS OTHERWISE SPECIFIED DIMENSION IN INCHES TOLERANCES		DRN J. B. Smith	DATE 7-17-72	Digital EQUIPMENT CORPORATION MICRO ELECTRONIC SYSTEMS
DECIMALS	ANGLES	CHK'D J. B. Smith	DATE 10-1-72	
xxx - 006	±0° 30'	ENG R. B. Smith	DATE 10-1-72	
xx - 02		PROJ R. B. Smith	DATE 10-1-72	
REMOVE BURRS AND BREAK SHARP CORNERS SURFACE QUALITY		PROJ R. B. Smith	DATE 10-1-72	
MATERIAL	NEXT HIGHER ASSEMBLY	CIRCUIT SCHEMATIC 861-C P.C.		
FINISH	B-DC-861-C			
	SCALE			
SHEET OF		SIZE CODE	NUMBER	
		DCS 861-C-1		
		DIST.		

See drawings and specifications, herein, for the size, type and quantity of components. Components are shown in their original form unless otherwise indicated. Components are shown in their original form unless otherwise indicated.

NOTES:



IC TYPE	QTY	BY

DEC 1988 NO. 100-100A

QTY	REF DESIGNATION	DESCRIPTION	PART NO.	ITEM NO.
		PACKAGING INSTRUCTION	API-3700143-0-0	15
1	S1	SWITCH, 3-POS.	12-11180	19
1	K1	RELAY, REED	12-11179	13
1	T1	PC TRANSFORMER	16-11173	12
4	FOR USE ON J5	PIN, PC MALE MATE-N-LOCK	1210823	11
1	J4	SOCKET, 2 PIN MATE-N-LOCK	1210824-02	10
11	FOR USE ON J1-J4	PIN, PC FEMALE MATE-N-LOCK	1209956	9
1	J5	PLUS, 4 PIN MATE-N-LOCK	1209351-04	8
3	J1, J2, J3	SOCKET, 3 PIN MATE-N-LOCK	1209350-03	7
5	D1-D5	DIODE, 1N4004	1105796	6
1	C1	CAP, 50UF, 50V 6% AL EL	1000080	5
REF		MODULE ECO HISTORY	SMN-5910206-0-6	4
REF		ASSEMBLY DRILLING HOLE LAYOUT	DAM-5910206-0-5	3
REF		X-Y COORDINATE HOLE LOCA.	KCO-5410206-0-2	2
1		ETC CKT BOARD	5010205	1

FIRST USED ON OPTION MODEL: B61 PC.

ETCH BOARD REV: B

DATE	BY	REVISIONS
8-23-72
9-17-72
9-29-72
11-13-72
1-24-73

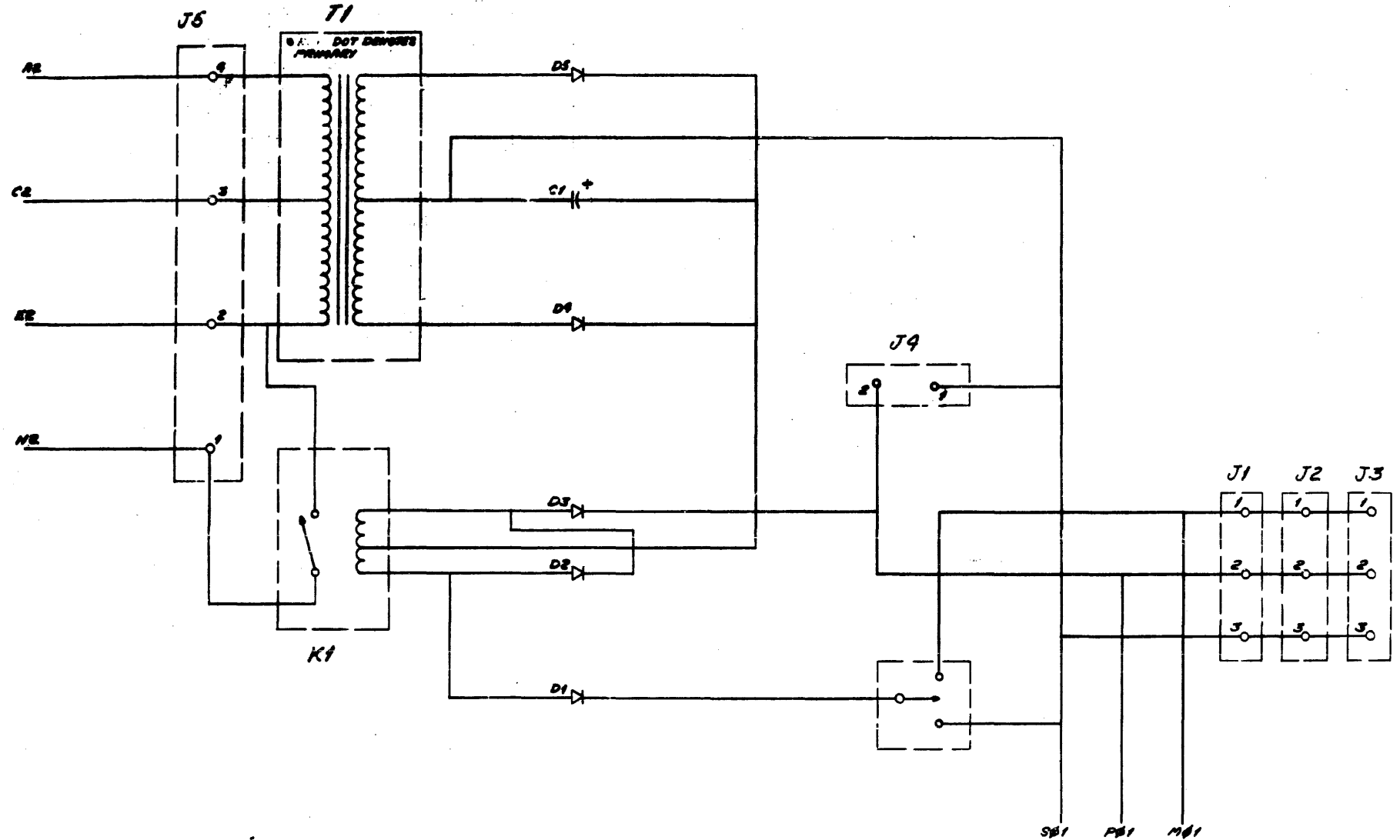
SEMICONDUCTOR CONVERSION CHART

SCALE: 2/1

SHEET: OF 2

D/C S 5410206-0-1 B

See drawing and specifications from the drawing for details of equipment and for all dimensions of parts or assemblies to be used in the construction of this equipment. All dimensions are in inches unless otherwise specified.



FIRST USED ON OPTION/MODEL	QTY.	DESCRIPTION	PART NO.
B61 PC.			
PARTS LIST			
UNLESS OTHERWISE SPECIFIED DIMENSIONS IN INCHES TOLERANCES	DATE 2-28-72	DATE 7-17-72	EQUIPMENT CORPORATION
DECIMALS .005 .01 .1	ANGLES 10° 30'	DATE 7-17-72 DATE 7-17-72 DATE 7-17-72	
REMOVE BURRS AND BREAK SHARP CORNERS SURFACE QUALITY	PROJ. ENG.	DATE	TITLE PILOT CONTROL
MATERIAL	NEXT HIGHER ASSY.	REV.	REV.
FINISH	SCALE NONE	DCS 5410206-0-1	B
	SHEET 2 OF 2	DIST.	