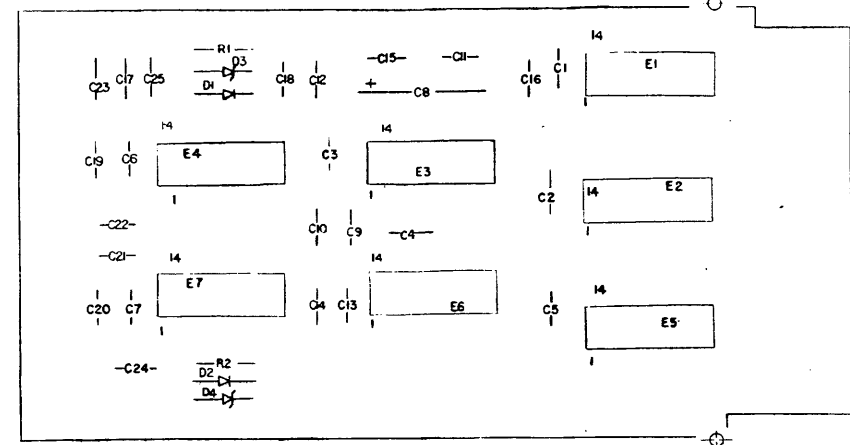
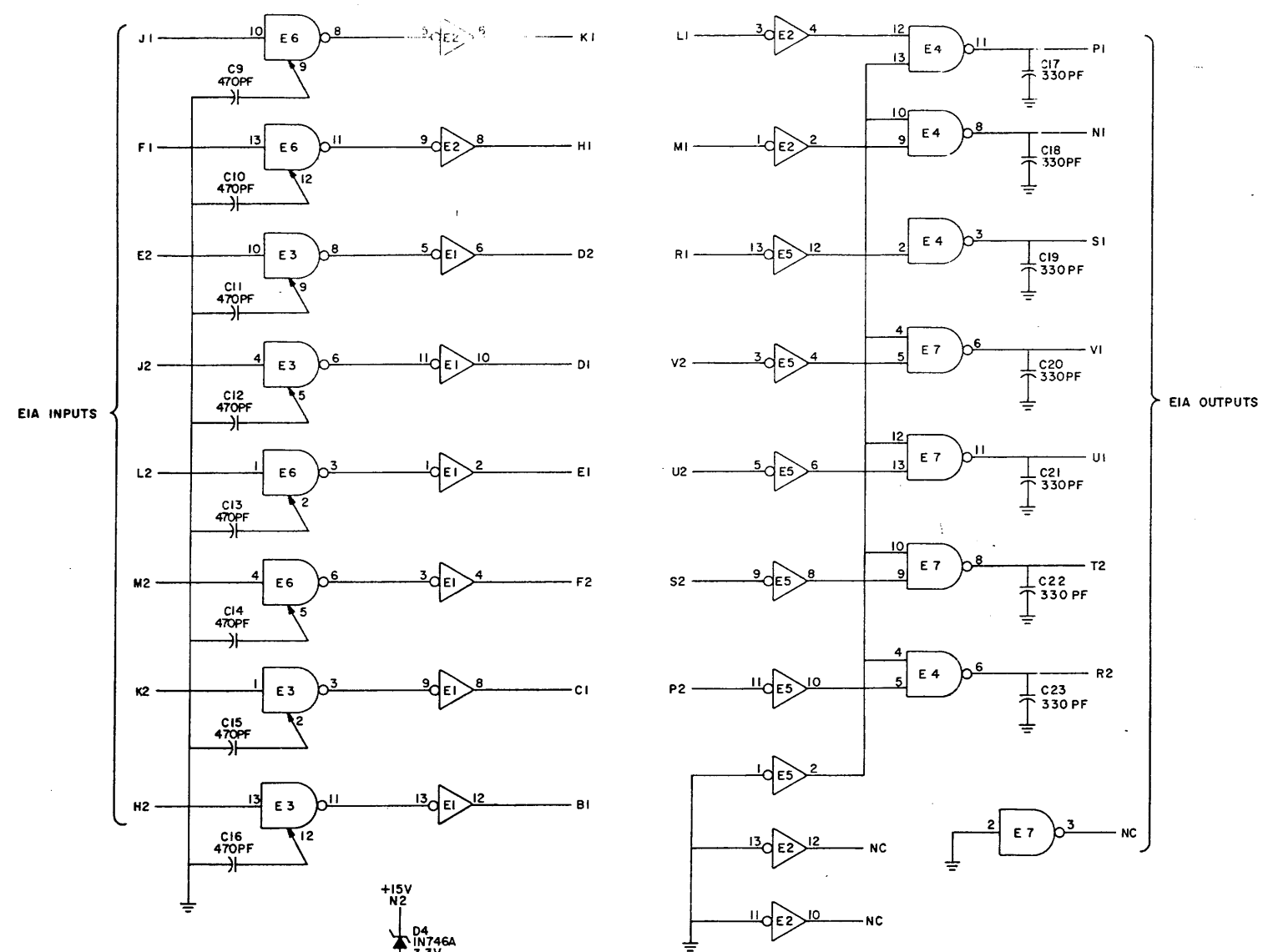
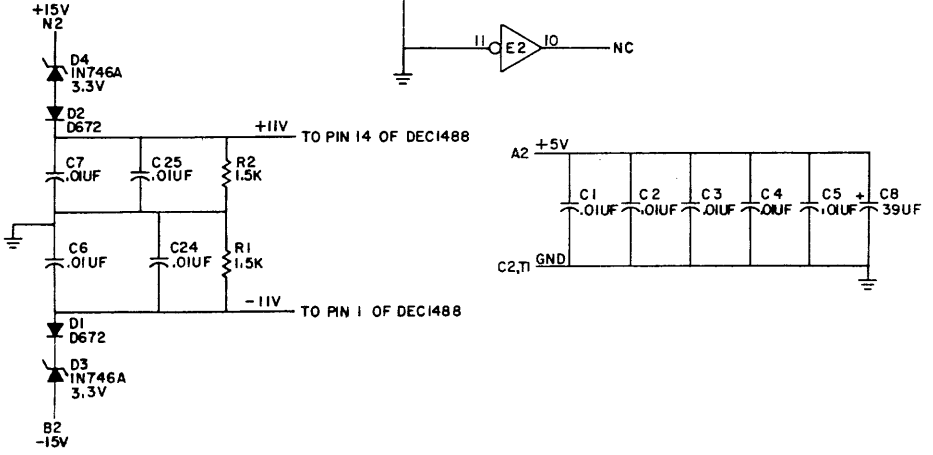


THIS SCHEMATIC IS FURNISHED ONLY FOR TEST AND REPAIR PURPOSES. THE CIRCUITS ARE PROPRIETARY IN NATURE AND SHOULD BE TREATED ACCORDINGLY. COPYRIGHT 1971 BY DIGITAL EQUIPMENT CORPORATION.



UNLESS OTHERWISE INDICATED:  
 DEC1489 = E3 & E6  
 DEC7404 = E1, E2 & E5  
 DEC1488 = E4 & E7  
 GND = PIN 7  
 +5V = PIN 14



QTY.	REP. DESIGNATION	DESCRIPTION	DEC PART NO.	REV.
1		HANDLE, FLIP CHIP - MAGENTA	9008337-06	1
2		EYELET	9006732	1
2	E3, 6	I.C. DEC 1489	1910323	1
2	E4, 7	I.C. DEC 1488L	1910322	1
3	E1, 2, 5	I.C. DEC 7404	1909686	1
2	R1, 2	RES. 1.5K 1/4W 5%	1300391	1
2	D1, 2	DIODE D672	1105275	1
2	D3, 4	DIODE 1N746A 3.3V	1104860	1
9	C1 - 7, C24, C25	CAP. .01UF 100V 20% DISC	1001610	1
1	C8	CAP. .39UF 10V 10% TANT	1000076	1
7	C17 - 23	CAP. .330PF 100V 5% D.M.	1000023	1
8	C9 - 16	CAP. .470PF 5% 100V D.M.	1000024	1
1		ETCHED CIRCUIT BOARD	5009702	1
		MODULE ECO HISTORY	B-MH-M5940-0-6	1
		ASSEMBLY DRILLING HOLE LAYOUT	D-AH-M5940-0-5	1
		X-Y COORDINATE HOLE LOCATION	K-CO-M5940-0-4	1
		DESCRIPTION	DEC PART NO.	REV.
		PARTS LIST		

DESIGNED BY S. COOPER	DATE 8/3/71	TRANSISTOR & DIODE CONVERSION CHART		TITLE EIA LEVEL CONVERTER	
CHECKED BY J. W. WALTON	DATE 8/3/71	DEC	EM	DEC	EM
DATE 8/3/71	DATE 8/3/71	D672	1N3653		
DATE 8/3/71	DATE 8/3/71	IN746A	SAME		
DATE 8/3/71	DATE 8/3/71				
REVISIONS		EQUIPMENT CORPORATION		D CS M5940-0-1	
EQUIPMENT CORPORATION		PRINTED CIRCUIT REV.		8	

M5940-0-1