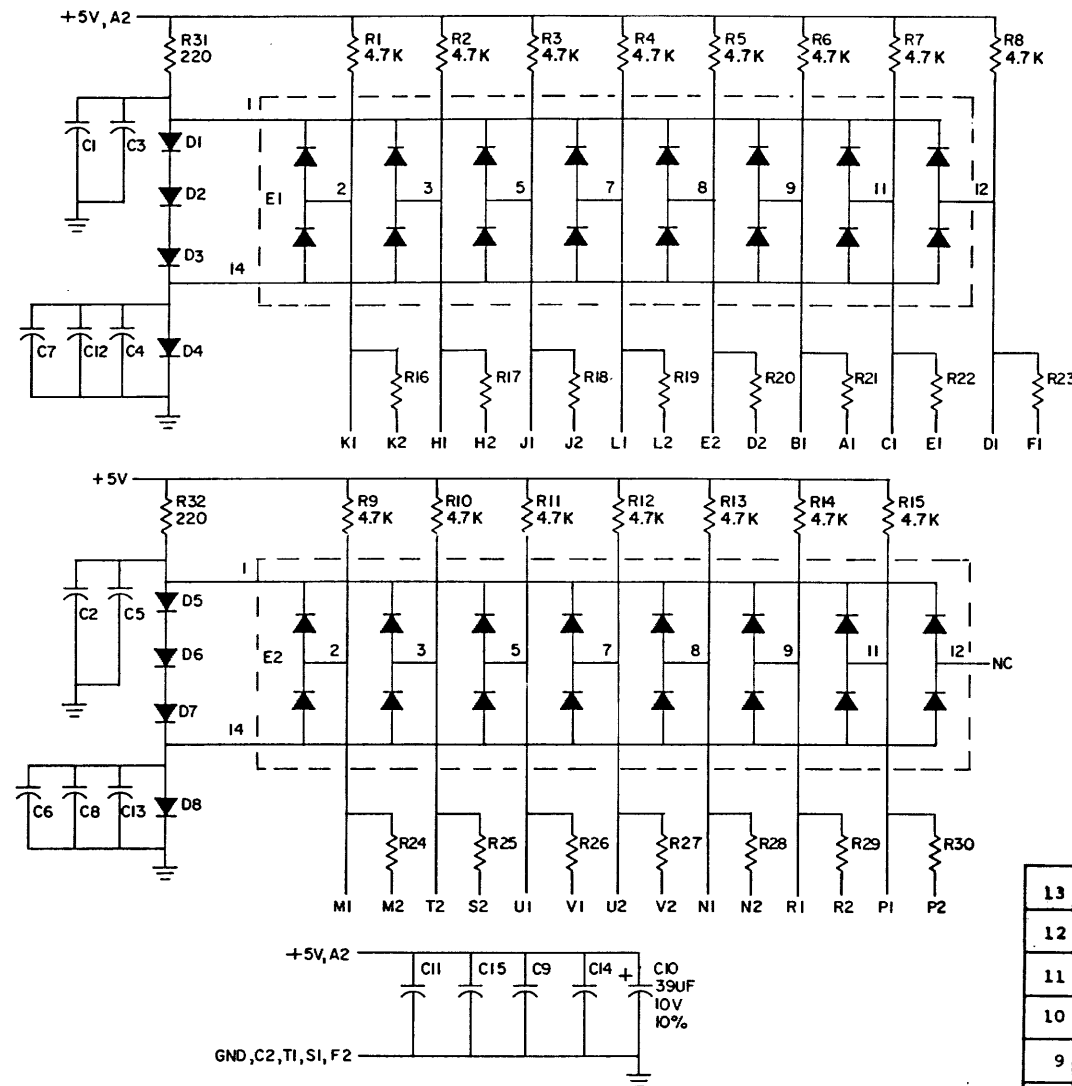
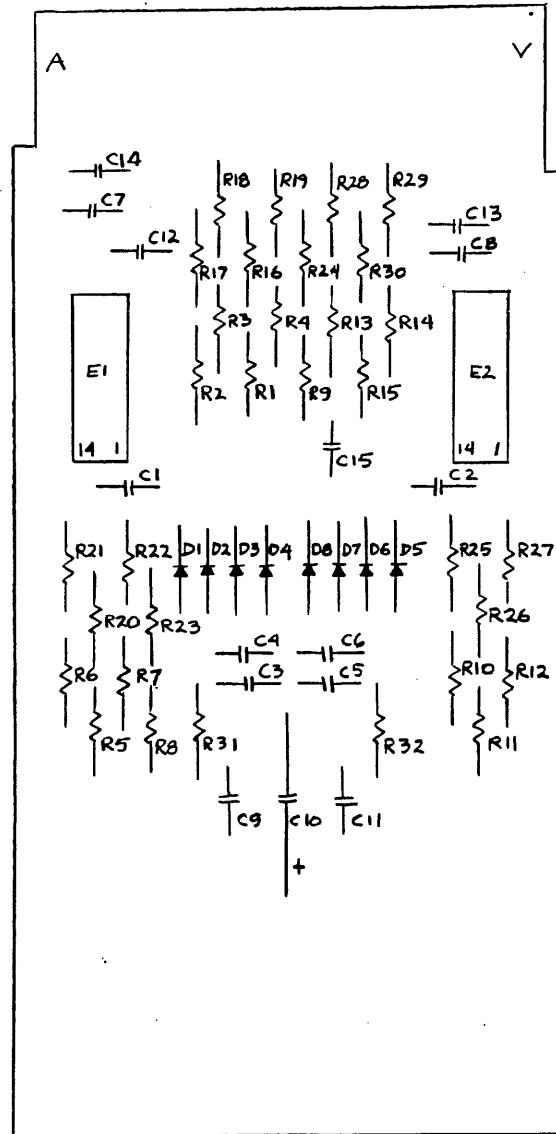


THIS SCHEMATIC IS FURNISHED ONLY FOR TEST AND MAINTENANCE PURPOSES. THE CIRCUITS ARE PROPRIETARY IN NATURE AND SHOULD BE TREATED ACCORDINGLY. COPYRIGHT 1971 BY DIGITAL EQUIPMENT CORPORATION



UNLESS OTHERWISE INDICATED:
 CAPACITORS = .047UF, 16V, +50-20%
 E1, E2 = DEC2501
 DIODES = D662
 RESISTORS = 1K, 1/4W, 5%

ITEM NO.	DEC PART NO.	DESCRIPTION	QTY.
13	9008337-06	HANDLE, FLIP CHIP - MAGENTA	1
12	9006732	EYERLET #GS 4-7	2
11	1910010	I.C. DEC 2501	2
10	1300447	RES. 4.7K, 1/4W 5%	15
9	1300365	RES. 1K, 1/4W, 5%	15
8	1300271	RES. 220, 1/4W, 5%	2
7	1100113	DICDE D662	8
6	1009678	CAP. .047, 16V, 50-20%	14
5	1000076	CAP. 39UF, 10V, 10% S. TANT	1
4	5008685	ETCHED CIRCUIT BOARD	1
3	B-M931-0-6	MODULE ECO HISTORY	
2	C-AH-M931-0-5	ASSY/DRILLING HOLE LAYOUT	
1	K-CO-M931-0-4	X-Y COORDINATE HOLE LOCATION	
PARTS LIST			

REV.	CHG NO.	REV.

DRN. NAUGHT MOORE
 DATE 1/5/70
 CHK'D. [Signature]
 DATE 1-19-71
 ENG. [Signature]
 DATE 1/18/71
 PROD. [Signature]
 DATE

TRANSISTOR & DIODE CONVERSION CHART			
DEC	EIA	DEC	EIA
D662	1N645		

digital EQUIPMENT CORPORATION
 MAYNARD, MASSACHUSETTS

TITLE 15 TERMINATORS WITH IND. RES.
 NUMBER M931-0-1
 PRINTED CIRCUIT REV. D

REV. D
 NUMBER M931-0-1
 SIZE CODE C CS

Handwritten signature: [Signature]