

"THE MATERIAL HEREIN IS FOR INFORMATION PURPOSES ONLY AND IS SUBJECT TO CHANGE WITHOUT NOTICE. DIGITAL EQUIPMENT CORPORATION ASSUMES NO RESPONSIBILITY FOR ANY ERRORS WHICH MAY APPEAR HEREIN." 1980

## FIELD MAINTENANCE PRINT SET

"THIS DRAWING AND SPECIFICATIONS, HEREIN, ARE THE PROPERTY OF DIGITAL EQUIPMENT CORPORATION AND SHALL NOT BE REPRODUCED OR COPIED OR USED IN WHOLE OR IN PART AS THE BASIS FOR THE MANUFACTURE OR SALE OF ITEMS WITHOUT WRITTEN PERMISSION. COPYRIGHT © DIGITAL EQUIPMENT CORPORATION."

### TABLE OF CONTENTS

E-UA-11/24-0-0 11/24 UNIT ASSY  
 K-PL-11/24-0-0 11/24 UNIT ASSY P/L  
 B-PL-11/24-0-2 11/24 SHIPPING LIST  
 B-PL-11/24-0-3 11/24 SOFTWARE LIST  
 B-PL-11/24-0-4 11/24 HARDWARE KIT LIST  
 D-IC-11/24-0-5 11/24 INTERCONNECT DIAGRAM (A-BOX)  
 D-IC-11/24-0-6 11/24 INTERCONNECT DIAGRAM (L-BOX)

MP00832 PRINT SET BALL-A

D-AD-7017466-0-0 SLU ASSY  
 K-PL-7017466-0-0 SLU ASSY PARTS LIST  
 D-IA-7016961-0-0 11/24 PWR. HARNESS  
 D-AD-7016905-0-0 11/24 B/P ASSY.  
 K-PL-7016905-0-0 11/24 B/P ASSY. PARTS LIST  
 E-UA-5414218-0-0 SLU INTERFACE BD  
 K-PL-5414218-0-0 SLU INTERFACE BD PARTS LIST  
 C-AD-7012214-0-0 CABLE  
 MP01028 KDF11-UA PRINT SET

D-UA-G7273-0-0 BUSGRANT & NORM. PROC. GRANT  
 K-PL-G7273-0-0 BUSGRANT & NORM. PROC. GRANT PARTS LIST

D-IA-7011411-0-0 CABLE ASSY  
 B-DD-5413815-0-0 POWER DISTRIBUTION BOARD ASSY

C-UA-H3270-0-0 TEST CONNECTOR

D-IA-7016887-0-0 CABLE JUMPER ASS'Y

UNIT VARIATIONS COVERED BY THIS PRINT SET	
11/24-AA	5.25" L-BOX
11/24-AB	
11/24-AC	
11/24-AD	
11/24-XY	10.5" A-BOX
11/24-XY	
11/24-BC	
11/24-BD	
11/24-YX	
11/24-YY	

## Field Maintenance Print Set

11/24

**Digital Equipment Corporation**  
MPO1018

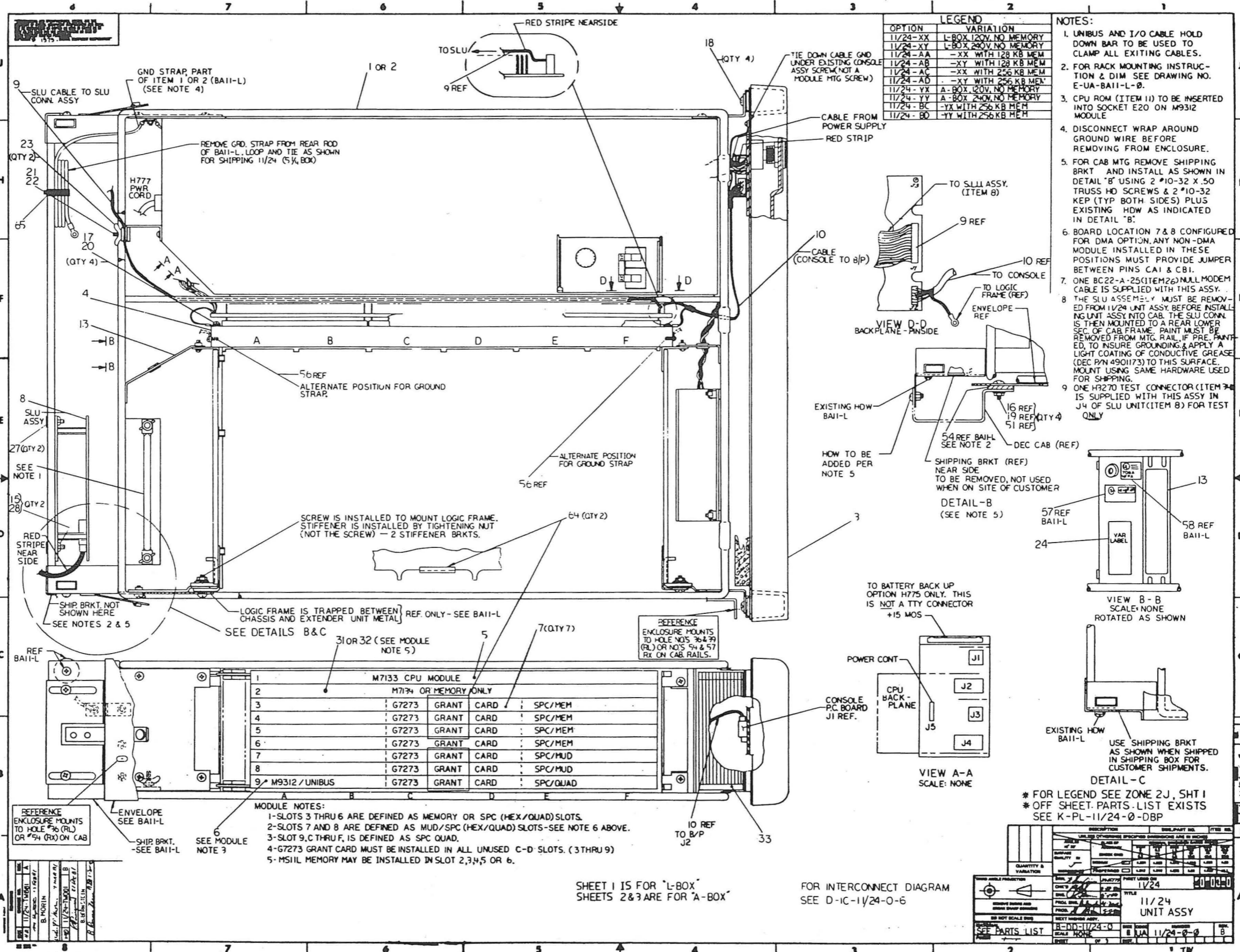
REVISIONS		CHG. NO.	REV	USED ON OPTION/MODEL	DRN.	DATE	TITLE: FIELD MAINT. PRINT SET 11/24			
DATE	11/24	TWO	B	11/24	R. J. Riley	8-4-80				
					R. J. Riley	8-4-80	FIELD MAINT. PRINT SET 11/24			
					R. Gruda	8-4-80				
					A. Schmidt	8-14-80	<b>B</b>	<b>TC</b>	11/24-0-1	D
SHEET 1 OF 2										

DRB 124

TW

SIZE CODE NUMBER REV.  
**B TC** 1124-0-1 **D**

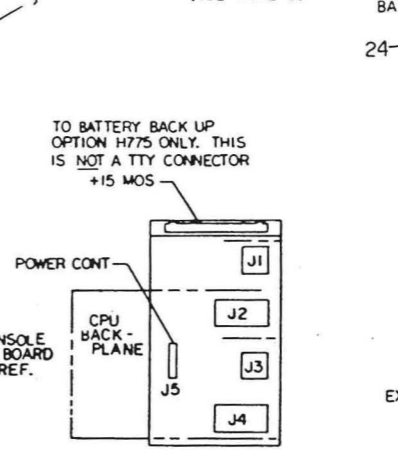
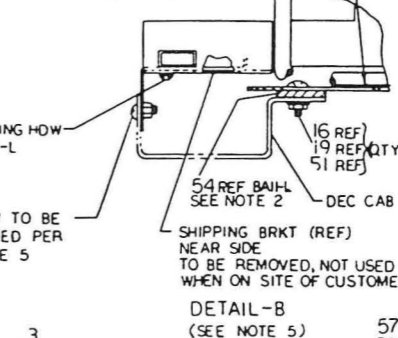
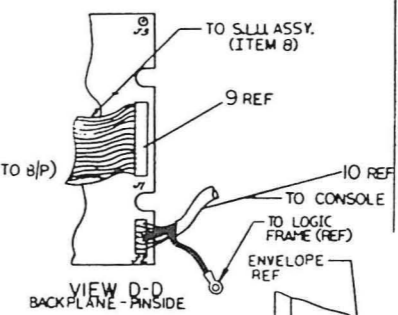




**LEGEND**

OPTION	VARIATION
11/24-XX	L-BOX 120V NO MEMORY
11/24-XY	L-BOX 240V NO MEMORY
11/24-AA	-XX WITH 128 KB MEM
11/24-AB	-XY WITH 128 KB MEM
11/24-AC	-XX WITH 256 KB MEM
11/24-AD	-XY WITH 256 KB MEM
11/24-YX	A-BOX 120V NO MEMORY
11/24-YY	A-BOX 240V NO MEMORY
11/24-BC	-YX WITH 256 KB MEM
11/24-BD	-YY WITH 256 KB MEM

- NOTES:**
- UNIBUS AND I/O CABLE HOLD DOWN BAR TO BE USED TO CLAMP ALL EXITING CABLES.
  - FOR RACK MOUNTING INSTRUCTION & DIM SEE DRAWING NO. E-UA-B11-L-B.
  - CPU ROM (ITEM 1) TO BE INSERTED INTO SOCKET E20 ON M9312 MODULE
  - DISCONNECT WRAP AROUND GROUND WIRE BEFORE REMOVING FROM ENCLOSURE.
  - FOR CAB MTG REMOVE SHIPPING BRKT AND INSTALL AS SHOWN IN DETAIL "B" USING 2 #10-32 X .50 TRUSS HD SCREWS & 2 #10-32 KEP (TYP BOTH SIDES) PLUS EXISTING HDW AS INDICATED IN DETAIL "B".
  - BOARD LOCATION 7 & 8 CONFIGURED FOR DMA OPTION. ANY NON-DMA MODULE INSTALLED IN THESE POSITIONS MUST PROVIDE JUMPER BETWEEN PINS CA1 & CB1.
  - ONE BC22-A-25 (ITEM 26) NULL MODEM CABLE IS SUPPLIED WITH THIS ASSY.
  - THE SLU ASSEMBLY MUST BE REMOVED FROM 11/24 UNIT ASSY BEFORE INSTALLING UNIT ASSY INTO CAB. THE SLU CONN IS THEN MOUNTED TO A REAR LOWER SEC OF CAB FRAME. PAINT MUST BE REMOVED FROM MTG RAIL, IF PRE. PAINTED, TO INSURE GROUNDING. APPLY A LIGHT COATING OF CONDUCTIVE GREASE (DEC P/N 4901173) TO THIS SURFACE. MOUNT USING SAME HARDWARE USED FOR SHIPPING.
  - ONE H270 TEST CONNECTOR (ITEM 7) IS SUPPLIED WITH THIS ASSY IN J4 OF SLU UNIT (ITEM 8) FOR TEST ONLY



M7133 CPU MODULE	
1	M7134 OR MEMORY ONLY
2	G7273 GRANT CARD SPC/MEM
3	G7273 GRANT CARD SPC/MEM
4	G7273 GRANT CARD SPC/MEM
5	G7273 GRANT CARD SPC/MEM
6	G7273 GRANT CARD SPC/MEM
7	G7273 GRANT CARD SPC/MEM
8	G7273 GRANT CARD SPC/MEM
9	M9312/UNIBUS G7273 GRANT CARD SPC/QUAD

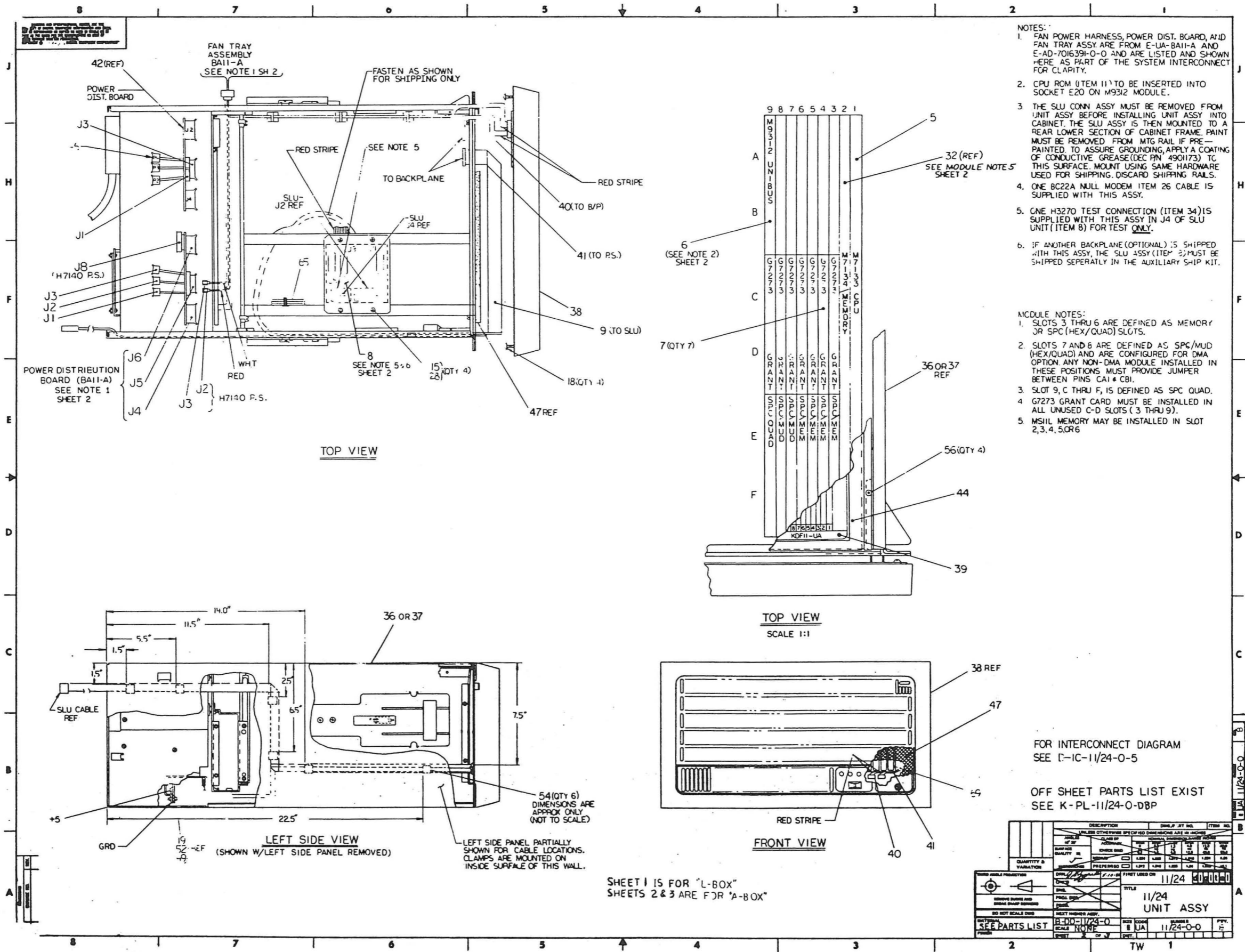
- MODULE NOTES:**
- SLOTS 3 THRU 6 ARE DEFINED AS MEMORY OR SPC (HEX/QUAD) SLOTS.
  - SLOTS 7 AND 8 ARE DEFINED AS MUD/SPC (HEX/QUAD) SLOTS-SEE NOTE 6 ABOVE.
  - SLOT 9, C THRU F, IS DEFINED AS SPC QUAD.
  - G7273 GRANT CARD MUST BE INSTALLED IN ALL UNUSED C-D SLOTS. (3 THRU 9)
  - MS1L MEMORY MAY BE INSTALLED IN SLOT 2, 3, 4, 5 OR 6.

SHEET 1 IS FOR "L-BOX"  
SHEETS 2 & 3 ARE FOR "A-BOX"

FOR INTERCONNECT DIAGRAM  
SEE D-IC-11/24-0-6

QUANTITY & VARIATION	DESCRIPTION	EMPL PART NO.	ITEM NO.
1	11/24 UNIT ASSY		

DATE: 11/24-0-0  
SCALE: NONE  
SHEET: 1 OF 3



- NOTES:
- FAN POWER HARNESS, POWER DIST. BOARD, AND FAN TRAY ASSY ARE FROM E-UA-B111-A AND E-AD-7016391-0-0 AND ARE LISTED AND SHOWN HERE AS PART OF THE SYSTEM INTERCONNECT FOR CLARITY.
  - CPU ROM (ITEM 11) TO BE INSERTED INTO SOCKET E20 ON M9312 MODULE.
  - THE SLU CONN ASSY MUST BE REMOVED FROM UNIT ASSY BEFORE INSTALLING UNIT ASSY INTO CABINET. THE SLU ASSY IS THEN MOUNTED TO A REAR LOWER SECTION OF CABINET FRAME. PAINT MUST BE REMOVED FROM MTG RAIL IF PRE-PAINTED TO ASSURE GROUNDING. APPLY A COATING OF CONDUCTIVE GREASE (DEC P/N 4901173) TO THIS SURFACE. MOUNT USING SAME HARDWARE USED FOR SHIPPING. DISCARD SHIPPING RAILS.
  - ONE BC22A NULL MODEM ITEM 26 CABLE IS SUPPLIED WITH THIS ASSY.
  - ONE H3270 TEST CONNECTION (ITEM 34) IS SUPPLIED WITH THIS ASSY IN J4 OF SLU UNIT (ITEM 8) FOR TEST ONLY.
  - IF ANOTHER BACKPLANE (OPTIONAL) IS SHIPPED WITH THIS ASSY, THE SLU ASSY (ITEM 2) MUST BE SHIPPED SEPARATELY IN THE AUXILIARY SHIP KIT.

- MODULE NOTES:
- SLOTS 3 THRU 6 ARE DEFINED AS MEMORY OR SPC (HEX/QUAD) SLOTS.
  - SLOTS 7 AND 8 ARE DEFINED AS SPC/MUD (HEX/QUAD) AND ARE CONFIGURED FOR DMA OPTION. ANY NON-DMA MODULE INSTALLED IN THESE POSITIONS MUST PROVIDE JUMPER BETWEEN PINS CA1 & CBI.
  - SLOT 9, C THRU F, IS DEFINED AS SPC QUAD.
  - G7273 GRANT CARD MUST BE INSTALLED IN ALL UNUSED C-D SLOTS (3 THRU 9).
  - MS11 MEMORY MAY BE INSTALLED IN SLOT 2, 3, 4, 5, OR 6.

SHEET 1 IS FOR "L-BOX"  
SHEETS 2 & 3 ARE FOR "A-BOX"

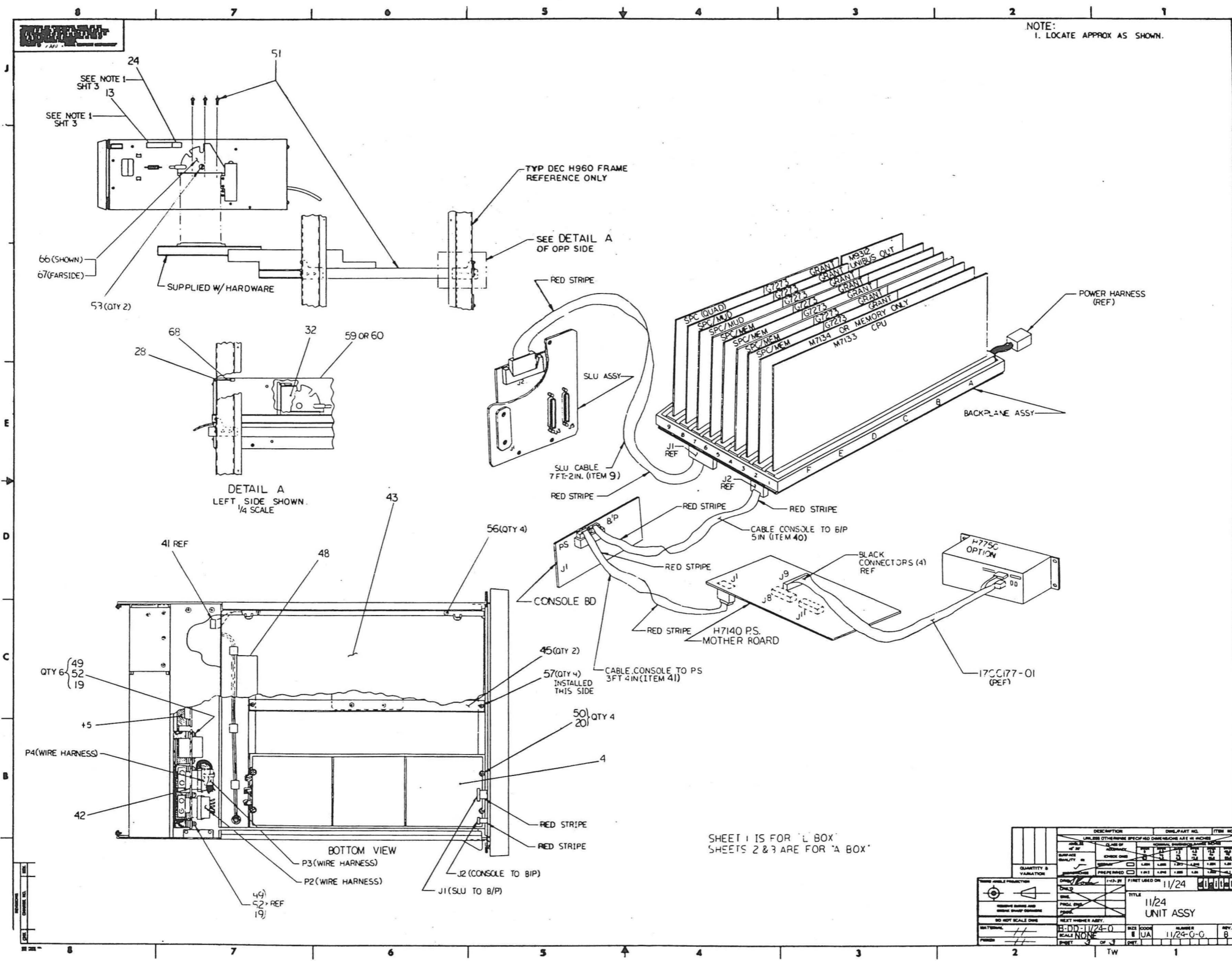
FOR INTERCONNECT DIAGRAM  
SEE E-IC-11/24-0-5

OFF SHEET PARTS LIST EXIST  
SEE K-PL-11/24-0-DBP

QTY	DESCRIPTION	DATE	BY	REV
1	11/24 UNIT ASSY	11/24		0
1	11/24-0			0

SCALE: NONE

TW 1



SHEET 1 IS FOR 'L BOX'  
SHEETS 2 & 3 ARE FOR 'A BOX'

QUANTITY & VARIATION	DESCRIPTION	QTY	REF	UNIT	DATE
	UNLESS OTHERWISE SPECIFIED DIMENSIONS ARE IN INCHES				
	1.18 29	11/24			
TITLE					
11/24 UNIT ASSY					
REV					
HDD: 11/24-0					
SCALE: NONE					
REV. 11/24-0-0					
DWG. 11/24-0-0					
SHEET 1 OF 3					
TW					

LINE	ITEM	DOCUMENT NUMBER	PART NUMBER	DESCRIPTION	QUANTITY PER VARIATION								
					XX	XY	AA	AB	AC	AD	YX	YY	BC
1	1	E-UA-BA11-L-0	0BA11-LX	5.25" BOX W H777-UA PS,120V	1	0	0	0	0	0	0	0	0
2	2	E-UA-BA11-L-0	0BA11-LY	5.25" BOX W H777-UB PS,240V	0	1	0	0	0	0	0	0	0
3	3	E-AD-7016958-0-0	7016958-03	11/25 5.25 CONSOLE ASSY.	1	1	0	0	0	0	0	0	0
4	4	D-AD-7016905-0-0	7016905-00	1124-L BACKPLANE ASSY.	1	1	0	0	0	0	1	1	0
5	5	D-UA-M7133-0-0	M7133-00	11/24 C.P.U.	1	1	0	0	0	0	1	1	0
6	6	D-UA-M9312-0-0	M9312-00	BOOTSTRAP TERMINATOR W 5 EMPTY R	1	1	0	0	0	0	1	1	0
7	7	D-UA-G7273-0-0	G7273-00	BUS GRANT & NON-PROCESSOR GRANT	7	7	0	0	0	0	7	7	0
8	8	D-AD-7017466-0-0	7017466-02	SLU ASSY. (2 SERIAL LINES)	1	1	0	0	0	0	1	1	0
9	9	D-IA-7012214-0-0	7012214-10	CABLE CONSOLE (10 FT)	1	1	0	0	0	0	1	1	0
10	10	D-IA-7016962-0-0	7016962-00	CABLE ASSY B/P TO CONSOLE	1	1	0	0	0	0	0	0	0
11	11		23774F1-00	F1-01	1	1	0	0	0	0	1	1	0
12	13	A-DC-3617674-0-0	3617674-00	LABEL, SERIAL & POWER, UNIVERSAL	1	1	0	0	0	0	1	1	0
13	14	A-PS-3700197-0-0	3700197-00	INSTR PKG COMPUTER PDP11/04 INTE	1	1	0	0	0	0	0	0	0
14	15		9006071-01	SCREW, PAN, PHIL 10-32X 3/8 SS	4	4	0	0	0	0	4	4	0
15	16		9006037-03	SCREW, TRUS, PHIL, 8-32X 3/8	REF	REF	C	0	0	0	0	0	0
16	17		9006043-01	SCREW, PAN, PHIL, 8-32X1 SS	4	4	0	0	0	0	0	0	0
17	18		9006078-03	SCREW, TRUS, PHIL, 10-32X 1-1/4	0	0	0	0	0	0	4	4	0
18	19		9006660-00	WASHER, FLAT, .375 O.D. X .187 I	REF	REF	0	0	0	0	6	6	0
19	20		9008072-00	WASHER, LOCK, EXTERNAL TOOTH #8	4	4	0	0	0	0	4	4	0
20	21	B-IA-7423591-0-0	7423591-00	CABLE, CLAMP BASE	1	1	0	0	0	0	0	0	0
21	22	B-MD-7423592-0-0	7423592-00	BAR CABLE CLAMP	1	1	0	0	0	0	0	0	0
22	23		9009711-00	NUT, WING 6-32X 1/2 AF X 7	2	2	0	0	0	0	0	0	0
23	24	A-DC-3615946-0-0	3615946-00	LABEL, PRODUCT VARIATION	0	0	1	1	1	1	0	0	1
24	25	A-FS-3700061-0-0	3700061-00	INSTR PKG COMPUTER 11/05 OLD STY	0	0	1	1	1	1	0	0	0
25	26	B-PL-BC22A-0-0	BC22A-25	BC22A-10 EXCEPT 25 FT	0	0	1	1	1	1	0	0	1
26	27	C-MD-7424589-0-0	7424589-00	BRACKET SHIPPING SLU	2	2	0	0	0	0	0	0	0
27	28		9006565-00	NUT, KEP 10-32X 3/8 AF	4	4	0	0	0	0	4	4	1
28	29	E-UA-11/24-0-0	11/24-XX	KDF11-UA, BA11-LX, M9312, 120V	0	0	1	1	1	1	0	0	0
29	30	E-UA-11/24-0-0	11/24-XY	KDF11-UA, BA11-LY, M9312, 240V (NO	0	0	0	1	1	1	0	0	0
30	31	D-UA-MS11-L-0	OMS11-LB	MS11-LB 64K 18 BIT MOS MEM W PAR	0	0	1	1	0	0	0	0	0

REVISION HISTORY			BASIC PART NO: 11/24		DRN: MARK CARROLL		DATE: 23-APR-80		DIGITAL			
ENG	ECO NUMBER	REV	SECTION A OF A	CHK'D:	R. J. RILEY	DATE:	23-APR-80	TITLE				PARTS LIST
		*	SECTION. VARIATION INDEX					11/24 UNIT ASSEMBLY				
		*	[A] XX, XY, AA, AB, AC, AD,									
		*	[B] YX, YY, BC, BD									
BM	11/24-TW001	A	[C]	DES. ENG.:	R. MORIN	DATE:	23-APR-80					
BM	11/24-TW001	A	[D]	RESP. ENG.:	R. GRUDA	DATE:	23-APR-80					
BB	11/24-TW002	B	[E]	MFG. ENG.:	G. ABREU	DATE:	23-APR-80	SIZE:	CODE:	NUMBER:	REV:	
			[F]	ASSEMBLY NUMBER:	E-UA-11/24-0-0	TOP DOCUMENT NUMBER:	B-DD-11/24-0-0	K	PL	11/24-0-DBP	B	
				FILE NAME:	Z0699B.PLS	EDIT #	30					

"THIS DRAWING AND SPECIFICATIONS HEREIN, ARE THE PROPERTY OF DIGITAL EQUIPMENT CORPORATION AND SHALL NOT BE REPRODUCED OR COPIED OR USED IN WHOLE OR IN PART AS THE BASIS FOR THE MANUFACTURE OR SALE OF ITEMS WITHOUT WRITTEN PERMISSION. COPYRIGHT (C) 1982. DIGITAL EQUIPMENT CORPORATION."

AUTOMATED BY PRTLST.3N(42)

PARTS LIST

SHEET A2 OF A2

LINE	ITEM	DOCUMENT NUMBER	PART NUMBER	DESCRIPTION	QUANTITY PER VARIATION									
					XX	XY	AA	AB	AC	AD	YX	YY	BC	BD
31	32	D-UA-MS11-L-0	OMS11-LD	MS11-LD 128K 18 BIT MOS MEM W PA	0	0	0	0	1	1	0	0	1	1
32	33	A-PS-3618175-0-0	3618175-01	LABEL, MODULE UTIL.	1	1	0	0	0	0	0	0	0	0
33	34	C-UA-H3270-0-0	H3270-00	TEST CONNECTOR	1	1	0	0	0	0	1	1	0	0
34	35	BLANK		*** THIS ITEM IS NOT USED ***	-	-	-	-	-	-	-	-	-	-
35	36	E-UA-BA11-A-0	OBA11-AA	10.5"BOX, H7140-AA PS, 120V LINE C	0	0	0	0	0	0	1	0	0	0
36	37	E-UA-BA11-A-0	OBA11-AB	10.5"BOX, H7140-AB PS, 240V LINE C	0	0	0	0	0	0	1	0	0	0
37	38	E-AD-7016958-0-0	7016958-01	11/24 10.25 CONSOLE ASSY.	0	0	0	0	0	0	1	1	0	0
38	39	A-PS-3618176-0-0	3618176-01	LABEL, MODULE UTIL.	0	0	0	0	0	0	1	1	0	0
39	40	D-AD-7011411-0-0	7011411-0F	CABLE, CONSOLE BACKPLANE	0	0	0	0	0	0	1	1	0	0
40	41	D-AD-7011411-0-0	7011411-3D	CABLE, CONSOLE BACKPLANE	0	0	0	0	0	0	1	1	0	0
41	42	D-UA-5413815-0-0	5413815-00	POWER DIST. BOARD ASSY.	0	0	0	0	0	0	1	1	0	0
42	43	D-AD-7016479-0-0	7016479-00	BOTTOM COVER ASSY.	0	0	0	0	0	0	1	1	0	0
43	44	D-MD-7421614-0-0	7421614-00	TOP COVER	0	0	0	0	0	0	1	1	0	0
44	45	D-MD-7424842-0-0	7424842-00	RAIL, SLU, SHIPPING	0	0	0	0	0	0	2	2	0	0
45	46	D-IA-7016887-0-0	7016887-00	CABLE JUMPER ASSY	0	0	0	0	0	0	1	1	0	0
46	47	A-PS-1216271-0-0	1216271-00	FILTER, FOAM 7.5 X 16.5	0	0	0	0	0	0	1	1	0	0
47	48	A-DC-3615087-0-0	3615087-02	LABEL, "DANGER-HIGH CURRENT"	0	0	0	0	0	0	1	1	0	0
48	49		9006039-01	SCREW, PAN, PHIL 8-32X 1/2 SS	0	0	0	0	0	0	6	6	0	0
49	50		9006043-03	SCREW, TRUS, PHIL 8-32X 1	0	0	0	0	0	0	4	4	0	0
50	51	E-PS-1216971-0-0	1216971-00	CHASSIS SLIDE FOR BA11-A	0	0	0	0	0	0	6	6	0	0
51	52		9006690-00	WASHER, LOCK, S.S. #8	0	0	0	0	0	0	6	6	0	0
52	53	B-PS-1216197-0-0	1216197-00	SCREW, PIVOT	0	0	0	0	0	0	6	6	0	0
53	54		9009636-00	CLAMP, CABLE, FOR FLAT CABLE	0	0	0	0	0	0	6	6	0	0
54	55	BLANK		*** THIS ITEM IS NOT USED ***	-	-	-	-	-	-	-	-	-	-
55	56		9009701-00	SCREW, PAN, PHIL, SEMS 6-32X .312L	0	0	0	0	0	0	8	8	0	0
56	57		9009545-00	SCREW, PAN, PHIL, SEMS 8-32X .25 L	REF	REF	-	-	-	-	4	4	0	0
57	58	BLANK		*** THIS ITEM IS NOT USED ***	-	-	-	-	-	-	-	-	-	-
58	59	E-UA-11/24-YX-0	11/24-YX	KDF11-UA, BA11-AA, M9312, 120V (NO	0	0	0	0	0	0	0	0	1	0
59	60	E-UA-11/24-YY-0	11/24-YY	KDF11-UA, BA11-AB, M9312, 240V (NO	0	0	0	0	0	0	0	0	1	0
60	61	BLANK		*** THIS ITEM IS NOT USED ***	-	-	-	-	-	-	-	-	-	-
61	62	A-SP-3700472-0-0	3700472-00	INSTR PKG COMPUTER(BA11-A)	0	0	0	0	0	0	1	1	0	0
62	63	BLANK		*** THIS ITEM IS NOT USED ***	-	-	-	-	-	-	-	-	-	-
63	64		1209856-02	CLIP, MODULE HOLDER W/O SEPARA	2	2	0	0	0	0	0	0	0	0
64	65		9007031-00	TIE, CABLE BUNDL, DIA 0- 3/4"=101	1	1	0	0	0	0	0	0	0	0
65	66	D-MA-7421613-0-0	7421613-00	SLIDE INDEX PLATES	0	0	0	0	0	0	0	0	1	1
66	67	D-MD-7421316-0-1	7421613-01	SLIDE INDEX PLATE	0	0	0	0	0	0	0	0	1	1
67	68	C-MD-7413659-0-0	7413659-00	BRACKET SHIPPING	0	0	0	0	0	0	0	0	1	1
68	69		9007035-00	GROMMET #122-37-1500	0	0	0	0	0	0	0	0	0	0

D	I	G	I	T	A	L	TITLE	11/24 UNIT ASSEMBLY	SECTION A	OF A	SIZE	CODE	DOCUMENT NUMBER	REV
											K	PL	11/24-0-D3P	B

# DIGITAL EQUIPMENT CORPORATION PARTS LIST

## QUANTITY / VARIATION

**NOTES:**

NEW DRAWING RELEASED AT REVISION B.  
REVISION A WAS A MISNUMBER AND HAS BEEN  
ASSIGNED A NEW DRAWING NUMBER.

MADE BY A. ROCHA	CHECKED <i>R. Rocha</i>	SECTION
DATE 10-DEC-80	DATE 15 JAN 81	
ENG <i>R. Rocha</i>	PROD <i>R. Rocha</i>	ISSUED SECTION
DATE 15 JAN 81	DATE 1-15-81	

ITEM NO.	DRAWING NO.	PART NO.	DESCRIPTION	QUANTITY / VARIATION						REF DESIGNATION
				11/24-AA	11/24-AB	11/24-AC	11/24-AD	11/24-BC	11/24-BD	
1	E-UA-11/24-0-0	11/24-XX	BALL-LX,H777-UA P.S,W/O MEM,115V	1	-	1	-	-	-	
2	E-UA-11/24-0-0	11/24-XY	BALL-LY,H777-UB P.S.,W/O MEM,230V	-	1	-	1	-	-	
3	E-UA-11/24-0-0	11/24-YX	BALL-AA,H7140-AA P.S.,W/O MEM,115V	-	-	-	-	1	-	
4	E-UA-11/24-0-0	11/24-YY	BALL-AB,H7140-AB P.S.,W/O MEM,230V	-	-	-	-	-	1	
5	D-UA-MS11-L-0	MS11-LB	MS11-LB,64K 18 BIT MOS MEM	1	1	-	-	-	-	
6	D-UA-MS11-L-0	MS11-LD	MS11-LD, 128K 18 BIT MOS MEM	-	-	1	1	1	1	
7	B-PL-BC22A-0-0	BC22A-25	BC22A-10 EXCEPT 25 FT	1	1	1	1	1	1	
8	E-PS-1216971-0-0	1216971	CHASSIS SLIDE AND HDW KIT	-	-	-	-	1	1	
9	B-PL-11/24-0-3		11/24 SOFTWARE LIST	1	1	1	1	1	1	
10	A-PL-11/24-0-4		HARDWARE KIT LIST	1	1	1	1	-	-	
11	A-PS-3700061-0-0	3700061-00	PACK INSTRUCTIONS	1	1	1	1	-	-	
12	A-PS-3700197-0-0	3700197-00	PACK INSTRUCTIONS, INTER.	1	1	1	1	-	-	
13	A-SP-3700472-0-0	3700472-00	INSTR. PACK KIT	-	-	-	-	1	1	
15	C-MD-7413659-0-0	7413659-00	SHIPPING BRACKET	-	-	-	-	1	1	
16		9006565-00	NUT,KEP, 10-32 X 3/8 AF	-	-	-	-	1	1	

E.C.O. NO.  
11/24 - TW001  
11/24 - TW002

"THIS DRAWING AND SPECIFICATIONS, HEREIN, ARE THE PROPERTY OF DIGITAL EQUIPMENT CORPORATION AND SHALL NOT BE REPRODUCED OR COPIED OR USED IN WHOLE OR IN PART AS THE BASIS FOR THE MANUFACTURE OR SALE OF ITEMS WITHOUT WRITTEN PERMISSION. COPYRIGHT © 1980 DIGITAL EQUIPMENT CORPORATION"

TITLE  
11/24, SHIPPING LIST

ASSY NO.  
B-DD-11/24-0  
SHEET 1 OF 1

SIZE CODE NUMBER  
**B PL** 11/24-0-2  
INSERTION PARTS LIST DATA BASE REV

REV.  
C

TW



# DIGITAL EQUIPMENT CORPORATION PARTS LIST

MADE BY DATE	A. ROCHA 10-DEC-80	CHECKED DATE	SECTION
ENG DATE	<i>R. Rocha</i> 15 JAN 81	PROD. DATE	ISSUED SECTION
		<i>R. Rocha</i> 1-15-81	

### QUANTITY / VARIATION

NOTES:

RELEASED AT A "B" REV.

ITEM NO.	DRAWING NO.	PART NO.	DESCRIPTION	11/24-AA	11/24-AB	11/24-AC	11/24-AD	11/24-BC	11/24-BD						
1	EK-11-024-TM-001		PDP 11/24 SYSTEM TECH MANUAL	1	1	1	1	1	1						
2		MP00672	MS11-L PRINT SET	1	1	1	1	1	1						
3	EK-MS11L-UG-001		MS11-L MOS MEMORY USERS GUIDE	1	1	1	1	1	1						
4	B-TC-11/24-0-1	MP01018	FIED MAINT PRINT SET	1	1	1	1	1	1						
5	ZJ013-FR ZJ013-PB		11/24 BASIC CPU KIT (FICHE) 11/24 BASIC CPU KIT (PAPERTAPE)	1	1	1	1	1	1						
6	A-PS-1700163-00	(SHEET 6 & 7 ONLY)	BC22A-25 PRINT SET	1	1	1	1	1	1						
7	EK-M9312-TM		TECH MANUAL (M9312)	1	1	1	1	1	1						
8		MP00617	M9312 PRINT SET	1	1	1	1	1	1						
9	EK-BALL1L-MM-PRE		BALL-L MAINT. MANUAL	1	1	1	1	-	-						
10	EK-BALLA-TM-001		BALL-A USER'S GUIDE	-	-	-	-	1	1						
11	A-SP-H7750-0-3		BATTERY BACK-UP INSTALLATION	-	-	-	-	1	1						
12	A-SP-BALL-AJ-03		CONVERSION KIT (120V-240V)	-	-	-	-	1	1						
13	EK-FS003-IN		PDP-11 INSTALLATION/ACCEPT PROCEDURE	1	1	1	1	1	1						
14			11/24 POCKET REFERENCE GUIDE	1	1	1	1	1	1						

REF DESIGNATION

E.C.O. NO.  
11/24 - TW001  
11/24 - TW002

"THIS DRAWING AND SPECIFICATIONS, HEREIN, ARE THE PROPERTY OF DIGITAL EQUIPMENT CORPORATION AND SHALL NOT BE REPRODUCED OR COPIED OR USED IN WHOLE OR IN PART AS THE BASIS FOR THE MANUFACTURE OR SALE OF ITEMS WITHOUT WRITTEN PERMISSION. COPYRIGHT © 1980 DIGITAL EQUIPMENT CORPORATION"

TITLE  
11/24 SOFTWARE LIST

ASSY NO.  
E-UA-11/24-0-0

SIZE	CODE	NUMBER	REV.
B	PL	11/24-0-3	B

SHEET 1 OF 1

INSERTION PARTS LIST DATA BASE REV

TW

DIGITAL EQUIPMENT CORPORATION PARTS LIST				QUANTITY / VARIATION										NOTES:				
MADE BY DATE		A. ROCHA 10-DEC-80		CHECKED <i>R. Rocha</i> DATE 15 JAN 81		SECTION												ITEMS 1 THRU 4 MOUNT L-BOX ENVELOPE TO CABINET REAR RAILS AND ITEM 5 AND 6 MOUNT ENVELOPE TO CABINET FRONT RAILS.
ENG DATE		R. MORIN <i>R.M.</i> 12-NOV-80		PROD <i>A. Superior</i> DATE 1-15-81		ISSUED SECTION												
ITEM NO.	DRAWING NO.	PART NO.	DESCRIPTION	11/24-0-4													REF DESIGNATION	
1	B-MD-7418259-0-0	7418259-00	SPACER ENCLOSURE	4														
2		9006037-03	SCREW, TR HD, PN 8.32x.38LG	4														
3		9006660-00	WASHER, FLAT NO. 8	4														
4		9008072-00	WASHER, LOCK, EXT TH. NO. 8	4														
5		9006071-03	SCREW, TR HD, PH, 10-32x.38LG	4														
6		9007786-00	RETAINER, U-NUT, 10-32	4														
			(BAG & TAG KIT FORM)															

E.C.O. NO.  
11/24-  
TW001

"THIS DRAWING AND SPECIFICATIONS, HEREIN, ARE THE PROPERTY OF DIGITAL EQUIPMENT CORPORATION AND SHALL NOT BE REPRODUCED OR COPIED OR USED IN WHOLE OR IN PART AS THE BASIS FOR THE MANUFACTURE OR SALE OF ITEMS WITHOUT WRITTEN PERMISSION. COPYRIGHT ©1980 DIGITAL EQUIPMENT CORPORATION"

TITLE 11/24 HARDWARE  
KIT LIST

ASSY NO.  
B-DD-11/24-0

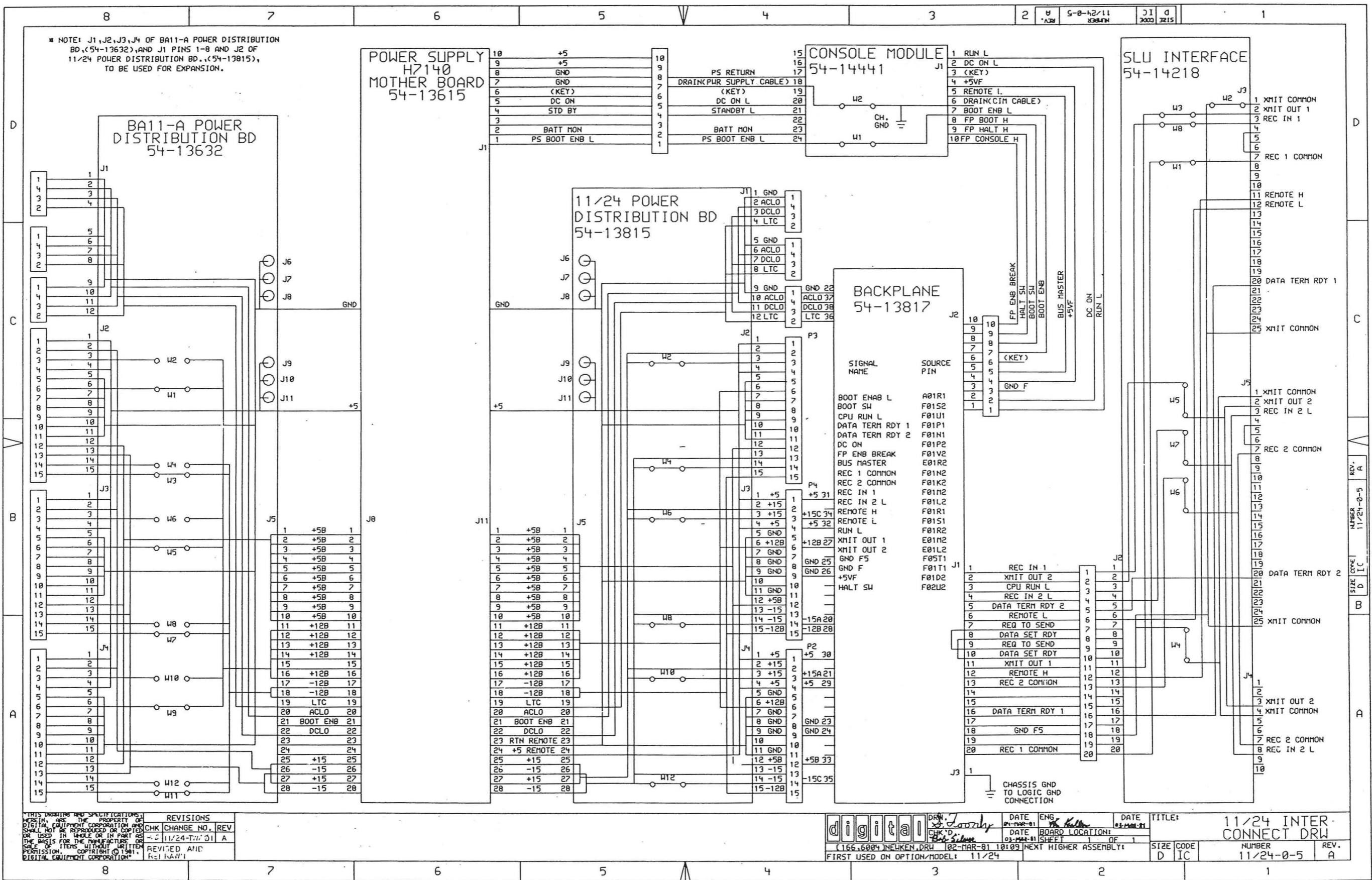
SIZE CODE NUMBER  
B PL 11/24-0-4

REV.  
A

SHEET 1 OF 1

INSERTION PARTS LIST DATA BASE REV

TW

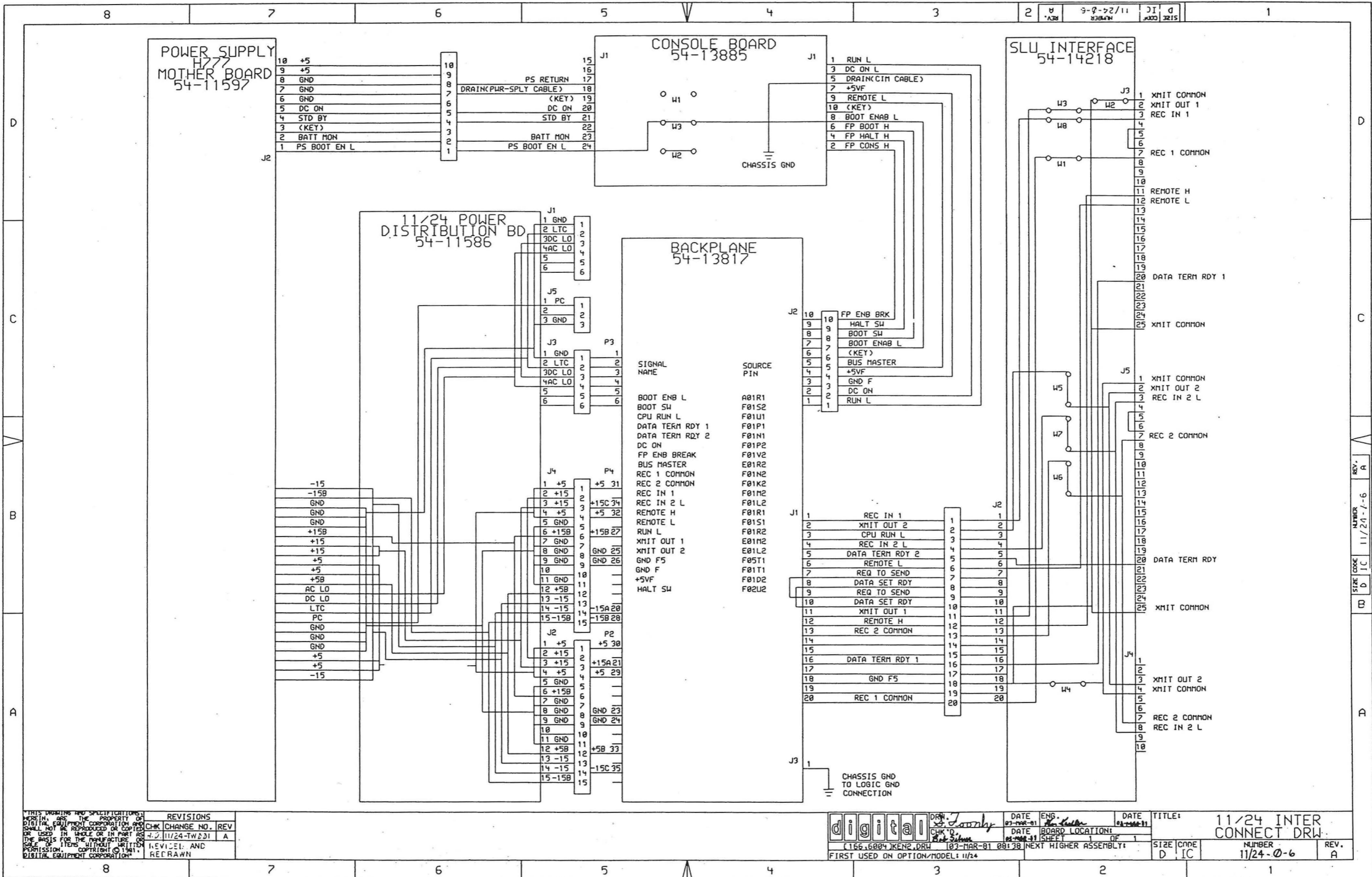


SILVER R. (166,600) NEUKEN, DPL, SCALE 2, "D" RELEASE BOX  
 SILVER R. NEUKEN, PLOT 166, (600) J 04-MAR-81 08:156

REV.	CHG	NO.	REV
1	11/24-TW	01	A

REVISED AND RELEASED BY: [Signature]

<b>digital</b>	DATE: 04-MAR-81	ENG: [Signature]	DATE: 04-MAR-81	TITLE: 11/24 INTER-CONNECT DRW
CHECKED: [Signature]	DATE: 04-MAR-81	BOARD LOCATION: 11/24	SHEET: 1 OF 1	SIZE CODE: D I C
(166,600) NEUKEN, DRW	04-MAR-81 10:09	NEXT HIGHER ASSEMBLY:	NUMBER: 11/24-0-5	REV. A
FIRST USED ON OPTION/MODEL: 11/24				



SILVER R+ C166-6804 JKEN2.DRW SCALE 2:1 "D" RELEASE BOX  
 SILVER R KENZ.P10X166-6804 J 03-118R-01 08142

REVISIONS		
CHK	CHANGE NO.	REV
	1	A
	2	A

REVISED AND REDRAWN

	DATE	ENG.	DATE	TITLE:
	03-118R-01	<i>R. Kelly</i>	03-118R-01	11/24 INTER CONNECT DRW.
	DATE	BOARD LOCATION		
	03-118R-01	1		
C166-6804 JKEN2.DRW 03-MAR-01 08138 NEXT HIGHER ASSEMBLY:				SIZE CODE D IC
FIRST USED ON OPTION/MODEL: 11/24				NUMBER 11/24-0-6
				REV. A

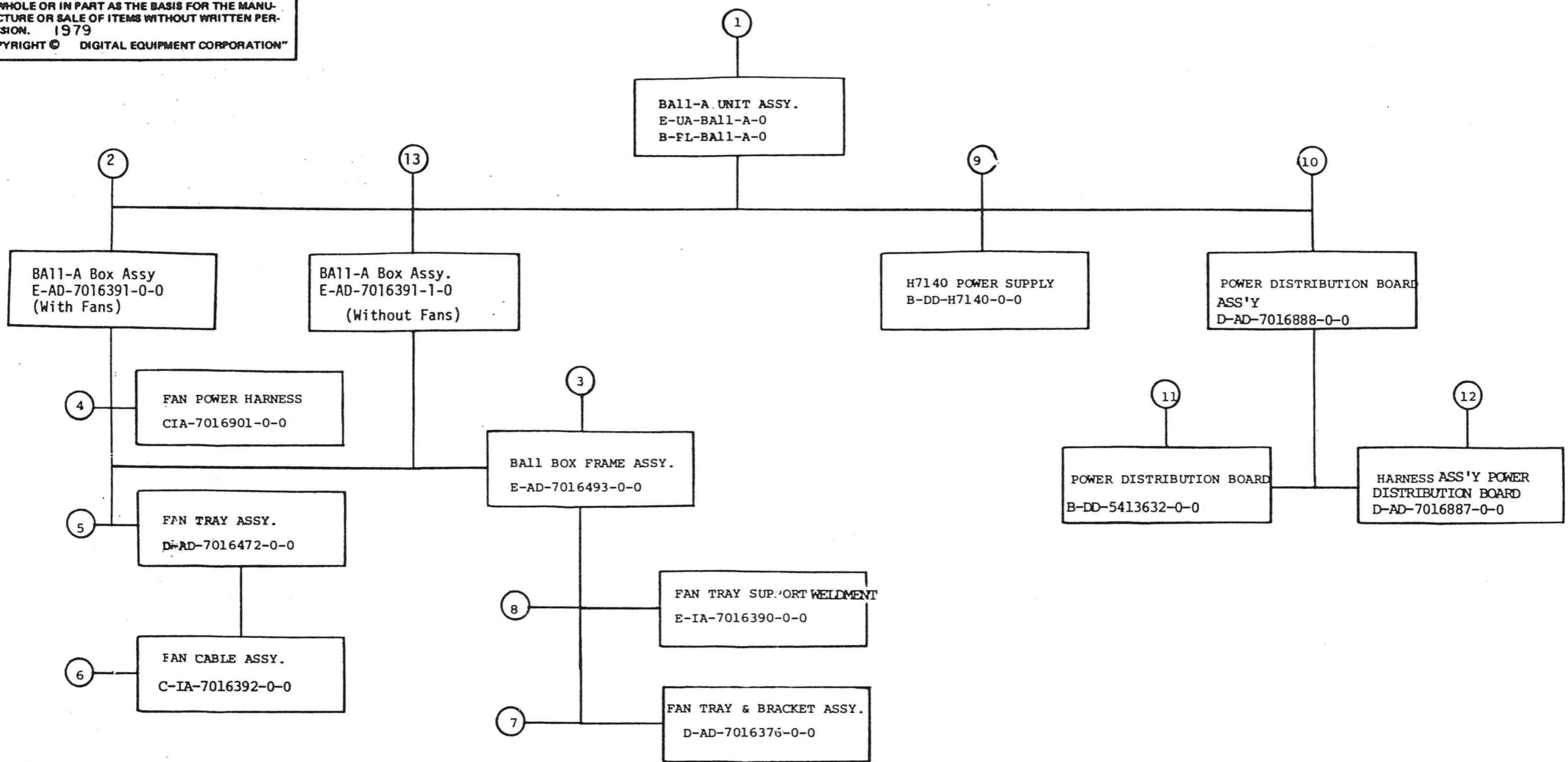
REV. A  
 NUMBER 11/24-0-6  
 SIZE CODE D IC





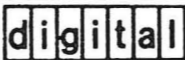


"THIS DRAWING AND SPECIFICATIONS, HEREIN, ARE THE PROPERTY OF DIGITAL EQUIPMENT CORPORATION AND SHALL NOT BE REPRODUCED OR COPIED OR USED IN WHOLE OR IN PART AS THE BASIS FOR THE MANUFACTURE OR SALE OF ITEMS WITHOUT WRITTEN PERMISSION. 1979  
 COPYRIGHT © DIGITAL EQUIPMENT CORPORATION"

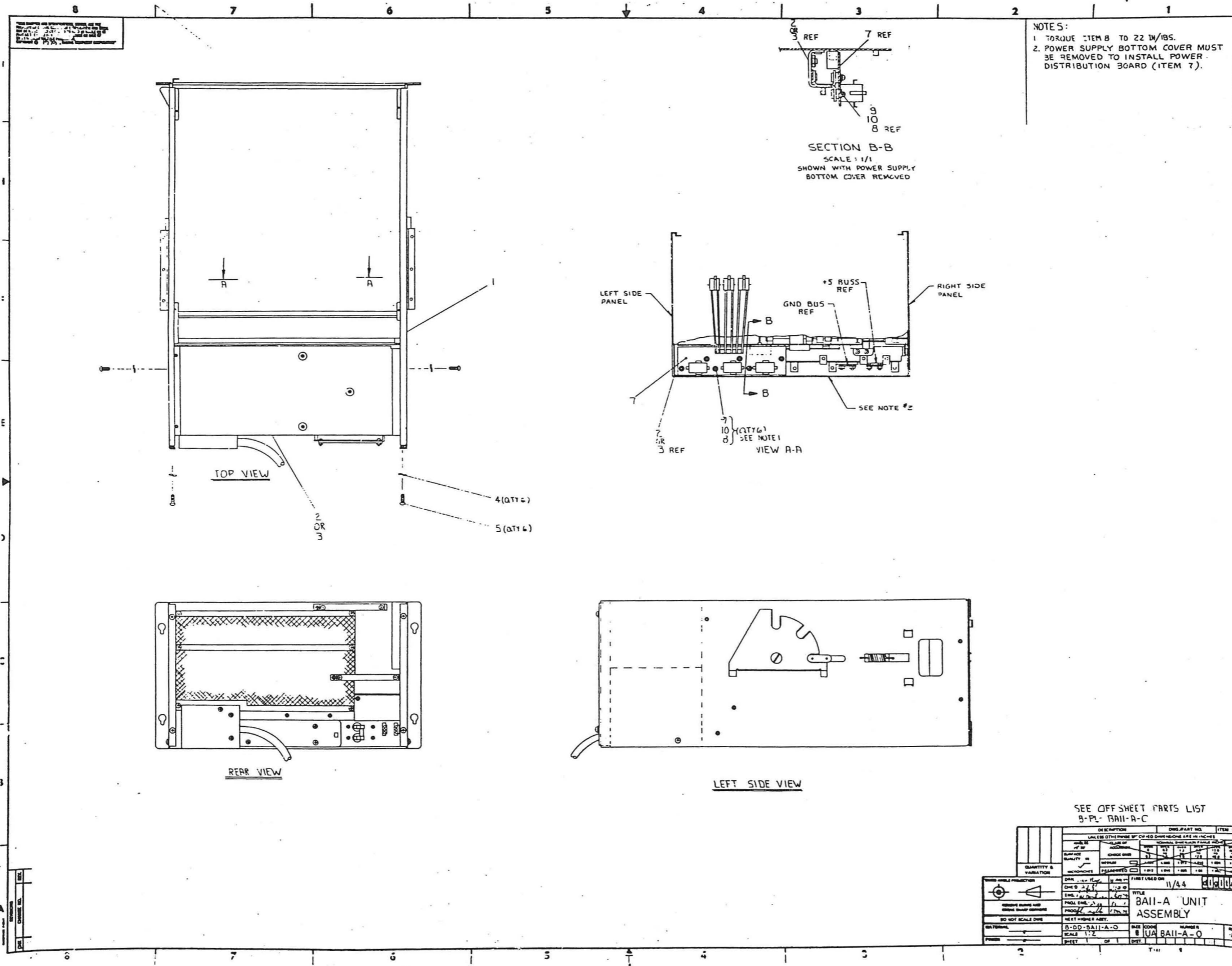


TITLE	BALL-A UNIT ASSY.	SHEET 2 OF 3	SIZE CODE	B DD	NUMBER	BALL-A -0	REV	*
-------	-------------------	--------------	-----------	------	--------	-----------	-----	---



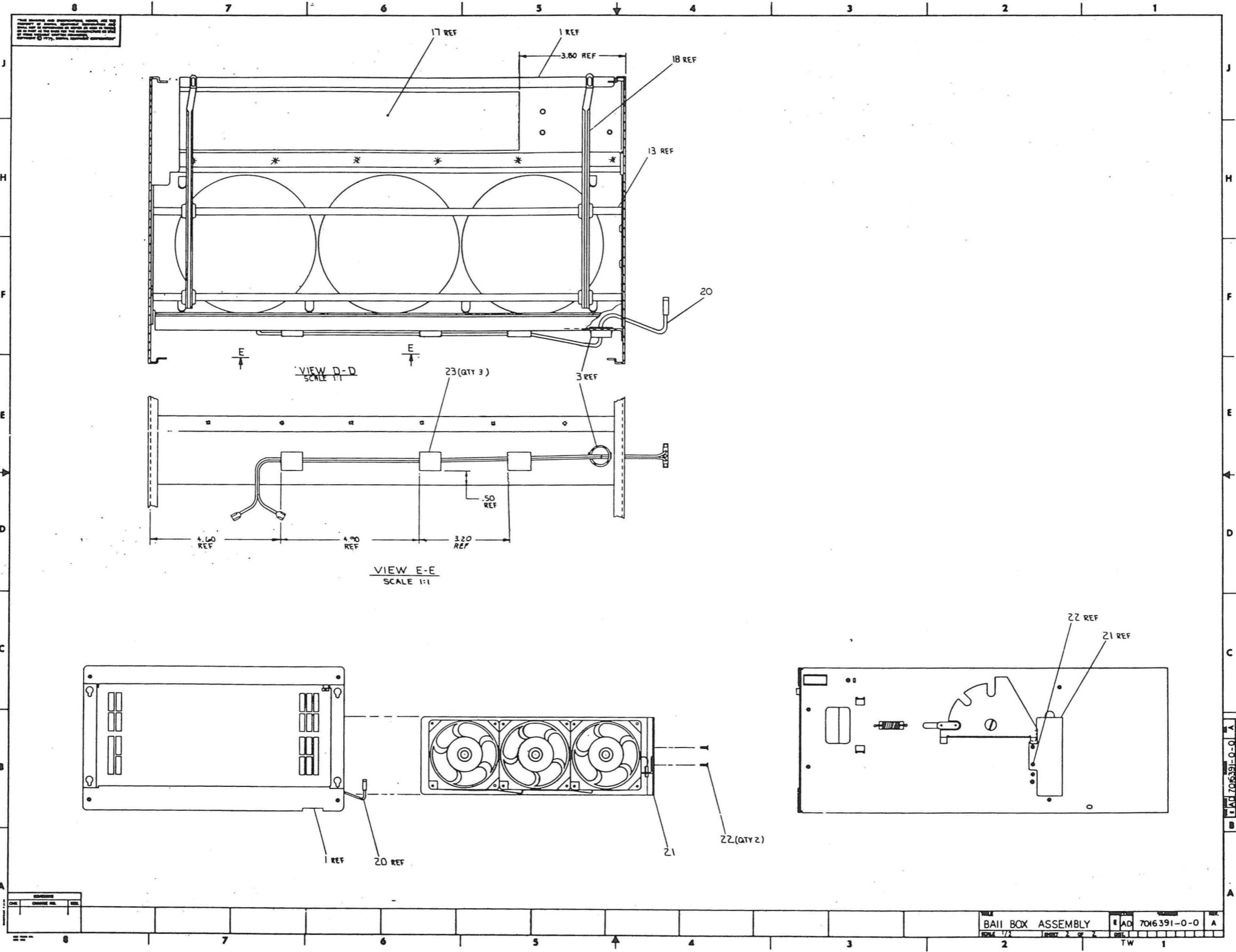
FIND NO.	DRAWING NO.	DESCRIPTION	TYPE	FIND NO.	DRAWING NO.	DESCRIPTION	TYPE
1	E-UA-BALL-A-0	BALL-A UNIT ASSY.	E/M	9	B-DD-H7140-0-0	H7140 POWER SUPPLY DRAWING DIRECTORY	REF
	B-PL-BALL-A-0	BALL-A PARTS LIST	REF				
2	E-AD-7016391-0-0	BALL-A BOX ASSY. (with fans)	E/M	10	D-AD-7016888-0-0	POWER DISTRIBUTION BOARD ASSY.	E/M
	D-PS-1216189-0-0	RETRACTOR SLIDE PAWL	M	11	B-DD-5413632-0-0	POWER DISTRIBUTION BOARD	E
	B-PS-1216190	SPRING SLIDE PAWL	M	12	D-AD-7016887	CABLE HARNESS ASS'Y POWER DISTRIBUTION BOARD	E
	B-MD-7421611-0-0	SLIDE PAWL	M				
	B-MD-7421444-0-0	PLATE SLIDE NUT	M				
	D-MD-7421613-0-0	SLIDE INDEX PLATE (2)	M				
	B-PS-1216197-0-0	PIVOT SCREW	M				
	D-PS-1215848-0-0	CARD GUIDE	M				
	B-MD-7421612-0-0	BAR GUIDE MNTING	M				
				13	E-AD-7016391-1-0	BALL-A Box Assy, Without fans (Reference only)	REF
3	E-MD-7016493-0-0	BALL BOX FRAME ASSY.	M				
	E-MD-7421631-0-0	SIDE PANEL LEFT	M				
	E-MD-7421441-0-0	CARD CAGE FRONT	M				
	D-MD-7421616-0-0	SPRING BOX LOCK	M				
	E-MD-7421610-0-0	SIDE PANEL RIGHT	M				
4	C-IA-7016901-0-0	FAN POWER HARNESS	E				
5	D-AD-7016472-0-0	FAN TRAY ASSY.	E/M				
6	D-IA-7016392-0-0	FAN CABLE ASSY.	E				
7	D-AD-7016376-0-0	FAN TRAY & BRACKET ASSY.	M				
	D-MD-7421632-0-0	FAN TRAY	M				
	B-MD-7421387-0-0	BRACKET FAN TRAY CONN	M				
8	E-AD-7016390-0-0	FAN TRAY SUPPORT WELDMENT	M				
	E-MD-7421634-0-0	FAN TRAY SUPPORT FRONT	M				
	E-MD-7421633-0-0	FAN TRAY SUPPORT REAR	M				
TYPE: E ELECTRICAL M MECHANICAL E/M ELECTRO/MECHANICAL						TITLE BALL-A UNIT ASSY.	
DRB 108A				SHEET 3 OF 3		SIZE CODE B DD NUMBER BALL-A-0	
						REV *	

TW







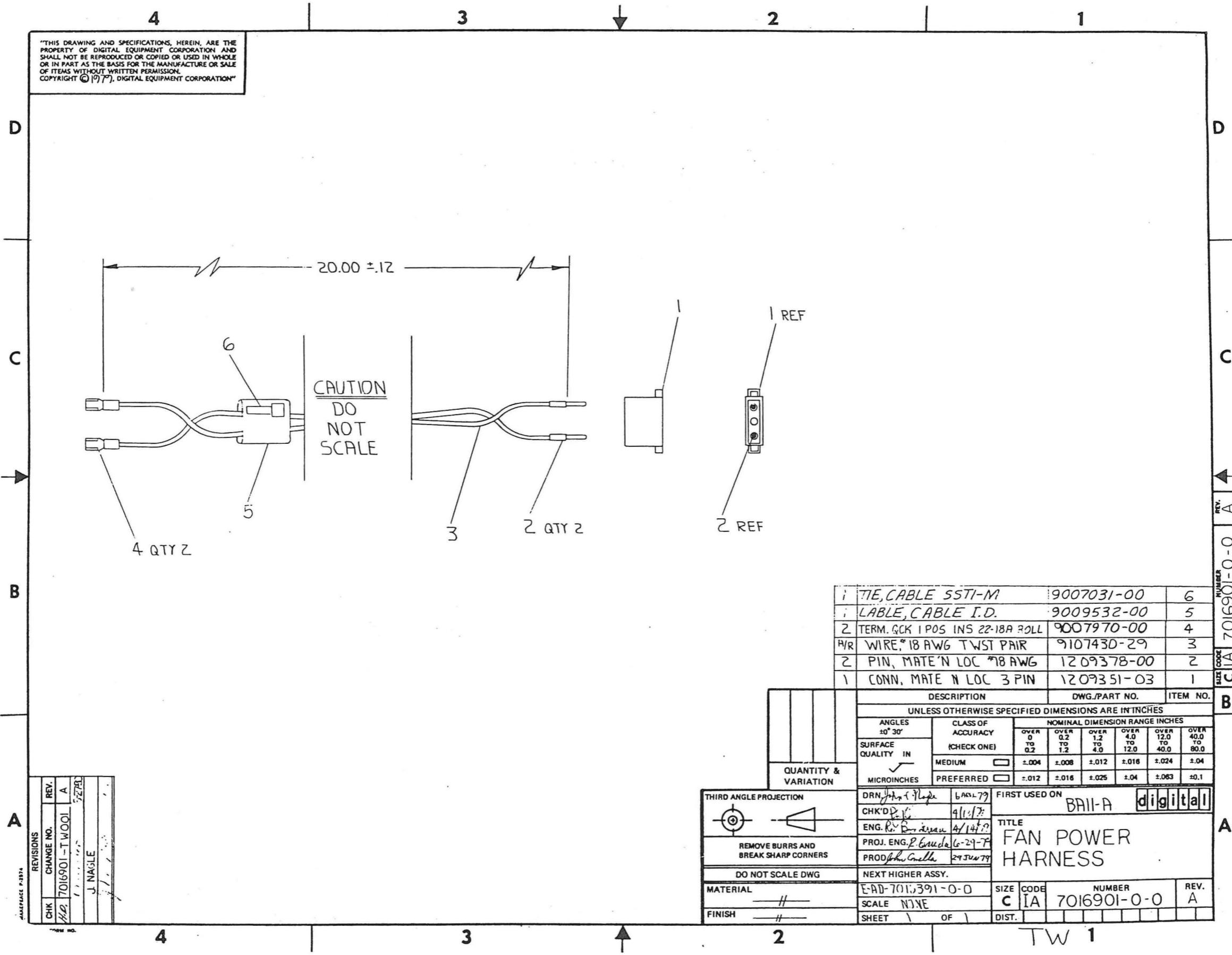


1. This drawing is a technical drawing of a Ball Box Assembly. It shows the internal components and their arrangement. The drawing is a technical drawing and should be used as a guide for assembly.

REV	DESCRIPTION	DATE



"THIS DRAWING AND SPECIFICATIONS, HEREIN, ARE THE PROPERTY OF DIGITAL EQUIPMENT CORPORATION AND SHALL NOT BE REPRODUCED OR COPIED OR USED IN WHOLE OR IN PART AS THE BASIS FOR THE MANUFACTURE OR SALE OF ITEMS WITHOUT WRITTEN PERMISSION. COPYRIGHT © 1977, DIGITAL EQUIPMENT CORPORATION"



REVISIONS	CHANGE NO.	REV.
CHK	7016901-T WOOD	A
	J. NAGLE	

1	TIE, CABLE SSTI-M	9007031-00	6
1	CABLE, CABLE I.D.	9009532-00	5
2	TERM. GCK 1 POS INS 22-18A ROLL	9007970-00	4
W/R	WIRE #18 AWG TWST PAIR	9107430-29	3
2	PIN, MATE'N LOC #18 AWG	1209378-00	2
1	CONN, MATE'N LOC 3 PIN	1209351-03	1

DESCRIPTION	DWG./PART NO.	ITEM NO.
UNLESS OTHERWISE SPECIFIED DIMENSIONS ARE IN INCHES		
ANGLES ±0° 30'	CLASS OF ACCURACY (CHECK ONE)	NOMINAL DIMENSION RANGE INCHES
SURFACE QUALITY IN	MEDIUM <input type="checkbox"/>	OVER 0 TO 0.2
MICROINCHES	PREFERRED <input checked="" type="checkbox"/>	OVER 0.2 TO 1.2
		OVER 1.2 TO 4.0
		OVER 4.0 TO 12.0
		OVER 12.0 TO 40.0
		OVER 40.0 TO 90.0

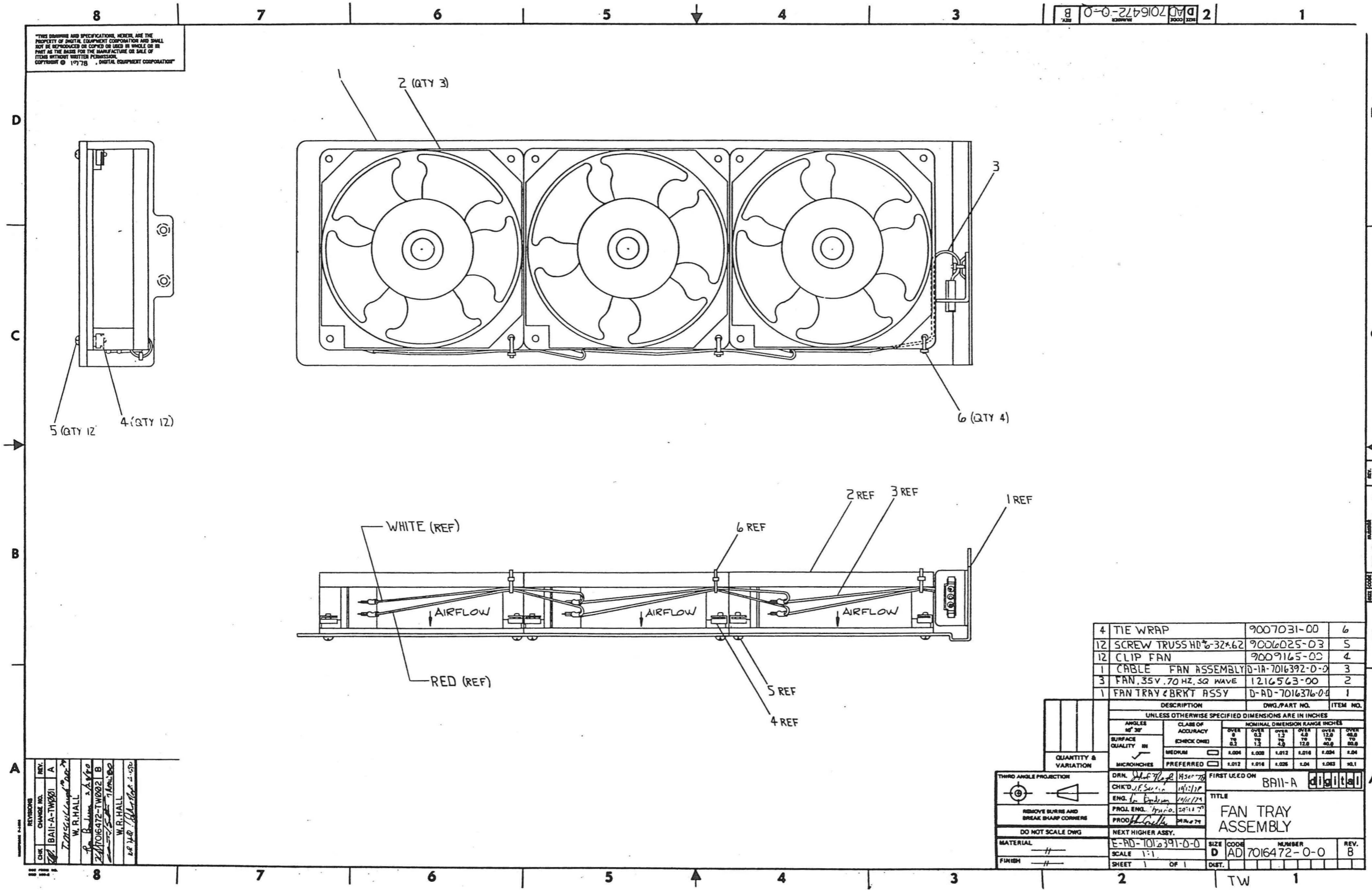
THIRD ANGLE PROJECTION	DRN <i>J. Nagle</i> 6 MAR 79	FIRST USED ON	BAIL-A digital
REMOVE BURRS AND BREAK SHARP CORNERS	CHK'D <i>R. B. ...</i> 9/11/77	TITLE	FAN POWER HARNESS
DO NOT SCALE DWG	PROJ. ENG. <i>P. ...</i> 6-29-77	SIZE	C IA
MATERIAL	PROD <i>...</i> 29 JUL 79	CODE	IA
FINISH		NUMBER	7016901-0-0
		REV.	A

REV. A  
7016901-0-0  
C IA

TW 1

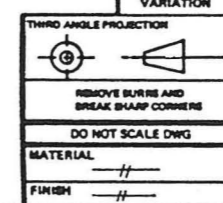
"THIS DRAWING AND SPECIFICATIONS, HEREIN, ARE THE PROPERTY OF DIGITAL EQUIPMENT CORPORATION AND SHALL NOT BE REPRODUCED OR COPIED OR USED IN WHOLE OR IN PART AS THE BASIS FOR THE MANUFACTURE OR SALE OF ITEMS WITHOUT WRITTEN PERMISSION. COPYRIGHT © 1978, DIGITAL EQUIPMENT CORPORATION"

D AD 7016472-0-0 2



4	TIE WRAP	9007031-00	6
12	SCREW TRUSS HD 3/32x.62	9006025-03	5
12	CLIP FAN	9009165-03	4
1	CABLE FAN ASSEMBLY	D-1A-7016392-0-0	3
3	FAN, 35V, 70 HZ, SQ WAVE	1216563-00	2
1	FAN TRAY & BRKT ASSY	D-AD-7016376-0-0	1

DESCRIPTION		DWG./PART NO.	ITEM NO.
UNLESS OTHERWISE SPECIFIED DIMENSIONS ARE IN INCHES			
ANGLES M <sup>o</sup> 30'	CLASS OF ACCURACY	NOMINAL DIMENSION RANGE INCHES	
SURFACE QUALITY	(CHECK ONE)	OVER 0 TO 0.3	OVER 0.3 TO 1.3
MICROINCHES	MEDIUM	OVER 1.3 TO 3.0	OVER 3.0 TO 49.9
QUANTITY & VARIATION	PREFERRED	OVER 49.9 TO 99.9	OVER 99.9 TO 999.9
		0.004	0.008
		0.012	0.016
		0.025	0.04
		0.063	0.1



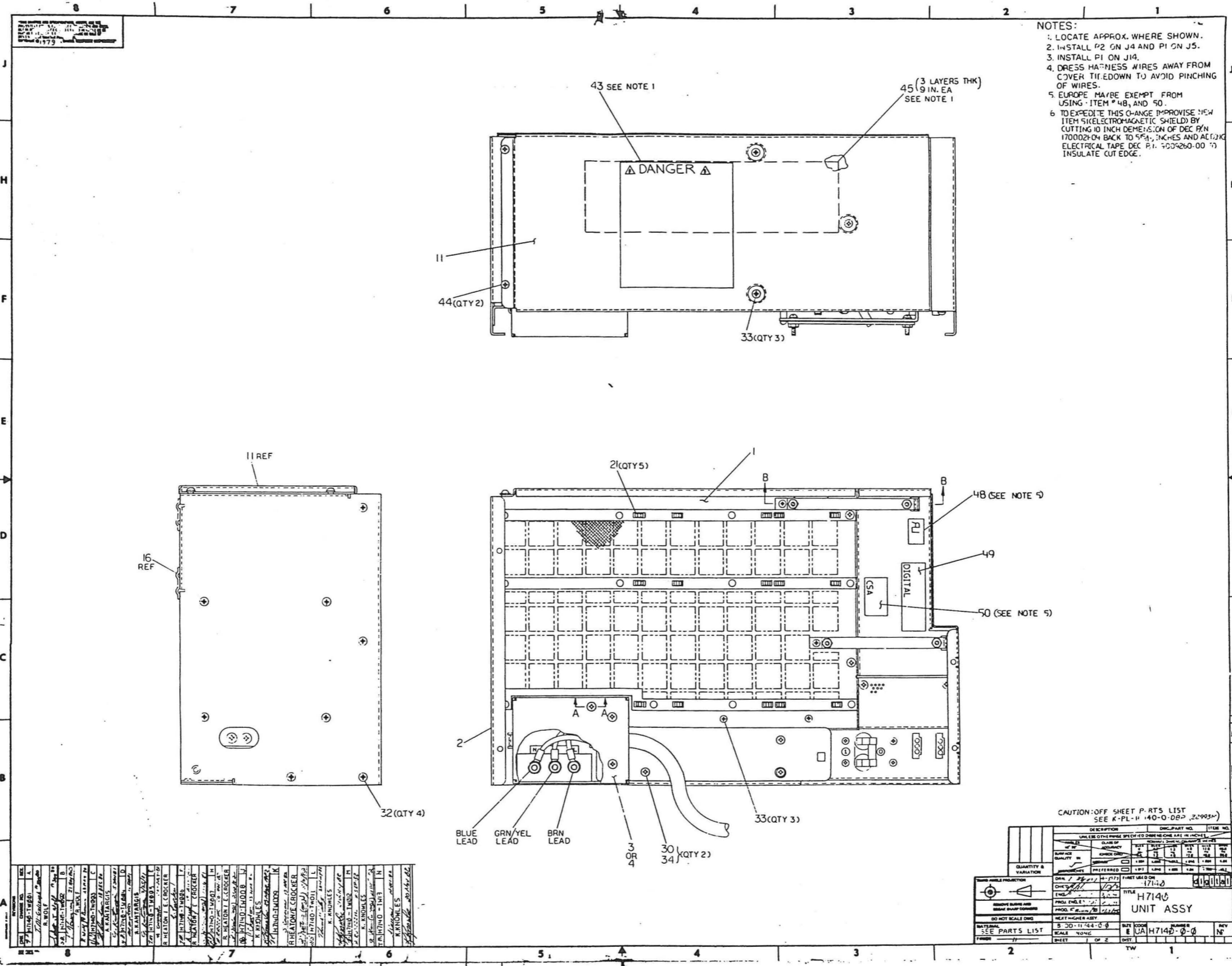
DRN. <i>[Signature]</i> 1/30/78	FIRST USED ON	BAIL-A	digital
CHK'D <i>[Signature]</i> 1/11/78	TITLE	FAN TRAY ASSEMBLY	
ENG. <i>[Signature]</i> 1/11/78	SIZE	CODE	NUMBER
PROL. <i>[Signature]</i> 2/11/78	E-AD-1016391-0-0	D	AD 7016472-0-0
	SCALE	1:1	REV. B
	SHEET	1	OF 1
	DIST.		

REV.	A
CHANGE NO.	
CHK.	<i>[Signature]</i>
REVISED BY	<i>[Signature]</i>
DATE	1/11/78
BY	<i>[Signature]</i>
DATE	1/11/78
BY	<i>[Signature]</i>
DATE	1/11/78
BY	<i>[Signature]</i>
DATE	1/11/78





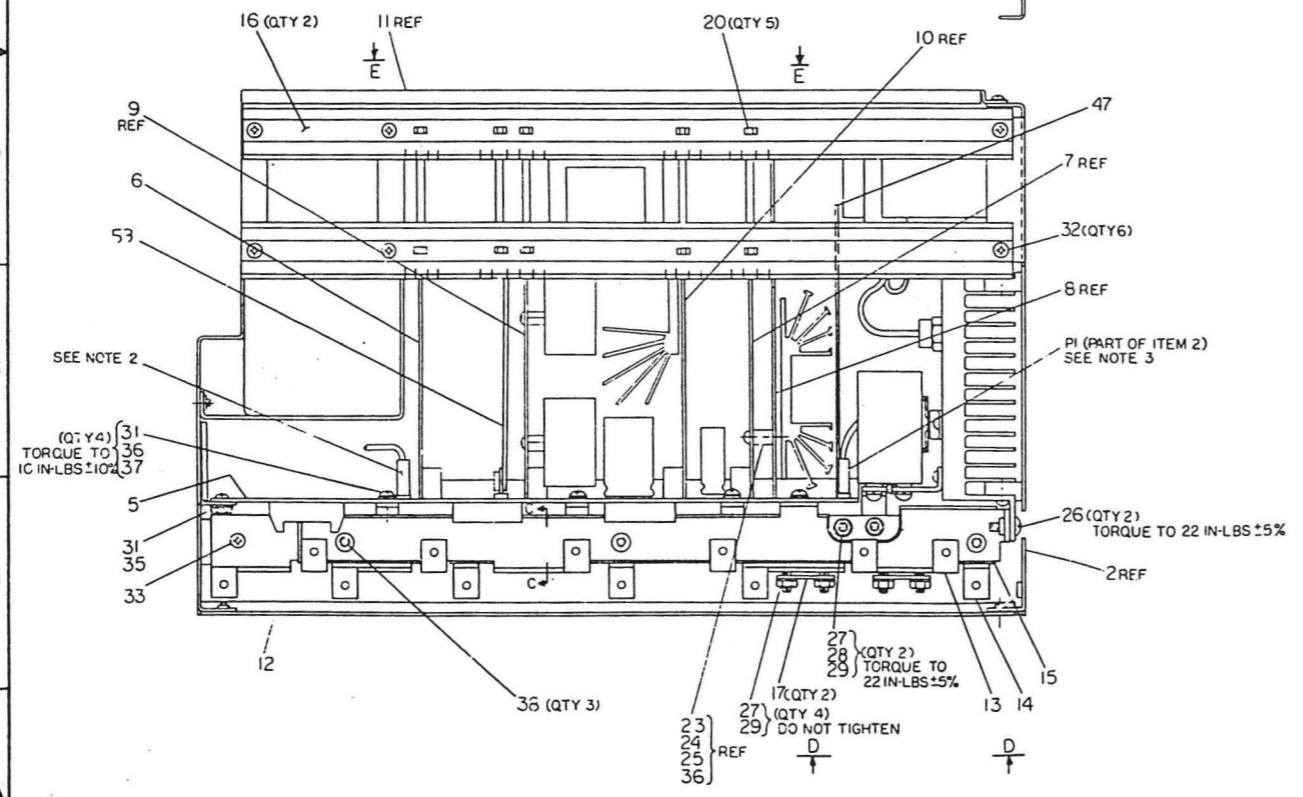
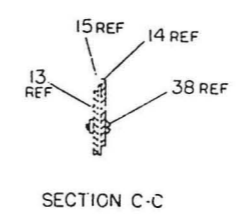
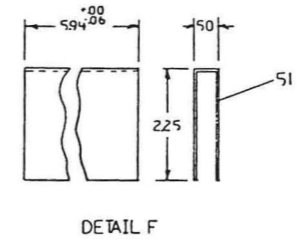
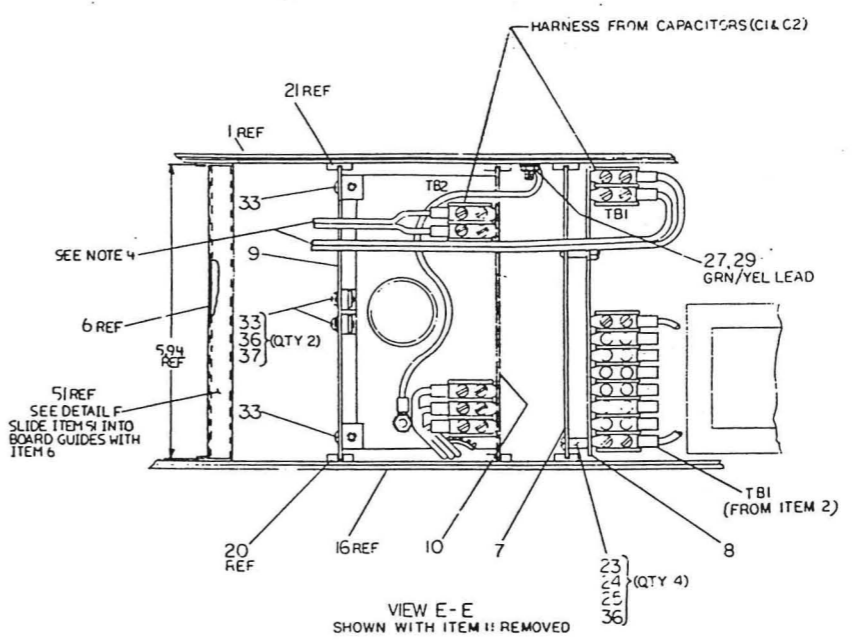
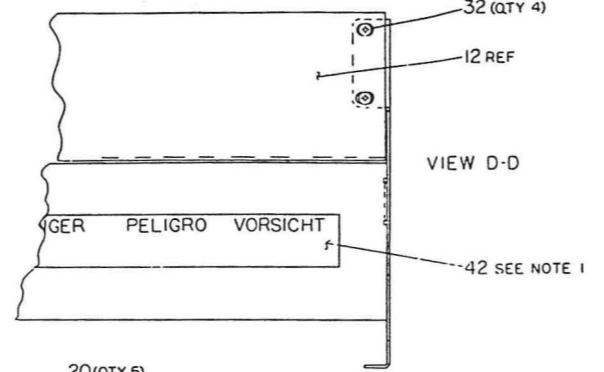
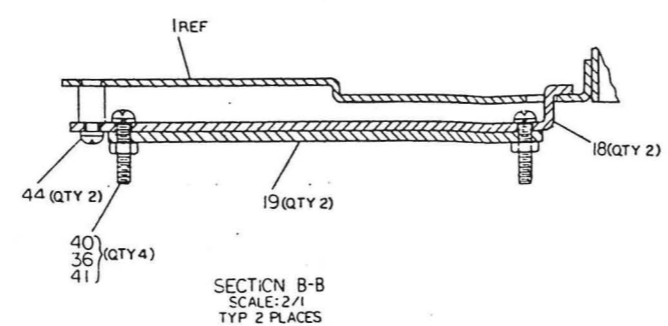
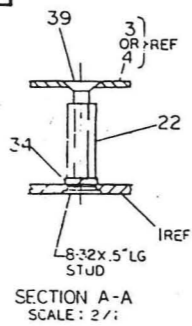




- NOTES:
1. LOCATE APPROX. WHERE SHOWN.
  2. INSTALL P2 ON J4 AND P1 ON J5.
  3. INSTALL P1 ON J14.
  4. DRESS HARNESS WIRES AWAY FROM COVER TIEDOWN TO AVOID PINCHING OF WIRES.
  5. EUROPE MAYBE EXEMPT FROM USING ITEM #48, AND 50.
  6. TO EXPEDITE THIS CHANGE IMPROVE NEW ITEM 51 (ELECTROMAGNETIC SHIELD) BY CUTTING 10 INCH DIMENSION OF DEC P/N 170002-04 BACK TO 5 1/4 INCHES AND APPLY ELECTRICAL TAPE DEC P/N 500260-00 TO INSULATE CUT EDGE.

QTY	DESCRIPTION	UNIT	REVISION
1	UNIT ASSY	EA	1
1	FRONT PANEL	EA	1
1	REAR PANEL	EA	1
1	TOP COVER	EA	1
1	BOTTOM COVER	EA	1
1	WIRING HARNESS	EA	1
1	POWER SUPPLY	EA	1
1	CONTROL PANEL	EA	1
1	INDICATOR LIGHT	EA	1
1	RELAY	EA	1
1	TRANSFORMER	EA	1
1	RESISTOR	EA	1
1	CAPACITOR	EA	1
1	DIODE	EA	1
1	TRIGGER	EA	1
1	RELAY	EA	1
1	TRANSFORMER	EA	1
1	RESISTOR	EA	1
1	CAPACITOR	EA	1
1	DIODE	EA	1
1	TRIGGER	EA	1
1	RELAY	EA	1
1	TRANSFORMER	EA	1
1	RESISTOR	EA	1
1	CAPACITOR	EA	1
1	DIODE	EA	1
1	TRIGGER	EA	1
1	RELAY	EA	1
1	TRANSFORMER	EA	1
1	RESISTOR	EA	1
1	CAPACITOR	EA	1
1	DIODE	EA	1
1	TRIGGER	EA	1
1	RELAY	EA	1
1	TRANSFORMER	EA	1
1	RESISTOR	EA	1
1	CAPACITOR	EA	1
1	DIODE	EA	1
1	TRIGGER	EA	1
1	RELAY	EA	1
1	TRANSFORMER	EA	1
1	RESISTOR	EA	1
1	CAPACITOR	EA	1
1	DIODE	EA	1
1	TRIGGER	EA	1
1	RELAY	EA	1
1	TRANSFORMER	EA	1
1	RESISTOR	EA	1
1	CAPACITOR	EA	1
1	DIODE	EA	1
1	TRIGGER	EA	1
1	RELAY	EA	1
1	TRANSFORMER	EA	1
1	RESISTOR	EA	1
1	CAPACITOR	EA	1
1	DIODE	EA	1
1	TRIGGER	EA	1
1	RELAY	EA	1
1	TRANSFORMER	EA	1
1	RESISTOR	EA	1
1	CAPACITOR	EA	1
1	DIODE	EA	1
1	TRIGGER	EA	1
1	RELAY	EA	1
1	TRANSFORMER	EA	1
1	RESISTOR	EA	1
1	CAPACITOR	EA	1
1	DIODE	EA	1
1	TRIGGER	EA	1
1	RELAY	EA	1
1	TRANSFORMER	EA	1
1	RESISTOR	EA	1
1	CAPACITOR	EA	1
1	DIODE	EA	1
1	TRIGGER	EA	1
1	RELAY	EA	1
1	TRANSFORMER	EA	1
1	RESISTOR	EA	1
1	CAPACITOR	EA	1
1	DIODE	EA	1
1	TRIGGER	EA	1
1	RELAY	EA	1
1	TRANSFORMER	EA	1
1	RESISTOR	EA	1
1	CAPACITOR	EA	1
1	DIODE	EA	1
1	TRIGGER	EA	1
1	RELAY	EA	1
1	TRANSFORMER	EA	1
1	RESISTOR	EA	1
1	CAPACITOR	EA	1
1	DIODE	EA	1
1	TRIGGER	EA	1
1	RELAY	EA	1
1	TRANSFORMER	EA	1
1	RESISTOR	EA	1
1	CAPACITOR	EA	1
1	DIODE	EA	1
1	TRIGGER	EA	1
1	RELAY	EA	1
1	TRANSFORMER	EA	1
1	RESISTOR	EA	1
1	CAPACITOR	EA	1
1	DIODE	EA	1
1	TRIGGER	EA	1
1	RELAY	EA	1
1	TRANSFORMER	EA	1
1	RESISTOR	EA	1
1	CAPACITOR	EA	1
1	DIODE	EA	1
1	TRIGGER	EA	1
1	RELAY	EA	1
1	TRANSFORMER	EA	1
1	RESISTOR	EA	1
1	CAPACITOR	EA	1
1	DIODE	EA	1
1	TRIGGER	EA	1
1	RELAY	EA	1
1	TRANSFORMER	EA	1
1	RESISTOR	EA	1
1	CAPACITOR	EA	1
1	DIODE	EA	1
1	TRIGGER	EA	1
1	RELAY	EA	1
1	TRANSFORMER	EA	1
1	RESISTOR	EA	1
1	CAPACITOR	EA	1
1	DIODE	EA	1
1	TRIGGER	EA	1
1	RELAY	EA	1
1	TRANSFORMER	EA	1
1	RESISTOR	EA	1
1	CAPACITOR	EA	1
1	DIODE	EA	1
1	TRIGGER	EA	1
1	RELAY	EA	1
1	TRANSFORMER	EA	1
1	RESISTOR	EA	1
1	CAPACITOR	EA	1
1	DIODE	EA	1
1	TRIGGER	EA	1
1	RELAY	EA	1
1	TRANSFORMER	EA	1
1	RESISTOR	EA	1
1	CAPACITOR	EA	1
1	DIODE	EA	1
1	TRIGGER	EA	1
1	RELAY	EA	1
1	TRANSFORMER	EA	1
1	RESISTOR	EA	1
1	CAPACITOR	EA	1
1	DIODE	EA	1
1	TRIGGER	EA	1
1	RELAY	EA	1
1	TRANSFORMER	EA	1
1	RESISTOR	EA	1
1	CAPACITOR	EA	1
1	DIODE	EA	1
1	TRIGGER	EA	1
1	RELAY	EA	1
1	TRANSFORMER	EA	1
1	RESISTOR	EA	1
1	CAPACITOR	EA	1
1	DIODE	EA	1
1	TRIGGER	EA	1
1	RELAY	EA	1
1	TRANSFORMER	EA	1
1	RESISTOR	EA	1
1	CAPACITOR	EA	1
1	DIODE	EA	1
1	TRIGGER	EA	1
1	RELAY	EA	1
1	TRANSFORMER	EA	1
1	RESISTOR	EA	1
1	CAPACITOR	EA	1
1	DIODE	EA	1
1	TRIGGER	EA	1
1	RELAY	EA	1
1	TRANSFORMER	EA	1
1	RESISTOR	EA	1
1	CAPACITOR	EA	1
1	DIODE	EA	1
1	TRIGGER	EA	1
1	RELAY	EA	1
1	TRANSFORMER	EA	1
1	RESISTOR	EA	1
1	CAPACITOR	EA	1
1	DIODE	EA	1
1	TRIGGER	EA	1
1	RELAY	EA	1
1	TRANSFORMER	EA	1
1	RESISTOR	EA	1
1	CAPACITOR	EA	1
1	DIODE	EA	1
1	TRIGGER	EA	1
1	RELAY	EA	1
1	TRANSFORMER	EA	1
1	RESISTOR	EA	1
1	CAPACITOR	EA	1
1	DIODE	EA	1
1	TRIGGER	EA	1
1	RELAY	EA	1
1	TRANSFORMER	EA	1
1	RESISTOR	EA	1
1	CAPACITOR	EA	1
1	DIODE	EA	1
1	TRIGGER	EA	1
1	RELAY	EA	1
1	TRANSFORMER	EA	1
1	RESISTOR	EA	1
1	CAPACITOR	EA	1
1	DIODE	EA	1
1	TRIGGER	EA	1
1	RELAY	EA	1
1	TRANSFORMER	EA	1
1	RESISTOR	EA	1
1	CAPACITOR	EA	1
1	DIODE	EA	1
1	TRIGGER	EA	1
1	RELAY	EA	1
1	TRANSFORMER	EA	1
1	RESISTOR	EA	1
1	CAPACITOR	EA	1
1	DIODE	EA	1
1	TRIGGER	EA	1
1	RELAY	EA	1
1	TRANSFORMER	EA	1
1	RESISTOR	EA	1
1	CAPACITOR	EA	1
1	DIODE	EA	1
1	TRIGGER	EA	1
1	RELAY	EA	1
1	TRANSFORMER	EA	1
1	RESISTOR	EA	1
1	CAPACITOR	EA	1
1	DIODE	EA	1
1	TRIGGER	EA	1
1	RELAY	EA	1
1	TRANSFORMER	EA	1
1	RESISTOR	EA	1
1	CAPACITOR	EA	1
1	DIODE	EA	1
1	TRIGGER	EA	1
1	RELAY	EA	1
1	TRANSFORMER	EA	1
1	RESISTOR	EA	1
1	CAPACITOR	EA	1
1	DIODE	EA	1
1	TRIGGER	EA	1
1	RELAY	EA	1
1	TRANSFORMER	EA	1
1	RESISTOR	EA	1
1	CAPACITOR	EA	1
1	DIODE	EA	1
1	TRIGGER	EA	1
1	RELAY	EA	1
1	TRANSFORMER	EA	1
1	RESISTOR	EA	1
1	CAPACITOR	EA	1
1	DIODE	EA	1
1	TRIGGER	EA	1
1	RELAY	EA	1
1	TRANSFORMER	EA	1
1	RESISTOR	EA	1
1	CAPACITOR	EA	1
1	DIODE	EA	1
1	TRIGGER	EA	1
1	RELAY	EA	1
1	TRANSFORMER	EA	1
1	RESISTOR	EA	1
1	CAPACITOR	EA	1
1	DIODE	EA	1
1	TRIGGER	EA	1
1	RELAY	EA	1
1	TRANSFORMER	EA	1
1	RESISTOR	EA	1
1	CAPACITOR	EA	1
1	DIODE	EA	1
1	TRIGGER	EA	1
1	RELAY	EA	1
1	TRANSFORMER	EA	1
1	RESISTOR	EA	1
1	CAPACITOR	EA	1
1	DIODE	EA	1
1	TRIGGER	EA	1
1	RELAY	EA	1
1	TRANSFORMER	EA	1
1	RESISTOR	EA	1
1	CAPACITOR	EA	1
1	DIODE	EA	1
1	TRIGGER	EA	1
1	RELAY	EA	1
1	TRANSFORMER	EA	1
1	RESISTOR	EA	1
1	CAPACITOR	EA	1
1	DIODE	EA	1
1	TRIGGER	EA	1
1	RELAY	EA	1
1	TRANSFORMER	EA	1
1	RESISTOR	EA	1
1	CAPACITOR	EA	1
1	DIODE	EA	1
1	TRIGGER	EA	1
1	RELAY	EA	1
1	TRANSFORMER	EA	1
1	RESISTOR	EA	1
1	CAPACITOR	EA	1
1	DIODE	EA	1
1	TRIGGER	EA	1
1	RELAY	EA	1
1	TRANSFORMER	EA	1
1	RESISTOR	EA	1
1	CAPACITOR	EA	1
1	DIODE	EA	1
1	TRIGGER	EA	1
1	RELAY	EA	1
1	TRANSFORMER	EA	1
1	RESISTOR	EA	1
1	CAPACITOR	EA	1
1	DIODE	EA	1
1	TRIGGER	EA	1
1	RELAY	EA	1
1	TRANSFORMER	EA	1
1	RESISTOR	EA	1
1	CAPACITOR	EA	1
1	DIODE	EA	1
1	TRIGGER	EA	1
1	RELAY	EA	1
1	TRANSFORMER	EA	1
1	RESISTOR	EA	1
1	CAPACITOR	EA	1
1	DIODE	EA	1
1	TRIGGER	EA	1
1	RELAY	EA	1
1	TRANSFORMER	EA	1
1	RESISTOR	EA	1
1	CAPACITOR	EA	1
1	DIODE	EA	1
1	TRIGGER	EA	1
1	RELAY	EA	1
1	TRANSFORMER	EA	1
1	RESISTOR	EA	1
1	CAPACITOR	EA	1
1	DIODE	EA	1
1	TRIGGER	EA	1
1	RELAY	EA	1
1	TRANSFORMER	EA	1
1	RESISTOR	EA	1
1	CAPACITOR	EA	1
1	DIODE	EA	1
1	TRIGGER	EA	1
1	RELAY	EA	1
1	TRANSFORMER	EA	1
1	RESISTOR	EA	1
1	CAPACITOR	EA	1
1	DIODE	EA	1
1	TRIGGER	EA	1
1	RELAY	EA	1
1	TRANSFORMER	EA	1
1	RESISTOR	EA	1
1	CAPACITOR	EA	1
1	DIODE	EA	1
1	TRIGGER	EA	1
1	RELAY	EA	1
1	TRANSFORMER	EA	1
1	RESISTOR	EA	1
1	CAPACITOR	EA	1
1	DIODE	EA	1
1	TRIGGER	EA	1
1	RELAY	EA	1
1	TRANSFORMER	EA	1
1	RESISTOR	EA	1
1	CAPACITOR	EA	1
1	DIODE	EA	1
1	TRIGGER	EA	1
1	RELAY	EA	1
1	TRANSFORMER	EA	1
1	RESISTOR	EA	1
1	CAPACITOR	EA	1
1	DIODE	EA	1
1	TRIGGER	EA	1
1	RELAY	EA	1
1	TRANSFORMER	EA	1
1	RESISTOR	EA	1
1	CAPACITOR	EA	1
1	DIODE	EA	1
1	TRIGGER	EA	1

THIS DRAWING AND INFORMATION HEREON ARE THE PROPERTY OF THE UNITED STATES GOVERNMENT AND ARE TO BE REPRODUCED AND TRANSMITTED IN ANY FORM OR BY ANY MEANS, ELECTRONIC OR MECHANICAL, INCLUDING PHOTOCOPYING, RECORDING, OR BY ANY INFORMATION STORAGE AND RETRIEVAL SYSTEM, WITHOUT PERMISSION IN WRITING FROM THE UNITED STATES GOVERNMENT.



REV.	DATE	BY	CHKD	DESCRIPTION
1				

8	7	6	5	4	3	2	1
---	---	---	---	---	---	---	---

TITLE	H7140 UNIT ASSY	REV.	N1
DESIGNER	EJA	DATE	11/14/60
SCALE	AS SHOWN	DRW. NO.	2 OF 2
APP. NO.		REV.	

LINE	ITEM	DOCUMENT NUMBER	PART NUMBER	DESCRIPTION	QUANTITY PER VARIATION			
					AA	AB	BA	BB
1	1	E-AD-7016476-0-0	7016476-00	INPUT ASSY.	1	1	1	1
2	2	E-AD-7016054-0-0	7016054-00	OUTPUT PANEL ASSY.	1	1	1	1
3	3	D-AD-7016478-0-0	7016478-00	AC CABLE ASSY	1	0	1	0
4	4	D-AD-7016478-1-0	7016478-01	2201 H7140 AB, AC, CABLE	0	1	0	1
5	5	E-UA-5413615-0-0	5413615-00	H7140 MOTHER BOARD	1	1	1	1
6	6	D-UA-5413605-0-0	5413605-00	BIAS AND INTERFACE BOARD FOR 111	1	1	1	1
7	7	D-UA-5413601-0-0	5413601-00	LOGIC INVERTER BD	1	1	1	1
8	8	D-UA-5413599-0-0	5413599-00	LOGIC INVERTER BD	1	1	1	1
9	9	D-UA-5413607-0-0	5413607-00	MEMORY REGULATOR BD	1	1	0	0
10	10	D-UA-5413603-0-0	5413603-00	MEMORY INVERTER BD	1	1	1	1
11	11	D-MD-7422396-0-0	7422396-00	TOP COVER	1	1	1	1
12	12	D-MD-7421436-0-0	7421436-00	COVER	1	1	1	1
13	13	D-MD-7422042-0-0	7422042-00	45V BUS	1	1	1	1
14	14	D-MD-7422041-0-0	7422041-00	RETURN BUS	1	1	1	1
15	15	D-MD-7422044-0-0	7422044-00	BUS INSULATOR	1	1	1	1
16	16	D-MD-7421437-0-0	7421437-00	BRKT, CARD GUIDE MTG	2	2	2	2
17	17	D-MD-7422731-0-0	7422731-00	MOUNTING BRACKET	2	2	2	2
18	18	C-MD-7423066-0-0	7423066-00	CABLE ROUTING BRKT.	2	2	2	2
19	19	B-MD-7423067-0-0	7423067-00	CABLE CLAMP	2	2	2	2
20	20		1212405-11	CARD, GUIDE, NYLON	5	5	5	5
21	21		1212405-04	CARD GUIDE, NYLON	5	5	5	5
22	22		9009246-00	SPACER, THREADED HEX ALUM 8-3	4	4	4	4
23	23		9006844-00	SPACER, THREADED HEX ALUM 6-3	4	4	4	4
24	24		9007794-01	SCREW, MACH PAN PHIL 6-	4	4	4	4
25	25		9008957-00	NUT, HEX 6-32X .246AF SS/N	8	8	8	8
26	26		9010119-00	SCREW, TRUSS PHIL 10-	2	2	2	2
27	27		9009005-00	NUT, HEX 10-32X .246AF SS/N	2	2	2	2
28	28		9006664-00	WASHER, FLAT SST	2	2	2	2
29	29		9007906-00	WASHER, HELICAL SPLIT STEEL	2	2	2	2
30	30		9006037-01	SCREW, MACH PAN PHIL 8-	2	2	2	2

REVISION HISTORY		BASIC PART NO: H7140		DRN: A. MOWRY		DATE: 15-AUG-79		D I G I T A L	
ENG!	ECC NUMBER	REV	SECTION A OF A	TITLE		PARTS LIST			
---	INITIAL	F	SECTION. VARIATION INDEX	CHK'D:	R. RILEY	DATE:	17-AUG-79	H7140 UNIT ASSEMBLY	
KK	TW008	J	(A) AA, AB, BA, BB	DES. ENG.:		R. J. WOLF	DATE:	17-AUG-79	DOCUMENT NUMBER
RH	H7140-TW009	K	(B)	RESP. ENG.:		R. J. WOLF	DATE:	17-AUG-79	SIZE: CODE: NUMBER
KK	H7140-TW011	L	(C)	MFG. ENG.:		F. MUNIZ	DATE:	17-AUG-79	K PL H7140-0-DBP L
			(D)	ASSEMBLY NUMBER:		E-UA-H7140-0-0	TOP DOCUMENT NUMBER:	FILE NAME:	EDIT #
			(E)					Z2993L.PLS	25
			(F)						

"THIS DRAWING AND SPECIFICATIONS HEREIN, ARE THE PROPERTY OF DIGITAL EQUIPMENT CORPORATION AND SHALL NOT BE REPRODUCED OR COPIED OR USED IN WHOLE OR IN PART AS THE BASIS FOR THE MANUFACTURE OR SALE OF ITEMS WITHOUT WRITTEN PERMISSION. COPYRIGHT (C) 1982. DIGITAL EQUIPMENT CORPORATION"

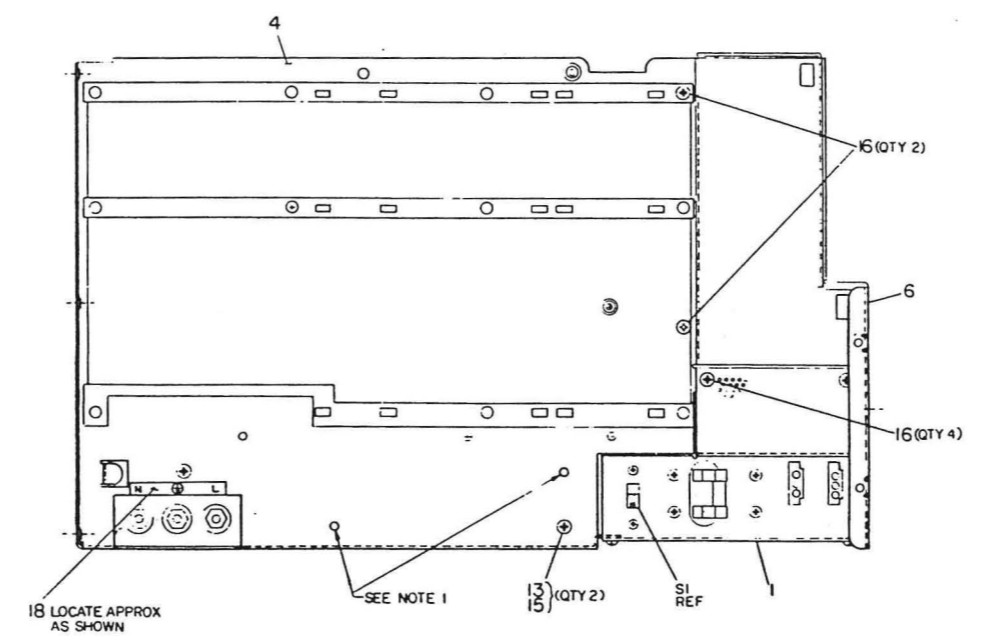
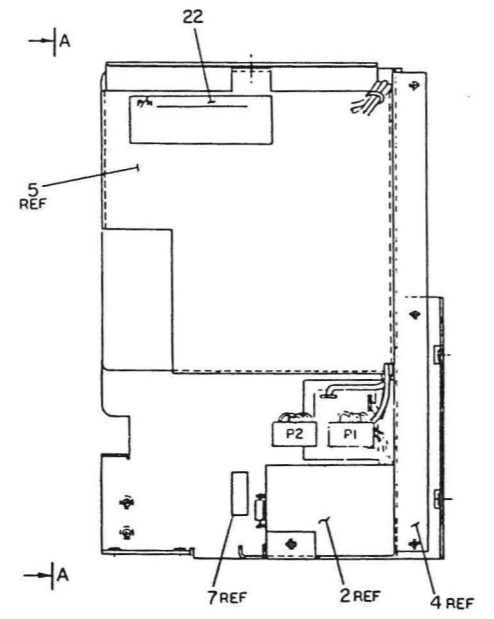
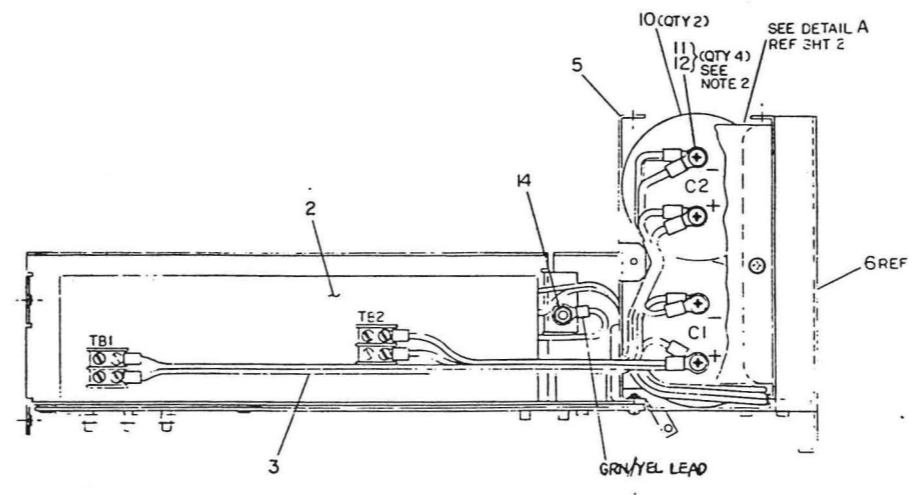
LINE	ITEM	DOCUMENT NUMBER	PART NUMBER	DESCRIPTION	QUANTITY PER VARIATION			
					AA	AB	BA	BB
31	31		9006022-01	SCREW, MACH PAN PHIL 6-	5	5	5	5
32	32		9009796-00	SCREW, TAP FLAT PHIL THD RL 6-	14	14	14	14
33	33		9009708-00	SCREW, TAP PAN PHIL THD RL 6-	11	11	11	11
34	34		9006690-00	WASHER, HELICAL SPLIT SST	3	3	3	3
35	35		9009243-00	NUT, HEX EXT TOOTH LCKWSHR 6-32	1	1	1	1
36	36		9007801-00	WASHER, HELICAL SPLIT SST	14	14	14	14
37	37		9006656-00	WASHER, FLAT STEEL	6	6	6	6
38	38		9008212-00	SCREW, NYLN PAN SLOT 6-	3	3	3	3
39	39		9006039-02	SCREW, MACH FLAT PHIL 8-	1	1	1	1
40	40		9009587-01	SCREW, TAP PAN PHIL THD RL 6-	4	4	4	4
41	41	BLANK		*** THIS ITEM IS NOT USED ***	-	-	-	-
42	42		3615087-02	LABEL, "DANGER-HIGH CURRENT"	1	1	1	1
43	43		3616930-00	LABEL, DANGER STORED HIGH VOLTAGE	1	1	1	1
44	44		9009701-00	SCREW, SEMS PAN PHIL 6-	4	4	4	4
45	45	SEE NOTE	9009087-00	FOAM, TAPE, SINGLE SIDED 1/8 THK	0	0	0	0
46	46	D-UA-5413607-0-0	5413607-YA	MEMORY INVERTER BD.	0	0	1	1
47	47	B-MD-7424586-0-0	7424586-00	INSULATOR, HEATSINK	1	1	1	1
48	48		3612063-00	LABEL, ADHESIVE I.D. FOR UL C	1	1	1	1
49	49		9009255-01	LABEL, POWER SUPPLY, 2-7/8" LG X	1	1	1	1
50	50		3613211-01	DECAL, CLEAR PREPRINTED CSA 1-1/4	1	1	1	1
51	51		1700021-00	SHIELD, ELECTROMAG, 7-1/2X15-3/16,	1	1	1	1
52	52		9009260-00	TAPE, ELECTRICAL, 1" WIDE	A/R	A/R	A/R	A/R

53 NOTE: ITEM 45, ALL VARIATIONS ARE 2.25.

D	I	G	I	T	A	L	TITLE	H7140 UNIT ASSEMBLY	SECTION A OF A	SIZE	CODE	DOCUMENT NUMBER	REV
										K	PL	H7140-0-DBP	L

1979

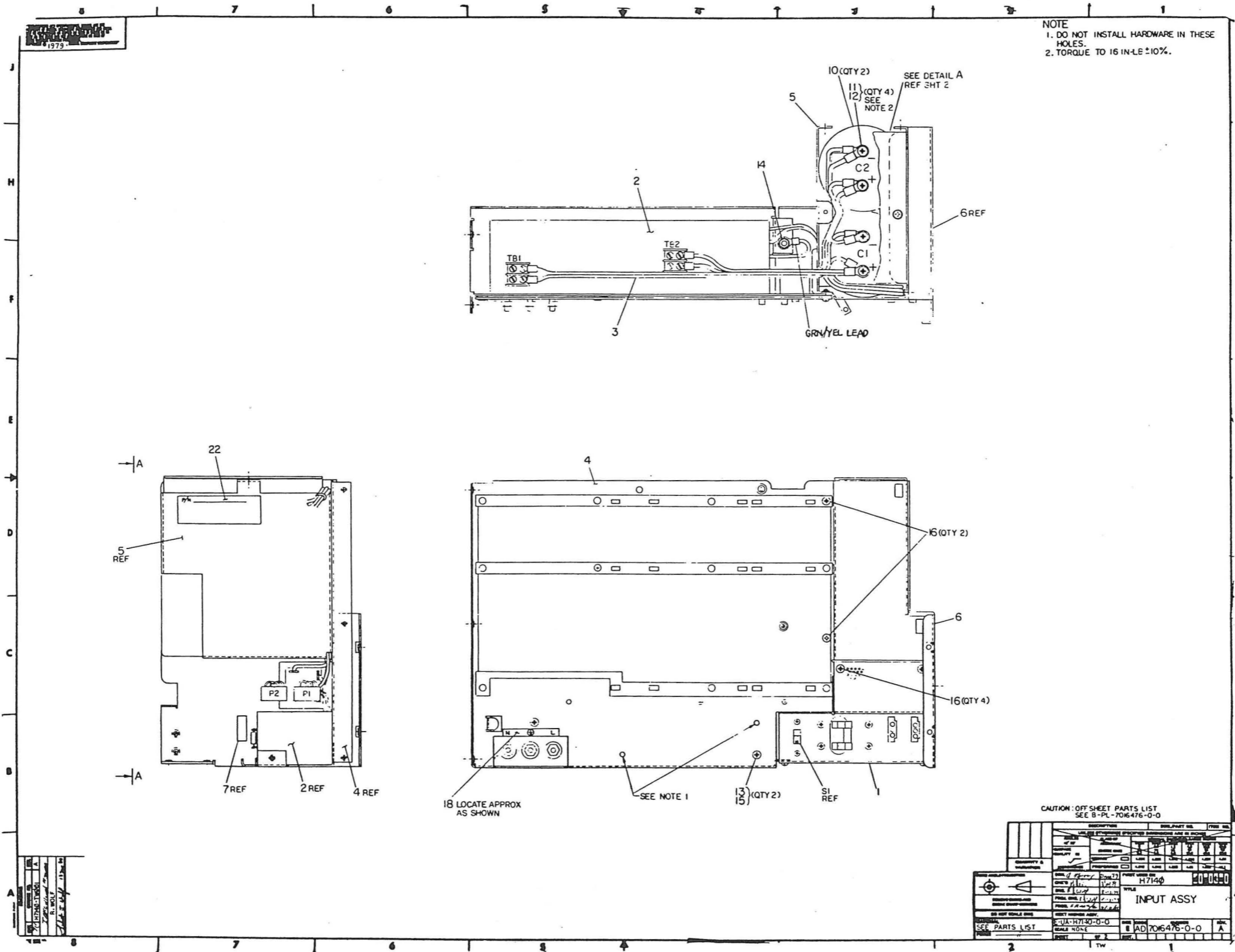
NOTE  
 1. DO NOT INSTALL HARDWARE IN THESE HOLES.  
 2. TORQUE TO 16 IN-LB ±10%.



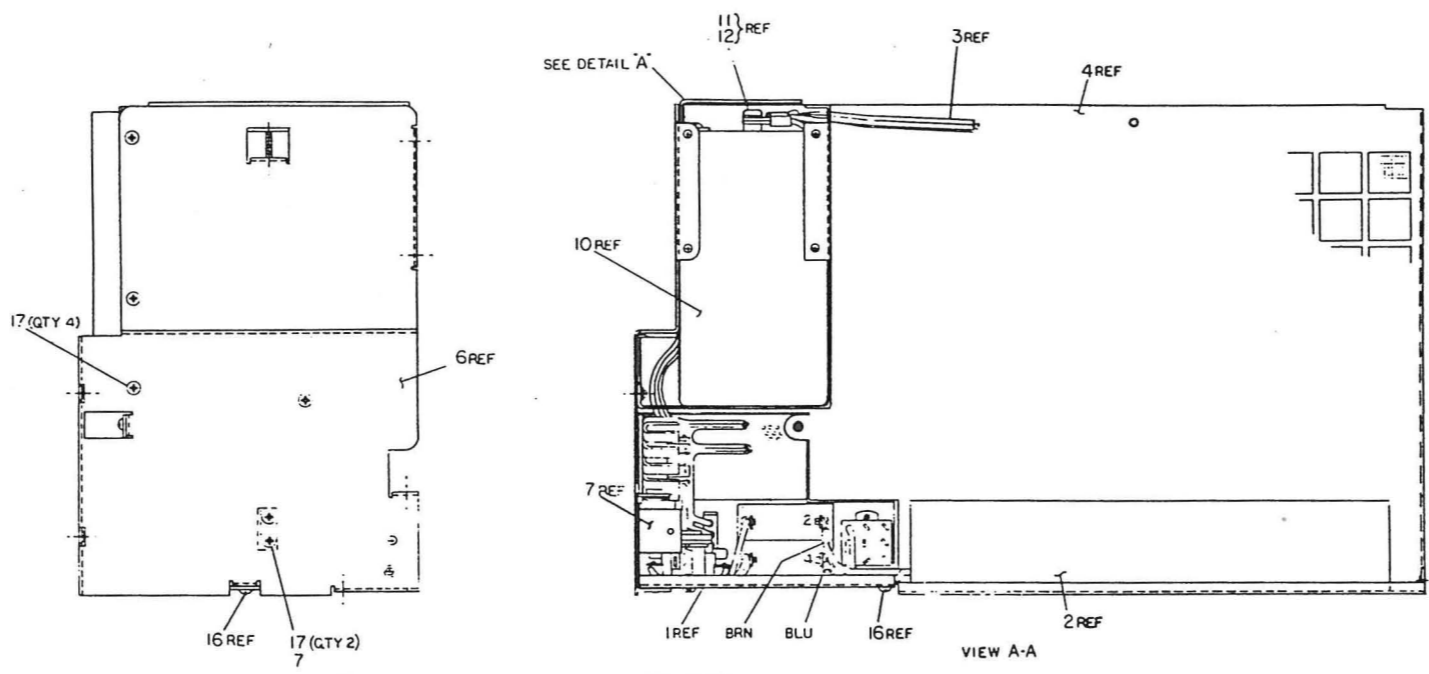
CAUTION: OFF SHEET PARTS LIST  
 SEE B-PL-706476-0-0

REV	DATE	BY	CHKD	APP'D	DESCRIPTION
1	11/22/77	...	...	...	INPUT ASSY
2	...	...	...	...	...

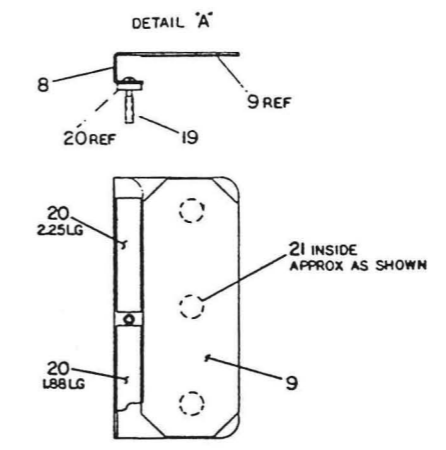
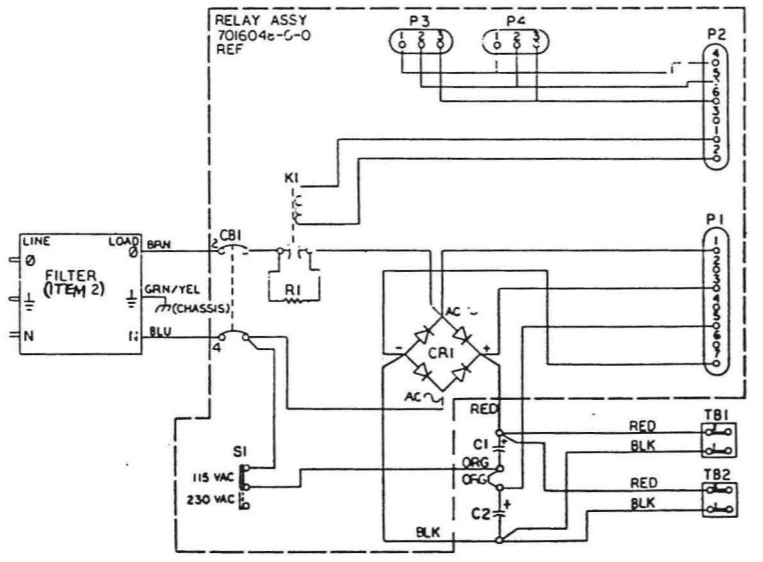
SEE PARTS LIST



THIS DRAWING AND ASSOCIATED DRAWINGS, SPECIFICATIONS, AND NOTES ARE THE PROPERTY OF THE AIR FORCE. IT IS TO BE KEPT IN CONFIDENCE AND NOT TO BE REPRODUCED OR TRANSMITTED IN ANY FORM OR BY ANY MEANS, ELECTRONIC OR MECHANICAL, INCLUDING PHOTOCOPYING, RECORDING, OR BY ANY INFORMATION STORAGE AND RETRIEVAL SYSTEM, WITHOUT PERMISSION IN WRITING FROM THE AIR FORCE. (U)



VIEW A-A



INPUT ASSY AD706476-0-0 A



# DIGITAL EQUIPMENT CORPORATION PARTS LIST

QUANTITY / VARIATION

NOTES:

MADE BY DATE	A. MOWRY 04-09-79	CHECKED DATE	SECTION
ENG DATE	Robert J. Wolf 8-10-79	PROD DATE	ISSUED SECTION
		F. MUNIZ / JC 8/10/79	

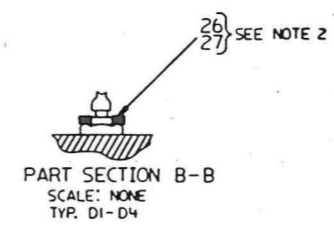
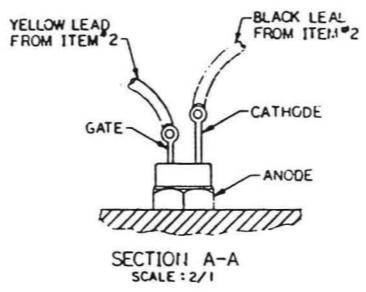
ITEM NO.	DRAWING NO.	PART NO.	DESCRIPTION	1	2	3	4	5	6	7	8	9	10	11	12	13	14	15	16	17	18	19	20	21	22	REF DESIGNATION
1	E-AD-7016048-0-0	7016048-00	RELAY ASSY	1																						
2	C-IA-7016898-0-0	7016898-00	FILTER, RFI, ASSY	1																						
3	D-IA-7016477-0-0	7016477-00	HARNES, 300V	1																						
4	D-IA-7016926-0-0	7016926-00	CHASSIS ASSY, REAR	1																						
5	D-MD-7421433-0-0	7421433-00	BRACKET, CAPACITOR	1																						
6	D-MD-7421438-0-0	7421438-00	PANEL, SIDE	1																						
7	B-MD-7423546-0-0	7423546-00	BLOCK, MTG	1																						
8	B-MD-7422382-0-0	7422382-00	CLAMP, CAPACITOR	1																						
9	B-MD-7422401-0-0	7422401-00	INSULATOR, CAPACITOR	1																						
10		1014336-00	CAPACITOR, 4500 uf/200 VDC, E&	2																						
11		9006072-01	SCR, PHL PAN HD SS #10-32 x .438 LG	4																						
12		9007906-00	WASHER, SPLIT, LOCK #10	4																						
13		9006037-01	SCR, PHL PAN HD SS #8-32 x .375 LG	2																						
14		9006565-00	NUT, KEP CS/CAD #10-32 x 3/8 AF	1																						
15		9006690-00	WASHER, SPLIT, LOCK #8	2																						
16		9009708-00	SCREW, PHL PAN HD SELF TAP #6-32 x .312	6																						
17		9009796-00	SCR, PHL FLAT HD SELF TAP #6-32 x .250	6																						
18		3617016-00	LABEL, N-GROUND-L	1																						
19		9010133-00	SCREW, PHILL PAN HD #8-32 x .88 LG	1																						
20		9009342-00	FOAM TAPE ADH. BACK .50 x .125	.35 FT																						
21		9009157-00	ADHESIVE, PERMABOND #101	A/R																						
22		9009255-00	LABEL, POWER SUPPLY	1																						

E.C.O. NO.  
H7140-  
TW001

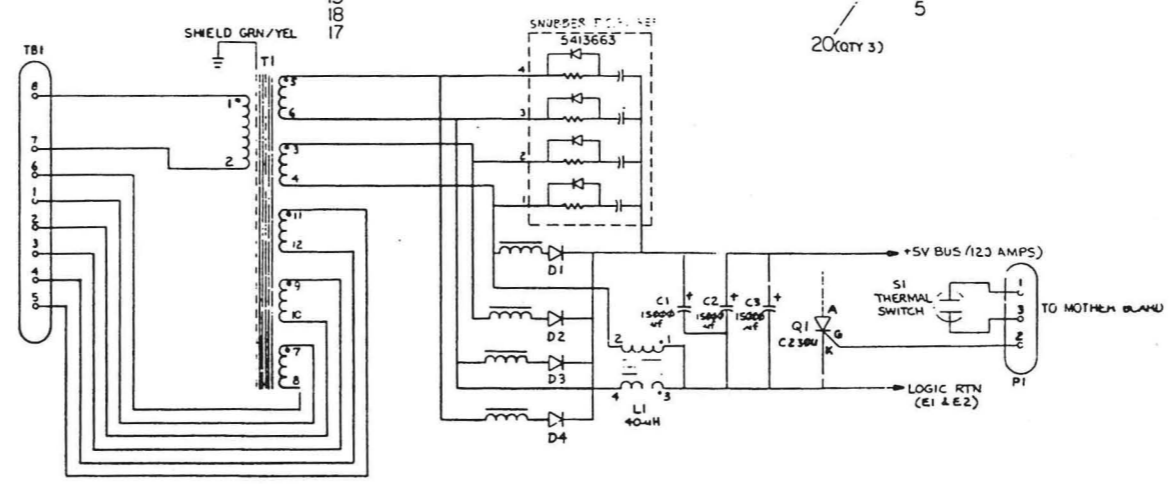
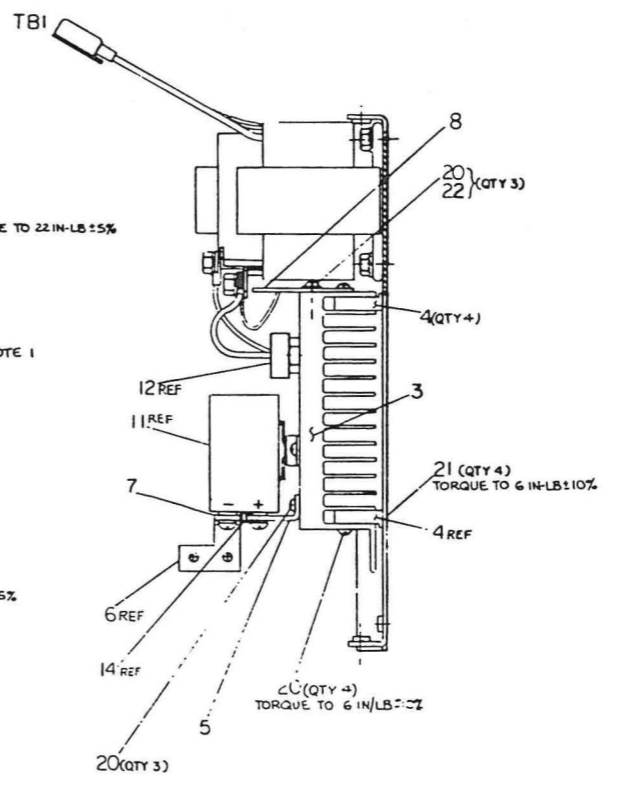
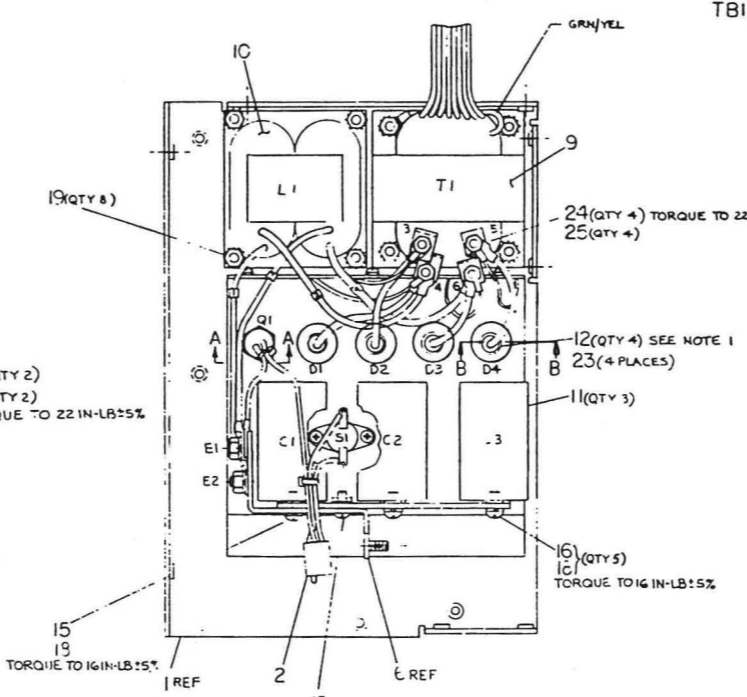
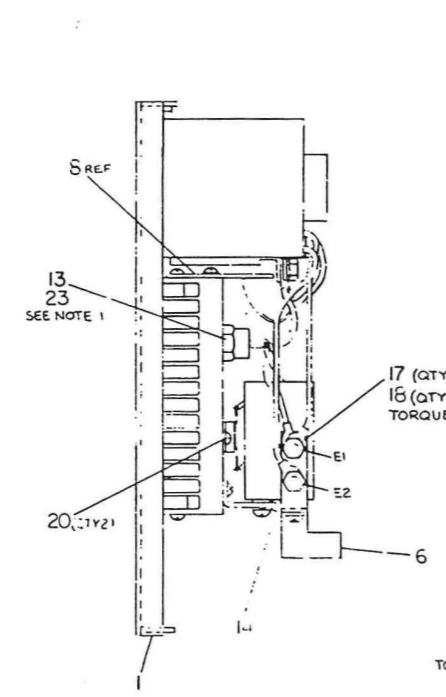
"THIS DRAWING AND SPECIFICATIONS, HEREIN, ARE THE PROPERTY OF DIGITAL EQUIPMENT CORPORATION AND SHALL NOT BE REPRODUCED OR COPIED OR USED IN WHOLE OR IN PART AS THE BASIS FOR THE MANUFACTURE OR SALE OF ITEMS WITHOUT WRITTEN PERMISSION. COPYRIGHT © 1979 DIGITAL EQUIPMENT CORPORATION"	TITLE <b>INPUT ASSY</b>	ASSY NO. E-AD-7016476-00	SIZE <b>B</b>	CODE <b>PL</b>	NUMBER 7016476-0-0	REV. <b>A</b>
		SHEET <b>1</b> OF <b>1</b>	INSERTION PARTS LIST DATA BASE REV			

1573

INTERCONNECTION TABLE		REMARKS
FROM	TO	
D1	T1-4	
L1-2		
WIRE #1 ITEM 8		
D2	T1-3	
D3		
L1-4	T1-6	
WIRE #3 ITEM 8		
G2	T1-5	
WIRE #4 ITEM 8		
T1-GRN/YEL	MTD STUD	
YEL LEAD ITEM 2	Q1-GATE	
BLK LEAD ITEM 2	E1	
Q1-CATHODE		
L1-3		
L1-1	E2	



NOTES:  
 1. ITEMS 12 & 13 (D1-D4 & Q1) MUST SEAT FLUSH ON HEATSINK (ITEM 3). USE ITEM 23 (JOINT CHMFD) UNDER ITEMS 12 & 13. TORQUE TO 25 IN-LBS MIN. UNTIL FULLY SEATED.  
 2. APPLY ITEM 20 IN 4 PLACES D1 THRU D4 USING ITEM 27.



CAUTION: OFF SHEET PARTS LIST  
 SEE K-PL-7016054-0-DBP (244948)

QUANTITY & VARIATION	DESCRIPTION	QTY	UNIT	REF
1	OUTPUT PANEL ASSY	1	ASSEMBLY	
1	HEATSINK	1	COMPONENT	
1	JOINT CHMFD	1	COMPONENT	
1	WIRE #1	1	WIRE	
1	WIRE #2	1	WIRE	
1	WIRE #3	1	WIRE	
1	WIRE #4	1	WIRE	
1	YEL LEAD	1	LEAD	
1	BLK LEAD	1	LEAD	
1	Q1	1	DIODE	
1	D1	1	DIODE	
1	D2	1	DIODE	
1	D3	1	DIODE	
1	D4	1	DIODE	
1	C1	1	CAPACITOR	
1	C2	1	CAPACITOR	
1	C3	1	CAPACITOR	
1	L1	1	INDUCTOR	
1	S1	1	SWITCH	
1	20	4	SCREW	
1	21	4	HEATSINK	
1	22	3	SCREW	
1	23	4	JOINT CHMFD	
1	24	4	WASHER	
1	25	4	NUT	
1	12	4	WASHER	
1	11	3	WASHER	
1	7	1	WASHER	
1	6	1	WASHER	
1	14	1	WASHER	
1	5	1	WASHER	
1	3	1	HEATSINK	
1	4	4	WASHER	
1	13	1	WASHER	
1	23	1	JOINT CHMFD	
1	17	2	WASHER	
1	18	2	NUT	
1	20	2	SCREW	
1	6	1	WASHER	
1	15	1	WASHER	
1	19	1	NUT	
1	16	5	WASHER	
1	11	3	WASHER	
1	12	4	WASHER	
1	23	4	JOINT CHMFD	
1	24	4	WASHER	
1	25	4	NUT	
1	9	1	WASHER	
1	10	1	WASHER	
1	1	1	WASHER	
1	2	1	WASHER	
1	3	1	WASHER	
1	4	1	WASHER	
1	5	1	WASHER	
1	6	1	WASHER	
1	7	1	WASHER	
1	8	1	WASHER	
1	9	1	WASHER	
1	10	1	WASHER	
1	11	1	WASHER	
1	12	1	WASHER	
1	13	1	WASHER	
1	14	1	WASHER	
1	15	1	WASHER	
1	16	1	WASHER	
1	17	1	WASHER	
1	18	1	NUT	
1	19	1	NUT	
1	20	1	SCREW	
1	21	1	HEATSINK	
1	22	1	SCREW	
1	23	1	JOINT CHMFD	
1	24	1	WASHER	
1	25	1	NUT	

1. APPROVED FOR RELEASE BY NSA/CSS ON 08-28-2013  
 2. APPROVED FOR RELEASE BY NSA/CSS ON 08-28-2013  
 3. APPROVED FOR RELEASE BY NSA/CSS ON 08-28-2013  
 4. APPROVED FOR RELEASE BY NSA/CSS ON 08-28-2013  
 5. APPROVED FOR RELEASE BY NSA/CSS ON 08-28-2013  
 6. APPROVED FOR RELEASE BY NSA/CSS ON 08-28-2013  
 7. APPROVED FOR RELEASE BY NSA/CSS ON 08-28-2013  
 8. APPROVED FOR RELEASE BY NSA/CSS ON 08-28-2013

AUTOMATED BY PRTLST.3P(44)

PARTS LIST

SHEET A1 OF A2

LINE	ITEM	DOCUMENT NUMBER	PART NUMBER	DESCRIPTION	QTY	PER VARIATION	REFERENCE DESIGNATOR
1	1	D-MD-7421434-0-0	7421434-00	PANEL, SIDE	1		
2	2	D-IA-7016511-0-0	7016511-00	OVER TEMP CABLE ASSY	1		
3	3		1216648-00	HEAT SINKS, 05.62X05.3	1		
4	4		1216965-00	BLOCK, MTG INSULATED	4		
5	5	B-MD-7422038-0-0	7422038-00	CAP, BRKT POS	1		
6	6	B-MD-7422037-0-0	7422037-00	RETURN BUS BRKT	1		
7	7	B-MD-7422036-0-0	7422036-00	CAP, BRKT NEG	1		
8	8	D-UA-5413663-0-0	5413663-00	SNUBBER BOARD	1		
9	9	C-IA-7016056-0-0	7016056-00	TRANSFORMER ASSY	1		T1
10	10	C-IA-7016055-0-0	7016055-00	CHOKE ASSY	1		L1
11	11		1014338-00	15,000 MFD 7.5V 20% AL EL	3		C1, C2, C3
12	12		1117833-00	USD 545F PIV=45V I=75A D05	4		D1, D2, D3, D4
13	13		1109978-00	C 230U SCRW 25V I=25A S131	1		Q1
14	14	(SEE NOTE 1)	9007036-00	GROMMET, CATERPILLAR POLYAMIDE	0		
15	15		9006071-01	SCREW, MACH PAN PHIL 10-	2		
16	16		9006070-01	SCREW, MACH PAN PHIL 10-	5		
17	17		9009005-00	NUT, HEX 10-32X .246AF SS/N	3		
18	18		9007906-00	WASHER, HELICAL SPLIT STEEL	9		
19	19		9006563-00	NUT, HEX EXT TOOTH LCKWSHR 8-32	8		
20	20		9009708-00	SCREW, TAP PAN PHIL THD RL 6-	12		
21	21		9009796-00	SCREW, TAP FLAT PHIL THD RL 6-	4		
22	22		9009882-00	WASHER, LOCK INTERNAL SST	3		
23	23		9008268-00	COMPOUND, THERMAL JOINT	A/R		
24	24		9006561-00	NUT, HEX 8-32X .307AF SS/N	4		
25	25		9006690-00	WASHER, HELICAL SPLIT SST	4		
26	26		1620201-01	CORE, POWDER IRON .9420DX.560IDX.	4		
27	27		4901462-00	ADHESIVE/SEALANT, SILICONE RUBBER	A/R		

REVISION HISTORY		BASIC PART NO: 7016054		DRN: A.RUSZCZYK	DATE: 14-JUL-82	DIGITAL	
ENG: ECO NUMBER	REV	SECTION A OF A	CHK'D: T.MCCULLOUGH	DATE: 14-JUL-82	TITLE PARTS LIST		
---	INITIAL	A	SECTION VARIATION INDEX	DES. ENG: R.WOLF	DATE: 14-JUL-82	OUTPUT PANEL ASSEMBLY	
			[A] 00	RESP. ENG.: K.KNOWLES	DATE: 14-JUL-82	DOCUMENT NUMBER	
			[B]	MFG. ENG.: C.ROLDAN	DATE: 14-JUL-82	SIZE: CODE: NUMBER	REV
			[C]	ASSEMBLY NUMBER: E-AD-7016054-0-0	TOP DOCUMENT NUMBER: E-UA-H7140-0-0	K PL 7016054-0-DBP	A
			[D]			FILE NAME: 24494A.PLS	EDIT # 2
			[E]				
			[F]				
			[H]				
			[J]				
			[K]				
			[L]				
			[M]				
			[N]				

"THIS DRAWING AND SPECIFICATIONS HEREIN, ARE THE PROPERTY OF DIGITAL EQUIPMENT CORPORATION AND SHALL NOT BE REPRODUCED OR COPIED OR USED IN WHOLE OR IN PART AS THE BASIS FOR THE MANUFACTURE OR SALE OF ITEMS WITHOUT WRITTEN PERMISSION. COPYRIGHT (C) 1982. DIGITAL EQUIPMENT CORPORATION"

AUTOMATED BY PRTLST.3P(44)

PARTS LIST

SHEET A2 OF A2

LINE ITEM DOCUMENT NUMBER

PART NUMBER

DESCRIPTION

QTY PER VARIATION  
00

REFERENCE DESIGNATOR

28 NOTE: 1. QUANTITY FOR ITEM NUMBER 14 IS .33 FT.

D	I	G	I	T	A	L	TITLE	SECTION A OF A	SIZE	CODE	DOCUMENT NUMBER	REV
							OUTPUT PANEL ASSEMBLY		K	PL	7016054-0-DBP	A

DRAWING NO.	NO. OF SHTS.	PART NO.	DESCRIPTION	REVISIONS
B-DD-5413815-0	1		POWER DIST. BOARD	A
D-UA-5413815-0-0	1		POWER DIST. BOARD	A
K-PI-5413815-0-DBF	1		POWER DIST. BOARD	A
D-CS-5413815-0-1	1		POWER DIST. BOARD	A
D-MD-5013814-0-0	5		DRILL & ETCH DRAWING	A
D-EC-5013814-0-0	2		ETCH CUT DRAWING	A
		5013814	ETCHED BOARD	E
K-PC-5413815-0-DBG			P/C DATA BASE	E

**NOTES:**

REVISIONS	DATE	CHG NO.	REV.
	11/80	ORGIN	A

THIS DRAWING AND SPECIFICATIONS, HEREIN, ARE THE PROPERTY OF DIGITAL EQUIPMENT CORPORATION AND SHALL NOT BE REPRODUCED OR COPIED OR USED IN WHOLE OR IN PART AS THE BASIS FOR THE MANUFACTURE OR SALE OF ITEMS WITHOUT WRITTEN PERMISSION.  
COPYRIGHT © 1980 DIGITAL EQUIPMENT CORPORATION

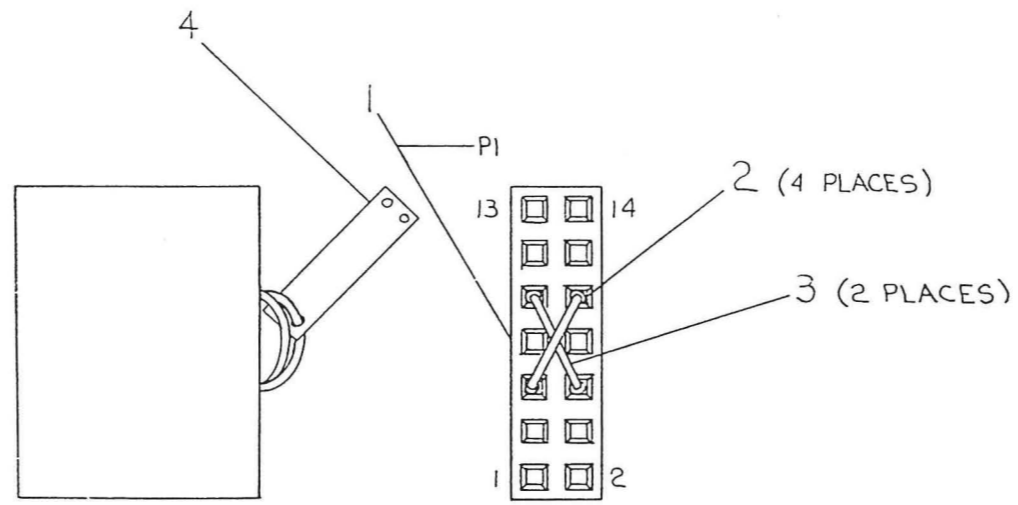


USED ON OPTION/MODEL	DRN. <i>J. Casly</i> 11/19/80	TITLE
	CHK. <i>J. Casly</i> 11/19/80	POWER DIST BOARD
	ENG. <i>A. Zund</i> 12-8-80	SIZE CODE
	PROD. <i>A. Zund</i> 12-8-80	B DD
		NUMBER
		5413815-0
		REV.
		A
		SHEET   OF

"THIS DRAWING AND SPECIFICATIONS, HEREIN, ARE THE PROPERTY OF DIGITAL EQUIPMENT CORPORATION AND SHALL NOT BE REPRODUCED OR COPIED OR USED IN WHOLE OR IN PART AS THE BASIS FOR THE MANUFACTURE OR SALE OF ITEMS WITHOUT WRITTEN PERMISSION. COPYRIGHT © 1976, DIGITAL EQUIPMENT CORPORATION"

WIRE TABLE							
ITEM NO.	DISCRIPTION		FROM		TO		WIRE LENGTH
	AWG	COLOR	CONNECTION	WITH	CONNECTION	WITH	
3	22	YEL	PI-5	2	PI-10	2	2"
3	22	YEL	PI-6	2	PI-9	2	2"

NOTES:  
1. 12-10089-06 MAY BE SUBSTITUTED FOR ITEM #2.



PIN INSERTION SIDE

ITEM NO.	DESCRIPTION	DWG./PART NO.	ITEM NO.
1	LABEL, CABLE	9009532	4
A/R	WIRE 22AWG STRANDED YEL	9107350-44	3
4	CONN, SKT CRIMP	1210089-07	2
1	TERMINATOR, HSG 14 POS	1210918-30	1

DESCRIPTION		DWG./PART NO.	ITEM NO.
UNLESS OTHERWISE SPECIFIED DIMENSIONS ARE IN INCHES			
ANGLES ±0° 30'	CLASS OF ACCURACY (CHECK ONE)	NOMINAL DIMENSION RANGE INCHES	
SURFACE QUALITY IN	MEDIUM <input checked="" type="checkbox"/> PREFERRED <input type="checkbox"/>	OVER 0 TO 0.2	OVER 0.2 TO 0.4
		OVER 0.4 TO 1.2	OVER 1.2 TO 4.0
MICROMETERS	PREFERRED <input type="checkbox"/>	±.004	±.008
		±.012	±.016
		±.025	±.04
		±.063	±.1

THIRD ANGLE PROJECTION	DRN. <i>Ellis Hill</i> 22 MAR 78	FIRST USED ON	DLVII-J	digital
REMOVE BURRS AND BREAK SHARP CORNERS	CHK'D <i>[Signature]</i> 5 MAY 78	TITLE	CONNECTOR, TEST	
DO NOT SCALE DWG	ENG. <i>[Signature]</i> 12 MAY 78			
MATERIAL SEE PARTS LIST	PROD. <i>Ralph Hamilton</i> 12 MAY 78	NEXT HIGHER ASSY.		
FINISH NONE			SIZE CODE C UA	NUMBER H3270-0-0
	SCALE 4/1			REV.
	SHEET 1 OF 1			

REV.	CHANGE NO.	REVISIONS

DEC FORM NO. DMC 100-C

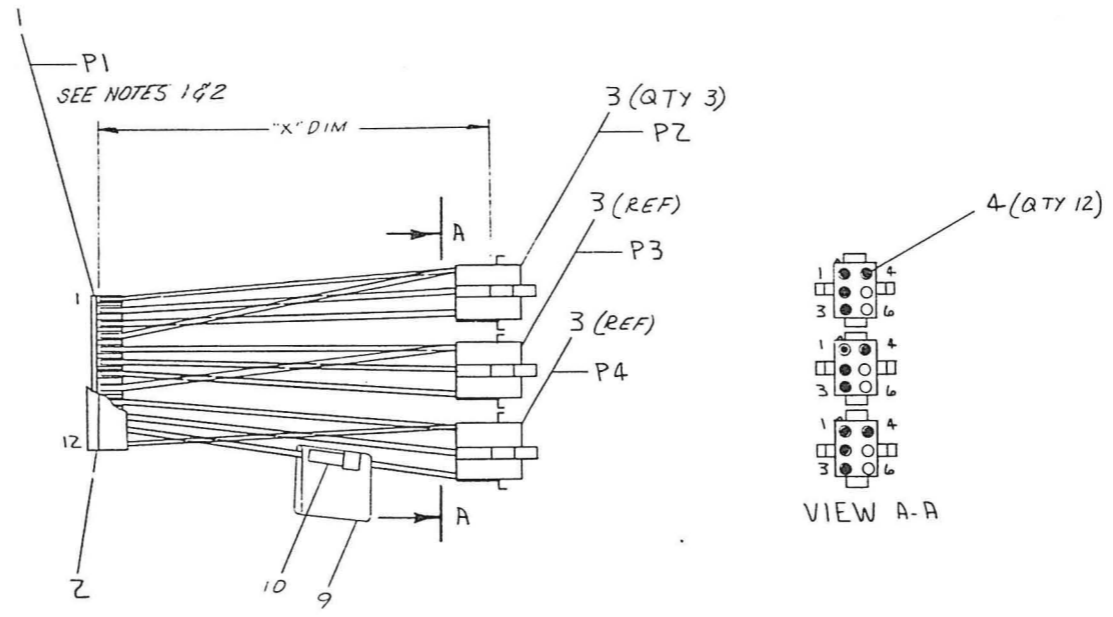
REV. NUMBER 113270-0-0 SIZE CODE C UA

THIS DRAWING AND SPECIFICATIONS HEREIN ARE THE PROPERTY OF DIGITAL EQUIPMENT CORPORATION AND SHALL NOT BE REPRODUCED OR COPIED OR USED IN WHOLE OR IN PART AS THE BASIS FOR THE MANUFACTURE OR SALE OF ITEMS WITHOUT WRITTEN PERMISSION.  
COPYRIGHT © 1979, DIGITAL EQUIPMENT CORPORATION

WIRE TABLE							
ITEM NO	DESCRIPTION	FROM		TO		NOTES	
		AWG	COLOR	CONN	TERM		CONN
5	18	BLK	P1-1		P2-1	4	5.00IN ± .06
6		YEL	P1-2		P2-4		
7		VIO	P1-3		P2-3		
8		BRN	P1-4		P2-2		
5		BLK	P1-5		P3-1		
6		YEL	P1-6		P3-4		
7		VIO	P1-7		P3-3		
8		BRN	P1-8		P3-2		
5		BLK	P1-9		P4-1		
6		YEL	P1-10		P4-4		
7		VIO	P1-11		P4-3		
8	18	BRN	P1-12		P4-2	4	5.00IN ± .06

LEGEND	
NUMBER	"X" DIM
7016887-0E	5.0 ± .5IN

- NOTES
1. WIRES TERMINATING TO P1 MUST NOT BE STRIPPED
  2. PLACE COVER, ITEM #2, OVER CONN HOUSING, ITEM #3, AFTER WIRES HAVE BEEN TERMINATED
  3. STRIP WIRES ONLY ON P2, P3, P4 ENDS .187 BEFORE CRIMPING CONTACTS.
  4. ITEM #4 CAN BE SUBSTITUTED BY P/N 12-09379-00 FOR MACHINE CRIMPING.

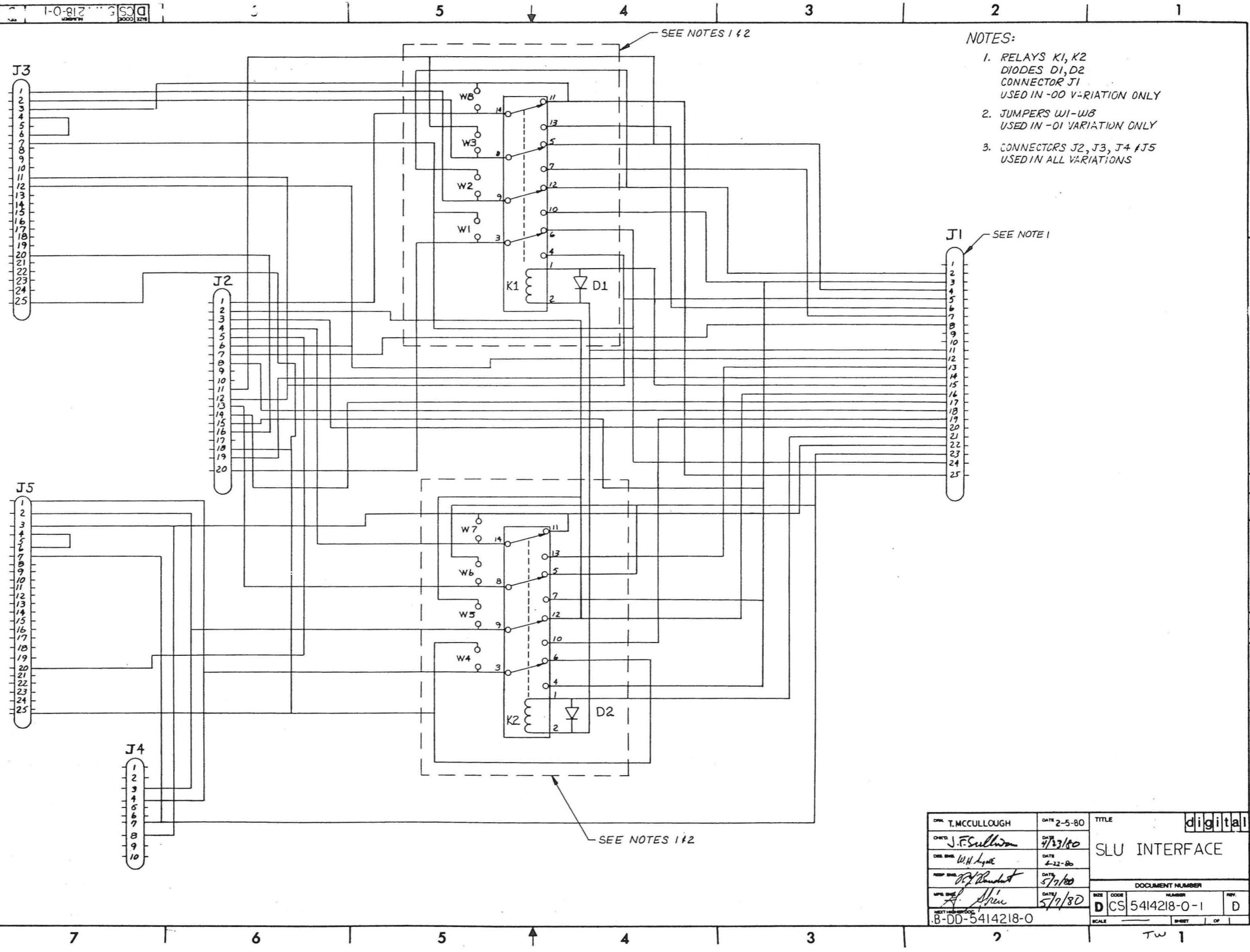


ITEM NO.	DESCRIPTION	DWG./PART NO.	ITEM NO.
1	TIE, CABLE SSTI-M	9007031-00	10
1	LABEL, CABLE IDENTIFICATION	9009532-00	9
15	WIRE, 18 AWG, BRN, UL 1430	9107786-11	8
15	WIRE, 18 AWG, VIO, UL 1430	9107786-77	7
15	WIRE, 18 AWG, YEL, UL 1430	9107786-47	6
5	WIRE, 18 AWG, BLK, UL 1430	9107786-00	5
12	SKT, MATE-N-LCK, 20-14AWG	1209379-01	4
3	CONN, 6 PIN MATE N LCK	1209350-06	3
1	COVER, 12 PIN MTA CONN	1216650-00	2
1	CONN, HOUSING 12 POS MTA	1216651-00	1

UNLESS OTHERWISE SPECIFIED DIMENSIONS ARE IN INCHES	
ANGLES ± 30'	CLASS OF ACCURACY (CHECK ONE)
SURFACE QUALITY IN	MEDIUM
QUANTITY & VARIATION	PREFERRED
THIRD ANGLE PROJECTION	FIRST USED ON
REMOVE BURRS AND BREAK SHARP CORNERS	TITLE
DO NOT SCALE DWG	CABLE JUMPER ASSEMBLY
MATERIAL	SIZE
FINISH	SCALE
	SHEET

REV.	CHANGE NO.	DATE	BY	CHK'D
A	1	10/1/79	E. BIALTOR	

THIS DRAWING AND SPECIFICATIONS HEREIN ARE THE PROPERTY OF DIGITAL EQUIPMENT CORPORATION AND SHALL NOT BE REPRODUCED OR COPIED OR USED IN WHOLE OR IN PART AS THE BASIS FOR THE MANUFACTURE OR SALE OF ITEMS WITHOUT WRITTEN PERMISSION. COPYRIGHT © 1980 DIGITAL EQUIPMENT CORPORATION.



- NOTES:
- RELAYS K1, K2  
DIODES D1, D2  
CONNECTOR J1  
USED IN -00 VARIATION ONLY
  - JUMPERS W1-W8  
USED IN -01 VARIATION ONLY
  - CONNECTORS J2, J3, J4, J5  
USED IN ALL VARIATIONS

REV.	DATE	ECO NUMBER	REVISION HISTORY

DRW. T. MCCULLOUGH	DATE 2-5-80	TITLE	digital
CHKD. J.F. Sullivan	DATE 4/23/80	SLU INTERFACE	
DES. ENG. W.H. Lopez	DATE 4-22-80	DOCUMENT NUMBER	
REP. ENG. J.P. Boudreau	DATE 5/7/80	SIZE CODE NUMBER	REV.
WPL. ENG. A. Allen	DATE 5/7/80	D CS 5414218-0-1	D
NEXT SHEET: B-DD-5414218-0		SCALE	SHEET 1 OF 1

5414218-0-1 REV. D

TW 1