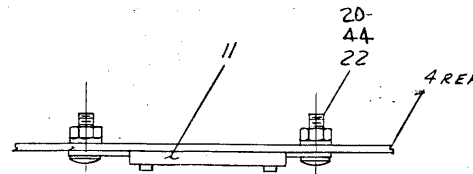


The drawing and specifications herein are the property of Digital Equipment Corporation and shall not be reproduced or used in whole or in part without the written permission of Digital Equipment Corporation.

ITEM NO.	REFERENCE DESIGNATIONS
8	S1-S3, S7-S9, S13-S15, S20, S22, S24, S26, S28
40	S4-S6, S10-S12, S16-S18, S21, S23, S25, S27
41	S19

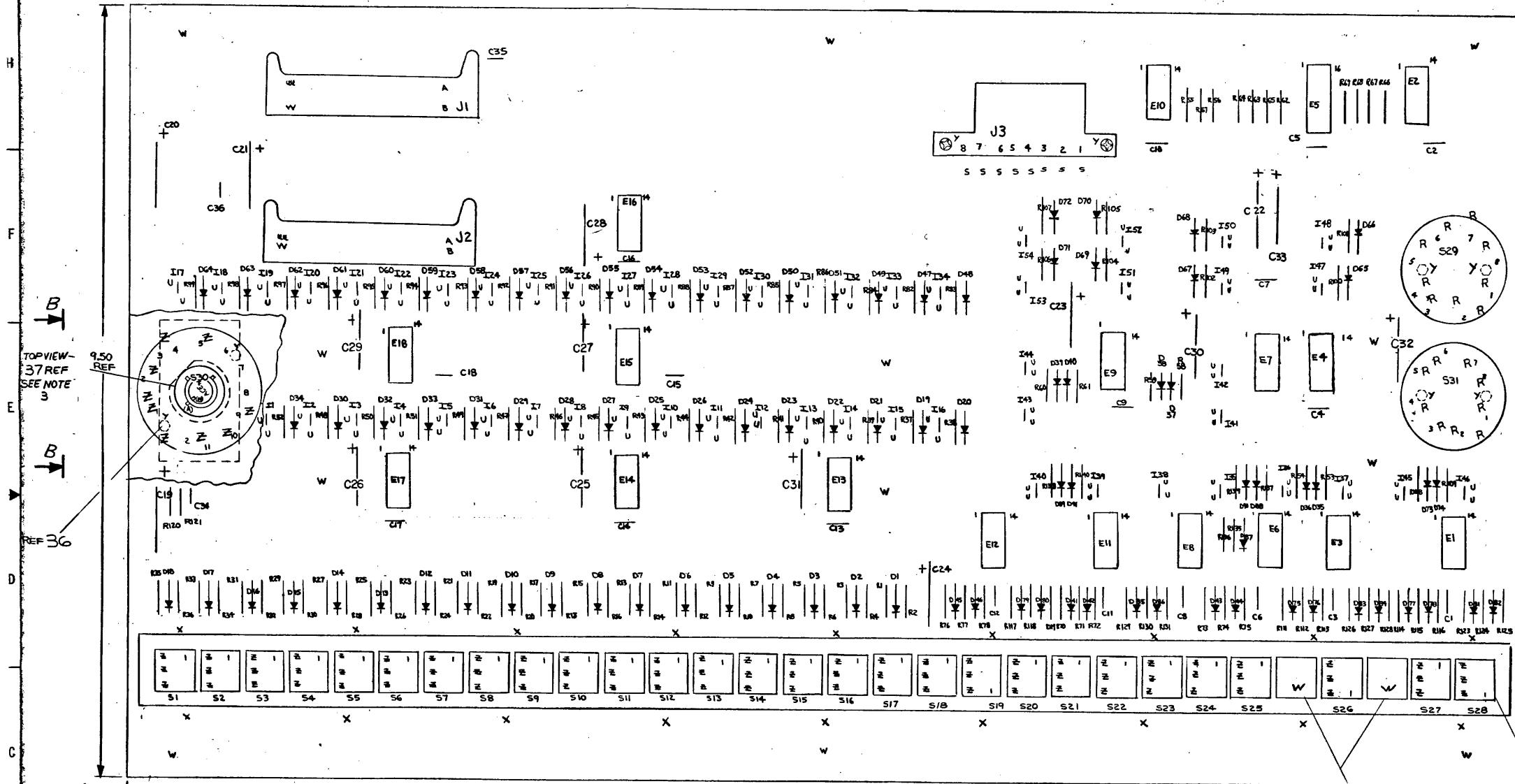
NOTES CONT

3. IN ORDER TO GET THE PROPER ALIGNMENT BETWEEN ROTARY SWITCH #17 AND POWER LOCK #37, MOUNT ITEM #17 ON P.C. BOARD AND TURN SHAFT C'CLOCKWISE (LEFT) TO STOP. MOUNT ITEM #37 TO SUPPORT BRACKET ITEM #5 WITH 'D' HOLE IN POSITION INDICATED. ROTATE KEY POSITION INDICATED AS 'B' OF ITEM #37 TO LINE UP WITH KEY POSITION INDICATED AS 'A' OF ITEM #37.



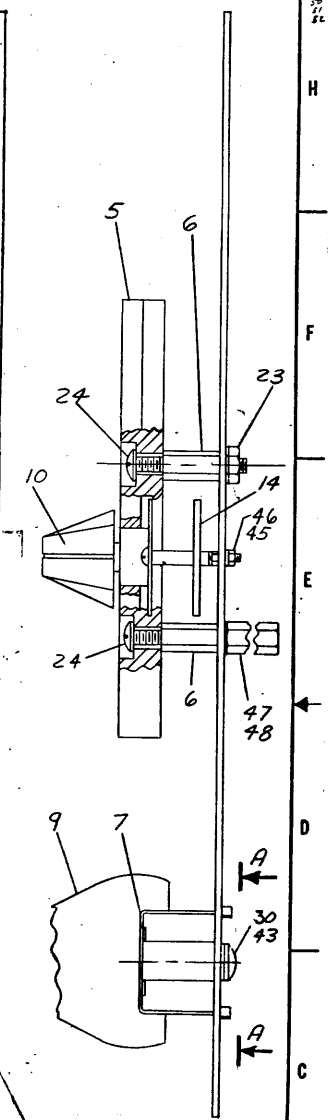
NOTES

1. AFTER ASSEMBLING ITEM #7 TO ITEM #4, THE TABS OF ITEM #7 ARE TO BE TWISTED AS SHOWN IN VIEW A-A.
 2. ON S1-S19, S26, S28, THE SWITCH ARM IS TO FLIP UP.
 THE SWITCH ARM TO FLIP DOWN ON 20-25/27.

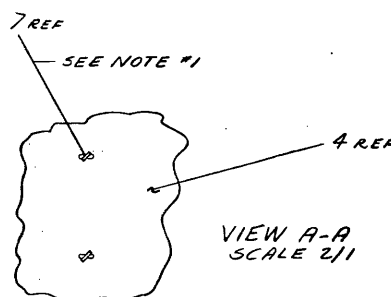
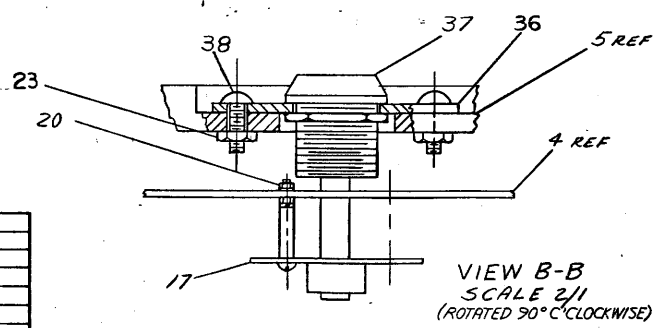


TOPVIEW-37 REF SEE NOTE 3

REF 36



FOR INFORMATION ON COLOR OF KNOB SEE TABLE



SEE SHEET 2 FOR PARTS LIST

IC TYPE	GND	+5V	ITEM NO.	AWG	FROM PT	TO PT
GND AND 5V ARE USUALLY PIN 7 AND 14 RESPECTIVELY. EXCEPTIONS ARE STATED ABOVE.						
IC PIN LOCATIONS						
JUMPER LIST						

REV	DATE	DESCRIPTION
1	7/13/72	J. SWANSON
2	8/1/72	J. SWANSON
3	8/7/72	J. SWANSON
4	8/17/72	J. SWANSON
5	8/17/72	J. SWANSON
6	8/17/72	J. SWANSON
7	8/17/72	J. SWANSON
8	8/17/72	J. SWANSON
9	8/17/72	J. SWANSON
10	8/17/72	J. SWANSON
11	8/17/72	J. SWANSON
12	8/17/72	J. SWANSON
13	8/17/72	J. SWANSON
14	8/17/72	J. SWANSON
15	8/17/72	J. SWANSON
16	8/17/72	J. SWANSON
17	8/17/72	J. SWANSON
18	8/17/72	J. SWANSON
19	8/17/72	J. SWANSON
20	8/17/72	J. SWANSON
21	8/17/72	J. SWANSON
22	8/17/72	J. SWANSON
23	8/17/72	J. SWANSON
24	8/17/72	J. SWANSON
25	8/17/72	J. SWANSON
26	8/17/72	J. SWANSON
27	8/17/72	J. SWANSON
28	8/17/72	J. SWANSON
29	8/17/72	J. SWANSON
30	8/17/72	J. SWANSON
31	8/17/72	J. SWANSON
32	8/17/72	J. SWANSON
33	8/17/72	J. SWANSON
34	8/17/72	J. SWANSON
35	8/17/72	J. SWANSON
36	8/17/72	J. SWANSON
37	8/17/72	J. SWANSON
38	8/17/72	J. SWANSON
39	8/17/72	J. SWANSON
40	8/17/72	J. SWANSON
41	8/17/72	J. SWANSON
42	8/17/72	J. SWANSON
43	8/17/72	J. SWANSON
44	8/17/72	J. SWANSON
45	8/17/72	J. SWANSON
46	8/17/72	J. SWANSON
47	8/17/72	J. SWANSON
48	8/17/72	J. SWANSON
49	8/17/72	J. SWANSON
50	8/17/72	J. SWANSON
51	8/17/72	J. SWANSON
52	8/17/72	J. SWANSON
53	8/17/72	J. SWANSON
54	8/17/72	J. SWANSON
55	8/17/72	J. SWANSON
56	8/17/72	J. SWANSON
57	8/17/72	J. SWANSON
58	8/17/72	J. SWANSON
59	8/17/72	J. SWANSON
60	8/17/72	J. SWANSON
61	8/17/72	J. SWANSON
62	8/17/72	J. SWANSON
63	8/17/72	J. SWANSON
64	8/17/72	J. SWANSON
65	8/17/72	J. SWANSON
66	8/17/72	J. SWANSON
67	8/17/72	J. SWANSON
68	8/17/72	J. SWANSON
69	8/17/72	J. SWANSON
70	8/17/72	J. SWANSON
71	8/17/72	J. SWANSON
72	8/17/72	J. SWANSON
73	8/17/72	J. SWANSON
74	8/17/72	J. SWANSON
75	8/17/72	J. SWANSON
76	8/17/72	J. SWANSON
77	8/17/72	J. SWANSON
78	8/17/72	J. SWANSON
79	8/17/72	J. SWANSON
80	8/17/72	J. SWANSON
81	8/17/72	J. SWANSON
82	8/17/72	J. SWANSON
83	8/17/72	J. SWANSON
84	8/17/72	J. SWANSON
85	8/17/72	J. SWANSON
86	8/17/72	J. SWANSON
87	8/17/72	J. SWANSON
88	8/17/72	J. SWANSON
89	8/17/72	J. SWANSON
90	8/17/72	J. SWANSON
91	8/17/72	J. SWANSON
92	8/17/72	J. SWANSON
93	8/17/72	J. SWANSON
94	8/17/72	J. SWANSON
95	8/17/72	J. SWANSON
96	8/17/72	J. SWANSON
97	8/17/72	J. SWANSON
98	8/17/72	J. SWANSON
99	8/17/72	J. SWANSON
100	8/17/72	J. SWANSON

QTY	REF DESIGNATION	DESCRIPTION	PART NO.	ITEM NO.
ETCH BOARD REV D PARTS LIST				
DIGITAL EQUIPMENT CORPORATION				
ETCH BOARD ASSY (11/45 CONSOLE)				
EUA-KB11-A-P				
SCALE 2/1				
SHEET 1 OF 2				

E 115409684-00

This drawing and specifications, hereon, are the property of Digital Equipment Corporation and shall not be reproduced or copied or used in whole or in part as the basis for the manufacture or sale of items without written permission.

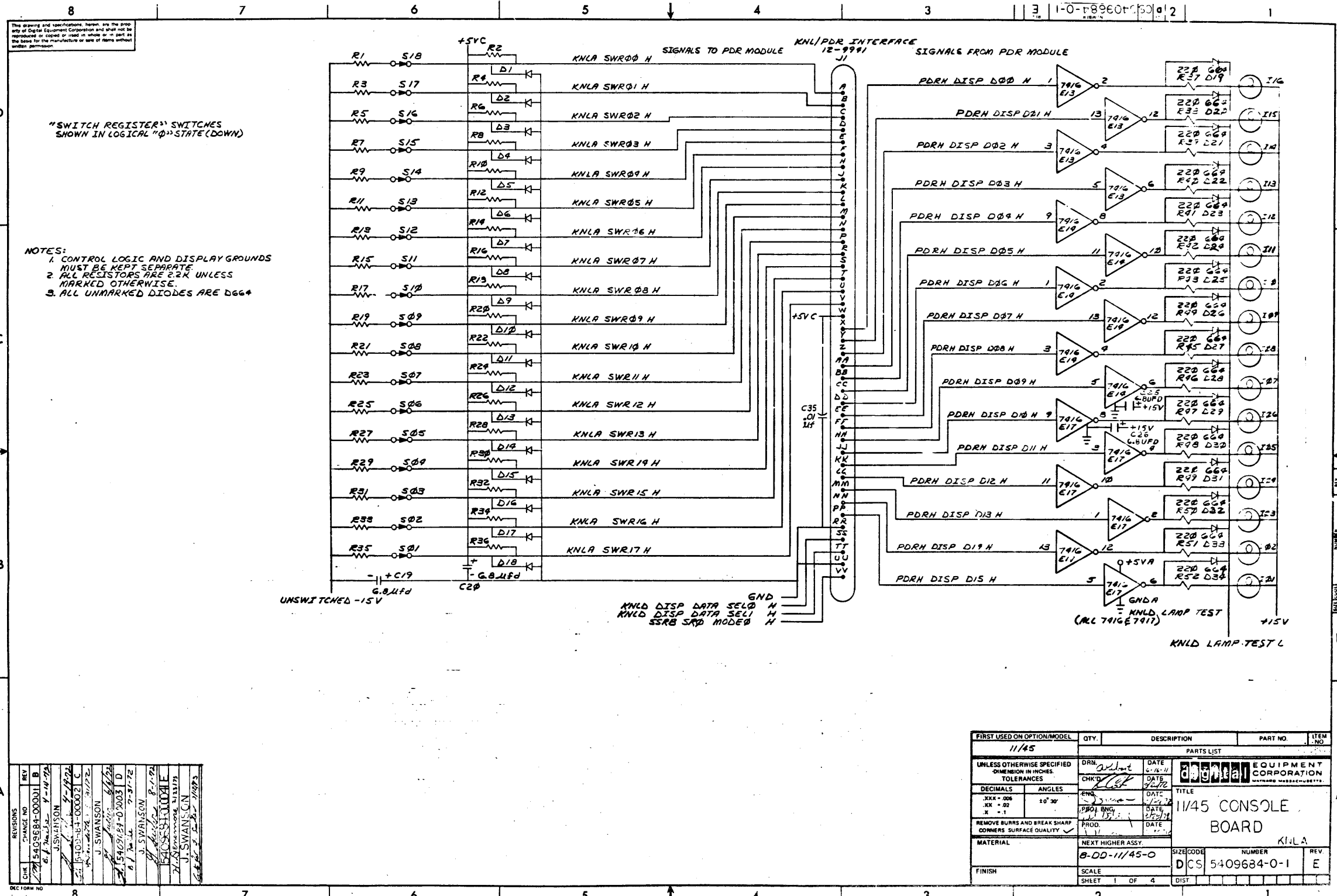
QTY	REF DESIGNATION	DESCRIPTION	PART NO.	ITEM NO.
1	R120	RES. 68 1/4W 10%	1300221	51
1	R121	RES. 5G 1/4W 10%	1301429	50
		LOCK WASHER INT TOOTH #6	7006633	48
3		SPACER .25" AF #6-32X.8816	7006861	47
4		LOCK WASHER #2 INT TOOTH	7006631	46
4		NUT, HEX #2-56	7006555	45
2		SCR, PHL HD PAN #4-40X.38	9006011-1	44
2		LOCK WASHER #B INT TOOTH	7006634	43
REF		ASSY DRILLING HOLE LAYOUT	EM-540984-0-5	42
1		KNOB, SWITCH GRAY	D-PS-120796-3-0	41
12		KNOB, SWITCH MAGENTA	D-PS-120796-2-0	40
1	E8	I.C. DEC 7404	1909806	39
2		SCR, PHL PAN #6-32X.3816	7006022-1	38
1		POWER LOCK	1210754	37
1		STRAP, LOCK NYL	B-1A-7409989-0-0	36
1	E9	I.C. MC 3001	1909514	35
7	E7, E13-E18	I.C. DEC 7416	1909928	34
1	E5	I.C. DEC 9318	1910454	33
2	E2, E4	I.C. DEC 7417	1909929	32
6	E1E3, E6, E10-E12	I.C. DEC 7400	1905575	31
2		#32 X 1/4 SELF TAPPING SCR.	9008143	30
54	R37-R54, R58-R61, R82-R109, R137-R140	RES. 220 OHM 1/4W, 10%	1300875	29
76	R1-R26, R25-R27, R62-R78, R80-R119, R123-R131, R135, R156	RES. 2.2K 1/4W, 10%	1300918	28
15	C19-C33	CAP. G.B.MF 35V 20% STANT	1000047	27
21	C1-C18, C34-C36	CAP. .01MF 100V 20%	1001610	26
91	D1-D91	DIODE 0669	100117	25
6		SCR, PHL PAN #6-32X.5016	7006824-1	24
5		NUT, KEPS #6-32	7006560	23
2		WASHER, FIBER N.H.S.M.W.242	7006673	22
4		NUT, NYLON #4-40	9007992	21
108		LAMP SOCKET	9007812	19
57	I1-I54	LAMP 23096 HUDSON BLUE	1209219	18
1	S30	SWITCH ROTARY (LEDER) 3POS	1210753	17
8	S19-S22, S25-S28	SWITCH SPDT MOMENTARY (CR)	1210841	16
20	S1-S18, S23, S24	SWITCH SPDT (CR)	1210840	15
2	S27, S31	SWITCH ROTARY (LEDER) 8POS	1210775	14
2	J1, J2	CONN. RIGHT ANGLE HEADER	1209991	13
8		PIN SOCKET AMP W/3204	1209456	12
1	J3	PIN HOUSING	1209390-00	11
2		KNOB, FUNCTION BLK	1210773	10
2		KNOB, DUMMY GRAY	D-PS-1210825-04	9
14		KNOB, SWITCH ROSE	D-PS-1210796-1-0	8
1		SUPPORT, SWITCH	D-MD-7409270-1-0	7
6		STANDOFF, MALE/FEMALE #24	7009120-2	6
1		SUPPORT, INDICATOR PANEL	D-MD-7409185-0-0	5
1		ETCHED CIRCUIT BOARD	5009683	4
REF		MODULE ECO HISTORY	D-MH-5409840-0-4	3
REF		CIRCUIT SCHEMATIC	D-CS-5409840-0-1	2
REF		X-1 COORDINATE HOLE LOC.	K-CO-5409840-0-1	1

IC TYPE	GROUND	±5V	ITEM NO.	AWG.	FROM PT.	TO PT.
DEC 9318	B	16				

IC PIN LOCATIONS
JUMPER LIST

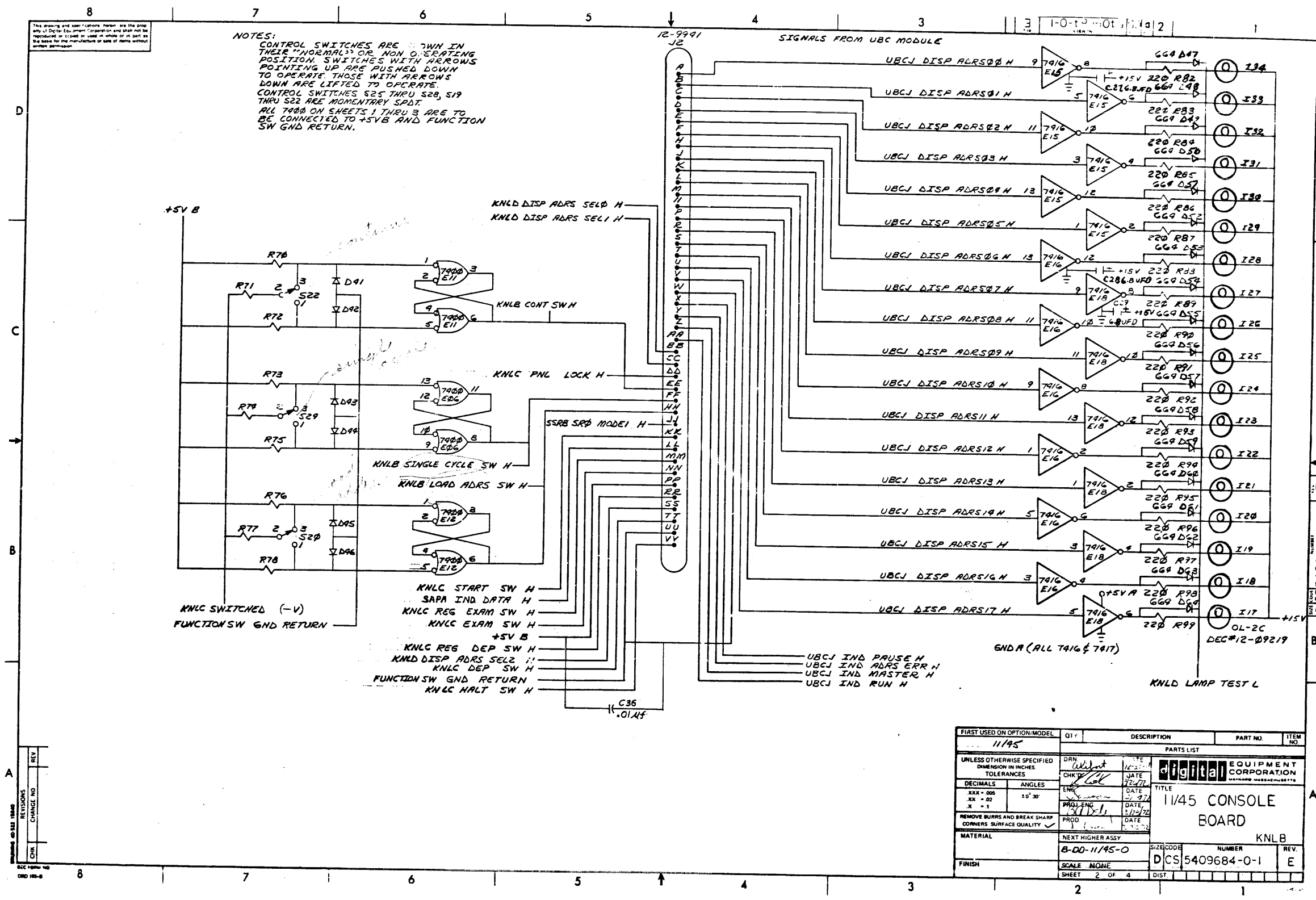
DATE	11/15/73	TITLE	ETCH BOARD ASSY (1145 CONSOLE)
DRN	D-664	SCALE	2/1
CHKD		SHEET	2 OF 2
ENG		EQUIPMENT CORPORATION	
PROJ. LDR		DIST.	5409684-0-0
DESIGN			

5409684-0-0



REV	CHG	NO	DATE	BY
1	5409684-00001	B	8-14-72	J. SWANSON
2	5409684-00002	C	8-14-72	J. SWANSON
3	5409684-00003	D	8-14-72	J. SWANSON
4	5409684-00004	E	8-14-72	J. SWANSON
5	5409684-00005	F	8-14-72	J. SWANSON
6	5409684-00006	G	8-14-72	J. SWANSON
7	5409684-00007	H	8-14-72	J. SWANSON
8	5409684-00008	I	8-14-72	J. SWANSON
9	5409684-00009	J	8-14-72	J. SWANSON
10	5409684-00010	K	8-14-72	J. SWANSON

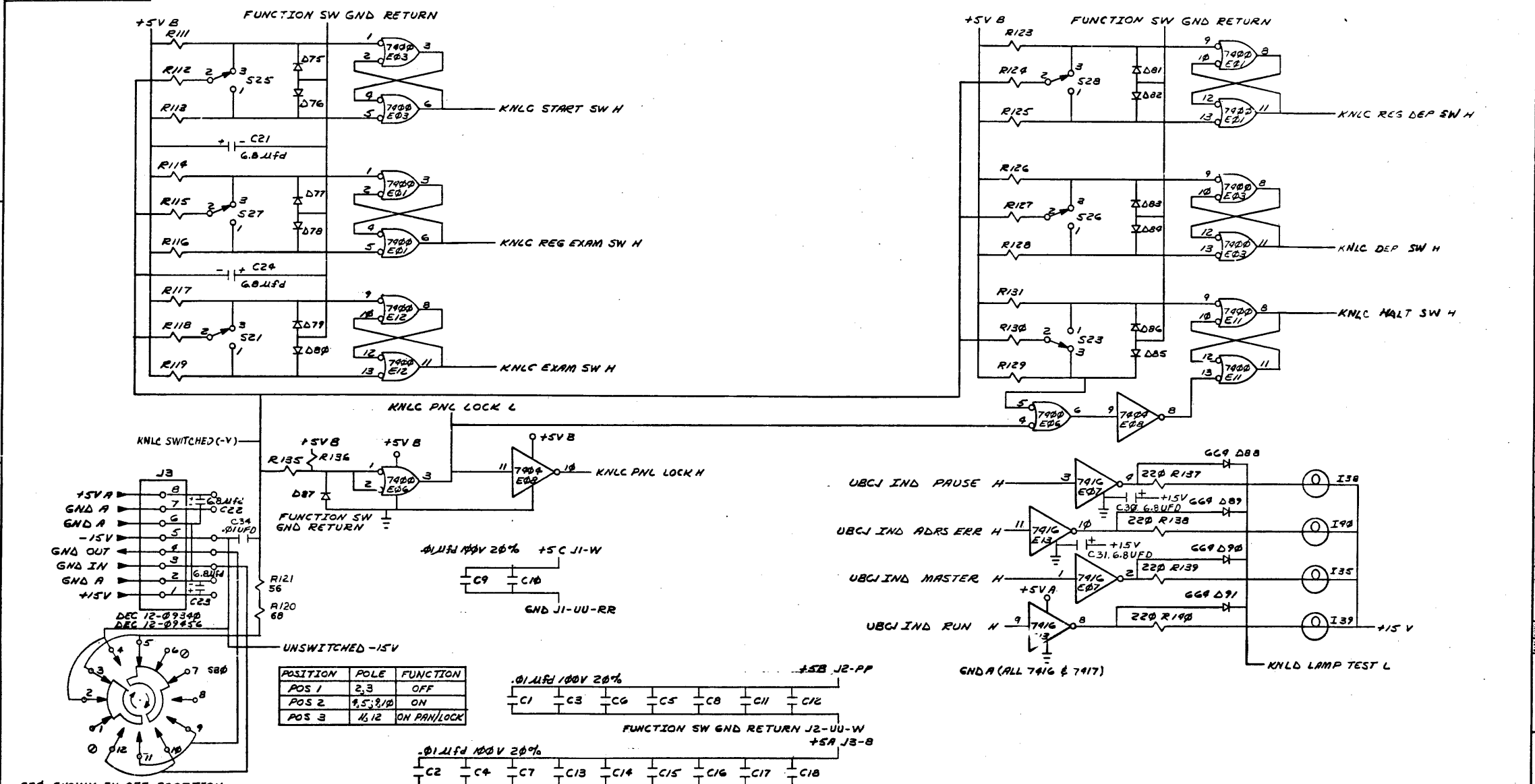
FIRST USED ON OPTION/MODEL	QTY.	DESCRIPTION	PART NO.	ITEM NO.
11/45				
UNLESS OTHERWISE SPECIFIED DIMENSION IN INCHES. TOLERANCES				
DECIMALS	ANGLES	DATE	PARTS LIST	
.XXX = .006	± 30'	DATE	TITLE	
.XX = .02		DATE	11/45 CONSOLE BOARD	
.X = .1		DATE	KNLA	
REMOVE BURRS AND BREAK SHARP CORNERS SURFACE QUALITY	PROD.	DATE	SIZE CODE NUMBER REV	
MATERIAL	NEXT HIGHER ASSY.		D CS 5409684-0-1 E	
FINISH	SCALE	SHEET 1 OF 4	DIST	



FIRST USED ON OPTION MODEL	QTY	DESCRIPTION	PART NO.	ITEM NO.
11/45				
PARTS LIST				
UNLESS OTHERWISE SPECIFIED				
DIMENSIONS IN INCHES				
TOLERANCES				
DECIMALS	ANGLES			
XXX - 000	10' 30"			
XX - 00				
X - 1				
REMOVE BURRS AND BREAK SHARP CORNERS SURFACE QUALITY				
MATERIAL				
NEXT HIGHER ASSY				
B-00-11/45-0				
FINISH				
SCALE NONE				
SHEET 2 OF 4				
TITLE			REV.	
11/45 CONSOLE BOARD			E	
MATERIAL			NUMBER	
DCS 5409684-0-1			KNLB	

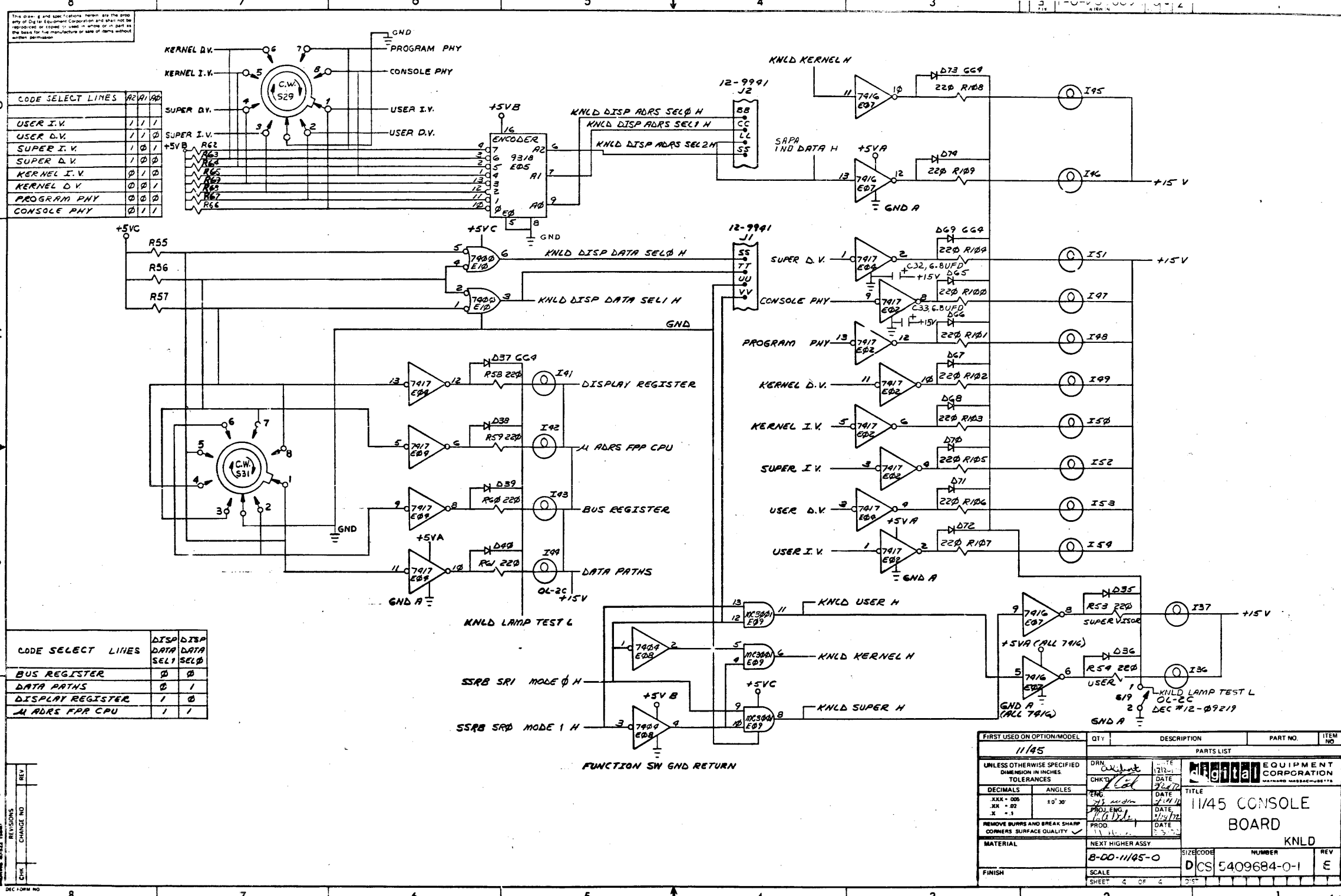
REV. 11/45
 CHANGE NO.
 CHK
 DCS 5409684-0-1

This drawing and specifications herein are the property of Digital Equipment Corporation and shall not be reproduced or copied or used in whole or in part as the basis for the manufacture or sale of items without written permission.



REVISIONS
 DATE CHANGE NO. REV.

FIRST USED ON OPTION/MODEL	QTY	DESCRIPTION	PART NO.	ITEM NO.
11/45				
PARTS LIST				
UNLESS OTHERWISE SPECIFIED DIMENSION IN INCHES TOLERANCES				
DECIMALS	ANGLES	TITLE		
.XXX = .003	.XX = .02	1145 CONSOLE BOARD		
.X = .1		KNLC		
REMOVE BURRS AND BREAK SHARP CORNERS SURFACE QUALITY				
MATERIAL		NEXT HIGHER ASSY		
FINISH		SCALE		
		SHEET 3 OF 4		
		DIST		



CODE SELECT LINES

USER I.V.	1	1	1
USER D.V.	1	1	0
SUPER I.V.	1	0	1
SUPER D.V.	1	0	0
KERNEL I.V.	0	1	0
KERNEL D.V.	0	0	1
PROGRAM PHY	0	0	0
CONSOLE PHY	0	1	1

CODE SELECT LINES	DISP DATA SEL1	DISP DATA SEL0
BUS REGISTER	0	0
DATA PATHS	0	1
DISPLAY REGISTER	1	0
ADRS FPP CPU	1	1

REVISIONS

REV	CHANGE NO	DATE

FIRST USED ON OPTION/MODEL	11/45	QTY	DESCRIPTION	PART NO.	ITEM NO.
PARTS LIST					
UNLESS OTHERWISE SPECIFIED DIMENSION IN INCHES TOLERANCES					
DECIMALS	ANGLES	ENG	DATE	TITLE	
XXX - 005	±0°30'			11/45 CONSOLE BOARD	
XX - 002				KNLD	
X - 001					
REMOVE BURRS AND BREAK SHARP CORNERS SURFACE QUALITY					
MATERIAL					
NEXT HIGHER ASSY					
FINISH					
SCALE					
SHEET 4 OF 4					
SIZE/NUMBER			REV		
B-00-11/45-0			DCS 5409684-0-1 E		

DCS 5409 684-0-1 E