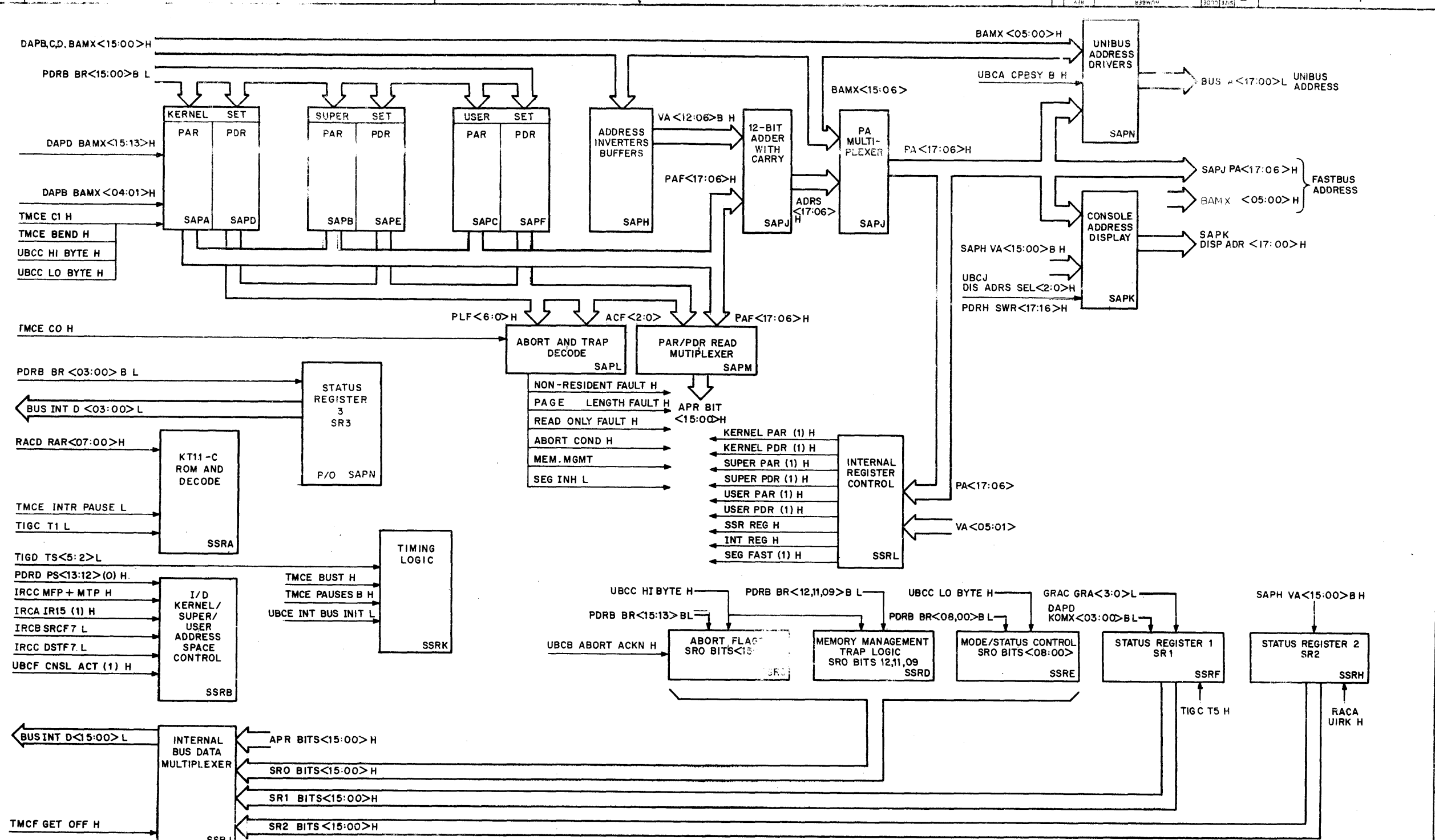


KT11-C
memory
management unit
engineering drawings

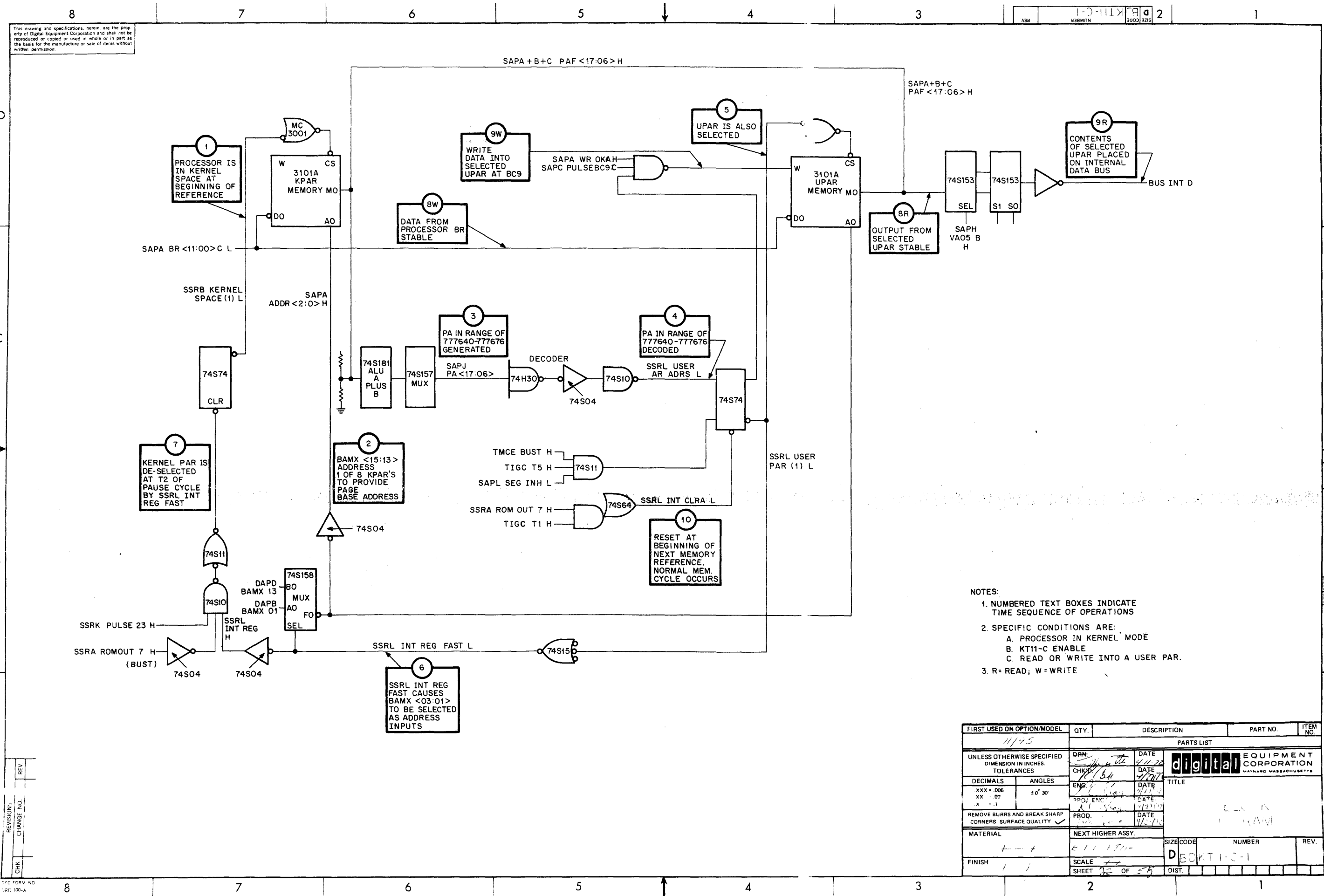
This drawing and specifications herein are the property of Digital Equipment Corporation and shall not be reproduced or copied or used in whole or in part as the basis for the manufacture or sale of items without written permission.



REV	CHANGE NO

FIRST USED ON OPTION/MODEL	QTY.	DESCRIPTION	PART NO.	ITEM NO.
11/45				
PARTS LIST				
UNLESS OTHERWISE SPECIFIED DIMENSION IN INCHES TOLERANCES	DBM	DATE		
DECIMALS	CHKD	DATE		
ANGLES	ENG	DATE		
.XXX = .006 .XX = .02 .X = .1	PROJ. ENG.	DATE		
REMOVE BURRS AND BREAK SHARP CORNERS SURFACE QUALITY	PROD.	DATE	TITLE	
MATERIAL	NEXT HIGHER ASSY.		FLOK CIA RAI	
FINISH	SCALE	SHEET	SIZE CODE	NUMBER
			D BD KTI1-C-1	

REV. NUMBER D BD KTI1-C-1

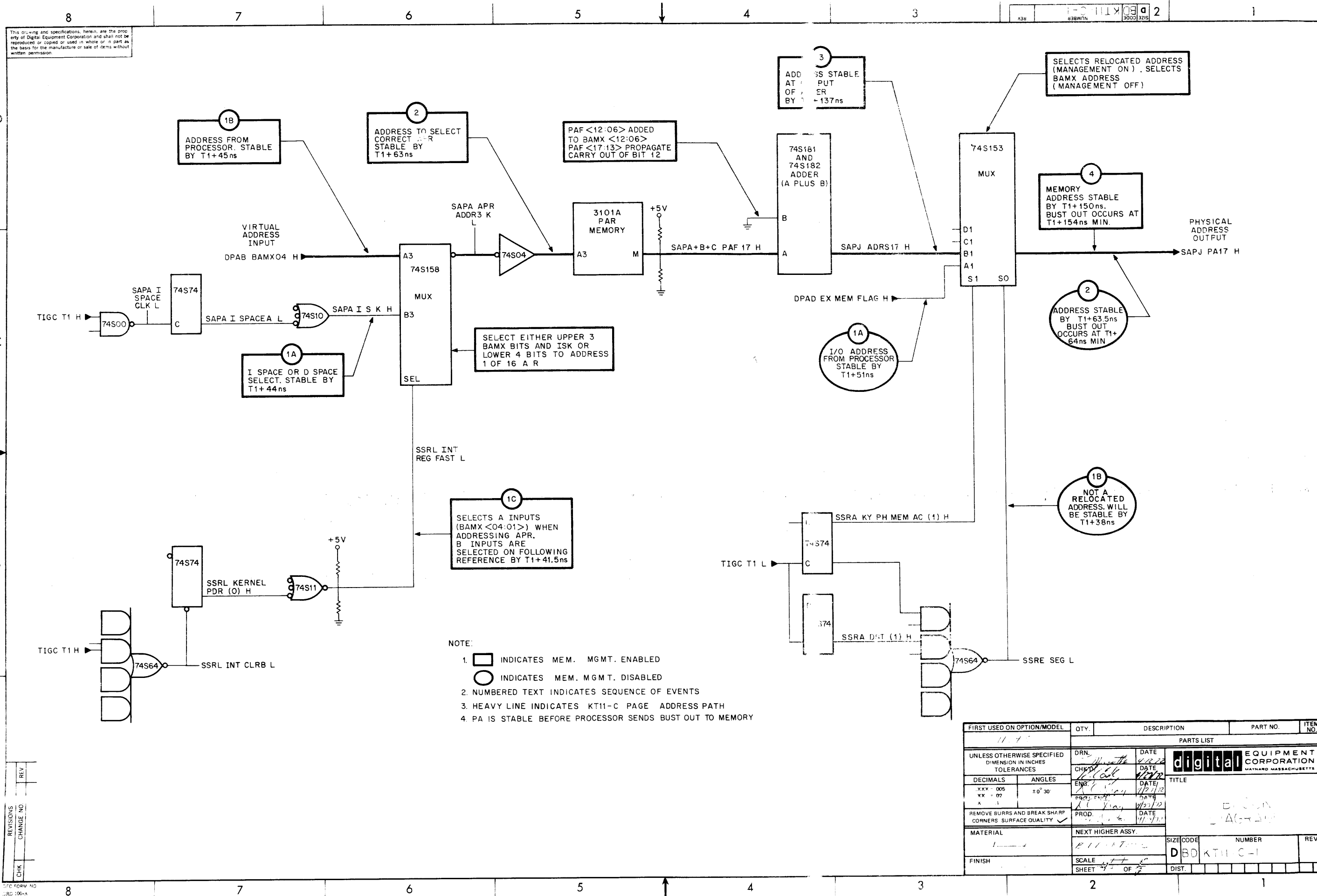


This drawing and specifications, herein, are the property of Digital Equipment Corporation and shall not be reproduced or copied or used in whole or in part as the basis for the manufacture or sale of items without written permission.

- NOTES:
1. NUMBERED TEXT BOXES INDICATE TIME SEQUENCE OF OPERATIONS
 2. SPECIFIC CONDITIONS ARE:
 - A. PROCESSOR IN KERNEL MODE
 - B. KT11-C ENABLE
 - C. READ OR WRITE INTO A USER PAR.
 3. R = READ; W = WRITE

FIRST USED ON OPTION/MODEL	QTY.	DESCRIPTION	PART NO.	ITEM NO.
11/75		PARTS LIST		
UNLESS OTHERWISE SPECIFIED DIMENSION IN INCHES. TOLERANCES	DRN: <i>[Signature]</i>	DATE: 4/1/78		
DECIMALS	CHK: <i>[Signature]</i>	DATE: 4/2/78		
ANGLES	ENG: <i>[Signature]</i>	DATE: 4/2/78		
XXX = .005 XX = .02 X = .1	PROD. ENC: <i>[Signature]</i>	DATE: 4/2/78		
REMOVE BURRS AND BREAK SHARP CORNERS SURFACE QUALITY	PROD. <i>[Signature]</i>	DATE: 4/2/78	TITLE: <i>[Blank]</i>	
MATERIAL	NEXT HIGHER ASSY.		SIZE CODE: D	NUMBER: BDKT11-C-1
FINISH	SCALE: <i>[Blank]</i>		SHEET: 25 OF 55	DIST: <i>[Blank]</i>

REV	CHANGE NO.	REVISIONS



This drawing and specifications, herein, are the property of Digital Equipment Corporation and shall not be reproduced or copied or used in whole or in part as the basis for the manufacture or sale of items without written permission.

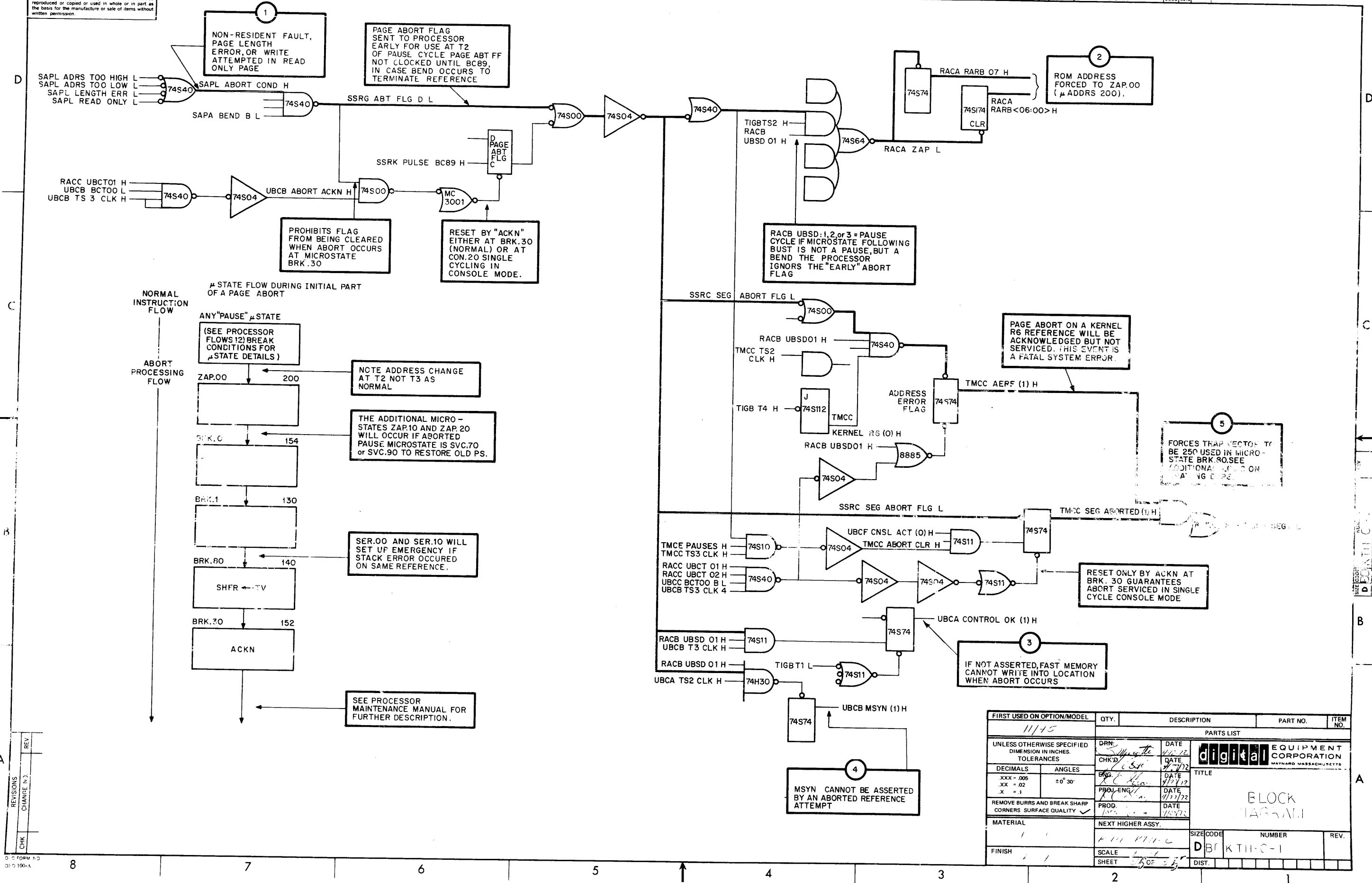
D
C
B
A

REV	NO
CHG	NO

- NOTE:
- 1. INDICATES MEM. MGMT. ENABLED
 - 2. INDICATES MEM. MGMT. DISABLED
 - 3. NUMBERED TEXT INDICATES SEQUENCE OF EVENTS
 - 4. HEAVY LINE INDICATES KT11-C PAGE ADDRESS PATH
 - 5. PA IS STABLE BEFORE PROCESSOR SENDS BUST OUT TO MEMORY

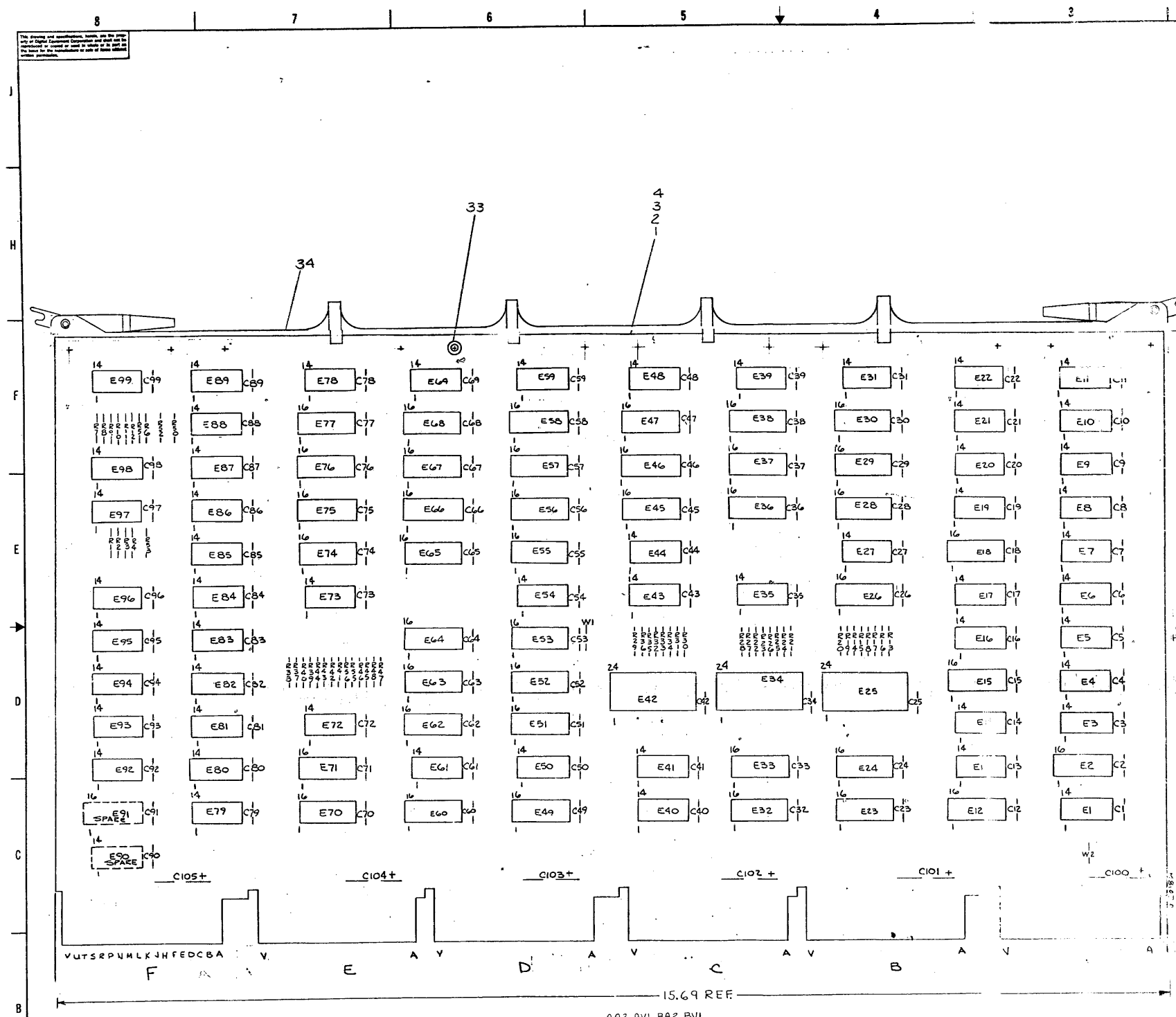
FIRST USED ON OPTION/MODEL	QTY.	DESCRIPTION	PART NO.	ITEM NO.
11-77				
PARTS LIST				
UNLESS OTHERWISE SPECIFIED	DRN.	DATE		
DIMENSION IN INCHES	CHKD.	DATE		
TOLERANCES	ENG.	DATE		
DECIMALS		DATE		
ANGLES		DATE	TITLE	
XXX - 005				
XX - 02				
X - 1				
REMOVE BURRS AND BREAK SHARP CORNERS SURFACE QUALITY	PROD.	DATE		
MATERIAL	NEXT HIGHER ASSY.		SIZE CODE	NUMBER
			D	BDKT11C-1
FINISH	SCALE		DIST.	
SHEET	OF			

This drawing and specifications, herein, are the property of Digital Equipment Corporation and shall not be reproduced or copied or used in whole or in part as the basis for the manufacture or sale of items without written permission.



REV	
CHANGE N	
CHK	

FIRST USED ON OPTION/MODEL 11/75	QTY.	DESCRIPTION	PART NO.	ITEM NO.
PARTS LIST				
UNLESS OTHERWISE SPECIFIED DIMENSION IN INCHES TOLERANCES	DRN: <i>[Signature]</i>	DATE: 11/72	digital EQUIPMENT CORPORATION MAYNARD MASSACHUSETTS	
DECIMALS .005	CHK'D: <i>[Signature]</i>	DATE: 11/72	TITLE	
.XX = .02	ENG: <i>[Signature]</i>	DATE: 11/72	BLOCK DIAGRAM	
.X = .1	PROJ. ENG: <i>[Signature]</i>	DATE: 11/72	SIZE CODE NUMBER REV.	
REMOVE BURRS AND BREAK SHARP CORNERS SURFACE QUALITY	PROD. <i>[Signature]</i>	DATE: 11/72	D BKTH-C-1	
MATERIAL	NEXT HIGHER ASSY.		DIST.	
FINISH	SCALE			
	SHEET			

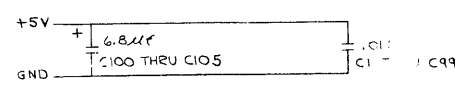


NOTES:
 1. UNLESS OTHERWISE NOTED RESISTANCE IS IN Ω AND CAPACITANCE IS IN PICO FARADS. CAPS. WITHOUT VALUE NOTED ARE .01 MFD.

QTY	REF DESIGNATION	DESCRIPTION	PART NO.	ITEM NO.
1		HANDLE, MODULE	E-PS-210711-2	34
12		EYELET	9006732	33
1	E5	IC DEC 74H04	1909931	32
1	E2	IC DEC 74S174	1910550	31
1	E1	IC DEC 74S03	1910533	30
2	E9, E99	IC DEC 74S64	1910542	29
6	E4, E79, E84, E87, E93, E94	IC DEC 74S00	1910532	28
10	E3, E6, E11, E14, E27, E44, E54, E73, E82, E88	IC DEC 74S04	1910534	27
2	E81, E88	IC DEC 74S10	1910536	26
5	E7, E35, E43, E84, E89	IC DEC 74S11	1910537	25
1	E95	IC DEC 74S37	1910091	24
1	E80	IC DEC 74H30	1909059	23
9	E10, E31, E39, E48, E59, E69, E78, E82, E83	IC DEC 74S40	1910541	22
1	E51	IC DEC 74S153	1910547	21
4	E8, E16, E97, E72	IC DEC 74S74	1910544	20
2	E10, E11	IC DEC 7485	1910224	19
8	E23, E24, E32, E33, E52, E53, E63, E64	IC DEC 74S157	1910548	18
1	E62	IC DEC 74153	1909937	17
2	E18, E26	IC DEC 74S158	1910549	16
3	E25, E34, E42	IC DEC 74S181	1910531	15
1	E15	IC DEC 74182-1	1910551	14
5	E13, E16, E17, E40, E41	IC DEC 8881	1909105	13
3	E12, E49, E60	IC DEC 74157	1910655	12
21	E28, E29, E30, E34, E37, E38, E45, E46, E47, E55, E56, E57, E58, E65, E66, E67, E68, E74, E75, E76, E77	IC DEC 3101A	1910653	11
7	E19, E20, E21, E22, E50, E61, E85	IC DEC 3001	1909514	10
25	R2, R4, R6, R3, R10, R12, R14, R16, R18, R20, R22, R24, R26, R28, R30, R32, R34, R36, R38, R40, R42, R44, R46, R48, R56	RESISTOR 620Ω, 1/4W, 5%	1303178	9
25	R1, R3, R5, R7, R9, R11, R13, R15, R17, R19, R21, R23, R25, R27, R29, R31, R33, R35, R37, R39, R41, R43, R45, R47, R55	RESISTOR 330Ω, 1/4W, 5%	1300295	8
5	R13, R50, R52	RESISTOR 150Ω, 1/4W, 5%	1300250	7
6	C100 THRU C105	CAPACITOR 2.2M, 35V, 20%	1000067	6
10	C1 THRU C99	CAPACITOR 100M, 50V, 20% DISC	1001610	5
1		ETCHED CIRCUIT BOARD	5009801	4
1		MODULE ECO HISTORY	8MH-18107-0-3	3
1		ASSY/DRILLING HOLE LAYOUT	8MH-18107-0-5	2
1		XY COORDINATE HOLE LOCATION	KCO-18107-0-4	1

IC TYPE	GND	+5V	W1	30	FROM PT	TO PT
DEC 74S174	8	16				
DEC 74S153	8	16				
DEC 7485	8	16				
DEC 74S157	8	16				
DEC 74153	8	16				
DEC 74S158	8	16				
DEC 74182-1	8	16				
DEC 74157	8	16				
DEC 3101A	8	16				

AA2, AV1, BA2, BV1, CA2, CV1, DA2, DV1, EA2, EV1, FA2, FV1
 AC2, AN2, AH1, AT1, BC2, BN2, BH1, BT1, CC2, CN2, CH1, CT1, DC2, DN2, DH1, DT1, EC2, EN2, EH1, ET1, FC2, FN2, FH1, FT1



ETCH BOARD REV B

DATE: 11/45-0

PREPARED BY: [Signature]

DESIGNED BY: [Signature]

CHECKED BY: [Signature]

APPROVED BY: [Signature]

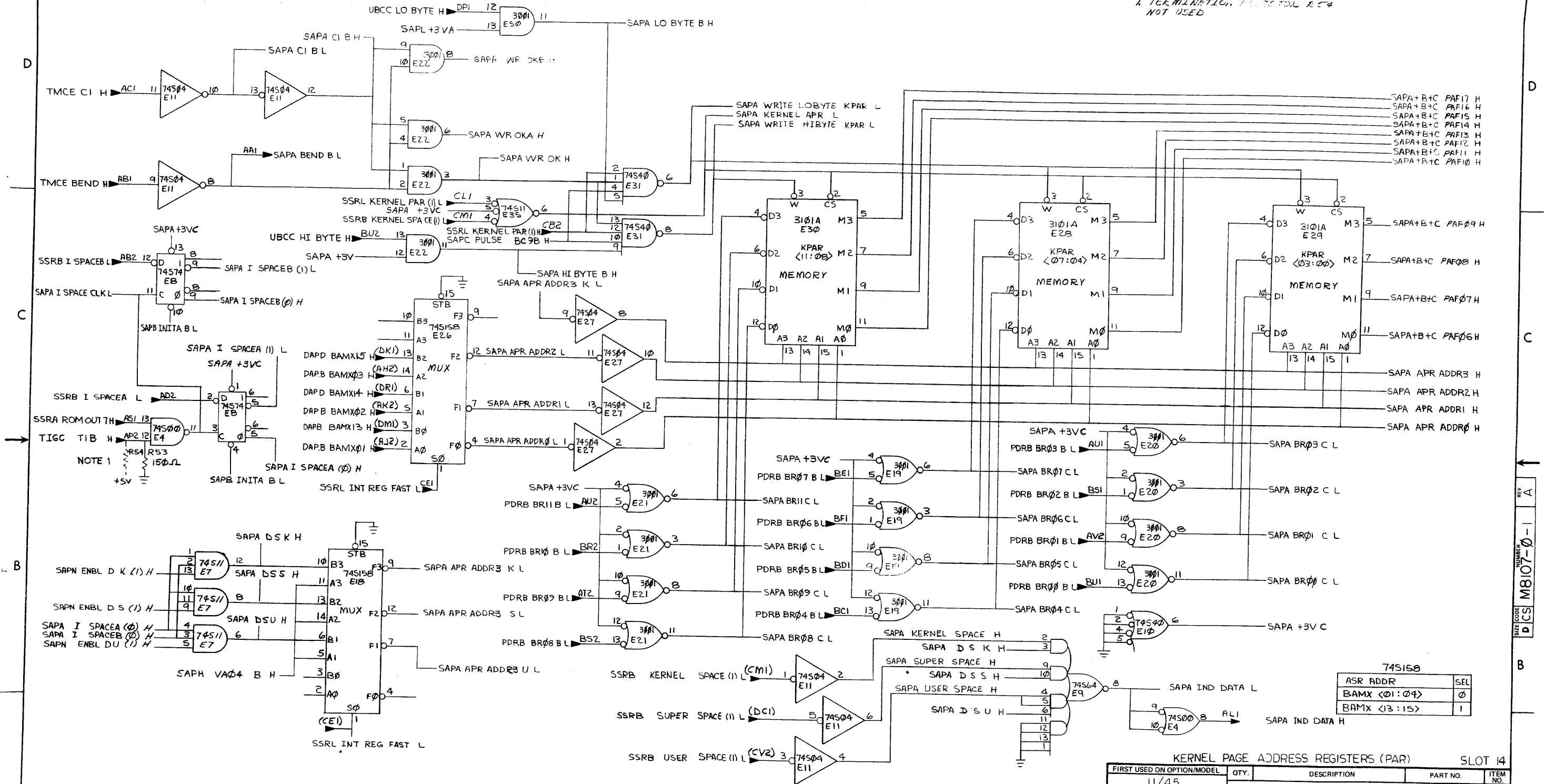
REVISIONS:

NO.	DATE	DESCRIPTION
1	11/45-0	ISSUED FOR PRODUCTION

CONDUCTOR CONVERSION CHART

This drawing and all rights therein, are the property of Digital Equipment Corporation and shall not be reproduced or copied or used in whole or in part as the basis for the manufacture or sale of items without written permission.

NOTES:
1. TERMINATION RESISTOR R54 NOT USED



74S158	
ASR ADDR	SEL
BAMX <01:04>	0
BAMX <13:15>	1

FIRST USED ON OPTION/MODEL		QTY.	DESCRIPTION	PART NO.	ITEM NO.
11/45					
UNLESS OTHERWISE SPECIFIED DIMENSION IN INCHES. TOLERANCES					
DECIMALS	ANGLES	PARTS LIST			
.XXX = .005	±0°30'	digital EQUIPMENT CORPORATION MAYNARD MASSACHUSETTS			
.XX = .02		TITLE			
.X = .1		SYS. ADRS. PATH			
REMOVE BURRS AND BREAK SHARP CORNERS SURFACE QUALITY					
MATERIAL		NEXT HIGHER ASSY.		SAPAS	
FINISH		B-LD-KTII-C		SIZE CODE	NUMBER
		SCALE		DICS	M8107-0-1
		SHEET 2 OF 13		DIST.	REV. A

REV	CHANGE NO.

DEC 10PM NO
DRD 102-B

8

7

6

5

4

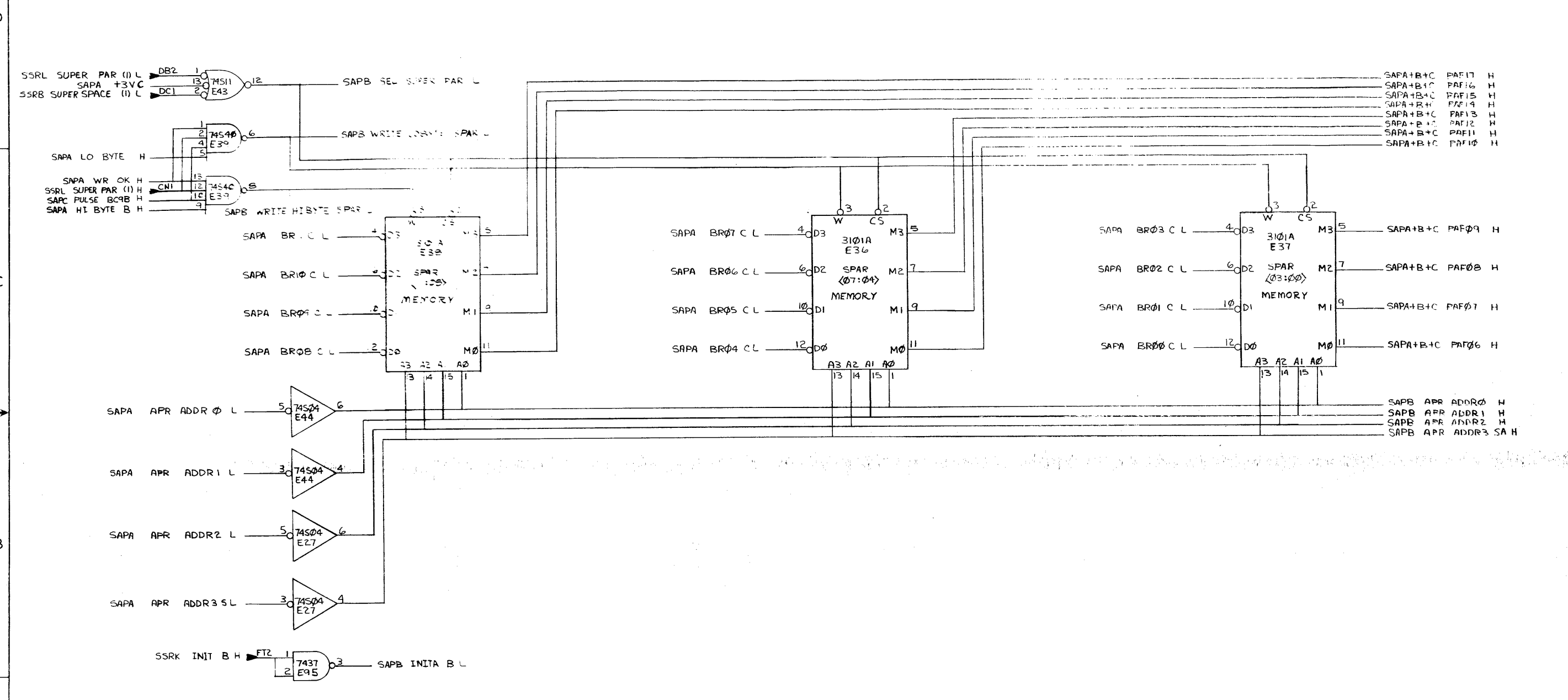
3

2

1

REV. NO. M8107-0-1 A

This drawing and specifications hereon are the property of Digital Equipment Corporation and shall not be reproduced or copied or used in whole or in part as the basis for the manufacture or sale of items without written permission.



MINIMUM 40 532 15840

REV	CHANGE NO	REVISIONS

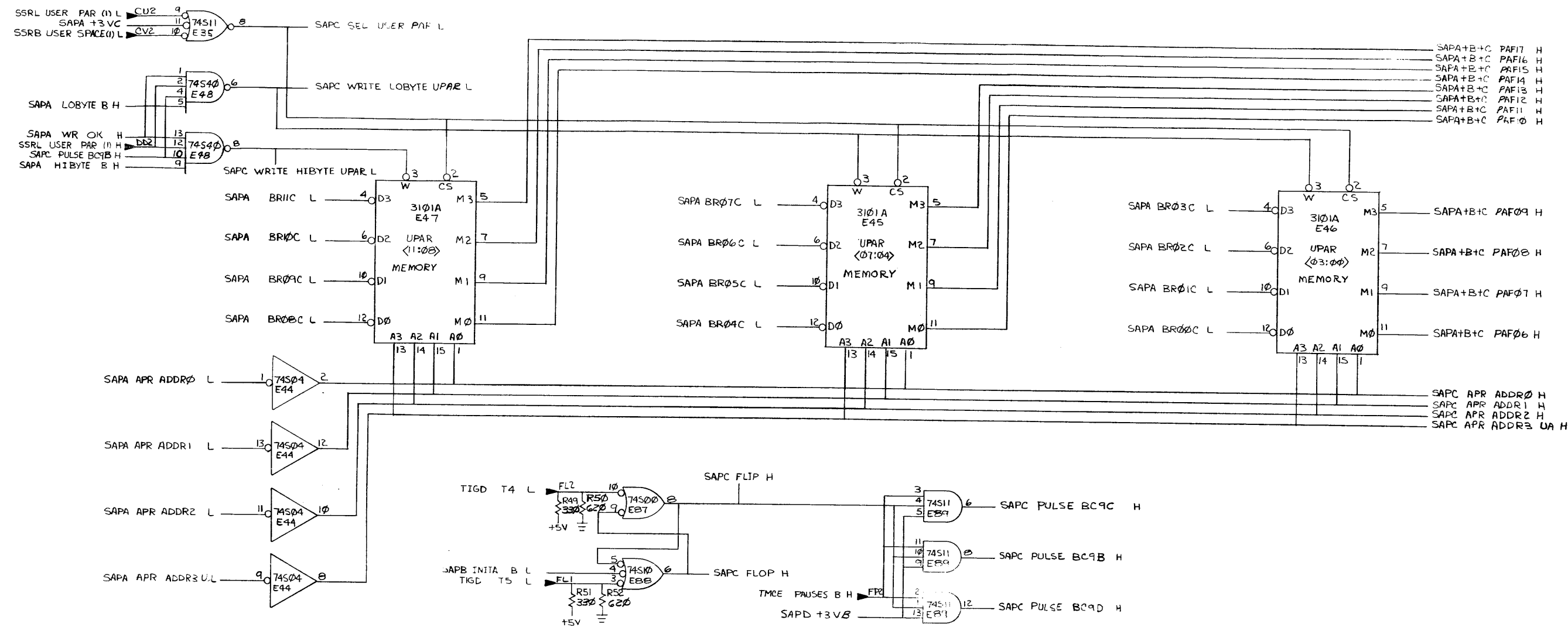
SUPERVISOR PAGE ADDRESS REGISTERS (PAR) SLOT 14

FIRST USED ON OPTION/MODEL	QTY.	DESCRIPTION	PART NO.	ITEM NO.
11/45				
PARTS LIST				
UNLESS OTHERWISE SPECIFIED DIMENSION IN INCHES TOLERANCES	DRW <i>[Signature]</i>	DATE 1/82	 digital EQUIPMENT CORPORATION <small>MAYNARD MASSACHUSETTS</small>	
DECIMALS ANGLES	CHK'D <i>[Signature]</i>	DATE 4/5/72		
XXX - .005 XX - .02	ENG <i>[Signature]</i>	DATE 4/1/72		
REMOVE BURRS AND BREAK SHARP CORNERS SURFACE QUALITY	PRBT ENGR <i>[Signature]</i>	DATE 4/1/72		
MATERIAL	NEXT HIGHER ASSY.	PROD. 11/71	TITLE SYS. ADDR. PATH	
FINISH	B-DD-KT11-C	SCALE	SIZE CODE DCS M8107-01	NUMBER
SHEET 3 OF 13	DIST.			REV. A

This drawing and specifications, herein, are the property of Digital Equipment Corporation and shall not be reproduced or copied or used in whole or in part as the basis for the manufacture or sale of items without written permission.

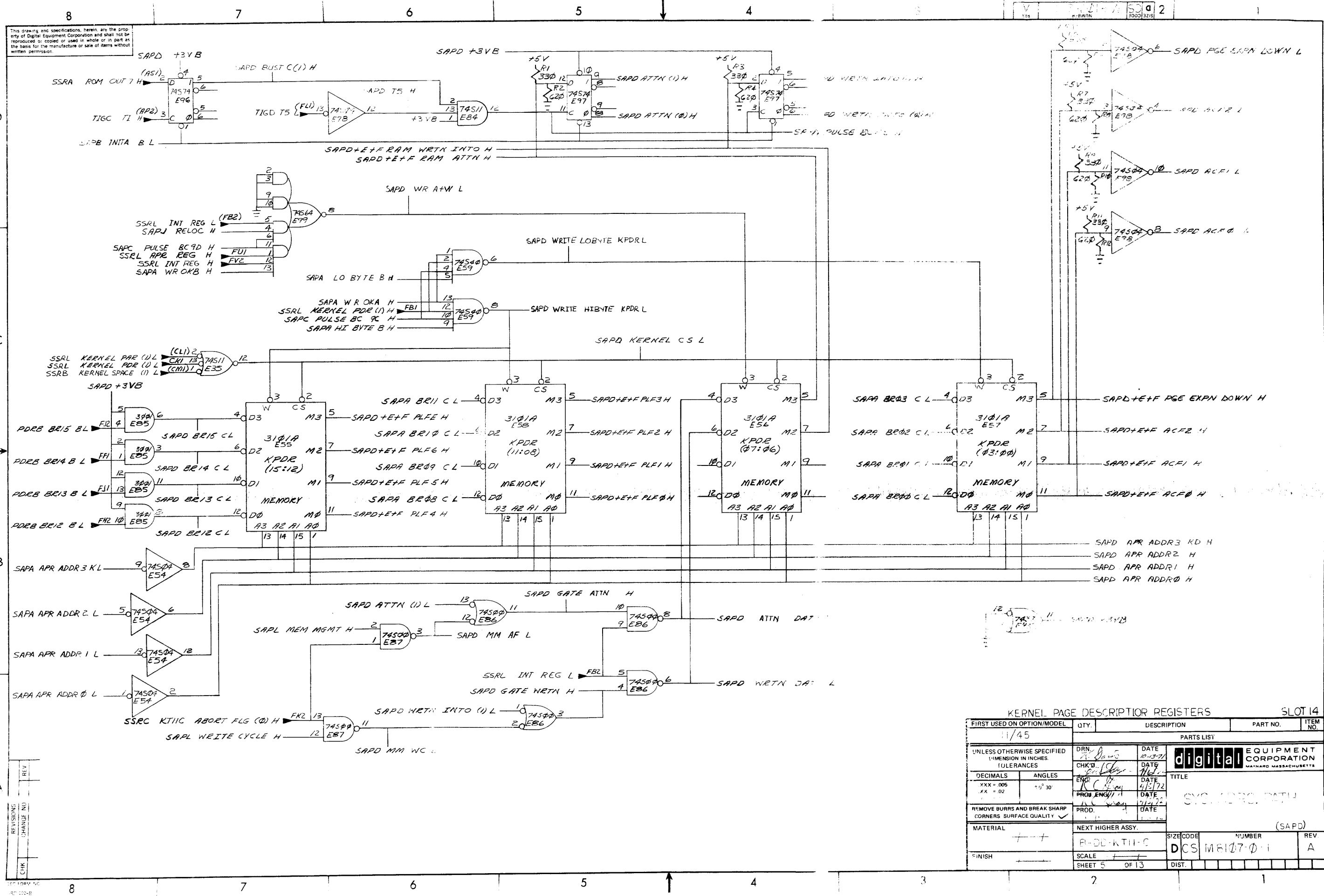
D
C
B
A

D
C
B
A



BRUNING 40-522 15840	REV
REVISIONS	
CHANGE NO	
CHK	

FIRST USED ON OPTION/MODEL		QTY.	DESCRIPTION	PART NO.	ITEM NO.
11/45					
PARTS LIST					
UNLESS OTHERWISE SPECIFIED DIMENSION IN INCHES.		DRN.	DATE	digital EQUIPMENT CORPORATION MAYNARD MASSACHUSETTS	
TOLERANCES		CHK'D	DATE		
DECIMALS	ANGLES	ENG.	DATE	TITLE SYS. ADRS. PATH	
.xxx = .005	±0° 30'	PROJ. ENGR.	DATE		
.xx = .02		PROD.	DATE		
REMOVE BURRS AND BREAK SHARP CORNERS SURFACE QUALITY ✓					
MATERIAL	NEXT HIGHER ASSY.				
FINISH	B-DD-K:TI1-C	SIZE CODE	NUMBER	REV	
	SCALE	D CS	V18107-0	A	
	SHEET 4 OF 13	DIST.			

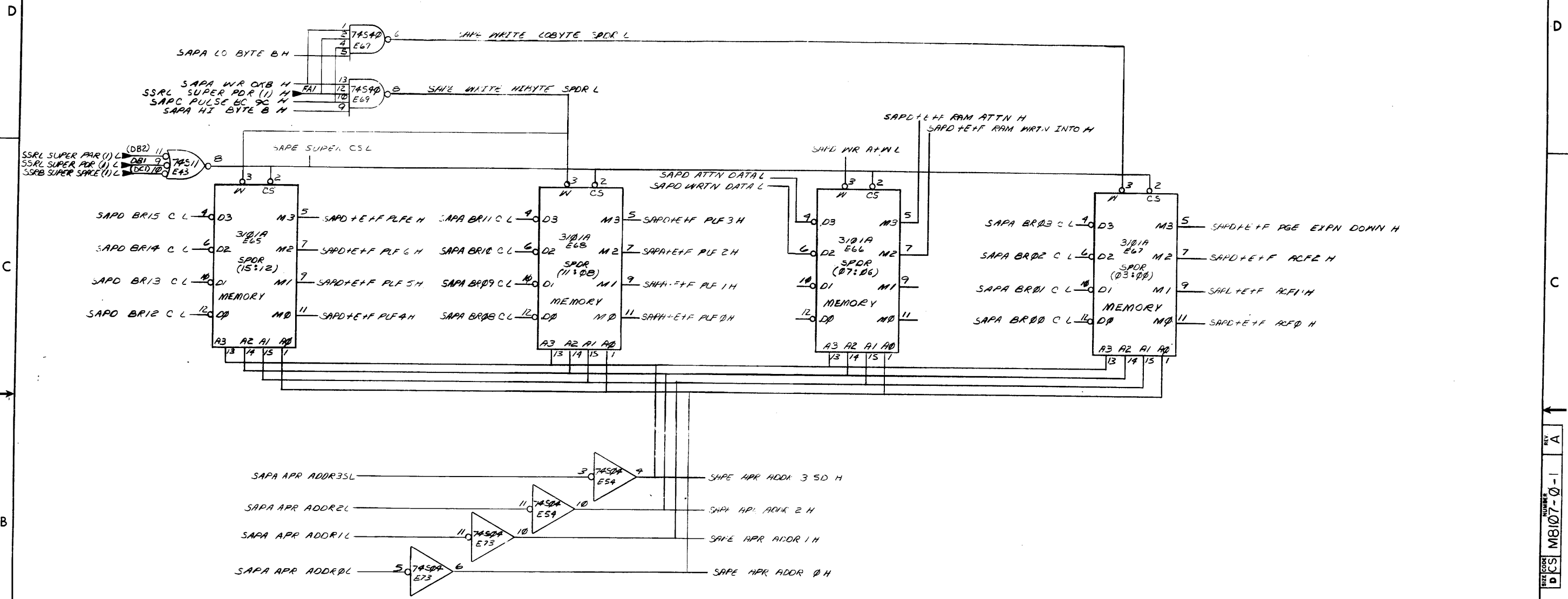


This drawing and specifications, herein, are the property of Digital Equipment Corporation and shall not be reproduced or copied or used in whole or in part as the basis for the manufacture or sale of items without written permission.

KERNEL PAGE DESCRIPTOR REGISTERS				SLOT 14	
FIRST USED ON OPTION/MODEL	QTY.	DESCRIPTION	PART NO.	ITEM NO.	
11/45					
UNLESS OTHERWISE SPECIFIED DIMENSION IN INCHES TOLERANCES			PARTS LIST		
DECIMALS	ANGLES	DATE	digital EQUIPMENT CORPORATION MAYNARD MASSACHUSETTS		
XXX = .005	±1/2°	4/13/72	TITLE		
REMOVE BURRS AND BREAK SHARP CORNERS SURFACE QUALITY	PROJ. ENG.	DATE	SYNCHRON. DATA		
MATERIAL	NEXT HIGHER ASSY.	DATE	(SAPD)		
FINISH	R-DD-KTH-C	DATE	SIZE CODE	NUMBER	REV
	SCALE	DATE	DCS	M8107-0-1	A
	SHEET 5 OF 13	DATE	DIST.		

REV	NO	CHG	NO

This drawing and specifications, herein, are the property of Digital Equipment Corporation and shall not be reproduced or copied in whole or in part as the basis for the manufacture or sale of items without written permission.



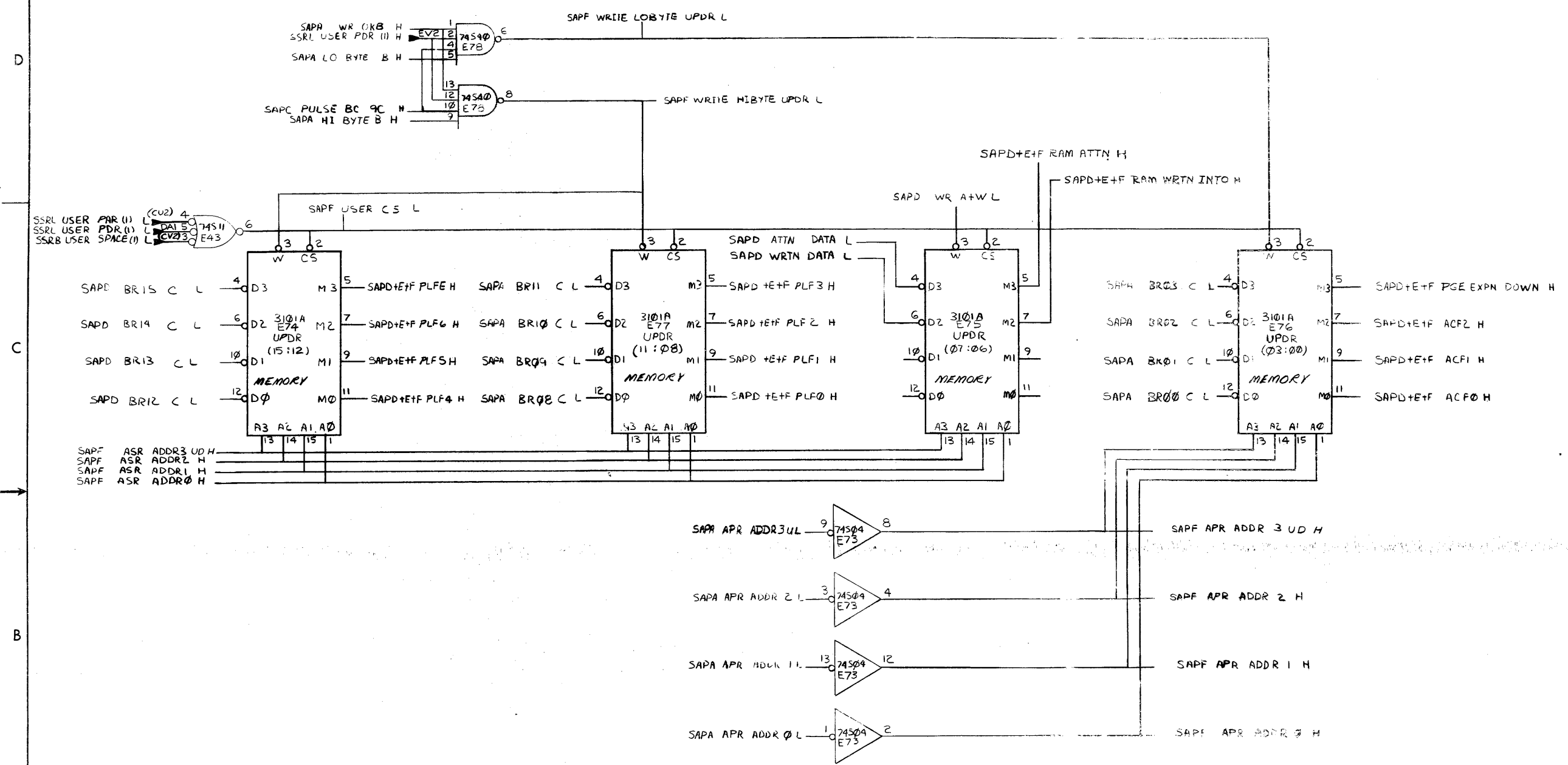
REV	
CHG	
CHK	

DEC FORM NO DRD 102-B

SUPERVISOR PAGE DESCRIPTOR REGISTERS				SLOT14	
FIRST USED ON OPTION/MODEL	QTY.	DESCRIPTION	PART NO.	ITEM NO.	
11/45					
PARTS LIST					
UNLESS OTHERWISE SPECIFIED DIMENSION IN INCHES. TOLERANCES		DRN <i>axilant</i>	DATE 7-20-71	 digital EQUIPMENT CORPORATION MAYNARD MASSACHUSETTS	
DECIMALS .XXX = .005	ANGLES ±0° 30'	ENG <i>RC Khan</i>	DATE 4/6/72		
REMOVE BURRS AND BREAK SHARP CORNERS SURFACE QUALITY ✓		PROV ENG <i>RC Khan</i>	DATE 3/31/72	TITLE SYS. ADRS PATH	
		PROD. <i>RC Khan</i>	DATE 4-6-72		
MATERIAL --		NEXT HIGHER ASSY.		(SAPA)	
FINISH --		B-DD-KT11-C	SCALE --	SIZE CODE DCS	NUMBER M8107-0-1
		SHEET 6 OF 13	DIST.		

REV. A
NUMBER M8107-0-1
SIZE CODE DCS

This drawing and specifications, herein, are the property of Digital Equipment Corporation and shall not be reproduced or copied or used in whole or in part as the basis for the manufacture or sale of items without written permission.

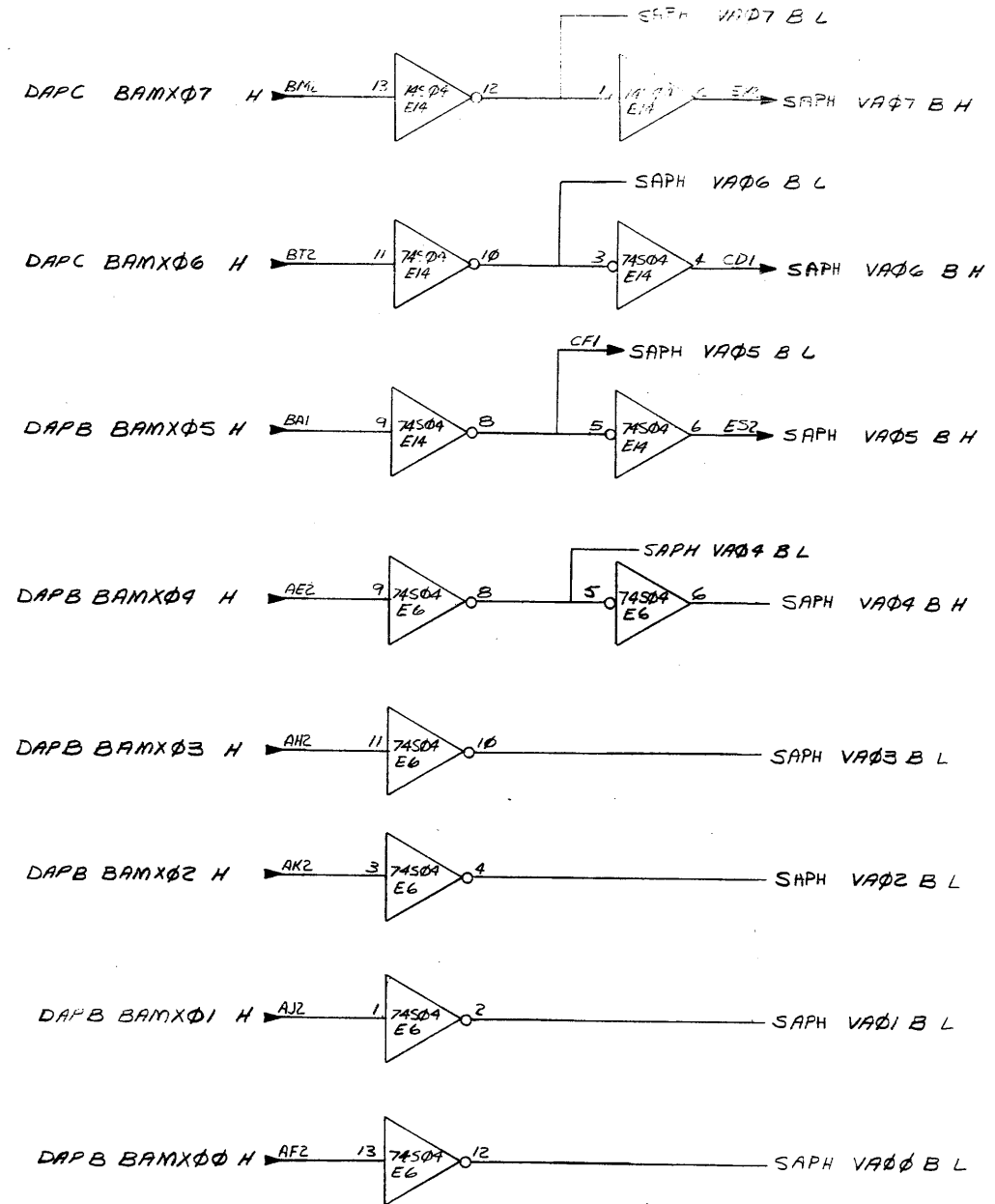
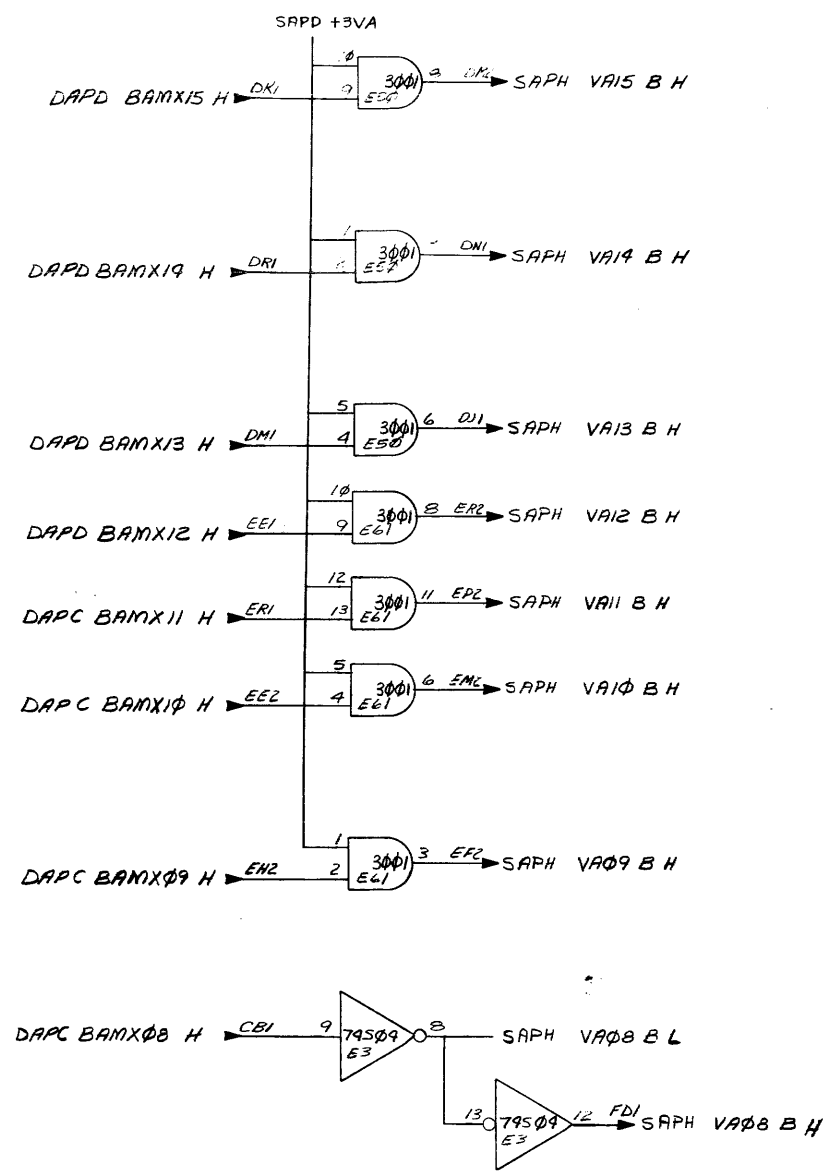


USER PAGE DESCRIPTOR REGISTERS SLOT 14

FIRST USED ON OPTION/MODEL	QTY.	DESCRIPTION	PART NO.	ITEM NO.
11/45				
PARTS LIST				
UNLESS OTHERWISE SPECIFIED DIMENSION IN INCHES. TOLERANCES	DRN <i>AK</i> DATE 7-20-71	digital EQUIPMENT CORPORATION <small>NATYARD, MASSACHUSETTS</small>		
DECIMALS .XXX ± .005	CHKD <i>RC</i> DATE 7/16/72			
ANGLES ± 0° 30'	ENG <i>RC</i> DATE 7/15/72			
REMOVE BURRS AND BREAK SHARP CORNERS SURFACE QUALITY	PROD. <i>RC</i> DATE 4-1-72			
MATERIAL	NEXT HIGHER ASSY.	TITLE		
FINISH	B-DD-KT11-C	SIS. ADDR. PATH (SAPF)		
	SCALE	SIZE CODE	NUMBER	REV.
	SHEET 7 OF 13	DCS	M8107-0-1	A
		DIST.		

REVISION:	REV.
CHANGE IN	
CHK	

This drawing and specifications, herein, are the property of Digital Equipment Corporation and shall not be reproduced or copied or used in whole or in part as the basis for the manufacture or sale of items without written permission.

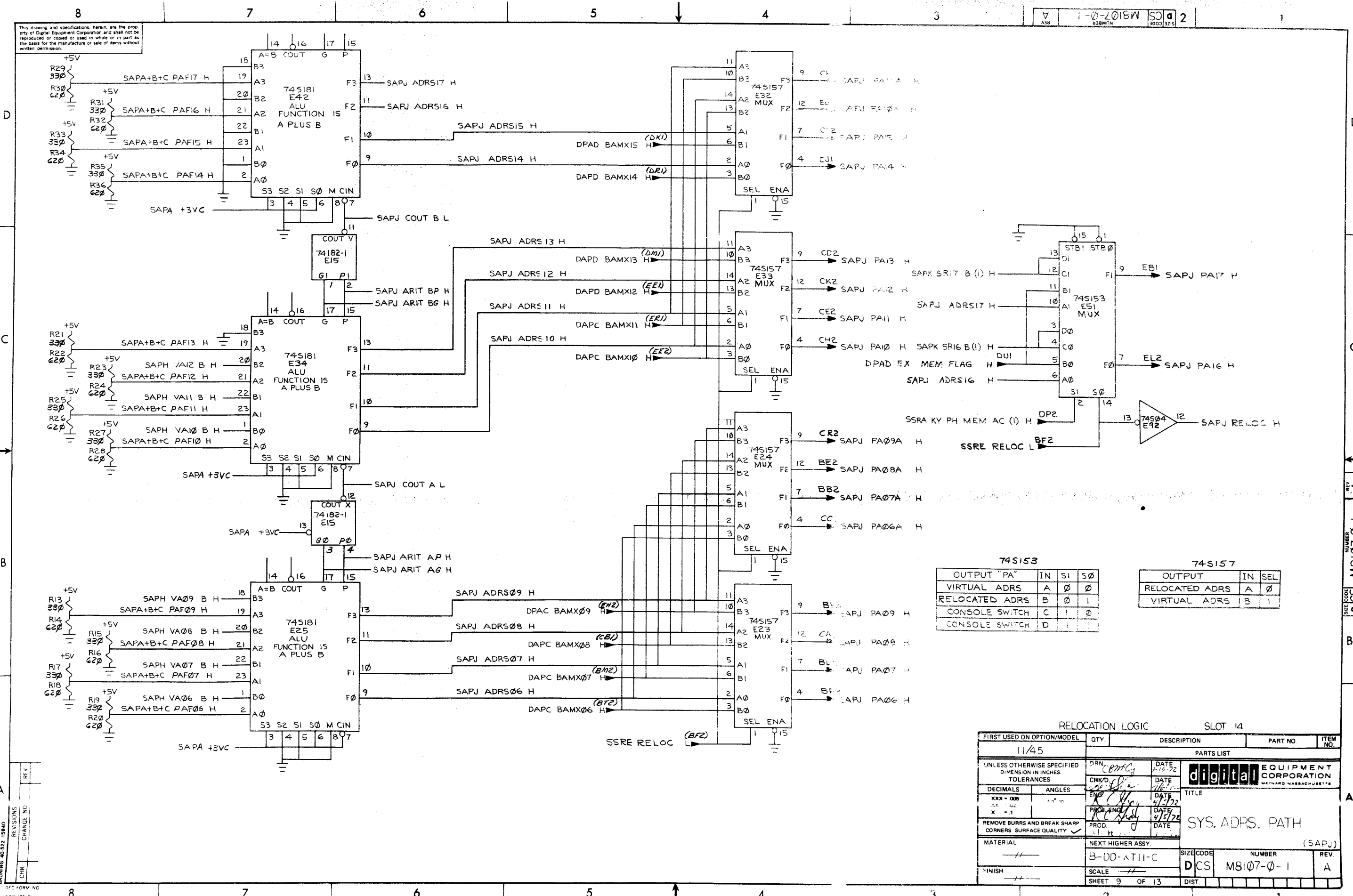


REVISIONS	REV
CHANGE NO.	
CHK	

FIRST USED ON OPTION/MODEL		QTY.	DESCRIPTION	PART NO.	ITEM NO.
11/45					
PARTS LIST					
UNLESS OTHERWISE SPECIFIED DIMENSION IN INCHES.		DRN	DATE	digital EQUIPMENT CORPORATION	
TOLERANCES		CHK'D	DATE	MAYNARD, MASSACHUSETTS	
DECIMALS	ANGLES	ENG	DATE	TITLE	
.XXX = .005		PROJ. ENG.	DATE	SYS. ADRS. PATH	
.XX = .02	±0° 30'	PROD.	DATE	(SAPH)	
.X = .1					
REMOVE BURRS AND BREAK SHARP CORNERS SURFACE QUALITY					
MATERIAL		NEXT HIGHER ASSY.		SIZE CODE	NUMBER
FINISH		R-DI-TA11-C		DCS	M8107-0-1
		SCALE	8 OF 13	DIST.	

DEC. FORM NO. DRD 102-B

REV. A
M8107-0-1
DCS



This drawing and specifications, herein, are the property of Digital Equipment Corporation and shall not be reproduced or copied in whole or in part as the basis for the manufacture or sale of items without written permission.

745153

OUTPUT "PA"	IN	SI	S0
VIRTUAL ADRS	A	0	0
RELOCATED ADRS	B	0	1
CONSOLE SWITCH	C	1	0
CONSOLE SWITCH	D	1	1

745157

OUTPUT	IN	SEL
RELOCATED ADRS	A	0
VIRTUAL ADRS	B	1

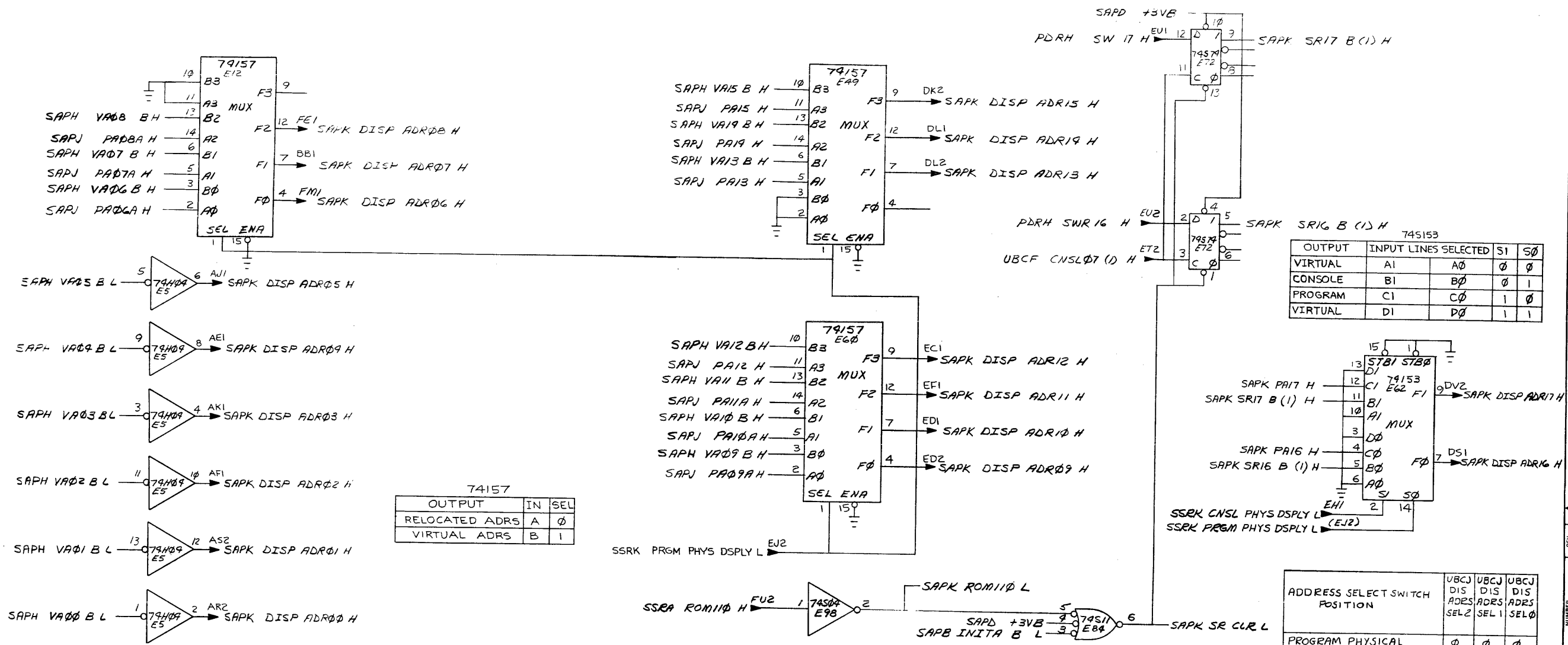
RELOCATION LOGIC SLOT 14

FIRST USED ON OPTION/MODEL	QTY.	DESCRIPTION	PART NO.	ITEM NO.
11/45				
UNLESS OTHERWISE SPECIFIED DIMENSION IN INCHES.				
TOLERANCES				
DECIMALS	ANGLES	DATE		
XXX - 006	+ .0005	1/10/72		
REMOVE BURRS AND BREAK SHARP CORNERS SURFACE QUALITY		DATE		
		4/15/72		
MATERIAL		NEXT HIGHER ASSY		
FINISH		B-DD-ATII-C		
		SIZE CODE	NUMBER	REV.
		DCS	M8107-0-1	A
SHEET 9 OF 13		DIST.		

BRUNING 40 822 15840
 REVISIONS
 CHANGE NO.
 REV.

REV. A
 NUMBER M8107-0-1
 SIZE CODE DCS

This drawing and specifications, herein, are the property of Digital Equipment Corporation and shall not be reproduced or copied in whole or in part as the basis for the manufacture or sale of items without written permission.



74157		
OUTPUT	IN	SEL
RELOCATED ADRS	A	0
VIRTUAL ADRS	B	1

OUTPUT	INPUT LINES SELECTED	S1	S0
VIRTUAL	A1	A0	0 0
CONSOLE	B1	B0	0 1
PROGRAM	C1	C0	1 0
VIRTUAL	D1	D0	1 1

ADDRESS SELECT SWITCH POSITION	UBCJ DIS ADRS SEL2	UBCJ DIS ADRS SEL1	UBCJ DIS ADRS SEL0
PROGRAM PHYSICAL	0	0	0
KERNEL D VIRTUAL	0	0	1
KERNEL I VIRTUAL	0	1	0
CONSOLE PHYSICAL	0	1	1
SUPERVISOR D VIRTUAL	1	0	0
SUPERVISOR I VIRTUAL	1	0	1
USER D VIRTUAL	1	1	0
USER I VIRTUAL	1	1	1

CONSOLE ADDRESS DISPLAY SLOT 14

FIRST USED ON OPTION/MODEL	QTY.	DESCRIPTION	PART NO.	ITEM NO.
11/45				
PARTS LIST				
UNLESS OTHERWISE SPECIFIED DIMENSION IN INCHES. TOLERANCES		DRN. <i>Wilson</i>	DATE 7-12-71	 digital EQUIPMENT CORPORATION <small>MAYNARD MASSACHUSETTS</small>
DECIMALS .XXX = .005 .XX = .02 .X = .1	ANGLES ± 0° 30'	CHK'D BY <i>R.C. King</i>	DATE 4/6/72	
REMOVE BURRS AND BREAK SHARP CORNERS SURFACE QUALITY		PROJ. ENG. <i>R.C. King</i>	DATE 4/1/72	
		PROD. <i>R.C. King</i>	DATE 4-1-72	
MATERIAL //		NEXT HIGHER ASSY. B-DD-KTIF-C		TITLE SYS. ADRS. PATH (SAPK)
FINISH //		SCALE //	SHEET 10 OF 13	
		SIZE CODE DCS M8107-0-1	NUMBER	REV. A
		DIST.		

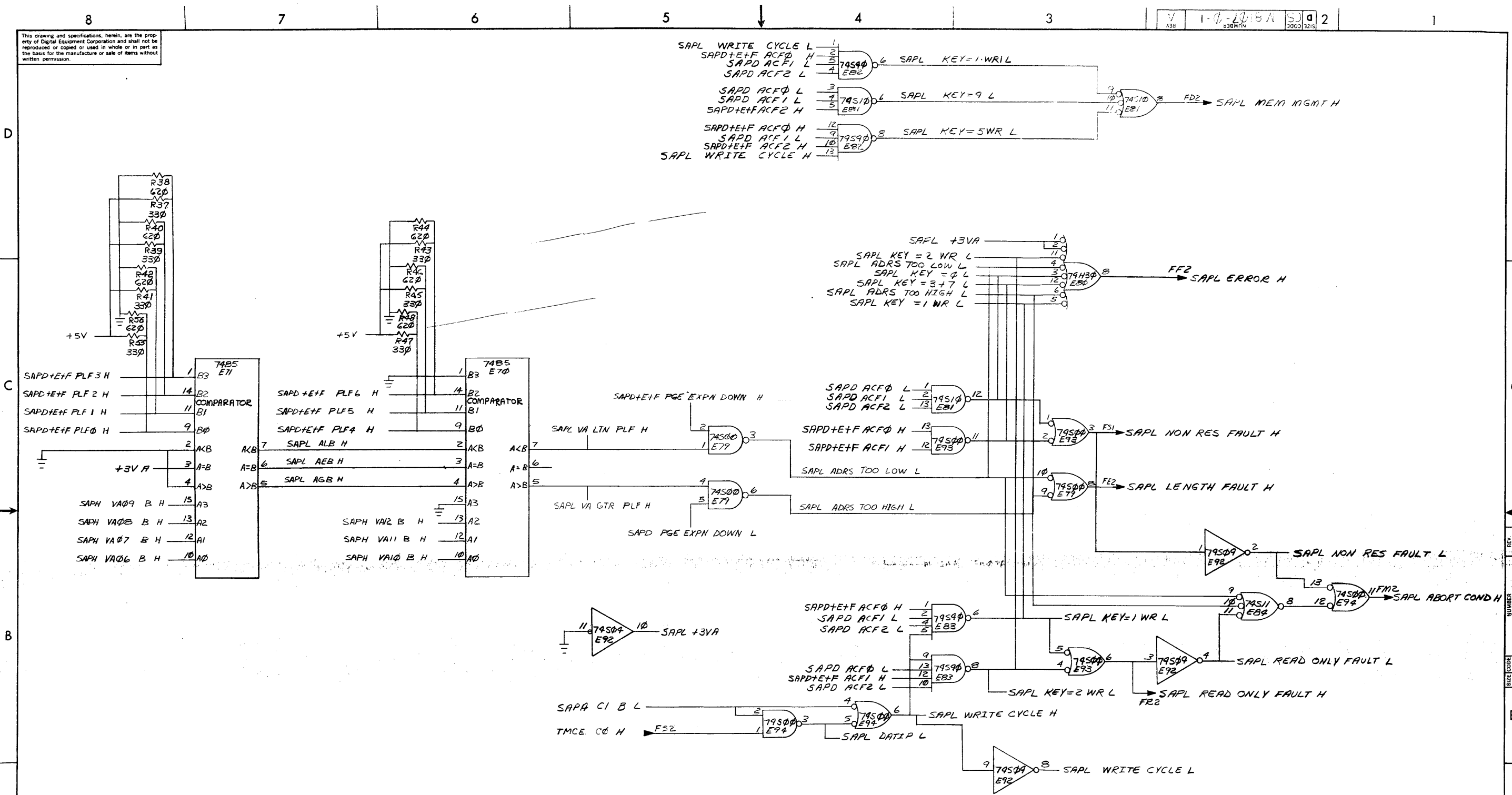
REV	NO

DEC FORM NO 0810 102-B

8 7 6 5 4 3 2 1

REV. A
NUMBER M8107-0-1
SIZE CODE DCS

This drawing and specifications, herein, are the property of Digital Equipment Corporation and shall not be reproduced or copied or used in whole or in part as the basis for the manufacture or sale of items without written permission.



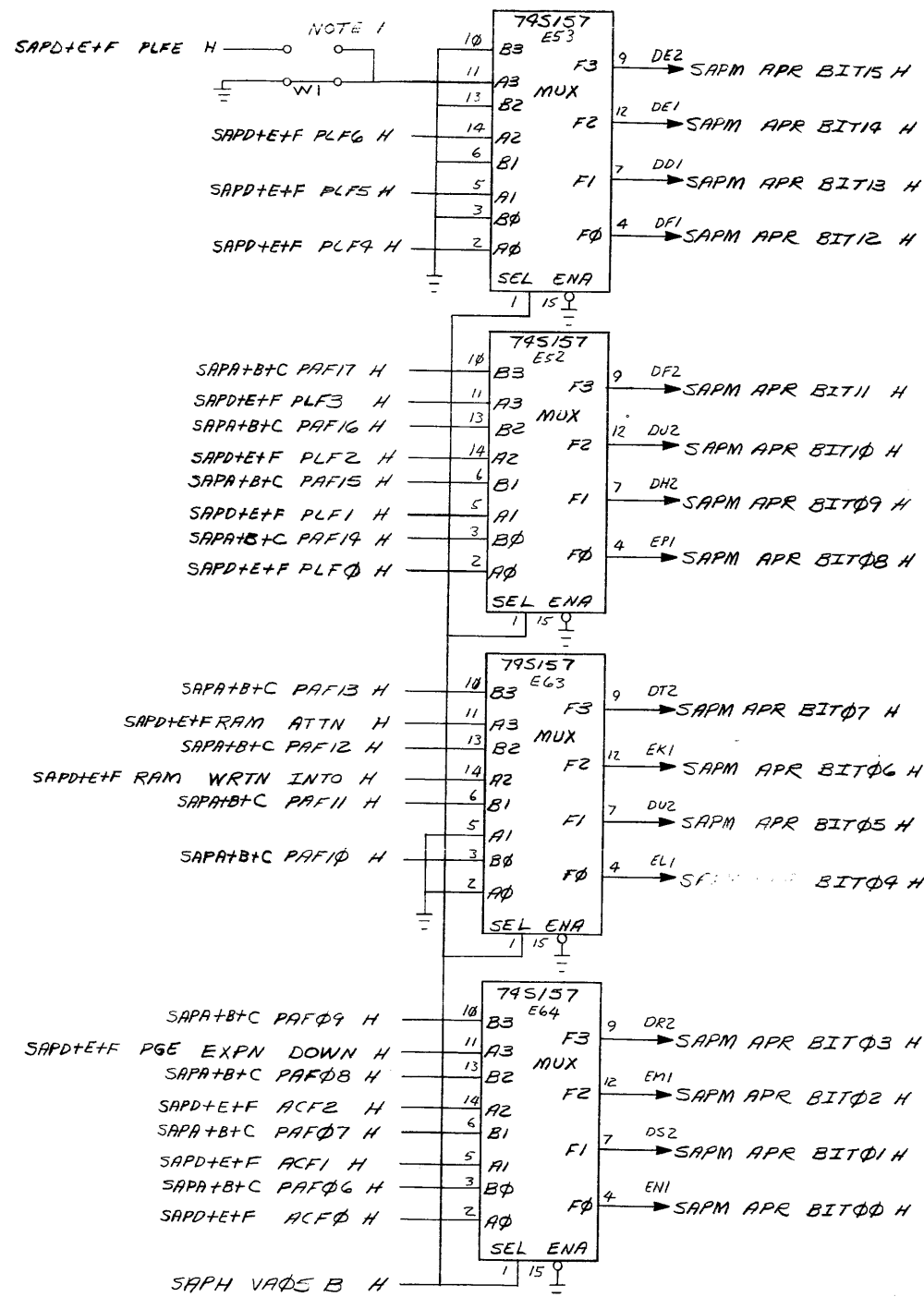
REV	NO	DATE

DEF 100M NC
JRI 102-B

FIRST USED ON OPTION/MODEL 11/45	QTY.	DESCRIPTION	PART NO.	ITEM NO.
PARTS LIST				
UNLESS OTHERWISE SPECIFIED DIMENSION IN INCHES. TOLERANCES		DRN. <i>W. J. ...</i>	DATE 8-12-71	 digital EQUIPMENT CORPORATION MAYNARD, MASSACHUSETTS
DECIMALS .005	ANGLES ±0°30'	CHK'D. <i>...</i>	DATE 9/6/71	
XX .01		ENG. <i>...</i>	DATE 4/15/72	
X .1		PROJ. ENG. <i>...</i>	DATE 4/15/72	
REMOVE BURRS AND BREAK SHARP CORNERS SURFACE QUALITY		PROD. <i>...</i>	DATE 11-1-71	TITLE SYS. ADRS. PATH
MATERIAL ++	NEXT HIGHER ASSY.	SIZE CODE NUMBER REV. B-DD-KT11-C DCS M8107-0-1 A		
FINISH ++	SCALE SHEET 11 OF 13	DIST.		

NUMBER M8107-0-1
 SIZE CODE DCS
 REV. A

This drawing and specifications, herein, are the property of Digital Equipment Corporation and shall not be reproduced or copied or used in whole or in part as the basis for the manufacture of same or items without written permission.



74S157

OUTPUT	INPUT LINES SELECTED				SEL
PDR'S	A3	A2	A1	A0	0
PAR'S	B3	B2	B1	B0	1

NOTES:
 1. PROVISIONS FOR WIRE JUMPER. JUMPER IS NORMALLY INSERTED TO CONNECT "A3" TO GROUND.

PAR/PDR READ MULTIPLEXORS

SLOT 14

FIRST USED ON OPTION/MODEL	QTY.	DESCRIPTION	PART NO.	ITEM NO.
11/45				
PARTS LIST				
UNLESS OTHERWISE SPECIFIED, DIMENSION IN INCHES. TOLERANCES		DRN: <i>W. J. ...</i>	DATE: 7-13-71	 digital EQUIPMENT CORPORATION MAYNARD, MASSACHUSETTS
DECIMALS	ANGLES	CHK'D: <i>...</i>	DATE: 11/17/71	
.XXX - .005	± 0° 30'	ENG: <i>...</i>	DATE: 4/15/72	
.XX - .02		PROJ. ENG: <i>...</i>	DATE: 4/17/72	
REMOVE BURRS AND BREAK SHARP CORNERS SURFACE QUALITY		PROD: <i>...</i>	DATE: 7-16-72	TITLE SYS. ADRS. PATH
MATERIAL	NEXT HIGHER ASSY.		(SAPM)	
FINISH	B-DD-KT11-C	SIZE CODE	NUMBER	
	SCALE	DCS	M8107-0-1	REV. A
	SHEET 12 OF 13	DIST.		

REV	CHANGE NO.	REVISIONS

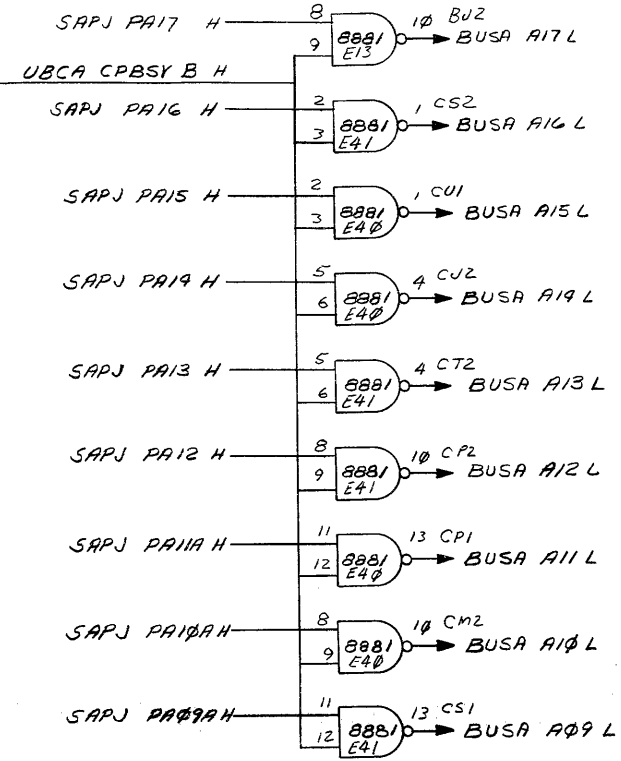
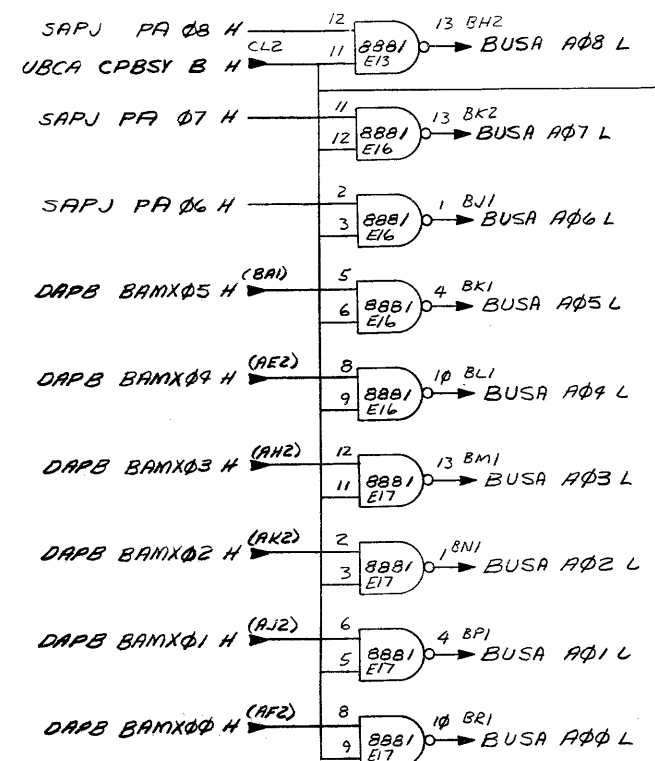
DEC 1970M NO 119D 192-B

NUMBER M8107-0-1
 SIZE CODE DCS
 REV A

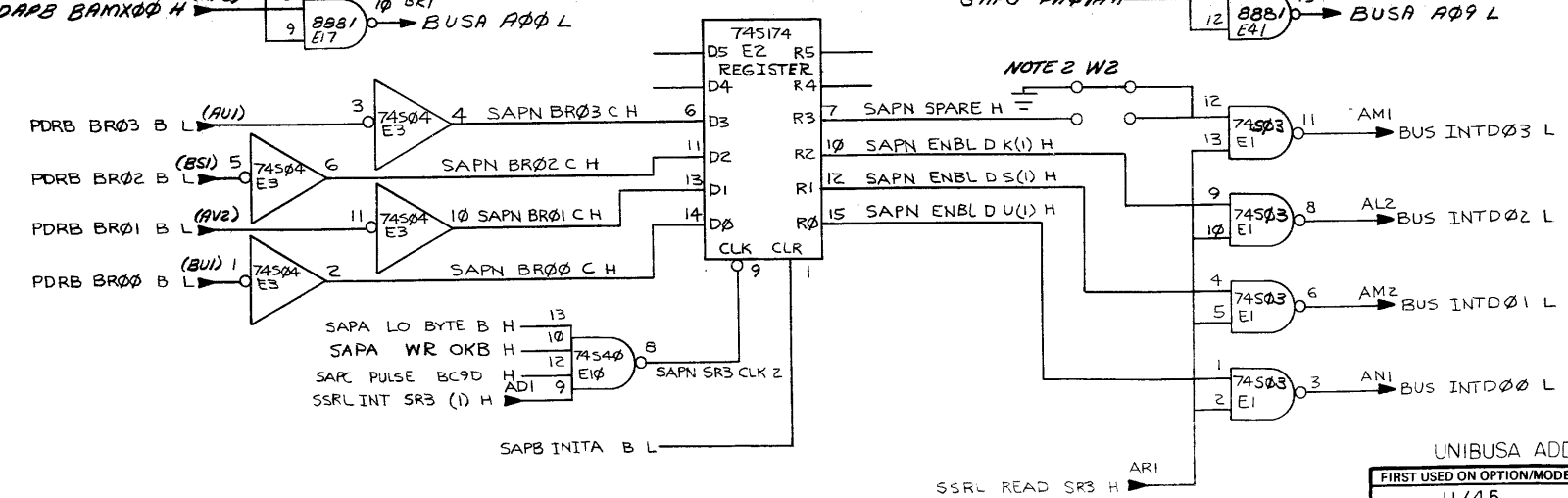
This drawing and specifications herein are the property of Digital Equipment Corporation and shall not be reproduced or copied or used in whole or in part as the basis for the manufacture or sale of items without written permission.

D
C
B
A

- NOTE 1**
- PORD PS15 (I) L → FKI
 - PORD PS14 (I) L → FPI
 - SSRB SR0 MODE I H → API
 - SSRB SR0 MODE 0 H → FRI
 - SSRB ENABLE T3 DLY H → FHI
 - SSRA PS RESTORE (I) H → BD2
 - SSRA INH PWE L → DHI
 - SSRD MEM. MGMT. TRAP L → FNI
 - SSRL KTIC FAST (I) L → ESI



- NOTES:**
1. SIGNALS REQUIRED BY SJB (M8116) MODULE. THESE SIGNALS DO NOT LOGICALLY CONNECT TO ANYTHING IN THIS MODULE.
 2. WIRE JUMPER NORMALLY TIES THIS SPARE BIT TO GROUND.



NOTE 2 W2

UNIBUSA ADDRESS DRIVERS+SR3 SLOT 14

FIRST USED ON OPTION/MODEL	QTY.	DESCRIPTION	PART NO.	ITEM NO.
11/45		PARTS LIST		
UNLESS OTHERWISE SPECIFIED DIMENSION IN INCHES. TOLERANCES	DRN. <i>W. J. B.</i>	DATE <i>6-1-71</i>	<p>digital EQUIPMENT CORPORATION MAYNARD MASSACHUSETTS</p> <p>TITLE SYS. ADRS. PATH (SAPN)</p>	
DECIMALS	CHK'D. <i>W. J. B.</i>	DATE <i>7/1/71</i>		
ANGLES	ENG'D. <i>W. J. B.</i>	DATE <i>4/1/72</i>		
XXX = .005 XX = .02 X = .1	PROD. ENG'D. <i>W. J. B.</i>	DATE <i>1-1-72</i>		
REMOVE BURRS AND BREAK SHARP CORNERS SURFACE QUALITY	PROD. <i>W. J. B.</i>	DATE <i>1-1-72</i>		
MATERIAL	NEXT HIGHER ASSY.		SIZE CODE	NUMBER
FINISH	B-DU-KT11-C		DCS	M8107-0-1
	SCALE			REV. A
	SHEET 13 OF 13	DIST.		

REV	
CHG	
CHK	

D
C
B
A
REV. A
M8107-0-1
DCS

This drawing and specifications, herein, are the property of Digital Equipment Corporation and shall not be reproduced or copied or used in whole or in part as the basis for the manufacture or sale of items without written permission.

FUNCTION	M0	M1	M2	M3
NO OPERATION	0	0	0	X
RESTORE PROCESSOR STATUS	1	0	0	X
AUTO INCREMENT	0	1	0	X
AUTO DECREMENT	1	1	0	X
BRK.30	0	0	1	X
INHIBIT PADWRITE ENABLE	1	0	1	X
CLR ADRS 16,17	0	1	1	X
DESTINATION MODE	X	X	X	1
NOT DESTINATION MODE	X	X	X	0

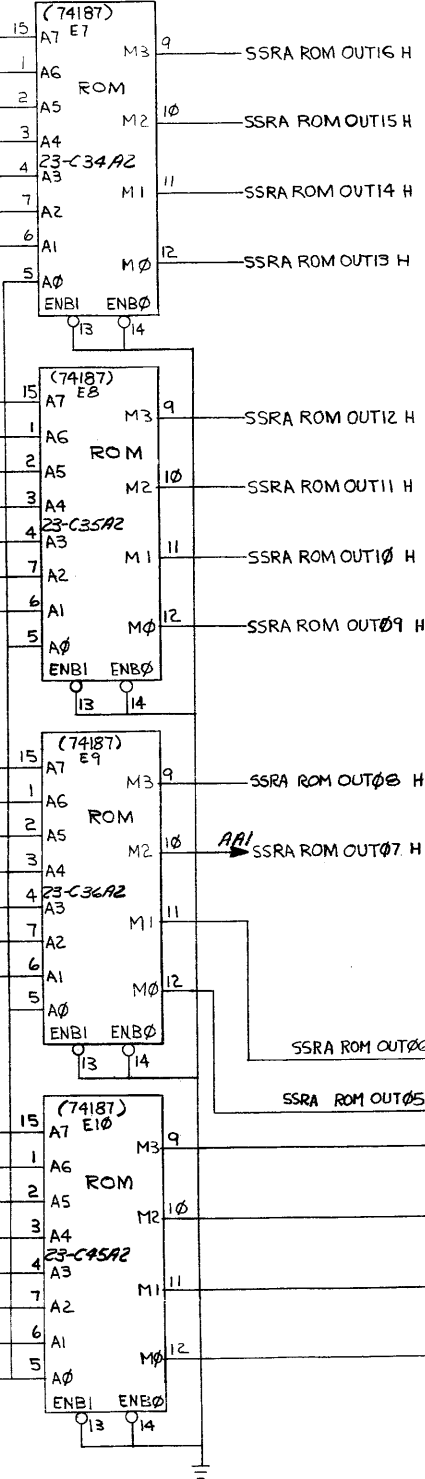
FUNCTION	M0	M1	M2	M3
EXEC DATI	X	1	X	X
BSOPI	1	X	X	X
BUST	X	X	1	X
I IF M PI SPACE	X	X	X	1

FUNCTION	M0	M1	M2	M3
I SPACE	1	X	X	X
I IF PREV=I	X	X	1	X
I IF CNSL=I	X	X	X	1

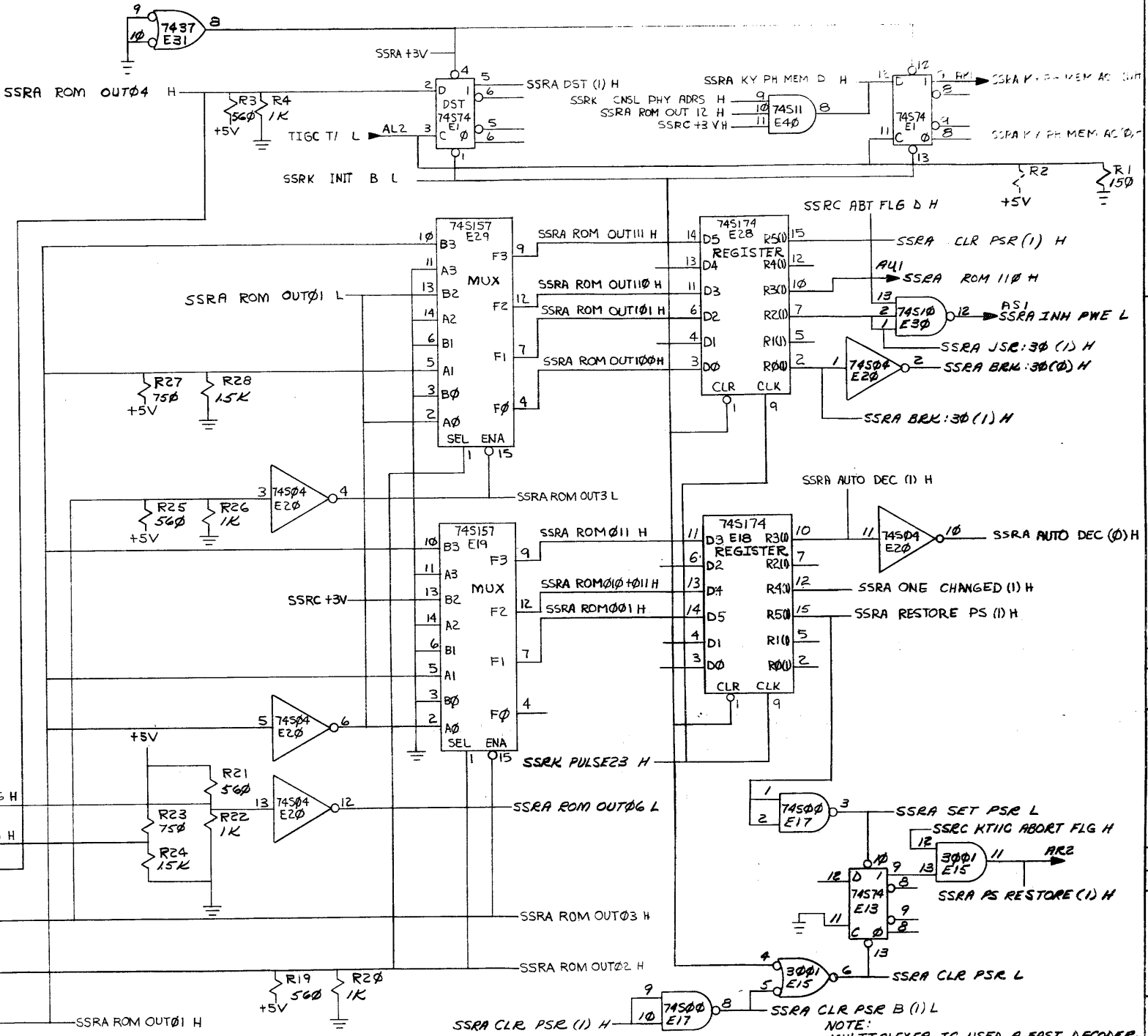
FUNCTION	M0	M1	M2	M3
I IF SRCF7	1	X	X	X
I IF DSTF7 * MTP + MFP	X	1	X	X
I IF DSTF7	X	X	1	X
I IF DSTF7 * DSTM 2	X	X	X	1

RACD RAR07 H → AD1
 RACD RAR06 H → AE2
 RACD RAR05 H → AD2
 RACD RAR04 H → AC1
 RACD RAR03 H → AF2
 RACD RAR02 H → AF1
 RACD RAR01 H → AH2
 RACD RAR00 H → AE1

NOTE 1



NOTE 1:
 SEE SHEET SSRM FOR A "TRUTH TABLE" OF THE 74187 READ ONLY MEMORY (ROM).



INPUT LINES SELECTED	SEL	ENA
A3 A2 A1 A0	0	0
B3 B2 B1 B0	1	0

NOTE: MULTIPLEXER I.C. USED A FAST DECODER

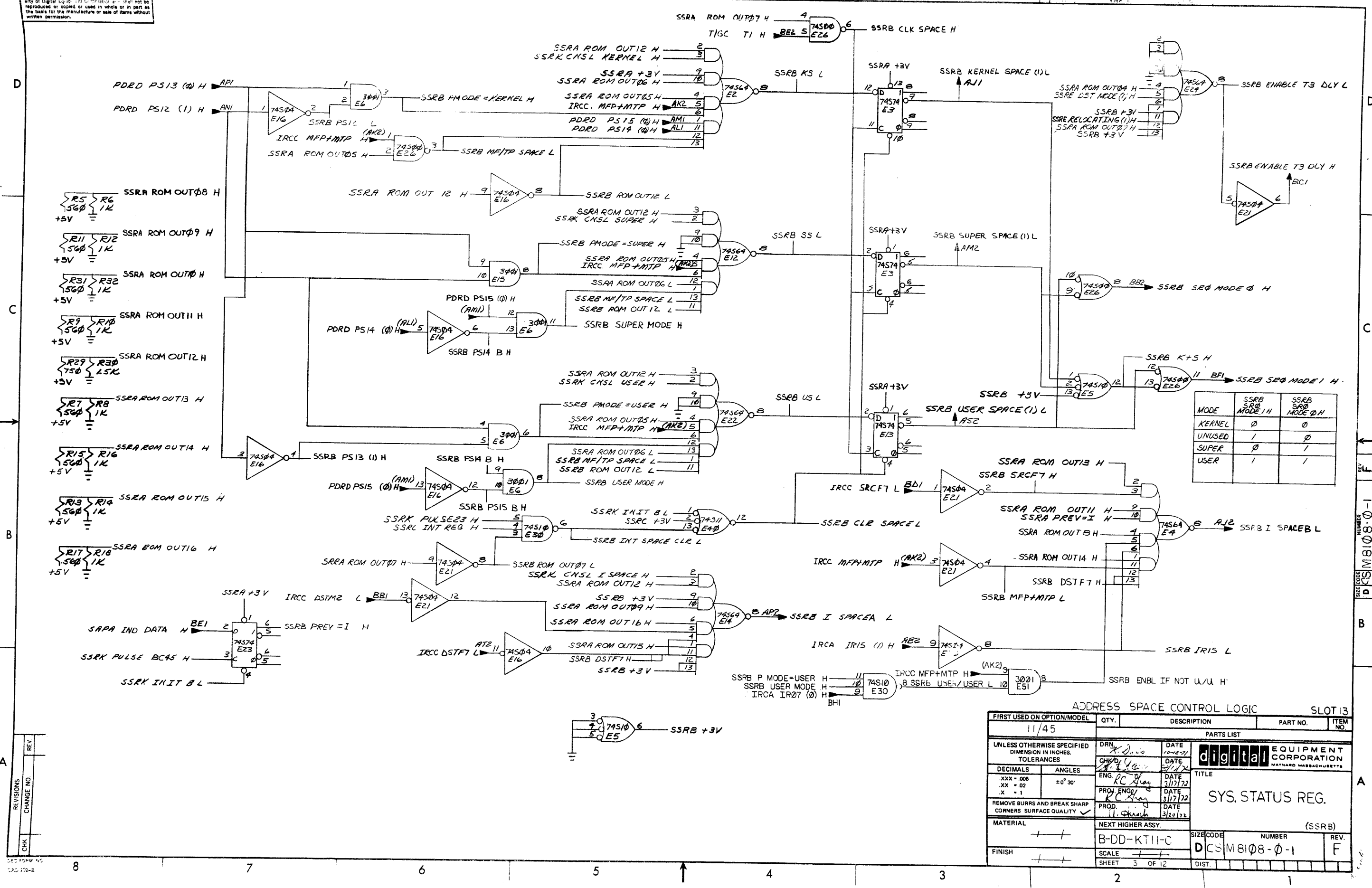
FIRST USED ON OPTION/MODEL		QTY.	DESCRIPTION	PART NO.	ITEM NO.
11/45					
PARTS LIST					
UNLESS OTHERWISE SPECIFIED DIMENSION IN INCHES. TOLERANCES		DRN	DATE	digital EQUIPMENT CORPORATION	
DECIMALS	ANGLES	CHKD	DATE	TITLE	
.XXX = .005	.XX = .02	ENG	DATE	SYS. STATUS REG.	
X = .1		PROJ. ENG.	DATE		
REMOVE BURRS AND BREAK SHARP CORNERS SURFACE QUALITY		PROD	DATE		
MATERIAL		NEXT HIGHER ASSY.		SIZE CODE	NUMBER
FINISH		SCALE		DCS	M8108-0-1
		SHEET 2 OF 12		DIST.	

REV	CHANGE NO

FORM NO 7-B

REV. NUMBER M8108-0-1 F SIZE CODE DCS M8108-0-1 B

This drawing is the property of Digital Equipment Corporation and shall not be reproduced or copied in whole or in part as the basis for the manufacture or sale of items without written permission.



ADDRESS SPACE CONTROL LOGIC SLOT 13

FIRST USED ON OPTION/MODEL	QTY.	DESCRIPTION	PART NO.	ITEM NO.
11/45				
PARTS LIST				
UNLESS OTHERWISE SPECIFIED DIMENSION IN INCHES. TOLERANCES				
DECIMALS	ANGLES	TITLE		
.XXX = .006	±0° 30'	SYS. STATUS REG.		
.XX = .02		CORNERS SURFACE QUALITY		
.X = .1		REMOVE BURRS AND BREAK SHARP		
MATERIAL				
NEXT HIGHER ASSY.				
FINISH				

REV.	CHG.	NO.

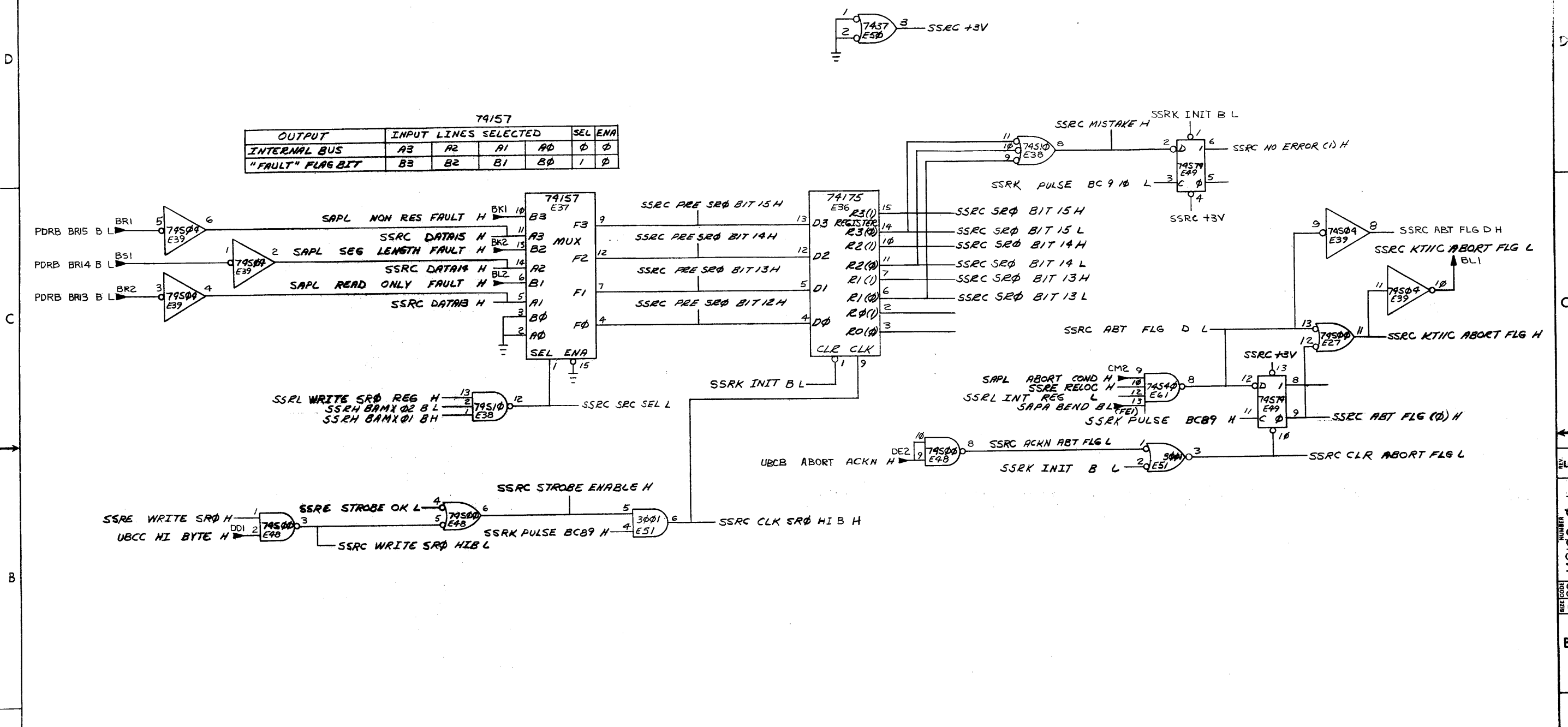
8 7 6 5 4 3 2 1

REV. 1
 NUMBER DCSMB108-0-1
 DATE 3/17/72

This drawing and specifications, herein, are the property of Digital Equipment Corporation and shall not be reproduced or copied or used in whole or in part as the basis for the manufacture or sale of items without written permission.

D
C
B
A

D
C
B
A
REV E
NUMBER M8108-0-1
SIZE CODE DCS



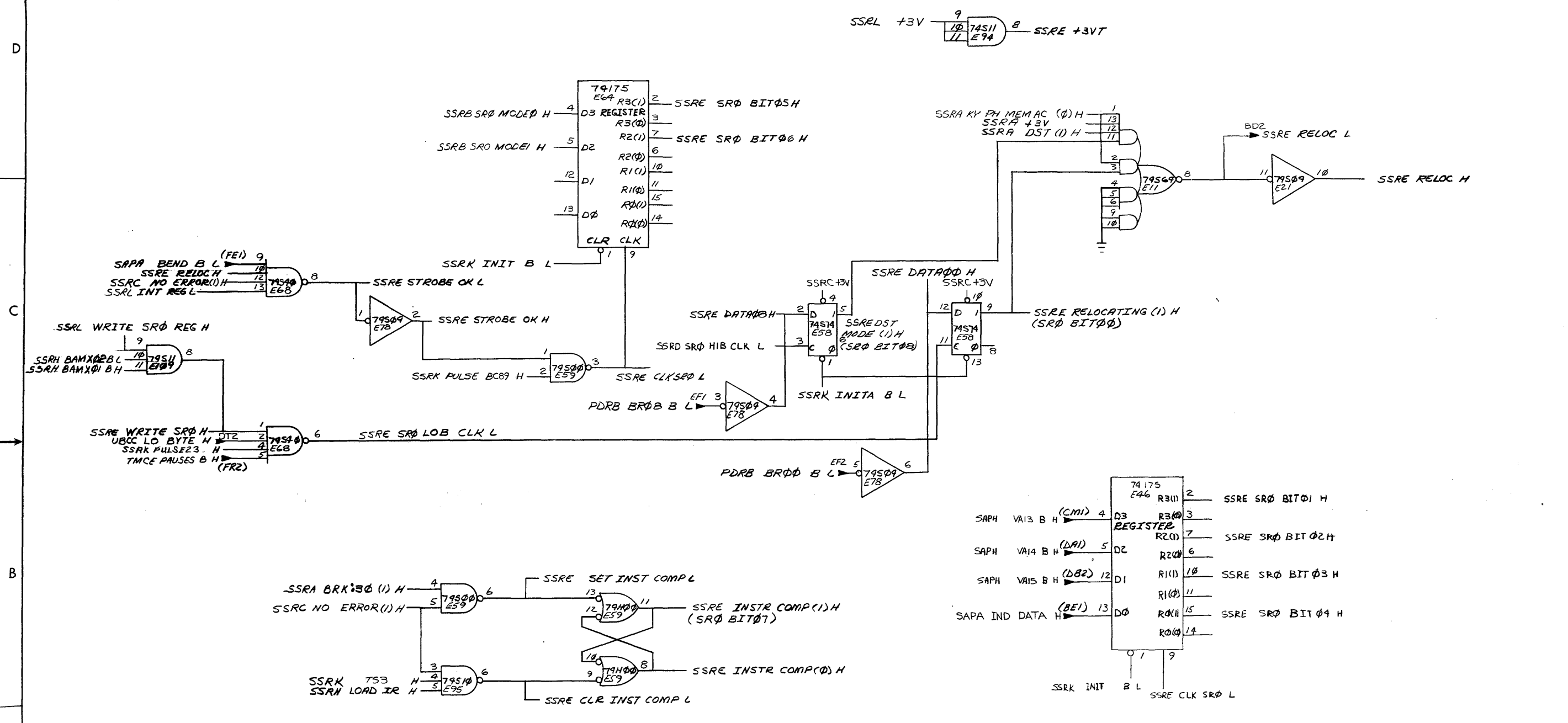
74157						
OUTPUT	INPUT LINES SELECTED				SEL	ENA
INTERNAL BUS	A3	A2	A1	A0	0	0
"FAULT" FLAG BIT	B3	B2	B1	B0	1	0

STATUS REGISTER #0-ABORT FLAGS SLOT 13

FIRST USED ON OPTION/MODEL	QTY.	DESCRIPTION	PART NO.	ITEM NO.
11/45				
PARTS LIST				
UNLESS OTHERWISE SPECIFIED DIMENSION IN INCHES. TOLERANCES		DRN. <i>adit</i> DATE 8-6-71	digital EQUIPMENT CORPORATION MAYNARD, MASSACHUSETTS	
DECIMALS	ANGLES	ENG. <i>RC</i> DATE 3/17/72	TITLE	
XXX = .006	±0° 30'	PROB. ENG. <i>RC</i> DATE 3/17/72	SYS. STATUS REG.	
REMOVE BURRS AND BREAK SHARP CORNERS SURFACE QUALITY		PROB. <i>A. Smith</i> DATE 3/22/72	(SSRC)	
MATERIAL	NEXT HIGHER ASSY.	B-DD-KT11-C	SIZE CODE	NUMBER
FINISH	SCALE	DCS M8108-0-1		REV
	SHEET 4 OF 12	DIST.		E

REV	CHANGE NO	REVISIONS

This drawing and specifications, herein, are the property of Digital Equipment Corporation and shall not be reproduced or copied or used in whole or in part as the basis for the manufacture or sale of items without written permission.



STATUS REGISTER #0 - MODE, OPERATE CONTROL SLOT 13

FIRST USED ON OPTION/MODEL	QTY.	DESCRIPTION	PART NO.	ITEM NO.
11/45				
PARTS LIST				
UNLESS OTHERWISE SPECIFIED DIMENSION IN INCHES. TOLERANCES		DRN. <i>W. Kent</i> DATE 6-10-71	digital EQUIPMENT CORPORATION MAYNARD, MASSACHUSETTS	
		CHKD. <i>[Signature]</i> DATE 8/11/72		
DECIMALS .XXX ±.005	ANGLES ±0°30'	ENG. <i>RC [Signature]</i> DATE 3/17/72	TITLE SYS STATUS REG.	
		PROD. ENG. <i>[Signature]</i> DATE 11/7/72		
REMOVE BURRS AND BREAK SHARP CORNERS SURFACE QUALITY		PROD. <i>[Signature]</i> DATE 3/20/72		
MATERIAL	NEXT HIGHER ASSY.	(SSRE)		
FINISH	B-DD-KT11-C	SIZE CODE	NUMBER	REV
	SCALE	DCS	M8108-0-1	F
	SHEET 6 OF 12	DIST		

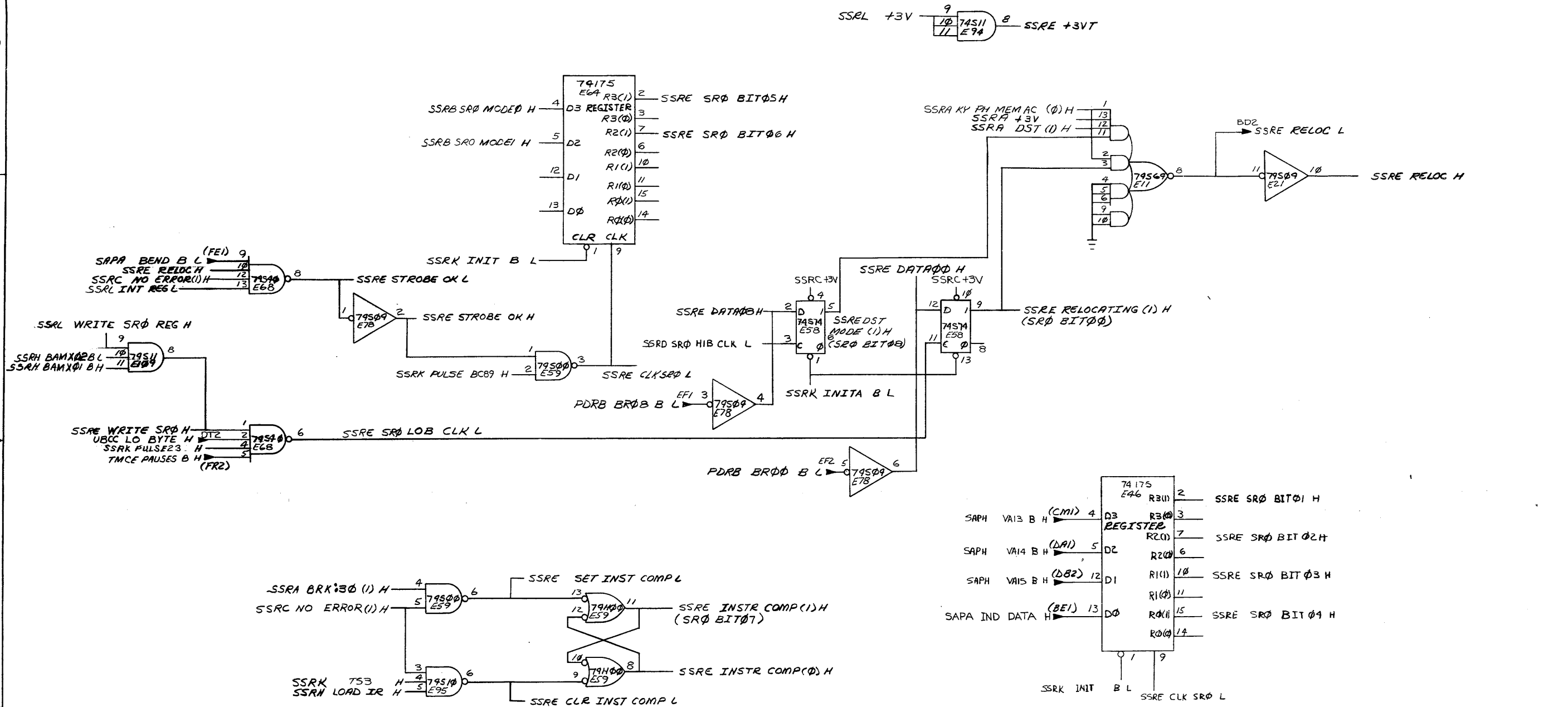
REV	
CHANGE NO.	
CHK	

DEC FORM NO DRD 102-B

REV. NUMBER M8108-0-1 F

This drawing and specifications, herein, are the property of Digital Equipment Corporation and shall not be reproduced or copied or used in whole or in part as the basis for the manufacture or sale of items without written permission.

D
C
B
A
REV
NO
CHG
NO
REV
NO
CHG
NO
REV
NO
CHG
NO

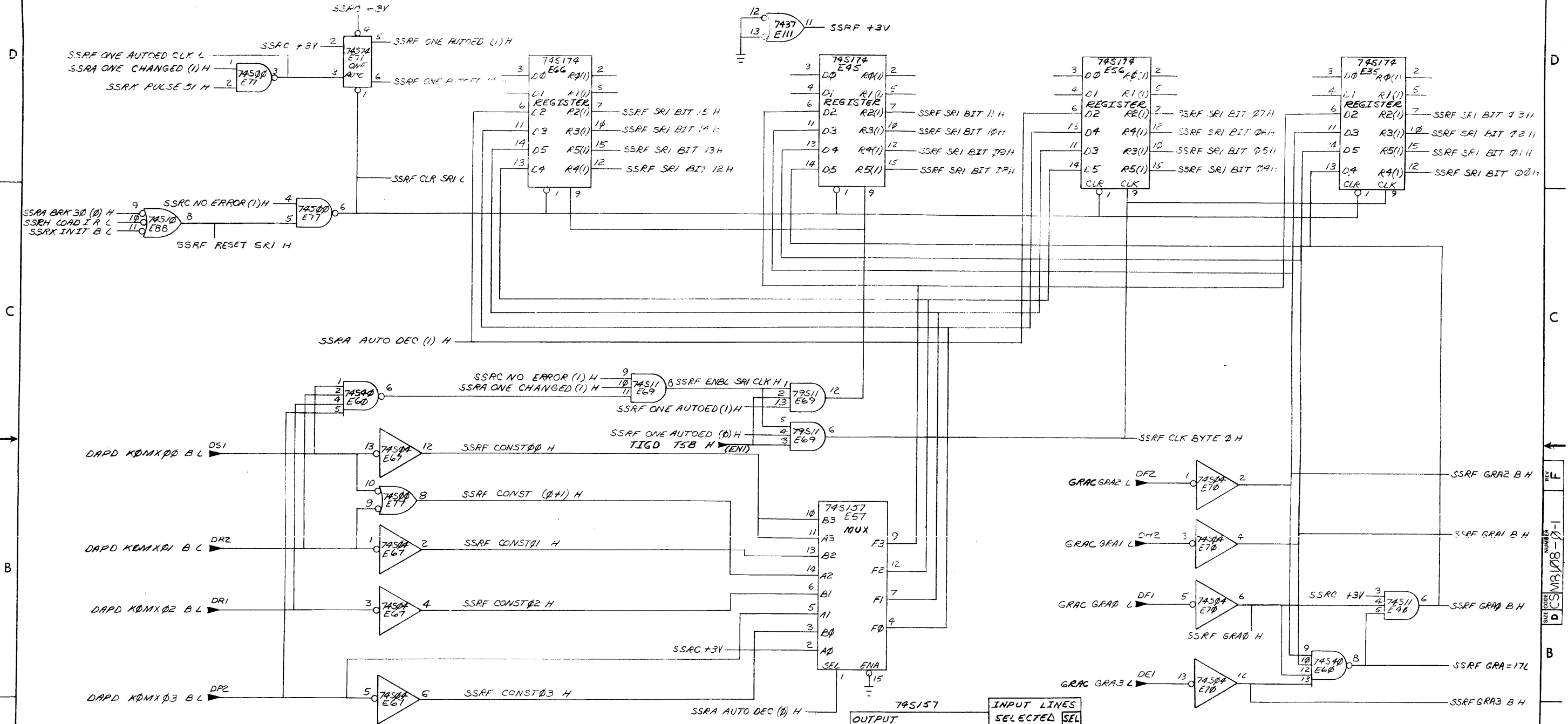


STATUS REGISTER #0-MODE, OPERATE CONTROL SLOT 13

FIRST USED ON OPTION/MODEL	QTY.	DESCRIPTION	PART NO.	ITEM NO.
11/45				
PARTS LIST				
UNLESS OTHERWISE SPECIFIED DIMENSION IN INCHES. TOLERANCES	DRN. <i>Dilbert</i>	DATE <i>6-10-71</i>	digital EQUIPMENT CORPORATION MAYNARD, MASSACHUSETTS	
DECIMALS	ENG. <i>R.C. Gray</i>	DATE <i>3/17/72</i>		
ANGLES	PROG. <i>R.C. Gray</i>	DATE <i>3/17/72</i>	TITLE SIS. STATUS REG.	
REMOVE BURRS AND BREAK SHARP CORNERS SURFACE QUALITY	PROG. <i>A. Suvich</i>	DATE <i>3/20/72</i>		
MATERIAL	NEXT HIGHER ASSY.		SIZE CODE	NUMBER
FINISH	B-DD-KTII-C		DCS	M8108-0-1
SCALE	SHEET 6 OF 12		DIST	REV F

REV. NO. 0-1
 NUMBER M8108-0-1
 DCS M8108-0-1

are the prop-
erty of Digital Equipment Corporation and shall not be
reproduced or copied or used in whole or in part as
the basis for the manufacture or sale of items without
written permission.



OUTPUT	INPUT LINES	SELECTED	SEL
NEGATIVE CONSTANT	A3 A2 A1 A0 0		
POSITIVE CONSTANT	B3 B2 B1 B0 1		

STATUS REGISTER #1-AUTO INC/DEC INFO. SLOT 13

FIRST USED ON OPTION/MODEL	QTY.	DESCRIPTION	PART NO.	ITEM NO.
11/45				
UNLESS OTHERWISE SPECIFIED DIMENSION IN INCHES TOLERANCES				
DECIMALS	ANGLES	TITLE		
XXX - .005	± 0° 30'	SYS. STATUS REG.		
XX - .02		REMOVED BURRS AND BREAK SHARP CORNERS SURFACE QUALITY		
X - .1		MATERIAL		
		NEXT HIGHER ASSY.		
		FINISH		

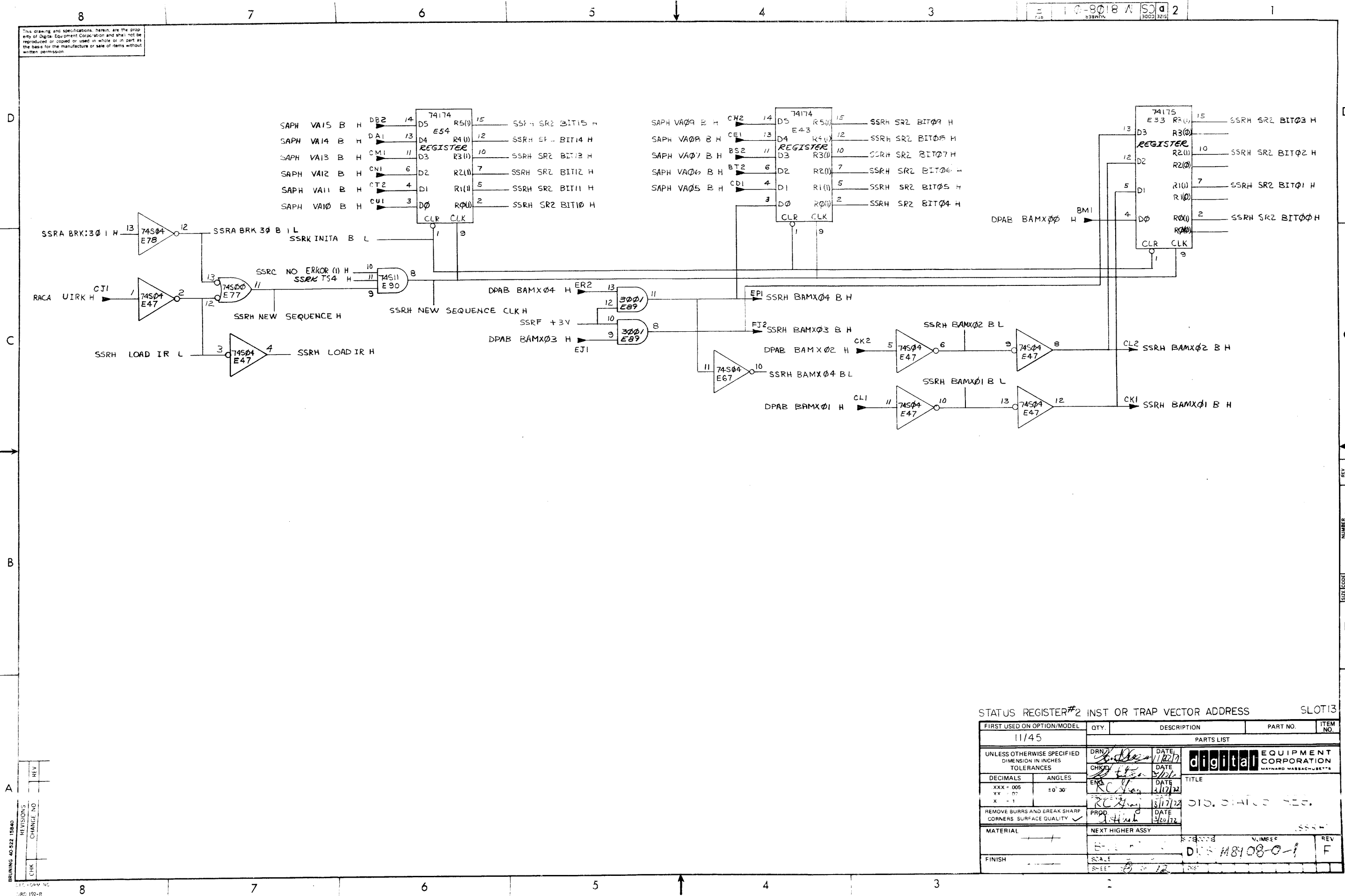
BRUNING 40-522 15840
DEF. FROM NO. 102-102-B

REV	CHANGE NO.

SIZE CODE
NUMBER
DCS18108-0-1

REV. F

This drawing and specifications herein are the property of Digital Equipment Corporation and shall not be reproduced or copied or used in whole or in part as the basis for the manufacture or sale of items without written permission.

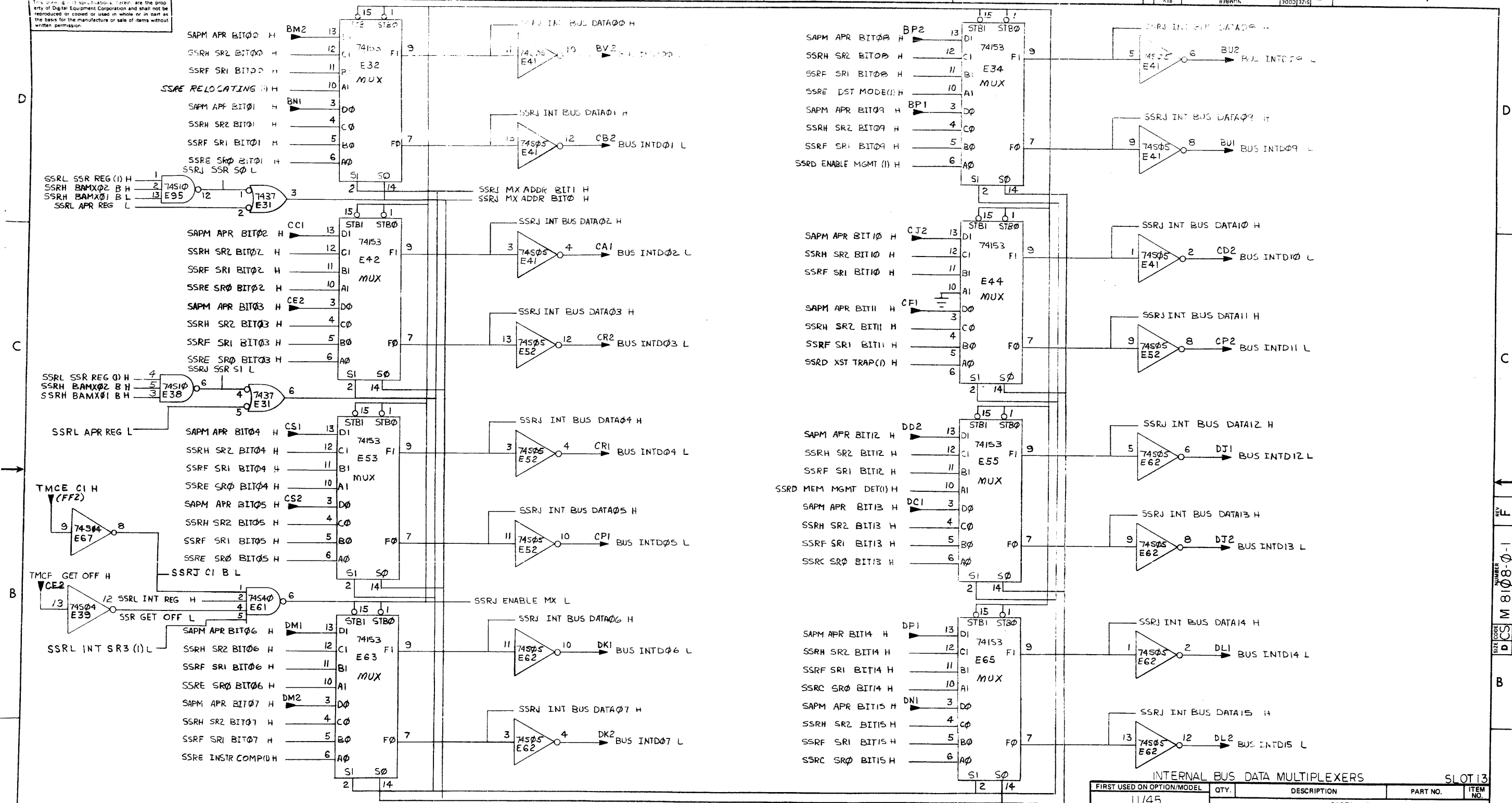


REV	CHANGE NO	REVISIONS

FIRST USED ON OPTION/MODEL	QTY	DESCRIPTION	PART NO.	ITEM NO.
11/45				
PARTS LIST				
UNLESS OTHERWISE SPECIFIED DIMENSION IN INCHES TOLERANCES		DRN: <i>[Signature]</i> DATE: 11/22/77	digital EQUIPMENT CORPORATION MAYNARD MASSACHUSETTS	
DECIMALS	ANGLES	CHKD: <i>[Signature]</i> DATE: 11/22/77		
XXX = .005	±0° 30'	ENG: <i>[Signature]</i> DATE: 11/22/77	TITLE DIS. STATUS REG.	
XX = .01		PRD: <i>[Signature]</i> DATE: 11/22/77		
REMOVE BURRS AND BREAK SHARP CORNERS SURFACE QUALITY				
MATERIAL	NEXT HIGHER ASSY			
FINISH				

REV F
NUMBER 8108-0-1
SIZE CODE PCS

This drawing and specifications herein are the property of Digital Equipment Corporation and shall not be reproduced or copied or used in whole or in part as the basis for the manufacture or sale of items without written permission.



INTERNAL BUS DATA MULTIPLEXERS				SLOT 13	
FIRST USED ON OPTION/MODEL	QTY.	DESCRIPTION	PART NO.	ITEM NO.	
11/45					
PARTS LIST					
UNLESS OTHERWISE SPECIFIED DIMENSION IN INCHES: TOLERANCES					
DECIMALS	ANGLES	TITLE			
.XXX - .005	± 0° 30'	SYS. STATUS REG. (SSRJ)			
.XX - .02					
.X - .1					
REMOVE BURRS AND BREAK SHARP CORNERS SURFACE QUALITY					
MATERIAL		NEXT HIGHER ASSY.		SIZE CODE NUMBER (SSRJ)	
FINISH		B-DD-KTII-C		D CS M 8108-0-1 F	
SCALE		SHEET 9 OF 12		DIST.	

OUTPUT	INPUT LINES SELECTED	SI	S0	FI	F0	D0	C0	B0	A0
STATUS REG 0	A1								
STATUS REG 1	B1								
STATUS REG 2	C1								
APR	B1								

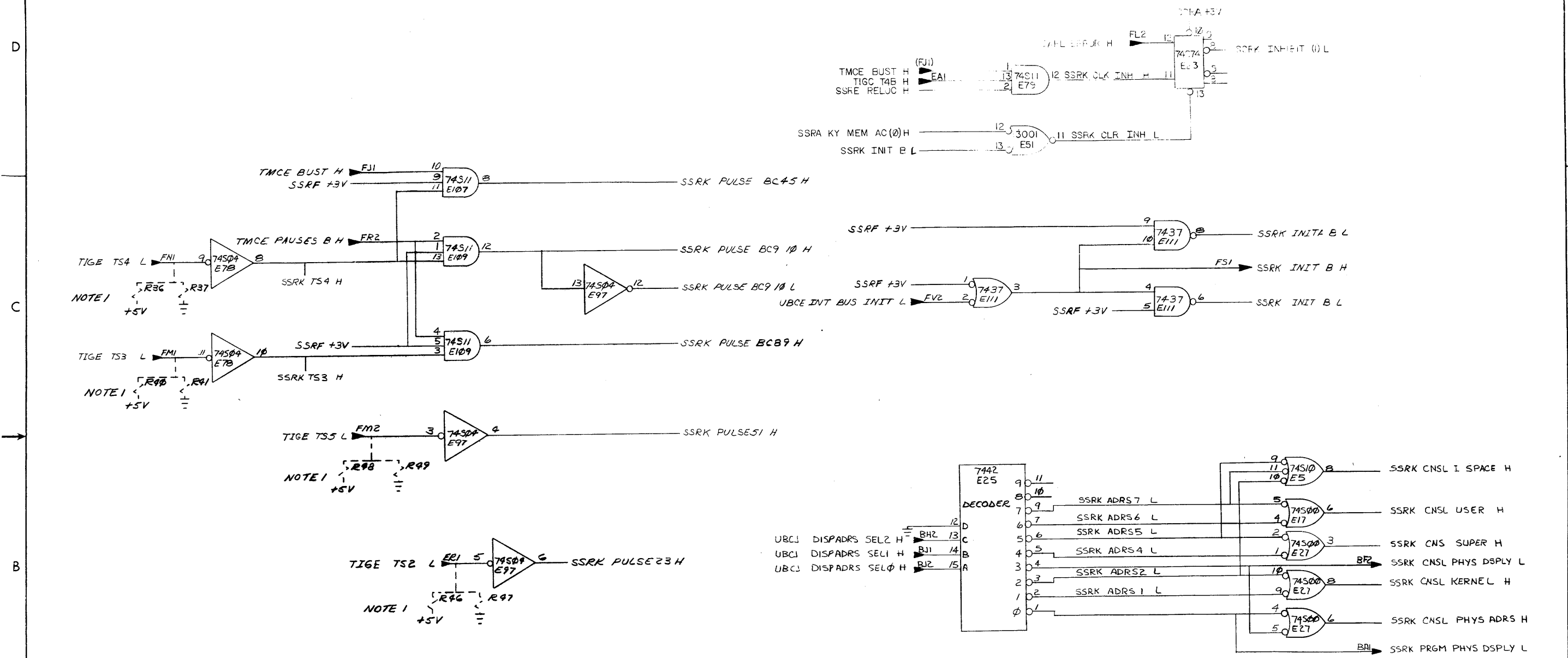
BRUNING 40-522 15840
REV. 102-B

REV. F
NUMBER M 8108-0-1
SIZE CODE D CS

This drawing and specifications, herein, are the property of Digital Equipment Corporation and shall not be reproduced or copied or used in whole or in part as the basis for the manufacture or sale of items without written permission.

1-0-013A 2

NOTES:
1. TERMINATION RESISTORS NOT USED.



UBCJ DISPADRS SEL2 H B42 12 D
UBCJ DISPADRS SEL1 H B41 14 B
UBCJ DISPADRS SEL0 H B42 15 A

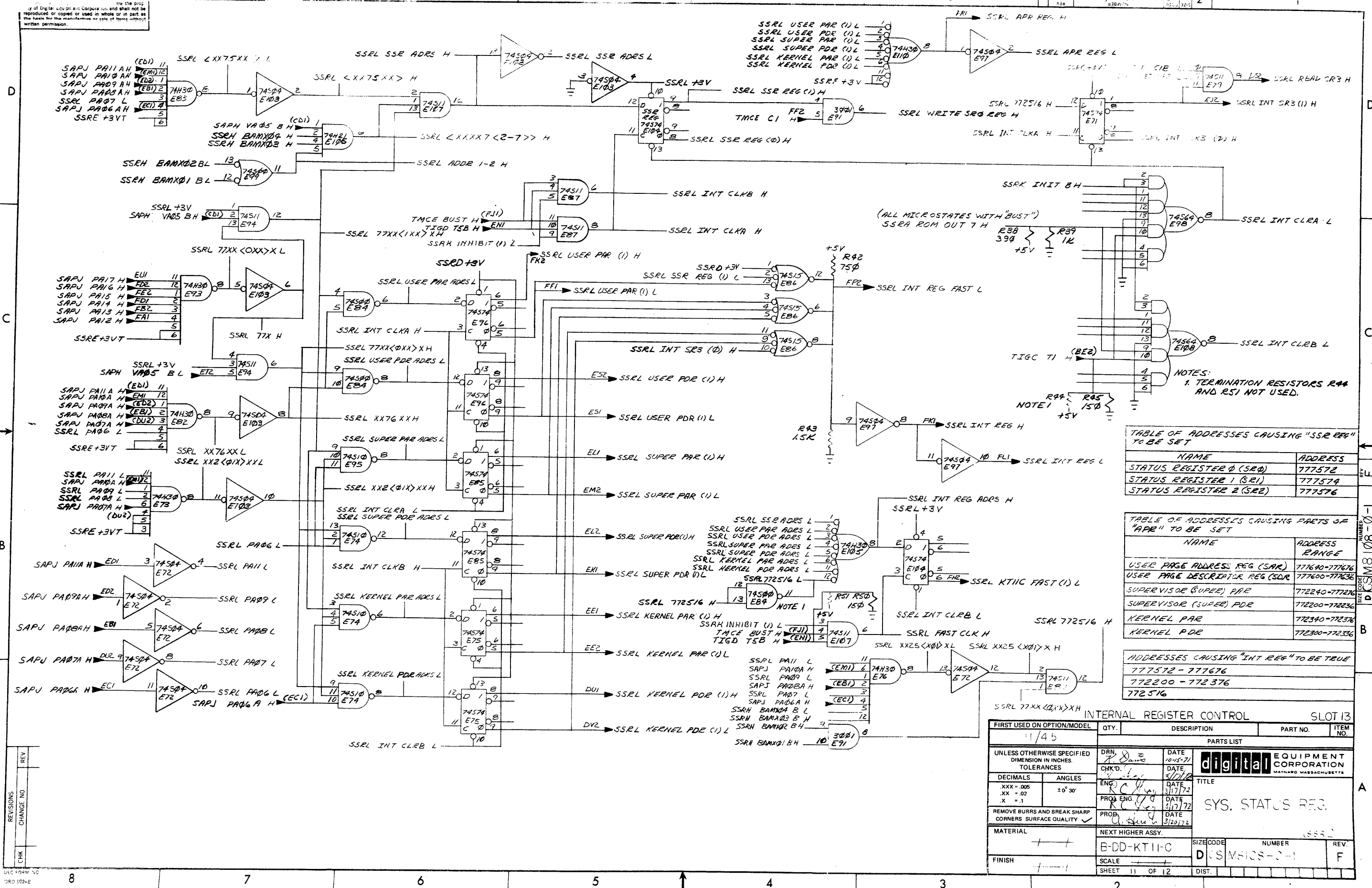
ADDRESS SELECT SWITCH POSITION	UBCJ DIS ADRS SEL2	UBCJ DIS ADRS SEL1	UBCJ DIS ADRS SEL0
PROGRAM PHYSICAL	0	0	0
KERNEL D VIRTUAL	0	0	1
KERNEL I VIRTUAL	0	1	0
CONSOLE PHYSICAL	0	1	1
SUPERVISOR D VIRTUAL	1	0	0
SUPERVISOR I VIRTUAL	1	0	1
USER D VIRTUAL	1	1	0
USER I VIRTUAL	1	1	1

CNLSL.ADRS.SEL.SWITCH, TIMING LOGIC, INIT				SLOT13	
FIRST USED ON OPTION/MODEL	QTY.	DESCRIPTION	PART NO.	ITEM NO.	REV.
11/45					
PARTS LIST					
UNLESS OTHERWISE SPECIFIED DIMENSION IN INCHES TOLERANCES					
DECIMALS	ANGLES	TITLE			
XXX = 005	±0°30'	SYS. STA. 10 20 30			
REMOVE BURRS AND BREAK SHARP CORNERS SURFACE QUALITY					
MATERIAL		NEXT HIGHER ASSY		SIZE CODE	NUMBER
				D/S 10 10 0-1	REV. F
FINISH		SCALE			
		1:1			

BRUNING 40-522 10840
REVISIONS:
CHK CHANGE NO
REV

REV F
NUMBER 108-0-1
SIZE CODE D
CSM 108-0-1

of Digital Equipment Corporation and shall not be reproduced or copied in whole or in part as the basis for the manufacture or sale of items without written permission.



NOTES:
1. TERMINATION RESISTORS R44 AND R51 NOT USED.

TABLE OF ADDRESSES CAUSING "SSR REG" TO BE SET

NAME	ADDRESS
STATUS REGISTER 0 (SR0)	777572
STATUS REGISTER 1 (SR1)	777574
STATUS REGISTER 2 (SR2)	777576

TABLE OF ADDRESSES CAUSING PARTS OF "APR" TO BE SET

NAME	ADDRESS RANGE
USER PAGE ADDRESS REG (SAR)	777640-777676
USER PAGE DESCRIPTOR REG (SDR)	777600-777636
SUPERVISOR (SUPER) PAR	772240-772276
SUPERVISOR (SUPER) PDR	772200-772236
KERNEL PAR	772340-772376
KERNEL PDR	772300-772336

ADDRESSES CAUSING "INT REG" TO BE TRUE

777572 - 777676
772200 - 772376
772516

INTERNAL REGISTER CONTROL SLOT 13

FIRST USED ON OPTION/MODEL	QTY.	DESCRIPTION	PART NO.	ITEM NO.
11/45				

PARTS LIST

UNLESS OTHERWISE SPECIFIED DIMENSION IN INCHES. TOLERANCES	DRN.	DATE	digital EQUIPMENT CORPORATION MAYNARD MASSACHUSETTS
DECIMALS	DATE	DATE	
ANGLES	DATE	DATE	
.XXX - .005	DATE	DATE	
.XX - .02	DATE	DATE	
.X - .1	DATE	DATE	
REMOVE BURRS AND BREAK SHARP CORNERS SURFACE QUALITY	DATE	DATE	
MATERIAL	NEXT HIGHER ASSY.		
FINISH	B-DD-KT11-C	SIZE CODE	
	SCALE	NUMBER	
	SHEET 11 OF 12	DIST.	

TITLE: SYS. STATUS REG.

REVISIONS

REV	CHANGE NO
1	
2	
3	
4	
5	
6	
7	
8	

