

**H720
power supply and
mounting box
manual**

1st Printing August 1970
2nd Printing (Rev) March 1971
3rd Printing December 1971
4th Printing May 1972
5th Printing November 1972

Copyright © 1970, 1971, 1972 by Digital Equipment Corporation

The material in this manual is for informational purposes and is subject to change without notice.

The following are trademarks of Digital Equipment Corporation, Maynard, Massachusetts:

DEC	PDP
FLIP CHIP	FOCAL
DIGITAL	COMPUTER LAB
UNIBUS	

CONTENTS

CHAPTER 1 INTRODUCTION	Page
	1-1
CHAPTER 2 POWER SUPPLY	
2.1 Introduction	2-1
2.2 General Description	2-1
2.2.1 AC Power Distribution	2-1
2.2.2 Unregulated DC Supply	2-1
2.3 Block Diagram Description	2-2
2.3.1 Switching Mode Regulation	2-2
2.3.2 Basic Regulators	2-2
2.3.3 +5V Regulator	2-2
2.3.3.1 Overcurrent Protection	2-2
2.3.3.2 Overvoltage Sensing and Crowbar	2-4
2.3.4 -15V Regulator	2-4
2.3.5 AC LO Circuit	2-4
2.3.6 DC LO Circuit	2-4
2.4 Detailed Description	2-4
2.4.1 +5V Regulator	2-4
2.4.1.1 Overcurrent Protection	2-6
2.4.1.2 Overvoltage Crowbar Circuit	2-6
2.4.2 -15V Regulator	2-6
2.4.2.1 Driver	2-6
2.4.2.2 Differential Amplifier	2-6
2.4.2.3 Overcurrent Protection	2-6
2.4.2.4 -15V Crowbar Circuit	2-7
2.4.3 AC LO Circuit	2-7
2.4.4 DC LO Circuit	2-8
CHAPTER 3 MOUNTING BOX	
3.1 Scope	3-1
3.2 Description	3-1
3.3 Models	3-1
CHAPTER 4 INSTALLATION	
4.1 Introduction	4-1
4.2 System Configuration	4-1
4.3 Installation Planning	4-1
4.3.1 Space Requirements	4-2

4.3.2 Environmental Requirements	4-2
4.3.3 Power Requirements	4-2
4.3.4 Cable Requirements	4-2
4.4 Installation	4-2
4.5 Data Sheets	4-3

ILLUSTRATIONS

Figure No.	Title	Art No.	Page
2-1	+5 Volt Regulator (Simplified Schematic)	11-0097	2-2
2-2	+5 Volt Regulator Waveforms	11-0098	2-2
2-3	H720 Block Diagram (A and B Version)	11-0099	2-2
2-4	H720 Block Diagram (E and F Version)	11-0291	2-3
2-5	+5V Driver Stages (A and B Version)	11-0100	2-5
2-6a	Simplified Differential Amplifier	11-0101	2-5
2-6b	Differential Amplifier Schematic	11-0102	2-5
2-7	+5V Driver Stages (E and F Version)	11-0290	2-5
2-8	Overcurrent Protection Circuit	11-0103	2-6
2-9	Overvoltage Crowbar Circuit	11-0104	2-6
2-10	-15 Volt Driver	11-0105	2-6
2-11	-15V Differential Amplifier	11-0106	2-6
2-12	-15V Overcurrent Circuit	11-0107	2-7
2-13	-15V Crowbar Circuit	11-0108	2-7
2-14	AC LO – Simplified Schematic	11-0109	2-7
2-15	AC LO Circuit Schematic	11-0110	2-7
2-16	DC LO Simplified Schematic	11-0111	2-8
2-17	DC LO – Circuit Schematic	11-0112	2-8
3-1	Basic Mounting Box		3-1
4-1	PDP-11 Position Assignments	11-0113	4-2

TABLES

Table No.	Title	Page
2-1	H720 Power Supply Models	2-1
3-1	Mounting Box Models	3-1
4-1	PDP-11 System Configurations	4-1

CHAPTER 1

INTRODUCTION

This manual provides the user with information on the PDP-11 Power Supply and Mounting Box; their system configurations and installation procedures.

The H720 Power Supply is described in Chapter 2, which provides the user with the theory of operation and circuit diagrams necessary for comprehension and maintenance. Both general and detailed descriptions of the power supply are included; the level of discussion assumes that the reader is familiar with basic electronic theory.

NOTE

Sections of this manual refer to specific engineering drawings which are contained in the second volume entitled *H720 Power Supply and Mounting Box, Engineering Drawings*. The drawings in the above manual reflect the latest print revisions.

Chapter 3 comprises descriptions of the modular concept of the PDP-11 System and the four available mounting box models.

Installation procedures are covered in Chapter 4, which describes all applicable PDP-11 System configurations and planning requirements. The remainder of the chapter contains a series of data sheets on the six basic system configurations and the major hardware components, including a brief description of the item, specifications, and installation drawings.

CHAPTER 2

POWER SUPPLY

2.1 INTRODUCTION

The H720 Power Supply provides both regulated and unregulated ac and dc power for the PDP-11 System. This supply furnishes all power required by components mounted in either a basic or extension mounting box.

This chapter provides the theory of operation of the power supply and is divided into three major parts: general description, block diagram description, and detailed description. As it is beyond the scope of this chapter to present detailed maintenance procedures, emphasis is placed instead on how the power supply should function during normal operation. The user can then utilize this information when analyzing trouble symptoms to extrapolate necessary corrective action.

The physical dimensions and electrical specifications of the H720 Power Supply are given in the appropriate data sheet in Chapter 4 of this manual.

2.2 GENERAL DESCRIPTION

The H720 Power Supply provides both regulated and unregulated ac and dc power for the PDP-11 System. There are two basic versions of the power supply and two models of each version, as shown in Table 2-1.

Table 2-1
H720 Power Supply Models

Version	Model No.	Remarks
A & B	H720-A H720-B	Models A and B are identical except for input voltage requirements.
C & D	H720-C H720-D	Models C and D are door-mounted versions of models A, B, E, or F. A metal frame accepts the entire power supply for use with some peripheral controllers.
E & F	H720-E H720-F	Models E and F are identical except for input voltage requirements. Ac control and increased +5V current capabilities distinguish these models from the A and B models.

The H720 Power Supply, designed to mount in the BA11 Mounting Box, furnishes all power required by components in either a basic or extension mounting box. The input voltage may be either 120V or 240V at 50/60 Hz. Regulated outputs of +5V at 16 amps (A and B version), or at 22 amps (E and F version), and -15V at 10 amps (both versions) are available.

Unregulated outputs of +8V at 1.5 amps and -25V at 1.5 amps are also available. In addition, a sine wave clipped both at ground and +5V (nominal) is provided for the line clock, and a pair of logic levels (AC LO and DC LO) are provided to warn the processor of imminent power failure.

Switching mode regulation, employed in the +5V and -15V supplies, offers the advantages of compactness and high efficiency over an analog-type regulator at the expense of a slightly greater circuit complexity. Dynamic over- and under-voltage protection and current-limiting are implemented on the two regulated voltages.

2.2.1 AC Power Distribution

Incoming ac power is applied through fuse F1 of the H720 Power Supply, and then routed above the fans to the OFF/POWER/PANEL LOCK switch on the front panel. (Both ac lines connect to this switch.) Power is then routed to the back of the supply where two accessory outlets are provided, and is then applied through fuse F2 to the primary winding of the power transformer. A split primary with jumpers is used to allow operation at either 120V or 240 Vac. One pair of fans is connected across each primary winding to ensure that the fans always receive 120 Vac.

Models E and F of the H720 have four features in the ac control section that distinguish them from the A and B models. These features are:

- a. The incoming ac line uses a circuit breaker rather than a fuse.
- b. The control portion permits switchable remote and local control to provide the capability of one unit controlling several others (see the schematic of the control portion).
- c. The POWER switch on the front panel of the computer switches only a single ground control line to activate the ac input, rather than switching both sides of the ac line as in the A and B version.
- d. A thermal detector is used to turn off the supply in the event of excessive temperature.

The remainder of the ac portion of the E and F versions is essentially the same as that of the A and B versions.

2.2.2 Unregulated DC Supply

The basic ± 25 Vdc are developed from a pair of full-wave bridge rectifier circuits connected to the center-tap of the secondary winding of the power transformer. A 22,000 μ F capacitor on each dc voltage leg provides filtering. In addition, there is a pair of taps (approximately 8V rms) on either side of the center tap. This voltage is full-wave rectified but unfiltered, and provides power for the console indicator lamps.

2.3 BLOCK DIAGRAM DESCRIPTION

This section presents a brief review of switching mode regulation and a block diagram description of the H720 Power Supply. Since the +5V and -15V regulators are nearly identical, only the +5V regulator is covered in detail. This is followed by a description of the crowbar circuits and the AC LO and DC LO logic circuits.

2.3.1 Switching Mode Regulation

Figure 2-1 is a highly simplified schematic diagram of the regulator used in the +5V supply. Figure 2-2 shows the waveforms taken at points A and B in Figure 2-1.

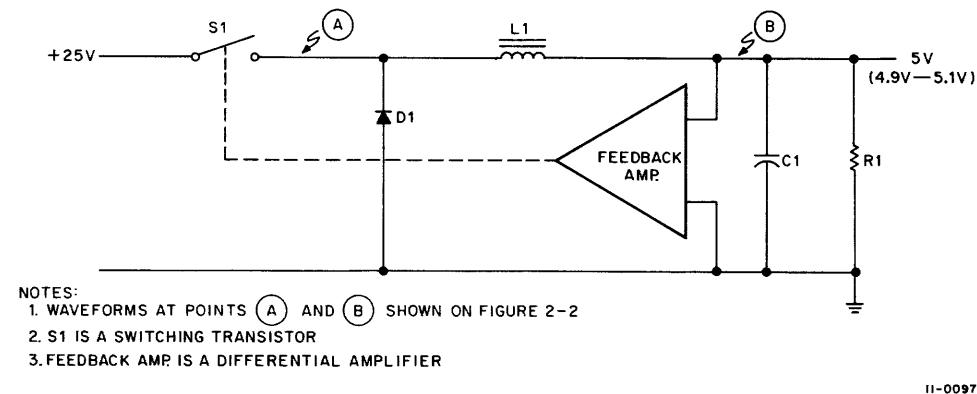


Figure 2-1 +5 Volt Regulator (Simplified Schematic)

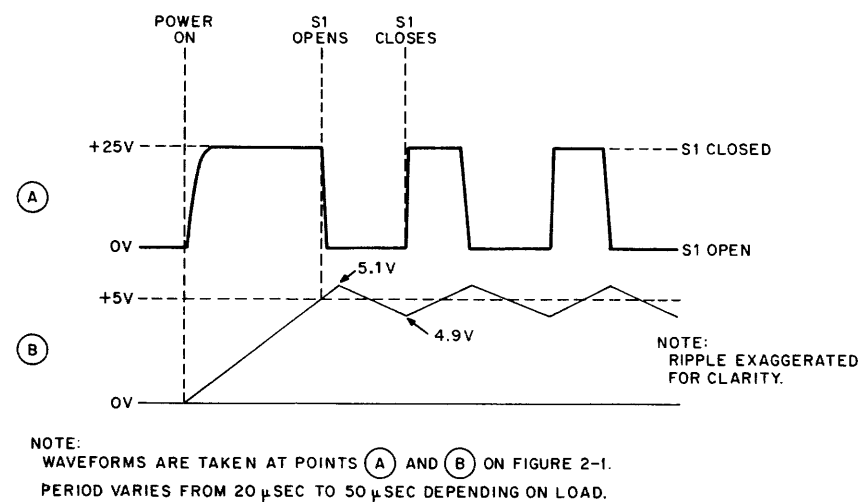


Figure 2-2 +5 Volt Regulator Waveforms

When power is first applied, switch S1 is closed and the output voltage starts to rise toward +25V. However, due to the combined action of choke L1 and capacitor C1, this voltage rise is relatively slow, as shown in waveform B.

When the output voltage reaches 5.1V, the feedback amplifier opens switch S1. At this point, the field around choke L1 begins to collapse, maintaining a flow of current through load resistor R1 into ground (when S1 is open, the current path is completed through diode D1 to the other side of the choke). The output voltage decays, however, and when it reaches +4.9V, the feedback amplifier closes switch S1 and the output again starts to rise toward 5.1V. The power supply continues to oscillate in this manner, although the output voltage actually fluctuates between 4.9 and 5.1V, it maintains an *average* output of 5.0V.

If the load should increase, the output voltage decays at a faster rate and switch S1 closes sooner. In other words, the frequency (and, therefore, the duty cycle) of the waveform at point A increases. This is the method the regulator uses to respond to a decrease in input voltage or an increase in load current. Conversely, at higher input voltages or smaller loads, the frequency (and duty cycle) drops. In this manner, the regulator maintains the output voltage at a constant value.

In the actual circuit employed in the power supply, switch S1 is a switching transistor and the feedback amplifier is a differential amplifier followed by several stages of amplification. However, because the transistor is either saturated or cut off, the average dissipation is kept low.

2.3.2 Basic Regulators

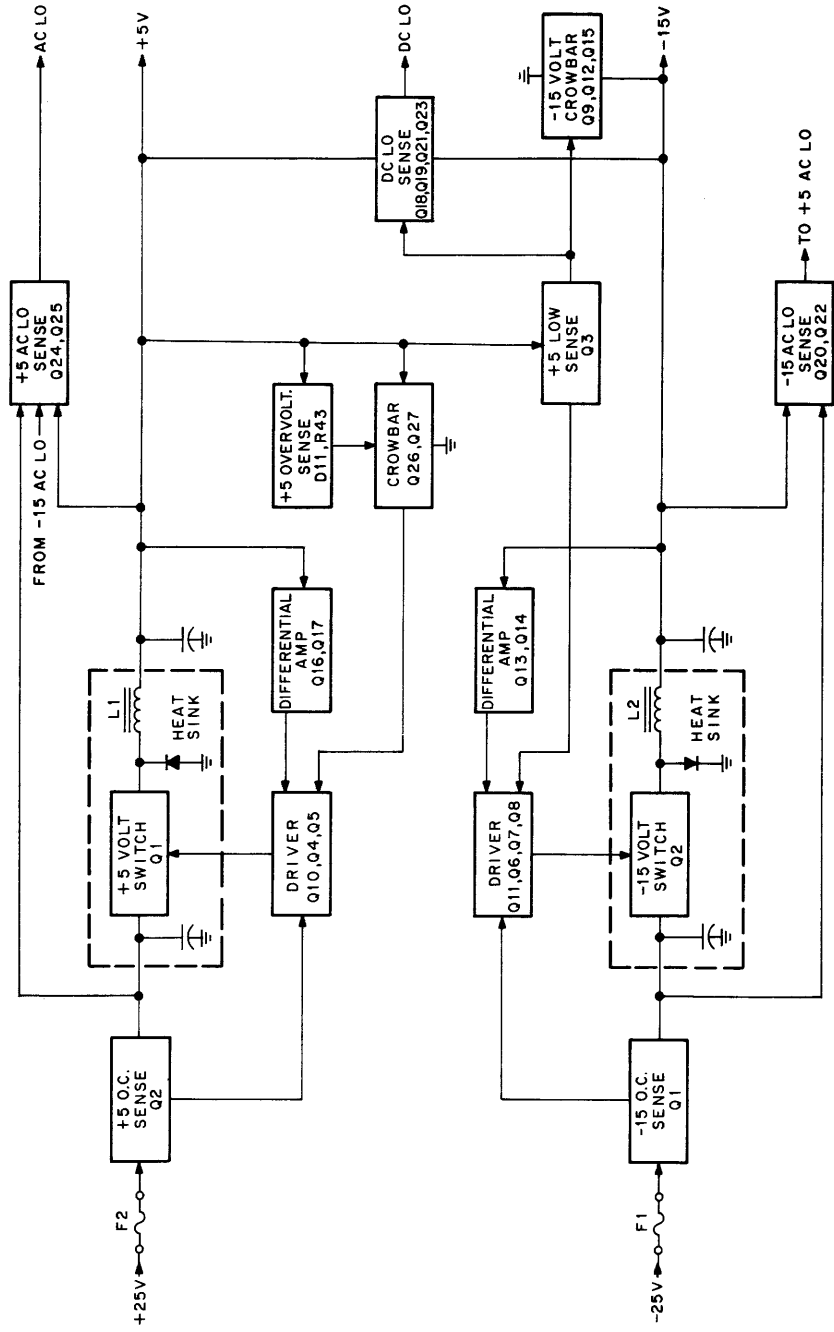
The heart of both the +5V and -15V regulators is a driver (see Figure 2-3 for A and B version, Figure 2-4 for E and F version). The driver controls the base of the switching transistor, holding it either in saturation or at cut-off. There are three inputs to the driver. For the +5V regulator, these three inputs are: the +5V differential amplifier output, the output of an overcurrent-sensing circuit, and the output of the overvoltage crowbar circuit. For the -15V regulator, the three inputs are: the -15V differential amplifier output, the output of the overcurrent-sensing circuit, and the output of the +5V low-sensing circuit.

2.3.3 +5V Regulator

Under normal operating conditions, the only active input to the +5V driver is the output of the differential amplifier. The differential amplifier compares the regulator output voltage with a zener-regulated reference voltage and provides an output representing the difference between the two voltages. When the +5V line approaches 5.1V, the differential amplifier signals the driver to cut off transistor Q1 (the switching transistor on the heat sink) until the output decays to 4.9V, at which time the amplifier signals the driver to turn on Q1 again. This oscillation continues as described under switching mode regulation, Paragraph 2.3.1. Thus, the feedback loop during normal operation is from the +5V input, to the differential amplifier, to the driver, and finally, to the switching transistor which controls the +5V level applied to the differential amplifier.

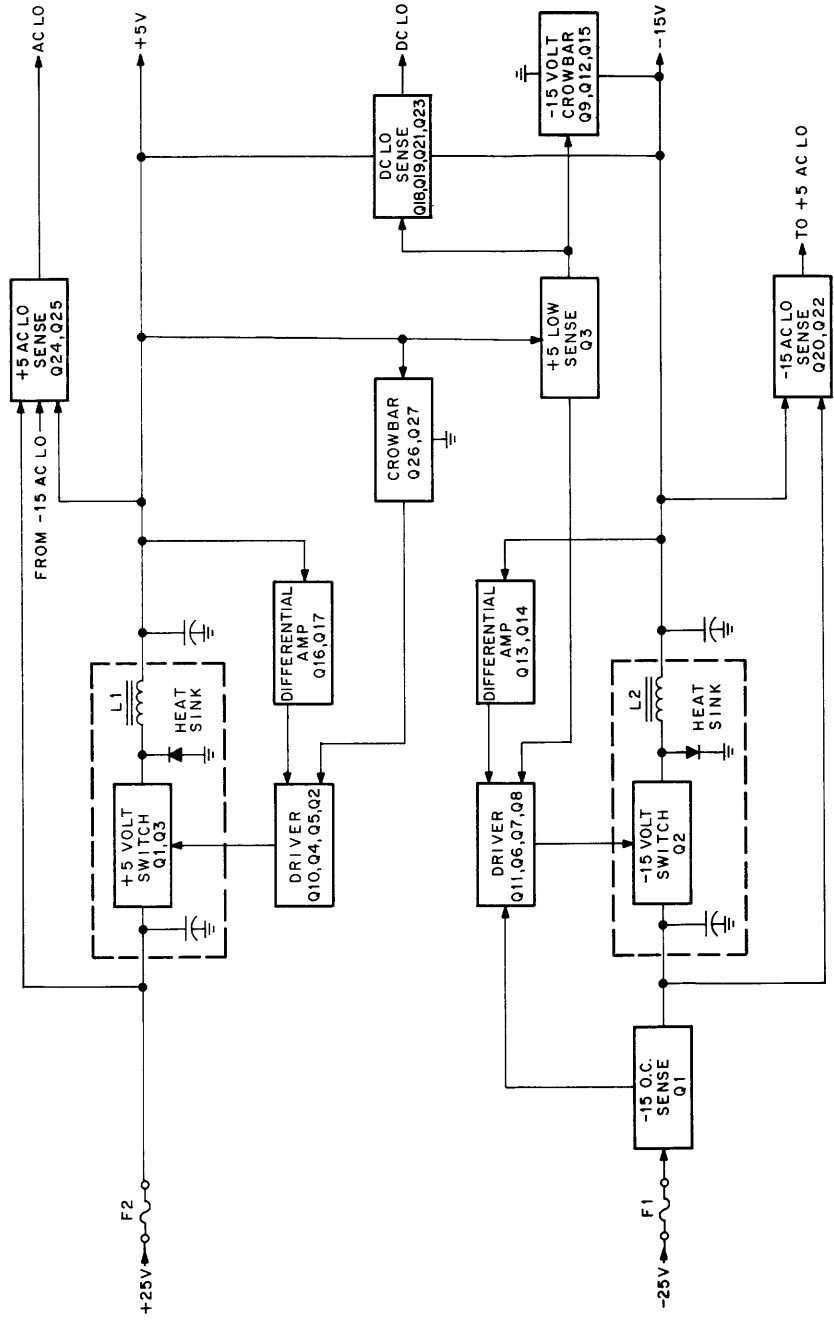
2.3.3.1 Overcurrent Protection – The amplitude of the current drawn by the load through the switching transistor is sensed by monitoring the voltage drop across 0.05Ω of resistance that is in series with the unregulated +25V supply. If the current (and, therefore, the voltage drop across the resistance) becomes too high, the overcurrent-sensing circuit signals the driver to turn off the switch (this signal overrides the input from the differential amplifier). Due to the time constants in the overcurrent-sensing circuit, the switch remains off until the current drops nearly to zero. At this time, normal feedback through the differential amplifier is resumed. If the condition producing excessive current is still present, the overcurrent-sensing circuit again overrides the differential amplifier and cuts off the switching transistor. While the overcurrent condition remains, this action continues. The regulator continues to oscillate, but in a different mode and at a somewhat lower frequency. Short circuit current is limited to approximately 30 amps in this mode.

NOTE
 Overcurrent sensing in the +5V line is not used in the E and F models.



11-0099

Figure 2-3 H720 Block Diagram (A and B Version)



11-0291

Figure 2-4 H720 Block Diagram (E and F Version)

2.3.3.2 Overvoltage Sensing and Crowbar – It is necessary to protect the logic from voltages in excess of +6V. For this reason, an overvoltage-sensing circuit triggers an SCR which short circuits the +5V line to ground if it rises above +6V. When the crowbar is triggered, a signal is sent to the +5V driver to turn off the switching transistor. This signal also overrides the normal feedback mode. Once triggered, the SCR does not stop conducting and the voltage across it (the output) drops to zero. When the voltage again rises to +6V, the crowbar again triggers and a third mode of oscillation occurs. If the malfunction causing the overvoltage condition is of such a nature that the switching transistor does not turn off (for example, it is shorted), then the SCR remains conducting and the overcurrent-sensing circuit attempts to turn off the transistor. If this fails, then fuse F2 (mounted on the regulator board) opens, breaking the circuit entirely.

2.3.4 -15V Regulator

It should be noted that the -15V regulator is nearly a mirror image of the +5V regulator (see Figure 2-3), and operation is very similar.

Normally, the -15V differential amplifier provides the signal to the -15V driver that controls switching transistor Q2 (on the heat sink), and the output voltage rises and falls between 14.9V and 15.1V. The regulator oscillates in exactly the same manner as described for the +5V regulator (Paragraph 2.3.3).

Overcurrent protection also functions in the same manner (refer to Paragraph 2.3.3.1). The voltage drop across 0.05Ω of resistance, which is in series with the -25V line, is monitored. In this case, however, current limiting takes place at 14-16 amps.

The only major difference between this regulator and the +5V regulator is the third input to the driver. In this case, the input comes from a circuit which senses the +5V line and signals the driver to turn off the -15V switching transistor if the +5V line drops below approximately 4.5V. (The signal also triggers the -15V crowbar.) The purpose of this circuit is to protect the core memory, which cannot withstand -15V unless it is also provided with the full +5V level. No oscillation occurs in this case, and the switching transistor is simply held off until the +5V level is back to full operating voltage.

The -15V crowbar grounds the -15V line through a power transistor rather than an SCR. This power transistor is activated by the +5V sensing circuit only when the +5V line drops below 4.5V. The sensing circuit is activated if the +5V regulator goes into an overcurrent or overvoltage mode, and whenever power falls below the minimum required operating level. (Power falls below the minimum level not only when power is lost but also for a short interval during turn on and turn off of the system.) In other words, any condition that causes the +5V level to be less than 4.5V activates the -15V crowbar. (There is no overvoltage protection circuit on the -15V regulator.)

2.3.5 AC LO Circuit

The AC LO is a bus-type signal sent from the power supply to the processor. This signal, when asserted, indicates that power failure is imminent. From the time AC LO drops to ground, the supply has two ms of power left at full load.

The AC LO signal is developed by comparing each unregulated voltage with its corresponding regulated voltage. If either drops too close to the regulated level, AC LO is asserted. This occurs, for example, when the +25V line drops to approximately 18V and when the -25V line drops to approximately 20V. Both lines are sensed separately (as shown on the block diagram); however, if the -15V section detects a loss of voltage, it asserts AC LO by forcing the +5V detection circuits to become active, which actually asserts the level.

There is a small amount of hysteresis designed into each circuit to prevent “hunting” when voltages approach the threshold levels. For example, if AC LO is asserted at an input of 100 Vac, the input must rise to 103V before AC LO is negated.

2.3.6 DC LO Circuit

The DC LO level is another bus-type signal which, when asserted, indicates that one or the other of the regulated dc output levels is dropping. The DC LO signal is independent of the AC LO circuit, but follows AC LO within a few ms in the case of power shutdown. During power up, DC LO is negated before AC LO because the +5V and -15V levels are present before the +25V and -25V supplies are up to full voltage. It is possible to have only DC LO asserted if, for example, the +5V crowbar is triggered.

The DC LO-sensing circuits (see Figure 2-3) compare the +5V and -15V lines for a three-to-one ratio. If either voltage drops, the circuit asserts DC LO. The third input to the DC LO circuits comes from the +5V low-sensing circuit. The purpose of this input is to speed up the response to a low +5V condition, thus ensuring that DC LO is asserted at the same time the -15V crowbar is activated.

It should be noted that if the +5V and -15V levels drop at exactly a three-to-one ratio, the DC LO-sensing circuits do not assert DC LO. A DC LO signal, however, is required to indicate that the voltage is dropping, regardless of the ratio. The -15V line is then grounded by the +5V low-sensing circuit as soon as the +5V line drops to 4.5V, which in turn causes DC LO to be asserted.

2.4 DETAILED DESCRIPTION

A thorough understanding of the block diagram discussion (refer to Paragraph 2.3) should aid the user considerably in understanding the material presented in the following paragraphs. The circuit descriptions follow the same general outline used in the block diagram discussion: basic regulators, crowbar circuits, and AC LO and DC LO logic circuits.

For the following discussions, refer to the circuit diagram for the regulator board (5408475-0-1), in addition to figures specifically called out in the text.

2.4.1 +5V Regulator

As mentioned previously, the heart of each regulator is the driver. Based upon three inputs, the driver controls the state of the switching transistor. The driver stages for the +5V regulator are shown in Figure 2-5, and consist of transistors Q10, Q4, and Q5. Transistor Q5 drives the base of the series-switching transistor Q1, which is mounted on the heat sink.

When power is first applied, Q10 remains cut off because none of the three inputs shown on the figure are sufficiently positive to draw base current. Since Q10 is not conducting, base current flows in Q4 through resistor R18 to the +25V line (which starts at ground and rises very quickly to +25V when power is applied). When the base of Q4 reaches approximately 2.1V, it draws current through resistors R14 and R13. The drop across R14 forward-biases Q5, which in turn draws base current through Q1 and allows it to stay on while the output voltage is rising toward 5.0V.

When the output exceeds 5.0V, the differential amplifier pulls the base of Q10 positive to approximately +0.7V and draws base current through it. As Q10 turns on, its collector drops toward ground. When it drops below +2.1V, Q4 no longer conducts (diodes D2 and D3 raise the effective base voltage of Q4 to 2.1V: 0.7V in the transistor, and 0.7V forward drop through each diode). When Q4 cuts off, Q5 also cuts off because there is no path for base current flow. This in turn cuts off Q1, and its base returns to the same potential as the emitter, due to resistor R1.

Note that transistors Q10, Q4, and Q5 are used in a common emitter configuration. Transistor Q1 in the +5V line is used in the common collector configuration (an emitter follower). Whenever Q10 is conducting, Q4, Q5, and Q1 are cut off, and when Q4, Q5, and Q1 are conducting, Q10 is cut off.

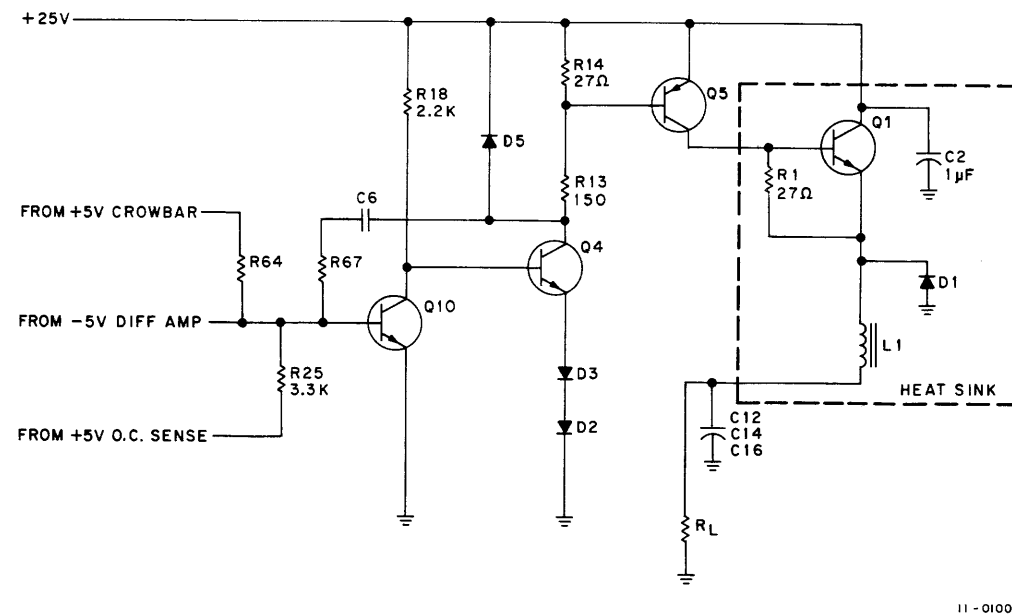


Figure 2-5 +5V Driver Stages (A and B Version)

The base of transistor Q10 can be made positive by either the +5V crowbar circuit or the overcurrent-sensing circuit. In either case, there is sufficient base drive current to override the differential amplifier input and turn on Q10, which cuts off Q1.

Capacitor C6 and resistor R67 provide a positive feedback path from the collector of Q4 to the base of Q10, to improve the circuit turn-on time and stabilize the switching frequency. Diode D5 clamps the collector of Q4 to protect it from excessive positive transients during switching.

Figure 2-6a is a simplified schematic of the differential amplifier used in the regulator. This amplifier, employed because of its high gain and noise immunity, compares the +5V line to a fixed reference voltage and produces an error signal which is the difference between the two, and controls the state of the switching transistor. The fixed reference is provided at the base of transistor Q16 by resistor R32 and diode D8. The variable voltage is applied to the base of Q17 through the divider network, consisting of resistors R38 and R37 and diode D10.

To understand operation of the differential amplifier, it should be noted that transistors are current-sensitive rather than voltage-sensitive devices, and that each junction acts as a diode. In other words, it maintains a 0.7V drop when forward-biased (in the case of a silicon transistor). The emitters of transistors Q16 and Q17 remain at a constant voltage (approximately 3.9V), due to the regulated 3.2V on the base of Q16 plus the forward drop of the emitter-base junction of Q16. The base of transistor Q17 remains at 3.2V, which is 0.7V below the emitters. When the amplifier is operating, it is the *current* flows which change to maintain these voltages.

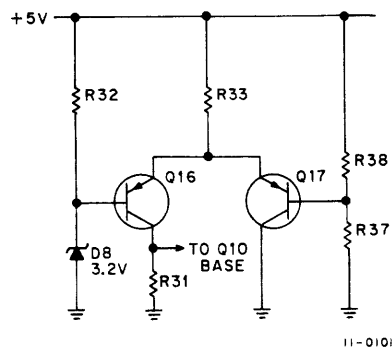


Figure 2-6a
Simplified Differential Amplifier

As an example of amplifier operation, assume that the +5V line is too high. The current flow through resistor R37, which is the sum of the current from the base of Q17 and the current from the +5V line through resistor R38, tends to increase with the rising voltage. However, less base current flows in Q17 so that the current through R37 remains constant and the voltage at the base remains at 3.2V. As Q17 cuts off, Q16 must draw more current through resistor R33 to maintain the emitter at 3.9V. Consequently, Q16 conducts more, which means the collector goes more positive. This biases Q10 on, which causes the series-switching transistor to cut off.

When the +5V line drops below 5.0V, the above action is reversed. The base of transistor Q17 draws more current through resistor R37 to maintain the 3.2V level. Transistor Q17 conducts more and Q16 conducts less, allowing the collector voltage to drop. This allows Q10 to turn off, which in turn allows the series-switching transistor to conduct again. The total current through resistor R33 alternates between Q16 and Q17: when the input is too high, Q16 carries most of the current; when the input is too low, Q17 carries most of the current.

Figure 2-6b is a schematic of the complete differential amplifier. Potentiometer R38 (shown as a fixed resistor in the simplified schematic) permits adjustment of the +5V level. Capacitor C10 provides ac coupling to the +5V input to speed up the amplifier response time. Diode D10 compensates for the temperature characteristics of diode D8. Capacitor C8 bypasses the base of transistor Q16 to improve noise immunity.

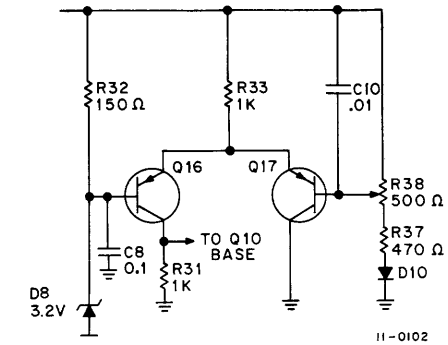


Figure 2-6b
Differential Amplifier Schematic

The +5V regulator for H720 Models E and F has circuit changes, as shown in Figure 2-7. The basic operation of this circuit is identical to that described for the A and B versions. However, circuit modifications have been made to accommodate the increased current output capabilities at +5V. The modifications include a parallel pair of switching transistors (Q1 and Q3) and increased gain in the switch driver circuit (Q2).

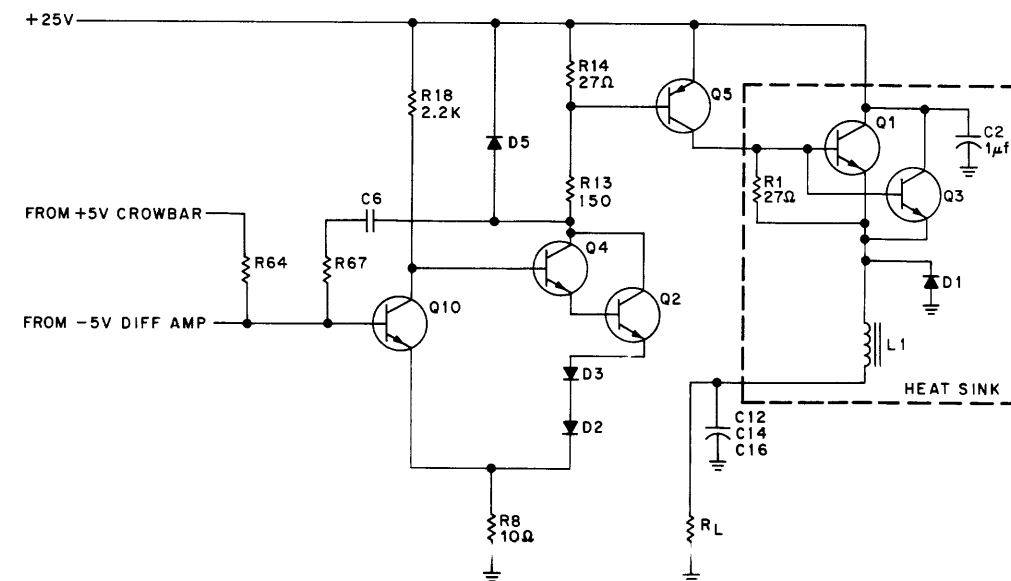


Figure 2-7 +5V Driver Stages (E and F Version)

2.4.1.1 Overcurrent Protection – The overcurrent protection circuit schematic is shown in Figure 2-8. Transistor Q2 is usually not conducting because, under normal operating conditions, there is insufficient voltage developed across resistors R10 and R11 to forward-bias the transistor.

However, if the current pulses through these resistors become too high (approximately 30A), the drop across resistor R66 becomes greater than 0.7V and base current flows in transistor Q2. When this occurs, capacitor C3 charges through Q2 to 25V immediately, and the base of Q10 is kept positive by this voltage. With Q10 conducting, the series-switching transistor is cut off, the current flow through resistors R10 and R11 stops, and transistor Q2 turns off. Capacitor C3 must then discharge through resistor R25, which process holds the switching transistor cut off for a period of time, thus providing some amount of fold-back in the current-limiting mode. Capacitor C4 provides a further delay and also prevents noise spikes from triggering transistor Q2.

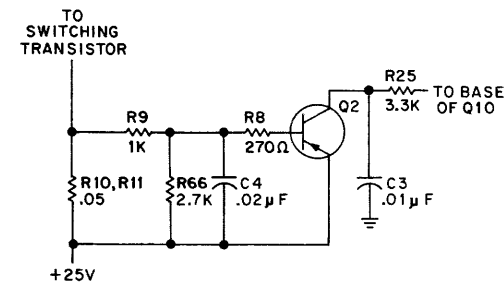


Figure 2-8 Overcurrent Protection Circuit

2.4.1.2 Overvoltage Crowbar Circuit – The overvoltage crowbar circuit schematic is shown in Figure 2-9. Under normal conditions, the trigger input to the SCR (Q27) is at ground because the voltage across zener diode D11 is too small to cause it to conduct. As the +5V line approaches 6V, zener diode D11 conducts and the voltage drop across resistor R43 draws gate current and triggers the SCR. The SCR shorts the +5V line to ground through resistor R44, which is a current-limiting resistor. The SCR remains on until capacitors C12, C14, and C16 discharge.

When the SCR fires, the voltage drop across resistor R44 forward-biases the base of transistor Q26, which then conducts. This pulls the base of Q10 positive through resistor R64, turning off the series-switching transistor until the output capacitors are discharged. Transistor Q26 is a germanium transistor used to reduce the threshold level for turn-on and to speed up turn-off of transistor Q1 when crowbar fires.

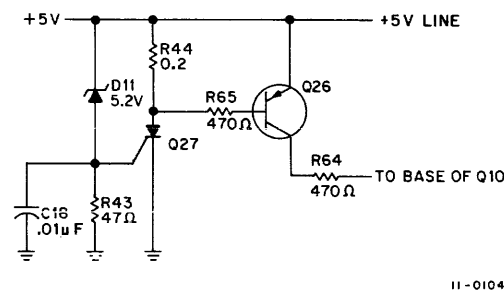


Figure 2-9 Overvoltage Crowbar Circuit

2.4.2 -15V Regulator

The -15V regulator is similar to the +5V regulator; although there are differences in individual circuits, their basic operation is identical. Subsequent paragraphs discuss the -15V regulator circuits.

2.4.2.1 Driver – The -15V driver (see Figure 2-10) controls the state of switching transistor Q2 on the heat sink. The driver is controlled by signals from three sources: the -15V differential amplifier, the -15V overcurrent-sensing circuit, and the +5V low-sensing circuit. The first two signals control the base of transistor Q11. However, the input from the +5V low-sensing circuit effects control through transistor Q3. This is a departure from the circuit in the +5V regulator which connects all three inputs to the base of transistor Q10.

Normal operation is the same as that of the +5V driver. When transistor Q11 is off, base current from transistor Q6 flows through resistor R15 and Q6 conducts. This draws current through resistors R20 and R19, forward-biasing transistor Q7. This action turns on transistor Q8 through current-limiting resistor R22. (Resistor R22

establishes cut-off bias on Q8 when Q7 is not conducting.) If transistor Q8 is on, base current flows in transistor Q2 and brings the switching transistor into conduction.

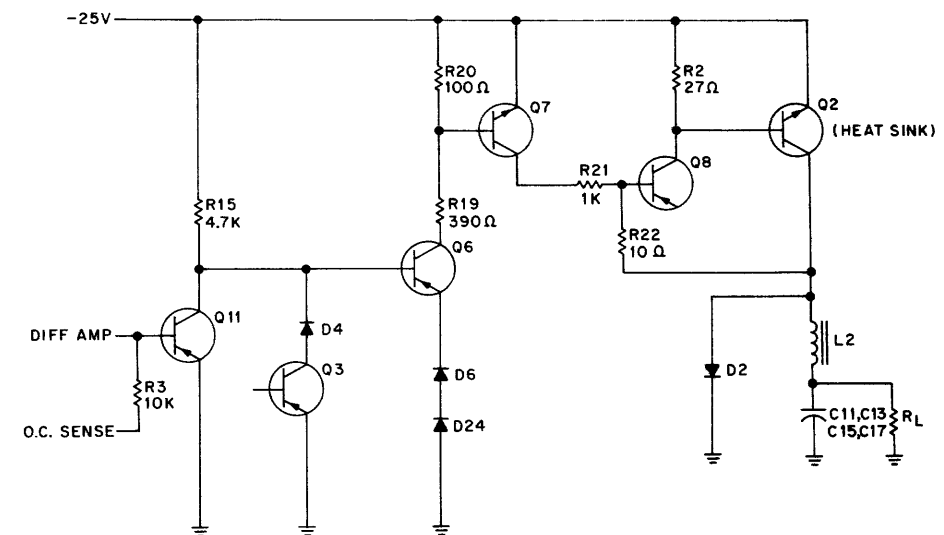


Figure 2-10 -15 Volt Driver

When the output exceeds -15V, the differential amplifier biases Q11 on. This cuts off transistors, Q6, Q7, Q8, and Q2 until the output drops below 15V. If the overcurrent-sensing circuit is activated, it draws base current from Q11 through resistor R3. If the +5V line falls below 4.5V, transistor Q3 conducts and clamps the base of Q6 near ground, thereby cutting off series-switching transistor Q2. (Refer to Paragraph 2.4.2.4.) Note that all transistors in the -15V driver are common emitter configurations.

2.4.2.2 Differential Amplifier – The -15V differential amplifier (see Figure 2-11) is nearly identical in operation to the +5V amplifier described in Paragraph 2.4.1. With the exception of those differences noted below, each component serves the same function as its counterpart in the +5V differential amplifier.

The -15V amplifier uses NPN transistors to accommodate the negative voltage. Resistor R36 alters the ratio of the divider network at the base of transistor Q14, thus maintaining a 3.2V reference. Resistor R28 is changed to a 10K resistor because of the higher voltage involved.

2.4.2.3 Overcurrent Protection – The overcurrent-sensing circuit (see Figure 2-12) for the -15V regulator monitors the amplitude of the current pulses being drawn by the -15V load and shuts off the series-switching transistor if the current becomes too high. This is accomplished by sensing the voltage drop across resistors R6 and R7. When this drop becomes too high, transistor Q1 is forward-biased and pulls the base of transistor Q11 negative through resistor

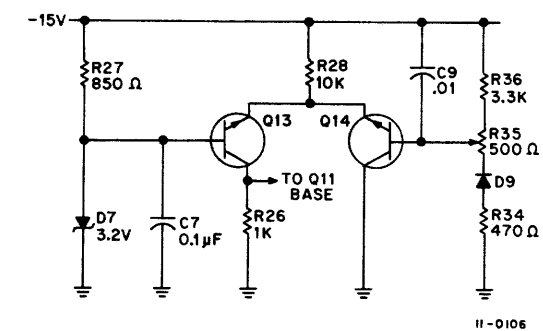
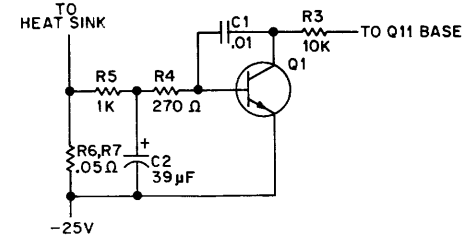


Figure 2-11 -15V Differential Amplifier

R3. This cuts off switching transistor Q2 on the heat sink, thereby stopping the current flow. Capacitor C2 must then charge through resistors R4 and R5. This keeps transistor Q1 turned on for a short period of time. When capacitor C2 is sufficiently charged, base current no longer flows in Q1 and normal operation is resumed. Capacitor C1 is a Miller capacitor used to slow down the circuit and improve noise immunity.

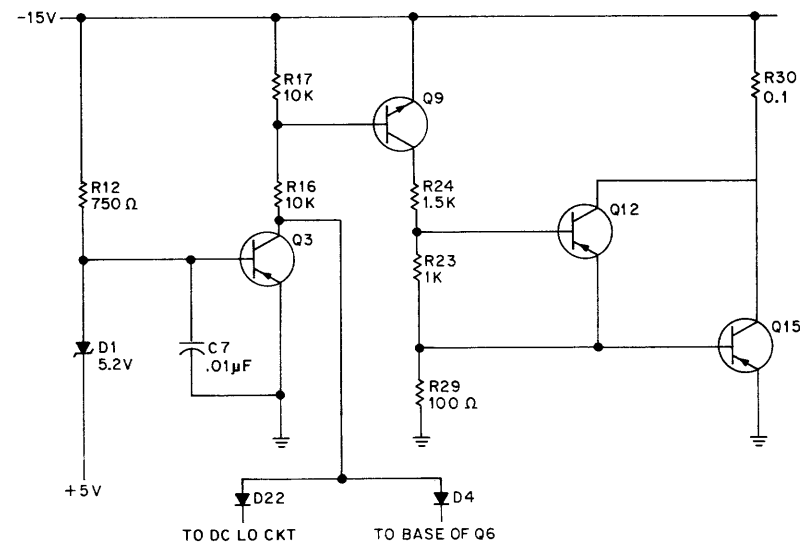


11-0107

Figure 2-12 -15V Overcurrent Circuit

2.4.2.4 -15V Crowbar Circuit – The -15V crowbar circuit (see Figure 2-13) includes the +5V low-sensing circuit (Q3) to trigger the crowbar. The collector of transistor Q3 is connected through diode D22 to the DC LO circuit, and through diode D4 to the base of transistor Q6, to implement turn-off of the -15V regulator when transistor Q3 is conducting.

The base of transistor Q3 is normally very close to ground potential because diode D1 holds the base exactly 5V below the +5V level. When the +5V line drops, the base of Q3 shows a corresponding drop until base current flows through resistor R12 to the -15V line. This causes Q3 to conduct and draws current through resistors R17 and R16.



11-0108

Figure 2-13 -15V Crowbar Circuit

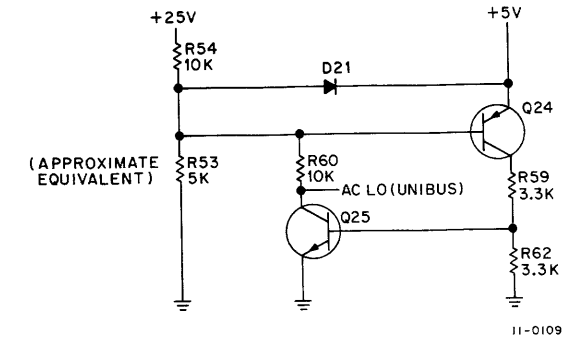
The drop across R17 biases transistor Q9 on, which then draws current through resistors R24, R23, and R29, thus causing transistors Q12 and Q15, connected as a Darlington pair, to conduct. Transistor Q15 then grounds the -15V line through current-limiting resistor R30.

It should be noted that the -15V line does not actually drop to ground, but remains at approximately a -1V or -2V level. This occurs because, once capacitors C11, C13, C15, and C17 are discharged, the crowbar circuit reverts to a steady state with just enough negative voltage to keep transistor Q3 turned on.

2.4.3 AC LO Circuit

The AC LO signal is developed by similar, but independent, circuits for the +25V and -25V levels. These two circuits are basically Schmitt triggers. Figure 2-14 is a simplified schematic of the +25V circuit; Figure 2-15 is a schematic of the complete AC LO circuit.

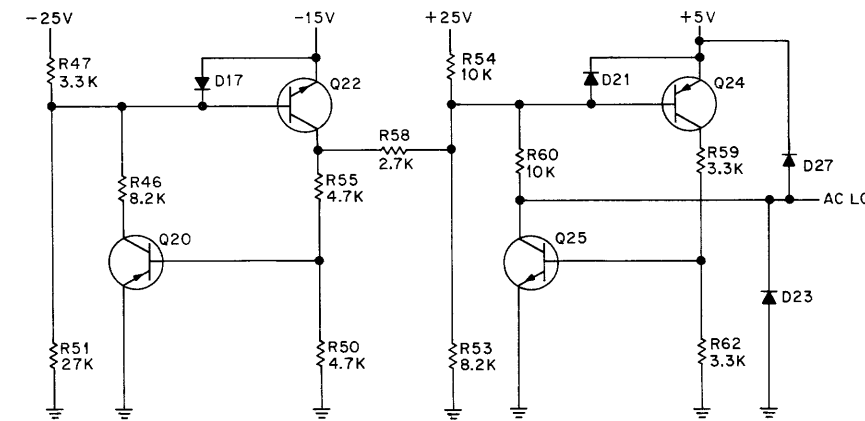
During normal operating conditions, the voltage at the junction of resistors R54 and R53 (see Figure 2-14) should be approximately 8V because these resistors form a two-to-one divider network. However, diode D21 clamps this junction to prevent it from exceeding 5V. This means that the emitter and the base of transistor Q24 are at the same potential (+5V) and the transistor is cut off. Since transistor Q24 is not drawing current through resistors R62 and R59, transistor Q25 is also biased off.



11-0109

Figure 2-14 AC LO – Simplified Schematic

Assume now that the raw 25V supply starts to drop. The regulator maintains the +5V level but eventually, at about +15V (raw), the junction of resistors R54 and R53 (and the base of Q24) starts to drop below 5V. Diode D21 is now reverse-biased and transistor Q24 becomes forward-biased when the base drops to approximately 4.3V. As Q24 begins conducting, the base of Q25 goes positive because Q24 is now drawing current through R59 and R62. When transistor Q25 turns on, it draws even more base current from Q24 through resistor R60.



11-0110

Figure 2-15 AC LO Circuit Schematic

Transistors Q24 and Q25 are dynamically related to each other. As one conducts, it causes the other to conduct more; this in turn causes the first one to conduct still further. This action introduces hysteresis into the circuit so that the transistors react quickly to any voltage changes.

When transistor Q25 is conducting, note that resistor R60 is placed in parallel with resistor R53, thereby lowering the resistance of the bottom leg of the divider formed by resistors R54 and R53. In order to overcome this, the +25V line must return to approximately +18V before the base is high enough to cut off Q24 and turn off Q25.

It is this action that introduces the previously mentioned hysteresis into the circuit. When Q25 is conducting, it also pulls the AC LO line on the Unibus to ground potential (asserted level).

The -25V portion of the AC LO circuit (see Figure 2-15) functions in the same manner as the +25V portion of the circuit, except that PNP transistors are used and the divider ratio is different, because failure of the -25V raw level must be detected sooner than failure of the +25V level. If the -25V circuit becomes active, it asserts AC LO by pulling the base of transistor Q24 more negative through resistor R58. This turns on Q24, which in turn causes transistor Q25 to conduct and assert AC LO as before.

Diode D27 allows the AC LO signal from all H720 Power Supplies in a given system to be ORed together on the Unibus to indicate a failure in any H720 in the system.

2.4.4 DC LO Circuit

Figure 2-16 is a simplified schematic of the detection portion of the DC LO circuits. Resistors R45, R39, R40, and R41 form a precision voltage divider between the +5V and -15V lines. As long as this divider maintains a one-to-three voltage ratio, the points on either side of diode D16 are a few tenths of a volt above and below ground. (The 0.7V forward drop of diode D16 splits almost evenly on either side of ground.)

Assume now that the -15V level starts rising toward ground. Both the base of transistor Q18 and the base of transistor Q19 feel a more positive voltage, and Q19 becomes forward-biased. When Q19 conducts, it causes DC LO to be asserted.

If the +5V level drops, both bases (Q18 and Q19) feel a more negative voltage and Q18 becomes forward-biased. When Q18 conducts, it causes DC LO to be asserted.

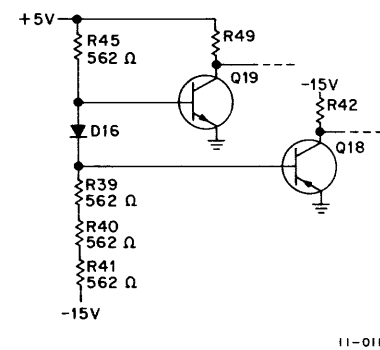


Figure 2-16 DC LO – Simplified Schematic

Figure 2-17 illustrates the entire DC LO circuit, including transistor Q3, which is the +5V low detection transistor. Normally, transistors Q18 and Q19 are cut off, transistor Q21 is biased through resistor R49, and transistor Q23 is off. If transistor Q19 conducts (indicating a low -15V line), it pulls the base of Q21 to ground, cutting it off. This raises the anode of diode D20 toward +5V through resistor R52, and base current flows in transistor Q23. When Q23 turns on, DC LO is pulled to ground potential (asserted).

Resistors R42, R56, and R57 are connected as a divider network between -15V and +5V. The junction of resistors R56 and R57 (anode of diode D19) is normally slightly negative. However, if transistor Q18 is conducting (low +5V line), the junction of resistors R56 and R42 goes to ground and the anode of diode D19 goes positive. This also forward-biases transistor Q23 and asserts DC LO.

Note that diodes D20 and D19 form an OR gate to the base of transistor Q23. Diode D18 is used to protect Q23 from high reverse bias, and capacitor C21 is a Miller integrator which increases noise immunity for Q23.

If transistor Q3 should conduct as a result of a low +5V line, this also grounds the junction of resistors R42 and R56 through diode D22, and turns on transistor Q23 to assert DC LO.

Diode D26 allows the DC LO signal from all H720 Power Supplies in a given system to be ORed together on the Unibus to indicate a failure in any H720 in the system.

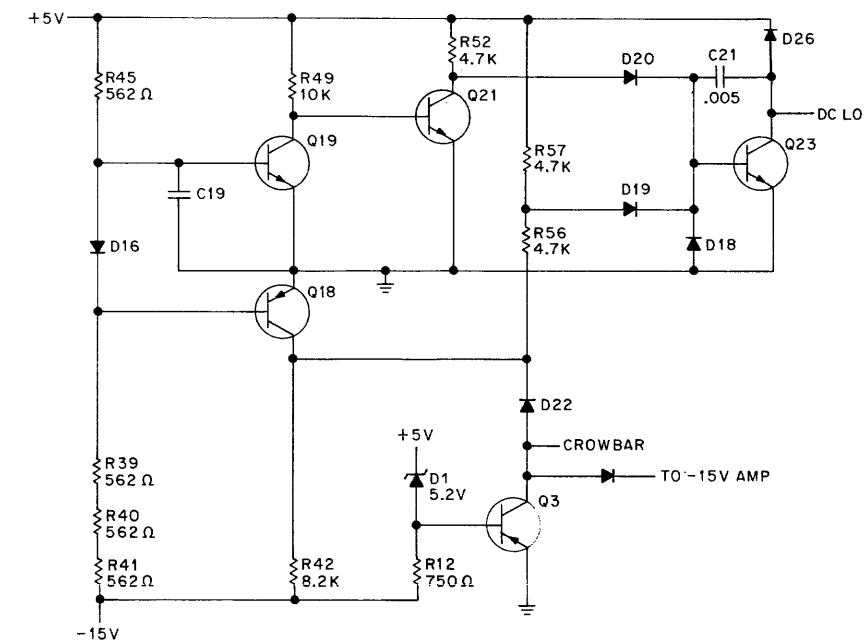


Figure 2-17 DC LO – Circuit Schematic

CHAPTER 3

MOUNTING BOX

3.1 SCOPE

The PDP-11 System is modular in concept and consists of a number of basic building blocks, known as system units, that are housed in a mounting box. This section discusses only the basic PDP-11 Mounting Box. A description of system units and cables is included in the *PDP-11 Handbook*; a discussion of interface hardware, system units, cables, and mounting panels is covered in the *Unibus Interface Manual*; various methods of installing mounting boxes and descriptions of various system configurations are presented in Chapter 4 of this manual.

3.2 DESCRIPTION

The basic mounting box (see Figure 3-1) is designed to house the system units that make up a PDP-11 System. The box also includes a space for mounting the H720 System Power Supply. The mounting box contains four fans for forced air cooling, an insulated top cover to prevent debris from falling into the wire-wrap pins (necessary because the system units are mounted with the pins up and the modules down), and a foam-lined bottom cover which is both a module retainer and minimizes module vibration. The bottom cover also serves as part of the air plenum to ensure adequate cooling. The mounting box is fabricated from zinc-plated steel to resist corrosion; its dimensions are given in drawing D-UA-11/20-0-0.

3.3 MODELS

There are four models of mounting boxes, each a variation of the box described above. The prime differences among the four models are the type of front panel used and the mounting hardware.

The basic box is used to house the PDP-11 basic system and includes either a programmer's console or controller console as the front panel. The basic box may be supplied with either slides for rack-mounting or a table-top decorative cabinet.

The extension box is used to house additional system components (expanded memory, interface modules, etc.) and includes a blank front panel rather than a console. It also may be supplied with either tilt-slides or a table-top cover.

The four mounting box models are listed in Table 3-1.

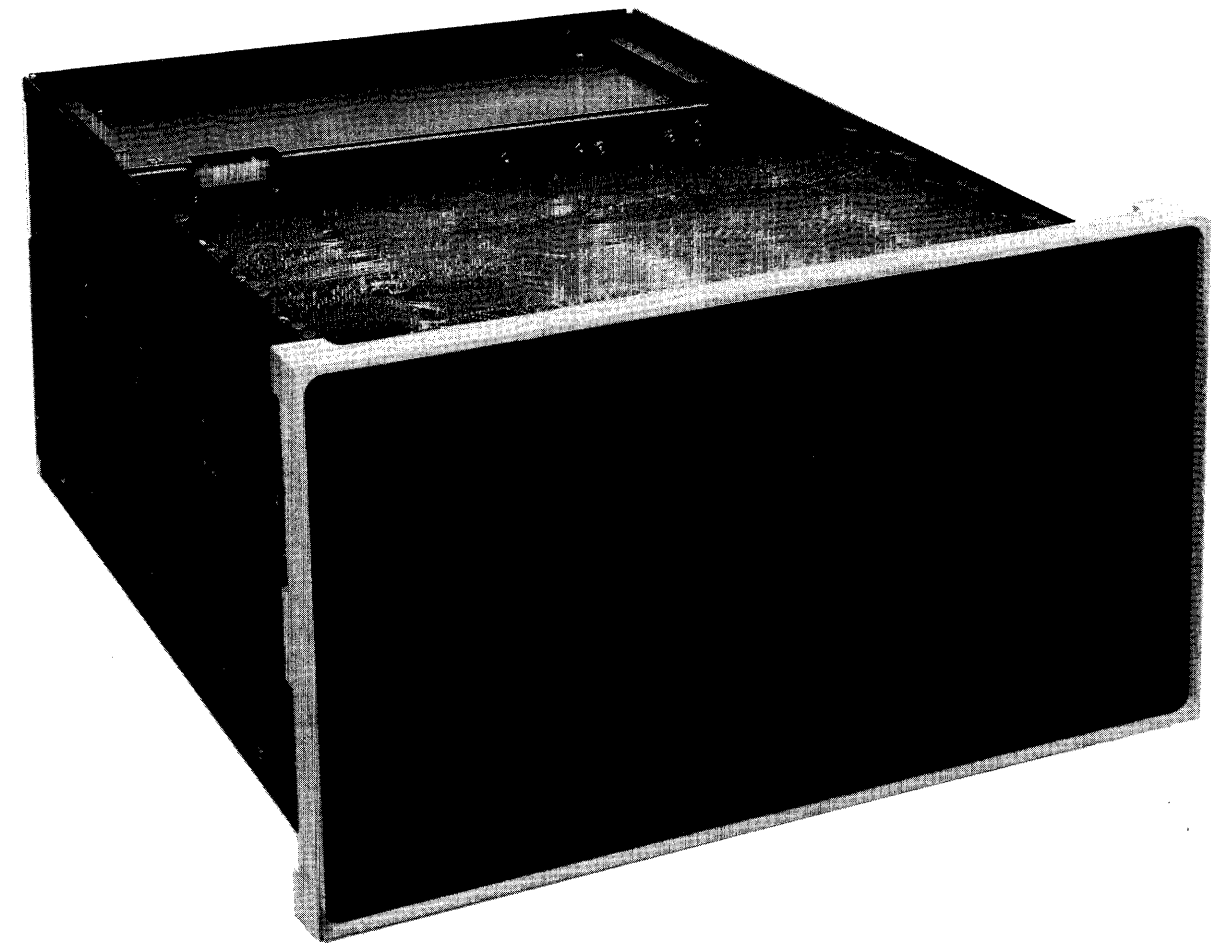


Figure 3-1 Basic Mounting Box

Table 3-1
Mounting Box Models

Model No.	Type of Box	Front Panel	Mounting Hardware
BA11-CS	Basic	Console	Tilt-slides for rack mounting
BA11-CC	Basic	Console	Table-top decorative cabinet
BA11-ES	Extension	Blank	Tilt-slides for rack mounting
BA11-EC	Extension	Blank	Table-top decorative cabinet

NOTE: Model number code indicates:

-CS
 ↙ ↘
 Type of Box Type of Mounting

CHAPTER 4

INSTALLATION

4.1 INTRODUCTION

This chapter provides installation information and physical specifications for PDP-11 Systems. Because of the number of possible system configurations, a brief description of all PDP-11 Models is included. Subsequent paragraphs discuss requirements that must be considered for installation planning and the appropriate installation procedures. The final portion of this chapter includes a series of data sheets that contain specifications and drawings on major hardware components.

4.2 SYSTEM CONFIGURATIONS

Basic PDP-11 Systems are available in 18 different configurations. Configurations differ in mounting methods, input power requirements, inclusion of a Teletype[®], and support functions supplied. Six of these configurations represent standard systems, the remaining twelve represent systems designed for use by OEM's. All 18 configurations are briefly mentioned in Table 4-1; however, only the six standard configurations are described in detail in Paragraph 4.5. The OEM configurations are physically identical to the standard, with the following exceptions:

- a. The Teletype and front panel logo are optional.
- b. Support functions (i.e., one set of documentation per system, training courses, maintenance) are not included.

In addition to the basic system, customers can order DEC options and peripherals. Figure 4-1 shows a standard DEC cabinet and indicates preferred position assignments. These assignments have been chosen considering ease of control and cable lengths. Any PDP-11 equipment not shown on the drawing may be mounted as desired in the remainder of the cabinet or in other cabinets. Note that the top and bottom cabinet spaces are not used; the top space is too high for easy access, and the bottom space does not allow the drawer to be tilted.

4.3 INSTALLATION PLANNING

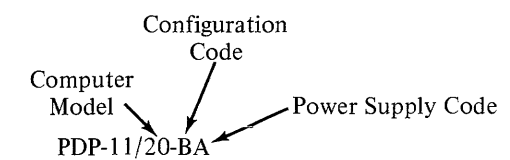
This section provides electrical, physical, and environmental requirements that must be considered prior to installation in order to ensure an efficient PDP-11 Computer installation.

[®]Teletype is the registered trademark of Teletype Corporation.

Table 4-1
PDP-11 System Configurations

Configuration Codes			
Basic System With Teletype	OEM System With Teletype	OEM System Without Teletype	Mounting Method
A	D	H	Rack-mountable, with tilt-slides
B	E	J	Table-top model with cover
C	F	K	Rack-mounted in cabinet
Power Codes			
Designation (Power Supply Type)		Input Power Requirements	
A		115V, 50/60 Hz	
B		230V, 50/60 Hz	

NOTES: 1. Model codes are used as follows:



- 2. Examples are: PDP-11/20-BA is basic system with Teletype, table-top model, 115V version
- PDP-11/20-HB is OEM System, without Teletype, rack-mountable, 230V version

4.3.1 Space Requirements

Access space must be provided at the installation site to accommodate the PDP-11 System and related peripherals. Space must be adequate to allow access to all doors and panels for maintenance.

The PDP-11 System is available in rack-mountable, table-top, or cabinet-mounted configurations. Dimensions for each configuration, including drawings, are given in the data sheets in Paragraph 4.5. If customer-supplied cabinets are to be used, the customer should consult the supplier's documents to ensure that sufficient space is allowed for the cabinets.

The minimum service clearance on all standard DEC computer cabinets is 8-3/4 in. at the front and 14-7/8 in. at the back.

The Teletype dimensions and service area requirements are also given in the appropriate data sheets in Paragraph 4.5. Because of the Teletype signal cable, the Teletype must be located within eight ft of the computer.

4.3.2 Environmental Requirements

Ambient temperature at the installation site can vary between 50° F and 122° F (10° C and 50° C). To extend the life expectancy of the system, however, it is recommended that the temperature at the installation site be maintained between 70° F and 85° F (20° C and 30° C).

All exposed surfaces of DEC cabinets and hardware have been treated to prevent corrosion, but exposure of systems to extreme humidity for long periods of time should be avoided. The system operating environment should be within the relative humidity range of 20% to 95% (non-condensing).

4.3.3 Power Requirements

Systems with an A power code in the model designation (indicating an H720-A Power Supply) require a source of 115V (±10%), 50/60 Hz (47 to 63 Hz), single-phase power capable of supplying at least 8A (6A for the computer, 2A for the Teletype). Power dissipation is 400W for the computer and 150W for the Teletype. If additional mounting boxes and power supplies are added to the basic system, additional power receptacles at the site are required.

A standard 15-ft, 3-prong, U-ground, 15-A power cord is provided on the rear of the PDP-11 System for connection to the power source. The Teletype unit plugs into the rear of the PDP-11 Mounting Box and does not require a separate receptacle.

All free-standing cabinets require an independent 115V receptacle to provide power for the cabinet fans.

Systems with a B power code in the model designation (indicating an H720-B Power Supply) require a source of 230V (±10%), 50/60 Hz (47 to 63 Hz), single-phase power capable of supplying at least 5A (3A for the computer, 2A for the Teletype). If additional mounting boxes and power supplies are added to the basic system, additional power receptacles at the site are required.

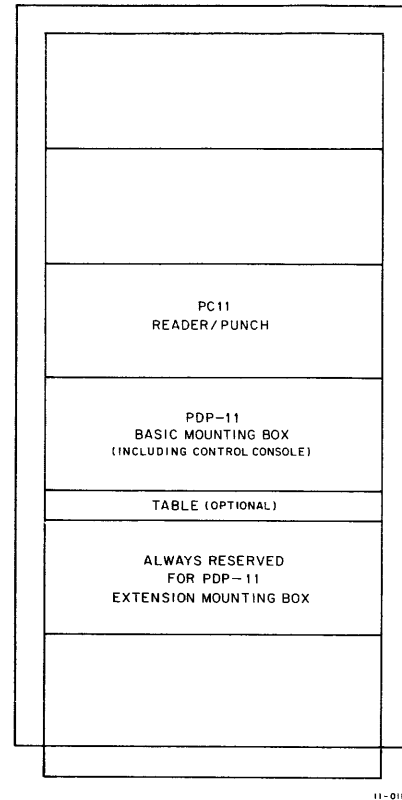


Figure 4-1
PDP-11 Position Assignments

A standard 15-ft, 3-conductor power cable with pigtailed is provided on the rear of the PDP-11 System for connection to the power source. The Teletype unit plugs into the rear of the mounting box.

All free-standing cabinets require an independent 230V receptacle to provide power for the cabinet fans.

4.3.4 Cable Requirements

Whenever an extension mounting box is used, an external Unibus Cable (BC11) is the only signal connection required between mounting boxes. This external Unibus cable may also be used to connect other peripherals to the PDP-11 System. The BC11 Cable Assembly may be purchased in various lengths but the maximum combined (internal and external) Unibus cable length is limited to 50 ft.

The length of the Teletype signal cable is such that it restricts the location of the Teletype to within eight ft of the computer.

4.4 INSTALLATION

This paragraph covers installation of only the basic PDP-11 System. A section on installation of peripherals and options is not required, because of the modular and Unibus concepts of the system. To install a peripheral, for example, it is necessary only to insert the system unit in the mounting box and connect a Unibus cable between the mounting box and peripheral. Details of interface hardware are included in the *Unibus Interface Manual*.

Installation of a PDP-11 System requires no special tools or equipment. A fork-lift truck (or other pallet-handling equipment) and normal hand tools should be available for receiving and installing the equipment.

The installation procedure is as follows:

Step	Procedure
1	Remove the shipping straps with shears, remove the packing material, and remove the cardboard crate to disassemble the wooden corner supports.
2	Carefully place the PDP-11 Mounting Box (or cabinet, depending on type of system) in the desired location.
3	Open the Teletype carton and remove the packing material. Remove the back cover from the stand. Remove and unwrap the copyholder, chad box, and power pack. Remove the stand from the shipping carton. Remove the Teletype console from the carton, holding it by means of the wooden pallet attached to the bottom. Snap the power pack in place at the top of the rear side of the Teletype stand.
4	Remove the Teletype console from the pallet and mount it on the stand. Connect the Teletype console to the power pack. (A 6-lead cable attached at the console is connected to the power pack by means of a white plastic Molex 1375 female connector which mates with a male output plug on the power pack.) Pass the 3-wire power cable and the 7-conductor signal cable (which is terminated in a type W076 cable connector module) through the opening at the lower left-hand corner of the Teletype stand, then replace the back cover of the stand by means of the two mounting screws.
5	Dress the Teletype cable under the PDP-11 Cabinet and through the large opening at the right rear of the mounting box (the Unibus also passes through this opening). Connect the cable to the 8-pin connector on the KL11-A Teletype Control module.

(continued on next page)

Step	Procedure
6	Connect the 3-prong male connector of the Teletype power cable to either one of the two 120V outlets at the rear of the mounting box.
7	Set the OFF/POWER/PANEL LOCK switch on the programmer's console to the POWER position.
8	Install a roll of printed paper into the Teletype Keyboard/Printer, and install a tape in the punch as described in the <i>PDP-11/20 System Manual</i> .
9	Set the Teletype LINE/OFF/LOCAL switch to LINE. Press the punch ON pushbutton. Strike several keys and note whether or not the printer and punch operate. Check operation of the printer with the LINE/OFF/LOCAL switch set to LOCAL. After completion of these checks, set the switch to OFF.
10	Set the OFF/POWER/PANEL LOCK switch on the programmer's console to OFF. This completes the installation of a standard PDP-11 System. Before using the system, verify system operating capability by performing power supply checks and running the complete set of diagnostic programs.

4.5 DATA SHEETS

The following data sheets contain information on the six basic PDP-11 System configurations, as well as major hardware components such as mounting boxes, Teletypes, power supplies, etc.

Each data sheet is devoted to a single item and includes a brief description, list of components, specifications (dimensions and power), and installation drawings.

Data sheets are provided for the following:

- a. Models AA & AB Rack-Mountable Systems
- b. Models BA & BB Table-Top Systems
- c. Models CA & CB Rack-Mounted (cabinet) Systems
- d. LT33 Teletype
- e. LT35 Teletype
- f. H720 Power Supply
- g. H960-CA Freestanding Base Cabinet
- h. H952-HA Freestanding Programmer's Table
- i. BA11-EC Extension Mounting Box (Table-Top Model)
- j. BA11-ES Extension Mounting Box (Rack-Mountable Model)

NOTE

The BA11-CS and BA11-CC basic mounting boxes are included in items a. and b. above, respectively.

DESCRIPTION

Systems designated as either Model AA or AB are mounted in a basic mounting box which includes tilt-and-lock chassis slides for cabinet installation. The mounting box is designed to fit either DEC cabinets or customer-supplied standard 19-inch RETMA cabinets. The only difference between the two models is the input power requirements.

COMPONENTS

Both models consists of a basic BA11-CS Mounting Box and either an H720-A (115V) or H720-B (230V) Power Supply. The mounting box is supplied with the appropriate power supply already installed.

BA11-CS Mounting Box

- Tilt-and-lock chassis slides
- Cooling fans (four)
- Filter
- 11/20 Programmer's Console or 11/10 Controller Console

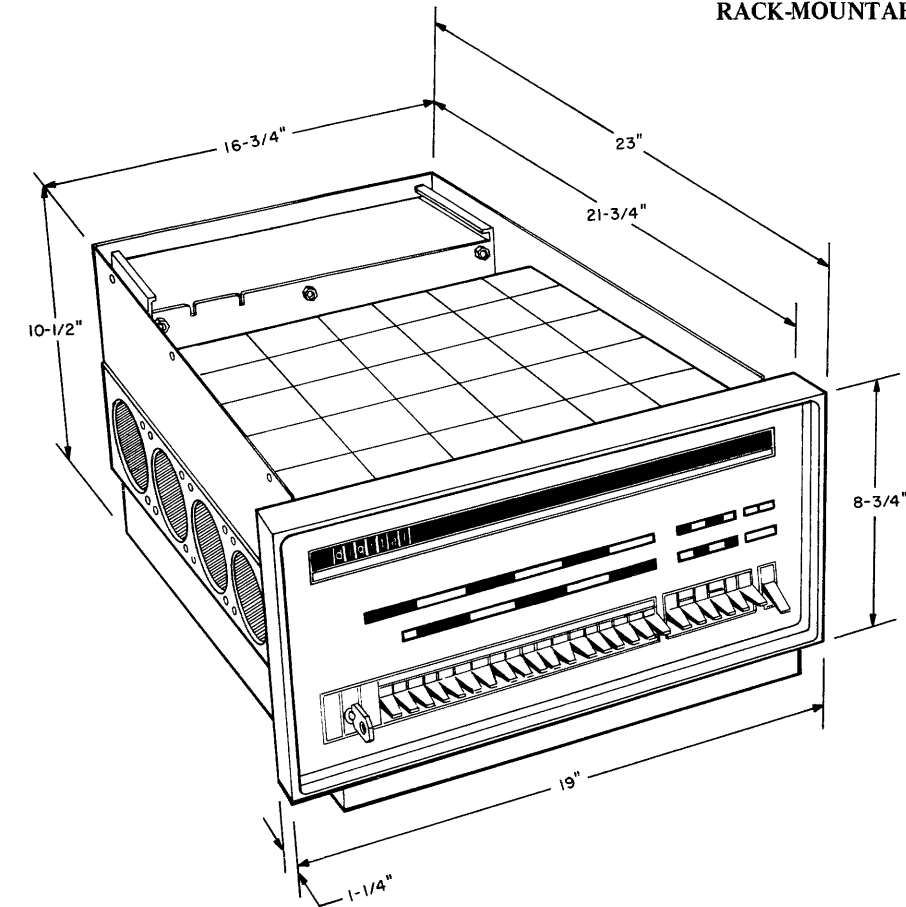
H720 Power Supply

- Power Supply (refer to power supply sheet for description of both A and B models)
- 15 ft of appropriate power cord with ground wire

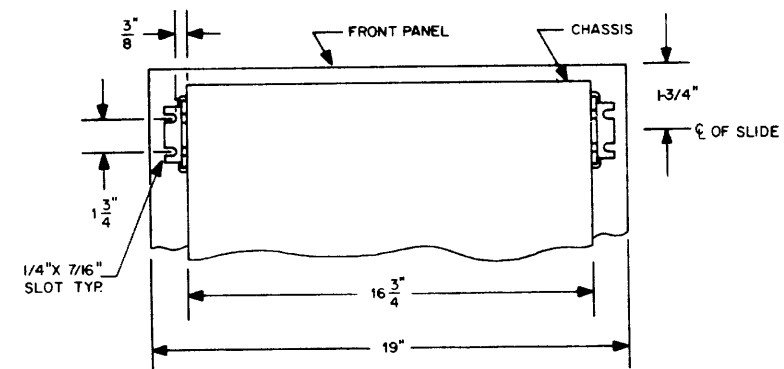
SPECIFICATIONS

- Size:** 10-1/2 in. high, 19 in. wide, 23 in. deep
- Weight:** 90 lbs. (approximate – includes processor, console, and 4K of memory)
- Power:** H720-A – 120V ± 10%, 47-63 Hz, 6A, single-phase
H720-B – 230V ± 10%, 47-63 Hz, 3A, single-phase

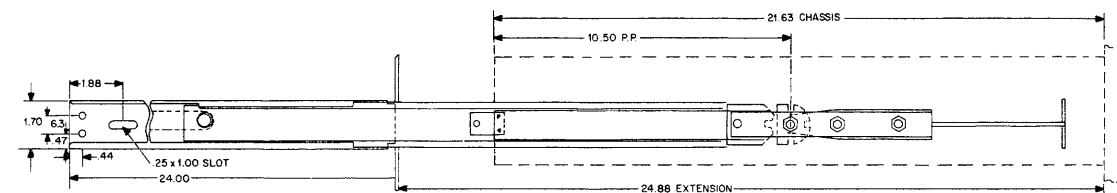
**MODELS AA and AB
RACK-MOUNTABLE SYSTEMS**



Overall Dimensions



Rear View of Mounting Hardware



Side View of Mounting Hardware

DESCRIPTION

Systems designated as either Model BA or BB are mounted in a table-top mounting box which includes a decorative, protective cover. The only difference between the two models is the input power requirements.

COMPONENTS

Both models consist of a BA11-CC Mounting Box and either an H720-A (115V) or H720-B (230V) Power Supply. The appropriate power supply is furnished already installed in the mounting box.

BA11-CC Mounting Box

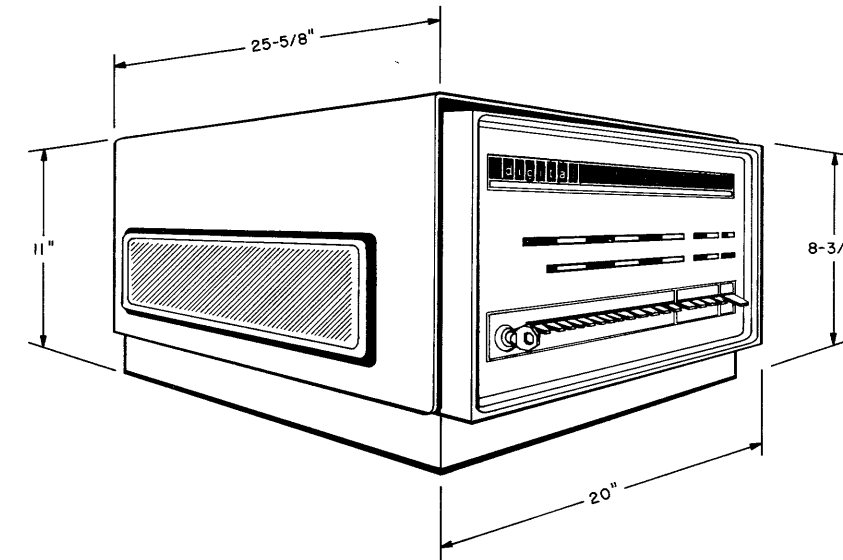
- Protective cover
- Cooling fans (four)
- Filter
- 11/20 Programmer's Console or 11/10 Controller Console

H720 Power Supply (See power supply sheet for description of both A and B models.)
15 ft of power cord with ground wire

SPECIFICATIONS

- Size:** 11 in. high, 20 in. wide, 23-5/8 in. deep
- Weight:** 100 lbs. (approximate – includes processor, console, and 4K of memory)
- Power:** H720-A – 120V ± 10%, 47-63 Hz, 6A, single-phase
H720-B – 230V ± 10%, 47-63 Hz, 3A, single-phase

MODELS BA and BB TABLE-TOP SYSTEMS



DESCRIPTION

Systems designated as either Model CA or CB are delivered to the customer already mounted in a DEC free-standing cabinet. In addition to the space occupied by the basic mounting box, the cabinet contains two additional spaces for holding extension mounting boxes, basic mounting boxes, or other PDP-11 equipment. The only difference between the two models is the input power requirements.

COMPONENTS

Both models consist of a BA11-CS Basic Mounting Box, an H960-CA Cabinet, and either an H720-A (115V) or H720-B (230V) Power Supply. An optional freestanding programmer's table may also be included.

BA11-CS Mounting Box

- Tilt-and-lock chassis slides
- Cooling fans (four)
- Filter
- 11/20 Programmer's Console or 11/10 Controller Console

H720 Power Supply

- Power Supply (refer to power supply sheet for description of both A and B models)
- 15 ft of appropriate power cord with ground wires

H960-CA Freestanding Base Cabinet

- Fan assembly (in top of cabinet)
- Power distribution panel
- Extension feet
- Front panel bezels (5 maximum)

H952-HA Freestanding Programmer's Table (optional)

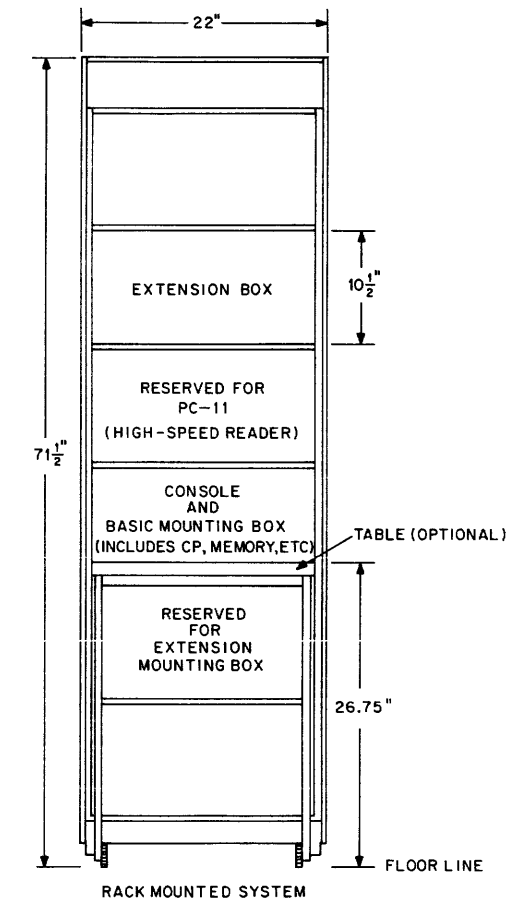
SPECIFICATIONS

Size: Cabinet – 71-1/2 in. high, 22 in. wide, 39 in. deep
Table – 27 in. high, 19 in. wide, 20 in. extension from cabinet

Weight: 150 lbs (approximate – cabinet only – does not include mounting box or optional table)

Power: Either 115V, 60 Hz or 230V, 50 Hz power required for fan assembly

MODELS CA and CB RACK-MOUNTED (CABINET) SYSTEMS



11-0096

DESCRIPTION

The LT33 Teletype Unit is one of the Teletypes that may be used with the PDP-11 System. This Teletype functions as an input/output device for communication with the system. The Teletype unit plugs into the rear of the PDP-11 System Mounting Box and therefore does not require a separate power receptacle.

MODEL TYPES

The LT33 Teletype is available in four models. The first letter of the model number indicates whether or not it has a paper tape capability. The second letter of the model number indicates the required input voltage.

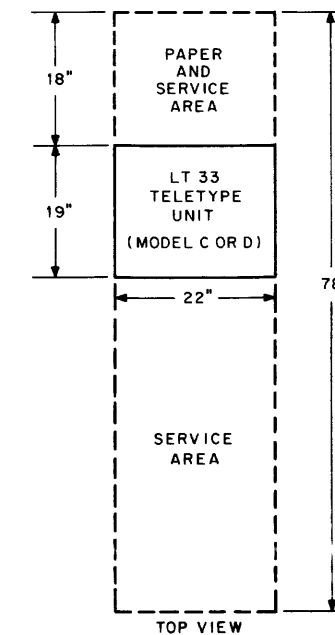
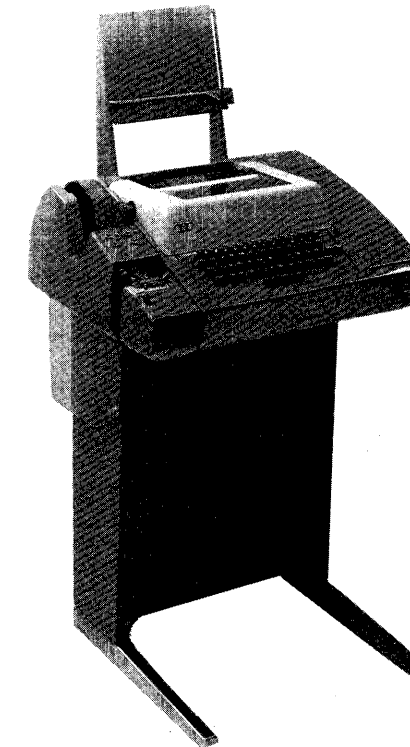
Model	Type	Power	Description
LT33-DC	33 ASR	115V, 60 Hz	Automatic send/receive unit. Includes keyboard and a reader/punch for paper tapes.
LT33-DD	33 ASR	230V, 50 Hz	Same as above.
LT33-CC	33 KSR	115V, 60 Hz	Keyboard only. Does not include paper tape capability.
LT33-CD	33 KSR	230V, 50 Hz	Same as above.

SPECIFICATIONS

Size: 34 in. high, 22 in. wide, 19 in. deep

Weight: 56 lbs

Power: C Models – 115V ± 10%, 60 Hz ± 0.45 Hz
 D Models – 230V ± 10%, 50 Hz ± 0.75 Hz
 Both Models – Line current drain of 2A power dissipation of 150W



NOTE:
 MUST BE WITHIN 8 FT. OF PDP-11
 SYSTEM DUE TO CABLE
 RESTRICTION.

11-0093

DESCRIPTION

The LT35 Teletype Unit is one of the Teletypes that may be used with the PDP-11 System. This Teletype functions as an input/output device for communication with the system and is basically a heavy-duty version of the LT33 Teletype. The unit plugs into the rear of the PDP-11 System Mounting Box and therefore does not require a separate power receptacle.

MODEL TYPES

The LT35 Teletype is available in four models. The first letter of the model number indicates whether or not it has a paper tape capability. The second letter of the model number indicates the required input voltage.

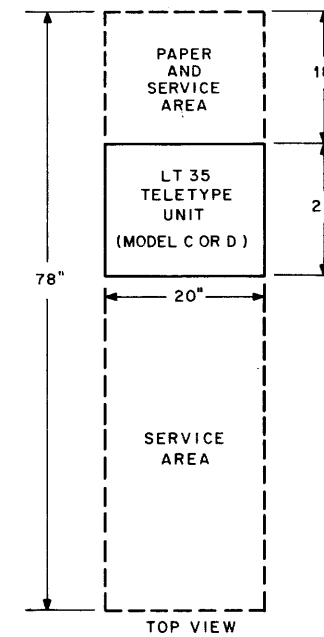
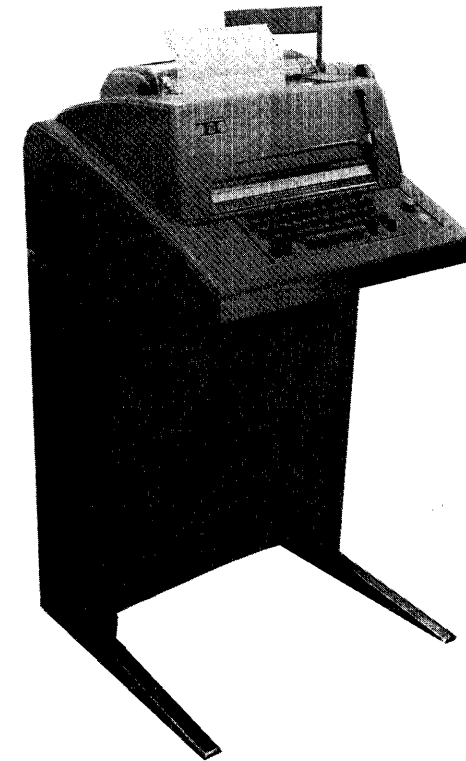
Model	Type	Power	Description
LT35-DC	35 ASR	115V, 60 Hz	Automatic send/receive unit. Includes keyboard and a reader/punch for paper tapes.
LT35-DD	35 ASR	230V, 50 Hz	Same as above.
LT35-CC	35 KSR	115V, 60 Hz	Keyboard only. Does not include paper tape capability.
LT35-CD	35 KSR	230V, 50 Hz	Same as above.

SPECIFICATIONS

Size: 40 in. high, 20 in. wide, 28 in. deep

Weight: 150 lbs

Power: C Models – 115V ± 10%, 60 Hz ± 0.45 Hz
 D Models – 230V ± 10%, 50 Hz ± 0.75 Hz
 Both Models – Line current drain of 2A power dissipation of 150W



11-0094

H720 POWER SUPPLY
(A and B Version)

DESCRIPTION

The H720 Power Supply provides both regulated and unregulated ac and dc power for the PDP-11 System. This supply furnishes all power required by components in either a basic or extension mounting box. The power supply is furnished as part of the basic mounting box, but must be ordered as an additional item when using either the BA11-ES or BA11-EC Extension Mounting Box.

INPUT VOLTAGE

Model A:	120 Vac, $\pm 10\%$; 47-63 Hz; 6A
Model B:	One of the following: 218 Vac, $\pm 10\%$; 47-63 Hz; 3A 225 Vac, $\pm 10\%$; 47-63 Hz; 3A 233 Vac, $\pm 10\%$; 47-63 Hz; 3A 240 Vac, $\pm 10\%$; 47-63 Hz; 3A

OUTPUT VOLTAGES (both models)

Regulated:	+5 Vdc, $\pm 5\%$; 16A -15 Vdc, $\pm 3\%$; 10A
Unregulated:	-22 Vdc, $\pm 20\%$; 1A +8V, full-wave rectified, unfiltered; 1.5A

PROTECTION CIRCUITS

Over-current:	+5V @ 18-22A; short-circuit current 30A at 0V -15V @ 12-16A; short-circuit current 25A at 0V
Over-Voltage:	+5 Vdc limited to 6.3 Vdc -15 Vdc limited to unregulated -22 Vdc

LOGIC SIGNALS

LTC:	Line frequency signal, sine wave clipped at +5V and ground
DC LO:	Low dc voltage signal, goes high before AC LO on power up; remains high 7 ms after AC LO drops during power down
AC LO:	Low ac voltage signal

AVAILABLE POWER

The basic PDP-11/20, consisting of the KA11, KY11-A, MM11-E, and KL11, allows the following power for expansion:

+5 Vdc, $\pm 5\%$;	3.4A
-15 Vdc, $\pm 3\%$;	1.7A
-22 Vdc, $\pm 20\%$, unregulated;	0.8A

DIMENSIONS

Size:	8 in. high, 16-1/2 in. wide, 6 in. deep
Weight:	25 lbs

H720 POWER SUPPLY
(E and F Version)

INPUT VOLTAGE

Model E:	120 Vac, $\pm 10\%$; 47-63 Hz; 6A
Model F:	One of the following: 210 Vac, $\pm 10\%$; 47-63 Hz; 3A 225 Vac, $\pm 10\%$; 47-63 Hz; 3A 240 Vac, $\pm 10\%$; 47-63 Hz; 3A

OUTPUT VOLTAGES (both models)

Regulated:	+5 Vdc, $\pm 5\%$; 22A -15 Vdc, $\pm 3\%$; 10A
Unregulated:	-22 Vdc, $\pm 20\%$; 1A +8V, full-wave rectified, unfiltered; 1.5A

PROTECTION CIRCUITS

Over-current:	-15V @ 12-16A; short-circuit current 25A at 0V
Over-Voltage:	+5 Vdc limited to 6.3 Vdc -15 Vdc limited to unregulated -22 Vdc

LOGIC SIGNALS

LTC:	Line frequency signal, sine wave clipped at +5V and ground
DC LO:	Low dc voltage signal, goes high before AC LO on power up; remains high 7 ms after AC LO drops during power down
AC LO:	Low ac voltage signal

AVAILABLE POWER

The basic PDP-11/20, consisting of the KA11, KY11-A, MM11-E, and KL11, allows the following power for expansion:

+5 Vdc, $\pm 5\%$;	9.4A
-15 Vdc, $\pm 3\%$;	1.7A
-22 Vdc, $\pm 20\%$, unregulated;	0.8A

DIMENSIONS

Size:	8 in. high, 16-1/2 in. wide, 6 in. deep
Weight:	30 lbs

**H960-CA
FREESTANDING BASE CABINET**

DESCRIPTION

This optional cabinet can be used to mount the BA11-CS Basic Mounting Box and a BA11-ES Extension Mounting Box, in addition to other PDP-11 equipment. If desired, the cabinet can be used to house only additional PDP-11 equipment. The cabinet contains six 10-1/2 in. high mounting spaces. If equipment is not mounted, each space can be covered by a black plastic panel. Five of these panels are supplied with the cabinet.

A photograph and installation drawing of this cabinet is contained in the Model CA and CB Rack-Mounted System data sheet.

COMPONENTS

- H950-A Frame
- H952-E Coasters
- H952-F Levelers
- H952-C Fan Assembly (located in top of cabinet)
- H950-S Filter
- H950-B Rear Door
- H952-A End Panel (2)
- H950-D Mounting Panel Doors
- H952-B Stabilizer Feet

- PDP-11 Logo
- Blank Plastic Bezels (10-1/2 in., maximum of 5 supplied)

- #7406782 Kick Plate
- #7005909 Power Distribution Panel (ac and dc; mounted on upper left side of cabinet)

SPECIFICATIONS

- Size:** 71-1/2 in. high, 22 in. wide, 39 in. deep (including stabilizer feet)
- Weight:** 150 lbs. (without any equipment mounted inside)
- Power:** Either 115V, 60 Hz or 230V, 50 Hz power is required for the fan assembly

**H952-HA
FREESTANDING PROGRAMMER'S TABLE**

DESCRIPTION

The H952-HA Freestanding Programmer's Table is an option that can be ordered for use with the H960-CA Base Cabinet. The table extends into the cabinet approximately one in. The surface plate is supported by its own adjustable-height legs. It should be noted that the table cannot be used by itself; it must be used with the base cabinet. During installation planning, it is necessary to note that the table extends 20 in. from the front of the cabinet, making the space needed for the cabinet 59 in. deep.

SPECIFICATIONS

- Size:** 27 in. high (above floor)
- 19 in. wide
- 21 in. deep (extends 20 in. from cabinet, 1 in. into cabinet)

**BA11-EC
EXTENSION MOUNTING BOX
(TABLE-TOP MODEL)**

DESCRIPTION

The Table-Top Extension Box provides mounting space for up to six additional system units which cannot be contained in the basic mounting box.

COMPONENTS

Each BA11-EC Extension Mounting Box is supplied with the following:

- Blank front panel
- Protective cover
- Cooling fans (4)
- Filter
- Unibus cable from basic mounting box (8 ft 6 in. long)
- 15 ft of power cord with ground wire (type of cord determined by type of H720 Power Supply selected)

SPECIFICATIONS

Size: 11 in. high, 20 in. wide, 24 in. deep

Power: Input power requirements are dependent on the type of H720 Power Supply ordered for the box.

**BA11-ES
EXTENSION MOUNTING BOX
(RACK-MOUNTABLE MODEL)**

DESCRIPTION

The Rack-Mountable Extension Box provides mounting space for up to six additional system units which cannot be contained in the basic mounting box.

COMPONENTS

Each BA11-ES Extension Mounting Box is supplied with the following:

- Blank front panel
- Tilt-and-lock chassis slides
- Cooling fans (4)
- Filter
- Unibus cable from basic mounting box (8 ft 6 in. long)
- 15 ft of power cord with ground wire (type of cord determined by type of H720 Power Supply selected)

SPECIFICATIONS

Size: 10-1/2 in. high, 19 in. wide, 23 in. deep

Power: Input power requirements are dependent on the type of H720 Power Supply ordered for the box.

READER'S COMMENTS

**PDP-11 H720 POWER SUPPLY and
MOUNTING BOX
DEC-11-HR5B-D**

Your comments and suggestions will help us in our continuous effort to improve the quality and usefulness of our publications.

What is your general reaction to this manual? In your judgment is it complete, accurate, well organized, well written, etc.? Is it easy to use? _____

What features are most useful? _____

What faults do you find with the manual? _____

Does this manual satisfy the need you think it was intended to satisfy? _____

Does it satisfy *your* needs? _____ Why? _____

Would you please indicate any factual errors you have found. _____

Please describe your position. _____

Name _____ Organization _____

Street _____ Department _____

City _____ State _____ Zip or Country _____

Fold Here

Do Not Tear - Fold Here and Staple

FIRST CLASS
PERMIT NO. 33
MAYNARD, MASS.

BUSINESS REPLY MAIL
NO POSTAGE STAMP NECESSARY IF MAILED IN THE UNITED STATES

Postage will be paid by:

digital

Digital Equipment Corporation
Technical Documentation Department
146 Main Street
Maynard, Massachusetts 01754

