

"THE MATERIAL HEREIN IS FOR INFORMATION PURPOSES ONLY AND IS SUBJECT TO CHANGE WITHOUT NOTICE. DIGITAL EQUIPMENT CORPORATION ASSUMES NO RESPONSIBILITY FOR ANY ERRORS WHICH MAY APPEAR HEREIN."

FIELD MAINTENANCE PRINT SET

"THIS DRAWING AND SPECIFICATIONS, HEREIN, ARE THE PROPERTY OF DIGITAL EQUIPMENT CORPORATION AND SHALL NOT BE REPRODUCED OR COPIED OR USED IN WHOLE OR IN PART AS THE BASIS FOR THE MANUFACTURE OR SALE OF ITEMS WITHOUT WRITTEN PERMISSION. COPYRIGHT © 1981 DIGITAL EQUIPMENT CORPORATION."

TABLE OF CONTENTS

B-TC--FP750-0-1	FP750
E-UA-FP750-0-0	FP750
K-PL-FP750-0-DBP	FP750
B-DD-L0001-0-0	FPA
E-UA-L0001-0-0	FPA Unit Assembly
K-PL-L0001-0-DBP	FPA Parts List
E-EC-5013880-0-0	FPA Etch Cut Drawing
D-CS-L0001-0-1 thru -0-30	FPA Circuit Schematic

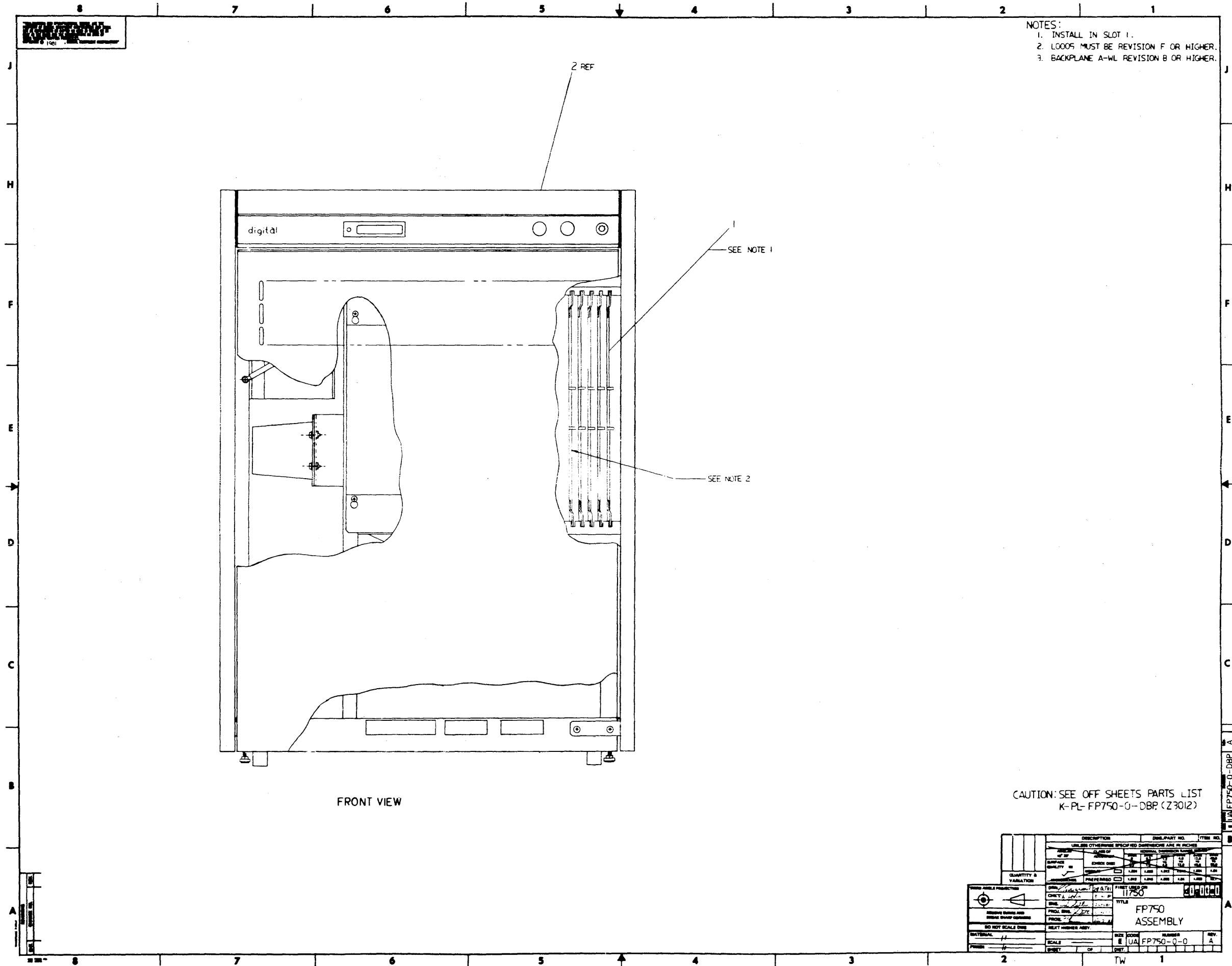
UNIT VARIATIONS COVERED BY THIS PRINT SET
FP750

**Field Maintenance
Print Set**

**Digital Equipment
Corporation**
MP01269

REV. A
NUMBER FP750-0-1
SIZE CODE B TC

REVISIONS		REV		USED ON OPTION/MODEL	DRN.	DATE	TITLE: FP750 ASSEMBLY	digital		
		CHG. NO.			11750	P. Ronsignant			29 Oct 81	
		DATE			CHK'D	DATE				
					L. Levin	3 DEC 81				
			PROJ. ENG.	DATE			SIZE	CODE	NUMBER	REV.
			George P. White	3 Dec 81	B	TC	FP750-0-1	A		
			FIELD SERV.	DATE	DIST.					
			George P. White	3 Dec 81						
			SHEET 1 OF 1							



- NOTES:
1. INSTALL IN SLOT 1.
 2. LOCKS MUST BE REVISION F OR HIGHER.
 3. BACKPLANE A-WL REVISION B OR HIGHER.

FRONT VIEW

CAUTION: SEE OFF SHEETS PARTS LIST
K-PL-FP750-0-DBP (Z3012)

QUANTITY & FABRICATION		DESCRIPTION		DWG. PART NO.		ITEM NO.	
UNLESS OTHERWISE SPECIFIED DIMENSIONS ARE IN INCHES		UNLESS OTHERWISE SPECIFIED DIMENSIONS ARE IN INCHES		UNLESS OTHERWISE SPECIFIED DIMENSIONS ARE IN INCHES		UNLESS OTHERWISE SPECIFIED DIMENSIONS ARE IN INCHES	
QUANTITY	FABRICATION	DESCRIPTION	DWG. PART NO.	ITEM NO.	REV.	DATE	BY
1	1	FP750 ASSEMBLY	11750	11750	A	11/70	AW
DO NOT SCALE DIMS		NEXT NUMBER ASBY		SIZE CODE		NUMBER	
SCALE		SCALE		E UAL		FP750-0-0	
DRAWN		CHECKED		DATE		REV.	
DATE		DATE		DATE		DATE	

AUTOMATED BY PRTLST.3P(44)

PARTS LIST

SHEET A1 OF A1

LINE	ITEM	DOCUMENT NUMBER	PART NUMBER	DESCRIPTION	QUANTITY PER VARIATION
1	1	E-UA-L0001-0-0	L0001-00	FLOATING POINT ACCELERATOR	1
2	2	E-UA-11750-0-0	11750-AA	KA750,MS750-AA,TU58-AA,DZ11-B,DD	REF
3	3	A-SP-3700658-0-0	3700658-01	PKG. PROCESSOR FP750	REF

REVISION HISTORY		BASIC PART NO: FP750		DRN: P. TOUSIGNANT		DATE: 07-DEC-81		D I G I T A L	
ENG	ECO NUMBER	REV	SECTION A OF A	CHK'D:	L. LEVIN	DATE:	07-DEC-81	TITLE	PARTS LIST
---	INITIAL	A	SECTION. VARIATION INDEX					FP750 ASSEMBLY	
			[A] 00						
			[B]	DES.ENG.:	D. SITLER	DATE:	07-DEC-81		
			[C]					DOCUMENT NUMBER	
			[D]	RESP.ENG.:	D. SITLER	DATE:	07-DEC-81	SIZE:CODE:	NUMBER
			[E]						REV
			[F]	MFG.ENG.:	B. NEUMANN	DATE:	07-DEC-81	K PL	FP750-0-DBP
				ASSEMBLY NUMBER:	E-UA-FP750-0-0	TOP DOCUMENT NUMBER:		FILE NAME:	EDIT #
								Z3012A.PLS	6

"THIS DRAWING AND SPECIFICATIONS HEREIN, ARE THE PROPERTY OF DIGITAL EQUIPMENT CORPORATION AND SHALL NOT BE REPRODUCED OR COPIED OR USED IN WHOLE OR IN PART AS THE BASIS FOR THE MANUFACTURE OR SALE OF ITEMS WITHOUT WRITTEN PERMISSION. COPYRIGHT (C) 1981. DIGITAL EQUIPMENT CORPORATION"

DRAWING NO.	NO. OF SHTS.	PART NO.	DESCRIPTION	REVISIONS																	
				A	A	A	A	A													
D-CS-L0001-0-15	1	*	EXPONENT LOGIC, SHORT LIT LATCH	A	A	A	A	A													
D-CS-L0001-0-16	1	*	SIGN LOGIC, EXP ZERO, RES OP DETECT	A	B	C	C	C													
D-CS-L0001-0-17	1	*	OPCODE ENTRY, STEP, CTR, BRANCH LOGIC	A	A	B	B	B													
D-CS-L0001-0-18	1	*	CONTROL STORE BYTES 9 TO 5	A	A	A	A	A													
D-CS-L0001-0-19	1	*	CONTROL STORE BYTES 4 TO 0	A	A	A	A	A													
D-CS-L0001-0-20	1	*	CLOCK LOGIC	A	A	A	A	B													
D-CS-L0001-0-21	1	*	CONDITION CODES FPA PRESENT	A	A	A	A	A													
D-CS-L0001-0-22	1	*	PWR-GND DECOUPLING	A	A	A	B	B													
D-CS-L0001-0-23	1	*	MICRO DIAG TEST CONNECTORS	A	A	A	A	A													
D-CS-L0001-0-24	1	*	FORWARD REFERENCE	A	A	A	A	A													
D-CS-L0001-0-25	1	*	FORWARD REFERENCE	A	A	A	B	B													
D-CS-L0001-0-26	1	*	FORWARD REFERENCE	A	B	B	B	B													
D-CS-L0001-0-27	1	*	FORWARD REFERENCE	A	A	A	A	A													
D-CS-L0001-0-28	1	*	FORWARD REFERENCE	A	B	C	C	C													
D-CS-L0001-0-29	1	*	FORWARD REFERENCE	A	A	A	A	B													
D-CS-L0001-0-30	1	*	FORWARD REFERENCE	A	A	A	A	A													

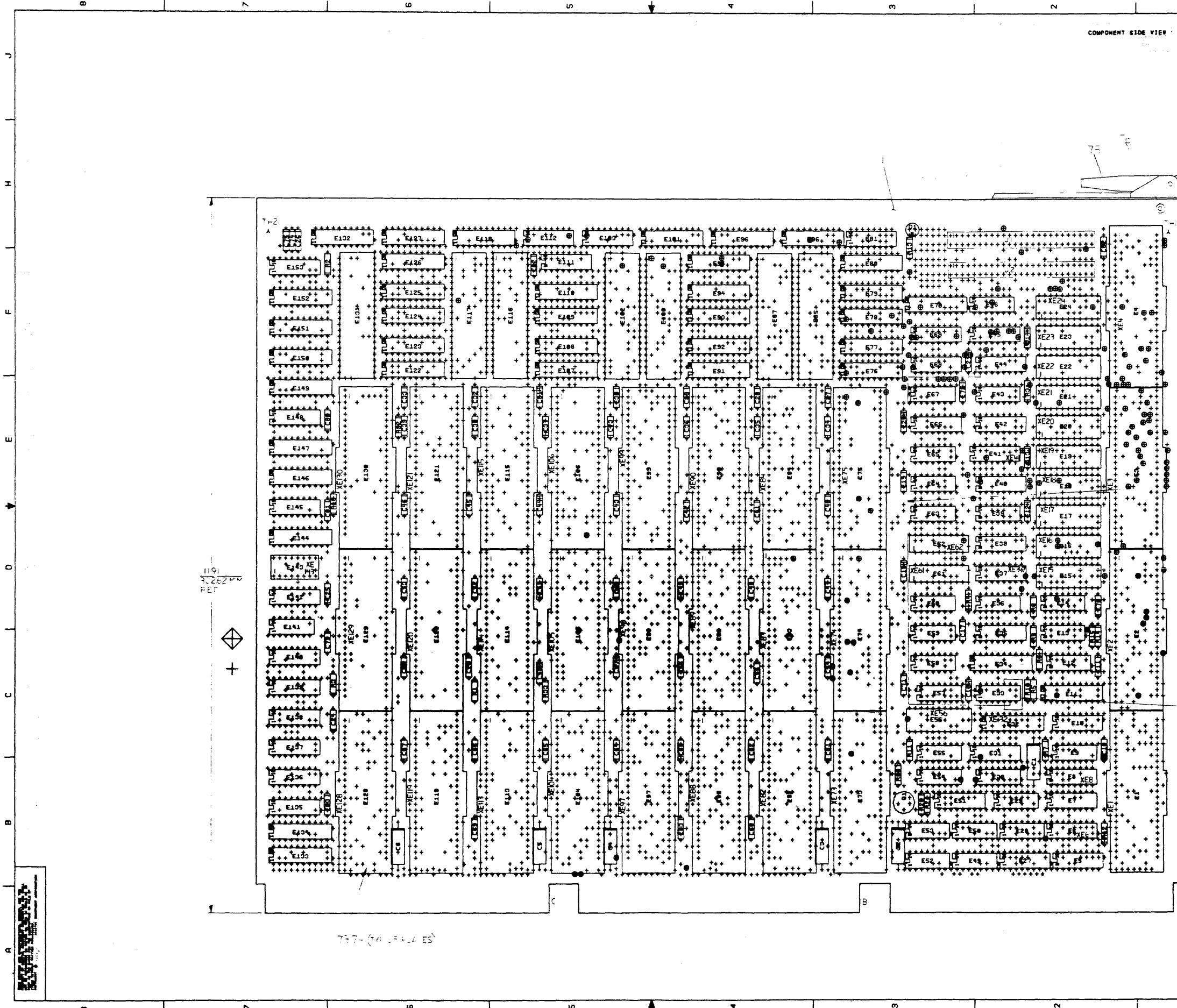
NOTES: * CONTROL SOURCE IS DATABASE NO CONTROLLED PAPER ORIGINALS EXISTS

REVISIONS	DATE	CHG NO.	REV.
	12/81	TW001	B
	3-82	TW002	C
	10-82	TW003	D
	1-84	TW004	E

THIS DRAWING AND SPECIFICATIONS, HEREIN, ARE THE PROPERTY OF DIGITAL EQUIPMENT CORPORATION AND SHALL NOT BE REPRODUCED OR COPIED OR USED IN WHOLE OR IN PART AS THE BASIS FOR THE MANUFACTURE OR SALE OF ITEMS WITHOUT WRITTEN PERMISSION.
 COPYRIGHT © 1981 DIGITAL EQUIPMENT CORPORATION



USED ON OPTION/MODEL	DRN	TITLE	SIZE	CODE	NUMBER	REV.
FP 750	<i>[Signature]</i> 9/9/81	FPA	B	DD	L0001-0-0	E
	CHK BY <i>[Signature]</i> 9/9/81					
	ENG. <i>[Signature]</i> 9-9-81					
	PROD. <i>[Signature]</i> 9-21-81					
		SHEET 2 OF 2				



COMPONENT SIDE VIEW

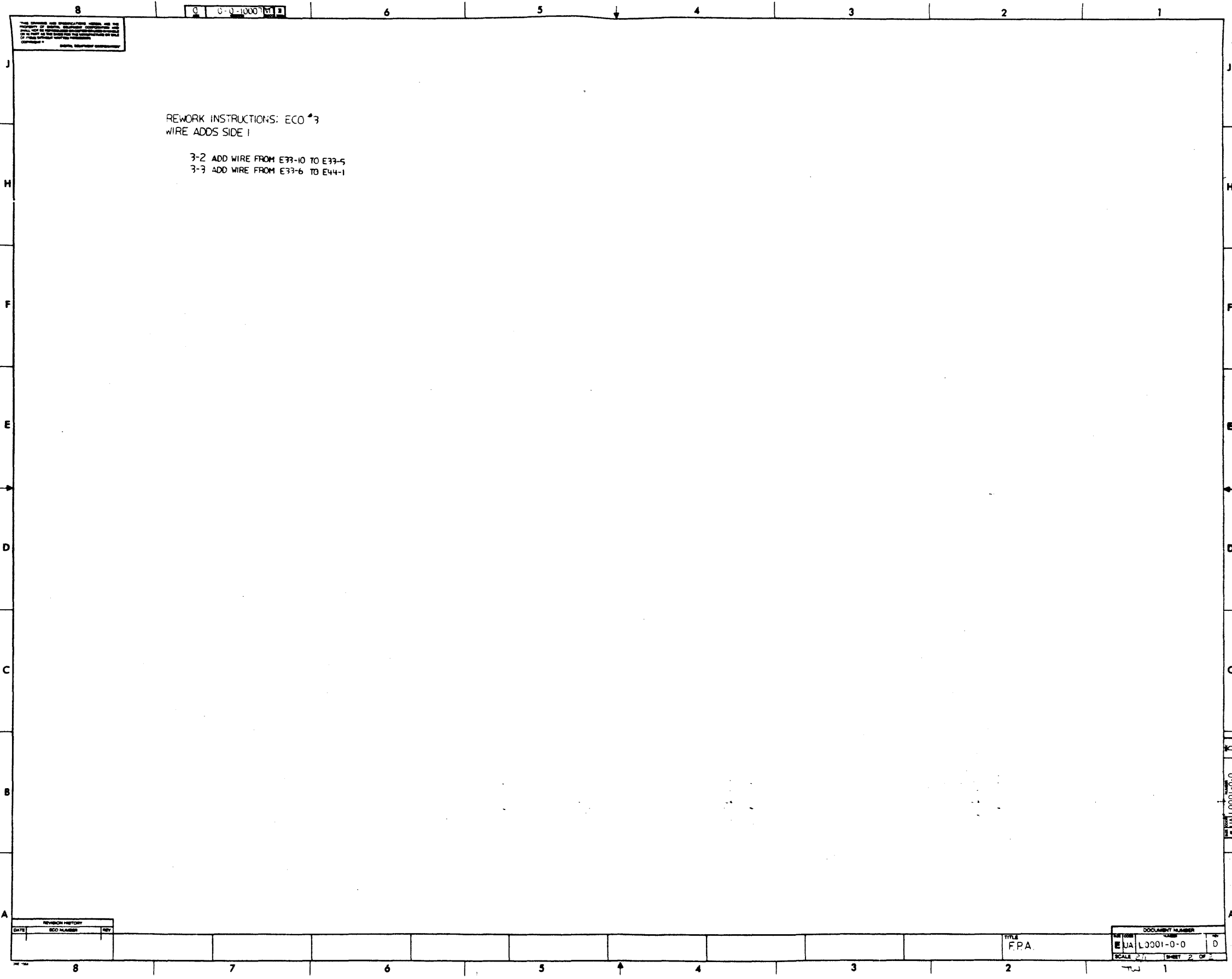
1191
30262MM
REF

IC SOCKETS CONTINUED: XE19-1E, XE11-20, XE20-20, XE10-10
 * STAR MARK I.C. LOCATIONS ELIMINATED (E.P., E.2K, E.11K, E.14K, E.17K, E.17Z)

737-(A 344 ES)

DESIGNER'S NAME	DATE	digital
CHK. D.	7/30/72	
TECH. ENG.		
PROJ. ENG.		
DATE	7-15	TITLE
DESIGN		I P/A
DRW. I OF		STRIP CODE
EXT. NUMBER		E IUA
		NUMBER
		100J1-9-0
		REV
		0

NOTES:	A
1. ALL DIMENSIONS ARE IN MILLIMETERS UNLESS OTHERWISE SPECIFIED.	B
2. ALL DIMENSIONS SHALL BE TO CENTER UNLESS OTHERWISE SPECIFIED.	C
3. IC SOCKET LOCATIONS ELIMINATED ARE INDICATED BY STAR MARKS.	D
4. IC SOCKET LOCATIONS ELIMINATED ARE INDICATED BY STAR MARKS.	E
5. ALL DIMENSIONS SHALL BE TO CENTER UNLESS OTHERWISE SPECIFIED.	F
6. ALL DIMENSIONS SHALL BE TO CENTER UNLESS OTHERWISE SPECIFIED.	G
7. ALL DIMENSIONS SHALL BE TO CENTER UNLESS OTHERWISE SPECIFIED.	H
8. ALL DIMENSIONS SHALL BE TO CENTER UNLESS OTHERWISE SPECIFIED.	I
9. ALL DIMENSIONS SHALL BE TO CENTER UNLESS OTHERWISE SPECIFIED.	J
10. ALL DIMENSIONS SHALL BE TO CENTER UNLESS OTHERWISE SPECIFIED.	K
11. ALL DIMENSIONS SHALL BE TO CENTER UNLESS OTHERWISE SPECIFIED.	L
12. ALL DIMENSIONS SHALL BE TO CENTER UNLESS OTHERWISE SPECIFIED.	M
13. ALL DIMENSIONS SHALL BE TO CENTER UNLESS OTHERWISE SPECIFIED.	N
14. ALL DIMENSIONS SHALL BE TO CENTER UNLESS OTHERWISE SPECIFIED.	O
15. ALL DIMENSIONS SHALL BE TO CENTER UNLESS OTHERWISE SPECIFIED.	P
16. ALL DIMENSIONS SHALL BE TO CENTER UNLESS OTHERWISE SPECIFIED.	Q
17. ALL DIMENSIONS SHALL BE TO CENTER UNLESS OTHERWISE SPECIFIED.	R
18. ALL DIMENSIONS SHALL BE TO CENTER UNLESS OTHERWISE SPECIFIED.	S
19. ALL DIMENSIONS SHALL BE TO CENTER UNLESS OTHERWISE SPECIFIED.	T
20. ALL DIMENSIONS SHALL BE TO CENTER UNLESS OTHERWISE SPECIFIED.	U
21. ALL DIMENSIONS SHALL BE TO CENTER UNLESS OTHERWISE SPECIFIED.	V
22. ALL DIMENSIONS SHALL BE TO CENTER UNLESS OTHERWISE SPECIFIED.	W
23. ALL DIMENSIONS SHALL BE TO CENTER UNLESS OTHERWISE SPECIFIED.	X
24. ALL DIMENSIONS SHALL BE TO CENTER UNLESS OTHERWISE SPECIFIED.	Y
25. ALL DIMENSIONS SHALL BE TO CENTER UNLESS OTHERWISE SPECIFIED.	Z



THIS DOCUMENT AND INFORMATION CONTAINED HEREIN ARE UNCLASSIFIED EXCEPT WHERE SHOWN OTHERWISE BY THE DATE AND AUTHORITY INDICATED AT THE BOTTOM OF THIS PAGE.

REWORK INSTRUCTIONS: ECO #3
 WIRE ADDS SIDE 1
 3-2 ADD WIRE FROM E33-10 TO E33-5
 3-3 ADD WIRE FROM E33-6 TO E44-1

REVISION HISTORY		
DATE	ECO NUMBER	REV

TITLE
F.P.A.

DOCUMENT NUMBER	
REV	NO
0	0

SCALE 2:1 SHEET 2 OF 3

LINE ITEM	TOP DOCUMENT	PART NUMBER	MIN REV	DESCRIPTION	QTY PER VARIATION	REFERENCE DESIGNATOR
1	1	5013880-00		L0001 MULTI LAYER BOARD	1	
2	2	1012784-00		.047 MFD 50V +80-20% CER	70	C10-C14,C16-C75,C79-C83
3	3	1114384-00		LED 105MW 35MA GREEN	1	D1
4	4	1302379-00		75.0 .25 W 5.0 % CF	4	R30-R33
5	5	1300295-00		330.0 .25 W 5.0 % CF	1	R21
6	6	1300316-00		470.0 .25 W 5.0 % CF	4	R1-R4
7	7	1300365-00		1.0 K .25 W 5.0 % CF	6	R5-R10
8	8	1300447-00		4.70 K .25 W 5.0 % CF	2	R14,R15
9	9	1301401-00		750.0 .25 W 5.0 % CF	1	R20
10	10	1301775-00		820.0 .25 W 5.0 % CF	1	R11
11	11	1503121-00		2N 2369 NPN 350MW SI N	1	Q1
12	12	1912728-00		74S251 MUX 1 OF 8 TRI-STA	1	E40
13	13	1910532-00		74S00 NAND GATE-QUAD 2IN	8	E12,E14,E50,E58,E59,E63,E64,E46
14	14	1910533-00		74S03 NAND GATE-QUAD 2IN,0	1	E30
15	15	1910534-00		74S04 INVERTER GATE-HEX 1I	3	E33,E53,E67
16	16	1910539-00		74S20 NAND GATE-DUAL 4INPU	1	E49
17	17	1910542-00		74S64 A-0-I GATE 4-2-3-2	2	E28,E29
18	18	1910544-00		74S74 FF-D DUAL,EDGE TRIGG	1	E60
19	19	1910545-00		74S112 FF-JK DUAL,EDGE TRIG	1	E51
20	20	1910547-00		74S153 MUX 1 OF 4 (DUAL)	3	E42,E69,E142
21	21	1910548-00		74S157 MUX 1 OF 2 (QUAD)	9	E10,E31,E66,E68,E136,E135,E137, CONT E138,E140
22	22	1910550-00		74S174 FF-D HEX	1	E5
23	23	1910552-00		74S194 SHIFT REG.,4BIT RIGH	2	E44,E45
24	24	1910957-00		74S175 FF-D QUAD COMMON CLO	1	E27
25	25	1911675-00		74S138 DECODER/DEMUX 3-8 LI	1	E7
26	26	1911712-00		74S51 AND-OR GATE-INVERT D	1	E43
27	27	1911983-00		74S133 NAND GATE-POSITIVE 1	1	E139
28	28	1912097-00	SN	74S182 LOOK AHD CARRY GEN	5	E81,E103,E111,E112,E153
29	29	1912389-00		74S08 AND GATE-QUAD 2IN,PO	2	E54,E65

REVISION HISTORY			BASIC PART NO: 5013880		
ENG	ECO NUMBER	REV	SECTION A OF A	DRN: J.CASEY	DATE: 03-AUG-81
---	INITIAL	A	SECTION VARIATION INDEX	CHK'D: F.GAROFALO	DATE: 03-AUG-81
DS	L0001-TW001	B	[A] 00	DES.ENG: D.SITLER	DATE: 03-AUG-81
DS	L0001-TW003	C	[B]	RESP.ENG.: D.SITLER	DATE: 03-AUG-81
PG	L0001-TW004	D	[C]	MFG.ENG.: C.PATTERSON	DATE: 03-AUG-81
			[D]	ASSEMBLY NUMBER:	TOP DOCUMENT NUMBER:
			[E]	E-UA-L0001-0-0	B-DD-L0001-0-0
			[F]		FILE NAME:
			[G]		Z3016D.PLS
			[H]		EDIT #
			[I]		16
			[J]		
			[K]		
			[L]		
			[M]		
			[N]		

"THIS DRAWING AND THE SPECIFICATIONS CONTAINED HEREIN ARE CONFIDENTIAL AND PROPRIETARY. THEY ARE THE PROPERTY OF DIGITAL EQUIPMENT CORPORATION AND SHALL NOT BE REPRODUCED OR COPIED OR USED IN WHOLE OR IN PART AS THE BASIS FOR THE MANUFACTURE OR SALE OF ITEMS WITHOUT WRITTEN PERMISSION. THIS IS AN UNPUBLISHED WORK PROTECTED UNDER THE FEDERAL COPYRIGHT LAWS."

LINE	ITEM	TOP DOCUMENT	PART NUMBER	MIN REV	DESCRIPTION	QTY	PER VARIATION	REFERENCE DESIGNATOR
					VARIATION REVISION LEVEL:	00		
						E1		
30	30		1912660-00		74S253 MUX 1 OF 4 (DUAL)	1		E35
31	31		1912666-00		BUFFER GATE-QUAD 2IN	3		E13,E39,E57
32	32		1912746-00	DEC	74S37 NAND GATE-QUAD 2IN	1		E52
33	33		1913340-00		74S32 OR GATE-QUAD 2IN	1		E36
34	34		1913462-00		74S240 OCTAL BUFFER, INVERTI	1		E34
35	35		1913671-00		74S374 FF-D,OCTAL,TR1 STATE	9		E11,E70,E78,E86,E92,E108,E123, CONT E127,E150
36	36		1913700-00		74S381 ALU-4BIT	14		E79,E80,E93-E95,E101,E109,E110, CONT E124-E126,E132,E151,E152
37	37		1914085-00		74S260 NOR GATE-DUAL,POS	3		E9,E55,E141
38	38		1914686-00	DC	612B BIPOLAR,LS,400-GATE	2		E90,E120
39	39		1914710-00	DC	636 BIPOLAR,LS,400-GATE	8		E73,E82,E104,E113,E114,E119, CONT E128,E129
40	40		1914711-00	DC	637 BIPOLAR,LS,400-GATE	4		E83,E89,E105,E98
41	41		1914712-00	DC	638 BIPOLAR,LS,400-GATE	8		E74,E75,E84,E99,E106,E115,E121, CONT E130
42	42		1914713-00	DC	639 BIPOLAR,LS,400-GATE	2		E88,E97
43	43		1914715-00	DC	641 BIPOLAR,LS,400-GATE	2		E1,E2
44	44		1914716-00	DC	642 BIPOLAR,LS,400-GATE	1		E3
45	45		1914717-00	DC	643 BIPOLAR,LS,400-GATE	1		E4
46	46		1915193-00		LS244 DRIVER,LINE,OCTAL,T	8		E76,E77,E91,E96,E107,E118,E122, CONT E149
47	47		1915698-00		MULTIPLIER 8X8	7		E85,E87,E100,E102,E116,E117,E131
48	48		23328A1-00	A1-07		1		E37
49	49		23621A2-00	A2-05		1		E6
50	50		23626A2-00	A2-05		1		E41
51	51		23074B1-00	B1-01		1		E32
52	52		23056F2-00	F2-01		1		E61
53	53		23057F2-00	F2-01		1		E62
54	54		1017472-00	10 MFD	35V +75-10% AL EL	6		C1-C6
55	55		23043D2-00	D2-01		1		E15
56	56		23044D2-00	D2-01		1		E16
57	57		23045D2-00	D2-01		1		E17
58	58		23046D2-00	D2-01		1		E19
59	59		23047D2-00	D2-01		1		E20
60	60		23048D2-00	D2-01		1		E22
61	61		23049D2-00	D2-01		1		E23
62	62		23050D2-00	D2-01		1		E21
63	63		23051D2-00	D2-01		1		E18
64	64		23052D2-00	D2-01		1		E24
65	65		23053D2-00	D2-01		1		E56
66	66		1910650-00		74161 COUNTER,SYNCHR. UP	1		E38
67	67		1300444-00	3.90 K	.25 W 5.0 % CF	2		R12,R16
68	68		1215006-02	SKT,IC	16PIN DIP TIN SOLD	5		XE6,XE8,XE37,XE41,XE143
69	69		1215006-03	SKT,IC	18PIN DIP TIN SOLD	2		XE61,XE62
70	70		1215006-04	SKT,IC	20PIN DIP TIN SOLD	1		XE32
71	71		1215006-05	SKT,IC	22PIN DIP TIN SOLD	11		XE15-XE24,XE56
72	72		1215924-00	SKT,IC	48PIN DIP GOLD FOR	28		XE1-XE4,XE73-XE75,XE82-XE84,

D	I	G	I	T	A	L	TITLE	FPA	SECTION A	OF A	SIZE	CODE	DOCUMENT NUMBER	REV
											K	PL	L0001-0-DBP	D

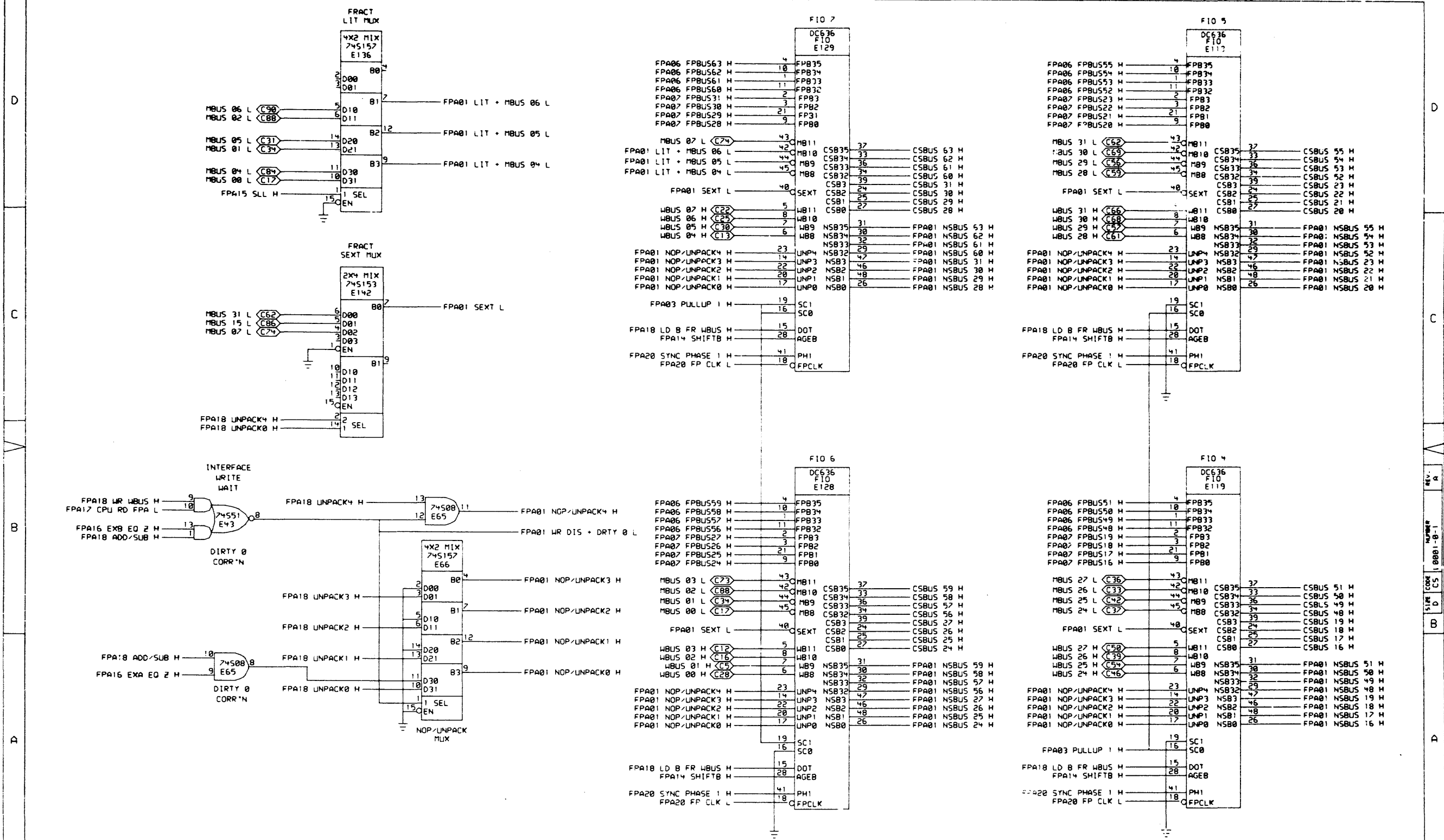
AUTOMATED BY PRTLST.3P(44)

P A R T S L I S T

SHEET A3 OF A3

LINE	ITEM	TOP DOCUMENT	PART NUMBER	MIN REV	DESCRIPTION	QTY	PER VARIATION	REFERENCE DESIGNATOR
					VARIATION REVISION LEVEL:	00		
						E1		
								CONT XE88-XE90, XE97-XE99, XE104-XE106,
								CONT XE113-XE115, XE119-XE121,
								CONT XE128-XE130
73	73		1215935-00		GASKET, THERMAL SILICONE	28		
74	74		1215936-00		HEAT SINK, 2.200X.585	28		
75	75		1216988-02		HANDLE, MODULE, HEX TWO EJECTORS	1		
76	76		9000024-01		EYELET, ROLLED 0.1210DX0.192	12		
77	77		23968A9-00		A9-01	1		E8
78	78		1211004-05		PCB, HEADER 50SKT(2X25).100CC	2		J1, J2
79	79		1300271-00		220.0 .25 W 5.0 % CF	1		R13
80	80		23971A9-00		A9-04	1		E143

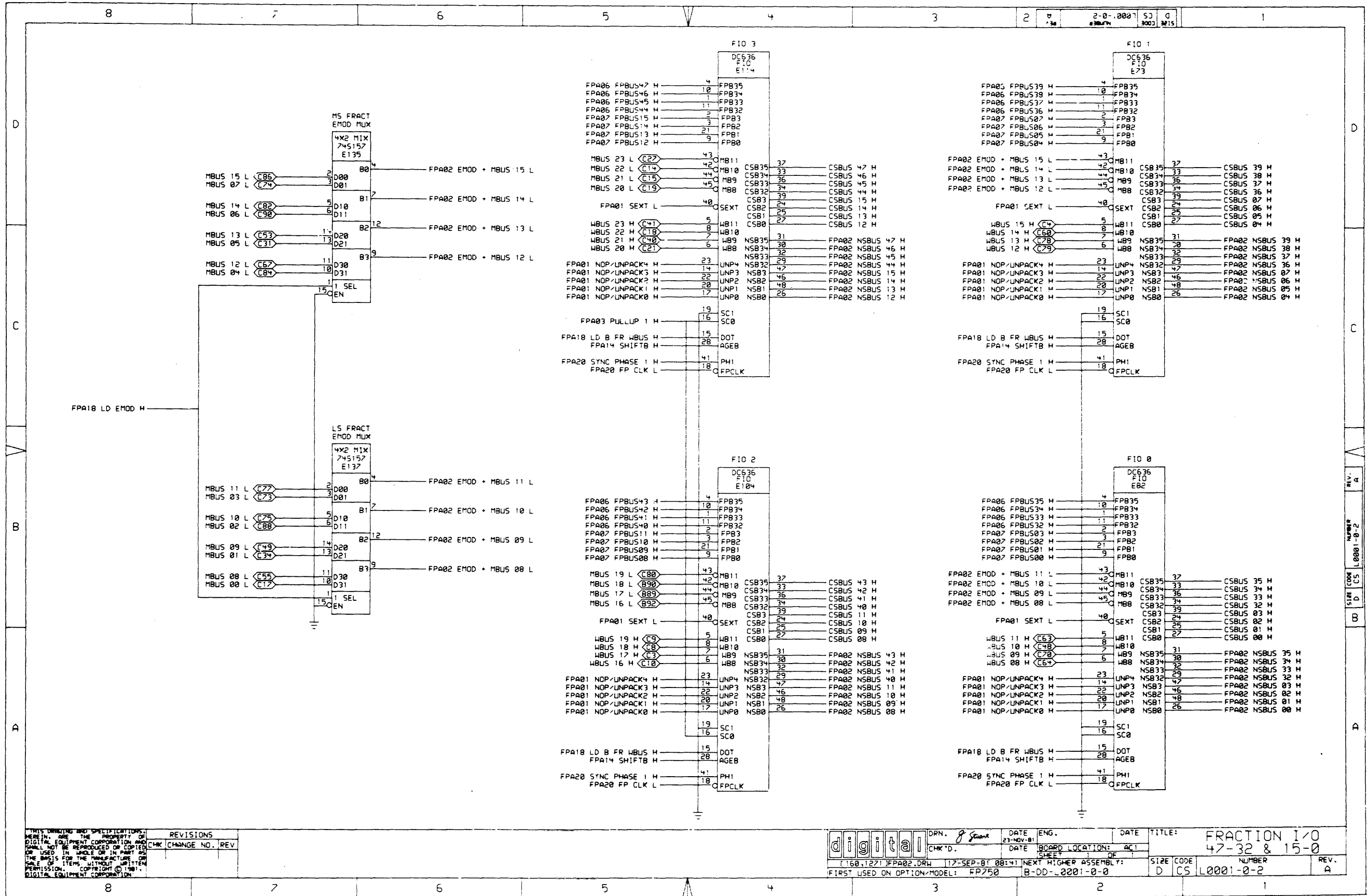
D	I	G	I	T	A	L	TITLE	FPA	SECTION A	OF A	SIZE	CODE	DOCUMENT NUMBER	REV
											K	PL	L0001-0-DBP	D



THIS DRAWING AND SPECIFICATIONS HEREIN ARE THE PROPERTY OF DIGITAL EQUIPMENT CORPORATION AND SHALL NOT BE REPRODUCED OR COPIED OR USED IN WHOLE OR IN PART AS THE BASIS FOR THE MANUFACTURE OR SALE OF ITEMS WITHOUT WRITTEN PERMISSION. COPYRIGHT © 1981, DIGITAL EQUIPMENT CORPORATION.

REVISIONS	
CHK	CHANGE NO. REV

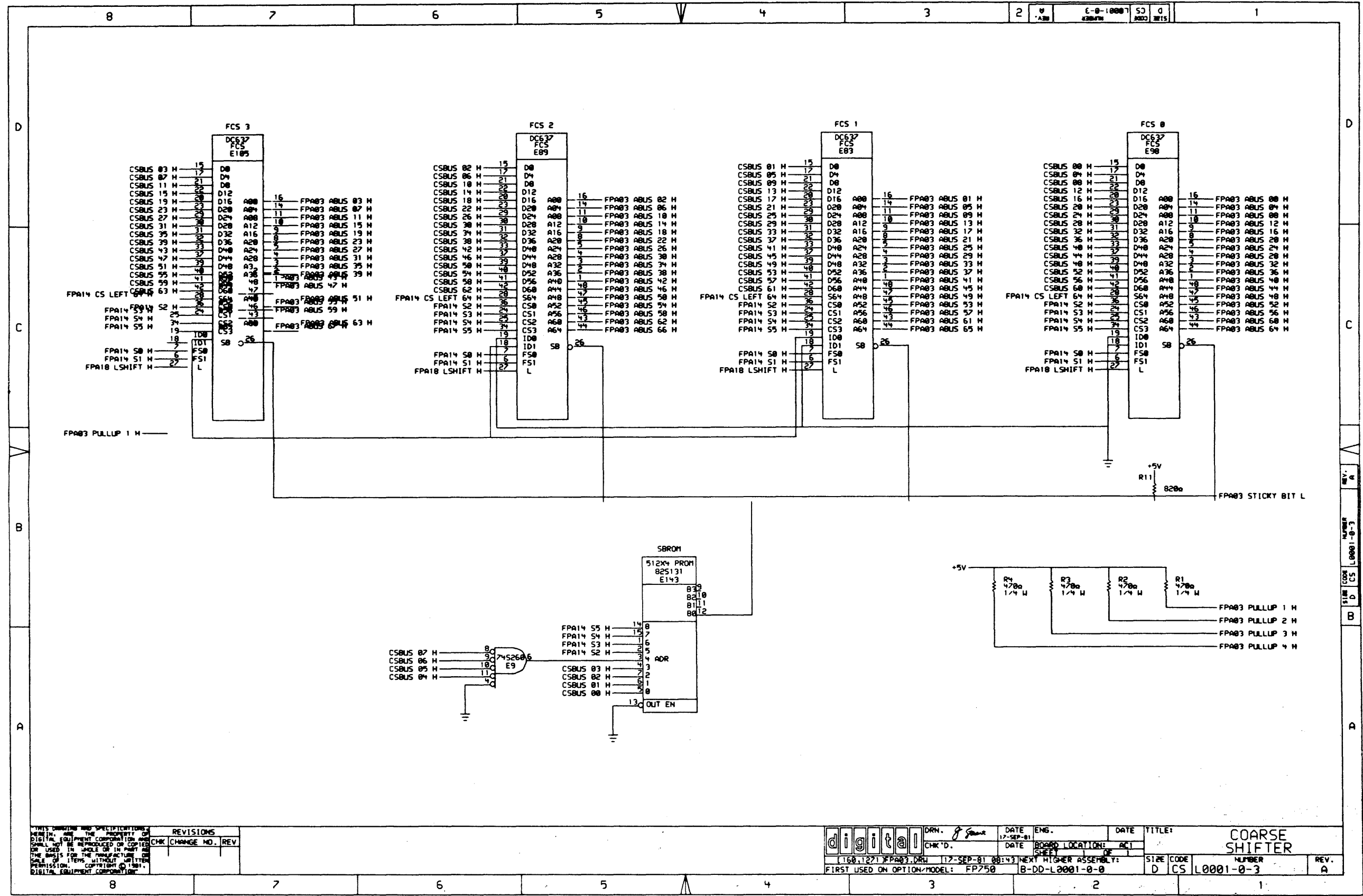
digital	DRN. J. J. J.	DATE ENG. 23-NOV-81	DATE	TITLE: FRACTION I/O
	CHK'D.	DATE BOARD LOCATION: AC1	SHEET	63-48 & 31-16
FIRST USED ON OPTION/MODEL: FP750		NEXT HIGHER ASSEMBLY: B-DD-L0001-0-0		REV. A



THIS DRAWING AND SPECIFICATIONS WERE IN THE PROPERTY OF DIGITAL EQUIPMENT CORPORATION AND SHALL NOT BE REPRODUCED OR COPIED OR USED IN WHOLE OR IN PART AS THE BASIS FOR THE MANUFACTURE OR SALE OF ITEMS WITHOUT WRITTEN PERMISSION. COPYRIGHT © 1981 DIGITAL EQUIPMENT CORPORATION.

REV.	NO.	DESCRIPTION
1	1	CHK CHANGE NO. REV

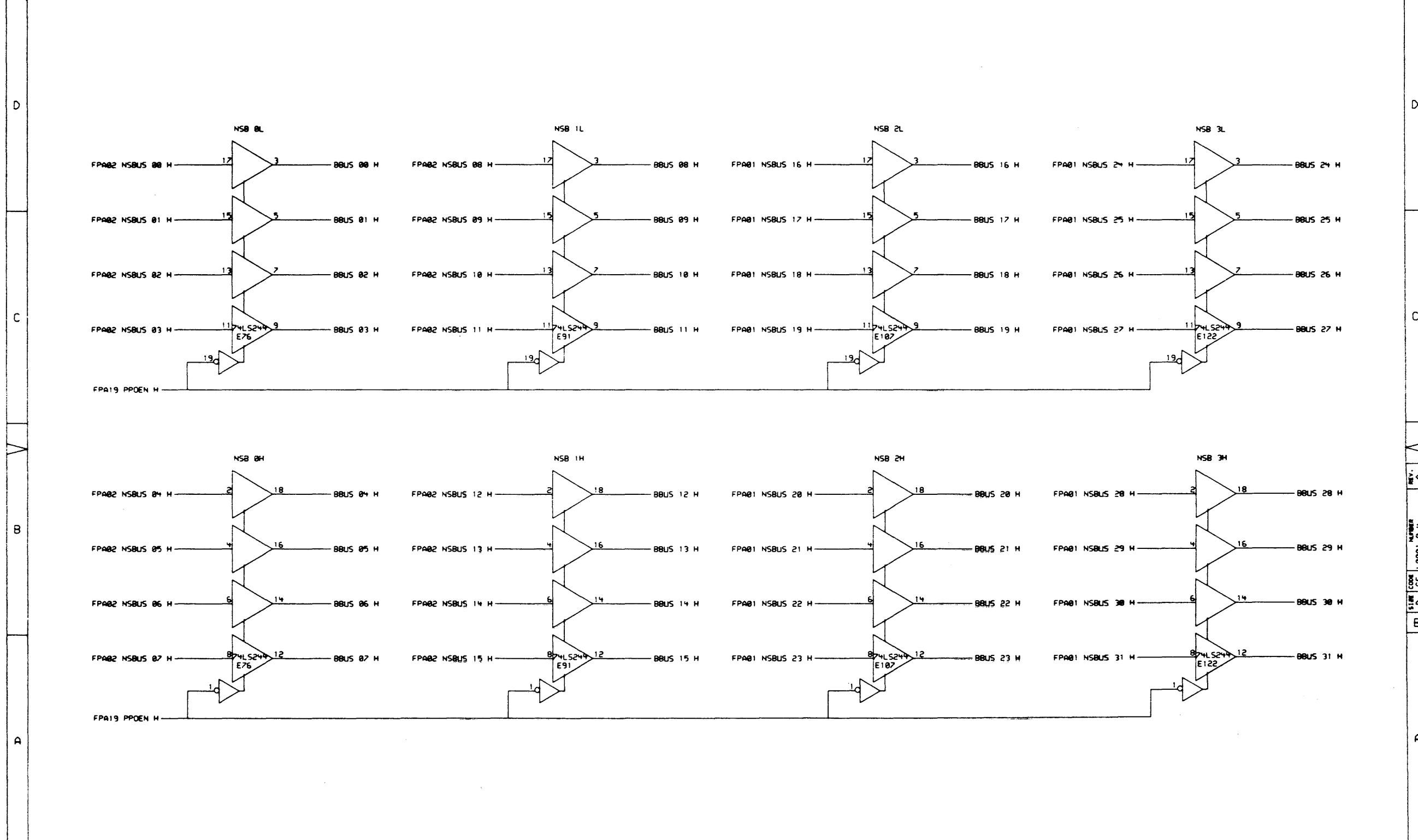
DRN. <i>J. Grant</i>	DATE 23-NOV-81	ENG.	DATE	TITLE: FRACTION I/O 47-32 & 15-0
CHK'D.	DATE	BOARD LOCATION: AC1	SHEET	SIZE CODE D CS
(160,1271) FPA02.DRW	17-SEP-81 08:41	NEXT HIGHER ASSEMBLY: B-DD-.2001-0-0	REV. A	NUMBER L0001-0-2
FIRST USED ON OPTION-MODEL: FP750				



REV. A
 NUMBER L0001-0-3
 SIZE CODE D CS
 BOARD NUMBER L0001-0-3

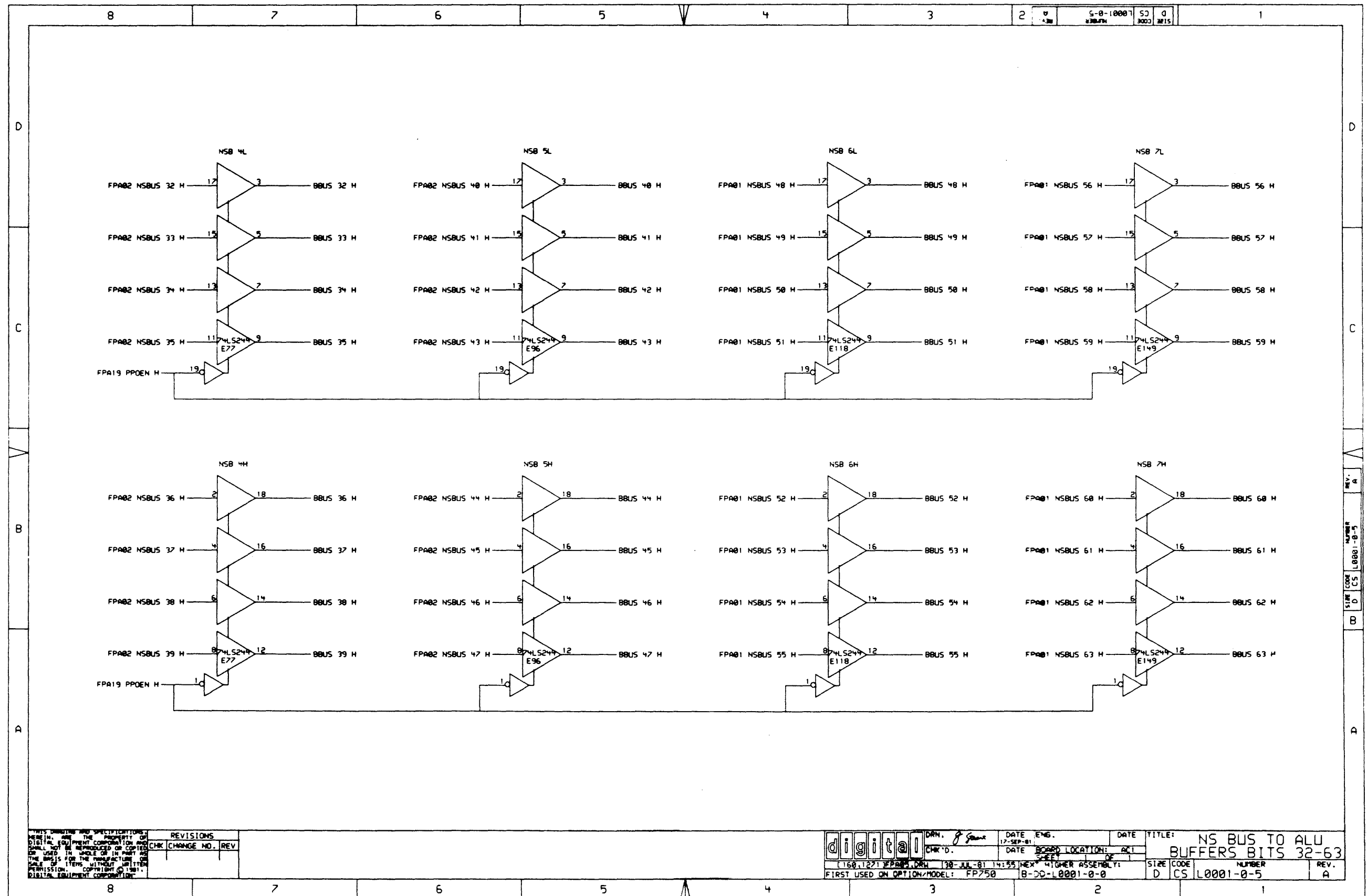
REVISIONS	
CHK	CHANGE NO. REV

digital	DRN. <i>J. Grant</i>	DATE 17-SEP-81	ENG.	DATE	TITLE: COARSE SHIFTER
	CHK'D.	DATE	BOARD LOCATION: ACT	SHEET	
FIRST USED ON OPTION/MODEL: FP750		NEXT HIGHER ASSEMBLY: B-DD-L0001-0-0		SIZE CODE D CS	NUMBER L0001-0-3
				REV. A	



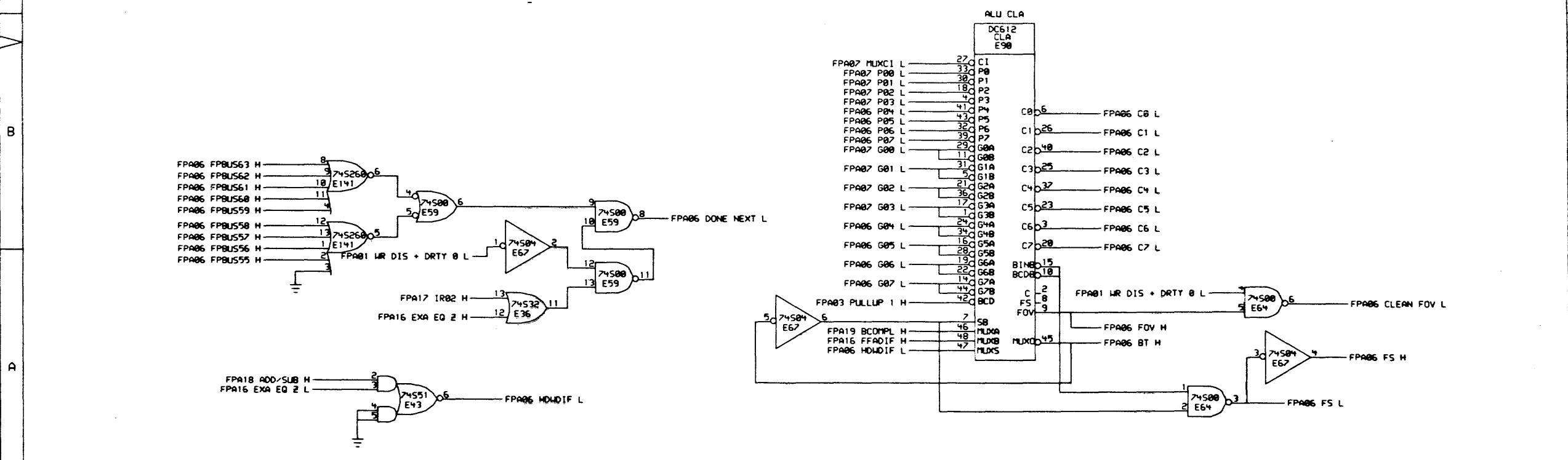
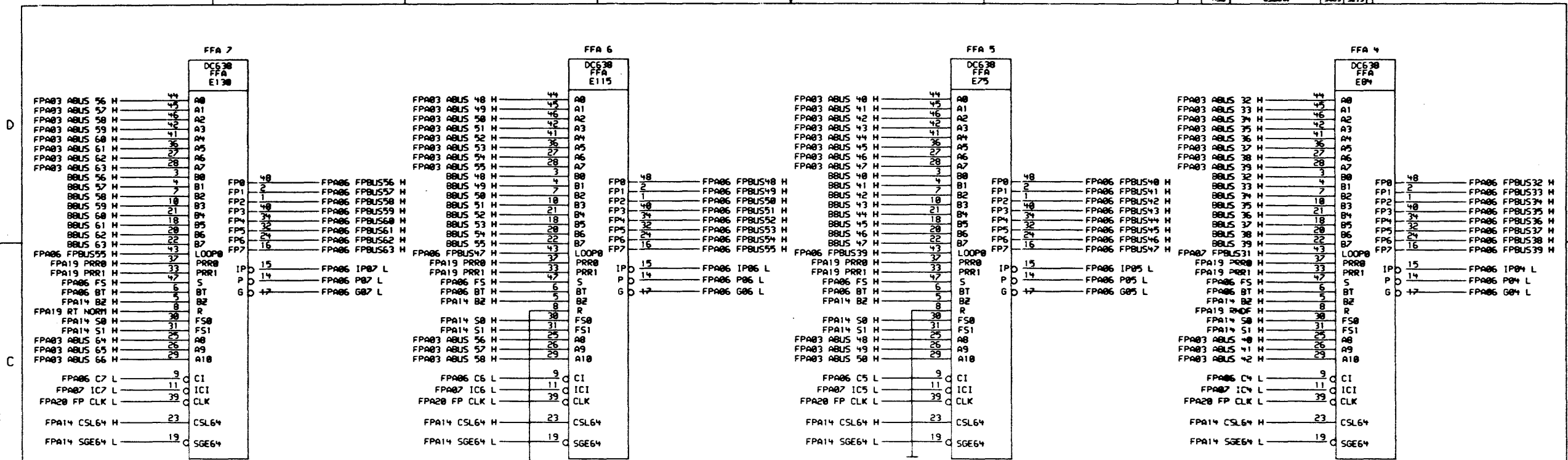
REVISIONS	
CHK	CHANGE NO. REV

digital	DRN. J. Jones	DATE ENG. 17-SEP-81	DATE	TITLE: NS BUS TO ALU
	CHK'D.	DATE BOARD LOCATION: ACT	DE	BUFFERS BITS 0-31
FIRST USED ON OPTION/MODEL: FP750		DATE NEXT HIGHER ASSEMBLY: B-DD-L0001-0-0	SIZE CODE D CS	NUMBER L0001-0-4
			REV. A	

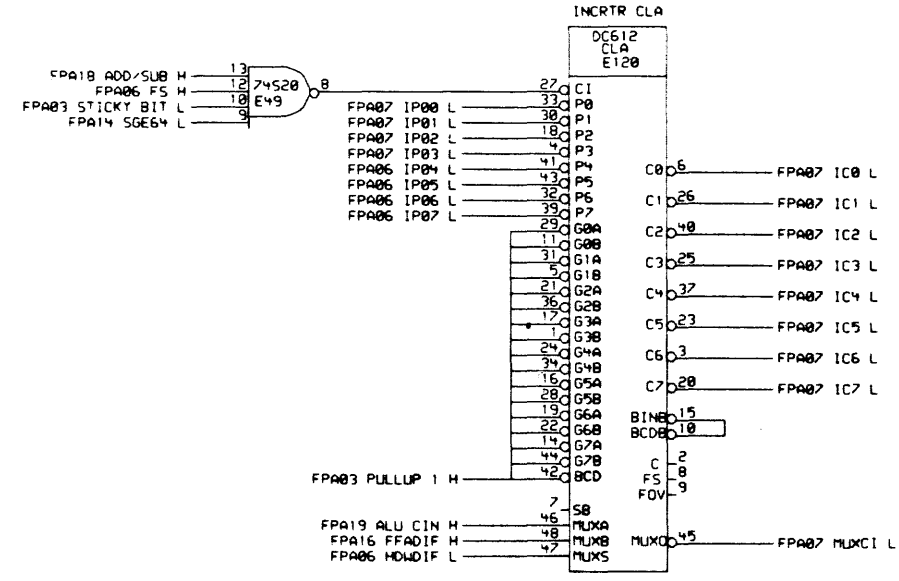
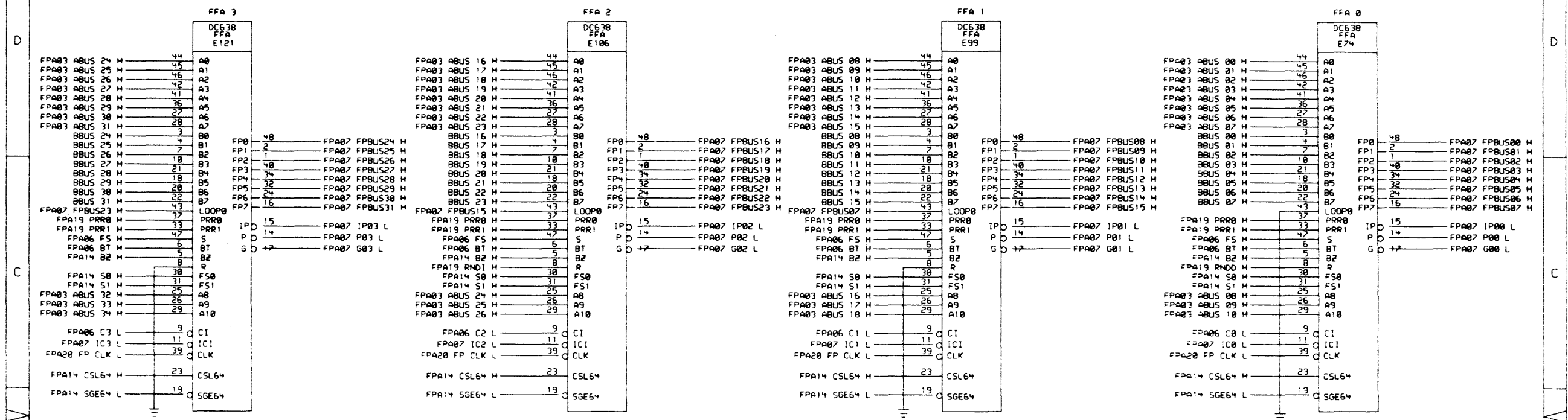


REV.	CHG.	NO.	REV.

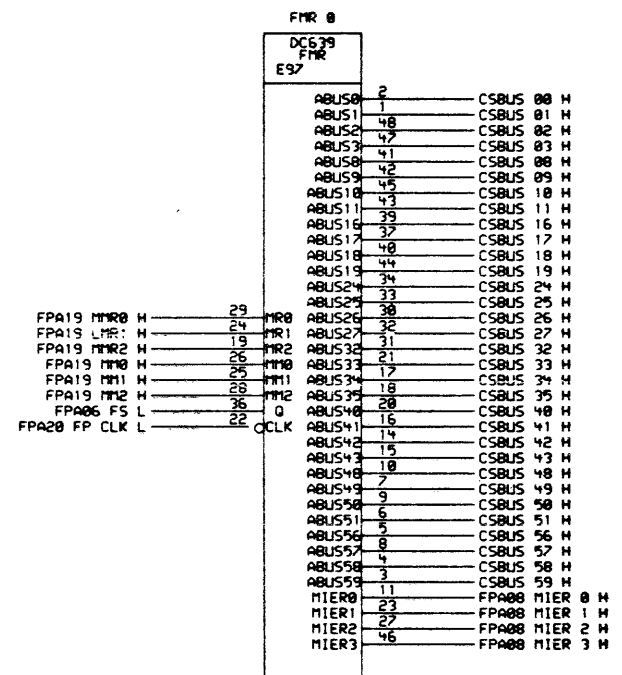
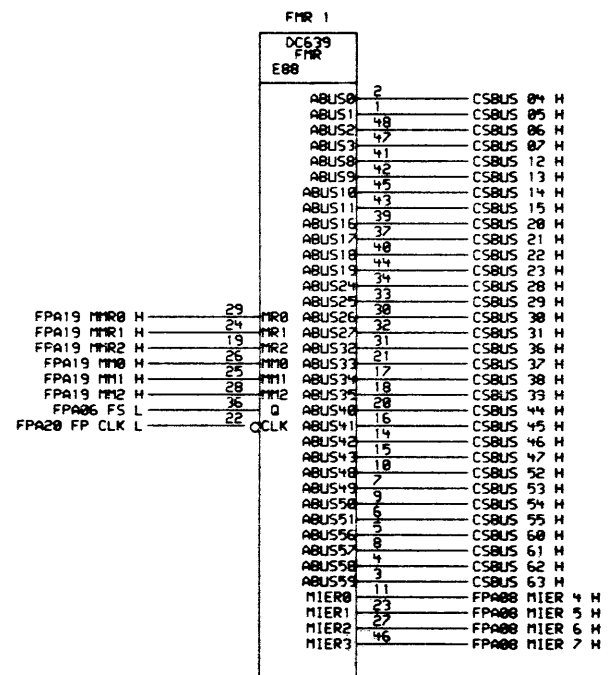
digital	DRAWN: <i>J. Stone</i>	DATE ENG. 17-SEP-81	DATE	TITLE: NS BUS TO ALU
	CHK'D.	DATE	BOARD LOCATION: AC1	BUFFERS BITS 32-63
FIRST USED ON OPTION/MODEL: FP750		130-JUL-81 14:55 NEX-4 HIGHER ASSEMBLY:	SIZE CODE NUMBER	REV. A
		B-00-L0001-0-0	D CS L0001-0-5	



THIS DRAWING AND SPECIFICATIONS ARE THE PROPERTY OF DIGITAL EQUIPMENT CORPORATION AND SHALL NOT BE REPRODUCED OR COPIED OR USED IN WHOLE OR IN PART AS THE BASIS FOR THE MANUFACTURE OR SALE OF ITEMS WITHOUT WRITTEN PERMISSION. COPYRIGHT © 1981, DIGITAL EQUIPMENT CORPORATION.	REVISIONS CHK CHANGE NO. REV	digital DRN. J. Smith DATE 17-SEP-81 ENG. BOARD LOCATION: ACT DATE OF	TITLE: FRACTION ALU (BYTES 7 TO 4) SIZE CODE: D CS NUMBER: L0001-0-6 REV. A
	FIRST USED ON OPTION MODEL: FP750	NEXT HIGHER ASSEMBLY: B-DD-L2001-0-0	(160,127) FPA06.DPL 128-JUL-81 14:04
	COMETCHIPS, [160,127] FPA06.DPL, SCALE 2, "D" RELEASE BOX COMETCHIPS, FPA06.PLOC [160,127] 17-SEP-81 16:18		



THIS DRAWING AND SPECIFICATIONS ARE THE PROPERTY OF DIGITAL EQUIPMENT CORPORATION AND SHALL NOT BE REPRODUCED OR COPIED OR USED IN WHOLE OR IN PART AS THE BASIS FOR THE MANUFACTURE OR SALE OF ITEMS WITHOUT WRITTEN PERMISSION. COPYRIGHT © 1981, DIGITAL EQUIPMENT CORPORATION.		REVISIONS CHG. NO. REV.	digital DRN. J. Stone DATE 17-SEP-81 CHK'D. DATE 28-JUL-81 14:05 NEX FIRST USED ON OPTION/MODEL: FP750	DATE 28-JUL-81 DATE 28-JUL-81 DATE 28-JUL-81 DATE 28-JUL-81	TITLE: FRACTION ALU (BYTES 3 TO 0)	SIZE CODE D CS NUMBER L0001-0-7 REV. A
--	--	----------------------------	--	--	------------------------------------	--



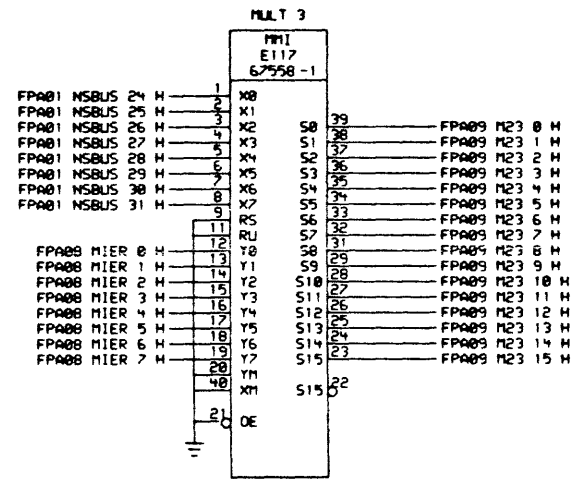
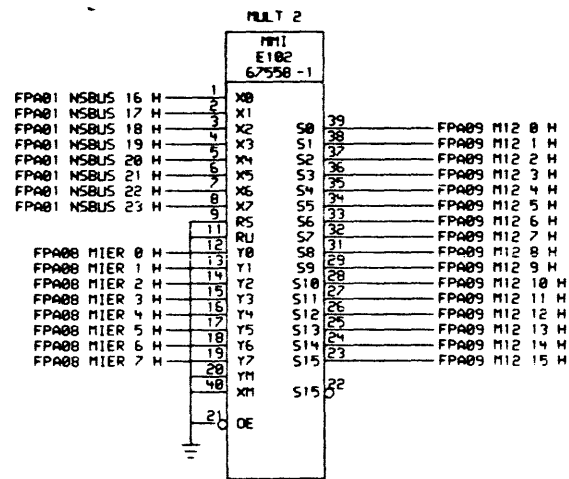
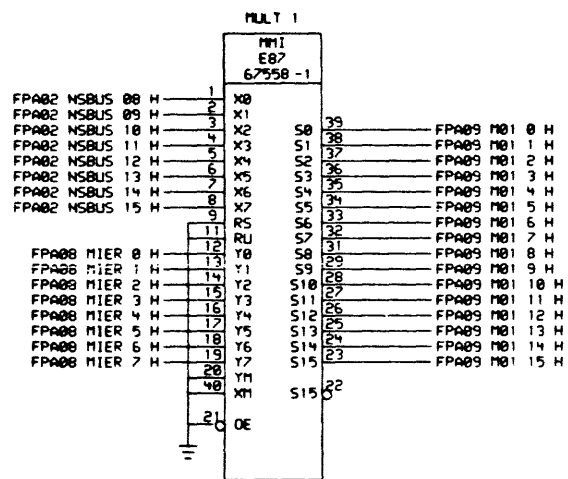
THIS DRAWING AND SPECIFICATIONS ARE THE PROPERTY OF DIGITAL EQUIPMENT CORPORATION AND SHALL NOT BE REPRODUCED OR COPIED IN ANY MANNER OR USED IN WHOLE OR IN PART AS THE BASIS FOR THE MANUFACTURE OF ANY ITEM WITHOUT WRITTEN PERMISSION. COPYRIGHT © 1981, DIGITAL EQUIPMENT CORPORATION.

REVISIONS		
CHK	CHANGE NO.	REV

digital	DRN. <i>J. Stone</i>	DATE 17-SEP-81	ENG.	DATE	TITLE: MULTIPLIER REGISTER
	CHK'D.	DATE	BOARD LOCATION: AC1	SHEET	REV. A
FIRST USED ON OPTION/MODEL: FP750		NEXT HIGHER ASSEMBLY: B-DD-L0001-0-0		SIZE CODE: D CS	NUMBER: L0001-0-8

8 7 6 5 4 3 2 1
 6-0-10001 CS 0
 3000 0215

THERE IS NO
 MULT 0



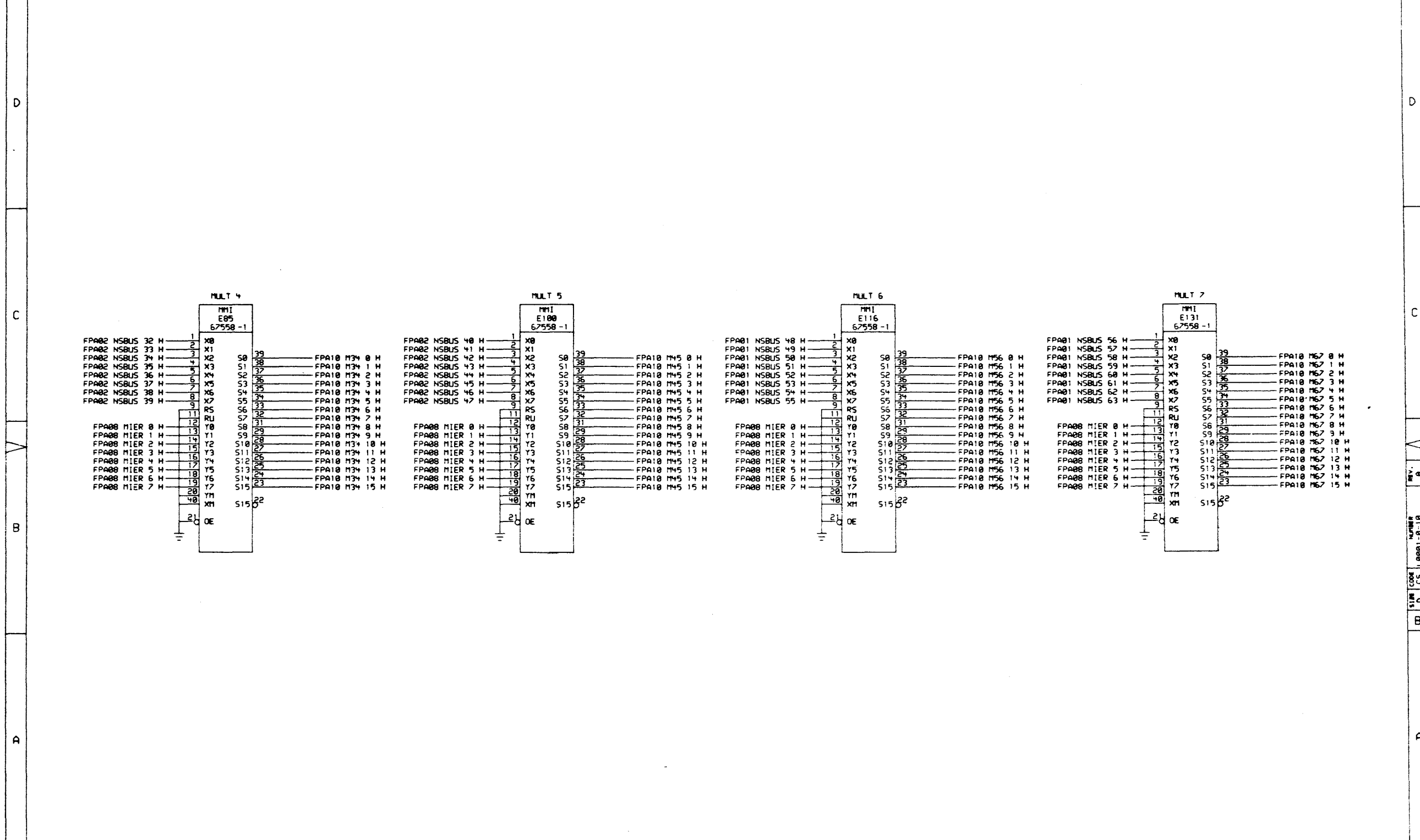
THIS DRAWING AND SPECIFICATIONS
 HEREIN ARE THE PROPERTY OF
 DIGITAL EQUIPMENT CORPORATION AND
 SHALL NOT BE REPRODUCED OR COPIED
 OR USED IN WHOLE OR IN PART AS
 THE BASIS FOR THE MANUFACTURE OF
 ANY ITEM WITHOUT WRITTEN
 PERMISSION. COPYRIGHT © 1981
 DIGITAL EQUIPMENT CORPORATION

REVISIONS		
CHK	CHANGE NO.	REV.

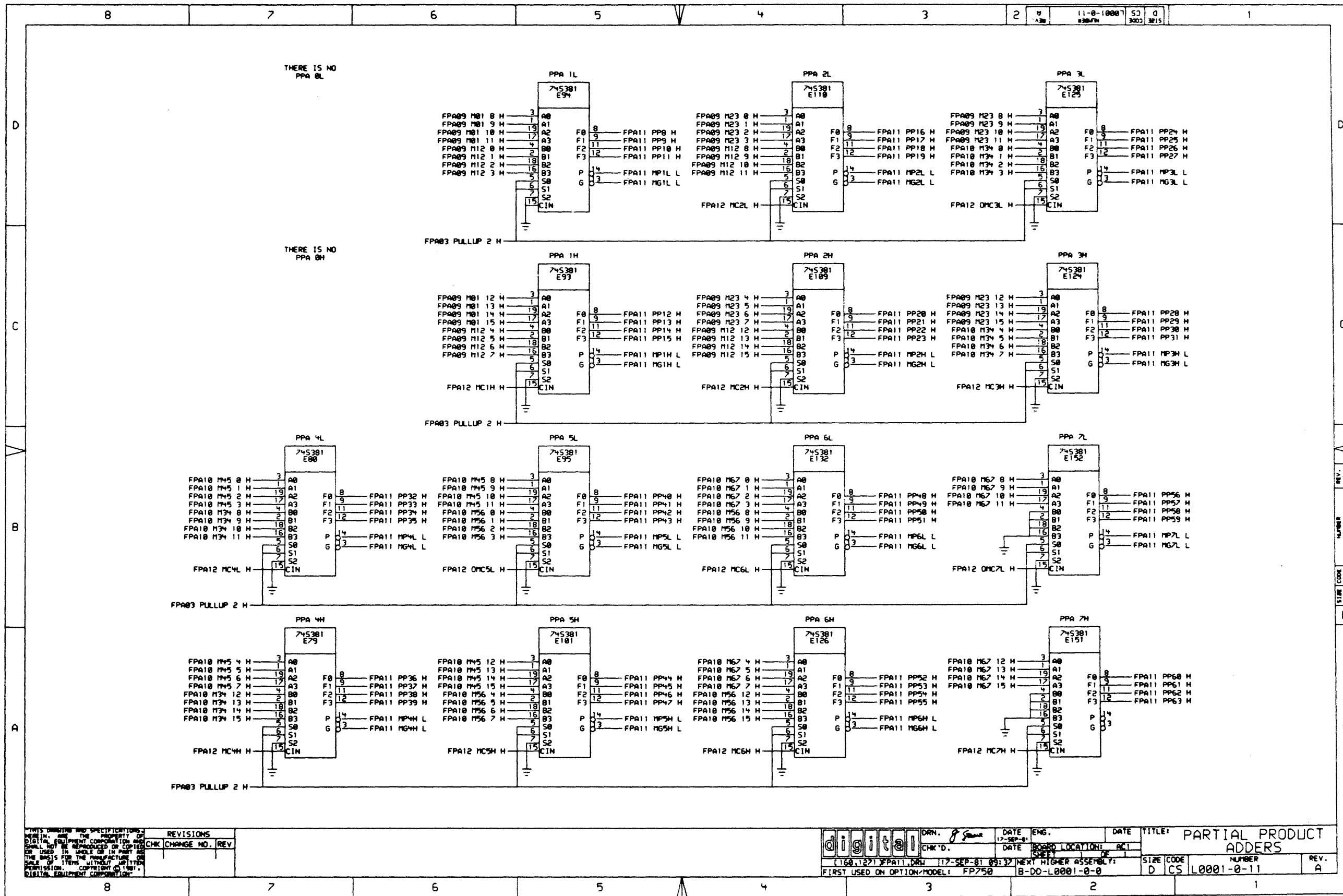
--	--	--	--	--	--	--	--	--	--	--	--	--	--	--	--	--	--	--

digital	DRN. <i>J. Green</i>	DATE 17-SEP-81	ENG.	DATE	TITLE PROD MULTIPLIERS MAND BYTES 1-3
CHK'D.	DATE	BOARD LOCATION: AC1	DATE		
(160,127) FPA09.DPL (17-SEP-81 09:34) NEXT HIGHER ASSEMBLY:	SIZE CODE D CS	NUMBER L0001-0-9	REV. A		
FIRST USED ON OPTION/MODEL: FP750		B-DD-L0001-0-0			

REV. A
 L0001-0-9

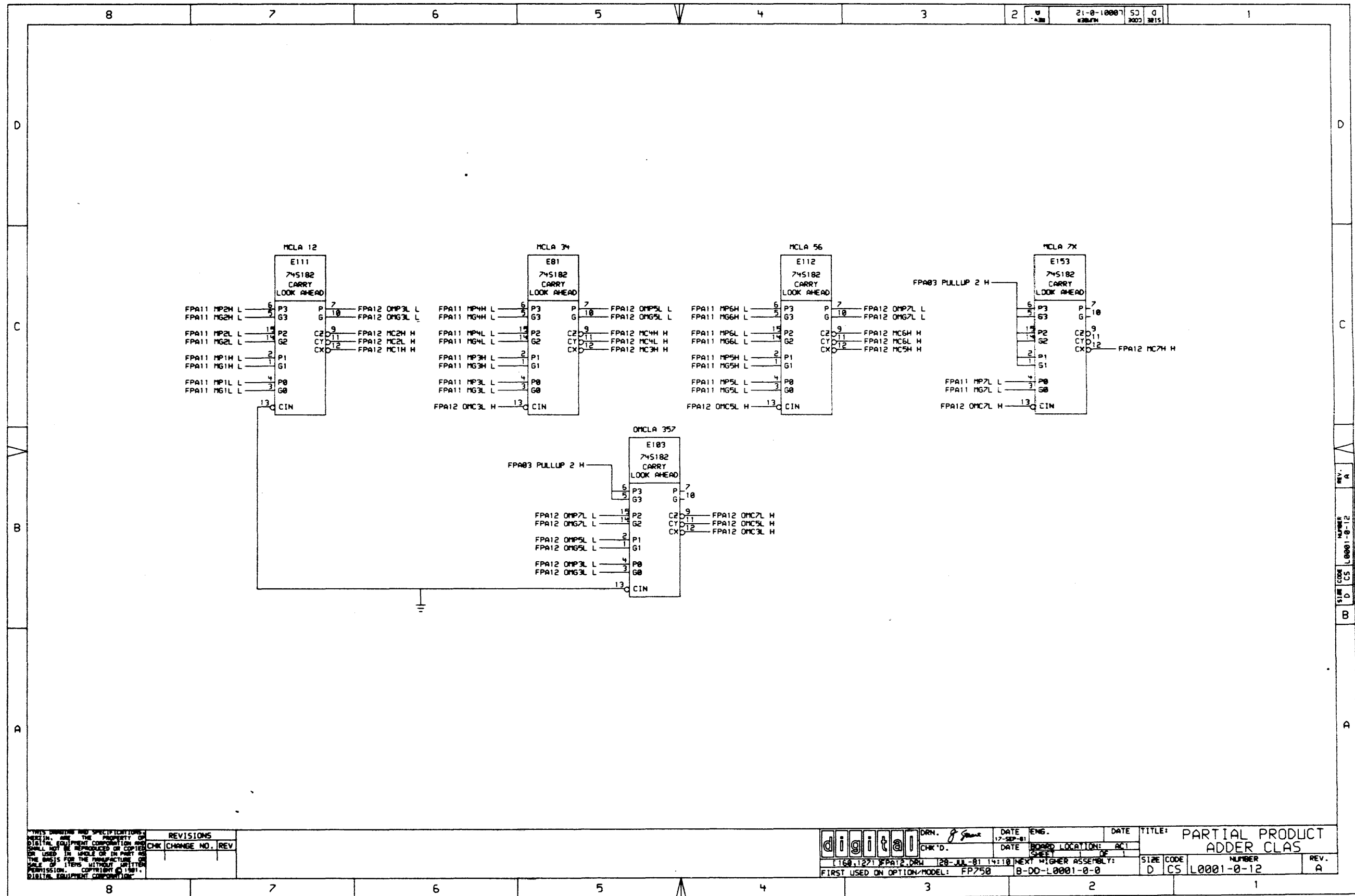


THIS DRAWING AND SPECIFICATIONS HEREIN ARE THE PROPERTY OF DIGITAL EQUIPMENT CORPORATION AND SHALL NOT BE REPRODUCED OR COPIED OR USED IN WHOLE OR IN PART AS THE BASIS FOR THE MANUFACTURE OR SALE OF ITEMS WITHOUT WRITTEN PERMISSION. COPYRIGHT © 1981, DIGITAL EQUIPMENT CORPORATION.		REVISIONS CHK CHANGE NO. REV	digital (160,127) FPA10.DPL 31-JUL-81 09:36 NEXT HIGHER ASSEMBLY: B-DD-L0001-0-0	DRN. J. G... DATE 12-SEP-81 ENG.	DATE BOARD LOCATION: ACT OF	TITLE: PROD MULTIPLIERS MAND BYTES 4-7	SIZE CODE D CS NUMBER L0001-0-10 REV. A
---	--	---------------------------------	---	--	-----------------------------------	---	---



REVISIONS		
CHK	CHANGE NO.	REV

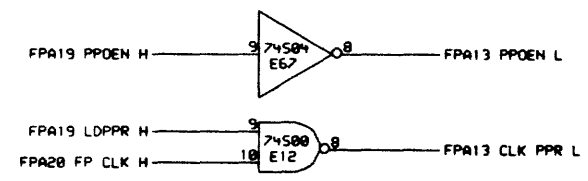
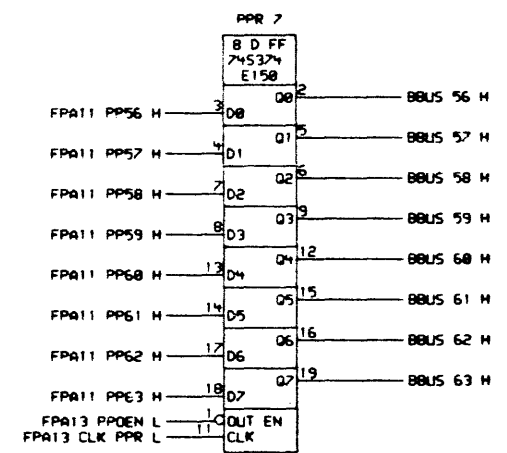
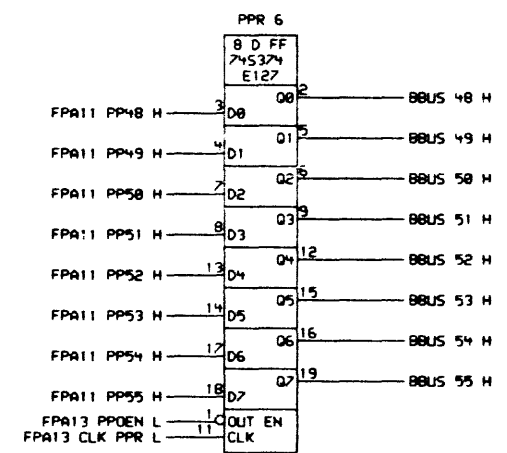
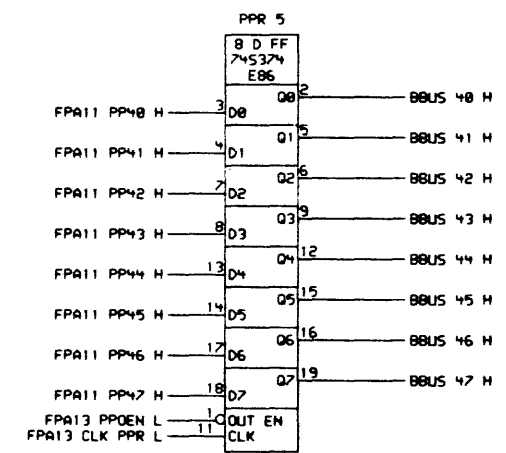
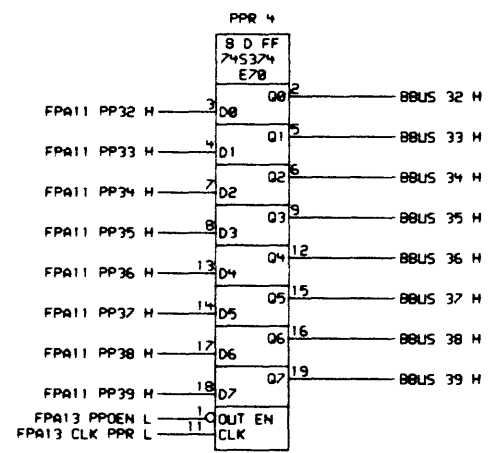
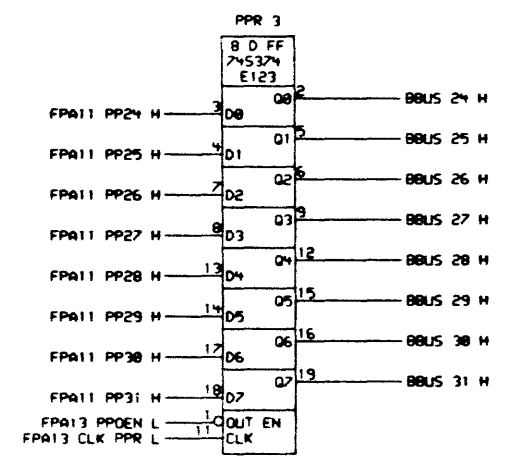
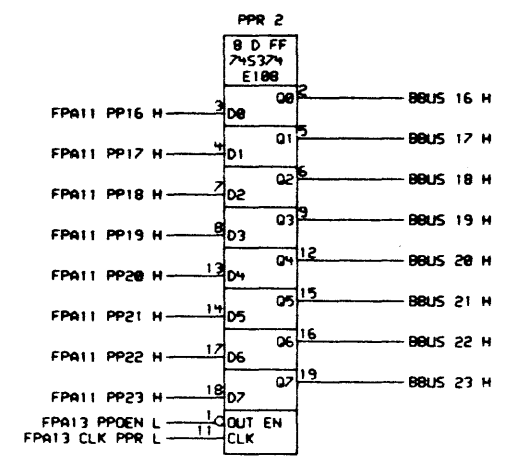
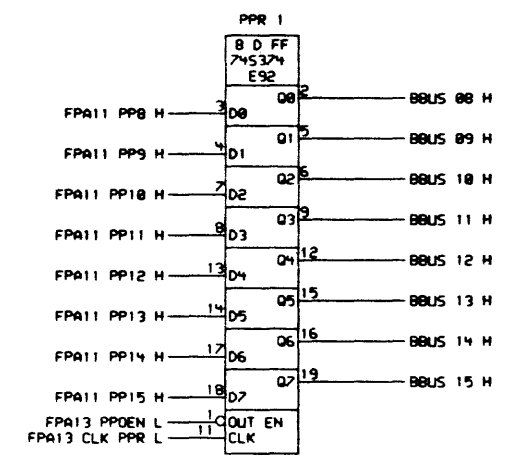
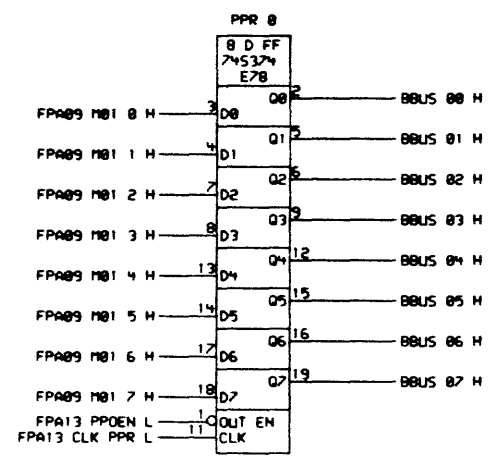
	DRN. <i>J. Jones</i>	DATE ENG. 17-SEP-81	DATE ACT	TITLE: PARTIAL PRODUCT ADDERS
	CHK'D.	DATE 17-SEP-81	BOARD LOCATION: 1	SIZE CODE D CS
FIRST USED ON OPTION MODEL: FP750			NUMBER B-DD-L0001-0-0	REV. A



THIS DRAWING AND SPECIFICATIONS HEREIN ARE THE PROPERTY OF DIGITAL EQUIPMENT CORPORATION AND SHALL NOT BE REPRODUCED OR COPIED OR USED IN WHOLE OR IN PART AS THE BASIS FOR THE MANUFACTURE OR SALE OF ITEMS WITHOUT WRITTEN PERMISSION. COPYRIGHT © 1981, DIGITAL EQUIPMENT CORPORATION.

REVISIONS	
CHK	CHANGE NO. REV

digital	DRN. <i>J. Stone</i>	DATE 17-SEP-81	ENG.	DATE	TITLE: PARTIAL PRODUCT ADDER CLAS
	CHK'D.	DATE	BOARD LOCATION: A1	SHEET 1	REV. A
1160.1271 FPA12.DRW		128-JUL-81 14:18	NEXT HIGHER ASSEMBLY:	SIZE CODE D CS	NUMBER L0001-0-12
FIRST USED ON OPTION/MODEL: FP750		B-DD-L0001-0-0			



THIS DRAWING AND SPECIFICATIONS ARE THE PROPERTY OF DIGITAL EQUIPMENT CORPORATION AND SHALL NOT BE REPRODUCED OR COPIED OR USED IN WHOLE OR IN PART AS THE BASIS FOR THE MANUFACTURE OR SALE OF ITEMS WITHOUT WRITTEN PERMISSION. COPYRIGHT © 1981. DIGITAL EQUIPMENT CORPORATION

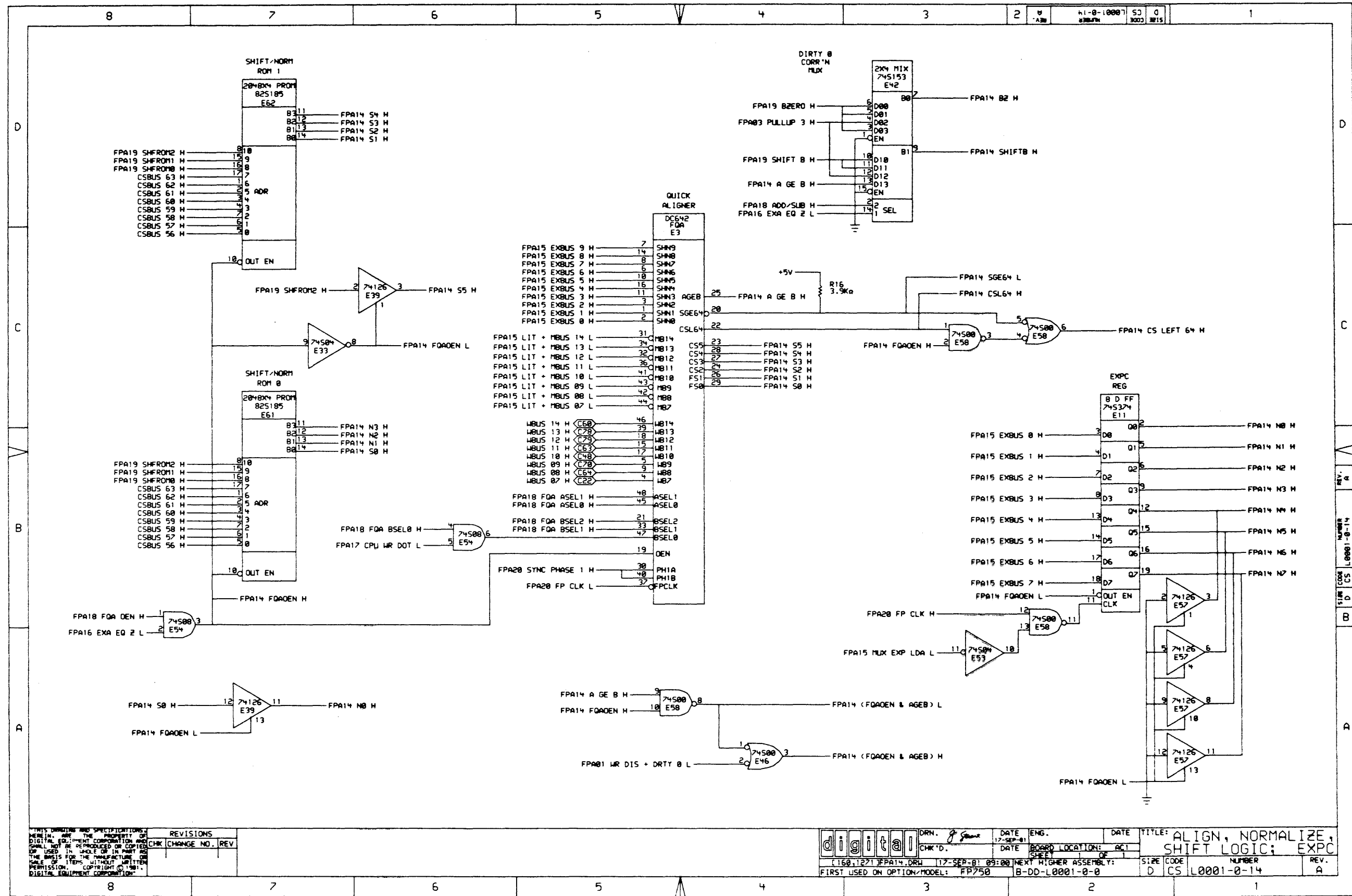
REVISIONS		
CHK	CHANGE NO.	REV.

digital DRN. *J. Stone* DATE 17-SEP-81 ENG. DATE TITLE: PARTIAL PRODUCT REGISTER

CHK'D. DATE BOARD LOCATION: ACT

(160,127) FPA13.DRW [28-JUL-81] 14:11 NEXT HIGHER ASSEMBLY: SIZE CODE NUMBER REV.

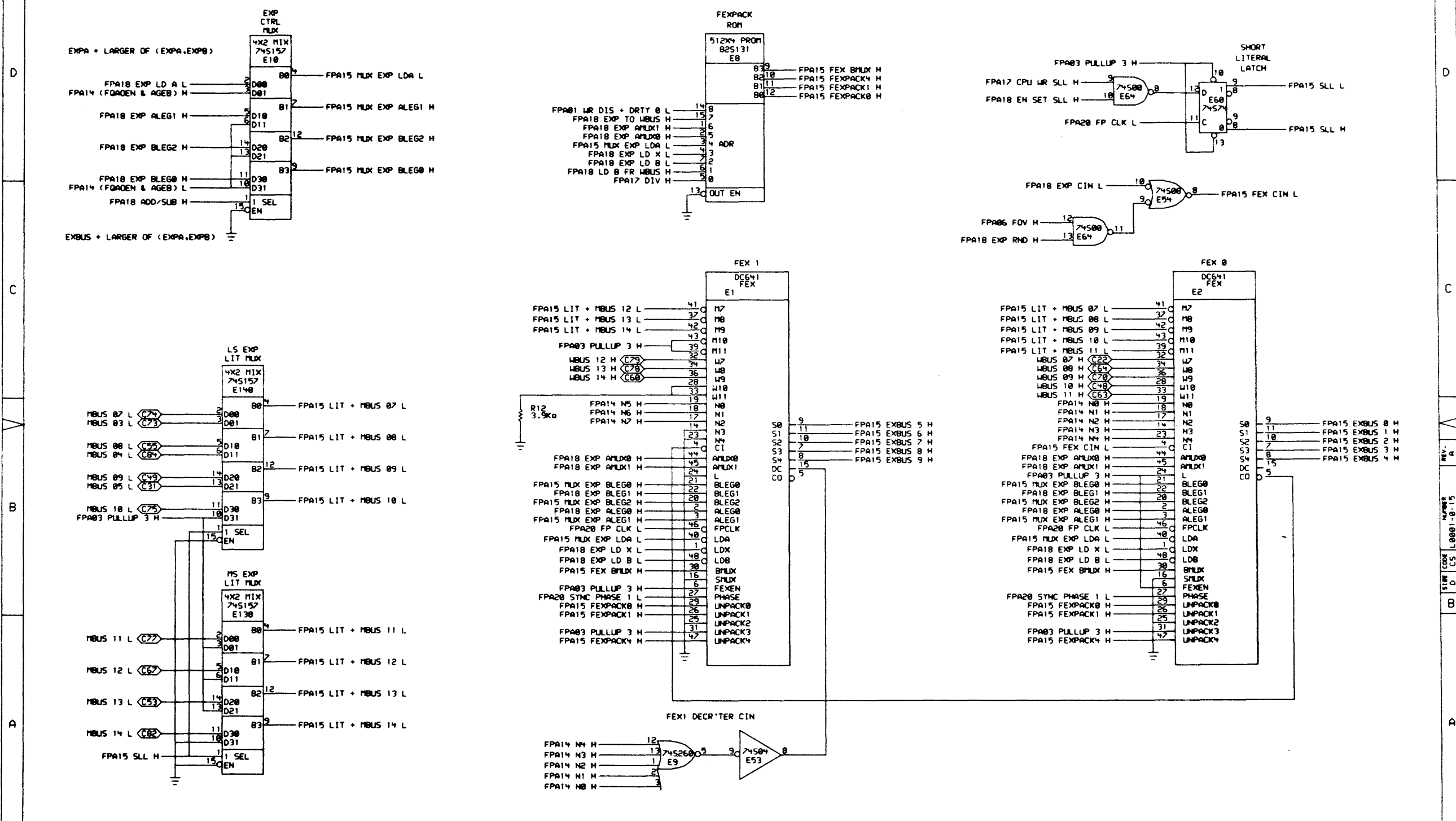
FIRST USED ON OPTION-MODEL: FP750 B-DD-L0001-0-0 D CS L0001-0-13 A



THIS DRAWING AND SPECIFICATIONS HEREIN ARE THE PROPERTY OF DIGITAL EQUIPMENT CORPORATION AND SHALL NOT BE REPRODUCED OR COPIED OR USED IN WHOLE OR IN PART AS THE BASIS FOR THE MANUFACTURE OR SALE OF ITEMS WITHOUT WRITTEN PERMISSION. COPYRIGHT © 1981, DIGITAL EQUIPMENT CORPORATION.

REVISIONS	
CHK	CHANGE NO. REV.

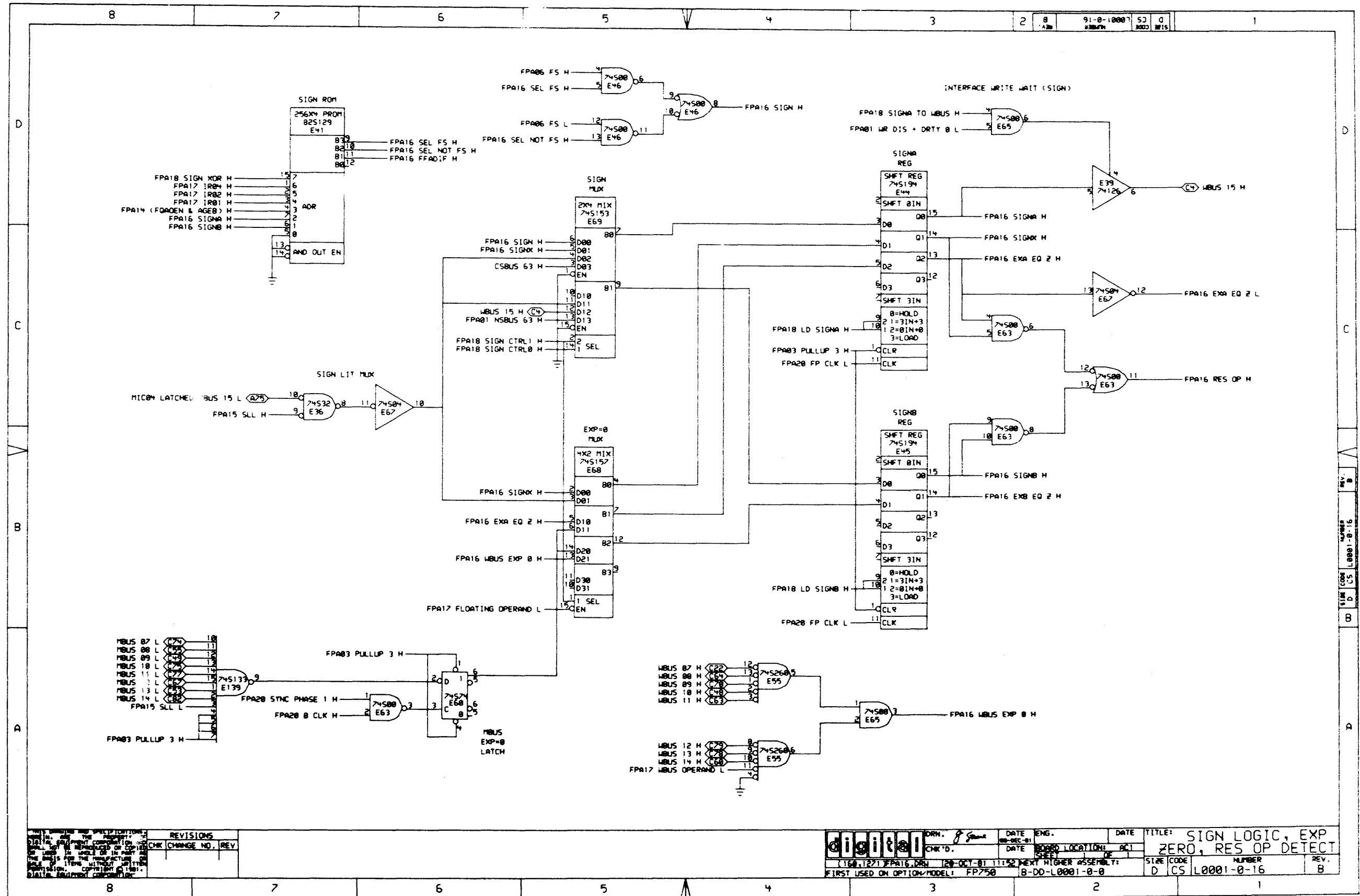
digit@l	DRN. J. S. [Signature]	DATE 17-SEP-81	ENG.	DATE	TITLE: ALIGN, NORMALIZE, SHIFT LOGIC; EXPC
	CHK'D.	DATE	BOARD LOCATION: AC1	SHEET 1 OF 1	SIZE CODE NUMBER REV. D CS L0001-0-14 A
FIRST USED ON OPTION/MODEL: FP750		NEXT HIGHER ASSEMBLY: B-D-L0001-0-0			



THIS DRAWING AND SPECIFICATIONS ARE THE PROPERTY OF DIGITAL EQUIPMENT CORPORATION AND SHALL NOT BE REPRODUCED OR COPIED OR USED IN WHOLE OR IN PART AS THE BASIS FOR THE MANUFACTURE OR SALE OF ITEMS WITHOUT WRITTEN PERMISSION. COPYRIGHT © 1981 - DIGITAL EQUIPMENT CORPORATION.

REVISIONS	
CHK	CHANGE NO. REV

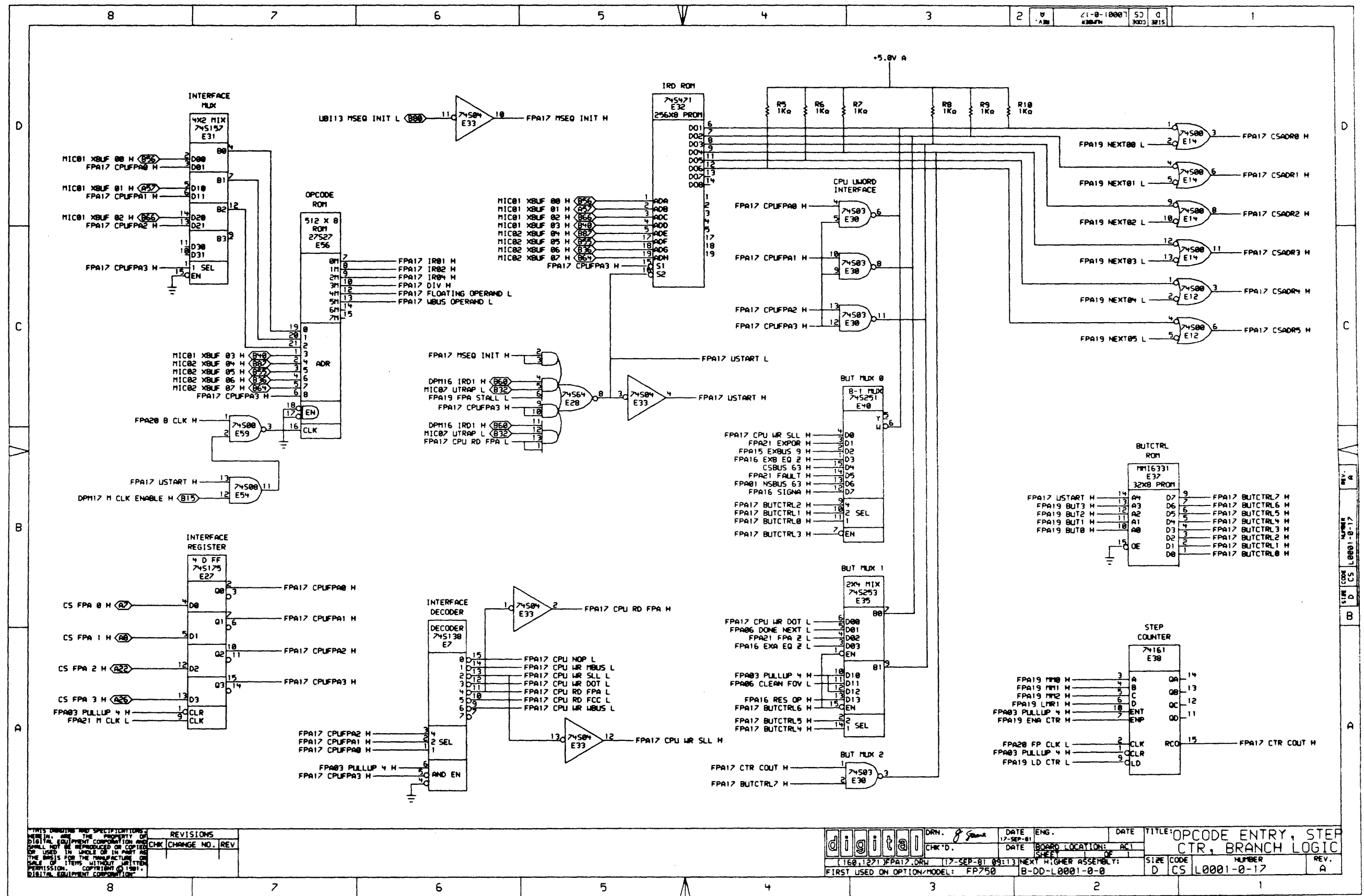
digital	DRW. <i>J. Frank</i>	DATE 12-SEP-81	ENG.	DATE	TITLE: EXPONENT LOGIC, SHORT LIT LATCH
	CHK'D.	DATE 17-SEP-81 09:06	BOARD LOCATION: A1	SHEET 1	
FIRST USED ON OPTION/MODEL: FP750		NEXT HIGHER ASSEMBLY: B-DD-L0001-0-0		SIZR CODE D CS	NUMBER L0001-0-15
				REV. A	



REVISIONS
 CHK CHANGE NO. REV

CHK	CHANGE NO.	REV

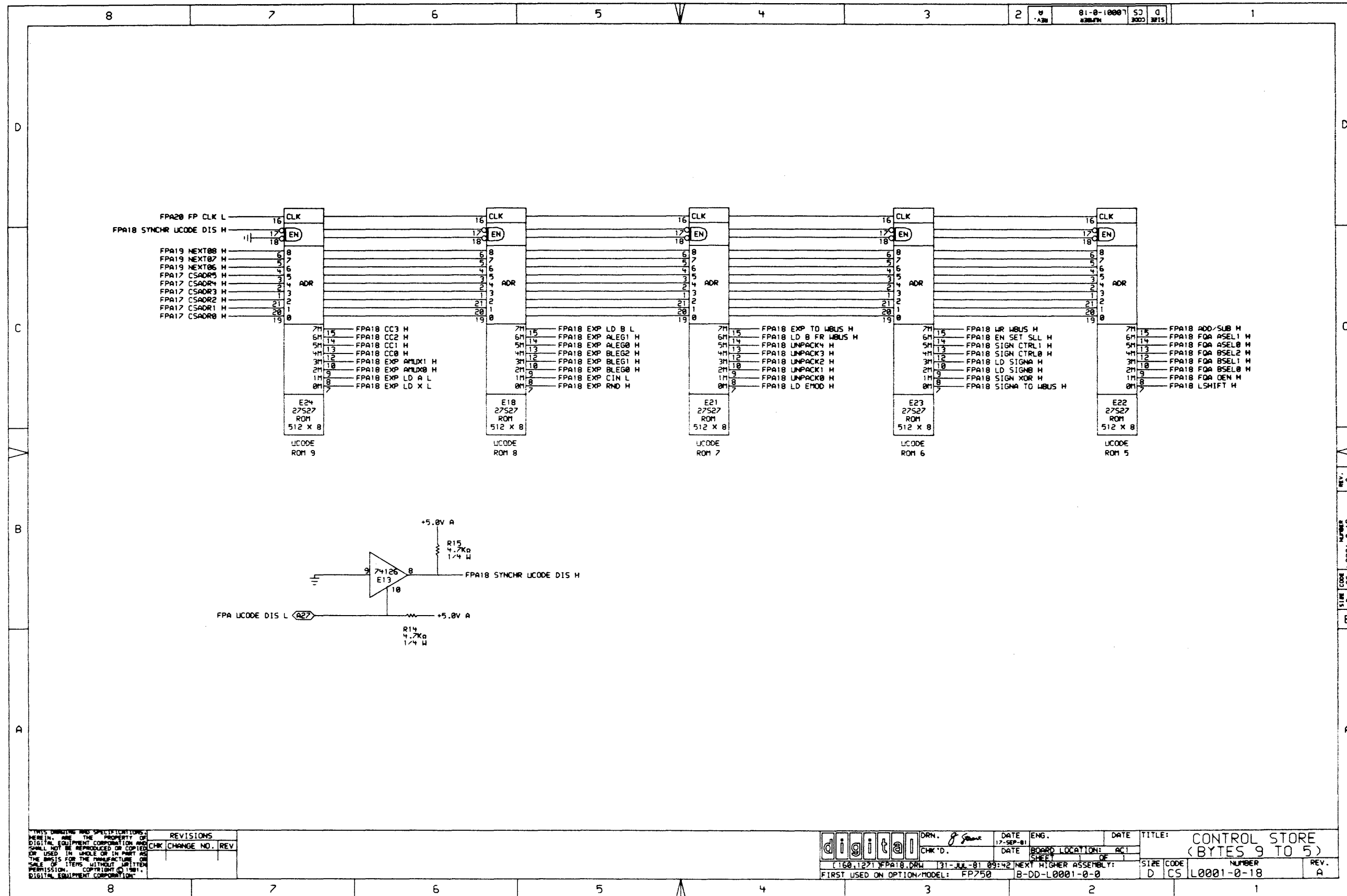
digital	DRW. <i>J. Smith</i>	DATE 129-OCT-81	ENG. <i>J. Smith</i>	DATE	TITLE: SIGN LOGIC, EXP ZERO, RES OP DETECT
	CHK'D.	DATE	LOC. LOCATION	ACT	
FIRST USED ON OPTION MODEL: FP750					SIZE CODE NUMBER REV.
					D CS L0001-0-16 B



THIS DRAWING AND SPECIFICATIONS HEREAFTER ARE THE PROPERTY OF DIGITAL EQUIPMENT CORPORATION AND SHALL NOT BE REPRODUCED OR COPIED OR USED IN WHOLE OR IN PART AS THE BASIS FOR THE MANUFACTURE OR SALE OF ITEMS WITHOUT WRITTEN PERMISSION. COPYRIGHT © 1981, DIGITAL EQUIPMENT CORPORATION.

REV.	CHG.	CHANGE NO.	REV.

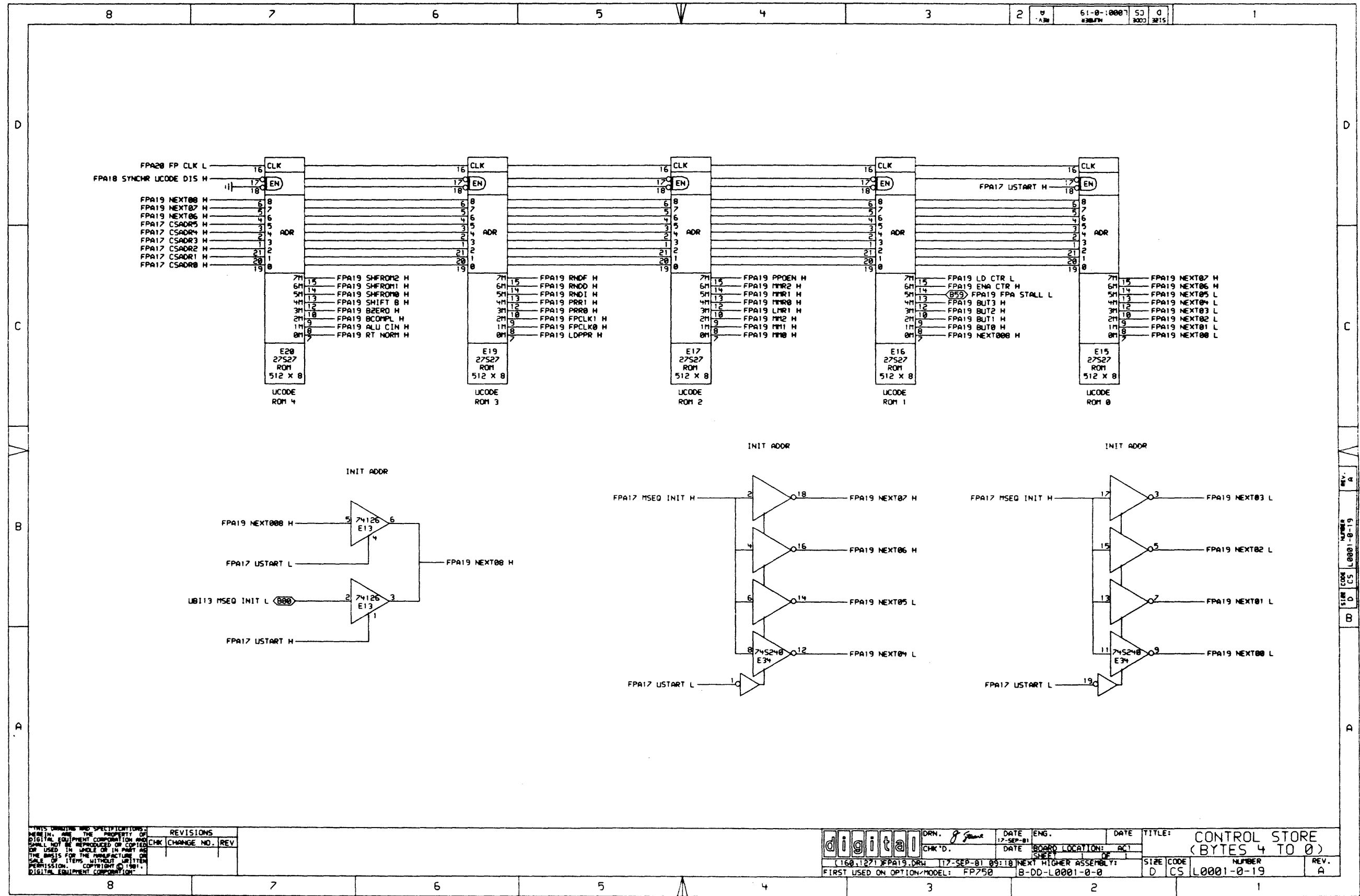
digital	DRN. <i>J. Sauer</i>	DATE 17-SEP-81	ENG.	DATE	TITLE: OPCODE ENTRY, STEP CTR, BRANCH LOGIC
	CHK'D.	DATE	BOARD LOCATION: AC1	SHEET 1	SIZE CODE NUMBER REV. D CS L0001-0-17 A
160,1271 FPA17.DRW		17-SEP-81 09:13	NEXT HIGHER ASSEMBLY: B-DD-L0001-0-0		
FIRST USED ON OPTION/MODEL: FP750					



THIS DRAWING AND SPECIFICATIONS
 HEREIN ARE THE PROPERTY OF
 DIGITAL EQUIPMENT CORPORATION AND
 SHALL NOT BE REPRODUCED OR COPIED
 OR USED IN WHOLE OR IN PART AS
 THE BASIS FOR THE MANUFACTURE OR
 SALE OF ITEMS WITHOUT WRITTEN
 PERMISSION. COPYRIGHT © 1981,
 DIGITAL EQUIPMENT CORPORATION

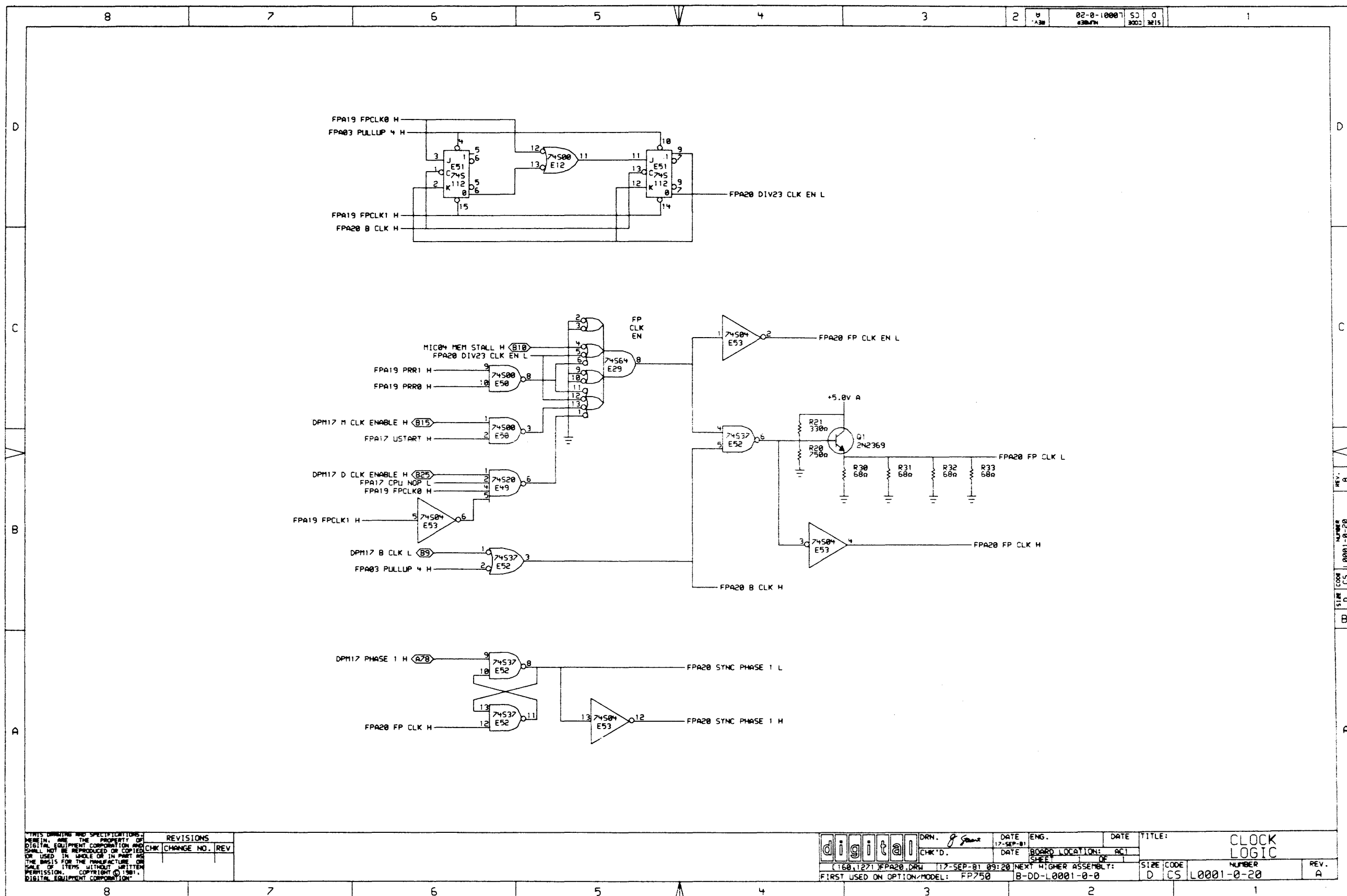
REV.	DATE	BY	CHK'D.	DATE	BY	CHK'D.	DATE	BY	CHK'D.
1	17-SEP-81	J. Stone							

TITLE: CONTROL STORE (BYTES 9 TO 5)
 SIZE CODE: D CS L0001-0-18
 NUMBER: 1
 REV.: A
 FIRST USED ON OPTION/MODEL: FP750 B-DD-L0001-0-0



REVISIONS
 CHK CHANGE NO. REV

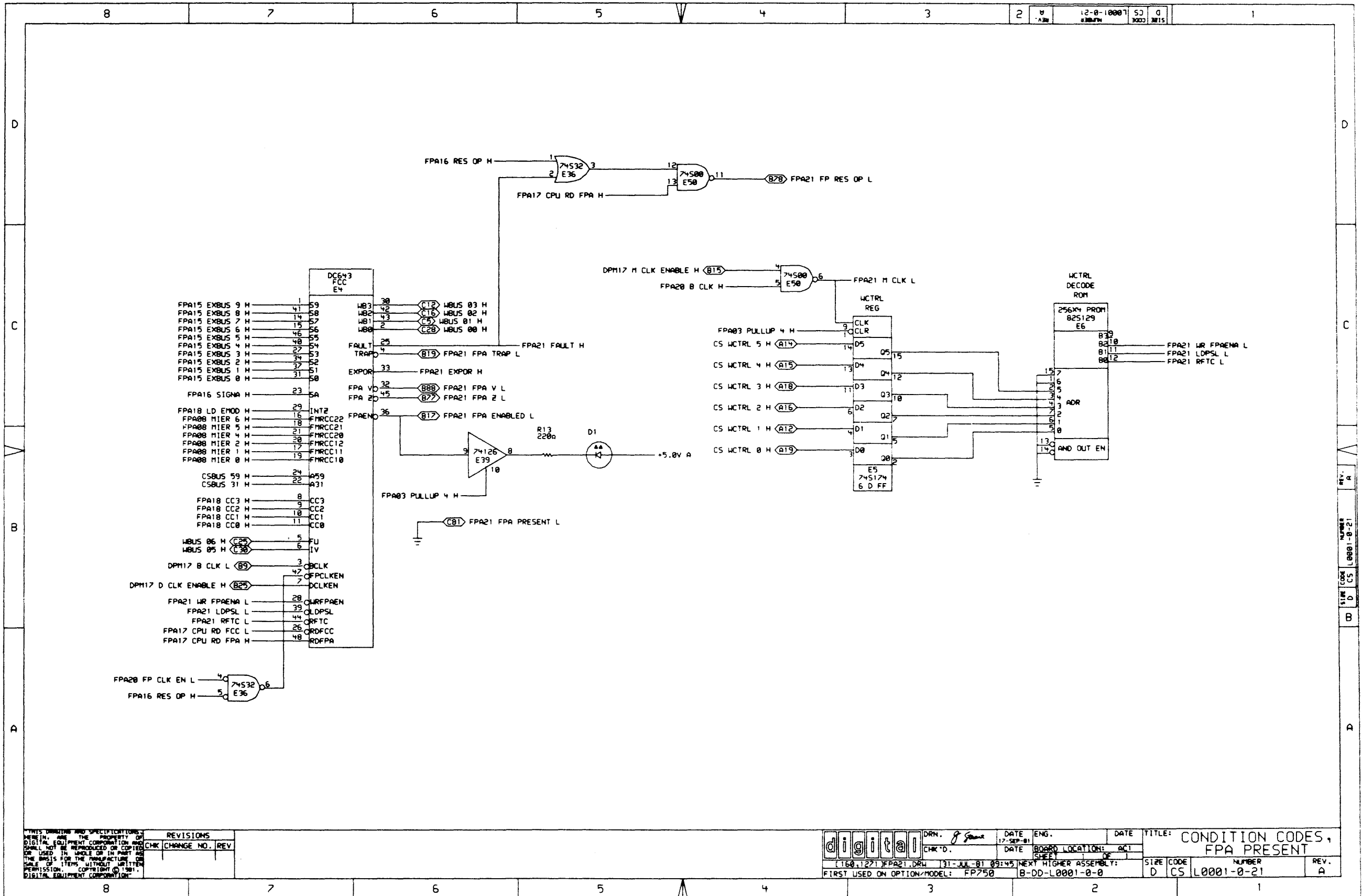
digital	DRN. J. Jones	DATE 17-SEP-81	ENG.	DATE	TITLE: CONTROL STORE (BYTES 4 TO 0)
	CHK'D.	DATE	BOARD LOCATION: A-1	OF	SIZE CODE NUMBER REV. D CS L0001-0-19 A
FIRST USED ON OPTION/MODEL: FP750		NEXT HIGHER ASSEMBLY: B-DD-L0001-0-0			



THIS DRAWING AND SPECIFICATIONS HEREIN ARE THE PROPERTY OF DIGITAL EQUIPMENT CORPORATION AND SHALL NOT BE REPRODUCED OR COPIED OR USED IN WHOLE OR IN PART AS THE BASIS FOR THE MANUFACTURE OR SALE OF ITEMS WITHOUT WRITTEN PERMISSION. COPYRIGHT © 1981, DIGITAL EQUIPMENT CORPORATION

REVISIONS	
CHK	CHANGE NO., REV

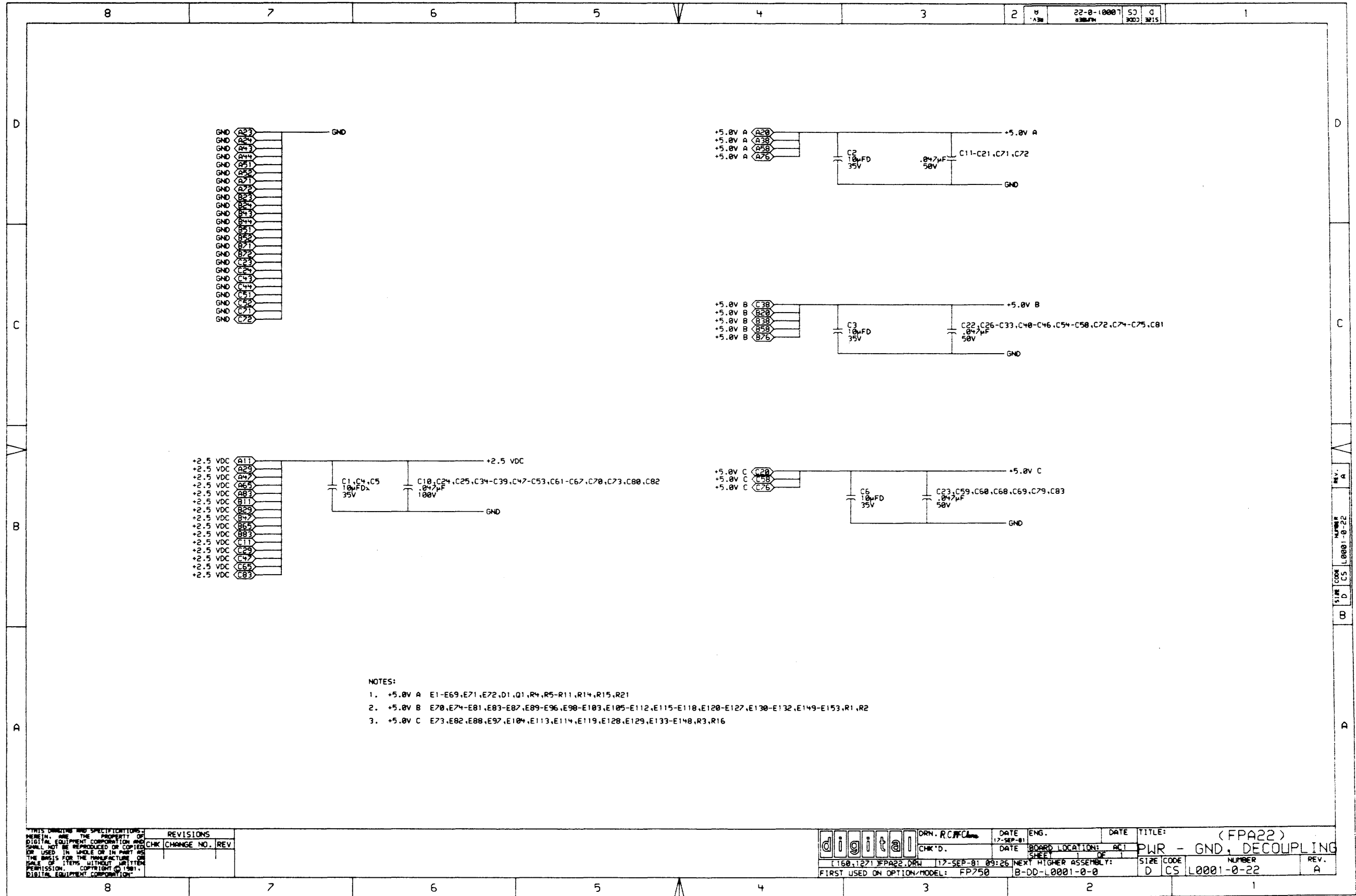
digital	DRW. <i>J. Stuart</i>	DATE 17-SEP-81	ENG.	DATE	TITLE: CLOCK LOGIC
	CHK'D.	DATE	BOARD LOCATION: AC1	SHEET	
[160,127] FPA20.DRW		17-SEP-81 09:20	NEXT HIGHER ASSEMBLY: B-DD-L0001-0-0	SIZE CODE D CS	NUMBER L0001-0-20
FIRST USED ON OPTION/MODEL: FP750				REV. A	



REV.	CHG.	CHANGE NO.	REV.

DATE	ENG.	DATE	TITLE:
17-SEP-81	J. J. J.		CONDITION CODES, FPA PRESENT

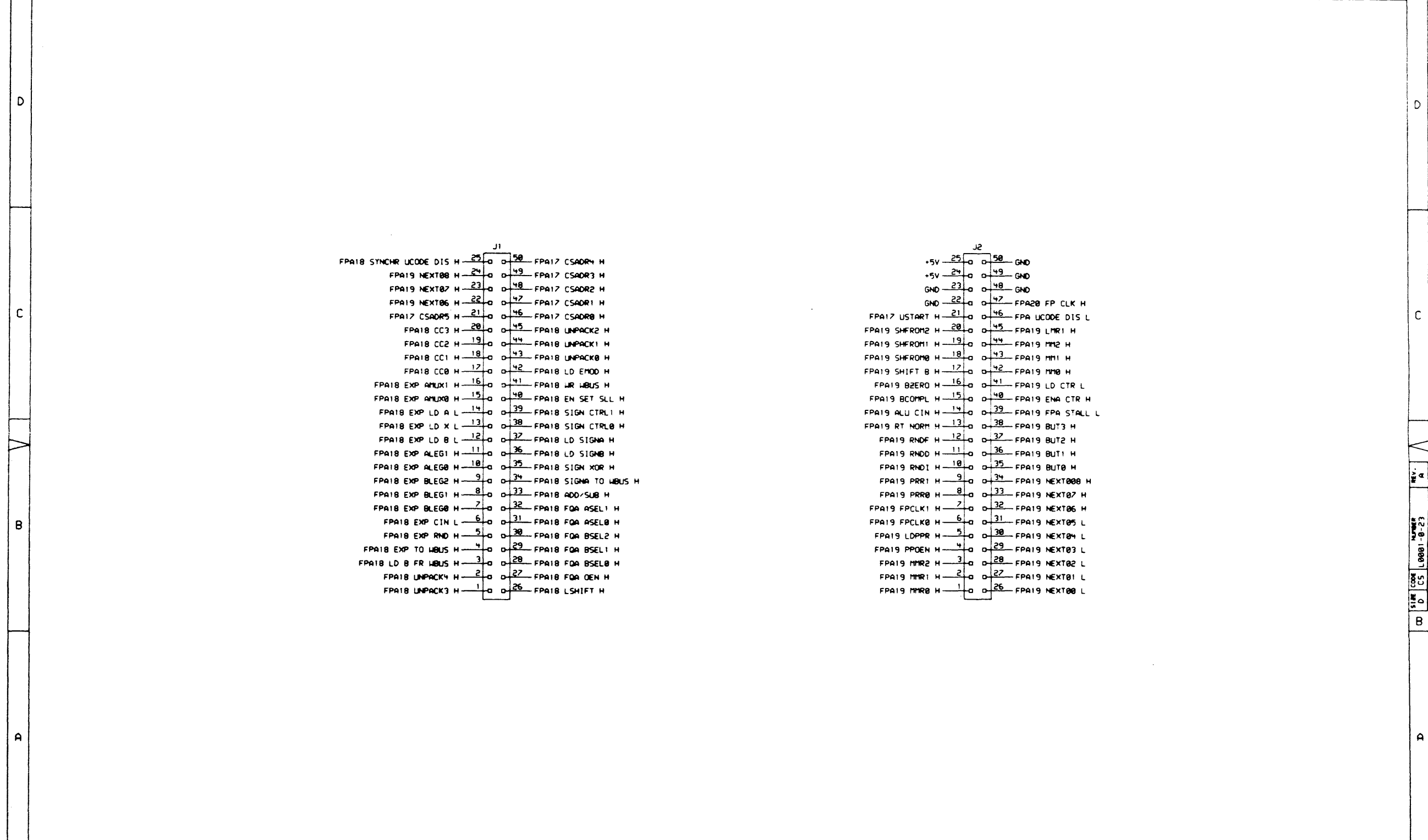
SIZE	CODE	NUMBER	REV.
D	CS	L0001-0-21	A



- NOTES:
- +5.0V A E1-E69, E71, E72, D1, Q1, R4, R5-R11, R14, R15, R21
 - +5.0V B E70, E74-E81, E83-E87, E89-E96, E98-E103, E105-E112, E115-E118, E120-E127, E130-E132, E149-E153, R1, R2
 - +5.0V C E73, E82, E88, E97, E104, E113, E114, E119, E128, E129, E133-E148, R3, R16

REV.	CHG.	CHANGE NO.	REV.

digital	ORN. R.C.M.C.	DATE	ENG.	DATE	TITLE:
	CHK'D.	17-SEP-81			(FPA22)
[160,1271] FPA22.DRW	17-SEP-81 09:26	NEXT HIGHER ASSEMBLY:		SIZE	CODE
FIRST USED ON OPTION/MODEL: FP750	B-00-L0001-0-0			D	CS L0001-0-22
				NUMBER	REV.
					A



REVISIONS	
CHK	CHANGE NO. REV

digital	DRN. 05	DATE 17-SEP-81	ENG.	DATE	TITLE: MICRO DIAG TEST CONNECTORS
	CHK'D.	DATE	BOARD LOCATION: AC1	SHEET	REV. A
FIRST USED ON OPTION/MODEL: FP750		DATE 02-SEP-81 13:28	NEXT HIGHER ASSEMBLY: B-DD-L0001-0-0	SIZE CODE D CS	NUMBER L0001-0-23

SIGNAL NAME	PAGE NUMBER(S)
BBUS 00 H	7,4,13
BBUS 01 H	7,4,13
BBUS 02 H	7,4,13
BBUS 03 H	7,4,13
BBUS 04 H	7,4,13
BBUS 05 H	7,4,13
BBUS 06 H	7,4,13
BBUS 07 H	7,4,13
BBUS 08 H	4,13,7
BBUS 09 H	4,13,7
BBUS 10 H	4,13,7
BBUS 11 H	4,13,7
BBUS 12 H	4,13,7
BBUS 13 H	4,13,7
BBUS 14 H	4,13,7
BBUS 15 H	4,13,7
BBUS 16 H	7,4,13
BBUS 17 H	7,4,13
BBUS 18 H	7,4,13
BBUS 19 H	7,4,13
BBUS 20 H	7,4,13
BBUS 21 H	7,4,13
BBUS 22 H	7,4,13
BBUS 23 H	7,4,13
BBUS 24 H	7,4,13
BBUS 25 H	7,4,13
BBUS 26 H	7,4,13
BBUS 27 H	7,4,13
BBUS 28 H	7,4,13
BBUS 29 H	7,4,13
BBUS 30 H	7,4,13
BBUS 31 H	7,4,13
BBUS 32 H	13,5,6
BBUS 33 H	13,5,6
BBUS 34 H	13,5,6
BBUS 35 H	13,5,6
BBUS 36 H	13,5,6
BBUS 37 H	13,5,6
BBUS 38 H	13,5,6
BBUS 39 H	13,5,6
BBUS 40 H	6,13,5
BBUS 41 H	6,13,5
BBUS 42 H	6,13,5
BBUS 43 H	6,13,5
BBUS 44 H	6,13,5
BBUS 45 H	6,13,5
BBUS 46 H	6,13,5
BBUS 47 H	6,13,5
BBUS 48 H	6,5,13
BBUS 49 H	6,5,13

SIGNAL NAME	PAGE NUMBER(S)
BBUS 50 H	6,5,13
BBUS 51 H	6,5,13
BBUS 52 H	6,5,13
BBUS 53 H	6,5,13
BBUS 54 H	6,5,13
BBUS 55 H	6,5,13
BBUS 56 H	6,5,13
BBUS 57 H	6,5,13
BBUS 58 H	6,5,13
BBUS 59 H	6,5,13
BBUS 60 H	6,5,13
BBUS 61 H	6,5,13
BBUS 62 H	6,5,13
BBUS 63 H	6,5,13
CS FPA 0 H	17
CS FPA 1 H	17
CS FPA 2 H	17
CS FPA 3 H	17
CS WCTRL 0 H	21
CS WCTRL 1 H	21
CS WCTRL 2 H	21
CS WCTRL 3 H	21
CS WCTRL 4 H	21
CS WCTRL 5 H	21
CSBUS 00 H	2,8,3
CSBUS 01 H	2,3,8
CSBUS 02 H	2,3,8
CSBUS 03 H	2,8,3
CSBUS 04 H	2,8,3
CSBUS 05 H	2,3,8
CSBUS 06 H	2,8,3
CSBUS 07 H	2,8,3
CSBUS 08 H	8,3,2
CSBUS 09 H	3,8,2
CSBUS 10 H	3,8,2
CSBUS 11 H	8,2,3
CSBUS 12 H	8,3,2
CSBUS 13 H	3,8,2
CSBUS 14 H	8,3,2
CSBUS 15 H	8,3,2
CSBUS 16 H	8,3,1
CSBUS 17 H	3,8,1
CSBUS 18 H	3,8,1
CSBUS 19 H	8,3,1
CSBUS 20 H	8,3,1
CSBUS 21 H	3,8,1
CSBUS 22 H	8,3,1
CSBUS 23 H	8,3,1
CSBUS 24 H	8,3,1
CSBUS 25 H	3,8,1

SIGNAL NAME	PAGE NUMBER(S)
CSBUS 26 H	3,8,1
CSBUS 27 H	8,3,1
CSBUS 28 H	8,3,1
CSBUS 29 H	3,8,1
CSBUS 30 H	8,3,1
CSBUS 31 H	21,8,3,1
CSBUS 32 H	2,8,3
CSBUS 33 H	2,3,8
CSBUS 34 H	2,3,8
CSBUS 35 H	2,8,3
CSBUS 36 H	2,8,3
CSBUS 37 H	2,3,8
CSBUS 38 H	2,8,3
CSBUS 39 H	2,8,3
CSBUS 40 H	8,3,2
CSBUS 41 H	3,8,2
CSBUS 42 H	3,8,2
CSBUS 43 H	8,2,3
CSBUS 44 H	8,3,2
CSBUS 45 H	3,8,2
CSBUS 46 H	8,3,2
CSBUS 47 H	8,3,2
CSBUS 48 H	8,3,1
CSBUS 49 H	3,8,1
CSBUS 50 H	3,8,1
CSBUS 51 H	8,3,1
CSBUS 52 H	8,3,1
CSBUS 53 H	3,8,1
CSBUS 54 H	8,3,1
CSBUS 55 H	8,3,1
CSBUS 56 H	14,8,3,1
CSBUS 57 H	14,3,8,1
CSBUS 58 H	14,3,8,1
CSBUS 59 H	21,14,8,3,1
CSBUS 60 H	14,8,3,1
CSBUS 61 H	14,3,8,1
CSBUS 62 H	14,8,3,1
CSBUS 63 H	17,14,16,8,3,1
DPM16 IRD1 H	17
DPM17 B CLK L	21,20
DPM17 D CLK ENABLE H	21,20
DPM17 H CLK ENABLE H	20,21,17
DPM17 PHASE 1 H	20
FPA LCODE DIS L	18
FPA UNCODE DIS L	0
FPA01 LIT + MBUS 04 L	1
FPA01 LIT + MBUS 05 L	1
FPA01 LIT + MBUS 06 L	1
FPA01 NOP/UNPACK0 H	1,2
FPA01 NOP/UNPACK1 H	1,2

NOTES:
1. THIS PAGE LISTS THE SCHEMATIC PAGE NUMBER(S) WHERE A SIGNAL NAME IS REFERENCED.

THIS DRAWING AND SPECIFICATIONS HEREIN ARE THE PROPERTY OF DIGITAL EQUIPMENT CORPORATION AND SHALL NOT BE REPRODUCED OR COPIED OR USED IN WHOLE OR IN PART AS THE BASIS FOR THE MANUFACTURE OR SALE OF ITEMS WITHOUT WRITTEN PERMISSION. COPYRIGHT © 1981, DIGITAL EQUIPMENT CORPORATION.

REVISIONS		
CHK	CHANGE NO.	REV

digital	DRN. 05/000A	DATE 17-SEP-81	ENG.	DATE	TITLE:
	CHK'D.	DATE	BOARD LOCATION: AC1	DE	FORWARD REFERENCE
FIRST USED ON OPTION/MODEL: FP750		NEXT HIGHER ASSEMBLY: B-DD-L0001-0-0		SIZE CODE	NUMBER
				D CS	L0001-0-24
					REV. A

SIGNAL NAME	PAGE NUMBER(S)	SIGNAL NAME	PAGE NUMBER(S)	SIGNAL NAME	PAGE NUMBER(S)
FPA01 NOP/UNPACK2 H	1,2	FPA02 NSBUS 05 H	2,4	FPA03 ABUS 23 H	3,7
FPA01 NOP/UNPACK3 H	1,2	FPA02 NSBUS 06 H	2,4	FPA03 ABUS 24 H	3,7
FPA01 NOP/UNPACK4 H	1,2	FPA02 NSBUS 07 H	2,4	FPA03 ABUS 25 H	3,7
FPA01 NSBUS 16 H	9,4,1	FPA02 NSBUS 08 H	9,4,2	FPA03 ABUS 26 H	3,7
FPA01 NSBUS 17 H	9,4,1	FPA02 NSBUS 09 H	9,4,2	FPA03 ABUS 27 H	3,7
FPA01 NSBUS 18 H	9,4,1	FPA02 NSBUS 10 H	9,4,2	FPA03 ABUS 28 H	3,7
FPA01 NSBUS 19 H	9,4,1	FPA02 NSBUS 11 H	9,4,2	FPA03 ABUS 29 H	3,7
FPA01 NSBUS 20 H	9,4,1	FPA02 NSBUS 12 H	9,4,2	FPA03 ABUS 30 H	3,7
FPA01 NSBUS 21 H	9,4,1	FPA02 NSBUS 13 H	9,4,2	FPA03 ABUS 31 H	3,7
FPA01 NSBUS 22 H	9,4,1	FPA02 NSBUS 14 H	9,4,2	FPA03 ABUS 32 H	6,3,7
FPA01 NSBUS 23 H	9,4,1	FPA02 NSBUS 15 H	9,4,2	FPA03 ABUS 33 H	3,6,7
FPA01 NSBUS 24 H	9,4,1	FPA02 NSBUS 32 H	5,2,10	FPA03 ABUS 34 H	6,3,7
FPA01 NSBUS 25 H	9,4,1	FPA02 NSBUS 33 H	5,2,10	FPA03 ABUS 35 H	6,3
FPA01 NSBUS 26 H	9,4,1	FPA02 NSBUS 34 H	5,2,10	FPA03 ABUS 36 H	6,3
FPA01 NSBUS 27 H	9,4,1	FPA02 NSBUS 35 H	5,2,10	FPA03 ABUS 37 H	3,6
FPA01 NSBUS 28 H	9,4,1	FPA02 NSBUS 36 H	2,5,10	FPA03 ABUS 38 H	6,3
FPA01 NSBUS 29 H	9,4,1	FPA02 NSBUS 37 H	2,5,10	FPA03 ABUS 39 H	6,3
FPA01 NSBUS 30 H	9,4,1	FPA02 NSBUS 38 H	2,5,10	FPA03 ABUS 40 H	6,3
FPA01 NSBUS 31 H	9,4,1	FPA02 NSBUS 39 H	2,5,10	FPA03 ABUS 41 H	6,3
FPA01 NSBUS 40 H	10,5,1	FPA02 NSBUS 40 H	5,10,2	FPA03 ABUS 42 H	6,3
FPA01 NSBUS 49 H	10,5,1	FPA02 NSBUS 41 H	5,10,2	FPA03 ABUS 43 H	6,3
FPA01 NSBUS 50 H	10,5,1	FPA02 NSBUS 42 H	5,10,2	FPA03 ABUS 44 H	6,3
FPA01 NSBUS 51 H	10,5,1	FPA02 NSBUS 43 H	5,10,2	FPA03 ABUS 45 H	6,3
FPA01 NSBUS 52 H	1,10,5	FPA02 NSBUS 44 H	5,10,2	FPA03 ABUS 46 H	6,3
FPA01 NSBUS 53 H	1,10,5	FPA02 NSBUS 45 H	5,10,2	FPA03 ABUS 47 H	6,3
FPA01 NSBUS 54 H	1,10,5	FPA02 NSBUS 46 H	5,10,2	FPA03 ABUS 48 H	6,3
FPA01 NSBUS 55 H	1,10,5	FPA02 NSBUS 47 H	5,10,2	FPA03 ABUS 49 H	6,3
FPA01 NSBUS 56 H	1,10,5	FPA03 ABUS 00 H	7,3	FPA03 ABUS 50 H	6,3
FPA01 NSBUS 57 H	1,10,5	FPA03 ABUS 01 H	7,3	FPA03 ABUS 51 H	3,6
FPA01 NSBUS 58 H	1,10,5	FPA03 ABUS 02 H	7,3	FPA03 ABUS 52 H	3,6
FPA01 NSBUS 59 H	1,10,5	FPA03 ABUS 03 H	7,3	FPA03 ABUS 53 H	3,6
FPA01 NSBUS 60 H	1,10,5	FPA03 ABUS 04 H	7,3	FPA03 ABUS 54 H	3,6
FPA01 NSBUS 61 H	1,10,5	FPA03 ABUS 05 H	7,3	FPA03 ABUS 55 H	3,6
FPA01 NSBUS 62 H	1,10,5	FPA03 ABUS 06 H	7,3	FPA03 ABUS 56 H	3,6
FPA01 NSBUS 63 H	17,16,1,10,5	FPA03 ABUS 07 H	7,3	FPA03 ABUS 57 H	3,6
FPA01 SEXT L	2,1	FPA03 ABUS 08 H	7,3	FPA03 ABUS 58 H	3,6
FPA01 WR DIS + DRTY 0 L	15,1,6,16,14	FPA03 ABUS 09 H	7,3	FPA03 ABUS 59 H	3,6
FPA02 EMOD + MBUS 00 L	2	FPA03 ABUS 10 H	7,3	FPA03 ABUS 60 H	3,6
FPA02 EMOD + MBUS 09 L	2	FPA03 ABUS 11 H	7,3	FPA03 ABUS 61 H	3,6
FPA02 EMOD + MBUS 10 L	2	FPA03 ABUS 12 H	3,7	FPA03 ABUS 62 H	3,6
FPA02 EMOD + MBUS 11 L	2	FPA03 ABUS 13 H	3,7	FPA03 ABUS 63 H	3,6
FPA02 EMOD + MBUS 12 L	2	FPA03 ABUS 14 H	3,7	FPA03 ABUS 64 H	3,6
FPA02 EMOD + MBUS 13 L	2	FPA03 ABUS 15 H	7,3	FPA03 ABUS 65 H	3,6
FPA02 EMOD + MBUS 14 L	2	FPA03 ABUS 16 H	3,7	FPA03 ABUS 66 H	3,6
FPA02 EMOD + MBUS 15 L	2	FPA03 ABUS 17 H	3,7	FPA03 ABUS 67 H	1
FPA02 NSBUS 00 H	4,2	FPA03 ABUS 18 H	3,7	FPA03 PULLUP 1 H	3,6,2,1,7
FPA02 NSBUS 01 H	4,2	FPA03 ABUS 19 H	3,7	FPA03 PULLUP 2 H	11,12,3
FPA02 NSBUS 02 H	4,2	FPA03 ABUS 20 H	3,7	FPA03 PULLUP 3 H	15,14,16,3
FPA02 NSBUS 03 H	4,2	FPA03 ABUS 21 H	3,7	FPA03 PULLUP 4 H	21,17,20,3
FPA02 NSBUS 04 H	2,4	FPA03 ABUS 22 H	3,7	FPA03 STICKY BIT L	7,3

NOTES:
1. THIS PAGE LISTS THE SCHEMATIC PAGE NUMBER(S) WHERE A SIGNAL NAME IS REFERENCED.

THIS DRAWING AND SPECIFICATIONS ARE THE PROPERTY OF DIGITAL EQUIPMENT CORPORATION AND SHALL NOT BE REPRODUCED OR COPIED OR USED IN WHOLE OR IN PART AS THE BASIS FOR THE MANUFACTURE OR SALE OF ITEMS WITHOUT WRITTEN PERMISSION. COPYRIGHT © 1981 DIGITAL EQUIPMENT CORPORATION.

REVISIONS	
CHK	CHANGE NO. REV

digit@i	DRN. 17-SEP-81	DATE	ENG.	DATE	TITLE:
	CHK'D.	DATE	BOARD LOCATION:	ACT	FORWARD REFERENCE
(160,1271)FPA25.DRW	10-SEP-81 13:26	NEXT HIGHER ASSEMBLY:	SIZE CODE:	NUMBER	REV.
FIRST USED ON OPTION/MODEL: FP750	B-DD-L0001-0-0	D CS	L0001-0-25	A	

SIGNAL NAME	PAGE NUMBER(S)	SIGNAL NAME	PAGE NUMBER(S)	SIGNAL NAME	PAGE NUMBER(S)
FPA06 BT H	6,7	FPA06 HDWIF L	6,7	FPA07 IC5 L	6,7
FPA06 C0 L	7,6	FPA06 IP04 L	6,7	FPA07 IC6 L	6,7
FPA06 C1 L	6,7	FPA06 IP05 L	6,7	FPA07 IC7 L	7,6
FPA06 C2 L	6,7	FPA06 IP06 L	6,7	FPA07 IP00 L	7
FPA06 C3 L	6,7	FPA06 IP07 L	7,6	FPA07 IP01 L	7
FPA06 C4 L	6	FPA06 P04 L	6	FPA07 IP02 L	7
FPA06 C5 L	6	FPA06 P05 L	6	FPA07 IP03 L	7
FPA06 C6 L	6	FPA06 P06 L	6	FPA07 PLDCI L	6,7
FPA06 C7 L	6	FPA06 P07 L	6	FPA07 P00 L	7,6
FPA06 CLEAN F0V L	17,6	FPA07 FPBUS00 H	7,2	FPA07 P01 L	6,7
FPA06 DONE NEXT L	17,6	FPA07 FPBUS01 H	7,2	FPA07 P02 L	6,7
FPA06 F0V H	6,15	FPA07 FPBUS02 H	7,2	FPA07 P03 L	6,7
FPA06 FPBUS32 H	2,6	FPA07 FPBUS03 H	7,2	FPA08 MIER 0 H	21,10,9,8
FPA06 FPBUS33 H	2,6	FPA07 FPBUS04 H	2,7	FPA08 MIER 1 H	21,10,9,8
FPA06 FPBUS34 H	2,6	FPA07 FPBUS05 H	2,7	FPA08 MIER 2 H	21,10,9,8
FPA06 FPBUS35 H	2,6	FPA07 FPBUS06 H	2,7	FPA08 MIER 3 H	10,9,8
FPA06 FPBUS36 H	2,6	FPA07 FPBUS07 H	2,7	FPA08 MIER 4 H	21,10,9,8
FPA06 FPBUS37 H	2,6	FPA07 FPBUS08 H	7,2	FPA08 MIER 5 H	21,10,9,8
FPA06 FPBUS38 H	2,6	FPA07 FPBUS09 H	7,2	FPA08 MIER 6 H	21,10,9,8
FPA06 FPBUS39 H	2,6	FPA07 FPBUS10 H	7,2	FPA08 MIER 7 H	10,9,8
FPA06 FPBUS40 H	6,2	FPA07 FPBUS11 H	7,2	FPA09 M01 0 H	13,9
FPA06 FPBUS41 H	6,2	FPA07 FPBUS12 H	7,2	FPA09 M01 1 H	13,9
FPA06 FPBUS42 H	6,2	FPA07 FPBUS13 H	7,2	FPA09 M01 10 H	9,11
FPA06 FPBUS43 H	6,2	FPA07 FPBUS14 H	7,2	FPA09 M01 11 H	9,11
FPA06 FPBUS44 H	6,2	FPA07 FPBUS15 H	7,2	FPA09 M01 12 H	9,11
FPA06 FPBUS45 H	6,2	FPA07 FPBUS16 H	7,1	FPA09 M01 13 H	9,11
FPA06 FPBUS46 H	6,2	FPA07 FPBUS17 H	7,1	FPA09 M01 14 H	9,11
FPA06 FPBUS47 H	6,2	FPA07 FPBUS18 H	7,1	FPA09 M01 15 H	9,11
FPA06 FPBUS48 H	6,1	FPA07 FPBUS19 H	7,1	FPA09 M01 2 H	13,9
FPA06 FPBUS49 H	6,1	FPA07 FPBUS20 H	7,1	FPA09 M01 3 H	13,9
FPA06 FPBUS50 H	6,1	FPA07 FPBUS21 H	7,1	FPA09 M01 4 H	13,9
FPA06 FPBUS51 H	6,1	FPA07 FPBUS22 H	7,1	FPA09 M01 5 H	13,9
FPA06 FPBUS52 H	1,6	FPA07 FPBUS23 H	7,1	FPA09 M01 6 H	13,9
FPA06 FPBUS53 H	1,6	FPA07 FPBUS24 H	7,1	FPA09 M01 7 H	13,9
FPA06 FPBUS54 H	1,6	FPA07 FPBUS25 H	7,1	FPA09 M01 8 H	9,11
FPA06 FPBUS55 H	1,6	FPA07 FPBUS26 H	7,1	FPA09 M01 9 H	9,11
FPA06 FPBUS56 H	1,6	FPA07 FPBUS27 H	7,1	FPA09 M12 0 H	11,9
FPA06 FPBUS57 H	1,6	FPA07 FPBUS28 H	7,1	FPA09 M12 1 H	11,9
FPA06 FPBUS58 H	1,6	FPA07 FPBUS29 H	7,1	FPA09 M12 10 H	9,11
FPA06 FPBUS59 H	1,6	FPA07 FPBUS30 H	7,1	FPA09 M12 11 H	9,11
FPA06 FPBUS60 H	1,6	FPA07 FPBUS31 H	6,7,1	FPA09 M12 12 H	9,11
FPA06 FPBUS61 H	1,6	FPA07 G00 L	7,6	FPA09 M12 13 H	9,11
FPA06 FPBUS62 H	1,6	FPA07 G01 L	6,7	FPA09 M12 14 H	9,11
FPA06 FPBUS63 H	1,6	FPA07 G02 L	6,7	FPA09 M12 15 H	9,11
FPA06 FS H	16,7,6	FPA07 G03 L	6,7	FPA09 M12 2 H	11,9
FPA06 FS L	6,8,16	FPA07 IC0 L	7	FPA09 M12 3 H	11,9
FPA06 G04 L	6	FPA07 IC1 L	7	FPA09 M12 4 H	11,9
FPA06 G05 L	6	FPA07 IC2 L	7	FPA09 M12 5 H	11,9
FPA06 G06 L	6	FPA07 IC3 L	7	FPA09 M12 6 H	11,9
FPA06 G07 L	6	FPA07 IC4 L	6,7	FPA09 M12 7 H	11,9

NOTES:
1. THIS PAGE LISTS THE SCHEMA IC PAGE NUMBER(S) WHERE A SIGNAL NAME IS REFERENCED.

THIS DRAWING AND SPECIFICATIONS ARE THE PROPERTY OF DIGITAL EQUIPMENT CORPORATION AND SHALL NOT BE REPRODUCED OR COPIED IN WHOLE OR IN PART AS THE BASIS FOR THE MANUFACTURE OR SALE OF ITEMS WITHOUT WRITTEN PERMISSION. COPYRIGHT © 1981, DIGITAL EQUIPMENT CORPORATION.

CHK	CHANGE NO.	REV.

digital	DRN. <i>DE</i>	DATE	ENG.	DATE	TITLE:
	CHK'D.	08-DEC-81			FORWARD REFERENCE
FIRST USED ON OPTION/MODEL: FP750		NEXT HIGHER ASSEMBLY: B-DD-L0001-0-0		SIZE CODE	NUMBER
				D CS	L0001-0-26
				REV.	B

SIGNAL NAME PAGE NUMBER(S)

FPA09 M12 8 H	9,11
FPA09 M12 9 H	9,11
FPA09 M23 8 H	11,9
FPA09 M23 1 H	11,9
FPA09 M23 10 H	9,11
FPA09 M23 11 H	9,11
FPA09 M23 12 H	9,11
FPA09 M23 13 H	9,11
FPA09 M23 14 H	9,11
FPA09 M23 15 H	9,11
FPA09 M23 2 H	11,9
FPA09 M23 3 H	11,9
FPA09 M23 4 H	11,9
FPA09 M23 5 H	11,9
FPA09 M23 6 H	11,9
FPA09 M23 7 H	11,9
FPA09 M23 8 H	9,11
FPA09 M23 9 H	9,11
FPA10 M34 8 H	10,11
FPA10 M34 1 H	10,11
FPA10 M34 10 H	11,10
FPA10 M34 11 H	11,10
FPA10 M34 12 H	11,10
FPA10 M34 13 H	11,10
FPA10 M34 14 H	11,10
FPA10 M34 15 H	11,10
FPA10 M34 2 H	10,11
FPA10 M34 3 H	10,11
FPA10 M34 4 H	10,11
FPA10 M34 5 H	10,11
FPA10 M34 6 H	10,11
FPA10 M34 7 H	10,11
FPA10 M34 8 H	11,10
FPA10 M34 9 H	11,10
FPA10 M45 8 H	11,10
FPA10 M45 1 H	11,10
FPA10 M45 10 H	11,10
FPA10 M45 11 H	11,10
FPA10 M45 12 H	10,11
FPA10 M45 13 H	10,11
FPA10 M45 14 H	10,11
FPA10 M45 15 H	10,11
FPA10 M45 2 H	11,10
FPA10 M45 3 H	11,10
FPA10 M45 4 H	11,10
FPA10 M45 5 H	11,10
FPA10 M45 6 H	11,10
FPA10 M45 7 H	11,10
FPA10 M45 8 H	11,10
FPA10 M45 9 H	11,10

SIGNAL NAME PAGE NUMBER(S)

FPA10 M56 8 H	11,10
FPA10 M56 1 H	11,10
FPA10 M56 10 H	10,11
FPA10 M56 11 H	10,11
FPA10 M56 12 H	10,11
FPA10 M56 13 H	10,11
FPA10 M56 14 H	10,11
FPA10 M56 15 H	10,11
FPA10 M56 2 H	11,10
FPA10 M56 3 H	11,10
FPA10 M56 4 H	11,10
FPA10 M56 5 H	11,10
FPA10 M56 6 H	11,10
FPA10 M56 7 H	11,10
FPA10 M56 8 H	10,11
FPA10 M56 9 H	10,11
FPA10 M67 8 H	10,11
FPA10 M67 1 H	10,11
FPA10 M67 10 H	10,11
FPA10 M67 11 H	10,11
FPA10 M67 12 H	10,11
FPA10 M67 13 H	10,11
FPA10 M67 14 H	10,11
FPA10 M67 15 H	10,11
FPA10 M67 2 H	10,11
FPA10 M67 3 H	10,11
FPA10 M67 4 H	11,10
FPA10 M67 5 H	11,10
FPA10 M67 6 H	11,10
FPA10 M67 7 H	11,10
FPA10 M67 8 H	10,11
FPA10 M67 9 H	10,11
FPA11 M61H L	11,12
FPA11 M61L L	11,12
FPA11 M62H L	11,12
FPA11 M62L L	11,12
FPA11 M63H L	12,11
FPA11 M63L L	12,11
FPA11 M64H L	11,12
FPA11 M64L L	11,12
FPA11 M65H L	11,12
FPA11 M65L L	11,12
FPA11 M66H L	12,11
FPA11 M66L L	12,11
FPA11 M67L L	11,12
FPA11 MP1H L	11,12
FPA11 MP1L L	11,12
FPA11 MP2H L	11,12
FPA11 MP2L L	11,12
FPA11 MP3H L	12,11

SIGNAL NAME PAGE NUMBER(S)

FPA11 MP3L L	12,11
FPA11 MP4H L	11,12
FPA11 MP4L L	11,12
FPA11 MP5H L	11,12
FPA11 MP5L L	11,12
FPA11 MP6H L	12,11
FPA11 MP6L L	12,11
FPA11 MP7L L	11,12
FPA11 PP10 H	13,11
FPA11 PP11 H	13,11
FPA11 PP12 H	13,11
FPA11 PP13 H	13,11
FPA11 PP14 H	13,11
FPA11 PP15 H	13,11
FPA11 PP16 H	13,11
FPA11 PP17 H	13,11
FPA11 PP18 H	13,11
FPA11 PP19 H	13,11
FPA11 PP20 H	13,11
FPA11 PP21 H	13,11
FPA11 PP22 H	13,11
FPA11 PP23 H	13,11
FPA11 PP24 H	13,11
FPA11 PP25 H	13,11
FPA11 PP26 H	13,11
FPA11 PP27 H	13,11
FPA11 PP28 H	13,11
FPA11 PP29 H	13,11
FPA11 PP30 H	13,11
FPA11 PP31 H	13,11
FPA11 PP32 H	13,11
FPA11 PP33 H	13,11
FPA11 PP34 H	13,11
FPA11 PP35 H	13,11
FPA11 PP36 H	13,11
FPA11 PP37 H	13,11
FPA11 PP38 H	13,11
FPA11 PP39 H	13,11
FPA11 PP40 H	13,11
FPA11 PP41 H	13,11
FPA11 PP42 H	13,11
FPA11 PP43 H	13,11
FPA11 PP44 H	13,11
FPA11 PP45 H	13,11
FPA11 PP46 H	13,11
FPA11 PP47 H	13,11
FPA11 PP48 H	13,11
FPA11 PP49 H	13,11
FPA11 PP50 H	13,11
FPA11 PP51 H	13,11

NOTES:
 1. THIS PAGE LISTS THE SCHEMATIC PAGE NUMBER(S) WHERE A SIGNAL NAME IS REFERENCED.

REVISIONS	
CHK	CHANGE NO. REV

digital	DRN. <i>DE</i>	DATE 17-SEP-81	ENG.	DATE	TITLE:
(160,127) FPA27.DRW	CHK'D.	DATE 130-JUL-81 13:59	BOARD LOCATION: AC1	SHEET DE	FORWARD REFERENCE
FIRST USED ON OPTION/MODEL: FP750	B-DD-L0001-0-0	SIZE CODE D CS	NUMBER L0001-0-27	REV. A	

SIGNAL NAME	PAGE NUMBER(S)	SIGNAL NAME	PAGE NUMBER(S)	SIGNAL NAME	PAGE NUMBER(S)
FPA11 PP52 H	11,13	FPA14 N7 H	15,14	FPA17 BUTCTRL3 H	17
FPA11 PP53 H	11,13	FPA14 S8 H	14,7,6,3	FPA17 BUTCTRL4 H	17
FPA11 PP54 H	11,13	FPA14 S1 H	14,7,6,3	FPA17 BUTCTRL5 H	17
FPA11 PP55 H	11,13	FPA14 S2 H	14,3	FPA17 BUTCTRL6 H	17
FPA11 PP56 H	13,11	FPA14 S3 H	14,3	FPA17 BUTCTRL7 H	17
FPA11 PP57 H	13,11	FPA14 S4 H	14,3	FPA17 CPU NOP L	17,28
FPA11 PP58 H	13,11	FPA14 S5 H	14,3	FPA17 CPU RD FCC L	21,17
FPA11 PP59 H	13,11	FPA14 SGE64 L	14,7,6	FPA17 CPU RD FPA H	21,17
FPA11 PP60 H	13,11	FPA14 SHIFTB H	14,2,1	FPA17 CPU RD FPA L	17,1
FPA11 PP61 H	13,11	FPA15 EXBUS 0 H	15,14,21		
		FPA15 EXBUS 1 H	15,14,21	-FPA17 CPU WR DOT H	17,14
FPA11 PP62 H	13,11	FPA15 EXBUS 2 H	15,14,21	-FPA17 CPU WR MBUS H	0
FPA11 PP63 H	13,11	FPA15 EXBUS 3 H	15,14,21	FPA17 CPU WR SLL H	17,15
FPA11 PP8 H	13,11	FPA15 EXBUS 4 H	15,14,21	-FPA17 CPU WR SLL H	17
FPA11 PP9 H	13,11	FPA15 EXBUS 5 H	15,14,21	-FPA17 CPU WR MBUS H	0
FPA12 MC1H H	11,12	FPA15 EXBUS 6 H	15,14,21	FPA17 CPUFPA0 H	17
FPA12 MC2H H	11,12	FPA15 EXBUS 7 H	15,14,21	FPA17 CPUFPA1 H	17
FPA12 MC2L H	11,12	FPA15 EXBUS 8 H	15,14,21	FPA17 CPUFPA2 H	17
FPA12 MC3H H	12,11	FPA15 EXBUS 9 H	15,14,21,17		
FPA12 MC4H H	11,12	FPA15 EXBUS 10 H	15	FPA17 CPUFPA3 H	17
FPA12 MC4L H	11,12	FPA15 FEK BMUX H	15		
		FPA15 FEK CIN L	15	FPA17 CSADR0 H	17,19,18,23
FPA12 MC5H H	11,12	FPA15 FEK PACK0 H	15	FPA17 CSADR1 H	17,19,18,23
FPA12 MC6H H	12,11	FPA15 FEK PACK1 H	15		
FPA12 MC6L H	12,11	FPA15 FEK PACK4 H	15	FPA17 CSADR2 H	17,19,18,23
FPA12 MC7H H	11,12	FPA15 LIT + MBUS 07 L	15,14	FPA17 CSADR3 H	17,19,18,23
FPA12 OMC3L H	12,11	FPA15 LIT + MBUS 08 L	15,14	FPA17 CSADR4 H	17,19,18,23
FPA12 OMC5L H	11,12	FPA15 LIT + MBUS 09 L	15,14		
FPA12 OMC7L H	12,11	FPA15 LIT + MBUS 10 L	15,14	FPA17 CSADR5 H	17,19,18,23
FPA12 OMC3L L	12	FPA15 LIT + MBUS 11 L	15,14	FPA17 CTR COLT H	17
FPA12 OMC5L L	12	FPA15 LIT + MBUS 12 L	15,14	FPA17 DIV H	15,17
FPA12 OMC7L L	12				
FPA12 OMP3L L	12	FPA15 LIT + MBUS 13 L	15,14	-FPA17 FLOATING OPERAND H	17,16
FPA12 OMP5L L	12	FPA15 LIT + MBUS 14 L	15,14	FPA17 IR01 H	16,17
FPA12 OMP7L L	12	FPA15 MUX EXP ALEG1 H	15	FPA17 IR02 H	6,16,17
FPA13 CLK PPR L	13	FPA15 MUX EXP BLEG0 H	15		
FPA13 PPOEN L	13	FPA15 MUX EXP BLEG2 H	15	FPA17 IR04 H	16,17
FPA14 (FQAOEN & AGEB) H	15,14,16	FPA15 MUX EXP LDA L	15,14	FPA17 ISEQ INIT H	17,19
FPA14 (FQAOEN & AGEB) L	15,14	FPA15 SLL H	16,15,1	FPA17 USTART H	19,17,20,23
FPA14 A GE B H	14	FPA15 SLL L	15,16	-FPA17 USTART H	19,17
FPA14 B2 H	14,7,6	FPA16 EXA EQ 2 H	6,16,1	-FPA17 MBUS OPERAND H	16,17
FPA14 CS LEFT 64 H	14,3	FPA16 EXA EQ 2 L	17,14,6,16		
				FPA18 ADD/SUB H	15,18,14,1,6,7,23
FPA14 CSL64 H	14,7,6	FPA16 EXB EQ 2 H	17,1,16	FPA18 CC0 H	21,18,23
FPA14 FQAOEN H	14	FPA16 FFADIF H	16,6,7	FPA18 CC1 H	21,18,23
FPA14 FQAOEN L	14	FPA16 RES OP H	17,21,16	FPA18 CC2 H	21,18,23
FPA14 N0 H	15,14	FPA16 SIGNA H	21,16,17	FPA18 CC3 H	21,18,23
FPA14 N1 H	15,14	FPA16 SIGNB H	16	FPA18 EN SET SLL H	18,15,23
FPA14 N2 H	15,14	FPA16 SIGNC H	16		
FPA14 N3 H	15,14	FPA16 MBUS EXP 0 H	16	FPA18 EXP ALEG0 H	15,18,23
FPA14 N4 H	15,14	FPA17 BUTCTRL0 H	17	FPA18 EXP ALEG1 H	15,18,23
FPA14 N5 H	15,14	FPA17 BUTCTRL1 H	17	FPA18 EXP ALEX0 H	15,18,23
FPA14 N6 H	15,14	FPA17 BUTCTRL2 H	17		

NOTES:
1. THIS PAGE LISTS THE SCHEMATIC PAGE NUMBER(S) WHERE A SIGNAL NAME IS REFERENCED.

<small>THIS DRAWING AND SPECIFICATIONS ARE THE PROPERTY OF DIGITAL EQUIPMENT CORPORATION AND SHALL NOT BE REPRODUCED OR COPIED IN WHOLE OR IN PART FOR ANY PURPOSES WITHOUT THE WRITTEN PERMISSION OF DIGITAL EQUIPMENT CORPORATION.</small>	REVISIONS CHK CHANGE NO. REV	DRN. <i>05</i> CHK'D.	DATE <i>08-DEC-81</i> DATE	ENG.	DATE	TITLE:	
		(160,1271) FPA28.DRW	DATE <i>28-OCT-81 15:09</i>	BOARD LOCATION:	ACT	FORWARD REFERENCE	
		FIRST USED ON OPTION/MODEL: FP750	NEXT HIGHER ASSEMBLY:	B-DD-L0001-0-0	SIZE CODE	NUMBER	REV.
8	7	6	5	4	3	2	1

SIGNAL NAME	PAGE NUMBER(S)	SIGNAL NAME	PAGE NUMBER(S)	SIGNAL NAME	PAGE NUMBER(S)
FPA18 EXP AMUX1 H	15,18,23	-FPA19 LD CTR H	19,17,23	-FPA21 FPA TRAP H	21
FPA18 EXP BLEG0 H	15,18,23	FPA19 LDPPR H	13,19,23	-FPA21 FPA V H	21
FPA18 EXP BLEG1 H	15,18,23			-FPA21 FPA Z H	21,17
FPA18 EXP BLEG2 H	15,18,23	FPA19 LMR1 H	19,17,8,23	-FPA21 LDPSL H	21
-FPA18 EXP CIN H	18,15,23	FPA19 MMR0 H	19,17,8,23	-FPA21 M CLK H	21,17
-FPA18 EXP LD A H	15,18,23	FPA19 MM1 H	19,17,8,23	-FPA21 RFTC H	21
-FPA18 EXP LD B H	15,18,23	FPA19 MM2 H	19,17,8,23	-FPA21 LR FPAENA H	21
-FPA18 EXP LD X H	15,18,23	FPA19 MMR0 H	19,8,23		
FPA18 EXP RND H	18,15,23	FPA19 MMR1 H	19,8,23	-MBUS 00 H	1,2
				-MBUS 01 H	1,2
FPA18 EXP TO MBUS H	15,18,23	FPA19 MMR2 H	19,8,23	-MBUS 02 H	1,2
FPA18 FQA ASELO H	14,18,23	-FPA19 NEXT00 H	17,19,23	-MBUS 03 H	1,2,15
FPA18 FQA ASEL1 H	14,18,23	FPA19 NEXT00H H	19,23	-MBUS 04 H	2,1,15
FPA18 FQA BSEL0 H	18,14,23	-FPA19 NEXT01 H	17,19,23		
FPA18 FQA BSEL1 H	14,18,23	-FPA19 NEXT02 H	17,19,23	-MBUS 05 H	2,1,15
FPA18 FQA BSEL2 H	14,18,23			-MBUS 06 H	2,1
		-FPA19 NEXT03 H	17,19,23	-MBUS 07 H	1,2,16,15
FPA18 FQA OEN H	18,14,23	-FPA19 NEXT04 H	17,19,23	-MBUS 08 H	2,16,15
FPA18 LD B FR MBUS H	15,18,2,1,23	-FPA19 NEXT05 H	17,19,23	-MBUS 09 H	2,16,15
		FPA19 NEXT06 H	19,18,23		
FPA18 LD EMOD H	21,18,2,23			-MBUS 10 H	2,16,15
FPA18 LD SIGNA H	18,16,23	FPA19 NEXT07 H	19,18,23	-MBUS 11 H	2,15,16
FPA18 LD SIGNB H	18,16,23	FPA19 NEXT08 H	19,18,23	-MBUS 12 H	2,15,16
		FPA19 PPOEN H	19,13,4,5,23	-MBUS 13 H	2,15,16
FPA18 LSHIFT H	18,3,23			-MBUS 14 H	2,15,16
FPA18 SIGN CTRL0 H	18,16,23	FPA19 PRR0 H	19,20,7,6,23		
FPA18 SIGN CTRL1 H	18,16,23	FPA19 PRR1 H	19,20,7,6,23	-MBUS 15 H	2,1
FPA18 SIGN XOR H	18,16,23	FPA19 RND0 H	19,7,23	-MBUS 16 H	2
FPA18 SIGNA TO MBUS H	18,16,23	FPA19 RND1 H	19,6,23	-MBUS 17 H	2
FPA18 SYNCHR LCODE DIS H	18,19,23	FPA19 RND2 H	19,6,23	-MBUS 18 H	2
				-MBUS 19 H	2
FPA18 UNPACK0 H	18,1,23	FPA19 RT NORM H	19,6,23	-MBUS 20 H	2
FPA18 UNPACK1 H	18,1,23	FPA19 SHEROM0 H	19,14,23	-MBUS 21 H	2
FPA18 UNPACK2 H	18,1,23	FPA19 SHEROM1 H	19,14,23	-MBUS 22 H	2
FPA18 UNPACK3 H	18,1,23	FPA19 SHEROM2 H	19,14,23		
FPA18 UNPACK4 H	18,1,23	FPA19 SHIFT B H	19,14,23	-MBUS 23 H	2
FPA18 LR MBUS H	18,1,23			-MBUS 24 H	1
		FPA20 B CLK H	21,20,17,16	-MBUS 25 H	1
FPA19 ALU CIN H	19,7,23	-FPA20 DIV23 CLK EN H	20	-MBUS 26 H	1
FPA19 BCOMPL H	19,6,23	FPA20 FP CLK H	13,20,14,23	-MBUS 27 H	1
				-MBUS 28 H	1
FPA19 BUT0 H	19,17,23	-FPA20 FP CLK H	15,14,19,18,17,16,2,7,6,8,1,20	-MBUS 29 H	1
FPA19 BUT1 H	19,17,23			-MBUS 30 H	1
FPA19 BUT2 H	19,17,23	-FPA20 FP CLK EN H	21,20		
FPA19 BUT3 H	19,17,23	FPA20 SYNC PHASE 1 H	14,20,16,2,1	-MBUS 31 H	1
FPA19 BZERO H	19,14,23	-FPA20 SYNC PHASE 1 H	15,20	MIC01 XBUF 00 H	17
		FPA21 EXPOR H	21,17	MIC01 XBUF 01 H	17
FPA19 ENA CTR H	19,17,23	FPA21 FAULT H	21,17	MIC01 XBUF 02 H	17
-FPA19 FPA STALL H	19,17,23	-FPA21 FP RES OP H	21		
FPA19 FPCLK0 H	20,19,23				
FPA19 FPCLK1 H	19,20,23	-FPA21 FPA ENABLED H	21		

NOTES:
 1. THIS PAGE LISTS THE SCHEMATIC PAGE NUMBER(S) WHERE A SIGNAL NAME IS REFERENCED.

REVISIONS	CHK	CHANGE NO.	REV.

digital DRN. 09 DATE 17-SEP-81 ENG. DATE TITLE: FORWARD REFERENCE
 CHK'D. DATE BOARD LOCATION: A1
 : 160,1271 FPA29.DRW 130-JUL-81 14:01 NEXT HIGHER ASSEMBLY: SIZE CODE NUMBER REV.
 FIRST USED ON OPTION/MODEL: FP750 B-DD-L0001-0-0 D CS L0001-0-29 A

SIGNAL NAME	PAGE NUMBER(S)	SIGNAL NAME	PAGE NUMBER(S)	SIGNAL NAME	PAGE NUMBER(S)
MIC02 XBUF 05 H	17				
MIC02 XBUF 06 H	17				
MIC02 XBUF 07 H	17				
-MIC04 LATCHED MBUS 15 H	16				
MIC04 MEM STALL H	20				
-MIC07 UTRAP H	17				
-UB113 MSEQ INIT H	19,17				
WBUS 00 H	21,1				
WBUS 01 H	21,1				
WBUS 02 H	21,1				
WBUS 03 H	21,1				
WBUS 04 H	1				
WBUS 05 H	21,1				
WBUS 06 H	21,1				
WBUS 07 H	15,14,16,1				
WBUS 08 H	15,14,16,2				
WBUS 09 H	15,14,16,2				
WBUS 10 H	15,14,16,2				
WBUS 11 H	15,14,16,2				
WBUS 12 H	15,14,16,2				
WBUS 13 H	15,14,16,2				
WBUS 14 H	15,14,16,2				
WBUS 15 H	16,2				
WBUS 16 H	2				
WBUS 17 H	2				
WBUS 18 H	2				
WBUS 19 H	2				
WBUS 20 H	2				
WBUS 21 H	2				
WBUS 22 H	2				
WBUS 23 H	2				
WBUS 24 H	1				
WBUS 25 H	1				
WBUS 26 H	1				
WBUS 27 H	1				
WBUS 28 H	1				
WBUS 29 H	1				
WBUS 30 H	1				
WBUS 31 H	1				

NOTES:
1. THIS PAGE LISTS THE SCHEMATIC PAGE NUMBER(S) WHERE A SIGNAL NAME IS REFERENCED.

THIS DRAWING AND SPECIFICATIONS
HEREIN ARE THE PROPERTY OF
DIGITAL EQUIPMENT CORPORATION AND
SHALL NOT BE REPRODUCED OR COPIED
OR USED IN WHOLE OR IN PART AS
THE BASIS FOR THE MANUFACTURE OR
SALE OF ITEMS WITHOUT WRITTEN
PERMISSION. COPYRIGHT © 1981
DIGITAL EQUIPMENT CORPORATION.

REVISIONS	
CHK	CHANGE NO. REV

digital	DRN. 84	DATE 17-SEP-81	ENG.	DATE	TITLE:
	CHK'D. J.F. 7000	DATE	BOARD LOCATION: AC1		FORWARD REFERENCE
C160.1271 FPA30 DRW 130-JUL-81 14:02 NEXT HIGHER ASSEMBLY:		SHEET	OF	SIZE CODE	NUMBER
FIRST USED ON OPTION/MODEL: FP750		B-DD-L0001-0-0		D CS L0001-0-30	REV. A

