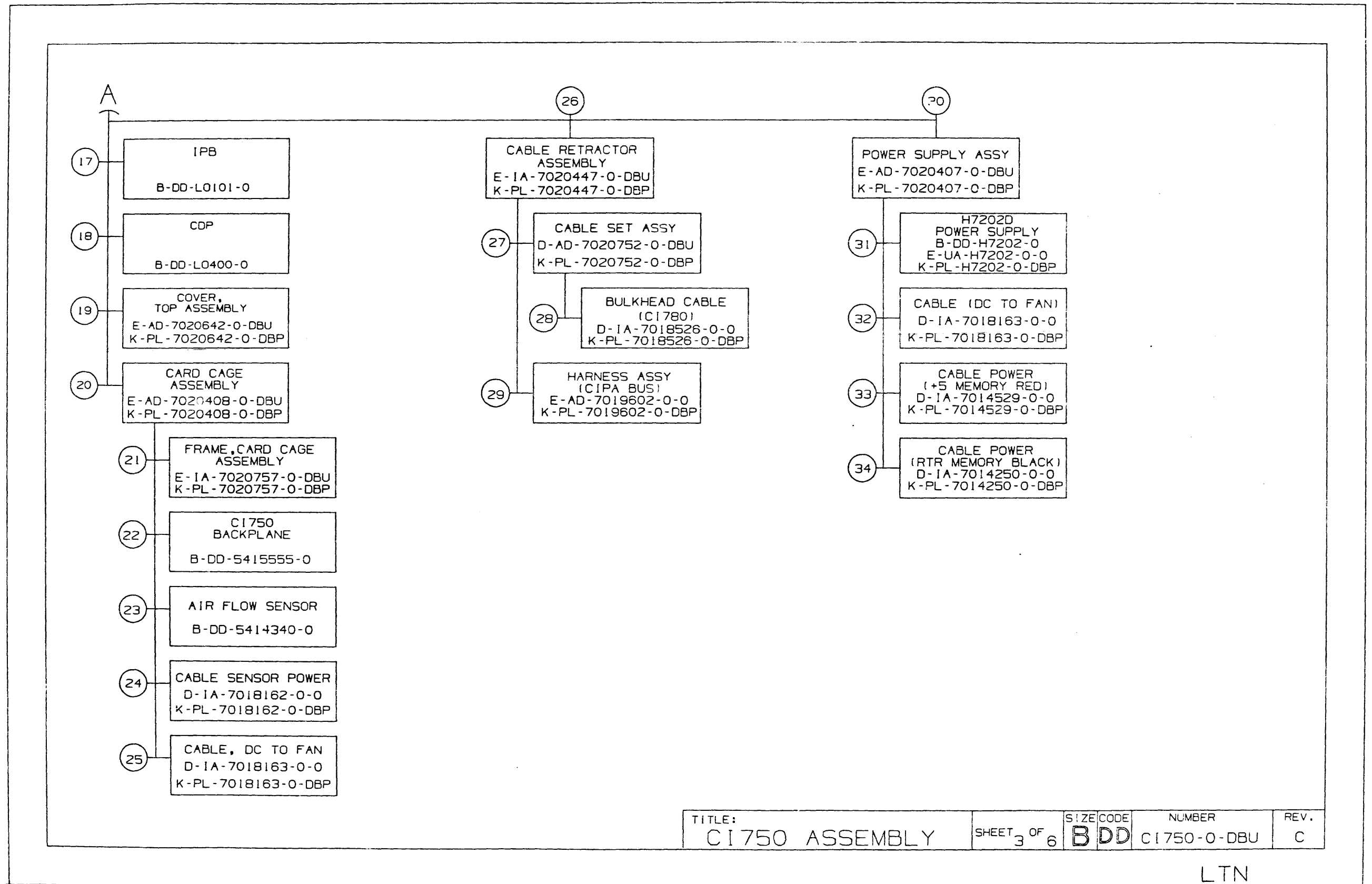


TITLE:	CI750 ASSEMBLY	SHEET 2 OF 6	SIZE CODE	BDD	NUMBER	CI750-0-DBU	REV.	C
--------	----------------	--------------	-----------	-----	--------	-------------	------	---

LTN



TITLE:	SHEET 3 OF 6	SIZE CODE	NUMBER	REV.
CI750 ASSEMBLY		BDD	CI750-0-DBU	C

LTN

FIND NO.	DRAWING NO.	DESCRIPTION	TYPE	FIND NO.	DRAWING NO.	DESCRIPTION	TYPE
1	MP 01647	FIELD MAINTENANCE PRINT SET (MP)		11	B-DD-877-0-DBU	877-D POWER CONTROLLER 120V, 24A	E/M
	B-TC-C1750-0-DBU1	FIELD MAINTENANCE PRINT SET (TC)					
	B-DD-C1750-0-DBU	C1750 ASSEMBLY-DWG DIRECTORY		12	B-DD-L0009-0	CCI	E/M
	E-UA-C1750-0-DBU	C1750 ASSEMBLY	E/M				
	K-PL-C1750-0-DBP	C1750 ASSEMBLY-PARTS LIST	E/M	13	B-DD-H9544-SK-DBU	PRIMARY BULKHEAD PANEL W 877 POW CONTROLLER CUTOUT	E/M
	E-IC-C1750-0-DBU2	C1750 INTERCONNECT DIAGRAM	E				
	E-IC-C1750-0-DBU3	C1750 DUAL IC DIAGRAM	E	14	E-AD-7020700-0-DBU	C1750-C ASSEMBLY	E/M
	K-BD-C1750-0-0	C1750 BLOCK DIAGRAM	M		K-PL-7020700-0-DBP	C1750-C ASSEMBLY PARTS LIST	
	A-PS-1215843-0-0	CLIP, FLAT CABLE W/ ADHESIVE BACK	M		D-MD-7428678-0-DBU	BRACKET, CIRCUIT BREAKER	M
	E-1A-7431440-0-DBU	PANEL, FRONT, SC 4	M		B-MD-7423050-0-DBU	COVER PLATE	M
	C-SS-7431440-0-1	SILK SCREEN, PANEL, FRONT			B-1A-7423049-0-DBU	STUD PLATE	M
	C-SS-7431440-0-2	SILK SCREEN, PANEL, REAR			E-MD-7427861-0-0	COVER, CARD CAGE	M
	C-MD-7431439-0-DBU	PLATE CONTROLLER	M		C-MD-7428979-0-DBU	COVER, LEXAN	M
	E-1A-7431233-0-DBU	FRAME, MOUNTING, SC4	M		D-MD-7428427-0-DBU	BRACKET, MODULE SUPPORT	M
	C-MD-7428810-0-DBU	BRACKET, FRONT DOOR LOCK	M		C-1A-7427380-0-DBU	BRACKET, RETAINER	M
	B-MD-7425168-0-0	BAR, NUT	M				
	D-MD-7419261-0-0	BRACKET, CHASSIS SLIDE	M	15	E-AD-7020406-0-DBU	FRAME ASSEMBLY	E/M
	E-1A-7432233-0-DBU	BRACKET, LOCKING	M		K-PL-7020406-0-DBP	FRAME ASSEMBLY PARTS LIST	
					E-MD-7430175-0-0	FRAME, BOTTOM	M
2	B-DD-H9544-E	SHIELDED FRONT DOOR, 40" SINGLE WIDTH	M		E-1A-7430176-0-0	PANEL, RIGHT SIDE	M
					E-1A-7430177-0-0	PANEL, LEFT SIDE	M
					E-1A-7430179-0-0	FRAME, FRONT	M
					E-MD-7430178-0-0	FRAME, REAR	M
3	B-DD-H9542-F-DBU	FRAME ASSY	M		D-MD-7430185-0-DBU	DOOR, SIDE	M
					D-MD-7427865-0-DBU	HINGE, DOOR	M
					D-MD-7421616-0-0	SPRING, BOX LOCK	M
4	B-DD-H9544-A	SHIELDING INSERT, " END PANEL	M		D-1A-7427863-0-DBU	STRUT, BOTTOM	M
					D-MD-7427866-0-DBU	FILTER, FOAM	M
					D-MD-7427867-0-DBU	FOAM, FAN	V
5	B-DD-H9544-B	SHIELDED REAR DOOR, 40" SINGLE WIDTH	M		D-MD-7427862-0-DBU	FOAM, CARD CAGE	V
					D-1A-7430180-0-0	BRACKET, CC MOUNT	M
					K-PL-7430180-0-DBP	BRACKET, CC MOUNT PARTS LIST	
6	B-DD-H9544-J	SHIELDED EXPANDER KIT, 40"	M		C-MD-7423073-0-DBU	VELCRO STRIP, UPPER	M
					A-PS-1219059-0-0	CLIP, FLAT CABLE 2.45"W	M
					C-1A-7428677-0-DBU	BRACKET, CIRCUIT	M
7	B-DD-H9544-L	SHIELDED TOP COVER, 40" SINGLE WIDTH	M		K-PL-7428677-0-DBP	BRACKET, CIRCUIT PARTS LIST	
					D-MD-7430181-0-0	BRKT, LOWER, FR & RR	M
					C-1A-7430310-0-0	BRKT, UPPER, FRONT	M
8	C-1A-7008288-0-0	CABLE ASSEMBLY	E/M		K-PL-7430310-0-DBP	BRKT, UPPER, FRONT PARTS LIST	
					C-MD-7430311-0-0	BRKT, UPPER REAR	M
					C-1A-7430183-0-0	NUT PLATE	M
9	A-PA-3700371-0-0	PACKAGING INSTRUCTIONS	M		K-PL-7430183-0-DBP	NUT PLATE PARTS LIST	
					C-MD-7430184-0-0	WINDOW, PLASTIC	V
					A-PS-1213686-01	MOUNTING RAIL	M
10	B-DD-877-0-DBU	877-B POWER CONTROLLER 240V, 12A	E/M				
				16	B-DD-L0100-0	ILI	E/M

TYPE: E ELECTRICAL
M MECHANICAL
E/M ELECTRO/MECHANICAL

digital

TITLE: CI750 ASSEMBLY

SHEET 4 OF 6

SIZE CODE BDD

NUMBER CI750-0-DBU

REV. C

DRB 108A

LTN

FIND NO.	DRAWING NO.	DESCRIPTION	TYPE	FIND NO.	DRAWING NO.	DESCRIPTION	TYPE
17	B-DD-L0101-0	IPB	E/M	24	D-1A-7018162-0-0	CABLE, SENSOR POWER	E/M
					K-PL-7018162-0-DBP	CABLE, SENSOR POWER -PARTS LIST	
18	B-DD-L0400-0	CDP	E/M				
				25	D-1A-7018163-0-0	CABLE, DC TO FAN	E/M
19	E-AD-7020642-0-DBU	COVER, TOP ASSEMBLY	M		K-PL-7018163-0-DBP	CABLE, DC TO FAN-PARTS LIST	
	K-PL-7020642-0-DBP	COVER, TOP ASSEMBLY - PARTS LIST	M				
	E-MD-7430189-0-0	COVER, TOP	M				
				26	E-1A-7020447-0-DBU	CABLE RETRACTOR ASSEMBLY	E/M
20	E-AD-7020408-0-DBU	CARD CAGE ASSEMBLY	E/M		K-PL-7020447-0-DBP	CABLE RETRACTOR ASSEMBLY-PARTS LIST	
	K-PL-7020408-0-DBP	CARD CAGE ASSEMBLY-PARTS LIST	E/M		D-MD-7428769-0-DBU	RETRACTOR, RIBBON CABLE	M
	E-1A-7427378-0-DBU	PLENUM	M				
	D-MD-7427925-0-DBU	INSULATOR	M	27	D-AD-7020752-0-DBU	CABLE SET ASSEMBLY	E/M
	D-1A-7428581-0-DBU	BRACKET, L, STRAIN RELIEF	M		K-PL-7020752-0-DBP	CABLE SET ASSEMBLY-PARTS LIST	
	C-1A-7428368-0-DBU	BRACKET, LEFT STRAIN RELIEF	M		D-1A-7426407-26-DBU	PANEL, MASTER (T/RA)	M
	C-MD-7428580-0-DBU	PLATE, STRAIN RELIEF	M		K-PL-7426407-26-DBP	PANEL, MASTER (T/RA) -PARTS LIST	
	A-PS-1217556-0-0	FAN, TUBE AXIAL	E/M		D-1A-7426407-27-DBU	PANEL, MASTER (T/RB)	M
	A-PS-1210263-0-0	GUARD, FINGER	M		K-PL-7426407-27-DBP	PANEL, MASTER (T/RB) -PARTS LIST	
21	E-1A-7020757-0-DBU	FRAME, CARD CAGE ASSEMBLY	M	28	D-1A-7018526-0-0	BULKHEAD CABLE (C1780)	E/M
	K-PL-7020757-0-DBP	FRAME, CARD CAGE ASSEMBLY-PARTS LIST			K-PL-7018526-0-DBP	BULKHEAD CABLE (C1780) -PARTS LIST	
	E-1A-7430186-0-DBU	BOTTOM, CC	M				
	K-PL-7430186-0-DBP	BOTTOM, CC-PARTS LIST		29	E-AD-7019602-0-0	HARNESS ASSEMBLY (CIPA BUS)	E/M
	E-1A-7430187-0-DBU	FRAME, CARDCAGE, FRONT	M		K-PL-7019602-0-DBP	HARNESS ASSEMBLY (CIPA BUS) -PARTS LIST	
	K-PL-7430187-0-DBP	FRAME, CARDCAGE, FRONT-PARTS LIST					
	E-1A-7430188-0-DBU	FRAME, CARDCAGE, REAR	M				
	K-PL-7430188-0-DBP	FRAME, CARDCAGE, REAR-PARTS LIST		30	E-1A-7020407-0-DBU	POWER SUPPLY ASSEMBLY	E/M
	C-MD-7423051-0-0	ROD SUPPORT	M		K-PL-7020407-0-DBP	POWER SUPPLY ASSEMBLY-PARTS LIST	E/M
	D-MD-7428365-0-DBU	STRUT, HORIZONTAL	M		D-MD-7427369-0-DBU	BRACKET, LEFT, P.S.	M
	A-PS-1211630-0-0	GUIDE, CARD	M		D-MD-7427370-0-DBU	BRACKET, RIGHT, P.S.	M
					A-PS-1217556-0-0	FAN, TUBE AXIAL	E/M
					A-PS-1700388-0-0	FLEX CABLE ASSEMBLY	E/M
22	B-DD-5415555-0	C1750 BACKPLANE-DWG DIRECTORY					
	E-UA-5415555-0-0	C1750 BACKPLANE ASSEMBLY	E/M				
	K-PL-5415555-0-DBP	C1750 BACKPLANE ASSEMBLY-PARTS LIST		31	B-DD-H7202-0	H7202 POWER SUPPLY-DWG DIRECTORY	
	D-EC-5015554-0-0	C1750 BACKPLANE ASSEMBLY-ETCH CUT	E				
23	B-DD-5414340-0	AIR FLOW SENSOR-DWG DIRECTORY		32	D-1A-7018163-0-0	CABLE, DC TO FAN	E/M
	D-UA-5414340-0-0	AIR FLOW SENSOR ASSEMBLY	E/M		K-PL-7018163-0-DBP	CABLE, DC TO FAN -PARTS LIST	
	K-PL-5414340-0-DBP	AIR FLOW SENSOR ASSEMBLY-PARTS LIST		33	D-1A-7014529-0-0	CABLE POWER (+5 MEMORY-RED)	E/M
	D-CS-5414340-0-0	AIR FLOW SENSOR-CIRCUIT SCHEMATIC	E		K-PL-7014529-0-DBP	CABLE POWER (+5 MEMORY-RED) -PARTS LIST	
			E/M	34	D-1A-7014250-0-0	CABLE POWER (RTR MEMORY-BLK)	E/M
					K-PL-7014250-0-DBP	CABLE POWER (RTR MEMORY-BLK) -PARTS LIST	

TYPE: E ELECTRICAL
M MECHANICAL
E/M ELECTRO/MECHANICAL

digital

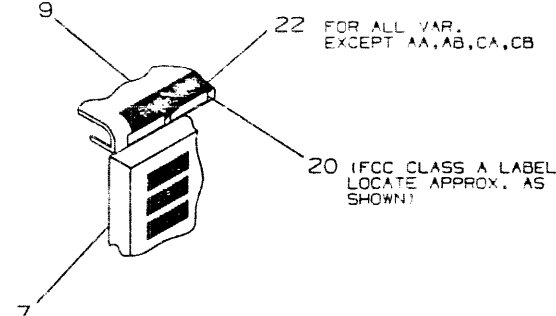
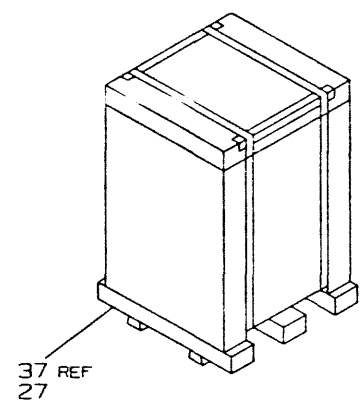
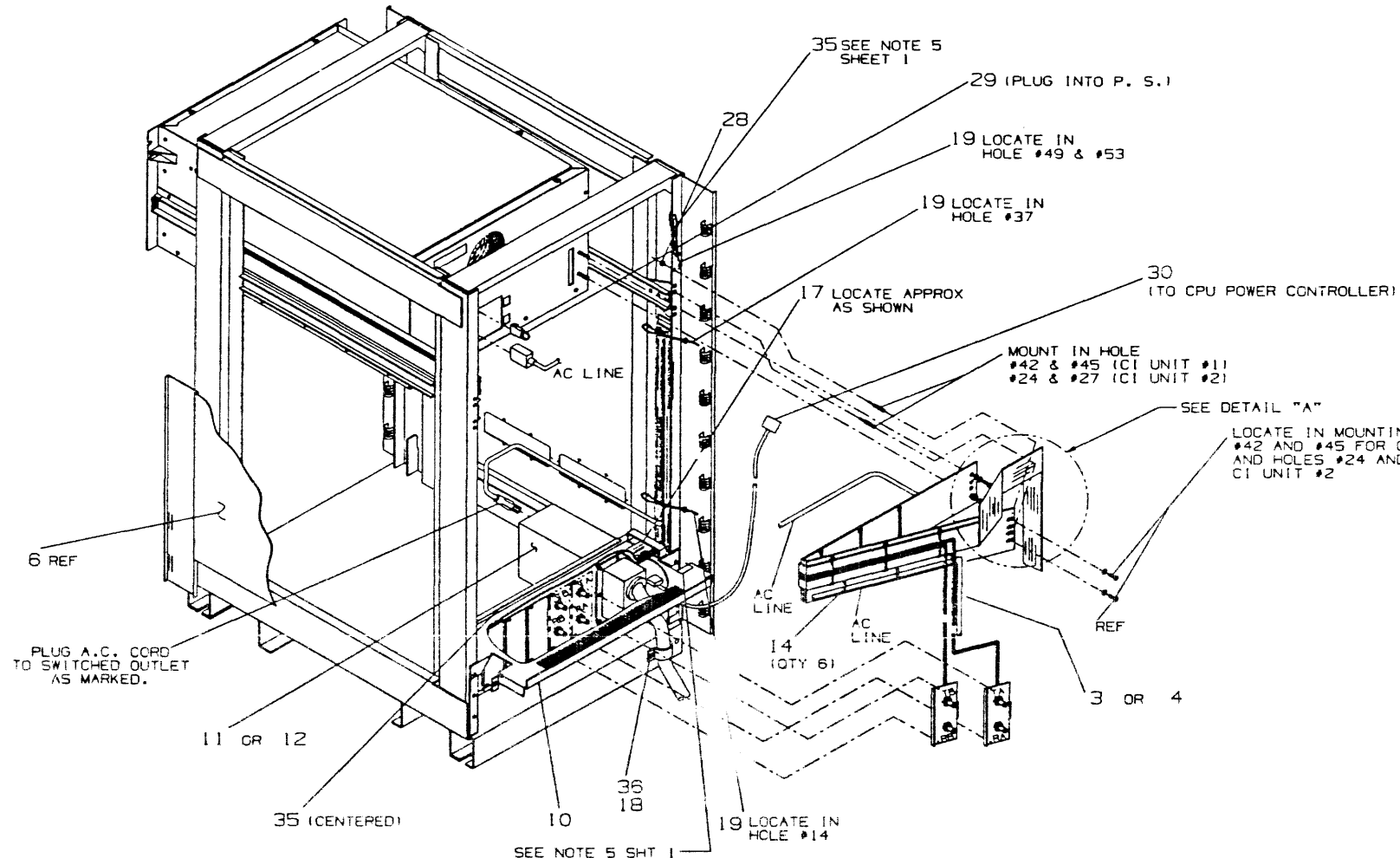
TITLE: C1750 ASSEMBLY SHEET 5 OF 6 SIZE CODE BDD NUMBER C1750-0-DBU REV. C

DRB 108A

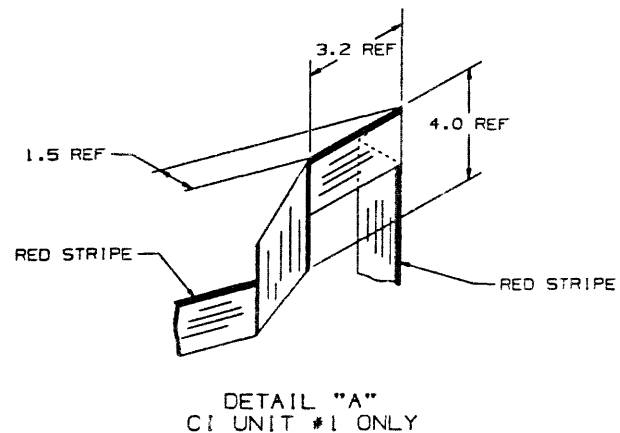
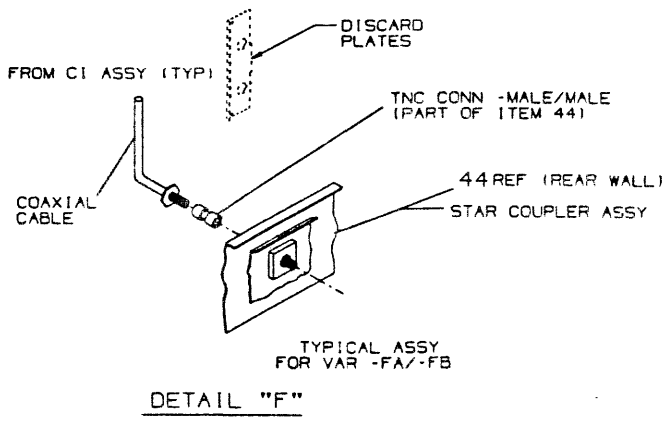
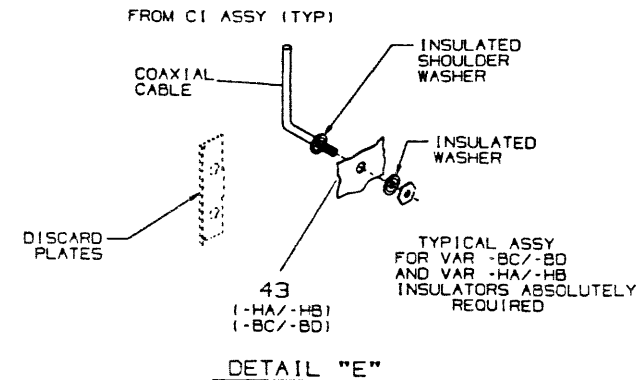
LTN

THIS DRAWING AND SPECIFICATIONS, HEREINAFTER THE PROPERTY OF DIGITAL EQUIPMENT CORPORATION AND SHALL NOT BE REPRODUCED OR COPIED OR USED IN WHOLE OR IN PART AS THE BASIS FOR THE MANUFACTURE OR SALE OF ITEMS WITHOUT WRITTEN PERMISSION. DIGITAL EQUIPMENT CORPORATION. COPYRIGHT © 1984

E LA C1750-0-DBU D



VARIATIONS-BA/-BB SHOWN

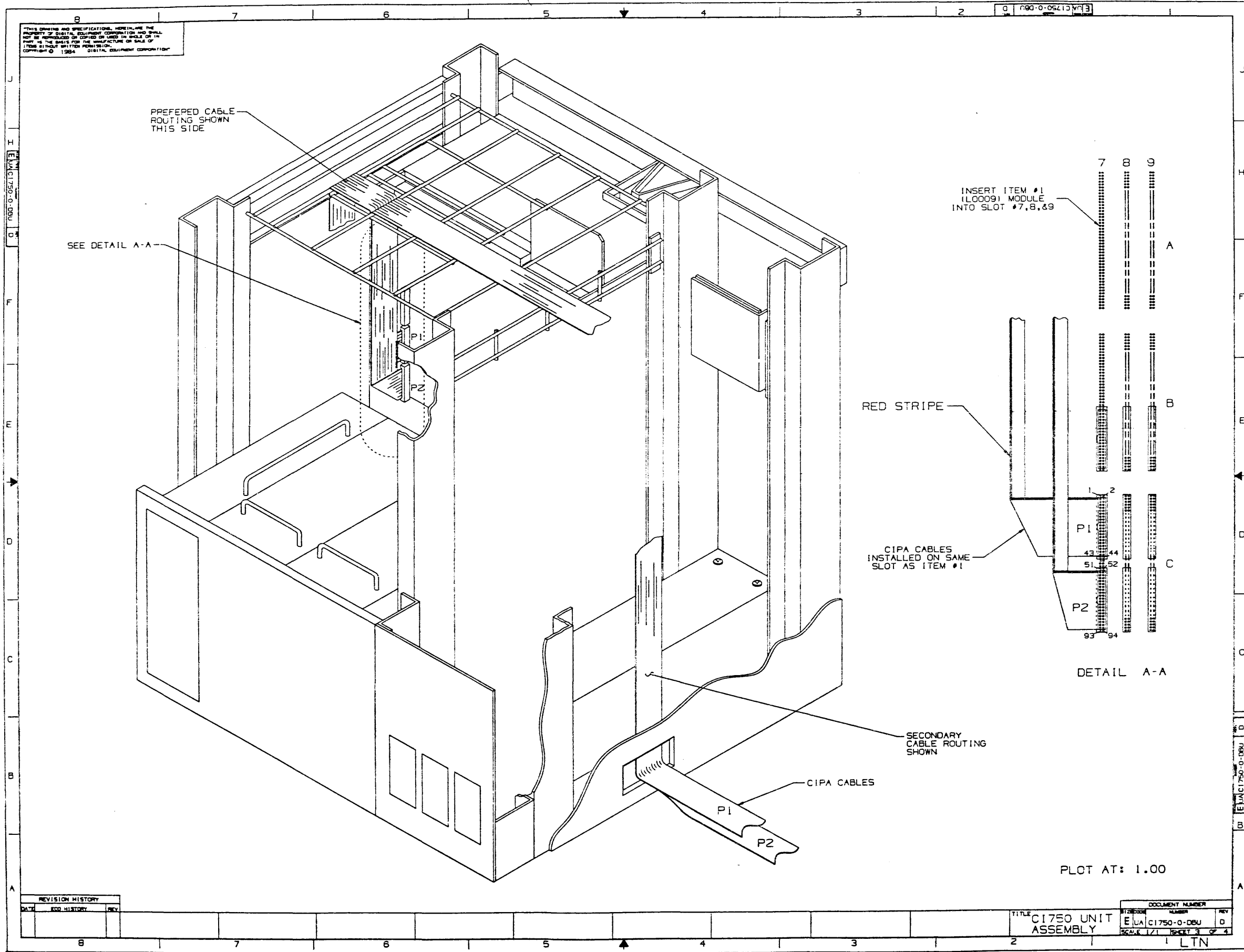


PLOT AT: .250

REVISION HISTORY		
DATE	ECO HISTORY	REV

TITLE C1750 UNIT ASSEMBLY
 DOCUMENT NUMBER E LA C1750-0-DBU D
 SCALE 1/4 SHEET 2 OF 4

LTN



THIS DRAWING AND SPECIFICATIONS, HEREIN, ARE THE PROPERTY OF DIGITAL EQUIPMENT CORPORATION AND SHALL NOT BE REPRODUCED OR COPIED OR USED IN WHOLE OR IN PART IN THE MANNER FOR THE MANUFACTURE OR SALE OF ITEMS WITHOUT WRITTEN PERMISSION. COPYRIGHT © 1984. DIGITAL EQUIPMENT CORPORATION

EUA/C1750-0-DBU D

EUA/C1750-0-DBU D

REVISION HISTORY		
DATE	ECO HISTORY	REV

TITLE C1750 UNIT ASSEMBLY		DOCUMENT NUMBER EUA/C1750-0-DBU D	
SCALE 1/2		SHEET 3 OF 4	
LTN			

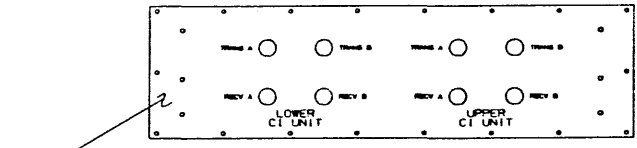
PLOT AT: 1.00

THIS DRAWING AND SPECIFICATIONS CONTAINED HEREIN ARE CONFIDENTIAL AND PROPRIETARY TO THE UNITED STATES GOVERNMENT. IT IS TO BE CONTAINED WITHIN THE PROTECTIVE CASE AND NOT TO BE DISSEMINATED OUTSIDE THE PROTECTIVE CASE UNLESS AUTHORIZED BY THE SECRETARY OF DEFENSE.

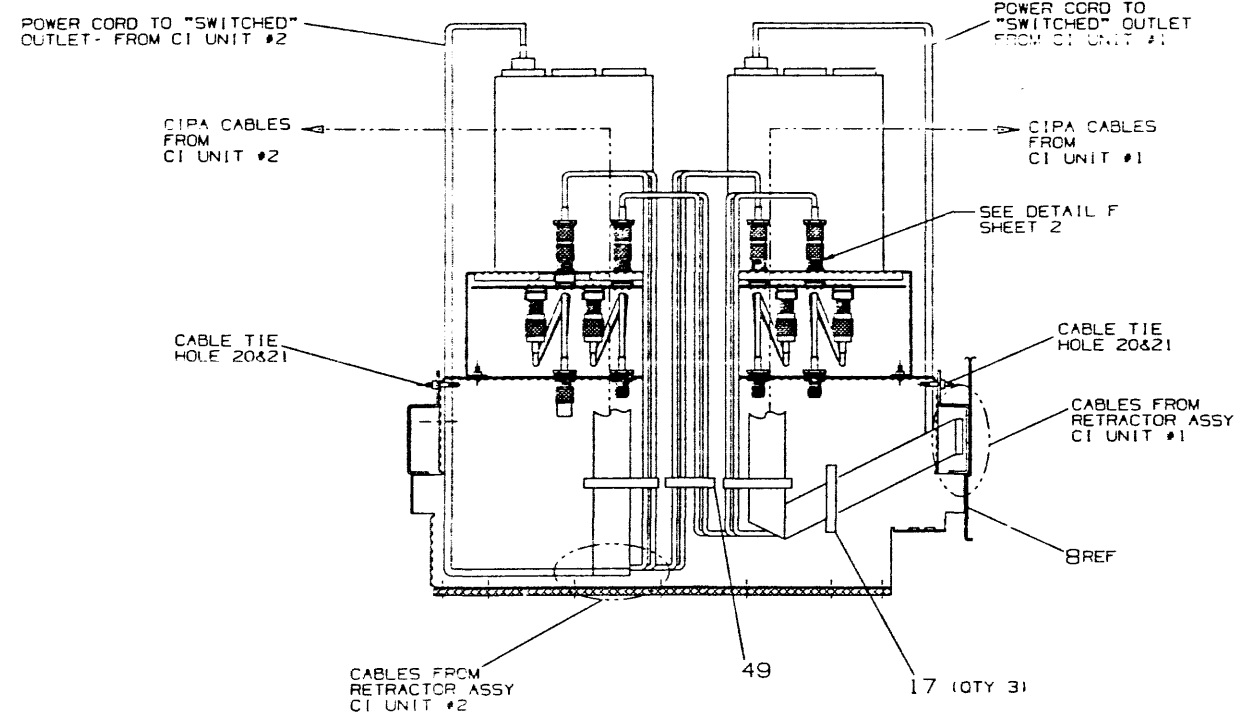
VARIATIONS -FA/-FB SHOWN
 NOTE: IF STAR COUPLER IS TO BE DISCARDED, FRONT PANEL CAN BE REMOVED FROM ASSY AND OPPOSITE SIDE CAN BE USED AS NEW FCC OR I/O PANEL. PRINTED CONNECTOR INFO ALREADY ON PANEL.

VARIATIONS -HA/-HB (NOT SHOWN)
 SUBSTITUTE ITEM 43 FOR 44 USING SAME REQUIRED HARDWARE. SEE VIEW "D" FOR CONNECTOR INFO.

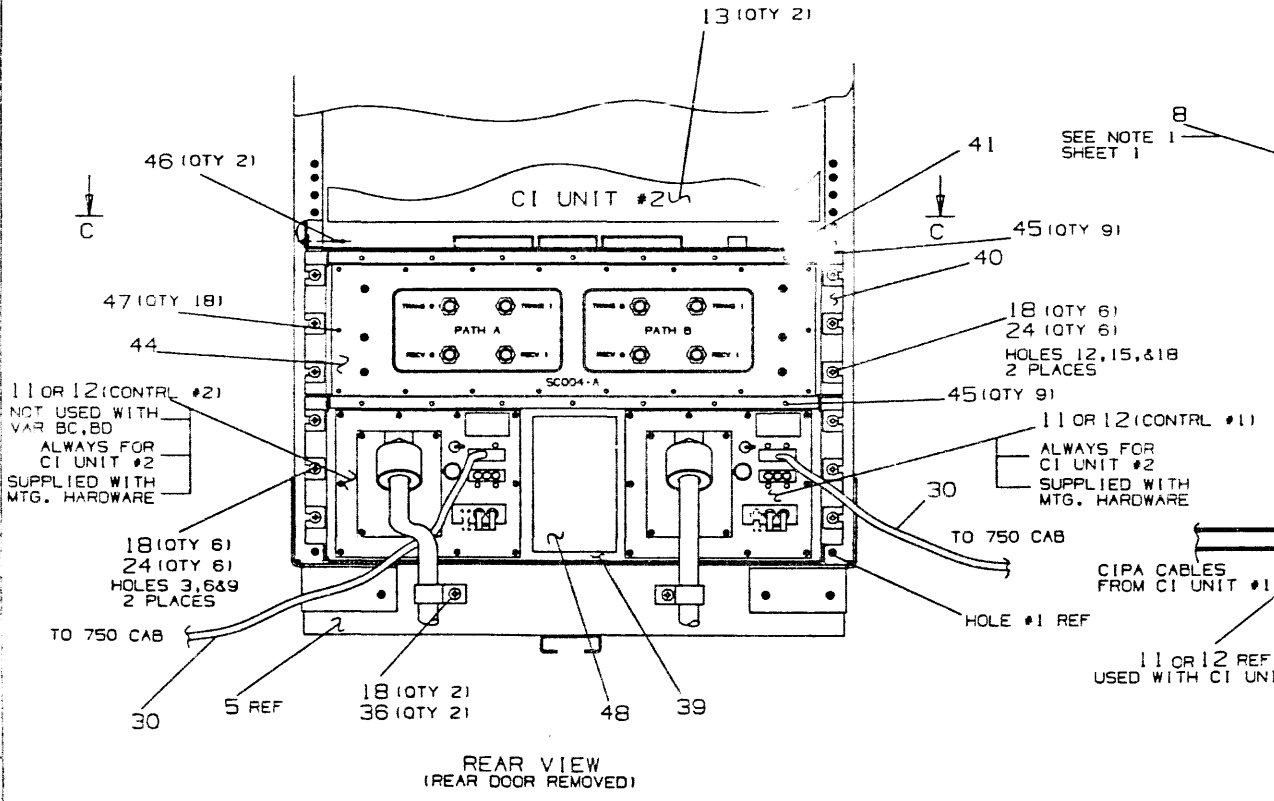
VARIATIONS -BC/-BD (NOT SHOWN)
 SAME AS -HA/-HB, BUT USES SINGLE CI UNIT AT UPPER LEVEL. REPLACE CONTROLLER #2 WITH ITEM 42 USING 45 (QTY 10).



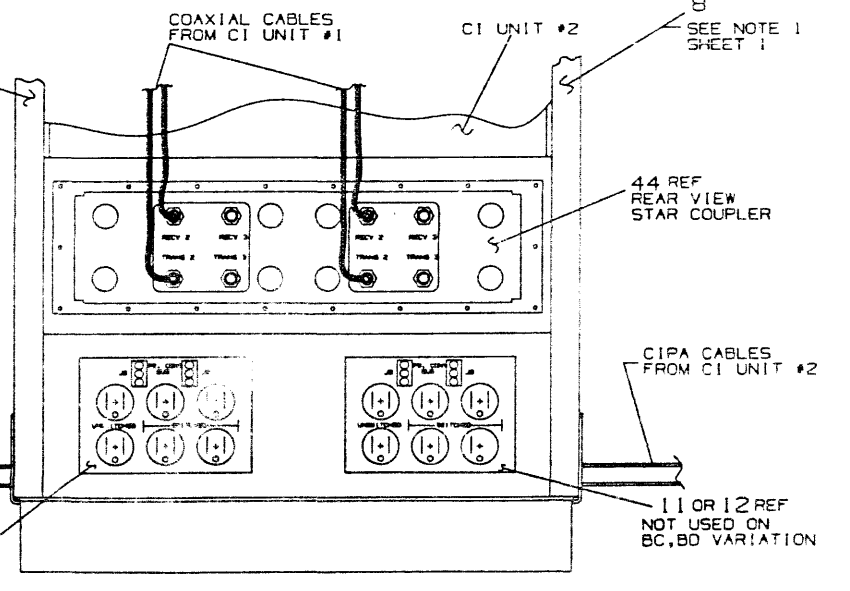
VIEW "D"
 VAR -HA/-HB
 (SEE DETAIL E, SHEET 2)



VIEW C-C



REAR VIEW
 (REAR DOOR REMOVED)



INSIDE FRONT VIEW
 (FRONT DOOR REMOVED)

VARIATIONS -FA/-FB SHOWN
 SEE ABOVE LEFT FOR OTHER VARIATIONS.

PLOT AT: .500

REVISION HISTORY		
DATE	ECO HISTORY	REV

TITLE
 CI750 UNIT
 ASSEMBLY

DOCUMENT NUMBER		
SYMBOL	NUMBER	REV
E	UA	CI750-0-DBU
SCALE	NOTE	SHEET 4 OF 4

LTN

AUTOMATED BY PRTLST,4Q(50)

PARTS LIST

SHEET A1 OF A2

LINE	ITEM	TOP DOCUMENT	PART NUMBER	MIN REV	DESCRIPTION	QTY PER VARIATION											
						AA C1	AB C1	BA C1	BB C1	BC D1	BD D1	CA D1	CB D1	FA D1	FB D1	HA D1	HB D1
1	1		L0009-00		CCI (CMI TO CIPA INTERFACE),4-LA	1	1	1	1	1	1	-	-	2	2	2	2
2	2	E-UA-H9544-E-0	H9544-ET		FRONT DOOR ASSY,SHIELDED,CI750,G	-	-	1	1	1	1	-	-	1	1	1	1
3	3	A-PS-1700083-0-0	1700083-22		PWR CORD,TERM 3-14 SJT 125	1	-	1	-	1	-	1	-	2	-	2	-
4	4	A-PS-1700083-0-0	1700083-21		PWR CORD,TERM 3-14 SJT 250	-	-	1	-	1	-	-	1	-	2	-	2
5	5	E-UA-H9542-F-DBU	H9542-FD		40" FRONT LOADING CAB FRAME (H95	-	-	1	1	1	1	-	-	1	1	1	1
6	6	E-UA-H9544-A-0	H9544-AE		SHIELDING INSERT,40" END PANEL	-	-	1	1	1	1	-	-	1	1	1	1
7	7	E-UA-H9544-B-0	H9544-BF		SHIELDED REAR DOOR,40" SINGLE WI	-	-	1	1	1	1	-	-	1	1	1	1
8	8	E-UA-H9544-J-0	H9544-JE		SHIELDED EXPANDER KIT,40"	-	-	1	1	1	1	-	-	2	2	2	2
9	9	E-UA-H9544-L-0	H9544-LG		SHIELDED TOP COVER,40" SINGLE WI	-	-	1	1	1	1	-	-	1	1	1	1
10	10	E-UA-H9544-S-DBU	H9544-SK		PRIMARY BULKHEAD PANEL W 877 POW	-	-	1	1	-	-	-	-	-	-	-	-
11	11	E-UA-877-0-0	00877-D		120V 24A FILTERED POWER CTL,4 SW	-	-	1	-	1	-	-	-	2	-	2	-
12	12	E-UA-877-0-0	00877-B		240V 12A FILTERED POWER CTL,4 SW	-	-	-	1	-	1	-	-	-	2	-	2
13	13	E-AD-7020700-0-DBU	7020700-01		CI750-C ASSEMBLY	1	1	1	1	1	1	1	1	2	2	2	2
14	14		9007031-00		TIE,CABLE BUNDL.DIA 0- 3/4"=101	6	6	6	6	6	6	-	-	12	12	12	12
15	15	B-MD-7425168-0-0	7425168-01		BAR, NUT	4	4	4	4	4	4	4	4	8	8	8	8
16	16	D-MD-7419261-0-0	7419261-00		BRACKET CHASSIS SLIDE	4	4	4	4	4	4	4	4	8	8	8	8
17	17	A-PS-1215843-0-0	1215843-02		CLIP,FLAT CABLE W/ADHESIVE BK	-	-	1	1	1	1	-	-	3	3	3	3
18	18		9009700-00		SCREW,SEMS TRUSS PHIL 10-	12	12	17	17	29	29	12	12	42	42	42	42
19	19		9009617-00		TIE,CABLE BUNDL.DIA 0-3"TYPE=101	-	-	3	3	3	3	-	-	4	4	4	4
20	20	A-PS-3617880-0-0	3617880-03		LABEL,FCC,CLASS A,PERIPHERAL	-	-	1	1	1	1	-	-	1	1	1	1
21	21	A-PS-3621986-0-0	3621986-01		LABEL,MFCH.FASTENED F/CI750	-	-	2	2	2	2	-	-	2	2	2	2
22	22	A-PS-3617674-0-0	3617674-01		LABEL,SERIAL/POWER W UL & CSA	-	-	1	1	1	1	-	-	1	1	1	1
23	23		H9544-HC		KIT OF 1 STABILIZER LEG WITH LEV	-	-	1	1	1	1	-	-	1	1	1	1
24	24		9007786-00		RETAINER,U-NUT 10-32X	-	-	6	6	12	12	-	-	20	20	20	20
25	25		9010174-00		SCREW,SEMS PAN PHIL 6-	4	4	4	4	16	16	4	4	8	8	8	8
26	26		1213686-00		CHASSIS SLIDE SET INCLUDED 1 L.H	1	1	1	1	1	1	1	1	2	2	2	2
27	27		3700436-10		PKG. CAB H9642/H9645/H9646	-	-	1	1	1	1	-	-	1	1	1	1
28	28		9006565-00		NUT,HEX EXT TOOTH LCKWSHR 10-32	1	1	1	1	1	1	-	-	2	2	2	2
29	29		7007006-03		JUMPER H724	1	1	1	1	1	1	1	1	2	2	2	2
30	30	C-IA-7008288-0-0	7008288-06		CABLE ASSY	1	1	1	1	1	1	1	1	2	2	2	2

REVISION HISTORY			BASIC PART NO: CI750		DRN: P. MARCOTTE	DATE: 15-MAR-83	DIGITAL			
ENG:	ECO NUMBER	REV	SECTION A OF B	CHK'D: FRANK HALLIDAY	DATE: 15-MAR-83	TITLE PARTS LIST CI750 UNIT ASSY				
---	INITIAL	A	SECTION VARIATION INDEX	DES.ENG: BOB MONDOR	DATE: 15-MAR-83	DOCUMENT NUMBER				
RM	CI750-TW001	B	(A)AA,AB,BA,BB,BC,BD,			SIZE	CODE	NUMBER	REV	
BM	CI750-TW002	C	CA,CB,FA,FB,HA,HB	RESP.ENG.: BOB MONDOR	DATE: 15-MAR-83	K	PL	CI750-0-DBP	D	
RM	CI750-LTN03	D	(B)SA,SB	MFG.ENG.: B SMITH	DATE: 15-MAR-83	RELEASE DATE: 07-MAY-85				
			(C)	ASSEMBLY NUMBER:	TOP DOCUMENT NUMBER:	FILE NAME:		EDIT #		
			(D)	E-UA-CI750-0-DBU	E-UA-CI750-0-DBU	Z6524D.PLS		12		
			(E)							
			(F)							

"THIS DRAWING AND THE SPECIFICATIONS CONTAINED HEREIN ARE CONFIDENTIAL AND PROPRIETARY. THEY ARE THE PROPERTY OF DIGITAL EQUIPMENT CORPORATION AND SHALL NOT BE REPRODUCED OR COPIED OR USED IN WHOLE OR IN PART AS THE BASIS FOR THE MANUFACTURE OR SALE OF ITEMS WITHOUT WRITTEN PERMISSION. THIS IS AN UNPUBLISHED WORK PROTECTED UNDER THE FEDERAL COPYRIGHT LAWS."

LINE	ITEM	TOP DOCUMENT	PART NUMBER	MIN REV	DESCRIPTION	QTY PER VARIATION													
						AA	AB	BA	BB	BC	BD	CA	CB	FA	FB	HA	HB		
						VARIATION REVISION LEVEL:	C1	C1	C1	C1	D1	D1	D1	D1	D1	D1	D1	D1	
31	31		3700731-01		PKG COMPUTER CI750-AA/AB (CUS)	1	1	-	-	-	-	1	1	-	-	-	-	-	
32	32	E-UA-SC008-AA-DBP	SC008-AC		*** THIS ITEM IS NOT USED ***	-	-	-	-	-	-	-	-	-	-	-	-	-	
33	33	K-PL-BNCIA-0-DBP	BNCIA-10		*** THIS ITEM IS NOT USED ***	-	-	-	-	-	-	-	-	-	-	-	-	-	
34	34		9009718-04		GROMMET,STRIP STYRENE	-	-	1	1	1	1	-	-	1	1	1	1	1	
35	35		9009718-00		GROMMET,STRIP STYRENE	-	-	1	1	1	1	-	-	1	1	1	1	1	
36	36		9007087-00		CLAMP,CABLE,SCREW MTD. 5/8 "	-	-	1	1	1	1	-	-	2	2	2	2	2	
37	37		7016995-00		PALLET ASSY.	-	-	REF	REF	REF	REF	-	-	REF	REF	REF	REF	REF	
38	38		9010174-01		SCREW,SEMS PAN PHIL 8-	8	8	8	8	8	8	8	8	16	16	16	16	16	
39	39	D-AD-7022192-0-DBU	7022192-01		FRAME ASSY, POWER CONTROL MOUNT	-	-	-	-	1	1	-	-	1	1	1	1	1	
40	40	E-IA-7431233-0-DBU	7431233-01		FRAME,MOUNTING,SC4	-	-	-	-	1	1	-	-	1	1	1	1	1	
41	41	E-AD-7019794-0-DBU	7019794-00		COVER, I/O SHIELD ASSY	-	-	-	-	1	1	-	-	1	1	1	1	1	
42	42	C-MD-7431439-0-DBU	7431439-01		PLATE,CONTROLLER	-	-	-	-	1	1	-	-	-	-	-	-	-	
43	43	E-IA-7431440-0-DBU	7431440-01		PANEL,FRONT,SC4	-	-	-	-	1	1	-	-	-	-	1	1	1	
44	44	E-AD-7022193-0-DBU	7022193-01		STAR COUPLER ASSY	-	-	-	-	-	-	-	-	1	1	-	-	-	
45	45		9010155-00		SCREW,SEMS PAN PHIL 6-	-	-	-	-	28	28	-	-	18	18	18	18	18	
46	46		9010253-00		SCREW,SEMS PAN PHIL 10-	-	-	-	-	2	2	-	-	2	2	2	2	2	
47	47		9009546-00		SCREW,SEMS PAN PHIL 4-	-	-	-	-	18	18	-	-	18	18	18	18	18	
48	48	A-PS-3624195-0-0	3624195-01		LABEL,CAUTION,MULTI POWER CORDS	-	-	-	-	-	-	-	-	1	1	1	1	1	
49	49	A-PS-1215843-0-0	1215843-00		CLIP,FLAT CABLE W/ADHESIVE BK	-	-	-	-	1	1	-	-	1	1	1	1	1	
50	50	K-PL-7022467-0-DBP	7022467-01		SHIPLIST CI750	1	1	1	1	1	1	1	1	1	1	1	1	1	
51	51	B-MD-7432233-0-DBU	7432233-01		BRACKET,LOCKING	-	-	2	2	2	2	-	-	4	4	4	4	4	
52	52		9006075-03		SCREW,MACH TRUSS PHIL 10-	-	-	2	2	2	2	-	-	4	4	4	4	4	
53	53		9007651-00		WASHER,LOCK EXTERNAL STEEL	-	-	2	2	2	2	-	-	4	4	4	4	4	
54	54		9007906-00		*** THIS ITEM IS NOT USED ***	-	-	-	-	-	-	-	-	-	-	-	-	-	

LINE	ITEM	TOP DOCUMENT	PART NUMBER	MIN REV	DESCRIPTION	QTY PER VARIATION	
						SA	SB
						C1	C1
1	1		L0009-00		CCI (CMI TO CIPA INTERFACE),4-LA	2	2
2	2	E-UA-H9544-E-0	H9544-ET		FRONT DOOR ASSY,SHIELDED,CI750,G	2	2
3	3	A-PS-1700083-0-0	1700083-22		PWR CORD,TERM 3-14 SJT 125	2	-
4	4	A-PS-1700083-0-0	1700083-21		PWR CORD,TERM 3-14 SJT 250	-	2
5	5	E-UA-H9542-F-DBU	H9542-FD		40" FRONT LOADING CAB FRAME (H95	2	2
6	6	E-UA-H9544-A-0	H9544-AE		SHIELDING INSERT,40" END PANEL	2	2
7	7	E-UA-H9544-B-0	H9544-BF		SHIELDED REAR DOOR,40" SINGLE WI	2	2
8	8	E-UA-H9544-J-0	H9544-JE		SHIELDED EXPANDER KIT,40"	2	2
9	9	E-UA-H9544-L-0	H9544-LG		SHIELDED TOP COVER,40" SINGLE WI	2	2
10	10	E-UA-H9544-S-DBU	H9544-SK		PRIMARY BULKHEAD PANEL W 877 POW	2	2
11	11	E-UA-877-0-0	00877-D		120V 24A FILTERED POWER CTL,4 SW	2	-
12	12	E-UA-877-0-0	00877-B		240V 12A FILTERED POWER CTL,4 SW	-	2
13	13	E-AD-7020700-0-DBU	7020700-01		CI750-C ASSEMBLY	2	2
14	14		9007031-00		TIE,CABLE BUNDL.DIA 0- 3/4"=101	12	12
15	15	B-MD-7425168-0-0	7425168-01		BAR, NUT	8	8
16	16	D-MD-7419261-0-0	7419261-00		BRACKET CHASSIS SLIDE	8	8
17	17	A-PS-1215843-0-0	1215843-02		CLIP,FLAT CABLE W/ADHESIVE BK	2	2
18	18		9009700-00		SCREW,SEMS TRUSS PHIL 10-	34	34
19	19		9009617-00		TIE,CABLE BUNDL.DIA 0-3"TYPE=101	6	6
20	20	A-PS-3617880-0-0	3617880-03		LABEL,FCC,CLASS A,PERIPHERAL	2	2
21	21	A-PS-3621986-0-0	3621986-01		LABEL,MECH.FASTENED F/CI750	4	4
22	22	A-PS-3617674-0-0	3617674-01		LABEL,SERIAL/POWER W UL & CSA	2	2
23	23		H9544-HC		KIT OF 1 STABILIZER LEG WITH LEV	2	2
24	24		9007786-00		RETAINER,U-NUT 10-32X	12	12
25	25		9010174-00		SCREW,SEMS PAN PHIL 6-	8	8
26	26		1213686-00		CHASSIS SLIDE SET INCLUDED 1 L.H	2	2
27	27		3700436-10		PKG. CAB H9642/H9645/H9646	2	2
28	28		9006565-00		NUT,HEX EXT TOOTH LCKWSHR 10-32	2	2
29	29		7007006-03		JUMPER H724	2	2
30	30	C-IA-7008288-0-0	7008288-06		CABLE ASSY	2	2

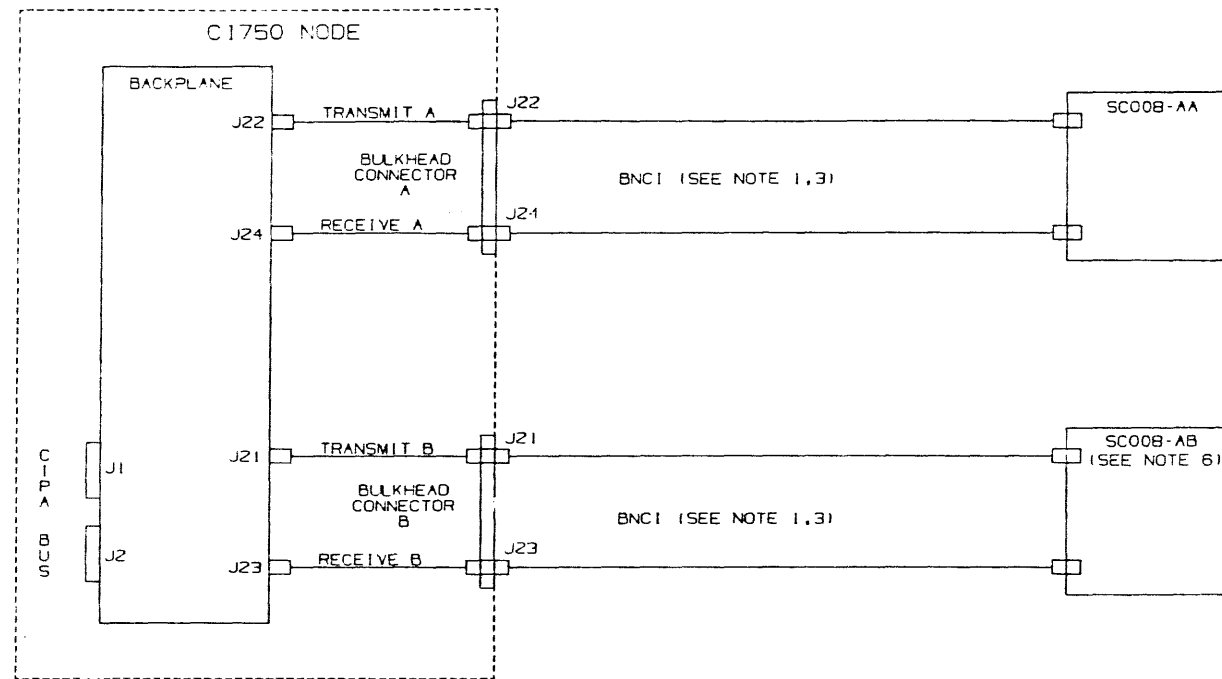
REVISION HISTORY			BASIC PART NO: CI750		DRN:	P. MARCOTTE	DATE:	15-MAR-83	D I G I T A L			
ENG	ECO NUMBER	REV	SECTION B OF B		CHK'D:	FRANK HALLIDAY	DATE:	15-MAR-83	TITLE PARTS LIST			
---	INITIAL	A	SECTION VARIATION INDEX		---	---	---	---	CI750 UNIT ASSY			
RM	CI750-TW001	B	[A]AA,AB,BA,BB,BC,BD,		---	---	---	---	---			
BM	CI750-TW002	C	CA,CB,FA,FB,HA,HB		---	---	---	---	---			
RM	CI750-LTN03	D	[B]SA,SB		DES.ENG:	BOB MONDOR	DATE:	15-MAR-83	DOCUMENT NUMBER			
			[C]		---	---	---	---	SIZE	CODE	NUMBER	REV
			[D]		RESP.ENG.:	BOB MONDOR	DATE:	15-MAR-83	K	PL	CI750-0-DBP	D
			[E]		MFG.ENG.:	B SMITH	DATE:	15-MAR-83	RELEASE DATE: 07-MAY-85			
			[F]		ASSEMBLY NUMBER:	E-UA-CI750-0-DBU	TOP DOCUMENT NUMBER:	E-UA-CI750-0-DBU	FILE NAME:	Z6524D.PLS	EDIT #:	12

"THIS DRAWING AND THE SPECIFICATIONS CONTAINED HEREIN ARE CONFIDENTIAL AND PROPRIETARY. THEY ARE THE PROPERTY OF DIGITAL EQUIPMENT CORPORATION AND SHALL NOT BE REPRODUCED OR COPIED OR USED IN WHOLE OR IN PART AS THE BASIS FOR THE MANUFACTURE OR SALE OF ITEMS WITHOUT WRITTEN PERMISSION. THIS IS AN UNPUBLISHED WORK PROTECTED UNDER THE FEDERAL COPYRIGHT LAWS."

LINE	ITEM	TOP DOCUMENT	PART NUMBER	MIN REV	DESCRIPTION	QTY PER VARIATION	
						SA	SB
						C1 C1	
31	31		3700731-01		*** THIS ITEM IS NOT USED ***	-	-
32	32	E-UA-SC008-AA-DBP	SC008-AC		SC008-AA + SC008-AB	1	1
33	33	K-PL-BNCIA-0-DBP	BNCIA-10		1 PAIR OF BNCI-10 (4 CABLES)	2	2
34	34		9009718-04		GROMMET,STRIP STYRENE	2	2
35	35		9009718-00		GROMMET,STRIP STYRENE	2	2
36	36		9007087-00		CLAMP,CABLE,SCREW MTD. 5/8 "	2	2
37	37		7016995-00		PALLET ASSY.	REF	REF
38	38		9010174-01		SCREW,SEMS PAN PHIL 8-	16	16
39	39	D-AD-7022192-0-DBU	7022192-01		*** THIS ITEM IS NOT USED ***	-	-
40	40	E-IA-7431233-0-DBU	7431233-01		*** THIS ITEM IS NOT USED ***	-	-
41	41	E-AD-7019794-0-DBU	7019794-00		*** THIS ITEM IS NOT USED ***	-	-
42	42	C-MD-7431439-0-DBU	7431439-01		*** THIS ITEM IS NOT USED ***	-	-
43	43	E-IA-7431440-0-DBU	7431440-01		*** THIS ITEM IS NOT USED ***	-	-
44	44	E-AD-7022193-0-DBU	7022193-01		*** THIS ITEM IS NOT USED ***	-	-
45	45		9010155-00		*** THIS ITEM IS NOT USED ***	-	-
46	46		9010253-00		*** THIS ITEM IS NOT USED ***	-	-
47	47		9009546-00		*** THIS ITEM IS NOT USED ***	-	-
48	48	A-PS-3624195-0-0	3624195-01		*** THIS ITEM IS NOT USED ***	-	-
49	49	A-PS-1215843-0-0	1215843-00		*** THIS ITEM IS NOT USED ***	-	-
50	50	K-PL-7022467-0-DBP	7022467-01		SHIPLIST CI750	1	1
51	51	B-MD-7432233-0-DBU	7432233-01		BRACKET,LOCKING	4	4
52	52		9006075-03		SCREW,MACH TRUSS PHIL 10-	4	4
53	53		9007651-00		WASHER,LOCK EXTERNAL STEEL	4	4
54	54		9007906-00		*** THIS ITEM IS NOT USED ***	-	-

D	I	G	I	T	A	L	TITLE	SECTION B OF B	SIZE	CODE	DOCUMENT NUMBER	REV
							CI750 UNIT ASSY		K	PL	CI750-0-DBP	D

THIS DRAWING AND SPECIFICATIONS, HEREINAFTER THE PROPERTY OF DIGITAL EQUIPMENT CORPORATION AND SHALL NOT BE REPRODUCED OR COPIED OR USED IN WHOLE OR IN PART AS THE BASIS FOR THE MANUFACTURE OF VALUE OF 10000 WITHOUT WRITTEN PERMISSION. COPYRIGHT © 1983 DIGITAL EQUIPMENT CORPORATION



NOTES:

1. A BNCI CONSISTS OF TWO CABLES (1) TRANSMIT (TX), 1 RECEIVE (RX).
2. SYSTEM SHOWN IS DUAL PATH. BOTH SCOOB'S ARE MOUNTED IN THE SAME CABINET.
3. B 21 CABLE ID TAGS (36188081) ARE COMPLETED WITH NODE, PATH AND CLUSTER INFORMATION AT SYSTEM CONFIGURATION TIME.
4. FOR VAX I/O PANEL CONNECTOR LOCATIONS SEE DRAWING E-UA-C1750.
5. FOR STAR COUPLER CONNECTOR LOCATIONS SEE DRAWING E-UA-SCOOB.
6. SCOOB-AB OPTION IS REQUIRED FOR DUAL PATH CONFIGURATION.

NODE	FROM C1750	TO SCOOB	DESCRIPTION
0	J22	T(A)0	TRANSMIT PATH A
	J24	R(A)0	RECEIVE PATH A
	J21	T(B)0	TRANSMIT PATH B
	J23	R(B)0	RECEIVE PATH B
1	J22	T(A)1	SAME AS NODE 0
	J24	R(A)1	
	J21	T(B)1	
	J23	R(B)1	
2	J22	T(A)2	SAME AS NODE 0
	J24	R(A)2	
	J21	T(B)2	
	J23	R(B)2	
3	J22	T(A)3	SAME AS NODE 0
	J24	R(A)3	
	J21	T(B)3	
	J23	R(B)3	
4	J22	T(A)4	SAME AS NODE 0
	J24	R(A)4	
	J21	T(B)4	
	J23	R(B)4	
5	J22	T(A)5	SAME AS NODE 0
	J24	R(A)5	
	J21	T(B)5	
	J23	R(B)5	
6	J22	T(A)6	SAME AS NODE 0
	J24	R(A)6	
	J21	T(B)6	
	J23	R(B)6	
7	J22	T(A)7	SAME AS NODE 0
	J24	R(A)7	
	J21	T(B)7	
	J23	R(B)7	

TABLE 1
8 NODE DUAL PATH INTERCONNECT TABLE

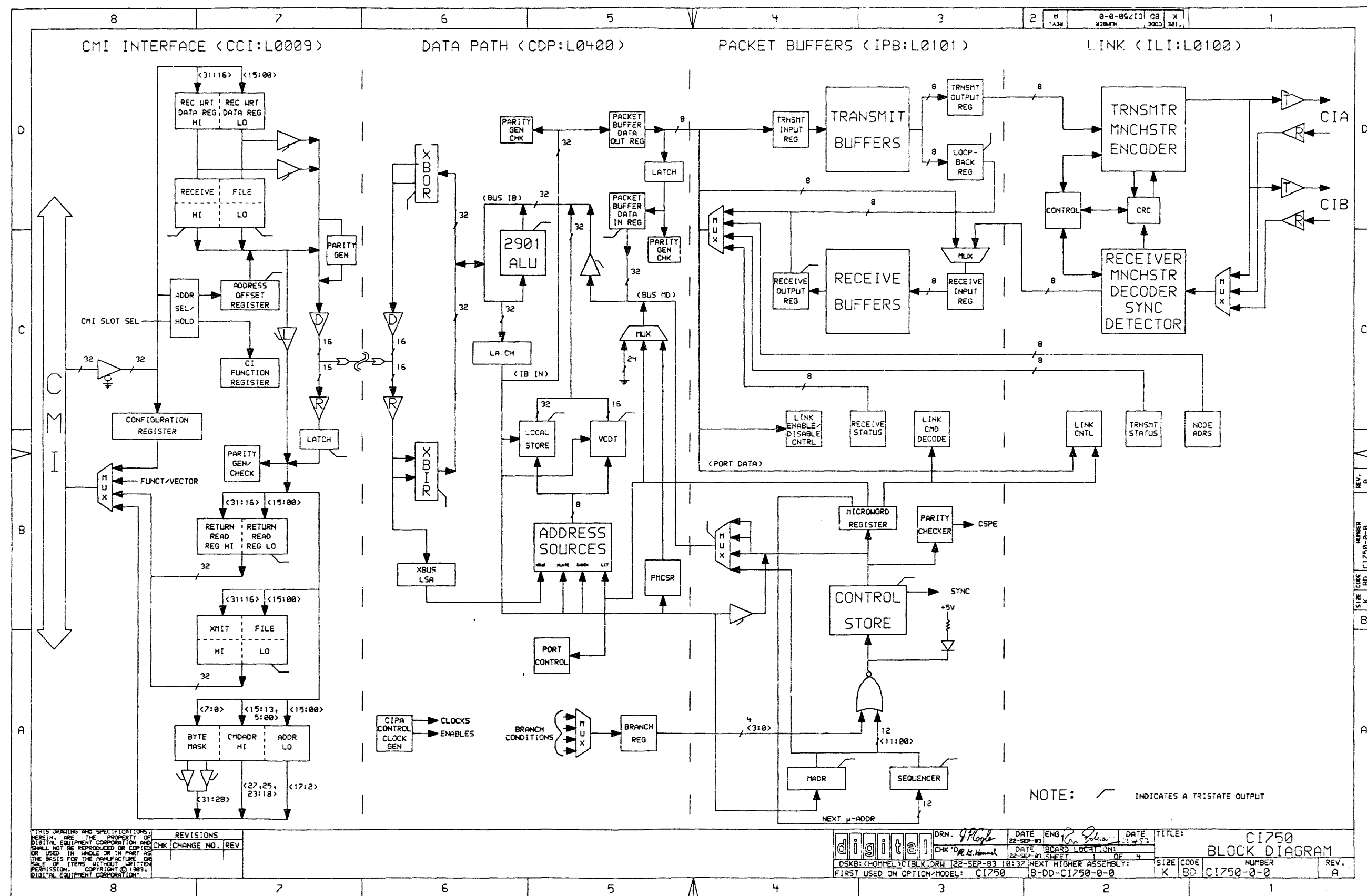
NODE	FROM C1750	TO SCOOB	DESCRIPTION
0-7	SAME AS TABLE 1		
8	J22	T(A)8	SAME AS NODE B
	J24	R(A)8	
	J21	T(B)8	
	J23	R(B)8	
9	J22	T(A)9	SAME AS NODE B
	J24	R(A)9	
	J21	T(B)9	
	J23	R(B)9	
10	J22	T(A)10	SAME AS NODE B
	J24	R(A)10	
	J21	T(B)10	
	J23	R(B)10	
11	J22	T(A)11	SAME AS NODE B
	J24	R(A)11	
	J21	T(B)11	
	J23	R(B)11	
12	J22	T(A)12	SAME AS NODE B
	J24	R(A)12	
	J21	T(B)12	
	J23	R(B)12	
13	J22	T(A)13	SAME AS NODE B
	J24	R(A)13	
	J21	T(B)13	
	J23	R(B)13	
14	J22	T(A)14	SAME AS NODE B
	J24	R(A)14	
	J21	T(B)14	
	J23	R(B)14	
15	J22	T(A)15	SAME AS NODE B
	J24	R(A)15	
	J21	T(B)15	
	J23	R(B)15	

TABLE 2
16 NODE DUAL PATH INTERCONNECT TABLE

PLOT AT: 1.00

REVISION HISTORY		
DATE	REV. HISTORY	REV.

DOCUMENT NUMBER		
TITLE	NUMBER	REV.
TITLE C1750 INTERCONNECT DIAGRAM.	Elic C1750-0-0602	C
SCALE NONE SHEET 2 OF 2		



NOTE:
1. X - 4.6.8.A.C.E

SEE NOTE
F3X000 (CNFGR) CONFIGURATION

31	30	29	28	27	26	25	24	23	22	21	20	19	18	17	16	15	14	13	12	11	10	09	08	07	06	05	04	03	02	01	00	
0	0	0	0	0	0	0	0	0	PDM	PUP	0	NXM	RLTO	0	UCE	CRD	CBPE	DIAG	CTO	NO CIPA	0	T ACLO	T OCLO	PFD	0	0	1	1	1	0	0	0

BIT	FUNCTION	BIT	FUNCTION	BIT	FUNCTION
31:24	RESERVED AND READ AS 0	18	RESERVED AND READ AS 0	12	NO CIPA
23	ADAPTER POWER DOWN	17	UNCORRECTABLE DATA ERROR RESPONSE	11	RESERVED AND READ AS 0
22	ADAPTER POWER UP	16	CORRECTED READ DATA	10	TRANSMIT ACLO
21	RESERVED AND READ AS 0	15	CIPA PARITY ERROR	09	TRANSMIT OCLO
20	NON EXISTENT MEMORY RESPONSE	14	DIAGNOSE	08	POWER FAIL DISABLE
19	READ-LOCK TRANSFER TIME OUT	13	CIPA TIME OUT	07:00	ADAPTER CODE (38 HEX)

F3X004 (PMCSR) PORT MAINTENANCE CONTROL AND STATUS

31	30	29	28	27	26	25	24	23	22	21	20	19	18	17	16	15	14	13	12	11	10	09	08	07	06	05	04	03	02	01	00
0	0	0	0	0	0	0	0	0	0	0	0	0	0	0	0	0	0	0	0	0	0	0	0	0	0	0	0	0	0	0	0

BIT	FUNCTION	BIT	FUNCTION	BIT	FUNCTION
15	PARITY ERROR	09	OUTPUT PARITY ERROR	04	WRONG PARITY
14	CONTROL STORE PARITY ERROR	08	TRANSMIT BUFFER PARITY ERROR	03	MAINTENANCE INTERRUPT FLAG
13	LOCAL STORE PARITY ERROR	07	UNINITIALIZED STATE	02	MAINTENANCE INTERRUPT ENABLE
12	RECEIVE BUFFER PARITY ERROR	06	PROGRAMMABLE STARTING ADDRESS	01	MAINTENANCE TIMER DISABLE
11	TRANSMIT BUFFER PARITY ERROR	05	RESERVED	00	MAINTENANCE INITIALIZE
10	CIPA BUS PARITY ERROR				

F3X014 (MADR) MAINTENANCE ADDRESS

31	30	29	28	27	26	25	24	23	22	21	20	19	18	17	16	15	14	13	12	11	10	09	08	07	06	05	04	03	02	01	00
0	0	0	0	0	0	0	0	0	0	0	0	0	0	0	0	0	0	0	0	0	0	0	0	0	0	0	0	0	0	0	0

MAINTENANCE CONTROL STORE ADDRESS <12:00>

F3X018 (MDATR) MAINTENANCE DATA

31	30	29	28	27	26	25	24	23	22	21	20	19	18	17	16	15	14	13	12	11	10	09	08	07	06	05	04	03	02	01	00
MAINTENANCE CONTROL STORE DATA <31:00>																															

H F3X020 COMMAND/ADDRESS HI (IN DIAGNOSE MODE ONLY)

31	30	29	28	27	26	25	24	23	22	21	20	19	18	17	16	15	14	13	12	11	10	09	08	07	06	05	04	03	02	01	00	
F1	F0	F2	DON'T CARE									ADDR 23	ADDR 22	ADDR 21	ADDR 20	ADDR 19	ADDR 18	DON'T CARE														

H F3X024 ADDRESS LO REGISTER (IN DIAGNOSE MODE ONLY)

31	30	29	28	27	26	25	24	23	22	21	20	19	18	17	16	15	14	13	12	11	10	09	08	07	06	05	04	03	02	01	00	
DON'T CARE																	ADDR 17	ADDR 16	ADDR 15	ADDR 14	ADDR 13	ADDR 12	ADDR 11	ADDR 10	ADDR 09	ADDR 08	ADDR 07	ADDR 06	ADDR 05	ADDR 04	ADDR 03	ADDR 02

H F3X02C BYTE MASK REGISTER (IN DIAGNOSE MODE ONLY)

31	30	29	28	27	26	25	24	23	22	21	20	19	18	17	16	15	14	13	12	11	10	09	08	07	06	05	04	03	02	01	00
DON'T CARE																							BM 7	BM 6	BM 5	BM 4	BM 3	BM 2	BM 1	BM 0	

R F3X020 } COMMAND ADDRESS (IN DIAGNOSE MODE ONLY)
R F3X024 }
R F3X02C }
CMDADR

31	30	29	28	27	26	25	24	23	22	21	20	19	18	17	16	15	14	13	12	11	10	09	08	07	06	05	04	03	02	01	00
BM (4)	BM (3)	BM (2)	BM (1)	F2	0	F0	0	ADDRESS BITS (23:02)																		DON'T CARE					

REVISIONS	
CHK	CHANGE NO. REV

digital	DRN. R. L. Hommel	DATE ENG. 22-SEP-83	DATE	TITLE: C1750
	CHK'D R. L. Hommel	DATE BOARD LOCATION: 22-SEP-83		BLOCK DIAGRAM
DSKB: <HOMMEL>CIREG3.DRW		22-SEP-83 10:30	NEXT HIGHER ASSEMBLY:	SIZE CODE NUMBER REV.
FIRST USED ON OPTION/MODEL: C1750		B-DD-C1750-0-0		K BD C1750-0-0 A

CCI BACKPLANE PINNING
SLOTS (7, 8, OR 9) OF CPU BACKPLANE

BACKPLANE ROW A

(NOT USED) A1 A2 +12 V
 (NOT USED) A3 A4 (NOT USED)
 (NOT USED) A5 A6 (NOT USED)
 (NOT USED) A7 A8 (NOT USED)
 (NOT USED) A9 A10 (NOT USED)
 +2.5 V A11 A12 (NOT USED)
 (NOT USED) A13 A14 (NOT USED)
 (NOT USED) A15 A16 (NOT USED)
 (NOT USED) A17 A18 (NOT USED)
 (NOT USED) A19 A20 +5.0 V
 (NOT USED) A21 A22 (NOT USED)
 GND A23 A24 GND
 (NOT USED) A25 A26 (NOT USED)
 (NOT USED) A27 A28 (NOT USED)
 +2.5 V A29 A30 (NOT USED)
 (NOT USED) A31 A32 (NOT USED)
 (NOT USED) A33 A34 (NOT USED)
 (NOT USED) A35 A36 (NOT USED)
 (NOT USED) A37 A38 +5.0 V
 (NOT USED) A39 A40 (NOT USED)
 (NOT USED) A41 A42 (NOT USED)
 GND A43 A44 GND
 CMI SLOW ENA L A45 A46 CMI SLOT SEL 2 H
 +2.5 V A47 A48 (NOT USED)
 (NOT USED) A49 A50 (NOT USED)
 GND A51 A52 GND
 CMI SLOT SEL 0 H A53 A54 CMI SLOT SEL 1 H
 CMI ARB 5 L A55 A56 (NOT USED)
 ARB OUT [A] L A57 A58 +5.0 V
 CMI ARB 6 L A59 A60 (NOT USED)
 ARB IN 0 [A] L A61 A62 CMI ARB 3 L
 CMI ARB 2 L A63 A64 ARB OUT [A] L
 +2.5 V A65 A66 CMI ARB 1 L
 UBUS BG4 [A] H A67 A68 UBUS BG4 [A+1] H
 UBUS BG5 [A] H A69 A70 UBUS BG5 [A+1] H
 GND A71 A72 GND
 UBUS BG6 [A] H A73 A74 UBUS BG6 [A+1] H
 (NOT USED) A75 A76 +5.0 V
 UBUS BG7 [A] H A77 A78 UBUS BG7 [A+1] H
 UBUS BG4 L A79 A80 (NOT USED)
 UBUS BG6 L A81 A82 UBUS BR7 L
 +2.5 V A83 A84 CMI ARB 1 L
 CMI ARB 2 L A85 A86 CMI ARB 3 L
 CMI ARB 4 L A87 A88 CMI ARB 5 L
 CMI ARB 6 L A89 A90 CMI ARB 7 L
 -15 V A91 A92 CMI HOLD L
 CMI WAIT L A93 A94 -5.0 V

BACKPLANE ROW B

CMI DATA 0 H B1 B2 +12.0 V
 CMI DATA 1 H B3 B4 CMI DATA 2 H
 CMI DATA 3 H B5 B6 CMI DATA 4 H
 CMI DATA 5 H B7 B8 CMI DATA 6 H
 CMI DATA 7 H B9 B10 CMI DATA 8 H
 +2.5 V B11 B12 CMI DATA 9 H
 CMI DATA 10 H B13 B14 CMI DATA 11 H
 CMI DATA 12 H B15 B16 CMI DATA 13 H
 CMI DATA 14 H B17 B18 CMI DATA 15 H
 CMI DATA 16 H B19 B20 +5.0 V
 CMI DATA 17 H B21 B22 CMI DATA 18 H
 GND B23 B24 GND
 CMI DATA 19 H B25 B26 CMI DATA 20 H
 CMI DATA 21 H B27 B28 CMI DATA 22 H
 +2.5 V B29 B30 CMI DATA 23 H
 CMI DATA 24 H B31 B32 CMI DATA 25 H
 CMI DATA 26 H B33 B34 CMI DATA 27 H
 CMI DATA 28 H B35 B36 CMI DATA 29 H
 CMI DATA 30 H B37 B38 +5.0 V
 CMI DATA 31 H B39 B40 CMI STATUS 00 L
 CMI STATUS 01 L B41 B42 CMI DBBZ L
 GND B43 B44 GND
 DPM17 B CLK L B45 B46 +5.0 V
 +2.5 V B47 B48 RCS12 CPU LB REG L
 +2.5 V B49 B50 +5.0 V
 GND B51 B52 GND
 (NOT USED) B53 B54 (NOT USED)
 (NOT USED) B55 B56 (NOT USED)
 (NOT USED) B57 B58 (NOT USED)
 (NOT USED) B59 B60 (NOT USED)
 (NOT USED) B61 B62 (NOT USED)
 (NOT USED) B63 B64 (NOT USED)
 (NOT USED) B65 B66 (NOT USED)
 (NOT USED) B67 B68 (NOT USED)
 (NOT USED) B69 B70 (NOT USED)
 (NOT USED) B71 B72 (NOT USED)
 (NOT USED) B73 B74 (NOT USED)
 (NOT USED) B75 B76 (NOT USED)
 (NOT USED) B77 B78 (NOT USED)
 (NOT USED) B79 B80 (NOT USED)
 (NOT USED) B81 B82 (NOT USED)
 (NOT USED) B83 B84 (NOT USED)
 (NOT USED) B85 B86 (NOT USED)
 (NOT USED) B87 B88 (NOT USED)
 (NOT USED) B89 B90 (NOT USED)
 (NOT USED) B91 B92 GND
 (NOT USED) B93 B94 -5.0 V
 BUS 2 AVAILABLE H

BACKPLANE ROW C

BUS 2 AV GRANT H C1 C2 +12.0 V
 CIPA RSVD A L C3 C4 CIPA CABLE GND
 CIPA CPU ACLO L C5 C6 CIPA CABLE GND
 CIPA DCLO L C7 C8 CIPA CABLE GND
 CIPA SET HSE L C9 C10 CIPA CABLE GND
 CIPA PARITY L C11 C12 CIPA CABLE GND
 CIPA MIN L C13 C14 CIPA CABLE GND
 CIPA ERROR L C15 C16 CIPA CABLE GND
 CIPA DATA 00 L C17 C18 CIPA CABLE GND
 CIPA DATA 09 L C19 C20 CIPA CABLE GND
 CIPA DATA 10 L C21 C22 CIPA CABLE GND
 CIPA DATA 11 L C23 C24 CIPA CABLE GND
 CIPA DATA 12 L C25 C26 CIPA CABLE GND
 CIPA DATA 13 L C27 C28 CIPA CABLE GND
 CIPA DATA 14 L C29 C30 CIPA CABLE GND
 CIPA DATA 15 L C31 C32 CIPA CABLE GND
 CIPA REG SEL 0 L C33 C34 CIPA CABLE GND
 CIPA REG SEL 1 L C35 C36 CIPA CABLE GND
 CIPA REG SEL 2 L C37 C38 CIPA CABLE GND
 CIPA REG SEL 3 L C39 C40 CIPA CABLE GND
 CIPA CLK L C41 C42 GND
 GND C43 C44 GND
 UPUS AD0 L C45 C46 +5.0 V
 +2.5 V C47 C48 UBUS INIT L
 +2.5 V C49 C50 +5.0 V
 GND C51 C52 GND
 CIPA RSVD B L C53 C54 CIPA T ACLO L
 CIPA CABLE GND C55 C56 CIPA T DCLO L
 CIPA CABLE GND C57 C58 CIPA CIPA UP L
 CIPA CABLE GND C59 C60 CIPA DATA 00 L
 CIPA CABLE GND C61 C62 CIPA DATA 01 L
 CIPA CABLE GND C63 C64 CIPA DATA 02 L
 CIPA CABLE GND C65 C66 CIPA DATA 03 L
 CIPA CABLE GND C67 C68 CIPA DATA 04 L
 CIPA CABLE GND C69 C70 CIPA DATA 05 L
 CIPA CABLE GND C71 C72 CIPA DATA 06 L
 CIPA CABLE GND C73 C74 CIPA DATA 07 L
 CIPA CABLE GND C75 C76 CIPA READ L
 CIPA CABLE GND C77 C78 CIPA REGLEST L
 CIPA CABLE GND C79 C80 CIPA A DONE L
 CIPA CABLE GND C81 C82 CIPA B DONE L
 CIPA CABLE GND C83 C84 CIPA GRANT L
 CIPA CABLE GND C85 C86 CIPA PORT INT L
 CIPA CABLE GND C87 C88 CIPA B GO L
 CIPA CABLE GND C89 C90 CIPA A GO L
 CIPA CABLE GND C91 C92 GND
 UBUS DCLO L C93 C94 -5.0 V

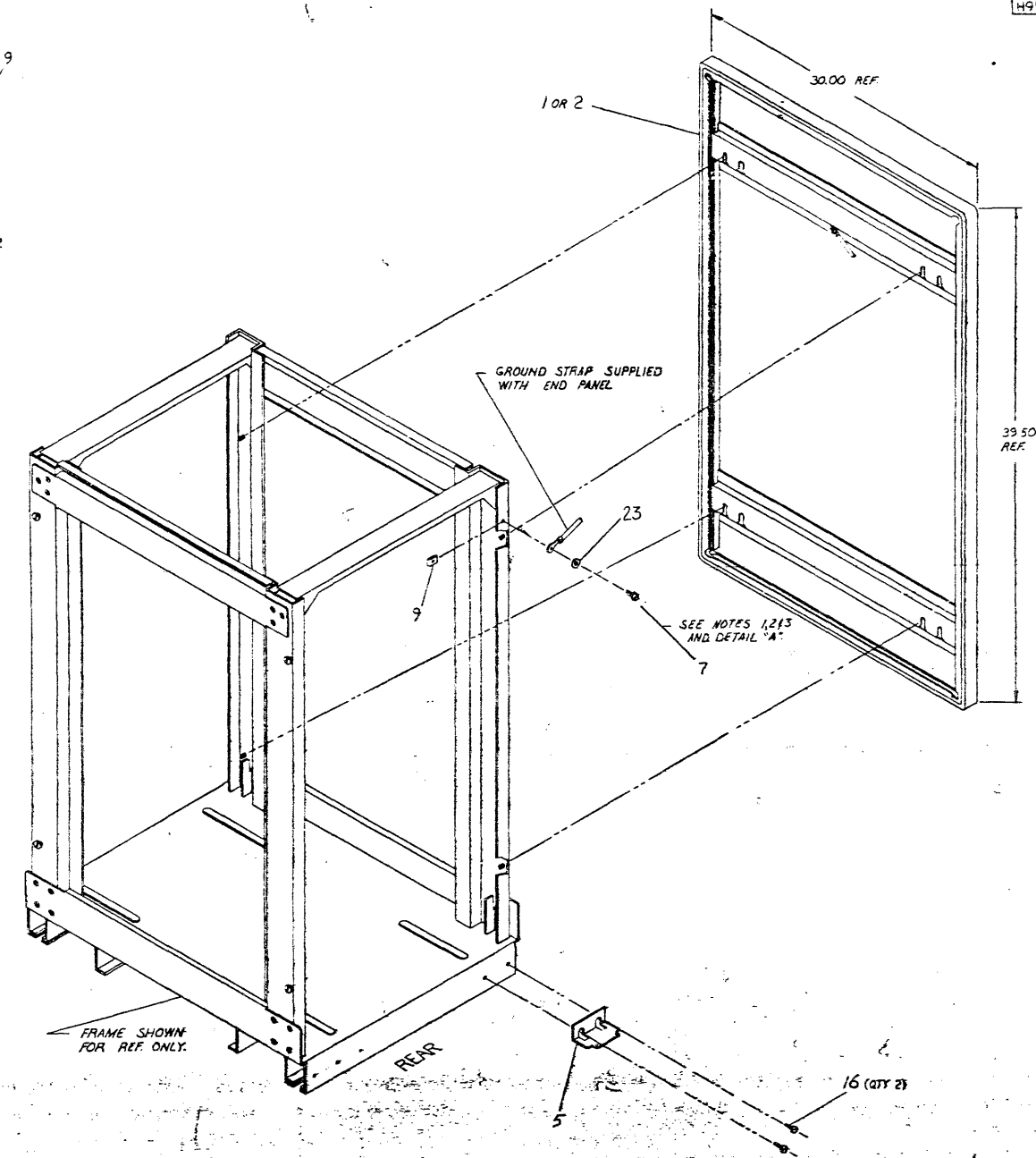
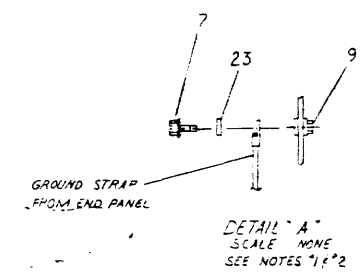
CCI BACKPLANE PINNING

REVISIONS CHK CHANGE NO. REV		DRN. R.H.H. DATE 22-SEP-83 CHK. R.H.H. DATE 22-SEP-83		ENG. DATE SHEET 4 OF 4		TITLE: C1750 BLOCK DIAGRAM	
FIRST USED ON OPTION/MODEL: C1750		NEXT HIGHER ASSEMBLY: B-00-C1750-0-2		SIZE CODE NUMBER REV. K 60 C1750-0-0 A		8 7 6 5 4 3 2 1	

THIS DRAWING AND INFORMATION CONTAINED HEREIN IS THE PROPERTY OF THE UNITED STATES GOVERNMENT AND IS LOANED TO YOU BY THE NATIONAL BUREAU OF STANDARDS. IT IS TO BE USED FOR THE PURPOSES SPECIFIED IN THE ORDER AND IS NOT TO BE REPRODUCED OR TRANSMITTED IN ANY FORM OR BY ANY MEANS, ELECTRONIC OR MECHANICAL, INCLUDING PHOTOCOPYING, RECORDING, OR BY ANY INFORMATION STORAGE AND RETRIEVAL SYSTEM, WITHOUT PERMISSION IN WRITING FROM THE NATIONAL BUREAU OF STANDARDS.

LEGEND	
NUMBER	VARIATION
H9544-AA	40 IN. PANEL DARK BROWN (SHEET 1)
H9544-AB	40 IN. PANEL LIGHT GRAY (SHEET 1)
H9544-AC	60 IN. PANEL DARK BROWN (SHEET 2)
H9544-AD	60 IN. PANEL LIGHT GRAY (SHEET 2)
H9544-AG	40 IN. PANEL DARK BROWN (SHEET 3)
H9544-AE	40 IN. PANEL INSERT SHIELDED (SHEET 4)
H9544-AH	40 IN. PANEL INSERT SHIELDED (SHEET 5)
H9544-AF	60 IN. PANEL INSERT SHIELDED (SHEET 6)

- NOTES:
1. WHEN ASSEMBLING GROUND STRAP TO UPRIGHT, USING SCREW (ITEM #7), NUT (ITEM #9) AND WASHER (ITEM #23) USE CLOSEST AVAILABLE HOLE.
 2. 27 INCH POUNDS OF TORQUE TO BE USED WHEN FASTENING SCREW (ITEM #7) TO CAB FOR GROUNDING. FOR OTHER TORQUE REQUIREMENTS REFER TO A-SP-7653289.
 3. GROUND STRAP NOT TO BE USED IN H9544-AE AND H9544-AH AND H9544-AF VARIATIONS.
 4. KEY BUTTONS ARE SUPPLIED WITH FRAME.



THIS CONFIGURATION IS FOR
H9544-AA (H9544-AB)
(40 IN. VARIATIONS)

NO.	DESCRIPTION	QTY	UNIT
1	END PANEL ASSY (W/LOCK BRKT.)	1	EA
2	SCREW	1	EA
3	NUT	1	EA
4	WASHER	1	EA
5	RAIL	2	EA
6	KEY BUTTON	1	EA
7	GROUND STRAP	1	EA

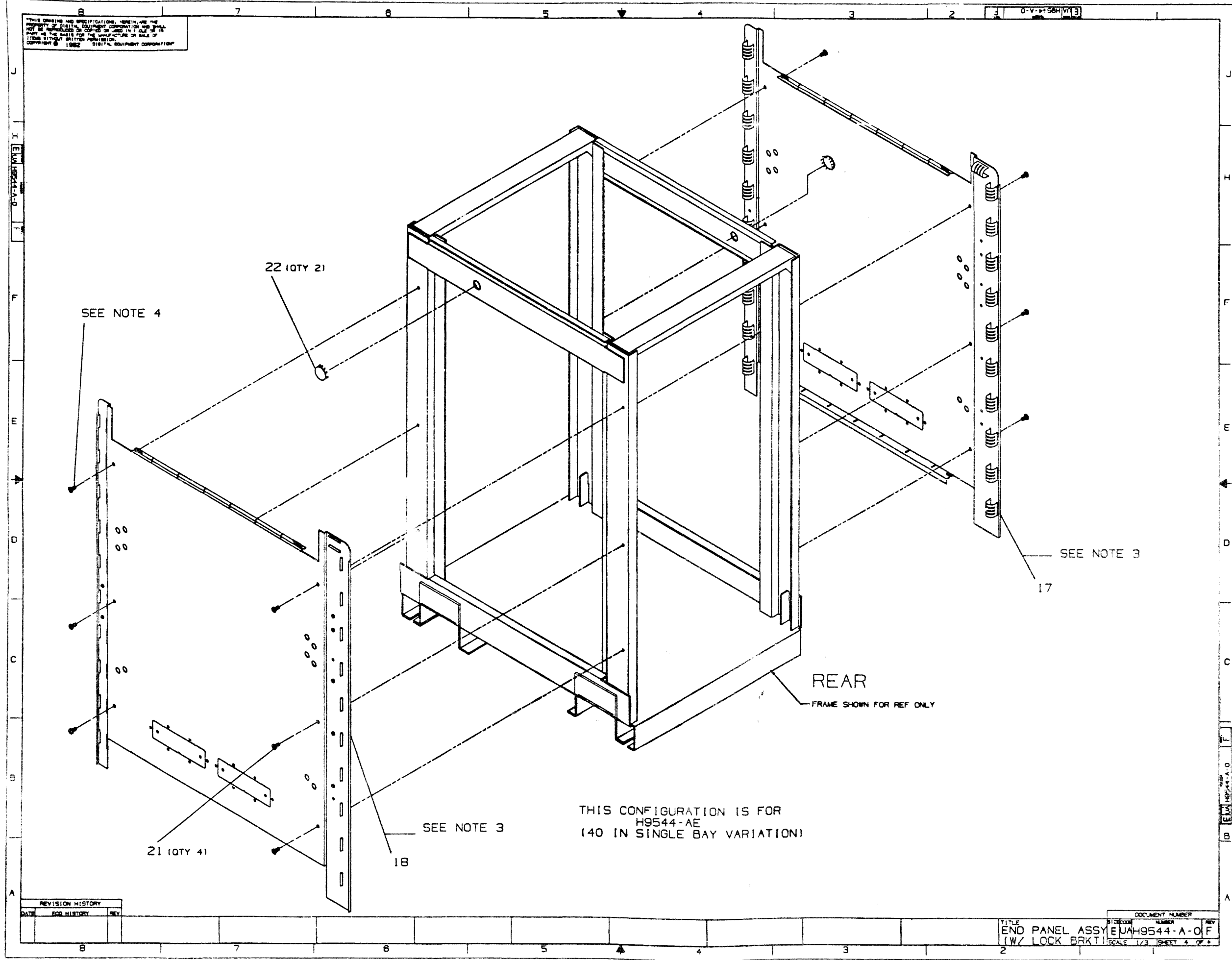
OFF SHEETS PARTS LIST REFER TO K-PL-H9544-A-DBP.

QTY	DESCRIPTION	UNIT	PART NO.
1	END PANEL ASSY (W/LOCK BRKT.)	EA	H9642-A
1	SCREW	EA	
1	NUT	EA	
1	WASHER	EA	
2	RAIL	EA	
1	KEY BUTTON	EA	
1	GROUND STRAP	EA	

DO NOT SCALE DIMS
SEE PARTS LIST
SCALE 1/4" = 1"

THIS DRAWING AND SPECIFICATIONS, HEREIN, ARE THE PROPERTY OF DIGITAL EQUIPMENT CORPORATION AND SHALL NOT BE REPRODUCED OR COPIED IN ANY MANNER OR IN ANY MANNER FOR THE BASIS FOR THE MANUFACTURE OF BULKY ITEMS WITHOUT WRITTEN PERMISSION. COPYRIGHT © 1982 DIGITAL EQUIPMENT CORPORATION

0-V-P-58H(V)E



SEE NOTE 4

22 (QTY 2)

21 (QTY 4)

SEE NOTE 3

18

SEE NOTE 3

17

REAR

FRAME SHOWN FOR REF ONLY

THIS CONFIGURATION IS FOR
H9544-AE
(40 IN SINGLE BAY VARIATION)

REVISION HISTORY		
DATE	BY	REV

DOCUMENT NUMBER	
NUMBER	REV
EUAH9544-A-0	F

TITLE: END PANEL ASSY (W/ LOCK BRKT)
SCALE: 1/3 SHEET 4 OF 4

PARTS LIST

LINE	ITEM	TOP DOCUMENT	PART NUMBER	MIN REV DESCRIPTION	QTY PER VARIATION							
					AA	AB	AC	AD	AG	AE	AH	AF
1	1	E-AD-7016534-0-0	7016534-00	END PANEL ASSY	1	-	-	-	-	-	-	-
2	2	E-AD-7016534-0-0	7016534-01	PANEL ASSY,END	-	1	-	-	-	-	-	-
3	3	E-AD-7016699-0-0	7016699-00	END PANEL ASSY 60 INCH	-	-	1	-	-	-	-	-
4	4	E-AD-7016699-0-0	7016699-01	END PANEL ASSY 60IN LT GREY	-	-	-	1	-	-	-	-
5	5	C-MD-7422221-0-0	7422221-00	BRKT,DOOR HINGE/END PANEL LOCK	1	1	1	1	-	-	-	-
6	6	C-MD-7414318-0-0	7414318-00	*** THIS ITEM IS NOT USED ***	-	-	-	-	-	-	-	-
7	7		9010156-00	SCREW,SEMS HEX 10-	1	1	1	1	1	-	-	-
8	8		9007651-00	*** THIS ITEM IS NOT USED ***	-	-	-	-	-	-	-	-
9	9		9007786-00	RETAINER,U-NUT 10-32X	1	1	1	1	1	-	-	-
10	10		9006243-09	*** THIS ITEM IS NOT USED ***	-	-	-	-	-	-	-	-
11	11		9006676-00	WASHER,FLAT SST	-	-	-	-	0	-	-	-
12	12		9007797-00	*** THIS ITEM IS NOT USED ***	-	-	-	-	-	-	-	-
13	13		2200021-00	*** THIS ITEM IS NOT USED ***	-	-	-	-	-	-	-	-
14	14	D-IA-7019083-0-0	7019083-01	END PANEL ASSEMBLY (40 INCH)	-	-	-	-	1	-	-	-
15	15	D-IA-7019076-0-DBU	7019076-01	BRKT, DOOR HINGE/END PANEL LOCK	-	-	-	-	1	-	-	-
16	16		9009988-14	SCREW,SEMS HEX SLOT 1/4-	2	2	2	2	2	-	-	-
17	17	E-AD-7019799-0-DBU	7019799-00	INSERT, END PANEL ASSY. L.H.	-	-	-	-	-	1	-	-
18	18	E-AD-7019799-0-DBU	7019799-01	INSERT, END PANEL ASSY. R.H.	-	-	-	-	-	1	-	-
19	19	E-AD-7019773-0-DBU	7019773-00	INSERT, END PANEL ASSY.	-	-	-	-	-	-	1	-
20	20	E-AD-7019773-0-DBU	7019773-01	INSERT, END PANEL ASSY. R.H.	-	-	-	-	-	-	1	-
21	21		9009700-00	SCREW,SEMS TRUSS PHIL 10-	-	-	-	-	-	4	4	4
22	22		9007065-00	PLUG,BUTTON 1.000HOLE BRASS	-	-	-	-	-	2	2	2
23	23		9006664-00	WASHER,FLAT SST	1	1	1	1	1	-	-	-
24	24	E-AD-7020391-0-DBU	7020391-01	INSERT. 60 IN. PNL. ASSY (L.H.)	-	-	-	-	-	-	-	1
25	25	E-AD-7020391-0-DBU	7020391-02	INSERT 60 IN. PNL. ASSY (R.H.)	-	-	-	-	-	-	-	1

REVISION HISTORY			BASIC PART NO: H9544		DRN:	M. JOSEPH	DATE:	16-MAR-79				DIGITAL			
ENG	ECO NUMBER	REV	SECTION A OF A		CHK'D:	S. ROBERTS	DATE:	16-MAR-79				TITLE PARTS LIST			
---	INITIAL	*	SECTION VARIATION INDEX		CHK'D:	S. ROBERTS	DATE:	16-MAR-79				END PANEL ASSY (W. LOCK BRKT)			
DS	H9544-A-ML001	A	[A]AA,AB,AC,AD,AG,AE,												
WR	H9544-A-ML002	B	AH,AF												
DB	H9642-B-ML008	C	[B]		DES.ENG:	W. F. MC CARTHY	DATE:	16-MAR-79				DOCUMENT NUMBER			
DB	H9544A-ML005	D						SIZE	CODE	NUMBER	REV				
RC	H9544-A-LTN07	E	[C]												
DD	H9544-A-LTN08	F	[D]		RESP.ENG.:	P. DUBE	DATE:	16-MAR-79				K	PL	H9544-A-DBP	F
			[E]		MFG.ENG.:	R. CARRIER	DATE:	16-MAR-79				RELEASE DATE: 30-APR-84			
			[F]		ASSEMBLY NUMBER:		TOP DOCUMENT NUMBER:					FILE NAME:	EDIT #		
					E-UA-H9544-A-0		#B-DD-H9544-A					Z0236F.PLS	15		

"THIS DRAWING AND THE SPECIFICATIONS CONTAINED HEREIN ARE CONFIDENTIAL AND PROPRIETARY. THEY ARE THE PROPERTY OF DIGITAL EQUIPMENT CORPORATION AND SHALL NOT BE REPRODUCED OR COPIED OR USED IN WHOLE OR IN PART AS THE BASIS FOR THE MANUFACTURE OR SALE OF ITEMS WITHOUT WRITTEN PERMISSION. THIS IS AN UNPUBLISHED WORK PROTECTED UNDER THE FEDERAL COPYRIGHT LAWS."

AUTOMATED BY PRTLST.3J(25)

P A R T S L I S T

SHEET A2 OF A2

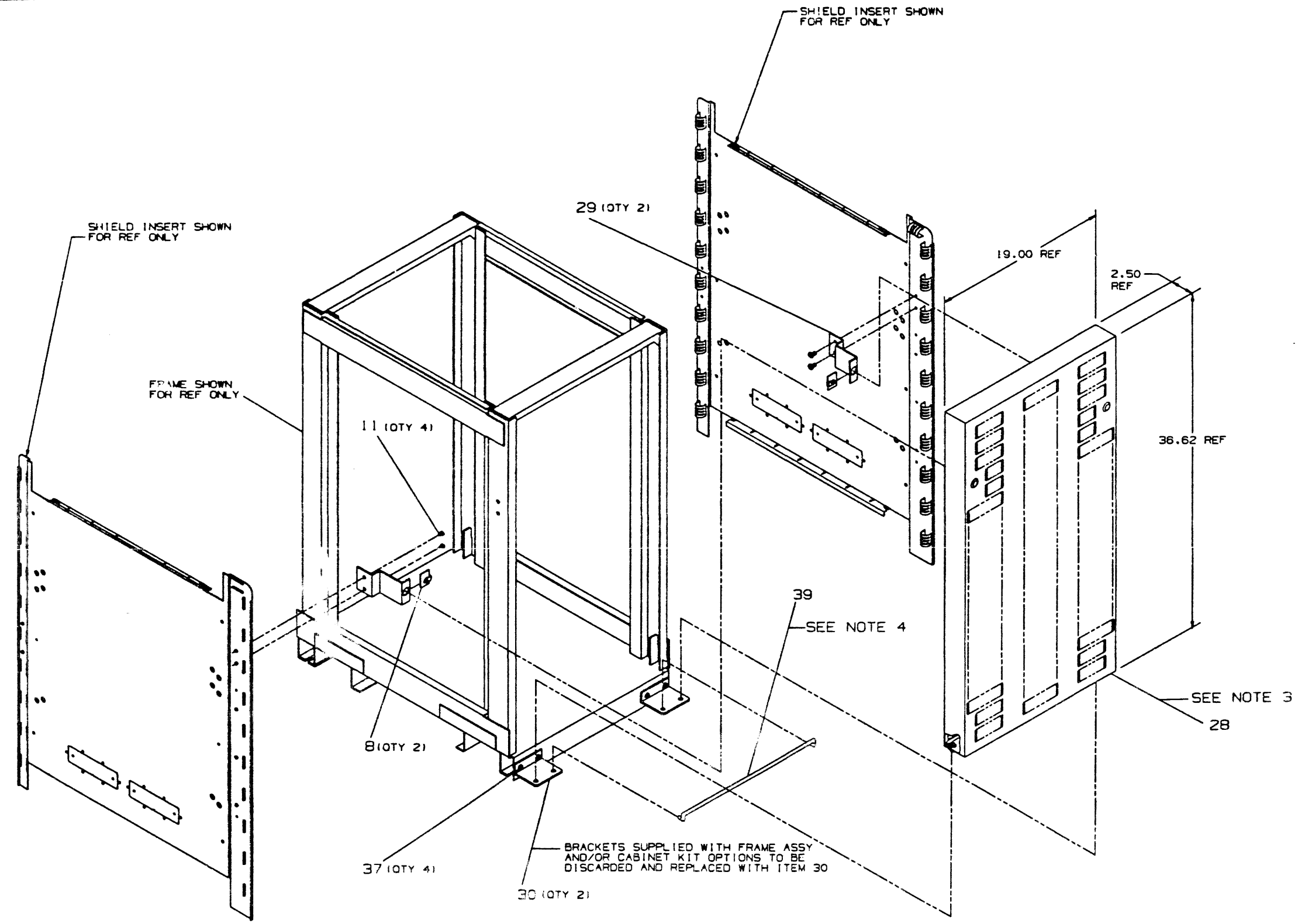
LINE ITEM TOP DOCUMENT PART NUMBER REV DESCRIPTION MIN QTY PER VARIATION
AA AB AC AD AG AE AH AF
VARIATION REVISION LEVEL: F1

26 NOTE: 90 CLASS ITEMS SHOWN ABOVE ARE REQUIRED FOR ASSEMBLY, BUT ARE NOT
27 NOTE: SHIPPED AS PART OF ASSEMBLY KIT.

D	I	G	I	T	A	L	TITLE	END PANEL ASSY (W. LOCK BRKT)	SECTION A OF A	SIZE	CODE	DOCUMENT NUMBER	REV
										K	PL	H9544-A-DBP	F

THIS DRAWING AND SPECIFICATIONS, HEREINAFTER THE PROPERTY OF DIGITAL EQUIPMENT CORPORATION AND SHALL NOT BE REPRODUCED OR COPIED OR USED IN WHOLE OR IN PART AS THE BASIS FOR THE MANUFACTURE OR SALE OF THIS WITHOUT WRITTEN PERMISSION. COPYRIGHT © 1982 DIGITAL EQUIPMENT CORPORATION

J
I
H
F
E
D
C
B
A



THIS CONFIGURATION FOR
H9544-BF
(140 INCH SINGLE BAY VARIATION)

LAYER 1: WORK LAYER (SH 7)
LAYER 2: FORMAT LAYER (SH 7)
PLOT AT 1.00

REVISION HISTORY		
DATE	REV. HISTORY	REV.

DOCUMENT NUMBER			
PROJECT	NUMBER	REV.	
EUA	H9544-B-DBU	L	

TITLE H9544-B REAR DOOR
SCALE NONE SHEET 7 OF 13

J
I
H
F
E
D
C
B
A

AUTOMATED BY PRTLST,3J(25)

P A R T S L I S T

SHEET A1 OF A2

LINE	ITEM	TOP DOCUMENT	PART NUMBER	MIN REV	DESCRIPTION	QTY PER VARIATION															
						BA	BB	BC	BD	BE	BK	BM	BF	BH	BJ	BN	BS	L1	L1		
1	1	E-AD-7016533-0-0	7016533-00		DOOR ASSY,REAR(SINGLE BAY,40INCH	1	-	-	-	-	-	1	-	-	-	-	-	-	-		
2	2	E-AD-7016695-0-0	7016695-00		DOOR ASSY REAR(SINGLE BAY,60")	-	1	-	-	-	-	-	-	-	-	-	-	-	-		
3	3	E-AD-7016697-0-0	7016697-00		DOOR ASSY REAR(1 1/2 BAY 40")	-	-	1	-	-	-	-	-	-	-	-	-	-	-		
4	4	E-AD-7016533-0-0	7016533-01		DOOR ASSY REAR(REAR DOOR W/O FIL	-	-	-	1	-	-	-	-	-	-	-	-	-	-		
5	5	C-MD-7422222-0-0	7422222-00		BRACKET,DOOR LOCK	1	1	1	1	1	-	1	-	-	-	-	-	-	-		
6	6	C-IA-7422267-0-0	7422267-00		BRKT,DOOR LOCK MTG	1	-	1	1	1	-	-	-	-	-	-	-	-	-		
7	7		4700045-00		*** THIS ITEM IS NOT USED ***	-	-	-	-	-	-	-	-	-	-	-	-	-	-		
8	8		1212972-02		SPRING,RECEPTACLE 1.04 WDX1.5	1	1	1	1	1	2	1	2	1	-	2	2	-	-		
9	9		9007651-00		*** THIS ITEM IS NOT USED ***	-	-	-	-	-	-	-	-	-	-	-	-	-	-		
10	10		9007786-00		RETAINER,U-NUT 10-32X	1	1	1	1	3	1	1	-	-	-	-	-	-	-		
11	11		9009700-00		SCREW,SEMS TRUSS PHIL 10-	4	4	4	4	6	8	4	4	3	-	4	4	-	-		
12	12		9006664-00		WASHER,FLAT SST	-	-	-	-	-	1	1	-	-	-	-	-	-	-		
13	13		9007906-00		*** THIS ITEM IS NOT USED ***	-	-	-	-	-	-	-	-	-	-	-	-	-	-		
14	14	B-AD-7016703-0-0	7016703-00		STOP DOOR (REAR)	2	2	2	2	2	-	-	-	-	-	-	-	-	-		
15	15	D-AD-7016632-0-0	7016632-00		DOOR ASSY REAR(1 1/2 BAY)	-	-	-	-	1	-	-	-	-	-	-	-	-	-		
16	16	C-MD-7422272-0-0	7422272-01		PIVOT BRKT BOTTOM REAR DOOR L.H.	-	-	-	-	1	-	-	-	-	-	-	-	-	-		
17	17		2200024-00		*** THIS ITEM IS NOT USED ***	-	-	-	-	-	-	-	-	-	-	-	-	-	-		
18	18		2200024-01		*** THIS ITEM IS NOT USED ***	-	-	-	-	-	-	-	-	-	-	-	-	-	-		
19	19		9009005-00		NUT,HEX 10-32X .245AF SS/N	-	-	-	-	2	-	-	-	-	-	-	-	-	-		
20	20	C-IA-7424014-0-0	7424014-00		BRKT, DOORLOCK MTG	-	1	-	-	-	-	-	-	-	-	-	-	-	-		
21	21		9010156-00		SCREW,SEMS HEX 10-	1	1	1	1	1	1	1	-	-	-	-	-	-	-		
22	22		9006565-00		NUT,HEX EXT TOOTH LCKWSHR 10-32	2	2	2	2	2	-	2	-	-	-	-	-	-	-		
23	23	E-IA-7019166-0-DBU	7019166-01		DOOR, REAR ASSY. SINGLE BAY 40"	-	-	-	-	-	1	-	-	-	-	-	-	-	-		
24	24	C-IA-7426710-0-DBU	7426710-01		BRACKET,DOOR LOCK,MTG	-	-	-	-	-	2	-	-	-	-	-	-	-	-		
25	25	C-MD-7426711-0-DBU	7426711-01		BRACKET,DOOR LOCK	-	-	-	-	-	2	-	-	-	-	-	-	-	-		
26	26	C-IA-7426256-0-DBU	7426256-01		BRACKET, DOOR LOCK MOUNTING	-	-	-	-	-	-	1	-	-	-	-	-	-	-		
27	27	C-AD-7019088-0-0	7019088-01		STOP DOOR	-	-	-	-	-	-	2	-	-	-	-	-	-	-		
28	28	E-AD-7019792-0-DBU	7019792-00		DOOR, REAR ASSY	-	-	-	-	-	-	-	1	-	-	-	-	-	-		
29	29	C-MD-7427386-0-DBU	7427386-01		BRACKET,REAR DOOR LOCK	-	-	-	-	-	-	-	2	-	-	2	2	-	-		
30	30	C-MD-7427921-0-DBU	7427921-01		BRACKET,REAR DOOR HINGE	-	-	-	-	-	-	-	2	-	-	-	-	-	-		

REVISION HISTORY			BASIC PART NO: H9544			DRN: K. DAVAN		DATE: 13-MAR-79		D I G I T A L			
ENG	ECO NUMBER	REV	SECTION A	OF	B	CHK'D:	S. ROBERTS	DATE:	13-MAR-79	TITLE PARTS LIST			
---	INITIAL	*	SECTION	VARIATION	INDEX	DES.ENG:	W. F. MC CARTHY	DATE:	13-MAR-79	H9544-B REAR DOOR			
DS	H9544-B-ML001	A	[A]	BA, BB, BC, BD, BE, BK,						DOCUMENT NUMBER			
DS	H9646-AC-ML001	B		BM, BF, BH, BJ, BN, BS						SIZE	CODE	NUMBER	REV
WR	H9544-B-ML002	C	[B]	BP, BX									
W.R	H9544-B-ML003	D											
RB	H9544-B-ML005	E	[C]										
DB	H9642-B-ML008	F				RESP.ENG.:	R. BELLIVEAU	DATE:	13-MAR-79	K	PL	H9544-B-DBP	L
DB	H9544-B-ML006	H	[D]										
RC	H9544-B-LTN07	J											
RC	H9544-B-LTN08	K	[E]			MFG.ENG.:	J. SOUZA	DATE:	13-MAR-79	RELEASE DATE: 02-MAY-85			
DD	H9544-B-LTN09	L											
			[F]			ASSEMBLY NUMBER:		TOP DOCUMENT NUMBER:		FILE NAME:		EDIT #	
						E-UA-H9544-B-DBU		#B-DD-H9544-B		Z0237L.PLS		4	

"THIS DRAWING AND THE SPECIFICATIONS CONTAINED HEREIN ARE CONFIDENTIAL AND PROPRIETARY. THEY ARE THE PROPERTY OF DIGITAL EQUIPMENT CORPORATION AND SHALL NOT BE REPRODUCED OR COPIED OR USED IN WHOLE OR IN PART AS THE BASIS FOR THE MANUFACTURE OR SALE OF ITEMS WITHOUT WRITTEN PERMISSION. THIS IS AN UNPUBLISHED WORK PROTECTED UNDER THE FEDERAL COPYRIGHT LAWS."

AUTOMATED BY PRTLST.3J(25)

PARTS LIST

SHEET A2 OF A2

LINE	ITEM	TOP DOCUMENT	PART NUMBER	MIN REV	DESCRIPTION	QTY PER VARIATION																
						BA	BB	BC	BD	BE	BK	BM	BF	BH	BJ	BN	BS					
					VARIATION REVISION LEVEL:																	
31	31	D-AD-7019793-0-DBU	7019793-00		COVER, REAR 1/2 BAY ASSY	-	-	-	-	-	-	-	-	-	-	-	1	-	-	-	-	-
32	32	C-IA-742966-0-DBU	742966-01		BRACKET, DOOR LOCK	-	-	-	-	-	-	-	-	-	-	-	1	-	-	-	-	-
33	33	D-IA-7427465-0-DBU	7427465-01		BRACKET, DOOR SUPPORT 1/2 BAY	-	-	-	-	-	-	-	-	-	-	-	1	-	-	-	-	-
34	34	C-IA-7427463-0-DBU	7427463-01		BAR, CABLE DRESS	-	-	-	-	-	-	-	-	-	-	-	1	-	-	-	-	-
35	35	E-AD-7019770-0-DBP	7019770-00		DOOR, REAR ASSY	-	-	-	-	-	-	-	-	-	-	-	-	1	-	-	-	-
36	36	E-AD-7019769-0-DBU	7019769-00		BRACKET ASSY, BOTTOM REAR DOOR	-	-	-	-	-	-	-	-	-	-	-	-	1	1	-	-	-
37	37		9009988-14		SCREW, SEMS HEX SLOT 1/4-	-	-	-	-	-	-	-	-	-	-	-	4	2	4	4	4	-
38	38		9006241-09		SCREW, MACH HEX PLN 1/4-	-	-	-	-	-	-	-	-	-	-	-	1	-	-	-	-	-
39	39	C-MD-7428543-0-DBU	7428543-01		ROD, REAR CABLE #3	-	-	-	-	-	-	-	-	-	-	-	1	-	-	-	-	1
40	40	E-AD-7020399-0-DBU	7020399-01		DOOR REAR ASSY	-	-	-	-	-	-	-	-	-	-	-	-	-	-	-	1	-
41	41	E-AD-7020399-0-DBU	7020399-02		DOOR REAR ASSY W/CUTOUT	-	-	-	-	-	-	-	-	-	-	-	-	-	-	-	-	1
42	42	D-IA-7020402-0-DBU	7020402-01		*** THIS ITEM IS NOT USED ***	-	-	-	-	-	-	-	-	-	-	-	-	-	-	-	-	-
43	43	C-MD-7429304-0-DBU	7429304-01		BRACKET, REAR DOOR, HINGE	-	-	-	-	-	-	-	-	-	-	-	-	-	-	-	-	2

44 NOTE: 90 CLASS ITEMS SHOWN ABOVE ARE REQUIRED FOR ASSEMBLY,
 45 NOTE: BUT ARE NOT SHIPPED AS PART OF THE ASSEMBLY

D	I	G	I	T	A	L	TITLE	H9544-B REAR DOOR	SECTION A	OF B	SIZE	CODE	DOCUMENT NUMBER	REV
											K	PL	H9544-B-DBP	L

LINE	ITEM	TOP DOCUMENT	PART NUMBER	MIN REV	DESCRIPTION	QTY PER VARIATION	
						BP	BX
						L1	L1
1	1	E-AD-7016533-0-0	7016533-00		*** THIS ITEM IS NOT USED ***	-	-
2	2	E-AD-7016695-0-0	7016695-00		*** THIS ITEM IS NOT USED ***	-	-
3	3	E-AD-7016697-0-0	7016697-00		*** THIS ITEM IS NOT USED ***	-	-
4	4	E-AD-7016533-0-0	7016533-01		*** THIS ITEM IS NOT USED ***	-	-
5	5	C-MD-7422222-0-0	7422222-00		*** THIS ITEM IS NOT USED ***	-	-
6	6	C-IA-7422267-0-0	7422267-00		*** THIS ITEM IS NOT USED ***	-	-
7	7		4700045-00		*** THIS ITEM IS NOT USED ***	-	-
8	8		1212972-02		SPRING, RECEPTACLE 1.04 WDX1.5	1	2
9	9		9007651-00		*** THIS ITEM IS NOT USED ***	-	-
10	10		9007786-00		*** THIS ITEM IS NOT USED ***	-	-
11	11		9009700-00		SCREW, SEMS TRUSS PHIL 10-	3	4
12	12		9006664-00		*** THIS ITEM IS NOT USED ***	-	-
13	13		9007906-00		*** THIS ITEM IS NOT USED ***	-	-
14	14	B-AD-7016703-0-0	7016703-00		*** THIS ITEM IS NOT USED ***	-	-
15	15	D-AD-7016632-0-0	7016632-00		*** THIS ITEM IS NOT USED ***	-	-
16	16	C-MD-7422272-0-0	7422272-01		*** THIS ITEM IS NOT USED ***	-	-
17	17		2200024-00		*** THIS ITEM IS NOT USED ***	-	-
18	18		2200024-01		*** THIS ITEM IS NOT USED ***	-	-
19	19		9009005-00		*** THIS ITEM IS NOT USED ***	-	-
20	20	C-IA-7424014-0-0	7424014-00		*** THIS ITEM IS NOT USED ***	-	-
21	21		9010156-00		*** THIS ITEM IS NOT USED ***	-	-
22	22		9006565-00		*** THIS ITEM IS NOT USED ***	-	-
23	23	E-IA-7019166-0-DBU	7019166-01		*** THIS ITEM IS NOT USED ***	-	-
24	24	C-IA-7426710-0-DBU	7426710-01		*** THIS ITEM IS NOT USED ***	-	-
25	25	C-MD-7426711-0-DBU	7426711-01		*** THIS ITEM IS NOT USED ***	-	-
26	26	C-IA-7426256-0-DBU	7426256-01		*** THIS ITEM IS NOT USED ***	-	-
27	27	C-AD-7019088-0-0	7019088-01		*** THIS ITEM IS NOT USED ***	-	-
28	28	E-AD-7019792-0-DBU	7019792-00		*** THIS ITEM IS NOT USED ***	-	-
29	29	C-MD-7427386-0-DBU	7427386-01		BRACKET, REAR DOOR LOCK	-	2
30	30	C-MD-7427921-0-DBU	7427921-01		*** THIS ITEM IS NOT USED ***	-	-

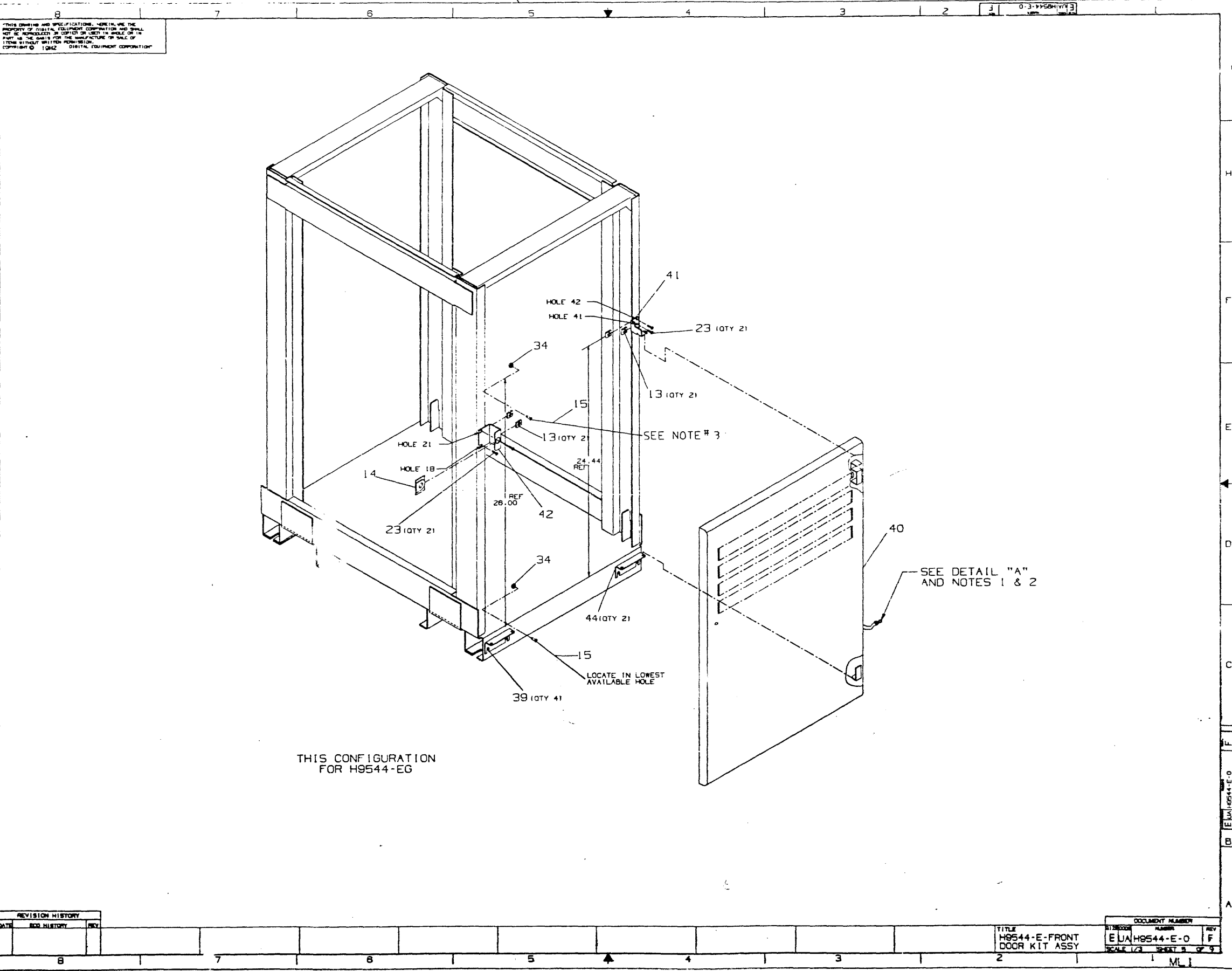
REVISION HISTORY			BASIC PART NO: H9544		DRN: K. DAVAN		DATE: 13-MAR-79		D I G I T A L	
ENG	ECO NUMBER	REV	SECTION B OF B		CHK'D: S. ROBERTS		DATE: 13-MAR-79		TITLE PARTS LIST	
---	INITIAL	*	SECTION VARIATION INDEX		DES. ENG: W. F. MC CARTHY		DATE: 13-MAR-79		DOCUMENT NUMBER	
DS	H9544-B-ML001	A	(A) BA, BB, BC, BD, BE, BK,		RESP. ENG.: R. BELLIVEAU		DATE: 13-MAR-79		K PL H9544-B-DBP L	
DS	H9646-AC-ML001	B	BM, BF, BH, BJ, BN, BS		MFG. ENG.: J. SOUZA		DATE: 13-MAR-79		RELEASE DATE: 02-MAY-85	
WR	H9544-B-ML002	C	(B) BP, BX		ASSEMBLY NUMBER:		TOP DOCUMENT NUMBER:		FILE NAME:	
W.R	H9544-B-ML003	D			E-UA-H9544-B-DBU		#B-DD-H9544-B		Z0237L.PLS	
RB	H9544-B-ML005	E	(C)						EDIT #	
DB	H9642-B-ML008	F	(D)						4	
DB	H9544-B-ML006	H	(E)							
RC	H9544-B-LTN07	J	(F)							
RC	H9544-B-LTN08	K								
DD	H9544-B-LTN09	L								

"THIS DRAWING AND THE SPECIFICATIONS CONTAINED HEREIN ARE CONFIDENTIAL AND PROPRIETARY. THEY ARE THE PROPERTY OF DIGITAL EQUIPMENT CORPORATION AND SHALL NOT BE REPRODUCED OR COPIED OR USED IN WHOLE OR IN PART AS THE BASIS FOR THE MANUFACTURE OR SALE OF ITEMS WITHOUT WRITTEN PERMISSION. THIS IS AN UNPUBLISHED WORK PROTECTED UNDER THE FEDERAL COPYRIGHT LAWS."

LINE	ITEM	TOP DOCUMENT	PART NUMBER	MIN REV	DESCRIPTION	QTY PER VARIATION	
						BP	BX
						L1	L1
31	31	D-AD-7019793-0-DBU	7019793-00		*** THIS ITEM IS NOT USED ***	-	-
32	32	C-IA-742966-0-DBU	742966-01		*** THIS ITEM IS NOT USED ***	-	-
33	33	D-IA-7427465-0-DBU	7427465-01		BRACKET,DOOR SUPPORT 1/2 BAY	1	-
34	34	C-IA-7427463-0-DBU	7427463-01		BAR, CABLE DRESS	1	-
35	35	E-AD-7019770-0-DBP	7019770-00		DOOR, REAR ASSY	1	1
36	36	E-AD-7019769-0-DBU	7019769-00		BRACKET ASSY, BOTTOM REAR DOOR	-	1
37	37		9009988-14		SCREW,SEMS HEX SLOT 1/4-	2	4
38	38		9006241-09		SCREW,MACH HEX PLN 1/4-	1	-
39	39	C-MD-7428543-0-DBU	7428543-01		*** THIS ITEM IS NOT USED ***	-	-
40	40	E-AD-7020399-0-DBU	7020399-01		*** THIS ITEM IS NOT USED ***	-	-
41	41	E-AD-7020399-0-DBU	7020399-02		*** THIS ITEM IS NOT USED ***	-	-
42	42	D-IA-7020402-0-DBU	7020402-01		COVER REAR 1/2 BAY ASSY	1	-
43	43	C-MD-7429304-0-DBU	7429304-01		*** THIS ITEM IS NOT USED ***	-	-

44 NOTE: 90 CLASS ITEMS SHOWN ABOVE ARE REQUIRED FOR ASSEMBLY,
 45 NOTE: BUT ARE NOT SHIPPED AS PART OF THE ASSEMBLY

D	I	G	I	T	A	L	TITLE	H9544-B REAR DOOR	SECTION B OF B	SIZE	CODE	DOCUMENT NUMBER	REV
										K	PL	H9544-B-DBP	L



THIS DRAWING AND SPECIFICATIONS, HEREIN, ARE THE PROPERTY OF DIGITAL EQUIPMENT CORPORATION AND SHALL NOT BE REPRODUCED OR COPIED OR USED IN WHOLE OR IN PART AS THE BASIS FOR THE MANUFACTURE OF ANY OF THESE WITHOUT WRITTEN PERMISSION. COPYRIGHT © 1982, DIGITAL EQUIPMENT CORPORATION.

THIS CONFIGURATION FOR H9544-EG

REVISION HISTORY		
DATE	REV. HISTORY	REV.

TITLE		DOCUMENT NUMBER	
H9544-E-FRONT DOOR KIT ASSY		EJAH9544-E-0	
SCALE 1/2"		SHEET 5 OF 9	

ML

LINE	ITEM	DOCUMENT NUMBER	PART NUMBER	DESCRIPTION	QUANTITY PER VARIATION							
					EB	EE	EA	EK	EG	EJ	EH	EM
1	1	D-AD-7016562-0-0	7016562-00	FRONT DOOR ASSY	1	-	-	-	-	-	-	-
2	2	C-MD-7422262-0-0	7422262-00	BRACKET,FRONT DOOR PIVOT	2	-	-	-	-	-	-	-
3	3	C-MD-7422264-0-0	7422264-00	BRKT, TOP PIVOT	1	-	-	-	-	-	-	-
4	4	C-IA-7422267-0-0	7422267-00	BRKT,DOOR LOCK MTG	1	-	1	1	-	-	-	-
5	5	C-MD-7422222-0-0	7422222-00	BRACKET,DOOR LOCK	1	-	1	1	-	-	-	-
6	6		9006074-01	*** THIS ITEM IS NOT USED ***	-	-	-	-	-	-	-	-
7	7		9007906-00	WASHER,HELICAL SPLIT STEEL	2	2	2	2	-	-	-	-
8	8		9006664-00	WASHER,FLAT SST	-	-	-	-	1	1	1	1
9	9		9006243-09	SCREW,MACH HEX PLN 1/4-	4	-	4	-	-	-	-	-
10	10		9007797-00	WASHER,HELICAL SPLIT SST	4	-	4	-	-	-	-	-
11	11		9006676-00	*** THIS ITEM IS NOT USED ***	-	-	-	-	-	-	-	-
12	12		9007651-00	WASHER,LOCK EXTERNAL STEEL	1	1	1	-	-	-	-	-
13	13		9007786-00	RETAINER,U-NUT 10-32X	3	7	5	7	5	3	1	5
14	14		1212972-02	SPRING,RECEPTACLE 1.04 WDX1.5	1	-	1	1	1	-	1	2
15	15	B-AD-7016703-0-0	7016703-02	STOP DOOR 1.62	2	-	2	2	2	-	2	-
16	16	B-AD-7016703-0-0	7016703-01	STOP, DOOR .88	-	2	-	-	-	2	-	-
17	17	E-AD-7016631-0-0	7016631-00	DOOR ASSY,FRONT (1 1/2 BAY)	-	1	-	-	-	-	-	-
18	18	C-MD-7422278-0-0	7422278-00	BRKT,HINGE (FRONT DOOR TOP) R.H.	-	1	-	-	-	-	-	-
19	19	C-MD-7422278-0-0	7422278-01	BRKT HINGE FRONT DOOR TOP	-	1	-	-	-	-	-	-
20	20		2200027-00	*** THIS ITEM IS NOT USED ***	-	-	-	-	-	-	-	-
21	21		2200027-01	*** THIS ITEM IS NOT USED ***	-	-	-	-	-	-	-	-
22	22		9010156-00	SCREW,SEMS HEX 10-	1	1	1	1	1	1	1	-
23	23		9009700-00	SCREW,SEMS TRUSS PHIL 10-	6	4	6	8	4	2	-	4
24	24	D-AD-7018554-0-0	7018554-01	DOOR ASSY, FRONT	-	-	1	-	-	-	-	-
25	25	D-MD-7425876-0-0	7425876-00	BRACKET,DOOR SUPPORT	-	-	1	-	-	-	-	-
26	26	C-MD-7425881-0-0	7425881-00	BRACKET,DOOR HINGE & END PANEL L	-	-	1	-	-	-	-	-
27	27	E-UA-7019542-0-0	7019542-00	DOOR ASSY. FRONT	-	-	-	1	-	-	-	-
28	28	C-MD-7426785-0-0	7426785-01	BRACKET,DOOR,PIVOT TOP	-	-	-	1	-	-	-	-
29	29	C-MD-7426784-0-0	7426784-01	BRACKET,DOOR,PIVOT BOTTOM	-	-	-	1	-	-	-	-
30	30	D-MD-7426783-0-0	7426783-01	STRIP,TRIM,FRONT DOOR	-	-	-	1	-	-	-	-

REVISION HISTORY			BASIC PART NO: H9544			DRN: KEN DAVAN			DATE: 04-APR-79			D I G I T A L			
ENG	ECO NUMBER	REV	SECTION A OF A			CHK'D:	S. ROBERTS			DATE: 04-APR-79			TITLE PARTS LIST		
	INITIAL	*	SECTION. VARIATION INDEX			DES.ENG.:	R. BELLIVEAU			DATE: 04-APR-79			DOCUMENT NUMBER		
DS	H9544E-ML001	A	[A]	EB,EE,EA,EK,EG,EJ, EH,EM,EL		RESP.ENG.:	R. BELLIVEAU			DATE: 04-APR-79			SIZE CODE NUMBER REV		
R.B	H9544-E-ML003	B	[B]			MFG.ENG.:	J. SOUZA			DATE: 04-APR-79			K PL H9544-E-DBP F		
E.R	H9544-E-ML004	C	[C]			ASSEMBLY NUMBER:	E-UA-H9544-0-0			TOP DOCUMENT NUMBER:			FILE NAME: Z0239F.PLS		
DB	H9544-E-ML005	D	[D]									EDIT # 4			
R.B	H9544-E-ML006	E	[E]												
RC	H9544-E-LTN07	F	[F]												

"THIS DRAWING AND SPECIFICATIONS HEREIN, ARE THE PROPERTY OF DIGITAL EQUIPMENT CORPORATION AND SHALL NOT BE REPRODUCED OR COPIED OR USED IN WHOLE OR IN PART AS THE BASIS FOR THE MANUFACTURE OR SALE OF ITEMS WITHOUT WRITTEN PERMISSION. COPYRIGHT (C) 1983. DIGITAL EQUIPMENT CORPORATION "

LINE	ITEM	DOCUMENT NUMBER	PART NUMBER	DESCRIPTION	QUANTITY PER VARIATION								
					EB	EE	EA	EK	EG	EJ	EH	EM	EL
31	31	D-MD-7427144-0-0	7427144-01	FOAM,TAPE (REWORK)	-	-	-	1	-	-	-	-	-
32	32		9009949-00	WASHER,FLAT STEEL	-	-	-	10	-	-	-	-	-
33	33		9006560-00	NUT,HEX EXT TOOTH LCKWSHR 6-32	-	-	-	10	-	-	-	-	-
34	34		9006565-00	NUT,HEX EXT TOOTH LCKWSHR 10-32	-	-	-	4	2	2	2	-	-
35	35	E-IA-7427752-0-DBU	7427752-01	BEZEL,TU8X	-	-	-	1	-	-	-	-	-
36	36	E-AD-7019805-0-DBU	7019805-00	DOOR, FRONT 1 1/2 BAY ASSY	-	-	-	-	-	1	-	-	-
37	37	B-MD-7427475-0-DBU	7427475-01	BRACKET,FRONT DOOR PIVOT COMET	-	-	-	-	-	2	-	-	-
38	38	C-MD-7427473-0-DBU	7427473-01	BRACKET, TOP FRONT DOOR(COMET FC	-	-	-	-	-	1	-	-	-
39	39		9009988-14	SCREW,SEMS HEX SLOT 1/4-	4	-	4	-	4	4	4	4	2
40	40	E-AD-7019751-0-DBU	7019751-00	FRONT DOOR ASSY SNG BAY	-	-	-	-	1	-	-	-	-
41	41	C-MD-7427340-0-DBU	7427340-01	BRACKET,DOOR TOP PIVOT	-	-	-	-	1	-	-	-	-
42	42	B-MD-7427339-0-DBU	7427339-01	BRACKET,DOOR LOCK	-	-	-	-	1	-	-	2	-
43	43	E-AD-7019949-0-DBU	7019949-00	DOOR, FRONT 1/3 BAY KIT ASSY.	-	-	-	-	-	-	-	1	-
44	44	C-MD-7427949-0-DBU	7427949-01	BRACKET,FRONT DOOR PIVOT	-	-	-	-	2	-	2	2	-
45	45	C-MD-7428076-0-DBU	7428076-01	BRACKET,DOOR LOCK	-	-	-	-	-	-	1	-	-
46	46	E-AD-7019761-0-DBU	7019761-00	DOOR, FRONT ASSY.	-	-	-	-	-	-	1	-	-
47	47		9010437-01	SCREW,MACH FLAT PHIL 10-	-	-	-	-	-	-	2	-	-
48	48	E-AD-7019812-0-DBU	7019812-00	DOOR FRONT 1/2 BAY ASSY.	-	-	-	-	-	-	-	-	1
49	49	C-MD-7427488-0-DBU	7427488-01	BRKT DOOR LOCK 1/2 BAY	-	-	-	-	-	-	-	-	1
50	50	D-MD-7427489-0-DBU	7427489-01	DOOR PIVOT BRKT 1/2 BAY	-	-	-	-	-	-	-	-	1

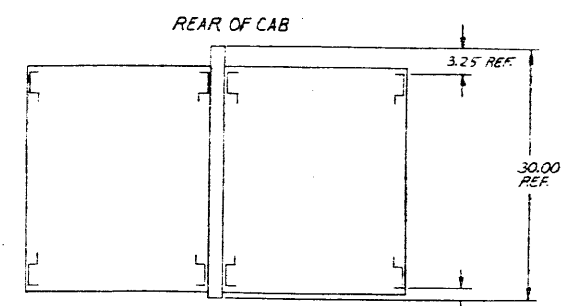
51 NOTE: 90-CLASS ITEMS SHOWN ABOVE ARE REQUIRED FOR ASSEMBLY, BUT ARE NOT SHIPPED
 52 NOTE: AS PART OF THE ASSEMBLY KIT.

D	I	G	I	T	A	L	TITLE	H9544-E FRONT DOOR	SECTION A OF A	SIZE	CODE	DOCUMENT NUMBER	REV
43										K	PL	H9544-E-DBP	F

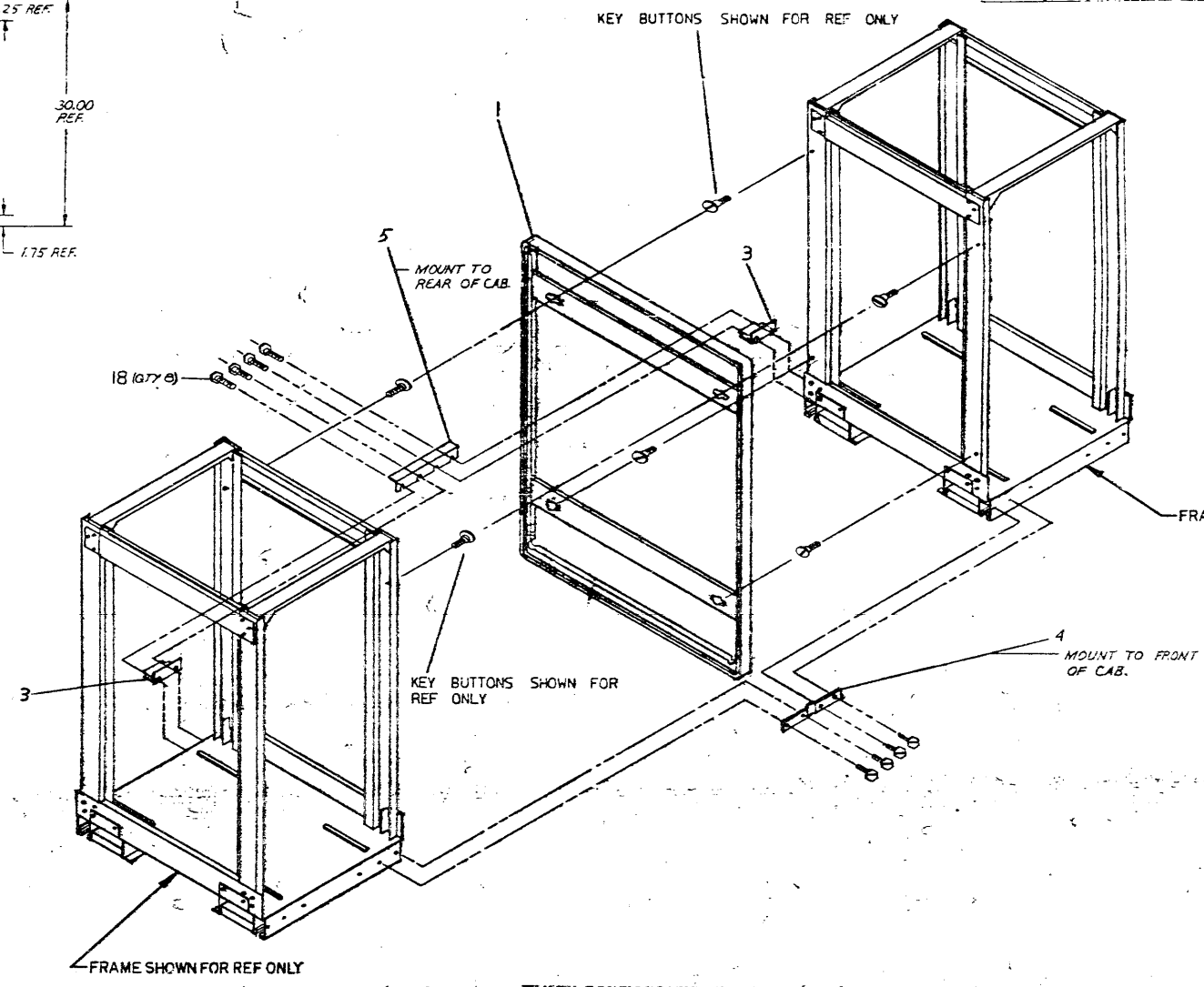
THIS SHEET AND PROVISIONAL SHEET ARE THE PROPERTY OF THE U.S. GOVERNMENT. IT IS TO BE USED FOR THE PURPOSES SPECIFIED HEREIN AND IS NOT TO BE REPRODUCED OR TRANSMITTED IN ANY FORM OR BY ANY MEANS, ELECTRONIC OR MECHANICAL, INCLUDING PHOTOCOPYING, RECORDING, OR BY ANY INFORMATION STORAGE AND RETRIEVAL SYSTEM, WITHOUT PERMISSION IN WRITING FROM THE U.S. GOVERNMENT PRINTING OFFICE: © 1979

NUMBER	VARIATION
H9544-JA	40 INCH ROLL FORM (SHEET 1)
H9544-JC	60 INCH ROLL FORM (SHEET 2)
H9544-JD	48" / 60" CONVERSION (SHEET 3)
H9544-JH	40" ROLL FORM (SHEET 4)
H9544-JE	40" SHIELDED EXPAN KIT (SHEET 5)
H9544-JF	60" SHIELDED EXPAN KIT (SHEET 6)

- NOTES:
- THE HARDWARE USED FOR MOUNTING ITEM #4 (LOCKING BRACKET) IS SUPPLIED WITH OTHER OPTIONS AND IS SHOWN FOR REFERENCE ONLY.
 - ITEMS 1 THROUGH 5 ARE FOR REFERENCE ONLY.
 - FOR REFERENCE ONLY.
 - FOR TORQUE REQUIREMENTS REFER TO ASP-744-5328-O-0.
 - WHEN ASSEMBLING GROUND STRAP TO UPRIGHT USING SCREW (ITEM 11) LOCK WASHER (ITEM 12) AND WASHER (ITEM 23) USE CLOSEST AVAILABLE HOLE.
 - PROCEDURE FOR SHIELDED EXPANSION:
 - TWO CABLE FEED BRACKETS (ITEM #21) ARE SUPPLIED FOR MAXIMUM CABLE FEED THROUGH UTILIZATION. USE ONLY BRACKET/BRACKETS NEEDED FOR OPTIMUM CABLE FEED THROUGH.
 - SELECT KNOCKOUT PANEL/PANELS REQUIRED FOR INTERCONNECT CABLING.
 - KNOCKOUT PANEL/PANELS NEEDED.
 - INSTALL CABLE FEED BRACKET / BRACKETS (ITEM #21) ON ONE INSERT PANEL.
 - HANG ROLL FORM ASSEMBLY (ITEM #20) ON ONE CABINET.
 - ENGAGE SECOND CABINET ONTO ROLLFORM ASSEMBLY.
 - SLIDE ROLLFORM ASSEMBLY DOWN TO JOIN THE TWO CABINETS TOGETHER.
 - ADD SECOND SET OF SCREWS (ITEM #22) THROUGH INSIDE OF SECOND CABINET.
 - ATTACH FRONT AND REAR LOCKING BRACKETS (ITEM 4 & ITEM 5).



FRONT OF CAB
TOP VIEW OF INTERMEDIATE END PANEL MOUNTED BETWEEN TWO CABINETS. SHOWN FOR REF. ONLY. THIS IS COMMON FOR JA, JC + JD VARIATION ONLY

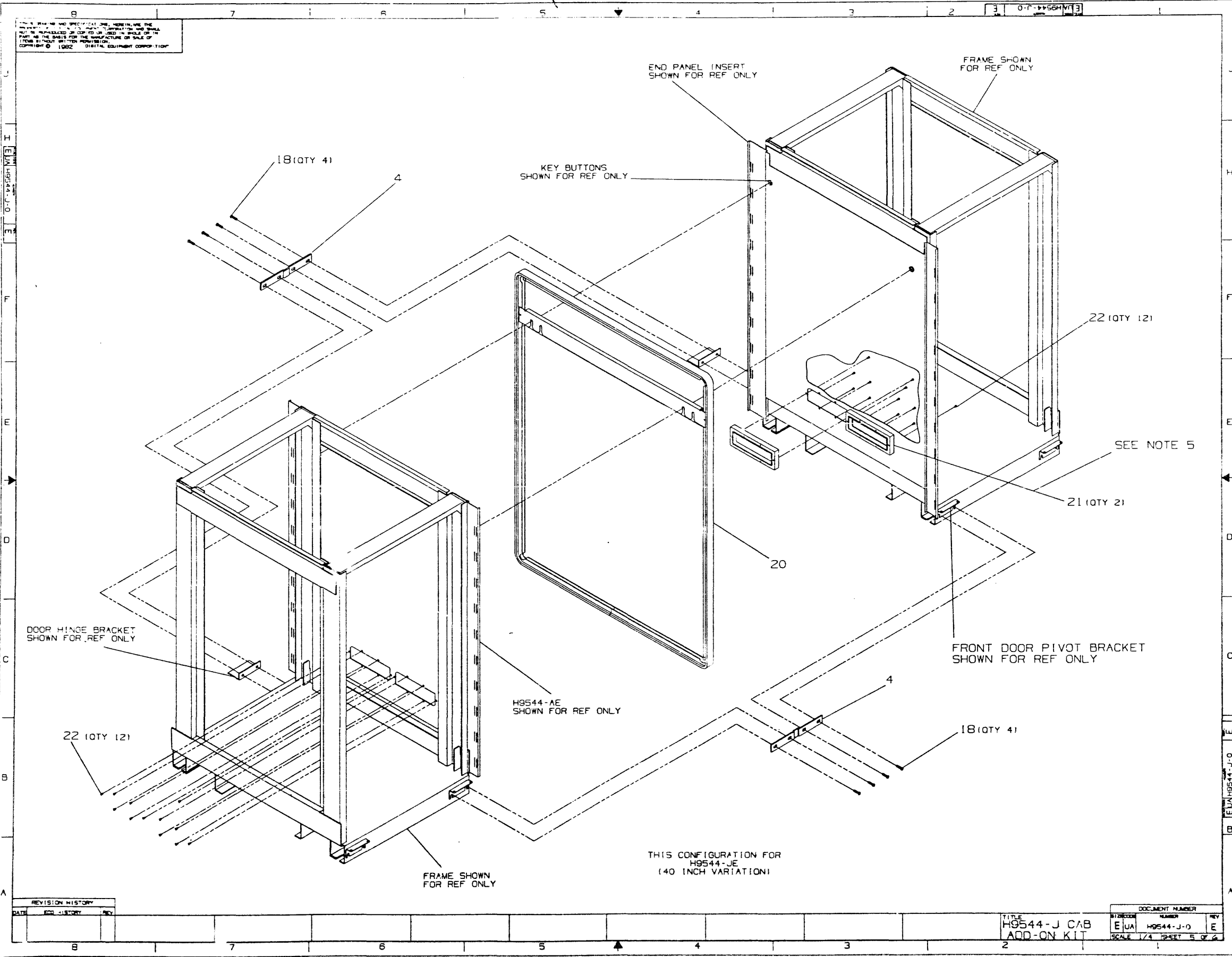


NO.	DESCRIPTION	QTY	UNIT
1	SCREW	1	EA
2	LOCK WASHER	1	EA
3	WASHER	1	EA
4	LOCKING BRACKET	1	EA
5	KEY BUTTON	1	EA
6	SCREW	1	EA
7	SCREW	1	EA
8	SCREW	1	EA
9	SCREW	1	EA
10	SCREW	1	EA
11	SCREW	1	EA
12	SCREW	1	EA
13	SCREW	1	EA
14	SCREW	1	EA
15	SCREW	1	EA
16	SCREW	1	EA
17	SCREW	1	EA
18	SCREW	1	EA
19	SCREW	1	EA
20	SCREW	1	EA
21	SCREW	1	EA
22	SCREW	1	EA
23	SCREW	1	EA
24	SCREW	1	EA
25	SCREW	1	EA
26	SCREW	1	EA
27	SCREW	1	EA
28	SCREW	1	EA
29	SCREW	1	EA
30	SCREW	1	EA
31	SCREW	1	EA
32	SCREW	1	EA
33	SCREW	1	EA
34	SCREW	1	EA
35	SCREW	1	EA
36	SCREW	1	EA
37	SCREW	1	EA
38	SCREW	1	EA
39	SCREW	1	EA
40	SCREW	1	EA
41	SCREW	1	EA
42	SCREW	1	EA
43	SCREW	1	EA
44	SCREW	1	EA
45	SCREW	1	EA
46	SCREW	1	EA
47	SCREW	1	EA
48	SCREW	1	EA
49	SCREW	1	EA
50	SCREW	1	EA

OFF SHEET PARTS LIST REFER TO K-PL-H9544-J-DBP

ITEM NO.	DESCRIPTION	QTY	UNIT
1	SCREW	1	EA
2	LOCK WASHER	1	EA
3	WASHER	1	EA
4	LOCKING BRACKET	1	EA
5	KEY BUTTON	1	EA
6	SCREW	1	EA
7	SCREW	1	EA
8	SCREW	1	EA
9	SCREW	1	EA
10	SCREW	1	EA
11	SCREW	1	EA
12	SCREW	1	EA
13	SCREW	1	EA
14	SCREW	1	EA
15	SCREW	1	EA
16	SCREW	1	EA
17	SCREW	1	EA
18	SCREW	1	EA
19	SCREW	1	EA
20	SCREW	1	EA
21	SCREW	1	EA
22	SCREW	1	EA
23	SCREW	1	EA
24	SCREW	1	EA
25	SCREW	1	EA
26	SCREW	1	EA
27	SCREW	1	EA
28	SCREW	1	EA
29	SCREW	1	EA
30	SCREW	1	EA
31	SCREW	1	EA
32	SCREW	1	EA
33	SCREW	1	EA
34	SCREW	1	EA
35	SCREW	1	EA
36	SCREW	1	EA
37	SCREW	1	EA
38	SCREW	1	EA
39	SCREW	1	EA
40	SCREW	1	EA
41	SCREW	1	EA
42	SCREW	1	EA
43	SCREW	1	EA
44	SCREW	1	EA
45	SCREW	1	EA
46	SCREW	1	EA
47	SCREW	1	EA
48	SCREW	1	EA
49	SCREW	1	EA
50	SCREW	1	EA

THIS SHEET IS A PART OF THE H9544-J-DBP CABINET ADD-ON KIT



THIS DRAWING AND SPECIFICATIONS HEREIN ARE THE PROPERTY OF THE UNITED STATES GOVERNMENT AND SHALL NOT BE REPRODUCED OR COPIED OR USED IN WHOLE OR IN PART AS THE BASIS FOR THE MANUFACTURE OF BIDS OR FOR THE DESIGN OF ANY PART THEREOF WITHOUT PERMISSION FROM THE UNITED STATES GOVERNMENT. COPYRIGHT © 1982 DIGITAL EQUIPMENT CORPORATION

REVISION HISTORY		
DATE	BY	REVISION

TITLE		DOCUMENT NUMBER	
H9544-J CAB	EUA	H9544-J-0	REV E
ADD-ON KIT	SCALE 1/4" = 1" SET 5 OF 2		

LINE	ITEM	DOCUMENT NUMBER	PART NUMBER	DESCRIPTION	QUANTITY PER VARIATION					
					JA	JC	JD	JH	JE	JF
1	1	E-IA-7016539-0-0	7016539-00	ROLL FORM ASSY. 40 INCH	1	-	-	-	-	-
2	2	D-IA-7016700-0-0	7016700-00	ROLL FORM ASSY 60 INCH	-	1	-	-	-	-
3	3	C-MD-7422221-0-0	7422221-00	BRKT,DOOR HINGE/END PANEL LOCK	2	2	2	-	-	-
4	4	C-MD-7422224-0-0	7422224-00	BRACKET,CABINET FRONT LOCKING	1	1	1	1	2	2
5	5	C-MD-7422225-0-0	7422225-00	BRACKET,CABINET REAR LOCKING	1	1	1	-	-	-
6	6	C-MD-7414318-0-0	7414318-00	*** THIS ITEM IS NOT USED ***	-	-	-	-	-	-
7	7		9006243-09	*** THIS ITEM IS NOT USED ***	-	-	-	-	-	-
8	8		9006676-00	*** THIS ITEM IS NOT USED ***	-	-	-	-	-	-
9	9		9007797-00	*** THIS ITEM IS NOT USED ***	-	-	-	-	-	-
10	10		2200023-00	*** THIS ITEM IS NOT USED ***	-	-	-	-	-	-
11	11		9006074-01	*** THIS ITEM IS NOT USED ***	-	-	-	-	-	-
12	12		9007651-00	*** THIS ITEM IS NOT USED ***	-	-	-	-	-	-
13	13	E-AD-7017092-0-0	7017092-00	END PANEL ASSY	-	-	1	-	-	-
14	14		9010156-00	SCREW,SEMS HEX 10-	-	-	1	-	-	-
15	15		9007786-00	RETAINER,U-NUT 10-32X	-	-	1	-	-	-
16	16	D-IA-7019084-0-0	7019084-01	ROLL FORM ASSEMBLY (40 INCH)	-	-	-	1	-	-
17	17	D-IA-7019076-0-0	7019076-01	BRKT, DOOR HINGE/END PANEL LOCK	-	-	-	2	-	-
18	18		9009988-14	SCREW,SEMS HEX SLOT 1/4-	8	8	8	8	8	8
19	19	C-MD-7426557-0-0	7426557-01	BRACKET,CABINET REAR LOCKING	-	-	-	1	-	-
20	20	D-IA-7019994-0-DBU	7019994-00	ROLL FORM ASSY.	-	-	-	-	1	1
21	21	D-MD-7427810-0-DBU	7427810-01	PANEL,CABLE FEED	-	-	-	-	2	2
22	22		9009545-00	SCREW,SEMS PAN PHIL 8-	-	-	-	-	24	24
23	23		9006664-00	WASHER,FLAT SST	-	-	1	-	-	-
24	24		7020748-01	ROLL FORM ASSY, 60 IN.	-	-	-	-	-	1

25 NOTE: 1. 90 CLASS ITEMS SHOWN ABOVE ARE REQUIRED FOR ASSEMBLY,BUT ARE NOT

REVISION HISTORY		BASIC PART NO: H9544		DRN: F. KEYES	DATE: 04-APR-79	D I G I T A L				
ENG	ECO NUMBER	REV	SECTION A OF A	CHK'D: S. ROBERTS	DATE: 04-APR-79	TITLE		PARTS LIST		
	INITIAL	*	SECTION VARIATION INDEX			H9544-J CABINET ADD-ON KIT				
DS	H9544-J-ML001	A	[A] JA,JC,JD,JH,JE,JF	DES.ENG.: W. F. MC CARTHY	DATE: 04-APR-79					
W.R	H9544-J-ML003	B		RESP.ENG.: P. DUBE	DATE: 04-APR-79	DOCUMENT NUMBER				
DB	H9642-B-ML008	C	[B]			SIZE	CODE	NUMBER	REV	
DB	H9544-J-ML005	D	[C]	MFG.ENG.: R. CARRIER	DATE: 04-APR-79	K	PL	H9544-J-DBP	E	
RC	H9544-J-LTN06	E	[D]	ASSEMBLY NUMBER:	TOP DOCUMENT NUMBER:	FILE NAME:		EDIT #		
			[E]	E-UA-H9544-J-0	#8-DD-H9544-J	Z0242E.PLS		4		
			[F]							

"THIS DRAWING AND SPECIFICATIONS HEREIN, ARE THE PROPERTY OF DIGITAL EQUIPMENT CORPORATION AND SHALL NOT BE REPRODUCED OR COPIED OR USED IN WHOLE OR IN PART AS THE BASIS FOR THE MANUFACTURE OR SALE OF ITEMS WITHOUT WRITTEN PERMISSION. COPYRIGHT (C) 1983. DIGITAL EQUIPMENT CORPORATION "

AUTOMATED BY PRTLST.3K(26)

PARTS LIST

SHEET A2 OF A2

LINE ITEM DOCUMENT NUMBER

PART NUMBER

DESCRIPTION

QUANTITY PER VARIATION
JA JC JD JH JE JF

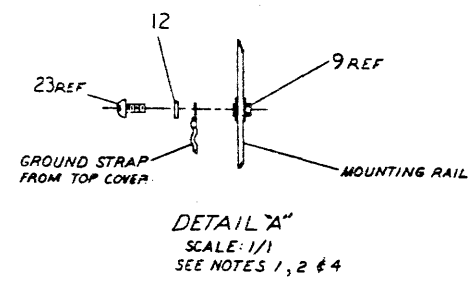
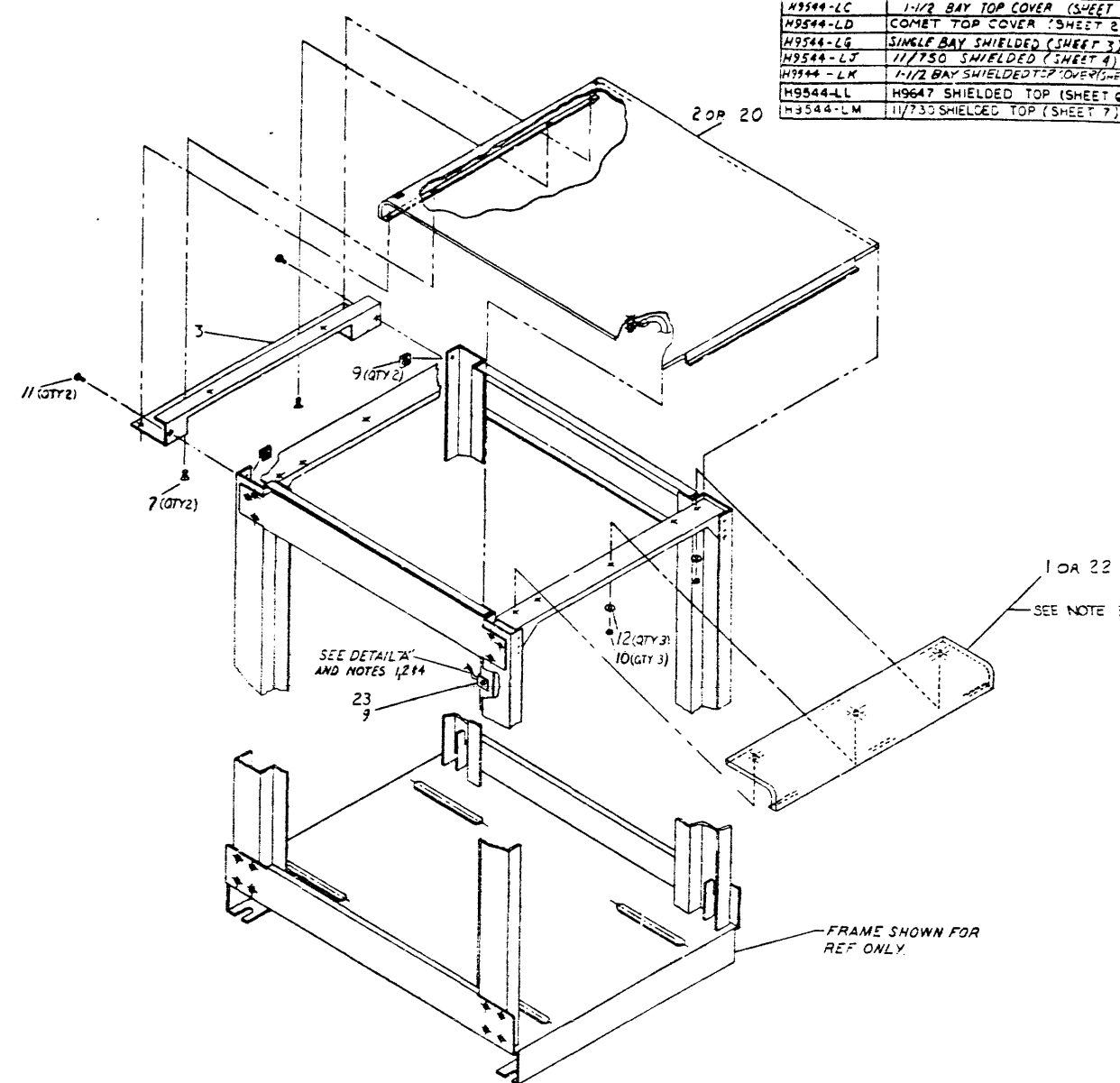
26 NOTE: SHIPPED AS PART OF ASSEMBLY KIT.

D	I	G	I	T	A	L	TITLE	H9544-J CABINET ADD-ON KIT	SECTION A OF A	SIZE	CODE	DOCUMENT NUMBER	REV
Y&HK	HH	63								K	PL	H9544-J-DBP	E

PROPERTY OF DIGITAL EQUIPMENT CORPORATION AND NOT TO BE REPRODUCED OR TRANSMITTED IN ANY FORM OR BY ANY MEANS, ELECTRONIC OR MECHANICAL, INCLUDING PHOTOCOPYING, RECORDING, OR BY ANY INFORMATION STORAGE AND RETRIEVAL SYSTEM.

LEGEND	
NUMBER	VARIATION
H9544-LA	4D SINGLE BAY TOP COVER (SHEET 1)
H9544-LB	6D SINGLE BAY TOP COVER (SHEET 1)
H9544-LC	1-1/2 BAY TOP COVER (SHEET 2)
H9544-LD	COMET TOP COVER (SHEET 2)
H9544-LG	SINGLE BAY SHIELDED (SHEET 3)
H9544-LJ	11/750 SHIELDED (SHEET 4)
H9544-LK	1-1/2 BAY SHIELDED TOP COVERS (SHEET 5)
H9544-LL	H9647 SHIELDED TOP (SHEET 6)
H9544-LM	11/733 SHIELDED TOP (SHEET 7)

- NOTES:
- ATTACH SAFETY GROUND STRAP TO THE CABINET FRAME MOUNTING RAIL IN NEAREST AVAILABLE MOUNTING RAIL HOLE PER DETAIL "A".
 - 27 INCH POUNDS OF TORQUE TO BE USED WHEN FASTENING ITEM #11 (SCREW) TO MOUNTING RAIL, FOR OTHER TORQUE REQUIREMENTS REFER TO A-SP-7265323-0-0.
 - 10 INCH POUNDS OF TORQUE TO BE USED WHEN FASTENING ITEM #10 (NUT) TO ITEM #14 OR #14 FRONT COVER, TO PREVENT DIMPLING OF THE COVER.
 - ITEM #7, #8, #9 AND #12 ARE PART OF H9544-L HARDWARE KIT. ITEM #14 IS SHOWN FOR REFERENCE ONLY.
 - GROUND STRAP NOT USED ON H9544-L, H9544-LJ AND H9544-LM VARIATIONS.



THIS CONFIGURATION FOR H9544-LA AND -LB

REV	DATE	BY	CHKD	DESCRIPTION
1	11/15/77	M. BELT		ISSUED FOR PRODUCTION
2	11/15/77	M. BELT		REVISION TO DETAIL A
3	11/15/77	M. BELT		REVISION TO DETAIL A
4	11/15/77	M. BELT		REVISION TO DETAIL A
5	11/15/77	M. BELT		REVISION TO DETAIL A
6	11/15/77	M. BELT		REVISION TO DETAIL A
7	11/15/77	M. BELT		REVISION TO DETAIL A
8	11/15/77	M. BELT		REVISION TO DETAIL A
9	11/15/77	M. BELT		REVISION TO DETAIL A
10	11/15/77	M. BELT		REVISION TO DETAIL A
11	11/15/77	M. BELT		REVISION TO DETAIL A
12	11/15/77	M. BELT		REVISION TO DETAIL A
13	11/15/77	M. BELT		REVISION TO DETAIL A
14	11/15/77	M. BELT		REVISION TO DETAIL A
15	11/15/77	M. BELT		REVISION TO DETAIL A
16	11/15/77	M. BELT		REVISION TO DETAIL A
17	11/15/77	M. BELT		REVISION TO DETAIL A
18	11/15/77	M. BELT		REVISION TO DETAIL A
19	11/15/77	M. BELT		REVISION TO DETAIL A
20	11/15/77	M. BELT		REVISION TO DETAIL A

OFF SHEET PARTS LIST REFER TO K-PL-H9544-L-DBP

DESCRIPTION	QTY	UNIT	ITEM NO.
11	2	SCREW	
7	2	NUT	
9	2	WASHER	
12	3	NUT	
10	3	NUT	
23	3	NUT	

THIS TABLE PROJECTOR

DRG. NO. 1122

DATE 11/15/77

PROJ. ENG. M. BELT

PROJ. MGR. M. BELT

DO NOT SCALE DIMS.

MATERIAL 3-20-H9544-L

SCALE 1/4

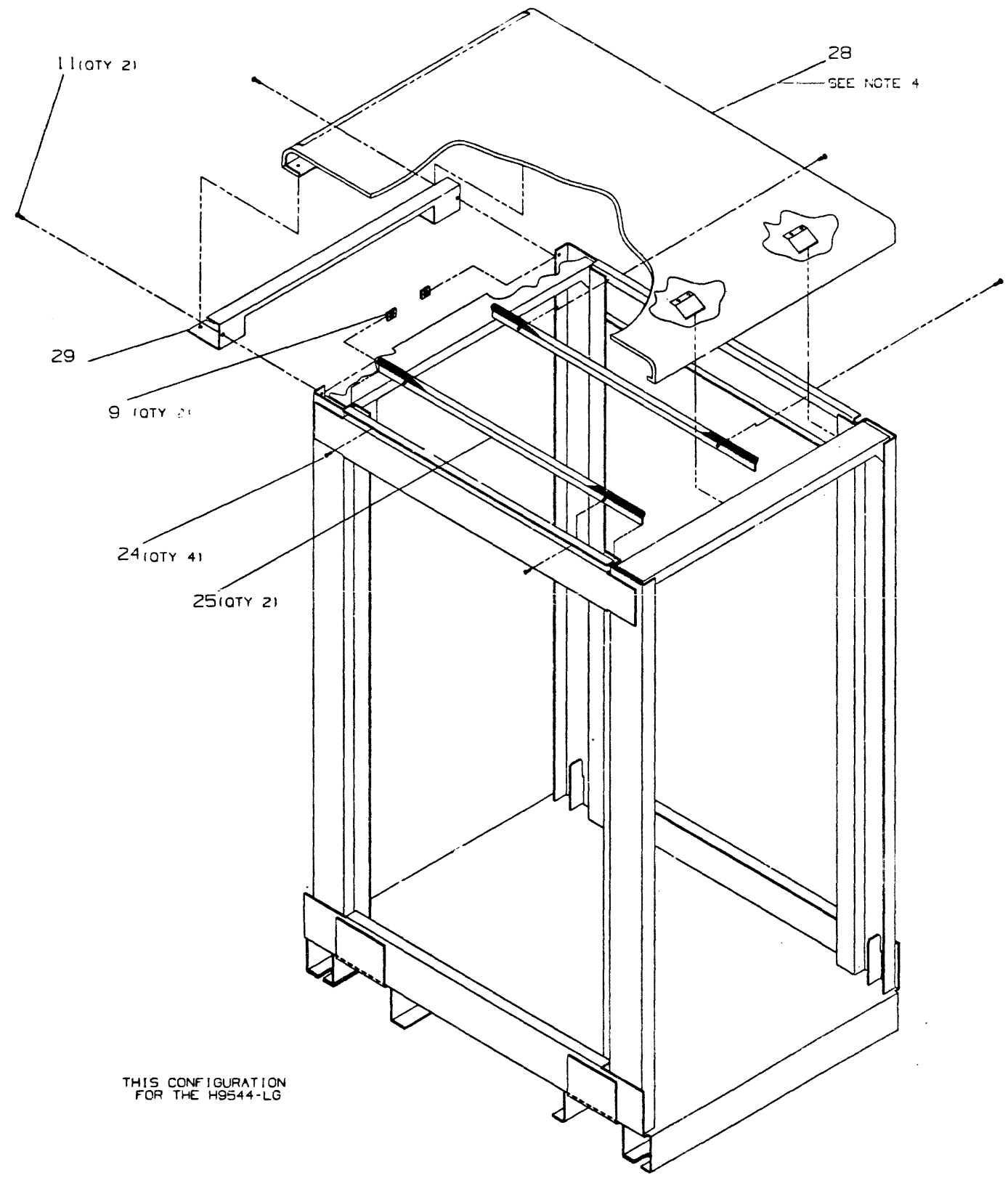
SIZE CODE E

NUMBER H9544-L-0

REV. F

THIS DRAWING AND SPECIFICATIONS, HEREIN, ARE THE PROPERTY OF DIGITAL EQUIPMENT CORPORATION AND SHALL NOT BE REPRODUCED OR COPIED OR USED IN WHOLE OR IN PART AS THE BASIS FOR THE MANUFACTURE OR SALE OF ITEMS WITHOUT WRITTEN PERMISSION. COPYRIGHT © 1982 DIGITAL EQUIPMENT CORPORATION

J
I
EUAH9544-L-0
E
F
E
D
C
B
A



THIS CONFIGURATION FOR THE H9544-LG

REVISION HISTORY		
DATE	ECO HISTORY	REV

TITLE H9544-L TOP COVER
DOCUMENT NUMBER EUAH9544-L-0 F
SCALE 1/1 SHEET 3 OF 7

J
I
EUAH9544-L-0
E
F
E
D
C
B
A

LINE	ITEM	TOP DOCUMENT	PART NUMBER	MIN REV	DESCRIPTION	QTY PER VARIATION										
						LA	LC	LB	LD	LG	LJ	LK	LL	LM		
1	1	D-MD-7422242-0-0	7422242-00		COVER, TOP FRONT (SINGLE BAY)	1	-	-	-	-	-	-	-	-	-	-
2	2	E-AD-7016545-0-0	7016545-00		COVER ASSY TOPREAR(SINGLEBAY)	1	-	-	-	-	-	-	-	-	-	-
3	3	D-MD-7422244-0-0	7422244-00		BRACKET, REAR VENT SUPPORT (SINGL	1	-	1	-	-	-	-	-	-	-	-
4	4	D-IA-7422281-0-0	7422281-00		COVER, TOP FRONT(1 1/2 BAY)	-	1	-	-	-	-	-	-	-	-	-
5	5	E-AD-7016671-0-0	7016671-00		COVER ASSY TOP REAR (1/2 BAY)	-	1	-	1	-	-	-	-	-	-	-
6	6	E-MD-7422271-0-0	7422271-00		BRKT, REAR VENT SUPPORT (1-1/2 BA	-	1	-	1	-	-	-	-	-	-	-
7	7		9006070-02		SCREW, MACH FLAT PHIL 10-	2	-	2	-	-	-	-	-	-	-	-
8	8		9007651-00		*** THIS ITEM IS NOT USED ***	-	-	-	-	-	-	-	-	-	-	-
9	9		9007786-00		RETAINER, U-NUT 10-32X	3	3	3	3	2	2	2	2	2	2	2
10	10		9008965-00		NUT, HEX SLF LCKNG NYL INS 10-32	3	3	3	3	-	-	-	-	-	-	-
11	11		9009700-00		SCREW, SEMS TRUSS PHIL 10-	2	2	2	2	2	2	2	2	2	2	2
12	12		9006664-00		WASHER, FLAT SST	4	4	4	4	-	-	-	-	-	-	-
13	13		9007906-00		*** THIS ITEM IS NOT USED ***	-	-	-	-	-	-	-	-	-	-	-
14	14	D-IA-7422257-0-0	7422257-00		COVER, TOP FRONT (1-1/2 BAY)	-	-	-	1	-	-	-	-	-	-	-
15	15		2200028-00		*** THIS ITEM IS NOT USED ***	-	-	-	-	-	-	-	-	-	-	-
16	16		2200028-01		*** THIS ITEM IS NOT USED ***	-	-	-	-	-	-	-	-	-	-	-
17	17		9000026-03		FASTENER, 1/4 TURN FLUSH	-	2	-	2	-	-	-	-	-	-	-
18	18		9010287-00		/REPLACED BY 90-10434-01	-	2	-	2	-	-	-	-	-	-	-
19	19		9008981-00		WASHER, RETAINER SPLIT STEEL	-	2	-	2	-	-	-	-	-	-	-
20	20	E-AD-7016545-0-0	7016545-01		COVER ASSY, TOP REAR	-	-	1	-	-	-	-	-	-	-	-
21	21	D-MD-7422244-0-0	7422244-01		*** THIS ITEM IS NOT USED ***	-	-	-	-	-	-	-	-	-	-	-
22	22	D-MD-7422242-0-0	7422242-01		COVER, TOP FRONT	-	-	1	-	-	-	-	-	-	-	-
23	23		9010156-00		SCREW, SEMS HEX 10-	1	1	1	1	-	-	-	-	-	-	-
24	24		9009985-01		SCREW, SEMS HEX SLOT 8-	-	-	-	-	4	4	4	6	4	-	-
25	25	A-PS-1220589-0-0	1220589-01		SHIELD, NEOPRENE, RFI 19.75LGX3/8	0	-	-	-	2	2	2	3	2	-	-
26	26	D-IA-7019768-0-DBU	7427349-01		BRACKET, TOP COVER (1-1/2 BAY)	-	-	-	-	-	1	1	1	-	-	-
27	27	E-AD-7019768-0-DBU	7019768-00		TOP COVER ASSY	-	-	-	-	-	1	-	-	-	-	-
28	28	E-IA-7019803-0-DBU	7019803-00		COVER TOP ASSY	-	-	-	-	1	-	-	-	-	-	-
29	29	D-IA-7427478-0-DBU	7427478-01		BRACKET, TOP REAR	-	-	-	-	1	-	-	-	-	1	-
30	30	E-AD-7019807-0-DBU	7019807-00		COVER, TOP SHIELD ASSY	-	-	-	-	-	-	1	-	-	-	-

REVISION HISTORY		BASIC PART NO: H9544		DRN: M. JOSEPH	DATE: 14-MAR-79	D I G I T A L			
ENG!	ECO NUMBER	REV	SECTION A OF A	CHK'D: S. ROBERTS	DATE: 14-MAR-79	TITLE PARTS LIST			
---	INITIAL	*	SECTION, VARIATION INDEX	DES. ENG: W. F. MC CARTHY	DATE: 14-MAR-79	DOCUMENT NUMBER			
DS	H9544-L-ML003	B	[A] LA, LC, LB, LD, LG, LJ, LK, LL, LM	RESP. ENG.: P. DUBE	DATE: 14-MAR-79	SIZE	CODE	NUMBER	REV
DB	H9544-L-ML004	C	[B]	MFG. ENG.: J. SOUZA	DATE: 14-MAR-79	K	PL	H9544-L-DBP	F
RB	H9544-L-ML005	D	[C]	ASSEMBLY NUMBER: E-UA-H9544-L-0	TOP DOCUMENT NUMBER:	FILE NAME:		EDIT #	
RC	H9544-L-LTN07	E	[D]			Z0244F.PLS		3	
RC	H9544-L-LTN08	F	[E]			RELEASE DATE: 09-MAY-84			
			[F]						

"THIS DRAWING AND THE SPECIFICATIONS CONTAINED HEREIN ARE CONFIDENTIAL AND PROPRIETARY. THEY ARE THE PROPERTY OF DIGITAL EQUIPMENT CORPORATION AND SHALL NOT BE REPRODUCED OR COPIED OR USED IN WHOLE OR IN PART AS THE BASIS FOR THE MANUFACTURE OR SALE OF ITEMS WITHOUT WRITTEN PERMISSION. THIS IS AN UNPUBLISHED WORK PROTECTED UNDER THE FEDERAL COPYRIGHT LAWS."

LINE	ITEM	TOP DOCUMENT	PART NUMBER	MIN REV	DESCRIPTION	QTY PER VARIATION								
						LA	LC	LB	LD	LG	LJ	LK	LL	LM
31	31	E-AD-7020417-0-DBU	7020417-00		COVER, TOP SHIELD ASSY.	-	-	-	-	-	-	-	1	-
32	32	E-AD-7019619-0-0	7019619-01		TOP COVER ASSY (11730)	-	-	-	-	-	-	-	-	1

33 NOTE: 90 CLASS ITEMS SHOWN ABOVE ARE REQUIRED FOR ASSEMBLY,
 34 NOTE: BUT ARE NOT SHIPPED AS PART OF THE ASSEMBLY KIT.

D	I	G	I	T	A	L	TITLE	H9544-L TOP COVER	SECTION A	OF A	SIZE	CODE	DOCUMENT NUMBER	REV
											K	PL	H9544-L-DBP	F

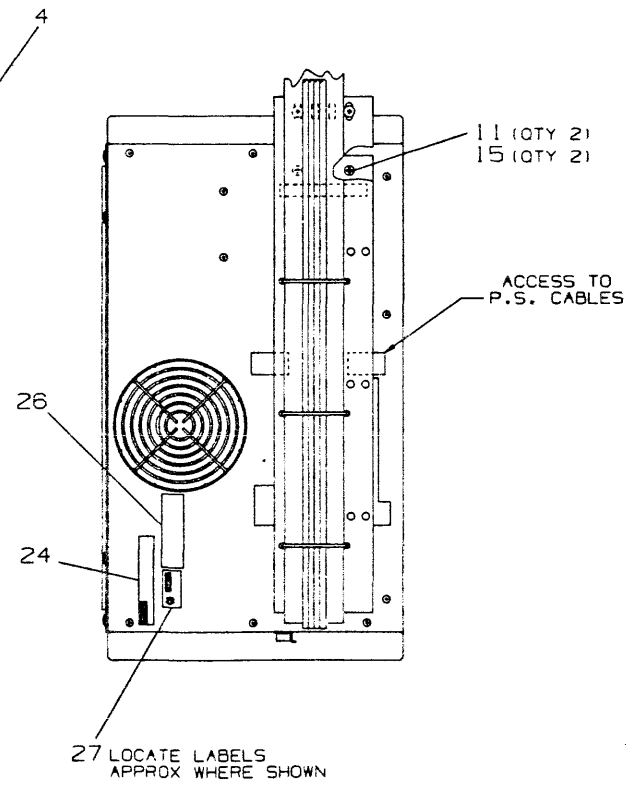
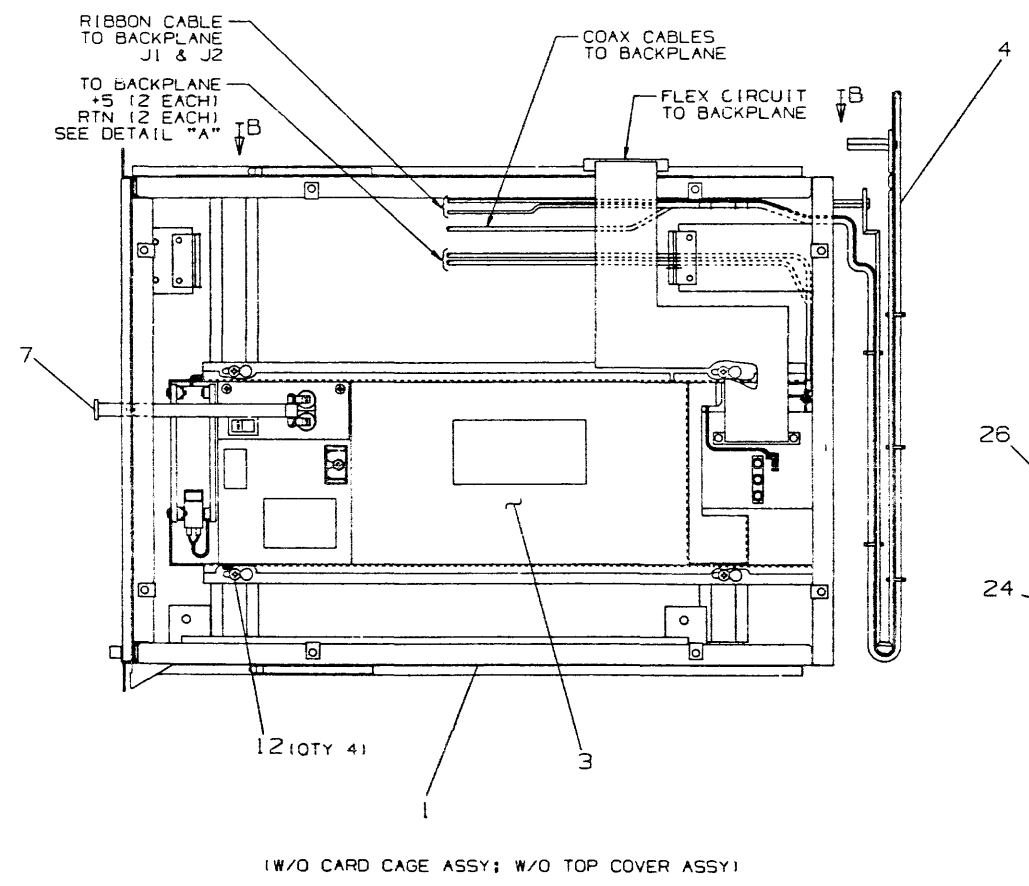
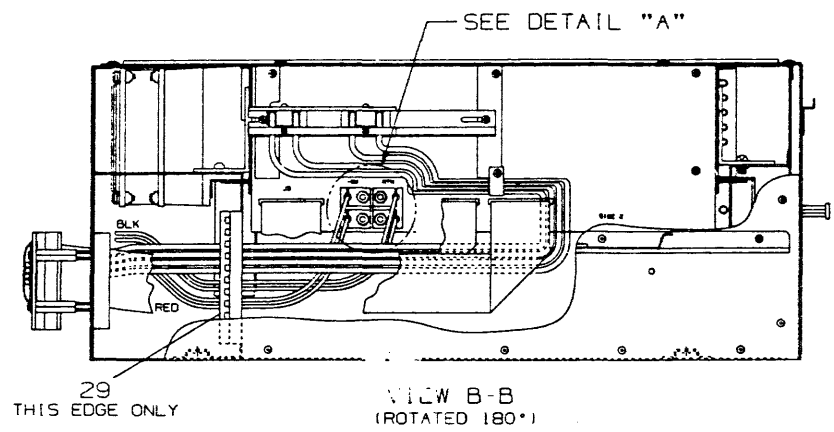
LINE	ITEM	DOCUMENT NUMBER	PART NUMBER	DESCRIPTION	QUANTITY PER VARIATION	SK
1	1	E-AD-7019794-0-DBU	7019794-00	COVER, I/O SHIELD ASSY	1	
2	2	D-AD-7020393-0-DBU	7020393-00	FRAME, I/O POWER ASSY.	1	
3	3	D-MD-7426407-0-DBU	7426407-01	PANEL, SUB, DOUBLE	5	
4	4		9009546-00	SCREW, SEMS PAN PHIL	4-	10
5	5		9007786-00	RETAINER, U-NUT	10-32X	6
6	6		9010155-00	SCREW, SEMS PAN PHIL	6-	9
7	7		9009700-00	SCREW, SEMS TRUSS PHIL	10-	6
8	8		9010253-00	SCREW, SEMS PAN PHIL	10-	2

9 NOTE: 90 PARTS ITEMS SHOWN ABOVE ARE REQUIRED FOR ASSEMBLY, BUT ARE NOT SHIPPED AS PART OF THE KIT.

REVISION HISTORY			BASIC PART NO: H9544		DRN: M. JOSEPH		DATE: 10-SEP-82		D I G I T A L			
ENG	ECO NUMBER	REV	SECTION A	OF A	CHK'D:	F. HALLIDAY	DATE:	10-SEP-82	TITLE PARTS LIST			
	INITIAL	A	SECTION VARIATION INDEX		CHK'D:	F. HALLIDAY	DATE:	10-SEP-82	H9544-SK FRAME I/O POWER CONT. KIT ASSY			
RC	H9544-SK-LTN01	B	[A] SK		DES.ENG.:	R. BELLIVEAU	DATE:	10-SEP-82	DOCUMENT NUMBER			
			[B]		RESP.ENG.:	R. BELLIVEAU	DATE:	10-SEP-82	SIZE	CODE	NUMBER	REV
			[C]		MFG.ENG.:	J. SOUZA	DATE:	10-SEP-82	K	PL	H9544-SK-DBP	B
			[D]		ASSEMBLY NUMBER:	E-AR-H9544-SK-DBU	TOP DOCUMENT NUMBER:	E-AR-H9544-SK-DBU	FILE NAME:	Z5584B.PLS	EDIT #:	12
			[E]		"THIS DRAWING AND SPECIFICATIONS HEREIN, ARE THE PROPERTY OF DIGITAL EQUIPMENT CORPORATION AND SHALL NOT BE REPRODUCED OR COPIED OR USED IN WHOLE OR IN PART AS THE BASIS FOR THE MANUFACTURE OR SALE OF ITEMS WITHOUT WRITTEN PERMISSION. COPYRIGHT (C) 1983. DIGITAL EQUIPMENT CORPORATION "							
			[F]		yCHK_HH_13							

LEGEND		
PART NO	REV	VARIATION
7020700-01	B1	AS SHOWN

NOTES:
1. LOCATE APPROXIMATELY WHERE SHOWN.



LAYER 5: FORMAT LAYER SHEET 2 & 3
LAYER 4: WORK LAYER SHEET 3
LAYER 3: WORK LAYER SHEET 2
LAYER 2: FORMAT LAYER SHEET 1
LAYER 1: WORK LAYER SHEET 1

PLOT AT : .500

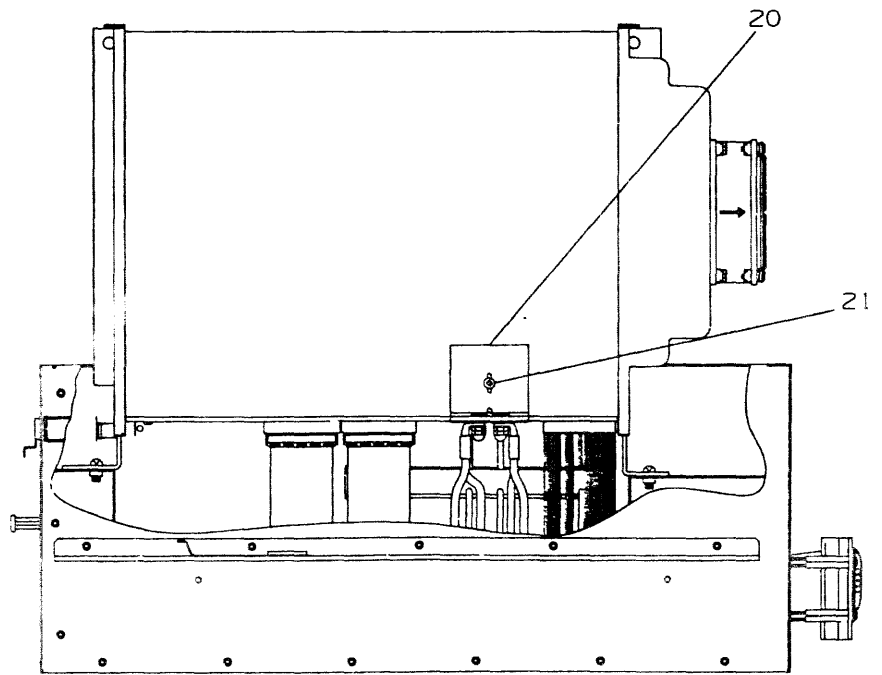
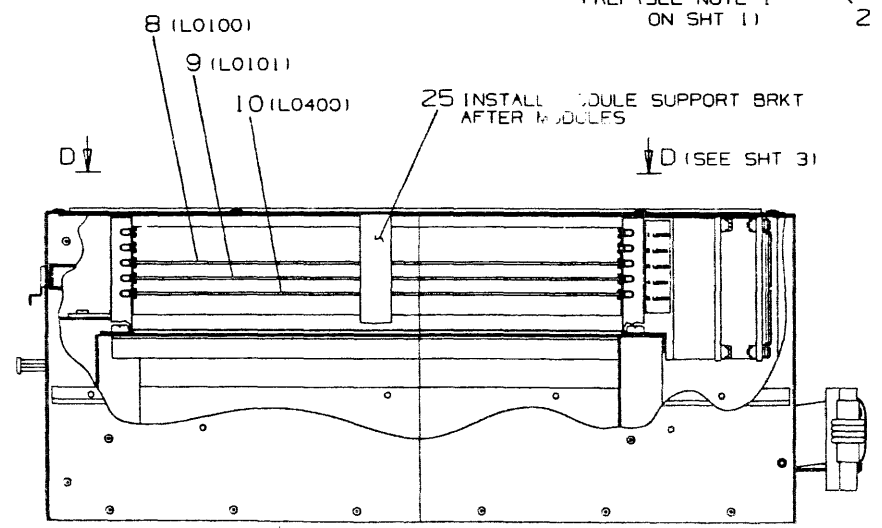
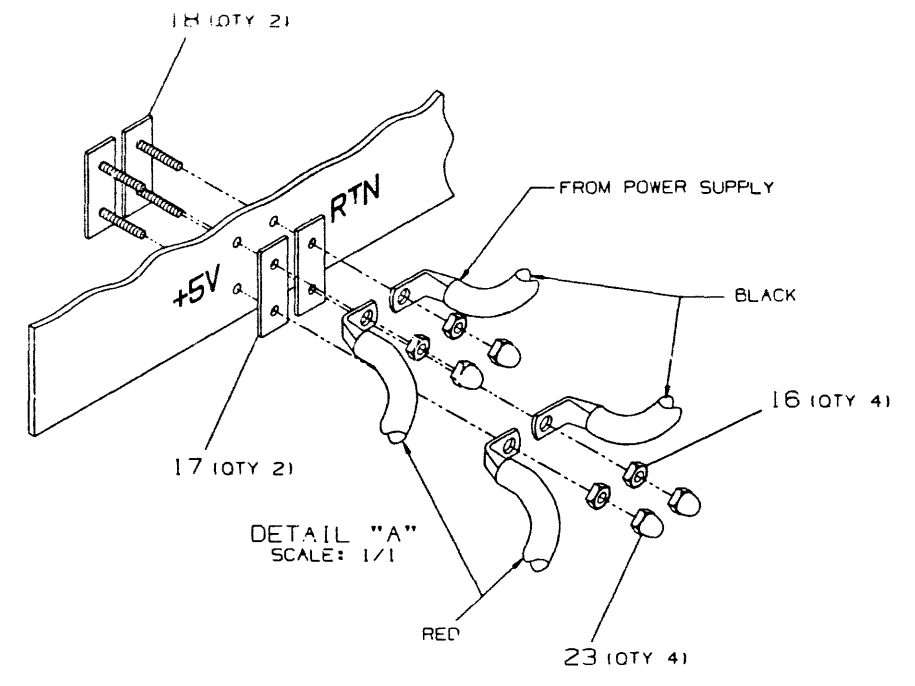
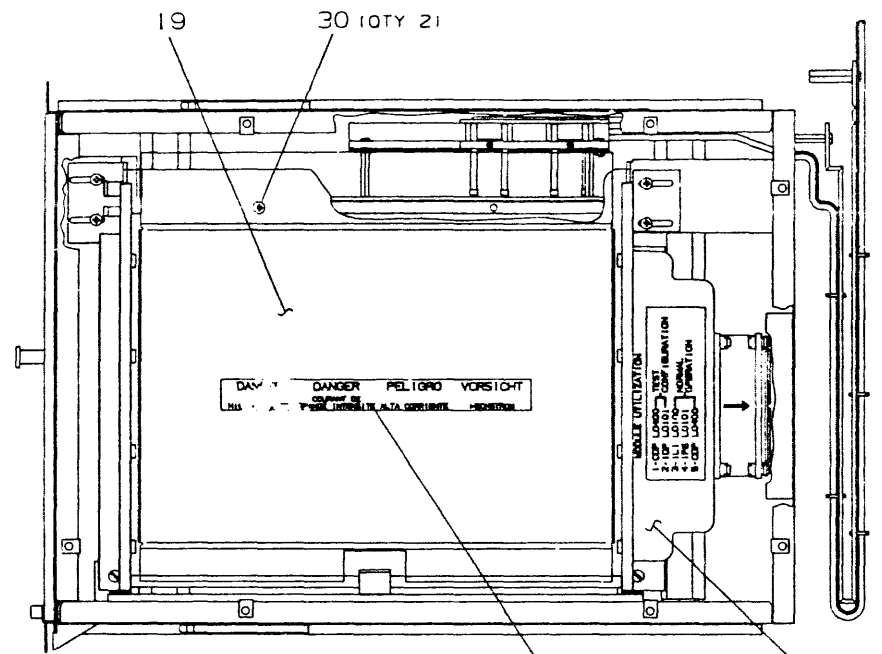
CAUTION: FOR OFF SHEET PARTS LIST
SEE K-PL-7020700-0-DBP (Z6422)

REV	DATE	BY	CHKD
INITIAL			
7020700-01			
DESIGNED			
DRAWN			
CHECKED			
APPROVED			

DESCRIPTION	DRAWING NO.	PART NO.	ITER
UNLESS OTHERWISE SPECIFIED DIMENSIONS ARE IN INCHES AND THE FOLLOWING TOLERANCES APPLY (PER DEC STD 114)			
DIMENSIONS	ANGLES	DIMENSION RANGE IN INCHES	
	±.01	0.00	0.00
TOLERANCES	±.01	0.00	0.00
	±.02	0.00	0.00
SURFACE QUALITY	±.01	0.00	0.00
	±.02	0.00	0.00
QUANTITY & VARIATION	±.01	0.00	0.00
	±.02	0.00	0.00
THIRD ANGLE PROJECTION	TITLE		
DO NOT SCALE DRAWING	C1750-C ASSY		
REMOVE BURRS AND BREAK SHARP CORNERS	DOCUMENT NUMBER		
MATERIAL SEE PARTS LIST	7020700-0-DBU		

THIS DRAWING AND SPECIFICATIONS HEREIN ARE THE PROPERTY OF DIGITAL EQUIPMENT CORPORATION AND SHALL NOT BE REPRODUCED OR COPIED OR USED IN WHOLE OR IN PART AS THE BASIS FOR THE MANUFACTURE OR SALE OF ITEMS WITHOUT WRITTEN PERMISSION.
 COPYRIGHT © 1973 DIGITAL EQUIPMENT CORPORATION

E AD 7020700-0-DBU B



PLOT AT: .500

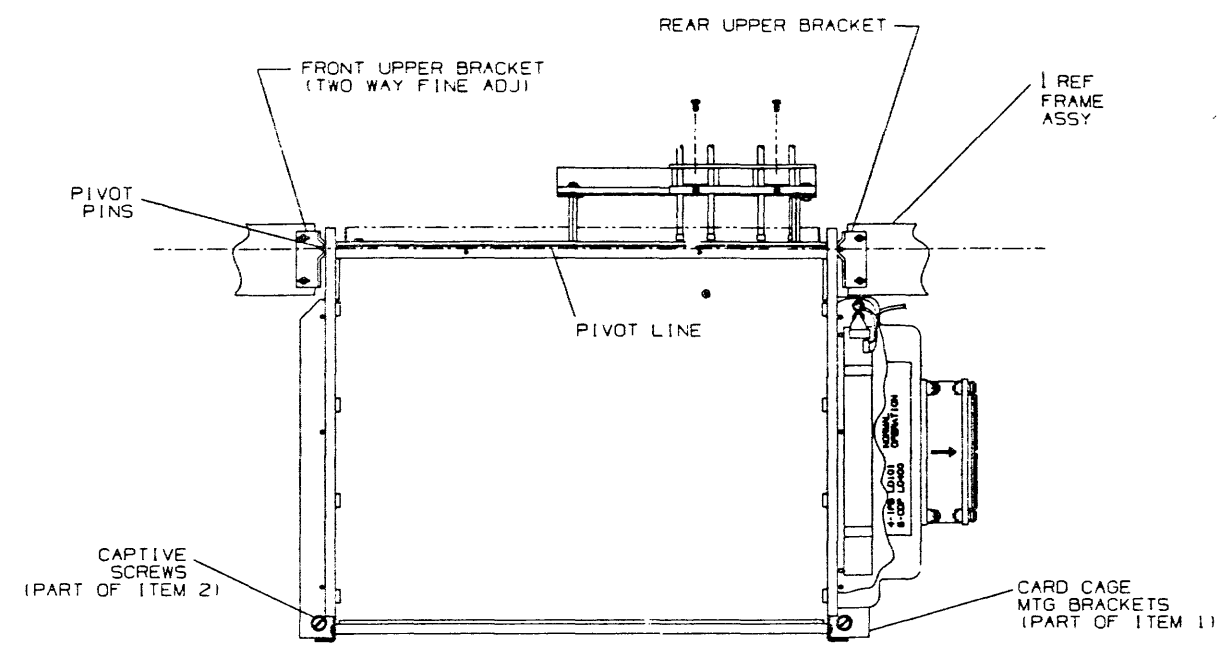
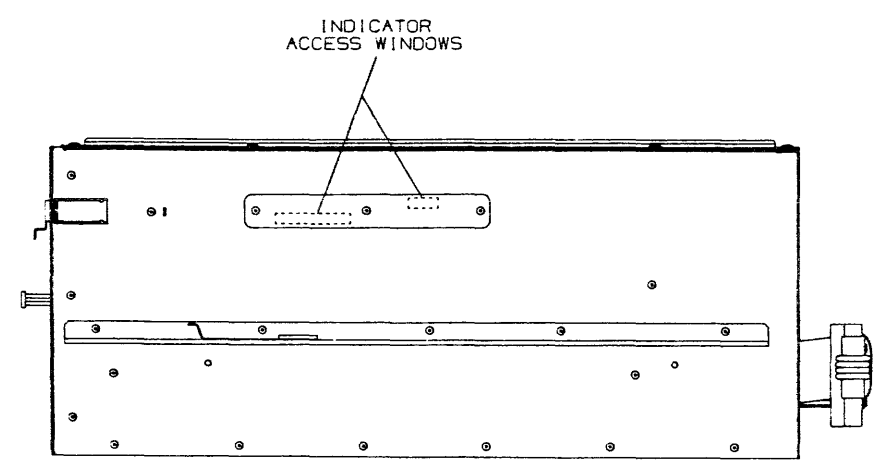
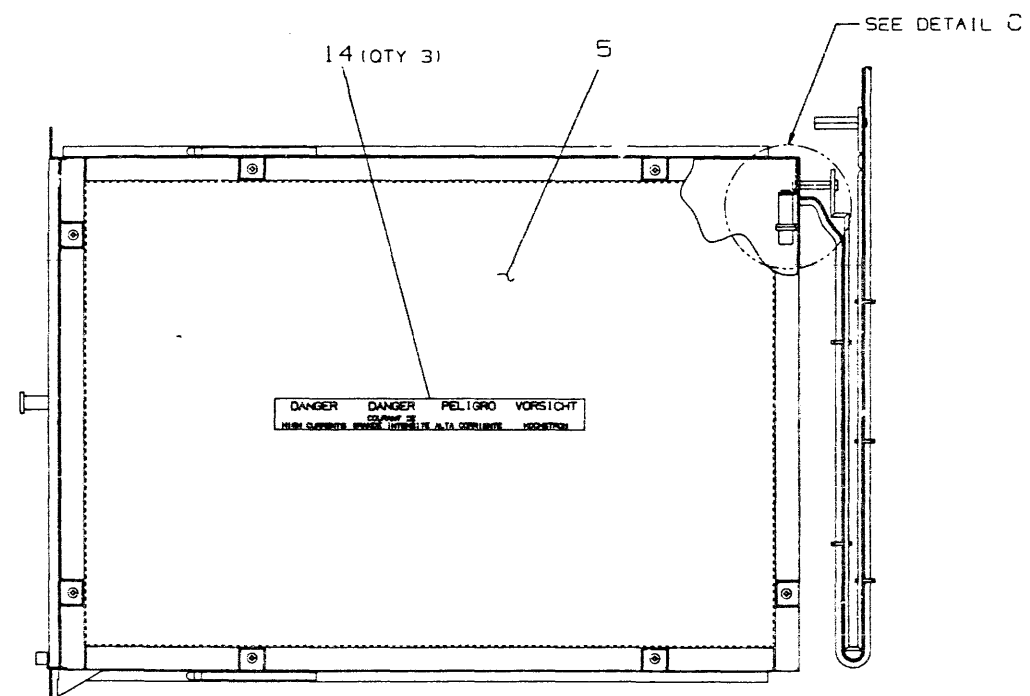
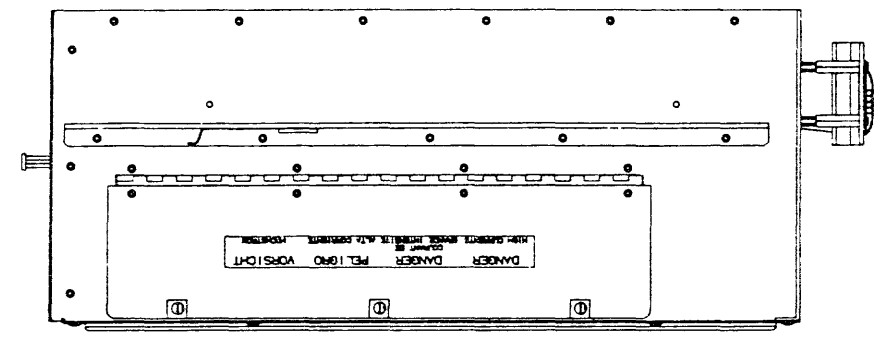
REVISION HISTORY		
DATE	ECO HISTORY	BY

TITLE C1750-C
 ASSY

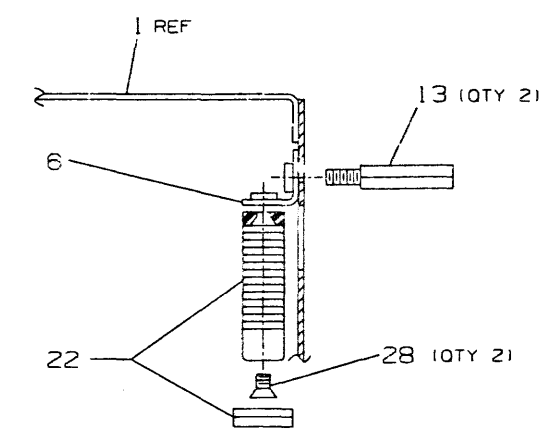
DOCUMENT NUMBER			
SYMBOL	ALPHABET	REV	REV
E AD	7020700-0-DBU	B	B

THIS DRAWING AND SPECIFICATIONS, HEREIN, ARE THE PROPERTY OF DIGITAL EQUIPMENT CORPORATION AND SHALL NOT BE REPRODUCED OR COPIED OR USED IN WHOLE OR IN PART AS THE BASIS FOR THE MANUFACTURE OR SALE OF ITEMS WITHOUT WRITTEN PERMISSION.
 COPYRIGHT © 1983 DIGITAL EQUIPMENT CORPORATION

7020700-0-DBU DIV 3



VIEW D-D: CARD CAGE POSITIONING AND ASSEMBLING.
 INITIAL INSTALLATION: POSITION CARD CAGE ASSY AND TIGHTEN 2 CAPTIVE SCREWS. POSITION FRONT UPPER BRACKET UNTO PIVOT PIN AND TIGHTEN IT'S 2 SCREWS. POSITION REAR UPPER BRACKET UNTO PIVOT PIN, MAINTAIN A SLIGHT PRESSURE, AND TIGHTEN IT'S 2 SCREWS.
 DISASSEMBLY/ASSEMBLY: LOOSEN AND SLIDE REAR UPPER BRACKET ONLY.



DETAIL C

PLOT AT: .500

REVISION HISTORY		
DATE	ECO HISTORY	REV

LINE	ITEM	TOP DOCUMENT	PART NUMBER	MIN REV	DESCRIPTION	QTY	PER VARIATION
					VARIATION REVISION LEVEL:	01	B1
1	1	E-IA-7020406-0-DBU	7020406-01	B	FRAME ASSY	1	
2	2	E-IA-7020408-0-DBU	7020408-01	C	CARD CAGE ASSY.	1	
3	3	E-IA-7020407-0-DBU	7020407-01		POWER SUPPLY ASSY.	1	(F)
4	4	E-IA-7020447-0-DBU	7020447-01		RETRACTOR ASSY.	1	
5	5	E-AD-7020642-0-DBU	7020642-01	B	COVER, TOP ASSY.	1	
6	6	C-IA-7427380-0-DBU	7427380-01		BRACKET, RET	1	
7	7	D-MD-7428678-0-DBU	7428678-01	B	BRACKET,CIRCUIT BREAKER	1	
8	8		L0100-00		ILI (CI LINK INTERFACE),HEX 12	1	
9	9		L0101-00		IPB (CI CONTROL STORE & PACKET B	1	
10	10		L0400-00		CDP (CI750 DATA PATH MODULE),4-L	1	
11	11		9009545-01		SCREW,SEMS PAN PHIL (F) 8-	2	
12	12		9009988-08		SCREW,SEMS HEX SLOT 8-	4	
13	13		9000001-03		STANDOFF,MALE/FEMALE HEX 8-32	2	
14	14	A-PS-3615087-0-0	3615087-02		LABEL,"DANGER-HIGH CURRENT"	3	
AT15	15	SST 2	9006660-00		WASHER,FL		
16	16		9006565-00		NUT,HEX EXT TOOTH LCKWSHR 10-32	4	
17	17	B-MD-7423050-0-DBU	7423050-00		COVER PLATE	2	
18	18	B-IA-7423049-0-DBU	7423049-00		STUD PLATE	2	
19	19	E-MD-7427861-0-DBU	74278 (F)61-01	B	COVER,CARD CAGE	1	
20	20	C-MD-7428979-0-DBU	7428979-01		COVER,LEXAN	1	
21	21		9009643-02		SCREW,SEMS PAN PHIL 4-	1	
22	22		1219059-00		CLIP FLAT WIRE ADH MMNT ACCOM	1	
23	23		9006610-00		NUT,CAP,RELOCK 10-32X .438AF NYL 4		
24	24	A-PS-3617674-0-0	3617674-00		LABEL,SERIAL/POWER W/O UL + CSA	1	
25	25	D-MD-7428427-0-DBU	7428427-01		BRACKET, MODULE SUPPORT	1	
26	26	A-PS-3617880-0-0	3617880-09		LABEL,CLASS "A" SUBASSEMBLY	1	
27	27	A-PS-3613211-0-0	3613211-01		DECAL,CLEAR PREPRINTED CSA 1-1/4	1	
28	28		9006020-02		SCREW,MACH FLAT PHIL 6-	2	
29	29		9009718-04		GROMMET,STRIP STYRENE	1	
30	30		9000049-24		SCREW,SEMS PAN PHIL 6-	2	

REVISION HISTORY			BASIC PART NO: 7020700		DRN: E HANSEN		DATE: 25-JAN-83		D I G I T A L	
ENG	ECO NUMBER	REV	SECTION A OF A							
---	INITIAL	A	SECTION VARIATION INDEX	CHK'D: F HALLIDAY					TITLE	PARTS LIST
BM	7020700-TW001	B	(A)01		DATE: 25-JAN-83				CI750-C ASSY	
			(B)	DES.ENG: B MONDOR					DOCUMENT NUMBER	
			(C)		DATE: 25-JAN-83				SIZE	CODE
			(D)	(F)!RESP.ENG.: B MONDOR					NUMBER	REV
			(E)		DATE: 25-JAN-83				K	PL
			(F)	MFG.ENG.: B SMITH					7020700-0-DBP	B
					DATE: 25-JAN-83				RELEASE DATE:	11-OCT-84
				ASSEMBLY NUMBER:					FILE NAME:	EDIT #
				E-AD-7020700-0-DBU					Z6422B.PLS	13
					TOP DOCUMENT NUMBER:					
					E-AD-7020700-0-DBU					

"THIS (F)DRAWING AND THE SPECIFICATIONS CONTAINED HEREIN ARE CONFIDENTIAL AND PROPRIETARY. THEY ARE THE PROPERTY OF DIGITAL EQUIPMENT CORPORATION AND SHALL NOT BE REPRODUCED OR COPIED OR USED IN WHOLE OR IN PART AS THE BASIS FOR THE MANUFACTURE OR SALE OF ITEMS WITHOUT WRITTEN PERMISSION. THIS IS AN UNPUBLISHED WORK PROTECTED UNDER THE FEDERAL COPYRIGHT LAWS."

This drawing and specifications, herein, are the property of Digital Equipment Corporation and shall not be reproduced or copied or used in whole or in part as the basis for the manufacture or sale of items without written permission.

WIRE TABLE

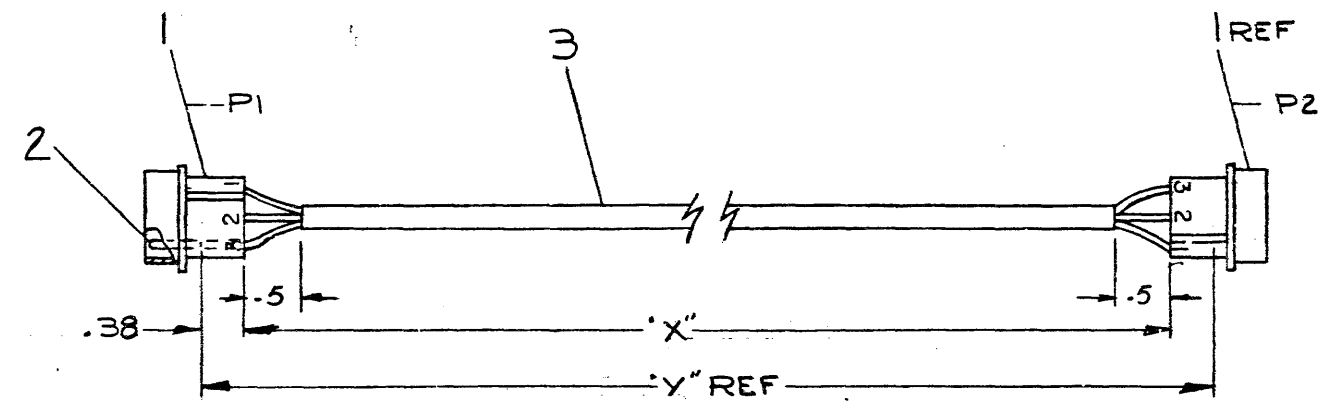
ITEM NO	DESCRIPTION	FROM		TO		
		AWG	COLOR	CONNECTION	WITH CONNECTION	WITH CONNECTION
3	22 RED			PI-1	2 P2-1	2
3	22 BLK			PI-2	2 P2-2	2
3	22 GRN			PI-3	2 P2-3	2

LEGEND

NUMBER	DIM X VARIATION	DIM Y (PRE-CUT) REF
7008288-3P	3FT. 6IN ± 1 IN.	3FT. 6IN ± 1 IN.
7008288-8F	8FT. 6IN ± 2 IN.	8FT. 6IN ± 2 IN.
7008288-06	6FT. ± 2 IN.	6FT. 0.8IN ± 2 IN.
7008288-12	12FT. ± 3 IN.	12FT. 0.8IN ± 3 IN.
7008288-05	5FT. ± 1 IN.	5FT. 0.8IN ± 2 IN.
7008288-10	10FT. ± 2 IN.	10FT. 0.8IN ± 3 IN.
7008288-15	15FT. ± 3 IN.	15FT. 0.8IN ± 3 IN.
7008288-08	8FT. ± 2 IN.	8FT. 0.8IN ± 2 IN.
7008288-30	30FT. ± 7 IN.	30FT. 0.8IN ± 7 IN.
7008288-40	40FT. ± 10 IN.	40FT. 0.8IN ± 10 IN.
7008288-25	25FT. ± 10 IN.	25FT. 0.8IN ± 10 IN.

NOTES:

~~THE REMAINING BLK WIRE IS TO BE CUT BACK AT JACKET (BOTH ENDS.)~~



CHK	CHANGE NO.	REV.
3/8	7008288-00001	A
		R. BURTON
		3-25-72
		10-25-72
		8-5-74
		D. LEWIS
		8-13-74
		7008288-00003
		C
		3-27-75
		B. MINOR
		3-28-75
		7008288-00004
		D
		6-10-75
		J. PROVIDENT
		7008288-00005
		E
		3-MAR-76
		F
		5-MAR-76
		7008288-00006
		F
		23-MAR-76
		MCINTYRE
		7012401-00003
		H
		23 May 77
		I. MORRIS
		24 MAY 77
		7008288-ML007 J
		2-D-ANGELO 5/2/80
		CASTELLANOS
		31-1-1980

A/R	WIRE, 3 COND #22 AWG	9107756	3
6	PIN MALE #60620-1	1209378-03	2
2	PIN HOUSING #1-480305-0	1209351-03	1

FIRST USED ON OPTION/MODEL
PDP/11

UNLESS OTHERWISE SPECIFIED:
DIMENSION IN INCHES
TOLERANCES
FRACTIONS: ± 1/32
DECIMALS: ± .005
ANGLES: ± 0°30'

FINAL SURFACE QUALITY REMOVE BURRS AND BREAK SHARP CORNERS

MATERIAL: SEE PARTS LIST
D-1/A-RK02-0-0

FINISH: #

SCALE: 1 OF 1
SHEET 1 OF 1

DRN: *Stauden* DATE: 3/22/71
CHK'D: *Stauden* DATE: 3/31/71
ENG: *R. Blasi* DATE: 4-9-71
PROJ. ENG: *R. Blasi* DATE: 4-9-71
PROD.: *Call* DATE: 4/12/71

PARTS LIST
digital CORPORATION
MAYNARD, MASSACHUSETTS

TITLE: **CABLE ASSY**

SIZE CODE: C I A
NUMBER: 7008288-0-0
REV.: J

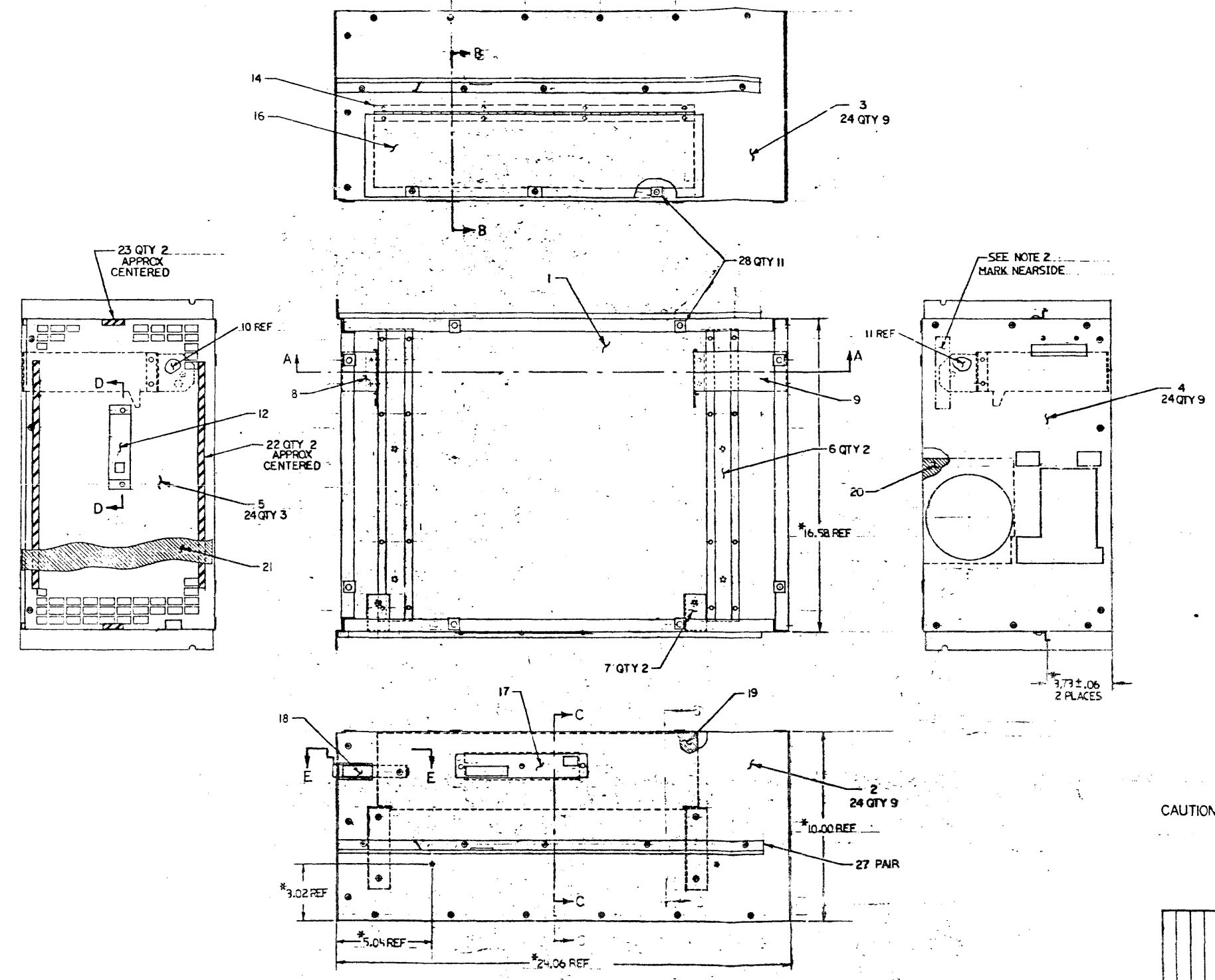
SIZE CODE: C I A
 NUMBER: 7008288-0-0
 REV.: J

8

7 6 5 4 3 2 1

LEGEND		
PART NO.	REV.	VARIATION
7020406-01	B1	AS SHOWN

NOTES:
 1. ASTERISK'S DIMENSIONS FOR ASSEMBLY INSPECTION. (SEE A-11-7020406-0-1)
 2. MARK PER DEC STD 178 AND LOCATE APPROX AS SHOWN.



CAUTION: OFF-SHEET PARTS LIST EXISTS
 SEE K-PL-7020406-0-DBP
 (Z5917 B)

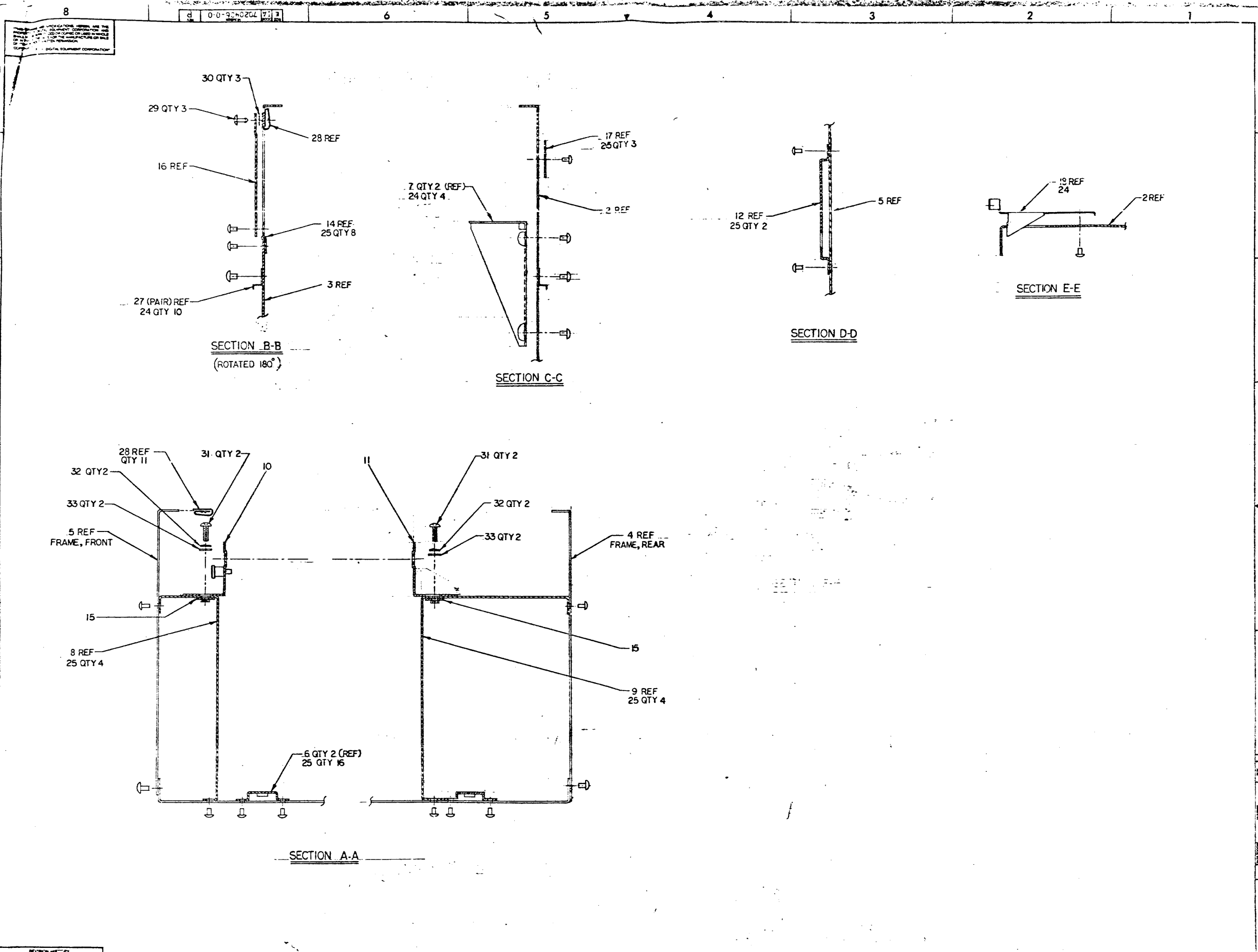
DESCRIPTION	DRAWING NO.	PART NO.	REV.
FRAME ASSEMBLY	7020406-01	7020406-01	B1

INCH TOLERANCES	ANGLES ± FIVE	APPLICABLE DIMENSION RANGE	DIMENSION RANGE IN INCHES					
			OVER .01	OVER .12	OVER .25	OVER .375	OVER .625	OVER 1.00
± .010	± .005	0.000 - 1.000	± .005	± .005	± .005	± .005	± .005	± .005
± .015	± .005	1.000 - 2.000	± .005	± .005	± .005	± .005	± .005	± .005
± .020	± .005	2.000 - 3.000	± .005	± .005	± .005	± .005	± .005	± .005
± .030	± .005	3.000 - 4.000	± .005	± .005	± .005	± .005	± .005	± .005
± .040	± .005	4.000 - 6.000	± .005	± .005	± .005	± .005	± .005	± .005
± .050	± .005	6.000 - 12.000	± .005	± .005	± .005	± .005	± .005	± .005
± .060	± .005	12.000 - 24.000	± .005	± .005	± .005	± .005	± .005	± .005
± .070	± .005	24.000 - 48.000	± .005	± .005	± .005	± .005	± .005	± .005
± .080	± .005	48.000 - 96.000	± .005	± .005	± .005	± .005	± .005	± .005
± .090	± .005	96.000 - 192.000	± .005	± .005	± .005	± .005	± .005	± .005
± .100	± .005	192.000 - 384.000	± .005	± .005	± .005	± .005	± .005	± .005

DATE	21 DEC 73	TITLE	FRAME ASSEMBLY
BY	J. J. B.	DESIGNED BY	J. J. B.
CHECKED BY	J. J. B.	APPROVED BY	J. J. B.
DATE	21 DEC 73	DATE	21 DEC 73
BY	J. J. B.	BY	J. J. B.
CHECKED BY	J. J. B.	CHECKED BY	J. J. B.
DATE	21 DEC 73	DATE	21 DEC 73
BY	J. J. B.	BY	J. J. B.
CHECKED BY	J. J. B.	CHECKED BY	J. J. B.

8

7 6 5 4 3 2 1



ALL DIMENSIONS UNLESS OTHERWISE SPECIFIED ARE IN INCHES.
 DIMENSIONS IN PARENTHESES ARE FOR INFORMATION ONLY.
 DIMENSIONS IN PARENTHESES ARE FOR INFORMATION ONLY.
 DIMENSIONS IN PARENTHESES ARE FOR INFORMATION ONLY.

REV	DESCRIPTION

DOCUMENT NUMBER	
E 1A	70204C6-0-3
SCALE	
1:1	

TITLE
 FRAME ASSEMBLY

LINE	ITEM	TOP DOCUMENT	PART NUMBER	MIN REV	DESCRIPTION	QTY PER VARIATION
					VARIATION REVISION LEVEL:	B1
1	1	E-MD-7430175-0-0	7430175-01		FRAME,BOTTOM	1
2	2	E-IA-7430176-0-0	7430176-01		FRAME,RIGHT SIDE	1
3	3	E-IA-7430177-0-0	7430177-01		FRAME,LEFT SIDE	1
4	4	E-IA-7430179-0-0	7430179-01		FRAME,REAR	1
5	5	E-MD-7430178-0-0	7430178-01		FRAME,FRONT	1
6	6	D-IA-7427863-0-DBU	7427863-01	C	STRUT,BOTTOM	2
7	7	D-IA-7430180-0-0	7430180-01		BRACKET,C/C MOUNT	2
8	8	D-MD-7430181-0-0	7430181-01		BRACKET,LOWER,FRONT	1
9	9	D-MD-7430181-0-0	7430181-02		BRACKET,LOWER,REAR	1
10	10	C-IA-7430310-0-0	7430310-01		BRACKET,UPPER,FRONT	1
11	11	C-MD-7430311-0-0	7430311-01		BRACKET,UPPER,REAR	1
12	12	C-IA-7428677-0-DBU	7428677-01	C	BRACKET,CIRCUIT	1
13	13	BLANK			*** THIS ITEM IS NOT USED ***	-
14	14	D-MD-7427865-0-DBU	7427865-01	B	HINGE,DOOR	1
15	15	C-IA-7430183-0-0	7430183-01		PLATE,NUT	2
16	16	D-MD-7430185-0-DBU	7430185-01		DOOR,SIDE	1
17	17	C-MD-7430184-0-0	7430184-01		WINDOW,PLASTIC	1
18	18	D-MD-7421616-0-0	7421616-02		SPRING,BOX LOCK	1
19	19	D-MD-7427862-0-DBU	7427862-01	B	FOAM,CARD CAGE	1
20	20	D-MD-7427867-0-DBU	7427867-01	B	FOAM,PAN	1
21	21	D-MD-7427866-0-DBU	7427866-01		FILTER,FOAM	1
22	22	C-MD-7423073-0-DBU	7423073-00		VELCRO STRIP, UPPER	2
23	23	C-MD-7423073-0-DBU	7423073-03		STRIP,VELCRO	2
24	24		9000030-01		RIVET,BLIND DOME 0.156DX0.300	45
25	25		9000030-10		RIVET,BLIND DOME 0.125DX0.275	37
26	26	BLANK			*** THIS ITEM IS NOT USED ***	-
27	27		1213686-01		MOUNTING RAIL FOR 12-13686-00	1
28	28		9010434-01		RECEPTACLE,CLIP-ON STEEL	11
29	29		9000026-02		FASTENER,1/4 TURN OVAL	3
30	30		9010308-00		RETAINER,PUSH-ON SS/PAS	3

REVISION HISTORY			BASIC PART NO: 7020406		
ENG	ECO NUMBER	REV	SECTION A OF A	DRN: A PINKARD	DATE: 10-SEP-84
---	INITIAL	B	SECTION VARIATION INDEX [A]01	CHK'D: F HALLIDAY	DATE: 10-SEP-84
			[B]	DES.ENG: B MONDOR	DATE: 10-SEP-84
			[C]	RESP.ENG.: B MONDOR	DATE: 10-SEP-84
			[D]	MFG.ENG.: B SMITH	DATE: 10-SEP-84
			[E]		
			[F]	ASSEMBLY NUMBER: E-AD-7020406-0-DBU	TOP DOCUMENT NUMBER: E-AD-7020406-0-DBU
					FILE NAME: Z59178.PLS
					EDIT #: 6
					RELEASE DATE: 19-DEC-84
					DOCUMENT NUMBER
					SIZE CODE NUMBER
					K PL 7020406-0-DBP B

"THIS DRAWING AND THE SPECIFICATIONS CONTAINED HEREIN ARE CONFIDENTIAL AND PROPRIETARY. THEY ARE THE PROPERTY OF DIGITAL EQUIPMENT CORPORATION AND SHALL NOT BE REPRODUCED OR COPIED OR USED IN WHOLE OR IN PART AS THE BASIS FOR THE MANUFACTURE OR SALE OF ITEMS WITHOUT WRITEN PERMISSION. THIS IS AN UNPUBLISHED WORK PROTECTED UNDER THE FEDERAL COPYRIGHT LAWS."

AUTOMATED BY PRTLST.5R(55)

P A R T S L I S T

SHEET A2 OF A2

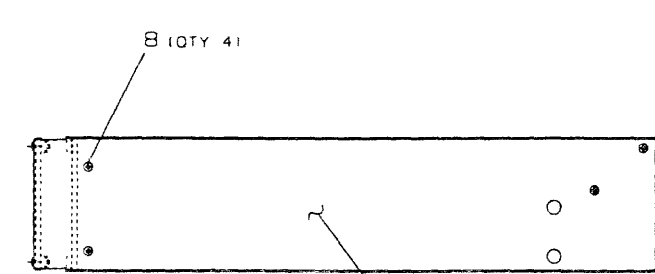
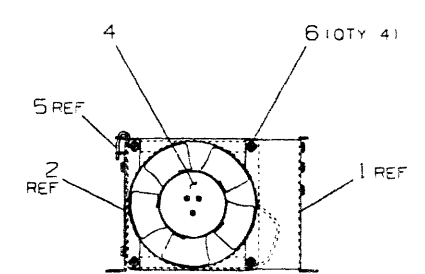
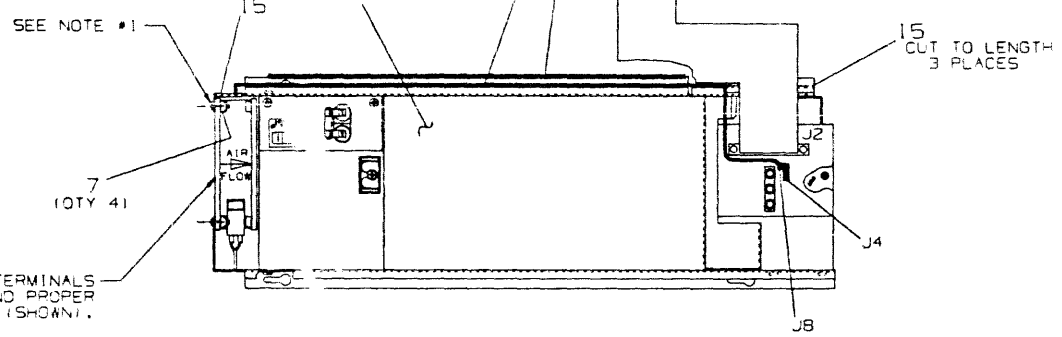
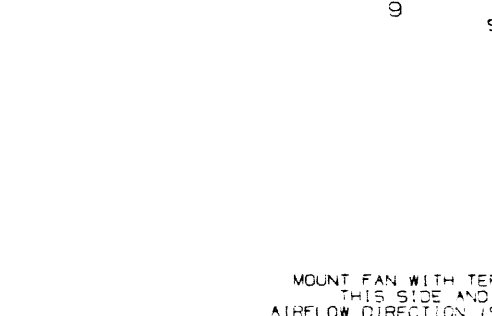
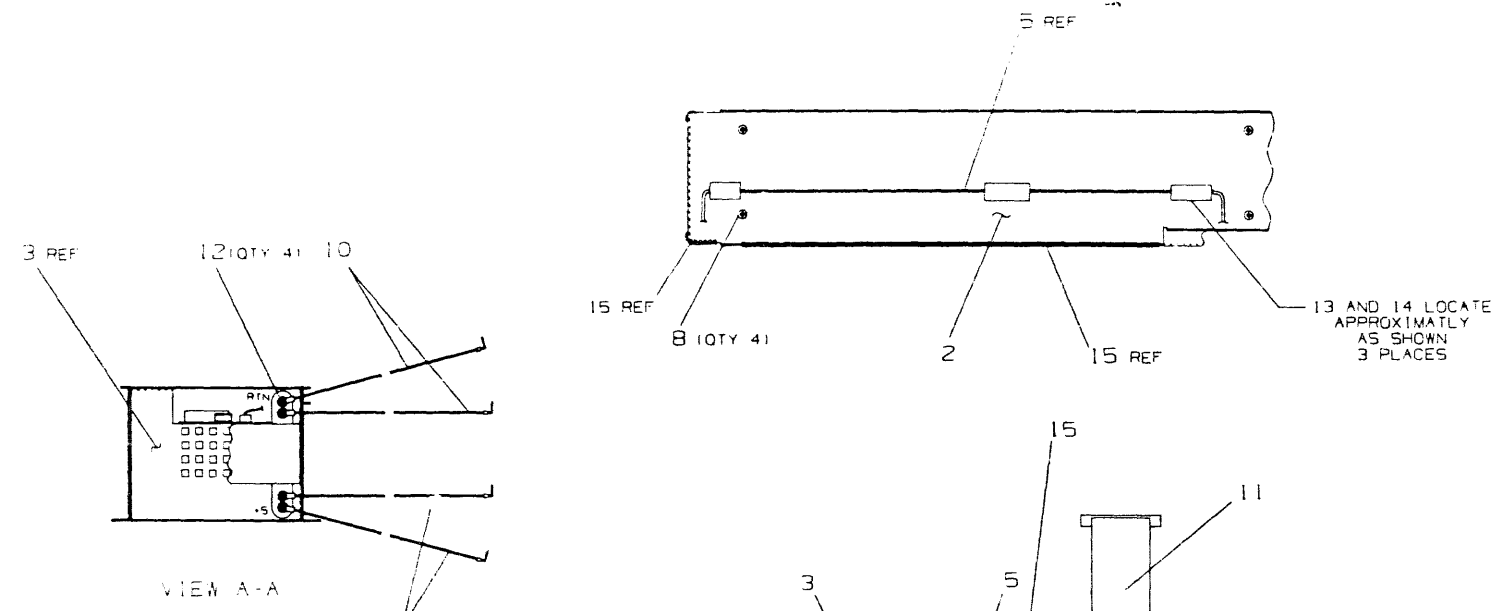
LINE	ITEM	TOP DOCUMENT	PART NUMBER	MIN REV	DESCRIPTION	VARIATION REVISION LEVEL:	QTY PER VARIATION
31	31		9006039-01		SCREW,MACH PAN PHIL	8-	4

D	I	G	I	T	A	L	TITLE	FRAME ASSY	SECTION A	OF A	SIZE	CODE	DOCUMENT NUMBER	REV
											K	PL	7020406-0-DBP	B

UNLESS OTHERWISE SPECIFIED, ALL DIMENSIONS ARE IN INCHES. DIMENSIONS ARE TO BE TAKEN FROM THE CENTER OF THE PART UNLESS OTHERWISE SPECIFIED. DIMENSIONS ARE TO BE TAKEN FROM THE CENTER OF THE PART UNLESS OTHERWISE SPECIFIED.

LEGEND	
0202407-0-A	AS SHOWN

NOTES:
 1. INSERT SCREWS WITH 6 IN. LBS TORQUE MAX.



LAYER #3: FORMAT LAYER
 LAYER #2: WORK LAYER
 LAYER #1: INFORMATION LAYER
 PLOT AT .475

CAUTION: OFF SHEET PARTS LIST EXISTS, REFER TO K-PL-7020407-0-DBP (Z5918)

DESCRIPTION	DRAWING NO.	PART NO.	REV.
UNLESS OTHERWISE SPECIFIED DIMENSIONS ARE IN INCHES AND THE FOLLOWING TOLERANCES APPLY: .0005 TO .0010			
INCHES TOLERANCES	INCHES DIMENSION RANGE	DIMENSION RANGE IN INCHES	
.01 - .125	.0005	.0005 - .0010	.0010 - .0015
.125 - .250	.0010	.0010 - .0015	.0015 - .0020
.250 - .500	.0015	.0015 - .0020	.0020 - .0025
.500 - 1.000	.0020	.0020 - .0025	.0025 - .0030
1.000 - 2.000	.0025	.0025 - .0030	.0030 - .0035
2.000 - 3.000	.0030	.0030 - .0035	.0035 - .0040
3.000 - 4.000	.0035	.0035 - .0040	.0040 - .0045
4.000 - 5.000	.0040	.0040 - .0045	.0045 - .0050
5.000 - 6.000	.0045	.0045 - .0050	.0050 - .0055
6.000 - 7.000	.0050	.0050 - .0055	.0055 - .0060
7.000 - 8.000	.0055	.0055 - .0060	.0060 - .0065
8.000 - 9.000	.0060	.0060 - .0065	.0065 - .0070
9.000 - 10.000	.0065	.0065 - .0070	.0070 - .0075
10.000 - 12.000	.0070	.0070 - .0075	.0075 - .0080
12.000 - 15.000	.0075	.0075 - .0080	.0080 - .0085
15.000 - 20.000	.0080	.0080 - .0085	.0085 - .0090
20.000 - 25.000	.0085	.0085 - .0090	.0090 - .0095
25.000 - 30.000	.0090	.0090 - .0095	.0095 - .0100
30.000 - 40.000	.0095	.0095 - .0100	.0100 - .0105
40.000 - 50.000	.0100	.0100 - .0105	.0105 - .0110
50.000 - 60.000	.0105	.0105 - .0110	.0110 - .0115
60.000 - 70.000	.0110	.0110 - .0115	.0115 - .0120
70.000 - 80.000	.0115	.0115 - .0120	.0120 - .0125
80.000 - 90.000	.0120	.0120 - .0125	.0125 - .0130
90.000 - 100.000	.0125	.0125 - .0130	.0130 - .0135
100.000 - 120.000	.0130	.0130 - .0135	.0135 - .0140
120.000 - 150.000	.0135	.0135 - .0140	.0140 - .0145
150.000 - 200.000	.0140	.0140 - .0145	.0145 - .0150
200.000 - 250.000	.0145	.0145 - .0150	.0150 - .0155
250.000 - 300.000	.0150	.0150 - .0155	.0155 - .0160
300.000 - 400.000	.0155	.0155 - .0160	.0160 - .0165
400.000 - 500.000	.0160	.0160 - .0165	.0165 - .0170
500.000 - 600.000	.0165	.0165 - .0170	.0170 - .0175
600.000 - 700.000	.0170	.0170 - .0175	.0175 - .0180
700.000 - 800.000	.0175	.0175 - .0180	.0180 - .0185
800.000 - 900.000	.0180	.0180 - .0185	.0185 - .0190
900.000 - 1000.000	.0185	.0185 - .0190	.0190 - .0195
1000.000 - 1200.000	.0190	.0190 - .0195	.0195 - .0200
1200.000 - 1500.000	.0195	.0195 - .0200	.0200 - .0205
1500.000 - 2000.000	.0200	.0200 - .0205	.0205 - .0210
2000.000 - 2500.000	.0205	.0205 - .0210	.0210 - .0215
2500.000 - 3000.000	.0210	.0210 - .0215	.0215 - .0220
3000.000 - 4000.000	.0215	.0215 - .0220	.0220 - .0225
4000.000 - 5000.000	.0220	.0220 - .0225	.0225 - .0230
5000.000 - 6000.000	.0225	.0225 - .0230	.0230 - .0235
6000.000 - 7000.000	.0230	.0230 - .0235	.0235 - .0240
7000.000 - 8000.000	.0235	.0235 - .0240	.0240 - .0245
8000.000 - 9000.000	.0240	.0240 - .0245	.0245 - .0250
9000.000 - 10000.000	.0245	.0245 - .0250	.0250 - .0255
10000.000 - 12000.000	.0250	.0250 - .0255	.0255 - .0260
12000.000 - 15000.000	.0255	.0255 - .0260	.0260 - .0265
15000.000 - 20000.000	.0260	.0260 - .0265	.0265 - .0270
20000.000 - 25000.000	.0265	.0265 - .0270	.0270 - .0275
25000.000 - 30000.000	.0270	.0270 - .0275	.0275 - .0280
30000.000 - 40000.000	.0275	.0275 - .0280	.0280 - .0285
40000.000 - 50000.000	.0280	.0280 - .0285	.0285 - .0290
50000.000 - 60000.000	.0285	.0285 - .0290	.0290 - .0295
60000.000 - 70000.000	.0290	.0290 - .0295	.0295 - .0300
70000.000 - 80000.000	.0295	.0295 - .0300	.0300 - .0305
80000.000 - 90000.000	.0300	.0300 - .0305	.0305 - .0310
90000.000 - 100000.000	.0305	.0305 - .0310	.0310 - .0315
100000.000 - 120000.000	.0310	.0310 - .0315	.0315 - .0320
120000.000 - 150000.000	.0315	.0315 - .0320	.0320 - .0325
150000.000 - 200000.000	.0320	.0320 - .0325	.0325 - .0330
200000.000 - 250000.000	.0325	.0325 - .0330	.0330 - .0335
250000.000 - 300000.000	.0330	.0330 - .0335	.0335 - .0340
300000.000 - 400000.000	.0335	.0335 - .0340	.0340 - .0345
400000.000 - 500000.000	.0340	.0340 - .0345	.0345 - .0350
500000.000 - 600000.000	.0345	.0345 - .0350	.0350 - .0355
600000.000 - 700000.000	.0350	.0350 - .0355	.0355 - .0360
700000.000 - 800000.000	.0355	.0355 - .0360	.0360 - .0365
800000.000 - 900000.000	.0360	.0360 - .0365	.0365 - .0370
900000.000 - 1000000.000	.0365	.0365 - .0370	.0370 - .0375
1000000.000 - 1200000.000	.0370	.0370 - .0375	.0375 - .0380
1200000.000 - 1500000.000	.0375	.0375 - .0380	.0380 - .0385
1500000.000 - 2000000.000	.0380	.0380 - .0385	.0385 - .0390
2000000.000 - 2500000.000	.0385	.0385 - .0390	.0390 - .0395
2500000.000 - 3000000.000	.0390	.0390 - .0395	.0395 - .0400
3000000.000 - 4000000.000	.0395	.0395 - .0400	.0400 - .0405
4000000.000 - 5000000.000	.0400	.0400 - .0405	.0405 - .0410
5000000.000 - 6000000.000	.0405	.0405 - .0410	.0410 - .0415
6000000.000 - 7000000.000	.0410	.0410 - .0415	.0415 - .0420
7000000.000 - 8000000.000	.0415	.0415 - .0420	.0420 - .0425
8000000.000 - 9000000.000	.0420	.0420 - .0425	.0425 - .0430
9000000.000 - 10000000.000	.0425	.0425 - .0430	.0430 - .0435
10000000.000 - 12000000.000	.0430	.0430 - .0435	.0435 - .0440
12000000.000 - 15000000.000	.0435	.0435 - .0440	.0440 - .0445
15000000.000 - 20000000.000	.0440	.0440 - .0445	.0445 - .0450
20000000.000 - 25000000.000	.0445	.0445 - .0450	.0450 - .0455
25000000.000 - 30000000.000	.0450	.0450 - .0455	.0455 - .0460
30000000.000 - 40000000.000	.0455	.0455 - .0460	.0460 - .0465
40000000.000 - 50000000.000	.0460	.0460 - .0465	.0465 - .0470
50000000.000 - 60000000.000	.0465	.0465 - .0470	.0470 - .0475
60000000.000 - 70000000.000	.0470	.0470 - .0475	.0475 - .0480
70000000.000 - 80000000.000	.0475	.0475 - .0480	.0480 - .0485
80000000.000 - 90000000.000	.0480	.0480 - .0485	.0485 - .0490
90000000.000 - 100000000.000	.0485	.0485 - .0490	.0490 - .0495
100000000.000 - 120000000.000	.0490	.0490 - .0495	.0495 - .0500
120000000.000 - 150000000.000	.0495	.0495 - .0500	.0500 - .0505
150000000.000 - 200000000.000	.0500	.0500 - .0505	.0505 - .0510
200000000.000 - 250000000.000	.0505	.0505 - .0510	.0510 - .0515
250000000.000 - 300000000.000	.0510	.0510 - .0515	.0515 - .0520
300000000.000 - 400000000.000	.0515	.0515 - .0520	.0520 - .0525
400000000.000 - 500000000.000	.0520	.0520 - .0525	.0525 - .0530
500000000.000 - 600000000.000	.0525	.0525 - .0530	.0530 - .0535
600000000.000 - 700000000.000	.0530	.0530 - .0535	.0535 - .0540
700000000.000 - 800000000.000	.0535	.0535 - .0540	.0540 - .0545
800000000.000 - 900000000.000	.0540	.0540 - .0545	.0545 - .0550
900000000.000 - 1000000000.000	.0545	.0545 - .0550	.0550 - .0555
1000000000.000 - 1200000000.000	.0550	.0550 - .0555	.0555 - .0560
1200000000.000 - 1500000000.000	.0555	.0555 - .0560	.0560 - .0565
1500000000.000 - 2000000000.000	.0560	.0560 - .0565	.0565 - .0570
2000000000.000 - 2500000000.000	.0565	.0565 - .0570	.0570 - .0575
2500000000.000 - 3000000000.000	.0570	.0570 - .0575	.0575 - .0580
3000000000.000 - 4000000000.000	.0575	.0575 - .0580	.0580 - .0585
4000000000.000 - 5000000000.000	.0580	.0580 - .0585	.0585 - .0590
5000000000.000 - 6000000000.000	.0585	.0585 - .0590	.0590 - .0595
6000000000.000 - 7000000000.000	.0590	.0590 - .0595	.0595 - .0600
7000000000.000 - 8000000000.000	.0595	.0595 - .0600	.0600 - .0605
8000000000.000 - 9000000000.000	.0600	.0600 - .0605	.0605 - .0610
9000000000.000 - 10000000000.000	.0605	.0605 - .0610	.0610 - .0615
10000000000.000 - 12000000000.000	.0610	.0610 - .0615	.0615 - .0620
12000000000.000 - 15000000000.000	.0615	.0615 - .0620	.0620 - .0625
15000000000.000 - 20000000000.000	.0620	.0620 - .0625	.0625 - .0630
20000000000.000 - 25000000000.000	.0625	.0625 - .0630	.0630 - .0635
25000000000.000 - 30000000000.000	.0630	.0630 - .0635	.0635 - .0640
30000000000.000 - 40000000000.000	.0635	.0635 - .0640	.0640 - .0645
40000000000.000 - 50000000000.000	.0640	.0640 - .0645	.0645 - .0650
50000000000.000 - 60000000000.000	.0645	.0645 - .0650	.0650 - .0655
60000000000.000 - 70000000000.000	.0650	.0650 - .0655	.0655 - .0660
70000000000.000 - 80000000000.000	.0655	.0655 - .0660	.0660 - .0665
80000000000.000 - 90000000000.000	.0660	.0660 - .0665	.0665 - .0670
90000000000.000 - 100000000000.000	.0665	.0665 - .0670	.0670 - .0675
100000000000.000 - 120000000000.000	.0670	.0670 - .0675	.0675 - .0680
120000000000.000 - 150000000000.000	.0675	.0675 - .0680	.0680 - .0685
150000000000.000 - 200000000000.000	.0680	.0680 - .0685	.0685 - .0690
200000000000.000 - 250000000000.000	.0685	.0685 - .0690	.0690 - .0695
250000000000.000 - 300000000000.000	.0690	.0690 - .0695	.0695 - .0700
300000000000.000 - 400000000000.000	.0695	.0695 - .0700	.0700 - .0705
400000000000.000 - 500000000000.000	.0700	.0700 - .0705	.0705 - .0710
500000000000.000 - 600000000000.000	.0705	.0705 - .0710	.0710 - .0715
600000000000.000 - 700000000000.000	.0710	.0710 - .0715	.0715 - .0720
700000000000.000 - 800000000000.000	.0715	.0715 - .0720	.0720 - .0725
800000000000.000 - 900000000000.000	.0720	.0720 - .0725	.0725 - .0730
900000000000.000 - 1000000000000.000	.0725	.0725 - .0730	.0730 - .0735
1000000000000.000 - 1			

LINE ITEM	DOCUMENT NUMBER	PART NUMBER	DESCRIPTION	QUANTITY PER VARIATION
1	D-MD-7427369-0-DBU	7427369-01	BRACKET,LEFT,P.S.	1
2	D-MD-7427370-0-DBU	7427370-01	BRACKET,RIGHT,P.S.	1
3		H7202-D	H7200,H7216,120V/240V	1
4	A-PS-1217556-0-0	1217556-01	FAN,TUBE AXIAL 4.5" 105CFM 12V	1
5	D-IA-7018163-0-0	7018163-3B	CABLE, DC FAN	1
6		9010109-00	SCREW,SEMS PAN PHIL 6-	4
7		9009165-00	CLIP, FAN MOUNTING (12-05033 FAN	4
8		9010174-01	SCREW,SEMS PAN PHIL 8-	8
9	D-IA-7014529-0-0	7014529-1F	CABLE POWER 5 MEMORY RED	2
10	D-IA-7014250-0-0	7014250-1F	CABLE POWER RTP MEM BLK	2
11	A-PS-1700388-0-0	1700388-01	CIRCUIT,FLEXIBLE POWER/SIGNAL	1
12		9009988-08	SCREW,SEMS HEX SLOT 8-	4
13		9008264-00	MCJNT, CABLE TIE, ADHESIVE BACKE	3
14		9007032-00	TIE,CABLE BUNDL.DIA 0-1-3/4"=101	3
15		9010299-00	CHANNEL"U"NEOPRENE,BLK 3/32SLOT	A/R

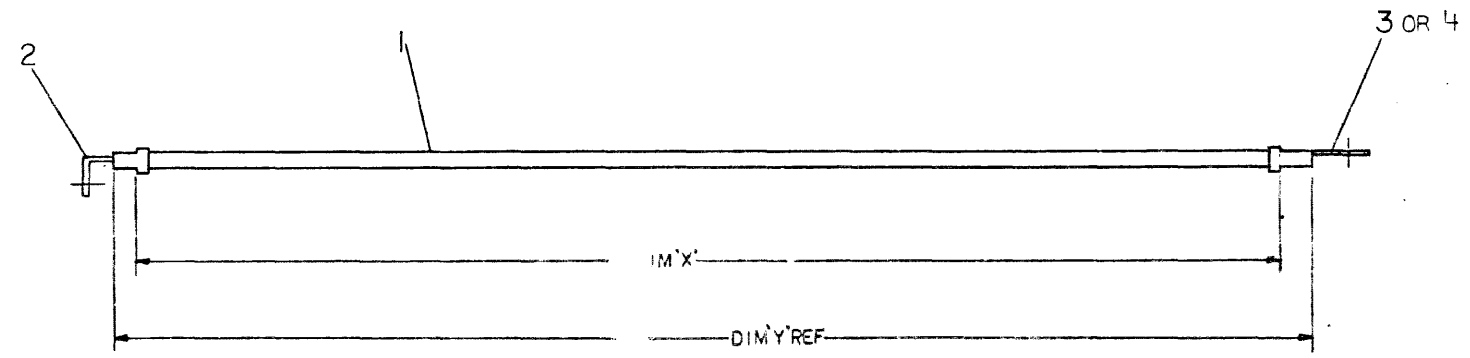
REVISION HISTORY		BASIC PART NO: 7020407		DRN:	DATE:	DIGITAL			
ENG:	ECO NUMBER	REV	SECTION A OF A	A PINKARD	25-JAN-83	PARTS LIST			
	INITIAL	A	SECTION. VARIATION INDEX	F HALLIDAY	23-MAY-83	POWER SUPPLY ASSY			
			[A] 01			DOCUMENT NUMBER			
			[B]	B MONDOR	23-MAY-83	SIZE CODE NUMBER REV			
			[C]	B MONDOR	23-MAY-83	K	PL	7020407-0-DBP	A
			[D]			FILE NAME: Z5918A.PLS			
			[E]	B SMITH	23-MAY-83	EDIT #: 11			
			[F]						
		ASSEMBLY NUMBER:		TOP DOCUMENT NUMBER:		FILE NAME:		EDIT #:	
		E-AD-7020407-0-DBU		E-AD-7020407-0-DBU		Z5918A.PLS		11	

"THIS DRAWING AND SPECIFICATIONS HEREIN, ARE THE PROPERTY OF DIGITAL EQUIPMENT CORPORATION AND SHALL NOT BE REPRODUCED OR COPIED OR USED IN WHOLE OR IN PART AS THE BASIS FOR THE MANUFACTURE OR SALE OF ITEMS WITHOUT WRITTEN PERMISSION. COPYRIGHT (C) 1983. DIGITAL EQUIPMENT CORPORATION "

THIS DRAWING AND SPECIFICATIONS HEREAFTER ARE THE PROPERTY OF DIGITAL EQUIPMENT CORPORATION AND SHALL NOT BE REPRODUCED OR COPIED OR USED IN WHOLE OR IN PART AS THE BASIS FOR THE MANUFACTURE OR SALE OF ITEMS WITHOUT WRITTEN PERMISSION.
COPYRIGHT © 1977, DIGITAL EQUIPMENT CORPORATION

LEGEND		
PART NO	DIM X VARIATION	DIM Y (PRECUT) REF
7014529-ID	IFT-3 IN ±.5 IN	IFT-4 IN ±.5 IN
7014529-OK	ØFT-8 IN ±.5 IN	ØFT-9 IN ±.5 IN
7014529-IF	IFT-5 IN ±.5 IN	IFT-6 IN ±.5 IN

8 7 6 5 4 3 2 1
B A 7014529-0-0 2



CAUTION: OFF SHEET PARTS LIST EXISTS
SEE K-PL-7014529-0-DBP (Z55388.PLS)

8 7 6 5 4 3 2 1
B A 7014529-0-0 B

REV	DATE	BY	CHKD
1	10/11/77	W. J.
2	11/15/77

1	LUG, POWER STRAIGHT	121515-00	3
1	LUG, POWER 90°	1212086-02	2
1	WIRE, 8 AWG STRD RED	9107765-22	1

DESCRIPTION	DWG/PART NO.	ITEM NO.
UNLESS OTHERWISE SPECIFIED DIMENSIONS ARE IN INCHES		
ANGLES	CLASS OF ACCURACY	NOMINAL DIMENSIONS IN INCHES
SURFACE QUALITY	IN	OVER 0.015

QUANTITY & VARIATION	DESCRIPTION	DWG/PART NO.	ITEM NO.
1

DRN	20/...	FIRST USED ON	VAX 11/780
CHKD	...	TITLE	CABLE, POWER (+5 MEMORY RED)
ENGR	...	MATERIAL	E-LA-11780-0-0
PROL ENG	...	SEE PARTS LIST	SCALE NONE
PROD	...	FINISH	...

SIZE	CODE	NUMBER	REV.
D	LA	7014529-0-0	8

8 7 6 5 4 3 2 1
B A

AUTOMATED BY PRTLST.4Q(50)

PARTS LIST

SHEET A1 OF A1

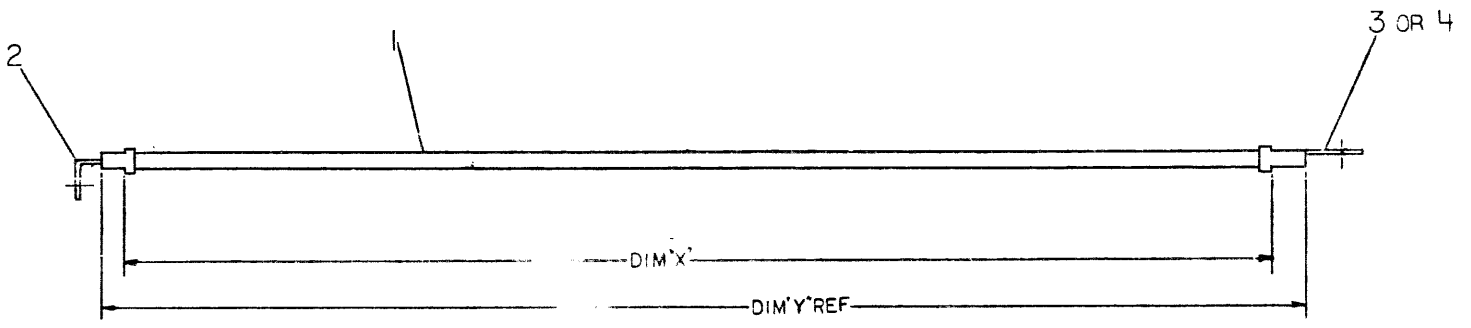
LINE	ITEM	DOCUMENT NUMBER	PART NUMBER	DESCRIPTION	QUANTITY PER VARIATION		
					1D	OK	1F
1	1		9107765-22	WIRE, 08AWG(168/30)IPVC 600V1	A/R	A/R	A/R
2	2		1212086-02	TERM,RING 8,9,10STUD FLAG	1	1	1
3	3		1211515-00	TERM,RING 1/4STUD CRIMP	1	1	-
4	4		1211515-01	TERM,RING #10STUD CRIMP	-	-	1

REVISION HISTORY			BASIC PART NO: 7014529			D I G I T A L		
ENG	ECO NUMBER	REV	SECTION A OF A	DRN:	J.FERGUSON	DATE:	27-APR-83	
	INITIAL	B	SECTION. VARIATION INDEX	CHK'D:	M.NORMAND	DATE:	27-APR-83	TITLE
			[A] 1D,OK,1F					PARTS LIST
			[B]	DES.ENG.:	R.EDGAR	DATE:	27-APR-83	CABLE,POWER
			[C]					(+5 MEMORY RED)
			[D]	RESP.ENG.:	R.EDGAR	DATE:	27-APR-83	DOCUMENT NUMBER
			[E]					SIZE CODE NUMBER
			[F]	MFG.ENG.:	M.MILAZZO	DATE:	27-APR-83	K PL 7014529-0-DBP
				ASSEMBLY NUMBER:	E-UA-11780-0-0	TOP DOCUMENT NUMBER:	B-DD-11780-0-0	FILE NAME: Z5538B.PLS
								REV
								B
								EDIT #
								5

"THIS DRAWING AND SPECIFICATIONS HEREIN, ARE THE PROPERTY OF DIGITAL EQUIPMENT CORPORATION AND SHALL NOT BE REPRODUCED OR COPIED OR USED IN WHOLE OR IN PART AS THE BASIS FOR THE MANUFACTURE OR SALE OF ITEMS WITHOUT WRITTEN PERMISSION. COPYRIGHT (C) 1983. DIGITAL EQUIPMENT CORPORATION "

THIS DRAWING AND SPECIFICATIONS HEREAFTER ARE THE PROPERTY OF DIGITAL EQUIPMENT CORPORATION AND SHALL NOT BE REPRODUCED OR COPIED IN WHOLE OR IN PART TO THE BASIS FOR THE MANUFACTURE OR SALE OF ITEMS WITHOUT WRITING PERMISSION. COPYRIGHT © 1977 DIGITAL EQUIPMENT CORPORATION

LEGEND		
PART NO.	DIM 'X' VARIATION	DIM 'Y' (PRECUT) REF
7014250-01	1 FT-0 IN ± .5 IN	1 FT-1 IN ± .5 IN
7014250-0K	0 FT-8 IN ± .5 IN	0 FT-9 IN ± .5 IN
7014250-1F	1 FT-5 IN ± .5 IN	1 FT-6 IN ± .5 IN



CAUTION: OFF SHEET PARTS LIST EXISTS - SEE K-PL-7014250-0-DBP (Z5537B, PLS)

REV	DESCRIPTION	DATE	BY	CHKD
1	7014250-00001 A			
2	7014250-00001 B	10/27/77	R. MARTEL	
3	7014250-00001 C	11/17/77	R. EDGAR	
4	7014250-00001 D	1/17/83	R. EDGAR	

1	LOG-POWER STRAIGHT	7211515-00	3
1	LUG-POWER 90°	1412036-03	2
1	WIRE-BANG BLACK	9107765-08	1

DESCRIPTION	DWG. PART NO.	ITEM NO.
UNLESS OTHERWISE SPECIFIED DIMENSIONS ARE IN INCHES		
ANGLES	CLASS OF ACCURACY	NOMINAL DIMENSIONS IN INCHES
30°/30°		OVER 12.0 TO 40.0
		12.0 TO 40.0
		40.0 TO 100.0
SURFACE QUALITY	IN	
		1.004
		1.008
		1.012
		1.016
		1.020
		1.024
		1.028
		1.032
		1.036
		1.040
		1.044
		1.048
		1.052
		1.056
		1.060
		1.064
		1.068
		1.072
		1.076
		1.080
		1.084
		1.088
		1.092
		1.096
		1.100
		1.104
		1.108
		1.112
		1.116
		1.120
		1.124
		1.128
		1.132
		1.136
		1.140
		1.144
		1.148
		1.152
		1.156
		1.160
		1.164
		1.168
		1.172
		1.176
		1.180
		1.184
		1.188
		1.192
		1.196
		1.200
		1.204
		1.208
		1.212
		1.216
		1.220
		1.224
		1.228
		1.232
		1.236
		1.240
		1.244
		1.248
		1.252
		1.256
		1.260
		1.264
		1.268
		1.272
		1.276
		1.280
		1.284
		1.288
		1.292
		1.296
		1.300
		1.304
		1.308
		1.312
		1.316
		1.320
		1.324
		1.328
		1.332
		1.336
		1.340
		1.344
		1.348
		1.352
		1.356
		1.360
		1.364
		1.368
		1.372
		1.376
		1.380
		1.384
		1.388
		1.392
		1.396
		1.400
		1.404
		1.408
		1.412
		1.416
		1.420
		1.424
		1.428
		1.432
		1.436
		1.440
		1.444
		1.448
		1.452
		1.456
		1.460
		1.464
		1.468
		1.472
		1.476
		1.480
		1.484
		1.488
		1.492
		1.496
		1.500

THIRD ANGLE PROJECTION	DRN. 12/28/77	FIRST USED ON WAX 11 780
REMOVE BURRS AND BREAK SHARP CORNERS	CHK'D [Signature]	
DO NOT SCALE DWG	ENGR. [Signature]	TITLE CABLE, POWER (RTR MEMORY BLK)
MATERIAL SEE PARTS LIST	PROJ. ENGR. [Signature]	SIZE CODE D
FINISH	PROD. [Signature]	NUMBER 7014250-C-0
		SHEET 1 OF 8

AUTOMATED BY PRTLST.4Q(50)

PARTS LIST

SHEET A1 OF A1

LINE	ITEM	DOCUMENT NUMBER	PART NUMBER	DESCRIPTION	QUANTITY PER VARIATION		
					01	OK	1F
1	1		9107765-00	WIRE, 08AWG(168/30)IPVC 600V1	A/R	A/R	A/R
2	2		1212086-02	TERM,RING 8,9,10STUD FLAG	1	1	1
3	3		1211515-00	TERM,RING 1/4STUD CRIMP	1	1	-
4	4		1211515-01	TERM,RING #10STUD CRIMP	-	-	1

REVISION HISTORY		BASIC PART NO: 7014250		DRN:	J.FERGUSON	DATE:	26-APR-83	D I G I T A L			
ENG:	ECO NUMBER	REV	SECTION A OF A	CHK'D:	M.NORMAND	DATE:	26-APR-83	TITLE PARTS LIST			
---	INITIAL	B	SECTION. VARIATION INDEX	DES.ENG.:	R.EDGAR <td>DATE:</td> <td>26-APR-83 <td colspan="4">CABLE, POWER (RTR MEMORY BLK)</td> </td>	DATE:	26-APR-83 <td colspan="4">CABLE, POWER (RTR MEMORY BLK)</td>	CABLE, POWER (RTR MEMORY BLK)			
			[A] 01,OK,1F	RESP.ENG.:	R.EDGAR <td>DATE:</td> <td>26-APR-83 <td colspan="4">DOCUMENT NUMBER</td> </td>	DATE:	26-APR-83 <td colspan="4">DOCUMENT NUMBER</td>	DOCUMENT NUMBER			
			[B]	MFG.ENG.:	M.MILAZZO <td>DATE:</td> <td>26-APR-83 <td>SIZE:</td> <td>CODE:</td> <td>NUMBER</td> <td>REV</td> </td>	DATE:	26-APR-83 <td>SIZE:</td> <td>CODE:</td> <td>NUMBER</td> <td>REV</td>	SIZE:	CODE:	NUMBER	REV
			[C]	ASSEMBLY NUMBER:	E-UA-11780-0-0 <td>TOP DOCUMENT NUMBER:</td> <td>B-DD-11780-0-0 <td>K</td> <td>PL</td> <td>7014250-0-DBP</td> <td>B</td> </td>	TOP DOCUMENT NUMBER:	B-DD-11780-0-0 <td>K</td> <td>PL</td> <td>7014250-0-DBP</td> <td>B</td>	K	PL	7014250-0-DBP	B
			[D]								
			[E]								
			[F]								
											EDIT #
											7

"THIS DRAWING AND SPECIFICATIONS HEREIN, ARE THE PROPERTY OF DIGITAL EQUIPMENT CORPORATION AND SHALL NOT BE REPRODUCED OR COPIED OR USED IN WHOLE OR IN PART AS THE BASIS FOR THE MANUFACTURE OR SALE OF ITEMS WITHOUT WRITTEN PERMISSION. COPYRIGHT (C) 1983. DIGITAL EQUIPMENT CORPORATION "

LINE ITEM	TOP DOCUMENT	PART NUMBER	MIN REV	DESCRIPTION	QTY	PER VARIATION
1	1	E-IA-7020757-0-DBU	7020757-01	B FRAME, CARD CAGE ASSY	1	
2	2	E-UA-5415555-0-0	5415555-00	CI750 BACKPLANE	1	
3	3	D-UA-5414340-0-0	5414340-00	AIR FLOW SENSOR	1	[F
4	4	D-IA-7018162-0-0	7018162-1B	SENSOR POWER CABLE	1	
5	5	D-IA-7018163-0-0	7018163-0J	CABLE DC TO FAN	1	
6	6	E-IA-7427378-0-DBU	7427378-01	B PLENUM	1	
7	7	D-MD-7427925-0-DBU	7427925-01	INSULATOR	1	
8	8	D-IA-7428581-0-DBU	7428581-01	BRACKET,L,STRAIN RELIEF	1	
9	9	C-IA-7428368-0-DBU	7428368-01	BRACKET,LEFT STRAIN RELIEF	2	
10	10	C-MD-7428580-0-DBU	7428580-01	PLATE,STRAIN RELIEF	2	
11	11	A-PS-1210263-0-0	1210263-00	GUARD,FINGER 4.125 X 4.125 MT [F]G H	1	
12	12	A-PS-1217556-0-0	1217556-01	FAN,TUBE AXIAL 4.5" 105CFM 12V	1	
13	13	A-PS-3621737-0-0	3621737-01	LABEL,MODULE UTILIZATION,CI750	1	
14	14	A-PS-3621737-0-0	3621737-02	LABEL,SIDE,CI750	1	
15	15	RUBBER	9007017-00	GROMMET,R		
16	16		9009284-00	STANDOFF,MALE/FEMALE HEX 4-40	3	
17	17		9000049-44	SCREW,SEMS PAN PHIL 4-	7	
18	18		9000049-22	SCREW,SEMS PAN PHIL 6-	4	
19	19		90000 [F]49-24	SCREW,SEMS PAN PHIL 6-	8	
20	20		9000049-32	SCREW,SEMS PAN PHIL 6-	4	
21	21		9006659-00	WASHER,FLAT S/PAS	4	
22	22		9000001-29	STANDOFF,MALE/FEMALE HEX 6-3	4	
23	23	9007087-00		CLAMP,CABLE,SCREW MTD. 5/8 " 1		
24	24		9006560-00	NUT,HEX EXT TOOTH LCKWSHR 6-32	4	

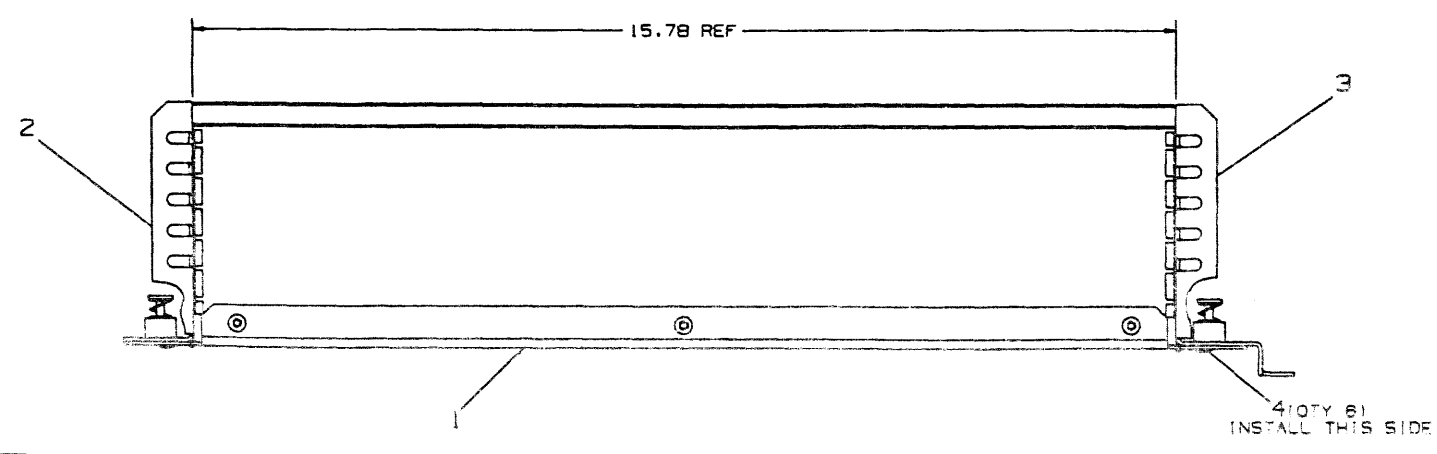
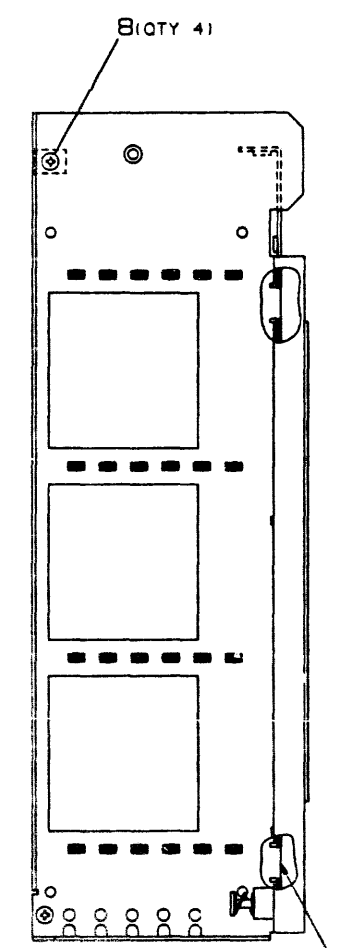
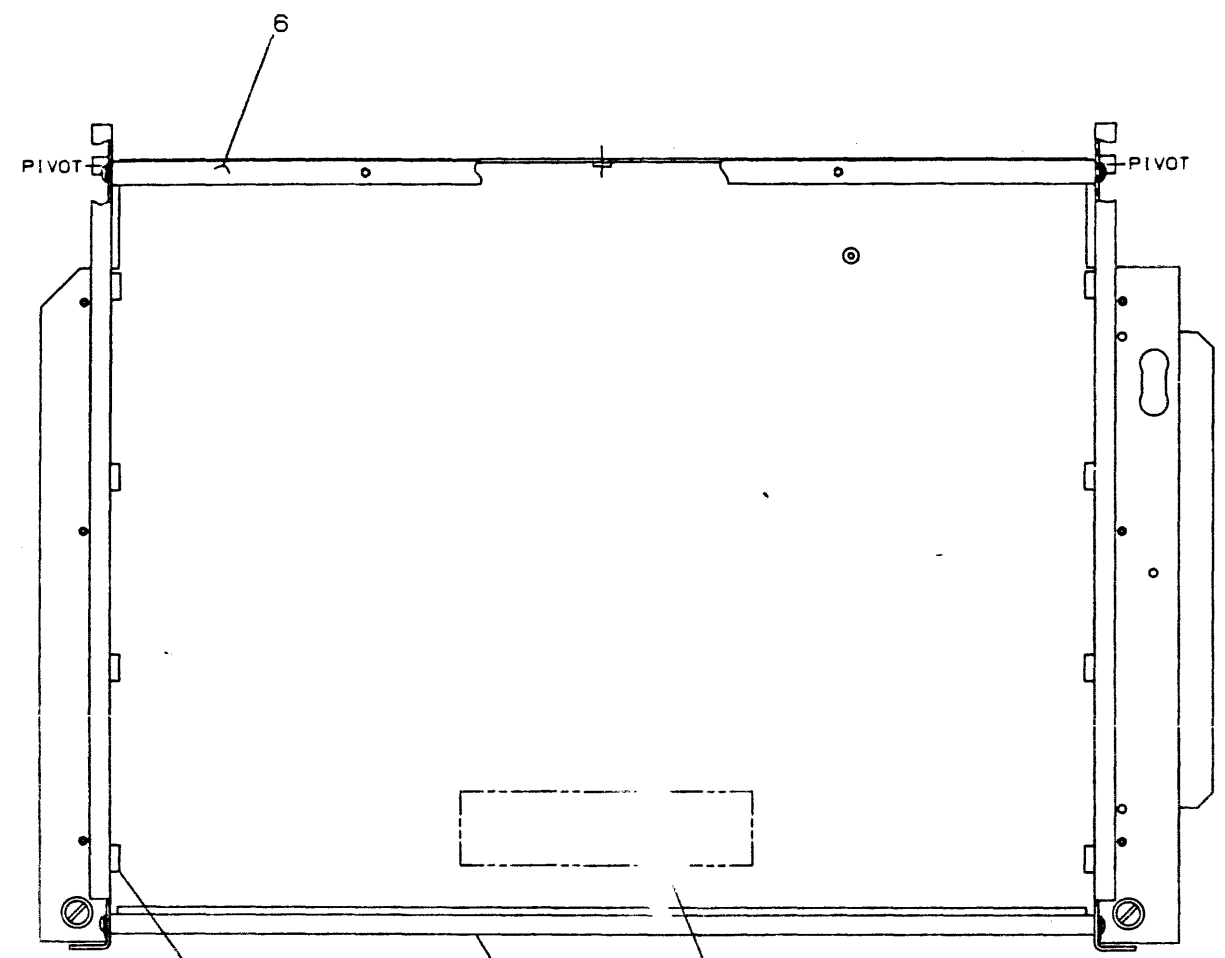
REVISION HISTORY		BASIC PART NO: 7020408		[F]										
ENG	ECO NUMBER	REV	SECTION A OF A	DRN:	B. PELLICCIA	DATE:	12-SEP-84	D	I	G	I	T	A	L
4--	CARD CAGE ASSY	A	SECTION VARIATION INDEX	CHK'D:	F. HALLIDAY	DATE:	12-SEP-8	TITLE PARTS LIST						
RM	7020408-TW001	B	[A]01	DES.ENG:	B. MONDOR	DATE:	12-SEP-84	DOCUMENT NUMBER						
RM	7020408-TW002	C	[B]		[F]			SIZE	CODE	NUMBER	REV			
			[C]	RESP.ENG.:	B. MONDOR	DATE:	12-SEP-84	K	PL	7020408-0-DBP	C			
			[D]	MFG.ENG.:	B. SMITH	DATE:	12-SEP-84	RELEASE DATE: 11-OCT-84						
			[E]	ASSEMBLY NUMBER:		TOP DOCUMENT NUMBER:		FILE NAME:		EDIT #				
			[F]	[F]	E-IA-7020408-0-DBU	E-IA-7020408-0-DBU		Z5919C.PLS						

"THIS DRAWING AND THE SPECIFICATIONS CONTAINED HEREIN ARE CONFIDENTIAL AND PROPRIETARY. THEY ARE THE PROPERTY OF DIGITAL EQUIPMENT CORPORATION AND SHALL NOT BE REPRODUCED OR COPIED OR USED IN WHOLE OR IN PART AS THE BASIS FOR THE MANUFACTURE OR SALE OF ITEMS WITHOUT WRITTEN PERMISSION. THIS IS AN UNPUBLISHED WORK PROTECTED UNDER THE FEDERAL COPYRIGHT LAWS."

THIS DRAWING AND SPECIFICATIONS HEREBY ARE THE PROPERTY OF DIGITAL EQUIPMENT CORPORATION AND SHALL NOT BE REPRODUCED OR COPIED IN WHOLE OR IN PART WITHOUT THE WRITTEN PERMISSION OF SAID CORPORATION. © 1983 DIGITAL EQUIPMENT CORPORATION

LEGEND		
PART NO.	REV	VARIATION
7020757-01	B1	AS SHOWN

NOTES:
 1. MARK PER DEC STD #178 APPROX. AS SHOWN,
 A - ASSEMBLY NO.
 B - LAST REVISION
 C - VENDOR CODE
 D - DATE



LAYER #2: FORMAT LAYER
 LAYER #1: WORK LAYER
 PLOT AT 1.00

CAUTION: OFF SHEET PARTS LIST EXISTS,
 REFER TO K-PL-7020757-0-DBP.
 (Z 6719)

REV	DATE	BY	CHKD
1	11/11/83	KEVIN R. KEEFE	F. HALLIDAY
2	11/11/83	BOB MONDOR	BOB MONDOR
3	11/11/83	BOB SMITH	BOB SMITH

DESCRIPTION	DRAWING NO.	PART NO.	REV
UNLESS OTHERWISE SPECIFIED DIMENSIONS ARE IN INCHES AND THE FOLLOWING TOLERANCES APPLY (PER DEC STD 114)			
DIMENSION RANGE (IN INCHES)			
TOLERANCE			
FINISH			
MATERIAL			
DRAWN BY			
CHECKED BY			
DATE			
TITLE			
DRAWING NUMBER			
PART NUMBER			
REV			
DATE			
BY			
CHKD			
DATE			
BY			
CHKD			
DATE			

LINE	ITEM	TOP DOCUMENT	PART NUMBER	MIN REV	DESCRIPTION	QTY PER VARIATION
					VARIATION REVISION LEVEL:	A1
1	1	E-IA-7430186-0-DBU	7430186-01		CARD CAGE,BOTTOM	1
2	2	E-IA-7430187-0-DBU	7430187-01		CARD CAGE,FRONT	1
3	3	E-IA-7430188-0-DBU	7430188-01		CARD CAGE,REAR	1
4	4		9000030-01		RIVET,BLIND DOME 0.156DX0.300	6
5	5	C-MD-7423051-0-0	7423051-00		ROD,SUPPORT	1
6	6	D-MD-7428365-0-DBU	7428365-01		STRUT,HORIZONTAL	1
7	7		1211630-00		GUIDE,CARD ,POLMIDE,NATURAL	8
8	8		9000049-22		SCREW,SEMS PAN PHIL 6-	4

REVISION HISTORY			BASIC PART NO: 7020757			D I G I T A L		
ENG	ECO NUMBER	REV	SECTION A OF A	DRN:	K.R. KEEFE	DATE:	23-MAR-83	
---	INITIAL	A	SECTION VARIATION INDEX	CHK'D:	F.HALLIDAY	DATE:	23-MAY-83	TITLE PARTS LIST
BM	7020757-TW001	B	[A]01					FRAME, CARD CAGE ASSEMBLY
			[B]	DES.ENG:	BOB MONDOR	DATE:	23-MAY-83	DOCUMENT NUMBER
			[C]					SIZE CODE NUMBER REV
			[D]	RESP.ENG.:	BOB MONDOR	DATE:	23-MAY-83	K PL 7020757-0-DBP B
			[E]	MFG.ENG.:	BOB SMITH	DATE:	23-MAY-83	RELEASE DATE: 31-OCT-84
			[F]	ASSEMBLY NUMBER:		TOP DOCUMENT NUMBER:		FILE NAME: EDIT #
				E-IA-7020757-0-DBU		E-IA-7020757-0-DBU		Z6719B.PLS 4

"THIS DRAWING AND THE SPECIFICATIONS CONTAINED HEREIN ARE CONFIDENTIAL AND PROPRIETARY. THEY ARE THE PROPERTY OF DIGITAL EQUIPMENT CORPORATION AND SHALL NOT BE REPRODUCED OR COPIED OR USED IN WHOLE OR IN PART AS THE BASIS FOR THE MANUFACTURE OR SALE OF ITEMS WITHOUT WRITTEN PERMISSION. THIS IS AN UNPUBLISHED WORK PROTECTED UNDER THE FEDERAL COPYRIGHT LAWS."

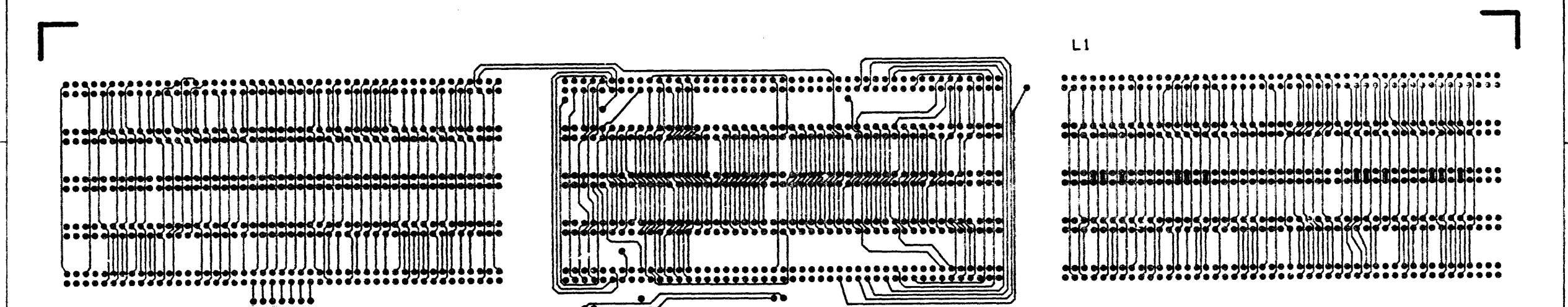
LINE	ITEM	TOP DOCUMENT	PART NUMBER	MIN REV	DESCRIPTION	QTY PER VARIATION	REFERENCE DESIGNATOR
					VARIATION REVISION LEVEL:	00	
1	1	D-MD-5015554-0-0	5015554-00		DRILL AND ETCH BOARD	1	
2	2		1217869-00		PCB,HEADER 40PIN(2X20).100CC STR	3	J1,J2,J3
3	3		1218421-02		CARD EDGE 94PIN(2X47).100CC STR	3	J6,J7,J14
4	4		9010495-02		PLUG,KEYING F/.100X.100 PRESS F	1	
5	5		1218506-00		CONN,COAX BKP 50 OHM PLUG CLAM	4	
6	6		1214314-00		CONN,P+S 02SKT(1X02).100CC JUM	REF	W1-W8
7	7		7411881-01		DECAL	1	
8	8		1218421-03		CARD EDGE 94PIN(2X47).100CC STR	12	J8-J13,J15-J20
9	9		9905016-04		FOLDER,DIE CUT,SELF LOCK W/FOAM	REF	

REVISION HISTORY		BASIC PART NO: 5415555		DRN: F. SMART	DATE: 05-OCT-82	D I G I T A L	
ENG	ECO NUMBER	REV	SECTION A OF A	CHK'D: F. GAROFALO	DATE: 05-OCT-82	TITLE PARTS LIST	
---	INITIAL	A	----	SECTION VARIATION INDEX	DATE: 05-OCT-82	CI-750 BACKPLANE	
RE	5415555-TW001	B	(A) 00	DES.ENG: G. KOECKHOVEN	DATE: 05-OCT-82	DOCUMENT NUMBER	
OK	5415555-TW002	C	(B)	RESP.ENG.: G. KOECKHOVEN	DATE: 05-OCT-82	SIZE	CODE NUMBER REV
			(C)	MFG.ENG.: M. LIVINGSTON	DATE: 5-9-83	K	PL 5415555-0-DBP C
			(D)	ASSEMBLY NUMBER:	TOP DOCUMENT NUMBER:	FILE NAME:	EDIT #
			(E)	E-UA-5415555-0-0	B-DD-5415555-0-0	Z3930C.PLS	18
			(F)				
			(G)				
			(H)				
			(I)				
			(J)				
			(K)				
			(L)				
			(M)				
			(N)				

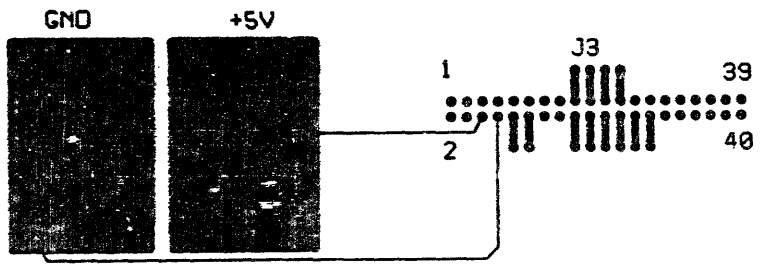
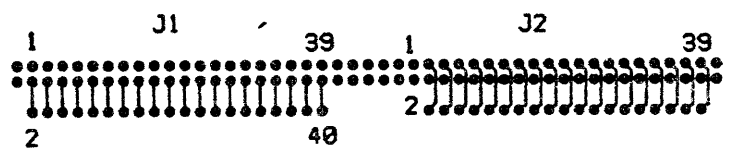
"THIS DRAWING AND THE SPECIFICATIONS CONTAINED HEREIN ARE CONFIDENTIAL AND PROPRIETARY. THEY ARE THE PROPERTY OF DIGITAL EQUIPMENT CORPORATION AND SHALL NOT BE REPRODUCED OR COPIED OR USED IN WHOLE OR--- IN PART AS THE BASIS FOR THE MANUFACTURE OR SALE OF ITEMS WITHOUT WRITTEN PERMISSION. THIS IS AN UNPUBLISHED WORK PROTECTED UNDER THE FEDERAL COPYRIGHT LAWS."

8 7 6 5 4 3 2 1

THIS DRAWING AND THE INFORMATION CONTAINED HEREIN ARE CONFIDENTIAL AND PROPRIETARY. THEY ARE THE PROPERTY OF DIGITAL EQUIPMENT CORPORATION AND SHALL NOT BE REPRODUCED, COPIED, EITHER WHOLLY OR IN PART, BY ANY MANUFACTURER, JOURNAL, OR NEWS PAPER, WITHOUT WRITTEN PERMISSION FROM DIGITAL EQUIPMENT CORPORATION. THE FEDERAL PATENT LAWS APPLY.



94V0 5415555
 SIDE 1 CI-750 BACKPLANE



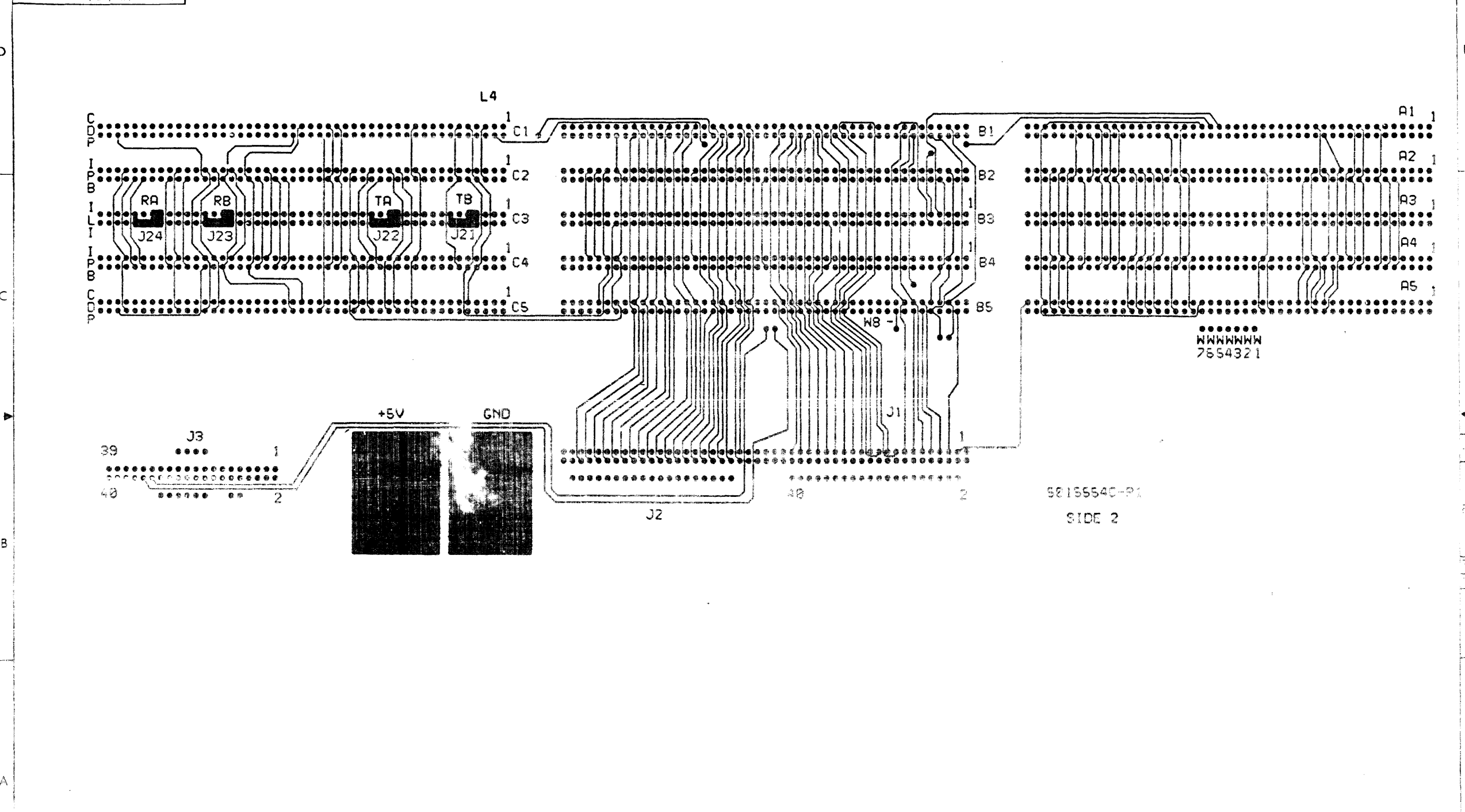
REVISION HISTORY	
REV	DATE
1	5/15/72
2	5/15/72
3	5/15/72
4	5/15/72
5	5/15/72

DESIGNED BY <i>R. J. ...</i>	DATE 2-22-72	TITLE ETCH CUT DRAWING	digital
CHECKED BY <i>R. J. ...</i>	DATE 3-10-72	DOCUMENT NUMBER DEC 5015554-0-0 B	
APPROVED BY <i>J. R. ...</i>	DATE 3-10-72	SCALE 2/1	SHEET 1 OF 2
TOP DOC NO BDD-5015554-0-0			

8 7 6 5 4 3 2 1

8 6 5 4 3 2 1

DEC 501554-0-0 B
 PREPARED BY: [REDACTED]
 ALL WORK IS TO BE DONE IN ACCORDANCE WITH THE INSTRUCTIONS CONTAINED IN THE DRAWING.
 NO PART OF THIS DRAWING IS TO BE REPRODUCED OR TRANSMITTED IN ANY FORM OR BY ANY MEANS, ELECTRONIC OR MECHANICAL, WITHOUT PERMISSION.



WWWWWW
 7654321

5015540-P1
 SIDE 2

REVISION HISTORY			DATE			EQUIPMENT			DRAWING		
DATE	EDITION NUMBER	REV									

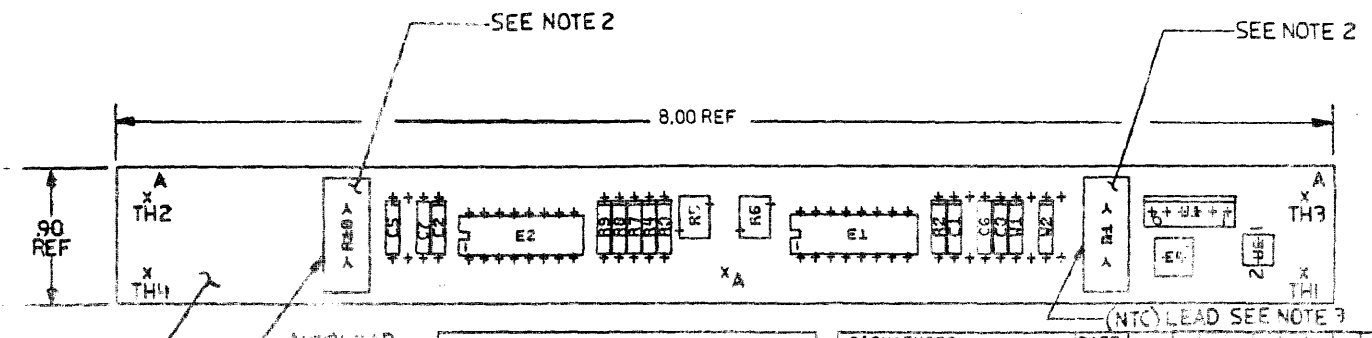
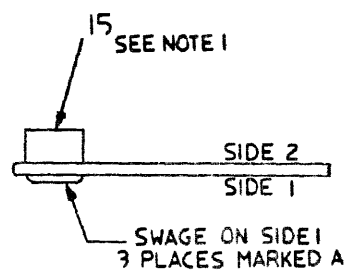
ETCH CUT DRAWING

DEC 501554-0-0 B
 ISSUE 2.1 SHEET 2 OF 2

8 7 6 5 4 3 2 1

8 7 6 5 4 3 2 1

THIS DRAWING AND SPECIFICATIONS, WHETHER AND THE PROPERTY OF DIGITAL, AND ANY RIGHTS HEREIN, ARE THE PROPERTY OF DIGITAL. NO PART OF THIS DRAWING OR SPECIFICATIONS SHALL BE REPRODUCED OR TRANSMITTED IN ANY FORM OR BY ANY MEANS, ELECTRONIC OR MECHANICAL, INCLUDING PHOTOCOPYING, RECORDING, OR BY ANY INFORMATION STORAGE AND RETRIEVAL SYSTEM, WITHOUT THE WRITTEN PERMISSION OF DIGITAL CORPORATION. DEPARTMENT 01981



NOTES: 1. ALL ITEM IS FROM SIDE 2
 2. AFTER WAVE SOLDER & AFTER BOARD IS
 3. ALL ITEMS MUST BE RAISED 125° TO 150°
 4. OFF PC BOARD
 5. NOTE ORIENTATION OF R1 AND R10
 (ITEM ID)

STEP #	Y AXIS	STEP	TIMES
REPORT	X AXIS	STEP	TIMES

CHANGE NO	REV	DATE	BY	CHKD
1	1	2/19/81
2	1	2/19/81
3	1	2/19/81
4	1	2/19/81
5	1	2/19/81
6	1	2/19/81
7	1	2/19/81
8	1	2/19/81

ETCH REV.	DATE	BY	CHKD
D	2/19/81

SIGNATURES	DATE	TITLE
DRN. <i>[Signature]</i>	2/19/81	digital
CHK'D. <i>[Signature]</i>	2/19/81	
MECH. ENG. <i>[Signature]</i>	2/19/81	
PROJ. ENG. <i>[Signature]</i>	2/19/81	
SCALE 271		
SHT. 1 OF 1		
NEXT INTER. REV. 2-00-5414340-0-0		

DUA 5414340-0-0

8 7 6 5 4 3 2 1 WO#170213

LINE ITEM	TOP DOCUMENT	PART NUMBER	MIN REV	DESCRIPTION	VARIATION REVISION LEVEL:	QTY PER VARIATION	REFERENCE DESIGNATOR
1		5014339-00		DRILL & ETCH BD.		1	
2		1018000-01		15 MFD 25V +50-10 AL EL		1	C4
3		1013466-22		.1 MFD 50V +80-20% Z5U CER		2	C3,C5
4		1302391-00		20.0 K .25 W 5.0 % CF		2	R3,R8
5		1310632-00		2.37 K .25 W 1.0 % RN55D-F10		1	R7
6		1312987-00		10.50 K .25 W 1.0 % RN55D-F10		2	R2,R9
7		1314120-00		78.70 K .25 W 1.0 % RN55D-F10		1	R4
8		1317202-00		9.739K 7.0 % NTC THERM		1	R5
9		1317202-02		119.128K 7.0 % NTC THERM		1	R6
10		1321816-04		12.5 5V NTC THERM A		2	R1,R10
11		1218243-03		PCB HEADER 06PIN(1X06).100CC STR		1	J1
12		1218243-02		PCB HEADER 02PIN(1X02).100CC STR		1	J2
13		1918102-00		9903 AIRFLOW SENSOR		2	E1,E2
14		9009185-00		JUMPER, WIRE, INSULATED, BLACK B		2	W1,W2
15		9010292-00		STANDOFF, SWAGE MOUNT RND 4-4		3	
16	A-SP-3700646-0-0	3700646-01		PKG. MODULE 5414340 (54 PACK)		1	
17		1013466-11		.22 MFD 50V +80-20% Z5U CER		4	C1,C2,C6,C7

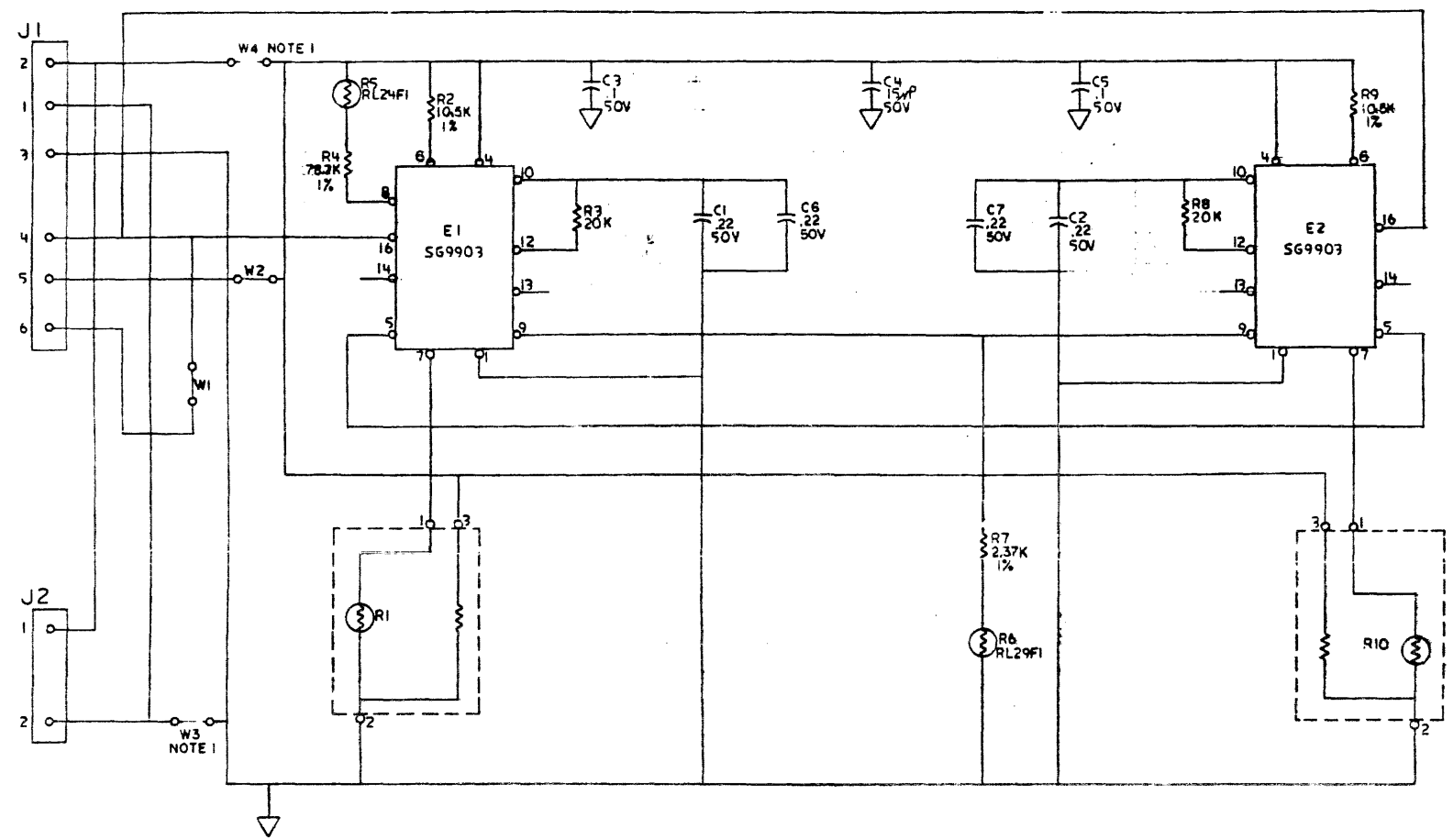
REVISION HISTORY			BASIC PART NO: 5414340						
ENG:	ECO NUMBER	REV	SECTION A OF A	DRN:	J.FERGUSON	DATE:	30-JAN-81	D I G I T A L	
---	INITIAL	A	SECTION VARIATION INDEX	CHK'D:	F.GAROFALO	DATE:	30-JAN-81	TITLE PARTS LIST	
DD	5414340-TW002	B	[A] 00					AIR FLOW SENSOR	
			[B]	DES.ENG:	D.DRINKWATER	DATE:	30-JAN-81	DOCUMENT NUMBER	
			[C]					SIZE	CODE
			[D]	RESP.ENG.:	D.DRINKWATER	DATE:	30-JAN-81	NUMBER	REV
			[E]					K	PL
			[F]	MFG.ENG.:	W. WYCKOFF	DATE:	9-10-81	5414340-0-DBP	B
			[G]					RELEASE DATE: 22-OCT-84	
			[H]	ASSEMBLY NUMBER:		TOP DOCUMENT NUMBER:		FILE NAME:	EDIT #
			[I]	D-UA-5414340-0-0		B-DD-5414340-0-0		Z3015B.PLS	11
			[J]						
			[K]						
			[L]						
			[M]						
			[N]						

"THIS DRAWING AND THE SPECIFICATIONS CONTAINED HEREIN ARE CONFIDENTIAL AND PROPRIETARY. THEY ARE THE PROPERTY OF DIGITAL EQUIPMENT CORPORATION AND SHALL NOT BE REPRODUCED OR COPIED OR USED IN WHOLE OR IN PART AS THE BASIS FOR THE MANUFACTURE OR SALE OF ITEMS WITHOUT WRITTEN PERMISSION. THIS IS AN UNPUBLISHED WORK PROTECTED UNDER THE FEDERAL COPYRIGHT LAWS."

8 1-0-044143 DCS 6 5 4 3 2 1

THIS DRAWING AND SPECIFICATIONS HEREBY ARE THE PROPERTY OF DIGITAL EQUIPMENT CORPORATION AND SHALL NOT BE REPRODUCED OR COPIED OR USED IN WHOLE OR IN PART AS THE BASIS FOR THE MANUFACTURE OR SALE OF ITEMS WITHOUT WRITTEN PERMISSION. COPYRIGHT © 1971 DIGITAL EQUIPMENT CORPORATION

NOTES:
 1. W3 & W4 JUMPERS ARE NOT USED ON THIS 5414340-00, VARIATION. W1 THROUGH W4 JUMPERS MAY BE USED OR NOT USED AS NECESSARY DEPENDING ON INTENDED APPLICATIONS. IF IT IS NECESSARY TO USE W3 & W4 JUMPERS AN ADDITIONAL VARIATION WILL HAVE TO BE CREATED.



REV.	B
DATE	17 Sep 81
BY	D. DRINKWATER
CHKD BY	
DATE	
BY	
CHKD BY	
DATE	

DESIGNED BY	T. McNeill	DATE	3/10/81	TITLE	digital
DRAWN BY	T. McNeill	DATE	3/11/81	AIR FLOW SENSOR	
CHECKED BY	D. Drinkwater	DATE	9-11-81	DOCUMENT NUMBER	
DATE	9-11-81	SCALE		NONE	
D-UX-5414340-0-0			DCS	5414340-0-1	B

7 6 5 4 3 2 1

D C B A

DCS 5414340-0-1 B

B

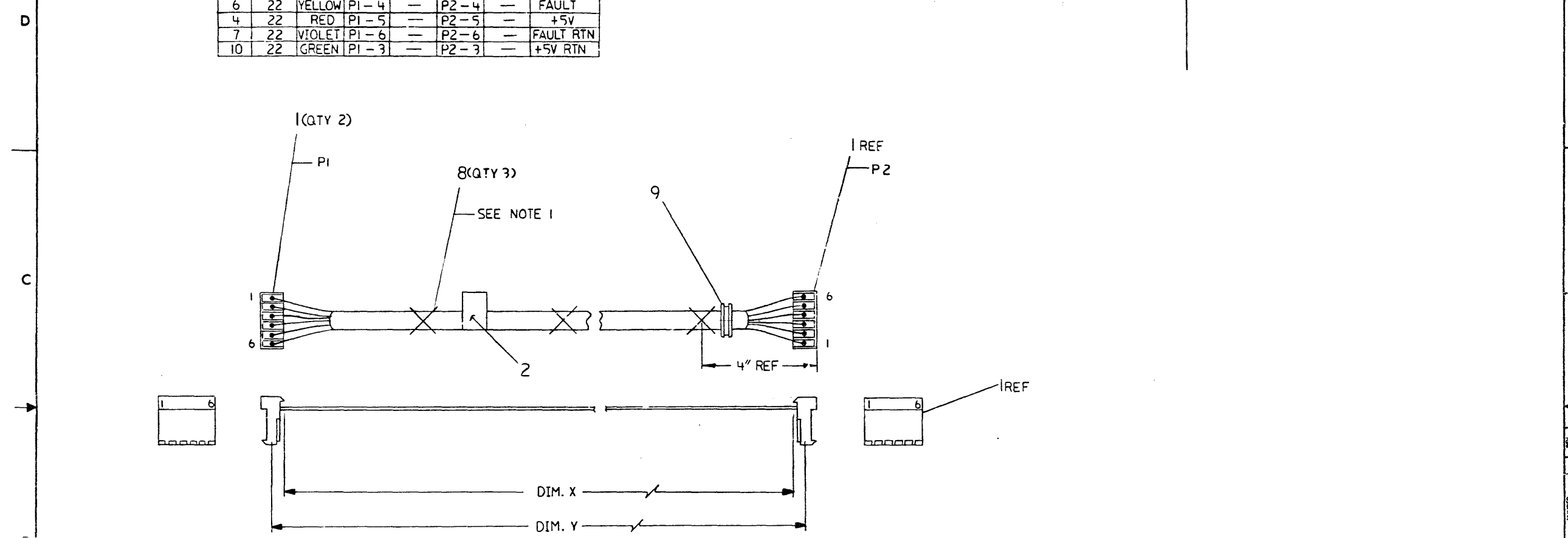
A

THE DIMENSIONS AND SPECIFICATIONS HEREIN ARE THE PROPERTY OF DIGITAL EQUIPMENT CORPORATION AND SHALL NOT BE REPRODUCED OR USED IN WHOLE OR IN PART AS THE BASIS FOR THE MANUFACTURE OR SALE OF ITEMS WITHOUT WRITTEN PERMISSION.
COPYRIGHT © 1981

WIRE TABLE							
ITEM NO.	DESCRIPTION	FROM	TO	REMARKS			
3	22 BLACK	P1-1	P2-1	+12V RTN			
5	22 ORANGE	P1-2	P2-2	+12V			
6	22 YELLOW	P1-4	P2-4	FAULT			
4	22 RED	P1-5	P2-5	+5V			
7	22 VIOLET	P1-6	P2-6	FAULT RTN			
10	22 GREEN	P1-3	P2-3	+5V RTN			

LEGEND		
NUMBER	DIM. X VARIATION	DIM. Y (PRECUT) REF
7018162-0M	11. IN ± 5 IN	11.50 IN ± 5 IN.
7018162-1B	14. IN ± 5 IN	14.50 IN ± 5 IN.

NOTES:
 1. ATTACH CABLE TIES (ITEM 8) APPROX. EVERY 3 IN. AS SHOWN.
 2. WIRES NEED NOT HAVE ANY INSULATION REMOVED.



SEE OFF SHEET PARTS LIST
 K-PL- 7018162-0-DBR, (Z1852B, PLS).

REV	ECO NUMBER	DATE	DESCRIPTION
A			
B			

REVISION HISTORY

DATE: 1/15/81
 ECO: 1000
 REV: A
 DATE: 9/16/81
 ECO: 1001
 REV: B
 DATE: 9/16/81
 ECO: 1002
 REV: C
 DATE: 1/15/81
 ECO: 1003
 REV: D
 DATE: 1/15/81
 ECO: 1004
 REV: E
 DATE: 1/15/81
 ECO: 1005
 REV: F
 DATE: 1/15/81
 ECO: 1006
 REV: G
 DATE: 1/15/81
 ECO: 1007
 REV: H
 DATE: 1/15/81
 ECO: 1008
 REV: I
 DATE: 1/15/81
 ECO: 1009
 REV: J
 DATE: 1/15/81
 ECO: 1010
 REV: K
 DATE: 1/15/81
 ECO: 1011
 REV: L
 DATE: 1/15/81
 ECO: 1012
 REV: M
 DATE: 1/15/81
 ECO: 1013
 REV: N
 DATE: 1/15/81
 ECO: 1014
 REV: O
 DATE: 1/15/81
 ECO: 1015
 REV: P
 DATE: 1/15/81
 ECO: 1016
 REV: Q
 DATE: 1/15/81
 ECO: 1017
 REV: R
 DATE: 1/15/81
 ECO: 1018
 REV: S
 DATE: 1/15/81
 ECO: 1019
 REV: T
 DATE: 1/15/81
 ECO: 1020

DESCRIPTION	DRAWING NO.	PART NO.	ITEM NO.
UNLESS OTHERWISE SPECIFIED DIMENSIONS ARE IN INCHES AND THE FOLLOWING TOLERANCES APPLY (PER DEC STD 114)			
INCHES TOLERANCES	ANGLES ± 0° 30'	APPLICABLE DIMENSION RANGE	DIMENSION RANGE IN INCHES
X ± .1		TO 0.2	OVER 0.2 TO 0.4 ± .02
XX ± .02		0.2 TO 0.4	OVER 0.4 TO 0.6 ± .05
XXX ± .005		0.4 TO 0.6	OVER 0.6 TO 0.8 ± .08
		0.6 TO 0.8	OVER 0.8 TO 1.0 ± .10
		0.8 TO 1.0	OVER 1.0 TO 1.2 ± .12
		1.0 TO 1.2	OVER 1.2 TO 1.4 ± .14
		1.2 TO 1.4	OVER 1.4 TO 1.6 ± .16
		1.4 TO 1.6	OVER 1.6 TO 1.8 ± .18
		1.6 TO 1.8	OVER 1.8 TO 2.0 ± .20
		1.8 TO 2.0	OVER 2.0 TO 2.2 ± .22
		2.0 TO 2.2	OVER 2.2 TO 2.4 ± .24
QUANTITY & VARIATION			
THIRD ANGLE PROJECTION	DATE 1-15-81	TITLE	digital
DO NOT SCALE DRAWING	DATE 9/16/81	CABLE, SENSOR POWER	
REMOVE BURRS AND BREAK SHARP CORNERS	DATE 9/16/81	DOCUMENT NUMBER	
MATERIAL	DATE 9/16/81	DIA 7018162-0-0 B	
SEE PARTS LIST	DATE 1/15/81	SCALE 1/1	
FINISH	DATE 1/15/81	E-AD-7018081-0-0	

LINE ITEM	DOCUMENT NUMBER	PART NUMBER	DESCRIPTION	QUANTITY PER VARIATION	
				OM	1B
1	1	1218296-03	CONN, IDC 06SKT(1X06).100CC GOL	2	2
2	2	9009255-01	LABEL, POWER SUPPLY, 2-7/8" LG X	1	1
3	3 SEE NOTE	9107796-00	WIRE, 22AWG(07/30)IPVC 300V1	12	15
4	4 SEE NOTE	9107796-22	WIRE, 22AWG(07/30)IPVC 300V1	12	15
5	5 SEE NOTE	9107796-33	WIRE, 22AWG(07/30)IPVC 300V1	12	15
6	6 SEE NOTE	9107796-44	WIRE, 22AWG(07/30)IPVC 300V1	12	15
7	7 SEE NOTE	9107796-77	WIRE, 22AWG(07/30)IPVC 300V1	12	15
8	8	9007031-00	TIE, CABLE BUNDL. DIA 0- 3/4"=101	3	3
9	9	9007017-00	GROMMET, ROUND RUBBER	1	1
10	10 SEE NOTE	9107796-55	WIRE, 22AWG(07/30)IPVC 300V1	12	15

11 NOTE: ITEMS 3,4,5,6,7 AND 10 ARE IN INCHES LONG.

REVISION HISTORY		BASIC PART NO: 7018. 62		DRN: P. TOUSIGNANT		DATE: 23-JUL-81		D I G I T A L			
ENG	ECO NUMBER	REV	SECTION A OF A	CHK'D:	A. ROCHA	DATE:	23-JUL-81	TITLE PARTS LIST			
RE	INITIAL 7018162-TW001	A B	SECTION. VARIATION INDEX [A] OM, 1B	DES. ENG.:	R. MORIN	DATE:	23-JUL-81	SENSOR POWER CABLE			
			[B]	RESP. ENG.:	R. MORIN	DATE:	23-JUL-81	DOCUMENT NUMBER			
			[C]	MFG. ENG.:	S. CASTIGLIONE	DATE:	23-JUL-81	SIZE	CODE	NUMBER	REV
			[D]	ASSEMBLY NUMBER:	D-IA-7018162-0-0	TOP DOCUMENT NUMBER:	E-AD-7018081-0-0	K	PL	7018162-0-DBP	B
			[E]			FILE NAME:	Z1852B.PLS				EDIT #
			[F]								5

THIS DRAWING AND SPECIFICATIONS HEREIN, ARE THE PROPERTY OF DIGITAL EQUIPMENT CORPORATION AND SHALL NOT BE REPRODUCED OR COPIED OR USED IN WHOLE OR IN PART AS THE BASIS FOR THE MANUFACTURE OR SALE OF ITEMS WITHOUT WRITTEN PERMISSION.
COPYRIGHT (C) 1983. DIGITAL EQUIPMENT CORPORATION "

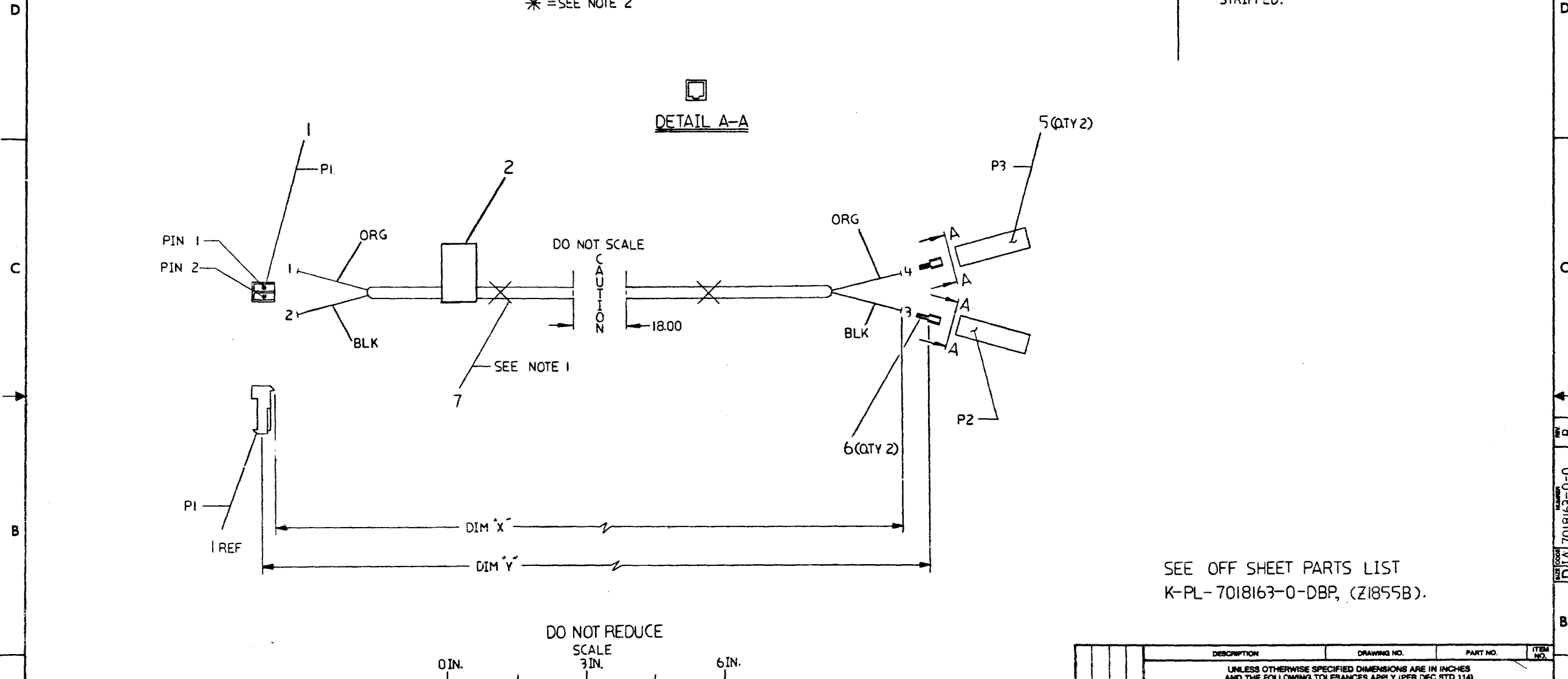
THIS DRAWING AND SPECIFICATIONS HEREIN ARE THE PROPERTY OF DIGITAL EQUIPMENT CORPORATION AND SHALL NOT BE REPRODUCED OR COPIED OR USED IN WHOLE OR IN PART AS THE BASIS FOR THE MANUFACTURE OR SALE OF ITEMS WITHOUT WRITTEN PERMISSION.
 COPYRIGHT © 1980 DIGITAL EQUIPMENT CORPORATION

WIRE TABLE									
ITEM NO.	DESCRIPTION	FROM	TO	LENGTH					
NO.	AWG	COLOR	POINT	CONNECTION	WITH	POINT	CONNECTION	WITH	LENGTH
3	22	BLK	2	P1-2	-	3*	P2	6	38 IN. ± 1 IN.
4	22	ORG	1	P1-1	-	4*	P3	6	38 IN. ± 1 IN.

* = SEE NOTE 2

LEGEND		
NUMBER	DIA. X VARIATION	DIA. Y VARIATION
7018163-3B	37 IN. ± 1 IN.	38 IN. ± 1 IN.
7018163-0J	7 IN. ± 5 IN.	8 IN. ± 5 IN.

- NOTES:
- ATTACH CABLE TIES (ITEM 7) APPROX. EVERY 3 IN. AS SHOWN.
 - THE WIRE ENDS GOING TO P2 & P3 SHOULD BE STRIPPED. WIRE ENDS GOING TO P1 NEED NOT BE STRIPPED.



SEE OFF SHEET PARTS LIST
 K-PL-7018163-0-DBP, (Z1855B).

REVISION HISTORY	
DATE	REV
11/11/80	A
11/11/80	B

DESCRIPTION	DRAWING NO.	PART NO.	ITEM NO.
UNLESS OTHERWISE SPECIFIED DIMENSIONS ARE IN INCHES AND THE FOLLOWING TOLERANCES APPLY (PER DEC STD 114)			
INCHES TOLERANCES	ANGLES TYPICAL	APPLICABLE DIMENSION RANGE	DIMENSION RANGE IN INCHES
X ± .1	SURFACE QUALITY	CHECK ONLY	OVER 0 TO 0.25
XX ± .02			OVER 0.25 TO 4.0
XXX ± .005			OVER 4.0 TO 12.0
			OVER 12.0 TO 40.0
			OVER 40.0 TO 80.0
			OVER 80.0 TO 160.0
			OVER 160.0 TO 320.0
			OVER 320.0 TO 640.0
QUANTITY & VARIATION			
THIRD ANGLE PROJECTION	DATE 11/21/80	TITLE	digital
DO NOT SCALE DRAWING	DATE 9 AUG 81	CABLE, DC TO FAN	
REMOVE BURRS AND BREAK SHARP CORNERS	DATE 9 AUG 81		
MATERIAL	DATE 9 AUG 81	DOCUMENT NUMBER	
SEE PARTS LIST	DATE 12 OCT 81	DIA 7018163-0-0 B	
FINISH	DATE	SCALE 1/1 SHEET 1 OF 1	

LINE ITEM	DOCUMENT NUMBER	PART NUMBER	DESCRIPTION	QUANTITY PER VARIATION	
				3B	OJ
1	1	1218296-02	CONN, IDC 02SKT(1X02).100CC GOL	1	1
2	2	9009255-01	LABEL, POWER SUPPLY, 2-7/8" LG X	1	1
3	3 SEE NOTE 1	9107796-00	WIRE, 22AWG(07/30)IPVC 300V1	38	8
4	4 SEE NOTE 1	9107796-33	WIRE, 22AWG(07/30)IPVC 300V1	38	8
5	5	1210820-01	TERM, QUICK HSG, STR RECPTACLE .	2	2
6	6	1210820-03	TERM, QUICK .020TAB 22-18AWG	2	2
7	7	9007031-00	TIE, CABLE BUNDL. DIA 0- 3/4"=101	9	9

8 NOTE: 1. ITEMS 4 & 5 IN INCHES.

REVISION HISTORY		BASIC PART NO: 7018163		DRN: P. TOUSIGNANT	DATE: 23-JUL-81	D I G I T A L				
ENG	ECO NUMBER	REV	SECTION A OF A	CHK'D: A. ROCHA	DATE: 23-JUL-81	TITLE		PARTS LIST		
---	INITIAL	A	SECTION, VARIATION INDEX	DES. ENG.: R. MORIN	DATE: 23-JUL-81	CABLE, DC TO FAN				
RE	7018163-TW001	B	[A] 3B, OJ	RESP. ENG.: R. MORIN	DATE: 23-JUL-81	DOCUMENT NUMBER				
			[B]	MFG. ENG.: S. CASTIGLIONE	DATE: 23-JUL-81	SIZE	CODE	NUMBER	REV	
			[C]	ASSEMBLY NUMBER:	TOP DOCUMENT NUMBER:	K	PL	7018163-0-DBP	8	
			[D]	D-IA-7018163-0-0	E-UA-BA11-Z-0	FILE NAME:		EDIT #		
			[E]			Z1855B.PLS		4		
			[F]							

"THIS DRAWING AND SPECIFICATIONS HEREIN, ARE THE PROPERTY OF DIGITAL EQUIPMENT CORPORATION AND SHALL NOT BE REPRODUCED OR COPIED OR USED IN WHOLE OR IN PART AS THE BASIS FOR THE MANUFACTURE OR SALE OF ITEMS WITHOUT WRITTEN PERMISSION. COPYRIGHT (C) 1983. DIGITAL EQUIPMENT CORPORATION "

LINE ITEM	DOCUMENT NUMBER	PART NUMBER	DESCRIPTION	QUANTITY PER VARIATION
1	D-MD-7428769-0-DBU	7428769-01	RETRACTOR,RIBBON CABLE	1
2		9000001-17	STANDOFF,MALE/FEMALE HEX 10-32	2
3		9006659-00	WASHER,FLAT STEEL	2
4		9010155-00	SCREW,SEMS PAN PHIL 6-	2
5		9009617-00	TIE,CABLE BUNDL.DIA 0-3"TYPE=101	5
6	D-AD-7020752-0-DBU	7020752-01	CABLE SET ASSY CI750 (T/RA)	1
7	D-AD-7020752-0-DBU	7020752-02	CABLE SET ASSY CI750 (T/RB)	1
8		7019602-00	HARNES ASSY (CIP BUS)	1

REVISION HISTORY		BASIC PART NO: 7020447		DRN:	DATE:	D I G I T A L			
ENG:	ECO NUMBER	REV	SECTION A OF A	K KEEFE	25-JAN-83	TITLE PARTS LIST			
	INITIAL	A	SECTION. VARIATION INDEX	CHK'D: F HALLIDAY	25-JAN-83	CABLE RETRACTOR ASSY			
			[A] 01	DES.ENG.: B MONDOR	25-JAN-83	DOCUMENT NUMBER			
			[B]	RESP.ENG.: B MONDOR	25-JAN-83	SIZE	CODE	NUMBER	REV
			[C]	MFG.ENG.: B SMITH	25-JAN-83	K	PL	7020447-0-DBP	A
			[D]	ASSEMBLY NUMBER:	TOP DOCUMENT NUMBER:	FILE NAME:		EDIT #	
			[E]	E-IA-7020447-0-DBU	E-IA-7020447-0-DBU	Z5158A.PLS		10	
			[F]	"THIS DRAWING AND SPECIFICATIONS HEREIN, ARE THE PROPERTY OF DIGITAL EQUIPMENT CORPORATION AND SHALL NOT BE REPRODUCED OR COPIED OR USED IN WHOLE OR IN PART AS THE BASIS FOR THE MANUFACTURE OR SALE OF ITEMS WITHOUT WRITTEN PERMISSION. COPYRIGHT (C) 1983. DIGITAL EQUIPMENT CORPORATION "					

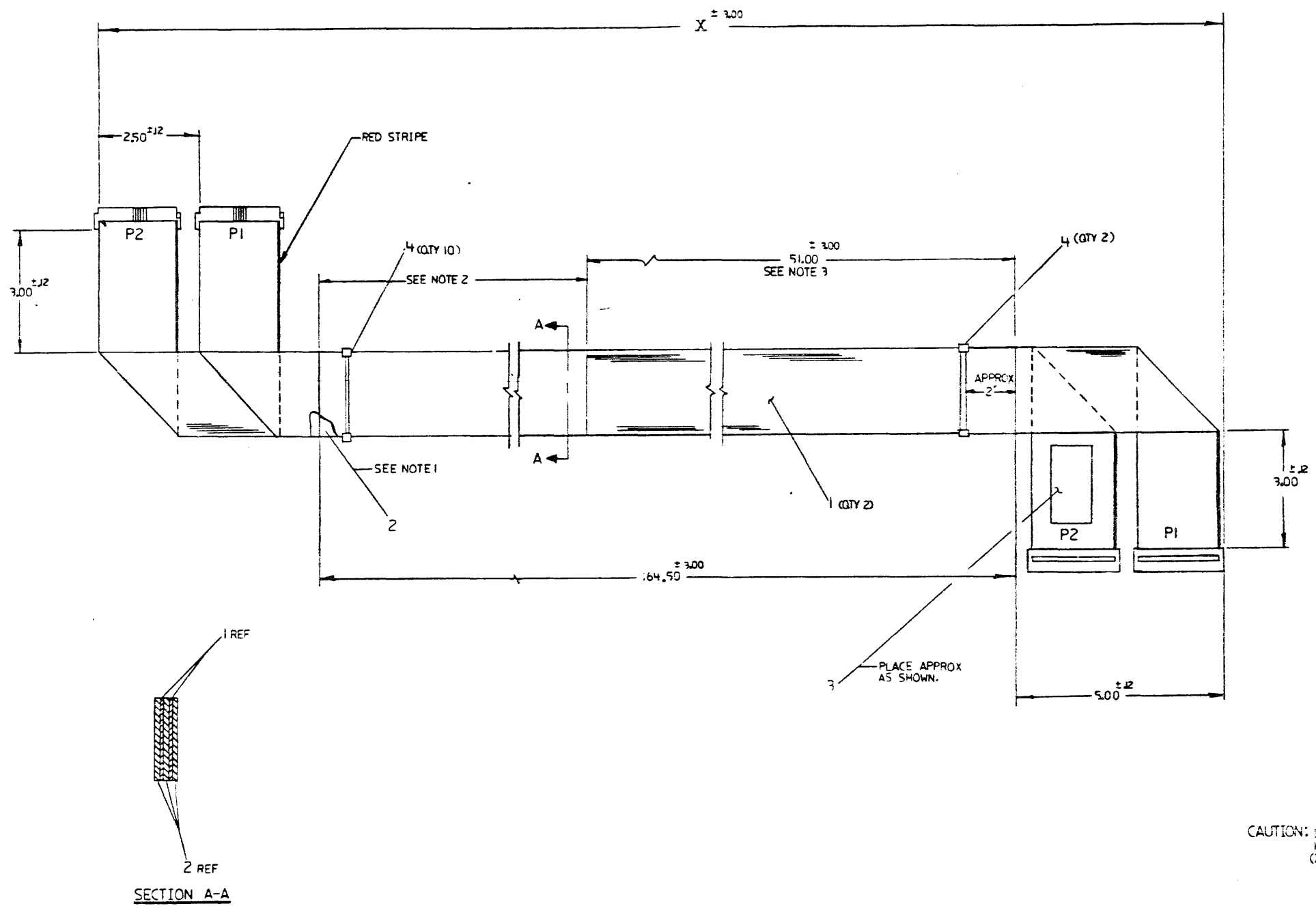
DO NOT SCALE DIMENSIONS FROM THIS DRAWING
 DIMENSIONS ARE TO BE TAKEN FROM THE PART UNLESS OTHERWISE SPECIFIED
 DIMENSIONS ARE IN INCHES UNLESS OTHERWISE SPECIFIED

PART NUMBER	"X" DIM.
7019602-00	175.00 IN.
7019602-01	200.00 IN.

1. ITEM 2 TO BE INSTALLED BETWEEN CARLES AND ON EACH SIDE.
2. APPLY TIE WRAPS, ITEM 4, APPROX EVERY 26 INCHES, IN AREA SHOWN.
3. DO NOT INSTALL ITEM 2 IN THIS AREA, TYP BOTH SIDES.

J
H
F
E
D
C
B
A

J
H
F
E
D
C
B
A



CAUTION: SEE OFF SHEET PARTS LIST
 K-PL-7019602-0-DBP
 (25479A)

DESCRIPTION	DRAWING NO.	PART NO.	REV.
UNLESS OTHERWISE SPECIFIED DIMENSIONS ARE IN INCHES AND THE FOLLOWING TOLERANCES APPLY (PER DEC STD 115)			
DIMENSION TOLERANCES IN INCHES			
FINISH	ANGLE ±.015"	LOCUS ±.015"	OTHER ±.015"
3.1 ±.1	±.015"	±.015"	±.015"
3.2 ±.1	±.015"	±.015"	±.015"
3.3 ±.1	±.015"	±.015"	±.015"
3.4 ±.1	±.015"	±.015"	±.015"
3.5 ±.1	±.015"	±.015"	±.015"
3.6 ±.1	±.015"	±.015"	±.015"
3.7 ±.1	±.015"	±.015"	±.015"
3.8 ±.1	±.015"	±.015"	±.015"
3.9 ±.1	±.015"	±.015"	±.015"
3.10 ±.1	±.015"	±.015"	±.015"
3.11 ±.1	±.015"	±.015"	±.015"
3.12 ±.1	±.015"	±.015"	±.015"
3.13 ±.1	±.015"	±.015"	±.015"
3.14 ±.1	±.015"	±.015"	±.015"
3.15 ±.1	±.015"	±.015"	±.015"
3.16 ±.1	±.015"	±.015"	±.015"
3.17 ±.1	±.015"	±.015"	±.015"
3.18 ±.1	±.015"	±.015"	±.015"
3.19 ±.1	±.015"	±.015"	±.015"
3.20 ±.1	±.015"	±.015"	±.015"
3.21 ±.1	±.015"	±.015"	±.015"
3.22 ±.1	±.015"	±.015"	±.015"
3.23 ±.1	±.015"	±.015"	±.015"
3.24 ±.1	±.015"	±.015"	±.015"
3.25 ±.1	±.015"	±.015"	±.015"
3.26 ±.1	±.015"	±.015"	±.015"
3.27 ±.1	±.015"	±.015"	±.015"
3.28 ±.1	±.015"	±.015"	±.015"
3.29 ±.1	±.015"	±.015"	±.015"
3.30 ±.1	±.015"	±.015"	±.015"
3.31 ±.1	±.015"	±.015"	±.015"
3.32 ±.1	±.015"	±.015"	±.015"
3.33 ±.1	±.015"	±.015"	±.015"
3.34 ±.1	±.015"	±.015"	±.015"
3.35 ±.1	±.015"	±.015"	±.015"
3.36 ±.1	±.015"	±.015"	±.015"
3.37 ±.1	±.015"	±.015"	±.015"
3.38 ±.1	±.015"	±.015"	±.015"
3.39 ±.1	±.015"	±.015"	±.015"
3.40 ±.1	±.015"	±.015"	±.015"
3.41 ±.1	±.015"	±.015"	±.015"
3.42 ±.1	±.015"	±.015"	±.015"
3.43 ±.1	±.015"	±.015"	±.015"
3.44 ±.1	±.015"	±.015"	±.015"
3.45 ±.1	±.015"	±.015"	±.015"
3.46 ±.1	±.015"	±.015"	±.015"
3.47 ±.1	±.015"	±.015"	±.015"
3.48 ±.1	±.015"	±.015"	±.015"
3.49 ±.1	±.015"	±.015"	±.015"
3.50 ±.1	±.015"	±.015"	±.015"
3.51 ±.1	±.015"	±.015"	±.015"
3.52 ±.1	±.015"	±.015"	±.015"
3.53 ±.1	±.015"	±.015"	±.015"
3.54 ±.1	±.015"	±.015"	±.015"
3.55 ±.1	±.015"	±.015"	±.015"
3.56 ±.1	±.015"	±.015"	±.015"
3.57 ±.1	±.015"	±.015"	±.015"
3.58 ±.1	±.015"	±.015"	±.015"
3.59 ±.1	±.015"	±.015"	±.015"
3.60 ±.1	±.015"	±.015"	±.015"
3.61 ±.1	±.015"	±.015"	±.015"
3.62 ±.1	±.015"	±.015"	±.015"
3.63 ±.1	±.015"	±.015"	±.015"
3.64 ±.1	±.015"	±.015"	±.015"
3.65 ±.1	±.015"	±.015"	±.015"
3.66 ±.1	±.015"	±.015"	±.015"
3.67 ±.1	±.015"	±.015"	±.015"
3.68 ±.1	±.015"	±.015"	±.015"
3.69 ±.1	±.015"	±.015"	±.015"
3.70 ±.1	±.015"	±.015"	±.015"
3.71 ±.1	±.015"	±.015"	±.015"
3.72 ±.1	±.015"	±.015"	±.015"
3.73 ±.1	±.015"	±.015"	±.015"
3.74 ±.1	±.015"	±.015"	±.015"
3.75 ±.1	±.015"	±.015"	±.015"
3.76 ±.1	±.015"	±.015"	±.015"
3.77 ±.1	±.015"	±.015"	±.015"
3.78 ±.1	±.015"	±.015"	±.015"
3.79 ±.1	±.015"	±.015"	±.015"
3.80 ±.1	±.015"	±.015"	±.015"
3.81 ±.1	±.015"	±.015"	±.015"
3.82 ±.1	±.015"	±.015"	±.015"
3.83 ±.1	±.015"	±.015"	±.015"
3.84 ±.1	±.015"	±.015"	±.015"
3.85 ±.1	±.015"	±.015"	±.015"
3.86 ±.1	±.015"	±.015"	±.015"
3.87 ±.1	±.015"	±.015"	±.015"
3.88 ±.1	±.015"	±.015"	±.015"
3.89 ±.1	±.015"	±.015"	±.015"
3.90 ±.1	±.015"	±.015"	±.015"
3.91 ±.1	±.015"	±.015"	±.015"
3.92 ±.1	±.015"	±.015"	±.015"
3.93 ±.1	±.015"	±.015"	±.015"
3.94 ±.1	±.015"	±.015"	±.015"
3.95 ±.1	±.015"	±.015"	±.015"
3.96 ±.1	±.015"	±.015"	±.015"
3.97 ±.1	±.015"	±.015"	±.015"
3.98 ±.1	±.015"	±.015"	±.015"
3.99 ±.1	±.015"	±.015"	±.015"
4.00 ±.1	±.015"	±.015"	±.015"
4.01 ±.1	±.015"	±.015"	±.015"
4.02 ±.1	±.015"	±.015"	±.015"
4.03 ±.1	±.015"	±.015"	±.015"
4.04 ±.1	±.015"	±.015"	±.015"
4.05 ±.1	±.015"	±.015"	±.015"
4.06 ±.1	±.015"	±.015"	±.015"
4.07 ±.1	±.015"	±.015"	±.015"
4.08 ±.1	±.015"	±.015"	±.015"
4.09 ±.1	±.015"	±.015"	±.015"
4.10 ±.1	±.015"	±.015"	±.015"
4.11 ±.1	±.015"	±.015"	±.015"
4.12 ±.1	±.015"	±.015"	±.015"
4.13 ±.1	±.015"	±.015"	±.015"
4.14 ±.1	±.015"	±.015"	±.015"
4.15 ±.1	±.015"	±.015"	±.015"
4.16 ±.1	±.015"	±.015"	±.015"
4.17 ±.1	±.015"	±.015"	±.015"
4.18 ±.1	±.015"	±.015"	±.015"
4.19 ±.1	±.015"	±.015"	±.015"
4.20 ±.1	±.015"	±.015"	±.015"
4.21 ±.1	±.015"	±.015"	±.015"
4.22 ±.1	±.015"	±.015"	±.015"
4.23 ±.1	±.015"	±.015"	±.015"
4.24 ±.1	±.015"	±.015"	±.015"
4.25 ±.1	±.015"	±.015"	±.015"
4.26 ±.1	±.015"	±.015"	±.015"
4.27 ±.1	±.015"	±.015"	±.015"
4.28 ±.1	±.015"	±.015"	±.015"
4.29 ±.1	±.015"	±.015"	±.015"
4.30 ±.1	±.015"	±.015"	±.015"
4.31 ±.1	±.015"	±.015"	±.015"
4.32 ±.1	±.015"	±.015"	±.015"
4.33 ±.1	±.015"	±.015"	±.015"
4.34 ±.1	±.015"	±.015"	±.015"
4.35 ±.1	±.015"	±.015"	±.015"
4.36 ±.1	±.015"	±.015"	±.015"
4.37 ±.1	±.015"	±.015"	±.015"
4.38 ±.1	±.015"	±.015"	±.015"
4.39 ±.1	±.015"	±.015"	±.015"
4.40 ±.1	±.015"	±.015"	±.015"
4.41 ±.1	±.015"	±.015"	±.015"
4.42 ±.1	±.015"	±.015"	±.015"
4.43 ±.1	±.015"	±.015"	±.015"
4.44 ±.1	±.015"	±.015"	±.015"
4.45 ±.1	±.015"	±.015"	±.015"
4.46 ±.1	±.015"	±.015"	±.015"
4.47 ±.1	±.015"	±.015"	±.015"
4.48 ±.1	±.015"	±.015"	±.015"
4.49 ±.1	±.015"	±.015"	±.015"
4.50 ±.1	±.015"	±.015"	±.015"
4.51 ±.1	±.015"	±.015"	±.015"
4.52 ±.1	±.015"	±.015"	±.015"
4.53 ±.1	±.015"	±.015"	±.015"
4.54 ±.1	±.015"	±.015"	±.015"
4.55 ±.1	±.015"	±.015"	±.015"
4.56 ±.1	±.015"	±.015"	±.015"
4.57 ±.1	±.015"	±.015"	±.015"
4.58 ±.1	±.015"	±.015"	±.015"
4.59 ±.1	±.015"	±.015"	±.015"
4.60 ±.1	±.015"	±.015"	±.015"
4.61 ±.1	±.015"	±.015"	±.015"
4.62 ±.1	±.015"	±.015"	±.015"
4.63 ±.1	±.015"	±.015"	±.015"
4.64 ±.1	±.015"	±.015"	±.015"
4.65 ±.1	±.015"	±.015"	±.015"
4.66 ±.1	±.015"	±.015"	±.015"
4.67 ±.1	±.015"	±.015"	±.015"
4.68 ±.1	±.015"	±.015"	±.015"
4.69 ±.1	±.015"	±.015"	±.015"
4.70 ±.1	±.015"	±.015"	±.015"
4.71 ±.1	±.015"	±.015"	±.015"
4.72 ±.1	±.015"	±.015"	±.015"
4.73 ±.1	±.015"	±.015"	±.015"
4.74 ±.1	±.015"	±.015"	±.015"
4.75 ±.1	±.015"	±.015"	±.015"
4.76 ±.1	±.015"	±.015"	±.015"
4.77 ±.1	±.015"	±.015"	±.015"
4.78 ±.1	±.015"	±.015"	±.015"
4.79 ±.1	±.015"	±.015"	±.015"
4.80 ±.1	±.015"	±.015"	±.015"
4.81 ±.1	±.015"	±.015"	±.015"
4.82 ±.1	±.015"	±.015"	±.015"
4.83 ±.1	±.015"	±.015"	±.015"
4.84 ±.1	±.015"	±.015"	±.015"
4.85 ±.1	±.015"	±.015"	±.015"
4.86 ±.1	±.015"	±.015"	±.015"
4.87 ±.1	±.015"	±.015"	±.015"
4.88 ±.1	±.015"	±.015"	±.015"
4.89 ±.1	±.015"	±.015"	±.015"
4.90 ±.1	±.015"	±.015"	±.015"
4.91 ±.1	±.015"	±.015"	±.015"
4.92 ±.1	±.015"	±.015"	±.015"
4.93 ±.1	±.015"	±.015"	±.015"
4.94 ±.1	±.015"	±.015"	±.015"
4.95 ±.1	±.015"	±.015"	±.015"
4.96 ±.1	±.015"	±.015"	±.015"
4.97 ±.1	±.015"	±.015"	±.015"
4.98 ±.1	±.015"	±.015"	±.015"
4.99 ±.1	±.015"	±.015"	±.015"
5.00 ±.1	±.015"	±.015"	±.015"

LINE	ITEM	DOCUMENT NUMBER	PART NUMBER	DESCRIPTION	QUANTITY PER VARIATION
1	1	C-IA-BC168-0-0	BC168-15	BC05L-15 MODIFIED FOR PRESSPIN B	2
2	2	SEE NOTE	9009087-00	FOAM, TAPE, SINGLE SIDED 1/8 THK	400
3	3		3616073-00	LABEL, ID W/COPY VERTICAL	1
4	4		9007032-00	TIE, CABLE BUNDL. DIA 0-1-3/4"=101	12

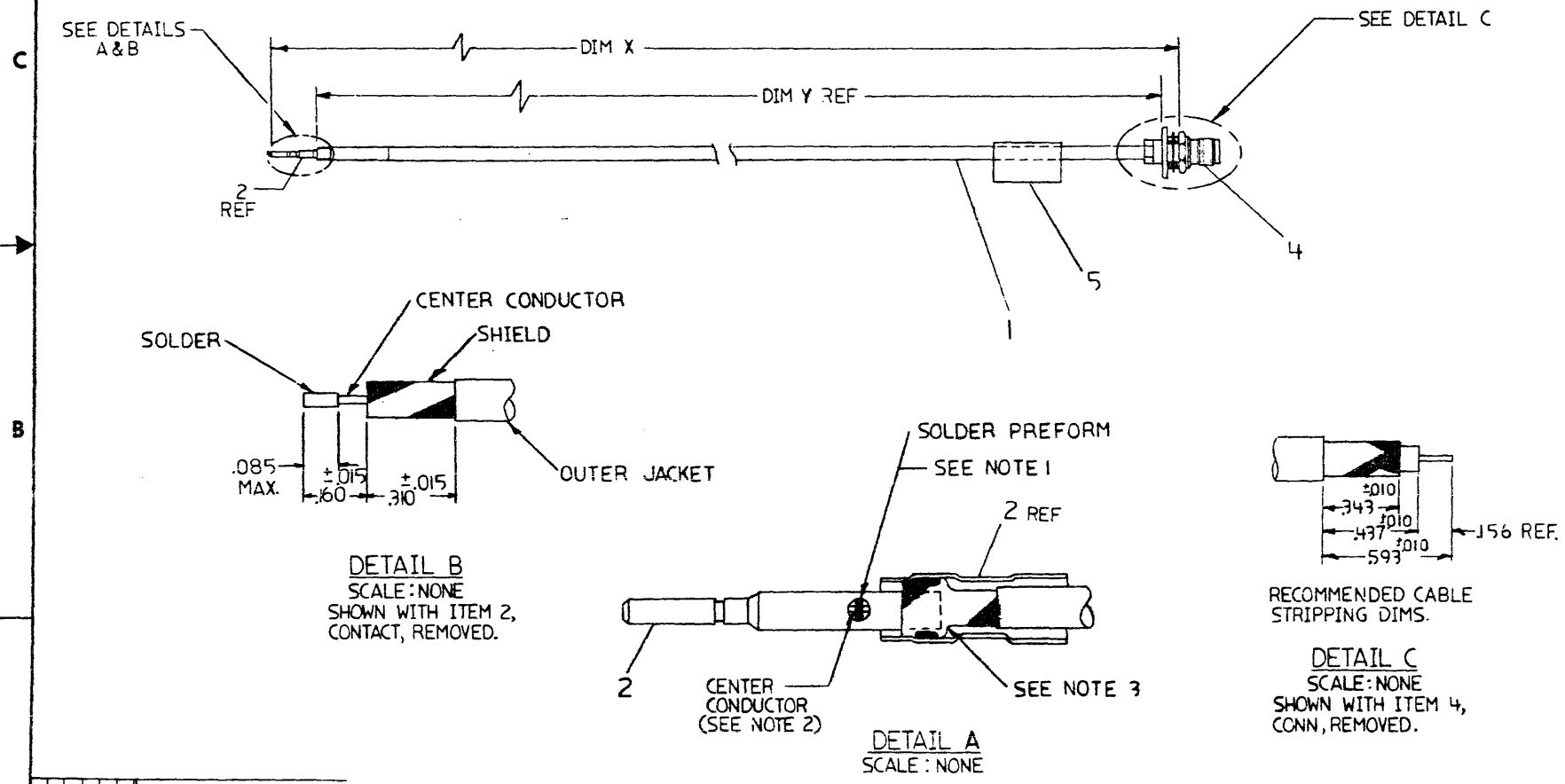
5 NOTE: QTY OF ITEM 2 IS IN INCHES

REVISION HISTORY		BASIC PART NO: 7-19602		DRN: R. J. RILEY	DATE: 19-MAY-83	D I G I T A L				
ENG	ECO NUMBER	REV	SECTION A OF A	CHK'D: R. J. RILEY	DATE: 19-MAY-83	TITLE PARTS LIST				
	INITIAL	A	SECTION VARIATION INDEX			HARNES ASSEMBLY (CIPA BUS)				
			[A] 00	DES. ENG.: R. EDGAR	DATE: 19-MAY-83	DOCUMENT NUMBER				
			[B]	RESP. ENG.: R. EDGAR	DATE: 19-MAY-83	SIZE	CODE	NUMBER	REV	
			[C]	MFG. ENG.: B. NEUMANN	DATE: 19-MAY-83	K	PL	7019602-0-DBP	A	
			[D]	ASSEMBLY NUMBER:	TOP DOCUMENT NUMBER:	FILE NAME:			EDIT #	
			[E]	E-UA-7019602-0-0		Z5479A.PLS			6	
			[F]	"THIS DRAWING AND SPECIFICATIONS HEREIN, ARE THE PROPERTY OF DIGITAL EQUIPMENT CORPORATION AND SHALL NOT BE REPRODUCED OR COPIED OR USED IN WHOLE OR IN PART AS THE BASIS FOR THE MANUFACTURE OR SALE OF ITEMS WITHOUT WRITTEN PERMISSION. COPYRIGHT (C) 1983. DIGITAL EQUIPMENT CORPORATION "						

THIS DRAWING AND SPECIFICATIONS HEREBY ARE THE PROPERTY OF DIGITAL EQUIPMENT CORPORATION AND SHALL NOT BE REPRODUCED OR TRANSMITTED IN ANY FORM OR BY ANY MEANS FOR THE MANUFACTURE OR SALE OF ITEMS WITHOUT WRITTEN PERMISSION. COPYRIGHT © 1981 DIGITAL EQUIPMENT CORPORATION

NUMBER	DIM X VARIATION	DIM Y (PRECUT) REF
708526-1A	1 FT. 1 IN. ± 1.0 IN.	1 FT. 0 IN. ± 1.0 IN.
708526-2A	2 FT. 1 IN. ± 1.0 IN.	2 FT. 0 IN. ± 1.0 IN.
708526-3A	3 FT. 1 IN. ± 1.0 IN.	3 FT. 0 IN. ± 1.0 IN.
708526-4A	4 FT. 1 IN. ± 1.0 IN.	4 FT. 0 IN. ± 1.0 IN.
708526-5A	5 FT. 1 IN. ± 1.0 IN.	5 FT. 0 IN. ± 2.0 IN.
708526-6A	6 FT. 1 IN. ± 1.0 IN.	6 FT. 0 IN. ± 2.0 IN.
708526-7A	7 FT. 1 IN. ± 2.0 IN.	7 FT. 0 IN. ± 2.0 IN.
708526-8A	8 FT. 1 IN. ± 2.0 IN.	8 FT. 0 IN. ± 2.0 IN.

- NOTES:
1. SOLDER PREFORM IS PART OF ITEM 2.
 2. CENTER CONDUCTOR TO PASS THRU SOLDER PREFORM OF ITEM 2.
 3. SHIELD TO BE FLARED BEFORE ASSY TO ITEM 2 & SMOOTHED OVER AFTER.



DETAIL B
SCALE: NONE
SHOWN WITH ITEM 2,
CONTACT, REMOVED.

DETAIL A
SCALE: NONE

RECOMMENDED CABLE
STRIPPING DIMS.

DETAIL C
SCALE: NONE
SHOWN WITH ITEM 4,
CONN. REMOVED.

CAUTION: SEE OFF SHEETS PARTS LIST
K-PL-7018526-0-DBP (Z2284B)

REV	DESCRIPTION
1	7018526-0-DBP (Z2284B)
2	REVISED TO 7018526-0-DBP (Z2284B)
3	REVISED TO 7018526-0-DBP (Z2284B)

DESCRIPTION	DWG. PART NO.	ITEM NO.
UNLESS OTHERWISE SPECIFIED DIMENSIONS ARE IN INCHES		
ANGLES 30° 30'	CLASS OF ACCURACY	NOMINAL DIMENSION RANGE INCHES
SURFACE QUALITY IN	CHECK ONE	OVER 15.0 TO 30.0 OVER 3.0 TO 15.0 OVER 0.5 TO 3.0 OVER 0.1 TO 0.5
QUANTITY & VARIATION	MEDIUM	1.004 1.006 1.008 1.010 1.004 1.004
THIRD ANGLE PROJECTION	PREFERRED	1.012 1.014 1.016 1.018 1.020 1.022
DRN. <i>J. P. Sullivan</i> 12/28/81	FIRST USED ON	C1780 digital
CHK'D <i>J. P. Sullivan</i> 12/28/81	TITLE	CABLE ASSY (C1780)
ENG. <i>Z. C. D. ...</i> 12/28/81	MATERIAL	SEE PARTS LIST
PROL. ENG. <i>J. P. Sullivan</i> 12/28/81	SCALE	NONE
PROD. <i>J. P. Sullivan</i> 12/28/81	SIZE	D IA
DO NOT SCALE DWG	NEXT HIGHER ASSY.	NUMBER
FINISH	CAD-7018527-0-0	7018526-0-0
	SHEET 1 OF 1	REV B

AUTOMATED BY PRTLST.4Q(50)

P A R T S L I S T

SHEET A1 OF A1

LINE	ITEM	DOCUMENT NUMBER	PART NUMBER	DESCRIPTION	QUANTITY PER VARIATION							
					1A	2A	3A	4A	5A	6A	7A	8A
1	1		1700278-00	CABLE,COAX 01COND 20AWG BRAIDSHL	1	1	1	1	1	1	1	1
2	2		1218505-00	CONN,COAX RG58 JACK SOLD	1	1	1	1	1	1	1	1
3	4		1217991-00	CONN,COAX TNC RG58 JACK	1	1	1	1	1	1	1	1
4	5	A-PS-3616073-0-0	3616073-00	LABEL,ID W/COPY VERTICAL	1	1	1	1	1	1	1	1

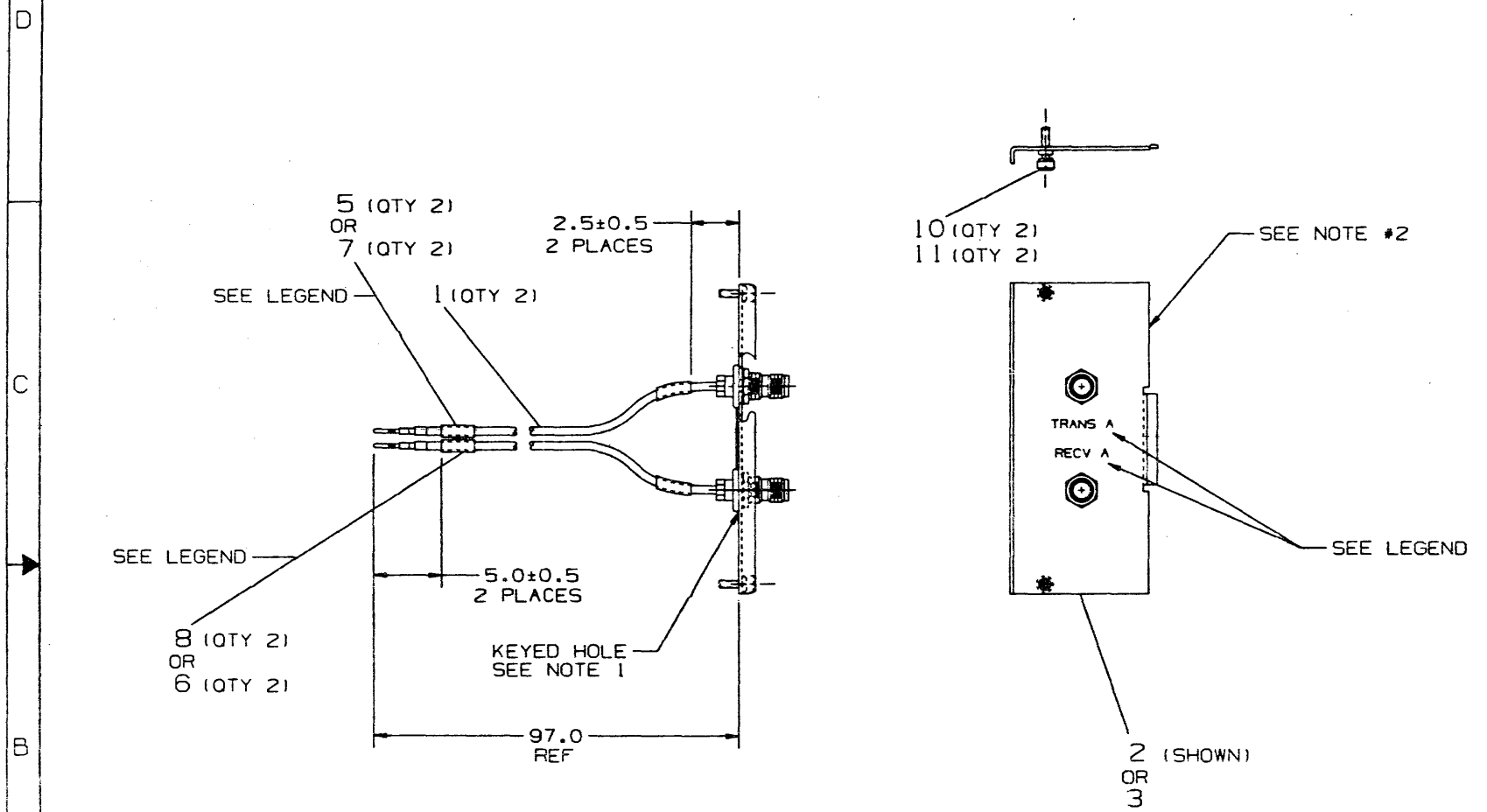
REVISION HISTORY		BASIC PART NO: 7018526		DRN:	S. CHARTIER	DATE:	24-SEP-81	D I G I T A L			
ENG	ECO NUMBER	REV	SECTION A OF A	CHK'D:	J. SULLIVAN	DATE:	24-SEP-81	TITLE PARTS LIST			
	INITIAL	A	SECTION VARIATION INDEX					CABLE ASSY(CI780)			
RN	7018526-TW001	B	[A] 1A,2A,3A,4A,5A,6A, 7A,8A	DES.ENG.:	R. NUEBLING	DATE:	24-SEP-81	DOCUMENT NUMBER			
			[B]	RESP.ENG.:	R. CASABONA	DATE:	24-SEP-81	SIZE	CODE	NUMBER	REV
			[C]	MFG.ENG.:	M. WARSHAW	DATE:	24-SEP-81	K	PL	7018526-0-DBP	B
			[D]	ASSEMBLY NUMBER:	D-IA-7018526-0-0	TOP DOCUMENT NUMBER:	E-UA-CI780-0-0	FILE NAME:		Z22848.PLS	EDIT #
			[E]								15
			[F]								

"THIS DRAWING AND SPECIFICATIONS HEREIN, ARE THE PROPERTY OF DIGITAL EQUIPMENT CORPORATION AND SHALL NOT BE REPRODUCED OR COPIED OR USED IN WHOLE OR IN PART AS THE BASIS FOR THE MANUFACTURE OR SALE OF ITEMS WITHOUT WRITTEN PERMISSION. COPYRIGHT (C) 1983. DIGITAL EQUIPMENT CORPORATION "

THIS DRAWING AND SPECIFICATIONS, HEREIN, ARE THE PROPERTY OF DIGITAL EQUIPMENT CORPORATION AND SHALL NOT BE REPRODUCED OR COPIED OR USED IN WHOLE OR IN PART AS THE BASIS FOR THE MANUFACTURE OR SALE OF ITEMS WITHOUT WRITTEN PERMISSION.
 COPYRIGHT © 1983 DIGITAL EQUIPMENT CORPORATION

LEGEND			
PART NO.	REV	VARIATION	LABELS
7020752-01	B2	T/R A (SILKSCREEN)	ITEM 5 (TA), ITEM 6 (RA)
7020752-02	B2	T/R B (SILKSCREEN)	ITEM 7 (TB), ITEM 8 (RB)

NOTES:
 1. FLAT ON CONNECTOR FITS INTO KEYED HOLE.
 2. PACKAGE IN ITEM #9.



LAYER #3: FORMAT LAYER
 LAYER #2: WORK LAYER
 LAYER #1: INFORMATION LAYER
 PLOT AT 1.00

CAUTION: OFF SHEET PARTS LIST EXISTS, REFER TO K-PL-7020752-0-DBP. (Z6710)

REV.	CHANGE NO.	INITIALS
A	1	INITIAL A
B	1	A. HAYNES 30DEC84
C	1	B. MARTIN 30DEC84
D	1	C. SENECALE 09APR85
E	1	B. MARTIN 09APR85

QUANTITY & VARIATION	DESCRIPTION	DRAWING NO.	PART NO.	ITEM NO.
E-1A-7020447-0-DBU <td colspan="4">UNLESS OTHERWISE SPECIFIED DIMENSIONS ARE IN INCHES AND THE FOLLOWING TOLERANCES APPLY (PER DEC STD 114)</td>	UNLESS OTHERWISE SPECIFIED DIMENSIONS ARE IN INCHES AND THE FOLLOWING TOLERANCES APPLY (PER DEC STD 114)			
	DIMENSION RANGE IN INCHES			
	OVER 0.1	OVER 0.2	OVER 0.3	OVER 0.5
	±.02	±.03	±.04	±.05
	±.01	±.02	±.03	±.04
	±.02	±.03	±.04	±.05
	±.03	±.04	±.05	±.06
	±.04	±.05	±.06	±.07
	±.05	±.06	±.07	±.08
	±.06	±.07	±.08	±.09
	±.07	±.08	±.09	±.10
	±.08	±.09	±.10	±.11
	±.09	±.10	±.11	±.12
	±.10	±.11	±.12	±.13
	±.11	±.12	±.13	±.14
	±.12	±.13	±.14	±.15
	±.13	±.14	±.15	±.16
	±.14	±.15	±.16	±.17
	±.15	±.16	±.17	±.18
	±.16	±.17	±.18	±.19
	±.17	±.18	±.19	±.20
	±.18	±.19	±.20	±.21
	±.19	±.20	±.21	±.22
	±.20	±.21	±.22	±.23
	±.21	±.22	±.23	±.24
	±.22	±.23	±.24	±.25
	±.23	±.24	±.25	±.26
	±.24	±.25	±.26	±.27
	±.25	±.26	±.27	±.28
	±.26	±.27	±.28	±.29
	±.27	±.28	±.29	±.30
	±.28	±.29	±.30	±.31
	±.29	±.30	±.31	±.32
	±.30	±.31	±.32	±.33
	±.31	±.32	±.33	±.34
	±.32	±.33	±.34	±.35
	±.33	±.34	±.35	±.36
	±.34	±.35	±.36	±.37
	±.35	±.36	±.37	±.38
	±.36	±.37	±.38	±.39
	±.37	±.38	±.39	±.40
	±.38	±.39	±.40	±.41
	±.39	±.40	±.41	±.42
	±.40	±.41	±.42	±.43
	±.41	±.42	±.43	±.44
	±.42	±.43	±.44	±.45
	±.43	±.44	±.45	±.46
	±.44	±.45	±.46	±.47
	±.45	±.46	±.47	±.48
	±.46	±.47	±.48	±.49
	±.47	±.48	±.49	±.50
	±.48	±.49	±.50	±.51
	±.49	±.50	±.51	±.52
	±.50	±.51	±.52	±.53
	±.51	±.52	±.53	±.54
	±.52	±.53	±.54	±.55
	±.53	±.54	±.55	±.56
	±.54	±.55	±.56	±.57
	±.55	±.56	±.57	±.58
	±.56	±.57	±.58	±.59
	±.57	±.58	±.59	±.60
	±.58	±.59	±.60	±.61
	±.59	±.60	±.61	±.62
	±.60	±.61	±.62	±.63
	±.61	±.62	±.63	±.64
	±.62	±.63	±.64	±.65
	±.63	±.64	±.65	±.66
	±.64	±.65	±.66	±.67
	±.65	±.66	±.67	±.68
	±.66	±.67	±.68	±.69
	±.67	±.68	±.69	±.70
	±.68	±.69	±.70	±.71
	±.69	±.70	±.71	±.72
	±.70	±.71	±.72	±.73
	±.71	±.72	±.73	±.74
	±.72	±.73	±.74	±.75
	±.73	±.74	±.75	±.76
	±.74	±.75	±.76	±.77
	±.75	±.76	±.77	±.78
	±.76	±.77	±.78	±.79
	±.77	±.78	±.79	±.80
	±.78	±.79	±.80	±.81
	±.79	±.80	±.81	±.82
	±.80	±.81	±.82	±.83
	±.81	±.82	±.83	±.84
	±.82	±.83	±.84	±.85
	±.83	±.84	±.85	±.86
	±.84	±.85	±.86	±.87
	±.85	±.86	±.87	±.88
	±.86	±.87	±.88	±.89
	±.87	±.88	±.89	±.90
	±.88	±.89	±.90	±.91
	±.89	±.90	±.91	±.92
	±.90	±.91	±.92	±.93
	±.91	±.92	±.93	±.94
	±.92	±.93	±.94	±.95
	±.93	±.94	±.95	±.96
	±.94	±.95	±.96	±.97
	±.95	±.96	±.97	±.98
	±.96	±.97	±.98	±.99
	±.97	±.98	±.99	±.100
	±.98	±.99	±.100	±.101
	±.99	±.100	±.101	±.102
	±.100	±.101	±.102	±.103
	±.101	±.102	±.103	±.104
	±.102	±.103	±.104	±.105
	±.103	±.104	±.105	±.106
	±.104	±.105	±.106	±.107
	±.105	±.106	±.107	±.108
	±.106	±.107	±.108	±.109
	±.107	±.108	±.109	±.110
	±.108	±.109	±.110	±.111
	±.109	±.110	±.111	±.112
	±.110	±.111	±.112	±.113
	±.111	±.112	±.113	±.114
	±.112	±.113	±.114	±.115
	±.113	±.114	±.115	±.116
	±.114	±.115	±.116	±.117
	±.115	±.116	±.117	±.118
	±.116	±.117	±.118	±.119
	±.117	±.118	±.119	±.120
	±.118	±.119	±.120	±.121
	±.119	±.120	±.121	±.122
	±.120	±.121	±.122	±.123
	±.121	±.122	±.123	±.124
	±.122	±.123	±.124	±.125
	±.123	±.124	±.125	±.126
	±.124	±.125	±.126	±.127
	±.125	±.126	±.127	±.128
	±.126	±.127	±.128	±.129
	±.127	±.128	±.129	±.130
	±.128	±.129	±.130	±.131
	±.129	±.130	±.131	±.132
	±.130	±.131	±.132	±.133
	±.131	±.132	±.133	±.134
	±.132	±.133	±.134	±.135
	±.133	±.134	±.135	±.136
	±.134	±.135	±.136	±.137
	±.135	±.136	±.137	±.138
	±.136	±.137	±.138	±.139
	±.137	±.138	±.139	±.140
	±.138	±.139	±.140	±.141
	±.139	±.140	±.141	±.142
	±.140	±.141	±.142	±.143
	±.141	±.142	±.143	±.144
	±.142	±.143	±.144	±.145
	±.143	±.144	±.145	±.146
	±.144	±.145	±.146	±.147
	±.145	±.146	±.147	±.148
	±.146	±.147	±.148	±.149
	±.147	±.148	±.149	±.150
	±.148	±.149	±.150	±.151
	±.149	±.150	±.151	±.152
	±.150	±.151	±.152	±.153
	±.151	±.152	±.153	±.154
	±.152	±.153	±.154	±.155
	±.153	±.154	±.155	±.156
	±.154	±.155	±.156	±.157
	±.155	±.156	±.157	±.158
	±.156	±.157	±.158	±.159
	±.157	±.158	±.159	±.160
	±.158	±.159	±.160	±.161
	±.159	±.160	±.161	±.162
	±.160	±.161	±.162	±.163
	±.161	±.162	±.163	±.164
	±.162	±.163	±.164	±.165
	±.163	±.164	±.165	±.166
	±.164	±.165	±.166	±.167
	±.165	±.166	±.167	±.168
	±.166	±.167	±.168	±.169
	±.167	±.168	±.169	±.170
	±.168	±.169	±.170	±.171
	±.169	±.170	±.171	±.172
	±.170	±.171	±.172	±.173
	±.171	±.172	±.173	±.174
	±.172	±.173	±.174	±.175
	±.173	±.174	±.175	±.176
	±.174	±.175	±.176	±.177
	±.175	±.176	±.177	±.178
	±.176	±.177	±.178	±.179
	±.177	±.178	±.179	±.180
	±.178	±.179	±.180	±.181
	±.179	±.180	±.181	±.182
	±.180	±.181	±.182	±.183
	±.181	±.182	±.183	±.184
	±.182	±.183	±.184	±.185
	±.183	±.184	±.185	±.186
	±.184	±.185	±.186	±.187
	±.185	±.186	±.187	±.188
	±.186	±.187	±.188	±.189
	±.187	±.188	±.189	±.190
	±.188	±.189	±.190	±.191
	±.189	±.190	±.191	±.192
	±.190	±.191	±.192	±.193
	±.191	±.192	±.193	±.194
	±.192	±.193	±.194	±.195
	±.193	±.194	±.195	±.196
	±.194	±.195	±.196	±.197
	±.195	±.196	±.197	±.198
	±.196	±.197	±.198	±.199
	±.197	±.198	±.199	±.200
	±.198	±.199	±.200	±.201
	±.199	±.200	±.201	±.202
	±.200	±.201	±.202	±.203
	±.201	±.202	±.203	±.204
	±.202	±.203	±.204	±.205
	±.203	±.204	±.205	±.206
	±.204	±.205	±.206	

LINE	ITEM	TOP DOCUMENT	PART NUMBER	MIN REV	DESCRIPTION	QTY PER VARIATION	
						01	02
					VARIATION REVISION LEVEL:	B1	B1
1	1	D-IA-7018526-0-0	7018526-8A		BULK HEAD CABLE CI780	2	2
2	2	D-IA-7426407-26-DBU	7426407-26		PANEL, DOUBLE (P/RA)	1	-
3	3	D-IA-7426407-27-DBU	7426407-27		PANEL, DOUBLE (P/RB)	-	1
4	4	A-PS-3616073-0-0	3616073-00		*** THIS ITEM IS NOT USED ***	-	-
5	5		9107840-00		TUBING, SHRINK HOT STAMP YEL-BLK	2	-
6	6		9107840-01		TUBING, SHRINK HOT STAMP YEL-BLK	2	-
7	7		9107840-02		TUBING, SHRINK HOT STAMP YEL-BLK	-	2
8	8		9107840-03		TUBING, SHRINK HOT STAMP YEL-BLK	-	2
9	9		9906557-01		BAG, POLY RECLOSE 2 MIL THK WRIT	1	1
10	10		1219534-01		SCREW, CAPTV SLOT 4-	2	2
11	11		9006688-00		WASHER, HELICAL SPLIT SST	2	2

REVISION HISTORY			BASIC PART NO: 7020752		DRN:	DATE:	D I G I T A L			
ENG:	ECO NUMBER	REV	SECTION A OF A		K R KEEFE	21-MAR-83				
---	INITIAL	A	SECTION VARIATION INDEX		CHK'D:	21-MAR-83	TITLE PARTS LIST			
BM	7020752-TW001	B	(A)01,02		F HALLIDAY		CABLE SET ASSY (CI750)			
BM	7020752-LTN02	C	(B)		DES.ENG:	21-MAR-83	DOCUMENT NUMBER			
			(C)		B MONDOR		SIZE	CODE	NUMBER	REV
			(D)		RESP.ENG.:	21-MAR-83	K	PL	7020752-0-DBP	C
			(E)		MFG.ENG.:	21-MAR-83	RELEASE DATE: 01-MAY-85			
			(F)		ASSEMBLY NUMBER:	TOP DOCUMENT NUMBER:	FILE NAME:		EDIT #	
					D-AD-7020752-0-DBU	D-AD-7020752-0-DBU	Z6710C.PLS		12	

"THIS DRAWING AND THE SPECIFICATIONS CONTAINED HEREIN ARE CONFIDENTIAL AND PROPRIETARY. THEY ARE THE PROPERTY OF DIGITAL EQUIPMENT CORPORATION AND SHALL NOT BE REPRODUCED OR COPIED OR USED IN WHOLE OR IN PART AS THE BASIS FOR THE MANUFACTURE OR SALE OF ITEMS WITHOUT WRITTEN PERMISSION. THIS IS AN UNPUBLISHED WORK PROTECTED UNDER THE FEDERAL COPYRIGHT LAWS."

THIS DRAWING AND SPECIFICATIONS HERETO ARE THE PROPERTY OF THE U.S. AIR FORCE. IT IS TO BE USED ONLY FOR THE PURPOSES AUTHORIZED BY THE U.S. AIR FORCE. IT IS TO BE RETURNED TO THE U.S. AIR FORCE AT THE END OF THE PROJECT. IT IS TO BE DESTROYED AT THE END OF THE PROJECT.

REWORK INSTRUCTION:
WIRE ADDS SIDE I

- 0-1 FROM E17.3 TO E17.5
- 0-2 FROM PTH BELOW E146.7 TO E12.13
- 0-3 FROM E72.15 TO E142.10
- 0-4 FROM E29.17 TO E23.2
- 0-5 FROM E23.3 TO E4.13
- 0-6 FROM E28.18 TO E28.10
- 0-7 FROM E42.10 TO E29.10
- 0-8 FROM E9.13 TO E29.9
- 0-9 FROM E9.9 TO E29.8
- 0-10 FROM E41.9 TO E109.11
- 0-11 FROM E131.8 TO E41.12
- 0-12 FROM E132.11 TO E132.13
- 0-13 FROM E101.5 TO E121.3
- 0-14 FROM E116.3 TO E116.2
- 0-15 FROM E152.1 TO E108.4
- 0-16 FROM E152.2 TO E108.6
- 0-17 FROM E152.20 TO E152.19

COMPONENT ADDS: SIDE I

- 0-20 FROM E152.1 TO E152.20 (D2, 11-00114-00)
- 0-21 FROM E152.2 TO E152.19 (D1, 11-00114-00)

COMPONENT DELETES

- 0-30 DELETE RI2

J
H
F
E
D
C
B
A

J
H
F
E
D
C
B
A

DATE	BY	REVISION

TITLE	CC
SCALE	
SHEET	2
OF	2

11-000970-0 A

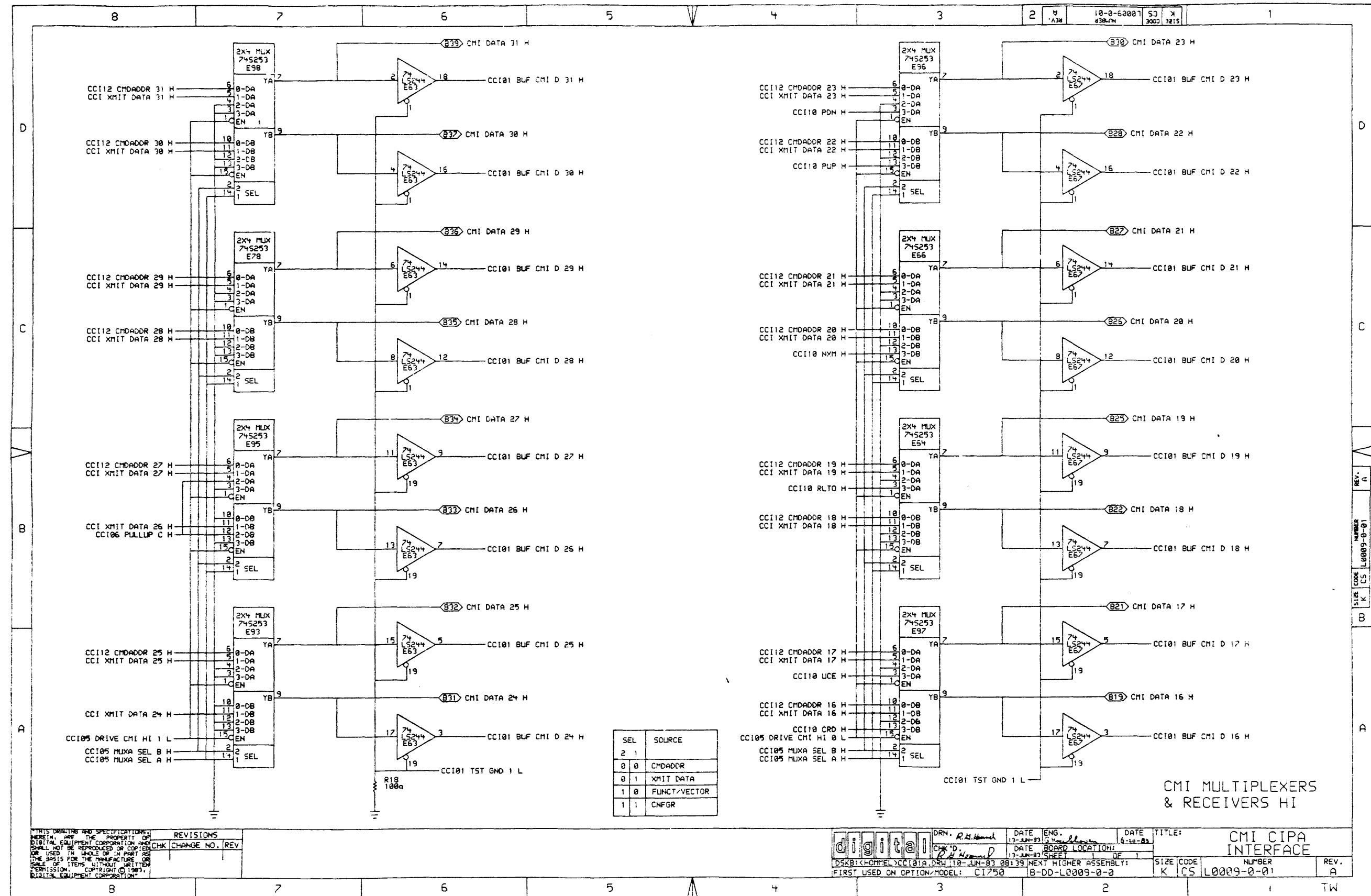
LINE	ITEM	TOP DOCUMENT	PART NUMBER	MIN REV	DESCRIPTION	QTY	PER VARIATION	REFERENCE DESIGNATOR
1	1	D-MD-5015556-0-0	5015556-00		ETCH CUT BOARD	1		
2	53	BLANK			*** THIS ITEM IS NOT USED ***	-		
3	57		1012784-00		.047 MFD 50V +80-20% CER	60		C1,C8-C66
4	56		1017472-00		10 MFD 35V +50-10% AL EL	6		C2-C7
5	22		1318784-00		R NETWORK MULTI-VALUE 16PIN	1		E31
6	60		1216988-02		HANDLE,MODULE,HEX TWO EJECTORS	1		
7	55		1300005-01		R NETWORK 13-1K 5.0 % 14PIN	1		E16
8	47		1300229-00		100.0 .25 W 5.0 % CF	4		R1,R15,R18,R20
9	48		1300250-00		150.0 .25 W 5.0 % CF	4		R3,R4,R5,R6
10	49		1302379-00		75.0 .25 W 5.0 % CF	4		R7,R11,R21,R22
11	51		1305125-00		383.0 .25 W 1.0 % RN55D-F10	1		R9
12	50		1311422-00		178.0 .25 W 1.0 % RN55D-F10	2		R8,R10
13	39		1312628-00		R NETWORK 14-176.5 14-375 16PIN	3		E108,E123,E138
14	52		1503121-00		2N 2369 NPN 350MW SI N	1		Q1
15	29		1616653-01		DELAY= 100NS,10TAPS WITH TTLBU	2		E46,E160
16	23		1909705-00		DEC 8881 NAND GATE-QUAD 2IN 0	2		E32,E146
17	9		1910532-00		74S00 NAND GATE-QUAD 2IN	4		E11,E44,E137,E163
18	17		1910534-00		74S04 INVERTER GATE-HEX 1I	4		E24,E129,E132,E161
19	13		1910535-00		74S05 INVERTER GATE-HEX 1	1		E17
20	10		1910536-00		74S10 NAND GATE-TRIPLE 3IN	4		E13,E54,E112,E136
21	2		1910537-00		74S11 AND GATE-TRIPLE 3INP	3		E2,E12,E149
22	27		1910544-00		74S74 FF-D DUAL,EDGE TRIGG	1		E41
23	28		1910545-00		74S112 FF-JK DUAL,EDGE TRIG	3		E43,E106,E147
24	44		1910549-00		74S158 MUX 1 OF 2 (QUAD)	2		E142,E143
25	16		1910550-00		74S174 FF-D HEX	4		E23,E25,E27,E164
26	8		1910957-00		74S175 FF-D QUAD COMMON CLO	4		E9,E42,E72,E162
27	45		1911469-00	DEC	8640 RECEIVER,BUS,QUAD,U	1		E144
28	25		1911573-00		74S280 PARITY GEN/CHKR,9BIT	4		E38,E59,E103,E114
29	40		1911675-00		74S138 DECODER/DEMUX 3-8 LI	2		E115,E157
30	46		1911712-00		74S51 AND-OR GATE-INVERT D	1		E148

REVISION HISTORY			BASIC PART NO: L0009			DRN: D. SIREEN			DATE: 11-17-82			DIGITAL		
ENG	ECO NUMBER	REV	SECTION A OF A			CHK'D: E.T. GERRY			DATE: 11-17-82			TITLE PARTS LIST		
---	INITIAL	A	SECTION VARIATION INDEX			DES.ENG: G. KOECKHOVEN			DATE: 11-17-82			DOCUMENT NUMBER		
RE	L0009-TW001	B	[A]	00	RESP.ENG.: G. KOECKHOVEN			DATE: 11-17-82			SIZE	CODE	NUMBER	REV
			[B]		MFG.ENG.: BARRY NEWMANN			DATE: 20-JUN-83			K	PL	L0009-0-DBP	B
			[C]		ASSEMBLY NUMBER:			TOP DOCUMENT NUMBER:			RELEASE DATE: 18-APR-84			
			[D]		E-UA-L0009-0-0			B-DD-L0009-0-0			FILE NAME: Z3933B.PLS			
			[E]								EDIT #: 15			
			[F]											
			[G]											
			[H]											
			[I]											
			[J]											
			[K]											
			[L]											
			[M]											
			[N]											

"THIS DRAWING AND THE SPECIFICATIONS CONTAINED HEREIN ARE CONFIDENTIAL AND PROPRIETARY. THEY ARE THE PROPERTY OF DIGITAL EQUIPMENT CORPORATION AND SHALL NOT BE REPRODUCED OR COPIED OR USED IN WHOLE OR IN PART AS THE BASIS FOR THE MANUFACTURE OR SALE OF ITEMS WITHOUT WRITTEN PERMISSION. THIS IS AN UNPUBLISHED WORK PROTECTED UNDER THE FEDERAL COPYRIGHT LAWS."

LINE	ITEM	TOP DOCUMENT	PART NUMBER	MIN REV	DESCRIPTION	QTY	PER VARIATION	REFERENCE DESIGNATOR
					VARIATION REVISION LEVEL:	00		
						A2		
31	31		1912096-00		DEC 74S86 XOR GATE,QUAD 2IN	1		E55
32	4		1912388-00		74S02 NOR GATE-QUAD 2IN,PO	4		E4,E5,E116,E145
33	20		1912389-00		74S08 AND GATE-QUAD 2IN,PO	6		E29,E90,E128,E133,E150,E156
34	15		1912656-00		LS670 REGISTER FILE,4X4,LO	16		E20,E21,E22,E37,E52,F53,F57,E58, CONT E60,E70,E74,E85,E87,E89,E104, CONT E105
35	30		1912660-00		74S253 MUX 1 OF 4 (DUAL)	16		E47,E49,E50,E61,E64,E66,E78,E79, CONT E80,E81,E86,E93,E95,E96,E97,E98 CONT E101
36	38		1912746-00		DEC 74S37 NAND GATE-QUAD 2IN	1		E8
37	7		1912808-00		LS11 AND GATE-TRIPLE 3IN	1		E134
38	43		1912816-00		LS32 OR GATE-QUAD 2IN,POS	1		E122
39	41		1912820-00		LS51 A-O-I GATE 2-WIDE 2I	1		E75
40	33		1912824-00		LS74 FF-D DUAL,EDGE TRIGG	1		E33
41	24		1912829-00		LS86 X-OR GATE-QUAD 2IN	1		E40,E100,E120,E130
42	26		1912834-00		LS112 FF-JK,DUAL,EDGE TRIG	4		E14
43	11		1912842-00		LS138 DECODER-THREE INPUT,	1		E71,E82
44	32		1912854-00		LS193 COUNTER,SYNCHR,4BIT,	2		E77
45	35		1912863-00		LS273 FF-D OCTAL W/CLEAR	1		E91,E117,E135
46	36		1913340-00		74S32 OR GATE-QUAD 2IN	3		E126,E141
47	42		1913670-00		74S373 LATCH,8BIT TRANS TRI	2		E7,E18,E35,E48,E51,E68,E83
48	6		1913671-00		74S374 FF-D,OCTAL,TRI STATE	7		E76
49	34		1913777-00		LS240 DRIVER,LINE,OCTAL,T	1		E94,E109,E110,E111,E124,E125, CONT E139,E140,E153,E154
50	37		1913788-00		26S10 TRANSCEIVER,BUS,QUA	10		E3,E10,E131
51	3		1914085-00		74S260 NOR GATE-DUAL,POS	3		E19,E56,E73,E88,E99,E102
52	54		1914086-00		74S30 NAND GATE-POS 8IN	2		E45,E107,E151,E165
53	14		1914214-00		LS374 FF-D OCTAL EDGE TRIG	6		E6
54	21		1914451-00		LS393 COUNTER,BINARY,4BIT	4		E15,E34,E36,E62,E63,E65,E67,E69, CONT E84,E113,E127
55	5		1914845-00		2918 FF-D QUAD TRI-STATE	1		E28
56	12		1915193-00		LS244 DRIVER,LINE,OCTAL,T	11		E26
57	19		2309381-00		B1-01	1		E121
58	18		2309506-00		C6-01	1		W1
59	58		23053K5-00		K5-01	1		XE31
60	61		9000024-01		EYELET,ROLLED 0.1210DX0.192	12		XE28,XE121
61	59		9009185-00		JUMPER, WIRE, INSULATED, BLACK B	1		XE26
62	62		1215006-02		SKT,IC 16PIN DIP TIN SOLDER	1		E118,E119,E158,E159
63	63		1215006-04		SKT,IC 20PIN DIP TIN SOLDER	2		D1,D2
64	64		1215006-07		SKT,IC 28PIN DIP TIN SOLDER	1		E155
65	65		1910544-01		74S74-60GG-D DUAL,EDGE TRIG	4		
66	66		1100114-00		PIV= 25 IO=135 MA	2		
67	67		9105740-55		WIRE(WRAP) 30AWG KYNAR UL14	1		
68	68		1913671-50		74S374 FF-D,OCTAL,TRI STATE	1		

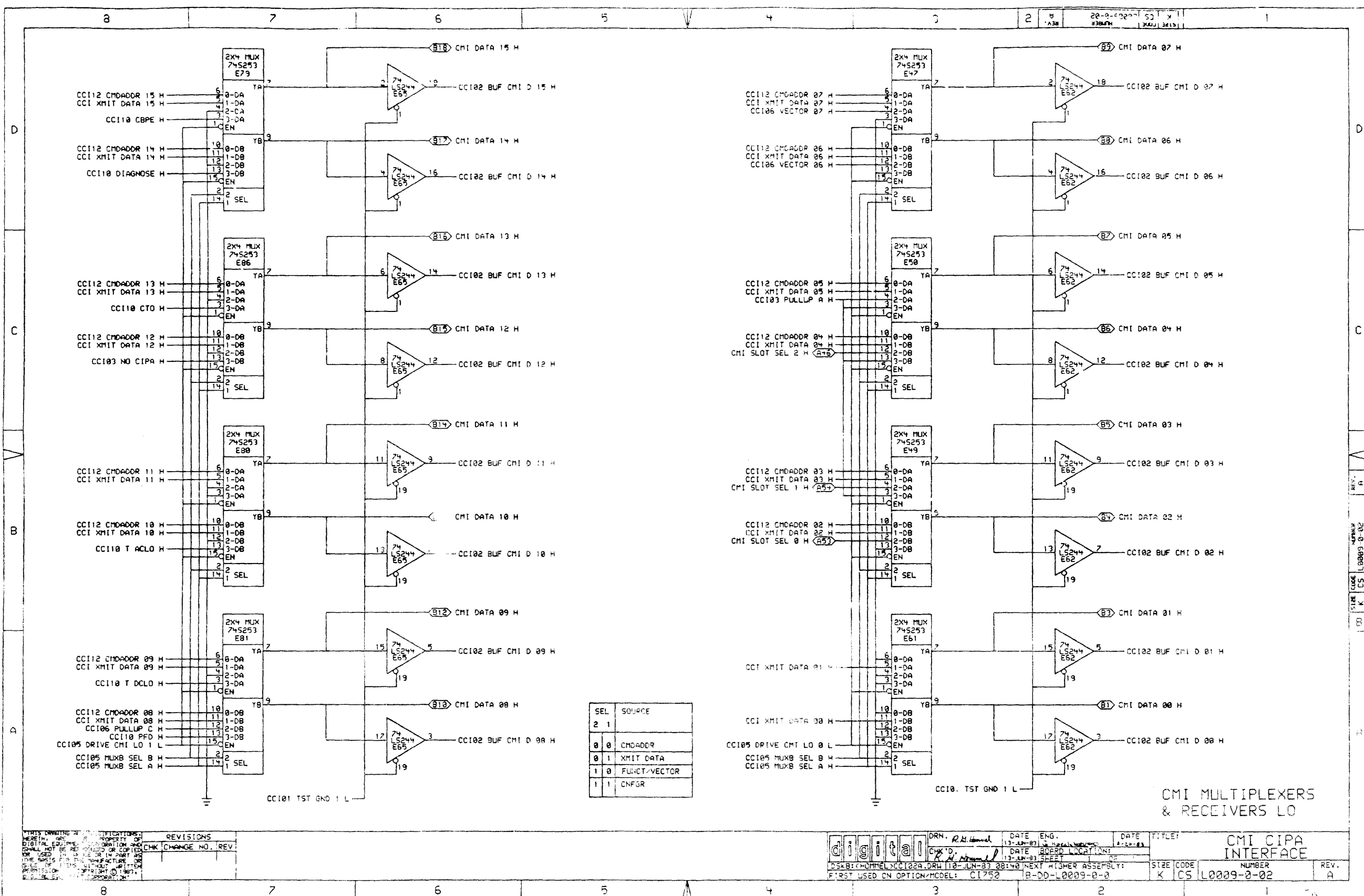
D	I	G	I	T	A	L	TITLE	C.C.I.	SECTION A	OF A	SIZE	CODE	DOCUMENT NUMBER	REV
											K	PL	L0009-0-DBP	B



SEL	SOURCE
0 0	CMDADDR
0 1	XMIT DATA
1 0	FUNCT/VECTOR
1 1	CNFGR

REV.	DATE	BY	DESCRIPTION
1			

digital DRN: R.H. Hummel DATE ENG: 12-22-81 DATE: 6-10-83
 CHK'D: R.H. Hummel DATE BOARD LOCATION: 17-JUN-83 SHEET 1 OF 1
 DSKB: <CHMEL>CC101A.DPL.1 18-JUN-83 08:39 NEXT HIGHER ASSEMBLY: B-DD-L0009-0-0
 FIRST USED ON OPTION/MODEL: CI750
 TITLE: CMI CIPA INTERFACE
 SIZE CODE: K CS L0009-0-01
 NUMBER: REV. A
 TW



THIS DRAWING IS THE PROPERTY OF DIGITAL EQUIPMENT CORPORATION AND SHALL NOT BE REPRODUCED OR COPIED IN ANY MANNER WITHOUT THE WRITTEN PERMISSION OF THE MANUFACTURER.

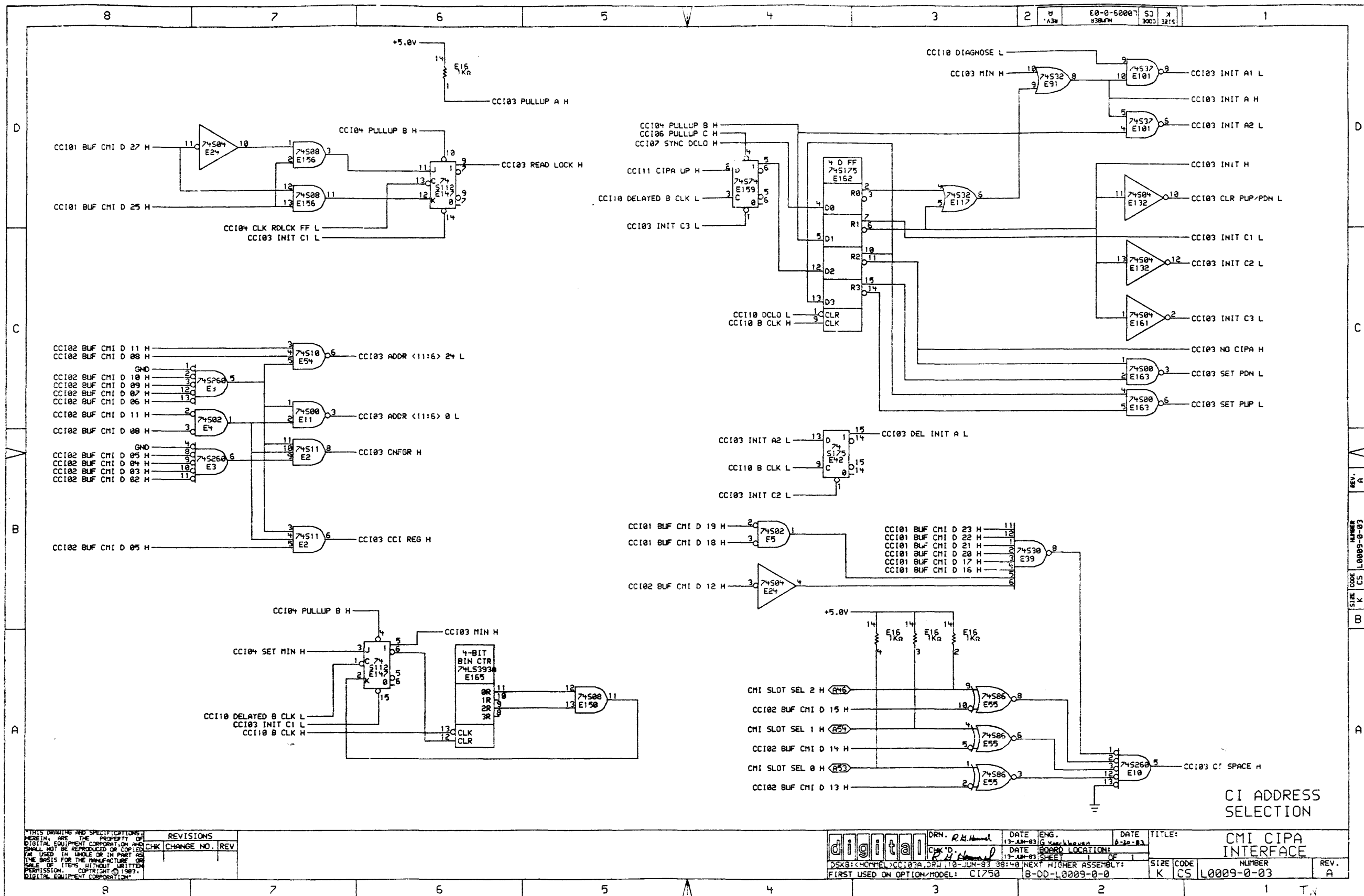
REVISIONS	CHK	CHANGE NO.	REV.

digit@l DRN: R.M. Howell DATE ENG. 13-JUN-83 DATE 8-20-83 TITLE: CMI CIPA INTERFACE

DATE BOARD LOCATION: 13-JUN-83 SHEET 1 OF 1

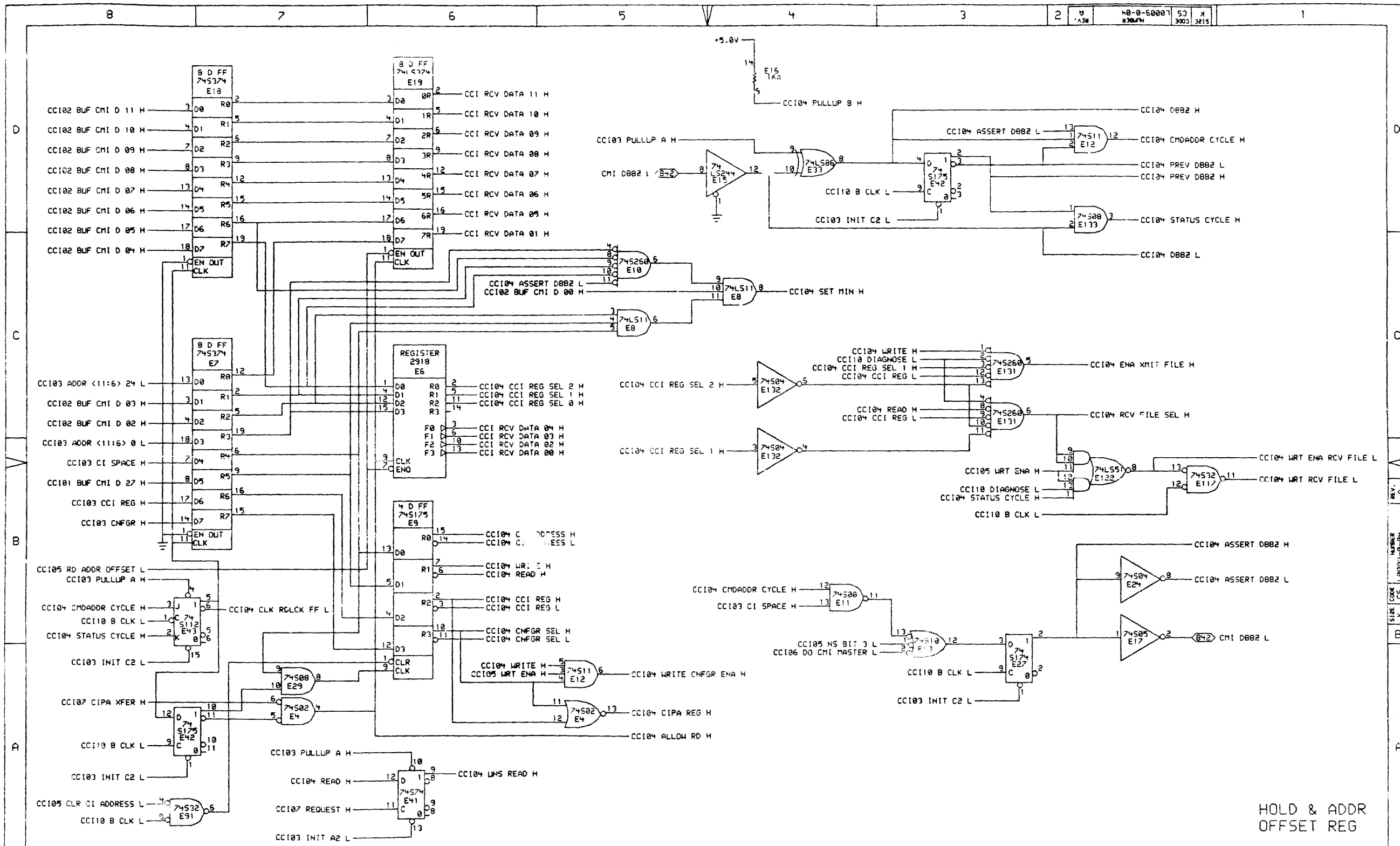
DSKB: HOMMEL CCI02A.DRW 118 JUN-83 08:48 NEXT HIGHER ASSEMBLY: B-DD-L0009-0-0

SIZE	CODE	NUMBER	REV.
K	CS	L0009-0-02	A



REV.	NO.	DATE	BY	CHK	CHANGE NO.	REV

DRN. R.H. Howard	DATE 13-JUN-83	ENG. G. Sauerhausen	DATE 6-22-83	TITLE: CMI CIP A INTERFACE
CK'D R.H. Howard	DATE 13-JUN-83	SHEET 1	DE 1	
DSKB: <HOMMEL> CCI03A.DRW 10-JUN-83 39:40			NEXT HIGHER ASSEMBLY: 18-DD-L0009-0-0	SIZE CODE NUMBER REV. K CS L0009-0-03 A
FIRST USED ON OPTION/MODEL: C1750				



HOLD & ADDR
OFFSET REG

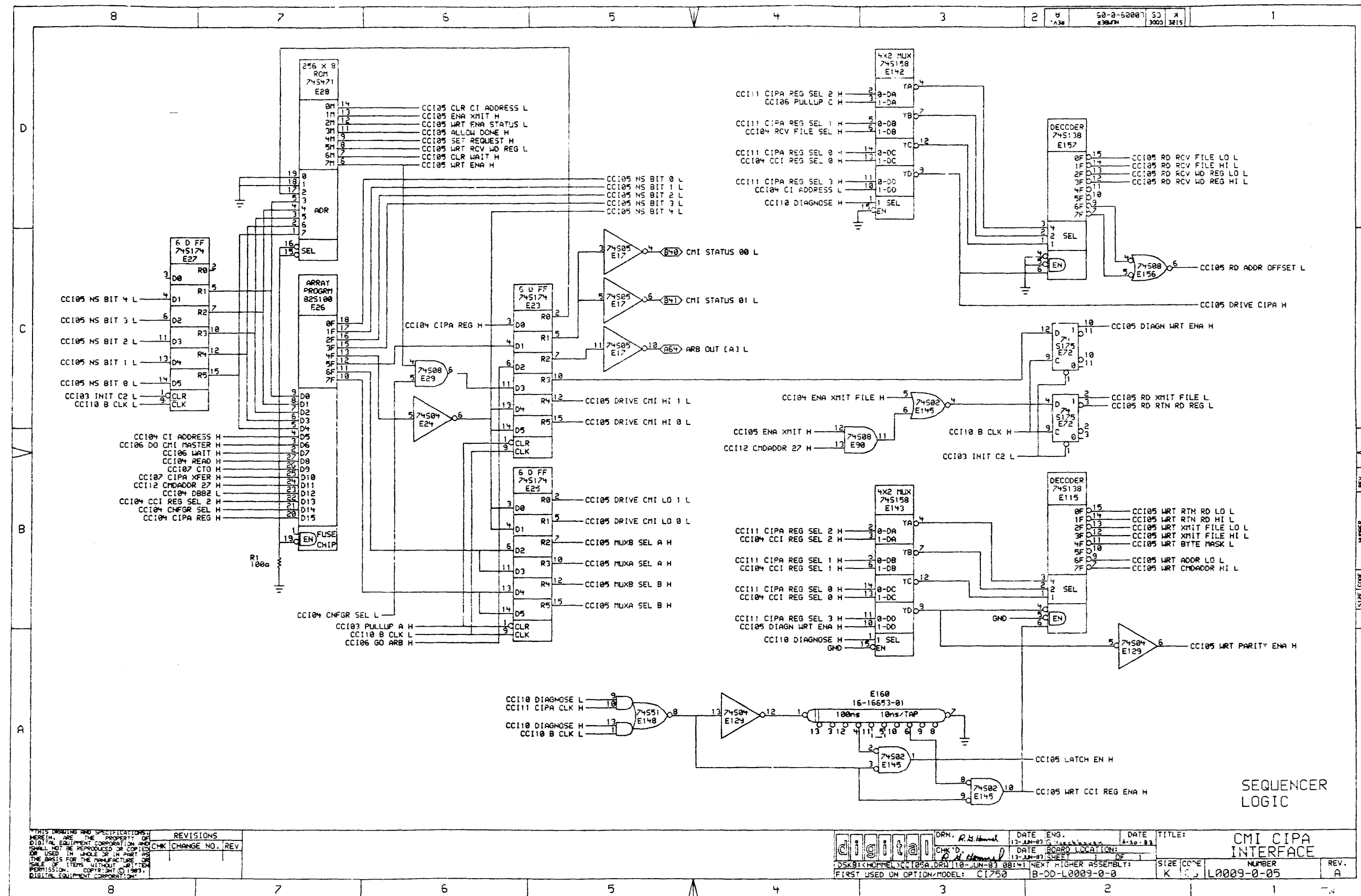
THIS DRAWING AND SPECIFICATION ARE THE PROPERTY OF DIGITAL EQUIPMENT CORPORATION AND ARE NOT TO BE REPRODUCED OR COPIED IN ANY MANNER OR USED IN ANY MANNER WITHOUT THE EXPRESS WRITTEN PERMISSION OF DIGITAL EQUIPMENT CORPORATION.

REV.	CHG.	NO.	REV.

REV.	CHG.	NO.	REV.

digital	DRN. R. A. Hamel	DATE ENG. 12-28-82	DATE 5-10-83	TITLE: CMI CIPA INTERFACE
CHK'D. R. A. Hamel	DATE BOARD LOCATION: 12-28-82	DATE 5-10-83	DATE 5-10-83	REV. A
DSKB: <HOMMEL>CC104A.DPL.1	10-JUN-83 08:41	NEXT HIGHER ASSEMBLY: B-DD-L0009-0-0	SIZE C:K	NUMREF 10309 6-0
FIRST USED ON OPTION MODEL: C1750				

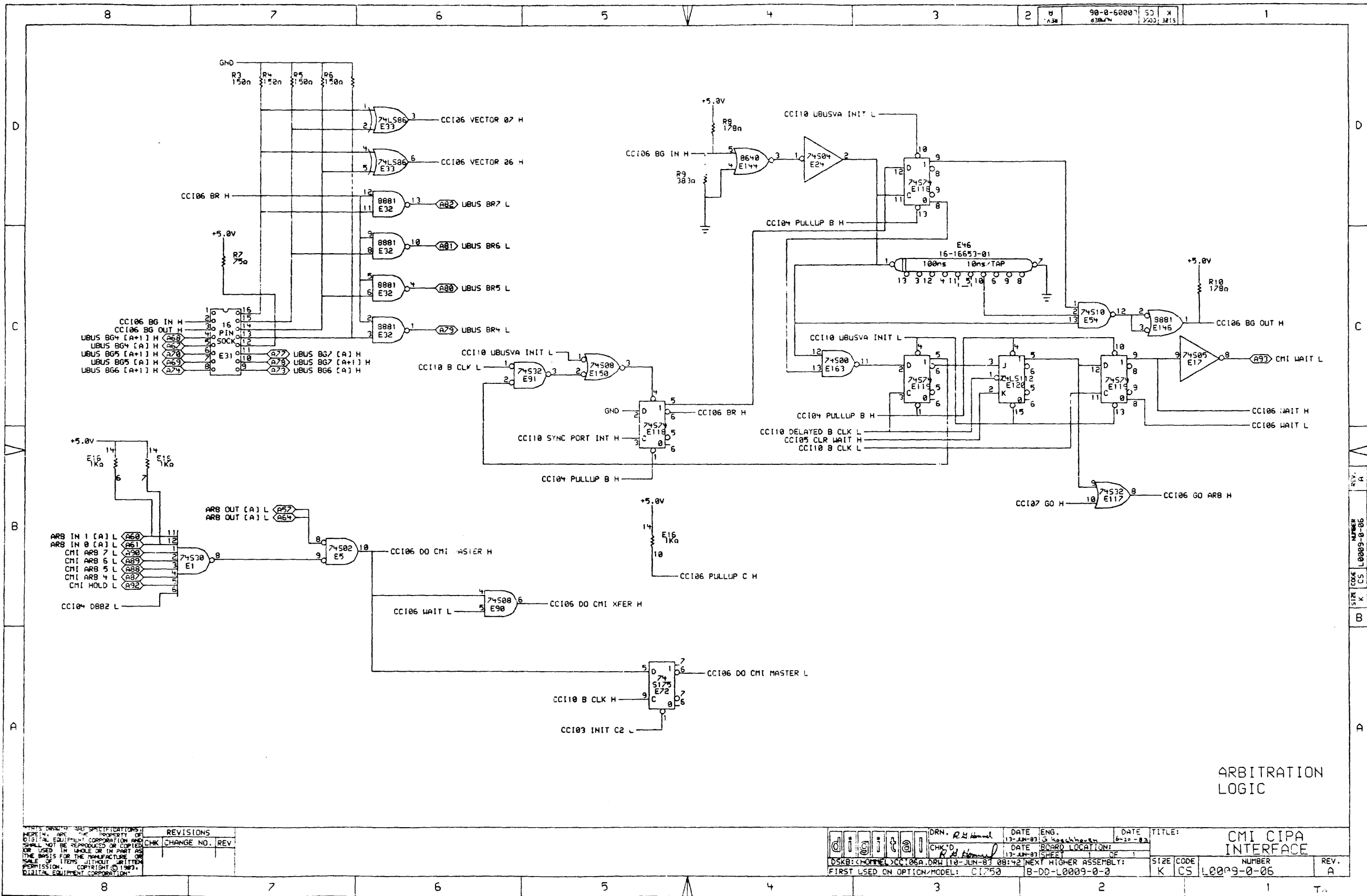
--	--	--	--	--



THIS DRAWING AND SPECIFICATIONS ARE THE PROPERTY OF DIGITAL EQUIPMENT CORPORATION AND SHALL NOT BE REPRODUCED OR COPIED OR USED IN WHOLE OR IN PART AS THE BASIS FOR THE MANUFACTURE OR SALE OF ITEMS WITHOUT WRITTEN PERMISSION. COPYRIGHT © 1983, DIGITAL EQUIPMENT CORPORATION.

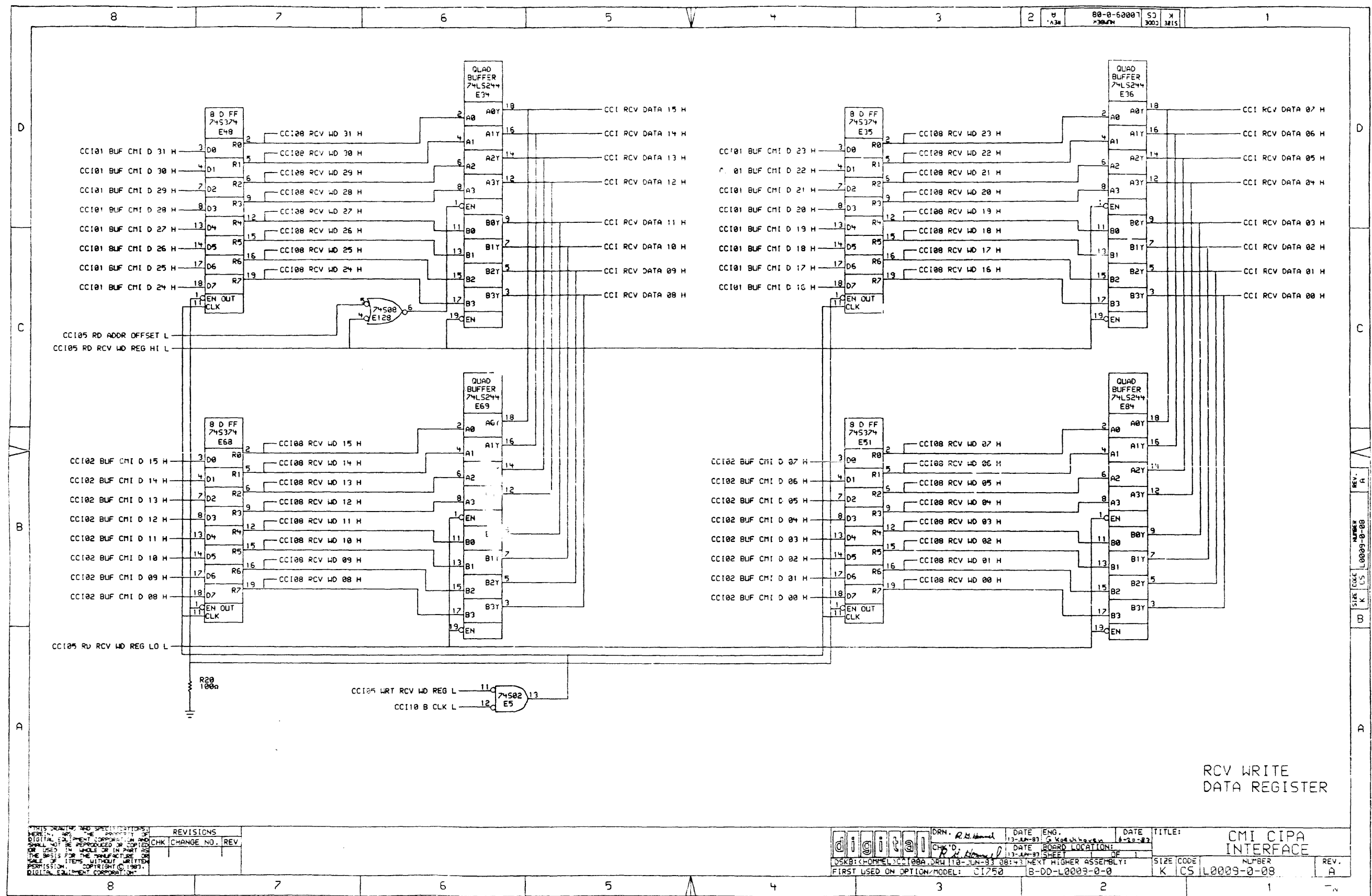
REV.	CHG	NO.	REV.

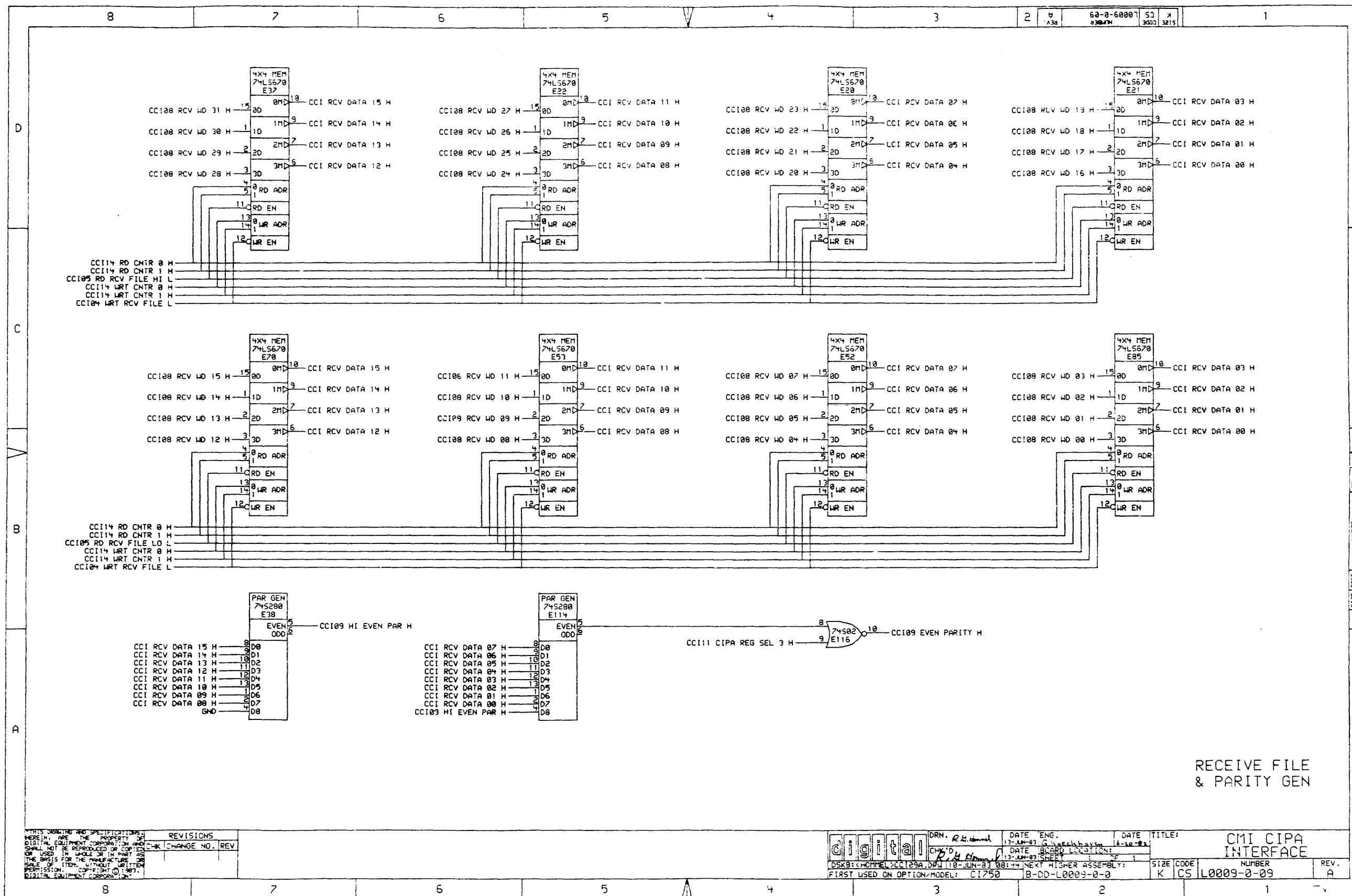
DRN: R. L. Howard	DATE: 12-20-83	ENG: S. J. ...	DATE: 8-20-83	TITLE: CMI CIPA INTERFACE
CHK'D: R. L. Howard	DATE: 12-20-83	BOARD LOCATION: 1	SHEET: 1	OF: 1
DSKB: <HOMMEL> CCI05A.DRA 110 JUN-83 08:41		NEXT HIGHER ASSEMBLY: B-DD-L0009-0-0		SIZE CODE: K CS
FIRST USED ON OPTION/MODEL: CI750		NUMBER: L0009-0-05		REV. A



REV	CHG	CHANGE NO.	REV

	DRN: R.H. [Signature] CHK'D: R.H. [Signature]	DATE: 13-JUN-83 DATE: 13-JUN-83	DATE: 6-20-83 DATE: 6-20-83	TITLE: CMI CIPA INTERFACE
DSKB: HOMMEL CCI06A.DRW 110-JUN-83 08:42 NEXT HIGHER ASSEMBLY: B-DD-L0009-0-0	FIRST USED ON OPTION/MODEL: C1750	SIZE: K CS	NUMBER: L0009-0-06	REV: A





REV. A
NUMBER L0009-0-09
SIZE CS
K
D

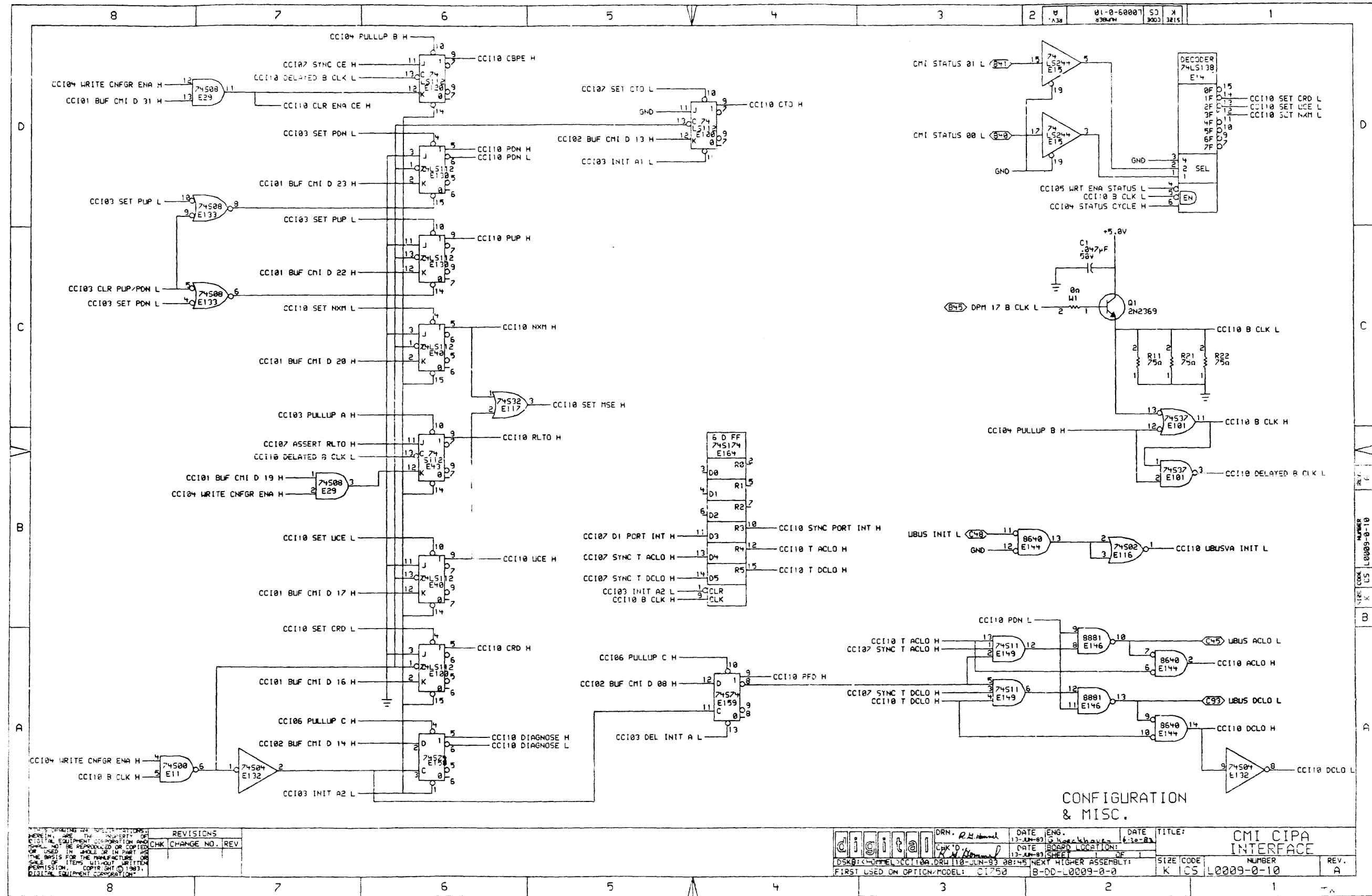
digital ORN. R.H. Hines DATE ENG. 11-20-81 G. Macchiarini DATE 11-20-81 TITLE: CMI CIPA INTERFACE

DATE BOARD LOCATION: 11-20-81 SHEET: 1 OF 1

DSKB:\HOMMEL\CCI09A.DPL.1 10-JUN-83 08:44 NEXT HIGHER ASSEMBLY: B-DD-L0009-0-0

FIRST USED ON OPTION/MODEL: C1750

SIZE CODE K CS NUMBER L0009-0-09 REV. A

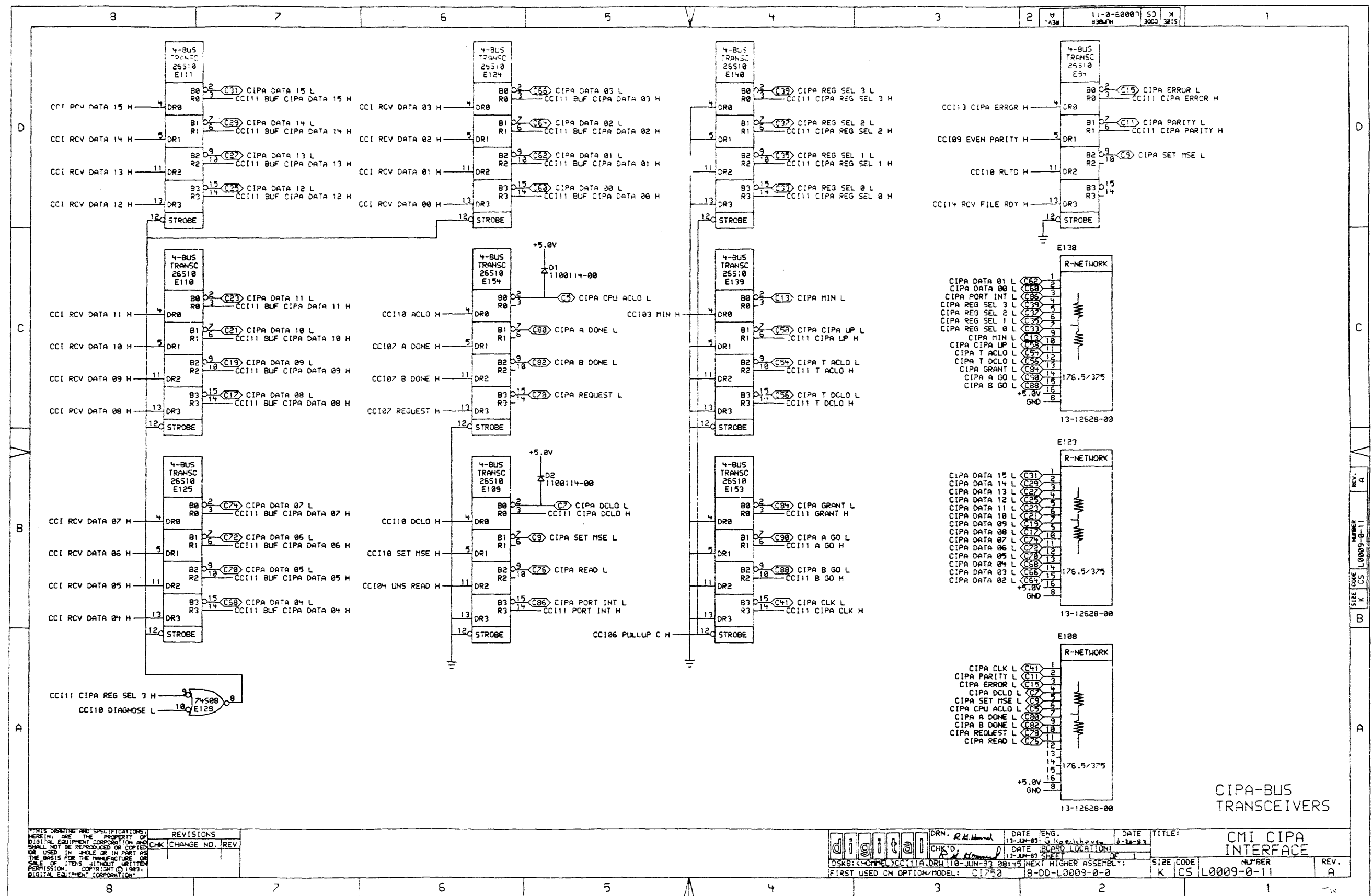


REVISIONS

CHK	CHANGE NO.	REV

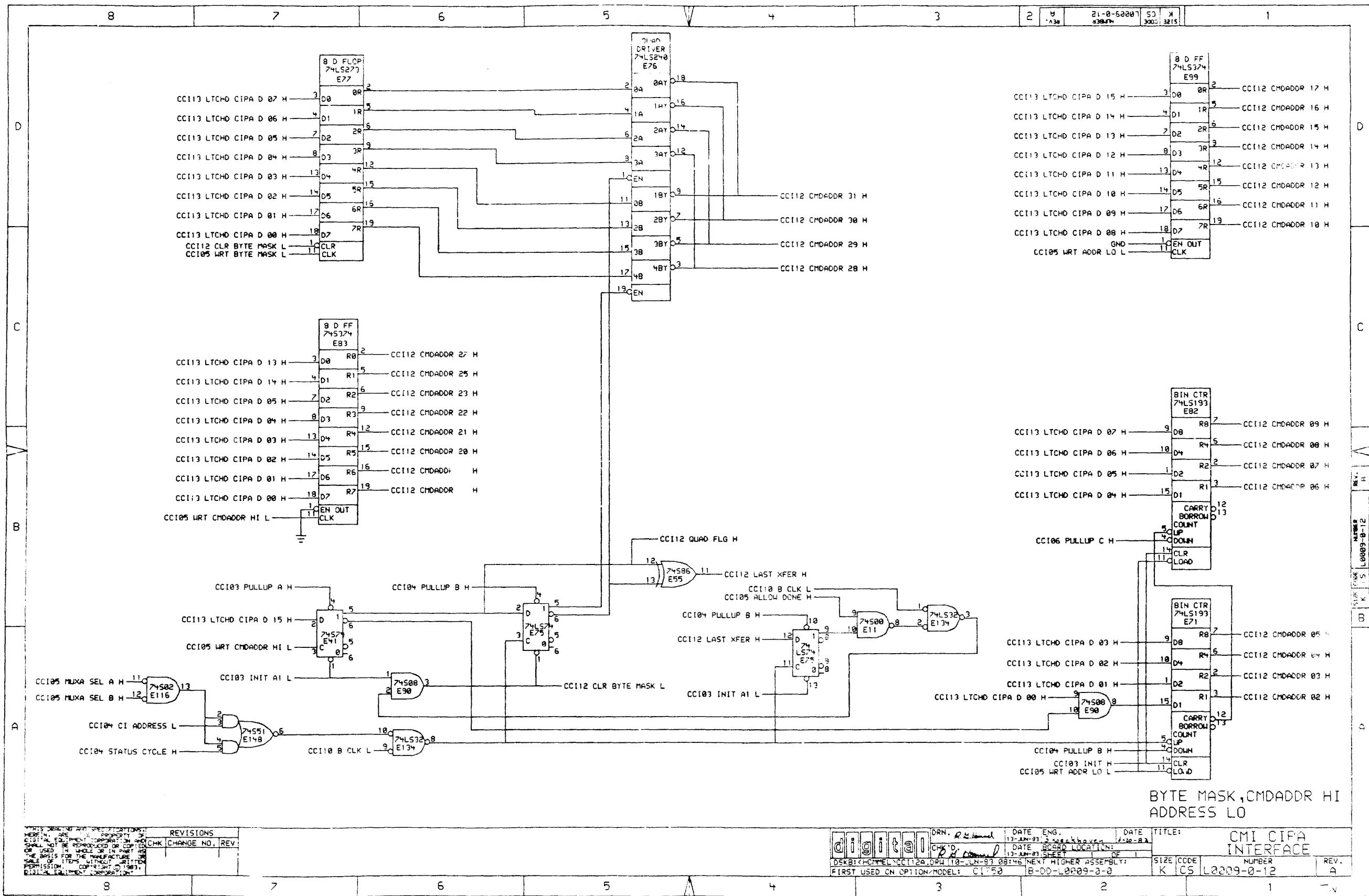
DRN. R.H. Howard DATE 12-28-83 ENG. S. W. ... DATE 6-30-83 TITLE: CMI CIPA INTERFACE

DSKB:\HOMMEL\CC110A.DRW.118-JUN-83 08:45 NEXT HIGHER ASSEMBLY: SIZE CODE NUMBER REV. K 105 L0009-0-10 A



REVISIONS	
CHK	CHANGE NO. REV

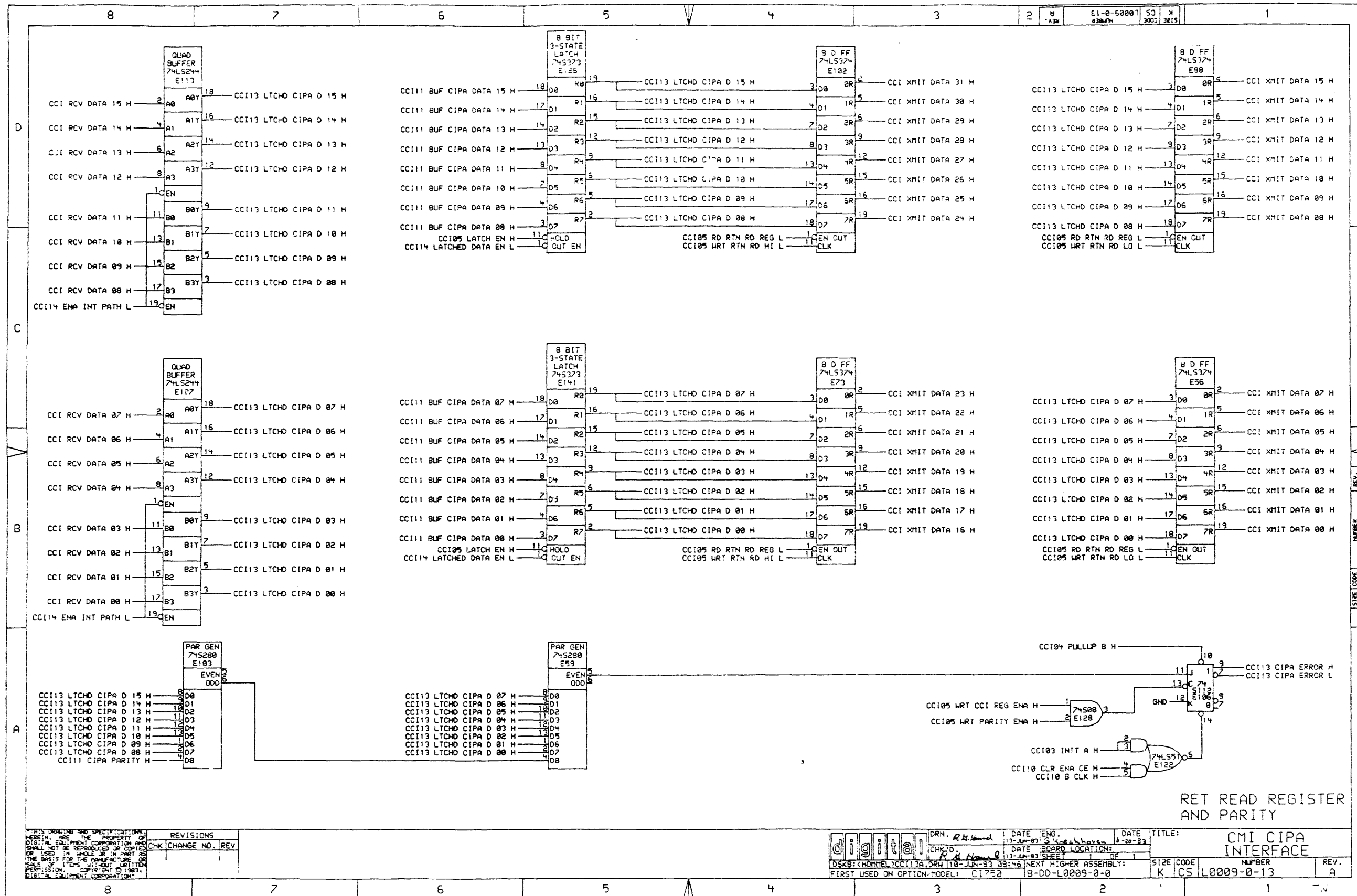
digital	DRN: R.H. Howard	DATE ENG: 13-JUN-83	DATE: 8-28-83	TITLE: CMI CIPA INTERFACE
	CHK'D: [Signature]	DATE BOARD LOCATION: 13-JUN-83	SHEET: 1 DE 1	SIZE CODE: K CS
DSKB: C:\CMEL\CC111A.DRW 110-JUN-83 08:15 NEXT HIGHER ASSEMBLY: 18-DD-L0009-0-0			NUMBER: L0009-0-11	REV: A



NAME: L0009-B-12
 DESIGNED BY: K
 CHECKED BY: S
 DATE: 11-10-83

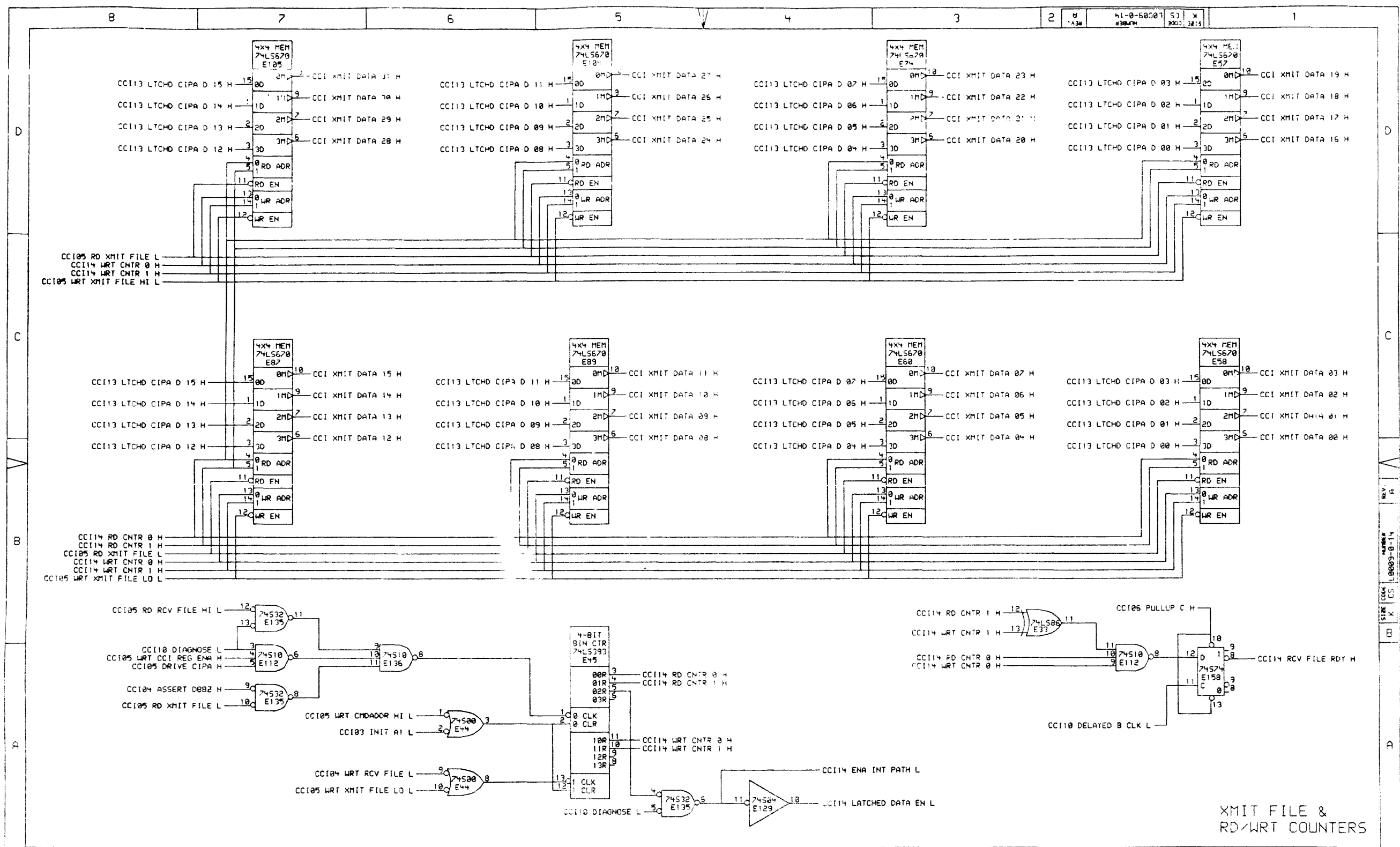
REV.	CHANGE NO.	REV.

digital DRN. R.L. Hannel CHG. D. R.L. Hannel DATE 12-20-83 DATE 12-20-83 FIRST USED ON OPTION MODEL: C150	DATE ENG. 11-10-83 DATE DESIGNED 11-10-83 DATE CHECKED 12-20-83	DATE 11-10-83 DATE 11-10-83 DATE 11-10-83	TITLE: CMI CIPA INTERFACE SIZE: K CODE: CS NUMBER: L0009-B-12 REV. A
---	---	---	--



REV.	NO.	DATE	BY	CHK'D.	DATE	BY
1	1	12-18-83	S. K. ...		6-22-83	

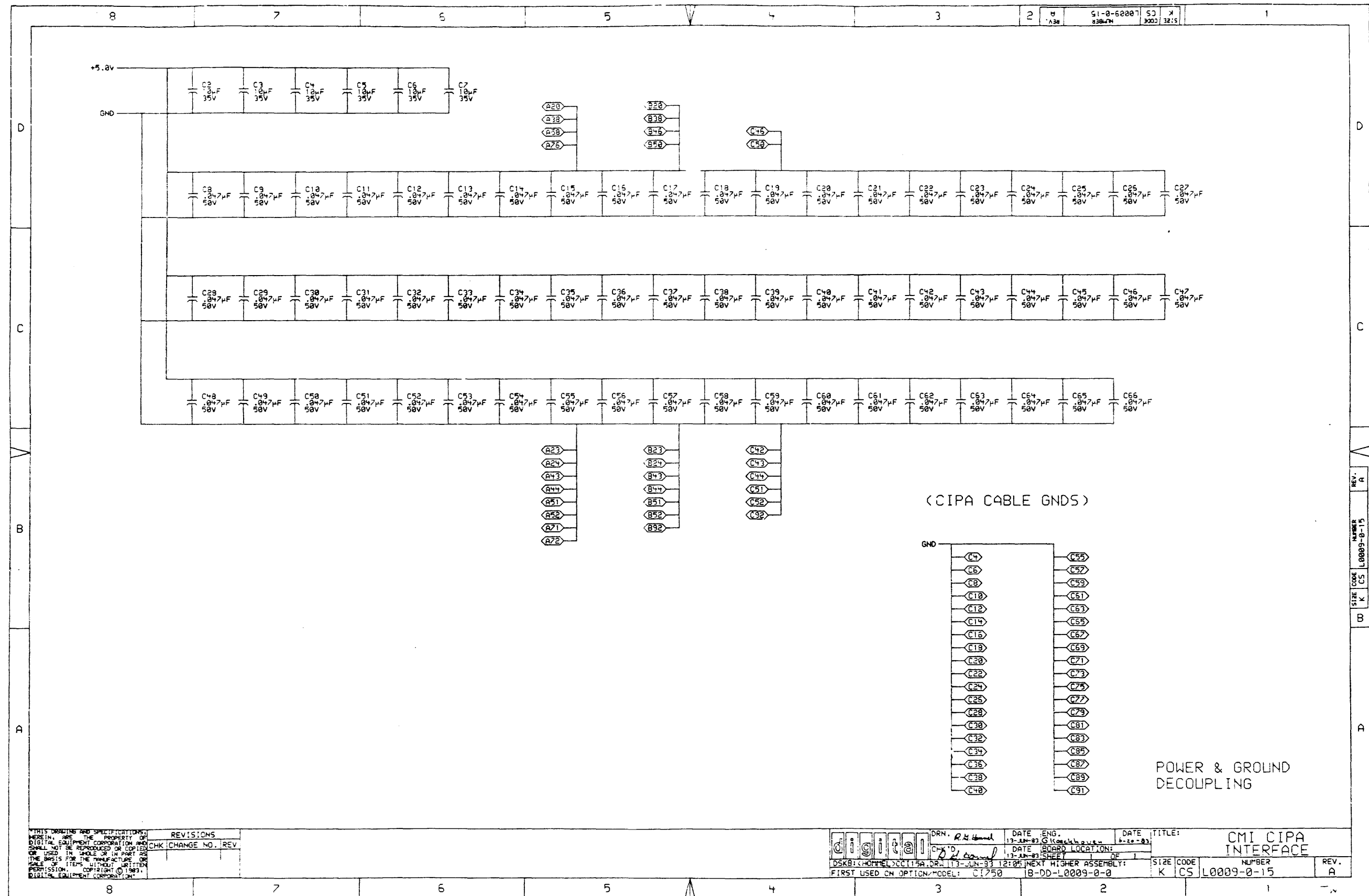
digit@l	DRN. R. H. ...	DATE ENG. 12-18-83	DATE 6-22-83	TITLE: CMI CIPA INTERFACE
DSKB: <HOMTEL> CCI13A.DRW	10-JUN-83	39:16	NEXT HIGHER ASSEMBLY:	SIZE CODE NUMBER REV. K CS L0009-0-13 A
FIRST USED ON OPTION MODEL: C1750	B-DD-L0009-0-0			

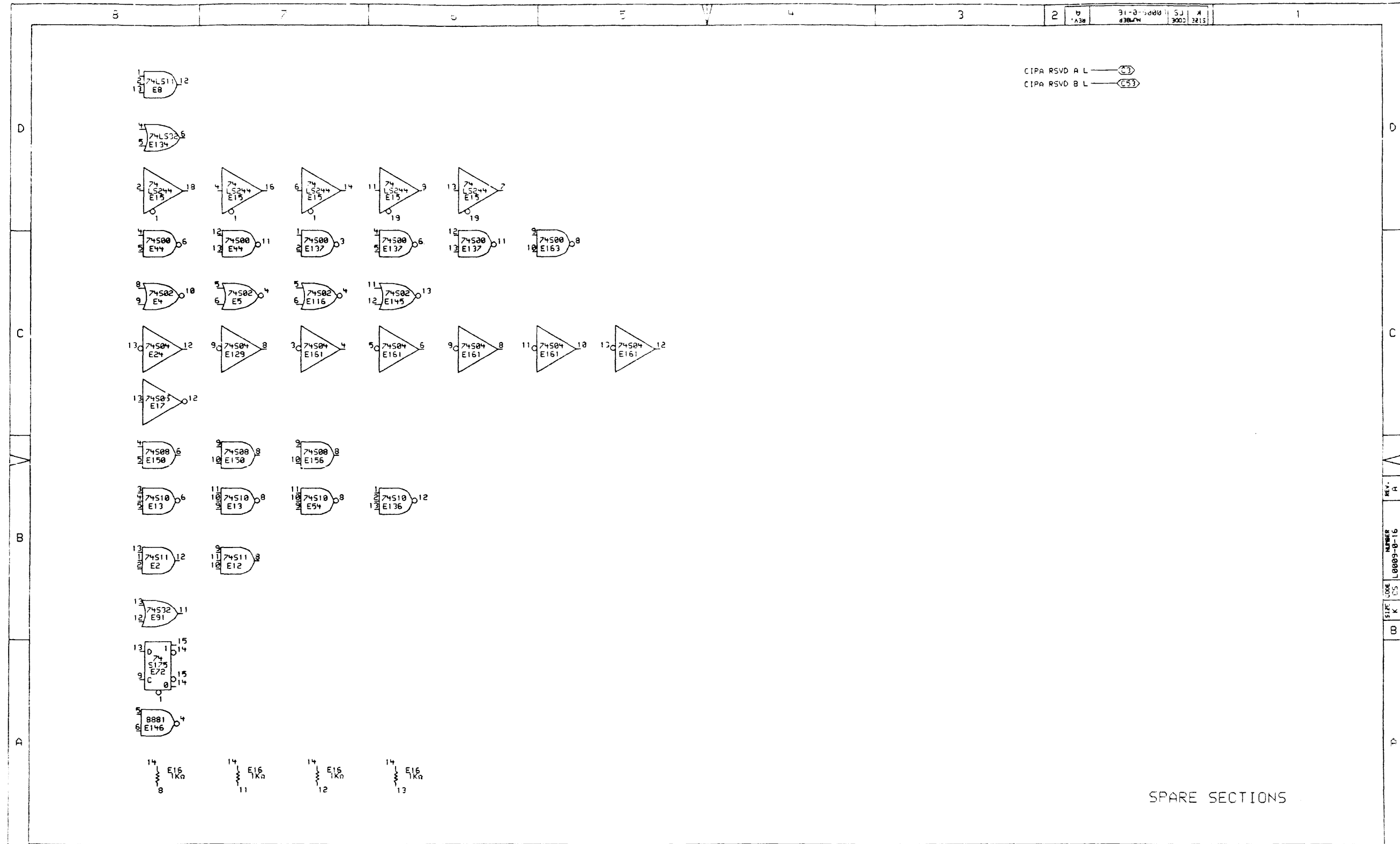


XMIT FILE & RD/WRT COUNTERS

REVISIONS	
CHK	CHANGE NO. REV

digital	ORN. R.H. Hannel	DATE ENG.	DATE	TITLE:
CHK'D	DATE	BOARD LOCATION	1-10-A11	CM1 CIPA
DATE	13-APR-83	SHEET	1 OF 1	INTERFACE
DSKB: HOMPEL/CC114A.SRL 110-LN-83 09:02 NEXT HIGHER ASSEMBLY:	SIZE	CODE	NUMBER	REV.
FIRST USED ON OPTION MODEL: C1750	B-DD-L8009-0-0	K	L8009-0-14	A





SPARE SECTIONS

REVISIONS	
CHK	CHANGE NO. REV

DATE ENG.	DATE	TITLE:
16-10-73	6-10-83	CMI CIPA INTERFACE
DATE BOARD LOCATION:	DATE	
16-10-73		
DATE NEXT ASSEMBLY:	DATE	
18-00-L0009-0-0		
SIZE CODE:	NUMBER	REV.
K CS IL0009-0-16		A

SIGNAL NAME	PAGE NUMBER(S)	SIGNAL NAME	PAGE NUMBER(S)	SIGNAL NAME	PAGE NUMBER(S)
ARB IN 0 (A) L	06	CCI XMIT DATA 31 H	01,13,14	CCI03 PULLUP A H	03,05,04,12,10,02
ARB IN 1 (A) L	06	CCI01 BUF CHI D 16 H	08,03,01,10	CCI03 READ LOCK H	07,03
ARB OUT (A) L	06,05	CCI01 BUF CHI D 17 H	08,03,10,01	CCI03 SET PON L	10,03
CCI RCV DATA 00 H	04,09,08,11,13	CCI01 BUF CHI D 18 H	03,08,01	CCI03 SET PUP L	10,03
CCI RCV DATA 01 H	04,09,08,11,13	CCI01 BUF CHI D 19 H	03,10,09,01	CCI04 ALLOW RD H	04
CCI RCV DATA 02 H	04,09,08,11,13	CCI01 BUF CHI D 20 H	08,03,10,01	CCI04 ASSERT DBB2 H	04,14
CCI RCV DATA 03 H	04,09,08,11,13	CCI01 BUF CHI D 21 H	08,03,01	CCI04 ASSERT DBB2 L	04
CCI RCV DATA 04 H	04,09,08,11,13	CCI01 BUF CHI D 22 H	08,03,01,10	CCI04 CCI REG H	04
CCI RCV DATA 05 H	04,09,08,11,13	CCI01 BUF CHI D 23 H	08,03,01,10	CCI04 CCI REG L	04
CCI RCV DATA 06 H	04,09,08,11,13	CCI01 BUF CHI D 24 H	08,01	CCI04 CCI REG SEL 0 H	04,05
CCI RCV DATA 07 H	04,09,08,11,13	CCI01 BUF CHI D 25 H	08,01,03	CCI04 CCI REG SEL 1 H	04,05
CCI RCV DATA 08 H	04,09,08,11,13	CCI01 BUF CHI D 26 H	09,01	CCI04 CCI REG SEL 2 H	04,05
CCI RCV DATA 09 H	04,09,08,11,13	CCI01 BUF CHI D 27 H	04,03,08,01	CCI04 CI ADDRESS H	04,05
CCI RCV DATA 10 H	04,09,08,11,13	CCI01 BUF CHI D 28 H	08,01	CCI04 CI ADDRESS L	04,05,12
CCI RCV DATA 11 H	04,09,08,11,13	CCI01 BUF CHI D 29 H	08,01	CCI04 CIPA REG H	04,05
CCI RCV DATA 12 H	08,09,11,13	CCI01 BUF CHI D 30 H	08,01	CCI04 CLK ROLCK FF L	04,03
CCI RCV DATA 13 H	08,09,11,13	CCI01 BUF CHI D 31 H	10,08,01	CCI04 CMDADDR CYCLE H	04
CCI RCV DATA 14 H	08,09,11,13	CCI01 TST GND 1 L	02,01	CCI04 CNFGR SEL H	04,05
CCI RCV DATA 15 H	08,09,11,13	CCI02 BUF CHI D 00 H	04,08,02	CCI04 CNFGR SEL L	04,05
CCI XMIT DATA 00 H	13,14,02	CCI02 BUF CHI D 01 H	08,02	CCI04 DBB2 H	04
CCI XMIT DATA 01 H	13,14,02	CCI02 BUF CHI D 02 H	03,04,08,02	CCI04 DBB2 L	06,04,05
CCI XMIT DATA 02 H	02,13,14	CCI02 BUF CHI D 03 H	03,04,08,02	CCI04 ENA XMIT FILE H	04,05
CCI XMIT DATA 03 H	02,13,14	CCI02 BUF CHI D 04 H	03,04,08,02	CCI04 PREV DBB2 H	04
CCI XMIT DATA 04 H	02,13,14	CCI02 BUF CHI D 05 H	03,04,08,02	CCI04 PREV DBB2 L	04
CCI XMIT DATA 05 H	02,13,14	CCI02 BUF CHI D 06 H	03,04,08,02	CCI04 PULLUP B H	04,12,10,03,07,13,06
CCI XMIT DATA 06 H	02,13,14	CCI02 BUF CHI D 07 H	03,04,08,02	CCI04 RCV FILE SEL H	04,05
CCI XMIT DATA 07 H	02,13,14	CCI02 BUF CHI D 08 H	03,04,02,08,10	CCI04 READ H	04,05
CCI XMIT DATA 08 H	02,13,14	CCI02 BUF CHI D 09 H	03,04,02,08	CCI04 SET MIN H	04,03
CCI XMIT DATA 09 H	02,13,14	CCI02 BUF CHI D 10 H	03,04,02,08	CCI04 STATUS CYCLE H	10,04,07,12
CCI XMIT DATA 10 H	02,13,14	CCI02 BUF CHI D 11 H	03,04,02,08	CCI04 UNS READ H	04,11
CCI XMIT DATA 11 H	02,13,14	CCI02 BUF CHI D 12 H	03,02,08	CCI04 WRITE CNFGR ENA H	10,04
CCI XMIT DATA 12 H	02,14,13	CCI02 BUF CHI D 13 H	03,02,08,10	CCI04 WRITE H	04
CCI XMIT DATA 13 H	02,14,13	CCI02 BUF CHI D 14 H	03,02,08,10	CCI04 WRT ENA RCV FILE L	04
CCI XMIT DATA 14 H	02,14,13	CCI02 BUF CHI D 15 H	03,02,08	CCI04 WRT RCV FILE L	09,14,04
CCI XMIT DATA 15 H	02,14,13	CCI03 ADDR <11:6> 0 L	04,03	CCI05 ALL IN DO E H	12,05
CCI XMIT DATA 16 H	14,13,01	CCI03 ADDR <11:6> 24 L	04,03	CCI05 CLR CI ADDRESS L	05,04
CCI XMIT DATA 17 H	14,13,01	CCI03 CCI REG H	03,04	CCI05 CLR WAIT H	05,06
CCI XMIT DATA 18 H	14,01,13	CCI03 CI SPACE H	04,03	CCI05 DIAGN WRT ENA H	05
CCI XMIT DATA 19 H	14,01,13	CCI03 CLR PUP/PDN: L	03,10	CCI05 DRIVE CIPA H	14,05
CCI XMIT DATA 20 H	01,13,14	CCI03 CNFGR H	03,04	CCI05 DRIVE CHI HI 0 L	05,01
CCI XMIT DATA 21 H	01,13,14	CCI03 DEL INIT A L	03,10	CCI05 DRIVE CHI LO 0 L	05,02
CCI XMIT DATA 22 H	13,14,01	CCI03 INIT A H	03,07,13	CCI05 DRIVE CHI LO 1 L	05,02
CCI XMIT DATA 23 H	13,14,01	CCI03 INIT A1 L	12,14,10,03,07	CCI05 ENA XMIT H	05
CCI XMIT DATA 24 H	01,13,14	CCI03 INIT A2 L	10,04,03	CCI05 LATCH EN H	13,05
CCI XMIT DATA 25 H	01,13,14	CCI03 INIT C1 L	03	CCI05 MUXA SEL A H	05,01,12
CCI XMIT DATA 26 H	01,13,14	CCI03 INIT C2 L	04,05,03,07,06	CCI05 MUXA SEL B H	05,01,12
CCI XMIT DATA 27 H	01,13,14	CCI03 INIT C3 L	03	CCI05 MUXB SEL A H	05,02
CCI XMIT DATA 28 H	01,13,14	CCI03 INIT H	12,03	CCI05 MUXB SEL B H	05,02
CCI XMIT DATA 29 H	01,13,14	CCI03 MIN H	03,11	CCI05 NS BIT 0 L	05
CCI XMIT DATA 30 H	01,13,14	CCI03 NO CIPA H	02,03		

NOTES:
1. THIS PAGE LISTS THE SCHEMATIC PAGE NUMBER(S) WHERE A SIGNAL NAME IS REFERENCED.

CCI FORWARD REFERENCING

REVISIONS	CHK	CHANGE NO.	REV

digital	DRN. R. L. Howell	DATE ENG. 13-JUN-83	DATE 6-20-83	TITLE: CMI CIPA INTERFACE
	CHK'D. R. L. Howell	DATE BOARD LOCAT. QN: 13-JUN-83	SHEET 1 OF 1	
DSKB: <HOMTEL>CCI17A.DPL.1		NEXT HIGHER ASSEMBLY: 18-DD-L0009-0-0		SIZE CODE NUMBER REV. K C5 L0009-0-17 A

SIGNAL NAME	PAGE NUMBER(S)	SIGNAL NAME	PAGE NUMBER(S)	SIGNAL NAME	PAGE NUMBER(S)
CC105 NS BIT 1 L	05	CC107 SYNC CE H	10,07	CC110 DIAGNOSE L	03,14,09,11,07,05,10
CC105 NS BIT 2 L	05	CC107 SYNC DCL0 H	07,03	CC110 NXH H	10,01
CC105 NS BIT 3 L	04,05	CC107 SYNC GRANT H	07	CC110 PDN H	01,10
CC105 NS BIT 4 L	05	CC107 SYNC T ACLO H	10,07	CC110 PDN L	10
CC105 RD ADDR OFFSET L	04,08,05	CC107 SYNC T DCL0 H	10,07	CC110 PFD H	02,10
CC105 RD RCV FILE HI L	09,14,05	CC108 RCV WD 00 H	08,09	CC110 PUP H	01,10
CC105 RD RCV FILE LO L	09,05	CC108 RCV WD 01 H	08,09	CC110 RLTO H	10,01,11
CC105 RD RCV WD REG HI L	08,05	CC108 RCV WD 02 H	08,09	CC110 SET CRD L	10
CC105 RD RCV WD REG LO L	08,05	CC108 RCV WD 03 H	08,09	CC110 SET MSE H	11,10
CC105 RD RTN RD REG L	13,05	CC108 RCV WD 04 H	08,09	CC110 SET NXH L	10
CC105 RD XMIT FILE L	14,05	CC108 RCV WD 05 H	08,09	CC110 SET UCE L	10
CC105 SET REQUEST H	05,07	CC108 RCV WD 06 H	08,09	CC110 SYNC PORT INT H	06,10
CC105 WRT ADDR LO L	12,05	CC108 RCV WD 07 H	08,09	CC110 T ACLO H	02,10
CC105 WRT BYTE MASK L	12,05	CC108 RCV WD 08 H	09,08	CC110 T DCL0 H	02,10
CC105 WRT CCI REG ENA H	14,05,13	CC108 RCV WD 09 H	09,08	CC110 UBUSVA INIT L	10,06
CC105 WRT CHDADDR HI L	12,14,05	CC108 RCV WD 10 H	09,08	CC110 UCE H	10,01
CC105 WRT ENA H	04,05	CC108 RCV WD 11 H	09,08	CC111 A GO H	11,07
CC105 WRT ENA STATUS L	10,05	CC108 RCV WD 12 H	08,09	CC111 B GO H	11,07
CC105 WRT PARITY ENA H	13,05	CC108 RCV WD 13 H	08,09	CC111 BUF CIPA DATA 00 H	11,13
CC105 WRT RCV WD REG L	08,05	CC108 RCV WD 14 H	08,09	CC111 BUF CIPA DATA 01 H	11,13
CC105 WRT RTN RD HI L	13,05	CC108 RCV WD 15 H	08,09	CC111 BUF CIPA DATA 02 H	11,13
CC105 WRT RTN RD LO L	13,05	CC108 RCV WD 16 H	09,08	CC111 BUF CIPA DATA 03 H	11,13
CC105 WRT XMIT FILE HI L	14,05	CC108 RCV WD 17 H	09,08	CC111 BUF CIPA DATA 04 H	11,13
CC105 WRT XMIT FILE LO L	14,05	CC108 RCV WD 18 H	09,08	CC111 BUF CIPA DATA 05 H	11,13
CC106 BG IN H	06	CC108 RCV WD 19 H	09,08	CC111 BUF CIPA DATA 06 H	11,13
CC106 BG OUT H	06	CC108 RCV WD 20 H	09,08	CC111 BUF CIPA DATA 07 H	11,13
CC106 BR H	06	CC108 RCV WD 21 H	09,08	CC111 BUF CIPA DATA 08 H	11,13
CC106 DO CMI MASTER H	06,05	CC108 RCV WD 22 H	09,08	CC111 BUF CIPA DATA 09 H	11,13
CC106 DO CMI MASTER L	04,06	CC108 RCV WD 23 H	09,08	CC111 BUF CIPA DATA 10 H	11,13
CC106 DO CMI XFER H	06,07	CC108 RCV WD 24 H	09,08	CC111 BUF CIPA DATA 11 H	11,13
CC106 GO ARB H	05,06	CC108 RCV WD 25 H	09,08	CC111 BUF CIPA DATA 12 H	11,13
CC106 PULLUP C H	06,02,12,01,11,05,10,14,03	CC108 RCV WD 26 H	09,08	CC111 BUF CIPA DATA 13 H	11,13
CC106 VECTOR 06 H	06,02	CC108 RCV WD 27 H	09,08	CC111 BUF CIPA DATA 14 H	11,13
CC106 VECTOR 07 H	06,02	CC108 RCV WD 28 H	08,09	CC111 BUF CIPA DATA 15 H	11,13
CC106 WAIT H	06,05	CC108 RCV WD 29 H	08,09	CC111 CIPA CLK F	05,11
CC106 WAIT L	06	CC108 RCV WD 30 H	08,09	CC111 CIPA DCL0 H	11,07
CC107 A DONE H	07,11	CC108 RCV WD 31 H	08,09	CC111 CIPA ERROR H	11,07
CC107 ASSERT RLTO H	10,07	CC109 EVEN PARITY H	11,09	CC111 CIPA PARITY H	11,13
CC107 B DONE H	07,11	CC109 HI EVEN PAR H	09	CC111 CIPA REG SEL 0 H	11,05
CC107 CIPA XFER H	04,05,07	CC110 ACLO H	10,11	CC111 CIPA REG SEL 1 H	11,05
CC107 CIPA XFER L	07	CC110 B CLK H	10,05,06,07,13,03	CC111 CIPA REG SEL 2 H	11,05
CC107 CHDADDR 27 L	07	CC110 B CLK L	08,10,05,04,07,07,06,12	CC111 CIPA REG SEL 3 H	09,11,05
CC107 CTO H	05,07	CC110 CBPE H	02,10	CC111 CIPA UP H	11,03
CC107 DI PORT INT H	07,10	CC110 CLR ENA CE H	10,13	CC111 GRANT H	11,07
CC107 GO H	06,07	CC110 CRD H	01,10	CC111 PORT INT H	11,07
CC107 POSSIBLE GO H	07	CC110 CTO H	02,10	CC111 T ACLO H	11,07
CC107 REQUEST H	04,07,11	CC110 DCL0 H	11,10	CC111 T DCL0 H	11,07
CC107 SET CTO L	10,07	CC110 DCL0 L	10,03	CC112 CLR BYTE MASK L	12
CC107 SYNC A GO H	07	CC110 DELAYED B CLK L	10,07,06,03,14	CC112 CHDADDR 02 H	02,12
CC107 SYNC B GO H	07	CC110 DIAGNOSE H	02,05,10	CC112 CHDADDR 03 H	02,12

NOTES:
1. THIS PAGE LISTS THE SCHEMATIC PAGE NUMBER(S) WHERE A SIGNAL NAME IS REFERENCED.

CCI FORWARD REFERENCING

ALL RIGHTS RESERVED AND SPECIFICATIONS SUBJECT TO CHANGE WITHOUT NOTICE. THIS DOCUMENT IS THE PROPERTY OF DIGITAL EQUIPMENT CORPORATION AND SHALL NOT BE REPRODUCED OR COPIED OR USED IN WHOLE OR IN PART AS THE BASIS FOR THE MANUFACTURE OR SALE OF ITEMS WITHOUT WRITTEN PERMISSION. COPYRIGHT © 1983 DIGITAL EQUIPMENT CORPORATION.

REVISIONS
CHK CHANGE NO. REV

digital	DRN. <i>R.A. Arnold</i>	DATE ENG. 13-JUN-83	DATE 8-30-83	TITLE: CMI CIPA INTERFACE
CHK'D. <i>R. Arnold</i>	DATE BOARD LOCATION: 11-JUN-83	SHEET 1 OF 1	SIZE CODE K JCS	NUMBER L0009-0-18
OSK81-CMEL-CC118A.DRW 113-JUN-83 09:03	NEXT HTG-ER ASSEMBLY: 18-DD-L0009-0-0			REV. A
FIRST USED ON OPTION/MODEL: C1750				

SIGNAL NAME	PAGE NUMBER(S)	SIGNAL NAME	PAGE NUMBER(S)	SIGNAL NAME	PAGE NUMBER(S)
CCI12 CMDADDR 04 H	02,12	CCI14 RD CNTR 1 H	09,14	CMI DATA 05 H	02
CCI12 CMDADDR 05 H	02,12	CCI14 WRT CNTR 0 H	09,14	CMI DATA 06 H	02
CCI12 CMDADDR 06 H	02,12	CCI14 WRT CNTR 1 H	09,14	CMI DATA 07 H	02
CCI12 CMDADDR 07 H	02,12	CIPA A DONE L	11	CMI DATA 08 H	02
CCI12 CMDADDR 08 H	02,12	CIPA A GO L	11	CMI DATA 09 H	02
CCI12 CMDADDR 09 H	02,12	CIPA B DONE L	11	CMI DATA 10 H	02
CCI12 CMDADDR 10 H	02,12	CIPA B GO L	11	CMI DATA 11 H	02
CCI12 CMDADDR 11 H	02,12	CIPA CIPA UP L	11	CMI DATA 12 H	02
CCI12 CMDADDR 12 H	02,12	CIPA CLK L	11	CMI DATA 13 H	02
CCI12 CMDADDR 13 H	02,12	CIPA CPU ACLO L	11	CMI DATA 14 H	02
CCI12 CMDADDR 14 H	02,12	CIPA DATA 00 L	11	CMI DATA 15 H	02
CCI12 CMDADDR 15 H	02,12	CIPA DATA 01 L	11	CMI DATA 16 H	01
CCI12 CMDADDR 16 H	01,12	CIPA DATA 02 L	11	CMI DATA 17 H	01
CCI12 CMDADDR 17 H	01,12	CIPA DATA 03 L	11	CMI DATA 18 H	01
CCI12 CMDADDR 18 H	01,12	CIPA DATA 04 L	11	CMI DATA 19 H	01
CCI12 CMDADDR 19 H	01,12	CIPA DATA 05 L	11	CMI DATA 20 H	01
CCI12 CMDADDR 20 H	01,12	CIPA DATA 06 L	11	CMI DATA 21 H	01
CCI12 CMDADDR 21 H	01,12	CIPA DATA 07 L	11	CMI DATA 22 H	01
CCI12 CMDADDR 22 H	12,01	CIPA DATA 08 L	11	CMI DATA 23 H	01
CCI12 CMDADDR 23 H	12,01	CIPA DATA 09 L	11	CMI DATA 24 H	01
CCI12 CMDADDR 25 H	12,01,07	CIPA DATA 10 L	11	CMI DATA 25 H	01
CCI12 CMDADDR 27 H	05,12,01,07	CIPA DATA 11 L	11	CMI DATA 26 H	01
CCI12 CMDADDR 28 H	12,01	CIPA DATA 12 L	11	CMI DATA 27 H	01
CCI12 CMDADDR 29 H	12,01	CIPA DATA 13 L	11	CMI DATA 28 H	01
CCI12 CMDADDR 30 H	12,01	CIPA DATA 14 L	11	CMI DATA 29 H	01
CCI12 CMDADDR 31 H	12,01	CIPA DATA 15 L	11	CMI DATA 30 H	01
CCI12 LAST XFER H	12	CIPA DCLO L	11	CMI DATA 31 H	01
CCI12 QUAD FLG H	12,07	CIPA ERROR L	11	CMI DBBZ L	04
CCI13 CIPA ERROR H	11,13	CIPA GRANT L	11	CMI HOLD L	06
CCI13 CIPA ERROR L	1	CIPA MIN L	11	CMI SLOT SEL 0 H	03,02
CCI13 LTCHD CIPA D 00 H	13,14,12	CIPA PARITY L	11	CMI SLOT SEL 1 H	03,02
CCI13 LTCHD CIPA D 01 H	13,14,12	CIPA PORT INT L	11	CMI SLOT SEL 2 H	03,02
CCI13 LTCHD CIPA D 02 H	13,14,12	CIPA READ L	11	CMI SLOW ENA L	07
CCI13 LTCHD CIPA D 03 H	13,14,12	CIPA REG SEL 0 L	11	CMI STATUS 00 L	10,05
CCI13 LTCHD CIPA D 04 H	13,14,12	CIPA REG SEL 1 L	11	CMI STATUS 01 L	10,05
CCI13 LTCHD CIPA D 05 H	13,14,12	CIPA REG SEL 2 L	11	CMI WAIT L	06
CCI13 LTCHD CIPA D 06 H	13,14,12	CIPA REG SEL 3 L	11	DPM 17 B CLK L	10
CCI13 LTCHD CIPA D 07 H	13,14,12	CIPA REQUEST L	11	UBUS ACLO L	10
CCI13 LTCHD CIPA D 08 H	13,14,12	CIPA SET MSE L	11	UBUS 804 [A+1] H	06
CCI13 LTCHD CIPA D 09 H	13,14,12	CIPA T ACLO L	11	UBUS 804 [A1] H	06
CCI13 LTCHD CIPA D 10 H	13,14,12	CIPA T DCLO L	11	UBUS 805 [A+1] H	06
CCI13 LTCHD CIPA D 11 H	13,14,12	CMI ARB 4 L	06	UBUS 805 [A] H	06
CCI13 LTCHD CIPA D 12 H	14,13,12	CMI ARB 5 L	06	UBUS 806 [A+1] H	06
CCI13 LTCHD CIPA D 13 H	12,14,13	CMI ARB 6 L	06	UBUS 806 [A] H	06
CCI13 LTCHD CIPA D 14 H	12,14,13	CMI ARB 7 L	06	UBUS 807 [A+1] H	06
CCI13 LTCHD CIPA D 15 H	12,14,13	CMI DATA 00 H	02	UBUS 807 [A] H	06
CCI14 ENA INT PATH L	13,14	CMI DATA 01 H	02	UBUS BR4 L	06
CCI14 LATCHED DATA EN L	13,14	CMI DATA 02 H	02	UBUS BR5 L	06
CCI14 RCY FILE RDT H	11,14	CMI DATA 03 H	02	UBUS BR6 L	06
CCI14 RD CNTR 0 H	09,14	CMI DATA 04 H	02		

NOTES:
1. THIS PAGE LISTS THE SCHEMATIC PAGE NUMBER(S) WHERE A SIGNAL NAME IS REFERENCED.

CCI FORWARD REFERENCING

THIS DRAWING AND SPECIFICATIONS ARE THE PROPERTY OF DIGITAL EQUIPMENT CORPORATION AND SHALL NOT BE REPRODUCED OR COPIED IN ANY MANNER WITHOUT THE WRITTEN PERMISSION OF DIGITAL EQUIPMENT CORPORATION.

REVISIONS	CHK	CHANGE NO.	REV

digital	DRN. R. L. Daniel	DATE ENG. 10-10-82	DATE 10-10-82	TITLE: CMI CIPA INTERFACE
	CHK'D. R. L. Daniel	DATE BOARD LOCATION: 10-10-82	DATE 10-10-82	
DSK1:CC19A.DPL.1, SCALE 2, "D" RELEASE BOX				SIZE CODE NUMBER REV. K CS L0009-0-19 A

SIGNAL NAME		PAGE NUMBER(S)	SIGNAL NAME		PAGE NUMBER(S)	SIGNAL NAME		PAGE NUMBER(S)
LIBUS BR7 L		06						
LIBUS DCLO L		18						
LIBUS INIT L		18						

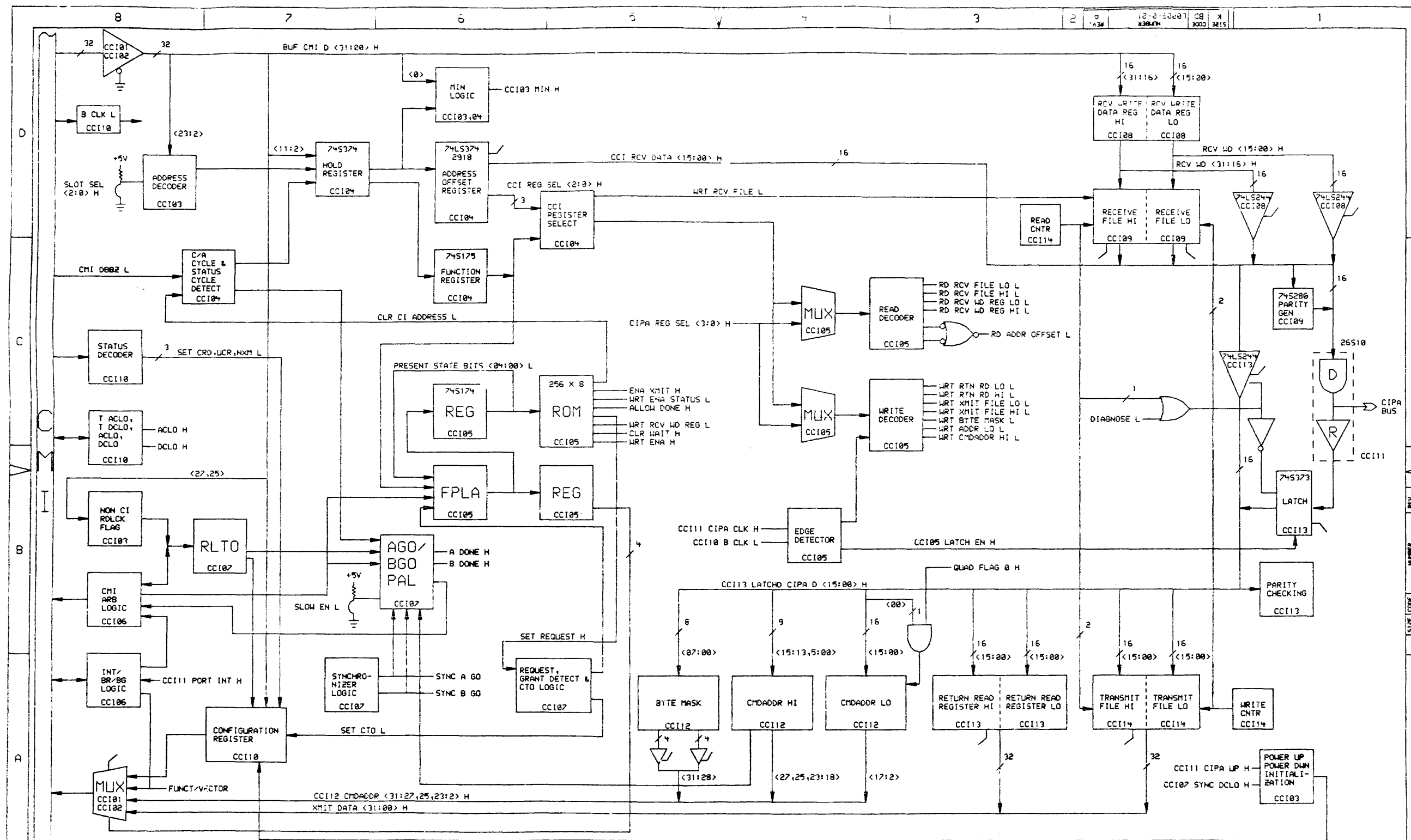
NOTES:
1. THIS PAGE LISTS THE SCHEMATIC PAGE NUMBER(S) WHERE A SIGNAL NAME IS REFERENCED.

CCI FORWARD REFERENCING

THIS DRAWING AND SPECIFICATIONS HEREIN ARE THE PROPERTY OF DIGITAL EQUIPMENT CORPORATION AND SHALL NOT BE REPRODUCED OR COPIED OR USED IN WHOLE OR IN PART AS THE BASIS FOR THE MANUFACTURE OR SALE OF ITEMS WITHOUT WRITTEN PERMISSION. COPYRIGHT © 1987, DIGITAL EQUIPMENT CORPORATION.

REVISIONS	
CHK	CHANGE NO. REV

digital	DRN: R. H. Hanel	DATE ENG. 12-10-93	DATE 6-10-92	TITLE: CMI CIDA INTERFACE
	CHK'D: <i>[Signature]</i>	DATE BOARD LOCATION: 12-10-93	SHEET: 1	REV. A
DSK:K:\HOMMEL\CC120A.DRW 10-JUN-93 09:03		NEXT HIGHER ASSEMBLY: B-00-L0009-0-0	SIZE: K	NUM: 10510003-0-20
FIRST USED ON OPTION/MODEL: C1750				



THIS DRAWING AND SPECIFICATIONS ARE THE PROPERTY OF DIGITAL EQUIPMENT CORPORATION AND SHALL NOT BE REPRODUCED OR COPIED OR USED IN WHOLE OR IN PART OR FOR ANY OTHER PURPOSE WITHOUT THE WRITTEN PERMISSION OF DIGITAL EQUIPMENT CORPORATION. COPYRIGHT © 1983.

REVISIONS	CHK	CHANGE NO.	REV

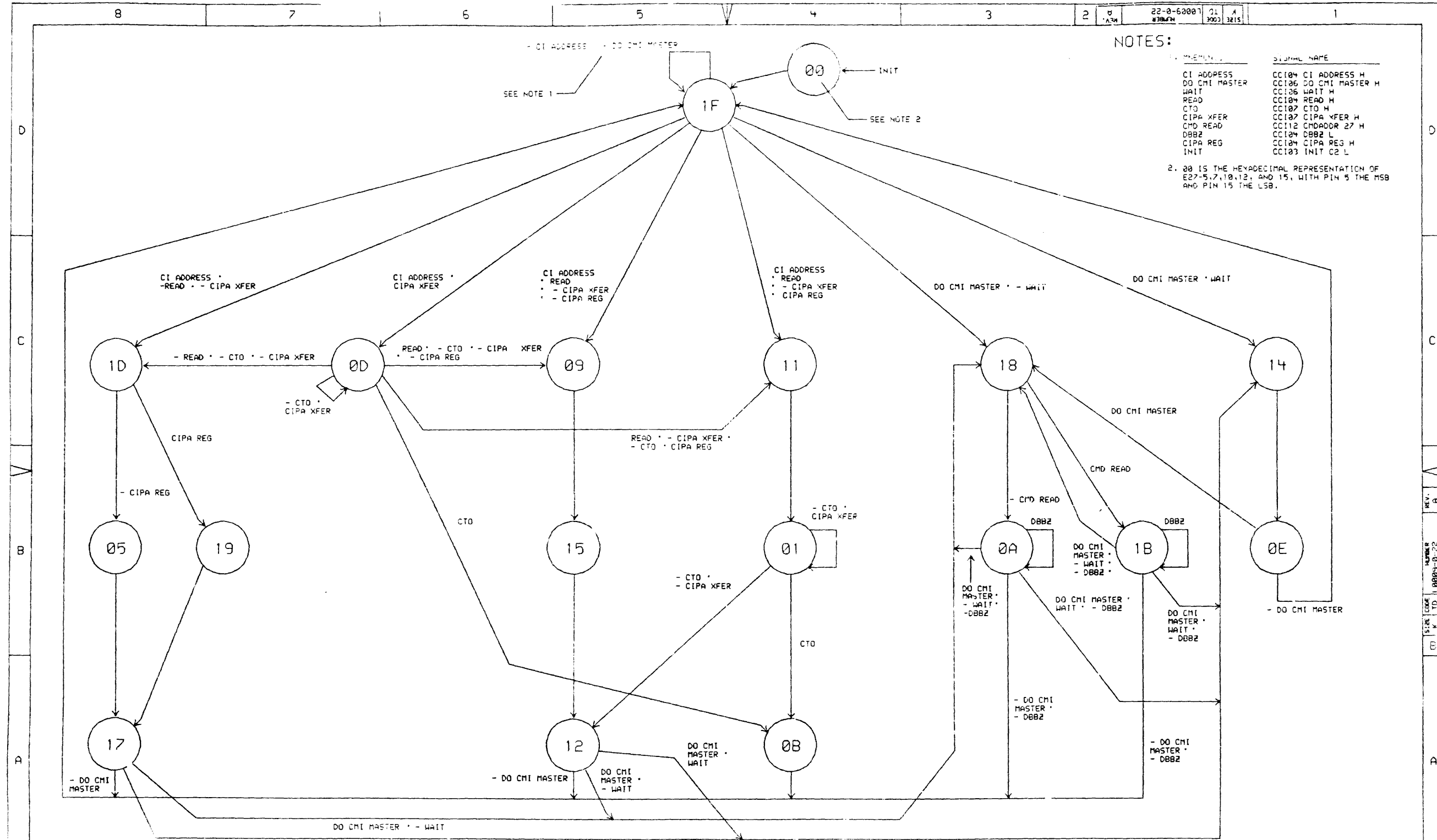
DATE: 11-28-83	ENG: C. Mackintosh	DATE: 6-22-83	TITLE: C.C.I. BLOCK DIAGRAM
CHK'D: R. Howard	DATE: 11-28-83	SHEET: 1	DE: 1
DSKBT: <HOMEL>CC1BLK.DPL.1	12-JUN-83 08:36	NEXT HIGHER ASSEMBLY: B-DD-L0009-0-0	SIZE CODE: K BD L0009-0-21
FIRST USED ON OPTION/MODEL: C1750			REV. A

NOTE: / INDICATES TRI STATE

NOTES:

SYMBOL	SIGNAL NAME
CI ADDRESS	CC104 CI ADDRESS H
DO CHI MASTER	CC106 DO CHI MASTER H
WAIT	CC106 WAIT H
READ	CC104 READ H
CTO	CC107 CTO H
CIPA XFER	CC107 CIPA XFER H
CMO READ	CC112 CMOADDR 27 H
DBBZ	CC104 DBBZ L
CIPA REG	CC104 CIPA REG H
INIT	CC103 INIT C2 L

2. 00 IS THE HEXADECIMAL REPRESENTATION OF E27-5,7,10,12, AND 15, WITH PIN 5 THE MSB AND PIN 15 THE LSB.

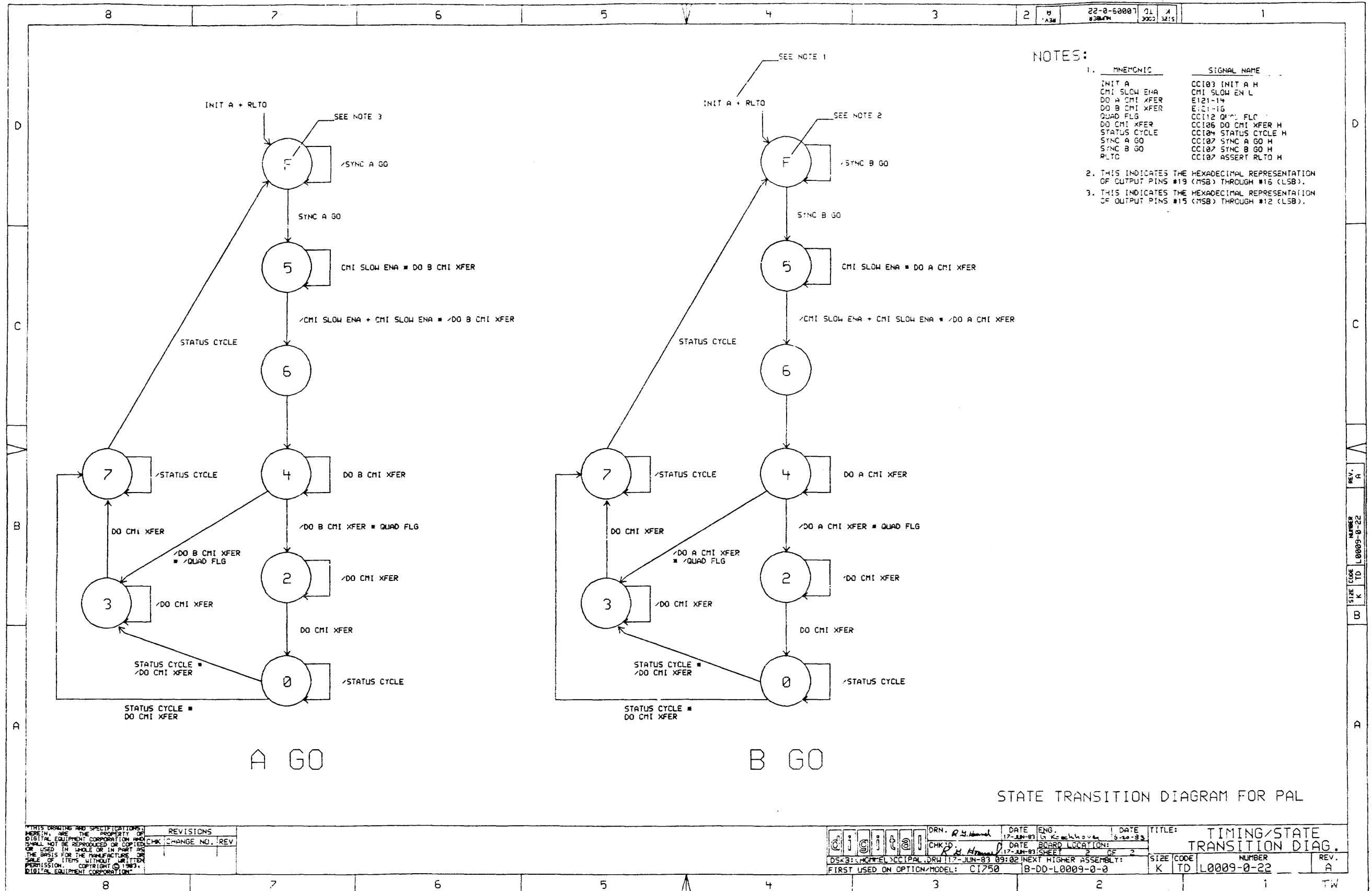


STATE TRANSITION DIAGRAM FOR FPLA

THIS DRAWING AND SPECIFICATIONS HEREIN ARE THE PROPERTY OF DIGITAL EQUIPMENT CORPORATION. IT SHALL NOT BE REPRODUCED OR USED IN WHOLE OR IN PART AS THE BASIS FOR THE MANUFACTURE OR SALE OF ITEMS WITHOUT WRITTEN PERMISSION. COPYRIGHT © 1981, DIGITAL EQUIPMENT CORPORATION.

REV.	CHANGE NO.	REV.

DRN. R. H. H. H. H.	DATE ENG. 17-UN-81	DATE 17-UN-81	TITLE: TIMING/STATE TRANSITION DIAG.
CHK'D. R. H. H. H. H.	DATE BOARD LOCATION: 17-UN-81	SHEET 1 OF 3	
DSKB: CPHEL3FPLA01.DRW	FIRST USED ON OPTION/MODEL: C1750	NEXT HIGHER ASSEMBLY: B-DD-L0009-0-0	SIZE CODE K
			NUMBER L0009-0-22
			REV. A



THIS DRAWING AND SPECIFICATIONS ARE THE PROPERTY OF DIGITAL EQUIPMENT CORPORATION AND SHALL NOT BE REPRODUCED OR COPIED IN ANY MANNER OR USED IN WHOLE OR IN PART OR FOR THE BASIS FOR THE MANUFACTURE OF ANY ITEMS WITHOUT WRITTEN PERMISSION. COPYRIGHT © 1983 DIGITAL EQUIPMENT CORPORATION.

REVISIONS
CHK CHANGE NO. REV

DRN: R. J. Harnall	DATE: 17-JUN-83	ENG: G. K. McLaughlin	DATE: 6-20-83	TITLE: TIMING/STATE TRANSITION DIAG.
CHK'D: R. J. Harnall	DATE: 17-JUN-83	SHEET: 2	OF: 2	SIZE: K
DSKB: HOMMEL\CCIPAL.DRW	17-JUN-83 09:02	NEXT HIGHER ASSEMBLY: B-DD-L0009-0-0	NUMBER: L0009-0-22	REV: A
FIRST USED ON OPTION/MODEL: CI750				TW

DRAWING NO.	NO. OF SHTS.	PART NO.	DESCRIPTION	REVISIONS															
				A	B	C													
		L0400-C-0	PARTS REVISION	A	B	C													
E-UA-L0400-0-0	2		UNIT ASSEMBLY	A	B	C													
K-PL-L0400-C-DBP	3		PARTSLIST	A	B	C													
D-MD-5015550-0-0	5		DRILL AND ETCH	A	A	A													
		5015550-0-0	ETCH BOARD	B	B	B													
K-PC-L0400-0-DBI	-		P.C. DATABASE	B	B	B													
E-EC-5015550-0-0	3		ETCH CUT	A	B	B													
K-CS-L0400-0-CDPA	1	SCHEMATICS		A	A	A													
K-CS-L0400-0-CDPB	1			A	A	A													
K-CS-L0400-0-CDPC	1			A	A	B													
K-CS-L0400-0-CDPD	1			A	A	B													
K-CS-L0400-0-CDPE	1			A	A	A													
K-CS-L0400-0-CDPF	1			A	A	A													
K-CS-L0400-0-CDPH	1			A	A	A													
K-CS-L0400-0-CDPJ	1			A	B	B													
K-CS-L0400-0-CDPK	1			A	A	A													
K-CS-L0400-0-CDPL	1			A	B	B													
K-CS-L0400-0-CDPM	1			A	B	B													
K-CS-L0400-0-CDPN	1			A	B	B													
K-CS-L0400-0-CDPP	1			A	A	A													
K-CS-L0400-0-CDPR	1			A	B	B													
K-CS-L0400-0-CDPS	1			A	A	A													
K-CS-L0400-0-CDPT	1			A	A	A													
K-CS-L0400-0-CDPU	1			A	A	A													
K-CS-L0400-0-CDPV	1			A	A	A													
K-CS-L0400-0-CDPW	1			A	A	A													

NOTES:

REVISIONS		REV.
DATE	CHG NO.	
4/83	INIT	A
12/83	TW001	B
12/84	TW002	C

THIS DRAWING AND SPECIFICATIONS, HEREIN, ARE THE PROPERTY OF DIGITAL EQUIPMENT CORPORATION AND SHALL NOT BE REPRODUCED OR COPIED OR USED IN WHOLE OR IN PART AS THE BASIS FOR THE MANUFACTURE OR SALE OF ITEMS WITHOUT WRITTEN PERMISSION.

COPYRIGHT © 1983 DIGITAL EQUIPMENT CORPORATION



USED ON OPTION/MODEL	DRN <i>Thomas Wab</i> 4-8-83	TITLE C.D.P.
	CHK'D <i>Thomas Wab</i> 4-8-83	
	ENG. <i>G Koesthove</i> 6/83	SIZE CODE NUMBER REV. B DD L0400-0-0 C
	PROD. <i>Berry Neumann</i> 6/83	SHEET 1 OF 2

DRAWING NO.	NO. OF SHTS.	PART NO.	DESCRIPTION	REVISIONS		
				A	B	C
K-CS-L0400-0-CDPX	1		SCHEMATICS	A	B	B
K-CS-L0400-0-CDPY	1			A	A	A
K-CS-L0400-0-CDPZ	1			A	B	B
K-CS-L0400-0-CD AA	1			A	A	A
K-CS-L0400-0-CD BB	1			A	A	A
K-CS-L0400-0-CD CC	1			A	A	A
K-CS-L0400-0-CD DD	1			A	A	A
K-BD-L0400-0-CD EE	1		BLOCK DIAGRAM	A	A	B
K-TD-L0400-0-CD FF	1		TIMING DIAGRAM	A	B	B
K-CS-L0400-0-DBS	-		SUDS DATA BASE	A	B	C

NOTES:

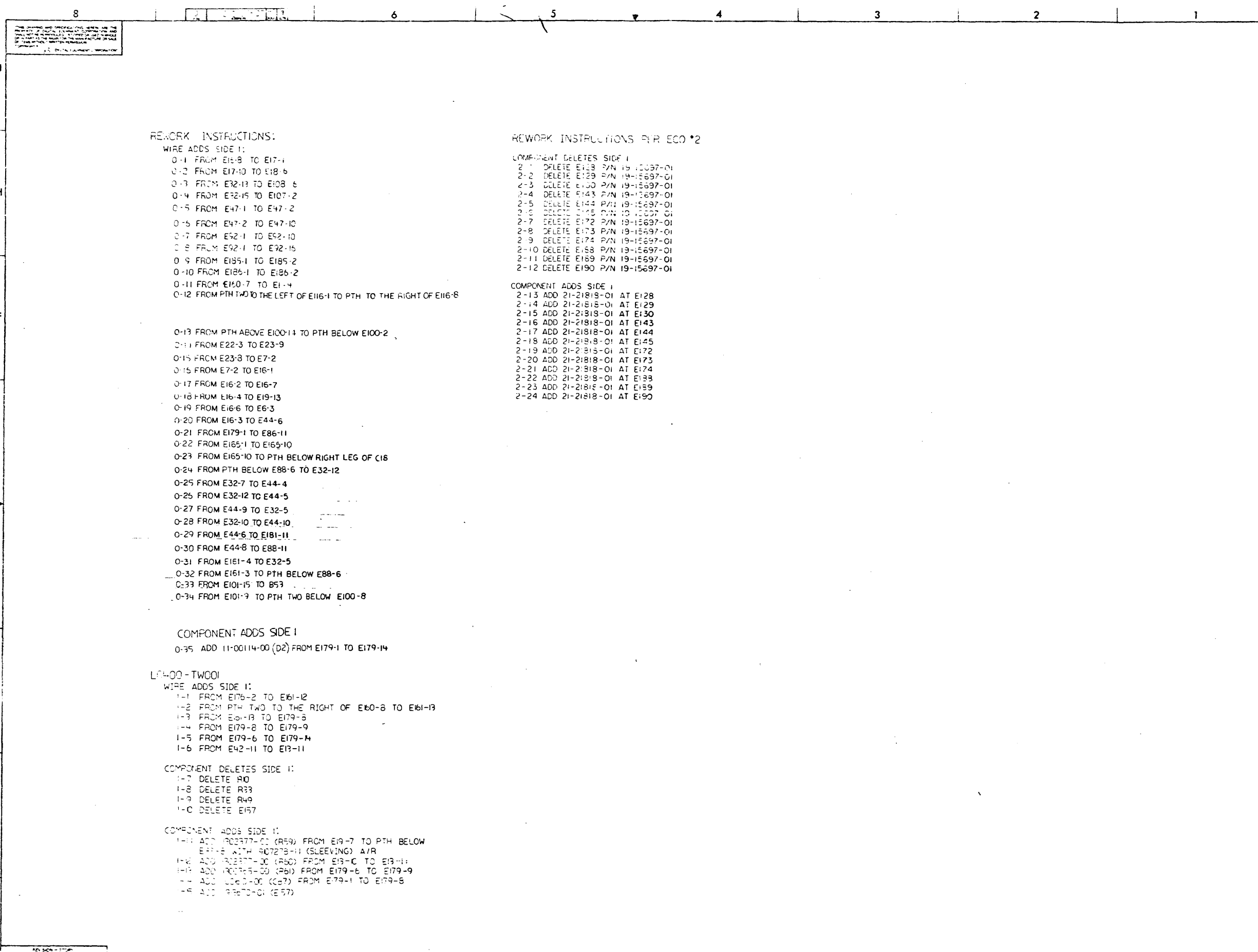
REVISIONS	DATE	CHG NO.	REV.

"THIS DRAWING AND SPECIFICATIONS, HEREIN, ARE THE PROPERTY OF DIGITAL EQUIPMENT CORPORATION AND SHALL NOT BE REPRODUCED OR COPIED OR USED IN WHOLE OR IN PART AS THE BASIS FOR THE MANUFACTURE OR SALE OF ITEMS WITHOUT WRITTEN PERMISSION.
 COPYRIGHT © 1973 DIGITAL EQUIPMENT CORPORATION



USED ON OPTION/MODEL	DRN. <i>Thomas F. Wale</i> 4-8-83
	CHK'D <i>Thomas F. Wale</i> 4-8-83
	ENG.
	PROD.

TITLE C.D.P.			
SIZE B	CODE DD	NUMBER L0400-0-0	REV. C
SHEET 2 OF 2			



REWORK INSTRUCTIONS:

WIRE ADDS SIDE 1:

- 0-1 FROM E16-8 TO E17-1
- 0-2 FROM E17-10 TO E18-6
- 0-3 FROM E32-13 TO E108-6
- 0-4 FROM E32-15 TO E107-2
- 0-5 FROM E47-1 TO E47-2
- 0-5 FROM E47-2 TO E47-10
- 0-7 FROM E92-1 TO E92-10
- 0-8 FROM E92-1 TO E92-15
- 0-9 FROM E185-1 TO E185-2
- 0-10 FROM E185-1 TO E185-2
- 0-11 FROM E180-7 TO E1-4
- 0-12 FROM PTH TWO TO THE LEFT OF E116-1 TO PTH TO THE RIGHT OF E116-8

- 0-13 FROM PTH ABOVE E100-14 TO PTH BELOW E100-2
- 0-14 FROM E22-3 TO E23-9
- 0-15 FROM E23-3 TO E7-2
- 0-15 FROM E7-2 TO E16-1
- 0-17 FROM E16-2 TO E16-7
- 0-18 FROM E16-4 TO E19-13
- 0-19 FROM E16-6 TO E6-3
- 0-20 FROM E16-3 TO E44-6
- 0-21 FROM E179-1 TO E86-11
- 0-22 FROM E165-1 TO E165-10
- 0-23 FROM E165-10 TO PTH BELOW RIGHT LEG OF C16
- 0-24 FROM PTH BELOW E88-6 TO E32-12
- 0-25 FROM E32-7 TO E44-4
- 0-25 FROM E32-12 TO E44-5
- 0-27 FROM E44-9 TO E32-5
- 0-28 FROM E32-10 TO E44-10
- 0-29 FROM E44-6 TO E181-11
- 0-30 FROM E44-8 TO E88-11
- 0-31 FROM E161-4 TO E32-5
- 0-32 FROM E161-3 TO PTH BELOW E88-6
- 0-33 FROM E101-15 TO B53
- 0-34 FROM E101-9 TO PTH TWO BELOW E100-8

COMPONENT ADDS SIDE 1

- 0-35 ADD 11-00114-00 (D2) FROM E179-1 TO E179-14

LE-00-TWO

WIRE ADDS SIDE 1:

- 1-1 FROM E176-2 TO E161-12
- 1-2 FROM PTH TWO TO THE RIGHT OF E160-8 TO E161-13
- 1-3 FROM E161-13 TO E179-5
- 1-4 FROM E179-8 TO E179-9
- 1-5 FROM E179-6 TO E179-14
- 1-6 FROM E42-11 TO E13-11

COMPONENT DELETES SIDE 1:

- 1-7 DELETE R10
- 1-8 DELETE R33
- 1-9 DELETE R49
- 1-0 DELETE E157

COMPONENT ADDS SIDE 1:

- 1-11 ADD R02377-00 (R59) FROM E19-7 TO PTH BELOW E179-5 WITH R07278-11 (SLEEVING) A/R
- 1-12 ADD R02377-00 (R60) FROM E13-C TO E13-11
- 1-13 ADD R02375-00 (R61) FROM E179-6 TO E179-9
- 1-14 ADD R060-00 (C67) FROM E179-1 TO E179-5
- 1-15 ADD R060-00 (E57)

REWORK INSTRUCTIONS FOR ECO #2

COMPONENT DELETES SIDE 1

- 2-1 DELETE E113 P/N 19-15697-01
- 2-2 DELETE E129 P/N 19-15697-01
- 2-3 DELETE E130 P/N 19-15697-01
- 2-4 DELETE E143 P/N 19-15697-01
- 2-5 DELETE E144 P/N 19-15697-01
- 2-6 DELETE E145 P/N 19-15697-01
- 2-7 DELETE E172 P/N 19-15697-01
- 2-8 DELETE E173 P/N 19-15697-01
- 2-9 DELETE E174 P/N 19-15697-01
- 2-10 DELETE E188 P/N 19-15697-01
- 2-11 DELETE E189 P/N 19-15697-01
- 2-12 DELETE E190 P/N 19-15697-01

COMPONENT ADDS SIDE 1

- 2-13 ADD 21-21818-01 AT E128
- 2-14 ADD 21-21818-01 AT E129
- 2-15 ADD 21-21818-01 AT E130
- 2-16 ADD 21-21818-01 AT E143
- 2-17 ADD 21-21818-01 AT E144
- 2-18 ADD 21-21818-01 AT E145
- 2-19 ADD 21-21818-01 AT E172
- 2-20 ADD 21-21818-01 AT E173
- 2-21 ADD 21-21818-01 AT E174
- 2-22 ADD 21-21818-01 AT E188
- 2-23 ADD 21-21818-01 AT E189
- 2-24 ADD 21-21818-01 AT E190

LINE	ITEM	TOP DOCUMENT	PART NUMBER	MIN REV	DESCRIPTION	QTY	PER VARIATION	REFERENCE DESIGNATOR
					VARIATION REVISION LEVEL:	00		
						C1		
1	1	D-MD-5015550-0-0	5015550-00		DRILL AND ETCH	0		
2	43		23054K5-00		K5-01	1		E60
3	4		1001610-00		.01 MFD 50V +80-20% Z5U CER	4		C77-C79,C87
4	80		1004813-00		10 MFD 20V 10% S.TANT	1		C80
5	2		1012784-00		.047 MFD 50V +80-20% CER	72		C1-C68,C70,C73,C75,C76
6	3		1013466-09		1000.0 MMF 50V 10% X7R CER	4		C69,C71,C72,C74
7	81		1017472-00		10 MFD 35V +75-10% AL EL	6		C81-C86
8	5		1114136-00		LED 16MA 5V	1		D1
9	78		1216988-02		HANDLE,MODULE,HEX TWO EJECTORS	1		
10	73		1300229-00		100.0 .25 W 5.0 % CF	4		R13,R23,R22,R55
11	76		1300309-00		390.0 .25 W 5.0 % CF	2		R11,R16
12	63		1300316-00		470.0 .25 W 5.0 % CF	1		R29
13	64		1300365-00		1.0 K .25 W 5.0 % CF	17		R6-R9,R14,R18,R19,R24,R27,R35, R44,R46,R47,R50,R51,R17,R61
14	72		1300197-00		33.0 .25 W 5.0 % CF	11	CONT	R15,R20,R21,R25,R26,R28,R32,R39, R40,R52,R56
15	67		1302298-00		261.0 K .25 W 1.0 % RN55C-F 5	1		R4
16	68		1302379-00		75.0 .25 W 5.0 % CF	1		R12
17	70		1302858-00		100.0 .25 W 1.0 % RN55D-F10	4		R57,R53,R31,R42
18	69		1303064-00		75.0 .25 W 1.0 % RN55D-F10	7		R5,R34,R36,R37,R38,R43,R48
19	65		1304839-00		51.0 K .25 W 5.0 % CF	2		R2,R3
20	71		1304857-00		237.0 .25 W 1.0 % RN55D-F10	2		R58,R54
21	52		1312628-00		R NETWORK 14-176.5 14-375 16PIN	3		E86,E100,E116
22	75		1316836-0		402.0 .25 W 1.0 % RN55D-F10	2		R30,R41
23	66		1318150-13		53.60 K .25 W 1.0 % RN55D-F10	1		R1
24	77		1503121-0		2N 2369 NPN 350MW SI N	3		Q1,Q2,Q3
25	58		1616653-1		DELAY= 100NS,10TAPS WITH TTLBU	1		E148
26	60		1811660-		OSCILLATOR, XTAL 20.000 MHZ	1		E175
27	21		1910532-00		74S00 NAND GATE-QUAD 2IN	4		E20,E64,E80,E163
28	23		1910534-00		74S04 INVERTER GATE-HEX 1I	4		E23,E35,E161,E162

REVISION HISTORY			BASIC PART NO: L0400		DRN:	S.MANSOR	DATE:	14-JUL-83	D I G I T A L			
ENG!	ECO NUMBER	REV	SECTION A OF A		CHK'D:	E.T.GERRY	DATE:	11-17-82	TITLE PARTS LIST			
---			SECTION VARIATION INDEX		DES.ENG:	G.KOECKHOVEN	DATE:	27-JUN-83	DOCUMENT NUMBER			
RE	L0400-TW001	B	[A] 00		RESP.ENG.:	J COYLE	DATE:	11-17-82	SIZE!	CODE!	NUMBER	REV
RE	L0400-TW002	C	[B]		MFG.ENG.:	BARRY NEWMANN	DATE:	27-JUN-83	K	PL	L0400-0-DBP	C
			[C]		ASSEMBLY NUMBER:	E-UA-L0400-0-0	TOP DOCUMENT NUMBER:	B-DD-L0400-0-0	FILE NAME:	Z3934C.PLS		
			[D]		RELEASE DATE:	25-JAN-85			EDIT #	17		
			[E]									
			[F]									
			[H]									
			[J]									
			[K]									
			[L]									
			[M]									
			[N]									

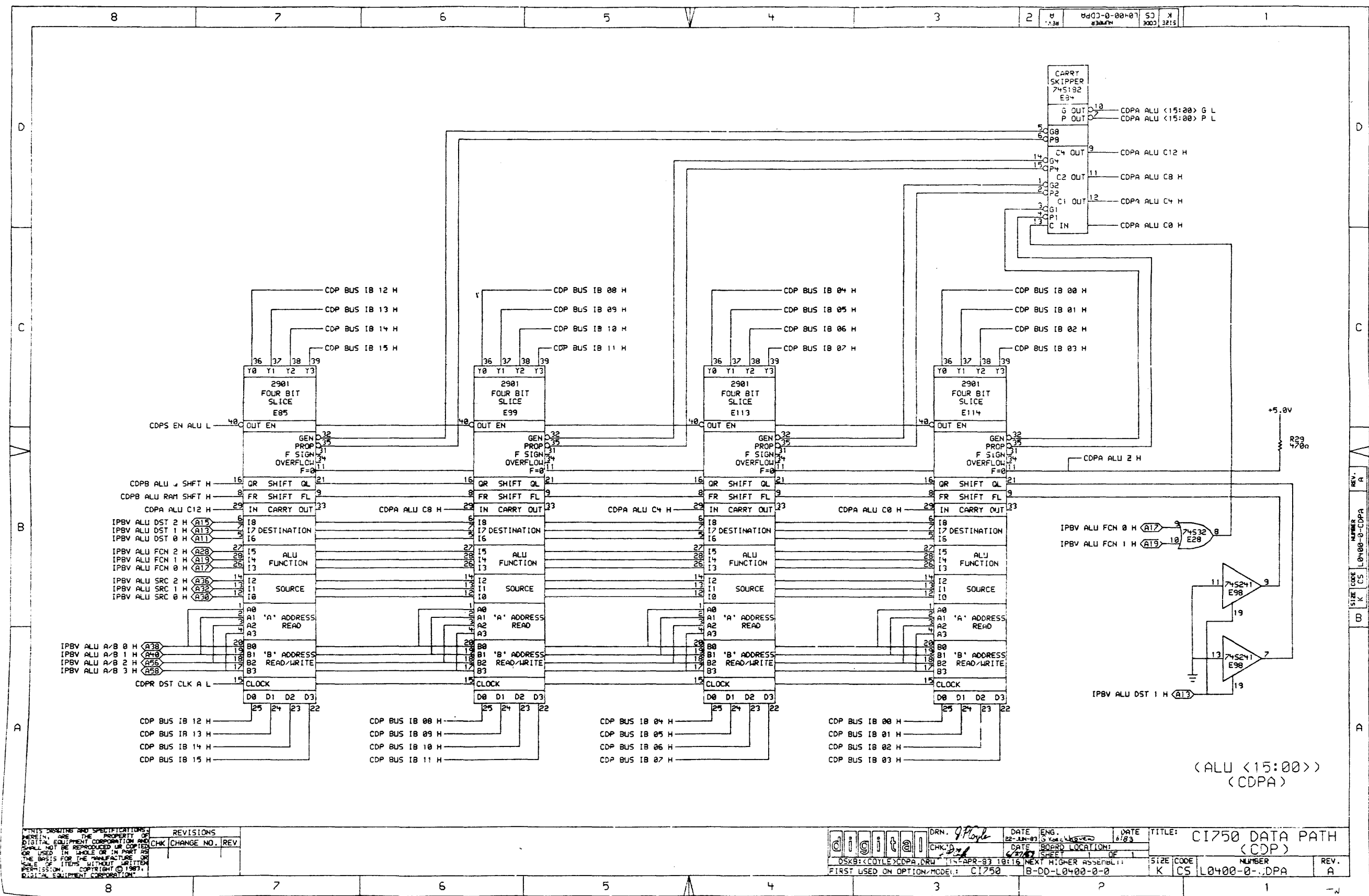
"THIS DRAWING AND THE SPECIFICATIONS CONTAINED HEREIN ARE CONFIDENTIAL AND PROPRIETARY. THEY ARE THE PROPERTY OF DIGITAL EQUIPMENT CORPORATION AND SHALL NOT BE REPRODUCED OR COPIED OR USED IN WHOLE OR IN PART AS THE BASIS FOR THE MANUFACTURE OR SALE OF ITEMS WITHOUT WRITTEN PERMISSION. THIS IS AN UNPUBLISHED WORK PROTECTED UNDER THE FEDERAL COPYRIGHT LAWS."

LINE	ITEM	TOP DOCUMENT	PART NUMBER	MIN REV	DESCRIPTION	QTY	PER VARIATION	REFERENCE DESIGNATOR
						00		
						C1		
29	25		1910536-00		74S10 NAND GATE-TRIPLE 3IN	1		E27
30	10		1910537-00		74S11 AND GATE-TRIPLE 3INP	4		E5,E36,E38,E45
31	9		1910539-00		74S20 NAND GATE-DUAL 4INPU	1		E4
32	31		1910542-00		74S64 A-0-I GATE 4-2-3-2	4		E37,E142,E183,E184
33	18		1910544-00		74S74 FF-D DUAL,EDGE TRIGG	5		E16,E18,E30,E149,E152
34	57		1910545-00		74S112 FF-JK DUAL,EDGE TRIG	1		E147
35	51		1910547-00		74S153 MUX 1 OF 4 (DUAL)	5		E83,E93,E94,E123,E138
36	61		1910549-00		74S158 MUX 1 OF 2 (QUAD)	1		E178
37	29		1910550-00		74S174 FF-D HEX	7		E33,E59,E90,E106,E119,E124,E137
38	32		1910552-00		74S194 SHIFT REG.,4BIT RIGH	3		E40,E42,E78
39	33		1910956-00		74S151 MUX 1 OF 8	2		E41,E52
40	37		1910957-00		74S175 FF-D QUAD COMMON CLO	3		E50,E160,E167
41	55		1911573-00		74S280 PARITY GEN/CHKR,9BIT	5		E112,E134,E136,E154,E156
42	49		1911641-00	SN	74S257 MUX,QUAD 2 TO 1	4		E81,E95,E107,E109
43	8		1911675-00		74S138 DECODER/DEMUX 3-8 LI	2		E3,E133
44	59		1911676-00		74S139 DECODER-DUAL TWO-INP	2		E151,E159
45	19		1911712-00		74S51 AND-OR GATE-INVERT D	3		E17,E24,E176
46	40		1912089-00		74S85 CMPRTR-4BIT MAGNITUD	1		E55
47	27		1912096-00	DEC	74S86 XOR GATE,QUAD 2IN	2		E31,E177
48	41		1912097-00	SN	74S182 LOOK AHD CARRY GEN	3		E56,E70,E84
49	17		1912388-00		74S02 NOR GATE-QUAD 2IN,PO	4		E12,E39,E48,E180
50	7		1912389-00		74S08 AND GATE-QUAD 2IN,PO	3		E2,E21,E65
51	16		1912646-00		LS253 MUX 1 OF 4 (DUAL)	1		E11
52	15		1912697-00		LS174 FF-D HEX W/CLEAR	1		E10
53	38		1912728-00		74S251 MUX 1 OF 8 TRI-STA	3		E51,E97,E111
54	30		1912746-00	DEC	74S37 NAND GATE-QUAD 2IN	4		E34,E115,E131,E150
55	45		1912805-00		LS08 AND GATE-QUAD 2IN,PO	2		E63,E132
56	24		1912813-00		LS27 NOR GATE-TRIPLE 3IN	1		E26
57	20		1912824-00		LS74 FF-D DUAL,EDGE TRIGG	3		E19,E25,E62
58	11		1912828-00		LS85 COMPARATOR,4BIT MAGN	1		E6
59	6		1912833-00		LS109 FF-JK DUAL,POS EDGE	6		E1,E49,E66,E88,E168,E181
60	34		1912838-00		LS132 NAND GATE-QUAD 2IN P	1		E44
61	12		1912849-00		LS161 COUNTER,SYNCHR,4BIT	1		E7
62	28		1912853-00		LS175 FF-D QUAD	1		E32
63	39		1912860-00		LS259 LATCH 8BIT	1		E54
64	54		1912863-00		LS273 FF-D OCTAL W/CLEAR	3		E108,E182,E187
65	26		1913245-02		2901A-1 MICROPRESCCESSOR 4-	8		E29,E43,E57,E71,E85,E99,E113, CONT E114
66	13		1913340-00		74S32 OR GATE-QUAD 2IN	5		E8,E28,E53,E79,E122
67	50		1913493-00		74S241 OCTAL BUFFER,TRI-STA	5		E82,E96,E98,E125,E126
68	62		1913662-01		RAM 1KX1 16 PIN TT	2		E185,E186
69	53		1913670-00		74S373 LATCH,8BIT TRANS TRI	4		E89,E110,E127,E171
70	35		1913671-00		74S374 FF-D,OCTAL,TR1 STATE	8		E77,E91,E104,E105,E135,E153, CONT E155,E158
71	42		1913788-00		26S10 TRANSCEIVER,BUS,QUA	10		E58,E72,E73,E74,E87,E101,E102, CONT E103,E117,E118
72	47		1914082-00		74S163 COUNTER,SYNCH UP/DOW	3		E68,E69,E146
73	48		1914214-00		LS374 FF-D OCTAL EDGE TRIG	8		E75,E76,E120,E121,E139,E140.

D	I	G	I	T	A	L	TITLE	C.D.P. MODULE	SECTION A	OF A	SIZE	CODE	DOCUMENT NUMBER	REV
											K	PL	L0400-0-DBP	C

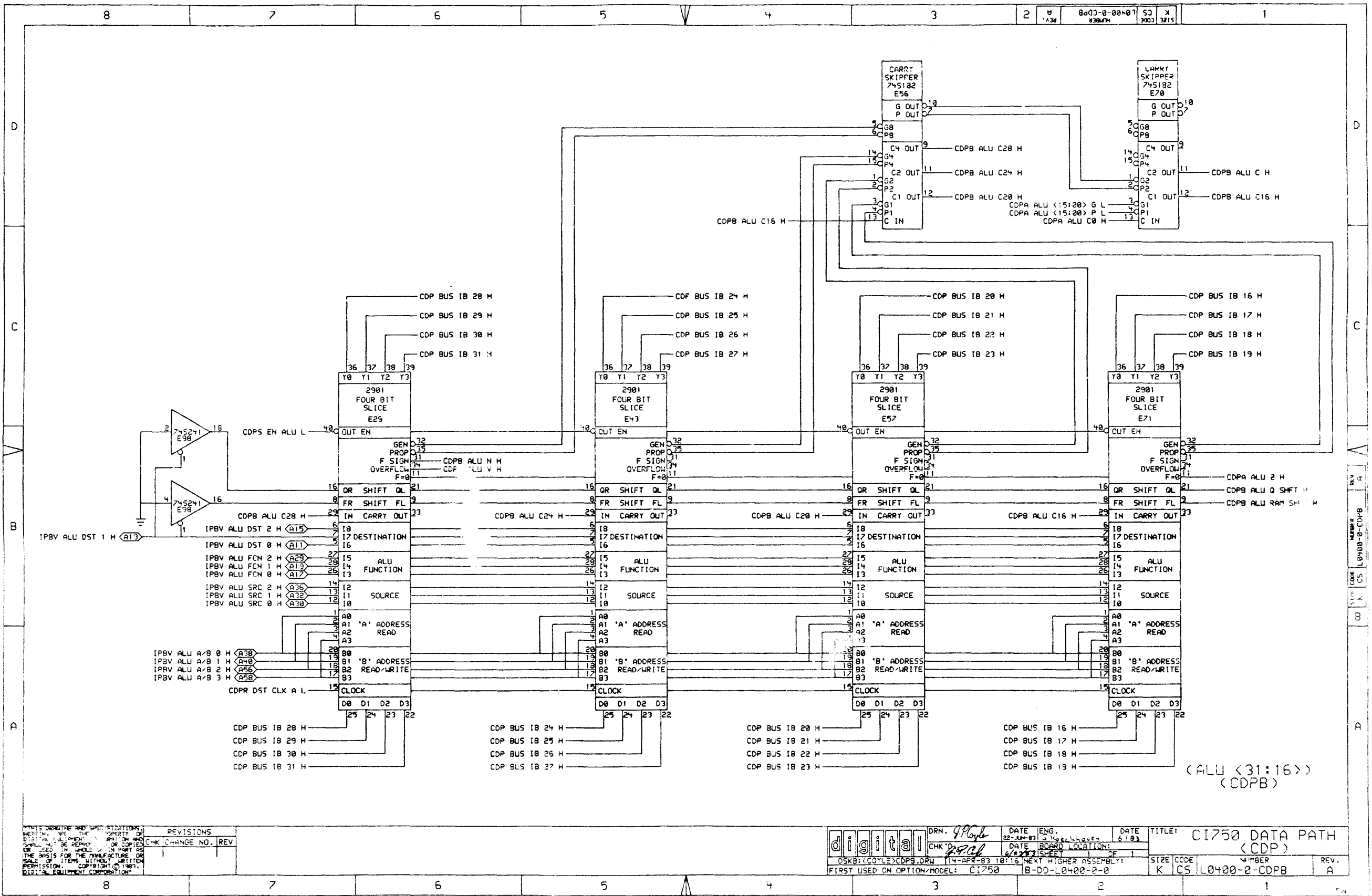
LINE	ITEM	TOP DOCUMENT	PART NUMBER	MIN REV	DESCRIPTION	QTY	PER VARIATION	REFERENCE DESIGNATOR
					VARIATION REVISION LEVEL:	00		
						C1		
74	14		1914392-00		556 TIMER-DUAL	1	CONT	E141,E169
75	46		1915193-00		LS244 DRIVER,LINE,OCTAL,TR	2		E9
76	22		1915234-00		LS390 COUNTER,DECADE,DUAL,	1		E67,E170
77	56		2121818-01		MOS STATIC RAM 256X4 SEPARATE I/	12		E22
							CONT	E128,E129,E130,E143,E144,E145,
78	36		23094B1-00		B1-01	1		E172,E173,E174,E188,E189,E190
79	44		23E12F1-00		F1-01	1		E47
80	79		9000024-01		EYELET,ROLLED 0.1210DX0.192	12		E61
81	74		9009185-00		JUMPER, WIRE, INSULATED, BLACK B	3		W1,R45,W5
82	82		1215006-03		SKT,IC 18PIN DIP TIN SOLD	1		XE61
83	83		1215006-04		SKT,IC 20PIN DIP TIN SOLD	3		XE47,XE92,XE60
84	84		1910544-01		74S74-60GG-D DUAL,EDGE TRIG	1		E165
85	85		1100114-00		PIV= 25 IO=135 MA	1		D2
86	86		9105740-55		WIRE(WRAP) 30AWG KYNAR UL14	1		
87	87		23095B1-00		B1-01	1		E92
88	88		1913671-50		74S374 FF-D,OCTAL,TRI STATE	1		E46
89	89		9107278-11		TUBING,TEFLON .042ID	A/R		
90	90		1302377-00		39.0 .25 W 5.0 % CF	2		R59,R60
91	91		1913670-01		DM 74S373N LATCH,8BIT TRANS	1		E157

D	I	G	I	T	A	L	TITLE	C.D.P. MODULE	SECTION A OF A	SIZE	CODE	DOCUMENT NUMBER	REV
										K	PL	L0400-0-DBP	C



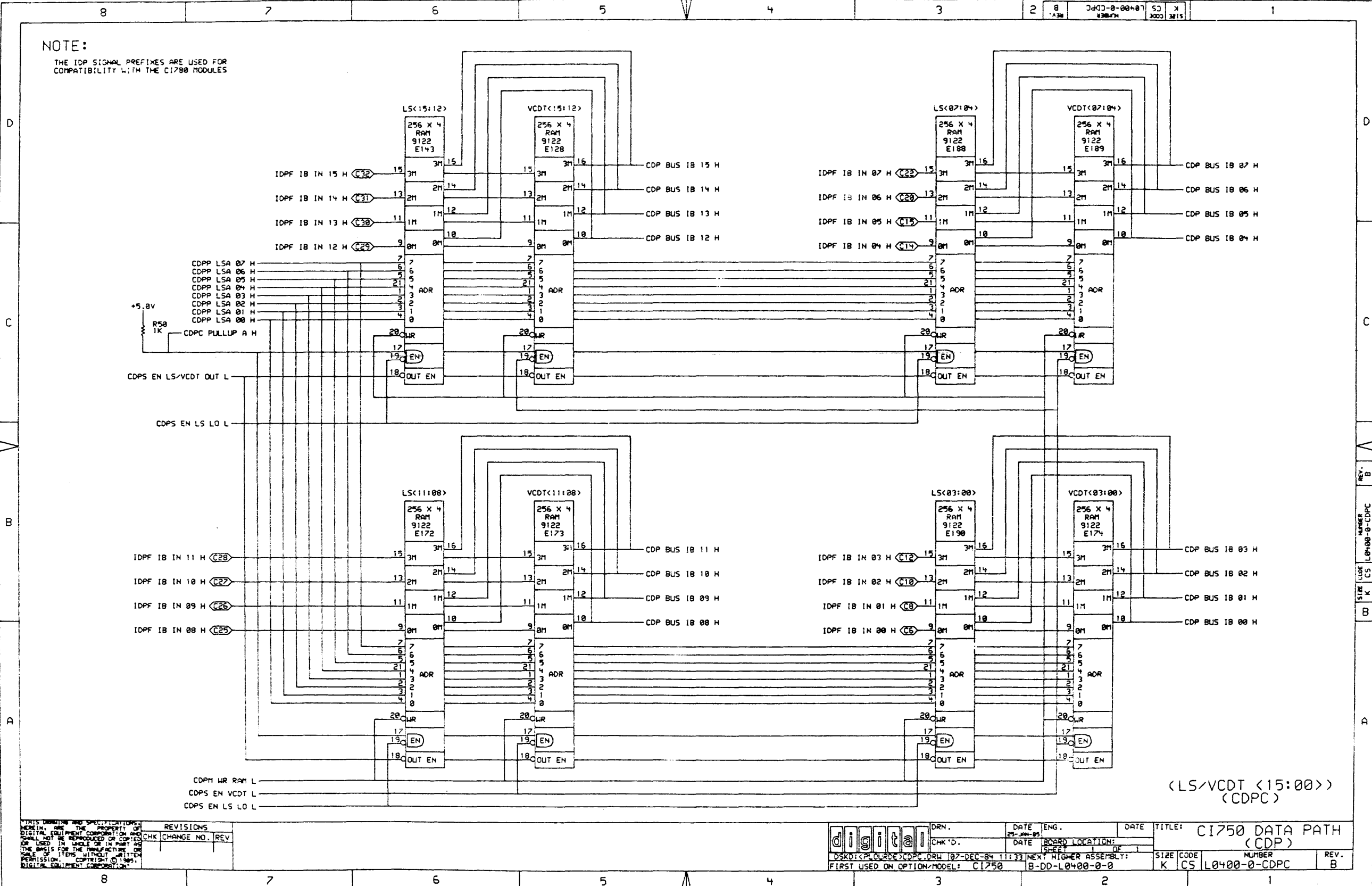
REVISIONS
CHK CHANGE NO. REV.

DRN: 9/10/82	DATE: 22-APR-83	ENG: S. K. W.	DATE: 8/83	TITLE: CI750 DATA PATH (CDP)
CHK: DPL	DATE: 6/27/83	DATE: 6/27/83	SHEET: 1 OF 1	SIZE: K CS
DSKB: <<COYLE>>CDPA.DPL.1	DATE: 13-APR-83 10:16	DATE: 13-APR-83 10:16	DATE: 13-APR-83 10:16	NUMBER: L0400-0-DPA
FIRST USED ON OPTION/MODEL: CI750	NEXT HIGHER ASSEMBLY: B-D0-L0400-0-0	REV: A		



REVISIONS	CHK	CHANGE NO.	REV

DRN. <i>J.P. Coyle</i>	DATE <i>22-APR-83</i>	ENG. <i>J. Kogel</i>	DATE <i>6/83</i>	TITLE: CI750 DATA PATH (CDPB)
CHK <i>J.P. Coyle</i>	DATE <i>14-APR-83</i>	BOARD LOCATION: <i>1</i>	SHEET <i>1</i>	SIZE CODE NUMBER REV.
DSKB: <COYLE>CDPB.DPL.1	14-APR-83 10:15	NEXT HIGHER ASSEMBLY: <i>B-DD-L0400-2-0</i>		K CS L0400-2-CDPB A
FIRST USED ON OPTION/MODEL: <i>CI750</i>				



NOTE:
THE IDPF SIGNAL PREFIXES ARE USED FOR
COMPATIBILITY WITH THE C1790 MODULES

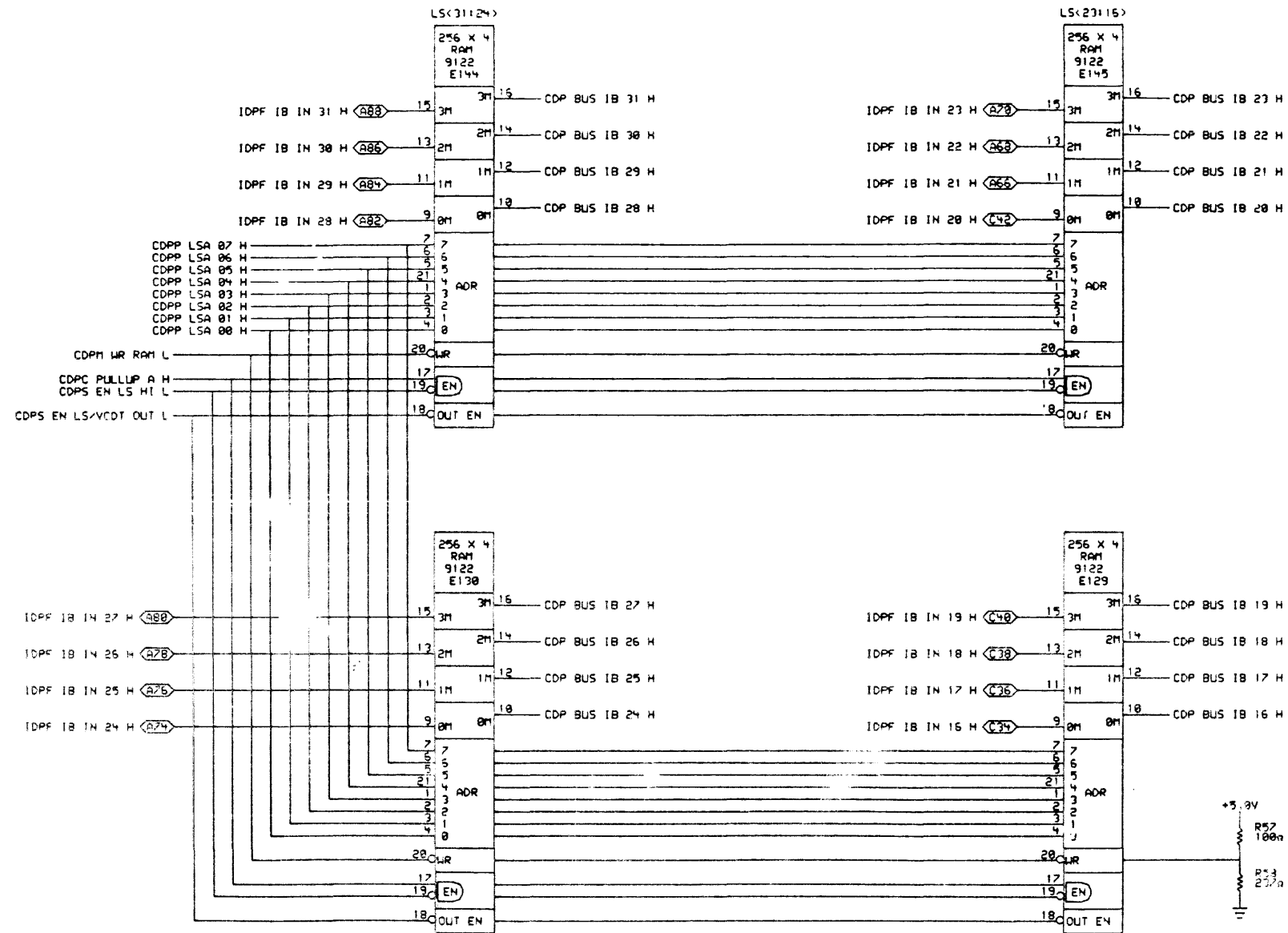
REVISIONS	CHK	CHANGE NO.	REV.

digital	DRN.	DATE	ENG.	DATE	TITLE:
	CHK'D.	DATE	BOARD LOCATION:	SHEET	C1750 DATA PATH (CDP)
FIRST USED ON OPTION/MODEL: C1750		DATE: 02-DEC-84 11:33	NEXT HIGHER ASSEMBLY: B-DD-L0400-0-0	SIZE CODE: K CS	NUMBER: L0400-0-CDPC
				REV.:	B

(LS/VCDT <15:00>)
(CDPC)

NOTE:

THE IDP SIGNAL PREFIXES ARE USED FOR COMPATIBILITY WITH THE C1790 MODULES



(LS <31:16>)
(CDPD)

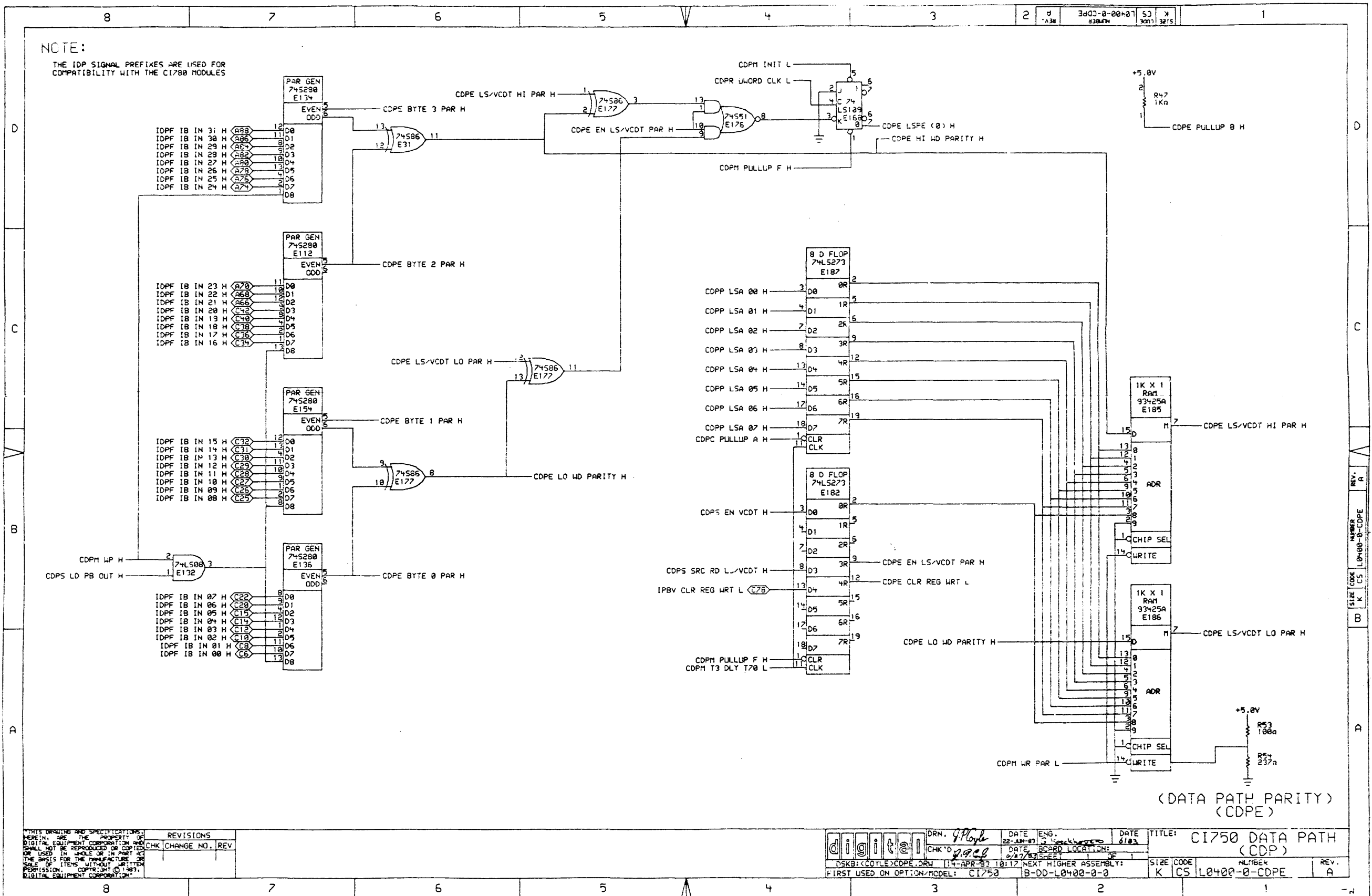
THIS DRAWING AND ITS CONTENTS ARE THE PROPERTY OF DIGITAL EQUIPMENT CORPORATION AND SHALL NOT BE REPRODUCED OR COPIED IN WHOLE OR IN PART AS A BASIS FOR THE MANUFACTURE OF ANY ITEMS WITHOUT WRITTEN PERMISSION. COPYRIGHT © 1984, DIGITAL EQUIPMENT CORPORATION.

REVISIONS	
CHK	CHANGE NO. REV.

digital	DRN.	DATE	ENG.	DATE	TITLE: C1750 DATA PATH (CDP)
	CHK'D.	DATE	BOARD LOCATION:		
FIRST USED ON OPTION MODEL: C1750					SIZE: K
NEXT HIGHER ASSEMBLY: B-DD-L0400-0-0					NUMBER: CS L0400-0-CDPD
					REV.: B

NOTE:

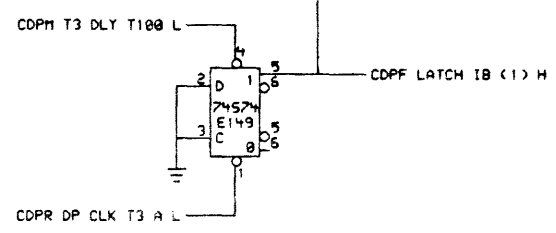
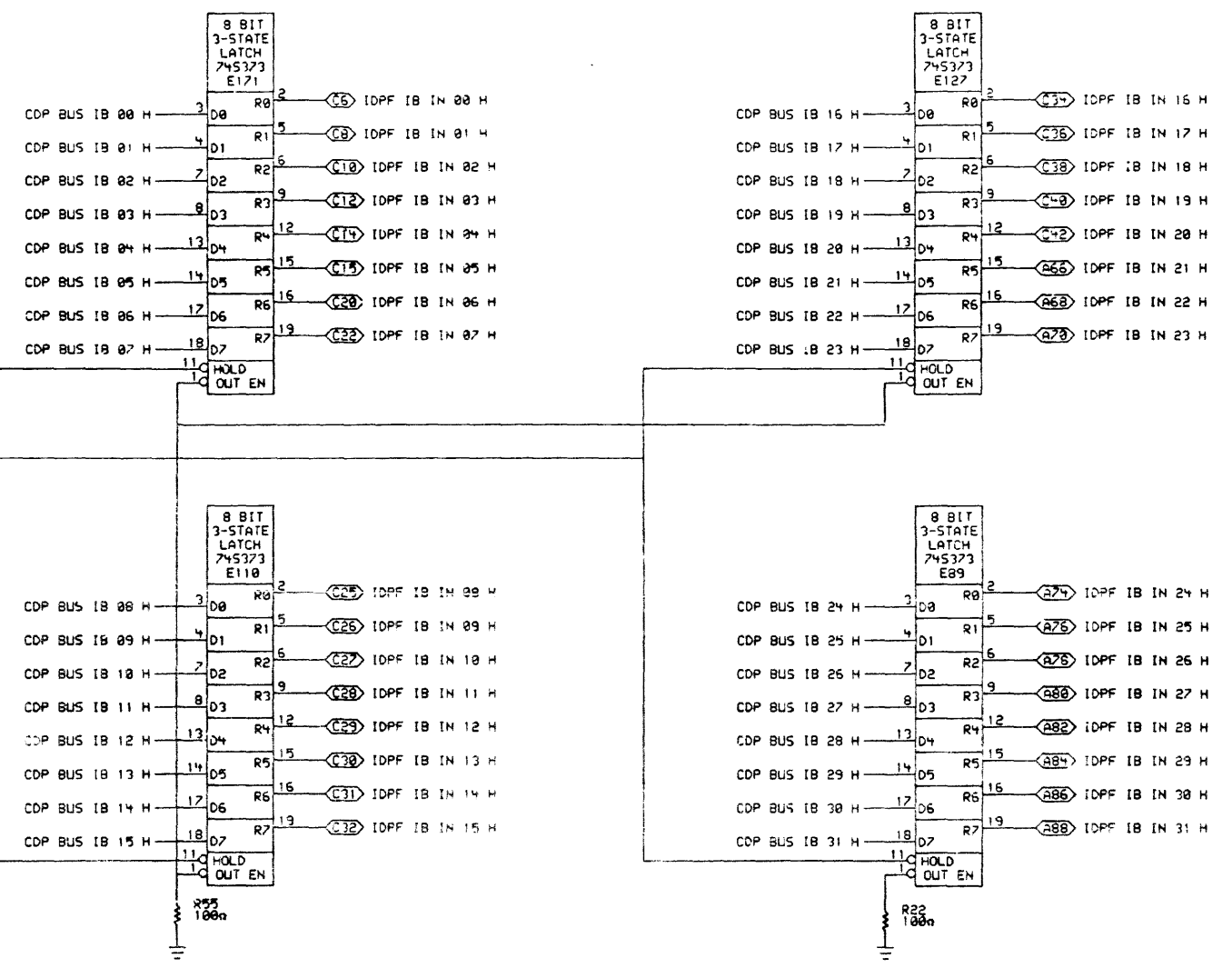
THE IDP SIGNAL PREFIXES ARE USED FOR COMPATIBILITY WITH THE CI780 MODULES



REVISIONS	
CHK	CHANGE NO. REV

DRN. <i>J.P. [unclear]</i>	DATE <i>22-JUN-83</i>	ENG. <i>[unclear]</i>	DATE <i>6/83</i>	TITLE: CI750 DATA PATH (CDP)
CHK'D <i>[unclear]</i>	DATE <i>2/17/83</i>	BOARD LOCATION: <i>[unclear]</i>	SHEET <i>1</i>	SIZE CODE K CS L0400-0-COPE
FIRST USED ON OPTION/MODEL: CI750		NEXT HIGHER ASSEMBLY: B-DD-L0400-0-0		NUMBER 1

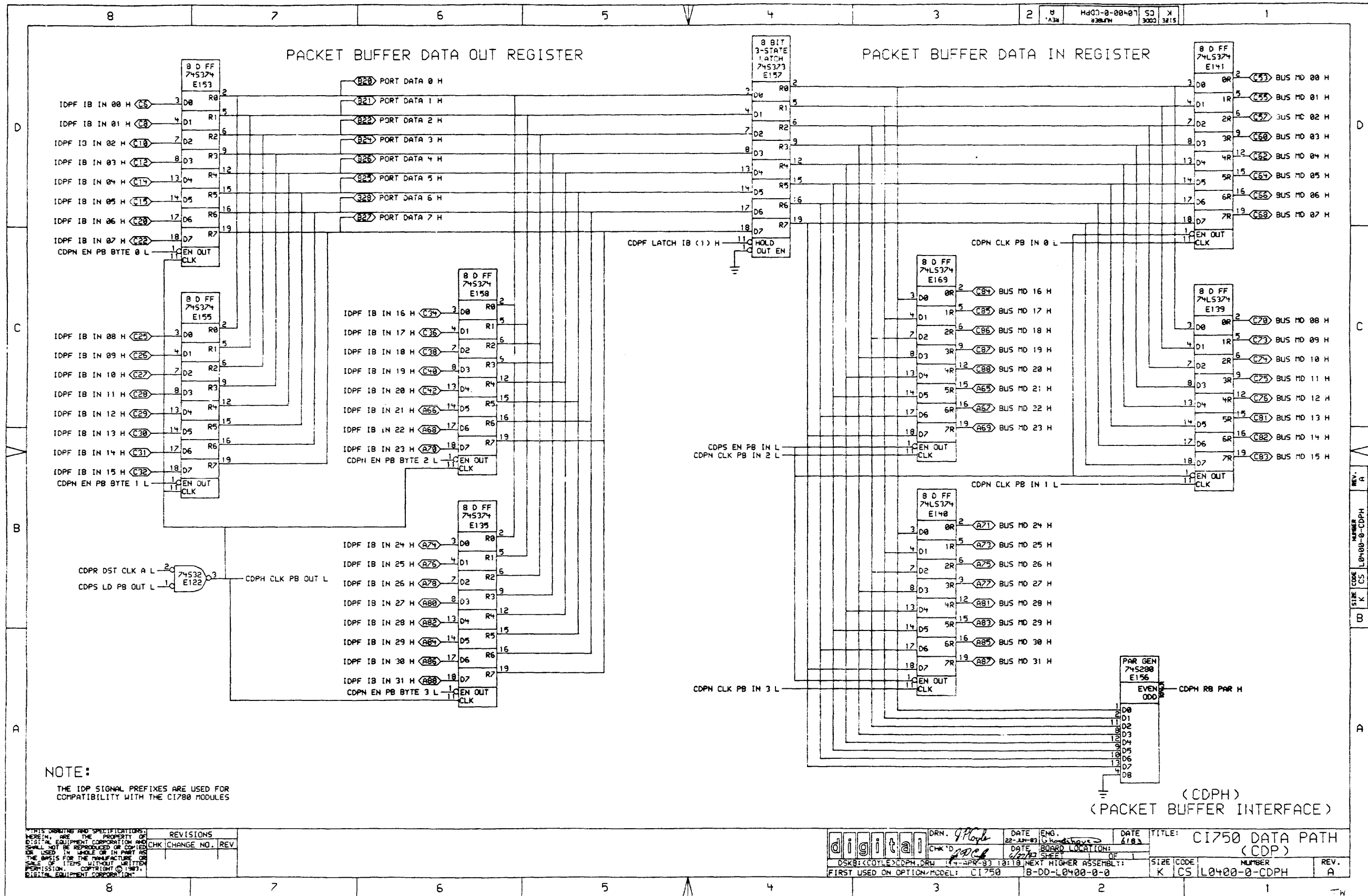
NOTE:
THE IDP SIGNAL PREFIXES ARE USED FOR COMPATIBILITY WITH THE CI780 MODULES



(BUS IB BUFFERS)
(CDPF)

REV.	DATE	BY	CHK	CHANGE NO.

digital	DRN. <i>Y. Pyle</i>	DATE <i>22-APR-83</i>	ENG. <i>[Signature]</i>	DATE <i>6/83</i>	TITLE: CI750 DATA PATH (CDP)
	CHK'D <i>[Signature]</i>	DATE <i>20/83</i>	DESIGN LOCATION: <i>[Blank]</i>		
FIRST USED ON OPTION/MODEL: CI750		NEXT HIGHER ASSEMBLY: B-DD-L2+22-0-0		SIZE CODE: K	NUMBER: ICS 1L0400-0-CDPF

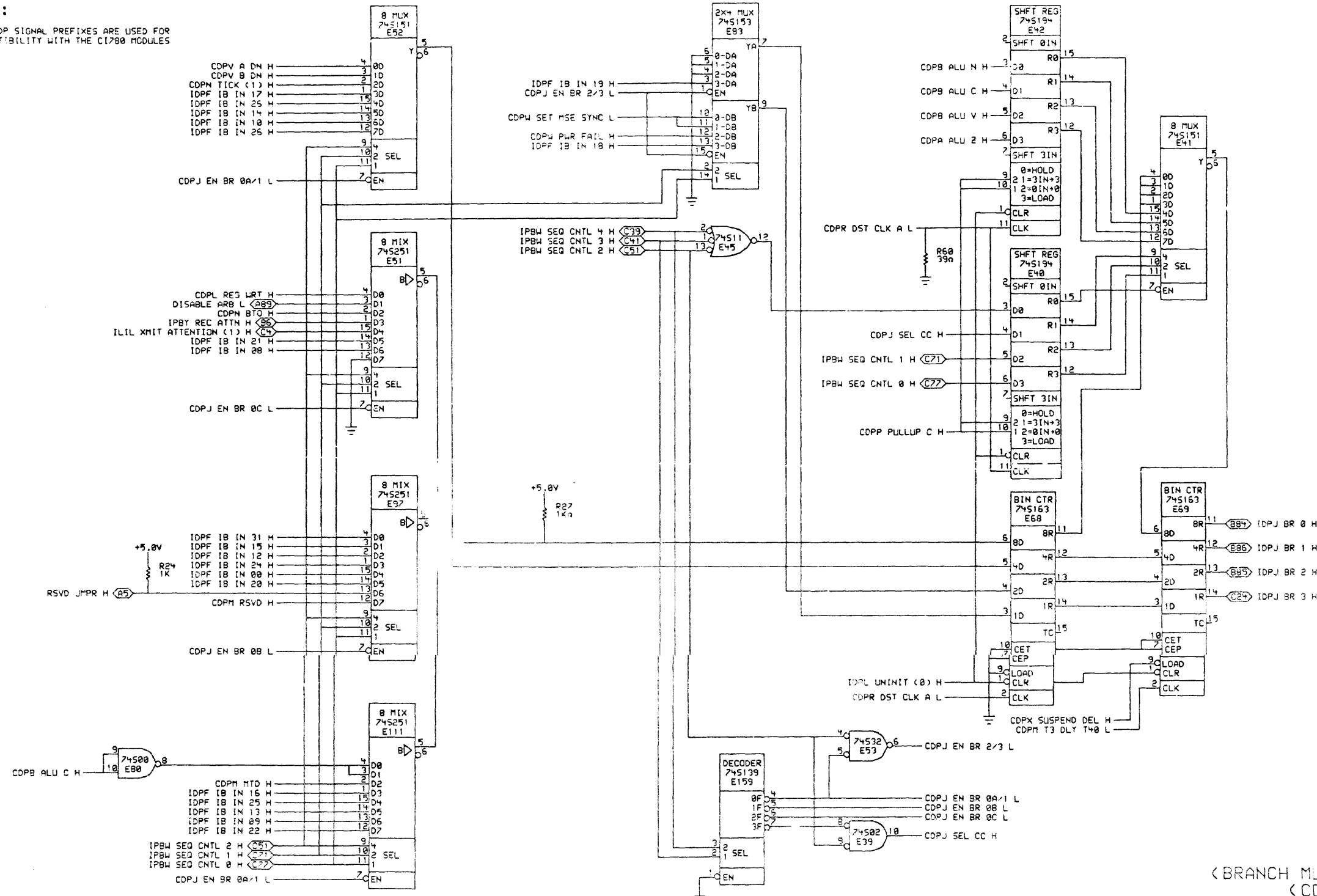


NOTE:
THE IDP SIGNAL PREFIXES ARE USED FOR COMPATIBILITY WITH THE C1700 MODULES

REV.	CHK	CHANGE NO.	REV.

digital	DRN. 4749	DATE 22-APR-83	ENG. C. K. H.	DATE 11-APR-83	TITLE: C1750 DATA PATH (CDP)
	CHK'D	DATE 11-APR-83	BOARD LOCATION:	OF	
DSKB: <COYLE>CDPH.DRW		NEXT HIGHER ASSEMBLY:		SIZE: K CS	NUMBER: L0400-0-CDPH
FIRST USED ON OPTION/MODEL: C1750		B-DD-L0400-0-0		REV: A	

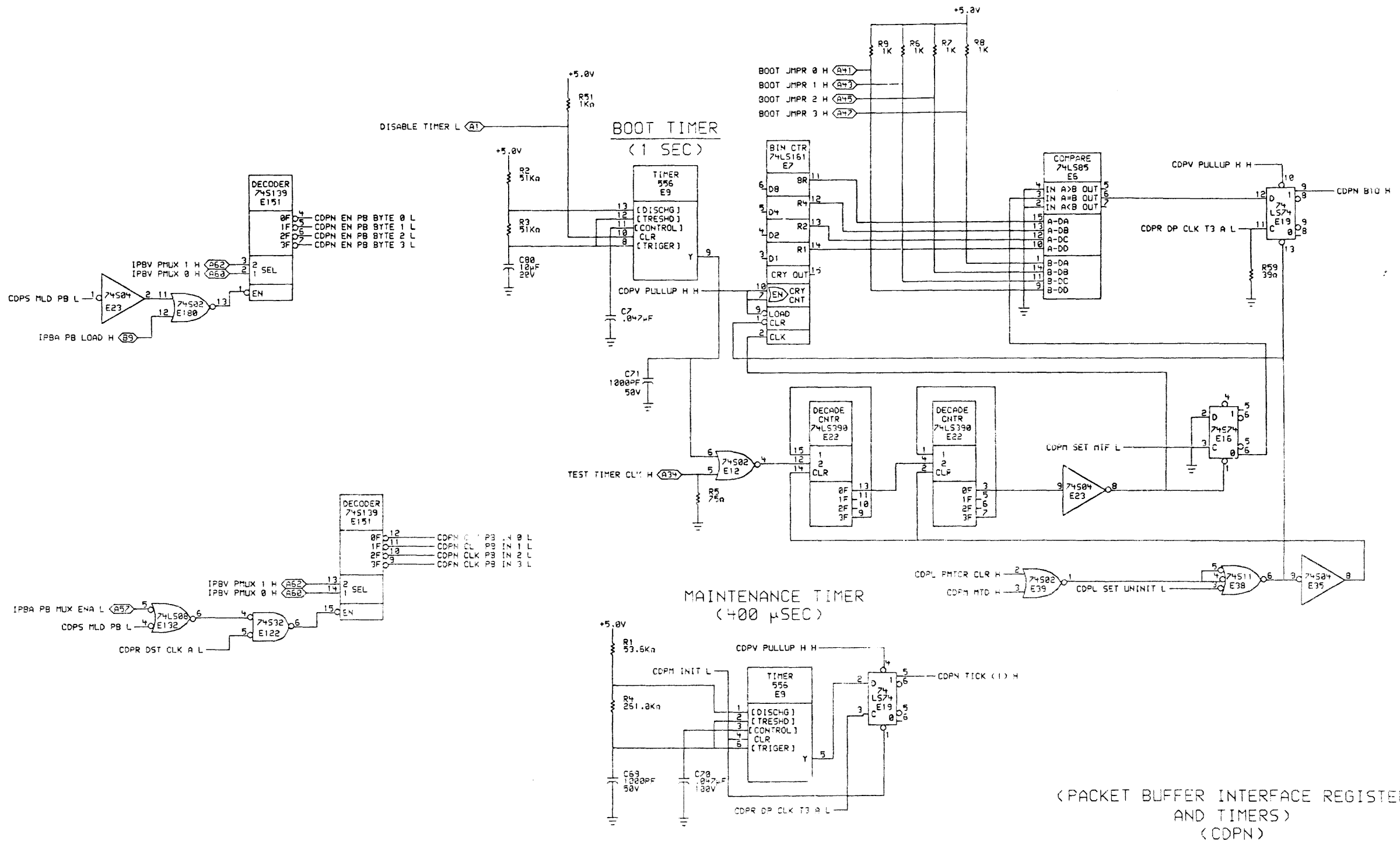
NOTE:
THE IDP SIGNAL PREFIXES ARE USED FOR
COMPATIBILITY WITH THE C1780 MODULES



(BRANCH MULTIPLEXER)
(CDPJ)

REVISIONS	CHK	CHANGE NO.	REV.

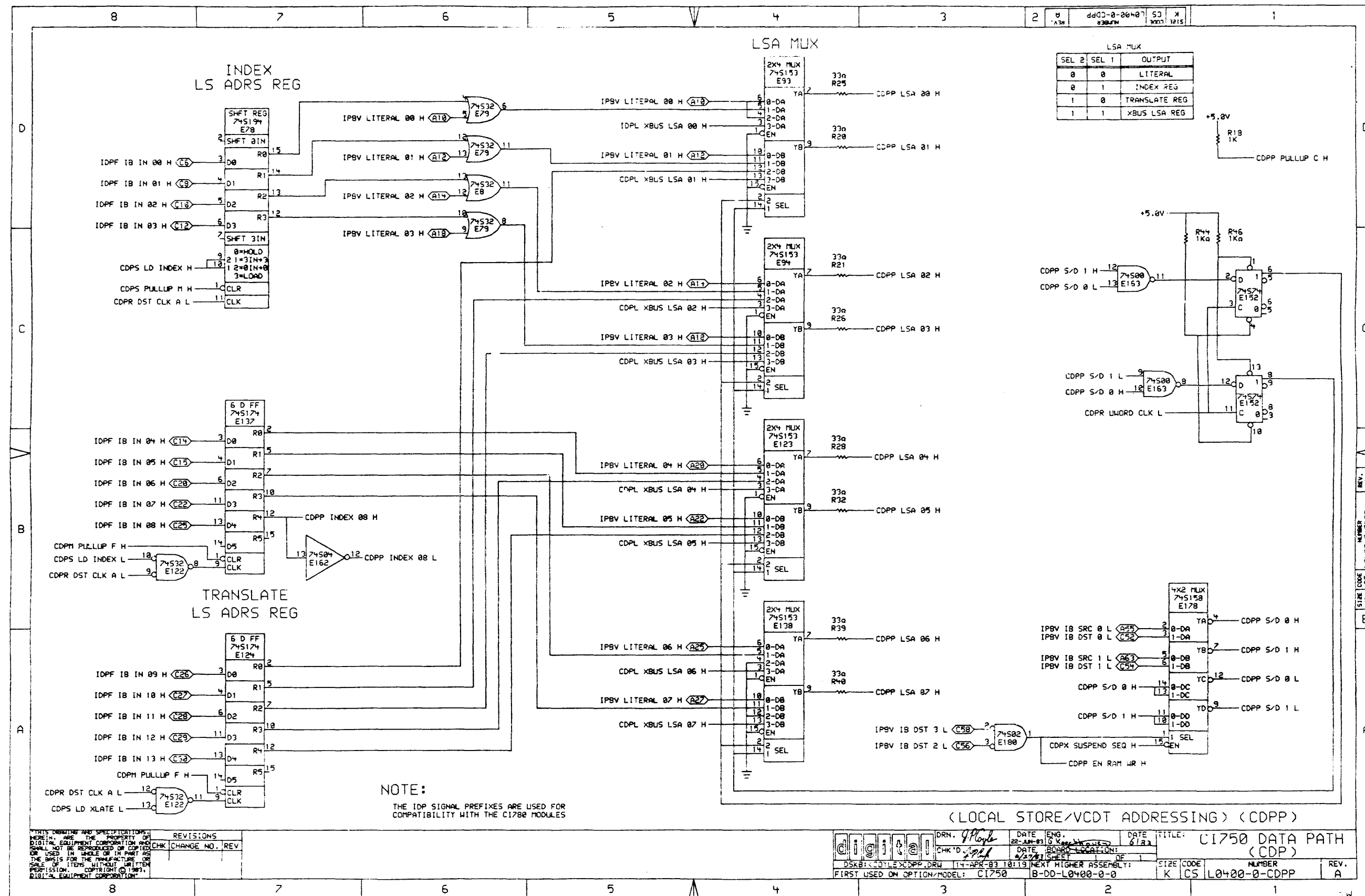
digital	DRN.	DATE	ENG.	DATE	TITLE: C1750 DATA PATH
	CHK'D.	DATE	BOARD LOCATION:	SHEET 1 OF 1	(CDPJ)
DSKD:\PLOURDE\CDPJ.DRW 186-FEB-84 15:01			NEXT HIGHER ASSEMBLY:		SIZE CODE
FIRST USED ON OPTION/MODEL: C1750			B-DD-L0400-0-0		NUMBER
					REV. B



REVISIONS

CHK	CHANGE NO.	REV.

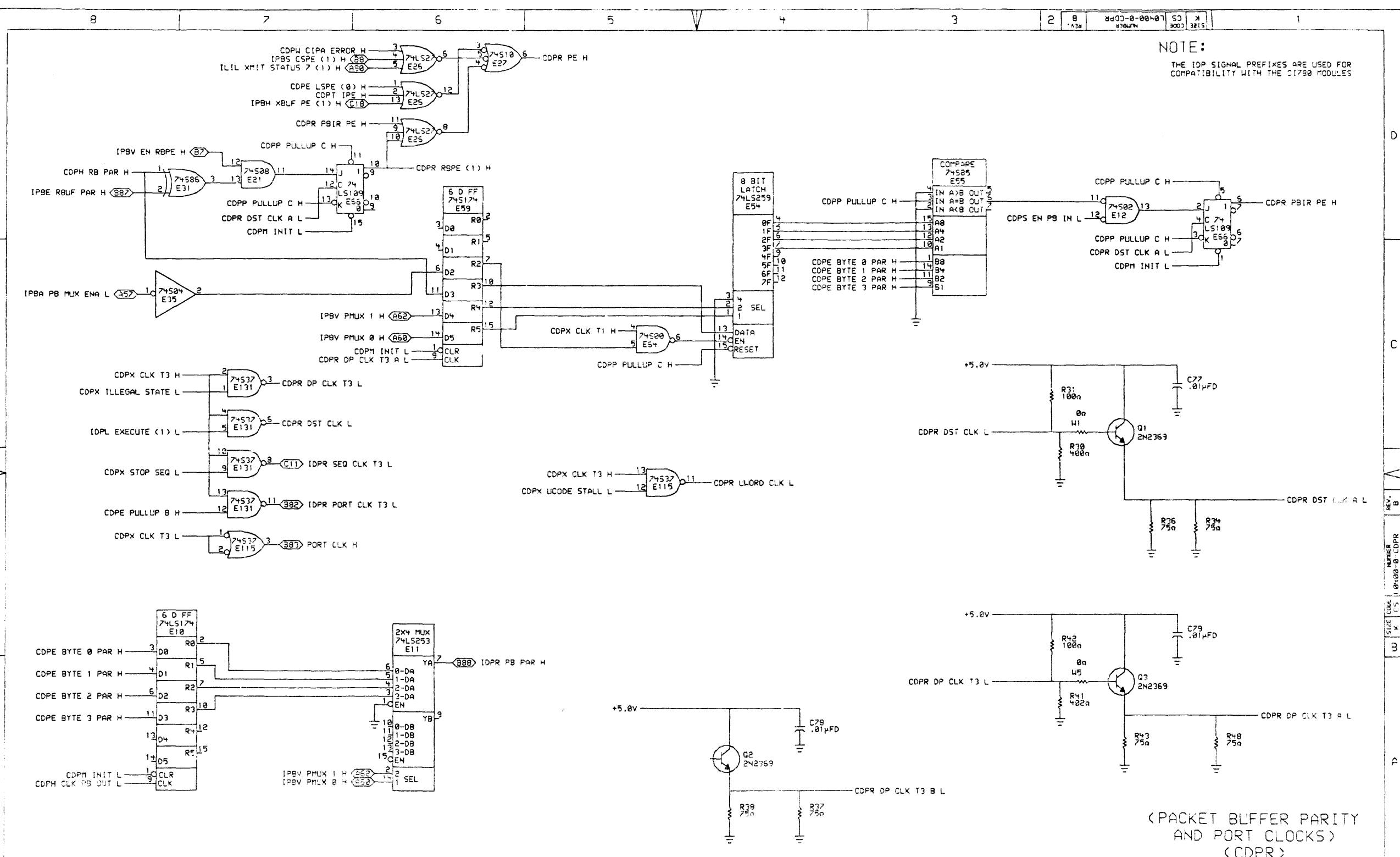
DATE	ENG.	DATE	TITLE:
17-FEB-80			CI750 DATA PATH (CDP)
DATE	BOARD LOCATION	DATE	
DATE	NEXT HIGHER ASSEMBLY:	DATE	
FIRST USED ON OPTION MODEL:			
CI750	B-DD-L0400-0-0		
SIZE	CODE	NUMBER	REV.
K	CS	L0400-0-CDPN	3



THIS DRAWING AND SPECIFICATIONS ARE THE PROPERTY OF DIGITAL EQUIPMENT CORPORATION AND SHALL NOT BE REPRODUCED OR COPIED OR USED IN WHOLE OR IN PART AS A BASIS FOR THE MANUFACTURE OR SALE OF ITEMS WITHOUT WRITTEN PERMISSION. COPYRIGHT © 1983, DIGITAL EQUIPMENT CORPORATION.

REV.	CHG.	NO.	REV.

DRN. <i>J. P. Doyle</i>	DATE ENG. <i>22-APR-83</i>	DATE <i>6/1/83</i>	TITLE: C1750 DATA PATH (CDP)
CHK'D <i>J.P.D.</i>	DATE BOARD LOCATION: <i>6/27/83</i>	SHEET <i>1</i>	OF <i>1</i>
DSKB:COYLEXCDPP.DRW	14-APR-83 10:13	NEXT HIGHER ASSEMBLY:	SIZE CODE NUMBER REV.
FIRST USED ON OPTION/MODEL: C1750	B-00-L0400-0-0	K C5	L0400-0-CDPP A



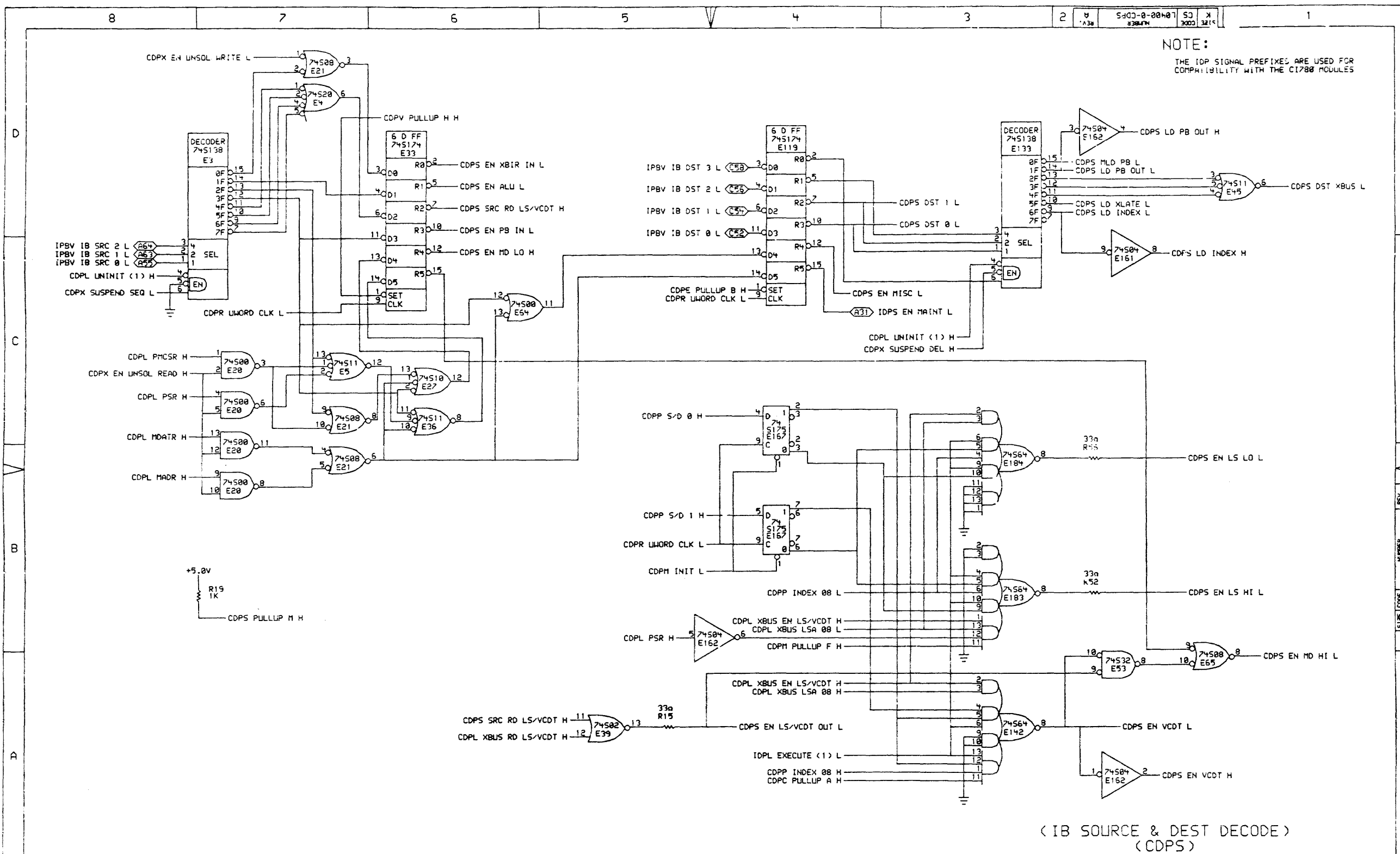
NOTE:
THE IDP SIGNAL PREFIXES ARE USED FOR
COMPATIBILITY WITH THE C1750 MODULES

(PACKET BUFFER PARITY
AND PORT CLOCKS)
(CDPR)

REVISIONS
CHK CHANGE NO. REV

NO.	DESCRIPTION	DATE	BY	CHK'D.	DATE	BY
1	ISSUED FOR MANUFACTURE	17-FEB-84				

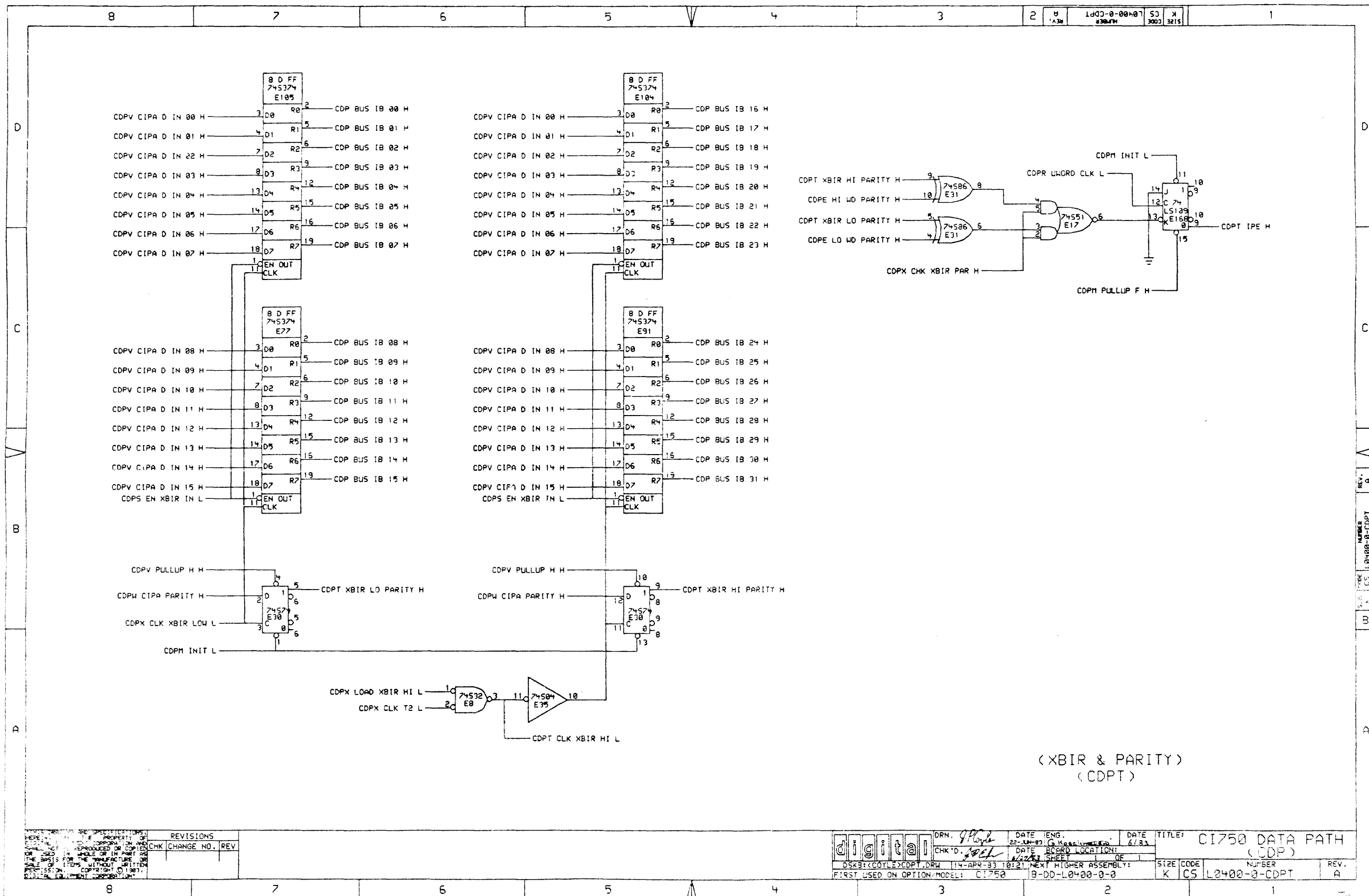
DRN.	ENG.	DATE	DATE	TITLE:
		17-FEB-84		C1750 DATA PATH (CDP)
BOARD LOCATION:	DATE	DATE	DATE	DATE
DSKD: (PL, LR, DE) CDR DRAW 06-FEB-84 16:22 NEXT HIGHER ASSEMBLY:	SIZE	CODE	NUMBER	REV.
FIRST USED ON OPTION/MODEL: C1750	B-DD-L0400-0-0	K	CS L0420-0-00PR	B



NOTE:
THE IDP SIGNAL PREFIXES ARE USED FOR
COMPATIBILITY WITH THE CI788 MODULES

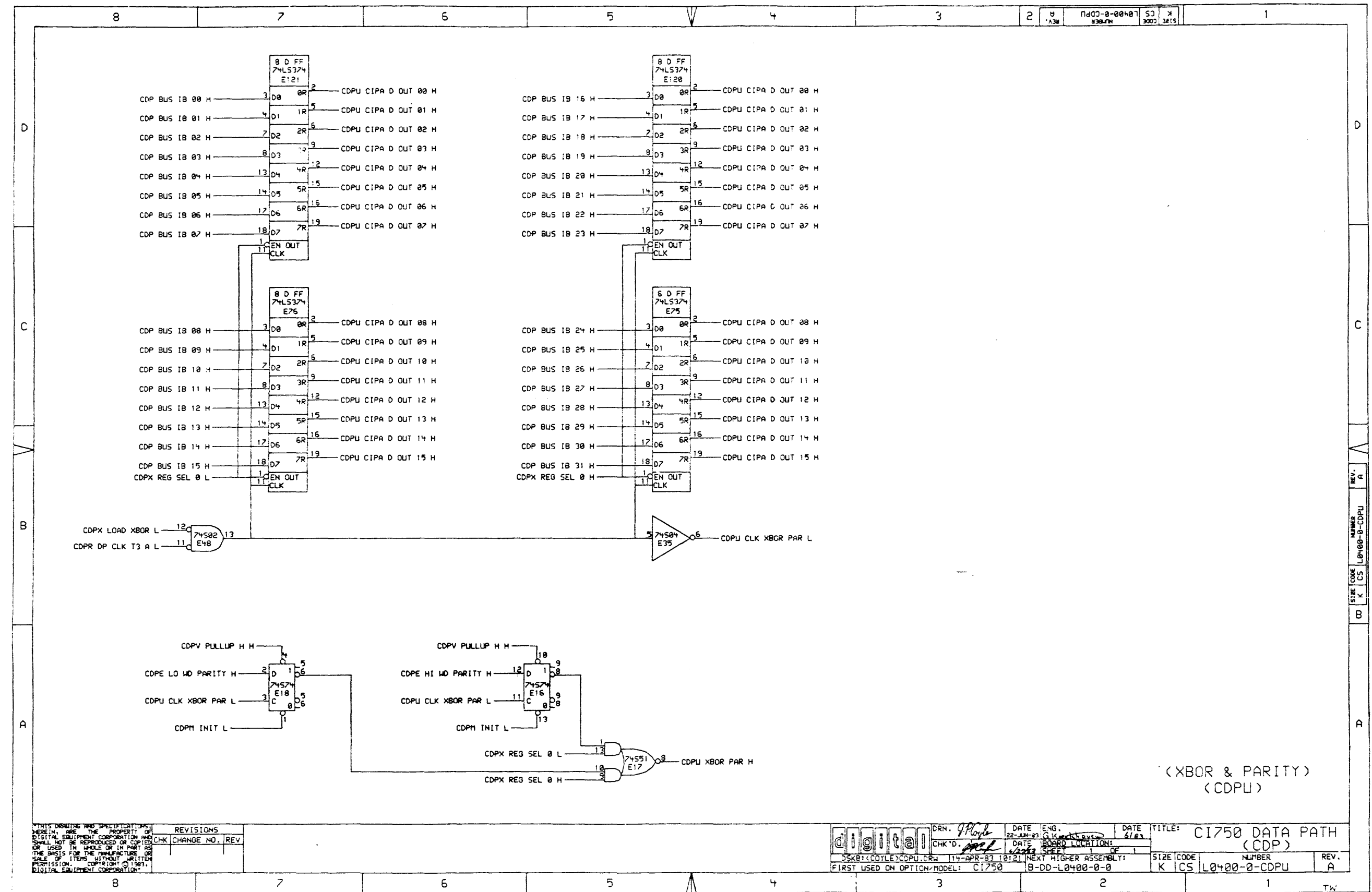
REV.	DESCRIPTION
1	INITIAL DESIGN
2	REVISIONS
3	CHK CHANGE NO. REV

DRN. 9/10/82	DATE ENG. 22-JUN-83	DATE 8/1/83	TITLE: CI750 DATA PATH (CDP)
CHK'D. PPL	DATE BOARD LOCATION: 6/2/83	SHEET 1 OF 1	SIZE CODE NUMBER REV. K CS L0400-0-CDPS A
DSKB: <<COYLE>>CDPS.DRW 11-APR-83 18:20 NEXT HIGHER ASSEMBLY: B-DD-L0400-0-0			FIRST USED ON OPTION/MODEL: CI750



REVISIONS	
CHK	CHANGE NO. REV.

digital	DRN: 4902	DATE: 22-JUN-83	ENG: G. K. ...	DATE: 6/83	TITLE: C1750 DATA PATH (CDP)
	CHK'D: 10/83	DATE: 10/83	DESIGN LOCATION: ...	SHEET: 1 OF 1	
DSK: COYLE\CDPT.DRW		14-APR-83 10:21	NEXT HIGHER ASSEMBLY: ...	SIZE: K CS	NUMBER: L0400-0-COPT
FIRST USED ON OPTION/MODEL: C1750		B-DD-L0400-0-0		REV: A	

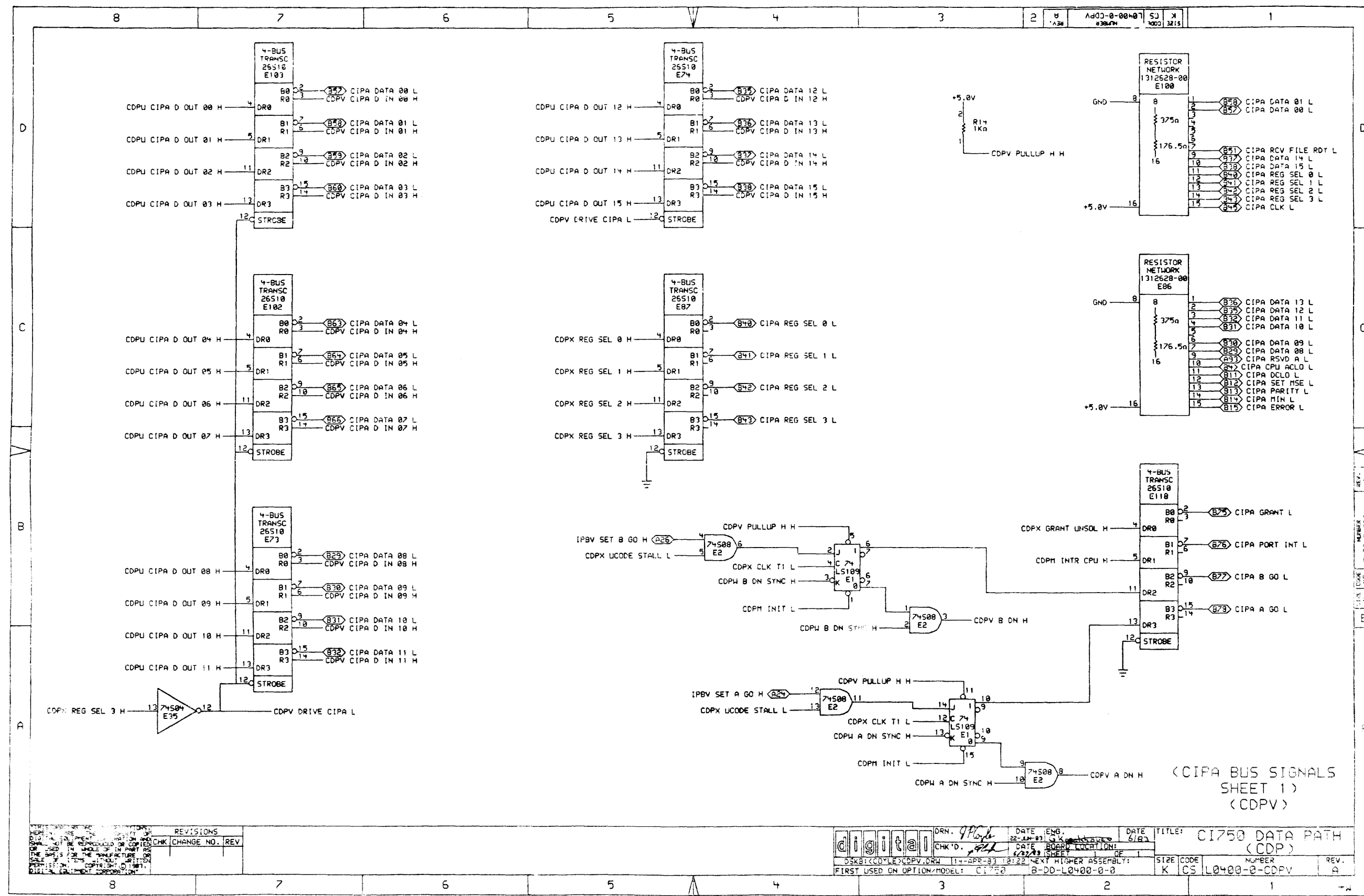


THIS DRAWING AND SPECIFICATIONS HEREIN ARE THE PROPERTY OF DIGITAL EQUIPMENT CORPORATION AND SHALL NOT BE REPRODUCED OR COPIED OR USED IN WHOLE OR IN PART AS THE BASIS FOR THE MANUFACTURE OR SALE OF ITEMS WITHOUT WRITTEN PERMISSION. COPYRIGHT © 1981, DIGITAL EQUIPMENT CORPORATION.

REVISIONS	
CHK	CHANGE NO. REV

	DRN. 996	DATE ENG. 22-JUN-83	DATE 6/83	TITLE: CI750 DATA PATH (CDPU)
	CHK'D. [Signature]	DATE BOARD LOCATION: [Blank]	DATE SHEET: [Blank]	OF 1
DSKB: <COYLE>CDPU.DPL.1 117-APR-83 10:21		NEXT HIGHER ASSEMBLY: B-DD-L0400-0-0		SIZE CODE K CS
FIRST USED ON OPTION/MODEL: CI750		NUMBER L0400-0-CDPU		REV. A

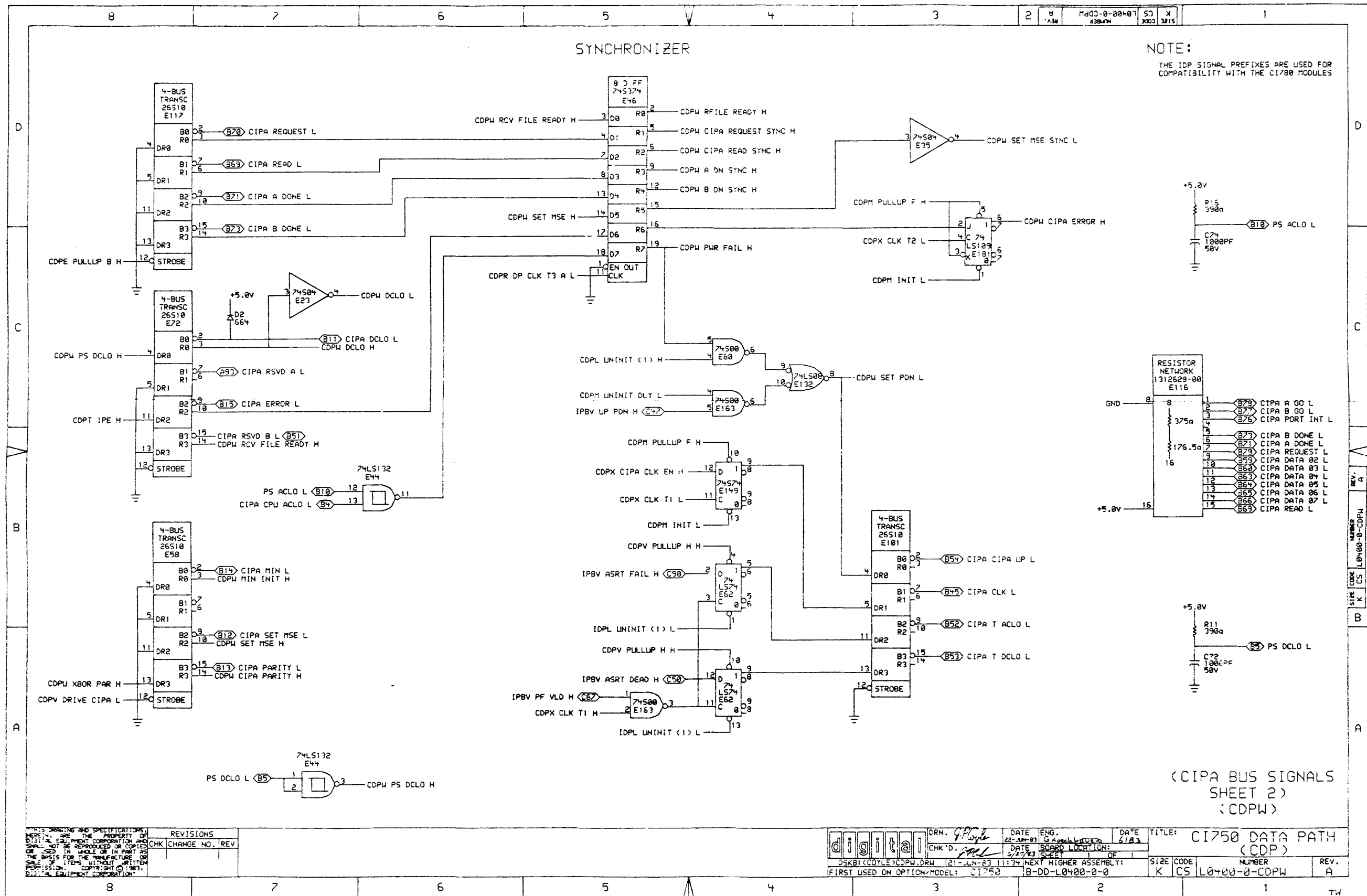
REV. A
 NUMBER L0400-0-CDPU
 SIZE CODE K CS
 T.W.

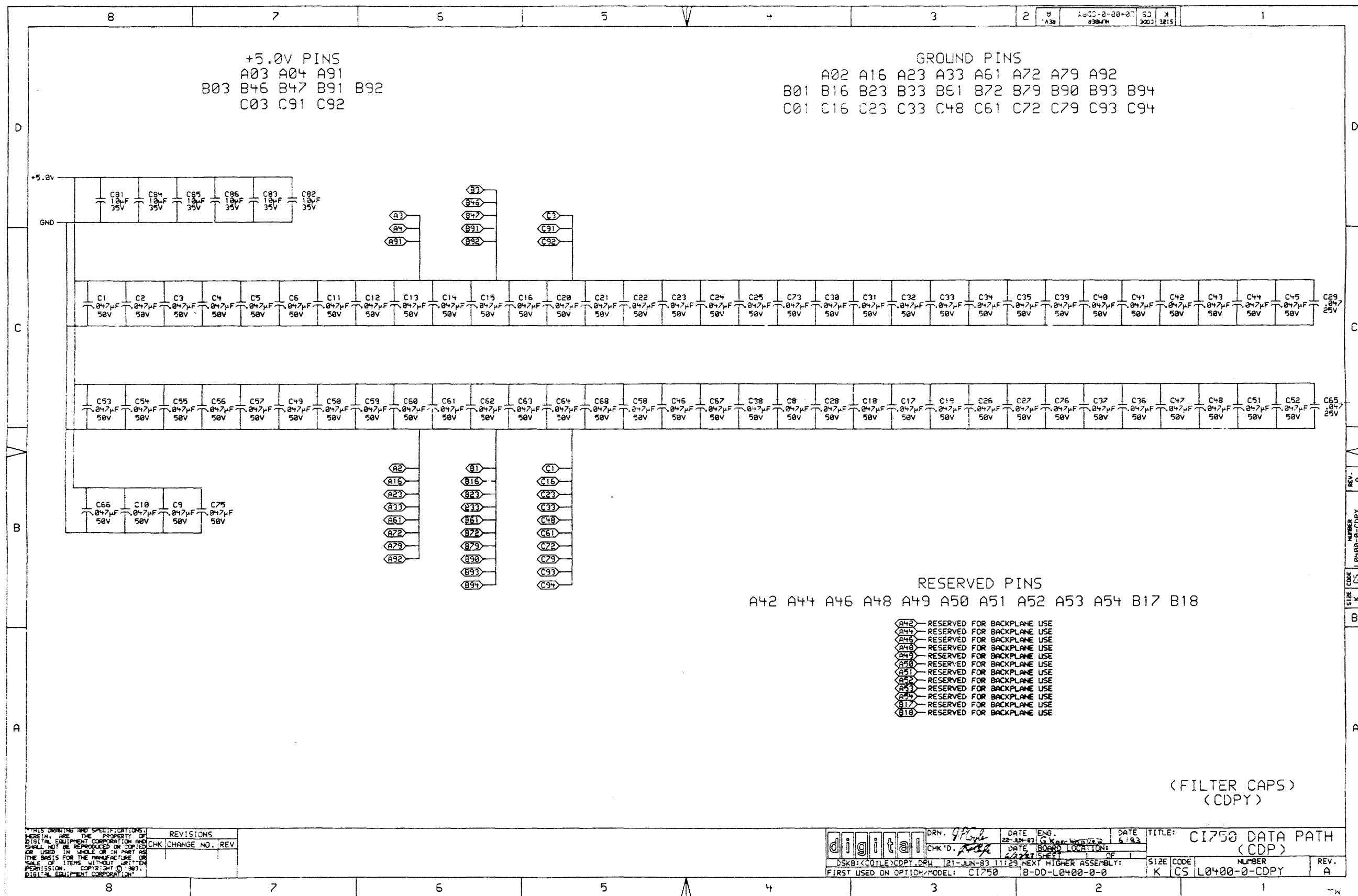


CIPA BUS SIGNALS SHEET 1) (CDPV)

REVISIONS		DATE		TITLE	
CHK	CHANGE NO.	NO.	BY	NO.	DESCRIPTION
		22-APR-83	K	6/83	CIP20 DATA PATH (CDP)
		11-APR-83	K		NEXT HIGHER ASSEMBLY:
					B-DD-L0400-0-0

OSK8: (COYLE) CDPV.DRW	11-APR-83	1822	1	1	1	1	1	1	1
FIRST USED ON OPTION/MODEL:	CIP20	B-DD-L0400-0-0	K	CS	L0400-0-CDPV				





THIS DRAWING AND SPECIFICATIONS ARE THE PROPERTY OF DIGITAL EQUIPMENT CORPORATION AND SHALL NOT BE REPRODUCED OR COPIED IN WHOLE OR IN PART OR USED IN THE MANUFACTURE OR SALE OF ITEMS WITHOUT WRITTEN PERMISSION. COPYRIGHT © 1983, DIGITAL EQUIPMENT CORPORATION.

REVISIONS	CHK	CHANGE NO.	REV.

digital	DRN. <i>gpl</i>	DATE ENG. 22-12-81	DATE 6-1-83	TITLE: CI750 DATA PATH (CDP)
	CHK'D. <i>AKB</i>	DATE BOARD LOCATION: 6/27/83	OF 1	
DSKB: <COYLE>CDPY.DRW 121-JUN-83 11:29 NEXT HIGHER ASSEMBLY: B-DD-L0400-0-0				SIZE CODE NUMBER REV. K CS L0400-0-CDPY A
FIRST USED ON OPTION/MODEL: CI750				

SIGNAL NAME	PAGE NUMBER(S)	SIGNAL NAME	PAGE NUMBER(S)	SIGNAL NAME	PAGE NUMBER(S)
BOOT JMPR 0 H	CDPN	CDP BUS IB 14 H	CDPU,T,A,K,F,C	CDPJ EN BR 0A/1 L	CDPJ
BOOT JMPR 1 H	CDPN	CDP BUS IB 15 H	CDPU,T,A,K,F,C	CDPJ EN BR 0B L	CDPJ
BOOT JMPR 2 H	CDPN	CDP BUS IB 16 H	CDPB,T,U,K,F,D	CDPJ EN BR 0C L	CDPJ
BOOT JMPR 3 H	CDPN	CDP BUS IB 17 H	CDPB,T,U,K,F,D	CDPJ EN BR 2/3 L	CDPJ
BUS MD 00 H	CDPK,H	CDP BUS IB 18 H	CDPB,T,U,K,F,D	CDPJ SEL CC H	CDPJ
BUS MD 01 H	CDPK,H	CDP BUS IB 19 H	CDPB,T,U,K,F,D	CDPL CLK PMSR L	CDPM,L
BUS MD 02 H	CDPK,H	CDP BUS IB 20 H	CDPB,T,U,K,F,D	CDPL CLK UNSOL WRITE H	CDPL
BUS MD 03 H	CDPK,H	CDP BUS IB 21 H	CDPB,T,U,K,F,D	CDPL LSA 000000XXXX L	CDPL
BUS MD 04 H	CDPK,H	CDP BUS IB 22 H	CDPB,T,U,K,F,D	CDPL LSA 100100XXXX L	CDPL
BUS MD 05 H	CDPK,H	CDP BUS IB 23 H	CDPB,T,U,K,F,D	CDPL MADR H	CDPS,L
BUS MD 06 H	CDPK,H	CDP BUS IB 24 H	CDPB,U,K,F,T,D	CDPL MDATR H	CDPS,L
BUS MD 07 H	CDPK,H	CDP BUS IB 25 H	CDPB,U,K,F,T,D	CDPL PCCR WRT H	CDPL
BUS MD 08 H	CDPK,H	CDP BUS IB 26 H	CDPB,U,K,F,T,D	CDPL PMSR H	CDPS,L
BUS MD 09 H	CDPK,H	CDP BUS IB 27 H	CDPB,U,K,F,T,D	CDPL PMSR CLR H	CDPN,L
BUS MD 10 H	CDPK,H	CDP BUS IB 28 H	CDPB,U,F,T,K,D	CDPL PSR H	CDPS,K,L
BUS MD 11 H	CDPK,H	CDP BUS IB 29 H	CDPB,U,F,T,K,D	CDPL PSRCR L	CDPL,H
BUS MD 12 H	CDPK,H	CDP BUS IB 30 H	CDPB,U,F,T,K,D	CDPL REG WRT H	CDPL,J
BUS MD 13 H	CDPK,H	CDP BUS IB 31 H	CDPB,U,F,T,K,D	CDPL SET UNINIT L	CDPN,L
BUS MD 14 H	CDPK,H	CDPA ALU <15:00> G L	CDPB,A	CDPL UNINIT <1> H	CDPS,M L,K,H
BUS MD 15 H	CDPK,H	CDPA ALU <15:00> P L	CDPB,A	CDPL UNINIT H	CDPL
BUS MD 16 H	CDPK,H	CDPA ALU C0 H	CDPA,B	CDPL XBUS EN LS/VCDT H	CDPL,S
BUS MD 17 H	CDPK,H	CDPA ALU C12 H	CDPA	CDPL XBUS LSA 01 H	CDPL,P
BUS MD 18 H	CDPK,H	CDPA ALU C4 H	CDPA	CDPL XBUS LSA 02 H	CDPL,P
BUS MD 19 H	CDPK,H	CDPA ALU C8 H	CDPA	CDPL XBUS LSA 03 H	CDPL,P
BUS MD 20 H	CDPK,H	CDPA ALU 2 H	CDPB,J,A	CDPL XBUS LSA 04 H	CDPL,P
BUS MD 21 H	CDPK,H	CDPB ALU C H	CDPJ,B	CDPL XBUS LSA 05 H	CDPL,P
BUS MD 22 H	CDPK,H	CDPB ALU C16 H	CDPB	CDPL XBUS LSA 06 H	CDPL,P
BUS MD 23 H	CDPK,H	CDPB ALU C20 H	CDPB	CDPL XBUS LSA 07 H	CDPL,P
BUS MD 24 H	CDPK,H	CDPB ALU C24 H	CDPB	CDPL XBUS LSA 08 H	CDPL,S
BUS MD 25 H	CDPK,H	CDPB ALU C28 H	CDPB	CDPL XBUS LSA 08 L	CDPL,S
BUS MD 26 H	CDPK,H	CDPB ALU N H	CDPB,J	CDPL XBUS LSA 09 H	CDPL
BUS MD 27 H	CDPK,H	CDPB ALU Q SHFT H	CDPB,A	CDPL XBUS RD LS/VCDT H	CDPS,L
BUS MD 28 H	CDPK,H	CDPB ALU RAM SHFT H	CDPB,A	CDPL XBUS WR LS/VCDT H	CDPM,L
BUS MD 29 H	CDPK,H	CDPB ALU V H	CDPB,J	CDPM INIT H	CDPM,L
BUS MD 30 H	CDPK,H	CDPC PULLUP A H	CDPC,D,S,E	CDPM INIT L	CDPV,N,R,U,T,M,L,X,H,S,E
BUS MD 31 H	CDPK,H	CDPE BYTE 0 PAR H	CDPR,E	CDPM INTR CPU H	CDPM
CDP BUS IB 00 H	CDPT,A,U,K,F,C	CDPE BYTE 1 PAR H	CDPR,E	CDPM MIE H	CDPM,K
CDP BUS IB 01 H	CDPT,A,U,K,F,C	CDPE BYTE 2 PAR H	CDPR,E	CDPM MIF H	CDPM,H
CDP BUS IB 02 H	CDPT,A,U,K,F,C	CDPE BYTE 3 PAR H	CDPR,E	CDPM MIF L	CDPM
CDP BUS IB 03 H	CDPT,A,U,K,F,C	CDPE CLR REG WRT L	CDPL,E	CDPM MIN H	CDPM
CDP BUS IB 04 H	CDPT,A,U,K,F,C	CDPE EN LS/VCDT PAR H	CDPE	CDPM MIN L	CDPM
CDP BUS IB 05 H	CDPT,A,U,K,F,C	CDPE HI MD PARITY H	CDPU,T,E	CDPM MTD H	CDPM,M,K,J
CDP BUS IB 06 H	CDPT,A,U,K,F,C	CDPE LO MD PARITY H	CDPU,T,E	CDPM MTE H	CDPK,M,L
CDP BUS IB 07 H	CDPT,A,U,K,F,C	CDPE LS/VCDT HI PAR H	CDPE	CDPM PSA H	CDPM,K
CDP BUS IB 08 H	CDPU,T,K,A,F,C	CDPE LS/VCDT LO PAR H	CDPE	CDPM PULLUP F H	CDPP,M,E,T,S
CDP BUS IB 09 H	CDPU,T,K,A,F,C	CDPE LSPE (0) H	CDPR,K,E	CDPM RSVD H	CDPJ,K,M
CDP BUS IB 10 H	CDPU,T,K,A,F,C	CDPE PULLUP B H	CDPM,U,S,R,X,E	CDPM SET MIF L	CDPM,H
CDP BUS IB 11 H	CDPU,T,K,A,F,C	CDPE LATCH IB <1> H	CDPF,H	CDPM SET MTE L	CDPM
CDP BUS IB 12 H	CDPU,T,K,A,F,C	CDPM CLK PB OUT L	CDPR,H	CDPM SET PDN H	CDPM
CDP BUS IB 13 H	CDPU,T,K,A,F,C	CDPM RB PAR H	CDPR,H	CDPM T3 DLY T100 L	CDPM,F

NOTES:
1. THIS PAGE LISTS THE SCHEMATIC PAGE NUMBER(S) WHERE A SIGNAL NAME IS REFERENCED.

THIS DRAWING AND SPECIFICATIONS ARE THE PROPERTY OF DIGITAL EQUIPMENT CORPORATION AND SHALL NOT BE REPRODUCED OR COPIED OR USED IN WHOLE OR IN PART AS THE BASIS FOR THE MANUFACTURE OR SALE OF ITEMS WITHOUT WRITTEN PERMISSION. COPYRIGHT © 1983, DIGITAL EQUIPMENT CORPORATION.

REVISIONS
CHK. CHANGE NO. REV.

ORN. <i>g/Flab</i>	DATE ENG. 18-JUL-83	DATE 7-19-83	TITLE: CI750 DATA PATH (CDP)
CHK'D <i>g/Flab</i>	DATE 18-JUL-83	DATE 7-19-83	
DSKB: <HOMMEL>CDPAA.DPL.3	18-JUL-83 11:38	NEXT HIGHER ASSEMBLY: 8-DD-L2-30-0-0	SIZE CODE NUMBER REV. K CS L0400-0-CDAA A
FIRST USED ON OPTION/MODEL: CI750			

8		7		6		5		4		3		2		1			
SIGNAL NAME		PAGE NUMBER(S)		SIGNAL NAME		PAGE NUMBER(S)		SIGNAL NAME		PAGE NUMBER(S)		SIGNAL NAME		PAGE NUMBER(S)			
CDPM T3 DLY T40 L	CDP,J,M	CDPS EN MISC L	CDPK,S	CDPV CIPA D IN 13 H	CDPV,T	CDPM T3 DLY T70 L	CDPM,E	CDPS EN PB IN L	CDPS,S,H	CDPV CIPA D IN 14 H	CDPV,T	CDPM UNINIT DLY L	CDPM,M	CDPS EN VCDT H	CDPS,E	CDPV CIPA D IN 15 H	CDPV,T
CDPM LP H	CDPM,K,E	CDPS EN VCDT L	CDPS,C	CDPV DRIVE CIPA L	CDPV,X,H	CDPM WR PAR L	CDPM,E	CDPS EN XBIR IN L	CDPS,X,T	CDPV PULLUP H H	CDPV,N,U,X,T,S,M,L,H	CDPM WR RAM L	CDPC,D,H	CDPS LD INDEX H	CDPP,S	CDPM B DN SYNC H	CDPV,U
CDPM BT0 H	CDPN,L,J	CDPS LD INDEX L	CDPP,S	CDPM A DN SYNC H	CDPV,U	CDPM BT0 H	CDPN,L,J	CDPS LD PB OUT H	CDPE,S	CDPM B DN SYNC H	CDPV,U	CDPM CLK PB IN 0 L	CDPN,N	CDPS LD PB OUT L	CDPH,S	CDPM CIPA ERROR H	CDPR,K,H
CDPM CLK PB IN 1 L	CDPN,N	CDPS LD X LATE L	CDPP,S	CDPM CIPA PARITY H	CDPT,U	CDPM CLK PB IN 1 L	CDPN,N			CDPM CIPA READ SYNC H	CDPW,X	CDPM CLK PB IN 2 L	CDPN,H				
CDPM CLK PB IN 2 L	CDPN,H			CDPM CIPA REQUEST SYNC H	CDPW,X	CDPM CLK PB IN 3 L	CDPN,H	CDPS MLD PB L	CDPN,S	CDPM DCLO H	CDPW	CDPM EN PB BYTE 0 L	CDPN,H	CDPS PULLUP H H	CDPP,M,S	CDPM DCLO L	CDPW,M
CDPM EN PB BYTE 0 L	CDPN,H	CDPS SRC RD LS/VCDT H	CDPS,E	CDPM DCLO L	CDPW,M	CDPM EN PB BYTE 1 L	CDPN,H	CDPT CLK XBIR HI L	CDPT,X	CDPM MIN INIT H	CDPW,M	CDPM EN PB BYTE 2 L	CDPN,H	CDPT IPE H	CDPR,U,T	CDPM PS DCLO H	CDPW
CDPM EN PB BYTE 2 L	CDPN,H	CDPT XBI H	CDPT,X	CDPM PS DCLO L	CDPW	CDPM EN PB BYTE 3 L	CDPN,H	CDPT XBI HI PARITY H	CDPT	CDPM PUR FAIL H	CDPW,J	CDPM EN PB BYTE 3 L	CDPN,H	CDPT XBI LO PARITY H	CDPT	CDPM RCV FILE READY H	CDPW
CDPM TICK <1> H	CDPN,J	CDPT XBI HI PARITY H	CDPT	CDPM PUR FAIL H	CDPW,J	CDPM TICK <1> H	CDPN,J	CDPT XBI LO PARITY H	CDPT	CDPM SET MSE L	CDPW,J	CDPM TICK <1> H	CDPN,J	CDPU CIPA D OUT 00 H	CDPV,U	CDPM RCV FILE READY H	CDPW,X
CDPM EN RAM WR H	CDPM,P	CDPT XBI LO PARITY H	CDPT	CDPM SET MSE H	CDPW	CDPM EN RAM WR H	CDPM,P	CDPU CIPA D OUT 01 H	CDPV,U	CDPM SET MSE SYNC L	CDPW,J	CDPM EN RAM WR H	CDPM,P	CDPU CIPA D OUT 02 H	CDPV,U	CDPM SET PDM L	CDPM,H
CDPM INDEX 00 H	CDPP,S	CDPU CIPA D OUT 00 H	CDPV,U	CDPM SET PDM H	CDPT,X	CDPM INDEX 00 H	CDPP,S	CDPU CIPA D OUT 03 H	CDPV,U	CDPM CHK XBIR PAR H	CDPT,X	CDPM INDEX 00 H	CDPP,S	CDPU CIPA D OUT 04 H	CDPV,U	CDPM CIPA CLK EN H	CDPX,U
CDPM INDEX 08 L	CDPP,S	CDPU CIPA D OUT 01 H	CDPV,U	CDPM CIPA CLK EN H	CDPX,U	CDPM INDEX 08 L	CDPP,S	CDPU CIPA D OUT 05 H	CDPV,U	CDPM CLK T0 H	CDPX,L	CDPM LSA 01 H	CDPC,D,E,P	CDPU CIPA D OUT 06 H	CDPV,U	CDPM LSA 02 H	CDPC,D,E,P
CDPM LSA 00 H	CDPC,D,E,P	CDPU CIPA D OUT 02 H	CDPV,U	CDPM CLK T0 L	CDPX,M	CDPM LSA 03 H	CDPC,D,E,P	CDPU CIPA D OUT 07 H	CDPV,U	CDPM CLK T1 H	CDPR,X,H	CDPM LSA 04 H	CDPC,D,E,P	CDPU CIPA D OUT 08 H	CDPV,U	CDPM LSA 05 H	CDPC,D,E,P
CDPM LSA 01 H	CDPC,D,E,P	CDPU CIPA D OUT 03 H	CDPV,U	CDPM CLK T1 L	CDPV,U,X	CDPM LSA 05 H	CDPC,D,E,P	CDPU CIPA D OUT 09 H	CDPV,U	CDPM CLK T2 H	CDPL,X	CDPM LSA 06 H	CDPC,D,E,P	CDPU CIPA D OUT 10 H	CDPV,U	CDPM LSA 06 H	CDPC,D,E,P
CDPM LSA 02 H	CDPC,D,E,P	CDPU CIPA D OUT 04 H	CDPV,U	CDPM CLK T2 L	CDPL,X	CDPM LSA 07 H	CDPC,D,E,P	CDPU CIPA D OUT 11 H	CDPV,U	CDPM CLK T3 H	CDPR,X	CDPM LSA 07 H	CDPC,D,E,P	CDPU CIPA D OUT 12 H	CDPV,U	CDPM LSA 08 H	CDPC,D,E,P
CDPM LSA 03 H	CDPC,D,E,P	CDPU CIPA D OUT 05 H	CDPV,U	CDPM CLK T3 L	CDPR,X	CDPM LSA 08 H	CDPC,D,E,P	CDPU CIPA D OUT 13 H	CDPV,U	CDPM CLK XBIR LO H L	CDPT,X	CDPM LSA 09 H	CDPC,D,E,P	CDPU CIPA D OUT 14 H	CDPV,U	CDPM LSA 09 H	CDPC,D,E,P
CDPM LSA 04 H	CDPC,D,E,P	CDPU CIPA D OUT 06 H	CDPV,U	CDPM EN RSEL0 L	CDPX	CDPM LSA 10 H	CDPC,D,E,P	CDPU CIPA D OUT 15 H	CDPV,U	CDPM EN UNSOL READ H	CDPS,X	CDPM LSA 10 H	CDPC,D,E,P	CDPU CIPA D OUT 16 H	CDPV,U	CDPM LSA 10 H	CDPC,D,E,P
CDPM LSA 05 H	CDPC,D,E,P	CDPU CIPA D OUT 07 H	CDPV,U	CDPM EN UNSOL WRITE L	CDPS,X	CDPM LSA 11 H	CDPC,D,E,P	CDPU CLK XBOR PAR L	CDPU	CDPM GRANT UNSOL H	CDPX,V	CDPM LSA 11 H	CDPC,D,E,P	CDPU XBI PAR H	CDPV,U	CDPM LSA 11 H	CDPC,D,E,P
CDPM LSA 06 H	CDPC,D,E,P	CDPU CIPA D OUT 08 H	CDPV,U	CDPM GRANT UNSOL L	CDPX,R	CDPM LSA 12 H	CDPC,D,E,P	CDPV A DN H	CDPV,J	CDPM ILLEGAL STATE L	CDPX,R	CDPM LSA 12 H	CDPC,D,E,P	CDPV B DN H	CDPV,J	CDPM LSA 12 H	CDPC,D,E,P
CDPM LSA 07 H	CDPC,D,E,P	CDPU CIPA D OUT 09 H	CDPV,U	CDPM ILLEGAL STATE L	CDPX,R	CDPM LSA 13 H	CDPC,D,E,P	CDPV CIPA D IN 00 H	CDPL,V,T	CDPM LD XBUS LSA L	CDPX,L	CDPM LSA 13 H	CDPC,D,E,P	CDPV CIPA D IN 01 H	CDPL,V,T	CDPM LSA 13 H	CDPC,D,E,P
CDPM LSA 08 H	CDPC,D,E,P	CDPU CIPA D OUT 10 H	CDPV,U	CDPM LD XBUS LSA L	CDPX,L	CDPM LSA 14 H	CDPC,D,E,P	CDPV CIPA D IN 02 H	CDPL,V,T	CDPM LOAD XBIR HI L	CDPT,X	CDPM LSA 14 H	CDPC,D,E,P	CDPV CIPA D IN 03 H	CDPL,V,T	CDPM LSA 14 H	CDPC,D,E,P
CDPM LSA 09 H	CDPC,D,E,P	CDPU CIPA D OUT 11 H	CDPV,U	CDPM LOAD XBIR HI L	CDPT,X	CDPM LSA 15 H	CDPC,D,E,P	CDPV CIPA D IN 04 H	CDPL,V,T	CDPM LOAD XBOR L	CDPU,X	CDPM LSA 15 H	CDPC,D,E,P	CDPV CIPA D IN 05 H	CDPL,V,T	CDPM LSA 15 H	CDPC,D,E,P
CDPM LSA 10 H	CDPC,D,E,P	CDPU CIPA D OUT 12 H	CDPV,U	CDPM LOAD XBOR L	CDPU,X	CDPM LSA 16 H	CDPC,D,E,P	CDPV CIPA D IN 06 H	CDPV,T,L	CDPM REG SEL 0 H	CDPU,X,V	CDPM LSA 16 H	CDPC,D,E,P	CDPV CIPA D IN 07 H	CDPV,T,L	CDPM LSA 16 H	CDPC,D,E,P
CDPM S/D 0 H	CDPP,S	CDPU CIPA D OUT 13 H	CDPV,U	CDPM REG SEL 0 L	CDPU,X	CDPM LSA 17 H	CDPC,D,E,P	CDPV CIPA D IN 08 H	CDPV,T,L	CDPM REG SEL 0 L	CDPU,X	CDPM LSA 17 H	CDPC,D,E,P	CDPV CIPA D IN 08 H	CDPV,T,L	CDPM LSA 17 H	CDPC,D,E,P
CDPM S/D 0 L	CDPP	CDPU CIPA D OUT 14 H	CDPV,U	CDPM REG SEL 1 H	CDPX,V	CDPM LSA 18 H	CDPC,D,E,P	CDPV CIPA D IN 09 H	CDPV,T,L	CDPM REG SEL 1 H	CDPX,V	CDPM LSA 18 H	CDPC,D,E,P	CDPV CIPA D IN 09 H	CDPV,T,L	CDPM LSA 18 H	CDPC,D,E,P
CDPM S/D 1 H	CDPP,S	CDPU CIPA D OUT 15 H	CDPV,U	CDPM REG SEL 2 H	CDPX,V	CDPM LSA 19 H	CDPC,D,E,P	CDPV CIPA D IN 10 H	CDPV,T,L	CDPM REG SEL 2 H	CDPX,V	CDPM LSA 19 H	CDPC,D,E,P	CDPV CIPA D IN 10 H	CDPV,T,L	CDPM LSA 19 H	CDPC,D,E,P
CDPM S/D 1 L	CDPP	CDPU CIPA D OUT 16 H	CDPV,U	CDPM REG SEL 3 H	CDPX,X	CDPM LSA 20 H	CDPC,D,E,P	CDPV CIPA D IN 11 H	CDPV,T,L	CDPM STOP SEQ L	CDPX,R	CDPM LSA 20 H	CDPC,D,E,P	CDPV CIPA D IN 11 H	CDPV,T,L	CDPM LSA 20 H	CDPC,D,E,P
CDPM DP CLK T3 A L	CDPR,N,M,H,U,L,U,R,F	CDPU CIPA D OUT 17 H	CDPV,U	CDPM STOP SEQ H	CDPX,J,S	CDPM LSA 21 H	CDPC,D,E,P	CDPV CIPA D IN 12 H	CDPV,T	CDPM SUSPEND DEL H	CDPX	CDPM LSA 21 H	CDPC,D,E,P	CDPV CIPA D IN 12 H	CDPV,T	CDPM LSA 21 H	CDPC,D,E,P
CDPM DP CLK T3 B L	CDPR	CDPU CIPA D OUT 18 H	CDPV,U	CDPM SUSPEND DEL L	CDPX	CDPM LSA 22 H	CDPC,D,E,P			CDPM SUSPEND SEQ H	CDPX,P	CDPM LSA 22 H	CDPC,D,E,P			CDPM LSA 22 H	CDPC,D,E,P
CDPM DP CLK T3 L	CDPR	CDPU CIPA D OUT 19 H	CDPV,U	CDPM SUSPEND SEQ H	CDPX,P	CDPM LSA 23 H	CDPC,D,E,P			CDPM SUSPEND SEQ L	CDPS,X	CDPM LSA 23 H	CDPC,D,E,P			CDPM LSA 23 H	CDPC,D,E,P
CDPM DST CLK A L	CDPR,J,R,P,A,H,N	CDPU CIPA D OUT 20 H	CDPV,U	CDPM SUSPEND SEQ L	CDPS,X	CDPM LSA 24 H	CDPC,D,E,P					CDPM LSA 24 H	CDPC,D,E,P			CDPM LSA 24 H	CDPC,D,E,P
CDPM DST CLK L	CDPR	CDPU CIPA D OUT 21 H	CDPV,U			CDPM LSA 25 H	CDPC,D,E,P					CDPM LSA 25 H	CDPC,D,E,P			CDPM LSA 25 H	CDPC,D,E,P
CDPM PBIR PE H	CDPR,K	CDPU CIPA D OUT 22 H	CDPV,U			CDPM LSA 26 H	CDPC,D,E,P					CDPM LSA 26 H	CDPC,D,E,P			CDPM LSA 26 H	CDPC,D,E,P
CDPM PE H	CDPR,M,K	CDPU CIPA D OUT 23 H	CDPV,U			CDPM LSA 27 H	CDPC,D,E,P					CDPM LSA 27 H	CDPC,D,E,P			CDPM LSA 27 H	CDPC,D,E,P
CDPM RBPE <1> H	CDPR,K	CDPU CIPA D OUT 24 H	CDPV,U			CDPM LSA 28 H	CDPC,D,E,P					CDPM LSA 28 H	CDPC,D,E,P			CDPM LSA 28 H	CDPC,D,E,P
CDPM RBPE <1> L	CDPR	CDPU CIPA D OUT 25 H	CDPV,U			CDPM LSA 29 H	CDPC,D,E,P					CDPM LSA 29 H	CDPC,D,E,P			CDPM LSA 29 H	CDPC,D,E,P
CDPM UWORD CLK L	CDPS,R,P,M,E,T	CDPU CIPA D OUT 26 H	CDPV,U			CDPM LSA 30 H	CDPC,D,E,P					CDPM LSA 30 H	CDPC,D,E,P			CDPM LSA 30 H	CDPC,D,E,P
CDPS DST 0 L	CDPX,S	CDPU CIPA D OUT 27 H	CDPV,U			CDPM LSA 31 H	CDPC,D,E,P					CDPM LSA 31 H	CDPC,D,E,P			CDPM LSA 31 H	CDPC,D,E,P
CDPS DST 1 L	CDPX,S	CDPU CIPA D OUT 28 H	CDPV,U			CDPM LSA 32 H	CDPC,D,E,P					CDPM LSA 32 H	CDPC,D,E,P			CDPM LSA 32 H	CDPC,D,E,P
CDPS DST XBUS L	CDPX,S	CDPU CIPA D OUT 29 H	CDPV,U			CDPM LSA 33 H	CDPC,D,E,P					CDPM LSA 33 H	CDPC,D,E,P			CDPM LSA 33 H	CDPC,D,E,P
CDPS EN ALU L	CDPB,S,A	CDPU CIPA D OUT 30 H	CDPV,U			CDPM LSA 34 H	CDPC,D,E,P					CDPM LSA 34 H	CDPC,D,E,P			CDPM LSA 34 H	CDPC,D,E,P
CDPS EN LS HI L	CDPD,S	CDPU CIPA D OUT 31 H	CDPV,U			CDPM LSA 35 H	CDPC,D,E,P					CDPM LSA 35 H	CDPC,D,E,P			CDPM LSA 35 H	CDPC,D,E,P
CDPS EN LS LO L	CDPC,S	CDPU CIPA D OUT 32 H	CDPV,U			CDPM LSA 36 H	CDPC,D,E,P					CDPM LSA 36 H	CDPC,D,E,P			CDPM LSA 36 H	CDPC,D,E,P
CDPS EN LS/VCDT OUT L	CDPS,C,D	CDPU CIPA D OUT 33 H	CDPV,U			CDPM LSA 37 H	CDPC,D,E,P					CDPM LSA 37 H	CDPC,D,E,P			CDPM LSA 37 H	CDPC,D,E,P
CDPS EN MD HI L	CDPS,K	CDPU CIPA D OUT 34 H	CDPV,U			CDPM LSA 38 H	CDPC,D,E,P					CDPM LSA 38 H	CDPC,D,E,P			CDPM LSA 38 H	CDPC,D,E,P
CDPS EN MD LO H	CDPS,K	CDPU CIPA D OUT 35 H	CDPV,U			CDPM LSA 39 H	CDPC,D,E,P					CDPM LSA 39 H	CDPC,D,E,P			CDPM LSA 39 H	CDPC,D,E,P

NOTES:
 1. THIS PAGE LISTS THE SCHEMATIC PAGE NUMBER(S) WHERE A SIGNAL NAME IS REFERENCED.

<small>THIS DRAWING AND SPECIFICATIONS HEREIN ARE THE PROPERTY OF DIGITAL EQUIPMENT CORPORATION AND SHALL NOT BE REPRODUCED OR COPIED OR USED IN WHOLE OR IN PART OR THE BASIS FOR THE MAKING OR USE OF SALE OF ITEMS WITHOUT WRITTEN PERMISSION. COPYRIGHT © 1983 DIGITAL EQUIPMENT CORPORATION.</small>	REVISIONS CHG. NO. REV.	DRN. <i>J.P. Pyle</i> CHK'D <i>J.P. Pyle</i>	DATE 10-18-83 DATE 10-11-83	ENG. <i>S. Knechtgen</i> BOARD LOCATION: 1	DATE 7-19-83	TITLE: C1750 DATA PATH (CDP)
	FIRST USED ON OPTION/MODEL: C1750	NEXT HIGHER ASSEMBLY: B-DD-L0400-0-2	SIZE CODE K CS	NUMBER L0400-0-CDBB	REV. A	

SIGNAL NAME	PAGE NUMBER(S)	SIGNAL NAME	PAGE NUMBER(S)	SIGNAL NAME	PAGE NUMBER(S)
CDPX UCODE STALL H	CDPX	IDPF IB IN 01 H	CDPP,M,E,H,F,C	IPBA PB LOAD H	CDPH
CDPX UCODE STALL L	CDPX,X,R	IDPF IB IN 02 H	CDPM,P,E,H,F,C	IPBA PB MUX ENA L	CDPR,M
CDPX UNSOL READ H	CDPX,X,L	IDPF IB IN 03 H	CDPP,E,H,F,C	IPBE RBUF PAR	CDPR
CDPX UNSOL WRITE H	CDPX,L	IDPF IB IN 04 H	CDPM,E,P,H,F,C	IPBH XBLF PE (1)H	CDPR,K
CIPA A DONE L	CDPW	IDPF IB IN 05 H	CDPM,E,P,H,F,C	IPBS CSPE (1)H	CDPR,K
CIPA A GO L	CDPW,V	IDPF IB IN 06 H	CDPM,E,P,H,F,C	IPBV ALU A/B 0 H	CDPB,A
CIPA B DONE L	CDPW	IDPF IB IN 07 H	CDPE,P,H,F,C	IPBV ALU A/B 1 H	CDPB,A
CIPA B GO L	CDPW,V	IDPF IB IN 08 H	CDPJ,F,P,E,H,C	IPBV ALU A/B 2 H	CDPB,A
CIPA CIPA UP L	CDPW	IDPF IB IN 09 H	CDPF,J,P,E,H,C	IPBV ALU A/B 3 H	CDPB,A
CIPA CLK L	CDPW,H	IDPF IB IN 10 H	CDPJ,F,P,E,H,C	IPBV ALU DST 0 H	CDPB,A
CIPA CPU ACLO L	CDPW,V	IDPF IB IN 11 H	CDPF,P,E,H,C	IPBV ALU DST 1 H	CDPB,A
CIPA DATA 00 L	CDPV	IDPF IB IN 12 H	CDPJ,F,P,C,E,H	IPBV ALU DST 2 H	CDPB,A
CIPA DATA 01 L	CDPV	IDPF IB IN 13 H	CDPF,J,P,C,E,H	IPBV ALU FCN 0 H	CDPA,B
CIPA DATA 02 L	CDPV,H	IDPF IB IN 14 H	CDPJ,F,C,E,H	IPBV ALU FCN 1 H	CDPA,B
CIPA DATA 03 L	CDPV,H	IDPF IB IN 15 H	CDPJ,F,C,E,H	IPBV ALU FCN 2 H	CDPB,A
CIPA DATA 04 L	CDPV,H	IDPF IB IN 16 H	CDPJ,E,F,D,H	IPBV ALU SRC 0 H	CDPB,A
CIPA DATA 05 L	CDPV,H	IDPF IB IN 17 H	CDPJ,E,F,D,H	IPBV ALU SRC 1 H	CDPB,A
CIPA DATA 06 L	CDPV,H	IDPF IB IN 18 H	CDPJ,E,F,D,H	IPBV ALU SRC 2 H	CDPB,A
CIPA DATA 07 L	CDPV,H	IDPF IB IN 19 H	CDPJ,E,F,D,H	IPBV ASRT DEAD H	CDPW
CIPA DATA 08 L	CDPV	IDPF IB IN 20 H	CDPJ,E,F,D,H	IPBV ASRT FAIL H	CDPW
CIPA DATA 09 L	CDPV	IDPF IB IN 21 H	CDPJ,E,F,D,H	IPBV CLR REG WRT L	CDPE
CIPA DATA 10 L	CDPV	IDPF IB IN 22 H	CDPJ,E,F,D,H	IPBV EN RBPE H	CDPR
CIPA DATA 11 L	CDPV	IDPF IB IN 23 H	CDPE,F,D,H	IPBV IB DST 0 L	CDPS,P
CIPA DATA 12 L	CDPV	IDPF IB IN 24 H	CDPF,J,D,E,H	IPBV IB DST 1 L	CDPS,P
CIPA DATA 13 L	CDPV	IDPF IB IN 25 H	CDPF,J,D,E,H	IPBV IB DST 2 L	CDPS,P
CIPA DATA 14 L	CDPV	IDPF IB IN 26 H	CDPJ,F,D,E,H	IPBV IB DST 3 L	CDPS,P
CIPA DATA 15 L	CDPV	IDPF IB IN 27 H	CDPF,D,E,H	IPBV IS SRC 0 L	CDPS,P
CIPA DCLO L	CDPW,V	IDPF IB IN 28 H	CDPF,E,H,D	IPBV IB SRC 1 L	CDPS,P
CIPA ERROR L	CDPW,V	IDPF IB IN 29 H	CDPF,E,H,D	IPBV IB SRC 2 L	CDPS
CIPA GRANT L	CDPV	IDPF IB IN 30 H	CDPF,E,H,D	IPBV INTR H	CDPM
CIPA MIN L	CDPW,V	IDPF IB IN 31 H	CDPF,J,E,H,D	IPBV LITER L 00 H	CDPP,K
CIPA PARITY L	CDPW,V	IDPJ BR 0 H	CDPJ	IPBV LITERAL 01 H	CDPP,K
CIPA PORT INT L	CDPW,V	IDPJ BR 1 H	CDPJ	IPBV LITERAL 02 H	CDPP,K
CIPA RCV FILE RDT L	CDPW,V	IDPJ BR 2 H	CDPJ	IPBV LITERAL 03 H	CDPP,K
CIPA READ L	CDPW	IDPJ BR 3 H	CDPJ	IPBV LITERAL 04 H	CDPK,P
CIPA REG SEL 0 L	CDPV	IDPL CLK MAOR L	CDPL	IPBV LITERAL 05 H	CDPK,P
CIPA REG SEL 1 L	CDPV	IDPL CS WE H	CDPL	IPBV LITERAL 06 H	CDPK,P
CIPA REG SEL 2 L	CDPV	IDPL EN CS DATA IN H	CDPL	IPBV LITERAL 07 H	CDPK,P
CIPA REG SEL 3 L	CDPV	IDPL EXECUTE (0)H	CDPX,M,R,S	IPBV PF VLD H	CDPW
CIPA REQUEST L	CDPW	IDPL LINIT (0)H	CDPL,X,M,J,H	IPBV PMUX 0 H	CDPR,H
CIPA RSVD A L	CDPW,V	IDPL XBUS LSA 00 H	CDPL,P	IPBV PMUX 1 H	CDPR,H
CIPA SET MSE L	CDPW,V	IDPM EN MAOR L	CDPM	IPBV SET A GO H	CDPV
CIPA T ACLO L	CDPW	IDPM EN SEQ L	CDPM	IPBV SET B GO H	CDPV
CIPA T DCLO L	CDPW	IDPM LOGIC CLR L	CDPM	IPBV UP PDN H	CDPW
DISABLE ARB L	CDPJ	IDPR PB PAR H	CDPR	IPBH SEQ CNTL 0 H	CDPJ
DISABLE TIMER L	CDPN	IDPR PORT CLK T3 L	CDPR	IPBH SEQ CNTL 1 H	CDPJ
EXT CLK H	CDPX	IDPR SEQ CLK T3 L	CDPR	IPBH SEQ CNTL 2 H	CDPJ
EXT CLK SEL L	CDPX	IDPS EN MAINT L	CDPS	IPBH SEQ CNTL 3 H	CDPJ
EXTERNAL STALL L	CDPX	ILIL XMIT ATTENTION (1)H	CDPJ	IPBH SEQ CNTL 4 H	CDPJ
IDPF IB IN 00 H	CDPL,P,J,E,H,F,C	ILIL XMIT STATUS 7 (1)H	CDPR,K	IPBT REC ATTN H	CDPJ

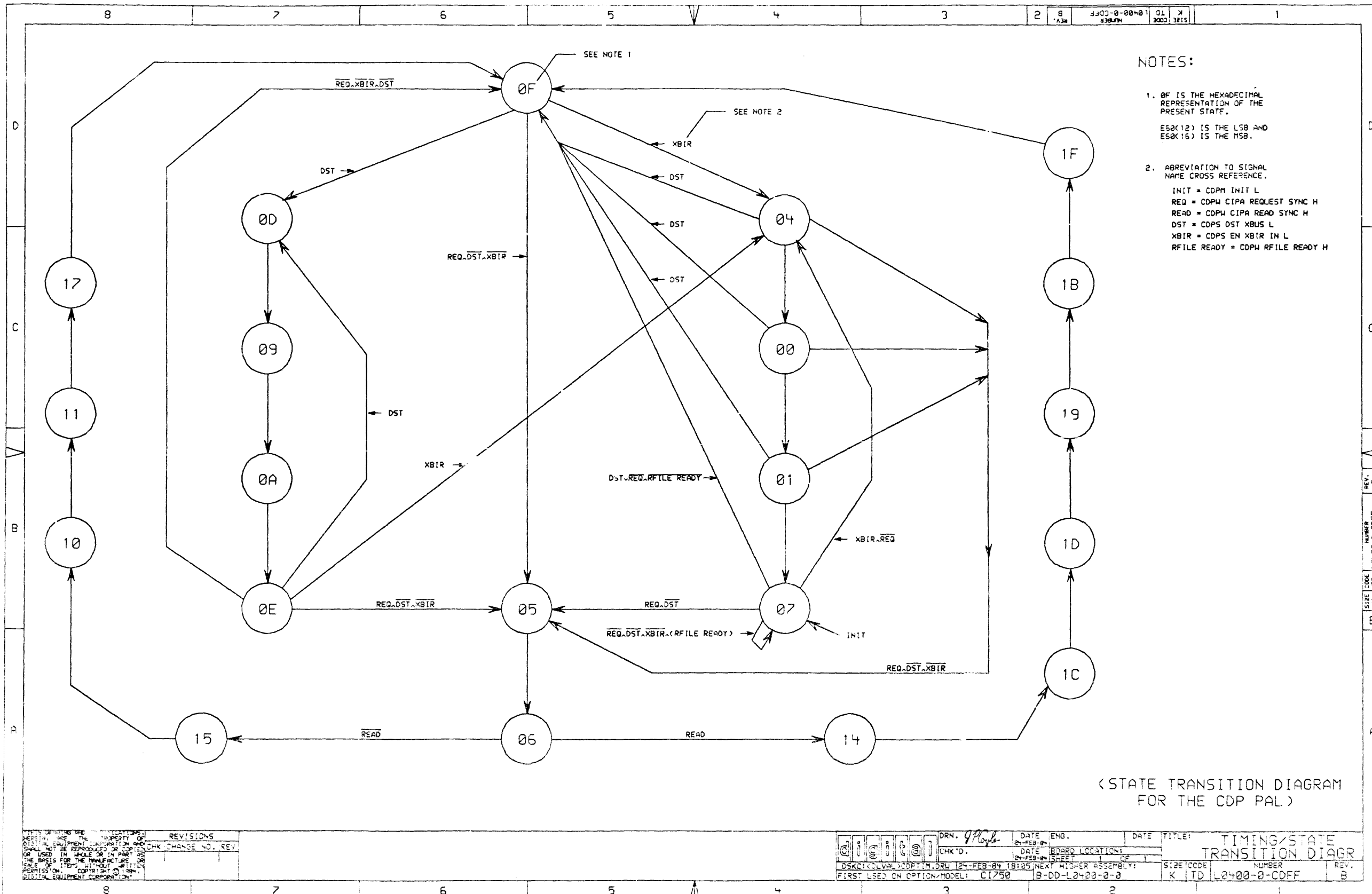
NOTES:
1. THIS PAGE LISTS THE SCHEMATIC PAGE NUMBER(S) WHERE A SIGNAL NAME IS REFERENCED.

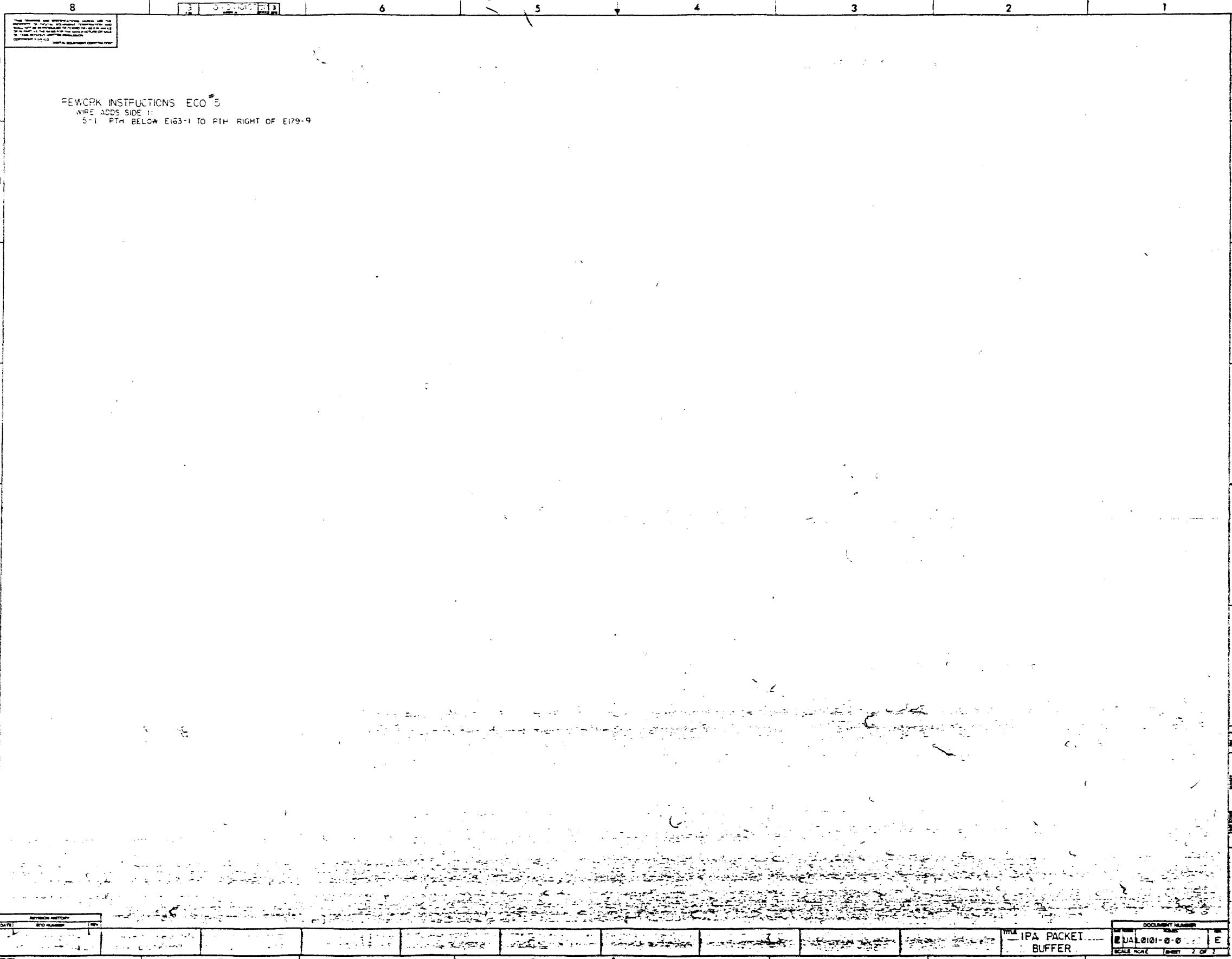
THIS DRAWING AND SPECIFICATIONS
HEREIN ARE THE PROPERTY OF
DIGITAL EQUIPMENT CORPORATION AND
SHALL NOT BE REPRODUCED OR COPIED
OR USED IN WHOLE OR IN PART AS
THE BASIS FOR THE MANUFACTURE OR
SALE OF ITEMS WITHOUT WRITTEN
PERMISSION. COPYRIGHT © 1983,
DIGITAL EQUIPMENT CORPORATION.

REVISIONS
CHK CHANGE NO. REV

digital	DRN. 9706	DATE ENG. 18-JUL-83	ENG. G Koedtgen	DATE 7-19-83	TITLE: CI750 DATA PATH (CDP)
	CHK'D 9706	DATE BOARD LOCATION: 18-JUL-83	SHEET 1	OF 1	
DSKB: (HOMMEL)CDPCC.DRW		18-JUL-83 11:38	NEXT HIGHER ASSEMBLY:	SIZE CODE K CS	NUMBER L0400-0-CDCC
FIRST USED ON OPTION/MODEL: CI750		B-DD-L0400-0-0			REV. A

8	7	6	5	4	3	2	1																																																								
<p style="text-align: center;">D</p> <table border="1" style="width: 100%; border-collapse: collapse;"> <thead> <tr> <th style="width: 33%;">SIGNAL NAME</th> <th style="width: 33%;">PAGE NUMBER(S)</th> <th style="width: 33%;">SIGNAL NAME</th> <th style="width: 33%;">PAGE NUMBER(S)</th> </tr> </thead> <tbody> <tr><td>PORT CLK H</td><td>CDPR</td><td></td><td></td></tr> <tr><td>PORT DATA 0 H</td><td>CDPH</td><td></td><td></td></tr> <tr><td>PORT DATA 1 H</td><td>CDPH</td><td></td><td></td></tr> <tr><td>PORT DATA 2 H</td><td>CDPH</td><td></td><td></td></tr> <tr><td>PORT DATA 3 H</td><td>CDPH</td><td></td><td></td></tr> <tr><td>PORT DATA 4 H</td><td>CDPH</td><td></td><td></td></tr> <tr><td>PORT DATA 5 H</td><td>CDPH</td><td></td><td></td></tr> <tr><td>PORT DATA 6 H</td><td>CDPH</td><td></td><td></td></tr> <tr><td>PORT DATA 7 H</td><td>CDPH</td><td></td><td></td></tr> <tr><td>PS ACLO L</td><td>CDPW</td><td></td><td></td></tr> <tr><td>PS DCLO L</td><td>CDPW</td><td></td><td></td></tr> <tr><td>RSVD JMPR H</td><td>CDPJ</td><td></td><td></td></tr> <tr><td>TEST TIMER CLK H</td><td>CDPN</td><td></td><td></td></tr> </tbody> </table> <p style="text-align: center;">C</p> <p style="text-align: center;">B</p> <p style="text-align: center;">A</p> <p style="text-align: center;">D</p>								SIGNAL NAME	PAGE NUMBER(S)	SIGNAL NAME	PAGE NUMBER(S)	PORT CLK H	CDPR			PORT DATA 0 H	CDPH			PORT DATA 1 H	CDPH			PORT DATA 2 H	CDPH			PORT DATA 3 H	CDPH			PORT DATA 4 H	CDPH			PORT DATA 5 H	CDPH			PORT DATA 6 H	CDPH			PORT DATA 7 H	CDPH			PS ACLO L	CDPW			PS DCLO L	CDPW			RSVD JMPR H	CDPJ			TEST TIMER CLK H	CDPN		
SIGNAL NAME	PAGE NUMBER(S)	SIGNAL NAME	PAGE NUMBER(S)																																																												
PORT CLK H	CDPR																																																														
PORT DATA 0 H	CDPH																																																														
PORT DATA 1 H	CDPH																																																														
PORT DATA 2 H	CDPH																																																														
PORT DATA 3 H	CDPH																																																														
PORT DATA 4 H	CDPH																																																														
PORT DATA 5 H	CDPH																																																														
PORT DATA 6 H	CDPH																																																														
PORT DATA 7 H	CDPH																																																														
PS ACLO L	CDPW																																																														
PS DCLO L	CDPW																																																														
RSVD JMPR H	CDPJ																																																														
TEST TIMER CLK H	CDPN																																																														
<p style="text-align: center;">NOTES:</p> <p style="text-align: center;">1. THIS PAGE LISTS THE SCHEMATIC PAGE NUMBER(S) WHERE A SIGNAL NAME IS REFERENCED.</p>																																																															
<table border="1" style="width: 100%; border-collapse: collapse;"> <tr> <td style="width: 15%; font-size: small;"> THIS DRAWING IS THE PROPERTY OF DIGITAL EQUIPMENT CORPORATION AND SHALL NOT BE REPRODUCED OR COPIED FOR USE IN WHOLE OR IN PART AS THE BASIS FOR THE MANUFACTURE OR SALE OF ITEMS WITHOUT WRITTEN PERMISSION. COPYRIGHT © 1981, DIGITAL EQUIPMENT CORPORATION. </td> <td style="width: 15%; text-align: center;"> REVISIONS <table border="1" style="width: 100%; border-collapse: collapse;"> <tr> <th>CHK</th> <th>CHANGE NO.</th> <th>REV</th> </tr> <tr> <td> </td> <td> </td> <td> </td> </tr> </table> </td> <td style="width: 15%; text-align: center;"> DRN. <i>J. Poyls</i> CHK'D <i>J. Poyls</i> </td> <td style="width: 15%;"> DATE ENG: 10-11-83 DATE BOARD LOCATION: 1-19-83 DATE SHIP: 10-11-83 </td> <td style="width: 15%;"> TITLE: C1750 DATA PATH (CDP) </td> <td style="width: 15%;"> SIZE CODE NUMBER REV. K CS L0400-0-CDD0 A </td> </tr> </table>								THIS DRAWING IS THE PROPERTY OF DIGITAL EQUIPMENT CORPORATION AND SHALL NOT BE REPRODUCED OR COPIED FOR USE IN WHOLE OR IN PART AS THE BASIS FOR THE MANUFACTURE OR SALE OF ITEMS WITHOUT WRITTEN PERMISSION. COPYRIGHT © 1981, DIGITAL EQUIPMENT CORPORATION.	REVISIONS <table border="1" style="width: 100%; border-collapse: collapse;"> <tr> <th>CHK</th> <th>CHANGE NO.</th> <th>REV</th> </tr> <tr> <td> </td> <td> </td> <td> </td> </tr> </table>	CHK	CHANGE NO.	REV				DRN. <i>J. Poyls</i> CHK'D <i>J. Poyls</i>	DATE ENG: 10-11-83 DATE BOARD LOCATION: 1-19-83 DATE SHIP: 10-11-83	TITLE: C1750 DATA PATH (CDP)	SIZE CODE NUMBER REV. K CS L0400-0-CDD0 A																																												
THIS DRAWING IS THE PROPERTY OF DIGITAL EQUIPMENT CORPORATION AND SHALL NOT BE REPRODUCED OR COPIED FOR USE IN WHOLE OR IN PART AS THE BASIS FOR THE MANUFACTURE OR SALE OF ITEMS WITHOUT WRITTEN PERMISSION. COPYRIGHT © 1981, DIGITAL EQUIPMENT CORPORATION.	REVISIONS <table border="1" style="width: 100%; border-collapse: collapse;"> <tr> <th>CHK</th> <th>CHANGE NO.</th> <th>REV</th> </tr> <tr> <td> </td> <td> </td> <td> </td> </tr> </table>	CHK	CHANGE NO.	REV				DRN. <i>J. Poyls</i> CHK'D <i>J. Poyls</i>	DATE ENG: 10-11-83 DATE BOARD LOCATION: 1-19-83 DATE SHIP: 10-11-83	TITLE: C1750 DATA PATH (CDP)	SIZE CODE NUMBER REV. K CS L0400-0-CDD0 A																																																				
CHK	CHANGE NO.	REV																																																													





WORK INSTRUCTIONS ECO 5
 WIRE ACDS SIDE 1:
 5-1 PTH BELOW E163-1 TO PTH RIGHT OF E179-9

DATE	BY	REV

TITLE
 IPA PACKET
 BUFFER

DOCUMENT NUMBER
 JA 0101-0-0 E
 SCALE NOTE SHEET 2 OF 2

LINE	ITEM	TOP DOCUMENT	PART NUMBER	MIN REV	DESCRIPTION	VARIATION REVISION LEVEL:	QTY PER VARIATION	REFERENCE DESIGNATOR
1	1		5014971-00		MULTI LAYER BOARD		1	
2	4		1012784-00		.047 MFD 50V +30-20% CER		61	C7-C67
3	7		1017472-00		10 MFD 35V +75-10% AL EL		6	C1-C6
4	6		1114136-00		LED 16MA 5V		12	D1-D12
5	60		1215006-02		SKT,IC 16PIN DIP TIN SOLD		2	XE59, XE118
6	61		1215006-06		SKT,IC 24PIN DIP TIN SOLD		6	XE76, XE95, XE114, XE134, XE154, XE174
7	2		1216988-02		HANDLE, MODULE, HEX TWO EJECTORS		1	
8	5		1300365-00		1.0 K .25 W 5.0 % CF		17	R1, R2, R4-R18
9	33		1616653-01		DELAY= 100NS, 10TAPS WITH TTLBU		2	E10, E149
10	42		1910532-00		74S00 NAND GATE-QUAD 2IN		7	E86, E89, E46, E12, E107, E108, E168
11	39		1910534-00		74S04 INVERTER GATE-HEX 1I		8	E22, E47, E87, E200, E148, E167, E223, E218
12	59		1910536-00		74S10 NAND GATE-TRIPLE 3IN		3	E61, E80, E192
13	16		1910537-00		74S11 AND GATE-TRIPLE 3INP		1	E226
14	38		1910539-00		74S20 NAND GATE-DUAL 4INPU		1	E69
15	46		1910542-00		74S64 A-O-I GATE 4-2-3-2		7	E25, E26, E88, E147, E128, E30, E50
16	47		1910544-00		74S74 FF-D DUAL, EDGE TRIGG		19	E18, E129, E126, E7, E8, E11, E189, E31, E71, E72, E29, E90, E91, E190, E191, E224, E6, E239, E209
17	35		1910545-00		74S112 FF-JK DUAL, EDGE TRIG		2	E208, E217
18	49		1910548-00		74S157 MUX 1 OF 2 (QUAD)		2	E119, E120
19	43		1910550-00		74S174 FF-D HEX		7	E43, E64, E1, E63, E179, E185, E44
20	20		1911573-00		74S280 PARITY GEN/CHKR, 9BIT		8	E56, E65, E110, E139, E150, E178, E196, E197
21	50		1911675-00		74S138 DECODER/DEMUX 3-8 LI		2	E66, E68
22	44		1911712-00		74S51 AND-OR GATE-INVERT D		8	E186, E210, E214, E14, E34, E13, E4
23	15		1912096-00		DEC 74S86 XOR GATE, QUAD 2IN		1	E227
24	40		1912388-00		74S02 NOR GATE-QUAD 2IN, PO		5	E228, E207, E24, E48, E140, E144

REVISION HISTORY			BASIC PART NO: L0101		DRN: J. CASEY		DATE: 25-SEP-81		D I G I T A L		
ENG	ECO NUMBER	REV	SECTION A OF A	CHK'D:	F. GAROFALO	DATE:	25-SEP-81	TITLE PARTS LIST			
---	INITIAL	A	SECTION VARIATION INDEX	DES. ENG:	M. CARRAFIELLO	DATE:	25-SEP-81	CI780 PACKET BUFFER (1PB)			
S.B	L0101-TW001	B	(A) 00	RESP. ENG.:	M. CARRAFIELLO	DATE:	25-SEP-81	DOCUMENT NUMBER			
SE	L0101-TW002	C	(B)	MFG. ENG.:	K. MEISSNER	DATE:	25-SEP-81	SIZE	CODE	NUMBER	REV
FD	L0101-TW004	D	(C)	ASSEMBLY NUMBER:	E-UA-L0101-0-0	TOP DOCUMENT NUMBER:		K	PL	L0101-0-DBP	E
RE	L0101-TW006	E	(D)			FILE NAME:					
			(E)			RELEASE DATE:	15-NOV-84				
			(F)								
			(G)								
			(H)								
			(I)								
			(J)								
			(K)								
			(L)								
			(M)								
			(N)								

"THIS DRAWING AND THE SPECIFICATIONS CONTAINED HEREIN ARE CONFIDENTIAL AND PROPRIETARY. THEY ARE THE PROPERTY OF DIGITAL EQUIPMENT CORPORATION AND SHALL NOT BE REPRODUCED OR COPIED OR USED IN WHOLE OR IN PART AS THE BASIS FOR THE MANUFACTURE OR SALE OF ITEMS WITHOUT WRITTEN PERMISSION. THIS IS AN UNPUBLISHED WORK PROTECTED UNDER THE FEDERAL COPYRIGHT LAWS."

LINE	ITEM	TOP DOCUMENT	PART NUMBER	MIN REV	DESCRIPTION	QTY	PER VARIATION	REFERENCE DESIGNATOR
						00		
						E1		
25	41		1912389-00		74S08 AND GATE-QUAD 2IN,PO	5		E206,E216,E187,E109,E222
26	52		1912646-00		LS253 MUX 1 OF 4 (DUAL)	8		E221,E201-E203,E180-E183
27	58		1912647-00		LS257 MUX 1 OF 2 (QUAD)	4		E42,E21,E62,E220
28	53		1912660-00		74S253 MUX 1 OF 4 (DUAL)	4		E81-E84
29	56		1912746-00	DEC	74S37 NAND GATE-QUAD 2IN	1		E2
30	24		1912799-00		LS00 NAND-GATE-QUAD 2IN,P	3		E51,E130,E205
31	30		1912801-00		LS02 NOR-GATE-QUAD 2IN	3		E9,E28,E127
32	29		1912805-00		LS08 AND GATE-QUAD 2IN,PO	5		E4,E145,E146,E184,E229
33	25		1912808-00		LS11 AND GATE-TRIPLE 3IN	3		E23,E39,E52
34	43		1912811-00		LS21 AND GATE-DUAL 4IN,PO	2		E38,E215
35	37		1912816-00		LS32 OR GATE-QUAD 2IN,POS	1		E204
36	26		1912820-00		LS51 A-O-I GATE 2-WIDE 2I	1		E27
37	27		1912822-00		LS55 A-O-I GATE,DUAL 4IN	3		E32,E33,E70
38	22		1912824-00		LS74 FF-D DUAL,EDGE TRIGG	1		E225
39	28		1912833-00		LS109 FF-JK DUAL,POS EDGE	3		E3,E5,E188
40	19		1912851-00		LS169 COUNTER,SYNCH. UP/D0	3		E121-E123
41	23		1913340-00		74S32 OR GATE-QUAD 2IN	1		E199
42	45		1913462-00		74S240 OCTAL BUFFER,INVERTI	3		E166,E193,E194
43	34		1913662-01		RAM 1KX1 16 PIN TT	2		E37,E55
44	54		1913671-00		74S374 FF-D,OCTAL,TR1 STATE	11		E99-E106,E124,E125,E195
45	51		1914082-00		74S163 COUNTER,SYNCH UP/DOW	12		E19,E57,E58,E15-E17,E236-E238,
							CONT	E230-E232
46	21		1914085-00		74S260 NOR GATE-DUAL,POS	1		E45
47	36		1914086-00		74S30 NAND GATE-POS 8IN	2		E67,E198
48	17		1914214-00		LS374 FF-D OCTAL EDGE TRIG	2		E160,E162
49	57		1915193-00		LS244 DRIVER,LINE,OCTAL,T	8		E41,E141-E143,E158,E159,E161,
							CONT	E138
50	18		1916680-01		2911A MICROPROGRAM SEQUENC	3		E163-E165
51	8		2114523-01		4K MOS RAM 70NS 18PIN	1		E170
52	31	SEE NOTE	2116957-02		1K MOS RAM 70NS 1	30		E74,E75,E77,E78,E93,E94,E96,E97,
							CONT	E112,E113,E115,E116,E132,E133,
							CONT	E135,E136,E152,E153,E155,E156,
							CONT	E172,E173,E175,E176,E211-E213,
							CONT	E233-E235
53	32		2116957-03		1K MOS RAM 55NS 1	4		E35,E36,E53,E54
54	55		23008K5-00	K5-01		1		E85
55	9		23269F3-00	F3-03		1		E114
56	10		23270F3-00	F3-03		1		E95
57	11		23271F3-00	F3-03		1		E76
58	12		23272F3-00	F3-03		1		E174
59	13		23273F3-00	F3-03		1		E154
60	14		23274F3-00	F3-03		1		E134
61	3		9000024-01		EYELET,ROLLED 0.1210DX0.192	12		
62	62		9009135-00		JUMPER, WIRE, INSULATED, BLACK B	1		W1
63	63		9105740-55		WIRE(WRAP) 30AWG KYNAR UL14 A/R			

D	I	G	I	T	A	L	TITLE	SECTION A OF A	SIZE	CODE	DOCUMENT NUMBER	REV
							CI780 PACKET BUFFER (IPB)		K	PL	L0101-0-DBP	E

LINE ITEM TOP DOCUMENT

PART NUMBER REV DESCRIPTION

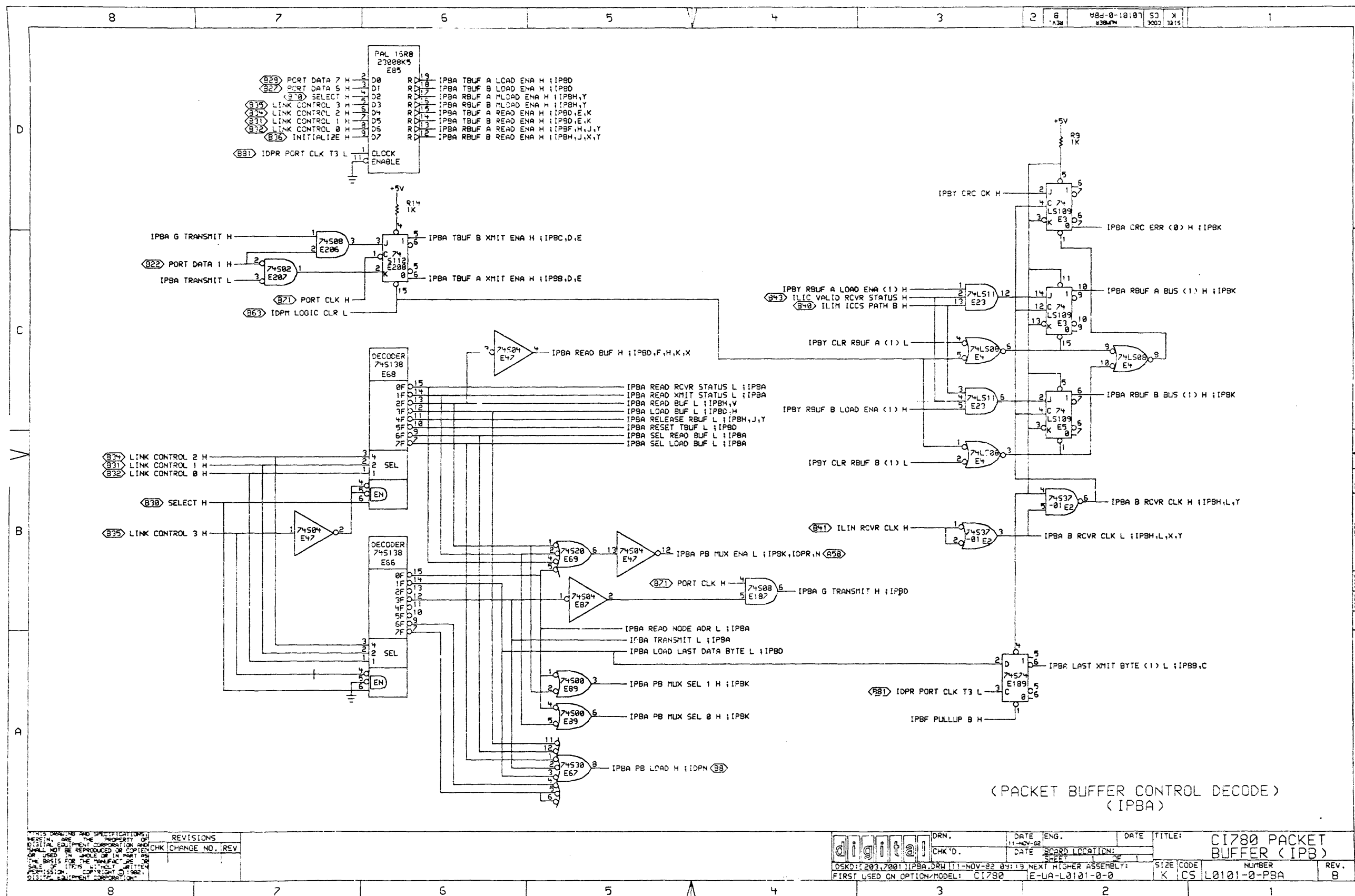
VARIATION REVISION LEVEL:

QTY PER VARIATION
00
E1

REFERENCE DESIGNATOR

64 NOTE: 21-16957-03 CAN BE USED IN PLACE OF 21-16957-02

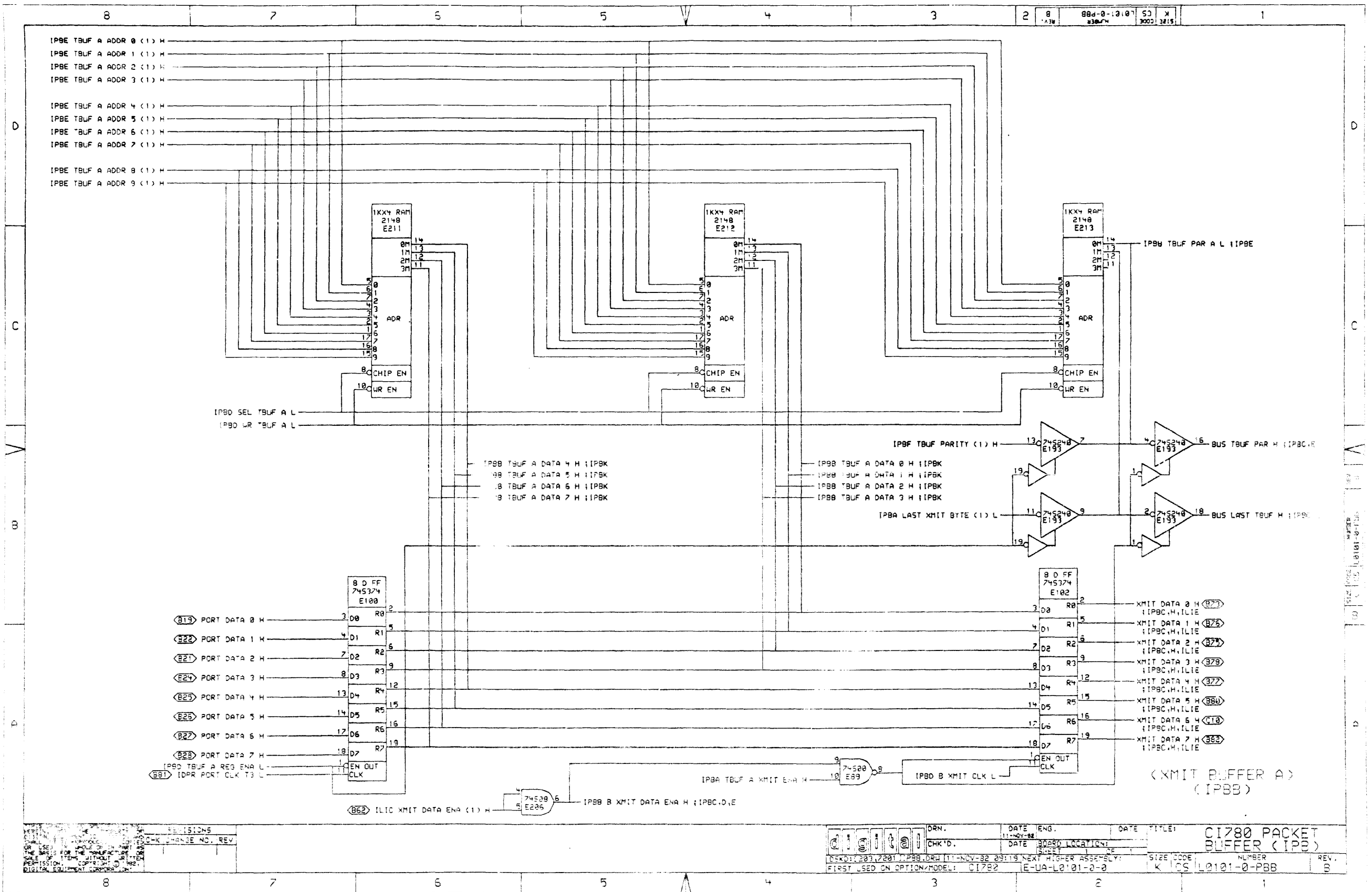
D I G I T A L	TITLE	CI780 PACKET BUFFER (IPB)	SECTION A OF A	SIZE	CODE	DOCUMENT NUMBER	REV
				K	PL	L0101-0-DBP	E



THIS DRAWING AND SPECIFICATIONS HERETOIN ARE THE PROPERTY OF DIGITAL EQUIPMENT CORPORATION AND SHALL NOT BE REPRODUCED OR COPIED IN WHOLE OR IN PART OR BY ANY MEANS WITHOUT THE WRITTEN PERMISSION OF DIGITAL EQUIPMENT CORPORATION.

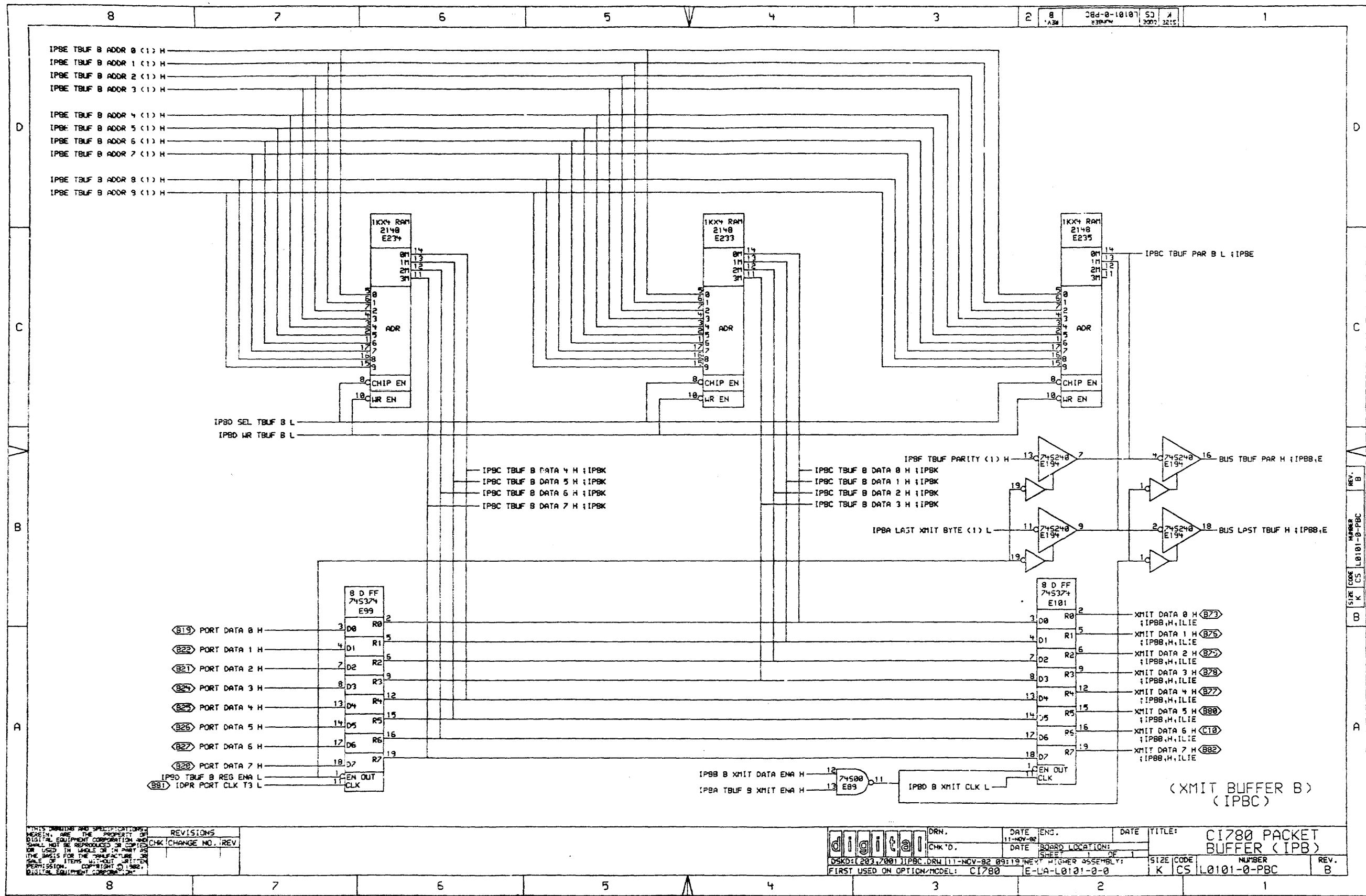
REVISIONS	
CHK	CHANGE NO. REV

	DRN.	DATE	ENG.	DATE	TITLE:
	CHK'D.	DATE	BOARD LOCATION:		C1780 PACKET BUFFER (IPB)
DSKD: 203,2001 IPBA.DRW	11-NOV-82 09:13	NEXT HIGHER ASSEMBLY:		SIZE	CODE
FIRST USED ON OPTION/MODEL:	C1780	E-LA-L0101-0-0		K	CS
				NUMBER	REV.
				L0101-0-PBA	B



151245
 CHECK CHANGE NO. REV.

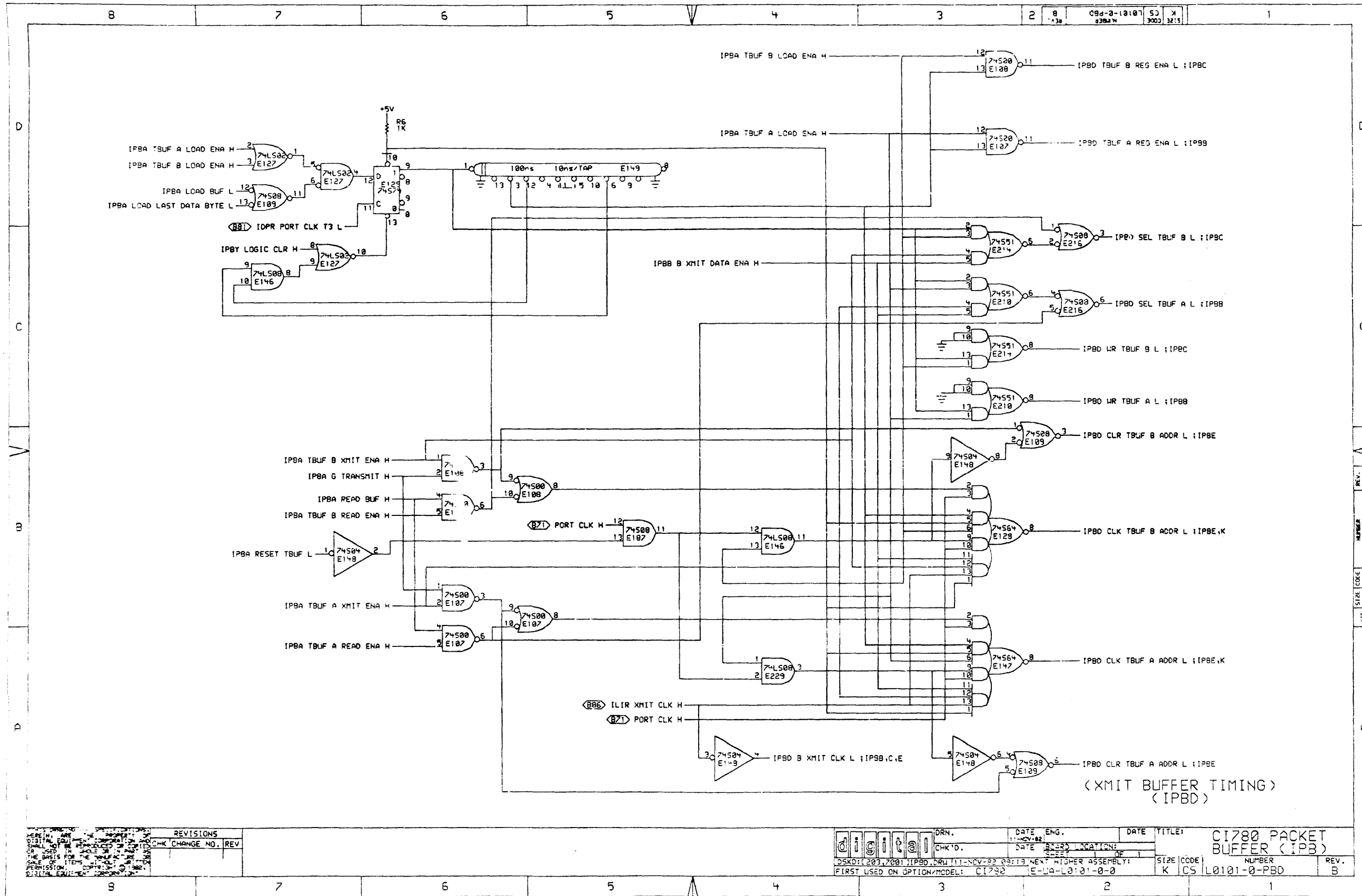
DRN.	DATE ENG.	DATE	TITLE
CHK'D.	DATE	BOARD LOCATION:	C1780 PACKET BUFFER (IPB)
DESKTOP 201,200 IPBB.DRW (11-NOV-82 09:19) NEXT HIGHER ASSEMBLY:		SIZE CODE	NUMBER
FIRST USED ON OPTION/MODEL: C1780 E-UA-L0101-0-0		K CS	L0101-0-PBB
			REV. B



THIS DRAWING AND SPECIFICATIONS
HEREIN ARE THE PROPERTY OF
DIGITAL EQUIPMENT CORPORATION AND
SHALL NOT BE REPRODUCED OR
USED IN WHOLE OR IN PART AS
THE BASIS FOR THE MANUFACTURE OR
SALE OF ITEMS WITHOUT WRITTEN
PERMISSION. COPYRIGHT © 1982,
DIGITAL EQUIPMENT CORPORATION.

REVISIONS	
CHK	CHANGE NO. / REV

	DRN.	DATE	ENG.	DATE	TITLE:
	CHK'D.	11-NOV-82			C1780 PACKET BUFFER (IPB)
OSKD:(203,700)IPBC.DRW (11-NOV-82 09:19)NEW YORK W/HSR ASSEMBLY:		BOARD LOCATION:		SIZE CODE K CS	NUMBER L0101-0-PBC
FIRST USED ON OPTION/MODEL: C1780		E-LA-L0101-0-0		REV. B	

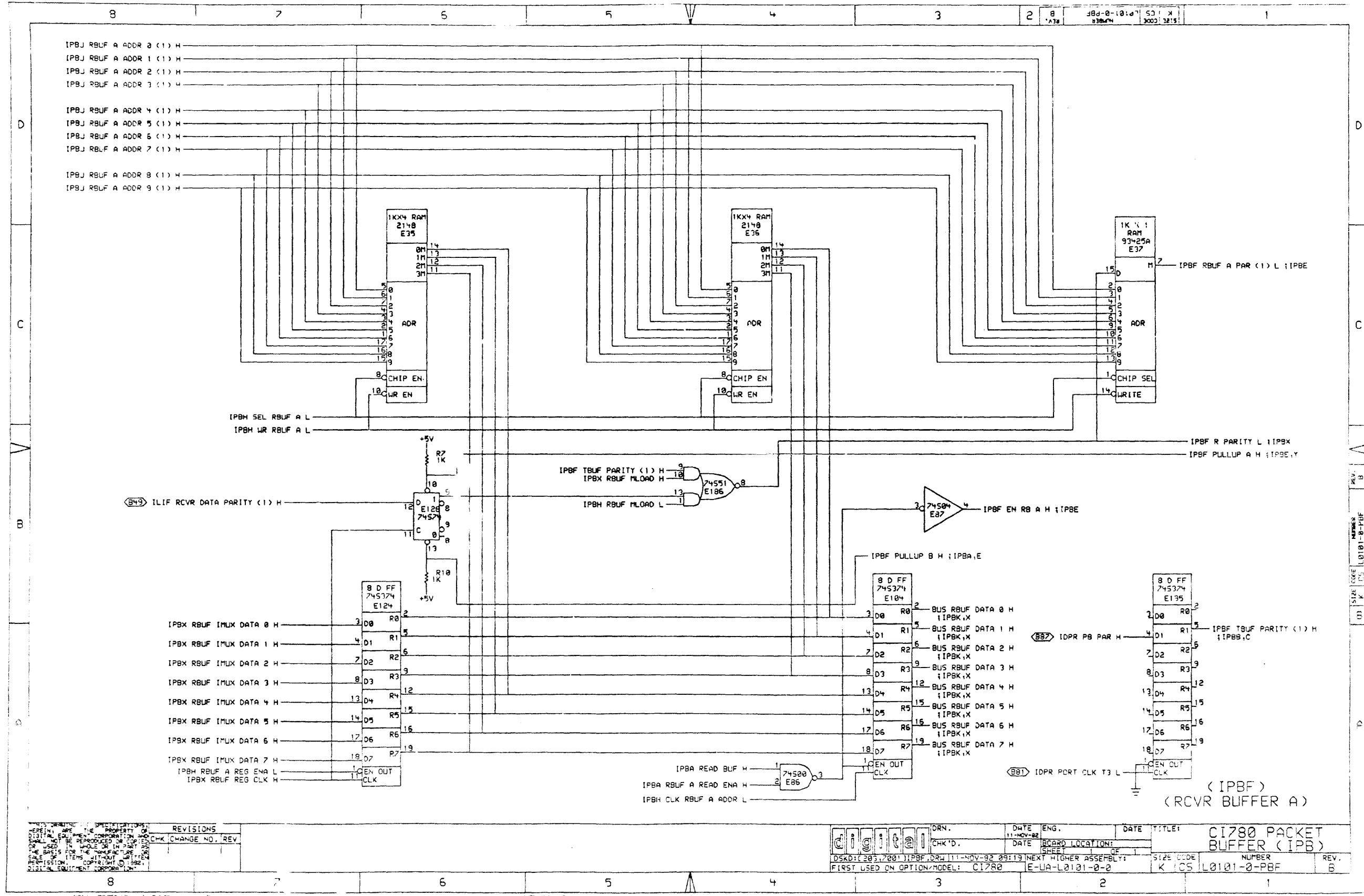


(XMIT BUFFER TIMING)
(IPBD)

REVISIONS	
CHK	CHANGE NO. REV

digital	DRN.	DATE	ENG.	DATE	TITLE:
	CHK'D.	DATE	DESIGN	LOCATION:	CI780 PACKET BUFFER (IPB)
DSKD: 203,700; IPBD.DRW (11-NOV-82 09:13); NEXT HIGHER ASSEMBLY:					SIZE CODE
FIRST USED ON OPTION/MODEL: CI780 E-4A-L0101-0-0					NUMBER REV.
					L0101-0-PBD B

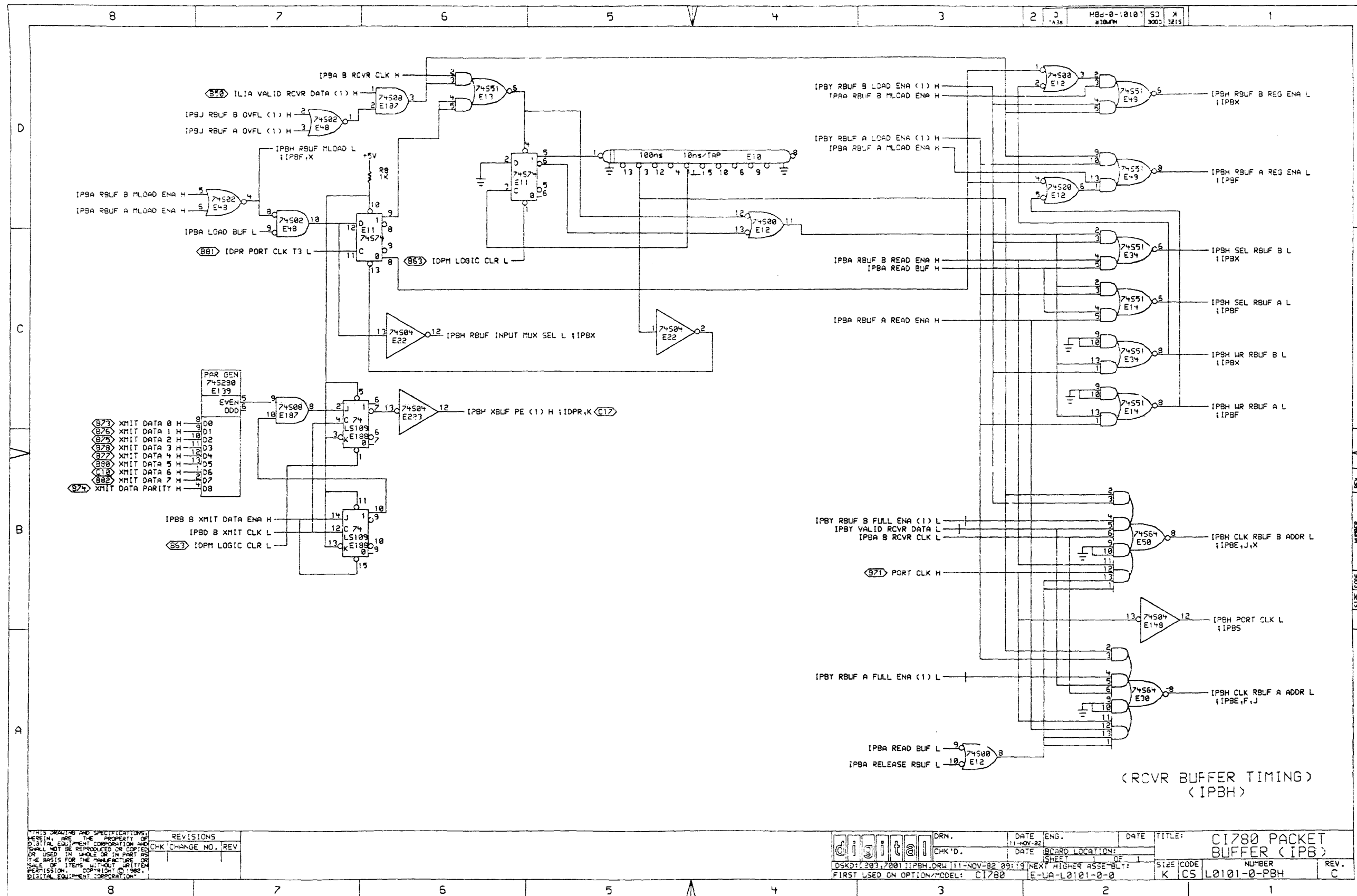
REV. B
 NUMBER
 L0101-0-PBD
 SIZE CODE
 K CS
 L0101-0-PBD
 REV. B



REVISIONS	
CHK	CHANGE NO. REV

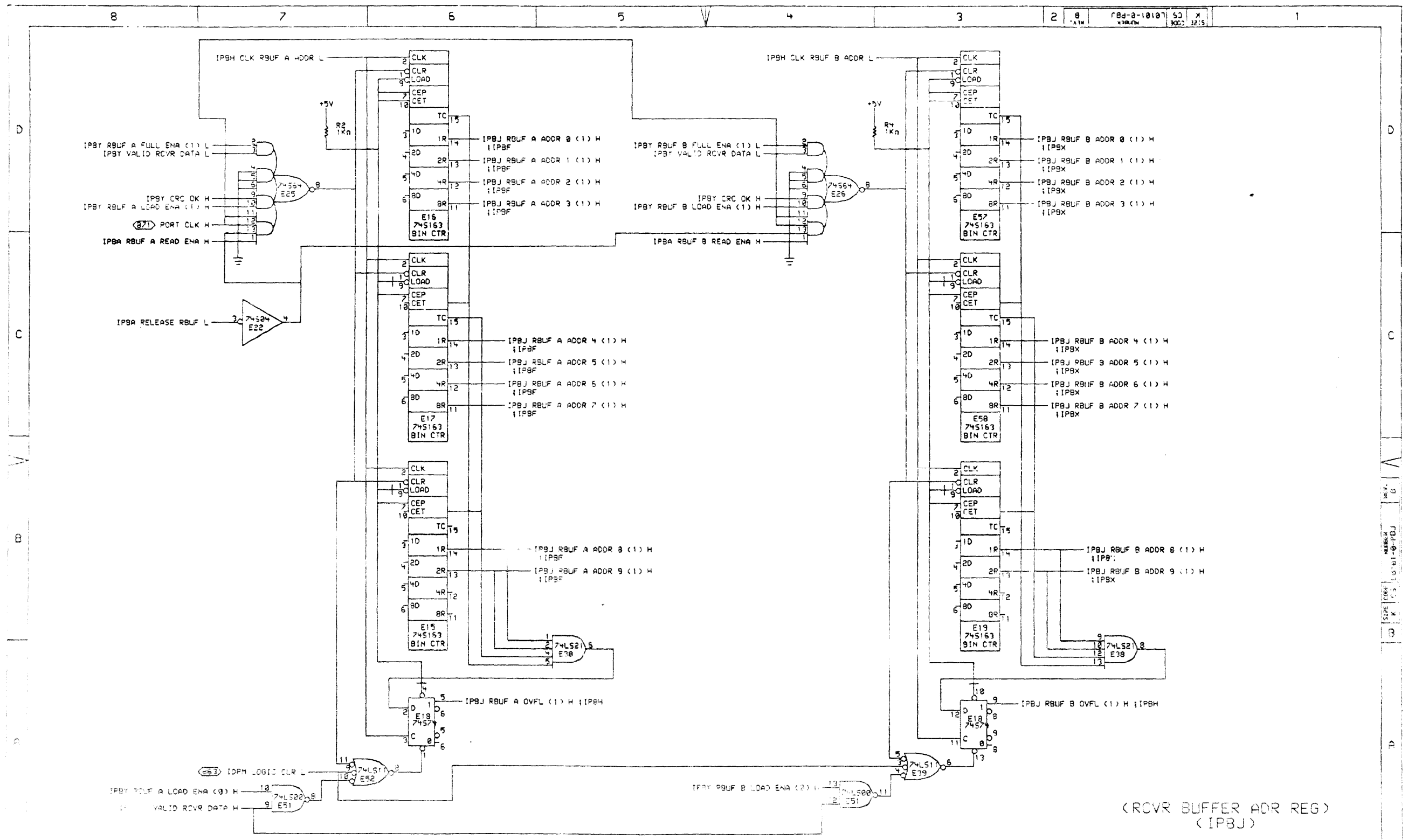
ORN.	DATE	ENG.	DATE	TITLE:
CHK'D.	11-NOV-82			CI780 PACKET BUFFER (IPB)
DSKD: (203,700) IPBF.DRW		DATE		BOARD LOCATION:
FIRST USED ON OPTION/MODEL: CI780		E-UA-L0101-0-0		
SIZE	CODE	NUMBER	REV.	
K	CS	L0101-0-PBF	B	

REV. B
NUMBER L0101-0-PBF
SIZE CODE K CS
DATE 11-NOV-82



REVISIONS	
CHK	CHANGE NO. REV

	DRN.	DATE	ENG.	DATE	FILE#	C1780 PACKET BUFFER (IPB)
	CHK'D.	11-NOV-82				
OSKD: [283.200]IPBH.DRW [11-NOV-82 09:19]		DATE BOARD LOCATION:		SHEET 1 OF 1		SIZE CODE NUMBER REV. K CS L0101-0-PBH C
FIRST USED ON OPTION/MODEL: C1780		NEXT HIGHER ASSEMBLY: E-LA-L0101-0-0		DATE		

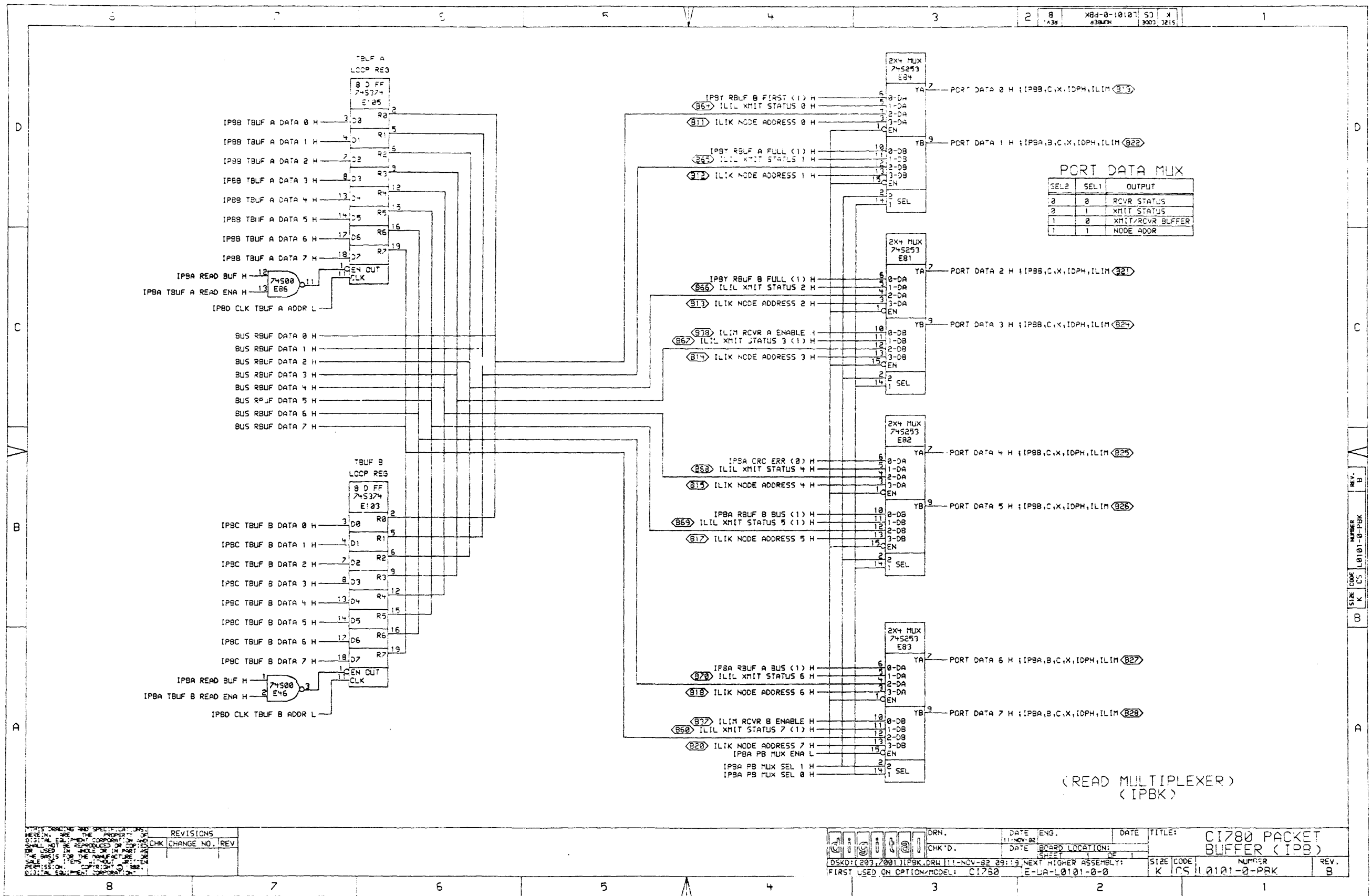


REV.	CHG	NO.	REV.

DATE	ENG.	DATE	TITLE
11-NOV-82			C1780 PACKET BUFFER (IPBJ)

OSKDI:283,2801:IPBJ.DRW 11-NOV-82 09:19 NFX HIGHER ASSEMBLY:
FIRST USED ON OPTION MODEL: C1780 E-UA-L0101-0-0 K CS L0101-0-PBJ

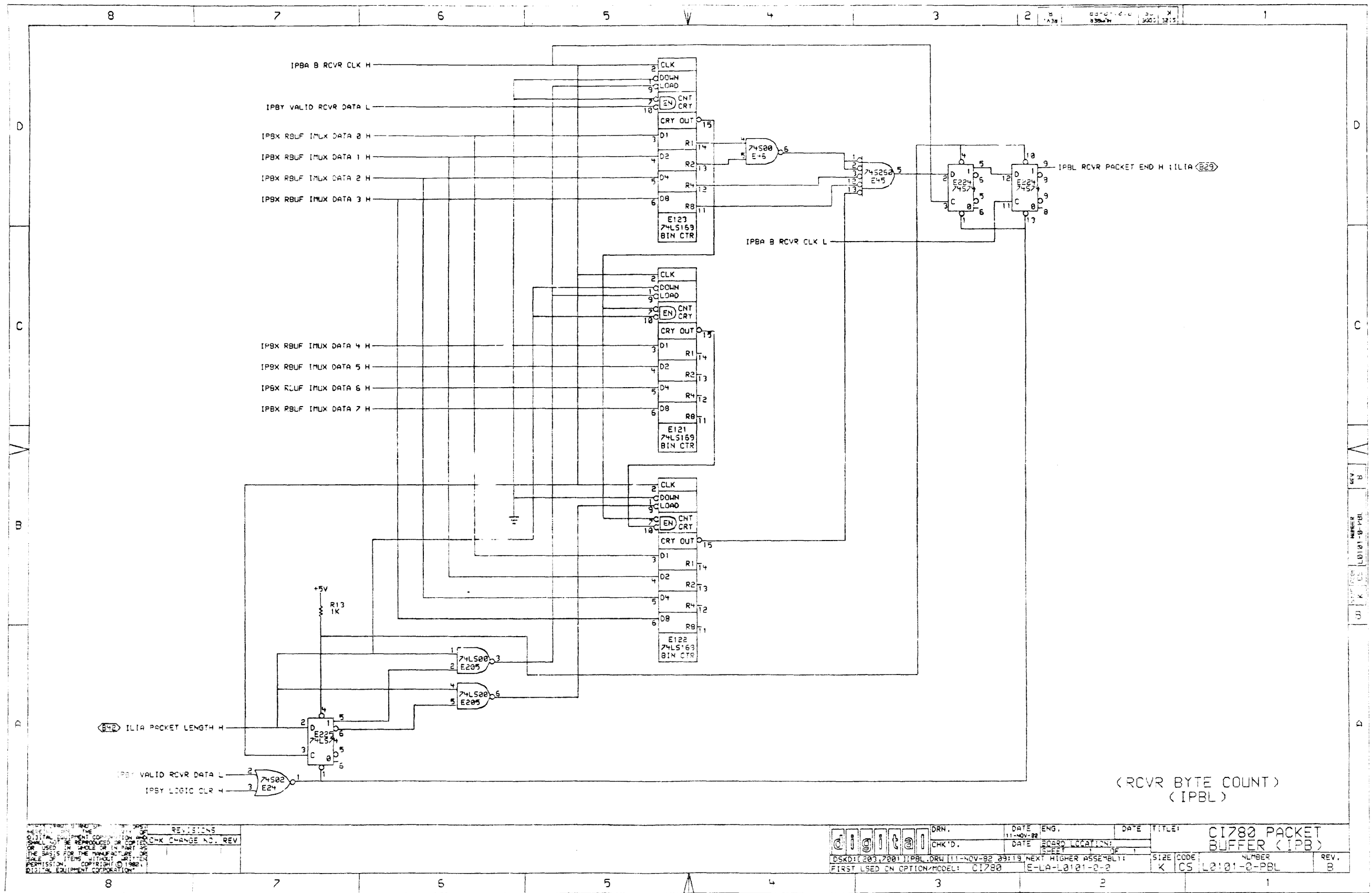
REV. B
U-61-0-PBJ
K CS L0101-0-PBJ



HEREIN ARE THE PROPER AND SPECIFICATIONS OF THE BOARD AND THE BOARD LOCATION. THIS BOARD IS NOT TO BE REPRODUCED OR COPIED IN ANY MANNER WITHOUT THE WRITTEN PERMISSION OF THE BOARD LOCATION.

REVISIONS	
CHK	CHANGE NO. REV

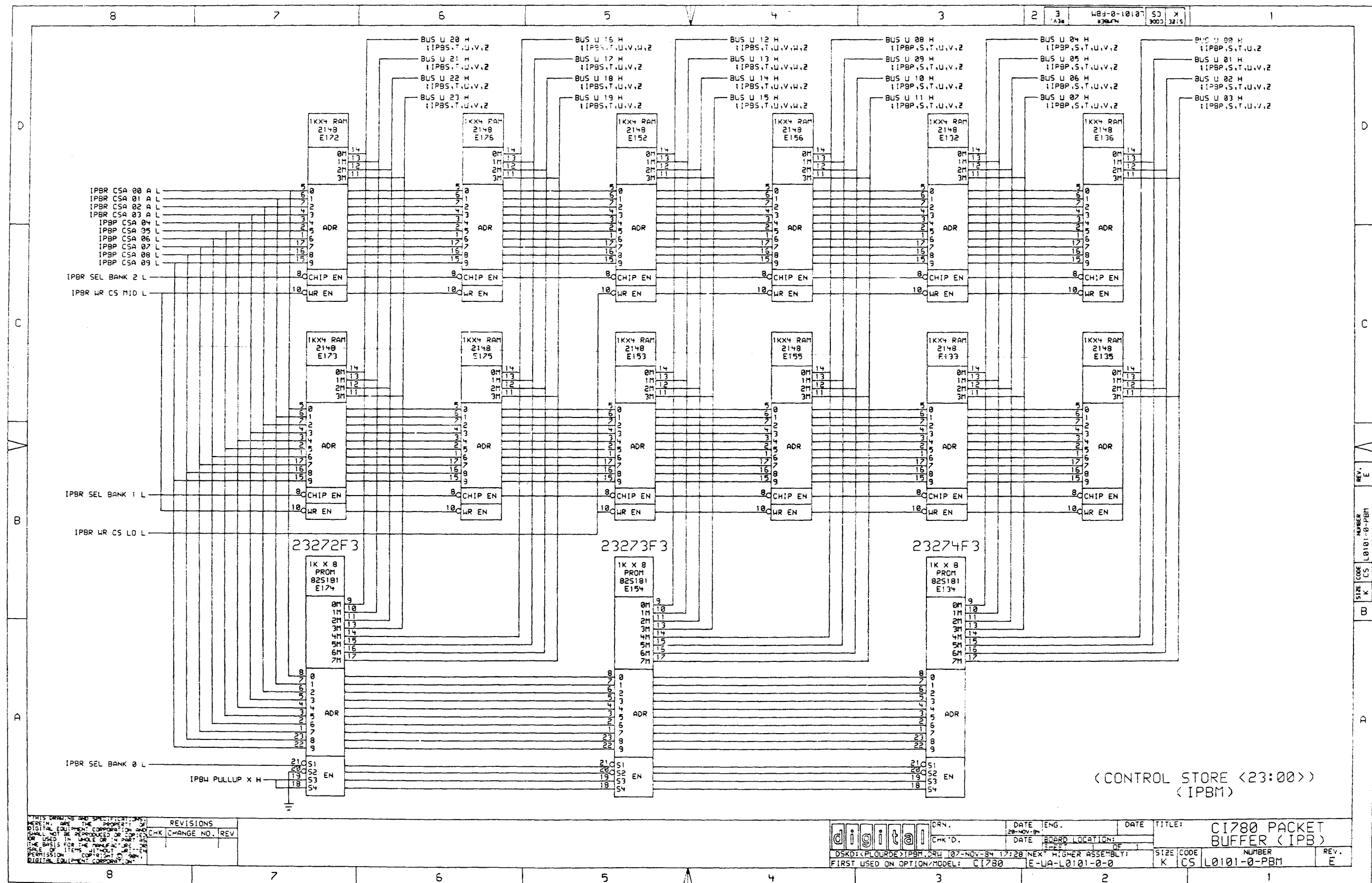
DRN.	DATE	ENG.	DATE	TITLE:
CHK'D.	11-NOV-82			C1780 PACKET BUFFER (IPB)
OSKD: (203, 201) IPBK.DRW	11-NOV-82	09:13	NEXT HIGHER ASSEMBLY:	SIZE CODE NUMBER REV.
FIRST USED ON OPTION/MODEL:	C1780	E-LA-L0101-0-0		K CS 10101-0-PRK B



(RCVR BYTE COUNT)
(IPBL)

REV. NO.	DATE	DESCRIPTION
1	11-NOV-82	DRN.

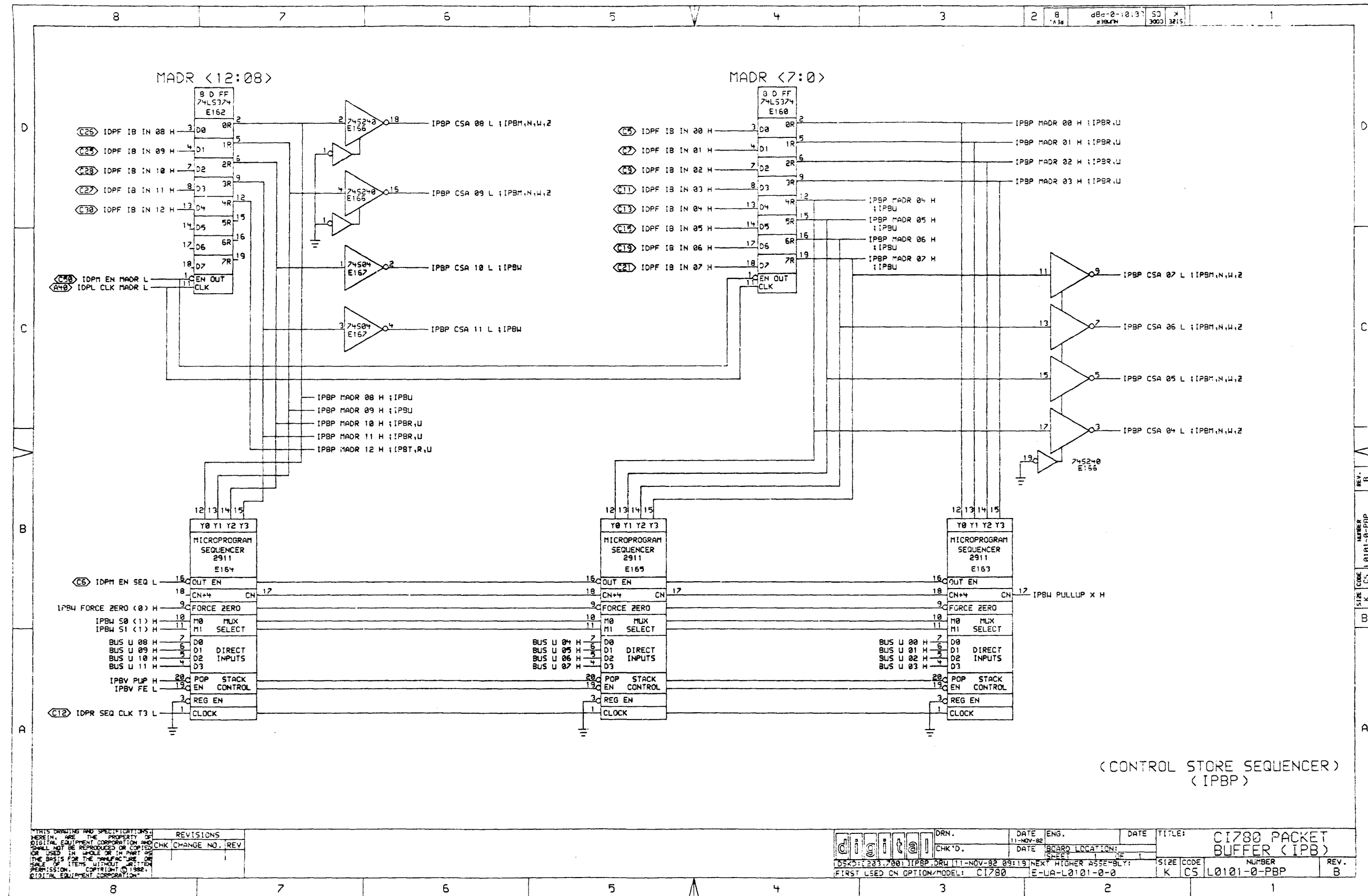
DRN.	DATE	ENG.	DATE	TITLE
11-NOV-82				CI780 PACKET BUFFER (IPB)
CHK'D.	DATE	BOARD LOCATION:		
DSXD: (203,700) IPBL.DRW	11-NOV-82 09:19	NEXT HIGHER ASSEMBLY:	SIZE	CODE
FIRST USED ON OPTION/MODEL:	CI780	E-LA-L0101-0-2	K	CS
			L0101-0-PBL	NUMBER
				REV.
				B



THIS DRAWING AND SPECIFICATIONS HEREIN ARE THE PROPERTY OF DIGITAL EQUIPMENT CORPORATION AND SHALL NOT BE REPRODUCED OR COPIED OR USED IN WHOLE OR IN PART AS THE BASIS FOR THE MANUFACTURE OF ANY ITEMS, WITHOUT WRITTEN PERMISSION OF DIGITAL EQUIPMENT CORPORATION.

REVISIONS	
CHK	CHANGE NO. REV

	DRN.	DATE	ENG.	DATE	TITLE:
	CHK'D.	DATE	BOARD LOCATION:	OF	C1780 PACKET BUFFER (IPB)
DSKD: PLOURDET: PBM.DR1 107-NOV-84 17:28 NEX: HIGHER ASSEMBLY:					SIZE CODE
FIRST USED ON OPTION/MODEL: C1780 E-UA-L0101-0-0					K CS
NUMBER					REV.
L0101-0-PBM					E

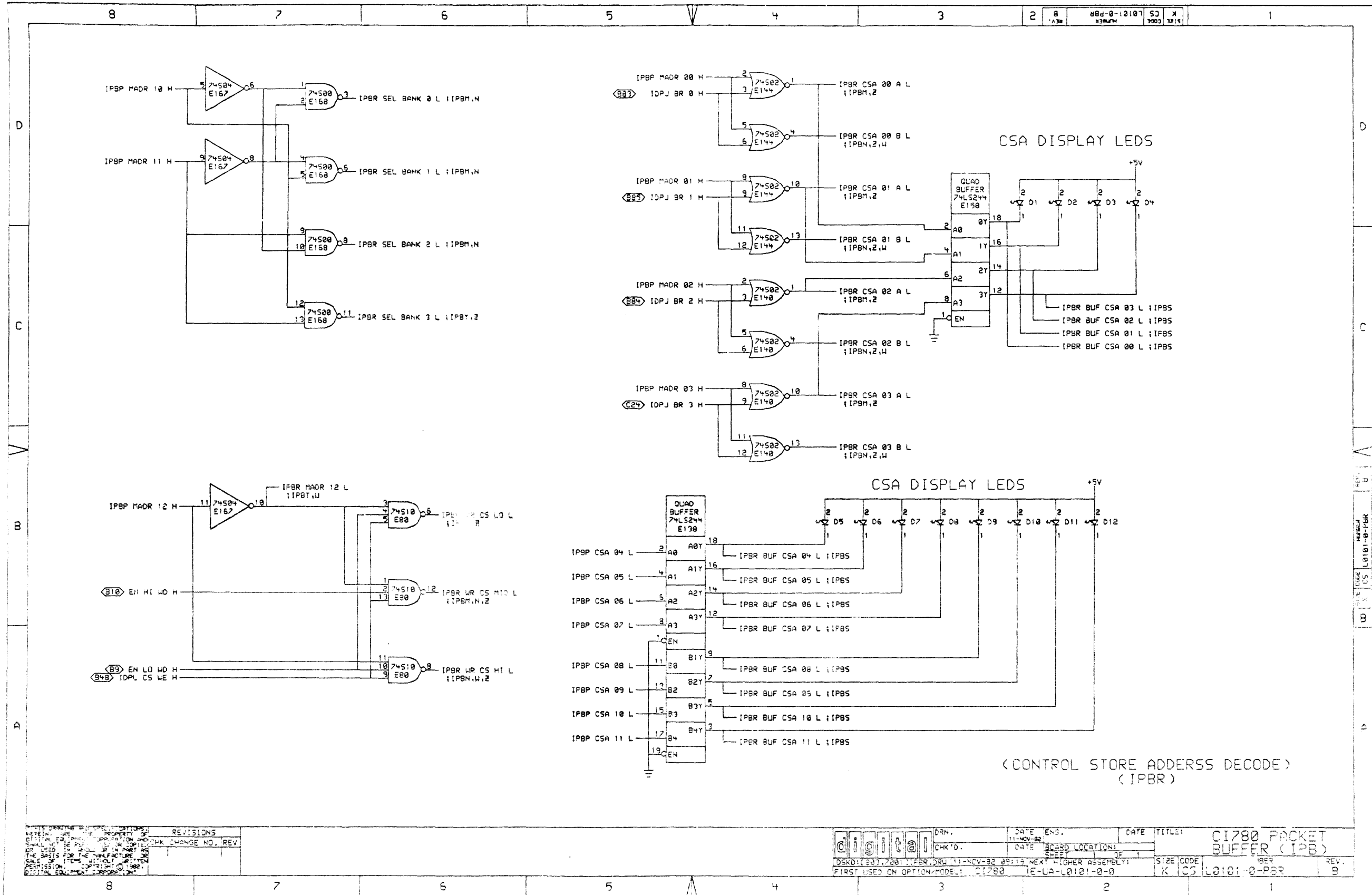


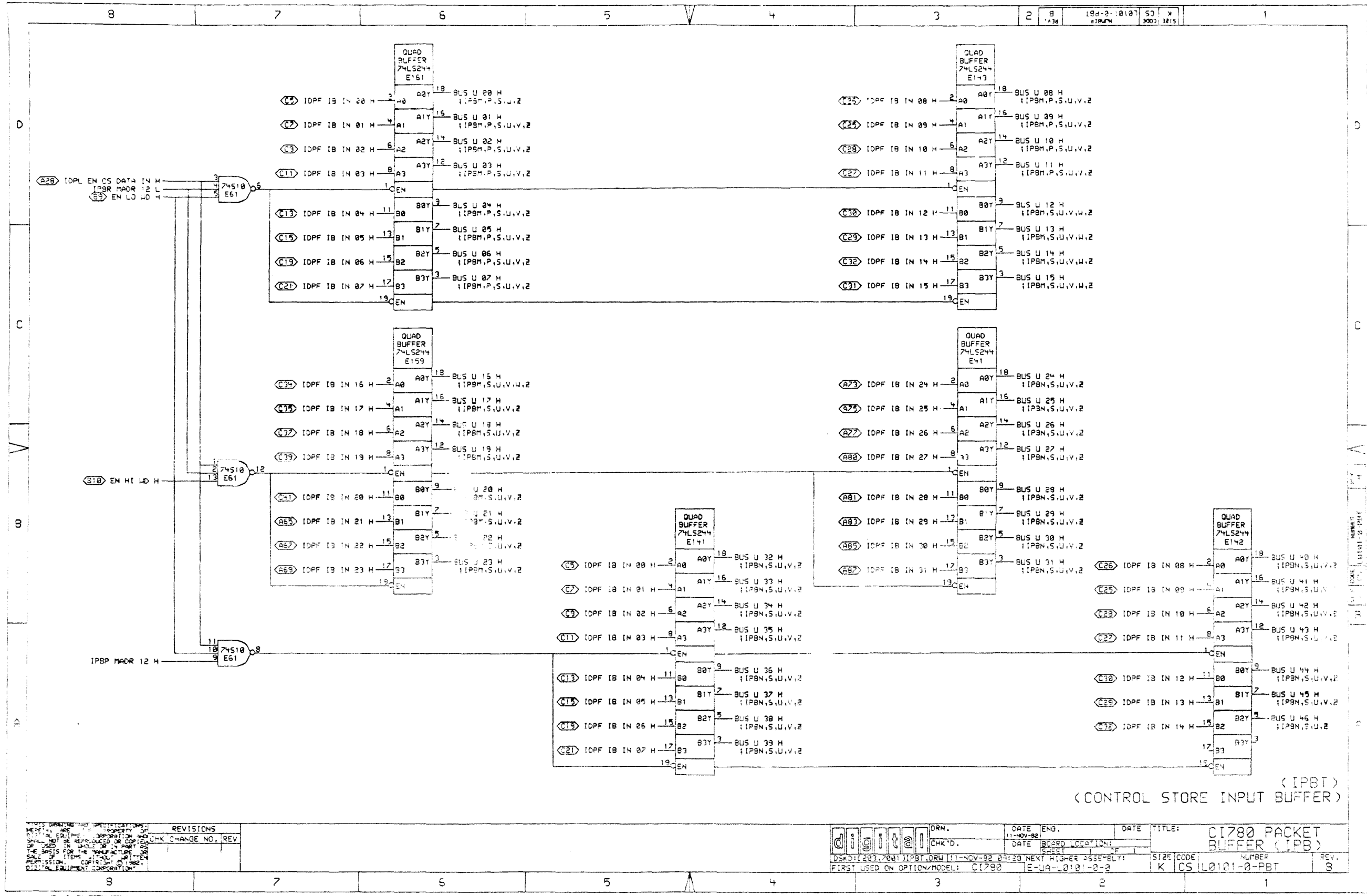
(CONTROL STORE SEQUENCER)
(IPBP)

THIS DRAWING AND SPECIFICATIONS
HEREIN ARE THE PROPERTY OF
DIGITAL EQUIPMENT CORPORATION AND
SHALL NOT BE REPRODUCED OR COPIED
OR USED IN WHOLE OR IN PART AS
THE BASIS FOR THE MANUFACTURE OR
REPAIR OF ITEMS WITHOUT WRITTEN
PERMISSION. COPYRIGHT © 1982,
DIGITAL EQUIPMENT CORPORATION.

REVISIONS
CHK CHANGE NO. REV

digital	DRN.	DATE	ENG.	DATE	TITLE:
	CHK'D.	11-NOV-82			CI780 PACKET BUFFER (IPB)
DSKD: 233,2001 (IPBP).DRW 11-NOV-82 09:19		NEXT HIGHER ASSEMBLY:		SIZE	CODE
FIRST USED ON OPTION/MODEL: CI780		E-LA-L0101-0-0		K	CS
				NUMBER	REV.
				L0101-0-PBP	B

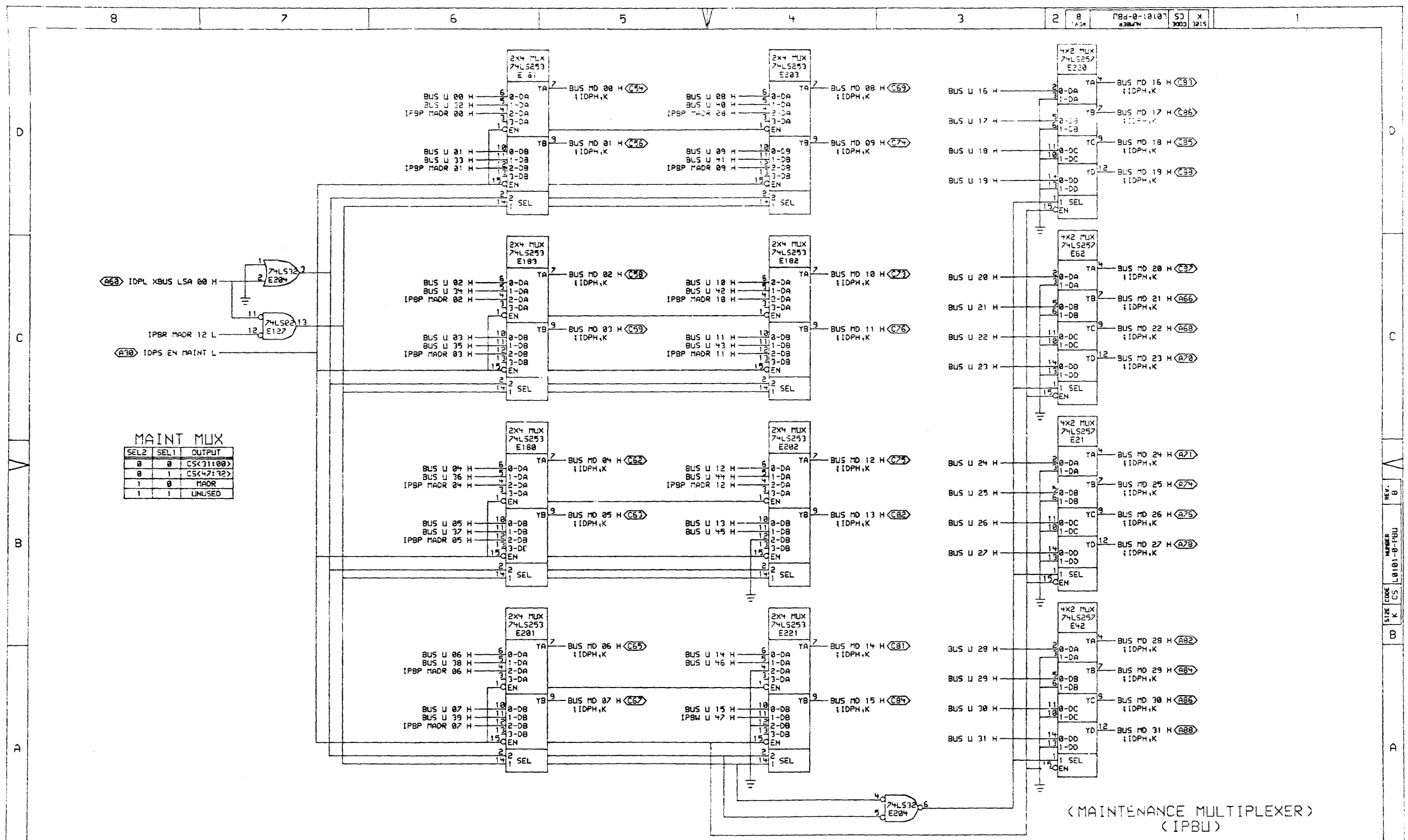




REV.	DATE	DESCRIPTION
1	11-NOV-82	INITIAL DESIGN
2	11-NOV-82	REVISION

REV.	DATE	DESCRIPTION
1	11-NOV-82	INITIAL DESIGN
2	11-NOV-82	REVISION

digit@l	DRN.	DATE	ENG.	DATE	TITLE:
CHK'D.	11-NOV-82	11-NOV-82			CI780 PACKET BUFFER (IPB)
DATE	RECORD LOCATION:	SHEET	OF	1	SIZE CODE
DSK01(203,700) IPBT.DRW	11-NOV-82 08:20	NEXT HIGHER ASSEMBLY:			NUMBER
FIRST USED ON OPTION/MODEL:	CI780	E-0A-0101-2-2			REV.
					3



MAINT MUX

SEL2	SEL1	OUTPUT
0	0	CS<31:00>
0	1	CS<47:32>
1	0	MADR
1	1	UNUSED

(MAINTENANCE MULTIPLEXER)
(IPBU)

THIS DRAWING AND SPECIFICATIONS ARE THE PROPERTY OF DIGITAL EQUIPMENT CORPORATION AND SHALL NOT BE REPRODUCED OR COPIED IN WHOLE OR IN PART FOR USE IN THE MANUFACTURE OF ANY ITEMS WITHOUT THE EXPRESS WRITTEN PERMISSION OF DIGITAL EQUIPMENT CORPORATION.

REVISIONS		
CHK	CHANGE NO.	REV

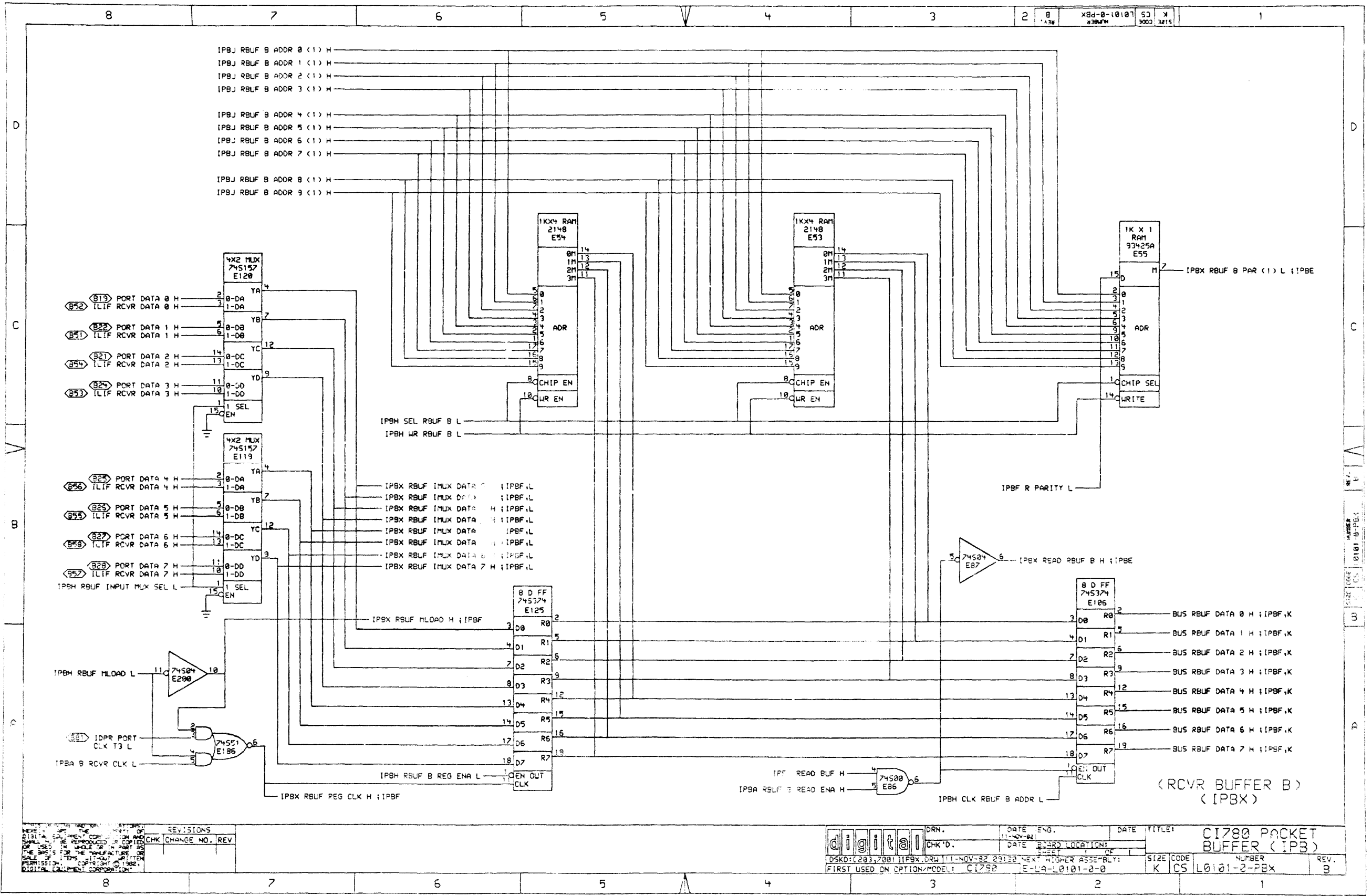
digital DRN. DATE ENG. DATE TITLE: **CI780 PACKET BUFFER (IPB)**

CHK'D. DATE BOARD LOCATION: SHEET OF

OSKD: 203,7001 IPBU.DRW 11-NOV-82 09:20 NEXT HIGHER ASSEMBLY: SIZE CODE NUMBER REV. E

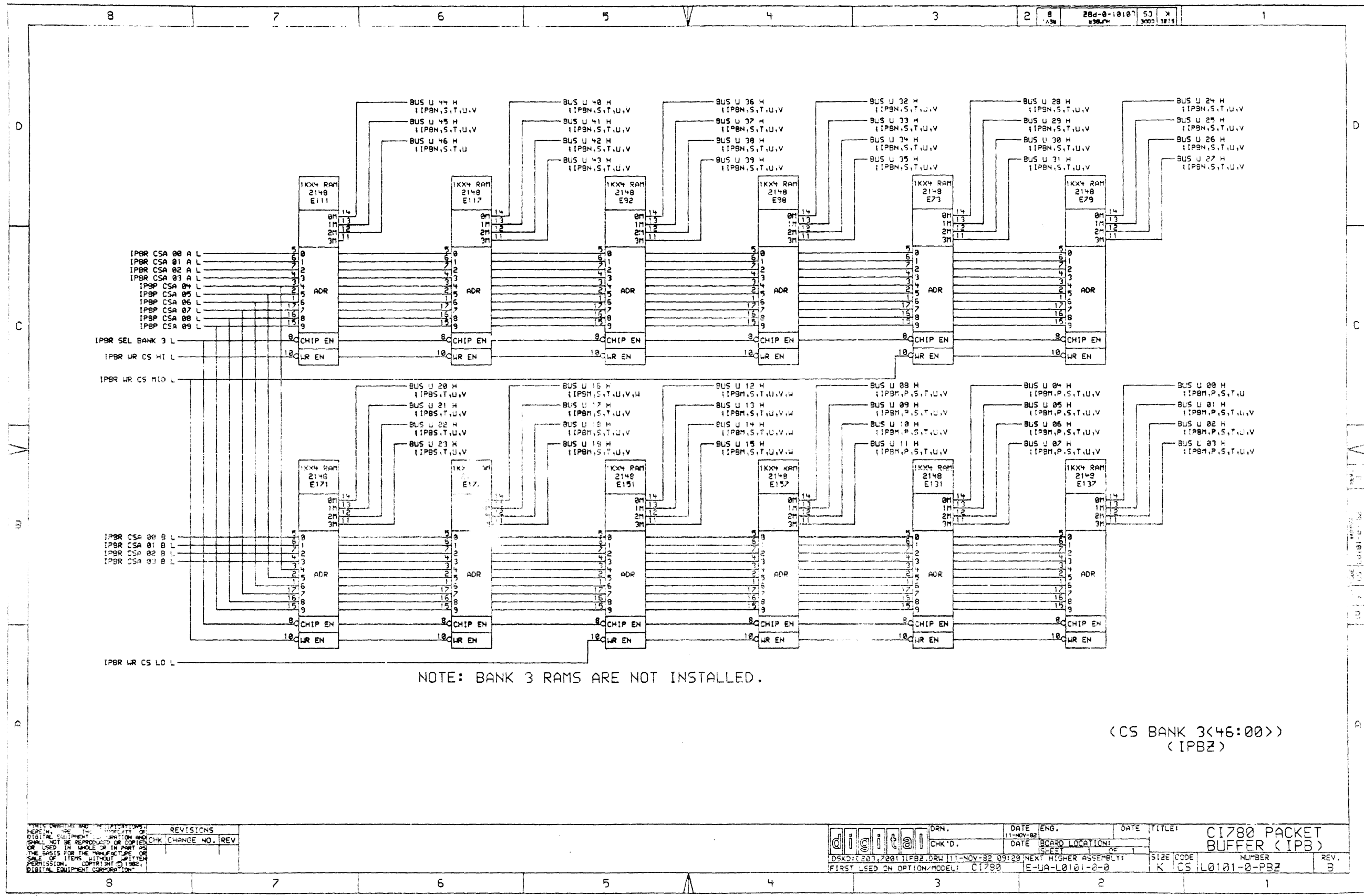
FIRST USED ON OPTION/MODEL: CI780 E-LA-L0101-0-0 K CS L0101-0-PBU

REV. B
NUMBER L0101-0-PBU
SIZE CODE K CS
B
A



REVISIONS		
CHK	CHANGE NO.	REV.

digital DRN. DATE ENG. 11-NOV-82 CHK'D. DATE 22-NOV-82	TITLE: C1780 PACKET BUFFER (IPB)	
	DSKD: (203,200) IPBX.DRW 11-NOV-82 23:32 NEXT HIGHER ASSEMBLY: FIRST USED ON OPTION/MODEL: C1780 E-LA-L0101-3-0	SIZE CODE: K CS NUMBER: L0101-2-PBX



NOTE: BANK 3 RAMS ARE NOT INSTALLED.

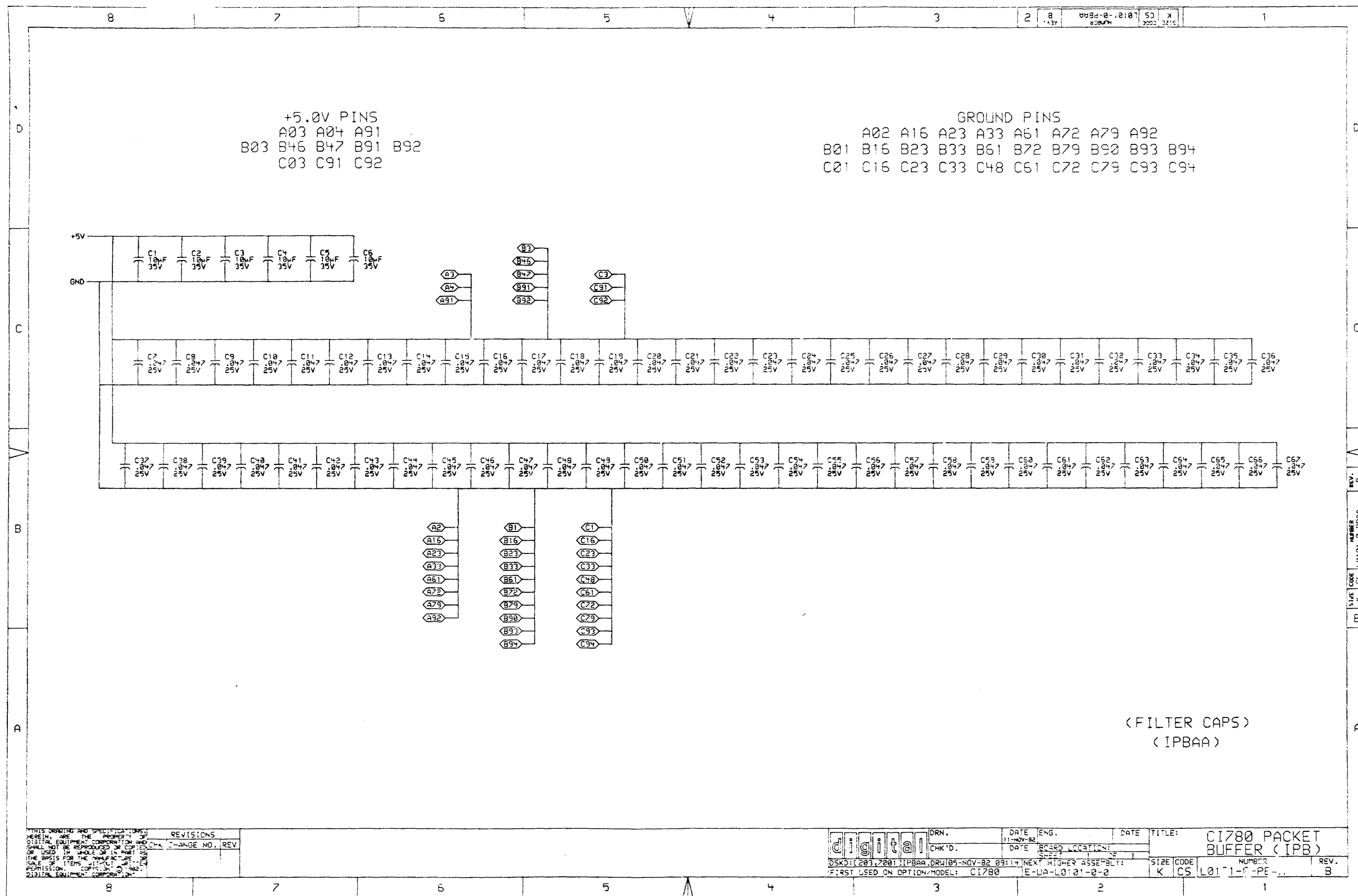
(CS BANK 3<46:00>)
(IPBZ)

REVISIONS	
CHK	CHANGE NO. REV.

digital	ORN.	DATE	ENG.	DATE	TITLE
	CHK'D.	DATE	BOARD LOCATION:		
DSKID: 207,280 IPBZ.DRW		11-NOV-82	09:20	NEXT HIGHER ASSEMBLY:	
FIRST USED ON OPTION/MODEL:		CI780	E-UA-L0101-0-0	SIZE	CODE
				K	CS
				NUMBER	REV.
				L0101-0-PBZ	B

8 7 6 5 4 3 2 1 284-8-10107 53 X 3003 12/13

8 7 6 5 4 3 2 1



+5.0V PINS
 A03 A04 A91
 B03 B46 B47 B91 B92
 C03 C91 C92

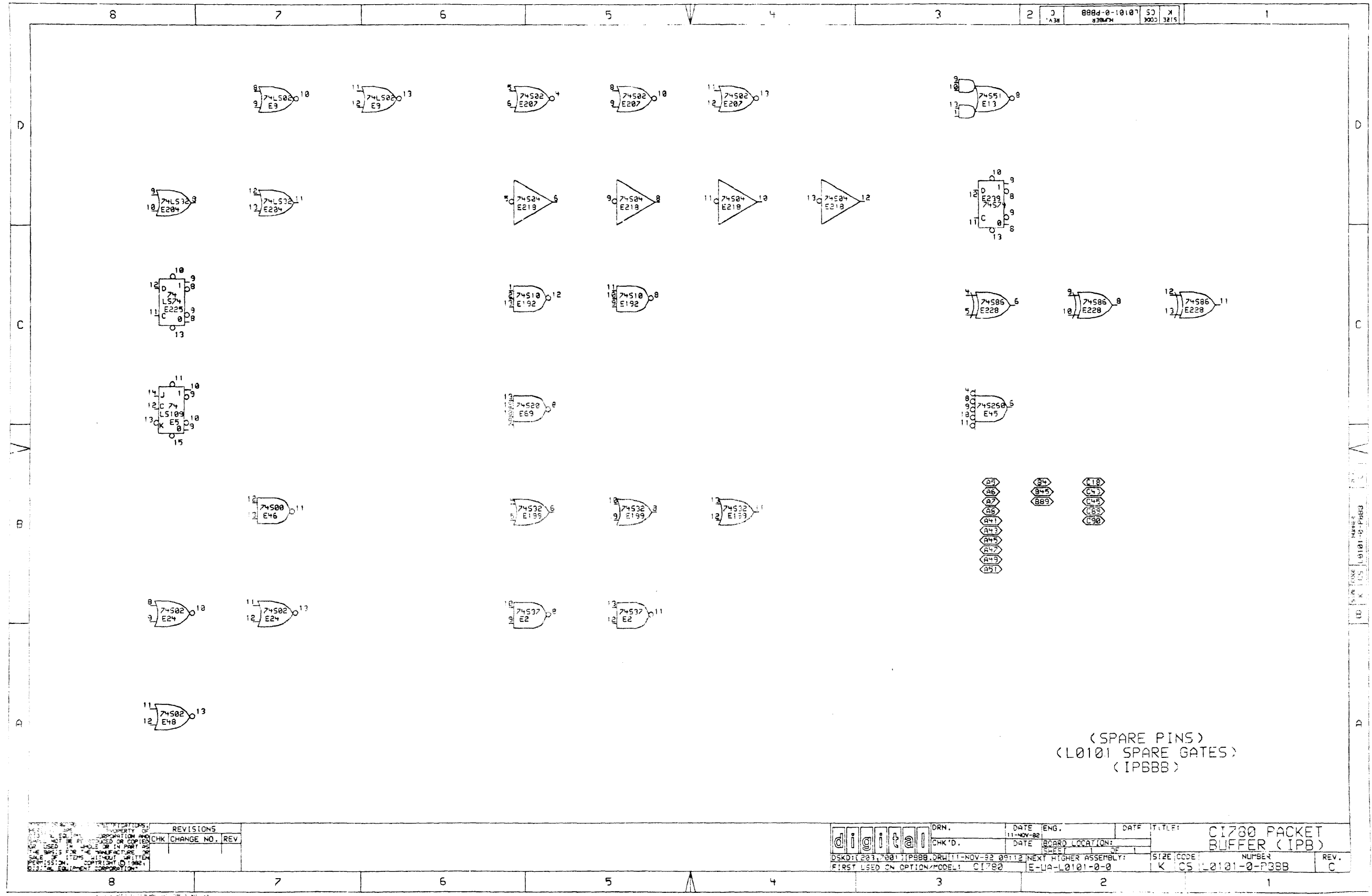
GROUND PINS
 A02 A16 A23 A33 A61 A72 A79 A92
 B01 B16 B23 B33 B61 B72 B79 B90 B93 B94
 C01 C16 C23 C33 C48 C61 C72 C79 C93 C94

(FILTER CAPS)
 (IPBAA)

THIS DRAWING AND SPECIFICATIONS HEREIN ARE THE PROPERTY OF DIGITAL EQUIPMENT CORPORATION AND SHALL NOT BE REPRODUCED OR COPIED OR USED IN ANY MANNER OR FOR ANY PURPOSE WITHOUT THE WRITTEN PERMISSION OF DIGITAL EQUIPMENT CORPORATION.

REV.	CHG.	CHANGE NO.	REV.

digital	DRN.	DATE	ENG.	DATE	TITLE:
	CHK'D.	DATE	DESIGN	DATE	C1780 PACKET BUFFER (IPB)
DSKD: (203,7201) IPBAA, DRN105-NOV-82 09:14		NEXT HIGHER ASSEMBLY:		SIZE	CODE
FIRST USED ON OPTION/MODEL: C1780		E-LA-L01-0-0-0		K	CS
				NUMBER	REV.
				L0101-0-PE-	B



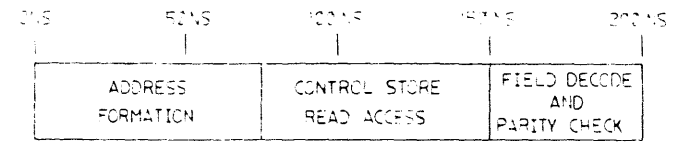
(SPARE PINS)
 (L0101 SPARE GATES)
 (IPBBB)

REVISIONS	
CHK	CHANGE NO. REV

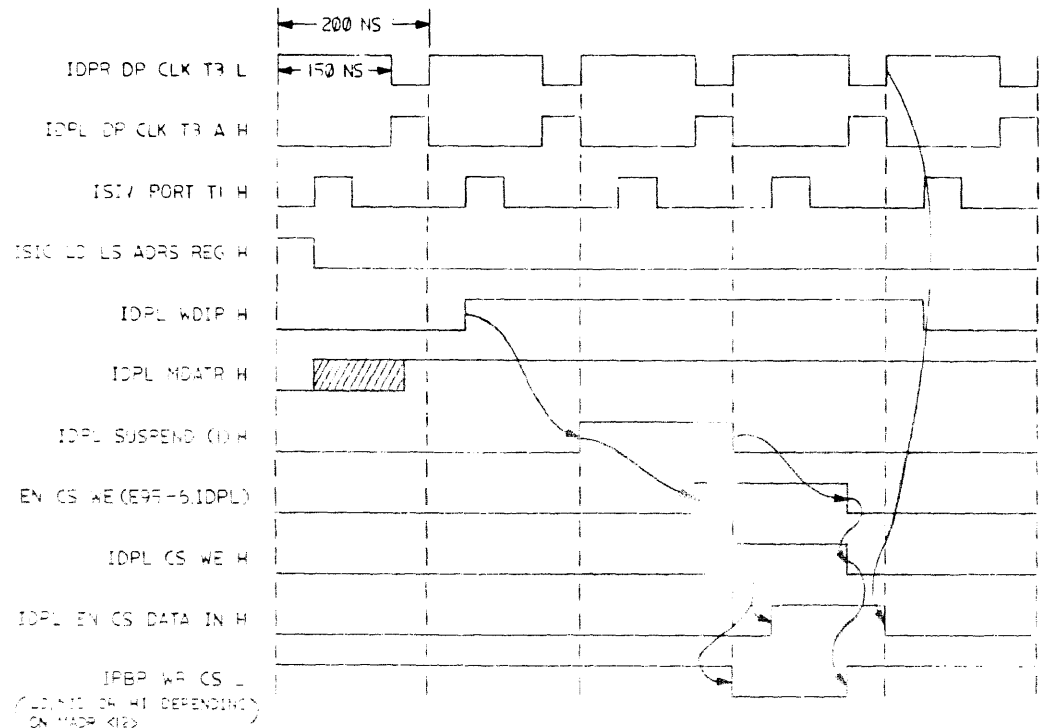
digital	DRN.	DATE	ENG.	DATE	TITLE:
	CHK'D.	DATE	BOARD LOCATION:	SHEET	1
DSKD: (203,700) IPBBB.DRW (11-NOV-82 09:12) NEXT HIGHER ASSEMBLY:					SIZE CODE
FIRST USED ON OPTION/MODEL: CI780					E-LA-L0101-0
NUMBER					REV.
K CS L0101-0-P388					C

NAME: L0101-0-IPBBB
 SIZE: K CS
 CD: K CS

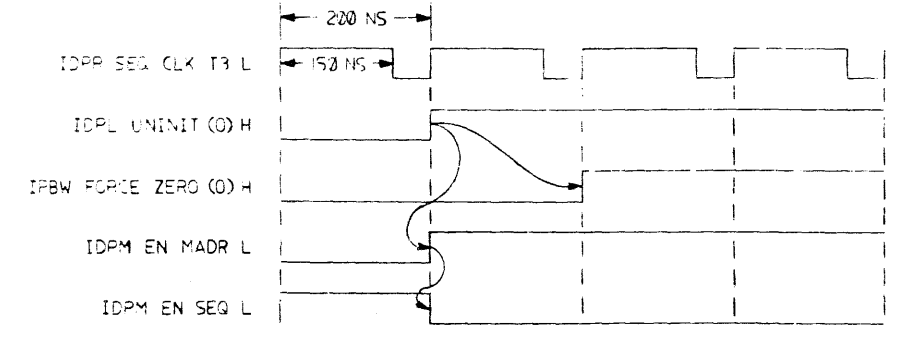
THIS DRAWING AND SPECIFICATIONS HEREIN ARE THE PROPERTY OF DIGITAL EQUIPMENT CORPORATION. IT SHALL NOT BE REPRODUCED, COPIED, TRANSMITTED, OR IN ANY MANNER MADE AVAILABLE TO THE PUBLIC WITHOUT THE WRITTEN PERMISSION OF DIGITAL EQUIPMENT CORPORATION.



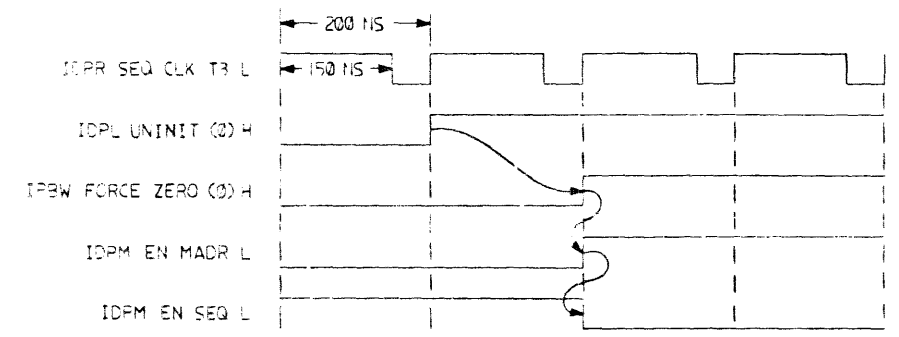
CONTROL STORE READ CYCLE



CONTROL STORE WRITE TIMING



MICROCODE START UP (PSA=0)
(SEQUENCE IS FORCED TO 300 DURING FIRST MICROCODE EXECUTION CYCLE)



MICROCODE START UP (PSA=1)
(MADR IS ADDRESS SOURCE DURING FIRST MICROCODE EXECUTION CYCLE)

REV A
EUA-LO101-0-3

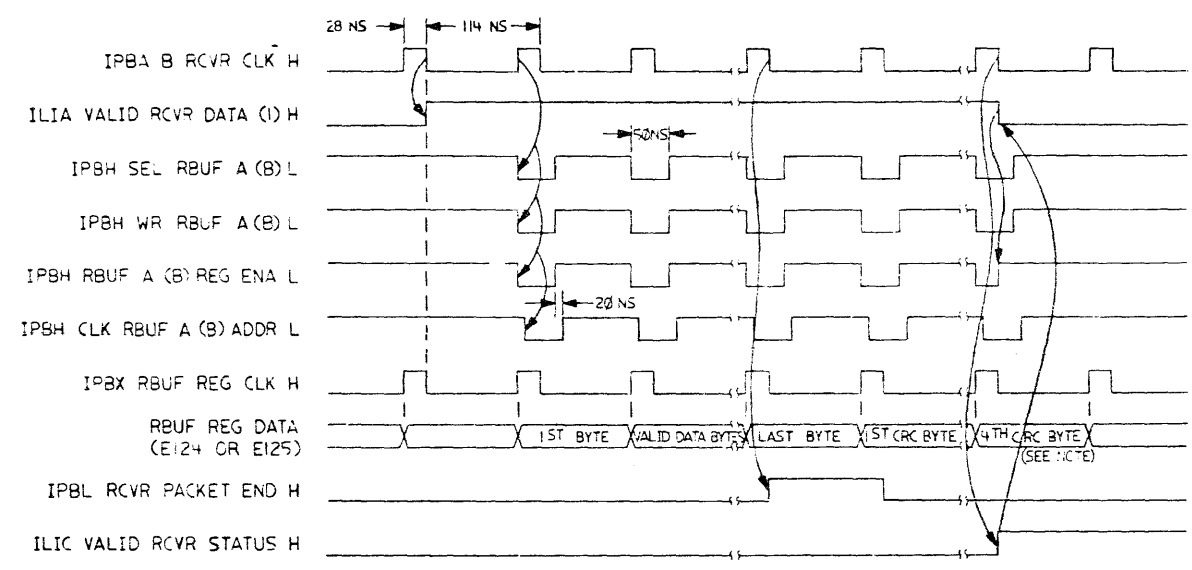
REV
DATE

DATE	4/22/81	TITLE	digital
DESIGN		C1780	(IPB)
CHKD		PACKET BUFFER	
DATE	9/11/81	DOCUMENT NUMBER	
DATE	9/11/81		
DATE	7/2/81		
	E-UA-LO101-0-0		

THIS DRAWING AND SPECIFICATIONS HEREIN ARE THE PROPERTY OF DIGITAL EQUIPMENT CORPORATION AND SHALL NOT BE REPRODUCED OR COPIED OR USED IN WHOLE OR IN PART AS THE BASIS FOR THE MANUFACTURE OR SALE OF ITEMS WITHOUT WRITTEN PERMISSION.
 COPYRIGHT © 1981 DIGITAL EQUIPMENT CORPORATION

6-0-1010-0110

NOTE:
 1. THE FOURTH CRC BYTE IS NOT WRITTEN INTO THE RECEIVE BUFFER BECAUSE IPBH RBUF A OR B REG ENA L IS NOT VALID FOR THE ENTIRE WRITE CYCLE.



RECEIVER BUFFER WRITE TIMING FOR LINK → BUFFER LOAD

REVISION HISTORY		
DATE	ECO NUMBER	REV

TITLE
 CI780
 PACKET BUFFER (IPB)

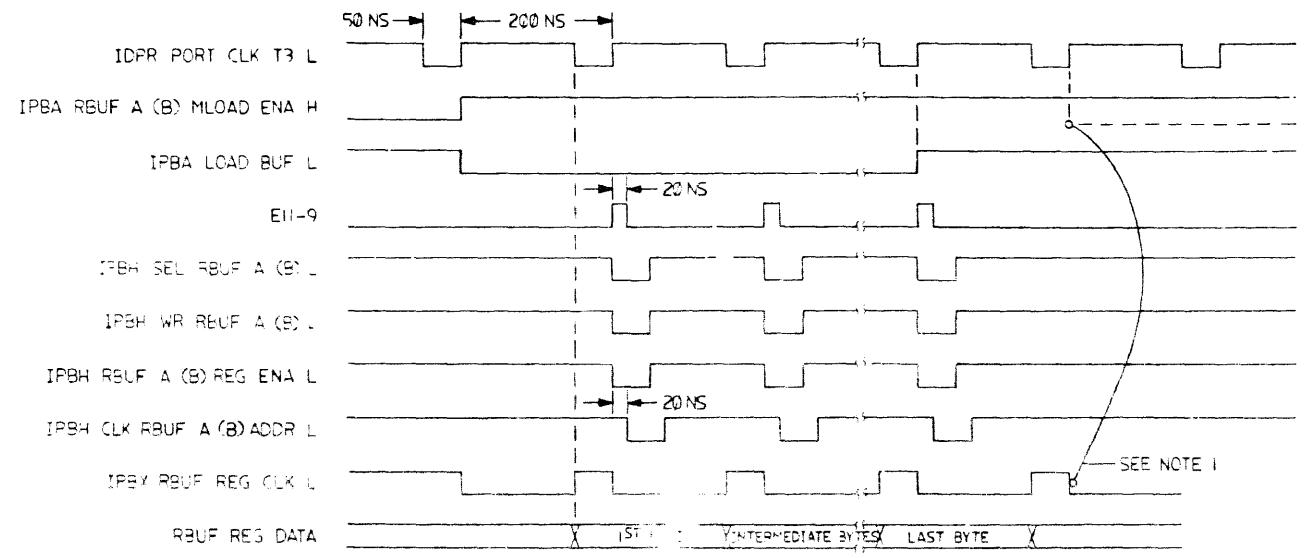
DOCUMENT NUMBER		
SIZE CODE	NUMBER	REV
DTD	L0101-0-3	A
SCALE	SHEET 2 OF 4	

DATE CHECKED DTD
 NUMBER L0101-0-3
 REV A

8 7 6 5 4 3 2 1

THIS DRAWING AND SPECIFICATIONS HEREIN ARE THE PROPERTY OF DIGITAL EQUIPMENT CORPORATION AND SHALL NOT BE REPRODUCED OR COPIED IN WHOLE OR IN PART AS THE BASIS FOR THE MANUFACTURE OR SALE OF THIS WITHOUT WRITTEN PERMISSION OF DIGITAL EQUIPMENT CORPORATION.

NOTE:
 1. IPBX RBUF REG CLK L SOURCE IS DERIVED FROM IPBA B DCVR CLK L WHEN IPBA RBUF A (OR B) MLOAD ENA H IS FALSE.



RECEIVER BUFFER MLOAD TIMING

REV. HISTORY		
DATE	ECO NUMBER	REV.

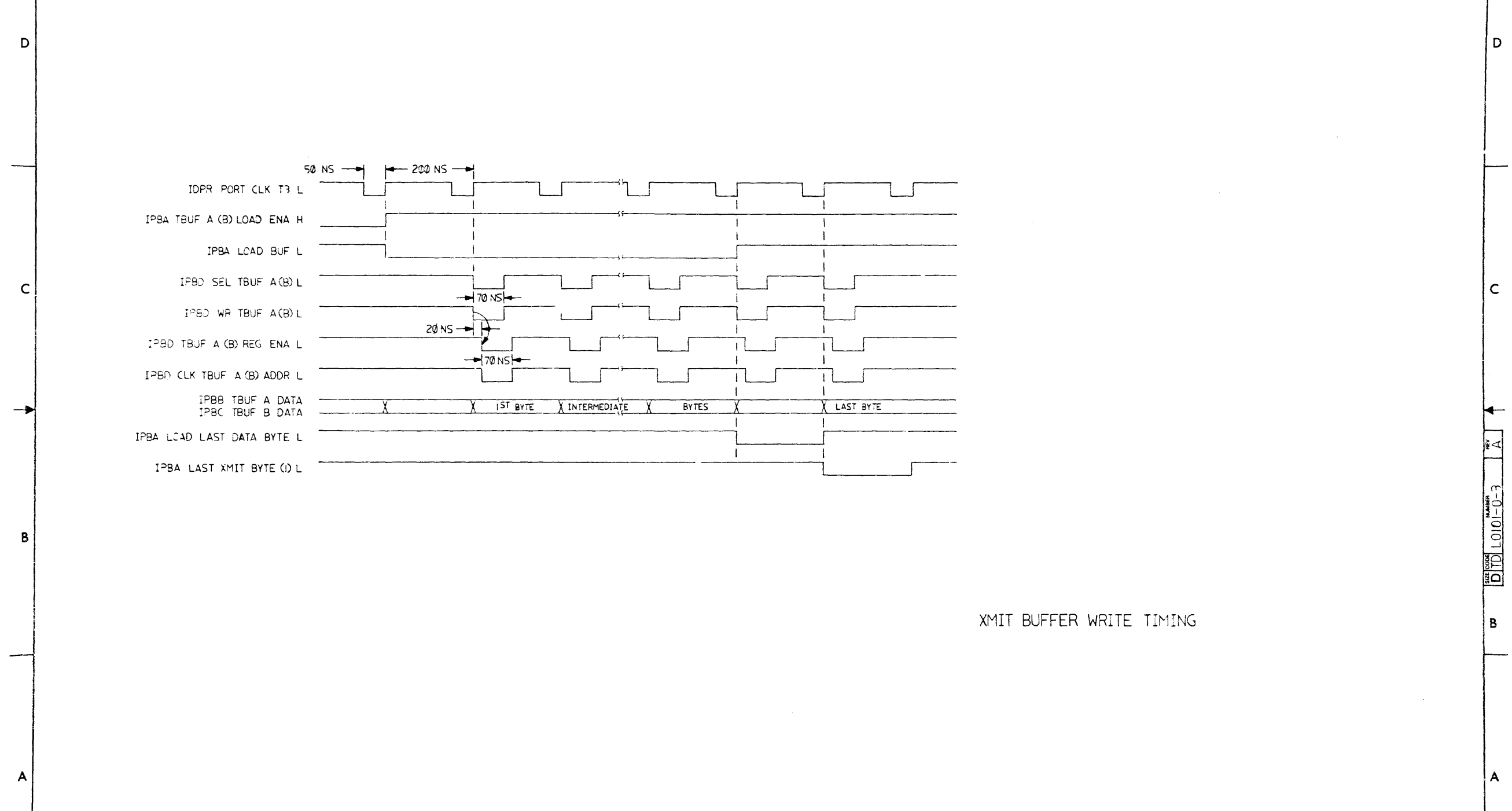
TITLE CI780
 PACKET BUFFER (IPB)

DOCUMENT NUMBER		
SIZE CODE	NUMBER	REV.
D	LO101-0-3	A
SCALE	SHEET 3 OF 4	

8 7 6 5 4 3 2 1

8 7 6 5 4 3 2 1

THIS DRAWING AND SPECIFICATIONS HEREIN ARE THE PROPERTY OF DIGITAL EQUIPMENT CORPORATION AND SHALL NOT BE REPRODUCED OR COPIED IN WHOLE OR IN PART AS THE BASIS FOR THE MANUFACTURE OR SALE OF ITEMS WITHOUT WRITTEN PERMISSION. COPYRIGHT © 1981 DIGITAL EQUIPMENT CORPORATION



XMIT BUFFER WRITE TIMING

REVISION HISTORY		
DATE	ECO NUMBER	REV

8 7 6 5 4 3 2 1 TW

TITLE CI780
PACKET BUFFER (IPB)

DOCUMENT NUMBER		REV
SIZE CODE	NUMBER	
DTD	L0101-0-3	A
SCALE	SHEET 4 OF 4	

REV A
NUMBER 3
DTD L0101-0-3

DRAWING NO.	NO. OF SHTS.	PART NO.	DESCRIPTION	REVISIONS			
				A	B	C	D
		LO100-01	PART REVISION				DI
BDD-LO100-0	1		ILI	A	B	C	D
EUA-LO100-0-0	3		ILI	A	B	C	D
DMD-5014430-0-0	5		DRILL & ETCH DRAWING	A	A	B	C
EEC-5014430-0-0	3		ETCH CUT DRAWING	A	B	C	D
		5014430	ETCHED BOARD	B	B	C	CP
KPG-LO100-0-DBI			PC DATA BASE	B	B	C	C
KCS-LO100-0-DBS			CS DATA BASE	A	A	A	B
KPL-LO100-0-DBF	4		PL DATA BASE	A	B	B	C
KBS-LO100-0-DBS			BS DATA BASE	A	A	A	A
KTD-LO100-0-DBS			TD DATA BASE	A	A	A	A
D-TD-LO100-0-2	8		ILI	A	A	A	A
D-BS-LO100-0-3	1		ILI	A	A	A	A
KCS-LO100-0-ILIA	1			-	-	C	C
KCS-LO100-0-ILIB	1			-	-	C	D
KCS-LO100-0-ILIC	1			-	-	C	C
KCS-LO100-0-ILID	1			-	-	C	C
KCS-LO100-0-ILIE	1			-	-	C	C
KCS-LO100-0-ILIF	1			-	-	C	C
KCS-LO100-0-ILIH	1			-	-	C	C
KCS-LO100-0-ILIJ	1			-	-	C	D
KCS-LO100-0-ILIK	1			-	-	C	D
KCS-LO100-0-ILIL	1			-	-	C	D
KCS-LO100-0-ILIM	1			-	-	C	D
KCS-LO100-0-ILIN	1			-	-	C	C

NOTES:

REVISIONS	DATE	CHG NO.	REV.				
				B	C	D	
	6-82	TW001		B	C	D	
	9-82	TW002					
	10-82	TW003					

THIS DRAWING AND SPECIFICATIONS, HEREIN, ARE THE PROPERTY OF DIGITAL EQUIPMENT CORPORATION AND SHALL NOT BE REPRODUCED OR COPIED OR USED IN WHOLE OR IN PART AS THE BASIS FOR THE MANUFACTURE OR SALE OF ITEMS WITHOUT WRITTEN PERMISSION.

COPYRIGHT © 1981 DIGITAL EQUIPMENT CORPORATION



USED ON OPTION/MODEL

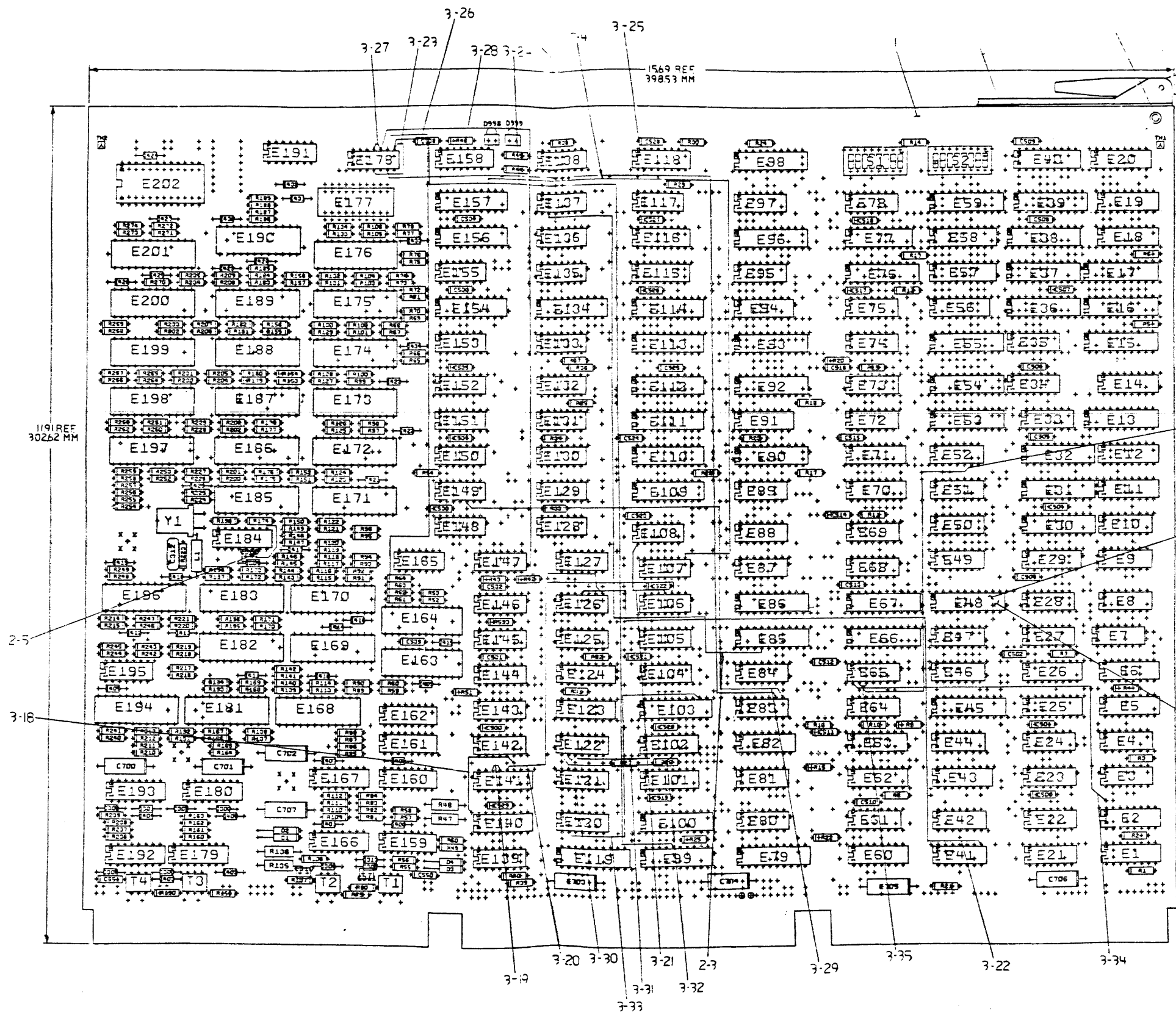
CI780
CI750
HSC50
CI20

DRN. *Casey* 9-28-81
CHK'D *Casey* 9-28-81
ENG. *W. W. W.* 9-28-81
PROD. *W. W. W.* 9-28-81

TITLE INTERPROCESSOR LINK INTERFACE

SIZE B CODE DD NUMBER LO100-0 REV. D
SHEET OF 3

COMPONENT SIDE VIEW



DATE	11/74
DESIGNED BY	W. J. GIBNEY
PROJECT NO.	100000000
REV.	1
DATE	11/74
DESIGNED BY	W. J. GIBNEY
PROJECT NO.	100000000
REV.	1
DATE	11/74
DESIGNED BY	W. J. GIBNEY
PROJECT NO.	100000000
REV.	1

STATION	CP1
DATE	11/74
DESIGNED BY	W. J. GIBNEY
PROJECT NO.	100000000
REV.	1
DATE	11/74
DESIGNED BY	W. J. GIBNEY
PROJECT NO.	100000000
REV.	1

DATE	11/74
DESIGNED BY	W. J. GIBNEY
PROJECT NO.	100000000
REV.	1
DATE	11/74
DESIGNED BY	W. J. GIBNEY
PROJECT NO.	100000000
REV.	1

DATE	11/74
DESIGNED BY	W. J. GIBNEY
PROJECT NO.	100000000
REV.	1
DATE	11/74
DESIGNED BY	W. J. GIBNEY
PROJECT NO.	100000000
REV.	1

DATE	11/74
DESIGNED BY	W. J. GIBNEY
PROJECT NO.	100000000
REV.	1
DATE	11/74
DESIGNED BY	W. J. GIBNEY
PROJECT NO.	100000000
REV.	1

DATE	11/74
DESIGNED BY	W. J. GIBNEY
PROJECT NO.	100000000
REV.	1
DATE	11/74
DESIGNED BY	W. J. GIBNEY
PROJECT NO.	100000000
REV.	1

1191 REF 30262 MM

NOTES:
1. SPARE LOCATIONS ARE E177 & E202

E1.4.0100-0-0

These drawings and specifications shall be the property of the Government and shall not be distributed, copied, or reproduced in any form or by any means without the express written permission of the Government.

GENERAL INSTRUCTIONS

WIRE ADDS SIDE 1 LO100-TW002

- 2-4 ADD WIRE FROM E45-4 TO E197-2
- 2-4 ADD WIRE FROM E107-8 TO E157-19
- 2-5 ADD WIRE FROM E184-6 TO E184-9

ECO*3

WIRE ADDS SIDE 1

- 3-18 FROM PTH TO THE LEFT OF E10-16 TO PTH ABOVE E141-11
- 3-19 FROM E141-19 TO E141-14
- 3-20 FROM E106-10 TO E141-12
- 3-21 FROM E105-11 TO E108-11
- 3-22 FROM E141-8 TO E125-11
- 3-23 FROM E179-4 TO E178-8
- 3-24 FROM E179-8 TO E99-16
- 3-25 FROM E179-6 TO E93-9
- 3-26 FROM E179-9 TO E65-2
- 3-27 FROM E179-10 TO E178-11
- 3-28 FROM E179-10 TO E125-8
- 3-29 FROM E93-9 TO E149-5
- 3-30 FROM E122-2 TO E122-3
- 3-31 FROM E122-3 TO E102-2
- 3-32 FROM E122-1 TO E102-5
- 3-33 FROM E120-2 TO E103-12
- 3-34 PTH ABOVE E2-16 TO E65-1
- 3-35 FROM E65-2 TO E65-3
- 3-36 FROM E52-6 TO E65-2

COMPONENT DELETE SIDE 1

3-37 E48 (23-058K3-00)

COMPONENT ADD SIDE 1

3-38 E48 (23-091K3-00)

REVISION HISTORY		
DATE	ECO NUMBER	REV

WIRE INTERPROCESSOR LINK INTERFACE

DOCUMENT NUMBER	
ESTIMATE	WIRE
EJA	LO100-0-0
SCALE 2" = 1" SHEET 2 OF 2	

EJA LO100-0-0

LINE	ITEM	TOP DOCUMENT	PART NUMBER	MIN REV	DESCRIPTION	QTY	PER VARIATION	REFERENCE DESIGNATOR
						00		
						VARIATION REVISION LEVEL:		
1	1		5014430-00		L0100 ETCH BOARD	1		
2	78		1001610-00		.01 MFD 50V +80-20% Z5U CER	45		C300-C308,C313,C400-C434
3	2		1001739-00		27.0 MMF 100V 5%200PPM MICA	1		C312
4	3		1011740-01		3300.0 MMF 50V 10% CER	3		C309-C311
5	9		1012784-00		.047 MFD 50V +80-20% CER	42		C500-C538,C550,C551,C539
6	90		1017472-00		10 MFD 35V +75-10% AL EL	8		C700-C707
7	4		1109517-00		PIV= 75 IO=150 MA - 4NS 1N914B	4		D1-D4
8	98		1117373-00		LED ASSY GREEN	1		D998
9	99		1117373-01		LED ASSY RED	1		D999
10	5		1217310-05		SW,DIP 8POS/1PST 5VDC100MA S	2		S1,S2
11	6		1216988-02		HANDLE,MODULE,HEX TWO EJECTORS	1		
12	7		1300005-01		R NETWORK 13-1K 5.0 % 14PIN	1		E78
13	8		1300005-07		R NETWORK 15-4.7K 5.0 % 16PIN	2		E19,E56
14	9		1300250-00		150.0 .25 W 5.0 % CF	7		R17,R18,R28,R55,R56,R107,R108
15	10		1300295-00		330.0 .25 W 5.0 % CF	2		R44,R45
16	11		1300365-00		1.0 K .25 W 5.0 % CF	40		R1-R5,R7-R11,R14-R16,R19-R26, CONT R29,R30,R32-R36,R42,R43,R46,R51, CONT R54,R593,R27,R31,R37,R38-R40
17	18		1300447-00		4.70 K .25 W 5.0 % CF	2		R12,R13
18	12		1301425-00		300.0 .25 W 5.0 % CF	4		R79,R80,R159,R190
19	13		1301781-00		82.0 .50 W 5.0 % CF	4		R47,R48,R135,R136
20	14		1302602-00		56.0 .25 W 5.0 % CF	1		R6
21	15		1302956-00		196.0 .25 W 1.0 % RN55D-F10	103		R50,R53,R58,R60,R61,R63,R66,R67, CONT R69,R72,R74,R75,R77,R81,R83,R86, CONT R88,R90,R92,R93,R96,R97,R100, CONT R102,R104,R106,R109,R111,R113, CONT R115,R118,R120,R121,R124,R126, CONT R128,R129,R132,R133,R137,R139, CONT R142,R146,R148,R150,R152,R154, CONT R155,R158,R164,R166,R169,R170,

REVISION HISTORY			BASIC PART NO: L0100		DRN: J.CASEY		DATE: 24-JUN-81		D I G I T A L	
ENG	ECO NUMBER	REV	SECTION A OF A		CHK'D: E.T.GERRY		DATE: 24-JUN-81		TITLE PARTS LIST	
---	INITIAL	A	SECTION VARIATION INDEX		DES.ENG: J.BUZYNSKI		DATE: 28-SEP-81		DOCUMENT NUMBER	
JB	L0100-TW001	B	(A)	00	RESP.ENG.: J.BUZYNSKI		DATE: 28-SEP-81		K	PL L0100-0-DBP C
FD	L0100-TW003	C	(B)		MFG.ENG.: M.WARSHAW		DATE: 28-SEP-81		RELEASE DATE: 26-MAR-84	
			(C)		ASSEMBLY NUMBER:		TOP DOCUMENT NUMBER:		FILE NAME: Z1292C.PLS	
			(D)		E-UA-L0100-0-0				EDIT # 23	
			(E)							
			(F)							
			(H)							
			(J)							
			(K)							
			(L)							
			(M)							
			(N)							

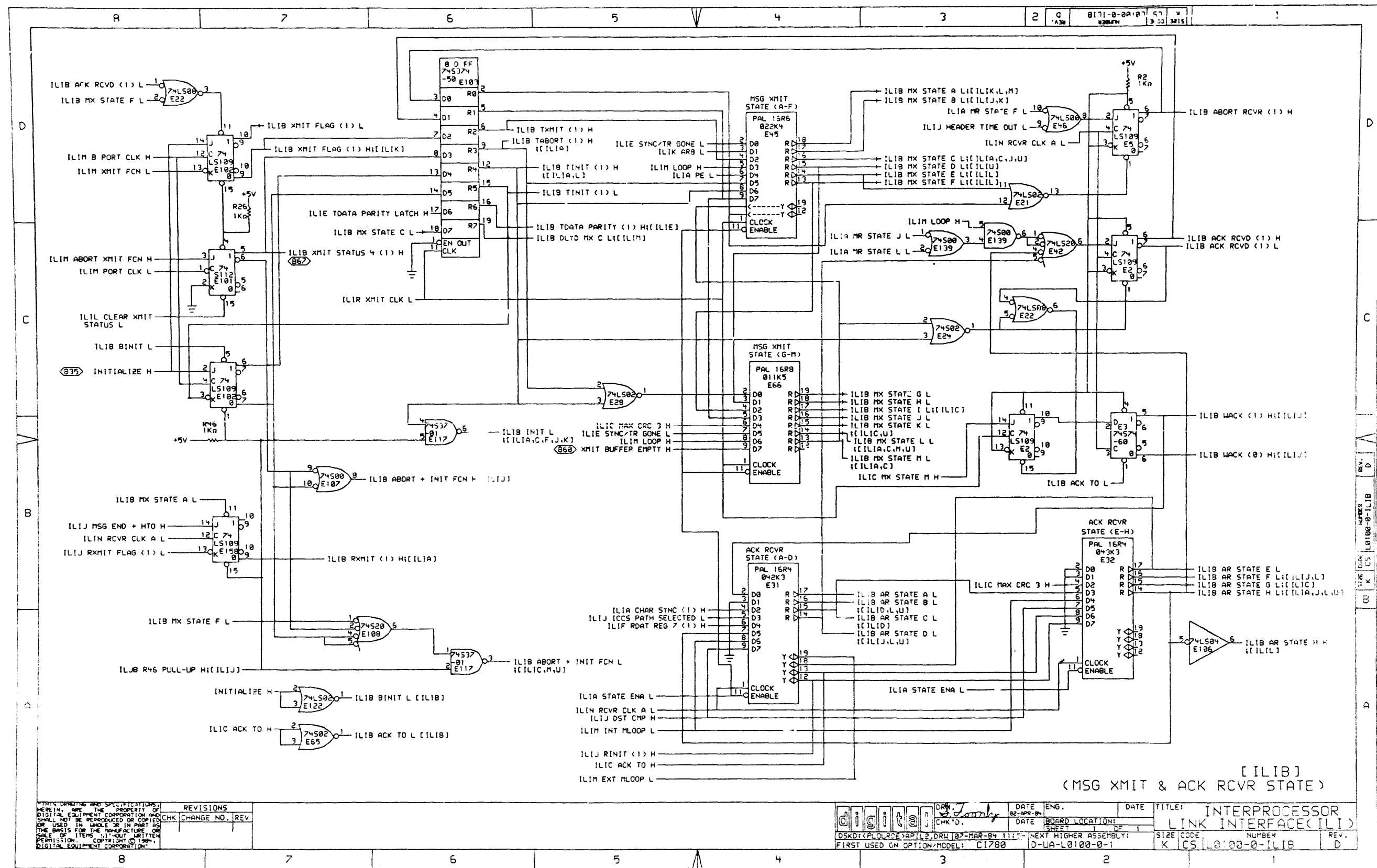
"THIS DRAWING AND THE SPECIFICATIONS CONTAINED HEREIN ARE CONFIDENTIAL AND PROPRIETARY. THEY ARE THE PROPERTY OF DIGITAL EQUIPMENT CORPORATION AND SHALL NOT BE REPRODUCED OR COPIED OR USED IN WHOLE OR IN PART AS THE BASIS FOR THE MANUFACTURE OR SALE OF ITEMS WITHOUT WRITTEN PERMISSION. THIS IS AN UNPUBLISHED WORK PROTECTED UNDER THE FEDERAL COPYRIGHT LAWS."

LINE ITEM	TOP DOCUMENT	PART NUMBER	MIN REV DESCRIPTION	VARIATION REVISION LEVEL	QTY PER VARIATION	REFERENCE DESIGNATOR
22	16	1302957-00	121.0	.25 W 1.0 % RN55D-F10	99	CONT R173-R175,R178,R180,R181, CONT R184-R186,R188,R191,R194,R195, CONT R197,R201,R203,R205,R206,R208, CONT R210,R212,R215,R217,R218,R220, CONT R224,R226,R228,R231,R232,R234, CONT R241,R242,R245,R247,R249,R252, CONT R254,R256,R258,R261,R262,R264, CONT R266,R268-R271,R273,R143 R49,R52,R57,R59,R62,R64,R65,R68, CONT R70,R71,R73,R76,R78,R82,R84,R85, CONT R87,R89,R91,R94,R95,R98,R99, CONT R101,R103,R105,R110,R112,R114, CONT R116,R117,R119,R122,R123,R125, CONT R127,R130,R131,R134,R138,R140, CONT R141,R144,R145,R147,R149,R151, CONT R153,R156,R157,R165,R167,R168, CONT R172,R176,R177,R179,R182,R183, CONT R187,R189,R192,R193,R196, CONT R198-R200,R202,R204,R207,R209, CONT R211,R213,R214,R216,R219,R221, CONT R225,R227,R229,R230,R233,R235, CONT R240,R243,R244,R246,R248,R253, CONT R255,R257,R259,R260,R265,R267, CONT R272,R274,R171,R263 R163,R239 R223 R160,R161,R237,R238 R162,R236 L1 T1,T2 E195 T3,T4 Y1 E33,E52,E89,E107,E128,E139,E145, CONT E149,E151 E61,E69,E126,E129 E34,E35,E87,E148 E104 E108,E127 E125,E131,E152 E3,E4,E121,E133,E153,E10,E80, CONT E81,E136,E138,E191 E26,E29,E63,E101,E118 E6 E115,E116 E160,E162 E167,E184 E161
23	17	1303111-00	205.0	.25 W 1.0 % RN55D-F10	2	
24	19	1312930-00	5.10 K	.25 W 5.0 % CF	1	
25	20	1313008-00	5.11	.25 W 1.0 % RN55D-F10	4	
26	21	1313155-00	604.0	.25 W 1.0 % RN55D-F10	2	
27	22	1603377-00		.22UH 10% 2.7A #WEE.22	1	
28	23	1617970-00		PULSE XFMR 250MW 6PIN DIP	2	
29	24	1617985-00		DELAY= 10.2NS 14PIN DIP	1	
30	103	1618515-00		PULSE XFMR RATIO 2:1,250 MW	2	
31	25	1812051-18		XTAL 70.000 MHZ	1	
32	26	1910532-00		74S00 NAND GATE-QUAD 2IN	9	
33	27	1910534-00		74S04 INVERTER GATE-HEX 1I	4	
34	28	1910536-00		74S10 NAND GATE-TRIPLE 3IN	4	
35	29	1910537-00		74S11 AND GATE-TRIPLE 3INP	1	
36	30	1910539-00		74S20 NAND GATE-DUAL 4INPU	2	
37	31	1910544-00		74S74 FF-D DUAL,EDGE TRIGG	3	
38	32	1910544-01		74S74-60GG-D DUAL,EDGE TRIG	11	
39	33	1910545-00		74S112 FF-JK DUAL,EDGE TRIG	5	
40	34	1910547-00		74S153 MUX 1 OF 4 (DUAL)	1	
41	35	1910548-00		74S157 MUX 1 OF 2 (QUAD)	2	
42	36	1911404-00		10107 XOR/NOR GATE,S-2IN	2	
43	37	1911409-00		10115 QUAD DIF.LINE RCVR	2	
44	38	1911414-00		10124 TTL TO ECL TRNSLTR	1	

D	I	G	I	T	A	L	TITLE	SECTION A	OF A	SIZE	CODE	DOCUMENT NUMBER	REV
							INTERPROCESSOR LINK INTERFACE			K	PL	L0100-0-DBP	C

LINE	ITEM	TOP DOCUMENT	PART NUMBER	MIN REV	DESCRIPTION	VARIATION REVISION LEVEL:	QTY PER VARIATION	REFERENCE DESIGNATOR
							CO	
91	86		23055K3-00	K3-01	PAL,REG	CONT	1	E79
92	83		23091K3-00	K3-01	PAL,REG		1	E48
93	77		23071B1-00	B1-01			1	E76
94	74		23309A1-00	A1-07			1	E94
95	75		23601A2-00	A2-05			1	E20
96	92		23817F1-00	F1-01			1	E58
97	93		23818F1-00	F1-01			1	E40
98	94		23819F1-00	F1-01			1	E77
99	95		23820F1-00	F1-01			1	E57
100	76		23964A9-00	A9-01			1	E18
101	96		9000024-01		EYELET,ROLLED	0.1210DX0.192	12	
102	101		9105740-55		WIRE(WRAP)	30AWG KYNAR UL14	A/R	
103	102		9107688-00		WIRE(WRAP)	24AWG KYNAR UL13	A/R	
104	104		1912815-00		LS30 NAND GATE-SINGLE	8IN	1	E7

D I G I T A L	TITLE	SECTION A OF A	SIZE	CONF	DOCUMENT NUMBER	REV
	INTERPROCESSOR LINK INTERFACE		K	PL	L0100-0-05P	C



REV.	DATE	ENG.	DATE	FILE:
0	82-APR-84	J. Lashly		INTERPROCESSOR LINK INTERFACE (ILI)

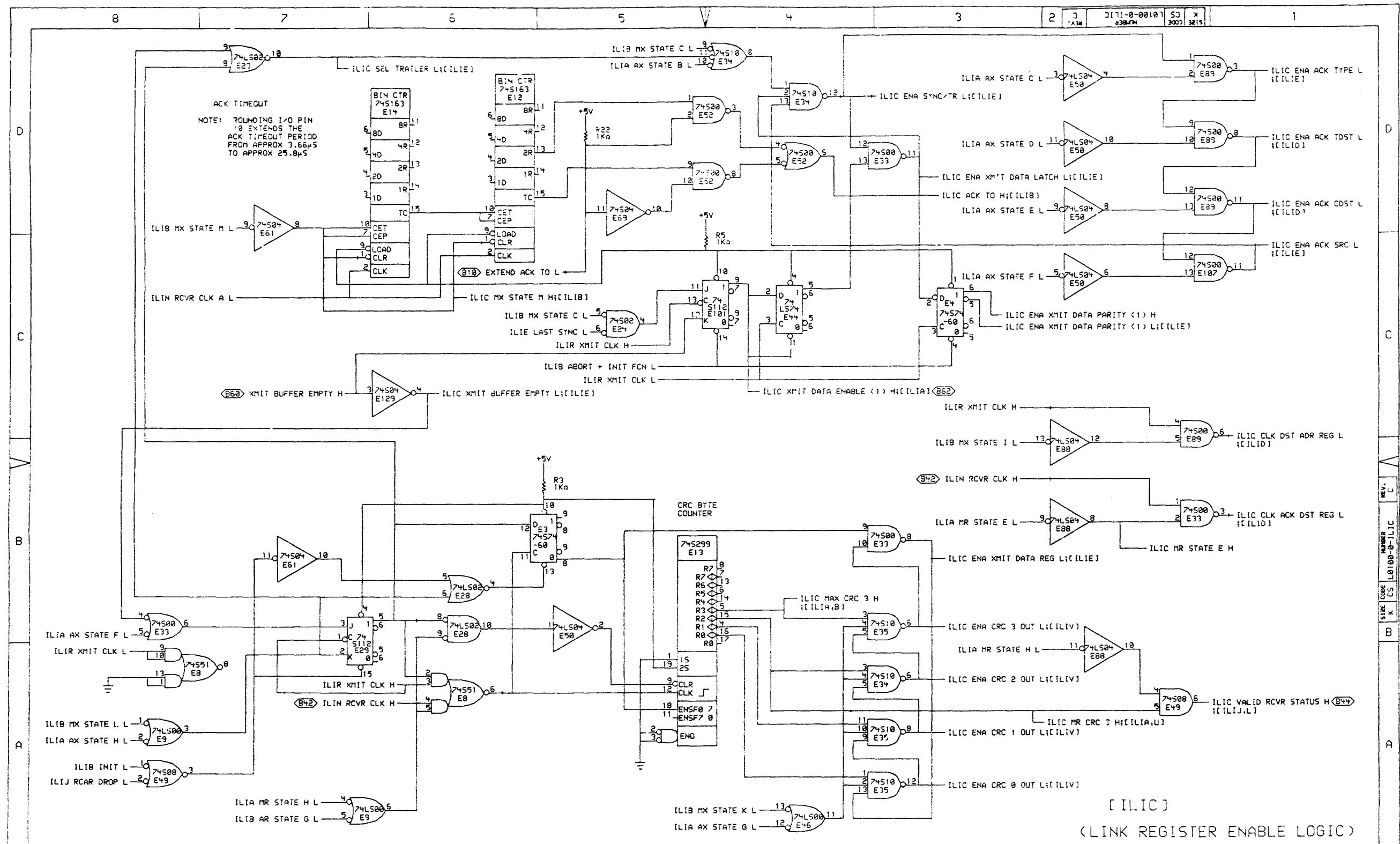
REV.	DATE	ENG.	DATE	FILE:
0	82-APR-84	J. Lashly		INTERPROCESSOR LINK INTERFACE (ILI)

REV.	DATE	ENG.	DATE	FILE:
0	82-APR-84	J. Lashly		INTERPROCESSOR LINK INTERFACE (ILI)

REV.	DATE	ENG.	DATE	FILE:
0	82-APR-84	J. Lashly		INTERPROCESSOR LINK INTERFACE (ILI)

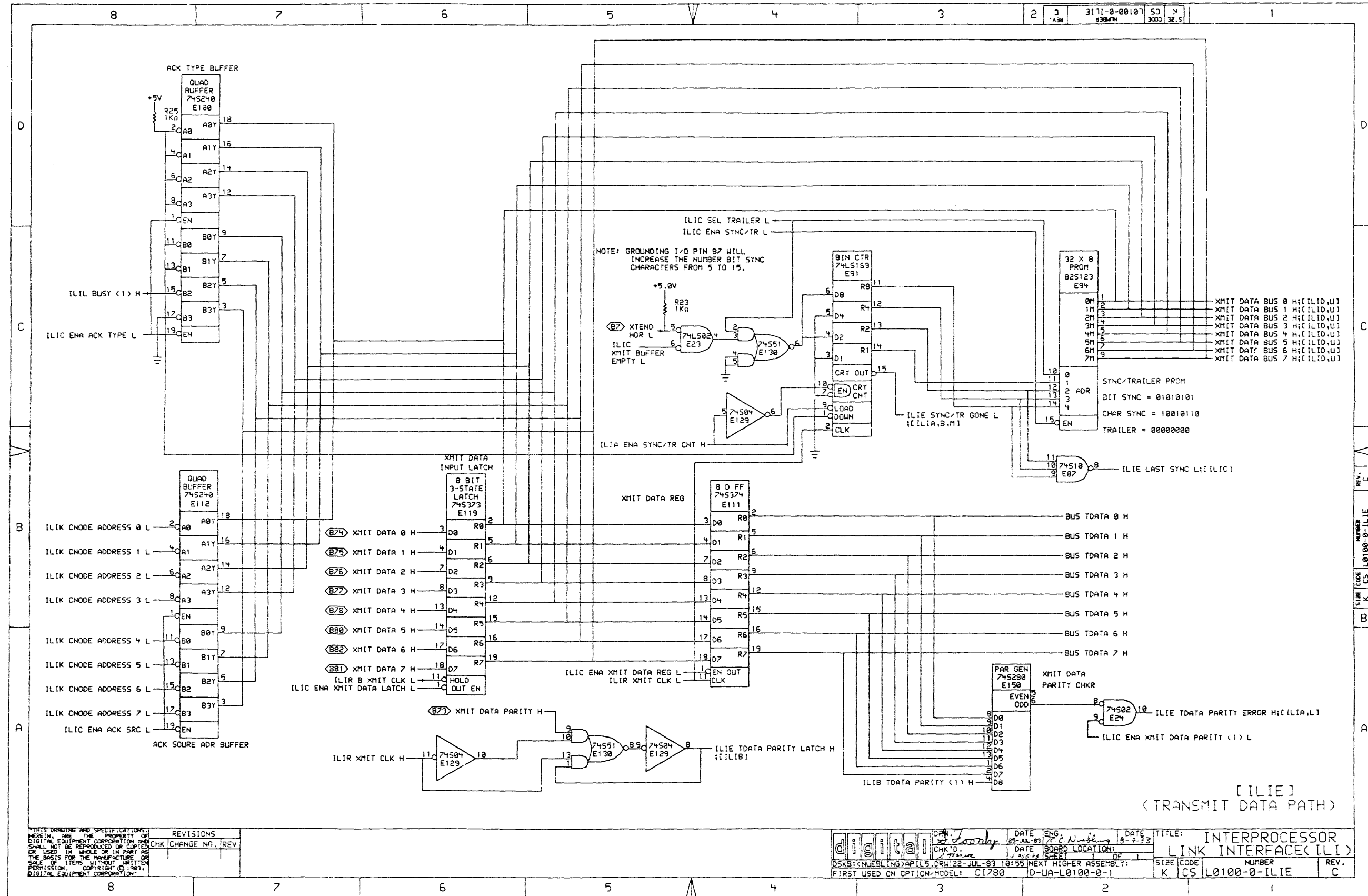
REV.	DATE	ENG.	DATE	FILE:
0	82-APR-84	J. Lashly		INTERPROCESSOR LINK INTERFACE (ILI)

REV. D
 SIZE K CS
 NUMBER 10100-0-ILIB
 SHEET 1 OF 1



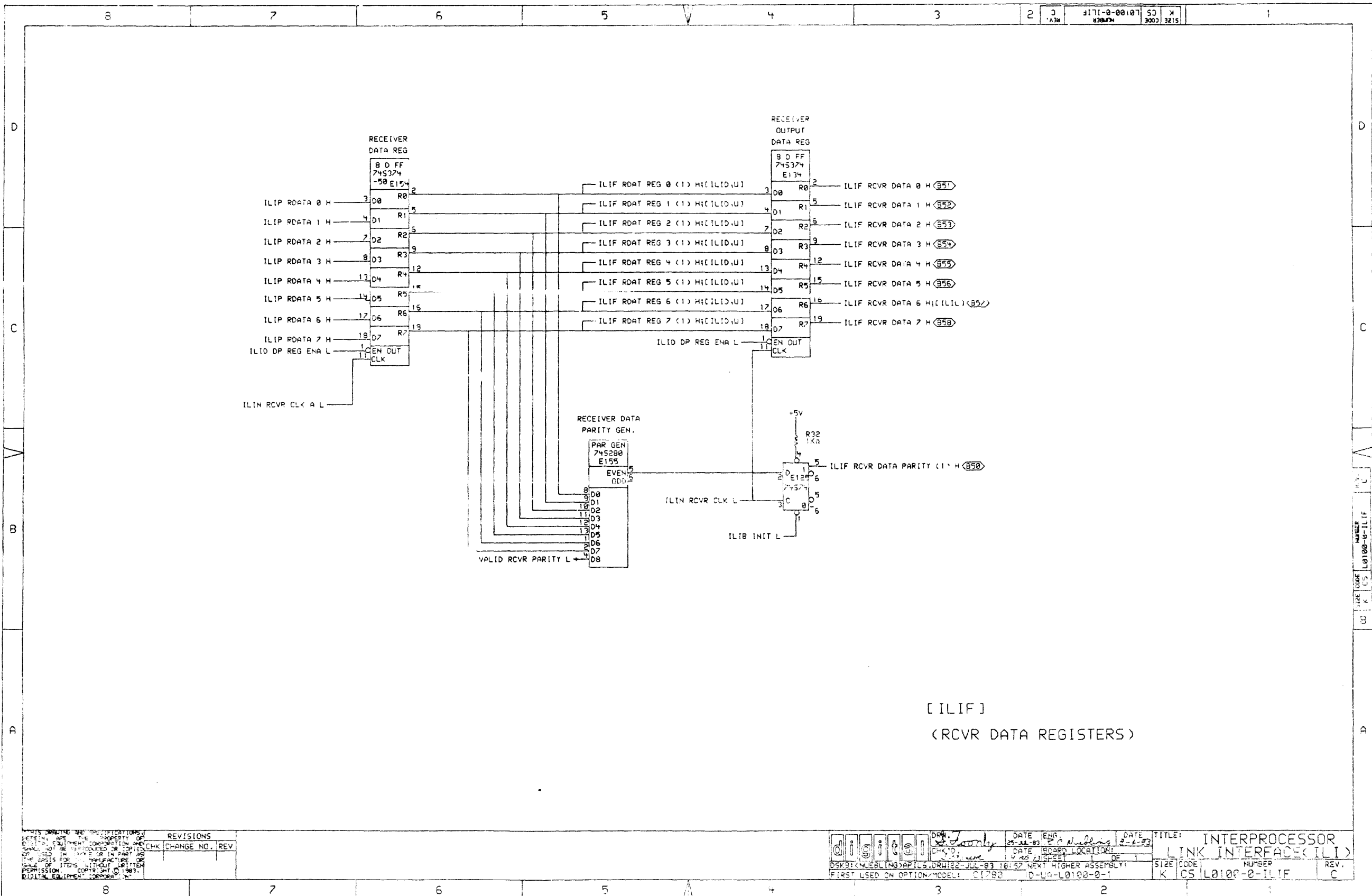
REV.	CHG	NO.	REV.

digit	DATE: 27-JUL-83	ENG: J. J. NIELING	DATE: 2-4-83	TITLE: INTERPROCESSOR LINK INTERFACE (ILI)
CHK'D: J. J. NIELING	DATE: 27-JUL-83 10:55	BOARD LOCATION: 10-1	DESKB: (NUEBLING)APIL3.DRM	SIZE CODE: K CS
FIRST USED ON OPTION/MODEL: C1780	D-UA-L0100-0-1	NEXT HIGHER ASSEMBLY:	NUMBER: L0100-0-ILIC	REV. C



REVISIONS	CHK	CHANGE NO.	REV

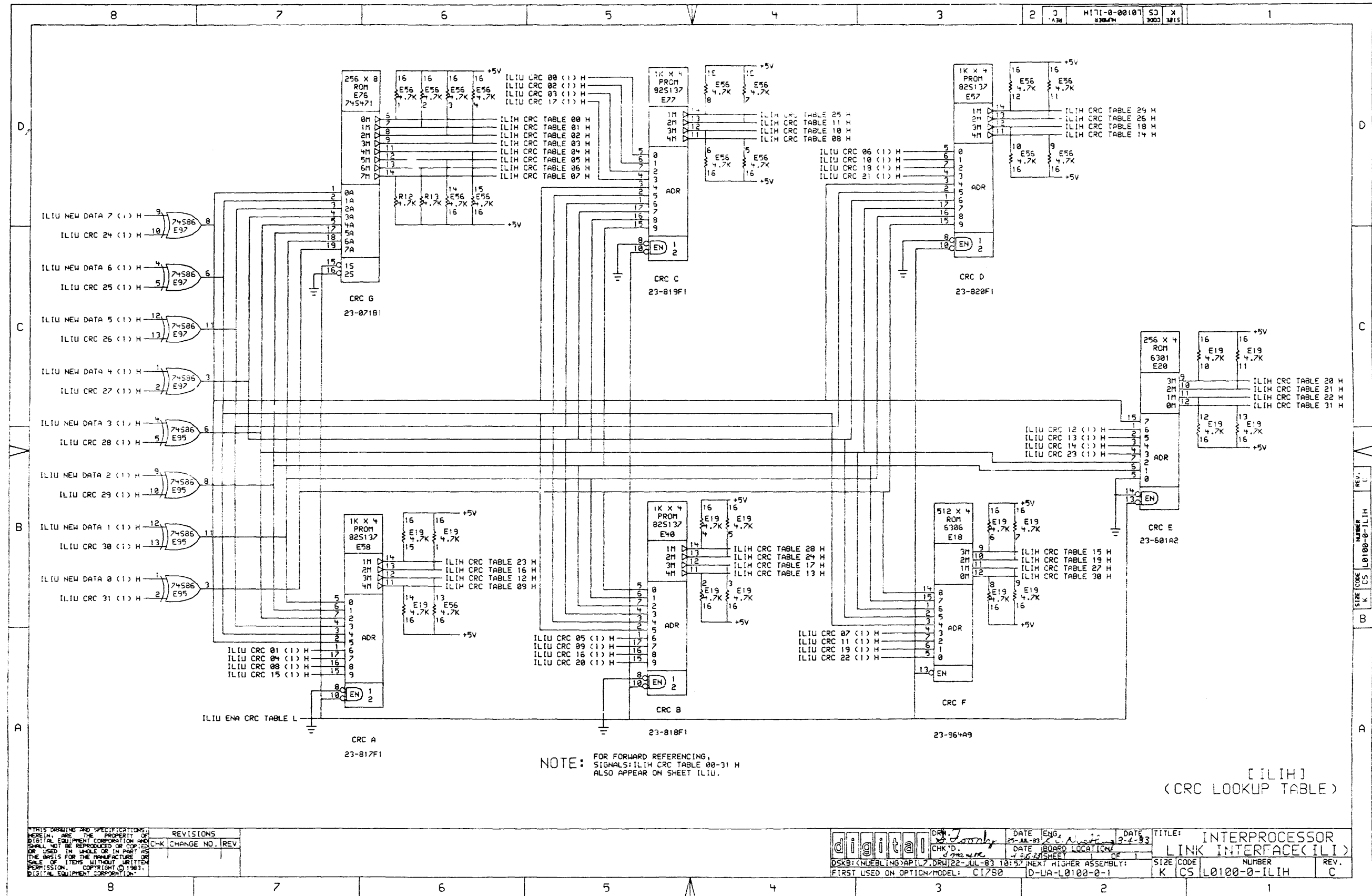
DATE: 23-JUL-83	ENG: R.C. Nussling	DATE: 3-7-83	TITLE: INTERPROCESSOR LINK INTERFACE (ILI)
CHK'D: [Signature]	DATE: 23-JUL-83	BOARD LOCATION: DE 1	SIZE: K CS
DSKB: <NLEBLING>APIL5.DRW	22-JUL-83 10:55	NEXT HIGHER ASSEMBLY: 10-UA-L0100-0-1	NUMBER: L0100-0-ILIE
FIRST USED ON OPTION/MODEL: C1780	10-UA-L0100-0-1	REV. C	

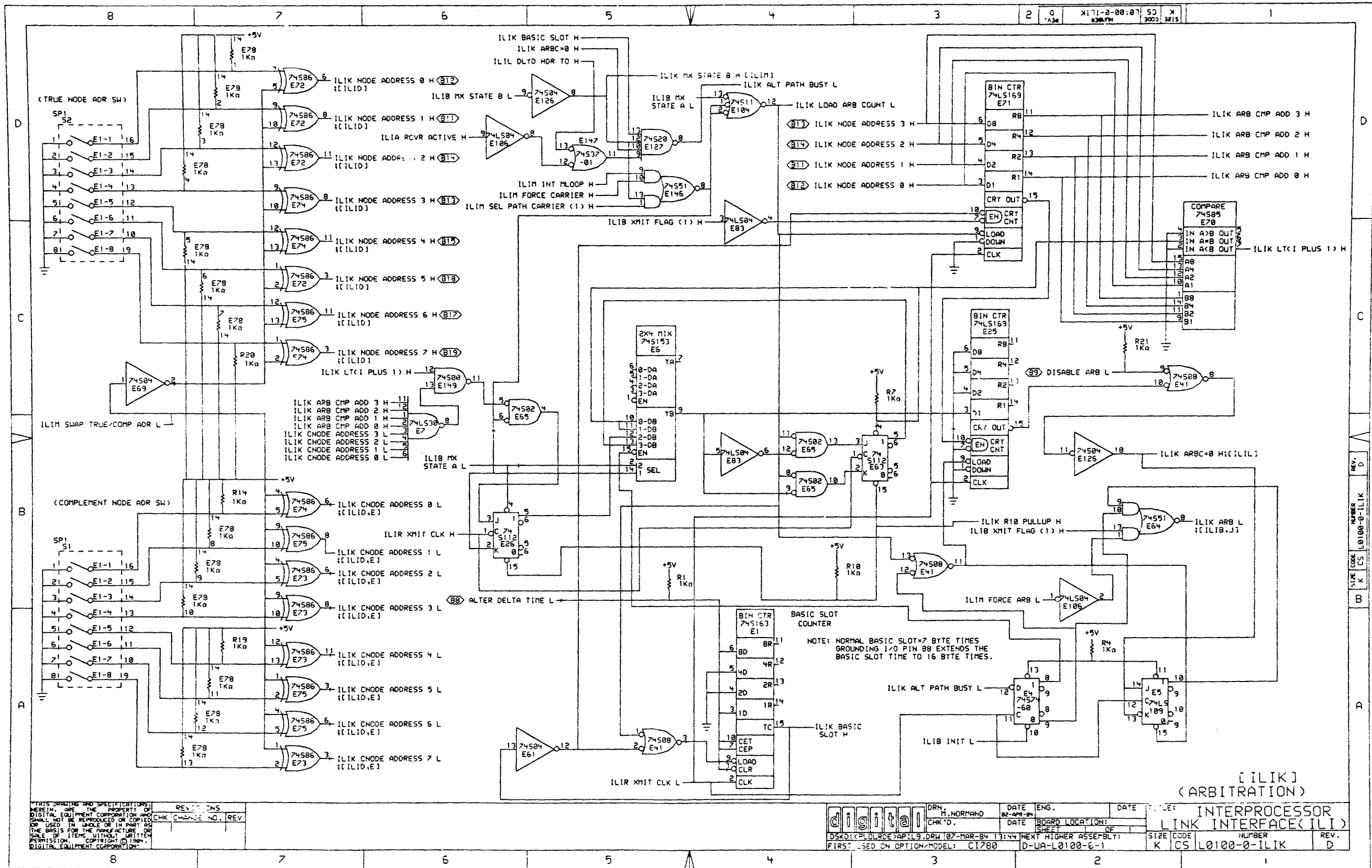


[ILIF]
 (RCVR DATA REGISTERS)

REVISIONS	
CHK	CHANGE NO. REV

DATE: 2-11-83	DATE: 2-11-83	DATE: 2-11-83	TITLE: INTERPROCESSOR LINK INTERFACE (ILI)
DESIGNED BY: J. Family	DRAWN BY: J. Family	CHECKED BY: J. Family	SIZE: K CS IL0100-0-ILIF
DATE: 2-11-83	DATE: 2-11-83	DATE: 2-11-83	NUMBER: 10-10-10100-0-1
DESIGNED BY: J. Family	DRAWN BY: J. Family	CHECKED BY: J. Family	REV: C



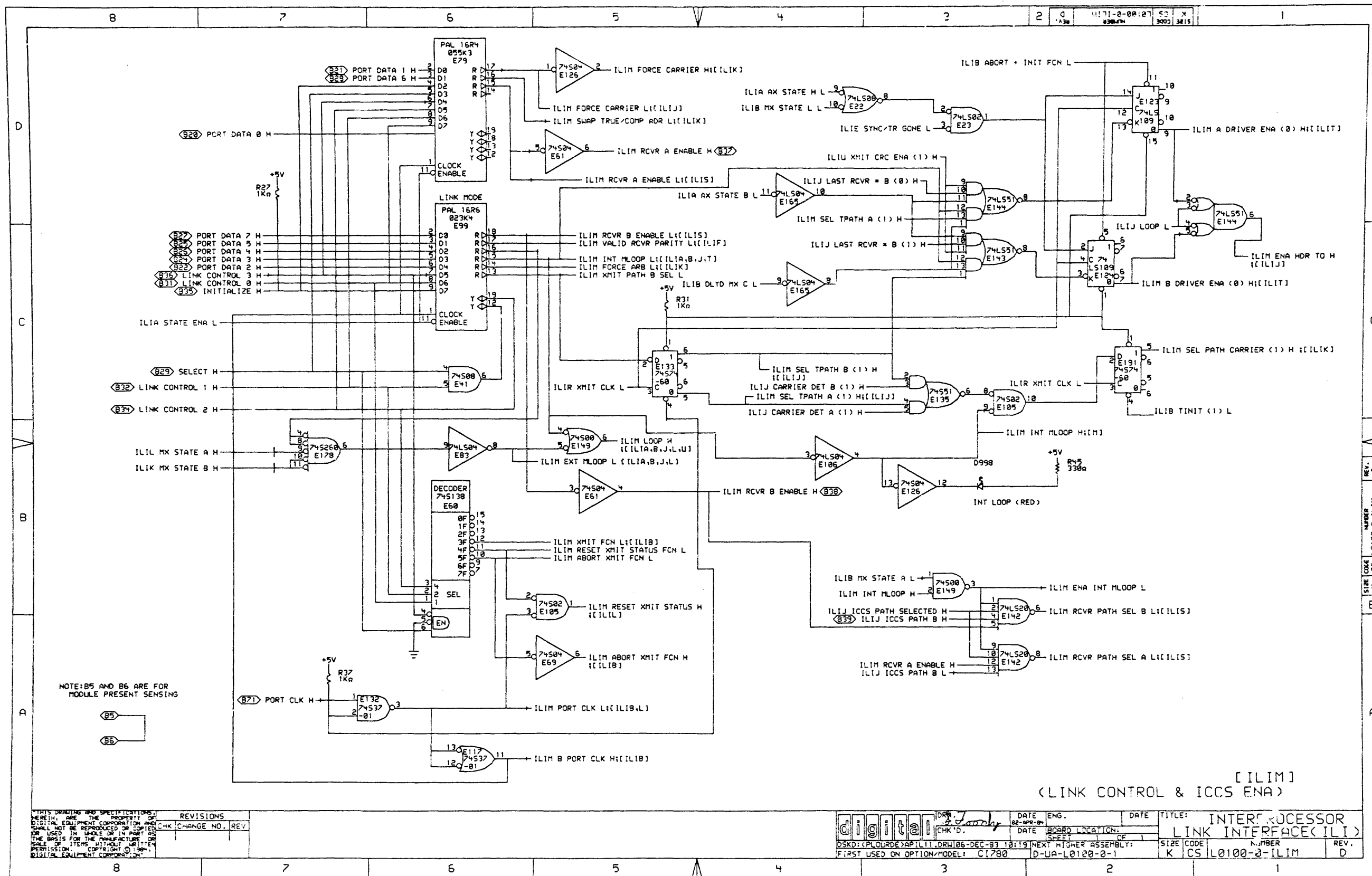


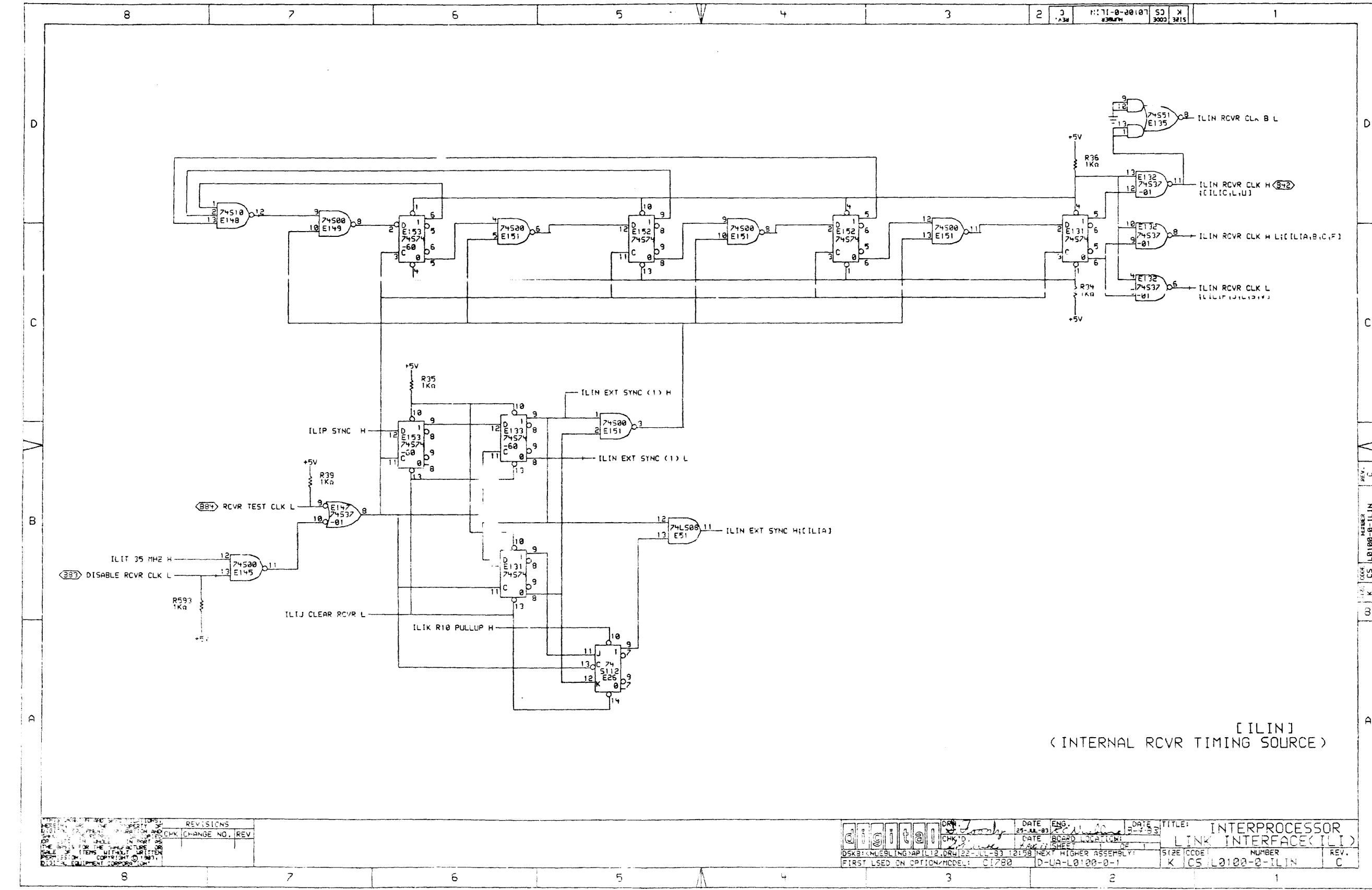
[ILIK]
(ARBITRATION)

THIS DRAWING AND SPECIFICATIONS HEREIN ARE THE PROPERTY OF DIGITAL EQUIPMENT CORPORATION AND SHALL NOT BE REPRODUCED OR COPIED OR USED IN WHOLE OR IN PART AS THE BASIS FOR THE MANUFACTURE OR SALE OF ITEMS WITHOUT WRITTEN PERMISSION. COPYRIGHT © 1984, DIGITAL EQUIPMENT CORPORATION.

REV.	CHG.	NO.	REV.

DRN. H. NORMAND	DATE 02-28-84	ENG.	DATE	FILE: INTERPROCESSOR LINK INTERFACE (ILI)
CHK'D.	DATE	BOARD LOCATION:	SHEET	REV. D
DSKD: C:\PLORDE\JAP1\9.DRW 107-MAR-84 13:44	NEXT HIGHER ASSEMBLY:	SIZE CODE K CS	NUMBER L0100-0-ILIK	
FIRST USED ON OPTION MODEL: C1780	D-UA-L0100-0-1			

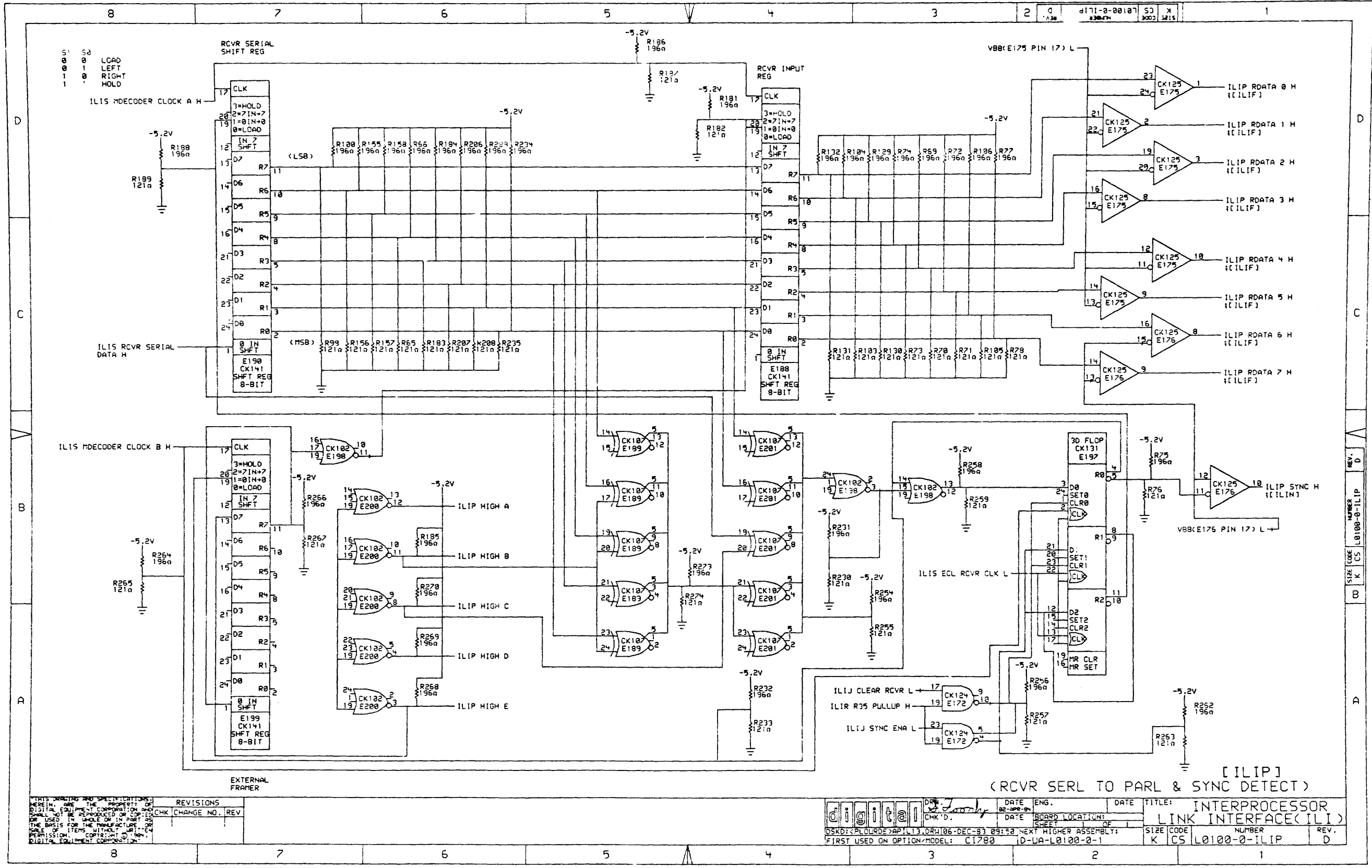




[ILIN]
(INTERNAL RCVR TIMING SOURCE)

REV. NO.	DATE	DESCRIPTION

DATE: 25-11-83	ENG: [Signature]	DATE: 2-7-83	TITLE: INTERPROCESSOR LINK INTERFACE (ILI)
CHK'D: [Signature]	DATE: 12-27-83	SHEET: 1	SIZE CODE: K CS L0100-0-ILIN
DSK3:KNEBLING/APIL2,DR4/22-11-83 12:58 NEXT HIGHER ASSEMBLY: D-UA-L0100-0-1		NUMBER: 1	REV: C



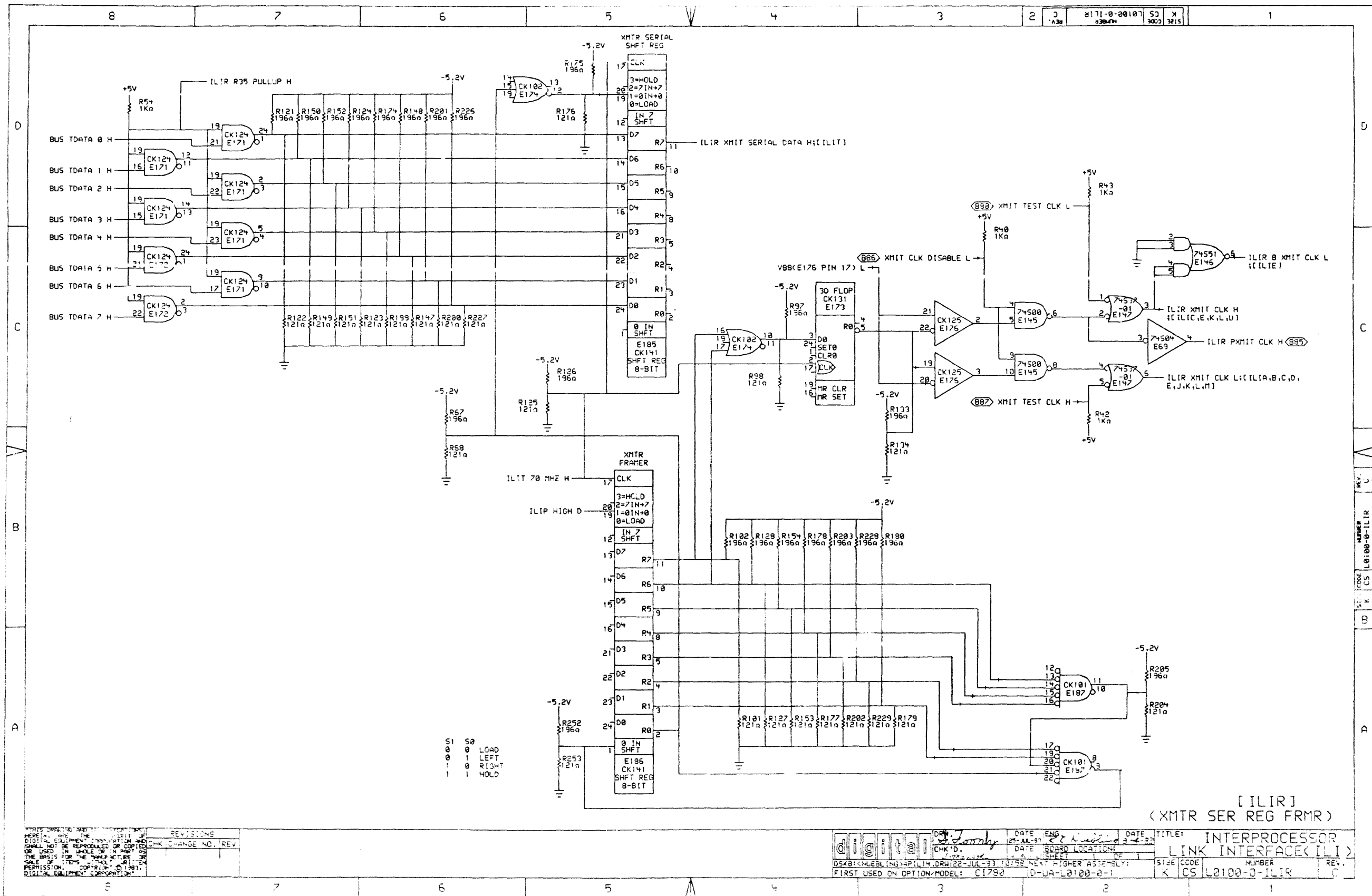
THIS DRAWING AND SPECIFICATIONS, HEREIN, ARE THE PROPERTY OF DIGITAL EQUIPMENT CORPORATION AND SHALL NOT BE REPRODUCED OR COPIED OR USED IN WHOLE OR IN PART AS THE BASIS FOR THE MANUFACTURE OR SALE OF ITEMS WITHOUT WRITTEN PERMISSION. COPYRIGHT © 1984, DIGITAL EQUIPMENT CORPORATION.

REV.	DATE	DESCRIPTION
1	08-1984	INITIAL DESIGN
2	09-1984	REVISIONS

TITLE: INTERPROCESSOR LINK INTERFACE (ILI)
 BOARD LOCATION: K CS L0100-0-ILIP
 SHEET: 1 OF 1
 DATE: 09-1984
 DRAWN BY: J. J. J. J.
 CHECKED BY: J. J. J. J.
 FIRST USED ON OPTION/MODEL: C1780 10-UA-L0100-0-1

REV. D
 SIZE CODE K CS L0100-0-ILIP

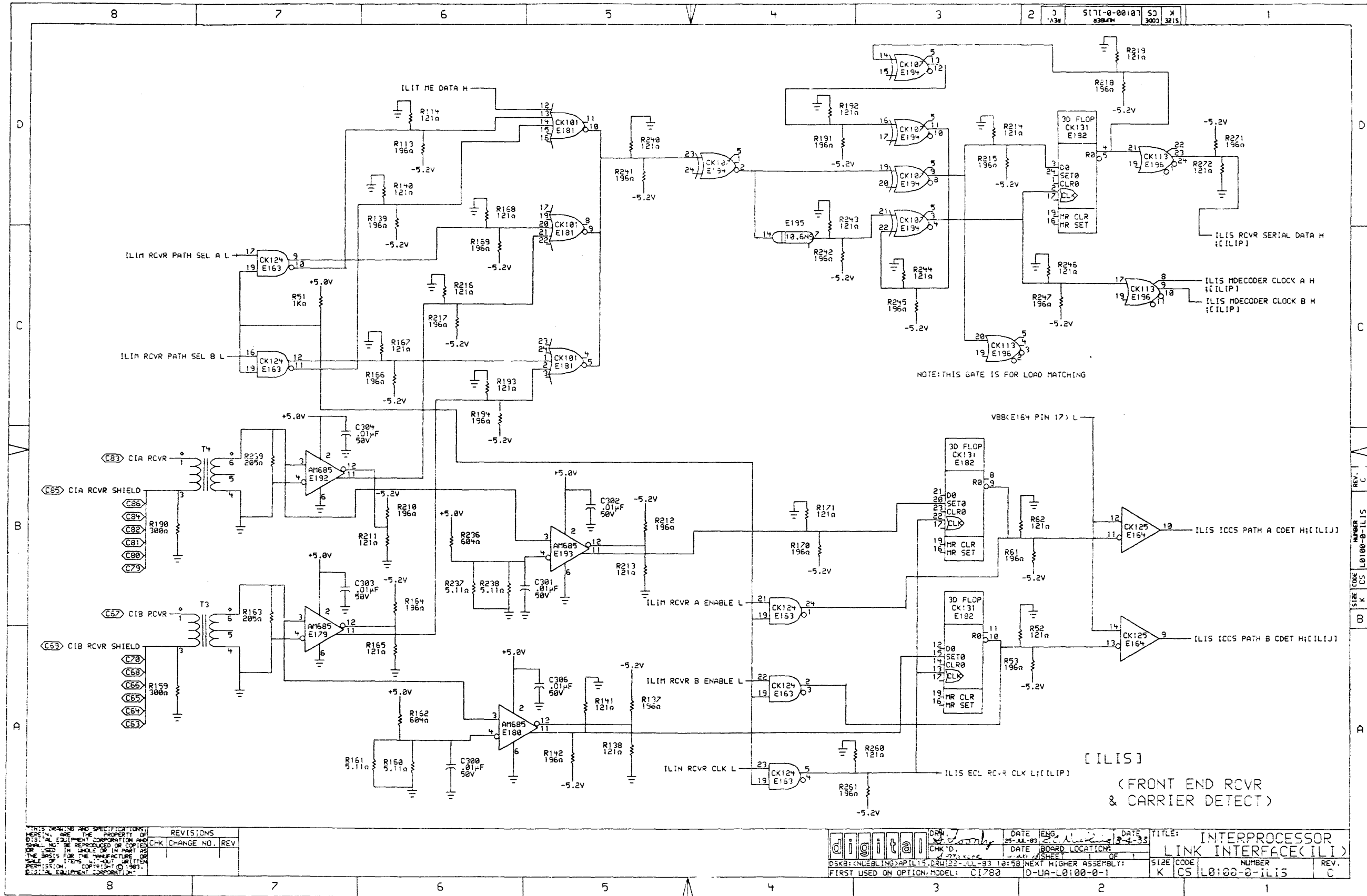
[ILIP]
 (RCVR SERL TO PARL & SYNC DETECT)

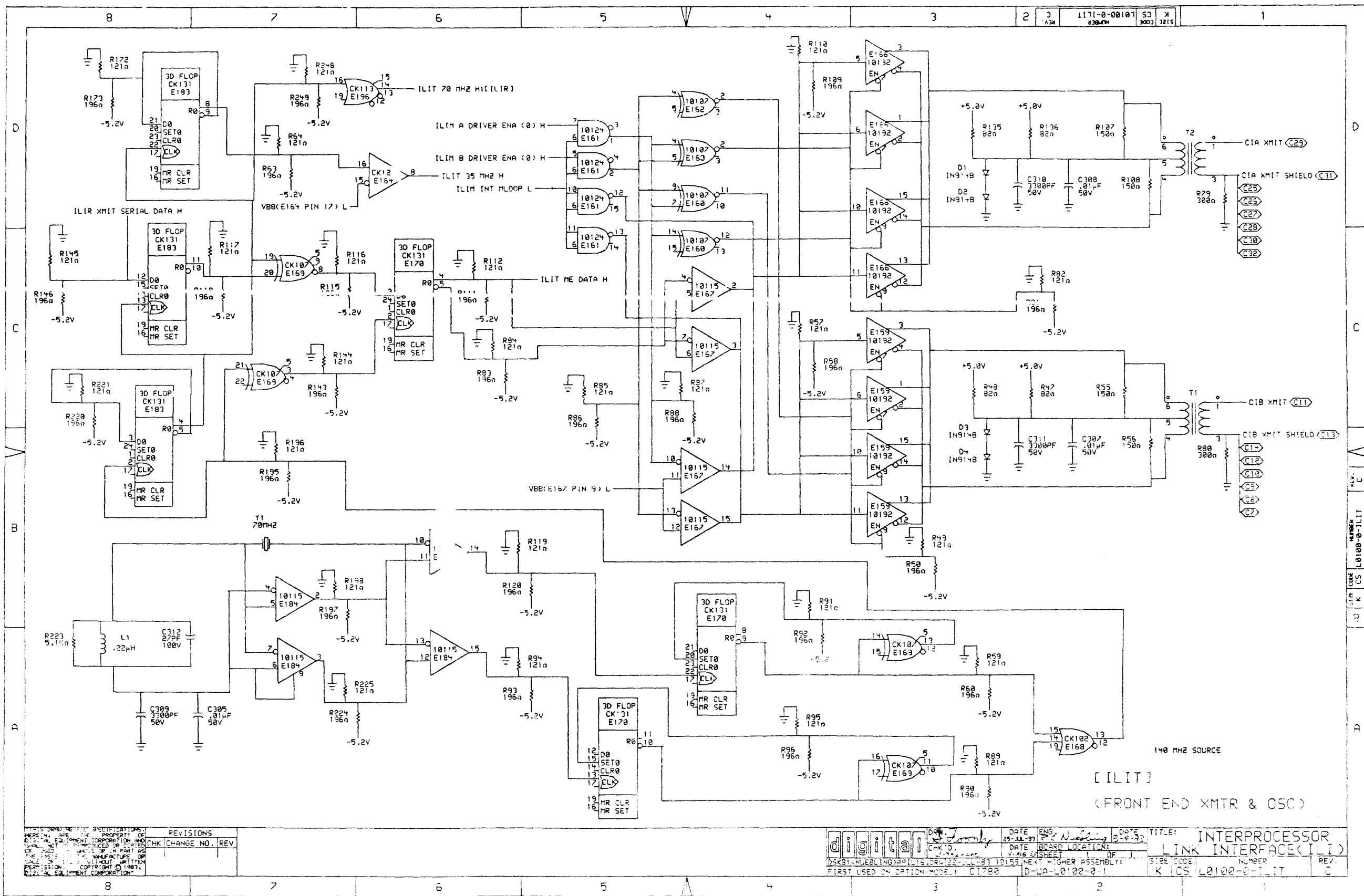


[ILIR]
(XMIT SER REG FRMR)

REVISIONS
CHK CHANGE NO. REV

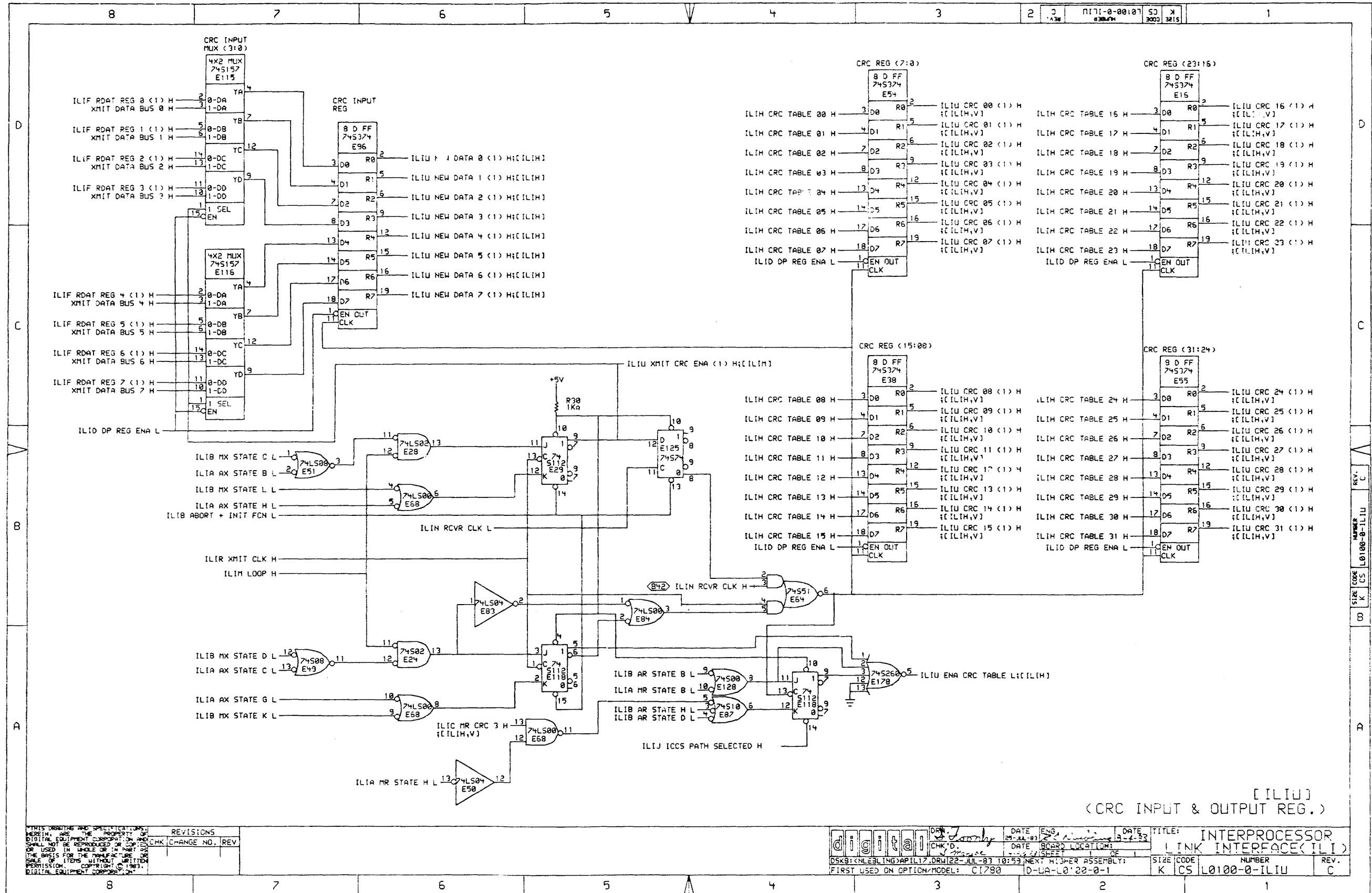
DATE: 27-JUL-83
TITLE: INTERPROCESSOR LINK INTERFACE (ILI)
FIRST USED ON OPTION/MODEL: C1780 10-0A-L0100-0-1





REVISIONS	CHK	CHANGE NO.	REV.

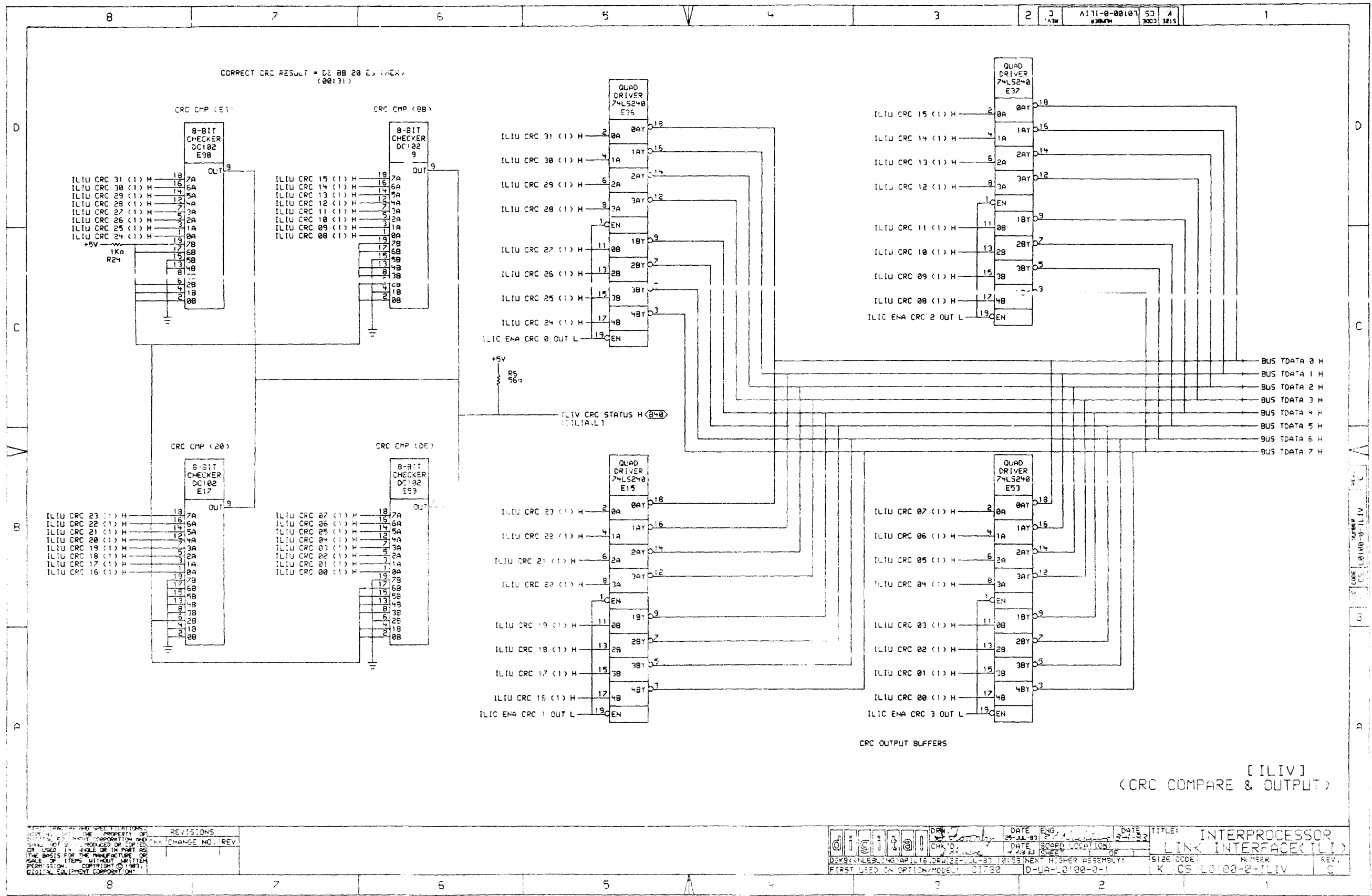
	DATE	25-JUL-83	ENG.	N. N. N.	DOCS	10-2-83	TITLE:	INTERPROCESSOR LINK INTERFACE (ILI)
	DATE	7-16-83	BOARD LOCATION:					



[ILIU]
 (CRC INPUT & OUTPUT REG.)

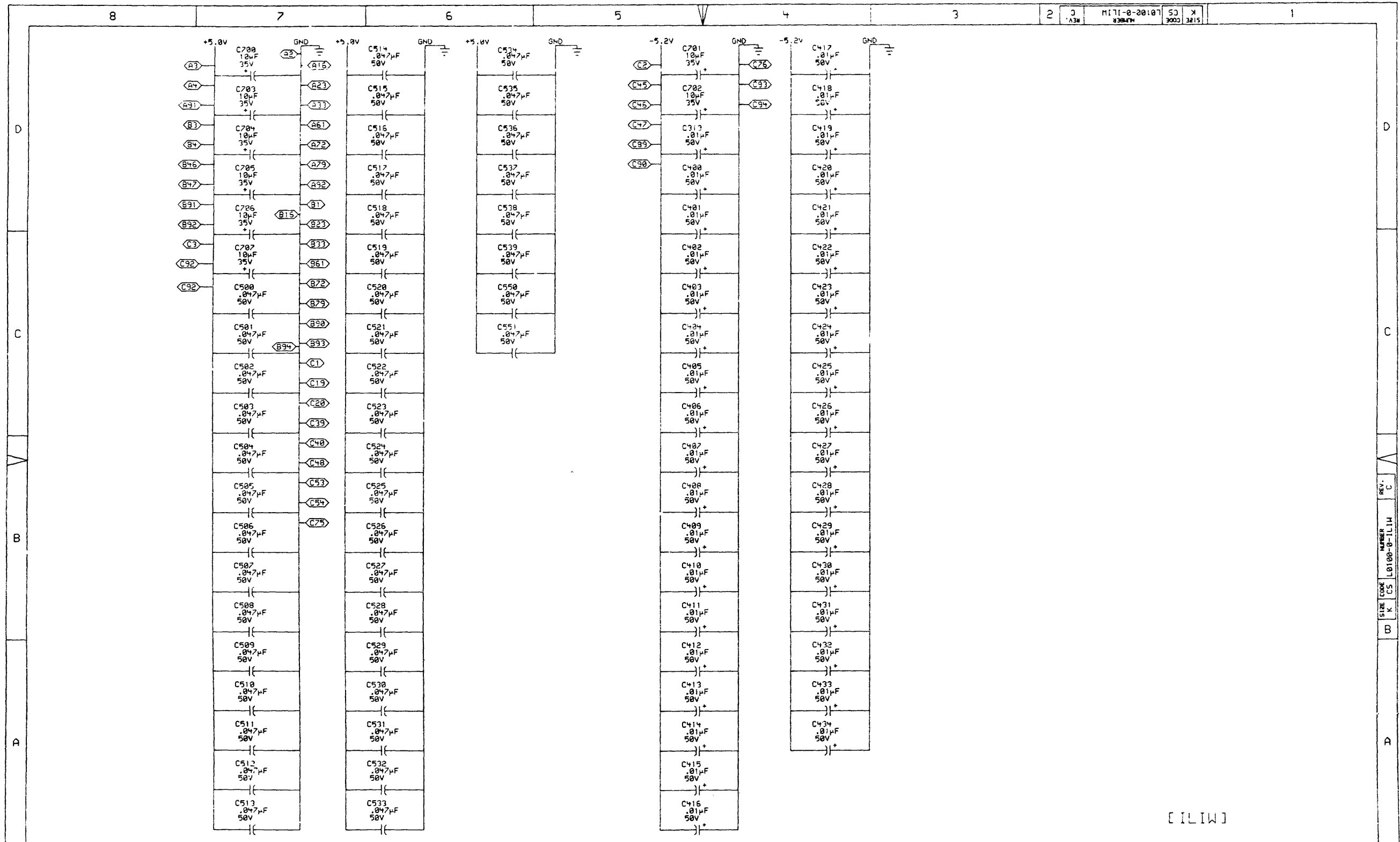
REVISIONS	
CHK	CHANGE NO. REV

	DATE: 25-JUL-83	ENG: [Signature]	DATE: 3-4-83	TITLE: INTERPROCESSOR LINK INTERFACE (ILIU)
	DATE: 25-JUL-83	CHK'D: [Signature]	BOARD LOCATION: 10-11	NUMBER: L0100-0-ILIU
DSKB: <NLEBLING>APIL17.DRW 22-JUL-83 10:53 NEXT HIGHER ASSEMBLY: D-LA-L0'22-0-1			SIZE: K	REV: C
FIRST USED ON OPTION/MODEL: C1780			CODE: CS	



REV.	DATE	BY	REVISIONS
1			INITIAL DESIGN
2			DESIGN CHANGE NO. 1
3			DESIGN CHANGE NO. 2

	DATE: 27-JUL-83 ENG: [Signature] DATE: [Signature] BOARD LOCATION: [Signature] SHEET: [Signature]	TITLE: INTERPROCESSOR LINK INTERFACE (ILIV) SIZE CODE: K CS LC100-2-ILIV NUMBER: [Signature] REV: C
--	---	--



[ILIW]

REVISIONS	
CHK	CHANGE NO. REV.

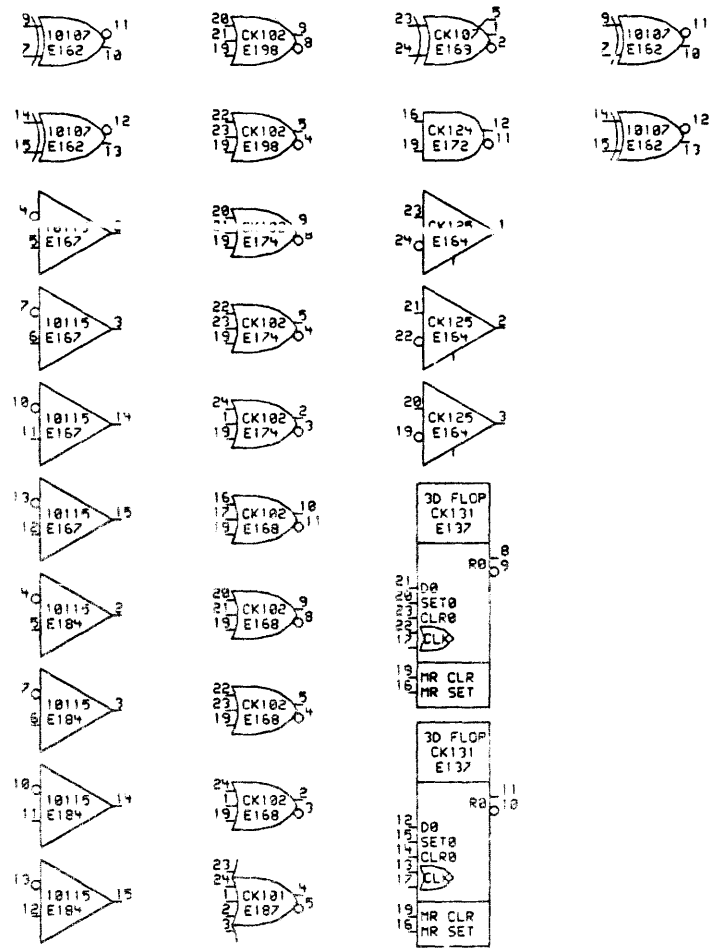
DATE	ENG.	DATE	TITLE:
27-JUL-83	W. J. ...	8-4-83	INTERPROCESSOR LINK INTERFACE (ILI)

DATE	ENG.	DATE	TITLE:
27-JUL-83	W. J. ...	8-4-83	INTERPROCESSOR LINK INTERFACE (ILI)

8 7 6 5 4 3 2 1

X171-0-00107 53 3003 3415

SPARE GATES AND I/O PINS

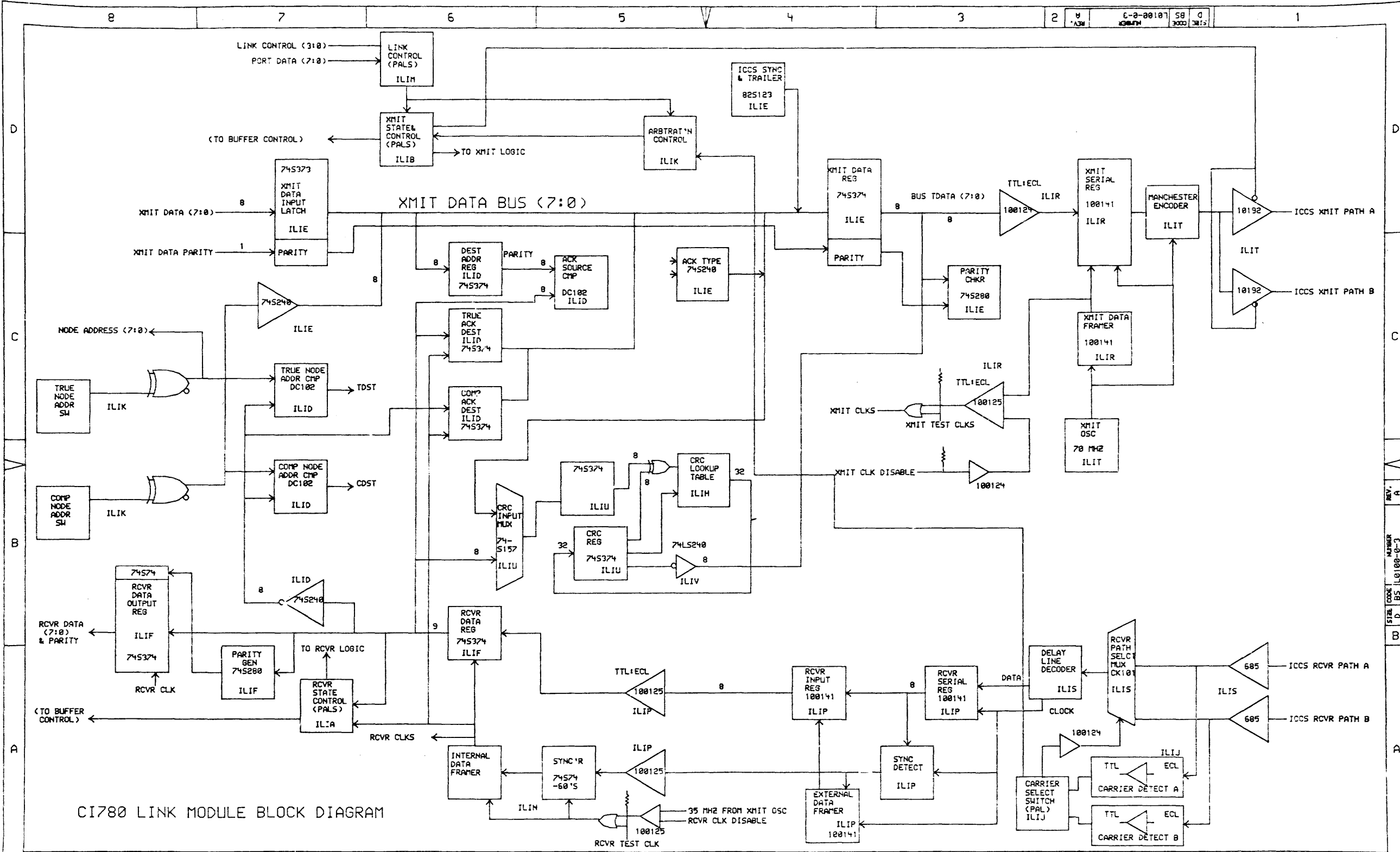


[ILIX]

REVISIONS	
CHK	CHANGE NO. REV

DIGITAL	DATE	ENG.	DATE	TITLE: INTERPROCESSOR LINK INTERFACE (ILI)
	CHK'D.	DATE	DATE	
DSK: (PLURD) SPTL 20.02/105-060-93 05:51 NEXT 40-PER ASSEMBLY FIRST USED ON OPTION/MODEL: C1282 D-1A-L0122-0-1				SIZE CODE NUMBER REV K CS L0100 2-ILIX 0

8 7 6 5 4 3 2 1

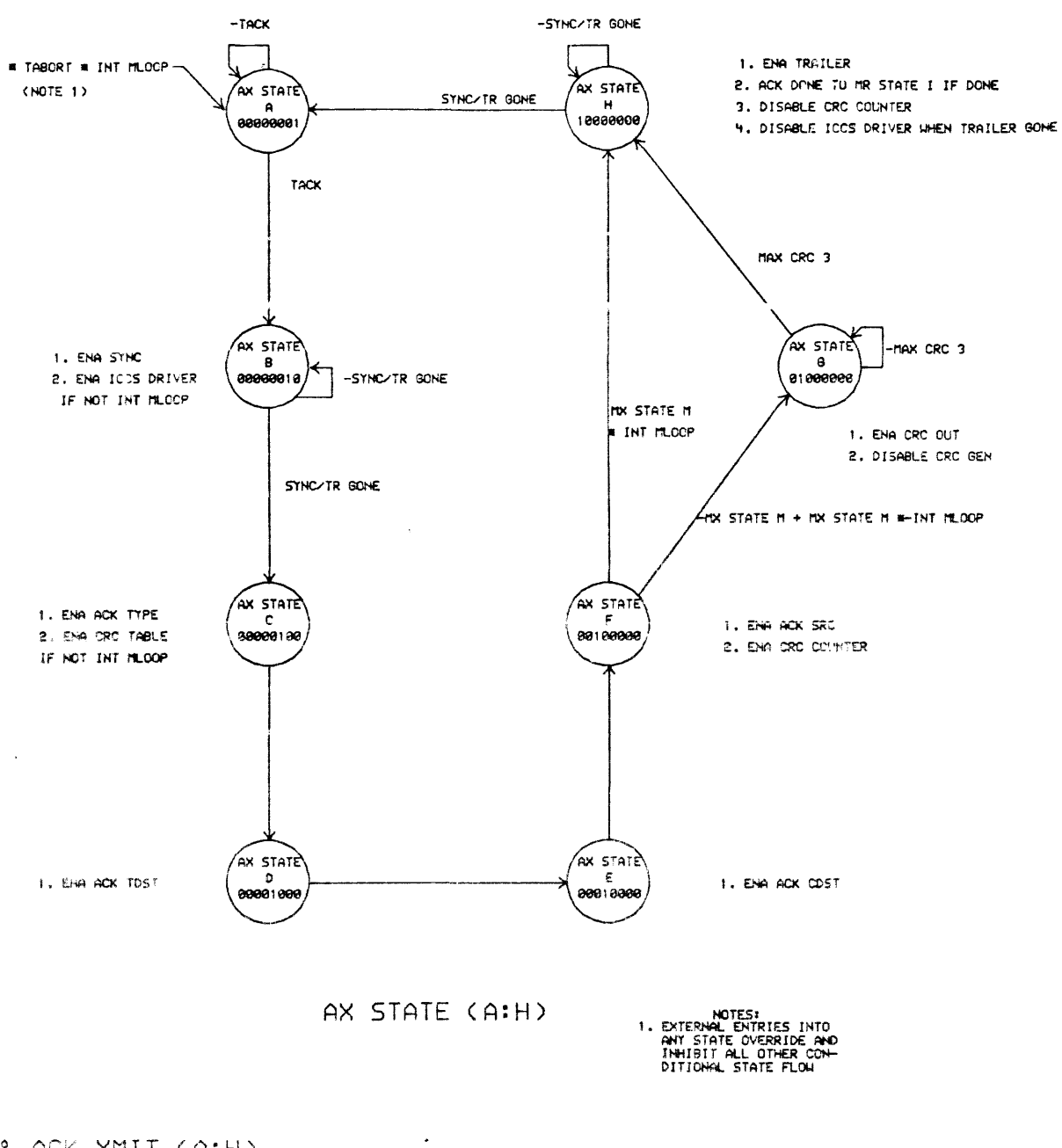
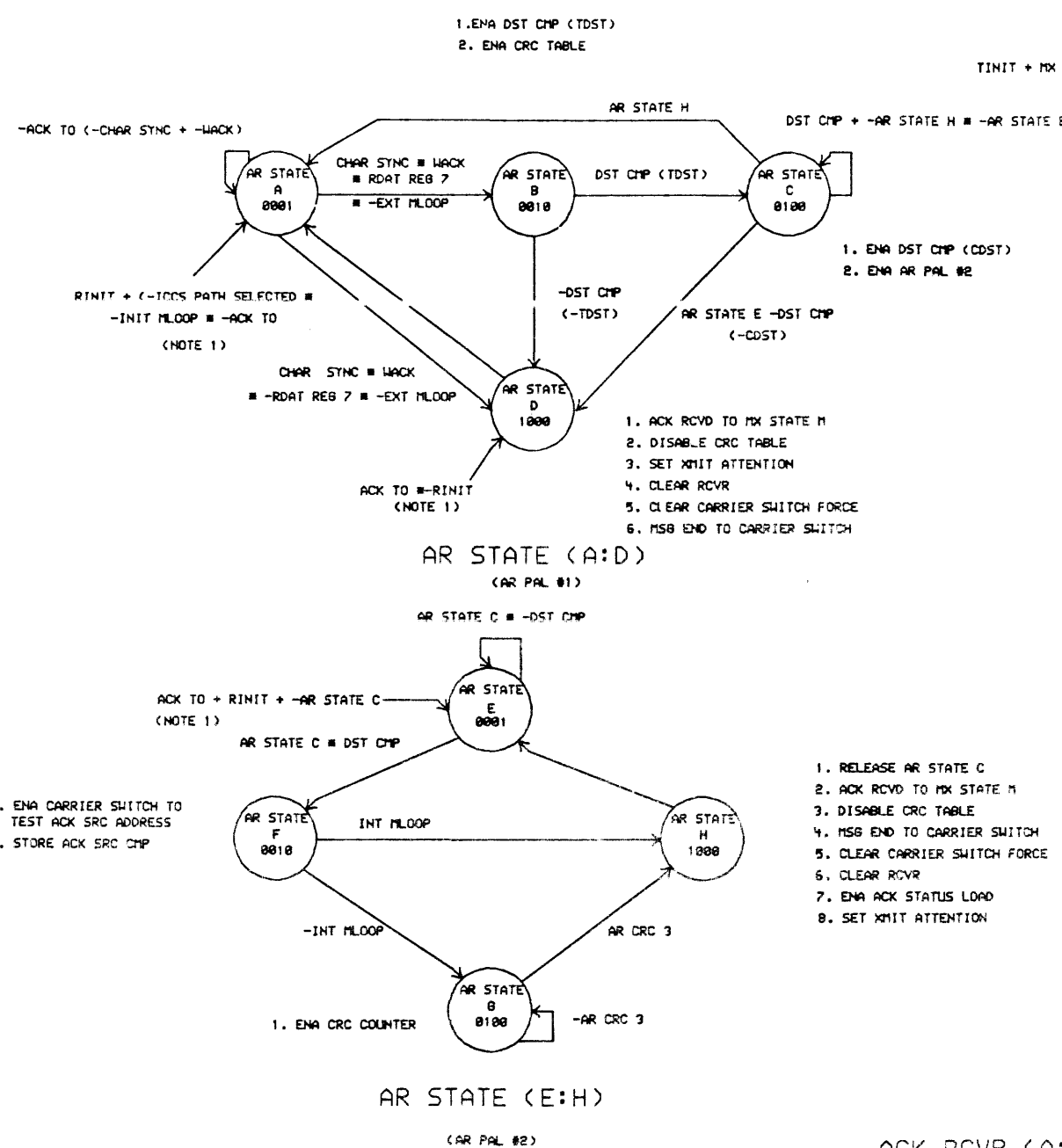


CI780 LINK MODULE BLOCK DIAGRAM

THIS DRAWING AND SPECIFICATIONS ARE THE PROPERTY OF DIGITAL EQUIPMENT CORPORATION AND SHALL NOT BE REPRODUCED OR COPIED IN WHOLE OR IN PART OR USED IN ANY MANNER AS THE BASIS FOR THE MANUFACTURE OF ANY ITEMS WITHOUT WRITTEN PERMISSION. COPYRIGHT © 1981, DIGITAL EQUIPMENT CORPORATION.

REVISIONS	CHK	CHANGE NO.	REV

DRN. DC:KA	DATE ENG. 2	DATE 30 SEP 81	TITLE: INTERPROCESSOR LINK INTERFACE
CHK'G.	DATE BOARD LOCATION: 7	SHEET 1 OF 1	
C367,5200-BLOCK1.DRN	130-SEP-81 11:01	NEXT HIGHER ASSEMBLY: D-UA-L0120-A-1	SIZE CODE NUMBER REV. D BS L0100-0-3 A
FIRST USED ON OPTION MODEL: CI780			



ACK RCVR (A:H) & ACK XMIT (A:H)

THIS DRAWING AND SPECIFICATIONS ARE THE PROPERTY OF DIGITAL EQUIPMENT CORPORATION AND SHALL NOT BE REPRODUCED OR COPIED OR USED IN WHOLE OR IN PART AS THE BASIS FOR THE MANUFACTURE OR SALE OF ITEMS WITHOUT WRITTEN PERMISSION. COPYRIGHT © 1971, DIGITAL EQUIPMENT CORPORATION.

CHK	CHANGE NO.	REV

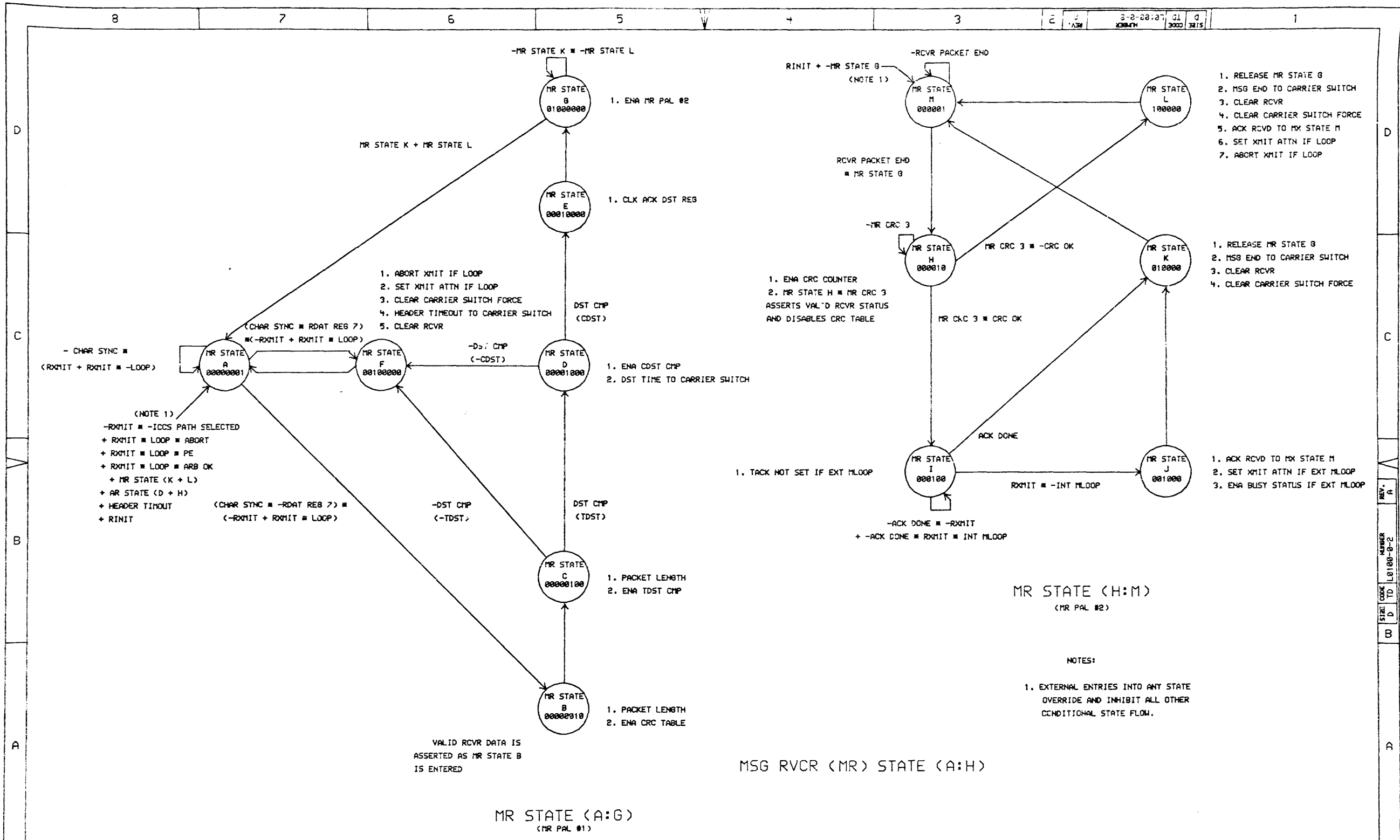
REV	DATE	BY	DESCRIPTION

digital DRN. DATE ENG. DATE TITLE: INTERPROCESSOR LINK INTERFACE

DATE BOARD LOCATION: DATE

C367,5000 CHART, DRW 10-52-81 (8:45 NEXT HIGHER ASSEMBLY) SIZE CODE NUMBER REV. P

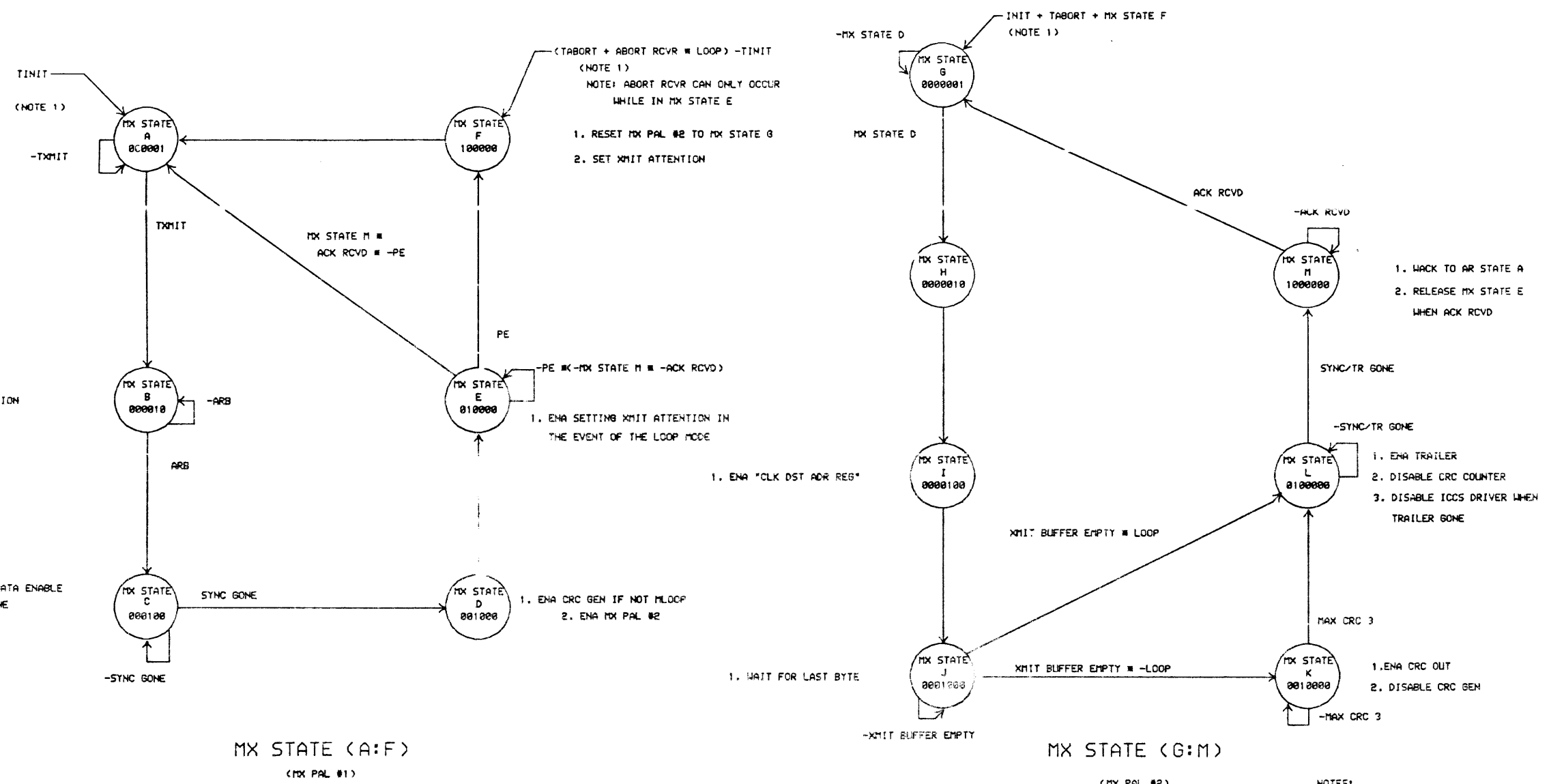
FIRST USED ON OPTION/MODEL: C1700 D-4A-L0100-0-1 10 TD L0100-0-2



REV.	CHG.	NO.	REV.

REV.	CHG.	NO.	REV.

digital	DRN. 0112KA	DATE 30-SEP-91	ENG. DATE	DATE	TITLE: INTERPROCESSOR LINK INTERFACE
(367,5000) CHART 2.DRW	130-SEP-91 10:51	NEXT HIGHER ASSEMBLY:	SIZE CODE D	NUMBER TO L0100-0-2	REV. A
FIRST USED ON OPTION/MODEL: C1780	D-UA-L0100-0-1				



(TABORT + ABORT RCVR = LOOP) -TINIT
 (NOTE 1)
 NOTE: ABORT RCVR CAN ONLY OCCUR WHILE IN MX STATE E
 1. RESET MX PAL #2 TO MX STATE G
 2. SET XMIT ATTENTION

-PE to MX STATE M = -ACK RCVD
 1. ENA SETTING XMIT ATTENTION IN THE EVENT OF THE LOOP MODE

1. ENA "CLK DST ADR RES"

1. ENA CRC GEN IF NOT MLOOP
 2. ENA MX PAL #2

1. WACK TO AR STATE A
 2. RELEASE MX STATE E WHEN ACK RCVD

1. ENA TRAILER
 2. DISABLE CRC COUNTER
 3. DISABLE ICCS DRIVER WHEN TRAILER GONE

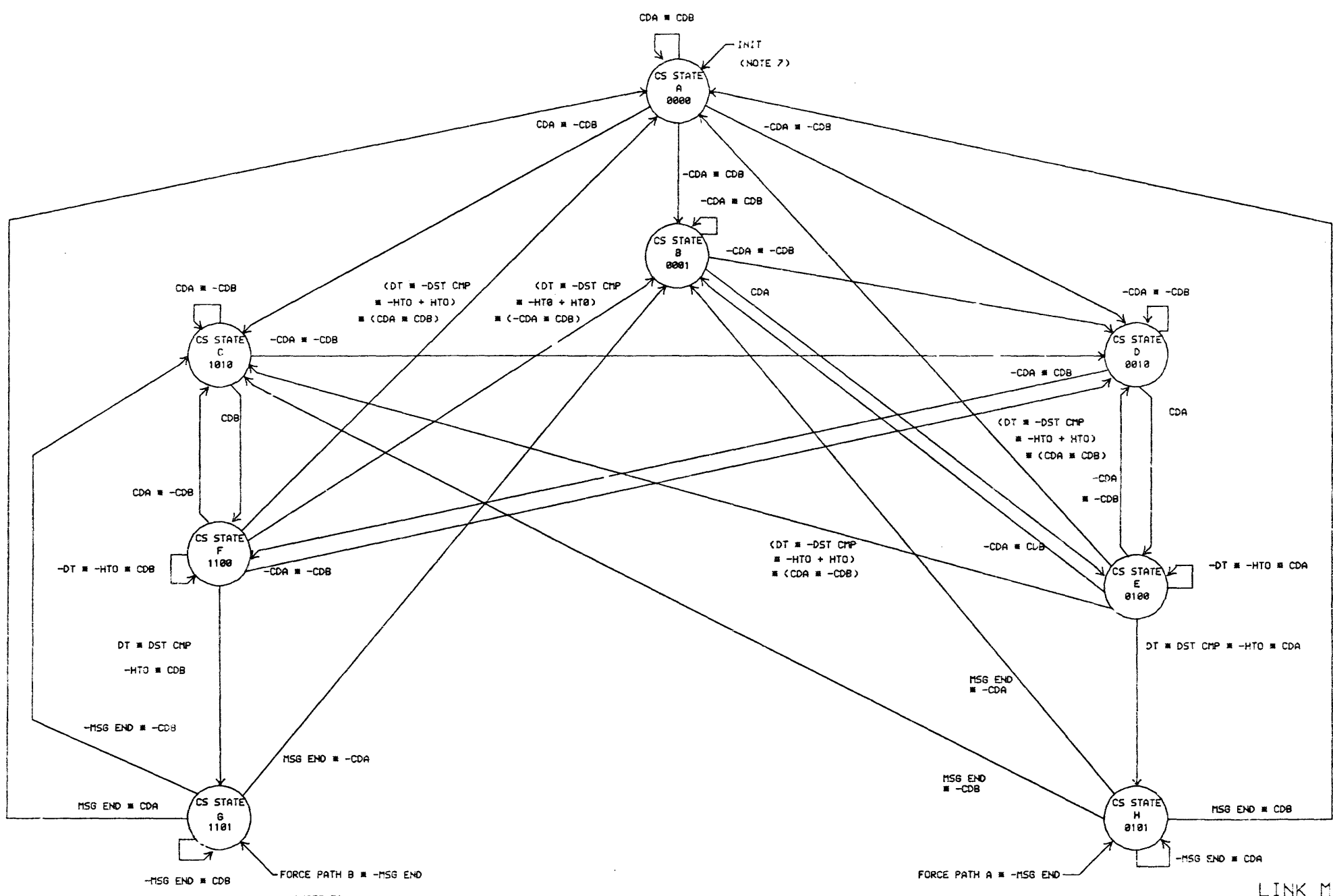
1. ENA CRC OUT
 2. DISABLE CRC GEN

NOTES:
 1. EXTERNAL ENTRIES INTO ANY STATE OVERRIDE AND INHIBIT ALL OTHER CONDITIONAL STATE FLOW.

REV.	DATE	BY	DESCRIPTION
1			

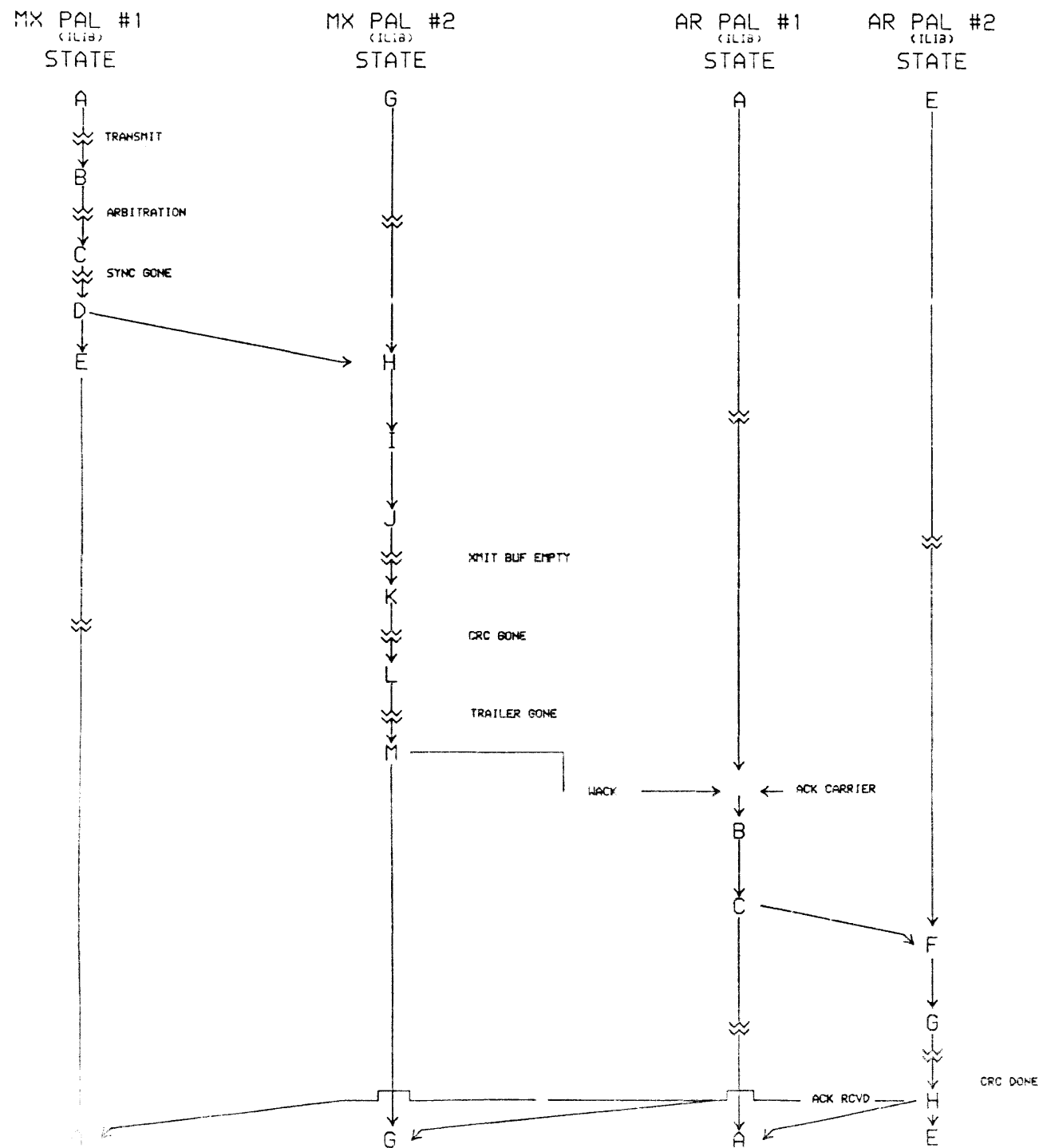
DRN.	DATE	BY	DATE	TITLE
01780	30-SEP-81	01780		INTERPROCESSOR LINK INTERFACE
SIZE CODE	NUMBER	REV.		
D	10100-0-2	A		

- NOTES:
1. CDA : CARRIER DETECT FOR PATH A
 2. CDB : CARRIER DETECT FOR PATH B
 3. DT : DESTINATION DECODE TIME
A. MR STATE D
B. AR STATE F
 4. DST CMP : DESTINATION COMPARE
A. CDST
B. ACK SRC ADR
 5. HTO : HEADER TIME OUT
 6. STATE BIT ASSIGNMENT
XIXX = CARRIER SELECTED
11XX = CARRIER B SELECTED
01XX = CARRIER A SELECTED
 7. EXTERNAL ENTRIES INTO ANY STATE OVERRIDE AND INHIBIT ALL CONDITIONAL STATE FLOW.

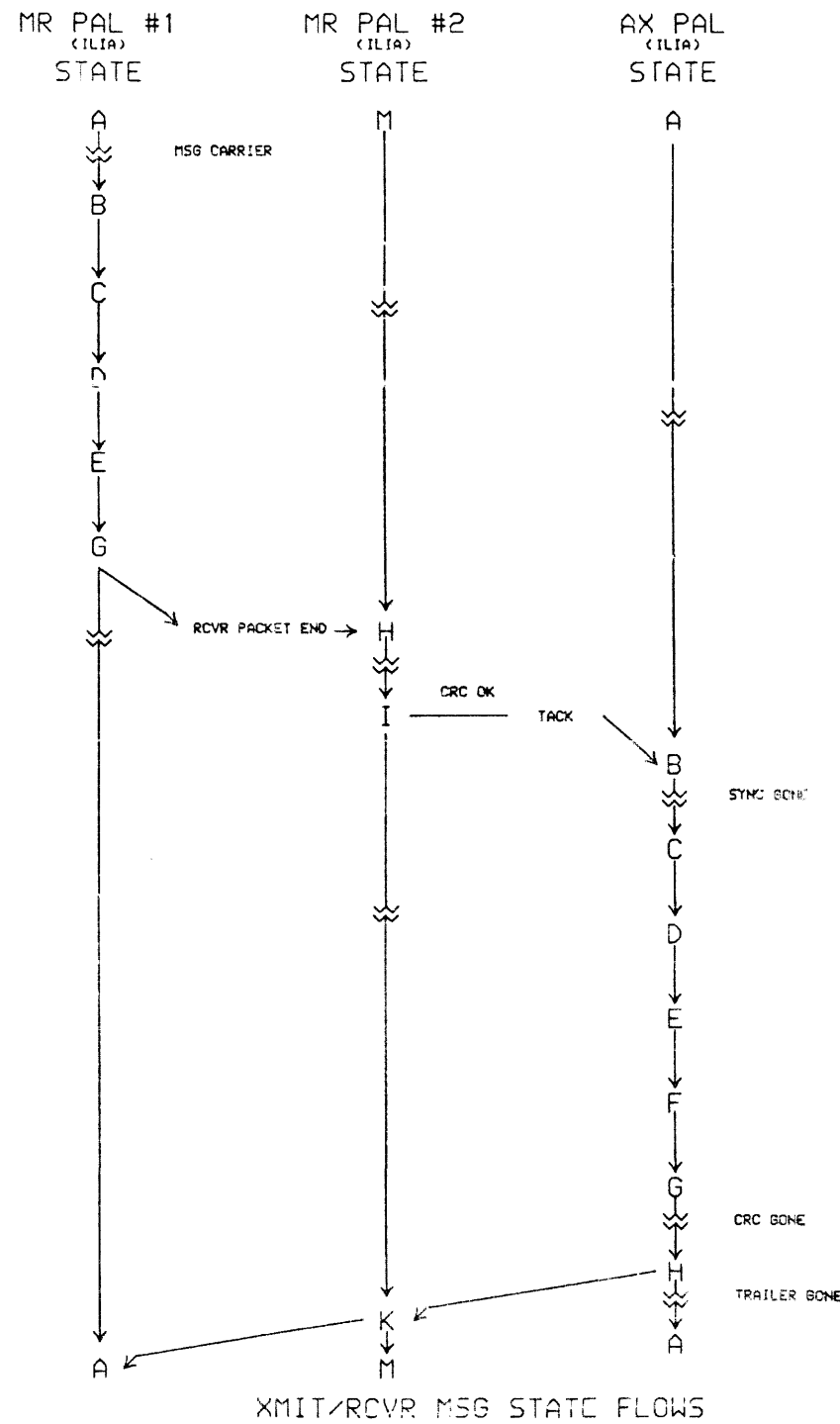


LINK MODULE
CARRIER SW (CS)
STATE (A:H)

NORMAL MESSAGE TRANSMISSION STATE FLOW



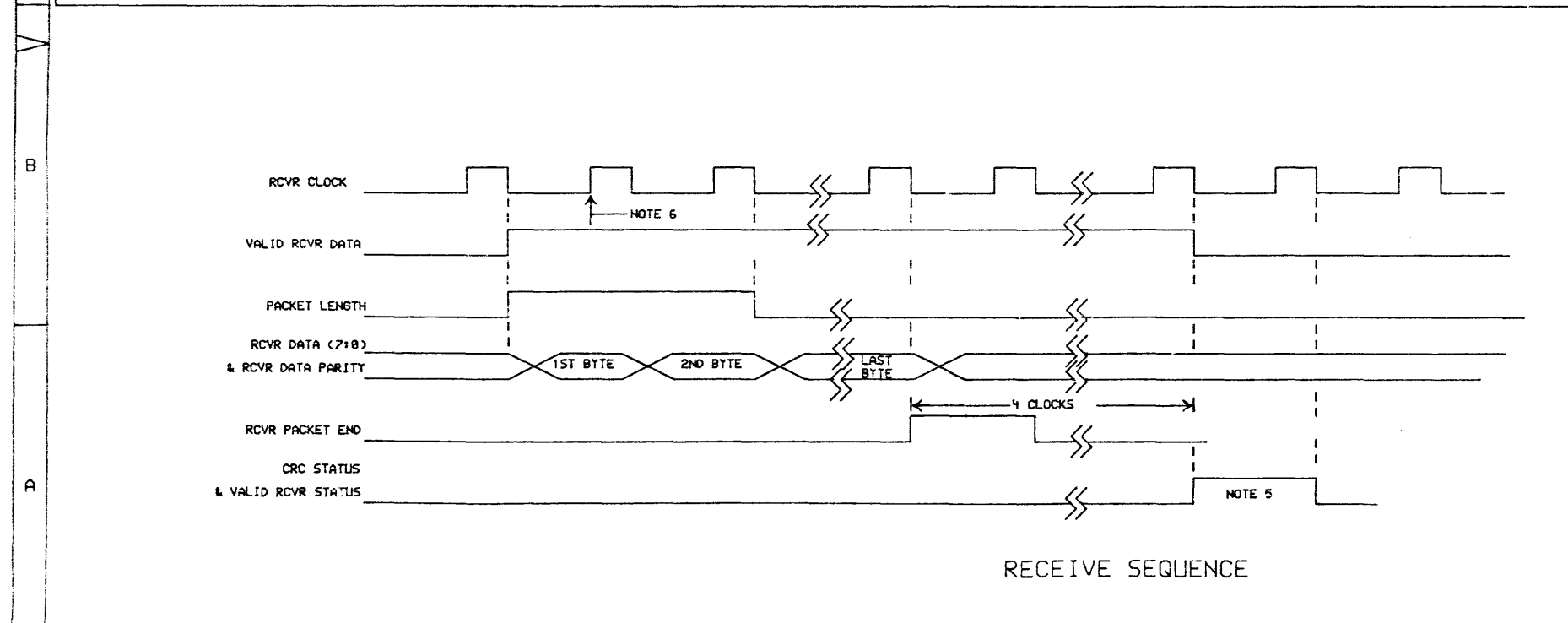
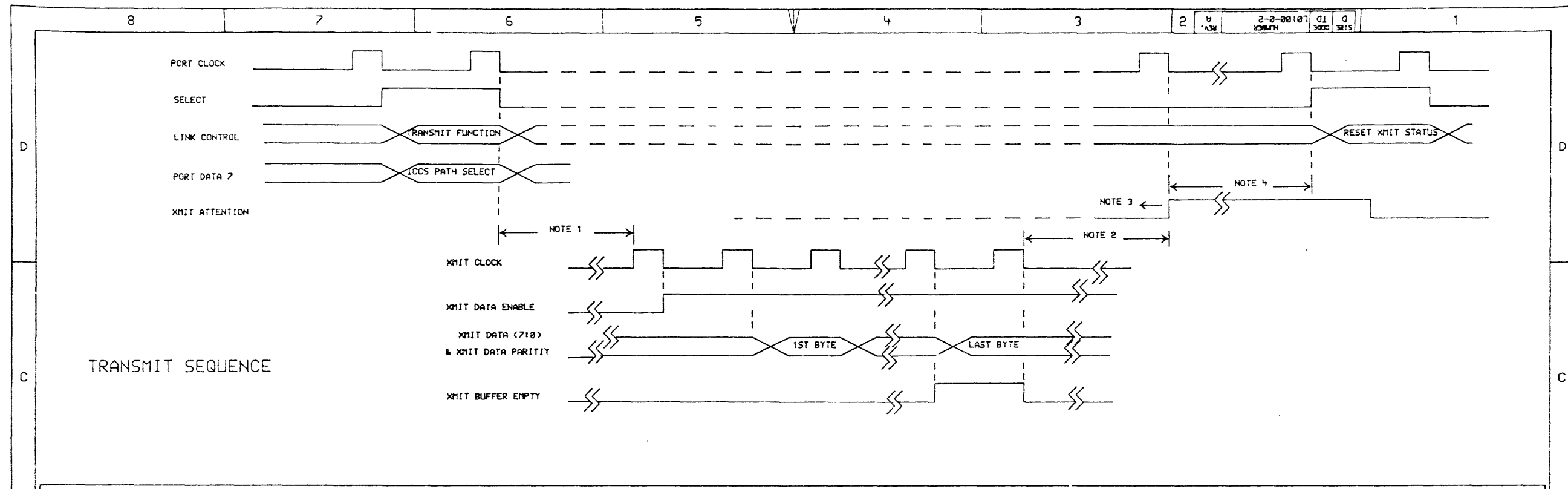
NORMAL MESSAGE RECEPTION STATE FLOW



XMIT/RCVR MSG STATE FLOWS

REV. NO.	DATE	DESCRIPTION
1	20-SEP-81	INITIAL DESIGN
2	20-SEP-81	REVISED FOR MANUFACTURE

1357,5828.CHARTS.DRAW	130-SEP-81	18155	NEXT ASSEMBLY:	D-UA-L0100-2-1	SIZE CODE	D ITD	NUMBER	L0100-0-2	REV.	A
-----------------------	------------	-------	----------------	----------------	-----------	-------	--------	-----------	------	---



NOTES:

1. ARBITRATION OCCURS DURING THIS TIME.
2. LINK WAITS FOR A RESPONSE FROM THE DESTINATION NODE AND SETS UP XMIT STATUS DURING THIS TIME.
3. XMIT ATTENTION MAY OCCUR EARLIER AS A RESULT OF A XMIT DATA PARITY ERROR OR ABORT TRANSMISSION FCN.
4. THE PORT READS XMIT STATUS DURING THIS TIME.
5. CRC STATUS & RCVR PATH INDICATOR ARE VALID DURING THIS TIME.
6. RCVR BUFFERS FULL SIGNAL IS STROBED AT THIS TIME.

LINK/PORT PROCESSOR/TIMING

THIS DRAWING AND SPECIFICATIONS HEREIN ARE THE PROPERTY OF DIGITAL EQUIPMENT CORPORATION AND SHALL NOT BE REPRODUCED OR COPIED OR USED IN WHOLE OR IN PART FOR ANY PURPOSES WITHOUT WRITTEN PERMISSION. COPYRIGHT © 1981, DIGITAL EQUIPMENT CORPORATION.

REVISIONS		
CHK	CHANGE NO.	REV

DRN.	DATE	ENG.	DATE	TITLE:
				INTERPROCESSOR LINK INTERFACE.

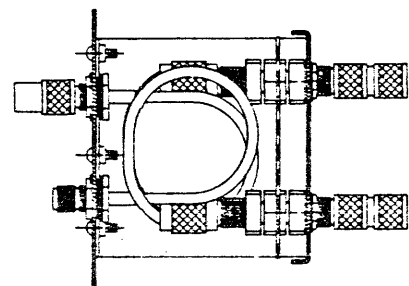
REV. A
NUMBER L0100-0-2
SIZE CODE TD

A

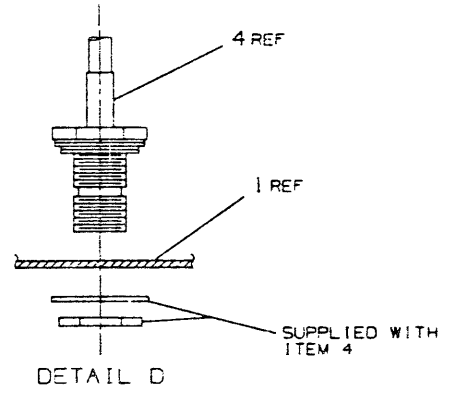
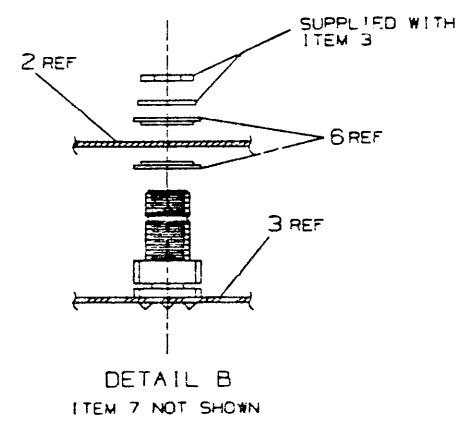
REVISION HISTORY

NO.	DATE	DESCRIPTION
1		

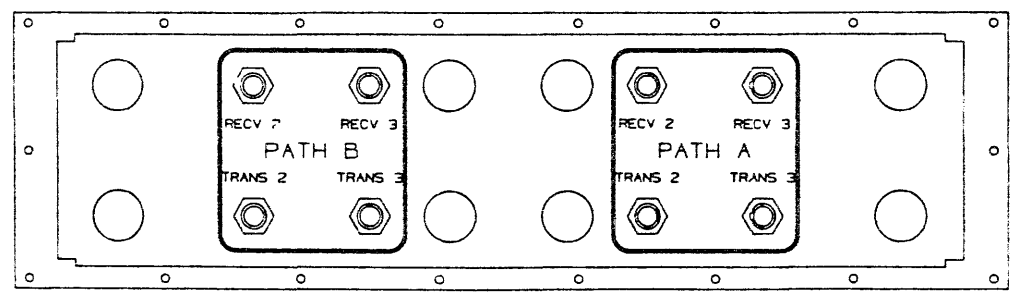
7022193-0-DBU-13



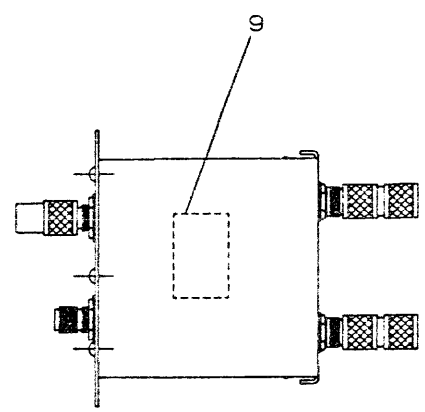
SECTION E-E



DETAIL D



VIEW A-A
ROTATED 180°



SECTION C-C

PLOT AT : 1.00

REVISION HISTORY

NO.	DATE	DESCRIPTION

TITLE STAR COUPLER ASSY, 14 NODE
 DOCUMENT NUMBER EAD 7022193-0-DBU-13
 SCALE 1:1 SHEET 2 OF 2

LINE	ITEM	TOP DOCUMENT	PART NUMBER	MIN REV	DESCRIPTION	QTY	PER VARIATION
					VARIATION REVISION LEVEL:	01	A1
1	1	E-IA-7431440-0-DBU	7431440-01		PANEL,FRONT,SC4	1	
2	2	E-IA-7431438-0-DBU	7431438-01		BRACKET,MTG.,SC4 MODULE	1	
3	3	D-UA-5417523-0-0	5417523-01		PC BOARD,4 NODE STAR COUPLER	1	
4	4	A-PS-1700967-0-0	1700967-01		CABLE ASSY W/CONN,9"LG	8	
5	5	A-PS-1218633-0-0	1218633-00		CONN,COAX TNC 50 OHM PLUG CRIM	8	
6	6	A-PS-1220575-0-0	1220575-01		BUSHING,INSULATD MYLAR .56 IDX	16	
7	7	A-PS-1224139-0-0	1224139-01		CONN,COAX TNC 500HMS	8	
8	8		9000049-24		SCREW,SEMS PAN PHIL	6-	6
9	9	A-PS-3619264-0-0	3619264-17		LABEL,SET VAR 01 THRU 16		1

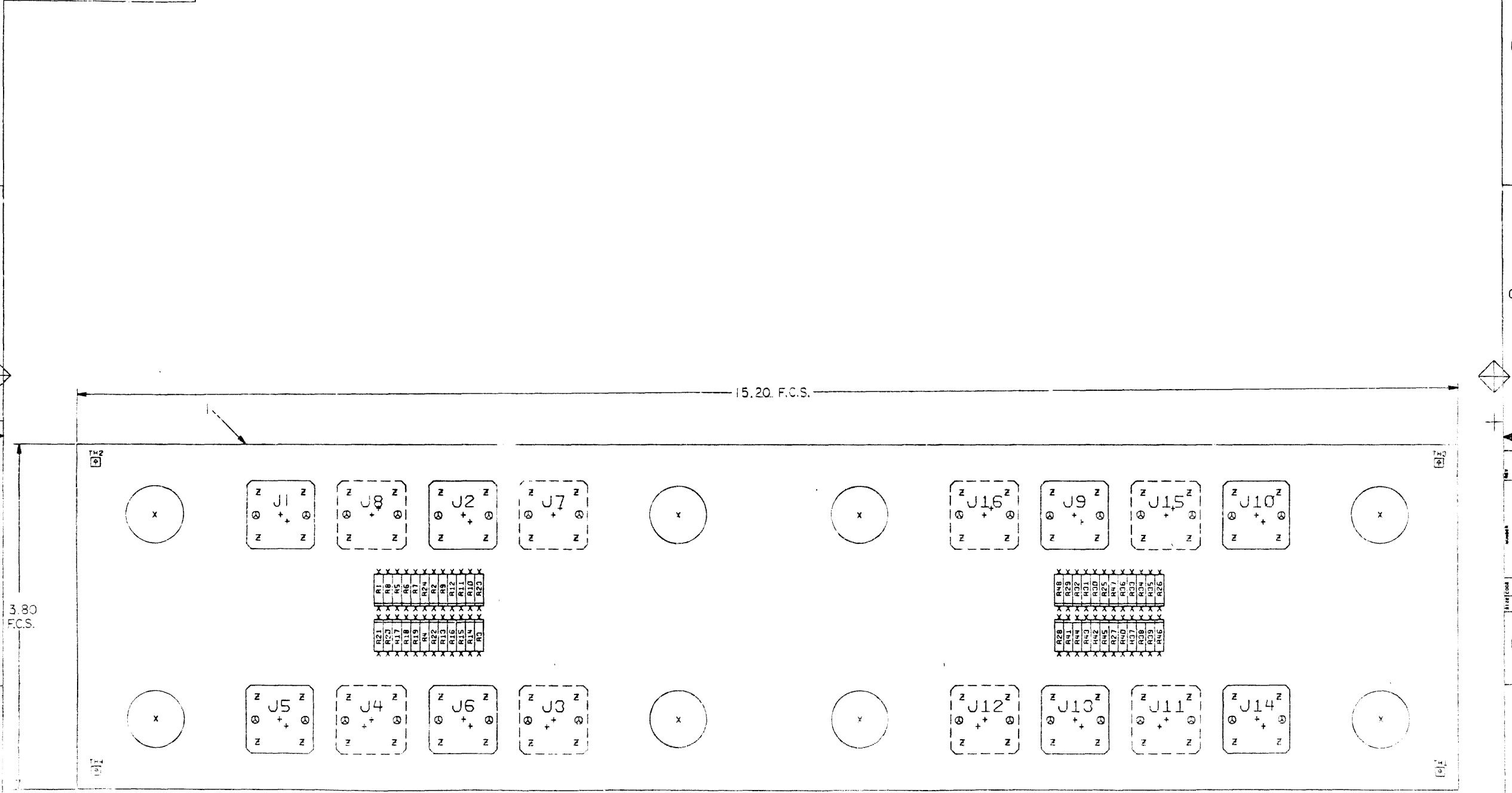
REVISION HISTORY		BASIC PART NO: 7022193		DRN: C. SENECALE	DATE: 25 OCT 84	D I G I T A L		
ENG	ECO NUMBER	REV	SECTION A OF A	CHK'D: L. BOURGAULT	DATE: 9 FEB 85	TITLE PARTS LIST STAR COUPLER ASSY		
---	INITIAL	A	SECTION VARIATION INDEX (A)01	DES.ENG: B. MORIN	DATE: 9 FEB 85	DOCUMENT NUMBER		
			(B)	RESP.ENG.: B. MORIN	DATE: 9 FEB 85	SIZE	CODE	NUMBER
			(C)	MFG.ENG.: G. JARVIS	DATE: 9 FEB 85	K	PL	7022193-0-DBP
			(D)	ASSEMBLY NUMBER:	TOP DOCUMENT NUMBER:	FILE NAME:		EDIT #
			(E)	E-AD-7022193-0-DBU	E-AD-7022193-0-DBU	TW091A.PLS		6
			(F)			RELEASE DATE: 13-FEB-85		

"THIS DRAWING AND THE SPECIFICATIONS CONTAINED HEREIN ARE CONFIDENTIAL AND PROPRIETARY. THEY ARE THE PROPERTY OF DIGITAL EQUIPMENT CORPORATION AND SHALL NOT BE REPRODUCED OR COPIED OR USED IN WHOLE OR IN PART AS THE BASIS FOR THE MANUFACTURE OR SALE OF ITEMS WITHOUT WRITTEN PERMISSION. THIS IS AN UNPUBLISHED WORK PROTECTED UNDER THE FEDERAL COPYRIGHT LAWS."

8 7 6 5 4 3 2 1

THIS DRAWING AND SPECIFICATIONS HEREIN ARE THE PROPERTY OF DIGITAL EQUIPMENT CORPORATION AND SHALL NOT BE REPRODUCED OR TRANSMITTED IN ANY FORM OR BY ANY MEANS, ELECTRONIC OR MECHANICAL, INCLUDING PHOTOCOPYING, RECORDING, OR BY ANY INFORMATION STORAGE AND RETRIEVAL SYSTEM, WITHOUT PERMISSION IN WRITING FROM DIGITAL EQUIPMENT CORPORATION.

COMPONENT SIDE VIEW



NOTES
 1. REFER TO S. LEAF
 2. ALL CONNECTORS ON SIDE 2
 3. STEP AND REPEAT CODE IS 2A0155

STEP 1	+ Y AXIS	3.80	STEP 2 TIMES
STEP 2	+ X AXIS		STEP 0 TIMES

CHANCE, NO REV	

ETCH REV. A1

SIGNATURES	DATE	CIGI 15	TITLE NO. 001523-0-0 COOPER
DRN. S. LEAF	11-27-64		
CHK'D. <i>P. Smith</i>	12-23-64		
MECH. ENG. S. LEAF	1-21-65		
PROD. ENG. S. LEAF	2-21-65		
PROD. S. LEAF	2-21-65		
SCALE 2:1		SIZE CODE	NUMBER
SHT. 1 OF 1		D 151523-0-0	REV.
NEXT HIGHER ASSY. B-00-541523-0-0			

D 151523-0-0 A

B

D

8 7 6 5 4 3 2 1

WO# 101451

AUTOMATED BY PRTLST.5R(55)

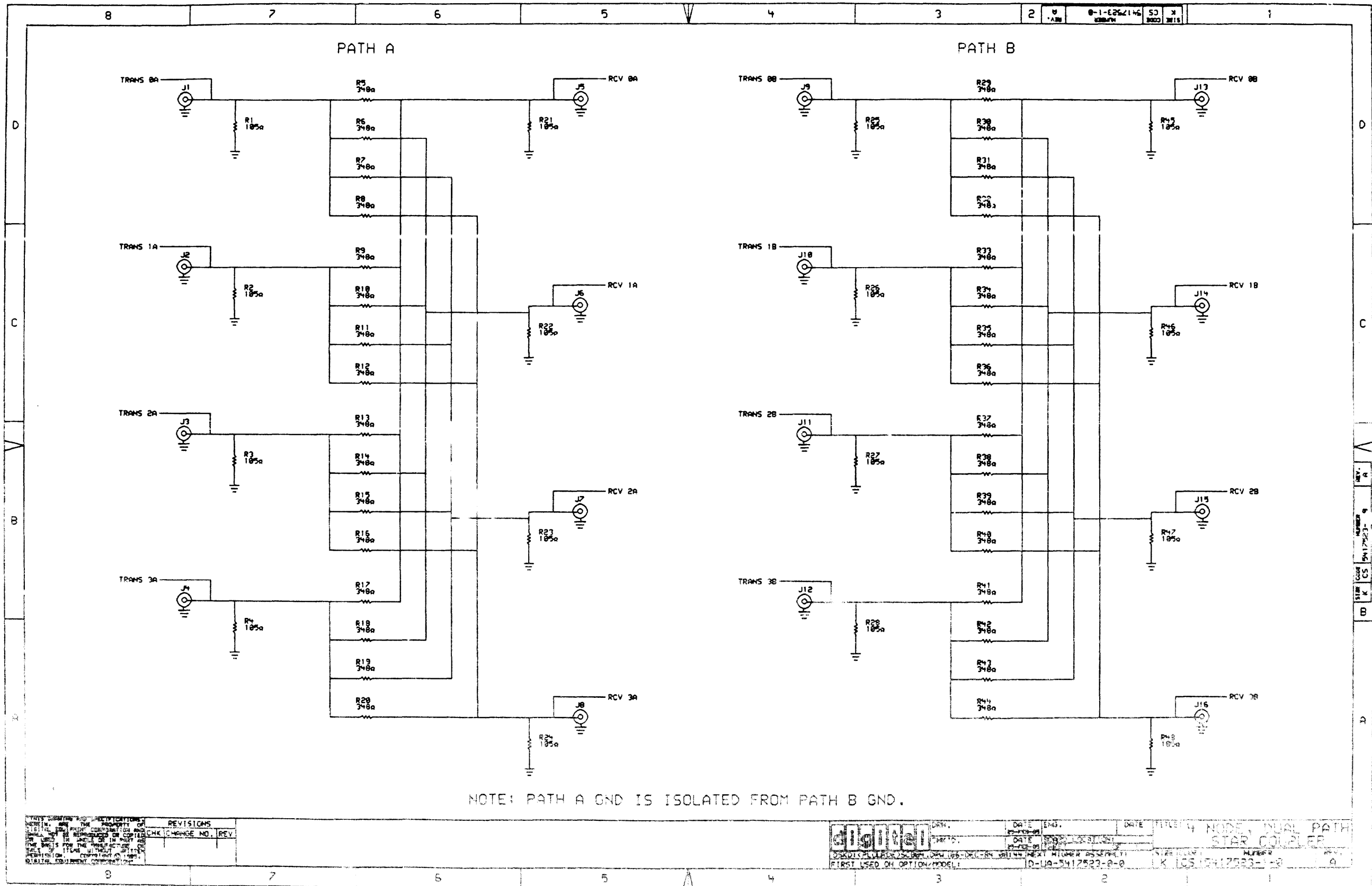
P A R T S L I S T

SHEET A1 OF A1

LINE	ITEM	TOP DOCUMENT	PART NUMBER	MIN REV	DESCRIPTION	QTY PER VARIATION	REFERENCE DESIGNATOR
					VARIATION REVISION LEVEL:	A1	
1	1	D-MD-5017522-0-0	5017522-01		DRILL & ETCH BOARD	1	
2	2		1217979-00		CONN,COAX TNC 50 OHM JACK PC 0	16	J1-J16
3	3		1309294-00		105.0 .25 W .10% RN55E-B 2	16	R1-R4,R21-R28,R45-R48
4	4		1321573-01		348.0 .25 W .10% RN55E-B 2	32	R5-R20,R29-R44

REVISION HISTORY		BASIC PART NO: 5417523		DRN:	S.MANSOR	DATE:	03-OCT-84	D I G I T A L			
ENG	ECO NUMBER	REV	SECTION A OF A	CHK'D:	F.GAROFALO	DATE:	10-OCT-84	TITLE PARTS LIST			
---	INITIAL	A	SECTION VARIATION INDEX	DES.ENG:	STEVE BARBAS	DATE:	10-OCT-84	DOCUMENT NUMBER			
			[A] 01	RESP.ENG.:	STEVE BARBAS	DATE:	10-OCT-84	SIZE	CODE	NUMBER	REV
			[B]	MFG.ENG.:	GARTH JARVIS	DATE:	21-FEB-85	K	PL	5417523-0-DBP	A
			[C]	ASSEMBLY NUMBER:		TOP DOCUMENT NUMBER:		FILE NAME:		EDIT #	
			[D]	D-UA-5417523-0-0		B-DD-5417523-0-0		227A.PLS		4	
			[E]								
			[F]								
			[G]								
			[H]								
			[I]								
			[J]								
			[K]								
			[L]								
			[M]								
			[N]								

"THIS DRAWING AND THE SPECIFICATIONS CONTAINED HEREIN ARE CONFIDENTIAL AND PROPRIETARY. THEY ARE THE PROPERTY OF DIGITAL EQUIPMENT CORPORATION AND SHALL NOT BE REPRODUCED OR COPIED OR USED IN WHOLE OR IN PART AS THE BASIS FOR THE MANUFACTURE OR SALE OF ITEMS WITHOUT WRITTEN PERMISSION. THIS IS AN UNPUBLISHED WORK PROTECTED UNDER THE FEDERAL COPYRIGHT LAWS."



REV.	DESCRIPTION
1	INITIAL DESIGN
2	REVISIONS
3	CHG. CHANGE NO. REV.

DATE: 10/1/68
 ENG.: [blank]
 DATE: 10/1/68
 CHECKED BY: [blank]
 DATE: 10/1/68
 DRAWN BY: [blank]
 DATE: 10/1/68
 TITLE: TWELVE NODE, DUAL PATH STAR COUPLER
 NUMBER: 10-11-5412523-0-0
 FIRST USED ON OPTION/MODEL: [blank]