

"THE MATERIAL HEREIN IS FOR INFORMATION PURPOSES ONLY AND IS SUBJECT TO CHANGE WITHOUT NOTICE. DIGITAL EQUIPMENT CORPORATION ASSUMES NO RESPONSIBILITY FOR ANY ERRORS WHICH MAY APPEAR HEREIN."

FIELD MAINTENANCE PRINT SET

"THIS DRAWING AND SPECIFICATIONS, HEREIN, ARE THE PROPERTY OF DIGITAL EQUIPMENT CORPORATION AND SHALL NOT BE REPRODUCED OR COPIED OR USED IN WHOLE OR IN PART AS THE BASIS FOR THE MANUFACTURE OR SALE OF ITEMS WITHOUT WRITTEN PERMISSION. COPYRIGHT © 1977, DIGITAL EQUIPMENT CORPORATION."

TABLE OF CONTENTS

| | |
|-----------------------------|--|
| B-TC-11780-0-5 | UNIT ASSY 11780 (TC) |
| B-DD-11780-0-0 | DRAWING DIRECTORY (11780) |
| B-DD-11780-0-4 | BLOCK DIAGRAM (11780) |
| E-UA-11780-0-0 | UNIT ASSY (11780) |
| C-PL-11780-0-0 | UNIT ASSY (11780) (PL) |
| D-UA-M9043-0-0 | SBI FAR END TERMINATOR |
| B-PL-M9043-0-0 | SBI FAR END TERMINATOR (PL) |
| D-CS-M9043-0-1 | SBI FAR END TERMINATOR |
| E-UA-866-D-0 | 866-D POWER SUPPLY ASSY |
| A-PL-866-D-0 | 866-D POWER SUPPLY ASSY (PL) |
| D-CS-866-D-1 | POWER CONTROL SCHEMATIC 866-D |
| D-UA-5412201-0-0 | PILOT CONTROL BOARD ASSY |
| B-PL-5412201-0-0 | PILOT CONTROL BOARD ASSY (PL) |
| D-CS-5412201-0-1 | PILOT CONTROL BOARD CIRCUIT SCHEMATIC |
| D-IA-7013455-0-0 | POWER CORD |
| E-UA-866-E-0 | 866-E POWER SUPPLY ASSY |
| A-PL-866-E-0 | 866-E POWER SUPPLY ASSY (PL) |
| D-CS-866-E-1 | POWER CONTROL SCHEMATIC 866-E |
| B-DD-H7101-0 | POWER REGULATOR H7101 (COMPLETE) |
| B-DD-H7102-0 | POWER REGULATOR H7102 (COMPLETE) |
| B-DD-H7103-0 | POWER REFULATOR H7103 (COMPLETE) |
| D-IC-11780-0-1 | 11780 SYSTEM POWER DIAGRAM |
| D-IC-11780-0-2 | 11780 SYSTEM INTERCONNECT |
| D-IC-11780-0-3 | 11780 SUB SYSTEM INTERCONNECT |
| E-UA-869-0-0 | POWER CONTROLLER 869 |
| A-PL-869-0-0 | POWER CONTROLLER 869 D&E |
| D-CS-869-D-1 | 869-D POWER CONTROLLER |
| D-CS-869-E-1 | 869-E POWER CONTROLLER |
| D-IA-7014212-0-0 | CABLE, AC, DC LO |
| D-IA-7014233-0-0 | HARNESS, -5V TERMINATOR |
| D-IA-7014234-0-0 | CABLE +5B, +12V |
| D-IA-7014250-0-0 | CABLE, MEMORY POWER |
| D-IA-7014249-0-0 | CABLE POWER |
| D-IA-7014530-0-0 | CABLE POWER RED |
| D-IA-7014529-0-0 | CABLE POWER BLACK |
| C-IA-7014323-0-0 | POWER CORD, FAN |
| D-IA-7013622-0-0 | CABLE UNIBUS |
| D-UA-BC05L-0-0 | CABLE, JUMPER |
| D-UA-BC06R-0-0 | BC06R I/O CABLE |
| D-IA-7014308-0-0 | POWER CORD ASSY (230V) |

| UNIT VARIATIONS COVERED BY THIS PRINT SET |
|---|
| 11780-CA |
| 11780-CC |
| 11780-CD |
| |
| 11780-DA |
| 11780-DC |
| 11780-DD |
| |
| 11780-CU |
| 11780-CV |
| |
| |
| |
| |
| |
| |
| |
| |
| |
| |
| |
| |
| |
| |
| |

FP780

| | | | | |
|------|----|----|----|----|
| 24 | 25 | 26 | 27 | 28 |
| 8285 | 86 | 87 | 88 | 89 |

11780
Field Maintenance
Print Set

Digital Equipment
Corporation

PRINT SET ORDER NO.
MP00539

| REV. | CHG. NO. | A | B | C | USED ON OPTION/MODEL | DRN. | DATE | TITLE: UNIT ASSY 11780 | | | |
|--------------|----------|---|---|---|----------------------|-------------|-----------|--|--|--|--|
| | | | | | | BODREAU | NOV 77 | | | | |
| | | | | | | CHK'D | DATE | digital | | | |
| | | | | | | HEALY | NOV 77 | | | | |
| | | | | | | PROJ. ENG. | DATE | SIZE: B CODE: TC NUMBER: 11780-0-5 REV: C | | | |
| | | | | | | E. ANTON | 15 NOV 77 | | | | |
| | | | | | | FIELD SERV. | DATE | DIST. | | | |
| | | | | | | WM. FREEMAN | 15 NOV 77 | | | | |
| SHEET I OF 2 | | | | | | | | | | | |

EN 01124 16 N675 (327)

"THIS DRAWING AND SPECIFICATIONS, HEREIN, ARE THE PROPERTY OF DIGITAL EQUIPMENT CORPORATION AND SHALL NOT BE REPRODUCED OR COPIED OR USED IN WHOLE OR IN PART AS THE BASIS FOR THE MANUFACTURE OR SALE OF ITEMS WITHOUT WRITTEN PERMISSION.
COPYRIGHT © 77 DIGITAL EQUIPMENT CORPORATION"

- | | |
|-----------------------------|---|
| D-IA-7015253-0-0 | POWER CORD ASSY (120V) |
| D-IA-7015254-0-0 | POWER CORD ASSY (240V) |
| D-IA-7015442-0-0 | CABLE, POWER BUSS |
| D-IA-7014248-0-0 | CABLE T.O.D. BATTERY |
| D-IA-7011411-0-0 | CABLE SIGNAL |
| D-IA-7014242-0-0 | POWER CONTROL CABLE |
| D-IA-7014243-0-0 | FLOPPY RELAY SCD POWER CABLE |
| D-IA-7014213-0-0 | CABLE OVER TEMP |
| D-IA-7016001-0-0 | CABLE, OVER TEMP ADAPTER |
| E-AD-7015036-0-0 | AIRFLOW SENSOR BOX |
| D-IA-7014319-0-0 | HARNES, AIRFLOW SENSE |
| D-IA-7015155-0-0 | AIRFLOW ADAPTER CABLE ASSY |
| D-IA-7014320-0-0 | AIRFLOW SENSOR ASSEMBLY |
| MP00496 | PRINT SET KA780 |
| MP00534 | PRINT SET KC780 |
| MP00497 | PRINT SET DW780 |
| MP00498 | PRINT SET MS780 |
| MP00499 | PRINT SET RH780 |
| MP00480 | PRINT SET H7100 POWER SUPPLY |
| MP00377 | PRINT SET H7111 TO DC POWER SUPPLY |
| MP00577 | VAX UNIBUS OPTION CONFIGURATION (H9602-D) |

- | | |
|-------------------|------------------------------|
| E-AD-7016925-0-0 | SUPPLY, UNIBUS OPTION |
| D-IA-7016924-0-0 | + 15V CABLE ASSY |
| B-DD-5413417-0 | + 15V REGULATOR (COMPLETE) |
| E-IA-7016951-0-0 | UNIBUS OPTIONS POWER HARNESS |
| D-IA-7016952-05-0 | AC/DC LO WYE CABLE |
| D-UA-5413875-0-0 | AC/DC LO ADAPTER BOARD |
| D-CS-5413875-0-0 | AC/DC LO ADAPTER BOARD |
| K-PL-5413875-0-0 | AC/DC LO ADAPTER BOARD |
| E-UA-M9040-0-0 | SBI TERMINATOR |
| K-PL-M9040-0-0 | SBI TERMINATOR |
| D-CS-M9040-0-1 | SBI TERMINATOR |

| | | | | |
|--------------------------|--------------|--------------------|---------------------|----------|
| TITLE UNIT ASSY 11780 | SHEET 2 OF 2 | SIZE CODE B, TC | NUMBER 11780-0-5 | REV C |
|--------------------------|--------------|--------------------|---------------------|----------|

TW

"THE MATERIAL HEREIN IS FOR INFORMATION PURPOSES ONLY AND IS SUBJECT TO CHANGE WITHOUT NOTICE. DIGITAL EQUIPMENT CORPORATION ASSUMES NO RESPONSIBILITY FOR ANY ERRORS WHICH MAY APPEAR HEREIN."

DRAWING DIRECTORY

"THIS DRAWING AND SPECIFICATIONS, HEREIN, ARE THE PROPERTY OF DIGITAL EQUIPMENT CORPORATION AND SHALL NOT BE REPRODUCED OR COPIED OR USED IN WHOLE OR IN PART AS THE BASIS FOR THE MANUFACTURE OR SALE OF ITEMS WITHOUT WRITTEN PERMISSION. COPYRIGHT © 1977 DIGITAL EQUIPMENT CORPORATION."

| UNIT VARIATIONS | |
|-----------------|---|
| VAR | TITLE |
| 11780-CA | KA780-AA, RXV11-AA, 11/03-AA, DLV11-E, MS780-CA, DW780-AA, 2 H7100-A, H9600, 115V, 60 HZ |
| 11780-CC | SAME AS 11780-CA EXCEPT WITH KC780-AC |
| 11780-CD | SAME AS 11780-CA EXCEPT WITH RXV11-AD, 11/03-AB 2 H7100-B 230V 50 HZ |
| 11780-DA | SAME AS 11780-CA PLUS 1 MS780-DA, RH780-AA, RH780 115V 60 HZ |
| 11780-DC | SAME AS 11780-DA EXCEPT WITH 11780-CC 115V 50 HZ |
| 11780-DD | SAME AS 11780-DA EXCEPT WITH 11780-CD 230V 50 HZ |
| 11780-CU | KA780-AA, RXV11-AA, 11/03-AA, DLV11-E, MS780-CA, DW780, 3 H7100-A, M9040, M9600, 120V, 60HZ |
| 11780-CV | SAME AS 11780-CU EXCEPT WITH RXV11-AD, 11/03-AB, 3 H7100-B, MS780-CB, 240V, 50HZ |
| | |
| | |
| | |
| | |
| | |
| | |
| | |
| | |
| | |
| | |
| | |

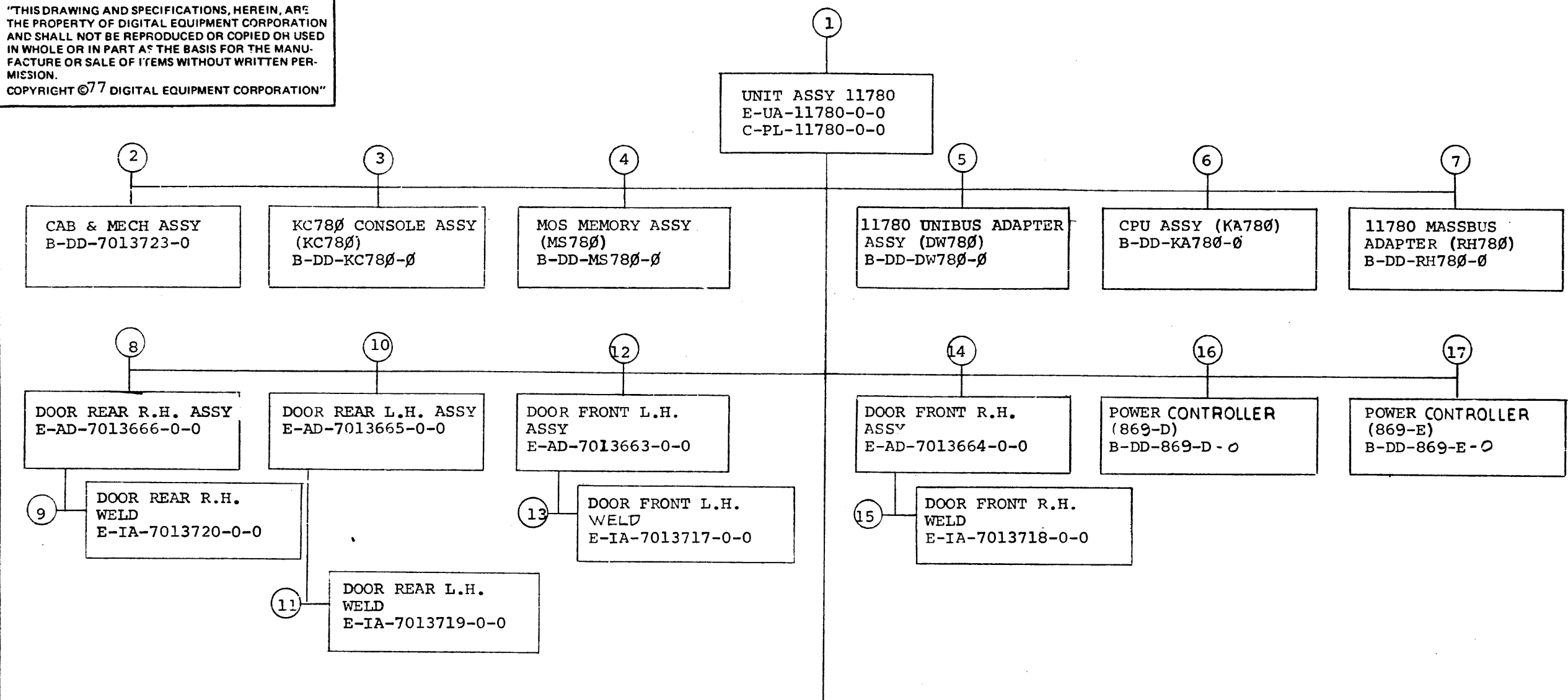
| REVISIONS | CHANGE NO. | REV. |
|-------------|------------|------|
| | 11780-1 | A |
| 11780- | B | |
| 11780-TW006 | C | |

| | | | | | |
|----------------------|--------------------|-----------|-----------------|------|---------|
| USED ON OPTION/MODEL | DRN. | DATE | TITLE | | |
| VAX 11780 | P. BOUDREAU | 7 NOV 77 | UNIT ASSY 11780 | | |
| | CHK'D. | DATE | | | |
| | D. HEALY | 8 NOV 77 | | | |
| | PROJ. ENG. | DATE | SIZE | CODE | NUMBER |
| | <i>[Signature]</i> | 18 Nov 77 | B | DD | 11780-0 |
| | PROD. | DATE | | | REV |
| | <i>[Signature]</i> | 11-18-77 | | | C |
| SHEET 1 OF 6 | | | DIST. | | |



TW

"THIS DRAWING AND SPECIFICATIONS, HEREIN, ARE THE PROPERTY OF DIGITAL EQUIPMENT CORPORATION AND SHALL NOT BE REPRODUCED OR COPIED OR USED IN WHOLE OR IN PART AS THE BASIS FOR THE MANUFACTURE OR SALE OF ITEMS WITHOUT WRITTEN PERMISSION.
COPYRIGHT ©77 DIGITAL EQUIPMENT CORPORATION"

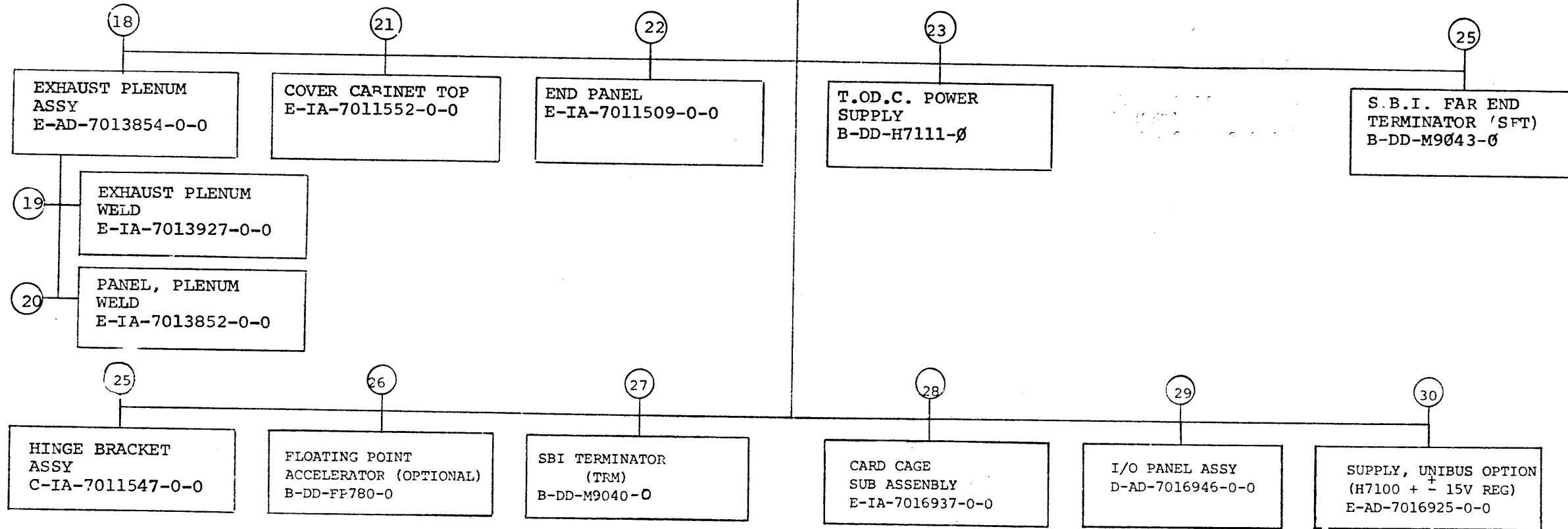


CONTINUED ON SHEET #3

| | | | | |
|--------------|-----------------|-----------|---------|-----|
| TITLE | UNIT ASSY 11780 | SIZE CODE | NUMBER | REV |
| | | B DD | 11780-0 | C |
| SHEET 2 OF 6 | | | | |

"THIS DRAWING AND SPECIFICATIONS, HEREIN, ARE THE PROPERTY OF DIGITAL EQUIPMENT CORPORATION AND SHALL NOT BE REPRODUCED OR COPIED OR USED IN WHOLE OR IN PART AS THE BASIS FOR THE MANUFACTURE OR SALE OF ITEMS WITHOUT WRITTEN PERMISSION.
COPYRIGHT ©77 DIGITAL EQUIPMENT CORPORATION"

CONTINUED FROM SHEET #2



| | | | | |
|-------|-----------------|-----------|---------|-----|
| TITLE | UNIT ASSY 11780 | SIZE CODE | NUMBER | REV |
| | | B DD | 11780-0 | C |

SHEET 3 OF 6

| FIND NO. | DRAWING NO. | DESCRIPTION | TYPE | FIND NO. | DRAWING NO. | DESCRIPTION | TYPE |
|----------|------------------|-----------------------------------|------|----------|------------------|------------------------------------|------|
| 1 | MP00539 | UNIT ASSY 11780 (MP) | - | | | | |
| | B-TC-11780-0-5 | UNIT ASSY 11780 (TC) | - | | | | |
| | E-UA-11780-0-0 | UNIT ASSY 11780 | E/M | 4 | B-DD-MS780-0 | MOS MEMORY ASSY (MS780) | E/M |
| | C-PL-11780-0-0 | UNIT ASSY 11780 (PL) | E/M | | | | |
| | D-IC-11780-0-1 | 11780 SYSTEM POWER DIAGRAM | E/M | | | | |
| | D-IC-11780-0-2 | 11780 SYSTEM INTERCONNECT DIAGRAM | E/M | | | | |
| | D-IC-11780-0-3 | 11780 SUBSYSTEM INTERCONNECT | E/M | | | | |
| | D-IC-11780-0-4 | 11780 SYSTEM BLOCK DIAGRAM | E | 5 | B-DD-DW780-0 | 11780 UNIBUS ADAPTOR ASSY (DW780) | E/M |
| | C-MD-7417934-0-0 | SLIDING DOOR | M | | | | |
| | D-IA-7014308-0-0 | POWER CORD ASSY 230V | E/M | | | | |
| | D-IA-7014323-0-0 | POWER CORD ASSY 115V | E/M | | | | |
| | D-IA-7014324-0-0 | POWER CORD ASSY (FAN 230V) | E/M | | | | |
| | C-IA-7014242-0-0 | POWER CONTROL CABLE | E/M | 6 | B-DD-KA780-0 | C.P.U. ASSY KA780 | E/M |
| | D-IA-7011411-0-0 | CABLE SIGNAL | E/M | | | | |
| | D-IA-7014248-0-0 | CABLE T.O.D. BATTERY | E/M | | | | |
| | D-IA-7014213-0-0 | CABLE OVER TEMP | E/M | | | | |
| | C-IA-7418178-0-0 | BRACKET SUPPORT L.H. (1103) | M | | | | |
| | D-IA-7418262-0-0 | BRACKET SUPPORT R.H. (1103) | M | 7 | B-DD-RH780-0 | 11780 MASSBUS ADAPTOR ASSY (RH780) | E/M |
| | B-MD-7418734-0-0 | HANGER BRACKET | M | | | | |
| | C-MD-7414318-0-0 | KEY BUTTON | M | | | | |
| | C-IA-7414622-0-0 | LOCK, STUD ASSY | M | | | | |
| | C-MD-7419451-0-0 | COVER SBI TERMINATOR | M | | | | |
| | C-MD-7419456-0-0 | MOUNTING BLOCK, TERMINATOR COVER | M | 8 | E-AD-7013666-0-0 | DOOR REAR R.H. ASSY | M |
| | E-IA-7016951-0-0 | UNIBUS OPTIONS POWER HARNESS | E/M | | D-MD-7418086-0-0 | RETAINER FILTER | M |
| | A-DC-7416197-0-0 | DECAL, UL LISTED EDP | M | | C-MD-7418198-0-0 | PIN LOCKING | M |
| | D-IA-7016952-0-0 | AC/DC LO WYE CABLE | E/M | | C-IA-7418133-0-0 | GUIDE ADJUST, BRACKET | M |
| | D-IA-7014319-0-0 | HARNESS, AIRFLOW SENSE | M | | C-IA-7418197-0-0 | GUIDE BRACKET | M |
| | D-MD-7423537-0-0 | COVER BACKPLANE | M | | B-MD-7417974-0-0 | SPACER | M |
| | D-IA-7014320-0-0 | AIRFLOW SENSOR ASSEMBLY | M | | C-MD-7417865-0-0 | CAM, LOCKING | M |
| | D-UA-5413875-0-0 | AC/DC LO ADAPTER BOARD | E/M | | | | |
| | D-IA-7423539-0-0 | BRACKET, MTG. P.C. BOARD | M | | | | |
| | E-IA-7423532-0-0 | BRACKET, I/O PANEL | M | | | | |
| | D-IA-7423531-0-0 | BRACKET, MOUNTING (H317) | M | | | | |
| | D-IA-7423534-0-0 | STRAIN RELIEF (H317) | M | 9 | E-IA-7013720-0-0 | DOOR, REAR R.H. WELD | M |
| | D-PS-1213318-0-0 | BAR CABLE HOLDOWN | M | | E-MD-7418171-0-0 | DOOR, REAR R.H. | M |
| | | | | | E-IA-7418182-0-0 | HOUSING, FILTER | M |
| 2 | B-DD-7013723-0 | CAB AND MECH. ASSY | M | | | | |
| | | | | | | | |
| | | | | 10 | E-AD-7013665-0-0 | DOOR REAR L.H. ASSY | M |
| | | | | | C-MD-7418086-0-0 | RETAINER, FILTER | M |
| 3 | B-DD-KC780-0 | KC780 CONSOLE ASSY (KC780) | E/M | | | | |
| | | | | | | | |
| | | | | 11 | E-IA-7013719-0-0 | DOOR REAR L.H. WELD | M |

TYPE: E ELECTRICAL
M MECHANICAL
E/M ELECTRO/MECHANICAL

digital

TITLE

UNIT ASSY 11780

SHEET 4 OF 6

SIZE CODE
B DD

NUMBER
11780-0

REV
C

DRB 108A

TW

| FIND NO. | DRAWING NO. | DESCRIPTION | TYPE | FIND NO. | DRAWING NO. | DESCRIPTION | TYPE |
|----------|------------------|--------------------------|------|----------|------------------|-------------------------|------|
| | E-MD-7418170-0-0 | DOOR REAR L.H. | M | 16 | B-DD-869-D-0 | POWER CONTROLLER (120V) | E/M |
| | E-IA-7418182-0-0 | HOUSING FILTER | M | | | | |
| | | | | | | | |
| | | | | | | | |
| 12 | E-AD-7013663-0-0 | DOOR FRONT L.H. ASSY | M | 17 | B-DD-869-E-0 | POWER CONTROLLER (240V) | E/M |
| | D-MD-7418086-0-0 | RETAINER, FILTER | M | | | | |
| | C-IA-7418151-0-0 | BRACKET FILTER SIMULATOR | M | | | | |
| | B-MD-7418968-0-0 | PIN, PIVOT TOP | M | | | | |
| | B-MD-7417859-0-0 | PIN, DOOR RETAINER | M | 18 | E-AD-7013854-0-0 | EXHAUST PLENUM ASSY | M |
| | | | | | B-IA-7418735-0-0 | LOCKING BRACKET TOP | M |
| | | | | | C-MD-7414318-0-0 | KEY BUTTON | M |
| | | | | | | | |
| | | | | | | | |
| 13 | E-IA-7013717-0-0 | DOOR FRONT L.H. WELD | M | | | | |
| | E-MD-7418168-0-0 | DOOR FRONT L.H. | M | 19 | E-IA-7013927-0-0 | EXHAUST PLENUM WELD | M |
| | C-IA-7418971-0-0 | HOUSING FILTER BRACKET | M | | D-MD-7418179-0-0 | TOP PLENUM | M |
| | B-MD-7414430-0-0 | PIVOT SPRING RETAINER | M | | D-MD-7418189-0-0 | BOTTOM PLENUM | M |
| | B-MD-7418103-0-0 | DOOR STOP | M | | D-MD-7418190-0-0 | SIDE L.H. PLENUM | M |
| | | | | | D-MD-7418191-0-0 | SIDE R.H. PLENUM | M |
| | | | | | C-MD-7418192-0-0 | REAR SIDE PLENUM | M |
| | | | | | B-MD-7418958-0-0 | SLIDING BRACKET PLENUM | M |
| | | | | | D-MD-7419452-0-0 | AIR BAFFLE | M |
| | | | | | D-MD-7419453-0-0 | AIR BAFFLE R.H. | M |
| | | | | | | | |
| | | | | | | | |
| 14 | E-IA-7013664-0-0 | DOOR FRONT R.H. ASSY | M | | | | |
| | C-MD-7418086-0-0 | RETAINER FILTER | M | 20 | E-IA-7013852-0-0 | PANEL, PLENUM | M |
| | C-IA-7418151-0-0 | BRACKET FILTER SIMULATOR | M | | E-MD-7418119-0-0 | PANEL PLENUM | M |
| | C-MD-7418968-0-0 | PIN PIVOT TOP | M | | B-IA-7418736-0-0 | LOCKING BRACKET BOT. | M |
| | C-IA-7418133-0-0 | GUIDE ADJUST BRACKET | M | | | | |
| | C-IA-7418197-0-0 | GUIDE BRACKET | M | | | | |
| | B-MD-7417859-0-0 | PIN, DOOR RETAINER | M | | | | |
| | B-MD-7417974-0-0 | SPACER | M | | | | |
| | C-MD-7417865-0-0 | CAM, LOCKING | M | | | | |
| | C-MD-7418198-0-0 | PIN LOCKING | M | | | | |
| | | | | | | | |
| | | | | | | | |
| 15 | E-IA-7013718-0-0 | DOOR FRONT R.H. WELD | M | 21 | E-IA-7011552-0-0 | COVER CABINET TOP | M |
| | E-MD-7418169-0-0 | DOOR FRONT R.H. | M | | E-MD-7414551-0-0 | PANEL, COVER | M |
| | C-IA-7418971-0-0 | HOUSING FILTER BRACKET | M | | D-IA-7415363-0-0 | STIFFENER TOP COV | M |
| | B-MD-7414430-0-0 | PIVOT SPRING RETAINER | M | | C-IA-7415321-0-0 | PLATE GROUNDING | M |
| | B-MD-7418103-0-0 | DOOR STOP | M | | C-IA-7415578-0-0 | STRAP GROUND | M |
| | | | | | C-MD-7417022-0-0 | CATCH TOP COVER | M |
| | | | | | | | |
| | | | | | | | |

TYPE: E ELECTRICAL
M MECHANICAL
E/M ELECTRO/MECHANICAL

digital

TITLE UNIT ASSY 11780

SHEET 5 OF 6

SIZE CODE
B DD

NUMBER
11780-0

REV
C

| FIND NO. | DRAWING NO. | DESCRIPTION | TYPE | FIND NO. | DRAWING NO. | DESCRIPTION | TYPE |
|----------|------------------|---------------------------------------|------|----------|------------------|---|------|
| 22 | E-IA-7011509-0-0 | END PANEL | M | 29 | D-AD-7016946-0-0 | I/O PANEL ASSY | E/M |
| | E-MD-7414601-0-0 | PANEL, END | M | | E-IA-7423540-0-0 | I/O PANEL | M |
| | D-ID-7414314-0-0 | STIFFENER, END PANEL | M | | B-MD-7414197-0-0 | PLATE, COVER | M |
| | D-MD-7414542-0-0 | CAP, CORNER | M | | | | |
| | C-IA-7415321-0-0 | PLATE GROUNDING | M | | | | |
| 23 | B-DD-H7111-0 | T.O.D.C. POWER SUPPLY | E/M | 30 | E-AD-7016925-0-0 | SUPPLY UNIBUS OPTIONS (H7100 + 15V REG) | E/M |
| | | | | | E-UA-H7100-0-0 | POWER SUPPLY | E/M |
| | | | | | D-IA-7016924-0-0 | ± 15V CABLE ASSY | E/M |
| | | | | | D-UA-5413417-0-0 | ± 15V REGULATOR | E/M |
| 24 | B-DD-M9043-0 | S.B.I. FAR END TERMINATOR (SFT) | E/M | | | | |
| | | | | | | | |
| | | | | | | | |
| 25 | C-IA-7011547-0-0 | HINGE BRACKET ASSY | M | | | | |
| | C-MD-7414834-0-0 | BRACKET HINGE | M | | | | |
| | C-MD-7415504-0-0 | GUSSET | M | | | | |
| 26 | B-DD-FP780-0 | FLOATING POINT ACCELERATOR (OPTIONAL) | E/M | | | | |
| | | | | | | | |
| 28 | F-IA-7016937-0-0 | CARD CAGE SUB-ASSEMBLY | M | | | | |
| | E-MD-7423533-0-0 | SIDE, CARD CAGE | M | | | | |
| | E-MD-7423541-0-0 | BOTTOM, CARD CAGE | M | | | | |
| | D-ID-7423542-0-0 | TOP, CARD CAGE | M | | | | |
| | D-MD-7423536-0-0 | COVER BRACKET | M | | | | |
| | B-MD-7423534-0-0 | BAR, MOUNTING | M | | | | |
| | B-MD-7423535-0-0 | SPACER | M | | | | |
| 27 | B-DD-M9040-0 | S.B.I. TERMINATOR (TRM) | E/M | | | | |

TYPE: E ELECTRICAL
M MECHANICAL
E/M ELECTRO/MECHANICAL

digital

TITLE UNIT ASSY 11780

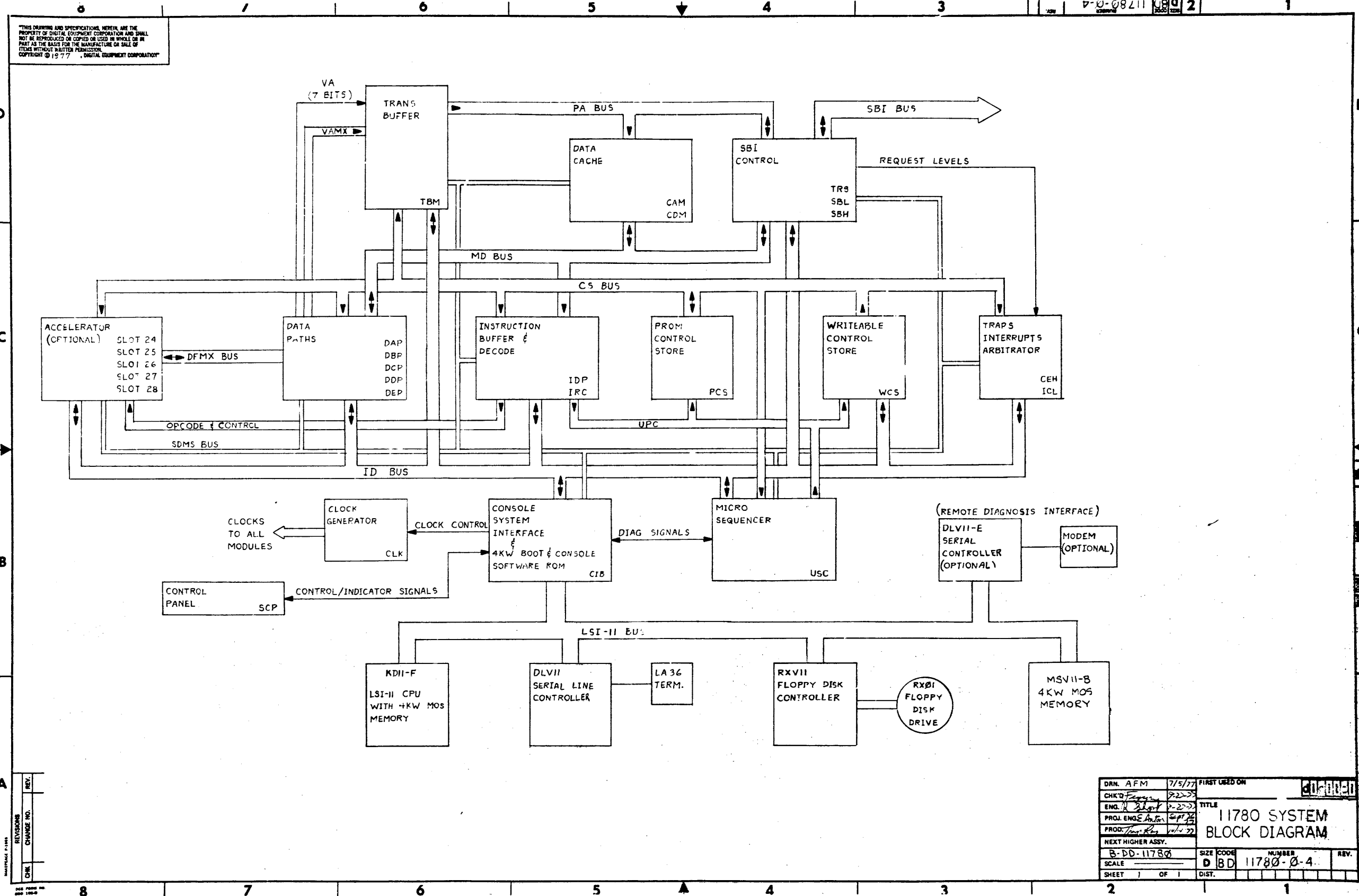
SHEET 6 OF 6

SIZE CODE
B DD

NUMBER
11780-0

REV
C

TW



"THIS DRAWING AND SPECIFICATIONS, HEREIN, ARE THE PROPERTY OF DIGITAL EQUIPMENT CORPORATION AND SHALL NOT BE REPRODUCED OR COPIED OR USED IN WHOLE OR IN PART AS THE BASIS FOR THE MANUFACTURE OR SALE OF ITEMS WITHOUT WRITTEN PERMISSION. COPYRIGHT © 1977, DIGITAL EQUIPMENT CORPORATION"

7-0-08211 11780 2

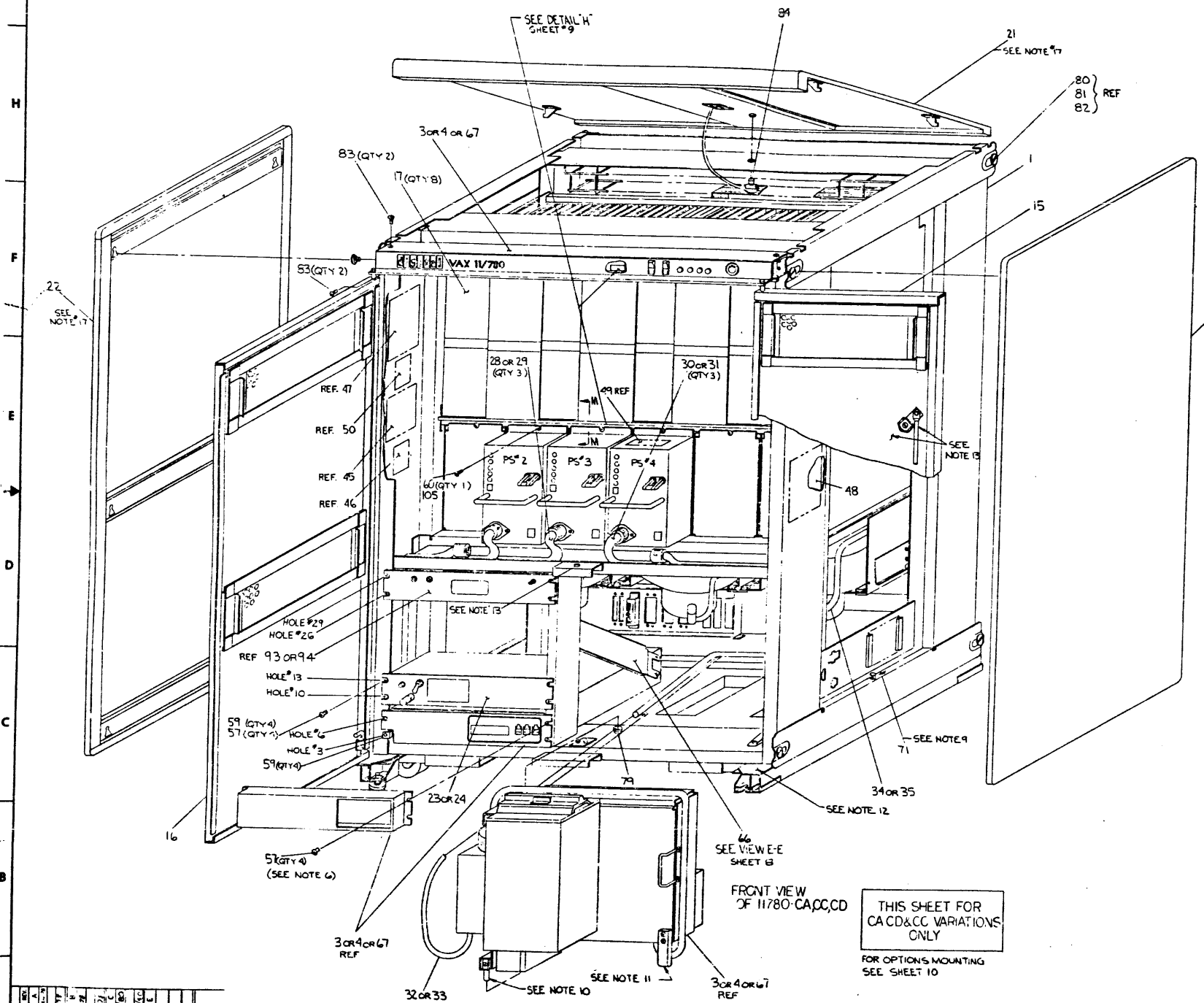
| | |
|------------|--|
| REV. | |
| CHANGE NO. | |
| CHK | |

| | | | |
|-------------------------|---------|---------------|----------------------------|
| DRN. AFM | 7/5/77 | FIRST USED ON | |
| CHK'D | 9-22-77 | TITLE | 11780 SYSTEM BLOCK DIAGRAM |
| ENG. H. [Signature] | 9-22-77 | SCALE | D BD 11780-0-4 |
| PROJ. ENGR. [Signature] | 9-22-77 | SIZE CODE | NUMBER |
| PROD. [Signature] | 9-22-77 | SHEET 1 OF 1 | DIST. |

THIS DRAWING AND SPECIFICATIONS SHALL BE THE PROPERTY OF THE GOVERNMENT AND SHALL BE LOANED TO YOU BY THE GOVERNMENT. IT IS TO BE USED ONLY FOR THE PURPOSES AUTHORIZED BY THE GOVERNMENT. IT IS TO BE RETURNED TO THE GOVERNMENT AT THE END OF THE PROJECT.

| LEGEND | |
|----------|---------------|
| NUMBER | VARIATION |
| 11780-CA | 30/200V 60HZ |
| 11780-CD | 240/240V 50HZ |
| 11780-CC | 240/200V 50HZ |

- NOTES:
1. J14-B TO BE LEFT OPEN FOR H712-A OR-B OPTIONAL BATTERY BACKUP.
 2. ITEM 25 OR 26 IS OPTIONAL EQUIPMENT.
 3. FOR SYSTEM POWER DIAGRAM SEE D-IC-11780-0-1.
 4. FOR SYSTEM INTERCONN. DIAGRAM SEE D-24-11780-0-2.
 5. FOR BACKPLANE WIRING COIL & POWER SUPPLY COIL SEE SUB SYSTEM INTERCONN. D-IC-11780-0-3.
 6. DISCARD HARDWARE SUPPLIED WITH ITEM 3 OR 4 OR 7 & REPLACE WITH ITEM 57.
 7. SEE REF ITEM 35 ON D-IC-11780-0-3.
 8. SEE REF ITEM 5 ON D-IC-11780-0-2.
 9. GND LABEL ITEM 71 TO BE AFFIXED WHERE SHOWN.
 10. PWS (TOP & BOTTOM) TO BE ADJUSTED IN PLACE FOR PROPER ASSY.
 11. ARM LOCK IS ADJUSTABLE FOR IN LOCK POSITION.
 12. DOOR STOP IS ADJUSTABLE FOR PROPER DOOR FIT.
 13. DOOR POSITION & DOOR LOCKING MECHANISM ARE ADJUSTABLE FOR PROPER DOOR FIT & LOCKING FUNCTION.
 14. EXHAUST PLENUM ASSY MTG BRKTS ARE ADJUSTABLE FOR PROPER F.T.
 15. DO NOT HOOK UP POWER CORDS IN AREA INDICATED.
 16. ITEM 62, 63 & 64 SLOT NUMBERS TO BE ALIGNED AND COLOR MATCHED WITH CORRESPONDING CARD GUIDES IN ITEM 5 THROUGH 7, REF DETAIL H SHEETS.
 17. REMOVE GND STRAPS SUPPLIED WITH ITEMS 21 & 22.



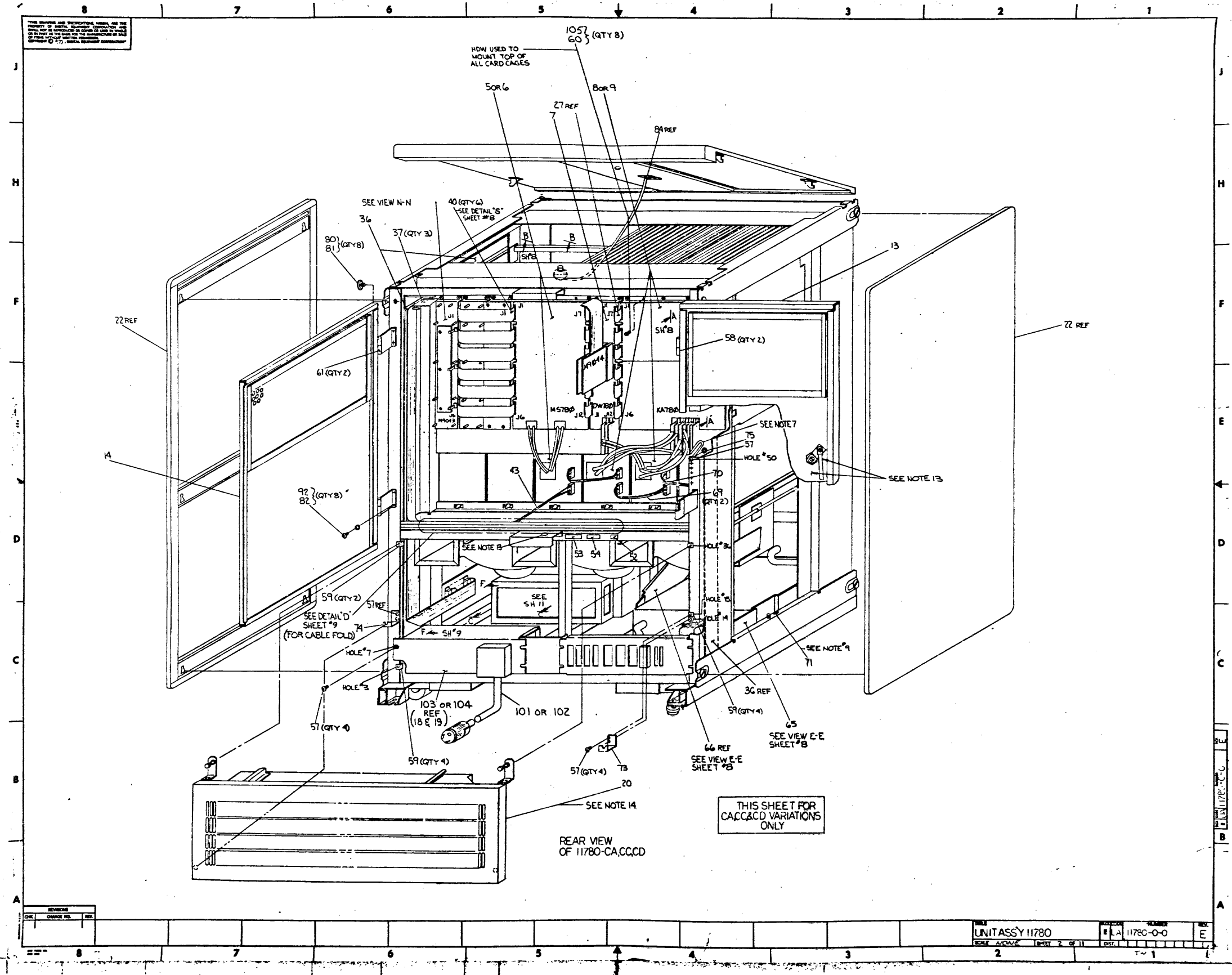
FRONT VIEW OF 11780-CA,CC,CD
 THIS SHEET FOR CA,CD&CC VARIATIONS ONLY
 FOR OPTIONS MOUNTING SEE SHEET 10

CAUTION: OFF SHEET PARTS LIST REFER TO K-PL-11780-0-DBP

| REV | DESCRIPTION | DATE | BY | CHKD |
|-----|-----------------------|-------|----------|------|
| 1 | ISSUED FOR PRODUCTION | 11/78 | J. BROWN | |
| 2 | REVISION | | | |
| 3 | REVISION | | | |
| 4 | REVISION | | | |
| 5 | REVISION | | | |
| 6 | REVISION | | | |
| 7 | REVISION | | | |
| 8 | REVISION | | | |

| DESCRIPTION | | QTY | UNIT PRICE | TOTAL PRICE |
|-------------|--------------------|-----|------------|-------------|
| 1 | UNIT ASSY 11780 | 1 | | |
| 2 | OPTIONAL EQUIPMENT | | | |
| 3 | OPTIONAL EQUIPMENT | | | |
| 4 | OPTIONAL EQUIPMENT | | | |
| 5 | OPTIONAL EQUIPMENT | | | |
| 6 | OPTIONAL EQUIPMENT | | | |
| 7 | OPTIONAL EQUIPMENT | | | |
| 8 | OPTIONAL EQUIPMENT | | | |
| 9 | OPTIONAL EQUIPMENT | | | |
| 10 | OPTIONAL EQUIPMENT | | | |
| 11 | OPTIONAL EQUIPMENT | | | |
| 12 | OPTIONAL EQUIPMENT | | | |
| 13 | OPTIONAL EQUIPMENT | | | |
| 14 | OPTIONAL EQUIPMENT | | | |
| 15 | OPTIONAL EQUIPMENT | | | |
| 16 | OPTIONAL EQUIPMENT | | | |
| 17 | OPTIONAL EQUIPMENT | | | |
| 18 | OPTIONAL EQUIPMENT | | | |
| 19 | OPTIONAL EQUIPMENT | | | |
| 20 | OPTIONAL EQUIPMENT | | | |
| 21 | OPTIONAL EQUIPMENT | | | |
| 22 | OPTIONAL EQUIPMENT | | | |
| 23 | OPTIONAL EQUIPMENT | | | |
| 24 | OPTIONAL EQUIPMENT | | | |
| 25 | OPTIONAL EQUIPMENT | | | |
| 26 | OPTIONAL EQUIPMENT | | | |
| 27 | OPTIONAL EQUIPMENT | | | |
| 28 | OPTIONAL EQUIPMENT | | | |
| 29 | OPTIONAL EQUIPMENT | | | |
| 30 | OPTIONAL EQUIPMENT | | | |
| 31 | OPTIONAL EQUIPMENT | | | |
| 32 | OPTIONAL EQUIPMENT | | | |
| 33 | OPTIONAL EQUIPMENT | | | |
| 34 | OPTIONAL EQUIPMENT | | | |
| 35 | OPTIONAL EQUIPMENT | | | |
| 36 | OPTIONAL EQUIPMENT | | | |
| 37 | OPTIONAL EQUIPMENT | | | |
| 38 | OPTIONAL EQUIPMENT | | | |
| 39 | OPTIONAL EQUIPMENT | | | |
| 40 | OPTIONAL EQUIPMENT | | | |
| 41 | OPTIONAL EQUIPMENT | | | |
| 42 | OPTIONAL EQUIPMENT | | | |
| 43 | OPTIONAL EQUIPMENT | | | |
| 44 | OPTIONAL EQUIPMENT | | | |
| 45 | OPTIONAL EQUIPMENT | | | |
| 46 | OPTIONAL EQUIPMENT | | | |
| 47 | OPTIONAL EQUIPMENT | | | |
| 48 | OPTIONAL EQUIPMENT | | | |
| 49 | OPTIONAL EQUIPMENT | | | |
| 50 | OPTIONAL EQUIPMENT | | | |
| 51 | OPTIONAL EQUIPMENT | | | |
| 52 | OPTIONAL EQUIPMENT | | | |
| 53 | OPTIONAL EQUIPMENT | | | |
| 54 | OPTIONAL EQUIPMENT | | | |
| 55 | OPTIONAL EQUIPMENT | | | |
| 56 | OPTIONAL EQUIPMENT | | | |
| 57 | OPTIONAL EQUIPMENT | | | |
| 58 | OPTIONAL EQUIPMENT | | | |
| 59 | OPTIONAL EQUIPMENT | | | |
| 60 | OPTIONAL EQUIPMENT | | | |
| 61 | OPTIONAL EQUIPMENT | | | |
| 62 | OPTIONAL EQUIPMENT | | | |
| 63 | OPTIONAL EQUIPMENT | | | |
| 64 | OPTIONAL EQUIPMENT | | | |
| 65 | OPTIONAL EQUIPMENT | | | |
| 66 | OPTIONAL EQUIPMENT | | | |
| 67 | OPTIONAL EQUIPMENT | | | |
| 68 | OPTIONAL EQUIPMENT | | | |
| 69 | OPTIONAL EQUIPMENT | | | |
| 70 | OPTIONAL EQUIPMENT | | | |
| 71 | OPTIONAL EQUIPMENT | | | |
| 72 | OPTIONAL EQUIPMENT | | | |
| 73 | OPTIONAL EQUIPMENT | | | |
| 74 | OPTIONAL EQUIPMENT | | | |
| 75 | OPTIONAL EQUIPMENT | | | |
| 76 | OPTIONAL EQUIPMENT | | | |
| 77 | OPTIONAL EQUIPMENT | | | |
| 78 | OPTIONAL EQUIPMENT | | | |
| 79 | OPTIONAL EQUIPMENT | | | |
| 80 | OPTIONAL EQUIPMENT | | | |
| 81 | OPTIONAL EQUIPMENT | | | |
| 82 | OPTIONAL EQUIPMENT | | | |

THIS DRAWING AND SPECIFICATION, HEREIN, AND THE SPECIFICATIONS OF OTHER DRAWINGS, SPECIFICATIONS, AND INSTRUCTIONS, ARE TO BE USED IN THE CONSTRUCTION AND REPAIR OF THE EQUIPMENT DESCRIBED HEREIN, AND TO BE USED AS THE BASIS FOR THE DESIGN AND CONSTRUCTION OF THE EQUIPMENT DESCRIBED HEREIN.

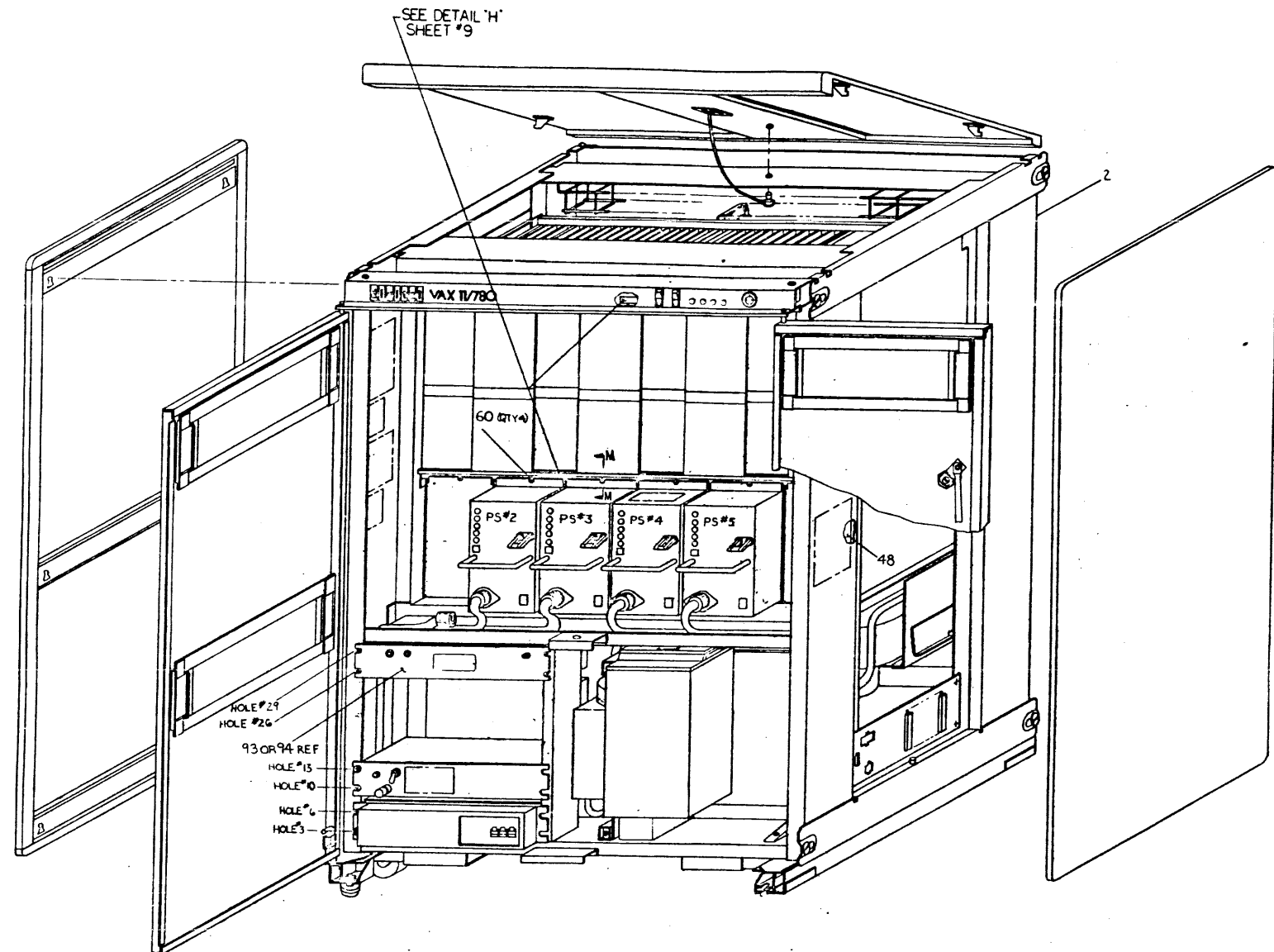


| REV | DESCRIPTION | DATE | BY | CHKD |
|-----|-------------|------|----|------|
| | | | | |

UNITASSY 11780
SCALE AS SHOWN SHEET 2 OF 11
11780-0-0
E

THIS DRAWING IS UNCLASSIFIED, UNLESS, IN THE
 CASE OF A DRAWING OF A PROPRIETARY SYSTEM,
 THE PROPRIETARY RIGHTS ARE INDICATED BY A
 NOTICE ON THE DRAWING. DATE OF THIS
 NOTICE IS 1977. SOURCE: NATIONAL ARCHIVES

| LEGEND | |
|----------|---------------|
| NUMBER | VARIATION |
| 11780-DA | 20/205V 50W/E |
| 11780-DD | 20/241V 50W/E |
| 11780-DC | 20/205V 50W/E |



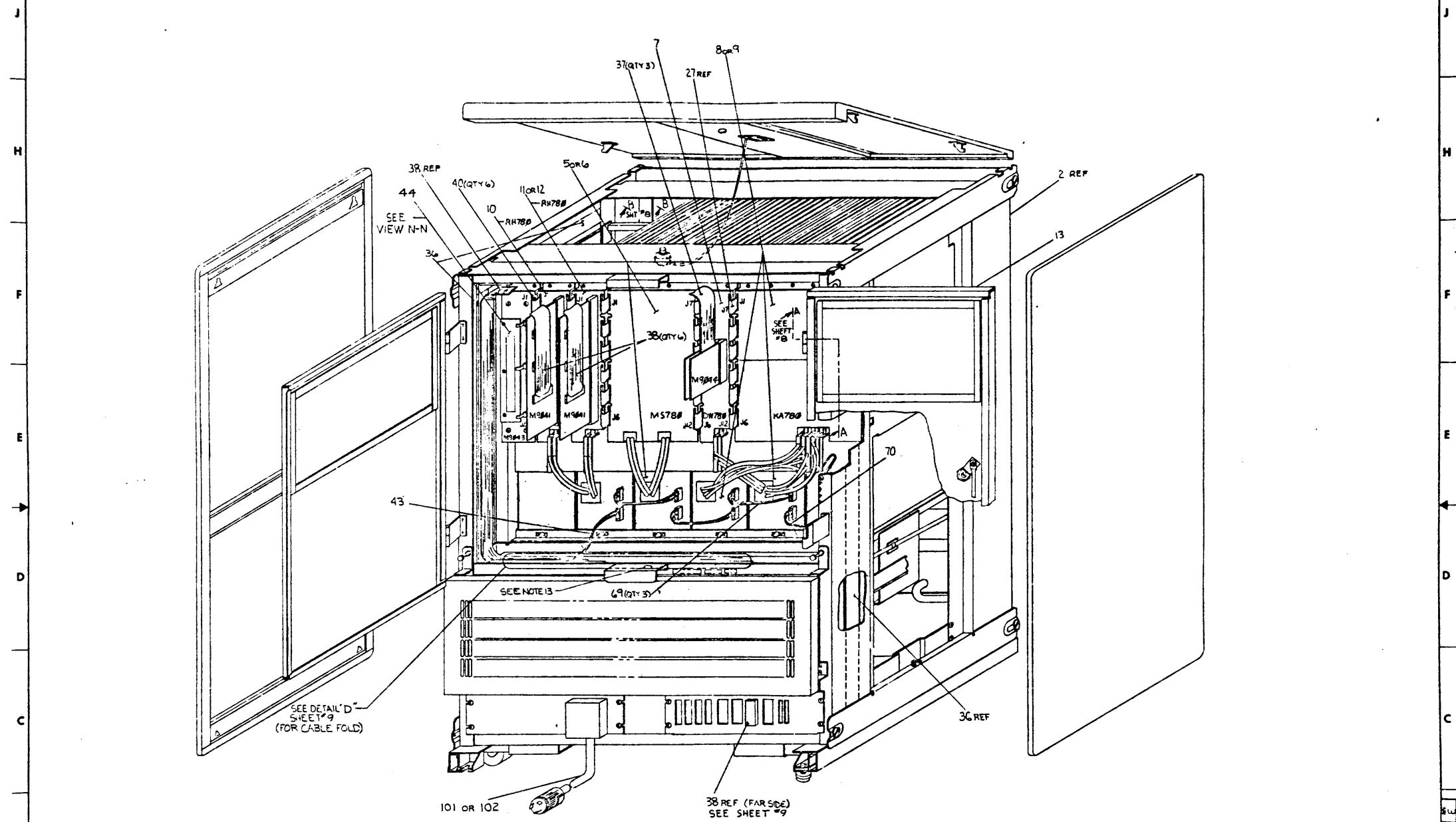
FRONT VIEW OF 11780-DA,DC,DD
 PART NUMBERS, ADDITIONAL VIEWS, AND NOTES
 FOR DA, DC (DD VARIATIONS ARE SAME AS CA, CC (CD
 VARIATIONS (SEE SHEET 1,2,8 (9) EXCEPT FOR PARTS SHOWN)

THIS SHEET FOR
 DA,DC & DC VARIATIONS
 ONLY
 FOR OPTIONS MOUNTING
 SEE SHEET 10

| REV | DATE | BY | CHK | DESCRIPTION |
|-----|------|----|-----|-------------|
| | | | | |

| | | | | |
|--------------------------|------------------|-------------------------|--|----------|
| TITLE UNIT ASSY 11780 | | DESIGN NO. 11780-0-0 | | REV E |
| SCALE NONE | SHEET 3 OF 11 | DATE | | |

THIS DRAWING AND SPECIFICATIONS HEREBY ARE THE PROPERTY OF THE U.S. GOVERNMENT AND ARE TO BE REPRODUCED AND TRANSMITTED IN ANY FORM OR BY ANY MEANS, ELECTRONIC OR MECHANICAL, INCLUDING PHOTOCOPYING, RECORDING, OR BY ANY INFORMATION STORAGE AND RETRIEVAL SYSTEM, WITHOUT PERMISSION IN WRITING FROM THE U.S. GOVERNMENT PRINTING OFFICE: 1977



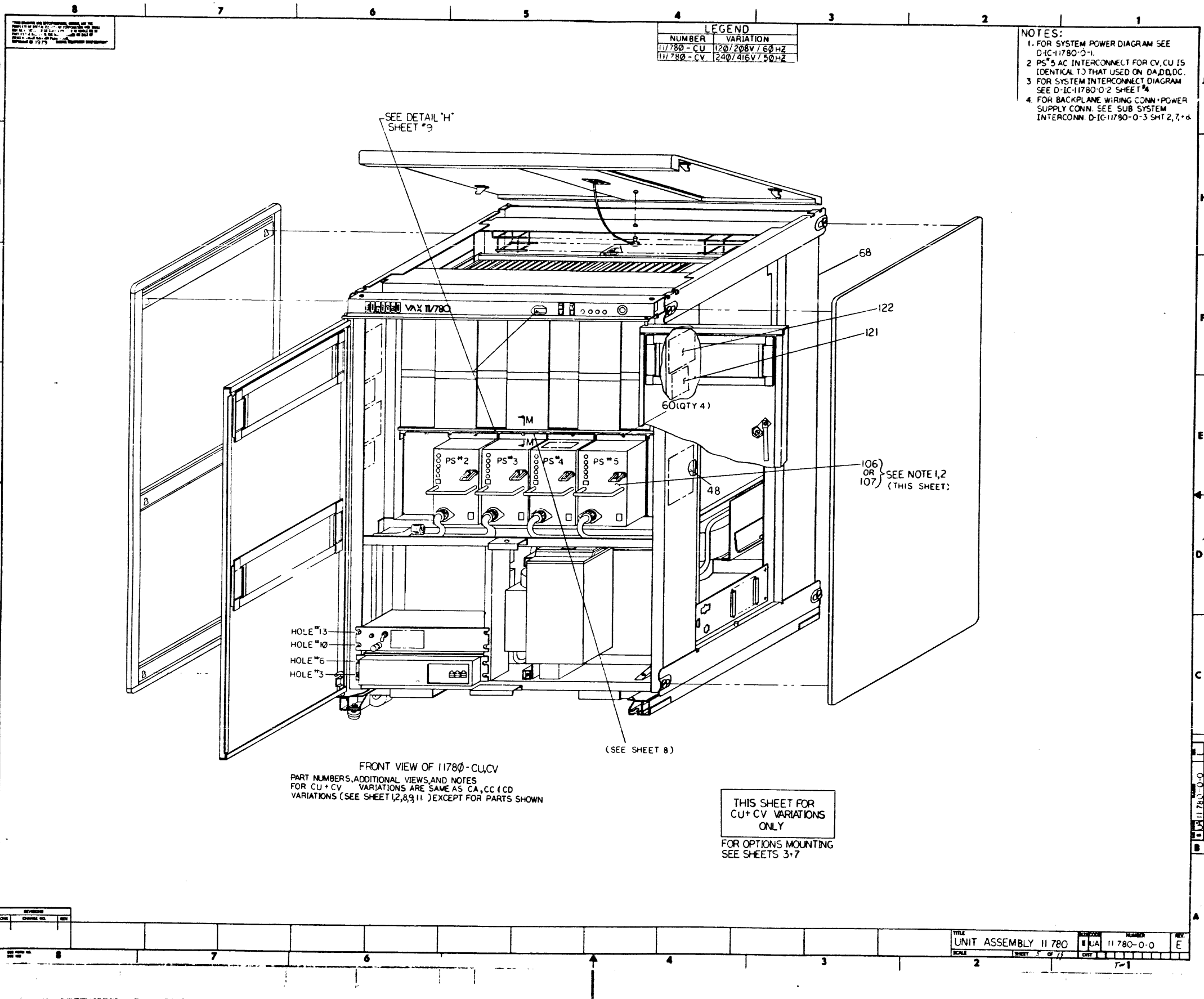
REAR VIEW OF 11780-DA,DC,DD
 PART NUMBERS, ADDITIONAL VIEWS, AND NOTES FOR
 DA,DC,DD VARIATIONS ARE SAME AS CA,C,C&D
 VARIATIONS (SEE SHEET 12,8&9) EXCEPT FOR PARTS SHOWN

THIS SHEET FOR
 DA,DC&DD VARIATIONS
 ONLY
 FOR OPTIONS MOUNTING
 SEE SHEET 10

| REVISIONS | | |
|-----------|------------|------|
| NO. | CHANGE NO. | REV. |
| | | |

| | | | | | |
|-------|-----------------|----------|---------|----------|--|
| TITLE | UNIT ASSY 11780 | QUANTITY | 1 | REVISION | |
| SCALE | | SHEET | 4 OF 11 | DATE | |
| | | | | | |

11780-0-0 E



| LEGEND | |
|------------|------------------|
| NUMBER | VARIATION |
| 11780 - CU | 120/208V / 60-HZ |
| 11780 - CV | 240/416V / 50-HZ |

- NOTES:
1. FOR SYSTEM POWER DIAGRAM SEE D-IC-11780-0-1.
 2. PS#5 AC INTERCONNECT FOR CV,CU IS IDENTICAL TO THAT USED ON DA,D,DC.
 3. FOR SYSTEM INTERCONNECT DIAGRAM SEE D-IC-11780-0-2 SHEET #4.
 4. FOR BACKPLANE WIRING CONN+POWER SUPPLY CONN. SEE SUB SYSTEM INTERCONN. D-IC-11780-0-3 SHT 2,7,4.

FRONT VIEW OF 11780-CU,CV
 PART NUMBERS, ADDITIONAL VIEWS, AND NOTES
 FOR CU+CV VARIATIONS ARE SAME AS CA,CC & CD
 VARIATIONS (SEE SHEET 1,2,8,9,11) EXCEPT FOR PARTS SHOWN

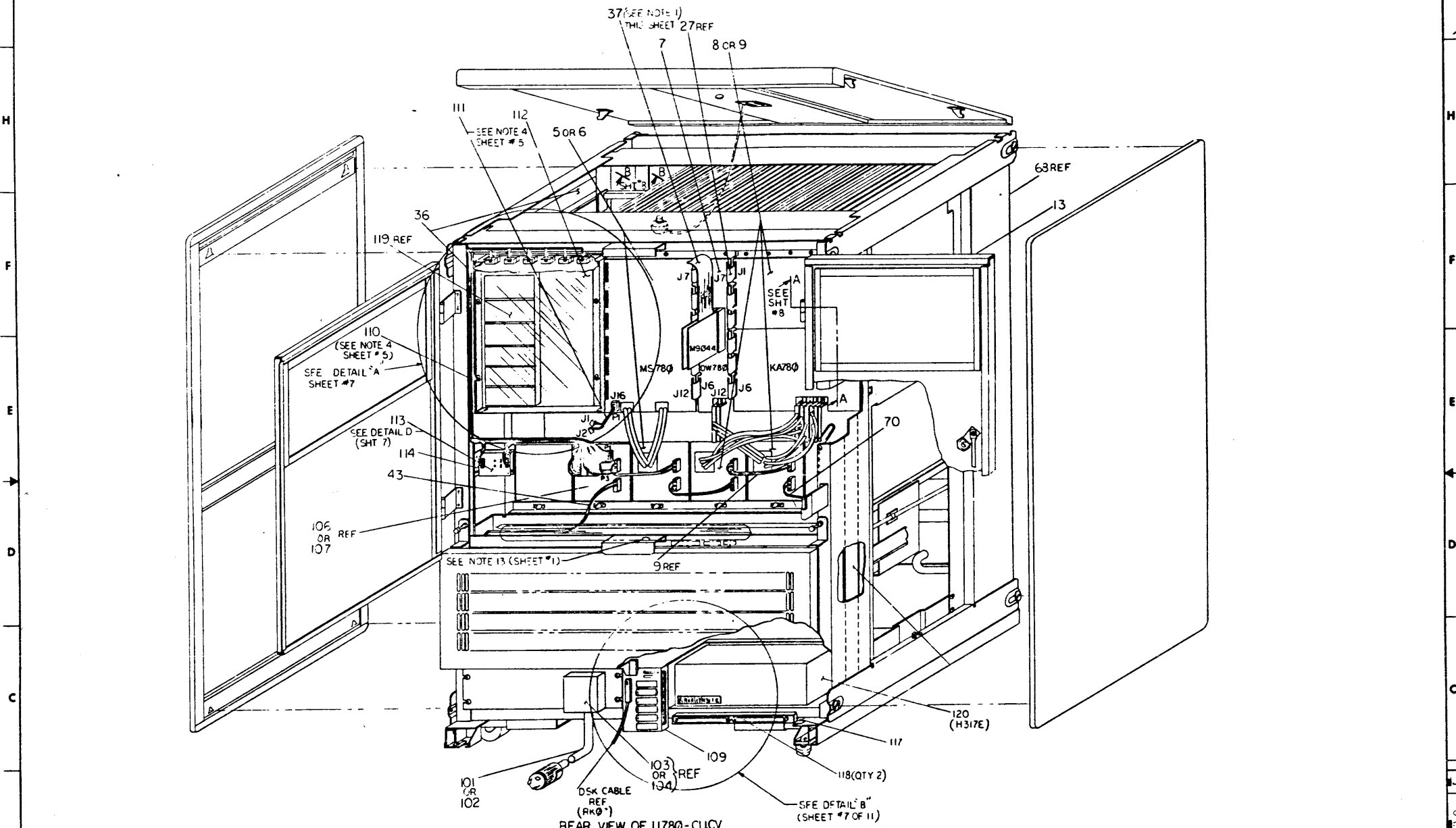
THIS SHEET FOR
 CU+CV VARIATIONS
 ONLY
 FOR OPTIONS MOUNTING
 SEE SHEETS 3-7

| REV | DESCRIPTION | DATE |
|-----|-------------|------|
| | | |

| | | | |
|-------|---------------------|--------|-----------|
| TITLE | UNIT ASSEMBLY 11780 | REV | E |
| SCALE | 1:1 | DESIGN | LA |
| SHEET | 3 OF 11 | NUMBER | 11780-0-0 |

THIS DRAWING AND SPECIFICATIONS, NOTES, AND THE INFORMATION CONTAINED THEREIN ARE THE PROPERTY OF THE UNITED STATES GOVERNMENT AND ARE TO BE RELEASED TO THE PUBLIC IN WHOLE OR IN PART WITHOUT LIMITATION. DATE OF RELEASE IS UNLIMITED.

NOTES:
 1. ITEM 37 (UNIBUS CABLES) ARE TO BE GRESSED AND FOLDED BACK ON THEMSELVES IN THE CABLE THROUGH AND THEN ROUTED FOLD IN THE CARD CAGE (ITEM 108).



REAR VIEW OF 11780-CUCV
 PART NUMBERS, ADDITIONAL VIEWS, AND NOTES FOR CU+CV VARIATIONS ARE SAME AS CA CC & CD VARIATIONS (SEE SHTS 12, 13, 11) EXCEPT FOR PARTS SHOWN

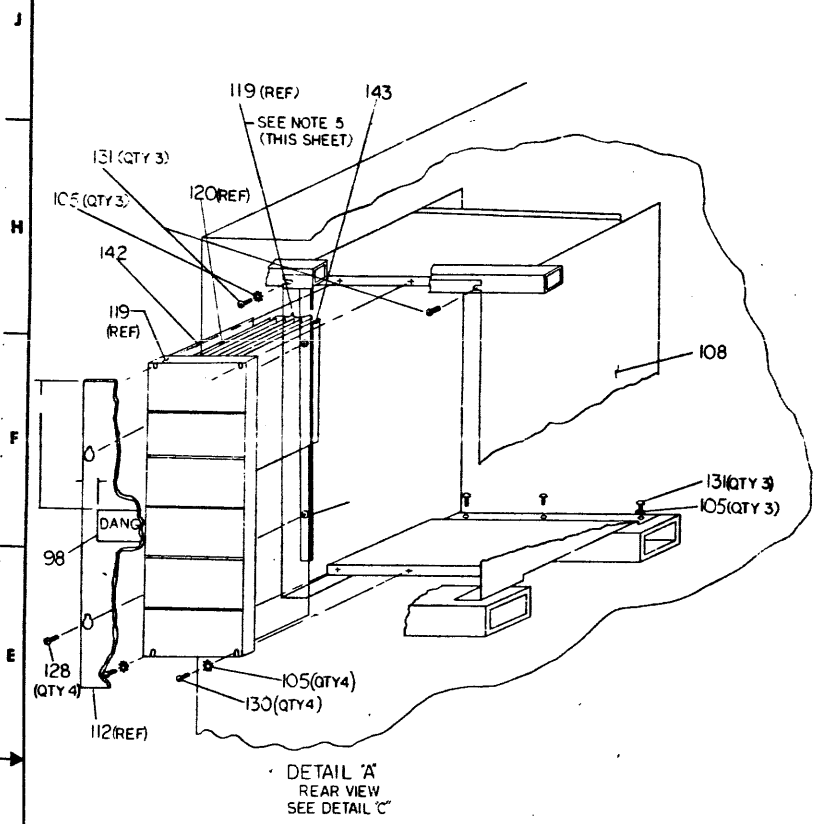
THIS SHEET FOR CU+CV VARIATIONS ONLY
 FOR OPTIONS MOUNTING SEE SHEET 7:10

| REV | DESCRIPTION | DATE |
|-----|-------------|------|
| | | |

| | | |
|---------------------|-----------|---|
| UNIT ASSEMBLY 11780 | 11780-0-0 | E |
|---------------------|-----------|---|

11780-0

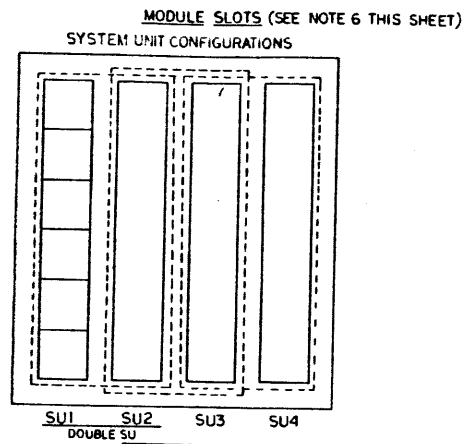
8 7 6 5 4 3 2 1



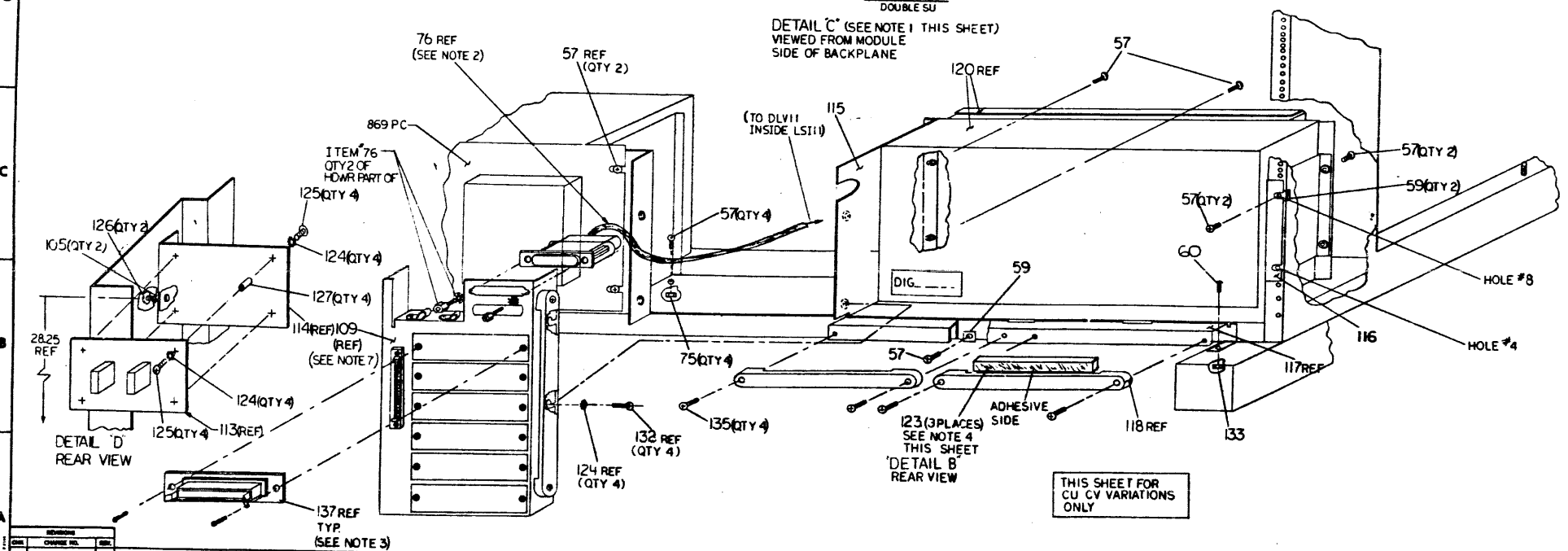
MODULE UTILIZATION

| | | | | | | | | | | | | | | | | | |
|--|---|---|---|---|---|---|---|---|---|---|---|---|---|---|---|---|---|
| UNIBUS EXPANSION SPACE | M | 9 | 3 | 0 | 2 | M | 9 | 0 | 1 | M | 9 | 0 | 1 | M | 9 | 0 | 1 |
| 7-HEX, 2-QUAD (DDII-DK) OR 4-HEX, 4-QUAD (2 DDII-CK) | M | 7 | 7 | 7 | 7 | H | 4 | H | 4 | H | 4 | H | 4 | H | 4 | H | 4 |
| | 9 | 9 | 9 | 9 | 8 | S | U | S | P | A | C | S | S | S | S | S | S |
| | 0 | 0 | 0 | 0 | 1 | L | O | C | K | E | T | L | O | C | K | E | T |
| | 0 | 1 | 2 | 3 | 4 | | | | | | | | | | | | |

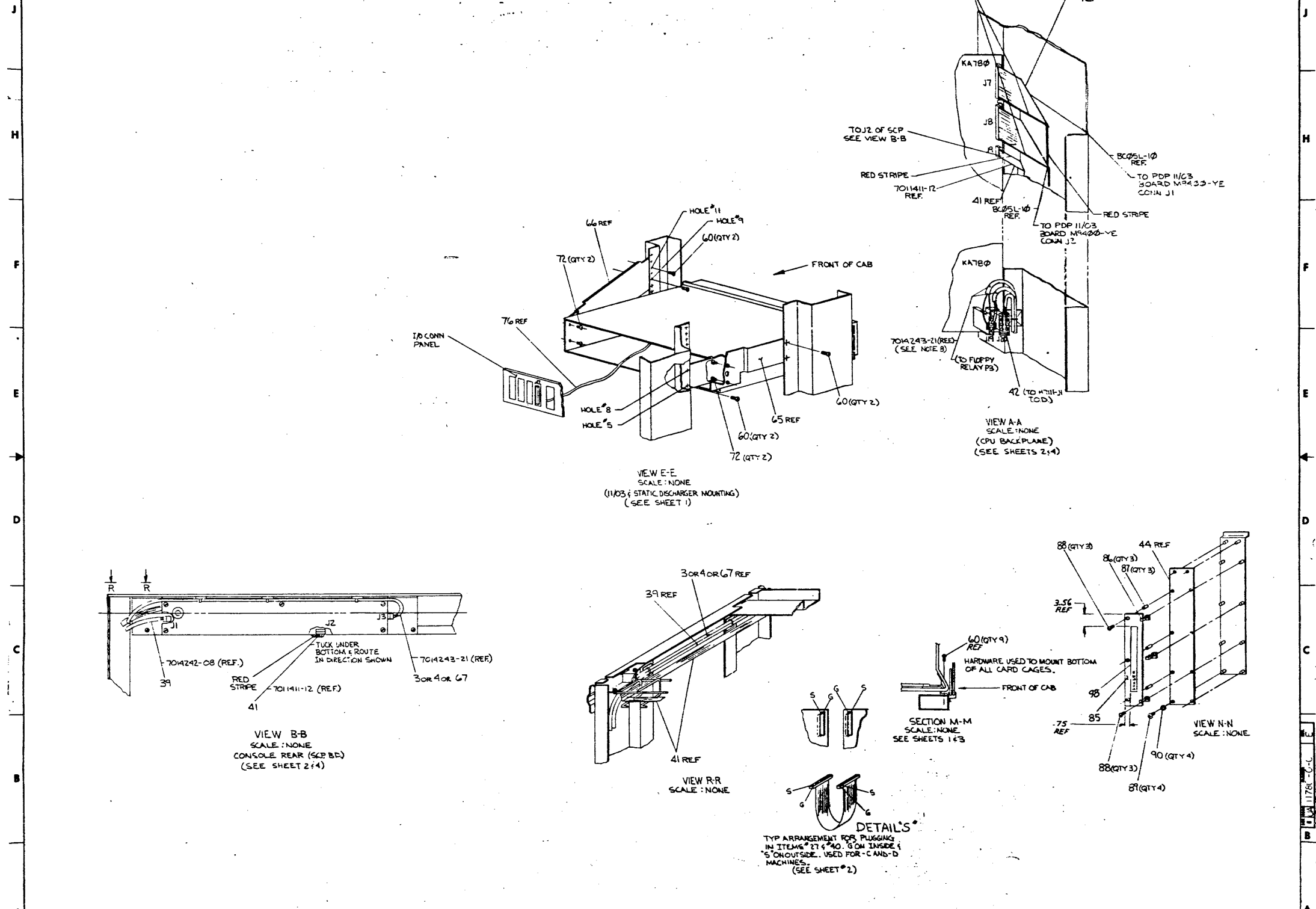
19 18 17 16 15 14 13 12 11 10 9 8 7 6 5 4 3 2 1



- NOTES:
1. THE STANDARD CONFIGURATION CONSISTS OF A DOUBLE SYSTEM UNIT (RK611-BACKPLANE) IN SU3 & SU4. THIS SYSTEM UNIT HOUSES THE RK611 CONTROL MODULES AND THE DZ11-A CONTROLLER. THE REMAINING SPACE IS FOR ADDITIONAL UNIBUS EXPANSION.
 2. THIS CABLE IS SUPPLIED WITH THE KC780 OPTION. THE CABLE COMES WITH AN ADAPTER MOUNTING PLATE WHICH MUST BE REMOVED BEFORE CONNECTOR IS MOUNTED TO ITEM 109.
 3. ITEM 137 IS SUPPLIED WITH OPTIONS THAT REQUIRE CONNECTION TO AN EXTERNAL DEVICE, (I.E. LPI, CRII, LAII, DRII-B ETC.) THRU A 40 CONDUCTOR CABLE (8026K, MIRROR IMAGE CABLE) ITEM 136. BOTH ITEMS ARE CALLED OUT PER OPTION BASIS AT HIGHER LEVEL DOCUMENTATION.
 4. ITEM 123 ADHESIVE BACK FOAM TO BE APPLIED TO INSIDE OF ITEM 118 (CABLE HOLD DOWN BAR) AS SHOWN. EACH PIECE OF FOAM TO BE 6" LONG.
 5. GND WIRE ON BACKPLANES (I.E. DDII-DK, RK611 ETC.) IS NOT TO BE CONNECTED TO FRAME AS THERE IS ALREADY A SINGLE POINT GND TO THE FRAME. (SEE D-C-11720-0-3 ITEM 35) USE HEAT SHRINK TUBING TO COVER GND LUG.
 6. ALL UNIBUS SPC SLOTS NOT CONFIGURED WITH AN OPTION MUST HAVE A GRANT CONTINUITY CARD (G727A) PLUGGED INTO SECTION "D" OF THAT SLOT.
 7. ITEM 109 SHOULD BE REMOVED AN REPACKAGED PER PACKING INSTRUCTIONS (A-SP-3700544-00) FOR SHIPPING PURPOSES.



THIS DRAWING AND SPECIFICATIONS, HEREIN, ARE THE PROPERTY OF BULLOCK ENGINEERING COMPANY AND SHALL BE KEPT IN CONFIDENCE AND NOT TO BE REPRODUCED OR COPIED IN WHOLE OR IN PART WITHOUT THE WRITTEN CONSENT OF BULLOCK ENGINEERING COMPANY.



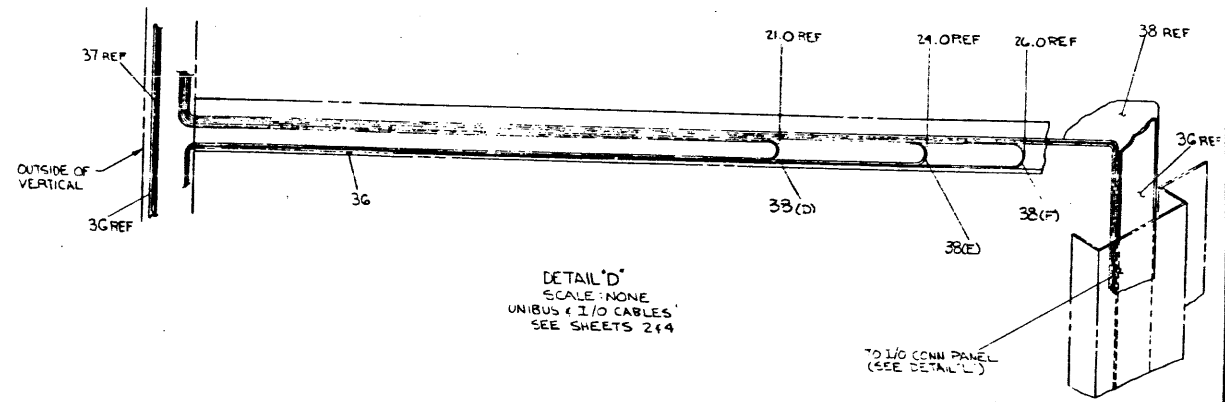
| REVISIONS | | |
|-----------|-----------|------|
| NO. | CHANGE BY | DATE |
| | | |

| | | | |
|-------|-----------|----------|--------------|
| TITLE | UNIT ASSY | REVISION | NUMBER |
| | 11780 | 8 | LA 11780-C-0 |
| SCALE | NONE | SHEET | 13 OF 11 |
| | | DATE | T-1 |

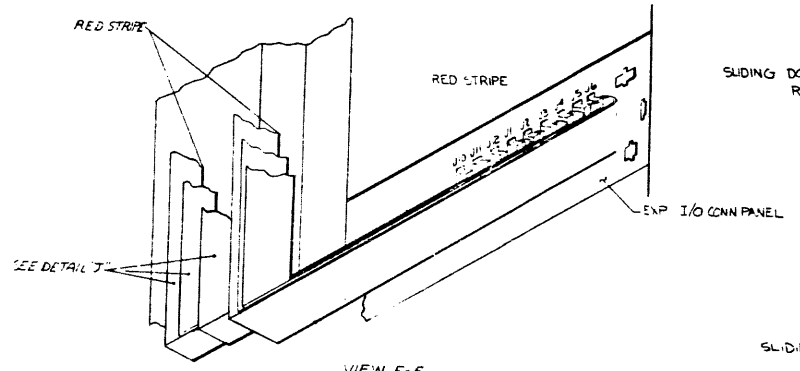
THIS DRAWING IS PREPARED FROM THE DESIGN OF THE SYSTEMS ENGINEER. IT IS THE RESPONSIBILITY OF THE SYSTEMS ENGINEER TO VERIFY THE CORRECTNESS OF THE DATA AND TO PROVIDE THE NECESSARY INFORMATION TO THE MANUFACTURER.

| ITEM NO. | REF DEC | FROM | TO | REMARKS |
|----------|---------|----------|--------------|-------------|
| 37 | A | M9042-J1 | I/O PANEL-J2 | C VARIATION |
| 37 | B | M9042-J2 | I/O PANEL-J3 | C VARIATION |
| 37 | C | M9042-J3 | I/O PANEL-J1 | C VARIATION |
| 38 | D | M9041-A | I/O PANEL-J1 | D VARIATION |
| 38 | E | M9041-B | I/O PANEL-J3 | D VARIATION |
| 38 | F | M9041-C | I/O PANEL-J4 | D VARIATION |
| 38 | G | M9041-A | I/O PANEL-J3 | D VARIATION |
| 38 | H | M9041-B | I/O PANEL-J3 | D VARIATION |
| 38 | J | M9041-C | I/O PANEL-J3 | D VARIATION |

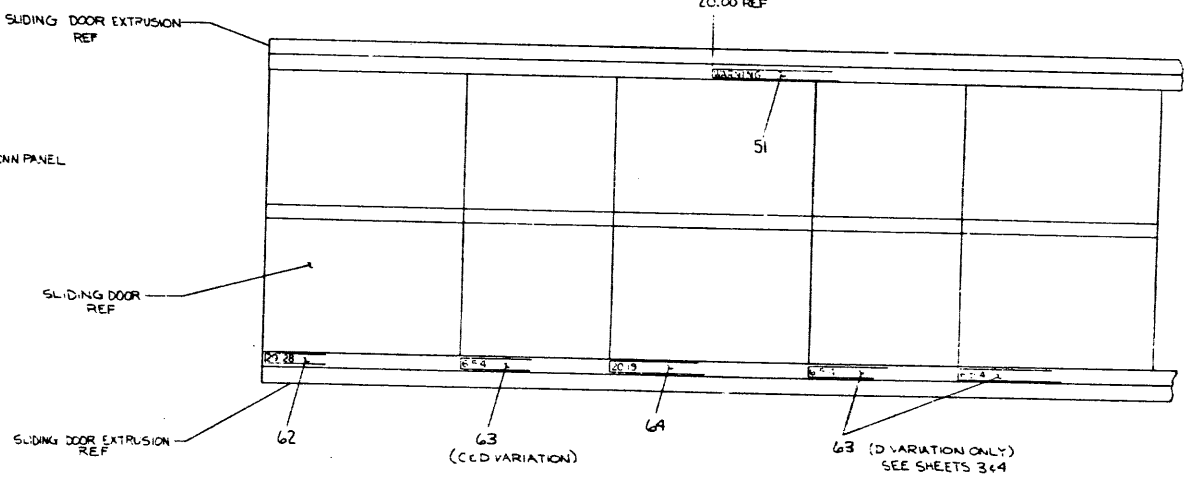
EXP I/O CONN PANEL
I/O CONN PANEL



DETAIL D
SCALE: NONE
UNIBUS & I/O CABLES
SEE SHEETS 214

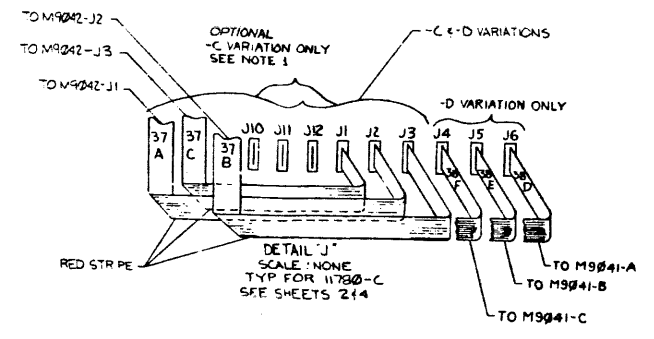


VIEW F-F
SCALE: NONE
(CABLE OR CONN. PANEL)
SEE SHEET 2



DETAIL H
SCALE: NONE
CARD CAGE SLOT NUMBERING DECALS
SEE SHEETS 113
SEE NOTE 16 (SHEET 1)

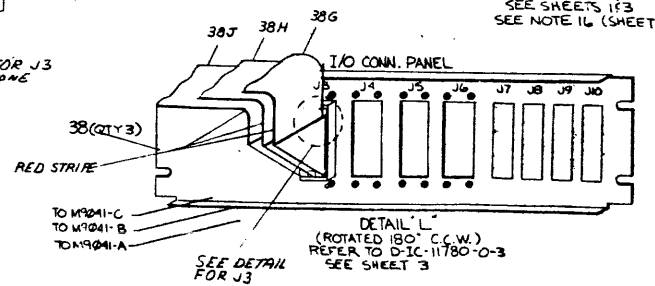
NOTES:
1 CONNECTORS J10, J11, J12 OF EXP I/O CONN. PANEL ARE USED FOR EXPANSION CONFIGURATIONS.



DETAIL J
SCALE: NONE
TYP FOR 11780-C
SEE SHEETS 214



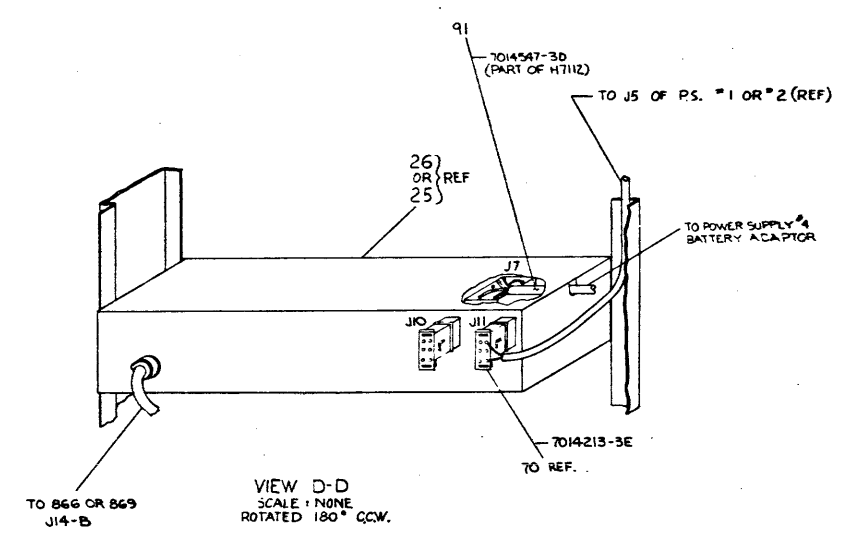
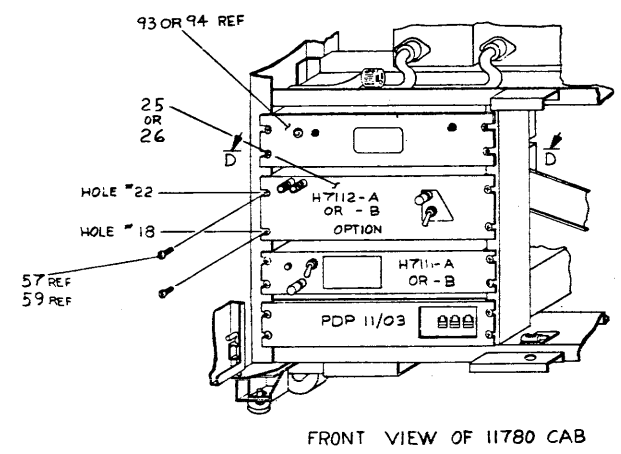
DETAIL FOR J3
SCALE: NONE



DETAIL L
(ROTATED 180° C.C.W.)
REFER TO D-IC-11780-0-3
SEE SHEET 3

| REV | DATE | BY | CHK | CHANGE NO. |
|-----|------|----|-----|------------|
| | | | | |

THIS DRAWING AND SPECIFICATIONS SHALL BE THE PROPERTY OF THE UNITED STATES GOVERNMENT AND SHALL NOT BE REPRODUCED OR COPIED IN WHOLE OR IN PART WITHOUT THE WRITTEN PERMISSION OF THE GOVERNMENT.



THIS SHEET FOR
 11780 OPTIONS ONLY

| REV. | DESCRIPTION | DATE | BY | CHKD. | APP'D. | QTY. | UNIT | PRICE | TOTAL |
|------|---------------|------|----|-------|--------|------|------|-------|-------|
| 1 | INITIAL ISSUE | | | | | | | | |
| 2 | REVISION | | | | | | | | |
| 3 | REVISION | | | | | | | | |
| 4 | REVISION | | | | | | | | |
| 5 | REVISION | | | | | | | | |
| 6 | REVISION | | | | | | | | |
| 7 | REVISION | | | | | | | | |
| 8 | REVISION | | | | | | | | |

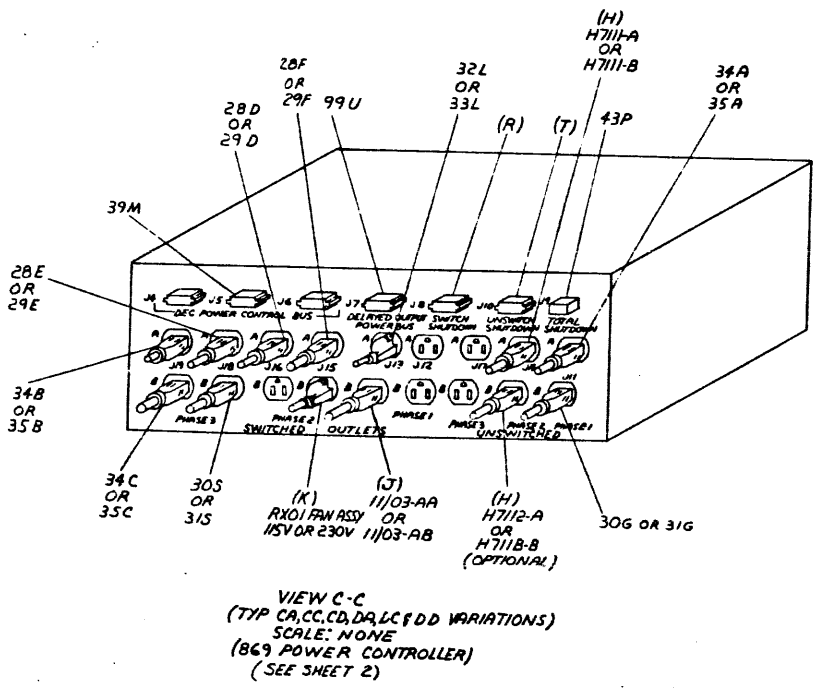
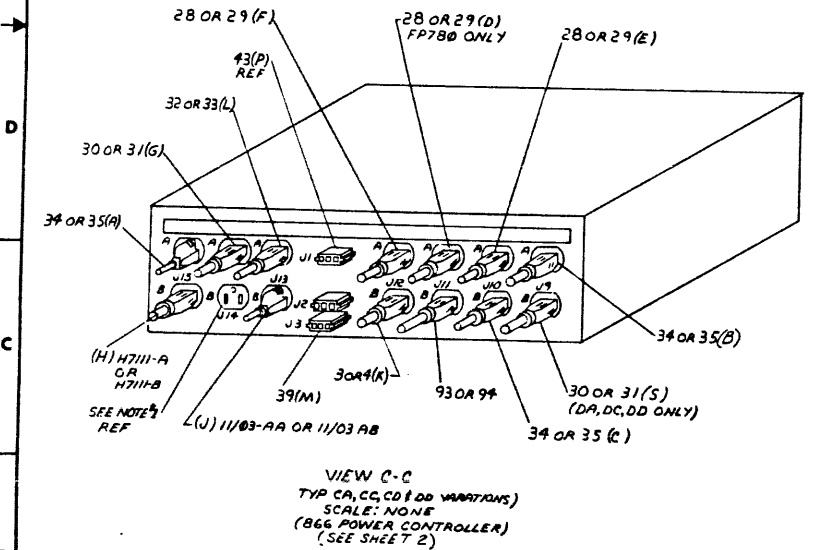
UNIT ASSY 11780
 11780-0-0
 SHEET 10 OF 11

UNIT ASSY 11780-0-0

THIS DRAWING AND ASSOCIATED PARTS LIST ARE THE PROPERTY OF THE UNITED STATES GOVERNMENT AND ARE LOANED TO YOU. IT IS TO BE USED FOR THE PURPOSES SPECIFIED IN THE CONTRACT. IT IS TO BE RETURNED TO THE SOURCE OF ORIGIN UPON COMPLETION OF THE WORK. IT IS NOT TO BE REPRODUCED OR TRANSMITTED IN ANY FORM OR BY ANY MEANS, ELECTRONIC OR MECHANICAL, INCLUDING PHOTOCOPYING, RECORDING, OR BY ANY INFORMATION STORAGE AND RETRIEVAL SYSTEM.

| ITEM REF | PART NUMBER | FROM | TO | REMARKS |
|----------|----------------|-------|---------------|-------------|
| 34 A | 70M323-06 | J15-A | BLOWER #2 | 115V |
| 35 A | 70M324-06 | J19-A | BLOWER #2 | 230V |
| 34 B | 70M323-06 | J19-A | BLOWER #1 | 115V |
| 35 B | 70M324-06 | J19-A | BLOWER #1 | 230V |
| 34 C | 70M323-06 | J10-B | BLOWER #3 | 115V |
| 35 C | 70M324-06 | J10-B | BLOWER #3 | 230V |
| 28 D | 9107673-09 | J11-A | PS #1-J1 | 115V |
| 29 D | 70M308-09 | J11-A | PS #1-J1 | 230V |
| 28 E | 9107673-09 | J10-A | PS #2-J1 | 115V |
| 29 E | 70M308-09 | J10-A | PS #2-J1 | 230V |
| 28 F | 9107673-09 | J12-A | PS #3-J1 | 115V |
| 29 F | 70M308-09 | J12-A | PS #3-J1 | 230V |
| 30 G | 9107673-06 | J14-A | PS #4-J1 | 115V |
| 31 G | 70M308-06 | J14-A | PS #4-J1 | 230V |
| M | | J15-B | H7111-A | 115V |
| N | | J15-B | H7111-B | 230V |
| L | | J13-B | POP#1/83-AA | 115V |
| U | | J13-B | POP#1/83-AB | 230V |
| K | D-AD-703928-00 | J15-B | RXB1 FAN ASSY | 115V |
| K | D-AD-703928-01 | J15-B | RXB1 FAN ASSY | 230V |
| L | 9107673-03 | J13-A | RYB1 RELAY #1 | 115V |
| L | 70M308-03 | J13-A | RYB1 RELAY #1 | 230V |
| M | C-2A-70M242-00 | J3 | SCP-J1 | 115V & 230V |
| P | 70M213-4A | J1 | PS #4-J4 | |
| R | 70S036-00 | J11-B | PS #5-U1 | 115V |
| R | 70S036-01 | J11-B | PS #5-U1 | 230V |
| S | 9107673-06 | J4-B | PS #5-U1 | 115V |
| S | 70M308-06 | J4-B | PS #5-U1 | 230V |

| ITEM REF | PART NUMBER | FROM | TO | REMARKS |
|----------|----------------|-------|---------------|-------------|
| 34 A | 70M323-06 | J11-A | BLOWER #2 | 115V |
| 35 A | 70M324-06 | J11-A | BLOWER #2 | 230V |
| 34 B | 70M323-06 | J19-A | BLOWER #1 | 115V |
| 35 B | 70M324-06 | J19-A | BLOWER #1 | 230V |
| 34 C | 70M323-06 | J10-B | BLOWER #3 | 115V |
| 35 C | 70M324-06 | J10-B | BLOWER #3 | 230V |
| 28 D | 9107673-09 | J16-A | PS #1-J1 | 115V |
| 29 D | 70M308-09 | J16-A | PS #1-J1 | 230V |
| 28 E | 9107673-09 | J18-A | PS #2-J1 | 115V |
| 29 E | 70M308-09 | J18-A | PS #2-J1 | 230V |
| 28 F | 9107673-09 | J15-A | PS #3-J1 | 115V |
| 29 F | 70M308-09 | J15-A | PS #3-J1 | 230V |
| 30 G | 9107673-06 | J11-B | PS #4-J1 | 115V |
| 31 G | 70M308-06 | J11-B | PS #4-J1 | 230V |
| M | | J14-A | H7111-A | 115V |
| N | | J14-A | H7111-B | 230V |
| U | | J12-B | POP#1/83-AA | 115V |
| U | | J12-B | POP#1/83-AB | 230V |
| K | D-AD-703928-00 | J15-B | RXB1 FAN ASSY | 115V |
| K | D-AD-703928-01 | J15-B | RXB1 FAN ASSY | 230V |
| L | 9107673-03 | J13-A | RYB1 RELAY #1 | 115V |
| L | 70M308-03 | J13-A | RYB1 RELAY #1 | 230V |
| M | C-2A-70M242-00 | J5 | SCP-J1 | 115V & 230V |
| P | 70M213-4A | J9 | PS #4-J4 | |
| S | 9107673-06 | J8-B | PS #5-U1 | 115V |
| S | 70M308-06 | J8-B | PS #5-U1 | 230V |
| T | 70M319-00 | J8 | AFS2 | |
| U | 70S442-02 | J7 | J8 2/O EXP | |
| V | | J14-B | H7111-A | 115V |
| V | | J14-B | H7111-B | 230V |



THIS DRAWING AND SPECIFICATIONS, HEREIN ARE THE PROPERTY OF DIGITAL EQUIPMENT CORPORATION AND SHALL NOT BE REPRODUCED OR COPIED OR USED IN WHOLE OR IN PART AS THE BASIS FOR THE MANUFACTURE OR SALE OF ITEMS WITHOUT WRITTEN PERMISSION. COPYRIGHT © 1977, DIGITAL EQUIPMENT CORPORATION

| ITEM NO. | DWG/PART NO. | DESCRIPTION | 11780-0-0 | | | | | | | |
|----------|---------------------------|--|--------------|--------------|--------------|--------------|--------------|--------------|--------------|--------------|
| | | | 11780-CA | 11780-CD | 11780-CC | 11780-DA | 11780-DD | 11780-DC | 11780-CU | 11780-CV |
| 44 | E-UA-M9843-0-0 | SBI FAR END TERMINATOR | 1 | 1 | 1 | 1 | 1 | 1 | | |
| 45 | 3614746-00 | LABEL, MODULE UTILIZATION MS780 | REF | | | | | | REF | REF |
| 46 | 3614747-00 | LABEL, MODULE UTILIZATION RH780 | REF | | | | | | | |
| 47 | 3614745-00 | LABEL, MODULE UTILIZATION KA780 | 1 | 1 | 1 | 1 | 1 | 1 | | |
| 48 | 3614849-00 | 11780 SYSTEM REV DECAL | 1 | 1 | 1 | 1 | 1 | 1 | | |
| 49 | 3614743-00 | LABEL, MEMORY POWER SUPPLY | REF | | | | | | REF | REF |
| 50 | 3614748-00 | LABEL, MODULE UTILIZATION DW780 | REF | | | | | | REF | REF |
| 51 | 3614744-00 | LABEL, WARNING MS780 | REF | | | | | | REF | REF |
| 52 | A-DC-7416197-C2 | DECAL, UL LISTED EDP | 1 | 1 | 1 | 1 | 1 | 1 | | |
| 53 | 3613210-00 | LABEL, ADHESIVE BACKED, ELECTRICAL DATA | 1 | 1 | 1 | 1 | 1 | 1 | | |
| 54 | 3613211-01 | LABEL, ADHESIVE BACKED, CSA, PRINT (BLK) | 1 | 1 | 1 | 1 | 1 | 1 | | |
| 55 | 1213126-05 | HINGE, RELEASE ASSY LATCHING (LEFT) | 1 | 1 | 1 | 1 | 1 | 1 | | |
| 56 | 9006563-00 | NUT, KEP 8 - 32 | 2 | 2 | 2 | 2 | 2 | 2 | | |
| 57 | 9009700-00 | SCR, SEMS PH HD TRUSS 10 - 32 x .50 | 29 | 29 | 29 | 34 | 34 | 34 | 38 | 38 |
| 58 | C-IA-7011547-0-0 | HINGE BRACKET ASSY (R.H.) | 2 | 2 | 2 | 2 | 2 | 2 | | |
| 59 | 9007786-00 | RETAINER "U" NUT #10 - 32 | 22 | 22 | 22 | 22 | 22 | 25 | 25 | |
| 60 | 9006037-0-0 | SCR PH HD #8-32x.375 | 15 | 15 | 15 | 15 | 15 | 15 | | |
| 61 | C-IA-7011547-1-0 | HINGE BRACKET ASSY (L.H.) | 2 | 2 | 2 | 2 | 2 | 2 | | |
| 62 | 3613281-05 | LABEL, ADHESIVE BACKED PRINT (29 SLOT) | 1 | 1 | 1 | 1 | 1 | 1 | | |
| 63 | 3613281-03 | LABEL, ADHESIVE BACKED PRINT (6 SLOT) | REF | | | | | | REF | REF |
| 64 | 3613281-04 | LABEL, ADHESIVE BACKED PRINT (20 SLOT) | REF | | | | | | REF | REF |
| 65 | C-IA-7418178-0-0 | BRACKET SUPPORT L.H. (1103) | 1 | 1 | 1 | 1 | 1 | 1 | | |
| 66 | D-IA-7418962-0-0 | BRACKET SUPPORT R.H. (1103) | 1 | 1 | 1 | 1 | 1 | 1 | | |
| 67 | E-UA-KC780-AC-0 | KC780 CONSOLE ASSY (115V 50 HZ) | - | - | 1 | - | - | 1 | - | - |
| 68 | E-AD-7013723-2-0 | CAB AND MECH ASSY | - | - | - | - | - | 1 | 1 | |
| 69 | D-IA-7014213-OK-0 | CABLE OVER TEMP. | 1 | 1 | 1 | 1 | 1 | 1 | | |
| 70 | D-IA-7014213-3E-0 | CABLE OVER TEMP. | 1 | 1 | 1 | 1 | 1 | 1 | | |
| 71 | 3613272-0-0 | LABEL, ADHESIVE BACKED GND SYMBOL | 2 | 2 | 2 | 2 | 2 | 2 | | |
| 72 | 9006020-02 | SCR, FT PH HD #6-32x.25 | 4 | 4 | 4 | 4 | 4 | 4 | | |
| 73 | B-MD-7418734-01-0 | HANGER BRACKET (R.H.) | 1 | 1 | 1 | 1 | 1 | 1 | | |
| 74 | B-MD-7418734-00-0 | HANGER BRACKET (L.H.) | 1 | 1 | 1 | 1 | 1 | 1 | | |
| 75 | 9006565-00 | NUT KEPS 10 - 32 | 1 | 1 | 1 | 1 | 1 | 5 | 5 | |
| 76 | D-UA-BC03L-05-0 | FILTERED CABLE ASSY BC03L | REF | REF | REF | REF | REF | REF | REF | REF |
| 77 | E-IA-MS780-0-0 | KEY (EMERGENCY ARR. KEY) (MS780) | - | - | 2 | 2 | 2 | - | - | - |
| 78 | A-SP-3700241-18-0 | PACKAGING INSTRUCTIONS | 1 | 1 | 1 | 1 | 1 | 1 | | |
| 79 | 1213001-00 | BUSHING PIVOT | 2 | 2 | 2 | 2 | 2 | 2 | | |
| 80 | C-MD-7414318-0-0 | KEY BUTTON | 8 | 8 | 8 | 8 | 8 | 8 | | |
| 81 | 9008203-00 | NUT, KEP 1/4 - 20 | 8 | 8 | 8 | 8 | 8 | 8 | | |
| 82 | 9007797-0-0 | WASH, LOCK SPLIT | 8 | 8 | 8 | 8 | 8 | 8 | | |
| 83 | 9006073-02 | SCR, PH HD FL #10 - 32 x .50 | 4 | 4 | 4 | 4 | 4 | 4 | | |
| 84 | C-IA-7414622-0-0 | LOCK, STUD ASSY | 1 | 1 | 1 | 1 | 1 | 1 | | |
| 85 | C-MD-7419451-0-0 | COVER, SBI TERMINATOR | 1 | 1 | 1 | 1 | 1 | | | |
| 86 | C-MD-7419456-0-0 | MOUNTING BLOCK, TERMINATOR COVER | 3 | 3 | 3 | 3 | 3 | | | |

| | |
|------------|--|
| REV. | |
| CHANGE NO. | |
| CHK | |

| | | | |
|----------------------------|----------|---------------|-----------------|
| DRN. CHOINIERE | SEPT 77 | FIRST USED ON | VAX 11780 |
| CHK'D HEALY | OCT 77 | TITLE | UNIT ASSY 11780 |
| ENG. <i>R. Healy</i> | 10/27/77 | | |
| PROJ. ENG. <i>R. Healy</i> | 11/17/77 | | |
| PROD. <i>R. Healy</i> | 11/18/77 | | |
| NEXT HIGHER ASSY. | | | |
| B-CD-11780-0-0 | SIZE | CODE | NUMBER |
| SCALE | C | PL | 11780-0-0 |
| SHEET 2 OF 4 | DIST. | | REV. D |

FORM NO. 110 A

REV. 1008

A

B

C

D

4

3

2

1

REV. D
NUMBER 11780-0-0
SIZE CODE C PL

4

3

2

TW 1

THIS DRAWING AND SPECIFICATIONS, HEREIN ARE THE PROPERTY OF DIGITAL EQUIPMENT CORPORATION AND SHALL NOT BE REPRODUCED OR COPIED OR USED IN WHOLE OR IN PART AS THE BASIS FOR THE MANUFACTURE OR SALE OF ITEMS WITHOUT WRITTEN PERMISSION. COPYRIGHT © 1977, DIGITAL EQUIPMENT CORPORATION

| ITEM NO. | DWG/PART NO. | DESCRIPTION | 11780-CA | 11780-CD | 11780-CC | 11780-DA | 11780-DD | 11780-DC | 11780-CH | 11780-CY |
|----------|-------------------|---|----------|----------|----------|----------|----------|----------|----------|----------|
| 87 | 9007831-00 | SPACER, FIBRE .203 i.d. x .50 lg | 3 | 3 | 3 | 3 | 3 | - | - | - |
| 88 | 9008911-01 | SCR, PH HD PAN #6 - 32 x 1.38 | 6 | 6 | 6 | 6 | 6 | - | - | - |
| 89 | 9007838-01 | SCR, PH HD PAN #6 - 32 x .94 | 4 | 4 | 4 | 4 | 4 | - | - | - |
| 90 | 9006707-00 | WASHER, NYLON #6, .31 o.d. x .16 i.d. | 4 | 4 | 4 | 4 | 4 | - | - | - |
| 91 | D-IA-7014547-3D-0 | CABLE, BATTERY BACK UP (H7112) | REF | REF | REF | REF | REF | REF | REF | REF |
| 92 | 9006370-08 | SCR, SH, CAP | 8 | 8 | 8 | 8 | 8 | 8 | 8 | 8 |
| 93 | 7015036-00 | AIRFLOW SENSOR BOX (115V 50/60HZ) | REF | REF | REF | REF | REF | REF | REF | REF |
| 94 | 7015036-01 | AIRFLOW SENSOR BOX (230V 50/60HZ) | REF | REF | REF | REF | REF | REF | REF | REF |
| 95 | D-IA-7014319-0-0 | HARNES, AIRFLOW SENSE | REF | REF | REF | REF | REF | REF | REF | REF |
| 96 | D-IA-7015155-6C-0 | AIRFLOW ADAPTER CABLE ASSY. | REF | REF | REF | REF | REF | REF | REF | REF |
| 97 | D-IA-7014320-0E-0 | AIRFLOW SENSOR ASSY. | 3 | 3 | 3 | 3 | 3 | 3 | 3 | 3 |
| 98 | 3615087-02 | LABEL, DANGER | 1 | 1 | 1 | 1 | 1 | 1 | 1 | 1 |
| 99 | D-IA-7015442-02-0 | CABLE, POWER BUSS | 1 | 1 | 1 | 1 | 1 | 1 | 1 | 1 |
| 100 | C-IA-7016001-4A-0 | CABLE, OVERTEMP ADAPTER | 1 | 1 | 1 | 1 | 1 | 1 | 1 | 1 |
| 101 | D-IA-7015253-0-0 | POWER CORD ASSY 120V | 1 | 1 | 1 | 1 | 1 | 1 | 1 | 1 |
| 102 | D-IA-7015254-0-0 | POWER CORD ASSY 240V | 1 | 1 | 1 | 1 | 1 | 1 | 1 | 1 |
| 103 | E-UA-869-D-0 | POWER CONTROL (115V 50/60 HZ) | 1 | 1 | 1 | 1 | 1 | 1 | 1 | 1 |
| 104 | E-UA-869-E-0 | POWER CONTROL (230V 50/60 HZ) | 1 | 1 | 1 | 1 | 1 | 1 | 1 | 1 |
| 105 | 90-08072-00 | WASH, LOCK EXT #8 | 15 | 15 | 15 | 15 | 15 | 15 | 15 | 15 |
| 106 | E-AD-7016925-0-0 | SUPPLY, UNIBUS OPTION (H7100+H7105) 120V 50/60 HZ | - | - | - | - | - | - | - | - |
| 107 | E-AD-7016925-1-0 | SUPPLY, UNIBUS OPTION (H7100+H7105) 240V 50/60HZ | - | - | - | - | - | - | - | - |
| 108 | E-IA-7016937-0-0 | CARD CAGE SUB ASSEMBLY | - | - | - | - | - | - | - | - |
| 109 | D-AD-7016946-0-0 | I/O PANEL ASSY | - | - | - | - | - | - | - | - |
| 110 | E-IA-7016951-0-0 | UNIBUS OPTIONS POWER HARNES | - | - | - | - | - | - | - | - |
| 111 | D-IA-7016952-0J-0 | AC/DC LO WYE CABLE | - | - | - | - | - | - | - | - |
| 112 | D-MD-7423537-0-0 | COVER, BACKPLANE | - | - | - | - | - | - | - | - |
| 113 | D-UA-5413875-0-0 | AC/DC LO ADAPTOR BOARD | - | - | - | - | - | - | - | - |
| 114 | D-IA-7423539-0-0 | BRACKET, MTG. P.C. BOARD | - | - | - | - | - | - | - | - |
| 115 | E-IA-7423532-0-0 | BRACKET, I/O PANEL | - | - | - | - | - | - | - | - |
| 116 | D-IA-7423531-0-0 | BRACKET, MOUNTING (H317) | - | - | - | - | - | - | - | - |
| 117 | D-IA-7423543-0-0 | STRAIN RELIEF (H317) | - | - | - | - | - | - | - | - |
| 118 | D-PS-1213318-0-0 | BAR, CABLE HOLDOWN | - | - | - | - | - | - | - | - |
| 119 | E-UA-RK611-0-0 | RK06, RK07 CONTROLLER | - | - | - | - | - | - | - | - |
| 120 | E-UA-D211-A-0 | 8-LINE EIA INTERFACE W/H317-E, BC05W-15 | - | - | - | - | - | - | - | - |
| 121 | 3617224-00 | I/O PANEL ALLOCATION STICKER | - | - | - | - | - | - | - | - |
| 122 | 3617225-00 | CARD CAGE CONFIGURATION STICKER | - | - | - | - | - | - | - | - |
| 123 | 9009087-01 | FOAM, TAPE, SINGLE SIDED 1/8" THXK.50" WIDE | - | - | - | - | - | - | - | - |
| 124 | 9007649-00 | LOCKWASHER, EXT TOOTH #6 | - | - | - | - | - | - | - | - |
| 125 | 9006020-01 | SCREW PAN HEAD #6 -32 x .38 | - | - | - | - | - | - | - | - |
| 126 | 9008954-00 | SCREW SEMS 8-32x.38 | - | - | - | - | - | - | - | - |
| 127 | 9006851-00 | SPACER, THREADED #6 | - | - | - | - | - | - | - | - |
| 128 | 9006022-01 | SCREW, PAN HEAD 6 - 32 x .38 | - | - | - | - | - | - | - | - |
| 129 | 9008072-00 | LOCK WASHER, EXT TOOTH #8 | - | - | - | - | - | - | - | - |

D
C
B

D
C
B

| | |
|------------|--|
| REV. | |
| CHANGE NO. | |
| CHK | |

| | | | |
|-----------------------------|-----------|-----------------|-----------|
| DRN. CHOINIÈRE | SEPT 77 | FIRST USED ON | digital |
| CHK'D HEALY | OCT 77 | VAX 11780 | |
| ENG. <i>D. Healy</i> | 18 Nov 77 | TITLE | |
| PROJ. ENG. <i>R. Girard</i> | Nov 77 | UNIT ASSY 11780 | |
| PROD. <i>R. Girard</i> | 11-18-77 | | |
| NEXT HIGHER ASSY. | | | |
| B-DD-11780-0-0 | SIZE | CODE | NUMBER |
| SCALE | C | PL | 11780-0-0 |
| SHEET 3 OF 4 | DIST. | | REV. D |

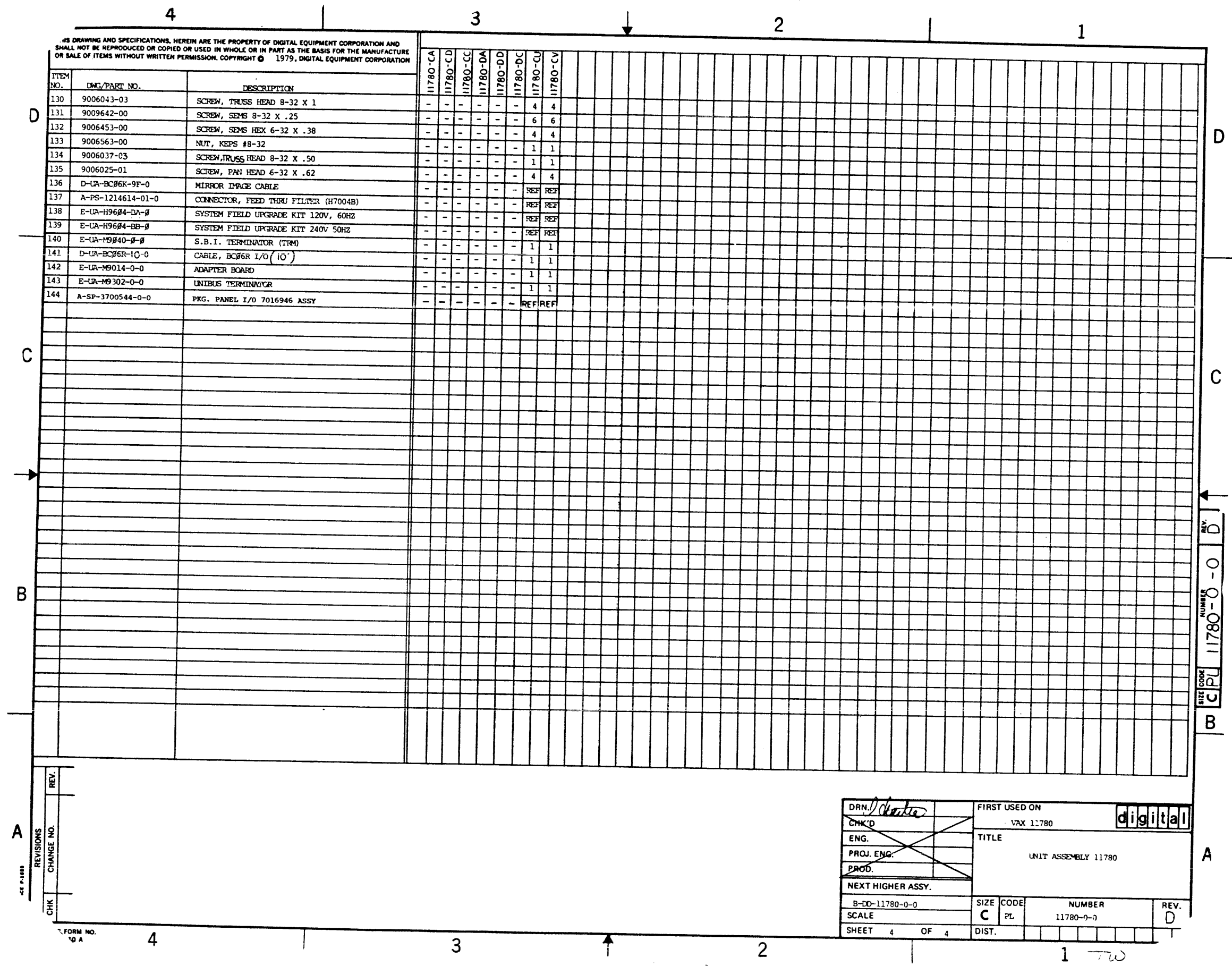
THIS DRAWING AND SPECIFICATIONS, HEREIN ARE THE PROPERTY OF DIGITAL EQUIPMENT CORPORATION AND SHALL NOT BE REPRODUCED OR COPIED OR USED IN WHOLE OR IN PART AS THE BASIS FOR THE MANUFACTURE OR SALE OF ITEMS WITHOUT WRITTEN PERMISSION. COPYRIGHT © 1979, DIGITAL EQUIPMENT CORPORATION

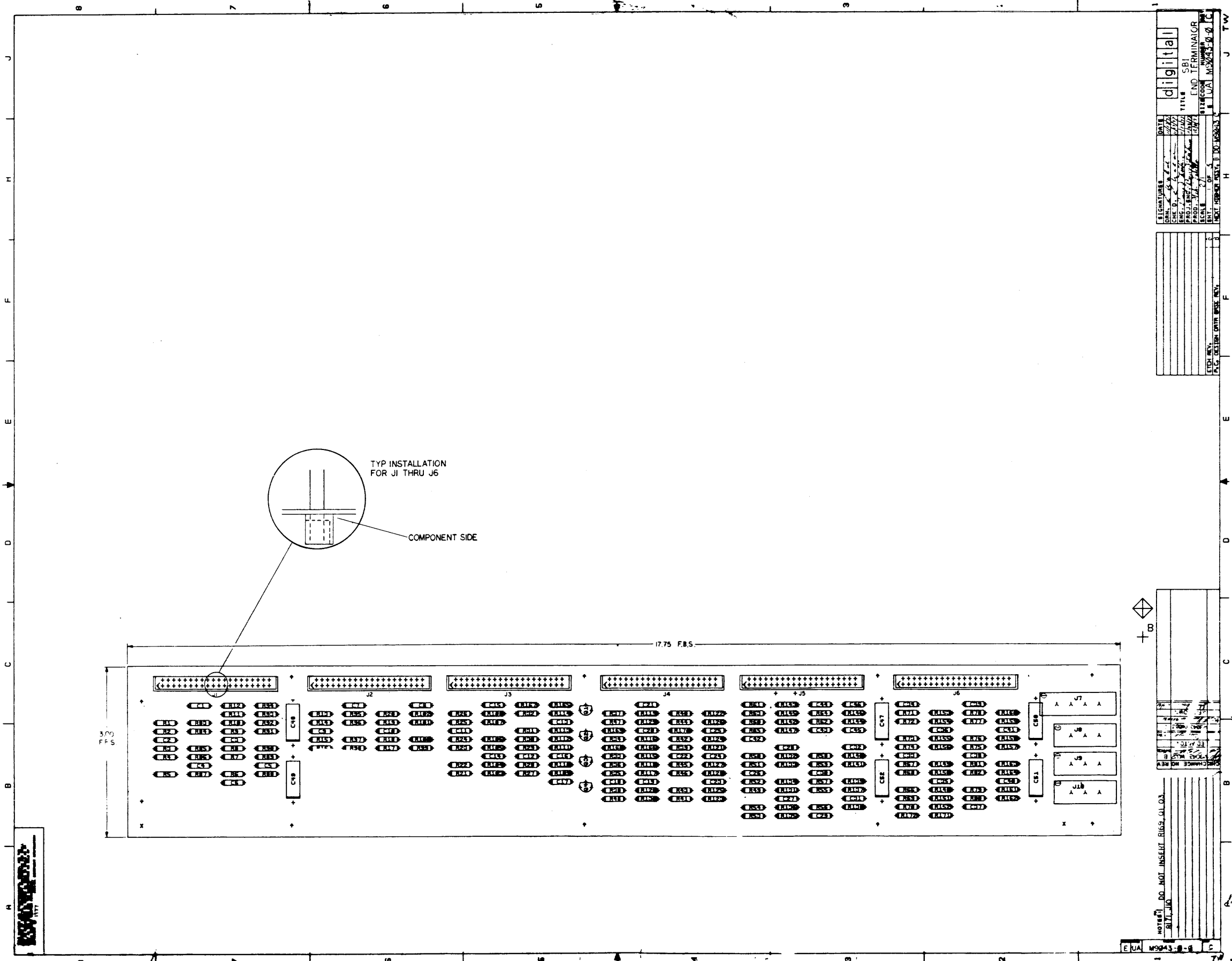
| ITEM NO. | DWG/PART NO. | DESCRIPTION | 11780 | | | | | | | |
|----------|-------------------|--------------------------------------|-------|----|----|----|----|----|-----|-----|
| | | | CA | CD | CC | DA | DD | DC | CU | |
| 130 | 9006043-03 | SCREW, TRUSS HEAD 8-32 X 1 | - | - | - | - | - | - | 4 | 4 |
| 131 | 9009642-00 | SCREW, SEMS 8-32 X .25 | - | - | - | - | - | - | 6 | 6 |
| 132 | 9006453-00 | SCREW, SEMS HEX 6-32 X .38 | - | - | - | - | - | - | 4 | 4 |
| 133 | 9006563-00 | NUT, KEPS #8-32 | - | - | - | - | - | - | 1 | 1 |
| 134 | 9006037-03 | SCREW, TRUSS HEAD 8-32 X .50 | - | - | - | - | - | - | 1 | 1 |
| 135 | 9006025-01 | SCREW, PAN HEAD 6-32 X .62 | - | - | - | - | - | - | 4 | 4 |
| 136 | D-UA-BC06K-9F-0 | MIRROR IMAGE CABLE | - | - | - | - | - | - | REF | REF |
| 137 | A-PS-1214614-01-0 | CONNECTOR, FEED THRU FILTER (H7004B) | - | - | - | - | - | - | REF | REF |
| 138 | E-UA-H9604-DA-0 | SYSTEM FIELD UPGRADE KIT 120V, 60HZ | - | - | - | - | - | - | REF | REF |
| 139 | E-UA-H9604-BB-0 | SYSTEM FIELD UPGRADE KIT 240V 50HZ | - | - | - | - | - | - | REF | REF |
| 140 | E-UA-M9040-0-0 | S.B.I. TERMINATOR (TRM) | - | - | - | - | - | - | REF | REF |
| 141 | D-UA-BC06R-10-0 | CABLE, BC06R I/O (10') | - | - | - | - | - | - | 1 | 1 |
| 142 | E-UA-M9014-0-0 | ADAPTER BOARD | - | - | - | - | - | - | 1 | 1 |
| 143 | E-UA-M9302-0-0 | UNIBUS TERMINATOR | - | - | - | - | - | - | 1 | 1 |
| 144 | A-SP-3700544-0-0 | PKG. PANEL I/O 7016946 ASSY | - | - | - | - | - | - | REF | REF |

| | |
|------------|--|
| REV. | |
| CHANGE NO. | |
| CHK | |

| | | |
|--------------------|---------------------|----------------|
| DRN. <i>Decker</i> | FIRST USED ON | digital |
| CHK'D | VAX 11780 | |
| ENG. | TITLE | |
| PROJ. ENG. | UNIT ASSEMBLY 11780 | |
| PROD. | | |
| NEXT HIGHER ASSY. | | |
| B-DD-11780-0-0 | SIZE CODE | NUMBER |
| SCALE | C PL | 11780-0-0 |
| SHEET 4 OF 4 | DIST. | REV. D |

FORM NO. 10 A





17.75 F.S.
3.75 F.S.

TYP INSTALLATION
FOR J1 THRU J6

COMPONENT SIDE

17.75 F.S.

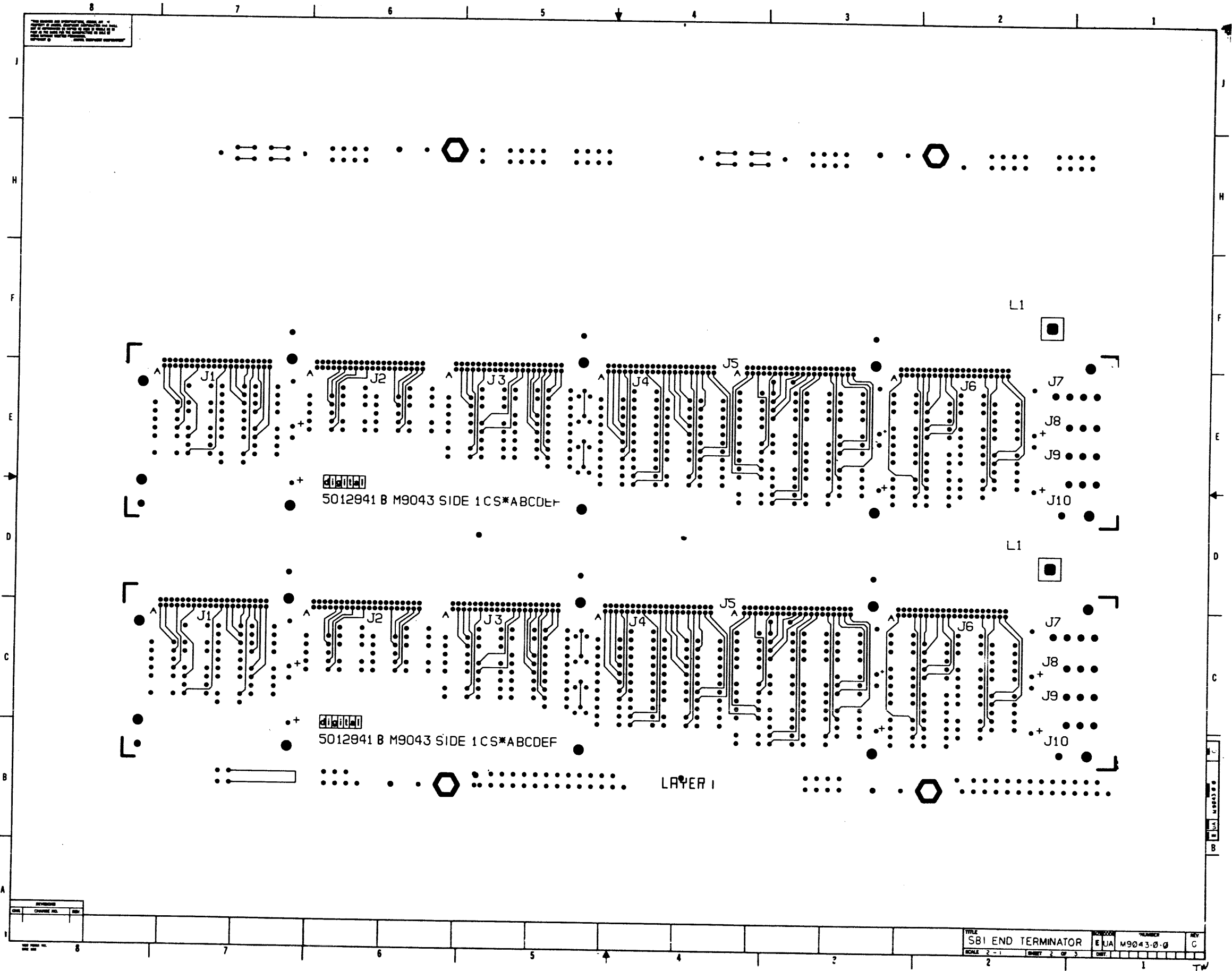
3.75 F.S.

NOTES: DO NOT INSERT RISE CALLO.
GILLING

EUA M9043-B-1 C

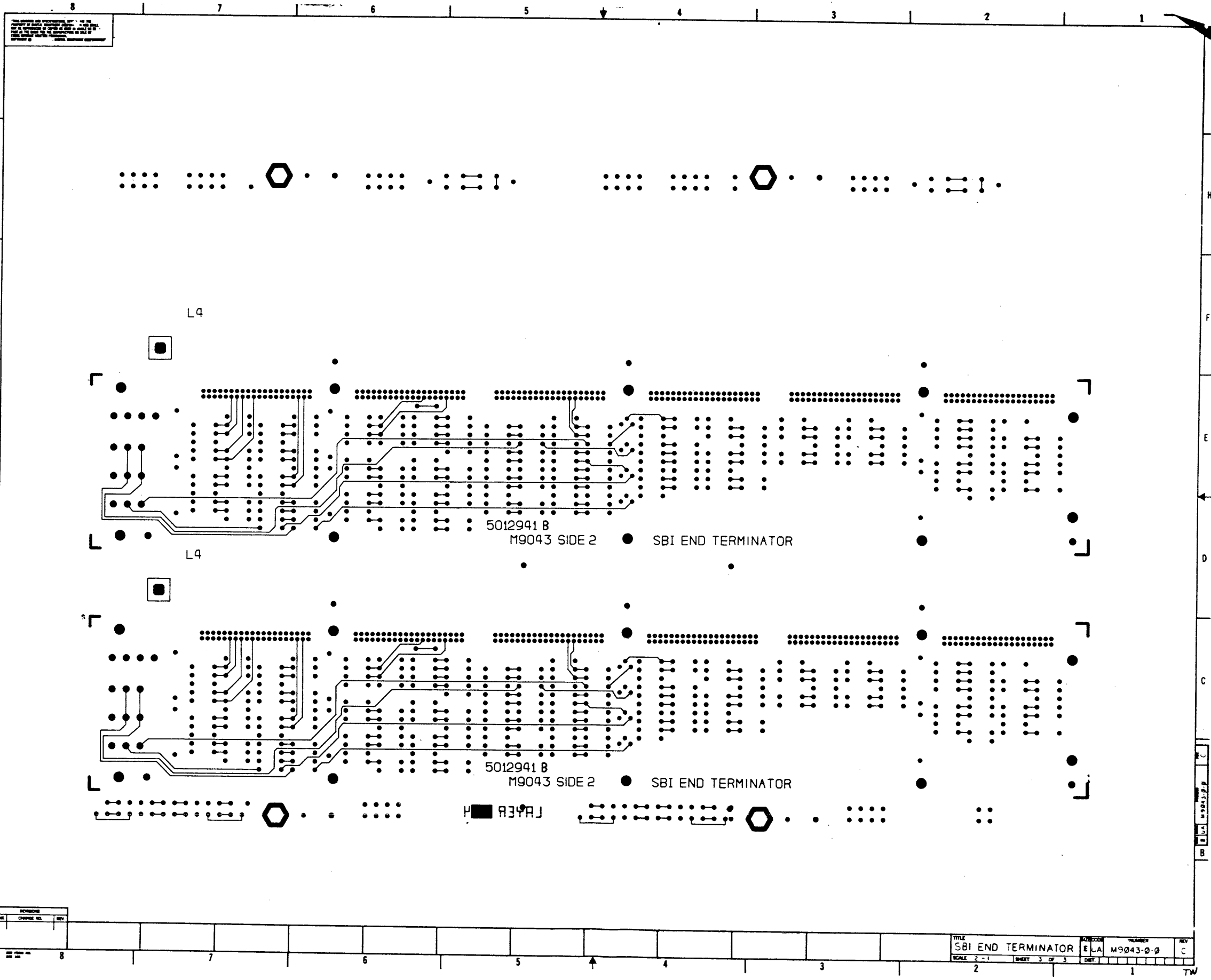
| | | | |
|-----------|----------|----------------|---------|
| DATE | 11/27/67 | TITLE | digital |
| DESIGNER | ... | END TERMINATOR | SBI |
| ENGINEER | ... | RECORD NUMBER | ... |
| PROJ. NO. | ... | SCALE | 1:1 |
| REV. 1 | ... | REV. 2 | ... |
| REV. 3 | ... | REV. 4 | ... |
| REV. 5 | ... | REV. 6 | ... |
| REV. 7 | ... | REV. 8 | ... |
| REV. 9 | ... | REV. 10 | ... |
| REV. 11 | ... | REV. 12 | ... |
| REV. 13 | ... | REV. 14 | ... |
| REV. 15 | ... | REV. 16 | ... |
| REV. 17 | ... | REV. 18 | ... |
| REV. 19 | ... | REV. 20 | ... |
| REV. 21 | ... | REV. 22 | ... |
| REV. 23 | ... | REV. 24 | ... |
| REV. 25 | ... | REV. 26 | ... |
| REV. 27 | ... | REV. 28 | ... |
| REV. 29 | ... | REV. 30 | ... |
| REV. 31 | ... | REV. 32 | ... |
| REV. 33 | ... | REV. 34 | ... |
| REV. 35 | ... | REV. 36 | ... |
| REV. 37 | ... | REV. 38 | ... |
| REV. 39 | ... | REV. 40 | ... |
| REV. 41 | ... | REV. 42 | ... |
| REV. 43 | ... | REV. 44 | ... |
| REV. 45 | ... | REV. 46 | ... |
| REV. 47 | ... | REV. 48 | ... |
| REV. 49 | ... | REV. 50 | ... |
| REV. 51 | ... | REV. 52 | ... |
| REV. 53 | ... | REV. 54 | ... |
| REV. 55 | ... | REV. 56 | ... |
| REV. 57 | ... | REV. 58 | ... |
| REV. 59 | ... | REV. 60 | ... |
| REV. 61 | ... | REV. 62 | ... |
| REV. 63 | ... | REV. 64 | ... |
| REV. 65 | ... | REV. 66 | ... |
| REV. 67 | ... | REV. 68 | ... |
| REV. 69 | ... | REV. 70 | ... |
| REV. 71 | ... | REV. 72 | ... |
| REV. 73 | ... | REV. 74 | ... |
| REV. 75 | ... | REV. 76 | ... |
| REV. 77 | ... | REV. 78 | ... |
| REV. 79 | ... | REV. 80 | ... |
| REV. 81 | ... | REV. 82 | ... |
| REV. 83 | ... | REV. 84 | ... |
| REV. 85 | ... | REV. 86 | ... |
| REV. 87 | ... | REV. 88 | ... |
| REV. 89 | ... | REV. 90 | ... |
| REV. 91 | ... | REV. 92 | ... |
| REV. 93 | ... | REV. 94 | ... |
| REV. 95 | ... | REV. 96 | ... |
| REV. 97 | ... | REV. 98 | ... |
| REV. 99 | ... | REV. 100 | ... |

THIS DRAWING IS THE PROPERTY OF THE U.S. GOVERNMENT AND IS TO BE REPRODUCED AND TRANSMITTED IN ANY FORM AND BY ANY MEANS, ELECTRONIC OR MECHANICAL, INCLUDING PHOTOCOPYING, RECORDING, OR BY ANY INFORMATION STORAGE AND RETRIEVAL SYSTEM, WITHOUT PERMISSION IN WRITING FROM THE U.S. GOVERNMENT PRINTING OFFICE.



| REV | DESCRIPTION | DATE |
|-----|-------------|------|
| | | |

| | | | | | | | |
|-------|--------------------|----------|--------|--------|-----------|-----|---|
| TITLE | SBI END TERMINATOR | DESIGNER | EUA | NUMBER | M9043-0-0 | REV | C |
| SCALE | 2-1 | SHEET | 2 OF 3 | DATE | | | |



THIS BOARD IS DESIGNED TO BE USED WITH THE SBI END TERMINATOR. IT IS NOT TO BE USED AS A STAND ALONE BOARD.

| REV | DESCRIPTION | DATE |
|-----|-------------|------|
| | | |

| | | | | | | | |
|-------|--------------------|----------|--------|--------|-----------|-----|---|
| TITLE | SBI END TERMINATOR | DESIGNER | E.L.A. | NUMBER | M9043-0-0 | REV | C |
| SCALE | 2-1 | SHEET | 3 OF 3 | DATE | | | |

M9043-0-0

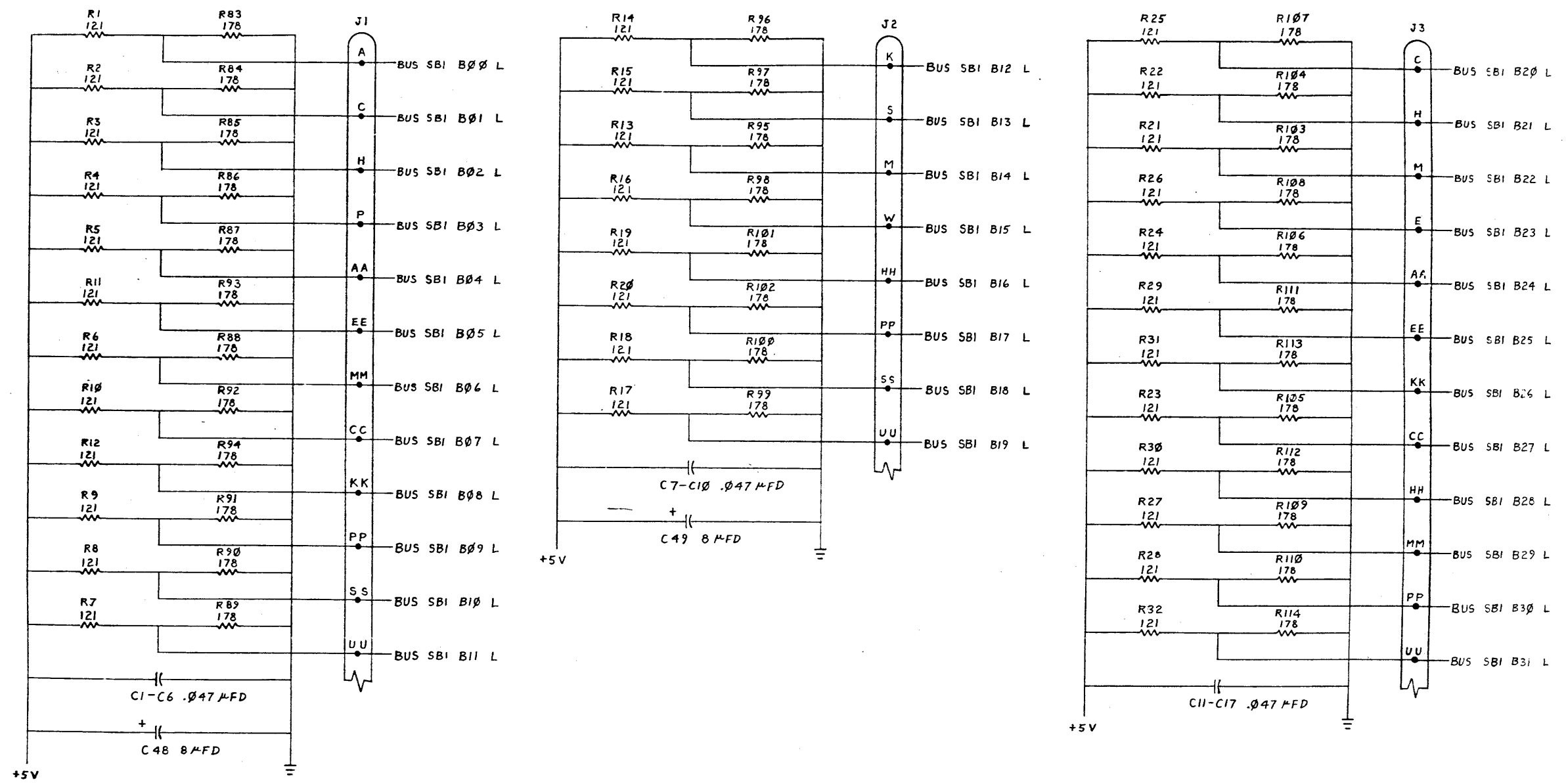
| LINE ITEM | DOCUMENT NUMBER | PART NUMBER | DESCRIPTION | QTY PER VARIATION 00 | REFERENCE DESIGNATOR |
|-----------|-----------------|------------------|-------------|-------------------------|----------------------|
| 1 | 1 | E-MD-5012941-0-0 | 5012941-00 | 1 | |
| 2 | 2 | | 1012084-01 | 6 | C47-C52 |
| 3 | 3 | | 1012784-00 | 46 | C1-C46 |
| 4 | 4 | | 1212297-01 | 1 | J7 |
| 5 | 5 | | 1212297-03 | 2 | J8,J9 |
| 6 | 6 | | 1218396-00 | 6 | J1-J6 |
| 7 | 7 | | 1300365-00 | 2 | R170,R172 |
| 8 | 8 | | 1302957-00 | 84 | R1-R82,R167,R168 |
| 9 | 9 | | 1311422-00 | 84 | R83-R166 |
| 10 | 10 | | 1511686-00 | 2 | Q2,Q4 |

| REVISION HISTORY | | BASIC PART NO: M9043 | | DRN: F SANFILLIPO | | DATE: 16-SEP-77 | | DIGITAL | |
|------------------|-------------|----------------------|-------------------------|-------------------|---------------|----------------------|-----------|------------|------------------------|
| ENG | ECD NUMBER | REV | SECTION A OF A | CHK'D: | F GAROFALO | DATE: | 16-SEP-77 | TITLE | PARTS LIST |
| --- | INIT | A | SECTION VARIATION INDEX | DES.ENG: | BARRY FLAHIVE | DATE: | 30-DEC-77 | | SBI FAR-END TERMINATOR |
| JB | M9043-TW003 | B | [A] 00 | RESP.ENG.: | BARRY FLAHIVE | DATE: | 30-DEC-77 | | DOCUMENT NUMBER |
| | | | [B] | MFG.ENG.: | MIKE TERELLA | DATE: | 30-DEC-77 | SIZE | CODE |
| | | | [C] | ASSEMBLY NUMBER: | | TOP DOCUMENT NUMBER: | | NUMBER | REV |
| | | | [D] | E-UA-M9043-0-0 | | M9043 | | | |
| | | | [E] | | | | | FILE NAME: | EDIT # |
| | | | [F] | | | | | Z1865.FLS | 11 |
| | | | [G] | | | | | | |
| | | | [H] | | | | | | |
| | | | [I] | | | | | | |
| | | | [J] | | | | | | |
| | | | [K] | | | | | | |
| | | | [L] | | | | | | |
| | | | [M] | | | | | | |
| | | | [N] | | | | | | |

*THIS DRAWING AND SPECIFICATIONS HEREIN, ARE THE PROPERTY OF DIGITAL EQUIPMENT CORPORATION AND SHALL NOT BE REPRODUCED OR COPIED OR USED IN WHOLE OR IN PART AS THE BASIS FOR THE MANUFACTURE OR SALE OF ITEMS WITHOUT WRITTEN PERMISSION. COPYRIGHT (C) 1981, DIGITAL EQUIPMENT CORPORATION *

TW

THIS DRAWING AND SPECIFICATIONS HEREAFTER ARE THE PROPERTY OF DIGITAL EQUIPMENT CORPORATION AND SHALL NOT BE REPRODUCED OR COPIED OR USED IN WHOLE OR IN PART AS THE BASIS FOR THE MANUFACTURE OR SALE OF ITEMS WITHOUT WRITTEN PERMISSION.
 COPYRIGHT © 1977, DIGITAL EQUIPMENT CORPORATION



| REV. | REV. |
|------|------|
| 1 | A |
| 2 | A |
| 3 | A |
| 4 | A |
| 5 | A |
| 6 | A |
| 7 | A |
| 8 | A |
| 9 | A |
| 10 | A |
| 11 | A |
| 12 | A |
| 13 | A |
| 14 | A |
| 15 | A |
| 16 | A |
| 17 | A |
| 18 | A |
| 19 | A |
| 20 | A |
| 21 | A |
| 22 | A |
| 23 | A |
| 24 | A |
| 25 | A |
| 26 | A |
| 27 | A |
| 28 | A |
| 29 | A |
| 30 | A |
| 31 | A |
| 32 | A |
| 33 | A |
| 34 | A |
| 35 | A |
| 36 | A |
| 37 | A |
| 38 | A |
| 39 | A |
| 40 | A |
| 41 | A |
| 42 | A |
| 43 | A |
| 44 | A |
| 45 | A |
| 46 | A |
| 47 | A |
| 48 | A |
| 49 | A |
| 50 | A |

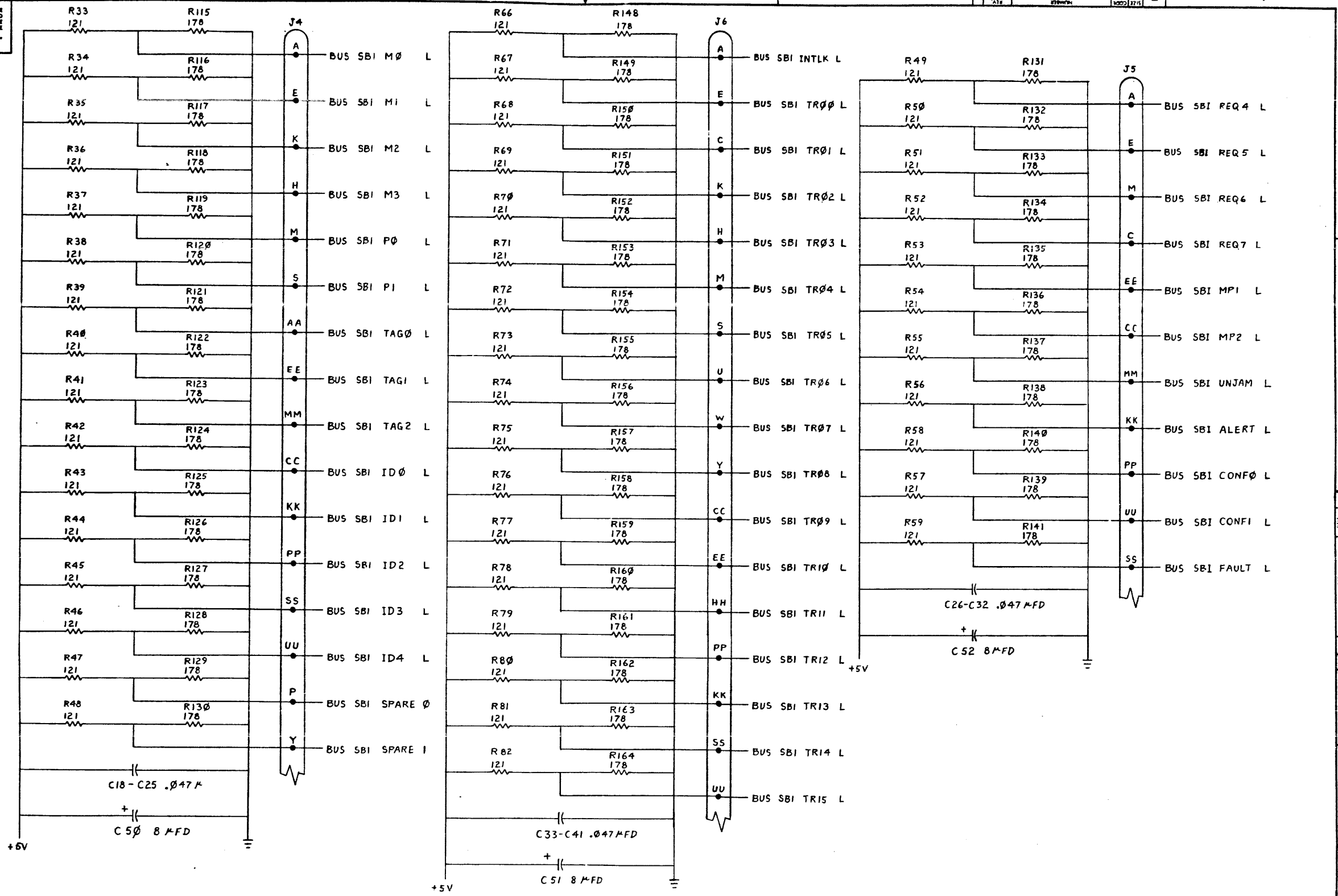
| | | | |
|------------------------|---------|---------------|-------------------------------|
| DRN. 297 | 4-21-77 | FIRST USED ON | digital |
| CHK'D | | TITLE | SBI FAR-END TERMINATOR (SFTA) |
| ENG. [Signature] | 5/19/77 | SIZE | D |
| PROJ. ENG. [Signature] | 5/11/77 | CODE | CS |
| PROD. [Signature] | 6/11/77 | NUMBER | M9043-0-1 |
| NEXT HIGHER ASSY. | | REV. | A |
| SCALE | 1 OF 4 | DIST. | |

THIS DRAWING AND SPECIFICATIONS HEREIN ARE THE PROPERTY OF DIGITAL EQUIPMENT CORPORATION AND SHALL NOT BE REPRODUCED OR COPIED OR USED IN WHOLE OR IN PART AS THE BASIS FOR THE MANUFACTURE OR SALE OF ITEMS WITHOUT WRITTEN PERMISSION. COPYRIGHT © 1977 DIGITAL EQUIPMENT CORPORATION

DCS M9043-0-1

D
C
B
A

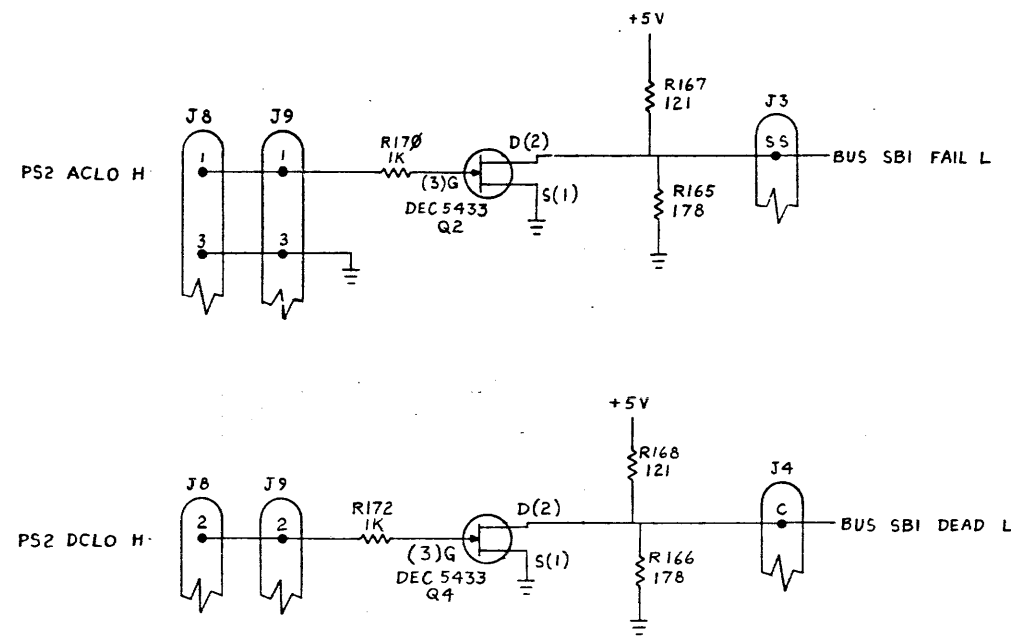
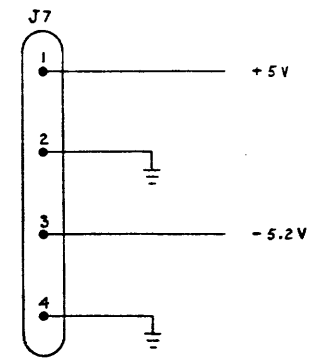
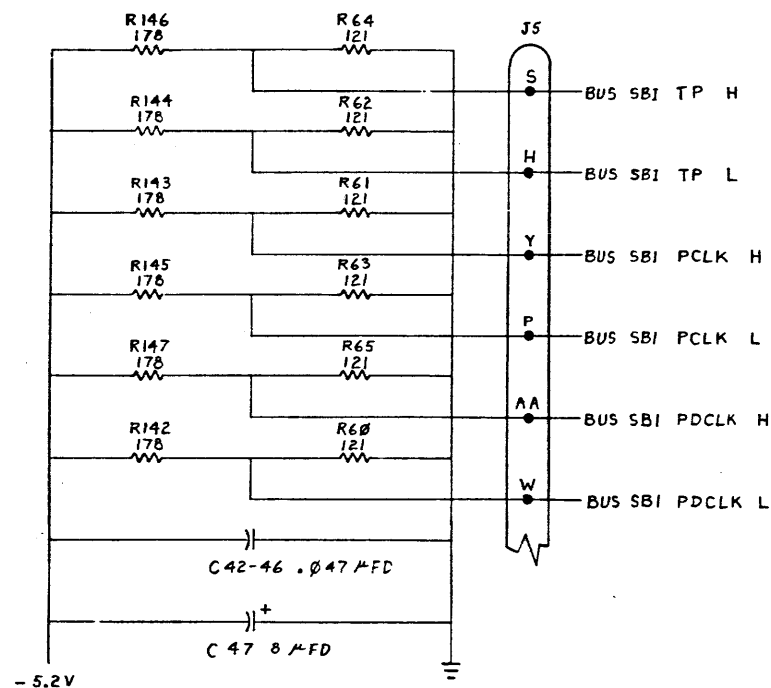
D
C
B
A



| REVISIONS | | |
|-----------|------------|------|
| CHK | CHANGE NO. | REV. |
| | | |

TITLE SBI FAR-END TERMINATOR (SFTB) SIZE CODE NUMBER DCS M9043-0-1 REV. A
SCALE SHEET 2 OF 4 DIST.

THIS DRAWING AND SPECIFICATIONS, HEREIN, ARE THE PROPERTY OF DIGITAL EQUIPMENT CORPORATION AND SHALL NOT BE REPRODUCED OR COPIED OR USED IN WHOLE OR IN PART AS THE BASIS FOR THE MANUFACTURE OR SALE OF ITEMS WITHOUT WRITTEN PERMISSION. COPYRIGHT © 1977 DIGITAL EQUIPMENT CORPORATION



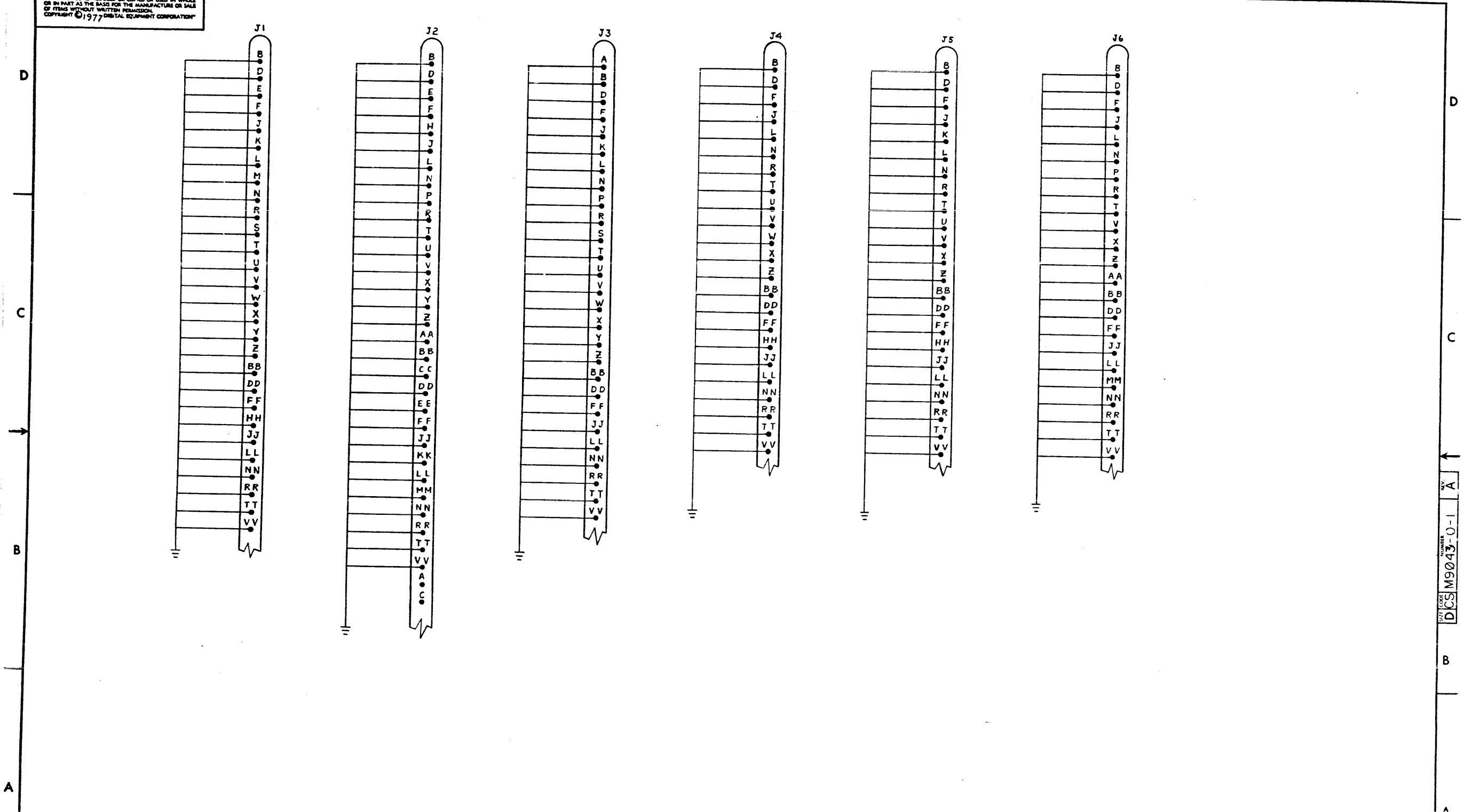
| REVISIONS | | |
|-----------|------------|------|
| CHK | CHANGE NO. | REV. |
| | | |

| | | | | | | | |
|-------|-------------------------------|-----------|--------|--------|-----------|------|---|
| TITLE | SBI FAR-END TERMINATOR (SFTC) | SIZE CODE | DCS | NUMBER | M9043-0-1 | REV. | A |
| SCALE | 1:1 | SHEET | 3 OF 4 | DIST. | | | |

REV. A
NUMBER M9043-0-1
DCS

THIS DRAWING AND SPECIFICATIONS HEREIN ARE THE PROPERTY OF DIGITAL EQUIPMENT CORPORATION AND SHALL NOT BE REPRODUCED OR COPIED OR USED IN WHOLE OR IN PART AS THE BASIS FOR THE MANUFACTURE OR SALE OF ITEMS WITHOUT WRITTEN PERMISSION. COPYRIGHT © 1977 DIGITAL EQUIPMENT CORPORATION

DCS M9043-0-1 2



| REVISIONS | | |
|-----------|-----------|------|
| CHK | CHANGE NO | REV. |
| | | |

TITLE SBI FAR-END TERMINATOR (SFTD) SIZE CODE NUMBER REV. DCS M9043-0-1 A

"THE MATERIAL HEREIN IS FOR INFORMATION PURPOSES ONLY AND IS SUBJECT TO CHANGE WITHOUT NOTICE. DIGITAL EQUIPMENT CORPORATION ASSUMES NO RESPONSIBILITY FOR ANY ERRORS WHICH MAY APPEAR HEREIN."

DRAWING DIRECTORY

"THIS DRAWING AND SPECIFICATIONS, HEREIN, ARE THE PROPERTY OF DIGITAL EQUIPMENT CORPORATION AND SHALL NOT BE REPRODUCED OR COPIED OR USED IN WHOLE OR IN PART AS THE BASIS FOR THE MANUFACTURE OR SALE OF ITEMS WITHOUT WRITTEN PERMISSION. COPYRIGHT © 1977 DIGITAL EQUIPMENT CORPORATION"

UNIT VARIATIONS

| VAR | TITLE |
|-------|-----------------|
| H7101 | POWER REGULATOR |
| | |
| | |
| | |
| | |
| | |
| | |
| | |
| | |
| | |
| | |
| | |
| | |
| | |
| | |
| | |
| | |
| | |
| | |
| | |
| | |
| | |
| | |
| | |
| | |

| | | | | | | | | |
|----------------------|------------|--------------------|------------|-----------------|------|---------|-----|----------------|
| REVISIONS | REV. | A | | | | | | |
| | CHANGE NO. | H7101-TW031 | | | | | | |
| | CHK | AC | | | | | | |
| USED ON OPTION/MODEL | | DRN. | DATE | TITLE | | | | digital |
| PDP11/780 | | W.J. MAHER | 9 AUG77 | POWER REGULATOR | | | | |
| | | CHK'D. | DATE | H7101 | | | | |
| | | <i>[Signature]</i> | 13 SEPT 77 | | | | | |
| | | PROJ. ENG. | DATE | SIZE | CODE | NUMBER | REV | |
| | | <i>[Signature]</i> | 13 SEPT 77 | B | DD | H7101-0 | A | |
| SHEET 1 OF 2 | | PROD. | DATE | DIST. | | | | |
| | | <i>[Signature]</i> | 13 Sept 77 | | | | | |

| FIND NO. | DRAWING NO. | DESCRIPTION | TYPE | FIND NO. | DRAWING NO. | DESCRIPTION | TYPE |
|----------|----------------------------------|--|------------|----------|-------------|-------------|------|
| 1 | A-PI-17101-0-0 E-IC-H7101-0-1 | H7101 POWER REGULATOR H7101 INSTALLATION INSTRUCTIONS | E/M REF | | | | |
| 2 | B-DD-5412560-0 | -5.2 REGULATOR | E/M | | | | |
| 3 | A-PS-1700166 | CABLE, 15 COND | E/M | | | | |

TYPE: E ELECTRICAL
M MECHANICAL
E/M ELECTRO/MECHANICAL

DRB 108A

digital

TITLE

POWER REGULATOR H7101

SHEET 2 OF 2

SIZE CODE
B DD

NUMBER
H7101-0

REV
A

TW

DIGITAL EQUIPMENT CORPORATION
MAYNARD, MASSACHUSETTS
PARTS LIST

QUANTITY/VARIATION

| | | |
|--------------------------|---------------------------|----------------|
| MADE BY W.J. MAHER | CHECKED <i>S. Roberts</i> | SECTION 1 |
| DATE 9 AUGUST 77 | DATE <i>13 SEP 77</i> | |
| ENG <i>Jane A. Davis</i> | PROD <i>Ed Blair</i> | ISSUED SECT. 1 |
| DATE <i>13-SEPT-77</i> | DATE <i>13 SEPT 77</i> | |

H 7101-00

| ITEM NO. | DWG NO. / PART NO. | DESCRIPTION |
|----------|--------------------|---------------------------------|
| 1 | E-IC-H7101-0-1 | H7101 INSTALLATION INSTRUCTIONS |
| 2 | A-PS-1700166 | CABLE, 15 COND |
| 3 | D-UA-5412560-0-0 | -5.2 REGULATOR |
| 4 | 3614762-00 | DECAL (H7101) |
| 5 | 9007031-00 | TIE, CABLE |
| | | |
| | | |
| | | |
| | | |
| | | |
| | | |
| | | |
| | | |
| | | |
| | | |
| | | |
| | | |
| | | |
| | | |
| | | |
| | | |
| | | |
| | | |

REF

1
1
1
2

| | | | | | | |
|--------------------------------|---|------------------|-------------------|---------------------|------------------|----------------------------|
| TITLE H7101 POWER REGULATOR | ASSY NO. | SIZE A | CODE PL | NUMBER H7101-0-0 | REV. A | ECO NO. H7101- TWO01 |
| SHEET 1 OF 1 | | DIST. | | | | |

TW

REV. B

NUMBER 5412560-0

SIZE B
CODE DD

| DRAWING NO. | NO. OF SHTS. | PART NO. | DESCRIPTION | REVISIONS | | | | | | | | | | | | | | | | | |
|------------------|--------------|----------|-------------------------|-----------|---|--|--|--|--|--|--|--|--|--|--|--|--|--|--|--|--|
| D-UA-5412560-0-0 | 4 | | -5.2V REGULATOR | A | B | | | | | | | | | | | | | | | | |
| A-PL-5412560-0-0 | 3 | | -5.2V REGULATOR | A | B | | | | | | | | | | | | | | | | |
| D-CS-5412560-0-1 | 1 | | -5.2V REGULATOR | A | B | | | | | | | | | | | | | | | | |
| D-MD-5012559-0-0 | 4 | | DRILL & ETCHED DRAWING | A | B | | | | | | | | | | | | | | | | |
| | | 5012559 | ETCHED BOARD | B | C | | | | | | | | | | | | | | | | |
| 5412560-0-6 | | | P.C. DESIGN DATA BASE | REF | | | | | | | | | | | | | | | | | |
| 5412560-0-PL | | | INSERTION P/L DATA BASE | REF | | | | | | | | | | | | | | | | | |

NOTES:

| DATE | REVISIONS CHG NO. | TWO | REV. |
|------|----------------------|-----|------|
| | | | B |
| 6-78 | | | |

"THIS DRAWING AND SPECIFICATIONS, HEREIN, ARE THE PROPERTY OF DIGITAL EQUIPMENT CORPORATION AND SHALL NOT BE REPRODUCED OR COPIED OR USED IN WHOLE OR IN PART AS THE BASIS FOR THE MANUFACTURE OR SALE OF ITEMS WITHOUT WRITTEN PERMISSION.

COPYRIGHT © 1977 DIGITAL EQUIPMENT CORPORATION



| | | | |
|-------------------------------|-----------------------------|--------------------|--------------------------|
| USED ON OPTION/MODEL H7101 | DRN R. ROBICHAUD | 17 MAY 77 | TITLE -5.2V REGULATOR |
| | CHKD <i>[Signature]</i> | <i>[Signature]</i> | SIZE CODE B DD |
| | ENG <i>[Signature]</i> | 8 AUG 77 | NUMBER 5412560-0 |
| | PROD. <i>[Signature]</i> | 8 Aug 77 | REV. B |
| | | | SHEET 1 OF 1 |

"THE MATERIAL HEREIN IS FOR INFORMATION PURPOSES ONLY AND IS SUBJECT TO CHANGE WITHOUT NOTICE. DIGITAL EQUIPMENT CORPORATION ASSUMES NO RESPONSIBILITY FOR ANY ERRORS WHICH MAY APPEAR HEREIN."

DRAWING DIRECTORY

"THIS DRAWING AND SPECIFICATIONS, HEREIN, ARE THE PROPERTY OF DIGITAL EQUIPMENT CORPORATION AND SHALL NOT BE REPRODUCED OR COPIED OR USED IN WHOLE OR IN PART AS THE BASIS FOR THE MANUFACTURE OR SALE OF ITEMS WITHOUT WRITTEN PERMISSION. COPYRIGHT © 1977 DIGITAL EQUIPMENT CORPORATION."

| UNIT VARIATIONS | |
|-----------------|-----------------|
| VAR | TITLE |
| H7102 | POWER REGULATOR |
| | |
| | |
| | |
| | |
| | |
| | |
| | |
| | |
| | |
| | |
| | |
| | |
| | |
| | |
| | |
| | |
| | |
| | |
| | |
| | |
| | |
| | |
| | |
| | |
| | |
| | |
| | |
| | |
| | |
| | |

| | | | | | | | | | |
|--|-------------|---|----------------------|--------------|------------------------|--------------------------|----------------|-------------------|----------|
| REVISIONS CHK CHANGE NO. REV. | H7102-TW001 | A | USED ON OPTION/MODEL | DRN. | DATE | TITLE | digital | | |
| | FC | | PDP11/780 | W. J. MAHER | 9 AUG 77 | POWER REGULATOR H7102 | | | |
| | | | | CHK'D. | DATE | | | | |
| | | | | | <i>S. Roberts</i> | 13 SEPT 77 | | | |
| | | | | | PROJ. ENG. | DATE | | | |
| | | | | | <i>James B. Daning</i> | 13 SEPT 77 | | | |
| | | | | | PROD. | DATE | | | |
| | | | | <i>2/Bla</i> | 13 SEPT 77 | | | | |
| | | | SHEET 1 OF 2 | | | SIZE B | CODE DD | NUMBER H7102-0 | REV A |
| | | | | | | DIST. | | | |

DIGITAL EQUIPMENT CORPORATION
MAYNARD, MASSACHUSETTS
PARTS LIST

| | | |
|---------------------------|---------------------------|----------------|
| MADE BY W.J. MAHER | CHECKED <i>S. Roberts</i> | SECTION 1 |
| DATE 9 AUGUST 77 | DATE 13 SEP 77 | |
| ENG <i>James A. Davis</i> | PROD <i>Ed. Blain</i> | ISSUED SECT. 1 |
| DATE 13 SEPT-77 | DATE 13 SEP 77 | |

| ITEM NO. | DWG NO. / PART NO. | DESCRIPTION |
|----------|--------------------|---|
| 1 | E-IC-H7103-0-1 | H7102 & H7103 INSTALLATION INSTRUCTIONS |
| 2 | D-UA-5412556-0-0 | ±12V REGULATOR |
| 3 | A-PS-1700165-0-0 | CABLE, 15' COND |
| 4 | 3614762-01 | DECAL (H7102) |
| 5 | 9007031-00 | TIE, CABLE |
| | | |
| | | |
| | | |
| | | |
| | | |
| | | |
| | | |
| | | |
| | | |
| | | |
| | | |
| | | |
| | | |
| | | |
| | | |
| | | |
| | | |
| | | |
| | | |
| | | |
| | | |

| QUANTITY/VARIATION | | | | | | | | | | | |
|--------------------|-----|------|-------------|-----|------|-------------|-----|------|-------------|-----|------|
| REF | QTY | UNIT | DESCRIPTION | QTY | UNIT | DESCRIPTION | QTY | UNIT | DESCRIPTION | QTY | UNIT |
| H7102-00 | | | | | | | | | | | |
| REF | | | | | | | | | | | |
| 1 | | | | | | | | | | | |
| 1 | | | | | | | | | | | |
| 1 | | | | | | | | | | | |
| 2 | | | | | | | | | | | |

| | | | | | | | |
|--------------------------------|--|--|-----------------------------------|--------------------------|---------------------|------------------|------------------------|
| TITLE H7102 POWER REGULATOR | | | ASSY NO. | SIZE CODE A PL | NUMBER H7102-0-0 | REV. A | ECO NO. H7102-TW001 |
| SHEET 1 OF 1 | | | DIST. | | | | |

DEC FORM DEC 16-(325)-1031-N870
DRA 110

TW

REV. 0

NUMBER 5412556-0

SIZE B
CODE DD

| DRAWING NO. | NO. OF SHTS. | PART NO. | DESCRIPTION | REVISIONS | | | | | | | | | | | | | |
|--------------------|--------------|----------|-----------------------|-----------|---|---|---|---|---|---|---|---|----|----|--|--|--|
| | | | | 1 | 2 | 3 | 4 | 5 | 6 | 7 | 8 | 9 | 10 | 11 | | | |
| D-UA-5412556-0-0 | 3 | | +12V REGULATOR | * | A | B | B | | | | | | | | | | |
| K-PL-5412556-0-DBP | 2 | | P/L DATA BASE | * | A | B | C | | | | | | | | | | |
| D-CS-5412556-0-1 | 1 | | +12V REGULATOR | * | A | B | C | | | | | | | | | | |
| D-MD-5012555-0-0 | 4 | | DRILL & ETCH DRAWING | * | * | A | A | | | | | | | | | | |
| | | 5012555 | ETCHED BOARD | A | A | B | B | | | | | | | | | | |
| K-PC-5412556-0-DBG | | | P.C. DESIGN DATA BASE | REF | + | B | B | | | | | | | | | | |

NOTES:

| REVISIONS | | DATE | CHG NO. | REV. |
|-----------|-------|------|---------|------|
| | ORIG | | | |
| 12-77 | 00001 | A | | |
| 6-78 | TW002 | B | | |
| 10-79 | TW003 | C | | |

THIS DRAWING AND SPECIFICATIONS, HEREIN, ARE THE PROPERTY OF DIGITAL EQUIPMENT CORPORATION AND SHALL NOT BE REPRODUCED OR COPIED OR USED IN WHOLE OR IN PART AS THE BASIS FOR THE MANUFACTURE OR SALE OF ITEMS WITHOUT WRITTEN PERMISSION.



COPYRIGHT© 1977 DIGITAL EQUIPMENT CORPORATION

| | | | |
|----------------------|--|----------------------------------|---------------------|
| USED ON OPTION/MODEL | | DRN. | TITLE |
| H7102 | | R. KOPPENAL 5-25-77 | +12V REGULATOR |
| | | CHK'D <i>[Signature]</i> E.S.D. | |
| | | ENG. <i>[Signature]</i> 8 AUG 77 | SIZE CODE B DD |
| | | MOD. <i>[Signature]</i> 8 Aug 77 | NUMBER 5412556-0 |
| | | | REV. C |
| | | SHEET 1 OF 2 | |

| DRAWING NO. | NO. OF SHTS. | PART NO. | DESCRIPTION | REVISIONS | | | | | | | | | | | | | | | | | | | |
|---------------------------|--------------|----------|-------------------------|-----------|-----|--|--|--|--|--|--|--|--|--|--|--|--|--|--|--|--|--|--|
| D-UA-5412556-0-0 | 3 | | +12V REGULATOR | A1 | A1 | | | | | | | | | | | | | | | | | | |
| B-PL-5412556-0-0 | - | | +12V REGULATOR | A1 | A1 | | | | | | | | | | | | | | | | | | |
| D-CS-5412556-0-1 | 1 | | +12V REGULATOR | A1 | A1 | | | | | | | | | | | | | | | | | | |
| D-MD-5012555-0-0 | 4 | | DRILL AND ETCH DRAWING | * | * | | | | | | | | | | | | | | | | | | |
| | | 5012555 | ETCHED BOARD | A | A | | | | | | | | | | | | | | | | | | |
| 5412556- 0 -L | | | P.C. DESIGN DATA BASE | A | A | | | | | | | | | | | | | | | | | | |
| 5412556- 0 -PL | | | INSERTION P/L DATA BASE | RE | REF | | | | | | | | | | | | | | | | | | |

NOTES:

| REVISIONS | | DATE | CHG NO. | REV. |
|-----------|--|-------|---------|------|
| | | 10-79 | TW003 | C |

"THIS DRAWING AND SPECIFICATIONS, HEREIN, ARE THE PROPERTY OF DIGITAL EQUIPMENT CORPORATION AND SHALL NOT BE REPRODUCED OR COPIED OR USED IN WHOLE OR IN PART AS THE BASIS FOR THE MANUFACTURE OR SALE OF ITEMS WITHOUT WRITTEN PERMISSION.
 COPYRIGHT © 1978 DIGITAL EQUIPMENT CORPORATION



| | | | | | |
|----------------------|--|------------------|---------|----------------------|-----------|
| USED ON OPTION/MODEL | | DRN. R. KOPPENAL | 25MAY77 | TITLE +12V REGULATOR | |
| | | CHK'D J.B. DAVIS | 8AUG77 | SIZE B | CODE DD |
| | | ENG. J.B. DAVIS | 8AUG77 | NUMBER | 5412556-0 |
| | | PROD. E. BLAIN | 8AUG77 | REV. C | |
| | | | | SHEET 2 OF 2 | |

"THE MATERIAL HEREIN IS FOR INFORMATION PURPOSES ONLY AND IS SUBJECT TO CHANGE WITHOUT NOTICE. DIGITAL EQUIPMENT CORPORATION ASSUMES NO RESPONSIBILITY FOR ANY ERRORS WHICH MAY APPEAR HEREIN."

DRAWING DIRECTORY

"THIS DRAWING AND SPECIFICATIONS, HEREIN, ARE THE PROPERTY OF DIGITAL EQUIPMENT CORPORATION AND SHALL NOT BE REPRODUCED OR COPIED OR USED IN WHOLE OR IN PART AS THE BASIS FOR THE MANUFACTURE OR SALE OF ITEMS WITHOUT WRITTEN PERMISSION. COPYRIGHT © 1977 DIGITAL EQUIPMENT CORPORATION."

UNIT VARIATIONS

| VAR | TITLE |
|-------|-----------------|
| H7103 | POWER REGULATOR |
| | |
| | |
| | |
| | |
| | |
| | |
| | |
| | |
| | |
| | |
| | |
| | |
| | |
| | |
| | |
| | |
| | |
| | |
| | |
| | |
| | |
| | |
| | |
| | |
| | |
| | |
| | |
| | |
| | |
| | |
| | |
| | |

| REV. NO. | CHK | CHANGE NO. | REV. |
|----------|-----|----------------------------------|------|
| | | | |
| 1 | RC | REVISED REWORK H7103-TW001 | A |

| | | | |
|----------------------|--------------------------|--------------------|--------------------------|
| USED ON OPTION/MODEL | DRN. W. J. MAHER | DATE 9 AUG 77 | TITLE digital |
| PDP11/780 | CHK'D. S. ROBERTS | DATE 13 SEPT 77 | POWER REGULATOR H7103 |
| | PROJ. ENG. D. SHEEHAN | DATE 13 SEPT 77 | SIZE B |
| | PROD. E. BLAIR | DATE 13 SEPT 77 | CODE DD |
| SHEET 1 OF 2 | | | NUMBER H7103-0 |
| | | | REV A |
| | | | DIST. |

DIGITAL EQUIPMENT CORPORATION PARTS LIST

| | | |
|---|---------------------------------------|------------------|
| MADE BY W. J. MAHER DATE 9 AUGUST 77 | CHECKED S. ROBERTS DATE 13 SEPT 77 | SECTION 1 |
| ENG D. SHEEHAN DATE 13 SEPT 77 | PROD E. BLAIR DATE 13 SEPT 77 | ISSUED SECTION 1 |

QUANTITY / VARIATION

NOTES:

| ITEM NO. | DRAWING NO. | PART NO. | DESCRIPTION | H7103-00 | REF DESIGNATION | | | | | | | | | | | | | | | | |
|----------|------------------|-------------|-----------------------------------|----------|-----------------|--|--|--|--|--|--|--|--|--|--|--|--|--|--|--|--|
| 1 | E-IC-H7103-0-1 | | H7102 & H7103 INSTALLATION INSTR. | REF | | | | | | | | | | | | | | | | | |
| 2 | D-UA-5413414-0-0 | | ± 5VB BATTERY REGULATOR | 1 | | | | | | | | | | | | | | | | | |
| 3 | D-IA-7014548-0-0 | | HARNESS, BATTERY OPTION | 1 | | | | | | | | | | | | | | | | | |
| 4 | | 1700021-04 | ELECTROMAGNETIC SHIELD | 2 | | | | | | | | | | | | | | | | | |
| 5 | | 9007031-0-0 | TIE, CABLE | 2 | | | | | | | | | | | | | | | | | |

E.C.O. NO.
 REVISED
 RE-DRAWN
 H7103-TW1

| | | | | | | |
|---|--------------------------------|--------------|------------------------------------|-------------------|---------------------|------------------|
| "THIS DRAWING AND SPECIFICATIONS, HEREIN, ARE THE PROPERTY OF DIGITAL EQUIPMENT CORPORATION AND SHALL NOT BE REPRODUCED OR COPIED OR USED IN WHOLE OR IN PART AS THE BASIS FOR THE MANUFACTURE OR SALE OF ITEMS WITHOUT WRITTEN PERMISSION. COPYRIGHT © 1977 DIGITAL EQUIPMENT CORPORATION" | TITLE H7103 POWER REGULATOR | ASSY NO. | SIZE B | CODE PL | NUMBER H7103-0-0 | REV. A |
| | | SHEET 1 OF 1 | INSERTION PARTS LIST DATA BASE REV | | | |

TW

REV. B
NUMBER 5413414-0
CODE DD
SIZE B

| DRAWING NO. | NO. OF SHTS. | PART NO. | DESCRIPTION | REVISIONS | | | | | | | | | | | | | | | | | | |
|--------------------|--------------|----------|---------------------------|-----------|---|---|---|---|---|---|---|---|----|----|----|--|--|--|--|--|--|--|
| | | | | 1 | 2 | 3 | 4 | 5 | 6 | 7 | 8 | 9 | 10 | 11 | 12 | | | | | | | |
| D-UA-5413414-0-0 | 4 | | ±5VB BATTERY REGULATOR | A | B | | | | | | | | | | | | | | | | | |
| K-PL-5413414-0-DBP | - | | PARTS LIST DATA BASE | A | B | | | | | | | | | | | | | | | | | |
| D-CS-5413414-0-1 | 1 | | ±5VB BATTERY REGULATOR | A | B | | | | | | | | | | | | | | | | | |
| D-MD-5013413-0-0 | 4 | | ±5VB BATTERY REGULATOR | A | A | | | | | | | | | | | | | | | | | |
| | | 5013413 | ETCHED CIRCUIT BOARD | B | B | | | | | | | | | | | | | | | | | |
| K-PC-5413414-0-DBG | | | P.C. DESIGN DATA BASE REF | B | B | | | | | | | | | | | | | | | | | |

NOTES:

| REVISIONS | DATE | CHG NO. | REV. | REVISIONS | | | | | | | | | | | | | | | | | | |
|-----------|------|---------|------|-----------|---|---|---|---|---|---|---|---|----|----|----|--|--|--|--|--|--|--|
| | | | | 1 | 2 | 3 | 4 | 5 | 6 | 7 | 8 | 9 | 10 | 11 | 12 | | | | | | | |
| | 7-2 | TW | B | | | | | | | | | | | | | | | | | | | |

"THIS DRAWING AND SPECIFICATIONS, HEREIN, ARE THE PROPERTY OF DIGITAL EQUIPMENT CORPORATION AND SHALL NOT BE REPRODUCED OR COPIED OR USED IN WHOLE OR IN PART AS THE BASIS FOR THE MANUFACTURE OR SALE OF ITEMS WITHOUT WRITTEN PERMISSION.



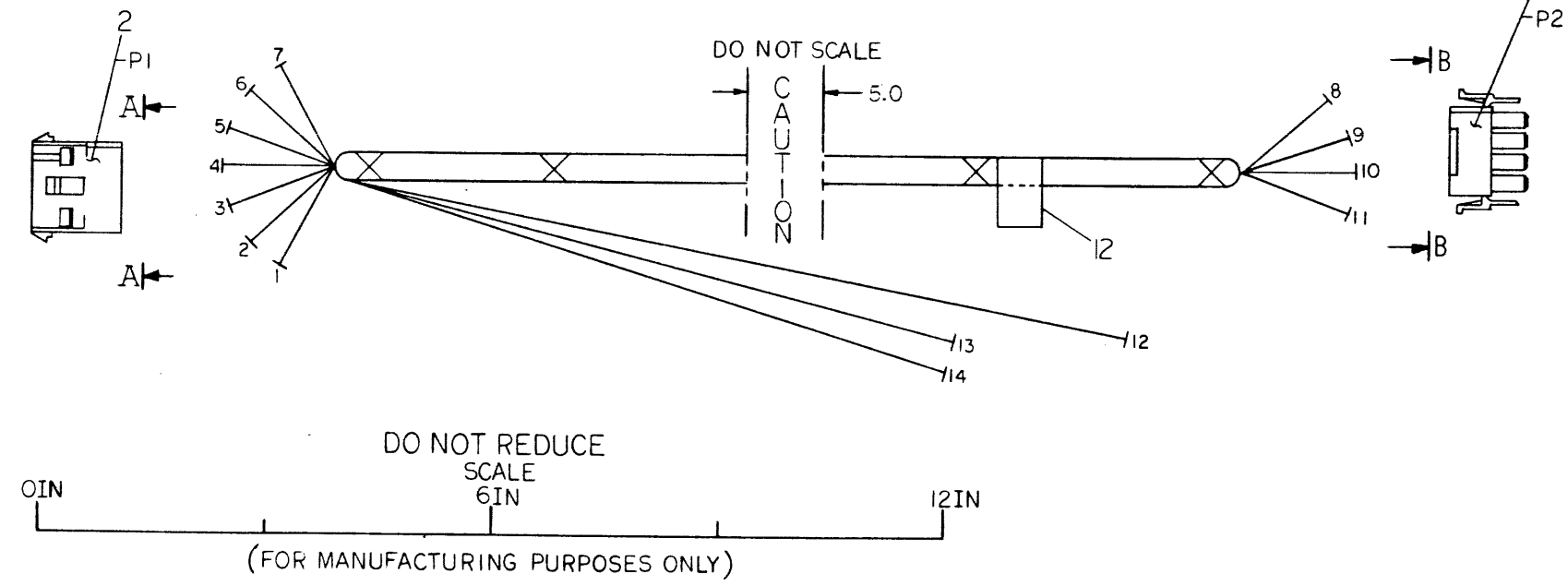
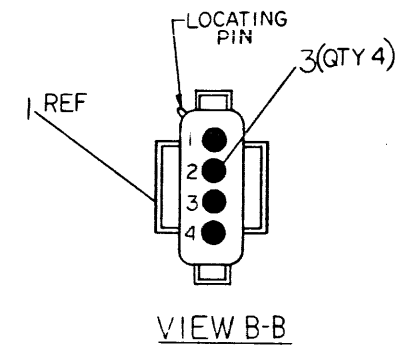
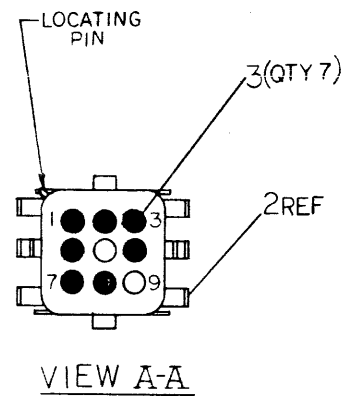
COPYRIGHT© 1978 DIGITAL EQUIPMENT CORPORATION

| | | |
|-------------------------------|--------------------------------|---------------------------------|
| USED ON OPTION/MODEL H7106 | DRN. LISE GRAHAM 4/11/78 | TITLE +5VB BATTERY REGULATOR |
| | CHK'D <i>Rita...</i> | |
| | ENG. <i>J. Blain</i> | SIZE CODE B DD |
| | PROD. <i>J. Blain</i> | NUMBER 5413414-0 |
| | | REV. B |
| | | SHEET 1 OF 1 |

THIS DRAWING AND SPECIFICATIONS HEREIN ARE THE PROPERTY OF DIGITAL EQUIPMENT CORPORATION AND SHALL NOT BE REPRODUCED OR COPIED OR USED IN WHOLE OR IN PART AS THE BASIS FOR THE MANUFACTURE OR SALE OF ITEMS WITHOUT WRITTEN PERMISSION.
COPYRIGHT © 1977 DIGITAL EQUIPMENT CORPORATION

| WIRE TABLE | | | | | | | | | |
|------------|-------------|--------|-------|-------|------------|------|-------|---------|-------------------------|
| ITEM NO | DESCRIPTION | FROM | | | TO | | | REMARKS | LENGTH PRE-CUT REF ±.25 |
| | | AWG | COLOR | POINT | CONNECTION | TERM | POINT | | |
| 6 | 14 | RED | 7 | P1-1 | 2&3 | 10 | P2-3 | 1&3 | 19.25 |
| 6 | 14 | RED | 6 | P1-2 | | 11 | P2-4 | 1&3 | 19.25 |
| 8 | 18 | GRAY | 3 | P1-3 | | 13 | | 5&11 | 10.25 |
| 9 | 18 | YELLOW | 2 | P1-4 | | 12 | | 4 | 12.25 |
| 8 | 18 | GRAY | 1 | P1-6 | | 14 | | 5&11 | 10.25 |
| 7 | 14 | BLACK | 5 | P1-7 | | 8 | P2-1 | 1&3 | 19.25 |
| 7 | 14 | BLACK | 4 | P1-8 | 2&3 | 9 | P2-2 | 1&3 | 19.25 |

NOTES:
1. USE CABLE TIES (ITEM #10) APPROXIMATELY EVERY (3) INCHES WHEN NECESSARY, AND AT EVERY BREAKOUT POINT.

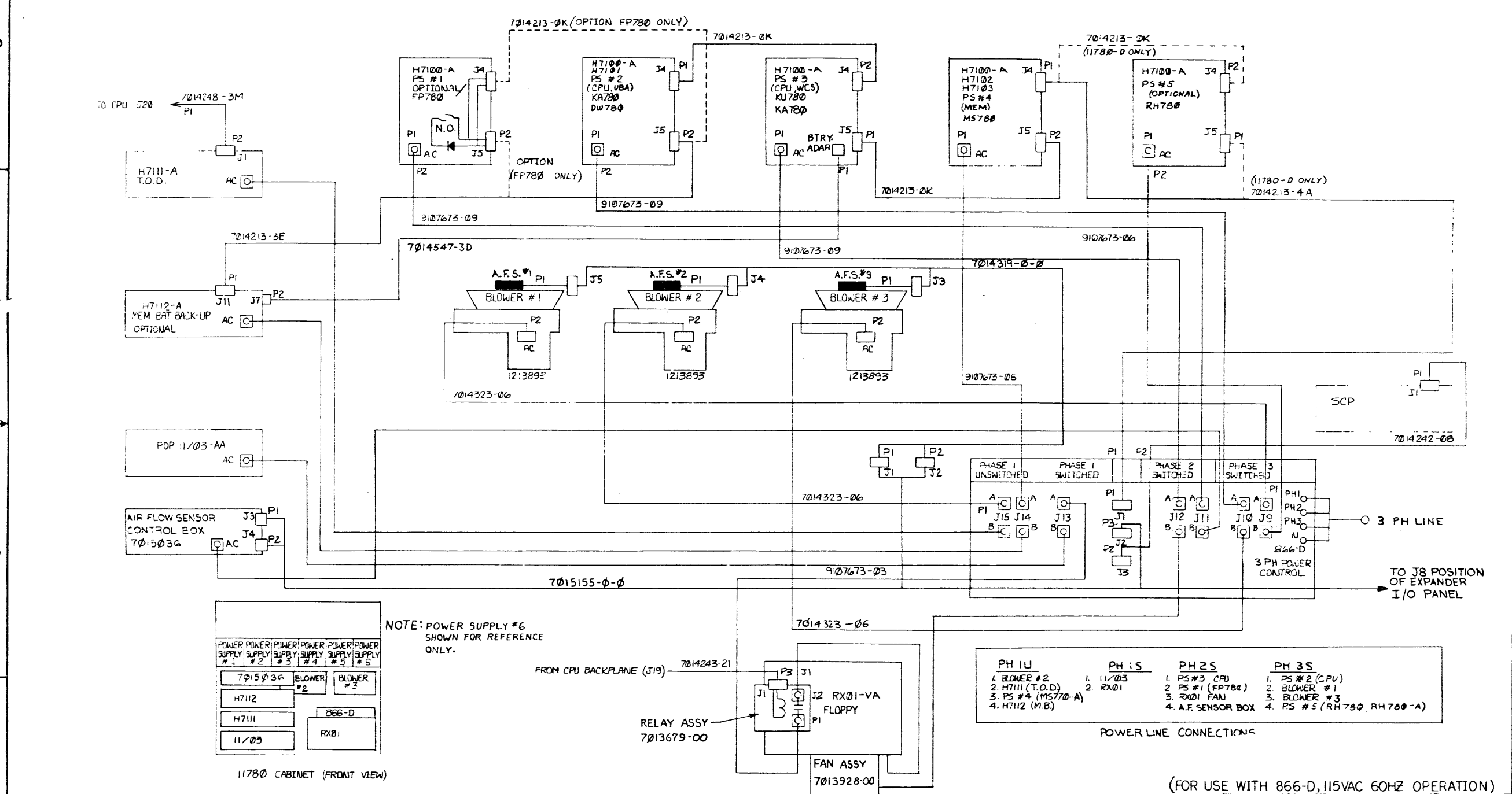


CAUTION: SEE OFF SHEETS PARTS LIST K-PL-7014548-0-DBP.

| REV. | CHG. | NO. | DATE | BY | CHKD. | APP. |
|------|---------------|-----|-----------|---------------|-------|------|
| 1 | 7014548-00001 | A | 19 Oct 77 | R MARTEL | | |
| 2 | 7014548-TW002 | B | 19 Oct 77 | C. L. LANDINO | | |
| 3 | 7014548-TW003 | C | 12 Nov 77 | K. KNOWLES | | |

| | | | | |
|--------------------------------------|-------------------|--------------------------------|---|-------------------------|
| THIRD ANGLE PROJECTION | DRN. 11/78 | REV. 77 | FIRST USED ON | 11/78 |
| REMOVE BURRS AND BREAK SHARP CORNERS | CHKD. 11/78 | 11/78 | TITLE | HARNESS, BATTERY OPTION |
| DO NOT SCALE DWG | ENGR. 11/78 | 11/78 | PROJ. ENG. 11/78 | 11/78 |
| MATERIAL SEE PARTS LIST | FINISH | | SCALE NONE | |
| DESCRIPTION | DWG. PART NO. | ITEM NO. | UNLESS OTHERWISE SPECIFIED DIMENSIONS ARE IN INCHES | |
| QUANTITY & VARIATION | CLASS OF ACCURACY | NOMINAL DIMENSION RANGE INCHES | CHECK ONE | |
| | | | MICROINCHES PREFERRED | |
| | | | NEXT HIGHER ASSY. | |
| | | | SIZE CODE NUMBER | |
| | | | SHEET OF | |

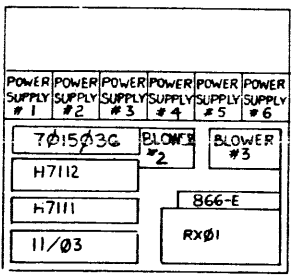
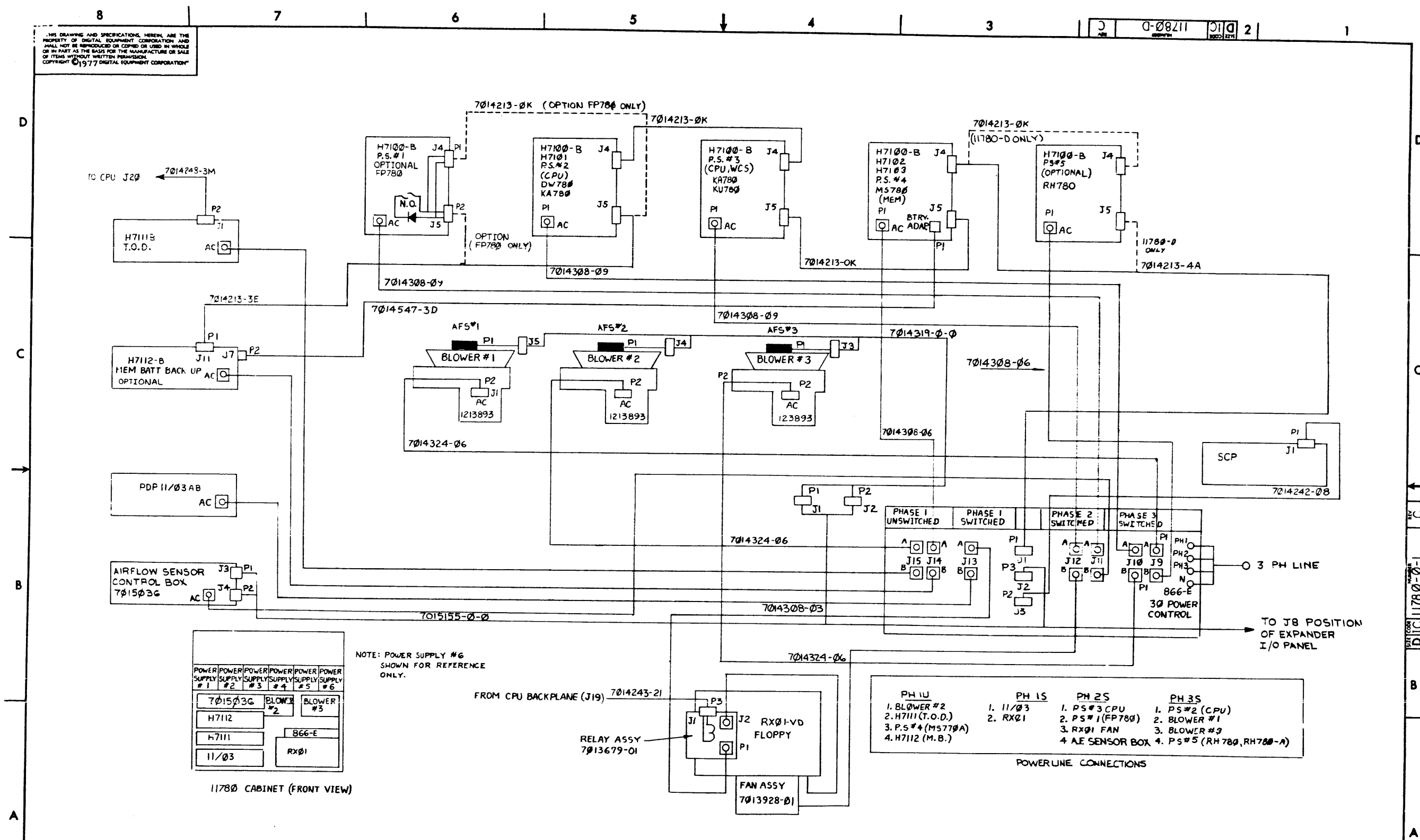
THIS DRAWING AND SPECIFICATIONS HEREIN ARE THE PROPERTY OF DIGITAL EQUIPMENT CORPORATION AND SHALL NOT BE REPRODUCED OR COPIED OR USED IN WHOLE OR IN PART AS THE BASIS FOR THE MANUFACTURE OR SALE OF ITEMS WITHOUT WRITTEN PERMISSION. COPYRIGHT © 1977 DIGITAL EQUIPMENT CORPORATION.



| REVISIONS | | |
|-----------|-------------|------|
| CHK | CHANGE NO. | REV. |
| 1 | 11780-00001 | A |
| 2 | 11780-TW002 | B |
| 3 | 11780-TW006 | C |

| | | | |
|----------------------|----------------|---------------|----------------------------|
| DRN: A. MANNING | DATE: 11-8-77 | FIRST USED ON | Digital |
| CHK'D: J. POTTER | DATE: 10-25-77 | TITLE | 11780 SYSTEM POWER DIAGRAM |
| ENG: Ed. Anton | DATE: 10-27-77 | SIZE | D 11 |
| PROJ. ENG: J. POTTER | DATE: 11-2-77 | CODE | IC |
| PROD. R. QUINN | DATE: 11-8-77 | NUMBER | 11780-0-1 |
| NEXT HIGHER ASSY. | BDD 11780-0-0 | REV. | C |
| SCALE | 1:1 | SHEET | 1 OF 11 |
| DIST. | | | |

THIS DRAWING AND SPECIFICATIONS HEREIN ARE THE PROPERTY OF DIGITAL EQUIPMENT CORPORATION AND SHALL NOT BE REPRODUCED OR COPIED OR USED IN WHOLE OR IN PART AS THE BASIS FOR THE MANUFACTURE OR SALE OF ITEMS WITHOUT WRITTEN PERMISSION. COPYRIGHT © 1977 DIGITAL EQUIPMENT CORPORATION



NOTE: POWER SUPPLY #6 SHOWN FOR REFERENCE ONLY.

| PH 1U | PH 1S | PH 2S | PH 3S |
|--------------------|----------|------------------|--------------------------|
| 1. BLOWER #2 | 1. 11/03 | 1. PS#3 CPU | 1. PS#2 (CPU) |
| 2. H7111 (T.O.D.) | 2. RX01 | 2. PS#1 (FP780) | 2. BLOWER #1 |
| 3. P.S.#4 (MS770A) | | 3. RX01 FAN | 3. BLOWER #3 |
| 4. H7112 (M.B.) | | 4. AE SENSOR BOX | 4. PS#5 (RH780, RH780-A) |

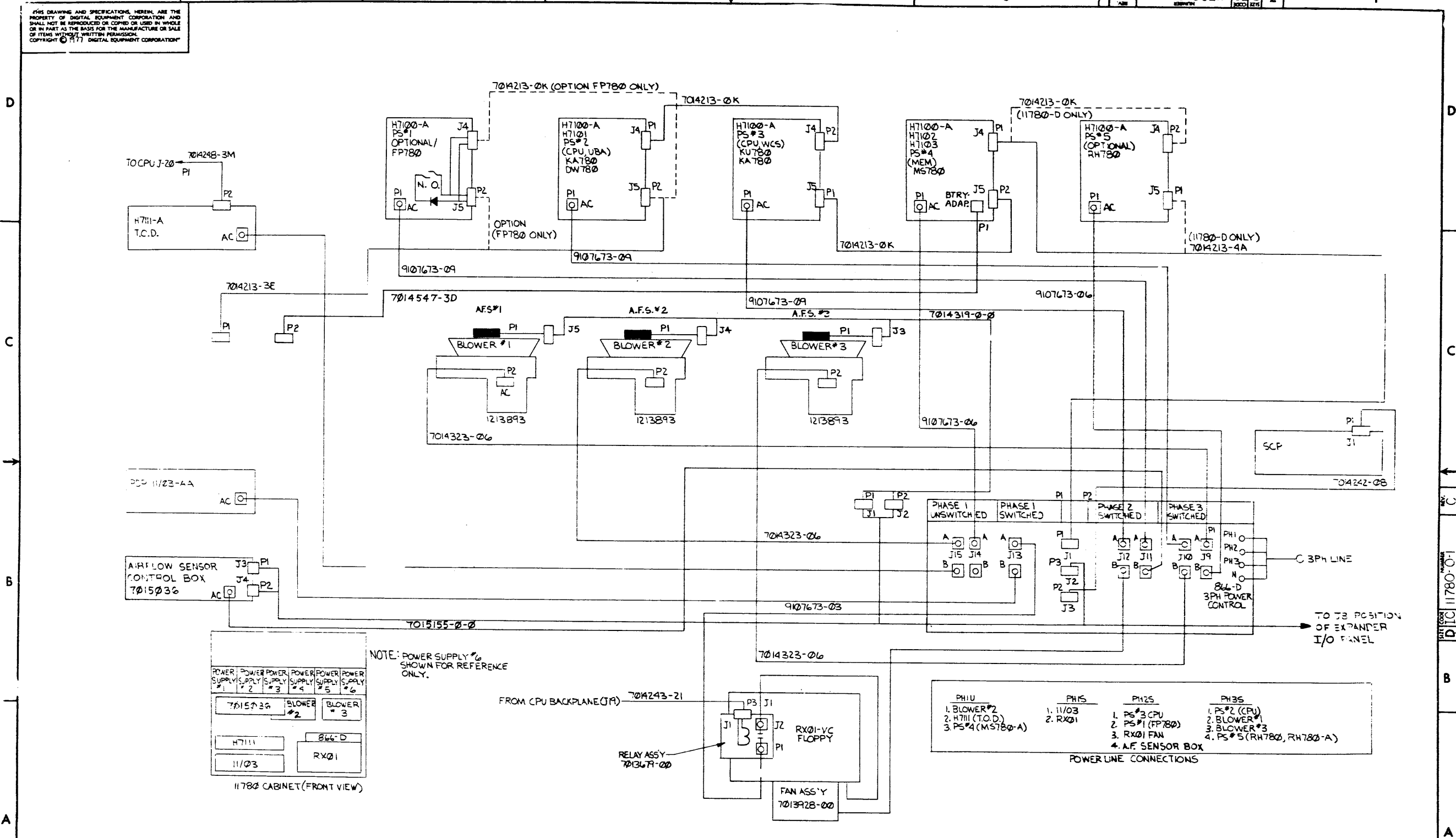
POWERLINE CONNECTIONS

| REVISIONS | | |
|-----------|------------|------|
| CHK | CHANGE NO. | REV. |
| | | |

(FOR USE WITH 866-D, 230 VAC 50HZ OPERATION)

THIS DRAWING AND SPECIFICATIONS, HEREIN, ARE THE PROPERTY OF DIGITAL EQUIPMENT CORPORATION AND SHALL NOT BE REPRODUCED OR COPIED OR USED IN WHOLE OR IN PART AS THE BASIS FOR THE MANUFACTURE OR SALE OF ITEMS WITHOUT WRITTEN PERMISSION. COPYRIGHT © 1977 DIGITAL EQUIPMENT CORPORATION

1-0-08211 2



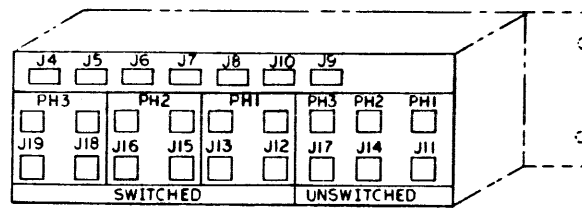
| REVISIONS | | |
|-----------|------------|------|
| CHK | CHANGE NO. | REV. |
| | | |

(FOR USE WITH 866-D, 115 VAC 50 HZ OPERATION)

| TITLE | SIZE CODE | NUMBER | REV. |
|----------------------------|---------------|-----------|------|
| 11780 SYSTEM POWER DIAGRAM | D IC | 11780-0-1 | C |
| SCALE | SHEET 3 OF 11 | DIST. | TW 1 |

THIS DRAWING AND SPECIFICATIONS HEREON ARE THE PROPERTY OF DIGITAL EQUIPMENT CORPORATION AND SHALL NOT BE REPRODUCED OR COPIED OR USED IN WHOLE OR IN PART AS THE BASIS FOR THE MANUFACTURE OR SALE OF ITEMS WITHOUT WRITTEN PERMISSION.
COPYRIGHT © 1977 . DIGITAL EQUIPMENT CORPORATION

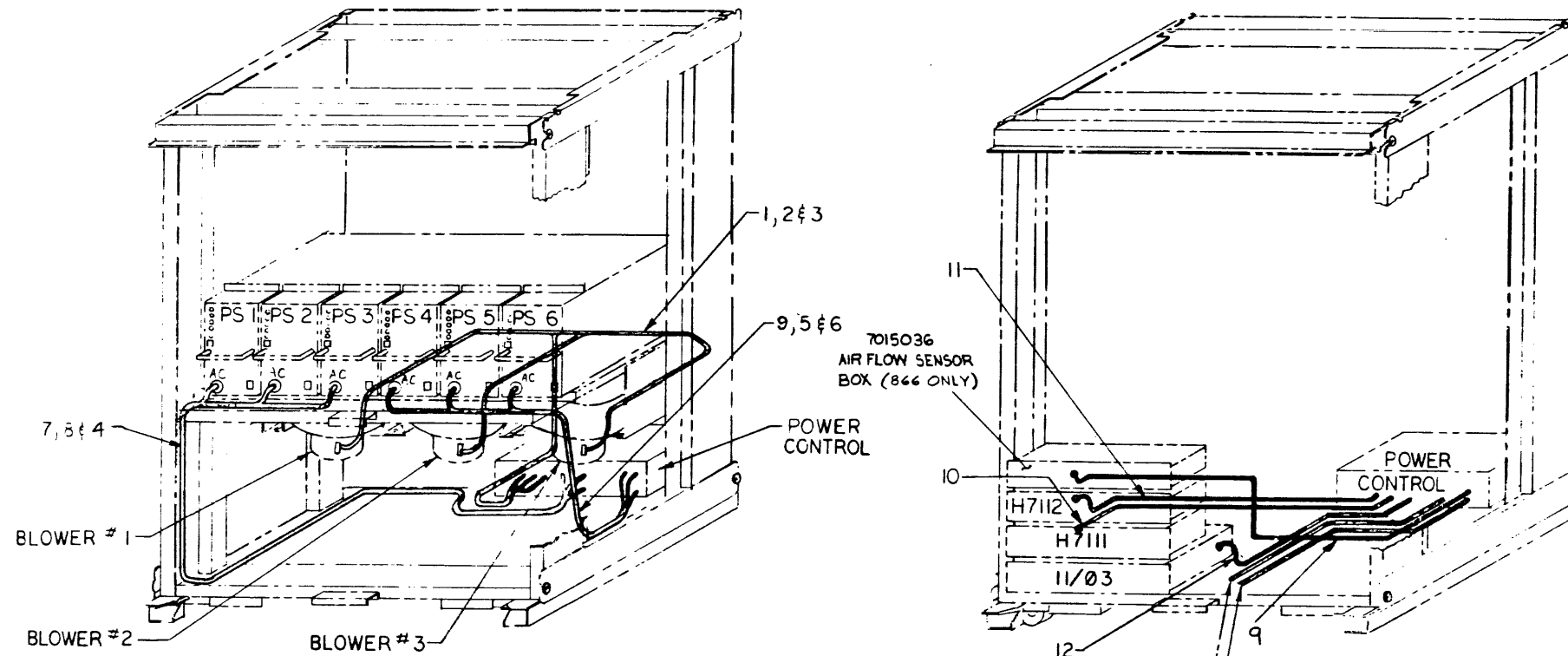
1-0-082/11780-0-1



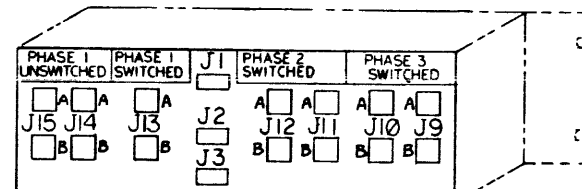
869-D/E POWER CONTROL
(REAR VIEW)

NOTES:

1. NO PARTS LIST EXISTS FOR THIS DWG. ITEM # ARE SHOWN FOR LOCATING CABLE DESTINATIONS ONLY.
2. PS*6 SHOWN FOR REFERENCE ONLY



11780-C/D CABINET
FRONT VIEW



866-D/E POWER CONTROL
REAR VIEW

| | |
|------------|--|
| REV. | |
| CHANGE NO. | |
| REVISIONS | |
| CHKD | |

8 7 6 5 4 3 2 1

| | | | |
|----------------------------|-----------|-------------------|-----------|
| (SYSTEM INTERCONNECT) | | FIRST USED ON | |
| DRN: <i>W. M. W.</i> | 7-28-77 | 11780 | digital |
| CHK'D: <i>W. M. W.</i> | 16 SEP 77 | TITLE | |
| ENG: <i>S. D. A. B.</i> | 16 SEP 77 | 11780 SYSTEM | |
| PROJ. ENG: <i>W. M. W.</i> | 16 SEP 77 | POWER DIAGRAM | |
| PROD. <i>W. M. W.</i> | 11-10-77 | NEXT HIGHER ASSY. | |
| B-DD-11780-0 | SCALE | SIZE CODE | NUMBER |
| SHEET 4 OF 11 | DIST. | D IC | 11780-0-1 |
| | | REV. | C |

TW 1

11780 CA/DA 115 V.A.C. 60 HZ SYSTEM

| ITEM NO. (REF. ONLY) | PART NO. | DESCRIPTION | FROM | TO |
|----------------------|-------------|-----------------------------|--------------|---------------|
| 1 | 7014323-06 | POWER CORD ASSY (FAN 115 V) | CORD-PI | 866-D J9-A |
| | " | " | -P2 | BLOWER#1 J1 |
| 2 | 7014323-06 | POWER CORD ASSY (FAN 115 V) | CORD-PI | 866-D J15-A |
| | " | " | -P2 | BLOWER#2 J1 |
| 3 | 7014323-06 | POWER CORD ASSY (FAN 115 V) | CORD-PI | 866-D J10-B |
| | " | " | -P2 | BLOWER#3 J1 |
| 4 | 9107673-09 | EXTENSION CORD 115V 15A | CORD-PLUG | 866-D J10-A |
| | " | " | -JACK | P.S.#2-AC |
| 5 | 9107673-06 | EXTENSION CORD 115V 15A | CORD-PLUG | 866-D J14-A |
| | " | " | -JACK | P.S.#4-AC |
| 6 | 9107673-06 | EXTENSION CORD 115V 15A | CORD-PLUG | 866-D J9-B |
| | " | " | -JACK | P.S.#5-AC |
| 7 | 9107673-09 | EXTENSION CORD 115V 15A | CORD-PLUG | 866-D J12-A |
| | " | " | -JACK | P.S.#3-AC |
| 8 | 9107673-09 | EXTENSION CORD 115V 15A | CORD-PLUG | 866-D J11-A |
| | " | " | -JACK | P.S.#1-AC |
| 9 | 7015036-00 | AIR FLOW SENSOR BOX | AC CORD-PLUG | 866-D J11-B |
| 10 | H7111-A | T.O.D. BATTERY | AC CORD-PLUG | 866-D J15-B |
| 11 | H7112-A | MEMORY BATTERY | AC CORD-PLUG | 866-D J14-B |
| 12 | PDP11/03 AA | 16 BIT COMPUTER | AC CORD-PLUG | 866-D J13-B |
| 13 | RX01-VA | RX01 FLOPPY U.A. | AC CORD-PLUG | RX01 RELAY-J1 |
| 14 | 9107673-03 | EXTENSION CORD 115V 15A | CORD-PLUG | 866-D J13-A |
| | " | " | -JACK | RX01 RELAY-PI |
| 15 | 7013928-00 | FAN ASSY 115V | AC CORD-PLUG | 866-D J12-B |

11780 CD/DD 230 V.A.C. 50 HZ SYSTEM

| ITEM NO. (REF. ONLY) | PART NO. | DESCRIPTION | FROM | TO |
|----------------------|-------------|-----------------------------|--------------|---------------|
| 1 | 7014324-06 | POWER CORD ASSY (FAN 230 V) | CORD-PI | 866-E J9A |
| | " | " | -P2 | BLOWER#1 J1 |
| 2 | 7014324-06 | POWER CORD ASSY (FAN 230 V) | CORD-PI | 866-E J15-A |
| | " | " | -P2 | BLOWER#2 J1 |
| 3 | 7014324-06 | POWER CORD ASSY (FAN 230 V) | CORD-PI | 866-E J10-B |
| | " | " | -P2 | BLOWER#3 J1 |
| 4 | 7014308-09 | POWER CORD (230 V) | CORD-PLUG | 866-E J10-A |
| | " | " | -JACK | P.S.#2-AC |
| 5 | 7014308-06 | POWER CORD (230 V) | CORD-PLUG | 866-E J14-A |
| | " | " | -JACK | P.S.#4-AC |
| 6 | 7014308-06 | POWER CORD (230 V) | CORD-PLUG | 866-E J9-B |
| | " | " | -JACK | P.S.#5-AC |
| 7 | 7014308-09 | POWER CORD (230 V) | CORD-PLUG | 866-E J12-A |
| | " | " | -JACK | P.S.#3-AC |
| 8 | 7014308-09 | POWER CORD (230 V) | CORD-PLUG | 866-E J11-A |
| | " | " | -JACK | P.S.#1-AC |
| 9 | 7015036-01 | AIR FLOW SENSOR BOX | AC CORD-PLUG | 866-E J11-B |
| 10 | H7111-B | T.O.D BATTERY | AC CORD-PLUG | 866-E J15-B |
| 11 | H7112-B | MEMORY BATTERY | AC CORD-PLUG | 866-E J14-B |
| 12 | PDP11/03-AB | 16 BIT COMPUTER | AC CORD-PLUG | 866-E J13-B |
| 13 | RX01-VD | RX01 FLOPPY U.A. | AC CORD-PLUG | RX01 RELAY J2 |
| 14 | 7014308-03 | POWER CORD (230 V) | CORD-PLUG | 866-E J13-A |
| | " | " | -JACK | RX01 RELAY PI |
| 15 | 7013928-01 | FAN ASSY (230 V) | AC CORD-PLUG | 866-E J12-B |

| REVISIONS | | |
|-----------|------------|------|
| CHR | CHANGE NO. | REV. |
| | | |

(FOR USE WITH 866-D/E ONLY)

| | | | | | | | |
|-------|-------------------------------|-----------|-----|--------|-----------|-------|---|
| TITLE | 11780 SYSTEM POWER DIAGRAM | SIZE CODE | DIC | NUMBER | 11780-0-1 | REV. | C |
| SCALE | # | SHEET | 5 | OF | 11 | DIST. | |

THE DRAWINGS AND SPECIFICATIONS HEREIN ARE THE PROPERTY OF DIGITAL EQUIPMENT CORPORATION AND SHALL NOT BE REPRODUCED OR COPIED OR USED IN WHOLE OR IN PART AS THE BASIS FOR THE MANUFACTURE OR SALE OF ITEMS WITHOUT WRITTEN PERMISSION. COPYRIGHT © 1977 DIGITAL EQUIPMENT CORPORATION

| 11780 CC/DC 115V.A.C. 50 HZ SYSTEM | | | | |
|------------------------------------|--------------|-----------------------------|--------------|---------------|
| ITEM NO (REF ONLY) | PART NO | DESCRIPTION | FROM | TO |
| 1 | 7014323-06 | POWER CORD ASSY (FAN 115 V) | CORD-PI | 866-D J9-A |
| | " | " | -P2 | BLOWER*1 J1 |
| 2 | 7014323-06 | POWER CORD ASSY (FAN 115V) | CORD-PI | 866-D J15-A |
| | " | " | -P2 | BLOWER*2 J1 |
| 3 | 7014323-06 | POWER CORD ASSY (FAN 115V) | CORD-PI | 866-D J10-B |
| | " | " | -P2 | BLOWER*3 J1 |
| 4 | 9107673-09 | EXTENSION CORD 115V 15A | CORD-PLUG | 866-D J10-A |
| | " | " | -JACK | PS.*2-AC |
| 5 | 9107673-06 | EXTENSION CORD 115V 15A | CORD-PLUG | 866-D J14-A |
| | " | " | -JACK | PS.*4-AC |
| 6 | 9107673-06 | EXTENSION CORD 115V 15A | CORD-PLUG | 866-D J9-B |
| | " | " | -JACK | PS.*5-AC |
| 7 | 9107673-09 | EXTENSION CORD 115V 15A | CORD-PLUG | 866-D J12-A |
| | " | " | -JACK | PS.*3-AC |
| 8 | 9107673-09 | EXTENSION CORD 115 15A | CORD-PLUG | 866-D J11-A |
| | " | " | -JACK | PS.*1-AC |
| 9 | 7015036-00 | AIR FLOW SENSOR BOX | AC CORD-PLUG | 866-D J11-B |
| 10 | H7111-A | T.C.D. BATTERY | AC CORD-PLUG | 866-D J15-B |
| 11 | H7112-A | MEMORY BATTERY | AC CORD-PLUG | 866-D J14-B |
| 12 | PDP 11/03-AA | 16BIT COMPUTER | AC CORD-PLUG | 866-D J13-B |
| 13 | RX01-VC | RX01 FLOPPY U.A. | AC CORD-PLUG | RX01 RELAY-J1 |
| 14 | 9107673-03 | EXTENSION CORD 115V 15A | CORD-PLUG | 866-D J13-A |
| | " | " | CORD-JACK | RX01 RELAY-PI |
| 15 | 7013928-00 | FAN ASSY 115V | AC CORD-PLUG | 866-D J12-B |

| REVISIONS | | |
|-----------|------------|------|
| CHK | CHANGE NO. | REV. |
| | | |

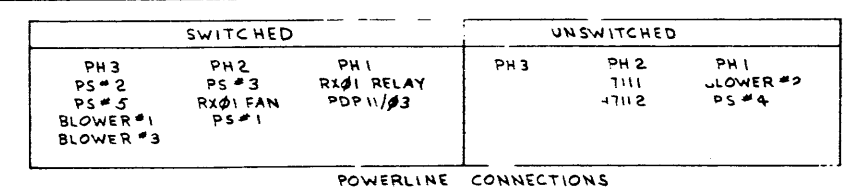
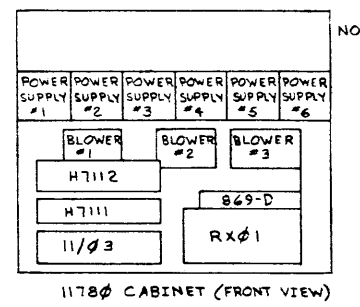
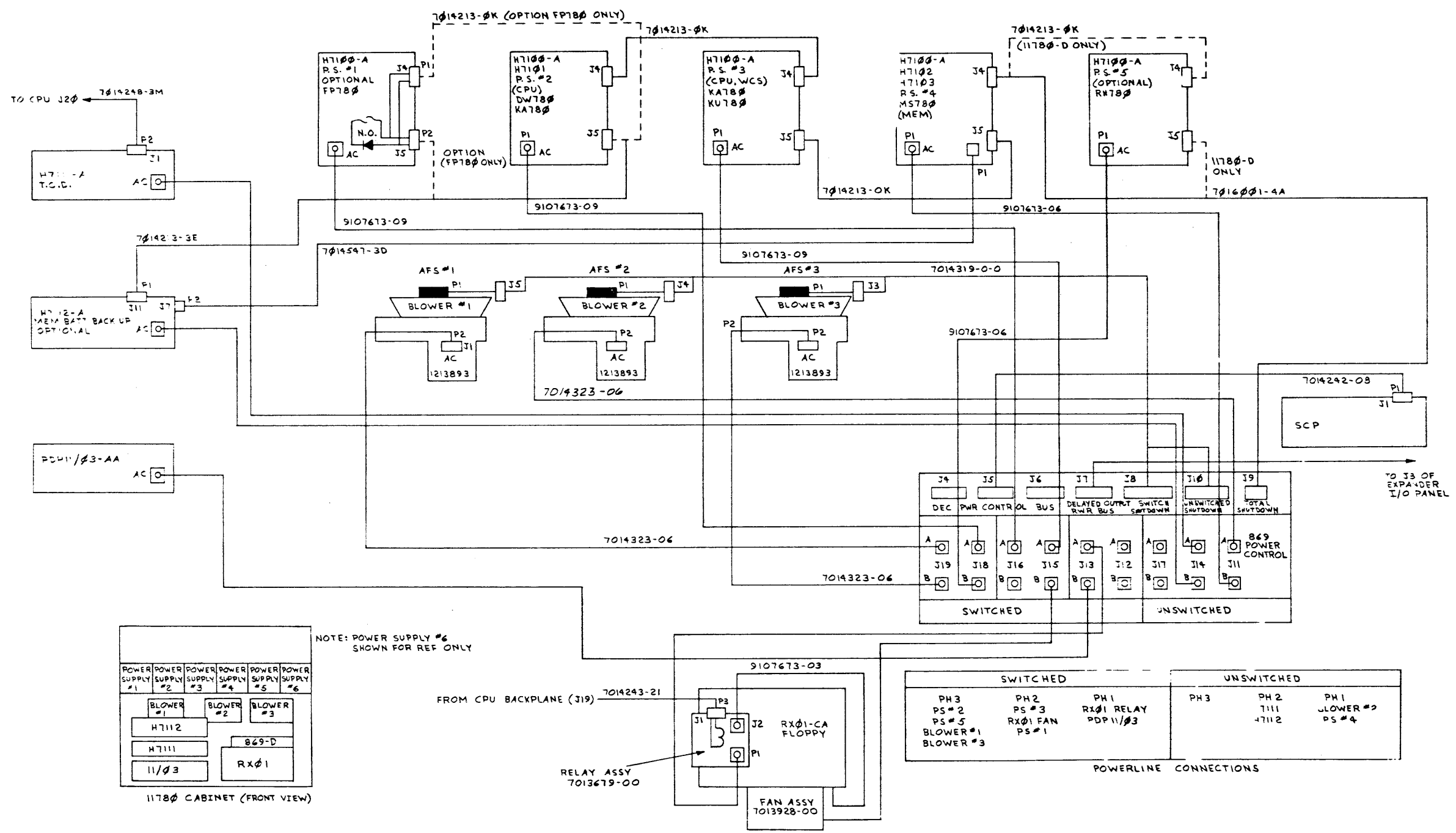
(FOR USE WITH 866-D/E ONLY)

| | | | | | | | |
|-------|----------------------------|-----------|------|--------|-----------|-------|---|
| TITLE | 11780 SYSTEM POWER DIAGRAM | SIZE CODE | D IC | NUMBER | 11780-0-1 | REV. | C |
| SCALE | --- | SHEET | 6 | OF | 11 | DIST. | |

TW1

ALL DRAWINGS AND SPECIFICATIONS HEREIN ARE THE PROPERTY OF DIGITAL EQUIPMENT CORPORATION AND SHALL NOT BE REPRODUCED OR COPIED OR USED IN WHOLE OR IN PART AS THE BASIS FOR THE MANUFACTURE OR SALE OF ITEMS WITHOUT WRITTEN PERMISSION. COPYRIGHT © 1975 DIGITAL EQUIPMENT CORPORATION

1-0-08211 2



11780 CA/DA
(FOR USE WITH 869-D
115VAC 60HZ OPERATION)

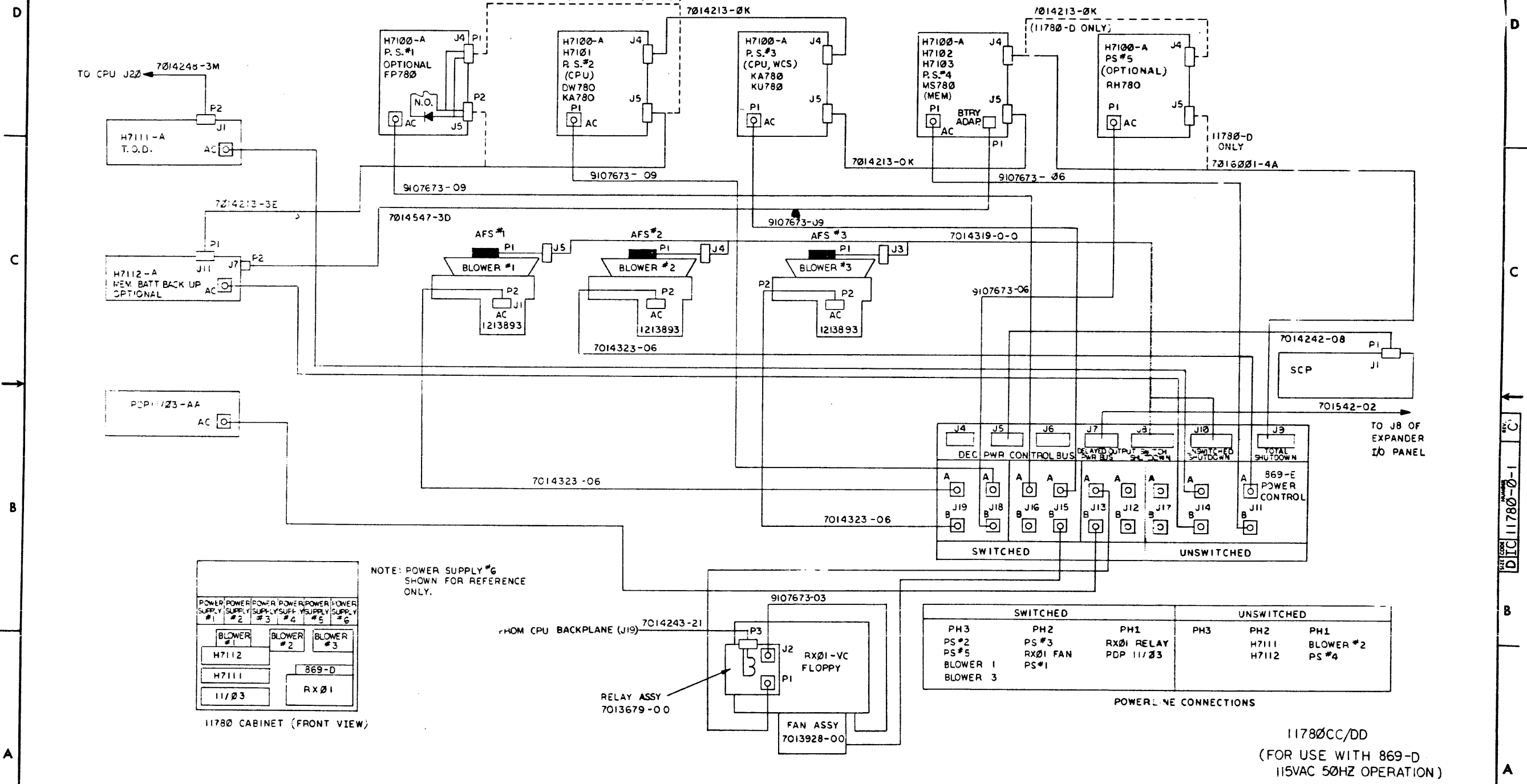
| REVISIONS | | |
|-----------|------------|------|
| CHK | CHANGE NO. | REV. |
| | | |

| | | | | | | | |
|-------|-------------------------------|-----------|---------|--------|-----------|------|---|
| TITLE | 11780 SYSTEM POWER DIAGRAM | SIZE/DATE | DIC | NUMBER | 11780-0-1 | REV. | C |
| SCALE | 1:1 | SHEET | 7 OF 11 | DIST. | | | |

REV. C
11780-0-1
DTC

THIS DRAWING AND SPECIFICATIONS HEREIN ARE THE PROPERTY OF DIGITAL EQUIPMENT CORPORATION AND SHALL NOT BE REPRODUCED OR COPIED OR USED IN WHOLE OR IN PART AS THE BASIS FOR THE MANUFACTURE OR SALE OF ITEMS WITHOUT WRITTEN PERMISSION. COPYRIGHT © 1978 DIGITAL EQUIPMENT CORPORATION

0-0-08211 2



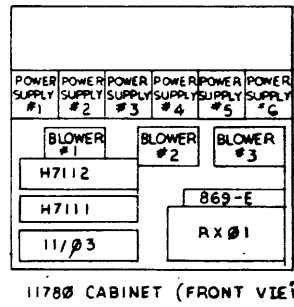
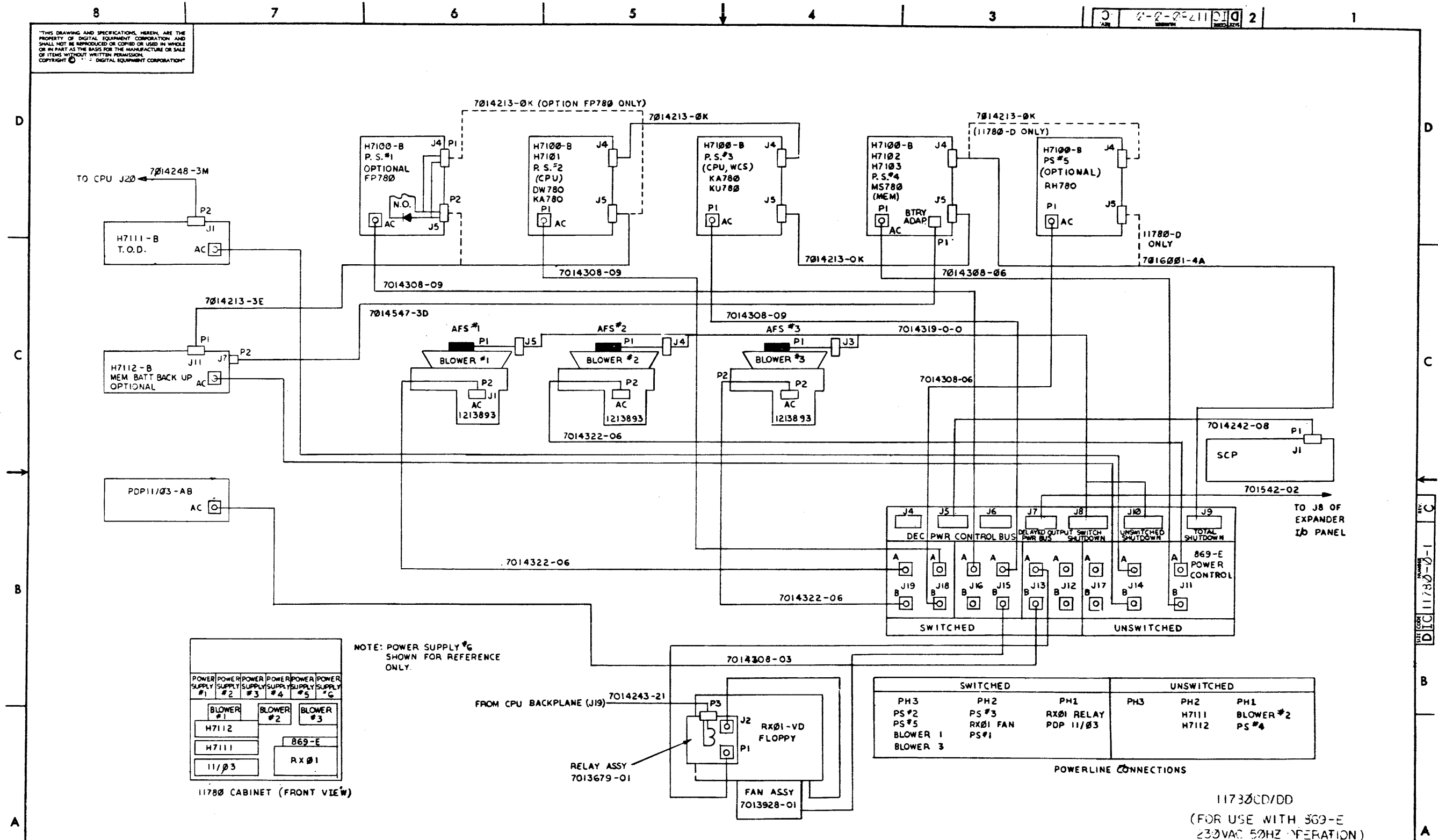
| REVISIONS | | |
|-----------|------------|------|
| CHK | CHANGE NO. | REV. |
| | | |

TITLE 11780 SYSTEM POWER DIAGRAM
 SCALE 1" = 1" SHEET 0 OF 11
 SIZE CODE D I C NUMBER 11780-0-1 REV. C

TW 1

THIS DRAWING AND SPECIFICATIONS, HEREIN, ARE THE PROPERTY OF DIGITAL EQUIPMENT CORPORATION AND SHALL NOT BE REPRODUCED OR COPIED OR USED IN WHOLE OR IN PART AS THE BASIS FOR THE MANUFACTURE OR SALE OF ITEMS WITHOUT WRITTEN PERMISSION. COPYRIGHT © DIGITAL EQUIPMENT CORPORATION

2-2-72 11730-01



| SWITCHED | | | UNSWITCHED | | |
|----------|----------|------------|------------|-------|-----------|
| PH3 | PH2 | PH1 | PH3 | PH2 | PH1 |
| PS #2 | PS #3 | RX01 RELAY | | H7111 | BLOWER #2 |
| BLOWER 1 | RX01 FAN | PDP 11/03 | | H7112 | PS #4 |
| BLOWER 3 | PS #1 | | | | |

POWERLINE CONNECTIONS

11730C/DD
(FOR USE WITH 869-E
230VAC 50HZ OPERATION)

| REVISIONS | | |
|-----------|------------|------|
| CHK | CHANGE NO. | REV. |
| | | |

THIS DRAWING AND SPECIFICATIONS HEREIN ARE THE PROPERTY OF DIGITAL EQUIPMENT CORPORATION AND SHALL NOT BE REPRODUCED OR COPIED OR USED IN WHOLE OR IN PART AS THE BASIS FOR THE MANUFACTURE OR SALE OF ITEMS WITHOUT WRITTEN PERMISSION. COPYRIGHT © 1978 DIGITAL EQUIPMENT CORPORATION

11780 CA DA 115 VAC 60HZ SYSTEM

| ITEM NO REF ONLY | PART NO | DESCRIPTION | FROM | TO |
|------------------|-------------|-----------------------------|--------------|---------------|
| 1 | 7014323-06 | POWER CORD ASSY (FAN 115 V) | CORD -P1 | 869-D J19-A |
| | | | -P2 | BLOWER*1 J1 |
| 2 | | | -P3 | 869-D J11-A |
| | | | -P2 | BLOWER*2 J1 |
| 3 | 7014323-06 | POWER CORD ASSY (FAN 115 V) | CORD -P1 | 869-D J10-B |
| | | | CORD -P2 | BLOWER*3 J1 |
| 4 | 9107673-09 | EXTENSION CORD 115V 15 A | -PLUG | 869-D J19-A |
| | | | -JACK | P.S.*2-AC |
| 5 | | | -PLUG | 869-D J11-B |
| | | | -JACK | P.S.*4-AC |
| 6 | | | -PLUG | 869-D J18-B |
| | | | -JACK | P.S.*5 AC |
| 7 | | | -PLUG | 869-D J15-A |
| | | | -JACK | P.S.*3 AC |
| 8 | 9107673-09 | EXTENSION CORD 115V 15 A | -PLUG | 869-D J16-A |
| | | | CORD -JACK | P.S.*1-AC |
| 10 | H7111-A | T.O.D. BATTERY | AC CORD PLUG | 869-D J14-A |
| 11 | H7112-A | MEMORY BATTERY | | 869-D J14-B |
| 12 | PDP11/03 AA | 16 BIT COMPUTER | | 869-D J14-B |
| 13 | RX01 VA | RX01 FLOPPY U.A. | AC CORD PLUG | RX01 RELAY J1 |
| 14 | 9107673-03 | EXTENSION CORD 115V 15 A | CORD PLUG | 869-D J13-A |
| | | | CORD JACK | RX01 RELAY-P1 |
| 15 | 7013928-00 | FAN ASSY 115 V | AC CORD PLUG | 869-D J15-B |

11780 CD/DD 230 VAC. 50 HZ SYSTEM

| ITEM NO REF ONLY | PART NO | DESCRIPTION | FROM | TO |
|------------------|-------------|-----------------------------|--------------|---------------|
| 1 | 7014324-06 | POWER CORD ASSY (FAN 230 V) | CORD -P1 | 869-E J19-A |
| | | | -P2 | BLOWER*1 J1 |
| 2 | | | -P1 | 869-E J11-A |
| | | | P2 | BLOWER*2 J1 |
| 3 | 7014324-06 | POWER CORD ASSY (FAN 230 V) | -P1 | 869-E J19-B |
| | | | -P2 | BLOWER*3 J1 |
| 4 | 7014308-09 | POWER CORD (230 V) | -PLUG | 869-E J19-A |
| | | | -JACK | P.S.*2 AC |
| 5 | | | -PLUG | 869-E J11-B |
| | | | -JACK | P.S.*4 AC |
| 6 | | | -PLUG | 869-E J18-B |
| | | | -JACK | P.S.*5 AC |
| 7 | | | -PLUG | 869-E J15-A |
| | | | -JACK | P.S.*3 AC |
| 8 | 7014308-09 | POWER CORD (230 V) | -PLUG | 869-E J16-A |
| | | | CORD JACK | P.S.*1 AC |
| 10 | H7111-B | T.O.D. BATTERY | AC CORD PLUG | 869-E J14-A |
| 11 | H7112-B | MEMORY BATTERY | | 869-E J14-B |
| 12 | PDP11/03-AB | 16 BIT COMPUTER | | 869-E J13-B |
| 13 | RX01-VD | RX01 FLOPPY U.A. | AC CORD PLUG | RX01 RELAY J2 |
| 14 | 7014308-03 | POWER CORD (230 V) | CORD - PLUG | 869-E J13-A |
| | | | CORD -JACK | RX01 RELAY |
| 15 | 7013928-01 | FAN ASSY (230V) | AC CORD PLUG | 869-E J15-B |

(FOR USE WITH 869 ONLY)

| REVISIONS | | |
|-----------|------------|------|
| CHK | CHANGE NO. | REV. |
| | | |

| | | | | | | | |
|-------|----------------------------|-----------|---------------|--------|----|-------|---|
| TITLE | 11780 SYSTEM POWER DIAGRAM | SIZE/CODE | DIC 11780-0-1 | NUMBER | | REV. | C |
| SCALE | | SHEET | 10 | OF | 11 | DIST. | |

DRAWING AND SPECIFICATIONS HEREIN ARE THE PROPERTY OF DIGITAL EQUIPMENT CORPORATION AND SHALL NOT BE REPRODUCED OR COPIED OR USED IN WHOLE OR IN PART AS THE BASIS FOR THE MANUFACTURE OR SALE OF ITEMS WITHOUT WRITTEN PERMISSION. COPYRIGHT © 1975 DIGITAL EQUIPMENT CORPORATION

11780 CC/DD 115 VAC. 50 HZ SYSTEM

| ITEM NO (REF ONLY) | PART NO | DESCRIPTION | FROM | TO |
|--------------------|--------------|-----------------------------|--------------|---------------|
| 1 | 7014323-06 | POWER CORD ASSY (FAN 115 V) | CORD-PI | 869-D J19-A |
| | | | -P2 | BLOWER*1 J1 |
| 2 | | | -P1 | 869-D J11-A |
| | | | -P2 | BLOWER*2 J1 |
| 3 | | | -P1 | 869-D J19-B |
| | 7014323-06 | POWER CORD ASSY (FAN 115 V) | CORD-P2 | BLOWER*3 J1 |
| 4 | 9107673-09 | EXTENSION CORD 115V 15A | CORD-PLUG | 869-D J18-A |
| | -09 | | JACK | P.S.*2-AC |
| 5 | -06 | | PLUG | 869-D J11-B |
| | -06 | | JACK | P.S.*4-AC |
| 6 | -06 | | PLUG | 869-D J18-B |
| | -06 | | JACK | P.S.*5-AC |
| 7 | -09 | | PLUG | 869-D J15-A |
| | -09 | | JACK | P.S.*3-AC |
| 8 | -09 | | PLUG | 869-D J16-A |
| | 9107673-09 | EXTENSION CORD 115V 15A | CORD-JACK | P.S.*1-AC |
| 9 | | | | |
| 10 | H711-A | T.C.D. BATTERY | AC CORD PLUG | 869-D J14-A |
| 11 | H7112-A | MEMORY BATTERY | AC CORD PLUG | 869-D J14-B |
| 12 | PDP 11/03-AA | 16 BIT COMPUTER | AC CORD PLUG | 869-D J13-B |
| 13 | RX01-VC | RX01 FLOPPY U.A. | AC CORD PLUG | RX01 RELAY J1 |
| 14 | 9107673-03 | EXTENSION CORD 115V 15A | CORD PLUG | 869-D J13-A |
| | 9107673-03 | EXTENSION CORD 115V 15A | CORD JACK | RX01 RELAY-PI |
| 15 | 7013928-00 | FAN ASSY 115 V | AC CORD PLUG | 869-D J15-B |

(FOR USE WITH 869 ONLY)

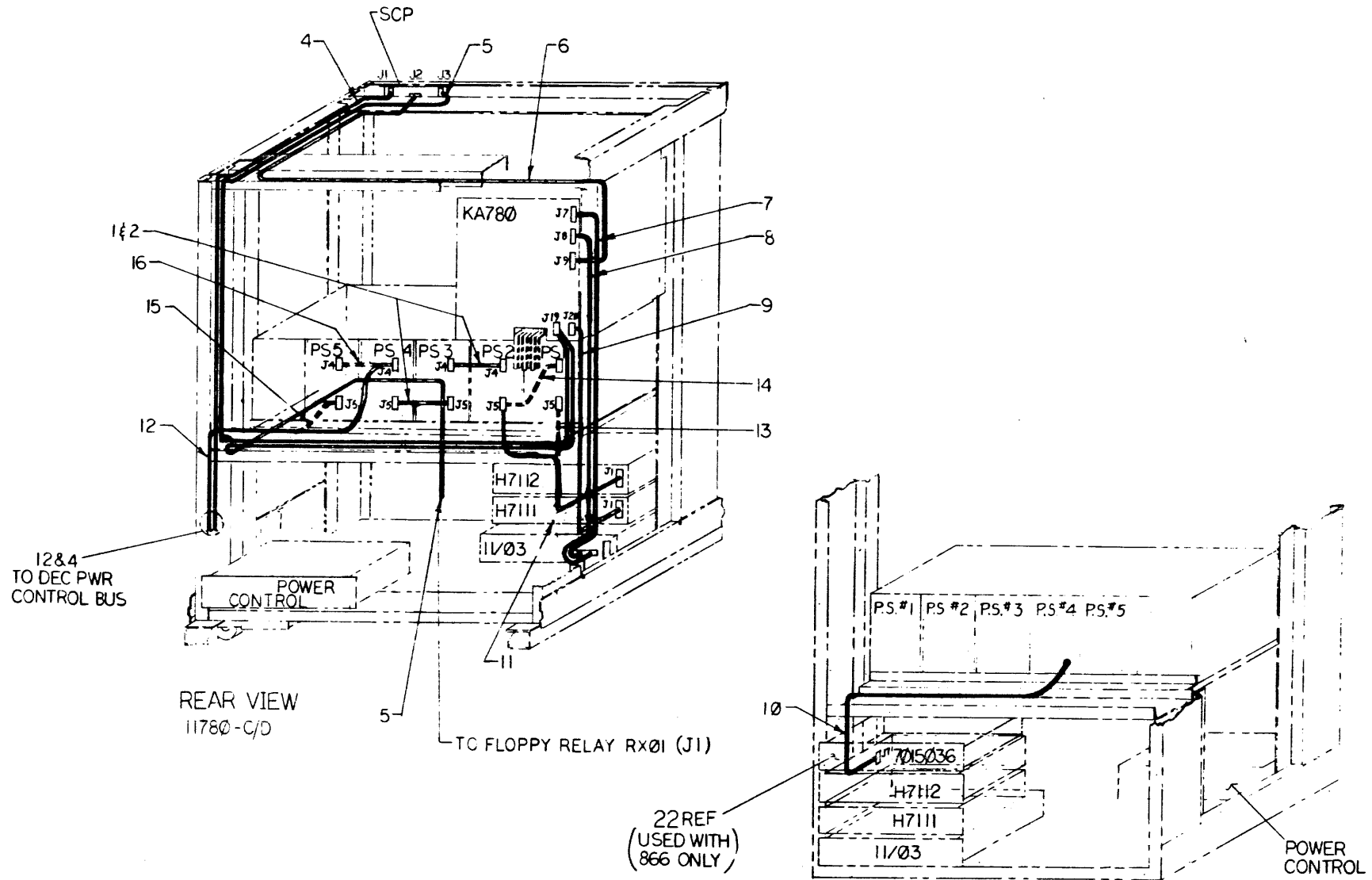
| REVISIONS | | |
|-----------|------------|------|
| CHK | CHANGE NO. | REV. |
| | | |

| | | | | | | | |
|-------|-------------------------------|-----------|-----|--------|-----------|-------|---|
| TITLE | 11780 SYSTEM POWER DIAGRAM | SIZE CODE | DIC | NUMBER | 11780-0-1 | REV. | C |
| SCALE | | SHEET | 11 | OF | 11 | DIST. | |

TW 1

THIS DRAWING AND SPECIFICATIONS HEREON ARE THE PROPERTY OF DIGITAL EQUIPMENT CORPORATION AND SHALL NOT BE REPRODUCED OR COPIED OR USED IN WHOLE OR IN PART AS THE BASIS FOR THE MANUFACTURE OR SALE OF ITEMS WITHOUT WRITTEN PERMISSION.
 COPYRIGHT © 1977, DIGITAL EQUIPMENT CORPORATION

NOTES:
 1) NO PARTS LIST EXISTS FOR THIS DWG
 ITEM #S ARE SHOWN FOR LOCATING
 CAB DESTINATIONS ONLY.



12&4
 TO DEC PWR
 CONTROL BUS

REAR VIEW
 11780-C/D

TO FLOPPY RELAY RX01 (J1)

22 REF
 (USED WITH
 866 ONLY)

FRONT VIEW
 11780-C/D

SEE SHEET #2 FOR REF PARTS LIST

| | |
|------------------------|---|
| DRN. 283177 | FIRST USED ON 11780 |
| CHK'D. [Signature] | TITLE 11780 SYSTEM INTERCONNECT DIAGRAM |
| ENG. [Signature] | NUMBER |
| PROJ. ENG. [Signature] | REV. C |
| PROD. [Signature] | |
| NEXT HIGHER ASSY. | |
| B-00-11780-0 | SIZE CODE D I C |
| SCALE | DIST. 11780-0-2 |
| SHEET 1 OF 6 | |

| REV. | CHG. | NO. | DATE | BY | REASON |
|------|------|-----------|---------|----|---------|
| 1 | | 11780-001 | 11-1-77 | A | INITIAL |
| 2 | | 11780-002 | 11-1-77 | B | INITIAL |
| 3 | | 11780-003 | 11-1-77 | C | INITIAL |
| 4 | | 11780-004 | 11-1-77 | D | INITIAL |
| 5 | | 11780-005 | 11-1-77 | E | INITIAL |
| 6 | | 11780-006 | 11-1-77 | F | INITIAL |
| 7 | | 11780-007 | 11-1-77 | G | INITIAL |
| 8 | | 11780-008 | 11-1-77 | H | INITIAL |

THIS DRAWING AND SPECIFICATIONS HEREON ARE THE PROPERTY OF DIGITAL EQUIPMENT CORPORATION AND SHALL NOT BE REPRODUCED OR COPIED OR USED IN WHOLE OR IN PART AS THE BASIS FOR THE MANUFACTURE OR SALE OF ITEMS WITHOUT WRITTEN PERMISSION. COPYRIGHT © 1970 DIGITAL EQUIPMENT CORPORATION

FOR 11780-C/D

| ITEM NO. REF ONLY | PART NO. | DESCRIPTION | FROM | TO |
|-------------------|------------|--------------------------------|-------------------|-----------|
| 1 | 7014213-0K | CABLE, OVER TEMP. | PS#2-J4 | PS#3-J4 |
| 2 | 7014213-0K | CABLE, OVER TEMP. | PS#3-J5 | PS#4-J5 |
| 4 | 7014242-08 | POWER CONTROL CABLE | 866-J3 | SCP-J1 |
| 5 | 7014243-21 | FLOPPY RELAY SCP POWER HARNESS | HARNES-P2 | KA780-J19 |
| | | | -P1 | SCP-J3 |
| | | | -P3 | RX01-J1 |
| 6 | 701411-7 | CABLE, SIGNAL | KA780-J9 | SCP-J2 |
| 7 | BC05L-10 | CABLE | 11/03 M9400-YE J1 | KA780-J7 |
| 8 | BC05L-10 | CABLE | 11/03 M9400-YE J2 | KA780-J8 |
| 9 | 7014248-3M | CABLE, T.O.D BATTERY | H7111-J1 | KA780-J20 |

PART OF KC780 ASSY

PART OF KC780 ASSY

FOR 11780-D

| ITEM NO. REF ONLY | PART NO. | DESCRIPTION | FROM | TO |
|-------------------|------------|-------------------|---------|---------|
| 16 | 7014213-0K | CABLE, OVER TEMP. | PS#4-J4 | PS#5-J4 |
| 15 | 7014213-4A | CABLE, OVER TEMP. | 866-J1 | PS#5-J5 |
| 11 | 7014213-3E | CABLE, OVER TEMP. | PS#2-J5 | N.C. |

FOR 11780-D WITH H7112

| | | | | |
|----|------------|-----------------------|----------|-------------------|
| 16 | 7014213-0K | CABLE, OVER TEMP. | PS#4-J4 | PS#5-J4 |
| 15 | 7014213-4A | CABLE, OVER TEMP. | 866-J1 | PS#5-J5 |
| 11 | 7014213-3E | CABLE, OVER TEMP. | PS#2-J5 | H7112-J1 |
| 10 | 7014547-3D | CABLE, BATTERY OPTION | CABLE-P2 | H7112-J7 |
| | | | CABLE-P1 | PS#4 BATT. ADAPT. |

FOR 11780-C

| | | | | |
|----|------------|-------------------|---------|---------|
| 12 | 7014213-4A | CABLE, OVER TEMP. | 866-J1 | PS#4-J4 |
| 11 | 7014213-3E | CABLE, OVER TEMP. | PS#2-J5 | N.C. |

FOR 11780-D WITH FP780

| | | | | |
|----|------------|-------------------|---------|---------|
| 16 | 7014213-0K | CABLE, OVER TEMP. | PS#4-J4 | PS#5-J4 |
| 15 | 7014213-4A | CABLE, OVER TEMP. | 866-J1 | PS#5-J5 |
| 13 | 7014213-3E | CABLE, OVER TEMP. | PS#1-J5 | N.C. |
| 14 | 7014213-0K | CABLE, OVER TEMP. | PS#1-J4 | PS#2-J5 |

FOR 11780-C WITH H7112

| | | | | |
|----|------------|-----------------------|----------|-------------------|
| 12 | 7014213-4A | CABLE, OVER TEMP. | 866-J1 | PS#4-J4 |
| 11 | 7014213-3E | CABLE, OVER TEMP. | H7112-J1 | PS#2-J5 |
| 10 | 7014547-3D | CABLE, BATTERY OPTION | CABLE-P2 | H7112-J7 |
| | | | CABLE-P1 | PS#4 BATT. ADAPT. |

FOR 11780-D WITH H7112 & FP780

| | | | | |
|----|------------|-----------------------|----------|-------------------|
| 16 | 7014213-0K | CABLE, OVER TEMP. | PS#4-J4 | PS#5-J4 |
| 15 | 7014213-4A | CABLE, OVER TEMP. | 866-J1 | PS#5-J5 |
| 13 | 7014213-3E | CABLE, OVER TEMP. | H7112-J1 | PS#1-J5 |
| 14 | 7014213-0K | CABLE, OVER TEMP. | PS#1-J4 | PS#2-J5 |
| 10 | 7014547-3D | CABLE, BATTERY OPTION | CABLE-P2 | H7112-J7 |
| | | | CABLE-P1 | PS#4 BATT. ADAPT. |

FOR 11780-C WITH FP780

| | | | | |
|----|------------|-------------------|---------|---------|
| 12 | 7014213-4A | CABLE, OVER TEMP. | 866-J1 | PS#4-J4 |
| 14 | 7014213-0K | CABLE, OVER TEMP. | PS#1-J4 | PS#2-J5 |
| 13 | 7014213-3E | CABLE, OVER TEMP. | PS#1-J5 | N.C. |

FOR 11780-C WITH H7112 & FP780

| | | | | |
|----|------------|-----------------------|----------|-------------------|
| 12 | 7014213-4A | CABLE, OVER TEMP. | 866-J1 | PS#4-J4 |
| 13 | 7014213-3E | CABLE, OVER TEMP. | H7112-J1 | PS#1-J5 |
| 14 | 7014213-0K | CABLE, OVER TEMP. | PS#1-J4 | PS#2-J5 |
| 10 | 7014547-3D | CABLE, BATTERY OPTION | CABLE-P2 | H7112-J7 |
| | | | CABLE-P1 | PS#4 BATT. ADAPT. |

NOTE: *CONN. J8 ON ADAPTER CABLE (7015155) SNAPS INTO CUTOUT ON EXPANDER I/O CONN. PANEL.

INTERCONNECTION TABLE FOR 11780-C/D

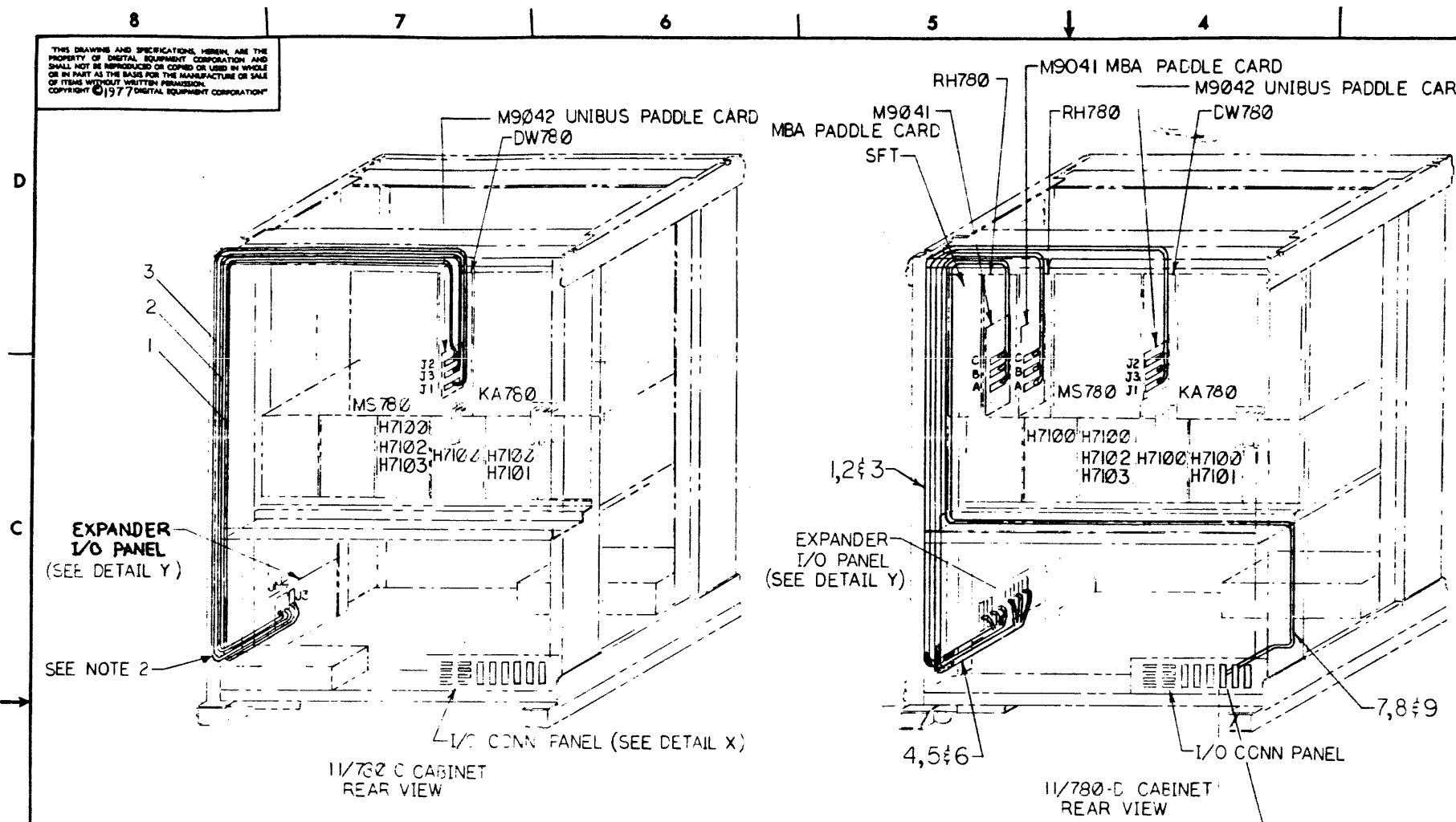
| FROM | | | | TO | | | |
|----------|----------|-----------------------|-------|----------|----------|---------------------|-------|
| ITEM NO. | PART NO. | DESCRIPTION | CONN. | ITEM NO. | PART NO. | DESCRIPTION | CONN. |
| 17 | 7014320 | AIRFLOW SENSOR#3 | P1 | 18 | 7014319 | AIRFLOW SENSE HARN. | J3 |
| 17 | | AIRFLOW SENSOR#2 | P1 | 18 | | | J4 |
| 17 | | AIRFLOW SENSOR#1 | P1 | 18 | | | J5 |
| 19 | 7015155 | AIRFLOW ADAPTER CABLE | J1 | 18 | | | P1 |
| 19 | | | J2 | 18 | | | P2 |
| 19 | | | P3 | 20 | 866-D/E | PWR CONTROL BOX | J2 |
| 19 | | | J8 | 21 | | I/O CONNECTOR PANEL | * |
| 19 | | | P1 | 22 | 7015036 | AIRFLOW SENSOR BOX | J3 |
| 19 | | | P2 | 22 | | | J4 |

(11780 C/D WITH 866)

| REVISIONS | | |
|-----------|------------|------|
| CHK. | CHANGE NO. | REV. |
| | | |

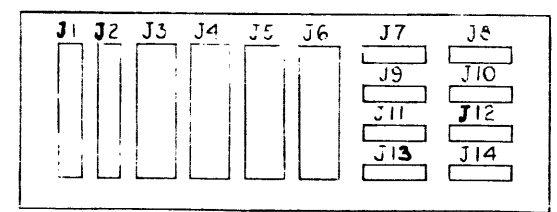
THIS DRAWING AND SPECIFICATIONS HEREIN ARE THE PROPERTY OF DIGITAL EQUIPMENT CORPORATION AND SHALL NOT BE REPRODUCED OR COPIED OR USED IN WHOLE OR IN PART AS THE BASIS FOR THE MANUFACTURE OR SALE OF ITEMS WITHOUT WRITTEN PERMISSION. COPYRIGHT © 1977 DIGITAL EQUIPMENT CORPORATION

2-2-202/11780-0-2

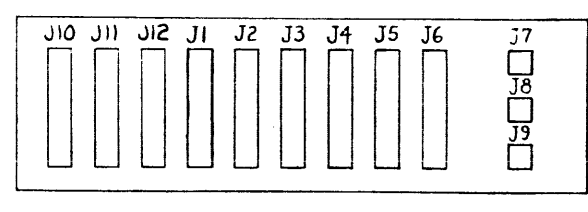


| 11780-CA,CC,CD | | | | |
|----------------------|------------|----------------------|-----------|------------------|
| ITEM NO. (REF. ONLY) | PART NO. | DESCRIPTION | FROM | TO |
| 1 | 7013622-00 | CABLE, RIBBON UNIBUS | M9042- J2 | EXP I/O CONN- J3 |
| 2 | | | M9042- J3 | EXP I/O CONN- J1 |
| 3 | | | M9042- J1 | EXP I/O CONN- J2 |

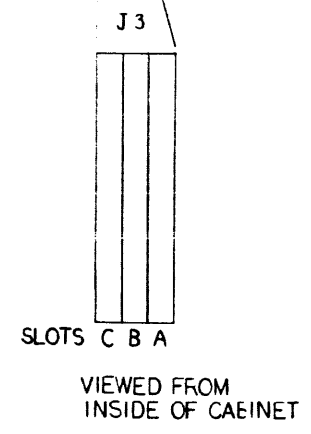
| 11780-D | | | | |
|----------------------|-----------|----------------------|-----------|---------------------|
| ITEM NO. (REF. ONLY) | PART NO. | DESCRIPTION | FROM | TO |
| 1 | 7013622-0 | CABLE, RIBBON UNIBUS | M9042- J2 | EXP I/O CONN- J3 |
| 2 | | | M9042- J3 | EXP I/O CONN- J1 |
| 3 | | | M9042- J1 | EXP I/O CONN- J2 |
| 4 | BC06R-10 | I/O: CABLE | M9041- C | EXP I/O CONN- J4 |
| 5 | | | M9041- B | EXP I/O CONN- J5 |
| 6 | | | M9041- A | EXP I/O CONN- J6 |
| 7 | BC06R-10 | I/O: CABLE | M9041- C | I/O CONN- J3 SLOT C |
| 8 | | | M9041- B | SLOT B |
| 9 | | | M9041- A | SLOT A |



DETAIL X
VIEWED FROM
INSIDE OF CABINET



DETAIL Y
VIEWED FROM
INSIDE OF CABINET



SLOTS C B A
VIEWED FROM
INSIDE OF CABINET

NOTE:
1) NO PARTS LIST EXISTS FOR THIS DWG. ITEM #S ARE SHOWN FOR LOCATING CABLE DESTINATIONS ONLY.
2) REFER TO E-UA-11780 FOR UNIBUS CABLE FOLD INSTRUCTIONS

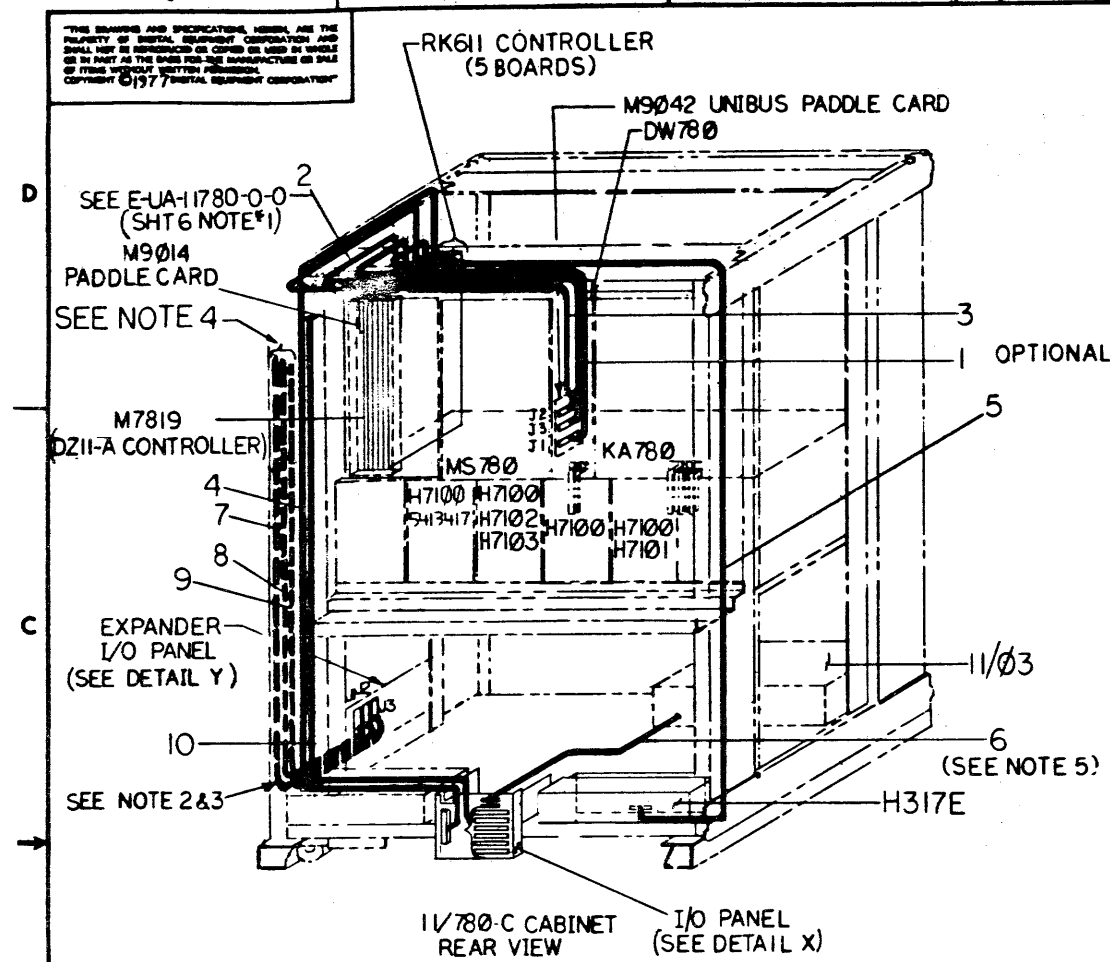
| REVISIONS | | |
|-----------|------------|------|
| CHK | CHANGE NO. | REV. |
| | | |

TITLE 11780 SYSTEM INTERCONNECT DIAGRAM
SCALE _____ SHEET 3 OF 6
SIZE CODE D LC NUMBER 11780-0-2
REV. C

DLC 11780-0-2

THE DRAWING AND SPECIFICATIONS HEREIN ARE THE PROPERTY OF DIGITAL EQUIPMENT CORPORATION AND SHALL NOT BE REPRODUCED OR COPIED OR USED IN WHOLE OR IN PART AS THE BASIS FOR THE MANUFACTURE OR SALE OF ITEMS WITHOUT WRITTEN PERMISSION. COPYRIGHT © 1977 DIGITAL EQUIPMENT CORPORATION

8 7 6 5 4 3 2 1
 11780-0-2 D 2

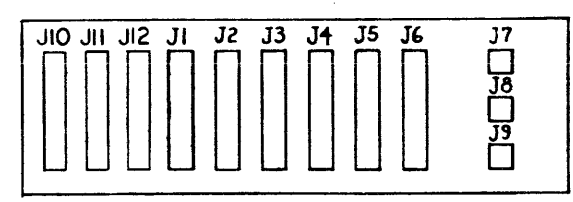
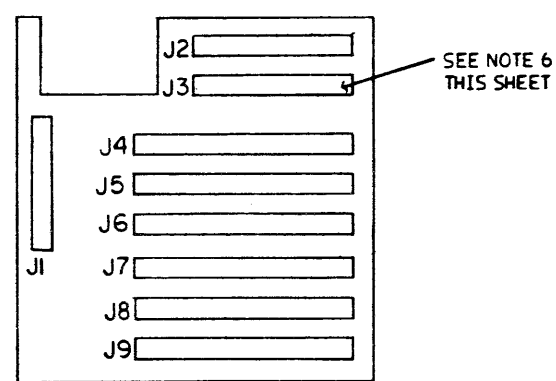


FOR 11780-CU/CV

| ITEM NO REF ONLY | PART NO. | DESCRIPTION | FROM | TO |
|---------------------|------------|---------------------|----------------------|------------------------|
| 1 | 7Ø13622-ØØ | CABLE RIBBON UNIBUS | M9Ø42-J1 | M9Ø14-J1 |
| 2 | | | M9Ø42-J3 | M9Ø14-J3 |
| 3 | | | M9Ø42-J2 | M9Ø14-J2 |
| 4 | BCØ6R-10 | I/O CABLE | M79Ø4 | I/O PANEL-J1 |
| 5 | BCØ5W-15 | I/O CABLE | M7819 | H317E-H7004G(J18) |
| 6 | BCØ3L-Ø5 | CONSOLE CABLE | DLVII CONSOLE MODULE | I/O PANEL-J2 |
| 7 | 7Ø13622-ØØ | CABLE RIBBON UNIBUS | M9Ø14-J1 | EXP I/O PANEL-J2 |
| 8 | | | M9Ø14-J3 | -J1 |
| 9 | | | M9Ø14-J2 | -J3 |
| 10 | BCØ6K-9F | MIRROR IMAGE CABLE | UNIBUS OPT | I/O PANEL J4 THRU J9 * |

*SEE NOTE 7

- NOTES:
1. NO PARTS LIST EXISTS FOR THIS DRAWING. ITEM #'S ARE SHOWN FOR LOCATING CABLE DESTINATIONS ONLY.
 2. REFER TO E-UA-11780 FOR UNIBUS CABLE FOLD INSTRUCTIONS.
 3. UNIBUS CABLES TO EXPANDER I/O PANEL ONLY SUPPLIED WHEN UNIBUS EXPANSION CABINET IS REQUIRED.
 4. CONNECTION OF THE OTHER END OF THESE CABLES IS MADE TO AN M9Ø14 PADDLE CARD AND PLUGGED IN THE UNIBUS-OUT SLOT OF THE LAST SEQUENCED UNIBUS BACKPLANE. THESE CONN'S ARE NOT PART OF THE STANDARD CONFIG.
 5. REFER TO KC78Ø PRINT SET FOR DETAILS OF CONNECTION TO LS11.
 6. REMOTE DIAGNOSTIC CABLE TO BE CONNECTED TO J3 OF I/O PANEL.
 7. BCØ6K MIRROR IMAGE CABLES ARE USED WITH H7ØØ4B FILTERED CONNECTORS TO COMPLETE THE CONNECTION BETWEEN I/O PANEL J4 THRU J9 AND UNIBUS OPTIONS (TO BE DETERMINED BY HIGHER LEVEL DOCUMENTATION).



THIS SHEET FOR
CU & CV VARIATIONS
ONLY

D11C11780-0-2

| REVISIONS | | |
|-----------|------------|------|
| CHK | CHANGE NO. | REV. |
| | | |

TITLE 11/780 SYSTEM INTERCONNECT DIAGRAM
 NUMBER D11C11780-0-2
 SHEET 4 OF 6
 REV. B

THIS DRAWING AND SPECIFICATIONS HEREIN ARE THE PROPERTY OF DIGITAL EQUIPMENT CORPORATION AND SHALL NOT BE REPRODUCED OR COPIED OR USED IN WHOLE OR IN PART AS THE BASIS FOR THE MANUFACTURE OR SALE OF ITEMS WITHOUT WRITTEN PERMISSION. COPYRIGHT © 1977 DIGITAL EQUIPMENT CORPORATION

2-0-08211 D 2

PART OF KC 780 ASSY

PART OF KC 780 ASSY

| FOR 11780-C/D | | | | |
|--------------------|------------|--------------------------------|-------------------|-----------|
| ITEM NO. REF. ONLY | PART NO. | DESCRIPTION | FROM | TO |
| 1 | 7014213-0K | CABLE, OVER TEMP. | PS#2-J4 | PS#3-J4 |
| 2 | 7014213-0K | CABLE, OVER TEMP. | PS#3-J5 | PS#4-J5 |
| 4 | 7014242-08 | POWER CONTROL CABLE | 866-J3 | SCP-J1 |
| 5 | 7014243-21 | FLOPPY RELAY SCP POWER HARNESS | HARNES-P2 | KA780-J19 |
| | | | -P1 | SCP-J3 |
| | | | -P3 | RX01-J1 |
| 6 | 7011411-12 | CABLE, SIGNAL | KA780-J9 | SCP-J2 |
| 7 | BC05L-10 | CABLE | 11/03 M9400-YE J1 | KA780-J7 |
| 8 | BC05L-10 | CABLE | 11/03 M9400-YE J2 | KA780-J8 |
| 9 | 7014248-3M | CABLE, T.O.D BATTERY | H7111-J1 | KA780-J20 |

| FOR 11780-D | | | | |
|--------------------|------------|-------------------|---------|---------|
| ITEM NO. REF. ONLY | PART NO. | DESCRIPTION | FROM | TO |
| 16 | 7014213-0K | CABLE, OVER TEMP. | PS#4-J4 | PS#5-J4 |
| 15 | 7014213-4A | CABLE, OVER TEMP. | 866-J1 | PS#5-J5 |
| 11 | 7014213-3E | CABLE, OVER TEMP. | PS#2-J5 | N.C. |

| FOR 11780-D WITH H7112 | | | | |
|------------------------|------------|-----------------------|----------|-------------------|
| ITEM NO. REF. ONLY | PART NO. | DESCRIPTION | FROM | TO |
| 16 | 7014213-0K | CABLE, OVER TEMP. | PS#4-J4 | PS#5-J4 |
| 15 | 7014213-4A | CABLE, OVER TEMP. | 866-J1 | PS#5-J5 |
| 11 | 7014213-3E | CABLE, OVER TEMP. | PS#2-J5 | H7112-J1 |
| 10 | 7014547-3D | CABLE, BATTERY OPTION | CABLE-P2 | H7112-J7 |
| | | | CABLE-PI | PS#4 BATT. ADAPT. |

| FOR 11780-C | | | | |
|--------------------|------------|-------------------|---------|---------|
| ITEM NO. REF. ONLY | PART NO. | DESCRIPTION | FROM | TO |
| 12 | 7014213-4A | CABLE, OVER TEMP. | 866-J1 | PS#4-J4 |
| 11 | 7014213-3E | CABLE, OVER TEMP. | PS#2-J5 | N.C. |

| FOR 11780-D WITH FP780 | | | | |
|------------------------|------------|-------------------|---------|---------|
| ITEM NO. REF. ONLY | PART NO. | DESCRIPTION | FROM | TO |
| 16 | 7014213-0K | CABLE, OVER TEMP. | PS#4-J4 | PS#5-J4 |
| 15 | 7014213-4A | CABLE, OVER TEMP. | 866-J1 | PS#5-J5 |
| 13 | 7014213-3E | CABLE, OVER TEMP. | PS#1-J5 | N.C. |
| 14 | 7014213-0K | CABLE, OVER TEMP. | PS#1-J4 | PS#2-J5 |

OPTIONAL

| FOR 11780-C WITH H7112 | | | | |
|------------------------|------------|-----------------------|----------|-------------------|
| ITEM NO. REF. ONLY | PART NO. | DESCRIPTION | FROM | TO |
| 12 | 7014213-4A | CABLE, OVER TEMP. | 866-J1 | PS#4-J4 |
| 11 | 7014213-3E | CABLE, OVER TEMP. | H7112-J1 | PS#2-J5 |
| 10 | 7014547-3D | CABLE, BATTERY OPTION | CABLE-P2 | H7112-J7 |
| | | | CABLE-PI | PS#4 BATT. ADAPT. |

| FOR 11780-C WITH FP780 | | | | |
|------------------------|------------|-------------------|---------|---------|
| ITEM NO. REF. ONLY | PART NO. | DESCRIPTION | FROM | TO |
| 12 | 7014213-4A | CABLE, OVER TEMP. | 866-J1 | PS#4-J4 |
| 14 | 7014213-0K | CABLE, OVER TEMP. | PS#1-J4 | PS#2-J5 |
| 13 | 7014213-3E | CABLE, OVER TEMP. | PS#1-J5 | N.C. |

| FOR 11780-D WITH H7112 & FP780 | | | | |
|--------------------------------|------------|-----------------------|----------|-------------------|
| ITEM NO. REF. ONLY | PART NO. | DESCRIPTION | FROM | TO |
| 16 | 7014213-0K | CABLE, OVER TEMP. | PS#4-J4 | PS#5-J4 |
| 15 | 7014213-4A | CABLE, OVER TEMP. | 866-J1 | PS#5-J5 |
| 13 | 7014213-3E | CABLE, OVER TEMP. | H7112-J1 | PS#1-J5 |
| 14 | 7014213-0K | CABLE, OVER TEMP. | PS#1-J4 | PS#2-J5 |
| 10 | 7014547-3D | CABLE, BATTERY OPTION | CABLE-P2 | H7112-J7 |
| | | | CABLE-PI | PS#4 BATT. ADAPT. |

| FOR 11780-C WITH H7112 & FP780 | | | | |
|--------------------------------|------------|-----------------------|----------|-------------------|
| ITEM NO. REF. ONLY | PART NO. | DESCRIPTION | FROM | TO |
| 12 | 7014213-4A | CABLE, OVER TEMP. | 866-J1 | PS#4-J4 |
| 13 | 7014213-3E | CABLE, OVER TEMP. | H7112-J1 | PS#1-J5 |
| 14 | 7014213-0K | CABLE, OVER TEMP. | PS#1-J4 | PS#2-J5 |
| 10 | 7014547-3D | CABLE, BATTERY OPTION | CABLE-P2 | H7112-J7 |
| | | | CABLE-PI | PS#4 BATT. ADAPT. |

NOTE: *CONN. J8 ON ADAPTER CABLE (7015155) SNAPS INTO CUTOUT ON EXPANDER I/O CONN. PANEL.

OPTIONAL

(11780 C/D WITH 869 D/E)

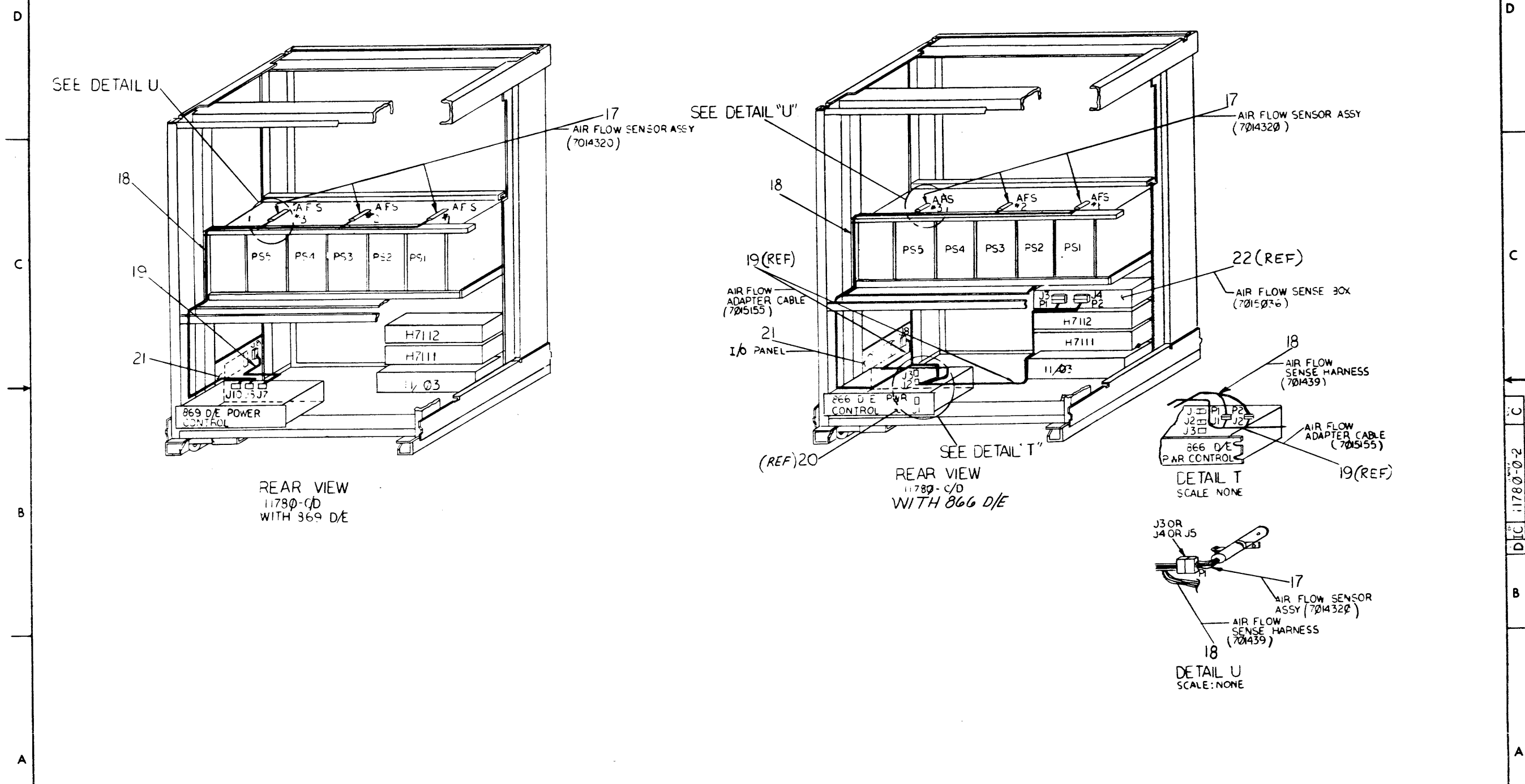
| REVISIONS | | |
|-----------|------------|------|
| CHK | CHANGE NO. | REV. |
| | | |

D I C 11780-0-2

D C B A

D C B A

ALL DRAWINGS AND SPECIFICATIONS HEREIN ARE THE PROPERTY OF DIGITAL EQUIPMENT CORPORATION AND SHALL BE REPRODUCED OR COPIED OR USED IN WHOLE OR IN PART AS THE BASIS FOR THE MANUFACTURE OR SALE OF ANY EQUIPMENT WITHOUT WRITTEN PERMISSION FROM DIGITAL EQUIPMENT CORPORATION.



REAR VIEW
11780-C/D
WITH 869 D/E

REAR VIEW
11780-C/D
WITH 866 D/E

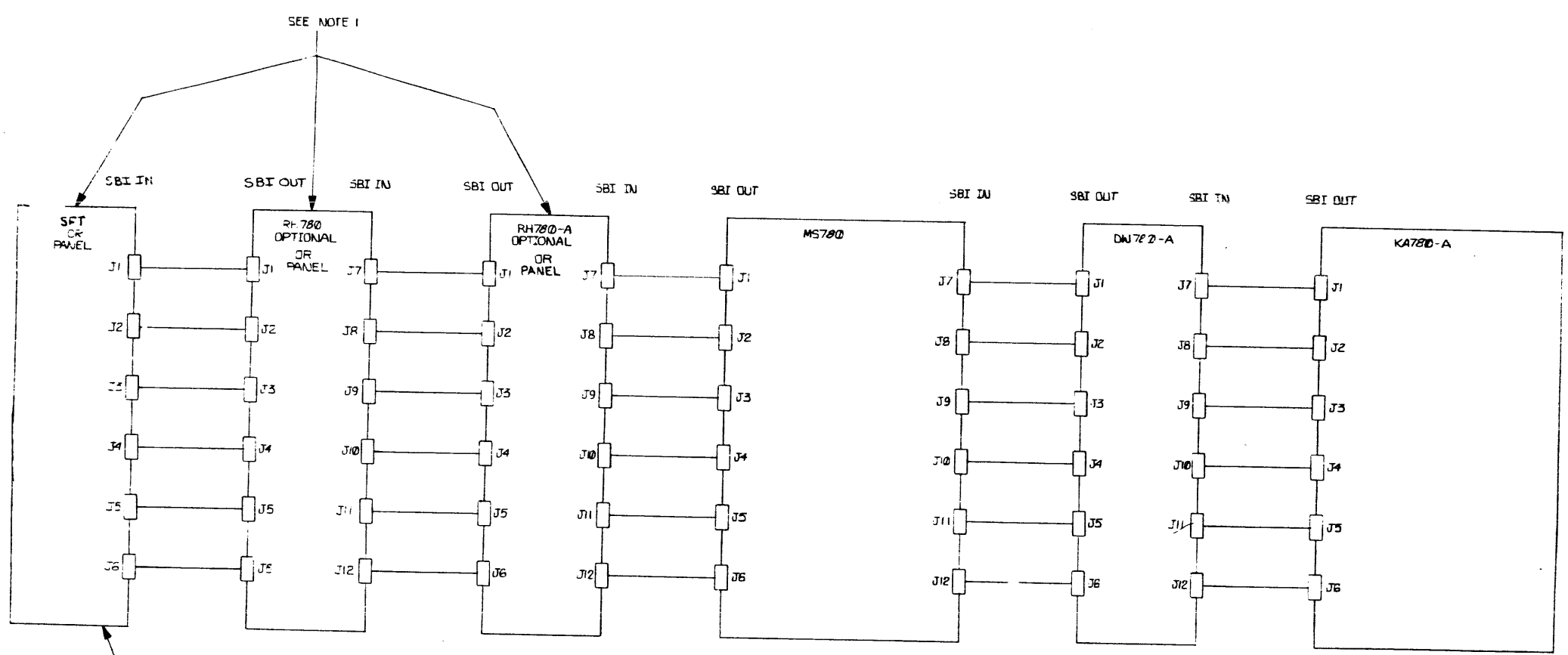
DETAIL T
SCALE NONE

DETAIL U
SCALE: NONE

| REVISIONS | | |
|-----------|-----------|-----|
| REV | CHANGE NO | REV |
| | | |

THIS DRAWING AND SPECIFICATIONS HEREIN ARE THE PROPERTY OF DIGITAL EQUIPMENT CORPORATION AND SHALL NOT BE REPRODUCED OR COPIED OR USED IN WHOLE OR IN PART AS THE BASIS FOR THE MANUFACTURE, SALE OR SALE OF ITEMS WITHOUT WRITTEN PERMISSION OF DIGITAL EQUIPMENT CORPORATION

8 7 6 5 4 3 2 1
 B 11780-0-3 2



- NOTES:
- 11780-C SYSTEM CONSISTS OF
 - A. KA780-A
 - B. DW780-A
 - C. MS780
 - D. SFT (# M9043)
 - E. 2 DUMMY PANELS (# 7418973)
 - 11780-D SYSTEM CONSISTS OF
 - A. KA780-A
 - B. DW780-A
 - C. MS780
 - D. RH780-A
 - E. RH780
 - F. SFT
 - SBI CABLE CONNECTIONS TO SFT FROM ADJACENT BACKPLANE ARE ALWAYS 1700087-1, (QUANTITY 6) OTHER SBI CABLES ARE 1700087-0

| | |
|------------|------------|
| REV. | 1 |
| CHANGE NO. | 1 |
| DATE | 11/78 |
| BY | E. ANTON |
| CHKD | S. L. A. |
| REVISED BY | R. CHUSMAE |

(BACKPLANE S.B.I. INTERCONNECT)

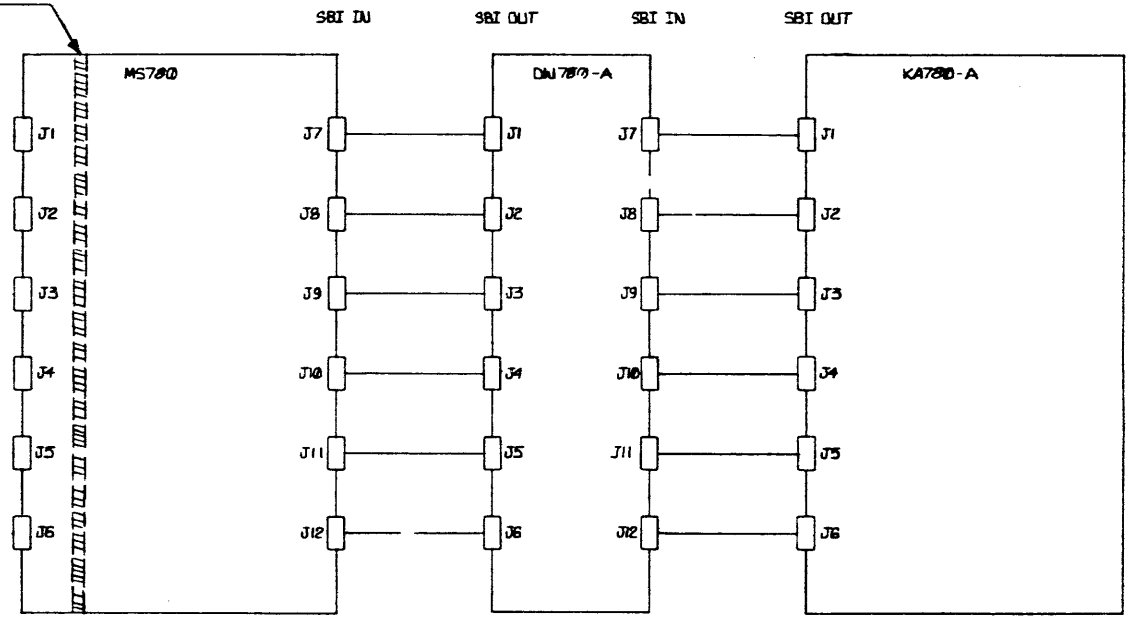
| | | | |
|-------------------------|--------------|---------------|-----------------------------|
| DRW. E. TAYLOR | 24 JUL 77 | FIRST USED ON | 11780 |
| CHK'D D. ROSS | 19 DEC 77 | TITLE | 11780 SUB SYSTEM INTERCONN. |
| ENG. S. A. TAYLOR | 15 DEC 77 | SIZE | D I C 11780-0-3 |
| PROJ. ENG. J. H. TAYLOR | 15 DEC 77 | NUMBER | REV. B |
| PROD. R. TAYLOR | 11-8-77 | DIST. | |
| NEXT HIGHER ASSY. | R-DD-11780-0 | SCALE | |
| SHEET | 1 | OF | 8 |

TW 1

"THIS DRAWING AND SPECIFICATIONS HEREIN ARE THE PROPERTY OF DIGITAL EQUIPMENT CORPORATION AND SHALL NOT BE REPRODUCED OR COPIED OR USED IN WHOLE OR IN PART AS THE BASIS FOR THE MANUFACTURE OR SALE OF ITEMS WITHOUT WRITTEN PERMISSION. COPYRIGHT © 1979 . DIGITAL EQUIPMENT CORPORATION"

8 7 6 5 4 3 2 1
 8 11780-0-3 2

SEE NOTE 1



- NOTES:
 1) 11780 CU*CV SYSTEM CONSISTS OF
 A. KA780 A
 B. DW780 A
 C. MS780
 D. TRM (M9040) MOUNTED IN SLOT* 1 OF MS780 BACKPLANE.

THIS SHEET FOR
 CU*CV VARIATIONS
 ONLY

(BACKPLANE S.B.I. INTERCONNECT)

| | | |
|--------------------------------|--------------------------------------|---------------------|
| DRN. <i>Res Lennan</i> 9/17/79 | FIRST USED ON 11780 | DIGITAL |
| CHKD | TITLE 11780 SUB SYSTEM INTERCONN. | |
| ENG. | | |
| PROJ. ENG. | | |
| PROD. | | |
| NEXT HIGHER ASSY. | | |
| Q-DD-11780-0 | SIZE CODE D | NUMBER 11780-0-3 |
| SCALE | | REV. B |
| SHEET 2 OF 8 | DIST. | |

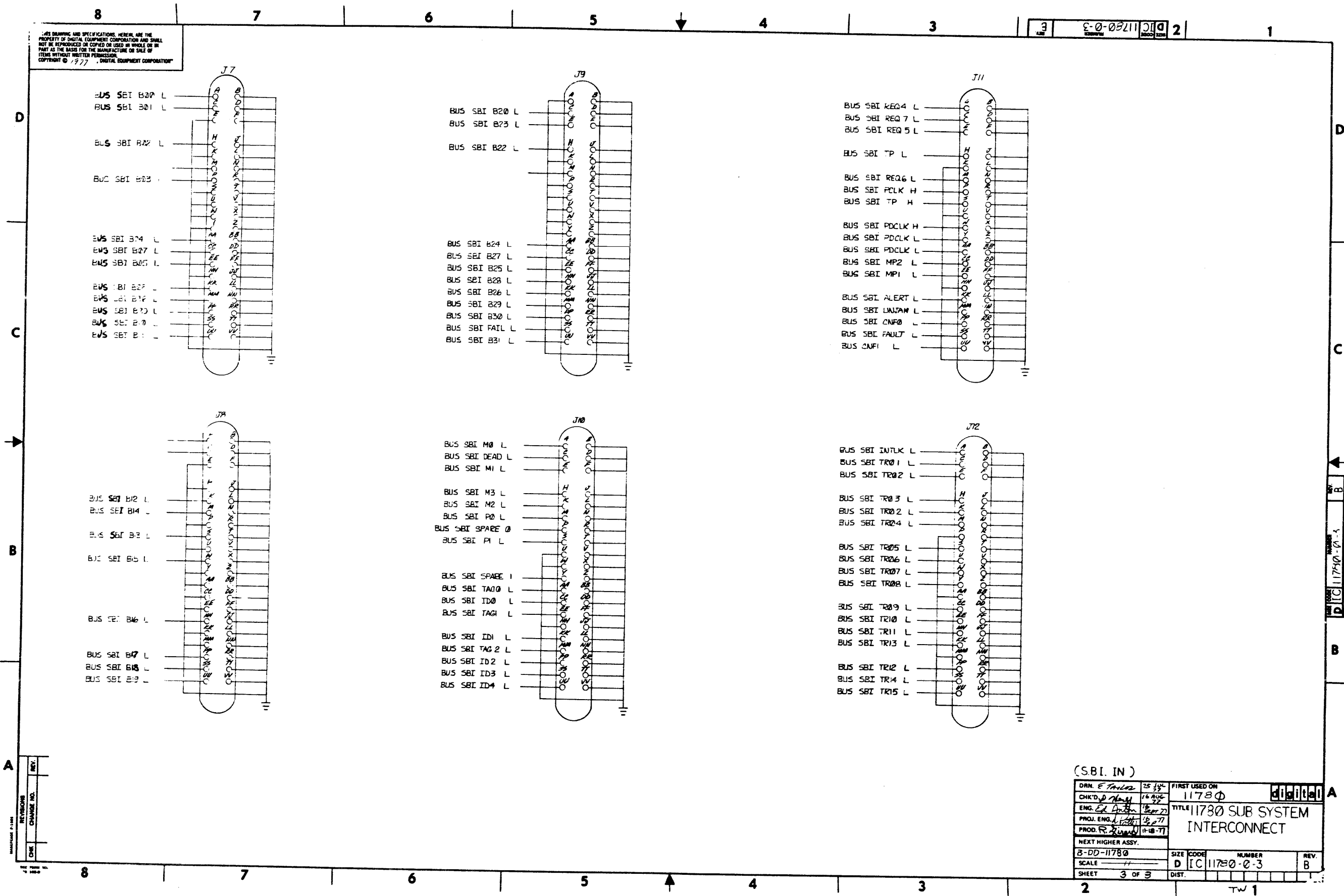
| | |
|------------|--|
| REV. | |
| CHANGE NO. | |
| CHK | |

DIGITAL
 11780-0-3

TW 1

ALL DRAWING AND SPECIFICATIONS HEREIN ARE THE PROPERTY OF DIGITAL EQUIPMENT CORPORATION AND SHALL NOT BE REPRODUCED OR COPIED OR USED IN WHOLE OR IN PART AS THE BASIS FOR THE MANUFACTURE OR SALE OF ITEMS WITHOUT WRITTEN PERMISSION.
COPYRIGHT © 1977, DIGITAL EQUIPMENT CORPORATION

3 11780-0-3 2

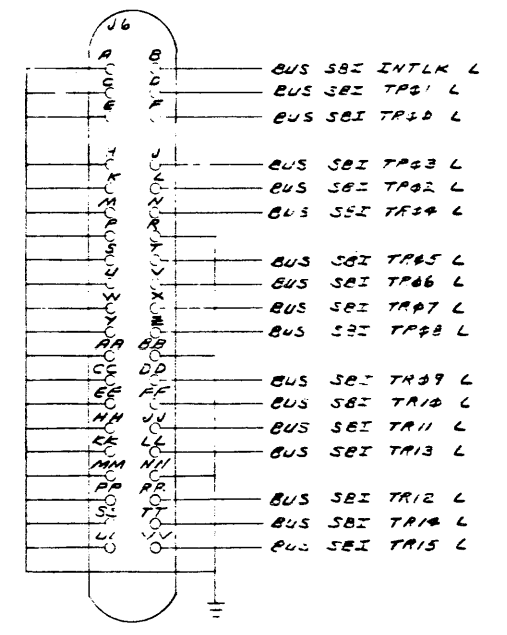
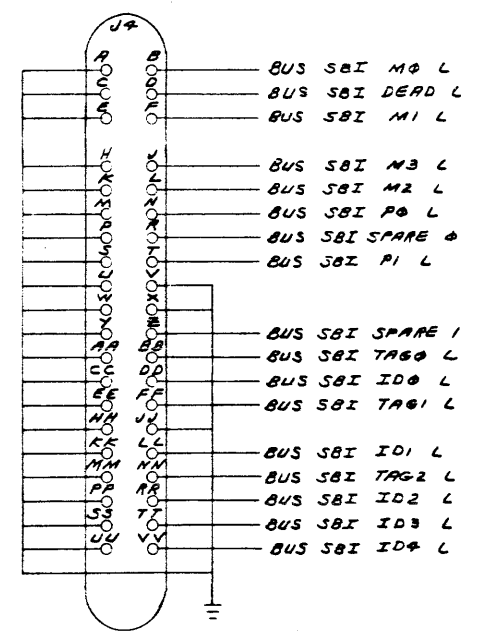
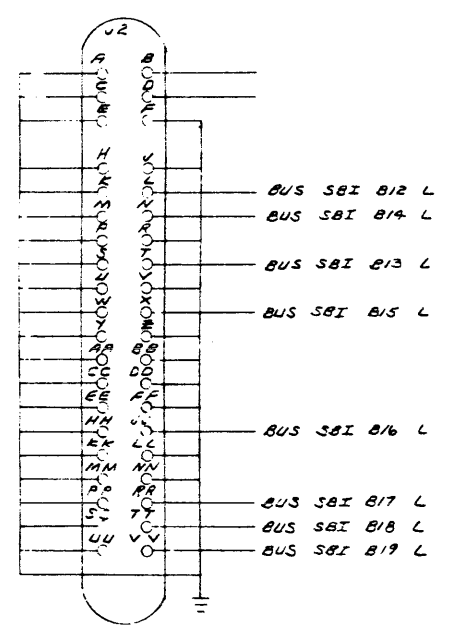
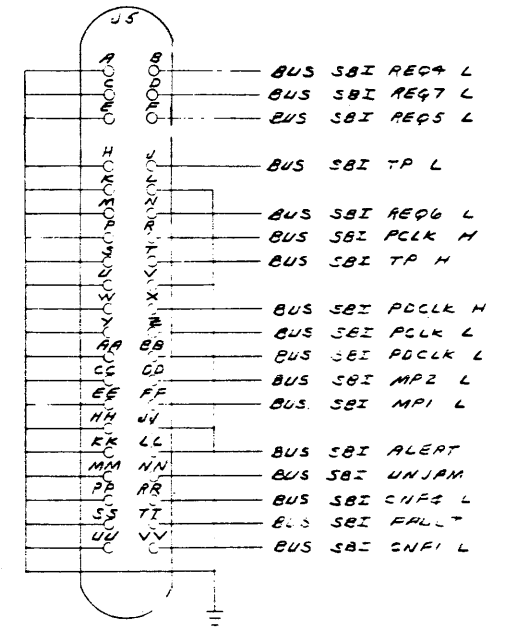
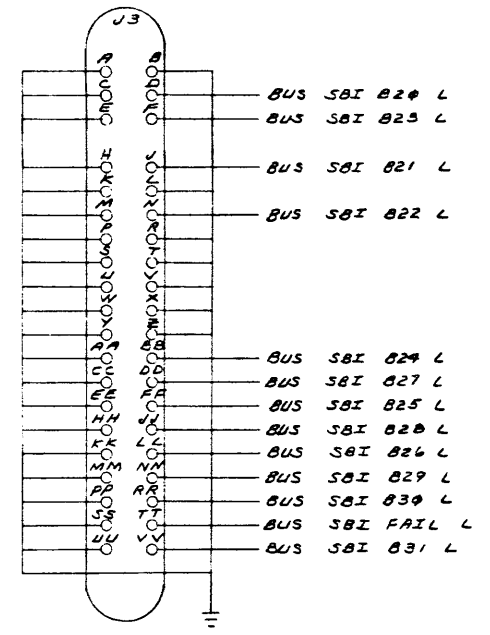
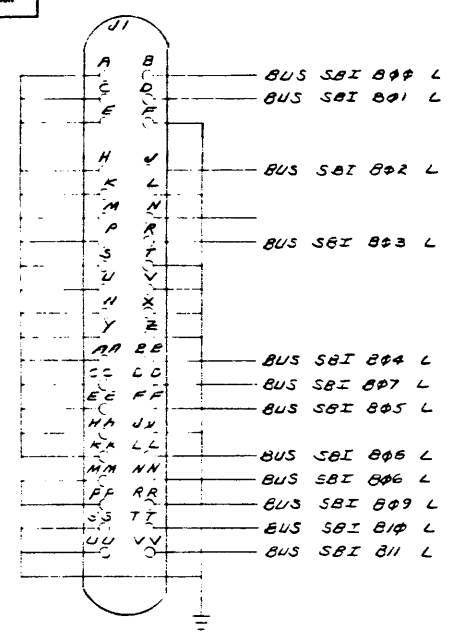


(S.B.I. IN)

| | | |
|------------------------------|---------------|----------------------------------|
| DRN. E. Miller 25 1977 | FIRST USED ON | digital |
| CHK'D. P. Miller 16 1977 | 11780 | |
| ENG. Ed. Miller 18 1977 | TITLE | 11730 SUB SYSTEM INTERCONNECT |
| PROJ. ENG. L. Miller 18 1977 | | |
| PROD. R. Miller 11-18-77 | | |
| NEXT HIGHER ASSY. | | |
| 3-DD-11780 | SIZE | CODE |
| SCALE | D | NUMBER |
| SHEET 3 OF 3 | IC | 11780-0-3 |
| | DIST. | REV. B |

TW 1

THIS DRAWING AND SPECIFICATIONS HEREIN ARE THE PROPERTY OF DIGITAL EQUIPMENT CORPORATION AND SHALL NOT BE REPRODUCED OR COPIED OR USED IN WHOLE OR IN PART AS THE BASIS FOR THE MANUFACTURE OR SALE OF ITEMS WITHOUT WRITTEN PERMISSION.
 COPYRIGHT © 1977, DIGITAL EQUIPMENT CORPORATION



| REV. | DATE | BY | CHKD. | CHANGE NO. |
|------|------|----|-------|------------|
| | | | | |

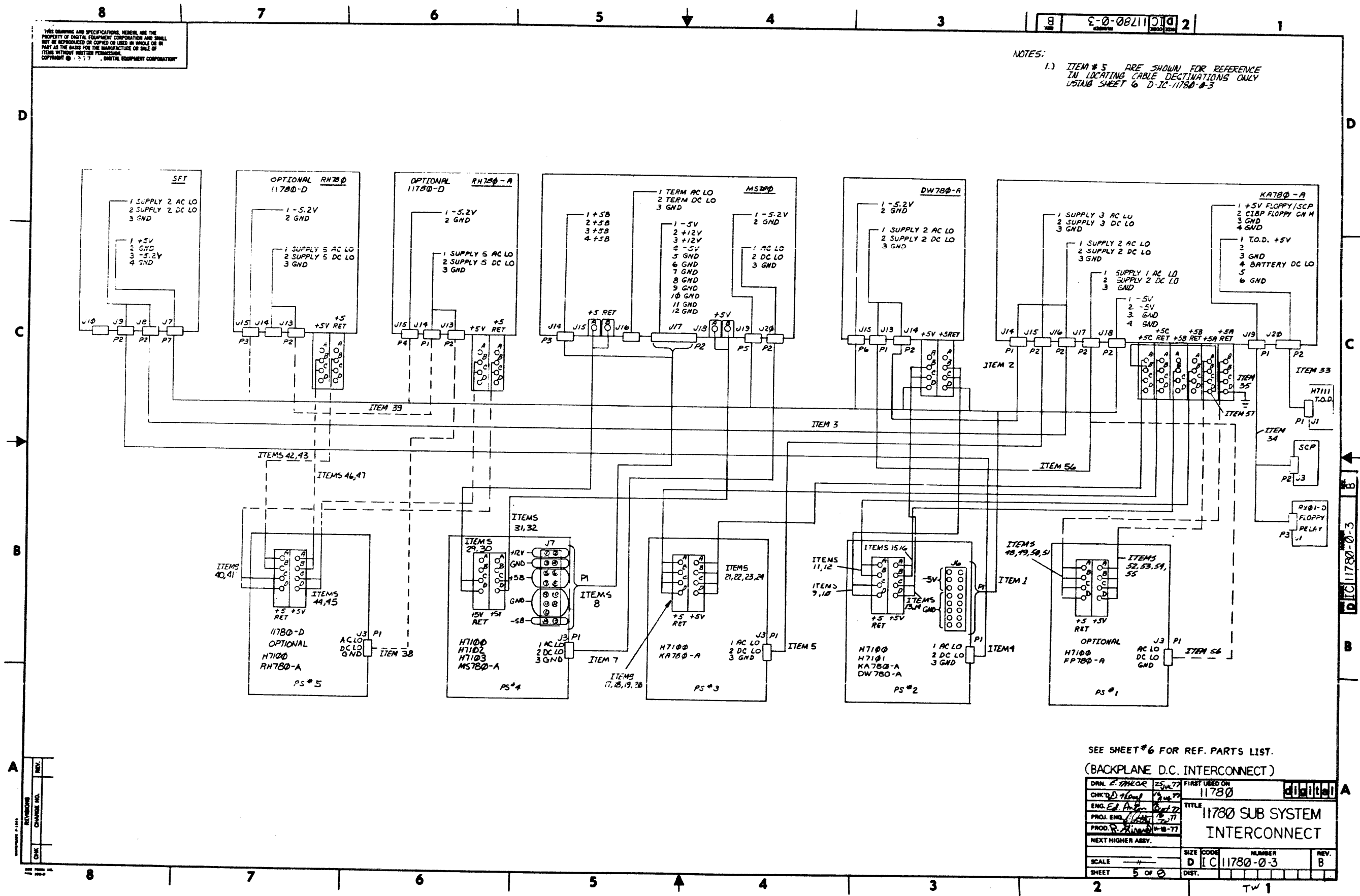
(SBI OUT)

| | | | | |
|-------------------------|-----------|-------------------|-------------------------------|---------|
| DRN. E. T. H. E. R. | 25 JUN 77 | FIRST USED ON | 11780 | DIGITAL |
| CHKD. D. A. G. E. Y. | 16 JUL 77 | TITLE | 11780 SUB SYSTEM INTERCONNECT | |
| ENG. J. P. A. T. H. | 24 JUL 77 | PROJ. ENG. | C. J. | |
| PROD. R. J. G. A. R. D. | 11-8-77 | NEXT HIGHER ASSY. | | |
| SCALE | + | SIZE | D | CODE |
| SHEET | 4 OF 5 | DIST. | IC | NUMBER |
| | | | | REV. |
| | | | | B |

TW 1

THIS DRAWING AND SPECIFICATIONS HEREIN ARE THE PROPERTY OF DIGITAL EQUIPMENT CORPORATION AND SHALL NOT BE REPRODUCED OR COPIED OR USED IN WHOLE OR IN PART AS THE BASIS FOR THE MANUFACTURE OR SALE OF ITEMS WITHOUT WRITTEN PERMISSION.
COPYRIGHT © 1977 DIGITAL EQUIPMENT CORPORATION

NOTES:
1.) ITEM # 5 ARE SHOWN FOR REFERENCE IN LOCATING CABLE DESTINATIONS ONLY USING SHEET 6 D-11780-0-3



SEE SHEET # 6 FOR REF. PARTS LIST.

(BACKPLANE D.C. INTERCONNECT)

| | | | |
|-----------------|-----------|-------------------|-------------------------------|
| DRN. E. THOR | 25 JUN 77 | FIRST USED ON | 11780 |
| CHK'D. J. GARD | 18 JUL 77 | TITLE | 11780 SUB SYSTEM INTERCONNECT |
| ENG. Ed. D. ... | 18 JUL 77 | PROD. ENG. ... | 11780-0-3 |
| PROD. R. ... | 18 JUL 77 | NEXT HIGHER ASSY. | |
| SCALE | | SIZE CODE | NUMBER |
| SHEET 5 OF 8 | | D | 11780-0-3 |
| | | DIST. | REV. B |

| | |
|------------|--|
| REV. | |
| CHANGE NO. | |
| CHK | |

D-11780-0-3

TW 1

THIS DRAWING AND SPECIFICATIONS HEREIN ARE THE PROPERTY OF DIGITAL EQUIPMENT CORPORATION AND SHALL NOT BE REPRODUCED OR COPIED OR USED IN WHOLE OR IN PART AS THE BASIS FOR THE MANUFACTURE OR SALE OF ITEMS WITHOUT WRITTEN PERMISSION. COPYRIGHT © 1977 DIGITAL EQUIPMENT CORPORATION

11780 - C & D (SEE SHEETS 7&8 FOR CVCV VARIATIONS)

| REF. ITEM NUMBER | PART NUMBER | DESCRIPTION | FROM | TO | REMARKS |
|------------------|-------------|------------------------------|------------------------------|----------------|---------------|
| 1 | 7015073-0-0 | HARNESS-5V TERMINATION | HARNESS P1 | PS#2-J6 | -5V GND |
| | | | HARNESS P2 | KA780-J18 | |
| | | | HARNESS P5 | MS780-J19 | |
| | | | HARNESS P6 | DW780-J15 | -5V, GND |
| | | | HARNESS P7 | SFT-J7 | ±5V, GND |
| | | HARNESS RING TERM (RED WIRE) | DW780+5V-D | +5V | |
| | 7015073-0-0 | HARNESS-5V TERM | HARNESS RING TERM (RED WIRE) | DW780+5VRT-D | +5V RETURN |
| 2 | 7014212-0H | CABLE AC DC LOW | CABLE P1 | KA780-J14 | |
| | | | CABLE P2 | DW780-J14 | |
| 3 | 7014212-2M | CABLE AC DC LOW | CABLE P1 | KA780-J16 | |
| | | | CABLE P2 | SFT-J8 | |
| 4 | 7014212-2M | CABLE AC DC LOW | CABLE P1 | PS#2-J3 | AC DC LOW GND |
| | | | P2 | SFT-J9 | |
| 5 | 7014212-0M | CABLE AC DC LOW | CABLE P1 | PS#3-J3 | AC DC LOW GND |
| | | | P2 | KA780-J15 | |
| 7 | 7014212-1C | CABLE AC DC LOW | CABLE P1 | PS#4-J3 | AC DC LOW GND |
| | | | P2 | MS780-J20 | |
| 8 | 7014234-0K | CABLE ±5B ±12 | CABLE P1 | PS#4-J7 | +5B ±12 |
| | | | P2 | MS780-J17 | |
| | | | P3 | MS780-J14 | |
| 9 | 7014249-1A | CABLE POWER (BLK) | PS#2+5 RET-D | DW780+5 RET-B | PS#2+5 RETURN |
| 10 | 7014249-1A | CABLE POWER (BLK) | PS#2+5 RET-C | DW780+5 RET-C | |
| 11 | 7014249-1C | CABLE POWER (BLK) | PS#2+5 RET-B | KA780+5B RET-B | |
| 12 | 7014249-1C | CABLE POWER (BLK) | PS#2+5 RET-A | KA780+5B RET-C | PS#2+5 RETURN |
| 13 | 7014530-1A | CABLE POWER (RED) | PS#2+5 -D | DW780+5 -B | PS#2+5 |
| 14 | | | C | DW780+5 -C | |
| 15 | 7014530-1A | CABLE POWER (RED) | PS#2+5 B | KA780+5B C | |
| 16 | 7014530-1A | CABLE POWER (RED) | PS#2+5 A | KA780+5B B | PS#2+5 |
| 17 | 7014249-1J | CABLE POWER (BLK) | PS#3+5 RET-D | KA780+5C RET-D | PS#3+5 RETURN |
| 18 | | | C | C | |
| 19 | | | B | B | |
| 20 | 7014249-1J | CABLE POWER (BLK) | PS#3+5 RET-A | KA780+5C -A | PS#3+5 RETURN |
| 21 | 7014530-1E | CABLE POWER (RED) | PS#3+5 -D | KA780+5C -D | PS#3+5 RETURN |
| 22 | | | C | C | |
| 23 | | | B | B | |
| 24 | 7014530-1E | CABLE POWER (RED) | PS#3+5 -A | KA780+5C -A | |
| 29 | 7014250-0K | CABLE POWER | PS#4+5 RET-C | MS780-J15 -A | PS#4+5 RETURN |
| 30 | 7014250-0K | RTR MEMORY BLK | PS#4+5 RET-D | MS780-J15 -B | |
| 31 | | CABLE POWER | PS#4+5 C | MS780-J18 -A | PS#4+5V |
| 32 | 7014529-0K | +5 MEMORY (RED) | PS#4+5 D | MS780-J18 -B | |
| 33 | 7014248-3M | CABLE TO T.O.D. BTL | HARNESS P2 | KA780-J20 | |
| | | | P1 | H7111-01 | |
| 34 | 7014248-21 | FLOPPY RELAY SC PWR HARNESS | HARNESS P1 | KA780-J19 | |
| | | | P2 | SCP-J3 | |
| | | | P3 | RX01-J1 | |
| 35 | 7014249-0L | CABLE POWER (BLK) | KA780-A+5A RET-D | FRAME | |
| 56 | 7014212-0M | CABLE AC/DC LO | CABLE P1 | DW780-J13 | SEE NOTE 3 |
| | | | CABLE P2 | KA780-J17 | |

11780-D

| REF. ITEM NUMBER | PART NUMBER | DESCRIPTION | FROM | TO | REMARKS |
|------------------|-------------|-------------------|--------------|-----------------|---------------|
| 1 | 7015073-0-0 | HARNESS-5V TERM. | HARNESS P3 | RH780-J15 | -5V GND |
| | | | HARNESS P4 | RH780-A-J15 | -5V GND |
| 38 | 7014212-0M | CABLE AC DC LOW | CABLE P1 | PS#5-J3 | AC DC LO GND |
| | | | CABLE P2 | RH780-J13 | AC DC LO GND |
| 39 | 7014212-0H | CABLE AC DC LOW | CABLE P1 | RH780-A-J14 | AC DC LO GND |
| | | | CABLE P2 | RH780-J13 | AC DC LO GND |
| 40 | 7014249-0L | CABLE POWER (BLK) | PS#5+5 RET-D | RH780-A+5 RET-C | PS#5+5 RETURN |
| 41 | | | C | B | |
| 42 | 7014249-0L | CABLE POWER (BLK) | PS#5+5 RET-B | RH780-A+5 -C | PS#5+5 RETURN |
| 43 | | | A | B | |
| 44 | 7014530-0L | CABLE POWER (RED) | PS#5+5 -D | RH780-A+5 -C | PS#5+5V |
| 45 | | | C | B | |
| 46 | 7014530-0L | CABLE POWER (RED) | PS#5+5 -B | RH780-A+5 -C | PS#5+5V |
| 47 | | | A | B | |

FP780
OR
FP780 & KU780 SEE NOTE 1

| | | | | | |
|----|------------|-------------------|----------------|----------------|---------------|
| 48 | 7014249-0L | POWER CABLE (BLK) | PS#1+5 A RET-D | KA780+5A RET-D | PS#1+5 RETURN |
| 49 | | | C | C | |
| 50 | | | B | B | |
| 51 | 7014249-0L | POWER CABLE (BLK) | PS#1+5 A RET-A | KA780+5A RET-A | PS#1+5 RETURN |
| 52 | 7014530-0L | POWER CABLE (RED) | PS#1+5 -D | KA780+5A -D | PS#1+5V |
| 53 | | | C | C | |
| 54 | | | B | B | |
| 55 | 7014530-0L | POWER CABLE (RED) | PS#1+5 -A | KA780+5A -A | PS#1+5V |
| 56 | 7014212-0M | CABLE AC DC LO | CABLE P1 | PS#1-J3 | AC, DC, LOW |
| | | | P2 | KA780-J17 | |

OPTIONAL
SEE NOTE 3

KC780 OR KU780 SEE NOTE 2

| | | | | | |
|----|------------|-------------------|--------------|---------------|---------|
| 57 | 7014530-0L | CABLE POWER (RED) | KA780-A+5A D | KA780-A+5C -B | PS#2+5V |
|----|------------|-------------------|--------------|---------------|---------|

- NOTES:
- REFER TO E-UA-KA780 FOR INSTRUCTIONS OF JUMPER REMOVAL IN CONFIGURATIONS USING PS#1.
 - IF THE FP780 IS INSTALLED REMOVE ITEM 57.
 - IF THE FP780 IS INSTALLED; ITEM #56 P1 CONNECTS TO PS#1-J3, OTHERWISE IT IS CONNECTED TO DW780-J13.

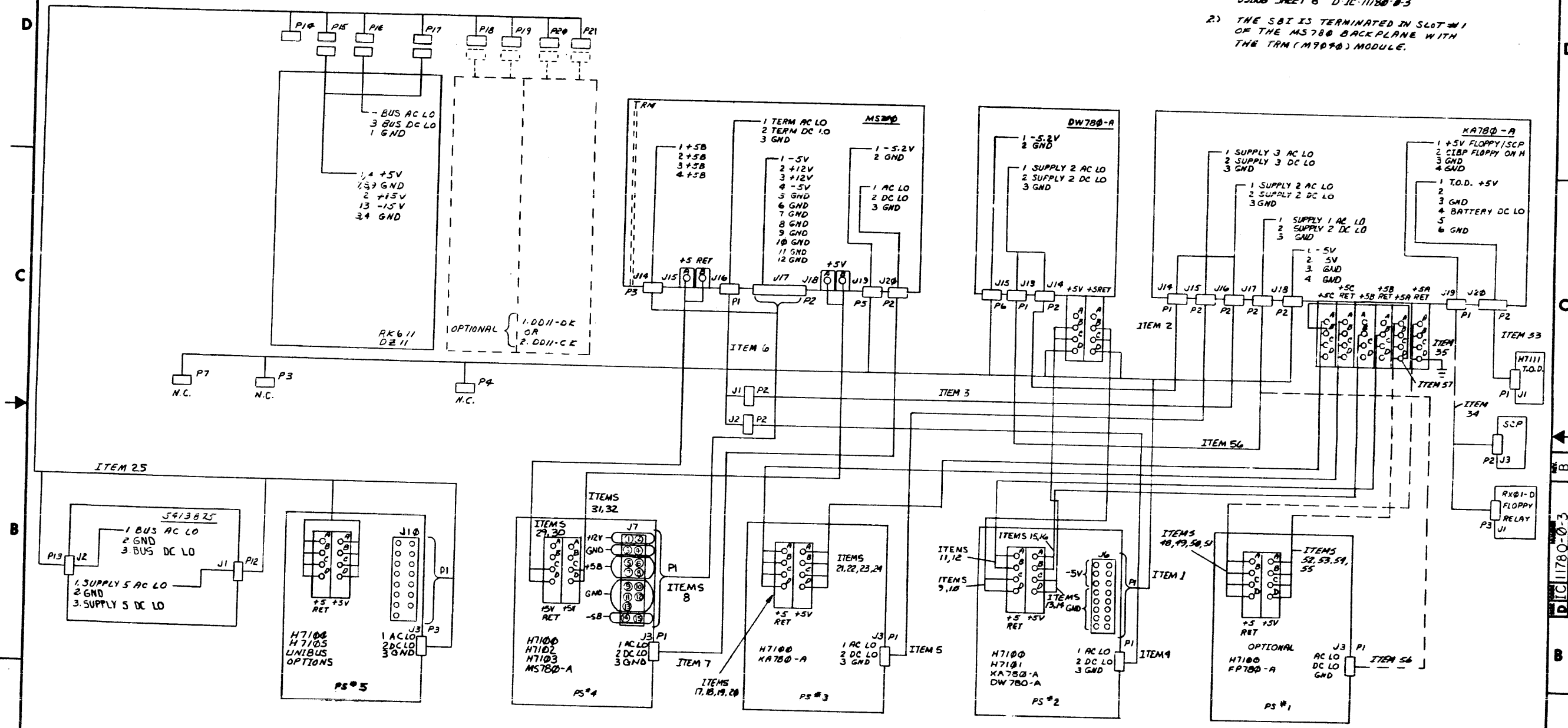
| REVISIONS | | |
|-----------|------------|------|
| CHK | CHANGE NO. | REV. |
| | | |

| TITLE | SIZE/SCALE | NUMBER | REV. |
|-------------------------------|--------------|-----------|------|
| 11780 SUB-SYSTEM INTERCONNECT | DIC | 11780-0-3 | B |
| SCALE | SHEET 6 OF 8 | DIST. | |

THIS DRAWING AND SPECIFICATIONS HEREBY ARE THE PROPERTY OF DIGITAL EQUIPMENT CORPORATION AND SHALL NOT BE REPRODUCED OR COPIED OR USED IN WHOLE OR IN PART AS THE BASIS FOR THE MANUFACTURE OR SALE OF ITEMS WITHOUT WRITTEN PERMISSION.
 COPYRIGHT © 1979, DIGITAL EQUIPMENT CORPORATION

9 8-0-08211010 2 1

- NOTES:
- ITEM # 5 ARE SHOWN FOR REFERENCE IN LOCATING CABLE DESTINATIONS ONLY USING SHEET 8 D IC-11780-0-3
 - THE SBI IS TERMINATED IN SLOT #1 OF THE MS780 BACKPLANE WITH THE TRM (M9090) MODULE.



THIS SHEET FOR CU + CV VARIATIONS ONLY

SEE SHEET # 8 FOR REF. PARTS LIST.
 (BACKPLANE D.C. INTERCONNECT)

| | |
|-----------|-------------|
| REVISIONS | REV. |
| CHG | CHANGE INCL |

| | | | | | | | |
|-------|-------------------------------|-----------|-----|--------|-----------|-------|---|
| TITLE | 11780 SUB SYSTEM INTERCONNECT | SIZE CODE | DIC | NUMBER | 11780-0-3 | REV. | B |
| SCALE | 1:1 | SHEET | 7 | OF | 8 | DIST. | |

THIS DRAWING AND SPECIFICATIONS HEREIN ARE THE PROPERTY OF DIGITAL EQUIPMENT CORPORATION AND SHALL NOT BE REPRODUCED OR COPIED OR USED IN WHOLE OR IN PART AS THE BASIS FOR THE MANUFACTURE OR SALE OF ITEMS WITHOUT WRITTEN PERMISSION. COPYRIGHT © 1980 DIGITAL EQUIPMENT CORPORATION

11780-CU/CV

11780-CU/CV

| REF ITEM NUMBER | PART NUMBER | DESCRIPTION | FROM | TO | REMARKS |
|-----------------|-------------|-----------------------|-----------------------------------|------------------|------------------|
| 1 | 7015073-0-0 | HARNESS-5V TERMINATOR | HARNESS - P1 | PS*2 - J6 | -5V GND |
| | | | HARNESS - P2 | KA780-J18 | |
| | | | HARNESS - P5 | MS780-J19 | |
| | | | HARNESS - P6 | DW780-J15 | -5V GND |
| | | | HARNESS - P7 | N.C. | ± 5V GND |
| | | | HARNESS RING TERM. (RED WIRE) | DW780+5V-D | +5V |
| | 7015073-0-0 | HARNESS-5V TERMINATOR | HARNESS RING TERM. (BLK WIRE) | DW780+5VRT-D | +5V RETURN |
| 2 | 7014212-0H | CABLE AC DC LOW | CABLE - P1 | KA780-J14 | AC,DC LOW+GND |
| | | | CABLE - P2 | DW780-J14 | |
| 3 | 7014212-2M | CABLE AC DC LOW | CABLE - P1 | KA780-J16 | AC,DC LOW+GND |
| | | | CABLE - P2 | ITEM*6-J1 | |
| 4 | 7014212-2M | CABLE AC DC LOW | CABLE - P1 | PS*2 - J3 | AC,DC LOW+GND |
| | | | CABLE - P2 | ITEM*6-J2 | |
| 5 | 7014212-0M | CABLE AC DC LOW | CABLE - P1 | PS*3 - J3 | AC,DC LOW+GND |
| | | | CABLE - P2 | KA780-J15 | |
| 6 | 70 - 0J | AC DC LOW WYE CABLE | CABLE - P1 | MS780-J16 | AC,DC LOW+GND |
| | | | CABLE - J1 | ITEM*3-P2 | |
| | | | CABLE - J2 | ITEM*4-P2 | |
| 7 | 7014212-1C | CABLE AC DC LOW | CABLE - P1 | PS*4 - J3 | AC,DC LOW+GND |
| | | | CABLE - P2 | MS780-J20 | |
| 8 | 7014212-0K | CABLE ±5B +12V | CABLE - P1 | PS*4 - J7 | ±5B +12V+GND |
| | | | CABLE - P2 | MS780-J17 | |
| | | | CABLE - P3 | MS780-J14 | |
| 9 | 7014249-1A | CABLE POWER (BLK) | PS*2 +5 RET -D | DW780+5 RET-B | PS*2+5 RETURN |
| 10 | 7014249-1A | CABLE POWER (BLK) | PS*2 +5 RET -C | DW780+5 RET-C | |
| 11 | 7014249-1C | CABLE POWER (BLK) | PS*2 +5 RET -B | KA780+5B RET-B | |
| 12 | 7014249-1C | CABLE POWER (BLK) | PS*2 +5 RET -A | KA780+5B RET-C | PS*2 +5 RETURN |
| 13 | 7014530-1A | CABLE POWER (RED) | PS*2 +5V -D | DW780+5V-B | PS*2 +5V |
| 14 | 7014530-1A | CABLE POWER (RED) | PS*2 +5V -C | DW780+5V-C | |
| 15 | 7014530-1A | CABLE POWER (RED) | PS*2 +5V -B | KA780+5B-C | |
| 16 | 7014530-1A | CABLE POWER (RED) | PS*2 +5V -A | KA780+5B-B | PS*2 +5V |
| 17 | 7014249-1J | CABLE POWER (BLK) | PS*3 +5V RET -D | KA780+5C RET-D | |
| 18 | | | -C | -C | |
| 19 | | | -B | -B | |
| 20 | 7014249-1J | CABLE POWER (BLK) | PS*3 +5V RET -A | KA780+5C RET-A | PS*3 +5 RETURN |
| 21 | 7014530-1E | CABLE POWER (RED) | PS*3 +5V -D | KA780+5C -D | PS*3 +5 RETURN |
| 22 | | | -C | -C | |
| 23 | | | -B | -B | |
| 24 | 7014530-1E | CABLE POWER (RED) | PS*3 +5V -A | KA780+5C -A | |
| 25 | 7016951-0-0 | UNIBUS PWR HARNESS | HARNESS - P1 | PS*5 - J10 | PS*5+15V-15V+GND |
| | | | HARNESS RING TERM (BLK WIRE) -P2 | PS*5 +5 RET -D | PS*5 +5 RETURN |
| | | | HARNESS - P3 | PS*5 - J3 | AC,DC LOW +GND |
| | | | HARNESS RING TERM (RED WIRE) -P4 | PS*5 +5V -D | PS*5 +5V |
| | | | -P5 | -C | |
| | | | -P6 | -B | |
| | | | HARNESS RING TERM (RED WIRE) -P7 | PS*5 +5V -A | |
| | | | HARNESS RING TERM (BLK WIRE) -P8 | PS*5 +5 RET-D | PS*5 +5 RETURN |
| | | | -P9 | -C | |
| | | | -P10 | -B | |
| | | | HARNESS RING TERM (BLK WIRE) -P11 | PS*5 +5 RET-A | |
| | 7016951-0-0 | UNIBUS PWR HARNESS | HARNESS - P12 | ADAPTER BOARD-J1 | AC,DC LOW +GND |

| REF ITEM NUMBER | PART NUMBER | DESCRIPTION | FROM | TO | REMARKS |
|-----------------|-------------|------------------------------|-----------------|------------------|----------------------|
| 25 | 7016951-0-0 | UNIBUS PWR HARNESS | HARNESS - P13 | ADAPTER BOARD-J2 | ADAPT. AC,DC LOW+GND |
| | | | -P14 | N.C.(OPTIONAL) | |
| | | | -P15 | RK611 - P2 | |
| | | | -P16 | RK611 - P3 | |
| | | | -P17 | RK611 - P4 | |
| | | | -P18 | NC.(OPTIONAL) | |
| | | | -P19 | | |
| | | | -P20 | | |
| | 7016951-0-0 | UNIBUS PWR HARNESS | HARNESS - P21 | NC.(OPTIONAL) | |
| 29 | 7014250-0K | CABLE POWER RTR MEMORY (BLK) | PS*4 +5V RET -C | MS780-J15-A | PS*4 +5 RETURN |
| 30 | | | -D | -B | |
| 31 | 7014529-0K | CABLE POWER +5 MEMORY (RED) | PS*4 +5V -C | MS780-J18-A | PS*4 +5V |
| 32 | | | -D | -B | |
| 33 | 7014243-3M | CABLE TO T.Q.D. BAT. | HARNESS - P2 | KA780-J20 | |
| | | | -P1 | H7111 - J1 | |
| 34 | 7014243-2I | FLOPPY RELAY SC PWR HARNESS | HARNESS - P1 | KA780-J19 | |
| | | | -P2 | SCP - J3 | |
| | | | -P3 | RX01 - J1 | |
| 35 | 7014249-0L | CABLE POWER (BLK) | KA780+5A RET-D | FRAME | |
| 56 | 7014212-0M | CABLE AC/DC LO | CABLE - P1 | DW780 - J13 | SEE NOTE #3 |
| | | | CABLE - P2 | KA780 - J17 | |

FP780 OR FP780 + KU780 SEE NOTE

| | | | | | |
|----|------------|-------------------|-----------------|----------------|----------------|
| 48 | 7014249-0L | POWER CABLE (BLK) | PS*1 +5A RET -D | KA780+5A RET-D | PS*1 +5 RETURN |
| 49 | | | -C | -C | |
| 50 | | | -B | -B | |
| 51 | 7014249-0L | POWER CABLE (BLK) | PS*1 +5A RET -A | KA780+5A RET-A | |
| 52 | 7014530-0L | POWER CABLE (RED) | PS*1 +5V -D | KA780+5A -D | PS*1 +5A |
| 53 | | | -C | -C | |
| 54 | | | -B | -B | |
| 55 | 7014530-0L | POWER CABLE (RED) | PS*1 +5V -A | KA780+5A -A | |
| 56 | 7014212-0M | CABLE AC DC LO | CABLE - P1 | PS*1 - J3 | AC,DC LOW+GND |
| | | | CABLE - P2 | KA780 - J17 | |

KC780 OR KU780 SEE NOTE 2

| | | | | | |
|----|------------|-------------------|--------------|------------|----------|
| 57 | 7014530-0L | CABLE POWER (RED) | KA780 +5A -D | KA780+5C-B | PS*2 +5V |
|----|------------|-------------------|--------------|------------|----------|

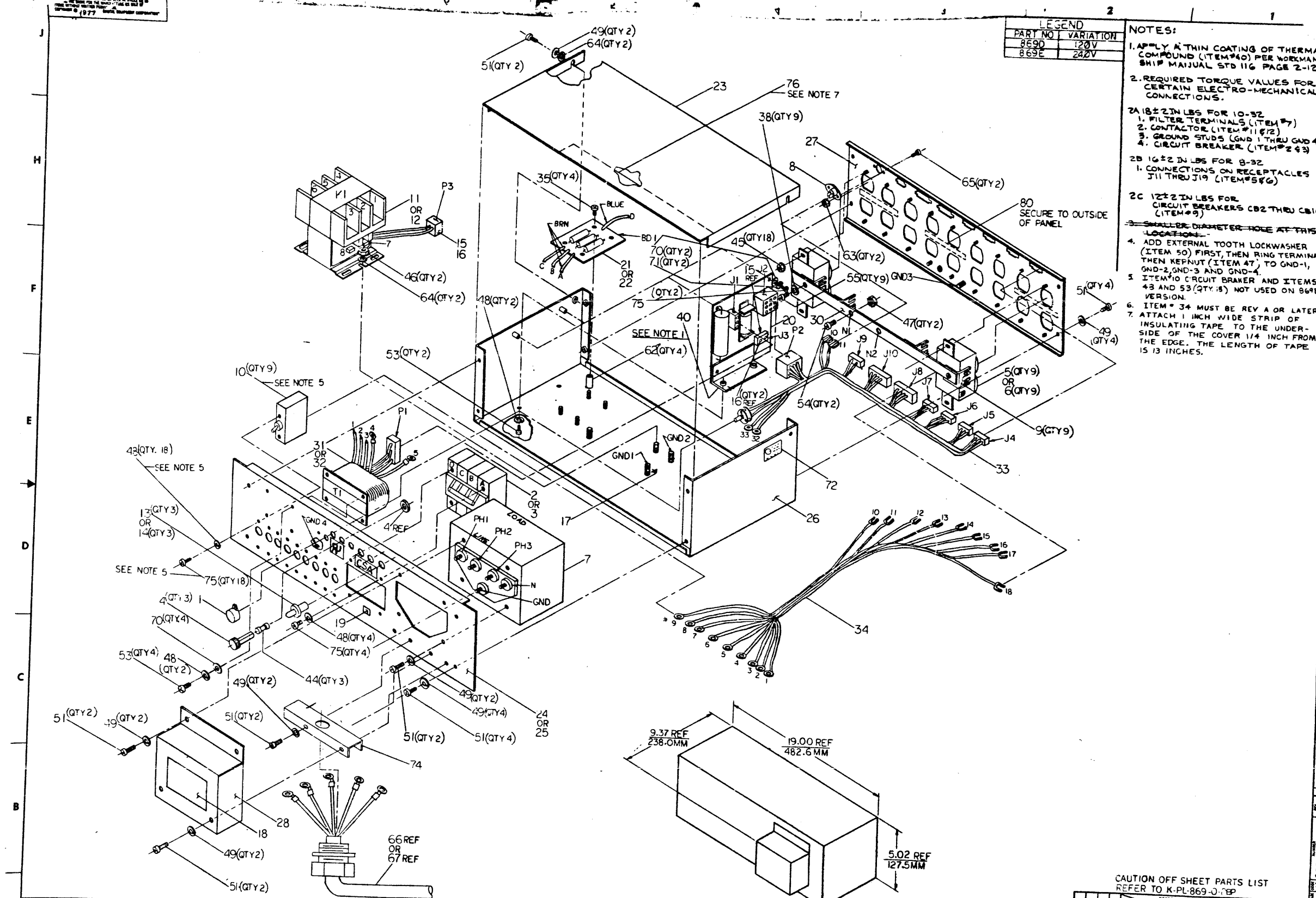
- NOTES:
- REFER TO E-UA-KA780 FOR INSTRUCTIONS OF JUMPER REMOVAL IN CONFIGURATIONS USING PS*1
 - IF THE FP780 IS INSTALLED, REMOVE ITEM 57.
 - IF THE FP780 IS INSTALLED: ITEM #56 P1 CONNECTS TO PS*1 - J3 OTHERWISE IT IS CONNECTED TO DW780 - J13.

THIS SHEET FOR CU+CV VARIATION ONLY

| REVISION HISTORY | | |
|------------------|------------|------|
| DATE | ECC NUMBER | REV. |
| | | |

TITLE 11780 SUB-SYSTEM INTERCONNECT

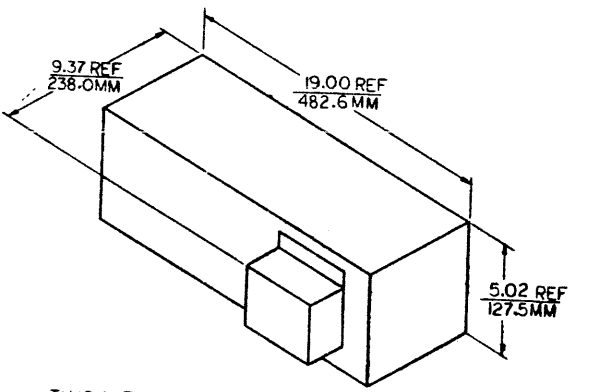
| DOCUMENT NUMBER | | REV. |
|-----------------|--------------|------|
| SIZE CODE | NUMBER | |
| DIC | 11780-0-3 | B |
| SCALE | SHEET 8 OF 8 | |



| PART NO | VARIATION |
|---------|-----------|
| 869D | 120V |
| 869E | 240V |

- LEGEND**
- NOTES:**
1. APPLY A THIN COATING OF THERMAL COMPOUND (ITEM #40) PER WORKMANSHIP MANUAL STD 116 PAGE 2-12
 2. REQUIRED TORQUE VALUES FOR CERTAIN ELECTRO-MECHANICAL CONNECTIONS.
 - 2A 18±2 IN LBS FOR 10-32
 - 1. FILTER TERMINALS (ITEM #7)
 - 2. CONTACTOR (ITEM #11 & 12)
 - 3. GROUND STUDS (GND 1 THRU GND 4)
 - 4. CIRCUIT BREAKER (ITEM #2 & 3)
 - 2B 16±2 IN LBS FOR 8-32
 1. CONNECTIONS ON RECEPTACLES J11 THRU J19 (ITEM #5 & 6)
 - 2C 12±2 IN LBS FOR CIRCUIT BREAKERS CB2 THRU CB10 (ITEM #9)
 3. SMALLER DIAMETER HOLE AT THIS LOCATION
 4. ADD EXTERNAL TOOTH LOCKWASHER (ITEM 50) FIRST, THEN RING TERMINALS, THEN KEFNUIT (ITEM 47) TO GND-1, GND-2, GND-3 AND GND-4.
 5. ITEM #10 CIRCUIT BREAKER AND ITEMS #3 AND 53 (QTY 18) NOT USED ON 869E VERSION.
 6. ITEM #34 MUST BE REV A OR LATER
 7. ATTACH 1 INCH WIDE STRIP OF INSULATING TAPE TO THE UNDERSIDE OF THE COVER 1/4 INCH FROM THE EDGE. THE LENGTH OF TAPE IS 13 INCHES.

| REV | DATE | BY | CHKD | DESCRIPTION |
|-----|----------|--------|------|---------------------------|
| 1 | 11/22/83 | DC0001 | A | REVISED TO ADD PARTS LIST |
| 2 | 11/22/83 | DC0001 | A | REVISED TO ADD PARTS LIST |
| 3 | 11/22/83 | DC0001 | A | REVISED TO ADD PARTS LIST |
| 4 | 11/22/83 | DC0001 | A | REVISED TO ADD PARTS LIST |
| 5 | 11/22/83 | DC0001 | A | REVISED TO ADD PARTS LIST |
| 6 | 11/22/83 | DC0001 | A | REVISED TO ADD PARTS LIST |
| 7 | 11/22/83 | DC0001 | A | REVISED TO ADD PARTS LIST |
| 8 | 11/22/83 | DC0001 | A | REVISED TO ADD PARTS LIST |



THIS VIEW IS FOR OVERALL REF DIMENSIONS ONLY

CAUTION OFF SHEET PARTS LIST REFER TO K-PL-869-0-REP

| REV | DATE | BY | CHKD | DESCRIPTION |
|-----|----------|--------|------|---------------------------|
| 1 | 11/22/83 | DC0001 | A | REVISED TO ADD PARTS LIST |
| 2 | 11/22/83 | DC0001 | A | REVISED TO ADD PARTS LIST |
| 3 | 11/22/83 | DC0001 | A | REVISED TO ADD PARTS LIST |
| 4 | 11/22/83 | DC0001 | A | REVISED TO ADD PARTS LIST |
| 5 | 11/22/83 | DC0001 | A | REVISED TO ADD PARTS LIST |
| 6 | 11/22/83 | DC0001 | A | REVISED TO ADD PARTS LIST |
| 7 | 11/22/83 | DC0001 | A | REVISED TO ADD PARTS LIST |
| 8 | 11/22/83 | DC0001 | A | REVISED TO ADD PARTS LIST |

PARTS LIST

| LINE | ITEM | DOCUMENT NUMBER | PART NUMBER | DESCRIPTION | QUANTITY PER VARIATION | |
|------|------|-------------------|-------------|----------------------------------|------------------------|---|
| | | | | | D | E |
| 1 | 1 | A-PS-1210114-0-0 | 1210114-00 | KNDB BLK W/POINT:/401 PS70PL-2 | 1 | 1 |
| 2 | 2 | A-PS-1214458-0-0 | 1214458-00 | CKT BKR 30.0 A 250V 4P SERIES TR | 1 | - |
| 3 | 3 | A-PS-1214458-0-0 | 1214458-01 | CKT BKR 15.0 A 250V 4P SERIES TR | - | - |
| 4 | 4 | A-PS-1212893-0-0 | 1212893-00 | FUSE HOLDER, 20A, 300V, PNL MNT | 3 | 3 |
| 5 | 5 | A-PS-1212265-0-0 | 1212265-00 | CONN, POWER 3PIN RCPT NEMA 5-20R | 9 | - |
| 6 | 6 | A-PS-1211204-0-0 | 1211204-01 | CONN, POWER 3PIN RCPT NEMA 6-15R | - | 9 |
| 7 | 7 | A-PS-1213287-0-0 | 1213287-00 | FILTER LINE | 1 | 1 |
| 8 | 8 | A-PS-2322258-0-0 | 1211158-00 | THERMOSTAT QJ120, CQ160, SPST | 1 | 1 |
| 9 | 9 | A-PS-1215215-0-0 | 1215215-00 | STRAP, POWER | 9 | 9 |
| 10 | 10 | A-PS-1214842-0-0 | 1214842-00 | CKT BKR 20.0 A 240V 1P INRUSH=36 | 9 | - |
| 11 | 11 | A-PS-1212266-0-0 | 1212266-01 | CONTACTOR 3P, 40A, 600V.120V COI | - | - |
| 12 | 12 | A-PS-1212266-0-0 | 1212266-00 | CONTACTOR 3P, 40A, 600V.230V COI | 1 | 1 |
| 13 | 13 | A-PS-1205303-0-0 | 1205303-00 | LAMP, PILOT IND DEVICES #1020A | 3 | - |
| 14 | 14 | A-PS-1202556-0-0 | 1202556-00 | LAMP, PILOT IND DEVICES #1020B | - | 3 |
| 15 | 15 | A-PS-1212167-0-0 | 1212167-02 | MATE-N-LOK 2POS UNIV HSG, SKT | 1 | 1 |
| 16 | 16 | A-PS-1212170-0-0 | 1212170-00 | MATE-N-LOK SKT UNIV 20-14AWG REE | 2 | 2 |
| 17 | 17 | A-PS-3612680-0-0 | 3612680-00 | DECAL, GROUND SIGN PER 3E6 * | 1 | 1 |
| 18 | 18 | A-PS-3610267-0-0 | 3610267-00 | DECAL, ADHESIVE BACK -DANGER HIG | 1 | 1 |
| 19 | 19 | A-PS-3612444-0-0 | 3612444-00 | *** THIS ITEM IS NOT USED *** | - | - |
| 20 | 20 | D-UA-5413016-0-0 | 5413016-00 | 869 PILOT CONTROL BOARD | 1 | 1 |
| 21 | 21 | D-UA-5413184-YB-0 | 5413184-YB | CAP., MOV BOARD 240V | - | 1 |
| 22 | 22 | D-UA-5413184-YA-0 | 5413184-YA | CAP., MOV BOARD 120V | 1 | - |
| 23 | 23 | D-MD-7420040-0-0 | 7420040-00 | 869-POWER SUPPLY COVER | 1 | 1 |
| 24 | 24 | E-IA-7420042-0-0 | 7420042-00 | FRONT 869 PANEL | 1 | - |
| 25 | 25 | E-IA-7420042-0-0 | 7420042-01 | PANEL, FRONT | - | 1 |
| 26 | 26 | E-IA-7420043-0-0 | 7420043-00 | 869 D + E CHASSIS | 1 | 1 |
| 27 | 27 | D-IA-7420041-0-0 | 7420041-00 | REAR 869 PANEL | 1 | 1 |
| 28 | 28 | C-MD-7421169-0-0 | 7421169-00 | COVER, FILTER | 1 | 1 |
| 29 | 29 | C-MD-7420188-0-0 | 7420188-00 | *** THIS ITEM IS NOT USED *** | - | - |
| 30 | 30 | D-MD-7420112-0-0 | 7420112-00 | GROUND STRAP LONG | 1 | 1 |

| | | | |
|------------------|-----|--------------------------|------------------------|
| REVISION HISTORY | | BASIC PART NO: 00969 | |
| ENG: ECO NUMBER | REV | SECTION A OF A | DRN: W. MAHER |
| A.B: 869-ML007 | H | SECTION. VARIATION INDEX | DATE: 20-MAY-81 |
| | | (A) D, E | CHK'D: D.B |
| | | (B) | DATE: 20-MAY-81 |
| | | (C) | DES. ENG.: R. KENNEDY |
| | | (D) | DATE: 20-MAY-81 |
| | | (E) | RESP. ENG.: R. KENNEDY |
| | | (F) | DATE: 20-MAY-81 |
| | | | MFG. ENG.: ED BLAIR |
| | | | DATE: 20-MAY-81 |
| | | | ASSEMBLY NUMBER: |
| | | | E-UA-869-0-0 |
| | | | TOP DOCUMENT NUMBER: |
| | | | FILE NAME: |
| | | | Z2654H.PLS |
| | | | EDIT # |
| | | | 6 |

"THIS DRAWING AND SPECIFICATIONS HEREIN, ARE THE PROPERTY OF DIGITAL EQUIPMENT CORPORATION AND SHALL NOT BE REPRODUCED OR COPIED OR USED IN WHOLE OR IN PART AS THE BASIS FOR THE MANUFACTURE OR SALE OF ITEMS WITHOUT WRITTEN PERMISSION. COPYRIGHT (C) 1981. DIGITAL EQUIPMENT CORPORATION"

| LINE | ITEM | DOCUMENT NUMBER | PART NUMBER | DESCRIPTION | QUANTITY | PER VARIATION |
|------|------|------------------|-------------|-----------------------------------|----------|---------------|
| | | | | | D | E |
| 31 | 31 | D-IA-7015230-0-0 | 7015230-01 | TRANSFORMER ASSY 240V | - | 1 |
| 32 | 32 | D-IA-7015230-0-0 | 7015230-00 | TRANSFORMER ASSY | 1 | - |
| 33 | 33 | E-IA-7015083-0-0 | 7015083-00 | CONTROL HARNESS | 1 | 1 |
| 34 | 34 | D-IA-7015082-0-0 | 7015082-00 | POWER HARNESS | 1 | - |
| 35 | 35 | | 9006407-05 | SCREW, NYLON, SLTD ROUND HD, 4-4 | 4 | 4 |
| 36 | 36 | | 9009695-00 | TERM, SPADE INSUL 1POS 16-14AWG B | - | 9 |
| 37 | 37 | | 9007926-01 | TERM RING 1POS INSULATED, 12-10 | 21 | - |
| 38 | 38 | | 9007906-00 | WASHER, LOCK S.S. #10 | 9 | 9 |
| 39 | 39 | | 9007928-00 | TERM RING 1POS INSULATED, 16-14 | 13 | 26 |
| 40 | 40 | | 9008268-00 | COMPOUND, THERMAL JOINT | A/R | A/R |
| 41 | 41 | | 9007930-00 | TERM RING 1POS INSULATED, 22-16 | 6 | 6 |
| 42 | 42 | | 9006045-01 | *** THIS ITEM IS NOT USED *** | - | - |
| 43 | 43 | | 9007969-00 | TERM QUICK 1POS INSULATED 16-14 | 2 | 2 |
| 44 | 44 | | 9008527-00 | FUSE, SLO BLO 1/8 A, 250V GLASS | 3 | 3 |
| 45 | 45 | | 9006560-00 | NUT, KEP 6-32 X5/16AF | 18 | 18 |
| 46 | 46 | | 9006563-00 | NUT, KEP 8-32 X11/32AF | 2 | 2 |
| 47 | 47 | | 9006565-00 | NUT, KEP 10-32X 3/8 AF | 6 | 6 |
| 48 | 48 | | 9007801-00 | WASHER, LOCK, S.S. #6 | 28 | 10 |
| 49 | 49 | | 9006690-00 | WASHER, LOCK, S.S. #8 | 18 | 18 |
| 50 | 50 | | 9007651-00 | WASHER, LOCK, EXTERNAL TOOTH #10 | 4 | 4 |
| 51 | 51 | | 9006037-01 | SCREW, PAN, PHIL 8-32X 3/8 SS | 18 | 18 |
| 52 | 52 | | 9006036-01 | *** THIS ITEM IS NOT USED *** | - | - |
| 53 | 53 | | 9006021-01 | SCREW, PAN, PHIL 6-32X 5/16 SS | 6 | 6 |
| 54 | 54 | | 9006072-01 | SCREW, PAN, PHIL 10-32X 7/16 SS | 2 | 2 |
| 55 | 55 | | 9006070-01 | SCREW, PAN, PHIL 10-32X 5/16 SS | 9 | 9 |
| 56 | 56 | | 9107390-66 | WIRE, STRND, 10AWG, IPVC UL3317 | A/R | - |
| 57 | 57 | | 9107390-11 | WIRE, STRND, 10AWG, IPVC UL3317 | A/R | - |
| 58 | 58 | | 9107779-54 | WIRE, STRND, 10AWG, IPVC UL3317 | A/R | - |
| 59 | 59 | | 9107787-66 | WIRE, STRND, 14AWG UL3317 B | - | A/R |
| 60 | 60 | | 9107787-11 | WIRE, STRND, 14AWG UL3317 B | A/R | A/R |
| 61 | 61 | | 9107777-54 | WIRE, STRND, 14AWG IPVC UL3317 | - | A/R |
| 62 | 62 | | 9008107-00 | SPACER, FIBER, RND, 4-40, .250 X | 4 | 4 |
| 63 | 63 | | 9006557-00 | NUT, KEP 4-40X 1/4 AF | 2 | 2 |
| 64 | 64 | | 9006661-00 | WASHER, FLAT, .437 O.D. X .187 I | 4 | 4 |
| 65 | 65 | | 9006010-01 | SCREW, PAN, PHIL 4-40X 5/16 SS | 2 | 2 |
| 66 | 66 | D-IA-7015253-0-0 | 7015253-00 | POWER CORD ASSY 120V | REF | - |
| 67 | 67 | E-IA-7015254-0-0 | 7015254-00 | POWER CORD ASSY 240V | - | REF |
| 68 | 68 | | 9107254-00 | TUBING, SHRINK 3/16DIA.EXP UL | 69 | A/R |
| 69 | 69 | | 9006046-01 | *** THIS ITEM IS NOT USED *** | - | - |
| 70 | 70 | | 9006653-00 | WASHER, FLAT, .375 O.D. X .156 I | 6 | 6 |
| 71 | 71 | | 9007649-00 | WASHER, LOCK, EXTERNAL TOOTH #6 | 2 | 2 |
| 72 | 72 | | 9009255-01 | LABEL, POWER SUPPLY, 2-7/8" LG X | 1 | 1 |
| 73 | 73 | | 3007031-00 | TIE, CABLE BUNDL DIA 0- 3/4"=101 | A/R | A/R |
| 74 | 74 | C-IA-7416870-0-0 | 7416870-01 | CHANNEL, STRAIN RELIEF | 1 | 1 |
| 75 | 75 | | 9006020-01 | SCREW, PAN, PHIL 6-32X 1/4 SS | 24 | 6 |
| 76 | 76 | | 9009260-00 | TAPE, ELECTRICAL, 1" WIDE | A/R | A/R |
| 77 | 77 | A-PS-3613211-0-0 | 3613211-01 | DECAL, CLEAR PREPRINTED CSA 1-1/4 | 1 | 1 |
| 78 | 78 | A-PS-3612063-0-0 | 3612063-00 | LABEL, ADHESIVE I.D. FOR UL C | 1 | 1 |

| | | | | | | | | | | | | | |
|---|---|---|---|---|---|---|-------|---------------------------|----------------|------|------|-----------------|-----|
| D | I | G | I | T | A | L | TITLE | POWER CONTROLLER 869D & E | SECTION A OF A | SIZE | CODE | DOCUMENT NUMBER | REV |
| | | | | | | | | | | K | PL | 869-0-DBP | H |

AUTOMATED BY PRTLST.3P(44)

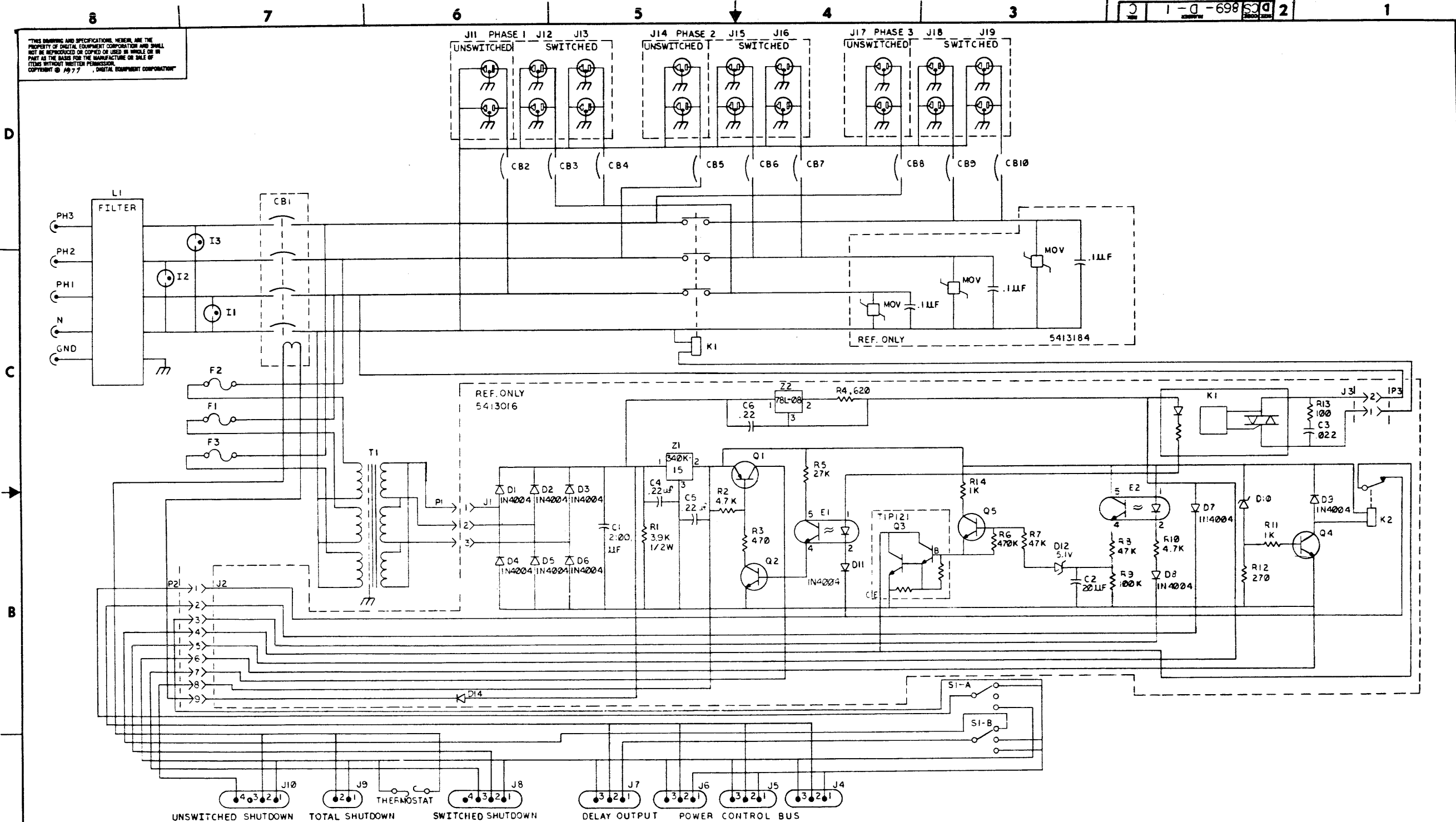
PARTS LIST

SHEET A3 OF A3

| LINE | ITEM | DOCUMENT NUMBER | PART NUMBER | DESCRIPTION | QUANTITY PER VARIATION | |
|------|------|------------------|-------------|--|------------------------|-----|
| | | | | | D | E |
| 79 | 79 | A-PS-3700557-0-0 | 3700557-00 | PKG POWER CONTROL 869-D/E LABEL, "NOT FOR EXTERNAL LOADS" F | REF | REF |
| 80 | 80 | A-PS-3617154-0-0 | 3617154-00 | | 3 | 3 |
| 81 | 81 | BLANK | | | 0 | 0 |

| | | | | | | | | | | | | | |
|---|---|---|---|---|---|---|-------|---------------------------|----------------|------|------|-----------------|-----|
| D | I | G | I | T | A | L | TITLE | POWER CONTROLLER 869D & E | SECTION A OF A | SIZE | CODE | DOCUMENT NUMBER | PEV |
| | | | | | | | | | | K | PL | 869-0-DBP | H |

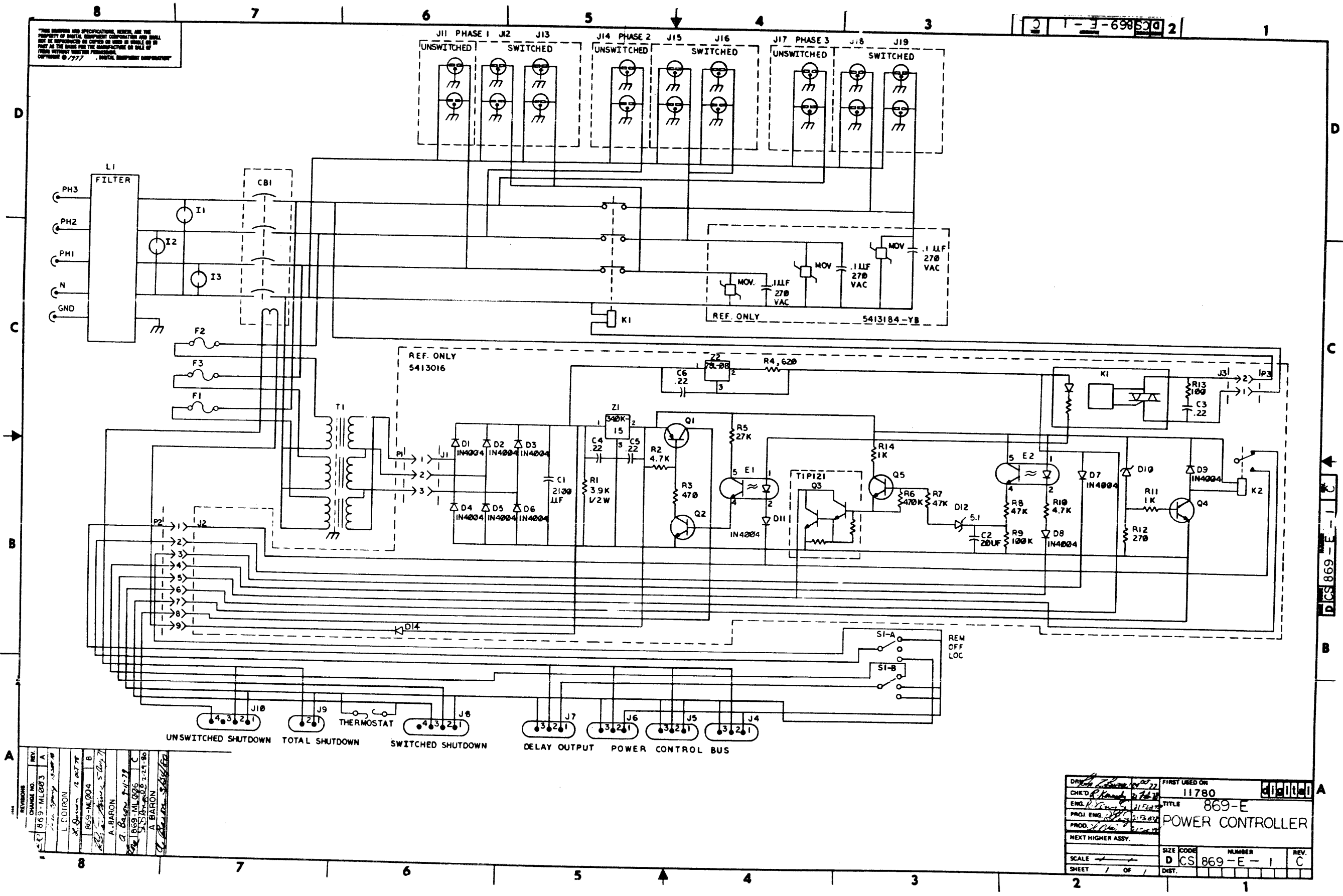
THIS DRAWING AND SPECIFICATIONS HEREON ARE THE PROPERTY OF DIGITAL EQUIPMENT CORPORATION AND SHALL NOT BE REPRODUCED OR COPIED OR USED IN WHOLE OR IN PART AS THE BASIS FOR THE MANUFACTURE OR SALE OF ITEMS WITHOUT WRITTEN PERMISSION. COPYRIGHT © 1977, DIGITAL EQUIPMENT CORPORATION



| REV | CHANGE NO. | DATE | BY | CHK |
|-----|------------|----------|----------|-----|
| 1 | 869-M-023 | 11-17-77 | A. BARON | |
| 2 | 869-M-024 | 11-17-77 | A. BARON | |
| 3 | 863-M-005 | 11-17-77 | A. BARON | |
| 4 | 863-M-005 | 11-17-77 | A. BARON | |

| | | | |
|-------------------|-------|---------------|------------------|
| DRN | 11780 | FIRST USED ON | digital |
| CHK'D | | TITLE | 869 D |
| ENG. R. | | TITLE | POWER CONTROLLER |
| PROJ. ENG. | | SCALE | D |
| PROD. | | SHEET | 1 |
| NEXT HIGHER ASSY. | | OF | 1 |
| SIZE | D | NUMBER | CS 869-D-1 |
| DIST. | | REV. | C |

THIS DRAWING AND SPECIFICATIONS HEREBY ARE THE PROPERTY OF DIGITAL EQUIPMENT CORPORATION AND SHALL NOT BE REPRODUCED OR COPIED OR USED IN WHOLE OR IN PART AS THE BASIS FOR THE MANUFACTURE OR SALE OF ITEMS WITHOUT WRITTEN PERMISSION.
 COPYRIGHT © 1977, DIGITAL EQUIPMENT CORPORATION



| REV. | CHANGE NO. | DESCRIPTION |
|------|------------|-------------|
| 1 | 869-ML003 | A |
| 2 | 869-ML004 | B |
| 3 | 869-ML005 | C |
| 4 | 869-ML006 | D |
| 5 | 869-ML007 | E |
| 6 | 869-ML008 | F |
| 7 | 869-ML009 | G |
| 8 | 869-ML010 | H |

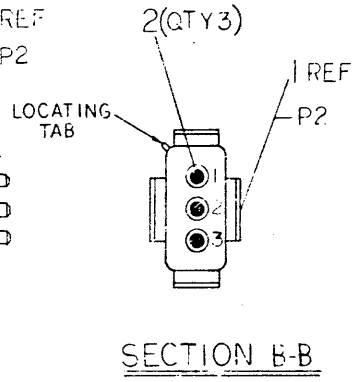
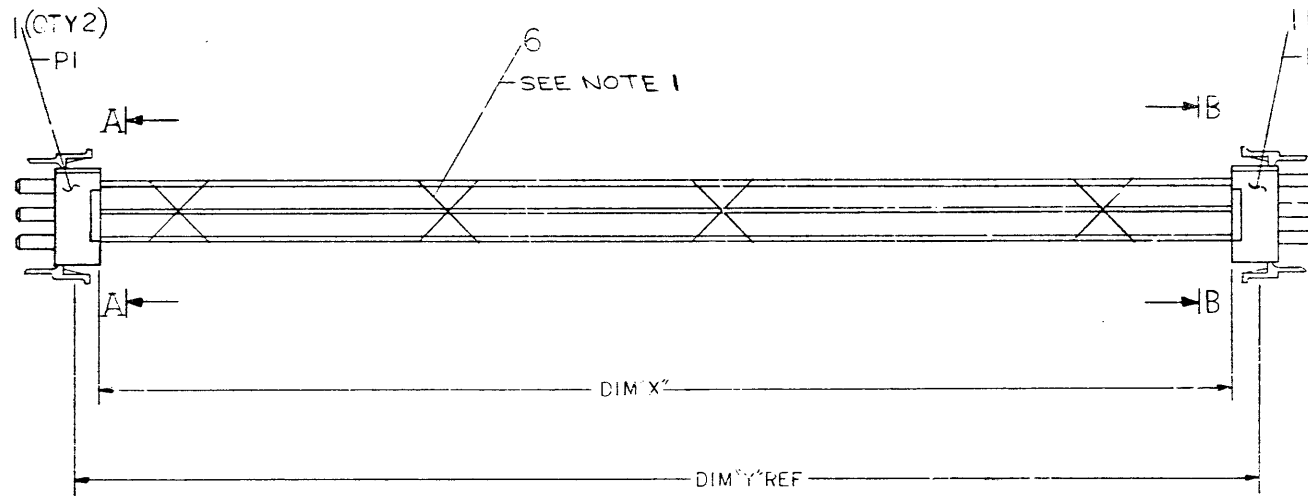
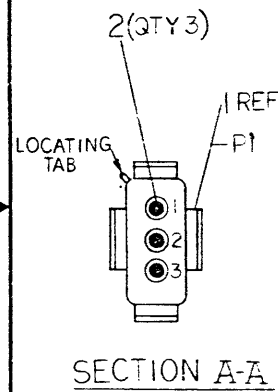
| | | |
|-------------------------------|-------------------------|-------------------|
| DRW. <i>[Signature]</i> | FIRST USED ON | 11780 |
| CHK'D <i>[Signature]</i> | TITLE | 869-E |
| ENG. <i>[Signature]</i> | POWER CONTROLLER | |
| PROJ. ENG. <i>[Signature]</i> | SIZE | D |
| PROD. <i>[Signature]</i> | CODE | CS 869-E-1 |
| NEXT HIGHER ASSY. | NUMBER | 1 |
| SCALE | DIST. | C |
| SHEET / OF | | |

ALL DIMENSIONS AND SPECIFICATIONS HEREIN ARE THE PROPERTY OF DIGITAL EQUIPMENT CORPORATION AND SHALL BE REPRODUCED OR COPIED OR SOLD IN WHOLE OR IN PART AS THE BASIS FOR THE MANUFACTURE OR SALE OF ITEMS WITHOUT WRITTEN PERMISSION.
 COPYRIGHT © 1977, DIGITAL EQUIPMENT CORPORATION

| WIRE TABLE | | | | | | | |
|------------|-----|--------|------|------|------|------|---------|
| ITEM NO | AWG | COLOR | CONN | WITH | CONN | WITH | REMARKS |
| 4 | 18 | YELLOW | P1-1 | 1&2 | P2-1 | 1&2 | |
| 5 | 18 | VIOLET | P1-2 | 1&2 | P2-2 | 1&2 | |
| 3 | 18 | BLACK | P1-3 | 1&2 | P2-3 | 1&2 | |

| LEGEND | | |
|------------|-------------------|----------------------|
| NUMBER | DIM 'X' VARIATION | DIM 'Y' (PRECUT) REF |
| 7014212-0H | 0FT-7IN ±.5IN | 0FT-8IN ±.5IN |
| 7014212-0M | 0FT-11IN ±.5IN | 1FT-0IN ±.5IN |
| 7014212-1C | 1FT-3IN ±.5IN | 1FT-4IN ±.5IN |
| 7014212-2C | 2FT-3IN ±.5IN | 2FT-4IN ±.5IN |
| 7014212-2M | 2FT-11IN ±.5IN | 3FT-0IN ±.5IN |

NOTES:
 1. USE CABLE TIES (ITEM #6) APPROXIMATELY EVERY THREE (3) INCHES WHEN NECESSARY.



| DESCRIPTION | DWG. PART NO. | ITEM NO. |
|------------------------|---------------|----------|
| 1 LABEL, CABLE IDENT. | 9009532-00 | 7 |
| 2 TIE, CABLE | 9007031-00 | 6 |
| 3 WIRE 18 AWG VIOLET | 9107360-77 | 5 |
| 4 WIRE 18 AWG YELLOW | 9107360-44 | 4 |
| 5 WIRE 18 AWG BLACK | 9107360-00 | 3 |
| 6 SOCKET, CONTACT | 1212170-00 | 2 |
| 7 CONNECTOR, UNIVERSAL | 1212167-00 | 1 |

| ANGLES 90°/30° | CLASS OF ACCURACY (CHECK ONE) | NOMINAL DIMENSION RANGE, INCHES | | | | | |
|--------------------------|-------------------------------------|---------------------------------|-------------|-------------|-------------|--------------|--------------|
| | | OVER 0 | OVER 0.5 | OVER 1.2 | OVER 4.0 | OVER 12.0 | OVER 40.0 |
| SURFACE QUALITY IN | MEDIUM | ±.004 | ±.008 | ±.012 | ±.018 | ±.024 | ±.04 |
| MICROINCHES | PREFERRED | ±.012 | ±.018 | ±.025 | ±.04 | ±.053 | ±.08 |

THIRD ANGLE PROJECTION

REMOVE BURRS AND BREAK SHARP CORNERS

DO NOT SCALE DWG

MATERIAL SEE PARTS LIST

FINISH

DRN. W.D. Kiker 20/10/77

CHK'D P. Gagnier 10/2/77

ENG. J. P. ... 10/2/77

PROJ. ENG. ... 10/2/77

PROJ. ... 10/2/77

NEXT HIGHER ASSY.

E-LA-117 0-0-0

SCALE NONE

SHEET OF

FIRST USED ON VAX 11/750

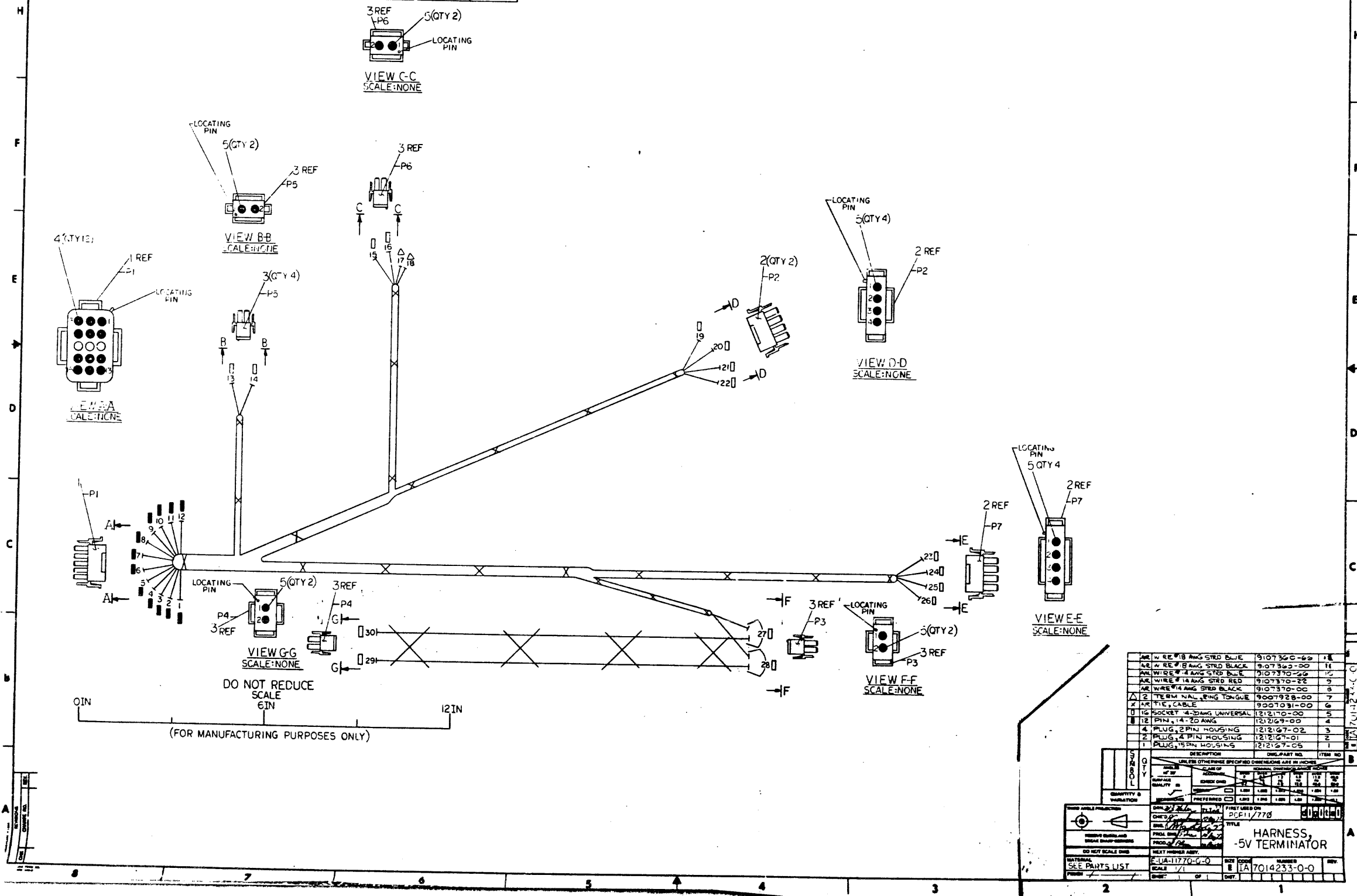
TITLE
CABLE A.C.D.C.I.O.W

SIZE CODE NUMBER REV.
 D IA 7014212-0-0 R

| REV. | CHG. | DATE | BY | APP. |
|------|------|------|-----|------|
| 1 | ... | ... | ... | ... |
| 2 | ... | ... | ... | ... |
| 3 | ... | ... | ... | ... |
| 4 | ... | ... | ... | ... |
| 5 | ... | ... | ... | ... |
| 6 | ... | ... | ... | ... |
| 7 | ... | ... | ... | ... |
| 8 | ... | ... | ... | ... |

| WIRE TABLE | | | | | | | |
|------------|-------------|-----------------------|-----------------------|-----------|--|--|--|
| ITEM NO | DESCRIPTION | FROM | TO | REMARKS | | | |
| | | POINT CONNECTION TERM | POINT CONNECTION TERM | | | | |
| 8 | 14 BLACK | P1-15 | 14 15 P6-2 | 345 CPU | | | |
| 9 | 14 BLACK | P1-14 | 14 14 P5-2 | 345 MEM | | | |
| 11 | 18 BLACK | P1-13 | 14 28 P3-2 | 345 M8A-1 | | | |
| 11 | 18 BLACK | P4-2 | 165 28 P3-2 | 345 M8A-2 | | | |
| 5 | 14 BLACK | P1-12 | 14 22 P2-4 | 245 CPU | | | |
| 6 | 14 BLACK | P1-11 | 14 21 P2-3 | 245 CPU | | | |
| 7 | 14 BLACK | P1-10 | 14 26 P7-4 | 245 TERM | | | |
| 8 | 14 BLUE | P1-9 | 14 25 P7-3 | 245 TERM | | | |
| 10 | 14 BLUE | P1-8 | 14 16 P6-1 | 345 U8A | | | |
| 10 | 14 BLUE | P1-7 | 14 12 P5-1 | 345 MEM | | | |
| 12 | 18 BLUE | P1-3 | 14 27 P3-1 | 345 M8A-1 | | | |
| 12 | 18 BLUE | P4-1 | 375 27 P3-1 | 345 M8A-2 | | | |
| 17 | 14 BLUE | P1-1 | 14 20 P2-2 | 245 CPU | | | |
| 16 | 14 BLUE | P1-2 | 14 19 P2-1 | 245 CPU | | | |
| 4 | 14 RED | | 7 23 P7-1 | 245 TERM | | | |
| 3 | 14 BLACK | | 7 24 P7-2 | 245 TERM | | | |

NOTES:
 1. USE CABLE TIES (X) ITEM #6 APPROXIMATELY EVERY (3) INCHES WHEN NECESSARY, AND AT EVERY BREAKOUT POINT.



| ITEM NO | DESCRIPTION | QTY | DISP. PART NO. | ITEM NO |
|---------|-----------------------------|------------|----------------|---------|
| 1 | WIRE #18 AWG STD BLUE | 9107360-66 | 11 | |
| 2 | WIRE #18 AWG STD BLACK | 9107360-00 | 11 | |
| 3 | WIRE #14 AWG STD BLUE | 9107370-26 | 10 | |
| 4 | WIRE #14 AWG STD RED | 9107370-22 | 9 | |
| 5 | WIRE #18 AWG STD BLACK | 9107370-00 | 3 | |
| 6 | 2 TERM W/AL-8W/TONGUE | 9007928-00 | 7 | |
| 7 | W/TIE, CABLE | 9007091-00 | 6 | |
| 8 | 16 SOCKET 4-30AWG UNIVERSAL | 1212170-00 | 5 | |
| 9 | 12 PIN, 14-20 AWG | 1212169-00 | 4 | |
| 10 | 4 PLUG, 2 PIN HOUSING | 1212167-02 | 3 | |
| 11 | 2 PLUG, 2 PIN HOUSING | 1212167-01 | 2 | |
| 12 | 1 PLUG, 3 PIN HOUSING | 1212167-05 | 1 | |

| | | | |
|----------------------|-----------------------------|----------------|----------|
| QUANTITY & VARIATION | DESCRIPTION | DISP. PART NO. | ITEM NO. |
| 1 | WIRE #18 AWG STD BLUE | 9107360-66 | 11 |
| 1 | WIRE #18 AWG STD BLACK | 9107360-00 | 11 |
| 1 | WIRE #14 AWG STD BLUE | 9107370-26 | 10 |
| 1 | WIRE #14 AWG STD RED | 9107370-22 | 9 |
| 1 | WIRE #18 AWG STD BLACK | 9107370-00 | 3 |
| 1 | 2 TERM W/AL-8W/TONGUE | 9007928-00 | 7 |
| 1 | W/TIE, CABLE | 9007091-00 | 6 |
| 1 | 16 SOCKET 4-30AWG UNIVERSAL | 1212170-00 | 5 |
| 1 | 12 PIN, 14-20 AWG | 1212169-00 | 4 |
| 1 | 4 PLUG, 2 PIN HOUSING | 1212167-02 | 3 |
| 1 | 2 PLUG, 2 PIN HOUSING | 1212167-01 | 2 |
| 1 | 1 PLUG, 3 PIN HOUSING | 1212167-05 | 1 |

UNLESS OTHERWISE SPECIFIED DIMENSIONS ARE IN INCHES

DATE: 2/21/78

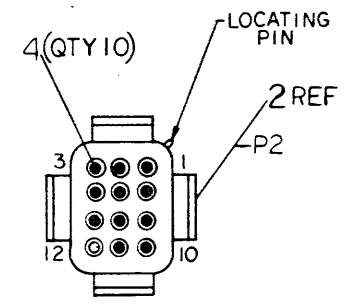
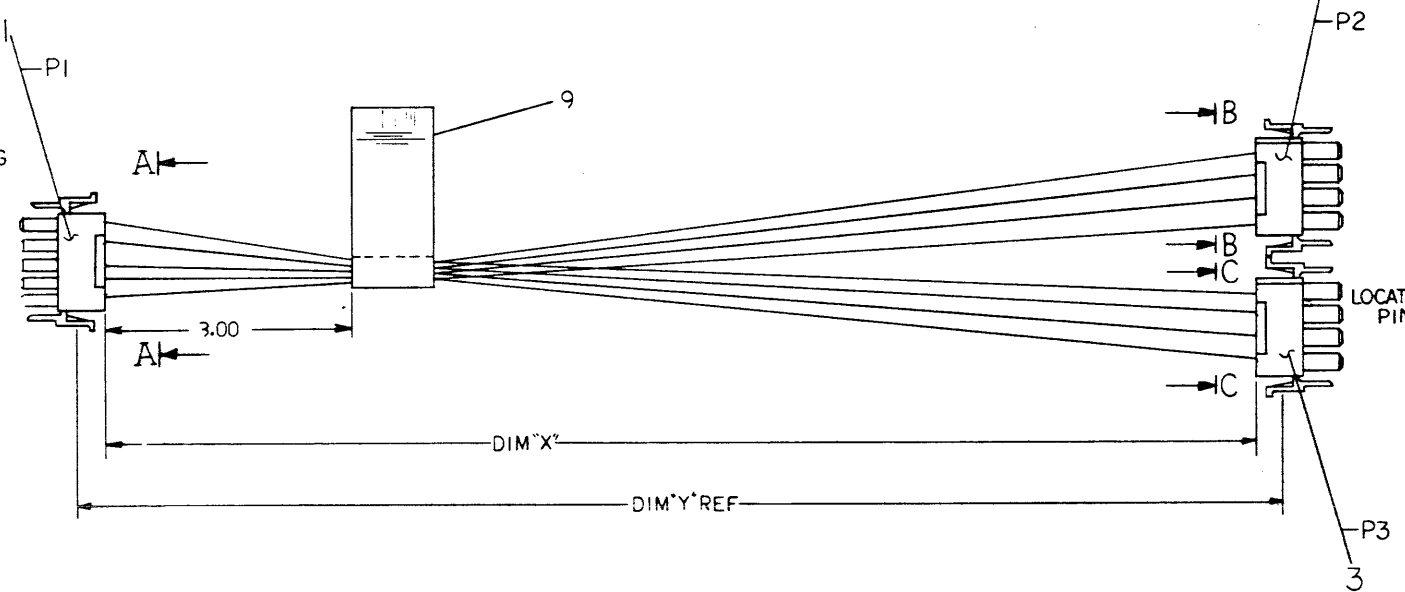
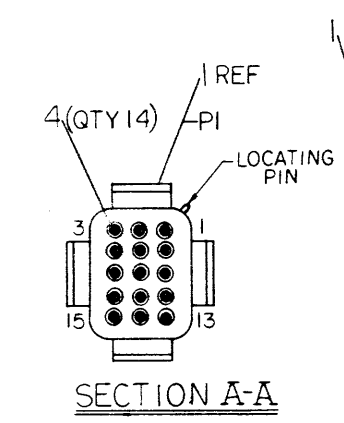
TITLE: HARNESS, -5V TERMINATOR

SCALE: 1/1

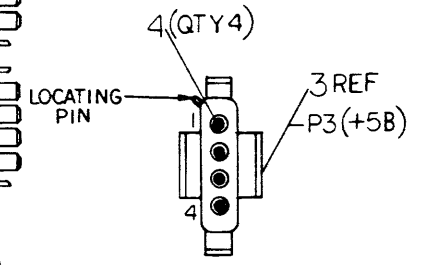
PART NO: 7014233-0-0

THIS DRAWING AND SPECIFICATIONS HEREON ARE THE PROPERTY OF DIGITAL EQUIPMENT CORPORATION AND SHALL NOT BE REPRODUCED OR COPIED OR USED IN WHOLE OR IN PART AS THE BASIS FOR THE MANUFACTURE OR SALE OF ITEMS WITHOUT WRITTEN PERMISSION.
COPYRIGHT © 1977, DIGITAL EQUIPMENT CORPORATION

| WIRE TABLE | | | | | | | LEGEND | | | |
|------------|-----|--------|-------|------|-------|------|---------|------------|-------------------|----------------------|
| ITEM NO | AWG | COLOR | CONN | WITH | CONN | WITH | REMARKS | NUMBER | DIM 'X' VARIATION | DIM 'Y' (PRECUT) REF |
| 6 | 14 | ORANGE | PI-1 | 1/4 | P2-3 | 1/4 | +12 | 7014234-1K | 0 FT-9 IN ±.5 IN | 0 FT-10 IN ±.5 IN |
| 6 | | ORANGE | PI-2 | | P2-2 | | +12 | 7014234-1E | 1 FT-5 IN ±.5 IN | 1 FT-5 IN ±.5 IN |
| 5 | | BLACK | PI-3 | | P2-5 | | R | | | |
| 5 | | BLACK | PI-4 | | P2-6 | | R | | | |
| 7 | | RED | PI-5 | | P3-1 | | +5B | | | |
| 7 | | RED | PI-6 | | P3-2 | | +5B | | | |
| 7 | | RED | PI-7 | | P3-3 | | +5B | | | |
| 7 | | RED | PI-8 | | P3-4 | | +5B | | | |
| 5 | | BLACK | PI-9 | | P2-7 | | R | | | |
| 5 | | BLACK | PI-10 | | P2-8 | | R | | | |
| 5 | | BLACK | PI-11 | | P2-9 | | R | | | |
| 5 | | BLACK | PI-12 | | P2-10 | | R | | | |
| 5 | | BLACK | PI-13 | | P2-11 | | R | | | |
| 8 | | BLUE | PI-14 | | P2-1 | | R | | | |
| 8 | 14 | BLUE | PI-15 | 1/4 | P2-4 | 1/4 | -5B | | | |



SECTION B-B



SECTION C-C

CAUTION: OFF SHEETS PARTS LIST SEE K-PL-7014234-0-DBP

| | |
|-------------------|-----------|
| REV. | REV. |
| 7/7014234-1W001-A | A |
| W. BOLAND | 24 May 79 |
| J.F. BROWN | 20 Feb 81 |

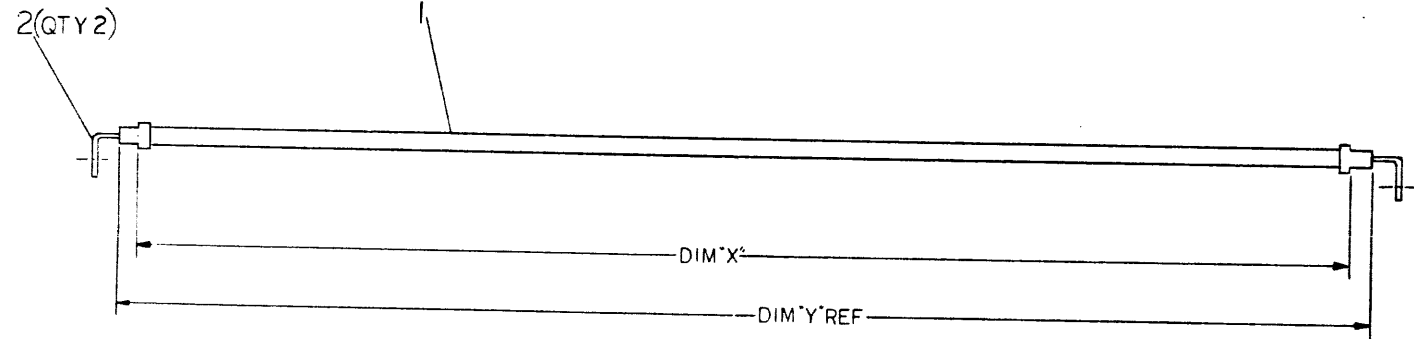
| | | |
|---|--------------------------------|--------------------------------|
| DESCRIPTION | DWG./PART NO. | ITEM NO. |
| UNLESS OTHERWISE SPECIFIED DIMENSIONS ARE IN INCHES | | |
| ANGLES | CLASS OF ACCURACY | NOMINAL DIMENSION RANGE INCHES |
| SURFACE QUALITY | CHECK ONE | OVER 0 TO 1.2 |
| FINISH | PREFERRED | 1.2 TO 4.8 |
| THIRD ANGLE PROJECTION | DRN. <i>[Signature]</i> | FIRST USED ON |
| REMOVE BURRS AND BREAK SHARP CORNERS | CHK'D. <i>[Signature]</i> | VAX 11780 |
| DO NOT SCALE DWG | PROJ. ENCL. <i>[Signature]</i> | TITLE |
| NEXT HIGHER ASSY. | PROD. <i>[Signature]</i> | CABLE ±5B & +12 |
| MATERIAL SEE PARTS LIST | E-UA-11780 | SIZE CODE |
| SCALE NONE | SCALE NONE | D IA 7014234-0-0 |
| SHEET | OF | REV B |

DATA 7014234-0-0 B

THIS DRAWING AND SPECIFICATIONS HEREIN, ARE THE PROPERTY OF DIGITAL EQUIPMENT CORPORATION AND SHALL NOT BE REPRODUCED OR COPIED OR USED IN WHOLE OR IN PART AS A BASIS FOR THE MANUFACTURE OR SALE OF ITEMS WITHOUT WRITTEN PERMISSION.
 COPYRIGHT © 1977, DIGITAL EQUIPMENT CORPORATION

| LEGEND | | |
|------------|------------------|--------------------|
| PART NO | DIM X VARIATION | DIM Y (PRECUT) REF |
| 7014249-1J | 1 FT-8 IN ±.5 IN | 1 FT-9 IN ±.5 IN |
| 7014249-1C | 1 FT-3 IN ±.5 IN | 1 FT-4 IN ±.5 IN |
| 7014249-0L | ØFT-9 IN ±.5 IN | ØFT-10 IN ±.5 IN |
| 7014249-1A | 1 FT-1 IN ±.5 IN | 1 FT-2 IN ±.5 IN |

10-000010Z 110 2

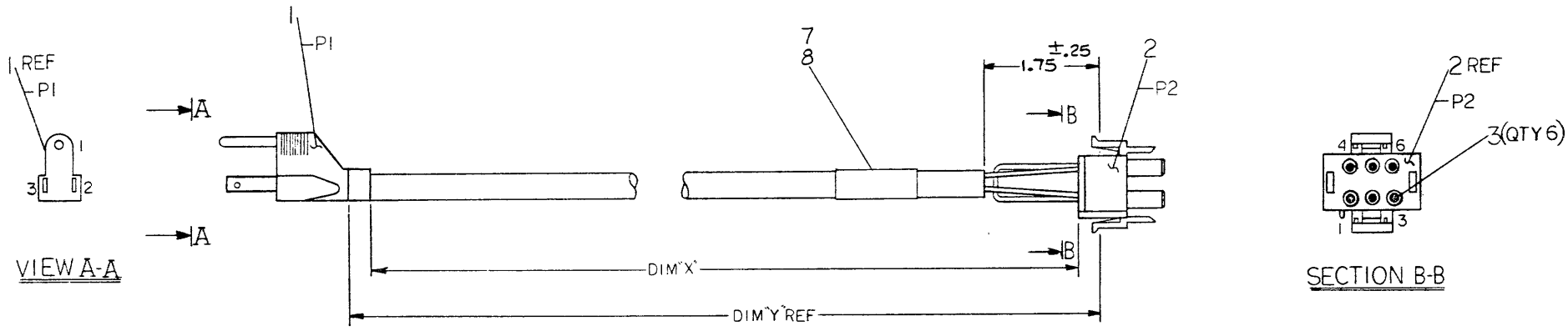


| REV | CHG | NO | DATE | BY | APP |
|-----|-----|----|------|----|-----|
| 1 | A | | | | |
| 2 | B | | | | |
| 3 | C | | | | |
| 4 | D | | | | |
| 5 | E | | | | |
| 6 | F | | | | |
| 7 | G | | | | |
| 8 | H | | | | |

| | | | | | | | |
|---|--------------------------|--------------------------------|--------------------|-----------------|-----------------|-----------------|------------------|
| 2 | LUG, POWER 90° | 1212086-02 | 2 | | | | |
| 1 | WIRE #8 AWG BLACK | 910-765-00 | 1 | | | | |
| DESCRIPTION | | DWG. PART NO. | ITEM NO. | | | | |
| UNLESS OTHERWISE SPECIFIED DIMENSIONS ARE IN INCHES | | | | | | | |
| ANGLES 90° 30° | CLASS OF ACCURACY | NOMINAL DIMENSION RANGE INCHES | | | | | |
| SURFACE QUALITY IN MICRONCHES | CHECK ONE | OVER 0 TO 0.25 | OVER 0.25 TO 0.5 | OVER 0.5 TO 1.0 | OVER 1.0 TO 2.0 | OVER 2.0 TO 4.0 | OVER 4.0 TO 80.0 |
| | | 0.2 | 0.5 | 1.0 | 2.0 | 4.0 | 80.0 |
| QUANTITY & VARIATION | MEDIUM | ±.004 | ±.008 | ±.012 | ±.018 | ±.024 | ±.04 |
| | PREFERRED | ±.012 | ±.018 | ±.025 | ±.04 | ±.063 | ±.1 |
| THIRD ANGLE PROJECTION | DRN. <i>[Signature]</i> | FIRST USED ON | <i>[Signature]</i> | | | | |
| REMOVE BURRS AND BREAK SHARP CORNERS | CHK'D <i>[Signature]</i> | PDPI/773 | <i>[Signature]</i> | | | | |
| DO NOT SCALE DWG | ENG. <i>[Signature]</i> | TITLE | | | | | |
| | PROD. <i>[Signature]</i> | CABLE, POWER (BLACK) | | | | | |
| MATERIAL SEE PARTS LIST | NEXT HIGHER ASSY. | SIZE | CODE | | | | |
| FINISH | E-UA-11770 | D | IA | | | | |
| | SCALE NONE | NUMBER | REV. | | | | |
| | SHEET | 1 | A | | | | |
| | OF | | | | | | |
| | DIST. | | | | | | |

THIS DRAWING AND SPECIFICATIONS, HEREIN, ARE THE PROPERTY OF DIGITAL EQUIPMENT CORPORATION AND SHALL NOT BE REPRODUCED, COPIED OR USED IN WHOLE OR IN PART AS THE BASIS FOR THE MANUFACTURE OR SALE OF ITEMS WITHOUT WRITTEN PERMISSION.
COPYRIGHT © 1977, DIGITAL EQUIPMENT CORPORATION

| WIRE TABLE | | | | | | | LEGEND | | | |
|------------|-----|---------|-----------|------|---------|------|------------|-----------------|--------------------|------------|
| ITEM NO | AWG | COLOR | FROM CONN | WITH | TO CONN | WITH | NUMBER | DIM X VARIATION | DIM Y (PRECUT) REF | REMARKS |
| 1 | 18 | GRN/YEL | P1-1 | | P2-3 | 2#3 | 7014323-06 | 6FT-0IN ±.5IN | 6FT-5IN ±.5IN | |
| 1 | 18 | BROWN | P1-2 | | P2-1 | 2#3 | 7014323-03 | 3FT-4IN ±.5IN | 3FT-5IN ±.5IN | |
| 1 | 18 | BLUE | P1-3 | | P2-2 | 2#3 | | | | |
| 4 | 18 | BLUE | P2-4 | 2#3 | P2-2 | 2#6 | | | | JUMPER 3LG |
| 5 | 18 | RED | P2-5 | 2#3 | P2-6 | 2#3 | | | | JUMPER 3LG |



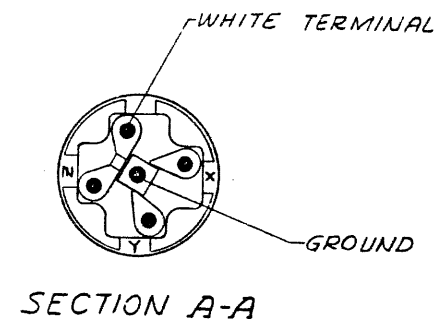
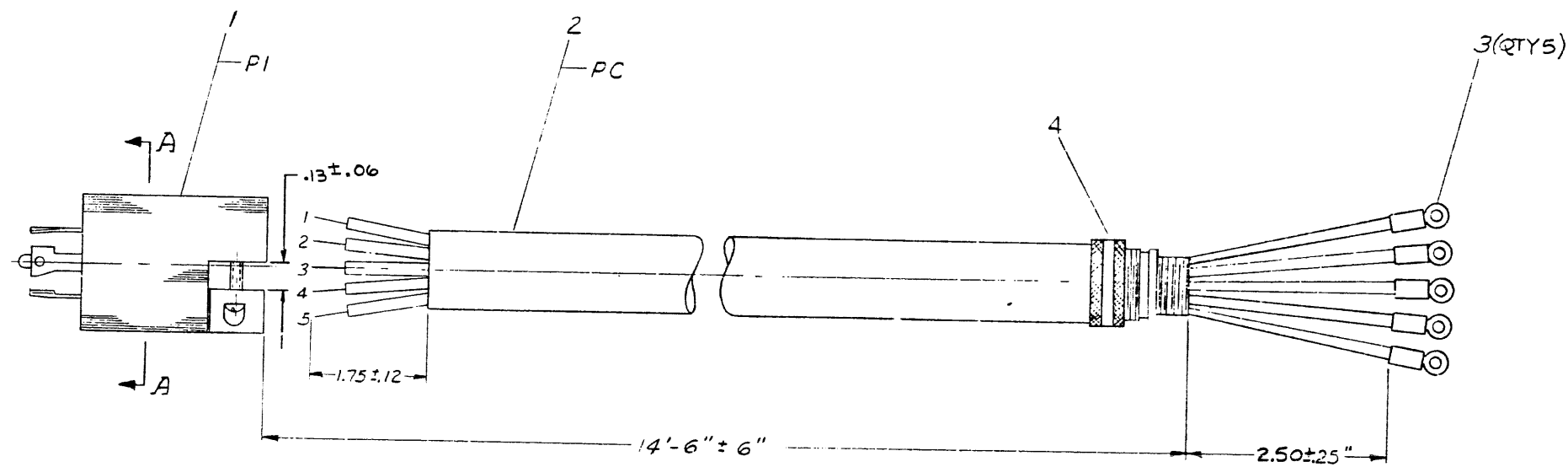
| DESCRIPTION | DWG. PART NO. | ITEM NO. |
|-----------------------|---------------|----------|
| 1 LABEL, CABLE IDENT. | 9009532 | 8 |
| 2 TIE, CABLE | 9007031 | 7 |
| 1 CONTACT, SOCKET | 1212170-02 | 6 |
| AIR WIRE 18AWG RED | 9107360-22 | 5 |
| AIR WIRE 18AWG BLUE | 9107360-66 | 4 |
| 5 CONTACT, SOCKET | 1212170-00 | 3 |
| 1 CONNECTOR UNIVERSAL | 1212167-06 | 2 |
| 1 POWER CORD | 1700043-01 | 1 |

| REV. | DESCRIPTION |
|------|---------------|
| A | 7014323-00001 |
| B | 7014323-MR002 |
| C | 7014323-00001 |
| D | 7014323-00001 |

| UNLESS OTHERWISE SPECIFIED DIMENSIONS ARE IN INCHES | |
|---|--------------------------------------|
| ANGLES | CLASS OF ACCURACY |
| SURFACE QUALITY | CHECK ONE |
| QUANTITY & VARIATION | PREFERRED |
| THIRD ANGLE PROJECTION | REMOVE BURRS AND BREAK SHARP CORNERS |
| MATERIAL | DO NOT SCALE DWG |
| FINISH | SEE PARTS LIST |
| FIRST USED ON PDPI/770 | |
| TITLE POWER CORD ASSEMBLY (FAN 115V) | |
| E-LA-11770 | SIZE CODE D |
| SCALE NONE | NUMBER IA 7014323-0-0 |
| SHEET 1 | REV. B |

THIS DRAWING AND SPECIFICATIONS HEREIN ARE THE PROPERTY OF DIGITAL EQUIPMENT CORPORATION AND SHALL NOT BE REPRODUCED OR COPIED OR USED IN WHOLE OR IN PART AS THE BASIS FOR THE MANUFACTURE OR SALE OF ITEMS WITHOUT WRITTEN PERMISSION.
 DIGITAL EQUIPMENT CORPORATION
 COPYRIGHT ©

| WIRE TABLE | | | | | | |
|------------|-------------|---------|------|-----------|---------|------|
| ITEM NO | DESCRIPTION | FROM | TO | | | |
| | AWG | COLOR | CONN | WITH | CONN | WITH |
| 2 | 10 | BRN | PC-1 | STRIP .50 | PI-X | — |
| 2 | 10 | BLK | PC-2 | ↓ | PI-Y | — |
| 2 | 10 | BLK | PC-3 | ↓ | PI-Z | — |
| 2 | 10 | BLU | PC-4 | ↓ | WHT DOT | — |
| 2 | 10 | GRN/YEL | PC-5 | STRIP .50 | GROUND | — |



| QUANTITY | DESCRIPTION | DWG. PART NO. | ITEM NO. |
|----------|----------------------|---------------|----------|
| 1 | STRAIN RELIEF | 1212410-00 | 4 |
| 5 | TERMINAL, RING (VEL) | 3007926-01 | 3 |
| 1 | POWER CORD | 1700029 | 2 |
| 1 | PLUG, TWIST LOCK | 1212314-0-0 | 1 |

| UNLESS OTHERWISE SPECIFIED DIMENSIONS ARE IN INCHES | | | | | | | |
|---|-------------------------------------|--------------------------------|--------------------------|--------------------------|---------------------------|----------------------------|----------------------------|
| ANGLES 45° 30° | CLASS OF ACCURACY (CHECK ONE) | NOMINAL DIMENSION RANGE INCHES | | | | | |
| | | OVER 0 TO 0.2 | OVER 0.2 TO 1.2 | OVER 1.2 TO 4.0 | OVER 4.0 TO 12.0 | OVER 12.0 TO 40.0 | OVER 40.0 TO 80.0 |
| | MEDIUM | ±.004 | ±.008 | ±.012 | ±.016 | ±.024 | ±.04 |
| | PREFERRED | ±.012 | ±.016 | ±.025 | ±.04 | ±.063 | ±.1 |

| | | | |
|---|---------------------------------------|---------------|-------------------------|
| THIRD ANGLE PROJECTION | DRN. <i>[Signature]</i> 7.19.77 | FIRST USED ON | 869 |
| REMOVE BURRS AND BREAK SHARP CORNERS | CHK'D <i>[Signature]</i> 7.19.77 | TITLE | POWER CORD ASSY 120V |
| DO NOT SCALE DWG | PROJ. ENG. <i>[Signature]</i> 7.19.77 | SIZE | D |
| MATERIAL SEE PARTS LIST | PROD. <i>[Signature]</i> 7.19.77 | CODE | IA |
| FINISH | E-VA-11770-00 | NUMBER | 7015253-0-0 |
| | SCALE NONE | REV. | A |
| | SHEET 1 OF 1 | DIST. | |

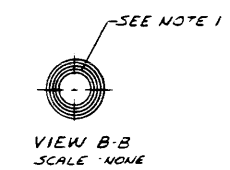
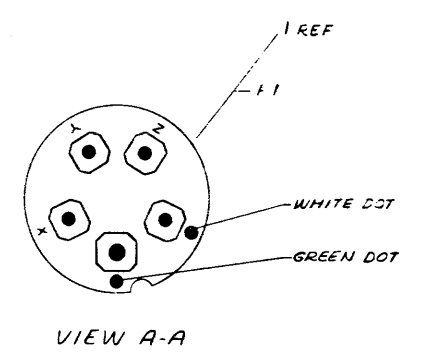
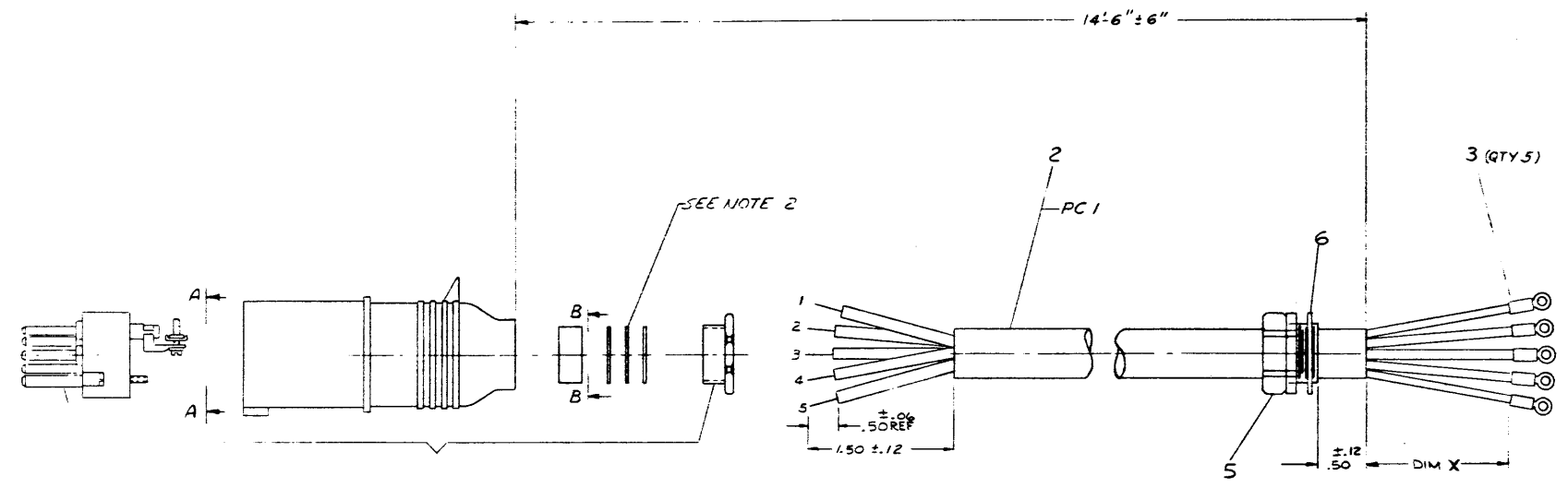
| REV | CHANGE NO. | DATE | BY | APP |
|-----|------------|---------|---------------|-----|
| 1 | 1 | 7/19/77 | M. J. O'NEILL | A |
| 2 | 2 | 8/10/77 | S. J. O'NEILL | A |

8
7
6
5
4
3
2
1
 J
H
F
E
D
C
B
A
 8
7
6
5
4
3
2
1
 A
 11
 12
 13
 14
 15
 16
 17
 18
 19
 20
 21
 22
 23
 24
 25
 26
 27
 28
 29
 30
 31
 32
 33
 34
 35
 36
 37
 38
 39
 40
 41
 42
 43
 44
 45
 46
 47
 48
 49
 50
 51
 52
 53
 54
 55
 56
 57
 58
 59
 60
 61
 62
 63
 64
 65
 66
 67
 68
 69
 70
 71
 72
 73
 74
 75
 76
 77
 78
 79
 80
 81
 82
 83
 84
 85
 86
 87
 88
 89
 90
 91
 92
 93
 94
 95
 96
 97
 98
 99
 100

| WIRE TABLE | | | | | DIM X | | |
|------------|----------------|---------|------------|---|------------|------------|------------|
| ITEM NO. | DESCRIPTION | FROM | TO | | 7015254-00 | 7015254-01 | 7015254-02 |
| 2 | 14 BROWN PCI-1 | STIP SC | PI-Y | - | 2.5 LG | 2.5 LG | 5.0 LG |
| 1 | 14 BLUE PCI-2 | | PI-WHT DOT | - | 2.5 LG | 2.5 LG | 5.0 LG |
| 1 | 14 BLK PCI-3 | | PI-Y | - | 2.0 LG | 2.5 LG | 5.0 LG |
| 1 | 14 BLK PCI-4 | | PI-Z | - | 2.0 LG | 2.5 LG | 5.0 LG |
| 2 | 14 BRN W PCI-5 | STIP SC | PI GRN DOT | - | 2.0 LG | 2.0 LG | 6.0 LG |

| LEGEND | |
|------------|-------------------------|
| PART NO. | VARIATION |
| 7015254-00 | WITH STRAIN RELIEF |
| 7015254-01 | WITH STRAIN RELIEF 666E |
| 7015254-02 | WITH STRAIN RELIEF 661E |

NOTES
 1 USE OUTER SEALS ONLY. DISCARD SMALLEST RUBBER SEAL.
 2 USE THE MIDDLE SIZE METAL WASHER, DISCARD ALL OTHERS.
 3 CONNECTOR (ITEM 1) INCLUDES PARTS SHOWN IN BRACKET EXCEPT AS NOTED IN NOTES 1 & 2



CAUTION: FOR OFF SHEET PARTS LIST SEE K-PL-7015254-0-DBP.

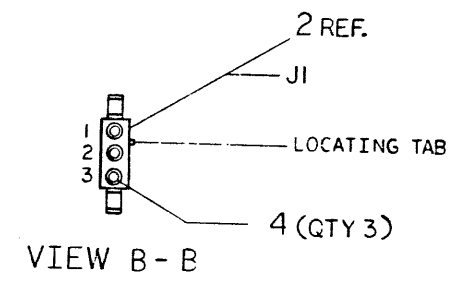
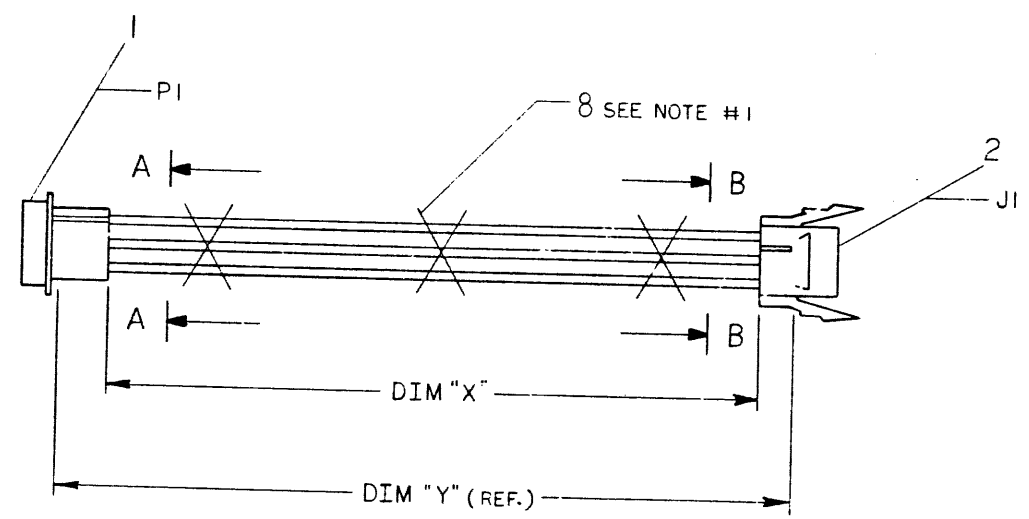
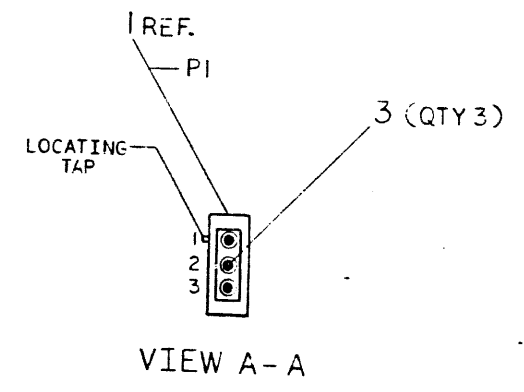
| | | |
|---|---|---|
| QUANTITY & VARIATION PREPARED CHECKED APPROVED DATE | DESCRIPTION UNLESS OTHERWISE SPECIFIED DIMENSIONS ARE IN INCHES TITLE POWER CORD ASSY. 240V SCALE NONE SHEET 1 OF 1 | DIM. PART NO. 7015254-01 ITEM NO. 010000 |
|---|---|---|

THIS DRAWING AND SPECIFICATIONS, HEREIN, ARE THE PROPERTY OF DIGITAL EQUIPMENT CORPORATION AND SHALL NOT BE REPRODUCED OR CLONED IN ANY MANNER OR USED IN WHOLE OR IN PART AS THE BASIS FOR THE MANUFACTURE OR SALE OF ANY ITEMS WITHOUT WRITTEN PERMISSION OF DIGITAL EQUIPMENT CORPORATION. COPYRIGHT © 1977.

| WIRE TABLE | | | | | |
|------------|-------------|-----------------|---------------|---------|--|
| ITEM NO | DESCRIPTION | FROM CONNECTION | TO CONNECTION | REMARKS | |
| 5 | #18 WHITE | PI-1 | J1-1 | | |
| 6 | #18 RED | PI-2 | J1-2 | | |
| 7 | #18 BLACK | PI-3 | J1-3 | | |

| LEGEND | | |
|------------|-------------------|----------------------|
| NUMBER | DIM "X" VARIATION | DIM "Y" (PRECUT) REF |
| 7015442-03 | 3FT-ØIN ± 1.00 IN | 3FT-1.00IN ± 1.00IN |

NOTES:
1. USE CABLE TIES ITEM #8 APPROXIMATELY EVERY THREE 3 INCHES WHEN NECESSARY.



| QTY | DESCRIPTION | DWG. PART NO. | ITEM NO. |
|-----|--------------------------|---------------|----------|
| 8 | TIES, CABLE | 9007031-00 | 8 |
| 7 | WIPE, #18AWG STRD BLACK | 9107360-00 | 7 |
| 6 | WIRE, #18AWG STRD RED | 9107360-22 | 6 |
| 5 | WIRE, #18AWG STRD WHITE | 9107360-99 | 5 |
| 4 | SOCKET, 14-20AWG (M,N,L) | 1209379-00 | 4 |
| 3 | TERM, PIN CONTACT | 1209378-00 | 3 |
| 2 | PLUG, 3 PIN HOUSING | 1209350-03 | 2 |
| 1 | CONN, 3 PIN HOUSING | 1209551-05 | 1 |

| UNLESS OTHERWISE SPECIFIED DIMENSIONS ARE IN INCHES | |
|---|-------------------|
| ANGLES 90°/30° | CLASS OF ACCURACY |
| SURFACE QUALITY | CHECK ONE |
| QUANTITY & VARIATION | MEDIUM |
| THIRD ANGLE PROJECTION | PREFERRED |
| REMOVE BURRS AND BREAK SHARP CORNERS | |
| DO NOT SCALE DWG | |
| MATERIAL SEE PART LIST | |
| FINISH NONE | |

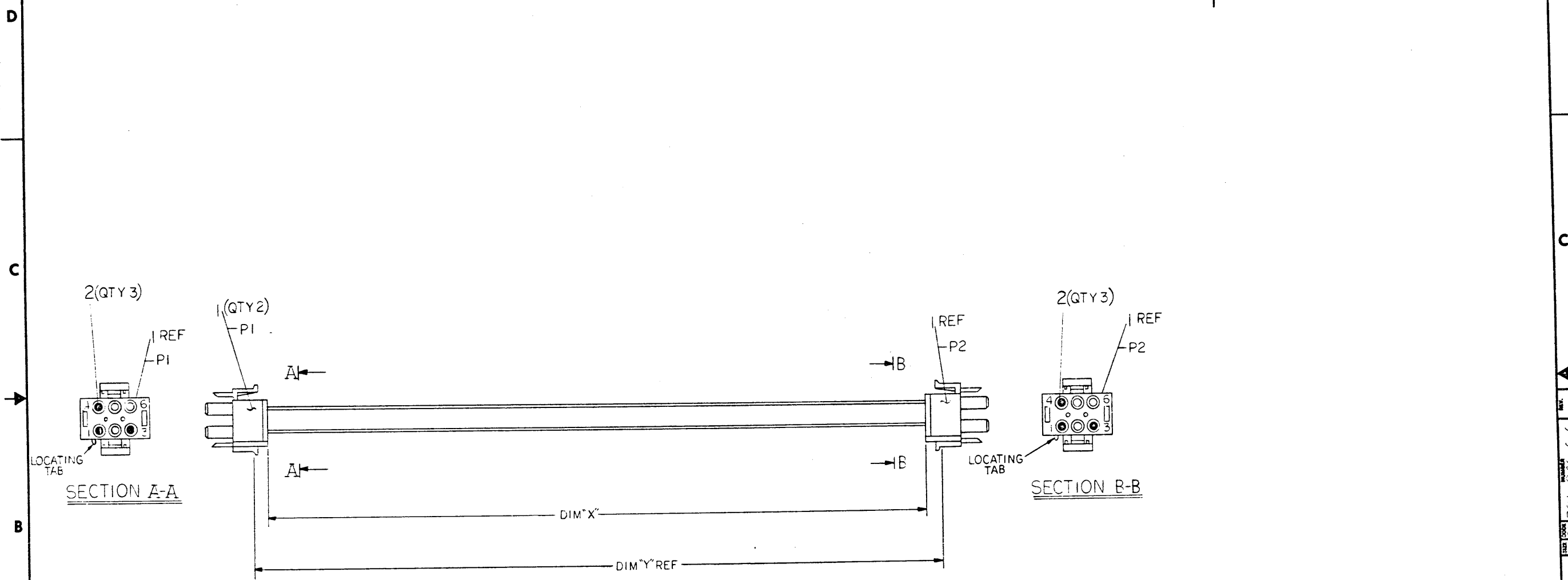
| | |
|------------------------|----------------------------|
| DRG. DATE: 12-19-77 | FIRST USED BY: [Signature] |
| CHKD: [Signature] | TITLE: CABLE, POWER BUSS |
| ENG. [Signature] | |
| PROJ. ENG. [Signature] | |
| PROD. [Signature] | |
| E-UA-11780-0-0 | |
| SCALE: NONE | SIZE: D |
| FINISH: NONE | CODE: IA |
| SHEET: 1 OF 1 | NUMBER: 7015442-0-0 |
| DIST. | REV. |

REVISIONS
CHANGE NO.
REV.

THIS DRAWING AND SPECIFICATIONS HEREIN ARE THE PROPERTY OF DIGITAL EQUIPMENT CORPORATION AND SHALL NOT BE REPRODUCED OR COPIED OR USED IN WHOLE OR IN PART AS THE BASIS FOR THE REPRODUCTION OR SALE OF ITEMS WITHOUT WRITTEN PERMISSION.
 COPYRIGHT © 1977, DIGITAL EQUIPMENT CORPORATION

| WIRE TABLE | | | | | | | LEGEND | | |
|------------|-------------|------|------|------------|-----------------|--------------------|--------|--|--|
| ITEM NO. | DESCRIPTION | FROM | TO | NUMBER | DIM X VARIATION | DIM Y (PRECUT) REF | | | |
| 4 | 18 RED | P1-1 | P2-1 | 7014248-3M | 3FT-11IN ±.5IN | 4FT-0IN ±.5IN | | | |
| 5 | 18 GRAY | P1-4 | P2-4 | | | | | | |
| 3 | 18 BLACK | P1-3 | P2-3 | | | | | | |

NOTES:
 1. USE CABLE TIES (ITEM #6) APPROXIMATELY EVERY THREE (3) INCHES WHEN NECESSARY.



| DESCRIPTION | DWG. PART NO. | ITEM NO. |
|------------------------|---------------|----------|
| 2 CONNECTOR, UNIVERSAL | 1212167-06 | 1 |
| 6 SOCKET, CONTACT | 1212170-00 | 2 |
| AR WIRE 8 AWG BLACK | 9107360-00 | 3 |
| AR WIRE 18 AWG RED | 9107360-22 | 4 |
| AR WIRE 18 AWG GRAY | 9107360-28 | 5 |
| AR TIE, CABLE | 9007031-00 | 6 |

| CLASS OF ACCURACY | NOMINAL DIMENSION RANGE IN INCHES | | | | | |
|--------------------|-----------------------------------|------------------|-----------------|------------------|-------------------|-------------------|
| | OVER 0 TO 1.25 | OVER 1.25 TO 2.0 | OVER 2.0 TO 4.0 | OVER 4.0 TO 12.0 | OVER 12.0 TO 40.0 | OVER 40.0 TO 80.0 |
| ANGLES 90° 30' | ±.004 | ±.008 | ±.012 | ±.018 | ±.024 | ±.030 |
| SURFACE QUALITY IN | ±.004 | ±.008 | ±.012 | ±.018 | ±.024 | ±.030 |
| MICROINCHES | ±.004 | ±.008 | ±.012 | ±.018 | ±.024 | ±.030 |

THIRD ANGLE PROJECTION

REMOVE BURRS AND BREAK SHARP CORNERS

DO NOT SCALE DWG

MATERIAL SEE PARTS LIST

FINISH

DRN. *W. H. DeLo* 7/10/77

CHK'D *W. H. DeLo* 7/10/77

ENG. *W. H. DeLo* 7/10/77

PROJ. ENG. *W. H. DeLo* 7/10/77

PROD. *W. H. DeLo* 7/10/77

NEXT HIGHER ASSY.

E-UA-1 770

SCALE NONE

SHEET OF 1

FIRST USED ON PDP11/770

TITLE CABLE T.O.D. BATTERY

SIZE CODE D

NUMBER IA7014248-C-C

REV.

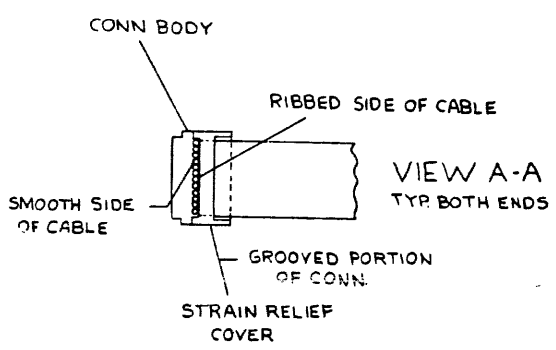
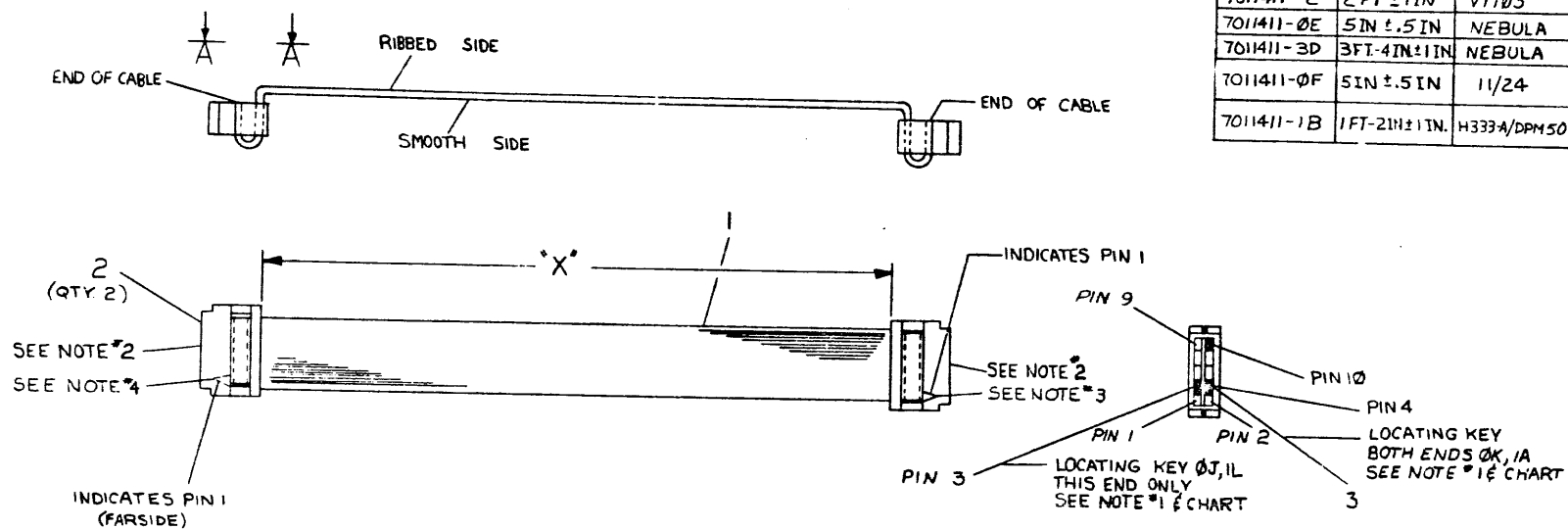
| REV. | CHANGE NO. |
|------|------------|
| | |

THIS DRAWING AND SPECIFICATIONS HEREAFTER ARE THE PROPERTY OF DIGITAL EQUIPMENT CORPORATION AND SHALL NOT BE REPRODUCED OR COPIED OR USED IN WHOLE OR IN PART AS THE BASIS FOR THE MANUFACTURE OR SALE OF ITEMS WITHOUT WRITTEN PERMISSION OF DIGITAL EQUIPMENT CORPORATION.

0-01171102 V10 2

| LEGEND | | | |
|------------|-------------------|---------------|--------------------------------|
| NUMBER | DIM "X" VARIATION | USED ON | KEY PIN |
| 7011411-0J | 8 IN ± .5 IN | BA11-L OR K | 10 ONE END |
| 7011411-0K | 9 IN ± .5 IN | LS1-11 | 4 BOTH ENDS |
| 7011411-1D | 1 FT-4 IN ± 1 IN | KY11-LB | |
| 7011411-2D | 2 FT-4 IN ± 1 IN | BA11-F/DO/HPF | 70 ONE END |
| 7011411-0H | 7 IN ± .5 IN | H790, 1, 2, 3 | |
| 7011411-1J | 1 FT-8 IN ± 1 IN | 1104/34-7A | |
| 7011411-1L | 1 FT-10 IN ± 1 IN | BA11-L, H777 | PIN 3 ONE END |
| 7011411-1A | 1 FT-1 IN ± 1 IN | H787 | 4 BOTH ENDS |
| 7011411-3J | 3 FT-8 IN ± 1 IN | BA11-K, H785 | |
| 7011411-2J | 2 FT-8 IN ± 1 IN | BA11-K, H785 | NO KEY |
| 7011411-5F | 5 FT-6 IN ± 1 IN | 1160 | 8 ONE END |
| 7011411-12 | 12 FT ± 3 IN | KAS70 | |
| 7011411-7 | 7 FT ± 2 IN | 11780 | |
| 7011411-1C | 1 FT-3 IN ± 1 IN | VT103 | SEE NOTES 3 AND 4 |
| 7011411-2 | 2 FT ± 1 IN | VT103 | SEE NOTES 3 AND 4 |
| 7011411-0E | 5 IN ± .5 IN | NEBULA | 8 BOTH ENDS |
| 7011411-3D | 3 FT-4 IN ± 1 IN | NEBULA | 5 BOTH ENDS |
| 7011411-0F | 5 IN ± .5 IN | 11/24 | PIN 3 ONE END PIN 6 ONE END |
| 7011411-1B | 1 FT-2 IN ± 1 IN | H333A/DPM50 | 4 BOTH ENDS |

NOTES:
 1. INSERT KEY IN PROPER CONNECTOR PIN AND BREAK OFF TAB.
 2. FOR ITEM (2) DRAWING IS SHOWING 3M CONNECTOR.
 3. FOR -1C AND -2 VARIATIONS, KEY PIN 6.
 4. FOR -1C AND -2 VARIATIONS, KEY PIN 5.

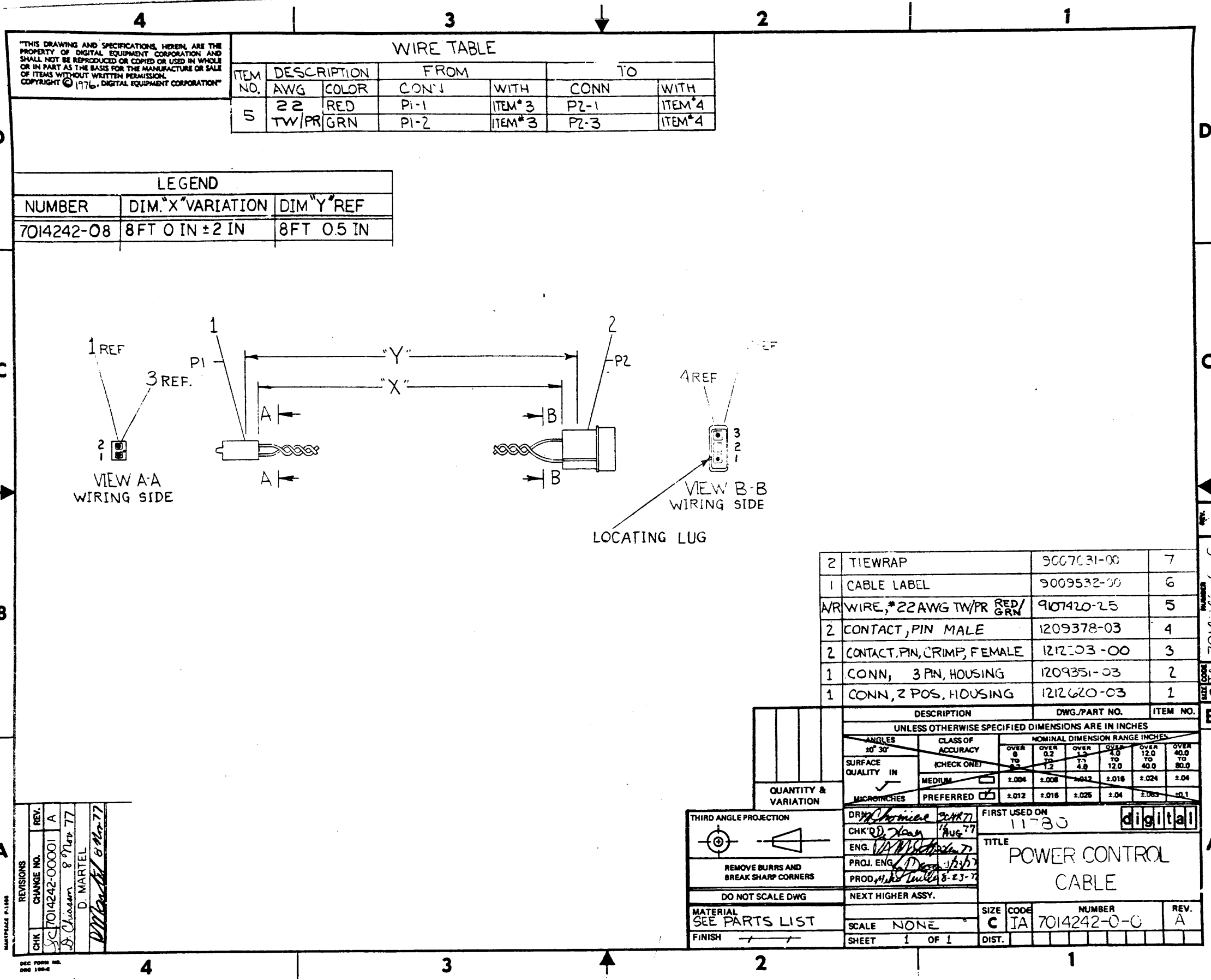


| DESCRIPTION | DWG/PART NO. | ITEM NO. |
|----------------------|--------------|----------|
| 1 TIE, CABLE | 9007031 | 5 |
| 1 LABEL, CABLE IDENT | 9009532 | 4 |
| AR KEY | 9009707 | 3 |
| 2 CONN. CRIMP | 1211206-02 | 2 |
| AR CABLE 10 CONDUCT | 9107747-02 | 1 |

| THIRD ANGLE PROJECTION | | REMOVE BURRS AND BREAK SHARP CORNERS | | DO NOT SCALE DWG | | MATERIAL SEE PARTS LIST | | FINISH | |
|------------------------|-----------------|--------------------------------------|---------------|------------------|---------------|-------------------------|---------------|-------------------|---------------|
| DRN | BARTIST 5-20-75 | CHK'D | HEALY 5-13-75 | ENGR | BARRY 5-11-75 | PROJ. ENGR | BARRY 5-11-75 | PROD. R | PETER 5-19-75 |
| FIRST USED ON | | SEE LEGEND | | TITLE | | CABLE | | CONSOLE BACKPLANE | |
| SIZE | D | CODE | IA | NUMBER | 7011411-0-C | REV. | U | | |
| SHEET | OF | DIST. | | | | | | | |

| REV. | CHANGE NO. | BY | DATE |
|------|------------|----------------|----------|
| 1 | | K. DUGGAN | 10/27/74 |
| 2 | | J. A. TULLY | 11/14/74 |
| 3 | | P. CHAMBERLAIN | 11/14/74 |
| 4 | | P. CHAMBERLAIN | 11/14/74 |
| 5 | | P. CHAMBERLAIN | 11/14/74 |
| 6 | | P. CHAMBERLAIN | 11/14/74 |
| 7 | | P. CHAMBERLAIN | 11/14/74 |
| 8 | | P. CHAMBERLAIN | 11/14/74 |

8 7 6 5 4 3 2 1



"THIS DRAWING AND SPECIFICATIONS HEREIN ARE THE PROPERTY OF DIGITAL EQUIPMENT CORPORATION AND SHALL NOT BE REPRODUCED OR COPIED OR USED IN WHOLE OR IN PART AS THE BASIS FOR THE MANUFACTURE OR SALE OF ITEMS WITHOUT WRITTEN PERMISSION. COPYRIGHT © 1976, DIGITAL EQUIPMENT CORPORATION"

| WIRE TABLE | | | | | | |
|------------|-------------|-------|-------|--------|------|--------|
| ITEM NO. | DESCRIPTION | | FROM | | TO | |
| | AWG | COLOR | CON'J | WITH | CONN | WITH |
| 5 | 22 | RED | PI-1 | ITEM*3 | PZ-1 | ITEM*4 |
| | TW/PR | GRN | PI-2 | ITEM*3 | PZ-3 | ITEM*4 |

| LEGEND | | |
|------------|-------------------|-------------|
| NUMBER | DIM."X" VARIATION | DIM."Y" REF |
| 7014242-08 | 8 FT 0 IN ± 2 IN | 8 FT 0.5 IN |

| ITEM NO. | DESCRIPTION | DWG/PART NO. | ITEM NO. |
|----------|-----------------------------|--------------|----------|
| 2 | TIEWRAP | 9007031-00 | 7 |
| 1 | CABLE LABEL | 9009532-00 | 6 |
| A/R | WIRE, *22AWG TW/PR RED/GRN | 9107420-25 | 5 |
| 2 | CONTACT, PIN MALE | 1209378-03 | 4 |
| 2 | CONTACT, PIN, CRIMP, FEMALE | 1212003-00 | 3 |
| 1 | CONN, 3 PIN, HOUSING | 1209351-03 | 2 |
| 1 | CONN, 2 POS. HOUSING | 1212620-03 | 1 |

| DESCRIPTION | | DWG/PART NO. | ITEM NO. |
|---|--|--------------------------------|-------------------|
| UNLESS OTHERWISE SPECIFIED DIMENSIONS ARE IN INCHES | | | |
| ANGLES ±0° 30' | CLASS OF ACCURACY (CHECK ONE) | NOMINAL DIMENSION RANGE INCHES | |
| SURFACE QUALITY IN | MEDIUM <input type="checkbox"/> PREFERRED <input checked="" type="checkbox"/> | OVER 0 TO 0.2 | OVER 0.2 TO 0.4 |
| | | OVER 0.4 TO 1.2 | OVER 1.2 TO 4.0 |
| MICROINCHES | PREFERRED <input checked="" type="checkbox"/> | OVER 12.0 TO 40.0 | OVER 40.0 TO 80.0 |
| | | ±.004 | ±.008 |
| | | ±.012 | ±.016 |
| | | ±.025 | ±.04 |
| | | ±.063 | ±.1 |

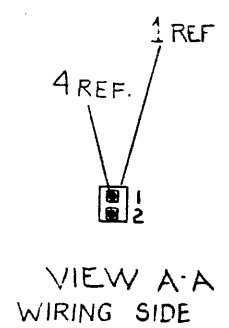
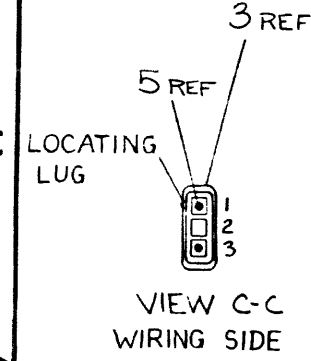
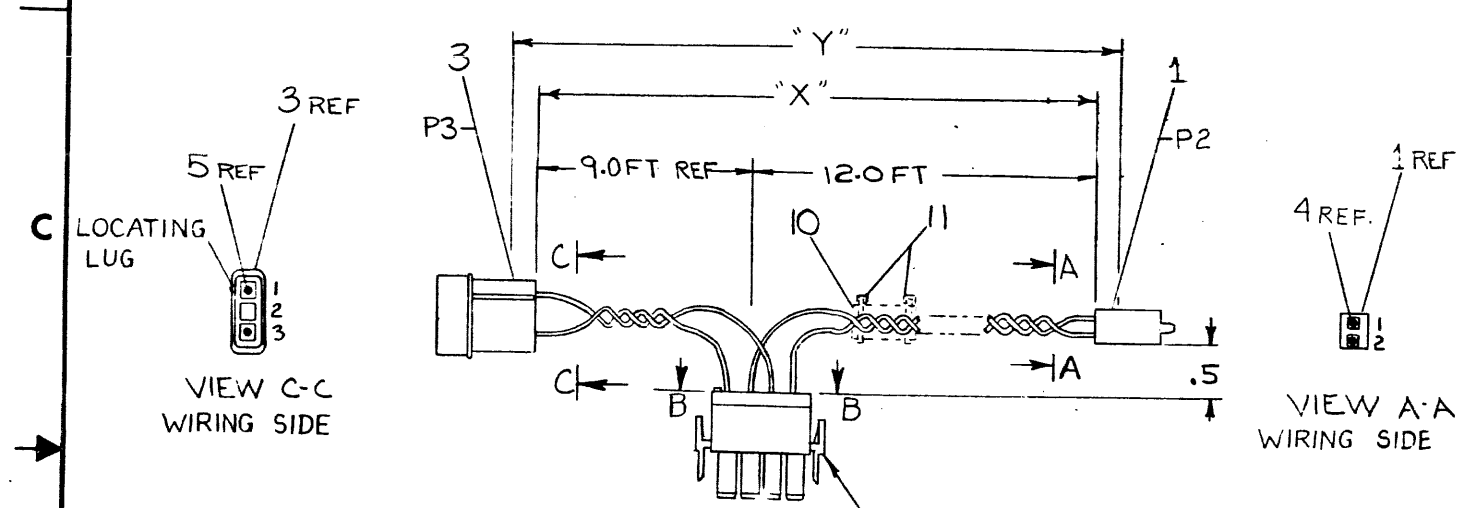
| | | | | |
|--------------------------------------|-------------------------------------|---------------------|-------|-------------|
| THIRD ANGLE PROJECTION | DRN <i>Thomas</i> 8/27/77 | FIRST USED ON | 11-80 | digital |
| REMOVE BURRS AND BREAK SHARP CORNERS | CHK'D <i>Xan</i> 1/AUG 77 | TITLE | | |
| DO NOT SCALE DWG | ENG. <i>W. M. Schell</i> 7/23/77 | POWER CONTROL CABLE | | |
| MATERIAL SEE PARTS LIST | PROD. <i>M. J. Sullivan</i> 8-23-77 | SIZE | CODE | NUMBER |
| FINISH | NEXT HIGHER ASSY. | C | IA | 7014242-0-C |
| | SCALE NONE | DIST. | | REV. A |
| | SHEET 1 OF 1 | | | |

| REV. | CHANGE NO. | DATE | BY |
|------|------------|----------|-----------|
| A | 1 | 8 Nov 77 | D. MARTEL |

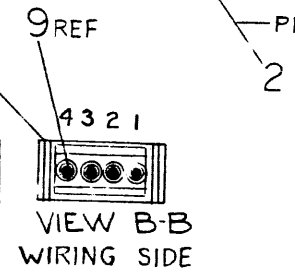
7014242-0-C

"THIS DRAWING AND SPECIFICATIONS, HEREIN, ARE THE PROPERTY OF DIGITAL EQUIPMENT CORPORATION AND SHALL NOT BE REPRODUCED OR COPIED OR USED IN WHOLE OR IN PART AS THE BASIS FOR THE MANUFACTURE OR SALE OF ITEMS WITHOUT WRITTEN PERMISSION. COPYRIGHT © 1977, DIGITAL EQUIPMENT CORPORATION"

| WIRE TABLE | | | | | | |
|------------|-------------|-------|------|--------|------|--------|
| ITEM NO. | DESCRIPTION | | FROM | | TO | |
| | AWG | COLOR | CONN | WITH | CONN | WITH |
| 6 | 18 | WHT | P3-1 | ITEM#5 | P1-2 | ITEM#9 |
| | TW/PR | BLK | P3-3 | ITEM#5 | P1-4 | |
| 7 | 18 | RED | P2-1 | ITEM#4 | P1-1 | |
| | TW/PR | BLK | P2-2 | ITEM#4 | P1-3 | ITEM#9 |



| LEGEND | | |
|------------|-------------------|---------------|
| NUMBER | DIM 'X' VARIATION | DIM 'Y' (REF) |
| 7014243-21 | ± 0.03 IN | ± 0.5 IN |



| A/R | DESCRIPTION | DWG/PART NO. | ITEM NO. |
|-----|---------------------------------|--------------|----------|
| | TIE WRAP | 9007031-00 | 11 |
| | CABLE, LABEL | 909532-00 | 10 |
| | CONTACT, FE.M. #14-20 AWG | 1212170-00 | 9 |
| | TUBING, EXTR BLK | 9107244-00 | 8 |
| | WIRE, #18 AWG TW/PR BLK/RED | 9107430-02 | 7 |
| | WIRE, #18 AWG TW/PR BLK/WHT | 9107430-09 | 6 |
| | CONTACT, PIN MALE | 1209378-06 | 5 |
| | CONTACT, PIN, CRIMP, FEMALE | 1212203-00 | 4 |
| | CONN. 3 PIN, HOUSING | 1209351-03 | 3 |
| | CONN, UNIVERSAL, 4 PIN, HOUSING | 1212167-01 | 2 |
| | CONN, 2 POS, HOUSING | 1212620-03 | 1 |

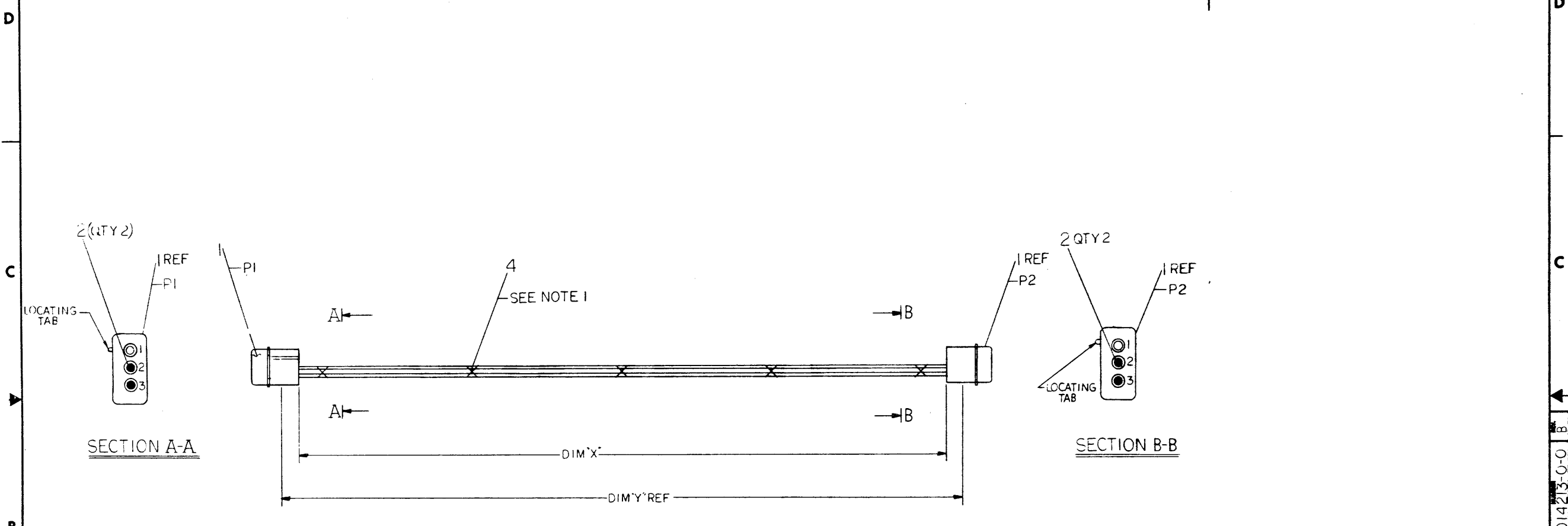
| REV. | CHANGE NO. | DATE | BY | CHK |
|------|---------------|---------|-----------|-----|
| A | 7014243-00001 | 7/21/77 | D. MARTEL | |

| QUANTITY & VARIATION | DESCRIPTION | DWG./PART NO. | ITEM NO. |
|----------------------|---|--------------------|--------------------|
| | UNLESS OTHERWISE SPECIFIED DIMENSIONS ARE IN INCHES | | |
| | CLASS OF ACCURACY | | |
| | NOMINAL DIMENSION RANGE INCHES | | |
| | | OVER 0 TO 0.2 | OVER 0.2 TO 1.2 |
| | | OVER 1.2 TO 4.0 | OVER 4.0 TO 12.0 |
| | | OVER 12.0 TO 40.0 | OVER 40.0 TO 80.0 |
| | | OVER 80.0 TO 100.0 | |
| | | ±.004 | ±.008 |
| | | ±.012 | ±.016 |
| | | ±.025 | ±.04 |
| | | ±.08 | ±.1 |
| | THIRD ANGLE PROJECTION | | |
| | REMOVE BURRS AND BREAK SHARP CORNERS | | |
| | DO NOT SCALE DWG | | |
| | MATERIAL SEE PARTS LIST | | |
| | FINISH | | |
| | DRN. <i>[Signature]</i> 8/11/77 | | |
| | CHK'D. <i>[Signature]</i> 1/6/77 | | |
| | ENGR. <i>[Signature]</i> 8/23/77 | | |
| | PROJ. ENG. <i>[Signature]</i> 8/23/77 | | |
| | PROD. <i>[Signature]</i> 8-23-77 | | |
| | FIRST USED ON 11780 | | |
| | TITLE FLOPPY RELAY SCP POWER CABLE | | |
| | SCALE NONE | SIZE CODE C IA | NUMBER 7014243-0-0 |
| | SHEET 1 OF 1 | DIST. | REV. A |

THIS DRAWING AND SPECIFICATIONS HEREIN ARE THE PROPERTY OF DIGITAL EQUIPMENT CORPORATION AND SHALL NOT BE REPRODUCED OR COPIED OR USED IN WHOLE OR IN PART AS THE BASIS FOR THE MANUFACTURE OR SALE OF ITEMS WITHOUT WRITTEN PERMISSION. COPYRIGHT © 1977, DIGITAL EQUIPMENT CORPORATION

| WIRE TABLE | | | | | | | LEGEND | | |
|------------|---------------|------|-----|--------|-------------------|-----------------------|------------|---------------|----------------|
| ITEM NO | DESCRIPTION | FROM | TO | NUMBER | DIM 'X' VARIATION | DIM 'Y' (PRE-CUT) REF | | | |
| 6 | 8 AWG GRY WHT | PI-2 | 1#2 | P2-2 | 1#2 | | 7014213-0K | ØFT-9IN ±.5IN | ØFT-10IN ±.5IN |
| 3 | 18 AWG GRAY | PI-3 | 1#2 | P2-3 | 1#2 | | 7014213-3E | 3FT-5IN ±.5IN | 3FT-6IN ±.5IN |
| | | | | | | | 7014213-4A | 4FT-1IN ±.5IN | 4FT-2IN ±.5IN |

NOTES:
1. USE CABLE TIES (ITEM #4) APPROXIMATELY EVERY THREE (3) INCHES WHEN NECESSARY.



| DESCRIPTION | DWG. PART NO. | ITEM NO. |
|----------------------------|---------------|----------|
| A/R WIRE 18 AWG GRAY WHITE | 9107360-89 | 6 |
| 1 LABEL, CABLE IDENT | 9009532-00 | 5 |
| A/R TIE, CABLE | 9007031-00 | 4 |
| A/R WIRE 18 AWG GRAY | 9107360-88 | 3 |
| 4 PIN, CONTACT | 1209378-00 | 2 |
| 2 CONNECTOR MATE N LOCK | 1209351-03 | 1 |

UNLESS OTHERWISE SPECIFIED DIMENSIONS ARE IN INCHES

| ANGLES OF 20° | CLASS OF ACCURACY (CHECK ONE) | NOMINAL DIMENSIONS RANGE INCHES | | | | | |
|----------------------|--|---------------------------------|-------------|------------|-------------|--------------|--------------|
| | | UP TO 1.25 | 1.25 TO 2.5 | 2.5 TO 4.0 | 4.0 TO 12.0 | 12.0 TO 48.0 | 48.0 TO 96.0 |
| SURFACE QUALITY (IN) | <input checked="" type="checkbox"/> FINE <input type="checkbox"/> MEDIUM <input type="checkbox"/> COARSE | 1.004 | 1.008 | 2.012 | 2.016 | 1.604 | 1.608 |
| MICRONICHES | PREFERRED <input type="checkbox"/> <input checked="" type="checkbox"/> | 1.012 | 1.016 | 1.020 | 1.024 | 2.020 | 40.1 |

THIRD ANGLE PROJECTION

REMOVE BURRS AND BREAK SHARP CORNERS

DO NOT SCALE DWG

MATERIAL SEE PARTS LIST

FINISH

DRN: *[Signature]* VAX 11/780
 CHK'D: *[Signature]*
 ENG: *[Signature]*
 PROJ. ENGR: *[Signature]*
 PROD. *[Signature]*

FIRST USED ON VAX 11/780

TITLE: CABLE OVER TEMP

SIZE: D
 CODE: IA7014213-0-0
 NUMBER: B
 REV: Tw1

REVISIONS

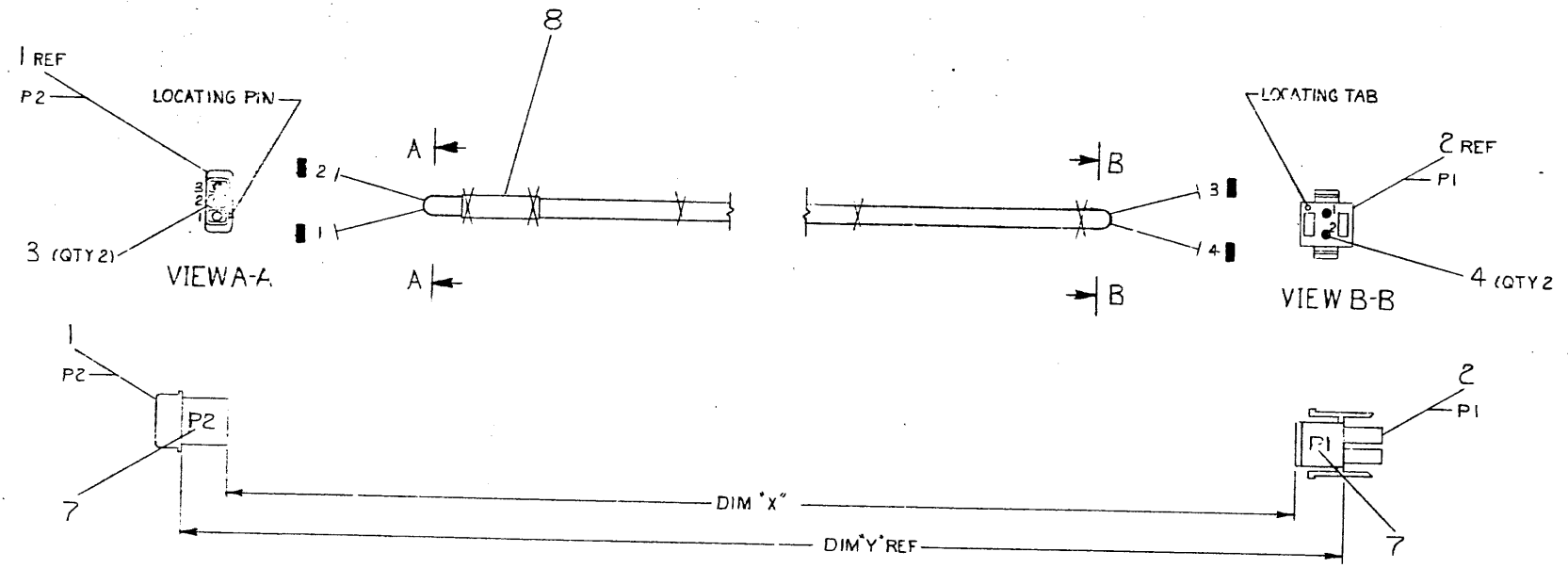
| NO. | CHANGE NO. | REV. | DATE | BY | DESCRIPTION |
|-----|-------------|------|------|----|-------------|
| 1 | 7014213-0-0 | A | | | |

THIS DRAWING AND IDENTIFICATION SYSTEM ARE THE PROPERTY OF THE U.S. AIR FORCE. IT IS TO BE CONTAINED IN THE U.S. AIR FORCE TECHNICAL DRAWING SYSTEM. IT IS TO BE KEPT IN THE U.S. AIR FORCE TECHNICAL DRAWING SYSTEM. IT IS TO BE KEPT IN THE U.S. AIR FORCE TECHNICAL DRAWING SYSTEM.

| WIRE TABLE | | | | | | | | | |
|------------|-------------|------|-------|-------|------------|------|-------|------------|---------|
| ITEM NO | DESCRIPTION | FROM | | | | TO | | | REMARKS |
| | | AWG | COLOR | POINT | CONNECTION | TERM | PC NT | CONNECTION | |
| 9 | 18 | GRY | 1 | P2-2 | 1+3 | 4 | PI-2 | 2+4 | SIGNAL |
| 5 | 18 | GRY | 2 | P2-3 | 1+3 | 3 | PI-1 | 2+4 | GND |

| NUMBER | VARIATION | | REMARKS |
|------------|-------------------|-------------------|---------|
| | DIM 'X' | DIM 'Y' PRECUT | |
| 7016001-4A | 4 FT-1 IN ±.5 IN. | 4 FT-2 IN ±.5 IN. | |

NOTES:
 1. USE CABLE TIES (ITEM 4) APPROXIMATELY EVERY THREE (3) INCHES WHEN NECESSARY.
 2. PICTORIAL VIEW OF ALL CONNECTORS ARE SHOWN FROM THE WIRE SIDE.
 3. COMPONENTS TO BE LABELED WITH COMPONENT IDENTIFIERS USING DECAL MARKERS (ITEM 7) 7409872-2-0.



| SYMBOL | DESCRIPTION | DWG./PART NO. | ITEM NO. |
|--------|------------------------|----------------|----------|
| A/R | WIRE, 18 AWG GRY W/WHT | 9107360-B9 | 9 |
| I | DECAL CABEL ID | 9009532-00 | 8 |
| A/R | DECAL BLK ON CLR | A-DC-7409872-0 | 7 |
| X | TIE, CABLE | 9007031-00 | 6 |
| A/R | WIRE, 18 AWG GRY | 9107360-B8 | 5 |
| I | PIN, MALE MATE-N-LOK | 1212169-03 | 4 |
| I | PIN, MALE MATE-N-LOK | 1209378-00 | 3 |
| I | CONN, 2 PIN MATE-N-LOK | 1212167-02 | 2 |
| I | CONN SPIN MATE-N-LOK | 1209351-03 | 1 |

| SYMBOL | QUANTITY & VARIATION | DESCRIPTION | DWG./PART NO. | ITEM NO. | UNLESS OTHERWISE SPECIFIED DIMENSIONS ARE IN INCHES | | | | | | | | | | |
|--------|----------------------|-----------------|---------------|----------|---|---------|---------|---------|---------|--------------------------------|---------|---------|---------|---------|---------|
| | | | | | CLASS OF ACCURACY | | | | | NOMINAL DIMENSION RANGE INCHES | | | | | |
| | | ANGLES 90° 30' | | | OVER TO | OVER TO | OVER TO | OVER TO | OVER TO | OVER TO | OVER TO | OVER TO | OVER TO | OVER TO | OVER TO |
| | | SURFACE QUALITY | | | 0.2 | 0.2 | 1.2 | 4.0 | 12.0 | 40.0 | 120.0 | 400.0 | 1200.0 | 4000.0 | 12000.0 |
| | | IN | | | 0.2 | 1.2 | 4.0 | 12.0 | 40.0 | 120.0 | 400.0 | 1200.0 | 4000.0 | 12000.0 | |
| | | MEDIUM | | | 0.004 | 0.008 | 0.012 | 0.015 | 0.024 | 0.04 | 0.08 | 0.15 | 0.3 | 0.6 | |
| | | PREFERRED | | | 0.012 | 0.018 | 0.025 | 0.04 | 0.075 | 0.15 | 0.3 | 0.6 | 1.2 | 2.5 | |

THIRD ANGLE PROJECTION

REMOVE BUBBLES AND BREAK SHARP CORNERS

DO NOT SCALE DWG

MATERIAL

FINISH

DRN: *[Signature]* 11/78
 CHK'D: *[Signature]* 11/78
 ENG: *[Signature]* 11/78
 PROD: *[Signature]* 11/78

FIRST USED ON: 11780

TITLE: CABLE OVER TEMP ADAPTER

SIZE: D
 CODE: IA
 NUMBER: 7016001-0-0
 REV: A

SHEET 1 OF 1

DIST.

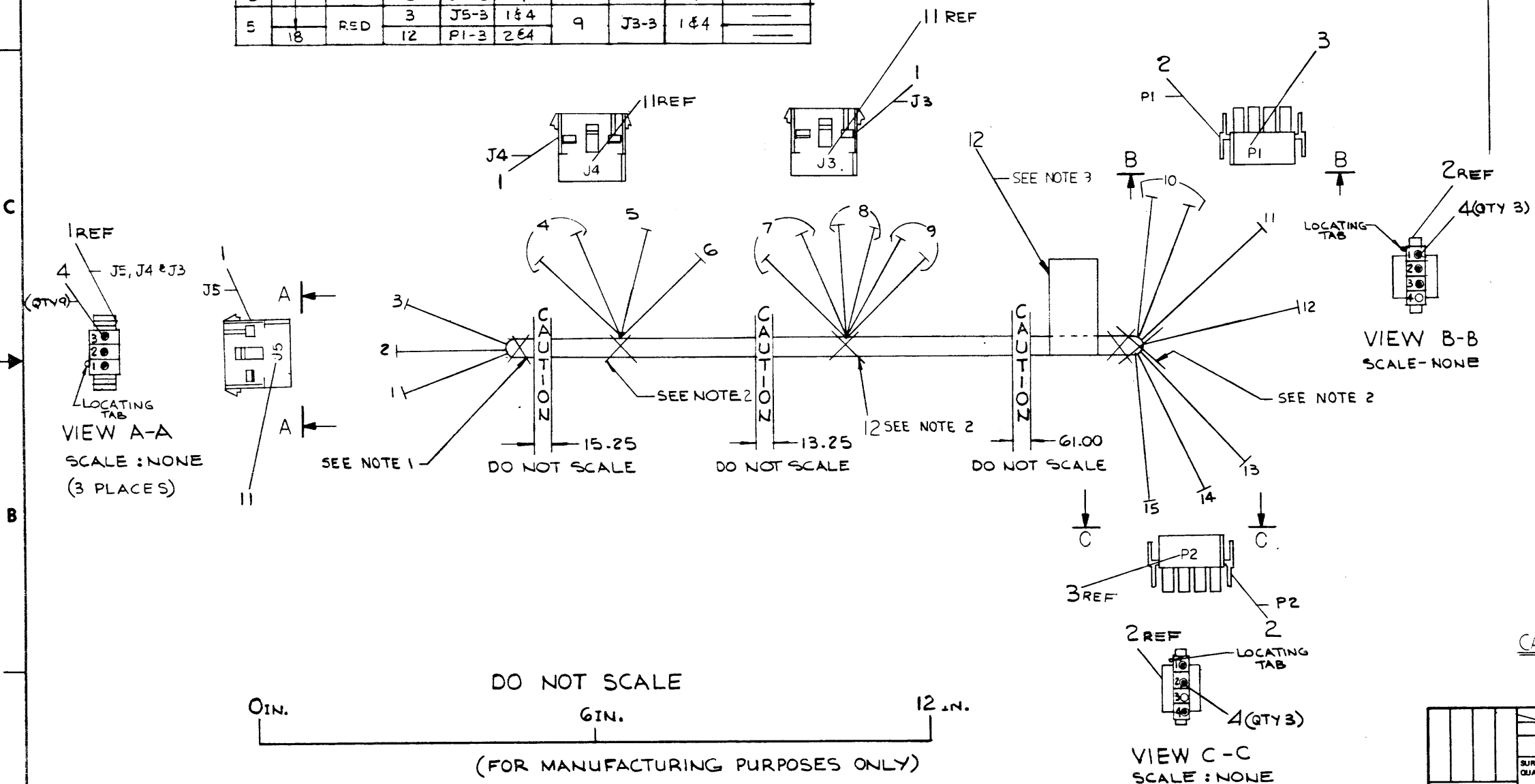
| REV. | DESCRIPTION | DATE |
|------|----------------|----------|
| 1 | INITIAL DESIGN | 11-18-80 |
| 2 | REVISION | 11-18-80 |

DRAWING NUMBER 7016001-0-0

THIS DRAWING AND SPECIFICATIONS, HEREIN ARE THE PROPERTY OF DIGITAL EQUIPMENT CORPORATION AND SHALL NOT BE REPRODUCED OR COPIED OR USED IN WHOLE OR IN PART AS THE BASIS FOR THE MANUFACTURE OR SALE OF ITEMS WITHOUT WRITTEN PERMISSION OF DIGITAL EQUIPMENT CORPORATION © 1977

| WIRE TABLE | | | | | | | | | |
|------------|-------------|------|-------|------|------|---------|-----|--|--|
| ITEM NO. | DESCRIPTION | FROM | TO | | | REMARKS | | | |
| | | | POINT | CONN | TERM | | | | |
| 6 | 18 BLK | 1 | J5-1 | 1#4 | | | | | |
| | | 4 | J4-1 | 1#4 | | | | | |
| | | 7 | J3-1 | 1#4 | | | | | |
| 6 | BLK | 13 | P2-1 | 2#4 | | | | | |
| 10 | ORN | 5 | J4-2 | 1#4 | 14 | P2-2 | 1#4 | | |
| 7 | WHT | 8 | J3-2 | 1#4 | 2 | J5-2 | 1#4 | | |
| 7 | WHT | | | | 11 | P1-2 | 2#4 | | |
| 8 | VIO | 6 | J4-3 | 1#4 | 15 | P2-4 | 2#4 | | |
| 5 | 18 RED | 3 | J5-3 | 1#4 | 9 | J3-3 | 1#4 | | |
| | | 12 | P1-3 | 2#4 | | | | | |

NOTE:
 1. USE CABLE TIES (ITEM 9) APPROXIMATELY EVERY 3.0 IN. WHEN NECESSARY AND AT EVERY BREAKOUT POINT.
 2. USE EXTRA LENGTH CABLE TIES (ITEM 12) AT EVERY TEE CONNECTION.
 3. ITEM #12 LOCATED APPROX. AS INDICATED.



CAUTION: OFF SHEETS PARTS LIST SEE K-PL-7014319-0-DBP.

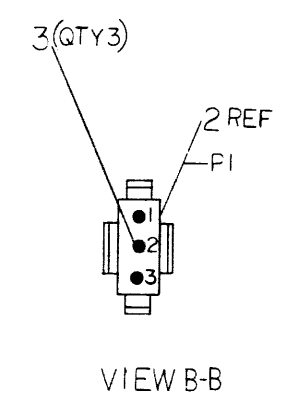
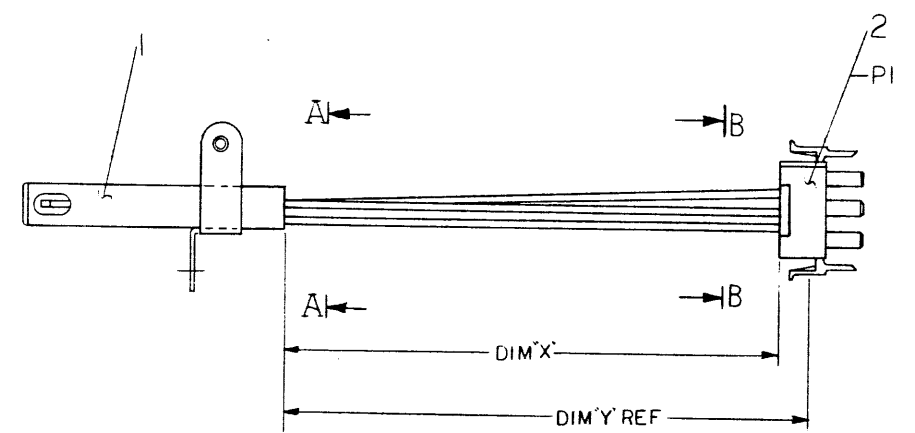
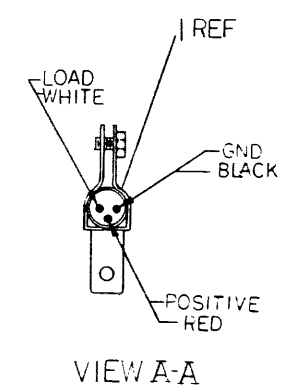
| REV. | CHANGE NO. | DATE | BY | CHKD. |
|------|------------|------|----|-------|
| 1 | | | | |
| 2 | | | | |
| 3 | | | | |
| 4 | | | | |
| 5 | | | | |

| QUANTITY & VARIATION | DESCRIPTION | DWG. PART NO. | ITEM NO. |
|--------------------------------------|---|-------------------------------------|---|
| | UNLESS OTHERWISE SPECIFIED DIMENSIONS ARE IN INCHES | | |
| | ANGLES 10° 30' | CLASS OF ACCURACY | NOMINAL DIMENSION RANGE INCHES |
| | SURFACE QUALITY | IN | OVER 12.0 TO 48.0 |
| | MICROINCHES | PREFERRED | 0.004 0.008 0.012 0.016 0.020 0.025 0.031 |
| THIRD ANGLE PROJECTION | DRN'D <i>Deay/Bor</i> 10/77 | FIRST USED ON | DPPII/780 |
| REMOVE BURRS AND BREAK SHARP CORNERS | CHK'D <i>[Signature]</i> 10/77 | TITLE | HARNESS, AIRFLOW SENSE |
| DO NOT SCALE DWG | ENGR. <i>[Signature]</i> 10/77 | PROJ. ENG. <i>[Signature]</i> 10/77 | PROD. <i>[Signature]</i> 10/77 |
| MATERIAL SEE PARTS LIST | EUA-11780-0-0 | SIZE CODE | D |
| FINISH | SCALE 1/1 | SHEET | 2 OF 1 |

DIGITAL 7014319-0-0 B

"THIS DRAWING AND SPECIFICATIONS HEREIN ARE THE PROPERTY OF DIGITAL EQUIPMENT CORPORATION AND SHALL NOT BE REPRODUCED OR COPIED OR USED IN WHOLE OR IN PART AS THE BASIS FOR THE MANUFACTURE OR SALE OF ITEMS WITHOUT WRITTEN PERMISSION. COPYRIGHT © 1977, DIGITAL EQUIPMENT CORPORATION"

| WIRE TABLE | | | | | LEGEND | | |
|------------|-------------|------|-----|--------|--------|-----------------|--------------------|
| ITEM NO | DESCRIPTION | FROM | TO | SIGNAL | NUMBER | LIMIT VARIATION | DIM Y (PRECUT) REF |
| 1 | 20 BLACK | --- | --- | PI-1 | 3 | ØFT-.5IN ±.5IN | ØFT-.5IN ±.5IN |
| | 20 WHITE | --- | --- | PI-2 | 3 | ØFT-1IN ±.5IN | ØFT-1.5IN ±.5IN |
| | 20 RED | --- | --- | PI-3 | 3 | | |



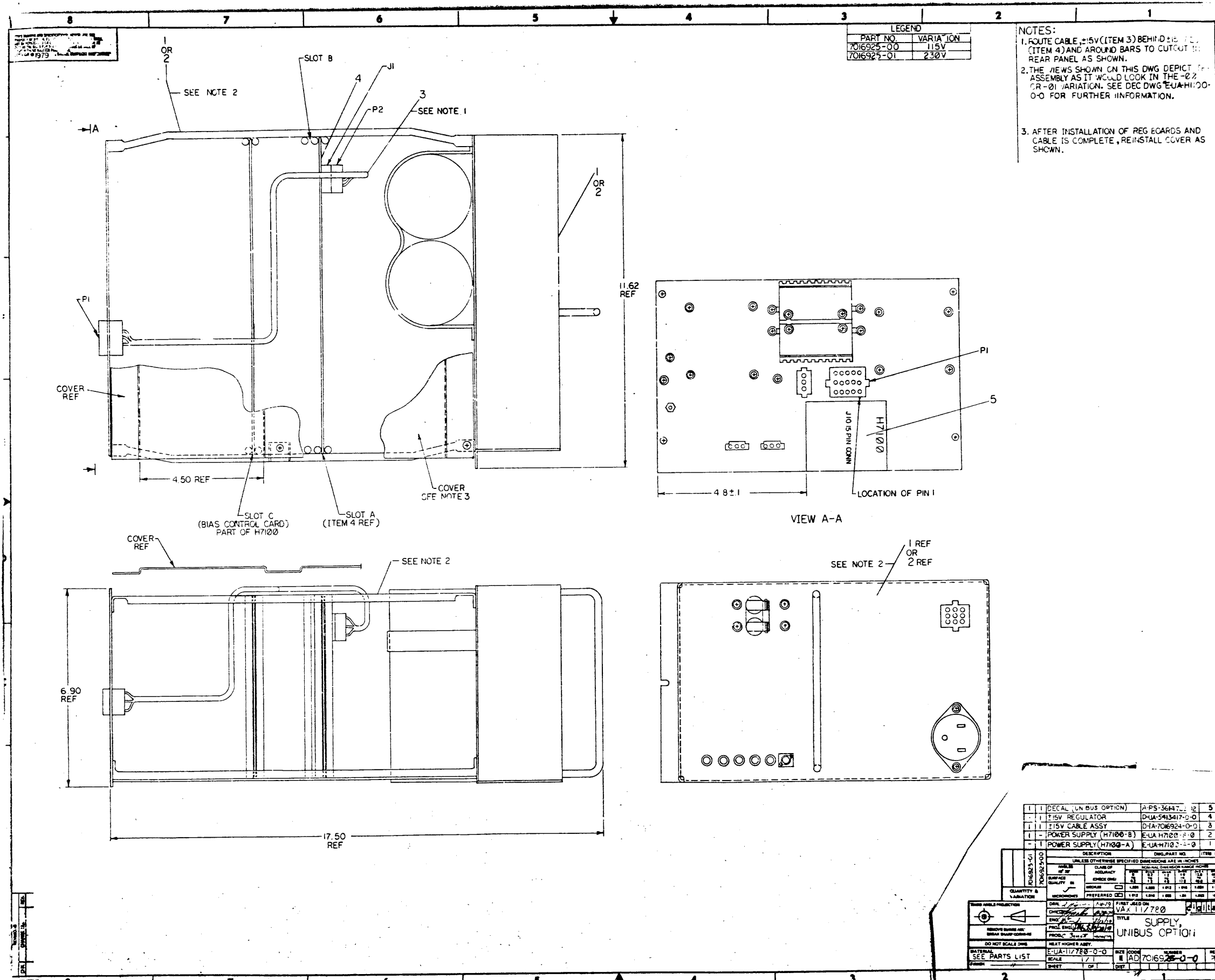
| REV. | CHG | NO. | DATE | BY | APP |
|------|-----|-----|---------|------------|-----|
| A | | 1 | 7/14/77 | J.B. DAVIS | |

| | | | |
|---|--------------------------|------------|---|
| 3 | SKT, 14-20 AWG UNIVERSAL | 1212170-00 | 3 |
| 1 | PLUG, 3PIN HOUSING | 1212167-00 | 2 |
| 1 | AIRFLOW SENSOR | 1214447-00 | 1 |

| DESCRIPTION | DWG./PART NO. | ITEM NO. |
|---|-------------------|--------------------------------|
| UNLESS OTHERWISE SPECIFIED DIMENSIONS ARE IN INCHES | | |
| ANGLES 10° 30° | CLASS OF ACCURACY | NOMINAL DIMENSION RANGE INCHES |
| SURFACE QUALITY IN | (CHECK ONE) | OVER 0 TO 1.25 |
| MICROINCHES | PREFERRED | 1.25 TO 4.0 |
| | | 4.0 TO 12.0 |
| | | 12.0 TO 40.0 |
| | | 40.0 TO 80.0 |
| | | 80.0 TO 160.0 |

| | | |
|--------------------------|---------------|-------------------------|
| DRN. <i>[Signature]</i> | FIRST USED ON | FDPII/730 |
| CHKD. <i>[Signature]</i> | TITLE | AIRFLOW SENSOR ASSEMBLY |
| ENG. <i>[Signature]</i> | SIZE | D |
| PROD. <i>[Signature]</i> | SCALE | NONE |
| | MATERIAL | SEE PARTS LIST |
| | FINISH | |

| | | | | | | | | |
|-----------------|------|---|-------|----|--------|-------------|------|---|
| E-UA-11/770-0-0 | SIZE | D | CODE | IA | NUMBER | 7014320-0-0 | REV. | A |
| SHEET | OF | 1 | DIST. | | | | | |



LEGEND

| PART NO. | VARIATION |
|------------|-----------|
| 7016925-00 | 115V |
| 7016925-01 | 230V |

NOTES:

1. ROUTE CABLE ±15V (ITEM 3) BEHIND REG. BOARD (ITEM 4) AND AROUND BARS TO CUTOUT IN REAR PANEL AS SHOWN.
2. THE VIEWS SHOWN ON THIS DWG DEPICT THE ASSEMBLY AS IT WOULD LOOK IN THE -02 OR -01 VARIATION. SEE DEC DWG EUA-H100-0-0 FOR FURTHER INFORMATION.
3. AFTER INSTALLATION OF REG. BOARDS AND CABLE IS COMPLETE, REINSTALL COVER AS SHOWN.

| QTY | DESCRIPTION | QTY | DESCRIPTION | QTY | DESCRIPTION |
|-----|------------------------|-----|-----------------|-----|-------------|
| 1 | DECAL (UNIBUS OPTION) | 1 | APS-36447-1 | 12 | 5 |
| 1 | ±15V REGULATOR | 1 | DUA-5413417-0-0 | 4 | 4 |
| 1 | ±15V CABLE ASSY | 1 | DIA-7016924-0-0 | 3 | 3 |
| 1 | POWER SUPPLY (H7100-B) | 1 | EUA-H7100-B-0 | 2 | 2 |
| 1 | POWER SUPPLY (H7100-A) | 1 | EUA-H7100-A-0 | 1 | 1 |

UNLESS OTHERWISE SPECIFIED DIMENSIONS ARE IN INCHES

| QUANTITY | LABORATION | DESCRIPTION | QTY | DESCRIPTION | QTY | DESCRIPTION |
|----------|------------|-------------|-----|-------------|-----|-------------|
| 1 | LABORATION | DESCRIPTION | QTY | DESCRIPTION | QTY | DESCRIPTION |

DATE: 7-17-79 FIRST MADE ON: VAX 11/780

REVISIONS: 1/1

SCALE: 1/1

SEE PARTS LIST

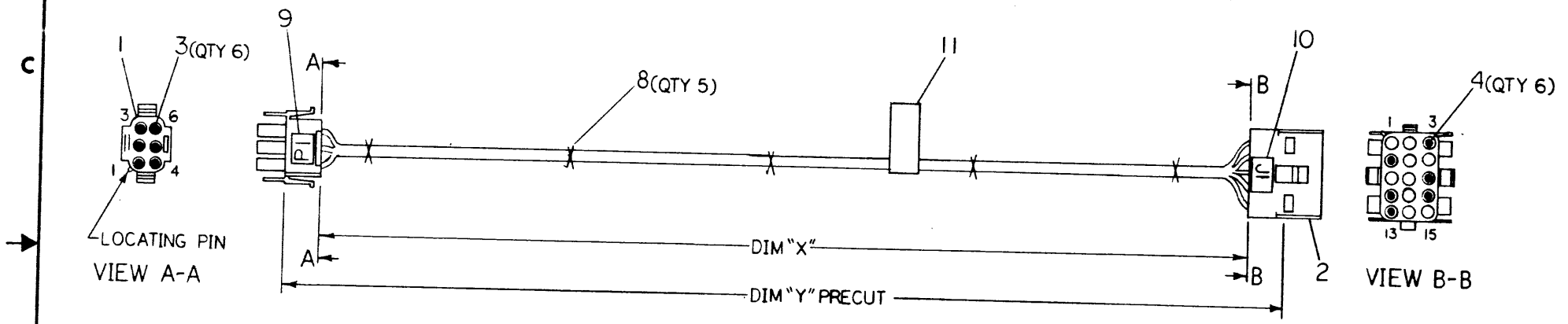
UNIBUS OPTION

THIS DRAWING AND SPECIFICATIONS HEREIN ARE THE PROPERTY OF DIGITAL EQUIPMENT CORPORATION AND SHALL NOT BE REPRODUCED OR COPIED OR USED IN WHOLE OR IN PART AS THE BASIS FOR THE MANUFACTURE OR SALE OF ITEMS WITHOUT WRITTEN PERMISSION.
 COPYRIGHT © 1979, DIGITAL EQUIPMENT CORPORATION

| WIRE TABLE | | | | | |
|------------|-------------|------|-------|---------|--|
| ITEM NO | DESCRIPTION | FROM | TO | REMARKS | |
| 6 | 18 ORN | PI-1 | J1-9 | | |
| 6 | ORN | PI-4 | J1-10 | | |
| 7 | BLU | PI-3 | J1-12 | | |
| 7 | BLU | PI-6 | J1-13 | | |
| 5 | BLK | PI-2 | J1-3 | | |
| 5 | BLK | PI-5 | J1-4 | | |

| LEGEND | | |
|------------|----------------------|----------------------|
| NUMBER | DIM "X" VARIATION | DIM "Y" (PRECUT) REF |
| 7016924-00 | 1 FOOT 2.5 IN ±.5 IN | 1 FT 3.5 IN ±.5 IN |

NOTES:
 1. USE TIE WRAPS (X) ITEM 8 APPROXIMATELY EVERY THREE INCHES.
 2. PICTORIAL VIEWS OF ALL CONNECTIONS ARE SHOWN FROM WIRING SIDE.



CAUTION: SEE OFF SHEETS PARTS LIST K-PL-7016924-0-DBP.

| REV. | DESCRIPTION |
|------|-----------------|
| 1 | INITIAL |
| 2 | CHANGE NO. 1 |
| 3 | 7016924-TWO 1 A |
| 4 | A. KNOWLES |
| 5 | K. KNOWLES |
| 6 | 12 AUG 79 |

| DESCRIPTION | | DWG. PART NO. | ITEM NO. |
|---|--------------------------------------|----------------------------------|----------|
| UNLESS OTHERWISE SPECIFIED DIMENSIONS ARE IN INCHES | | | |
| ANGLES | CLASS OF ACCURACY | NORMAL DIMENSIONS AND TOLERANCES | |
| SURFACE QUALITY | (CHECK ONE) | 0.001 | 0.002 |
| QUANTITY & VARIATION | PREFERRED | 0.001 | 0.002 |
| THIRD ANGLE PROJECTION | REMOVE BURRS AND BREAK SHARP CORNERS | 0.001 | 0.002 |
| DO NOT SCALE DWG | NEXT HIGHER ASSY. | 0.001 | 0.002 |
| MATERIAL SEE PARTS LIST | E-AD-7016925-0-0 | SIZE | COOR |
| FINISH | SCALE NONE | D | IA |
| | SHEET OF 1 | NUMBER | REV. |
| | | 7016924-0-0 | A |
| | | TW | 1 |

| DRAWING NO. | NO. OF SHTS. | PART NO. | DESCRIPTION | REVISIONS | | |
|--------------------|--------------|----------|---------------------|-----------|---|---|
| | | | | A | B | C |
| B-DD-5413417-0 | 1 | | ± 15 VOLT REG | A | B | C |
| D-UA-5413417-0-0 | 1 | | ± 15 VOLT REG | A | B | C |
| D-CS-5413417-0-1 | 2 | | ± 15 VOLT REG | A | B | C |
| D-MD-5013416-0-0 | 4 | | DRILL & ETCH | A | A | B |
| | | 5013416 | ETCHED BOARD | B | B | C |
| K-PL-5413417-0-DBP | | | PL DATA BASE | A | B | C |
| K-PC-5413417-0-DBG | | | PC DESIGN DATA BASE | B | B | C |
| D-EC-5013416-0-0 | 2 | | ETCH CUT DRAWING | | | A |

NOTES:

| DATE | CHG NO. | REV. | REVISIONS | | |
|----------|---------|------|-----------|---|---|
| | | | A | B | C |
| 11/25/79 | TW-00 | A | | | |
| 11/25/79 | TW-01 | B | | | |
| 11/25/79 | TW-02 | C | | | |

"THIS DRAWING AND SPECIFICATIONS, HEREIN, ARE THE PROPERTY OF DIGITAL EQUIPMENT CORPORATION AND SHALL NOT BE REPRODUCED OR COPIED OR USED IN WHOLE OR IN PART AS THE BASIS FOR THE MANUFACTURE OR SALE OF ITEMS WITHOUT WRITTEN PERMISSION.

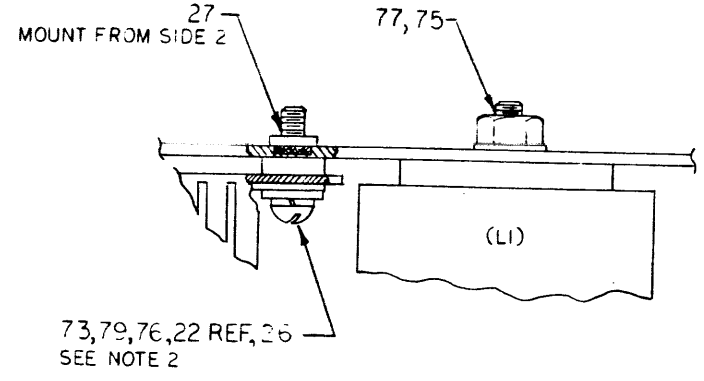
COPYRIGHT © 1979 DIGITAL EQUIPMENT CORPORATION



| | | | | |
|----------------------|-----------------------|-----------------|---------------|------|
| USED ON OPTION/MODEL | DRN. J. CASEY | 8/29/79 | TITLE | |
| | CHK'D J. CASEY | 8/29/79 | ± 15 VOLT REG | |
| | ENG. <i>J. Casey</i> | <i>8/29/79</i> | SIZE | CODE |
| | PROD. <i>J. Casey</i> | <i>10/19/79</i> | B | DD |
| | | | NUMBER | REV. |
| | | | 5413417-0 | C |
| | | | SHEET 1 OF 1 | |

TW

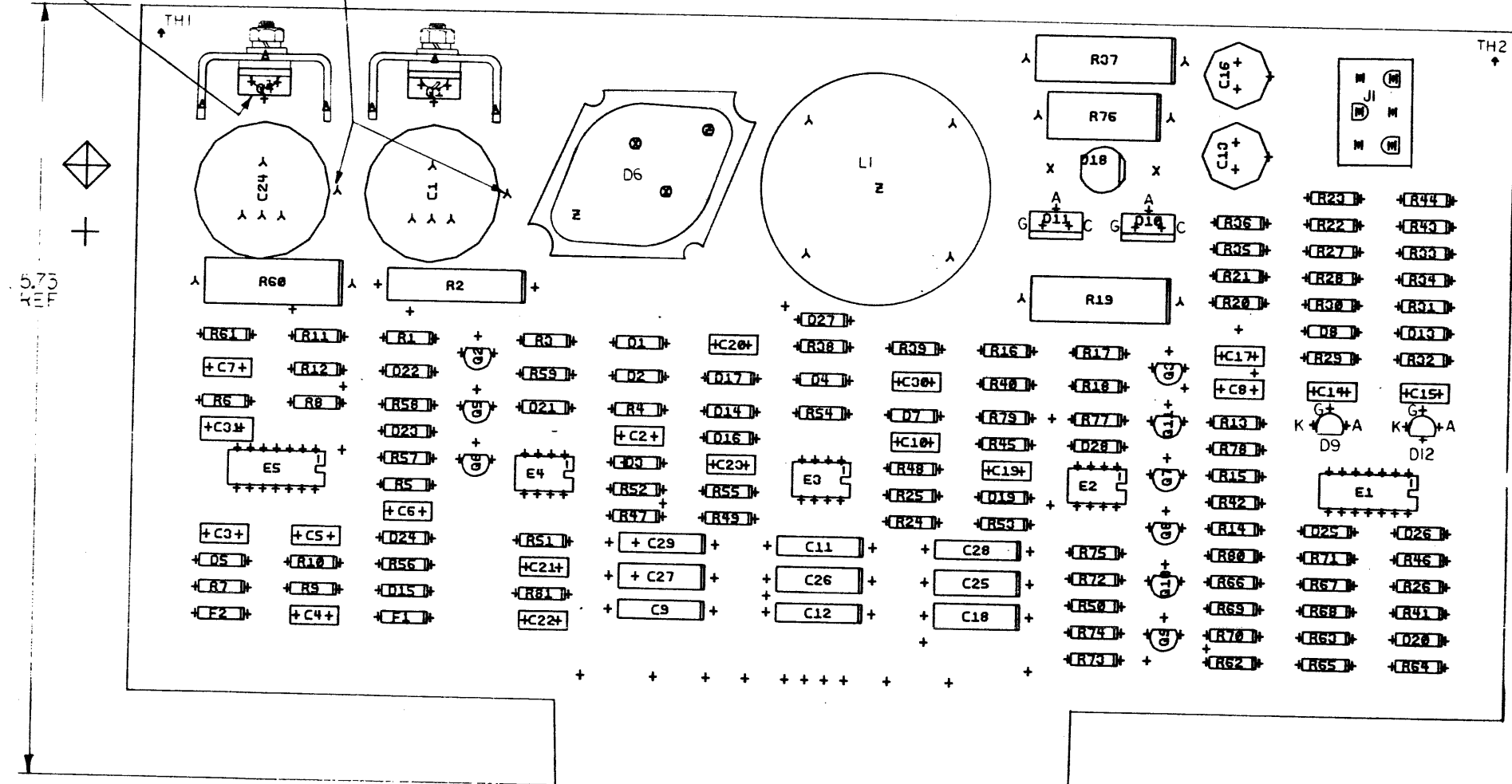
COMPONENT SIDE VIEW



76,72,87,25,78,74
SEE NOTE 1

NOTE 3

10.44 REF



- NOTES:
1. TORQUE HWARE 4-5 IN. LB.
 2. TORQUE HWARE 3 IN. LB. ± 1 IN. LB.
 3. BLIND CASE LEADS OF C1 & C24 TO BE MOUNTED SIDE OF CASE TO MAINTAIN CORRECT POLARITY.
 4. RAISE R2, R19, R26, R37, R50 1/4" OFF BOARD.
- | | | |
|--------|----------|----------------|
| STEP 1 | → Y AXIS | — STEP 2 TIMES |
| REPEAT | → X AXIS | — STEP 2 TIMES |

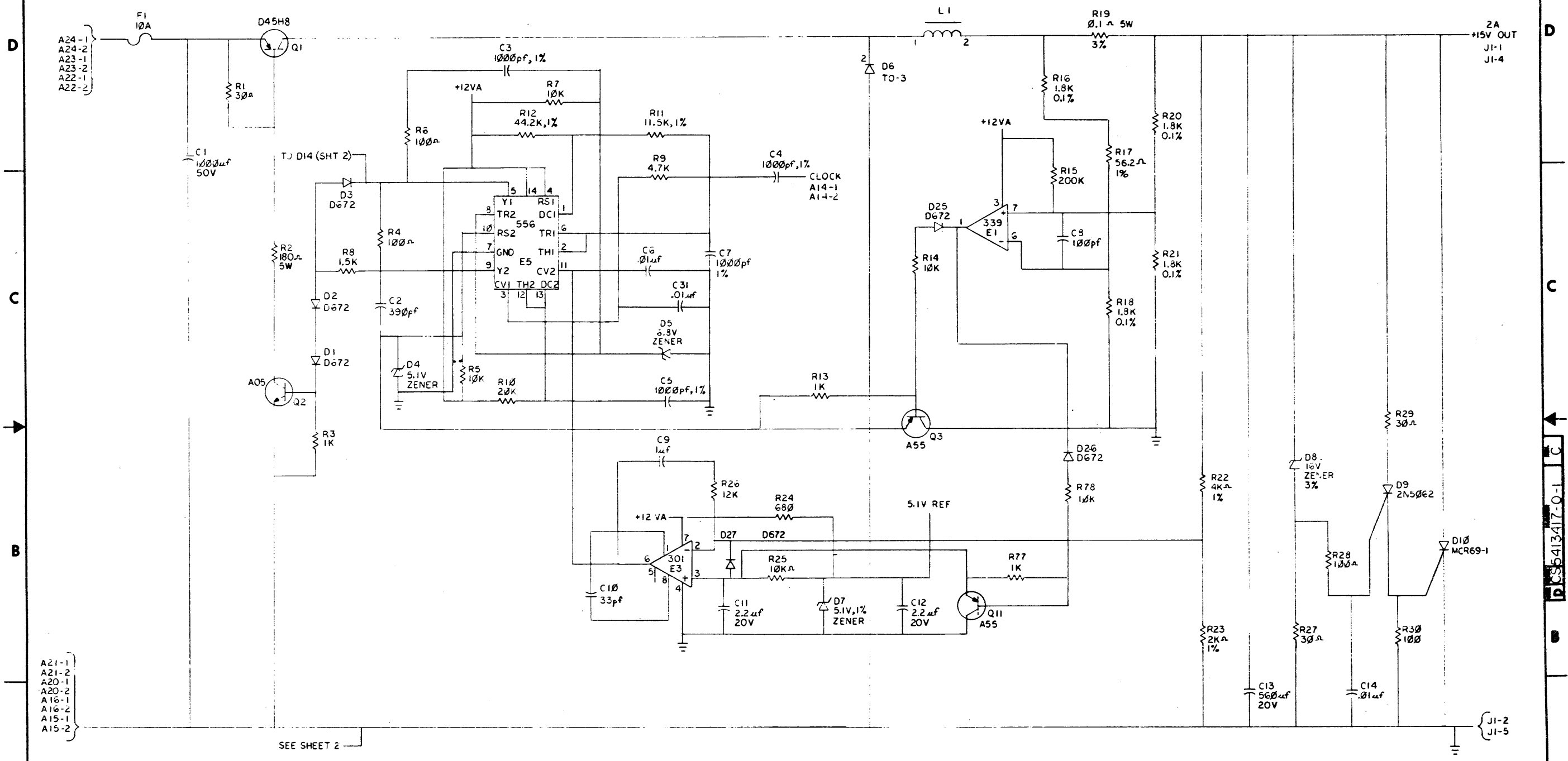
| | |
|-----------|-----|
| CHANGE NO | REV |
| 1 | C |

| | |
|-----------|-----|
| ETCH REV. | CPI |
|-----------|-----|

| | |
|------------------------|---------|
| SIGNATURES | DATE |
| DRN. R. Water | 7/28/64 |
| CHK'D. [Signature] | 7/28/64 |
| MECH. ENG. [Signature] | 7/28/64 |
| PROJ. ENG. [Signature] | 7/28/64 |
| PROD. [Signature] | 7/28/64 |

| | |
|-----------------------------------|------------------|
| digital | |
| TITLE ±15V REG BOARD | |
| SCALE 2:1 | SIZE CODE |
| SHT. 1 OF 1 | NUMBER |
| NEXT HIGHER REV. 8-DD-5413417-0-0 | 0 UA 5413417-0-0 |

THIS DRAWING AND SPECIFICATIONS HEREOF ARE THE PROPERTY OF DIGITAL EQUIPMENT CORPORATION AND SHALL NOT BE REPRODUCED OR COPIED OR USED IN WHOLE OR IN PART AS THE BASIS FOR THE MANUFACTURE OR SALE OF ITEMS WITHOUT WRITTEN PERMISSION. DIGITAL EQUIPMENT CORPORATION. COPYRIGHT ©

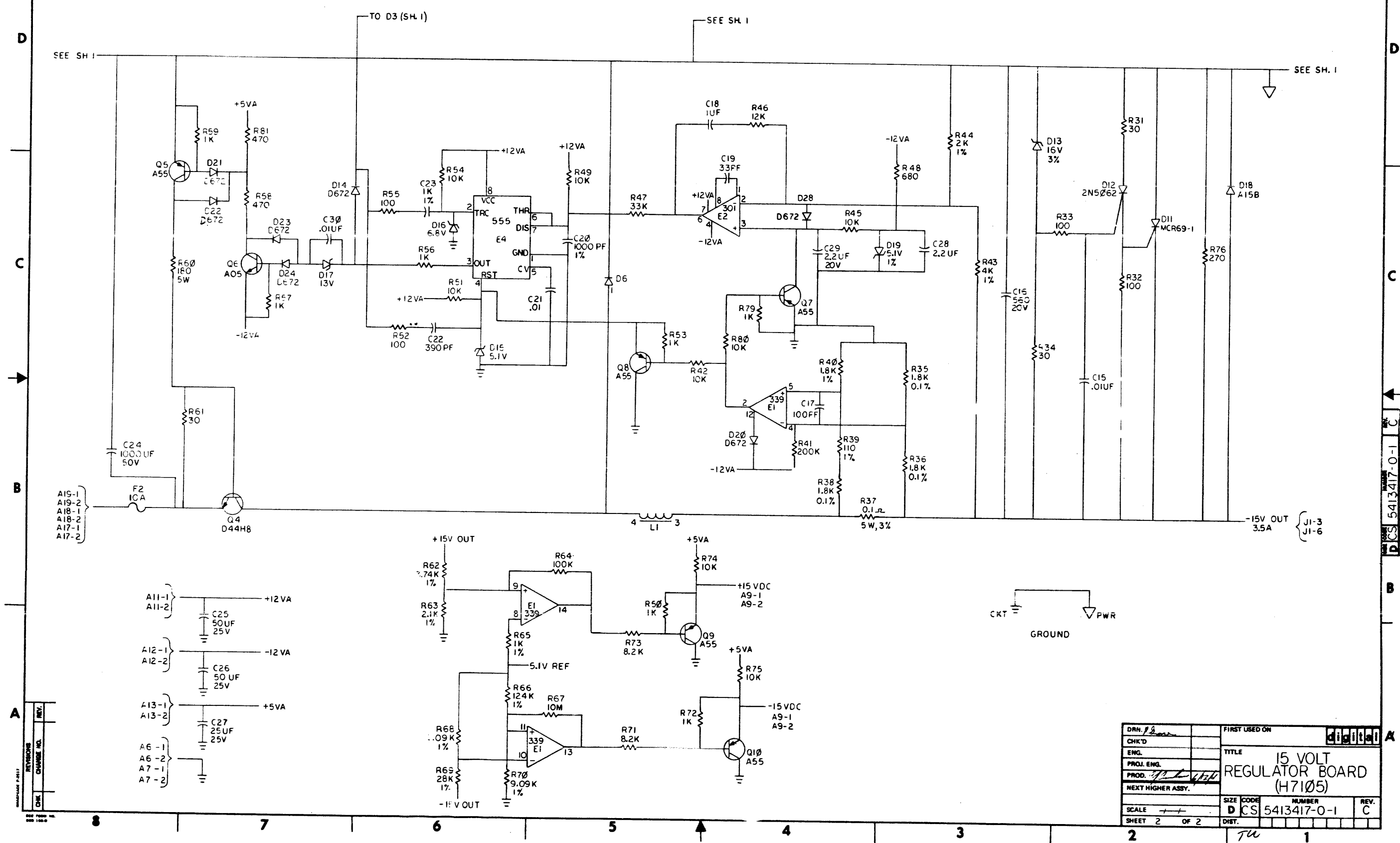


SEE SHEET 2

| | |
|------------|-------------------|
| REV. | B |
| CHANGE NO. | 11 MAR 80 |
| DESIGNER | J DAVIS |
| DATE | 5413417-0-1 TW2 C |

| | | | |
|---------------------------------|-------|------------------|-------|
| DRN. | 11/17 | FIRST USED ON | 11/17 |
| CHK'D | | | |
| ENG. | 1/9 | 8-17-77 | |
| PROJ. ENG. | 1/9 | 8-17-77 | |
| PROD. | | 8-27-77 | |
| NEXT HIGHER ASSY. | | | |
| SCALE | 1:1 | SIZE CODE | D |
| SHEET | 1 | OF | 2 |
| TITLE | | NUMBER | REV. |
| 15 VOLT REGULATOR BOARD (H7105) | | D CS 5413417-0-1 | C |
| DIST. | | | |

THIS DRAWING AND SPECIFICATIONS HEREIN ARE THE PROPERTY OF DIGITAL EQUIPMENT CORPORATION AND SHALL NOT BE REPRODUCED OR COPIED OR USED IN WHOLE OR IN PART AS THE BASIS FOR THE MANUFACTURE OR SALE OF ITEMS WITHOUT WRITTEN PERMISSION.
 COPYRIGHT © 1979 DIGITAL EQUIPMENT CORPORATION



| | | |
|-------------------|-------------------|---------------------------------|
| DRN. <i>18</i> | FIRST USED ON | digital |
| CHK'D | TITLE | 15 VOLT REGULATOR BOARD (H7105) |
| ENGR. | PROJ. ENGR. | |
| PROD. <i>1/24</i> | NEXT HIGHER ASSY. | |
| SCALE <i>++</i> | SIZE CODE | D CS 5413417-0-1 |
| SHEET 2 OF 2 | NUMBER | 1 |
| | REV. | C |

| LINE | ITEM | DOCUMENT NUMBER | PART NUMBER | DESCRIPTION | QTY | PER VARIATION | REFERENCE DESIGNATOR |
|------|------|-----------------|-------------|----------------------------------|-----|---------------|---------------------------------------|
| | | | | | 00 | | |
| 1 | 1 | | 5013416-00 | POSITIVE-NEGATIVE 15VOLT REG. BO | 1 | | |
| 2 | 2 | | 1000009-00 | 33.0 MMF 100V 55200PFM MICA | 2 | | C10,C19 |
| 3 | 3 | | 1000016-00 | 100.0 MMF 100V 5%200PFM MICA | 2 | | C8,C17 |
| 4 | 4 | | 1001776-00 | 1 MFD 35V 10% S.TANT | 2 | | C9,C18 |
| 5 | 5 | | 1000075-00 | 25 MFD 25V +75-10% AL EL | 1 | | C27 |
| 6 | 6 | | 1001610-01 | .01 MFD50/100V +80-20% DISC | 6 | | C6,C14,C15,C21,C30,C31 |
| 7 | 7 | | 1001631-00 | 390.0 MMF 100V 5%200PFM MICA | 2 | | C2,C22 |
| 8 | 8 | | 1001796-00 | 50 MFD 25V +75-10% AL EL | 2 | | C25,C26 |
| 9 | 9 | | 1002627-00 | 2.2MFD 20V 10% S.TANT | 4 | | C11,C12,C28,C29 |
| 10 | 10 | | 1004813-00 | *** THIS ITEM IS NOT USED *** | - | | |
| 11 | 11 | | 1012607-00 | 560 MFD 20V+100-10% AL EL | 2 | | C13,C16 |
| 12 | 12 | | 1014169-00 | 1000.0 MMF 100V 1%200PFM MICA | 6 | | C3-C5,C7,C20,C23 |
| 13 | 13 | | 1014228-00 | 1000 MFD 50V +75-10% AL EL | 2 | | C1,C24 |
| 14 | 14 | | 1105275-00 | D 672 TR= 15NS PIV= 60V SI | 13 | | D1-D3,D14,D20-D24,D27,D28,D25, D26 |
| | | | | | | CONT | |
| 15 | 15 | | 1105871-00 | 1/4M5.1AZ1 = 5.1 1% .25W N | 2 | | D7,D19 |
| 16 | 16 | | 1109988-00 | 1N 964B VZ= 13.0 5% .40W | 1 | | D17 |
| 17 | 17 | | 1109991-00 | 1N 754A VZ= 6.8 5% .40W | 2 | | D5,D16 |
| 18 | 18 | | 1110420-00 | 1N 5624 PIV=200 I= 5A | 1 | | D18 |
| 19 | 19 | | 1110488-00 | 1N 4733 VZ= 5.1 10% 1W N | 2 | | D4,D15 |
| 20 | 20 | | 1110968-00 | 2N 5062 SCR@100V I=.8A T092 | 2 | | D9,D12 |
| 21 | 21 | | 1113117-01 | 1M 16ZS3 VZ=16.0 3% 1W | 2 | | D8,D13 |
| 22 | 22 | | 1114192-02 | TR=200NS DOUBLER CONF. | 1 | | D6 |
| 23 | 23 | | 1210929-01 | FUSE, SUB-MINI, 10.000A, 125V, A | 2 | | F1,F2 |
| 24 | 24 | | 1212297-05 | MATE-N-LOK 6PIN UNIV HEADER | 1 | | J1 |
| 25 | 25 | | 1213418-01 | HEAT SINK,VERTICLE MNT,ALUMINUM | 2 | | |
| 26 | 26 | | 1213426-03 | HEAT SINK TO-3 1"HIGH | 1 | | |
| 27 | 27 | | 1214789-00 | INSERT,THREADED 6-32 ,BRASS,ELEC | 2 | | |
| 28 | 28 | | 1303036-00 | 56.20 .25 W 1.0 % RN55II-F10 | 1 | | R17 |
| 29 | 29 | | 1300229-00 | 100.0 .25 W 5.0 % CC | 8 | | R4,R6,R28,R30,R32,R33,R52,R55 |

| REVISION HISTORY | | BASIC PART NO: 5413417 | | DRN: | C.H.CASCIO | DATE: | 08-FEB-79 | D I G I T A L | | |
|------------------|---------------|------------------------|-------------------------|-------------------|--|----------------------|---|---------------|------------|---------------|
| ENG | ECO NUMBER | REV | SECTION A OF A | CHK'D: | K.FRIEDGEN | DATE: | 27-SEP-79 | TITLE | PARTS LIST | |
| | INITIAL | A | SECTION.VARIATION INDEX | DES.ENG: | J.LARASON <td>DATE:</td> <td>08-FEB-79 <td></td> <td colspan="2"></td> </td> | DATE: | 08-FEB-79 <td></td> <td colspan="2"></td> | | | |
| JD | 5413417-TW001 | B | [A] 00 | RESP.ENG.: | J.DAVIS <td>DATE:</td> <td>18-OCT-79 <td></td> <td colspan="2"></td> </td> | DATE: | 18-OCT-79 <td></td> <td colspan="2"></td> | | | |
| AL | TW2 | C | [B] | MFG.ENG.: | C.J.CONSTANTINE <td>DATE:</td> <td>18-OCT-79 <td>SIZE</td> <td>CODE</td> <td>NUMBER</td> </td> | DATE: | 18-OCT-79 <td>SIZE</td> <td>CODE</td> <td>NUMBER</td> | SIZE | CODE | NUMBER |
| | | | [C] | ASSEMBLY NUMBER: | | TOP DOCUMENT NUMBER: | | K | PL | 5413417-0-DBP |
| | | | [D] | ID-UA-5413417-0-0 | | FILE NAME: | | | | |
| | | | [E] | | | Z0659C.FLS | | | | EDIT # |
| | | | [F] | | | | | | | 15 |
| | | | [G] | | | | | | | |
| | | | [H] | | | | | | | |
| | | | [I] | | | | | | | |
| | | | [J] | | | | | | | |
| | | | [K] | | | | | | | |
| | | | [L] | | | | | | | |
| | | | [M] | | | | | | | |
| | | | [N] | | | | | | | |

"THIS DRAWING AND SPECIFICATIONS HEREIN, ARE THE PROPERTY OF DIGITAL EQUIPMENT CORPORATION AND SHALL NOT BE REPRODUCED OR COPIED OR USED IN WHOLE OR IN PART AS THE BASIS FOR THE MANUFACTURE OR SALE OF ITEMS WITHOUT WRITTEN PERMISSION. COPYRIGHT (C) 1981. DIGITAL EQUIPMENT CORPORATION"

TW

PARTS LIST

| LINE | ITEM | DOCUMENT NUMBER | PART NUMBER | DESCRIPTION | QTY PER VARIATION | REFERENCE DESIGNATOR |
|------|------|-----------------|-------------|-------------------------------|-------------------|--------------------------------------|
| | | | | | 00 | |
| 30 | 30 | | 1300316-00 | 470.0 | | |
| 31 | 31 | | 1300365-00 | 1.0 K .25 W 5.0 % | 2 | |
| | | | | | 10 | R81,R58 |
| 32 | 32 | | 1300391-00 | 1.50 K .25 W 5.0 % | | |
| 33 | 33 | | 1300417-00 | *** THIS ITEM IS NOT USED *** | 1 | CONT R3,R13,R77,R50,R53,R59,R72,R79, |
| 34 | 34 | | 1300447-00 | 4.70 K .25 W 5.0 % | | R56,R57 |
| 35 | 35 | | 1300479-00 | 10.0 K .25 W 5.0 % | 1 | R9 |
| | | | | | 13 | R9 |
| 36 | 36 | | 1300488-00 | 12.0 K .25 W 5.0 % | | |
| 37 | 37 | | 1300496-00 | *** THIS ITEM IS NOT USED *** | 2 | CONT R5,R7,R14,R42,R49,R51,R54,R74, |
| 38 | 38 | | 1301424-00 | 680.0 .25 W 5.0 % | | R75,R25,R45,R80,R78 |
| 39 | 39 | | 1302379-00 | *** THIS ITEM IS NOT USED *** | 2 | R26,R46 |
| 40 | 40 | | 1302391-00 | 20.0 K .25 W 5.0 % | | R24,R48 |
| 41 | 41 | | 1302466-00 | 100.0 K .25 W 5.0 % | 1 | |
| 42 | 42 | | 1302715-00 | 2.0 K .25 W 1.0 % RN55C-F 5 | 1 | R10 |
| 43 | 43 | | 1302751-00 | 30.0 .25 W 5.0 % | 2 | R64 |
| 44 | 44 | | 1303114-00 | 1.0 K .25 W 1.0 % RN55D-F10 | 6 | R23,R44 |
| 45 | 45 | | 1303179-00 | 8.20 K .25 W 5.0 % | 1 | R27,R29,R31,R34,R1,R61 |
| 46 | 46 | | 1304855-00 | 9.09 K .25 W 1.0 % RN55D-F10 | 2 | R65 |
| 47 | 47 | | 1305127-00 | 4.0 K .25 W 1.0 % RN55D-F10 | 2 | R71,R73 |
| 48 | 48 | | 1305380-00 | 270.0 2.0 W 5.0 % | 2 | R68,R70 |
| 49 | 49 | | 1305872-00 | .10 5.0 W 3.0 % | 1 | R22,R43 |
| 50 | 50 | | 1313581-00 | 110.0 .25 W 1.0 % RN55D-F10 | 2 | R76 |
| 51 | 51 | | 1309295-00 | 1.80 K .25 W .10% RN55E-B 2 | 1 | R19,R37 |
| 52 | 52 | | 1309415-00 | 11.50 K .25 W 1.0 % RN55D-F10 | 8 | R39 |
| 53 | 53 | | 1314516-00 | 200.0 K .25 W 5.0 % | 1 | R16,R18,R20,R21,R35,R36,R38,R40 |
| 54 | 54 | | 1312655-00 | 180.0 5.0 W 5.0 % | 2 | R11 |
| 55 | 55 | | 1312452-00 | 3.74 K .25 W 1.0 % RN55D-F10 | 2 | R15,R41 |
| 56 | 56 | | 1312923-00 | 2.10 K .25 W 1.0 % RN55D-F10 | 1 | R2,R60 |
| 57 | 57 | | 1302666-00 | 10.0 M .25 W 5.0 % | 1 | R62 |
| 58 | 58 | | 1313153-00 | 28.0 K .25 W 1.0 % RN55D-F10 | 1 | R63 |
| 59 | 59 | | 1313154-00 | 124.0 K .25 W 1.0 % RN55D-F10 | 1 | R67 |
| 60 | 60 | | 1313349-00 | 33.0 K .25 W 5.0 % | 1 | R69 |
| 61 | 61 | | 1314119-00 | 44.20 K .25 W 1.0 % RN55D-F10 | 1 | R66 |
| 62 | 62 | | 1510707-00 | D 44H8 NPN 25W SI 60@2A | 1 | R47 |
| 63 | 63 | | 1510708-00 | D 45H8 PNP 50WT SI 60 60 Y | 1 | R12 |
| 64 | 64 | | 1510705-00 | XA 05 NPN 500MW SI 60 50 P | 1 | Q4 |
| 65 | 65 | | 1510706-00 | XA 55 PNP 500MW SI 60 50 P | 2 | Q1 |
| 66 | 66 | | 1117061-01 | MCR 69-2 THYRISTOR 50V 12A | 7 | Q2,Q6 |
| 67 | 67 | | 1616380-00 | INDUCTOR,DUAL 500UH 3.5A | 2 | Q3,Q5,Q7-Q11 |
| 68 | 68 | | 1910282-00 | 301AN OP AMP | 1 | D10,D11 |
| 69 | 69 | | 1911944-00 | 555CN TIMER,FUNCT.BLOCK | 2 | L1 |
| 70 | 70 | | 1912108-00 | 339 VOLT CMPRTR,QUAD | 1 | E2,E3 |
| 71 | 71 | | 1914392-00 | 556 TIMER-DUAL | 1 | E4 |
| 72 | 72 | | 9006011-01 | SCREW,PAN,PHIL 4-40X 3/8 SS | 1 | E1 |
| 73 | 73 | | 9006024-01 | SCREW,PAN,PHIL 6-32X 1/2 SS | 2 | E5 |
| 74 | 74 | | 9006556-00 | NUT,HEX , 4-40X1/4 AF X 3/ | 2 | |
| 75 | 75 | | 9006565-00 | NUT,KEP , 10-32X 3/8 AF | 1 | |

| | | | | | | | | | | | | |
|---|---|---|---|---|---|---|------------------------|----------------|------|------|-----------------|-----|
| D | I | G | I | T | A | L | TITLE | SECTION A OF A | SIZE | CODE | DOCUMENT NUMBER | REV |
| | | | | | | | +/- 15 VOLT REG, COMET | | K | PL | 5413417-0-DBP | C |

TW

AUTOMATED BY PRTLST.3H(23)

PARTS LIST

SHEET A3 OF A3

LINE ITEM DOCUMENT NUMBER

PART NUMBER

DESCRIPTION

QTY PER VARIATION
00

REFERENCE DESIGNATOR

| | | | | | |
|----|----|------------|----------------------------------|-----|--|
| 76 | 76 | 9006656-00 | WASHER, FLAT, .312 O.D. X .156 I | 2 | |
| 77 | 77 | 9006664-00 | WASHER, FLAT, .437 OD X .218 ID | 1 | |
| 78 | 78 | 9006688-00 | WASHER, LOCK, S.S. #4 | 2 | |
| 79 | 79 | 9007801-00 | WASHER, LOCK, S.S. #6 | 2 | |
| 80 | 80 | 9009769-00 | WASHER, RECTANGULAR .405X.225X.0 | 2 | |
| 81 | 81 | 9006655-00 | WASHER, FLAT, .312 O.D. X .125 I | 2 | |
| 82 | 82 | 9105740-55 | WIRE(WRAP)30AWG UL1423 | A/R | |
| 83 | 83 | 9107256-11 | TUBING, THIN WALL, .027ID UL | A/R | |

| | | | | | | | | | | | | |
|---|---|---|---|---|---|---|------------------------|----------------|------|------|-----------------|-----|
| D | I | G | I | T | A | L | TITLE | SECTION A OF A | SIZE | CODE | DOCUMENT NUMBER | REV |
| | | | | | | | +/- 15 VOLT REG, COMET | | K | PL | 5413417-0-DBP | C |

TW

8

6

5

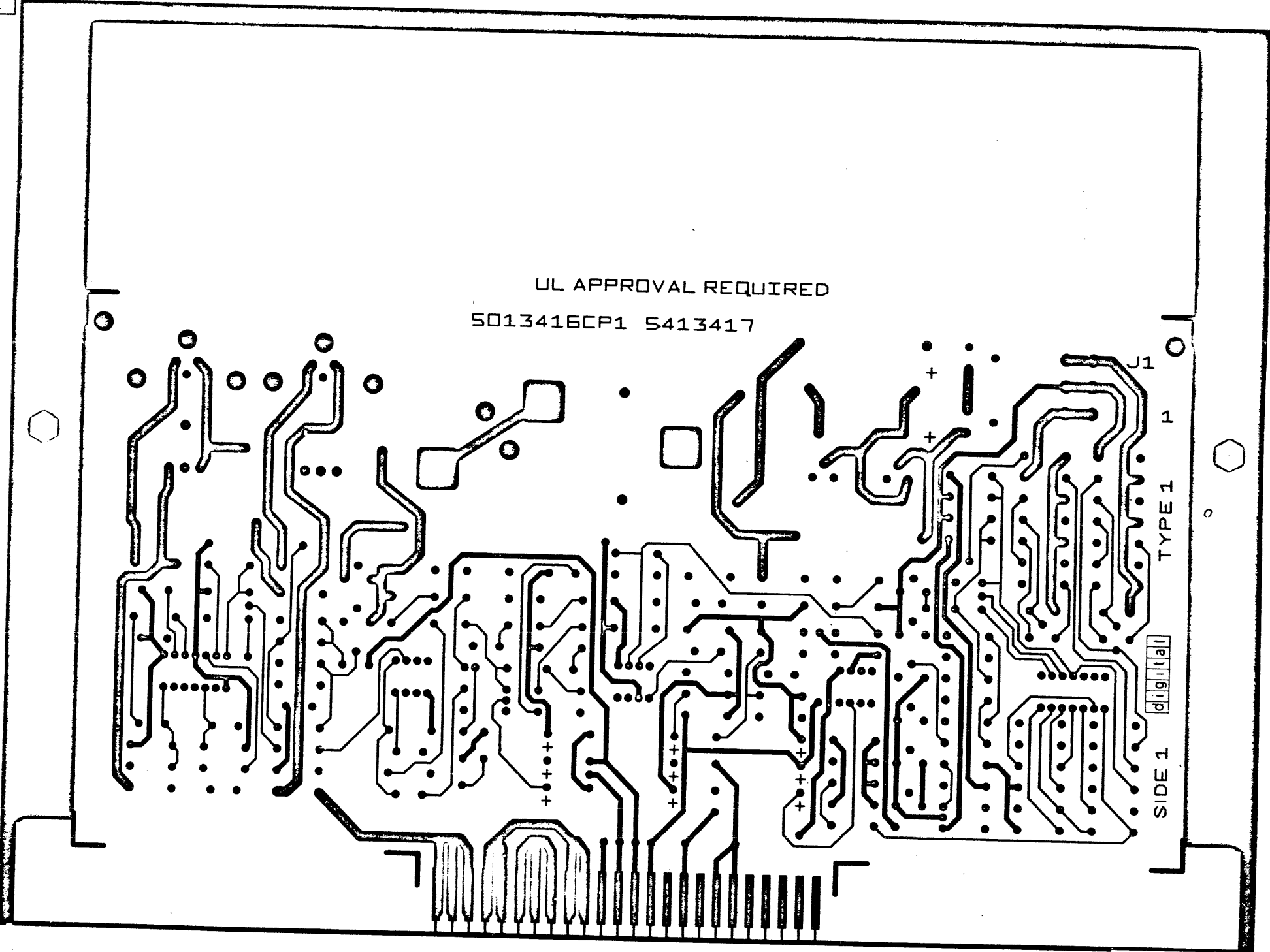
4

3

2

1

ALL DIMENSIONS SPECIFIED ON THESE DRAWINGS ARE THE UNLESS OTHERWISE SPECIFIED IN MILLIMETERS AND DECIMALS THEREOF. DIMENSIONS IN PARENTHESES ARE THE RECOMMENDED DIMENSIONS FOR THE BOARD FABRICATOR.



UL APPROVAL REQUIRED
5013416CP1 5413417

J1

TYPE 1

SIDE 1 digital

| | |
|------------|--|
| REV | |
| ECO NUMBER | |
| DATE | |
| BY | |

| | | | | |
|-------------------------------------|------------------|-------------|--------|---|
| CHK | <i>Truman</i> | DATE | 5-2-88 | TITLE digital ETCH CUT DRAWING |
| CHK'D | <i>Truman</i> | DATE | 5-2-88 | |
| DES. ENG. | <i>A. Tolson</i> | DATE | 5/2/88 | |
| RESP. ENG. | <i>A. Tolson</i> | DATE | 5/2/88 | |
| MFG. ENG. | <i>A. Tolson</i> | DATE | 5/2/88 | |
| NEXT-HIGHER DOC D-UA-5413417-0-0 | | | | DOCUMENT NUMBER |
| SIZE | CODE | NUMBER | REV | |
| D | EC | 5013416-0-0 | A | |
| SCALE | 2/1 | SHEET | 1 | |

8

7

6

5

4

3

2

1

8

6

5

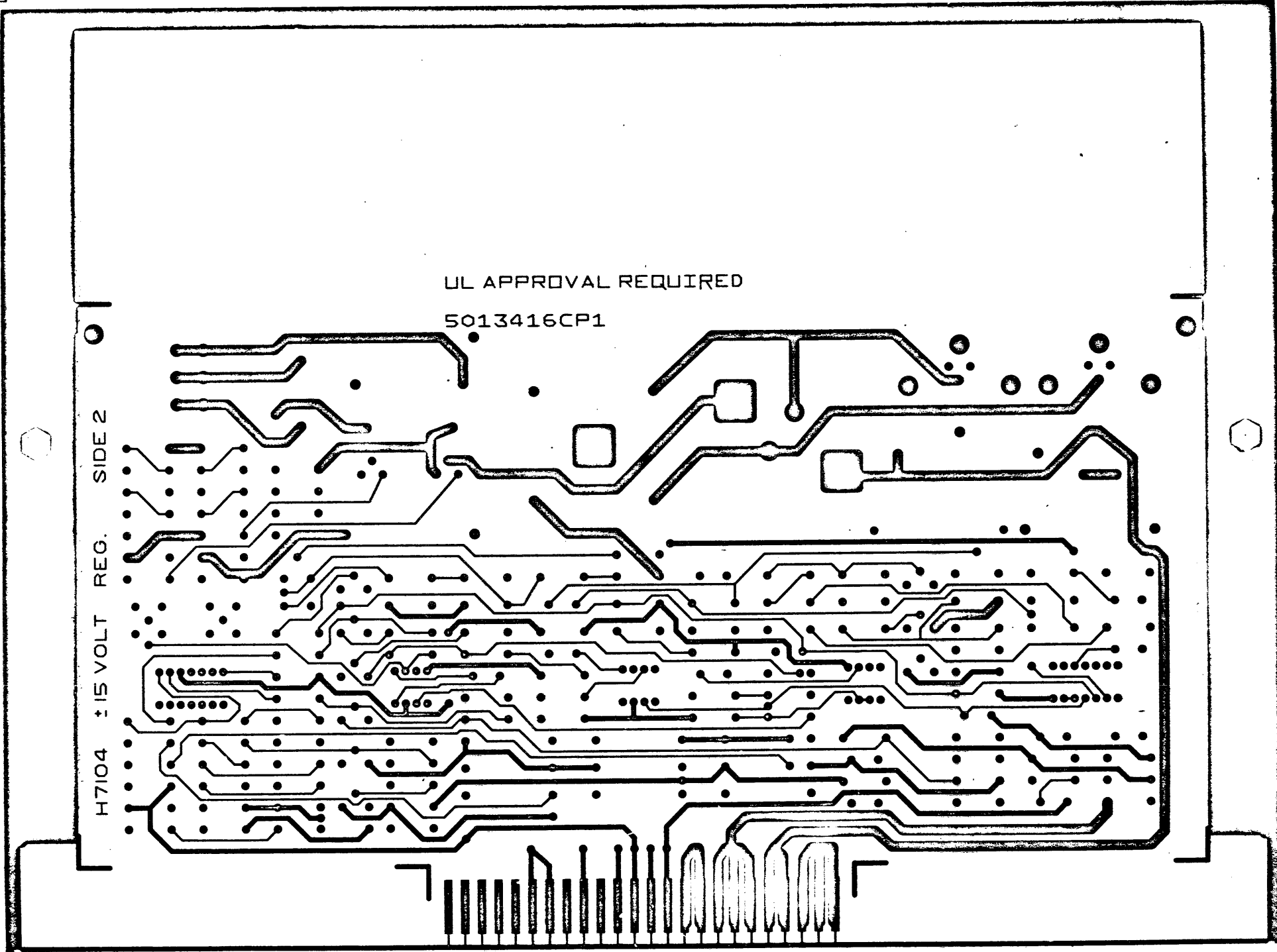
4

3

2

1

ALL DIMENSIONS ARE IN MILLIMETERS UNLESS OTHERWISE SPECIFIED.
 DIMENSIONS ARE TO CENTER UNLESS OTHERWISE SPECIFIED.
 DIMENSIONS ARE TO CENTER UNLESS OTHERWISE SPECIFIED.
 DIMENSIONS ARE TO CENTER UNLESS OTHERWISE SPECIFIED.



UL APPROVAL REQUIRED

5013416CP1

H7104 ±15 VOLT REG. SIDE 2

| REVISION HISTORY | | |
|------------------|------------|-----|
| DATE | ECO NUMBER | REV |
| | | |

TITLE
 ETCH CUT DRAWING

| DOCUMENT NUMBER | | |
|-----------------|------|--------------|
| SIZE | CODE | NUMBER |
| D | EC | 5013416-0-0 |
| SCALE | 2/1 | SHEET 2 OF 2 |

8

7

6

5

4

3

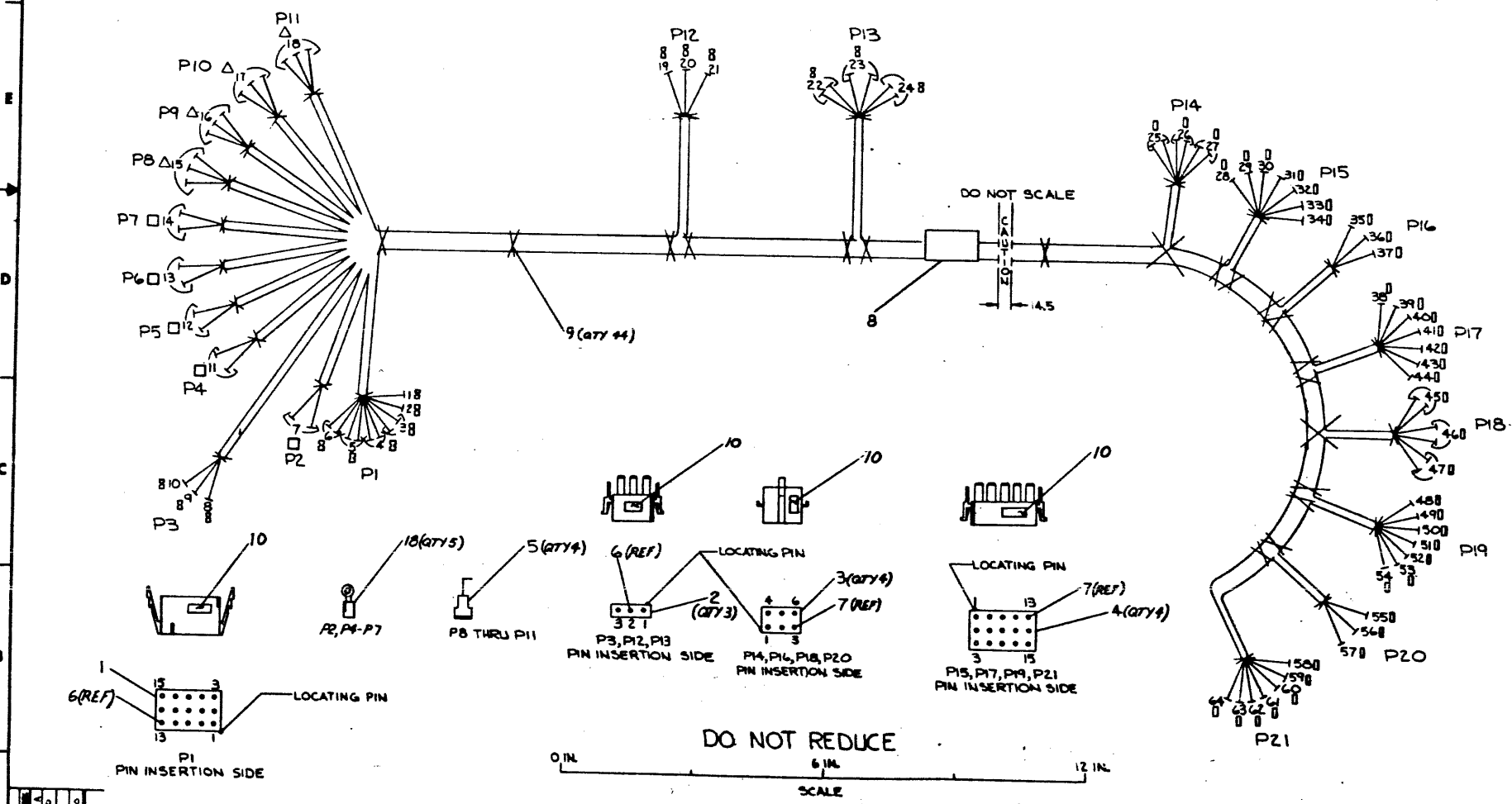
2

1

REV
 A
 5013416-0-0

| WIRE TABLE | | | | | | | | | |
|------------|-------------|------------|-----------------|-----------|----------|---------------|---------|---------------|--------------|
| ITEM NO. | DESCRIPTION | FROM POINT | FROM CONNECTION | FROM TERM | TO POINT | TO CONNECTION | TO TERM | PRECUT LENGTH | REMARKS |
| 12 | 14 | RED | 11 | P6 | 18 | 28 | P15-1 | 7 | 3FT 5IN. 5IN |
| | | | 12 | P5 | 18 | 30 | P15-4 | | 3FT 5IN. |
| | | | 13 | P6 | 18 | 40 | P17-1 | | 3FT 5IN. |
| | | | | | | 48 | P17-4 | | 3FT 5IN. |
| | | | | | | 50 | P19-1 | | 3FT 11IN. |
| | | | | | | 56 | P19-4 | | 3FT 11IN. |
| | | | 14 | P7 | 18 | 60 | P21-1 | | 4FT 2 IN. |
| 12 | RED | | | | | 62 | P21-4 | | 4FT 2 IN. |
| 11 | BLK | | | | | 31 | D15-7 | | 3FT 5IN. |
| | | | 15 | P8 | 5 | 32 | D15-8 | | 3FT 5IN. |
| | | | | | | 33 | D15-9 | | 3FT 5IN. |
| | | | | | | 41 | D17-7 | | 3FT 5IN. |
| | | | 16 | P9 | 5 | 42 | D17-8 | | 3FT 5IN. |
| | | | | | | 43 | D17-9 | | 3FT 5IN. |
| | | | 17 | P10 | 5 | 51 | D19-7 | | 3FT 11IN. |
| | | | | | | 52 | D19-8 | | 3FT 11IN. |
| | | | | | | 53 | D19-9 | | 3FT 11IN. |
| | | | | | | 61 | P21-7 | | 4FT 2 IN. |
| | | | 18 | P11 | 5 | 62 | P21-8 | | 4FT 2 IN. |
| | | | | | | 63 | P21-9 | | 4FT 2 IN. |
| 11 | 14 | BLK | 7 | P2 | 18 | 1 | P1-3 | 6 | 9 IN. |
| 17 | 18 | GRY | 3 | P1-9 | 6 | 2 | P1-4 | 6 | 9 IN. |
| 17 | 18 | GRY | | | | 29 | P15-2 | 7 | 3FT 5IN. |
| 17 | 18 | GRY | | | | 39 | P17-2 | 7 | 3FT 5IN. 5IN |
| 17 | 18 | GRY | | | | | | | +15V |

NOTES:
 1. USE CABLE TIES (X) ITEM 9 APPROXIMATELY EVERY 3 INCHES WHEN NECESSARY, AND AT EVERY BREAKOUT POINT.



| | | | |
|----|------------------------------|------------|----|
| 3 | TERMINATING RESISTOR 50 OHMS | 9007326-01 | 18 |
| 17 | WIRE STRIP 18 AWG IPIC UL148 | 9107360-58 | 17 |
| 16 | WIRE STRIP 18 AWG IPIC UL148 | 9107360-77 | 16 |
| 15 | WIRE STRIP 18 AWG IPIC UL148 | 9107360-66 | 15 |
| 14 | WIRE STRIP 18 AWG IPIC UL148 | 9107360-44 | 14 |
| 13 | WIRE STRIP 18 AWG IPIC UL148 | 9107360-00 | 13 |
| 12 | WIRE STRIP 18 AWG IPIC UL153 | 9107370-22 | 12 |
| 11 | WIRE STRIP 18 AWG IPIC UL153 | 9107370-00 | 11 |
| 10 | WIRE STRIP 18 AWG IPIC UL153 | 9107370-20 | 10 |
| 9 | TIE, CABLE | 3007037-00 | 9 |
| 8 | LABEL, CABLE I.D. | 3676073-00 | 8 |
| 7 | MATE-N-LOK PIN 14-20 PIN | 1209379-01 | 7 |
| 6 | MATE-N-LOK SOCKET 14-20 PIN | 1209379-00 | 6 |
| 5 | MATE-N-LOK 17PIN SOCKET | 1212086-02 | 5 |
| 4 | MATE-N-LOK 15 PIN 54, SKT. | 1209350-18 | 4 |
| 3 | MATE-N-LOK 6 PIN 54, SKT. | 1209350-06 | 3 |
| 2 | MATE-N-LOK 3 PIN PLUG | 1121217-00 | 2 |
| 1 | MATE-N-LOK 15 PIN 54, PLUG | 1121217-05 | 1 |

UNIBUS OPTIONS
 POWER HARNESS

706951-0-0

1790

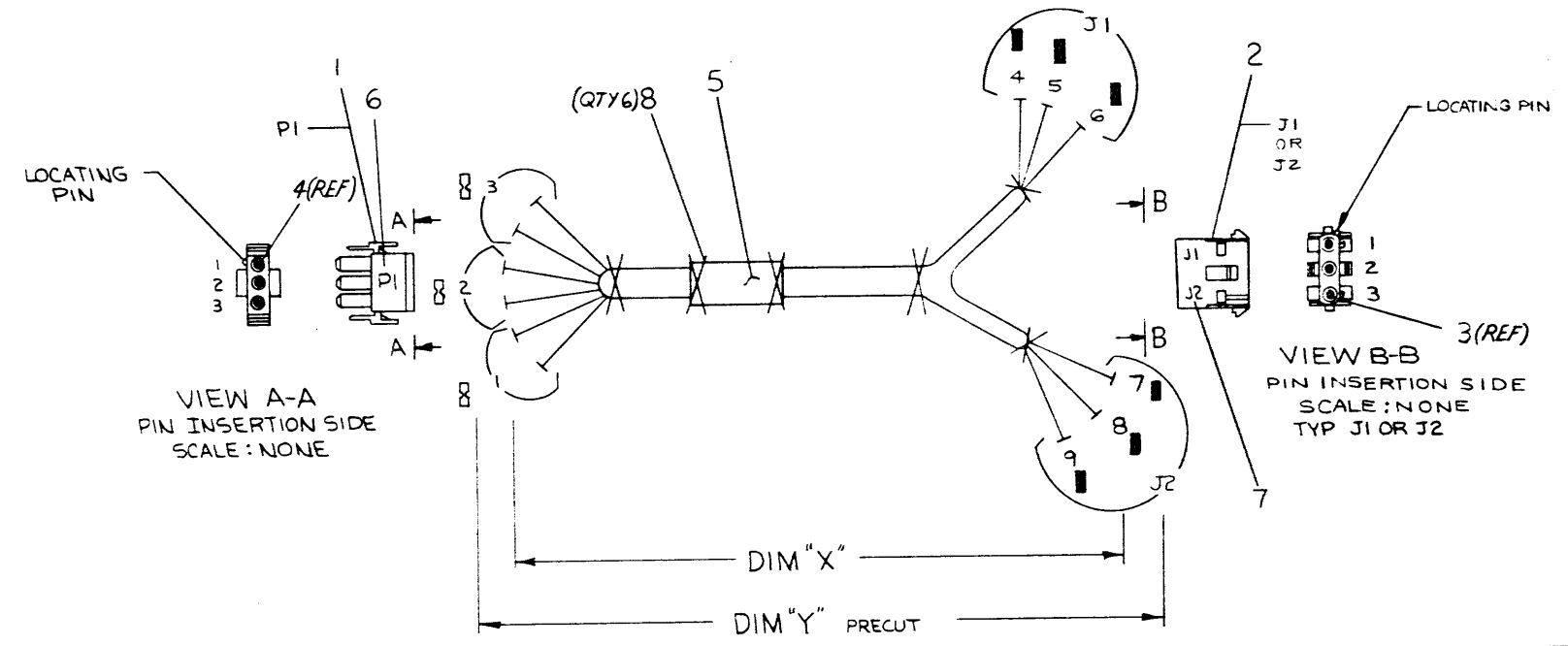
SEE PARTS LIST

THIS DRAWING AND SPECIFICATIONS HEREIN ARE THE PROPERTY OF DIGITAL EQUIPMENT CORPORATION AND SHALL NOT BE REPRODUCED OR COPIED OR USED IN WHOLE OR IN PART AS THE BASIS FOR THE MANUFACTURE OR SALE OF ITEMS WITHOUT WRITTEN PERMISSION.
COPYRIGHT © 1979 DIGITAL EQUIPMENT CORPORATION

| ITEM NO | DESCRIPTION | FROM | | | TO | | | PRECUT LENGTHS | REMARKS | |
|---------|-------------|------|-------|-------|------------|------|-------|----------------|--------------|------------|
| | | AWG | COLOR | POINT | CONNECTION | WITH | POINT | | | CONNECTION |
| 9 | 18 | BLK | 1 | PI-3 | 4 | 6 | J1-3 | 3 | 9 IN ±.50 IN | GND |
| 9 | | BLK | | | | 9 | J2-3 | | | |
| 11 | | VIO | 2 | PI-2 | 4 | 5 | J1-2 | | | DC LO |
| 11 | | VIO | | | | 8 | J2-2 | | | |
| 10 | | YEL | 3 | PI-1 | 4 | 4 | J1-1 | | | AC LO |
| 10 | 18 | YEL | | | | 7 | J2-1 | 3 | 9 IN ±.5 IN | |

| NUMBER | VARIATION | | REMARKS |
|------------|--------------|----------------|---------|
| | DIM "X" | DIM "Y" PRECUT | |
| 7016952-07 | 8 IN ±.50 IN | 9 IN ±.50 IN | |

NOTES:
1. USE TIE WRAPS ITEM 8 APPROXIMATELY EVERY THREE INCHES WHEN NECESSARY AND AT EVERY BREAKOUT POINT.
2. PICTORIAL VIEW OF ALL CONNECTORS ARE SHOWN FROM THE WIRE SIDE.



| QTY | DESCRIPTION | DWG./PART NO. | ITEM NO. |
|-----|--------------------------|-----------------|----------|
| 11 | 18 AWG WIRE VIO | 9107360-77 | 11 |
| 10 | 18 AWG WIRE YEL | 9107360-44 | 10 |
| 9 | 18 AWG WIRE BLK | 9107360-00 | 9 |
| 8 | TIE CABLE | 9007031-00 | 8 |
| 7 | DECAL PWR CONN (BLK) | A-DC-7409873-24 | 7 |
| 6 | DECAL PWR CONN (BLK) | A-DC-7409872-24 | 6 |
| 5 | LABEL CABLE I.D. | 3616073-00 | 5 |
| 4 | MATE-N-LOK 14-20 AWG SKT | 1212170-00 | 4 |
| 3 | MATE-N-LOK 14-20 AWG PIN | 1212169-00 | 3 |
| 2 | MATE-N-LOK UNIV 3PIN | 1212168-00 | 2 |
| 1 | MATE-N-LOK PLUG 3PIN | 1212167-00 | 1 |

| | | | | | | | |
|--------------------------------------|-----|---|--|--------------------------------|-----------|-------------|-----------|
| SYMBOL | QTY | DESCRIPTION | | DWG./PART NO. | | ITEM NO. | |
| | | UNLESS OTHERWISE SPECIFIED DIMENSIONS ARE IN INCHES | | | | | |
| ANGLES | | CLASS OF ACCURACY | | NOMINAL DIMENSION RANGE INCHES | | | |
| SURFACE QUALITY | | CHECK ONE | | OVER 6 | OVER 6.25 | OVER 6.5 | OVER 6.75 |
| QUANTITY & VARIATION | | MICROINCHES | | 2.004 | 2.008 | 2.012 | 2.016 |
| THIRD ANGLE PROJECTION | | PREFERRED | | 2.012 | 2.016 | 2.020 | 2.024 |
| REMOVE BURRS AND BREAK SHARP CORNERS | | DO NOT SCALE DWG | | MATERIAL SEE PARTS LIST | | | |
| FINISH NONE | | SCALE NONE | | SIZE CODE | | NUMBER | |
| | | SHEET OF 1 | | DIA | | 7016952-0-0 | |

DRN: *[Signature]* 11/780
 CHK: *[Signature]* 11/780
 ENGR: *[Signature]* 11/780
 PROJ. ENG: *[Signature]* 11/780
 PROD. SUBOR: *[Signature]* 11/780

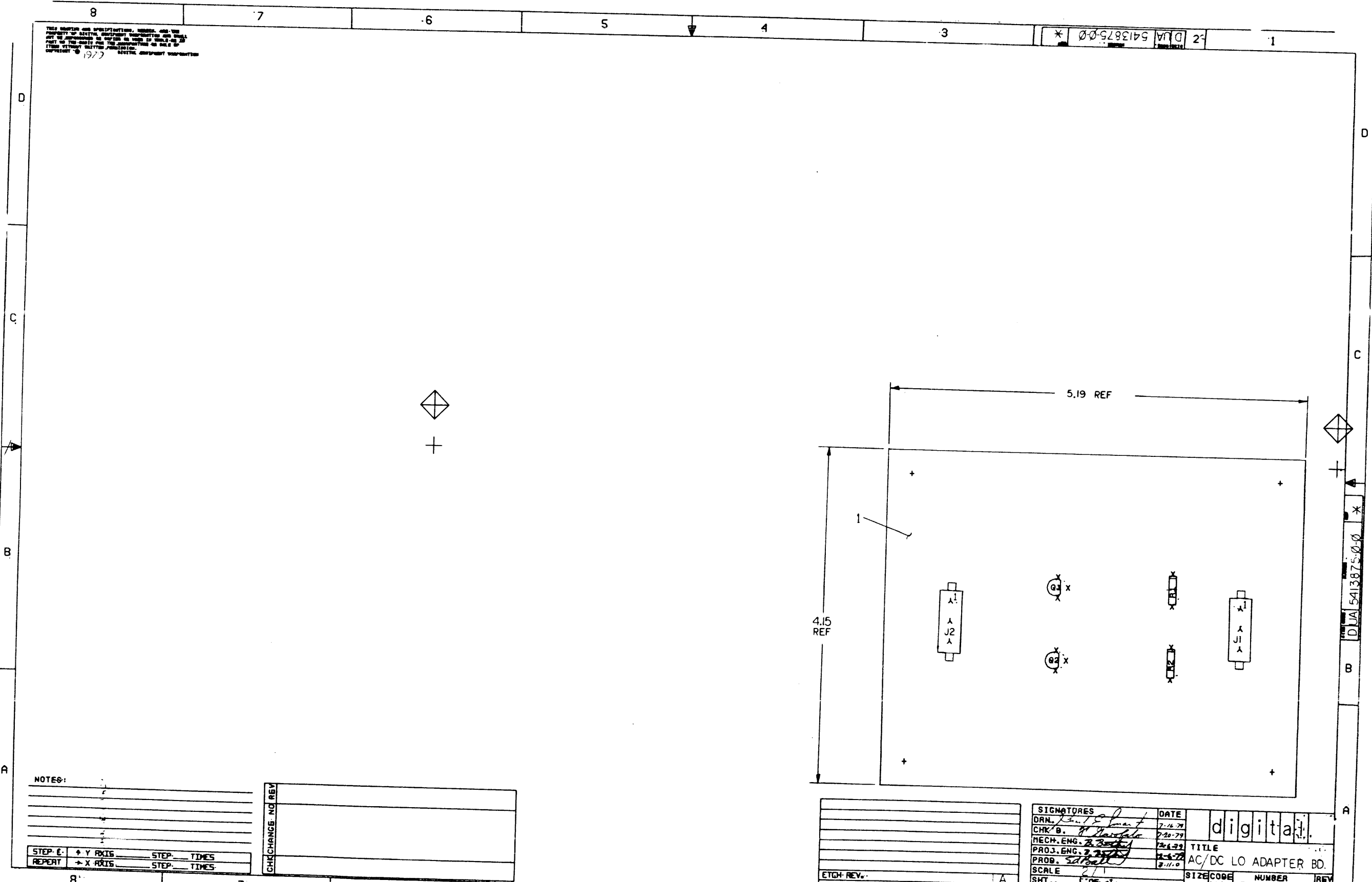
FIRST USED ON: 11/780
 TITLE: CABLE, AC/DC LO WYE

REV. 1

DIA 7016952-0-0

THIS DRAWING AND SPECIFICATIONS, HEREIN, ARE THE PROPERTY OF ELECTRA CORPORATION AND SHALL NOT BE REPRODUCED OR USED IN WHOLE OR IN PART WITHOUT THE PERMISSION IN WRITING OF ELECTRA CORPORATION. 1977

DUA 5413875-00 *



NOTES:

| |
|--|
| |
| |
| |
| |

| | | | |
|---------|----------|------|-------|
| STEP: E | → Y AXES | STEP | TIMES |
| REPRT | → X AXES | STEP | TIMES |

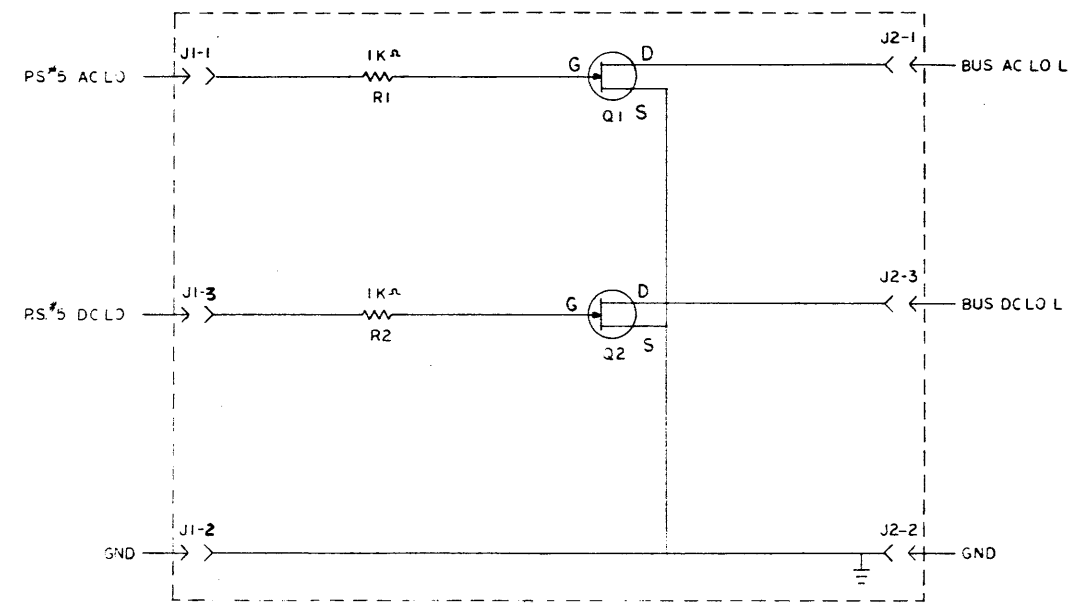
| | |
|--------------|-----|
| CHECHANGE NO | REV |
| | |
| | |
| | |

| | |
|----------|---|
| ETGH-REV | A |
| | |
| | |
| | |

| | | | |
|-----------------------------------|------|---------|---------|
| SIGNATURES | | DATE | TITLE |
| DRN. <i>[Signature]</i> | | 7-16-79 | digital |
| CHK. B. <i>[Signature]</i> | | 7-20-79 | |
| PROJ. ENG. <i>[Signature]</i> | | 7-24-79 | |
| PROB. <i>[Signature]</i> | | 7-27-79 | |
| SCALE | 2:1 | 2-11-0 | |
| SHT. 1 | OF 1 | | |
| NEXT HIGHER ASSY. B-DD-5413875-00 | | | |
| SIZE CODE | | NUMBER | REV |
| DUA 5413875-00 | | | |

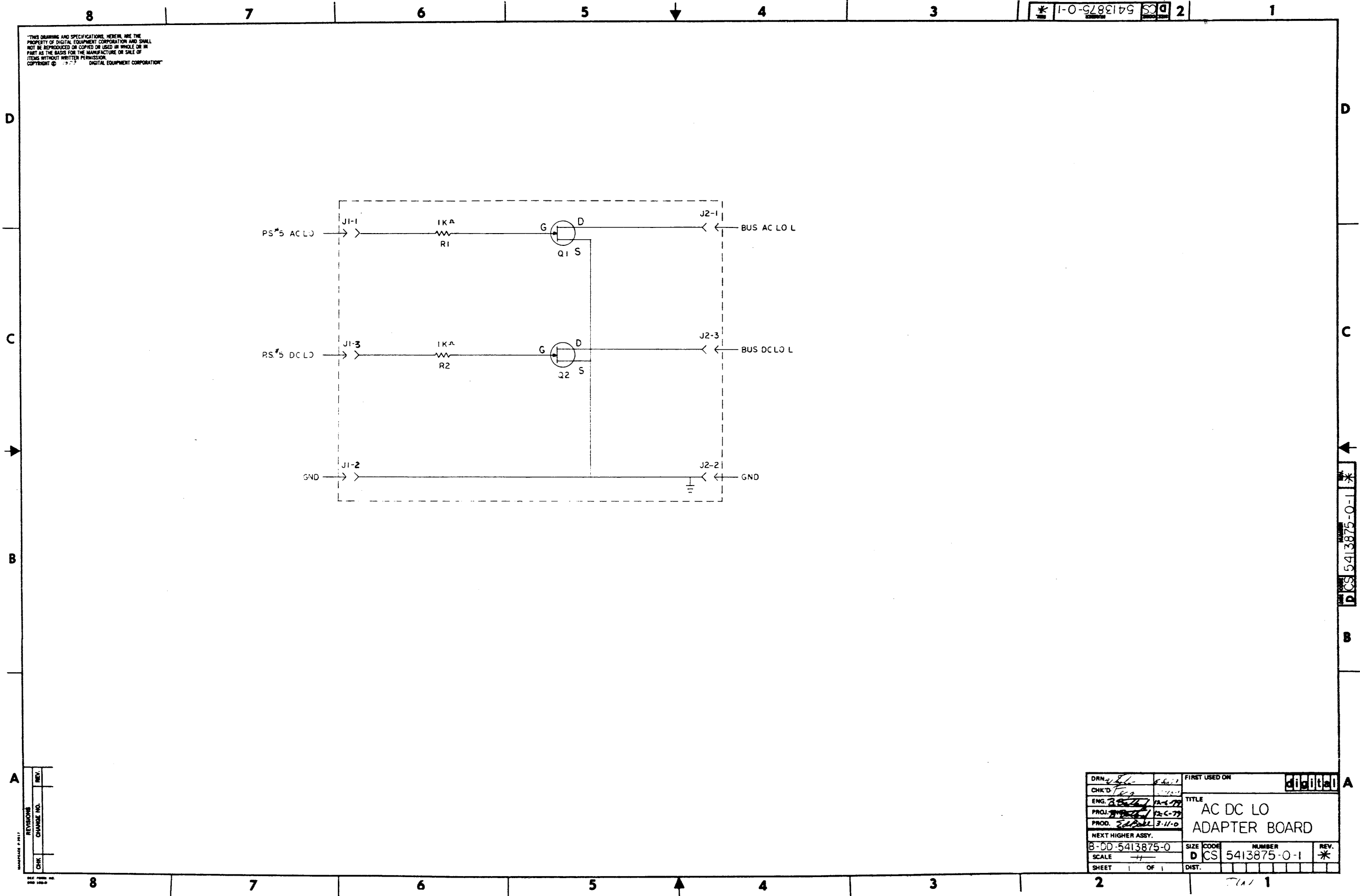
MS# 170165

THIS DRAWING AND SPECIFICATIONS, HEREIN ARE THE PROPERTY OF DIGITAL EQUIPMENT CORPORATION AND SHALL NOT BE REPRODUCED OR COPIED OR USED IN WHOLE OR IN PART AS THE BASIS FOR THE MANUFACTURE OR SALE OF ITEMS WITHOUT WRITTEN PERMISSION.
 COPYRIGHT © 1977 DIGITAL EQUIPMENT CORPORATION



| | |
|------------|--|
| REV. | |
| CHANGE NO. | |
| CHK. | |

| | | | |
|----------------------|-------------|---------------|------------------------|
| DRN. <i>2/8/77</i> | 5413875-0-1 | FIRST USED ON | |
| CHK'D. <i>7/8/77</i> | | | |
| ENG. <i>3/2/77</i> | 1A-1-77 | TITLE | AC DC LO ADAPTER BOARD |
| PROJ. <i>3/2/77</i> | 12-C-77 | | |
| PROD. <i>5/2/77</i> | 3-11-0 | | |
| NEXT HIGHER ASSY. | | | |
| B-DD-5413875-0 | SIZE | CODE | NUMBER |
| SCALE | D | CS | 5413875-0-1 |
| SHEET 1 | OF 1 | DIST. | |



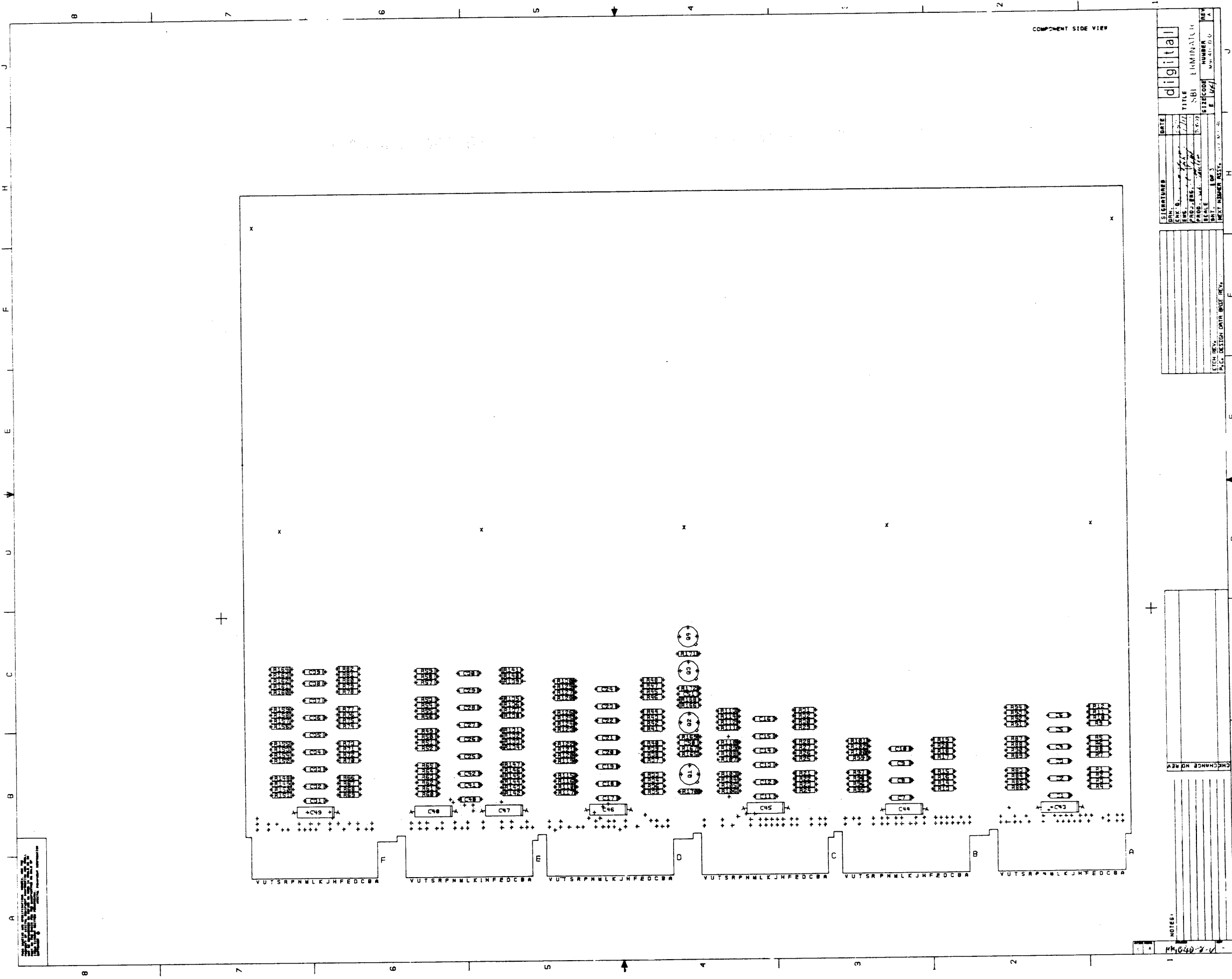
PARTS LIST

| LINE | ITEM | DOCUMENT NUMBER | PART NUMBER | DESCRIPTION | QTY PER VARIATION | REFERENCE DESIGNATOR |
|------|------|------------------|-------------|------------------------------|-------------------|----------------------|
| 1 | 1 | D-MD-5013874-0-0 | | ETCH BD | 1 | |
| 2 | 2 | | 1212297-03 | MATE-N-LOK 3POS UNIV HEADER | 2 | J1,J2 |
| 3 | 3 | | 1300365-00 | 1.0 K .25 W 5.0 % CC | 2 | R1,R2 |
| 4 | 4 | | 1511686-00 | DEC5433 FET N 350MW 10 25 1A | 2 | Q1,Q2 |

| REVISION HISTORY | | | BASIC PART NO: 5413875 | | | |
|------------------|------------|-----|-------------------------|------------------------|----------------------|------------------------|
| ENG | ECD NUMBER | REV | SECTION A OF A | DRN: K.FRIEDGEN | DATE: 29-JUN-79 | D I G I T A L |
| | INITIAL | * | SECTION VARIATION INDEX | CHK'D: J.FERGUSON | DATE: 3-25-80 | TITLE PARTS LIST |
| | | | [A] 00 | DES.ENG: B.BATTERSBY | DATE: 3-25-80 | AC/DC LO ADAPTER BOARD |
| | | | [B] | RESP.ENG.: B.BATTERSBY | DATE: 3-25-80 | DOCUMENT NUMBER |
| | | | [C] | MFG.ENG.: E.BALL | DATE: 3-25-80 | SIZE CODE NUMBER REV |
| | | | [D] | ASSEMBLY NUMBER: | TOP DOCUMENT NUMBER: | K PL 5413875-0-DBP * |
| | | | [E] | D-UA-5413875-0-0 | B-DD-5413875-0-0 | FILE NAME: Z1261.PLS |
| | | | [F] | | | EDIT # 5 |
| | | | [G] | | | |
| | | | [H] | | | |
| | | | [I] | | | |
| | | | [J] | | | |
| | | | [K] | | | |
| | | | [L] | | | |
| | | | [M] | | | |
| | | | [N] | | | |

"THIS DRAWING AND SPECIFICATIONS HEREIN, ARE THE PROPERTY OF DIGITAL EQUIPMENT CORPORATION AND SHALL NOT BE REPRODUCED OR COPIED OR USED IN WHOLE OR IN PART AS THE BASIS FOR THE MANUFACTURE OR SALE OF ITEMS WITHOUT WRITTEN PERMISSION. COPYRIGHT (C) 1980. DIGITAL EQUIPMENT CORPORATION "

76



COMPONENT SIDE VIEW

| | | | |
|-------------|-----------------|-------------|-----------------|
| DATE | 11/27/77 | TITLE | digital |
| DESIGNED BY | J. J. [unclear] | DESIGNED BY | J. J. [unclear] |
| CHECKED BY | [unclear] | CHECKED BY | [unclear] |
| PROJECT NO. | 100-100-100 | PROJECT NO. | 100-100-100 |
| REV. | 1 | REV. | 1 |
| DATE | 11/27/77 | DATE | 11/27/77 |
| BY | [unclear] | BY | [unclear] |
| CHKD. | [unclear] | CHKD. | [unclear] |
| APP. | [unclear] | APP. | [unclear] |
| DATE | 11/27/77 | DATE | 11/27/77 |
| BY | [unclear] | BY | [unclear] |
| CHKD. | [unclear] | CHKD. | [unclear] |
| APP. | [unclear] | APP. | [unclear] |

| | | | |
|------|----|------|----------|
| REV. | 1 | DATE | 11/27/77 |
| REV. | 2 | DATE | |
| REV. | 3 | DATE | |
| REV. | 4 | DATE | |
| REV. | 5 | DATE | |
| REV. | 6 | DATE | |
| REV. | 7 | DATE | |
| REV. | 8 | DATE | |
| REV. | 9 | DATE | |
| REV. | 10 | DATE | |

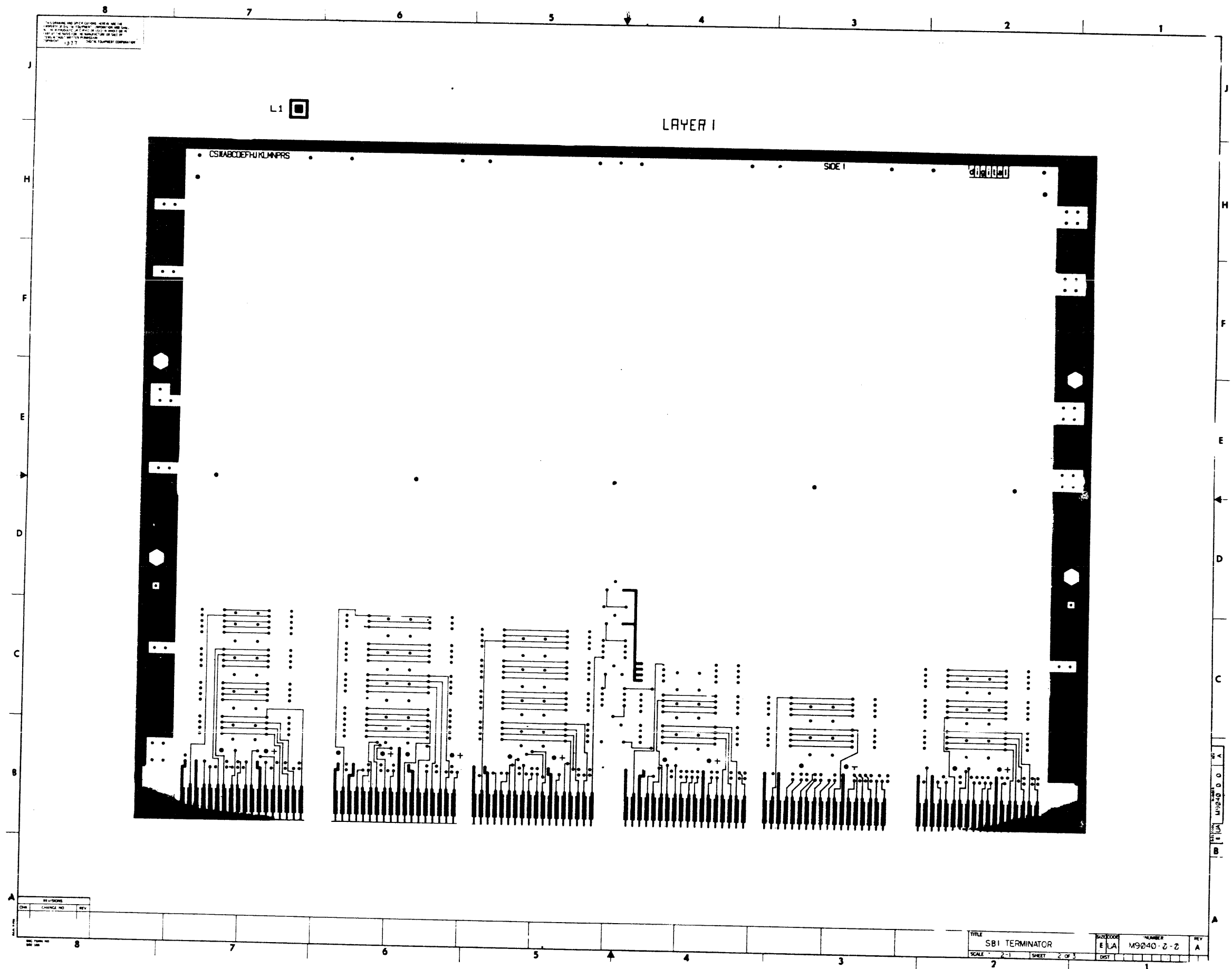
| | | | |
|-----|----|------|----------|
| NO. | 1 | DATE | 11/27/77 |
| NO. | 2 | DATE | |
| NO. | 3 | DATE | |
| NO. | 4 | DATE | |
| NO. | 5 | DATE | |
| NO. | 6 | DATE | |
| NO. | 7 | DATE | |
| NO. | 8 | DATE | |
| NO. | 9 | DATE | |
| NO. | 10 | DATE | |

| | | | |
|-----|----|------|----------|
| NO. | 1 | DATE | 11/27/77 |
| NO. | 2 | DATE | |
| NO. | 3 | DATE | |
| NO. | 4 | DATE | |
| NO. | 5 | DATE | |
| NO. | 6 | DATE | |
| NO. | 7 | DATE | |
| NO. | 8 | DATE | |
| NO. | 9 | DATE | |
| NO. | 10 | DATE | |

| | | | |
|-----|----|------|----------|
| NO. | 1 | DATE | 11/27/77 |
| NO. | 2 | DATE | |
| NO. | 3 | DATE | |
| NO. | 4 | DATE | |
| NO. | 5 | DATE | |
| NO. | 6 | DATE | |
| NO. | 7 | DATE | |
| NO. | 8 | DATE | |
| NO. | 9 | DATE | |
| NO. | 10 | DATE | |

NOTES:
 1. M1040-2-V

ALL DIMENSIONS ARE IN MILLIMETERS UNLESS OTHERWISE SPECIFIED.
 DIMENSIONS OF HOLES ARE GIVEN IN PARENTHESES.
 DIMENSIONS OF DIMENSIONED LINES ARE GIVEN IN PARENTHESES.
 DIMENSIONS OF DIMENSIONED LINES ARE GIVEN IN PARENTHESES.
 DIMENSIONS OF DIMENSIONED LINES ARE GIVEN IN PARENTHESES.



| REVISIONS | | |
|-----------|------------|------|
| DATE | CHANGE NO. | REV. |
| | | |

| | | | | | | | |
|-------|----------------|-------|--------|--------|-----------|------|---|
| TITLE | SBI TERMINATOR | DATE | EJA | NUMBER | M9040-2-2 | REV. | A |
| SCALE | 2:1 | SHEET | 2 OF 3 | DIST. | | | |



THIS DRAWING AND SPECIFICATIONS, HEREIN, ARE THE PROPERTY OF THE NATIONAL BUREAU OF STANDARDS AND SHALL BE KEPT IN CONFIDENTIALITY AND SHALL NOT BE DISCLOSED OR REPRODUCED IN ANY MANNER WITHOUT THE WRITTEN PERMISSION OF THE NATIONAL BUREAU OF STANDARDS. COPYRIGHT © 1977

SIDE 2
 50125088 M9C40
 STAR SBI TERMINATOR

| REV | DATE | BY | CHKD | REVISIONS |
|-----|------|----|------|-----------|
| | | | | |

| | | | | | | | |
|-------|----------------|-----------|--------|--------|-----------|-----|---|
| TITLE | SBI TERMINATOR | SIZE/CODE | E (JA) | NUMBER | M9C40-0-0 | REV | A |
| SCALE | 2:1 | SHEET | 3 OF 3 | DIST | | | |

DIGITAL EQUIPMENT CORPORATION PARTS LIST

QUANTITY / VARIATION

NOTES:

104803
ETCH REV B
CS REV A

| | | |
|-------------------------------|-------------------------|----------------|
| MADE BY D. BILODEAU | CHECKED G. GIDDINGS | SECTION |
| DATE 7 OCT 76 | DATE 6 APR 77 | |
| ENG <i>Barry J. F. Alvine</i> | PROD <i>M. J. Zullo</i> | ISSUED SECTION |
| DATE 7/5/77 | DATE 7-5-77 | |

| ITEM NO. | DRAWING NO. | PART NO. | DESCRIPTION | M9040-0-0 | | | | | | | | | |
|----------|------------------|------------|-----------------------------|-----------|--|--|--|--|--|--|--|--|--|
| 1 | E-MD-5012508-0-0 | 5012508 | ETCH BOARD | 1 | | | | | | | | | |
| 2 | | 1012784 | CAPACITOR, .047UF, 50V, CER | 44 | | | | | | | | | |
| 3 | | 1012084-01 | CAPACITOR, 8UF, 25V | 7 | | | | | | | | | |
| 4 | | 1302957 | RESISTOR, 121Ω, 1/4W, 1% | 84 | | | | | | | | | |
| 5 | | 1311422 | RESISTOR, 178Ω, 1/4W, 1% | 84 | | | | | | | | | |
| 6 | | 1300365 | RESISTOR, 1K, 1/4W, 5% | 4 | | | | | | | | | |
| 7 | | 1511686 | TRANSISTOR, DEC 5433 FET | 4 | | | | | | | | | |
| 8 | | 1210711-02 | HEX HANDLE ASSEMBLY | 1 | | | | | | | | | |
| 9 | | 9000024-01 | EYELET, GS4-7 | 12 | | | | | | | | | |

REF DESIGNATION

C1-C42, C50, C51
C43-C49
R1-R82, R167, R168,
R83-R166
R169-R172
Q1, Q2, Q3, Q4

E.C.O. NO.

"THIS DRAWING AND SPECIFICATIONS, HEREIN, ARE THE PROPERTY OF DIGITAL EQUIPMENT CORPORATION AND SHALL NOT BE REPRODUCED OR COPIED OR USED IN WHOLE OR IN PART AS THE BASIS FOR THE MANUFACTURE OR SALE OF ITEMS WITHOUT WRITTEN PERMISSION. COPYRIGHT © 1977 DIGITAL EQUIPMENT CORPORATION"

TITLE
SBI TERMINATOR

ASSY NO.
E-UA-M9040-0-0

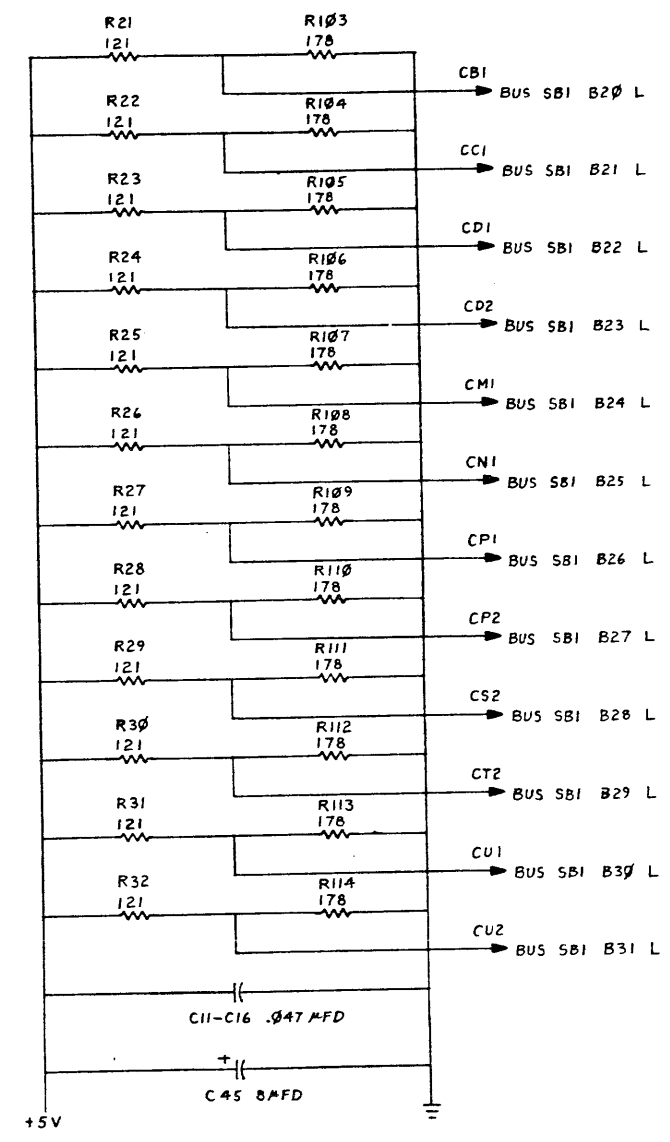
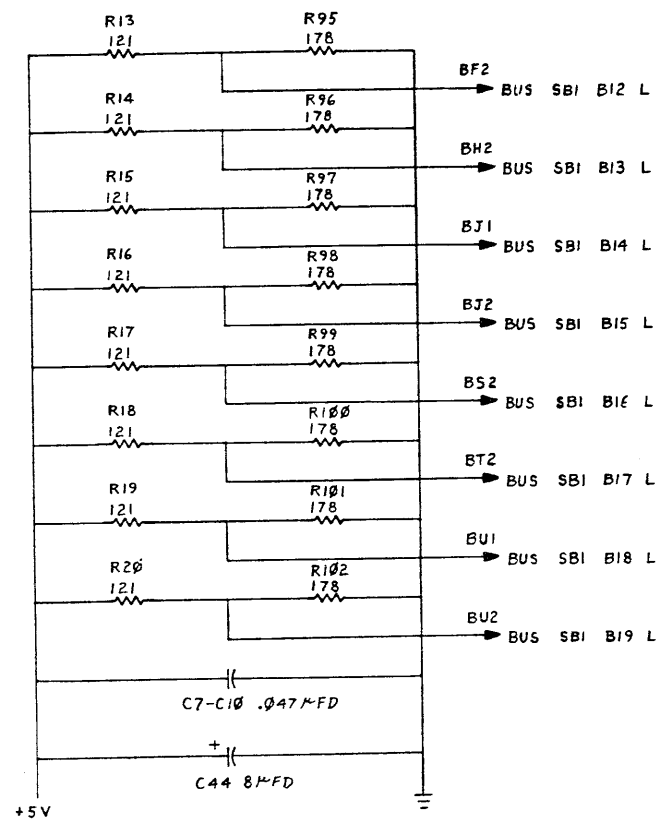
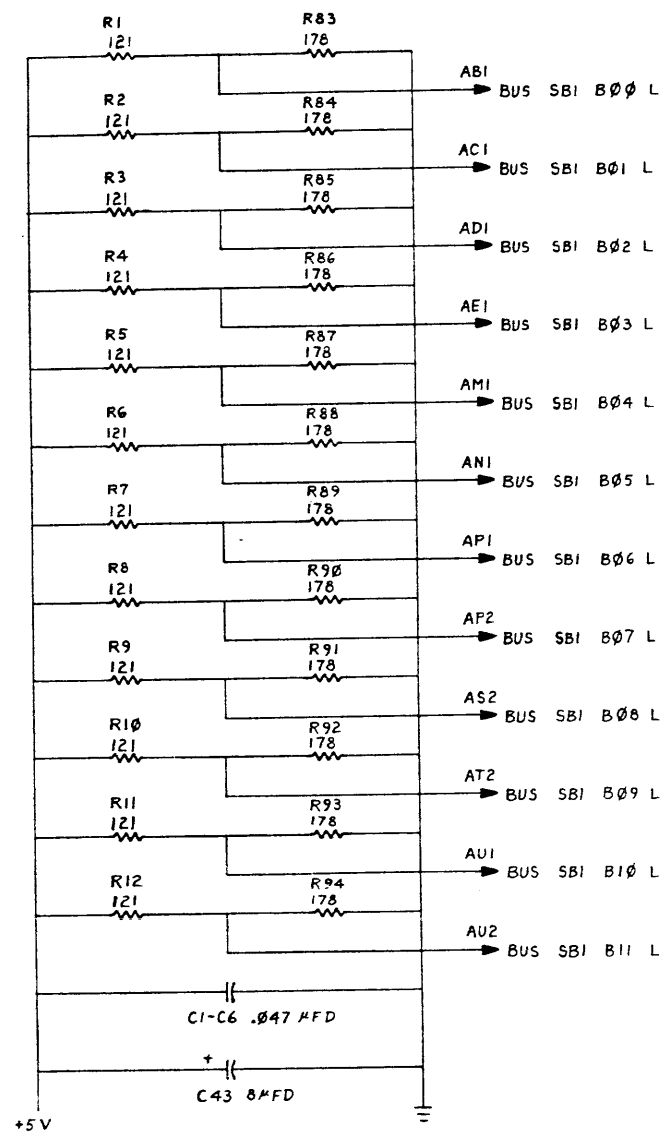
| | | | |
|----------|-----------|-----------|------|
| SIZE | CODE | NUMBER | REV. |
| B | PL | M9040-0-0 | A |

SHEET 1 OF 1

INSERTION PARTS LIST DATA BASE REV

THIS DRAWING AND SPECIFICATIONS, HEREIN ARE THE PROPERTY OF DIGITAL EQUIPMENT CORPORATION AND SHALL NOT BE REPRODUCED OR COPIED OR USED IN WHOLE OR IN PART AS THE BASIS FOR THE MANUFACTURE OR SALE OF ITEMS WITHOUT WRITTEN PERMISSION.
 COPYRIGHT © 1977, DIGITAL EQUIPMENT CORPORATION

CSM9040-0-1 2

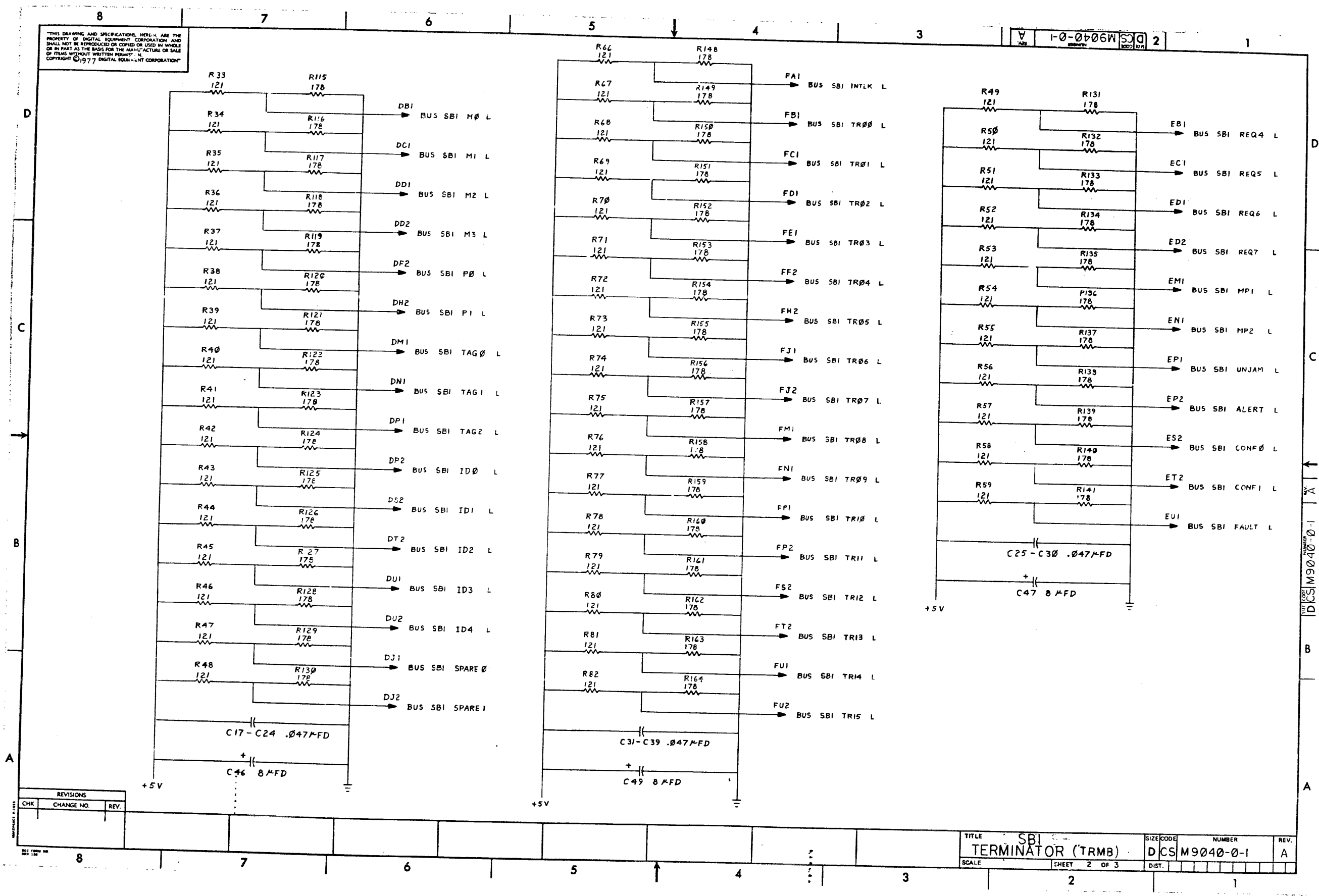


| | |
|------|--|
| REV. | |
| CHG | |
| CHG | |
| CHG | |
| CHG | |
| CHG | |

| | | | |
|-----------------------|-------------|---------------|-----------------------|
| DRN. <i>SDP</i> | <i>5/22</i> | FIRST USED ON | <i>8-10-77</i> |
| CHK'D <i>SDP</i> | <i>5/22</i> | TITLE | SBI TERMINATOR (TRMA) |
| ENG. <i>SDP</i> | <i>5/17</i> | SIZE | D |
| PROJ. ENG. <i>SDP</i> | <i>5/17</i> | CODE | CSM9040-0-1 |
| PROD. <i>SDP</i> | <i>5/17</i> | NUMBER | 1 |
| NEXT HIGHER ASSY. | | REV. | A |
| SCALE | | DIET. | |
| SHEET 1 OF 3 | | | |

THIS DRAWING AND SPECIFICATIONS HEREIN ARE THE PROPERTY OF DIGITAL EQUIPMENT CORPORATION AND SHALL NOT BE REPRODUCED OR COPIED OR USED IN WHOLE OR IN PART AS THE BASIS FOR THE MANUFACTURE OR SALE OF ITEMS WITHOUT WRITTEN PERMIT. COPYRIGHT © 1977 DIGITAL EQUIPMENT CORPORATION

DCS M9040-0-1 2

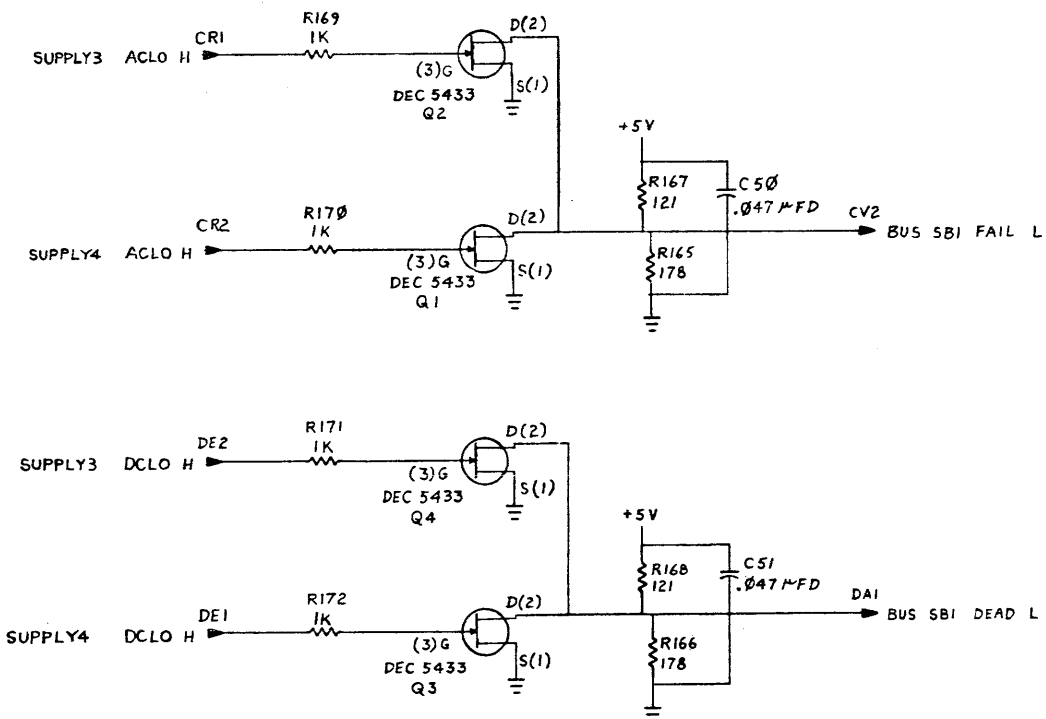
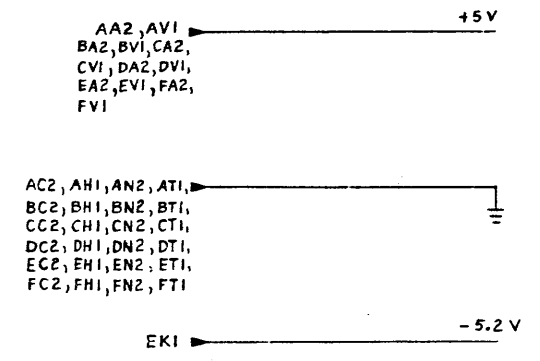
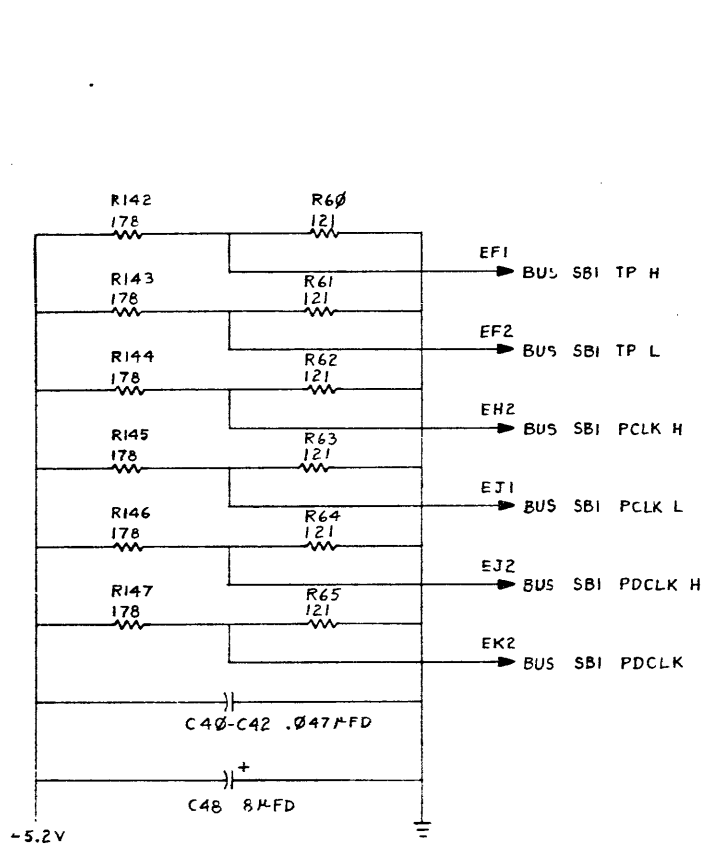


| REVISIONS | | |
|-----------|------------|------|
| CHK | CHANGE NO. | REV. |
| | | |

TITLE: SBI TERMINATOR (TRMB) SIZE CODE: DCS M9040-0-1 NUMBER: 2 REV: A SHEET 2 OF 3

"THIS DRAWING AND SPECIFICATIONS HEREIN ARE THE PROPERTY OF DIGITAL EQUIPMENT CORPORATION AND SHALL NOT BE REPRODUCED OR COPIED OR USED IN WHOLE OR IN PART AS THE BASIS FOR THE MANUFACTURE OR SALE OF ITEMS WITHOUT WRITTEN PERMISSION. COPYRIGHT © 1977 DIGITAL EQUIPMENT CORPORATION"

1-0-006WSD 2



| REVISIONS | | |
|-----------|------------|------|
| CHK | CHANGE NO. | REV. |
| | | |

| | | | | |
|-------|-----------------------|-----------|---------------|------|
| TITLE | SBI TERMINATOR (TRMC) | SIZE/COOR | NUMBER | REV. |
| SCALE | SHEET 3 OF 3 | DIST. | DCS M9040-0-1 | A |

D E S I G N NUMBER DCS M9040-0-1