

THIS DRAWING AND THE SPECIFICATIONS CONTAINED HEREIN ARE CONFIDENTIAL AND PROPRIETARY. THEY ARE THE PROPERTY OF DIGITAL EQUIPMENT CORPORATION AND SHALL NOT BE REPRODUCED OR COPIED OR USED IN WHOLE OR IN PART AS THE BASIS FOR MANUFACTURING OR SALE OF ITEMS WITHOUT WRITTEN PERMISSION. THIS IS AN UNPUBLISHED WORK PROTECTED UNDER THE FEDERAL COPYRIGHT LAWS.

FIELD MAINTENANCE PRINT SET

DRAWING NUMBER	DESCRIPTION	UNIT VARIATIONS COVERED BY THIS PRINT SET
K-TC-KA785-0-DBF	CPU ASSY (KA785)	KA785-AA KA785-AB
B-DD-KA785-AA	DRAWING DIRECTORY (KA785)	
B-DD-KA785-AB	DRAWING DIRECTORY (KA785)	
E-UA-KA785-0-0	CPU ASSY (KA785)	
K-PL-KA785-0-DBP	CPU ASSY (KA785)	
D-MU-KA785-0-2	MODULE UTILIZATION CPU	
D-BD-KA785-0-3	CPU SYSTEM BLOCK DIAGRAM	
D-FD-KA785-0-4	VAX AND CM MODE ENTRY POINTS	
E-IA-7020579-0-0	BACKPLANE ASSY (CPU)	
E-UA-5412870-YA-0	BOARD, DRILL AND ETCH CPU - 1	
E-UA-5412872-YA-0	BOARD, DRILL AND ETCH CPU - 2	
D-IC-11785-A-3	S.B.I. INTERCONNECT 11785-A	
E-AD-7014956-0-0	SUPPLY, UBA OPTION	
E-UA-M7460-0-0	S.B.L.	
K-PL-M7460-0-DBP	S.B.L.	
K-CS-M7460-0 (COMPLETE SET)	S.B.L.	
B-DD-M7460-0-0	S.B.L.	
E-EC-5016069-0-0	S.B.L. (ETCH CUT)	
E-UA-M7461-0-0	S.B.H.	
K-PL-M7461-0-DBP	S.B.H.	
K-CS-M7461-0 (COMPLETE SET)	S.B.H.	
B-DD-M7461-0-0	S.B.H.	
E-EC-5016078-0-0	S.B.H. (ETCH CUT)	
E-UA-M7462-0-0	C.A.M.	
K-PL-M7462-0-DBP	C.A.M.	
K-CS-M7462-0 (COMPLETE SET)	C.A.M.	
B-DD-M7462-0-0	C.A.M.	
E-EC-5016077-0-0	C.A.M. (ETCH CUT)	
E-UA-M7463-0-0	C.D.M.	
K-PL-M7463-0-DBP	C.D.M.	
K-CS-M7463-0 (COMPLETE SET)	C.D.M.	
B-DD-M7463-0-0	C.D.M.	

FIELD MAINTENANCE PRINT SET  
KA785  
DIGITAL EQUIPMENT CORPORATION  
PRINT SET ORDER NO. MP01749

REVISION HISTORY			CONT. REVISION HISTORY			MADE BY: D. HERTZ	DIGITAL
REVI	ECC NUMBER	DATE	REVI	ECC NUMBER	DATE	DATE: 10-OCT-83	
A	INITIAL	1/11/83				CHECKED BY: D. CIRKA	TITLE: FIELD MAINTENANCE PRINT SET
B	KA785-TJ002	11/29/84				DATE: 10-OCT-83	
						PROJECT ENGR: D. CIRKA	CPU ASSY KA785
						DATE: 10-OCT-83	
						RSP3LE ENGR: R. CASABONA	SIZE   CODE   DOCUMENT NUMBER   REV. K   TC   KA785-0-DBF   B
						DATE: 10-OCT-83	
						FIELD SERVICE: F. RAMADAN	SHEET 1 OF 3
						DATE: 10-OCT-83	

\*\*\*\*\* FIELD MAINTENANCE PRINT SET \*\*\*\*\*

\*THE MATERIAL HEREIN IS FOR INFORMATION PURPOSES ONLY AND IS SUBJECT TO CHANGE WITHOUT NOTICE.  
DIGITAL EQUIPMENT CORPORATION ASSUMES NO RESPONSIBILITY FOR ANY ERRORS WHICH MAY APPEAR HEREIN\*

TABLE OF CONTENTS

DRAWING NUMBER	DESCRIPTION
E-EC-5016076-0-0	C.D.M. (ETCH CUT)
E-UA-M7464-0-0	T.B.M.
K-PL-M7464-0-DBP	T.B.M.
K-CS-M7464-0 (COMPLETE SET)	T.B.M.
B-DD-M7464-0-0	T.B.M.
E-EC-5016075-0-0	T.B.M. (ETCH CUT)
E-UA-M7465-0-0	I.D.P.
K-PL-M7465-0-DBP	I.D.P.
D-CS-M7465-0 (COMPLETE SET)	I.D.P.
B-DD-M7465-0-0	I.D.P.
E-UA-M7466-0-0	I.R.C.
K-PL-M7466-0-DBP	I.R.C.
K-CS-M7466-0 (COMPLETE SET)	I.R.C.
B-DD-M7466-0-0	I.R.C.
E-EC-5016073-0-0	I.R.C. (ETCH CUT)
E-UA-M7467-0-0	D.B.P.
K-PL-M7467-0-DBP	D.B.P.
K-CS-M7467-0 (COMPLETE SET)	D.B.P.
B-DD-M7467-0-0	D.B.P.
E-EC-5016072-0-0	D.B.P. (ETCH CUT)
E-UA-M7468-0-0	D.E.P.
K-PL-M7468-0-DBP	D.E.P.
D-CS-M7468-0 (COMPLETE SET)	D.E.P.
B-DD-M7468-0-0	D.E.P.
E-UA-M7469-0-0	D.D.P.
K-PL-M7469-0-DBP	D.D.P.
D-CS-M7469-0 (COMPLETE SET)	D.D.P.
B-DD-M7469-0-0	D.D.P.
E-UA-M7470-0-0	D.C.P.
K-PL-M7470-0-DBP	D.C.P.
D-CS-M7470-0 (COMPLETE SET)	F.C.P.
B-DD-M7470-0-0	D.C.P.
E-UA-M7471-0-0	D.A.P.
K-PL-M7471-0-DBP	D.A.P.
D-CS-M7471-0 (COMPLETE SET)	D.A.P.
B-DD-M7471-0-0	D.A.P.
E-UA-M7472-0-0	C.E.H.
K-PL-M7472-0-DBP	C.E.H.
K-CS-M7472-0 (COMPLETE SET)	C.E.H.
B-DD-M7472-0-0	C.E.H.
E-EC-5016099-0-0	C.E.H. (ETCH CUT)

TITLE	TABLE OF CONTENTS	DOCUMENT NUMBER
TABLE OF CONTENTS	KA795	SIZE CODE NUMBER REV.
	SHEET 2 OF 3	K TC KA795-0-DBF 3



\*\*\*\* FIELD MAINTENANCE PRINT SET \*\*\*\*

\*THE MATERIAL HEREIN IS FOR INFORMATION PURPOSES ONLY AND IS SUBJECT TO CHANGE WITHOUT NOTICE.  
DIGITAL EQUIPMENT CORPORATION ASSUMES NO RESPONSIBILITY FOR ANY ERRORS WHICH MAY APPEAR HEREIN\*

TABLE OF CONTENTS

DRAWING NUMBER	DESCRIPTION
E-UA-M7473-0-0	I.C.L.
K-PL-M7473-0-DBP	I.C.L.
K-CS-M7473-0 (COMPLETE SET)	I.C.L.
B-DD-M7473-0-0	I.C.L.
E-EC-5016100-0-0	I.C.L. (ETCH CUT)
E-UA-M7474-0-0	C.L.K.
K-PL-M7474-0-DBP	C.L.K.
K-CS-M7474-0 (COMPLETE SET)	C.L.K.
B-DD-M7474-0-0	C.L.K.
E-EC-5016101-0-0	C.L.K. (ETCH CUT)
E-UA-M7475-0-0	J.C.S.
K-PL-M7475-0-DBP	J.C.S.
K-CS-M7475-0 (COMPLETE SET)	J.C.S.
B-DD-M7475-0-0	J.C.S.
E-EC-5016102-0-0	J.C.S. (ETCH CUT)
E-UA-M7476-0-0	U.S.C.
K-PL-M7476-0-DBP	U.S.C.
K-CS-M7476-0 (COMPLETE SET)	U.S.C.
B-DD-M7476-0-0	U.S.C.
E-EC-5016103-0-0	U.S.C. (ETCH CUT)
E-UA-M7477-0-0	C.I.B.
K-PL-M7477-0-DBP	C.I.B.
D-CS-M7477-0 (COMPLETE SET)	C.I.B.
B-DD-M7477-0-0	C.I.B.
E-UA-M7459-0-0	T.R.S.
K-PL-M7459-0-DBP	T.R.S.
D-CS-M7459-0 (COMPLETE SET)	T.R.S.
B-DD-M7459-0-0	T.R.S.
E-EC-5016067-0-0	T.R.S. (ETCH CUT)

TITLE		DOCUMENT NUMBER	
d i s t a l	TABLE OF CONTENTS		
	KA795		
		SHEET 3 OF 3	REV.
			B
		SIZE CODE NUMBER	
		K TC KA795-0-DBF	

DRAWING NO.	NC OF SHTS	PART NO.	DESCRIPTION	REVISIONS															
				*															
			OPTION REV	00	B														
K-TC-KA785-0-DBF		MP01749	TABLE OF CONTENTS MP01749	A	B														
K-PL-KA785-0-DBP			PARTS LIST 11785-A	B	B														
E-UA-KA785-0-0			UNIT ASSEMBLY 11785-A	A	A														
D-IC-11785-A-1			POWER INTERCONNECT 11785-A	A	A														
D-IC-11785-A-2			BACKPLANE INTERCONNECT 11785-A	A	A														
D-IC-11785-A-3			SBI INTERCONNECT 11785-A	A	A														
D-MU-KA785-0-2			KA785 MODULE UTILIZATION	A	A														
D-BD-KA785-0-3			BLOCK DIAGRAM	A	A														
D-FD-KA785-0-4			VAX AND CM MODE ENTRY POINTS	A	A														
K-RM-KA785-AA			REV MATRIX	A	B														

NOTES: \* OPTION REVISION 00 IS EQUIVALENT TO A.

REVISION HISTORY		DATE	ECO NO.	REV.
		9/84	RELEASE	A
		11/84	TW002	B

"THIS DRAWING AND SPECIFICATIONS, HEREIN, ARE THE PROPERTY OF DIGITAL EQUIPMENT CORPORATION AND SHALL NOT BE REPRODUCED OR COPIED OR USED IN WHOLE OR IN PART AS THE BASIS FOR THE MANUFACTURE OR SALE OF ITEMS WITHOUT WRITTEN PERMISSION.  
 COPYRIGHT © 1984 DIGITAL EQUIPMENT CORPORATION



USED ON OPTION/MODEL		DRN: Barbara Pellicola	DATE: 10/84	TITLE: KA785-AA
		CHK'D: J. Mc...	DATE: 11/84	
		DES. ENG. J. F...	DATE: 11/84	
		RESP. ENG. J. F...	DATE: 11/84	
		MFG. ENG. J. F...	DATE: 11/84	
SIZE: B	CODE: DD	NUMBER: KA785-AA	REVISION: B	DOCUMENT NUMBER
SHEET 1 OF 1				

TW

DRAWING NO.	NO OF SHTS.	PART NO.	DESCRIPTION	REVISIONS															
				*															
			OPTION REV	00	B														
K-TC-KA785-0-DBF		MP01749	TABLE OF CONTENTS MP01749	A	B														
K-PL-KA785-0-DBP			PARTS LIST 11785-A	B	C														
E-UA-KA785-0-0			UNIT ASSEMBLY 11785-A	A	A														
D-IC-11785-A-1			POWER INTERCONNECT 11785-A	A	A														
D-IC-11785-A-2			BACKPLANE INTERCONNECT 11785-A	A	A														
D-IC-11785-A-3			SBI INTERCONNECT 11785-A	A	A														
D-MU-KA785-0-2			KA785 MODULE UTILIZATION	A	A														
D-BD-KA785-0-3			BLOCK DIAGRAM	A	A														
D-FD-KA785-0-4			VAX & CM MODE ENTRY POINTS	A	A														
K-RM-KA785-AB			REV MATRIX	A	B														

NOTES: \* OPTION REVISION 00 IS EQUIVALENT TO A .

REVISION HISTORY		DATE	ECO NO.	REV.
9/84	RELEASE			A
11/84	TWO02			B

"THIS DRAWING AND SPECIFICATIONS, HEREIN, ARE THE PROPERTY OF DIGITAL EQUIPMENT CORPORATION AND SHALL NOT BE REPRODUCED OR COPIED OR USED IN WHOLE OR IN PART AS THE BASIS FOR THE MANUFACTURE OR SALE OF ITEMS WITHOUT WRITTEN PERMISSION.

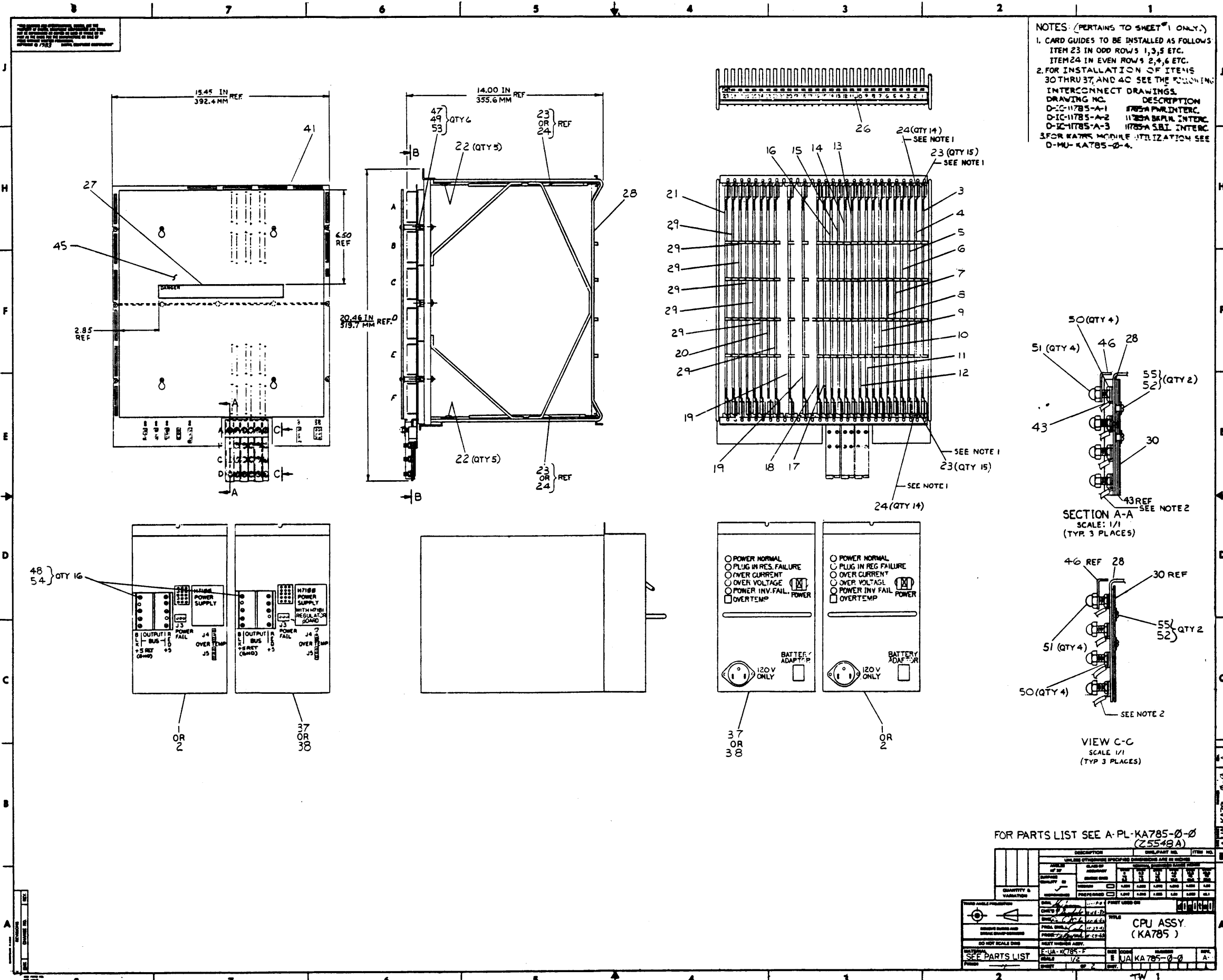
COPYRIGHT © 1984 DIGITAL EQUIPMENT CORPORATION



USED ON OPTION/MODEL

DRN.	D FOURNIER	DATE	13 SEPT 84
CHK'D	T. MCCULLOUGH	DATE	13 SEPT 84
DES. ENG.	J. BEATTY	DATE	13 SEPT 84
RESP. ENG.	J. BEATTY	DATE	13 SEPT 84
MFG. ENG.	C. HEANEY	DATE	13 SEPT 84

TITLE				KA785-AB			
DOCUMENT NUMBER				NUMBER			
SIZE	CODE	NUMBER		REV			
B	DD	KA785-AB		B			
SHEET				OF			



NOTES: (PERTAINS TO SHEET 1 ONLY.)

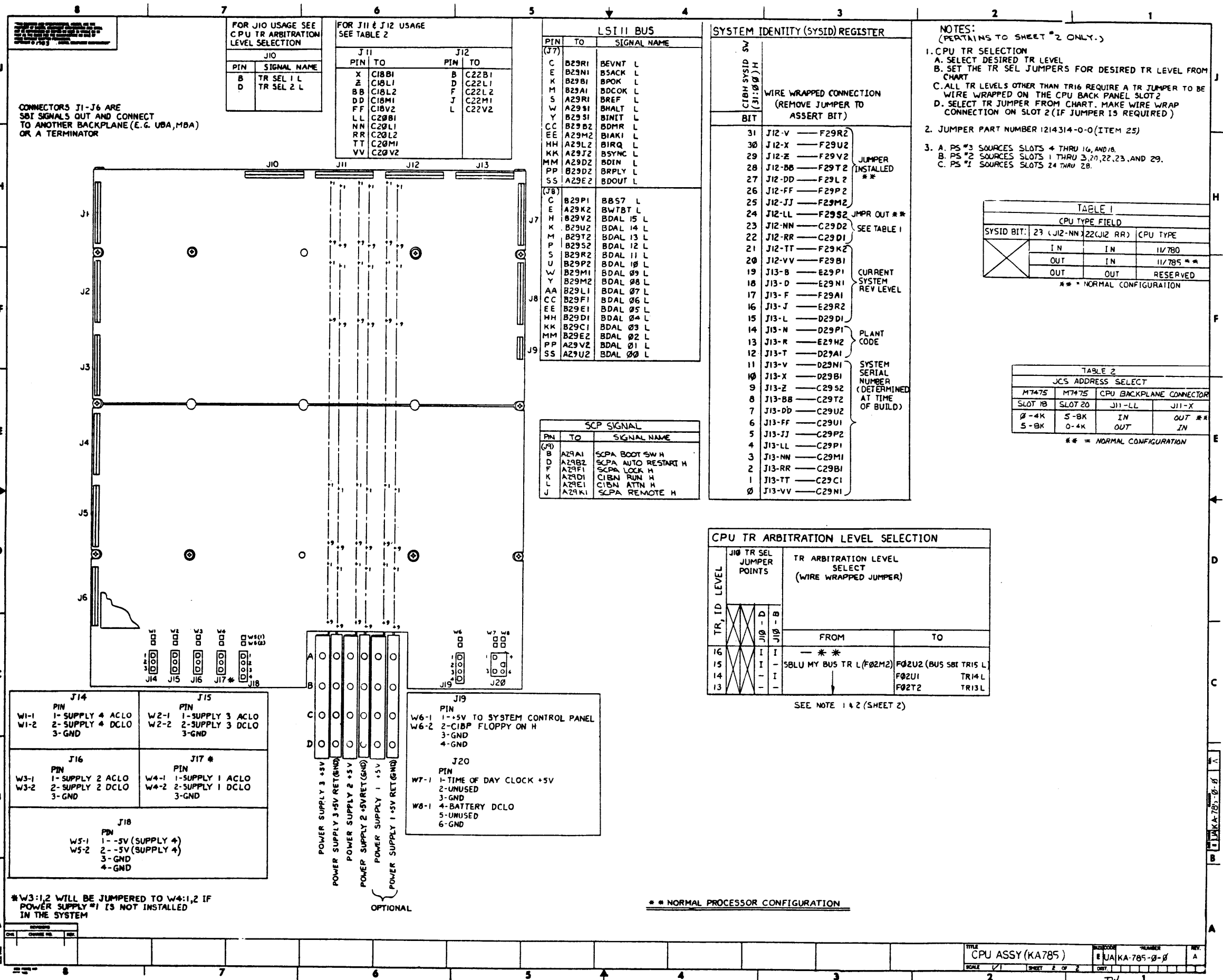
- CARD GUIDES TO BE INSTALLED AS FOLLOWS  
ITEM 23 IN ODD ROWS 1,3,5 ETC.  
ITEM 24 IN EVEN ROWS 2,4,6 ETC.
- FOR INSTALLATION OF ITEMS  
30 THRU 37, AND 40 SEE THE FOLLOWING  
INTERCONNECT DRAWINGS.  
DRAWING NO. DESCRIPTION  
D-IC-11785-A-1 11785A PWR. INTERC.  
D-IC-11785-A-2 11785A BKR. INTERC.  
D-IC-11785-A-3 11785A SBI. INTERC.  
FOR KATMS MODULE UTILIZATION SEE  
D-MU-KA785-0-4.

FOR PARTS LIST SEE A-PL-KA785-0-0  
(Z5548A)

QTY	DESCRIPTION	UNIT	REV
1	CPU ASSY. (KA785)		

REV	DATE	BY	CHKD	APP'D	DESCRIPTION
1	11/21/52				ISSUED FOR PRODUCTION
2	12/22/52				REVISED TO SHOW CHANGES



THE INFORMATION CONTAINED HEREIN IS UNCLASSIFIED EXCEPT WHERE SHOWN OTHERWISE. DATE OF DECLASSIFICATION IS INDEFINITE. AUTHORITY: 25X-10101

CONNECTORS J1-J6 ARE SBT SIGNALS OUT AND CONNECT TO ANOTHER BACKPLANE (E.G. UBA, MBA) OR A TERMINATOR

FOR J10 USAGE SEE CPU TR ARBITRATION LEVEL SELECTION

J10	
PIN	SIGNAL NAME
B	TR SEL 1 L
D	TR SEL 2 L

FOR J11 & J12 USAGE SEE TABLE 2

J11		J12	
PIN	TO	PIN	TO
X	C18B1	B	C22B1
Z	C18L1	D	C22L1
BB	C18L2	F	C22L2
DD	C18M1	J	C22M1
FF	C18V2	L	C22V2
LL	C20B1		
NN	C20L1		
RR	C20L2		
TT	C20M1		
VV	C20V2		

LSI II BUS

PIN	TO	SIGNAL NAME
(J7)		
C	B29R1	BEVNT L
E	B29N1	BSACK L
K	B29B1	BPOK L
M	B29A1	BDCOK L
S	A29R1	BREF L
W	A29S1	BHALT L
Y	B29S1	BINIT L
CC	B29B2	BDMR L
EE	A29M2	BDIAK L
HH	A29L2	BIRQ L
KK	A29J2	BSYNC L
MM	A29D2	BDIN L
PP	B29D2	BRPLY L
SS	A29E2	BDOUT L

PIN	TO	SIGNAL NAME
(J8)		
C	B29P1	BB57 L
E	A29K2	BW7BT L
H	B29V2	BDAL 15 L
K	B29U2	BDAL 14 L
M	B29T2	BDAL 13 L
P	B29S2	BDAL 12 L
S	B29R2	BDAL 11 L
U	B29P2	BDAL 10 L
W	B29M1	BDAL 09 L
Y	B29M2	BDAL 08 L
AA	B29L1	BDAL 07 L
CC	B29F1	BDAL 06 L
EE	B29E1	BDAL 05 L
HH	B29D1	BDAL 04 L
KK	B29C1	BDAL 03 L
MM	B29E2	BDAL 02 L
PP	A29V2	BDAL 01 L
SS	A29U2	BDAL 00 L

SCP SIGNAL

PIN	TO	SIGNAL NAME
(J9)		
B	A29A1	SCPA BOOT SW H
D	A29B2	SCPA AUTO RESTART H
F	A29F1	SCPA LOCK H
K	A29D1	CIBN RUN H
L	A29E1	CIBN ATTN H
J	A29K1	SCPA REMOTE H

SYSTEM IDENTITY (SYSID) REGISTER

BIT	CIBN SYSID (31:00)	WIRE WRAPPED CONNECTION (REMOVE JUMPER TO ASSERT BIT)
31	J12-V	F29R2
30	J12-X	F29U2
29	J12-Z	F29V2
28	J12-BB	F29T2
27	J12-DD	F29L2
26	J12-FF	F29P2
25	J12-JJ	F29M2
24	J12-LL	F29S2
23	J12-NN	C29D2
22	J12-RR	C29D1
21	J12-TT	F29K2
20	J12-VV	F29B1
19	J13-B	E29P1
18	J13-D	E29N1
17	J13-F	F29A1
16	J13-J	E29R2
15	J13-L	D29D1
14	J13-N	D29P1
13	J13-R	E29H2
12	J13-T	D29A1
11	J13-V	D29N1
10	J13-X	D29B1
9	J13-Z	C29S2
8	J13-BB	C29T2
7	J13-DD	C29U2
6	J13-FF	C29U1
5	J13-JJ	C29P2
4	J13-LL	C29P1
3	J13-NN	C29M1
2	J13-RR	C29B1
1	J13-TT	C29C1
0	J13-VV	C29N1

NOTES:  
(PERTAINS TO SHEET #2 ONLY.)

- CPU TR SELECTION
  - SELECT DESIRED TR LEVEL
  - SET THE TR SEL JUMPERS FOR DESIRED TR LEVEL FROM CHART
  - ALL TR LEVELS OTHER THAN TR16 REQUIRE A TR JUMPER TO BE WIRE WRAPPED ON THE CPU BACK PANEL SLOT 2
  - SELECT TR JUMPER FROM CHART. MAKE WIRE WRAP CONNECTION ON SLOT 2 (IF JUMPER IS REQUIRED)
- JUMPER PART NUMBER 1214314-0-0 (ITEM 25)
- PS #3 SOURCES SLOTS 4 THRU 16, AND 18.  
PS #2 SOURCES SLOTS 1 THRU 3, 20, 22, 23, AND 29.  
PS #1 SOURCES SLOTS 24 THRU 28.

TABLE 1  
CPU TYPE FIELD

SYSID BIT:	23 (J12-NN)	22 (J12-RR)	CPU TYPE
	IN	IN	11/780
	OUT	IN	11/785 **
	OUT	OUT	RESERVED

\*\* = NORMAL CONFIGURATION

TABLE 2  
JCS ADDRESS SELECT

M7475	M7475	CPU BACKPLANE CONNECTOR	
SLOT 18	SLOT 20	J11-LL	J11-X
0-4K	5-8K	IN	OUT **
5-8K	0-4K	OUT	IN

\*\* = NORMAL CONFIGURATION

CPU TR ARBITRATION LEVEL SELECTION

TR, ID LEVEL	J10 TR SEL JUMPER POINTS		TR ARBITRATION LEVEL SELECT (WIRE WRAPPED JUMPER)	
	J10-D	J10-B	FROM	TO
16	I	I	---	---
15	I	-	SBLU MY BUS TR L (F02M2)	F02U2 (BUS SBT TRIS L)
14	-	I		F02U1 TR14 L
13	-	-		F02T2 TR13 L

SEE NOTE 1 & 2 (SHEET 2)

J14

PIN	TO
W1-1	1-SUPPLY 4 ACLO
W1-2	2-SUPPLY 4 DCLO
	3-GND

J15

PIN	TO
W2-1	1-SUPPLY 3 ACLO
W2-2	2-SUPPLY 3 DCLO
	3-GND

J16

PIN	TO
W3-1	1-SUPPLY 2 ACLO
W3-2	2-SUPPLY 2 DCLO
	3-GND

J17

PIN	TO
W4-1	1-SUPPLY 1 ACLO
W4-2	2-SUPPLY 1 DCLO
	3-GND

J18

PIN	TO
W5-1	1--5V (SUPPLY 4)
W5-2	2--5V (SUPPLY 4)
	3-GND
	4-GND

J19

PIN	TO
W6-1	1--5V TO SYSTEM CONTROL PANEL
W6-2	2-CIBP FLOPPY ON H
	3-GND
	4-GND

J20

PIN	TO
W7-1	1-TIME OF DAY CLOCK +5V
	2-UNUSED
	3-GND
W8-1	4-BATTERY DCLO
	5-UNUSED
	6-GND

OPTIONAL

\*W3:1,2 WILL BE JUMPED TO W4:1,2 IF POWER SUPPLY #1 IS NOT INSTALLED IN THE SYSTEM

\*\* NORMAL PROCESSOR CONFIGURATION

LINE	ITEM	TOP DOCUMENT	PART NUMBER	MIN REV	DESCRIPTION	QTY PER VARIATION	
						AA	AB
1	1	B-DD-H7100-0-0	H7100-A		11780 500 WATT SUPPLY: 5V 100A,1	1	-
2	2	B-DD-H7100-0-0	H7100-B		11780 500-WATT SUPPLY: 5V 100A,2	-	1
3	3	E-UA-M7459-0-0	M7459-00		TRS, TERMINATOR & SILO, 4-LAYER HE	1	1
4	4	E-UA-M7460-0-0	M7460-00		KA785, SBL, CPU SBI LOW BITS INTER	1	1
5	5	E-UA-M7461-0-0	M7461-00		KA785, SBH, SBI (SYNCHRONOUS BACK	1	1
6	6	E-UA-M7462-0-0	M7462-00		KA785, CAM, CACHE ADDRESS MATRIX, 4	1	1
7	7	E-UA-M7463-0-0	M7463-00		KA785, CDM, CACHE DATA MATRIX, 4-LA	1	1
8	8	E-UA-M7464-0-0	M7464-00		KA785, TBM, CPU TRANSLATION BUFFER	1	1
9	9	E-UA-M7465-0-0	M7465-00		KA785, IDP, CPU INSTRUCTION DATA P	1	1
10	10	E-UA-M7466-0-0	M7466-00		KA785, IRC, CPU INSTRUCTION DECODE	1	1
11	11	E-UA-M7467-0-0	M7467-00		KA785, DBP, CPU DATA PATH "B", 4-LA	1	1
12	12	E-UA-M7468-0-0	M7468-00		KA785, DEP, CPU DATA PATH E, 4-LAYE	1	1
13	13	E-UA-M7469-0-0	M7469-00		KA785, DDP, CPU DATA PATH D, 4-LAYE	1	1
14	14	E-UA-M7470-0-0	M7470-00		KA785, DCP, CPU DATA PATH C, 4-LAYE	1	1
15	15	E-UA-M7471-0-0	M7471-00		KA785, DAP, CPU DATA PATH A, 4-LAYE	1	1
16	16	E-UA-M7472-0-0	M7472-00		KA785, CEH (CONDITION CODES, EXCEP	1	1
17	17	E-UA-M7473-0-0	M7473-00		KA785, ICL (INTERRUPT CONTROL, LOW	1	1
18	18	E-UA-M7474-0-0	M7474-00		KA785, CLK (CPU CLOCK), 4-LAYER HE	1	1
19	19	E-UA-M7475-0-0	M7475-00		KA785, JCS, JOINT CONTROL STORE, 4-	2	2
20	20	E-UA-M7476-0-0	M7476-00		KA785, USC, MICRO SEQUENCER CONTRO	1	1
21	21	E-UA-M7477-0-0	M7477-00		KA785, CIB, CPU CONSOLE INTERFACE,	1	1
22	22		1211630-00		GUIDE, CARD, POLMIDE, NATURAL	10	10
23	23		1212405-00		GUIDE, CARD, NYLON, NATURAL	30	30
24	24		1212405-01		GUIDE, CARD, NYLON, MAGNETA	28	28
25	25		1214314-00		CONN, P+S 02SKT(1X02), 100CC JUM	12	12
26	26		3613281-05		LABEL, ADHESIVE BACK FOR BA11-K	1	1
27	27		3615087-02		LABEL, "DANGER-HIGH CURRENT"	1	1
28	28	E-IA-7013713-0-0	7013713-00		CARD CAGE CPU	1	1
29	29	E-IA-7014103-0-DBU	7014103-00		BLANK MODULE ASSY	6	6
30	30	D-IA-7014212-0-0	7014212-0M		CABLE AC, DC, LOW	2	2

REVISION HISTORY			BASIC PART NO: KA785			DRN: D. HERTZ			DATE: 20-SEP-83			D I G I T A L		
ENG	ECD NUMBER	REV	SECTION A OF A			CHK'D: R. NELSON			DATE: 20-SEP-83			TITLE PARTS LIST		
---	INITIAL	A	SECTION VARIATION INDEX			DES. ENG: D. CIRKA			DATE: 20-SEP-83			DOCUMENT NUMBER		
JB	KA785-TW001	B	(A)AA, AB			RESP. ENG.: R. CASABONA			DATE: 20-SEP-83			SIZE! CODE! NUMBER! REV		
			(B)			MFG. ENG.: M. KRYSAK			DATE: 20-SEP-83			RELEASE DATE: 27-SEP-84		
			(C)			ASSEMBLY NUMBER:			TOP DOCUMENT NUMBER:			FILE NAME: ! EDIT #		
			(D)			E-UA-KA785-0-0			K-DD-KA785-0-DBF			Z5553B.PLS 13		
			(E)											
			(F)											

"THIS DRAWING AND THE SPECIFICATIONS CONTAINED HEREIN ARE CONFIDENTIAL AND PROPRIETARY. THEY ARE THE PROPERTY OF DIGITAL EQUIPMENT CORPORATION AND SHALL NOT BE REPRODUCED OR COPIED OR USED IN WHOLE OR IN PART AS THE BASIS FOR THE MANUFACTURE OR SALE OF ITEMS WITHOUT WRITTEN PERMISSION. THIS IS AN UNPUBLISHED WORK PROTECTED UNDER THE FEDERAL COPYRIGHT LAWS."

AUTOMATED BY PRTLST.4Q(50)

PARTS LIST

SHEET A2 OF A2

LINE	ITEM	TOP DOCUMENT	PART NUMBER	MIN REV	DESCRIPTION	QTY PER VARIATION	
						AA	AB
					VARIATION REVISION LEVEL:	00	00
31	31	D-IA-7014212-0-0	7014212-2M		CABLE AC DC LOW	2	2
32	32	D-IA-7014249-0-0	7014249-0L		CABLE POWER BLACK	1	1
33	33	D-IA-7014249-0-0	7014249-1C		CABLE POWER	2	2
34	34	D-IA-7014249-0-0	7014249-1J		CABLE POWER	4	4
35	35	BLANK			*** THIS ITEM IS NOT USED ***	-	-
36	36	D-IA-7014530-0-0	7014530-1A		CABLE POWER RED	2	2
37	37	D-IA-7014530-0-0	7014530-1E		CABLE POWER RED	4	4
38	38	E-AD-7014956-0-0	7014956-00		UDA OPTION SUPPLY	1	-
39	39	E-AD-7014956-0-0	7014956-01		UBA OPTION SUPPLY 50HZ	-	1
40	40	E-IA-7015073-0-0	7015073-00		HARNESS MINUS 5V TERMINATOR	1	1
41	41	E-IA-7020579-0-0	7020579-01		BACKPLANE ASSY (CPU)	1	1
42	42	B-MD-7418902-0-0	7418902-00		STUD PLATE BUS BAR ADAPTER	6	6
43	43	B-MD-7418903-0-0	7418903-00		U-BAR	3	3
44	44	C-MD-7418904-0-0	7418904-00		PLATE, SLOTTED	1	1
45	45	C-MD-7419458-0-0	7419458-00		COVER, C.P.U. BACKPLANE	1	1
46	46	B-MD-7419483-0-0	7419483-00		COVER BUS BAR CPU	1	1
47	47		9006043-01		SCREW,MACH PAN PHIL 8-	6	6
48	48		9006073-01		SCREW,MACH PAN PHIL 10-	16	16
49	49		9006563-00		NUT,HEX EXT TOOTH LCKWSHR 8-32	6	6
50	50		9006565-00		NUT,HEX EXT TOOTH LCKWSHR 10-32	24	24
51	51		9006610-00		NUT,CAP,RELOCK 10-32X .438AF NYL	24	24
52	52		9006655-00		WASHER,FLAT SST	12	12
53	53		9006660-00		WASHER,FLAT SST	6	6
54	54		9007906-00		WASHER,HELICAL SPLIT STEEL	16	16
55	55		9008032-01		SCREW,MACH PAN PHIL 4-	12	12

D	I	G	I	T	A	L	TITLE	SECTION A	OF	A	SIZE	CODE	DOCUMENT NUMBER	REV
							CPU ASSY. (KA785)				K	PL	KA785-0-DBP	B

THIS DRAWING AND SPECIFICATIONS HEREAFTER ARE THE PROPERTY OF DIGITAL EQUIPMENT CORPORATION AND SHALL NOT BE REPRODUCED OR COPIED OR USED IN WHOLE OR IN PART AS THE BASIS FOR THE MANUFACTURE OR SALE OF ITEMS WITHOUT THE WRITTEN PERMISSION OF DIGITAL EQUIPMENT CORPORATION © 1963

NOTE \* DESIGNATES OPTION  
 SLOT #22 IS UNUSED.  
 SLOTS 17, 19 & 21 RESERVED FOR POWER BUSSING

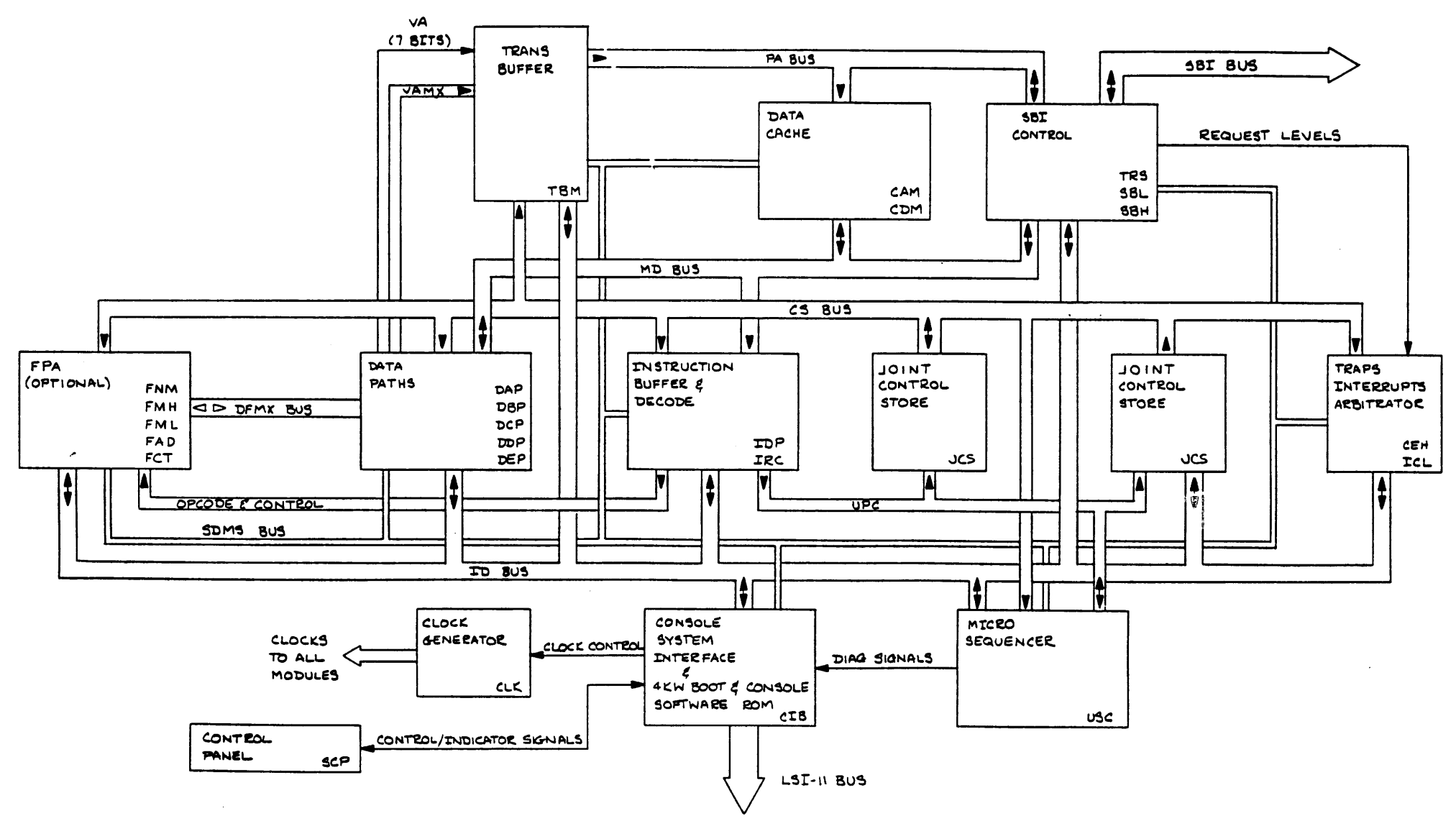
	1	2	3	4	5	6	7	8	9	10	11	12	13	14	15	16	17	18	19	20	21	22	23	24	25	26	27	28	29	
	M7459	M7460	M7461	M7462	M7463	M7464	M7465	M7466	M7467	M7469	M7470	M7471	M7472	M7473	M7474	M7475	M7476	M7477	M7478	M7479	M7480	M7481	M7482	M7483	M7484	M7485	M7486	M7487	M7488	M7489
	TRS	SBL	SBH	CAM	CDM	TBM	IDP	IRC	DBP	DDP	DCP	DAP	CEH	ICL	CLK	JCS	JCS	JCS	JCS	JCS	JCS	UNUSED SLOT	USC	FNM *	FMH *	FML *	FAD *	FCT *	CIB	
D																														
A																														
B																														
C																														
C																														
D																														
B																														
E																														
F																														

REV. 1  
 CHANGE NO.  
 BY

DRN. <i>[Signature]</i>	11-18-63	FIRST USED ON	
CHK'D <i>[Signature]</i>	11-18-63	TITLE	<b>MODULE UTILIZATION CPU</b>
ENGR. <i>[Signature]</i>	11-18-63	SIZE CODE	D MU KA785-0-2
PROJ. ENG. <i>[Signature]</i>	11-18-63	NUMBER	1
PROJ. <i>[Signature]</i>	11-18-63	REV.	A
NEXT HIGHER ASSY.		SCALE	1 OF 1
E-UA-KC785-F		SHEET	1 OF 1
		DIST.	



THIS DRAWING AND SPECIFICATIONS, HEREIN, ARE THE PROPERTY OF DIGITAL EQUIPMENT CORPORATION AND SHALL NOT BE REPRODUCED OR COPIED IN WHOLE OR IN PART OR IN ANY MANNER FOR THE DISSEMINATION OR SALE OF THIS DRAWING WITHOUT PERMISSION OF DIGITAL EQUIPMENT CORPORATION.  
COPYRIGHT © 1983 . DIGITAL EQUIPMENT CORPORATION

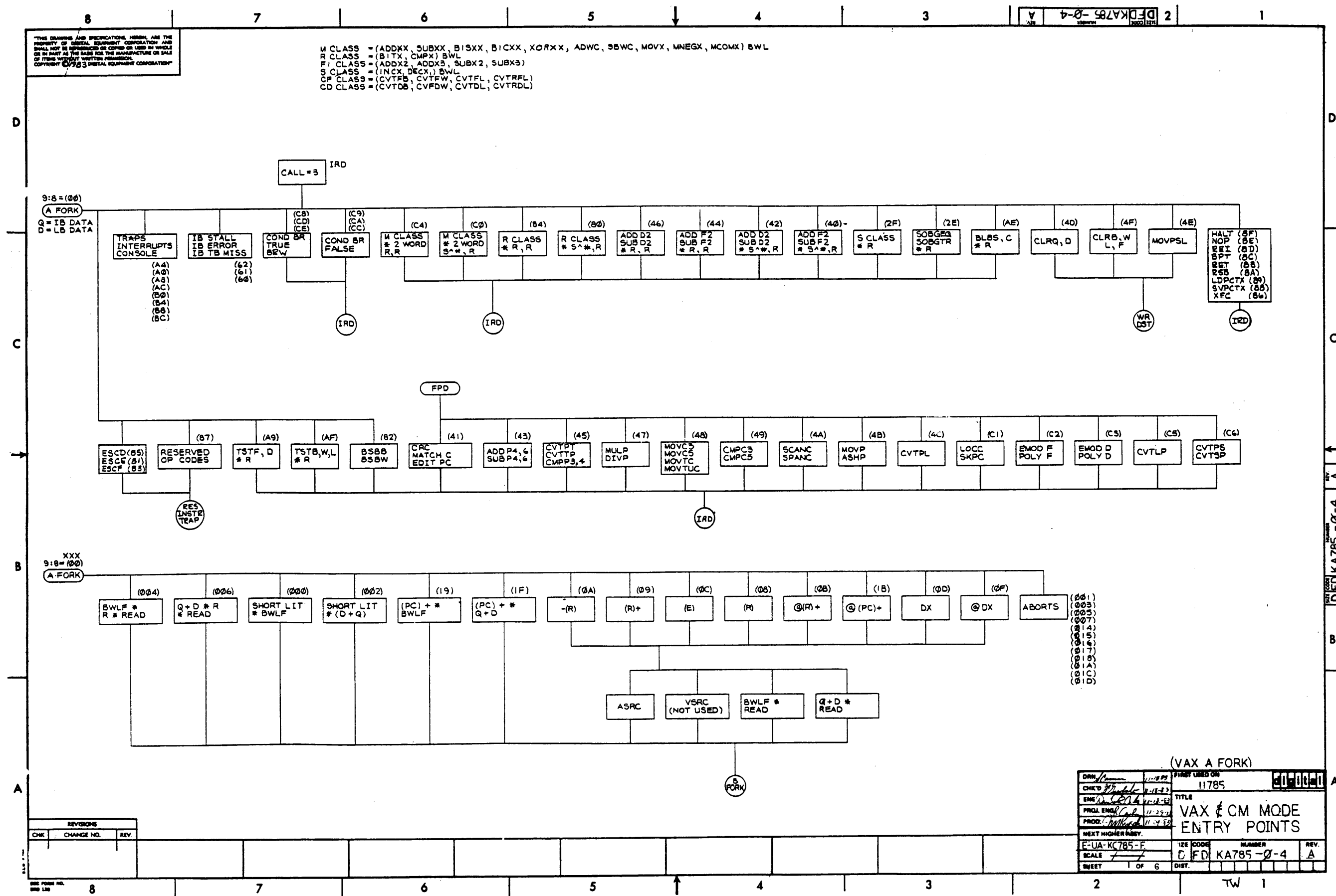


REV.	
CHG	
CHANGE NO.	
REVISIONS	

DRN.	11-1803	FIRST USED ON	11785
CHK'D	11-18-83	TITLE	CPU SYSTEM BLOCK DIAGRAM
ENGR.	11-18-83	SIZE	D
PROJ. ENGR.	11-18-83	CODE	BD
PROJ. MGR.	11-18-83	NUMBER	KA785-0-3
NEXT HIGHER ASSEMBLY		REV.	A
E-UA-KC785-F		DIST.	
SCALE			
SHEET 1	OF 1		

THIS DRAWING AND SPECIFICATIONS, HEREIN, ARE THE PROPERTY OF DIGITAL EQUIPMENT CORPORATION AND SHALL NOT BE REPRODUCED OR COPIED OR USED IN WHOLE OR IN PART AS THE BASIS FOR THE MANUFACTURE OR SALE OF ITEMS WITHOUT WRITTEN PERMISSION. COPYRIGHT © 1983 DIGITAL EQUIPMENT CORPORATION

M CLASS = (ADDXX, SUBXX, BISXX, BICXX, XORXX, ADWC, SBWC, MOVX, MNEGX, MCOMX) BWL  
 R CLASS = (BITX, CMPX) BWL  
 F CLASS = (ADDX2, ADDX3, SUBX2, SUBX3)  
 S CLASS = (INCX, DECX) BWL  
 OP CLASS = (CVTFB, CVTFW, CVTFL, CVTRFL)  
 CD CLASS = (CVTDB, CVFDW, CVTDL, CVTRDL)



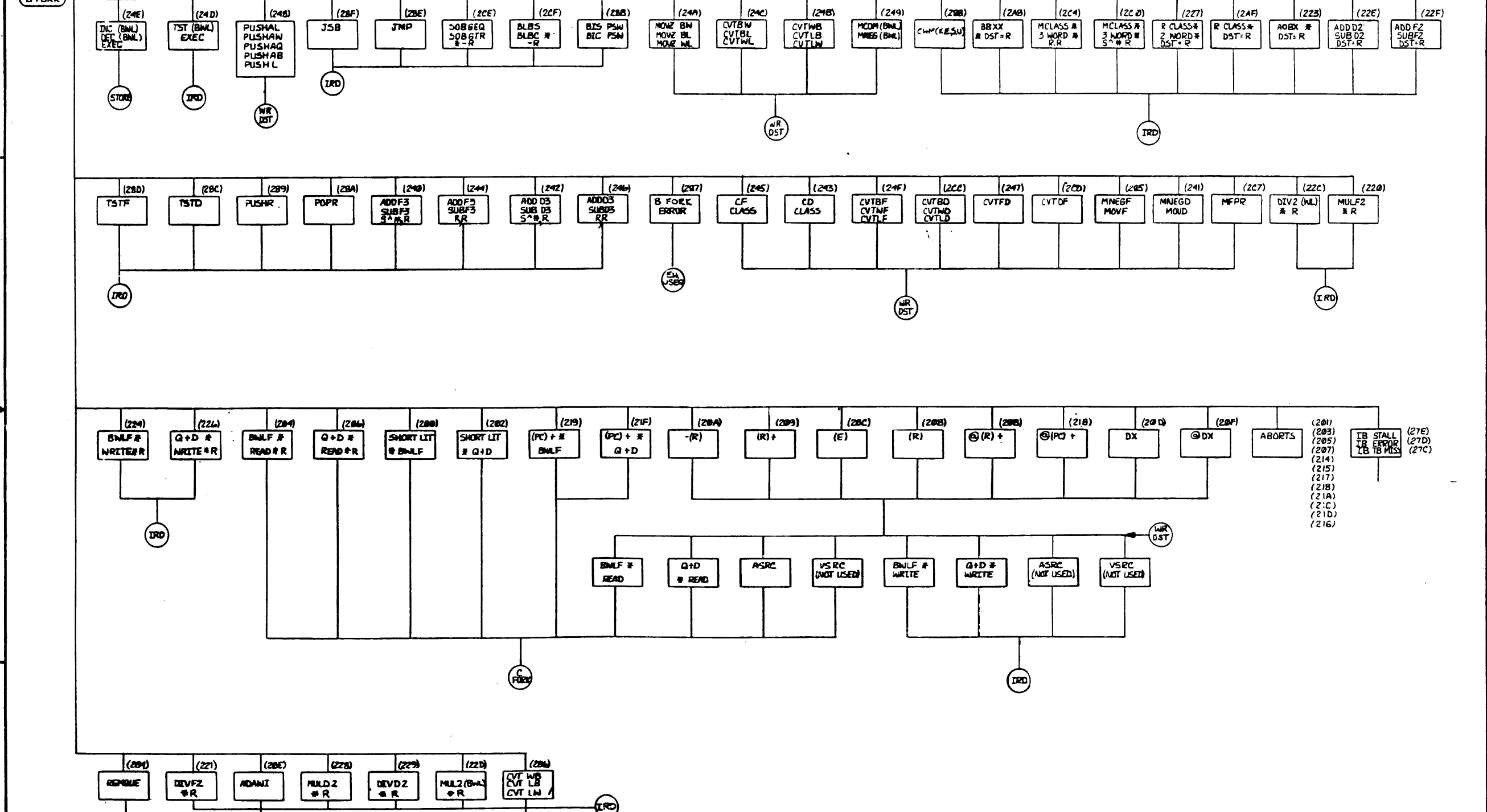
REVISIONS		
CHK	CHANGE NO.	REV.

DRN / <i>11-2-83</i>	DATE USED ON	11785
CHK'D / <i>11-18-83</i>	TITLE	VAX & CM MODE ENTRY POINTS
ENG'D / <i>11-2-83</i>	PROJ. ENGR. / <i>11-29-83</i>	

REV. A  
D E F I K A 7 8 5 - 0 - 4

THIS DRAWING AND SPECIFICATIONS HEREIN ARE THE PROPERTY OF DIGITAL EQUIPMENT CORPORATION AND SHALL NOT BE REPRODUCED OR COPIED OR USED IN WHOLE OR IN PART AS THE BASIS FOR THE MANUFACTURE OR SALE OF OTHER EQUIPMENT WITHOUT PERMISSION. COPYRIGHT © 1983 DIGITAL EQUIPMENT CORPORATION

9:8 = (10)  
B FORK

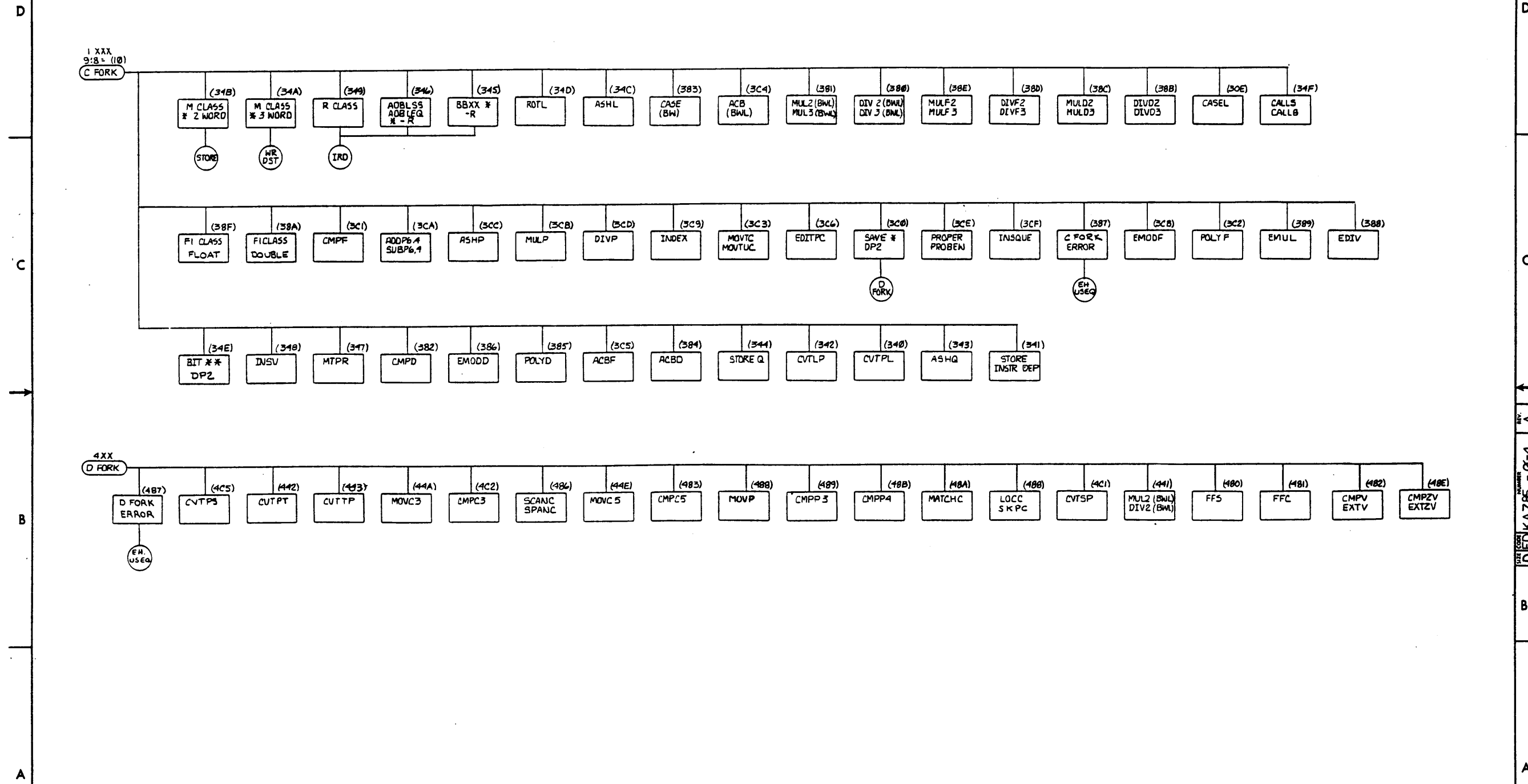


REVISIONS			TITLE		SIZE/COORD	NUMBER	REV.
CHK	CHANGE NO.	REV.	VAX CM MODE ENTRY POINTS		D FD	KA785 - 0-4	A
			SCALE	SHEET 2 OF 6	DIST.	TW 1	

REV. A  
D FD KA785-0-4

THIS DRAWING AND SPECIFICATIONS HEREIN ARE THE PROPERTY OF DIGITAL EQUIPMENT CORPORATION AND SHALL NOT BE REPRODUCED OR COPIED OR USED IN WHOLE OR IN PART AS THE BASIS FOR THE MANUFACTURE OR SALE OF ITEMS WITHOUT WRITTEN PERMISSION. COPYRIGHT © 1983 DIGITAL EQUIPMENT CORPORATION

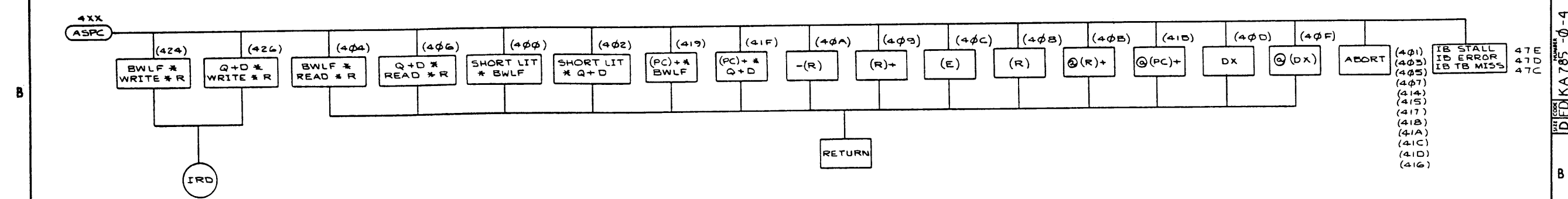
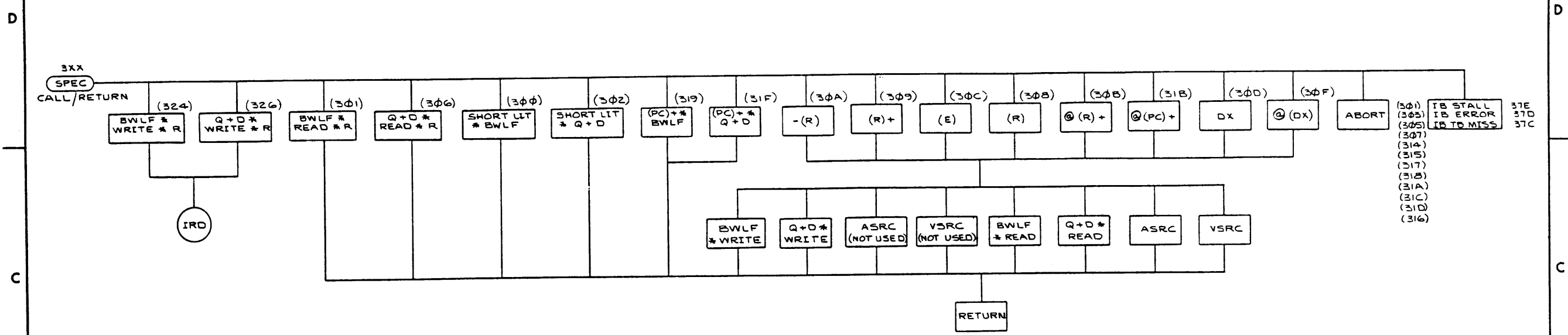
\* SAVE DP2 = CVTSP, CVTSP, CVTPT, CVTTP, MOVCS, CMPC3, SCANC, MOVCS, CMPC5, MOVV, CMPP3, CMPP4, MATCHC, LOCC, SKPC, CRC, ASHP  
 \*\* BIT DP2 = FFS, FFC, CMPV, CMPZV, EXTV, EXTZV



REVISIONS		
CHK	CHANGE NO.	REV.

TITLE		VAX CM MODE ENTRY POINTS		SIZE CODE	NUMBER	REV.
SCALE		SHEET 3 OF 6		D F D	KA785-0-4	A

"THE DRAWING AND SPECIFICATIONS HEREIN ARE THE PROPERTY OF DIGITAL EQUIPMENT CORPORATION AND SHALL NOT BE REPRODUCED OR COPIED OR USED IN WHOLE OR IN PART AS THE BASIS FOR THE MANUFACTURE OR SALE OF ITEMS WITHOUT WRITTEN PERMISSION. COPYRIGHT © 1983 DIGITAL EQUIPMENT CORPORATION"

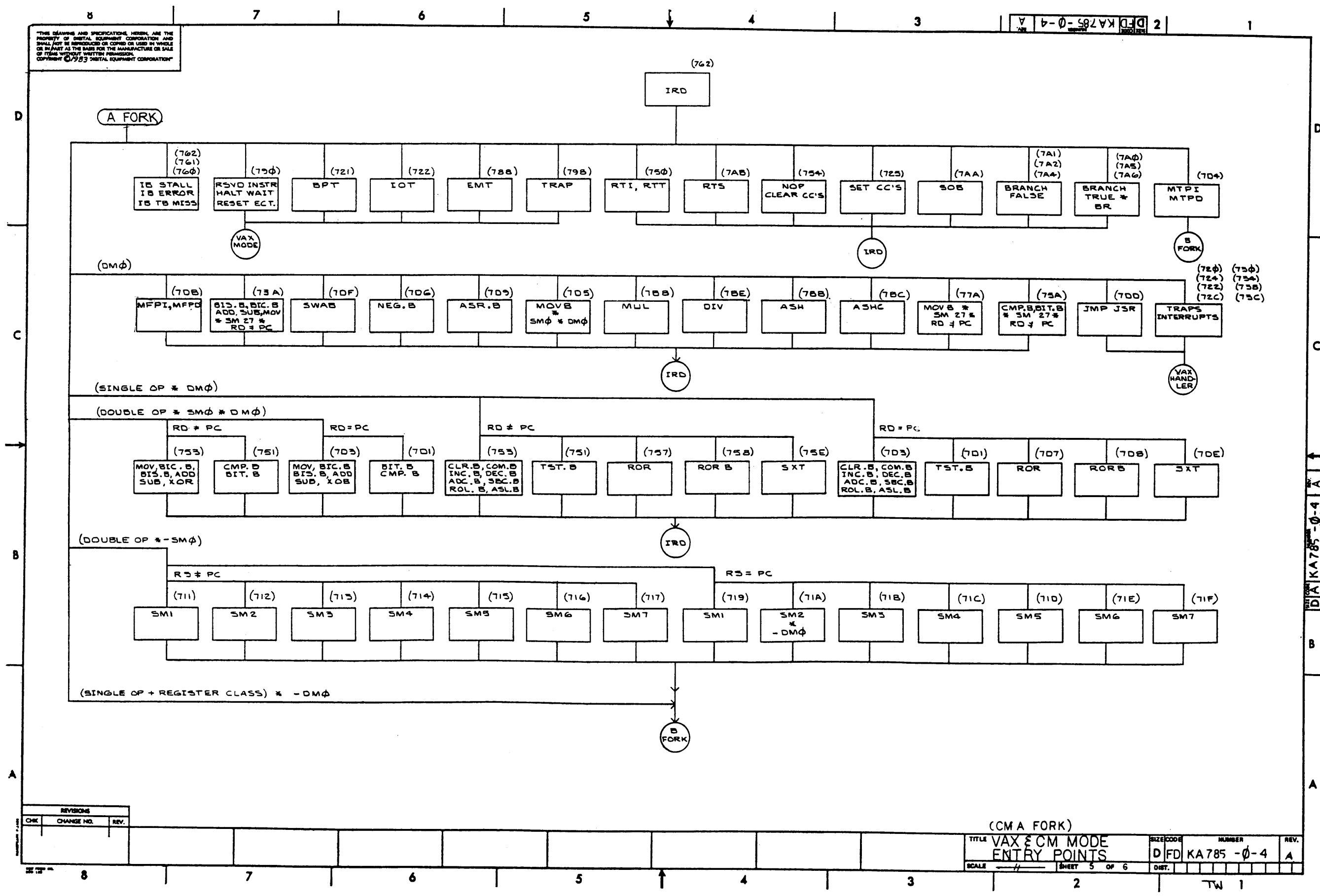


REVISIONS		
CHK	CHANGE NO.	REV.

REV. 4-78 DFD KA 785-0-4

THE DRAWING AND SPECIFICATIONS HEREIN ARE THE PROPERTY OF DIGITAL EQUIPMENT CORPORATION AND SHALL NOT BE REPRODUCED OR COPIED OR USED IN WHOLE OR IN PART AS THE BASIS FOR THE MANUFACTURE OR SALE OF ITEMS WITHOUT WRITTEN PERMISSION.  
COPYRIGHT © 1975 DIGITAL EQUIPMENT CORPORATION

D F D KA 785 - 0 - 4 2

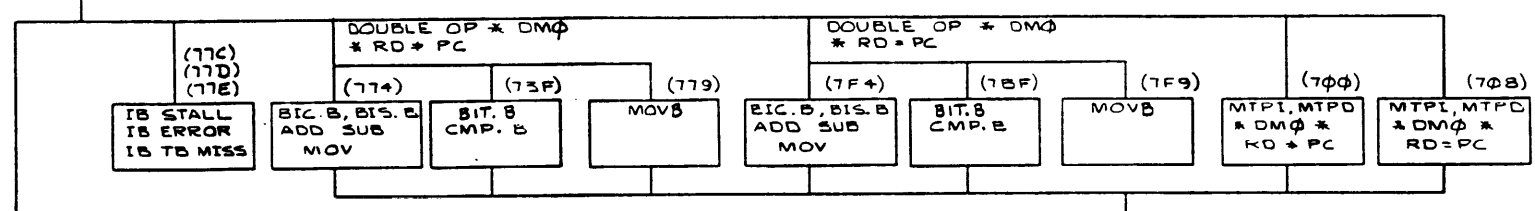


REVISIONS		
CHK	CHANGE NO.	REV.

(CCM A FORK)  
 TITLE VAX & CM MODE ENTRY POINTS  
 SIZE CODE D NUMBER FD KA 785 - 0 - 4 REV. A  
 SCALE // SHEET 5 OF 6 DIST.

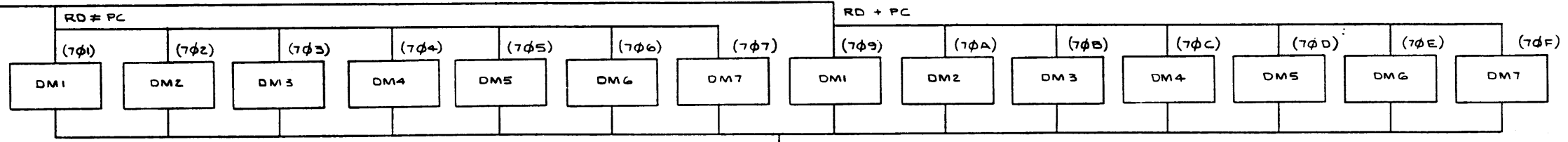
THIS DRAWING AND SPECIFICATIONS, HEREIN, ARE THE PROPERTY OF DIGITAL EQUIPMENT CORPORATION AND SHALL NOT BE REPRODUCED OR COPIED OR USED IN WHOLE OR IN PART AS THE BASIS FOR THE MANUFACTURE OR SALE OF ITEMS WITHOUT WRITTEN PERMISSION. COPYRIGHT © 1983 DIGITAL EQUIPMENT CORPORATION

B FORK



IRD

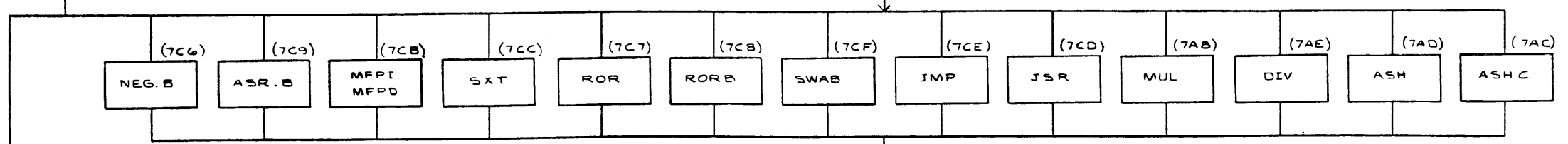
(DOUBLE OP + SINGLE OP + REGISTER CLASS) \* -DMφ



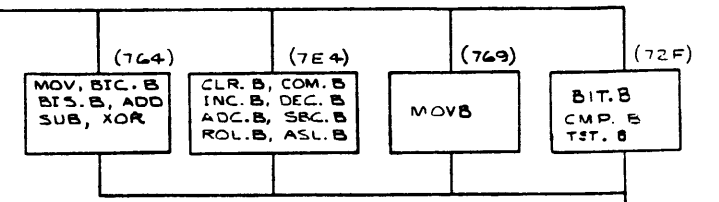
(MOV + MTP1, MTPD)

IRD

C FORK



IRU

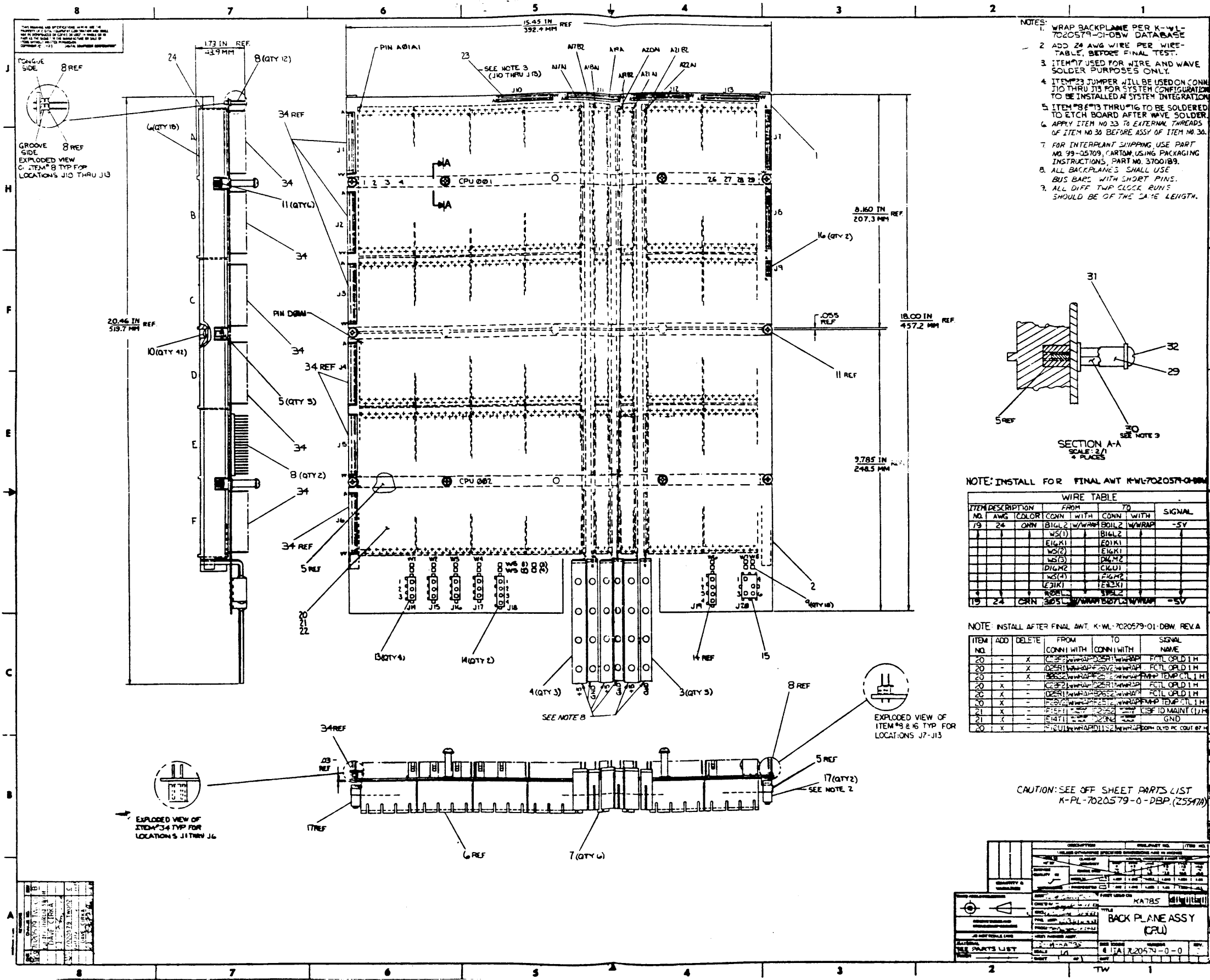


IRD

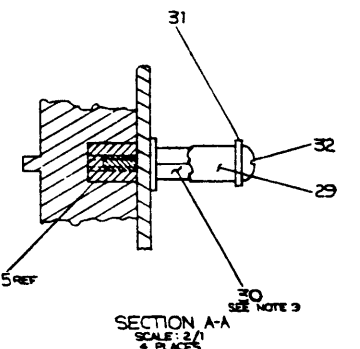
REVISIONS		
CHK	CHANGE NO.	REV.

(CM B FORK & C FORK)

TITLE	VAX & CM MODE ENTRY POINTS	SIZE CODE	D FD	NUMBER	KA785-0-4	REV.	A
SCALE	---	SHEET	6	OF	6	DIST.	



- NOTES:
1. WRAP BACKPLANE PER K-WL-7020579-01-DBW DATABASE
  2. ADD 24 AWG WIRE PER WIRE TABLE, BEFORE FINAL TEST.
  3. ITEM# USED FOR WIRE AND WAVE SOLDER PURPOSES ONLY.
  4. ITEM# JUMPER WILL BE USED ON CONN J10 THRU J15 FOR SYSTEM CONFIGURATION TO BE INSTALLED AT SYSTEM INTEGRATION
  5. ITEM# 8, 9, 13 THRU 16 TO BE SOLDERED TO ETCH BOARD AFTER WAVE SOLDER.
  6. APPLY ITEM NO 33 TO EXTERNAL THREADS OF ITEM NO 30 BEFORE ASSY OF ITEM NO 30.
  7. FOR INTERPLANT SHIPPING USE PART NO. 99-05709, CARTON USING PACKAGING INSTRUCTIONS, PART NO. 3700189.
  8. ALL BACKPLANES SHALL USE BUS BARS WITH SHORT PINS.
  9. ALL DIFF TWP CLOCK RUNS SHOULD BE OF THE SAME LENGTH.



NOTE: INSTALL FOR FINAL AWT K-WL-7020579-01-DBW

WIRE TABLE						
ITEM NO.	AWG	COLOR	FROM CONN WITH	TO CONN WITH	SIGNAL	
19	24	CRN	B1G12 W/WRAP	B1G12 W/WRAP	-5V	
			WS(1)	B1G12		
			E1G11	E1G11		
			WS(2)	E1G11		
			WS(3)	D1G11		
			D1G12	C1G11		
			WS(4)	WS(4)		
			E2G11	E2G11		
			B1G11	B1G12		
19	24	CRN	B2G12 W/WRAP	B2G12 W/WRAP	-5V	

NOTE: INSTALL AFTER FINAL AWT K-WL-7020579-01-DBW REV A

ITEM NO.	ADD	DELETE	FROM CONN WITH	TO CONN WITH	SIGNAL NAME
20	-	X	C1G11 W/WRAP	B1G12 W/WRAP	FCIL OPD 1 H
20	-	X	D1G11 W/WRAP	B1G12 W/WRAP	FCIL OPD 1 H
20	-	X	B1G12 W/WRAP	B1G12 W/WRAP	FVHP TEMP CIL 1 H
20	X	-	C1G11 W/WRAP	B1G12 W/WRAP	FCIL OPD 1 H
20	X	-	D1G11 W/WRAP	B1G12 W/WRAP	FCIL OPD 1 H
20	X	-	B1G12 W/WRAP	B1G12 W/WRAP	FVHP TEMP CIL 1 H
21	X	-	F1G11 W/WRAP	B1G12 W/WRAP	CBF ID MAINT (J1)
21	X	-	E1G11 W/WRAP	B1G12 W/WRAP	GND
20	X	-	B1G12 W/WRAP	B1G12 W/WRAP	FCIL OPD PC CONT 1 H

CAUTION: SEE OFF SHEET PARTS LIST K-PL-7020579-0-DBP (25547)

REVISIONS

NO.	DESCRIPTION	DATE	BY	CHKD
1	ISSUED FOR FAB	11/14/79	...	...
2	...	...	...	...

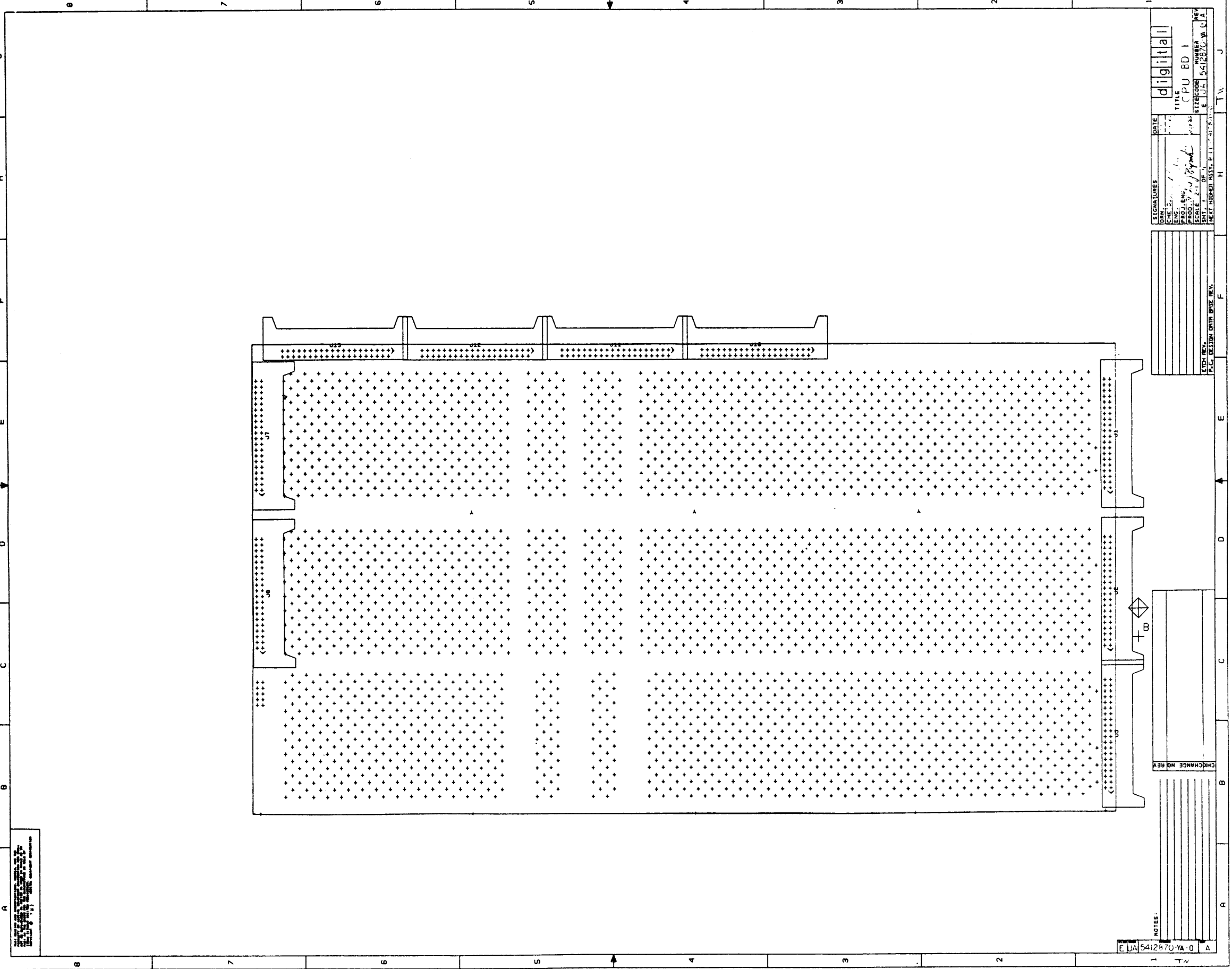
BACK PLANE ASSY (CPU)

PARTS LIST

ITEM NO.	DESCRIPTION	QTY	UNIT
1	...	1	...
2	...	1	...

ITEM NO.	DESCRIPTION	QTY	UNIT
1	...	1	...
2	...	1	...





A B C D E F H J  
 8 7 6 5 4 3 2 1

A  
 1  
 2  
 3  
 4  
 5  
 6  
 7  
 8

1  
 EJA 5412870-0 A  
 T/W

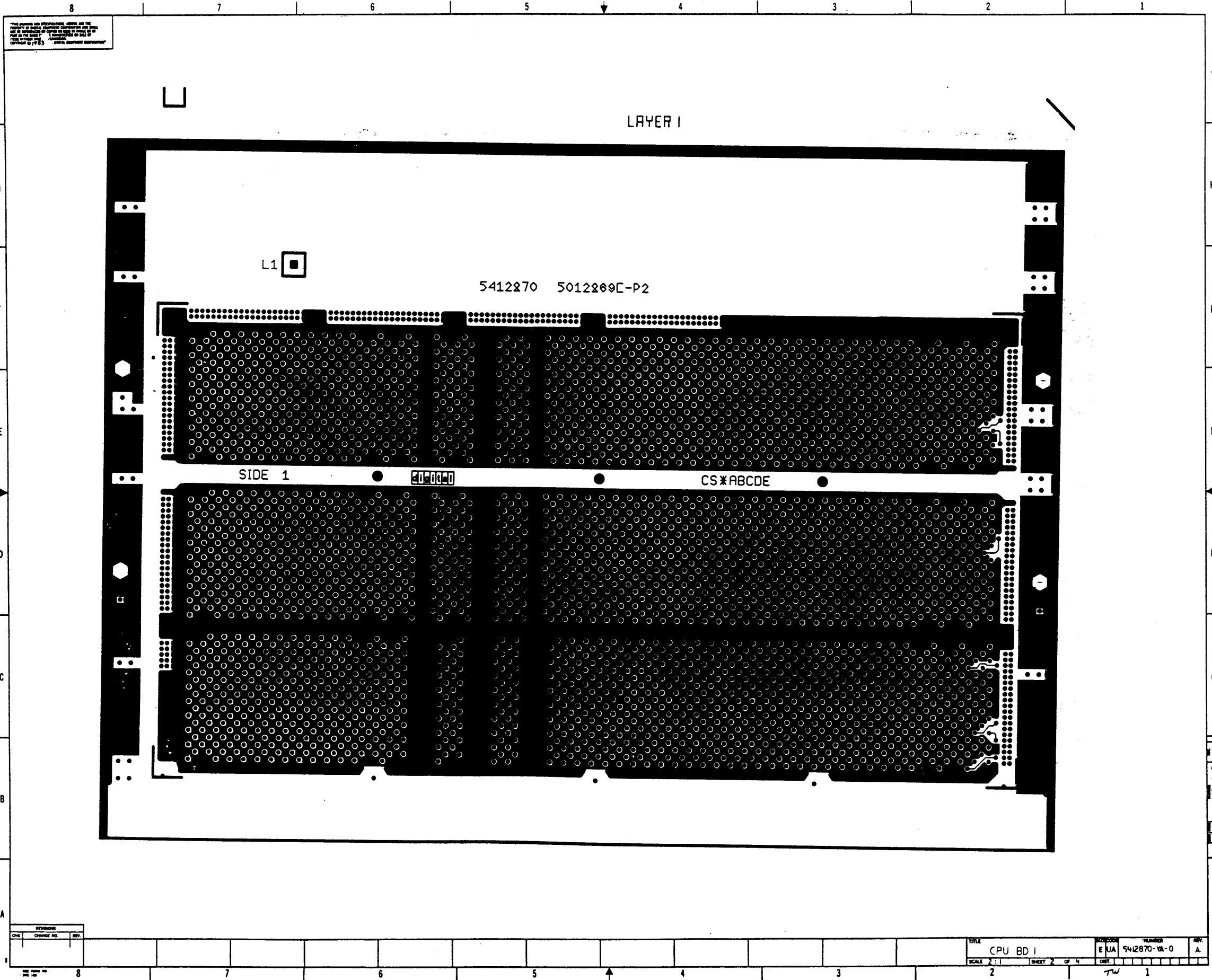
NOTES:  
 1  
 2  
 3  
 4

CHANGE NO. REV.

DATE	REV.

P.C.L. DESIGN DATA REV.

SIGNATURES	DATE	digital
CHK'D		
ENCL.		
PROJ. ENR.		
PROJ. NO.		
SHEET 1 OF 1		
NEXT SUBMIT DATE	REV. 1	
TITLE	CPU RD 1	T/W
STAGE	NUMBER	
	5412870-0A	



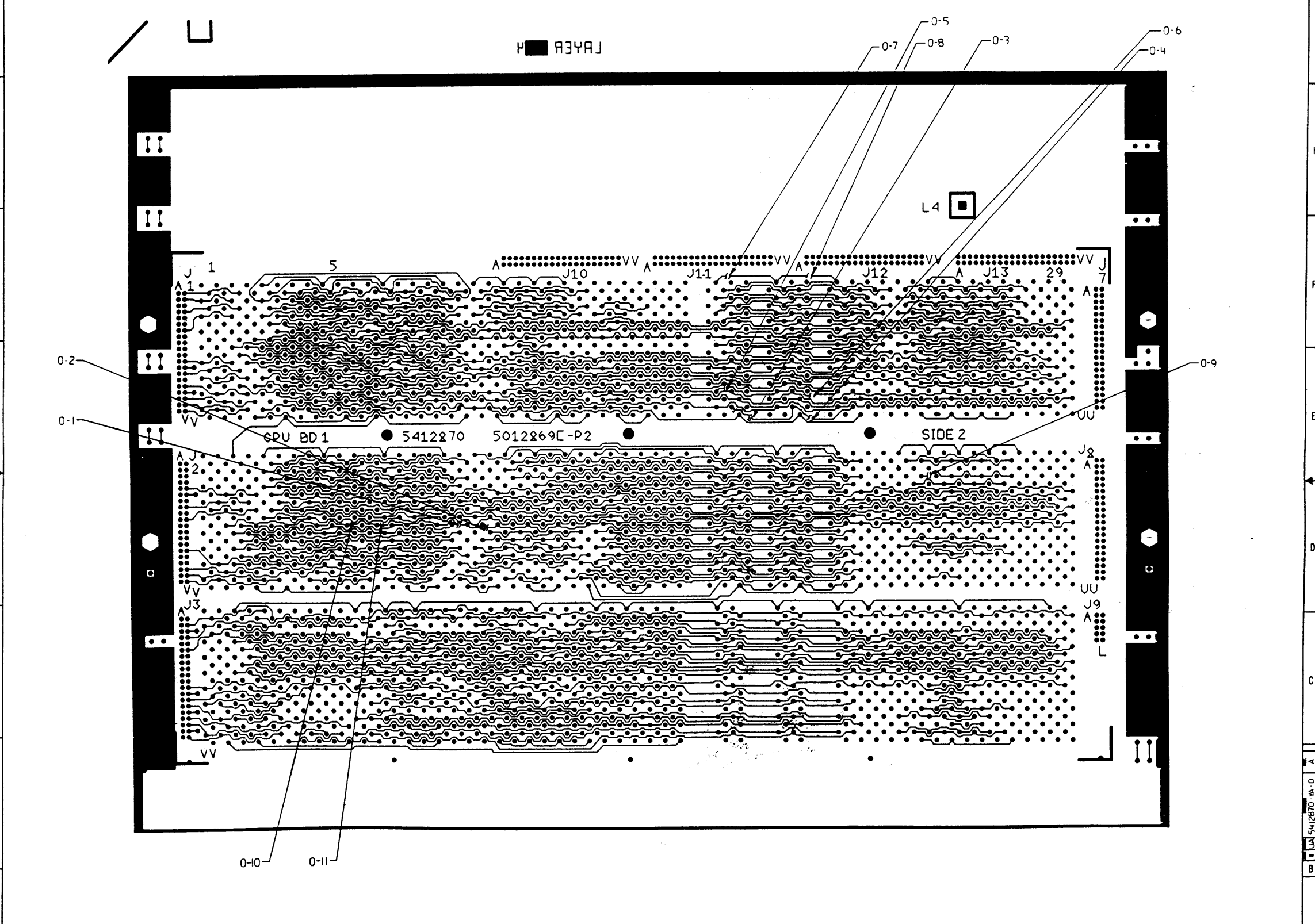
THIS DRAWING AND ASSOCIATED DATA ARE THE PROPERTY OF BELL TELEPHONE CORPORATION AND SHALL NOT BE REPRODUCED OR TRANSMITTED IN ANY FORM OR BY ANY MEANS, ELECTRONIC OR MECHANICAL, INCLUDING PHOTOCOPYING, RECORDING, OR BY ANY INFORMATION STORAGE AND RETRIEVAL SYSTEM.

REVISIONS		
CHG.	CHANGE NO.	REV.

TITLE	NO. CODE	NUMBER	REV.
CPU BD 1	EUA	5412870-YA-0	A
SCALE 2:1	SHEET 2 OF 4	DATE	

EUA 5412870-YA-0 A

8 7 6 5 4 3 2 1

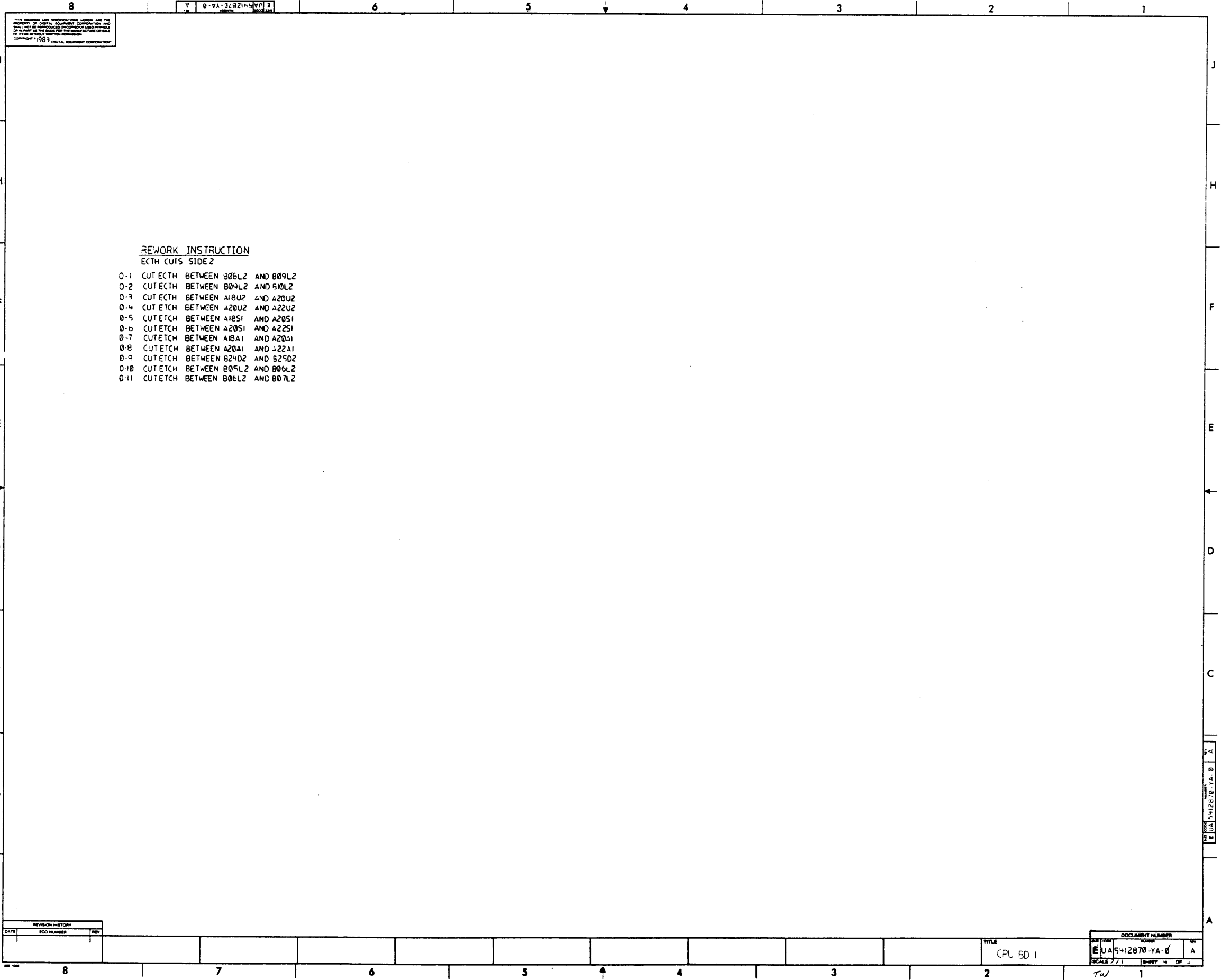


THIS DRAWING AND PHOTOGRAPHIC REPRODUCTION THEREOF ARE THE PROPERTY OF THE UNITED STATES GOVERNMENT. IT IS TO BE REPRODUCED AS CLOSELY AS POSSIBLE TO THE ORIGINAL AND IS NOT TO BE REPRODUCED IN ANY MANNER WITHOUT THE WRITTEN PERMISSION OF THE UNITED STATES GOVERNMENT.

REV.	DATE	BY	CHKD.

TITLE	CPU BD 1	DESIGNER	EUA	NUMBER	5412870-VA-0	REV.	A
SCALE	2:1	SHEET	3	OF	4	CHKD.	

8 7 6 5 4 3 2 1



THE INFORMATION AND SPECIFICATIONS HEREIN ARE THE PROPERTY OF DIGITAL EQUIPMENT CORPORATION AND SHALL NOT BE REPRODUCED OR COPIED IN WHOLE OR IN PART AS THE BASIS FOR THE MANUFACTURE OR SALE OF OTHER EQUIPMENT WITHOUT PERMISSION OF DIGITAL EQUIPMENT CORPORATION  
COPYRIGHT © 1983 DIGITAL EQUIPMENT CORPORATION

REWORK INSTRUCTION  
ETCH CUTS SIDE 2

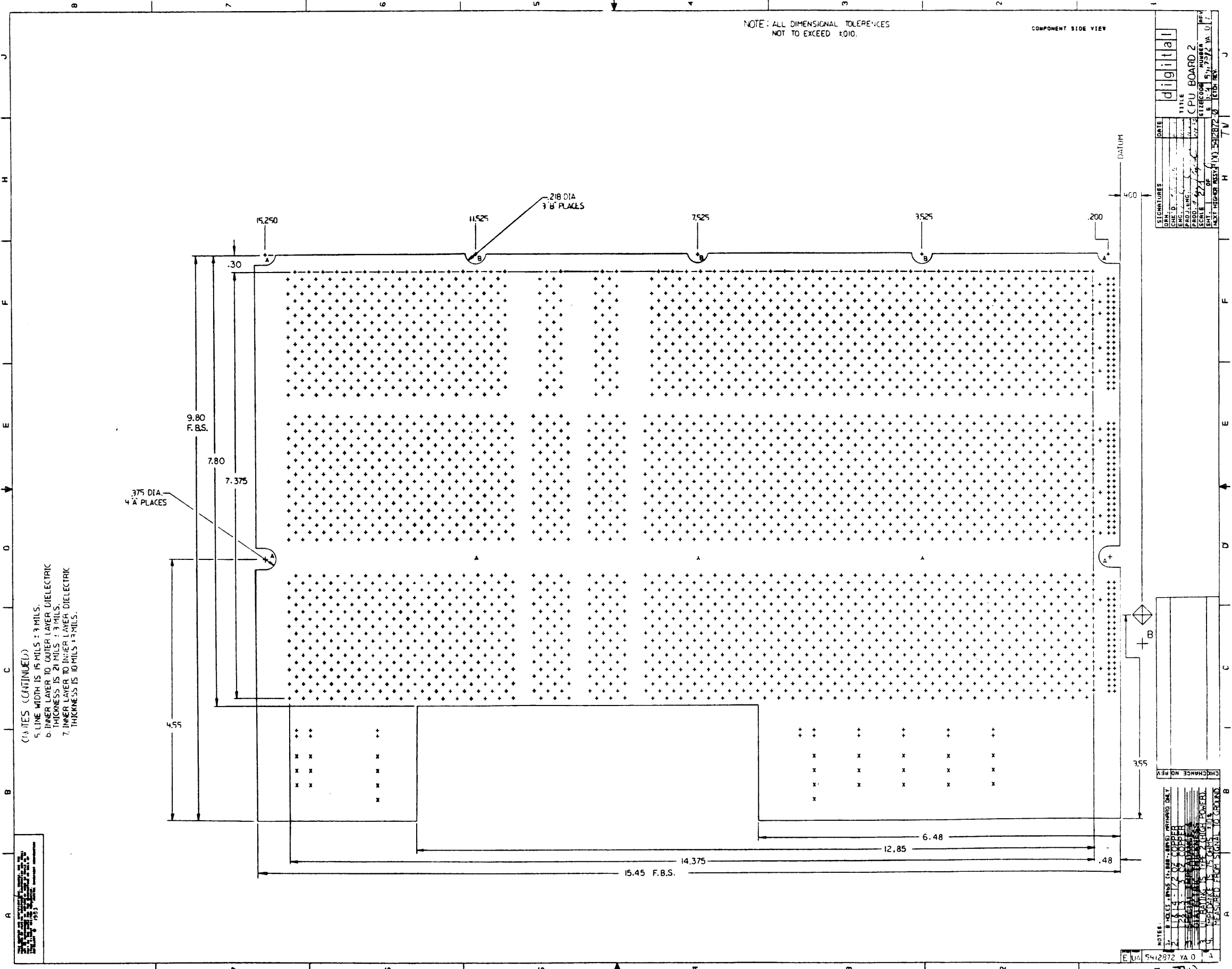
- 0-1 CUT ETCH BETWEEN B06L2 AND B09L2
- 0-2 CUT ETCH BETWEEN B04L2 AND B10L2
- 0-3 CUT ETCH BETWEEN A18U2 AND A20U2
- 0-4 CUT ETCH BETWEEN A20U2 AND A22U2
- 0-5 CUT ETCH BETWEEN A18S1 AND A20S1
- 0-6 CUT ETCH BETWEEN A20S1 AND A22S1
- 0-7 CUT ETCH BETWEEN A18A1 AND A20A1
- 0-8 CUT ETCH BETWEEN A20A1 AND A22A1
- 0-9 CUT ETCH BETWEEN B24D2 AND B25D2
- 0-10 CUT ETCH BETWEEN B06L2 AND B06L2
- 0-11 CUT ETCH BETWEEN B06L2 AND B07L2

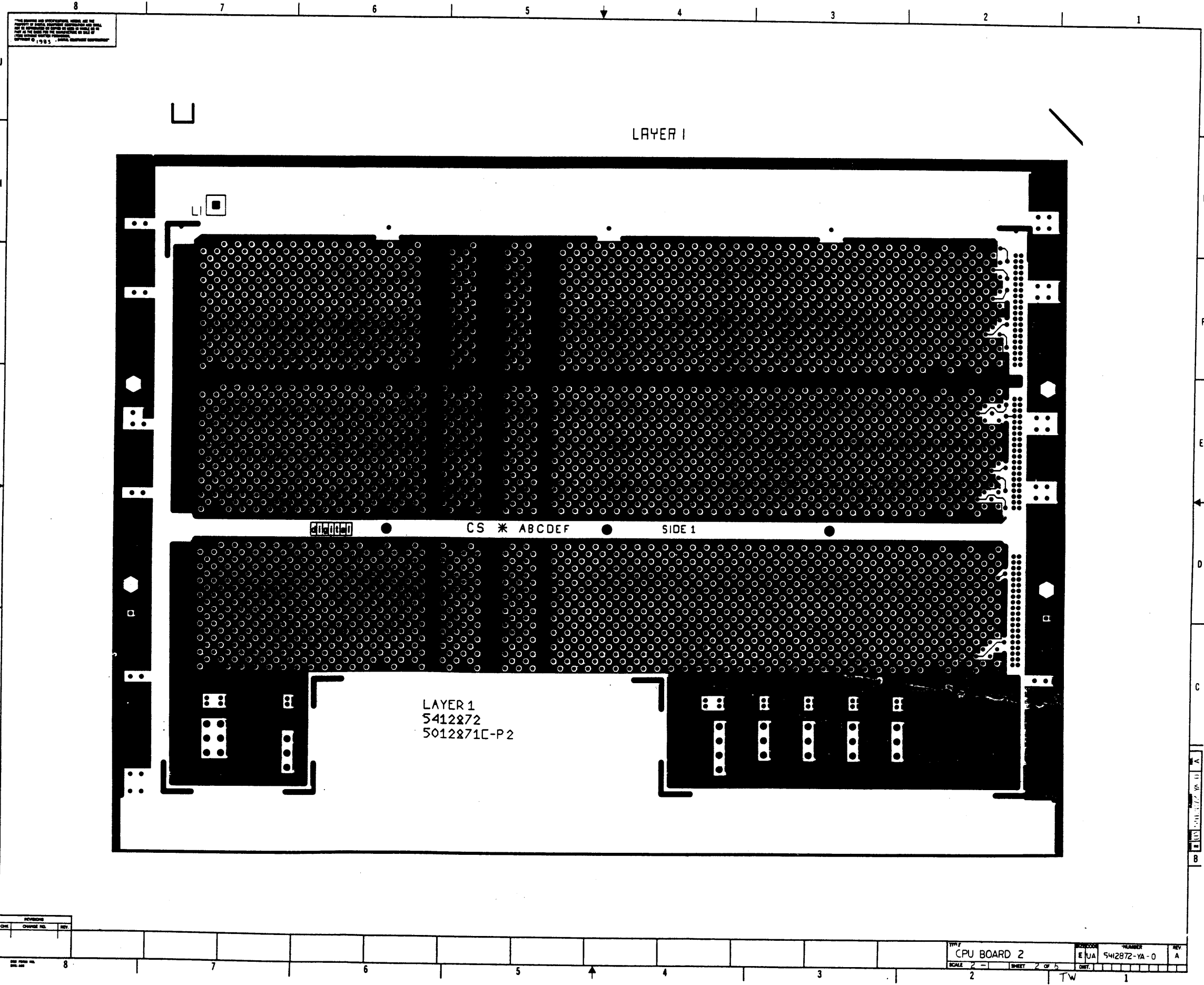
REVISION HISTORY		
DATE	ECO NUMBER	REV

TITLE  
CPU BD 1

DOCUMENT NUMBER	
FORM	SIZE
EUA5412878-YA-6	A
SCALE 2/1	SHEET 4 OF 1

Tud

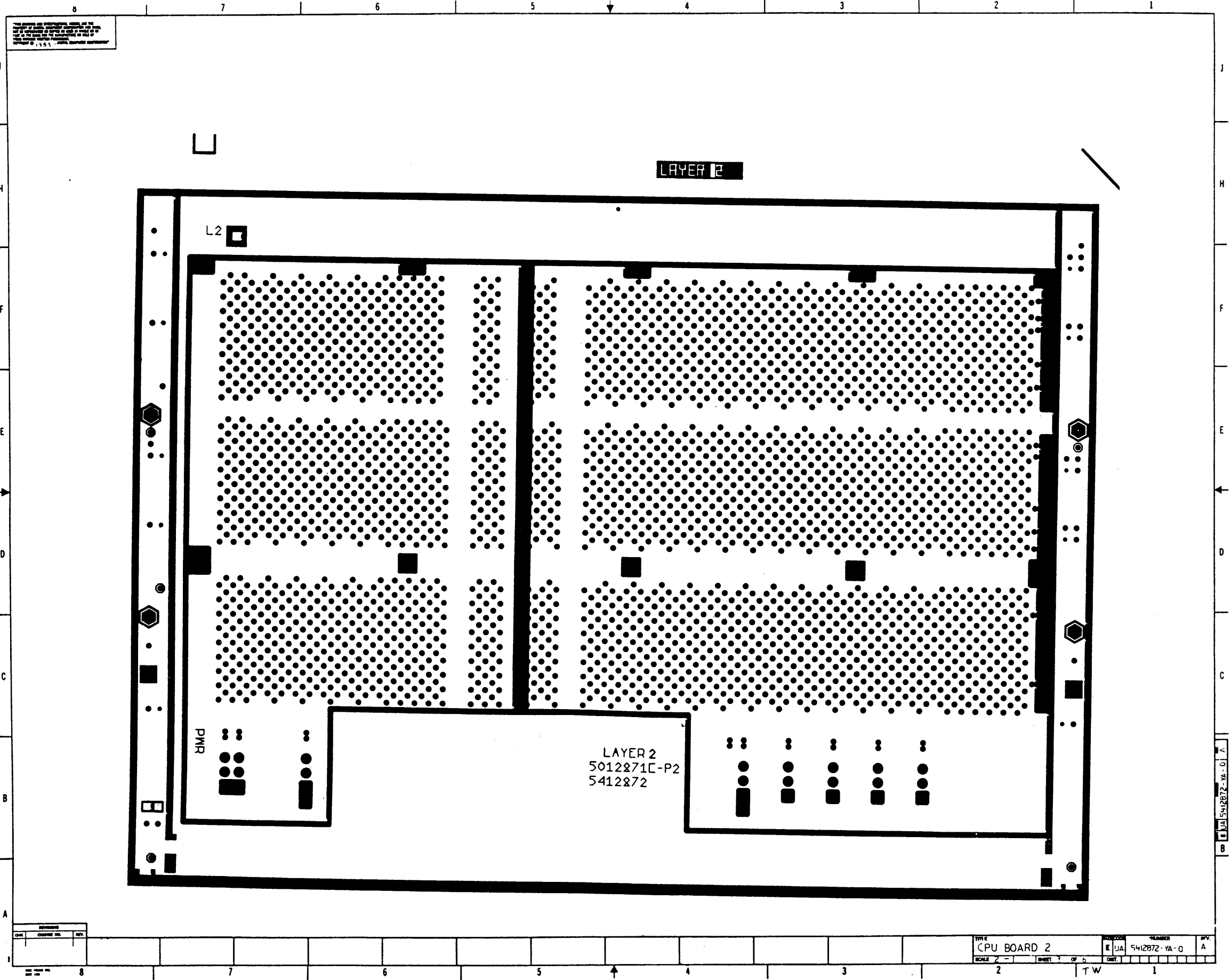




THIS DRAWING AND SPECIFICATIONS HEREOF ARE THE PROPERTY OF BUSH, BUSHNELL, BUSHNELL AND BUSH, INC. AND WILL BE FURNISHED TO YOU ON A NON-EXCLUSIVE BASIS. IT IS TO BE USED ONLY FOR THE PURPOSES SPECIFIED HEREIN. © 1985 BUSH, BUSHNELL, BUSHNELL AND BUSH, INC.

REVISIONS		
DATE	CHANGE NO.	REV.

TITLE	CPU BOARD 2	DESIGNER	EUA	NUMBER	5412872-YA-0	REV.	A
SCALE	2 -	SHEET	2 of 5	DATE			



THIS BOARD AND COMPONENTS ARE THE PROPERTY OF THE UNITED STATES GOVERNMENT AND ARE TO BE REPRODUCED AND TRANSMITTED IN ANY FORM OR BY ANY MEANS, ELECTRONIC OR MECHANICAL, INCLUDING PHOTOCOPYING, RECORDING, OR BY ANY INFORMATION STORAGE AND RETRIEVAL SYSTEM, WITHOUT PERMISSION IN WRITING FROM THE DIRECTOR, ARPA.

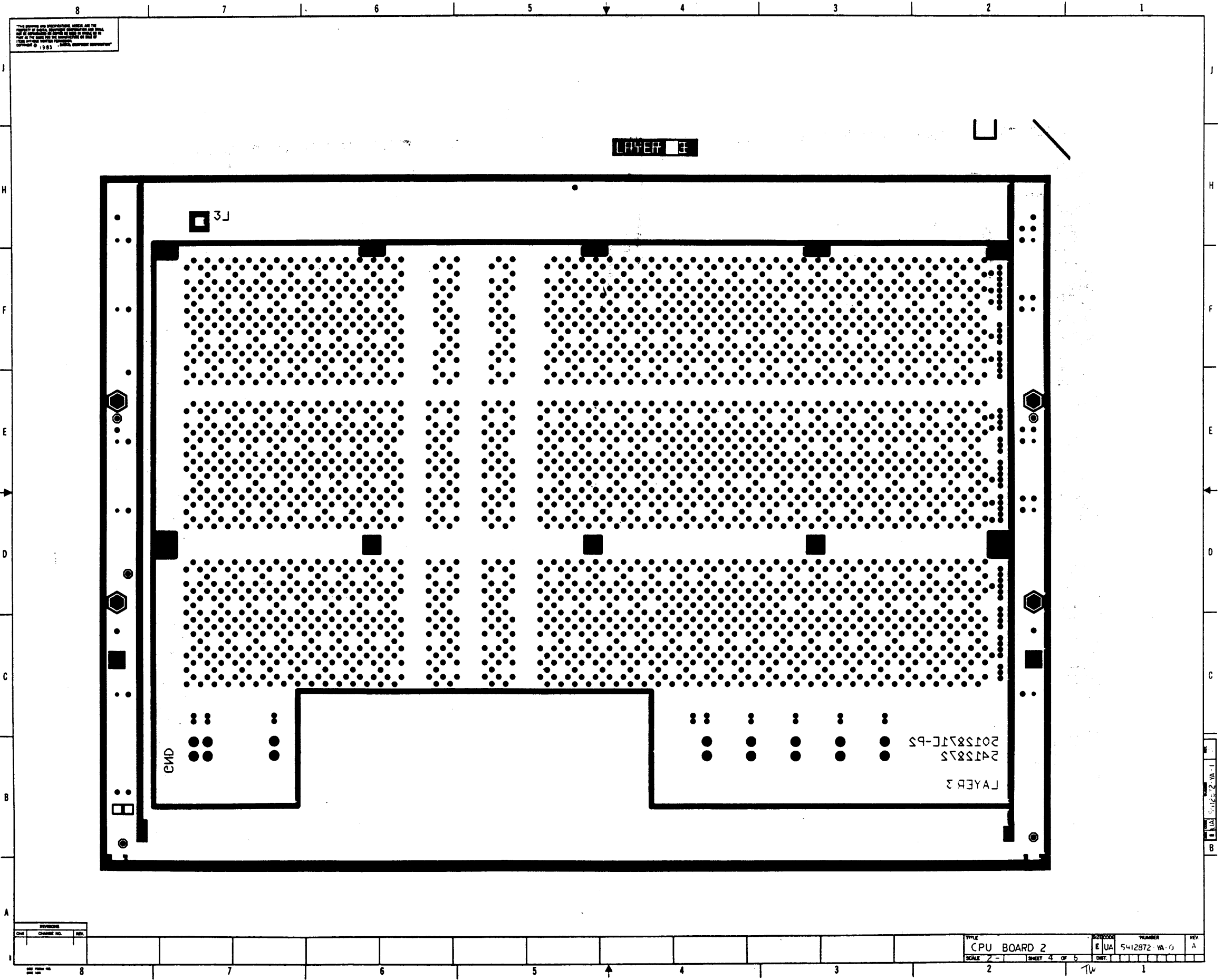
LAYER 2

L2

PMR

LAYER 2  
 5012871C-P2  
 5412872

5412872-YA-0-A



THIS DRAWING AND SPECIFICATIONS HEREOF ARE THE PROPERTY OF THE UNITED STATES GOVERNMENT AND ARE NOT TO BE REPRODUCED OR TRANSMITTED IN ANY FORM OR BY ANY MEANS, ELECTRONIC OR MECHANICAL, INCLUDING PHOTOCOPYING, RECORDING, OR BY ANY INFORMATION STORAGE AND RETRIEVAL SYSTEM, WITHOUT PERMISSION IN WRITING FROM THE UNITED STATES GOVERNMENT.

LAYER 3

3J

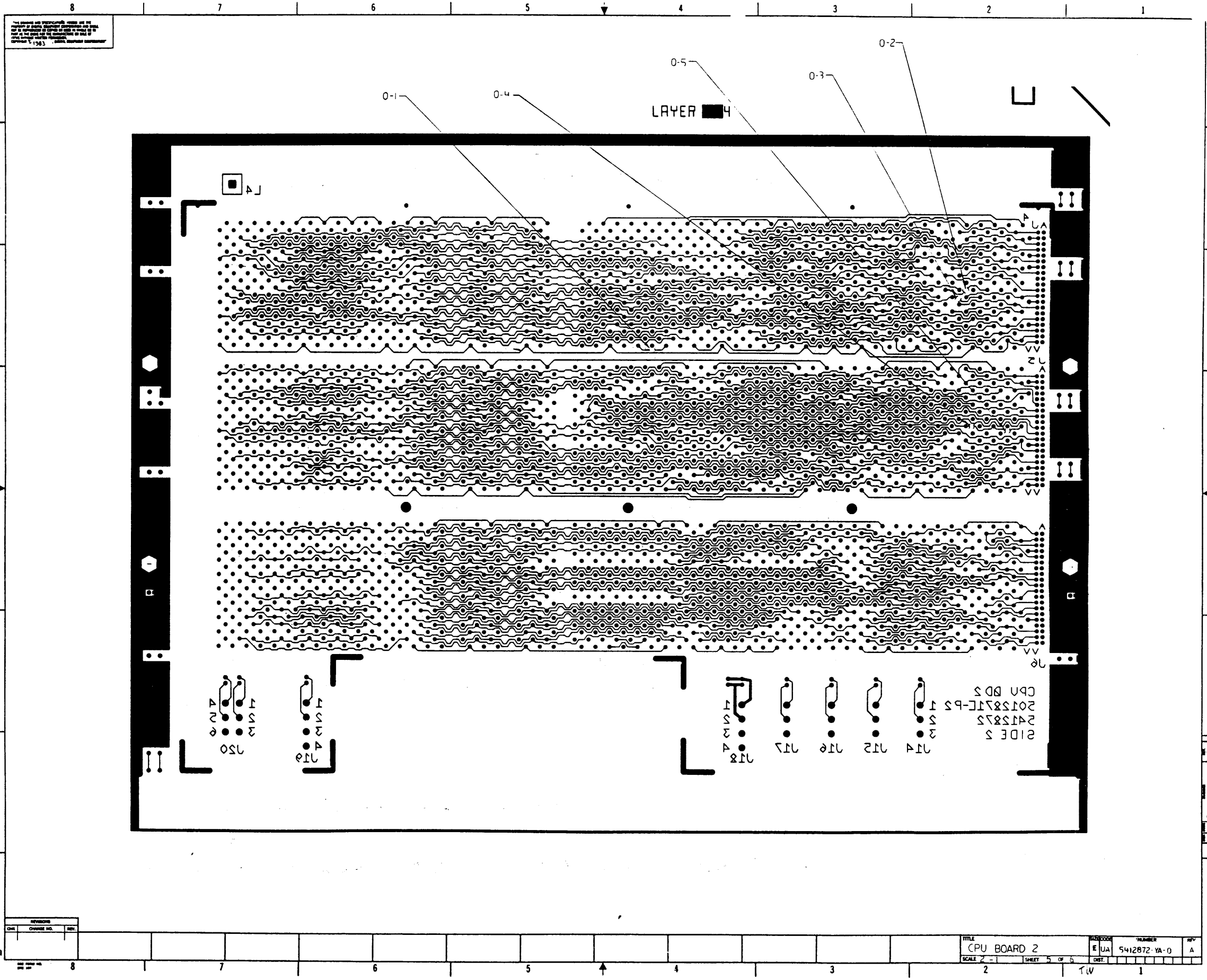
END

LAYER 3  
2415825  
2015821C-P5

REVISIONS		
NO.	DATE	DESCRIPTION

TITLE	NO. CODE	NUMBER	REV.
CPU BOARD 2	EUA	5412972-VA-0	A
SCALE 2 -	SHEET 4 OF 5	DRY.	

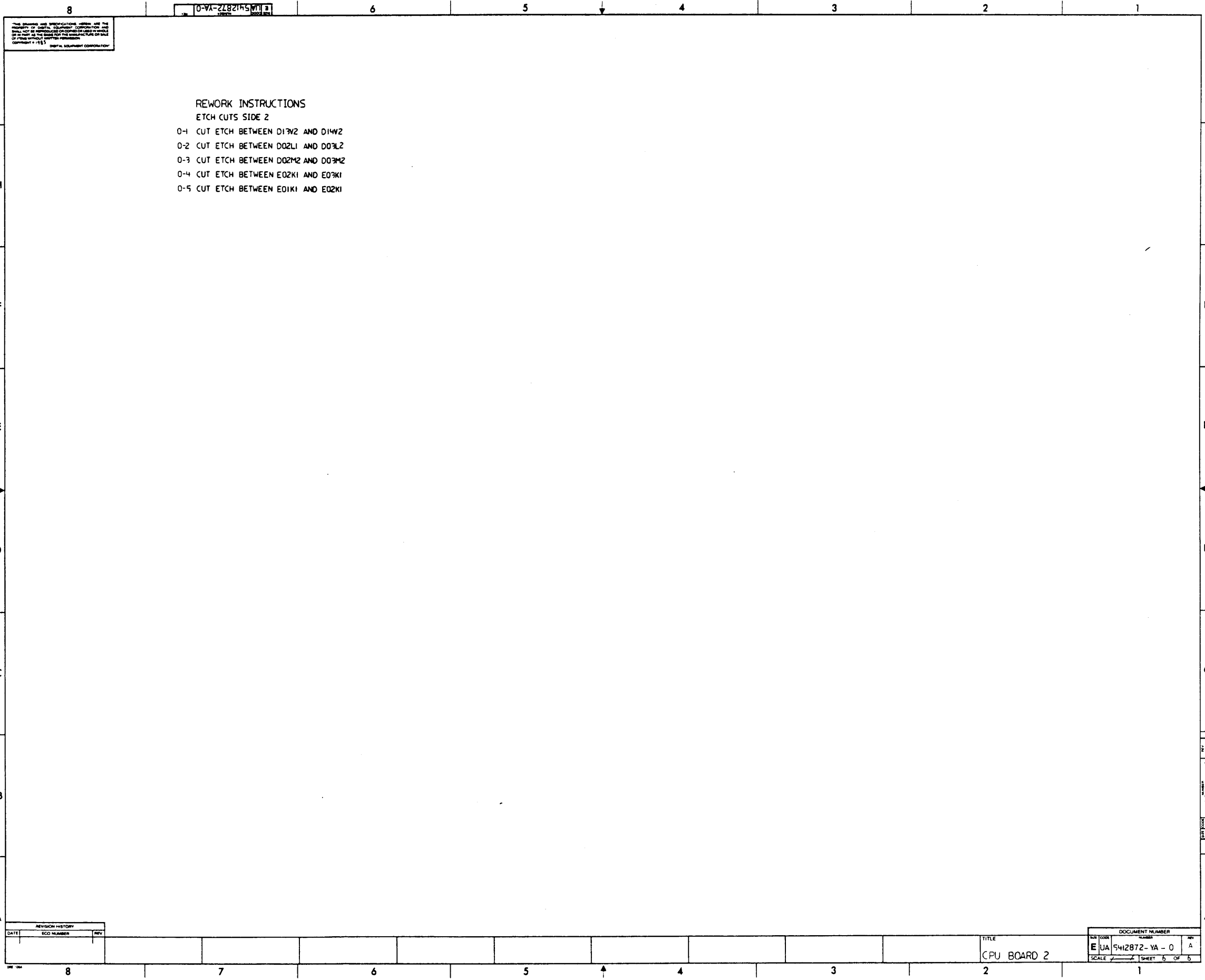




THE DRAWING AND DIMENSIONS ARE TO BE USED AS A GUIDE ONLY. DIMENSIONS SHALL BE TO THE CENTER OF THE HOLE UNLESS OTHERWISE SPECIFIED. DATE: 11/19/83. DRAWN: [unreadable]

REVISIONS		
CHK	CHANGE NO.	REV.

TITLE		NUMBER	
CPU BOARD 2		EUA 5412872-YA-0	
SCALE 2=1	SHEET 5 OF 5	DIST.	



THE DIMENSIONS AND SPECIFICATIONS SHOWN ARE THE PROPERTY OF DIGITAL EQUIPMENT CORPORATION AND SHALL NOT BE REPRODUCED OR COPIED OR USED IN WHOLE OR IN PART AS THE BASIS FOR THE MANUFACTURE OR SALE OF THIS PRODUCT WITHOUT THE WRITTEN CONSENT OF DIGITAL EQUIPMENT CORPORATION.

0-VA-22872-YA-0

REWORK INSTRUCTIONS  
 ETCH CUTS SIDE 2  
 0-1 CUT ETCH BETWEEN D13W2 AND D14W2  
 0-2 CUT ETCH BETWEEN D02L1 AND D03L2  
 0-3 CUT ETCH BETWEEN D02M2 AND D03M2  
 0-4 CUT ETCH BETWEEN E02K1 AND E03K1  
 0-5 CUT ETCH BETWEEN E01K1 AND E02K1

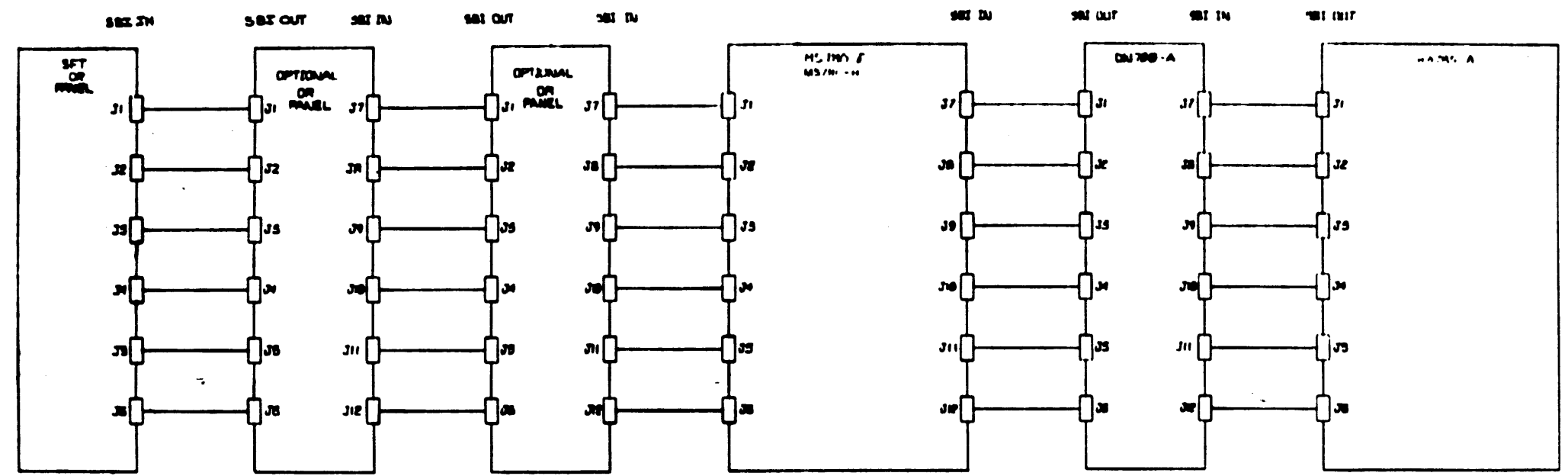
REVISION HISTORY		
DATE	ECO NUMBER	REV

TITLE		DOCUMENT NUMBER	
CPU BOARD 2		EUA 5412872-YA-0 A	
SCALE		SHEET 5 OF 5	

SECRET

DIC 11785-A-3 2

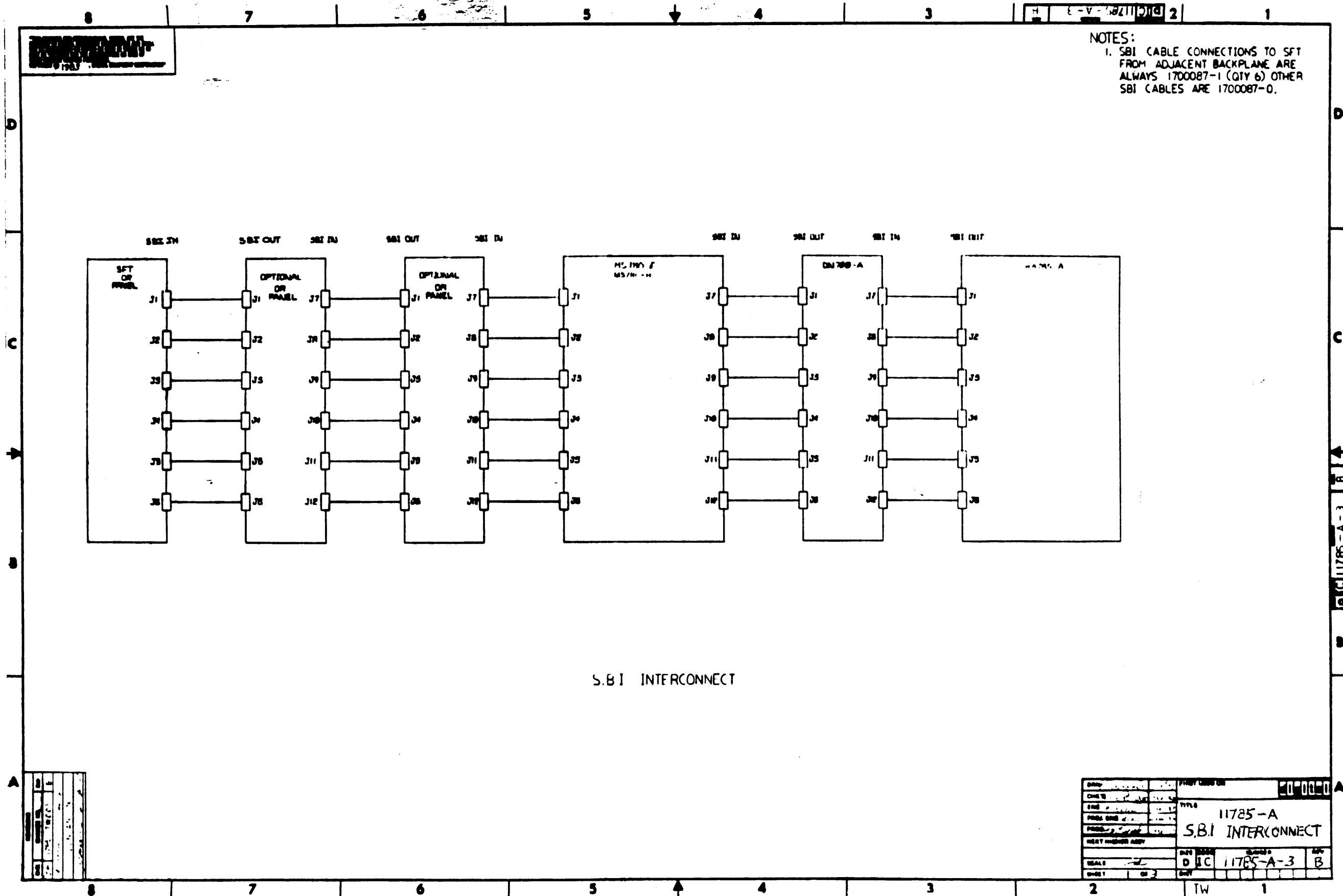
NOTES:  
 1. SBI CABLE CONNECTIONS TO SFT FROM ADJACENT BACKPLANE ARE ALWAYS 1700087-1 (QTY 6) OTHER SBI CABLES ARE 1700087-0.



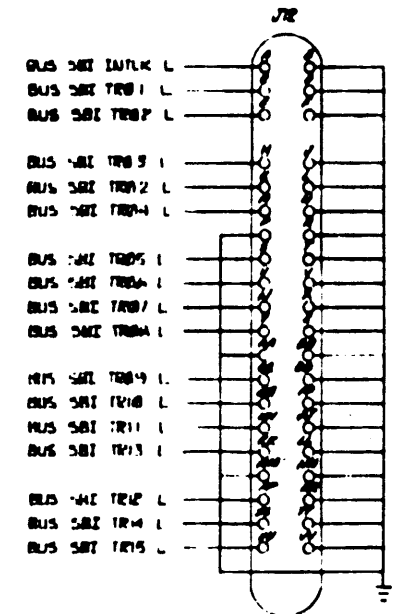
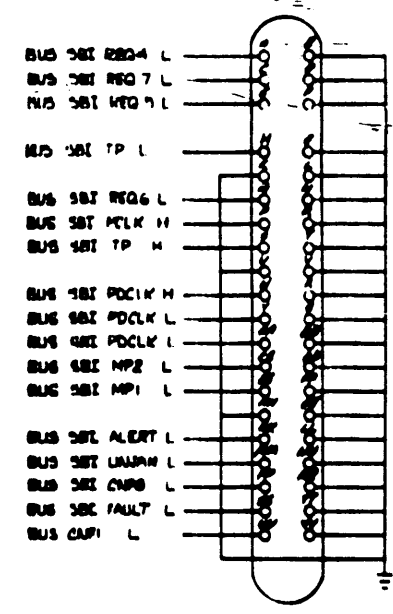
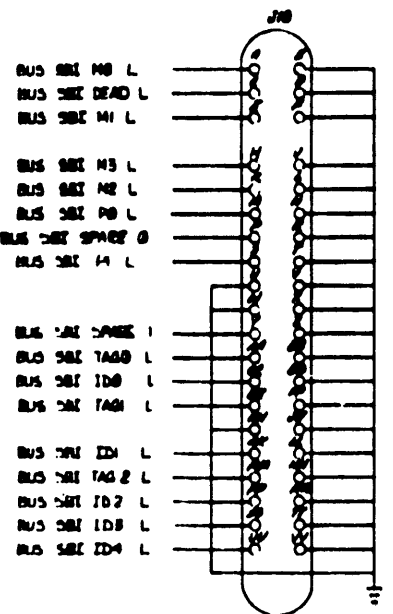
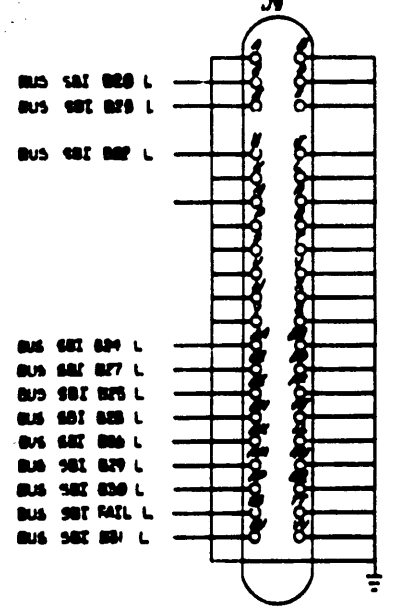
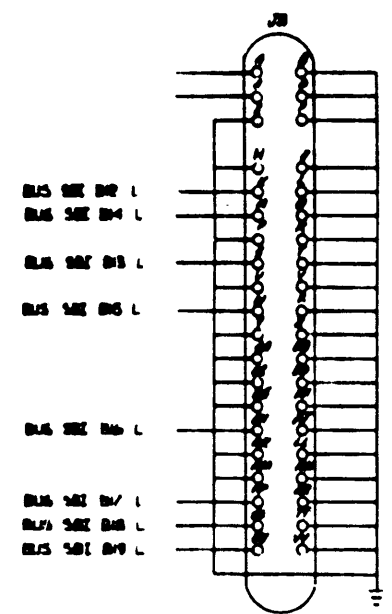
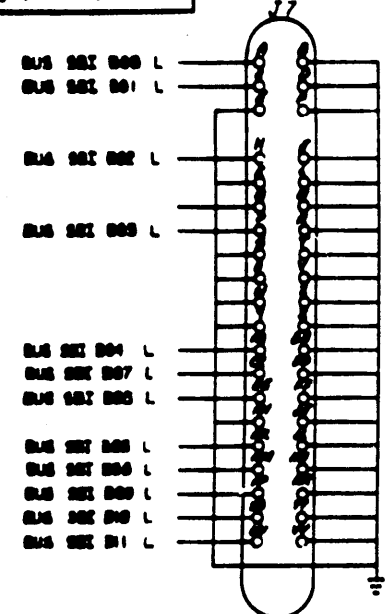
S.B.I INTERCONNECT

1
2
3
4
5
6
7
8

DATE		1700087-0
CHK'D		
ENG		
PROD ENG		
TEST ENGINEER		
SCALE	DIC 11785-A-3	B
DRG		



**SECRET**



PIN DESIGNATIONS FOR "S.B.I. IN" CONNECTORS

<table border="1"> <tr> <td>TYPE</td> <td>FORM</td> <td>DATE</td> </tr> <tr> <td> </td> <td> </td> <td> </td> </tr> <tr> <td> </td> <td> </td> <td> </td> </tr> <tr> <td> </td> <td> </td> <td> </td> </tr> <tr> <td> </td> <td> </td> <td> </td> </tr> </table>	TYPE	FORM	DATE													<table border="1"> <tr> <td colspan="3">TITLE</td> </tr> <tr> <td colspan="3">11785 A S.B.I</td> </tr> <tr> <td colspan="3">INTERCONNECT</td> </tr> <tr> <td>DATE</td> <td>SCALE</td> <td>SHEET</td> </tr> <tr> <td>1964</td> <td>D IC 11785-A 3</td> <td>3</td> </tr> </table>	TITLE			11785 A S.B.I			INTERCONNECT			DATE	SCALE	SHEET	1964	D IC 11785-A 3	3
TYPE	FORM	DATE																													
TITLE																															
11785 A S.B.I																															
INTERCONNECT																															
DATE	SCALE	SHEET																													
1964	D IC 11785-A 3	3																													

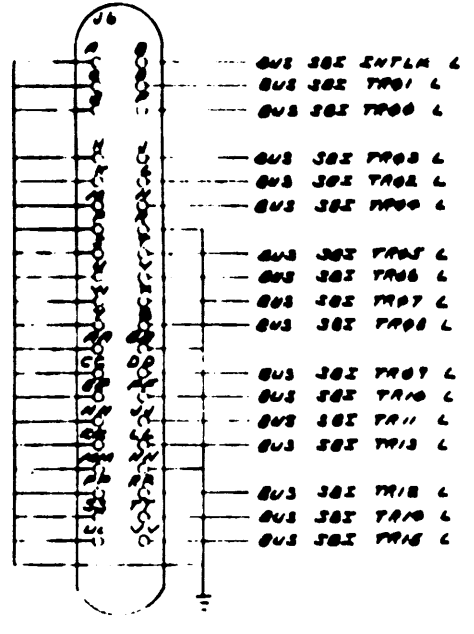
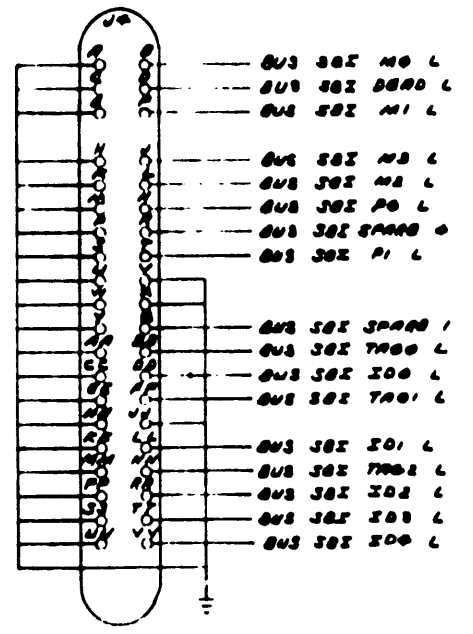
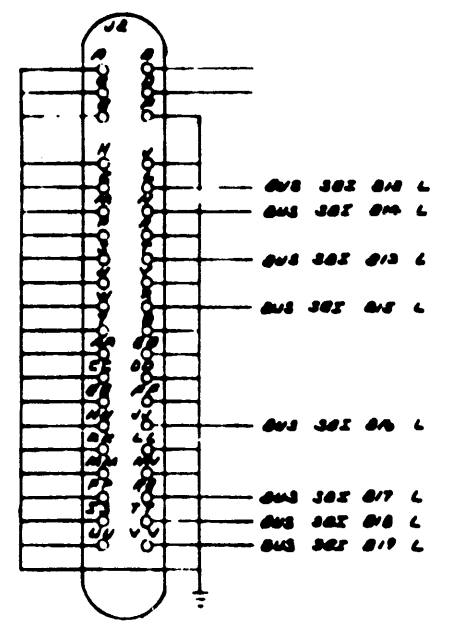
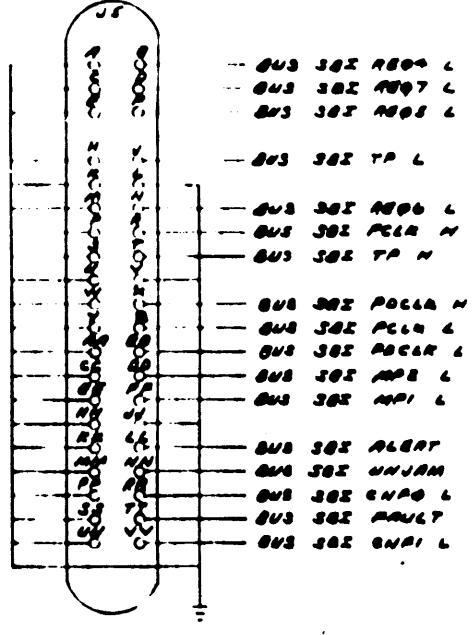
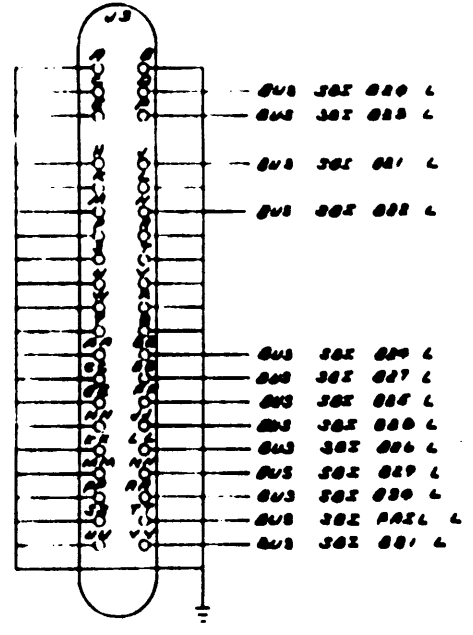
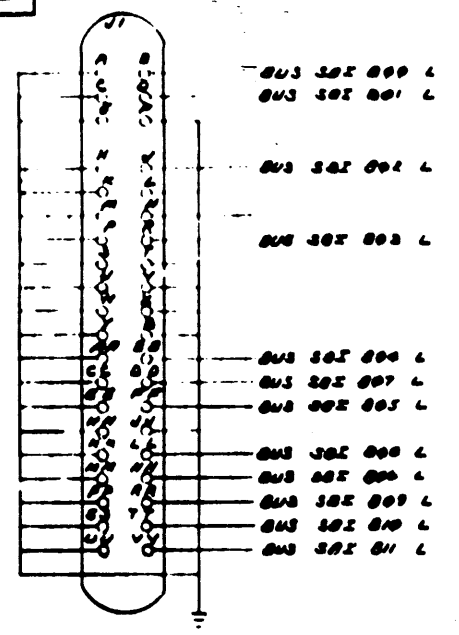
8 7 6 5 4 3 2 1

D C B A

A B C D

1 2 3 4 5 6 7 8

**SECRET**



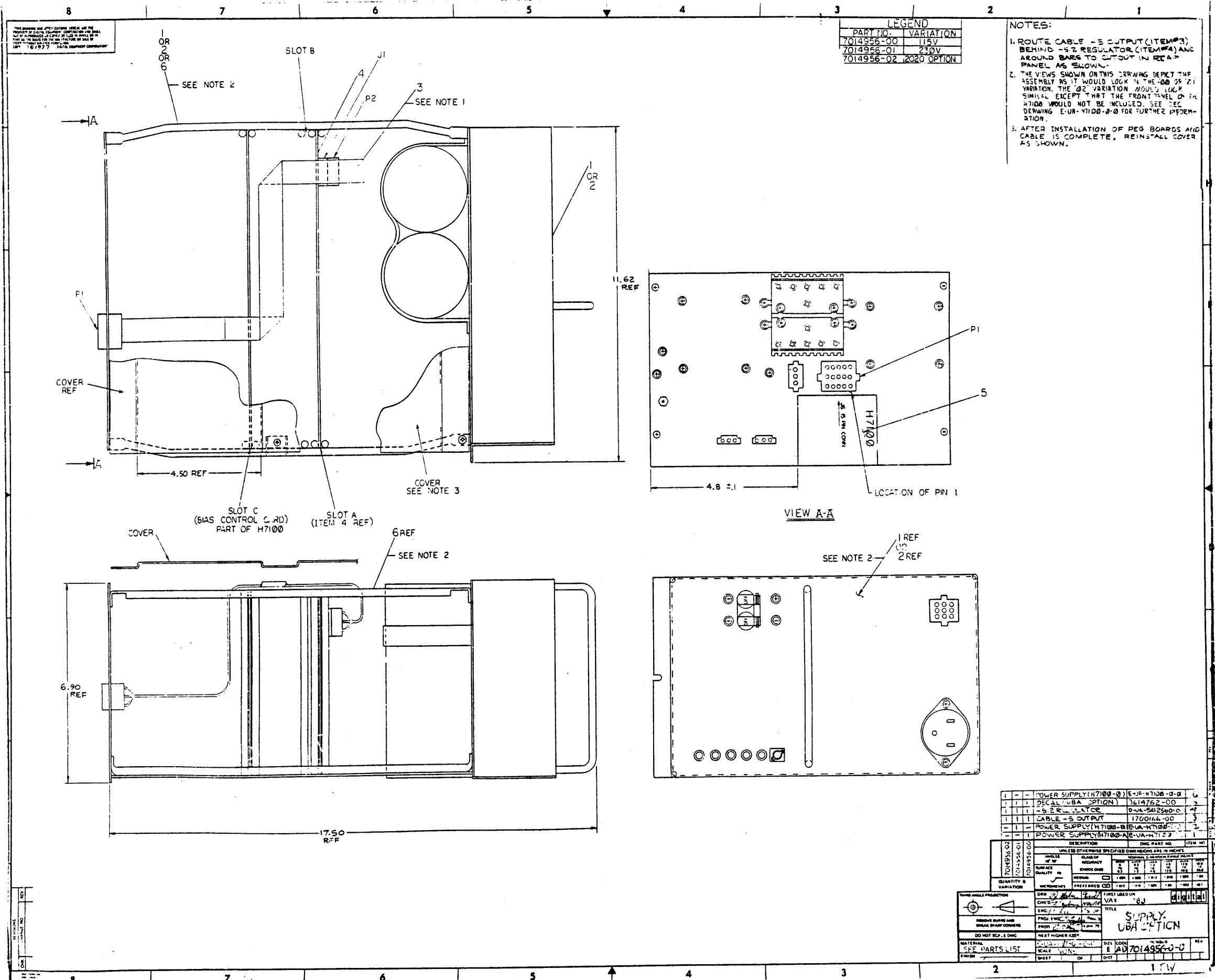
PIN DESIGNATIONS FOR "S.B.I. OUT" CONNECTORS

DATE	BY	11785-A S.B.I.
REV		INTERCONNECT
SCALE	3 of 3	B
SHEET		

11785-A-3

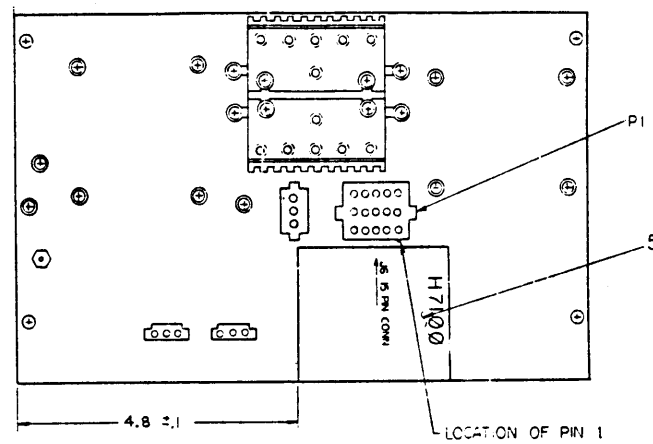
A

TW



LEGEND	
PART NO.	VARIATION
7014956-00	115V
7014956-01	230V
7014956-02	2020 OPTION

- NOTES:
1. ROUTE CABLE - S OUTPUT (ITEM #3) BEHIND -S2 REGULATOR (ITEM #4) AND AROUND BARS TO CUTOFF IN REAR PANEL AS SHOWN.
  2. THE VIEWS SHOWN ON THIS DRAWING DEPICT THE ASSEMBLY AS IT WOULD LOOK IN THE -00 OF '71 VARIATION. THE '02 VARIATION SHOULD LOOK SIMILAR EXCEPT THAT THE FRONT PANEL OF THE H7100 WOULD NOT BE INCLUDED. SEE DRAWING E-UR-41100-0-0 FOR FURTHER INFORMATION.
  3. AFTER INSTALLATION OF PEG BOARDS AND CABLE IS COMPLETE, REINSTALL COVER AS SHOWN.



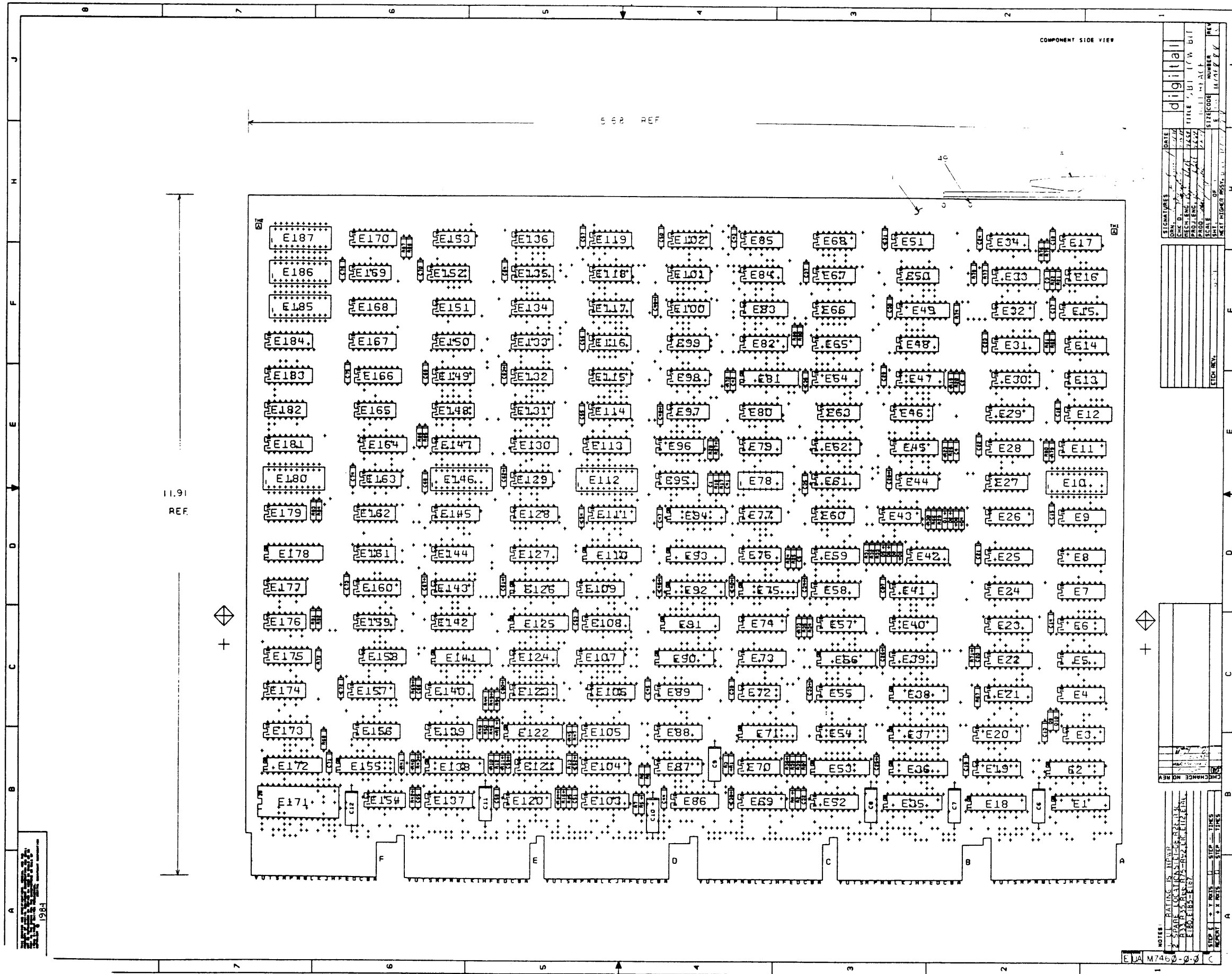
QTY	DESCRIPTION	PART NO.	ITEM NO.
1	POWER SUPPLY (H7100-0)	E-UR-41100-0-0	1
1	DECAL (UBA OPTION)	3614762-00	2
1	-S2 REGULATOR	0-UR-5412500-0	3
1	CABLE - S OUTPUT	1700166-00	4
1	POWER SUPPLY (H7100-BIE-UR-41100-0)		5
1	POWER SUPPLY (H7100-AE-UR-41100-0)		6

UNLESS OTHERWISE SPECIFIED DIMENSIONS ARE IN INCHES	
ANGLES	CLASS OF FINISH
30°	AS REQUIRED
45°	AS REQUIRED
60°	AS REQUIRED
90°	AS REQUIRED
120°	AS REQUIRED
150°	AS REQUIRED
180°	AS REQUIRED

DESIGNED BY	DATE	FIRST USED ON
CHECKED BY	DATE	VAX
ENG. TITLE		
PROJ. ENG. TITLE		
PROJ. TITLE		
DO NOT SCALE DIMS	NEXT HIGHER ASSY	
MATERIAL	SCALE	SHEET
FINISH	OF	17



5 6 8 REF

COMPONENT SIDE VIEW

SIGNATURES	DATE	REV
DESIGN	10/27/67	1
DRAWN	10/27/67	1
MECH. ENG.	10/27/67	1
PROJ. ENG.	10/27/67	1
PROD. MAN.	10/27/67	1
SCALE	OF	1
HEET NUMBER	OF	1
PROJECT	NO.	1
TITLE	DATE	REV
DIGITAL	10/27/67	1

11.91 REF

NOTES:

- 1. LUL RATING IS 100W
- 2. MARK LOCALIZATION
- 3. FOR FABRICATION
- 4. FOR FABRICATION
- 5. FOR FABRICATION

STEP	TYPE
1	Y AXIS
2	X AXIS
3	X AXIS
4	X AXIS

EJA M7460-0-2 C

AUTOMATED BY PRTLST.4Q(50)

PARTS LIST

SHEET A1 OF A2

LINE	ITEM	TOP DOCUMENT	PART NUMBER	MIN REV	DESCRIPTION	QTY	PER VARIATION	REFERENCE DESIGNATOR
						00		
						VARIATION REVISION LEVEL:		
1	1	E-MD-5016069-0-0	5016069-01		INTERFACE LOW BIT	1		
2	2		1012784-00		.047 MFD 50V +80-20% CER	69		C1-C5, C13-C76
3	3		1017472-00		10 MFD 35V +50-10% AL EL	7		C6-C12
4	4		1103041-00		PIV= 8 IO= 50 MA	2		D9, D10
5	5		1216988-02		HANDLE, MODULE, HEX TWO EJECTORS	1		
6	6		1300202-00		47.0 .25 W 5.0 % CF	8		R67-R74
7	7		1300250-00		150.0 .25 W 5.0 % CF	16		R3, R4, R7, R8, R11, R12, R15, R16, R38, R39, R42, R43, R46, R47, R50, R51
8	8		1300295-00		330.0 .25 W 5.0 % CF	5	CONT	R17, R19, R21, R23, R24
9	9		1301424-00		680.0 .25 W 5.0 % CF	5		R18, R20, R22, R25, R26
10	10		1302957-00		121.0 .25 W 1.0 % RN55D-F10	18		R6, R34, R36, R37, R40, R41, R44, R45, R48, R49, R1, R2, R5, R9, R10, R13, R14, R27
11	11		1921305-01		74F00 NAND GATE, QUAD, 2-IN	11		E27, E32, E34, E63, E67, E76, E99, E132, E151, E165, E182
12	12		1921307-01		74F04 HEX INVERTER	11	CONT	E14, E46, E66, E77, E84, E119, E134, E150, E159, E161, E179
13	13		1921309-01		74F10 NAND GATE, TRIPLE, 3-I	7	CONT	E13, E48, E51, E115, E117, E142, E162
14	14		1921310-01		74F11 AND GATE, TRIPLE, 3-IN	2		E100, E133
15	15		1921311-01		74F20 NAND GATE, DUAL, 4-IN	2		E44, E144
16	16		1910541-00		74S40 BUFFER, POS-NAND, DUAL	1		E143
17	17		1921313-01		74F64 AND OR INVERT GATE, 4-	12		E50, E85, E95, E98, E101, E102, E116, E118, E135, E136, E153, E163
18	18		1921314-01		74F74 FF-D, DUAL, POS., EDGE	7	CONT	E16, E17, E148, E149, E152, E169, E177
19	19		1910545-00		74S112 FF-JK DUAL, EDGE TRIG	8		E28, E45, E47, E61, E62, E64, E130, E147
20	20		1921319-01		74F153 MUX, DUAL, 4-IN	10	CONT	E19, E20, E105-E107, E123, E124, E127, E128, E145
21	21		1921320-01		74F157 MUX, QUAD, 2-IN	3	CONT	E54, E55, E88
22	22		1921323-01		74F174 FF-D, HEX	7		E6, E7, E23, E24, E39, E40, E111

REVISION HISTORY			BASIC PART NO: M7460		DRN:	S. MANSOR	DATE:	25-MAY-83	D I G I T A L			
ENG	ECO NUMBER	REV	SECTION A OF A		CHK'D:	E. T. GERRY	DATE:	26-MAY-83	TITLE PARTS LIST			
INITIAL		A	SECTION VARIATION INDEX		DES. ENG.:	B. HALL	DATE:	25-MAY-83	DOCUMENT NUMBER			
			(A)	00	RESP. ENG.: <td>B. HALL <td>DATE: <td>8-AUG-83 <td>SIZE</td> <td>CODE</td> <td>NUMBER</td> <td>REV</td> </td></td></td>	B. HALL <td>DATE: <td>8-AUG-83 <td>SIZE</td> <td>CODE</td> <td>NUMBER</td> <td>REV</td> </td></td>	DATE: <td>8-AUG-83 <td>SIZE</td> <td>CODE</td> <td>NUMBER</td> <td>REV</td> </td>	8-AUG-83 <td>SIZE</td> <td>CODE</td> <td>NUMBER</td> <td>REV</td>	SIZE	CODE	NUMBER	REV
			(B)		MFG. ENG.: <td>M. KRYSAK <td>DATE: <td>8-AUG-83 <td>K</td> <td>PL</td> <td>M7460-0-DBP</td> <td>A</td> </td></td></td>	M. KRYSAK <td>DATE: <td>8-AUG-83 <td>K</td> <td>PL</td> <td>M7460-0-DBP</td> <td>A</td> </td></td>	DATE: <td>8-AUG-83 <td>K</td> <td>PL</td> <td>M7460-0-DBP</td> <td>A</td> </td>	8-AUG-83 <td>K</td> <td>PL</td> <td>M7460-0-DBP</td> <td>A</td>	K	PL	M7460-0-DBP	A
			(C)		ASSEMBLY NUMBER: <td>E-UA-M7460-0-0 <td>TOP DOCUMENT NUMBER: <td>B-DD-M7460-0-0 <td colspan="2">FILE NAME: <td>Z3942A.PLS <td>EDIT #</td> </td></td></td></td></td>	E-UA-M7460-0-0 <td>TOP DOCUMENT NUMBER: <td>B-DD-M7460-0-0 <td colspan="2">FILE NAME: <td>Z3942A.PLS <td>EDIT #</td> </td></td></td></td>	TOP DOCUMENT NUMBER: <td>B-DD-M7460-0-0 <td colspan="2">FILE NAME: <td>Z3942A.PLS <td>EDIT #</td> </td></td></td>	B-DD-M7460-0-0 <td colspan="2">FILE NAME: <td>Z3942A.PLS <td>EDIT #</td> </td></td>	FILE NAME: <td>Z3942A.PLS <td>EDIT #</td> </td>		Z3942A.PLS <td>EDIT #</td>	EDIT #
			(D)						RELEASE DATE: <td>12-OCT-83</td> <td></td>		12-OCT-83	
			(E)									
			(F)									
			(G)									
			(H)									
			(I)									
			(J)									
			(K)									
			(L)									
			(M)									
			(N)									

"THIS DRAWING AND THE SPECIFICATIONS CONTAINED HEREIN ARE CONFIDENTIAL AND PROPRIETARY. THEY ARE THE PROPERTY OF DIGITAL EQUIPMENT CORPORATION AND SHALL NOT BE REPRODUCED OR COPIED OR USED IN WHOLE OR IN PART AS THE BASIS FOR THE MANUFACTURE OR SALE OF ITEMS WITHOUT WRITTEN PERMISSION. THIS IS AN UNPUBLISHED WORK PROTECTED UNDER THE FEDERAL COPYRIGHT LAWS."



AUTOMATED BY PRTLST.4Q(50)

PARTS LIST

SHEET A2 OF A2

LINE	ITEM	TOP DOCUMENT	PART NUMBER	MIN REV	DESCRIPTION	QTY	PER VARIATION	REFERENCE DESIGNATOR
						00		
						VARIATION REVISION LEVEL:		
23	23		1921327-01		74F194 SHIFT REG,UNIV,BIDIR	9		E9,E12,E25,E26,E31,E58,E59,E113, E164
24	24		1921324-01		74F175 FF-D,QUAD	15	CONT	E8,E11,E15,E33,E65,E82,E83,E96, E166-E168,E170,E181,E183,E184
25	25		1921720-01		10H125 TRANSLATOR ECL TO TTL QUA	8	CONT	E52,E69,E86,E103,E104,E120,E121, E137
26	26		1911469-00	DEC	8640 RECEIVER,BUS,QUAD,U	1		E154
27	27		1921332-01		74F280 PARITY GEN/CHECK,9-B	1		E3
28	28		1921330-01		74F257 MUX,QUAD,2-IN	10	CONT	E4,E5,E22,E41,E57,E139,E156, E158,E173,E175
29	29		1921316-01		74F138 DECODER/DEMUX,1-OF-8	1		E160
30	30		1911983-00		74S133 NAND GATE-POSITIVE 1	2		E108,E109
31	31		1921315-01		74F86 EXCLUSIVE OR GATE,QU	1		E70
32	32		1921306-01		74F02 NOR GATE,QUAD,2-IN	7		E42,E43,E80,E114,E131,E174,E176
33	33		1921308-01		74F08 AND GATE,QUAD,2-IN	4		E60,E68,E97,E129
34	34		1912731-00	DEC	8646A TRANSCEIVER,4BIT BUS	4		E1,E2,E18,E35
35	35		1912746-01		74S37-1BUFFER-GATE	2		E72,E79
36	36		1912860-00		LS259 LATCH 8BIT	1		E21
37	37		1912863-00		LS273 FF-D OCTAL W/CLEAR	2		E125,E126
38	38		1912872-00		LS377 FF-D 8BIT W/ENABLE	4		E36,E53,E122,E141
39	39		1921322-01		74F161 BINARY COUNTER,PRESE	2		E29,E30
40	40		1921010-01		74F373 OCTAL TRANSPARENT LA	8	CONT	E37,E38,E71,E90,E93,E94,E110, E138
41	41		1920442-01		74F374 FF-D,OCTAL,TRI-STATE	4		E81,E155,E172,E178
42	42		1913730-00	DC	101 PRIORITY ARBITRATOR	1		E171
43	43		1913788-00		26S10 TRANSCEIVER,BUS,QUA	4		E73,E74,E87,E89
44	44		1921331-01		74F258 MUX,QUAD,2-IN	2		E140,E157
45	45		1913888-00	DC	102A EQUALS CHECKER 8BIT	2		E56,E75
46	46		23030B2-00	B2-03		1		E91
47	47		23029B2-00	B2-03		1		E92
48	48		23E13F1-00	F1-04		1		E49
49	49		9000024-01		EYELET,ROLLED 0.1210DX0.192	12		
50	50		1302858-00		100.0 .25 W 1.0 % RN550-F10	3		R29,R31,R32
51	51		9105740-55		WIRE(WRAP) 30AWG KYNAR UL14	A/R		
52	52	BLANK			*** THIS ITEM IS NOT USED ***	-		
53	53	BLANK			*** THIS ITEM IS NOT USED ***	-		
54	54	BLANK			*** THIS ITEM IS NOT USED ***	-		

55 NOTE: SPARE LOCATIONS ARE D1-D8,R28,R30,R33,R35,R66,R75-R92

D	I	G	I	T	A	L	TITLE	SECTION A	OF A	SIZE	CODE	DOCUMENT NUMBER	REV
							INTERFACE LOW BITS (SBL)			K	PL	M7460-0-DBP	A

8

7

6

5

4

3

2

1

SIGNAL NAME PAGE NUMBER(S)

SBLM ID RECIEVE 10 H SBLH  
 SBLM ID RECIEVE 11 H SBLH,S  
 SBLM ID RECIEVE 12 H SBLH,S  
 SBLM ID RECIEVE 13 H SBLH,S  
 SBLM ID RECIEVE 14 H SBLH,S  
 SBLM ID RECIEVE 15 H SBLH,S  
 SBLI ACK PULSE L SBLK,I  
 SBLI ANY READ DATA L SBLK,I,E,M  
 SBLI BSY LAST CYC H SBLM,I  
 SBLI CS SET SBI CNF ERR H SBLM,I

SBLI ISR DATA L SBLR,I  
 SBLI READ DATA L SBLE,I  
 SBLI RESET BUSY H SBLI,D,E  
 SBLI RESET BUSY L SBLI,L,K  
 SBLI SET TO OR CNF H SBLI,M,T  
 SBLI SET TO OR CNF L SBLI,K  
 SBLI TO OR CNF TRP H SBLM,B,I  
 SBLJ ADDRESS REG 10 H SBLA,B,J  
 SBLJ ADDRESS REG 11 H SBLA,B,J  
 SBLJ ADDRESS REG 12 H SBLA,J

SBLJ ADDRESS REG 13 H SBLA,J  
 SBLJ ADDRESS REG 14 H SBLA,J  
 SBLJ ADDRESS REG 15 H SBLA,J  
 SBLJ ADDRESS REG 16 H SBLA,J  
 SBLJ ADDRESS REG 17 H SBLA,J  
 SBLJ MARK INVALID L SBLJ,R  
 SBLJ PA 12 L SBLJ  
 SBLJ PA 13 L SBLJ  
 SBLJ TIMEOUT ADRS 10 H SBLH,J  
 SBLJ TIMEOUT ADRS 11 H SBLH,J

SBLJ TIMEOUT ADRS 12 H SBLH,J  
 SBLJ TIMEOUT ADRS 13 H SBLH,J  
 SBLJ TIMEOUT ADRS 14 H SBLH,J  
 SBLJ TIMEOUT ADRS 15 H SBLH,J  
 SBLJ TIMEOUT ADRS 16 H SBLJ,H  
 SBLJ TIMEOUT ADRS 17 H SBLJ,H  
 SBLK ACK PULSE L SBLK,I  
 SBLK BUFFER FULL A H SBLN,K  
 SBLK BUFFER FULL H SBLK,M,K,P,B  
 SBLK BUFFER FULL L SBLK,F,U,R

SBLK BUSY H SBLK,K  
 SBLK BUSY L SBLK,K  
 SBLK CLEAR BUSY L SBLK  
 SBLK EXPECT RD H SBLK,E  
 SBLK EXPECT RD L SBLK,R,B  
 SBLK EXTEND READ H SBLK,R  
 SBLK LATCH TIHO REG L SBLK  
 SBLK RESET BUSY H SBLI,D,K  
 SBLK SET RETRY H SBLK,K  
 SBLK SET SBI CNF ERR H SBLK,I

SIGNAL NAME PAGE NUMBER(S)

SBLK SS EXPECT RD H SBLD,K  
 SBLK SS EXPECT RD L SBLE,K  
 SBLK TIMEOUT CARRY H SBLK,M  
 SBLK TIMEOUT CARRY L SBLK,D  
 SBLK TIMEOUT TRAP FF H SBLK,D  
 SBLK ACK L SBLM,L  
 SBLK ARB OK H SBLK  
 SBLK BSY LAST CYC H SBLE,L,I  
 SBLK BSY OR NR H SBLK,K,M  
 SBLK ERR H SBLM,L

SBLM PULSE 3 OR 4 H SBLM,L  
 SBLM RAISE HOLD H SBLI,U  
 SBLM RAISE TR H SBLD,L,U  
 SBLM SBI CNF1 R L SBLK,K  
 SBLM TIMING PULSE 0 H SBLK  
 SBLM TIMING PULSE 1 H SBLK  
 SBLM TIMING PULSE 2 H SBLK,K,M,R  
 SBLM TIMING PULSE 3 H SBLK,K  
 SBLM TIMING PULSE 4 H SBLK,K  
 SBLM TRANS ENABLE L SBLE,L

SBLM TRANSMIT CA H SBLE,L,K  
 SBLM XMIT MUX SEL 0 H SBLA,M,L,T  
 SBLM XMIT MUX SEL 0 L SBLA,L  
 SBLM XMIT MUX SEL 1 H SBLA,L  
 SBLM CLEAR IB L SBLM  
 SBLM CP SBI ERR CNF H SBLM,H  
 SBLM CP ST 0 H SBLM,H  
 SBLM CP ST 1 H SBLM,H  
 SBLM CP TIMEOUT H SBLM,H  
 SBLM CRD H SBLH,H

SBLM CRD RDS INTR L SBLM  
 SBLM IB RDS H SBLF,M  
 SBLM IB RDS L SBLM,N  
 SBLM IB SBI ERR CNF H SBLM,F  
 SBLM IB SBI ERR CNF L SBLM,N  
 SBLM IB ST 0 H SBLM,F  
 SBLM IB ST 1 H SBLM,F  
 SBLM IB TIMEOUT H SBLM,F  
 SBLM IB TIMEOUT L SBLM,H  
 SBLM MULT CP ERR H SBLM,F

SBLM RDS CRD INT EN H SBLH,M  
 SBLM RDS H SBLH,M  
 SBLM SAVE ADRS H SBLM,D  
 SBLM SET RDS H SBLM,B  
 SBLM SET TO OR CNF H SBLI,M  
 SBLM SET TO OR CNF L SBLK,M  
 SBLM TIMEOUT TRAP L SBLM  
 SBLM TIMO CNF INT L SBLM  
 SBLM BUFFER FULL FF H SBLN,T,R  
 SBLM BUFFER FULL FF L SBLJ,N,T,D,P

SIGNAL NAME PAGE NUMBER(S)

SBLN CLEAR PAR REG L SBLN  
 SBLN DISABLE SBI CYC H SBLT,N,H,D  
 SBLN FORCE MISS GR1 H SBLN,H  
 SBLN FORCE MISS GR1 L SBLS,P,N,T  
 SBLN IB ERR H SBLS,N  
 SBLN IB PAR ERR H SBLS,N  
 SBLN IB PAR ERR L SBLN,H  
 SBLN MAINT REG 08 H SBLK,N,H  
 SBLN MAINT REG 09 H SBLN,H  
 SBLN MAINT REG 10 H SBLH,N

SBLN PARITY REG 00 H SBLF,N  
 SBLN PARITY REG 01 H SBLF,N  
 SBLN PARITY REG 02 H SBLF,N  
 SBLN PARITY REG 03 H SBLF,N  
 SBLN PARITY REG 04 H SBLF,N  
 SBLN PARITY REG 05 H SBLF,N  
 SBLN PARITY REG 06 H SBLF,N  
 SBLN PARITY REG 07 H SBLF,N  
 SBLN PARITY REG 08 H SBLN,H  
 SBLN PARITY REG 09 H SBLN,H

SBLN PARITY REG 10 H SBLH,N  
 SBLN PARITY REG 11 H SBLH,N  
 SBLN PARITY REG 12 H SBLN,H  
 SBLN PARITY REG 13 H SBLN,H  
 SBLN PARITY REG 15 H SBLN,H  
 SBLN REPLACE GR0 H SBLN,H  
 SBLN REPLACE GR1 H SBLN,H  
 SBLN REVERSE P1 H SBLE,H,M  
 SBLN SBI MISS DATA G0 H SBLN  
 SBLN SBI MISS DATA G1 H SBLN

SBLP ADRS LATCH 29 H SBLP,T  
 SBLP ALLOW IB H SBLP,D  
 SBLP ALLOW IB L SBLM,T,P  
 SBLP ANY READ H SBLK,P,T  
 SBLP ANY READ L SBLP,L  
 SBLP ANY WRITE H SBLK,P,T  
 SBLP EXTEND WRITE H SBLK,L,P  
 SBLP FORCE HOLD L SBLD,K,P  
 SBLP FORCE INTLK H SBLP  
 SBLP G0 PAR ERR H SBLP,R,S,T

SBLP G1 PAR ERR H SBLP,R,S,T  
 SBLP ID BUFF 08 H SBLP,N  
 SBLP INTLK READ H SBLR,D,P  
 SBLP INTLK READ L SBLP,K  
 SBLP ISR H SBLK,R,L,P,T  
 SBLP ISR OR WRITE H SBLP,D  
 SBLP MD TO D L SBLP  
 SBLP PAR ERR TRAP L SBLP  
 SBLP ROM ENABLE 0 H SBLP,T  
 SBLP ROM ENABLE 1 H SBLP,T

NOTES: 1. THIS PAGE LISTS THE SCHEMATIC PAGE NUMBER(S) WHERE A SIGNAL NAME IS REFERENCED.

(SBL1)

REVISIONS		
CHK	CHANGE NO.	REV

digital	DRN.	DATE	ENG.	DATE	TITLE:
	CHK'D.	10-AUG-83	CC,KA	10-AUG-83	SBI INTERFACE LOW BITS
DSKB: (CIRKA)SBL1.DRW		DATE	BOARD LOCATION:	SHEET 1 OF 1	
FIRST USED ON OPTION MODEL: 117785		10-AUG-83 13:27	B-DD-M7460-0	SIZE CODE	NUMBER
				K CS	M7460-0-SBL1
				REV.	A

8

7

6

5

4

3

2

1

REV. 17460-0-SBL2

SIGNAL NAME PAGE NUMBER(S)

SBLH ID RECIEVE 10 H SBLH
SBLH ID RECIEVE 11 H SBLH,S
SBLH ID RECIEVE 12 H SBLH,S
SBLH ID RECIEVE 13 H SBLH,S
SBLH ID RECIEVE 14 H SBLH,S
SBLH ID RECIEVE 15 H SBLH,S
SBLI ACK PULSE L SBLK,I
SBLI ANT READ DATA L SBLK,I,E,M
SBLI BSY LAST CYC H SBLM,I
SBLI CS SET SBI CNF ERR H SBLM,I

SBLI ISR DATA L SBLR,I
SBLI READ DATA L SBLR,I
SBLI RESET BUSY H SBLI,D,E
SBLI RESET BUSY L SBLI,L,K
SBLI SET TO OR CNF H SBLI,M,T
SBLI SET TO OR CNF L SBLI,K
SBLI TO OR CNF TRP H SBLM,B,I
SBLJ ADDRESS REG 10 H SBLA,B,J
SBLJ ADDRESS REG 11 H SBLA,B,J
SBLJ ADDRESS REG 12 H SBLA,J

SBLJ ADDRESS REG 13 H SBLA,J
SBLJ ADDRESS REG 14 H SBLA,J
SBLJ ADDRESS REG 15 H SBLA,J
SBLJ ADDRESS REG 16 H SBLA,J
SBLJ ADDRESS REG 17 H SBLA,J
SBLJ MARK INVALID L SBLJ,R
SBLJ PA 12 L SBLJ
SBLJ PA 13 L SBLJ
SBLJ TIMEOUT ADRS 10 H SBLM,J
SBLJ TIMEOUT ADRS 11 H SBLM,J

SBLJ TIMEOUT ADRS 12 H SBLM,J
SBLJ TIMEOUT ADRS 13 H SBLM,J
SBLJ TIMEOUT ADRS 14 H SBLM,J
SBLJ TIMEOUT ADRS 15 H SBLM,J
SBLJ TIMEOUT ADRS 16 H SBLM,J
SBLJ TIMEOUT ADRS 17 H SBLM,J
SBLK ACK PULSE L SBLK,I
SBLK BUFFER FULL A H SBLM,K
SBLK BUFFER FULL H SBLK,M,K,P,B
SBLK BUFFER FULL L SBLK,F,U,R

SBLK BUSH H SBLK,K
SBLK BUSH L SBLK,K
SBLK CLEAR BUSY L SBLK
SBLK EXPECT RD H SBLK,E
SBLK EXPECT RD L SBLK,R,B
SBLK EXTEND READ H SBLK,R
SBLK LATCH TIMO REG L SBLK
SBLK RESET BUSY H SBLI,D,K
SBLK SET RETRY H SBLK,K
SBLK SET SBI CNF ERR H SBLK,I

SIGNAL NAME PAGE NUMBER(S)

SBLK SS EXPECT RD H SBLD,K
SBLK SS EXPECT RD L SBLK,K
SBLK TIMEOUT CARRY H SBLK,M
SBLK TIMEOUT CARRY L SBLK,D
SBLK TIMEOUT TRAP FF H SBLK,D
SBLM ACK L SBLM,L
SBLM ARB OK H SBLM
SBLM BSY LAST CYC H SBLK,L,I
SBLM BSY OR NR H SBLK,K,M
SBLM ERR H SBLM,L

SBLM PULSE 3 OR 4 H SBLM,L
SBLM RAISE HOLD H SBLM,U
SBLM RAISE TR H SBLD,L,U
SBLM SBI CNF1 R L SBLK,K
SBLM TIMING PULSE 0 H SBLM
SBLM TIMING PULSE 1 H SBLM
SBLM TIMING PULSE 2 H SBLK,K,M,R
SBLM TIMING PULSE 3 H SBLK,K
SBLM TIMING PULSE 4 H SBLK,K
SBLM TRANS ENABLE L SBLK,L

SBLM TRANSMIT CA H SBLK,L,K
SBLM XMIT MUX SEL 0 H SBLA,M,L,T
SBLM XMIT MUX SEL 0 L SBLA,L
SBLM XMIT MUX SEL 1 H SBLA,L
SBLM CLEAR IB L SBLM
SBLM CP SBI ERR CNF H SBLM,H
SBLM CP ST 0 H SBLM,H
SBLM CP ST 1 H SBLM,H
SBLM CP TIMEOUT H SBLM,H
SBLM CRD H SBLM,H

SBLM CRD RDS INTR L SBLM
SBLM IB RDS H SBLF,M
SBLM IB RDS L SBLM,N
SBLM IB SBI ERR CNF H SBLM,F
SBLM IB SBI ERR CNF L SBLM,N
SBLM IB ST 0 H SBLM,F
SBLM IB ST 1 H SBLM,F
SBLM IB TIMEOUT H SBLM,F
SBLM IB TIMEOUT L SBLM,N
SBLM MULT CP ERR H SBLM,F

SBLM RDS CRD INT EN H SBLM,M
SBLM RDS H SBLM,M
SBLM SAVE ADRS H SBLM,D
SBLM SET RDS H SBLM,B
SBLM SET TO OR CNF H SBLI,M
SBLM SET TO OR CNF L SBLK,M
SBLM TIMEOUT TRAP L SBLM
SBLM TIMO CNF INT L SBLM
SBLM BUFFER FULL FF H SBLN,T,R
SBLM BUFFER FULL FF L SBLJ,N,T,D,P

SIGNAL NAME PAGE NUMBER(S)

SBLN CLEAR PAR REG L SBLN
SBLN DISABLE SBI CYC H SBLT,N,H,D
SBLN FORCE MISS GRI H SBLN,H
SBLN FORCE MISS GRI L SBLS,P,N,T
SBLN IB ERR H SBLS,N
SBLN IB PAR ERR H SBLS,N
SBLN IB PAR ERR L SBLN,H
SBLN MAINT REG 00 H SBLK,N,H
SBLN MAINT REG 09 H SBLN,H
SBLN MAINT REG 10 H SBLN,H

SBLN PARITY REG 00 H SBLF,N
SBLN PARITY REG 01 H SBLF,N
SBLN PARITY REG 02 H SBLF,N
SBLN PARITY REG 03 H SBLF,N
SBLN PARITY REG 04 H SBLF,N
SBLN PARITY REG 05 H SBLF,N
SBLN PARITY REG 06 H SBLF,N
SBLN PARITY REG 07 H SBLF,N
SBLN PARITY REG 08 H SBLN,H
SBLN PARITY REG 09 H SBLN,H

SBLN PARITY REG 10 H SBLN,H
SBLN PARITY REG 11 H SBLN,H
SBLN PARITY REG 12 H SBLN,H
SBLN PARITY REG 13 H SBLN,H
SBLN PARITY REG 15 H SBLN,H
SBLN REPLACE GR0 H SBLN,H
SBLN REPLACE GRI H SBLN,H
SBLN REVERSE P1 H SBLK,H,M
SBLN SBI MISS DATA G0 H SBLN
SBLN SBI MISS DATA G1 H SBLN

SBLP ADRS LATCH 29 H SBLP,T
SBLP ALLOW IB H SBLP,D
SBLP ALLOW IB L SBLM,T,P
SBLP ANY READ H SBLK,P,T
SBLP ANY READ L SBLP,L
SBLP ANY WRITE H SBLK,P,T
SBLP EXTEND WRITE H SBLK,L,P
SBLP FORCE HOLD L SBLD,K,P
SBLP FORCE INTLK H SBLP
SBLP G0 PAR ERR H SBLP,R,S,T

SBLP G1 PAR ERR H SBLP,R,S,T
SBLP ID BUFF 00 H SBLP,M
SBLP INTLK READ H SBLR,D,P
SBLP INTLK READ L SBLP,K
SBLP ISR H SBLK,R,L,P,T
SBLP ISR OR WRITE H SBLP,D
SBLP MD TO D L SBLP
SBLP PAR ERR TRAP L SBLP
SBLP ROM ENABLE 0 H SBLP,T
SBLP ROM ENABLE 1 H SBLP,T

NOTES:
1. THIS PAGE LISTS THE SCHEMATIC PAGE NUMBER(S) WHERE A SIGNAL NAME IS REFERENCED.

(SBL2)

THIS DRAWING AND SPECIFICATIONS... REVISIONS

digital ORN. DATE 10-AUG-83... TITLE: SBI INTERFACE LOW BITS

8

7

6

5

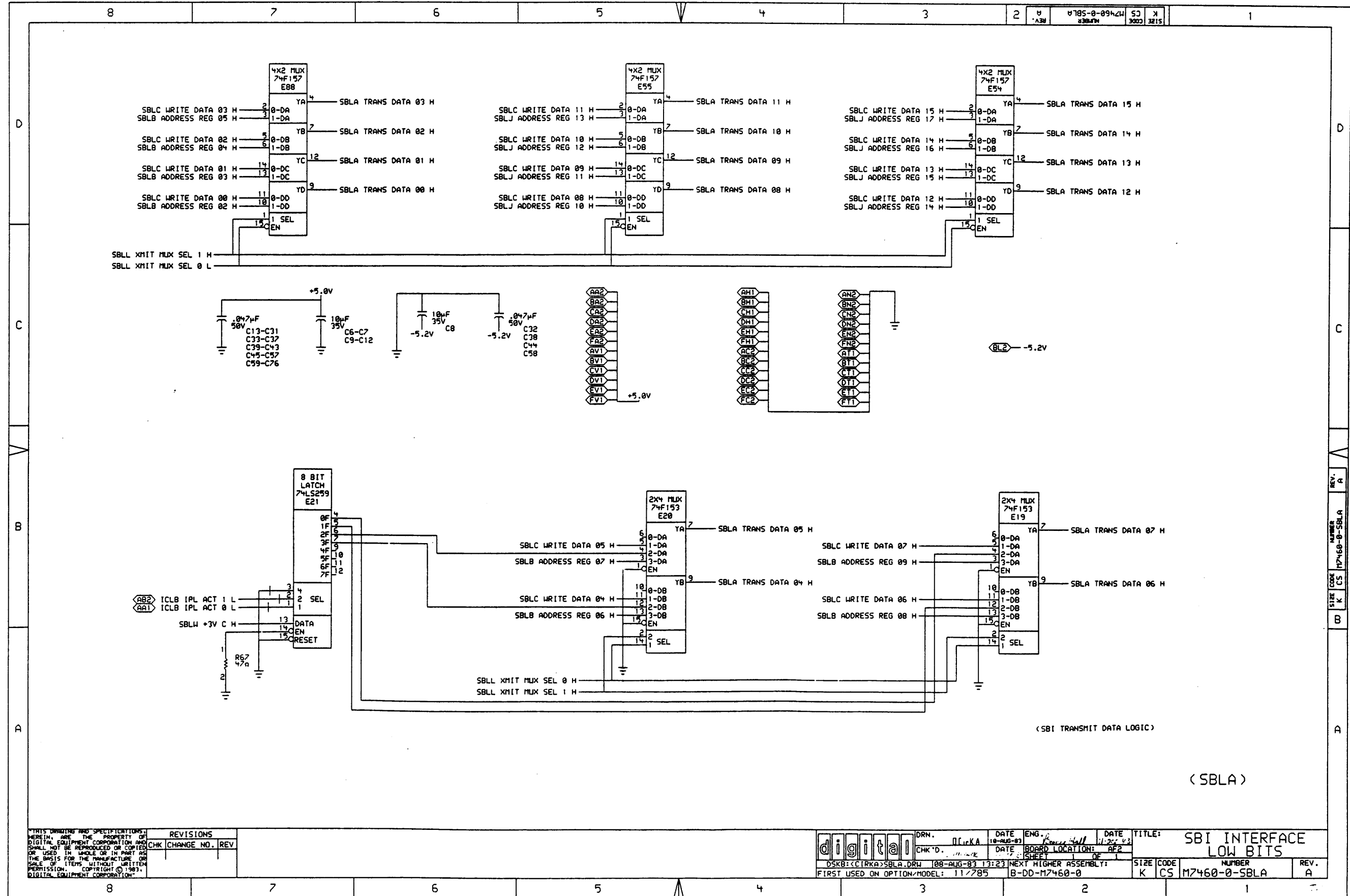
4

3

2

1

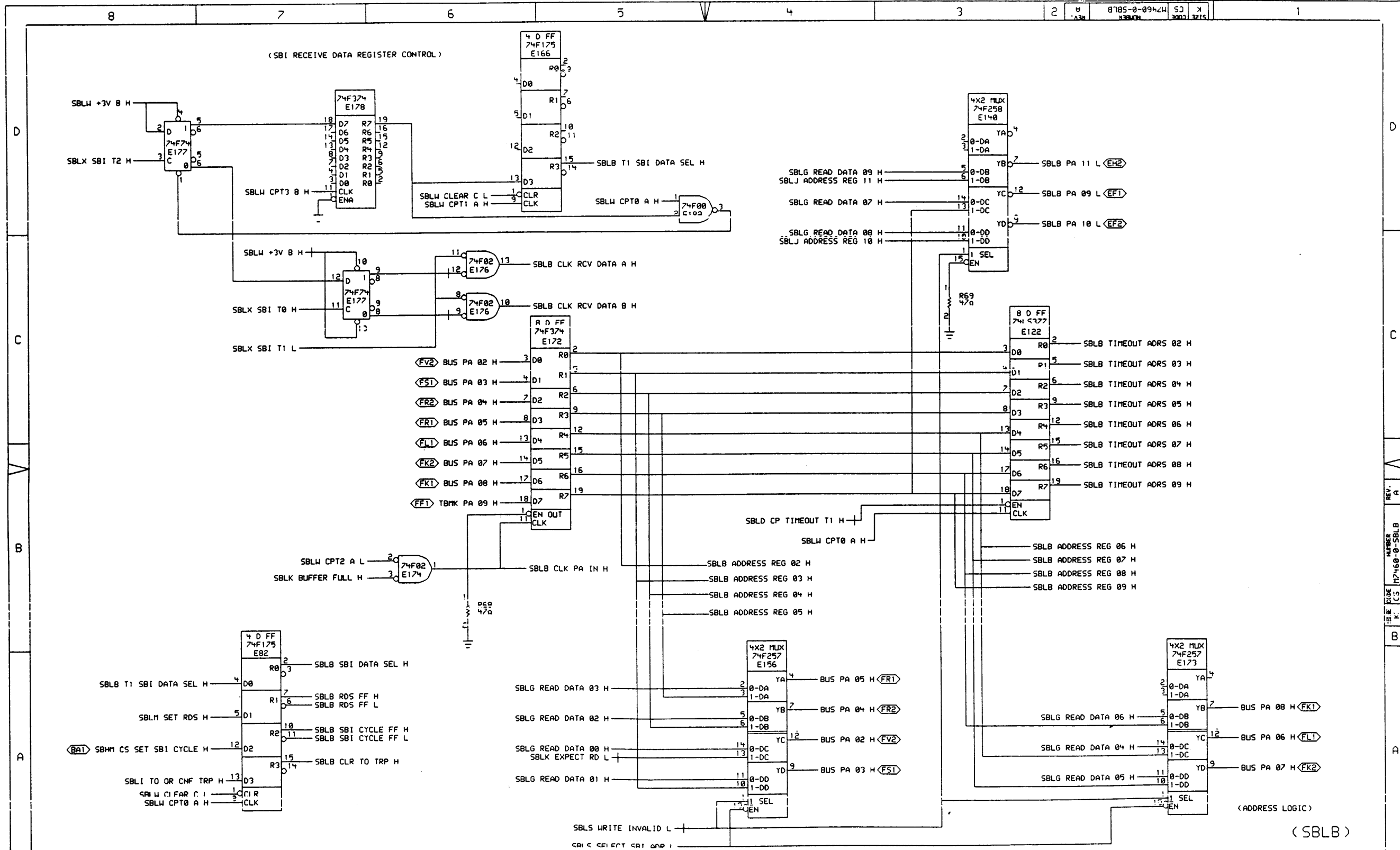
T-1



THIS DRAWING AND SPECIFICATIONS ARE THE PROPERTY OF DIGITAL EQUIPMENT CORPORATION AND SHALL NOT BE REPRODUCED OR COPIED OR USED IN WHOLE OR IN PART AS THE BASIS FOR THE MANUFACTURE OR SALE OF ITEMS WITHOUT WRITTEN PERMISSION. COPYRIGHT © 1983, DIGITAL EQUIPMENT CORPORATION.

REVISIONS		
CHK	CHANGE NO.	REV

	DRN. <i>DL12KA</i>	DATE <i>10-AUG-83</i>	ENG. <i>Kevin Hall</i>	DATE <i>11-21-83</i>	TITLE: <b>SBI INTERFACE LOW BITS</b>
CHK'D. <i>DL12KA</i>	DATE <i>11-21-83</i>	BOARD LOCATION: <i>AF2</i>		SIZE CODE NUMBER REV. <b>K CS M7460-0-SBLA A</b>	
DSKB: <<CIRKA>>SBLA.DRW		108-AUG-83 13:23	NEXT HIGHER ASSEMBLY: <b>B-DD-M7460-0</b>		FIRST USED ON OPTION MODEL: <b>117785</b>

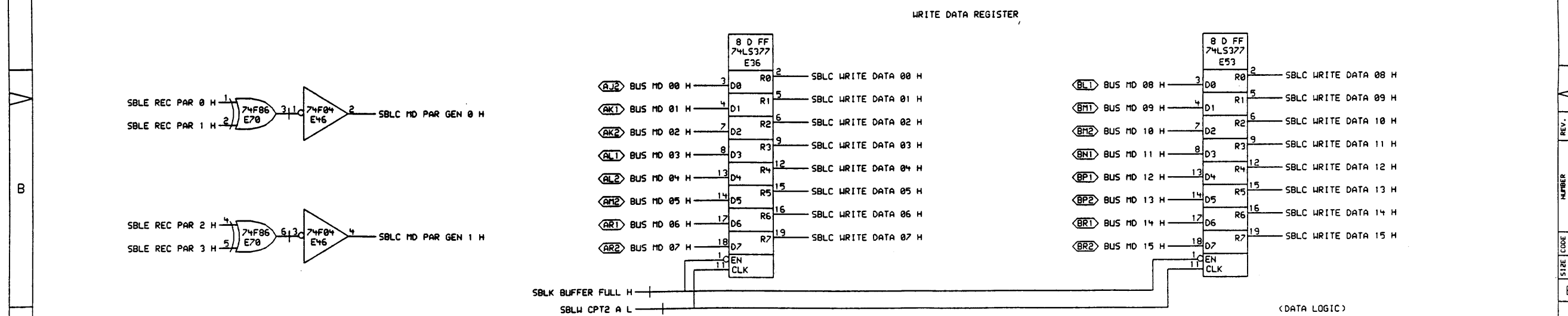
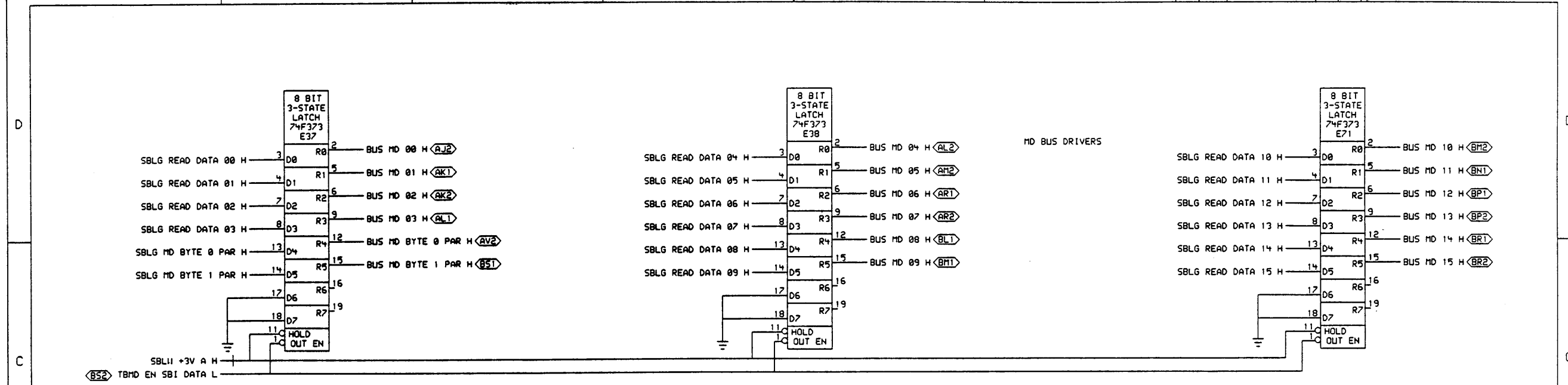


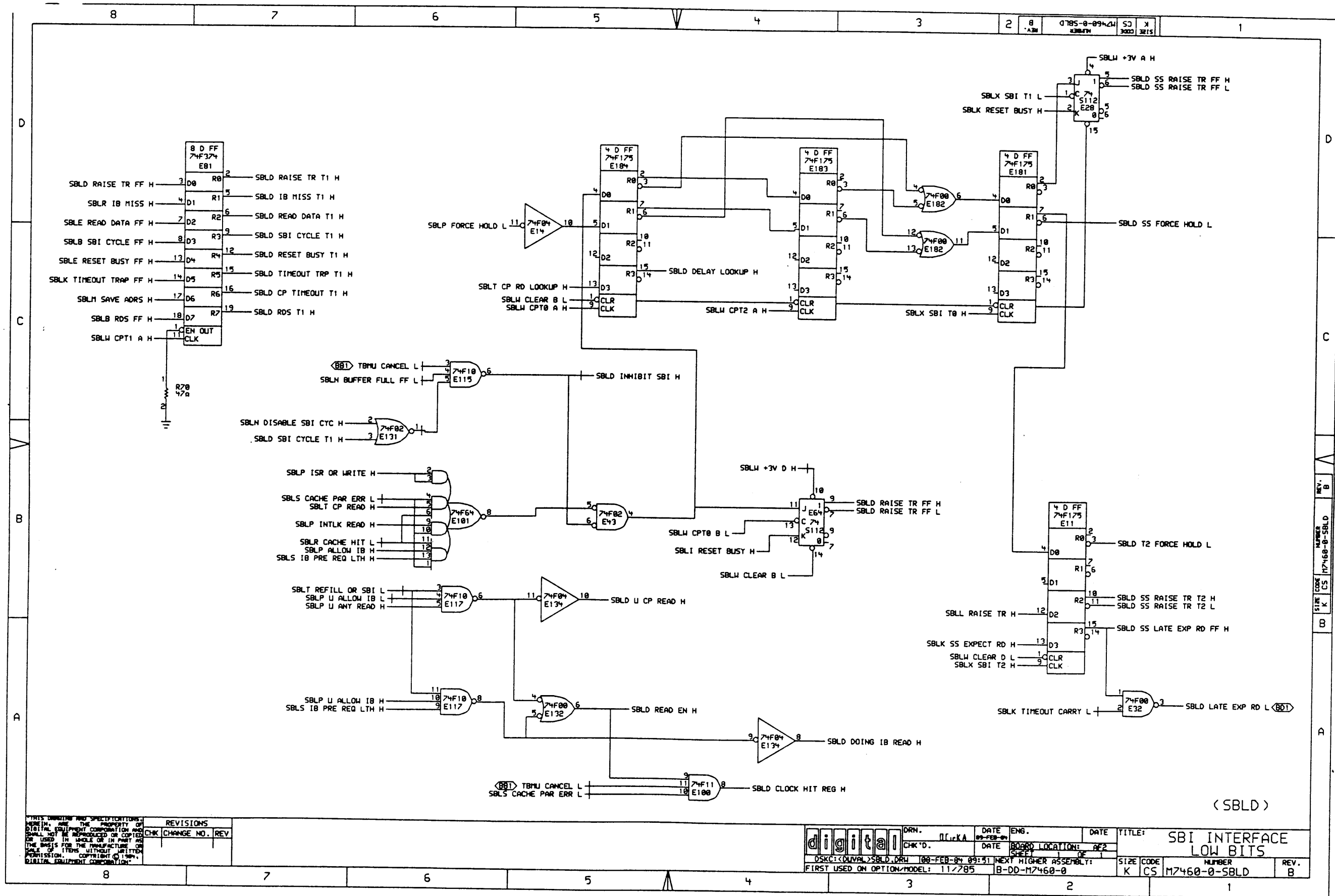
THIS DRAWING AND SPECIFICATIONS ARE THE PROPERTY OF DIGITAL EQUIPMENT CORPORATION AND SHALL NOT BE REPRODUCED OR COPIED OR USED IN WHOLE OR IN PART AS THE BASIS FOR THE MANUFACTURE OR SALE OF ITEMS WITHOUT WRITTEN PERMISSION. COPYRIGHT © 1983, DIGITAL EQUIPMENT CORPORATION.

REVISIONS	
CHK	CHANGE NO. REV

digital	DRN.	DATE	ENG.	DATE	TITLE:
	CHK'D.	DATE	BOARD LOCATION:	SHEET	SBI INTERFACE LOW BITS
DSKB:CCRKA>SBLB.DRW		08-AUG-83 13:23	NEXT HIGHER ASSEMBLY:	SIZE CODE	NUMBER
FIRST USED ON OPTION/MODEL:		11/785	B-DD-M7460-0	K CS	M7460-0-SBLB
					REV. A

REV. A  
NUMBER 17460-0-SBLB  
FILE FROM 1 CS





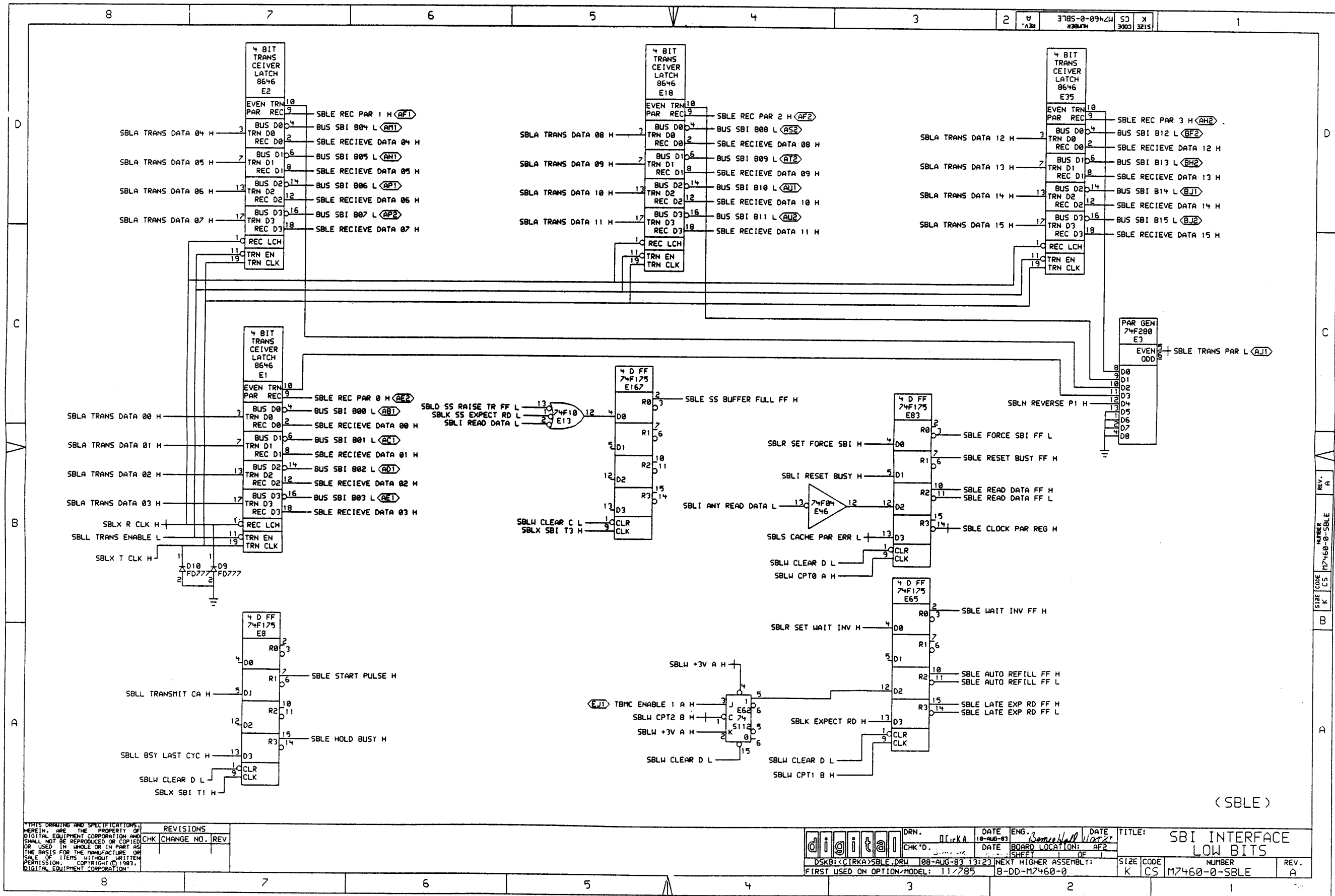
(SBLD)

THIS DRAWING AND SPECIFICATIONS ARE THE PROPERTY OF DIGITAL EQUIPMENT CORPORATION AND SHALL NOT BE REPRODUCED OR COPIED OR USED IN WHOLE OR IN PART AS THE BASIS FOR THE MANUFACTURE OR SALE OF ITEMS WITHOUT WRITTEN PERMISSION. COPYRIGHT © 1984, DIGITAL EQUIPMENT CORPORATION.

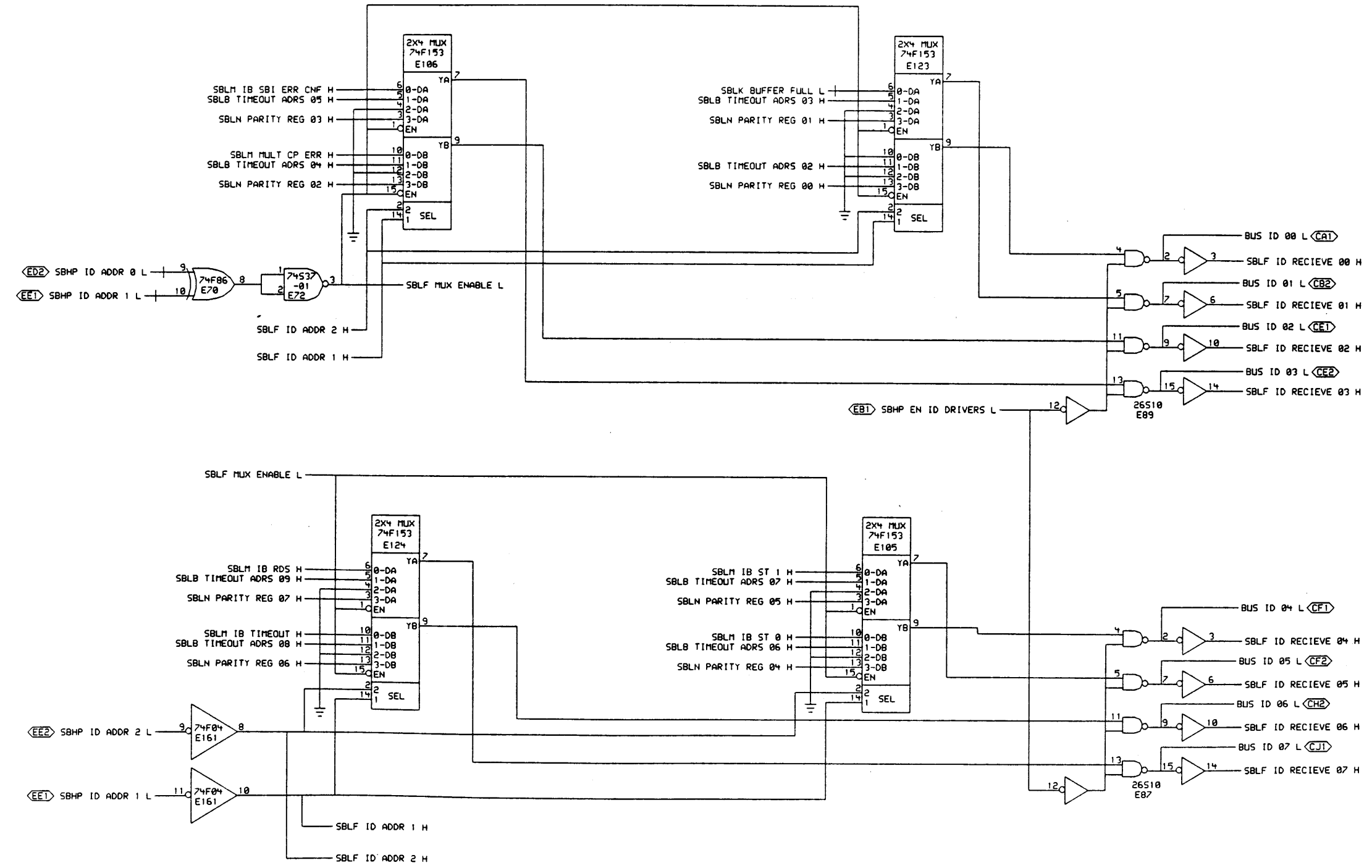
REVISIONS	
CHK	CHANGE NO. / REV

<b>digital</b>	DRW. IJL/KA	DATE 02-FEB-84	ENG.	DATE	TITLE: SBI INTERFACE LOW BITS
	CHK'D.	DATE	BOARD LOCATION: A62	SHEET 1 OF 1	
DSKC: <DUAL> SBLD.DRW 00-FEB-84 09:51 NEXT HIGHER ASSEMBLY: 8-DD-M7460-0					SIZE CODE: K CS
FIRST USED ON OPTION/MODEL: 11/785					NUMBER: M7460-0-SBLD
					REV. B

REV. B  
NUMBER M7460-0-SBLD  
SIZE CODE K CS







(ID BUS MUX BITS 7-0)

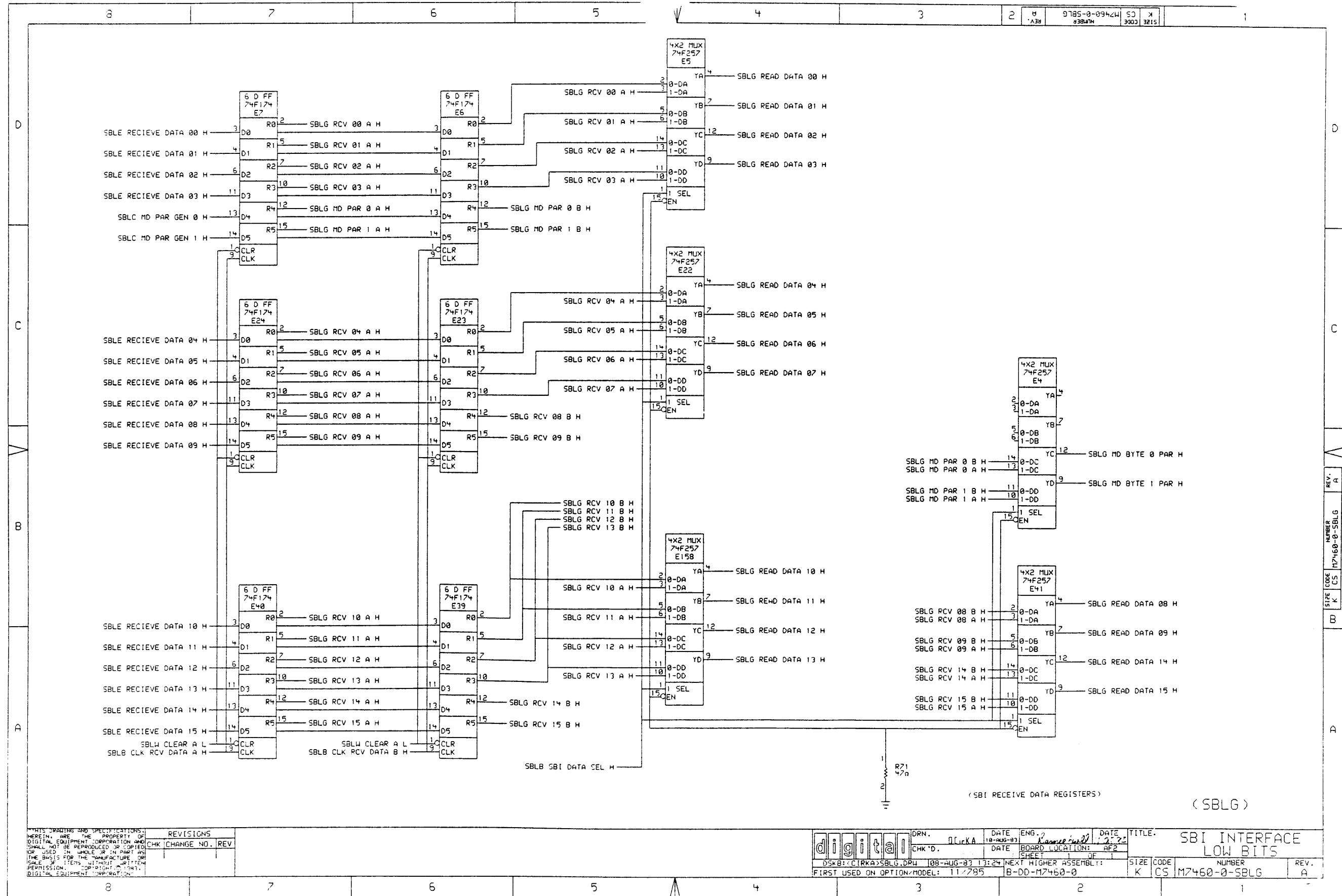
(SBLF)

THIS DRAWING AND SPECIFICATIONS HEREIN ARE THE PROPERTY OF DIGITAL EQUIPMENT CORPORATION AND SHALL NOT BE REPRODUCED OR COPIED OR USED IN WHOLE OR IN PART AS THE BASIS FOR THE MANUFACTURE OR SALE OF ITEMS WITHOUT WRITTEN PERMISSION. COPYRIGHT © 1983, DIGITAL EQUIPMENT CORPORATION.

REVISIONS		
CHK	CHANGE NO.	REV

DRN.	DATE	ENG.	DATE	TITLE:
CHK'D.	10-AUG-83	PCrKA	11-08-83	SBI INTERFACE
				LOW BITS

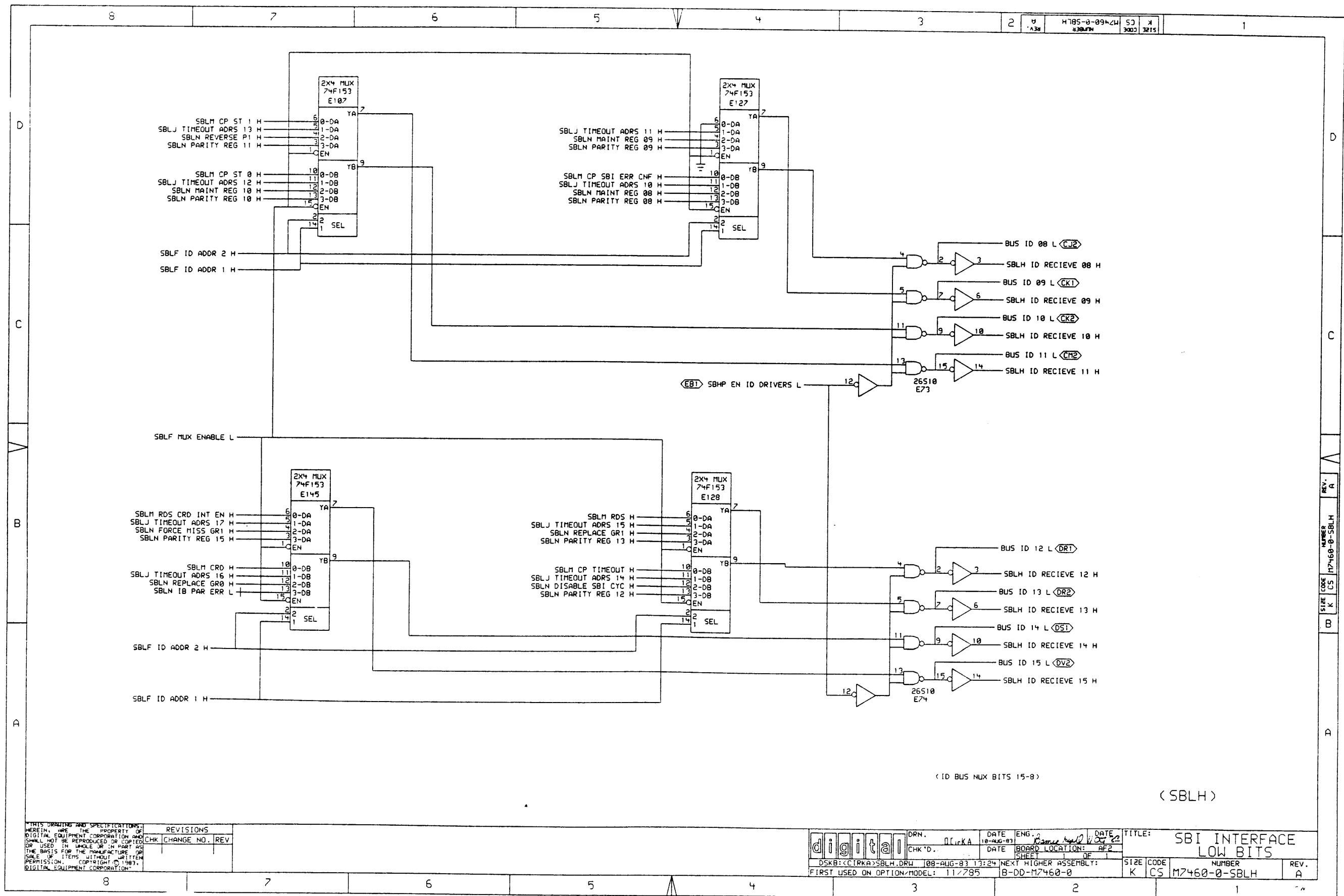
DSKB: CIRKA>SBLF.DRW	108-AUG-83 13:24	NEXT HIGHER ASSEMBLY:	SIZE	CODE	NUMBER	REV.
FIRST USED ON OPTION/MODEL: 11/785	B-DD-M7460-0		K	CS	M7460-0-SBLF	A



THIS DRAWING AND SPECIFICATIONS HEREIN ARE THE PROPERTY OF DIGITAL EQUIPMENT CORPORATION AND SHALL NOT BE REPRODUCED OR COPIED OR USED IN WHOLE OR IN PART AS THE BASIS FOR THE MANUFACTURE OR SALE OF ITEMS WITHOUT WRITTEN PERMISSION. COPYRIGHT © 1985, DIGITAL EQUIPMENT CORPORATION.

REVISIONS	
CHK	CHANGE NO. REV

digital	DRN.	DATE	ENG.	DATE	TITLE
	CHK'D.	10-AUG-83	Kamezawa	10-2-83	SBI INTERFACE LOW BITS
FIRST USED ON OPTION/MODEL: 11/785		NEXT HIGHER ASSEMBLY: B-DD-M7450-0		BOARD LOCATION: AFR	
SIZE	CODE	NUMBER	REV.		
K	CS	M7460-0-SBLG	A		



( ID BUS MUX BITS 15-8 )

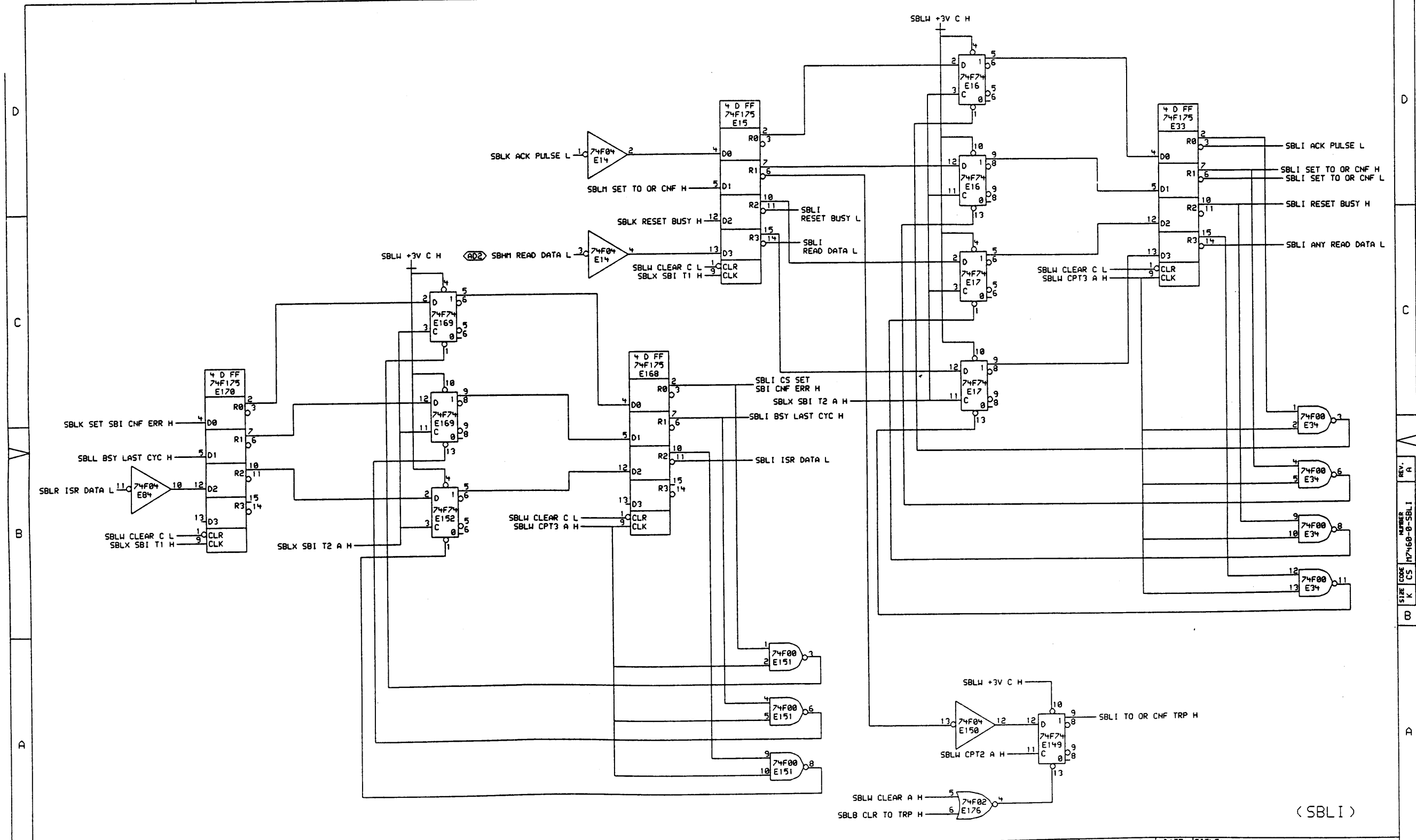
( SBLH )

THIS DRAWING AND SPECIFICATIONS ARE THE PROPERTY OF DIGITAL EQUIPMENT CORPORATION AND SHALL NOT BE REPRODUCED OR COPIED OR USED IN WHOLE OR IN PART AS THE BASIS FOR THE MANUFACTURE OR SALE OF ITEMS WITHOUT WRITTEN PERMISSION. COPYRIGHT © 1983, DIGITAL EQUIPMENT CORPORATION.

REVISIONS		
CHK	CHANGE NO.	REV

digital	DRN.	DATE	ENG.	DATE	TITLE:
	CHK'D.	18-AUG-83	ALRKA	10-08-82	SBI INTERFACE LOW BITS
DSKB: ((CIRKA))SBLH.DRW		108-AUG-83 13:24	NEXT HIGHER ASSEMBLY:		SIZE CODE
FIRST USED ON OPTION/MODEL: 11/795		B-DD-M7460-0	BOARD LOCATION: AF2		NUMBER
					REV.
					A

REV. A  
NUMBER 117460-0-SBLH  
SIZE CODE K CS



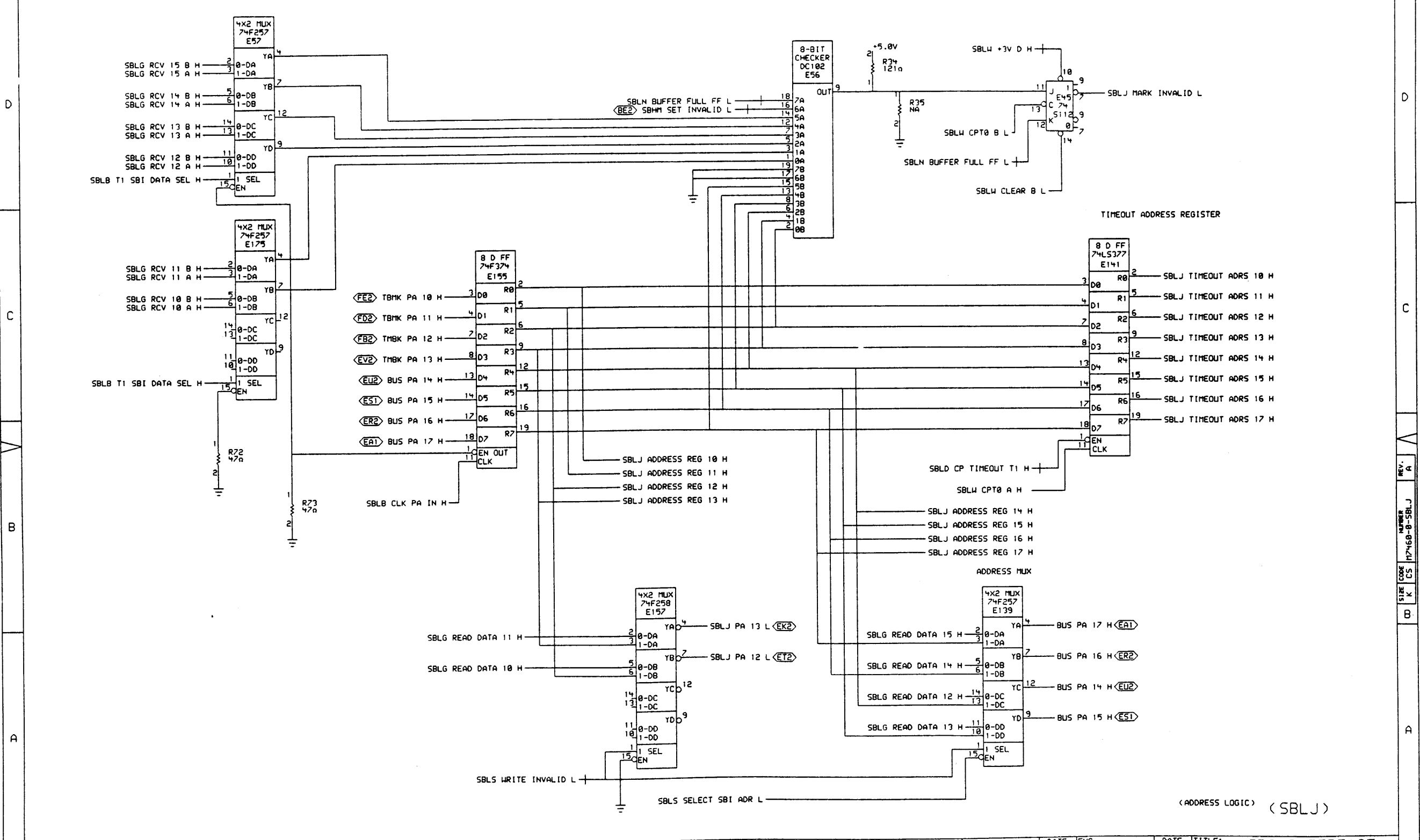
THIS DRAWING AND SPECIFICATIONS ARE THE PROPERTY OF DIGITAL EQUIPMENT CORPORATION AND SHALL NOT BE REPRODUCED OR COPIED OR USED IN WHOLE OR IN PART AS THE BASIS FOR THE MANUFACTURE OR SALE OF ITEMS WITHOUT WRITTEN PERMISSION. COPYRIGHT © 1983, DIGITAL EQUIPMENT CORPORATION.

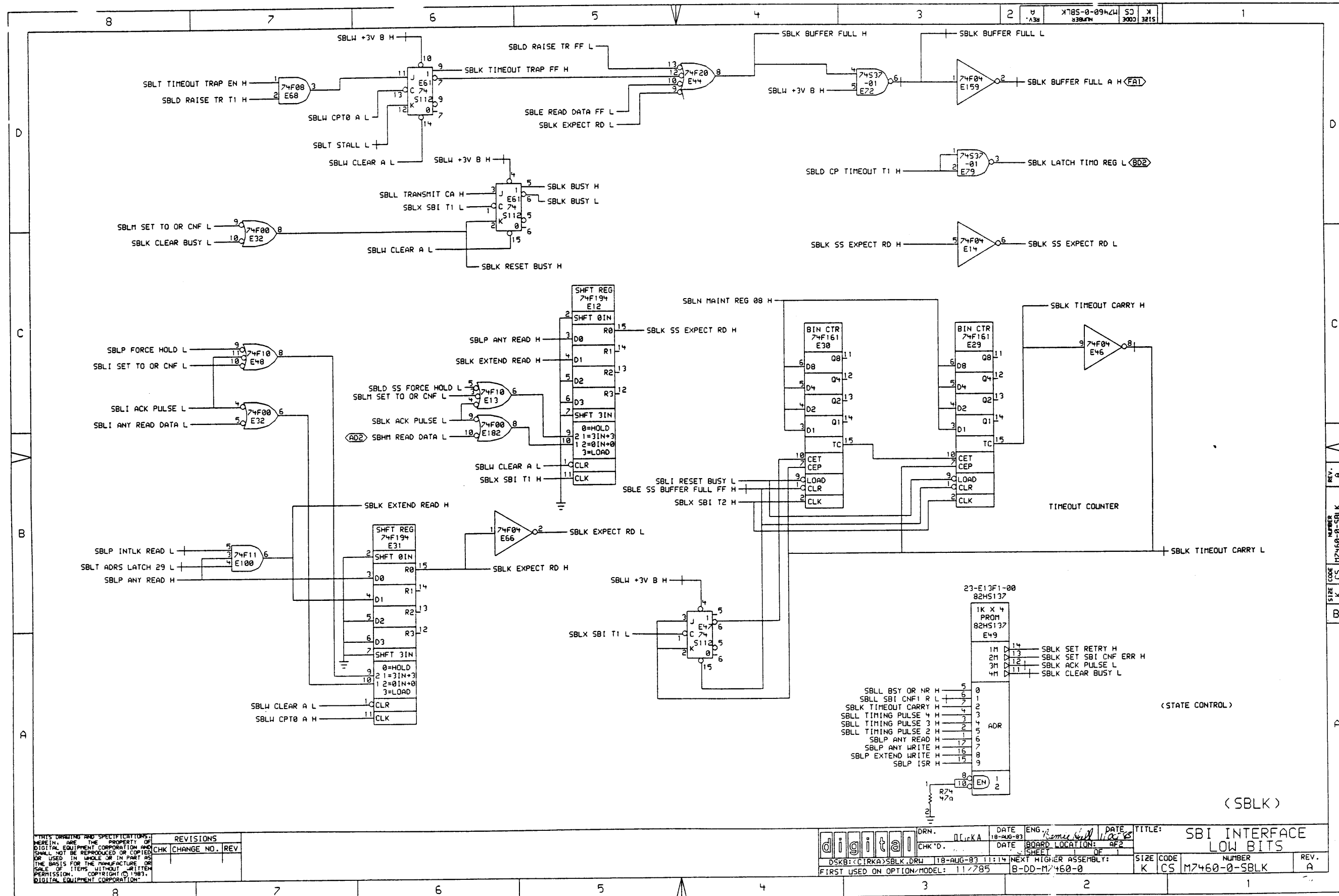
REVISIONS		
CHK	CHANGE NO.	REV

digit@l DRN. DATE 10-AUG-83 ENG. *Bernie Bell* DATE 11 OCT 83  
 CHK'D. DATE BOARD LOCATION: AF2  
 SHEET 1 OF 1  
 DSKB: <<CIRKA>SBL1.DRW 108-AUG-83 13:24 NEXT HIGHER ASSEMBLY:  
 FIRST USED ON OPTION/MODEL: 11/285 B-DD-17460-0

SIZE	CODE	NUMBER	REV.
K	CS	M7460-0-SBL1	A

TITLE: SBI INTERFACE LOW BITS





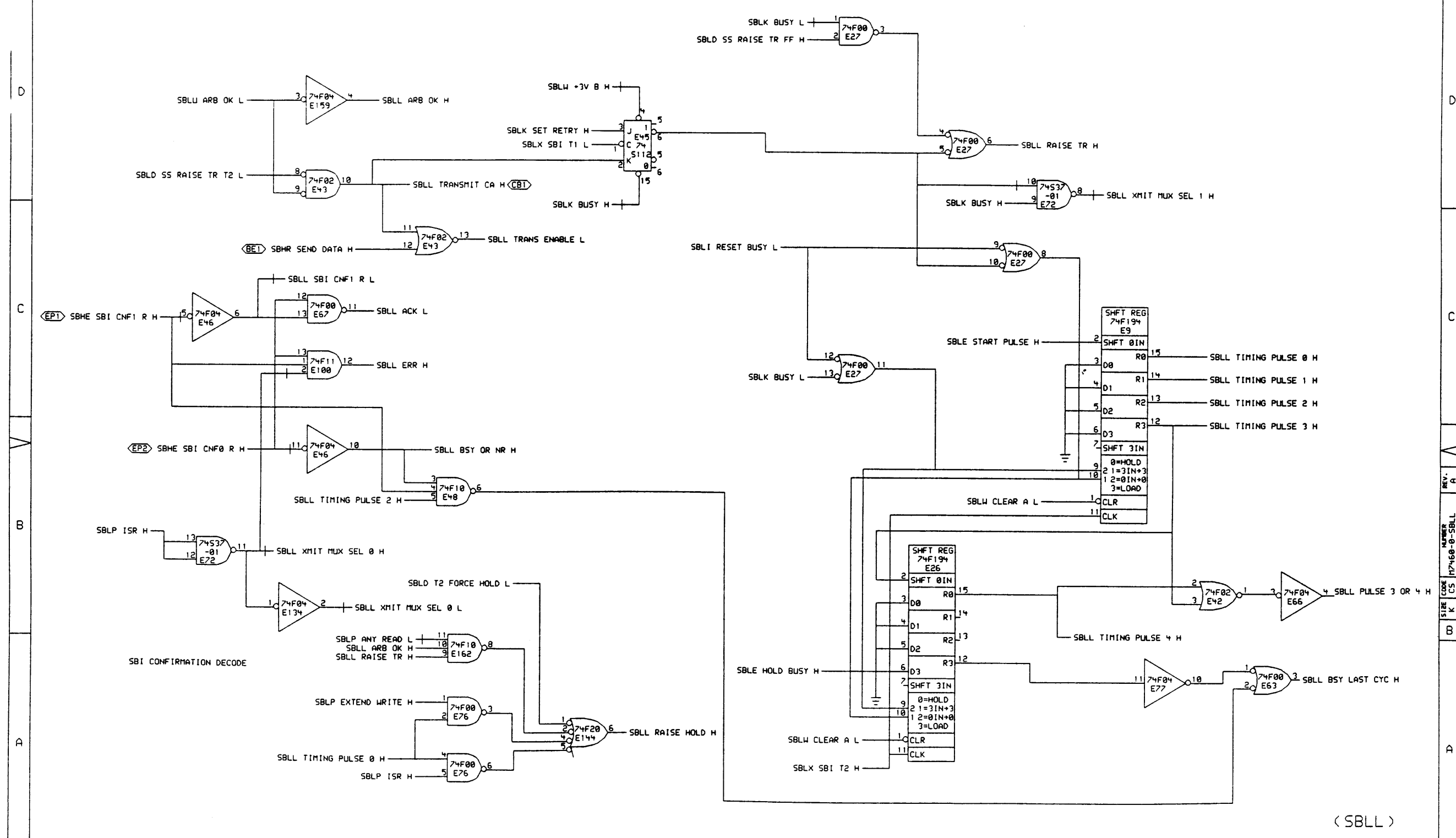
THIS DRAWING AND SPECIFICATIONS ARE THE PROPERTY OF DIGITAL EQUIPMENT CORPORATION AND SHALL NOT BE REPRODUCED OR COPIED OR USED IN WHOLE OR IN PART AS THE BASIS FOR THE MANUFACTURE OR SALE OF ITEMS WITHOUT WRITTEN PERMISSION. COPYRIGHT © 1983, DIGITAL EQUIPMENT CORPORATION.

DRN.	CHK'D.	DATE	ENG.	DATE	TITLE:
DLRKA		18-AUG-83	Romeo		SBI INTERFACE LOW BITS
18-AUG-83		11:14		AF2	
11/285					

SIZE	CODE	NUMBER	REV.
K	CS	M7460-0-SBLK	A

DSKB: C:IRKA>SBLK.DRW 18-AUG-83 11:14 NEXT HIGHER ASSEMBLY: B-DD-M7460-0

REV.	4	7785-0-0942	CS	X	3215
SIZE	K				



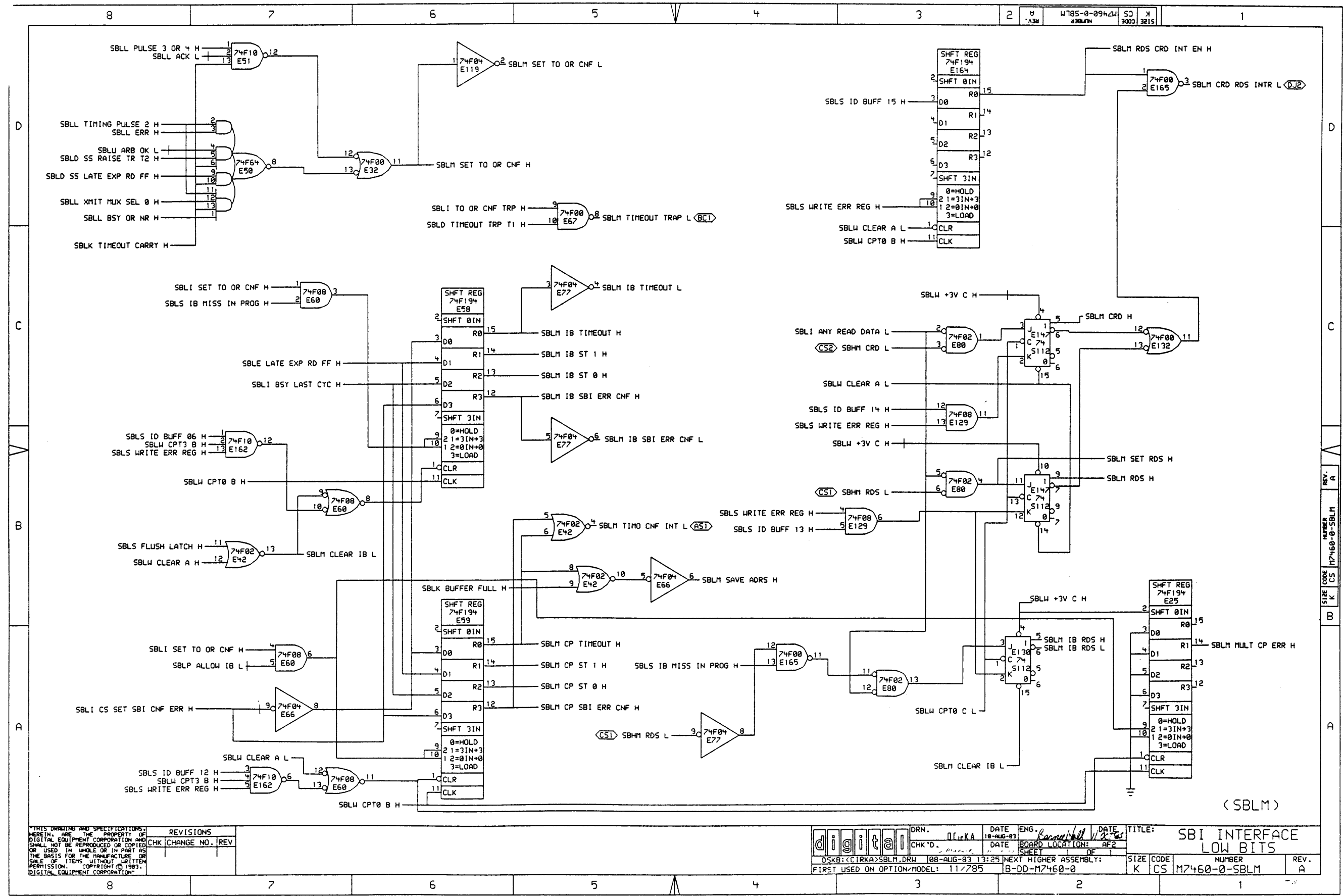
(SBL)

THIS DRAWING AND SPECIFICATIONS ARE THE PROPERTY OF DIGITAL EQUIPMENT CORPORATION AND SHALL NOT BE REPRODUCED OR COPIED OR USED IN WHOLE OR IN PART AS THE BASIS FOR THE MANUFACTURE OR SALE OF ITEMS WITHOUT WRITTEN PERMISSION. COPYRIGHT © 1983, DIGITAL EQUIPMENT CORPORATION.

REV.	CHANGE NO.
1	

CHK	DATE	ENG.	DATE	TITLE:	SIZE	CODE	NUMBER	REV.
	10-AUG-83	ORICA	11-21-83	SBI INTERFACE LOW BITS	K	CS	M7460-0-SBLL	A
DSKB: <CIRKA> SBL.DRW 08-AUG-83 13:25 NEXT HIGHER ASSEMBLY: B-DD-M7460-0								
FIRST USED ON OPTION/MODEL: 11/785								

REV. A  
NUMBER 177460-0-SBLL  
SIZE CS  
K CS

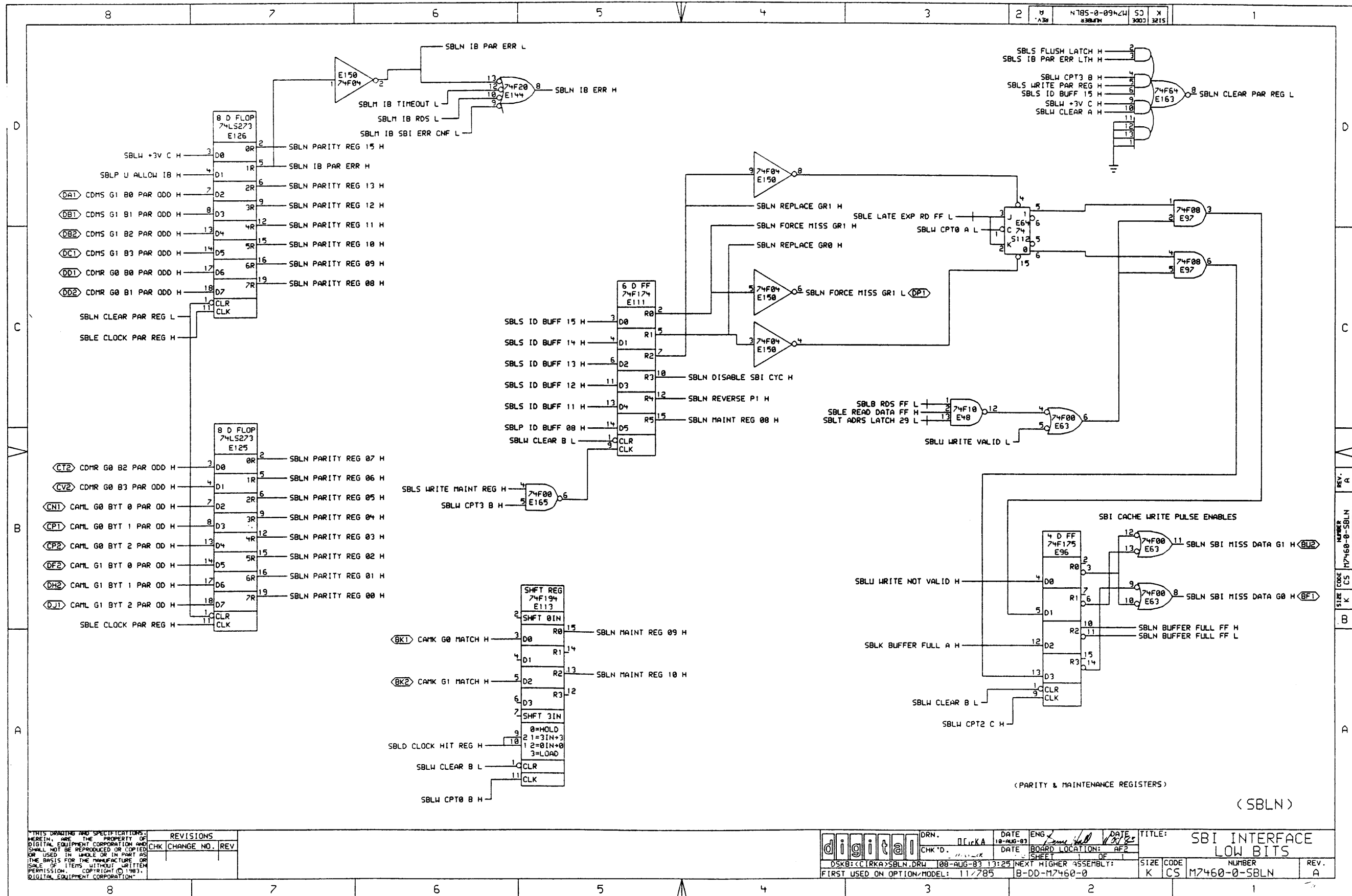


THIS DRAWING AND SPECIFICATIONS ARE THE PROPERTY OF DIGITAL EQUIPMENT CORPORATION AND SHALL NOT BE REPRODUCED OR COPIED OR USED IN WHOLE OR IN PART AS THE BASIS FOR THE MANUFACTURE OR SALE OF ITEMS WITHOUT WRITTEN PERMISSION. COPYRIGHT © 1983, DIGITAL EQUIPMENT CORPORATION.

CHK	CHANGE NO.	REV

digital	DRN. 011rka	DATE 10-AUG-83	ENG. Campbell	DATE	TITLE: SBI INTERFACE LOW BITS
	CHK'D.	DATE	BOARD LOCATION: AF2	SHEET 1 OF 1	
DSKB: <<IRKA>>SBLM.DRW 08-AUG-83 13:25 NEXT HIGHER ASSEMBLY:			SIZE CODE K CS	NUMBER M7460-0-SBLM	REV. A
FIRST USED ON OPTION/MODEL: 11/785			B-DD-M7460-0		

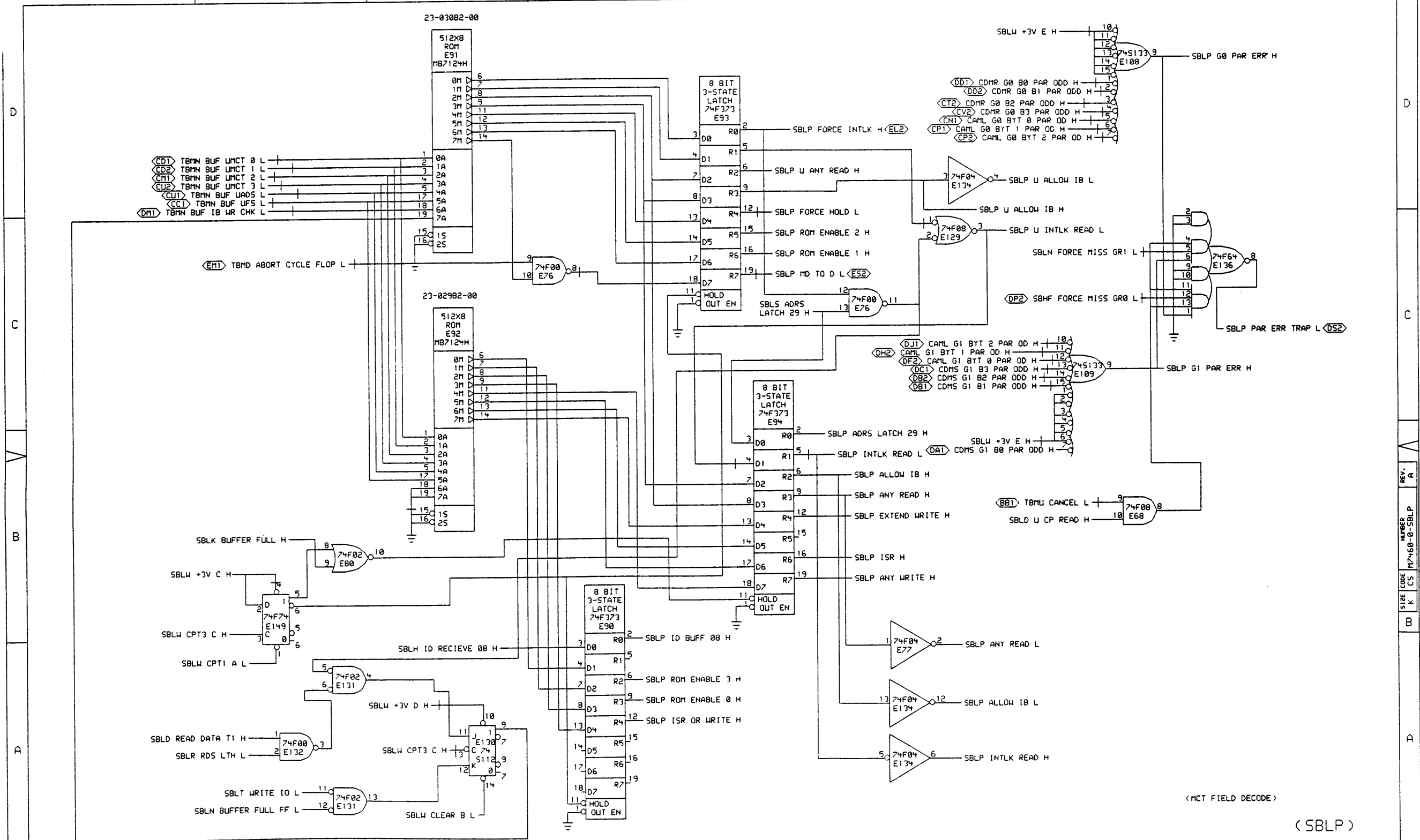




THIS DRAWING AND SPECIFICATIONS HEREIN ARE THE PROPERTY OF DIGITAL EQUIPMENT CORPORATION AND SHALL NOT BE REPRODUCED OR COPIED OR USED IN WHOLE OR IN PART AS THE BASIS FOR THE MANUFACTURE OR SALE OF ITEMS WITHOUT WRITTEN PERMISSION. COPYRIGHT © 1983, DIGITAL EQUIPMENT CORPORATION.

REVISIONS		
CHK	CHANGE NO.	REV.

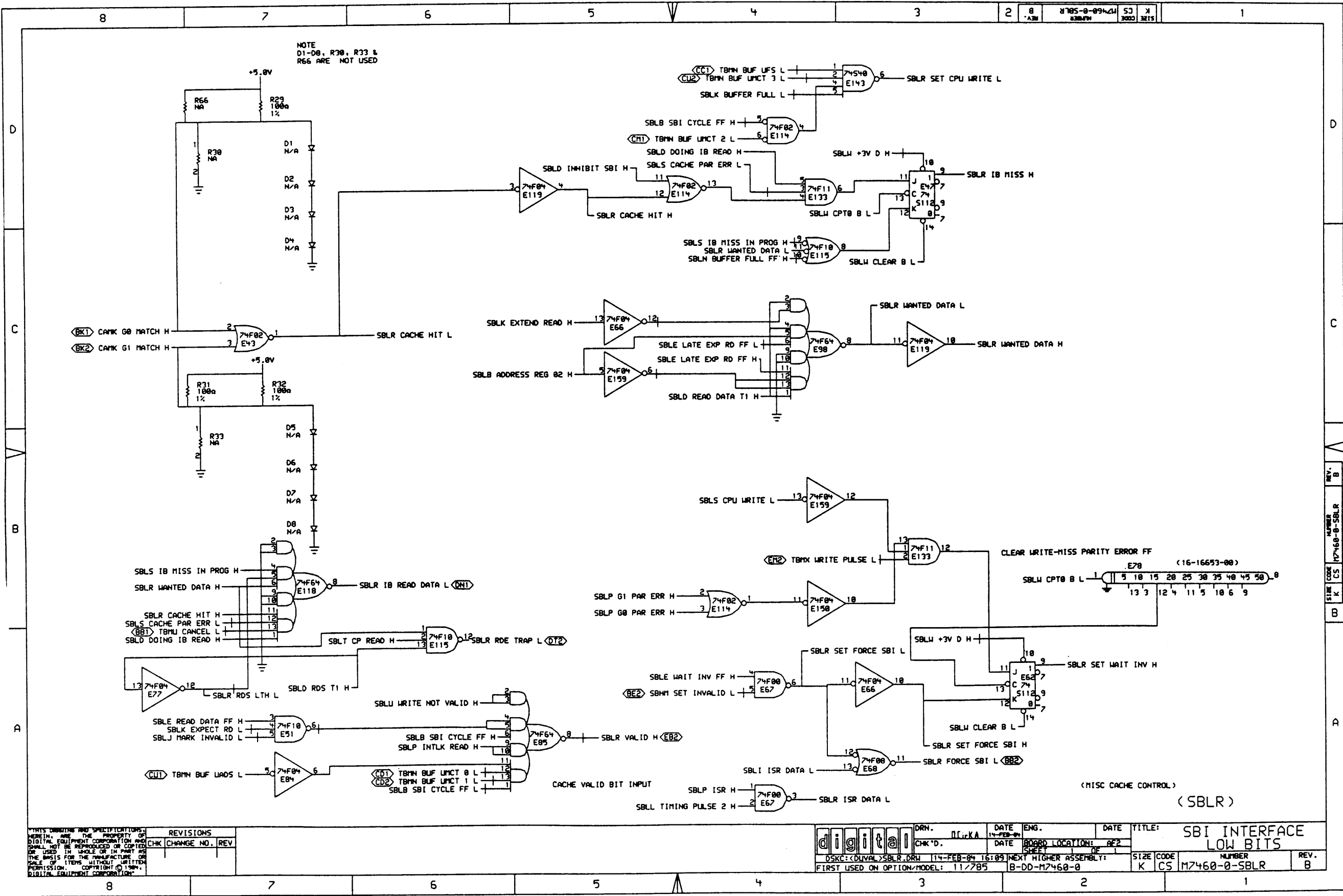
digital	DRN. <i>nicka</i>	DATE <i>18-AUG-83</i>	ENG <i>Gene Hill</i>	DATE <i>8/23/83</i>	TITLE: <b>SBI INTERFACE LOW BITS</b>
	CHK'D.	DATE	BOARD LOCATION: <i>AF2</i>	SHEET	SIZE CODE: <b>K CS</b>
DSKB: <CIRKA>SBLN.DRW 108-AUG-83 13:25 NEXT HIGHER ASSEMBLY: B-DD-M7460-0					NUMBER: <b>M7460-0-SBLN</b>
FIRST USED ON OPTION/MODEL: 11/785					REV. <b>A</b>



THIS DRAWING AND SPECIFICATIONS ARE THE PROPERTY OF DIGITAL EQUIPMENT CORPORATION AND SHALL NOT BE REPRODUCED OR COPIED OR USED IN WHOLE OR IN PART AS THE BASIS FOR THE MANUFACTURE OR SALE OF ITEMS WITHOUT WRITTEN PERMISSION. COPYRIGHT © 1983, DIGITAL EQUIPMENT CORPORATION.

REV.	CHANGE NO.	DESCRIPTION

DRN. 001rKA	DATE 10-AUG-83	ENG. J. J. J.	DATE 10-2-83	TITLE: SBI INTERFACE LOW BITS
CHK'D.	DATE	BOARD LOCATION: AF2	SHEET 1 OF 1	SIZE CODE NUMBER REV. K CS M7460-0-SBLP A
DSKB:CCIRKA\SBLP.DRW 108-AUG-83 13:25		NEXT HIGHER ASSEMBLY: 18-DD-M7460-0		
FIRST USED ON OPTION-MODEL: 11/785				

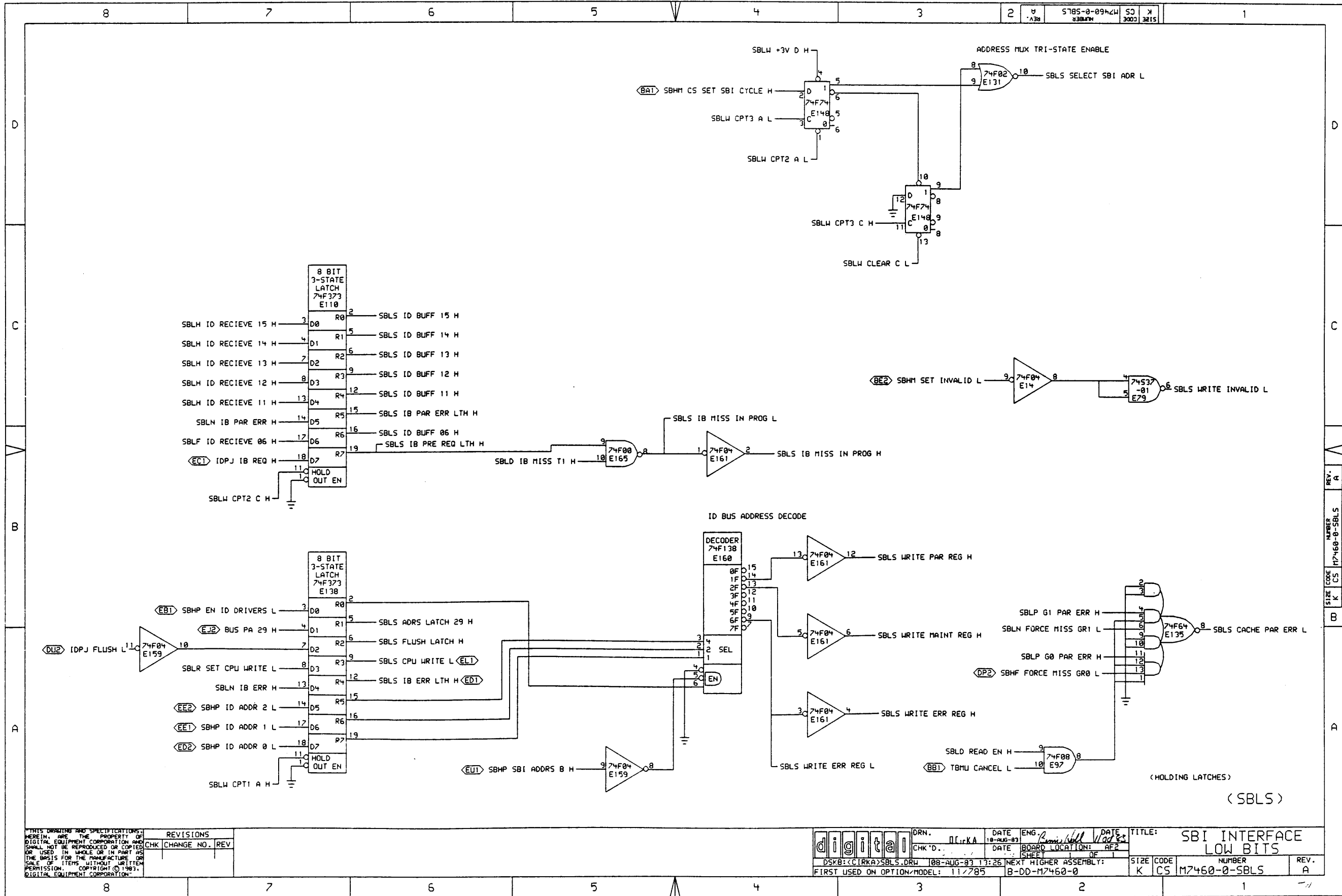


NOTE  
D1-D8, R30, R33 &  
R66 ARE NOT USED

THIS DRAWING AND SPECIFICATIONS HEREOF ARE THE PROPERTY OF DIGITAL EQUIPMENT CORPORATION AND SHALL NOT BE REPRODUCED OR COPIED IN WHOLE OR IN PART AS A BASIS FOR THE MANUFACTURE OR SALE OF ITEMS WITHOUT WRITTEN PERMISSION. COPYRIGHT © 1984, DIGITAL EQUIPMENT CORPORATION.

REVISIONS	
CHK	CHANGE NO. REV

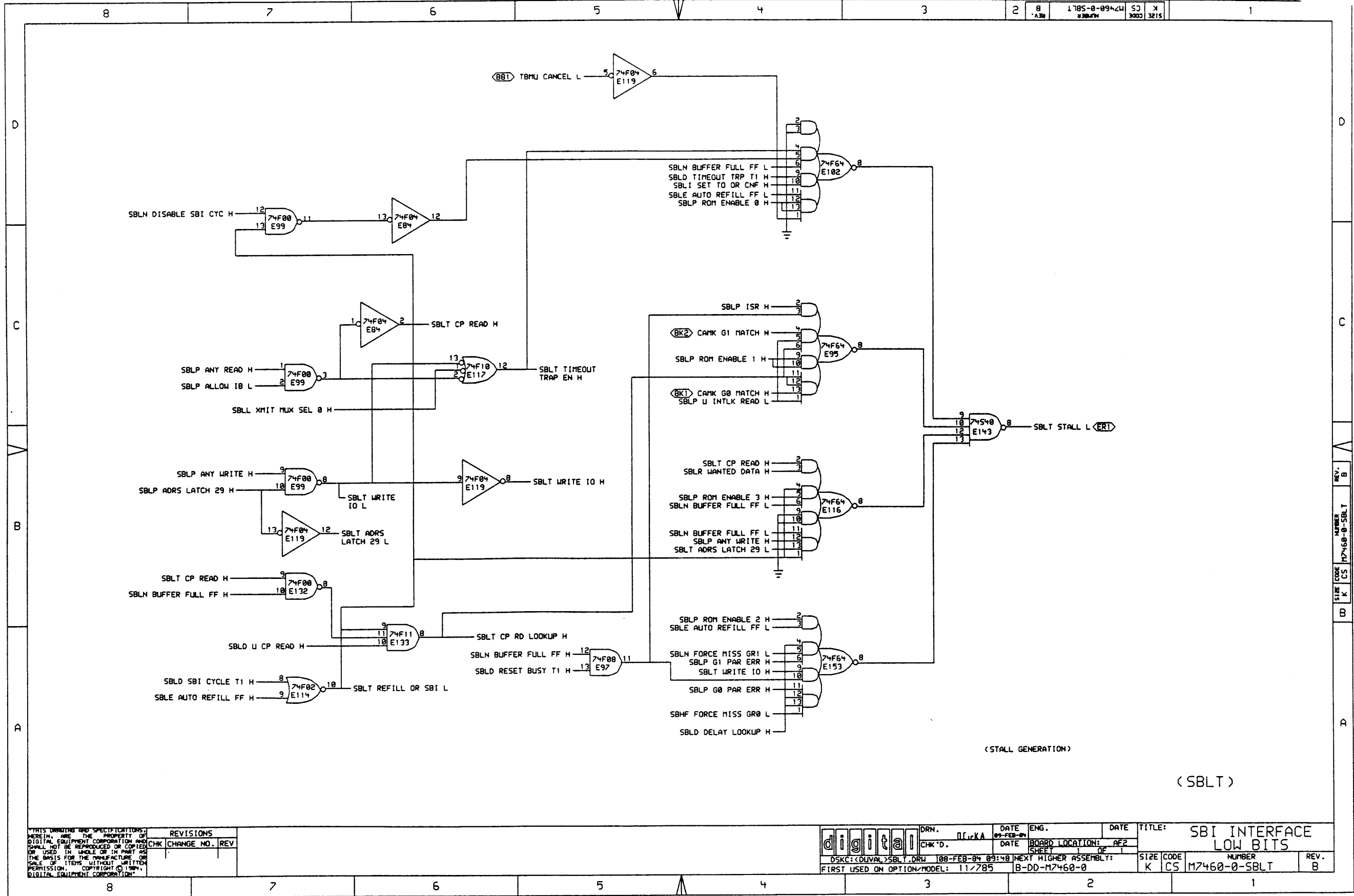
	DRN. 11/KA	DATE 14-FEB-84	ENG. BEE	DATE	TITLE: SBI INTERFACE LOW BITS
	CHK'D.	DATE	BOARD LOCATION: AF2	REV. 1	REV. B
DSKC: <DUAL>SBLR.DRW 14-FEB-84 16109 NEXT HIGHER ASSEMBLY: B-DD-M7460-0			SIZE CODE K CS	NUMBER M7460-0-SBLR	
FIRST USED ON OPTION/MODEL: 11/785					



THIS DRAWING AND SPECIFICATIONS ARE THE PROPERTY OF DIGITAL EQUIPMENT CORPORATION AND SHALL NOT BE REPRODUCED OR COPIED OR USED IN WHOLE OR IN PART AS THE BASIS FOR THE MANUFACTURE OR SALE OF ITEMS WITHOUT WRITTEN PERMISSION. COPYRIGHT © 1983, DIGITAL EQUIPMENT CORPORATION.

REVISIONS	
CHK	CHANGE NO. REV

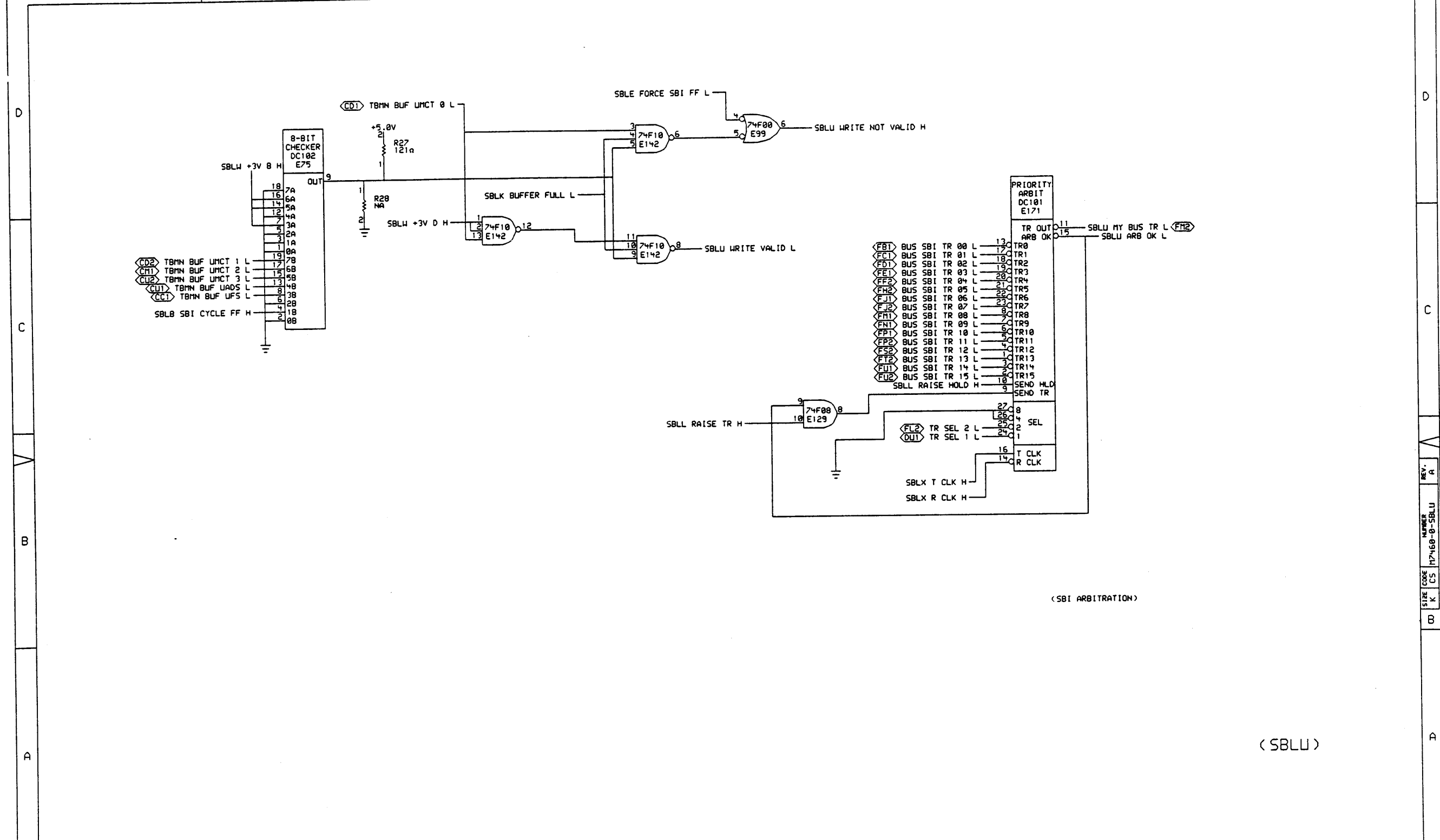
DRN. <b>DKRKA</b>	DATE <b>10-AUG-83</b>	ENG. <b>Russell Wades</b>	DATE	TITLE: <b>SBI INTERFACE LOW BITS</b>
CHK'D.	DATE	BOARD LOCATION: <b>AF2</b>	SHEET	SIZE CODE <b>K CS</b>
DSK: <<CIRKA>>SBL.DRW	108-AUG-83 13:25	NEXT HIGHER ASSEMBLY: <b>B-DD-M7460-0</b>	NUMBER	REV. <b>A</b>
FIRST USED ON OPTION/MODEL: <b>11/785</b>			<b>M7460-0-SBLs</b>	



THIS DRAWING AND SPECIFICATIONS HEREIN ARE THE PROPERTY OF DIGITAL EQUIPMENT CORPORATION AND SHALL NOT BE REPRODUCED OR COPIED OR USED IN WHOLE OR IN PART AS THE BASIS FOR THE MANUFACTURE OR SALE OF ITEMS WITHOUT WRITTEN PERMISSION. COPYRIGHT © 1984 DIGITAL EQUIPMENT CORPORATION.

REVISIONS		
CHK	CHANGE NO.	REV

digital	DRN.	DATE	ENG.	DATE	TITLE:
	CHK'D.	09-FEB-84	PC/KKA		SBI INTERFACE LOW BITS
DSKC:(DUVAL)SBLT.DRW			DATE	BOARD LOCATION:	AF2
FIRST USED ON OPTION/MODEL: 117785			SHEET	OF	
SIZE	CODE	NUMBER	REV.		
K	CS	M7460-0-SBLT	B		



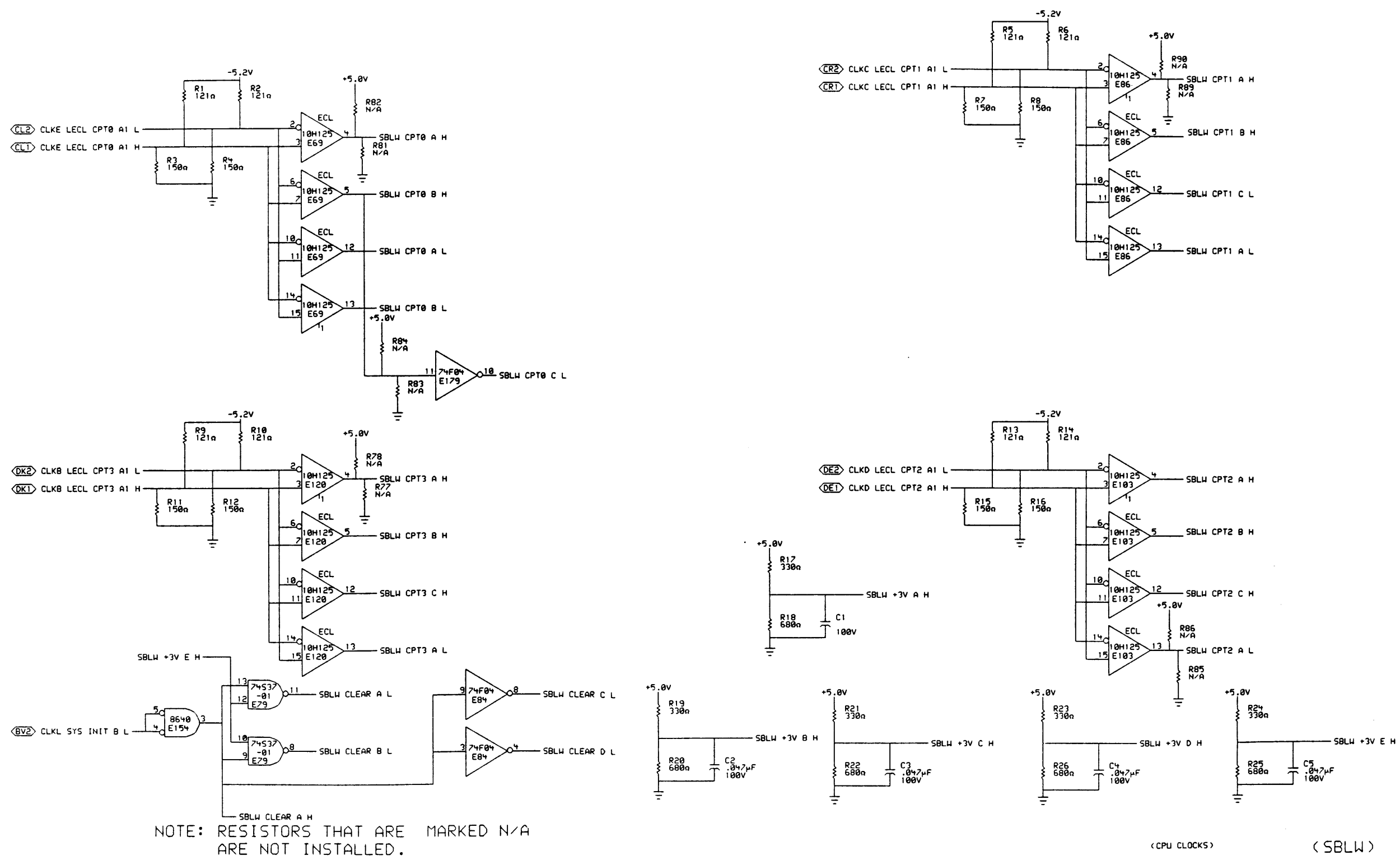
(SBI ARBITRATION)

(SBLU)

THIS DRAWING AND SPECIFICATIONS, HEREIN, ARE THE PROPERTY OF DIGITAL EQUIPMENT CORPORATION AND SHALL NOT BE REPRODUCED OR COPIED OR USED IN WHOLE OR IN PART AS THE BASIS FOR THE MANUFACTURE OR SALE OF ITEMS WITHOUT WRITTEN PERMISSION. COPYRIGHT © 1983, DIGITAL EQUIPMENT CORPORATION.

REVISIONS		
CHK	CHANGE NO.	REV.

digital	DRN.	DATE	ENG.	DATE	TITLE:
	CHK'D.	10-AUG-83	10-AUG-83	10-AUG-83	SBI INTERFACE LOW BITS
DSKB: <CIRKA>SBLU.DRW		08-AUG-83 13:26	NEXT HIGHER ASSEMBLY:	SIZE	CODE
FIRST USED ON OPTION/MODEL: 11/785		B-DD-M7460-0		K	CS
				NUMBER	REV.
				M7460-0-SBLU	A



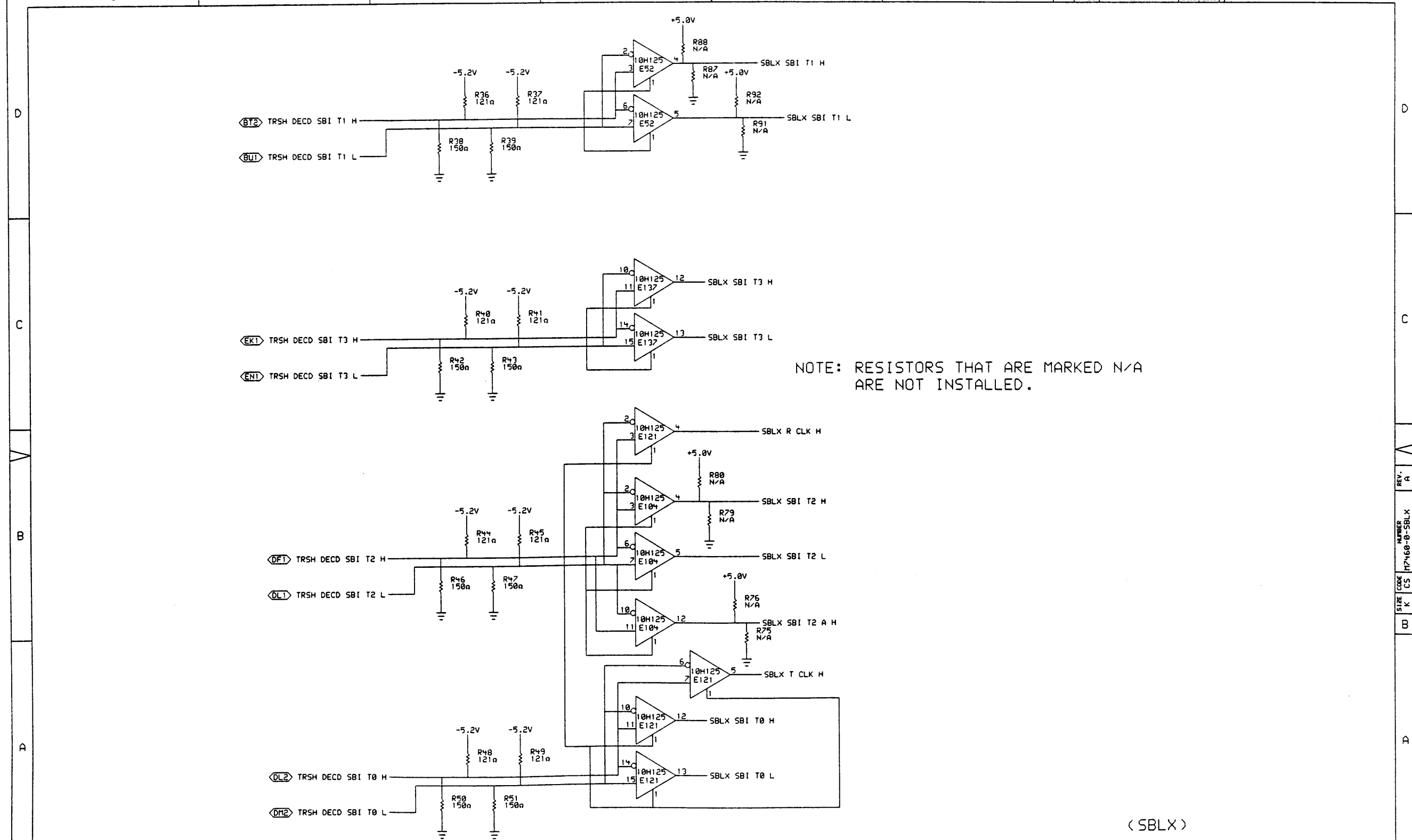
NOTE: RESISTORS THAT ARE MARKED N/A ARE NOT INSTALLED.

(CPU CLOCKS) (SBLW)

THIS DRAWING AND SPECIFICATIONS HEREIN ARE THE PROPERTY OF DIGITAL EQUIPMENT CORPORATION AND SHALL NOT BE REPRODUCED OR COPIED OR USED IN WHOLE OR IN PART AS THE BASIS FOR THE MANUFACTURE OR SALE OF ITEMS WITHOUT WRITTEN PERMISSION. COPYRIGHT © 1983, DIGITAL EQUIPMENT CORPORATION.

REVISIONS
CHK CHANGE NO. REV

digital	DRN.	DATE	ENG.	DATE	TITLE:
	CHK'D.	DATE	BOARD LOCATION:	SHEET	SBI INTERFACE LOW BITS
DSKB: <CIRKA>SBLW.DRW 18-AUG-83 15:59 NEXT HIGHER ASSEMBLY:					SIZE CODE
FIRST USED ON OPTION/MODEL: 11/785 B-DD-M7460-0					NUMBER
					REV.
					A



NOTE: RESISTORS THAT ARE MARKED N/A ARE NOT INSTALLED.

(SBLX)

THIS DRAWING AND SPECIFICATIONS HEREIN ARE THE PROPERTY OF DIGITAL EQUIPMENT CORPORATION AND SHALL NOT BE REPRODUCED OR COPIED OR USED IN WHOLE OR IN PART AS THE BASIS FOR THE MANUFACTURE OR SALE OF ITEMS WITHOUT WRITTEN PERMISSION. COPYRIGHT © 1983, DIGITAL EQUIPMENT CORPORATION.

REVISIONS		
CHK	CHANGE NO.	REV

digital	DRN.	DATE	ENG.	DATE	TITLE:
	CHK'D.	DATE	BOARD LOCATION:	OF	SHEET
DSKB: <<CIRKA>SBLX.DRW		18-AUG-83 16:09	NEXT HIGHER ASSEMBLY:	SIZE CODE	NUMBER
FIRST USED ON OPTION/MODEL:		11/785	B-DD-M7460-0	K CS	M7460-0-SBLX
					REV.
					A



SIGNAL NAME PAGE NUMBER(S)

BUS ID 00 L SBLF  
 BUS ID 01 L SBLF  
 BUS ID 02 L SBLF  
 BUS ID 03 L SBLF  
 BUS ID 04 L SBLF  
 BUS ID 05 L SBLF  
 BUS ID 06 L SBLF  
 BUS ID 07 L SBLF  
 BUS ID 08 L SBLM  
 BUS ID 09 L SBLM  
  
 BUS ID 10 L SBLM  
 BUS ID 11 L SBLM  
 BUS ID 12 L SBLM  
 BUS ID 13 L SBLM  
 BUS ID 14 L SBLM  
 BUS ID 15 L SBLM  
 BUS MD 00 H SBLC  
 BUS MD 01 H SBLC  
 BUS MD 02 H SBLC  
 BUS MD 03 H SBLC  
  
 BUS MD 04 H SBLC  
 BUS MD 05 H SBLC  
 BUS MD 06 H SBLC  
 BUS MD 07 H SBLC  
 BUS MD 08 H SBLC  
 BUS MD 09 H SBLC  
 BUS MD 10 H SBLC  
 BUS MD 11 H SBLC  
 BUS MD 12 H SBLC  
 BUS MD 13 H SBLC  
  
 BUS MD 14 H SBLC  
 BUS MD 15 H SBLC  
 BUS MD BYTE 0 PAR H SBLC  
 BUS MD BYTE 1 PAR H SBLC  
 BUS PA 02 H SBLB  
 BUS PA 03 H SBLB  
 BUS PA 04 H SBLB  
 BUS PA 05 H SBLB  
 BUS PA 06 H SBLB  
 BUS PA 07 H SBLB  
  
 BUS PA 08 H SBLB  
 BUS PA 14 H SBLJ  
 BUS PA 15 H SBLJ  
 BUS PA 16 H SBLJ  
 BUS PA 17 H SBLJ  
 BUS PA 29 H SBLJ  
 BUS SBI 000 L SBLE  
 BUS SBI 001 L SBLE  
 BUS SBI 002 L SBLE  
 BUS SBI 003 L SBLE

SIGNAL NAME PAGE NUMBER(S)

BUS SBI 004 L SBLE  
 BUS SBI 005 L SBLE  
 BUS SBI 006 L SBLE  
 BUS SBI 007 L SBLE  
 BUS SBI 008 L SBLE  
 BUS SBI 009 L SBLE  
 BUS SBI 010 L SBLE  
 BUS SBI 011 L SBLE  
 BUS SBI 012 L SBLE  
 BUS SBI 013 L SBLE  
  
 BUS SBI 014 L SBLE  
 BUS SBI 015 L SBLE  
 BUS SBI TR 00 L SBLU  
 BUS SBI TR 01 L SBLU  
 BUS SBI TR 02 L SBLU  
 BUS SBI TR 03 L SBLU  
 BUS SBI TR 04 L SBLU  
 BUS SBI TR 05 L SBLU  
 BUS SBI TR 06 L SBLU  
 BUS SBI TR 07 L SBLU  
  
 BUS SBI TR 08 L SBLU  
 BUS SBI TR 09 L SBLU  
 BUS SBI TR 10 L SBLU  
 BUS SBI TR 11 L SBLU  
 BUS SBI TR 12 L SBLU  
 BUS SBI TR 13 L SBLU  
 BUS SBI TR 14 L SBLU  
 BUS SBI TR 15 L SBLU  
 CAMK G0 MATCH H SBLR,T,N  
 CAMK G1 MATCH H SBLR,T,N  
  
 CAML G0 BYT 0 PAR 00 H SBLP,N  
 CAML G0 BYT 1 PAR 00 H SBLP,N  
 CAML G0 BYT 2 PAR 00 H SBLP,N  
 CAML G1 BYT 0 PAR 00 H SBLP,N  
 CAML G1 BYT 1 PAR 00 H SBLP,N  
 CAML G1 BYT 2 PAR 00 H SBLP,N  
 CDMR G0 B0 PAR 000 H SBLP,N  
 CDMR G0 B1 PAR 000 H SBLP,N  
 CDMR G0 B2 PAR 000 H SBLP,N  
 CDMR G0 B3 PAR 000 H SBLP,N  
  
 CDMS G1 B0 PAR 000 H SBLP,N  
 CDMS G1 B1 PAR 000 H SBLP,N  
 CDMS G1 B2 PAR 000 H SBLP,N  
 CDMS G1 B3 PAR 000 H SBLP,N  
 CLKB LECL CPT3 A1 H SBLU  
 CLKB LECL CPT3 A1 L SBLU  
 CLKC LECL CPT1 A1 H SBLU  
 CLKC LECL CPT1 A1 L SBLU  
 CLKD LECL CPT2 A1 H SBLU  
 CLKD LECL CPT2 A1 L SBLU

SIGNAL NAME PAGE NUMBER(S)

CLKE LECL CPT0 A1 H SBLU  
 CLKE LECL CPT0 A1 L SBLU  
 CLKL SYS INIT B L SBLU  
 ICLB IPL ACT 0 L SBLA  
 ICLB IPL ACT 1 L SBLA  
 IDPJ FLUSH L SBLJ  
 IDPJ IB REQ H SBLJ  
 SBHE SBI CNF0 R H SBLJ  
 SBHE SBI CNF1 R H SBLJ  
 SBHF FORCE MISS GR0 L SBLJ,P,T  
  
 SBHM CRD L SBLM  
 SBHM CS SET SBI CYCLE H SBLB,S  
 SBHM RDS L SBLM  
 SBHM READ DATA L SBLI,K  
 SBHM SET INVALID L SBLJ,R  
 SBHM EN ID DRIVERS L SBLH,F,S  
 SBHM ID ADDR 0 L SBLF,S  
 SBHM ID ADDR 1 L SBLF,S  
 SBHM ID ADDR 2 L SBLF,S  
 SBHM SBI ADDRS 0 H SBLJ  
  
 SBHR SEND DATA H SBLJ  
 SBLA TRANS DATA 00 H SBLA,A  
 SBLA TRANS DATA 01 H SBLA,A  
 SBLA TRANS DATA 02 H SBLA,A  
 SBLA TRANS DATA 03 H SBLA,A  
 SBLA TRANS DATA 04 H SBLA,A  
 SBLA TRANS DATA 05 H SBLA,A  
 SBLA TRANS DATA 06 H SBLA,A  
 SBLA TRANS DATA 07 H SBLA,A  
 SBLA TRANS DATA 08 H SBLA,A  
  
 SBLA TRANS DATA 09 H SBLA,A  
 SBLA TRANS DATA 10 H SBLA,A  
 SBLA TRANS DATA 11 H SBLA,A  
 SBLA TRANS DATA 12 H SBLA,A  
 SBLA TRANS DATA 13 H SBLA,A  
 SBLA TRANS DATA 14 H SBLA,A  
 SBLA TRANS DATA 15 H SBLA,A  
 SBLB ADDRESS REG 02 H SBLA,R,B  
 SBLB ADDRESS REG 03 H SBLA,B  
 SBLB ADDRESS REG 04 H SBLA,B  
  
 SBLB ADDRESS REG 05 H SBLA,B  
 SBLB ADDRESS REG 06 H SBLA,B  
 SBLB ADDRESS REG 07 H SBLA,B  
 SBLB ADDRESS REG 08 H SBLA,B  
 SBLB ADDRESS REG 09 H SBLA,B  
 SBLB CLK PA IN H SBLJ,B  
 SBLB CLK RCV DATA A H SBLG,B  
 SBLB CLK RCV DATA B H SBLG,B  
 SBLB CLR TO TRP H SBLB,I  
 SBLB PA 09 L SBLB

NOTES:  
 1. THIS PAGE LISTS THE SCHEMATIC PAGE NUMBER(S) WHERE A SIGNAL NAME IS REFERENCED.

(SBLJ)

THIS DRAWING AND SPECIFICATIONS HEREIN ARE THE PROPERTY OF DIGITAL EQUIPMENT CORPORATION AND SHALL NOT BE REPRODUCED OR COPIED OR USED IN WHOLE OR IN PART AS THE BASIS FOR THE MANUFACTURE OR SALE OF ITEMS WITHOUT WRITTEN PERMISSION. COPYRIGHT © 1983, DIGITAL EQUIPMENT CORPORATION.

REVISIONS		
CHK	CHANGE NO.	REV

digital	DRN.	DATE	ENG.	DATE	TITLE:
	CHK'D.	DATE	BOARD LOCATION:	REV.	SBI INTERFACE LOW BITS
DSKB:GIRKA5BLY.DRW		08-AUG-83 13:27	NEXT HIGHER ASSEMBLY:	SIZE CODE	NUMBER
FIRST USED ON OPTION MODEL: 11785		B-DD-M7460-0		K CS	M7460-0-SBLY
					REV. A

SIGNAL NAME	PAGE NUMBER(S)
SBLB PA 10 L	SBLB
SBLB PA 11 L	SBLB
SBLB RDS FF H	SBLD,B
SBLB RDS FF L	SBLN,B
SBLB SBI CYCLE FF H	SBLU,D,B,R
SBLB SBI CYCLE FF L	SBLR,R
SBLB SBI DATA SEL H	SBLG,B
SBLB T1 SBI DATA SEL H	SBLJ,B
SBLB TIMEOUT ADRS 02 H	SBLB,F
SBLB TIMEOUT ADRS 03 H	SBLB,F
SBLB TIMEOUT ADRS 04 H	SBLF,B
SBLB TIMEOUT ADRS 05 H	SBLF,B
SBLB TIMEOUT ADRS 06 H	SBLF,B
SBLB TIMEOUT ADRS 07 H	SBLF,B
SBLB TIMEOUT ADRS 08 H	SBLB,F
SBLB TIMEOUT ADRS 09 H	SBLB,F
SBLC MD PAR GEN 0 H	SBLG,C
SBLC MD PAR GEN 1 H	SBLG,C
SBLC WRITE DATA 00 H	SBLC,A
SBLC WRITE DATA 01 H	SBLC,A
SBLC WRITE DATA 02 H	SBLC,A
SBLC WRITE DATA 03 H	SBLC,A
SBLC WRITE DATA 04 H	SBLA,C
SBLC WRITE DATA 05 H	SBLA,C
SBLC WRITE DATA 06 H	SBLA,C
SBLC WRITE DATA 07 H	SBLA,C
SBLC WRITE DATA 08 H	SBLC,A
SBLC WRITE DATA 09 H	SBLC,A
SBLC WRITE DATA 10 H	SBLC,A
SBLC WRITE DATA 11 H	SBLC,A
SBLC WRITE DATA 12 H	SBLC,A
SBLC WRITE DATA 13 H	SBLC,A
SBLC WRITE DATA 14 H	SBLC,A
SBLC WRITE DATA 15 H	SBLC,A
SBLD CLOCK HIT REG H	SBLD,N
SBLD CP TIMEOUT T1 H	SBLD,B,J
SBLD COING IB READ H	SBLR,D
SBLD I3 MISS T1 H	SBLD,S
SBLD INHIBIT SBI H	SBLD,R
SBLD RAISE TR FF H	SBLD
SBLD RAISE TR FF L	SBLK,D
SBLD RAISE TR T1 H	SBLK,D
SBLD RDS T1 H	SBLR,D
SBLD READ DATA T1 H	SBLD,R,P
SBLD READ EN H	SBLD,D
SBLD RESET BUSY T1 H	SBLD,T
SBLD SBI CYCLE T1 H	SBLD,T
SBLD SS FORCE HOLD L	SBLK,D
SBLD SS LATE EXP RD FF H	SBLD,M
SBLD SS RAISE TR FF H	SBLD,D

SIGNAL NAME	PAGE NUMBER(S)
SBLD SS RAISE TR FF L	SBLE,D
SBLD SS RAISE TR T2 H	SBLD,M
SBLD SS RAISE TR T2 L	SBLD,L
SBLD T2 FORCE HOLD L	SBLD,L
SBLD TIMEOUT TRP T1 H	SBLM,D,T
SBLD U CP READ H	SBLP,T,D
SBLE AUTO REFILL FF H	SBLE,T
SBLE AUTO REFILL FF L	SBLE,T
SBLE CLOCK PAR REG H	SBLE,N
SBLE FORCE SBI FF L	SBLE,U
SBLE HOLD BUSY H	SBLE,L
SBLE LATE EXP RD FF H	SBLM,E,R
SBLE LATE EXP RD FF L	SBLN,E,R
SBLE LATE EXP RD L	SBLD
SBLE READ DATA FF H	SBLN,R,D,E
SBLE READ DATA FF L	SBLK,E
SBLE REC PAR 0 H	SBLE,C
SBLE REC PAR 1 H	SBLE,C
SBLE REC PAR 2 H	SBLE,C
SBLE REC PAR 3 H	SBLE,C
SBLE RECIEVE DATA 00 H	SBLE,G
SBLE RECIEVE DATA 01 H	SBLE,G
SBLE RECIEVE DATA 02 H	SBLE,G
SBLE RECIEVE DATA 03 H	SBLE,G
SBLE RECIEVE DATA 04 H	SBLE,G
SBLE RECIEVE DATA 05 H	SBLE,G
SBLE RECIEVE DATA 06 H	SBLE,G
SBLE RECIEVE DATA 07 H	SBLE,G
SBLE RECIEVE DATA 08 H	SBLE,G
SBLE RECIEVE DATA 09 H	SBLE,G
SBLE RECIEVE DATA 10 H	SBLE,G
SBLE RECIEVE DATA 11 H	SBLE,G
SBLE RECIEVE DATA 12 H	SBLE,G
SBLE RECIEVE DATA 13 H	SBLE,G
SBLE RECIEVE DATA 14 H	SBLE,G
SBLE RECIEVE DATA 15 H	SBLE,G
SBLE RESET BUSY FF H	SBLD,E
SBLE SS BUFFER FULL FF H	SBLK,E
SBLE START PULSE H	SBLE,L
SBLE TRANS PAR L	SBLE
SBLE WAIT INV FF H	SBLE,R
SBLF ID ADDR 1 H	SBLF,H
SBLF ID ADDR 2 H	SBLF,H
SBLF ID RECIEVE 00 H	SBLF
SBLF ID RECIEVE 01 H	SBLF
SBLF ID RECIEVE 02 H	SBLF
SBLF ID RECIEVE 03 H	SBLF
SBLF ID RECIEVE 04 H	SBLF
SBLF ID RECIEVE 05 H	SBLF
SBLF ID RECIEVE 06 H	SBLF,S

SIGNAL NAME	PAGE NUMBER(S)
SBLF ID RECIEVE 07 H	SBLF
SBLF MUX ENABLE L	SBLF,H
SBLG MD BYTE 0 PAR H	SBLG,C
SBLG MD BYTE 1 PAR H	SBLG,C
SBLG MD PAR 0 A H	SBLG
SBLG MD PAR 0 B H	SBLG
SBLG MD PAR 1 A H	SBLG
SBLG MD PAR 1 B H	SBLG
SBLG RCV 00 A H	SBLG
SBLG RCV 01 A H	SBLG
SBLG RCV 02 A H	SBLG
SBLG RCV 03 A H	SBLG
SBLG RCV 04 A H	SBLG
SBLG RCV 05 A H	SBLG
SBLG RCV 06 A H	SBLG
SBLG RCV 07 A H	SBLG
SBLG RCV 08 A H	SBLG
SBLG RCV 08 B H	SBLG
SBLG RCV 09 A H	SBLG
SBLG RCV 09 B H	SBLG
SBLG RCV 10 A H	SBLG,J
SBLG RCV 10 B H	SBLG,J
SBLG RCV 11 A H	SBLG,J
SBLG RCV 11 B H	SBLG,J
SBLG RCV 12 A H	SBLG,J
SBLG RCV 12 B H	SBLG,J
SBLG RCV 13 A H	SBLG,J
SBLG RCV 13 B H	SBLG,J
SBLG RCV 14 A H	SBLG,J
SBLG RCV 14 B H	SBLG,J
SBLG RCV 15 A H	SBLG,J
SBLG RCV 15 B H	SBLG,J
SBLG READ DATA 00 H	SBLG,C,B
SBLG READ DATA 01 H	SBLG,C,B
SBLG READ DATA 02 H	SBLG,C,B
SBLG READ DATA 03 H	SBLG,C,B
SBLG READ DATA 04 H	SBLG,C,B
SBLG READ DATA 05 H	SBLG,C,B
SBLG READ DATA 06 H	SBLG,C,B
SBLG READ DATA 07 H	SBLG,C,B
SBLG READ DATA 08 H	SBLC,G,B
SBLG READ DATA 09 H	SBLC,G,B
SBLG READ DATA 10 H	SBLC,J,G
SBLG READ DATA 11 H	SBLC,J,G
SBLG READ DATA 12 H	SBLC,J,G
SBLG READ DATA 13 H	SBLC,J,G
SBLG READ DATA 14 H	SBLG,C,J
SBLG READ DATA 15 H	SBLG,C,J
SBLH ID RECIEVE 08 H	SBLH,P
SBLH ID RECIEVE 09 H	SBLH

NOTES:  
 1. THIS PAGE LISTS THE SCHEMATIC PAGE NUMBER(S) WHERE A SIGNAL NAME IS REFERENCED.

(SBLZ)

REVISIONS CHK CHANGE NO. REV	DRN. <u>011111</u> DATE <u>10-AUG-83</u> ENG. <u>Bennie Hall</u> DATE <u>10-AUG-83</u> TITLE: <u>SBI INTERFACE LOW BITS</u>	
	CHK'D. <u>...</u> DATE <u>...</u> BOARD LOCATION: <u>AF2</u> SHEET <u>1</u> OF <u>1</u>	
DSKB: <CIRKA>SBLZ.DRW 08-AUG-83 13:27 NEXT HIGHER ASSEMBLY: B-DD-M7460-0	FIRST USED ON OPTION/MODEL: 117785	SIZE CODE NUMBER REV. K CS M7460-0-SBLZ A

DRAWING NO.	NO. OF SHTS.	PART NO.	DESCRIPTION	REVISIONS																			
	-	M7460-00	SBL PART REVISION	A	B	C																	
E-UA-M7460-0-0	2		UNIT ASSEMBLY	A	B	C																	
K-PL-M7460-0-DBP	2		PARTS LIST	A	B	B																	
K-PC-M7460-0-DBI	-		PC DATA BASE	A	A	B																	
B-DD-5016069-0-0	1		DRAWING DIRECTORY	A	B	C																	
	-	5016069-01	ETCHED BOARD	A	A	B																	
K-CS-M7460-0-SBLA	1		SCHEMATIC	A	A	A																	
K-CS-M7460-0-SBLB	1		SCHEMATIC	A	A	A																	
K-CS-M7460-0-SBLC	1		SCHEMATIC	A	A	A																	
K-CS-M7460-0-SBLD	1		SCHEMATIC	A	B	B																	
K-CS-M7460-0-SBLE	1		SCHEMATIC	A	A	A																	
K-CS-M7460-0-SBLF	1		SCHEMATIC	A	A	A																	
K-CS-M7460-0-SBLG	1		SCHEMATIC	A	A	A																	
K-CS-M7460-0-SBLH	1		SCHEMATIC	A	A	A																	
K-CS-M7460-0-SBLI	1		SCHEMATIC	A	A	A																	
K-CS-M7460-0-SBLJ	1		SCHEMATIC	A	A	A																	
K-CS-M7460-0-SBLK	1		SCHEMATIC	A	A	A																	
K-CS-M7460-0-SBLL	1		SCHEMATIC	A	A	A																	
K-CS-M7460-0-SBLM	1		SCHEMATIC	A	A	A																	
K-CS-M7460-0-SBLN	1		SCHEMATIC	A	A	A																	
K-CS-M7460-0-SBLO	1		SCHEMATIC	A	A	A																	
K-CS-M7460-0-SBLP	1		SCHEMATIC	A	A	A																	
K-CS-M7460-0-SBLR	1		SCHEMATIC	A	B	B																	
K-CS-M7460-0-SBLS	1		SCHEMATIC	A	A	A																	
K-CS-M7460-0-SBLT	1		SCHEMATIC	A	B	B																	
K-CS-M7460-0-SBLU	1		SCHEMATIC	A	A	A																	
K-CS-M7460-0-SBLV	1		SCHEMATIC	A	A	A																	

**NOTES:**

DATE	CHG NO.	INIT	REV.
8/83			A
2/84	TW001		B
3/84	TW002		C


"THIS DRAWING AND SPECIFICATIONS, HEREIN, ARE THE PROPERTY OF DIGITAL EQUIPMENT CORPORATION AND SHALL NOT BE REPRODUCED OR COPIED OR USED IN WHOLE OR IN PART AS THE BASIS FOR THE MANUFACTURE OR SALE OF ITEMS WITHOUT WRITTEN PERMISSION.  
 COPYRIGHT © 1983 DIGITAL EQUIPMENT CORPORATION

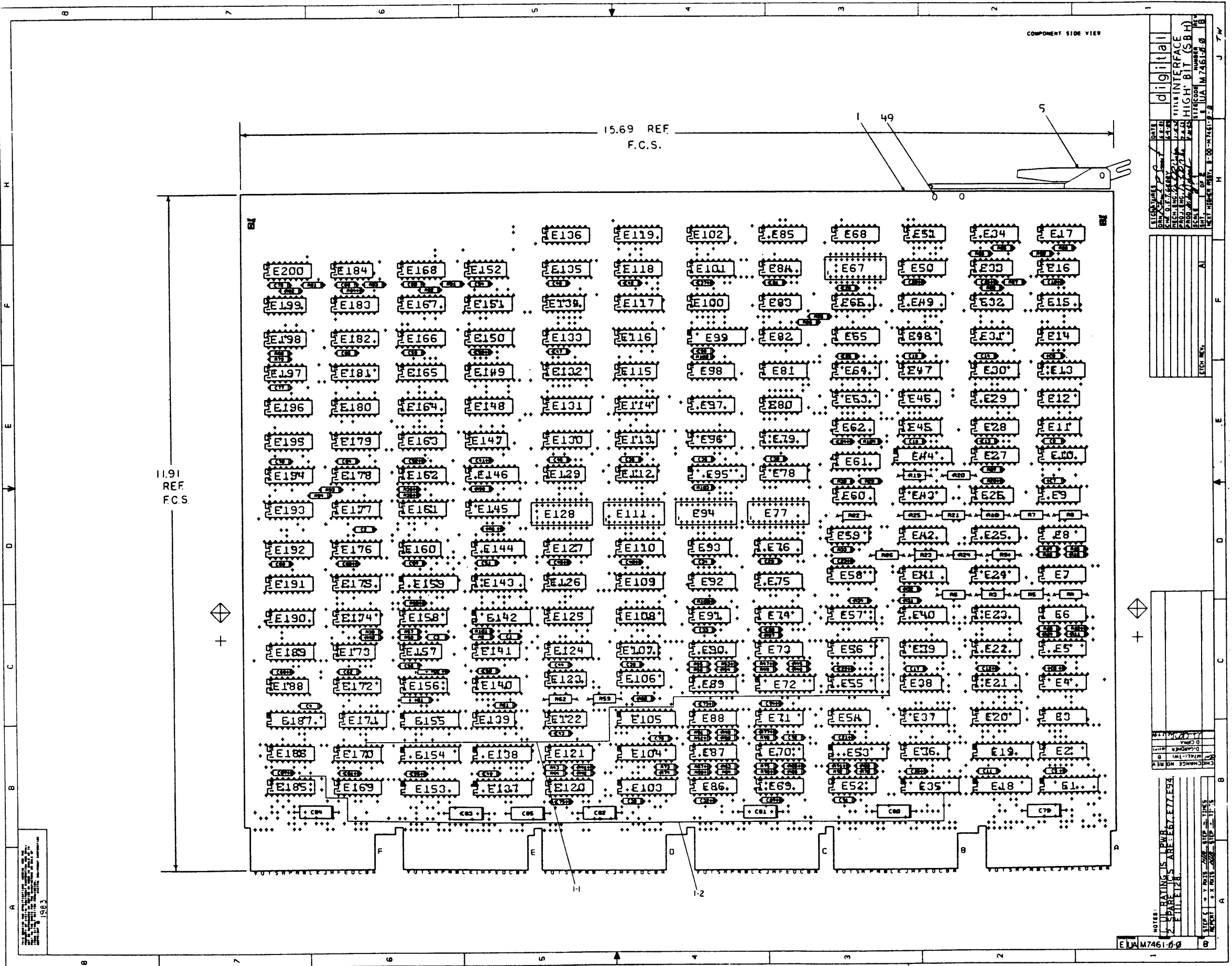


USED ON OPTION/MODEL	DRN.	25-AK-53	TITLE	SBL
11/785	S. MANCINI			
	CHK'D F. GAROFALO	26 AUG 83		
	ENG. [Signature]	11 OCT 83	SIZE	B
	PROD. [Signature]	11 OCT 83	CODE	DD
			NUMBER	M7460-0-0
			REV.	C
			SHEET	1 OF 2

DRAWING NO.	NO. OF SHTS.	PART NO.	DESCRIPTION	REVISIONS																		
K-CS-M7460-0-SBL X	1		SCHEMATIC	A	A	A																
K-CS-M7460-0-SBL Y	1		SCHEMATIC	A	A	A																
K-CS-M7460-0-SBL Z	1		SCHEMATIC	A	A	A																
K-CS-M7460-0-SBL 1	1		SCHEMATIC	A	A	A																
K-CS-M7460-0-SBL 2	1		SCHEMATIC	A	A	A																
K-CS-M7460-0-DBS	-		SUDS DATA BASE	A	B	B																

NOTES:	REVISIONS			
	DATE	CHG NO.	REV.	
	8/83	INIT	A	
	2/84	TW001	B	
3/84	TW002	C		

"THIS DRAWING AND SPECIFICATIONS, HEREIN, ARE THE PROPERTY OF DIGITAL EQUIPMENT CORPORATION AND SHALL NOT BE REPRODUCED OR COPIED OR USED IN WHOLE OR IN PART AS THE BASIS FOR THE MANUFACTURE OR SALE OF ITEMS WITHOUT WRITTEN PERMISSION. COPYRIGHT © 1983 DIGITAL EQUIPMENT CORPORATION		USED ON OPTION/MODEL 11/785	DRN. S. HANSCOR 25-AUG-83 CHK'D F. GARRETT 26 AUG 83 ENG. Benie Hall 11 OCT 83 PROJ. <i>Michael...</i>	TITLE SBL	SIZE B DD CODE DD NUMBER M7460-0-0 REV. C	SHEET 2 OF 2
---	---	--------------------------------	--	--------------	--	--------------



1583

COMPONENT SIDE VIEW

15.69 REF F.C.S.

11.91 REF F.C.S.

DATE	1/2/64
DESIGN	W. J. GILBERT
PAID	1/2/64
SCALE	1:1
STANDARD	1
REV. NO.	1
REV. BY	
REV. DATE	
REV. REASON	
REV. BY	
REV. DATE	
REV. REASON	
REV. BY	
REV. DATE	
REV. REASON	

1	2	3	4	5	6	7	8
A	B	C	D	E	F	G	H

1	2	3	4	5	6	7	8
A	B	C	D	E	F	G	H

1	2	3	4	5	6	7	8
A	B	C	D	E	F	G	H

NOTES:

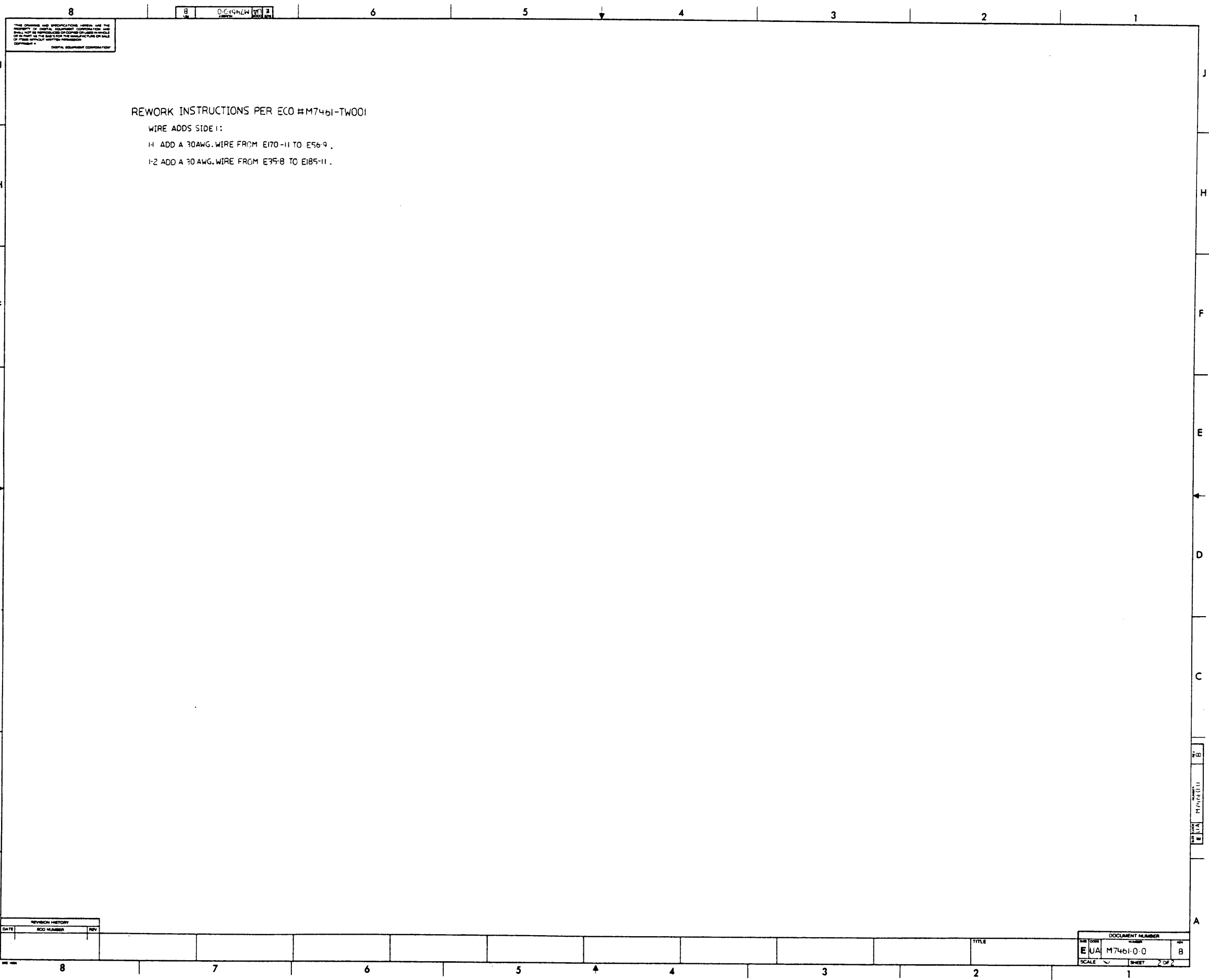
1. BOARD IS LOW PROFILE
2. BOARD IS 1/16" THICK

1583

1583

1583

1583



THIS DRAWING AND SPECIFICATIONS HEREBY ARE THE PROPERTY OF DIGITAL EQUIPMENT CORPORATION AND SHALL NOT BE REPRODUCED OR COPIED IN WHOLE OR IN PART OR THE BASIS FOR THE MANUFACTURE OR SALE OF ITEMS WITHOUT WRITTEN PERMISSION.  
 COMPANY: DIGITAL EQUIPMENT CORPORATION

REWORK INSTRUCTIONS PER ECO #M7461-TW001  
 WIRE ADDS SIDE 1:  
 H-1 ADD A 30AWG. WIRE FROM E170-H1 TO E56-9.  
 I-2 ADD A 30 AWG. WIRE FROM E35-8 TO E185-H1.

REVISION HISTORY		
DATE	ECO NUMBER	REV

DOCUMENT NUMBER		REV
EUA	M7461-0-0	B
SCALE	SHEET	2 OF 2

LINE	ITEM	TOP DOCUMENT	PART NUMBER	MIN REV	DESCRIPTION	QTY	PER VARIATION	REFERENCE DESIGNATOR
						00		
						VARIATION REVISION LEVEL:		
1	45	BLANK			*** THIS ITEM IS NOT USED ***	-		
2	46	BLANK			*** THIS ITEM IS NOT USED ***	-		
3	54	E-MD-5016078-0-0	5016078-01		ETCH BOARD	1		
4	1		1012784-00		.047 MFD 50V +80-20% CER	78		C1-C78
5	49		1017472-00		10 MFD 35V +50-10% AL EL	7		C79-C85
6	2		1103041-00		PIV= 8 IO= 50 MA	2		D1,D2
7	50		1216988-02		HANDLE,MODULE,HEX TWO EJECTORS	1		
8	53	BLANK			*** THIS ITEM IS NOT USED ***	-		
9	48		1300202-00		47.0 .25 W 5.0 % CF	8		R97-R104
10	11		1301782-00		121.0 .50 W 1.0 % RN60D-F10	18		R3-R10,R19-R26,R59,R62
11	3		1300247-00		120.0 .25 W 5.0 % CF	8		R41,R43,R45,R47,R49,R51,R53,R55
12	4		1300250-00		150.0 .25 W 5.0 % CF	16		R42,R44,R46,R48,R50,R52,R54,R56, CONT R63-R70
13	5		1300271-00		220.0 .25 W 5.0 % CF	2		R60,R61
14	6		1300295-00		330.0 .25 W 5.0 % CF	4		R1,R35,R57,R79
15	7		1300365-00		1.0 K .25 W 5.0 % CF	2		R39,R40
16	8		1301424-00		680.0 .25 W 5.0 % CF	4		R2,R36,R80,R58
17	9		1301972-00		270.0 .25 W 5.0 % CF	16		R11-R18,R27-R34
18	10		1302957-00		121.0 .25 W 1.0 % RN55D-F10	8		R71-R78
19	17		1910545-00		74S112 FF-JK DUAL,EDGE TRIG	3		E17,E30,E101
20	47	BLANK			*** THIS ITEM IS NOT USED ***	-		
21	44	BLANK			*** THIS ITEM IS NOT USED ***	-		
22	24		1911469-00		DEC 8640 RECEIVER,BUS,QUAD,U	1		E122
23	28		1912089-00		74S85 CMPRTR-4BIT MAGNITUD	4		E158,E161,E162,E175
24	32		1912586-00		DM 85S68N REGISTER,64BIT EDGE	4		E143-E146
25	33		1912731-00		DEC 8646A TRANSCEIVER,4BIT BUS	11		E18,E19,E72,E103-E105,E137,E138, CONT E153-E155
26	34		1912746-01		74S37-1BUFFER-GATE	3		E116,E129,E134
27	39		1913788-00		26S10 TRANSCEIVER,BUS,QUA	4		E6,E8,E42,E43
28	40		1913839-00		LS165 SHIFT REG.,8BIT	8		E20,E21,E40,E55,E106,E108,E117,

REVISION HISTORY			BASIC PART NO: M7461		
ENG	ECO NUMBER	REV	SECTION A OF A	DRN:	S.MANSOR
---	INITIAL	A	SECTION VARIATION INDEX	CHK'D:	E.T.GERRY
			(A) 00	DES.ENG:	DAVE CIRKA
			(B)	RESP.ENG.:	DAVE CIRKA
			(C)	MFG.ENG.:	M.KRYSAK
			(D)	ASSEMBLY NUMBER:	E-UA-M7461-0-0
			(E)	TOP DOCUMENT NUMBER:	B-DD-M7461-0-0
			(F)	FILE NAME:	Z3940A.PLS
			(G)	RELEASE DATE:	11-OCT-83
			(H)	DOCUMENT NUMBER:	
			(I)	SIZE:CODE:	NUMBER
			(J)	K	PL
			(K)	M7461-0-DBP	A
			(L)		
			(M)		
			(N)		
				EDIT #	13

"THIS DRAWING AND THE SPECIFICATIONS CONTAINED HEREIN ARE CONFIDENTIAL AND PROPRIETARY. THEY ARE THE PROPERTY OF DIGITAL EQUIPMENT CORPORATION AND SHALL NOT BE REPRODUCED OR USED IN WHOLE OR IN PART AS THE BASIS FOR THE MANUFACTURE OR SALE OF ITEMS WITHOUT WRITTEN PERMISSION. THIS IS AN UNPUBLISHED WORK PROTECTED UNDER THE FEDERAL COPYRIGHT LAWS."

AUTOMATED BY PRTLST.4Q(50)

PARTS LIST

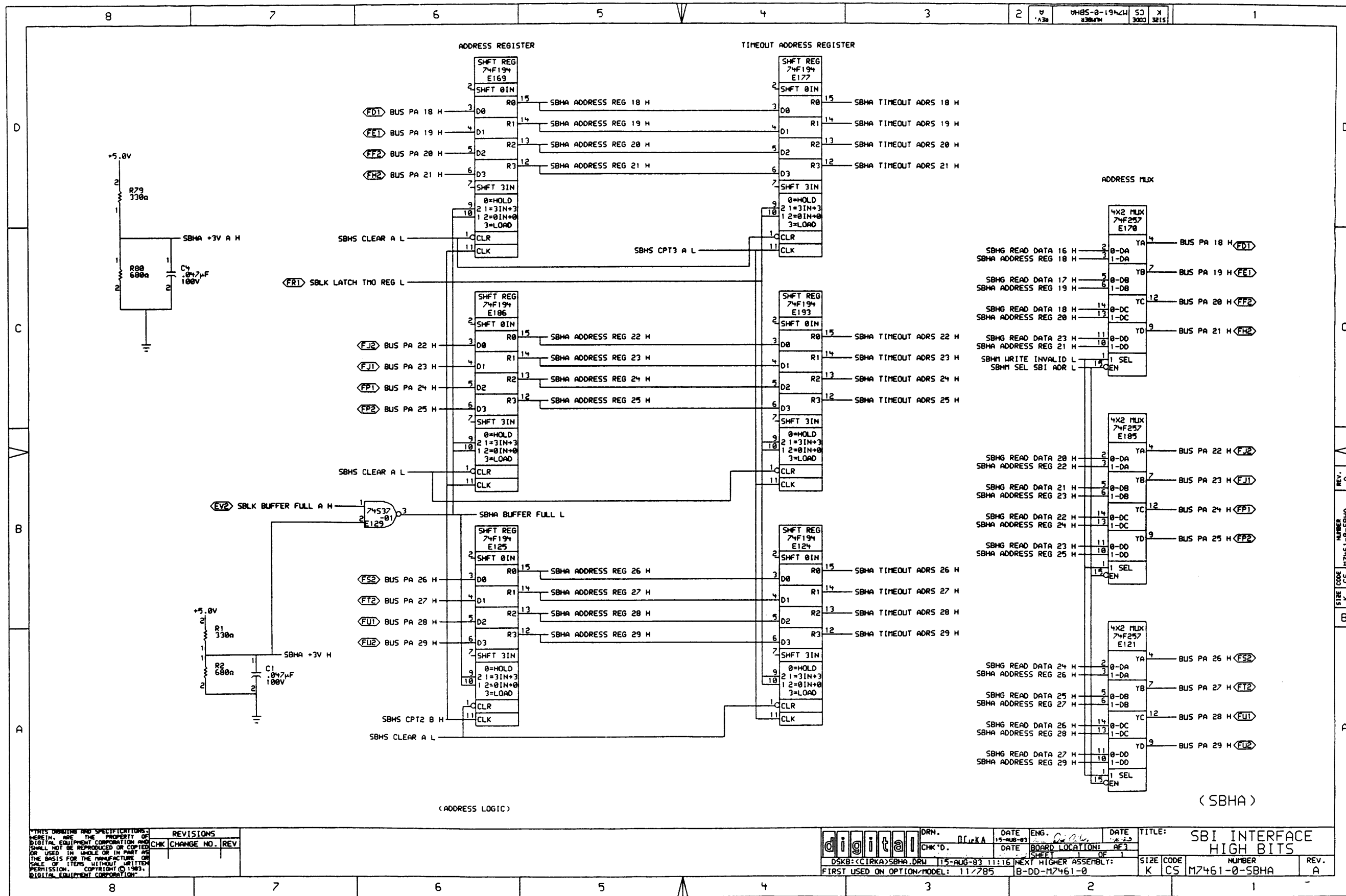
SHEET A2 OF A2

LINE ITEM	TOP DOCUMENT	PART NUMBER	MIN REV	DESCRIPTION	VARIATION REVISION LEVEL:	QTY PER VARIATION	REFERENCE DESIGNATOR
						00	
29	38	1921010-01		74F373	OCTAL TRANSPARENT LA	9	CONT E118
30	12	1921305-01		74F00	NAND GATE, QUAD, 2-IN	8	CONT E1, E35, E44, E53, E95, E99, E142, E159, E187
31	30	1921306-01		74F02	NOR GATE, QUAD, 2-IN	3	CONT E9, E15, E31, E62, E100, E115, E199, E102
32	13	1921307-01		74F04	HEX INVERTER	10	CONT E82, E114, E184
33	31	1921308-01		74F08	AND GATE, QUAD, 2-IN	6	CONT E14, E46, E48, E66, E83, E93, E113, E123, E139, E173
34	14	1921309-01		74F10	NAND GATE, TRIPLE, 3-I	2	CONT E16, E26, E80, E147, E152, E188
35	15	1921311-01		74F20	NAND GATE, DUAL, 4-IN	3	CONT E59, E112
36	43	1921312-01		74F32	OR GATE, QUAD, 2-IN	1	CONT E45, E47, E51
37	16	1921314-01		74F74	FF-D, DUAL, POS., EDGE	8	CONT E60
38	29	1921315-01		74F86	EXCLUSIVE OR GATE, QU	2	CONT E11, E12, E32, E33, E84, E157, E197, E198
39	27	1921316-01		74F138	DECODER/DEMUX, 1-OF-8	4	CONT E91, E160
40	35	1921318-01		74F151	MUX, 8-IN	16	CONT E110, E127, E130, E140
41	18	1921319-01		74F153	MUX, DUAL, 4-IN	9	CONT E79, E96-E98, E132, E135, E148, E149, E151, E178-E181, E194-E196
42	19	1921320-01		74F157	MUX, QUAD, 2-IN	4	CONT E24, E25, E27, E39, E41, E76, E78, E176, E192
43	37	1921322-01		74F161	BINARY COUNTER, PRESE	3	CONT E109, E172, E174, E191
44	20	1921323-01		74F174	FF-D, HEX	10	CONT E49, E141, E136
45	22	1921324-01		74F175	FF-D, QUAD	11	CONT E5, E22, E50, E57, E58, E65, E74, E75, E89, E156
46	21	1921327-01		74F194	SHIFT REG, UNIV, BIDIR	24	CONT E10, E13, E34, E63, E167, E168, E182, E183, E200, E68, E119
47	26	1921330-01		74F257	MUX, QUAD, 2-IN	8	CONT E28, E29, E81, E124, E125, E131, E133, E150, E163-E166, E169, E177, E186, E189, E193, E2, E3, E36, E37, E64, E171, E85
48	25	1921332-01		74F280	PARITY GEN/CHECK, 9-B	4	CONT E4, E7, E23, E56, E73, E121, E170, E185
49	36	1921333-01		74F283	BINARY FULL ADDER, 4	1	CONT E38, E54, E107, E126
50	23	1921720-01		10H125	TRANSLATOR ECL TO TTL QUA	8	CONT E190
51	52	23373A1-00		A1-10		1	CONT E52, E69-E71, E86-E88, E120
52	41	23649A2-00		A2-09		1	CONT E61
53	42	23650A2-00		A2-09		1	CONT E90
54	51	9000024-01		EYELET, ROLLED	0.1210DX0.192	12	CONT E92

55 NOTE: LOCATIONS R81-R96 ARE AN ENGINEERING OPTION-DO NOT INSERT.  
 56 NOTE: I.C. SPARES: E66, C77, E94, E111, E128

D I G I T A L	TITLE	SECTION A OF A	SIZE	CODE	DOCUMENT NUMBER	REV
	INTERFACE HIGH BIT (SBH)		K	PL	M7461-0-DBP	A

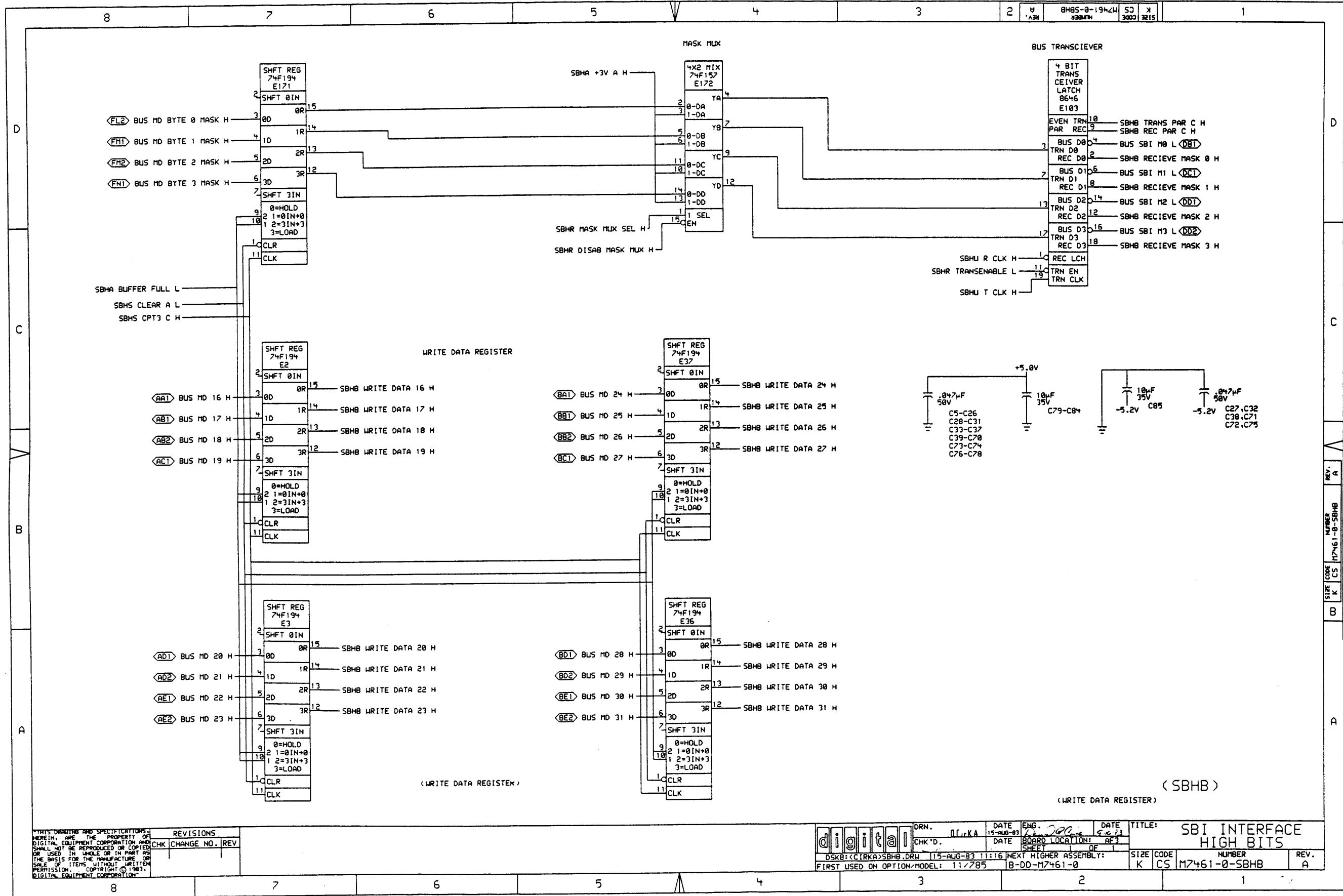




THIS DRAWING AND SPECIFICATIONS  
HEREIN ARE THE PROPERTY OF  
DIGITAL EQUIPMENT CORPORATION AND  
SHALL NOT BE REPRODUCED OR COPIED  
OR USED IN WHOLE OR IN PART AS  
THE BASIS FOR THE MANUFACTURE OR  
SALE OF ITEMS WITHOUT WRITTEN  
PERMISSION. COPYRIGHT © 1983,  
DIGITAL EQUIPMENT CORPORATION.

REVISIONS	
CHK	CHANGE NO. REV

digital	DRN.	DATE	ENG.	DATE	TITLE:
	CHK'D.	15-AUG-83	ORIKKA	12-23	SBI INTERFACE HIGH BITS
DSXB:(CIRKA)SBHA.DRW		15-AUG-83	11:16	NEXT HIGHER ASSEMBLY:	SIZE CODE NUMBER REV.
FIRST USED ON OPTION/MODEL: 11/785		B-DD-M7461-0		K CS M7461-0-SBHA	A

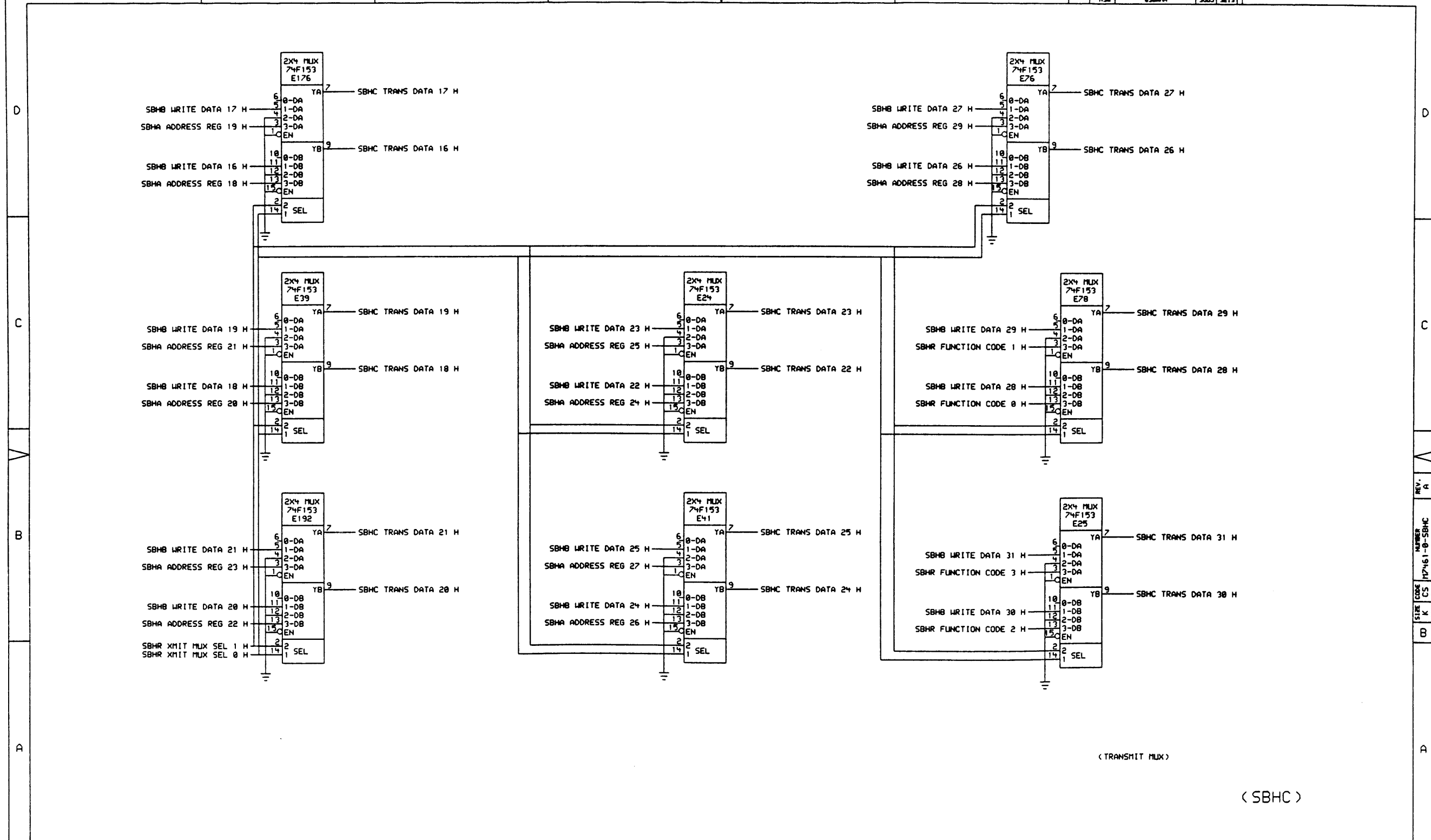


THIS DRAWING AND SPECIFICATIONS ARE THE PROPERTY OF DIGITAL EQUIPMENT CORPORATION AND SHALL NOT BE REPRODUCED OR COPIED OR USED IN WHOLE OR IN PART AS THE BASIS FOR THE MANUFACTURE OR SALE OF ITEMS WITHOUT WRITTEN PERMISSION. COPYRIGHT © 1983, DIGITAL EQUIPMENT CORPORATION.

REVISIONS		
CHK	CHANGE NO.	REV

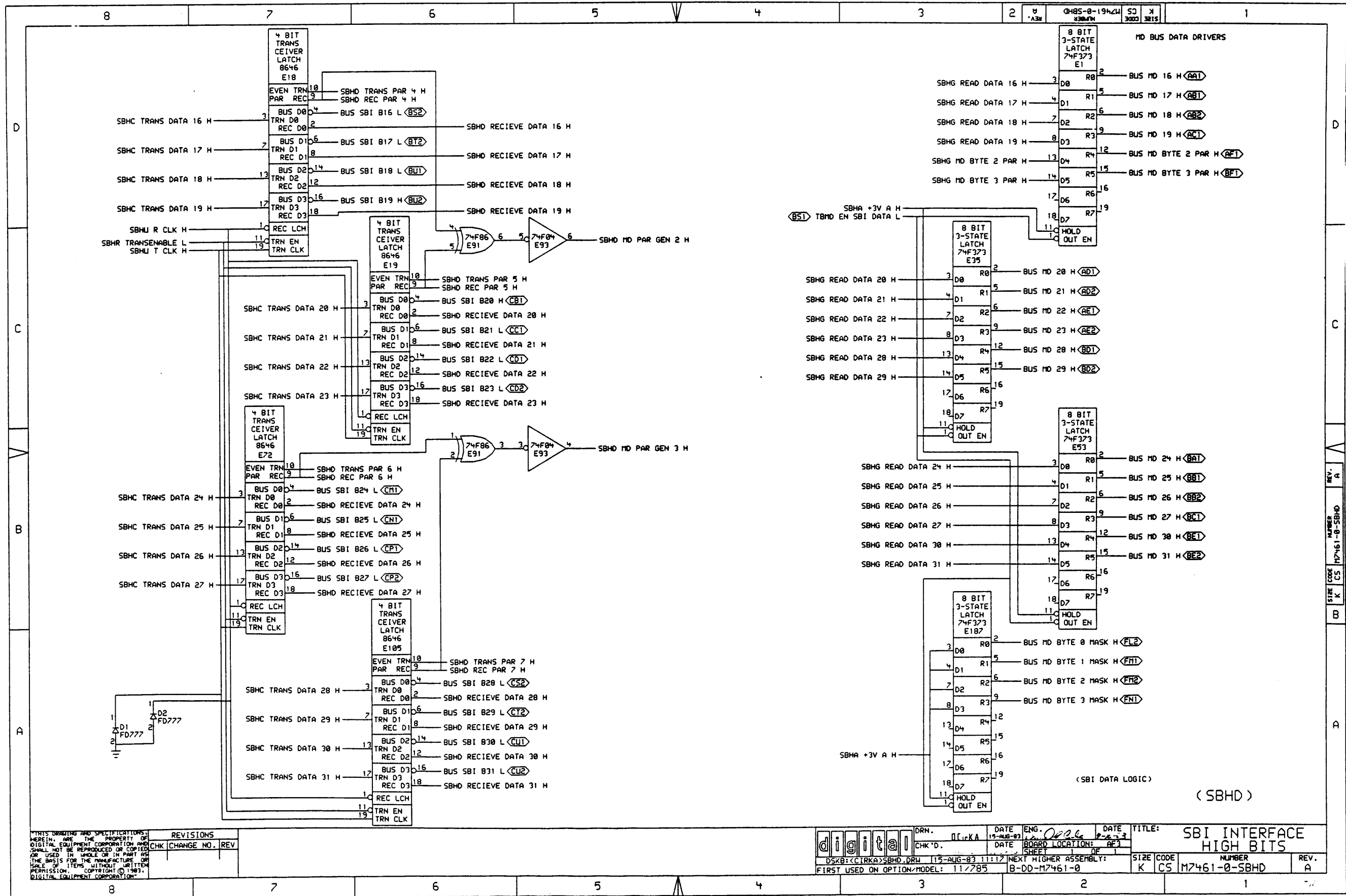
digital	DRN.	DATE	ENG.	DATE	TITLE:
	CHK'D.	DATE			SBI INTERFACE HIGH BITS
DSKB:CCIRKA>SBHB.DRW		15-AUG-83 11:16	NEXT HIGHER ASSEMBLY:	SIZE	CODE
FIRST USED ON OPTION/MODEL: 11/785		B-DD-M7461-0		K	C5
				NUMBER	REV.
				M7461-0-SBHB	A

REV. A  
NUMBER M7461-0-SBHB  
SIZE CODE CS



(TRANSMIT MUX)

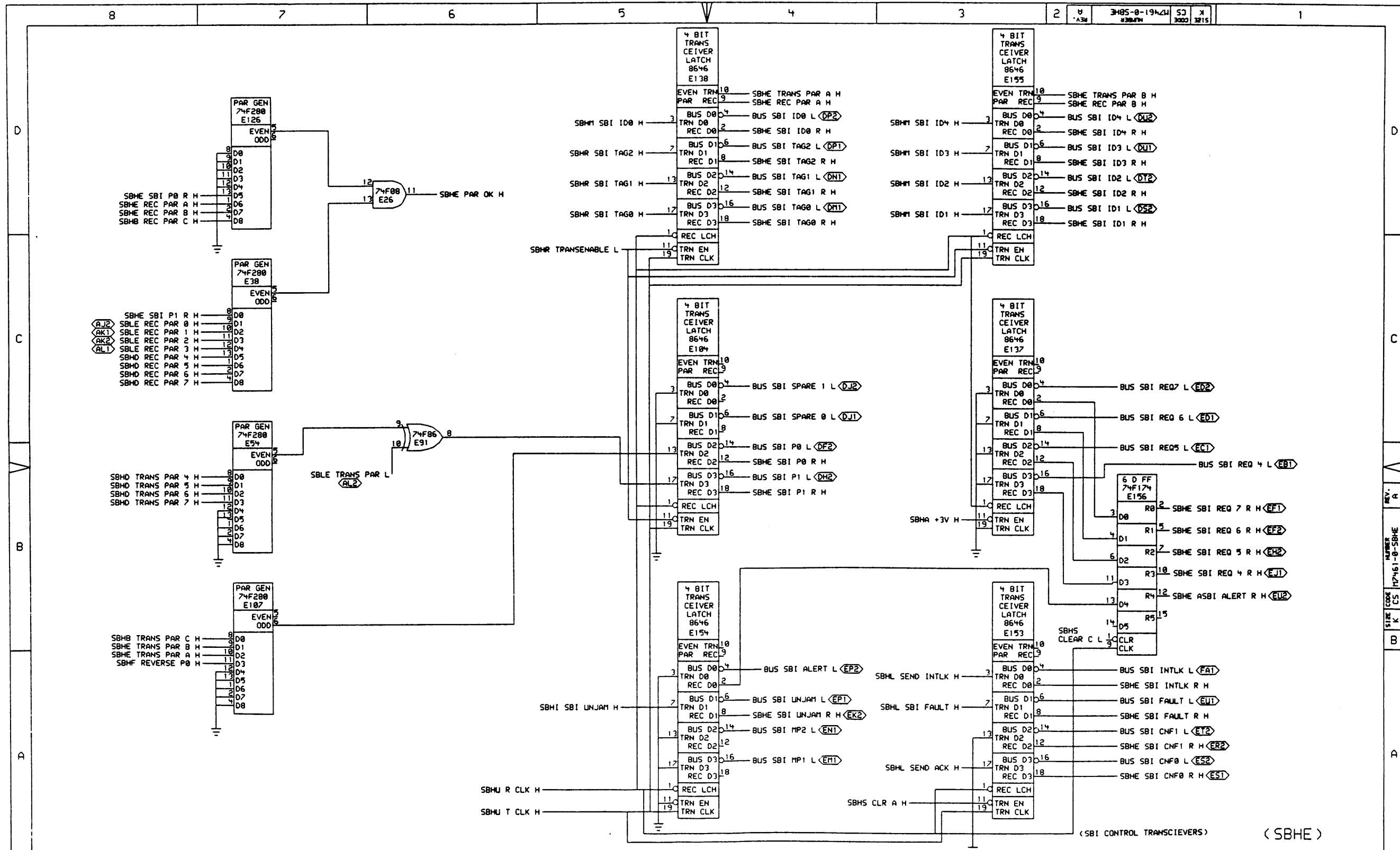
(SBHC)



THIS DRAWING AND SPECIFICATIONS HEREIN ARE THE PROPERTY OF DIGITAL EQUIPMENT CORPORATION AND SHALL NOT BE REPRODUCED OR COPIED OR USED IN WHOLE OR IN PART AS THE BASIS FOR THE MANUFACTURE OR SALE OF ITEMS WITHOUT WRITTEN PERMISSION. COPYRIGHT © 1983, DIGITAL EQUIPMENT CORPORATION.

REVISIONS		
CHK	CHANGE NO.	REV

digital	DRN.	DATE	ENG.	DATE	TITLE:
	CHK'D.	15-AUG-83	PC/KA	15-AUG-83	SBI INTERFACE HIGH BITS
DSXB: <CIRKA> SBHD.DRW 15-AUG-83 11:17 NEXT HIGHER ASSEMBLY:					SIZE
FIRST USED ON OPTION/MODEL: 11/785 B-DD-M7461-0					CODE
					NUMBER
					M7461-0-SBHD
					REV.
					A

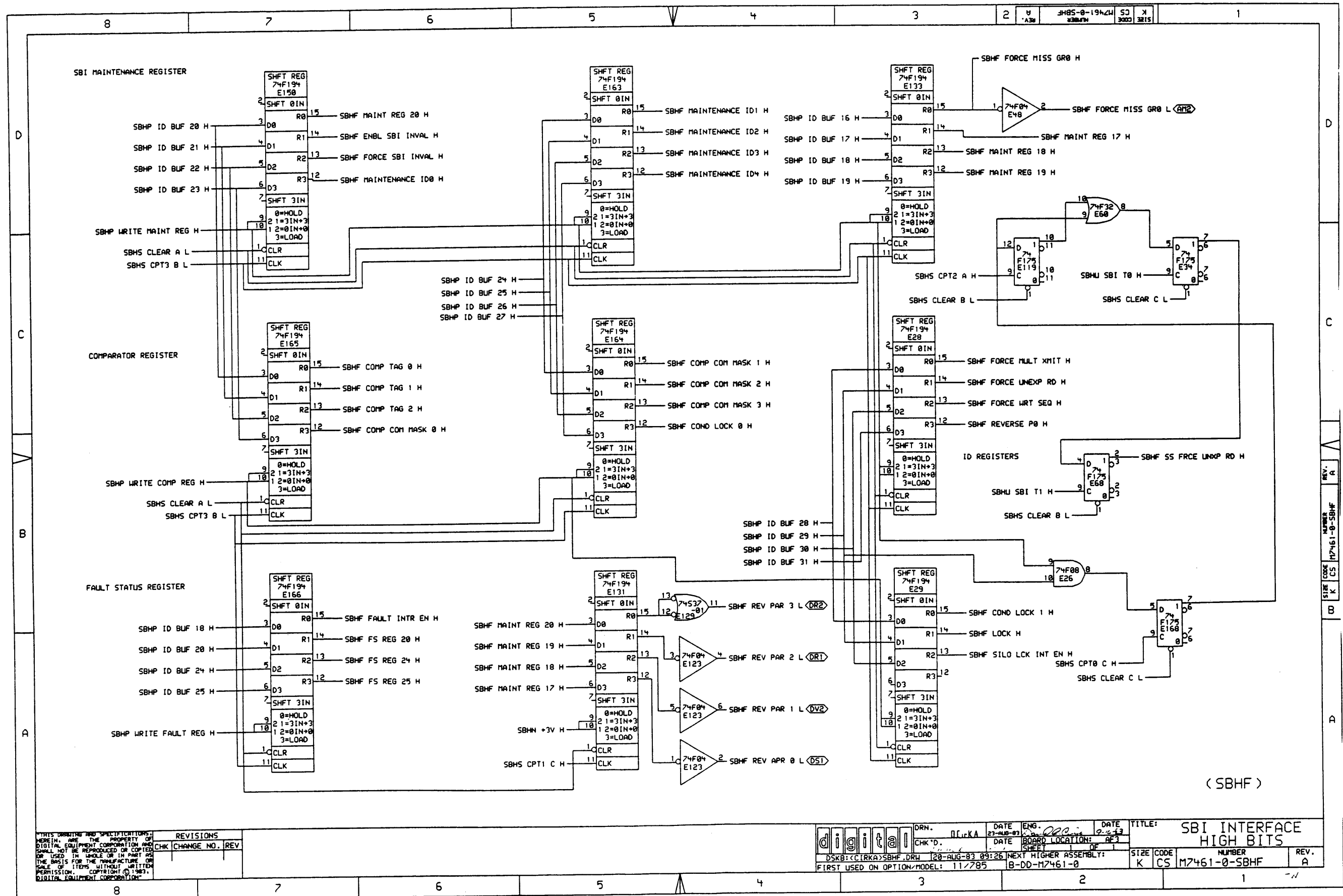


THIS DRAWING AND SPECIFICATIONS HEREIN ARE THE PROPERTY OF DIGITAL EQUIPMENT CORPORATION AND SHALL NOT BE REPRODUCED OR COPIED OR USED IN WHOLE OR IN PART AS THE BASIS FOR THE MANUFACTURE OR SALE OF ITEMS WITHOUT WRITTEN PERMISSION. COPYRIGHT © 1983, DIGITAL EQUIPMENT CORPORATION.

REVISIONS		
CHK	CHANGE NO.	REV

digital	DRN.	DATE	ENG.	DATE	TITLE:
	CHK'D.	15-AUG-83	DLRKA	10-26-83	SBI INTERFACE HIGH BITS
DSKB: <<RKA>SBHE.DRW		15-AUG-83 11:17	NEXT HIGHER ASSEMBLY:		SIZE CODE
FIRST USED ON OPTION/MODEL: 11/785		B-DD-M7461-0		NUMBER	REV.
				K CS	M7461-0-SBHE

REV. A  
NUMBER 117461-0-SBHE  
SIZE CODE CS

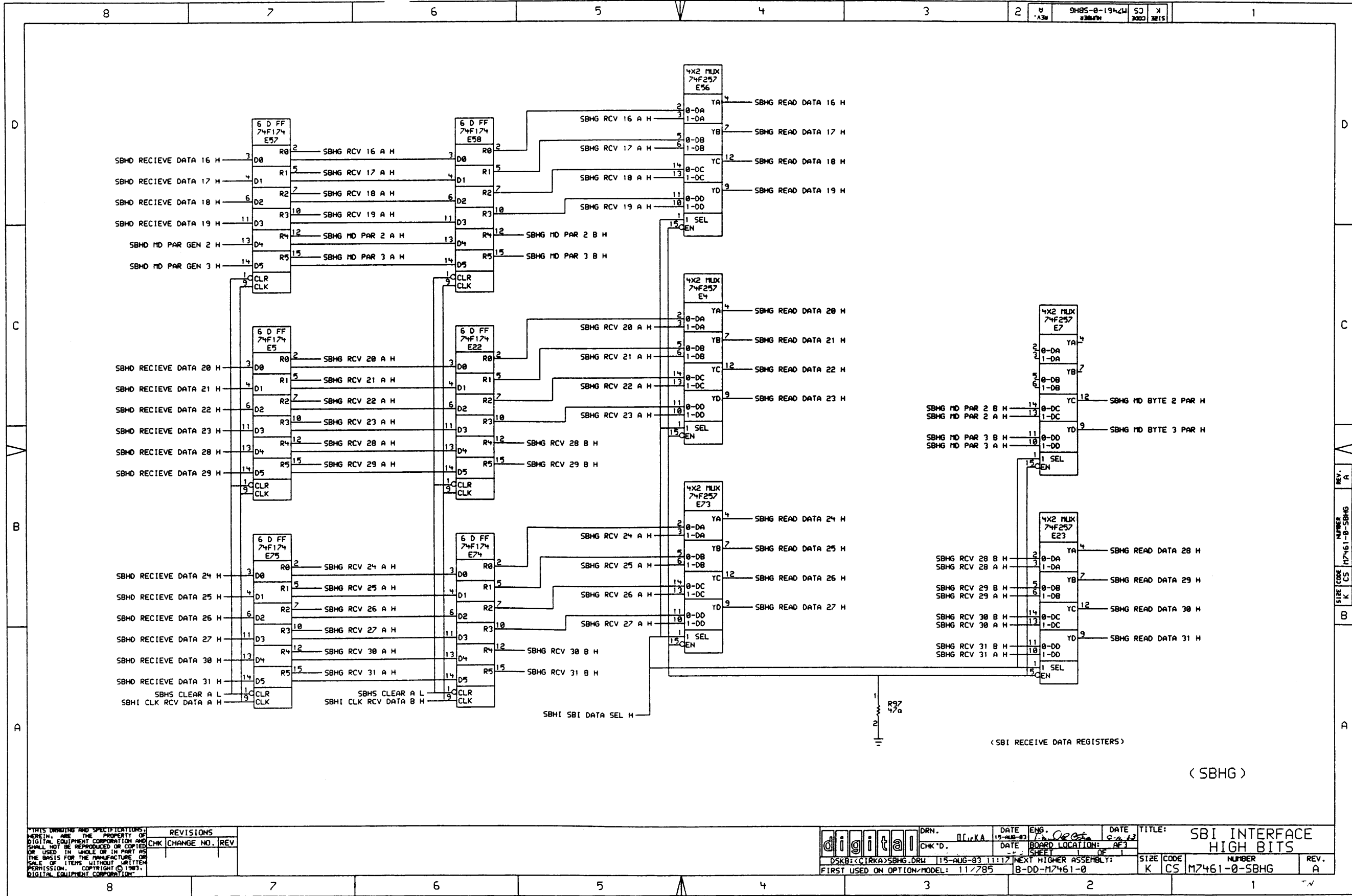


THIS DRAWING AND SPECIFICATIONS ARE THE PROPERTY OF DIGITAL EQUIPMENT CORPORATION AND SHALL NOT BE REPRODUCED OR COPIED OR USED IN WHOLE OR IN PART AS THE BASIS FOR THE MANUFACTURE OR SALE OF ITEMS WITHOUT WRITTEN PERMISSION. COPYRIGHT © 1983, DIGITAL EQUIPMENT CORPORATION.

REVISIONS		
CHK	CHANGE NO.	REV

digital	DRN.	DATE	ENG.	DATE	TITLE:
	CHK'D.	23-AUG-83	PLCKA	2-2-83	SBI INTERFACE HIGH BITS
DSKB: C:\RKA\SMBF.DRW 120-AUG-83 09:26 NEXT HIGHER ASSEMBLY:					SIZE CODE
FIRST USED ON OPTION MODEL: 11/785 B-DD-M7461-0					K CS
					NUMBER
					M7461-0-SBHF
					REV.
					A

(SBHF)



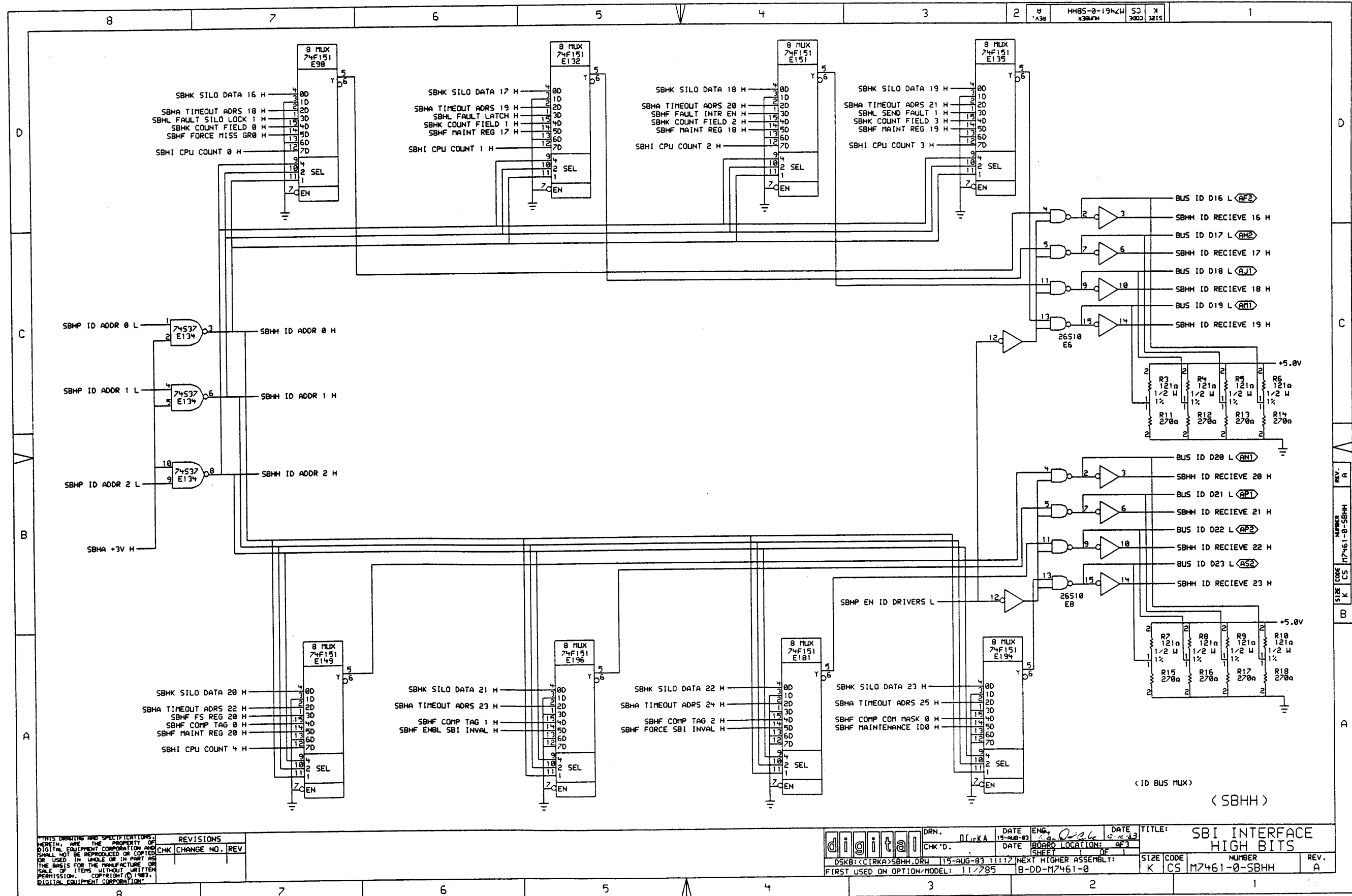
(SBI RECEIVE DATA REGISTERS)

(SBHG)

THIS DRAWING AND SPECIFICATIONS ARE THE PROPERTY OF DIGITAL EQUIPMENT CORPORATION AND SHALL NOT BE REPRODUCED OR COPIED OR USED IN WHOLE OR IN PART AS THE BASIS FOR THE MANUFACTURE OR SALE OF ITEMS WITHOUT WRITTEN PERMISSION. COPYRIGHT © 1983, DIGITAL EQUIPMENT CORPORATION.

REVISIONS	
CHK	CHANGE NO. REV

DRN.	DATE	ENG.	DATE	TITLE:
CHK'D.	15-AUG-83	PKRKA	15-AUG-83	SBI INTERFACE HIGH BITS
DATE	BOARD LOCATION:	DATE	SHEET	OF
15-AUG-83	AF3	15-AUG-83	1	1
DSKB: <CIRKA>SBHG.DRW	115-AUG-83 11:17	NEXT HIGHER ASSEMBLY:	SIZE	CODE
FIRST USED ON OPTION/MODEL:	11/785	B-DD-M7461-0	K	CS
			NUMBER	REV.
			M7461-0-SBHG	A



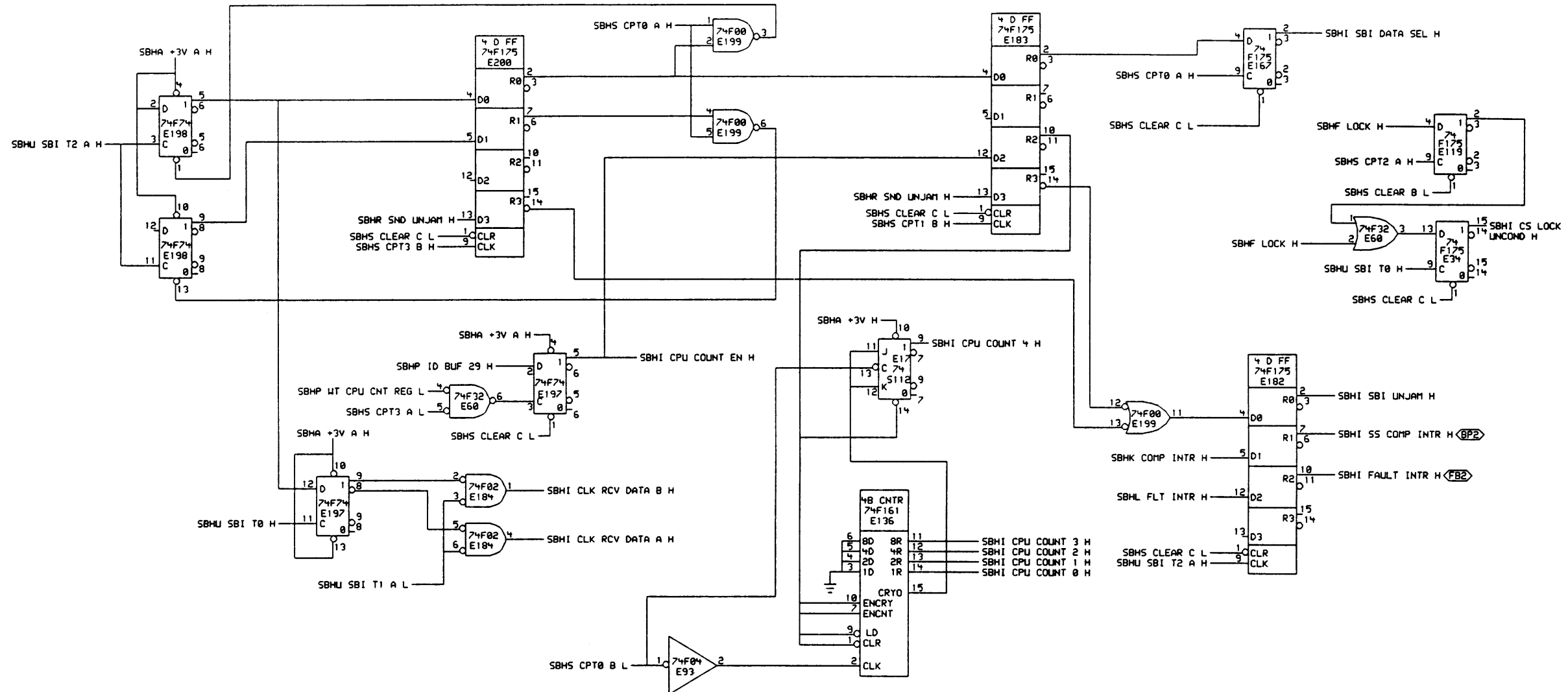
THIS DRAWING AND SPECIFICATIONS ARE THE PROPERTY OF DIGITAL EQUIPMENT CORPORATION AND SHALL NOT BE REPRODUCED OR COPIED OR USED IN WHOLE OR IN PART AS THE BASIS FOR THE MANUFACTURE OR SALE OF ITEMS WITHOUT WRITTEN PERMISSION OF DIGITAL EQUIPMENT CORPORATION.

REV.	CHG	CHANGE NO.	REV.

DRN. 115-AUG-83	ENG. <i>[Signature]</i>	DATE 11-1-83	TITLE: SBI INTERFACE HIGH BITS
CHK'D.	DATE	BOARD LOCATION: AF3	SIZE CODE: K CS
DSKB: CCRKA)SBHH.DRW	115-AUG-83 11:17	NEXT HIGHER ASSEMBLY: B-DD-M7461-0	NUMBER: M7461-0-SBHH
FIRST USED ON OPTION/MODEL: 11/285			REV. A

(ID BUS MUX)  
(SBHH)





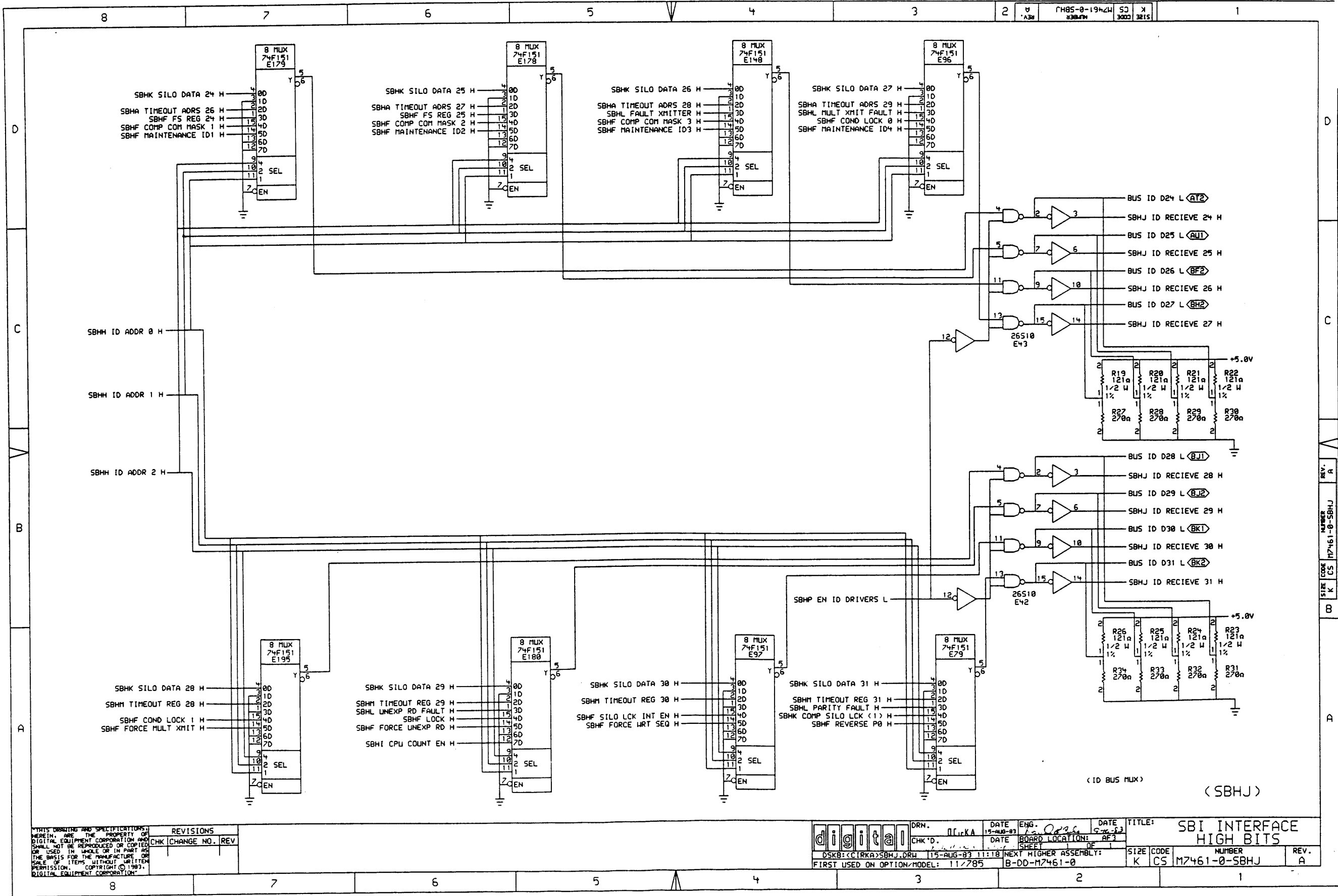
( SBHI )

REV. A  
 NUMBER 117461-0-SBHI  
 SIZE CODE K CS  
 BOARD LOCATION B

THIS DRAWING AND SPECIFICATIONS ARE THE PROPERTY OF DIGITAL EQUIPMENT CORPORATION AND SHALL NOT BE REPRODUCED OR COPIED OR USED IN WHOLE OR IN PART AS THE BASIS FOR THE MANUFACTURE OR SALE OF ITEMS WITHOUT WRITTEN PERMISSION. COPYRIGHT © 1983, DIGITAL EQUIPMENT CORPORATION.

REVISIONS	
CHK	CHANGE NO. REV

digital	DRN.	DATE	ENG.	DATE	TITLE:
	CHK'D.	DATE	BOARD LOCATION:	SHEET	OF
DSKB: <CIRKA>SBHI.DRW		20-AUG-83 09:28	NEXT HIGHER ASSEMBLY:	SIZE CODE	NUMBER
FIRST USED ON OPTION/MODEL:		11/785	B-DD-M7461-0	K CS	M7461-0-SBHI

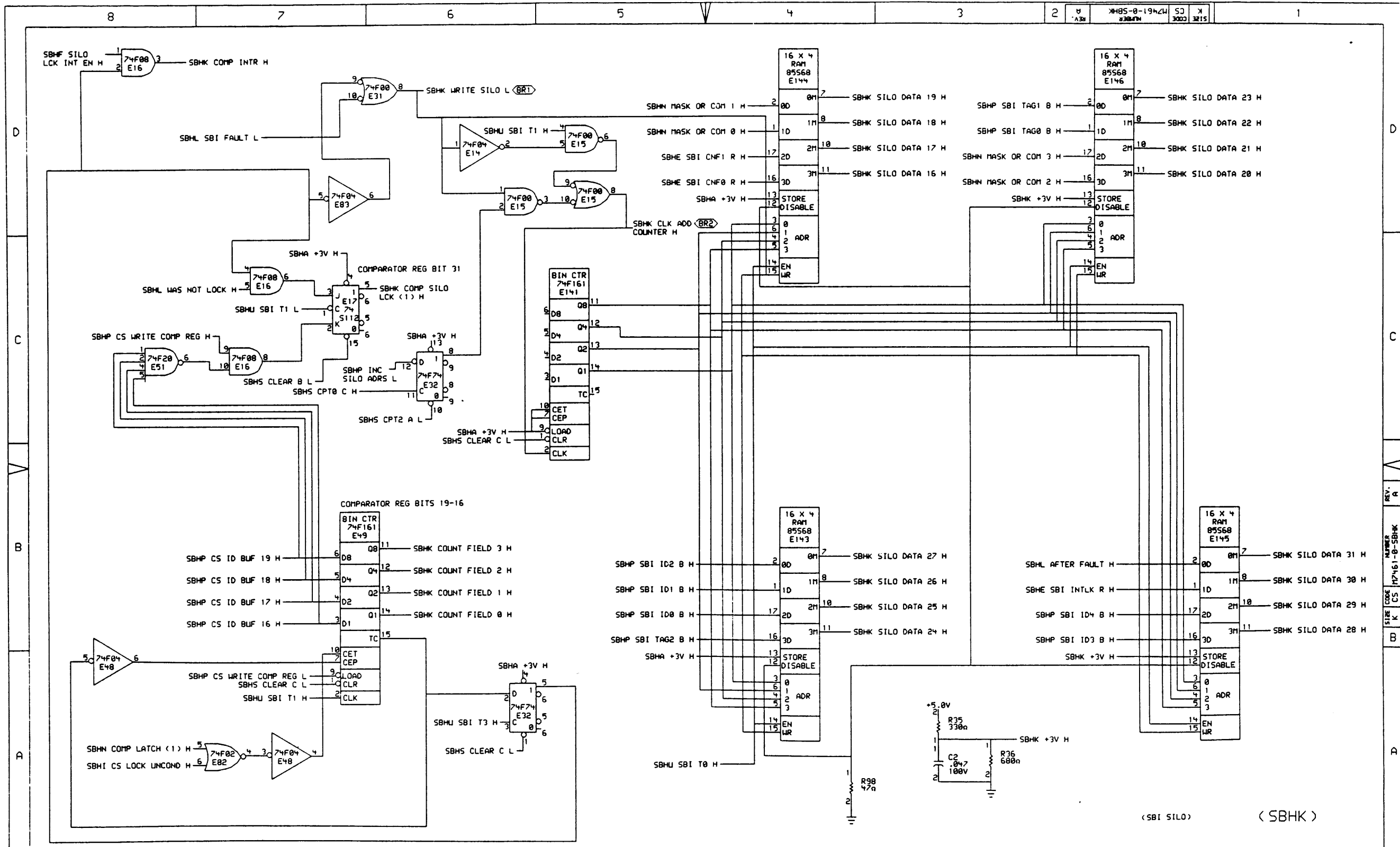


THIS DRAWING AND SPECIFICATIONS HEREIN ARE THE PROPERTY OF DIGITAL EQUIPMENT CORPORATION AND SHALL NOT BE REPRODUCED OR COPIED OR USED IN WHOLE OR IN PART AS THE BASIS FOR THE MANUFACTURE OR SALE OF ITEMS WITHOUT WRITTEN PERMISSION. COPYRIGHT © 1983, DIGITAL EQUIPMENT CORPORATION.

REV. NO.	CHANGE NO.	REV.

DRN. 0117KA	DATE 15-AUG-83	ENG. J. A. O'NEILL	DATE 5-2-83	TITLE: SBI INTERFACE HIGH BITS
CHK'D. [Signature]	DATE [Signature]	BOARD LOCATION: AF3	SHEET 1 OF 1	SIZE CODE NUMBER REV. K CS M7461-0-SBHJ A
DSKB:CCIRKA)SBHJ.DRW 115-AUG-83 11:18		NEXT HIGHER ASSEMBLY: B-DD-M7461-0		
FIRST USED ON OPTION/MODEL: 11/785				

REV. A  
NUMBER M7461-0-SBHJ  
SIZE CODE CS  
K CS



THIS DRAWING AND SPECIFICATIONS ARE THE PROPERTY OF DIGITAL EQUIPMENT CORPORATION AND SHALL NOT BE REPRODUCED OR COPIED OR USED IN WHOLE OR IN PART AS THE BASIS FOR THE MANUFACTURE OR SALE OF ITEMS WITHOUT WRITTEN PERMISSION. COPYRIGHT © 1983, DIGITAL EQUIPMENT CORPORATION.

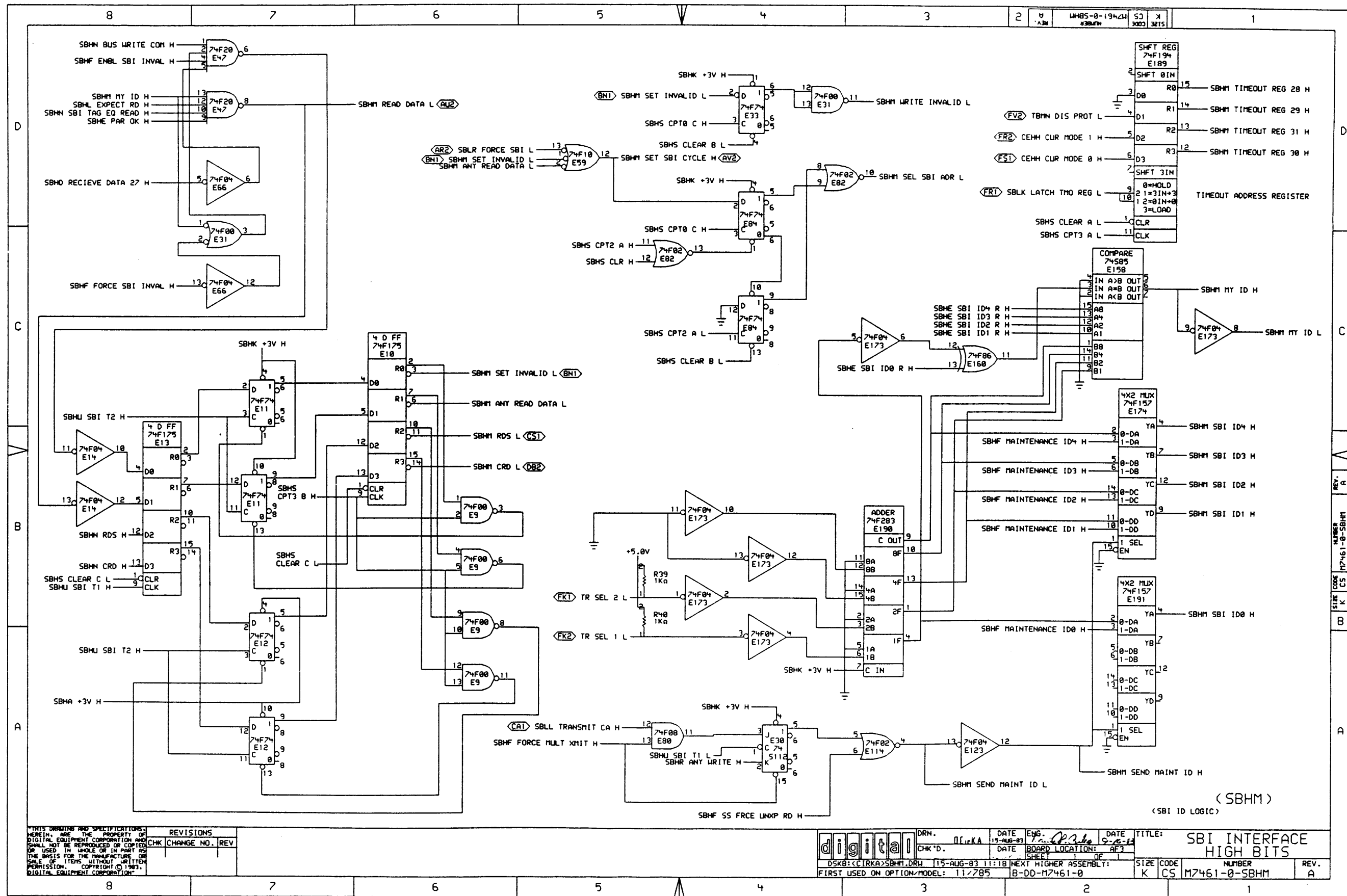
REVISIONS		
CHK	CHANGE NO.	REV.

DRN.	DATE	ENG.	DATE	TITLE:
DLRKA	15-AUG-83	DLRKA	8/23	SBI INTERFACE HIGH BITS
CHK'D.	DATE	BOARD LOCATION:	OF	SIZE CODE
		AF3		K CS
DSKB: <<TRKA>>SBHK.DRW				NUMBER
FIRST USED ON OPTION/MODEL: 11/785				M7461-0-SBHK
NEXT HIGHER ASSEMBLY:				REV.
B-DD-M7461-0				A

8	7	6	5	4	3	2	1
---	---	---	---	---	---	---	---

REV. A  
NUMBER 17461-0-SBHK  
SIZE CODE K CS

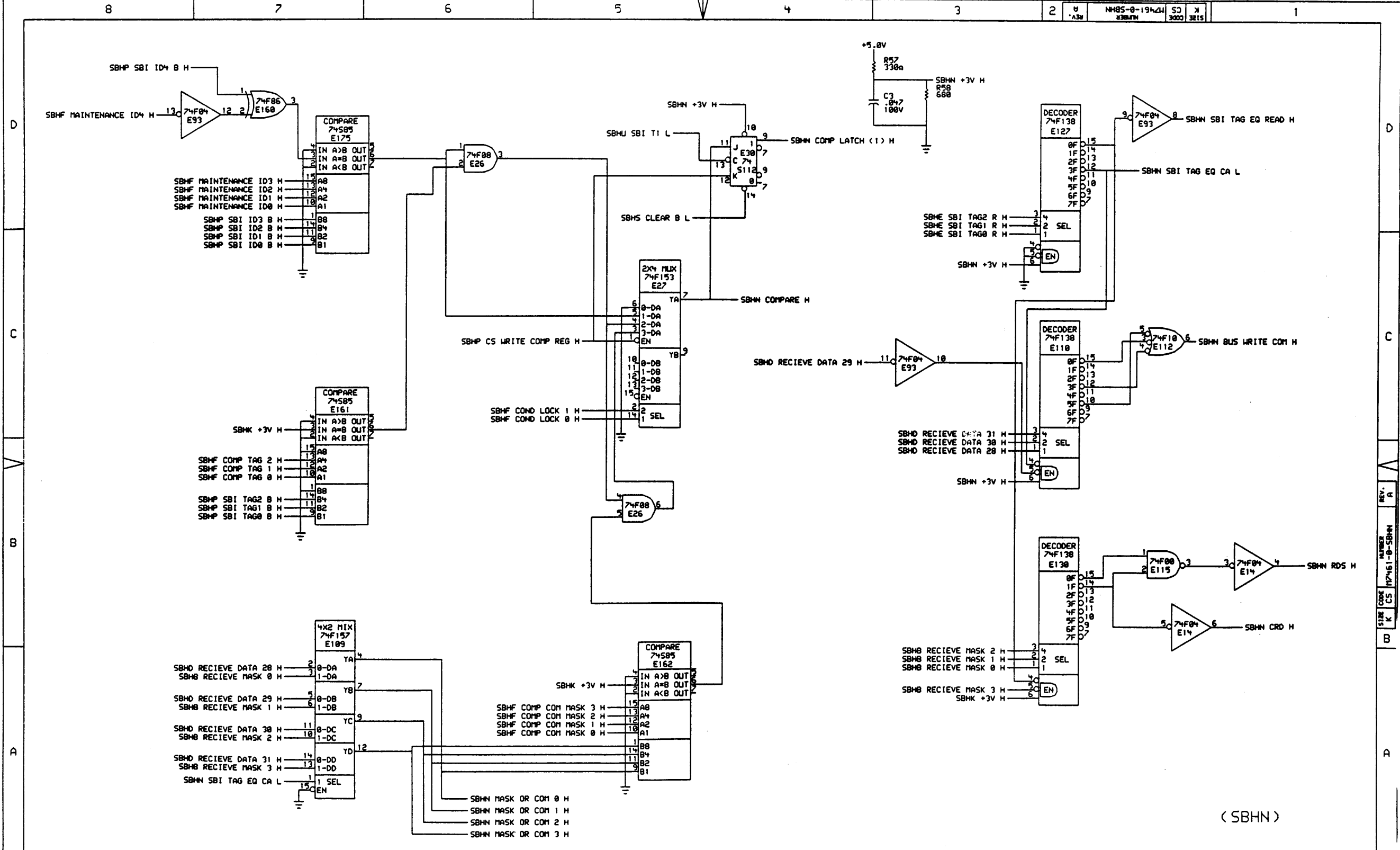




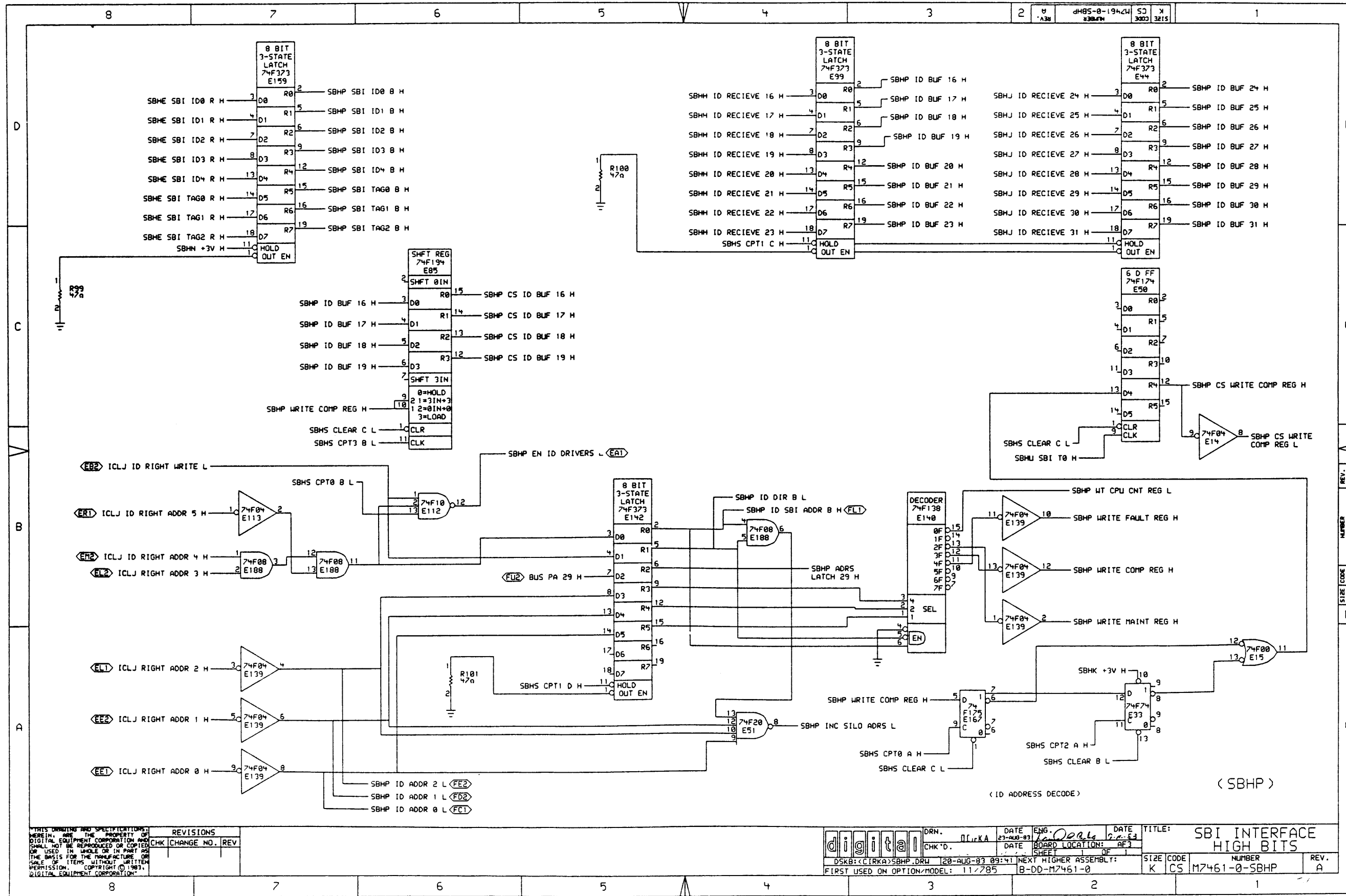
THIS DRAWING AND SPECIFICATIONS  
HEREIN ARE THE PROPERTY OF  
DIGITAL EQUIPMENT CORPORATION AND  
SHALL NOT BE REPRODUCED OR COPIED  
OR USED IN WHOLE OR IN PART AS  
THE BASIS FOR THE MANUFACTURE OR  
SALE OF ITEMS WITHOUT WRITTEN  
PERMISSION. COPYRIGHT © 1983,  
DIGITAL EQUIPMENT CORPORATION

REVISIONS	
CHK	CHANGE NO. REV

<b>digital</b>	DRN. <u>DL/KA</u>	DATE <u>15-AUG-83</u>	ENG. <u>R. J. R.</u>	DATE <u>5-2-83</u>	TITLE: <b>SBI INTERFACE HIGH BITS</b>
CHK'D.	DATE	BOARD LOCATION: <u>AF3</u>	SHEET 1 OF 1		
DSKB:CCIRKA)SBHM.DRW 15-AUG-83 11:18		NEXT HIGHER ASSEMBLY: <u>B-DD-M7461-0</u>		SIZE CODE	NUMBER
FIRST USED ON OPTION/MODEL: <u>11/785</u>				K CS	M7461-0-SBHM
					REV. <u>A</u>



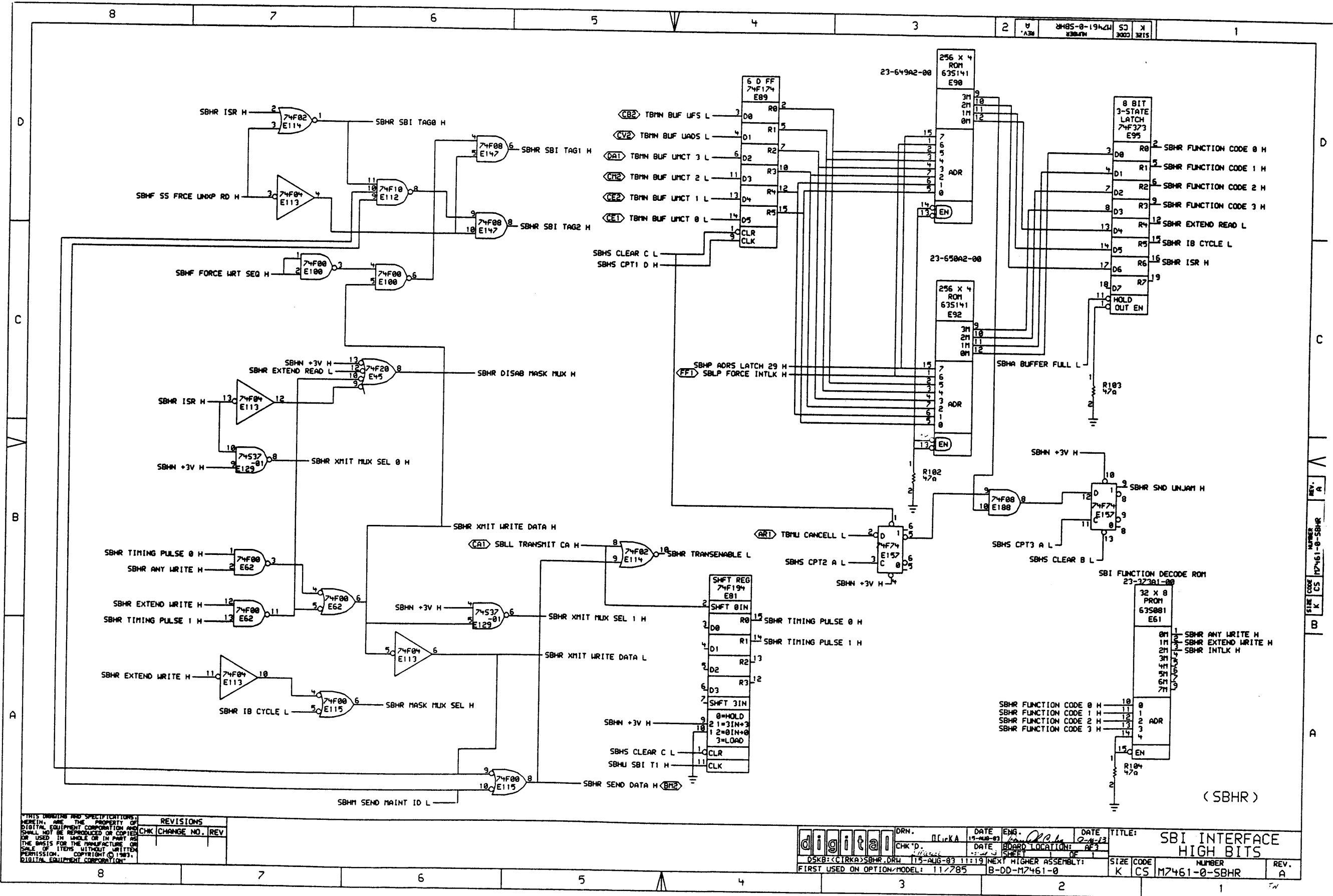
REV. A  
 NUMBER M7461-0-SBHN  
 SIZE CODE CS  
 ED



THIS DRAWING AND SPECIFICATIONS  
HEREIN ARE THE PROPERTY OF  
DIGITAL EQUIPMENT CORPORATION AND  
SHALL NOT BE REPRODUCED OR COPIED  
OR USED IN WHOLE OR IN PART AS  
THE BASIS FOR THE MANUFACTURE OR  
SALE OF ITEMS WITHOUT WRITTEN  
PERMISSION. COPYRIGHT © 1983  
DIGITAL EQUIPMENT CORPORATION.

REVISIONS		
CHK	CHANGE NO.	REV.

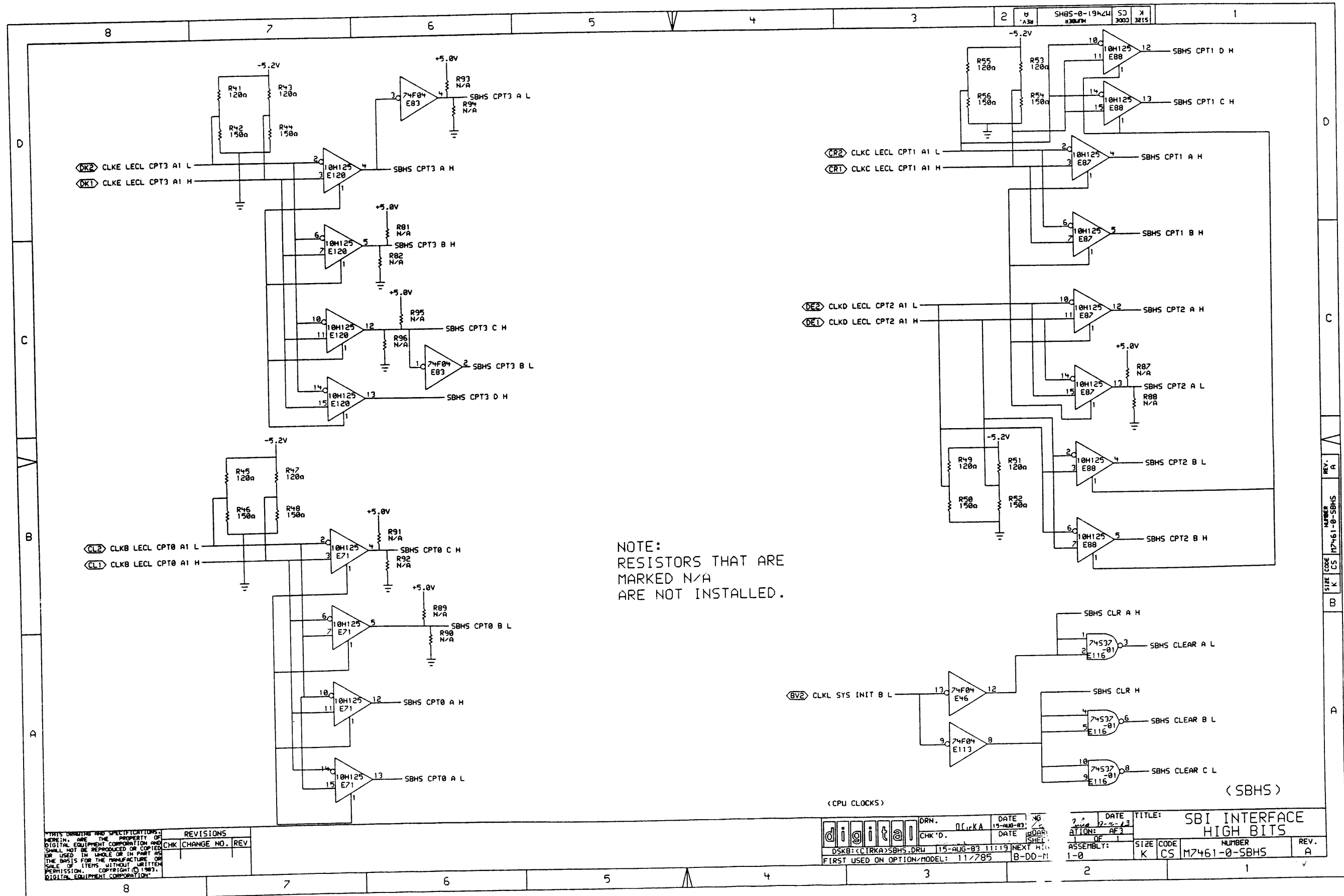
DRN.	DATE	ENG.	DATE	TITLE:
PLRKA	23-AUG-83	Paul	2-53	SBI INTERFACE HIGH BITS
CHK'D.	DATE	BOARD LOCATION:	AF3	
DSKB: <CIRKA>SBHP.DRW	20-AUG-83 09:41	NEXT HIGHER ASSEMBLY:		SIZE CODE
FIRST USED ON OPTION/MODEL:	11/785	B-DD-M7461-0		K CS
				M7461-0-SBHP
				NUMBER
				REV.
				A



REVISIONS	
CHK	CHANGE NO. REV.

digital	DRN. NICKA	DATE 15-AUG-83	ENG. [Signature]	DATE [Signature]	TITLE: SBI INTERFACE HIGH BITS
CHK'D.		DATE [Signature]	BOARD LOCATION: AF3		
DSKB: C:\RKA\SBR.DRW 15-AUG-83 11:19 NEXT HIGHER ASSEMBLY:					SIZE CODE NUMBER
FIRST USED ON OPTION/MODEL: 11/785 B-DD-M7461-0					K CS M7461-0-SBHR
					REV. A





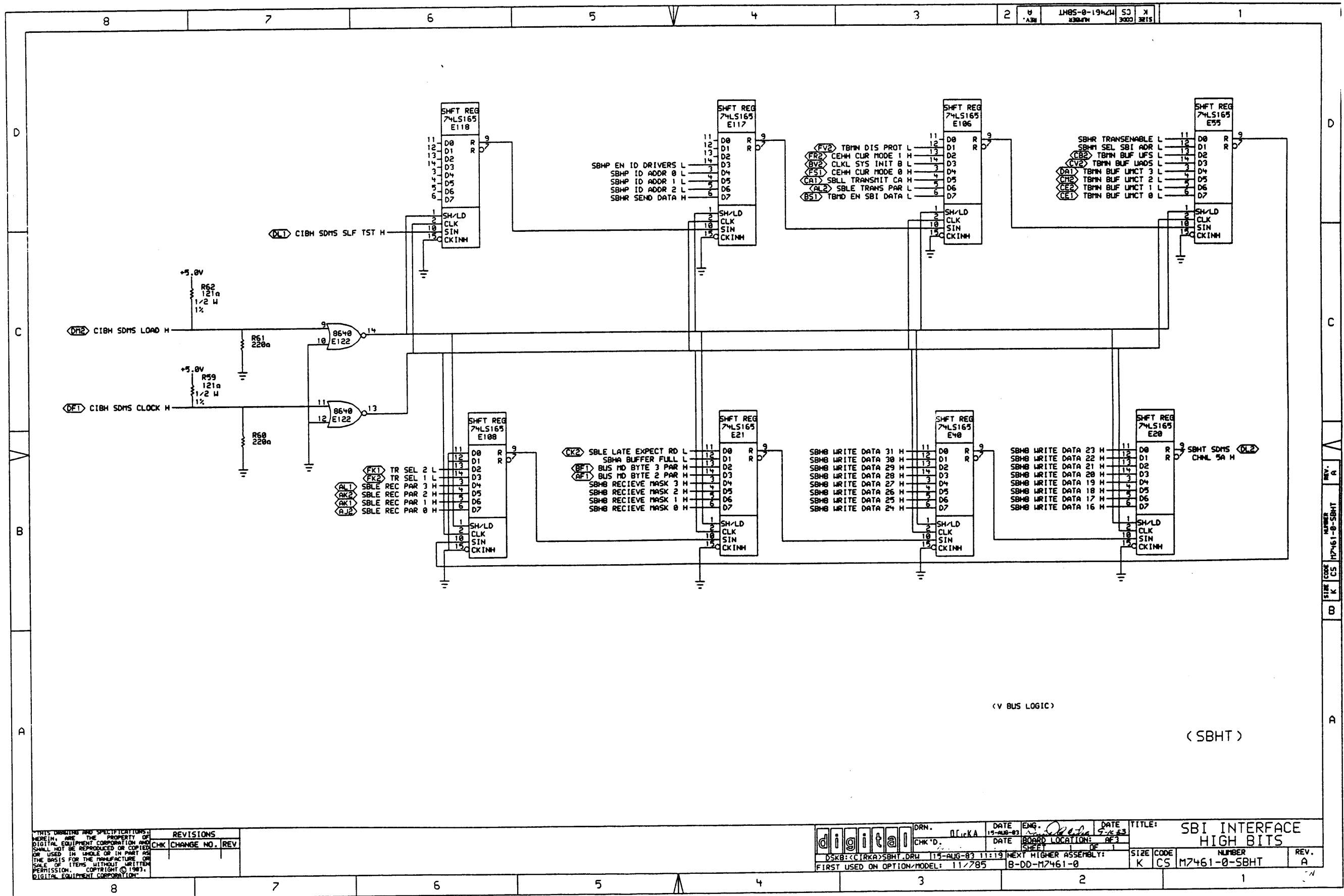
NOTE:  
RESISTORS THAT ARE  
MARKED N/A  
ARE NOT INSTALLED.

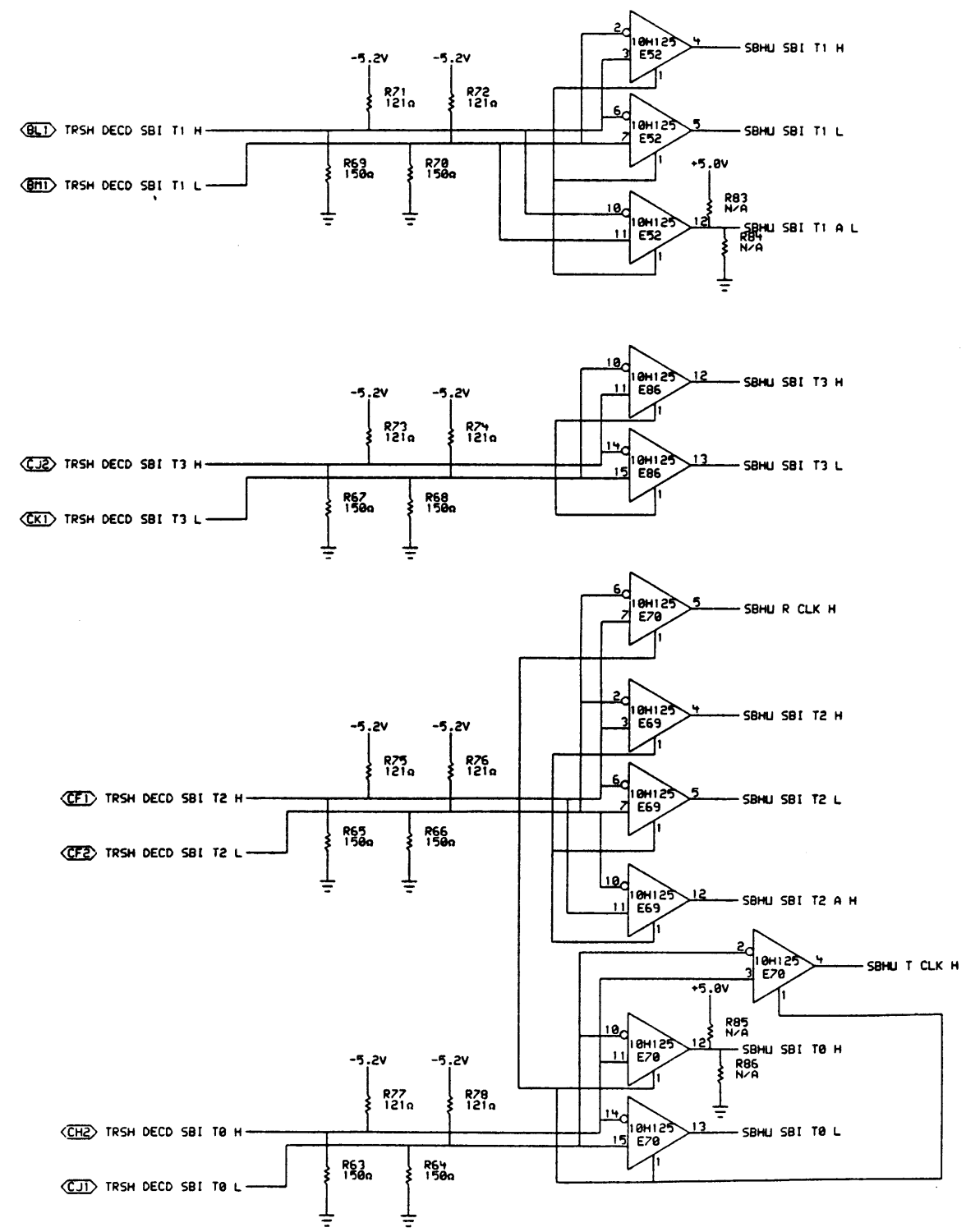
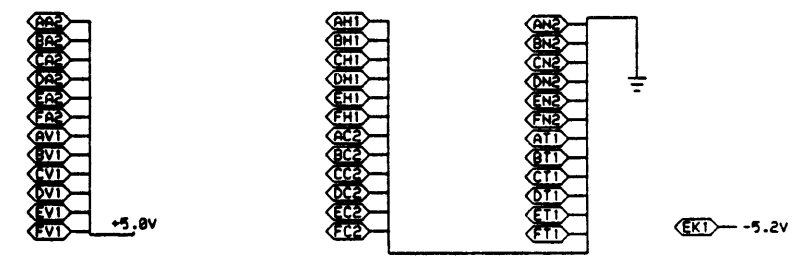
THIS DRAWING AND SPECIFICATIONS  
HEREIN ARE THE PROPERTY OF  
DIGITAL EQUIPMENT CORPORATION AND  
SHALL NOT BE REPRODUCED OR COPIED  
OR USED IN WHOLE OR IN PART AS  
THE BASIS FOR THE MANUFACTURE OR  
SALE OF ITEMS WITHOUT WRITTEN  
PERMISSION. COPYRIGHT © 1983,  
DIGITAL EQUIPMENT CORPORATION

REVISIONS		
CHK	CHANGE NO.	REV

digital DRN. DATE 15-AUG-83  
CHK'D. DATE 15-AUG-83  
DSKB: CTRKA>SBHS.DRW 115-AUG-83 11:19 NEXT H...  
FIRST USED ON OPTION/MODEL: 11/785 B-DD-N

DATE 15-AUG-83		TITLE: SBI INTERFACE HIGH BITS	
ATTN: AF3	DATE 15-AUG-83	SIZE CODE K CS	NUMBER M7461-0-SBHS
ASSEMBLY: 1-0	REV. A		





NOTE:  
RESISTORS THAT ARE MARKED N/A  
ARE NOT INSTALLED.

(SBHU)

REVISIONS	
CHK	CHANGE NO. REV

digital	DRN.	DATE	ENG.	DATE	TITLE:
	CHK'D.	DATE	BOARD LOCATION:	SHEET	OF
DSKB: <CIRKA>SBHU.DRW 115-AUG-83 11:19 NEXT HIGHER ASSEMBLY:					SIZE CODE
FIRST USED ON OPTION MODEL: 11/785					B-DD-M7461-0
					NUMBER
					REV.
					A

REV. A  
NUMBER 117461-0-SBHU  
SIZE CODE K CS

SIGNAL NAME PAGE NUMBER(S)

BUS ID 016 L	SBHM
BUS ID 017 L	SBHM
BUS ID 018 L	SBHM
BUS ID 019 L	SBHM
BUS ID 020 L	SBHM
BUS ID 021 L	SBHM
BUS ID 022 L	SBHM
BUS ID 023 L	SBHM
BUS ID 024 L	SBHM
BUS ID 025 L	SBHM
BUS ID 026 L	SBHM
BUS ID 027 L	SBHM
BUS ID 028 L	SBHM
BUS ID 029 L	SBHM
BUS ID 030 L	SBHM
BUS ID 031 L	SBHM
BUS ID 16 H	SBHM,8
BUS ID 17 H	SBHM,8
BUS ID 18 H	SBHM,8
BUS ID 19 H	SBHM,8
BUS ID 20 H	SBHM,0
BUS ID 21 H	SBHM,0
BUS ID 22 H	SBHM,0
BUS ID 23 H	SBHM,0
BUS ID 24 H	SBHM,0
BUS ID 25 H	SBHM,0
BUS ID 26 H	SBHM,0
BUS ID 27 H	SBHM,0
BUS ID 28 H	SBHM,8
BUS ID 29 H	SBHM,8
BUS ID 30 H	SBHM,0
BUS ID 31 H	SBHM,0
BUS ID BYTE 0 MASK H	SBHM,0
BUS ID BYTE 1 MASK H	SBHM,0
BUS ID BYTE 2 MASK H	SBHM,0
BUS ID BYTE 2 PAR H	SBHM,T
BUS ID BYTE 3 MASK H	SBHM,0
BUS ID BYTE 3 PAR H	SBHM,T
BUS PA 18 H	SBHM
BUS PA 19 H	SBHM
BUS PA 20 H	SBHM
BUS PA 21 H	SBHM
BUS PA 22 H	SBHM
BUS PA 23 H	SBHM
BUS PA 24 H	SBHM
BUS PA 25 H	SBHM
BUS PA 26 H	SBHM
BUS PA 27 H	SBHM
BUS PA 28 H	SBHM
BUS PA 29 H	SBHM,P

SIGNAL NAME PAGE NUMBER(S)

BUS SBI ALERT L	SBHE
BUS SBI 816 L	SBHM
BUS SBI 817 L	SBHM
BUS SBI 818 L	SBHM
BUS SBI 819 H	SBHM
BUS SBI 820 H	SBHM
BUS SBI 821 L	SBHM
BUS SBI 822 L	SBHM
BUS SBI 823 L	SBHM
BUS SBI 824 L	SBHM
BUS SBI 825 L	SBHM
BUS SBI 826 L	SBHM
BUS SBI 827 L	SBHM
BUS SBI 828 L	SBHM
BUS SBI 829 L	SBHM
BUS SBI 830 L	SBHM
BUS SBI 831 L	SBHM
BUS SBI CNF0 L	SBHE
BUS SBI CNF1 L	SBHE
BUS SBI FAULT L	SBHE
BUS SBI ID0 L	SBHE
BUS SBI ID1 L	SBHE
BUS SBI ID2 L	SBHE
BUS SBI ID3 L	SBHE
BUS SBI ID4 L	SBHE
BUS SBI INTLK L	SBHE
BUS SBI I0 L	SBHM
BUS SBI I1 L	SBHM
BUS SBI I2 L	SBHM
BUS SBI I3 L	SBHM
BUS SBI IP1 L	SBHE
BUS SBI IP2 L	SBHE
BUS SBI P0 L	SBHE
BUS SBI P1 L	SBHE
BUS SBI REQ 4 L	SBHE
BUS SBI REQ 6 L	SBHE
BUS SBI REQ5 L	SBHE
BUS SBI REQ7 L	SBHE
BUS SBI SPARE 0 L	SBHE
BUS SBI SPARE 1 L	SBHE
BUS SBI TAG0 L	SBHE
BUS SBI TAG1 L	SBHE
BUS SBI TAG2 L	SBHE
BUS SBI UNJAM L	SBHE
CEHM CLR NODE 0 H	SBHT,H
CEHM CLR NODE 1 H	SBHT,H
CIBH SDMS CLOCK H	SBHT
CIBH SDMS LOAD H	SBHT
CIBH SDMS SLF TST H	SBHT
CLKB LECL CPT0 A1 H	SBHS

SIGNAL NAME PAGE NUMBER(S)

CLKB LECL CPT0 A1 L	SBHS
CLKC LECL CPT1 A1 H	SBHS
CLKC LECL CPT1 A1 L	SBHS
CLKD LECL CPT2 A1 H	SBHS
CLKD LECL CPT2 A1 L	SBHS
CLKE LECL CPT3 A1 H	SBHS
CLKE LECL CPT3 A1 L	SBHS
CLKL SYS INIT B L	SBHS,T
ICLJ ID RIGHT ADDR 4 H	SBHP
ICLJ ID RIGHT ADDR 5 H	SBHP
ICLJ ID RIGHT WRITE L	SBHP
ICLJ RIGHT ADDR 0 H	SBHP
ICLJ RIGHT ADDR 1 H	SBHP
ICLJ RIGHT ADDR 2 H	SBHP
ICLJ RIGHT ADDR 3 H	SBHP
SBHA +3V A H	SBHA,D,B,I
SBHA +3V H	SBHA,H,K,I,W,E
SBHA ADDRESS REG 18 H	SBHA,C
SBHA ADDRESS REG 19 H	SBHA,C
SBHA ADDRESS REG 20 H	SBHA,C
SBHA ADDRESS REG 21 H	SBHA,C
SBHA ADDRESS REG 22 H	SBHA,C
SBHA ADDRESS REG 23 H	SBHA,C
SBHA ADDRESS REG 24 H	SBHA,C
SBHA ADDRESS REG 25 H	SBHA,C
SBHA ADDRESS REG 26 H	SBHA,C
SBHA ADDRESS REG 27 H	SBHA,C
SBHA ADDRESS REG 28 H	SBHA,C
SBHA ADDRESS REG 29 H	SBHA,C
SBHA BUFFER FULL L	SBHM,T,R,A
SBHA TIMEOUT ADRS 18 H	SBHM,A
SBHA TIMEOUT ADRS 19 H	SBHM,A
SBHA TIMEOUT ADRS 20 H	SBHM,A
SBHA TIMEOUT ADRS 21 H	SBHM,A
SBHA TIMEOUT ADRS 22 H	SBHM,A
SBHA TIMEOUT ADRS 23 H	SBHM,A
SBHA TIMEOUT ADRS 24 H	SBHM,A
SBHA TIMEOUT ADRS 25 H	SBHM,A
SBHA TIMEOUT ADRS 26 H	SBHM,J
SBHA TIMEOUT ADRS 27 H	SBHM,J
SBHA TIMEOUT ADRS 28 H	SBHM,J
SBHA TIMEOUT ADRS 29 H	SBHM,J
SBHM REC PAR C H	SBHM,E
SBHM RECEIVE MASK 0 H	SBHT,B,N
SBHM RECEIVE MASK 1 H	SBHT,B,N
SBHM RECEIVE MASK 2 H	SBHT,B,N
SBHM RECEIVE MASK 3 H	SBHT,B,N
SBHM TRANS PAR C H	SBHM,E
SBHM WRITE DATA 16 H	SBHM,T,C
SBHM WRITE DATA 17 H	SBHM,T,C

NOTES:  
1. THIS PAGE LISTS THE SCHEMATIC PAGE NUMBER(S) WHERE A SIGNAL NAME IS REFERENCED.

(SBHV)

THIS DRAWING AND SPECIFICATION ARE THE PROPERTY OF DIGITAL EQUIPMENT CORPORATION AND SHALL NOT BE REPRODUCED OR COPIED OR USED IN WHOLE OR IN PART AS THE BASIS FOR THE MANUFACTURE OR SALE OF ITEMS WITHOUT WRITTEN PERMISSION. COPYRIGHT © 1983. DIGITAL EQUIPMENT CORPORATION

REV.	CHG.	NO.	REV.



DRW. 0112KA DATE 10-SEP-83  
CHK'D. DATE 10-SEP-83  
FIRST USED ON OPTION/MODEL: 11/785

TITLE: SBI INTERFACE HIGH BITS  
SIZE CODE: K CS  
NUMBER: M7461-0-SBHV  
REV. A

SIGNAL NAME	PAGE NUMBER(S)	SIGNAL NAME	PAGE NUMBER(S)	SIGNAL NAME	PAGE NUMBER(S)
SBHG WRITE DATA 18 H	SBHG,T,C	SBHD RECIEVE DATA 30 H	SBHG,D,N	SBHF FS REG 25 H	SBHF,J
SBHG WRITE DATA 19 H	SBHG,T,C	SBHD RECIEVE DATA 31 H	SBHG,D,N	SBHF LOCK H	SBHF,I,J
SBHG WRITE DATA 20 H	SBHG,T,C	SBHD TRANS PAR 4 H	SBHD,E	SBHF MAINT REG 17 H	SBHF,H
SBHG WRITE DATA 21 H	SBHG,T,C	SBHD TRANS PAR 5 H	SBHD,E	SBHF MAINT REG 18 H	SBHF,H
SBHG WRITE DATA 22 H	SBHG,T,C	SBHD TRANS PAR 6 H	SBHE,D	SBHF MAINT REG 19 H	SBHF,H
SBHG WRITE DATA 23 H	SBHG,T,C	SBHD TRANS PAR 7 H	SBHE,D	SBHF MAINT REG 20 H	SBHF,H
SBHG WRITE DATA 24 H	SBHG,T,C	SBHE ASBI ALERT R H	SBHE	SBHF MAINTENANCE 100 H	SBHF,N,M,H
SBHG WRITE DATA 25 H	SBHG,T,C	SBHE PAR OK H	SBHE,L,M	SBHF MAINTENANCE 101 H	SBHF,M,N,J
SBHG WRITE DATA 26 H	SBHG,T,C	SBHE REC PAR A H	SBHE	SBHF MAINTENANCE 102 H	SBHF,M,N,J
SBHG WRITE DATA 27 H	SBHG,T,C	SBHE REC PAR B H	SBHE	SBHF MAINTENANCE 103 H	SBHF,J,M,N
SBHG WRITE DATA 28 H	SBHG,T,C	SBHE SBI CNF0 R H	SBHK,E	SBHF MAINTENANCE 104 H	SBHN,J,F,M
SBHG WRITE DATA 29 H	SBHG,T,C	SBHE SBI CNF1 R H	SBHK,E	SBHF REV APR 0 L	SBHF
SBHG WRITE DATA 30 H	SBHC,B,T	SBHE SBI FAULT R H	SBHL,E	SBHF REV PAR 1 L	SBHF
SBHG WRITE DATA 31 H	SBHC,B,T	SBHE SBI ID0 R H	SBHE,P,M	SBHF REV PAR 2 L	SBHF
SBHC TRANS DATA 16 H	SBHD,C	SBHE SBI ID1 R H	SBHE,M,P	SBHF REV PAR 3 L	SBHF
SBHC TRANS DATA 17 H	SBHD,C	SBHE SBI ID2 R H	SBHE,M,P	SBHF REVERSE P0 H	SBHF,J,E
SBHC TRANS DATA 18 H	SBHD,C	SBHE SBI ID3 R H	SBHE,M,P	SBHF SILO LCK INT EN H	SBHK,F,J
SBHC TRANS DATA 19 H	SBHD,C	SBHE SBI ID4 R H	SBHE,M,P	SBHF SS FRCE UNXP RD H	SBHF,R,M
SBHC TRANS DATA 20 H	SBHD,C	SBHE SBI INTLK R H	SBHK,E	SBHG MD BYTE 2 PAR H	SBHD,G
SBHC TRANS DATA 21 H	SBHD,C	SBHE SBI P0 R H	SBHE	SBHG MD BYTE 3 PAR H	SBHD,G
SBHC TRANS DATA 22 H	SBHD,C	SBHE SBI P1 R H	SBHE	SBHG MD PAR 2 A H	SBHG
SBHC TRANS DATA 23 H	SBHD,C	SBHE SBI REQ 4 R H	SBHE	SBHG MD PAR 2 B H	SBHG
SBHC TRANS DATA 24 H	SBHC,D	SBHE SBI REQ 5 R H	SBHE	SBHG MD PAR 3 A H	SBHG
SBHC TRANS DATA 25 H	SBHC,D	SBHE SBI REQ 6 R H	SBHE	SBHG MD PAR 3 B H	SBHG
SBHC TRANS DATA 26 H	SBHD,C	SBHE SBI REQ 7 R H	SBHE	SBHG RCV 16 A H	SBHG
SBHC TRANS DATA 27 H	SBHD,C	SBHE SBI TAG0 R H	SBHN,E,P	SBHG RCV 17 A H	SBHG
SBHC TRANS DATA 28 H	SBHC,D	SBHE SBI TAG1 R H	SBHN,E,P	SBHG RCV 18 A H	SBHG
SBHC TRANS DATA 29 H	SBHC,D	SBHE SBI TAG2 R H	SBHN,E,P	SBHG RCV 19 A H	SBHG
SBHC TRANS DATA 30 H	SBHC,D	SBHE SBI UNJAM R H	SBHE	SBHG RCV 20 A H	SBHG
SBHC TRANS DATA 31 H	SBHC,D	SBHE TRANS PAR A H	SBHE	SBHG RCV 21 A H	SBHG
SBHD MD PAR GEN 2 H	SBHG,D	SBHE TRANS PAR B H	SBHE	SBHG RCV 22 A H	SBHG
SBHD MD PAR GEN 3 H	SBHG,D	SBHF COMP COM MASK 0 H	SBHN,F,H	SBHG RCV 23 A H	SBHG
SBHD REC PAR 4 H	SBHD,E	SBHF COMP COM MASK 1 H	SBHN,F,J	SBHG RCV 24 A H	SBHG
SBHD REC PAR 5 H	SBHD,E	SBHF COMP COM MASK 2 H	SBHN,F,J	SBHG RCV 25 A H	SBHG
SBHD REC PAR 6 H	SBHE,D	SBHF COMP COM MASK 3 H	SBHN,F,J	SBHG RCV 26 A H	SBHG
SBHD REC PAR 7 H	SBHE,D	SBHF COMP TAG 0 H	SBHN,F	SBHG RCV 27 A H	SBHG
SBHD RECIEVE DATA 16 H	SBHD,G	SBHF COMP TAG 1 H	SBHN,F,H	SBHG RCV 28 A H	SBHG
SBHD RECIEVE DATA 17 H	SBHD,G	SBHF COMP TAG 2 H	SBHN,F,H	SBHG RCV 28 B H	SBHG
SBHD RECIEVE DATA 18 H	SBHD,G	SBHF CONO LOCK 0 H	SBHN,J,F	SBHG RCV 29 A H	SBHG
SBHD RECIEVE DATA 19 H	SBHD,G	SBHF CONO LOCK 1 H	SBHN,F,J	SBHG RCV 29 B H	SBHG
SBHD RECIEVE DATA 20 H	SBHG,D	SBHF ENBL SBI INVAL H	SBHN,F,H	SBHG RCV 30 A H	SBHG
SBHD RECIEVE DATA 21 H	SBHG,D	SBHF FAULT INTR EN H	SBHN,L,F	SBHG RCV 30 B H	SBHG
SBHD RECIEVE DATA 22 H	SBHG,D	SBHF FORCE MISS GR0 H	SBHF,H	SBHG RCV 31 A H	SBHG
SBHD RECIEVE DATA 23 H	SBHG,D	SBHF FORCE MISS GR0 L	SBHF	SBHG RCV 31 B H	SBHG
SBHD RECIEVE DATA 24 H	SBHD,G	SBHF FORCE MULT XMIT H	SBHF,M,J	SBHG READ DATA 16 H	SBHD,G,A
SBHD RECIEVE DATA 25 H	SBHD,G	SBHF FORCE SBI INVAL H	SBHN,F,H	SBHG READ DATA 17 H	SBHD,G,A
SBHD RECIEVE DATA 26 H	SBHD,G	SBHF FORCE UNEXP RD H	SBHF,J	SBHG READ DATA 18 H	SBHD,G,A
SBHD RECIEVE DATA 27 H	SBHM,D,G	SBHF FORCE WRT SEQ H	SBHF,J,R	SBHG READ DATA 19 H	SBHD,G
SBHD RECIEVE DATA 28 H	SBHG,D,N	SBHF FS REG 20 H	SBHN,F	SBHG READ DATA 20 H	SBHG,D,A
SBHD RECIEVE DATA 29 H	SBHG,N,D	SBHF FS REG 24 H	SBHF,J	SBHG READ DATA 21 H	SBHG,D,A

NOTES:  
1. THIS PAGE LISTS THE SCHEMATIC PAGE NUMBER(S) WHERE A SIGNAL NAME IS REFERENCED.

(SBHW)

<small>THIS DRAWING AND SPECIFICATIONS ARE THE PROPERTY OF DIGITAL EQUIPMENT CORPORATION AND SHALL NOT BE REPRODUCED OR COPIED OR USED IN WHOLE OR IN PART AS THE BASIS FOR THE MANUFACTURE OR SALE OF ITEMS WITHOUT WRITTEN PERMISSION. COPYRIGHT © 1983, DIGITAL EQUIPMENT CORPORATION.</small>	REVISIONS CHK CHANGE NO. REV		DRN. <u>CC/KA</u> DATE <u>19-SEP-83</u> CHK'D. <u>DATE</u> BOARD LOCATION: <u>AF3</u> SHEET <u>OF</u>	DATE <u>19-SEP-83</u> ENG. <u>DATE</u> TITLE: <b>SBI INTERFACE HIGH BITS</b>	SIZE CODE NUMBER REV. K CS M7461-0-SBHW A	
	FIRST USED ON OPTION/MODEL: <u>11/785</u>					NEXT HIGHER ASSEMBLY: <u>B-DD-M7461-0</u>

SIGNAL NAME	PAGE NUMBER(S)	SIGNAL NAME	PAGE NUMBER(S)	SIGNAL NAME	PAGE NUMBER(S)
SBHG READ DATA 22 H	SBHG,D,A	SBHK SILO DATA 16 H	SBHM,K	SBHM TIMEOUT REG 28 H	SBHM,J
SBHG READ DATA 23 H	SBHG,D,A	SBHK SILO DATA 17 H	SBHM,K	SBHM TIMEOUT REG 29 H	SBHM,M
SBHG READ DATA 24 H	SBHD,G,A	SBHK SILO DATA 18 H	SBHM,K	SBHM TIMEOUT REG 30 H	SBHM,M
SBHG READ DATA 25 H	SBHD,G,A	SBHK SILO DATA 19 H	SBHM,K	SBHM TIMEOUT REG 31 H	SBHM,M
SBHG READ DATA 26 H	SBHD,G,A	SBHK SILO DATA 20 H	SBHM,K	SBHM WRITE INVALID L	SBHM,A
SBHG READ DATA 27 H	SBHD,G,A	SBHK SILO DATA 21 H	SBHM,K	SBHM +3V H	SBHM,R,F,P
SBHG READ DATA 28 H	SBHG,D	SBHK SILO DATA 22 H	SBHM,K	SBHM BUS WRITE COM H	SBHM,N
SBHG READ DATA 29 H	SBHG,D	SBHK SILO DATA 23 H	SBHM,K	SBHM COMP LATCH (1)H	SBHM,K
SBHG READ DATA 30 H	SBHG,D	SBHK SILO DATA 24 H	SBHM,J	SBHM COMPARE H	SBHM,L
SBHG READ DATA 31 H	SBHG,D	SBHK SILO DATA 25 H	SBHM,J	SBHM CRD H	SBHM,N
SBHM ID ADDR 0 H	SBHM,H	SBHK SILO DATA 26 H	SBHM,J	SBHM MASK OR COM 0 H	SBHM,K
SBHM ID ADDR 1 H	SBHM,H	SBHK SILO DATA 27 H	SBHM,K	SBHM MASK OR COM 1 H	SBHM,K
SBHM ID ADDR 2 H	SBHM,H	SBHK SILO DATA 28 H	SBHM,J	SBHM MASK OR COM 2 H	SBHM,K
SBHM ID RECIEVE 16 H	SBHM,P	SBHK SILO DATA 29 H	SBHM,J	SBHM MASK OR COM 3 H	SBHM,K
SBHM ID RECIEVE 17 H	SBHM,P	SBHK SILO DATA 30 H	SBHM,K	SBHM RDS H	SBHM,N
SBHM ID RECIEVE 18 H	SBHM,P	SBHK SILO DATA 31 H	SBHM,K	SBHM SBI TAG EQ CA L	SBHM
SBHM ID RECIEVE 19 H	SBHM,P,L	SBHK WRITE SILO L	SBHM,L	SBHM SBI TAG EQ READ H	SBHM,M,N
SBHM ID RECIEVE 20 H	SBHM,P	SBHL AFTER FAULT H	SBHM,L	SBHM ADRS LATCH 29 H	SBHM,P
SBHM ID RECIEVE 21 H	SBHM,P	SBHL EXPECT RD H	SBHM,L	SBHM CS ID BUF 16 H	SBHM,P
SBHM ID RECIEVE 22 H	SBHM,P	SBHL FAULT LATCH H	SBHM,L	SBHM CS ID BUF 17 H	SBHM,P
SBHM ID RECIEVE 23 H	SBHM,P	SBHL FAULT SILO LOCK 1 H	SBHM,L	SBHM CS ID BUF 18 H	SBHM,P
SBHI CLK RCV DATA A H	SBHG,I	SBHL FAULT XMITTER H	SBHM,L	SBHM CS ID BUF 19 H	SBHM,P
SBHI CLK RCV DATA B H	SBHG,I	SBHL FLT INTR H	SBHM,I	SBHM CS WRITE COMP REG H	SBHM,K,N
SBHI CPU COUNT 0 H	SBHM,I	SBHL MULT XMIT FAULT H	SBHM,J	SBHM CS WRITE COMP REG L	SBHM,K
SBHI CPU COUNT 1 H	SBHM,I	SBHL PARITY FAULT H	SBHM,I	SBHM EN ID DRIVERS L	SBHM,J,P,T
SBHI CPU COUNT 2 H	SBHM,I	SBHL SBI FAULT H	SBHM,E	SBHM ID ADDR 0 L	SBHM,T,H
SBHI CPU COUNT 3 H	SBHM,I	SBHL SBI FAULT L	SBHM,L	SBHM ID ADDR 1 L	SBHM,T,H
SBHI CPU COUNT 4 H	SBHM,I	SBHL SBI TRANSMIT H	SBHM	SBHM ID ADDR 2 L	SBHM,T,H
SBHI CPU COUNT EN H	SBHM,I	SBHL SCOPE SYNC L	SBHM	SBHM ID BUF 16 H	SBHM,F
SBHI CS LOCK UNCOND H	SBHM,K	SBHL SEND ACK H	SBHM,E	SBHM ID BUF 17 H	SBHM,F
SBHI FAULT INTR H	SBHM	SBHL SEND FAULT 1 H	SBHM,H	SBHM ID BUF 18 H	SBHM,F
SBHI SBI DATA SEL H	SBHG,I	SBHL SEND INTLK H	SBHM,E	SBHM ID BUF 19 H	SBHM,F
SBHI SBI UNJAM H	SBHM,I	SBHL UNEXP RD FAULT H	SBHM,J	SBHM ID BUF 20 H	SBHM,F
SBHI SS COMP INTR H	SBHM	SBHL WAS NOT LOCK H	SBHM,L	SBHM ID BUF 21 H	SBHM,F
SBHM ID RECIEVE 24 H	SBHM,P	SBHM ANY READ DATA L	SBHM	SBHM ID BUF 22 H	SBHM,F
SBHM ID RECIEVE 25 H	SBHM,P	SBHM CRD L	SBHM	SBHM ID BUF 23 H	SBHM,F
SBHM ID RECIEVE 26 H	SBHM,P	SBHM MY ID H	SBHM,L	SBHM ID BUF 24 H	SBHM,F
SBHM ID RECIEVE 27 H	SBHM,P	SBHM MY ID L	SBHM,M	SBHM ID BUF 25 H	SBHM,F
SBHM ID RECIEVE 28 H	SBHM,P	SBHM RDS L	SBHM	SBHM ID BUF 26 H	SBHM,F
SBHM ID RECIEVE 29 H	SBHM,P	SBHM READ DATA L	SBHM,L	SBHM ID BUF 27 H	SBHM,F
SBHM ID RECIEVE 30 H	SBHM,P	SBHM SBI ID0 H	SBHM,M	SBHM ID BUF 28 H	SBHM,P
SBHM ID RECIEVE 31 H	SBHM,P	SBHM SBI ID1 H	SBHM,M	SBHM ID BUF 29 H	SBHM,P,I
SBHK +3V H	SBHM,M,P,L,N	SBHM SBI ID2 H	SBHM,M	SBHM ID BUF 30 H	SBHM,P
SBHK CLK ADD COUNTER H	SBHM	SBHM SBI ID3 H	SBHM,M	SBHM ID BUF 31 H	SBHM,P
SBHK COMP INTR H	SBHM,I	SBHM SBI ID4 H	SBHM,M	SBHM ID DIR 8 L	SBHM
SBHK COMP SILO LCK (1)H	SBHM,J	SBHM SEL SBI ADR L	SBHM,M,A	SBHM ID SBI ADDR B H	SBHM
SBHK COUNT FIELD 0 H	SBHM,H	SBHM SEND MAINT ID H	SBHM	SBHM INC SILO ADRS L	SBHM,P
SBHK COUNT FIELD 1 H	SBHM,H	SBHM SEND MAINT ID L	SBHM,M	SBHM SBI ID0 B H	SBHM,P,N
SBHK COUNT FIELD 2 H	SBHM,H	SBHM SET INVALID L	SBHM	SBHM SBI ID1 B H	SBHM,P,N
SBHK COUNT FIELD 3 H	SBHM,H	SBHM SET SBI CYCLE H	SBHM	SBHM SBI ID2 B H	SBHM,P,N

NOTES:  
1. THIS PAGE LISTS THE SCHEMATIC PAGE NUMBER(S) WHERE A SIGNAL NAME IS REFERENCED.

(SBHX)

SIGNAL NAME	PAGE NUMBER(S)	SIGNAL NAME	PAGE NUMBER(S)	SIGNAL NAME	PAGE NUMBER(S)
SBHP SBI ID3 B H	SBHK,P,N	SBHS CPT3 A H	SBHS		
SBHP SBI ID4 B H	SBHK,P,N	SBHS CPT3 A L	SBHI,S,A,R,M		
SBHP SBI TAG0 B H	SBHK,P,N	SBHS CPT3 B H	SBHM,S,I		
SBHP SBI TAG1 B H	SBHK,P,N	SBHS CPT3 B L	SBHF,S,P		
SBHP SBI TAG2 B H	SBHK,P,N	SBHS CPT3 C H	SBHB,S		
SBHP WRITE COMP REG H	SBHF,P	SBHS CPT3 D H	SBHS		
SBHP WRITE FAULT REG H	SBHP,L,F	SBHT SDMS CHNL 5A H	SBHT		
SBHP WRITE MAINT REG H	SBHF,P	SBHU R CLK H	SBHD,U,B,E		
SBHP WT CPU CNT REG L	SBHI,P	SBHU SBI T0 H	SBHF,L,I,P,U,K		
SBHR ANY WRITE H	SBHM,R	SBHU SBI T0 L	SBHU		
SBHR DISAB MASK MUX H	SBHR,B	SBHU SBI T1 A L	SBHU,L,I		
SBHR EXTEND READ L	SBHR	SBHU SBI T1 H	SBHM,K,U,L,F,R		
SBHR EXTEND WRITE H	SBHR	SBHU SBI T1 L	SBHM,M,N,U		
SBHR FUNCTION CODE 0 H	SBHR,C	SBHU SBI T2 A H	SBHU,I		
SBHR FUNCTION CODE 1 H	SBHR,C	SBHU SBI T2 H	SBHM,U		
SBHR FUNCTION CODE 2 H	SBHC,R	SBHU SBI T2 L	SBHU		
SBHR FUNCTION CODE 3 H	SBHC,R	SBHU SBI T3 H	SBHK,U		
SBHR IB CYCLE L	SBHR	SBHU SBI T3 L	SBHU		
SBHR INTLK H	SBHR,L	SBHU T CLK H	SBHD,U,B,E		
SBHR ISR H	SBHR	SBLE LATE EXPECT RD L	SBHT,L		
SBHR MASK MUX SEL H	SBHR,B	SBLE REC PAR 0 H	SBHE,T		
SBHR SBI TAG0 H	SBHR,E	SBLE REC PAR 1 H	SBHE,T		
SBHR SBI TAG1 H	SBHE,R	SBLE REC PAR 2 H	SBHE,T		
SBHR SBI TAG2 H	SBHE,R	SBLE REC PAR 3 H	SBHE,T		
SBHR SEND DATA H	SBHR,T	SBLE TRANS PAR L	SBHE,T		
SBHR SNO UNJAM H	SBHR,I	SBLK BUFFER FULL A H	SBHA		
SBHR TIMING PULSE 0 H	SBHR	SBLK LATCH THD REG L	SBHA,M		
SBHR TIMING PULSE 1 H	SBHR	SBLL TRANSMIT CA H	SBHL,M,R,T		
SBHR TRANSEnable L	SBHD,T,B,E,R	SBLP FORCE INTLK H	SBHR		
SBHR XMIT MUX SEL 0 H	SBHC,R	SBLR FORCE SBI L	SBHM		
SBHR XMIT MUX SEL 1 H	SBHC,R	TBMD EN SBI DATA L	SBHD,T		
SBHR XMIT WRITE DATA H	SBHR,L	TBMD BUF UADS L	SBHT,R		
SBHR XMIT WRITE DATA L	SBHR	TBMD BUF UFS L	SBHT,R		
SBHS CLEAR A L	SBHB,G,F,S,A,M	TBMD BUF UMCT 0 L	SBHT,R		
SBHS CLEAR B L	SBHK,M,M,P,F,L,S,I,R	TBMD BUF UMCT 1 L	SBHT,R		
SBHS CLEAR C L	SBHM,K,F,L,I,P,R,S,E	TBMD BUF UMCT 2 L	SBHT,R		
SBHS CLR A H	SBHS,E	TBMD BUF UMCT 3 L	SBHT,R		
SBHS CLR H	SBHM,S	TBMD DIS PROT L	SBHT,M		
SBHS CPT0 A H	SBHS,I,P	TBMD CANCELL L	SBHR		
SBHS CPT0 A L	SBHS	TR SEL 1 L	SBHT,M		
SBHS CPT0 B L	SBHI,S,P	TR SEL 2 L	SBHT,M		
SBHS CPT0 C H	SBHK,M,S,F,L	TRSH DECD SBI T0 H	SBHU		
SBHS CPT1 A H	SBHS	TRSH DECD SBI T0 L	SBHU		
SBHS CPT1 B H	SBHS,I	TRSH DECD SBI T1 H	SBHU		
SBHS CPT1 C H	SBHP,S,F	TRSH DECD SBI T1 L	SBHU		
SBHS CPT1 D H	SBHS,R,P	TRSH DECD SBI T2 H	SBHU		
SBHS CPT2 A H	SBHP,M,S,F,L,I	TRSH DECD SBI T2 L	SBHU		
SBHS CPT2 A L	SBHK,M,S,R	TRSH DECD SBI T3 H	SBHU		
SBHS CPT2 B H	SBHS,A	TRSH DECD SBI T3 L	SBHU		
SBHS CPT2 B L	SBHS				

NOTES:  
1. THIS PAGE LISTS THE SCHEMATIC PAGE NUMBER(S) WHERE A SIGNAL NAME IS REFERENCED.

(SBHY)


<small>THIS DRAWING AND SPECIFICATIONS, HEREIN, ARE THE PROPERTY OF DIGITAL EQUIPMENT CORPORATION AND SHALL NOT BE REPRODUCED OR COPIED OR USED IN WHOLE OR IN PART AS THE BASIS FOR THE MANUFACTURE OR SALE OF ITEMS WITHOUT WRITTEN PERMISSION. COPYRIGHT © 1983, DIGITAL EQUIPMENT CORPORATION.</small>	REVISIONS CHK CHANGE NO. REV	DRN. <u>011rKA</u> CHK'D.	DATE <u>19-SEP-83</u> DATE	ENG. <u>[Signature]</u> DATE	TITLE: <b>SBI INTERFACE HIGH BITS</b>
	SIZE CODE <u>K CS</u>	NUMBER <u>M7461-0-SBHY</u>	FIRST USED ON OPTION/MODEL: <u>11/785</u>	NEXT HIGHER ASSEMBLY: <u>B-00-M7461-0</u>	REV. <u>A</u>

DRAWING NO.	NO. OF SHTS.	PART NO.	DESCRIPTION	REVISIONS																
				REV.	DATE	CHG NO.	INIT	BY	DATE	CHG NO.	INIT	BY	DATE	CHG NO.						
		M7461-00	SEH	A																
E-UA-M7461-0-0	1		UNIT ASSEMBLY	A																
K-PL-M7461-0-DBP	2		PARTS LIST	A																
K-PC-M7461-0-DBI	-		P.C. DATA BASE	A																
B-DD-5016078-0-0	1		DRAWING DIRECTORY	A																
K-CS-M7461-0-DBS	-		SUDS DATA BASE	A																
K-CS-M7461-0-SBHA	1		SCHEMATIC	A																
K-CS-M7461-0-SBHB	1		SCHEMATIC	A																
K-CS-M7461-0-SBHC	1		SCHEMATIC	A																
K-CS-M7461-0-SEHD	1		SCHEMATIC	A																
K-CS-M7461-0-SBHE	1		SCHEMATIC	A																
K-CS-M7461-0-SBHF	1		SCHEMATIC	A																
K-CS-M7461-0-SBHG	1		SCHEMATIC	A																
K-CS-M7461-0-SBHH	1		SCHEMATIC	A																
K-CS-M7461-0-SBHT	1		SCHEMATIC	A																
K-CS-M7461-0-SBHJ	1		SCHEMATIC	A																
K-CS-M7461-0-SBHK	1		SCHEMATIC	A																
K-CS-M7461-0-SBHL	1		SCHEMATIC	A																
K-CS-M7461-0-SBHM	1		SCHEMATIC	A																
K-CS-M7461-0-SBHN	1		SCHEMATIC	A																
K-CS-M7461-0-SBHP	1		SCHEMATIC	A																
K-CS-M7461-0-SBHR	1		SCHEMATIC	A																
K-CS-M7461-0-SBHS	1		SCHEMATIC	A																
K-CS-M7461-0-SBHT	1		SCHEMATIC	A																
K-CS-M7461-0-SBHU	1		SCHEMATIC	A																

<b>NOTES:</b>				REVISIONS		REV.	BY	DATE	CHG NO.	INIT	BY	DATE	CHG NO.	INIT	BY	DATE	CHG NO.	INIT	BY	DATE	CHG NO.
						A	B	9/83		INIT											
								12/83		TWO											

"THIS DRAWING AND SPECIFICATIONS, HEREIN, ARE THE PROPERTY OF DIGITAL EQUIPMENT CORPORATION AND SHALL NOT BE REPRODUCED OR COPIED OR USED IN WHOLE OR IN PART AS THE BASIS FOR THE MANUFACTURE OR SALE OF ITEMS WITHOUT WRITTEN PERMISSION. COPYRIGHT © 1983 DIGITAL EQUIPMENT CORPORATION		USED ON OPTION/MODEL	DRN. <i>S. H. H. 30</i>	TITLE	SBH						
		11/785	CHK'D <i>W. H. H.</i>	9-14-83	SIZE	DD	NUMBER	M7461-0-0			
			ENG. <i>W. H. H.</i>	9-16-83	REV.	B					
			PROD. <i>W. H. H.</i>	9-20-83	SHEET	1	OF	2			



REV. B	NUMBER M7461-0-0	DD	B
		CODE	SIZE

DRAWING NO.	NO. OF SHTS.	PART NO.	DESCRIPTION	REVISIONS																
K-CS-M7461-0-SBHV	1		SCHEMATIC	A	A															
K-CS-M7461-0-SBHW	1		SCHEMATIC	A	B															
K-CS-M7461-0-SBHX	1		SCHEMATIC	A	A															
K-CS-M7461-0-SBHY	1		SCHEMATIC	A	A															

NOTES:

REV. B		REV. A																		
DATE	CHG NO.	INIT	FWO																	
9/83																				
12/83																				

"THIS DRAWING AND SPECIFICATIONS, HEREIN, ARE THE PROPERTY OF DIGITAL EQUIPMENT CORPORATION AND SHALL NOT BE REPRODUCED OR COPIED OR USED IN WHOLE OR IN PART AS THE BASIS FOR THE MANUFACTURE OR SALE OF ITEMS WITHOUT WRITTEN PERMISSION.

COPYRIGHT © 1983 DIGITAL EQUIPMENT CORPORATION

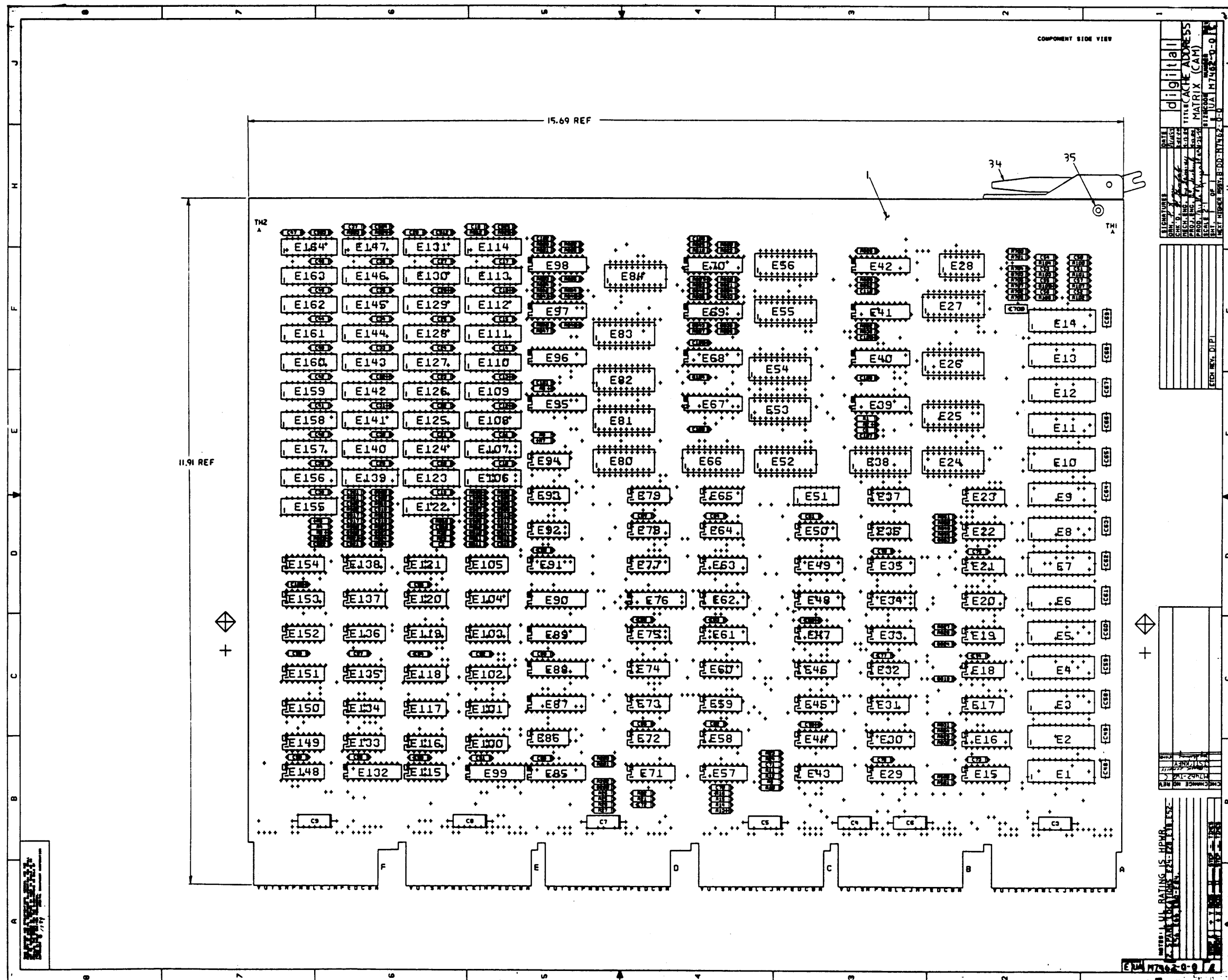


USED ON OPTION/MODEL

11/785
--------

DRN. S. MANSOP	7-91-83
CHK'D J. Lanzetta	9-14-83
ENG. DAVID R. CIRKALY	9-16-83
PROB. M. A. Kurab	9-20-83

TITLE	SBH
SIZE	B
CODE	DD
NUMBER	M7461-0-0
REV.	B
SHEET 2 OF 2	



11-1000-0-0

DATE	11/15/84
DESIGNER	J. J. MURPHY
DRAWN	J. J. MURPHY
PROJ. NO.	11-1000
SCALE	1:1
BITMAP	11-1000-0-0
ETCH NO.	D1 P1

11-1000-0-0

AUTOMATED BY PRTLST.4Q(50)

PARTS LIST

SHEET A1 OF A2

LINE	ITEM	TOP DOCUMENT	PART NUMBER	MIN REV	DESCRIPTION	QTY	PER VARIATION	REFERENCE DESIGNATOR
					VARIATION REVISION LEVEL:	00		
						B2		
1	1	D-MD-5016077-0-0	5016077-01		CACHE ADDRESS METRIX	1		
2	2		1013466-07		220.0 MMF 50V 5% CER	8		C50-C57
3	3		1013466-19		470.0 MMF 50V 5% CER	26		C900-C925
4	4		1017472-00		10 MFD 35V +75-10% AL EL	7		C3-C9
5	5		1301972-00		270.0 .25 W 5.0 % CF	1		R500
6	6		1300229-00		100.0 .25 W 5.0 % CF	34		R100-R107,R900-R925
7	7		1300250-00		150.0 .25 W 5.0 % CF	8		R10,R12,R14,R16,R22,R24,R26,R28
8	8		1300247-00		120.0 .25 W 5.0 % CF	11		R9,R11,R13,R15,R21,R23,R25,R27, CONT R200,R201,R501
9	9		1921332-02		74F280A PARITY GEN/CHECK,9-B	6		E31,E32,E45,E46,E59,E60
10	10		1301424-00		680.0 .25 W 5.0 % CF	3		R2,R30,R998
11	11		1300295-00		330.0 .25 W 5.0 % CF	17		R1,R29,R999,R3-R8,R700-R707
12	12		2114523-03		2147H-1 4K MOS RAM 35NS 18	38		E106-E114,E122-E131,E139-E147, CONT E155-E164
13	13		1921311-01		74F20 NAND GATE,DUAL,4-IN	1		E86
14	14		1921321-01		74F158 MUX,QUAD,2-IN	2		E16,E30
15	15		1913788-00		26S10 TRANSCEIVER,BUS,QUA	2		E15,E29
16	16		1010978-36	.1	MFD 50V 10% CER	15		C48,C49,C58-C69,C700
17	17		1921308-01		74F08 AND GATE,QUAD,2-IN	1		E36
18	18		1921306-01		74F02 NOR GATE,QUAD,2-IN	1		E50
19	19		1921314-01		74F74 FF-D,DUAL,POS.,EDGE	1		E77
20	20		1911469-00		DEC 8640 RECEIVER,BUS,QUAD,U	1		E58
21	21		1913839-00		LS165 SHIFT REG.,8BIT	8		E33,E34,E47-E49,E61-E63
22	22		9105740-55		WIRE(WRAP) 30AWG KYNAR UL14	A/R		
23	23		1913888-01		DC 102A EQUALS CHECKER 8BIT	12		E39-E42,E67-E70,E95-E98
24	24		2121818-01		MOS STATIC RAM 256X4 SEPARATE I/	14		E1-E14
25	25	BLANK			*** THIS ITEM IS NOT USED ***	-		
26	26		1920572-01		74F244 BUFFER/LINE DRIVER,0	2		E76,E90
27	27		1921305-01		74F00 NAND GATE,QUAD,2-IN	2		E44,E92
28	28		1921332-01		74F280 PARITY GEN/CHECK,9-B	12		E17-E23,E37,E72-E75

REVISION HISTORY			BASIC PART NO: M7462	DRN: P.GROSSE	DATE: 29-MAR-83	D I G I T A L			
ENG	ECO NUMBER	REV	SECTION A OF A	CHK'D: E.T.GERRY	DATE: 20-SEP-83	TITLE PARTS LIST			
---	INITIAL	A	SECTION VARIATION INDEX			CACHE ADDRESS MATRIX (CAM)			
JS	M7462-TW001	B	(A) 00						
JS	M7462-TW002	C	(B)						
			(C)	DES.ENG: J.STICKNEY	DATE: 29-MAR-83	DOCUMENT NUMBER			
			(D)			SIZE	CODE	NUMBER	REV
			(E)	RESP.ENG.: J.STICKNEY	DATE: 29-MAR-83	K	PL	M7462-0-DBP	C
			(F)						
			(H)	MFG.ENG.: M.KRYSAK	DATE: 30-SEP-83	RELEASE DATE: 07-JUN-84			
			(J)						
			(K)						
			(L)						
			(M)	ASSEMBLY NUMBER:	TOP DOCUMENT NUMBER:	FILE NAME:	EDIT #		
			(N)	E-UA-M7462-0-0	B-DD-M7462-0-0	Z8059C.PLS	27		

"THIS DRAWING AND THE SPECIFICATIONS CONTAINED HEREIN ARE CONFIDENTIAL AND PROPRIETARY. THEY ARE THE PROPERTY OF DIGITAL EQUIPMENT CORPORATION AND SHALL NOT BE REPRODUCED OR COPIED OR USED IN WHOLE OR IN PART AS THE BASIS FOR THE MANUFACTURE OR SALE OF ITEMS WITHOUT WRITTEN PERMISSION. THIS IS AN UNPUBLISHED WORK PROTECTED UNDER THE FEDERAL COPYRIGHT LAWS."

AUTOMATED BY PRTLST.4Q(50)

PARTS LIST

SHEET A2 OF A2

LINE	ITEM	TOP DOCUMENT	PART NUMBER	MIN REV	DESCRIPTION	QTY PER VARIATION	REFERENCE DESIGNATOR
					VARIATION REVISION LEVEL:	00 B2	
29	29		1912860-00		LS259 LATCH 8BIT	2	E35,E91
30	30		1921010-01		74F373 OCTAL TRANSPARENT LA	6	E85,E87-E89,E99,E132
31	31		1921307-01		74F04 HEX INVERTER	5	E94,E102,E118,E135,E151
32	32		1921313-01		74F64 AND OR INVERT GATE,4-	26	E64,E65,E78,E79,E100,E101, CONT E103-E105,E115-E117,E119-E121, CONT E133,E134,E136-E138,E148-E150, CONT E152-E154
33	33		1012784-00		.047 MFD 50V +80-20% CER	82	C1,C2,C10-C47,C70-C110,C800
34	34		1216988-02		HANDLE,MODULE,HEX TWO EJECTORS	1	
35	35		9000024-01		EYELET,ROLLED 0.1210DX0.192	12	
36	36		1300271-00		220.0 .25 W 5.0 % CF	2	R202,R203
37	37		1301775-00		820.0 .25 W 5.0 % CF	48	R800-R809,R818-R855
38	38		1616653-00		DELAY= 50NS,10TAPS WITH TTLBU	1	E51
39	39		1921720-01		10H125 TRANSLATOR ECL TO TTL	3	E43,E57,E71
40	40		1912746-01		74S37-1BUFFER-GATE	1	E93

41 NOTE: SPARE I.C. LOCATIONS ARE E24-E28,E38,E52,E53-E56,E66,E80-E84.

D	I	G	I	T	A	L	TITLE	SECTION A OF A	SIZE	CODE	DOCUMENT NUMBER	REV
							CACHE ADDRESS MATRIX (CAM)		K	PL	M7462-0-DBP	C

SIGNAL NAME	PAGE NUMBER(S)
CAM1 G1 TAG 24 H	CAMU.L,K,I
CAM1 G1 TAG 25 H	CAMU.L,K,I
CAM1 G1 TAG 26 H	CAMU.L,K,I
CAM1 G1 TAG 27 H	CAMU.L,K,I
CAM1 G1 TAG 28 H	CAMU.L,K,I
CAMJ G8 AD PAR 2 EV H	CAMJ
CAMJ G8 AD PAR 2 OD H	CAMJ,N
CAMJ GRP8 MODIFY H	CAMJ,V
CAMJ GRP8 PAR 1 L	CAMJ,N,U
CAMJ GRP8 PAR 2 H	CAMJ
CAMJ GRP8 PROTECT 00 H	CAMJ,V
CAMJ GRP8 PROTECT 01 H	CAMJ,V
CAMJ GRP8 PROTECT 02 H	CAMJ,V
CAMJ GRP8 PROTECT 03 H	CAMJ,V
CAMJ GRP8 VALID H	CAMJ,X,U
CAMK G8 MATCH H	CAMU,N,K,P
CAMK G1 MATCH H	CAMU,N,K,P
CAML G8 BIT 0 PAR EV H	CAMU.L,P
CAML G8 BIT 0 PAR OD H	CAMU.L
CAML G8 BIT 1 PAR EV H	CAMU.L,P
CAML G8 BIT 1 PAR OD H	CAMU.L
CAML G8 BIT 2 PAR EV H	CAMU.N,P
CAML G8 BIT 2 PAR OD H	CAMU.N
CAML G1 BIT 0 PAR EV H	CAMU.N,P
CAML G1 BIT 0 PAR OD H	CAMU.N
CAML G1 BIT 1 PAR EV H	CAMU.N,P
CAML G1 BIT 1 PAR OD H	CAMU.N
CAML G1 BIT 2 PAR EV H	CAMU.N,P
CAML G1 BIT 2 PAR OD H	CAMU.N
CAMP CPT8 H	CAMP,P
CAMP CPT8 L	CAMP
CAMP CPT1 A H	CAMP,P,B,A
CAMP CPT1 A L	CAMP,A
CAMP CPT1 B H	CAMP,N,B,C
CAMP CPT1 B L	CAMP,N,C
CAMP CPT2 H	CAMP,N,B
CAMP CPT2 L	CAMP
CAMP CPT3 A H	CAMP,N
CAMP CPT3 A L	CAMP
CAMP CPT3 B H	CAMP,N
CAMP CPT3 B L	CAMP
CAMP SDMS CHNL 4 H	CAMP
CAMP +TV A H	CAMP,U,X
CAMP +TV H	CAMP,N,J,S,T,U
CAMP BLOCK WRITE L	CAMP
CAMP DISABLE G8 A0 H	CAMP,P
CAMP DISABLE G8 A1 H	CAMP,J,P
CAMP DISABLE G8 A2 H	CAMJ,P
CAMP DISABLE G8 B0 H	CAMP,D
CAMP DISABLE G8 B1 H	CAMP,D

SIGNAL NAME	PAGE NUMBER(S)
CAMP DISABLE G8 B2 H	CAMP,D
CAMP DISABLE G1 A0 H	CAMP,P
CAMP DISABLE G1 A1 H	CAMP,T,P
CAMP DISABLE G1 A2 H	CAMP,T
CAMP DISABLE G1 B0 H	CAMP,D
CAMP DISABLE G1 B1 H	CAMP,D
CAMP DISABLE G1 B2 H	CAMP,D
CAMP FORCE NOT EQ GR0 H	CAMP,U,X
CAMP FORCE NOT EQ GR1 H	CAMP,U,K
CAMP G8 LR A L	CAMP,D,F,R
CAMP G8 LR L	CAMP,F,E,R
CAMP G8 WRITE EN H	CAMP,N
CAMP G1 LR A L	CAMP,D,I,R
CAMP G1 LR L	CAMP,I,G,R
CAMP G1 WRITE EN H	CAMP,P
CAMP T 50 MINVL L	CAMP
CAMP WRITE A H	CAMP
CAMP WRITE H	CAMP
CAMP VANK 16 BUFF L	CAMP,S,U,R
CAMP VANK 17 BUFF L	CAMP,S,U,R
CAMP VANK 18 BUFF L	CAMP,S,U,R
CAMP VANK 19 BUFF L	CAMP,S,U,R
CAMP VANK 20 BUFF L	CAMP,S,U,R
CAMP VANK 21 BUFF L	CAMP,S,U,R
CAMP VANK 22 BUFF L	CAMP,S,U,R
CAMP VANK 23 BUFF L	CAMP,S,U,R
CAMP VANK 24 BUFF L	CAMP,S,U,R
CAMP VANK 25 BUFF L	CAMP,S,U,R
CAMP VANK 26 BUFF L	CAMP,S,U,R
CAMP VANK 27 BUFF L	CAMP,S,U,R
CAMP VANK 28 BUFF L	CAMP,S,U,R
CAMP VANK 29 BUFF L	CAMP,S,U,R
CAMP VANK 30 BUFF L	CAMP,S,U,R
CAMP G1 AD PAR 0 EV H	CAMP
CAMP G1 AD PAR 0 OD H	CAMP,N
CAMP G1 AD PAR 1 EV H	CAMP,N
CAMP G1 AD PAR 1 OD H	CAMP,N
CAMP GRP1 ADRS 16 L	CAMP,X,U
CAMP GRP1 ADRS 17 L	CAMP,X,U
CAMP GRP1 ADRS 18 L	CAMP,X,U
CAMP GRP1 ADRS 19 L	CAMP,X,U
CAMP GRP1 ADRS 20 L	CAMP,X,U
CAMP GRP1 ADRS 21 L	CAMP,X,U
CAMP GRP1 ADRS 22 L	CAMP,X,U
CAMP GRP1 ADRS 23 L	CAMP,X,U
CAMP GRP1 ADRS 24 L	CAMP,X,U
CAMP GRP1 ADRS 25 L	CAMP,X,U
CAMP GRP1 ADRS 26 L	CAMP,X,U
CAMP GRP1 ADRS 27 L	CAMP,X,U
CAMP GRP1 ADRS 28 L	CAMP,X,U

SIGNAL NAME	PAGE NUMBER(S)
CAMP GRP1 ADRS 29 L	CAMP,X,U
CAMP GRP1 ADRS 30 L	CAMP,X,U
CAMP GRP1 PAR 0 L	CAMP,X,U
CAMP G1 AD PAR 2 EV H	CAMP,T
CAMP G1 AD PAR 2 OD H	CAMP,N
CAMP GRP8 VALID H	CAMP,X
CAMP GRP1 MODIFY H	CAMP,V
CAMP GRP1 PAR 1 L	CAMP,S,X,U
CAMP GRP1 PAR 2 H	CAMP,T
CAMP GRP1 PROTECT 00 H	CAMP,V
CAMP GRP1 PROTECT 01 H	CAMP,V
CAMP GRP1 PROTECT 02 H	CAMP,V
CAMP GRP1 PROTECT 03 H	CAMP,V
CAMP GRP1 VALID H	CAMP,U
CAMP TB GRP 0 MATCH H	CAMP,X,U
CAMP TB GRP 1 MATCH H	CAMP,U
CAMP TB PAR 0 H	CAMP,N
CAMP TB PAR 0 L	CAMP,S,U,X
CAMP TB PAR 1 H	CAMP,N
CAMP TB PAR 1 L	CAMP,T,U,X
CAMPV MODIFY L	CAMPV
CAMPV PROTECT 0 L	CAMPV
CAMPV PROTECT 1 L	CAMPV
CAMPV PROTECT 2 L	CAMPV
CAMPV PROTECT 3 L	CAMPV
CAMPV REC ID 26 H	CAMPJ,T,V
CAMPV REC ID 27 H	CAMPJ,T,V
CAMPV REC ID 28 H	CAMPJ,T,V
CAMPV REC ID 29 H	CAMPJ,T,V
CAMPV REC ID 30 H	CAMPJ,T,V
CAMPV REC ID 31 H	CAMPJ,T,V
CAMPV REC PAR 2 H	CAMPJ,T,V,M
CAMPV SDMS CLK 4A H	CAMP
CIBM SDMS CLOCK L	CAMP
CIBM SDMS LOAD H	CAMP
CLKB LECL CPTA2 H	CAMP
CLKB LECL CPTA2 L	CAMP
CLKC LECL CPT1A2 H	CAMP
CLKC LECL CPT1A2 L	CAMP
CLKD LECL CPT2A2 H	CAMP
CLKD LECL CPT2A2 L	CAMP
CLKE LECL CPT3A2 H	CAMP
CLKE LECL CPT3A2 L	CAMP
DDPH VANK 09 L	CAMP,N,J,S,T
DDPH VANK 10 L	CAMP,N,J,S,T
DDPH VANK 11 L	CAMP,N,J,S,T
DDPH VANK 12 L	CAMP,N,J,S,T
DDPH VANK 13 L	CAMP,N,J,S,T
DDPJ VANK 14 L	CAMP,N,J,S,T
DDPJ VANK 15 L	CAMP,N,J,S,T

NOTES:  
1. THIS PAGE LISTS THE SCHEMATIC PAGE NUMBER(S) WHERE A SIGNAL NAME IS REFERENCED.

THIS DRAWING AND SPECIFICATIONS ARE THE PROPERTY OF DIGITAL EQUIPMENT CORPORATION AND SHALL NOT BE REPRODUCED OR COPIED IN WHOLE OR IN PART OR USED IN ANY MANNER WITHOUT THE WRITTEN PERMISSION OF DIGITAL EQUIPMENT CORPORATION.

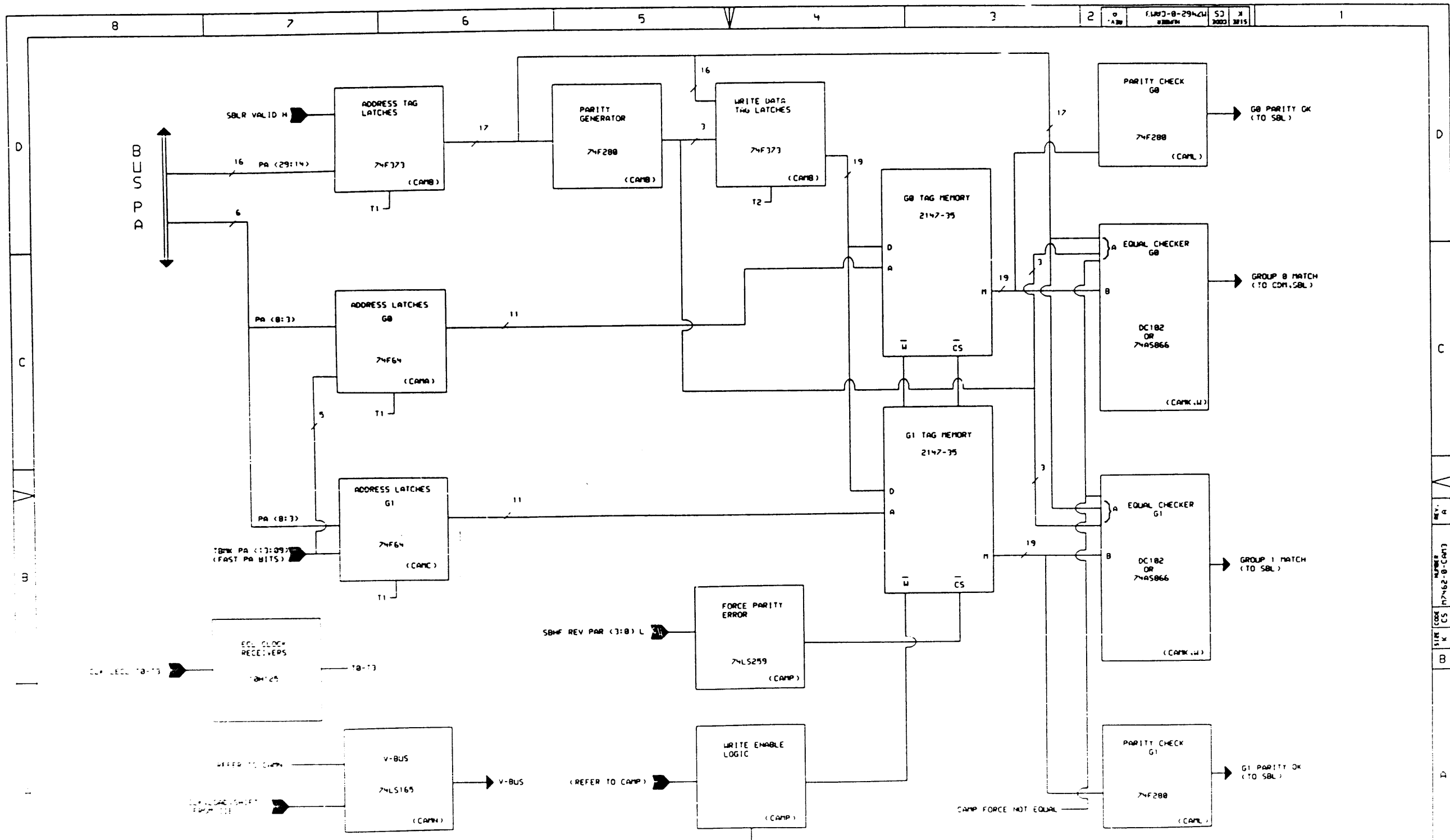
digital	DATE	ENG.	DATE	TITLE:
	10-NOV-83		10-NOV-83	CACHE ADDRESS MATRIX (CAM1)
DATE	BOARD LOCATION:	DATE	SIZE	CODE
11-7-85	B-00	11-7-85	K	CS
FIRST USED ON OPTION/MODEL:	NEXT HIGHER ASSEMBLY:	NUMBER	REV.	
11-7-85	B-DD-M7462-0-0	M7462-0-CAM1	A	

SIGNAL NAME	PAGE NUMBER(S)	SIGNAL NAME	PAGE NUMBER(S)	SIGNAL NAME	PAGE NUMBER(S)
DEPN VARDX 16 L	CARDX.R.U				
DEPN VARDX 17 L	CARDX.R.U				
DEPN VARDX 18 L	CARDX.R.U				
DEPN VARDX 19 L	CARDX.R.U				
DEPN VARDX 20 L	CARDX				
DEPN VARDX 21 L	CARDX				
DEPP VARDX 20 L	CARDX.U				
DEPP VARDX 21 L	CARDX.U				
DEPP VARDX 22 L	CARDX.U.R				
DEPP VARDX 23 L	CARDX.U.R				
DEPN VARDX 24 L	CARDX.U.R				
DEPR VARDX 25 L	CARDX.U.R				
DEPR VARDX 26 L	CARDX.U.R				
DEPR VARDX 27 L	CARDX.U.R				
DEPS VARDX 28 L	CARDX.U.R				
DEPS VARDX 29 L	CARDX.U.R				
DEPS VARDX 30 L	CARDX.U.R				
DEPS VARDX 31 L	CARDX.U.S.T				
SEMF FORCE MISS GR0 L	CAMP.P				
SEMF REV PAR 0 L	CAMP.P				
SEMF REV PAR 1 L	CAMP.P				
SEMF REV PAR 2 L	CAMP.P				
SEMF REV PAR 3 L	CAMP.N				
SEMH SET INVALID L	CAMP				
SBLM FORCE MISS GR1 L	CAMP.P				
SBLM SBI MISS DATA G0 H	CAMP.P				
SBLM SBI MISS DATA G1 H	CAMP.P				
SBLR VALID H	CAMP				
SBLS CPU WRITE L	CAMP				
TBMF GRP 0 LP L	CAMP.U				
TBMF GRP 1 LP L	CAMP.T				
TBMK PA 09 H	CAMP.A				
TBMK PA 10 H	CAMP.A				
TBMK PA 11 H	CAMP.A				
TBMK PA 12 H	CAMP.A				
TBMK PA 13 H	CAMP.A				
TBMT ER REG 0 D16 H	CAMP.U				
TBMT ER REG 0 D17 H	CAMP.U				
TBMT FORCE ERR 0 L	CAMP.N				
TBMT FORCE ERR 1 L	CAMP.N				
TBMT FORCE ERR 2 L	CAMP.N				
TBML CANCEL H	CAMP				
TBMX FORCE ERR 3 L	CAMP				

NOTES:  
 1. THIS PAGE LISTS THE SCHEMATIC PAGE NUMBER(S) WHERE A SIGNAL NAME IS REFERENCED.

REVISIONS  
 DATE CHANGE NO. REV.  
 THIS DRAWING IS THE PROPERTY OF  
 DIGITAL EQUIPMENT CORPORATION AND  
 SHALL NOT BE REPRODUCED OR COPIED  
 OR USED IN WHOLE OR IN PART FOR  
 THE BASIS FOR THE MANUFACTURE OR  
 SALE OF ITEMS WITHOUT WRITTEN  
 PERMISSION. COPYRIGHT © 1981.  
 DIGITAL EQUIPMENT CORPORATION

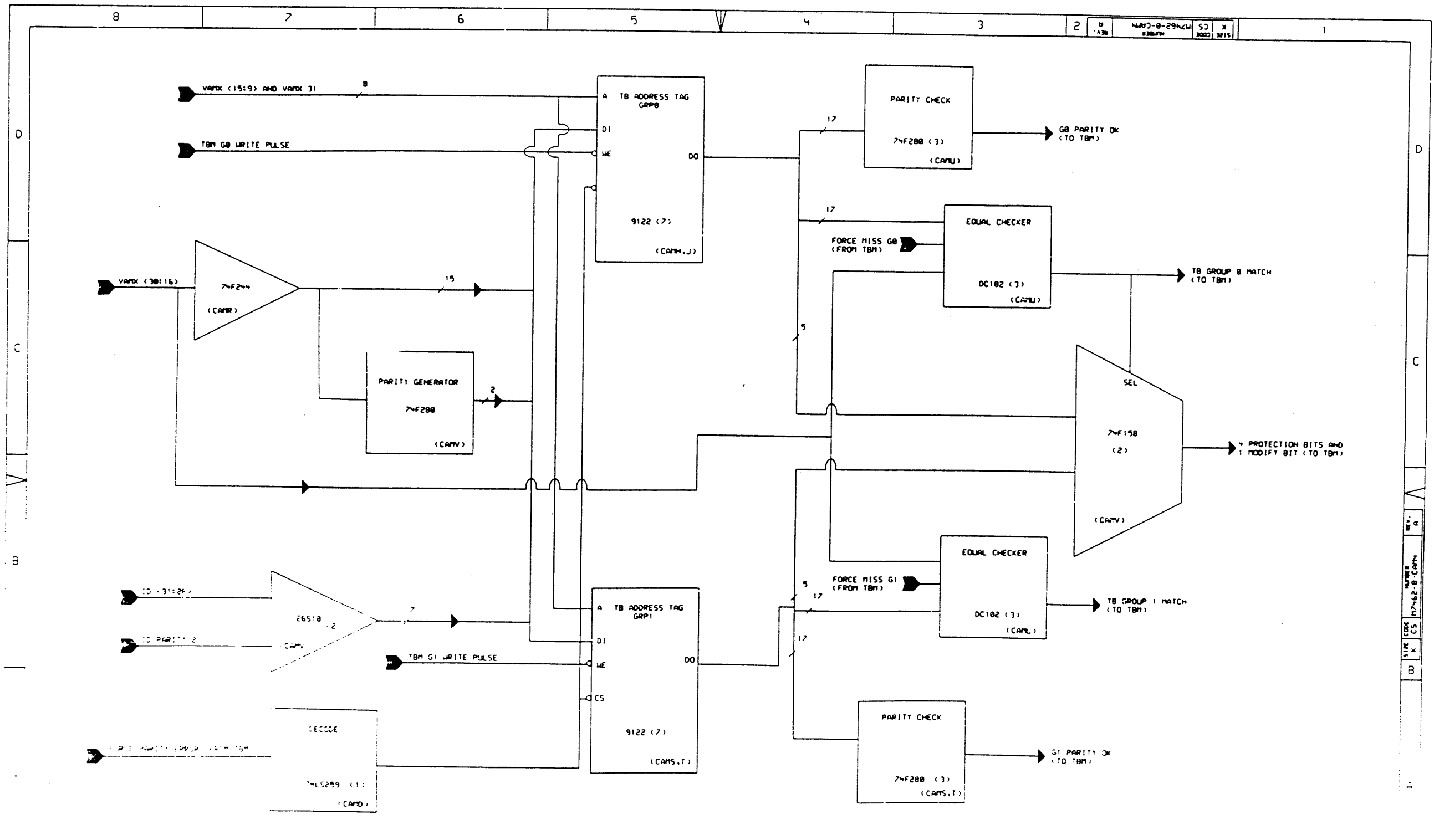
<b>digital</b>	DATE: 10-NOV-81	ENG.:	DATE:	TITLE: CACHE ADDRESS MATRIX (CAM2)
CHK'D:	DATE: 10-NOV-81	BOARD LOCATION: AF4		
DESCRIPTION: CAM2, PART 10-NOV-81 12:54 NEXT HIGHER ASSEMBLY:			SIZE: K	CODE: CS
FIRST USED ON OPTION/MODEL: 11/285	18-DD-M7462-0-0		NUMBER: M7462-0-CAM2	REV: A



CACHE ADDRESS MATRIX BLOCK DIAGRAM

PERMISSIONS  
 THIS DOCUMENT IS UNCLASSIFIED  
 DATE 11-18-2013 BY 60322 UCBAW/SJS  
 AUTHORITY 50102-010  
 ORIGINAL SOURCE: 11/18/2013

digital	DATE	ENG.	DATE	TITLE:
	11/18/85	18-MEM-83	11/18/85	CACHE ADDRESS MATRIX (CAM3)
DESCRIPTION:	DATE	BOARD LOCATION	SIZE	CODE
DESCRIPTION: CAM3 (18-NOV-83) TRYS NEXT HIGHER ASSEMBLY:	DATE	18-NOV-83	K	CS
FIRST USED ON OPT. MODEL:	11/2/85	B-00-M7462-0-0	NUMBER	REV.
			M7462-0-CAM3	A

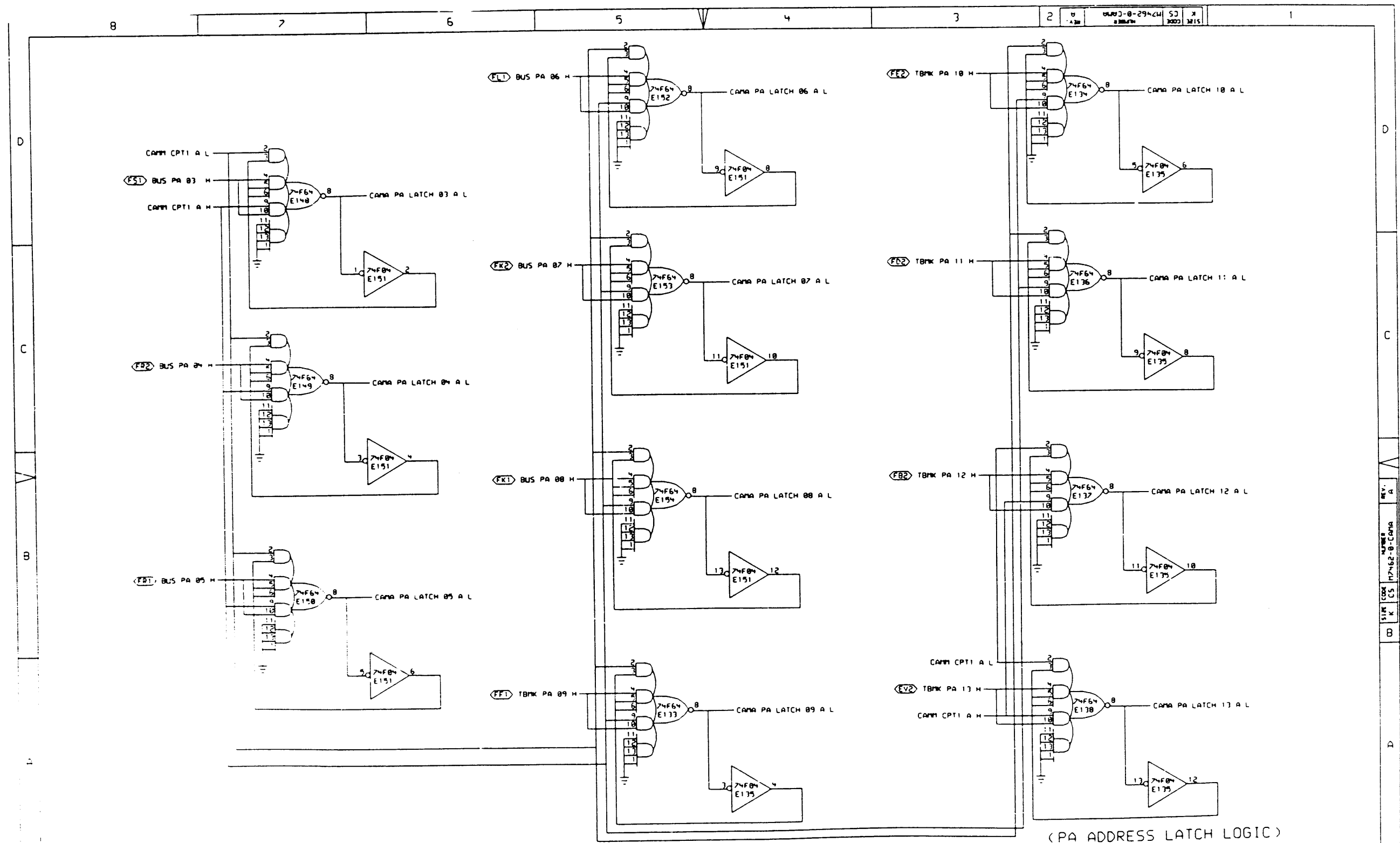


TRANSLATION BUFFER ADDRESS MATRIX BLOCK DIAGRAM

REV.	DESCRIPTION
1	INITIAL DESIGN
2	REVISIONS

digital	DATE	16-NOV-87	DATE		TITLE	CACHE ADDRESS MATRIX (CAM4)
	DATE	18-NOV-87	DATE		SIZE CODE	K 1CS
FIRST USED ON OPTION MODEL: 11-285		TREATMENT NUMBER ASSEMBLY: 18-00-M7462-0-0		NUMBER	M7462-0-CAM4	REV. A





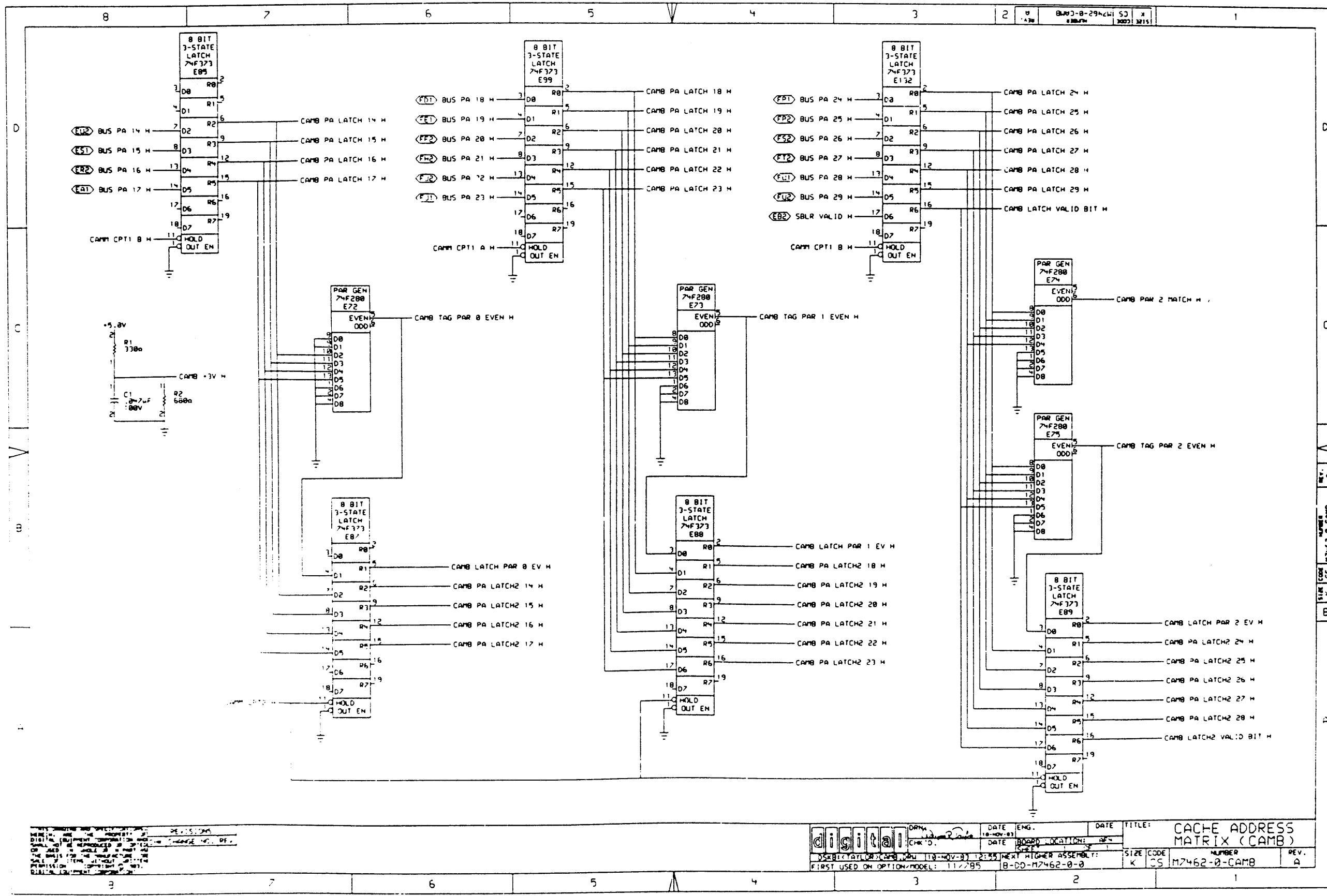
( PA ADDRESS LATCH LOGIC )

REVISIONS

NO.	DESCRIPTION	DATE	BY	CHK'D.
1	INITIAL DESIGN	11/785		

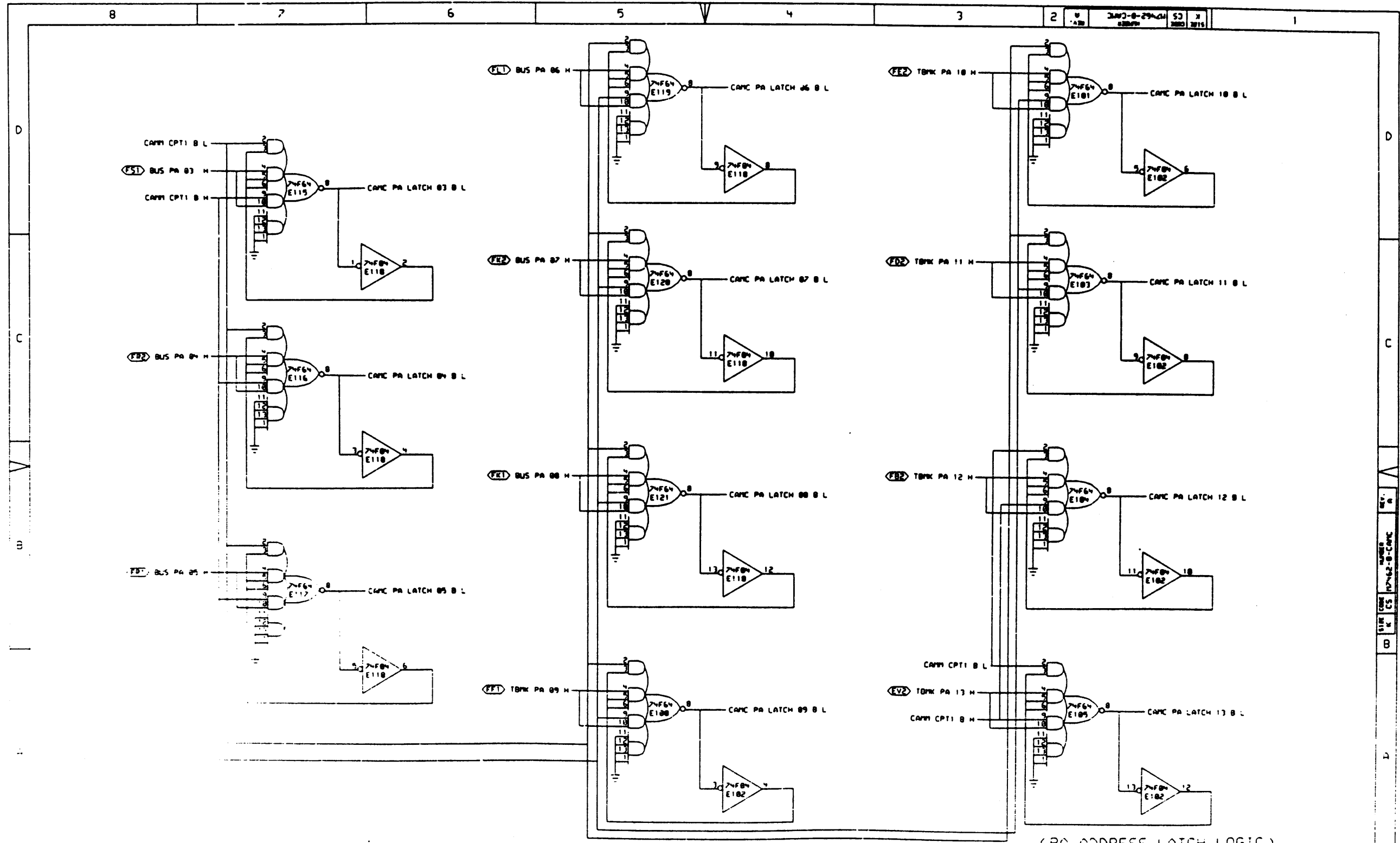
DATE	ENG.	DATE	TITLE:
18-01-81		18-01-81	CACHE ADDRESS MATRIX (CAMA)
DATE	LOC.	DATE	LOC.
18-01-81	04	18-01-81	04
FIRST USED ON OPTION/MODEL: 11/785		NEXT HIGHER ASSEMBLY: 18-DD-M7462-0-0	
SIZE	CODE	NUMBER	REV.
K	CS	M7462-0-CAMA	A

REV. A  
NUMBER  
M7462-0-CAMA  
CS  
K



THIS DOCUMENT IS UNCLASSIFIED  
 DATE 10-NOV-83 BY 1042/UC/BAW  
 AUTHORITY: 48 CFR 1.101-11.6  
 PERMISSION TO REPRODUCE THIS DOCUMENT IS GRANTED BY THE NATIONAL ARCHIVES AND RECORDS ADMINISTRATION. THIS DOCUMENT IS UNCLASSIFIED EXCEPT WHERE SHOWN OTHERWISE.

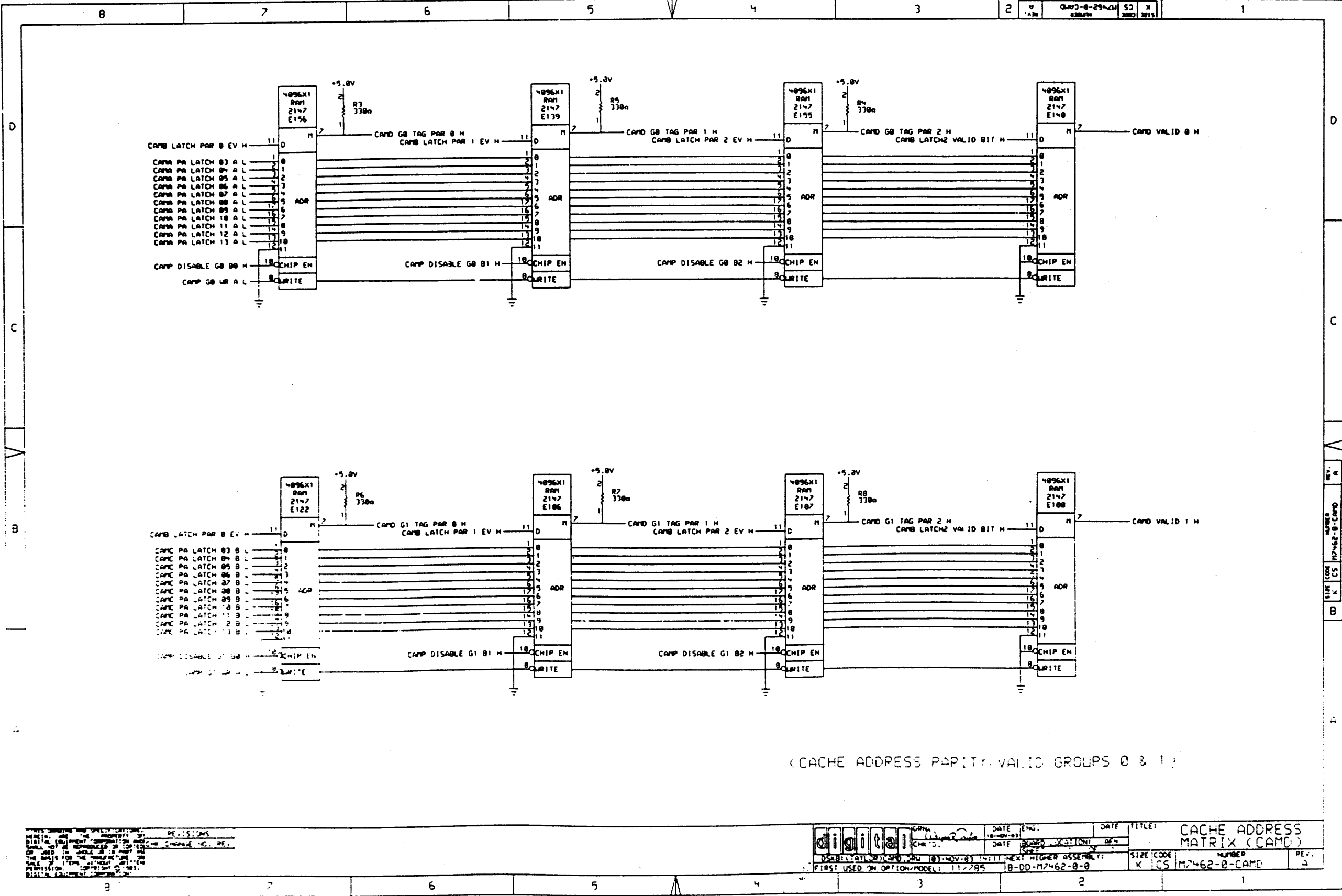
digital DATA ENGINEERING  
 DATE 10-NOV-83  
 CHECK'D. DATE BOARD LOCATION: 2F1  
 SERIAL: 11/2/85  
 NEXT HIGHER ASSEMBLY: B-DD-M7462-0-0  
 FIRST USED ON OPTION/MODEL: 11/2/85



(PA ADDRESS LATCH LOGIC)

DATE: 10-NOV-81  
 DESIGNED BY: [Name]  
 CHECKED BY: [Name]  
 DATE: [Date]  
 TITLE: CACHE ADDRESS MATRIX (CAM)  
 NUMBER: M7462-0-CAM  
 REV: A

DATE	10-NOV-81	ENG.	[Name]	DATE	[Date]	TITLE:	CACHE ADDRESS MATRIX (CAM)
DESIGNED BY:	[Name]	CHECKED BY:	[Name]	DATE:	[Date]	NUMBER:	M7462-0-CAM
FIRST USED ON OPTION/MODEL:	11/295	DATE:	8-00-M7462-0-0	SIZE:	K	CODE:	CS

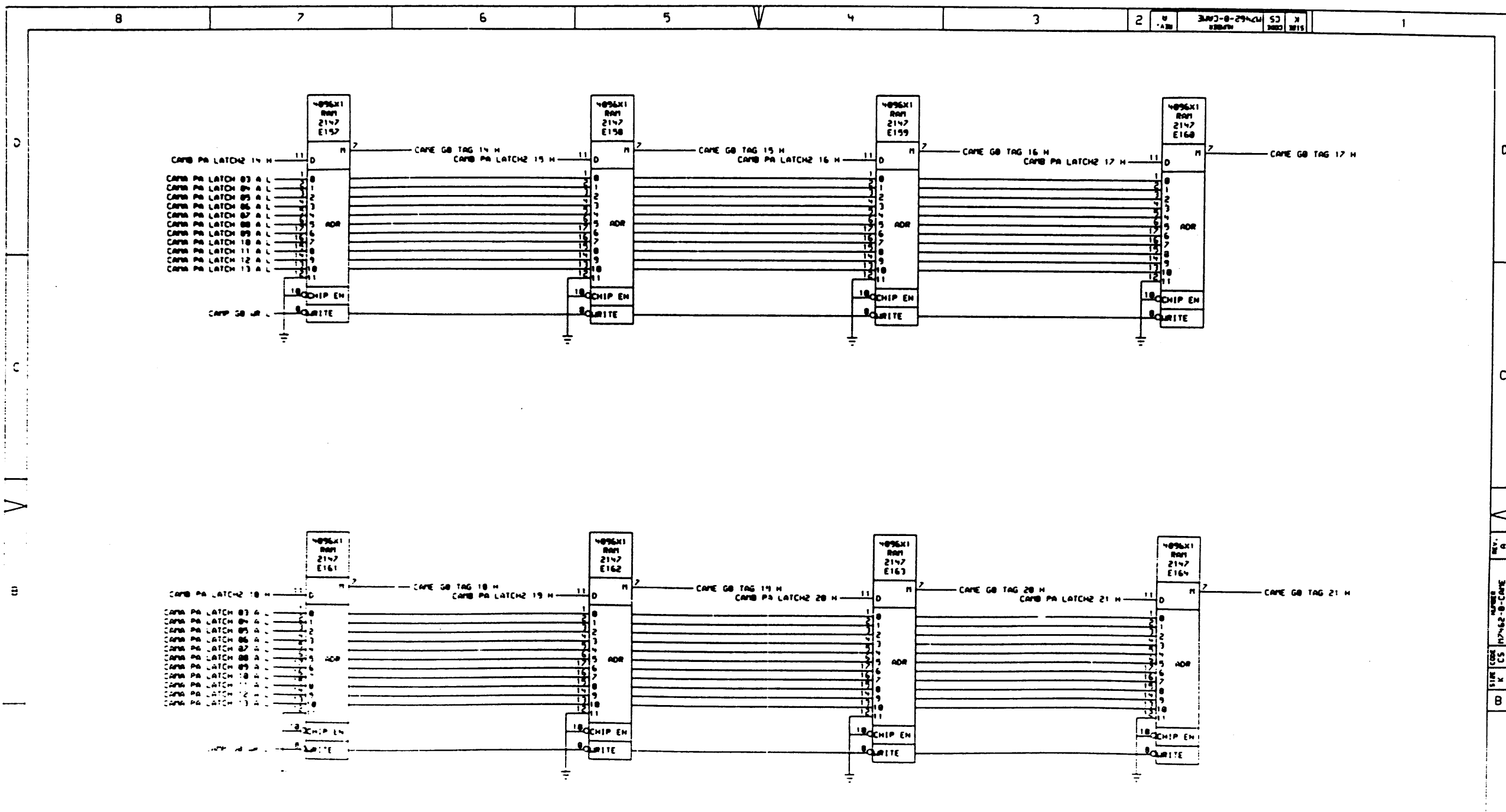


(CACHE ADDRESS PARITY VALID GROUPS 0 & 1)

THIS DRAWING IS THE PROPERTY OF DIGITAL EQUIPMENT CORPORATION AND SHALL NOT BE REPRODUCED OR TRANSMITTED IN ANY FORM OR BY ANY MEANS, ELECTRONIC OR MECHANICAL, INCLUDING PHOTOCOPYING, RECORDING, OR BY ANY INFORMATION STORAGE AND RETRIEVAL SYSTEM, WITHOUT PERMISSION IN WRITING FROM DIGITAL EQUIPMENT CORPORATION.

DESIGNER: J. S. JONES  
 CHECKED: J. S. JONES  
 DATE: 11/2/85

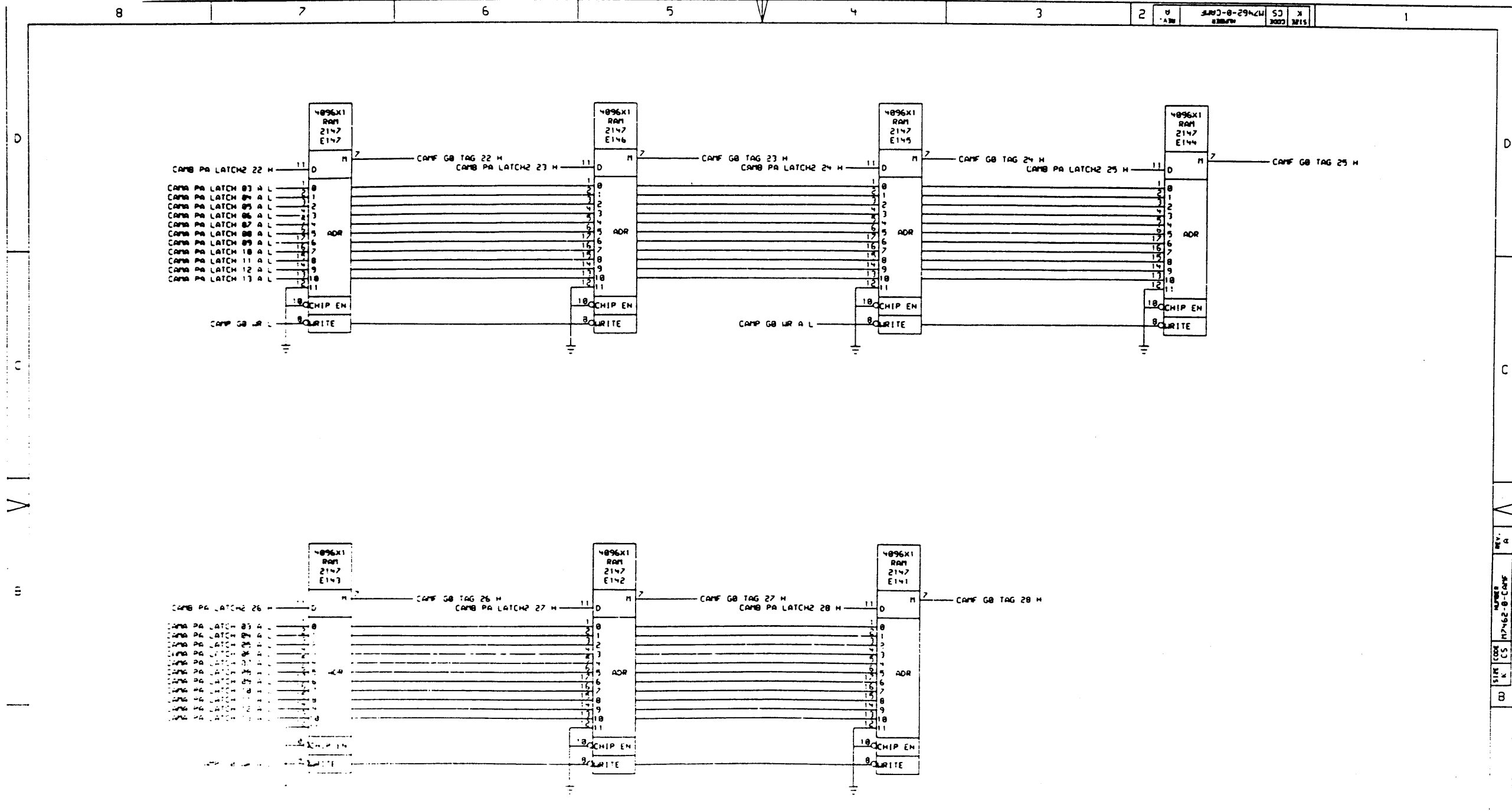
digital	DATE	ENG.	DATE	TITLE
	10-NOV-85			CACHE ADDRESS MATRIX (CAM)
DATE	DESIGN	DATE	SIZE CODE	NUMBER
11/2/85			K CS	M2462-0-CAM
FIRST USED ON OPTION MODEL: 11/2/85				REV.
				2



CACHE ADDRESS TAG GROUP 0 (21:14)

REV.	DESCRIPTION	DATE
1	INITIAL DESIGN	10-NOV-81
2	REVISED FOR MANUFACTURING	12-SEP-81

	DATE ENG.	DATE	TITLE:
	10-NOV-81		CACHE ADDRESS MATRIX (CAME)
FIRST USED ON OPTION MODEL: 117755 18-00-M7462-0-0	DATE	DATE	SIZE CODE
	12-SEP-81	10-NOV-81	K CS
			NUMBER
			M7462-0-CAME
			REV.
			A

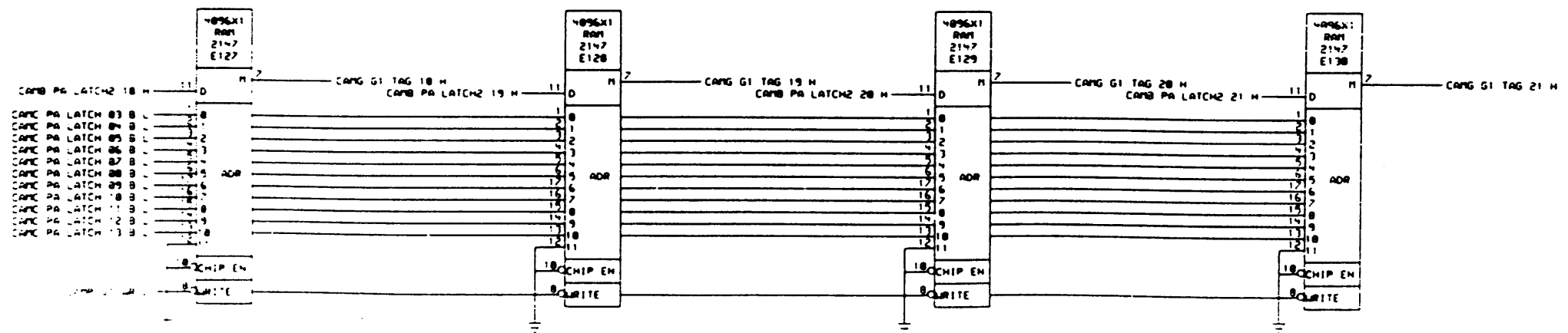
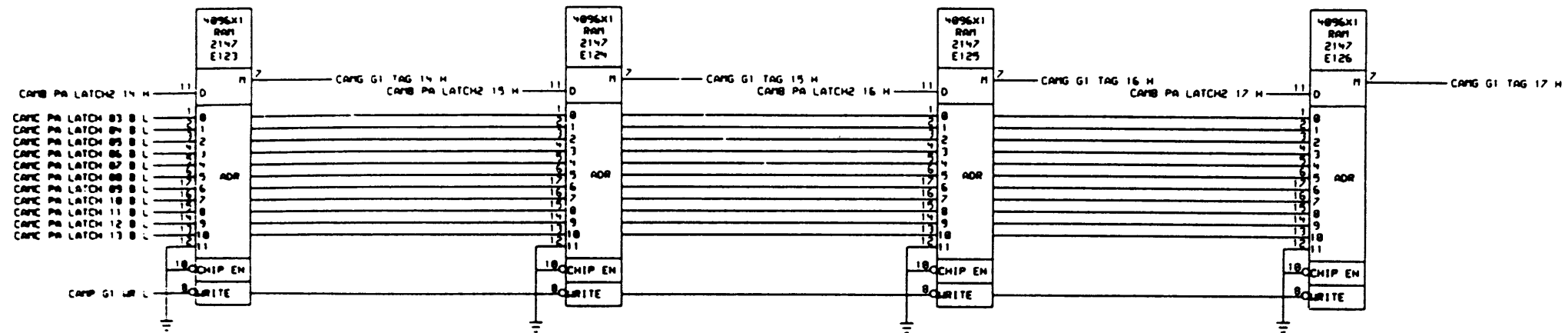


(CACHE ADDRESS TAG GROUP 0 (28:23))

ALL INFORMATION CONTAINED  
HEREIN IS UNCLASSIFIED  
DATE 08-01-2001 BY 60322 UCBAW/STP

	DATE ENG.	DATE	TITLE:
	18-NOV-81		CACHE ADDRESS MATRIX (CAMB)
DATE	DATE	DATE	DATE
SIZE/CD	NUMBER	PER.	
K 105	M7462-0-CAMP	1	

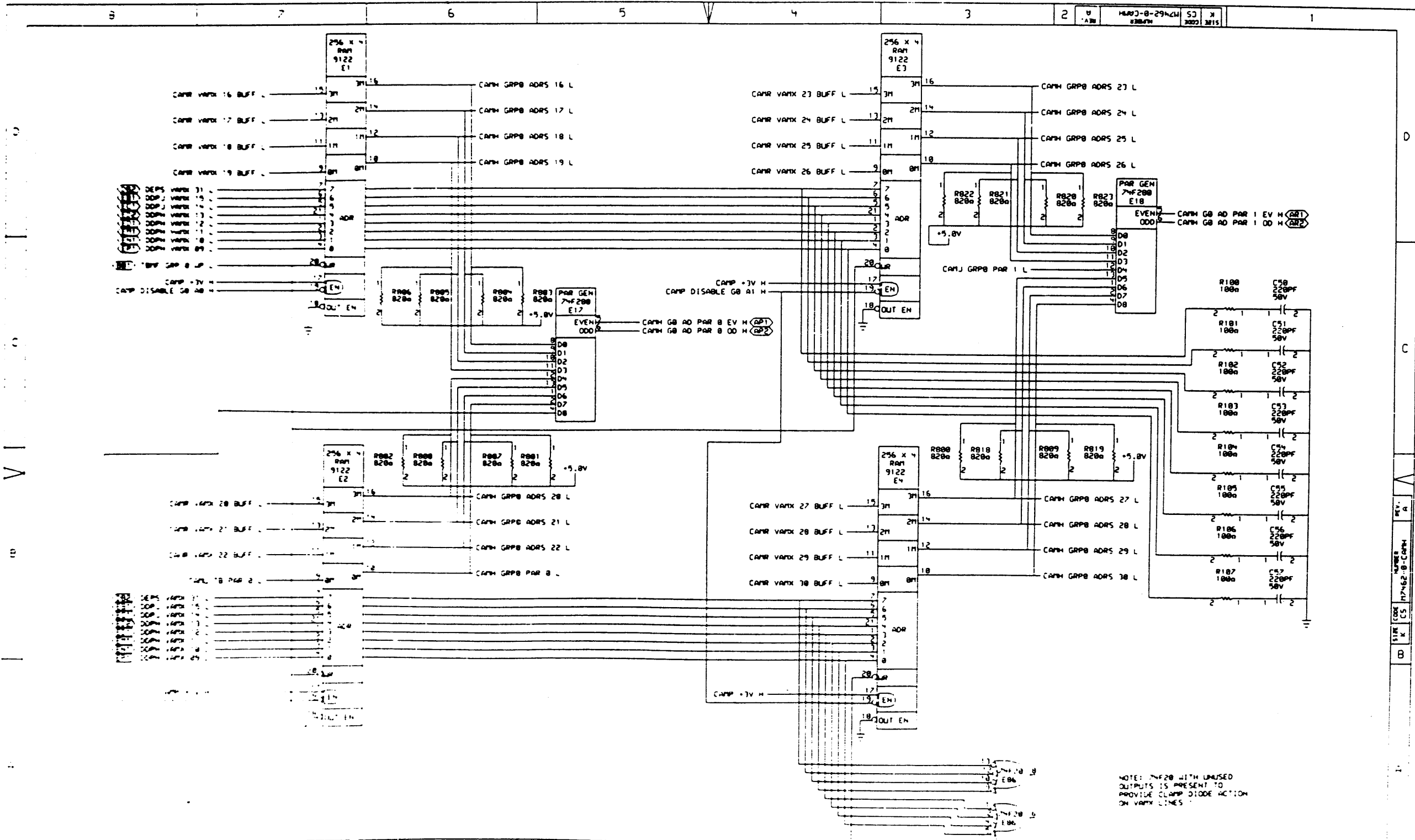
REV. A  
M7462-0-CAMP



(CACHE ADDRESS GROUP 1 (21:14))

REVISIONS  
 1. REVISED TO CORRECT ADDRESSING OF CAMB PA LATCH2 SIGNALS.  
 2. REVISED TO CORRECT ADDRESSING OF CAMB PA LATCH2 SIGNALS.  
 3. REVISED TO CORRECT ADDRESSING OF CAMB PA LATCH2 SIGNALS.  
 4. REVISED TO CORRECT ADDRESSING OF CAMB PA LATCH2 SIGNALS.  
 5. REVISED TO CORRECT ADDRESSING OF CAMB PA LATCH2 SIGNALS.  
 6. REVISED TO CORRECT ADDRESSING OF CAMB PA LATCH2 SIGNALS.  
 7. REVISED TO CORRECT ADDRESSING OF CAMB PA LATCH2 SIGNALS.  
 8. REVISED TO CORRECT ADDRESSING OF CAMB PA LATCH2 SIGNALS.

digital	DATE ENG.	DATE	TITLE:
	DATE DESIGNED	DATE CHECKED	CACHE ADDRESS MATRIX (CAMG)
FIRST USED ON OPTION/MODEL: 11/285		0-DD-M7462-0-0	SIZE CODE NUMBER REV. K CS M7462-0-CAMG A

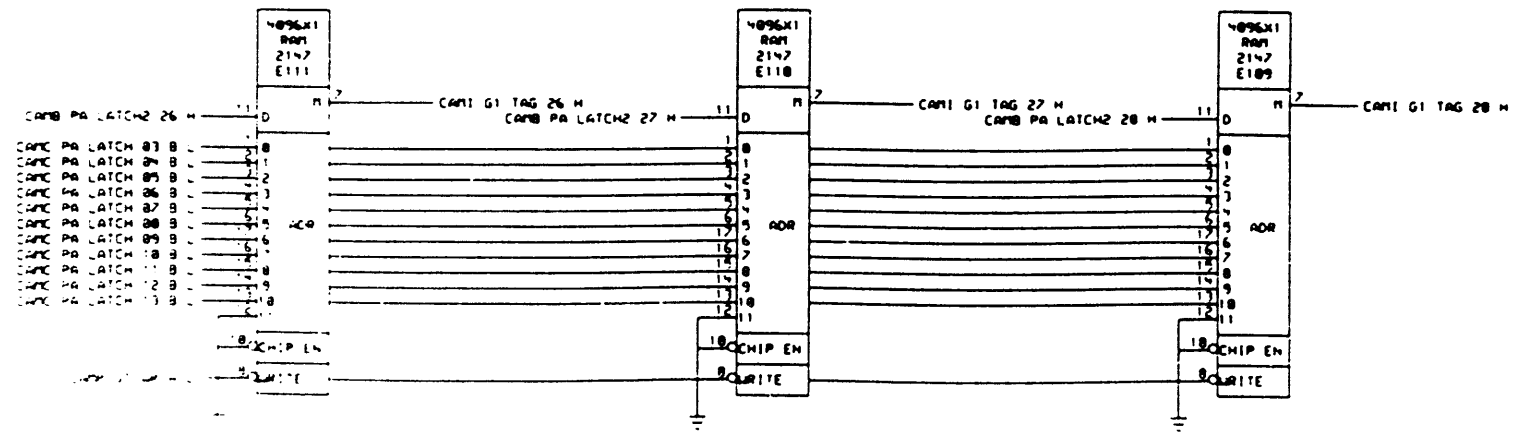
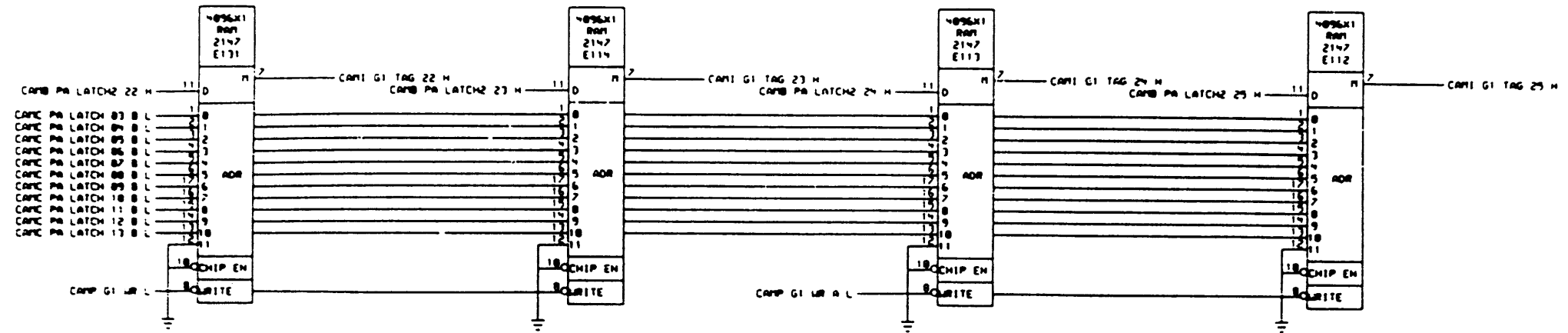


(TS ADDRESS TAG GROUP 0) 1 OF 2

DATE: 10/11/85  
 DRAWN BY: [unintelligible]  
 CHECKED BY: [unintelligible]  
 APPROVED BY: [unintelligible]  
 TITLE: CACHE ADDRESS MATRIX (CAMH)

digital	DATE ENG:	DATE:	TITLE:
	DATE DES:	DATE:	CACHE ADDRESS MATRIX (CAMH)
SIZE CODE:	NUMBER:	REV:	
K CS	7462-0-CAMH	A	

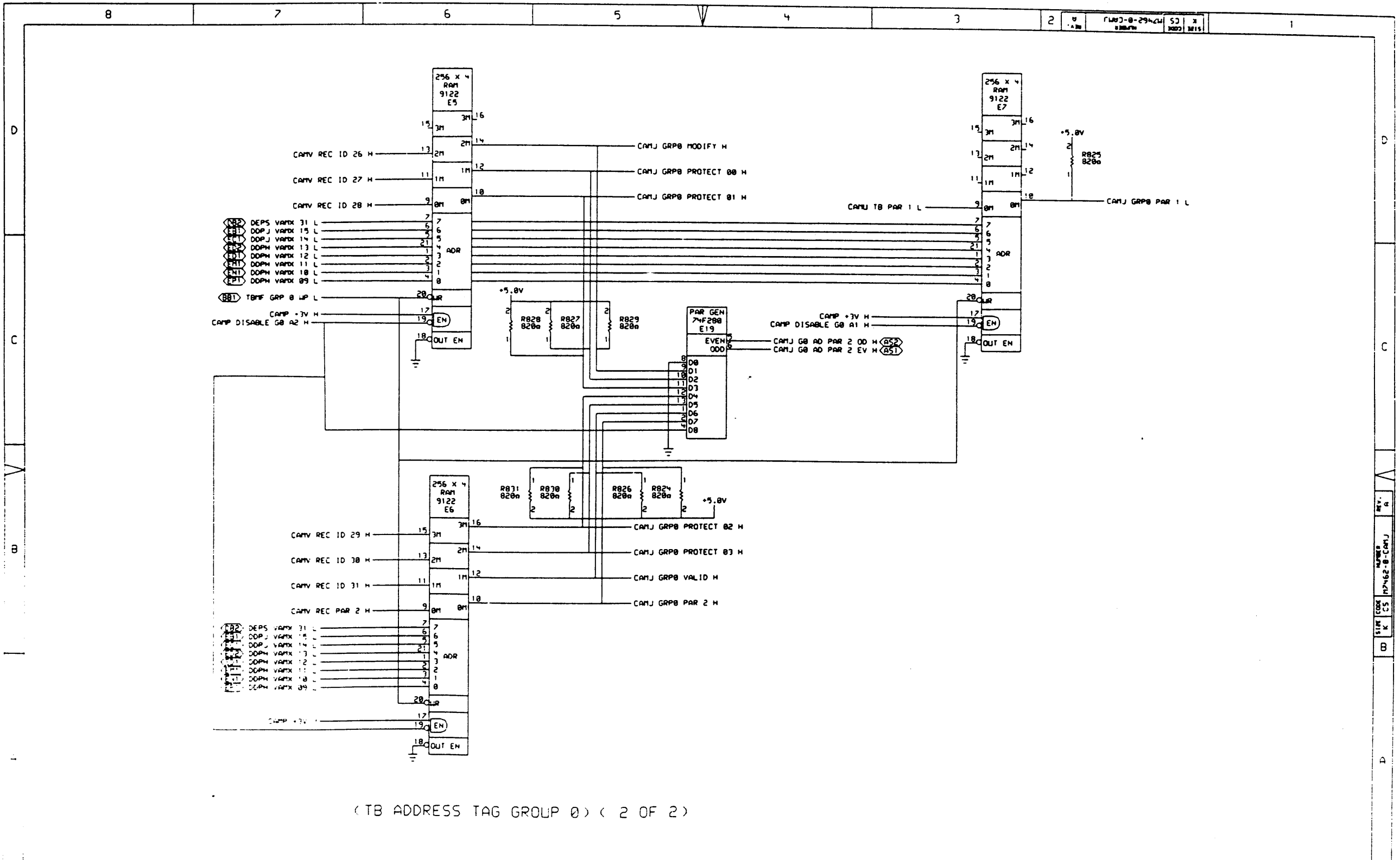




(CACHE ADDRESS TAG GROUP 1 (28:22))

PERMISSIONS  
 THIS DRAWING IS THE PROPERTY OF  
 DIGITAL EQUIPMENT CORPORATION AND  
 SHALL BE REPRODUCED OR  
 TRANSMITTED IN ANY FORM OR BY  
 ANY MEANS, WITHOUT PERMISSION  
 IN WRITING FROM DIGITAL EQUIPMENT  
 CORPORATION.

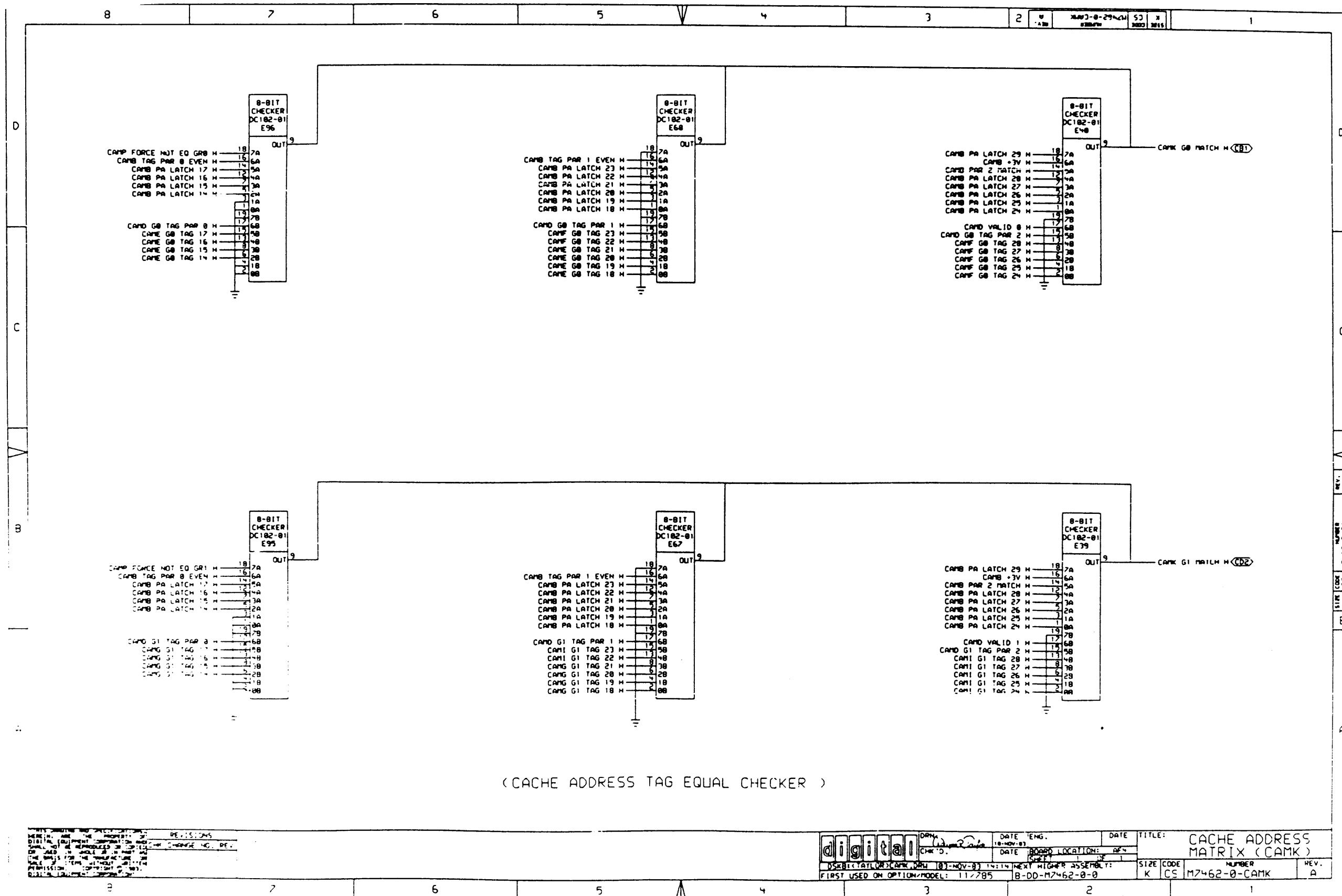
digital	DATE	ENG.	DATE	TITLE
	11/29/85	WJH	10-10-85	CACHE ADDRESS MATRIX (CAM1)
FIRST USED ON OPTION/MODEL: 11/285 B-00-M7462-0-0				REV. A



(TB ADDRESS TAG GROUP 0) ( 2 OF 2 )

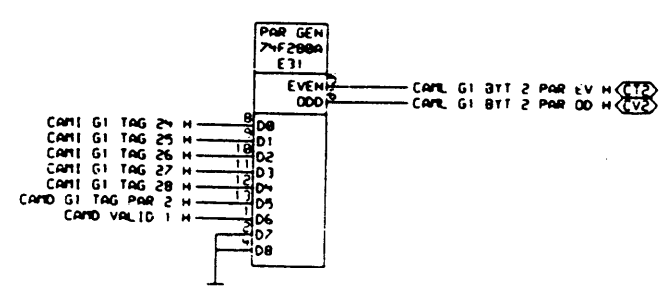
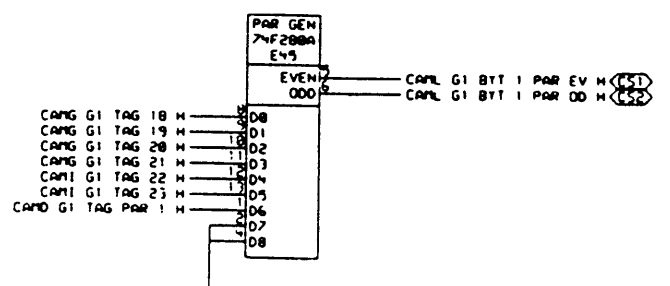
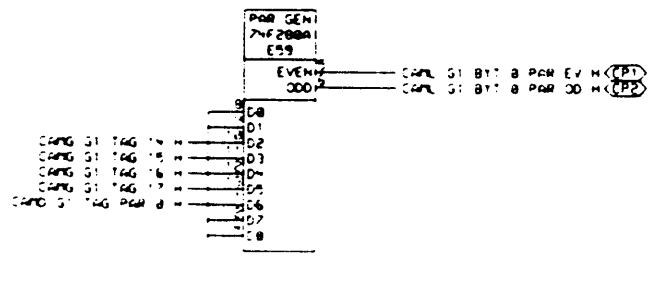
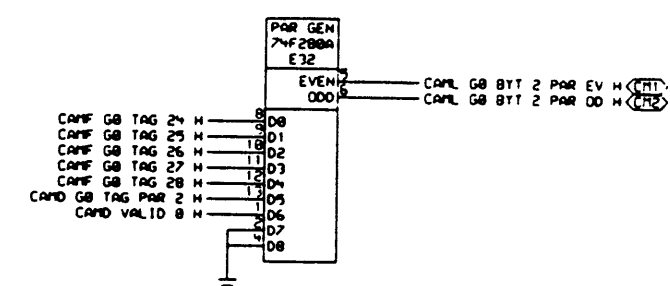
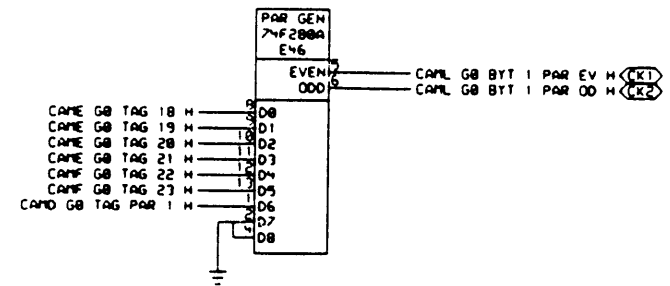
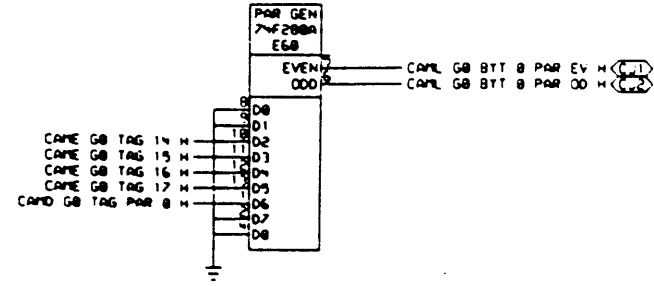
THIS DRAWING AND SPECIFICATIONS HEREIN ARE THE PROPERTY OF DIGITAL EQUIPMENT CORPORATION AND SHALL NOT BE REPRODUCED OR TRANSMITTED IN ANY FORM OR BY ANY MEANS, WITHOUT PERMISSION IN WRITING FROM DIGITAL EQUIPMENT CORPORATION.

digital	DATE ENG.	DATE	TITLE:
	12-NOV-81		CACHE ADDRESS MATRIX (CAMJ)
DATE	BOARD LOCATION:	REV.	
11-SEP-81	AFV		
DESCRIPTION: CAMJ, DRAW 129-SEP-81	NEXT HIGHER ASSEMBLY:	SIZE	CODE
FIRST USED ON OPTION/MODEL: 11-785	B-DD-M7462-0-0	K	CS
		NUMBER	REV.
		M7462-0-CAMJ	A



THIS DRAWING AND ALL CONTENTS HEREIN ARE THE PROPERTY OF DIGITAL EQUIPMENT CORPORATION. IT IS NOT TO BE REPRODUCED OR TRANSMITTED IN ANY FORM OR BY ANY MEANS, ELECTRONIC OR MECHANICAL, WITHOUT PERMISSION IN WRITING FROM DIGITAL EQUIPMENT CORPORATION.

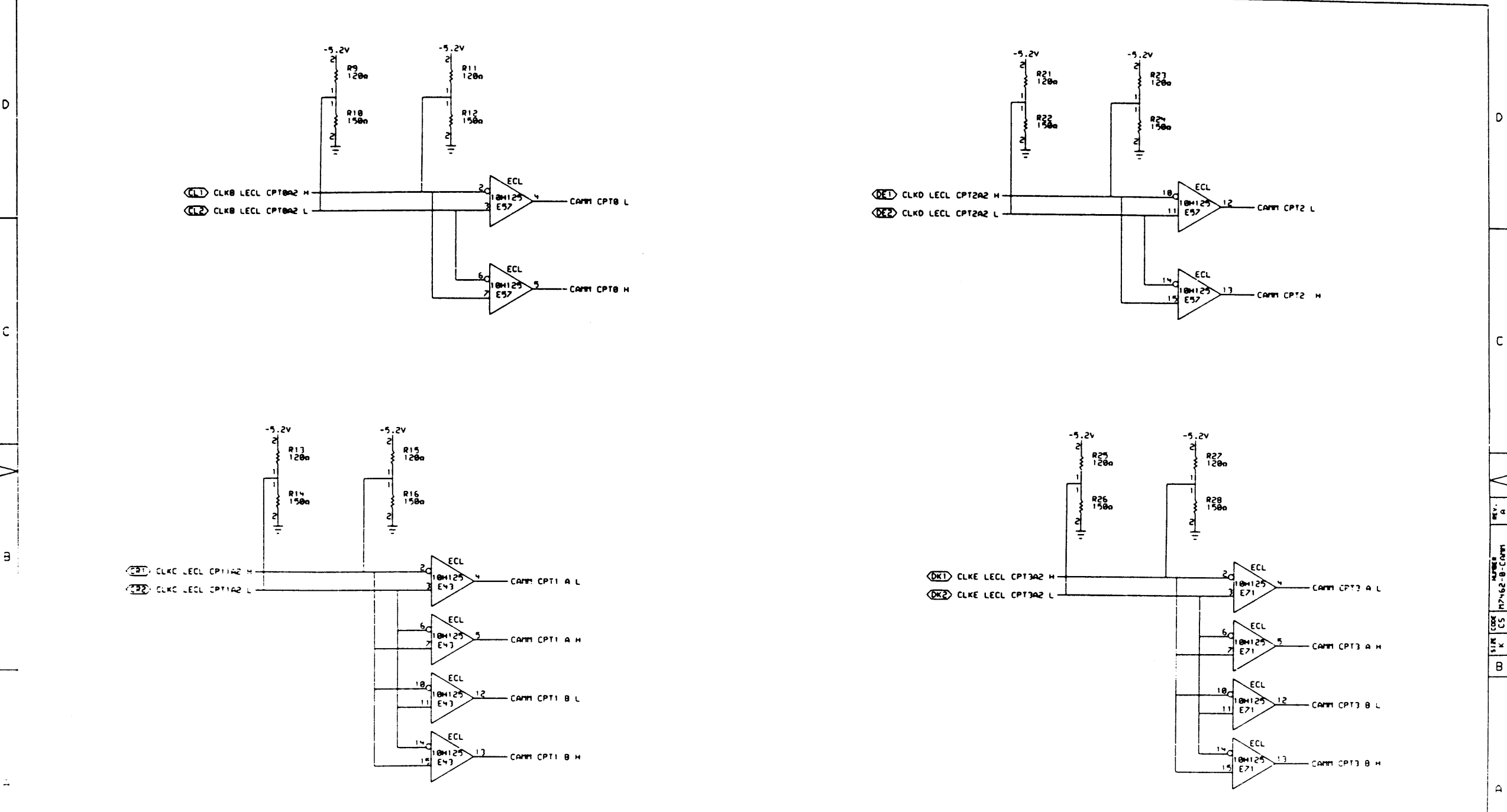
<b>digital</b> <small>DIGITAL EQUIPMENT CORPORATION</small>	DATE ENG. 18-NOV-87	DATE	TITLE: CACHE ADDRESS MATRIX (CAMK)
	DATE APPR. LOCATION: 87-11	DATE	
<small>DESCRIPTION: CAMK (01-NOV-87) IN IN NEXT HIGH ASSEMBLY:</small> <small>FIRST USED ON OPTION/MODEL: 11/785</small>	<small>8-DD-M7462-0-0</small>	<small>SIZE CODE K CS</small>	<small>NUMBER M7462-0-CAMK</small>
			<small>REV. A</small>



(CACHE ADDRESS TAG PARITY CHECKER)

REVISIONS  
 DATE: 18-NOV-81  
 BY: [Signature]  
 CHECKED: [Signature]  
 APPROVED: [Signature]

digital	DATE: 18-NOV-81	DATE: 18-NOV-81	DATE: 18-NOV-81	TITLE: CACHE ADDRESS MATRIX (CAML)
	DATE: 18-NOV-81	DATE: 18-NOV-81	DATE: 18-NOV-81	DATE: 18-NOV-81
FIRST USED ON OPTION/MODEL: 11-295 18-DD-M7462-A-0			SIZE CODE: K 1CS	NUMBER: M7462-0-CAML
				REV: A

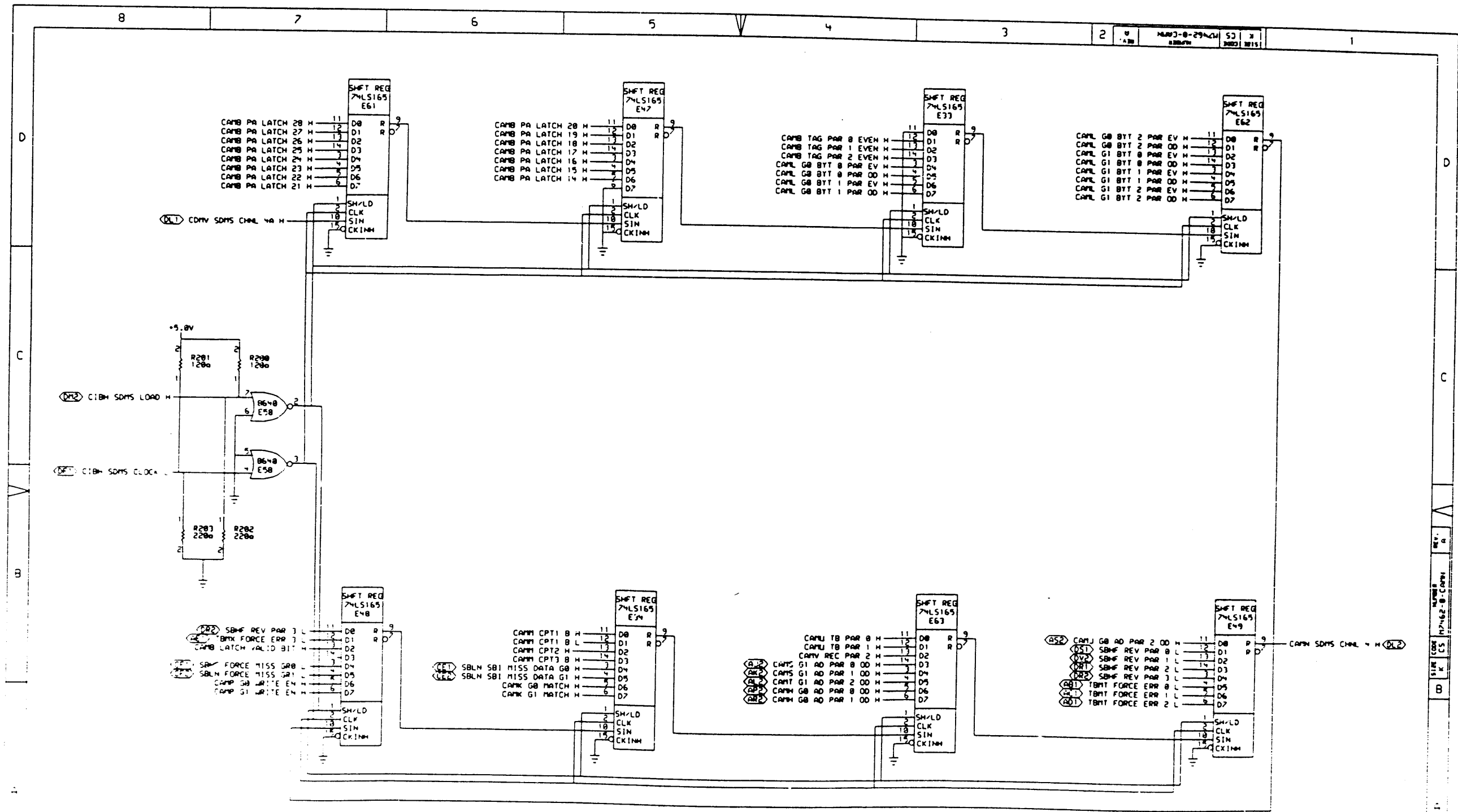


(CLOCK RECEIVERS)

THIS DRAWING IS THE PROPERTY OF DIGITAL EQUIPMENT CORPORATION AND IS NOT TO BE REPRODUCED OR TRANSMITTED IN ANY FORM OR BY ANY MEANS, ELECTRONIC OR MECHANICAL, INCLUDING PHOTOCOPYING, RECORDING, OR BY ANY INFORMATION STORAGE AND RETRIEVAL SYSTEM. PERMISSION TO COPY MUST BE OBTAINED FROM THE MANUFACTURER.

digital	DATE	ENG.	DATE	TITLE:
	18-NOV-81			CACHE ADDRESS MATRIX (CAMM)
DSBIC7A103(CAMM) 20	DATE	BOARD LOCATION:	SIZE	CODE
FIRST USED ON OPTION/MODEL: 11/785	18-SEP-81	AF4	K	CS
	DATE	NEXT HIGHER ASSEMBLY:	NUMBER	REV.
	18-NOV-81	B-00-M7462-0-0	M7462-0-CAMM	A

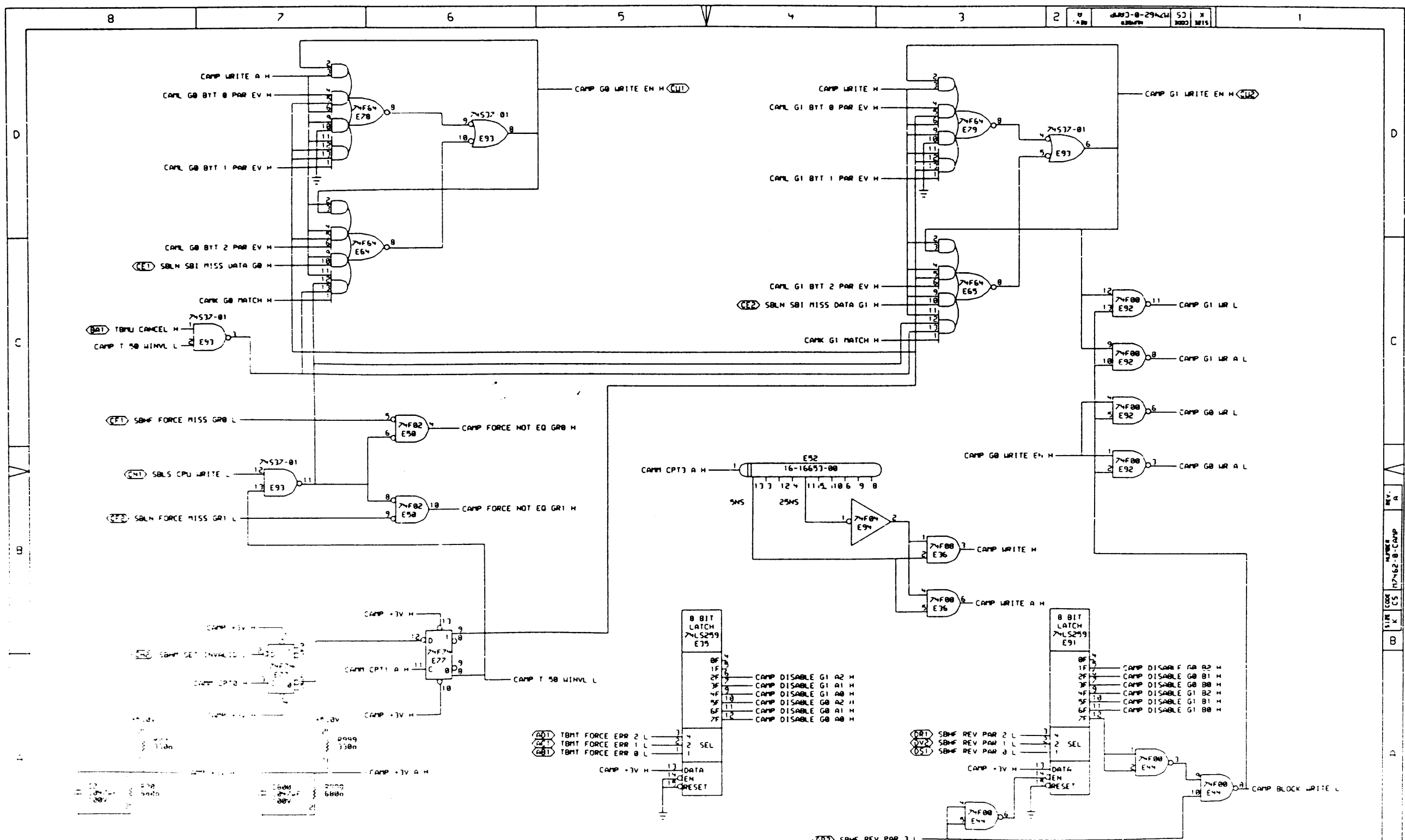
REV. A  
NUMBER M7462-0-CAMM  
SIZE CODE CS  
K



< V BUS REGISTERS >

THIS DRAWING AND SPECIFICATIONS ARE THE PROPERTY OF DIGITAL EQUIPMENT CORPORATION AND SHALL NOT BE REPRODUCED OR COPIED IN ANY MANNER WITHOUT THE WRITTEN PERMISSION OF DIGITAL EQUIPMENT CORPORATION.

	DATE ENG.	DATE	TITLE:
	18-NOV-81		CACHE ADDRESS MATRIX (CAMN)
DESIGNATOR: CAMN, REV 129-SEP-81	DATE BOARD LOCATION:	SIZE	CODE
FIRST USED ON OPTION MODEL: 11/285	11-2 NEXT HIGHER ASSEMBLY:	K	CS
	B-DD-M7462-0-0	NUMBER	REV.
		M7462-0-CAMN	A



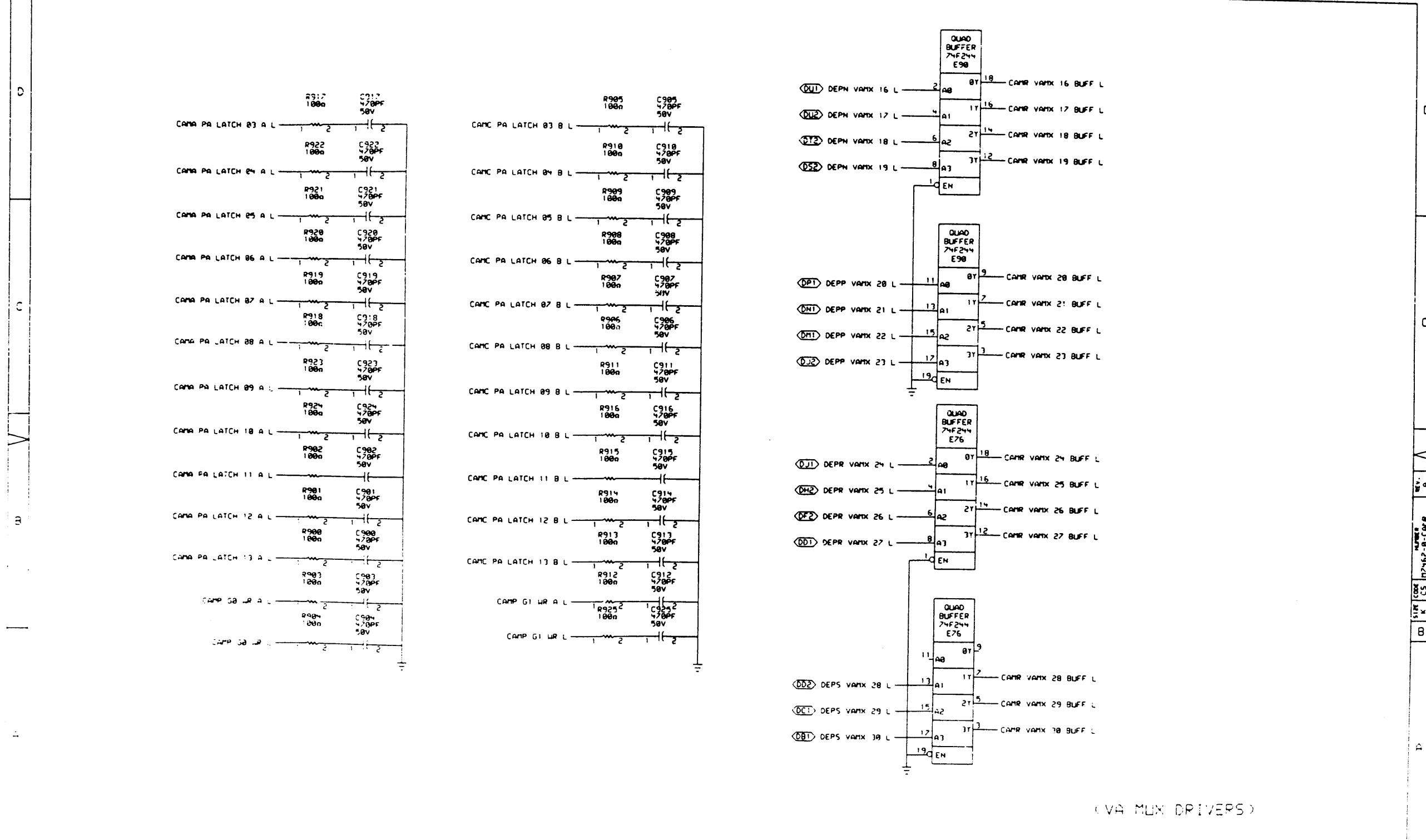
1. THIS DRAWING IS THE PROPERTY OF DIGITAL EQUIPMENT CORPORATION. IT SHALL NOT BE REPRODUCED OR COPIED OR USED IN WHOLE OR IN PART FOR ANY OTHER PROJECT WITHOUT THE EXPRESS PERMISSION OF DIGITAL EQUIPMENT CORPORATION.

2. THE BASIS FOR THE MANUFACTURE OF THIS DRAWING IS THE MANUFACTURING PERMISSION OF DIGITAL EQUIPMENT CORPORATION.

PERMISSIONS

<b>digital</b>	DATE: 11-NOV-83	ENG.:	DATE:	TITLE: CACHE ADDRESS MATRIX (CAMP)
	CHK'D:	DATE: 11-NOV-83	LOC:	SIZE: CODE: NUMBER: REV.:
	FIRST USED ON OPTION/MODEL: 11/2/85	DATE: 11-NOV-83	LOC: 8-00-M7462-0-0	K CS M7462-0-CAMP A

REV. A  
NAME M7462-0-CAMP  
CS K  
CS M7462-0-CAMP  
CS M7462-0-CAMP

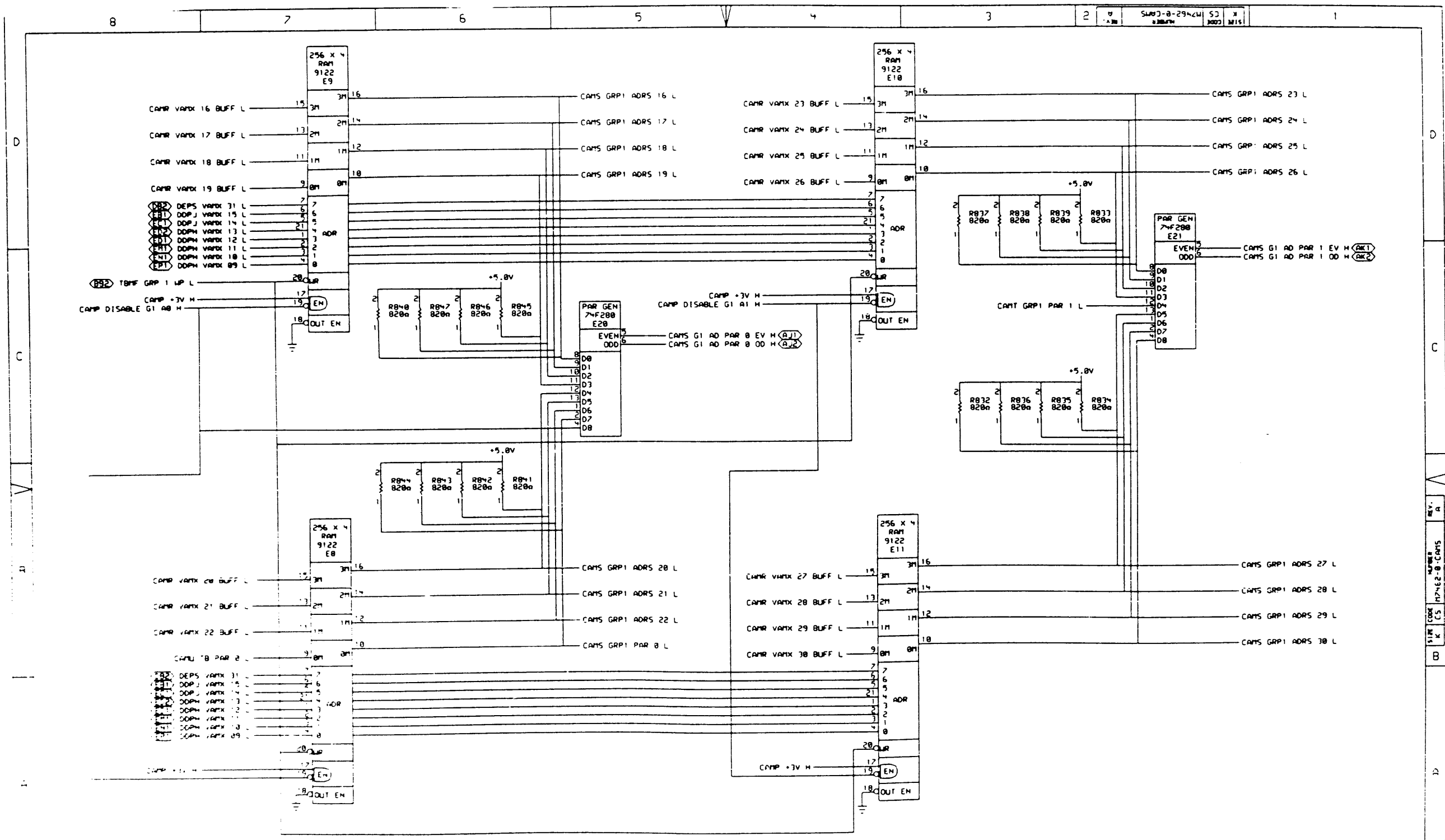


(VA MUX DRIVERS)

THIS DRAWING AND SPECIFICATIONS  
HEREIN ARE THE PROPERTY OF  
DIGITAL EQUIPMENT CORPORATION AND  
SHALL NOT BE REPRODUCED OR  
TRANSMITTED IN ANY FORM OR BY  
ANY MEANS, ELECTRONIC OR MECHANICAL,  
INCLUDING PHOTOCOPYING, RECORDING,  
OR BY ANY INFORMATION STORAGE  
RETRIEVAL SYSTEM, WITHOUT THE  
WRITTEN PERMISSION OF DIGITAL  
EQUIPMENT CORPORATION.

digital	DATE	18-NOV-83	DATE		TITLE:	CACHE ADDRESS MATRIX (CAMR)
	DATE		DATE		SIZE CODE	K ICS
FIRST USED ON OPTION/MODEL:	11-785	NEXT HIGHER ASSEMBLY:	18-DD-M2462-0-0	NUMBER	M2462-0-CAMR	REV. A





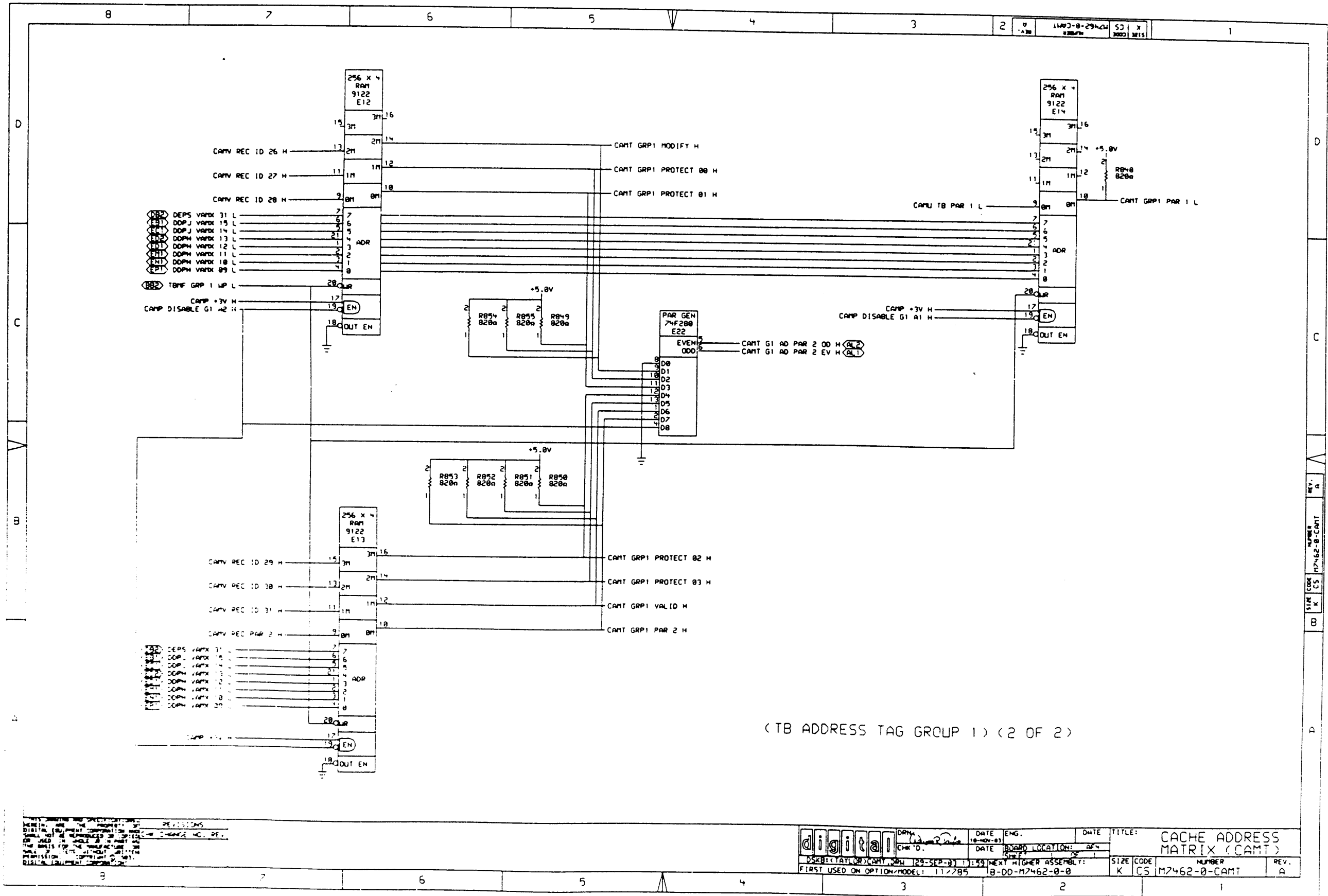
(TB ADDRESS TAG GROUP 1) (1 OF 2)

REVISIONS

NO.	DESCRIPTION	DATE	BY
1	INITIAL DESIGN	18-SEP-81	...
2	...	...	...

	DATE	ENG.	DATE	TITLE:	CACHE ADDRESS MATRIX (CAMS)		
	18-SEP-81	...	...	...			
FIRST USED ON OPTION/MODEL: 11-285 18-DD-M7462-0-0				SIZE	CODE	NUMBER	REV.
				K	CS	M7462-0-CAMS	A

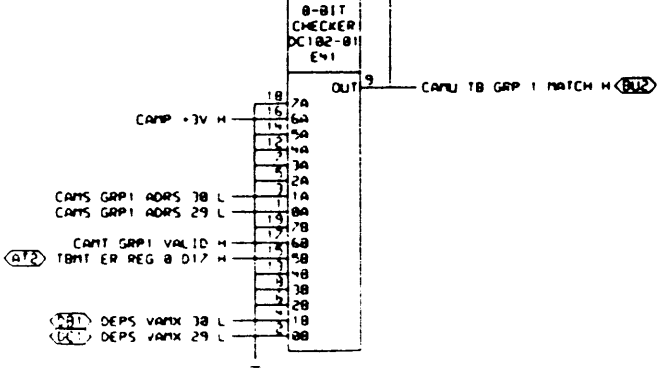
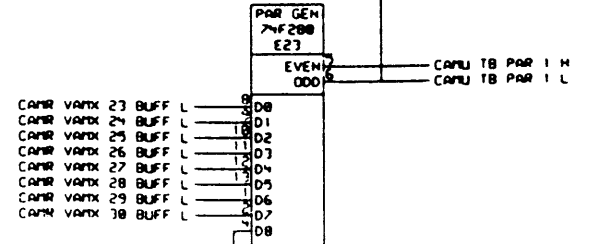
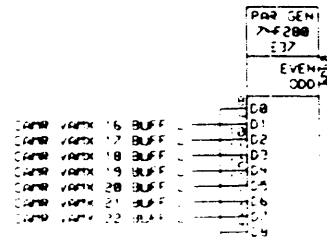
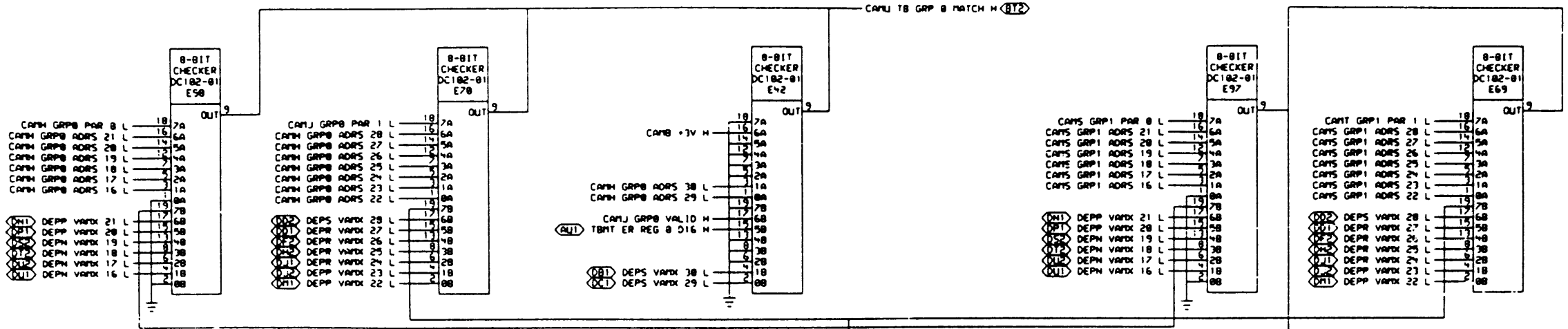
FILE CODE: 18-DD-M7462-0-CAMS  
 REV. A



(TB ADDRESS TAG GROUP 1) (2 OF 2)

REVISIONS  
 NO. DATE BY REVISIONS  
 1 10-NOV-83 [Signature] [Signature] [Signature]  
 2 11-7-85 [Signature] [Signature] [Signature]

digital	DATE	ENG.	DATE	TITLE:
	10-NOV-83	[Signature]	10-NOV-83	CACHE ADDRESS MATRIX (CAMT)
DATE	BY	DATE	BY	DATE
11-7-85	[Signature]	11-7-85	[Signature]	11-7-85
SIZE	CODE	NUMBER	REV.	
K	CS	M7462-0-CAMT	A	
FIRST USED ON OPTION/MODEL:		NEXT HIGHER ASSEMBLY:		
11/785		B-00-M7462-0-0		

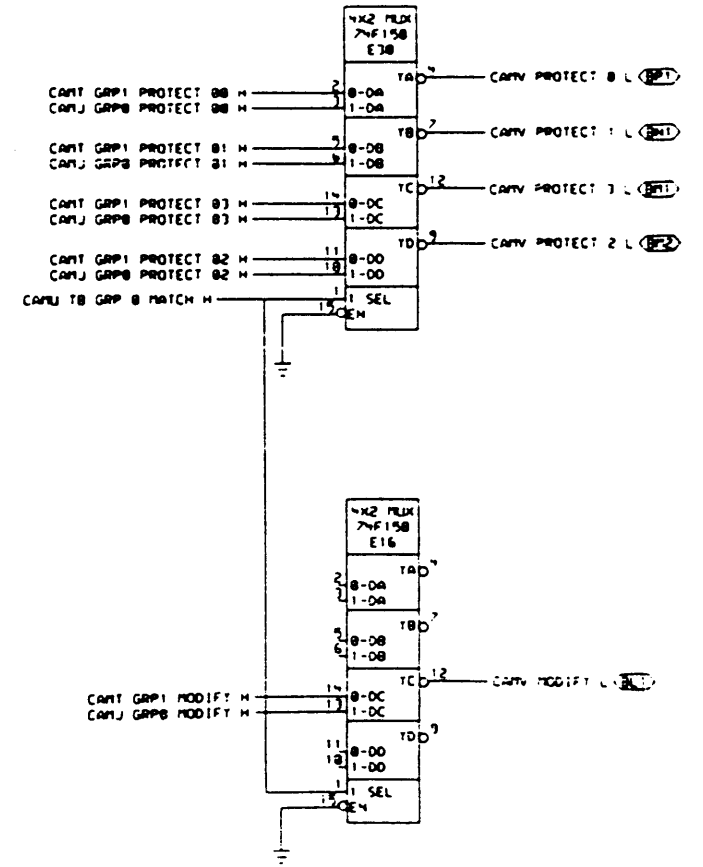
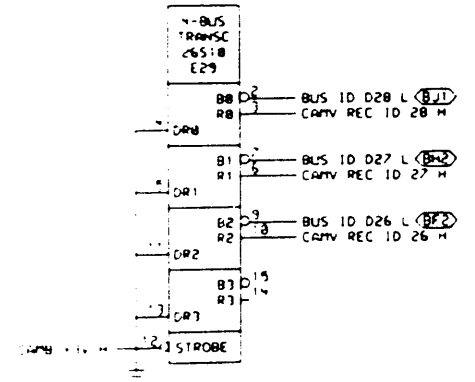
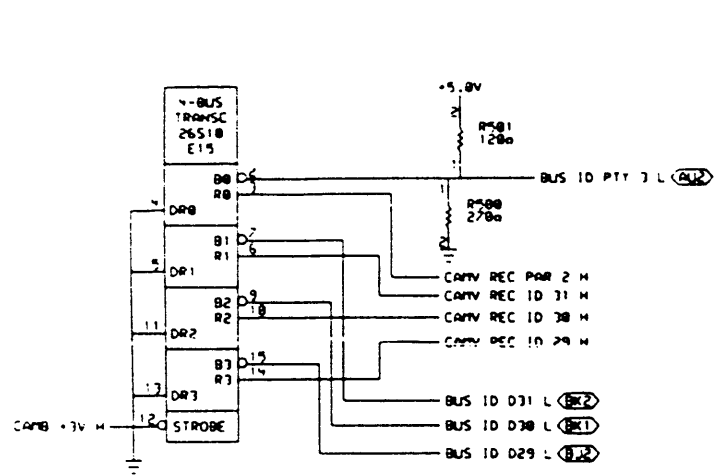


(TB ADDRESS TAG EQUAL CHECKER & VA MUX PARITY GENERATE)

REVISIONS  
 1. ORIGINAL EQUIPMENT CONSTRUCTION AND  
 2. REVISIONS TO ORIGINAL EQUIPMENT CONSTRUCTION AND  
 3. REVISIONS TO ORIGINAL EQUIPMENT CONSTRUCTION AND  
 4. REVISIONS TO ORIGINAL EQUIPMENT CONSTRUCTION AND  
 5. REVISIONS TO ORIGINAL EQUIPMENT CONSTRUCTION AND  
 6. REVISIONS TO ORIGINAL EQUIPMENT CONSTRUCTION AND  
 7. REVISIONS TO ORIGINAL EQUIPMENT CONSTRUCTION AND  
 8. REVISIONS TO ORIGINAL EQUIPMENT CONSTRUCTION AND  
 9. REVISIONS TO ORIGINAL EQUIPMENT CONSTRUCTION AND  
 10. REVISIONS TO ORIGINAL EQUIPMENT CONSTRUCTION AND

digital	DATE	ENG.	DATE	TITLE:
	11-28-85	11-28-85	11-28-85	CACHE ADDRESS MATRIX (CAMU)
FIRST USED ON OPTION/MODEL:		NEXT HIGHER ASSEMBLY:		SIZE CODE
11-28-85		18-00-M2462-0-0		K CS
NUMBER			DEV.	
M2462-0-CAMU			A	

REV. A  
 NAME: M2462-0-CAMU  
 SIZE CODE: K CS  
 NUMBER: M2462-0-CAMU  
 DEV.: A



4-BUS TRANSC & PROTECTION CODE MLX

REVISIONS

DATE

DESCRIPTION

1

2

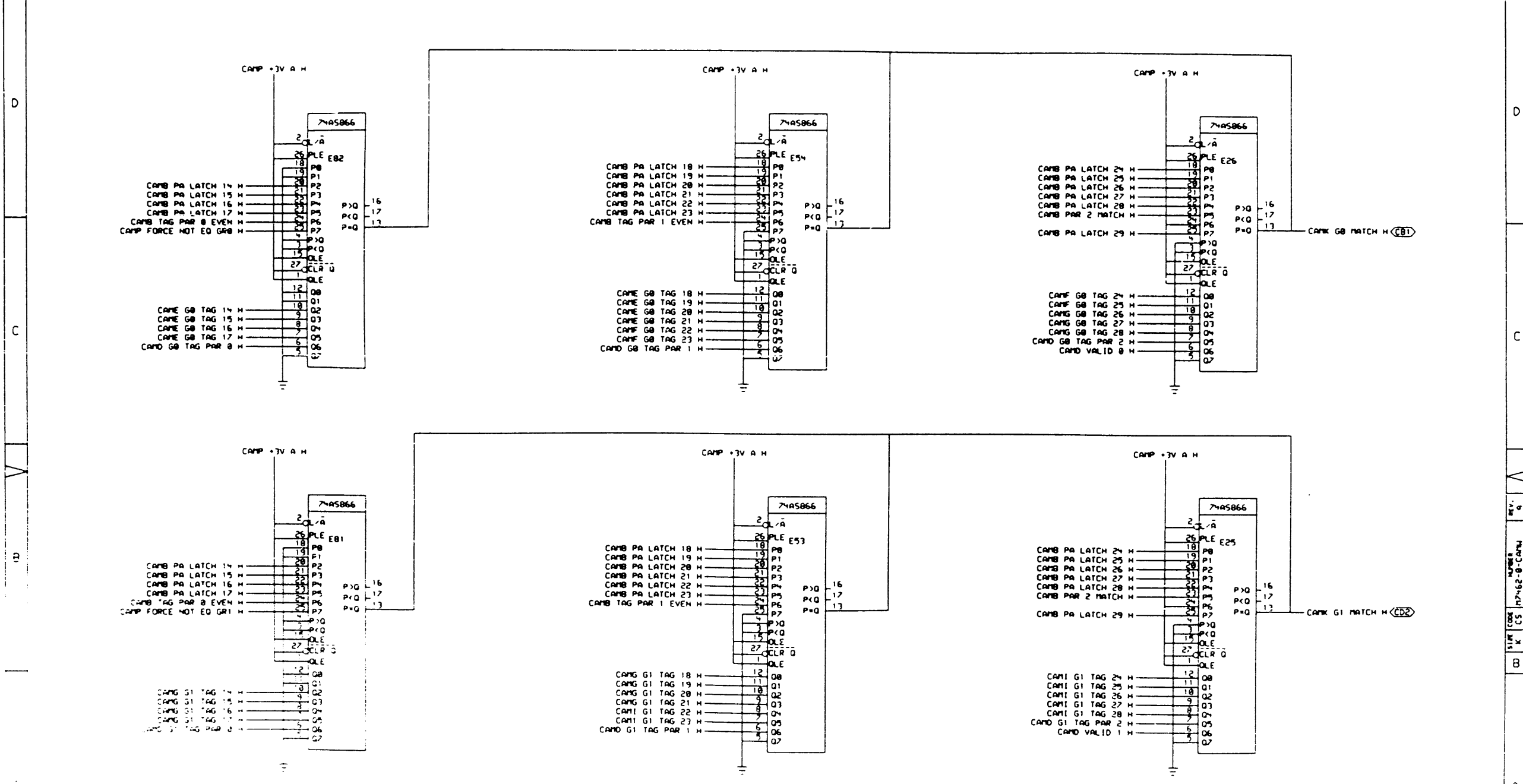
3

4

5

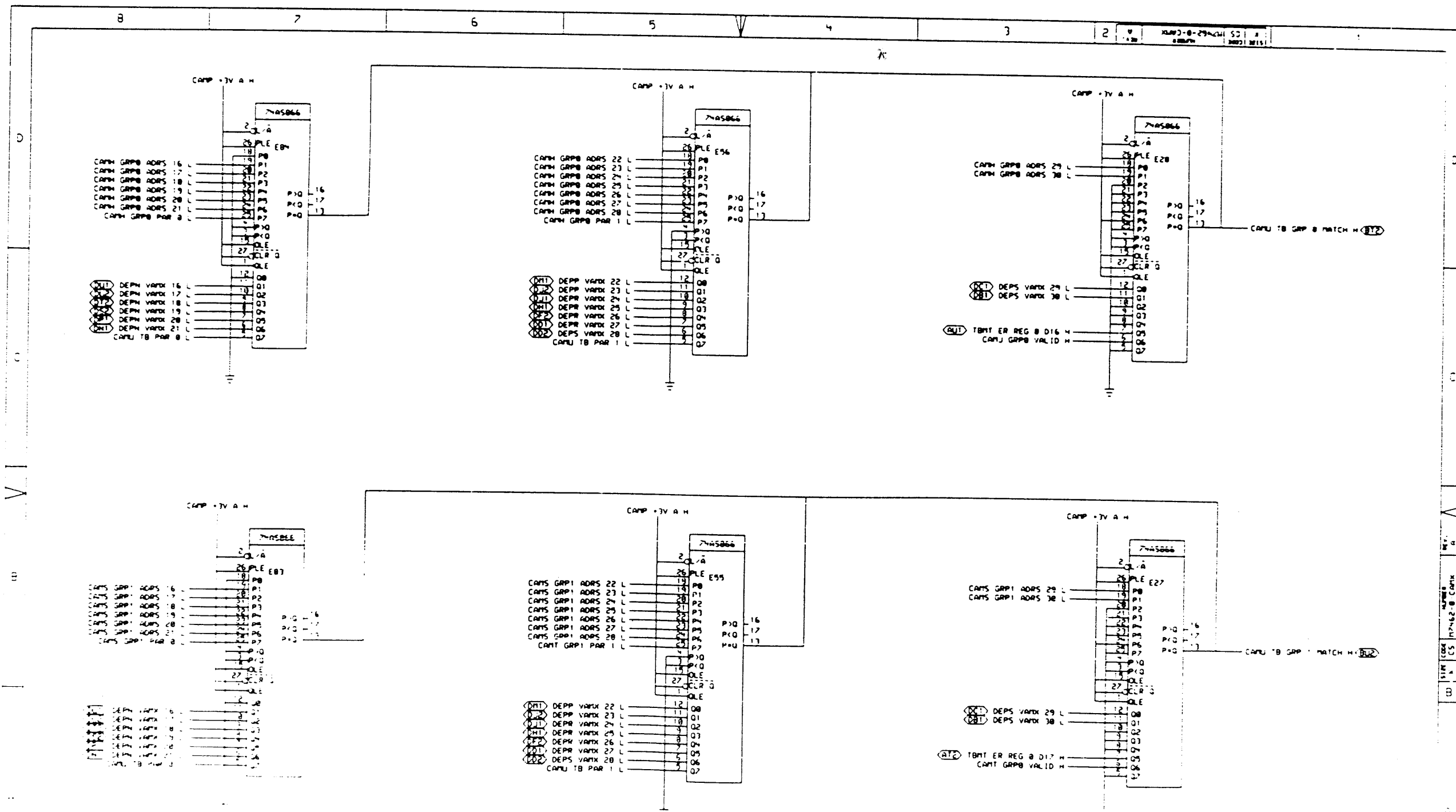
6

digital	DATE	ENG.	DATE	TITLE
	10-09-01			CACHE ADDRESS MATRIX (CAMV)
	DATE	DESIGN	DATE	
	10-09-01			
FIRST USED ON OPTION MODEL: 117785				18-00-M2462-0-0
SIZE CODE	NUMBER	REV.		
KCS	M2462-0-CAMV	4		



< CACHE ADDRESS TAG EQUAL CHECKER >  
 NOTE: THESE PARTS ARE NOT USED

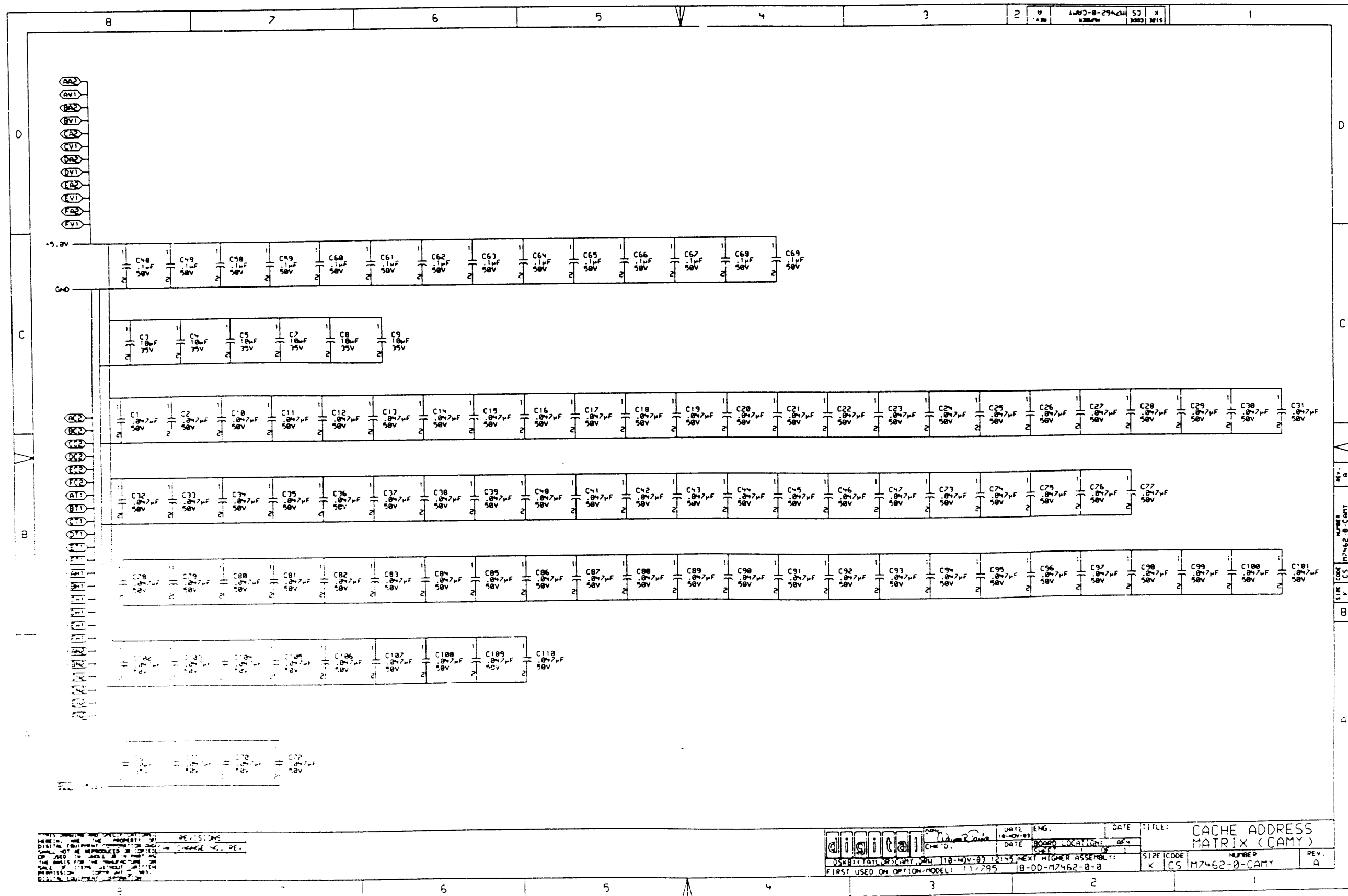
REVISIONS  
 1. ORIGINAL DESIGN  
 2. CHANGE NO. 01  
 3. CHANGE NO. 02  
 4. CHANGE NO. 03  
 5. CHANGE NO. 04  
 6. CHANGE NO. 05  
 7. CHANGE NO. 06  
 8. CHANGE NO. 07  
 9. CHANGE NO. 08  
 10. CHANGE NO. 09  
 11. CHANGE NO. 10  
 12. CHANGE NO. 11  
 13. CHANGE NO. 12  
 14. CHANGE NO. 13  
 15. CHANGE NO. 14  
 16. CHANGE NO. 15  
 17. CHANGE NO. 16  
 18. CHANGE NO. 17  
 19. CHANGE NO. 18  
 20. CHANGE NO. 19  
 21. CHANGE NO. 20  
 22. CHANGE NO. 21  
 23. CHANGE NO. 22  
 24. CHANGE NO. 23  
 25. CHANGE NO. 24  
 26. CHANGE NO. 25  
 27. CHANGE NO. 26  
 28. CHANGE NO. 27  
 29. CHANGE NO. 28  
 30. CHANGE NO. 29  
 31. CHANGE NO. 30  
 32. CHANGE NO. 31  
 33. CHANGE NO. 32  
 34. CHANGE NO. 33  
 35. CHANGE NO. 34  
 36. CHANGE NO. 35  
 37. CHANGE NO. 36  
 38. CHANGE NO. 37  
 39. CHANGE NO. 38  
 40. CHANGE NO. 39  
 41. CHANGE NO. 40  
 42. CHANGE NO. 41  
 43. CHANGE NO. 42  
 44. CHANGE NO. 43  
 45. CHANGE NO. 44  
 46. CHANGE NO. 45  
 47. CHANGE NO. 46  
 48. CHANGE NO. 47  
 49. CHANGE NO. 48  
 50. CHANGE NO. 49  
 51. CHANGE NO. 50  
 52. CHANGE NO. 51  
 53. CHANGE NO. 52  
 54. CHANGE NO. 53  
 55. CHANGE NO. 54  
 56. CHANGE NO. 55  
 57. CHANGE NO. 56  
 58. CHANGE NO. 57  
 59. CHANGE NO. 58  
 60. CHANGE NO. 59  
 61. CHANGE NO. 60  
 62. CHANGE NO. 61  
 63. CHANGE NO. 62  
 64. CHANGE NO. 63  
 65. CHANGE NO. 64  
 66. CHANGE NO. 65  
 67. CHANGE NO. 66  
 68. CHANGE NO. 67  
 69. CHANGE NO. 68  
 70. CHANGE NO. 69  
 71. CHANGE NO. 70  
 72. CHANGE NO. 71  
 73. CHANGE NO. 72  
 74. CHANGE NO. 73  
 75. CHANGE NO. 74  
 76. CHANGE NO. 75  
 77. CHANGE NO. 76  
 78. CHANGE NO. 77  
 79. CHANGE NO. 78  
 80. CHANGE NO. 79  
 81. CHANGE NO. 80  
 82. CHANGE NO. 81  
 83. CHANGE NO. 82  
 84. CHANGE NO. 83  
 85. CHANGE NO. 84  
 86. CHANGE NO. 85  
 87. CHANGE NO. 86  
 88. CHANGE NO. 87  
 89. CHANGE NO. 88  
 90. CHANGE NO. 89  
 91. CHANGE NO. 90  
 92. CHANGE NO. 91  
 93. CHANGE NO. 92  
 94. CHANGE NO. 93  
 95. CHANGE NO. 94  
 96. CHANGE NO. 95  
 97. CHANGE NO. 96  
 98. CHANGE NO. 97  
 99. CHANGE NO. 98  
 100. CHANGE NO. 99  
 101. CHANGE NO. 100



(TB ADDRESS TAG EQUAL CHECKER)  
NOTE: THESE PARTS ARE NOT USED

REVISIONS  
DATE  
BY  
APPROVED  
DATE

digital  
DATE: 18-NOV-81  
TITLE: CACHE ADDRESS MATRIX (CAM)  
FIRST USED ON OPTION MODEL: 11-285 18-DD-M2462-0-0  
SIZE CODE: K CS  
NUMBER: M2462-0-CAM



PERMISSIONS  
 DATE: 10-NOV-83  
 TIME: 12:55  
 USER: [illegible]

digital	DATE	10-NOV-83	ENG.		DATE		TITLE:	CACHE ADDRESS MATRIX (CAMY)		
	DATE	10-NOV-83	DATE	10-NOV-83	DATE		SIZE CODE	K CS		
FIRST USED ON OPTION/MODEL:							11/2/85	18-00-M7462-0-8	NUMBER	M7462-0-CAMY
								REV.	A	


SIGNAL NAME	PAGE NUMBER(S)	SIGNAL NAME	PAGE NUMBER(S)	SIGNAL NAME	PAGE NUMBER(S)
BUS ID 026 L	CAPV	CAMB PA LATCH 17 H	CAPM.B.H.K	CAMD VALID 1 H	CAPM.L.K.D
BUS ID 027 L	CAPV	CAMB PA LATCH 18 H	CAPM.H.K.B	CAMB GB TAG 14 H	CAPM.L.K.E
BUS ID 028 L	CAPV	CAMB PA LATCH 19 H	CAPM.H.K.B	CAMB GB TAG 15 H	CAPM.L.K.E
BUS ID 029 L	CAPV	CAMB PA LATCH 20 H	CAPM.H.K.B	CAMB GB TAG 16 H	CAPM.L.K.E
BUS ID 030 L	CAPV	CAMB PA LATCH 21 H	CAPM.H.K.B	CAMB GB TAG 17 H	CAPM.L.K.E
BUS ID 031 L	CAPV	CAMB PA LATCH 22 H	CAPM.H.K.B	CAMB GB TAG 18 H	CAPM.L.K.E
BUS ID PTT 1 L	CAPV	CAMB PA LATCH 23 H	CAPM.H.K.B	CAMB GB TAG 19 H	CAPM.L.K.E
BUS PA 03 H	CAPC.A	CAMB PA LATCH 24 H	CAPM.H.K.B	CAMB GB TAG 20 H	CAPM.L.K.E
BUS PA 04 H	CAPC.A	CAMB PA LATCH 25 H	CAPM.H.K.B	CAMB GB TAG 21 H	CAPM.L.K.E
BUS PA 05 H	CAPC.A	CAMB PA LATCH 26 H	CAPM.H.K.B	CAMB GB TAG 22 H	CAPM.L.K.F
BUS PA 06 H	CAPC.A	CAMB PA LATCH 27 H	CAPM.H.K.B	CAMB GB TAG 23 H	CAPM.L.K.F
BUS PA 07 H	CAPC.A	CAMB PA LATCH 28 H	CAPM.H.K.B	CAMB GB TAG 24 H	CAPM.L.K.F
BUS PA 08 H	CAPC.A	CAMB PA LATCH 29 H	CAPM.H.K.B	CAMB GB TAG 25 H	CAPM.L.K.F
BUS PA 14 H	CAMB	CAMB PA LATCH2 14 H	CAMB.G.E	CAMB GB TAG 26 H	CAPM.L.K.F
BUS PA 15 H	CAMB	CAMB PA LATCH2 15 H	CAMB.G.E	CAMB GB TAG 27 H	CAPM.L.K.F
BUS PA 16 H	CAMB	CAMB PA LATCH2 16 H	CAMB.G.E	CAMB GB TAG 28 H	CAPM.L.K.F
BUS PA 17 H	CAMB	CAMB PA LATCH2 17 H	CAMB.G.E	CAMB GB TAG 26 H	CAPM.L.K.F
BUS PA 18 H	CAMB	CAMB PA LATCH2 18 H	CAMB.G.E	CAMB GB TAG 27 H	CAPM.L.K.F
BUS PA 19 H	CAMB	CAMB PA LATCH2 19 H	CAMB.G.E	CAMB GB TAG 28 H	CAPM.L.K.F
BUS PA 20 H	CAMB	CAMB PA LATCH2 20 H	CAMB.G.E	CAMB G1 TAG 14 H	CAPM.L.K.G
BUS PA 21 H	CAMB	CAMB PA LATCH2 21 H	CAMB.G.E	CAMB G1 TAG 15 H	CAPM.L.K.G
BUS PA 22 H	CAMB	CAMB PA LATCH2 22 H	CAMB.I.F	CAMB G1 TAG 16 H	CAPM.L.K.G
BUS PA 23 H	CAMB	CAMB PA LATCH2 23 H	CAMB.I.F	CAMB G1 TAG 17 H	CAPM.L.K.G
BUS PA 24 H	CAMB	CAMB PA LATCH2 24 H	CAMB.I.F	CAMB G1 TAG 18 H	CAPM.L.K.G
BUS PA 25 H	CAMB	CAMB PA LATCH2 25 H	CAMB.I.F	CAMB G1 TAG 19 H	CAPM.L.K.G
BUS PA 26 H	CAMB	CAMB PA LATCH2 26 H	CAMB.I.F	CAMB G1 TAG 20 H	CAPM.L.K.G
BUS PA 27 H	CAMB	CAMB PA LATCH2 27 H	CAMB.I.F	CAMB G1 TAG 21 H	CAPM.L.K.G
BUS PA 28 H	CAMB	CAMB PA LATCH2 28 H	CAMB.I.F	CAMB GB AD PAR 0 EV H	CAPM.L
BUS PA 29 H	CAMB	CAMB PAR 2 MATCH H	CAPM.K.B	CAMB GB AD PAR 0 OD H	CAPM.L
CAMB G1 TAG 23 H	CAPM	CAMB TAG PAR 0 EVEN H	CAPM.B.H.K	CAMB GB AD PAR 1 OD H	CAPM.L
CAMB PA LATCH 03 A L	CAMD.F.A.E.R	CAMB TAG PAR 1 EVEN H	CAPM.H.K.B	CAMB GRPB ADPS 16 L	CAPM.X.U
CAMB PA LATCH 04 A L	CAMD.F.A.E.R	CAMB TAG PAR 2 EVEN H	CAPM.B	CAMB GRPB ADPS 17 L	CAPM.X.U
CAMB PA LATCH 05 A L	CAMD.F.A.E.R	CAMB PA LATCH 03 B L	CAMD.I.C.G.R	CAMB GRPB ADPS 18 L	CAPM.X.U
CAMB PA LATCH 06 A L	CAMD.F.A.E.R	CAMB PA LATCH 04 B L	CAMD.I.C.G.R	CAMB GRPB ADPS 19 L	CAPM.X.U
CAMB PA LATCH 07 A L	CAMD.F.A.E.R	CAMB PA LATCH 05 B L	CAMD.I.C.G.R	CAMB GRPB ADPS 20 L	CAPM.X.U
CAMB PA LATCH 08 A L	CAMD.F.A.E.R	CAMB PA LATCH 06 B L	CAMD.I.C.G.R	CAMB GRPB ADPS 21 L	CAPM.X.U
CAMB PA LATCH 09 A L	CAMD.F.A.E.R	CAMB PA LATCH 07 B L	CAMD.I.C.G.R	CAMB GRPB ADPS 22 L	CAPM.X.U
CAMB PA LATCH 10 A L	CAMD.F.A.E.R	CAMB PA LATCH 08 B L	CAMD.I.C.G.R	CAMB GRPB ADPS 23 L	CAPM.X.U
CAMB PA LATCH 11 A L	CAMD.F.A.E.R	CAMB PA LATCH 09 B L	CAMD.I.C.G.R	CAMB GRPB ADPS 24 L	CAPM.X.U
CAMB PA LATCH 12 A L	CAMD.F.A.E.R	CAMB PA LATCH 10 B L	CAMD.I.C.G.R	CAMB GRPB ADPS 25 L	CAPM.X.U
CAMB PA LATCH 13 A L	CAMD.F.A.E.R	CAMB PA LATCH 11 B L	CAMD.I.C.G.R	CAMB GRPB ADPS 26 L	CAPM.X.U
CAMB LATCH PAR 0 EV H	CAMB.D	CAMB PA LATCH 12 B L	CAMD.I.C.G.R	CAMB GRPB ADPS 27 L	CAPM.X.U
CAMB LATCH PAR 1 EV H	CAMB.D	CAMB PA LATCH 13 B L	CAMD.I.C.G.R	CAMB GRPB ADPS 28 L	CAPM.X.U
CAMB LATCH PAR 2 EV H	CAMB.D	CAMB GB TAG PAR 0 H	CAPM.L.K.D	CAMB GRPB ADPS 29 L	CAPM.X.U
CAMB LATCH VALID BIT H	CAMB.D	CAMB GB TAG PAR 1 H	CAPM.L.K.D	CAMB GRPB ADPS 30 L	CAPM.X.U
CAMB LATCH2 VALID BIT H	CAMB.D	CAMB GB TAG PAR 2 H	CAPM.L.K.D	CAMB GRPB PAR 0 L	CAPM
CAMB PA LATCH 14 H	CAPM.B.H.K	CAMB G1 TAG PAR 1 H	CAPM.L.K.D	CAMB GRPB PAR 1 L	CAPM
CAMB PA LATCH 15 H	CAPM.B.H.K	CAMB G1 TAG PAR 2 H	CAPM.L.K.D	CAMB G1 TAG 22 H	CAPM.L.K.I
CAMB PA LATCH 16 H	CAPM.B.H.K	CAMD VALID 0 H	CAPM.L.K.D	CAMB G1 TAG 23 H	CAPM.L.K.I

NOTES:  
1. THIS PAGE LISTS THE SCHEMATIC PAGE NUMBER(S) WHERE A SIGNAL NAME IS REFERENCED.

THIS DRAWING AND ALL INFORMATION CONTAINED HEREIN ARE THE PROPERTY OF DIGITAL EQUIPMENT CORPORATION AND SHALL NOT BE REPRODUCED OR TRANSMITTED IN ANY FORM OR BY ANY MEANS, ELECTRONIC OR MECHANICAL, INCLUDING PHOTOCOPYING, RECORDING, OR BY ANY INFORMATION STORAGE AND RETRIEVAL SYSTEM, WITHOUT PERMISSION IN WRITING FROM DIGITAL EQUIPMENT CORPORATION.

digital	DATE	ENG.	DATE	TITLE:
	10-NOV-81			CACHE ADDRESS MATRIX (CAMB)
	DATE	DESIGNER	DATE	
	10-NOV-81			
FIRST USED ON OPTION/MODEL:				SIZE/SCALE
11-285				1/8" = 1"
18-00-M7462-0-0				NUMBER
				REV.
				4



DRAWING NO.	NO. OF SHTS.	PART NO.	DESCRIPTION	REVISIONS															
				A	B	C													
		M7462-00	CAM PART REVISION	A	B	B2													
E-UA-M7462-0-0	2		UNIT ASSEMBLY	A	B	C													
K-PI-M7462-0-DBP	2		PARTS LIST	A	B	C													
K-PC-M7462-0-DBI	-		P.C. DATA BASE	C	C	D													
B-DD-5016077-0-0	1		DRAWING DIRECTORY	A	B	C													
K-CS-M7462-0-DBS	-		SUDS DATA BASE	A	B	C													
K CS M7462-0-CAMA	1		SCHEMATIC	A	A	A													
K CS M7462-0-CAMB	1		SCHEMATIC	A	A	A													
K CS M7462-0-CAMC	1		SCHEMATIC	A	A	A													
K CS M7462-0-CAMD	1		SCHEMATIC	A	A	A													
K CS M7462-0-CAME	1		SCHEMATIC	A	A	A													
K CS M7462-0-CAMF	1		SCHEMATIC	A	A	A													
K CS M7462-0-CAMG	1		SCHEMATIC	A	A	A													
K CS M7462-0-CAMH	1		SCHEMATIC	A	A	A													
K CS M7462-0-CAMI	1		SCHEMATIC	A	A	A													
K CS M7462-0-CAMJ	1		SCHEMATIC	A	B	B													
K CS M7462-0-CAMK	1		SCHEMATIC	A	A	A													
K CS M7462-0-CAML	1		SCHEMATIC	A	A	A													
K CS M7462-0-CAMM	1		SCHEMATIC	A	A	A													
K CS M7462-0-CAMN	1		SCHEMATIC	A	A	A													
K CS M7462-0-CAMP	1		SCHEMATIC	A	A	A													
K CS M7462-0-CAMR	1		SCHEMATIC	A	A	A													
K CS M7462-0-CAMS	1		SCHEMATIC	A	A	A													
K CS M7462-0-CAMT	1		SCHEMATIC	A	A	A													
K CS M7462-0-CAMU	1		SCHEMATIC	A	A	A													
K CS M7462-0-CAMV	1		SCHEMATIC	A	A	A													
<b>NOTES:</b>				REVISIONS															
				DATE	CHG NO.	REV.	A	B	C										
				11/83	INIT														
				2-84	TW001														
				4/84	TW002														
"THIS DRAWING AND SPECIFICATIONS, HEREIN, ARE THE PROPERTY OF DIGITAL EQUIPMENT CORPORATION AND SHALL NOT BE REPRODUCED OR COPIED OR USED IN WHOLE OR IN PART AS THE BASIS FOR THE MANUFACTURE OR SALE OF ITEMS WITHOUT WRITTEN PERMISSION.  COPYRIGHT © 1983 DIGITAL EQUIPMENT CORPORATION						USED ON OPTION/MODEL			DRN. <i>J. Marink</i> 8-Nov-83		TITLE CACHE ADDRESS MATRIX (CAM)								
									CHK'D <i>K. Wald</i> 8-NOV-83										
									ENG. <i>Jay Stickerney</i> 11-10-83		SIZE B	CODE DD	NUMBER M7462-0-0	REV. C					
									PROD. <i>M. Krasak</i> 11-29-83		SHEET 1 OF 2								

DRAWING NO.	NO. OF SHTS.	PART NO.	DESCRIPTION	REVISIONS																			
				1	2	3	4	5	6	7	8	9	10	11	12								
K-CS-M7462-O-CAMW	1		SCHEMATIC	A	A	INA																	
K-CS-M7462-O-CAMX	1		SCHEMATIC	A	A	INA																	
K-CS-M7462-O-CAMY	1		SCHEMATIC	A	A	A																	
K-CS-M7462-O-CAMZ	1		SCHEMATIC	A	A	A																	
K-CS-M7462-O-CAMI	1		SCHEMATIC	A	A	A																	
K-CS-M7462-O-CAM2	1		SCHEMATIC	A	A	A																	
K-CS-M7462-O-CAM3	1		SCHEMATIC	A	A	A																	
K-CS-M7462-O-CAM4	1		SCHEMATIC	A	A	A																	
		50-16077-01		C	I	D																	

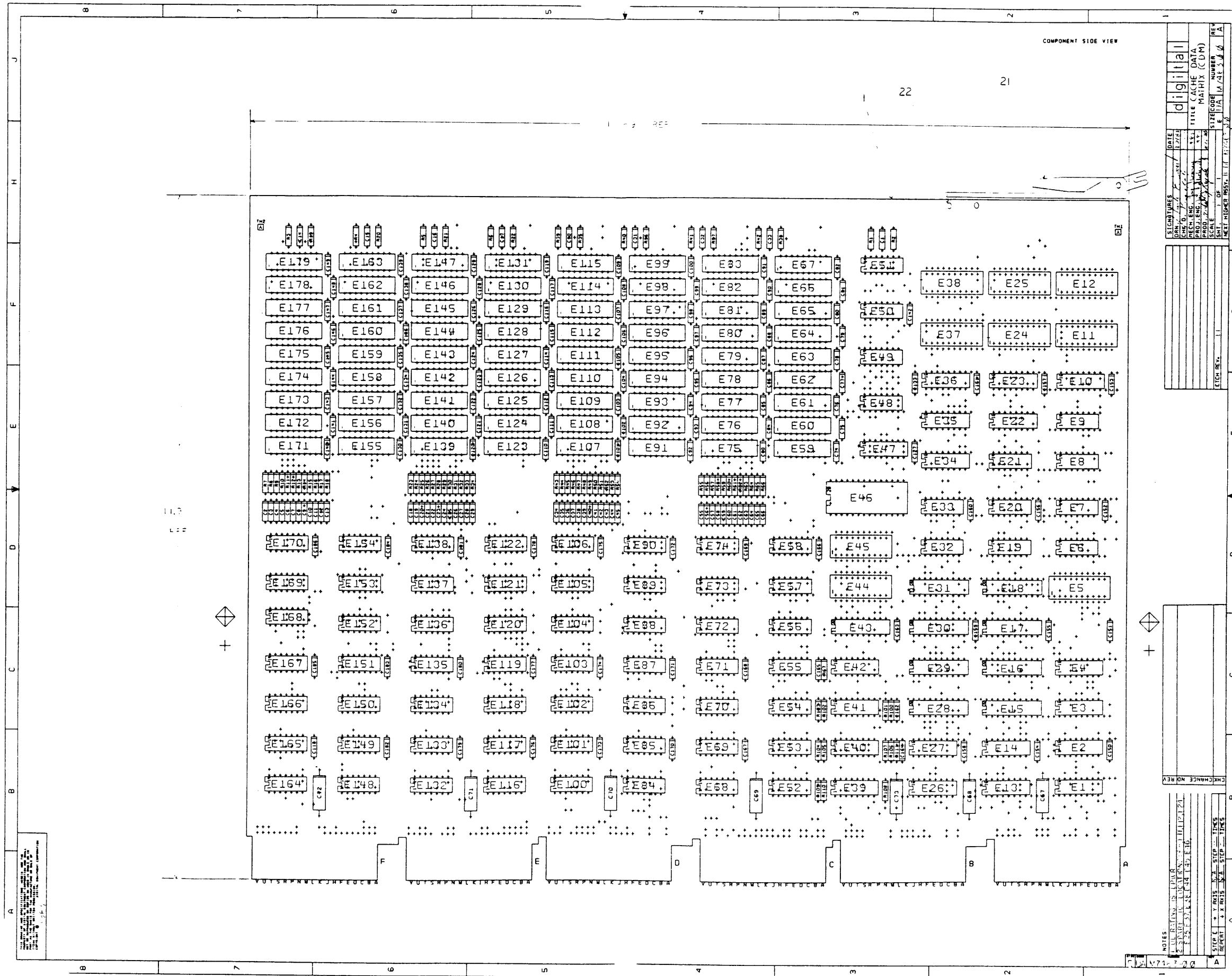
**NOTES:**

DATE	REVISIONS CHG NO.	REV.																					
			1	2	3	4	5	6	7	8	9	10	11	12									
2/84	TWO01	B																					
4/84	TWO02	C																					

THIS DRAWING AND SPECIFICATIONS, HEREIN, ARE THE PROPERTY OF DIGITAL EQUIPMENT CORPORATION AND SHALL NOT BE REPRODUCED OR COPIED OR USED IN WHOLE OR IN PART AS THE BASIS FOR THE MANUFACTURE OR SALE OF ITEMS WITHOUT WRITTEN PERMISSION.  
 COPYRIGHT © 1983 DIGITAL EQUIPMENT CORPORATION



USED ON OPTION/MODEL	DRN. <i>Sitting</i>	11-9-83	TITLE	CACHE ADDRESS MATRIX
	CHK'D <i>Kurt Weber</i>	2-10-83		CAM
	ENG. <i>Jay Lidenray</i>	11-9-83	SIZE	B
	PROD. <i>W. Repak</i>	11-29-83	CODE	DD
			NUMBER	M7462-0-0
			REV.	C
			SHEET	2 OF 2



COMPONENT SIDE VIEW

DATE	1/27/71
DESIGNED BY	...
CHECKED BY	...
APPROVED BY	...
SCALE	1:1
SHEET	1
TOTAL SHEETS	1
PROJECT	...
REV	A

CHANGE NO	113
DESCRIPTION	...
DATE	...
BY	...
CHKD BY	...
APP'D BY	...

NOTES	1. ALL PARTS ARE IN QUANTITY
	2. ALL PARTS ARE IN QUANTITY
	3. ALL PARTS ARE IN QUANTITY
	4. ALL PARTS ARE IN QUANTITY
	5. ALL PARTS ARE IN QUANTITY
	6. ALL PARTS ARE IN QUANTITY
	7. ALL PARTS ARE IN QUANTITY

113

AUTOMATED BY PRTLST.40(50)

PARTS LIST

SHEET A1 OF A2

LINE	ITEM	TOP DOCUMENT	PART NUMBER	MIN REV	DESCRIPTION	QTY	PER VARIATION	REFERENCE DESIGNATOR
					VARIATION REVISION LEVEL:	00		
1	1	D-MD-5016076-0-0	5016076-01		CACHE DATA MATRIX	1		
2	2		1012784-00		.047 MFD 50V +80-20% CER	114		C1,C74-C186
3	3		1013466-19		470.0 MMF 50V 5% CER	56		C2-C45,C55-C66
4	4		1300229-00		100.0 .25 W 5.0 % CF	57		R7-R38,R43-R66,R67
5	5		1300247-00		120.0 .25 W 5.0 % CF	7		R1,R100,R103,R104,R107-R109
6	6		1300250-00		150.0 .25 W 5.0 % CF	6		R101,R102,R105,R106,R110,R111
7	7		1300295-00		330.0 .25 W 5.0 % CF	8		R3-R6,R39-R42
8	8		1311522-00		200.0 .25 W 5.0 % CF	1		R2
9	9		1921311-01		74F20 NAND GATE,DUAL,4-IN	4		E48-E51
10	10		1911469-00		DEC 8640 RECEIVER,BUS,QUAD,U	1		E9
11	11		1912860-00		LS259 LATCH 8BIT	1		E47
12	12		1913839-00		LS165 SHIFT REG.,8BIT	6		E10,E22,E23,E34-E36
13	13		1921010-01		74F373 OCTAL TRANSPARENT LA	9		E15-E18,E28-E31,E43
14	14		1921307-01		74F04 HEX INVERTER	8		E71,E87,E103,E119,E135,E151, CONT E167,E55
15	15		1921313-01		74F64 AND OR INVERT GATE,4-	48		E68-E70,E72-E74,E84-E86,E88-E90, CONT E100-E102,E104-E106,E52-E54, CONT E56-E58,E116-E118,E120-E122, CONT E132-E134,E136-E138,E148-E150, CONT E152-E154,E164-E166,E169,E170, CONT E168 E1-E4,E13,E14,E26,E27,E42 E6-E8,E19-E21,E32,E33
16	16		1921330-01		74F257 MUX,QUAD,2-IN	9		E39-E41
17	17		1921 332-01		74F280 PARITY GEN/CHECK,9-B	8		E59-E67,E75-E83,E91-E99, CONT E107-E115,E123-E131,E139-E147, CONT E155-E163,E171-E179 C67-C73
18	18		1921720-01		10H125 TRANSLATOR ECL TO TTL QUA	3		
19	19		2114523-03		2147H-1 4K MOS RAM 35NS 18	72		
20	20		1017472-00		10 MFD 35V +50-10% AL EL	7		
21	21		1216988-02		HANDLE,MODULE,HEX TWO EJECTORS	1		
22	22		9000024-01		EYELET,ROLLED 0.12100X0.192	12		

REVISION HISTORY			BASIC PART NO: M7463		DRN:	S. MANSOR	DATE:	16-AUG-83	D I G I T A L			
ENG:	ECO NUMBER	REV	SECTION A OF A		CHK'D:	F. GAROFALO	DATE:	31-AUG-83	TITLE PARTS LIST			
---	INITIAL	A	SECTION VARIATION INDEX		DES. ENG:	J. STICKNEY	DATE:	31-AUG-83	CACHE DATA MATRIX (CDM)			
			(A) 00		RESP. ENG.:	J. STICKNEY	DATE:	31-AUG-83	DOCUMENT NUMBER			
			(B)		MFG. ENG.:	M. KRYZAK	DATE:	2-NOV-83	SIZE:	CODE:	NUMBER	REV
			(C)		ASSEMBLY NUMBER:	E-UA-M7463-0-0	TOP DOCUMENT NUMBER:	B-DD-M7463-0-0	K	PL	M7463-0-DBP	A
			(D)		RELEASE DATE:	16-NOV-83	FILE NAME:	Z8057A.PLS				7
			(E)				EDIT #					
			(F)									
			(G)									
			(H)									
			(I)									
			(J)									
			(K)									
			(L)									
			(M)									
			(N)									

THIS DRAWING AND THE SPECIFICATIONS CONTAINED HEREIN ARE CONFIDENTIAL AND PROPRIETARY. THEY ARE THE PROPERTY OF DIGITAL EQUIPMENT CORPORATION AND SHALL NOT BE REPRODUCED OR COPIED OR USED IN WHOLE OR IN PART AS THE BASIS FOR THE MANUFACTURE OR SALE OF ITEMS WITHOUT WRITTEN PERMISSION. THIS IS AN UNPUBLISHED WORK PROTECTED UNDER THE FEDERAL COPYRIGHT LAWS.

AU TOMATED BY PRTLST.4Q(50)

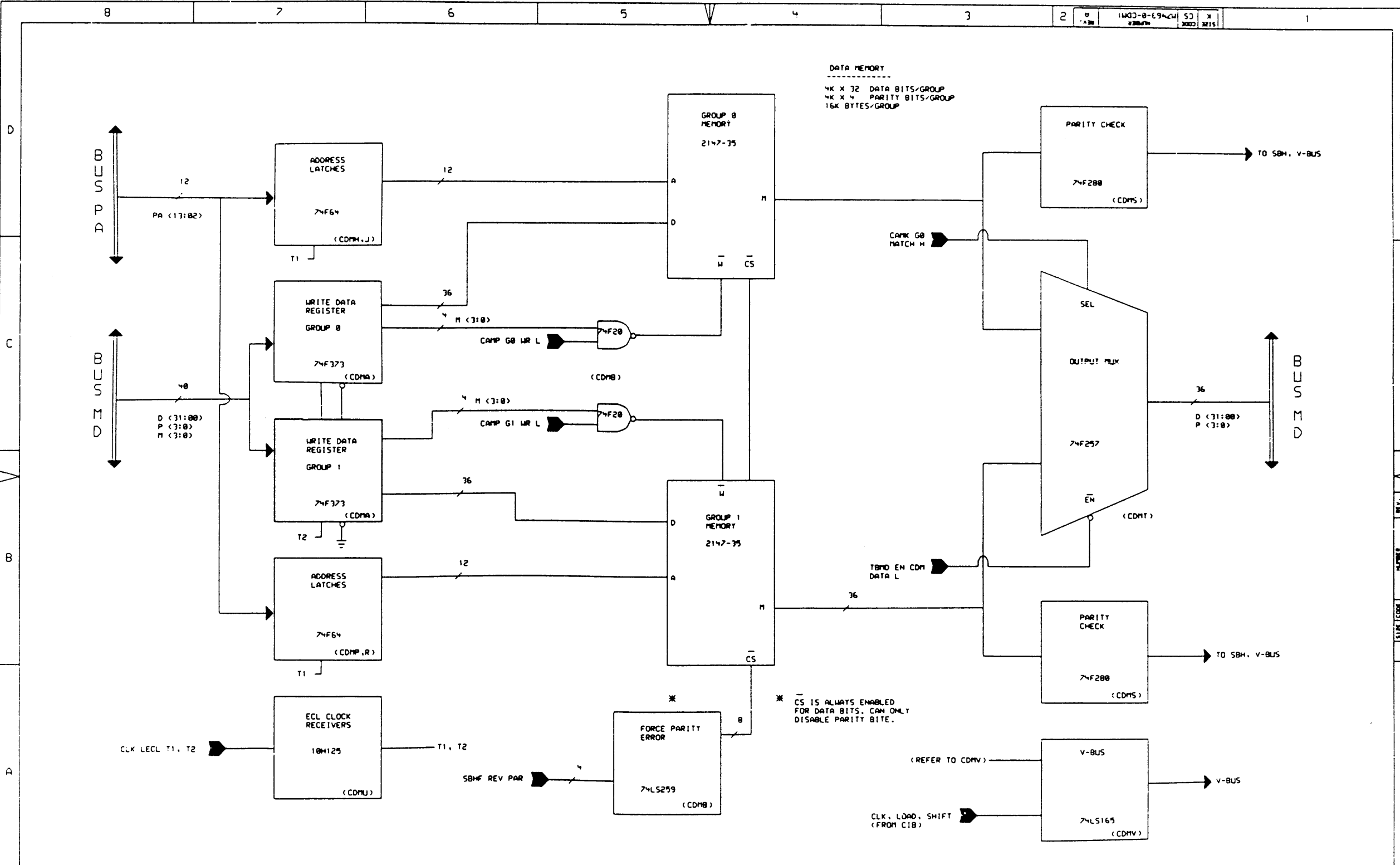
P A R T S L I S T

SHEET A2 OF

LINE ITEM TOP DOCUMENT PART NUMBER REV DESCRIPTION VARIATION REVISION LEVEL: QTY PER VARIATION REFERENCE DESIGNATOR

23 NOTE: REF. DES. NOT USED: R68-R99, C46-C54  
24 NOTE: SPARE I.C. LOCATIONS: E5, E11, E12, E24, E25, E37, E38, E44, E45, E46

D I G I T A L	TITLE	CACHE DATA MATRIX (CDM)	SECTION A OF A	SIZE	CODE	DOCUMENT NUMBER	REV
				K	PL	M7463-0-DBP	A



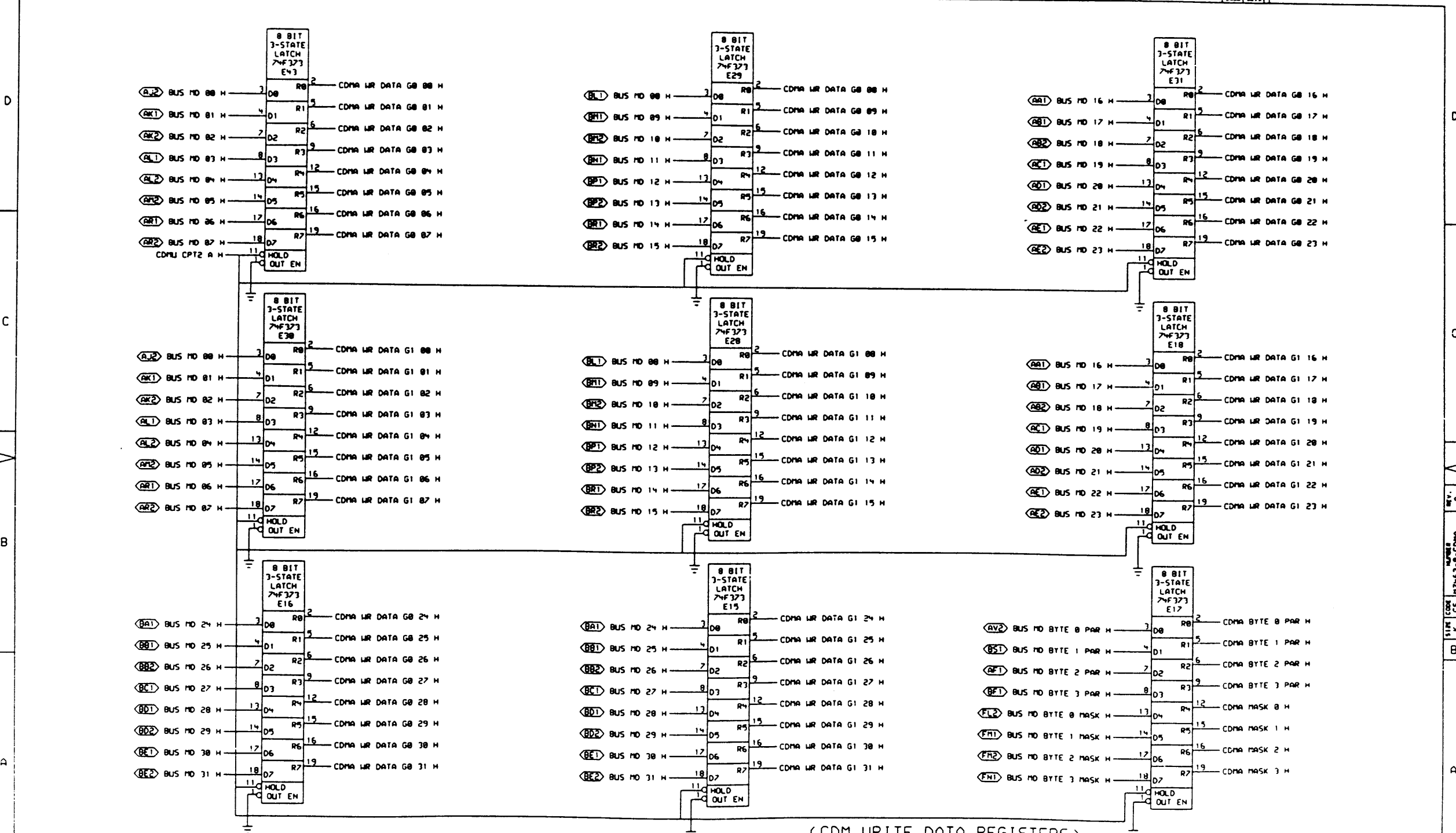
UNLESS OTHERWISE SPECIFIED, ALL PARTS AND COMPONENTS ARE TO BE THE PROPERTY OF DIGITAL EQUIPMENT CORPORATION AND SHALL NOT BE REPRODUCED OR COPIED OR USED IN WHOLE OR IN PART AS THE BASIS FOR THE MANUFACTURE OR SALE OF ITEMS WITHOUT WRITTEN PERMISSION. COPYRIGHT © 1983, DIGITAL EQUIPMENT CORPORATION.

REVISIONS	
CHK	CHANGE NO. REV

DATE	ENG.	DATE	TITLE:
08-NOV-83	AP5		CACHE DATA MATRIX (CDM1)
DATE	BOARD LOCATION:		
DATE	SHEET		
DATE	NEW/ HIGHER ASSEMBLY:		
DATE	FIRST USED ON OPTION/MODEL:		

SIZE	CODE	NUMBER	REV.
K	CS	M7463-0-CDM1	A

8 7 6 5 4 3 2 1



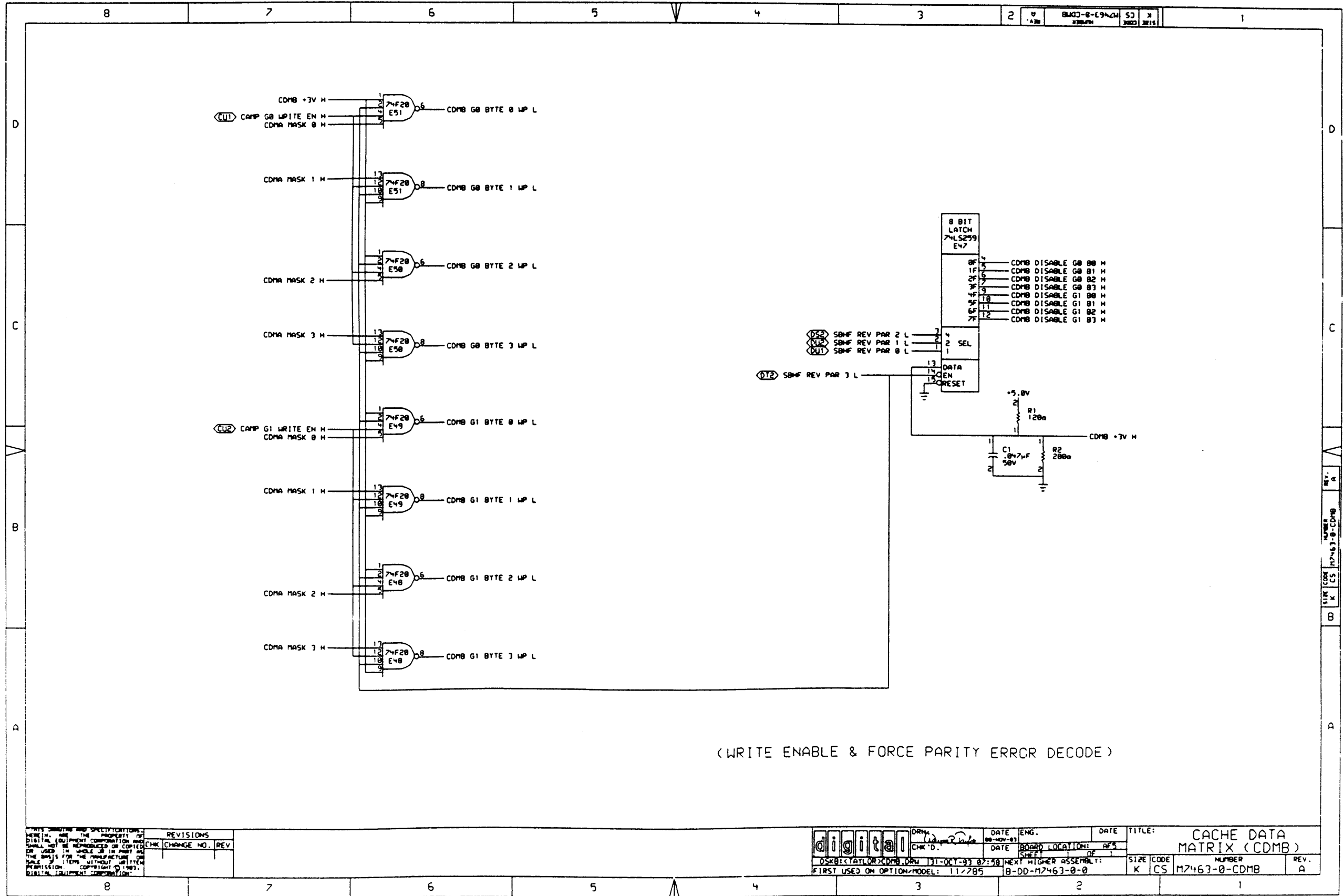
(CDM WRITE DATA REGISTERS)

THIS DRAWING AND SPECIFICATIONS ARE THE PROPERTY OF DIGITAL EQUIPMENT CORPORATION AND SHALL NOT BE REPRODUCED OR COPIED IN WHOLE OR IN PART ON THE BASIS FOR THE MANUFACTURE OF ITEMS WITHOUT WRITTEN PERMISSION. COPYRIGHT © 1987, DIGITAL EQUIPMENT CORPORATION.

NO.	DATE	DESCRIPTION	BY	CHK	CHANGE NO.	REV.

<b>digital</b>	DATE	08-NOV-87	ENG.	DATE		TITLE:	CACHE DATA
	CHK'D.			BOARD LOCATION:	GF5		MATRIX (CDMA)
DSXB: (TAYLOR) CDMA.DRW		29-SEP-87 10:49	NEXT HIGHER ASSEMBLY:			SIZE CODE	K CS
FIRST USED ON OPTION/MODEL:		117285				NUMBER	M7463-0-CDMA
						REV.	A

8 7 6 5 4 3 2 1



(WRITE ENABLE & FORCE PARITY ERROR DECODE)

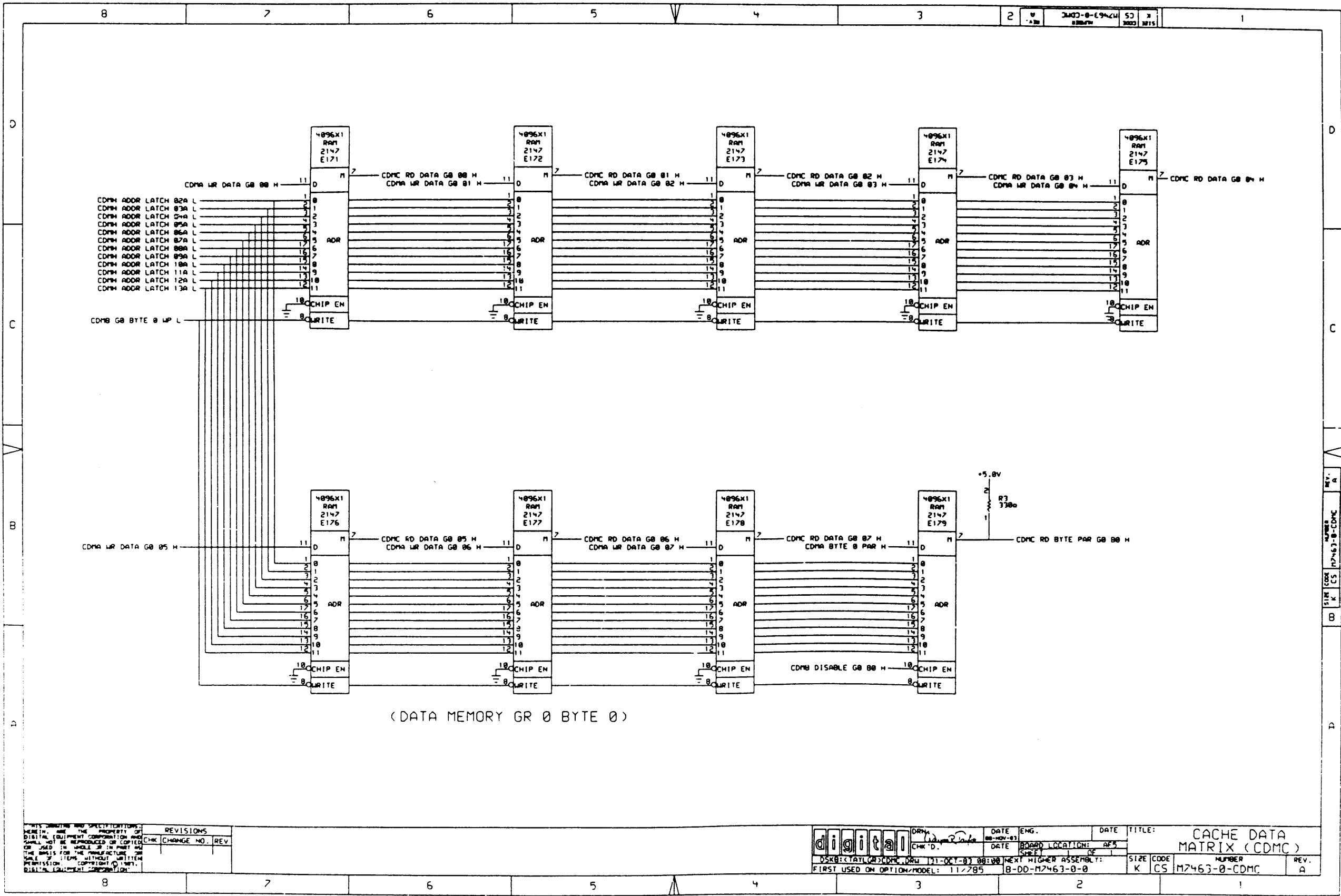
THIS DRAWING AND SPECIFICATIONS ARE THE PROPERTY OF DIGITAL EQUIPMENT CORPORATION AND SHALL NOT BE REPRODUCED OR COPIED IN WHOLE OR IN PART OR THE BASIS FOR THE MANUFACTURE OF ANY ITEMS WITHOUT WRITTEN PERMISSION. COPYRIGHT © 1981 DIGITAL EQUIPMENT CORPORATION.

REVISIONS	
CHK	CHANGE NO. REV

	DATE	ENG.	DATE	TITLE:
	08-NOV-87	W. R. Rife		CACHE DATA MATRIX (CDMB)
DESCRIPTION: CDMB, DATA	DATE	BOARD LOCATION:		
131-OCT-93 07:48		AF5		
FIRST USED ON OPTION/MODEL:		NEXT HIGHER ASSEMBLY:		
11/285		B-DD-M7463-0-0		
		SIZE	CODE	NUMBER
		K	CS	M7463-0-CDMB
				REV.
				A

REV. A  
NUMBER  
M7463-0-CDMB  
CS  
K

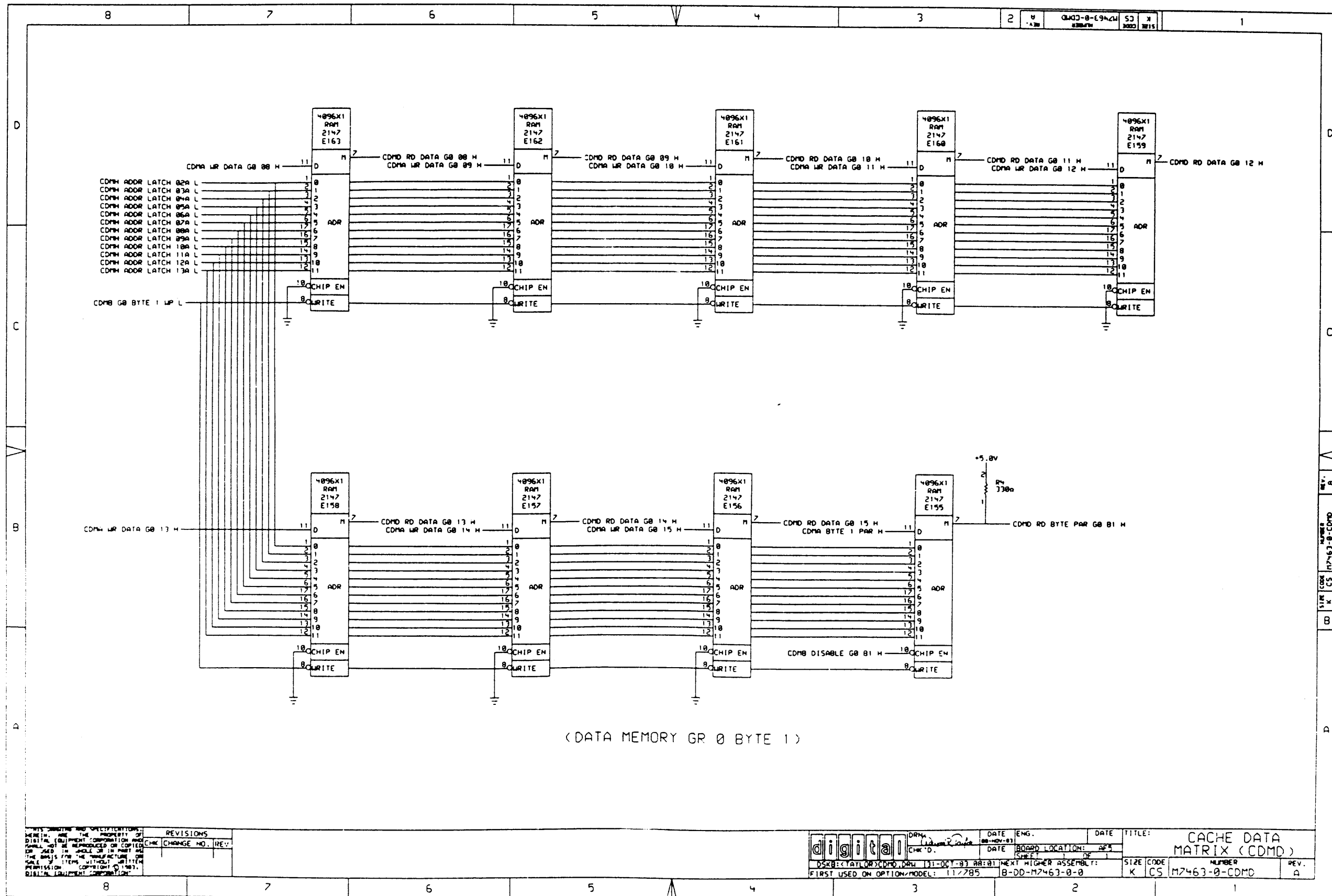




THIS DRAWING AND SPECIFICATIONS HEREIN ARE THE PROPERTY OF DIGITAL EQUIPMENT CORPORATION AND SHALL NOT BE REPRODUCED OR COPIED OR USED IN WHOLE OR IN PART OR THE BASIS FOR THE MANUFACTURE OR SALE OF ITEMS WITHOUT WRITTEN PERMISSION. COPYRIGHT © 1987, DIGITAL EQUIPMENT CORPORATION.

REVISIONS	
CHK	CHANGE NO. REV

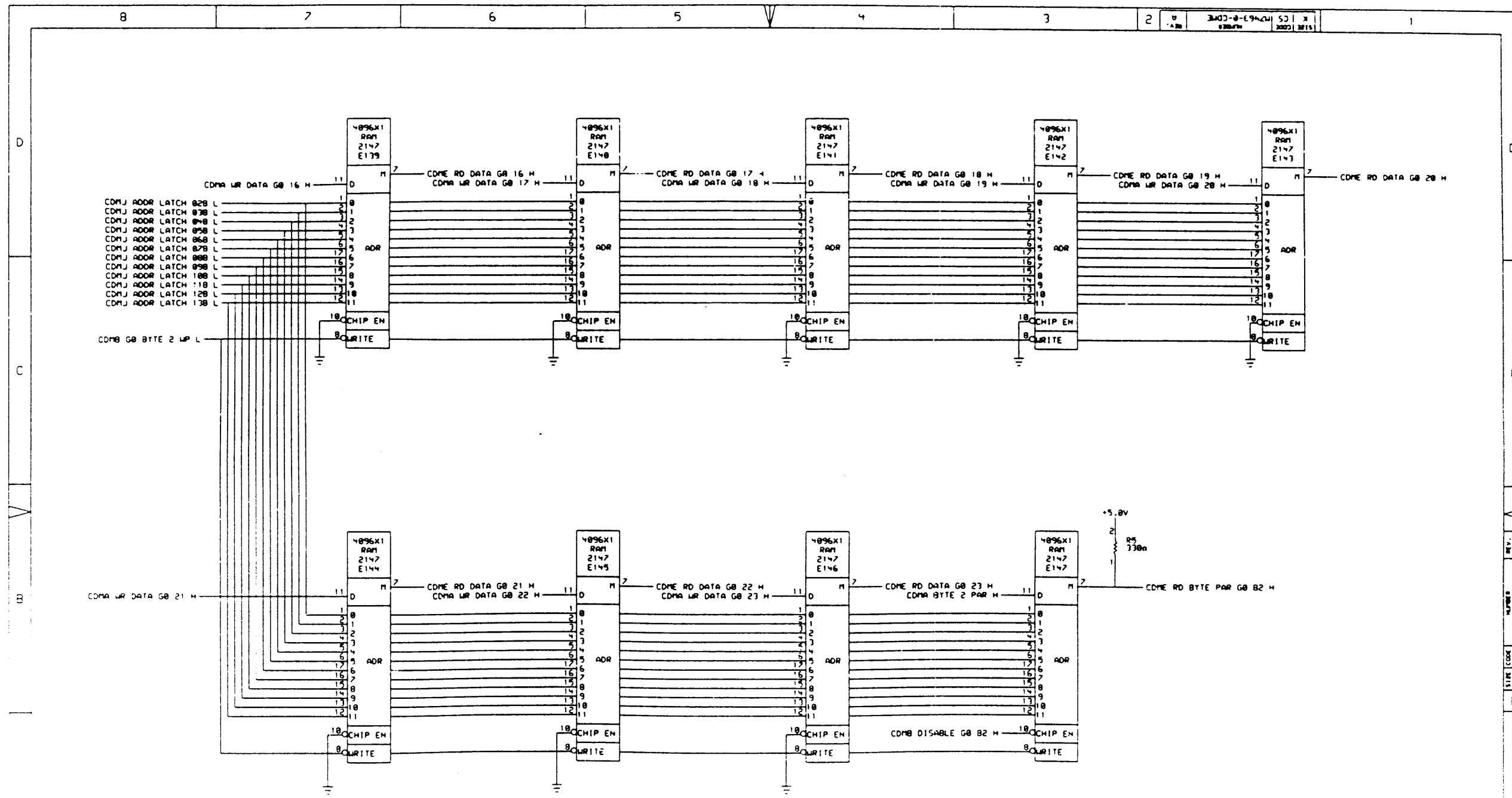
digital	DATE	ENG.	DATE	TITLE:
	08-NOV-87	AF5	AF5	CACHE DATA MATRIX (CDMC)
DATE	BOARD LOCATION:	DATE	SIZE	CODE
11-DEC-87	AF5	11-DEC-87	K	CS
DATE	DATE	DATE	NUMBER	REV.
11-DEC-87	11-DEC-87	11-DEC-87	M2463-0-CDMC	A
FIRST USED ON OPTION/MODEL: 11/285		NEXT HIGHER ASSEMBLY: B-DD-M2463-0-0		



THIS DRAWING AND SPECIFICATIONS ARE THE PROPERTY OF DIGITAL EQUIPMENT CORPORATION AND SHALL NOT BE REPRODUCED OR COPIED OR USED IN WHOLE OR IN PART AS THE BASIS FOR THE MANUFACTURE OR SALE OF ANY ITEMS WITHOUT WRITTEN PERMISSION. COPYRIGHT © 1987. DIGITAL EQUIPMENT CORPORATION.

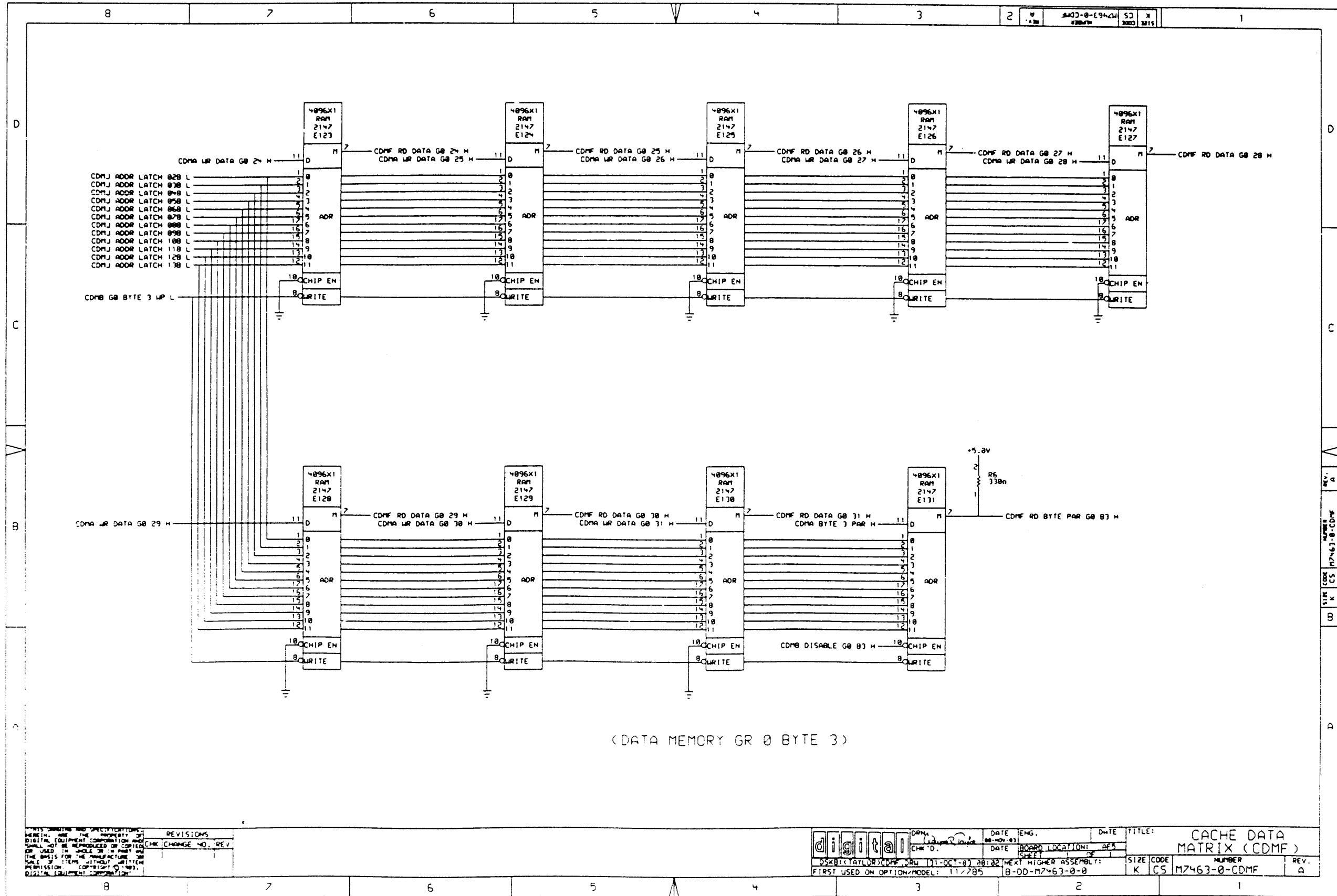
REVISIONS	
CHK	CHANGE NO. REV.

	DATE	ENG.	DATE	TITLE:
	11-01-83			CACHE DATA MATRIX (CDMD)
DSK: C:\ATL\CDMD.DWG	DATE	BOARD LOCATION:	SIZE	CODE
FIRST USED ON OPTION/MODEL: 11/285	11-01-83	AF5	K	CS
			NUMBER	REV.
			M7463-0-CMD	A



(DATA MEMORY GR 0 BYTE 2)

REVISIONS CHK CHANGE NO. REV		DATE ENG. 08-02-93 DATE BOARD LOCATION: A05		TITLE: CACHE DATA MATRIX (CDME)	
DIGITAL DSKB: CATALAN, JAVIER 13-OCT-93 08:02 NEXT HIGHER ASSEMBLY: 11/285		DATE: 08-02-93 BOARD LOCATION: A05		SIZE CODE NUMBER REV. K CS M7463-0-CDME A	



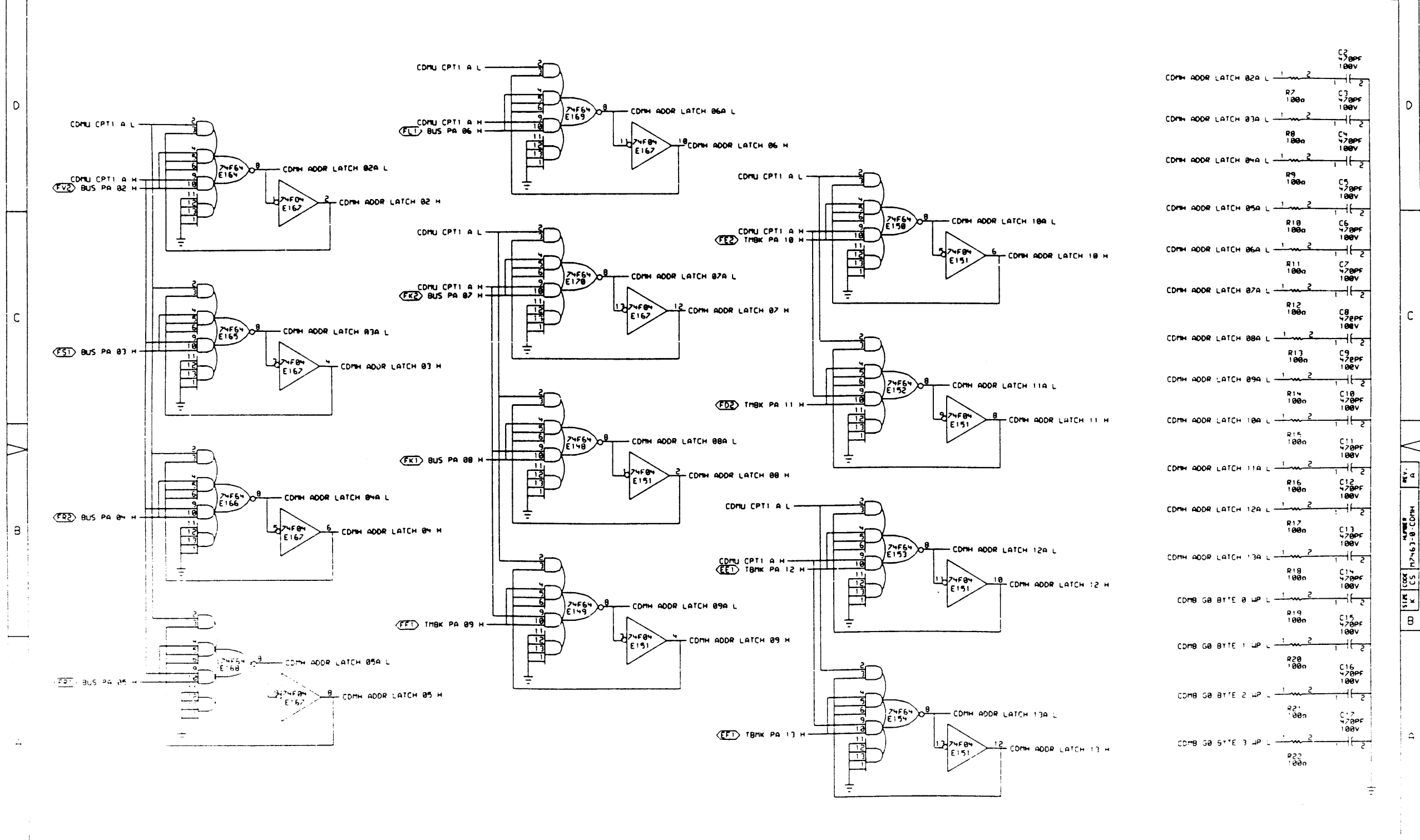
(DATA MEMORY GR 0 BYTE 3)

ALL RIGHTS RESERVED AND ALL INFORMATION HEREIN ARE THE PROPERTY OF DIGITAL EQUIPMENT CORPORATION AND SHALL NOT BE REPRODUCED OR COPIED FOR USE IN WHOLE OR IN PART OR THE BASIS FOR THE MANUFACTURE OR SALE OF ITEMS WITHOUT WRITTEN PERMISSION OF DIGITAL EQUIPMENT CORPORATION.

REVISIONS
CHK CHANGE NO. REV.

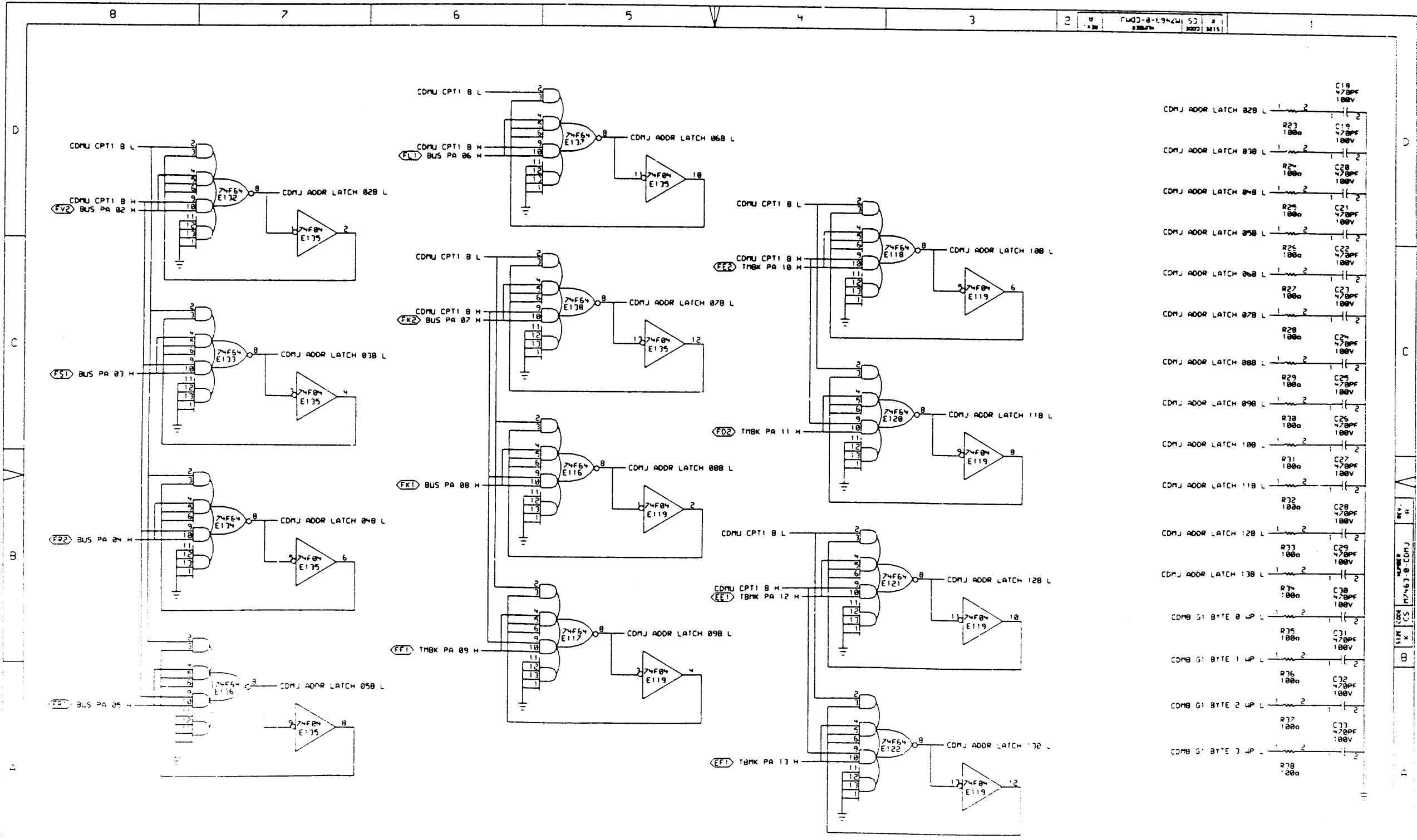
digital	DATE ENG.	DATE	TITLE:
	DATE BOARD LOCATION: AFS	SHEET	CACHE DATA MATRIX (CDMF)
OSX:CTAT(CR)CWF JAW 11-OCT-81 08:02	NEXT HIGHER ASSEMBLY:	SIZE CODE	NUMBER
FIRST USED ON OPTION/MODEL: 11/785	B-DD-M2463-0-0	K CS	M2463-0-CDMF
		REV.	A

REV. A  
M2463-0-CDMF



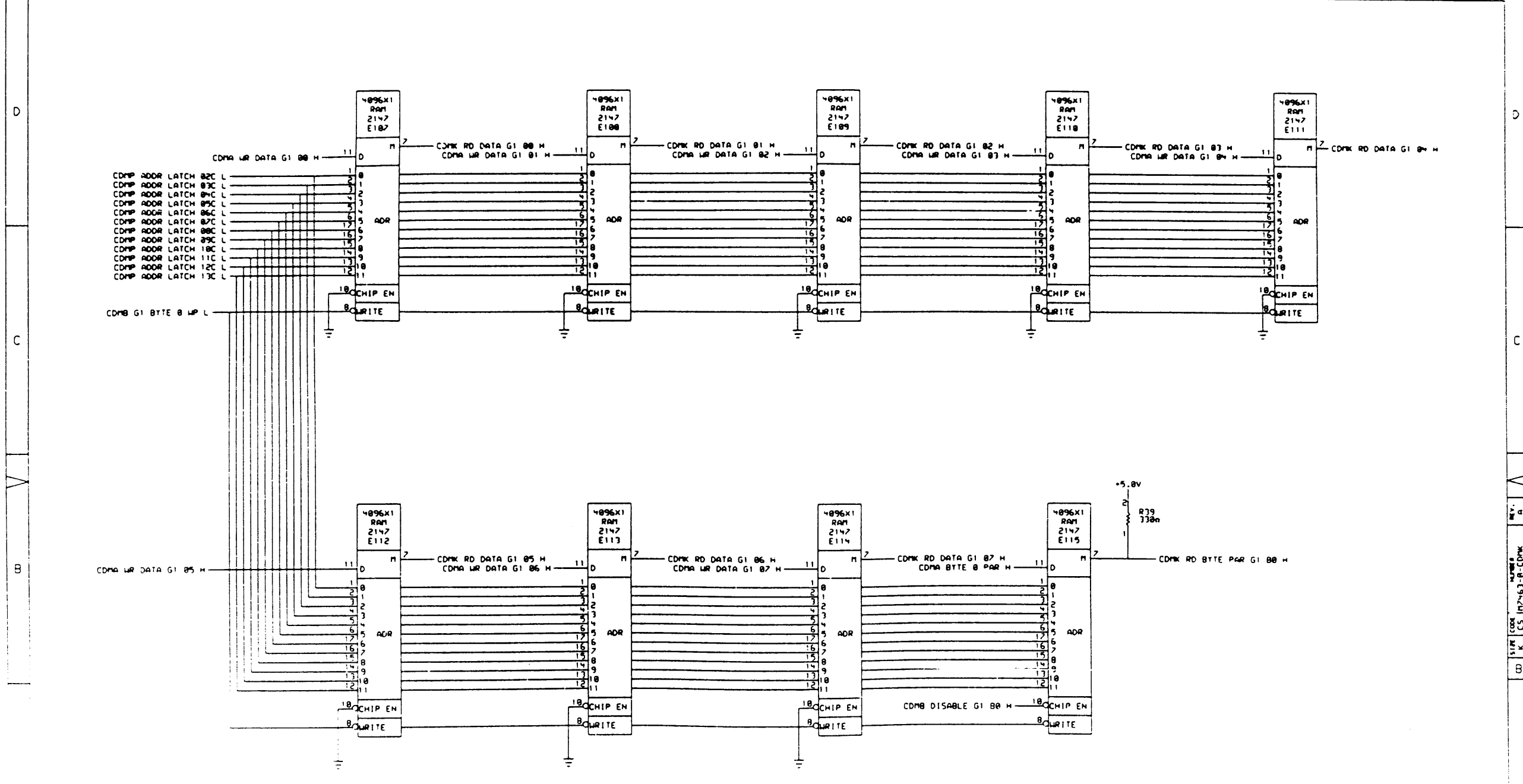
REVISIONS  
 1. ORIGINAL EQUIPMENT CONFIGURATION AND  
 2. CHANGE NO. 01  
 3. CHANGE NO. 02  
 4. CHANGE NO. 03  
 5. CHANGE NO. 04  
 6. CHANGE NO. 05  
 7. CHANGE NO. 06  
 8. CHANGE NO. 07  
 9. CHANGE NO. 08  
 10. CHANGE NO. 09  
 11. CHANGE NO. 10  
 12. CHANGE NO. 11  
 13. CHANGE NO. 12  
 14. CHANGE NO. 13  
 15. CHANGE NO. 14  
 16. CHANGE NO. 15  
 17. CHANGE NO. 16  
 18. CHANGE NO. 17  
 19. CHANGE NO. 18  
 20. CHANGE NO. 19  
 21. CHANGE NO. 20  
 22. CHANGE NO. 21  
 23. CHANGE NO. 22  
 24. CHANGE NO. 23  
 25. CHANGE NO. 24  
 26. CHANGE NO. 25  
 27. CHANGE NO. 26  
 28. CHANGE NO. 27  
 29. CHANGE NO. 28  
 30. CHANGE NO. 29  
 31. CHANGE NO. 30  
 32. CHANGE NO. 31  
 33. CHANGE NO. 32  
 34. CHANGE NO. 33  
 35. CHANGE NO. 34  
 36. CHANGE NO. 35  
 37. CHANGE NO. 36  
 38. CHANGE NO. 37  
 39. CHANGE NO. 38  
 40. CHANGE NO. 39  
 41. CHANGE NO. 40  
 42. CHANGE NO. 41  
 43. CHANGE NO. 42  
 44. CHANGE NO. 43  
 45. CHANGE NO. 44  
 46. CHANGE NO. 45  
 47. CHANGE NO. 46  
 48. CHANGE NO. 47  
 49. CHANGE NO. 48  
 50. CHANGE NO. 49  
 51. CHANGE NO. 50  
 52. CHANGE NO. 51  
 53. CHANGE NO. 52  
 54. CHANGE NO. 53  
 55. CHANGE NO. 54  
 56. CHANGE NO. 55  
 57. CHANGE NO. 56  
 58. CHANGE NO. 57  
 59. CHANGE NO. 58  
 60. CHANGE NO. 59  
 61. CHANGE NO. 60  
 62. CHANGE NO. 61  
 63. CHANGE NO. 62  
 64. CHANGE NO. 63  
 65. CHANGE NO. 64  
 66. CHANGE NO. 65  
 67. CHANGE NO. 66  
 68. CHANGE NO. 67  
 69. CHANGE NO. 68  
 70. CHANGE NO. 69  
 71. CHANGE NO. 70  
 72. CHANGE NO. 71  
 73. CHANGE NO. 72  
 74. CHANGE NO. 73  
 75. CHANGE NO. 74  
 76. CHANGE NO. 75  
 77. CHANGE NO. 76  
 78. CHANGE NO. 77  
 79. CHANGE NO. 78  
 80. CHANGE NO. 79  
 81. CHANGE NO. 80  
 82. CHANGE NO. 81  
 83. CHANGE NO. 82  
 84. CHANGE NO. 83  
 85. CHANGE NO. 84  
 86. CHANGE NO. 85  
 87. CHANGE NO. 86  
 88. CHANGE NO. 87  
 89. CHANGE NO. 88  
 90. CHANGE NO. 89  
 91. CHANGE NO. 90  
 92. CHANGE NO. 91  
 93. CHANGE NO. 92  
 94. CHANGE NO. 93  
 95. CHANGE NO. 94  
 96. CHANGE NO. 95  
 97. CHANGE NO. 96  
 98. CHANGE NO. 97  
 99. CHANGE NO. 98  
 100. CHANGE NO. 99  
 101. CHANGE NO. 100

digital	DATE	ENG.	DATE	TITLE:
	DATE	BOARD LOCATION:	AF5	CACHE DATA MATRIX (CDM)
FIRST USED ON OPTION/MODEL:		117285		18-00-72453-0-0
SIZE CODE:		NUMBER		WE.
K 105 172453-0-COM				A



REVISIONS  
 1. ORIGINAL DESIGN  
 2. CHANGE NO. 1  
 3. CHANGE NO. 2  
 4. CHANGE NO. 3  
 5. CHANGE NO. 4  
 6. CHANGE NO. 5  
 7. CHANGE NO. 6  
 8. CHANGE NO. 7  
 9. CHANGE NO. 8  
 10. CHANGE NO. 9  
 11. CHANGE NO. 10  
 12. CHANGE NO. 11  
 13. CHANGE NO. 12  
 14. CHANGE NO. 13  
 15. CHANGE NO. 14  
 16. CHANGE NO. 15  
 17. CHANGE NO. 16  
 18. CHANGE NO. 17  
 19. CHANGE NO. 18  
 20. CHANGE NO. 19  
 21. CHANGE NO. 20  
 22. CHANGE NO. 21  
 23. CHANGE NO. 22  
 24. CHANGE NO. 23  
 25. CHANGE NO. 24  
 26. CHANGE NO. 25  
 27. CHANGE NO. 26  
 28. CHANGE NO. 27  
 29. CHANGE NO. 28  
 30. CHANGE NO. 29  
 31. CHANGE NO. 30  
 32. CHANGE NO. 31  
 33. CHANGE NO. 32  
 34. CHANGE NO. 33  
 35. CHANGE NO. 34  
 36. CHANGE NO. 35  
 37. CHANGE NO. 36  
 38. CHANGE NO. 37  
 39. CHANGE NO. 38  
 40. CHANGE NO. 39  
 41. CHANGE NO. 40  
 42. CHANGE NO. 41  
 43. CHANGE NO. 42  
 44. CHANGE NO. 43  
 45. CHANGE NO. 44  
 46. CHANGE NO. 45  
 47. CHANGE NO. 46  
 48. CHANGE NO. 47  
 49. CHANGE NO. 48  
 50. CHANGE NO. 49  
 51. CHANGE NO. 50  
 52. CHANGE NO. 51  
 53. CHANGE NO. 52  
 54. CHANGE NO. 53  
 55. CHANGE NO. 54  
 56. CHANGE NO. 55  
 57. CHANGE NO. 56  
 58. CHANGE NO. 57  
 59. CHANGE NO. 58  
 60. CHANGE NO. 59  
 61. CHANGE NO. 60  
 62. CHANGE NO. 61  
 63. CHANGE NO. 62  
 64. CHANGE NO. 63  
 65. CHANGE NO. 64  
 66. CHANGE NO. 65  
 67. CHANGE NO. 66  
 68. CHANGE NO. 67  
 69. CHANGE NO. 68  
 70. CHANGE NO. 69  
 71. CHANGE NO. 70  
 72. CHANGE NO. 71  
 73. CHANGE NO. 72  
 74. CHANGE NO. 73  
 75. CHANGE NO. 74  
 76. CHANGE NO. 75  
 77. CHANGE NO. 76  
 78. CHANGE NO. 77  
 79. CHANGE NO. 78  
 80. CHANGE NO. 79  
 81. CHANGE NO. 80  
 82. CHANGE NO. 81  
 83. CHANGE NO. 82  
 84. CHANGE NO. 83  
 85. CHANGE NO. 84  
 86. CHANGE NO. 85  
 87. CHANGE NO. 86  
 88. CHANGE NO. 87  
 89. CHANGE NO. 88  
 90. CHANGE NO. 89  
 91. CHANGE NO. 90  
 92. CHANGE NO. 91  
 93. CHANGE NO. 92  
 94. CHANGE NO. 93  
 95. CHANGE NO. 94  
 96. CHANGE NO. 95  
 97. CHANGE NO. 96  
 98. CHANGE NO. 97  
 99. CHANGE NO. 98  
 100. CHANGE NO. 99  
 101. CHANGE NO. 100

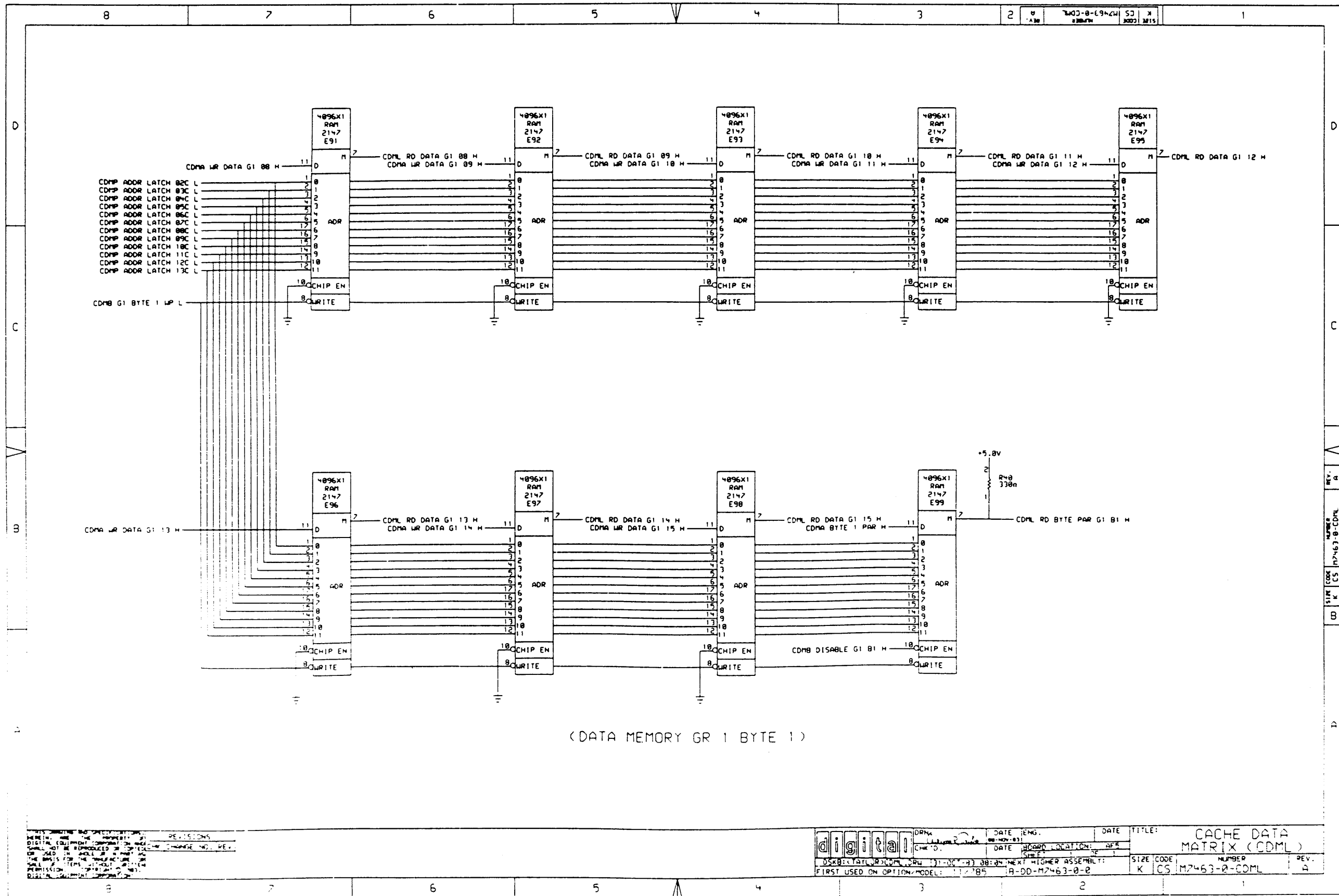
digital		DATE ENG.	DATE	TITLE: CACHE DATA MATRIX (CDMJ)
DATE: 29-SEP-83		DATE: 08-NOV-83	DATE: 08-NOV-83	REV: A
FIRST USED ON OPTION MODEL: 112785		MODEL: 1B-DD-M7463-0-0	SIZE: K	CODE: CS
NUMBER: 17463-0-CDMJ		REV: A		



(DATA MEMORY GR 1 BYTE 0)

REVISIONS  
 DATE ENG. DATE TITLE  
 18-NOV-83  
 DATE BOARD LOCATION: AFA  
 SIZE CODE NUMBER  
 K CS M7463-0-CDMK A

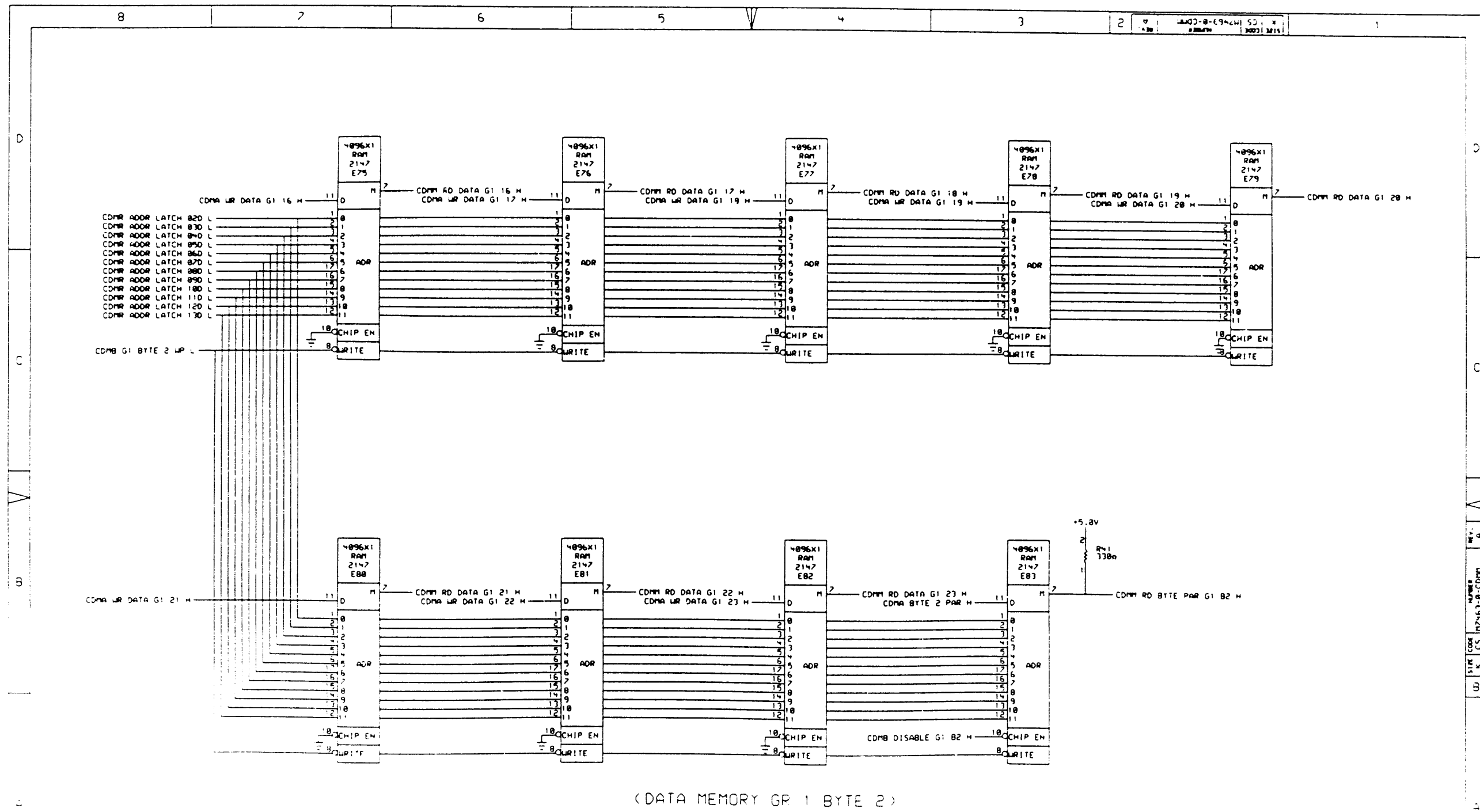
digital  
 DSKBT:YATL:CDMK:CMW:31-001-03:08:33:NEXT HIGHER ASSEMBLY:  
 FIRST USED ON OPTION/MODEL: 17785 18-00-M7463-0-0



PERMISSIONS  
 THIS DRAWING IS UNCLASSIFIED  
 DATE 08-11-01 BY 3108/UC/001  
 ORIGINAL SECURITY CLASSIFICATION: UNCLASSIFIED  
 THIS DRAWING IS UNCLASSIFIED  
 DATE 08-11-01 BY 3108/UC/001  
 ORIGINAL SECURITY CLASSIFICATION: UNCLASSIFIED

digital DRMA  
 DATE ENG. 08-NOV-01  
 DATE 08-NOV-01  
 DATE 08-NOV-01  
 TITLE: CACHE DATA MATRIX (CDML)  
 SIZE CODE NUMBER REV.  
 K CS M7463-0-CDML A  
 US&A: (T) (R) (D) (S) (M) (01-00-03) 88:04 NEXT HIGHER ASSEMBLY:  
 FIRST USED ON OPTION MODEL: 11/785 A-DD-M7463-0-0

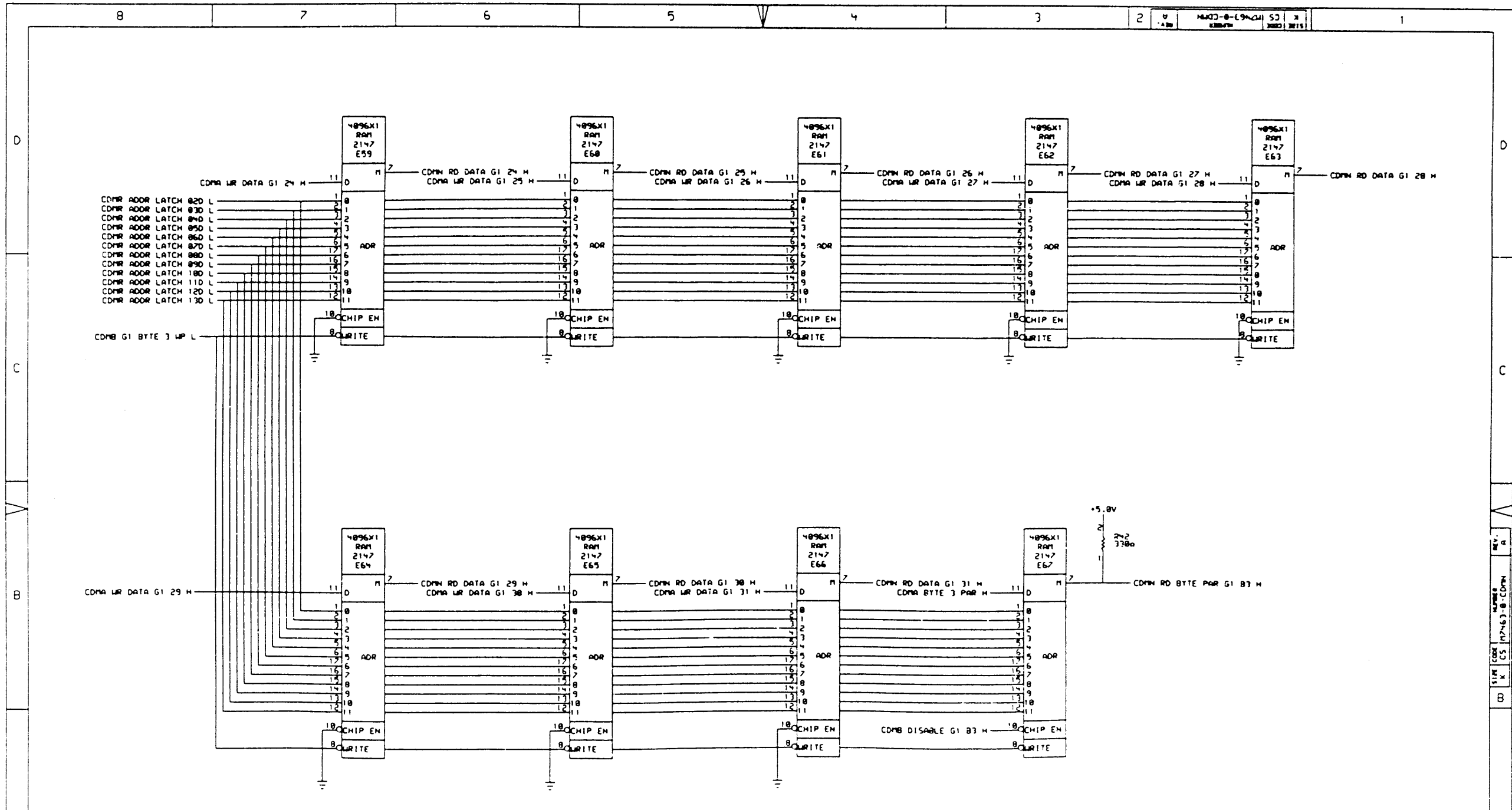




REV. A
NUMBER
CDMM
SIZE
CODE
K CS
CD

REVISIONS  
 1. ORIGINAL EQUIPMENT CONFIGURATION AND  
 2. CHANGE NO. 1  
 3. CHANGE NO. 2  
 4. CHANGE NO. 3  
 5. CHANGE NO. 4  
 6. CHANGE NO. 5  
 7. CHANGE NO. 6  
 8. CHANGE NO. 7  
 9. CHANGE NO. 8  
 10. CHANGE NO. 9  
 11. CHANGE NO. 10  
 12. CHANGE NO. 11  
 13. CHANGE NO. 12  
 14. CHANGE NO. 13  
 15. CHANGE NO. 14  
 16. CHANGE NO. 15  
 17. CHANGE NO. 16  
 18. CHANGE NO. 17  
 19. CHANGE NO. 18  
 20. CHANGE NO. 19  
 21. CHANGE NO. 20

DIGITAL	DATE ENG.	DATE	TITLE:
	DATE	DATE	DATE
SUBJECT: DATA MEMORY GR 1 BYTE 2		DATE	DATE
FIRST USED ON OPTION/MODEL: 18-00-M7463-0-0		DATE	DATE
SIZE	CODE	NUMBER	REV.
K CS		M7463-0-COMM	2



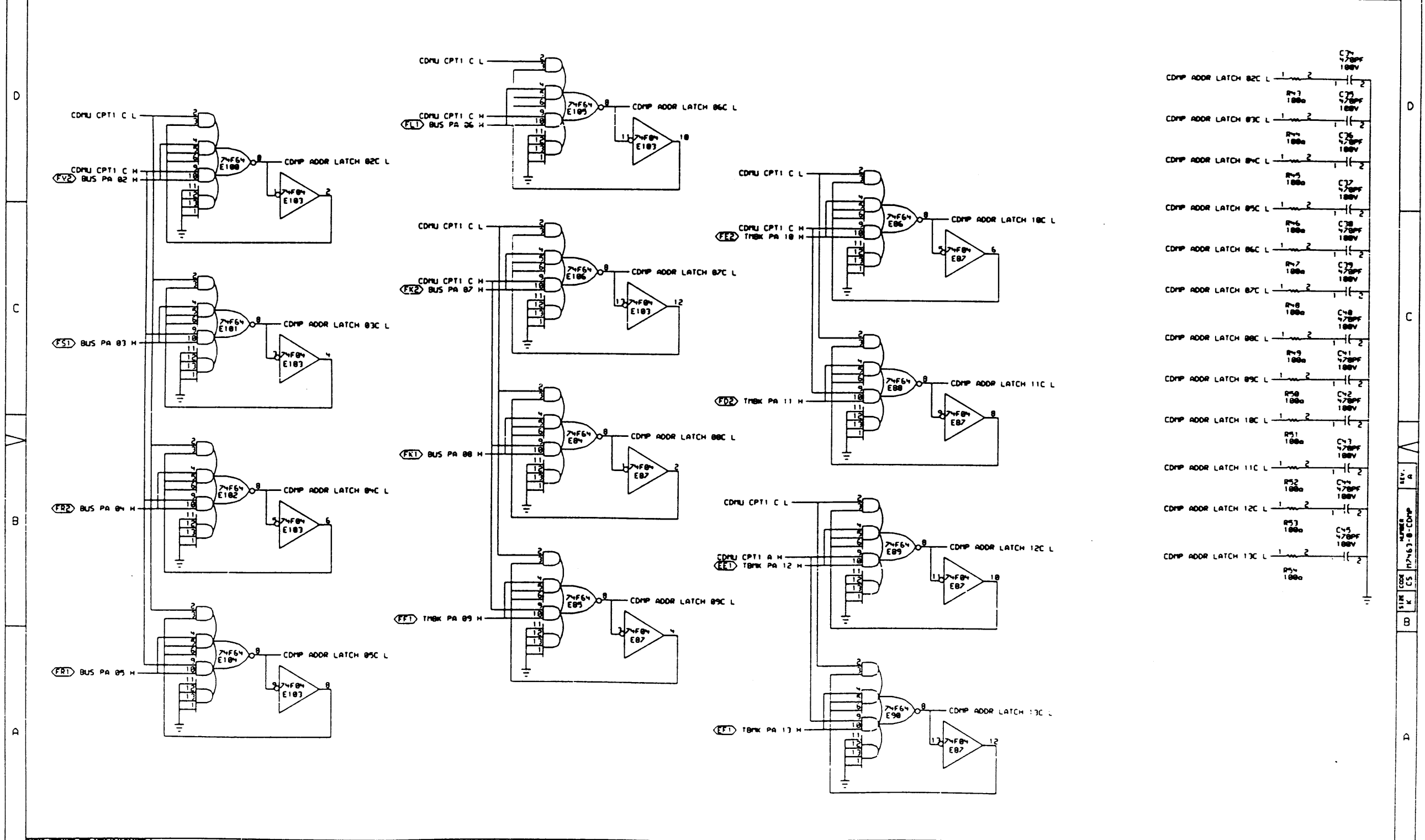
(DATA MEMORY GR 1 BYTE 3)

THIS DRAWING AND SPECIFICATIONS ARE THE PROPERTY OF DIGITAL EQUIPMENT CORPORATION AND SHALL NOT BE REPRODUCED OR COPIED OR USED IN WHOLE OR IN PART AS THE BASIS FOR THE MANUFACTURE OR SALE OF ITEMS WITHOUT WRITTEN PERMISSION. COPYRIGHT © 1985, DIGITAL EQUIPMENT CORPORATION.

REVISIONS	
CHG	CHANGE NO. / REV

	DATE: 08-04-83	ENG.:	DATE:	TITLE: CACHE DATA MATRIX (CDMM)
	DATE: 08-04-83	CHK'D:	DATE: 08-04-83	REV. A
DSKB:CTAYL:CDMM:DPW:131-00-33:08:06: NEXT HIGHER ASSEMBLY: 18-00-M2463-0-0				SIZE CODE: K CS NUMBER: M2463-0-COMN REV. A
FIRST USED ON OPTION/MODEL: 11/785				

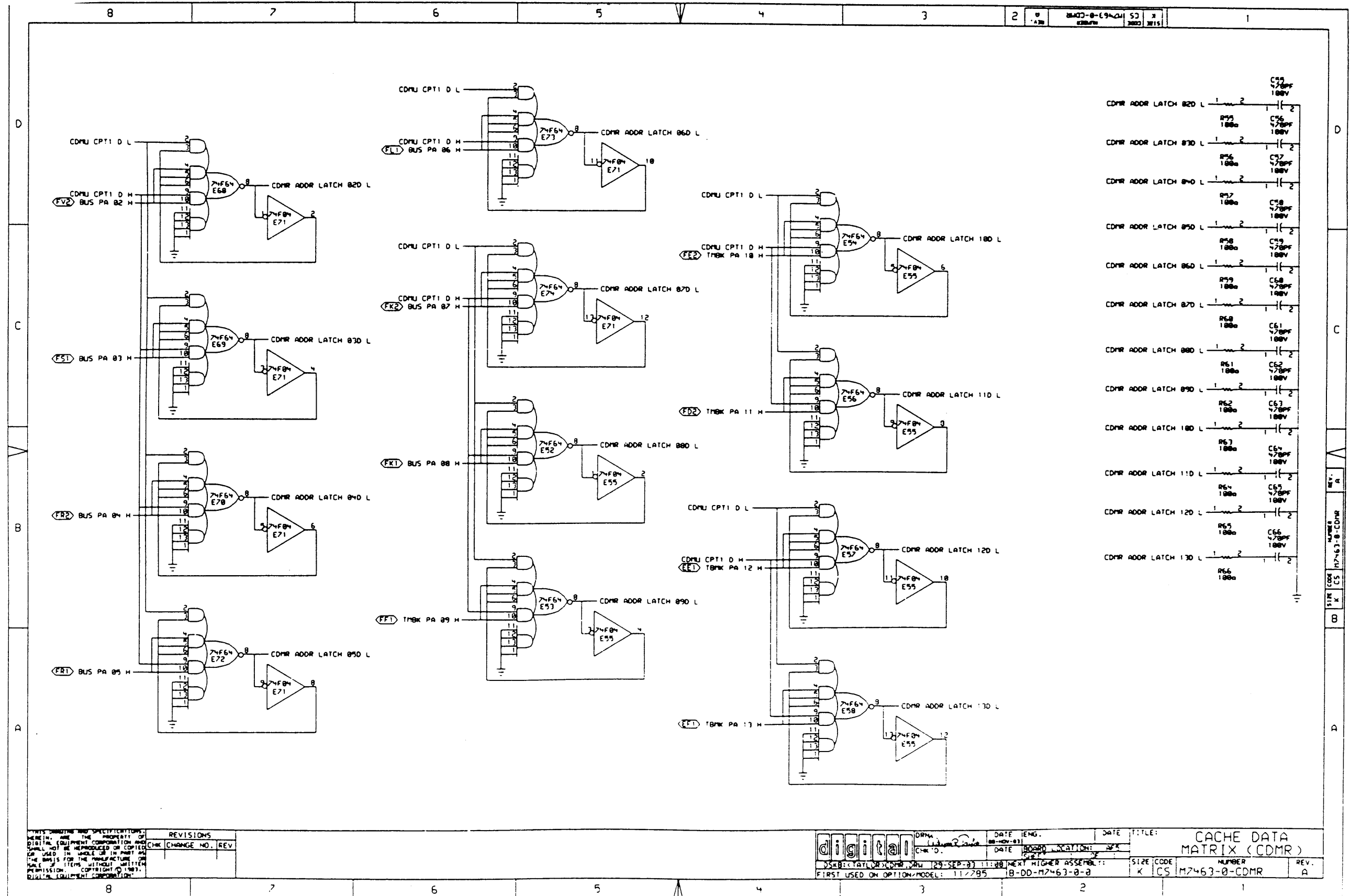
REV. A  
NUMBER M2463-0-COMN  
SIZE CODE K CS



THIS DRAWING AND SPECIFICATIONS ARE THE PROPERTY OF DIGITAL EQUIPMENT CORPORATION AND SHALL NOT BE REPRODUCED OR COPIED OR USED IN WHOLE OR IN PART AS THE BASIS FOR THE MANUFACTURE OF ANY ITEM WITHOUT WRITTEN PERMISSION. COPYRIGHT © 1987, DIGITAL EQUIPMENT CORPORATION.

REVISIONS	CHK	CHANGE NO.	REV

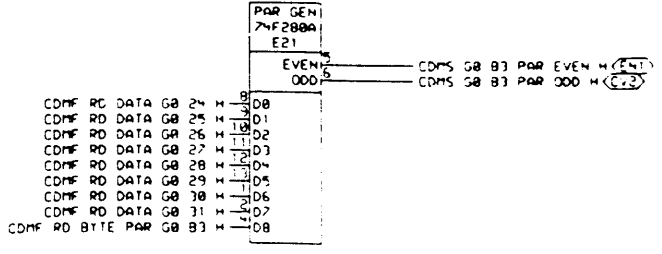
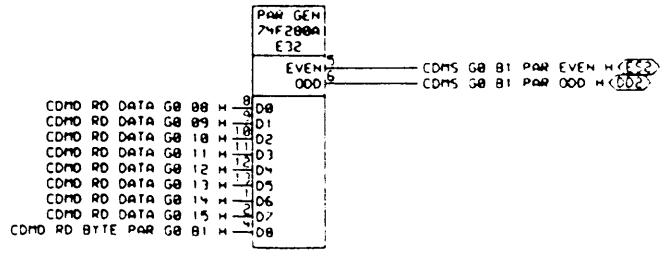
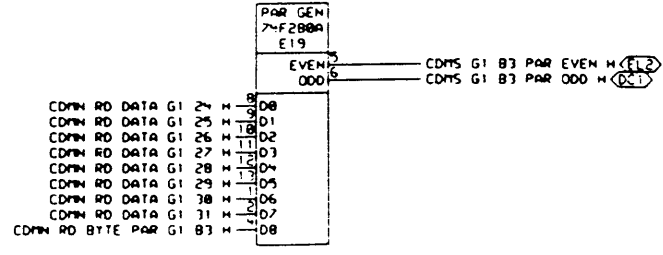
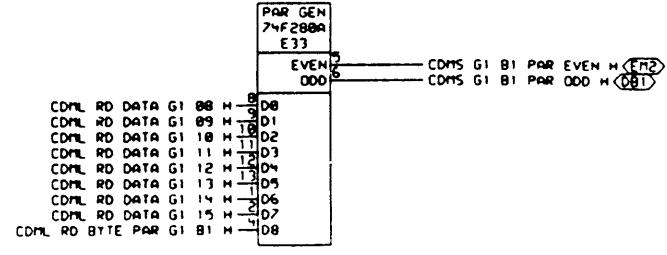
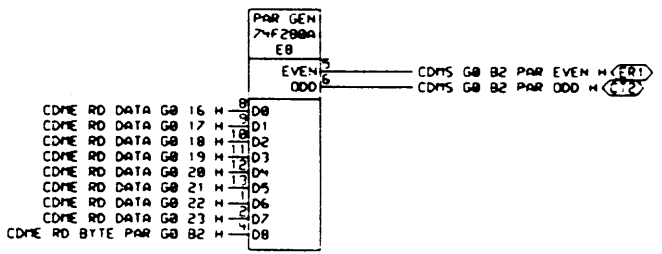
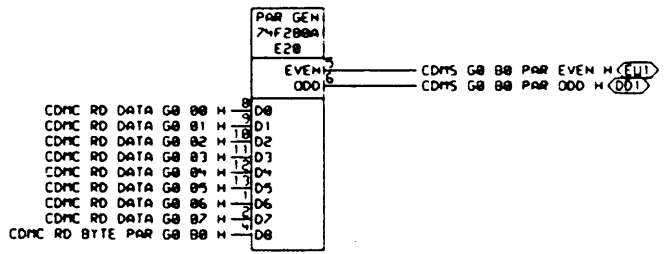
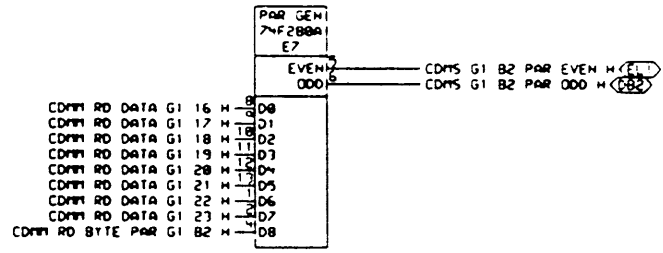
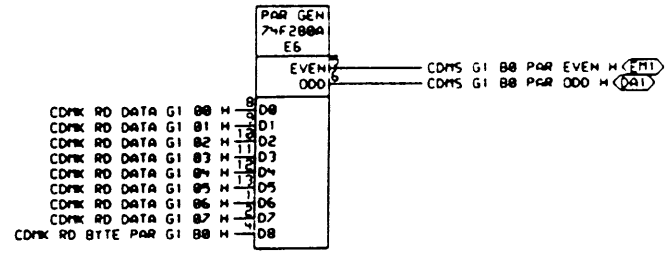
<b>digital</b>	DATE: 29-SEP-87	ENG.:	DATE: 08-NOV-87	TITLE: CACHE DATA MATRIX (CDMP)
DESCRIPTION: CDMP	DATE: 29-SEP-87 11:06	DESIGNER: SCALON: BSA	DATE: 08-NOV-87	SIZE CODE: NUMBER
FIRST USED ON OPTION/MODEL: 11/285	18-DD-M2463-0-0	NEXT HIGHER ASSEMBLY:		K ICS M2463-0-CDMP



UNLESS OTHERWISE SPECIFIED, ALL DIMENSIONS ARE IN MILLIMETERS. THESE ARE THE PROPERTY OF DIGITAL EQUIPMENT CORPORATION AND SHALL NOT BE REPRODUCED OR COPIED FOR USE IN WHOLE OR IN PART ON THE BASIS OF THE MANUFACTURE OR SALE OF ITEMS HEREBY WITHOUT PERMISSION. COPYRIGHT © 1987, DIGITAL EQUIPMENT CORPORATION.

REV	CHG	CHANGE NO.	REV

	DATE ENG.	DATE	TITLE:
	DATE	DATE	CACHE DATA MATRIX (CDMR)
3582 (ATL) CDMR (29-SEP-87) 11:00 FIRST USED ON OPTION MODEL: 11/795	DATE 88-09-01 DATE 88-09-01 NEXT HIGHER ASSEMBLY: 18-00-M7463-0-0	SIZE CODE K CS	NUMBER M7463-0-CDMR
			REV. A



THIS DRAWING AND SPECIFICATIONS HEREIN ARE THE PROPERTY OF DIGITAL EQUIPMENT CORPORATION AND SHALL NOT BE REPRODUCED OR COPIED OR USED IN WHOLE OR IN PART AS THE BASIS FOR THE MANUFACTURE OR SALE OF ITEMS WITHOUT WRITTEN PERMISSION. COPYRIGHT © 1983. DIGITAL EQUIPMENT CORPORATION.

REVISIONS	
CHK	CHANGE NO. / REV

digital

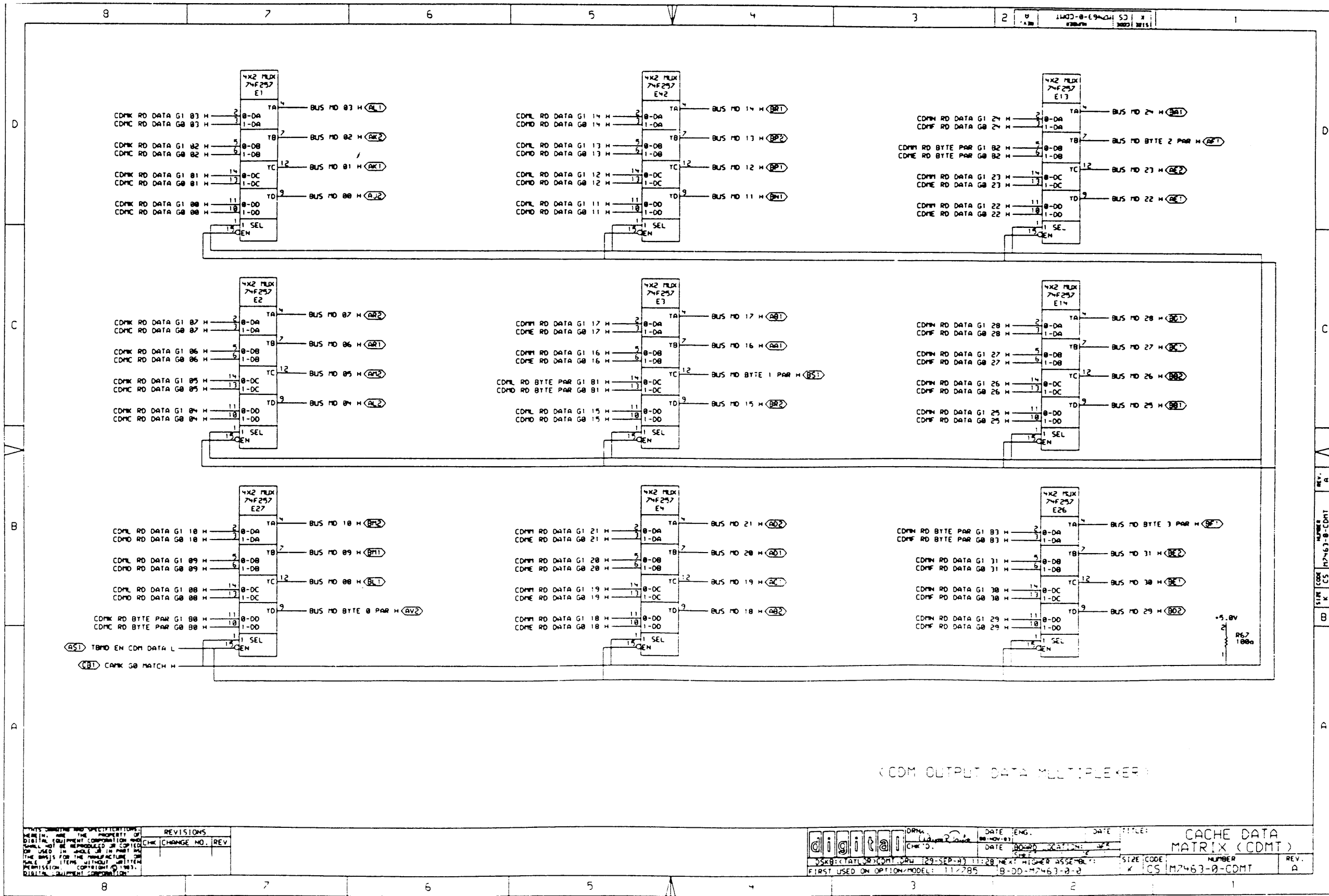
DATE ENG. 08-NOV-81  
DATE BOARD LAYOUT 08-NOV-81

DATE TITLE: CACHE DATA MATRIX (CDMS)

DSK: (CATAL) CDMS DRU 11-001-83 89:04 NEXT HIGHER ASSEMBLY: 11-285  
FIRST USED ON OPTION/MODEL: 11-285 18-00-72453-0-0

SIZE CODE NUMBER REV.  
K CS 17463-0-CDMS 17453-0-CDMS A

REV. A  
NUMBER 17463-0-CDMS  
SIZE CODE K CS

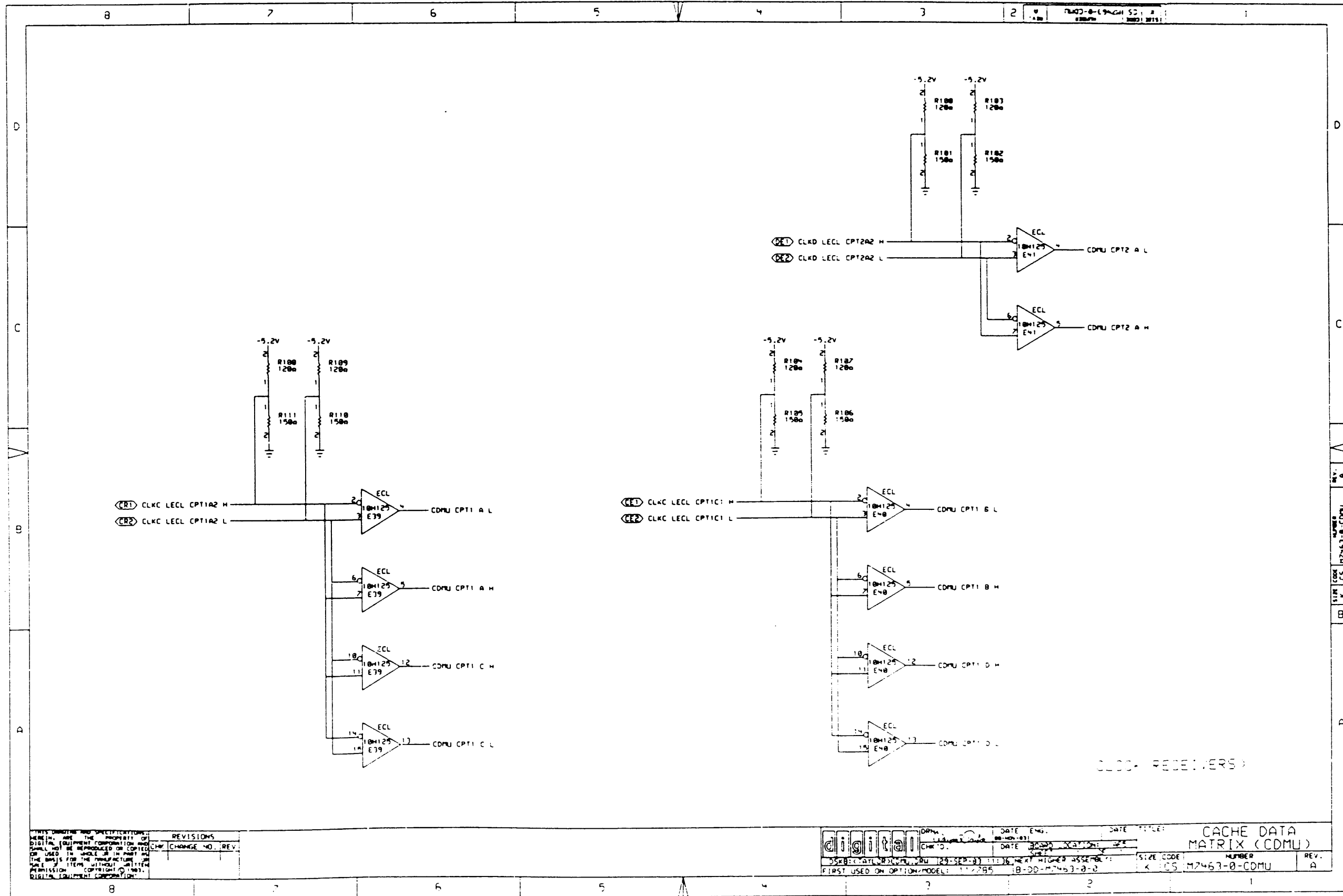


(CDM OUTPUT DATA MULTIPLEXER)

THIS DRAWING AND SPECIFICATIONS ARE THE PROPERTY OF DIGITAL EQUIPMENT CORPORATION AND SHALL NOT BE REPRODUCED OR COPIED IN ANY MANNER OR FOR ANY PURPOSE WITHOUT THE WRITTEN PERMISSION OF DIGITAL EQUIPMENT CORPORATION.

REVISIONS	
CHK	CHANGE NO. REV.

digit@l	DATE	ENG.	DATE	TITLE:	CACHE DATA MATRIX (CDMT)	REV. A
	DATE					



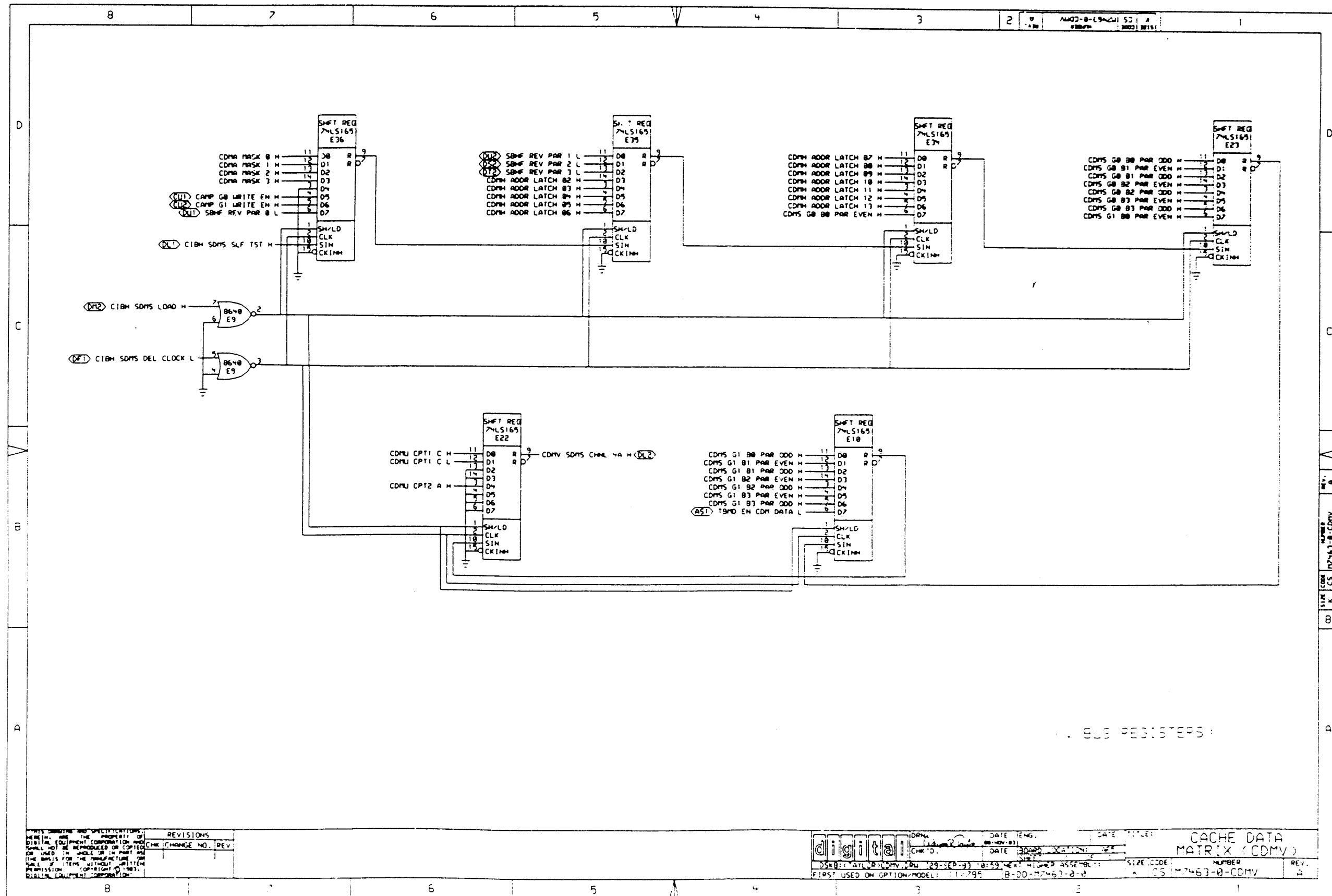
REVISIONS

REV.	CHANGE NO.	REV.

DATE: 12-28-93  
 DATE: 03-23-94  
 DATE: 03-23-94  
 DATE: 03-23-94

**digital** DATA MATRIX (CDMU) **DATE:** 12-28-93  
 TITLE: **CACHE DATA MATRIX (CDMU)**  
 SIZE CODE: **K** NUMBER: **M7463-0-CDMU** REV.: **A**  
 FIRST USED ON OPTION/MODEL: 112795 18-00-M7463-0-0

REV. A  
 NUMBER M7463-0-CDMU  
 CODE K CS



... BUS REGISTERS ...

THIS DRAWING AND SPECIFICATIONS HEREBY CONFIRM THE PROPERTY OF DIGITAL EQUIPMENT CORPORATION AND SHALL NOT BE REPRODUCED OR COPIED OR USED IN WHOLE OR IN PART AS THE BASIS FOR THE MANUFACTURE OR SALE OF ITEMS WITHOUT WRITTEN PERMISSION. COPYRIGHT © 1983. DIGITAL EQUIPMENT CORPORATION.

REVISIONS	
CHK	CHANGE NO. / REV.

**digital** DATA CENTER

DATE: 01-19-83

CHEG: 11-17-82

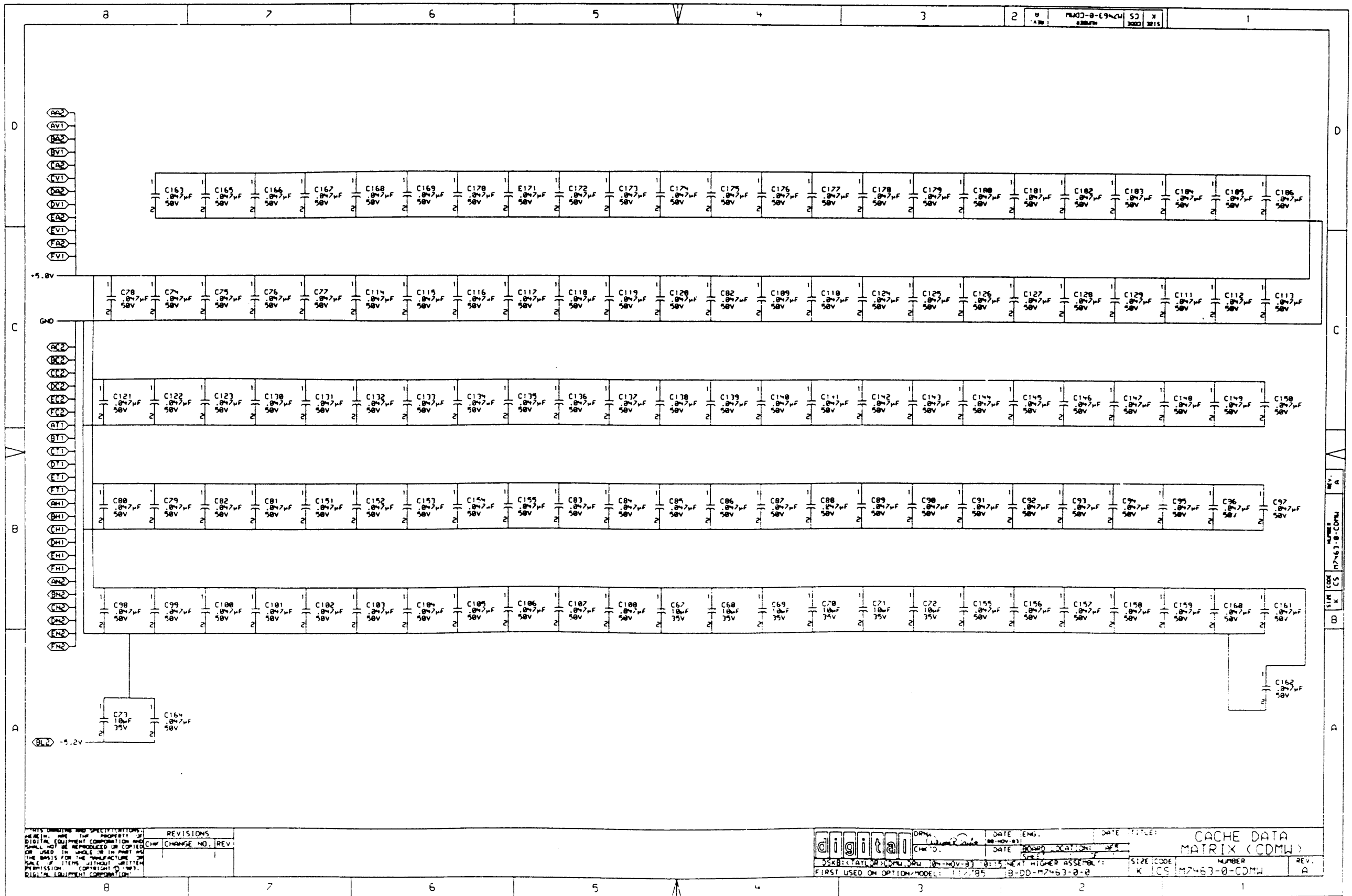
CACHE DATA MATRIX (CDMV)

SIZE: CS

NUMBER: 7463-0-CDMV

REV: A





THIS DRAWING AND SPECIFICATIONS ARE THE PROPERTY OF DIGITAL EQUIPMENT CORPORATION AND SHALL NOT BE REPRODUCED OR COPIED OR USED IN WHOLE OR IN PART OR THE BASIS FOR THE MANUFACTURE OR SALE OF ITEMS WITHOUT WRITTEN PERMISSION. COPYRIGHT © 1981 DIGITAL EQUIPMENT CORPORATION.

REVISIONS	
CHG	CHANGE NO. REV

digital	DATE	ENG.	DATE	TITLE
	11-27-81			CACHE DATA MATRIX (COMW)
	DATE			

SIGNAL NAME	PAGE NUMBER(S)	SIGNAL NAME	PAGE NUMBER(S)	SIGNAL NAME	PAGE NUMBER(S)
BUS MD 00 H	CDMT,A	CDMA BYTE 0 PAR H	CDMA,K,C	CDMA LR DATA G1 10 H	CDMA,L
BUS MD 01 H	CDMT,A	CDMA BYTE 1 PAR H	CDMA,L,D	CDMA LR DATA G1 11 H	CDMA,L
BUS MD 02 H	CDMT,A	CDMA BYTE 2 PAR H	CDMA,M,E	CDMA LR DATA G1 12 H	CDMA,L
BUS MD 03 H	CDMT,A	CDMA BYTE 3 PAR H	CDMA,N,F	CDMA LR DATA G1 13 H	CDMA,L
BUS MD 04 H	CDMT,A	CDMA MASK 0 H	CDMA,V,B	CDMA LR DATA G1 14 H	CDMA,L
BUS MD 05 H	CDMT,A	CDMA MASK 1 H	CDMA,V,B	CDMA LR DATA G1 15 H	CDMA,L
BUS MD 06 H	CDMT,A	CDMA MASK 2 H	CDMA,V,B	CDMA LR DATA G1 16 H	CDMA,M
BUS MD 07 H	CDMT,A	CDMA MASK 3 H	CDMA,V,B	CDMA LR DATA G1 17 H	CDMA,M
BUS MD 08 H	CDMT,A	CDMA LR DATA G0 00 H	CDMA,C	CDMA LR DATA G1 18 H	CDMA,M
BUS MD 09 H	CDMT,A	CDMA LR DATA G0 01 H	CDMA,C	CDMA LR DATA G1 19 H	CDMA,M
BUS MD 10 H	CDMT,A	CDMA LR DATA G0 02 H	CDMA,C	CDMA LR DATA G1 20 H	CDMA,M
BUS MD 11 H	CDMA,T	CDMA LR DATA G0 03 H	CDMA,C	CDMA LR DATA G1 21 H	CDMA,M
BUS MD 12 H	CDMA,T	CDMA LR DATA G0 04 H	CDMA,C	CDMA LR DATA G1 22 H	CDMA,M
BUS MD 13 H	CDMA,T	CDMA LR DATA G0 05 H	CDMA,C	CDMA LR DATA G1 23 H	CDMA,M
BUS MD 14 H	CDMA,T	CDMA LR DATA G0 06 H	CDMA,C	CDMA LR DATA G1 24 H	CDMA,M
BUS MD 15 H	CDMT,A	CDMA LR DATA G0 07 H	CDMA,C	CDMA LR DATA G1 25 H	CDMA,M
BUS MD 16 H	CDMT,A	CDMA LR DATA G0 08 H	CDMA,D	CDMA LR DATA G1 26 H	CDMA,M
BUS MD 17 H	CDMT,A	CDMA LR DATA G0 09 H	CDMA,D	CDMA LR DATA G1 27 H	CDMA,M
BUS MD 18 H	CDMT,A	CDMA LR DATA G0 10 H	CDMA,D	CDMA LR DATA G1 28 H	CDMA,M
BUS MD 19 H	CDMT,A	CDMA LR DATA G0 11 H	CDMA,D	CDMA LR DATA G1 29 H	CDMA,M
BUS MD 20 H	CDMT,A	CDMA LR DATA G0 12 H	CDMA,D	CDMA LR DATA G1 30 H	CDMA,M
BUS MD 21 H	CDMT,A	CDMA LR DATA G0 13 H	CDMA,D	CDMA LR DATA G1 31 H	CDMA,M
BUS MD 22 H	CDMT,A	CDMA LR DATA G0 14 H	CDMA,D	CDMB +3V H	CDMB
BUS MD 23 H	CDMT,A	CDMA LR DATA G0 15 H	CDMA,D	CDMB DISABLE G0 00 H	CDMB,C
BUS MD 24 H	CDMT,A	CDMA LR DATA G0 16 H	CDMA,E	CDMB DISABLE G0 01 H	CDMB,D
BUS MD 25 H	CDMT,A	CDMA LR DATA G0 17 H	CDMA,E	CDMB DISABLE G0 02 H	CDMB,E
BUS MD 26 H	CDMT,A	CDMA LR DATA G0 18 H	CDMA,E	CDMB DISABLE G0 03 H	CDMB,F
BUS MD 27 H	CDMT,A	CDMA LR DATA G0 19 H	CDMA,E	CDMB DISABLE G1 00 H	CDMB,K
BUS MD 28 H	CDMT,A	CDMA LR DATA G0 20 H	CDMA,E	CDMB DISABLE G1 01 H	CDMB,L
BUS MD 29 H	CDMA,T	CDMA LR DATA G0 21 H	CDMA,E	CDMB DISABLE G1 02 H	CDMB,M
BUS MD 30 H	CDMA,T	CDMA LR DATA G0 22 H	CDMA,E	CDMB DISABLE G1 03 H	CDMB,N
BUS MD 31 H	CDMA,T	CDMA LR DATA G0 23 H	CDMA,E	CDMB G0 BYTE 0 WP L	CDMB,C,H
BUS MD BYTE 0 MASK H	CDMA	CDMA LR DATA G0 24 H	CDMA,F	CDMB G0 BYTE 1 WP L	CDMB,D,H
BUS MD BYTE 0 PAR H	CDMA,T	CDMA LR DATA G0 25 H	CDMA,F	CDMB G0 BYTE 2 WP L	CDMB,E,H
BUS MD BYTE 1 MASK H	CDMA	CDMA LR DATA G0 26 H	CDMA,F	CDMB G0 BYTE 3 WP L	CDMB,F,H
BUS MD BYTE 1 PAR H	CDMT,A	CDMA LR DATA G0 27 H	CDMA,F	CDMB G1 BYTE 0 WP L	CDMB,K,J
BUS MD BYTE 2 MASK H	CDMA	CDMA LR DATA G0 28 H	CDMA,F	CDMB G1 BYTE 1 WP L	CDMB,L,J
BUS MD BYTE 2 PAR H	CDMT,A	CDMA LR DATA G0 29 H	CDMA,F	CDMB G1 BYTE 2 WP L	CDMB,M,J
BUS MD BYTE 3 MASK H	CDMA	CDMA LR DATA G0 30 H	CDMA,F	CDMB G1 BYTE 3 WP L	CDMB,N,J
BUS MD BYTE 3 PAR H	CDMA,T	CDMA LR DATA G0 31 H	CDMA,F	CDMC RD BYTE PAR G0 00 H	CDMS,T,C
BUS PA 02 H	CDMR,P,J,H	CDMA LR DATA G1 00 H	CDMA,K	CDMC RD DATA G0 00 H	CDMT,S,C
BUS PA 03 H	CDMR,P,J,H	CDMA LR DATA G1 01 H	CDMA,K	CDMC RD DATA G0 01 H	CDMT,S,C
BUS PA 04 H	CDMR,P,J,H	CDMA LR DATA G1 02 H	CDMA,K	CDMC RD DATA G0 02 H	CDMT,S,C
BUS PA 05 H	CDMR,P,J,H	CDMA LR DATA G1 03 H	CDMA,K	CDMC RD DATA G0 03 H	CDMT,S,C
BUS PA 06 H	CDMR,P,J,H	CDMA LR DATA G1 04 H	CDMA,K	CDMC RD DATA G0 04 H	CDMT,S,C
BUS PA 07 H	CDMR,P,J,H	CDMA LR DATA G1 05 H	CDMA,K	CDMC RD DATA G0 05 H	CDMT,S,C
BUS PA 08 H	CDMR,P,J,H	CDMA LR DATA G1 06 H	CDMA,K	CDMC RD DATA G0 06 H	CDMT,S,C
CAMP G0 MATCH H	CDMT	CDMA LR DATA G1 07 H	CDMA,K	CDMC RD DATA G0 07 H	CDMT,S,C
CAMP G0 WRITE EN H	CDMV,B	CDMA LR DATA G1 08 H	CDMA,L	CDMC RD BYTE PAR G0 01 H	CDMT,S,D
CAMP G1 WRITE EN H	CDMV,B	CDMA LR DATA G1 09 H	CDMA,L	CDMC RD DATA G0 08 H	CDMT,S,D

NOTES:  
1. THIS PAGE LISTS THE SCHEMATIC PAGE NUMBER(S) WHERE A SIGNAL NAME IS REFERENCED.

REVISIONS  
CHG CHANGE NO. REV

digital DATA  
DATE ENG. DATE FILE: CACHE DATA MATRIX (CDMX)  
K CS M2463-A-CDMX  
FIRST USED ON OPTION/MODEL: 112795 18-00-M2463-A-0

SIGNAL NAME PAGE NUMBER(S)

CDMD RD DATA G0 09 H	CDMT,S,D
CDMD RD DATA G0 10 H	CDMT,S,D
CDMD RD DATA G0 11 H	CDMS,T,D
CDMD RD DATA G0 12 H	CDMS,T,D
CDMD RD DATA G0 13 H	CDMS,T,D
CDMD RD DATA G0 14 H	CDMS,T,D
CDMD RD DATA G0 15 H	CDMT,S,D
CDME RD BYTE PAR G0 B2 H	CDMS,T,E
CDME RD DATA G0 16 H	CDMT,S,E
CDME RD DATA G0 17 H	CDMT,S,E
CDME RD DATA G0 18 H	CDMT,S,E
CDME RD DATA G0 19 H	CDMT,S,E
CDME RD DATA G0 20 H	CDMT,S,E
CDME RD DATA G0 21 H	CDMT,S,E
CDME RD DATA G0 22 H	CDMS,T,E
CDME RD DATA G0 23 H	CDMS,T,E
CDMF RD BYTE PAR G0 B3 H	CDMS,T,F
CDMF RD DATA G0 24 H	CDMT,S,F
CDMF RD DATA G0 25 H	CDMT,S,F
CDMF RD DATA G0 26 H	CDMT,S,F
CDMF RD DATA G0 27 H	CDMT,S,F
CDMF RD DATA G0 28 H	CDMT,S,F
CDMF RD DATA G0 29 H	CDMS,T,F
CDMF RD DATA G0 30 H	CDMS,T,F
CDMF RD DATA G0 31 H	CDMS,T,F
CDMH ADDR LATCH 02 H	CDMV,H
CDMH ADDR LATCH 02A L	CDMD,H,C
CDMH ADDR LATCH 03 H	CDMV,H
CDMH ADDR LATCH 03A L	CDMD,H,C
CDMH ADDR LATCH 04 H	CDMV,H
CDMH ADDR LATCH 04A L	CDMD,H,C
CDMH ADDR LATCH 05 H	CDMV,H
CDMH ADDR LATCH 05A L	CDMD,H,C
CDMH ADDR LATCH 06 H	CDMV,H
CDMH ADDR LATCH 06A L	CDMD,H,C
CDMH ADDR LATCH 07 H	CDMV,H
CDMH ADDR LATCH 07A L	CDMD,H,C
CDMH ADDR LATCH 08 H	CDMV,H
CDMH ADDR LATCH 08A L	CDMD,H,C
CDMH ADDR LATCH 09 H	CDMV,H
CDMH ADDR LATCH 09A L	CDMD,H,C
CDMH ADDR LATCH 10 H	CDMV,H
CDMH ADDR LATCH 10A L	CDMD,H,C
CDMH ADDR LATCH 11 H	CDMV,H
CDMH ADDR LATCH 11A L	CDMD,H,C
CDMH ADDR LATCH 12 H	CDMV,H
CDMH ADDR LATCH 12A L	CDMD,H,C
CDMH ADDR LATCH 13 H	CDMV,H
CDMH ADDR LATCH 13A L	CDMD,H,C
CDMJ ADDR LATCH 02B L	CDMF,J,E

SIGNAL NAME PAGE NUMBER(S)

CDMJ ADDR LATCH 03B L	CDMF,J,E
CDMJ ADDR LATCH 04B L	CDMF,J,E
CDMJ ADDR LATCH 05B L	CDMF,J,E
CDMJ ADDR LATCH 06B L	CDMF,J,E
CDMJ ADDR LATCH 07B L	CDMF,J,E
CDMJ ADDR LATCH 08B L	CDMJ,F,E
CDMJ ADDR LATCH 09B L	CDMJ,F,E
CDMJ ADDR LATCH 10B L	CDMJ,F,E
CDMJ ADDR LATCH 11B L	CDMJ,F,E
CDMJ ADDR LATCH 12B L	CDMJ,F,E
CDMJ ADDR LATCH 13B L	CDMJ,F,E
CDMK RD BYTE PAR G1 B0 H	CDMS,T,K
CDMK RD DATA G1 00 H	CDMT,S,K
CDMK RD DATA G1 01 H	CDMT,S,K
CDMK RD DATA G1 02 H	CDMT,S,K
CDMK RD DATA G1 03 H	CDMT,S,K
CDMK RD DATA G1 04 H	CDMT,S,K
CDMK RD DATA G1 05 H	CDMT,S,K
CDMK RD DATA G1 06 H	CDMT,S,K
CDMK RD DATA G1 07 H	CDMT,S,K
CDML RD BYTE PAR G1 B1 H	CDMT,S,L
CDML RD DATA G1 00 H	CDMT,S,L
CDML RD DATA G1 09 H	CDMT,S,L
CDML RD DATA G1 10 H	CDMT,S,L
CDML RD DATA G1 11 H	CDMS,T,L
CDML RD DATA G1 12 H	CDMS,T,L
CDML RD DATA G1 13 H	CDMS,T,L
CDML RD DATA G1 14 H	CDMS,T,L
CDML RD DATA G1 15 H	CDMT,S,L
CDML RD BYTE PAR G1 B2 H	CDMS,T,M
CDMN RD DATA G1 16 H	CDMT,S,M
CDMN RD DATA G1 17 H	CDMT,S,M
CDMN RD DATA G1 18 H	CDMT,S,M
CDMN RD DATA G1 19 H	CDMT,S,M
CDMN RD DATA G1 20 H	CDMT,S,M
CDMN RD DATA G1 21 H	CDMT,S,M
CDMN RD DATA G1 22 H	CDMS,T,M
CDMN RD DATA G1 23 H	CDMS,T,M
CDMN RD BYTE PAR G1 B3 H	CDMS,T,N
CDMN RD DATA G1 24 H	CDMT,S,N
CDMN RD DATA G1 25 H	CDMT,S,N
CDMN RD DATA G1 26 H	CDMT,S,N
CDMN RD DATA G1 27 H	CDMT,S,N
CDMN RD DATA G1 28 H	CDMS,T,N
CDMN RD DATA G1 29 H	CDMS,T,N
CDMN RD DATA G1 30 H	CDMS,T,N
CDMN RD DATA G1 31 H	CDMS,T,N
CDMP ADDR LATCH 02C L	CDML,P,K
CDMP ADDR LATCH 03C L	CDML,P,K
CDMP ADDR LATCH 04C L	CDML,P,K

SIGNAL NAME PAGE NUMBER(S)

CDMP ADDR LATCH 05C L	CDML,P,K
CDMP ADDR LATCH 06C L	CDML,P,K
CDMP ADDR LATCH 07C L	CDML,P,K
CDMP ADDR LATCH 08C L	CDMP,L,K
CDMP ADDR LATCH 09C L	CDMP,L,K
CDMP ADDR LATCH 10C L	CDMP,L,K
CDMP ADDR LATCH 11C L	CDMP,L,K
CDMP ADDR LATCH 12C L	CDMP,L,K
CDMP ADDR LATCH 13C L	CDMP,L,K
CDMP ADDR LATCH 02D L	CDMP,R,M
CDMP ADDR LATCH 04D L	CDMP,R,M
CDMP ADDR LATCH 05D L	CDMP,R,M
CDMP ADDR LATCH 06D L	CDMP,R,M
CDMP ADDR LATCH 07D L	CDMP,R,M
CDMP ADDR LATCH 08D L	CDMP,R,M
CDMP ADDR LATCH 09D L	CDMP,R,M
CDMP ADDR LATCH 10D L	CDMP,R,M
CDMP ADDR LATCH 11D L	CDMP,R,M
CDMP ADDR LATCH 12D L	CDMP,R,M
CDMS G0 B0 PAR EVEN H	CDMS,V
CDMS G0 B0 PAR ODD H	CDMS,V
CDMS G0 B1 PAR EVEN H	CDMS,V
CDMS G0 B1 PAR ODD H	CDMS,V
CDMS G0 B2 PAR EVEN H	CDMS,V
CDMS G0 B2 PAR ODD H	CDMS,V
CDMS G0 B3 PAR EVEN H	CDMS,V
CDMS G0 B3 PAR ODD H	CDMS,V
CDMS G1 B0 PAR ODD H	CDMS,V
CDMS G1 B1 PAR EVEN H	CDMS,V
CDMS G1 B1 PAR ODD H	CDMS,V
CDMS G1 B2 PAR EVEN H	CDMS,V
CDMS G1 B2 PAR ODD H	CDMS,V
CDMS G1 B3 PAR EVEN H	CDMS,V
CDMS G1 B3 PAR ODD H	CDMS,V
CDMU CPT1 A H	CDMU,P,H
CDMU CPT1 A L	CDMU,H
CDMU CPT1 B H	CDMU,J
CDMU CPT1 B L	CDMU,J
CDMU CPT1 C H	CDMV,U,P
CDMU CPT1 C L	CDMV,U,P
CDMU CPT1 D H	CDMU,R
CDMU CPT1 D L	CDMU,R
CDMU CPT2 A H	CDMV,U,U
CDMU CPT2 A L	CDMU
CDMV SOMS CHNL 4A H	CDMV
CDMV SOMS DEL CLOCK L	CDMV
CDMV SOMS LOAD H	CDMV

NOTES:  
1. THIS PAGE LISTS THE SCHEMATIC PAGE NUMBER(S) WHERE A SIGNAL NAME IS REFERENCED.

REVISIONS	DATE	BY	REV

digital  
DATE ENG. 11/2/85  
DATE DESIGNED 11/2/85  
DATE CHECKED 11/2/85  
DATE APPROVED 11/2/85  
DATE REVISION 11/2/85  
DATE NEXT HIGHER ASSEMBLY 11/2/85  
DATE FIRST USED ON OPTION/MODEL: 11/2/85 18-00-17463-0-0

SIZE CODE NUMBER REV.  
K CS 17463-0-CDMY A

SIGNAL NAME PAGE NUMBER(S)

CIBM SDMS SLF TST M	CDMV
CLKC LECL CPT1A2 M	CDMU
CLKC LECL CPT1A2 L	CDMU
CLKC LECL CPT1C1 M	CDMU
CLKC LECL CPT1C1 L	CDMU
CLKD LECL CPT2A2 M	CDMU
CLKD LECL CPT2A2 L	CDMU
SBHF REV PAR 0 L	CDMV.B
SBHF REV PAR 1 L	CDMV.B
SBHF REV PAR 2 L	CDMV.B
SBHF REV PAR 3 L	CDMV.B
TSHD EM CDM DATA L	CDMT.V
TBRK PA 12 M	CDMR.P.J.M
TBRK PA 13 M	CDMR.P.J.M
TBRK PA 09 M	CDMR.P.J.M
TBRK PA 10 M	CDMR.P.J.M
TBRK PA 11 M	CDMR.P.J.M

SIGNAL NAME PAGE NUMBER(S)

SIGNAL NAME PAGE NUMBER(S)

NOTES:  
1. THIS PAGE LISTS THE SCHEMATIC PAGE NUMBERS WHERE A SIGNAL NAME IS REFERENCED.

THIS DRAWING AND SPECIFICATIONS  
HEREIN ARE THE PROPERTY OF  
DIGITAL EQUIPMENT CORPORATION AND  
SHALL NOT BE REPRODUCED OR COPIED  
OR USED IN WHOLE OR IN PART FOR  
THE BASIS FOR THE MANUFACTURE OR  
SALE OF ITEMS WITHOUT WRITTEN  
PERMISSION. COPYRIGHT © 1983.  
DIGITAL EQUIPMENT CORPORATION

REVISIONS
CHK CHANGE NO. REV

<b>digital</b>	DATE	DATE	DATE	TITLE:
	11-27-83	11-27-83	11-27-83	CACHE DATA MATRIX (CDMZ)
DESIGNED BY: [signature]	DATE	DESIGNED BY: [signature]	DATE	SIZE CODE
YSC: [signature]	11-27-83	BY: [signature]	11-27-83	K 1CS
FIRST USED ON OPTION/MODEL: 11-27-83	11-27-83	11-27-83	11-27-83	NUMBER
				1M7463-0-CDM2
				REV.
				A

B DD B  
M7463-0-0  
REV. NUMBER SIZE CODE

DRAWING NO.	NO. OF SHTS.	PART NO.	DESCRIPTION	REVISIONS																			
	—	M7463-00	CACHE DATA MATRIX (CDM)	A	B																		
E-UA-M7463-0-0	1		UNIT ASSEMBLY	A	A																		
K-PL-M7463-0-DBP	2		PARTS LIST	A	B																		
K-PC-M7463-0-DBI	—		P.C. DATA BASE	D	D																		
D-MD-5016076-0-0	5		CIRCUIT DRILL & ETCH	A	A																		
E-EC-5016076-0-0	2		ETCH CUT	A	A																		
K-CS-M7463-0-CDMA	1		SCHEMATIC	A	A																		
K-CS-M7463-0-CDMB	1		SCHEMATIC	A	A																		
K-CS-M7463-0-CDMC	1		SCHEMATIC	A	A																		
K-CS-M7463-0-CDMD	1		SCHEMATIC	A	A																		
K-CS-M7463-0-CDME	1		SCHEMATIC	A	A																		
K-CS-M7463-0-CDMF	1		SCHEMATIC	A	A																		
K-CS-M7463-0-CDMH	1		SCHEMATIC	A	A																		
K-CS-M7463-0-CDMJ	1		SCHEMATIC	A	A																		
K-CS-M7463-0-CDMK	1		SCHEMATIC	A	A																		
K-CS-M7463-0-CDML	1		SCHEMATIC	A	A																		
K-CS-M7463-0-CDMM	1		SCHEMATIC	A	A																		
K-CS-M7463-0-CDMN	1		SCHEMATIC	A	A																		
K-CS-M7463-0-CDMP	1		SCHEMATIC	A	A																		
K-CS-M7463-0-CDMR	1		SCHEMATIC	A	A																		
K-CS-M7463-0-CDMS	1		SCHEMATIC	A	A																		
K-CS-M7463-0-CDMT	1		SCHEMATIC	A	A																		
K-CS-M7463-0-CDMU	1		SCHEMATIC	A	A																		
K-CS-M7463-0-CDMV	1		SCHEMATIC	A	A																		
K-CS-M7463-0-CDMW	1		SCHEMATIC	A	A																		
K-CS-M7463-0-CDMX	1		SCHEMATIC	A	A																		

NOTES:

REVISIONS		DATE	CHG NO.	REV.
		11/83	INIT	A
		2/84	TW001	B

"THIS DRAWING AND SPECIFICATIONS, HEREIN, ARE THE PROPERTY OF DIGITAL EQUIPMENT CORPORATION AND SHALL NOT BE REPRODUCED OR COPIED OR USED IN WHOLE OR IN PART AS THE BASIS FOR THE MANUFACTURE OR SALE OF ITEMS WITHOUT WRITTEN PERMISSION.  
COPYRIGHT © 1983 DIGITAL EQUIPMENT CORPORATION



USED ON OPTION/MODEL		DRN.	TITLE	SIZE	CODE	NUMBER	REV.
		2-11-83	CACHE DATA MATRIX (CDM)	B	DD	M7463-0-0	B
		11-7-83					
		11-15-83					

REV. B M7463-0-0 NUMBER DD B SIZE

DRAWING NO.	NO. OF SHTS.	PART NO.	DESCRIPTION	REVISIONS																							
K-CS-M7463-0-CDMY	1		SCHEMATIC	A	A																						
K-CS-M7463-0-CDMZ	1		SCHEMATIC	A	A																						
K-CS-M7463-0-CDML	1		SCHEMATIC	A	A																						
K-CS-M7463-0-DBS	-		SUDS DATA BASE	A	A																						
B-DD-5016076-0-0	1		DRAWING DIRECTORY	A	A																						

**NOTES:**

REVISIONS	DATE	CHG NO.	REV.
	2/84	TW001	B

"THIS DRAWING AND SPECIFICATIONS, HEREIN, ARE THE PROPERTY OF DIGITAL EQUIPMENT CORPORATION AND SHALL NOT BE REPRODUCED OR COPIED OR USED IN WHOLE OR IN PART AS THE BASIS FOR THE MANUFACTURE OR SALE OF ITEMS WITHOUT WRITTEN PERMISSION.

COPYRIGHT© 1983 DIGITAL EQUIPMENT CORPORATION

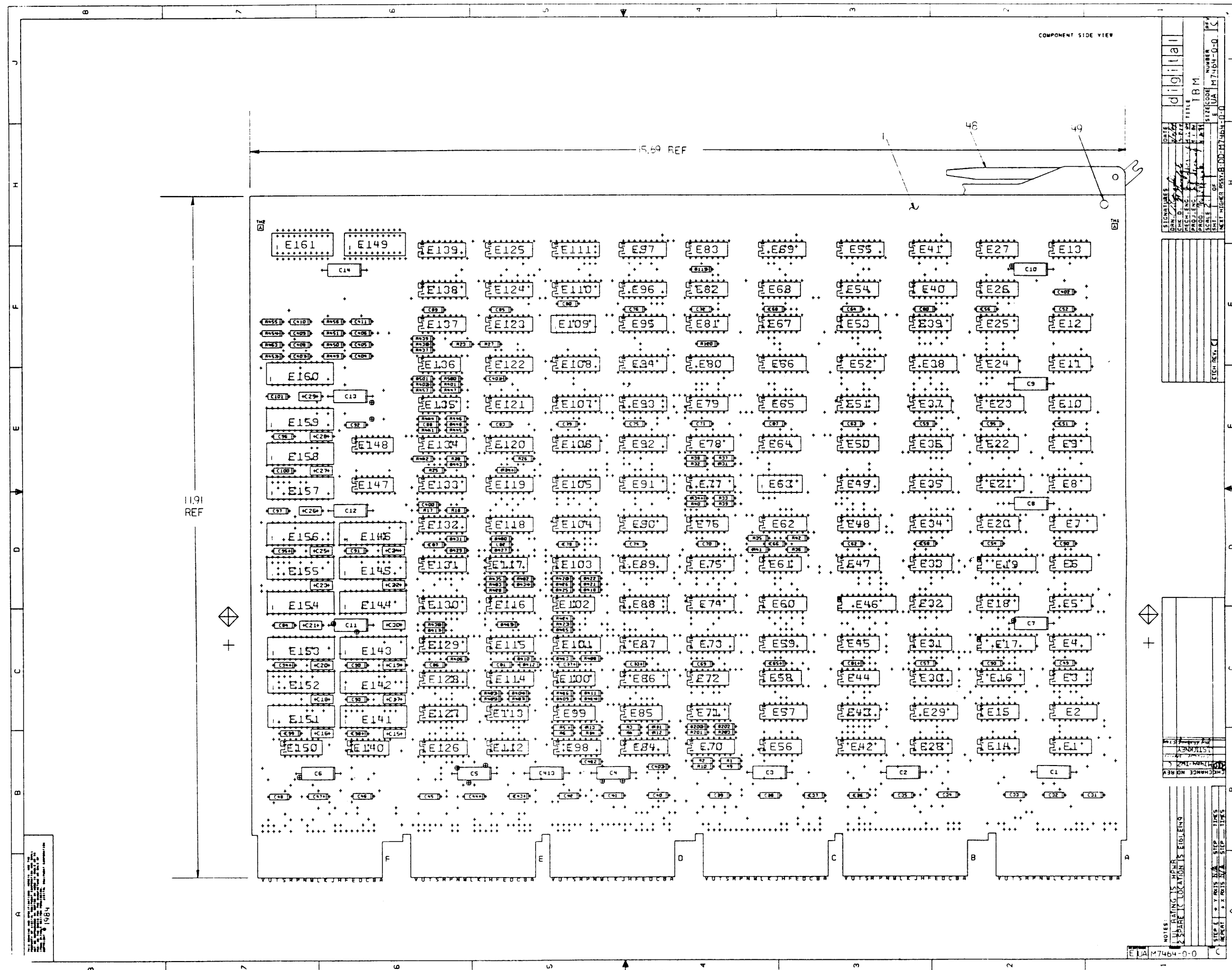


USED ON OPTION/MODEL	DRN.
	CHK'D
	ENG.
	PROP.

TITLE CACHE DATA MATRIX (CDM)

SIZE CODE NUMBER REV.  
**B DD M7463-0-0 B**

SHEET 2 OF 2



1964

COMPONENT SIDE VIEW  
46  
49

DATE	12/13/64
DRAWN BY	J. M. H. JR.
CHECKED BY	J. M. H. JR.
APP'D BY	J. M. H. JR.
SCALE	1:1
SHEET NO.	1 OF 1
MATERIALS	M7464-D-0

digital  
TITLE  
PROJECT NO. 17464-D-0

NO.	DESCRIPTION	DATE	BY
1	CHANGE NO. REV.		

NOTES

1. UNLESS OTHERWISE SPECIFIED, ALL DIMENSIONS ARE IN INCHES.
2. SPARE IC LOCATION IS E1419

STEP	NO.	DATE	BY	STEP	NO.	DATE	BY
REPAT	1			STEP	1		

EJA M7464-D-0

AUTOMATED BY PRTLST.4Q(50)

P A R T S L I S T

SHFFT A1 OF A2

LINE	ITEM	TOP DOCUMENT	PART NUMBER	MIN REV	DESCRIPTION	VARIATION REVISION LEVEL:	QTY	PER VARIATION	REFERENCE DESIGNATOR
1	1	D-MD-5016075-0-0	5016075-01		TRANSLATER BUFFER METRIX		1		
2	2		1010978-36		.1 MFD 50V 10%	CER	16		C15-C30
3	3		1017472-00		10 MFD 35V +50-10%	AL EL	15		C1-C14,C413
4	4		1012784-00		.047 MFD 50V +80-20%	CER	76		C31-C101,C400-C403,C412
5	5		1013466-19		470.0 MMF 50V 5%	CER	8		C404-C411
6	6		1300229-00		100.0 .25 W 5.0 %	CF	8		R449-R456
7	7	BLANK			*** THIS ITEM IS NOT USED ***		-		
8	8		1300247-00		120.0 .25 W 5.0 %	CF	11		R1-R6,R200,R201,R23-R25
9	9		1300250-00		150.0 .25 W 5.0 %	CF	8		R9-R14,R202,R203
10	10		1300295-00		330.0 .25 W 5.0 %	CF	8		R31-R36,R402,R17
11	11		1301775-00		820.0 .25 W 5.0 %	CF	56		R18,R37-R42,R401,R403-R439, CONT R441-R448,R457,R500,R501
12	12		1301477-00		82.0 .25 W 5.0 %	CF	2		R119,R120
13	13		1301972-00		270.0 .25 W 5.0 %	CF	3		R26-R28
14	14		1921305-01		74F00 NAND GATE,QUAD,2-IN		6		E4,E10,E24,E32,E34,E37
15	15		1921307-01		74F04 HEX INVERTER		16		E6,E15,E36,E48,E53,E54,E58,E71, CONT E79,E85,E99,E140,E150,E147,E83, CONT E72
16	16		1921309-01		74F10 NAND GATE,TRIPLE,3-I		4		E3,E25,E20,E33
17	17		1921310-01		74F11 AND GATE,TRIPLE,3-IN		2		E47,E51
18	18		1921311-01		74F20 NAND GATE,DUAL,4-IN		3		E49,E64,E112
19	19		1921313-01		74F64 AND OR INVERT GATE,4-		12		E1,E14,E26-E28,E43,E67,E68,E76, CONT E81,E82,E13
20	20		1921314-01		74F74 FF-D,DUAL,POS.,EDGE		1		E9
21	21		1910545-00		74S112 FF-JK DUAL,EDGE TRIG		2		E21,E23
22	22		1921319-01		74F153 MUX,DUAL,4-IN		12		E52,E86,E88,E93,E96,E107,E108, CONT E110,E111,E124,E138,E139
23	23		1921320-01		74F157 MUX,QUAD,2-IN		5		E80,E90,E120,E123,E130
24	24		1921321-01		74F158 MUX,QUAD,2-IN		1		E69
25	25		1921327-01		74F194 SHIFT REG,UNIV,BIDIR		15		E29,E40,E57,E62,E65,E66,E55,E77.

REVISION HISTORY			BASIC PART NO: M7464		DRN:	F.SMART	DATE:	D I G I T A L			
ENG:	ECO NUMBER	REV	SECTION A OF A		CHK'D:	F.GAROFALO	DATE:	T I T L E			
---	INITIAL	A	SECTION VARIATION INDEX		---		22-MAR-83	P A R T S L I S T			
JS	M7464-TW001	B	(A)	00	---		22-MAR-83	T B M			
JS	M7464-TW002	C	(B)		---		22-MAR-83	D O C U M E N T N U M B E R			
			(C)		---		22-MAR-83	SIZE	CODE	NUMBER	REV
			(D)		---		22-MAR-83	K	PL	M7464-0-DBP	C
			(E)		---		22-MAR-83	R E L E A S E D A T E : 0 8 - M A Y - 8 4			
			(F)		---		22-MAR-83	R E L E A S E D A T E : 0 8 - M A Y - 8 4			
			(G)		---		22-MAR-83	R E L E A S E D A T E : 0 8 - M A Y - 8 4			
			(H)		---		22-MAR-83	R E L E A S E D A T E : 0 8 - M A Y - 8 4			
			(I)		---		22-MAR-83	R E L E A S E D A T E : 0 8 - M A Y - 8 4			
			(J)		---		22-MAR-83	R E L E A S E D A T E : 0 8 - M A Y - 8 4			
			(K)		---		22-MAR-83	R E L E A S E D A T E : 0 8 - M A Y - 8 4			
			(L)		---		22-MAR-83	R E L E A S E D A T E : 0 8 - M A Y - 8 4			
			(M)		---		22-MAR-83	R E L E A S E D A T E : 0 8 - M A Y - 8 4			
			(N)		---		22-MAR-83	R E L E A S E D A T E : 0 8 - M A Y - 8 4			
ASSEMBLY NUMBER:			E-UA-M7464-0-0		TOP DOCUMENT NUMBER:		B-DD-M7464-0-0		FILE NAME:		EDIT #
									Z3944C.PLS		18

"THIS DRAWING AND THE SPECIFICATIONS CONTAINED HEREIN ARE CONFIDENTIAL AND PROPRIETARY. THEY ARE THE PROPERTY OF DIGITAL EQUIPMENT CORPORATION AND SHALL NOT BE REPRODUCED OR COPIED OR USED IN WHOLE OR IN PART AS THE BASIS FOR THE MANUFACTURE OR SALE OF ITEMS WITHOUT WRITTEN PERMISSION. THIS IS AN UNPUBLISHED WORK PROTECTED UNDER THE FEDERAL COPYRIGHT LAWS."



LINE	ITEM	TOP DOCUMENT	PART NUMBER	MIN REV	DESCRIPTION	QTY PER VARIATION	REFERENCE DESIGNATOR
						00	
							VARIATION REVISION LEVEL:
26	26		1921318-01		74F151 MUX,8-IN	1	CONT E91,E92,E95,E97,E121,E122,E125
27	27		1921324-01		74F175 FF-D,QUAD	2	E38
28	28		1921720-01		10H125 TRANSLATOR ECL TO TTL	3	E2,E7
29	29		1911469-00	DEC	8640 RECEIVER,BUS,QUAD,U	1	E70,E84,E98
30	30		1921332-01		74F280 PARITY GEN/CHECK,9-B	6	E56
31	31		1921330-01		74F257 MUX,QUAD,2-IN	2	F100,F102,E113,E117,E135,E136
32	32		1921316-01		74F138 DECODER/DEMUX,1-OF-8	1	E127,E128
33	33		1911712-00		74S51 AND-OR GATE-INVERT D	3	E73
34	34		1911983-00		74S133 NAND GATE-POSITIVE 1	3	E22,E41,E61
35	35		1921306-01		74F02 NOR GATE,QUAD,2-IN	5	E16,E75,E78
36	36		1921308-01		74F08 AND GATE,QUAD,2-IN	4	E5,E8,E11,E39,E44
37	37		1921329-01		74F253 MUX,DUAL,4-IN	8	E31,E35,E50,E148
							CONT E87,E89,E94,E101,E103,E114,E115, E129
38	38		1912696-00		LS194A SHIFT REG.,4BIT BI-D	3	E116,E118,E119
39	39		1912746-00	DEC	74S37 NAND GATE-QUAD 2IN	3	E12,E20,E45
40	40		1912860-00		LS259 LATCH 8BIT	1	E132
41	41		1921322-01		74F161 BINARY COUNTER,PRES	2	E126,E133
42	42		1921312-01		74F32 OR GATE,QUAD,2-IN	1	E18
43	43		1921010-01		74F373 OCTAL TRANSPARENT LA	3	E17,E19,E46
44	44		1913788-00		26S10 TRANSCEIVER,BUS,QUA	6	E104-E106,E131,E134,E137
45	45		1913839-00		LS165 SHIFT REG.,8BIT	4	E42,E59,E60,E74
46	46		2121818-01		MOS STATIC RAM 256X4 SEPARATE I/	16	E141-E146,E151-E160
47	47		1616653-00		DELAY= 50NS,10TAPS WITH TTLBU	1	E109
48	48		1216988-02		HANDLE,MODULE,HEX TWO EJECTORS	1	
49	49		9000024-01		EYELET,ROLLED 0.1210DX0.192	12	
50	50		1616653-01		DELAY= 100NS,10TAPS WITH TTLBU	1	E63
51	51		9105740-55		WIRE(WRAP) 30AWG KYNAR UL14 A/R		

52 NOTE: 1. UNUSED REFERENCE DESIGNATORS = C102 - C399,R7,R8,R15,R16,R19-R22,R29  
 53 NOTE: R30,R43-R118,R121-R199,R204-R400,R440,R449-R456,R458-R499  
 54 NOTE: SPARE I.C. LOCATIONS ARE E149 AND E161.

D	I	G	I	T	A	L	TITLE	SECTION A	OF A	SIZE	CODE	DOCUMENT NUMBER	REV
							TBM			K	PL	M7464-0-DBP	C

SIGNAL NAME	PAGE NUMBER(S)	SIGNAL NAME	PAGE NUMBER(S)	SIGNAL NAME	PAGE NUMBER(S)
BUS CS 42 H	TBMN	BUS PA 27 H	TBMJ	DEPN VAMX 20 L	TBMA
BUS CS 43 H	TBMN	BUS PA 28 H	TBMJ	DEPP VAMX 21 L	TBMA
BUS CS 44 H	TBMN	BUS PA 29 H	TBMJ	DEPP VAMX 22 L	TBMA
BUS CS 45 H	TBMN	CAMH G0 AD PAR 0 EV H	TBMC,T	DEPP VAMX 23 L	TBMA
BUS CS 46 H	TBMN	CAMH G0 AD PAR 1 EV H	TBMC,T	DEPP VAMX 24 L	TBMA
BUS CS 47 H	TBMN	CAMJ G0 AD PAR 2 EV H	TBMC,T	DEPP VAMX 25 L	TBMA
BUS ID 00 L	TBME	CAMP G0 WRITE EN H	TBMX	DEPP VAMX 26 L	TBMA
BUS ID 01 L	TBME	CAMP G1 WRITE EN H	TBMX	DEPR VAMX 27 L	TBMA
BUS ID 02 L	TBME	CAMS G1 AD PAR 0 EV H	TBMC,T	DEPR VAMX 28 L	TBMA
BUS ID 03 L	TBME	CAMS G1 AD PAR 1 EV H	TBMC,T	DEPR VAMX 29 L	TBMA
BUS ID 04 L	TBME	CAMT G1 AD PAR 2 EV H	TBMC,T	DEPS VAMX 31 L	TBMF,P
BUS ID 05 L	TBME	CAMU TB GRP 0 MATCH H	TBMC,K,D,Y	ICLJ ID RIGHT ADDR 0 H	TBMD
BUS ID 06 L	TBME	CAMU TB GRP 1 MATCH H	TBMC,D,Y,K	ICLJ ID RIGHT ADDR 1 H	TBMD
BUS ID 07 L	TBME	CAMV MODIFY L	TBMY,D	ICLJ ID RIGHT ADDR 2 H	TBMD
BUS ID 08 L	TBME	CAMV PROTECT CODE 0 L	TBMY	ICLJ ID RIGHT ADDR 3 H	TBMD
BUS ID 09 L	TBME	CAMV PROTECT CODE 1 L	TBMY	ICLJ ID RIGHT ADDR 4 H	TBMD
BUS ID 10 L	TBME	CAMV PROTECT CODE 2 L	TBMY	ICLJ ID RIGHT ADDR 5 H	TBMD
BUS ID 11 L	TBME	CAMV PROTECT CODE 3 L	TBMY	ICLJ ID RIGHT WRITE L	TBMD
BUS ID 12 L	TBME	CEHE CMOODADRS TRAP L	TBMU,Y	ICLK CS PAR ERR H	TBMY,W
BUS ID 13 L	TBME	CEHE PAGE TRAP H	TBMU,Y	IDPJ COUNT H	TBMN
BUS ID 14 L	TBME	CIBH SDMS CLOCK L	TBMY	IDPJ FLUSH L	TBMC,W
BUS ID 15 L	TBME	CIBH SDMS LOAD H	TBMY	IRCH IB WRITE CHK	TBMN
BUS ID 16 L	TBME	CLKB LECL CP T0 B1 H	TBMS	IRCH IB WRITE CHK H	TBMY
BUS ID 17 L	TBME	CLKB LECL CP T0 B1 L	TBMS	IRCH SDMS CHNL 3A H	TBMY
BUS ID 18 L	TBME	CLKB LECL CPT1 B1 H	TBMS	SBHM SET SBI CYCLE H	TBMC
BUS ID 19 L	TBME	CLKB LECL CPT1 B1 L	TBMS	SBLB SBI PA 09 L	TBMY,K
BUS ID 20 L	TBME	CLKD LECL CPT2 B1 H	TBMS	SBLB SBI PA 10 L	TBMY,K
BUS ID PTY 0 L	TBME	CLKD LECL CPT2 B1 L	TBMS	SBLB SBI PA 11 L	TBMY,K
BUS ID PTY 1 L	TBME	CLKE LECL CPT3 B1 H	TBMS	SBLJ SBI PA 12 L	TBMK
BUS ID PTY 2 L	TBME	CLKE LECL CPT3 B1 L	TBMS	SBLJ SBI PA 13 L	TBMK
BUS PA 02 H	TBMN	CLKL SYS INIT B L	TBMS	SBLS IB ERR LTH H	TBMY,T
BUS PA 03 H	TBMN	DCPH VA 02 (1)H	TBMN,N	SBLT STALL L	TBMU,N,Y
BUS PA 04 H	TBMN	DCPH VA 03 (1)H	TBMN,N	TBMA VA MUX 16 BUFF H	TBMA,J,L
BUS PA 05 H	TBMN	DCPJ VA 04 (1)H	TBMN,N	TBMA VA MUX 17 BUFF H	TBMA,J,L
BUS PA 06 H	TBMN	DCPJ VA 05 (1)H	TBMN,N	TBMA VA MUX 18 BUFF H	TBMA,J,L
BUS PA 07 H	TBMN	DCPJ VA 06 (1)H	TBMN,N	TBMA VA MUX 19 BUFF H	TBMA,J,L
BUS PA 08 H	TBMN	DCPJ VA 07 (1)H	TBMN,N	TBMA VA MUX 20 BUFF H	TBMA,J,L
BUS PA 14 H	TBMJ	DCPL VA 08 (1)H	TBMN,N	TBMA VA MUX 21 BUFF H	TBMA,J,L
BUS PA 15 H	TBMJ	DDPH VAMX 09 L	TBMF,P	TBMA VA MUX 22 BUFF H	TBMA,J,L
BUS PA 16 H	TBMJ	DDPH VAMX 10 L	TBMF,P	TBMA VA MUX 23 BUFF H	TBMA,J,L
BUS PA 17 H	TBMJ	DDPJ VAMX 11 L	TBMF,P	TBMA VA MUX 24 BUFF H	TBMA,J,L
BUS PA 18 H	TBMJ	DDPJ VAMX 12 L	TBMF,P	TBMA VA MUX 25 BUFF H	TBMA,J,L
BUS PA 19 H	TBMJ	DDPJ VAMX 13 L	TBMF,P	TBMA VA MUX 26 BUFF H	TBMA,J,M
BUS PA 2	TBMJ	DDPJ VAMX 14 L	TBMF,P	TBMA VA MUX 27 BUFF H	TBMA,J,M
BUS PA 21 H	TBMJ	DDPJ VAMX 15 L	TBMF,P	TBMA VA MUX 28 BUFF H	TBMA,J,M
BUS PA 22 H	TBMJ	DDPS VAMX 31 L	TBMF	TBMA VA MUX 29 BUFF H	TBMA,J,M
BUS PA 23 H	TBMJ	DEPN VAMX 16 L	TBMA	TBMB CAUSE PROT TRAP H	TBMU
BUS PA 24 H	TBMJ	DEPN VAMX 17 L	TBMA	TBMB IPA OVER PAGE H	TBMC
BUS PA 25 H	TBMJ	DEPN VAMX 18 L	TBMA	TBMB PROTECT CODE OK H	TBMU,C
BUS PA 26 H	TBMJ	DEPN VAMX 19 L	TBMA	TBMB PROTECT CODE OK L	TBMX

NOTES:  
1. THIS PAGE LISTS THE SCHEMATIC PAGE NUMBER(S) WHERE A SIGNAL NAME IS REFERENCED.

<small>THIS DRAWING AND SPECIFICATIONS ARE THE PROPERTY OF DIGITAL EQUIPMENT CORPORATION AND SHALL NOT BE REPRODUCED OR COPIED OR USED IN WHOLE OR IN PART AS THE BASIS FOR THE MANUFACTURE OR SALE OF ITEMS WITHOUT WRITTEN PERMISSION. COPYRIGHT © 1983. DIGITAL EQUIPMENT CORPORATION.</small>	REVISIONS CHK CHANGE NO. REV	DRN. <i>W.M.</i> DATE 23-SEP-83 CHK'D. DATE BOARD LOCATION: AFS SHEET 1 OF 1	ENG. <i>W.M.</i> DATE 10.11.83 TITLE: TBM FORWARD REFERENCE
	DSKC: <MISKA>TBM1.DRW 23-SEP-83 13:09 NEXT HIGHER ASSEMBLY: FIRST USED ON OPTION/MODEL: 11/285 B-DD-M2464-0-0	SIZE CODE NUMBER REV. K CS M2464-0-TBM1 A	

SIGNAL NAME	PAGE NUMBER(S)	SIGNAL NAME	PAGE NUMBER(S)	SIGNAL NAME	PAGE NUMBER(S)
TBMC ADRS NOT VALID H	TBMC,V	TBME REC ID 15 H	TBME,H,R	TBMC DIS G1 D0 H	TBMV,K,1
TBMC ADRS NOT VALID L	TBMC,C	TBME REC ID 16 H	TBMT,E,F,P	TBMC DIS G1 D1 H	TBMC,R
TBMC AR FLOP (0)H	TBMU,C	TBME REC ID 17 H	TBMT,E,F,P	TBMC DIS G1 D2 H	TBMC,P
TBMC AR FLOP (1)H	TBMU,C,U	TBME REC ID 18 H	TBMT,T,F,P	TBMC GRP 0 DATA 09 L	TBMC
TBMC BC ONE H	TBMU,C	TBME REC ID 19 H	TBMT,T,F,P	TBMC GRP 0 DATA 10 L	TBMC
TBMC CAUSE PAR TRAP H	TBMU,T,C	TBME REC ID 20 H	TBMT,T,F,P	TBMC GRP 0 DATA 11 L	TBMC
TBMC ENABLE IA H	TBMC,Y	TBME REC ID PAR 0 H	TBMT,F,P	TBMC GRP 0 DATA 12 L	TBMC
TBMC G1 MATCH BUF L	TBMC,L,M	TBME REC ID PAR 1 H	TBMT,H,R	TBMC GRP 0 DATA 13 L	TBMC
TBMC NOT SBI CYCLE A1 L	TBMC,J	TBME REC ID PAR 2 H	TBMT,F,P	TBMC GRP 1 DATA 09 L	TBMC
TBMC NOT SBI CYCLE A2 L	TBMC,J	TBME G0 DA PAR 2 EV H	TBMC,F	TBMC GRP 1 DATA 10 L	TBMC
TBMC NOT SBI CYCLE A3 L	TBMC,D,K,N	TBME G0 DA PAR 2 00 H	TBMT,T	TBMC GRP 1 DATA 11 L	TBMC
TBMC PAR REG ENABLE H	TBMC,T	TBME GRP 0 DATA 09 H	TBMT,L,K,F	TBMC GRP 1 DATA 12 L	TBMC
TBMC SBI CYCLE L	TBMC,D,K	TBME GRP 0 DATA 10 H	TBMT,L,K,F	TBMC GRP 1 DATA 13 L	TBMC
TBMC TB MATCH L	TBMC,W	TBME GRP 0 DATA 11 H	TBMT,L,K,F	TBMC PA 09 H	TBMC
TBMC TB MISS L	TBMC,U,C,M	TBME GRP 0 DATA 12 H	TBMT,L,K,F	TBMC PA 10 H	TBMC
TBMC TB PAR ERR L	TBMC,U,X	TBME GRP 0 DATA 13 H	TBMT,L,K,F	TBMC PA 11 H	TBMC
TBMC CAUSE MBIT TRAP L	TBMC,U,D	TBME GRP 0 DATA 14 H	TBMT,L,K,F	TBMC PA 12 H	TBMC
TBMD CLR ERR REG 1 L	TBMT,D	TBME GRP 0 DATA 15 H	TBMT,L,K,F	TBMC PA 13 H	TBMC
TBMD D TO MD L	TBMD,Y	TBME GRP 0 DATA 16 H	TBMT,L,K,F	TBMC PA MUX SEL 0 A1 H	TBMC,J
TBMD EN COM DATA L	TBMD	TBME GRP 0 DATA 25 H	TBMT,J,L	TBMC SEL IPA H	TBMU,K,C
TBMD EN ID DRIVERS L	TBMD,D,E	TBME GRP 0 DATA 26 H	TBMT,J,M	TBMC SEL IPA L	TBMC,N
TBMD EN SBI DATA L	TBMD	TBME GRP 0 DATA 27 H	TBMT,J,M	TBML IPA DATA IN 09 H	TBML,L
TBMD ER REG 0 D 06 H	TBMD,D,V	TBME GRP 0 DATA 28 H	TBMT,J,M	TBML IPA DATA IN 10 H	TBML,L
TBMD ER REG 0 D 07 H	TBMD,X,V	TBME GRP 0 DATA 29 H	TBMT,J,M	TBML IPA DATA IN 11 H	TBML,L
TBMD ERROR REG 0 SEL H	TBMD,T	TBME GRP 0 PAR 0 H	TBMT,F	TBML IPA DATA IN 12 H	TBML,L
TBMD LAST REF CODE 0 H	TBMD	TBME GRP 0 RAM PAR 2 H	TBMT	TBML IPA DATA IN 13 H	TBML,L
TBMD LAST REF CODE 1 H	TBMD	TBME GRP 0 WP L	TBMT,U,Y,H	TBML IPA DATA IN 14 H	TBML,L
TBMD MASK TO MD L	TBMD,Y	TBME GRP 1 WP L	TBMT,U,Y,P,R	TBML IPA DATA IN 15 H	TBML,L
TBMD MBIT ERR H	TBMD,D	TBME VA MUX 09 H	TBML,L,F,H,P,R	TBML IPA DATA IN 16 H	TBML,L
TBMD SEL ID MUX L	TBMD,V	TBME VA MUX 10 H	TBML,L,F,H,P,R	TBML IPA DATA IN 17 H	TBML,M
TBMD TB WRITE ENABLE H	TBMD,D	TBME VA MUX 11 H	TBML,L,F,H,P,R	TBML IPA DATA IN 18 H	TBML,M
TBMD VIRT ADRS BUF A H	TBMD,J	TBME VA MUX 12 H	TBML,L,F,H,P,R	TBML IPA DATA IN 19 H	TBML,M
TBMD VIRT OR SBI L	TBMD,K	TBME VA MUX 13 H	TBML,L,F,H,P,R	TBML IPA DATA IN 20 H	TBML,M
TBME +3V H	TBME,W,F,P,H,R	TBME VA MUX 14 H	TBML,L,F,H,P,R	TBML IPA DATA IN 21 H	TBML,M
TBME REC ID 00 H	TBMT,E,F,P	TBME VA MUX 15 H	TBML,L,F,H,P,R	TBML IPA DATA IN 22 H	TBML,M
TBME REC ID 01 H	TBMT,E,F,P	TBME VA MUX 31 H	TBMT,H,P,R	TBML IPA DATA IN 23 H	TBML,L
TBME REC ID 02 H	TBMT,E,F,P	TBMM G0 DA PAR 1 EV H	TBMC,H	TBML IPA DATA IN 24 H	TBML,L
TBME REC ID 03 H	TBMT,E,F,P	TBMM G0 DA PAR 1 00 H	TBMT,H	TBML IPA DATA IN 25 H	TBML,L
TBME REC ID 04 H	TBMT	TBMM GRP 0 DATA 17 H	TBML,J,H	TBMM BITS 5-2 CARRY H	TBMM
TBME REC ID 04 H	TBME,F,P	TBMM GRP 0 DATA 18 H	TBML,J,H	TBMM ER REG 1 D 03 L	TBMM,M
TBME REC ID 05 H	TBME,F,P	TBMM GRP 0 DATA 19 H	TBML,J,H	TBMM IPA 02 H	TBMM,N
TBME REC ID 06 H	TBME,F,P	TBMM GRP 0 DATA 20 H	TBML,J,H	TBMM IPA 03 H	TBMM,N
TBME REC ID 07 H	TBME,F,P	TBMM GRP 0 DATA 21 H	TBML,J,H	TBMM IPA 04 H	TBMM,N
TBME REC ID 08 H	TBME,H,R	TBMM GRP 0 DATA 22 H	TBML,J,H	TBMM IPA 05 H	TBMM,N
TBME REC ID 09 H	TBME,H,R	TBMM GRP 0 DATA 23 H	TBML,J,H,L	TBMM IPA 06 H	TBMM,N
TBME REC ID 10 H	TBME,H,R	TBMM GRP 0 DATA 24 H	TBMM,L,J	TBMM IPA 07 H	TBMM,M
TBME REC ID 11 H	TBME,H,R	TBMM GRP 0 RAM PAR 1 H	TBMM	TBMM IPA 08 H	TBMM,M
TBME REC ID 12 H	TBME,H,R	TBMC DIS G0 D0 H	TBMT,K,F	TBMM IPA 09 H	TBMM,K
TBME REC ID 13 H	TBME,H,R	TBMC DIS G0 D1 H	TBMT,H	TBMM IPA 10 H	TBMM,K
TBME REC ID 14 H	TBME,H,R	TBMC DIS G0 D2 H	TBMT,F	TBMM IPA 11 H	TBMM,K

NOTES:  
1. THIS PAGE LISTS THE SCHEMATIC PAGE NUMBER(S) WHERE A SIGNAL NAME IS REFERENCED.

THIS DRAWING AND SPECIFICATIONS ARE THE PROPERTY OF DIGITAL EQUIPMENT CORPORATION AND SHALL NOT BE REPRODUCED OR COPIED OR USED IN WHOLE OR IN PART AS THE BASIS FOR THE MANUFACTURE OR SALE OF ITEMS WITHOUT WRITTEN PERMISSION. COPYRIGHT © 1983, DIGITAL EQUIPMENT CORPORATION.

CHK	CHANGE NO.	REV

digital	DRN. <i>W.M. de</i>	DATE <i>23-SEP-83</i>	ENG. <i>Jay Starnes</i>	DATE <i>01-03</i>	TITLE: TBM
	CHK'D. <i>sm</i>	DATE	BOARD LOCATION: <i>AF6</i>		FORWARD REFERENCE
DSKC:(MISKA)TBM2.DRW		123-SEP-83 13:10	NEXT HIGHER ASSEMBLY: B-DD-M7464-0-0	SIZE CODE	NUMBER
FIRST USED ON OPTION/MODEL: 11/785				K CS	M7464-0-TBM2
				REV.	A

SIGNAL NAME	PAGE NUMBER(S)
TBMN IPA 12 H	TBMN,K
TBMN IPA 13 H	TBMK,M
TBMN IPA 14 H	TBMN,J
TBMN IPA 15 H	TBMN,J
TBMN IPA 16 H	TBMN,J
TBMN IPA 17 H	TBMN,J
TBMN IPA 18 H	TBMJ,M
TBMN IPA 19 H	TBMJ,M
TBMN IPA 20 H	TBMJ,M
TBMN IPA 21 H	TBMJ,M
TBMN IPA 22 H	TBMJ,M
TBMN IPA 23 H	TBMJ,M
TBMN IPA 24 H	TBMN,J
TBMN IPA 25 H	TBMN,J
TBMN IPA 26 H	TBMJ,M
TBMN IPA 27 H	TBMJ,M
TBMN IPA 28 H	TBMN,J
TBMN IPA 29 H	TBMN,J
TBMN ABORT CYCLE FLOP L	TBMN,N
TBMN BUF IB WR CHK L	TBMN
TBMN BUF UADS L	TBMN,N
TBMN BUF UMCT 1 L	TBMN
TBMN BUF UMCT 2 L	TBMN
TBMN BUF UMCT 3 L	TBMN
TBMN BUFL UMCT 0 L	TBMN
TBMN IB WCHK H	TBMN,N,U
TBMN PAGE EDGE H	TBMN
TBMN UADS H	TBMK,U,N,U
TBMN UFS H	TBMK,U,D,N,U
TBMN UFS L	TBMN
TBMN UMCT 0 H	TBMN,D,N,U
TBMN UMCT 1 H	TBMK,U,D,N,U
TBMN UMCT 2 H	TBMK,U,N,U
TBMN UMCT 3 H	TBMK,U,N,U
TBMP G1 DA PAR 2 EV H	TBMC,P
TBMP G1 DA PAR 2 OD H	TBMT,P
TBMP GRP 1 DATA 09 H	TBML,V,K,P
TBMP GRP 1 DATA 10 H	TBML,V,K,P
TBMP GRP 1 DATA 11 H	TBMK,L,V,P
TBMP GRP 1 DATA 12 H	TBMK,L,V,P
TBMP GRP 1 DATA 13 H	TBMK,L,V,P
TBMP GRP 1 DATA 14 H	TBMJ,L,V,P
TBMP GRP 1 DATA 15 H	TBMJ,L,V,P
TBMP GRP 1 DATA 16 H	TBMJ,L,V,P
TBMP GRP 1 DATA 25 H	TBMJ,P,L
TBMP GRP 1 DATA 26 H	TBMJ,M,P
TBMP GRP 1 DATA 27 H	TBMJ,M,P
TBMP GRP 1 DATA 28 H	TBMJ,P,M
TBMP GRP 1 DATA 29 H	TBMJ,P,M
TBMP GRP 1 PAR 0 H	TBMV,P

SIGNAL NAME	PAGE NUMBER(S)
TBMP GRP 1 RAM PAR 2 H	TBMP
TBMR G1 DA PAR 1 EV H	TBMC,R
TBMR G1 DA PAR 1 OD H	TBMT,R
TBMR GRP 1 DATA 17 H	TBML,J,R
TBMR GRP 1 DATA 18 H	TBML,J,R
TBMR GRP 1 DATA 19 H	TBMJ,L,R
TBMR GRP 1 DATA 20 H	TBML,J,R
TBMR GRP 1 DATA 21 H	TBMJ,L,R
TBMR GRP 1 DATA 22 H	TBML,J,R
TBMR GRP 1 DATA 23 H	TBMJ,L,R
TBMR GRP 1 DATA 24 H	TBML,J,R
TBMR GRP 1 RAM PAR 1 H	TBMR
TBMS +3V	TBMC
TBMS +3V H	TBMS,C,T,N,M,K
TBMS CLEAR A1 H	TBMS,D
TBMS CLEAR A1 L	TBMX,S,C,M
TBMS CLEAR A2 L	TBMX,C,S,D,N,U,T
TBMS CPT0 H	TBMX,U,C,N,S
TBMS CPT0 L	TBMD,T,S
TBMS CPT1 H	TBMS
TBMS CPT1 L	TBMX,S,U
TBMS CPT2 A H	TBMN,S
TBMS CPT2 H	TBMD,F,U,S
TBMS CPT2 L	TBMC,S
TBMS CPT3 A1 H	TBMS,M
TBMS CPT3 A2 H	TBMS
TBMS CPT3 H	TBMC,D,X,T,S
TBMS CPT3 L	TBMC,T,S
TBMT ER REG 0 D 01 H	TBMT,V,K
TBMT ER REG 0 D 02 H	TBMT,V,K
TBMT ER REG 0 D 03 H	TBMT,V,K
TBMT ER REG 0 D 04 H	TBMT,V,K
TBMT ER REG 0 D 16 H	TBMT,V
TBMT ER REG 0 D 17 H	TBMT,V
TBMT ER REG 0 D 18 H	TBMX,T,V
TBMT ER REG 0 D 19 H	TBMX,T,V
TBMT ER REG 0 D 20 H	TBMX,V,T
TBMT ER REG 1 D 08 H	TBMT,V
TBMT ER REG 1 D 09 H	TBMT,V
TBMT ER REG 1 D 10 H	TBMT,V
TBMT ER REG 1 D 11 H	TBMT,V
TBMT ER REG 1 D 12 H	TBMV,T
TBMT ER REG 1 D 13 H	TBMV,T
TBMT ER REG 1 D 14 H	TBMV,T
TBMT ER REG 1 D 15 H	TBMV,T
TBMT ER REG 1 D 16 H	TBMT,V
TBMT ER REG 1 D 17 H	TBMV,T
TBMT ER REG 1 D 18 H	TBMV,T
TBMT ER REG 1 D 19 H	TBMV,T
TBMT ER REG 1 D 20 H	TBMV,T

SIGNAL NAME	PAGE NUMBER(S)
TBMT FORCE EPR 0 L	TBMT
TBMT FORCE ERR 1 L	TBMT
TBMT FORCE ERR 2 L	TBMT
TBMT MME BUF H	TBMC,T,D,U,K,N
TBMT MME BUF L	TBMT,L,M
TBMT MME H	TBMT,D,V
TBMT MME L	TBMT,K
TBMU CANCEL H	TBMU
TBMU CANCEL L	TBMU,Y
TBMU ER REG 0 D 08 H	TBMU,V
TBMU ER REG 0 D 09 H	TBMU,V
TBMU ER REG 0 D 10 H	TBMU,V
TBMU ER REG 0 D 11 H	TBMU,V
TBMU ER REG 0 D 12 H	TBMU,V
TBMU ER REG 0 D 13 H	TBMU,V
TBMU ER REG 0 D 14 H	TBMU,V
TBMU ER REG 0 D 15 H	TBMU,V
TBMU ER REG 1 D 06 H	TBMU,V
TBMU PRE BC ZERO L	TBMX,U
TBMU PROT UTRAP L	TBMU
TBMU T1 A H	TBMU,U
TBMV G9 DA PAR 0 EV H	TBMC,V
TBMV G0 DA PAR 0 OD H	TBMT,V
TBMV G1 DA PAR 0 EV H	TBMC,V
TBMV G1 DA PAR 0 OD H	TBMV,T
TBMV TRANS DATA 00 H	TBMV,E
TBMV TRANS DATA 01 H	TBMV,E
TBMV TRANS DATA 02 H	TBMV,E
TBMV TRANS DATA 03 H	TBMV,E
TBMV TRANS DATA 04 H	TBMV,E
TBMV TRANS DATA 06 H	TBMV,E
TBMV TRANS DATA 07 H	TBMV,E
TBMV TRANS DATA 08 H	TBMV,E
TBMV TRANS DATA 09 H	TBMV,E
TBMV TRANS DATA 10 H	TBMV,E
TBMV TRANS DATA 11 H	TBMV,E
TBMV TRANS DATA 12 H	TBMV,E
TBMV TRANS DATA 13 H	TBMV,E
TBMV TRANS DATA 14 H	TBMV,E
TBMV TRANS DATA 15 H	TBMV,E
TBMV TRANS DATA 16 H	TBMV,E
TBMV TRANS DATA 17 H	TBMV,E
TBMV TRANS DATA 18 H	TBMV,E
TBMV TRANS DATA 19 H	TBMV,E
TBMV TRANS DATA 20 H	TBMV,E
TBMV AR LATCH L	TBMU,U
TBMV BUF BC ONE	TBMX
TBMV BUF BC ONE H	TBMU
TBMV DIS PROT L	TBMU,D
TBMV EN CHODDADR5 H	TBMU
TBMV EN TB PAR L	TBMU,U,C

NOTES:  
 1. THIS PAGE LISTS THE SCHEMATIC PAGE NUMBER(S) WHERE A SIGNAL NAME IS REFERENCED.

THIS DRAWING AND SPECIFICATIONS HEREIN ARE THE PROPERTY OF DIGITAL EQUIPMENT CORPORATION AND SHALL NOT BE REPRODUCED OR COPIED OR USED IN WHOLE OR IN PART AS THE BASIS FOR THE MANUFACTURE OR SALE OF ITEMS WITHOUT WRITTEN PERMISSION. COPYRIGHT © 1984. DIGITAL EQUIPMENT CORPORATION

REVISIONS	
CHK	CHANGE NO. REV

digital DRN. *W.M.* DATE 10-FEB-84 ENG. DATE TITLE: TBM FORWARD REFERENCE

CHK'D. DATE BOARD LOCATION: AFG SHEET 1 OF 1

DSKC: <DUVAL>TBM3.DRW 10-FEB-84 15:25 NEXT HIGHER ASSEMBLY: SIZE CODE NUMBER REV. K CS M7464-0-TBM3 B

FIRST USED ON OPTION/MODEL: 114785 B-DD-M7464-0-0

SIGNAL NAME	PAGE NUMBER(S)	SIGNAL NAME	PAGE NUMBER(S)	SIGNAL NAME	PAGE NUMBER(S)
TBMU EN UNALIGN TRAP H	TBMU				
TBMU FAST LOAD IPA H	TBMU.M				
TBMU IB RCHK L	TBMU				
TBMU LATCH CS ERR L	TBMU.W				
TBMU LOAD IPA L	TBMC.W.X				
TBMU MBIT UTRAP L	TBMU.W				
TBMU MISS UTRAP L	TBMU.W				
TBMU RANDOM G1 L	TBMU.X				
TBMU READ V NEWPC L	TBMU.N				
TBMU SAVE CONTEXT H	TBMU.D				
TBMU STOP CYCLE L	TBMU.W				
TBMU TB PAR UTRAP L	TBMU.U				
TBMU TEST OR NOP L	TBMU.N				
TBMU U NEWPC L	TBMU.U.X.M				
TBMU UADS BUF L	TBMU.W				
TBMU UMCT 0 BUF L	TBMU				
TBMU UMCT 1 BUF L	TBMU				
TBMU UMCT 2 BUF L	TBMD.W				
TBMU UMCT 3 BUF L	TBMU.D				
TBMU UVIRT H	TBMU.N				
TBMU UVIRT L	TBMU				
TBMU VIRT OPER L	TBMU				
TBMU WAS STALL H	TBMU.U				
TBMU WAS STALL L	TBMU				
TBMU WOMBAT H	TBMD.W.K				
TBMU WRITE CHECK H	TBMD.W				
TBMX BAD IPA H	TBMX.U				
TBMX BRANCH CODE 0 H	TBMX				
TBMX BRANCH CODE 1 H	TBMX				
TBMX ER REG 1 D 00 H	TBMX.V				
TBMX ER REG 1 D 01 H	TBMX.V				
TBMX ER REG 1 D 02 H	TBMX.V				
TBMX ER REG 1 D 03 H	TBMX.V				
TBMX G0 WP EN H	TBMF.X				
TBMX G1 WP EN	TBMF				
TBMX G1 WP EN H	TBMX				
TBMX IB ERR L	TBMX				
TBMX IB MISS L	TBMX				
TBMX WRITE PULSE L	TBMX				
TBMX SDMS CHNL 3 H	TBMX				
USCB ABORT CYCLE H	TBMX.N				

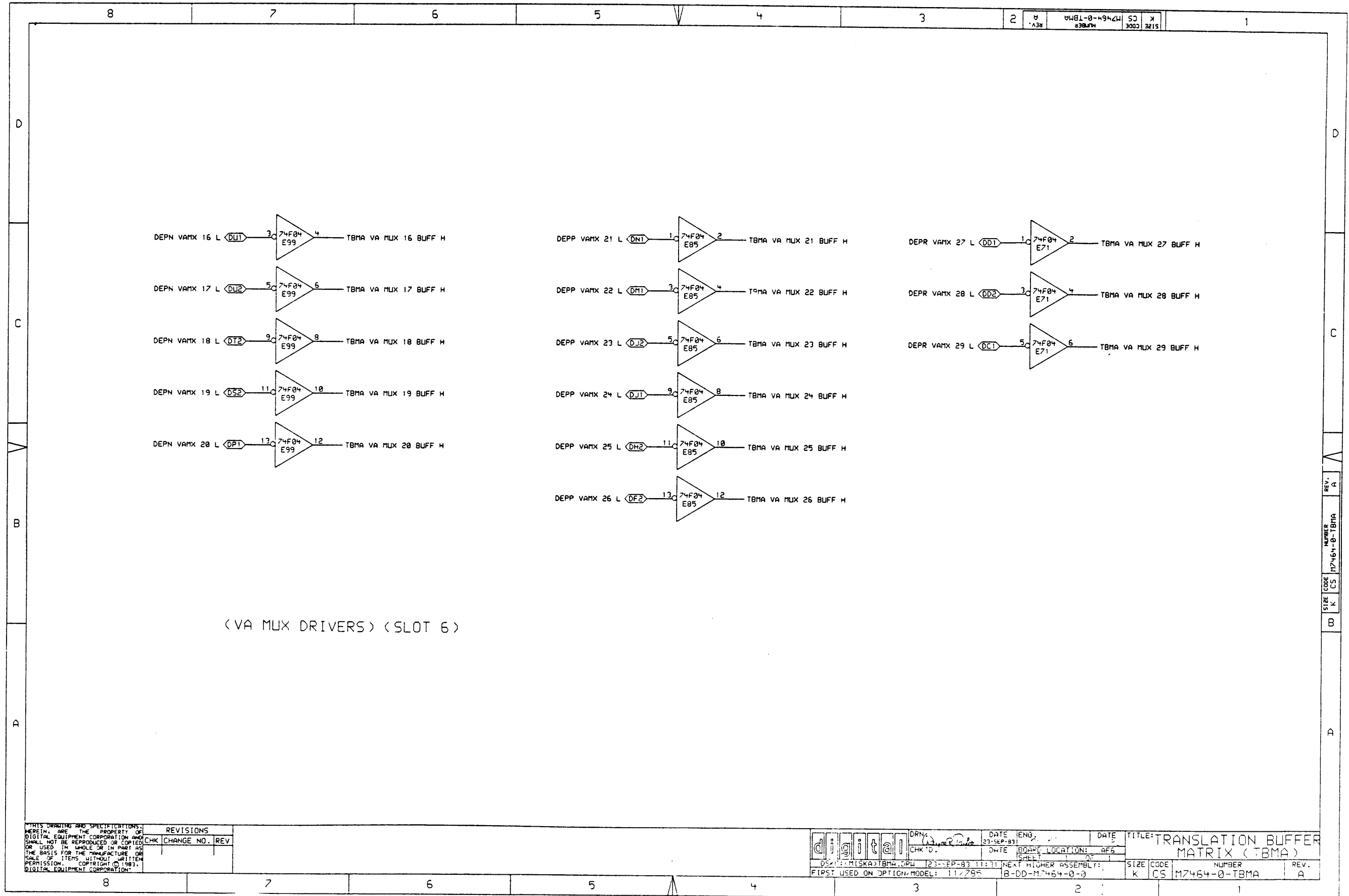
NOTES:  
1. THIS PAGE LISTS THE SCHEMATIC PAGE NUMBER(S) WHERE A SIGNAL NAME IS REFERENCED.

THIS DRAWING AND SPECIFICATIONS ARE THE PROPERTY OF DIGITAL EQUIPMENT CORPORATION AND SHALL NOT BE REPRODUCED OR COPIED OR USED IN WHOLE OR IN PART AS THE BASIS FOR THE MANUFACTURE OR SALE OF ITEMS WITHOUT WRITTEN PERMISSION. COPYRIGHT © 1983, DIGITAL EQUIPMENT CORPORATION.

REVISIONS	CHK	CHANGE NO.	REV

digital	DRN. <i>W+M</i>	DATE 27-SEP-83	ENG. <i>W+M</i>	DATE	TITLE: TBM FORWARD REFERENCE
	CHK'D.	DATE	BOARD LOCATION: AF6	SHEET 1	NUMBER M7464-0-TBM4
D:\P11\MISKA>TBM4.DRW [23-SEP-83 13:10]		NEXT HIGHER ASSEMBLY: B-DD-M7464-0-0	SIZE K	CODE CS	REV. A
FIRST USED ON OPTION/MODEL: 11/735					

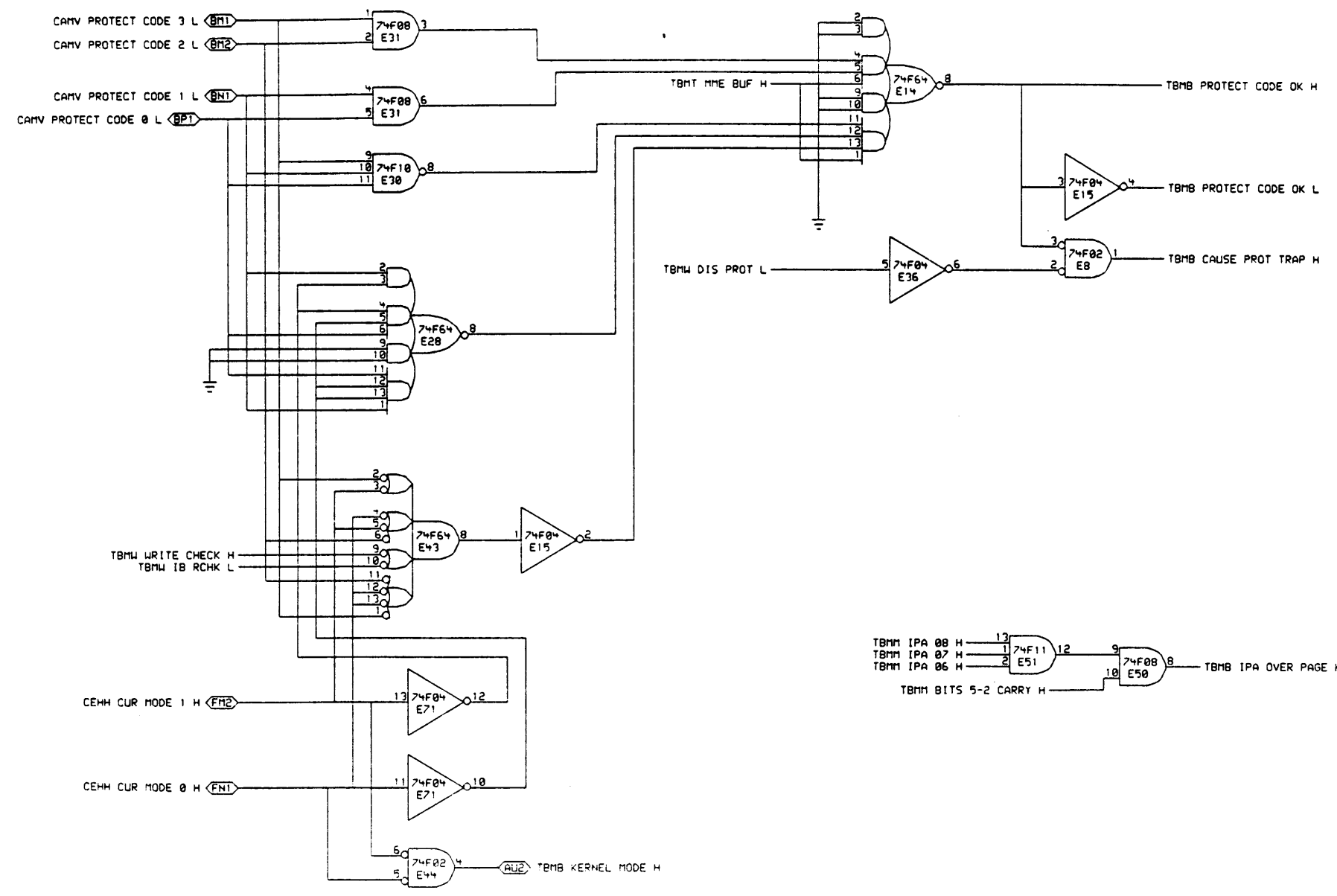
REV. A  
M7464-0-TBM4



THIS DRAWING AND SPECIFICATIONS, HEREIN, ARE THE PROPERTY OF DIGITAL EQUIPMENT CORPORATION AND SHALL NOT BE REPRODUCED OR COPIED OR USED IN WHOLE OR IN PART AS THE BASIS FOR THE MANUFACTURE OR SALE OF ITEMS WITHOUT WRITTEN PERMISSION. COPYRIGHT © 1983, DIGITAL EQUIPMENT CORPORATION.

REVISIONS		
CHK	CHANGE NO.	REV

digital	DRN: <i>W. R. G. / J. G. S.</i>	DATE ENG: 23-SEP-83	DATE	TITLE: TRANSLATION BUFFER MATRIX (TBMA)
	CHK'D: <i>W. R. G. / J. G. S.</i>	DATE	BOARD LOCATION: AF6	
DESIGN: M1SKA>TBMA.ORG 23-SEP-83 11:31		NEXT HIGHER ASSEMBLY: B-DD-M7464-0-0		SIZE CODE: K CS
FIRST USED ON OPTION MODEL: 11/795				NUMBER: M7464-0-TBMA
				REV. A



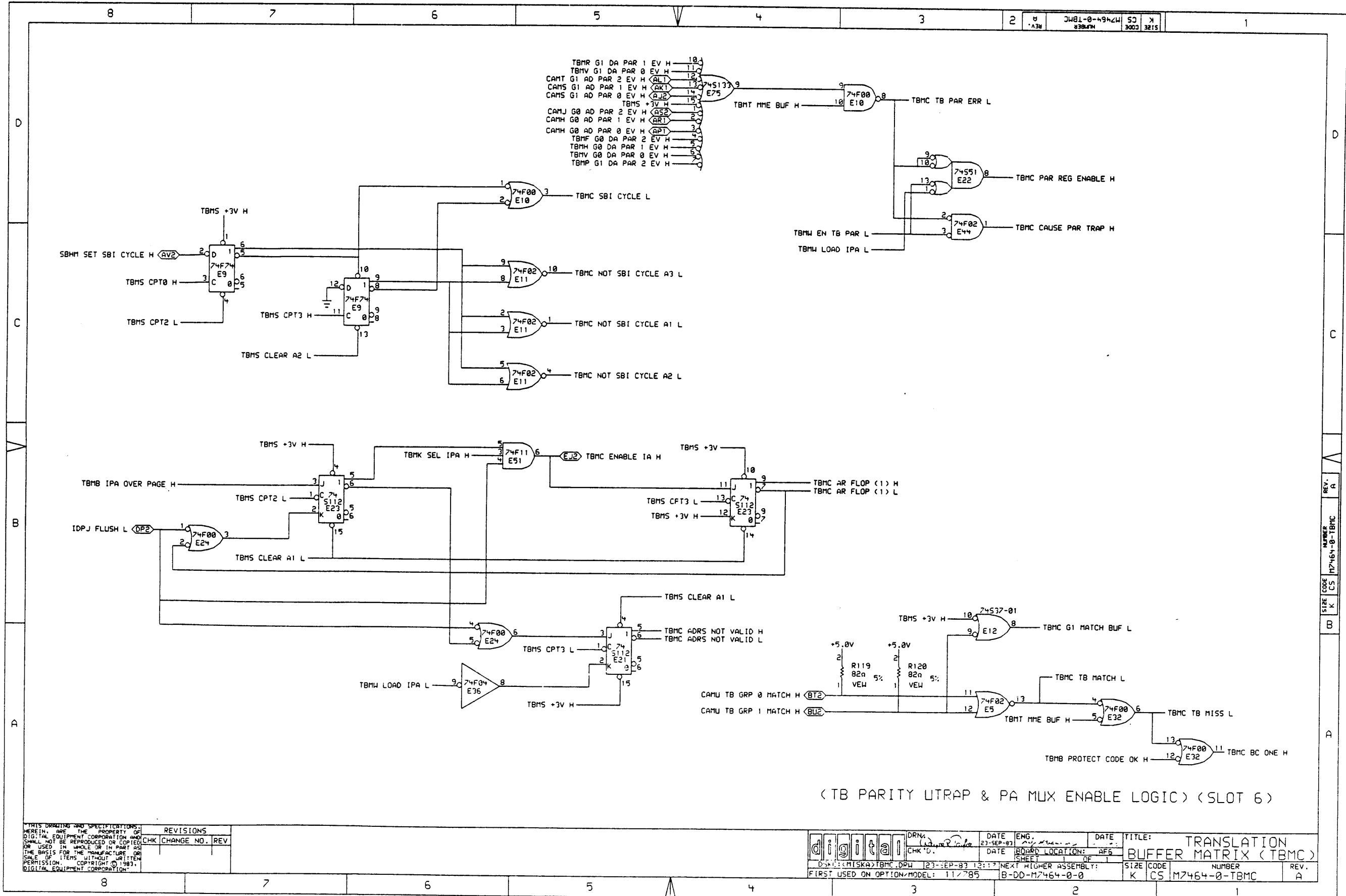
(PROTECTION CODE LOGIC) (SLOT 6)

THIS DRAWING AND SPECIFICATIONS ARE THE PROPERTY OF DIGITAL EQUIPMENT CORPORATION AND SHALL NOT BE REPRODUCED OR COPIED, IN WHOLE OR IN PART, WITHOUT THE WRITTEN PERMISSION OF DIGITAL EQUIPMENT CORPORATION.

REV.	DATE	DESCRIPTION
1	10-SEP-83	INITIAL RELEASE

REV.	DATE	DESCRIPTION
1	10-SEP-83	INITIAL RELEASE

digital	DPN: <i>[Signature]</i>	DATE: 10-SEP-83	ENG: <i>[Signature]</i>	DATE: 10-SEP-83	TITLE: TRANSLATION BUFFER MATRIX (TBMB)
CHK'D:		DATE: 10-SEP-83	BOARD LOCATION: AFS		SIZE CODE NUMBER REV. A
OSK: MISA/TBMB.CRU	30-SEP-83 15:03	NEXT HIGHER ASSEMBLY:			
FIRST USED ON OPTION MODEL: 11-785	1B-00-12464-0-0				



(TB PARITY UTRAP & PA MUX ENABLE LOGIC) (SLOT 6)

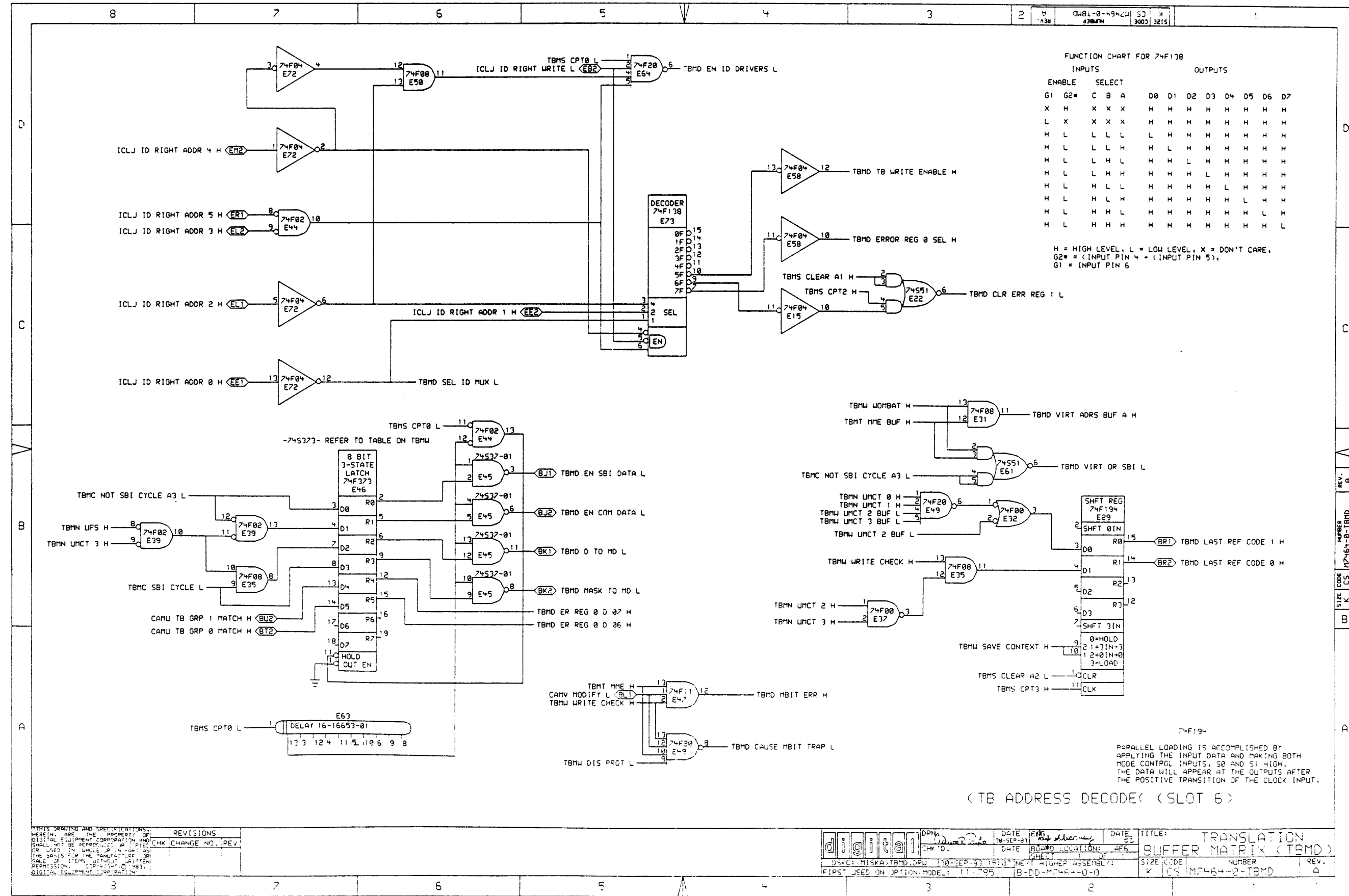
THIS DRAWING AND SPECIFICATIONS  
HEREIN ARE THE PROPERTY OF  
DIGITAL EQUIPMENT CORPORATION AND  
SHALL NOT BE REPRODUCED OR COPIED  
OR USED IN WHOLE OR IN PART AS  
THE BASIS FOR THE MANUFACTURE OR  
SALE OF ITEMS WITHOUT WRITTEN  
PERMISSION. COPYRIGHT © 1983  
DIGITAL EQUIPMENT CORPORATION.

REVISIONS	
CHK	CHANGE NO. REV

	DRN: <i>[Signature]</i>	DATE: 23-SEP-83	ENG: <i>[Signature]</i>	DATE: <i>[Signature]</i>	TITLE: TRANSLATION BUFFER MATRIX (TBMC)
D:\MISKA\TBMC.DRW [23-SEP-83 12:17] NEXT HIGHER ASSEMBLY:				SIZE: K	CODE: CS
FIRST USED ON OPTION/MODEL: 11/785 B-DD-M7464-0-0				NUMBER: M7464-0-TBMC	REV: A

REV. A  
NUMBER 117464-0-TBMC  
SIZE CODE CS  
K

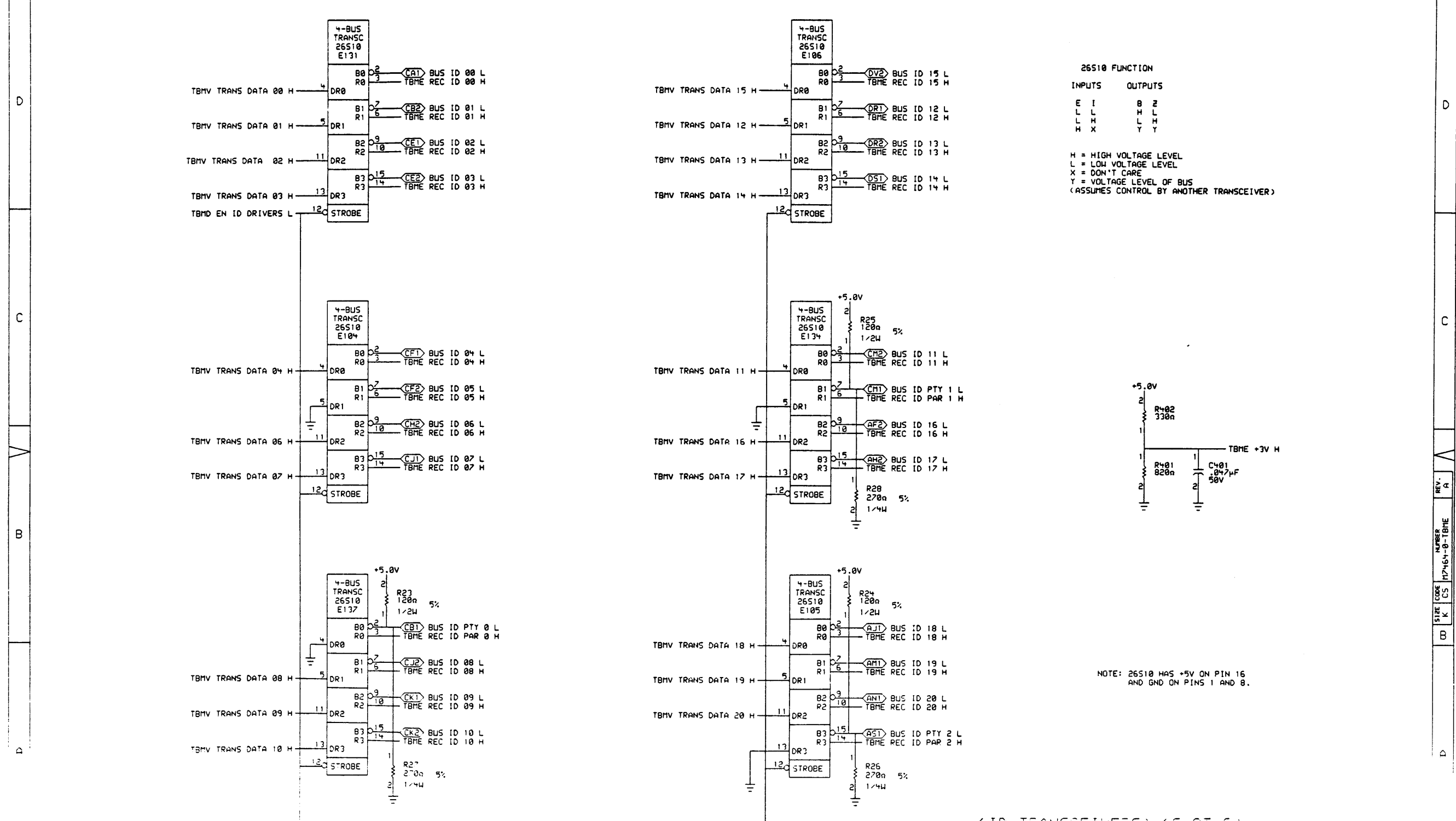




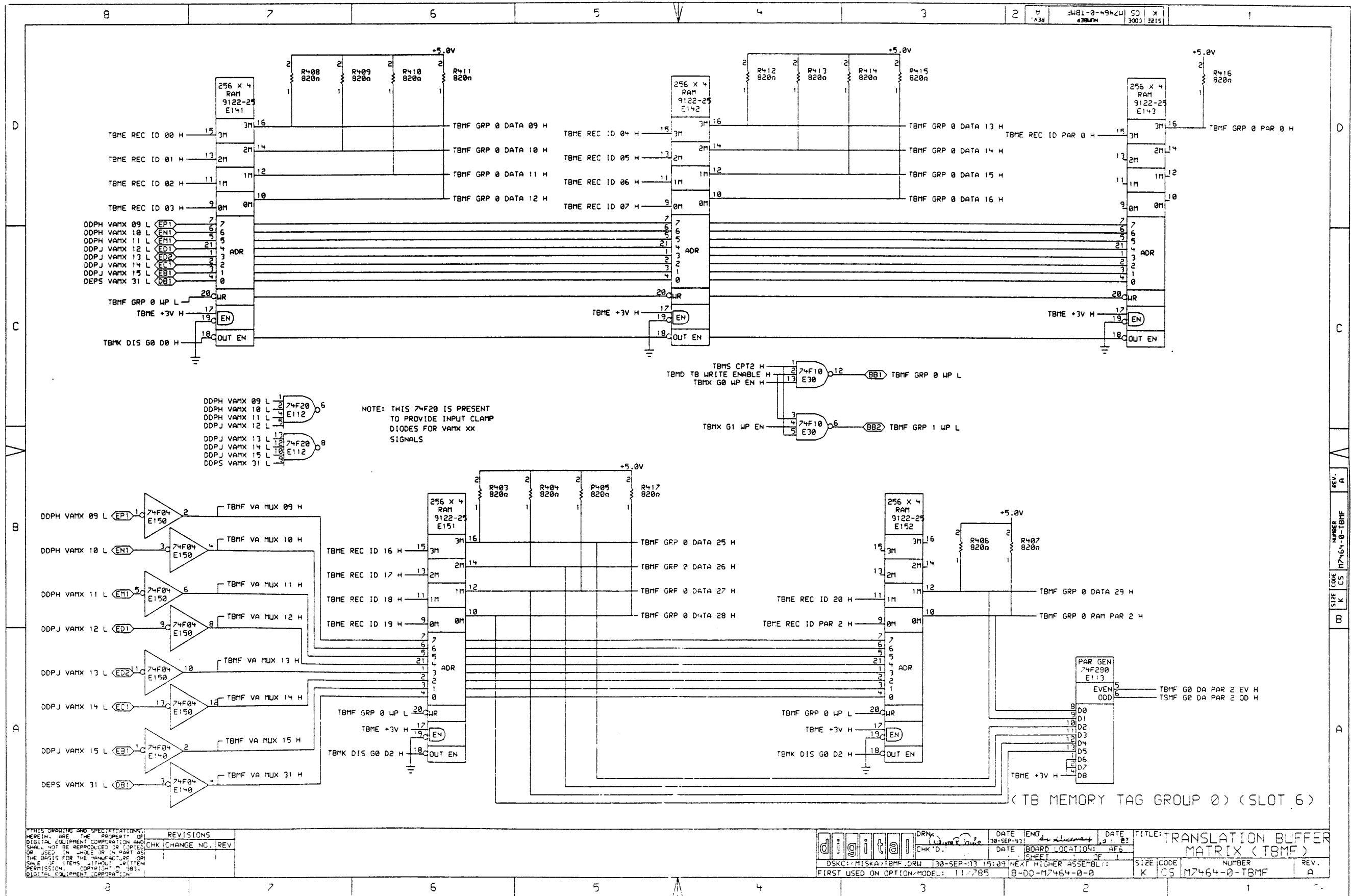
THIS DRAWING AND SPECIFICATIONS ARE THE PROPERTY OF DIGITAL EQUIPMENT CORPORATION AND SHALL NOT BE REPRODUCED OR COPIED IN WHOLE OR IN PART AS THE BASIS FOR THE MANUFACTURE OR SALE OF ITEMS WITHOUT WRITTEN PERMISSION. COPYRIGHT © 1981, DIGITAL EQUIPMENT CORPORATION.

REV. NO.	DATE	BY	DESCRIPTION
1			

DATE	20-SEP-81	DATE		TITLE	TRANSLATION
BY		BY		NUMBER	1
CHK'D.		CHK'D.		REV.	A
DATE		DATE		SIZE CODE	K 105 1M2454-0-TBMD
BOARD LOCATION	AF6	BOARD LOCATION			
SHEET	1	SHEET			
OF		OF			
NAME	ALUHP ASSEMBLY	NAME			
DESIGNER	MISKA/TBMD	DESIGNER			
FIRST USED ON	OPTION MODEL: 11-795	FIRST USED ON			
MODEL	B-00-M2454-0-0	MODEL			



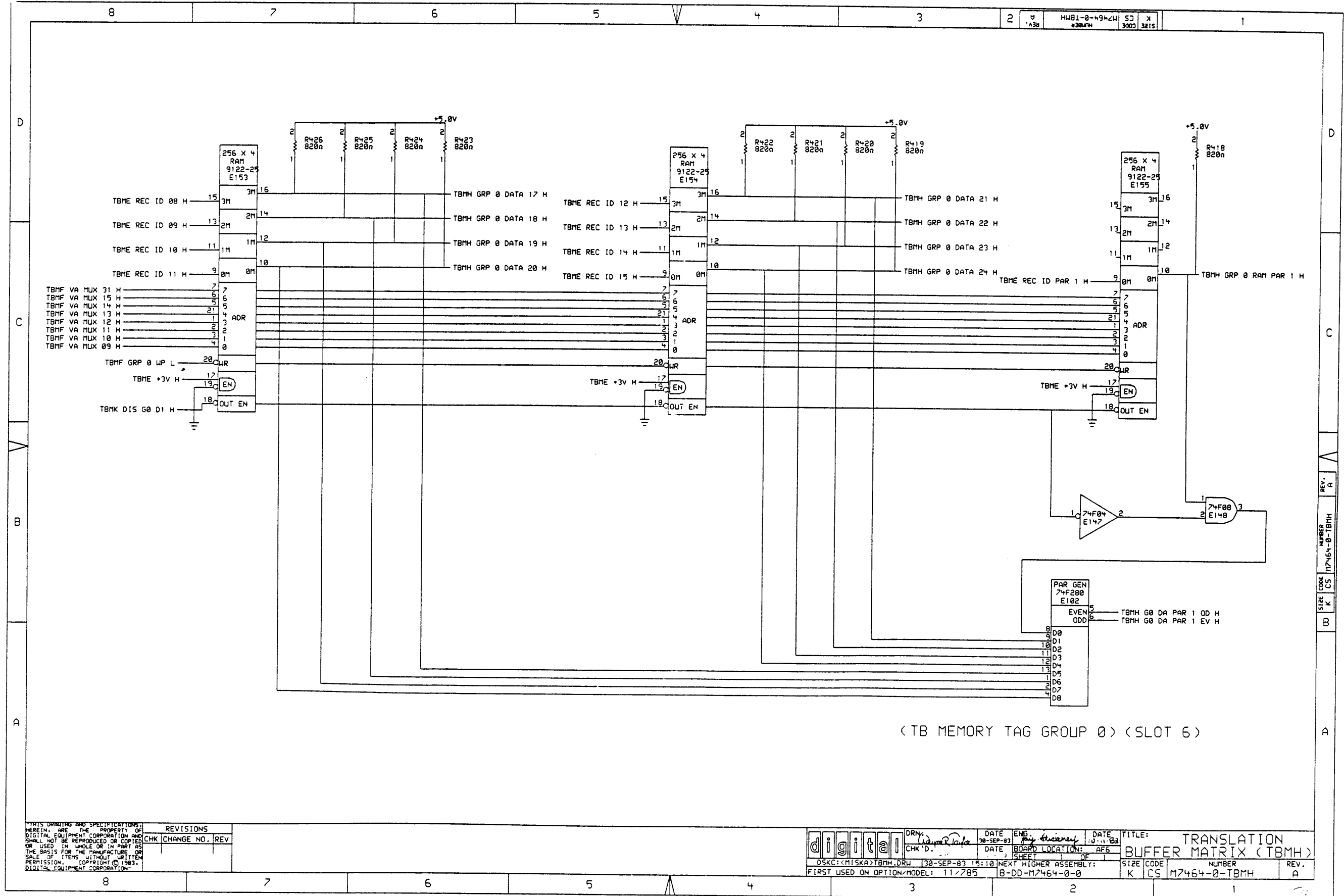
(ID TRANSCIEVERS) (SLOT 6)



THIS DRAWING AND SPECIFICATIONS ARE THE PROPERTY OF DIGITAL EQUIPMENT CORPORATION AND SHALL NOT BE REPRODUCED OR COPIED OR USED IN WHOLE OR IN PART AS THE BASIS FOR THE MANUFACTURE OR SALE OF ITEMS WITHOUT WRITTEN PERMISSION. COPYRIGHT © 1983 DIGITAL EQUIPMENT CORPORATION.

REV.	DESCRIPTION	DATE
1	INITIAL RELEASE	30-SEP-83

digital  
 DSKC: M7464-TBMF.DRW 30-SEP-83 15:03 NEXT HIGHER ASSEMBLY: 8-DD-M7464-0-0  
 TITLE: TRANSLATION BUFFER MATRIX (TBMF)  
 BOARD LOCATION: AFB  
 SIZE CODE: K CS M7464-0-TBMF  
 NUMBER: 1  
 REV: A



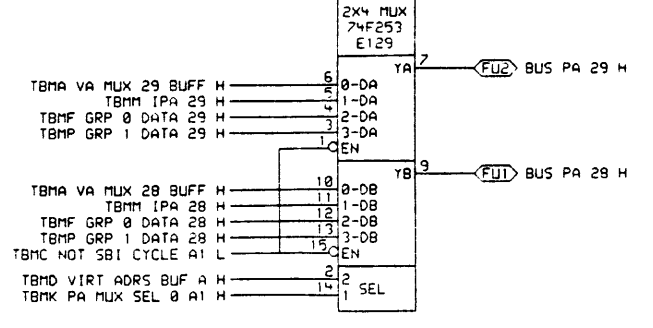
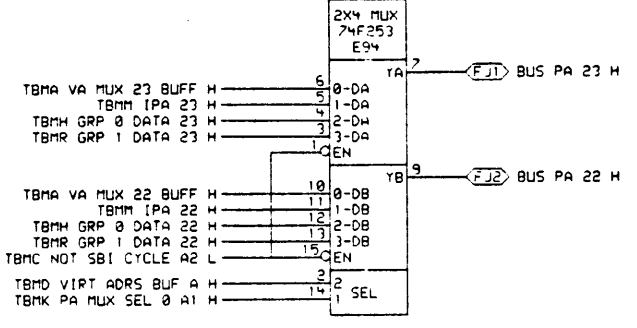
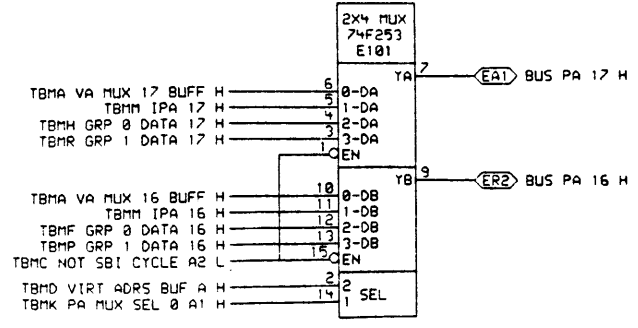
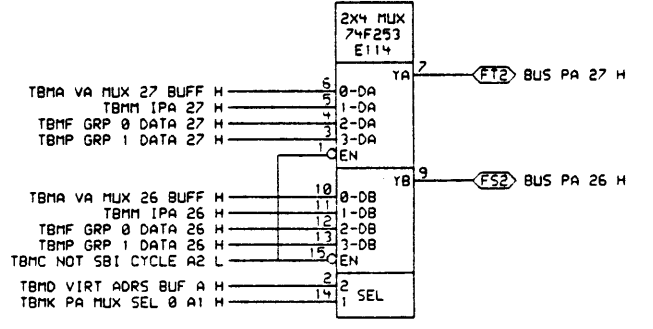
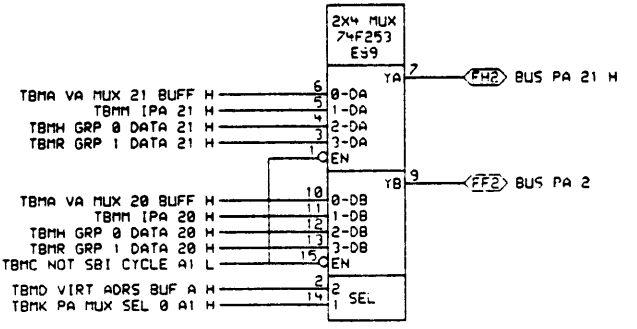
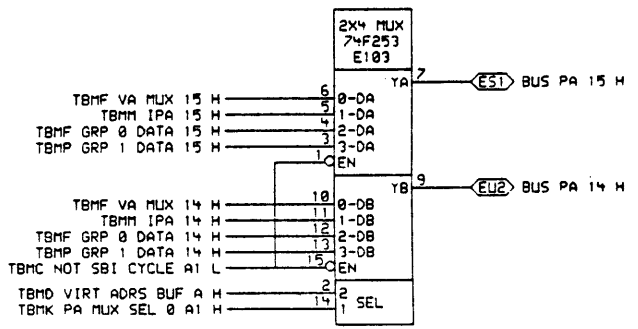
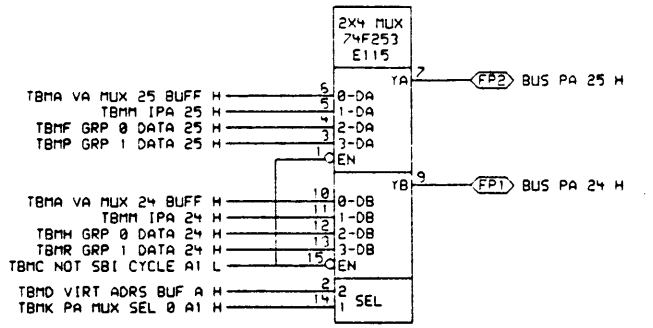
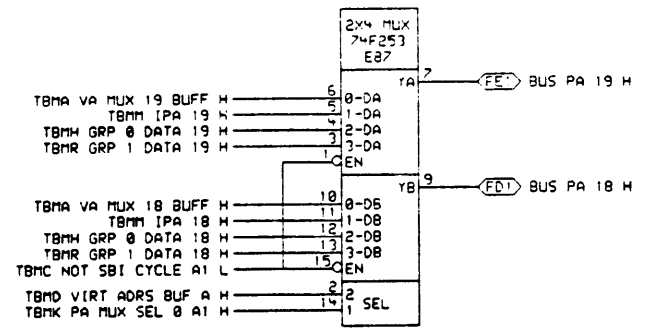
(TB MEMORY TAG GROUP 0) (SLOT 6)

THIS DRAWING AND SPECIFICATIONS  
HEREIN ARE THE PROPERTY OF  
DIGITAL EQUIPMENT CORPORATION AND  
SHALL NOT BE REPRODUCED OR COPIED  
OR USED IN WHOLE OR IN PART AS  
THE BASIS FOR THE MANUFACTURE OR  
SALE OF ITEMS WITHOUT WRITTEN  
PERMISSION. COPYRIGHT © 1983  
DIGITAL EQUIPMENT CORPORATION

REVISIONS	
CHK	CHANGE NO. REV

	DRN: <i>Wagner</i>	DATE: 30-SEP-83	ENG: <i>Rig. Stearns</i>	DATE: 10-11-83	TITLE: TRANSLATION
	CHK'D: <i>Wagner</i>	DATE: 30-SEP-83	BOARD LOCATION: AF6	SHEET: 1	NUMBER: 1
DSKC: <MISKA>TBMH.DRW		30-SEP-83 15:10	NEXT HIGHER ASSEMBLY: B-DD-M7464-0-0	SIZE CODE: K CS	M7464-0-TBMH
FIRST USED ON OPTION/MODEL: 11/785		REV. A		REV. A	

REV. A  
NUMBER 117464-0-TBMH  
SIZE CODE K CS  
B



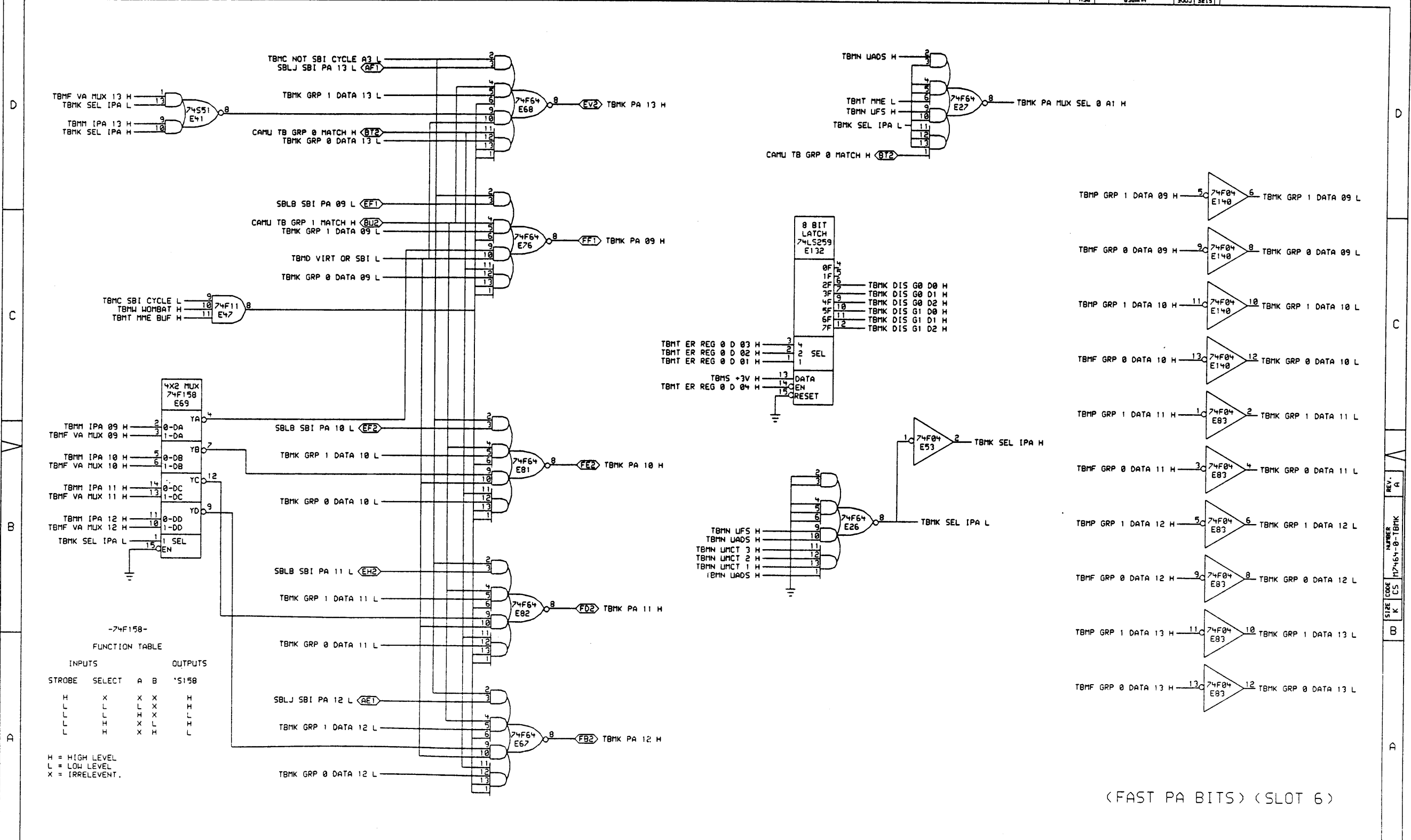
FUNCTION CHART FOR 74F253 ON TBMJ.

(PA MUX) (SLOT 6)

THIS DRAWING AND SPECIFICATIONS HEREIN ARE THE PROPERTY OF DIGITAL EQUIPMENT CORPORATION AND SHALL NOT BE REPRODUCED OR COPIED OR USED IN WHOLE OR IN PART AS THE BASIS FOR THE MANUFACTURE OR SALE OF ITEMS WITHOUT WRITTEN PERMISSION. COPYRIGHT © 1983. DIGITAL EQUIPMENT CORPORATION.

REVISIONS	CHK	CHANGE NO.	REV

digital	DRN: <i>Wm R. R. R.</i>	DATE: 30-SEP-83	ENG: <i>Wm R. R. R.</i>	DATE: 11-7-85	TITLE: TRANSLATION BUFFER MATRIX (TBMJ)
	CHK: <i>Wm R. R. R.</i>	DATE: 11-7-85	BOARD LOCATION: A6	SHEET: 1	SIZE CODE: K CS
FIRST USED ON OPTION MODEL: 11-7-85				NEXT HIGHER ASSEMBLY: B-00-M7464-0	NUMBER: M7464-0-TBMJ
					REV: A

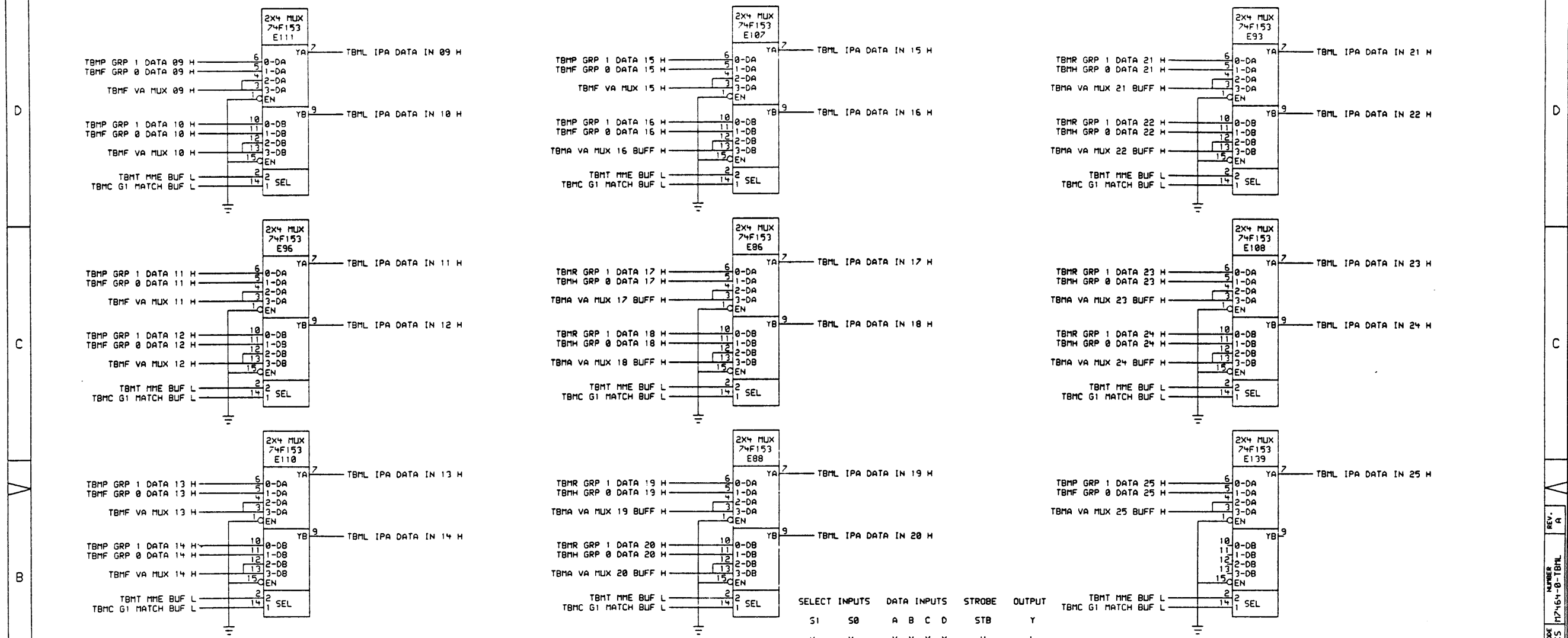


-74F158-  
FUNCTION TABLE

INPUTS		OUTPUTS		
STROBE	SELECT	A	B	'S158
H	X	X	X	H
L	L	L	X	H
L	L	H	X	L
L	H	X	L	H
L	H	X	H	L

H = HIGH LEVEL  
L = LOW LEVEL  
X = IRRELEVANT.

(FAST PA BITS) (SLOT 6)



SELECT INPUTS		DATA INPUTS				STROBE	OUTPUT
S1	S0	A	B	C	D	STB	Y
X	X	X	X	X	X	H	L
L	L	L	X	X	X	L	L
L	L	H	X	X	X	L	L
L	H	X	L	X	X	L	H
L	L	X	X	L	X	L	L
H	L	X	X	H	X	L	L
H	H	X	X	X	L	L	L
H	H	X	X	X	H	L	H

FUNCTION CHART -74F153-  
 SELECT INPUTS S0 AND S1 ARE COMMON TO BOTH SECTIONS.  
 H = HIGH LEVEL  
 L = LOW LEVEL  
 X = IRRELEVANT.

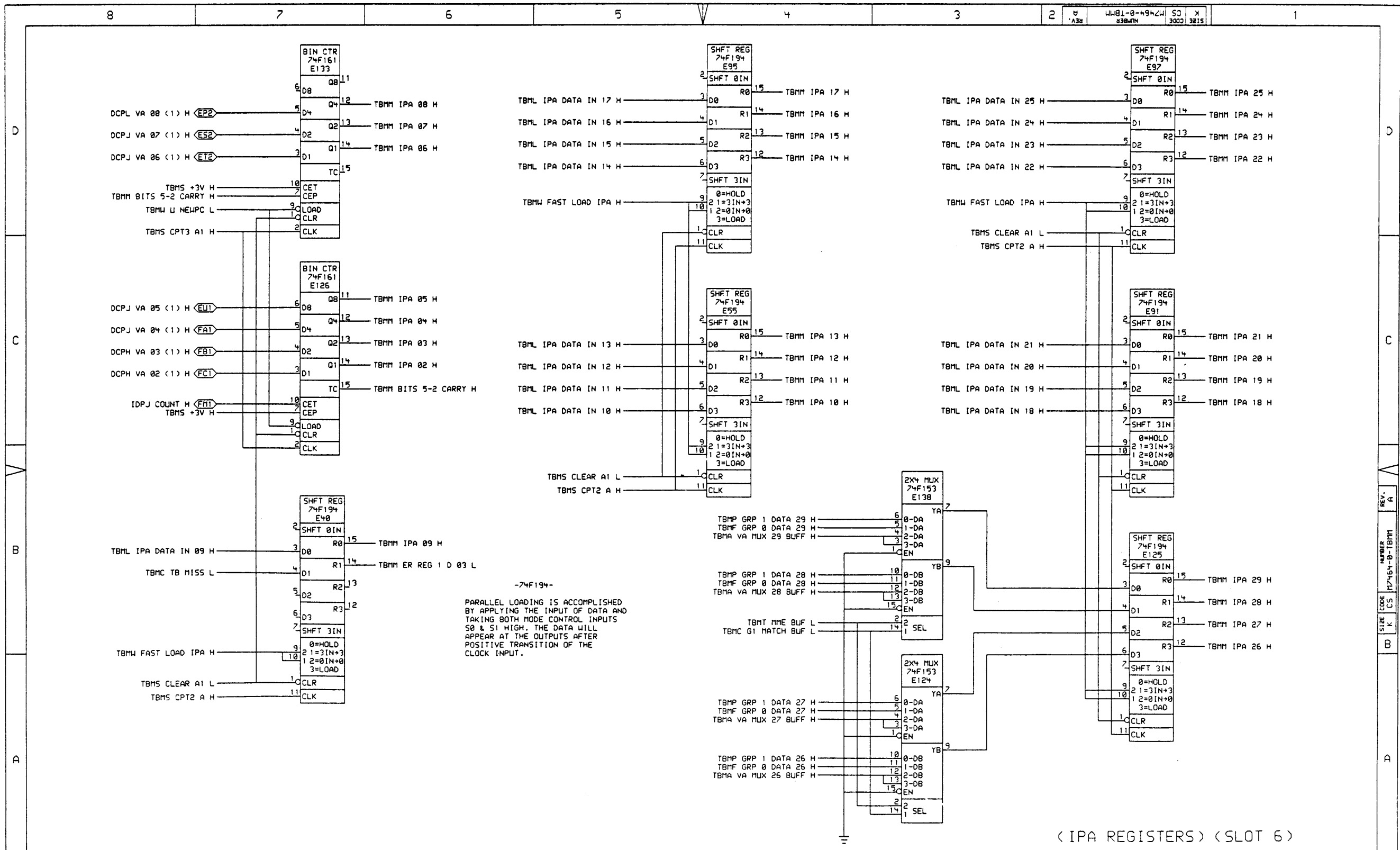
(IPA MUX) (SLOT 6)

THIS DRAWING AND SPECIFICATIONS ARE THE PROPERTY OF DIGITAL EQUIPMENT CORPORATION AND SHALL NOT BE REPRODUCED OR COPIED OR USED IN WHOLE OR IN PART AS THE BASIS FOR THE MANUFACTURE OR SALE OF ITEMS WITHOUT WRITTEN PERMISSION. COPYRIGHT © 1983. DIGITAL EQUIPMENT CORPORATION.

REV.	CHG.	CHANGE NO.	REV.

digital DRN: *[Signature]* DATE: 30-SEP-83 ENG: *[Signature]* DATE: *[Signature]* TITLE: TRANSLATION  
 CHK'D: *[Signature]* DATE: *[Signature]* BOARD LOCATION: AFS BUFFER MATRIX (TBML)  
 SHEET: *[Signature]* OF: *[Signature]*  
 DSKC: (MISKA) TBML.DRW 130-SEP-83 15:23 NEXT HIGHER ASSEMBLY: SIZE CODE NUMBER REV.  
 FIRST USED ON OPTION MODEL: 11/785 B-DD-M7464-0-0 K CS M7464-0-TBML A

REV. A  
 NUMBER 17464-0-TBML  
 SIZE CODE K CS  
 B



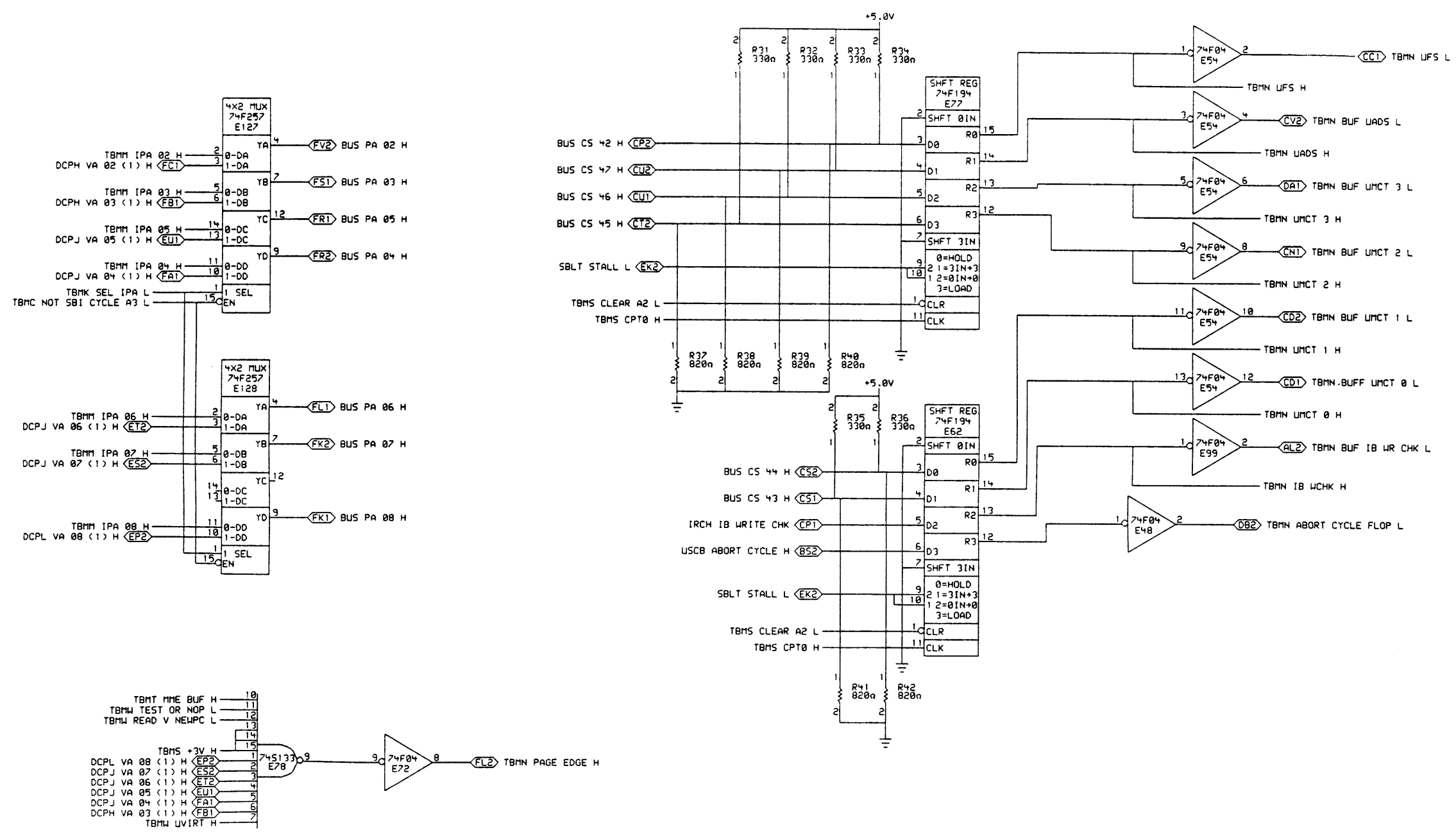
(IPA REGISTERS) (SLOT 6)

REVISIONS	
CHK	CHANGE NO. REV

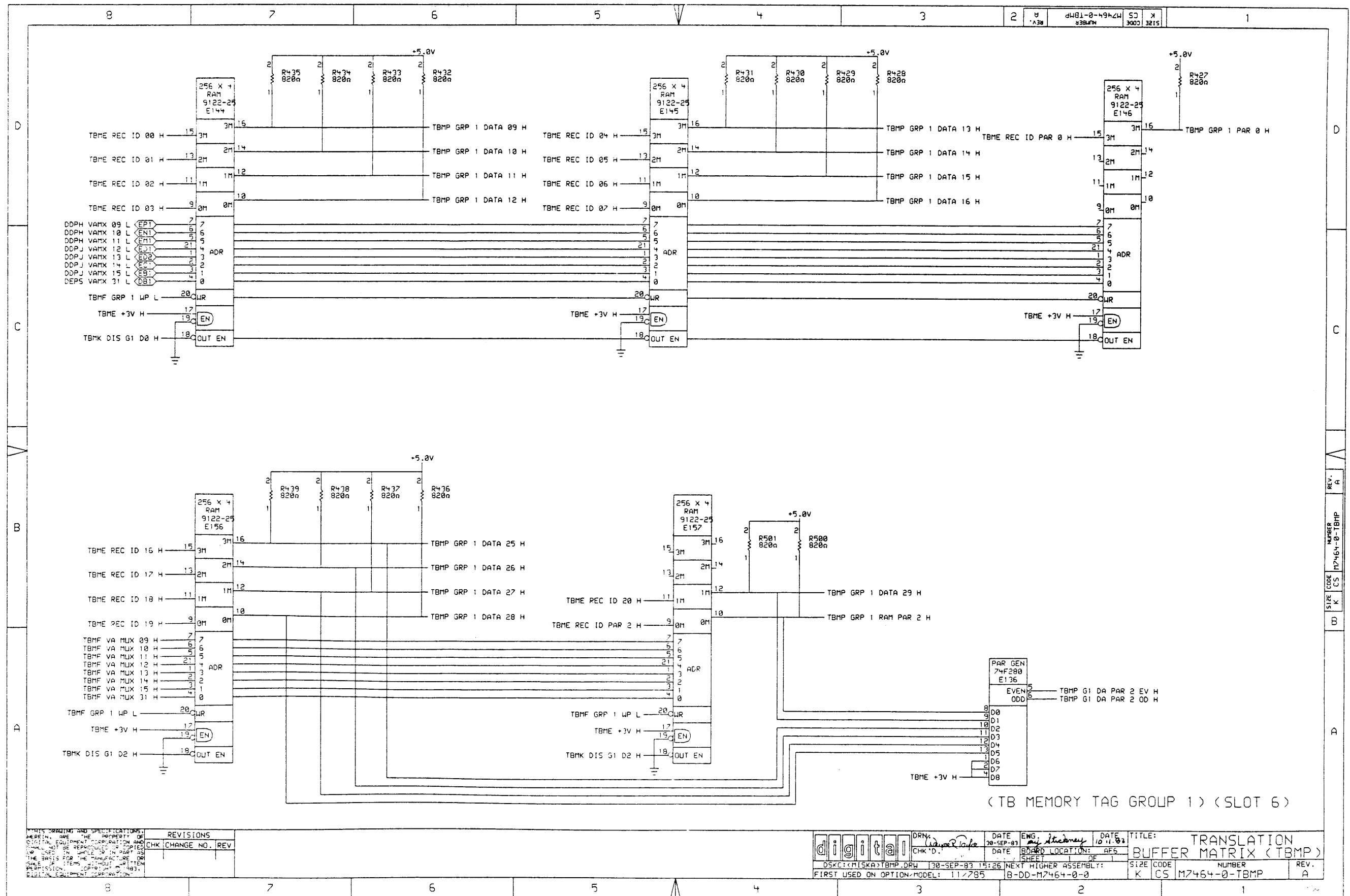
DRN: <i>William J. ...</i>	DATE: 30-SEP-83	ENG: <i>William J. ...</i>	DATE: 12-11-83	TITLE: TRANSLATION BUFFER MATRIX (TBMM)
CHK'D: <i>m</i>	DATE: 30-SEP-83	BOARD LOCATION: AFS	SHEET: 1 OF 1	SIZE CODE: K CS
DSKC: (MISKA) TBMM.DRW	30-SEP-83 15:25	NEXT HIGHER ASSEMBLY: B-DD-M7464-0-0	NUMBER: M7464-0-TBMM	REV: A
FIRST USED ON OPTION/MODEL: 11/785				

REV. A  
NUMBER 17464-0-TBMM  
CODE CS  
SIZE K





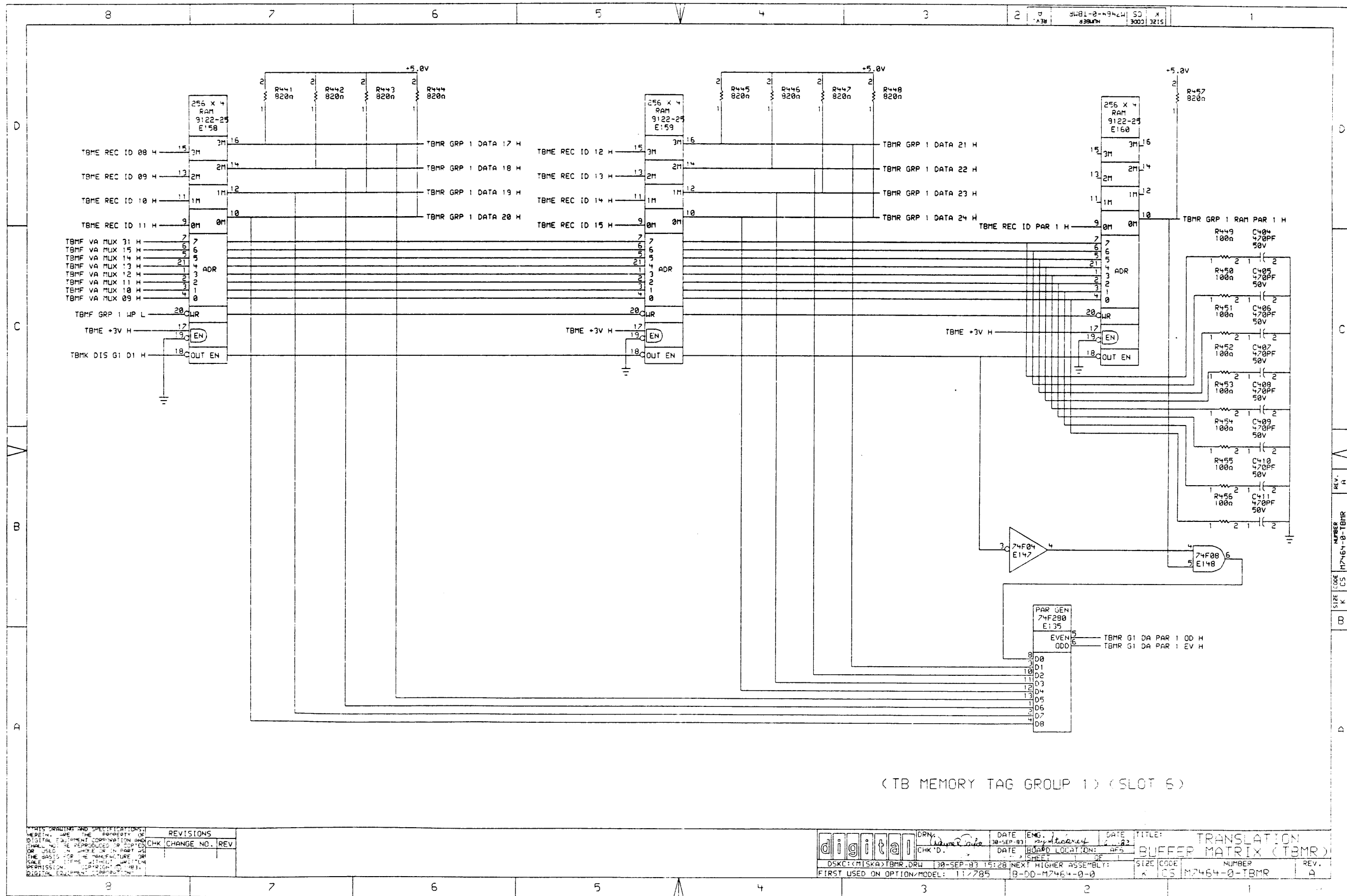
(CS ADDRESS RECEIVE REGISTERS) (SLOT 6)



(TB MEMORY TAG GROUP 1) (SLOT 6)

REVISIONS		
CHK	CHANGE NO.	REV

	DRN: <i>W. R. ...</i>	DATE: 30-SEP-83	ENG: <i>...</i>	DATE: 10-11-83	TITLE: TRANSLATION
	CHK'D: <i>...</i>	DATE: 13-SEP-83	BOARD LOCATION: AFS	SHEET: 1 OF 1	BUFFER MATRIX (TBMP)
FIRST USED ON OPTION MODEL: 11/785			NEXT HIGHER ASSEMBLY: B-DD-M7464-0-0		SIZE CODE: K CS NUMBER: M7464-0-TBMP REV: A

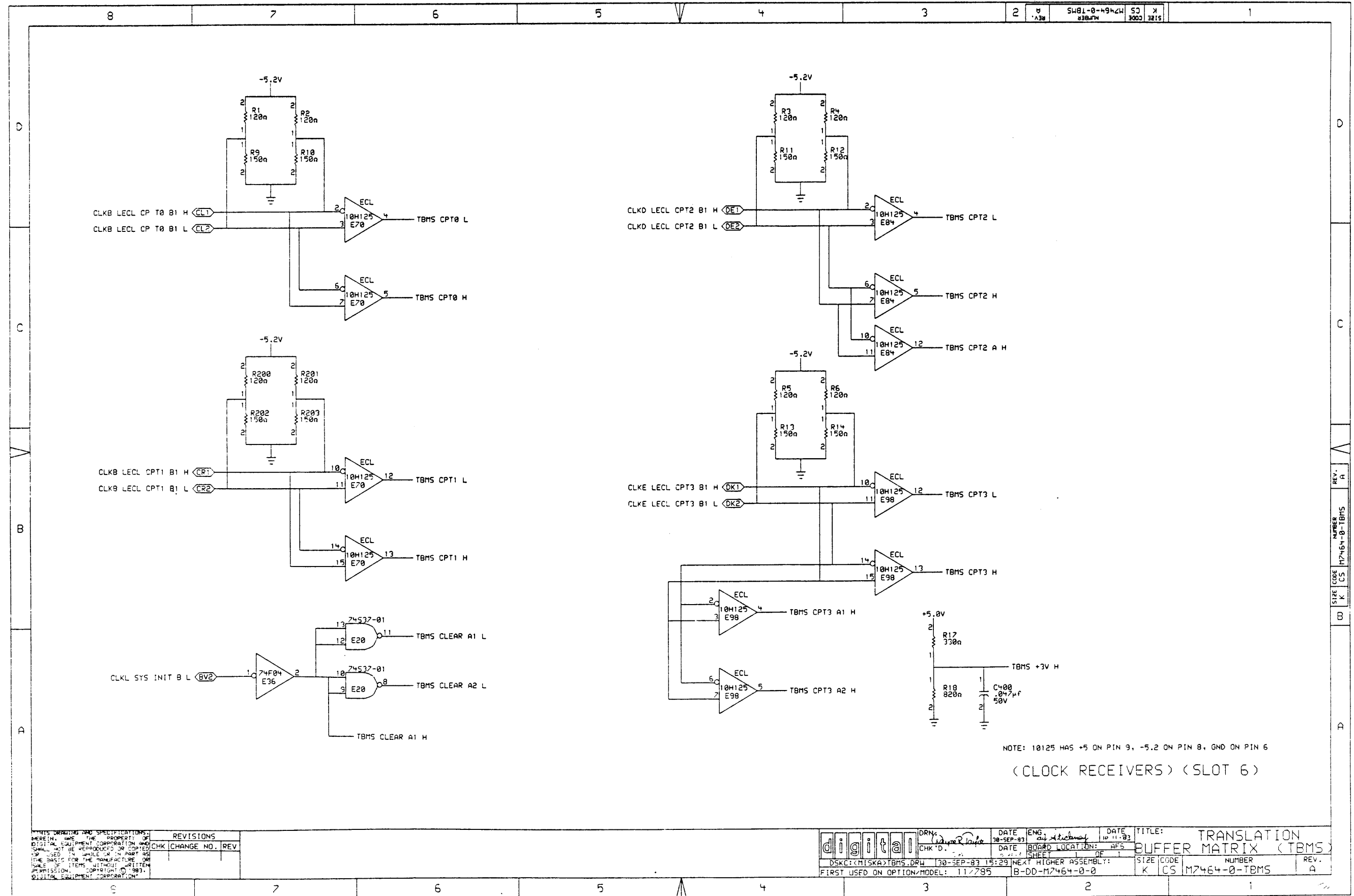


(TB MEMORY TAG GROUP 1) (SLOT 5)

THIS DRAWING AND SPECIFICATIONS, HEREIN, ARE THE PROPERTY OF DIGITAL EQUIPMENT CORPORATION AND SHALL NOT BE REPRODUCED OR COPIED OR USED IN ANY MANNER, IN WHOLE OR IN PART, WITHOUT THE WRITTEN PERMISSION OF DIGITAL EQUIPMENT CORPORATION.

CHK	CHANGE NO.	REV

	DATE: 30-SEP-83 DATE: 15-SEP-83 DATE: 15-SEP-83 DATE: 15-SEP-83	ENG: <i>ap/ta</i> DATE: <i>11-83</i> BOARD LOCATION: <i>AF5</i>	TITLE: TRANSLATION BUFFER MATRIX (TBMR)
DSKC: (MISKA) TBMR.DRW FIRST USED ON OPTION/MODEL: 11785	NEXT HIGHER ASSEMBLY: B-DD-M2464-0-0	SIZE: K CS CODE: M2464-0-TBMR	NUMBER: A REV: A

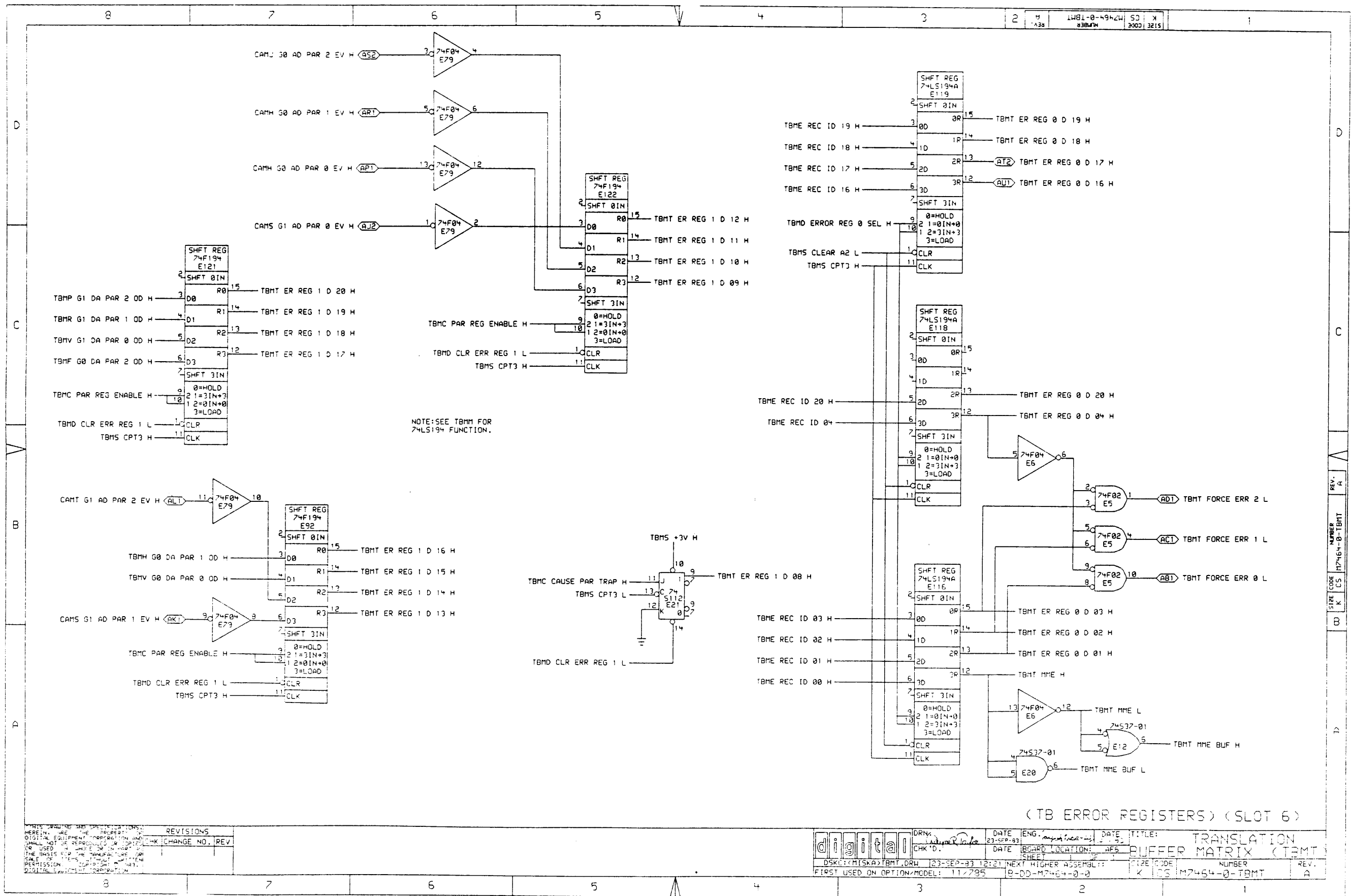


THIS DRAWING AND SPECIFICATIONS ARE THE PROPERTY OF DIGITAL EQUIPMENT CORPORATION AND SHALL NOT BE REPRODUCED OR COPIED IN ANY MANNER OR IN PART BE USED FOR THE MANUFACTURE OR SALE OF ITEMS WITHOUT WRITTEN PERMISSION. COPYRIGHT © 1983 DIGITAL EQUIPMENT CORPORATION.

REVISIONS	
CHK	CHANGE NO. REV.

DRN: <i>Walter Taylor</i>	DATE: 30-SEP-83	ENG: <i>at/achraf</i>	DATE: 10-11-83	TITLE: TRANSLATION
CHK'D: <i>...</i>	DATE: <i>...</i>	BOARD LOCATION: <i>AFS</i>	SHEET: <i>...</i>	BUFFER MATRIX (TBMS)
DSKC: <MISKA>TBMS.DRW		30-SEP-83 15:29	NEXT HIGHER ASSEMBLY: B-DD-M7464-0-0	SIZE CODE: K CS
FIRST USED ON OPTION/MODEL: 11/785		NUMBER: M7464-0-TBMS		REV. A

SIZE CODE: K CS	NUMBER: M7464-0-TBMS	REV. A
-----------------	----------------------	--------



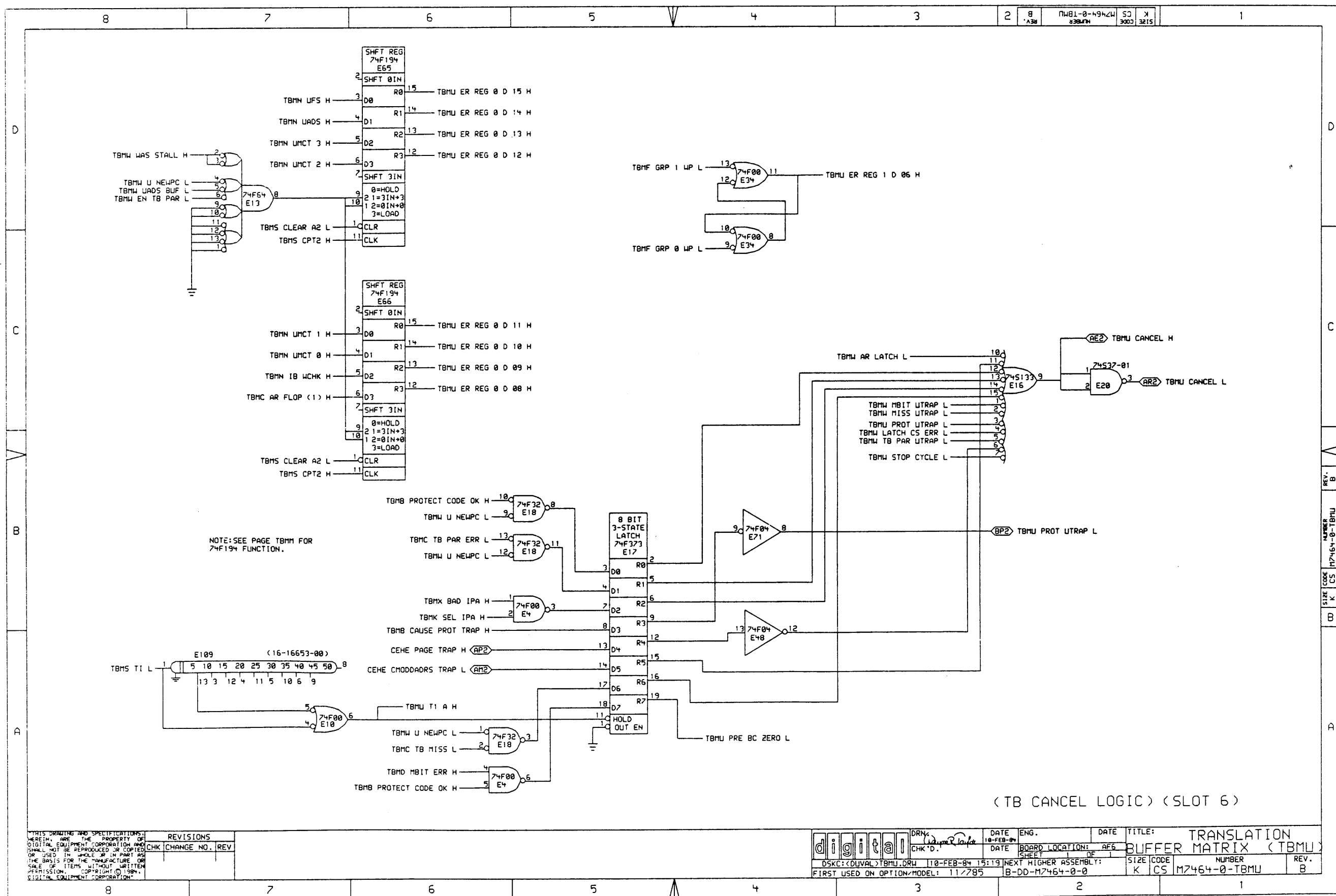
NOTE: SEE TBMM FOR 74LS194 FUNCTION.

(TB ERROR REGISTERS) (SLOT 6)

REV.	DATE	DESCRIPTION
1		INITIAL

REV.	DATE	DESCRIPTION
1		INITIAL

DSK: (MISKA) TBMT.DRW	23-SEP-83 12:21	DATE	ENG: [Signature]	DATE	TITLE: TRANSLATION BUFFER MATRIX (TBMT)
FIRST USED ON OPTION MODEL: 11/295	9-00-M7454-0-0	BOARD LOCATION: AF5	SHEET: [Blank]	SIZE CODE: K CS	NUMBER: M7454-0-TBMT



NOTE: SEE PAGE TBMM FOR 74F194 FUNCTION.

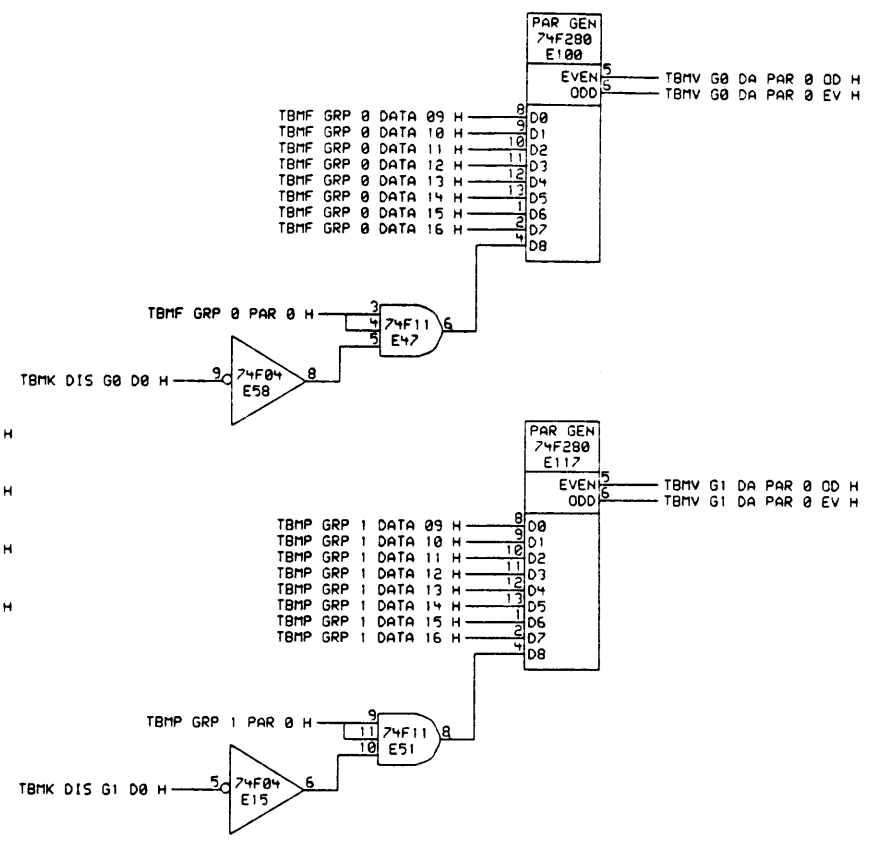
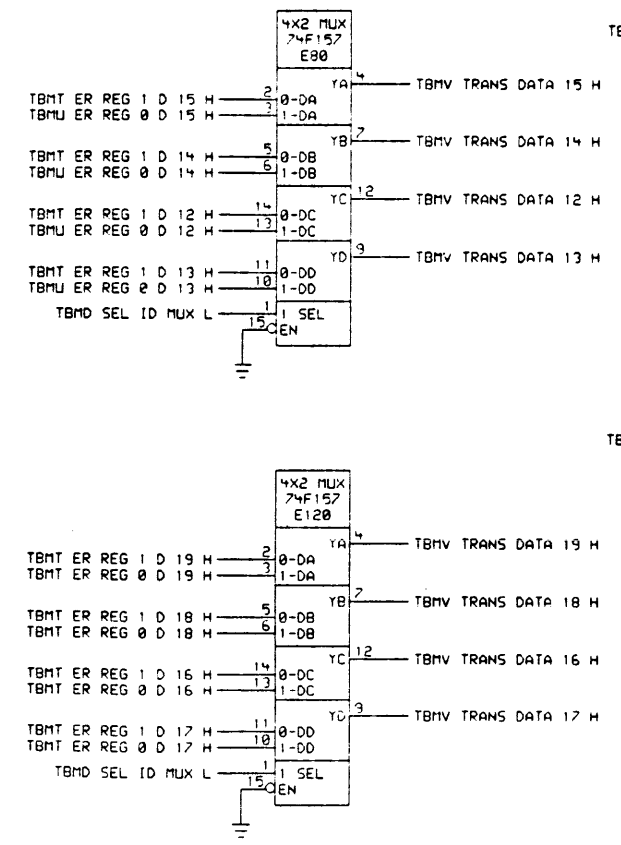
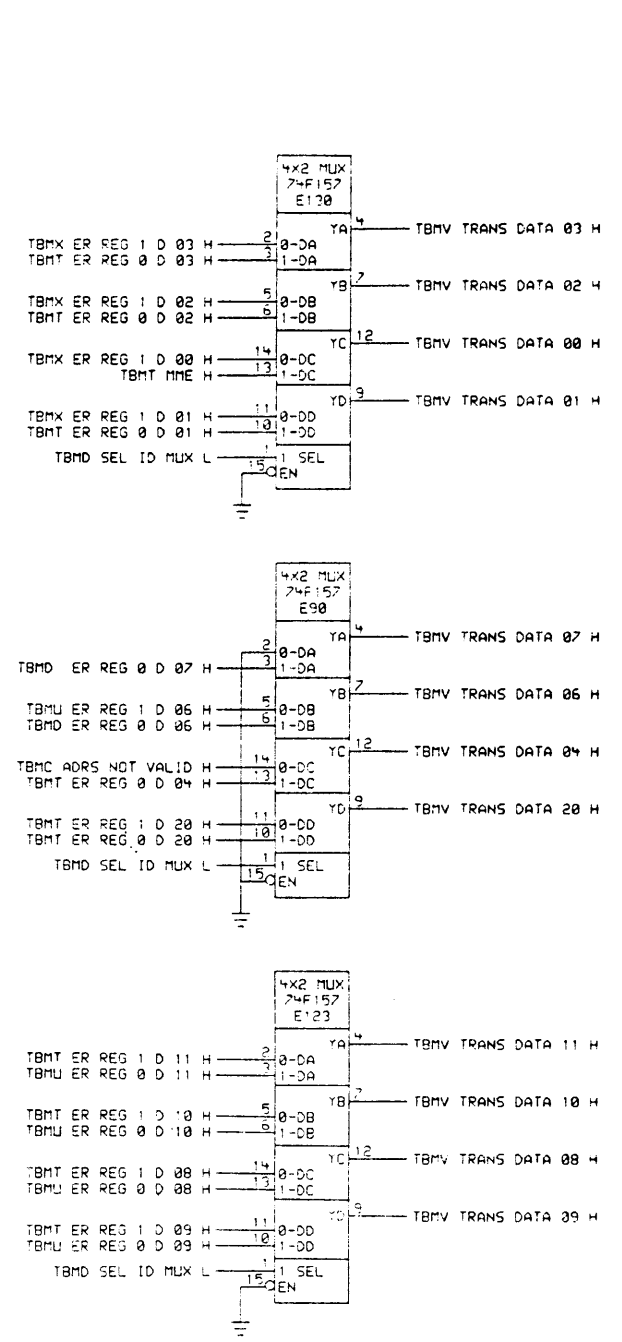
(TB CANCEL LOGIC) (SLOT 6)

THIS DRAWING AND SPECIFICATIONS HEREIN ARE THE PROPERTY OF DIGITAL EQUIPMENT CORPORATION AND SHALL NOT BE REPRODUCED OR COPIED OR USED IN WHOLE OR IN PART AS THE BASIS FOR THE MANUFACTURE OR SALE OF ITEMS WITHOUT WRITTEN PERMISSION. COPYRIGHT © 1984 DIGITAL EQUIPMENT CORPORATION.

REVISIONS	
CHK	CHANGE NO. REV

DRN: <i>W. J. Taylor</i>	DATE: 18-FEB-84	ENG.	DATE	TITLE: TRANSLATION BUFFER MATRIX (TBMU)
CHK'D:	DATE	BOARD LOCATION: AFG	REV. B	
OSKC: (DUVAL) TBMU.DRW	18-FEB-84 15:19	NEXT HIGHER ASSEMBLY: 8-DD-M7464-0-0	SIZE CODE: K CS	NUMBER: M7464-0-TBMU
FIRST USED ON OPTION/MODEL: 11/785				REV. B

REV. B  
NUMBER M7464-0-TBMU  
SIZE CODE CS  
K CS



74F157

INPUTS		OUTPUTS	
STROBE	SELECT	A	B
H	X	X	L
L	L	L	X
L	L	L	H
L	H	X	L
L	H	X	H

H = HIGH LEVEL  
L = LOW LEVEL  
X = IRRELEVANT

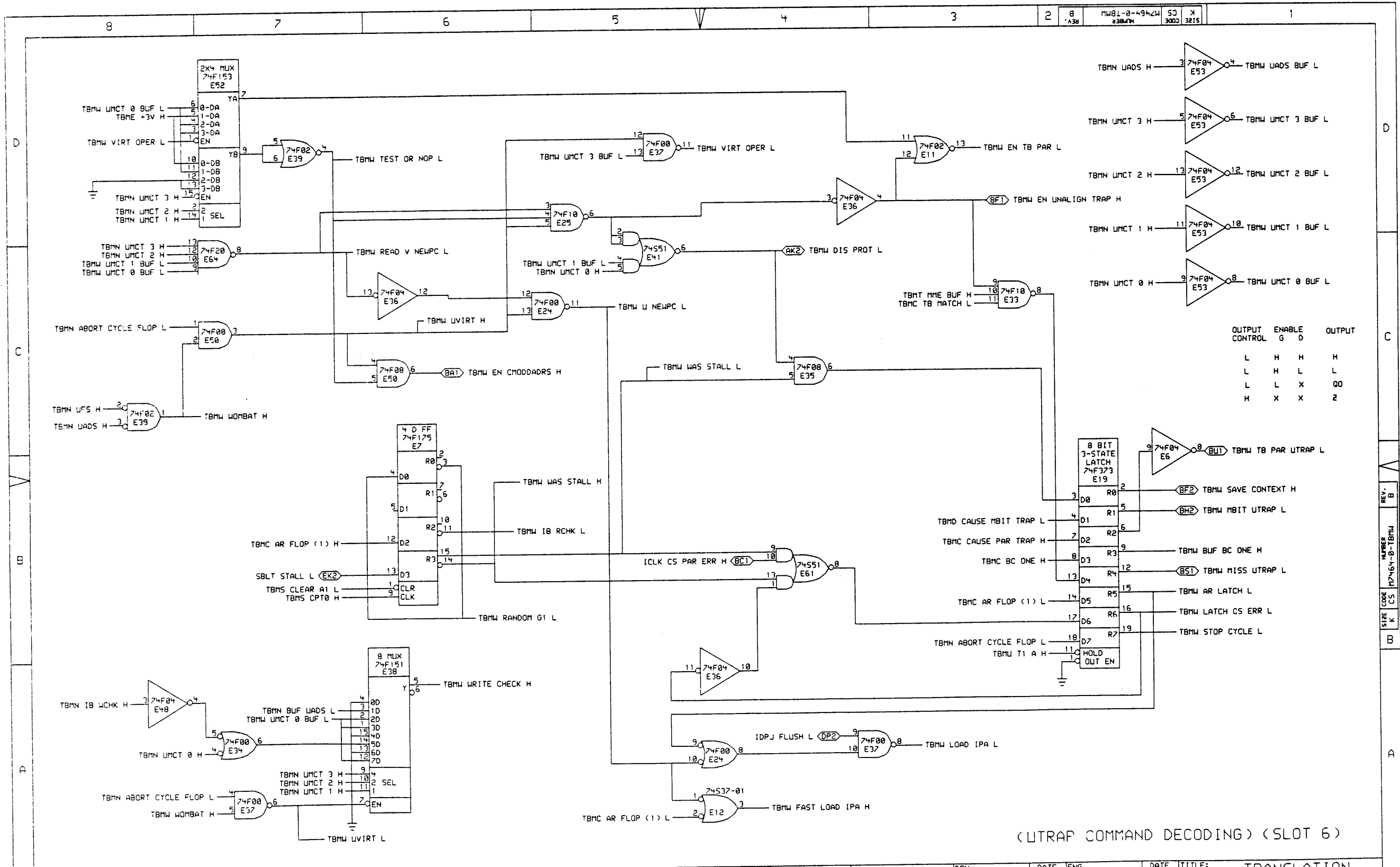
< ID MUX & MEMORY PARITY CHECK > < SLOT 6 >

REVISIONS  
CHANGE NO. REV

digital

DATE: 30-SEP-83  
ENG: [Signature]  
TITLE: TRANSLATION BUFFER MATRIX (TBMV)

SIZE CODE: K CS M2464-0-TBMV  
NUMBER: 11/285  
REV: A



OUTPUT CONTROL	ENABLE G	OUTPUT D	OUTPUT
L	H	H	H
L	H	L	L
L	L	X	00
H	X	X	Z

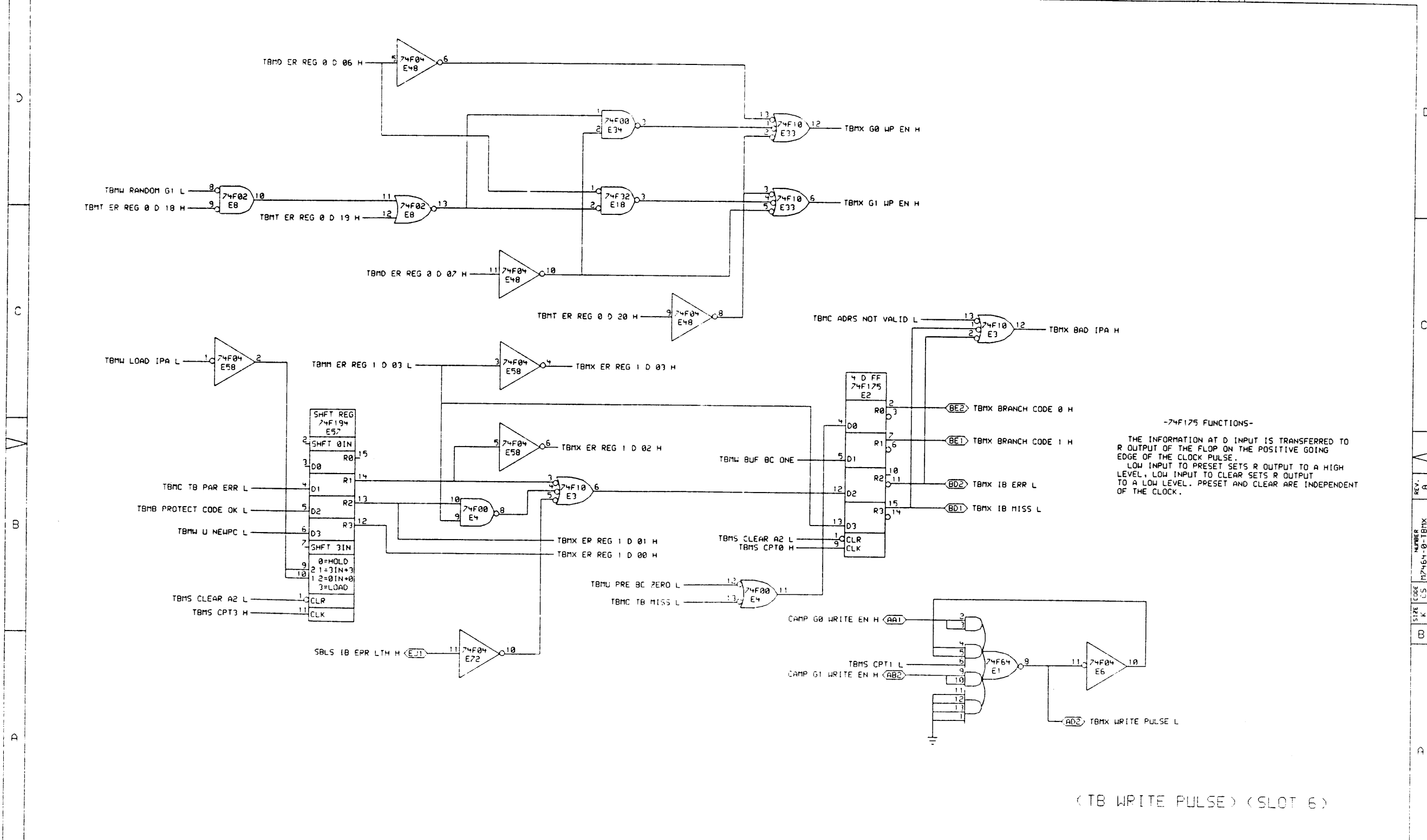
(UTRAP COMMAND DECODING) (SLOT 6)

THIS DRAWING AND SPECIFICATIONS ARE THE PROPERTY OF DIGITAL EQUIPMENT CORPORATION AND SHALL NOT BE REPRODUCED OR COPIED OR USED IN WHOLE OR IN PART AS THE BASIS FOR THE MANUFACTURE OR SALE OF ITEMS WITHOUT WRITTEN PERMISSION. CORPORATION ID: 384-1121. DIGITAL EQUIPMENT CORPORATION

REV.	CHG	NO.	REV.

DRN: <i>William R. ...</i>	DATE: 10-FEB-84	ENG.	DATE:	TITLE: TRANSLATION BUFFER MATRIX (TBMW)
CHK'D:	DATE:	BOARD LOCATION: AFS	SHEET: 1 OF 1	SIZE CODE: K CS
DSKC: <OUVAL>TBMW.DRW	10-FEB-84 15:29	NEXT HIGHER ASSEMBLY: B-DD-M7464-0-0	NUMBER: M7464-0-TBMW	REV.: B
FIRST USED ON OPTION/MODEL: 11/795				





-74F175 FUNCTIONS-  
 THE INFORMATION AT D INPUT IS TRANSFERRED TO R OUTPUT OF THE FLOP ON THE POSITIVE GOING EDGE OF THE CLOCK PULSE.  
 LOW INPUT TO PRESET SETS R OUTPUT TO A HIGH LEVEL, LOW INPUT TO CLEAR SETS R OUTPUT TO A LOW LEVEL. PRESET AND CLEAR ARE INDEPENDENT OF THE CLOCK.

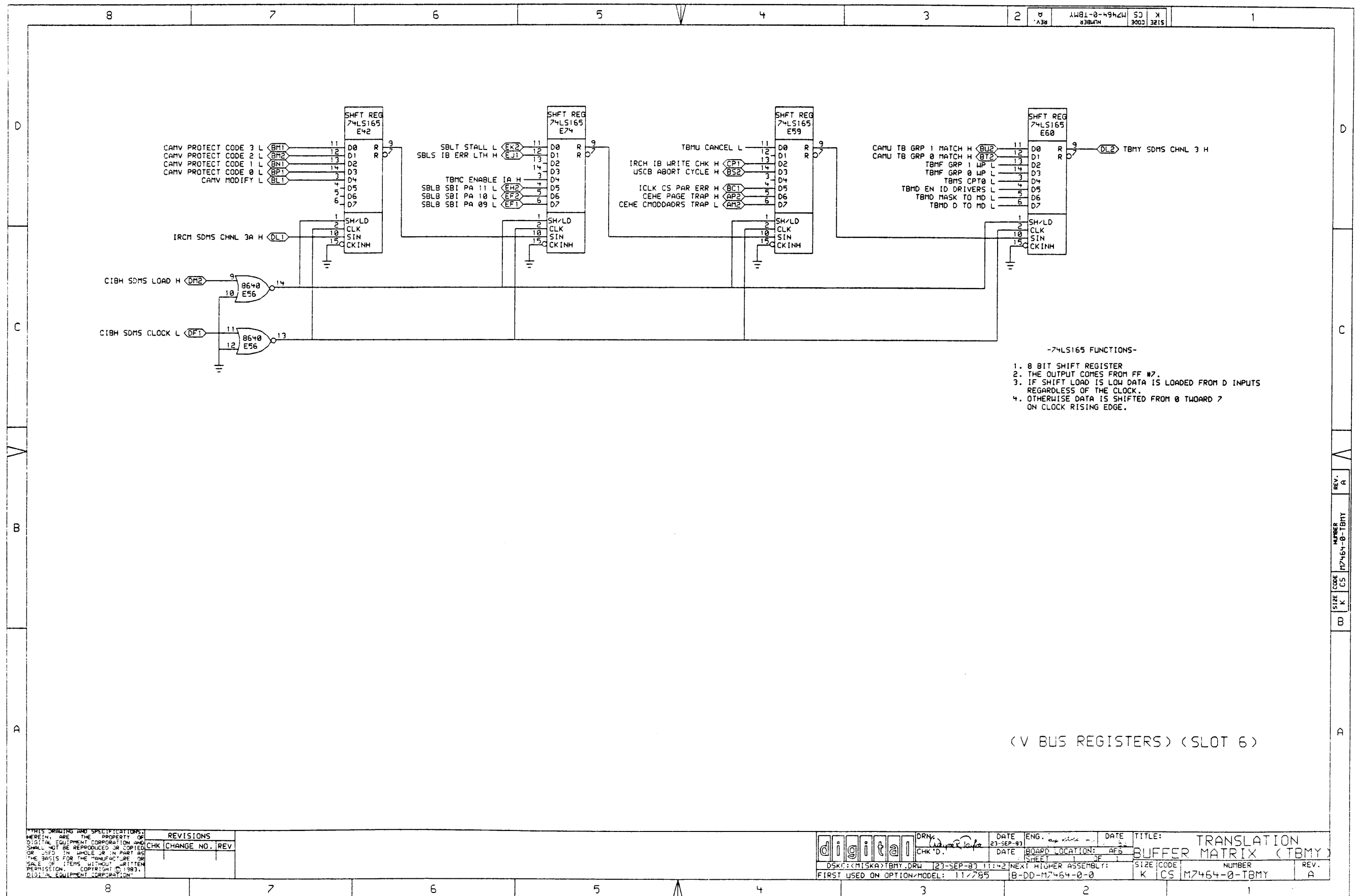
(TB WRITE PULSE) (SLOT 6)

REV.	DATE	DESCRIPTION
1		

REV.	DATE	DESCRIPTION
1		

REV.	DATE	DESCRIPTION
1		

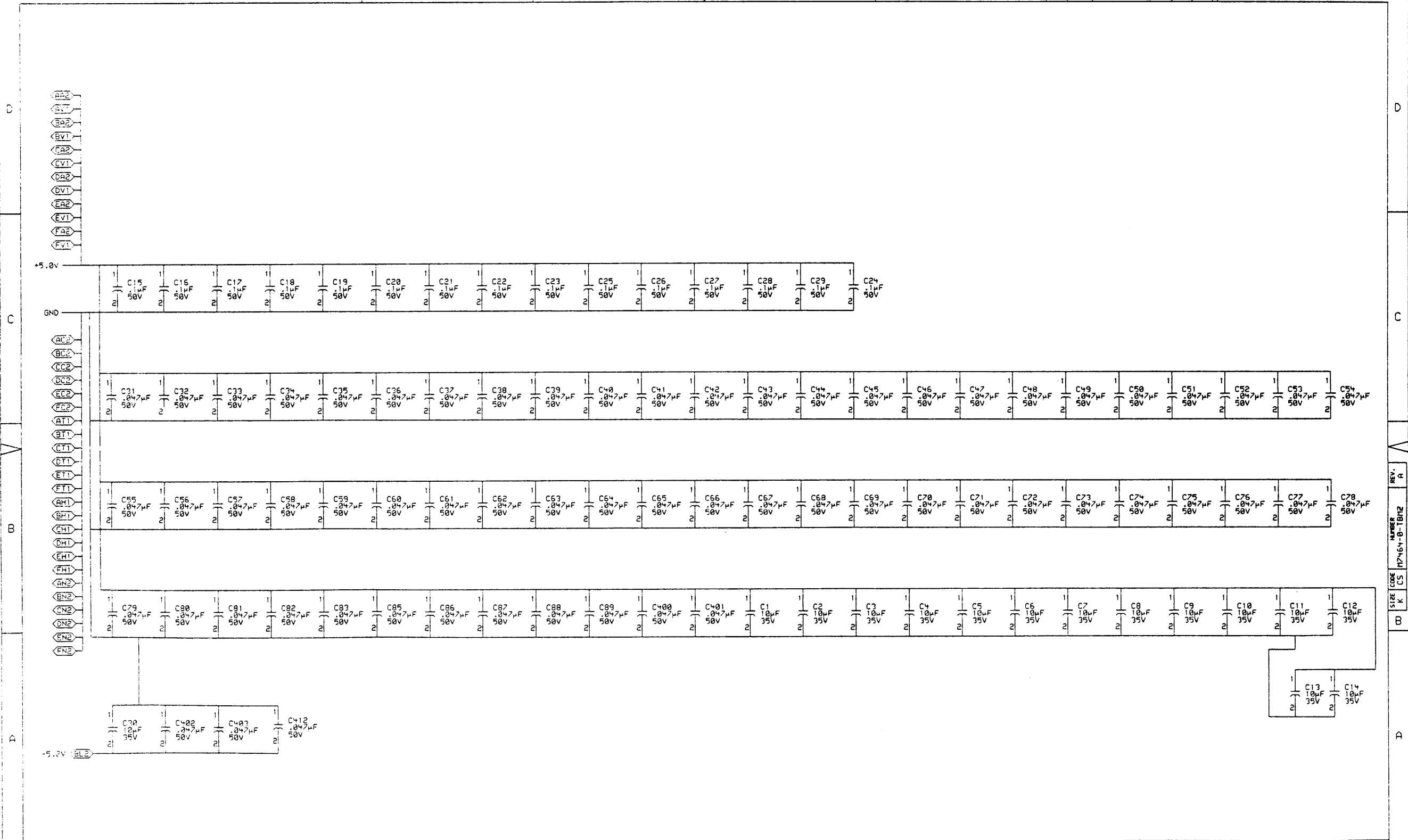
DATE	ENG	DATE	FILE	TRANSLATION
10-15-81	W. L. L...	10-15-81	...	...
DATE	LOC	DATE	LOC	...
10-15-81	...	10-15-81	...	...
DATE	LOC	DATE	LOC	...
10-15-81	...	10-15-81	...	...
DATE	LOC	DATE	LOC	...
10-15-81	...	10-15-81	...	...
DATE	LOC	DATE	LOC	...
10-15-81	...	10-15-81	...	...



- 74LS165 FUNCTIONS-
1. 8 BIT SHIFT REGISTER
  2. THE OUTPUT COMES FROM FF #7.
  3. IF SHIFT LOAD IS LOW DATA IS LOADED FROM D INPUTS REGARDLESS OF THE CLOCK.
  4. OTHERWISE DATA IS SHIFTED FROM 0 TWARD 7 ON CLOCK RISING EDGE.

REVISIONS		
CHK	CHANGE NO.	REV.

	DRN: <i>Admiral</i>	DATE: 23-SEP-93	ENG. <i>...</i>	DATE: <i>...</i>	TITLE: TRANSLATION
	CHK'D: <i>...</i>	DATE: <i>...</i>	BOARD LOCATION: AF5	SHEET: 1 OF 1	BUFFER MATRIX (TBMY)
DSK: (MISKA)TBMY.DRW 23-SEP-93 11:42 NEXT PLOTTER ASSEMBLY:			SIZE CODE: K CS		NUMBER: M7464-0-TBMY
FIRST USED ON OPTION/MODEL: 11/785			B-DD-M7464-0-0		REV.: A



REVISIONS	CHANGE NO.	REV

DATE	ENG.	DATE	TITLE
27-SEP-83			TRANSLATION BUFFER MATRIX (TBMZ)

DSK: (MISKA)TBMZ.DRW	27-SEP-83 11:32	NEXT HIGHER ASSEMBLY:	SIZE	CODE	NUMBER	REV.
FIRST USED ON OPTION/MODEL:	B-DD-M7464-0-0		K	CS	M7464-0-TBMZ	A

DRAWING NO.	NO. OF SHTS.	PART NO.	DESCRIPTION	REVISIONS											
				A	B	C									
	—	M7464-00	PART REVISION	A	B	B									
E-UA-M7464-0-0	2		UNIT ASSEMBLY	A	B	C									
K-PI-M7464-0-DBP	2		PARTS LIST	A	B	C									
K-PC-M7464-0-DBI	—		P C DATA BASE	B	B	C									
B-DD-5016075-0-0	1		DRAWING DIRECTORY	A	B	C									
K-CS-M7464-0-DBS	—		SUD DATA-BASE	A	B	C									
K-CS-M7464-0-TBMA	1		SCHEMATIC	A	A	A									
K-CS-M7464-0-TBMB	1		SCHEMATIC	A	A	A									
K-CS-M7464-C-TBMC	1		SCHEMATIC	A	A	A									
K-CS-M7464-U-TBMD	1		SCHEMATIC	A	A	A									
K-CS-M7464-0-TBME	1		SCHEMATIC	A	A	A									
K-CS-M7464-0-TBMF	1		SCHEMATIC	A	A	A									
K-CS-M7464-0-TBMH	1		SCHEMATIC	A	A	A									
K-CS-M7464-0-TBMJ	1		SCHEMATIC	A	A	A									
K-CS-M7464-0-TBMK	1		SCHEMATIC	A	A	A									
K-CS-M7464-0-TBML	1		SCHEMATIC	A	A	A									
K-CS-M7464-0-TBMM	1		SCHEMATIC	A	A	A									
K-CS-M7464-0-TBMN	1		SCHEMATIC	A	A	A									
K-CS-M7464-0-TBMP	1		SCHEMATIC	A	A	A									
K-CS-M7464-0-TBMR	1		SCHEMATIC	A	A	A									
K-CS-M7464-0-TBMS	1		SCHEMATIC	A	A	A									
K-CS-M7464-0-TBMT	1		SCHEMATIC	A	A	A									
K-CS-M7464-C-TBMU	1		SCHEMATIC	A	B	E									
K-CS-M7464-0-TBMV	1		SCHEMATIC	A	A	A									
K-CS-M7464-0-TBMW	1		SCHEMATIC	A	B	E									
K-CS-M7464-0-TBMX	1		SCHEMATIC	A	A	A									

NOTES:

"THIS DRAWING AND SPECIFICATIONS, HEREIN, ARE THE PROPERTY OF DIGITAL EQUIPMENT CORPORATION AND SHALL NOT BE REPRODUCED OR COPIED OR USED IN WHOLE OR IN PART AS THE BASIS FOR THE MANUFACTURE OR SALE OF ITEMS WITHOUT WRITTEN PERMISSION.

COPYRIGHT © 1985 DIGITAL EQUIPMENT CORPORATION



REVISIONS

DATE	CHG NO.	INIT	REV.
9/83		INIT	A
2/84		TW001	B
11/84		TW002	C

USED ON OPTION/MODEL: \_\_\_\_\_

DRN. \_\_\_\_\_

CHK'D. \_\_\_\_\_

ENG. *Jay Luckney* 10-11-83

PROD. *...* 10-11-83

TITLE: TBM

SIZE CODE: **B DD**

NUMBER: M7464-0-0

REV. C

SHEET 1 OF 2

DRAWING NO.	NO. OF SHTS.	PART NO.	DESCRIPTION	REVISIONS																		
				1	2	3	4	5	6	7	8	9	10	11	12							
K-CS-M7464-0-TBMY	1		SCHEMATIC	A	A	A																
K-CS-M7464-0-TBMZ	1		SCHEMATIC	A	A	B																
K-CS-M7464-0-TBM1	1		SCHEMATIC	A	A	A																
K-CS-M7464-0-TBM2	1		SCHEMATIC	A	A	A																
K-CS-M7464-0-TBM3	1		SCHEMATIC	A	B	B																
K-CS-M7464-0-TBM4	1		SCHEMATIC	A	A	A																
K CS M7464 0 TBM5	1		SCHEMATIC	-	-	A																

**NOTES:**

REVISIONS	CHG NO.	DATE	REV.

"THIS DRAWING AND SPECIFICATIONS, HEREIN, ARE THE PROPERTY OF DIGITAL EQUIPMENT CORPORATION AND SHALL NOT BE REPRODUCED OR COPIED OR USED IN WHOLE OR IN PART AS THE BASIS FOR THE MANUFACTURE OR SALE OF ITEMS WITHOUT WRITTEN PERMISSION.  
 COPYRIGHT © 1983 DIGITAL EQUIPMENT CORPORATION



USED ON OPTION/MODEL	DRN. <i>A. C. ...</i> 26-50-83	TITLE TBM
	CHK'D <i>J. ...</i> 9-27-83	SIZE CODE NUMBER REV. B DD M7464-0-0 C
	ENG. <i>Jay ...</i> 10-11-83	SHEET 2 OF 2
	PRO. <i>...</i> 10-11-83	

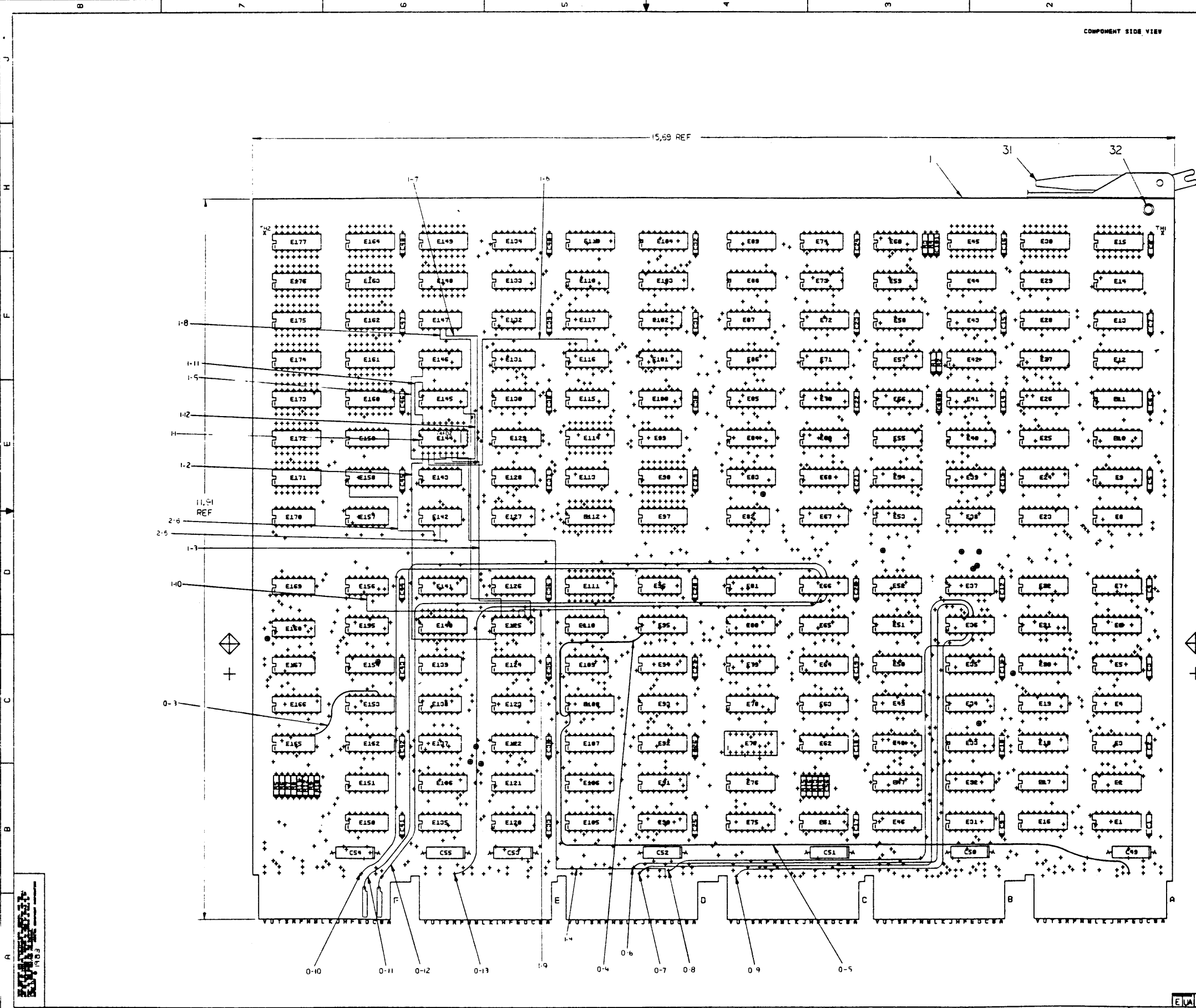
TW

COMPONENT SIDE VIEW

REVISION NO.	1
DATE	7/1/77
BY	JDP
CHK'D	
APP'D	
PROJECT	DIGITAL
PROJECT NO.	17465-0-0
DESIGN NO.	
REV. NO.	
REV. DATE	
REV. BY	
REV. CHECKED	

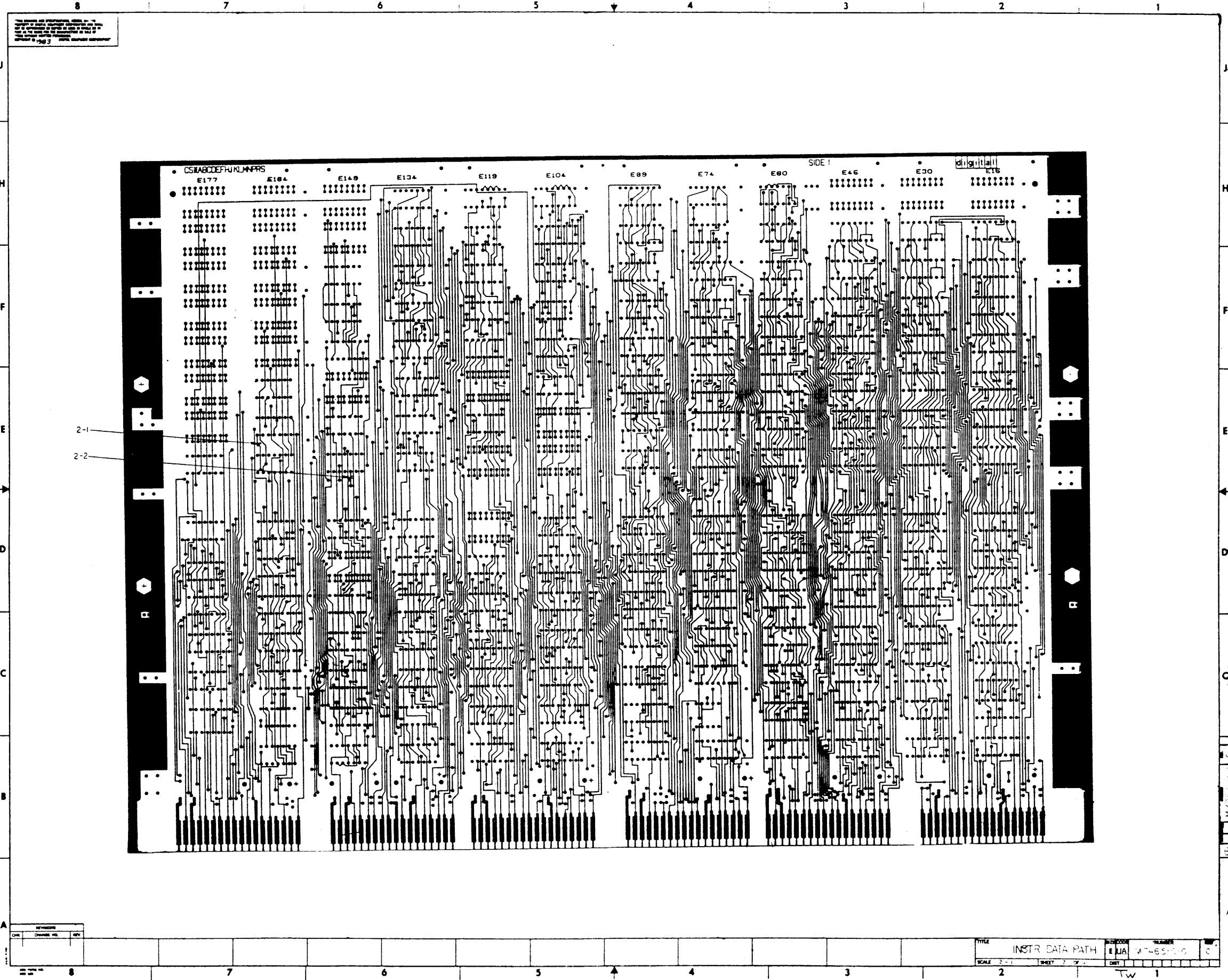
DESCRIPTION	PC BOARD AND MOUNTING
QUANTITY	1
UNIT	
ASSEMBLY	
ORGANIZATION	
PROJECT	
PROJECT NO.	
DESIGN NO.	
REV. NO.	
REV. DATE	
REV. BY	
REV. CHECKED	

DATE	7/1/77
BY	JDP
CHK'D	
APP'D	
PROJECT	DIGITAL
PROJECT NO.	17465-0-0
DESIGN NO.	
REV. NO.	
REV. DATE	
REV. BY	
REV. CHECKED	



DATE	7/1/77
BY	JDP
CHK'D	
APP'D	
PROJECT	DIGITAL
PROJECT NO.	17465-0-0
DESIGN NO.	
REV. NO.	
REV. DATE	
REV. BY	
REV. CHECKED	

DATE	7/1/77
BY	JDP
CHK'D	
APP'D	
PROJECT	DIGITAL
PROJECT NO.	17465-0-0
DESIGN NO.	
REV. NO.	
REV. DATE	
REV. BY	
REV. CHECKED	



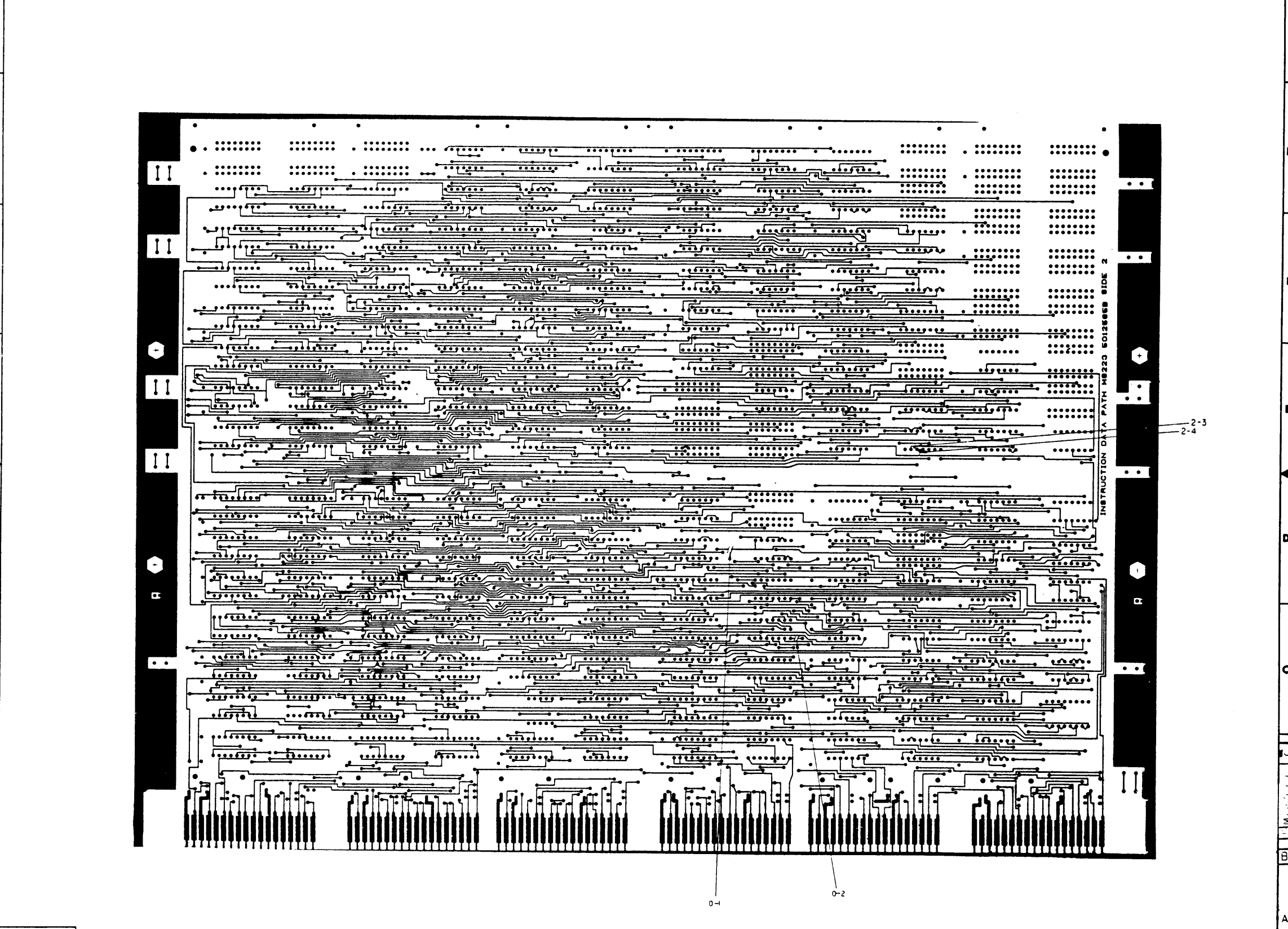
THE BOARD IS DESIGNED TO BE USED IN THE INSTRUMENT DATA PATH OF THE INSTRUMENT. IT IS A SINGLE-SIDED BOARD WITH ALL COMPONENTS ON THE FRONT SIDE. THE BOARD IS DESIGNED TO BE USED IN THE INSTRUMENT DATA PATH OF THE INSTRUMENT. IT IS A SINGLE-SIDED BOARD WITH ALL COMPONENTS ON THE FRONT SIDE.

APPROVED: \_\_\_\_\_  
 DATE: \_\_\_\_\_

TITLE: INSTR DATA PATH  
 SCALE: 2:1  
 SHEET: 1 OF 1  
 DATE: \_\_\_\_\_  
 DRAWN BY: \_\_\_\_\_  
 CHECKED BY: \_\_\_\_\_  
 APPROVED BY: \_\_\_\_\_

8 7 6 5 4 3 2 1

THE DATA AND INFORMATION HEREIN ARE THE PROPERTY OF THE U.S. GOVERNMENT AND ARE NOT TO BE REPRODUCED OR TRANSMITTED IN ANY FORM OR BY ANY MEANS, ELECTRONIC OR MECHANICAL, INCLUDING PHOTOCOPYING, RECORDING, OR BY ANY INFORMATION STORAGE AND RETRIEVAL SYSTEM, WITHOUT PERMISSION IN WRITING FROM THE U.S. GOVERNMENT PRINTING OFFICE: 1963



REV	CHG	CHG NO.	REV



THE DIMENSIONS AND SPECIFICATIONS shown on this drawing are based on the latest approved drawings and specifications of the manufacturer of the component parts shown. It is the responsibility of the manufacturer to provide the correct dimensions and specifications for the component parts shown.

REWORK INSTRUCTIONS

ETCH CUT-SIDE 2

- 0-1 AT PTH BELOW E95-16
- 0-2 AT E108-1

WIRE ADDS-SIDE 1

- 0-3 E153-11 TO E165-8
- 0-4 E95-1 TO E108-1
- 0-5 E108-1 TO PTH AT (SLIGHTLY ABOVE) FINGER AF1.
- 0-6 E36-13 TO PTH THAT CONNECTS TO FINGER DK2
- 0-7 E36-12 TO PTH THAT CONNECTS TO FINGER DK1
- 0-8 E36-5 TO PTH THAT CONNECTS TO FINGER DE1
- 0-9 E36-4 TO PTH THAT CONNECTS TO FINGER CU2
- 0-10 E66-13 TO PTH THAT CONNECTS TO FINGER FD2
- 0-11 E66-12 TO FINGER FD1
- 0-12 E66-5 TO FINGER FB1
- 0-13 E66-4 TO PTH THAT CONNECTS TO FINGER ER2

REWORK INSTRUCTIONS PER ECC#M7465-TW001

- COMPONENT ADDS
- 1-1 ADD IC 74F02 TO SPARE LOCATION E144 (LEFT JUSTIFIED)

WIRE ADDS-SIDE 1

- 1-2 E144-1 TO E125-1
- 1-3 E125-8 TO E144-6
- 1-4 E144-4 TO PTH THAT CONNECTS TO I/O PIN DE2
- 1-5 E144-1 TO E144-5
- 1-6 E144-2 TO E116-11
- 1-7 E144-3 TO E147-5
- 1-8 E125-13 TO E147-4
- 1-9 E125-10 TO E110-8
- 1-10 E125-9 TO E156-4
- 1-11 E145-16 TO E144-14
- 1-12 E145-8 TO E144-7

REWORK INSTRUCTIONS E10-2

ETCH CUTS-SIDE 1

- 2-1 E156 PIN 1 (IDPM DELTA PC 2 H)
- 2-2 E142 PIN 5 (IDPM DELTA PC 2 L)

ETCH CUTS-SIDE 2

- 2-3 E142 PIN 6 (IDPM DELTA PC 2 H)
- 2-4 CONNECTING E142 PIN 4 AND PIN 5 (IDPM DELTA PC 2 L)

WIRE ADDS

- 2-5 E142 PIN 4 TO PTH BELOW E142 PIN 5 (IDPM DELTA PC 2 L)
- 2-6 E156 PIN 1 TO PTH BELOW E142 PIN 1 (IDPM DMX R23 DEL H)

REVISION HISTORY		
DATE	ECO NUMBER	REV

EJUA M7465-0-0 7

AUTOMATED BY PRTLST.4Q(50)

PARTS LIST

SHEET A1 OF A2

LINE	ITEM	DOCUMENT NUMBER	PART NUMBER	DESCRIPTION	QTY PER VARIATION 00	REFERENCE DESIGNATOR
1	1	E-MD-5012565-0-0	5012565-00	M8223 IDP	1	
2	2		1012784-00	.047 MFD 50V +80-20% CER	51	C1-C48,C56,C100,C101
3	3		1012084-01	8 MFD 25V +75-10% AL EL	7	C49-C55
4	4		1301972-00	270.0 .25 W 5.0 % CF	2	R1,R3
5	5		1301890-00	560.0 .25 W 5.0 % CF	2	R2,R4
6	6		1300247-00	120.0 .25 W 5.0 % CF	2	R13,R14
7	7		1300250-00	150.0 .25 W 5.0 % CF	2	R15,R16
8	8		1300295-00	330.0 .25 W 5.0 % CF	4	R5,R7,R9,R11
9	9		1301775-00	820.0 .25 W 5.0 % CF	4	R6,R8,R10,R12
10	10		1921305-01	74F00 NAND GATE,QUAD,2-IN	7	E74,E100,E126,E130,E137,E139, E155
11	11		1921307-01	74F04 HEX INVERTER	7	CONT E155 E96,E102,E118,E120,E127,E142, E170
12	12		1921308-01	74F08 AND GATE,QUAD,2-IN	4	CONT E170 E124,E134,E138,E158
13	13		1921309-01	74F10 NAND GATE,TRIPLE,3-I	6	E99,E109,E116,E117,E151,E159
14	14		1921310-01	74F11 AND GATE,TRIPLE,3-IN	6	E82,E121,E131,E132,E156,E168
15	15		1921311-01	74F20 NAND GATE,DUAL,4-IN	2	E123,E169
16	16		1910541-00	74S40 BUFFER,POS-NAND,DUAL	3	E101,E110,E122
17	17		1911712-00	74S51 AND-OR GATE-INVERT D	7	E125,E128,E133,E143,E146,E147, E157
18	18		1921313-01	74F64 AND OR INVERT GATE,4-	8	CONT E157 E59,E60,E73,E113,E115,E135,E150, E165
19	19		1921314-01	74F74 FF-D,DUAL,POS.,EDGE	2	CONT E165 E87,E167
20	20		1921319-01	74F153 MUX,DUAL,4-IN	37	CONT E7,E8,E10-E14,E25-E29,E43,E44, E52,E56-E58,E62,E63,E70-E72,E78, E79,E81,E85,E86,E88,E89,E91,E92, E103,E104,E106,E107,E119
21	21		1921321-01	74F158 MUX,QUAD,2-IN	2	CONT E95,E108
22	22		1921320-01	74F157 MUX,QUAD,2-IN	22	CONT E4-E6,E9,E17,E20,E21,E23,E24, E32,E37,E40,E42,E47,E51,E54,E55.

REVISION HISTORY			BASIC PART NO: M7465		DRN: J.FERGUSON		DATE: 04-FEB-83		D I G I T A L			
ENG	ECO NUMBER	REV	SECTION A OF A		CHK'D:	T.MCCULLOUGH	DATE:	04-FEB-83	TITLE PARTS LIST			
---	INITIAL	A	SECTION VARIATION INDEX		DES.ENG:	K.MCLAREN <td>DATE:</td> <td>16-AUG-83 <td colspan="4">INSTRUCTION DATA PATH (I.D.P.)</td> </td>	DATE:	16-AUG-83 <td colspan="4">INSTRUCTION DATA PATH (I.D.P.)</td>	INSTRUCTION DATA PATH (I.D.P.)			
			(A)	00	RESP.ENG.:	K.MCLAREN <td>DATE:</td> <td>16-AUG-83 <td colspan="4">DOCUMENT NUMBER</td> </td>	DATE:	16-AUG-83 <td colspan="4">DOCUMENT NUMBER</td>	DOCUMENT NUMBER			
			(B)		MFG.ENG.:	M.KRYSAK <td>DATE:</td> <td>16-AUG-83</td> <td>SIZE:</td> <td>CODE:</td> <td>NUMBER</td> <td>REV</td>	DATE:	16-AUG-83	SIZE:	CODE:	NUMBER	REV
			(C)		ASSEMBLY NUMBER:	E-UA-M7465-0-0	TOP DOCUMENT NUMBER:	B-DD-M7465-0-0	K	PL	M7465-0-DBP	A
			(D)								FILE NAME:	EDIT #
			(E)								Z3951A.PLS	14
			(F)									
			(G)									
			(H)									
			(I)									
			(J)									
			(K)									
			(L)									
			(M)									
			(N)									

THIS DRAWING AND SPECIFICATIONS HEREIN, ARE THE PROPERTY OF DIGITAL EQUIPMENT CORPORATION AND SHALL NOT BE REPRODUCED OR COPIED OR USED IN WHOLE OR IN PART AS THE BASIS FOR THE MANUFACTURE OR SALE OF ITEMS WITHOUT WRITTEN PERMISSION. COPYRIGHT (C) 1983, DIGITAL EQUIPMENT CORPORATION

AUTOMATED BY PRTLST.4Q(50)

P A R T S L I S T

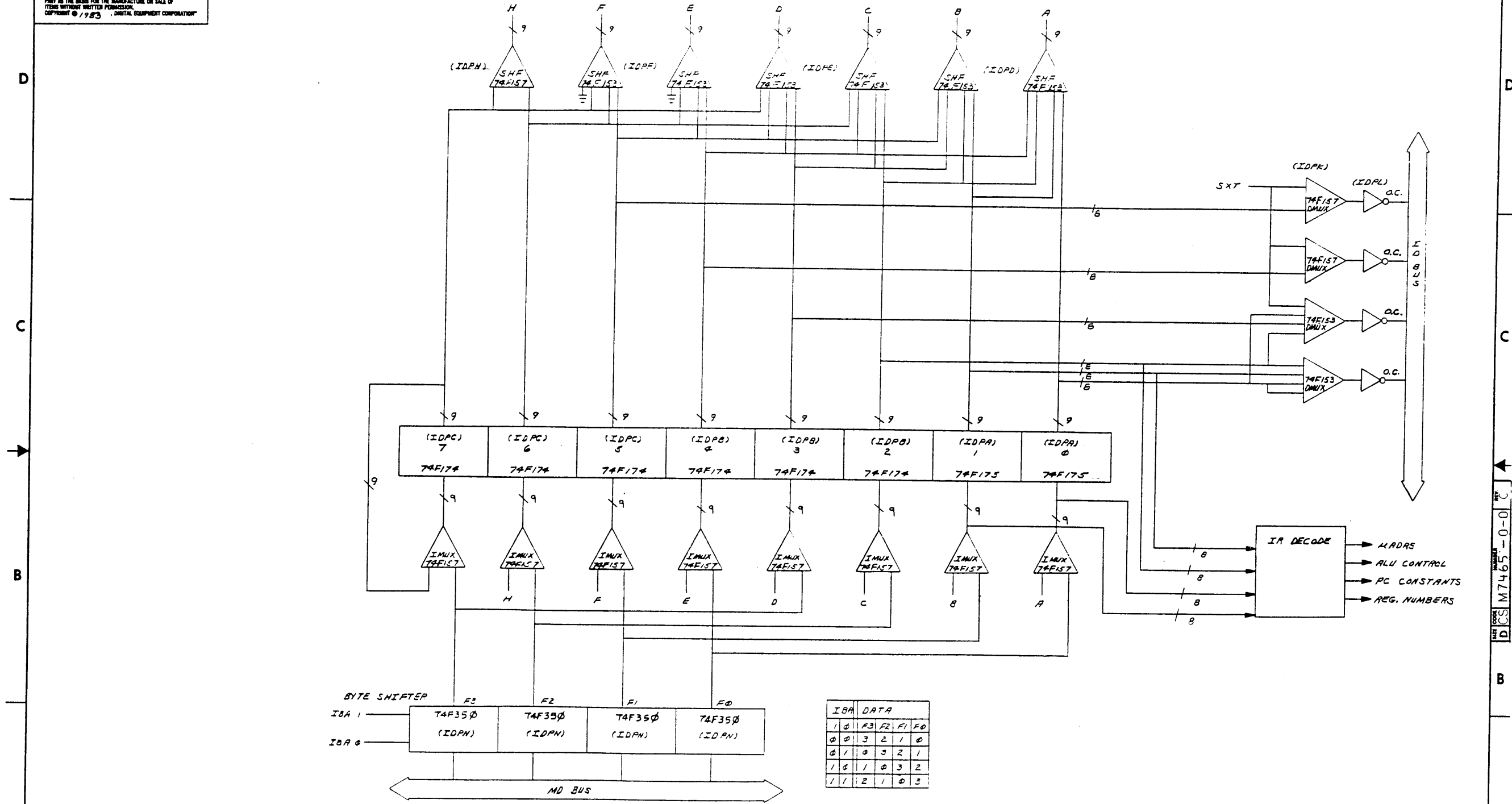
SHEET A2 OF A2

LINE	ITEM	DOCUMENT NUMBER	PART NUMBER	DESCRIPTION	QTY	PER VARIATION	REFERENCE DESIGNATOR
					00		
						CONT	E64,E65,E68,E69,E84
23	23		1910545-00	74S112 FF-JK DUAL,EDGE TRIG	1		E166
24	24		1913788-00	26S10 TRANSCEIVER,BUS,QUA	8		E1,E16,E31,E46,E61,E75,E76,E105
25	25		1921334-01	74F350 SHIFTER,4-BIT	8		E2,E3,E18,E19,E33,E34,E48,E49
26	26		1921720-01	10H125 TRANSLATOR ECL TO TTL QUA	1		E77
27	27		1921323-01	74F174 FF-D,HEX	8		E22,E35,E38,E39,E41,E50,E53,E83
28	28		1921324-01	74F175 FF-D,QUAD	7		E36,E66,E67,E80,E129,E136,E145
29	29		1913839-00	LS165 SHIFT REG.,8BIT	6		E93,E94,E141,E152-E154
30	30		1921327-01	74F194 SHIFT REG,UNIV,BIDIR	1		E90
31	31		1216988-02	HANDLE MODULE,HEX TWO EJECTORS	1		
32	32		9000024-01	EYELET,ROLLED 0.1210DX0.192	12		
33	33		9105740-55	WIRE(WRAP) 30AWG KYNAR UL14	A/R		

34 NOTE: 1. SPARE IC'S E15,E30,E45,E97,E98,E111,E112,E114  
 35 NOTE: E140,E144,E148,E149,E160-E164,E171-E177

D	I	G	I	T	A	L	TITLE	SECTION A	OF A	SIZE	CODE	DOCUMENT NUMBER	REV
							INSTRUCTION DATA PATH (I.D.P.)			K	PL	M7465-0-DBP	A

THESE DRAWINGS AND SPECIFICATIONS, HEREIN, ARE THE PROPERTY OF DIGITAL EQUIPMENT CORPORATION AND SHALL NOT BE REPRODUCED OR COPIED OR USED IN WHOLE OR IN PART AS THE BASIS FOR THE MANUFACTURE OR SALE OF ITEMS WITHOUT WRITTEN PERMISSION. COPYRIGHT © 1973, DIGITAL EQUIPMENT CORPORATION.



IBA	DATA
1 0	F3 F2 F1 F0
0 0	3 2 1 0
0 1	0 3 2 1
1 0	1 0 3 2
1 1	2 1 0 3

REV.	CHG.	BY	DATE
1			
2			
3			
4			
5			
6			
7			
8			

(BLOCK DIAGRAM) (SLOT 7)

DRN. <i>[Signature]</i>	4-21-77	FIRST USED ON	<b>digital</b>
CHK'D <i>[Signature]</i>	5-17-77	TITLE	<b>INSTRUCTION DATA PATH (IDP)</b>
ENG. <i>[Signature]</i>	10-1-73	SIZE	D CS
PROJ. ENG. <i>[Signature]</i>	10-1-73	NUMBER	M7465-0-0
PROD. <i>[Signature]</i>	10-1-73	REV	C
NEXT HIGHER ASSY.		SCALE	1 OF 13
B-DD-M7465-0-0		SHEET	1

THIS DRAWING AND SPECIFICATIONS HEREIN ARE THE PROPERTY OF DIGITAL EQUIPMENT CORPORATION AND SHALL NOT BE REPRODUCED OR USED IN WHOLE OR IN PART AS THE BASIS FOR THE MANUFACTURE OR SALE OF ITEMS WITHOUT WRITTEN PERMISSION. COPYRIGHT © 1973 DIGITAL EQUIPMENT CORPORATION.

IDPB BUF B2-0 (1) H  
 IDPB BUF B2-1 (1) H  
 IDPB BUF B2-2 (1) H  
 IDPB BUF B2-3 (1) H

IDPB BUF B2-5 (1) H

IDPB BUF B2-7 (1) H

IDPB BUF B2-4 (1) H

IDPB BUF B2-6 (1) H

IDPN AMD B1-3 H  
 IDPD SHF B1-3 H

IDPN AMD B1-2 H  
 IDPD SHF B1-2 H

IDPN AMD B1-1 H  
 IDPD SHF B1-1 H

IDPN AMD B1-0 H  
 IDPD SHF B1-0 H

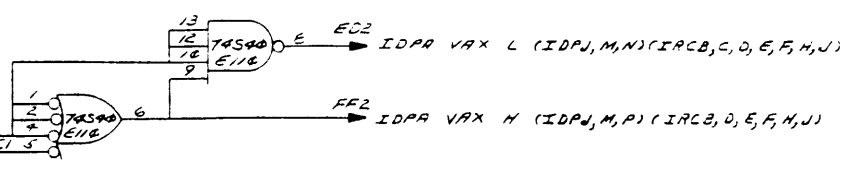
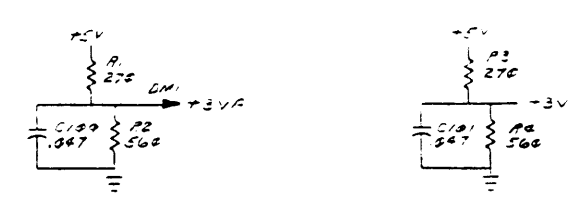
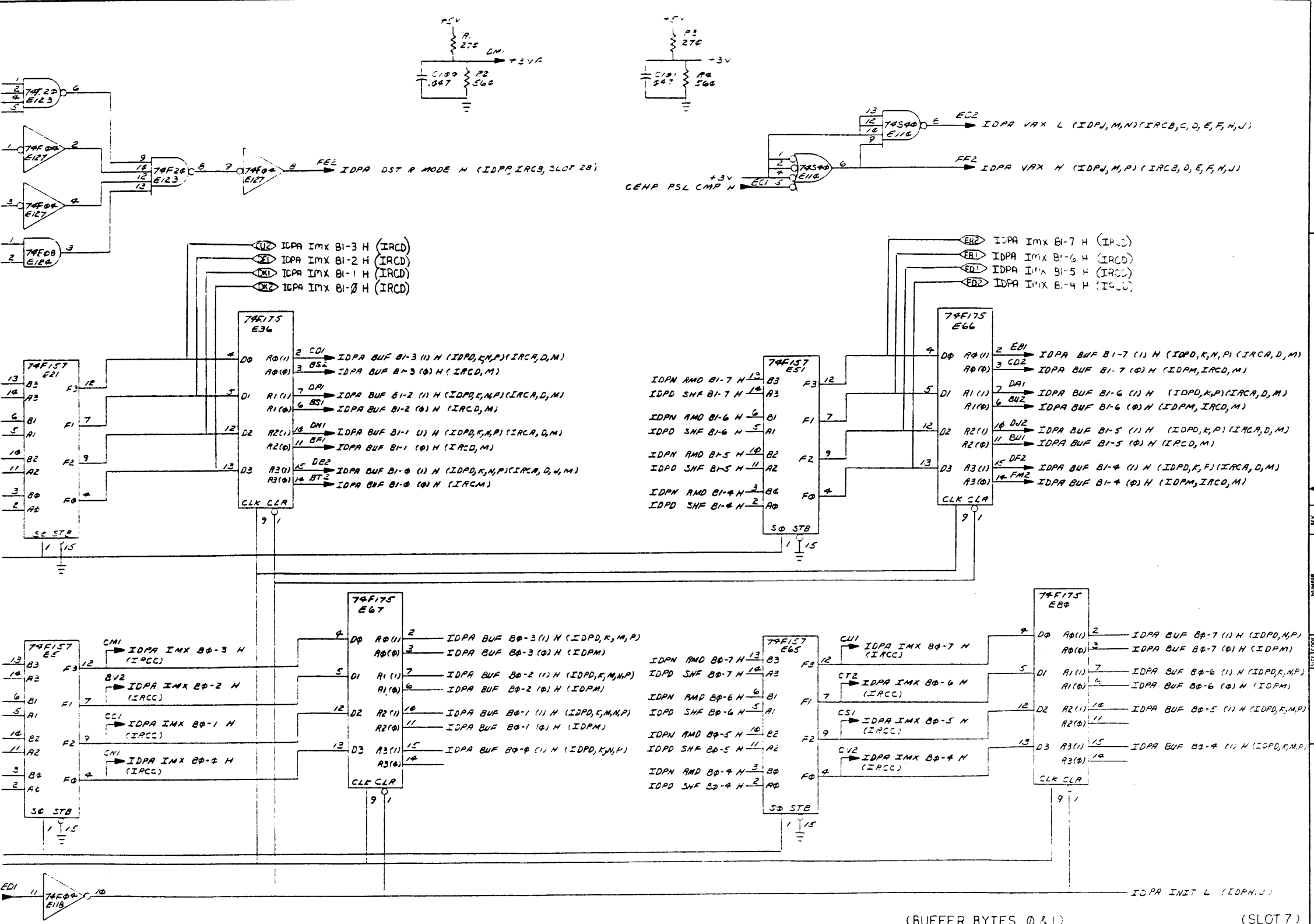
IDPN AMD B0-3 H  
 IDPD SHF B0-3 H

IDPN AMD B0-2 H  
 IDPD SHF B0-2 H

IDPN AMD B0-1 H  
 IDPD SHF B0-1 H

IDPN AMD B0-0 H  
 IDPD SHF B0-0 H

IDPL A CPU TO H  
 CLKL SYS INIT H



REVISIONS

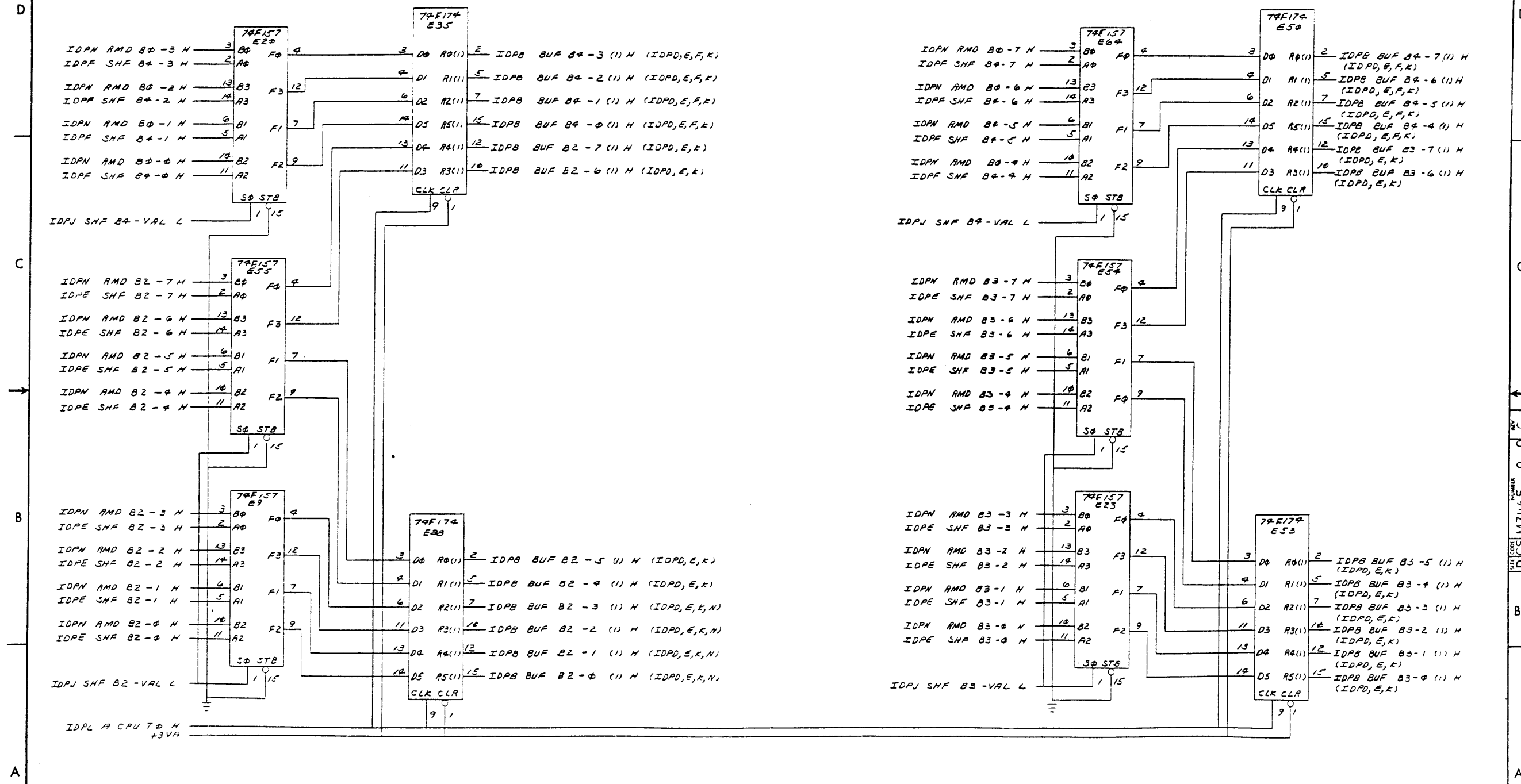
CHK	CHANGE NO.	REV

(BUFFER BYTES 0 & 1) (SLOT 7)

TITLE	INSTRUCTION DATA PATH (IDPA)	SIZE/TYPE	DCS	NUMBER	M7465-0-C	REV.	2
SCALE		SHEET	2 OF 15	DIST			

REV. 11/73 DCS M7465-0-01

THIS DRAWING AND SPECIFICATIONS HEREIN ARE THE PROPERTY OF DIGITAL EQUIPMENT CORPORATION AND SHALL NOT BE REPRODUCED OR COPIED OR USED IN WHOLE OR IN PART AS THE BASIS FOR THE MANUFACTURE OR SALE OF ITEMS WITHOUT WRITTEN PERMISSION. COPYRIGHT © 1983 DIGITAL EQUIPMENT CORPORATION



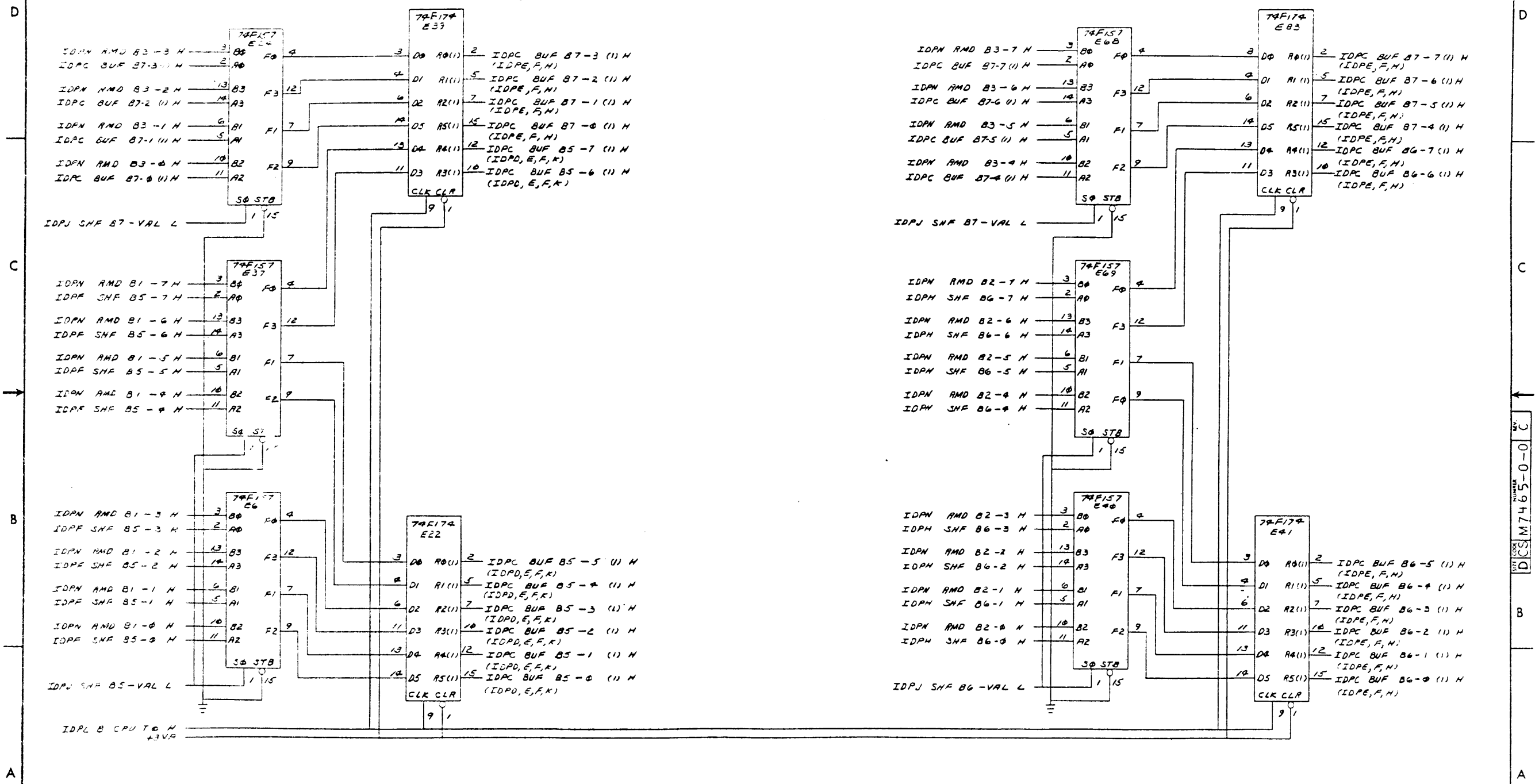
REVISIONS		
CHK	CHANGE NO	REV

(BUFFER BYTES 2 & 3 & 4) (SLOT 7)

TITLE INSTRUCTION DATA PATH (IDPB) NUMBER DCS M7465-0-0 REV. 0

SCALE SHEET 3 OF 15 DIST.

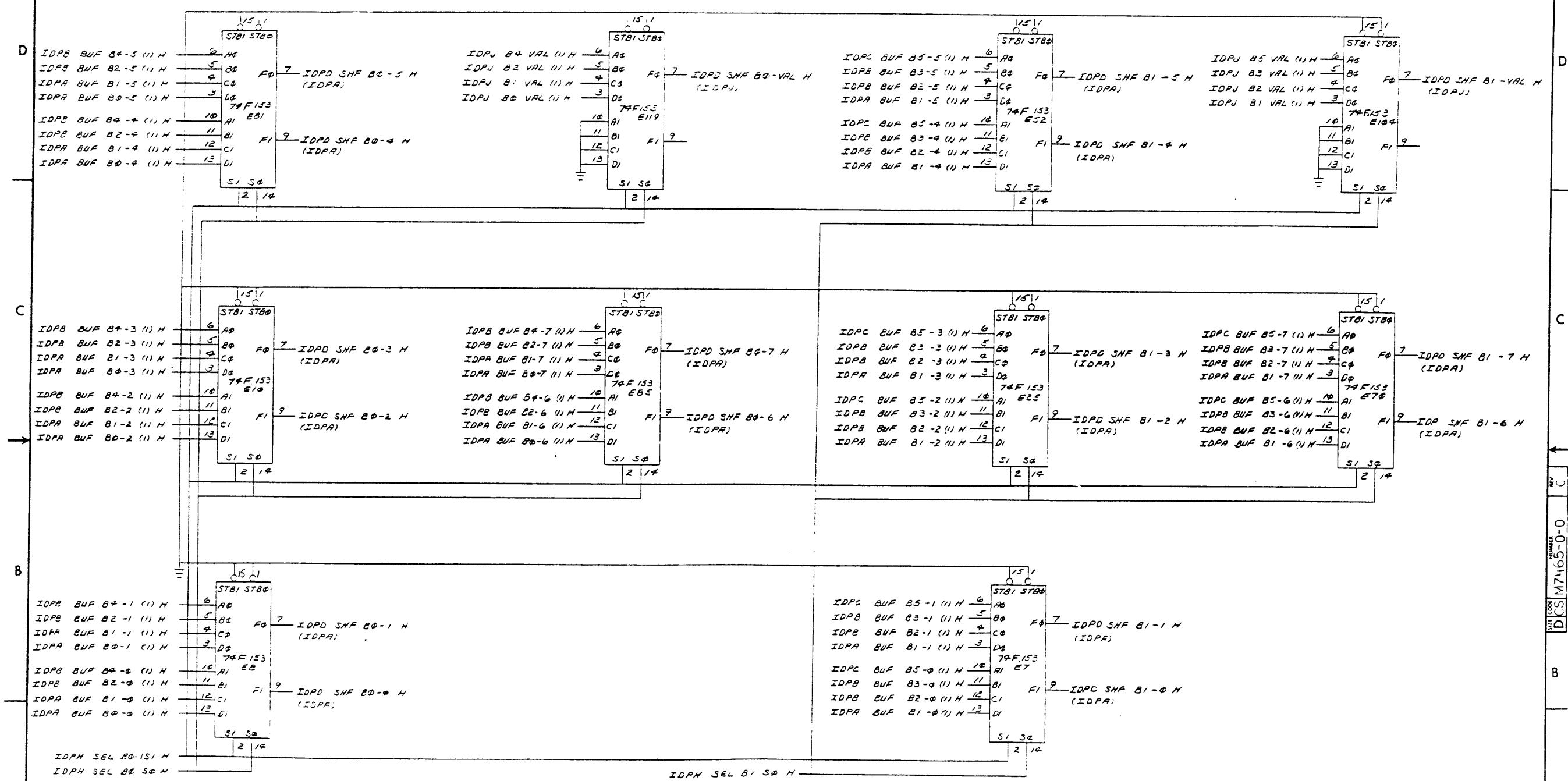
THIS DRAWING AND SPECIFICATIONS HEREIN ARE THE PROPERTY OF DIGITAL EQUIPMENT CORPORATION AND SHALL NOT BE REPRODUCED OR COPIED OR USED IN WHOLE OR IN PART AS THE BASIS FOR THE MANUFACTURE OR SALE OF ITEMS WITHOUT WRITTEN PERMISSION. COPYRIGHT © 1973 DIGITAL EQUIPMENT CORPORATION



REVISIONS		
CHK	CHANGE NO	REV

(BUFFER BYTES 5&6&7)		(SLOT 7)	
TITLE	INSTRUCTION DATA PATH (IDPC)	SIZE/CODE	NUMBER
SCALE	SHEET 4 OF 5	D CS	M7465-0-0
DIST.		REV.	C

THIS DRAWING AND SPECIFICATIONS, HEREIN, ARE THE PROPERTY OF DIGITAL EQUIPMENT CORPORATION AND SHALL NOT BE REPRODUCED OR COPIED OR USED IN WHOLE OR IN PART AS THE BASIS FOR THE MANUFACTURE OR SALE OF ITEMS WITHOUT WRITTEN PERMISSION. COPYRIGHT © 1973 DIGITAL EQUIPMENT CORPORATION.

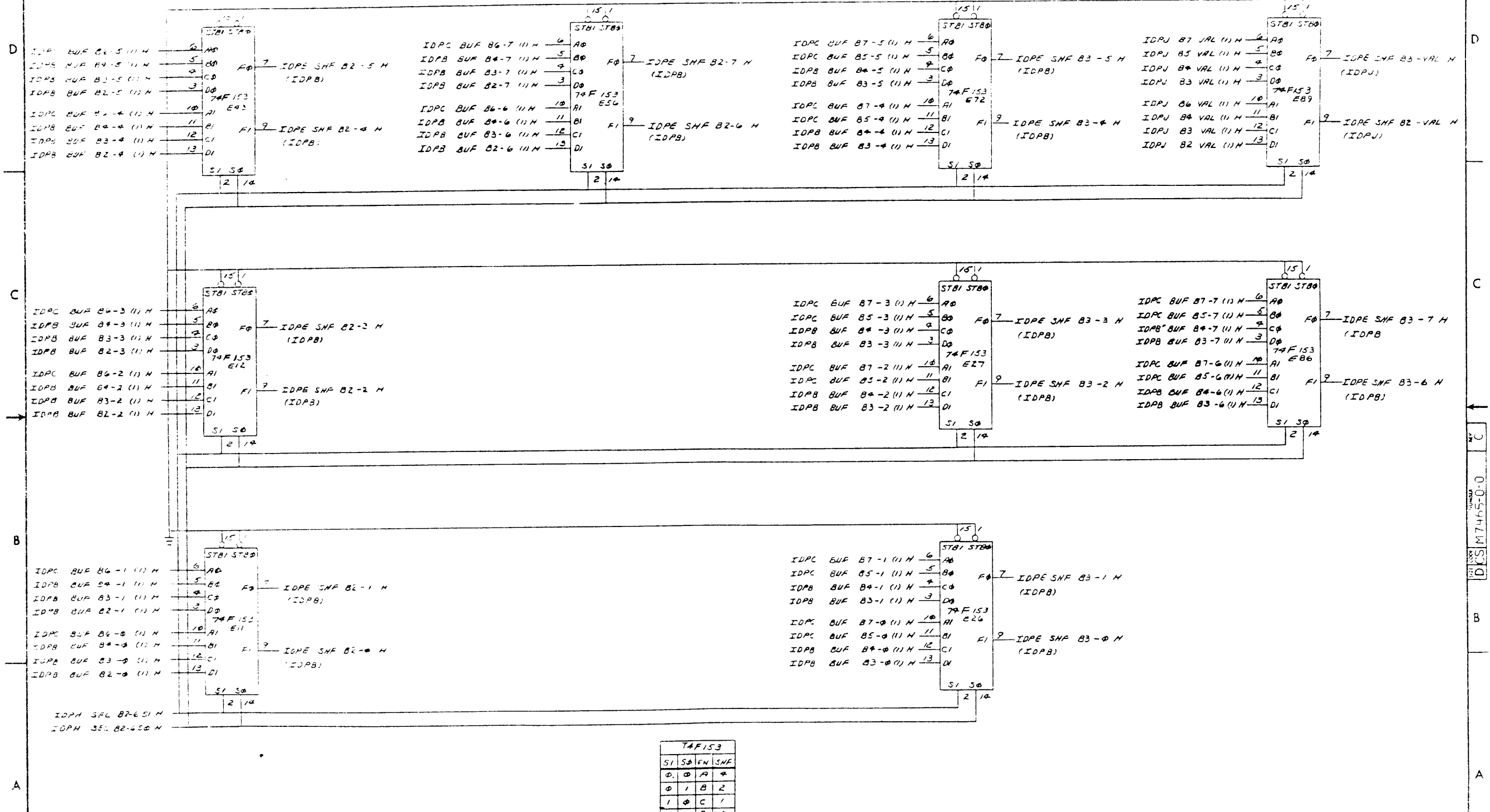


74F153			
S1	S0	EN	SF
0	0	0	0
0	1	0	0
1	0	0	0
1	1	0	0

REVISIONS		
CHK	CHANGE NO.	REV.



THIS DRAWING AND SPECIFICATIONS HEREIN ARE THE PROPERTY OF DIGITAL EQUIPMENT CORPORATION AND SHALL NOT BE REPRODUCED OR COPIED OR IN WHOLE OR IN PART AS THE BASIS FOR THE MANUFACTURE OR SALE OF ITEMS WITHOUT WRITTEN PERMISSION. COPYRIGHT © 1972 DIGITAL EQUIPMENT CORPORATION



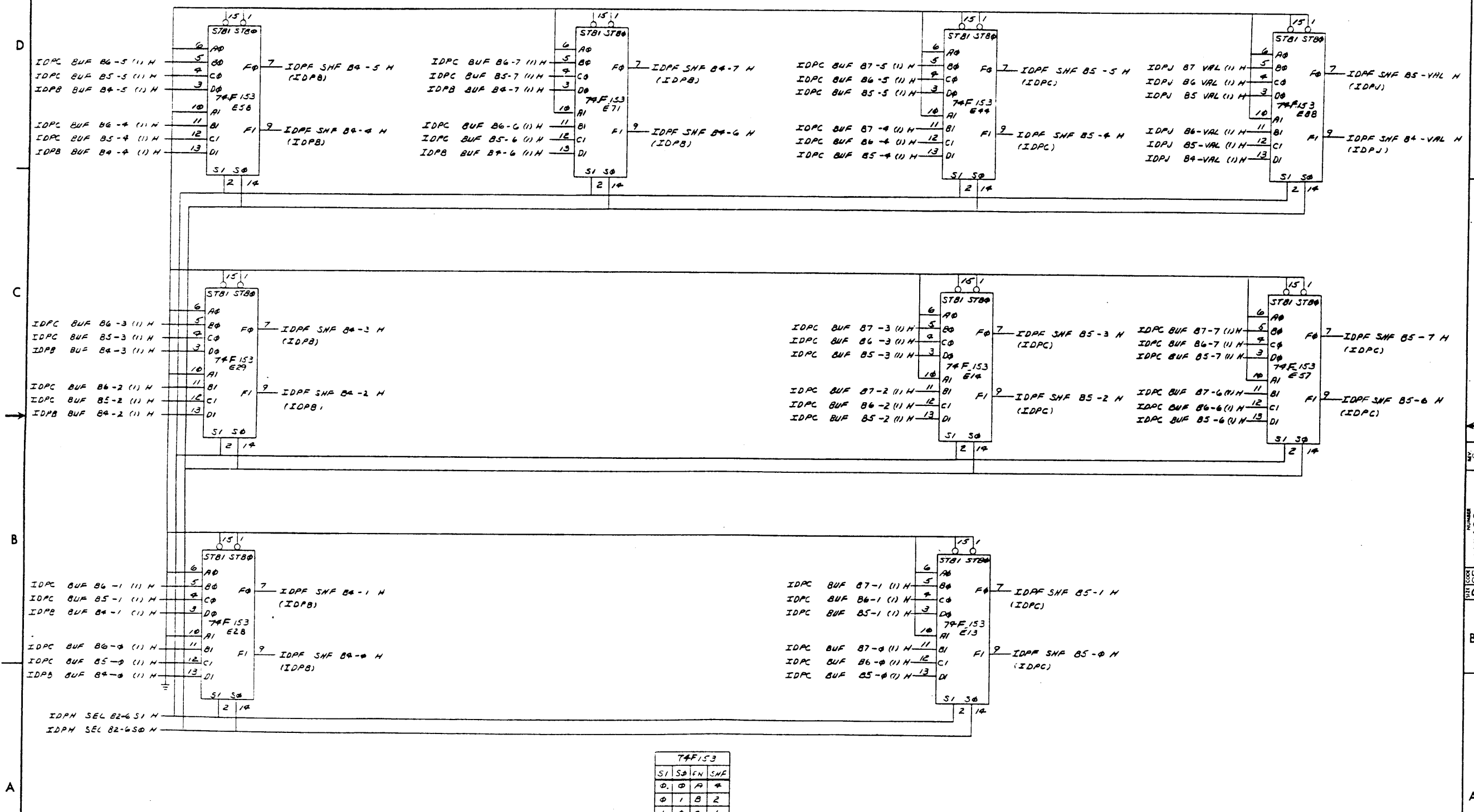
REVISIONS		
CHK	CHANGED NO	REV

D  
C  
B  
A

DCS M7465-0-0

THIS DRAWING AND SPECIFICATIONS, HEREIN, ARE THE PROPERTY OF DIGITAL EQUIPMENT CORPORATION AND SHALL NOT BE REPRODUCED OR COPIED OR USED IN WHOLE OR IN PART AS THE BASIS FOR THE MANUFACTURE OR SALE OF ITEMS WITHOUT WRITTEN PERMISSION. COPYRIGHT © 1973 DIGITAL EQUIPMENT CORPORATION

0-0-59HLW SC 2



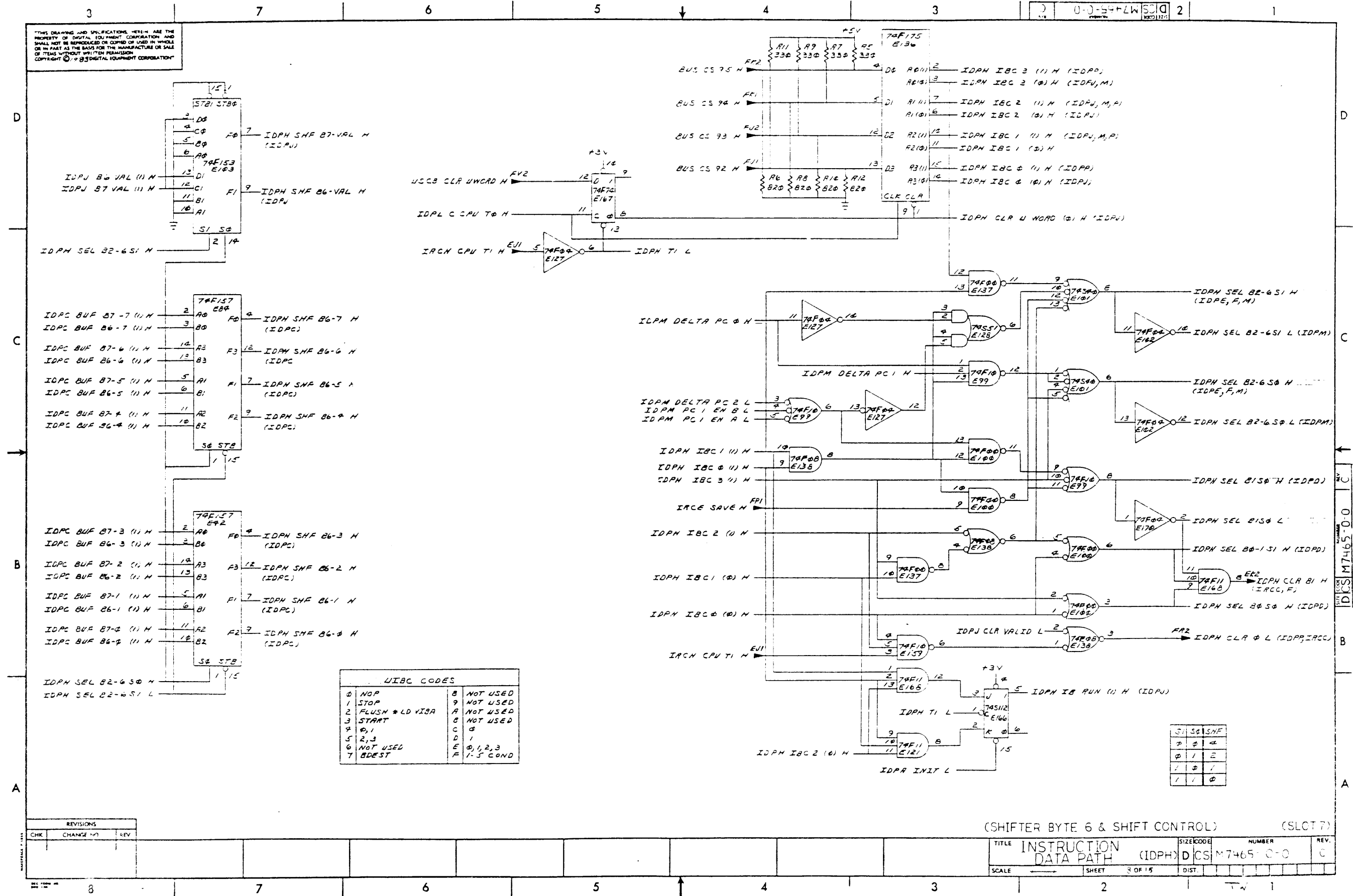
TAF153			
S1	S0	EN	SNF
0	0	A	4
0	1	B	2
1	0	C	1
1	1	D	0

REVISIONS		
CHK	CHANGE NO	REV

(SHIFTER BYTES 4&5)		(SLOT 7)	
TITLE	INSTRUCTION DATA PATH (IDPF)	SIZE CODE	NUMBER
SCALE	←→	D CS	M7465-0 0
SHEET	7 OF 15	DIST.	

DCS M7465-0-0

THIS DRAWING AND SPECIFICATIONS HEREIN ARE THE PROPERTY OF DIGITAL EQUIPMENT CORPORATION AND SHALL NOT BE REPRODUCED OR COPIED OR USED IN WHOLE OR IN PART AS THE BASIS FOR THE MANUFACTURE OR SALE OF ITEMS WITHOUT WRITTEN PERMISSION. COPYRIGHT © 1971 DIGITAL EQUIPMENT CORPORATION.



UIBC CODES

0	NOP	B	NOT USED
1	STOP	9	NOT USED
2	FLUSH * LD VISA	A	NOT USED
3	START	B	NOT USED
4	0, 1	C	0
5	2, 3	D	1
6	NOT USED	E	0, 1, 2, 3
7	BDEST	F	1-5 COND

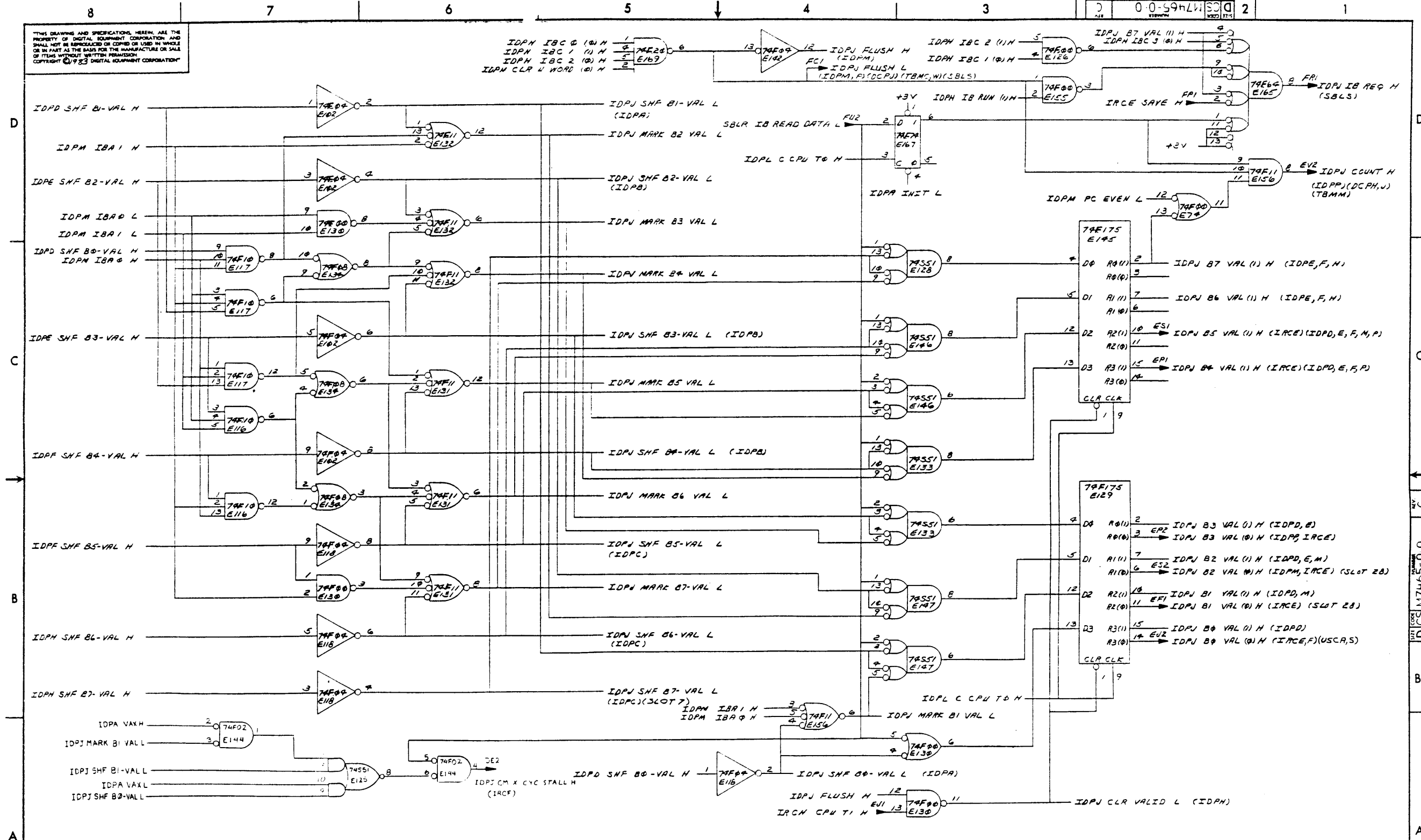
REVISIONS

CHK	CHANGE	REV

(SHIFTER BYTE 6 & SHIFT CONTROL) (SLOT 7)

TITLE	INSTRUCTION DATA PATH (IDPH)	SIZE/CODE	D/CS	NUMBER	M7465-0-0	REV.	C
SCALE	SHEET	3 OF 15	DIST.				

THIS DRAWING AND SPECIFICATIONS, HEREIN, ARE THE PROPERTY OF DIGITAL EQUIPMENT CORPORATION AND SHALL NOT BE REPRODUCED OR COPIED IN WHOLE OR IN PART AS THE BASIS FOR THE MANUFACTURE OR SALE OF ITEMS WITHOUT WRITTEN PERMISSION. COPYRIGHT © 1975 DIGITAL EQUIPMENT CORPORATION

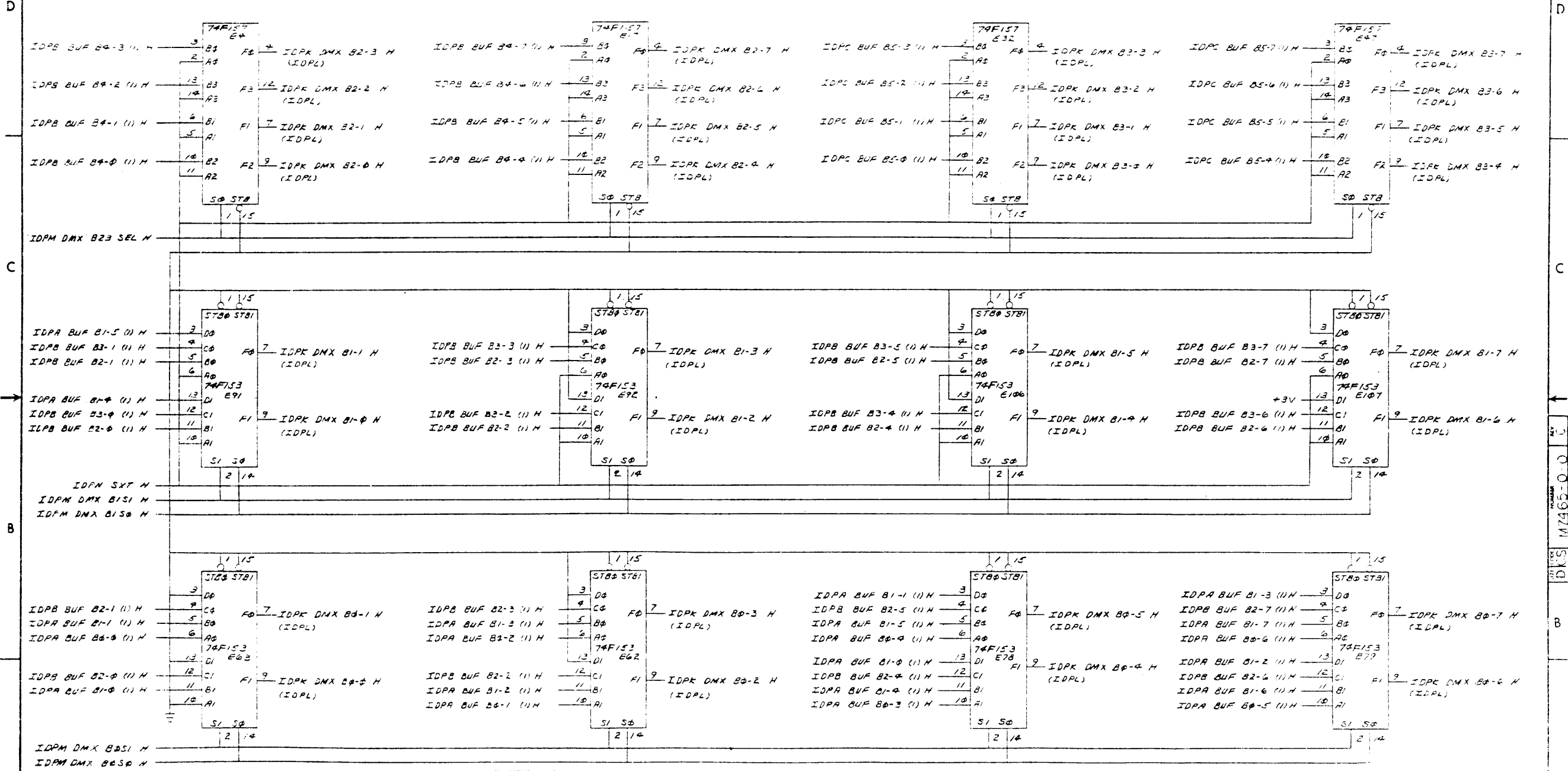


REVISIONS		
CHK	CHANGE NO.	REV.

(BUFFER VALID BITS, REQUEST) (SLOT 7)

TITLE	INSTRUCTION DATA PATH (IDPJ)	SIZE/CODE	NUMBER	REV.
SCALE	SHEET 9 OF 15	DIST.	DCS M7465-0-0	C

THIS DRAWING AND SPECIFICATIONS HEREIN ARE THE PROPERTY OF DIGITAL EQUIPMENT CORPORATION AND SHALL NOT BE REPRODUCED OR TRANSMITTED IN ANY FORM OR BY ANY MEANS, ELECTRONIC OR MECHANICAL, INCLUDING PHOTOCOPYING, RECORDING, OR BY ANY INFORMATION STORAGE AND RETRIEVAL SYSTEM, WITHOUT WRITTEN PERMISSION FROM DIGITAL EQUIPMENT CORPORATION.

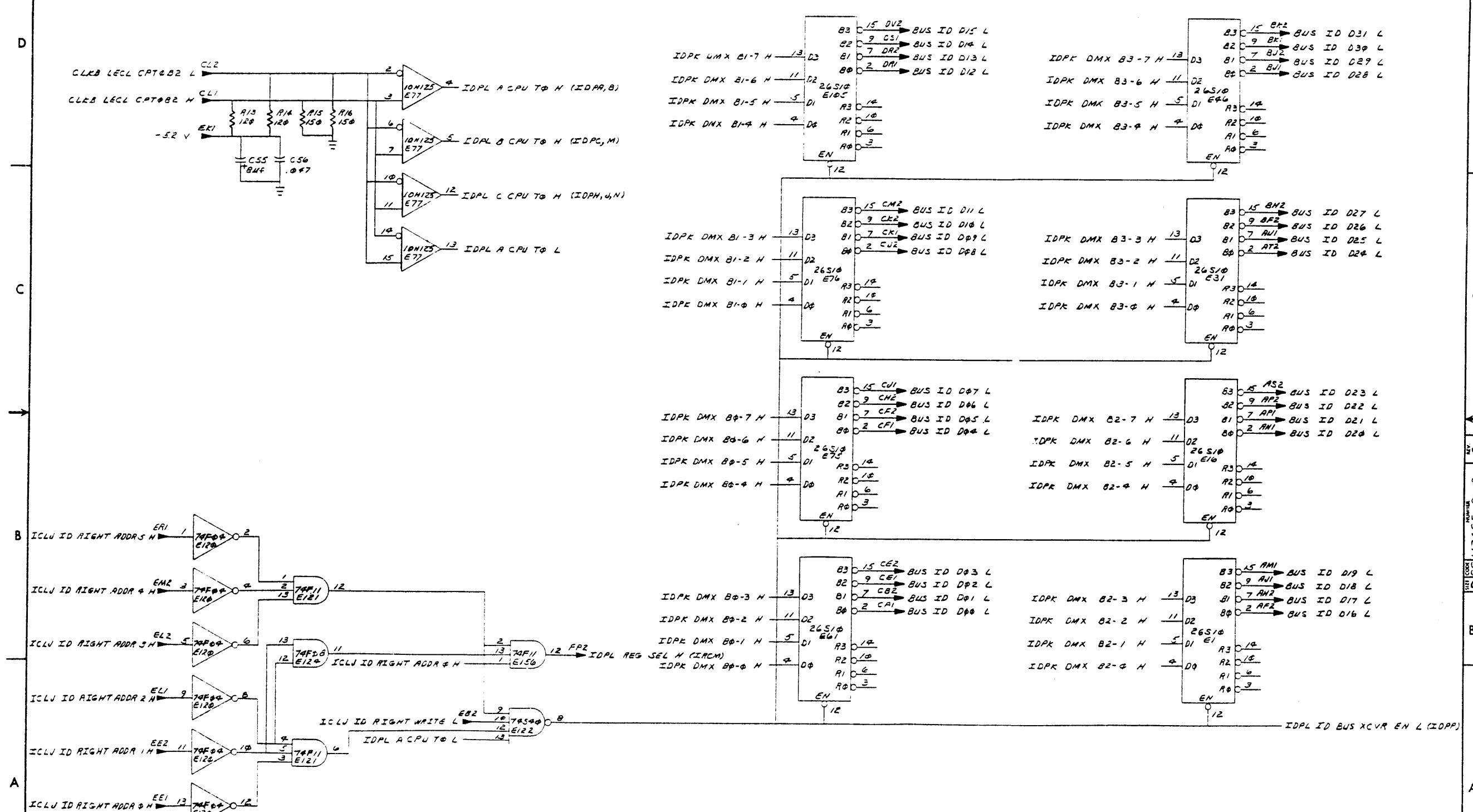


BYTE 0				BYTE 1			
S1	S0	CM	DR	S1	S0	SXT	
0	1	01	B2	0	1	01	B2
1	0	02	FP	1	0	02	FP
1	1			1	1		

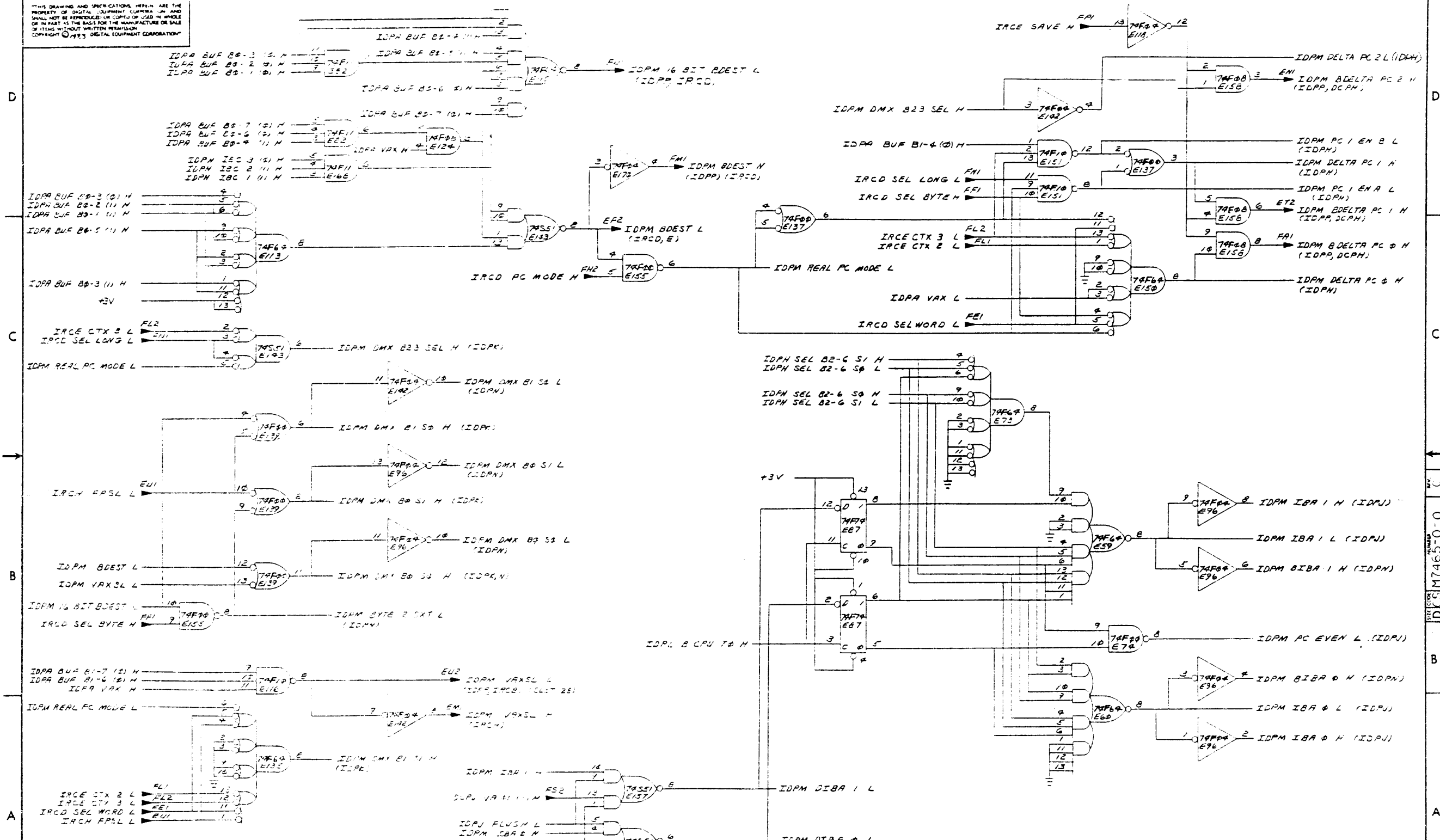
REVISIONS		
CHK	CHANGE NO.	REV

(CMUX) (SLOT 7)

TITLE	INSTRUCTION DATA PATH (IDPK)	SIZE CODE	D1CS	NUMBER	M7465-010	REV	C
SCALE		SHEET	10 OF 15	DIST.			



THIS DRAWING AND SPECIFICATIONS HEREIN ARE THE PROPERTY OF DIGITAL EQUIPMENT CORPORATION AND SHALL NOT BE REPRODUCED OR COPIED IN WHOLE OR IN PART AS THE BASIS FOR THE MANUFACTURE OR SALE OF ITEMS WITHOUT WRITTEN PERMISSION. COPYRIGHT © 1973 DIGITAL EQUIPMENT CORPORATION.

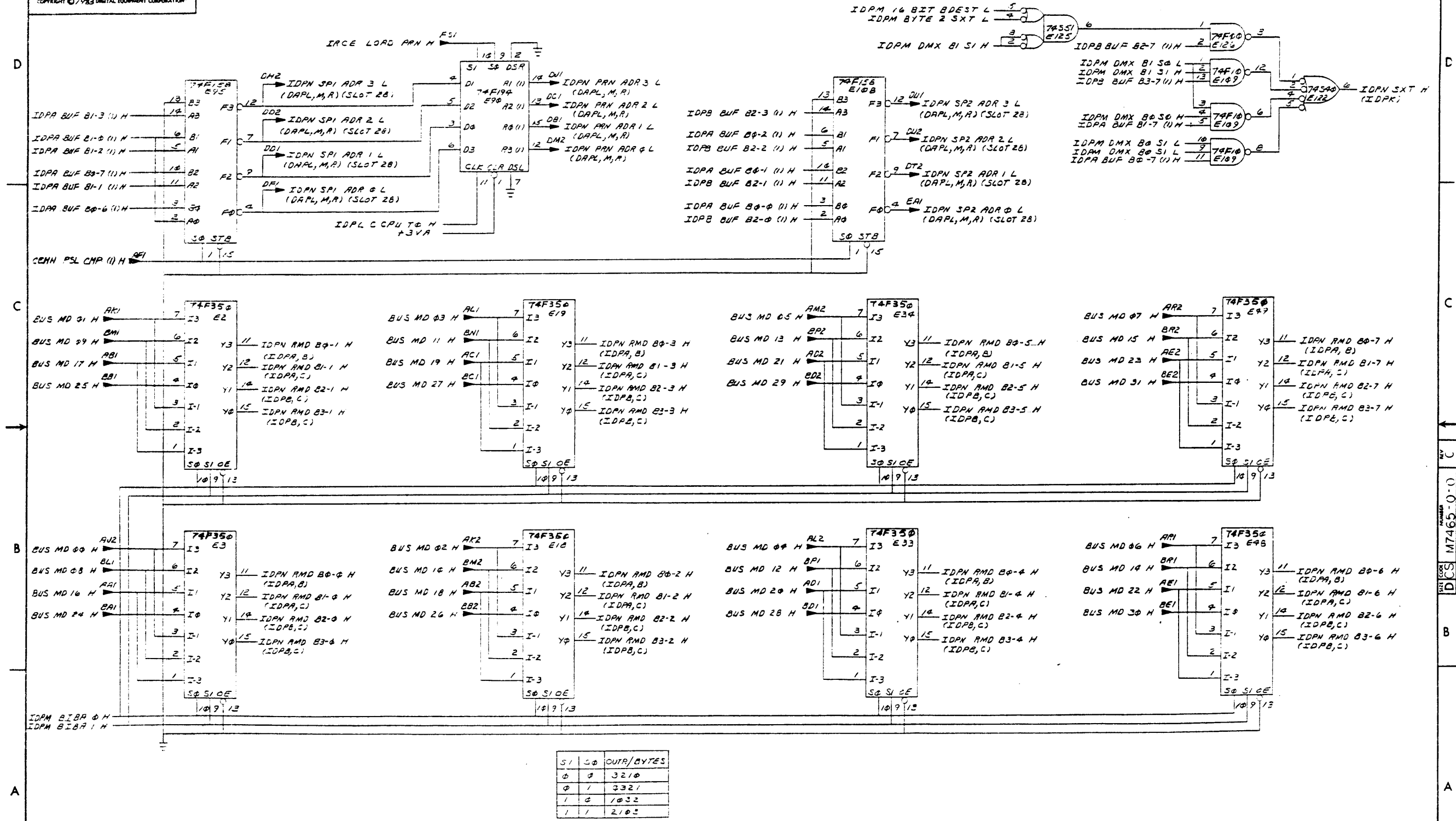


REVISIONS table with columns for CHK, CHANGE NO, and REV.

(DMX SELECTS, BDEST, DELTA PC, IBA 0 & 1) (SLOT 7)

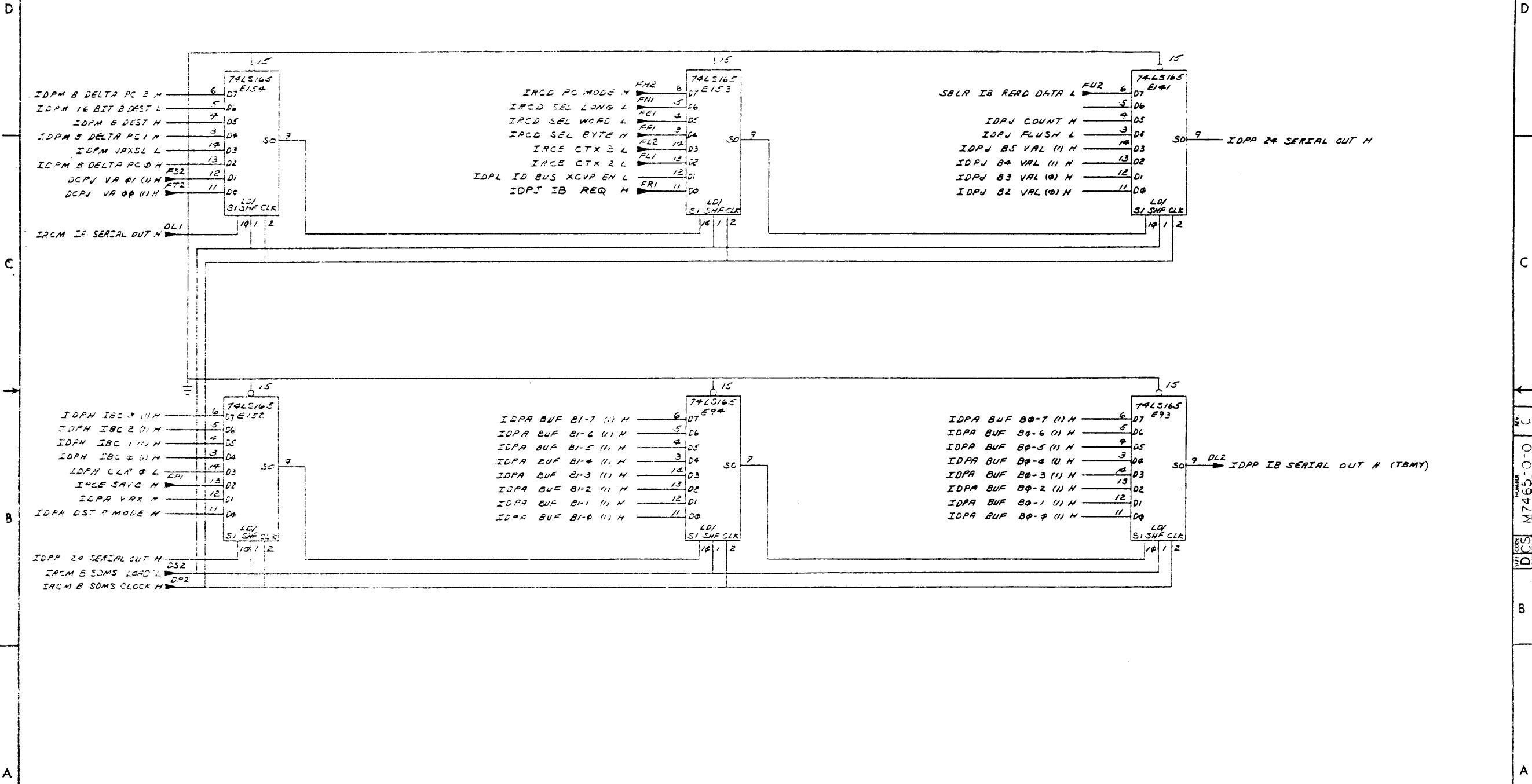
Metadata table with columns for TITLE, SIZE/CODE, NUMBER, REV, SCALE, SHEET, and DIST.

THIS DRAWING AND SPECIFICATIONS HEREIN ARE THE PROPERTY OF DIGITAL EQUIPMENT CORPORATION AND SHALL NOT BE REPRODUCED OR COPIED OR USED IN WHOLE OR IN PART AS THE BASIS FOR THE MANUFACTURE OR SALE OF ITEMS WITHOUT WRITTEN PERMISSION. COPYRIGHT © 1973 DIGITAL EQUIPMENT CORPORATION.





THIS DRAWING AND SPECIFICATIONS HEREIN ARE THE PROPERTY OF DIGITAL EQUIPMENT CORPORATION AND SHALL NOT BE REPRODUCED OR COPIED OR USED IN WHOLE OR IN PART AS THE BASIS FOR THE MANUFACTURE OR SALE OF ITEMS WITHOUT WRITTEN PERMISSION. COPYRIGHT © 1973 DIGITAL EQUIPMENT CORPORATION



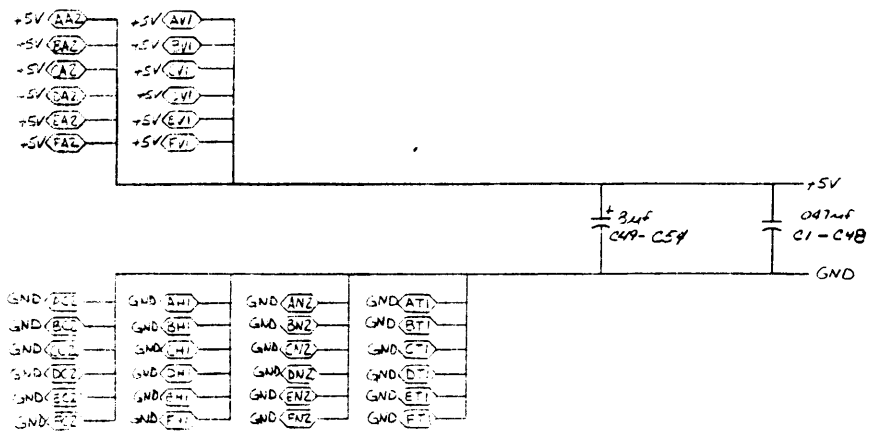
REVISIONS		
CHK	CHANGE NO	REV

(V-BUS) (SLOT 7)

TITLE	INSTRUCTION DATA PATH (IDPP)	SIZE CODE	DCS	NUMBER	M7465-0-0	REV.	C
SCALE		SHEET	14 OF 13	DIST.			

0-0-5942WISD  
1200 3000 3215

THIS DRAWING AND SPECIFICATIONS HEREIN ARE THE PROPERTY OF DIGITAL EQUIPMENT CORPORATION AND SHALL NOT BE REPRODUCED OR COPIED OR USED IN WHOLE OR IN PART AS THE BASIS FOR THE MANUFACTURE OR SALE OF ITEMS WITHOUT WRITTEN PERMISSION  
 COPYRIGHT © 1972 DIGITAL EQUIPMENT CORPORATION



REVISION HISTORY		
DATE	ECO NUMBER	REV

TITLE INSTRUCTION DATA PATH

DOCUMENT NUMBER		
SIZE	CODE	NUMBER
D	CS	M7465-0-0
SCALE	///	SHEET 15 OF 15

SHEET NUMBER  
 DCS M7465-0-0  
 REV 2

REV. C      NUMBER 0-0-594ZW      CODE DD      SIZE B

DRAWING NO.	NO. OF SHTS.	PART NO.	DESCRIPTION	REVISIONS																		
				A	B	C	D	E	F	G	H	I	J	K	L							
	-	M7465-00	IDP PART REVISION	A	B	C																
E-UA-M7465-0-0	4		UNIT ASSEMBLY	A	B	C																
D-CS-M7465-0-0	15		CIRCUIT SCHEMATIC	A	B	C																
K-PLM7465-0-DBF	2		PARTSLIST	A	B	E																
K-PCM7465-0-DBC	-		PC DATABASE	B	E	F																
	-	5012565-00	ETCHED BOARD	B	E	E																
E-MD-5012565-0-0	5		DRILL & ETCH DWG.	A	A	A																

NOTES:

REVISIONS		DATE	CHG NO.	REV.
		7/83	INIT	A
		2/84	TW001	B
		2/84	TW002	C

"THIS DRAWING AND SPECIFICATIONS, HEREIN, ARE THE PROPERTY OF DIGITAL EQUIPMENT CORPORATION AND SHALL NOT BE REPRODUCED OR COPIED OR USED IN WHOLE OR IN PART AS THE BASIS FOR THE MANUFACTURE OR SALE OF ITEMS WITHOUT WRITTEN PERMISSION.  
COPYRIGHT © 1983 DIGITAL EQUIPMENT CORPORATION



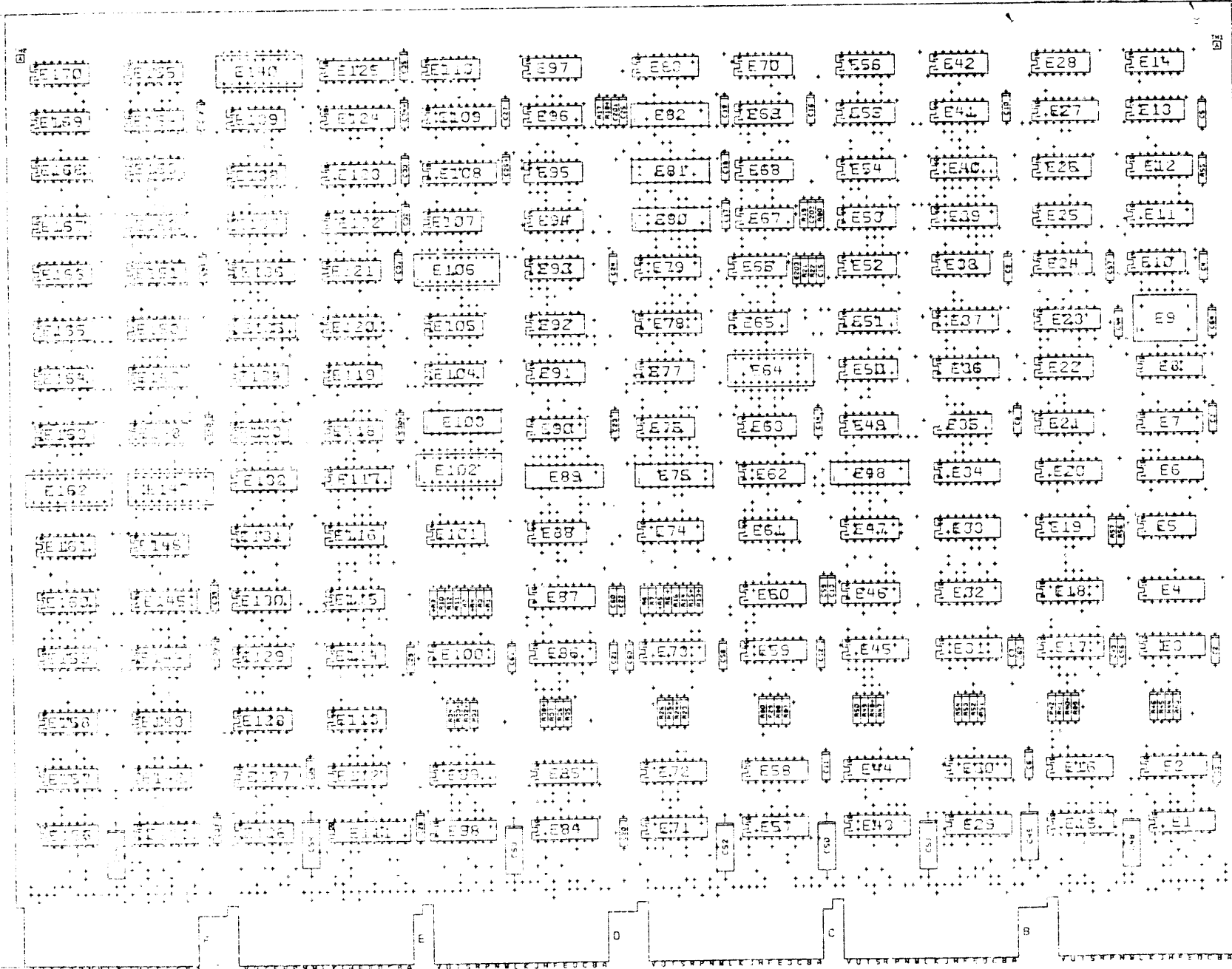
USED ON OPTION/MODEL		DRN	7-15-83	TITLE	IDP
		CHK'D	8-16-83	SIZE	B DD
		ENG.	10-18-83	CODE	DD
		PROB	10-8-83	NUMBER	M7465-0-0
				REV.	C
				SHEET	1 OF 1

LINE	ITEM	TOP DOCUMENT	PART NUMBER	MIN REV	DESCRIPTION	QTY	PER VARIATION	REFERENCE DESIGNATOR
					VARIATION REVISION LEVEL:	00		
						A1		
1	1	D-MD-5016073-0-0	5016073-01		DATA PATH (31:16)	1		
2	2		1017472-00		10 MFD 35V +50-10% AL EL	8		C48-C55
3	3		1012784-00		.047 MFD 50V +80-20% CER	56		C1-C44,C56-C64,C201-C203
4	4		1300247-00		120.0 .25 W 5.0 % CF	8		R3,R4,R6,R8,R10,R12-R14
5	5		1300250-00		150.0 .25 W 5.0 % CF	8		R1,R2,R5,R7,R9,R11,R15,R16
6	6		1300447-00		4.70 K .25 W 5.0 % CF	33		R23-R55
7	7		1301890-00		560.0 .25 W 5.0 % CF	3		R18,R20,R22
8	8		1301972-00		270.0 .25 W 5.0 % CF	3		R17,R19,R21
9	9		1813951-00		OSCILLATOR, XTAL 1.0 KHZ	1		E9
10	10		1910545-00		74S112 FF-JK DUAL,EDGE TRIG	4		E12,E23,E135,E136
11	11		1921323-01		74F174 FF-D,HEX	1		E132
12	12		1921324-01		74F175 FF-D,QUAD	1		E117
13	13		1921720-01		10H125 TRANSLATOR ECL TO TTL QUA	2		E60,E87
14	14		1911469-00		DEC 8640 RECEIVER,BUS,QUAD,U	1		E5
15	15		1911712-00		74S51 AND-OR GATE-INVERT D	7		E21,E41,E53,E67,E95,E126,E134
16	16		1911983-00		74S133 NAND GATE-POSITIVE 1	4		E6,E20,E34,E62
17	17		1912867-00		LS298 MUX 1 OF 4,2IN W/S	8		E2,E16,E30,E44,E58,E72,E85,E99
18	18		1913788-00		26S10 TRANSCEIVER,BUS,QUA	8		E1,E15,E29,E43,E57,E71,E84,E98
19	19		1913839-00		LS165 SHIFT REG.,8BIT	2		E74,E141
20	20		1921305-01		74F00 NAND GATE,QUAD,2-IN	10		E19,E26,E35,E38,E97,E112,E115, E119,E144,E150
21	21		1921307-01		74F04 HEX INVERTER	12	CONT	E22,E52,E63,E68,E70,E94,E101, E114,E128,E138,E143,E145
22	22		1921308-01		74F08 AND GATE,QUAD,2-IN	6	CONT	E24,E28,E47,E49,E54,E88,E107, E118,E129,E148,E151,E155,E159
23	23		1921309-01		74F10 NAND GATE,TRIPLE,3-I	13	CONT	E14,E42,E50,E69,E130,E149 E55,E139,E164,E170
24	24		1921310-01		74F11 AND GATE,TRIPLE,3-IN	6		E65,E66,E90-E93,E104,E105,E110, E116,E120,E121,E131,E133,
25	25		1921311-01		74F20 NAND GATE,DUAL,4-IN	4		
26	26		1921313-01		74F64 AND OR INVERT GATE,4-	27	CONT	

REVISION HISTORY			BASIC PART NO: M7466		DRN: S.MANSOR		DATE: 24-SEP-83		DIGITAL			
ENG	ECO NUMBER	REV	SECTION A OF A	CHK'D:	F.GAROFALO	DATE:	24-SEP-83	TITLE PARTS LIST				
	INITIAL	A	SECTION VARIATION INDEX	DES.ENG:	B.HALL	DATE:	24-SEP-83	INSTRUCTION DECODE (IRC)				
			[A] 00	RESP.ENG.:	B.HALL	DATE:	24-SEP-83	DOCUMENT NUMBER				
			[B]	MFG.ENG.:	M.KRYSAK	DATE:	24-SEP-83	SIZE	CODE	NUMBER	REV	
			[C]	ASSEMBLY NUMBER:	E-UA-M7466-0-0	TOP DOCUMENT NUMBER:	B-DD-M7466-0-0	K	PL	M7466-0-DBP	A	
			[D]	RELEASE DATE:	17-NOV-83	FILE NAME:	Z8058A.PLS					
			[E]			EDIT #	3					
			[F]									
			[H]									
			[J]									
			[K]									
			[L]									
			[M]									
			[N]									

THIS DRAWING AND THE SPECIFICATIONS CONTAINED HEREIN ARE CONFIDENTIAL AND PROPRIETARY. THEY ARE THE PROPERTY OF DIGITAL EQUIPMENT CORPORATION AND SHALL NOT BE REPRODUCED OR COPIED OR USED IN WHOLE OR IN PART AS THE BASIS FOR THE MANUFACTURE OR SALE OF ITEMS WITHOUT WRITTEN PERMISSION. THIS IS AN UNPUBLISHED WORK PROTECTED UNDER THE FEDERAL COPYRIGHT LAWS.

COMPONENT SIZE VIEW



SIGNATURES		DATE	TITLE	NUMBER
DESIGNER	DATE	DATE	digital	14C
CHECK ENGR	DATE	DATE		
PROJECT ENGR	DATE	DATE		
SCALE	DATE	DATE		
SIZE	DATE	DATE		
INCHES	DATE	DATE		
METRIC	DATE	DATE		

NOTES	
1. ALL DIMENSIONS ARE IN INCHES UNLESS OTHERWISE SPECIFIED.	
2. ALL DIMENSIONS ARE TO CENTER UNLESS OTHERWISE SPECIFIED.	
3. ALL DIMENSIONS ARE TO CENTER UNLESS OTHERWISE SPECIFIED.	
4. ALL DIMENSIONS ARE TO CENTER UNLESS OTHERWISE SPECIFIED.	
5. ALL DIMENSIONS ARE TO CENTER UNLESS OTHERWISE SPECIFIED.	

AUTOMATED BY PRTLST.5R(55)

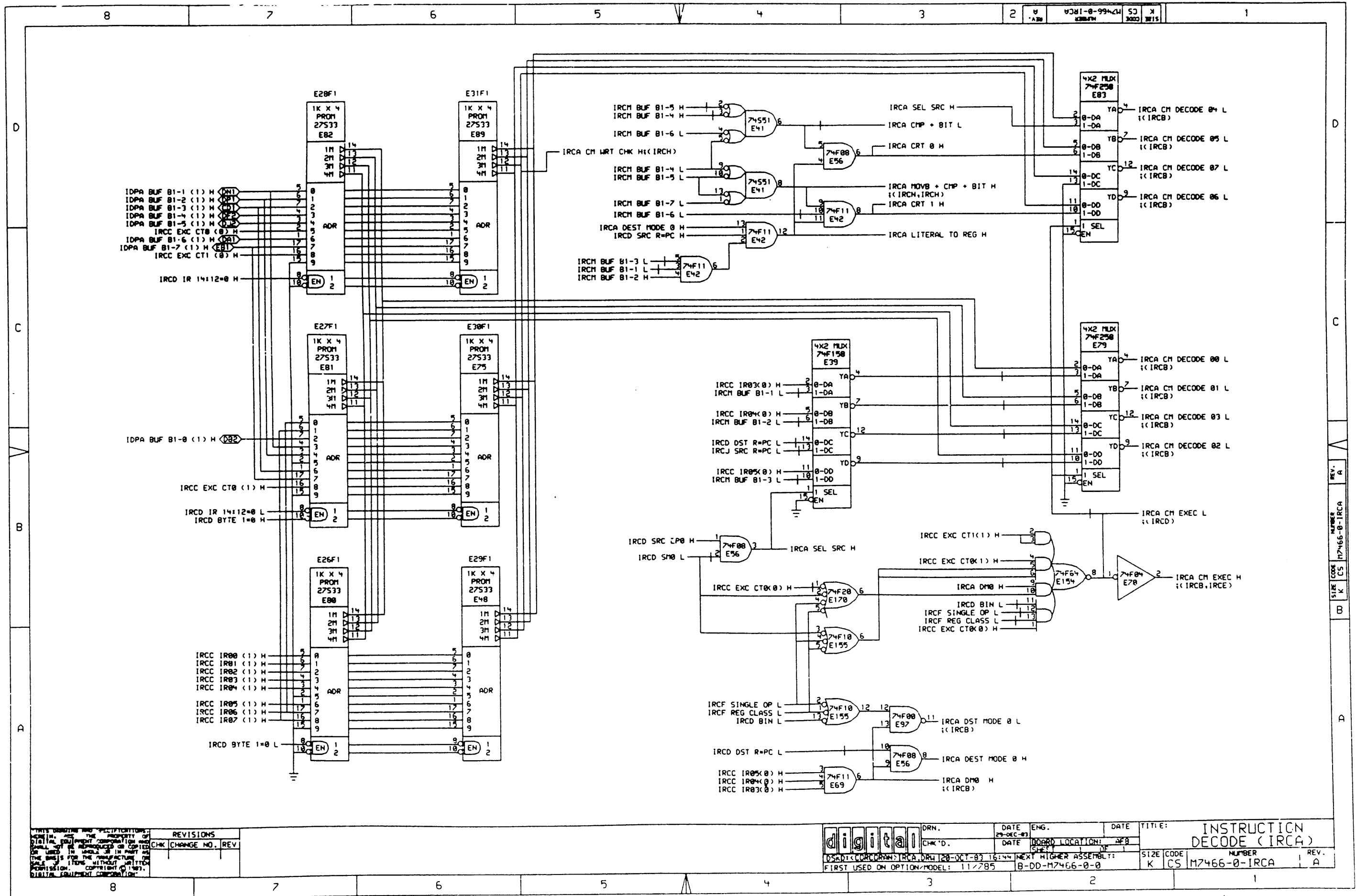
PARTS LIST

SHEET A2 OF A2

LINE	ITEM	TOP DOCUMENT	PART NUMBER	MIN REV	DESCRIPTION	QTY	PER VARIATION	REFERENCE DESIGNATOR
					VARIATION REVISION LEVEL:	00		
						A1		
27	27		1921314-01		74F74 FF-D,DUAL,FOS.,EDGE	7		CONT E152-E154,E156-E158,E160,E161, CONT E163,E165,E167-E169
28	28		1921318-01		74F151 MUX,8-IN	2		E13,E51,E61,E76,E77,E96,E166
29	29		1921321-01		74F158 MUX,QUAD,2-IN	5		E8,E36
30	30		1921327-01		74F194 SHIFT REG,UNIV,BIDIR	3		E18,E32,E39,E40,E78
31	31		1921331-01		74F258 MUX,QUAD,2-IN	4		E4,E7,E33
32	32		1921674-01		74F352 MULTIPLEXER,DUAL 4-IN	2		E79,E83,E127,E145
33	33		2113907-00	MM	74C160 COUNTER-DECADE,ASYNC	1		E27,E37
34	34		2113908-00	MM	74C161 COUNTER,ASYNC,BINAR	8		E11
35	35		2114018-00	MM	74C74 FF-D DUAL 10MHZ,CMOS	1		E3,E17,E31,E45,E59,E73,E86,E100
36	36	BLANK			*** THIS ITEM IS NOT USED ***	-		E10
37	37		23E14F1-00		F1-04	1		E108
38	38		23E29F1-00		F1-05	1		E48
39	39	BLANK			*** THIS ITEM IS NOT USED ***	-		
40	40		23137J5-00		J5-03 PAL,LOGIC	1		E111
41	41		1216988-02		HANDLE,MODULE,HEX TWO EJECTORS	1		
42	42		9000024-01		EYELET,ROLLED 0.1210DX0.192	12		
43	43		23E32F1-00		F1-05	1		E103
44	44		23E26F1-00		F1-05	1		E80
45	45		23E27F1-00		F1-05	1		E81
46	46		23E28F1-00		F1-05	1		E82
47	47		23E30F1-00		F1-05	1		E75
48	48		23E31F1-00		F1-05	1		E89
49	49		23E22F1-00		F1-05	1		E122
50	50		23E23F1-00		F1-05	1		E123
51	51		23E24F1-00		F1-05	1		E124
52	52		23E25F1-00		F1-05	1		E125
53	53		23E19F1-00		F1-04	1		E109
54	54		9105740-55		WIRE(WRAP) 30AWG KYNAR UL14	A/R		

55 NOTE: SPARE I.C. LOCATIONS ARE: E64,E106,E140,E147,E162,E102  
 56 NOTE: REF. DES. NOT USED ARE: C65-C200,C45-C47,R56,R57

D	I	G	I	T	A	L	TITLE	SECTION A	OF	A	SIZE	CODE	DOCUMENT NUMBER	RE.
							INSTRUCTION DECODE (IRC)				K	PL	M7466-0-DBP	A

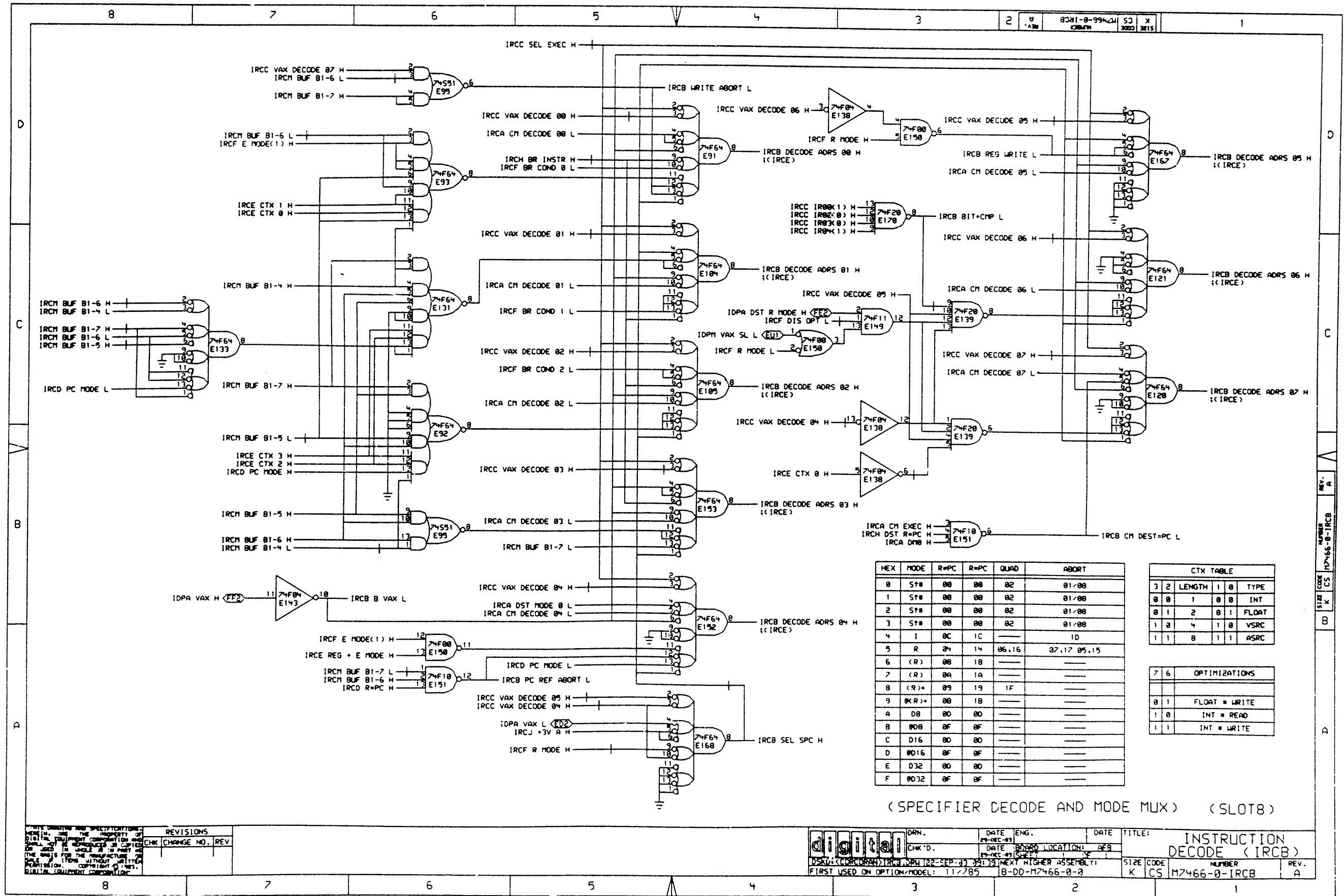


THIS DRAWING AND SPECIFICATIONS ARE THE PROPERTY OF DIGITAL EQUIPMENT CORPORATION AND SHALL NOT BE REPRODUCED OR COPIED IN ANY MANNER WITHOUT THE WRITTEN PERMISSION OF DIGITAL EQUIPMENT CORPORATION.

REV.	NO.	DATE	BY	DESCRIPTION
A	1	11/27/85	ENG.	INITIAL DESIGN

REV.	NO.	DATE	BY	DESCRIPTION
A	1	11/27/85	ENG.	INITIAL DESIGN

DRN.	DATE	ENG.	DATE	TITLE:
CHK'D.	29-DEC-85	ENG.		INSTRUCTION DECODE (IRCA)
		DATE	BOARD LOCATION:	
		DATE	REV.	
DSKD:CCOR:DRN:IRCA:DRW:20-OCT-85 16:44		NEXT HIGHER ASSEMBLY:		SIZE CODE NUMBER
FIRST USED ON OPTION MODEL: 11/2785		B-DD-M7466-0-0		K CS M7466-0-IRCA 1 A



HEX	MODE	R=PC	R=PC	QUAD	ABORT
0	S*	00	00	02	01/00
1	S*	00	00	02	01/00
2	S*	00	00	02	01/00
3	S*	00	00	02	01/00
4	I	0C	1C		ID
5	R	04	14	06,16	07,17 05,15
6	(R)	08	18		
7	(R)	0A	1A		
8	(R)+	09	19	1F	
9	(R)+	0B	1B		
A	0B	0B	0B		
B	0B	0B	0B		
C	D16	0D	0D		
D	0D16	0F	0F		
E	D32	0D	0D		
F	0D32	0F	0F		

CTX TABLE			
3	2	LENGTH	1 0 TYPE
0 0	1	0 0	INT
0 1	2	0 1	FLOAT
1 0	4	1 0	VSRC
1 1	8	1 1	ASRC

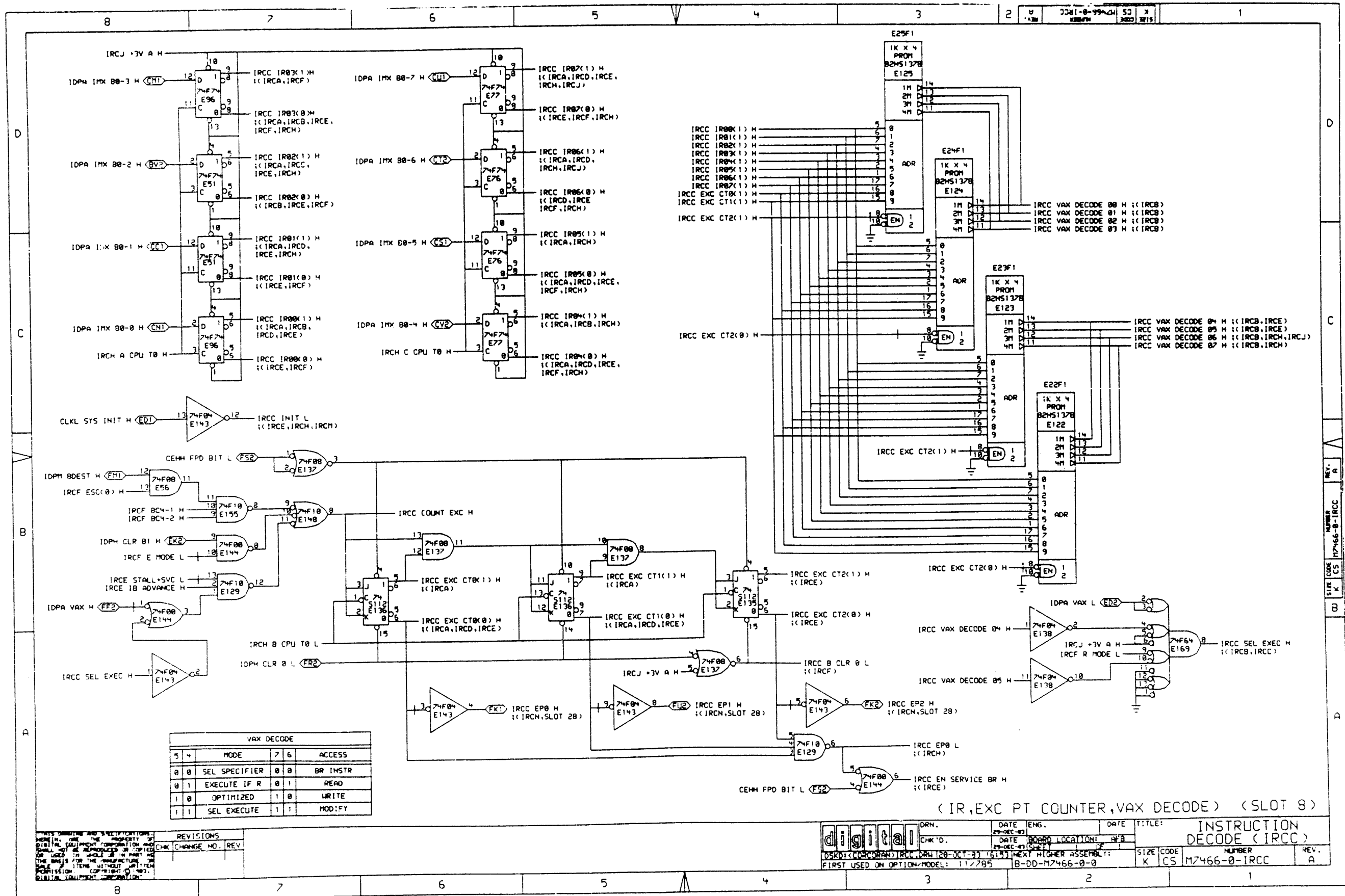
OPTIMIZATIONS	
0 1	FLOAT = WRITE
1 0	INT = READ
1 1	INT = WRITE

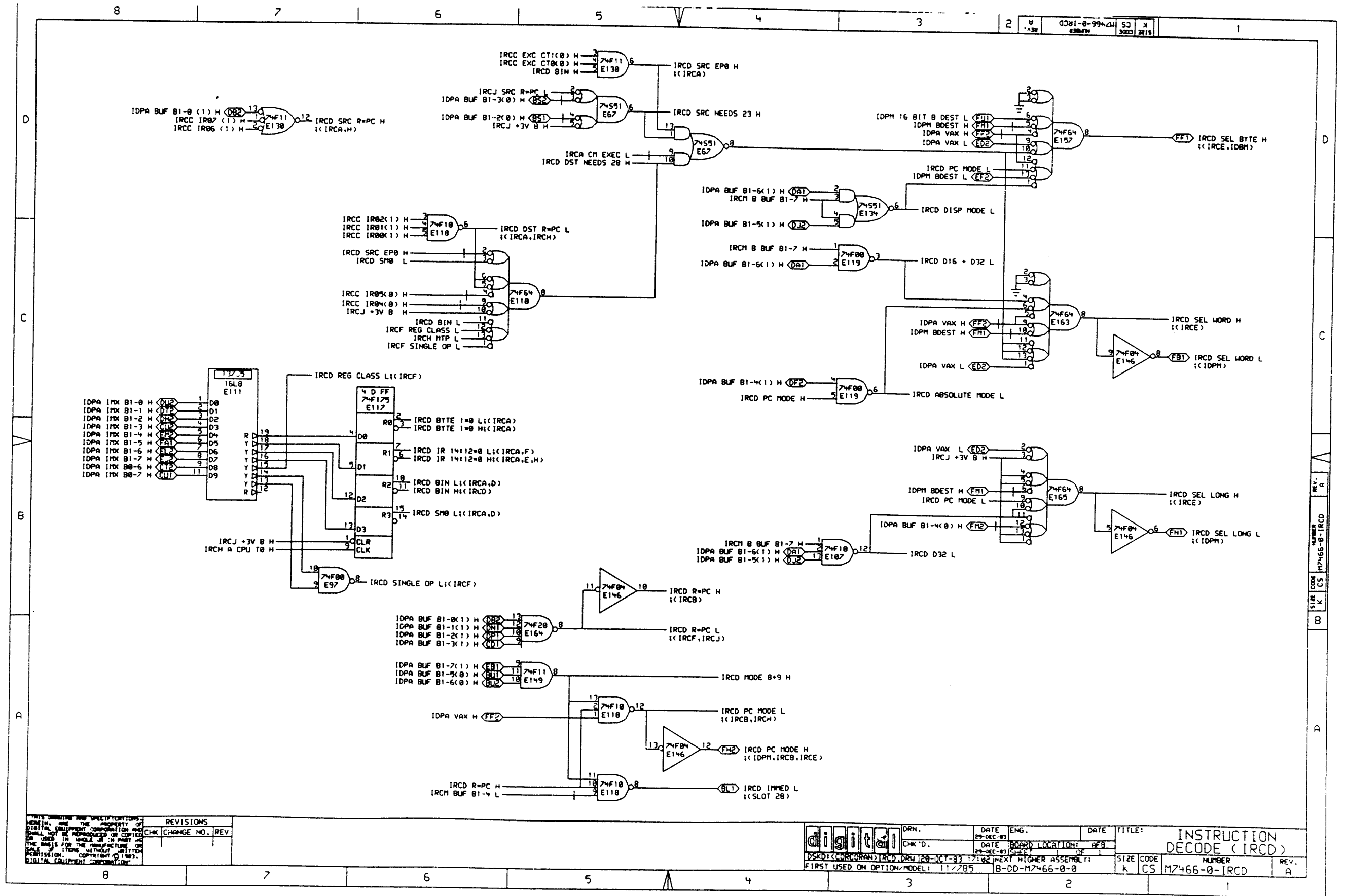
(SPECIFIER DECODE AND MODE MUX) (SLOT 8)

REVISIONS	
CHK	CHANGE NO. REV.

	DRN.	DATE	ENG.	DATE	TITLE:
	CHK'D.	29-OCT-93			INSTRUCTION DECODE (IRCB)
BOARD LOCATION: A9A		DATE: 29-OCT-93		SIZE CODE: K CS	
FIRST USED ON OPTION/MODEL: 11/285		NEXT HIGHER ASSEMBLY: B-DD-M7466-0-0		NUMBER: M7466-0-IRCB	
REV. A				REV. A	





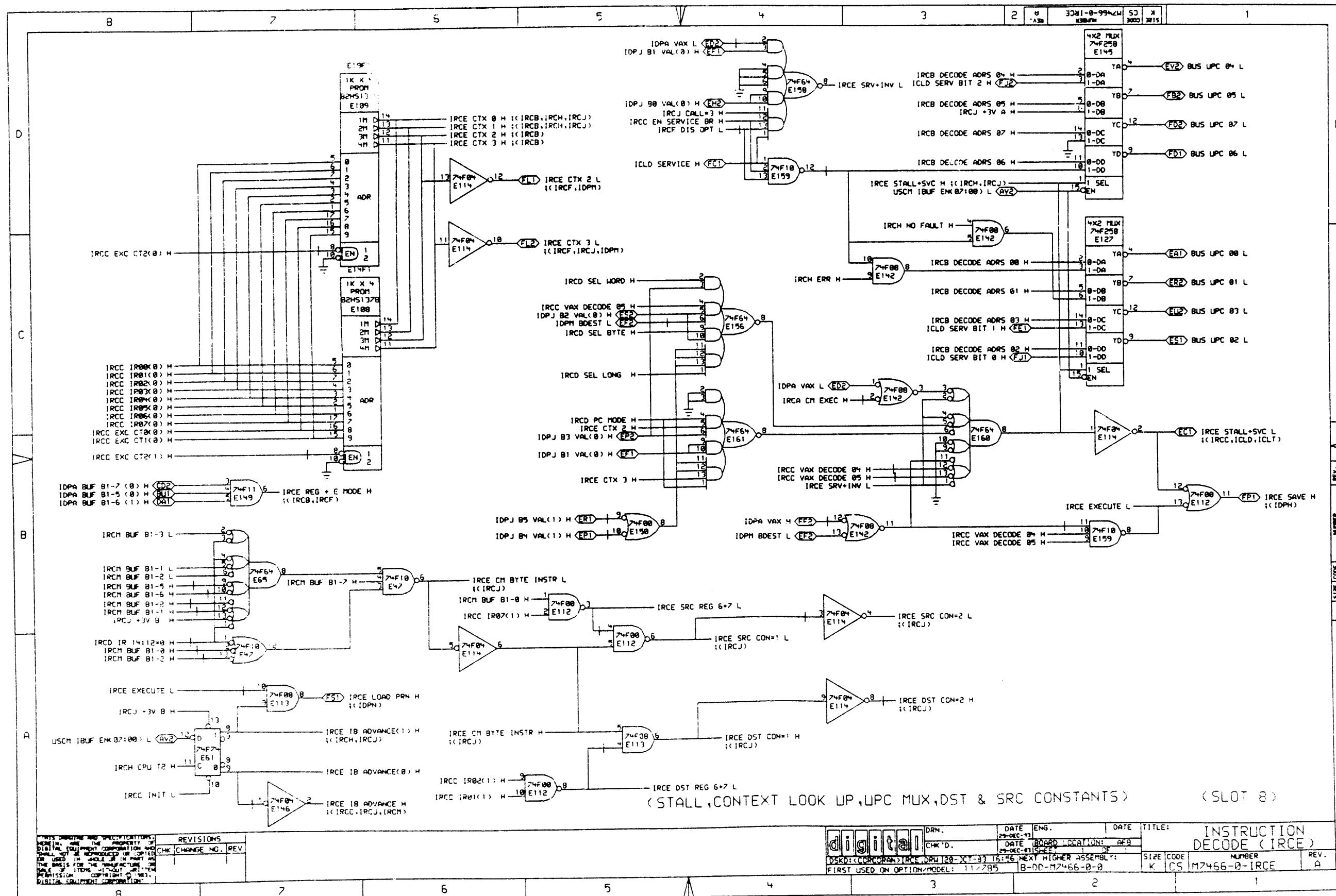


THIS DRAWING AND SPECIFICATIONS ARE THE PROPERTY OF DIGITAL EQUIPMENT CORPORATION AND SHALL NOT BE REPRODUCED OR COPIED IN ANY MANNER OR PART THEREOF WITHOUT WRITTEN PERMISSION. COPYRIGHT © 1984 DIGITAL EQUIPMENT CORPORATION.

REVISIONS	
CHK	CHANGE NO. REV.

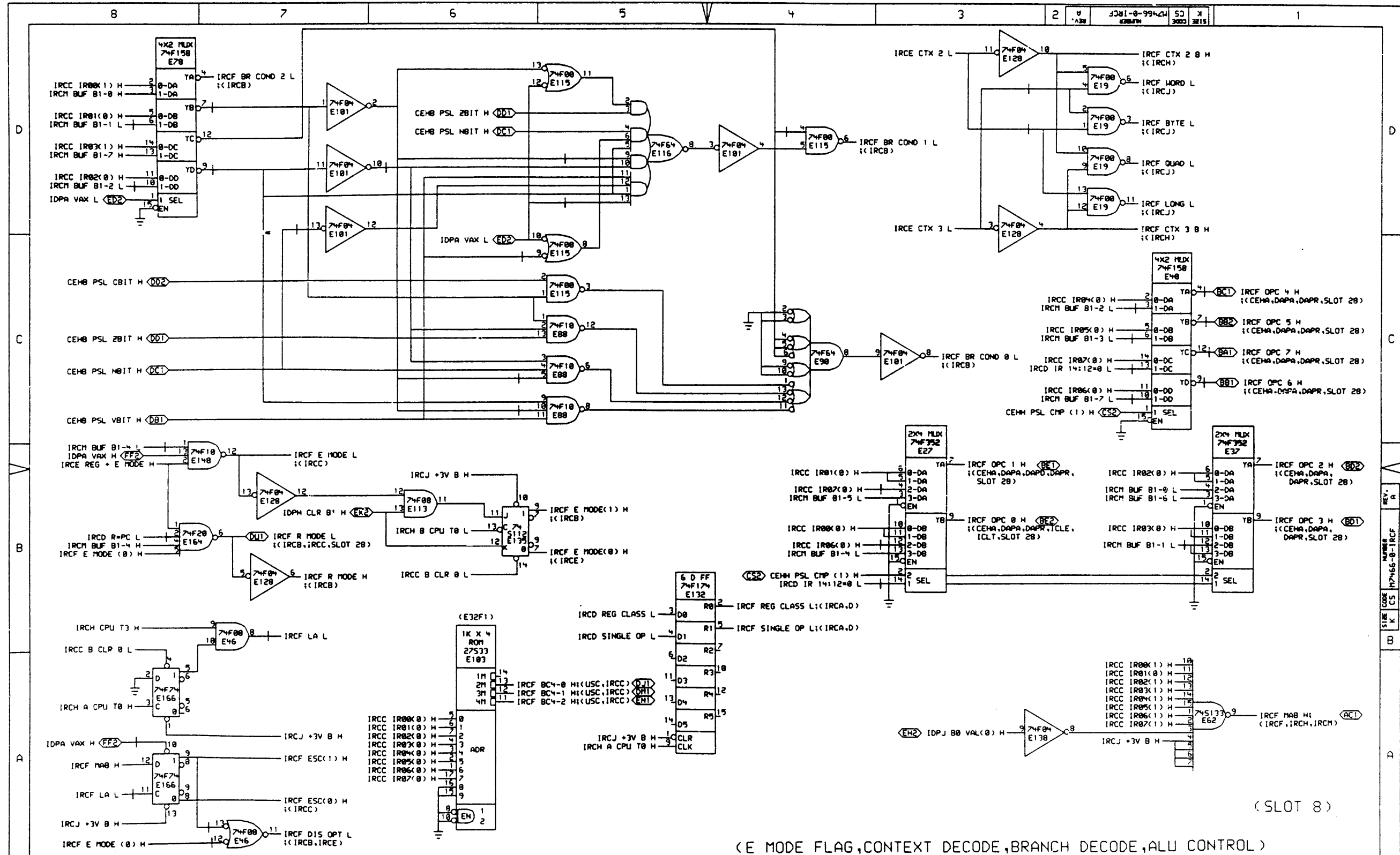
	DRN.	DATE	ENG.	DATE	TITLE:
	CHK'D.	29-DEC-83			INSTRUCTION DECODE (IRCD)
DS&D/COR/CORAN/IRCD.DWG 28-OCT-83 17:02		DATE BOARD LOCATION: AFB		SIZE CODE NUMBER	
FIRST USED ON OPTION/MODEL: 11/285		NEXT HIGHER ASSEMBLY: B-DD-M7466-0-0		REV. A	

REV. A  
NUMBER B-IRCD  
M7466-0-IRCD



REV.	NO.	DESCRIPTION
1	1	INITIAL DESIGN
2	1	REVISION
3	1	REVISION
4	1	REVISION
5	1	REVISION
6	1	REVISION
7	1	REVISION
8	1	REVISION

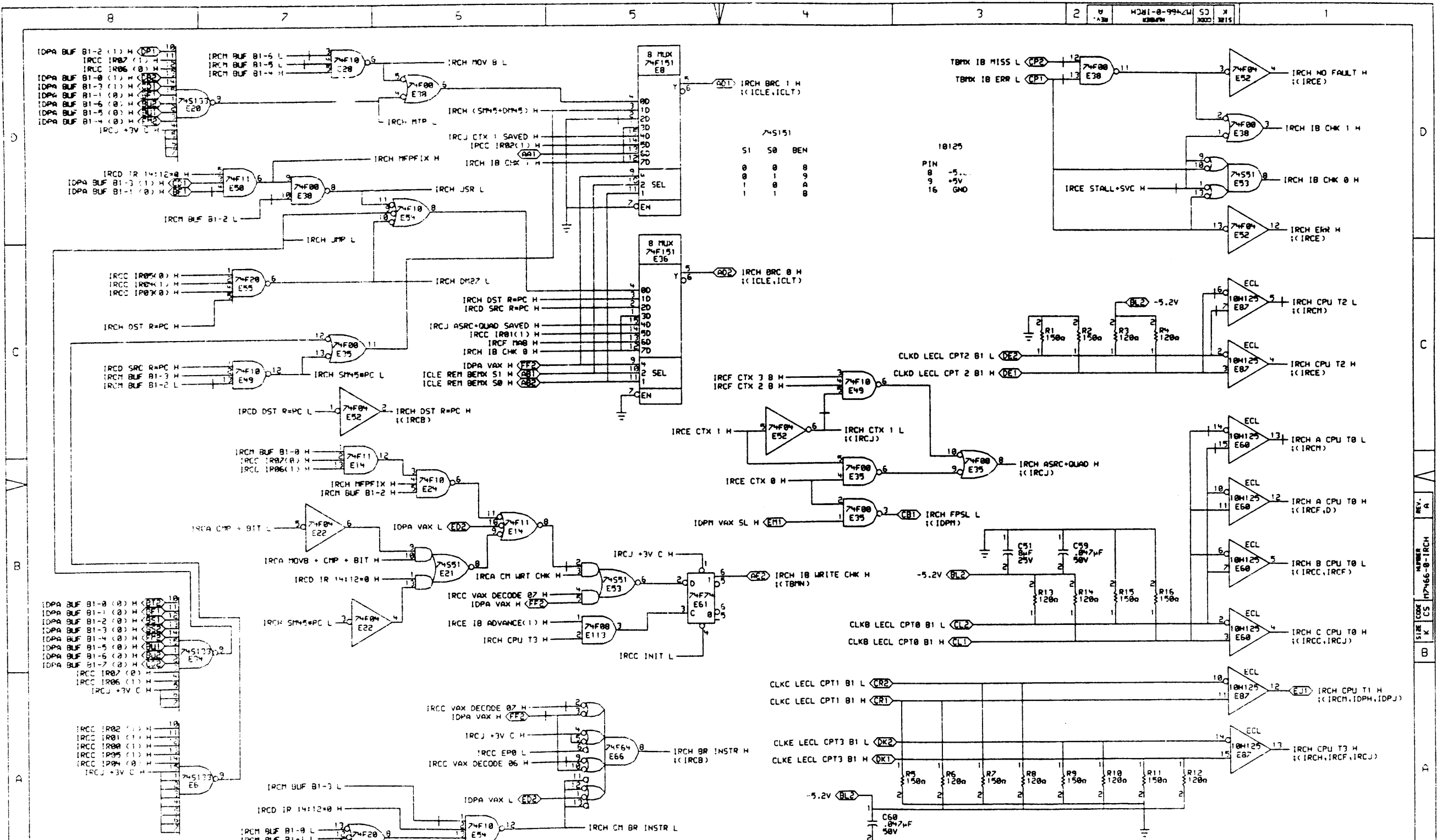
DRN.	DATE	ENG.	DATE	TITLE:
CHK'D.	29-OCT-73			INSTRUCTION
	DATE	BOARD	LOCATION:	DECODE (IRCE)
	29-OCT-73		AFB	
FIRST USED ON OPTION/MODEL:				SIZE
11/295				CODE
B-00-M7466-0-0				NUMBER
				M7466-0-IRCE
				REV.
				A



(SLOT 8)

(E MODE FLAG, CONTEXT DECODE, BRANCH DECODE, ALU CONTROL)

THIS DRAWING AND SPECIFICATIONS ARE THE PROPERTY OF DIGITAL EQUIPMENT CORPORATION AND ARE TO BE USED IN WHOLE OR IN PART AS THE BASIS FOR THE MANUFACTURE OR SALE OF ITEMS WITHOUT WRITTEN PERMISSION. COPYRIGHT © 1983, DIGITAL EQUIPMENT CORPORATION.		<b>REVISIONS</b> CHK CHANGE NO. REV		<b>digital</b> DRW. DATE ENG. DATE CHK'D. DATE BOARD LOCATION: AFB 29-OCT-83 29-OCT-83 SHEET OF		TITLE: INSTRUCTION DECODE (IRCF)	
FIRST USED ON OPTION MODEL: 117285				NEXT HIGHER ASSEMBLY: B-DD-M7466-0-0		NUMBER: M7466-0-IRCF REV. A	



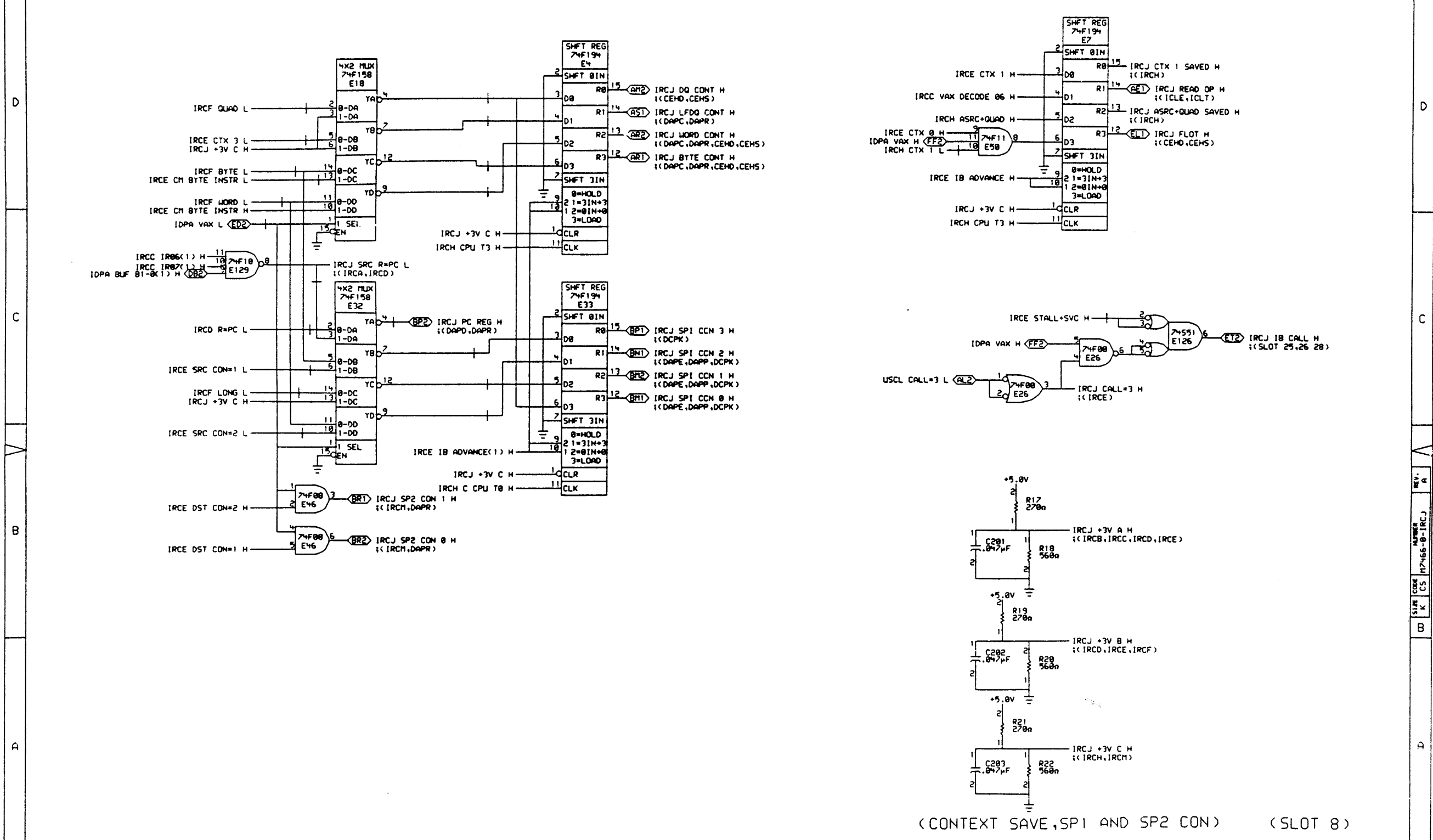
(ERROR CHECK BRANCH CONDITIONS) (SLOT 8)

REV. A  
 NUMBER M7466-0-IRCH  
 SIZE CODE CS  
 K CS

THIS DRAWING AND SPECIFICATIONS  
 ARE THE PROPERTY OF  
 DIGITAL EQUIPMENT CORPORATION  
 AND SHALL NOT BE REPRODUCED OR  
 USED IN WHOLE OR IN PART  
 ON THE BASIS OF THE MANUFACTURE  
 OF THIS DRAWING WITHOUT WRITTEN  
 PERMISSION OF DIGITAL EQUIPMENT  
 CORPORATION.

REVISIONS	
CHANGE NO.	REV.

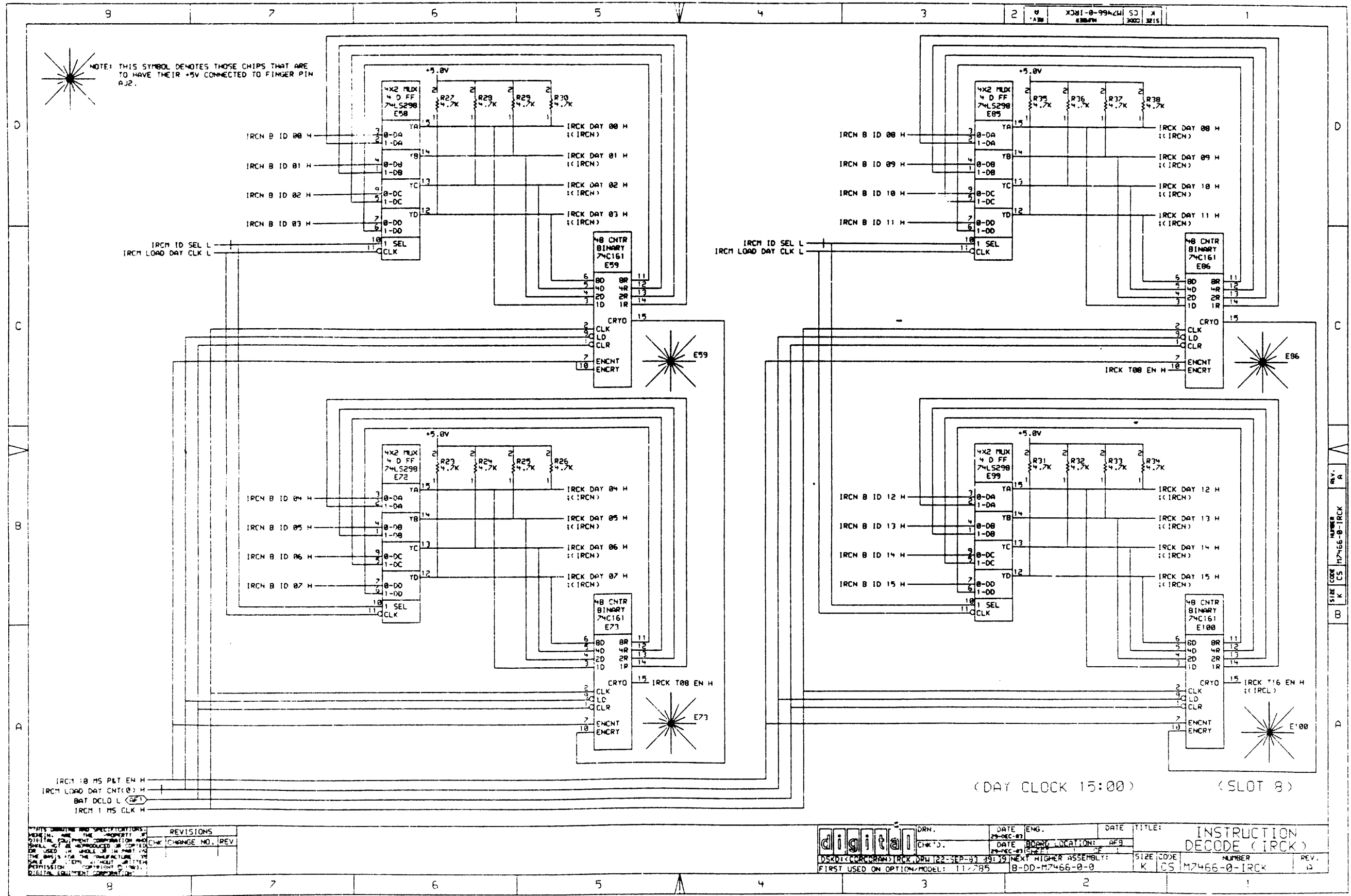
ORIG. DATE	ENG.	DATE	TITLE:
CHK'D.	29-DEC-73	1973	INSTRUCTION DECODE (IRCH)
	DATE	1973-01-04	
DATE	1973-01-04		
DATE			
DATE			
DATE			
DATE			
DATE			
DATE			
DATE			
DATE			
DATE			
DATE			
DATE			



THIS DRAWING AND SPECIFICATIONS HEREIN ARE THE PROPERTY OF DIGITAL EQUIPMENT CORPORATION AND SHALL NOT BE REPRODUCED OR COPIED OR USED IN WHOLE OR IN PART AS THE BASIS FOR THE MANUFACTURE OR SALE OF ITEMS WITHOUT WRITTEN PERMISSION. COPYRIGHT © 1983, DIGITAL EQUIPMENT CORPORATION.

REVISIONS	
CHK	CHANGE NO. REV

	DRN.	DATE	ENG.	DATE	TITLE:
	CHK'D.	29-DEC-83			INSTRUCTION DECODE (IRCJ)
OSKD(CORR) IRCJ DRN 22-SEP-83 09139 NEXT HIGHER ASSEMBLY:		BOARD LOCATION: AFB		SIZE	CODE
FIRST USED ON OPTION/MODEL: 11/785		B-DD-M7466-0-0		K	CS
NUMBER				REV.	
M7466-0-IRCJ				A	



REV.	DATE	DESCRIPTION
1	23-DEC-83	INITIAL DESIGN
2	23-DEC-83	REVISION

REV.	DATE	DESCRIPTION
1	23-DEC-83	INITIAL DESIGN
2	23-DEC-83	REVISION

REV.	DATE	DESCRIPTION
1	23-DEC-83	INITIAL DESIGN
2	23-DEC-83	REVISION

REV.	DATE	DESCRIPTION
1	23-DEC-83	INITIAL DESIGN
2	23-DEC-83	REVISION

REV.	DATE	DESCRIPTION
1	23-DEC-83	INITIAL DESIGN
2	23-DEC-83	REVISION

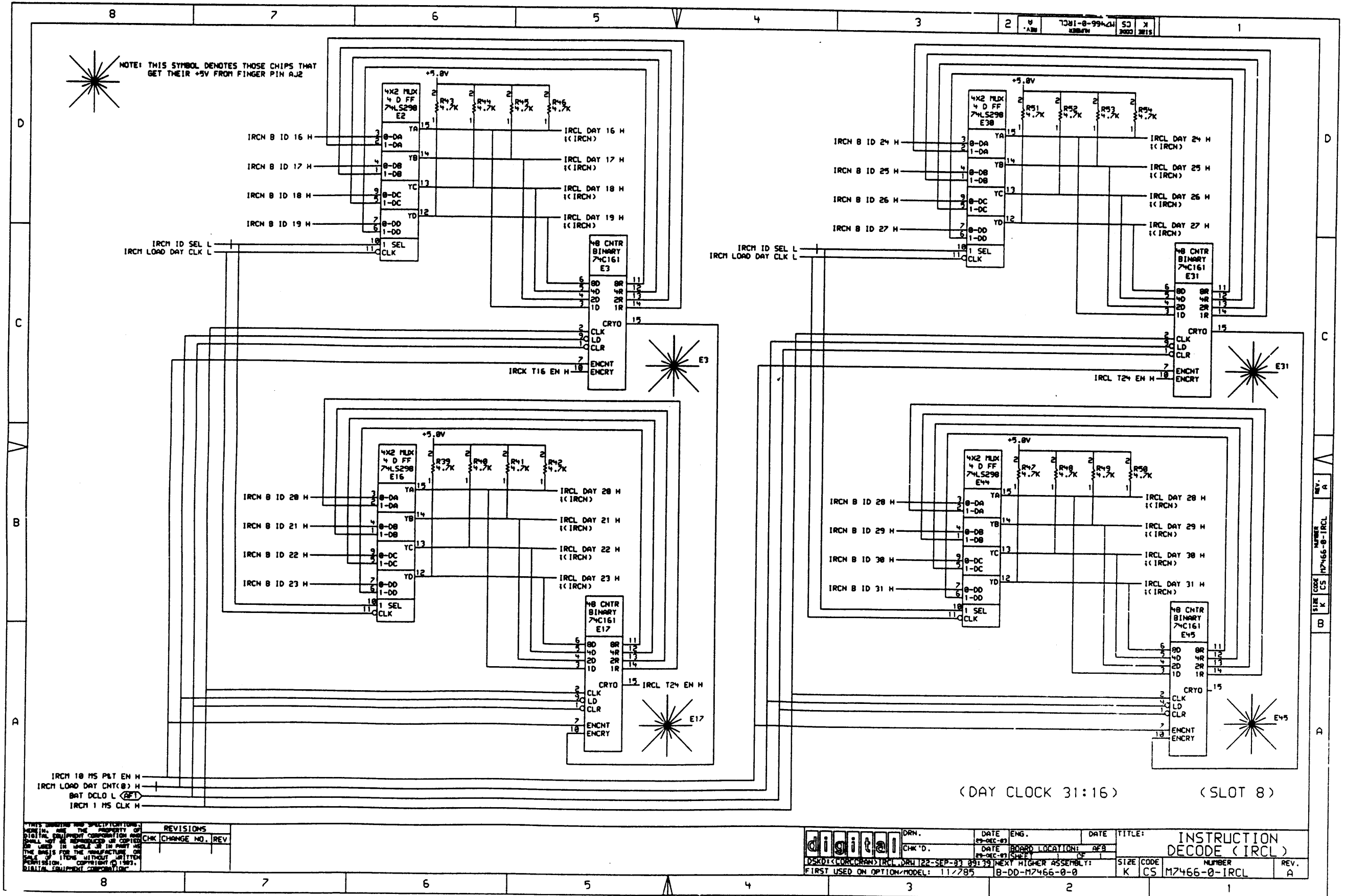
REV.	DATE	DESCRIPTION
1	23-DEC-83	INITIAL DESIGN
2	23-DEC-83	REVISION

digital

DATE: 23-DEC-83  
 DATE: 23-DEC-83  
 DATE: 23-DEC-83

INSTRUCTION DECODE (IRCK)

SIZE: K CS  
 NUMBER: M7466-0-IRCK  
 REV: 2



THIS DRAWING AND SPECIFICATIONS ARE THE PROPERTY OF DIGITAL EQUIPMENT CORPORATION AND SHALL NOT BE REPRODUCED OR COPIED IN ANY MANNER WITHOUT THE WRITTEN PERMISSION OF DIGITAL EQUIPMENT CORPORATION.

REVISIONS	
CHK	CHANGE NO. REV

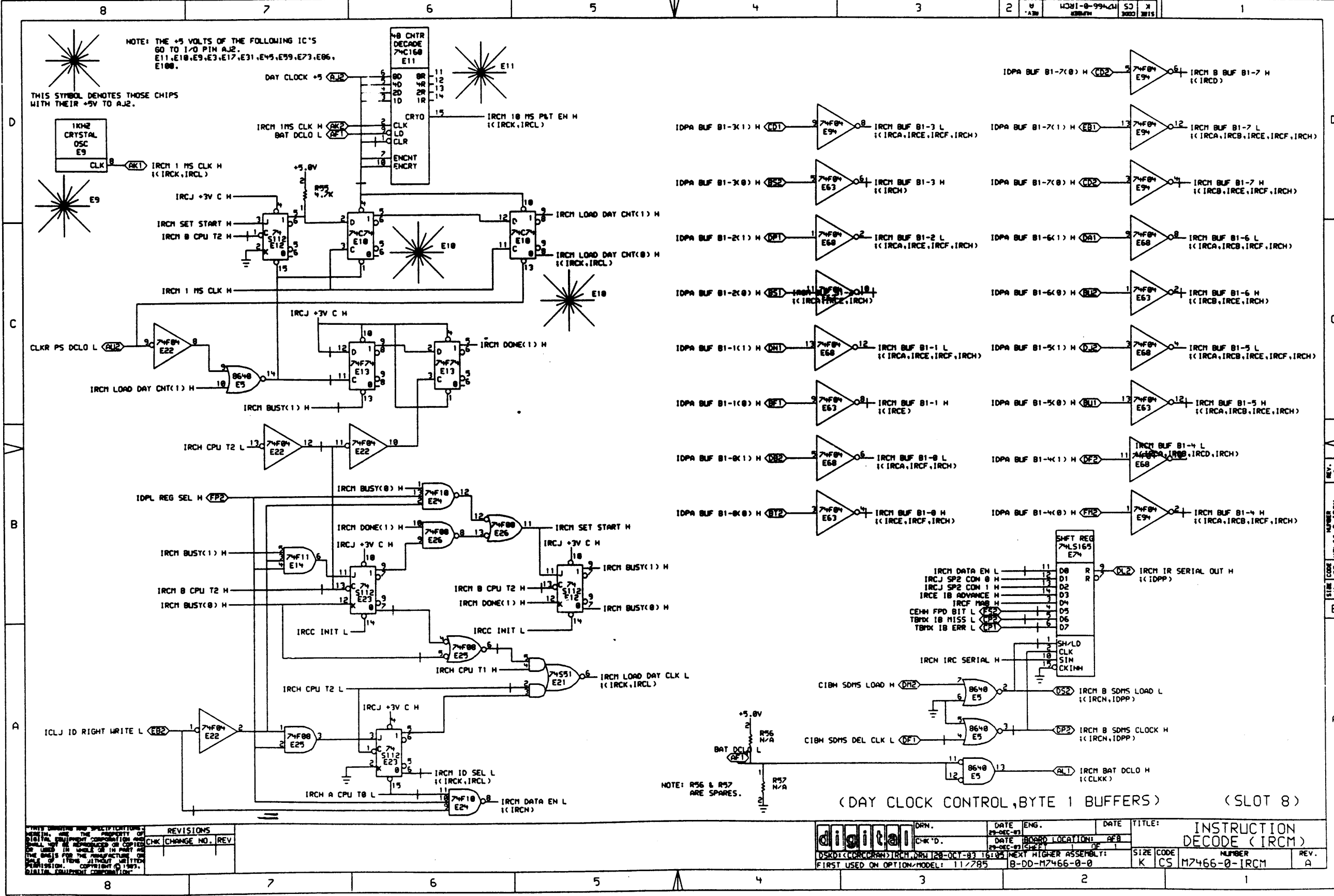


DRN. DATE ENG. DATE  
 CHK'D. DATE BOARD LOCATION: AFB  
 DATE: 29-DEC-87  
 DATE: 29-DEC-87  
 DATE: 29-DEC-87  
 DATE: 29-DEC-87

TITLE: INSTRUCTION DECODE (IRCL)  
 SIZE CODE NUMBER REV.  
 K CS M7466-0-IRCL A

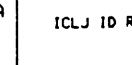
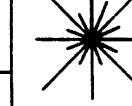
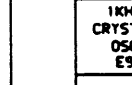
FIRST USED ON OPTION MODEL: 11/285  
 B-DD-M7466-0-0





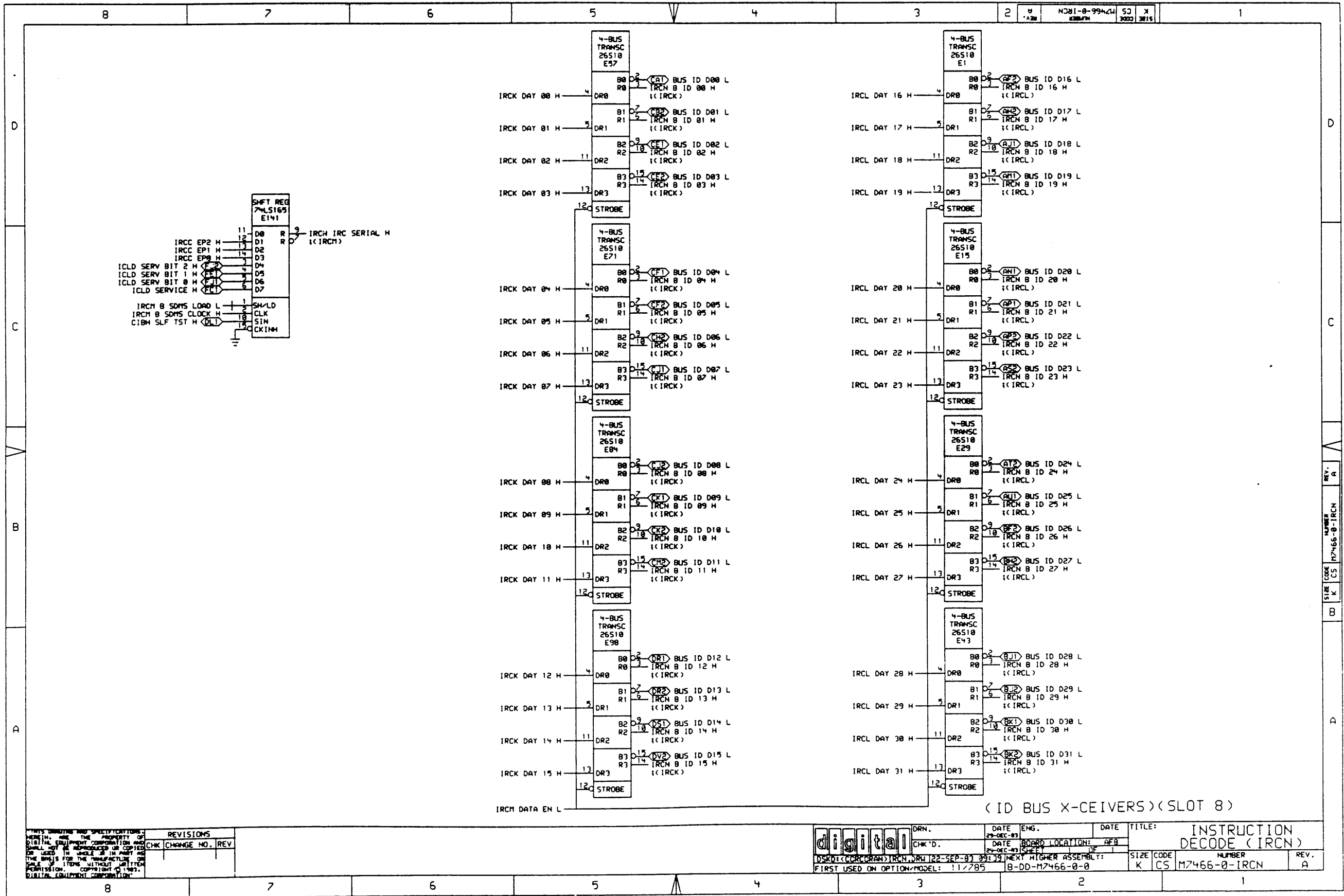
NOTE: THE +5 VOLTS OF THE FOLLOWING IC'S GO TO I/O PIN AJ2.  
E11, E10, E9, E3, E17, E31, E45, E99, E73, E06, E100.

THIS SYMBOL DENOTES THOSE CHIPS WITH THEIR +5V TO AJ2.



REVISIONS	
CHK	CHANGE NO. REV.

DRN.	DATE	ENG.	DATE	TITLE:
	29-DEC-93			INSTRUCTION DECODE (IRCM)
C-K'D.	DATE	BOARD LOCATION:		
	29-DEC-93			
DSKD(CORR GRN) IRCH DRN 128-OCT-83 16195	NEXT HIGHER ASSEMBLY:		SIZE CODE	NUMBER
FIRST USED ON OPTION MODEL: 11/785	B-DD-M7466-0-0		K CS	M7466-0-IRCM
				REV. A

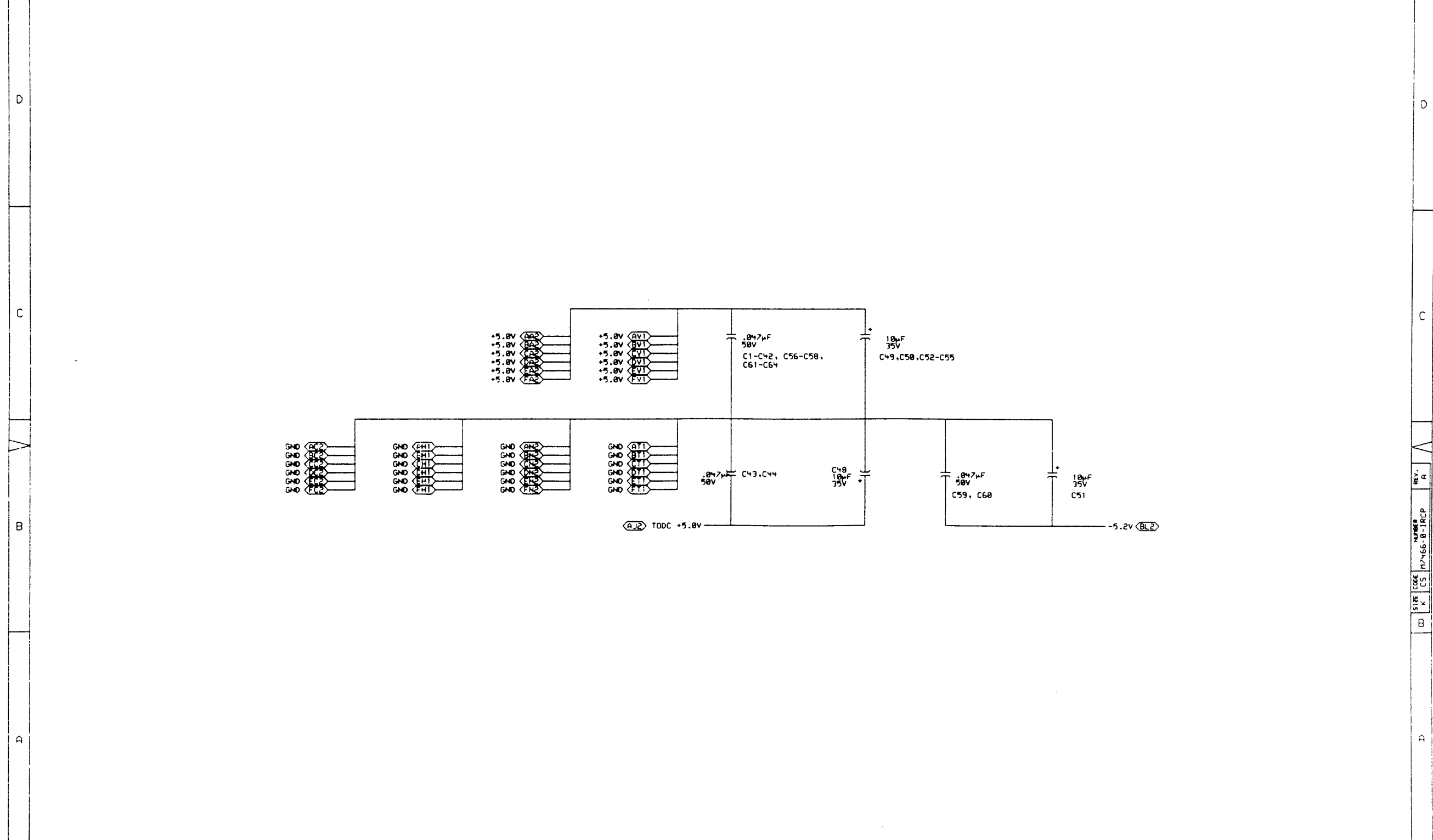


THIS DRAWING AND SPECIFICATIONS ARE THE PROPERTY OF DIGITAL EQUIPMENT CORPORATION AND SHALL NOT BE REPRODUCED OR COPIED IN WHOLE OR IN PART AS THE BASIS FOR THE MANUFACTURE OF SUCH ITEMS WITHOUT WRITTEN PERMISSION. COPYRIGHT © 1981, DIGITAL EQUIPMENT CORPORATION.

REVISIONS	
CHK	CHANGE NO. REV.

digital	DRN.	DATE	ENG.	DATE	TITLE:
	CHK'D.	29-DEC-83	AFB	29-DEC-83	INSTRUCTION DECODE (IRCN)
FIRST USED ON OPTION/MODEL: 11/785		NEXT HIGHER ASSEMBLY: 18-DD-M7466-0-0		SIZE	CODE
				K	CS
				NUMBER	REV.
				M7466-0-IRCN	A

8 7 6 5 4 3 2 1



THIS DRAWING AND SPECIFICATIONS ARE THE PROPERTY OF DIGITAL EQUIPMENT CORPORATION AND SHALL NOT BE REPRODUCED OR COPIED FOR USE IN WHOLE OR IN PART AS THE BASIS FOR THE MANUFACTURE OF ANY ITEM, WITHOUT WRITTEN PERMISSION. COPYRIGHT © 1973. DIGITAL EQUIPMENT CORPORATION.

REVISIONS	
CHK	CHANGE NO. REV

--	--	--	--	--	--	--	--	--	--

	DATE: 29-DEC-73 ENG.	DATE: 29-DEC-73 BOARD LOCATION: 4E9	TITLE: IRC POWER/GROUND
	DSKD:CCORCRAN)RCP DRW 21-OCT-73 15:19 NEXT HIGH-ER ASSEMBLY: 1B-DD-M7466-0-0	SIZE CODE: K CS	NUMBER: M7466-0-IRCP

8 7 6 5 4 3 2 1

REV. A  
 NUMBER M7466-0-IRCP  
 SIZE CODE K CS  
 B

SIGNAL NAME	PAGE NUMBER(S)	SIGNAL NAME	PAGE NUMBER(S)	SIGNAL NAME	PAGE NUMBER(S)
%AFB AA1	IRCH	CIBM SLF TST H	IRCH	IDPA IMX B1-6 H	IRCD
BAT DCLO L	IRCL,M,K	CLKB LECL CPT0 B1 H	IRCH	IDPA IMX B1-7 H	IRCD
BUS ID D00 L	IRCH	CLKB LECL CPT0 B1 L	IRCH	IDPA VAX H	IRCH,J,D,E,B,C,F
BUS ID D01 L	IRCH	CLKC LECL CPT1 B1 H	IRCH	IDPA VAX L	IRCH,J,F,E,D,B,C
BUS ID D02 L	IRCH	CLKC LECL CPT1 B1 L	IRCH	IDPM CLR 0 L	IRCC
BUS ID D03 L	IRCH	CLKD LECL CPT 2 B1 H	IRCH	IDPM CLR B1 H	IRCF,C
BUS ID D04 L	IRCH	CLKD LECL CPT2 B1 L	IRCH	IDPJ B0 VAL (0)H	IRCF,E
BUS ID D05 L	IRCH	CLKE LECL CPT3 B1 H	IRCH	IDPJ B1 VAL (0)H	IRCE
BUS ID D06 L	IRCH	CLKE LECL CPT3 B1 L	IRCH	IDPJ B2 VAL (0)H	IRCE
BUS ID D07 L	IRCH	CLKL SYS INIT H	IRCC	IDPJ B3 VAL (0)H	IRCE
BUS ID D08 L	IRCH	CLKR PS DCLO L	IRCH	IDPJ B4 VAL (1)H	IRCE
BUS ID D09 L	IRCH	DAY CLOCK +5	IRCH	IDPJ B5 VAL (1)H	IRCE
BUS ID D10 L	IRCH	ICLD SERV BIT 0 H	IRCE,N	IDPL REG SEL H	IRCM
BUS ID D11 L	IRCH	ICLD SERV BIT 1 H	IRCE,N	IDPM 16 BIT B DEST L	IRCD
BUS ID D12 L	IRCH	ICLD SERV BIT 2 H	IRCE,N	IDPM BDEST H	IRCC,D
BUS ID D13 L	IRCH	ICLD SERVICE H	IRCE,N	IDPM BDEST L	IRCE,D
BUS ID D14 L	IRCH	ICLE REM BEMX S0 H	IRCH	IDPM VAX SL H	IRCH
BUS ID D15 L	IRCH	ICLE REM BEMX S1 H	IRCH	IDPM VAX SL L	IRCB
BUS ID D16 L	IRCH	ICLJ ID RIGHT WRITE L	IRCH	IRCA CM DECODE 00 L	IRCA,B
BUS ID D17 L	IRCH	IDPA BUF B1-0 (0)H	IRCH,M	IRCA CM DECODE 01 L	IRCA,B
BUS ID D18 L	IRCH	IDPA BUF B1-0 (1)H	IRCH,M,A,J,D	IRCA CM DECODE 02 L	IRCA,B
BUS ID D19 L	IRCH	IDPA BUF B1-1 (0)H	IRCH,M	IRCA CM DECODE 03 L	IRCA,B
BUS ID D20 L	IRCH	IDPA BUF B1-1 (1)H	IRCH,A,D	IRCA CM DECODE 04 L	IRCA,B
BUS ID D21 L	IRCH	IDPA BUF B1-2 (0)H	IRCH,M,D	IRCA CM DECODE 05 L	IRCA,B
BUS ID D22 L	IRCH	IDPA BUF B1-2 (1)H	IRCH,M,A,D	IRCA CM DECODE 06 L	IRCA,B
BUS ID D23 L	IRCH	IDPA BUF B1-3 (0)H	IRCH,M,D	IRCA CM DECODE 07 L	IRCA,B
BUS ID D24 L	IRCH	IDPA BUF B1-3 (1)H	IRCH,A,M,D	IRCA CM EXEC H	IRCA,E,B
BUS ID D25 L	IRCH	IDPA BUF B1-4 (0)H	IRCH,M,D	IRCA CM EXEC L	IRCD,A
BUS ID D26 L	IRCH	IDPA BUF B1-4 (1)H	IRCH,A,D	IRCA CM WRT CHK H	IRCA,H
BUS ID D27 L	IRCH	IDPA BUF B1-5 (0)H	IRCH,M,E,D	IRCA CMP + BIT L	IRCH,A
BUS ID D28 L	IRCH	IDPA BUF B1-5 (1)H	IRCH,A,D	IRCA CRT 0 H	IRCA
BUS ID D29 L	IRCH	IDPA BUF B1-6 (0)H	IRCH,M,D	IRCA CRT 1 H	IRCA
BUS ID D30 L	IRCH	IDPA BUF B1-6 (1)H	IRCH,A,D,E	IRCA DEST MODE 0 H	IRCA
BUS ID D31 L	IRCH	IDPA BUF B1-7 (0)H	IRCH,M,E	IRCA DM0 H	IRCA,B
BUS UPC 00 L	IRCE	IDPA BUF B1-7 (1)H	IRCA,M,D	IRCA DST MODE 0 L	IRCA,B
BUS UPC 01 L	IRCE	IDPA DST R MODE H	IRCB	IRCA LITERAL TO REG H	IRCA
BUS UPC 02 L	IRCE	IDPA IMX 00-0 H	IRCC	IRCA MOV8 + CMP + BIT H	IRCH,A
BUS UPC 03 L	IRCE	IDPA IMX 00-1 H	IRCC	IRCA SEL SRC H	IRCA
BUS UPC 04 L	IRCE	IDPA IMX 00-2 H	IRCC	IRCB B VAX L	IRCB
BUS UPC 05 L	IRCE	IDPA IMX 00-3 H	IRCC	IRCB BIT+CMP L	IRCB
BUS UPC 06 L	IRCE	IDPA IMX 00-4 H	IRCC	IRCB CM DEST=PC L	IRCB
BUS UPC 07 L	IRCE	IDPA IMX 00-5 H	IRCC	IRCB DECODE ADRS 00 H	IRCB,E
CEHB PSL CBIT H	IRCF	IDPA IMX 00-6 H	IRCC,D	IRCB DECODE ADRS 01 H	IRCB,E
CEHB PSL NBIT H	IRCF	IDPA IMX 00-7 H	IRCC,D	IRCB DECODE ADRS 02 H	IRCB,E
CEHB PSL VBIT H	IRCF	IDPA IMX B1-0 H	IRCD	IRCB DECODE ADRS 03 H	IRCB,E
CEHB PSL ZBIT H	IRCF	IDPA IMX B1-1 H	IRCD	IRCB DECODE ADRS 04 H	IRCB,E
CEHM FPD BIT L	IRCH,M	IDPA IMX B1-2 H	IRCD	IRCB DECODE ADRS 05 H	IRCB,E
CEHM PSL CMP (1)H	IRCF	IDPA IMX B1-3 H	IRCD	IRCB DECODE ADRS 06 H	IRCB,E
CIBM SDMS DEL CLK L	IRCH	IDPA IMX B1-4 H	IRCD	IRCB DECODE ADRS 07 H	IRCB,E
CIBM SDMS LOAD H	IRCH	IDPA IMX B1-5 H	IRCD	IRCB PC REF ABORT L	IRCB

NOTES:  
 1. THIS PAGE LISTS THE SCHEMATIC PAGE NUMBER(S) WHERE A SIGNAL NAME IS REFERENCED.

THIS DRAWING AND SPECIFICATIONS  
 HEREIN ARE THE PROPERTY OF  
 DIGITAL EQUIPMENT CORPORATION AND  
 SHALL NOT BE REPRODUCED OR COPIED  
 OR USED IN WHOLE OR IN PART AS  
 THE BASIS FOR THE MANUFACTURE OR  
 SALE OF ITEMS WITHOUT WRITTEN  
 PERMISSION. COPYRIGHT © 1983.  
 DIGITAL EQUIPMENT CORPORATION

REVISIONS		
CHK	CHANGE NO.	REV

digital	DATE	ENG.	DATE	TITLE: FORWARD REFERENCE
	29-DEC-83			
	DATE	BOARD LOCATION	AFB	
	15:01			
OSRD:CCRC/CRAND/IRCR	DATE	NEXT HIGHER ASSEMBLY:	SIZE	CODE
FIRST USED ON OPTION/MODEL: 11/285	B-DD-M7466-0		K	CS
				NUMBER
				M7466-0-IRCR
				REV.
				A

SIGNAL NAME	PAGE NUMBER(S)	SIGNAL NAME	PAGE NUMBER(S)	SIGNAL NAME	PAGE NUMBER(S)
IRCB REG WRITE L	IRCB	IRCD DST NEEDS 28 H	IRCD	IRCF BR COND 2 L	IRCF,B
IRCB SEL SPC H	IRCB	IRCD DST R+PC L	IRCA,H,D	IRCF BYTE L	IRCF,J
IRCB WRITE ABORT L	IRCB	IRCD IMMED L	IRCD	IRCF CTX 2 B H	IRCF,H
IRCC B CLR 0 L	IRCF,C	IRCD IR 14:12=0 H	IRCH,E,A,D	IRCF CTX 3 B H	IRCF,H
IRCC COUNT EXC H	IRCC	IRCD IR 14:12=0 L	IRCF,A,D	IRCF DIS OPT L	IRCF,B,E
IRCC EN SERVICE BR H	IRCC,E	IRCD MODE 0+9 H	IRCD	IRCF E MODE (0)H	IRCF
IRCC EP0 H	IRCN,C	IRCD PC MODE H	IRCB,D,E	IRCF E MODE (1)H	IRCF,F
IRCC EP0 L	IRCN,C	IRCD PC MODE L	IRCD,B	IRCF E MODE L	IRCF,C
IRCC EP1 H	IRCN,C	IRCD R+PC H	IRCD,B	IRCF ESC (0)H	IRCF,F
IRCC EP2 H	IRCN,C	IRCD R+PC L	IRCF,D,F	IRCF ESC (1)H	IRCF
IRCC EXC CT0 (0)H	IRCA,E,C,D	IRCD REG CLASS L	IRCD,F	IRCF LA L	IRCF
IRCC EXC CT0 (1)H	IRCA,C	IRCD SEL BYTE H	IRCE,D	IRCF LONG L	IRCF,J
IRCC EXC CT1 (0)H	IRCA,E,C,D	IRCD SEL LONG H	IRCD,E	IRCF MAB H	IRCF,H
IRCC EXC CT1 (1)H	IRCC,A	IRCD SEL LONG L	IRCD	IRCF OPC 0 H	IRCF
IRCC EXC CT2 (0)H	IRCE,C	IRCD SEL WORD H	IRCD,E	IRCF OPC 1 H	IRCF
IRCC EXC CT2 (1)H	IRCE,C	IRCD SEL WORD L	IRCD	IRCF OPC 2 H	IRCF
IRCC INIT L	IRCH,H,E,C	IRCD SINGLE OP L	IRCD,F	IRCF OPC 3 H	IRCF
IRCC IR00 (0)H	IRCF,C,E	IRCD SMO L	IRCA,D	IRCF OPC 4 H	IRCF
IRCC IR00 (1)H	IRCH,A,F,C,D,B	IRCD SRC EP0 H	IRCA,D	IRCF OPC 5 H	IRCF
IRCC IR01 (0)H	IRCF,C,E	IRCD SRC NEEDS 23 H	IRCD	IRCF OPC 6 H	IRCF
IRCC IR01 (1)H	IRCH,A,C,E,D	IRCD SRC R+PC H	IRCH,A,D	IRCF OPC 7 H	IRCF
IRCC IR02 (0)H	IRCF,C,E,B	IRCE CM BYTE INSTR H	IRCF,E	IRCF QUAD L	IRCF,F
IRCC IR02 (1)H	IRCH,A,C,F,E,D	IRCE CM BYTE INSTR L	IRCF,E	IRCF R MODE H	IRCF,B
IRCC IR03 (0)H	IRCH,A,H,C,E,B	IRCE CTX 0 H	IRCH,J,B,E	IRCF R MODE L	IRCF,B,C
IRCC IR03 (1)H	IRCA,F,C	IRCE CTX 1 H	IRCF,H,B,E	IRCF REG CLASS L	IRCD,F,A
IRCC IR04 (0)H	IRCH,A,F,C,E,D	IRCE CTX 2 H	IRCB,E	IRCF SINGLE OP L	IRCD,F,A
IRCC IR04 (1)H	IRCA,H,F,C,B	IRCE CTX 2 L	IRCF,E	IRCF WORD L	IRCF,F
IRCC IR05 (0)H	IRCA,F,H,C,E,D	IRCE CTX 3 H	IRCB,E	IRCH (SM+DM+5) H	IRCH
IRCC IR05 (1)H	IRCH,A,F,C	IRCE CTX 3 L	IRCF,F,E	IRCH A CPU T0 H	IRCH,H,D,F
IRCC IR06 (0)H	IRCH,F,C,E	IRCE DST CON=1 H	IRCF,E	IRCH A CPU T0 L	IRCH,H
IRCC IR06 (1)H	IRCH,A,F,C,J,D	IRCE DST CON=2 H	IRCF,E	IRCH ASRC+QUAD H	IRCF,H
IRCC IR07 (0)H	IRCH,F,C,E	IRCE DST REG 6+7 L	IRCE	IRCH B CPU T0 L	IRCH,C,F
IRCC IR07 (1)H	IRCH,A,F,C,E,J,D	IRCE EXECUTE L	IRCE	IRCH BR INSTR H	IRCH,B
IRCC SEL EXEC H	IRCB,C	IRCE IB ADVANCE (0)H	IRCE	IRCH BRC 0 H	IRCH
IRCC VAX DECODE 00 H	IRCB,C	IRCE IB ADVANCE (1)H	IRCF,E,H	IRCH BRC 1 H	IRCH
IRCC VAX DECODE 01 H	IRCB,C	IRCE IB ADVANCE H	IRCF,M,C,E	IRCH C CPU T0 H	IRCF,H,C
IRCC VAX DECODE 02 H	IRCB,C	IRCE LOAD PRN H	IRCE	IRCH CM BR INSTR L	IRCH
IRCC VAX DECODE 03 H	IRCC,B	IRCE REG + E MODE H	IRCF,E,B	IRCH CPU T1 H	IRCH,H
IRCC VAX DECODE 04 H	IRCC,B,E	IRCE SAVE H	IRCE	IRCH CPU T2 H	IRCE,H
IRCC VAX DECODE 05 H	IRCC,B,E	IRCE SRC CON=1 L	IRCF,E	IRCH CPU T2 L	IRCH,H
IRCC VAX DECODE 06 H	IRCF,H,B,C	IRCE SRC CON=2 L	IRCF,E	IRCH CPU T3 H	IRCF,F,H
IRCC VAX DECODE 07 H	IRCH,B,C	IRCE SRC REG 6+7 L	IRCE	IRCH CTX 1 L	IRCH,J
IRCD ABSOLUTE MODE L	IRCD	IRCE SRV+INV L	IRCE	IRCH DM27 L	IRCH
IRCD BIN H	IRCD	IRCE STALL+SVC H	IRCH,E,J	IRCH DST R+PC H	IRCH,B
IRCD BIN L	IRCD,A	IRCF BC4-0 H	IRCE,C	IRCH ERR H	IRCH,E
IRCD BYTE 1+0 H	IRCA,D	IRCF BC4-1 H	IRCF	IRCH FPSL L	IRCH
IRCD BYTE 1+0 L	IRCA,D	IRCF BC4-2 H	IRCF,C	IRCH IB CHK 0 H	IRCH
IRCD D16 + D32 L	IRCD	IRCF BR COND 0 L	IRCF,C	IRCH IB CHK 1 H	IRCH
IRCD D32 L	IRCD	IRCF BR COND 1 L	IRCF,F	IRCH IB WRITE CHK H	IRCH
IRCD DISP MODE L	IRCD		IRCB,F	IRCH JMP L	IRCH

NOTES:  
1. THIS PAGE LISTS THE SCHEMATIC PAGE NUMBER(S) WHERE A SIGNAL NAME IS REFERENCED.

REVISIONS	CHK	CHANGE NO.	REV

	DATE	ENG.	DATE	TITLE: FORWARD REFERENCE
	29-DEC-83			
DATE	BOARD LOCATION:	AFB		
11-10-83				
DATE	NEXT HIGHER ASSEMBLY:			
11/785	B-DD-M7466-0			
SIZE	CODE	NUMBER	REV.	
K	CS	M7466-0-IRCS	2	

SIGNAL NAME	PAGE NUMBER(S)	SIGNAL NAME	PAGE NUMBER(S)	SIGNAL NAME	PAGE NUMBER(S)
IRCH JSR L	IRCH	IRCL DAY 21 H	IRCN,L	IRCN B ID 04 H	IRCN,K
IRCH MFFIX H	IRCH	IRCL DAY 22 H	IRCN,L	IRCN B ID 05 H	IRCN,K
IRCH MOV B L	IRCH	IRCL DAY 23 H	IRCN,L	IRCN B ID 06 H	IRCN,K
IRCH MTP L	IRCH,D	IRCL DAY 24 H	IRCN,L	IRCN B ID 07 H	IRCN,K
IRCH NO FAULT H	IRCH,E	IRCL DAY 25 H	IRCN,L	IRCN B ID 08 H	IRCN,K
IRCH SPMS=PC L	IRCH	IRCL DAY 26 H	IRCN,L	IRCN B ID 09 H	IRCN,K
IRCL +3V A H	IRCL,C,E,B	IRCL DAY 27 H	IRCN,L	IRCN B ID 10 H	IRCN,K
IRCL +3V B H	IRCL,E,F,D	IRCL DAY 28 H	IRCN,L	IRCN B ID 11 H	IRCN,K
IRCL +3V C H	IRCL,H,M	IRCL DAY 29 H	IRCN,L	IRCN B ID 12 H	IRCN,K
IRCL ASRC+QUAD SAVED H	IRCL,H	IRCL DAY 30 H	IRCN,L	IRCN B ID 13 H	IRCN,K
IRCL BYTE CONT H	IRCL	IRCL DAY 31 H	IRCN,L	IRCN B ID 14 H	IRCN,K
IRCL CALL+3 H	IRCL,E	IRCL T24 EN H	IRCL	IRCN B ID 15 H	IRCN,K
IRCL CTX 1 SAVED H	IRCL,H	IRCL 1 MS CLK H	IRCL,M,K	IRCN B ID 16 H	IRCN,L
IRCL DO CONT H	IRCL	IRCL 10 MS P&T EN H	IRCL,M,K	IRCN B ID 17 H	IRCN,L
IRCL FLOT H	IRCL	IRCL 1MS CLK H	IRCL	IRCN B ID 18 H	IRCN,L
IRCL IB CALL H	IRCL	IRCL B BUF 01-7 H	IRCL,D	IRCN B ID 19 H	IRCN,L
IRCL LFDQ CONT H	IRCL	IRCL B CPU T2 H	IRCL	IRCN B ID 20 H	IRCN,L
IRCL PC REG H	IRCL	IRCL B SDMS CLOCK H	IRCL,M	IRCN B ID 21 H	IRCN,L
IRCL READ OP H	IRCL	IRCL B SDMS LOAD L	IRCL,M	IRCN B ID 22 H	IRCN,L
IRCL SP2 CON 0 H	IRCL,H	IRCL BAT DCLO H	IRCL	IRCN B ID 23 H	IRCN,L
IRCL SP2 CON 1 H	IRCL,M	IRCL BUF 01-0 H	IRCL,E,M,F	IRCN B ID 24 H	IRCN,L
IRCL SPI CCN 0 H	IRCL	IRCL BUF 01-0 L	IRCL,M,M	IRCN B ID 25 H	IRCN,L
IRCL SPI CCN 1 H	IRCL	IRCL BUF 01-1 H	IRCL,E	IRCN B ID 26 H	IRCN,L
IRCL SPI CCN 2 H	IRCL	IRCL BUF 01-1 L	IRCL,A,H,E,M	IRCN B ID 27 H	IRCN,L
IRCL SPI CCN 3 H	IRCL	IRCL BUF 01-2 H	IRCL,A,E,M	IRCN B ID 28 H	IRCN,L
IRCL SRC R=PC L	IRCL,A,D	IRCL BUF 01-2 L	IRCL,A,F,E,M	IRCN B ID 29 H	IRCN,L
IRCL WORD CONT H	IRCL	IRCL BUF 01-3 H	IRCL,M	IRCN B ID 30 H	IRCN,L
IRCK DAY 00 H	IRCN,K	IRCL BUF 01-3 L	IRCL,A,F,H,E,M	IRCN B ID 31 H	IRCN,L
IRCK DAY 01 H	IRCN,K	IRCL BUF 01-4 H	IRCL,A,B,M,F	IRCN IRC SERIAL H	IRCL,M
IRCK DAY 02 H	IRCN,K	IRCL BUF 01-4 L	IRCL,A,M,B,D	TBPK IB ERR L	IRCL,M
IRCK DAY 03 H	IRCN,K	IRCL BUF 01-5 H	IRCL,A,M,E,B	TBPK IB MISS L	IRCL,M
IRCK DAY 04 H	IRCN,K	IRCL BUF 01-5 L	IRCL,H,A,M,B	USCL CALL+3 L	IRCL
IRCK DAY 05 H	IRCN,K	IRCL BUF 01-6 H	IRCL,E,B	USCH (BUF ENK 07:00) L	IRCE
IRCK DAY 06 H	IRCN,K	IRCL BUF 01-6 L	IRCL,F,A,H,B		
IRCK DAY 07 H	IRCN,K	IRCL BUF 01-7 H	IRCL,F,B,M		
IRCK DAY 08 H	IRCN,K	IRCL BUF 01-7 L	IRCL,A,H,M,B		
IRCK DAY 09 H	IRCN,K	IRCL BUSY (0)H	IRCL		
IRCK DAY 10 H	IRCN,K	IRCL BUSY (1)H	IRCL		
IRCK DAY 11 H	IRCN,K	IRCL DATA EN L	IRCL,M		
IRCK DAY 12 H	IRCN,K	IRCL DONE (1)H	IRCL		
IRCK DAY 13 H	IRCN,K	IRCL ID SEL L	IRCL,M,K		
IRCK DAY 14 H	IRCN,K	IRCL IR SERIAL OUT H	IRCL		
IRCK DAY 15 H	IRCN,K	IRCL LOAD DAY CLK L	IRCL,M,K		
IRCK T00 EN H	IRCL	IRCL LOAD DAY CNT (0)H	IRCL,M,K		
IRCK T16 EN H	IRCL,K	IRCL LOAD DAY CNT (1)H	IRCL		
IRCL DAY 16 H	IRCN,L	IRCL SET START H	IRCL		
IRCL DAY 17 H	IRCN,L	IRCN B ID 00 H	IRCN,K		
IRCL DAY 18 H	IRCN,L	IRCN B ID 01 H	IRCN,K		
IRCL DAY 19 H	IRCN,L	IRCN B ID 02 H	IRCN,K		
IRCL DAY 20 H	IRCN,L	IRCN B ID 03 H	IRCN,K		

NOTES:  
1. THIS PAGE LISTS THE SCHEMATIC PAGE NUMBER(S) WHERE A SIGNAL NAME IS REFERENCED.

DRAWING NO.	NO. OF SHTS.	PART NO.	DESCRIPTION	REVISIONS																
		M7466-00	IRC PART REVISION	A1	B1	B2														
E-UA-M7466-0-0	2		UNIT ASSEMBLY	A	B	C														
K-PI-M7466-0-DBP	2		PARTS LIST	A	A	A														
K-PC-M7466-0-DBT	-		P.C. DATA BASE	C	C	D														
B-DD-5016073-0-0	1		DRAWING DIRECTORY	A	B	C														
K-CS-M7466-0-DBS	-		SUDS DATA BASE	A	B	B														
K-CS-M7466-0-IRCA	1		SCHEMATIC	A	A	A														
K-CS-M7466-0-IRCB	1		SCHEMATIC	A	A	A														
K-CS-M7466-0-IRCC	1		SCHEMATIC	A	A	A														
K-CS-M7466-0-IRCD	1		SCHEMATIC	A	A	A														
K-CS-M7466-0-IRCE	1		SCHEMATIC	A	B	B														
K-CS-M7466-0-IRCF	1		SCHEMATIC	A	B	B														
K-CS-M7466-0-IRCG	1		SCHEMATIC	A	A	A														
K-CS-M7466-0-IRCH	1		SCHEMATIC	A	A	A														
K-CS-M7466-0-IRCI	1		SCHEMATIC	A	A	A														
K-CS-M7466-0-IRCK	1		SCHEMATIC	A	A	A														
K-CS-M7466-0-IRCL	1		SCHEMATIC	A	A	A														
K-CS-M7466-0-IRCM	1		SCHEMATIC	A	A	A														
K-CS-M7466-0-IRCN	1		SCHEMATIC	A	A	A														
K-CS-M7466-0-IRCO	1		SCHEMATIC	A	A	A														
K-CS-M7466-0-IRCP	1		SCHEMATIC	A	B	B														
K-CS-M7466-0-IRCP	1		SCHEMATIC	A	B	B														
K-CS-M7466-0-IRCS	1		SCHEMATIC	A	B	B														
K-CS-M7466-0-IRCS	1		SCHEMATIC	A	A	A														

**NOTES:**

REVISIONS		REV.
DATE	CHG NO.	
11/83	INIT	A
2/84	TW001	B
4/84	TW002	C

THIS DRAWING AND SPECIFICATIONS, HEREIN, ARE THE PROPERTY OF DIGITAL EQUIPMENT CORPORATION AND SHALL NOT BE REPRODUCED OR COPIED OR USED IN WHOLE OR IN PART AS THE BASIS FOR THE MANUFACTURE OR SALE OF ITEMS WITHOUT WRITTEN PERMISSION.

COPYRIGHT © 1983 DIGITAL EQUIPMENT CORPORATION



USED ON OPTION/MODEL	DRN. <i>J. J. ...</i>	4-N12-13	TITLE	
	CHK'D <i>L. Wald</i>	4-N12-23	INSTRUCTION DECODE (IRC)	
	ENG. <i>Bennie Hall</i>	7-10-83	SIZE	CODE
	PROD. <i>M. J. ...</i>	15-Nov-83	B	DD
			NUMBER	
			M7466-0-0	
			REV.	C
			SHEET	OF
			1	1





AUTOMATED BY PRTLST,5R(55)

PARTS LIST

SHEET A1 OF A2

LINE	ITEM	TOP DOCUMENT	PART NUMBER	MIN REV	DESCRIPTION	QTY PER VARIATION	REFERENCE DESIGNATOR
					VARIATION REVISION LEVEL:	00 A1	
1	1		5016072-01		DATA PATH	1	
2	2		1017472-00		10 MFD 35V +50-10% AL EL	7	C1-C7
3	3		1012734-00		.047 MFD 50V +80-20% CER	56	C8-C63
4	4		1216988-02		HANDLE MODULE, HEX TWO EJECTORS	1	
5	5		1300247-00		120.0 .25 W 5.0 % CF	2	R12,R14
6	6		1300250-00		150.0 .25 W 5.0 % CF	2	R11,R13
7	7		1300295-00		330.0 .25 W 5.0 % CF	5	R1,R3,R5,R7,R9
8	8		1301424-00		680.0 .25 W 5.0 % CF	1	R10
9	9		1301775-00		820.0 .25 W 5.0 % CF	4	R2,R4,R6,R8
10	10		1911712-00		74S51 AND-OR GATE-INVERT D	2	E144,E125
11	11		1912746-01		74S37-1BUFFER-GATE	1	E147
12	12		1912796-00		74148 ENCODER,PRIORITY,8 T	4	E76,E79,E62,E91
13	13		1913788-00		26S10 TRANSCEIVER,BUS,QUA	1	E48
14	14		1921008-01		74F240 BUFFER/LINE DRIVER,I	1	E84
15	15		1921009-01		74F241 BUFFER/LINE DRIVER,N	5	E39,E52,E51,E114,E66
16	16		1921010-01		74F373 OCTAL TRANSPARENT LA	1	E119
17	17		1921305-01		74F00 NAND GATE,QUAD,2-IN	2	E131,E149
18	18		1921307-01		74F04 HEX INVERTER	9	E65,E54,E78,E103,E89,E53,E82, E126,E148
19	19		1921308-01		74F08 AND GATE,QUAD,2-IN	4	E106,E130,E129,E140
20	20		1921309-01		74F10 NAND GATE,TRIPLE,3-I	1	E104
21	21		1921310-01		74F11 AND GATE,TRIPLE,3-IN	1	E9
22	22		1921311-01		74F20 NAND GATE,DUAL,4-IN	2	E107,E102
23	23		1921313-01		74F64 AND OR INVERT GATE,4-	3	E92,E142,E143
24	24		1921314-01		74F74 FF-D,DUAL,POS.,EDGE	1	E118
25	25		1921316-01		74F138 DECODER/DEMUX,1-OF-8	3	E105,E146,E141
26	26		1921318-01		74F151 MUX,8-IN	5	E124,E101,E100,E87,E74
27	27		1921319-01		74F153 MUX,DUAL,4-IN	19	E77,E90,E8,E28,E18,E40,E80,E69, E55,E68,E83,E94,E96,E95,E81,E44, E6,E31,E43

REVISION HISTORY			BASIC PART NO: M7467		DRN:	S. MANSOR	DATE:	14-OCT-83	D I G I T A			
ENG:	ECO NUMBER	REV	SECTION A OF A		CHK'D:	E. T. GERRY	DATE:	14-OCT-83	TITLE PARTS LIST			
	INITIAL	A	SECTION VARIATION INDEX						DATA ALIGNER (DBP)			
			(A)	00					DOCUMENT NUMBER			
			(B)		DES. ENG:	KEITH MCLAREN	DATE:	14-OCT-83	SIZE	CODE	NUMBER	REV
			(C)						K	PL	M7467-0-DBP	A
			(D)		RESP. ENG.:	KEITH MCLAREN	DATE:	14-OCT-83	RELEASE DATE: 14-OCT-83			
			(E)									
			(F)		MFG. ENG.:	M. KRYSAK	DATE:	14-OCT-83				
			(H)									
			(J)		ASSEMBLY NUMBER:	E-UA-M7467-0-0	TOP DOCUMENT NUMBER:	B-DD-M7467-0-0	FILE NAME:	Z3945A.PLS	EDIT #:	1
			(K)									
			(L)									
			(M)									
			(N)									

THIS DRAWING AND THE SPECIFICATIONS CONTAINED HEREIN ARE CONFIDENTIAL AND PROPRIETARY. THEY ARE THE PROPERTY OF DIGITAL EQUIPMENT CORPORATION AND SHALL NOT BE REPRODUCED OR COPIED OR USED IN WHOLE OR IN PART AS THE BASIS FOR THE MANUFACTURE OR SALE OF ITEMS WITHOUT WRITTEN PERMISSION. THIS IS AN UNPUBLISHED WORK PROTECTED UNDER THE FEDERAL COPYRIGHT LAWS.

AUTOMATED BY PRTLST.5R(55)

P A R T S L I S T

SHEET A2 OF A2

LINE	ITEM	TOP DOCUMENT	PART NUMBER	MIN REV	DESCRIPTION	VARIATION REVISION LEVEL:	QTY PER VARIATION	REFERENCE DESIGNATOR
28	28		1921321-01		74F158 MUX, QUAD, 2-IN		2	E61, E128
29	29		1921324-01		74F175 FF-D, QUAD		1	E139
30	30		1921327-01		74F194 SHIFT REG, UNIV, BIDIR		8	E4, E17, E64, E116, E63, E117, E27, E5
31	31		1921332-01		74F280 PARITY GEN/CHECK, 9-B		4	E21, E29, E75, E115
32	32		1921334-01		74F350 SHIFTER, 4-BIT		52	E14, E16, E38, E49, E121, E134, E132, E109, E3, E15, E24, E25, E135, E133, E136, E97, E1, E26, E36, E37, E110, E58, E57, E13, E50, E23, E2, E122, E56, E70, E35, E60, E99, E150, E120, E108, E85, E59, E137, E111, E86, E72, E123, E73, E22, E10, E45, E98, E46, E32, E71, E47
33	33		1921417-01		74F521 COMPARATOR, IDENTITY,		4	E88, E42, E20, E127
34	34		1921720-01		10H125 TRANSLATOR ECL TO TTL QUA		1	E113
35	35		9000024-01		EYELEI, ROLLED 0.1210DX0.192		12	
36	36		9107688-55		WIRE(WRAP) 24AWG KYNAR UL13	A/R		

37 NOTE: SPARE I.C. LOCATIONS ARE: E7, E11, E12, E19, E30, E33, E34, E41,  
 38 NOTE: E67, E93, E112, E138, E145, E151

D	I	G	I	T	A	L	TITLE	DATA ALIGNER (DBP)	SECTION A	OF	A	SIZE	CODE	DOCUMENT NUMBER	REV
												K	PL	M7467-0-DBP	A

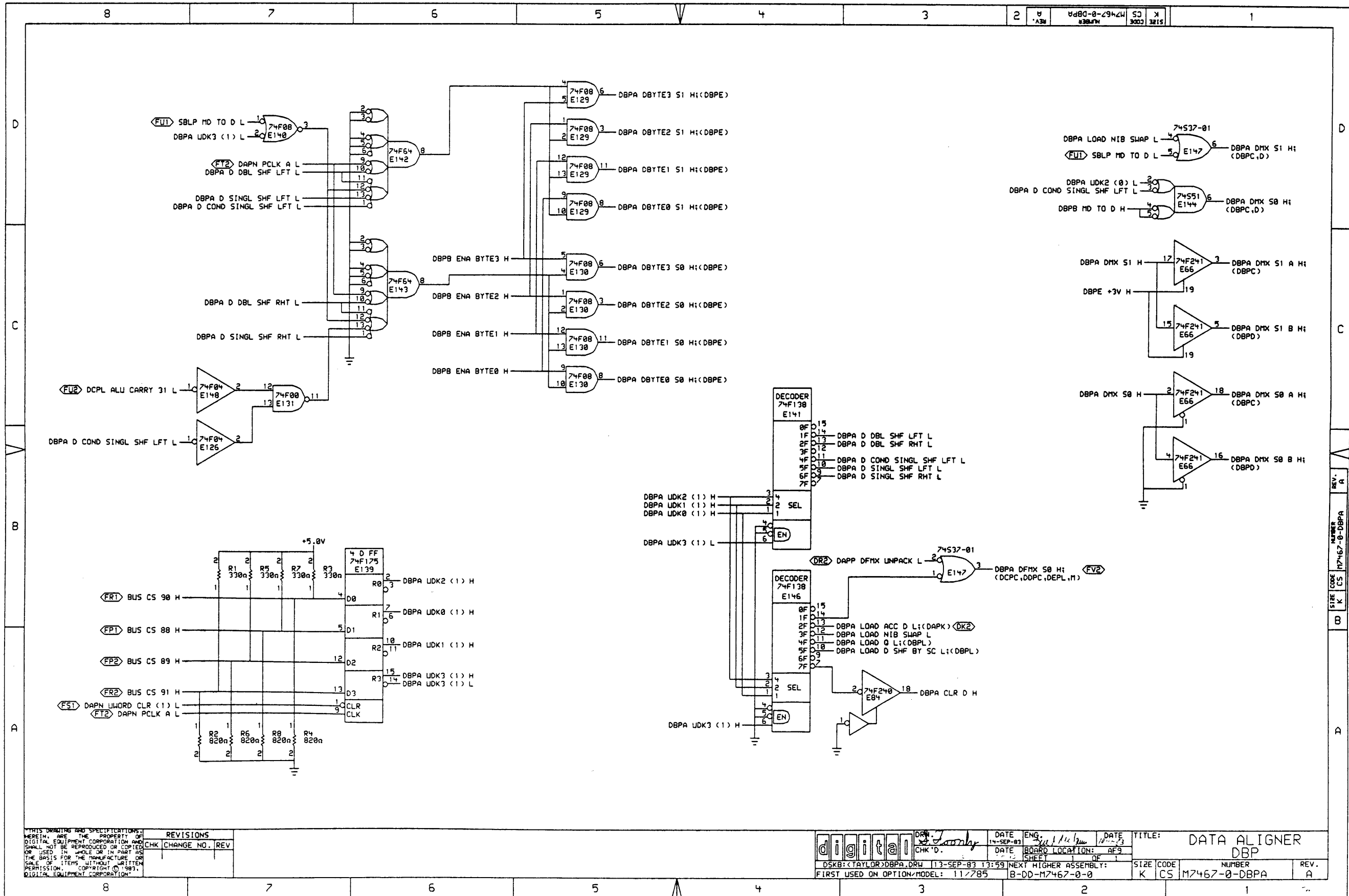
SIGNAL NAME	PAGE NUMBER(S)	SIGNAL NAME	PAGE NUMBER(S)	SIGNAL NAME	PAGE NUMBER(S)
DDPF QREG08 H	DBPM				
DDPF QREG09 H	DBPM				
DDPF QREG10 H	DBPM				
DDPF QREG11 H	DBPM				
DDPF QREG12 H	DBPM				
DDPF QREG13 H	DBPM				
DDPF QREG14 H	DBPM				
DDPF QREG15 H	DBPM				
DDPR SC00 H	DBPL				
DDPR SC01 H	DBPL				
DDPR SC02 H	DBPL				
DDPR SC03 H	DBPL				
DDPR SC04 H	DBPL				
DDPS SC NE 0 H	DBPV				
DEPE QREG16 H	DBPN				
DEPE QREG17 H	DBPN				
DEPE QREG18 H	DBPN				
DEPE QREG19 H	DBPN				
DEPE QREG20 H	DBPN				
DEPE QREG21 H	DBPN				
DEPE QREG22 H	DBPN				
DEPE QREG23 H	DBPN				
DEPE QREG24 H	DBPN				
DEPE QREG25 H	DBPN				
DEPE QREG26 H	DBPN				
DEPE QREG27 H	DBPN				
DEPE QREG28 H	DBPN				
DEPE QREG29 H	DBPN				
DEPE QREG30 H	DBPN				
DEPE QREG31 H	DBPN,V				
ICLC ACLO BRANCH H	DBPV				
ICLC INTERN REQ H	DBPV				
ICLC BR BIT0 <18:14> H	DBPV				
ICLC BR BIT1 <18:14> H	DBPV				
ICLC BR BIT2 <18:14> H	DBPV				
ICLC BR BIT3 <18:14> H	DBPV				
ICLC UBEN 0 <1> H	DBPV				
ICLC UBEN 1 <1> H	DBPV				
ICLC UBEN 2 <0> H	DBPV				

NOTES:  
1. THIS PAGE LISTS THE SCHEMATIC PAGE NUMBER(S) WHERE A SIGNAL NAME IS REFERENCED.

THIS DRAWING AND SPECIFICATIONS  
HEREIN ARE THE PROPERTY OF  
DIGITAL EQUIPMENT CORPORATION AND  
SHALL NOT BE REPRODUCED OR  
TRANSMITTED IN ANY FORM OR BY  
ANY MEANS, ELECTRONIC OR MECHANICAL,  
INCLUDING PHOTOCOPYING, RECORDING,  
OR BY ANY INFORMATION STORAGE AND  
RETRIEVAL SYSTEM, WITHOUT THE  
WRITTEN PERMISSION OF DIGITAL  
EQUIPMENT CORPORATION.

REVISIONS	CHK	CHANGE NO.	REV

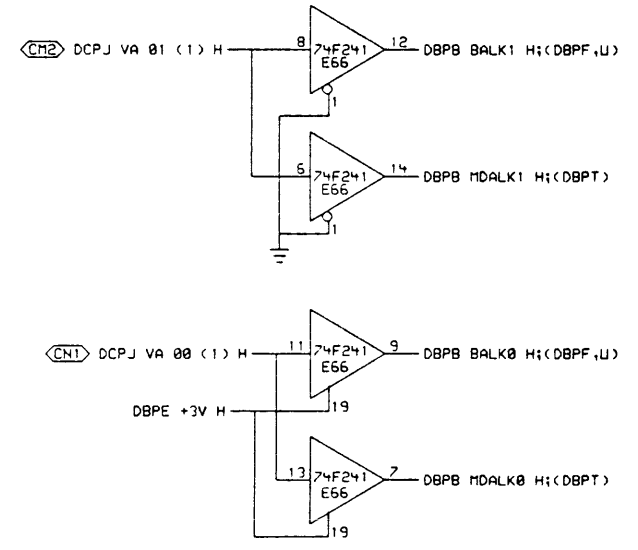
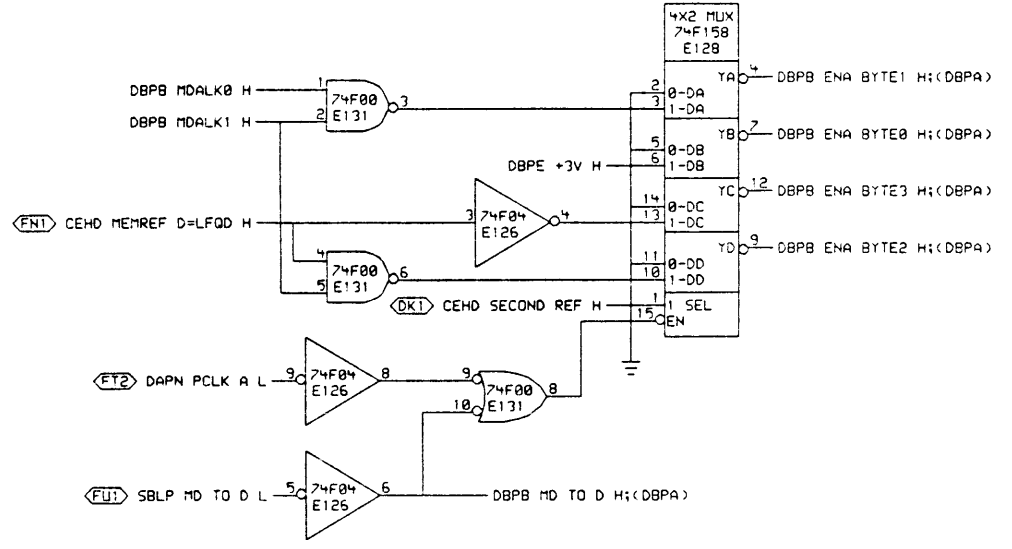
digital	DRW	DATE	ENG	DATE	TITLE:
	CHK'D	29-SEP-83	Rich M. ...		DBP FORWARD REFERENCE
	DATE	BOARD	LOCATION	DEF	
	11/28/85	B-DD-M7467-0-0			
FIRST USED ON OPTION/MODEL: 11/28/85					SIZE CODE NUMBER REV.
					K CS M7467-0-DBP1 A



THIS DRAWING AND SPECIFICATIONS ARE THE PROPERTY OF DIGITAL EQUIPMENT CORPORATION AND SHALL NOT BE REPRODUCED OR COPIED OR USED IN WHOLE OR IN PART AS THE BASIS FOR THE MANUFACTURE OR SALE OF ITEMS WITHOUT WRITTEN PERMISSION. COPYRIGHT © 1983, DIGITAL EQUIPMENT CORPORATION.

REVISIONS		
CHK	CHANGE NO.	REV

digital	DATE 14-SEP-83	ENG. J. J. [Signature]	DATE 11-23	TITLE: DATA ALIGNER DBP
CHK'D.	DATE 11-23	BOARD LOCATION: AFS	SHEET 1 OF 1	SIZE CODE: K CS
DSKB: <TAYLOR>DBPA.DRW 13-SEP-83 13:59	NEXT HIGHER ASSEMBLY: B-DD-M7467-0-0	NUMBER: M7467-0-DBPA	REV. A	
FIRST USED ON OPTION/MODEL: 11/785				

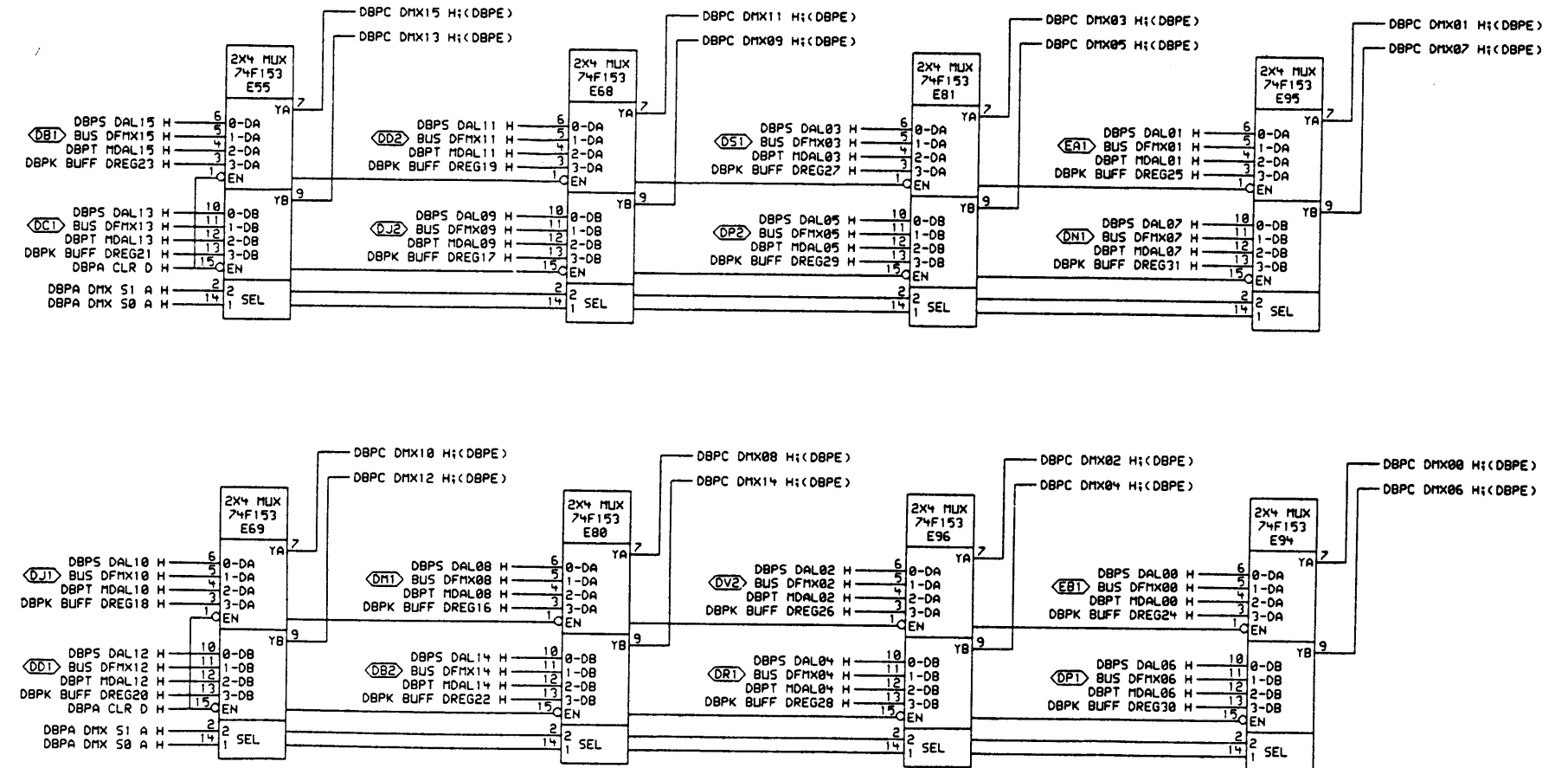


THIS DRAWING AND SPECIFICATIONS  
 HEREIN ARE THE PROPERTY OF  
 DIGITAL EQUIPMENT CORPORATION AND  
 SHALL NOT BE REPRODUCED OR COPIED  
 OR USED IN WHOLE OR IN PART AS  
 THE BASIS FOR THE MANUFACTURE AND  
 SALE OF ITEMS WITHOUT WRITTEN  
 PERMISSION. COPYRIGHT © 1981,  
 DIGITAL EQUIPMENT CORPORATION.

REVISIONS		
CHK	CHANGE NO.	REV

digital	DATE: 14-SEP-83 CHK'D: <i>[Signature]</i>	ENG.: <i>[Signature]</i> DATE: 10-11-83	TITLE: DATA ALIGNER DBP
DSKB: <TAYLOR>DBPB.DRW 112-SEP-83 13:53	NEXT HIGHER ASSEMBLY: B-DD-M7467-0-0	SHEET 1 OF 1	BOARD LOCATION: AF9
FIRST USED ON OPTION MODEL: 112785			

REV. A  
 NUMBER 117467-0-DBPB  
 CS K



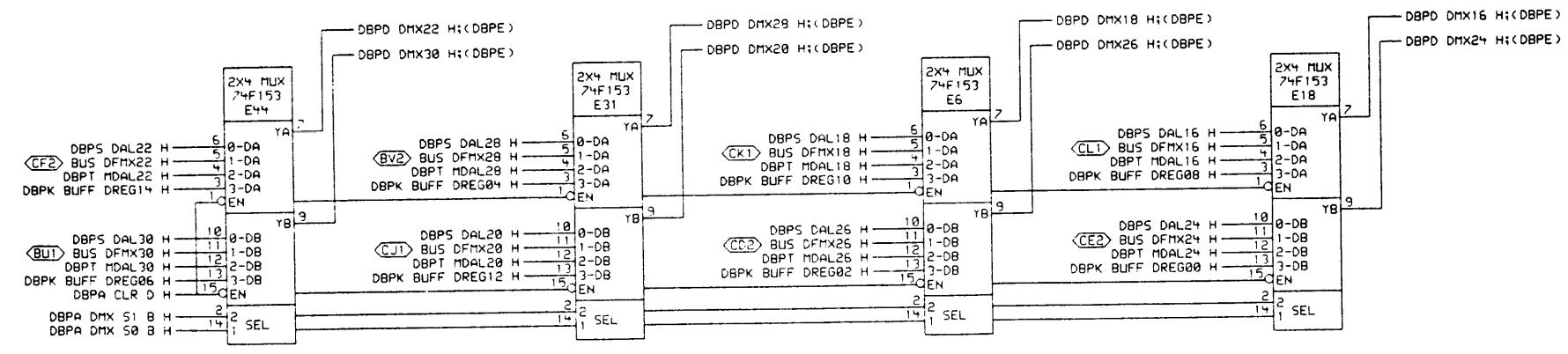
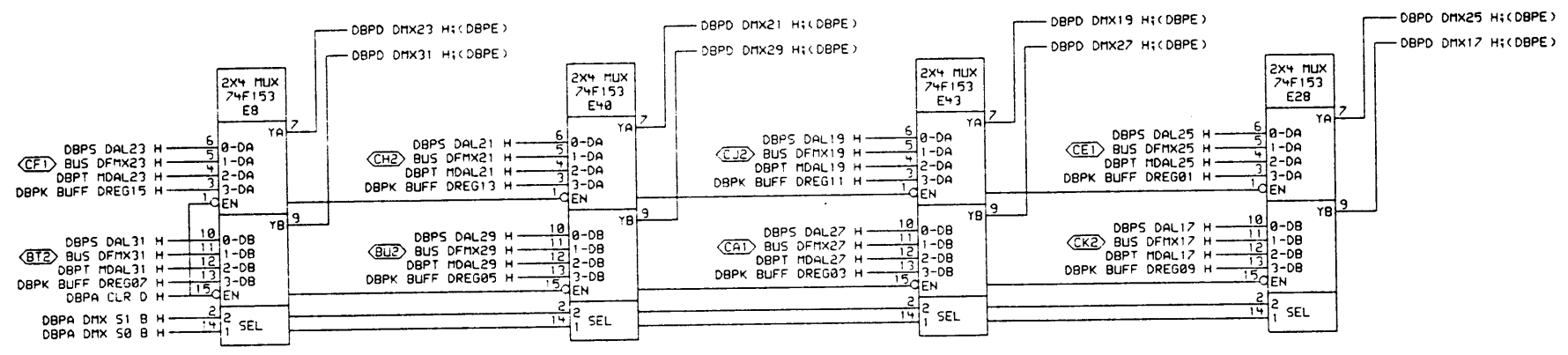
THIS DRAWING AND SPECIFICATIONS HEREIN ARE THE PROPERTY OF DIGITAL EQUIPMENT CORPORATION AND SHALL NOT BE REPRODUCED OR COPIED OR USED IN WHOLE OR IN PART AS THE BASIS FOR THE MANUFACTURE OR SALE OF ITEMS WITHOUT WRITTEN PERMISSION. COPYRIGHT © 1983, DIGITAL EQUIPMENT CORPORATION.

REVISIONS		
CHK	CHANGE NO.	REV

**digital** *DRW: J. J. J. CHK'D: J. J. J.* DATE: 14-SEP-83 ENG: *John M. ...* DATE: 2-23-83 TITLE: DATA ALIGNER DBP

DSK8: <TAYLOR>DBPC.DRW 13-SEP-83 13:59 NEXT HIGHER ASSEMBLY: B-DD-M7467-0-0 SHEET 1 OF 1 BOARD LOCATION: AFS

FIRST USED ON OPTION MODEL: 11/785 SIZE CODE: K CS NUMBER: M7467-0-DBPC REV: A



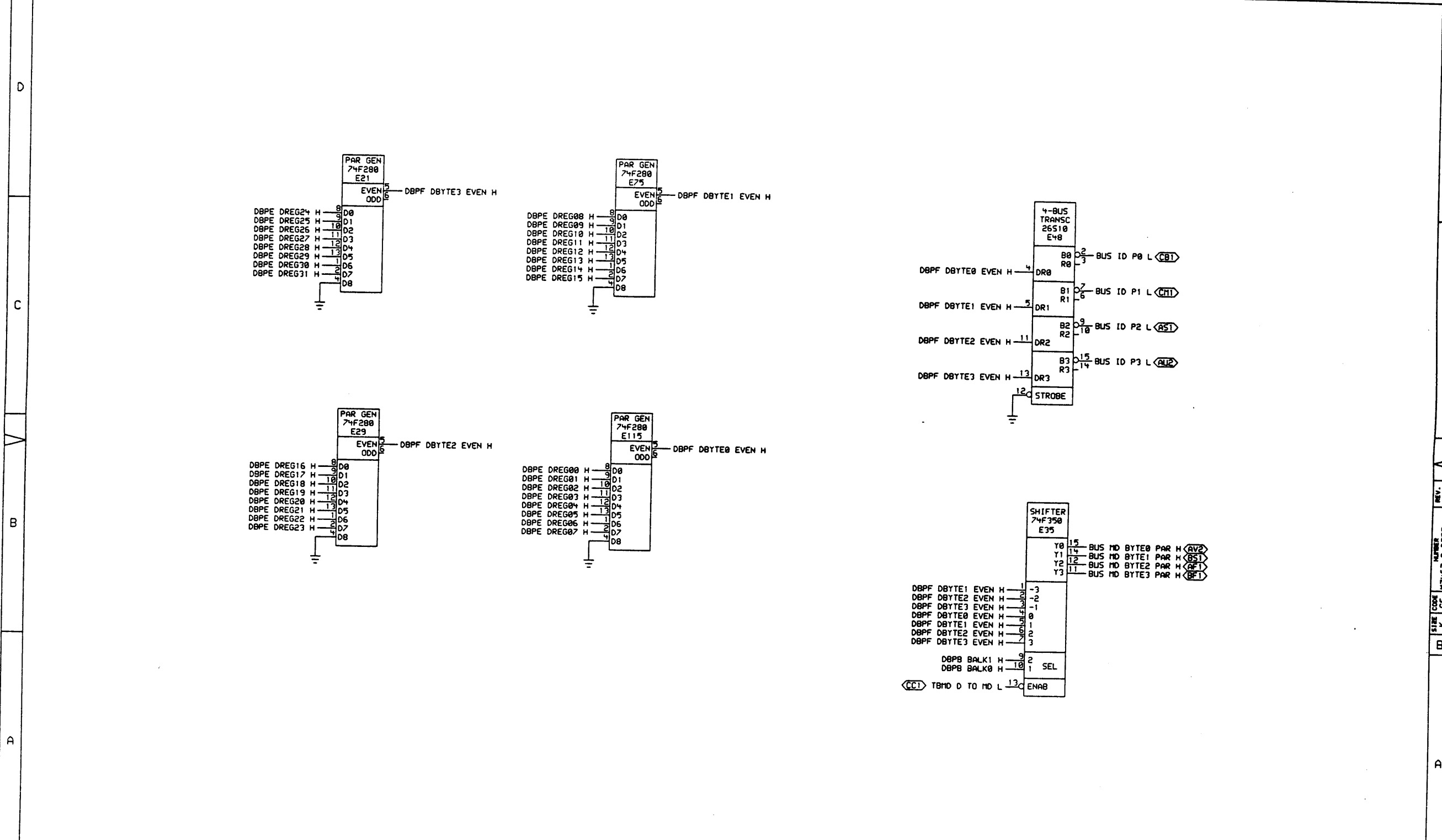
THIS DRAWING AND SPECIFICATIONS ARE THE PROPERTY OF DIGITAL EQUIPMENT CORPORATION AND SHALL NOT BE REPRODUCED OR COPIED OR USED IN WHOLE OR IN PART WITHOUT THE BASIS FOR THE MANUFACTURE OR SALE OF ITEMS WITHOUT WRITTEN PERMISSION. COPYRIGHT © 1983 DIGITAL EQUIPMENT CORPORATION.

REVISIONS	
CHK	CHANGE NO. REV

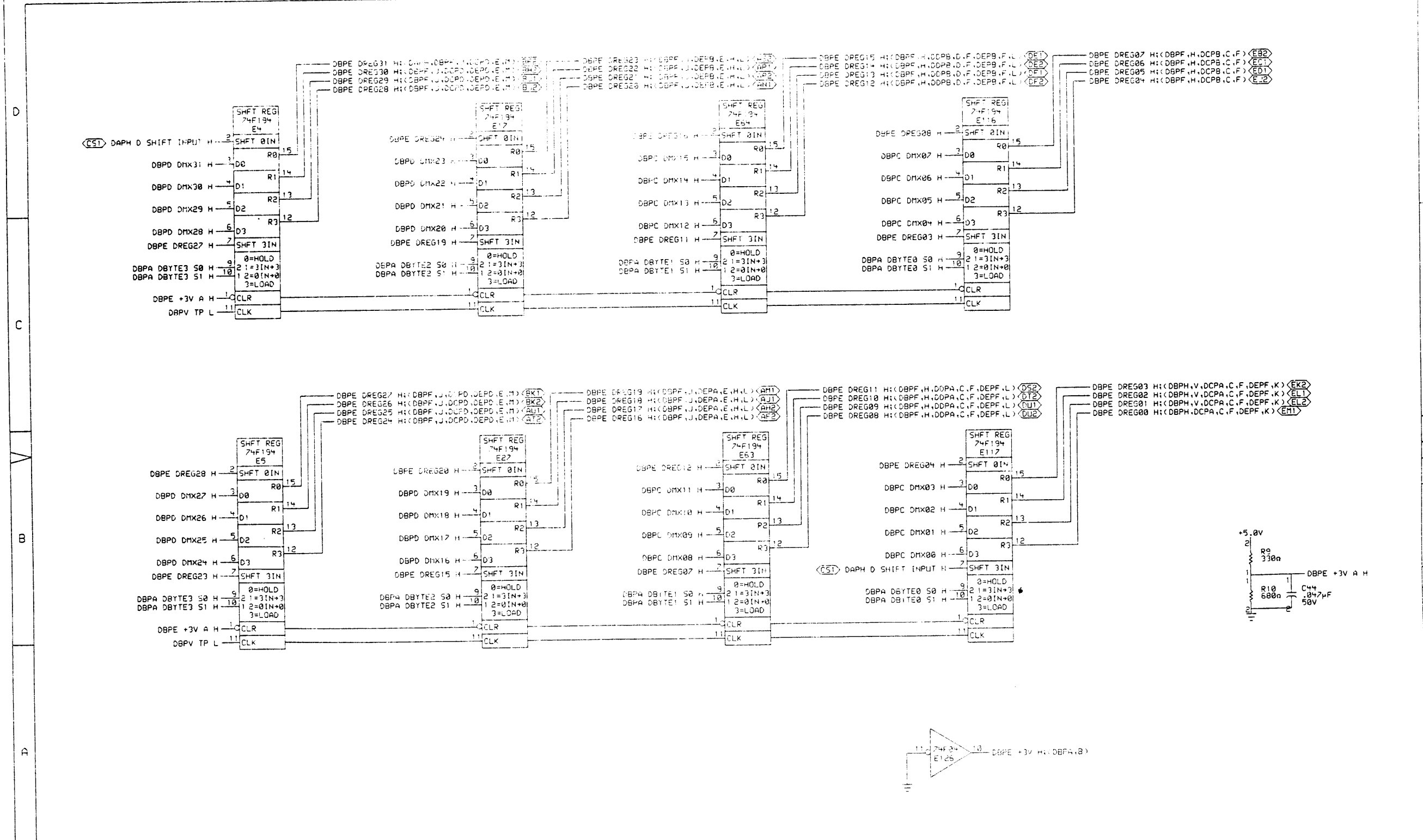
	DATE: 14-SEP-83	ENG: <i>[Signature]</i>	DATE: 14-SEP-83	TITLE: DATA ALIGNER DBP
	DATE: 14-SEP-83	CHK'D: <i>[Signature]</i>	BOARD LOCATION: AF9	
DSKB: TAYLOR:DBPD.DRW 113-SEP-83 14:00 FIRST USED ON OPTION/MODEL: 11-795		NEXT HIGHER ASSEMBLY: B-00-M7467-0-0 SHEET 1 OF 1		SIZE CODE NUMBER REV. K CS M7467-0-DBPD A

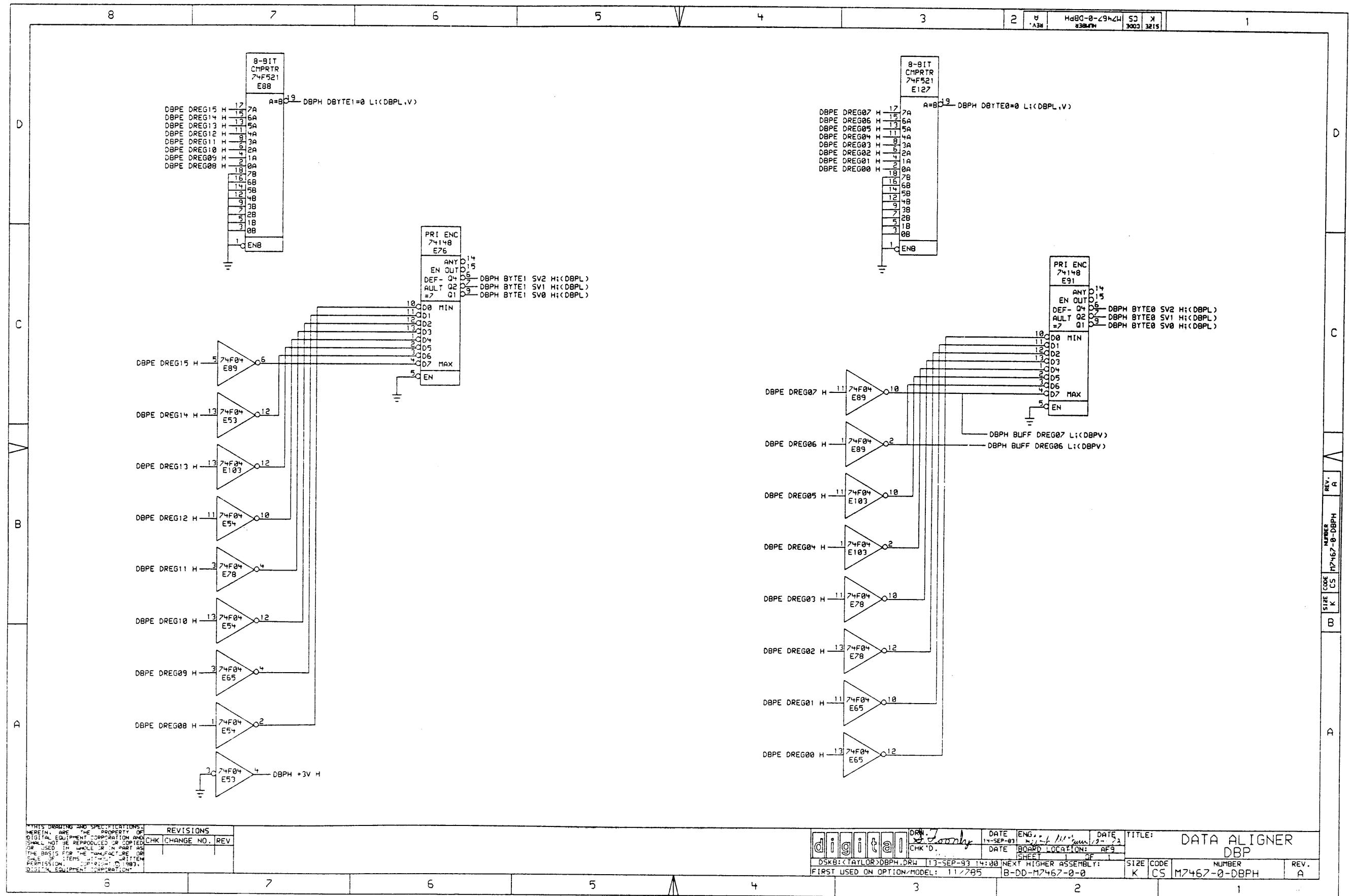
D  
C  
B  
A

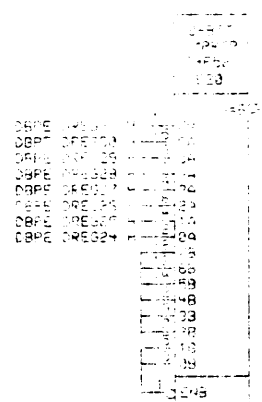
D  
C  
B  
A



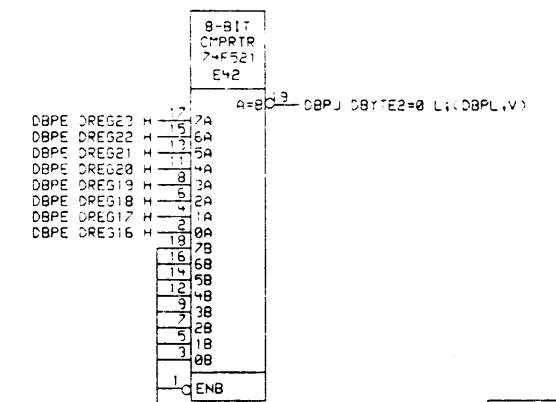
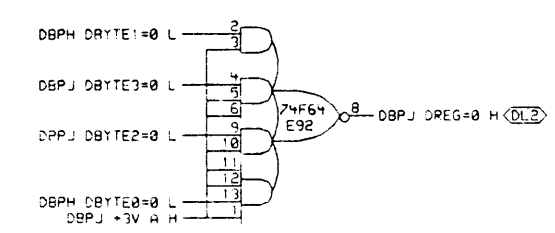
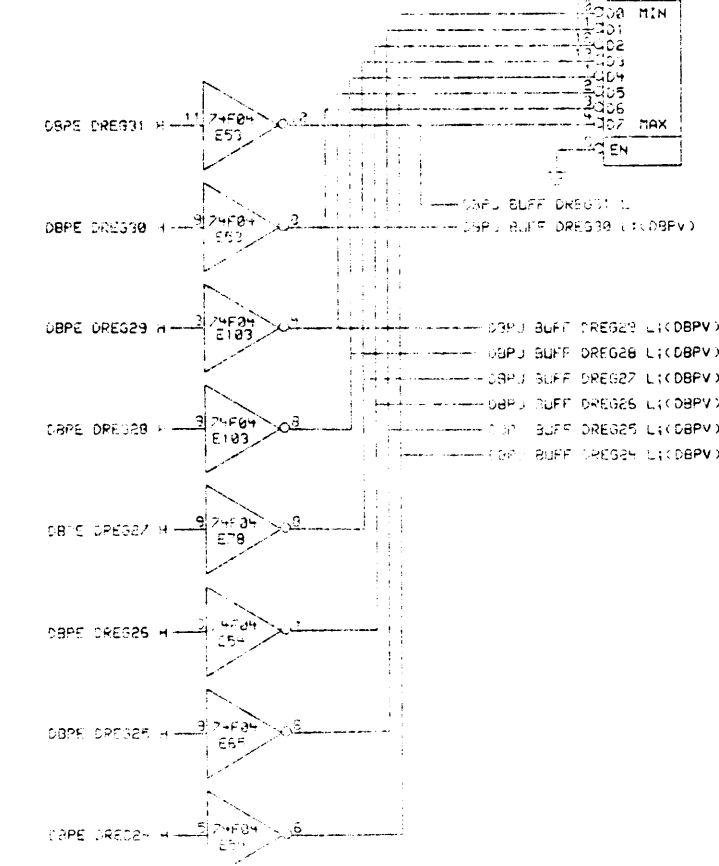




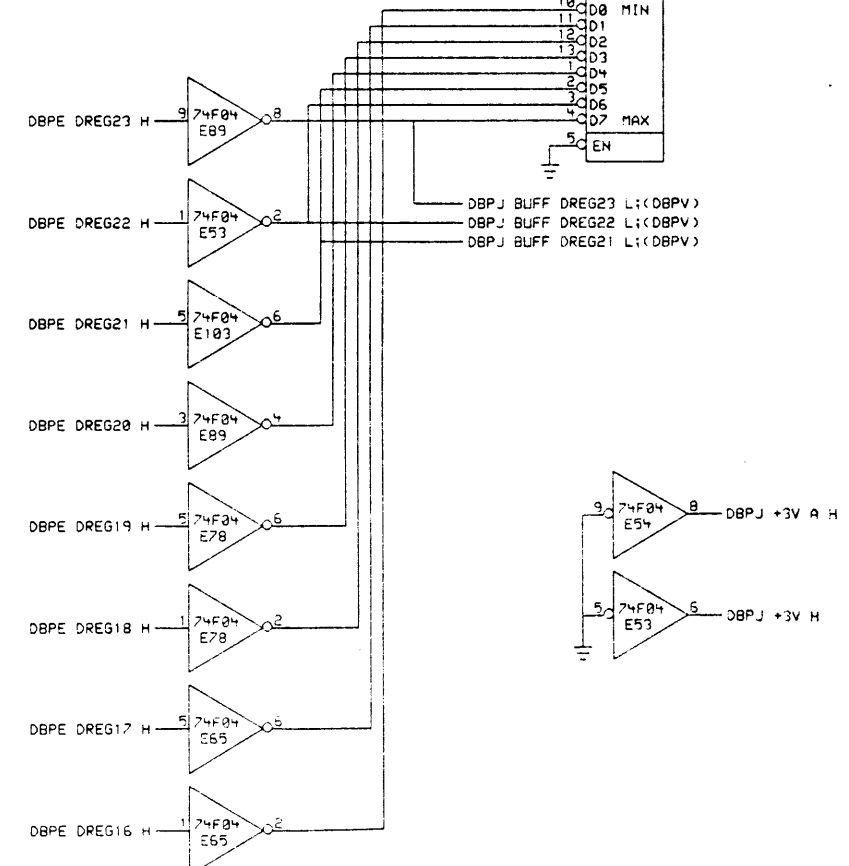




PRI ENC 74148 E62  
 EN OUT 14  
 DEF Q4 15 DBPJ BYTE3 SV2 H:(DBPL)  
 AULT Q2 16 DBPJ BYTE3 SV1 H:(DBPL)  
 Q1 17 DBPJ BYTE3 SV0 H:(DBPL)



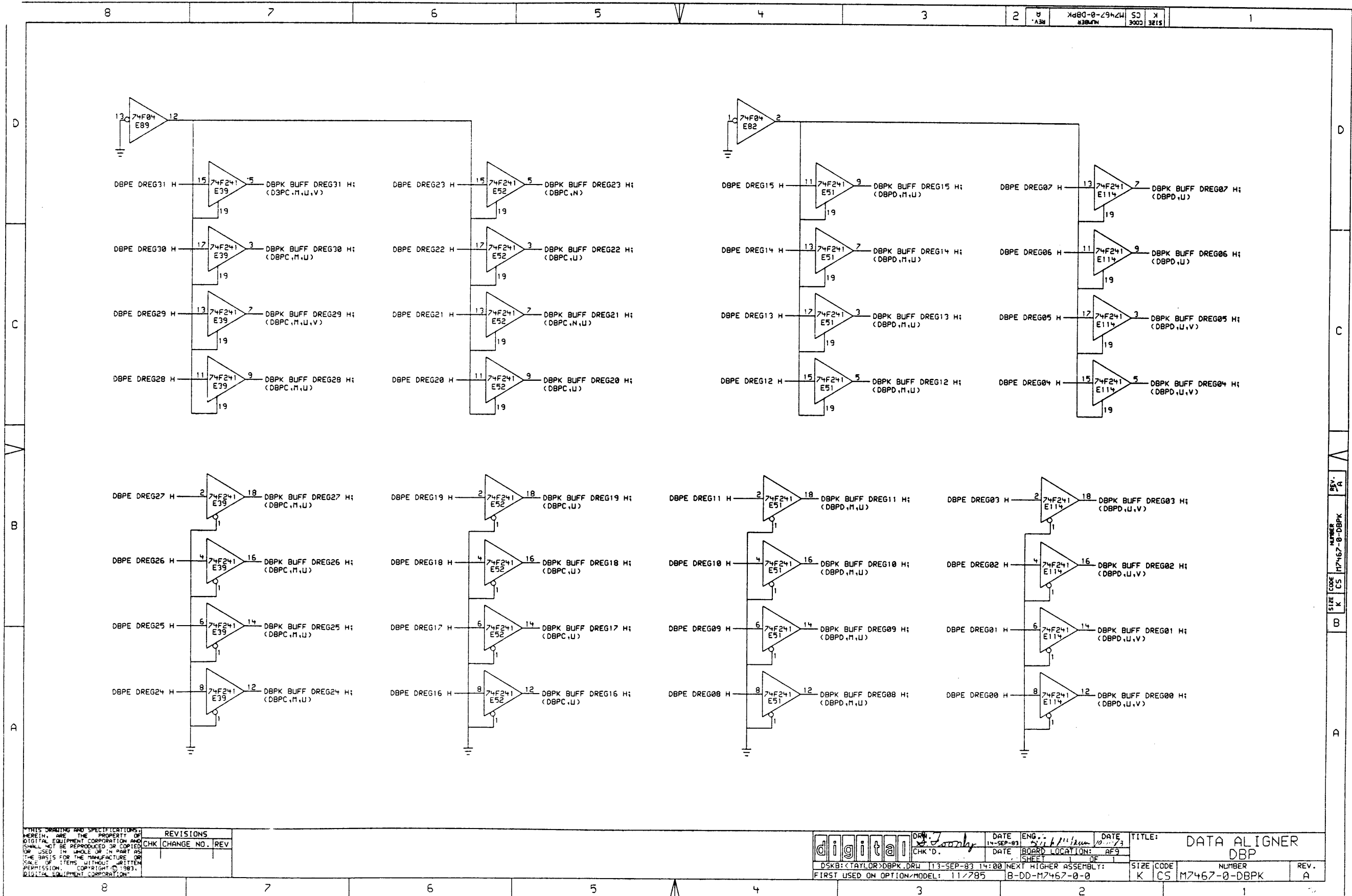
PRI ENC 74148 E79  
 EN OUT 14  
 DEF Q4 15 DBPJ BYTE2 SV2 H:(DBPL)  
 AULT Q2 16 DBPJ BYTE2 SV1 H:(DBPL)  
 Q1 17 DBPJ BYTE2 SV0 H:(DBPL)



REV.	DESCRIPTION
1	INITIAL DESIGN
2	DESIGN CHANGES
3	FINAL DESIGN

REV.	DESCRIPTION
1	INITIAL DESIGN
2	DESIGN CHANGES
3	FINAL DESIGN

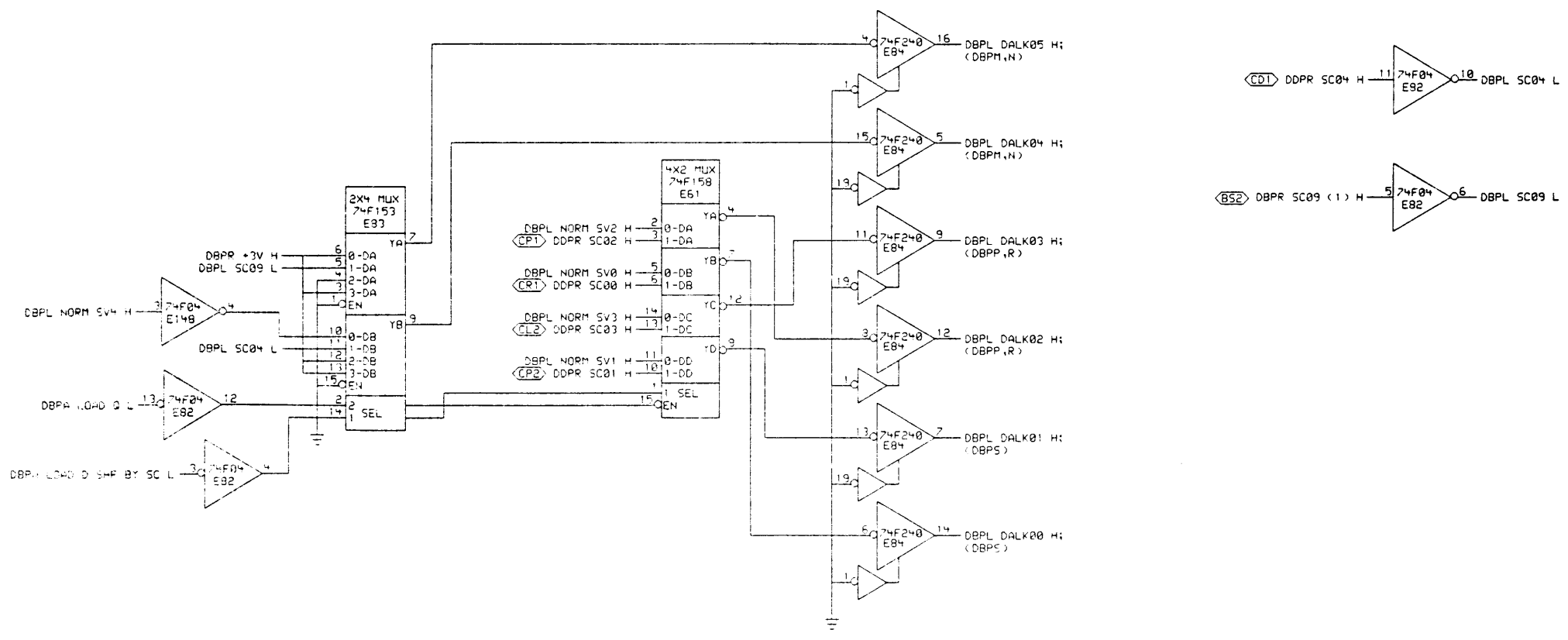
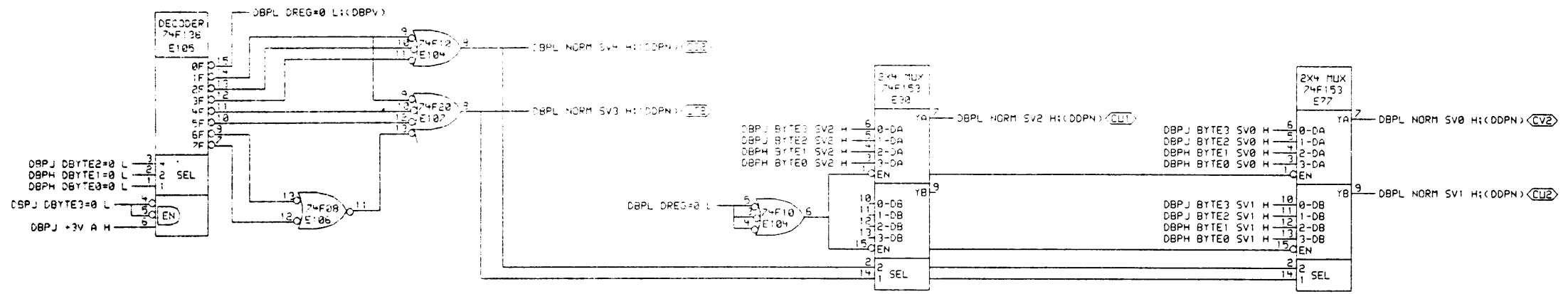
digital  
 DATE 14-SEP-83  
 DATE 14-SEP-83  
 BOARD LOCATION: AFG  
 SHEET 1 OF 1  
 TITLE: DATA ALIGNER DBP  
 SIZE CODE NUMBER REV.  
 K CS M7467-0-DBPJ A



THIS DRAWING AND SPECIFICATIONS ARE THE PROPERTY OF DIGITAL EQUIPMENT CORPORATION AND SHALL NOT BE REPRODUCED OR COPIED OR USED IN WHOLE OR IN PART AS THE BASIS FOR THE MANUFACTURE OR SALE OF ITEMS WITHOUT WRITTEN PERMISSION. COPYRIGHT © 1983, DIGITAL EQUIPMENT CORPORATION.

REVISIONS	
CHK	CHANGE NO. REV

	DATE: 14-SEP-83	ENG: [Signature]	DATE: 10-1-83	TITLE: DATA ALIGNER DBP
	CHK'D: [Signature]	DATE: [Signature]	BOARD LOCATION: AF9	
DSKB: <TAYLOR>DBPK.DRW 113-SEP-83 14:00	NEXT HIGHER ASSEMBLY: B-DD-M7467-0-0	SHEET: 1 OF 1	SIZE: K CS	NUMBER: M7467-0-DBPK
FIRST USED ON OPTION/MODEL: 11/785				REV: A



NOTES: 1. THIS BOARD IS A PRELIMINARY DESIGN. 2. THE BOARD IS SUBJECT TO CHANGE WITHOUT NOTICE. 3. THE BOARD IS SUBJECT TO CHANGE WITHOUT NOTICE. 4. THE BOARD IS SUBJECT TO CHANGE WITHOUT NOTICE. 5. THE BOARD IS SUBJECT TO CHANGE WITHOUT NOTICE. 6. THE BOARD IS SUBJECT TO CHANGE WITHOUT NOTICE. 7. THE BOARD IS SUBJECT TO CHANGE WITHOUT NOTICE. 8. THE BOARD IS SUBJECT TO CHANGE WITHOUT NOTICE. 9. THE BOARD IS SUBJECT TO CHANGE WITHOUT NOTICE. 10. THE BOARD IS SUBJECT TO CHANGE WITHOUT NOTICE.

REV.	DATE	DESCRIPTION
1	11/2/85	INITIAL DESIGN
2	09-SEP-83	REVISION 2

REV.	DATE	DESCRIPTION
1	11/2/85	INITIAL DESIGN
2	09-SEP-83	REVISION 2

digit@l

DATE: 08-SEP-83

ENG: [Signature]

DATE: 09-SEP-83

CHK'D: [Signature]

DATE: [Blank]

BOARD LOCATION: HF3

SHEET: 1 OF 1

TITLE: DATA ALIGNER DBP

SIZE: K CS

CODE: M7467-0-DBPL

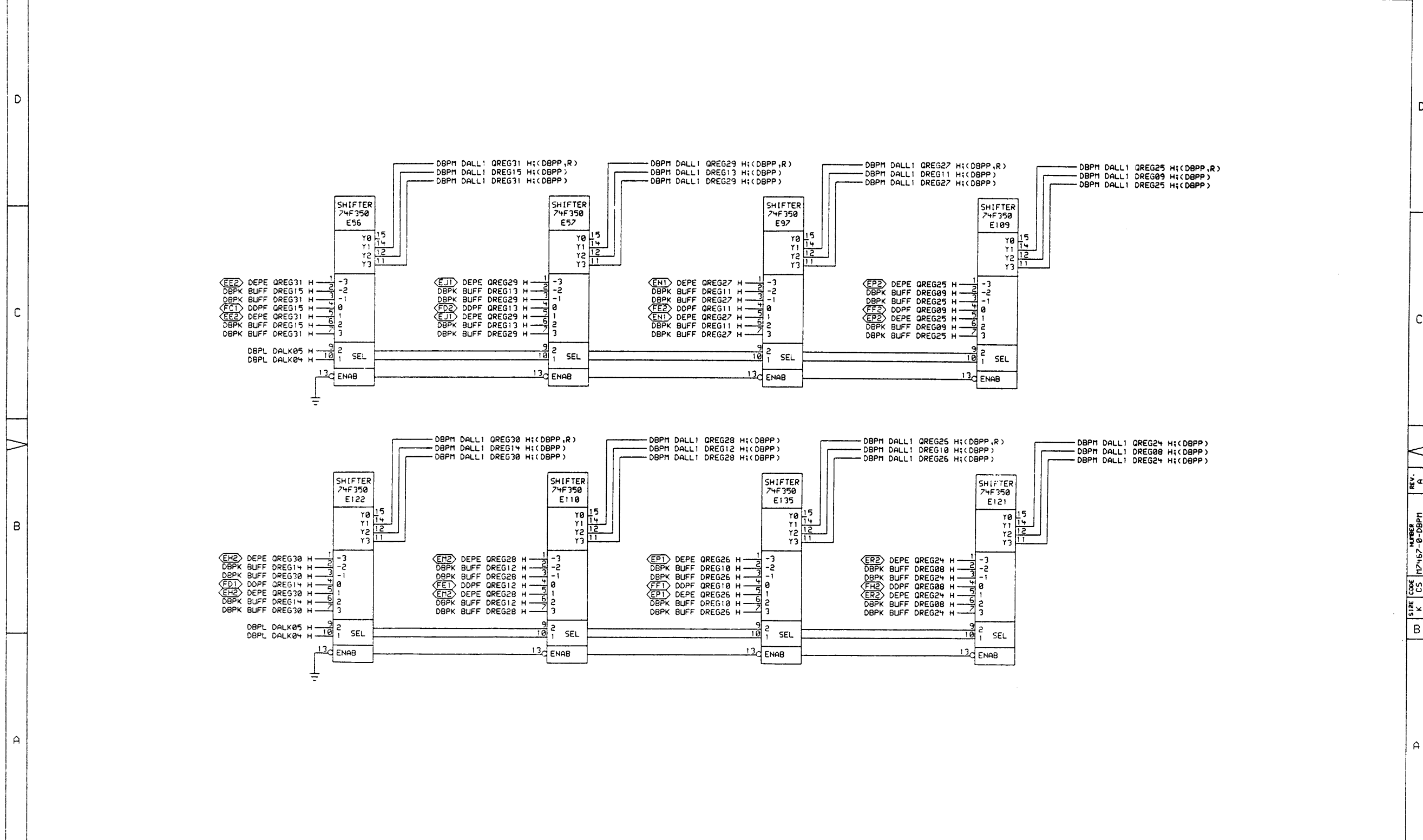
NUMBER: 3002 3215

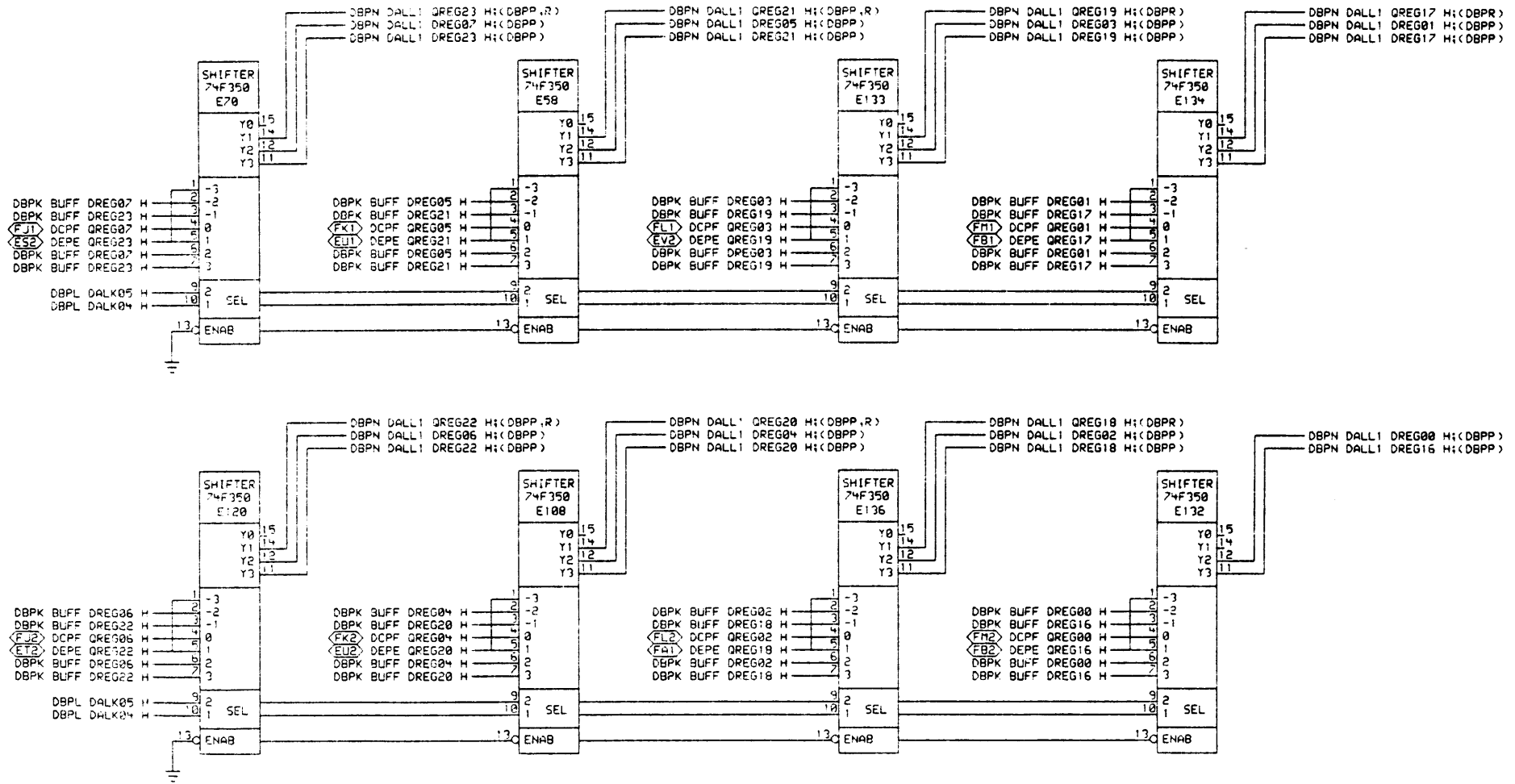
REV: A

REV. H

NUMBER 117467-0-D5PL

SIZE CODE K CS



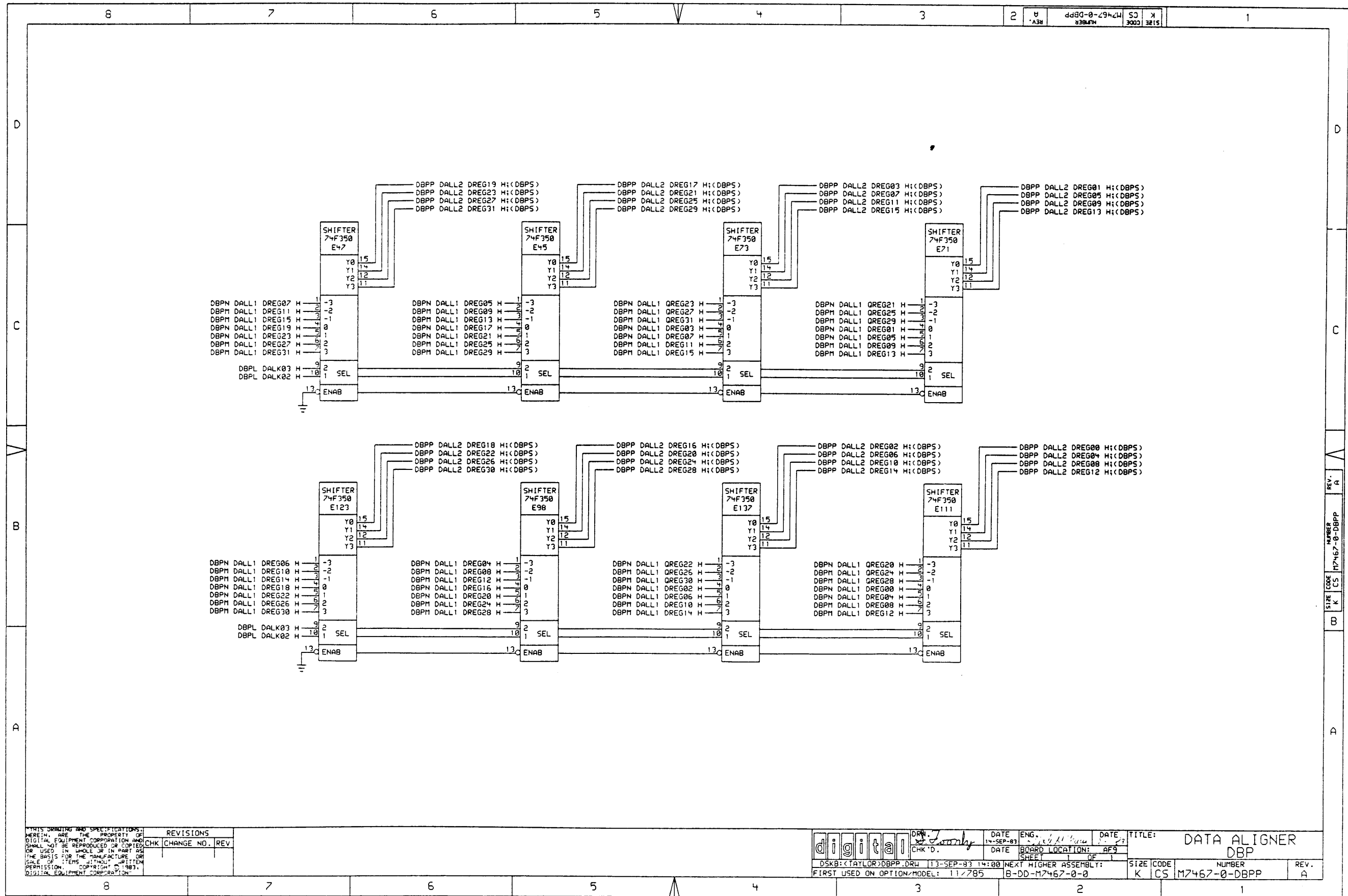


THIS DRAWING AND SPECIFICATIONS  
 HEREIN ARE THE PROPERTY OF  
 DIGITAL EQUIPMENT CORPORATION AND  
 SHALL NOT BE REPRODUCED OR  
 TRANSMITTED IN ANY FORM OR BY  
 ANY MEANS, ELECTRONIC OR  
 MECHANICAL, INCLUDING PHOTOCOPYING,  
 RECORDING, OR BY ANY INFORMATION  
 STORAGE AND RETRIEVAL SYSTEMS  
 WITHOUT PERMISSION IN WRITING  
 FROM DIGITAL EQUIPMENT CORPORATION

REVISIONS	
CHK	CHANGE NO. REV.

digital	DATE	ENG.	DATE	TITLE:
	14-SEP-83	J. J. J.	11-SEP-83	DATA ALIGNER DBP
CHK'D.	DATE	BOARD LOCATION:	REV.	
			A	
DRAWN BY: TAYLOR/DBPN.DRW		13-SEP-83 14:00	NEXT HIGHER ASSEMBLY:	SIZE CODE
FIRST USED ON OPTION MODEL: 11-785		18-00-M7467-0-0		NUMBER
				M7467-0-DBPN
				REV.
				A

REV. A  
 NUMBER 117467-0-DBPN  
 SIZE CODE K CS  
 BOARD LOCATION: A9

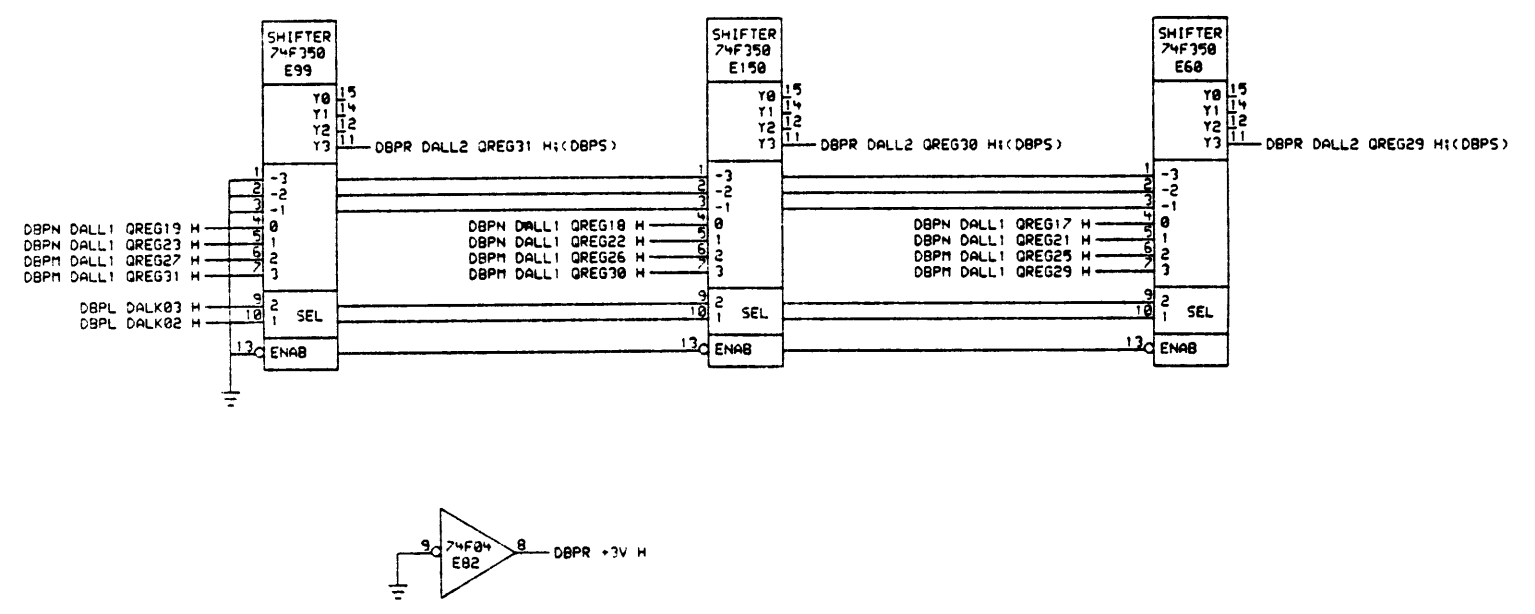


THIS DRAWING AND SPECIFICATIONS, HEREIN, ARE THE PROPERTY OF DIGITAL EQUIPMENT CORPORATION AND SHALL NOT BE REPRODUCED OR COPIED OR USED IN WHOLE OR IN PART AS THE BASIS FOR THE MANUFACTURE OR SALE OF ITEMS WITHOUT WRITTEN PERMISSION. COPYRIGHT © 1983 DIGITAL EQUIPMENT CORPORATION

REVISIONS		
CHK	CHANGE NO.	REV.

	DATE	ENG.	DATE	TITLE:
	14-SEP-83	St. J. J. J.	14-SEP-83	DATA ALIGNER DBP
DATE	BOARD LOCATION:	SHEET	OF	
11/785	AF9	1	1	
DSKB: (TAYLOR) DBPP.DRW	13-SEP-83 14:00	NEXT HIGHER ASSEMBLY:	SIZE CODE	NUMBER
FIRST USED ON OPTION/MODEL:	B-DD-M7467-0-0		K CS	M7467-0-DBPP
				REV. A



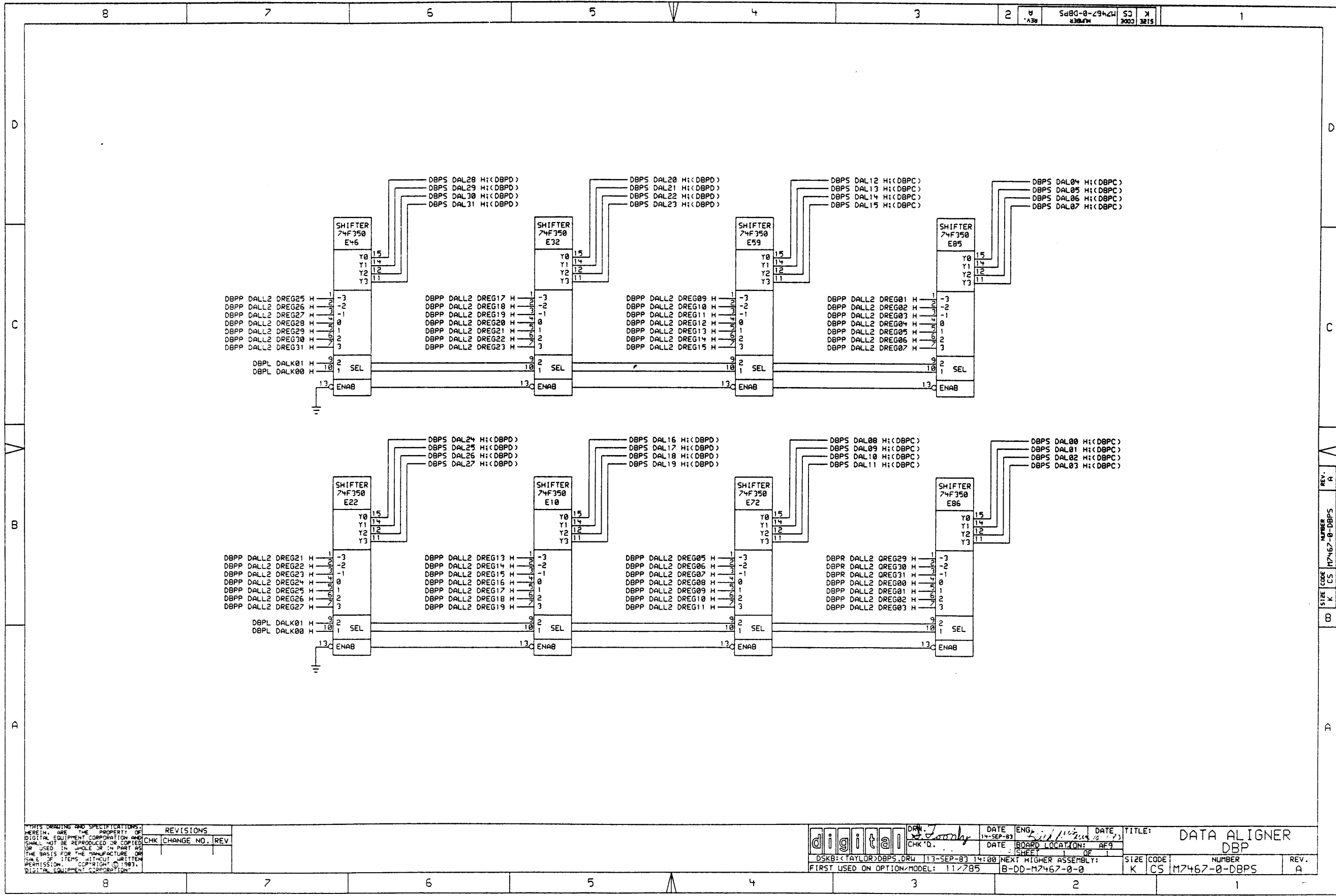


REV. A  
 NUMBER M7467-0-DBPR  
 CODE CS  
 SIZE K

THIS DRAWING AND SPECIFICATIONS ARE THE PROPERTY OF DIGITAL EQUIPMENT CORPORATION AND SHALL NOT BE REPRODUCED, COPIED, OR USED IN WHOLE OR IN PART FOR ANY PURPOSE WITHOUT THE WRITTEN PERMISSION OF DIGITAL EQUIPMENT CORPORATION.

REVISIONS	CHK	CHANGE NO.	REV.

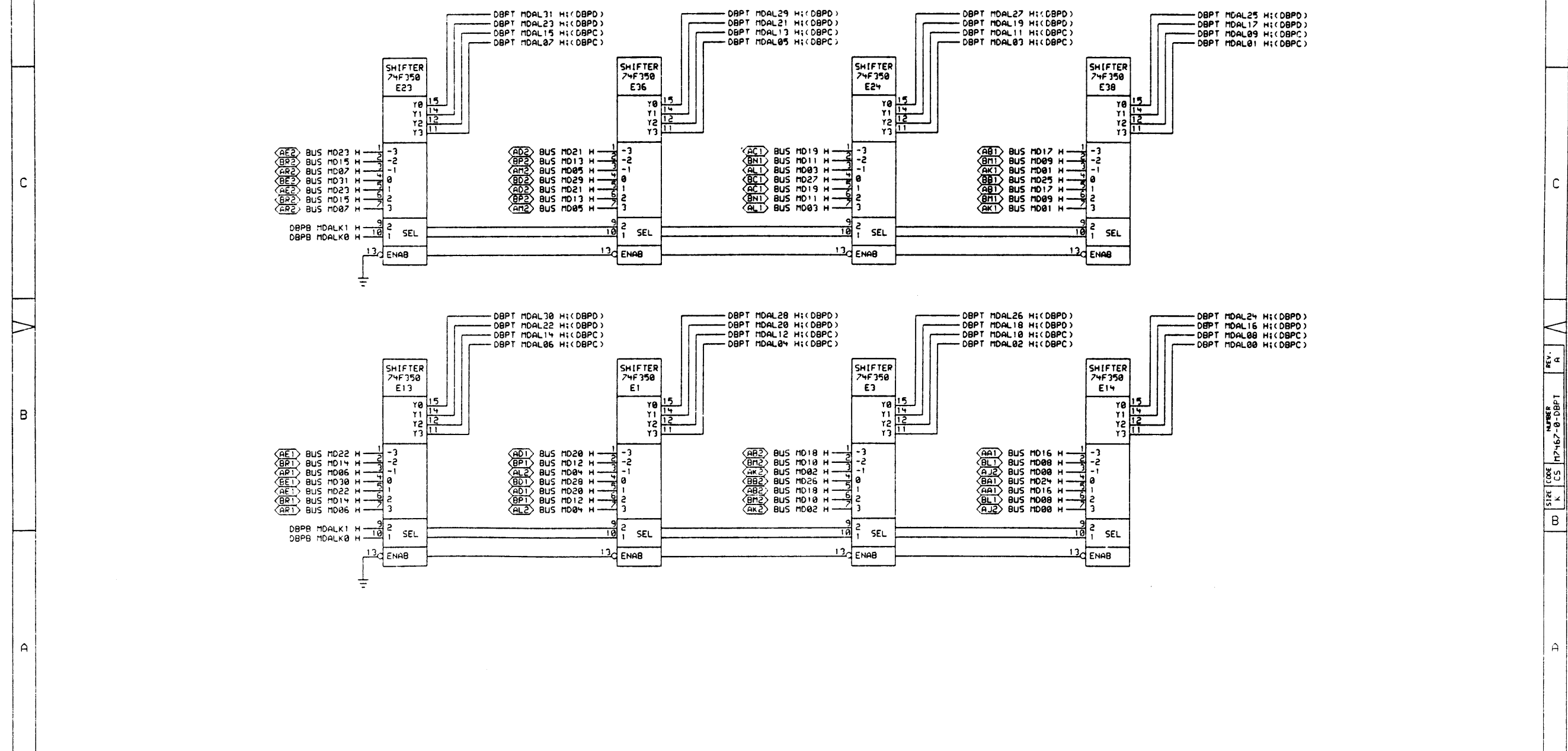
digital  
 DATE 14-SEP-83  
 ENG. 1/10  
 DATE 11-SEP-83 14:00  
 BOARD LOCATION: AES  
 SHEET 1 OF 1  
 TITLE: DATA ALIGNER DBP  
 DSKB: <TAYLOR>DBPR.DRW 113-SEP-83 14:00  
 NEXT HIGHER ASSEMBLY: B-DD-M7467-0-0  
 SIZE CODE NUMBER REV.  
 K CS M7467-0-DBPR A  
 FIRST USED ON OPTION MODEL: 11/785



THIS DRAWING AND SPECIFICATIONS, HEREIN, ARE THE PROPERTY OF DIGITAL EQUIPMENT CORPORATION AND SHALL NOT BE REPRODUCED OR COPIED OR USED IN WHOLE OR IN PART AS THE BASIS FOR THE MANUFACTURE OR SALE OF ITEMS WITHOUT WRITTEN PERMISSION. COPYRIGHT © 1981, DIGITAL EQUIPMENT CORPORATION.

REVISIONS		
CHK	CHANGE NO.	REV.

digital	DATE	ENG.	DATE	TITLE:
	14-SEP-83			DATA ALIGNER DBP
CHK'D.	DATE	BOARD LOCATION:	SHEET	OF
		BF9	1	1
DSKB: <TAYLOR>DBPS.DRW 113-SEP-83 14:00		NEXT HIGHER ASSEMBLY:		SIZE CODE
FIRST USED ON OPTION/MODEL: 11/785		B-DD-M7467-0-0		K CS
NUMBER			REV.	
M7467-0-DBPS			A	

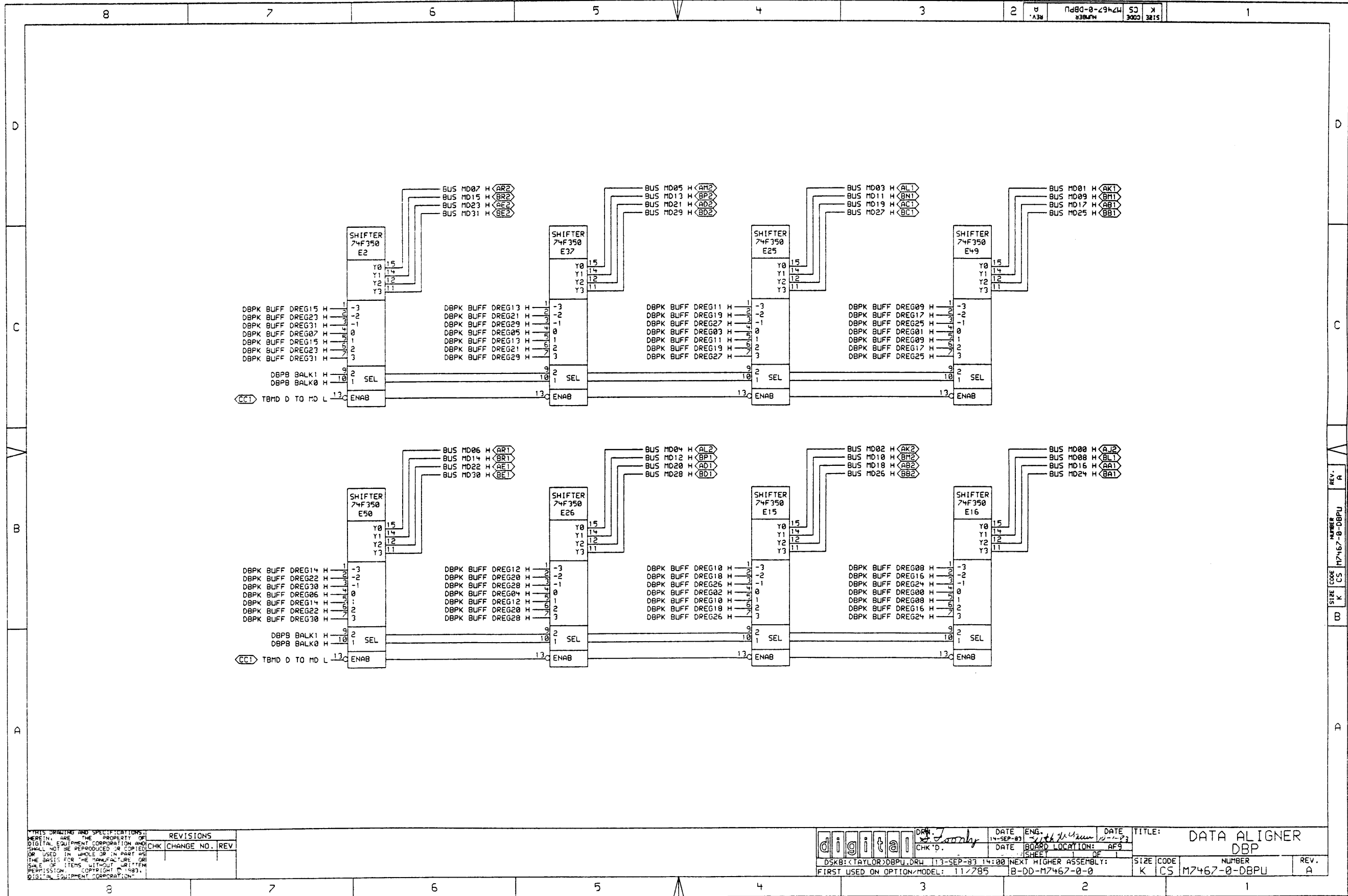


REV. A  
NUMBER 1  
DBPT  
M7467-0-DBPT  
CS  
K

CHK	CHANGE NO.	REV.

DATE	ENG.	DATE	TITLE
14-SEP-83	J. Taylor		DATA ALIGNER DBP

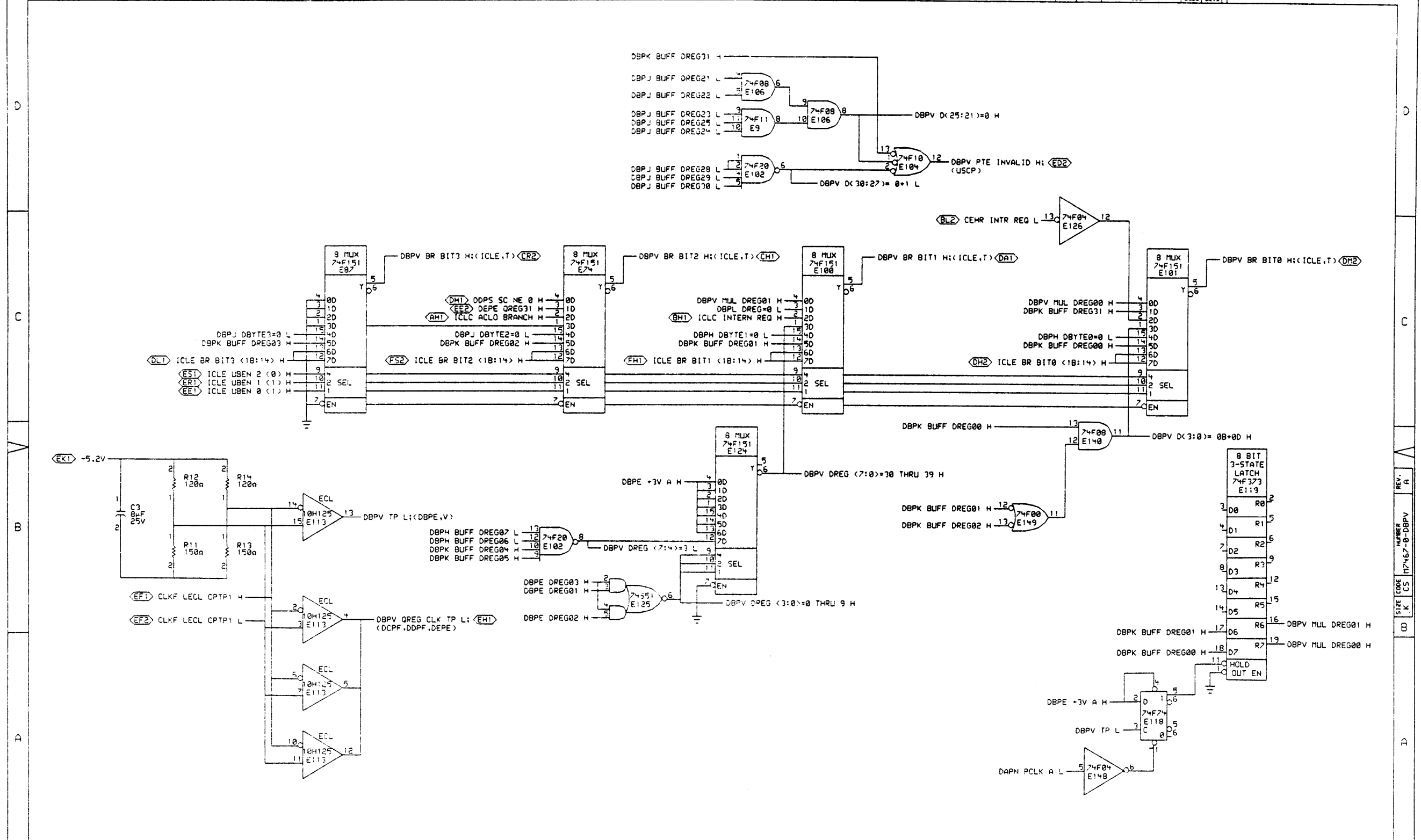
DSKB: (TAYLOR)DBPT.DRW	13-SEP-83 14:00	NEXT HIGHER ASSEMBLY:	SIZE	CODE	NUMBER	REV.
FIRST USED ON OPTION/MODEL:	11/285	B-DD-M7467-0-0	K	CS	M7467-0-DBPT	A



THIS DRAWING AND SPECIFICATIONS, HEREIN, ARE THE PROPERTY OF DIGITAL EQUIPMENT CORPORATION AND SHALL NOT BE REPRODUCED OR COPIED OR USED IN WHOLE OR IN PART AS THE BASIS FOR THE MANUFACTURE, FOR SALE OR ITEMS WITHOUT WRITTEN PERMISSION. COPYRIGHT © 1983, DIGITAL EQUIPMENT CORPORATION.

REVISIONS	
CHK	CHANGE NO. REV

DATE: 14-SEP-83  
 ENG: *John W. ...*  
 DATE: 12-1-83  
 BOARD LOCATION: AFS  
 SHEET: 1 OF 1  
 TITLE: DATA ALIGNER DBP  
 SIZE CODE: K CS  
 NUMBER: M7467-0-DBPU  
 REV: A  
 DSKB: <TAYLOR>DBPU.DRW 13-SEP-83 14:00 NEXT HIGHER ASSEMBLY: B-00-M7467-0-0  
 FIRST USED ON OPTION/MODEL: 11/785



REV.	DESCRIPTION
1	INITIAL DESIGN
2	REVISED FOR MANUFACTURE
3	REVISED FOR MANUFACTURE
4	REVISED FOR MANUFACTURE
5	REVISED FOR MANUFACTURE
6	REVISED FOR MANUFACTURE
7	REVISED FOR MANUFACTURE

REV.	DESCRIPTION
1	INITIAL DESIGN
2	REVISED FOR MANUFACTURE
3	REVISED FOR MANUFACTURE
4	REVISED FOR MANUFACTURE
5	REVISED FOR MANUFACTURE
6	REVISED FOR MANUFACTURE
7	REVISED FOR MANUFACTURE

**digital** *copy*

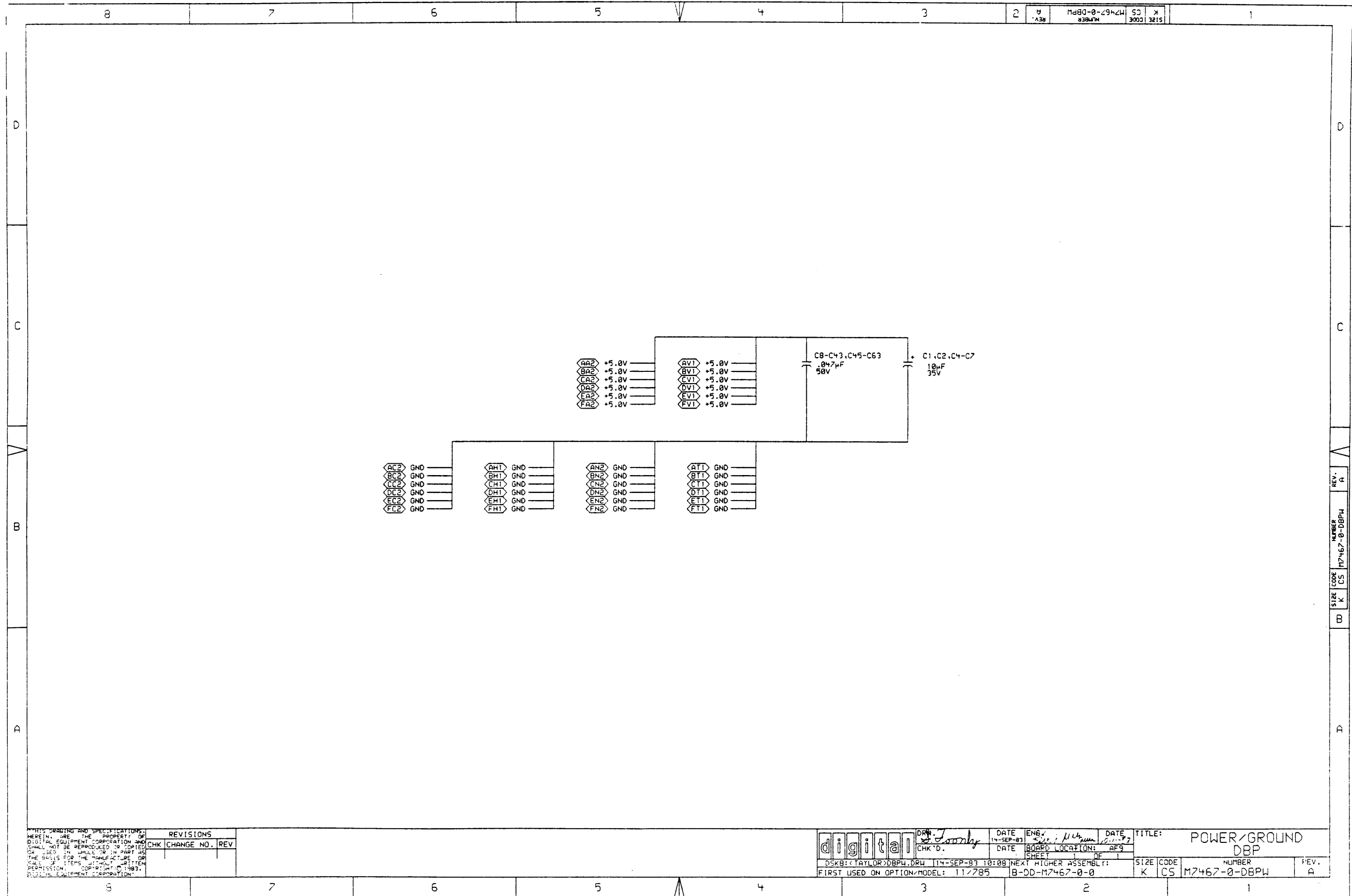
DATE: 28-SEP-83  
 DATE: 28-SEP-83  
 DATE: 28-SEP-83

EMG: *W. W. W.*  
 CHK'D: *copy*

TITLE: DATA ALIGNER DBP

DSKB: ZAGARELLA/DBPV.DR1/23-SEP-83 10:55 NEXT HIGHER ASSEMBLY:  
 FIRST USED ON OPTION MODEL: 11785 B-DD-M7467-0-0

SIZE: K CODE: CS NUMBER: M7467-0-DBPV REV: A



THIS DRAWING AND SPECIFICATIONS ARE THE PROPERTY OF DIGITAL EQUIPMENT CORPORATION AND SHALL NOT BE REPRODUCED OR COPIED IN WHOLE OR IN PART AS THE BASIS FOR THE MANUFACTURE OR SALE OF ITEMS WITHOUT WRITTEN PERMISSION. COPYRIGHT © 1983, DIGITAL EQUIPMENT CORPORATION.

REVISIONS		
CHK	CHANGE NO.	REV

**digital** DRW: *Loony*  
CHK'D:

DATE: 14-SEP-83  
DATE: 12-1-83  
BOARD LOCATION: AFS  
SHEET: 1 OF 1

TITLE: POWER/GROUND DBP  
FIRST USED ON OPTION/MODEL: 11/785  
NEXT HIGHER ASSEMBLY: B-DD-M7467-0-0  
SIZE CODE: K CS  
NUMBER: M7467-0-DBPW  
REV.: A

SIGNAL NAME PAGE NUMBER(S)

-SBLP MD TO D H DBPB,A  
-TAMD D TO MD H DBPU,F  
BUS CS 38 H DBPA  
BUS CS 39 H DBPA  
BUS CS 30 H DBPA  
BUS CS 31 H DBPA  
BUS DFMX00 H DBPC  
BUS DFMX01 H DBPC  
BUS DFMX02 H DBPC  
BUS DFMX03 H DBPC

BUS DFMX04 H DBPC  
BUS DFMX05 H DBPC  
BUS DFMX06 H DBPC  
BUS DFMX07 H DBPC  
BUS DFMX08 H DBPC  
BUS DFMX09 H DBPC  
BUS DFMX10 H DBPC  
BUS DFMX11 H DBPC  
BUS DFMX12 H DBPC  
BUS DFMX13 H DBPC

BUS DFMX14 H DBPC  
BUS DFMX15 H DBPC  
BUS DFMX16 H DBPD  
BUS DFMX17 H DBPD  
BUS DFMX18 H DBPD  
BUS DFMX19 H DBPD  
BUS DFMX20 H DBPD  
BUS DFMX21 H DBPD  
BUS DFMX22 H DBPD  
BUS DFMX23 H DBPD

BUS DFMX24 H DBPD  
BUS DFMX25 H DBPD  
BUS DFMX26 H DBPD  
BUS DFMX27 H DBPD  
BUS DFMX28 H DBPD  
BUS DFMX29 H DBPD  
BUS DFMX30 H DBPD  
BUS DFMX31 H DBPD  
BUS ID P0 L DBPF  
BUS ID P1 L DBPF

BUS ID P2 L DBPF  
BUS ID P3 L DBPF  
BUS MD BYTE0 PAR H DBPF  
BUS MD BYTE1 PAR H DBPF  
BUS MD BYTE2 PAR H DBPF  
BUS MD BYTE3 PAR H DBPF  
BUS MD00 H DBPT,U  
BUS MD01 H DBPT,U  
BUS MD02 H DBPT,U  
BUS MD03 H DBPT,U

SIGNAL NAME PAGE NUMBER(S)

BUS MD04 H DBPT,U  
BUS MD05 H DBPT,U  
BUS MD06 H DBPT,U  
BUS MD07 H DBPT,U  
BUS MD08 H DBPT,U  
BUS MD09 H DBPT,U  
BUS MD10 H DBPT,U  
BUS MD11 H DBPT,U  
BUS MD12 H DBPT,U  
BUS MD13 H DBPT,U

BUS MD14 H DBPT,U  
BUS MD15 H DBPT,U  
BUS MD16 H DBPT,U  
BUS MD17 H DBPT,U  
BUS MD18 H DBPT,U  
BUS MD19 H DBPT,U  
BUS MD20 H DBPT,U  
BUS MD21 H DBPT,U  
BUS MD22 H DBPT,U  
BUS MD23 H DBPT,U

BUS MD24 H DBPT,U  
BUS MD25 H DBPT,U  
BUS MD26 H DBPT,U  
BUS MD27 H DBPT,U  
BUS MD28 H DBPT,U  
BUS MD29 H DBPT,U  
BUS MD30 H DBPT,U  
BUS MD31 H DBPT,U  
CEHD MEMREF D=LFGD H DBPB  
CEHD SECOND REF H DBPB

CEHR INTR REQ L DBPV  
CLKF LECL CPTP1 H DBPV  
CLKF LECL CPTP1 L DBPV  
DAPH D SHIFT INPUT H DBPE  
DAPH PCLK A L DBPB,A,V  
DAPH UMORD CLR (0)H DBPA  
DAPP DFMX UNPACK L DBPA  
DBPA CLR D H DBPD,C,A  
DBPA D COND SINGL SHF LFT L DBPA  
DBPA D DBL SHF LFT L DBPA

DBPA D DBL SHF RHT L DBPA  
DBPA D SINGL SHF LFT L DBPA  
DBPA D SINGL SHF RHT L DBPA  
DBPA DBYTE0 S0 H DBPE,A  
DBPA DBYTE0 C1 H DBPE,A  
DBPA DBYTE1 S0 H DBPE,A  
DBPA DBYTE1 S1 H DBPE,A  
DBPA DBYTE2 S0 H DBPE,A  
DBPA DBYTE2 S1 H DBPE,A  
DBPA DBYTE3 S0 H DBPE,A

SIGNAL NAME PAGE NUMBER(S)

DBPA DBYTE3 S1 H DBPE,A  
DBPA DFMX S0 H DBPA  
DBPA DMX S0 A H DBPC,A  
DBPA DMX S0 B H DBPD,A  
DBPA DMX S0 H DBPA  
DBPA DMX S1 A H DBPC,A  
DBPA DMX S1 B H DBPD,A  
DBPA DMX S1 H DBPA  
DBPA LOAD ACC D L DBPA  
DBPA LOAD D SHF BY SC L DBPL,A

DBPA LOAD NIB SWAP L DBPA  
DBPA LOAD Q L DBPL,A  
DBPA UDK0 (1)H DBPA  
DBPA UDK1 (1)H DBPA  
DBPA UDK2 (1)H DBPA  
DBPA UDK3 (0)H DBPA  
DBPA UDK3 (1)H DBPA  
DBPB BALK0 H DBPU,F,B  
DBPB BALK1 H DBPU,F,B  
DBPB ENA BYTE0 H DBPB,A

DBPB ENA BYTE1 H DBPB,A  
DBPB ENA BYTE2 H DBPB,A  
DBPB ENA BYTE3 H DBPB,A  
DBPB MD TO D H DBPB,A  
DBPB MDALK0 H DBPT,B  
DBPB MDALK1 H DBPT,B  
DBPC DMX00 H DBPC,E  
DBPC DMX01 H DBPC,E  
DBPC DMX02 H DBPC,E  
DBPC DMX03 H DBPC,E

DBPC DMX04 H DBPC,E  
DBPC DMX05 H DBPC,E  
DBPC DMX06 H DBPC,E  
DBPC DMX07 H DBPC,E  
DBPC DMX08 H DBPC,C  
DBPC DMX09 H DBPC,C  
DBPC DMX10 H DBPC,C  
DBPC DMX11 H DBPC,C  
DBPC DMX12 H DBPC,C  
DBPC DMX13 H DBPC,E

DBPC DMX14 H DBPC,C  
DBPC DMX15 H DBPC,C  
DBPD DMX16 H DBPD,E  
DBPD DMX17 H DBPD,E  
DBPD DMX18 H DBPD,E  
DBPD DMX19 H DBPD,E  
DBPD DMX20 H DBPD,E  
DBPD DMX21 H DBPD,E  
DBPD DMX22 H DBPD,E  
DBPD DMX23 H DBPD,E

NOTES:  
1. THIS PAGE LISTS THE SCHEMATIC PAGE NUMBER(S) WHERE A SIGNAL NAME IS REFERENCED.

Table with columns: REVISIONS, CHANGE NO., REV.

digital logo, DATE 22-SEP-81, TITLE: DBP FORWARD REFERENCE, SIZE CODE K 105, NUMBER 17467-0-DBPX, REV. A

SIGNAL NAME	PAGE NUMBER(S)	SIGNAL NAME	PAGE NUMBER(S)	SIGNAL NAME	PAGE NUMBER(S)
DBPD DMX24 H	DBPE,D	DBPH BYTE0 SV1 H	DBPL,H	DBPK BUFF DREG21 H	DBPU,K,C,N
DBPD DMX25 H	DBPE,D	DBPH BYTE0 SV2 H	DBPL,H	DBPK BUFF DREG22 H	DBPU,K,C,N
DBPD DMX26 H	DBPE,D	DBPH BYTE1 SV0 H	DBPH,L	DBPK BUFF DREG23 H	DBPU,K,C,N
DBPD DMX27 H	DBPE,D	DBPH BYTE1 SV1 H	DBPH,L	DBPK BUFF DREG24 H	DBPU,K,C,M
DBPD DMX28 H	DBPE,D	DBPH BYTE1 SV2 H	DBPH,L	DBPK BUFF DREG25 H	DBPK,U,C,M
DBPD DMX29 H	DBPE,D	DBPH DBYTE0=0 L	DBPJ,V,L,H	DBPK BUFF DREG26 H	DBPU,K,C,M
DBPD DMX30 H	DBPE,D	DBPH DBYTE1=0 L	DBPH,J,V,L	DBPK BUFF DREG27 H	DBPU,K,C,M
DBPD DMX31 H	DBPE,D	DBPJ +3V A H	DBPJ,L	DBPK BUFF DREG28 H	DBPU,K,C,M
DBPE +3V A H	DBPE,V	DBPJ +3V H	DBPJ	DBPK BUFF DREG29 H	DBPU,K,H,C
DBPE +3V H	DBPA,B,E	DBPJ BUFF DREG21 L	DBPJ,V	DBPK BUFF DREG30 H	DBPK,U,C,M
DBPE DREG00 H	DBPH,K,F,E	DBPJ BUFF DREG22 L	DBPJ,V	DBPK BUFF DREG31 H	DBPU,K,M,C,V
DBPE DREG01 H	DBPH,K,F,E,V	DBPJ BUFF DREG23 L	DBPV,J	DBPL DALK00 H	DBPS,L
DBPE DREG02 H	DBPH,K,F,E,V	DBPJ BUFF DREG24 L	DBPV,J	DBPL DALK01 H	DBPS,L
DBPE DREG03 H	DBPH,K,F,E,V	DBPJ BUFF DREG25 L	DBPJ	DBPL DALK02 H	DBPP,R,L
DBPE DREG04 H	DBPH,K,F,E	DBPJ BUFF DREG26 L	DBPJ	DBPL DALK03 H	DBPP,R,L
DBPE DREG05 H	DBPH,K,F,E	DBPJ BUFF DREG27 L	DBPJ	DBPL DALK04 H	DBPH,N,L
DBPE DREG06 H	DBPH,K,F,E	DBPJ BUFF DREG28 L	DBPJ,V	DBPL DALK05 H	DBPH,N,L
DBPE DREG07 H	DBPH,H,K,F	DBPJ BUFF DREG29 L	DBPJ,V	DBPL DREG=0 L	DBPV,L
DBPE DREG08 H	DBPK,H,E,F	DBPJ BUFF DREG30 L	DBPJ,V	DBPL NORM SV0 H	DBPL
DBPE DREG09 H	DBPK,E,H,F	DBPJ BUFF DREG31 L	DBPJ	DBPL NORM SV1 H	DBPL
DBPE DREG10 H	DBPK,H,E,F	DBPJ BYTE2 SV0 H	DBPL,J	DBPL NORM SV2 H	DBPL
DBPE DREG11 H	DBPK,E,F,H	DBPJ BYTE2 SV1 H	DBPL,J	DBPL NORM SV3 H	DBPL
DBPE DREG12 H	DBPK,H,E,F	DBPJ BYTE2 SV2 H	DBPJ,L	DBPL NORM SV4 H	DBPL
DBPE DREG13 H	DBPK,E,F,H	DBPJ BYTE3 SV0 H	DBPJ,L	DBPL SC04 L	DBPL
DBPE DREG14 H	DBPK,H,E,F	DBPJ BYTE3 SV1 H	DBPJ,L	DBPL SC09 L	DBPL
DBPE DREG15 H	DBPK,E,F,H	DBPJ BYTE3 SV2 H	DBPJ,L	DBPM DALL1 DREG08 H	DBPP,M
DBPE DREG16 H	DBPE,F,J,K	DBPJ DBYTE2=0 L	DBPJ,V,L	DBPM DALL1 DREG09 H	DBPP,M
DBPE DREG17 H	DBPE,F,J,K	DBPJ DBYTE3=0 L	DBPJ,V,L	DBPM DALL1 DREG10 H	DBPP,M
DBPE DREG18 H	DBPE,F,J,K	DBPJ DREG=0 H	DBPJ	DBPM DALL1 DREG11 H	DBPP,M
DBPE DREG19 H	DBPE,F,J,K	DBPK BUFF DREG00 H	DBPU,D,V,K,N	DBPM DALL1 DREG12 H	DBPP,M
DBPE DREG20 H	DBPE,F,J,K	DBPK BUFF DREG01 H	DBPD,U,V,K,N	DBPM DALL1 DREG13 H	DBPP,M
DBPE DREG21 H	DBPE,F,J,K	DBPK BUFF DREG02 H	DBPD,U,V,K,N	DBPM DALL1 DREG14 H	DBPM,P
DBPE DREG22 H	DBPE,F,J,K	DBPK BUFF DREG03 H	DBPU,D,V,K,N	DBPM DALL1 DREG15 H	DBPP,M
DBPE DREG23 H	DBPE,F,J,K	DBPK BUFF DREG04 H	DBPU,D,V,N,K	DBPM DALL1 DREG24 H	DBPP,M
DBPE DREG24 H	DBPE,J,F,K	DBPK BUFF DREG05 H	DBPU,D,N,V,K	DBPM DALL1 DREG25 H	DBPP,M
DBPE DREG25 H	DBPE,J,F,K	DBPK BUFF DREG06 H	DBPD,U,K,N	DBPM DALL1 DREG26 H	DBPP,M
DBPE DREG26 H	DBPE,J,F,K	DBPK BUFF DREG07 H	DBPU,D,N,K	DBPM DALL1 DREG27 H	DBPP,M
DBPE DREG27 H	DBPE,J,F,K	DBPK BUFF DREG08 H	DBPU,D,K,M	DBPM DALL1 DREG28 H	DBPP,M
DBPE DREG28 H	DBPE,J,F,K	DBPK BUFF DREG09 H	DBPD,U,K,M	DBPM DALL1 DREG29 H	DBPP,M
DBPE DREG29 H	DBPE,J,F,K	DBPK BUFF DREG10 H	DBPD,U,K,M	DBPM DALL1 DREG30 H	DBPM,P
DBPE DREG30 H	DBPE,J,F,K	DBPK BUFF DREG11 H	DBPU,D,K,M	DBPM DALL1 DREG31 H	DBPP,M
DBPE DREG31 H	DBPE,J,F,K	DBPK BUFF DREG12 H	DBPU,D,K,M	DBPM DALL1 DREG24 H	DBPP,M
DBPF DBYTE0 EVEN H	DBPF	DBPK BUFF DREG13 H	DBPU,D,K,M	DBPM DALL1 DREG25 H	DBPP,M
DBPF DBYTE1 EVEN H	DBPF	DBPK BUFF DREG14 H	DBPD,U,K,M	DBPM DALL1 DREG26 H	DBPP,M
DBPF DBYTE2 EVEN H	DBPF	DBPK BUFF DREG15 H	DBPU,D,K,M	DBPM DALL1 DREG27 H	DBPP,M
DBPF DBYTE3 EVEN H	DBPF	DBPK BUFF DREG16 H	DBPU,D,K,M	DBPM DALL1 DREG28 H	DBPP,M
DBPH +3V H	DBPH	DBPK BUFF DREG17 H	DBPU,K,C,N	DBPM DALL1 DREG29 H	DBPP,M
DBPH BUFF DREG06 L	DBPH,V	DBPK BUFF DREG18 H	DBPU,K,C,N	DBPM DALL1 DREG30 H	DBPP,M
DBPH BUFF DREG07 L	DBPH,V	DBPK BUFF DREG19 H	DBPU,K,C,N	DBPM DALL1 DREG31 H	DBPP,M
DBPH BYTE0 SV0 H	DBPL,H	DBPK BUFF DREG20 H	DBPU,K,C,N	DBPN DALL1 DREG00 H	DBPP,N

NOTES:  
 1. THIS PAGE LISTS THE SCHEMATIC PAGE NUMBER(S) WHERE A SIGNAL NAME IS REFERENCED.

THIS DRAWING AND SPECIFICATIONS ARE THE PROPERTY OF DIGITAL EQUIPMENT CORPORATION AND SHALL NOT BE REPRODUCED OR COPIED OR USED IN WHOLE OR IN PART AS THE BASIS FOR THE MANUFACTURE OR SALE OF ITEMS WITHOUT WRITTEN PERMISSION OF DIGITAL EQUIPMENT CORPORATION.	REVISIONS CHK CHANGE NO. REV		DATE 22-SEP-83 ENG. J. J. J.	DATE 10-SEP-83 BOARD LOCATION: AF9	TITLE: DBP FORWARD REFERENCE
	DSK: (MISKA)DBPY.DPW 20-SEP-83 13:08 NEXT HIGHER ASSEMBLY: B-DD-M7467-0-0 FIRST USED ON OPTION/MODEL: 11/795		SHEET 1 OF 1	SIZE CODE K CS NUMBER M7467-0-DBPY	REV. A



SIGNAL NAME	PAGE NUMBER(S)
DBPN DALL1 DREG01 H	DBPP,N
DBPN DALL1 DREG02 H	DBPN,P
DBPN DALL1 DREG03 H	DBPP,N
DBPN DALL1 DREG04 H	DBPP,N
DBPN DALL1 DREG05 H	DBPP,N
DBPN DALL1 DREG06 H	DBPN,P
DBPN DALL1 DREG07 H	DBPP,N
DBPN DALL1 DREG16 H	DBPP,N
DBPN DALL1 DREG17 H	DBPP,N
DBPN DALL1 DREG18 H	DBPP,N
DBPN DALL1 DREG19 H	DBPP,N
DBPN DALL1 DREG20 H	DBPP,N
DBPN DALL1 DREG21 H	DBPP,N
DBPN DALL1 DREG22 H	DBPN,P
DBPN DALL1 DREG23 H	DBPP,N
DBPN DALL1 DREG17 H	DBPN,R
DBPN DALL1 DREG18 H	DBPN,R
DBPN DALL1 DREG19 H	DBPN,R
DBPN DALL1 DREG20 H	DBPN,P
DBPN DALL1 DREG21 H	DBPN,R,P
DBPN DALL1 DREG22 H	DBPN,P,R
DBPN DALL1 DREG23 H	DBPN,P,R
DBPP DALL2 DREG00 H	DBPS,P
DBPP DALL2 DREG01 H	DBPP,S
DBPP DALL2 DREG02 H	DBPS,P
DBPP DALL2 DREG03 H	DBPP,S
DBPP DALL2 DREG04 H	DBPS,P
DBPP DALL2 DREG05 H	DBPP,S
DBPP DALL2 DREG06 H	DBPS,P
DBPP DALL2 DREG07 H	DBPS,P
DBPP DALL2 DREG08 H	DBPS,P
DBPP DALL2 DREG09 H	DBPS,P
DBPP DALL2 DREG10 H	DBPS,P
DBPP DALL2 DREG11 H	DBPS,P
DBPP DALL2 DREG12 H	DBPS,P
DBPP DALL2 DREG13 H	DBPS,P
DBPP DALL2 DREG14 H	DBPS,P
DBPP DALL2 DREG15 H	DBPS,P
DBPP DALL2 DREG16 H	DBPS,P
DBPP DALL2 DREG17 H	DBPS,P
DBPP DALL2 DREG18 H	DBPS,P
DBPP DALL2 DREG19 H	DBPS,P
DBPP DALL2 DREG20 H	DBPS,P
DBPP DALL2 DREG21 H	DBPS,P
DBPP DALL2 DREG22 H	DBPS,P
DBPP DALL2 DREG23 H	DBPS,P
DBPP DALL2 DREG24 H	DBPS,P
DBPP DALL2 DREG25 H	DBPS,P
DBPP DALL2 DREG26 H	DBPS,P
DBPP DALL2 DREG27 H	DBPS,P

SIGNAL NAME	PAGE NUMBER(S)
DBPP DALL2 DREG28 H	DBPS,P
DBPP DALL2 DREG29 H	DBPP,S
DBPP DALL2 DREG30 H	DBPS,P
DBPP DALL2 DREG31 H	DBPP,P
DBPR +3V H	DBPR,L
DBPR DALL2 DREG29 H	DBPR,S
DBPR DALL2 DREG30 H	DBPS,R
DBPR DALL2 DREG31 H	DBPS,R
DBPR SC09 (1)H	DBPL
DBPS DAL00 H	DBPS,C
DBPS DAL01 H	DBPS,C
DBPS DAL02 H	DBPS,C
DBPS DAL03 H	DBPC,S
DBPS DAL04 H	DBPS,C
DBPS DAL05 H	DBPC,S
DBPS DAL06 H	DBPS,C
DBPS DAL07 H	DBPS,C
DBPS DAL08 H	DBPS,C
DBPS DAL09 H	DBPC,S
DBPS DAL10 H	DBPC,S
DBPS DAL11 H	DBPC,S
DBPS DAL12 H	DBPS,C
DBPS DAL13 H	DBPC,S
DBPS DAL14 H	DBPS,C
DBPS DAL15 H	DBPC,S
DBPS DAL16 H	DBPS,D
DBPS DAL17 H	DBPS,D
DBPS DAL18 H	DBPS,S
DBPS DAL19 H	DBPS,D
DBPS DAL20 H	DBPD,S
DBPS DAL21 H	DBPS,D
DBPS DAL22 H	DBPS,D
DBPS DAL23 H	DBPD,S
DBPS DAL24 H	DBPS,D
DBPS DAL25 H	DBPS,D
DBPS DAL26 H	DBPD,S
DBPS DAL27 H	DBPS,D
DBPS DAL28 H	DBPD,S
DBPS DAL29 H	DBPD,S
DBPS DAL30 H	DBPD,S
DBPS DAL31 H	DBPD,S
DBPT MDAL00 H	DBPT,C
DBPT MDAL01 H	DBPT,C
DBPT MDAL02 H	DBPT,C
DBPT MDAL03 H	DBPT,C
DBPT MDAL04 H	DBPT,C
DBPT MDAL05 H	DBPT,C
DBPT MDAL06 H	DBPT,C
DBPT MDAL07 H	DBPT,C

SIGNAL NAME	PAGE NUMBER(S)
DBPT MDAL08 H	DBPT,C
DBPT MDAL09 H	DBPT,C
DBPT MDAL10 H	DBPT,C
DBPT MDAL11 H	DBPT,C
DBPT MDAL12 H	DBPT,C
DBPT MDAL13 H	DBPT,C
DBPT MDAL14 H	DBPT,C
DBPT MDAL15 H	DBPT,C
DBPT MDAL16 H	DBPT,D
DBPT MDAL17 H	DBPD,T
DBPT MDAL18 H	DBPT,D
DBPT MDAL19 H	DBPT,D
DBPT MDAL20 H	DBPT,D
DBPT MDAL21 H	DBPT,D
DBPT MDAL22 H	DBPT,D
DBPT MDAL23 H	DBPD,T
DBPT MDAL24 H	DBPT,D
DBPT MDAL25 H	DBPD,T
DBPT MDAL26 H	DBPT,D
DBPT MDAL27 H	DBPT,D
DBPT MDAL28 H	DBPT,D
DBPT MDAL29 H	DBPT,D
DBPT MDAL30 H	DBPT,D
DBPT MDAL31 H	DBPD,T
DBPV BR 81T0 H	DBPV
DBPV BR 81T1 H	DBPV
DBPV BR 81T2 H	DBPV
DBPV BR 81T3 H	DBPV
DBPV DX 25:21)=0 H	DBPV
DBPV DX 30:27)=0+1 L	DBPV
DBPV DX 31:0)=00+00 H	DBPV
DBPV DREG <3:0)=0 THRU 9 H	DBPV
DBPV DREG <7:0)=30 THRU 39 H	DBPV
DBPV DREG <7:4)=3 L	DBPV
DBPV HLL DREG00 H	DBPV
DBPV HLL DREG01 H	DBPV
DBPV PTE INVALID H	DBPV
DBPV QREG CLK TP L	DBPV
DBPV TP L	DBPE,V
DCPF QREG00 H	DBPN
DCPF QREG01 H	DBPN
DCPF QREG02 H	DBPN
DCPF QREG03 H	DBPN
DCPF QREG04 H	DBPN
DCPF QREG05 H	DBPN
DCPF QREG06 H	DBPN
DCPF QREG07 H	DBPN
DCP J VA 00 (1)H	DBPB
DCP J VA 01 (1)H	DBPB
DCPL ALU CARRY 31 L	DBPA

NOTES:  
1. THIS PAGE LISTS THE SCHEMATIC PAGE NUMBER(S) WHERE A SIGNAL NAME IS REFERENCED.

THIS DRAWING AND SPECIFICATIONS  
HEREIN ARE THE PROPERTY OF  
DIGITAL EQUIPMENT CORPORATION AND  
SHALL NOT BE REPRODUCED OR COPIED  
OR USED IN WHOLE OR IN PART AS  
THE BASIS FOR THE MANUFACTURE OR  
SALE OF ITEMS WITHOUT WRITTEN  
PERMISSION. COPYRIGHT (C) 1983.  
DIGITAL EQUIPMENT CORPORATION

REVISIONS		
CHK	CHANGE NO.	REV



DRW: J. J. J. DATE: 28-SEP-83  
CHK'D: DATE: 28-SEP-83  
SHEET: 1 OF 1

TITLE: DBP FORWARD REFERENCE  
SIZE CODE: K CS NUMBER: M7467-0-DBPZ REV: A

FIRST USED ON OPTION/MODEL: 11/785 B-DD-M7467-0-0

DRAWING NO.	NO. OF SHTS.	PART NO.	DESCRIPTION	REVISIONS															
				A1	B1	C1	C2												
	-	M7469-00	PART REVISION (DDP)																
E-UA-M7469-0-0	4		UNIT ASSEMBLY	A	B	C	-												
K-PL-M7469-0-DBP	2		PARTS LIST	A	A	A	-												
D-CS-M7469-0-0	20		SCHEMATIC	A	B	C	-												
K-PC-M7469-0-DBC	-		PC DESIGN DATA BASE	A	A	A	-												
	-	5012599-00	ETCHED BOARD	C	C	C	-												
		5017503-01	ETCHED BOARD	-	-	-	A1												
K-PC-M7469-0-DBI	-		PC DATA BASE	-	-	-	A												
B-DD-5017503-0-0	1		DRAWING DIRECTORY	-	-	-	A												
K-CS-M7469-0-DBS	1		SUDS DATA BASE	-	-	-	A												
K-CS-M7469-0-DDPA	1		SCHEMATIC	-	-	-	A												
K-CS-M7469-0-DDPB	1		SCHEMATIC	-	-	-	A												
K-CS-M7469-0-DDPC	1		SCHEMATIC	-	-	-	A												
K-CS-M7469-0-DDPD	1		SCHEMATIC	-	-	-	A												
K-CS-M7469-0-DDPE	1		SCHEMATIC	-	-	-	A												
K-CS-M7469-0-DDPF	1		SCHEMATIC	-	-	-	A												
K-CS-M7469-0-DDPH	1		SCHEMATIC	-	-	-	A												
K-CS-M7469-0-DDPJ	1		SCHEMATIC	-	-	-	A												
K-CS-M7469-0-DDPK	1		SCHEMATIC	-	-	-	A												
K-CS-M7469-0-DDPL	1		SCHEMATIC	-	-	-	A												
K-CS-M7469-0-DDPM	1		SCHEMATIC	-	-	-	A												
K-CS-M7469-0-DDPN	1		SCHEMATIC	-	-	-	A												
K-CS-M7469-0-DDPP	1		SCHEMATIC	-	-	-	A												
K-CS-M7469-0-DDPR	1		SCHEMATIC	-	-	-	A												
K-CS-M7469-0-DDPS	1		SCHEMATIC	-	-	-	A												
K-CS-M7469-0-DDPT	1		SCHEMATIC	-	-	-	A												

NOTES:

DATE	CHG NO.	INIT.	REVISIONS			
			A	B	C	D
9/83						
2/84	72001					
6/84	TW002					
10/84	TW003					

\*THIS DRAWING AND SPECIFICATIONS, HEREIN, ARE THE PROPERTY OF DIGITAL EQUIPMENT CORPORATION AND SHALL NOT BE REPRODUCED OR COPIED OR USED IN WHOLE OR IN PART AS THE BASIS FOR THE MANUFACTURE OR SALE OF ITEMS WITHOUT WRITTEN PERMISSION.  
COPYRIGHT © 1983 DIGITAL EQUIPMENT CORPORATION



USED ON OPTION/MODEL		DRN. <i>P. Barofalo</i>	9-23-83	TITLE	DATA PATH 15:08 (DDP)
		CHK'D <i>P. Barofalo</i>	9-23-83	SIZE	B DD
		ENG. <i>Rich W. ...</i>	10-18-83	CODE	DD
		PREP. <i>Mark ...</i>	10-18-83	NUMBER	M7469-0-0
				REV.	D
				SHEET	1 OF 2




DRAWING NO.	NO. OF SHTS.	PART NO.	DESCRIPTION	REVISIONS																																		
	-	M7467-00	DATA ALIGNER (DBP)	A1	A2																																	
E-UA-M7467-0-0	2		UNIT ASSEMBLY	A	B																																	
K-PL-M7467-0-DBP	2		PARTS LIST	A	A																																	
K-PC-M7467-0-DBI	-		PC DESIGN DATA BASE	A1	B																																	
B-DD-5016072-0-0	1		DRAWING DIRECTORY	A	B																																	
K-CS-M7467-0-DBS	-		SUDS DATA BASE	A	A																																	
K-CS-M7467-0-DBPA	1		SCHEMATIC	A	A																																	
K-CS-M7467-0-DBPB	1		SCHEMATIC	A	A																																	
K-CS-M7467-0-DBPC	1		SCHEMATIC	A	A																																	
K-CS-M7467-0-DBPD	1		SCHEMATIC	A	A																																	
K-CS-M7467-0-DBPE	1		SCHEMATIC	A	A																																	
K-CS-M7467-0-DBPF	1		SCHEMATIC	A	A																																	
K-CS-M7467-0-DBPH	1		SCHEMATIC	A	A																																	
K-CS-M7467-0-DBPJ	1		SCHEMATIC	A	A																																	
K-CS-M7467-0-DBPK	1		SCHEMATIC	A	A																																	
K-CS-M7467-0-DBPL	1		SCHEMATIC	A	A																																	
K-CS-M7467-0-DBPM	1		SCHEMATIC	A	A																																	
K-CS-M7467-0-DBPN	1		SCHEMATIC	A	A																																	
K-CS-M7467-0-DBPP	1		SCHEMATIC	A	A																																	
K-CS-M7467-0-DBPR	1		SCHEMATIC	A	A																																	
K-CS-M7467-0-DBPS	1		SCHEMATIC	A	A																																	
K-CS-M7467-0-DBPT	1		SCHEMATIC	A	A																																	
K-CS-M7467-0-DBPU	1		SCHEMATIC	A	A																																	
K-CS-M7467-0-DBPV	1		SCHEMATIC	A	A																																	
K-CS-M7467-0-DBPW	1		SCHEMATIC	A	A																																	
K-CS-M7467-0-DBPX	1		SCHEMATIC	A	A																																	

NOTES:				REVISIONS	
DATE	CHG NO.	INIT	REV.	DATE	CHG NO.
9/83		INIT	A		
3/84		TWO	B		

THIS DRAWING AND SPECIFICATIONS, HEREIN, ARE THE PROPERTY OF DIGITAL EQUIPMENT CORPORATION AND SHALL NOT BE REPRODUCED OR COPIED OR USED IN WHOLE OR IN PART AS THE BASIS FOR THE MANUFACTURE OR SALE OF ITEMS WITHOUT WRITTEN PERMISSION.  COPYRIGHT © 1983 DIGITAL EQUIPMENT CORPORATION		USED ON OPTION/MODEL  DRN. M. NORMAN 9-27-83 CHK'D <i>J. Garofalo</i> 9-27-83 ENG. <i>Kirk McJannet</i> 10-11-83 <i>Michael H. Hirsch</i> 10-11-83	TITLE DATA ALIGNER (DBP)  SIZE CODE NUMBER REV. B DD M7467-0-0 B SHEET 1 OF 2
--	---	---	---

B	0-0-0	DD	B
REV.	NUMBER	CODE	SIZE

DRAWING NO.	NO. OF SHTS.	PART NO.	DESCRIPTION	REVISIONS																			
K-CS-M7467-0-DBPY	1		SCHEMATIC	A	A																		
K-CS-M7467-0-DBPZ	1		SCHEMATIC	A	A																		
K-CS-M7467-0-DBPI	1		SCHEMATIC	A	A																		

**NOTES:**

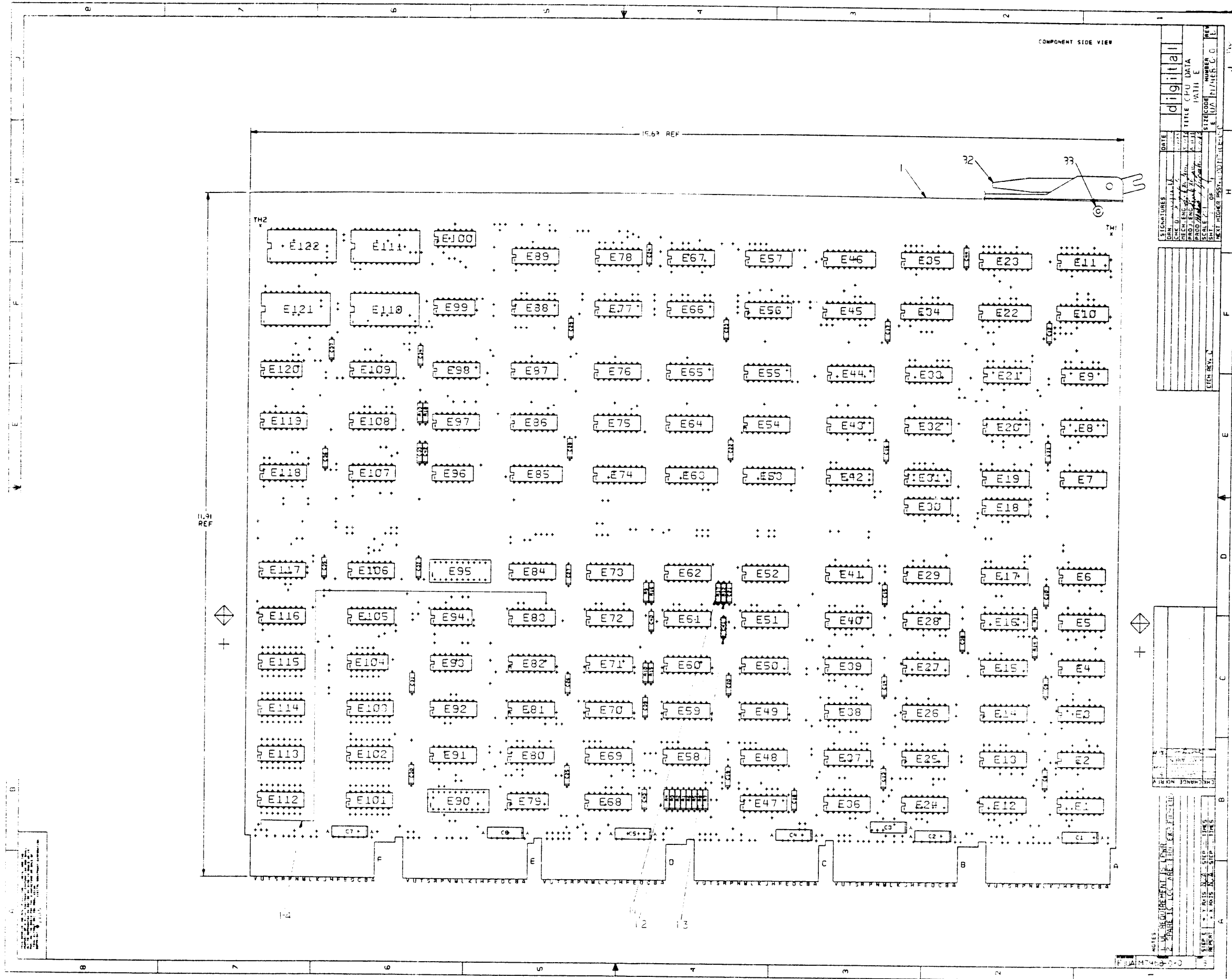
REVISIONS		
DATE	CHG NO.	REV.
9/83	INIT	A
3/84	TWO01	B

THIS DRAWING AND SPECIFICATIONS, HEREIN, ARE THE PROPERTY OF DIGITAL EQUIPMENT CORPORATION AND SHALL NOT BE REPRODUCED OR COPIED OR USED IN WHOLE OR IN PART AS THE BASIS FOR THE MANUFACTURE OR SALE OF ITEMS WITHOUT WRITTEN PERMISSION.

COPYRIGHT© 1983 DIGITAL EQUIPMENT CORPORATION

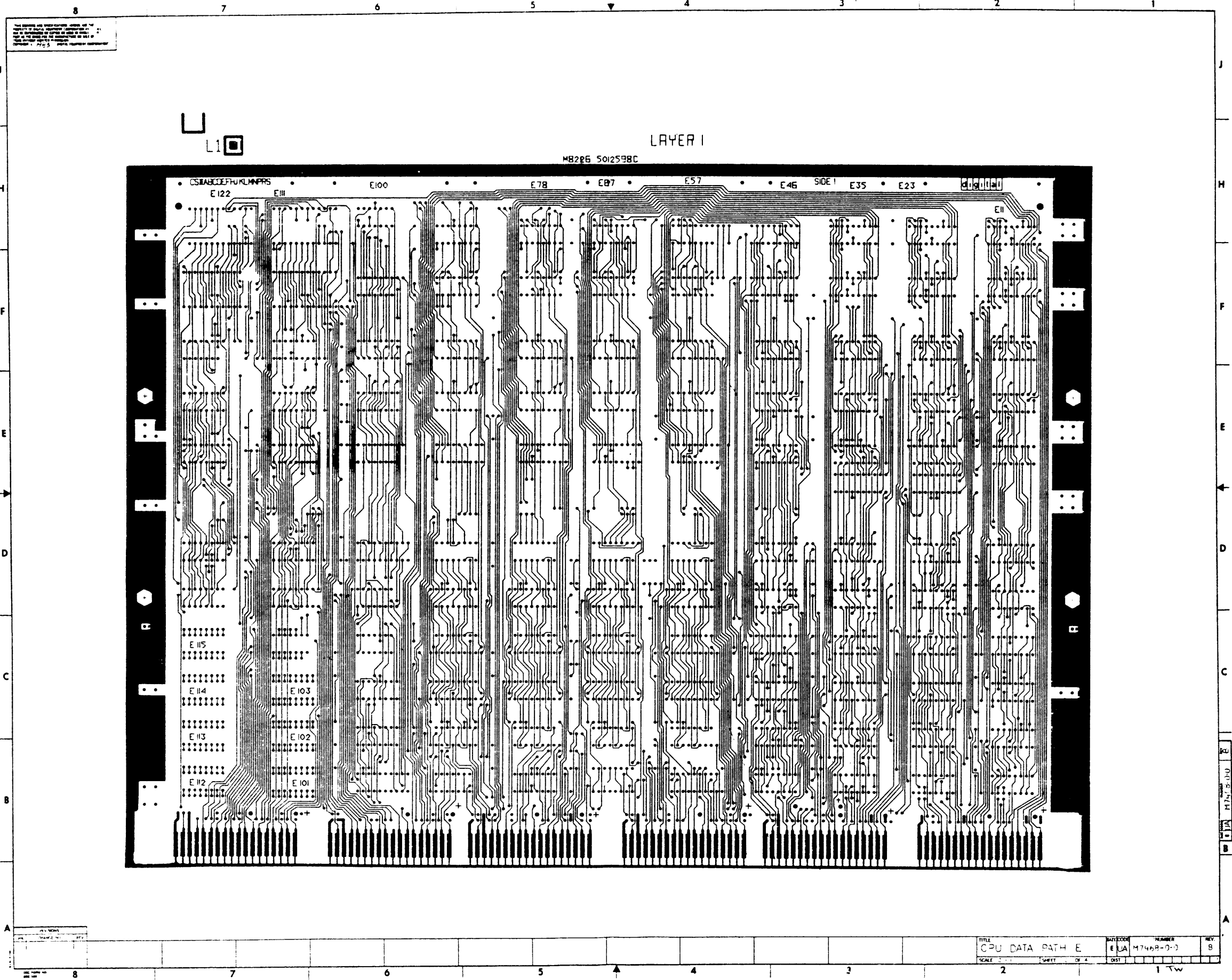


USED ON OPTION/MODEL			DRN.	M. NORMAN	9-27-83	TITLE	DATA ALIGNER (DBP)						
			CHK'D	<i>J. Lanfale</i>	9-27-83	SIZE	B	CODE	DD	NUMBER	M7467-0-0	REV.	B
			ENG.			SHEET 2 OF 2							
			PROD.										



SIGNATURES		DATE	digital
DRN	DATE	TITLE	
DESIGNER	DATE	PATH	
PROOFREADER	DATE	NUMBER	
SCALE	DATE	SIZE/CODE	
DRAWN BY		DATE	REV. NO.
CHECKED BY		DATE	REV. NO.
APPROVED BY		DATE	REV. NO.

NOTES	
1. ALL EQUIPMENT IS TO BE	TYPE
2. PARTS TO BE USED	TYPE
3. X AXIS	TYPE
4. Y AXIS	TYPE
5. Z AXIS	TYPE
6. W AXIS	TYPE
7. V AXIS	TYPE
8. U AXIS	TYPE
9. T AXIS	TYPE
10. S AXIS	TYPE
11. R AXIS	TYPE
12. Q AXIS	TYPE
13. P AXIS	TYPE
14. O AXIS	TYPE
15. N AXIS	TYPE
16. M AXIS	TYPE
17. L AXIS	TYPE
18. K AXIS	TYPE
19. J AXIS	TYPE
20. I AXIS	TYPE
21. H AXIS	TYPE
22. G AXIS	TYPE
23. F AXIS	TYPE
24. E AXIS	TYPE
25. D AXIS	TYPE
26. C AXIS	TYPE
27. B AXIS	TYPE
28. A AXIS	TYPE



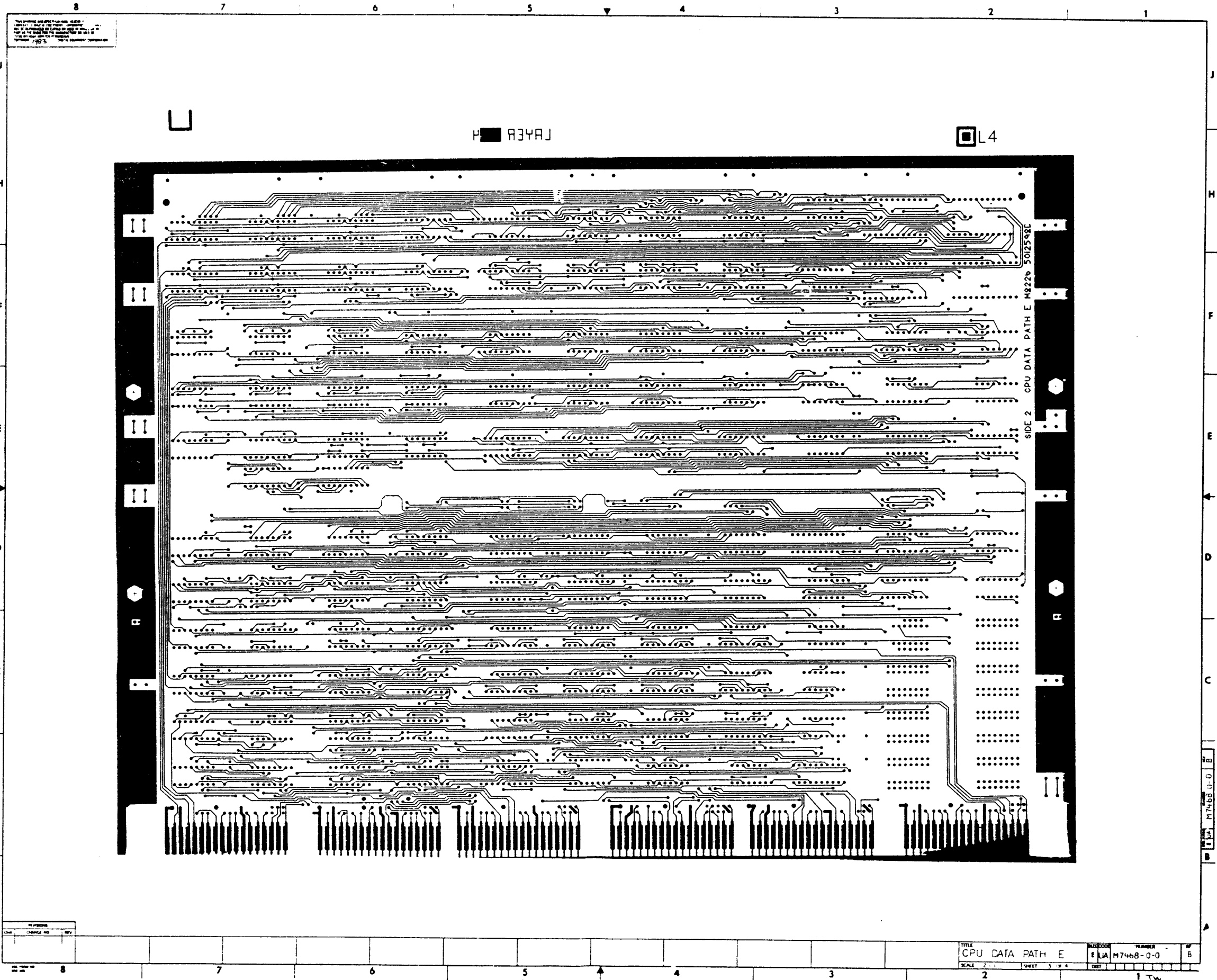
This drawing is intended for use only in connection with the M746A-0-3 CPU Data Path. It is not to be used for any other purpose without the express written consent of the manufacturer.

LAYER 1

M8286 5012598C

REV	9
NUMBER	M746A-0-3
DATE CODE	E1A
TITLE	CPU DATA PATH E
SCALE	1:1
SHEET	OF 4
DATE	
BY	
CHKD	
APP'D	
DESIGN	

E1A M746A-0-3

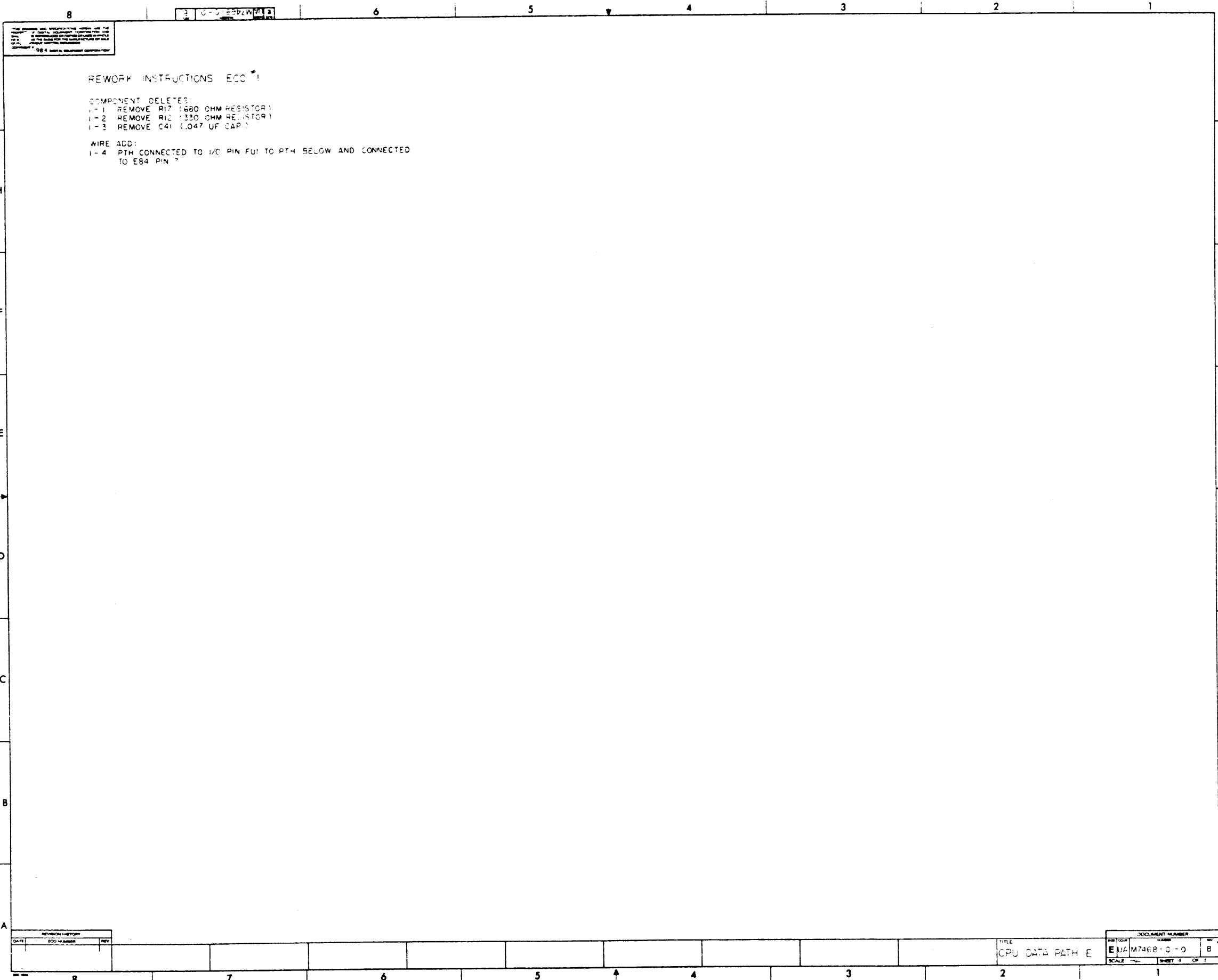


THE DRAWING AND SPECIFICATIONS HEREIN ARE THE PROPERTY OF THE UNITED STATES GOVERNMENT AND ARE TO BE USED FOR THE PURPOSES AUTHORIZED THEREBY. (40)

REV	DESCRIPTION	DATE

TITLE: CPU DATA PATH E  
 SCALE: 2:1  
 SHEET: 3 OF 4  
 DRAWN: EJA  
 NUMBER: M7468-0-0  
 CHECKED: TW





THE DIMENSIONS AND SPECIFICATIONS SHOWN ARE THE  
 RESULT OF A DESIGN AND CONSTRUCTION PROCESS  
 BASED ON THE ASSUMPTIONS OF THE  
 DESIGNER. THE DIMENSIONS OF THE  
 COMPONENTS ARE NOT GUARANTEED.

REWORK INSTRUCTIONS ECO #1

- COMPONENT DELETES:  
 1-1 REMOVE R17 (680 OHM RESISTOR)  
 1-2 REMOVE R18 (330 OHM RESISTOR)  
 1-3 REMOVE C41 (.047 UF CAP)

- WIRE ADD:  
 1-4 PTH CONNECTED TO 1/0 PIN F01 TO PTH BELOW AND CONNECTED  
 TO E84 PIN 7

REVISION HISTORY		
DATE	ECO NUMBER	REV

TITLE		DOCUMENT NUMBER	
CPU DATA PATH E		REV	REV
E	U4	M7468-C-0	B
SCALE		SHEET 4 OF 4	

8 7 6 5 4 3 2 1

LINE	ITEM	TOP DOCUMENT	PART NUMBER	MIN REV	DESCRIPTION	QTY	PER VARIATION	REFERENCE DESIGNATOR
					VARIATION REVISION LEVEL:	00		
						B1		
1	1	E-MD-5012598-0-0	5012598-00		M8226	1		
2	2		1012084-01		8 MFD 25V +75-10% AL EL	7		C1-C7
3	3		1012784-00		.047 MFD 50V +80-20% CER	36		C8-C40,C42-C44
4	4		1300247-00		120.0 .25 W 5.0 % CF	4		R1,R3,R6,R8
5	5		1300250-00		150.0 .25 W 5.0 % CF	4		R2,R4,R5,R7
6	6		1300295-00		330.0 .25 W 5.0 % CF	4		R9-R11,R13
7	7		1301424-00		680.0 .25 W 5.0 % CF	4		R14-R16,R18
8	8	BLANK			*** THIS ITEM IS NOT USED ***	-		
9	9		1921325-01		74F181 ALU,4-BIT	4		E110,E111,E121,E122
10	10		1921307-01		74F04 HEX INVERTER	5		E79,E99,E100,E120,E104
11	11		1910545-00		74S112 FF-JK DUAL,EDGE TRIG	2		E91,E92
12	12		1921321-01		74F158 MUX,QUAD,2-IN	4		E48,E58,E69,E80
13	13		1921327-01		74F194 SHIFT REG,UNIV,BIDIR	4		E5,E16,E28,E40
14	14		1921319-01		74F153 MUX,DUAL,4-IN	16		E1,E2,E14,E15,E26,E27,E36,E37, E105-E108,E116-E119
15	15		1921320-01		74F157 MUX,QUAD,2-IN	12	CONT	E6,E7,E17,E19,E29,E31,E41,E42, E51,E61,E72,E83
16	16		1921318-01		74F151 MUX,8-IN	16	CONT	E8,E9,E20,E21,E32,E33,E43,E44, E54,E55,E64,E65,E75,E76,E86,E87 E47,E68
17	17		1921720-01		10H125 TRANSLATOR ECL TO TTL	2		E3,E4,E38,E39,E57,E67,E78,E89
18	18		1921330-01		74F257 MUX,QUAD,2-IN	8		E18,E30
19	19		1921316-01		74F138 DECODER/DEMUX,1-OF-8	2		E93
20	20		1911712-00		74S51 AND-OR GATE-INVERT D	1		E98
21	21		1911983-00		74S133 NAND GATE-POSITIVE 1	1		E109
22	22		1921326-01		74F182 CARRY LOOKAHEAD GEN.	1		E94
23	23		1921308-01		74F08 AND GATE,QUAD,2-IN	1		E10,E11,E22,E23,E34,E35,E45,E46, E53,E63,E74,E85
24	24		1912586-01		85S68A REGISTER,16X4 EDGE T	12	CONT	E97
25	25		1921329-01		74F253 MUX,DUAL,4-IN	1		E56,E66,E77,E88
26	26		1921334-01		74F350 SHIFTER,4-BIT	4		

REVISION HISTORY			BASIC PART NO: M7468		DRN:	S.MANSOR	DATE:	17-OCT-83					
ENG:	ECO NUMBER	REV	SECTION A OF A		CHK'D:	T.MCCULLOUGH	DATE:	17-OCT-83					
---	INITIAL	A	SECTION VARIATION INDEX		DES.ENG:	KEITH MCLAREN	DATE:	17-OCT-83					
KM	M7468-TW001	B	(A)	00	RESP.ENG.:	KEITH MCLAREN <td>DATE:</td> <td colspan="4">17-OCT-83</td>	DATE:	17-OCT-83					
			(B)		MFG.ENG.:	M.KRYSAK <td>DATE:</td> <td colspan="4">17-OCT-83</td>	DATE:	17-OCT-83					
			(C)		ASSEMBLY NUMBER:	E-UA-M7468-0-0	TOP DOCUMENT NUMBER:	B-DD-M7468-0-0		FILE NAME:	Z3947B.PLS	EDIT #:	3
			(D)				RELEASE DATE:	16-JUL-84					
			(E)										
			(F)										
			(G)										
			(H)										
			(I)										
			(J)										
			(K)										
			(L)										
			(M)										
			(N)										

"THIS DRAWING AND THE SPECIFICATIONS CONTAINED HEREIN ARE CONFIDENTIAL AND PROPRIETARY. THEY ARE THE PROPERTY OF DIGITAL EQUIPMENT CORPORATION AND SHALL NOT BE REPRODUCED OR COPIED OR USED IN WHOLE OR IN PART AS THE BASIS FOR THE MANUFACTURE OR SALE OF ITEMS WITHOUT WRITTEN PERMISSION. THIS IS AN UNPUBLISHED WORK PROTECTED UNDER THE FEDERAL COPYRIGHT LAWS."

AUTOMATED BY PRTLST,5R(55)

P A R T S L I S T

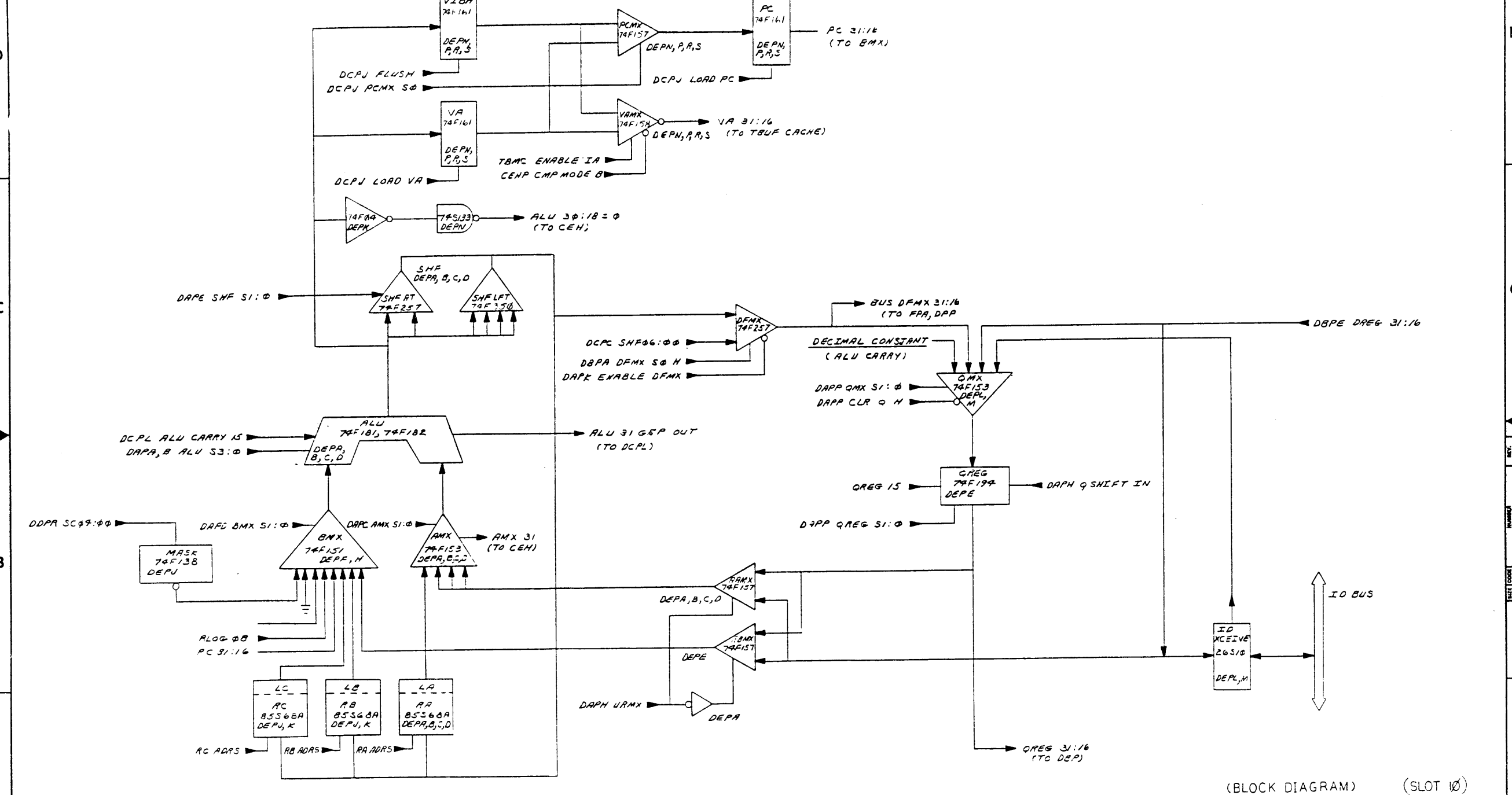
SHEET A2 OF A2

LINE ITEM	TOP DOCUMENT	PART NUMBER	MIN REV	DESCRIPTION	QTY	PER VARIATION	REFERENCE DESIGNATOR
				VARIATION REVISION LEVEL:	00		
					B1		
27	27	1912746-01		74S37-1BUFFER-GATE	1		E96
28	28	1921322-01		74F161 BINARY COUNTER,PRESE	12		E49,E50,E59,E60,E70,E71,E81,E82, E52,E62,E73,ER4
						CONT	
29	29	1921008-01		74F240 BUFFER/LINE DRIVER,I	1		E90
30	30	1921009-01		74F241 BUFFER/LINE DRIVER,N	1		E95
31	31	1913788-00		26S10 TRANSCEIVER,BUS,QUA	4		E12,E13,E24,E25
32	32	1216988-02		HANDLE,MODULE,HEX TWO EJECTORS	1		
33	33	9000024-01		EYELET,ROLLED 0.1210DX0.192	12		
34	34	9105740-55		WIRE(WRAP) 30AWG KYNAR UL14	A/R		

35 NOTE: SPARE I.C. LOCATIONS ARE E101-E103,E112-E115

D I G I T A L	TITLE D.E.P.	SECTION A OF A	SIZE K	CODE PL	DOCUMENT NUMBER M7468-0-08P	REV B
---------------	-----------------	----------------	-----------	------------	--------------------------------	----------

THIS DRAWING AND SPECIFICATIONS HEREIN ARE THE PROPERTY OF DIGITAL EQUIPMENT CORPORATION AND SHALL NOT BE REPRODUCED OR COPIED OR USED IN WHOLE OR IN PART AS THE BASIS FOR THE MANUFACTURE OR SALE OF ITEMS WITHOUT WRITTEN PERMISSION.  
 COPYRIGHT © 1983, DIGITAL EQUIPMENT CORPORATION



REV	DATE	BY	CHK
1	10-1-83	M. J. WOOD	K. MCLAREN
2	10-1-83	M. J. WOOD	K. MCLAREN
3	10-1-83	M. J. WOOD	K. MCLAREN
4	10-1-83	M. J. WOOD	K. MCLAREN
5	10-1-83	M. J. WOOD	K. MCLAREN
6	10-1-83	M. J. WOOD	K. MCLAREN
7	10-1-83	M. J. WOOD	K. MCLAREN
8	10-1-83	M. J. WOOD	K. MCLAREN

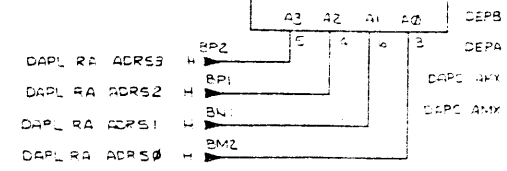
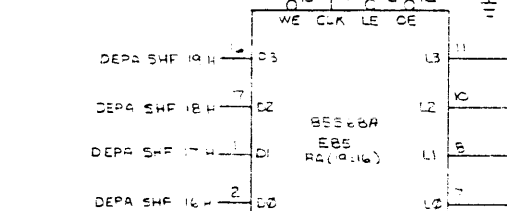
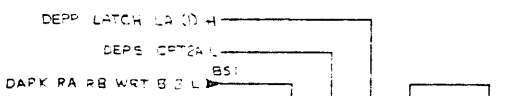
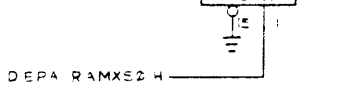
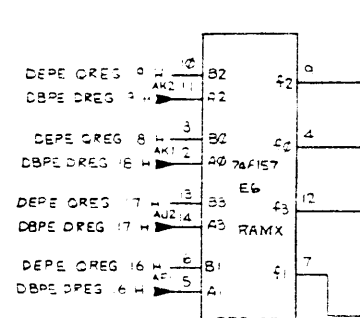
(BLOCK DIAGRAM) (SLOT 10)

DRN	2	FIRST USED ON	digital
CHK'D	2-11-83	TITLE	DATA PATH 31:16
ENG'D	M. J. WOOD	PROJ. ENGR	M. J. WOOD
PROJ. ENGR	M. J. WOOD	PROJ. MGR	M. J. WOOD
NEXT HIGHER ASSY.		SIZE	D
		CODE	CS
		NUMBER	M7468-0-0
		REV.	B
SCALE	1 OF 17	DIST	

THIS DRAWING AND SPECIFICATIONS HEREIN ARE THE PROPERTY OF DIGITAL EQUIPMENT CORPORATION AND SHALL NOT BE REPRODUCED OR COPIED IN WHOLE OR IN PART AS THE BASIS FOR THE MANUFACTURE OR SALE OF ITEMS WITHOUT WRITTEN PERMISSION. COPYRIGHT © 1973 DIGITAL EQUIPMENT CORPORATION.

RAMX-74F57

STB	SO	RAMX
H	X	FN+L
L	L	DREG
L	H	CPREG

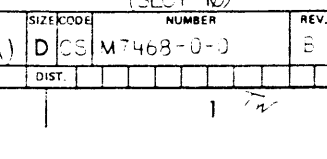
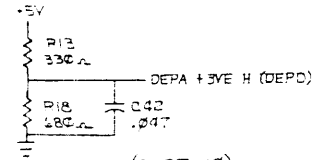
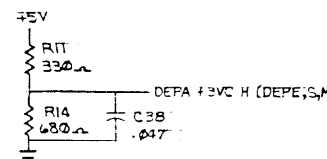
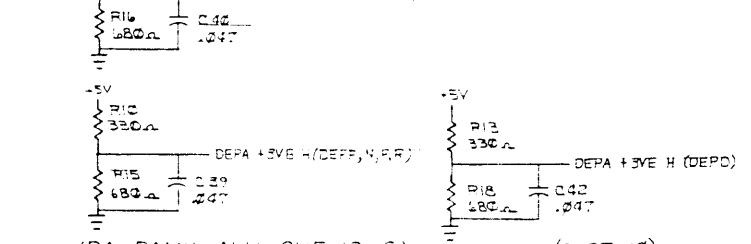
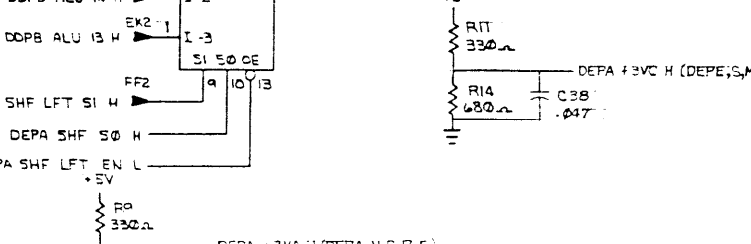
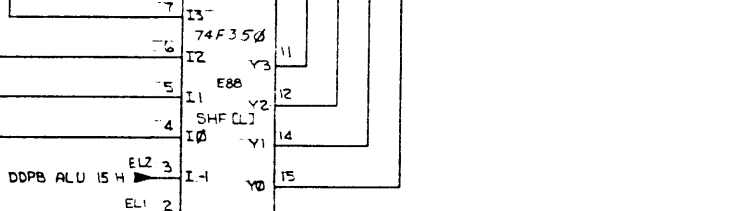
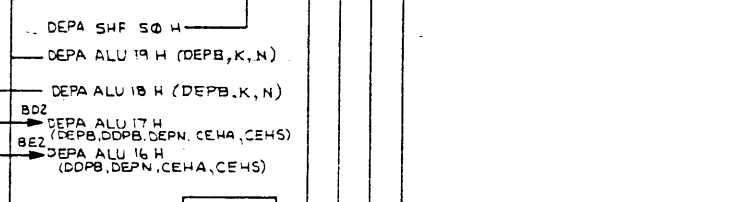
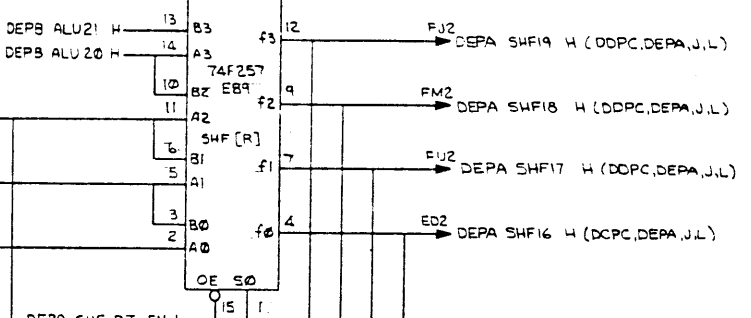
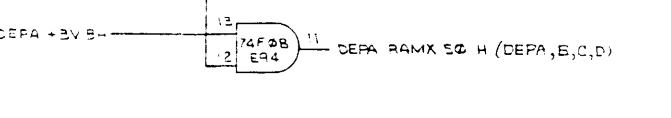
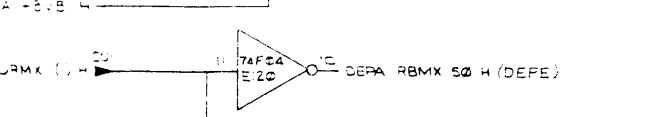
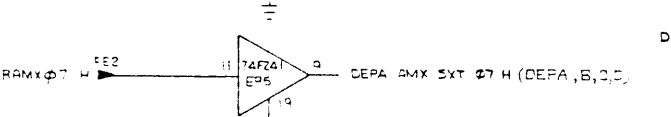
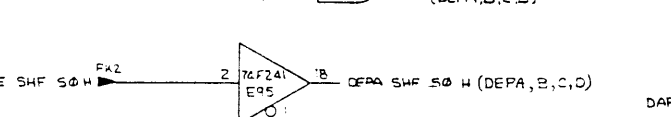
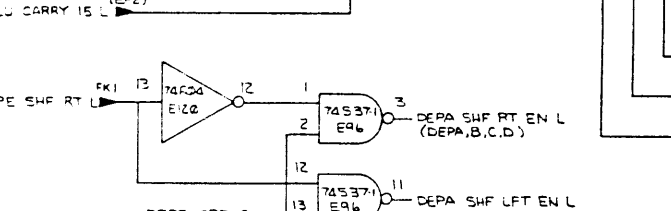
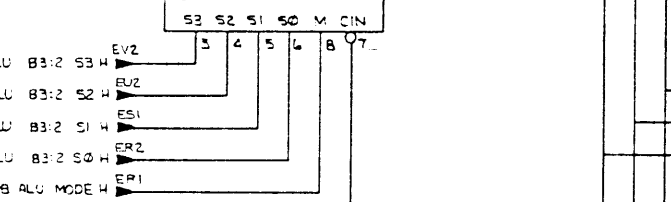
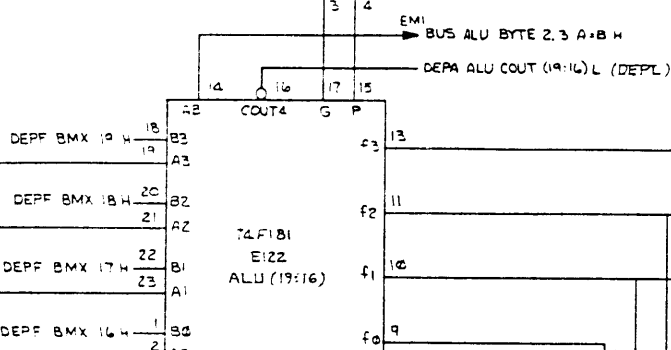
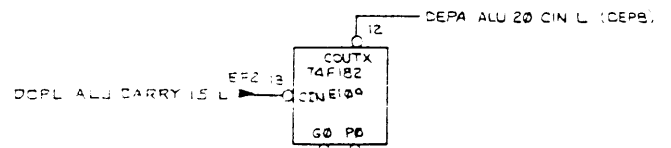
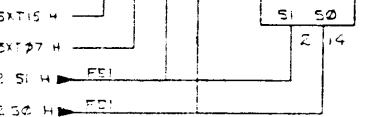
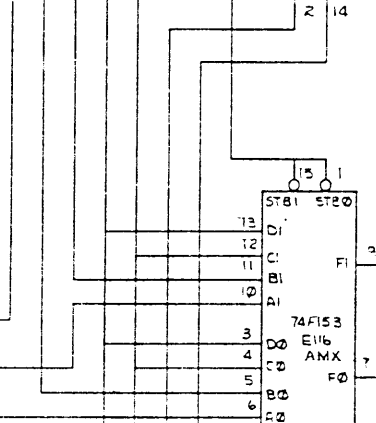
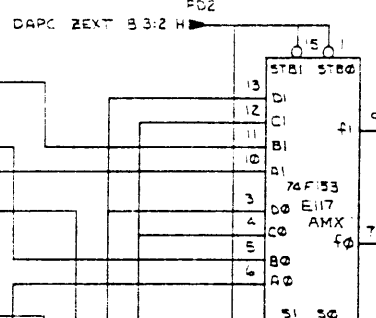


RAM-55166A

LR	WE	CLK	RA	FUNCT
H	X	X	X	L
L	L	L	L	L
L	L	L	H	L
L	L	L	L	C

74F157

STB	S1	S2	F
H	X	X	L
L	L	L	L
L	L	L	H
L	L	L	C



(RA, RAMX, ALU, SHF 19:16) (SLOT 10)

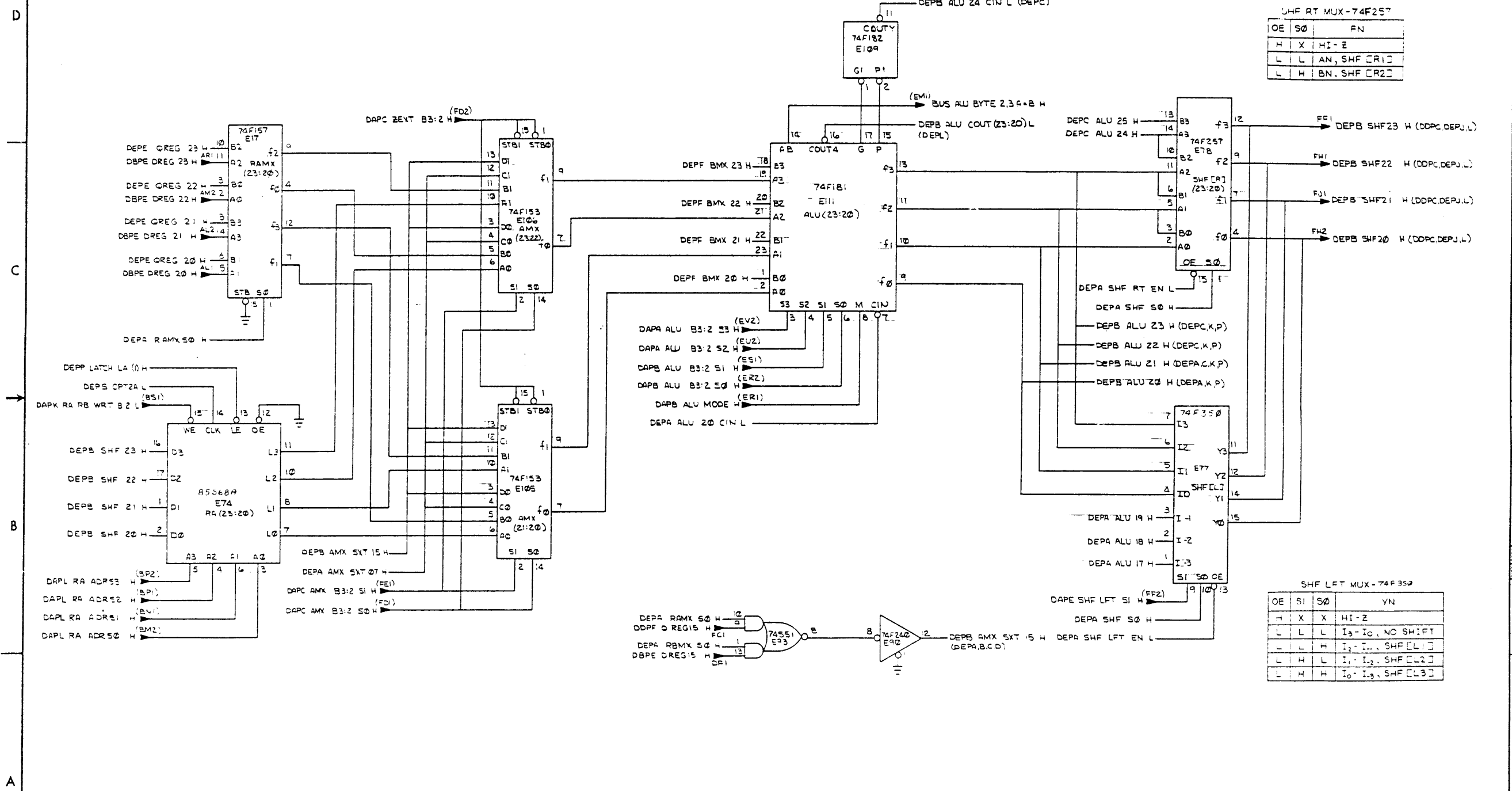
TITLE: DATA PATH 3:16 (DEPA) SIZE/COOE: DCS NUMBER: M7468-0-0 REV: B

SCALE: NONE SHEET: 2 OF 17 DIST:

REVISIONS

CHK	CHANGE NO	REV

THIS DRAWING AND SPECIFICATIONS HEREIN ARE THE PROPERTY OF DIGITAL EQUIPMENT CORPORATION AND SHALL NOT BE REPRODUCED OR COPIED OR USED IN WHOLE OR IN PART AS THE BASIS FOR THE MANUFACTURE OR SALE OF ITEMS WITHOUT WRITTEN PERMISSION. COPYRIGHT © 1973 DIGITAL EQUIPMENT CORPORATION



SHF RT MUX - 74F257

OE	S0	FN
H	X	HI-Z
L	L	AN, SHF [R1]
L	H	BN, SHF [R2]

SHF LFT MUX - 74F350

OE	S1	S0	YN
H	X	X	HI-Z
L	L	L	I <sub>3</sub> -I <sub>0</sub> , NO SHIFT
L	L	H	I <sub>2</sub> -I <sub>0</sub> , SHF [L1]
L	H	L	I <sub>1</sub> -I <sub>0</sub> , SHF [L2]
L	H	H	I <sub>0</sub> -I <sub>0</sub> , SHF [L3]

REVISIONS		
CHK	CHANGE NO	REV

THIS DRAWING AND SPECIFICATIONS HEREIN ARE THE PROPERTY OF DIGITAL EQUIPMENT CORPORATION AND SHALL NOT BE REPRODUCED OR COPIED OR USED IN WHOLE OR IN PART AS THE BASIS FOR THE MANUFACTURE OR SALE OF ITEMS WITHOUT WRITTEN PERMISSION. COPYRIGHT © 1973 DIGITAL EQUIPMENT CORPORATION

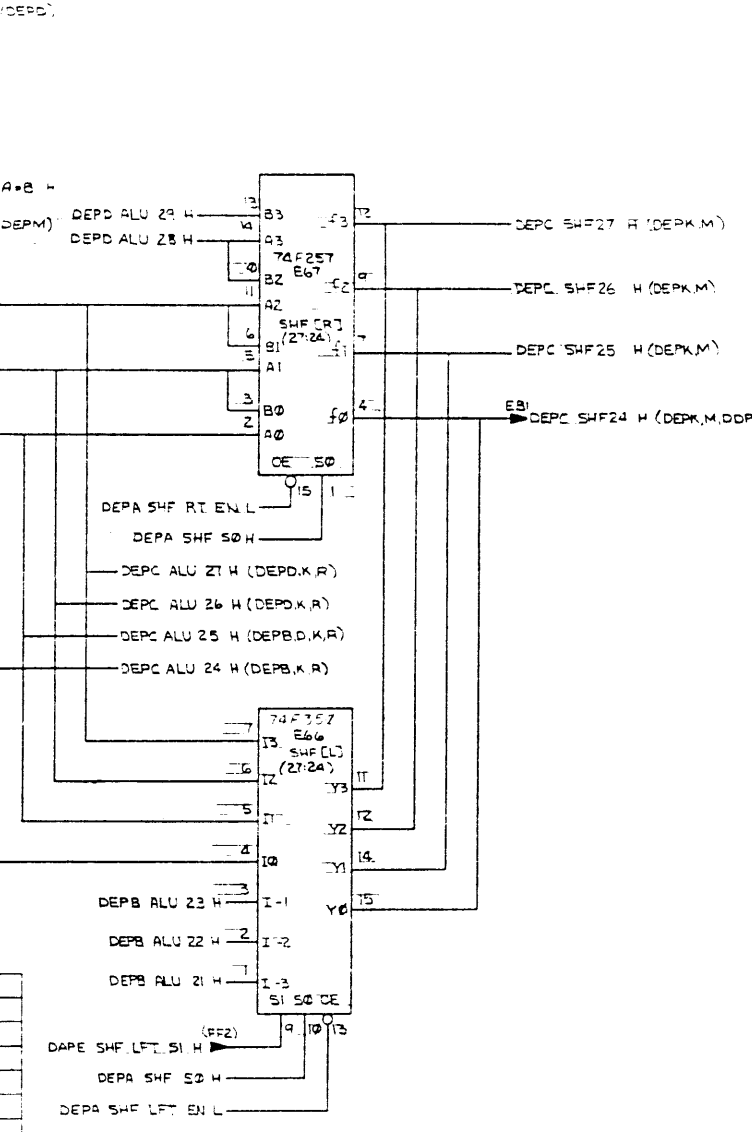
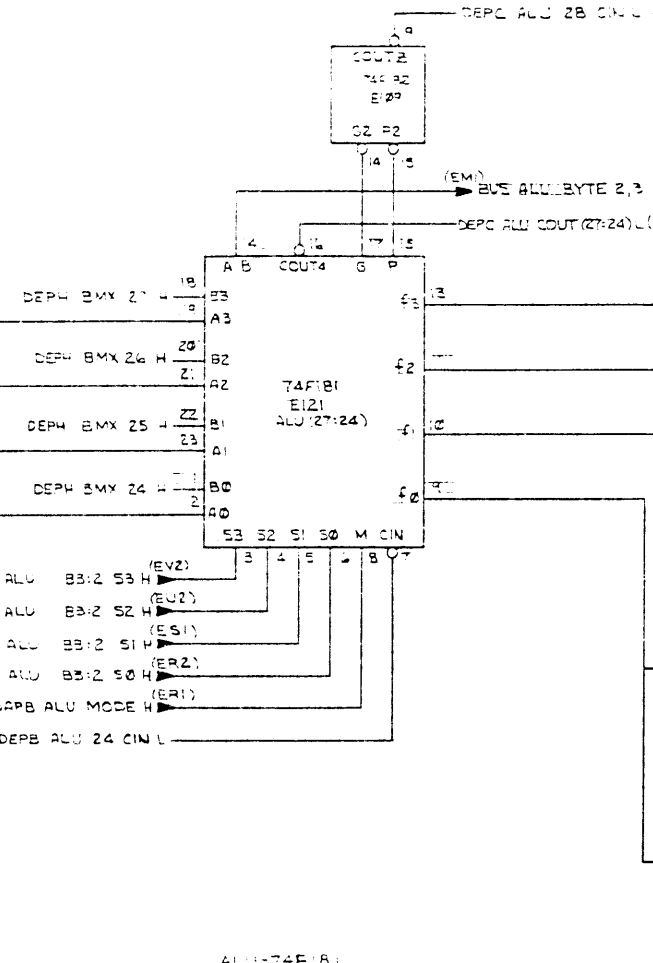
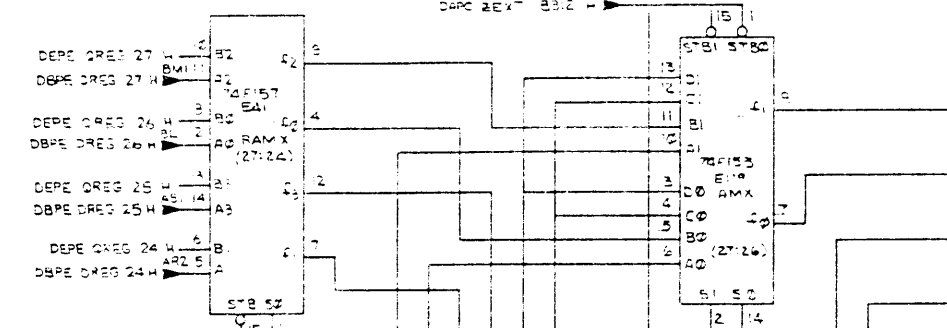
D  
C  
B  
A

D  
C  
B  
A

STB	S2	FN
-	-	-
-	-	-
-	-	-
-	-	-

STB	S2	FN
-	-	-
-	-	-
-	-	-
-	-	-
-	-	-



SELECTION	MATH FUNCT	MATH (NO CARRY)	MATH (WITH CARRY)
S3 S2 S1 S0	FN	F	F
L - - -	F0	F+A	F+A PLUS 1
L - - -	F1	F+A-B	F+(A+B) PLUS 1
- L - -	F2	F+A-B	F+(A-B) PLUS 1
- L - -	F3	F MINUS 1 (2's COMPL)	F ZERO
- - - L	F4	F+A PLUS AB	F+A PLUS AB PLUS 1
- - - L	F5	F+(A-B) PLUS AB	F+(A-B) PLUS AB PLUS 1
- - - L	F6	F+A MINUS B MINUS 1	F+A MINUS B
- - - L	F7	F+AB	F+AB
- - - L	F8	F+AB	F+A PLUS AB PLUS 1
- - - L	F9	F+AB MINUS 1	F+AB
- - - L	F10	F+A PLUS A	F+A PLUS A PLUS 1
- - - L	F11	F+(A+B) PLUS A	F+(A+B) PLUS A PLUS 1
- - - L	F12	F+(A+B) PLUS A	F+(A+B) PLUS A PLUS 1
- - - L	F13	F+A MINUS 1	F+A

LE	WE	CLK	RA FUNCT
-	-	X	NCHOP
-	-	X	STORE, RAMS, SR
-	-	X	LATCH, LATCH

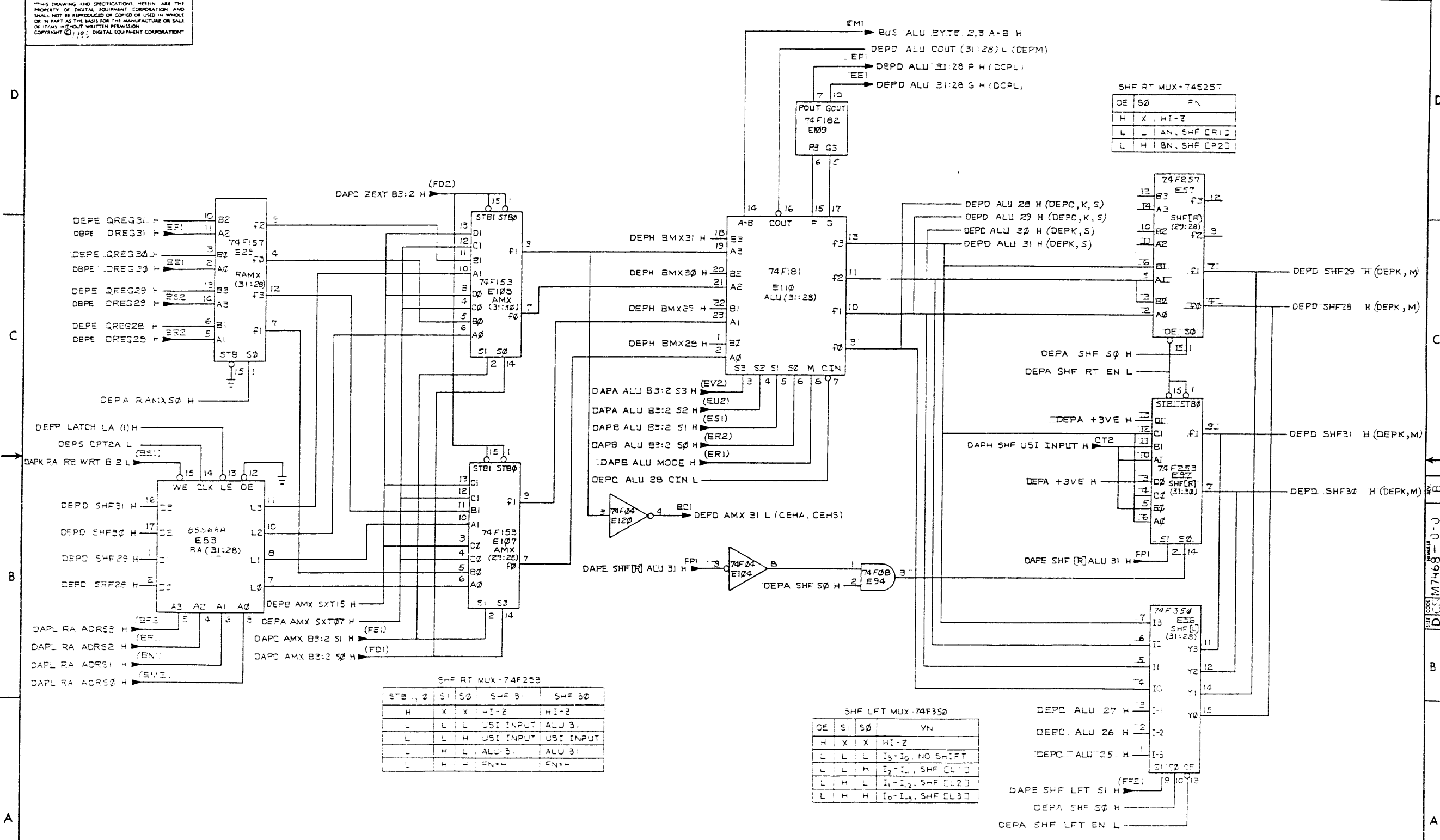
CHK	CHANGE NO	REV

(RA, RAMX, AMX, ALU, SHF 27:24) (SLOT 10)

TITLE	SIZE CODE	NUMBER	REV.
DATA PATH 31:16 (DEPK)	D03	M7468-0-0	5

SCALE NONE SHEET 4 OF 17 DIST.

THIS DRAWING AND SPECIFICATIONS HEREIN ARE THE PROPERTY OF DIGITAL EQUIPMENT CORPORATION AND SHALL NOT BE REPRODUCED OR COPIED OR USED IN WHOLE OR IN PART AS THE BASIS FOR THE MANUFACTURE OR SALE OF ITEMS WITHOUT WRITTEN PERMISSION. COPYRIGHT © 1975 DIGITAL EQUIPMENT CORPORATION



SHF RT MUX-74F257

OE	S0	FN
H	X	HI-Z
L	L	AN. SHF ER13
L	H	BN. SHF CP23

SHF RT MUX-74F253

STB	S1	S0	SHF B1	SHF B0
H	X	X	HI-Z	HI-Z
L	L	L	USI INPUT	ALU B1
L	L	H	USI INPUT	USI INPUT
L	H	L	ALU B1	ALU B1
L	H	H	FN=H	FN=H

SHF LFT MUX-74F354

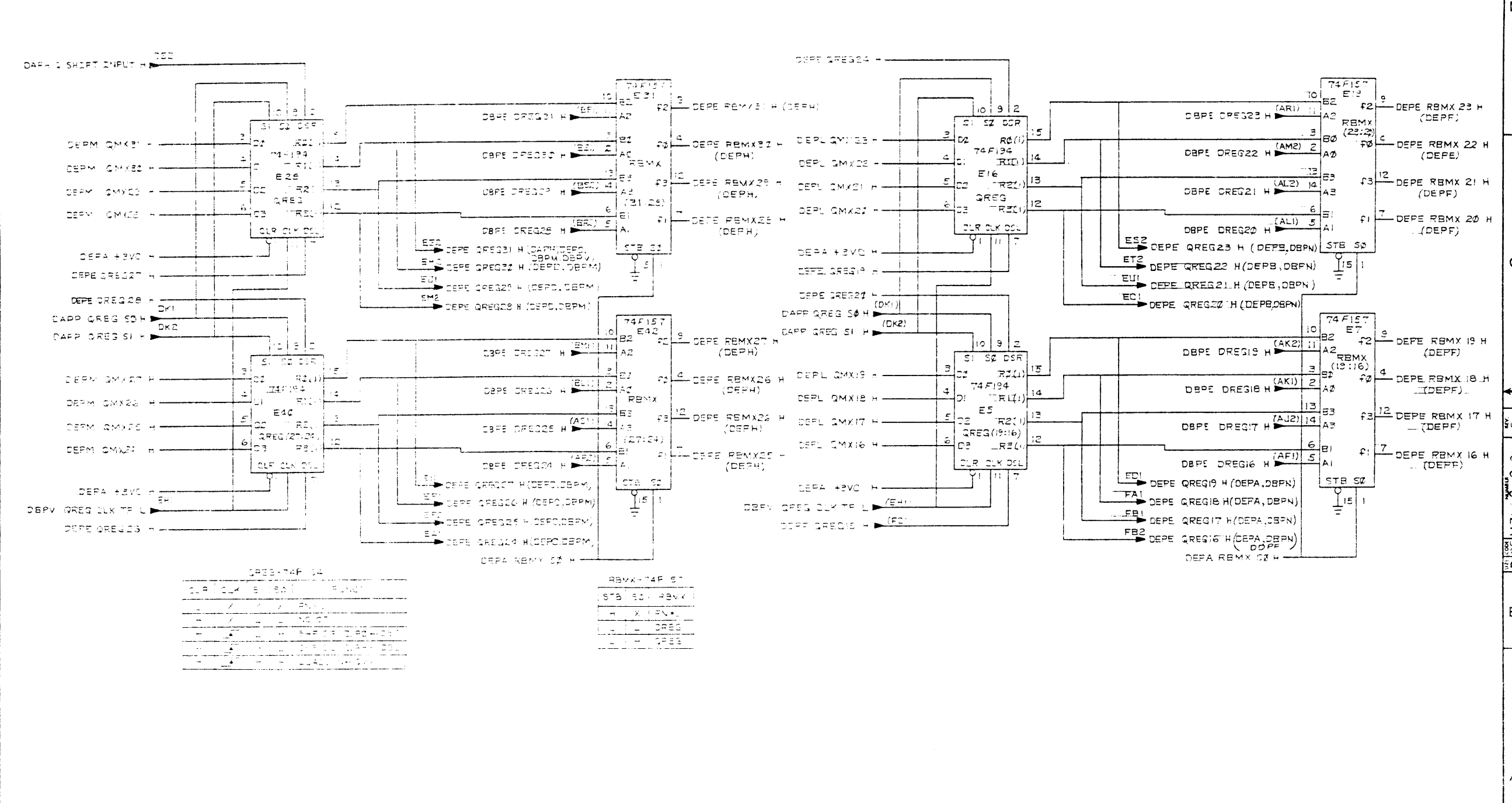
OE	S1	S0	FN
H	X	X	HI-Z
L	L	L	I3-I0, NO SHIFT
L	L	H	I2-I1, SHF CL1D
L	H	L	I1-I0, SHF CL2D
L	H	H	I0-I3, SHF CL3D

REVISIONS

CHK	CHANGE NO	REV



THIS DRAWING AND SPECIFICATIONS HEREIN ARE THE PROPERTY OF DIGITAL EQUIPMENT CORPORATION AND SHALL NOT BE REPRODUCED OR COPIED OR IN WHOLE OR IN PART AS THE BASIS FOR THE MANUFACTURE OR SALE OF ITEMS WITHOUT WRITTEN PERMISSION. COPYRIGHT © 1973 DIGITAL EQUIPMENT CORPORATION



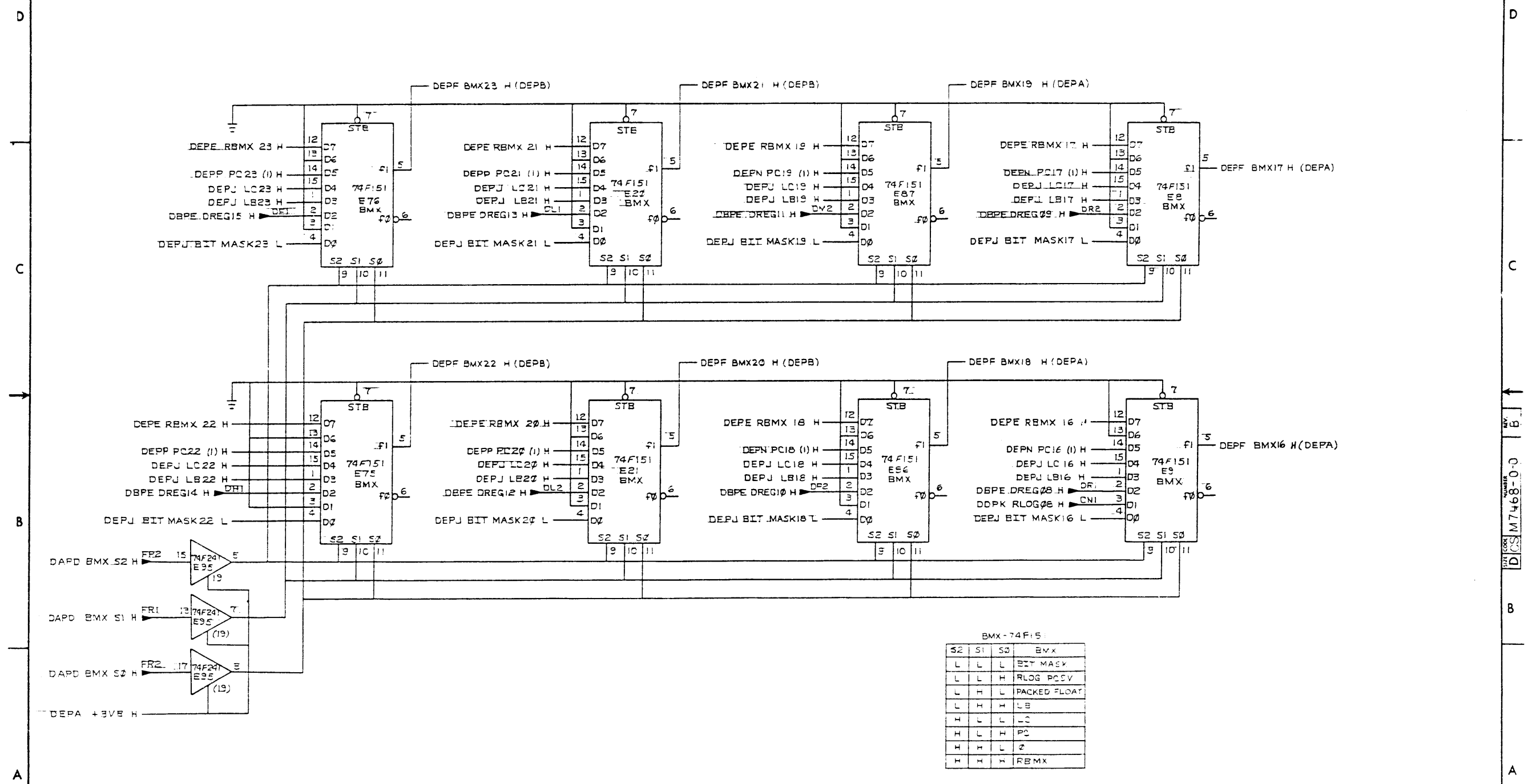
QREG-74F 54

CLR CLK DEL	STB	EN	SA	FUNCTION
1	15	1	1	QREG
2	15	1	1	QREG
3	15	1	1	QREG
4	15	1	1	QREG
5	15	1	1	QREG
6	15	1	1	QREG
7	15	1	1	QREG
8	15	1	1	QREG
9	15	1	1	QREG
10	15	1	1	QREG
11	15	1	1	QREG
12	15	1	1	QREG
13	15	1	1	QREG
14	15	1	1	QREG
15	15	1	1	QREG

RBMx-74F 57

STB	EN	RBMx	FUNCTION
1	1	1	RBMx
2	1	1	RBMx
3	1	1	RBMx
4	1	1	RBMx
5	1	1	RBMx
6	1	1	RBMx
7	1	1	RBMx
8	1	1	RBMx
9	1	1	RBMx
10	1	1	RBMx
11	1	1	RBMx
12	1	1	RBMx
13	1	1	RBMx
14	1	1	RBMx
15	1	1	RBMx

THIS DRAWING AND SPECIFICATIONS HEREIN ARE THE PROPERTY OF DIGITAL EQUIPMENT CORPORATION AND SHALL NOT BE REPRODUCED OR COPIED OR USED IN WHOLE OR IN PART AS THE BASIS FOR THE MANUFACTURE OR SALE OF ITEMS WITHOUT WRITTEN PERMISSION. COPYRIGHT © 1983 DIGITAL EQUIPMENT CORPORATION



REVISIONS		
CHK	CHANGE NO.	REV.

8 7 6 5 4 3 2 1

D

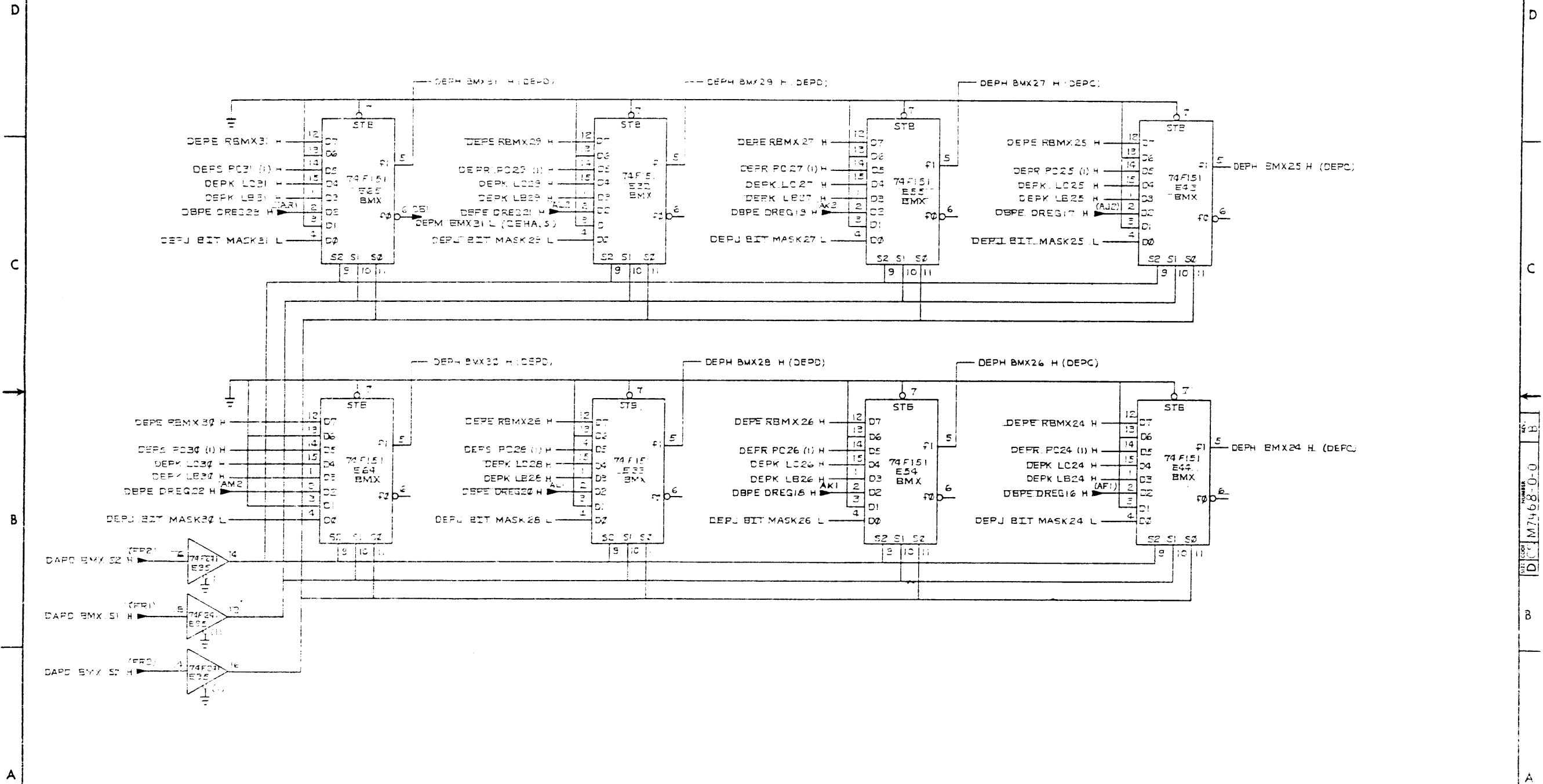
C

B

A

8 7 6 5 4 3 2 1

THIS DRAWING AND SPECIFICATIONS HEREIN ARE THE PROPERTY OF DIGITAL EQUIPMENT CORPORATION AND SHALL NOT BE REPRODUCED OR COPIED OR USED IN WHOLE OR IN PART AS THE BASIS FOR THE MANUFACTURE OR SALE OF ITEMS WITHOUT WRITTEN PERMISSION. COPYRIGHT © 1973, DIGITAL EQUIPMENT CORPORATION.

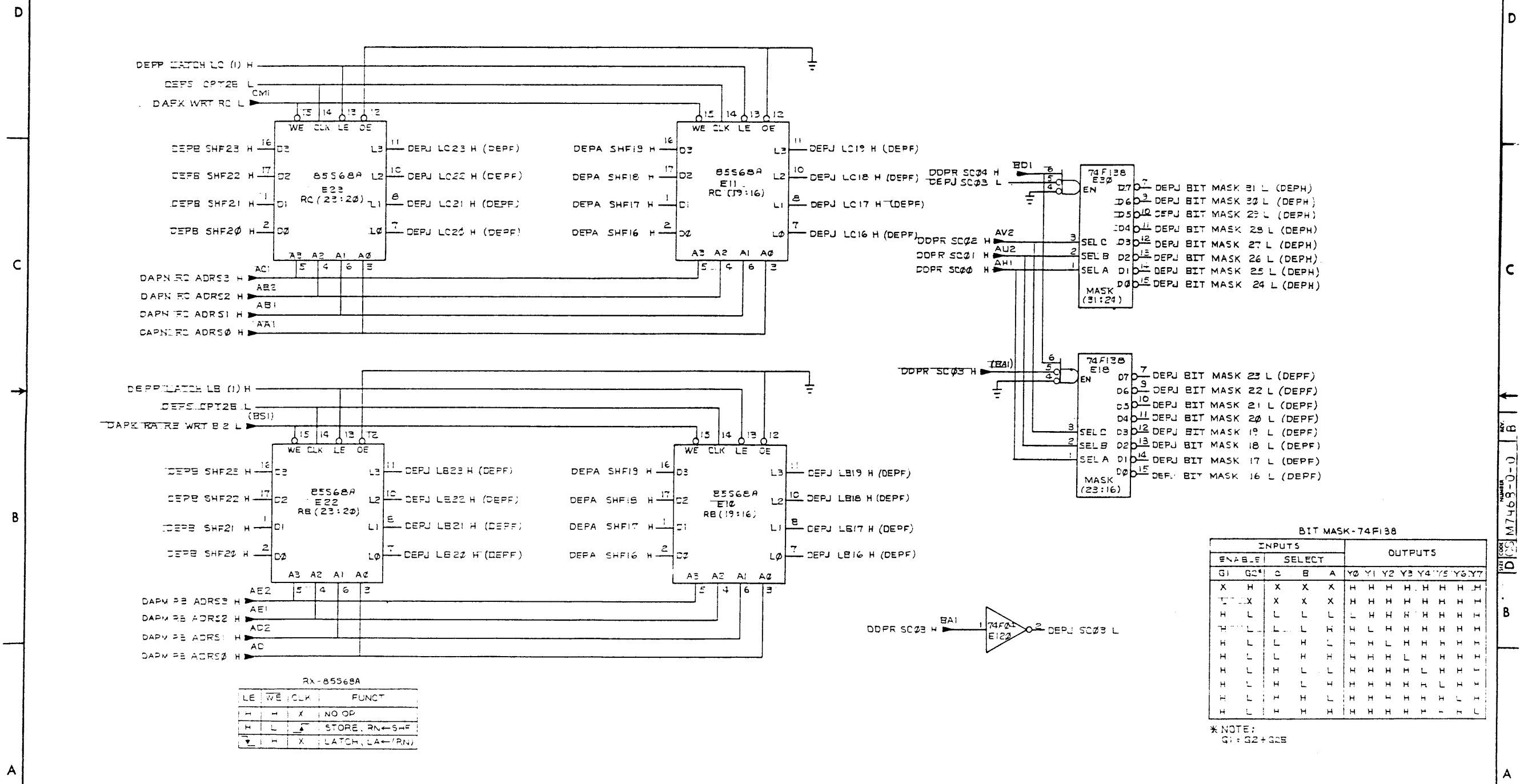


REVISIONS		
CHK	CHANGE NO.	REV.

TITLE		SIZE CODE	NUMBER	REV.
DATA PATH 31:16 (DEPH)		D 05	M7-63-0-0	B
SCALE	SHEET	DIST.		
NONE	8 OF 17			

DRAWING NUMBER M7-63-0-0

THIS DRAWING AND SPECIFICATIONS HEREIN ARE THE PROPERTY OF DIGITAL EQUIPMENT CORPORATION AND SHALL NOT BE REPRODUCED OR COPIED OR USED IN WHOLE OR IN PART AS THE BASIS FOR THE MANUFACTURE OR SALE OF ITEMS WITHOUT WRITTEN PERMISSION. COPYRIGHT © 1993 DIGITAL EQUIPMENT CORPORATION.



RX-85568A

LE	WE	CLK	FUNCT
H	H	X	NO OP
H	L	X	STORE, RN←SHF
L	H	X	LATCH, LA←(RN)

BIT MASK-74F138

INPUTS			OUTPUTS							
EN	A	B	Y0	Y1	Y2	Y3	Y4	Y5	Y6	Y7
X	H	X	X	X	X	X	X	X	X	X
X	L	X	X	X	X	X	X	X	X	X
H	L	L	L	L	L	L	L	L	L	L
H	L	L	L	L	L	L	L	L	L	L
H	L	L	L	L	L	L	L	L	L	L
H	L	L	L	L	L	L	L	L	L	L
H	L	L	L	L	L	L	L	L	L	L
H	L	L	L	L	L	L	L	L	L	L

\* NOTE:  
G1 = G2 + G2B

REVISIONS

CHK	CHANGE NO	REV

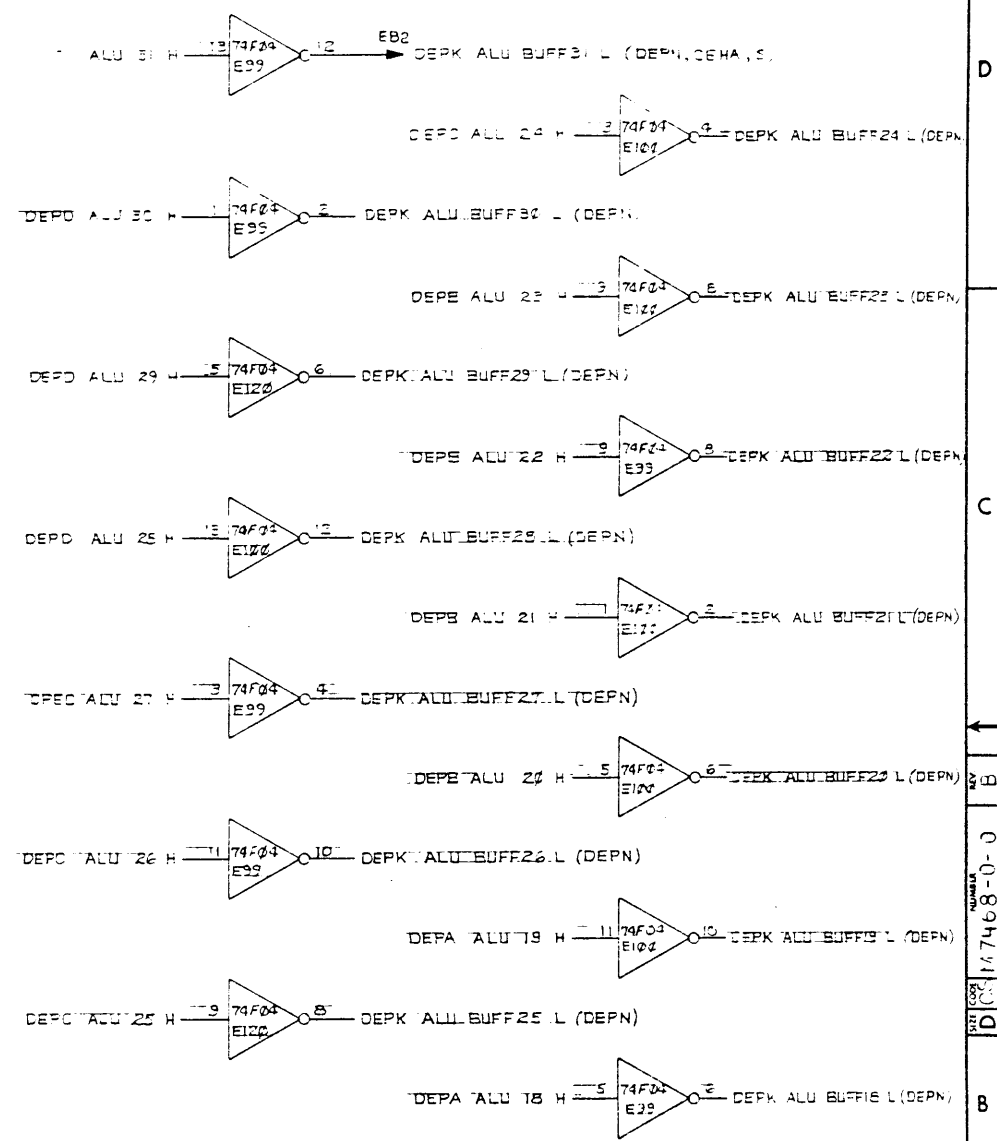
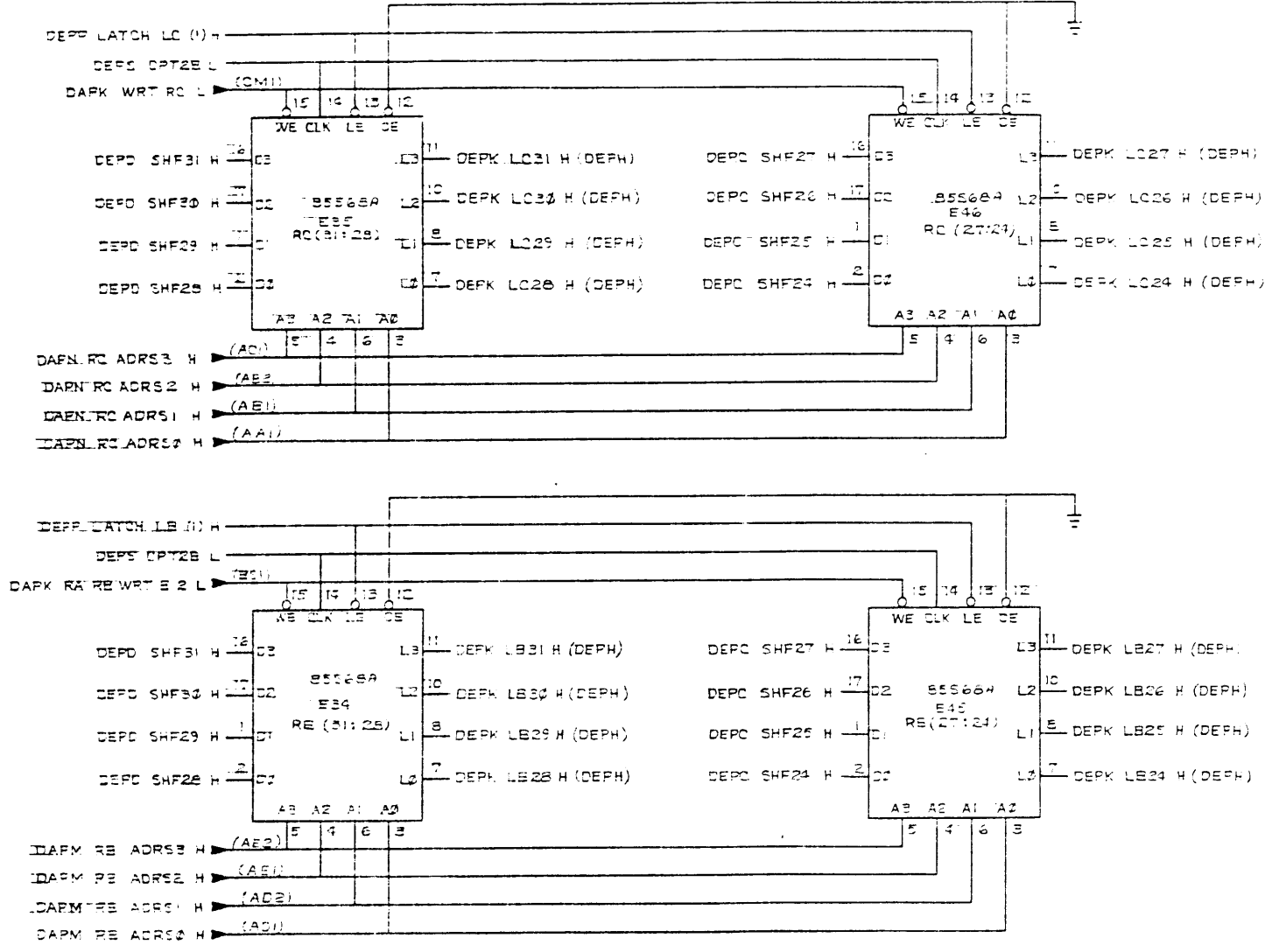
(RB, RC 23:16 E BIT MASK) (SLOT 10)

TITLE	SIZE CODE	NUMBER	REV.
DATA PATH 31:16 (DEPJ)	D CS	M7463-0-0	B
SCALE NONE	SHEET 9 OF 17	DIST.	

THIS DRAWING AND SPECIFICATIONS HEREIN ARE THE PROPERTY OF DIGITAL EQUIPMENT CORPORATION AND SHALL NOT BE REPRODUCED OR COPIED OR USED IN WHOLE OR IN PART AS THE BASIS FOR THE MANUFACTURE OR SALE OF ITEMS WITHOUT WRITTEN PERMISSION. COPYRIGHT © 1975 DIGITAL EQUIPMENT CORPORATION.

D  
C  
B  
A

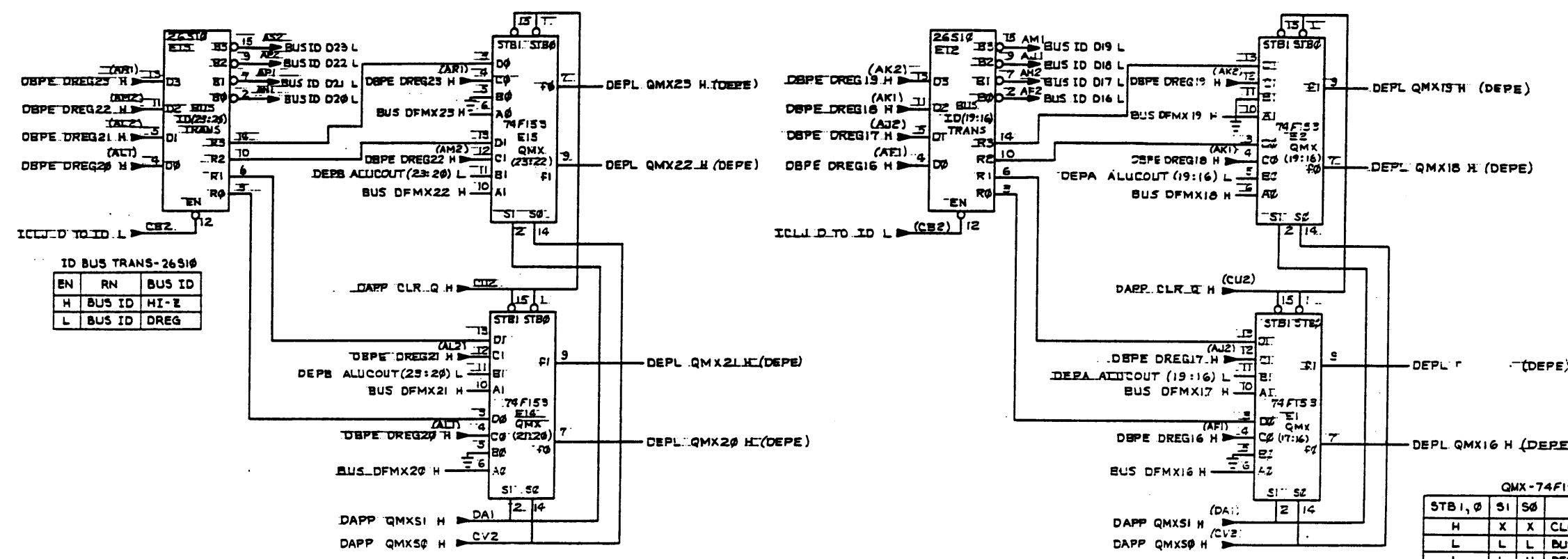
D  
C  
B  
A



REVISIONS		
CHK	CHANGE NO	REV

(RE RC 31:24 ALU BUFFERS)		(SLOT 10)	
TITLE	SIZE CODE	NUMBER	REV.
DATA PATH 31:16 (DEPK)	D	CS M7463 - 0-0	B
SCALE NONE	SHEET 10 OF 17	DIST.	

THE SHOWN AND DESCRIBED HERE, ARE THE  
 THE SHOWN AND DESCRIBED HERE, ARE THE  
 THE SHOWN AND DESCRIBED HERE, ARE THE



ID BUS TRANS-26310

EN	RN	BUS ID
H	BUS ID	HI-Z
L	BUS ID	DREG

QMX-74F153

STB1, 0	S1	S0	QMX
H	X	X	CLR QREG, FN=L
L	L	L	BUS DFMX
L	L	H	DEC: CONST
L	H	L	DREG
L	H	H	BUS ID, RLN

BUS DFMX-74F257

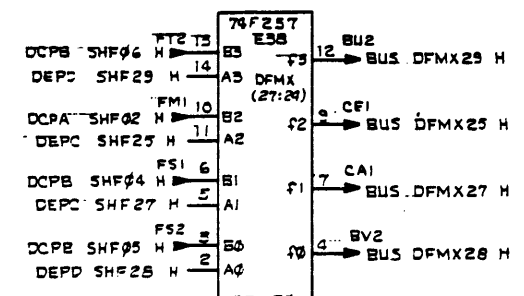
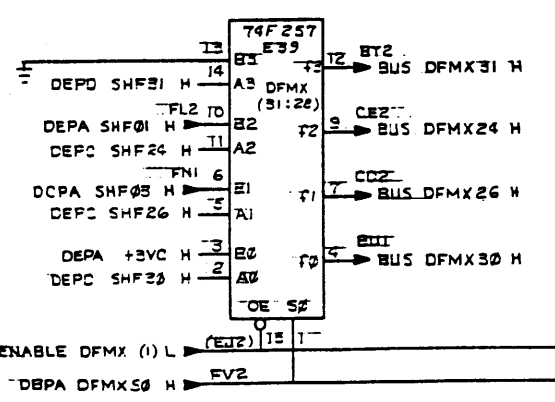
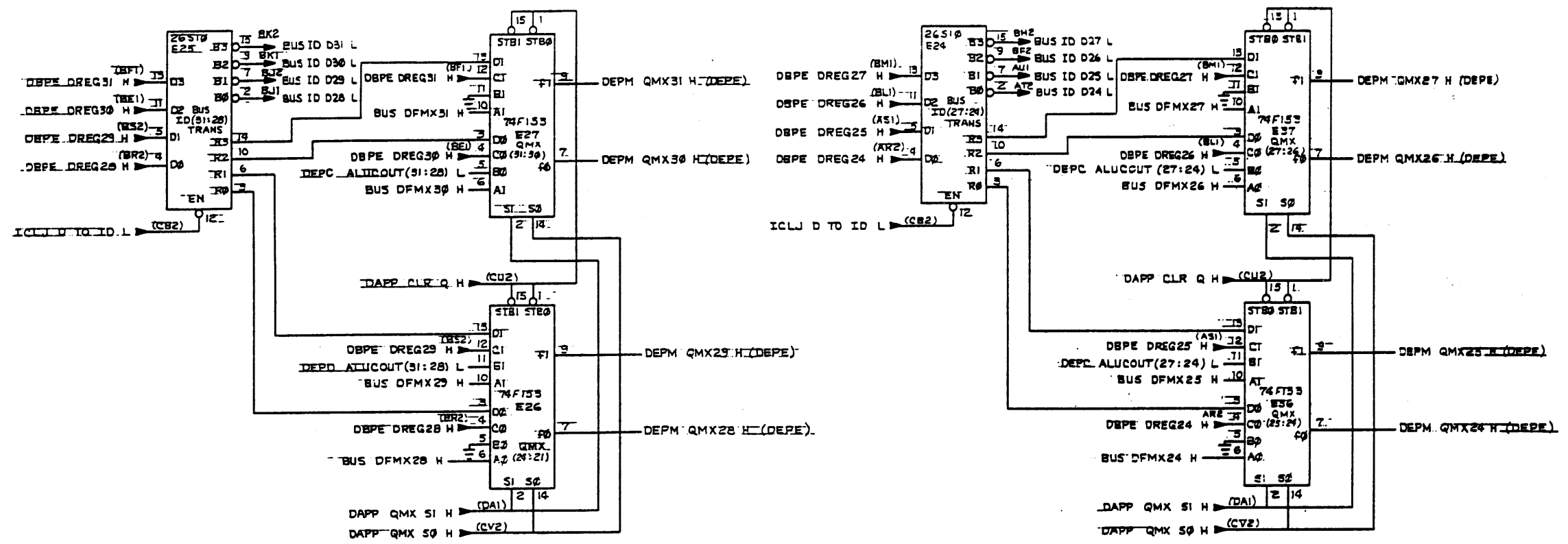
OE	S0	BUS DFMX
H	X	HI-Z
L	L	SHF, INTEGER
L	H	SHF, UNPACKED FLOAT

REVISIONS

CHK	CHANGE NO.	REV.

DCS M7468-0-0-1 B

THIS DRAWING AND SPECIFICATIONS HEREIN ARE THE PROPERTY OF DIGITAL EQUIPMENT CORPORATION AND SHALL NOT BE REPRODUCED OR COPIED OR USED IN WHOLE OR IN PART AS THE BASIS FOR THE MANUFACTURE OR SALE OF ITEMS WITHOUT WRITTEN PERMISSION. COPYRIGHT © 1983 DIGITAL EQUIPMENT CORPORATION



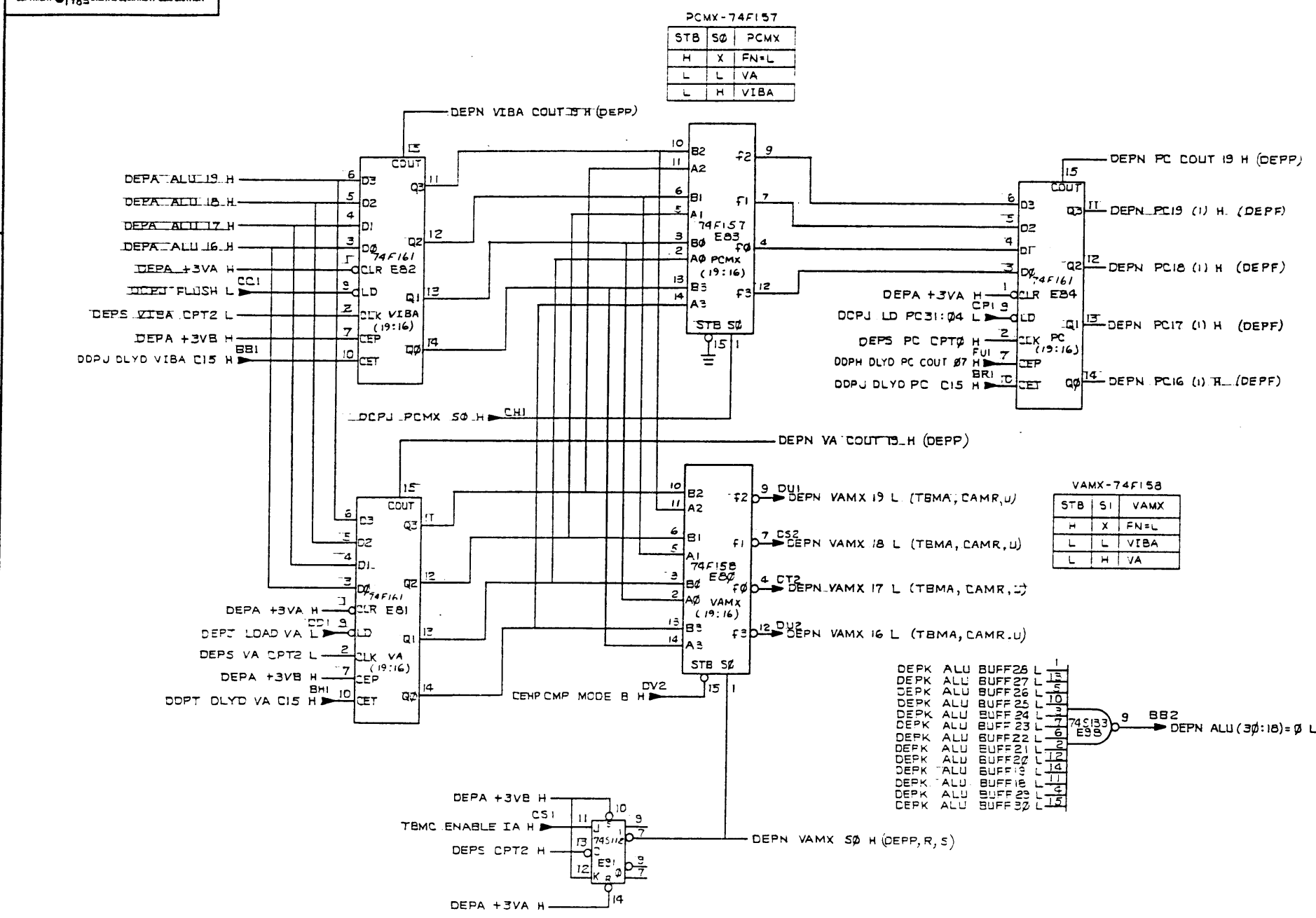
REVISIONS		
CHK	CHANGE NO.	REV.

(DFMX QMX ID BUS TRANCEIVERS 31:24)				(SLOT 10)			
TITLE				DRAWING NO.		NUMBER	
DATA PATH 31:16 (DEPM)				DCS M7468 -0-0		B	
SCALE		SHEET		DST.		REV.	
NONE		12 OF 17					

THIS DRAWING AND SPECIFICATIONS HEREIN ARE THE PROPERTY OF DIGITAL EQUIPMENT CORPORATION AND SHALL NOT BE REPRODUCED OR COPIED OR USED IN WHOLE OR IN PART AS THE BASIS FOR THE MANUFACTURE OR SALE OF ITEMS WITHOUT WRITTEN PERMISSION. COPYRIGHT © 1983 DIGITAL EQUIPMENT CORPORATION

D  
C  
B  
A

D  
C  
B  
A



PCMX-74F157

STB	S0	PCMX
H	X	FN=L
L	L	VA
L	H	VIBA

VA, VIBA, PC-74F161

CLR	LD	CLK	CEP	GET	FUNCT
L	X	X	X	X	CLR, FN=L
H	L	L	X	X	LOAD, FN=ALU
H	H	L	H	L	INC, FN=FN
H	H	L	H	H	INC, FN=FN+1

VAMX-74F158

STB	S1	VAMX
H	X	FN=L
L	L	VIBA
L	H	VA

- DEPK ALU BUFF25 L 13
- DEPK ALU BUFF27 L 15
- DEPK ALU BUFF26 L 10
- DEPK ALU BUFF25 L 10
- DEPK ALU BUFF24 L 7
- DEPK ALU BUFF23 L 6
- DEPK ALU BUFF22 L 2
- DEPK ALU BUFF21 L 12
- DEPK ALU BUFF20 L 14
- DEPK ALU BUFF19 L 11
- DEPK ALU BUFF18 L 14
- DEPK ALU BUFF17 L 14

REVISIONS

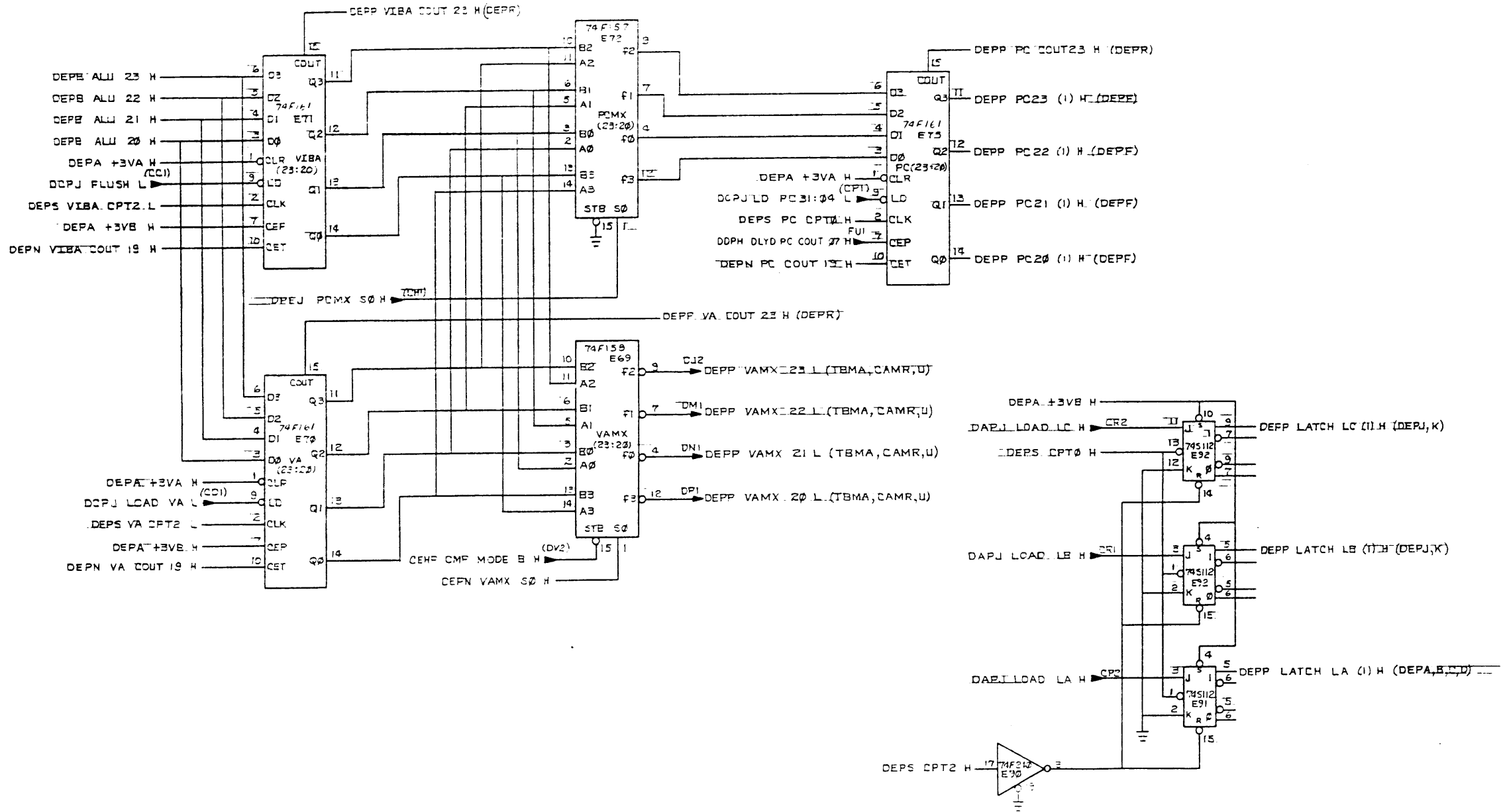
CHK	CHANGE NO.	REV.

(VA, VIBA, PC 19:16 ALU ZERO DETECT) (SLOT 10)

TITLE	DATA PATH 31:16 (DEPN)	SIZE CODE	DIGITAL EQUIPMENT CORPORATION	NUMBER	0-0	REV.	B
SCALE	NONE	SHEET	13 OF 17	DIST.			



THIS DRAWING AND SPECIFICATIONS, HEREIN, ARE THE PROPERTY OF DIGITAL EQUIPMENT CORPORATION AND SHALL NOT BE REPRODUCED OR COPIED OR USED IN WHOLE OR IN PART AS THE BASIS FOR THE MANUFACTURE OR SALE OF ITEMS WITHOUT WRITTEN PERMISSION. COPYRIGHT © 1983 DIGITAL EQUIPMENT CORPORATION



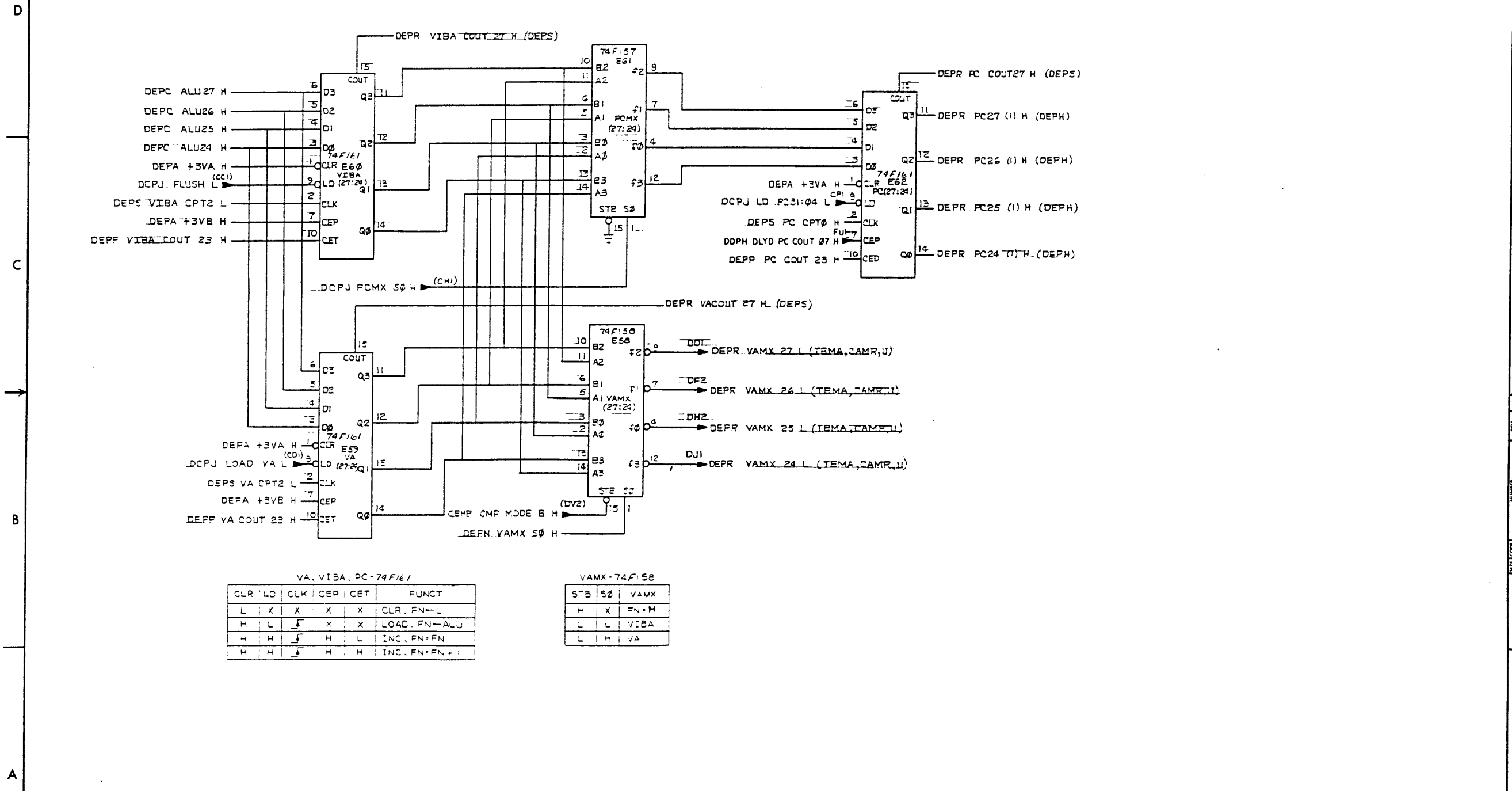
REVISIONS		
CHK	CHANGE NO	REV

(VA, VIBA, PC 23:16 LATCH CONTROLS) (SLOT 10)

TITLE	DATA PATH 31:16 (DEPP)	SIZE CODE	DCS	NUMBER	M7468-0-0	REV.	B
SCALE	NONE	SHEET	14	OF	17	DIST.	

DCS M7468-0-0

THIS DRAWING AND SPECIFICATIONS HEREIN ARE THE PROPERTY OF DIGITAL EQUIPMENT CORPORATION AND SHALL NOT BE REPRODUCED OR COPIED OR USED IN WHOLE OR IN PART AS THE BASIS FOR THE MANUFACTURE OR SALE OF ITEMS WITHOUT WRITTEN PERMISSION. COPYRIGHT © 1983 DIGITAL EQUIPMENT CORPORATION



VA, VIBA, PC-74F161

CLR	LD	CLK	CEP	CET	FUNCT
L	X	X	X	X	CLR, FN=L
H	L	L	X	X	LOAD, FN=ALU
H	H	L	H	L	INC, FN=FN
H	H	L	H	H	INC, FN=FN+1

VAMX-74F58

STB	S2	VAMX
H	X	FN=H
L	L	VIBA
L	H	VA

REVISIONS

CHK	CHANGE NO.	REV.

8

7

6

5

4

3

0-0-894LW SQ 2

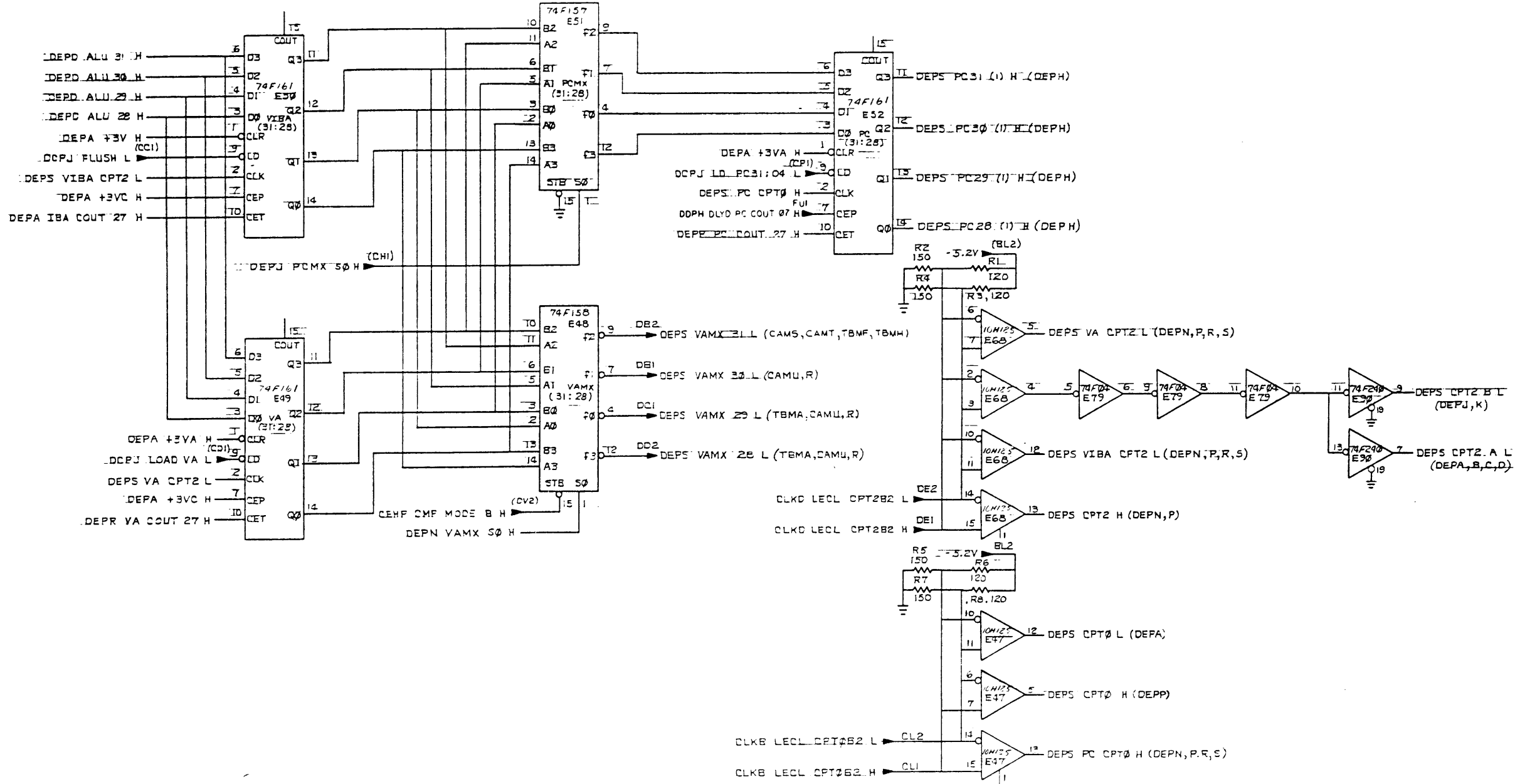
1

THIS DRAWING AND SPECIFICATIONS HEREIN ARE THE PROPERTY OF DIGITAL EQUIPMENT CORPORATION AND SHALL NOT BE REPRODUCED OR COPIED OR USED IN WHOLE OR IN PART AS THE BASIS FOR THE MANUFACTURE OR SALE OF ITEMS WITHOUT WRITTEN PERMISSION. COPYRIGHT © 1975 DIGITAL EQUIPMENT CORPORATION

NOTE:  
POWER PINNING ON IO125  
+5 PIN 9  
-5 PIN 8  
GND PIN 16

D  
C  
B  
A

D  
C  
B  
A



REVISIONS		
CHK	CHANGE NO	REV

(VA, VIBA, PC 31:28 CLOCK TRANSLATORS) (SLOT 10)

TITLE	DATA PATH 31:16 (DEPS)	SIZE CODE	D	CS	NUMBER	M7468-0-0	REV.	B
SCALE	NONE	SHEET	16	OF	17	DIST.		

8

7

6

5

4

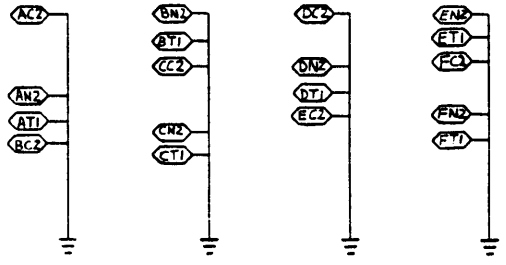
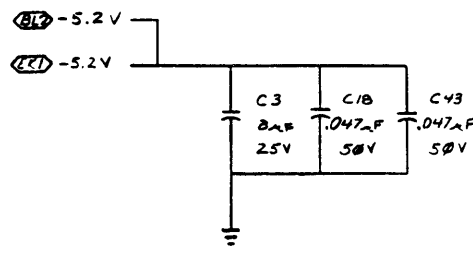
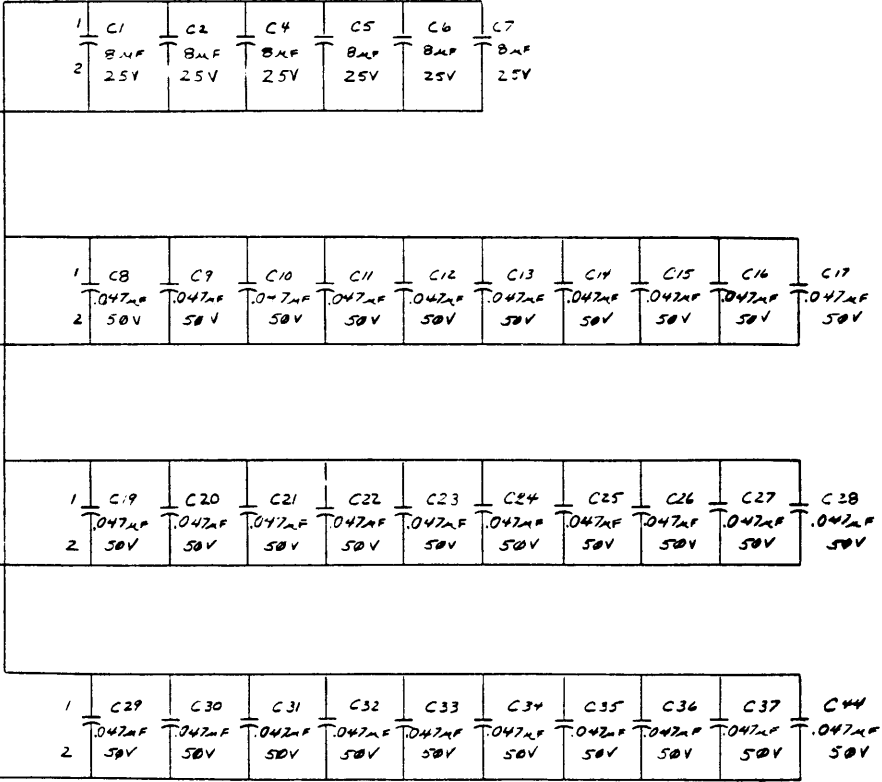
3

2

1

THIS DRAWING AND SPECIFICATIONS HEREIN ARE THE PROPERTY OF DIGITAL EQUIPMENT CORPORATION AND SHALL NOT BE REPRODUCED OR COPIED OR USED IN WHOLE OR IN PART AS THE BASIS FOR THE MANUFACTURE OR SALE OF ITEMS WITHOUT WRITTEN PERMISSION. COPYRIGHT © 1983 DIGITAL EQUIPMENT CORPORATION.

- AA2 +5.0V
- AV1 +5.0V
- BA2 +5.0V
- BV1 +5.0V
- CA2 +5.0V
- CI1 +5.0V
- DA2 +5.0V
- DV1 +5.0V
- EA2 +5.0V
- EV1 +5.0V
- FA2 +5.0V
- FA1 +5.0V



REVISION HISTORY		
DATE	ECO NUMBER	REV

TITLE  
DATA PATH 31:16

DOCUMENT NUMBER		
SIZE	NUMBER	REV
D	M7468-0-0	B

SCALE SHEET 17 OF 17



REV B	NUMBER 0-0-894LW	CODE DD	SIZE B
-------	------------------	---------	--------

DRAWING NO.	NO. OF SHTS.	PART NO.	DESCRIPTION	REVISIONS																					
				AI	BI																				
	-	M7468-00	D.E.P. PART REVISION																						
E-UA-M7468-0-0	4		UNIT ASSEMBLY	A	B																				
D-CS-M7468-0-0	17		SCHEMATIC	A	B																				
K-PL-M7468-0-DBP	2		PARTSLIST	A	B																				
K-PC-M7468-0-DBG	1		P.C.DATABASE	C	C																				
	-	5012598-00	ETCH CIRCUIT BOARD	C	C																				

**NOTES:**

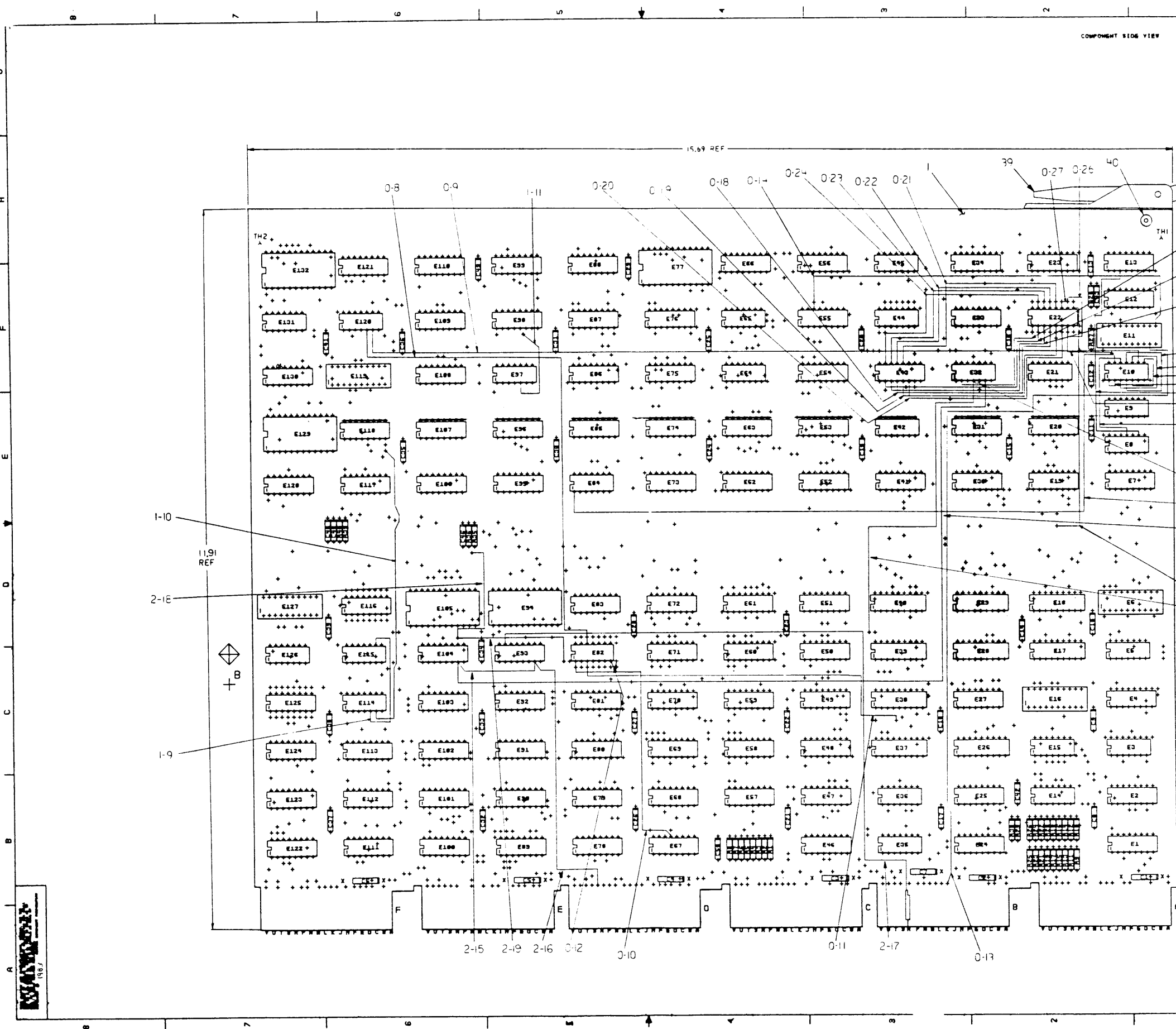
REVISION HISTORY		ECO NO.	INITIAL	REV.
DATE	6-84	TW001	B	

"THIS DRAWING AND SPECIFICATIONS, HEREIN, ARE THE PROPERTY OF DIGITAL EQUIPMENT CORPORATION AND SHALL NOT BE REPRODUCED OR COPIED OR USED IN WHOLE OR IN PART AS THE BASIS FOR THE MANUFACTURE OR SALE OF ITEMS WITHOUT WRITTEN PERMISSION.

COPYRIGHT • 1983 DIGITAL EQUIPMENT CORPORATION



USED ON OPTION/MODEL		DRN. <i>[Signature]</i>	DATE 9-6-83	TITLE D.E.P.
		CHK'D <i>[Signature]</i>	DATE 9-25-83	
		DES. ENG. <i>[Signature]</i>	DATE 10-11-83	DOCUMENT NUMBER
		RESP. ENG. <i>[Signature]</i>	DATE 12-11-83	SIZE <b>B</b> CODE <b>DD</b> NUMBER M7468-0-0 REV. <b>B</b>
		MFG. ENG. <i>[Signature]</i>	DATE 10-11-83	SHEET   OF



**digital**

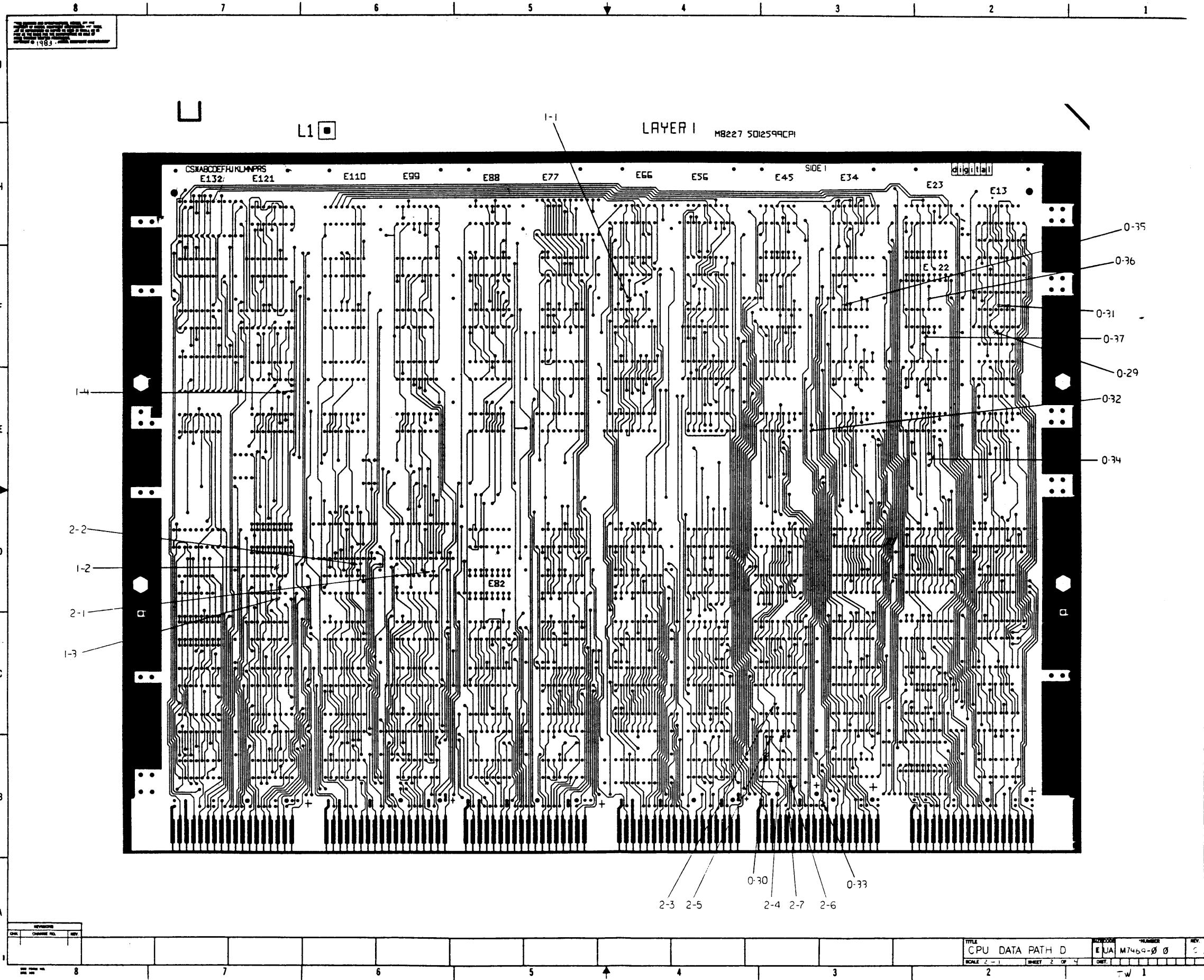
SIGNATURES	DATE
CHK'D BY	
DESIGNED BY	
DRN	
DATE	
SCALE	2/1
PROJ. NO.	
PROJ. ENG.	
TITLE	CPU DATA PATH (DUP)
DRAWING NUMBER: 74-40-78-90 REV. 1 ELEC. CODE:	

**COMMERCIAL PRODUCTS DIVISION**

MODELS: M850, M851, M852, M853, M854, M855, M856, M857, M858, M859, M860, M861, M862, M863, M864, M865, M866, M867, M868, M869, M870, M871, M872, M873, M874, M875, M876, M877, M878, M879, M880, M881, M882, M883, M884, M885, M886, M887, M888, M889, M890, M891, M892, M893, M894, M895, M896, M897, M898, M899, M900, M901, M902, M903, M904, M905, M906, M907, M908, M909, M910, M911, M912, M913, M914, M915, M916, M917, M918, M919, M920, M921, M922, M923, M924, M925, M926, M927, M928, M929, M930, M931, M932, M933, M934, M935, M936, M937, M938, M939, M940, M941, M942, M943, M944, M945, M946, M947, M948, M949, M950, M951, M952, M953, M954, M955, M956, M957, M958, M959, M960, M961, M962, M963, M964, M965, M966, M967, M968, M969, M970, M971, M972, M973, M974, M975, M976, M977, M978, M979, M980, M981, M982, M983, M984, M985, M986, M987, M988, M989, M990, M991, M992, M993, M994, M995, M996, M997, M998, M999, M1000.

BOARD ONLY (50255-00)  
 BOARD ONLY (50255-00)

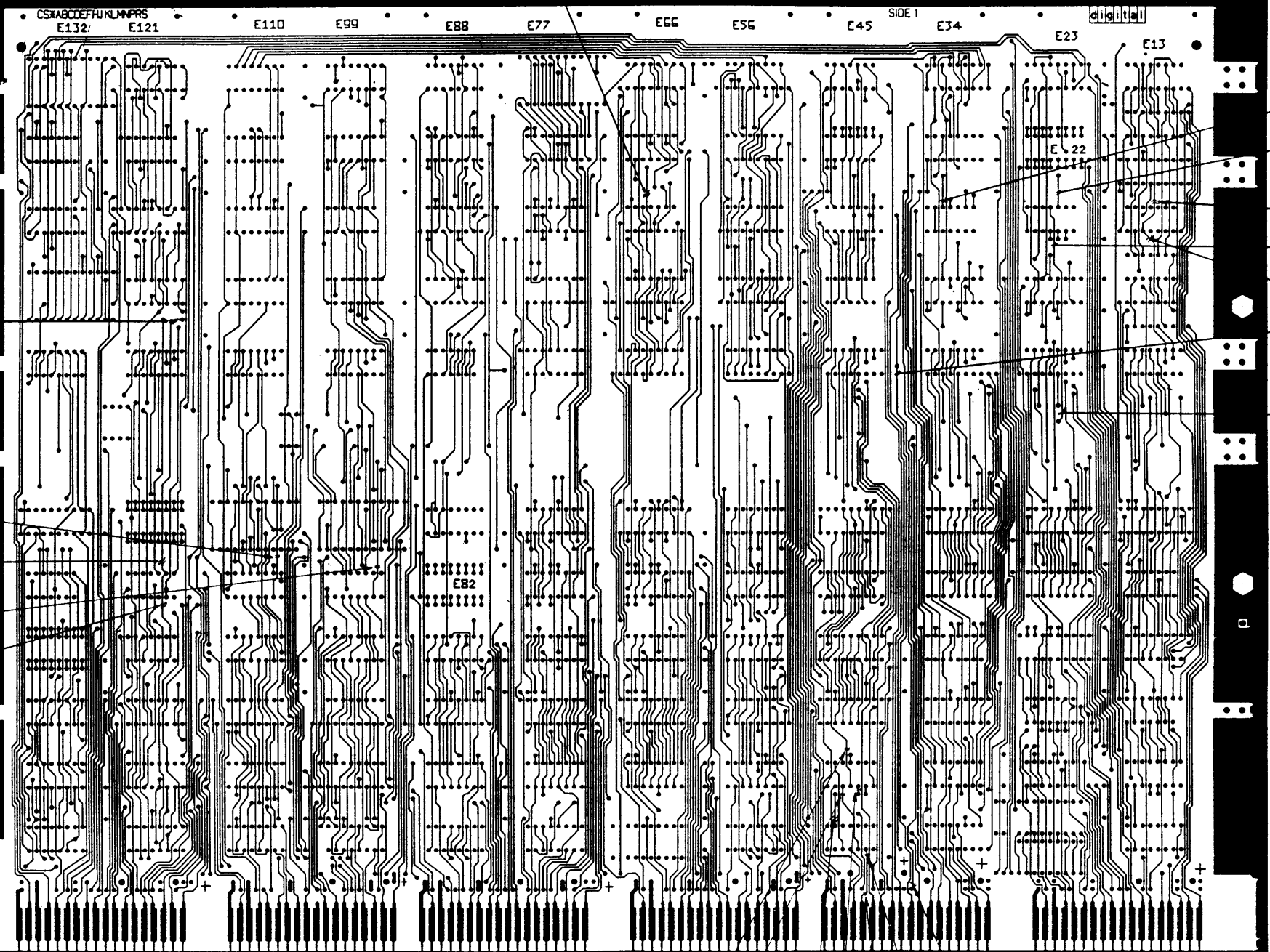
74-40-78-90  
 1-1  
 1-1



COPYRIGHT © 1983

L1

LAYER 1 M8227 5012594CP1



1-4  
2-2  
1-2  
2-1  
1-3

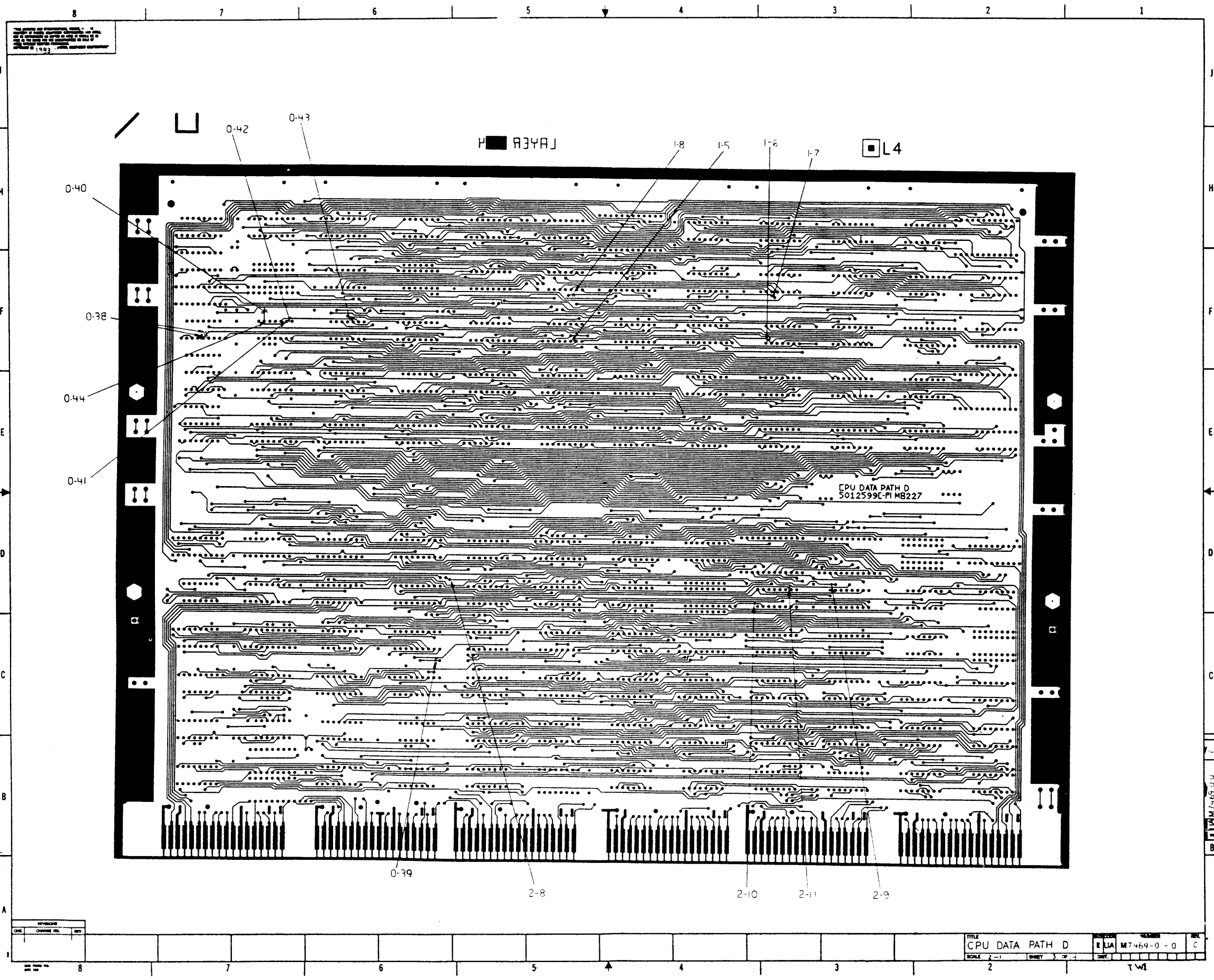
0-35  
0-36  
0-31  
0-37  
0-29  
0-32  
0-34

2-3 2-5 0-30 2-4 2-7 2-6 0-33

REV	DATE	BY	CHKD

TITLE	CPU DATA PATH D	REV	0
NUMBER	M7469-00	DATE	1-7-81
SCALE	2-1	SHEET	2 OF 4
DRAWN BY	W 1		

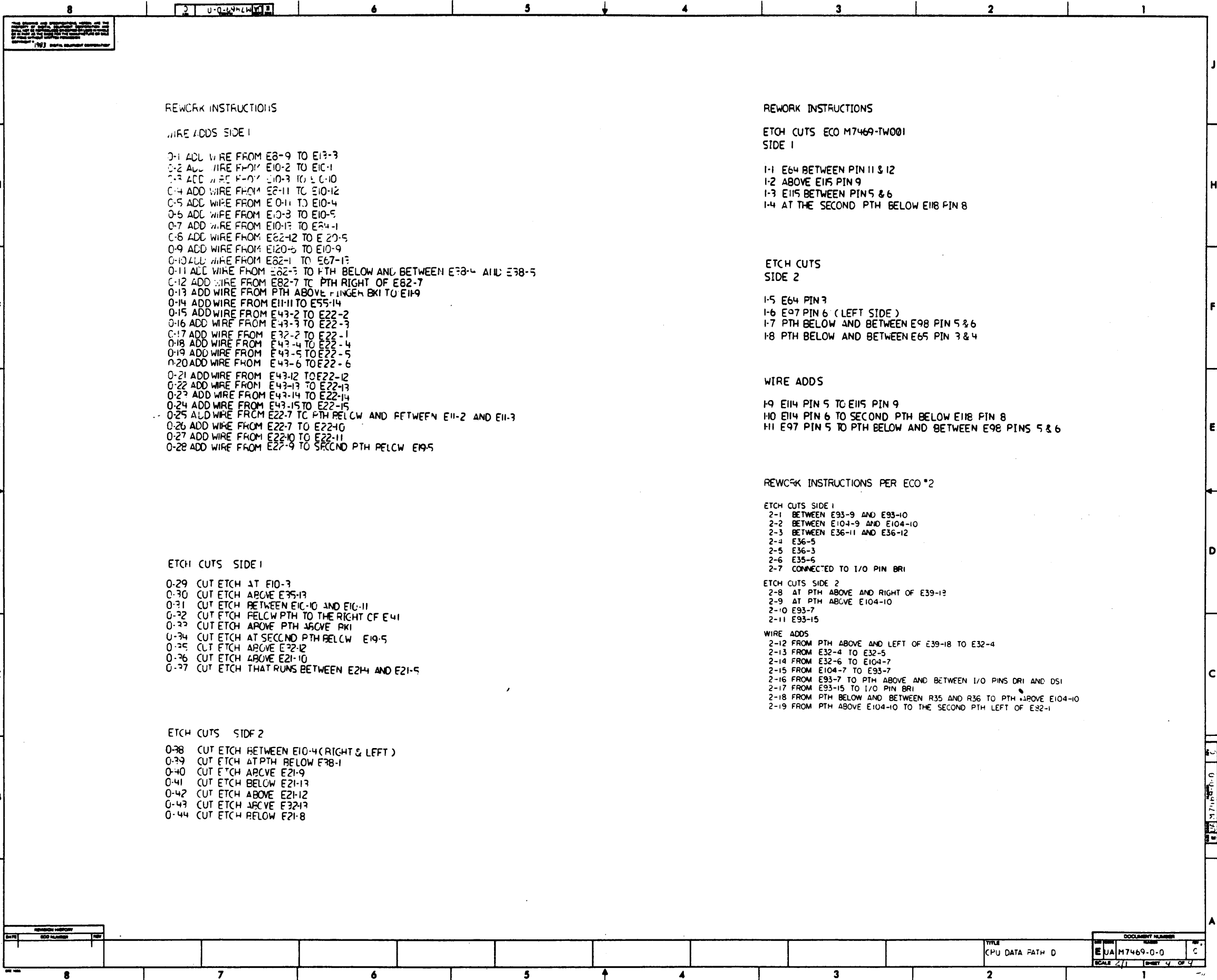




ALL DIMENSIONS ARE UNLESS OTHERWISE SPECIFIED IN MILLIMETERS.  
 DIMENSIONS ARE TO CENTER UNLESS OTHERWISE SPECIFIED.  
 DATE: 1983

REV	DATE	BY	CHKD

TITLE: CPU DATA PATH D  
 SCALE: 2:1  
 SHEET: 5 OF 4  
 PART: M7469-0-0  
 C



1963 work equipment manufacturer

REWORK INSTRUCTIONS

WIRE ADDS SIDE 1

- 0-1 ADD WIRE FROM E8-9 TO E13-3
- 0-2 ADD WIRE FROM E10-2 TO E1C-1
- 0-3 ADD WIRE FROM E10-3 TO E1C-10
- 0-4 ADD WIRE FROM E2-11 TO E10-12
- 0-5 ADD WIRE FROM E0-11 TO E10-4
- 0-6 ADD WIRE FROM E10-3 TO E10-5
- 0-7 ADD WIRE FROM E10-13 TO E24-1
- 0-8 ADD WIRE FROM E22-12 TO E20-5
- 0-9 ADD WIRE FROM E120-5 TO E10-9
- 0-10 ADD WIRE FROM E62-1 TO E67-13
- 0-11 ADD WIRE FROM E62-3 TO PTH BELOW AND BETWEEN E38-4 AND E38-5
- 0-12 ADD WIRE FROM E82-7 TO PTH RIGHT OF E82-7
- 0-13 ADD WIRE FROM PTH ABOVE FINGER BK1 TO E14-9
- 0-14 ADD WIRE FROM E11-11 TO E55-14
- 0-15 ADD WIRE FROM E43-2 TO E22-2
- 0-16 ADD WIRE FROM E43-3 TO E22-3
- 0-17 ADD WIRE FROM E32-2 TO E22-1
- 0-18 ADD WIRE FROM E43-4 TO E55-4
- 0-19 ADD WIRE FROM E43-5 TO E22-5
- 0-20 ADD WIRE FROM E43-6 TO E22-6
- 0-21 ADD WIRE FROM E43-12 TO E22-12
- 0-22 ADD WIRE FROM E43-13 TO E22-13
- 0-23 ADD WIRE FROM E43-14 TO E22-14
- 0-24 ADD WIRE FROM E43-15 TO E22-15
- 0-25 ADD WIRE FROM E22-7 TO PTH BELOW AND BETWEEN E11-2 AND E11-3
- 0-26 ADD WIRE FROM E22-7 TO E22-10
- 0-27 ADD WIRE FROM E22-10 TO E22-11
- 0-28 ADD WIRE FROM E22-9 TO SECOND PTH BELOW E19-5

ETCH CUTS SIDE 1

- 0-29 CUT ETCH AT E10-3
- 0-30 CUT ETCH ABOVE E35-13
- 0-31 CUT ETCH BETWEEN E1C-10 AND E1C-11
- 0-32 CUT ETCH BELOW PTH TO THE RIGHT OF E41
- 0-33 CUT ETCH ABOVE PTH ABOVE BK1
- 0-34 CUT ETCH AT SECOND PTH BELOW E19-5
- 0-35 CUT ETCH ABOVE E22-12
- 0-36 CUT ETCH ABOVE E21-10
- 0-37 CUT ETCH THAT RUNS BETWEEN E214 AND E21-5

ETCH CUTS SIDE 2

- 0-38 CUT ETCH BETWEEN E10-4 (RIGHT & LEFT)
- 0-39 CUT ETCH AT PTH BELOW E38-1
- 0-40 CUT ETCH ABOVE E21-9
- 0-41 CUT ETCH BELOW E21-13
- 0-42 CUT ETCH ABOVE E21-12
- 0-43 CUT ETCH ABOVE E32-13
- 0-44 CUT ETCH BELOW E21-8

REWORK INSTRUCTIONS

ETCH CUTS ECO M7469-TW001 SIDE 1

- 1-1 E64 BETWEEN PIN 11 & 12
- 1-2 ABOVE E15 PIN 9
- 1-3 E115 BETWEEN PIN 5 & 6
- 1-4 AT THE SECOND PTH BELOW E118 PIN 8

ETCH CUTS SIDE 2

- 1-5 E64 PIN 3
- 1-6 E97 PIN 6 (LEFT SIDE)
- 1-7 PTH BELOW AND BETWEEN E98 PIN 5 & 6
- 1-8 PTH BELOW AND BETWEEN E65 PIN 3 & 4

WIRE ADDS

- 1-9 E114 PIN 5 TO E115 PIN 9
- 1-10 E114 PIN 6 TO SECOND PTH BELOW E118 PIN 8
- 1-11 E97 PIN 5 TO PTH BELOW AND BETWEEN E98 PINS 5 & 6

REWORK INSTRUCTIONS PER ECO \*2

ETCH CUTS SIDE 1

- 2-1 BETWEEN E93-9 AND E93-10
- 2-2 BETWEEN E104-9 AND E104-10
- 2-3 BETWEEN E36-11 AND E36-12
- 2-4 E36-5
- 2-5 E36-3
- 2-6 E35-5
- 2-7 CONNECTED TO I/O PIN BR1

ETCH CUTS SIDE 2

- 2-8 AT PTH ABOVE AND RIGHT OF E39-13
- 2-9 AT PTH ABOVE E104-10
- 2-10 E93-7
- 2-11 E93-15

WIRE ADDS

- 2-12 FROM PTH ABOVE AND LEFT OF E39-18 TO E32-4
- 2-13 FROM E32-4 TO E32-5
- 2-14 FROM E32-6 TO E104-7
- 2-15 FROM E104-7 TO E93-7
- 2-16 FROM E93-7 TO PTH ABOVE AND BETWEEN I/O PINS DR1 AND DS1
- 2-17 FROM E93-15 TO I/O PIN BR1
- 2-18 FROM PTH BELOW AND BETWEEN R35 AND R36 TO PTH ABOVE E104-10
- 2-19 FROM PTH ABOVE E104-10 TO THE SECOND PTH LEFT OF E32-1

DATE	REVISION HISTORY	BY

TITLE  
CPU DATA PATH D

REV	DATE	DESCRIPTION
EUA	M7469-0-0	C

SCALE 2/1 SHEET 4 OF 9

AUTOMATED BY PRTLST.4Q(50)

PARTS LIST

SHEET A1 OF A2

LINE	ITEM	TOP DOCUMENT	PART NUMBER	MIN REV	DESCRIPTION	VARIATION REVISION LEVEL:	QTY PER VARIATION	REFERENCE DESIGNATOR
							00	
1	1	D-MD-5016070-0-0	5012599-00		M8227		1	
2	2		1012084-01		8 MFD 25V +75-10% AL EL		7	C1-C7
3	3		1012784-00		.047 MFD 50V +80-20% CER		40	C8-C43,C46,C48-C50
4	4		1300295-00		330.0 .25 W 5.0 % CF		13	R9,R11,R13,R15,R17,R19,R21,R23, R25,R28,R29,R35,R39
5	5		1301424-00		680.0 .25 W 5.0 % CF		4	R27,R30,R36,R40
6	6		1300247-00		120.0 .25 W 5.0 % CF		4	R1,R3,R6,R8
7	7		1300250-00		150.0 .25 W 5.0 % CF		4	R2,R4,R5,R7
8	8		1301775-00		820.0 .25 W 5.0 % CF		9	R10,R12,R14,R16,R18,R20,R22,R24, R26
9	9		1921305-01		74F00 NAND GATE,QUAD,2-IN		5	E5,E21,E84,E126,E10
10	10		1921307-01		74F04 HEX INVERTER		10	E8,E35,E42,E45,E64,E65,E97,E115, E120,E131
11	11		1921308-01		74F08 AND GATE,QUAD,2-IN		2	E32,E114
12	12		1921310-01		74F11 AND GATE,TRIPLE,3-IN		2	E15,E44
13	13		1921311-01		74F20 NAND GATE,DUAL,4-IN		2	E3,E9
14	14	BLANK			*** THIS ITEM IS NOT USED ***		-	
15	15		1921313-01		74F64 AND OR INVERT GATE,4-		1	E14
16	16		1910545-00		74S112 FF-JK DUAL,EDGE TRIG		3	E50,E51,E78
17	17		1911983-00		74S133 NAND GATE-POSITIVE 1		5	E43,E98,E108,E109,E22
18	18		1921316-01		74F138 DECODER/DEMUX,1-OF-8		2	E2,E52
19	19		1921318-01		74F151 MUX,8-IN		8	E7,E19,E30,E41,E95,E106,E117, E128
20	20		1921319-01		74F153 MUX,DUAL,4-IN		19	E20,E23,E31,E34,E48,E49,E53,E56, E60-E63,E66,E71,E72,E80,E81,E86, E87
21	21		1921320-01		74F157 MUX,QUAD,2-IN		13	E57,E58,E68,E69,E73,E75,E76,E85, E88,E92,E103,E118,E121
22	22		1921321-01		74F158 MUX,QUAD,2-IN		4	E4,E27,E89,E100
23	23		1921324-01		74F175 FF-D,QUAD		4	E1,E12,E24,E25

REVISION HISTORY			BASIC PART NO: M7469		DRN: S.CORCORAN		DATE: 16-SEP-83		D I G I T A L	
ENG	ECO NUMBER	REV	SECTION A OF A		CHK'D: T.MCCULLOUGH		DATE: 22-MAR-83		TITLE PARTS LIST	
	INITIAL	A	SECTION VARIATION INDEX						DATA PATH 15:08 (DDP)	
			(A) 00		DES.ENG: K.MCLAREN		DATE: 16-SEP-83		DOCUMENT NUMBER	
			(B)		RESP.ENG.: K.MCLAREN		DATE: 16-SEP-83		SIZE	CODE
			(C)		MFG.ENG.: M.KRYSAK		DATE: 16-SEP-83		NUMBER	REV
			(D)		ASSEMBLY NUMBER:		TOP DOCUMENT NUMBER:		FILE NAME:	
			(E)		E-UA-M7469-0-00		B-DD-M7469-0-00		Z3956A.PLS	
			(F)						RELEASE DATE: 19-OCT-83	
			(G)						EDIT #	
			(H)						9	
			(I)							
			(J)							
			(K)							
			(L)							
			(M)							
			(N)							

"THIS DRAWING AND THE SPECIFICATIONS CONTAINED HEREIN ARE CONFIDENTIAL AND PROPRIETARY. THEY ARE THE PROPERTY OF DIGITAL EQUIPMENT CORPORATION AND SHALL NOT BE REPRODUCED OR COPIED OR USED IN WHOLE OR IN PART AS THE BASIS FOR THE MANUFACTURE OR SALE OF ITEMS WITHOUT WRITTEN PERMISSION. THIS IS AN UNPUBLISHED WORK PROTECTED UNDER THE FEDERAL COPYRIGHT LAWS."

AUTOMATED BY PRTLST.4Q(50)

PARTS LIST

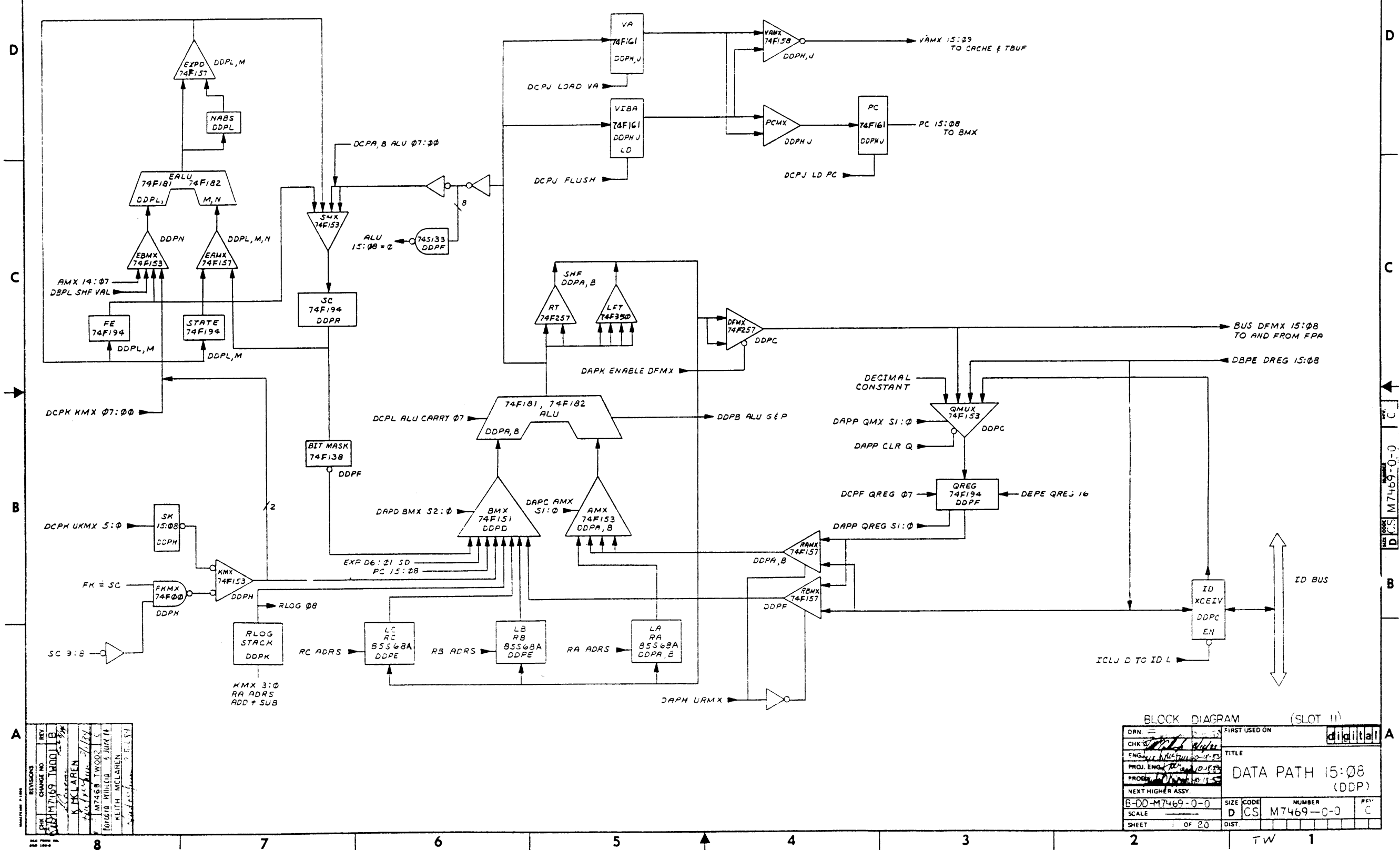
SHEET A2 OF A2

LINE	ITEM	TOP DOCUMENT	PART NUMBER	MIN REV	DESCRIPTION	QTY PER VARIATION	REFERENCE DESIGNATOR
					VARIATION REVISION LEVEL:	00	
24	24		1921325-01		74F181 ALU,4-BIT	5	E77,E94,E105,E129,E132
25	25		1921326-01		74F182 CARRY LOOKAHEAD GEN.	2	E83,E130
26	26		1921327-01		74F194 SHIFT REG.UNIV,BIDIR	10	E33,E54,E55,E59,E70,E74,E96,E99,
27	27		1921009-01		74F241 BUFFER/LINE DRIVER,N	2	E107,E110
28	28		1921330-01		74F257 MUX,QUAD,2-IN	4	E11,E127
29	29		1921333-01		74F283 BINARY FULL ADDER,4	1	E111,E113,E122,E124
30	30		1911469-00	DEC	8640 RECEIVER,BUS,QUAD,U	1	E13
31	31		1912586-01		85S68A REGISTER,16X4 EDGE T	9	E36
32	32		1921322-01		74F161 BINARY COUNTER,PRESE	6	E17,E18,E26,E28,E29,E37-E40
33	33		1921334-01		74F350 SHIFTER,4-BIT	2	E90,E91,E93,E101,E102,E104
34	34		1913788-00		26S10 TRANSCEIVER,BUS,QUA	2	E112,E123
35	35		1921720-01		10H125 TRANSLATOR ECL TO TTL QUA	2	E47,E79
36	36		2303782-00		B2-03	1	E46,E67
37	37		2303982-00		B2-03	1	E119
38	38		1921008-01		74F240 BUFFER/LINE DRIVER,I	1	E16
39	39		1216988-02		HANDLE,MODULE,HEX TWO EJECTORS	1	E6
40	40		9000024-01		EYELET,ROLLED 0.1210DX0.192	12	
41	41		9105740-55		WIRE(WRAP) 30AWG KYNAR UL14	A/R	
42	42		1616653-01		DELAY= 100NS,10TAPS WITH TTLBU	1	E82

43 NOTE: IC SPARE E116,E125

D	I	G	I	T	A	L	TITLE	DATA PATH 15:08	SECTION A OF A	SIZE	CODE	DOCUMENT NUMBER	REV
							(DDP)			K	PL	M7469-0-DBP	A

THIS DRAWING AND SPECIFICATIONS HEREIN ARE THE PROPERTY OF DIGITAL EQUIPMENT CORPORATION AND SHALL NOT BE REPRODUCED OR COPIED OR USED IN WHOLE OR IN PART AS THE BASIS FOR THE MANUFACTURE OR SALE OF ITEMS WITHOUT WRITTEN PERMISSION. COPYRIGHT © 1983, DIGITAL EQUIPMENT CORPORATION



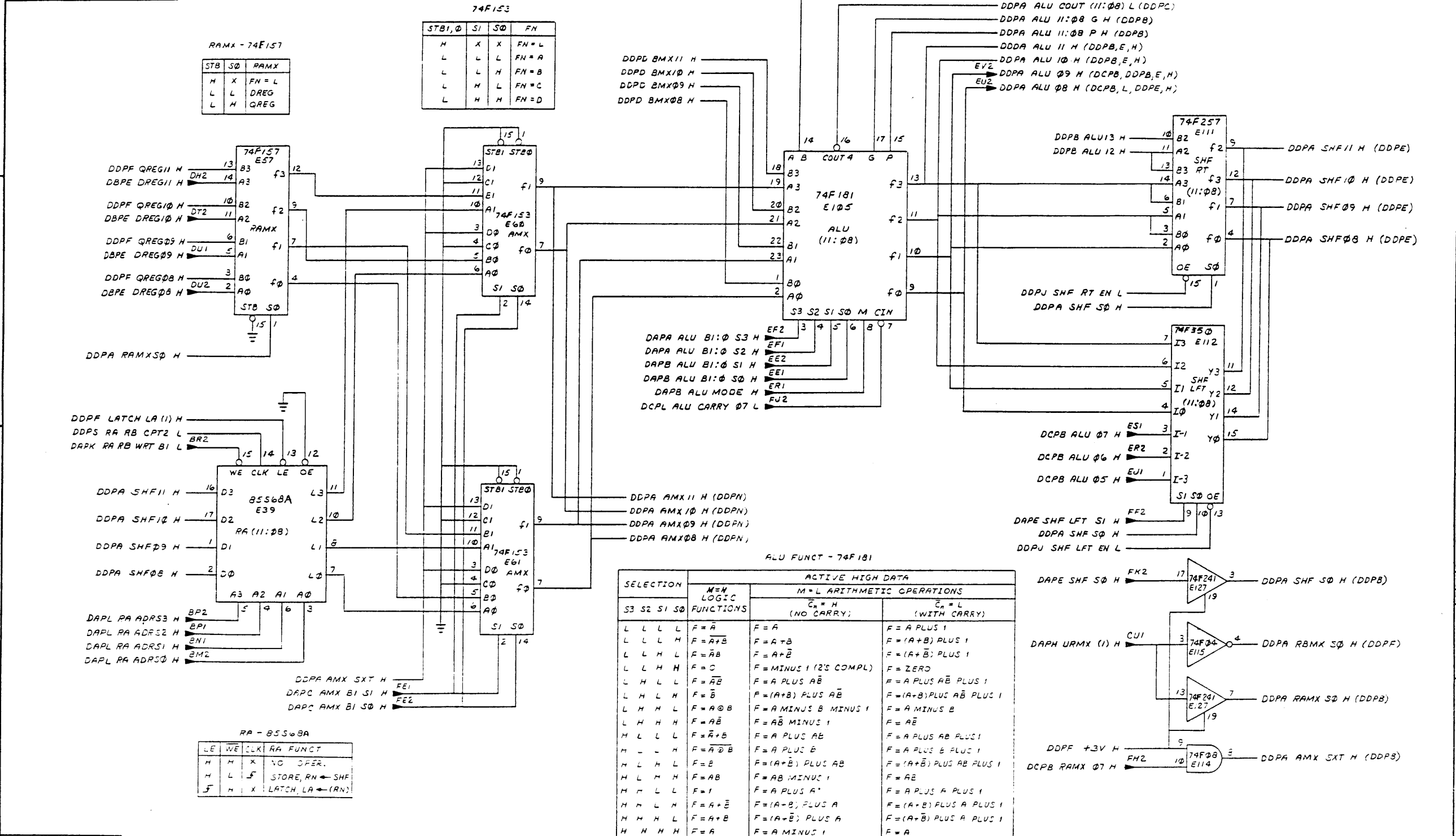
REVISIONS	REV	DATE
1		
2		
3		
4		
5		
6		
7		
8		

BLOCK DIAGRAM (SLOT 11)	
DRN =	FIRST USED ON
CHK'D	TITLE
ENGR	DATA PATH 15:08 (DDP)
PROJ ENGR	
NEXT HIGHER ASSY.	
B-DD-M7469-0-0	SIZE CODE
SCALE	D CS M7469-0-0
SHEET 1 OF 20	DIST.

THIS DRAWING AND SPECIFICATIONS, HEREIN, ARE THE PROPERTY OF DIGITAL EQUIPMENT CORPORATION AND SHALL NOT BE REPRODUCED OR COPIED OR USED IN WHOLE OR IN PART AS THE BASIS FOR THE MANUFACTURE OR SALE OF ITEMS WITHOUT WRITTEN PERMISSION. COPYRIGHT © 1963 DIGITAL EQUIPMENT CORPORATION

D  
C  
B  
A

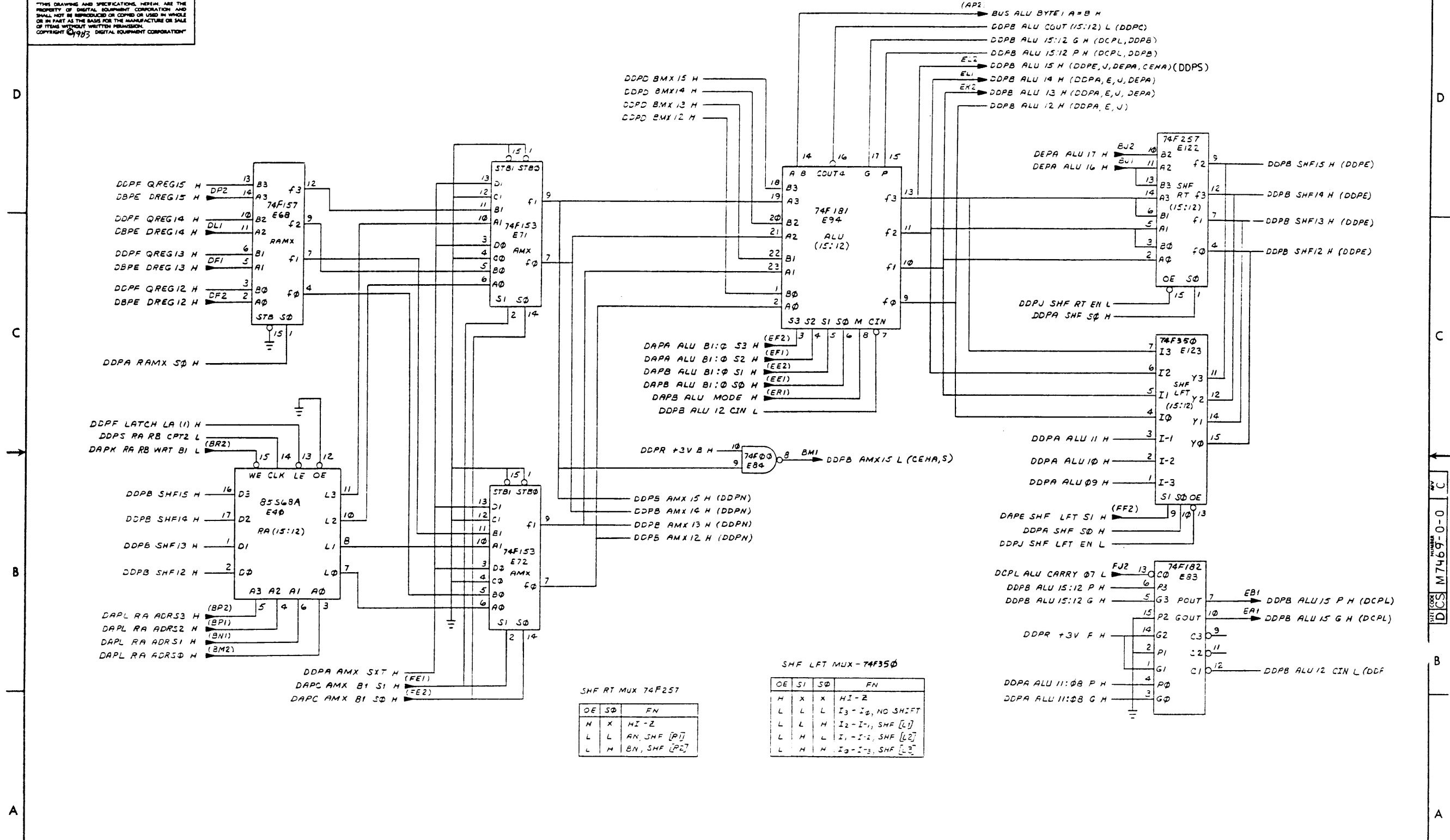
D  
C  
B  
A



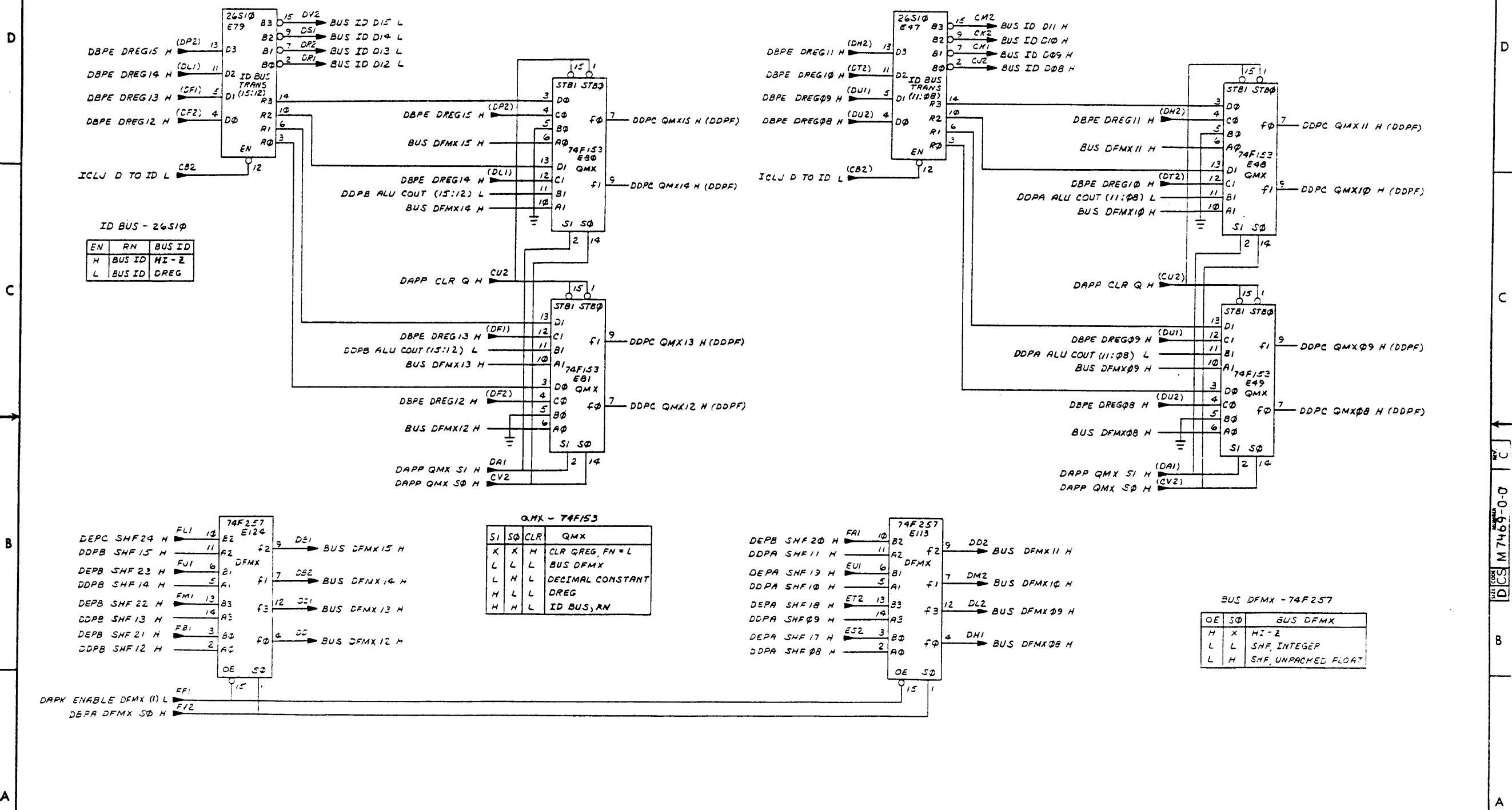
ALU FUNCT - 74F181

SELECTION	M=M LOGIC FUNCTIONS	ACTIVE HIGH DATA	
		M=L ARITHMETIC OPERATIONS	M=L ARITHMETIC OPERATIONS
S3 S2 S1 S0		$C_n = H$ (NO CARRY)	$C_n = L$ (WITH CARRY)
L L L L	$F = \bar{A}$	$F = A$	$F = A PLUS 1$
L L L H	$F = A + B$	$F = A + B$	$F = (A + B) PLUS 1$
L L H L	$F = \bar{A} \bar{B}$	$F = A + \bar{B}$	$F = (A + \bar{B}) PLUS 1$
L L H H	$F = C$	$F = \text{MINUS } 1 \text{ (2'S COMPL)}$	$F = \text{ZERO}$
L H L L	$F = \bar{A} \bar{B}$	$F = A PLUS \bar{A} \bar{B}$	$F = A PLUS \bar{A} \bar{B} PLUS 1$
L H L H	$F = \bar{B}$	$F = (A + B) PLUS \bar{A} \bar{B}$	$F = (A + B) PLUS \bar{A} \bar{B} PLUS 1$
L H H L	$F = A \oplus B$	$F = A \text{ MINUS } B \text{ MINUS } 1$	$F = A \text{ MINUS } B$
L H H H	$F = A \bar{B}$	$F = \bar{A} \bar{B} \text{ MINUS } 1$	$F = \bar{A} \bar{B}$
H L L L	$F = \bar{A} + B$	$F = A PLUS \bar{A} B$	$F = A PLUS \bar{A} B PLUS 1$
H L L H	$F = \bar{A} \oplus B$	$F = A PLUS B$	$F = A PLUS B PLUS 1$
H L H L	$F = B$	$F = (A + \bar{B}) PLUS \bar{A} B$	$F = (A + \bar{B}) PLUS \bar{A} B PLUS 1$
H L H H	$F = A \bar{B}$	$F = \bar{A} B \text{ MINUS } 1$	$F = \bar{A} B$
H H L L	$F = 1$	$F = A PLUS A$	$F = A PLUS A PLUS 1$
H H L H	$F = A + \bar{B}$	$F = (A + B) PLUS A$	$F = (A + B) PLUS A PLUS 1$
H H H L	$F = A + B$	$F = (A + \bar{B}) PLUS \bar{A} B$	$F = (A + \bar{B}) PLUS \bar{A} B PLUS 1$
H H H H	$F = A$	$F = A \text{ MINUS } 1$	$F = A$

THIS DRAWING AND SPECIFICATIONS HEREIN ARE THE PROPERTY OF DIGITAL EQUIPMENT CORPORATION AND SHALL NOT BE REPRODUCED OR COPIED OR USED IN WHOLE OR IN PART AS THE BASIS FOR THE MANUFACTURE OR SALE OF ITEMS WITHOUT WRITTEN PERMISSION. COPYRIGHT © 1983 DIGITAL EQUIPMENT CORPORATION



THIS DRAWING AND SPECIFICATIONS HEREIN ARE THE PROPERTY OF DIGITAL EQUIPMENT CORPORATION AND SHALL NOT BE REPRODUCED OR COPIED OR USED IN WHOLE OR IN PART AS THE BASIS FOR THE MANUFACTURE OR SALE OF ITEMS WITHOUT WRITTEN PERMISSION.  
COPYRIGHT © 1985 DIGITAL EQUIPMENT CORPORATION



ID BUS - 26S10

EN	RN	BUS ID
H	BUS ID	HI-Z
L	BUS ID	DREG

QMX - 74F153

SI	S0	CLR	QMX
X	X	H	CLR GRG, FN=L
L	L	L	BUS DFMX
L	H	L	DECIMAL CONSTANT
H	L	L	DREG
H	H	L	ID BUS, RN

BUS DFMX - 74F257

OE	S0	BUS DFMX
H	X	HI-Z
L	L	SHF, INTEGER
L	H	SHF, UNPACKED FLOAT

REVISIONS

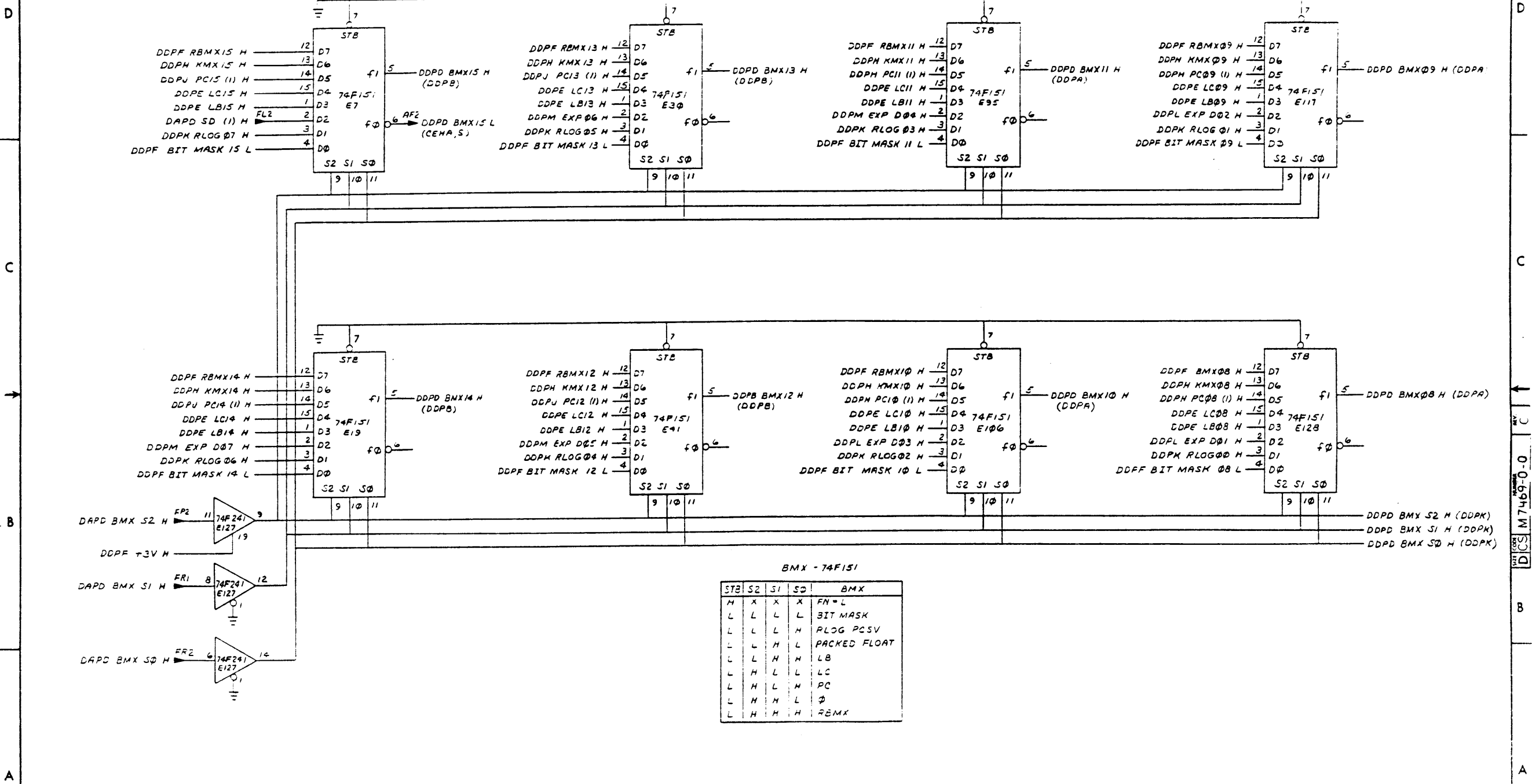
CHK	CHANGE NO.	REV.

QMX, DFMX, ID BUS 15:08 (SLOT II)

TITLE	SIZE CODE	NUMBER	REV.
DATA PATH 15:08 (DDPC)	D CS	M7469-0-0	C



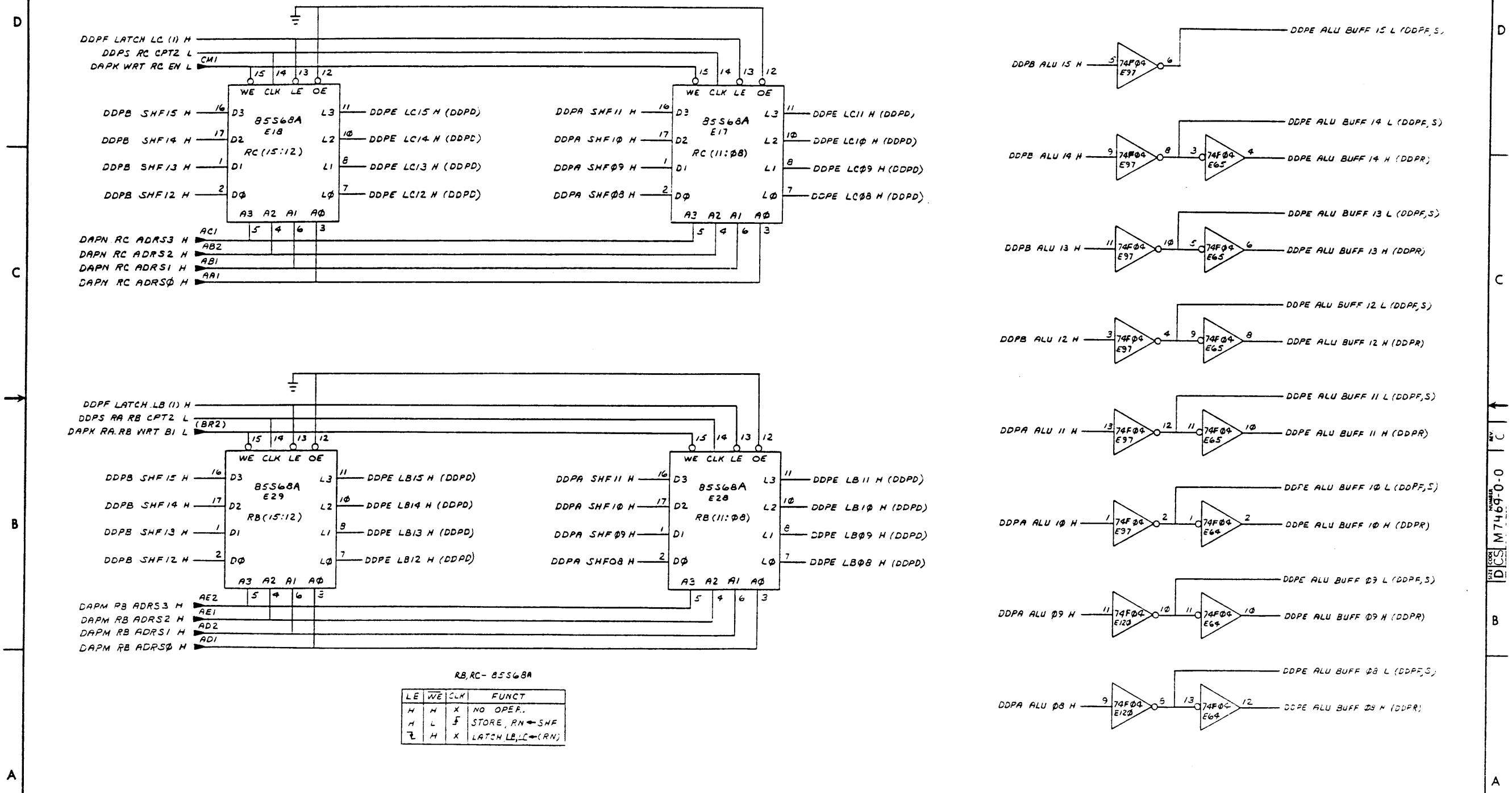
ALL SPECIFICATIONS, HEREIN, ARE THE PROPERTY OF DIGITAL EQUIPMENT CORPORATION AND SHALL BE KEPT IN CONFIDENCE OR COPIED OR USED IN WHOLE OR IN PART AS THE BASIS FOR THE MANUFACTURE OR SALE OF ITEMS WITHOUT WRITTEN PERMISSION. COPYRIGHT © 1963 DIGITAL EQUIPMENT CORPORATION.



REVISIONS		
CHK	CHANGE NO.	REV

TITLE DATA PATH 15:08 (DDPD) SIZE CODE DCS NUMBER M7469-0-0 REV C

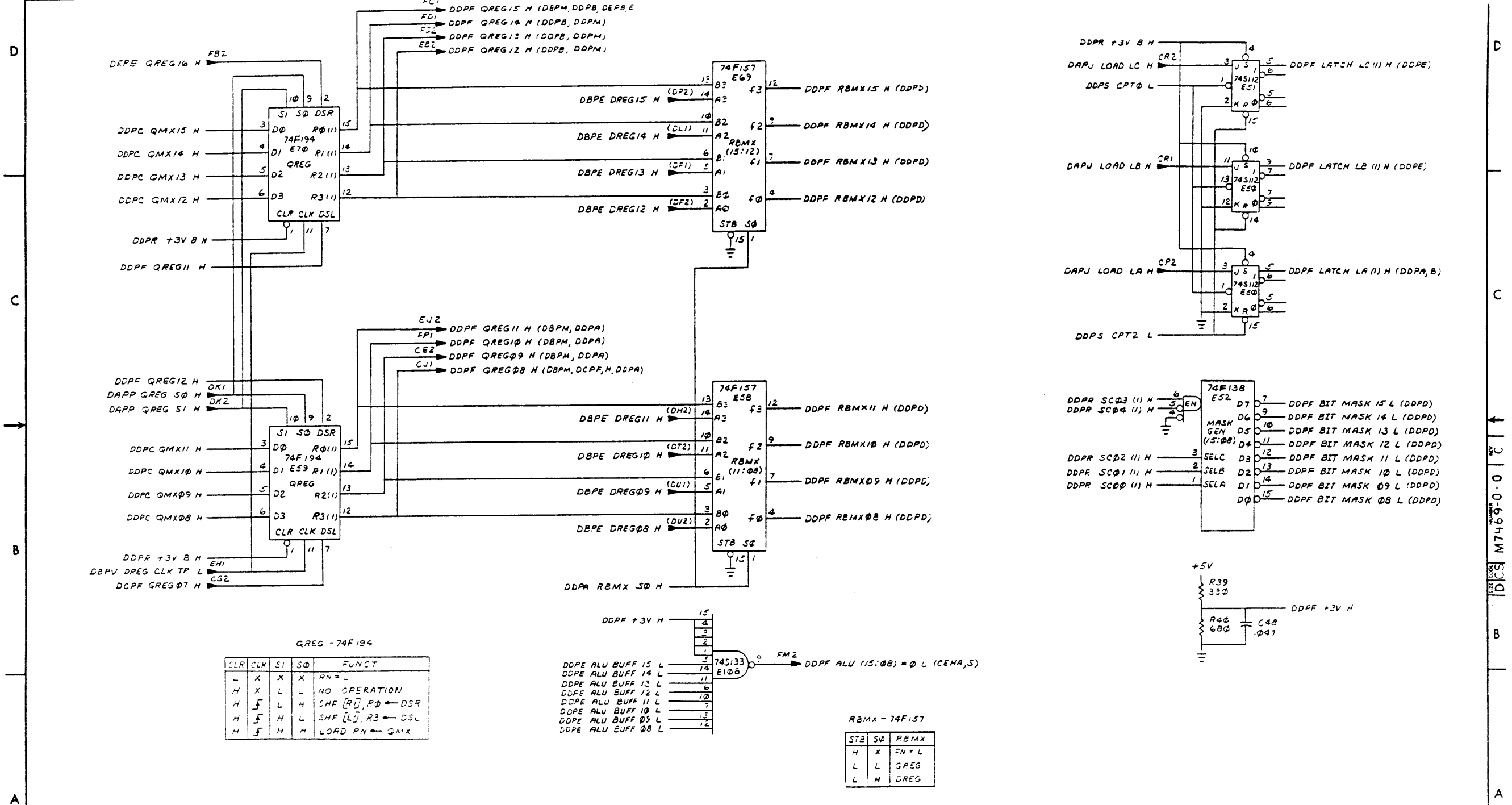
THIS DRAWING AND SPECIFICATIONS HEREIN ARE THE PROPERTY OF DIGITAL EQUIPMENT CORPORATION AND SHALL NOT BE REPRODUCED OR COPIED OR USED IN WHOLE OR IN PART AS THE BASIS FOR THE MANUFACTURE OR SALE OF ITEMS WITHOUT WRITTEN PERMISSION. COPYRIGHT © 1969 DIGITAL EQUIPMENT CORPORATION



REVISIONS		
CHK	CHANGE NO	REV

TITLE		SIZE CODE	NUMBER	REV.
DATA PATH 15:08 (DDPE)		D CS	M7469-0-0	C
SCALE	SHEET	DIST.		
	6 OF 20			

THIS DRAWING AND SPECIFICATIONS, HEREIN, ARE THE PROPERTY OF DIGITAL EQUIPMENT CORPORATION AND SHALL NOT BE REPRODUCED OR COPIED OR USED IN WHOLE OR IN PART AS THE BASIS FOR THE MANUFACTURE OR SALE OF ITEMS WITHOUT WRITTEN PERMISSION. COPYRIGHT © 1963 DIGITAL EQUIPMENT CORPORATION



QREG - 74F194

CLR	CLK	S1	S0	FUNCT
-	X	X	X	RN = -
H	X	L	L	NO OPERATION
H	L	L	L	SHF [R], R ← DSR
H	L	L	H	SHF [L], R3 ← DSL
H	L	H	H	LOAD RN ← QMX

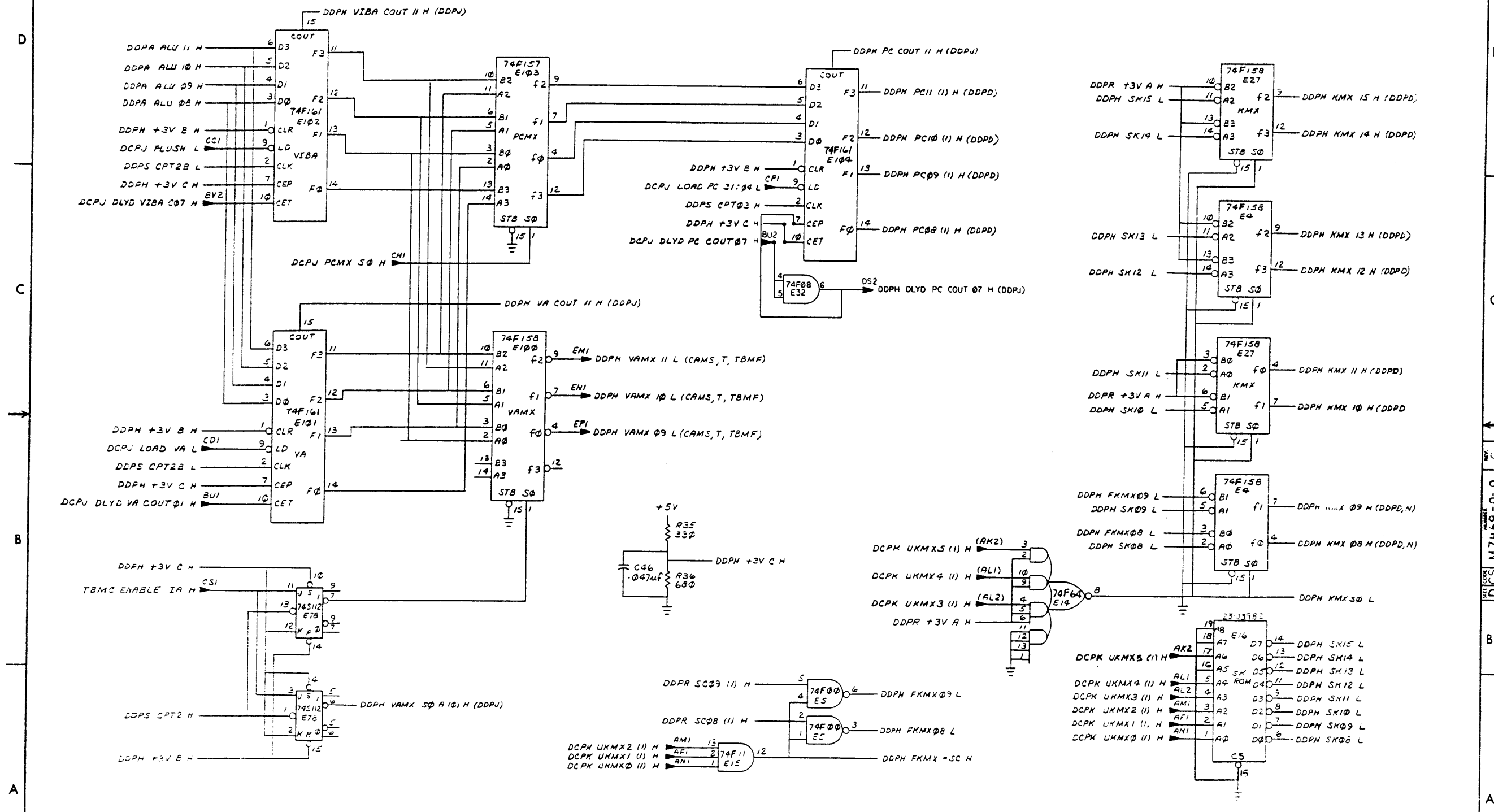
RBMX - 74F157

STB	S0	FBMX
H	X	FN = L
L	L	SPREG
L	H	DREG

(QREG RBMX & MASK) (SLOT 11)

REVISIONS			TITLE	SIZE CODE	NUMBER	REV.
CHK	CHANGE NO	REV	DATA PATH 15:08 (DDPF)	D	D	C
			SCALE	SHEET	7 OF 20	DIST.

THIS DRAWING AND SPECIFICATIONS HEREIN ARE THE PROPERTY OF DIGITAL EQUIPMENT CORPORATION AND SHALL NOT BE REPRODUCED OR COPIED IN WHOLE OR IN PART AS THE BASIS FOR THE MANUFACTURE OR SALE OF ITEMS WITHOUT WRITTEN PERMISSION. COPYRIGHT © 1983 DIGITAL EQUIPMENT CORPORATION

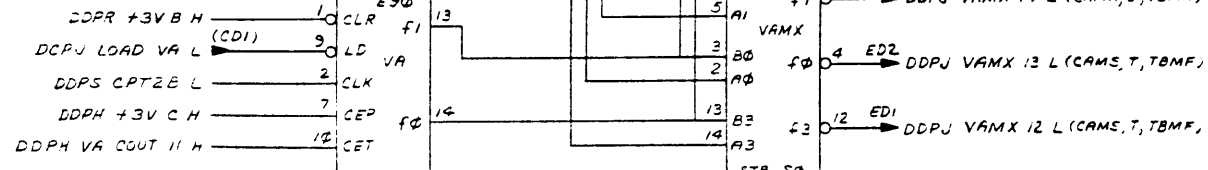
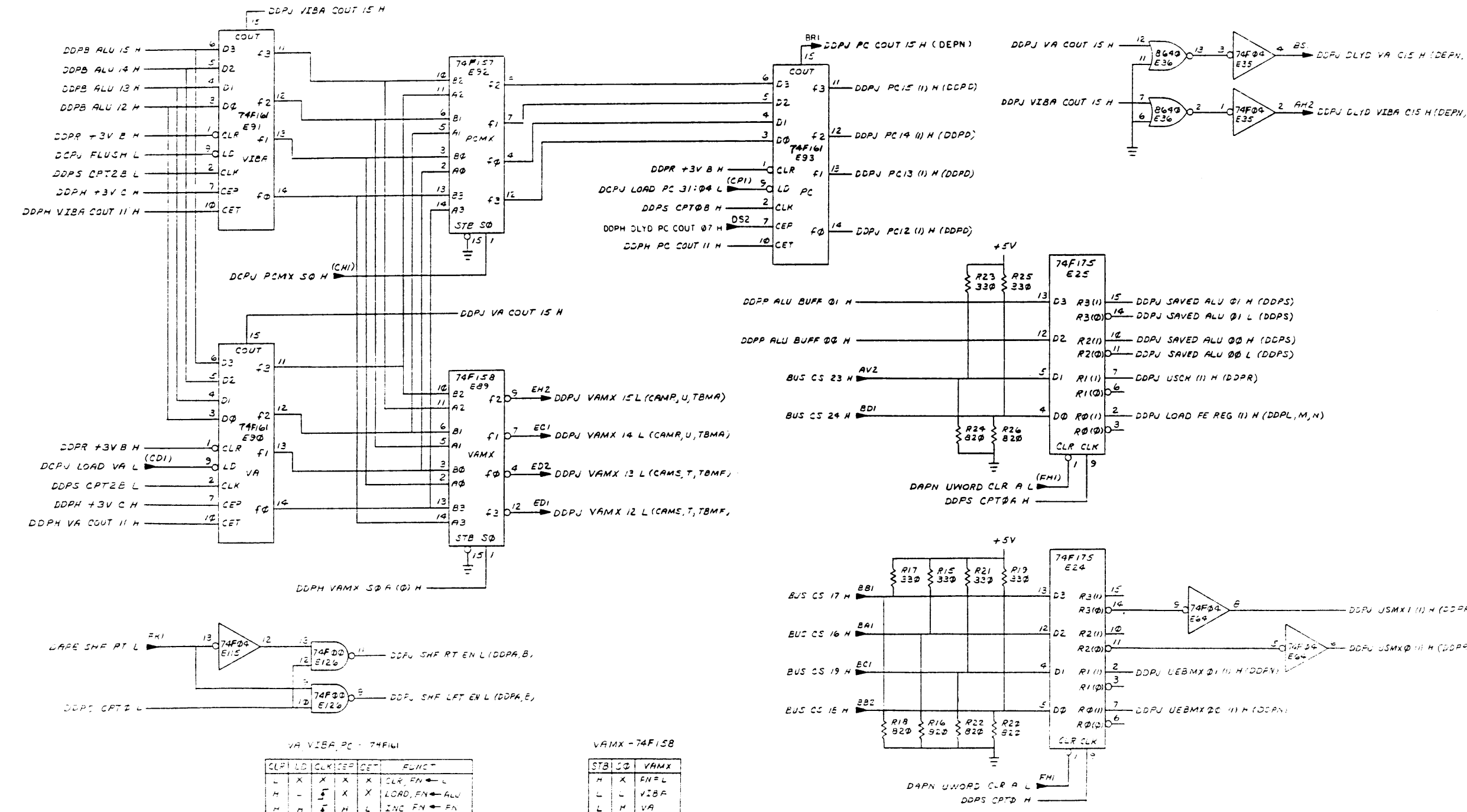


REVISIONS		
CHK	CHANGE NO.	REV.

(SLOW CONSTANTS VA VIBA, PC 11:08) (SLOT 11)

TITLE	DATA PATH 15:08 (DCPH)	SIZE CODE	DCS	NUMBER	M7469-0-0	REV.	C
SCALE		SHEET	8 OF 20	DIST.			

THIS DRAWING AND SPECIFICATIONS HEREIN ARE THE PROPERTY OF DIGITAL EQUIPMENT CORPORATION AND SHALL NOT BE REPRODUCED OR COPIED OR USED IN WHOLE OR IN PART AS THE BASIS FOR THE MANUFACTURE OR SALE OF ITEMS WITHOUT WRITTEN PERMISSION. COPYRIGHT © 1969 DIGITAL EQUIPMENT CORPORATION



VA VIBA PC - 74F161

CLR	LD	CLK	SEP	CET	FN
L	X	X	X	X	CLR, FN ← L
H	-	5	X	X	LOAD, FN ← ALU
H	H	5	H	L	INC, FN ← FA
H	H	5	H	H	INC, FN ← FN+

VAMX - 74F158

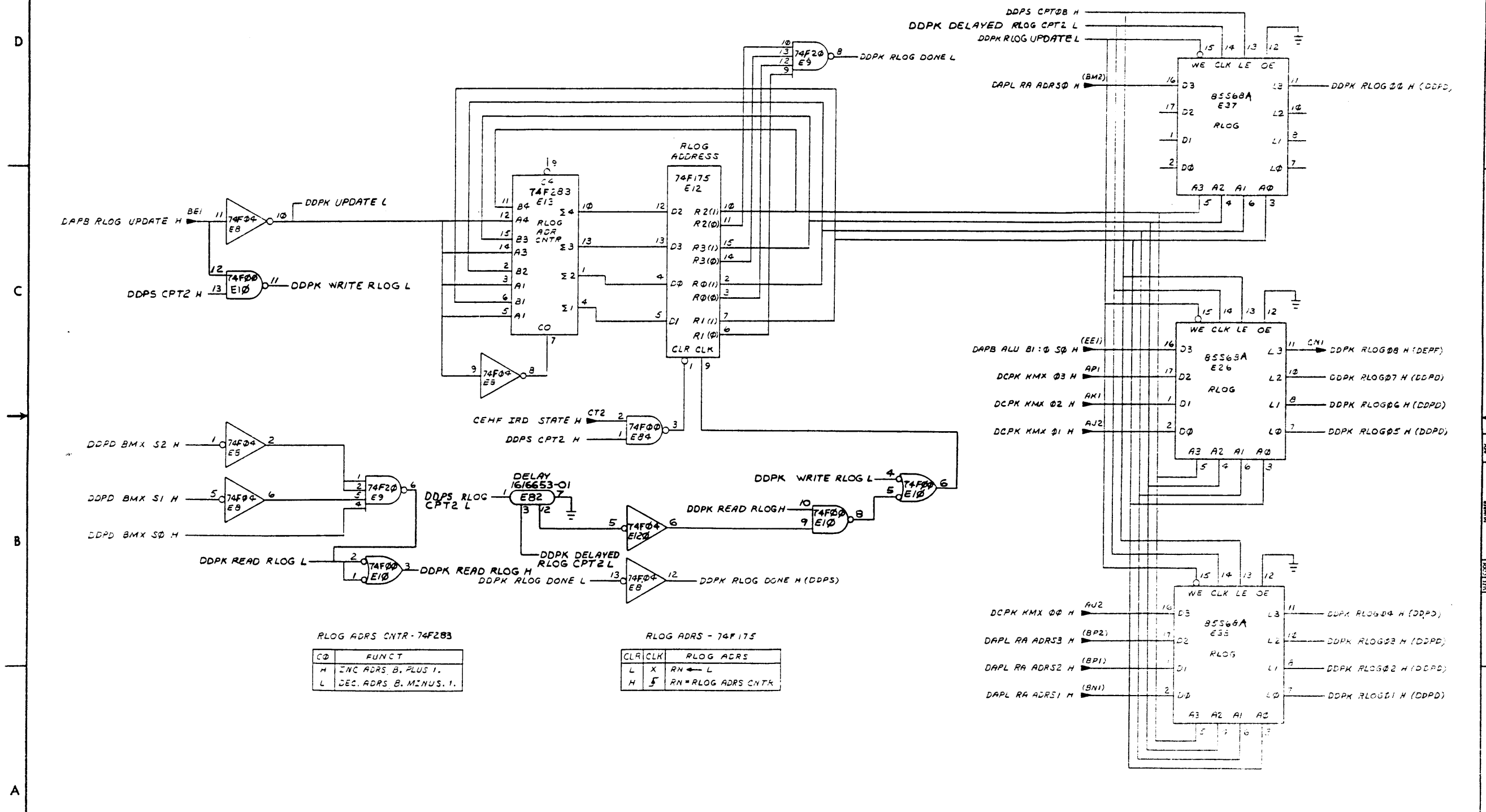
STB	S0	VAMX
H	X	FN=L
L	L	VIBA
L	H	VA

(VA, VIBA PC 15:12) (SLOT 11)

REVISIONS		
CHK	CHANGE NO	REV

M7469-0-0

THIS DRAWING AND SPECIFICATIONS HEREIN ARE THE PROPERTY OF DIGITAL EQUIPMENT CORPORATION AND SHALL NOT BE REPRODUCED OR COPIED OR USED IN WHOLE OR IN PART AS THE BASIS FOR THE MANUFACTURE OR SALE OF ITEMS WITHOUT WRITTEN PERMISSION. COPYRIGHT © 1973 DIGITAL EQUIPMENT CORPORATION



RLOG ADRS CNTL - 74F283

CO	FUNCT
H	INC ADRS B. PLUS 1.
L	DEC. ADRS B. MINUS 1.

RLOG ADRS - 74F175

CLR CLK	RLOG ADRS
L X	RN ← L
H 5	RN = RLOG ADRS CNTL

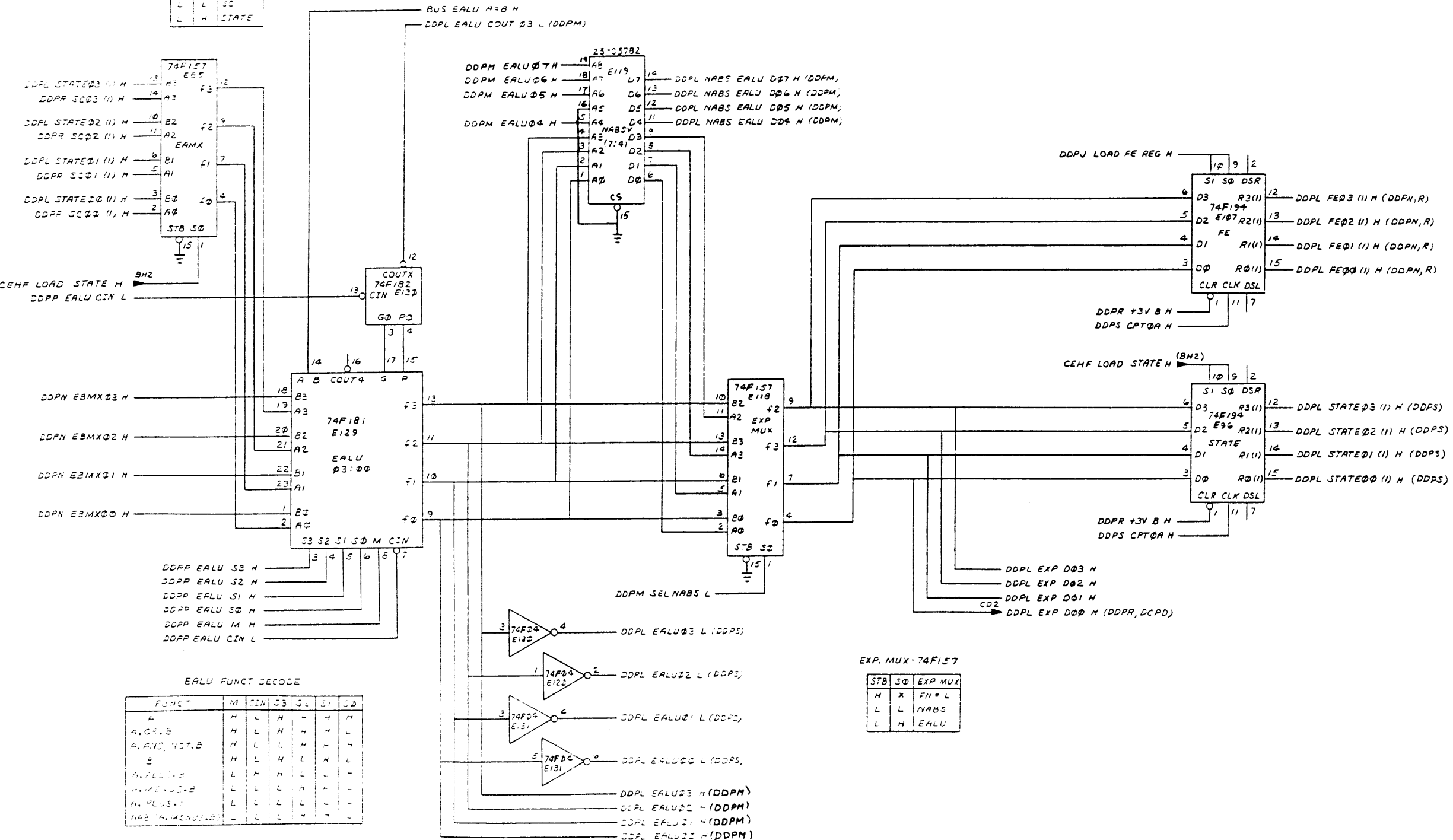
REVISIONS

CHK	CHANGE NO.	REV.

THIS DRAWING AND SPECIFICATIONS HEREIN ARE THE PROPERTY OF DIGITAL EQUIPMENT CORPORATION AND SHALL NOT BE REPRODUCED OR COPIED OR USED IN WHOLE OR IN PART AS THE BASIS FOR THE MANUFACTURE OR SALE OF ITEMS WITHOUT WRITTEN PERMISSION. COPYRIGHT © 1983 DIGITAL EQUIPMENT CORPORATION.

EMX-74F157

STB	S0	EXP	MUX
M	X	F	L
L	L	N	S
L	H	I	S



EALU FUNCT DECODE

FUNCT	M	CIN	S3	S2	S1	S0
A	H	L	H	H	H	H
A, OR, B	H	L	L	H	H	H
A, AND, NOT, B	H	L	L	L	H	H
B	H	L	H	L	H	L
A, PLUS, B	L	H	H	L	L	H
A, MINUS, B	L	L	L	L	H	H
A, PLUS, 1	L	L	L	L	L	L
NAB, MINUS, 0	L	L	L	H	H	H

EXP. MUX-74F157

STB	S0	EXP	MUX
M	X	F	L
L	L	N	S
L	H	E	A

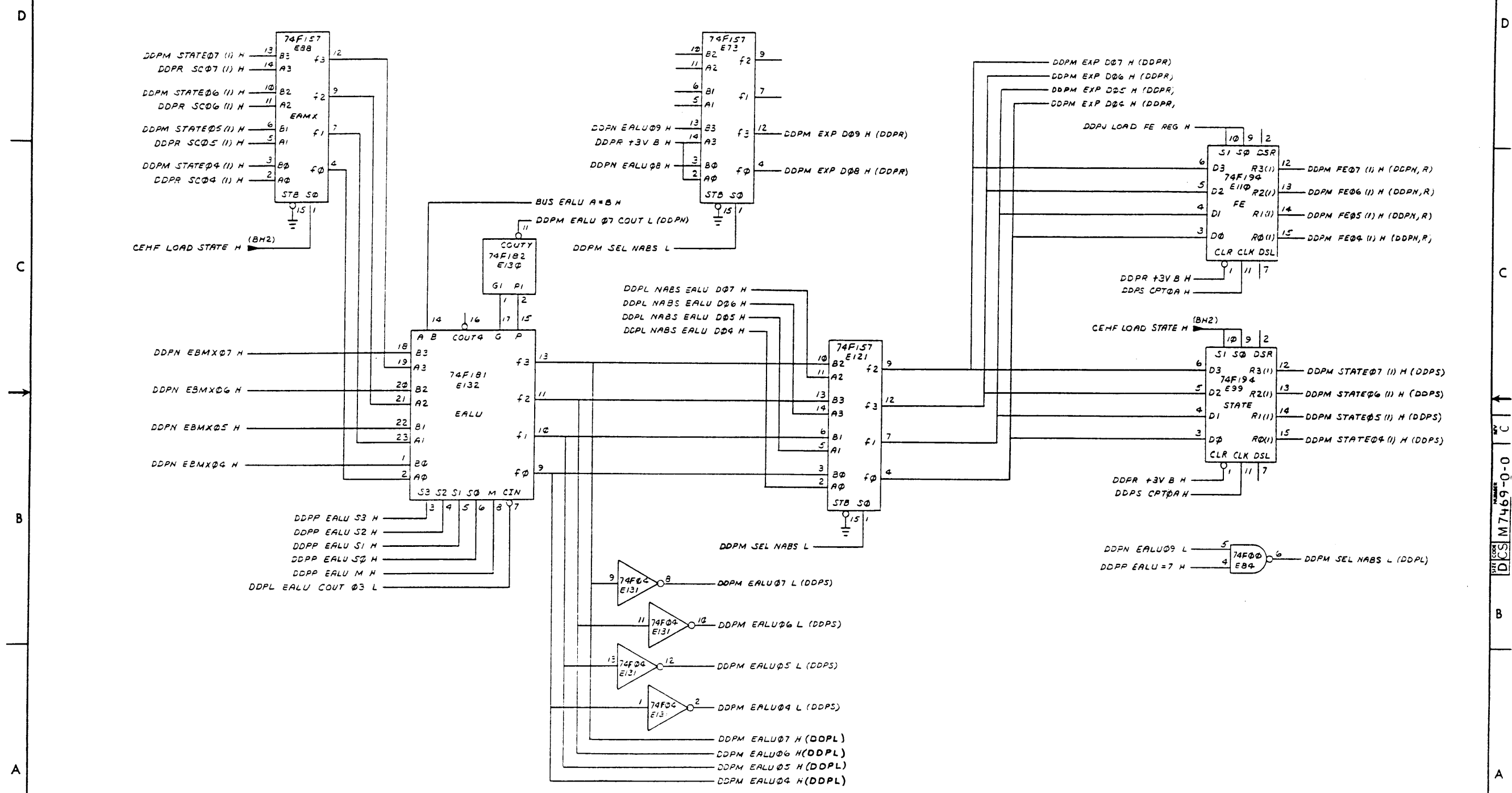
EXPONENT 03:00 (SLOT 11)

REVISIONS

CHK	CHANGE NO	REV

TITLE	DATA PATH 15:08 (DDPL)	SIZE CODE	D   CS	NUMBER	M7469-0-0	REV.	
SCALE		SHEET	11 OF 20	DIST.			

"THIS DRAWING AND SPECIFICATIONS HEREIN ARE THE PROPERTY OF DIGITAL EQUIPMENT CORPORATION AND SHALL NOT BE REPRODUCED OR COPIED OR USED IN WHOLE OR IN PART AS THE BASIS FOR THE MANUFACTURE OR SALE OF ITEMS WITHOUT WRITTEN PERMISSION. COPYRIGHT © 1983 DIGITAL EQUIPMENT CORPORATION"



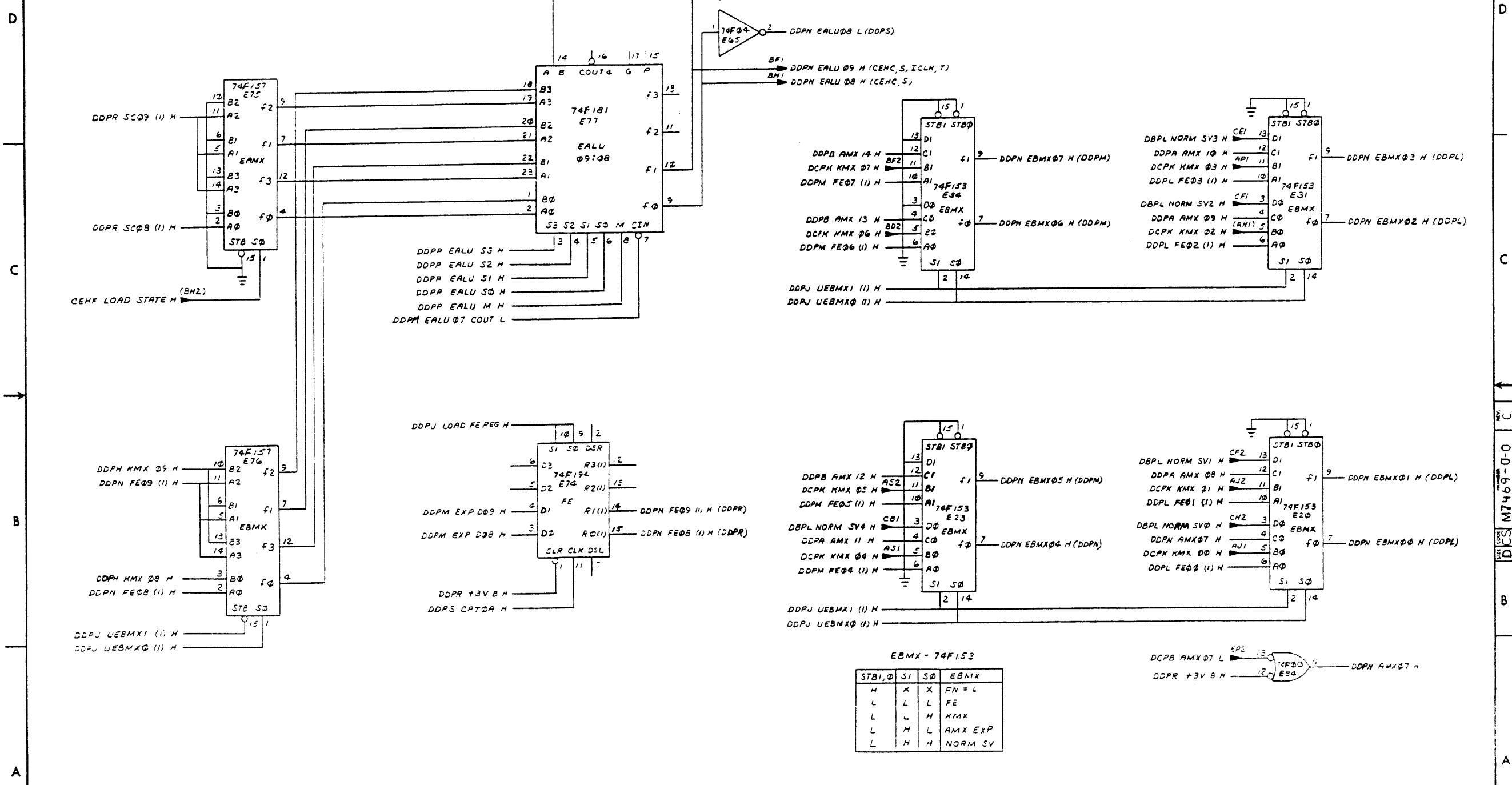
REVISIONS		
CHK	CHANGE NO	REV

(EXPONENT 07:04) (SLOT 11)

TITLE	DATA PATH 15:08 (DDPM)	SIZE CODE	DCS	NUMBER	M7469-0-0	REV.	C
SCALE		SHEET	12 OF 21	DIST.			

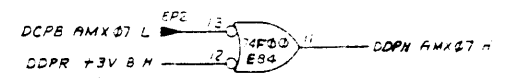


THIS DRAWING AND SPECIFICATIONS HEREIN ARE THE PROPERTY OF DIGITAL EQUIPMENT CORPORATION AND SHALL NOT BE REPRODUCED OR COPIED OR USED IN WHOLE OR IN PART AS THE BASIS FOR THE MANUFACTURE OR SALE OF ITEMS WITHOUT WRITTEN PERMISSION. COPYRIGHT © 1983 DIGITAL EQUIPMENT CORPORATION



EBMX - 74F153

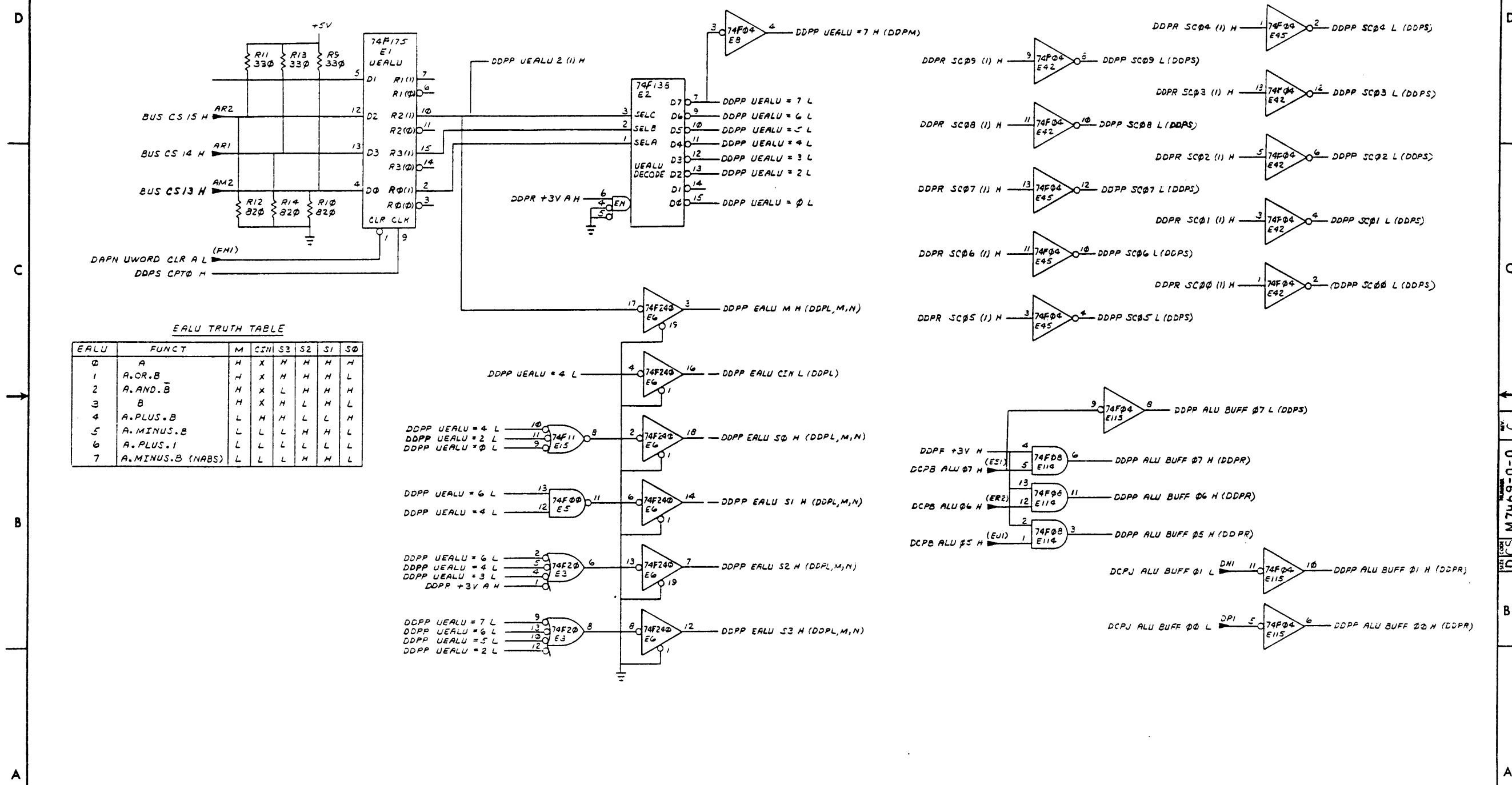
STBI, Φ	S1	S0	EBMX
H	X	X	FN = L
L	L	L	FE
L	L	H	KMX
L	H	L	AMX EXP
L	H	H	NORM SV



REVISIONS		
CHK	CHANGE NO	REV

M7469-0-0 DCS

THIS DRAWING AND SPECIFICATIONS HEREIN ARE THE PROPERTY OF DIGITAL EQUIPMENT CORPORATION AND SHALL NOT BE REPRODUCED OR COPIED OR USED IN WHOLE OR IN PART AS THE BASIS FOR THE MANUFACTURE OR SALE OF ITEMS WITHOUT WRITTEN PERMISSION. COPYRIGHT © 1975, DIGITAL EQUIPMENT CORPORATION



EALU TRUTH TABLE

EALU	FUNCT	M	CIN	S3	S2	S1	S0
0	A	H	X	H	H	H	H
1	A.O.R.B	H	X	H	H	H	L
2	A.AND.B	H	X	L	H	H	H
3	B	H	X	H	L	H	L
4	A.PLUS.B	L	H	H	L	L	H
5	A.MINUS.B	L	L	L	H	H	L
6	A.PLUS.1	L	L	L	L	L	L
7	A.MINUS.B (NABS)	L	L	L	H	H	L

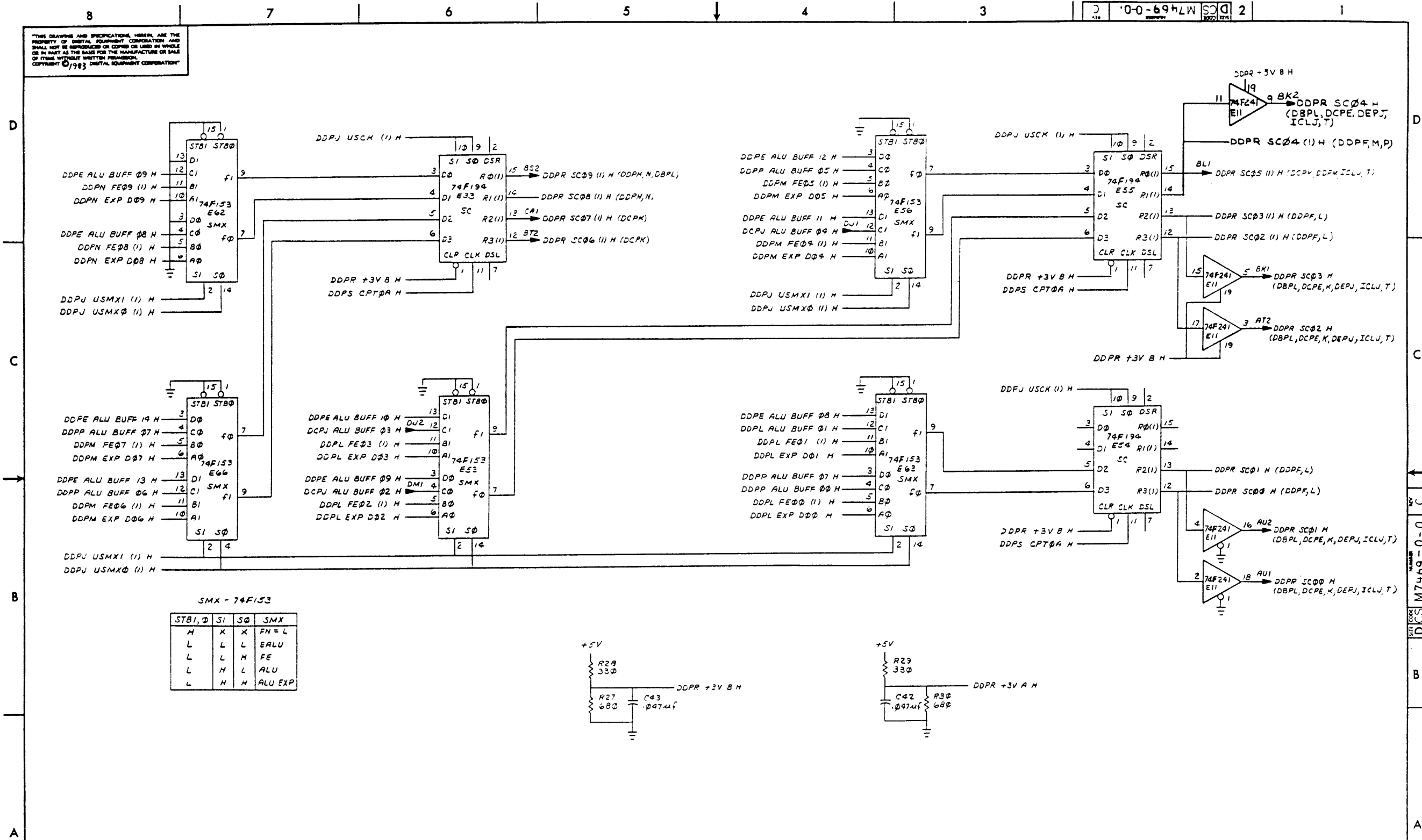
REVISIONS		
CHK	CHANGE NO.	REV

(EALU CONTROL, SC BUFFERS) (SLOT 11)

TITLE	DATA PATH 15:08 (DDPP)	SIZE CODE	D CS	NUMBER	M7469-0-0	REV.	C
SCALE		SHEET	14 OF 20	DIST.			

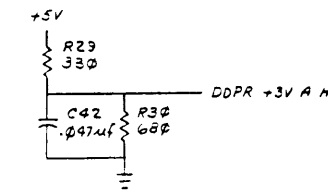
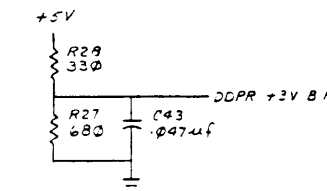
THIS DRAWING AND SPECIFICATIONS HEREIN ARE THE PROPERTY OF DIGITAL EQUIPMENT CORPORATION AND SHALL NOT BE REPRODUCED OR COPIED OR USED IN WHOLE OR IN PART AS THE BASIS FOR THE MANUFACTURE OR SALE OF ITEMS WITHOUT WRITTEN PERMISSION. COPYRIGHT © 1983 DIGITAL EQUIPMENT CORPORATION

0-0-694LW 2



SMX - 74F153

STBI, φ	S1	S0	SMX
H	X	X	FN = L
L	L	L	EALU
L	L	H	FE
L	H	L	ALU
L	H	H	ALU EXP

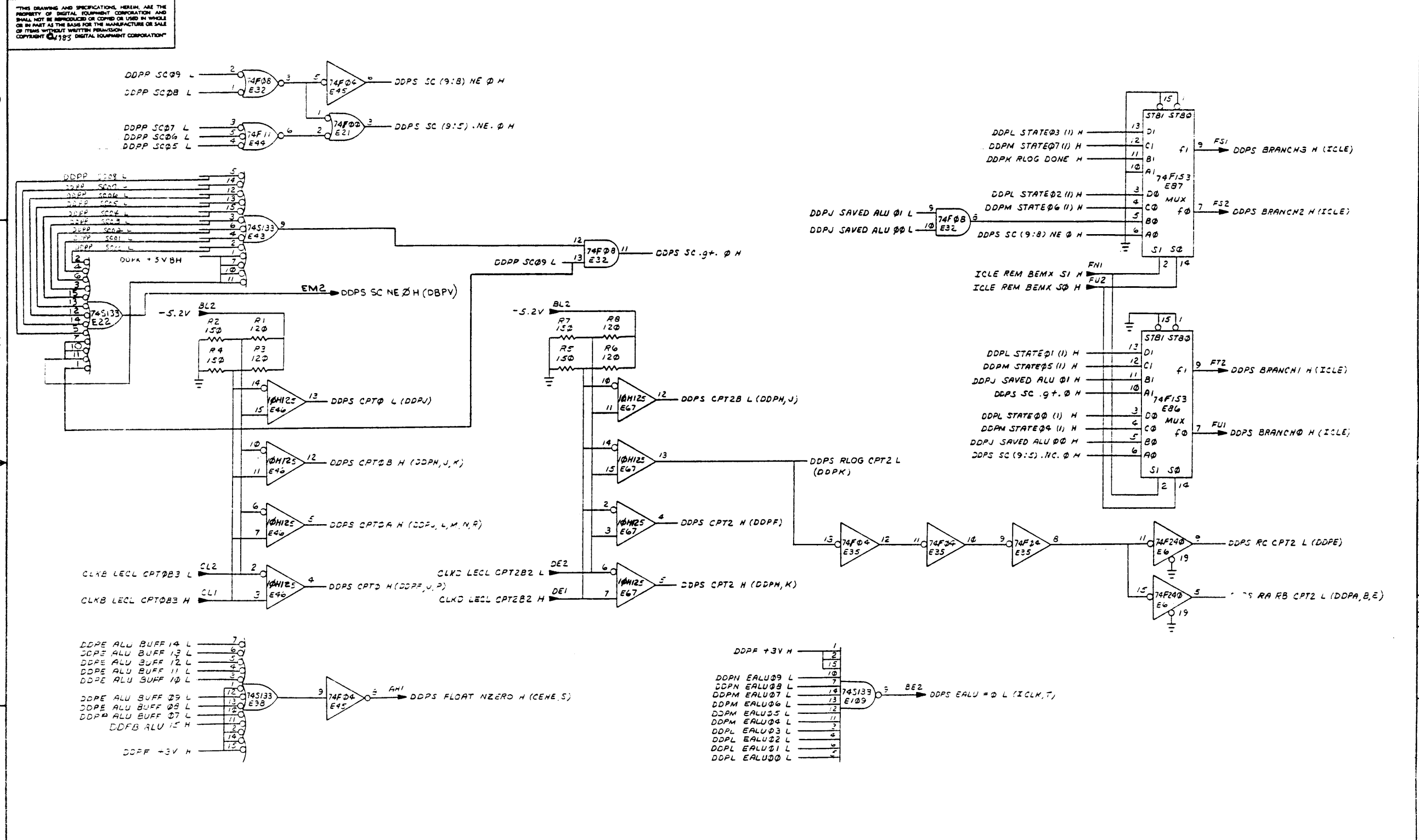


(SMX & SC) (SLOT 11)

REVISIONS		
CHK	CHANGE NO	REV.

TITLE	SIZE CODE	NUMBER	REV.
DATA PATH I5:08 (DDPR)	D	M7469-0-0	C
SCALE	SHEET 15 OF 20	DIST.	

THIS DRAWING AND SPECIFICATIONS HEREIN ARE THE PROPERTY OF DIGITAL EQUIPMENT CORPORATION AND SHALL NOT BE REPRODUCED OR COPIED OR USED IN WHOLE OR IN PART AS THE BASIS FOR THE MANUFACTURE OR SALE OF ITEMS WITHOUT WRITTEN PERMISSION OF DIGITAL EQUIPMENT CORPORATION



(UBRANCH & CLOCK TRANSLATORS)

REVISIONS		
CHK	CHANGE NO	REV

TITLE			SIZE/SCALE		NUMBER		REV.	
DATA PATH 15:03 (DDPS) (SLOT 11)			D	CS	M7469-0-0		C	C
SCALE			SHEET 10 OF 20		DIST.			





THIS DRAWING AND SPECIFICATIONS HEREIN ARE THE PROPERTY OF DIGITAL EQUIPMENT CORPORATION AND SHALL NOT BE REPRODUCED OR COPIED OR USED IN WHOLE OR IN PART AS THE BASIS FOR THE MANUFACTURE OR SALE OF ITEMS WITHOUT WRITTEN PERMISSION. COPYRIGHT © 1969 DIGITAL EQUIPMENT CORPORATION.

### NABS ROM

NABS EALU D(07:00) H

ROM ADDR	EALU	ROM DATA	DECIMAL VALUE
		M7 M6 M5 M4 M3 M2 M1 M0	
100		L L L L L L L L	-128
101		L H H H H H H H	-129
102		L H H H H H H L	-130
103		L H H H H H L H	-131
104		L H H H H L L L	-132
105		L H H H H L H H	-133
106		L H H H H L H L	-134
107		L H H H H L L H	-135
108		L H H H H L L L	-136
109		L H H H L H H H	-137
10A		L H H H L H H L	-138
10B		L H H H L H L H	-139
10C		L H H H L H L L	-140
10D		L H H H L L H H	-141
10E		L H H H L L H L	-142
10F		L H H H L L L H	-143
110		L H H H L L L L	-144
111		L H H L H H H H	-145
112		L H H L H H H L	-146
113		L H H L H H L H	-147
114		L H H L H H L L	-148
115		L H H L H L H H	-149
116		L H H L H L H L	-150
117		L H H L H L L H	-151
118		L H H L H L L L	-152
119		L H H L L H H H	-153
11A		L H H L L H H L	-154
11B		L H H L L H L H	-155
11C		L H H L L H L L	-156
11D		L H H L L L H H	-157
11E		L H H L L L H L	-158
11F		L H H L L L L H	-159

NOTE: 120-13F NOT USED

NABS EALU D(07:00) H

ROM ADDR	EALU	ROM DATA	DECIMAL VALUE
		M7 M6 M5 M4 M3 M2 M1 M0	
140		L H H L L L L L	-160
141		L H L H H H H H	-161
142		L H L H H H H L	-162
143		L H L H H H L H	-163
144		L H L H H L L L	-164
145		L H L H H L H H	-165
146		L H L H H L H L	-166
147		L H L H H L L H	-167
148		L H L H H L L L	-168
149		L H L H L H H H	-169
14A		L H L H L H H L	-170
14B		L H L H L H L H	-171
14C		L H L H L H L L	-172
14D		L H L H L L H H	-173
14E		L H L H L L H L	-174
14F		L H L H L L L H	-175
150		L H L H L L L L	-176
151		L H L L H H H H	-177
152		L H L L H H H L	-178
153		L H L L H H L H	-179
154		L H L L H H L L	-180
155		L H L L H L H H	-181
156		L H L L H L H L	-182
157		L H L L H L L H	-183
158		L H L L H L L L	-184
159		L H L L L H H H	-185
15A		L H L L L H H L	-186
15B		L H L L L H L H	-187
15C		L H L L L H L L	-188
15D		L H L L L L H H	-189
15E		L H L L L L H L	-190
15F		L H L L L L L H	-191

NOTE: 160-17F NOT USED

NABS EALU D(07:00) H

ROM ADDR	EALU	ROM DATA	DECIMAL VALUE
		M7 M6 M5 M4 M3 M2 M1 M0	
180		L L L L L L L L	-192
181		L L L H H H H H	-193
182		L L L H H H H L	-194
183		L L L H H H L H	-195
184		L L L H H H L L	-196
185		L L L H H L H H	-197
186		L L L H H L H L	-198
187		L L L H H L L H	-199
188		L L L H H L L L	-200
189		L L L H L H H H	-201
18A		L L L H L H H L	-202
18B		L L L H L H L H	-203
18C		L L L H L H L L	-204
18D		L L L H L L H H	-205
18E		L L L H L L H L	-206
18F		L L L H L L L H	-207
190		L L L H L L L L	-208
191		L L L L H H H H	-209
192		L L L L H H H L	-210
193		L L L L H H L H	-211
194		L L L L H H L L	-212
195		L L L L H L H H	-213
196		L L L L H L H L	-214
197		L L L L H L L H	-215
198		L L L L H L L L	-216
199		L L L L L H H H	-217
19A		L L L L L H H L	-218
19B		L L L L L H L H	-219
19C		L L L L L H L L	-220
19D		L L L L L L H H	-221
19E		L L L L L L H L	-222
19F		L L L L L L L H	-223

NOTE: 1A0-1BF NOT USED

NABS EALU D(07:00) H

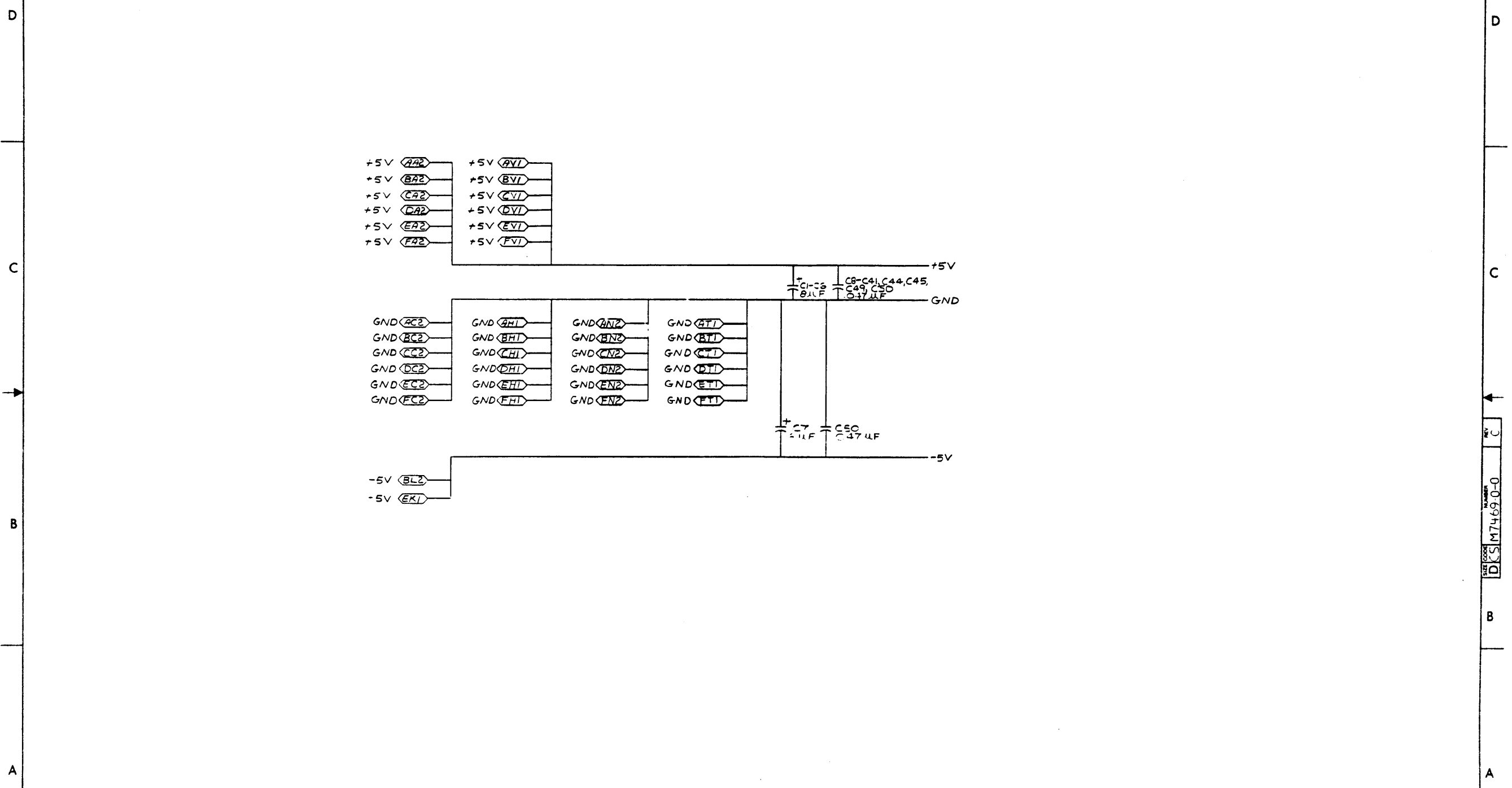
ROM ADDR	EALU	ROM DATA	DECIMAL VALUE
		M7 M6 M5 M4 M3 M2 M1 M0	
IC0		L L L L L L L L	-224
IC1		L L L L H H H H	-225
IC2		L L L L H H H L	-226
IC3		L L L L H H L H	-227
IC4		L L L L H H L L	-228
IC5		L L L L H L H H	-229
IC6		L L L L H L H L	-230
IC7		L L L L H L L H	-231
IC8		L L L L H L L L	-232
IC9		L L L L L H H H	-233
ICA		L L L L L H H L	-234
ICB		L L L L L H L H	-235
ICC		L L L L L H L L	-236
ICD		L L L L L L H H	-237
ICE		L L L L L L H L	-238
ICF		L L L L L L L H	-239
ID0		L L L L L L L L	-240
ID1		L L L L L H H H	-241
ID2		L L L L L H H L	-242
ID3		L L L L L H L H	-243
ID4		L L L L L H L L	-244
ID5		L L L L L L H H	-245
ID6		L L L L L L H L	-246
ID7		L L L L L L L H	-247
ID8		L L L L L L L L	-248
ID9		L L L L L L H H	-249
IDA		L L L L L L H L	-250
IDB		L L L L L L L H	-251
IDC		L L L L L L L L	-252
IDD		L L L L L L L H	-253
IDE		L L L L L L L L	-254
IDF		L L L L L L L H	-255

NOTE: 1E0-1FF NOT USED

REVISIONS		
CHK	CHANGE NO.	REV.

(EALU NABS ROM 23-02881-00) (SLOT 11)

TITLE	DATA PATH 15:08	SIZE CODE	DCS	NUMBER	M7469-0-0	REV.	C
SCALE	SHEET 1 OF 22		DIST				



REVISION HISTORY		
DATE	ECD NUMBER	REV



C REV. 0-0-694/W DD B  
 NUMBER CODE SIZE

DRAWING NO.	NO. OF SHTS.	PART NO.	DESCRIPTION	REVISIONS											
				A	B	C									
	—	M7469-00	PART REVISION	A	B	C									
E-UA-M7469-0-0	4		UNIT ASSEMBLY	A	B	C									
K-PL-M7469-0-DBP	2		PARTS LIST	A	A	A									
D-CS-M7469-0-0	20		SCHEMATIC	A	B	C									
K-PC-M7469-0-DBC	—		PC DESIGN DATA BASE	A	A	A									
	—	5012599-00	ETCHED BOARD	C	C	C									

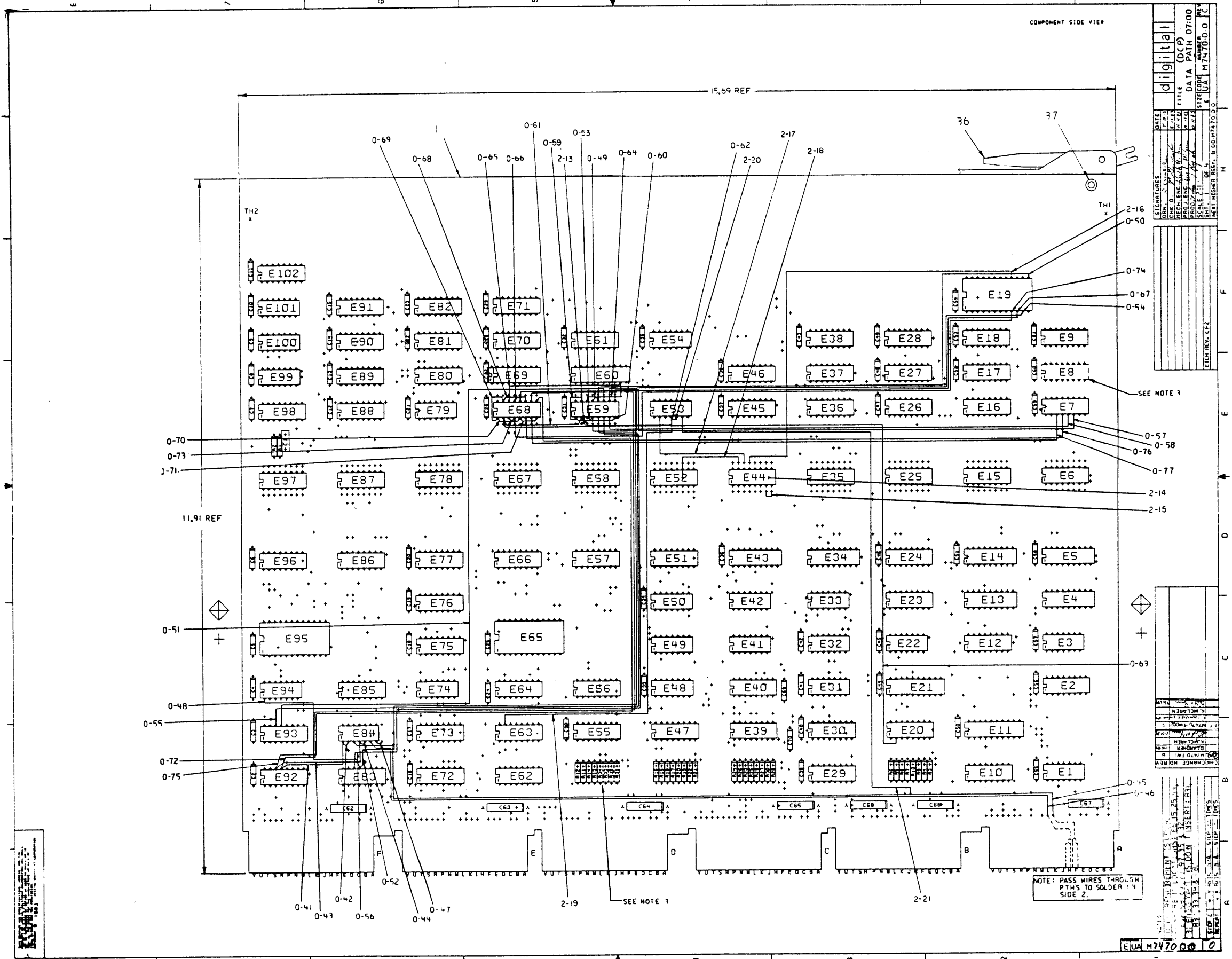
**NOTES:**

REVISIONS			REV.
DATE	CHG NO.	INIT.	
9/83			A
2/84	TW001		B
6/84	TW002		C

THIS DRAWING AND SPECIFICATIONS, HEREIN, ARE THE PROPERTY OF DIGITAL EQUIPMENT CORPORATION AND SHALL NOT BE REPRODUCED OR COPIED OR USED IN WHOLE OR IN PART AS THE BASIS FOR THE MANUFACTURE OR SALE OF ITEMS WITHOUT WRITTEN PERMISSION.  
 COPYRIGHT© 1983 DIGITAL EQUIPMENT CORPORATION



USED ON OPTION/MODEL		DRN.	9-23-83	TITLE		DATA PATH 15:08 (DDP)	
		CHK'D	9-23-83	SIZE		CODE	REV.
		ENG.	10-18-83	B		DD	C
		PRO.	10-18-83	NUMBER		M7469-0-0	
				SHEET		OF	



digital

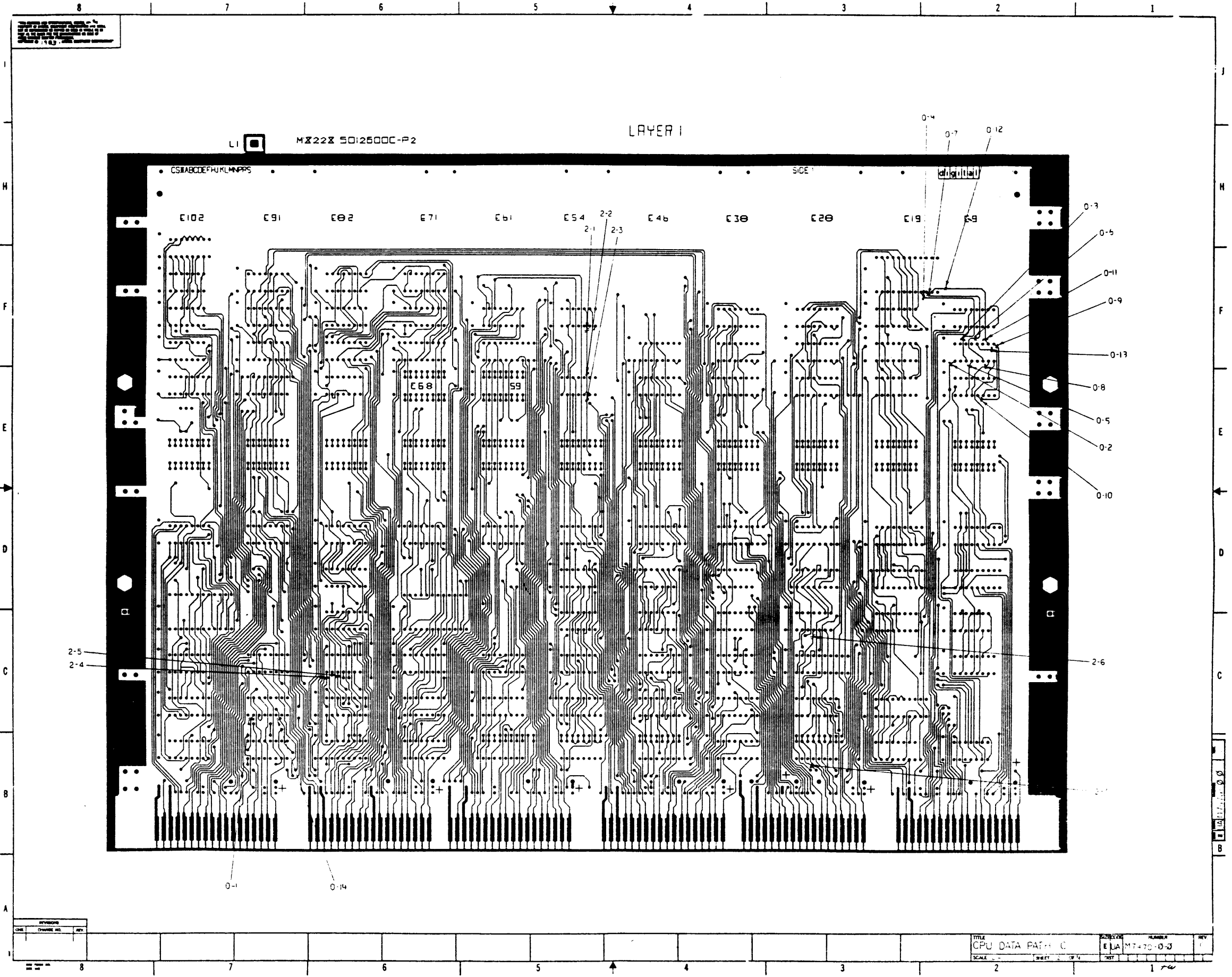
DATE	10/10/68
DESIGNED BY	J. J. J.
DESIGNED IN	PHOENIX, ARIZONA
PROJ. ENG. NO.	100-100000
PROJ. NAME	DATA PATH 0700
SCALE	1:1
REV. NO.	0
REV. DATE	
REV. BY	
REV. REASON	
DATE	10/10/68
DESIGNED BY	J. J. J.
DESIGNED IN	PHOENIX, ARIZONA
PROJ. ENG. NO.	100-100000
PROJ. NAME	DATA PATH 0700
SCALE	1:1
REV. NO.	0
REV. DATE	
REV. BY	
REV. REASON	

TH2	+
TH1	+
0-70	
0-73	
J-71	
11.91 REF	
0-51	
0-48	
0-55	
0-72	
0-75	
0-51	
0-63	
0-45	
0-46	

DATE	10/10/68
DESIGNED BY	J. J. J.
DESIGNED IN	PHOENIX, ARIZONA
PROJ. ENG. NO.	100-100000
PROJ. NAME	DATA PATH 0700
SCALE	1:1
REV. NO.	0
REV. DATE	
REV. BY	
REV. REASON	

NOTE: PASS WIRES THROUGH PTHS TO SOLDER / Y SIDE 2.

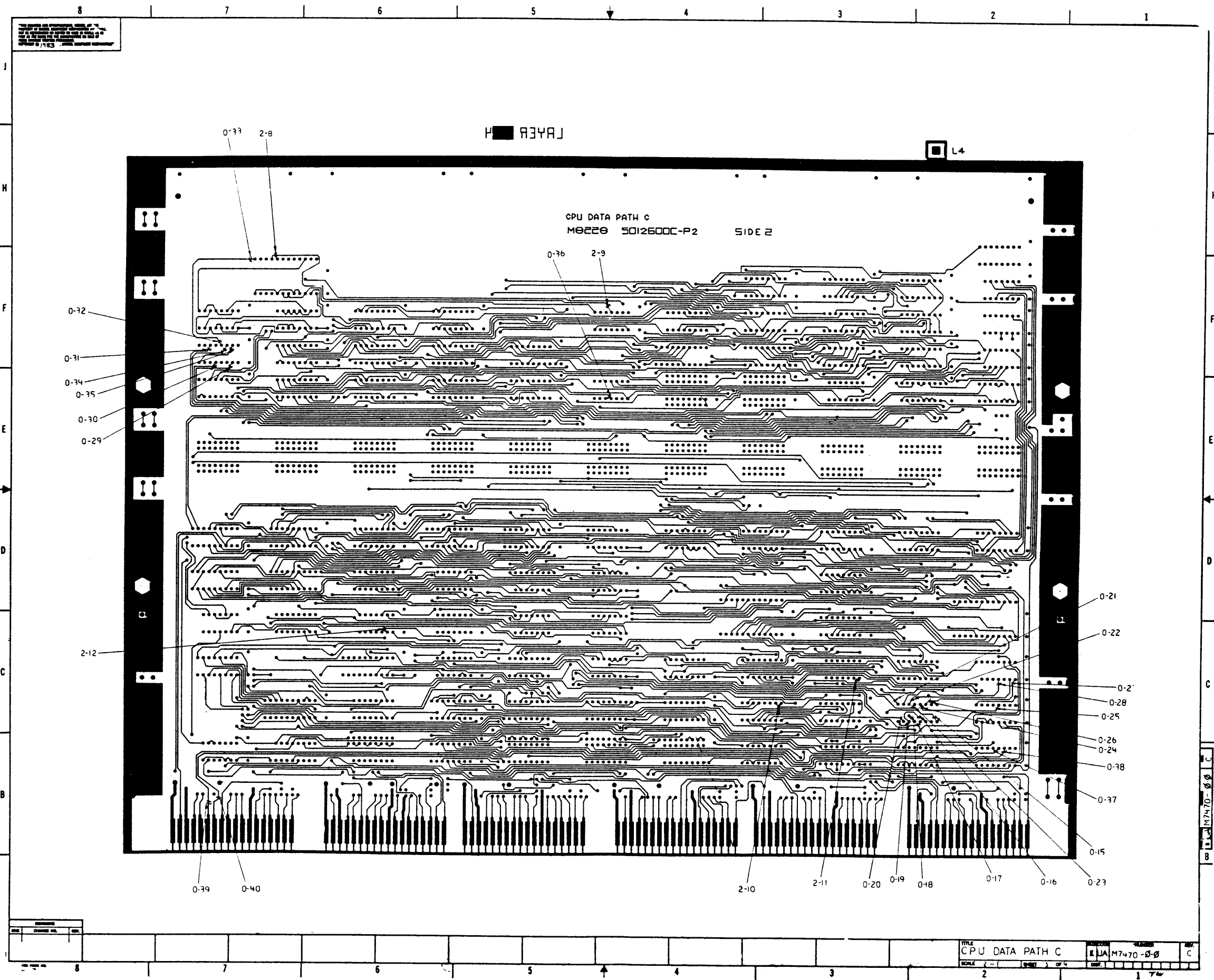
EMJ M7470 00



1. BOARD FABRICATOR'S SPECIFICATIONS  
 2. BOARD FABRICATOR'S DRAWING  
 3. BOARD FABRICATOR'S PART NUMBER  
 4. BOARD FABRICATOR'S DATE

REV	DATE	BY	CHKD

TITLE	SCALE	SHEET	OF	NO.	DATE	DESIGNED BY	CHECKED BY	APPROVED BY	REV
CPU DATA PATH C						EJA			1



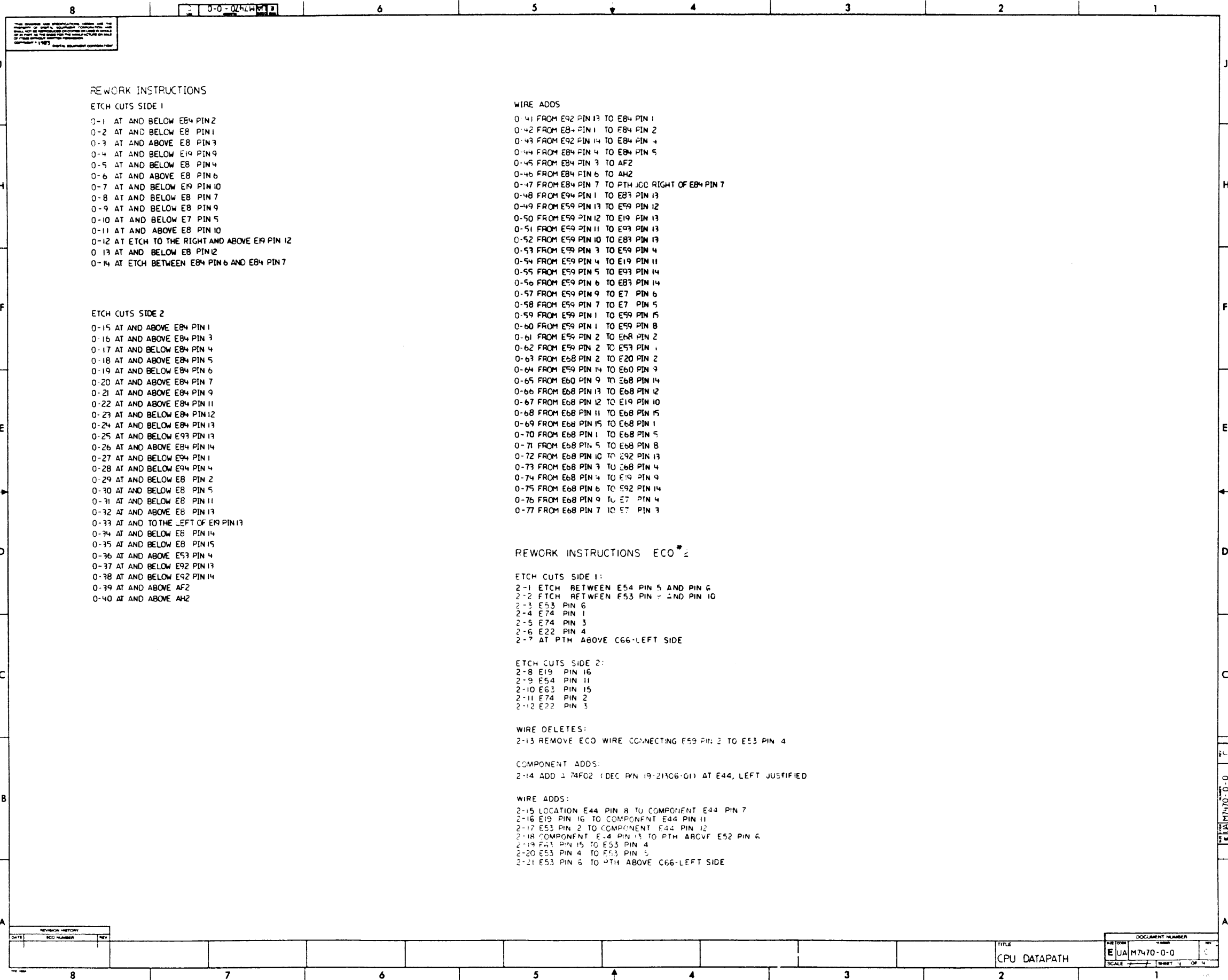
1. ALL DIMENSIONS ARE IN MILLIMETERS UNLESS OTHERWISE SPECIFIED.  
 2. DIMENSIONS TO CENTER UNLESS OTHERWISE SPECIFIED.  
 3. DIMENSIONS TO EDGE UNLESS OTHERWISE SPECIFIED.  
 4. DIMENSIONS TO CENTER UNLESS OTHERWISE SPECIFIED.  
 5. DIMENSIONS TO EDGE UNLESS OTHERWISE SPECIFIED.  
 6. DIMENSIONS TO CENTER UNLESS OTHERWISE SPECIFIED.  
 7. DIMENSIONS TO EDGE UNLESS OTHERWISE SPECIFIED.  
 8. DIMENSIONS TO CENTER UNLESS OTHERWISE SPECIFIED.

H 834AJ

L4

CPU DATA PATH C  
 M0228 5012600C-P2 SIDE 2

TITLE CPU DATA PATH C  
 SCALE 1:1  
 NUMBER M7470-0-0  
 REV. C



This drawing and associated data are the property of IBM. Reproduction, transmission, or use in any form without the express written permission of IBM is prohibited. © 1973 IBM Corporation

REWORK INSTRUCTIONS

ETCH CUTS SIDE 1

- 0-1 AT AND BELOW E84 PIN 2
- 0-2 AT AND BELOW E8 PIN 1
- 0-3 AT AND ABOVE E8 PIN 3
- 0-4 AT AND BELOW E19 PIN 9
- 0-5 AT AND BELOW E8 PIN 4
- 0-6 AT AND ABOVE E8 PIN 6
- 0-7 AT AND BELOW E9 PIN 10
- 0-8 AT AND BELOW E8 PIN 7
- 0-9 AT AND BELOW E8 PIN 9
- 0-10 AT AND BELOW E7 PIN 5
- 0-11 AT AND ABOVE E8 PIN 10
- 0-12 AT ETCH TO THE RIGHT AND ABOVE E9 PIN 12
- 0-13 AT AND BELOW E8 PIN 12
- 0-14 AT ETCH BETWEEN E84 PIN 6 AND E84 PIN 7

ETCH CUTS SIDE 2

- 0-15 AT AND ABOVE E84 PIN 1
- 0-16 AT AND ABOVE E84 PIN 3
- 0-17 AT AND BELOW E84 PIN 4
- 0-18 AT AND ABOVE E84 PIN 5
- 0-19 AT AND BELOW E84 PIN 6
- 0-20 AT AND ABOVE E84 PIN 7
- 0-21 AT AND ABOVE E84 PIN 9
- 0-22 AT AND ABOVE E84 PIN 11
- 0-23 AT AND BELOW E84 PIN 12
- 0-24 AT AND BELOW E84 PIN 13
- 0-25 AT AND BELOW E93 PIN 13
- 0-26 AT AND ABOVE E84 PIN 14
- 0-27 AT AND BELOW E94 PIN 1
- 0-28 AT AND BELOW E94 PIN 4
- 0-29 AT AND BELOW E8 PIN 2
- 0-30 AT AND BELOW E8 PIN 5
- 0-31 AT AND BELOW E8 PIN 11
- 0-32 AT AND ABOVE E8 PIN 13
- 0-33 AT AND TO THE LEFT OF E9 PIN 13
- 0-34 AT AND BELOW E8 PIN 14
- 0-35 AT AND BELOW E8 PIN 15
- 0-36 AT AND ABOVE E53 PIN 4
- 0-37 AT AND BELOW E92 PIN 13
- 0-38 AT AND BELOW E92 PIN 14
- 0-39 AT AND ABOVE AF2
- 0-40 AT AND ABOVE AH2

WIRE ADDS

- 0-41 FROM E92 PIN 13 TO E84 PIN 1
- 0-42 FROM E84 PIN 1 TO E84 PIN 2
- 0-43 FROM E92 PIN 14 TO E84 PIN 4
- 0-44 FROM E84 PIN 4 TO E84 PIN 5
- 0-45 FROM E84 PIN 3 TO AF2
- 0-46 FROM E84 PIN 6 TO AH2
- 0-47 FROM E84 PIN 7 TO PTH JCC RIGHT OF E84 PIN 7
- 0-48 FROM E94 PIN 1 TO E83 PIN 13
- 0-49 FROM E59 PIN 13 TO E59 PIN 12
- 0-50 FROM E59 PIN 12 TO E19 PIN 13
- 0-51 FROM E59 PIN 11 TO E93 PIN 13
- 0-52 FROM E59 PIN 10 TO E83 PIN 13
- 0-53 FROM E59 PIN 3 TO E59 PIN 4
- 0-54 FROM E59 PIN 4 TO E19 PIN 11
- 0-55 FROM E59 PIN 5 TO E93 PIN 14
- 0-56 FROM E59 PIN 6 TO E83 PIN 14
- 0-57 FROM E59 PIN 9 TO E7 PIN 6
- 0-58 FROM E59 PIN 7 TO E7 PIN 5
- 0-59 FROM E59 PIN 1 TO E59 PIN 15
- 0-60 FROM E59 PIN 1 TO E59 PIN 8
- 0-61 FROM E59 PIN 2 TO E68 PIN 2
- 0-62 FROM E59 PIN 2 TO E59 PIN 1
- 0-63 FROM E68 PIN 2 TO E20 PIN 2
- 0-64 FROM E59 PIN 14 TO E60 PIN 3
- 0-65 FROM E60 PIN 9 TO E68 PIN 14
- 0-66 FROM E68 PIN 13 TO E68 PIN 12
- 0-67 FROM E68 PIN 12 TO E19 PIN 10
- 0-68 FROM E68 PIN 11 TO E68 PIN 15
- 0-69 FROM E68 PIN 15 TO E68 PIN 1
- 0-70 FROM E68 PIN 1 TO E68 PIN 5
- 0-71 FROM E68 PIN 5 TO E68 PIN 8
- 0-72 FROM E68 PIN 10 TO E92 PIN 13
- 0-73 FROM E68 PIN 3 TO E68 PIN 4
- 0-74 FROM E68 PIN 4 TO E19 PIN 9
- 0-75 FROM E68 PIN 6 TO E92 PIN 14
- 0-76 FROM E68 PIN 9 TO E7 PIN 4
- 0-77 FROM E68 PIN 7 TO E7 PIN 3

REWORK INSTRUCTIONS ECO #2

ETCH CUTS SIDE 1:

- 2-1 ETCH BETWEEN E54 PIN 5 AND PIN 6
- 2-2 ETCH BETWEEN E53 PIN 2 AND PIN 10
- 2-3 E53 PIN 6
- 2-4 E74 PIN 1
- 2-5 E74 PIN 3
- 2-6 E22 PIN 4
- 2-7 AT PTH ABOVE C66-LEFT SIDE

ETCH CUTS SIDE 2:

- 2-8 E19 PIN 16
- 2-9 E54 PIN 11
- 2-10 E63 PIN 15
- 2-11 E74 PIN 2
- 2-12 E22 PIN 3

WIRE DELETES:

- 2-13 REMOVE ECO WIRE CONNECTING E59 PIN 2 TO E53 PIN 4

COMPONENT ADDS:

- 2-14 ADD 1 74F02 (DEC PIN 19-2106-01) AT E44, LEFT JUSTIFIED

WIRE ADDS:

- 2-15 LOCATION E44 PIN 8 TO COMPONENT E44 PIN 7
- 2-16 E19 PIN 16 TO COMPONENT E44 PIN 11
- 2-17 E53 PIN 2 TO COMPONENT E44 PIN 12
- 2-18 COMPONENT E44 PIN 13 TO PTH ABOVE E52 PIN 6
- 2-19 E63 PIN 15 TO E53 PIN 4
- 2-20 E53 PIN 4 TO E53 PIN 5
- 2-21 E53 PIN 6 TO PTH ABOVE C66-LEFT SIDE

REVISION HISTORY		
DATE	ECO NUMBER	REV

TITLE	DOCUMENT NUMBER
CPU DATAPATH	EJAM7470-0-0
SCALE	SHEET 11 OF 14

LINE	ITEM	TOP DOCUMENT	PART NUMBER	MIN REV	DESCRIPTION	QTY	PER VARIATION	REFERENCE DESIGNATOR
						00		
						C1		
1	1	E-MD-5012600-0-0	5012600-00		M8228	1		
2	2		1921307-01		74F04 HEX INVERTER	6		E22,E31,E54,E99,E100,E101
3	3		1921308-01		74F08 AND GATE,QUAD,2-IN	2		E53,E84
4	4		1921309-01		74F10 NAND GATE,TRIPLE,3-I	1		E33
5	5		1921310-01		74F11 AND GATE,TRIPLE,3-IN	2		E49,E94
6	6		1921313-01		74F64 AND OR INVERT GATE,4-	5		E1,E41,E42,E48,E50
7	7		1910545-00		74S112 FF-JK DUAL,EDGE TRIG	2		E12,E23
8	8		1911983-00		74S133 NAND GATE-POSITIVE 1	1		E102
9	9		1921316-01		74F138 DECODER/DEMUX,1-OF-8	1		E24
10	10		1921318-01		74F151 MUX,8-IN	8		E16,E17,E26,E27,E36,E37,E45,E46
11	11		1921319-01		74F153 MUX,DUAL,4-IN	12		E9,E18,E57,E61,E66,E71,E88,E90,
							CONT	E91,E98,E59,E68
12	12		1921320-01		74F157 MUX,QUAD,2-IN	5		E70,E73,E80,E81,E89
13	13		1921321-01		74F158 MUX,QUAD,2-IN	2		E2,E10
14	14		1921324-01		74F175 FF-D,QUAD	3		E20,E47,E55
15	15		1921325-01		74F181 ALU,4-BIT	3		E19,E65,E95
16	16		1921326-01		74F182 CARRY LOOKAHEAD GEN.	2		E64,E85
17	17		1921327-01		74F194 SHIFT REG,UNIV,BIDIR	4		E28,E38,E69,E82
18	18		1921008-01		74F240 BUFFER/LINE DRIVER,I	1		E21
19	19		1921009-01		74F241 BUFFER/LINE DRIVER,N	1		E60
20	20		1921330-01		74F257 MUX,QUAD,2-IN	4		E56,E62,E77,E86
21	21		1921720-01		10H125 TRANSLATOR ECL TO TTL	2		E39,E40
22	22		1913788-00		26S10 TRANSCEIVER,BUS,QUA	2		E29,E30
23	23		1921322-01		74F161 BINARY COUNTER,PRESE	8		E7,E63,E72,E75,E83,E92,E93,E51
24	24	BLANK			*** THIS ITEM IS NOT USED ***	-		
25	25		1912586-01		85S68A REGISTER,16X4 EDGE T	6		E4,E5,E13,E14,E34,E43
26	26		1921334-01		74F350 SHIFTER,4-BIT	2		E76,E96
27	27		2303882-00		B2-03	1		E11
28	28		1300247-00	120.0	.25 W 5.0 % CF	4		R25,R26,R29,R30
29	29		1300250-00	150.0	.25 W 5.0 % CF	4		R23,R24,R27,R28

REVISION HISTORY			BASIC PART NO: M7470		DRN:	F. SMART	DATE:	26-JUL-83	D I G I T A L			
ENG	ECO NUMBER	REV	SECTION A OF A		CHK'D:	F. GAROFALO	DATE:	17-AUG-83	TITLE PARTS LIST			
---	INITIAL	A	SECTION VARIATION INDEX						DATA PATH 07:00 (DCP)			
KM	M7470-TW001	B	(A)	00					DOCUMENT NUMBER			
KM	M7470-TW002	C	(B)						SIZE	CODE	NUMBER	REV
			(C)		DES.ENG:	K. MCLAREN	DATE:	17-AUG-83	K	PL	M7470-0-DPB	C
			(D)									
			(E)		RESP.ENG.:	K. MCLAREN	DATE:	17-AUG-83				
			(F)									
			(H)		MFG.ENG.:	M. KRYSAK	DATE:	17-AUG-83	RELEASE DATE: 16-JUL-84			
			(J)									
			(K)		ASSEMBLY NUMBER:		TOP DOCUMENT NUMBER:		FILE NAME:		EDIT #	
			(L)		E-UA-M7470-0-0		B-DD-M7470-0-0		Z3948C.PLS		15	
			(M)									
			(N)									

"THIS DRAWING AND THE SPECIFICATIONS CONTAINED HEREIN ARE CONFIDENTIAL AND PROPRIETARY. THEY ARE THE PROPERTY OF DIGITAL EQUIPMENT CORPORATION AND SHALL NOT BE REPRODUCED OR COPIED OR USED IN WHOLE OR IN PART AS THE BASIS FOR THE MANUFACTURE OR SALE OF ITEMS WITHOUT WRITTEN PERMISSION. THIS IS AN UNPUBLISHED WORK PROTECTED UNDER THE FEDERAL COPYRIGHT LAWS."

AUTOMATED BY PRTLST.4Q(50)

P A R T S L I S T

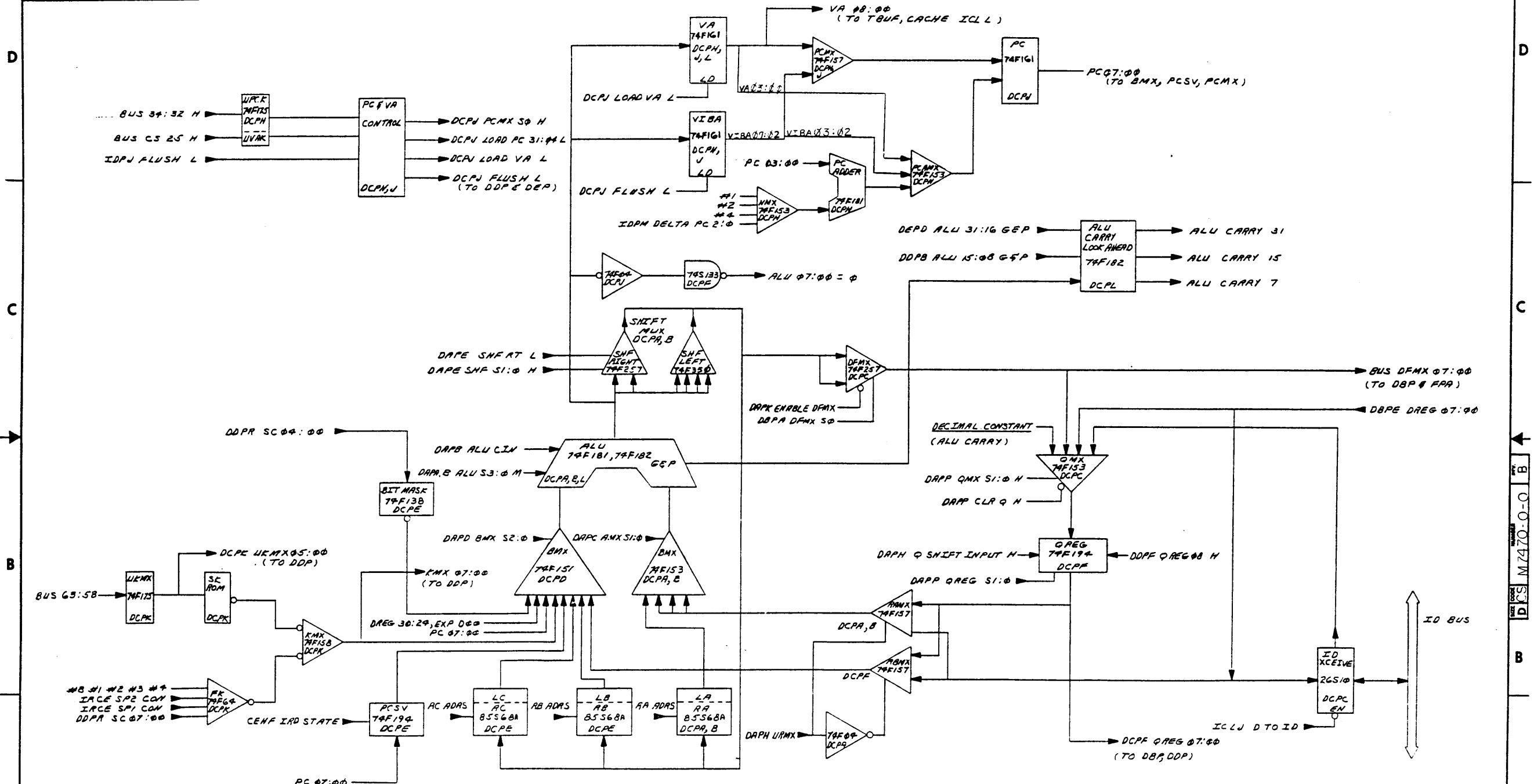
SHEET A2 OF A2

LINE	ITEM	TOP DOCUMENT	PART NUMBER	MIN REV	DESCRIPTION	VARIATION REVISION LEVEL:	QTY PER VARIATION	REFERENCE DESIGNATOR
30	30		1300295-00		330.0 .25 W 5.0 %	CF	11	R1,R3,R5,R7,R9,R11,R13,R15,R17, R19,R21
31	31		1301424-00		680.0 .25 W 5.0 %	CF	1	R2
32	32		1301775-00		820.0 .25 W 5.0 %	CF	10	R4,R6,R8,R10,R12,R14,R16,R18, R20,R22
33	33		1012084-01		8 MFD 25V +75-10% AL EL		7	C62-C68
34	34		1012784-00		.047 MFD 50V +80-20% CER		63	C1,C2-C61,C69,C70
35	35		1921305-01		74F00 NAND GATE,QUAD,2-IN		3	E3,E74,E79
36	36		1216988-02		HANDLE,MODULE,HEX TWO EJECTORS		1	
37	37		9000024-01		EYELET,ROLLED 0.1210DX0.192		12	
38	38		9105740-55		WIRE(WRAP) 30AWG KYNAR UL14	A/R		
39	39		1921306-01		74F02 NOR GATE,QUAD,2-IN		1	E44

40 NOTE: E6,E15,E25,E52,E58,E67,E78,E87,E97,E35,E32, ARE SPARE I.C.  
 41 NOTE: R31,R32,R33,R34,AND E8 ARE ENGINEERING OPTIONS. DO NOT INSERT.

D	I	G	I	T	A	L	TITLE	DATA PATH 07:00 (DCP)	SECTION A OF A	SIZE	CODE	DOCUMENT NUMBER	REV
										K	PL	M7470-0-DPB	C

"THIS DRAWING AND SPECIFICATIONS, HEREIN, ARE THE PROPERTY OF DIGITAL EQUIPMENT CORPORATION AND SHALL NOT BE REPRODUCED OR COPIED OR USED IN WHOLE OR IN PART AS THE BASIS FOR THE MANUFACTURE OR SALE OF THIS EQUIPMENT WITHOUT PERMISSION. COPYRIGHT © 1983, DIGITAL EQUIPMENT CORPORATION"



REV.	CHG.	NO.	BY	DATE
1	B	1	K. MCLAREN	7/1/83

(BLOCK DIAGRAM) (SLOT 12)

DRN. NO.	32-17	FIRST USED ON	digital
CHK'D BY	6-87	TITLE	DATA PATH 07:00
ENGR. BY	11-89		(DCP)
PROJ. ENGR.	8-19	SIZE	D CS M7470-C-0
NEXT HIGHER ASSY.		NUMBER	B
		SHEET	1 OF 12



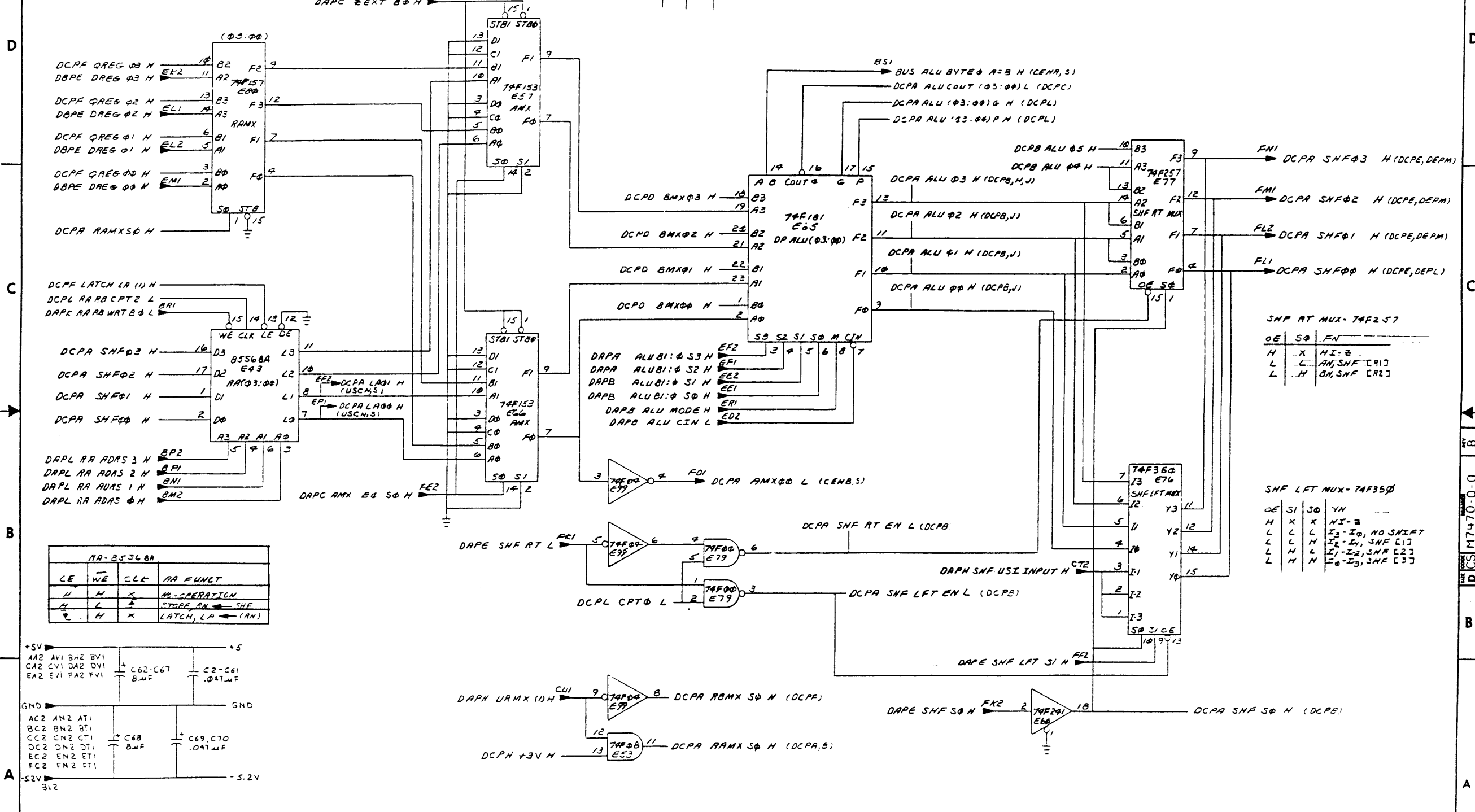
THIS DRAWING AND SPECIFICATIONS HEREIN ARE THE PROPERTY OF DIGITAL EQUIPMENT CORPORATION AND SHALL NOT BE REPRODUCED OR COPIED OR USED IN WHOLE OR IN PART AS THE BASIS FOR THE MANUFACTURE OR SALE OF ITEMS WITHOUT WRITTEN PERMISSION.  
 COPYRIGHT © 1975, DIGITAL EQUIPMENT CORPORATION

RAMX - 74F157

SO	FN
L	D REG
H	C REG

AMX - 74F153

STB	SI	SO	FN
L	L	L	LA
L	L	N	RAMX
H	X	X	FN=L



AA-8536BA

LE	WE	CLK	RA FUNCT
H	H	X	NO OPERATION
H	L	X	STORE, RA ← SHF
L	H	X	LATCH, LA ← (AN)

SHF RT MUX - 74F257

OE	SI	SO	FN
H	X	X	HI-Z
L	L	L	AM, SHF [R1]
L	H	H	BM, SHF [R2]

SHF LFT MUX - 74F350

OE	SI	SO	YH
H	X	X	HI-Z
L	L	L	I <sub>0</sub> -I <sub>3</sub> , NO SHIF
L	L	H	I <sub>0</sub> -I <sub>1</sub> , SHF [1]
L	H	L	I <sub>1</sub> -I <sub>2</sub> , SHF [2]
L	H	H	I <sub>0</sub> -I <sub>3</sub> , SHF [3]

REVISIONS

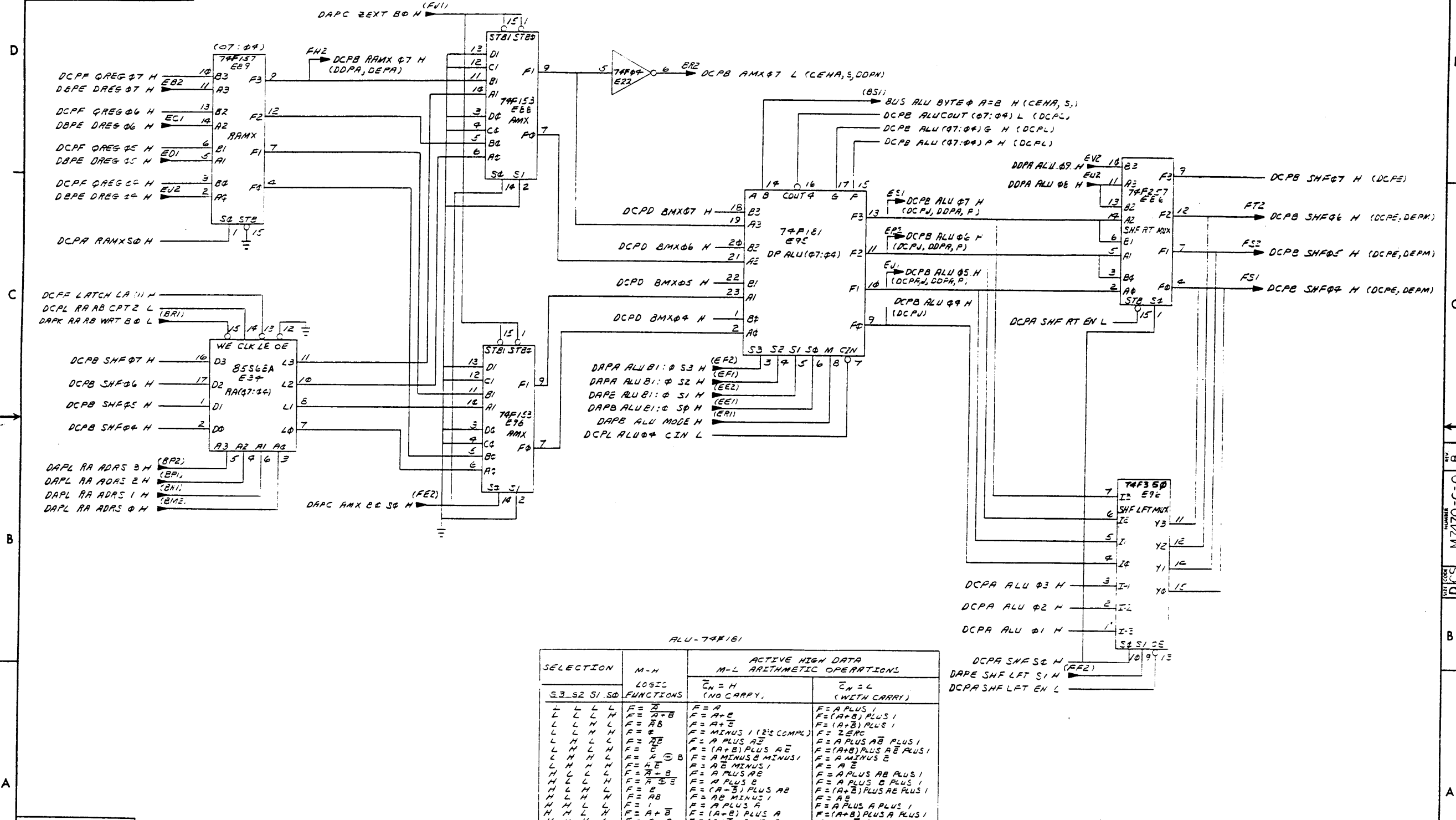
CHK	CHANGE NO.	REV.

(RA, RAMX, AMX, ALU, SHF 03:00) (SLOT 12)

TITLE: DATA PATH 07:00 (DCPA) SIZE CODE: DCS M7470-C-0 NUMBER: B REV. B

SCALE: SHEET 2 OF 12 DIST.:

"THIS DRAWING AND SPECIFICATIONS HEREIN ARE THE PROPERTY OF DIGITAL EQUIPMENT CORPORATION AND SHALL NOT BE REPRODUCED OR COPIED OR USED IN WHOLE OR IN PART AS THE BASIS FOR THE MANUFACTURE OR SALE OF ITEMS WITHOUT WRITTEN PERMISSION. COPYRIGHT © 1983 DIGITAL EQUIPMENT CORPORATION"

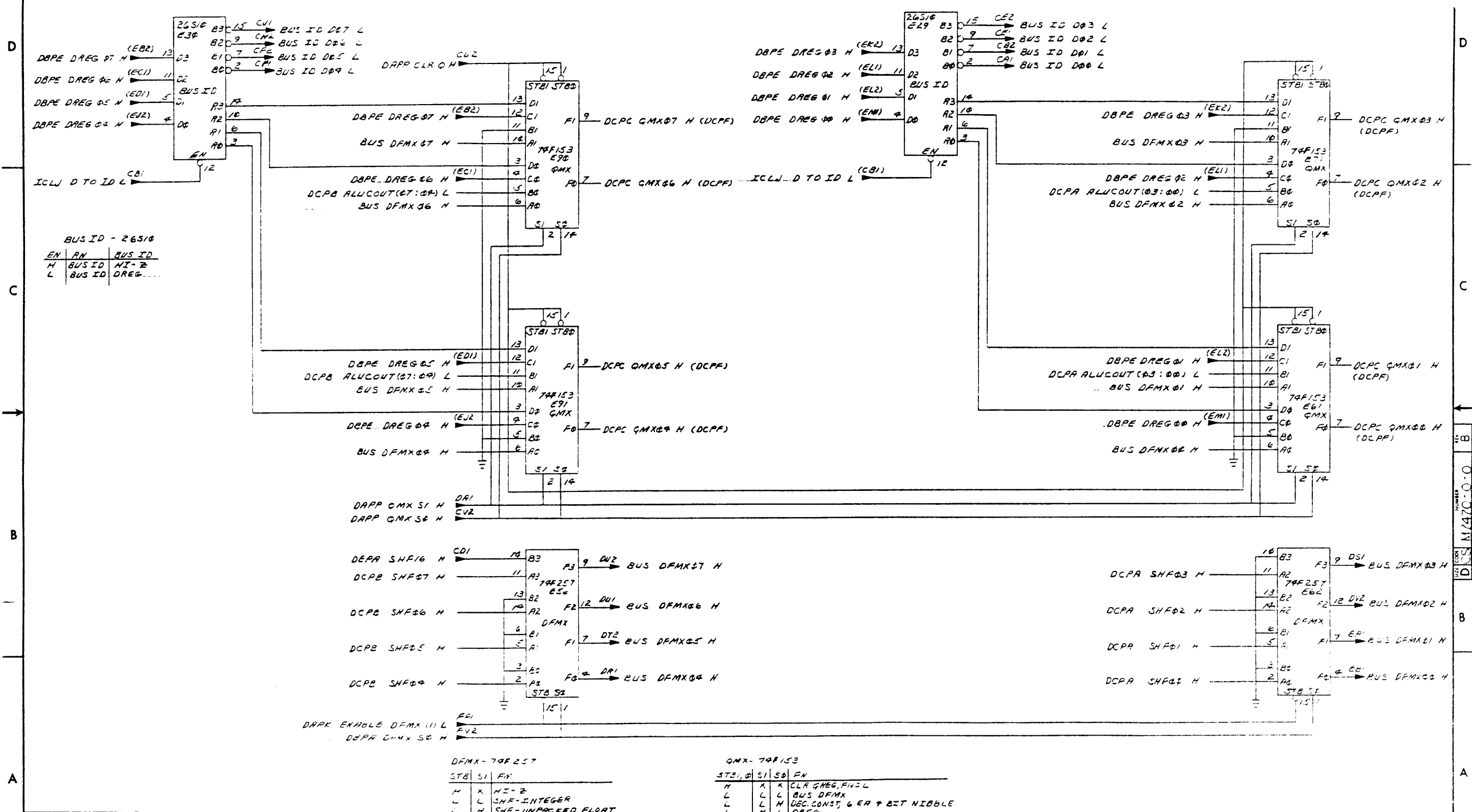


ALU-74F161

SELECTION	M-H LOGIC FUNCTIONS	ACTIVE HIGH DATA M-L ARITHMETIC OPERATIONS	
		C <sub>N</sub> = H (NO CARRY)	C <sub>N</sub> = L (WITH CARRY)
L L L L	F = A	F = A	F = A PLUS 1
L L L H	F = A + B	F = A + B	F = (A + B) PLUS 1
L L H L	F = A B	F = A + B	F = (A + B) PLUS 1
L L H H	F = 0	F = MINUS 1 (2'S COMPL)	F = ZERO
L H L L	F = A B	F = A PLUS A B	F = A PLUS A B PLUS 1
L H L H	F = 0	F = (A + B) PLUS A B	F = (A + B) PLUS A B PLUS 1
L H H L	F = A ⊕ B	F = A MINUS B MINUS 1	F = A MINUS B
L H H H	F = A B	F = A B MINUS 1	F = A B
H L L L	F = A + B	F = A PLUS A B	F = A PLUS A B PLUS 1
H L L H	F = A B	F = (A - B) PLUS A B	F = A PLUS B PLUS 1
H L H L	F = A B	F = (A - B) PLUS A B	F = (A + B) PLUS A B PLUS 1
H L H H	F = A B	F = A B MINUS 1	F = A B
H H L L	F = 1	F = A PLUS A	F = A PLUS A PLUS 1
H H L H	F = A + B	F = (A + B) PLUS A	F = (A + B) PLUS A PLUS 1
H H H L	F = A + B	F = (A + B) PLUS A	F = (A + B) PLUS A PLUS 1
H H H H	F = A	F = A MINUS 1	F = A

REVISIONS		
CHK	CHANGE NO	REV

THIS DRAWING AND SPECIFICATIONS HEREON ARE THE PROPERTY OF DIGITAL EQUIPMENT CORPORATION AND SHALL NOT BE REPRODUCED OR COPIED OR USED IN WHOLE OR IN PART AS THE BASIS FOR THE MANUFACTURE OR SALE OF ITEMS WITHOUT WRITTEN PERMISSION. COPYRIGHT © 1985 DIGITAL EQUIPMENT CORPORATION



BUS ID - 26510

EN	RN	BUS ID
H		BUS ID NZ-Z
L		BUS ID DREG...

DFMX-74F257

STB	S1	FN
H	X	NZ-Z
L	L	SHF-INTEGER
L	H	SHF-UNPACKED FLOAT

QMX-74F153

STB	S1	S2	FN
H	X	X	CLR QREG, FN=L
L	L	L	BUS DFMX
L	L	H	DEC CONST, 6 EA + BIT NIBBLE
L	X	L	DREG
L	H	H	BUS ID RN

REVISIONS

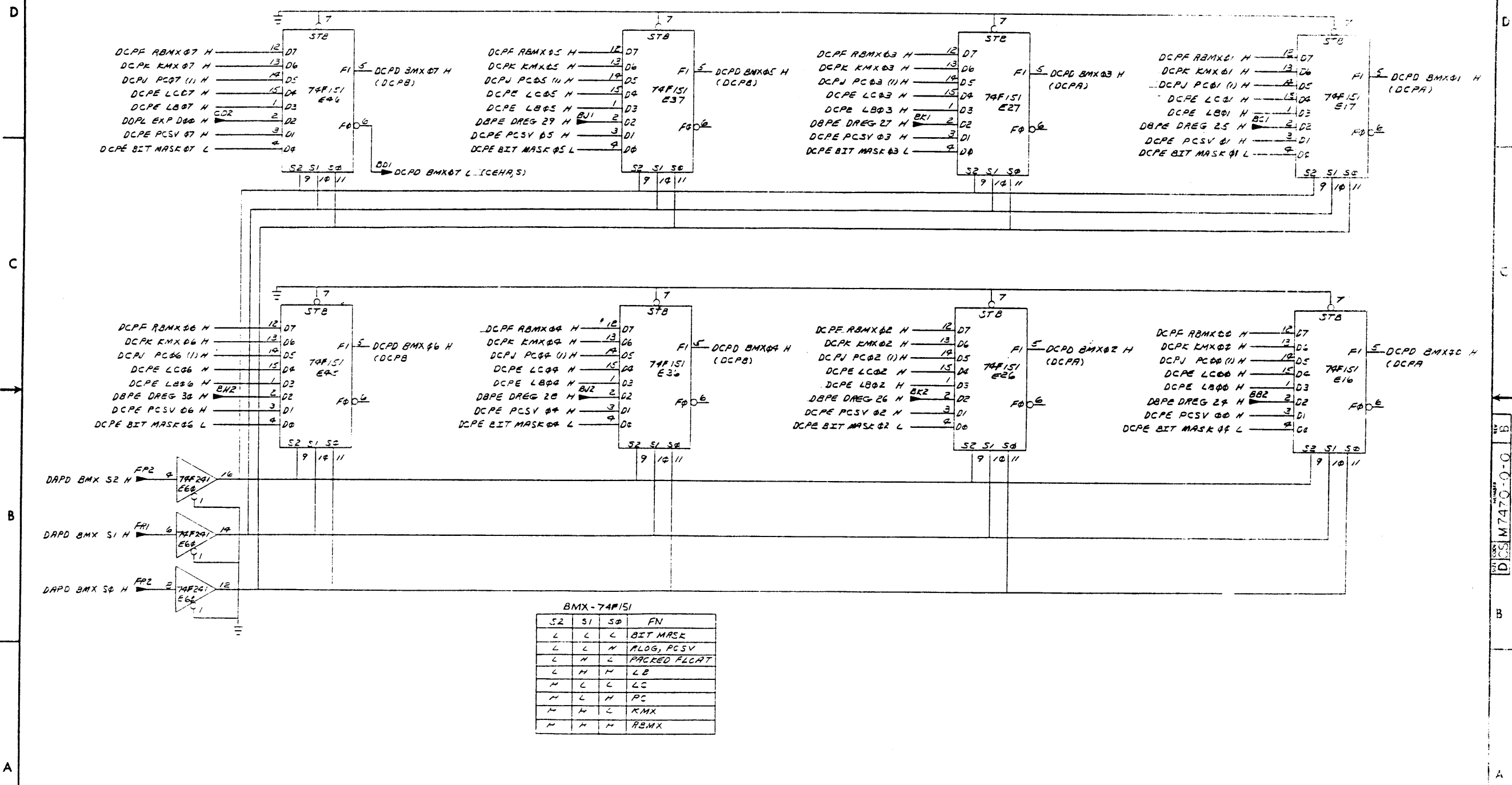
CHK	CHANGE NO	REV

(QMX, BUS MD, BUS ID 07:00) (SLOT 12)

TITLE	SIZE	CODE	NUMBER	REV.
DATA PATH 07:00		(DCPC)	DICS M7470-010	B

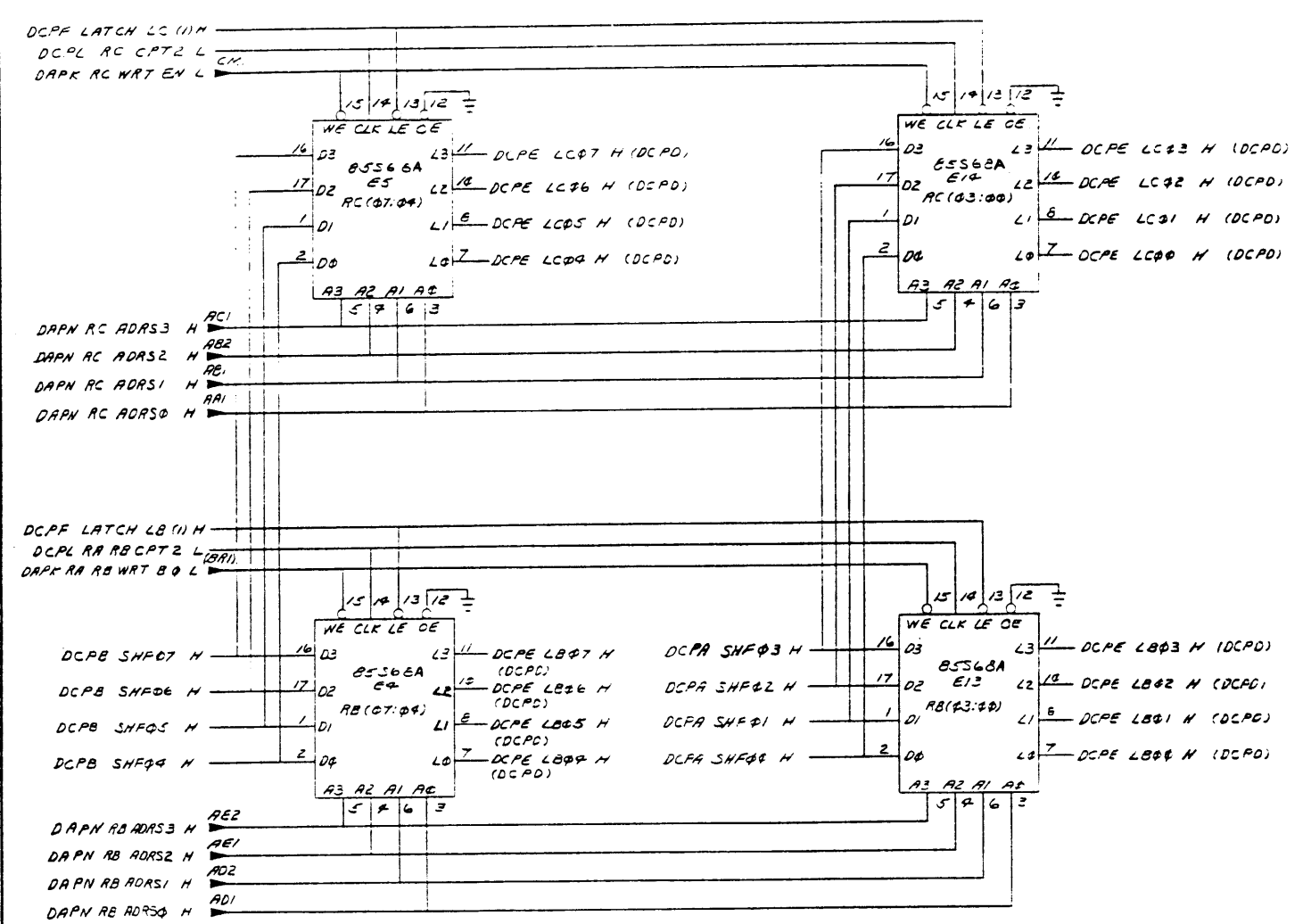
SCALE: SHEET 4 OF 12 DIST:

THIS DRAWING AND SPECIFICATIONS, HEREIN, ARE THE PROPERTY OF DIGITAL EQUIPMENT CORPORATION AND SHALL NOT BE REPRODUCED OR COPIED OR USED IN WHOLE OR IN PART AS THE BASIS FOR THE MANUFACTURE OR SALE OF ITEMS WITHOUT WRITTEN PERMISSION. COPYRIGHT © 1983 DIGITAL EQUIPMENT CORPORATION



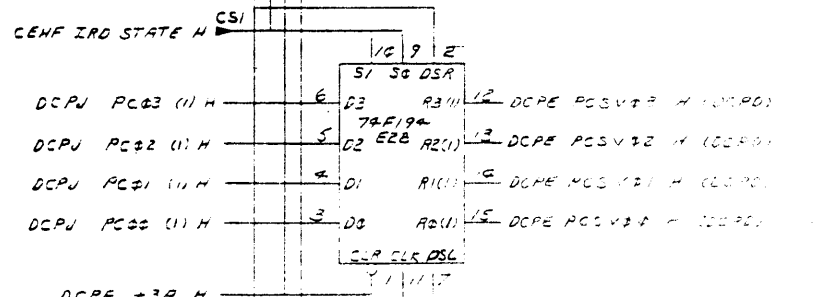
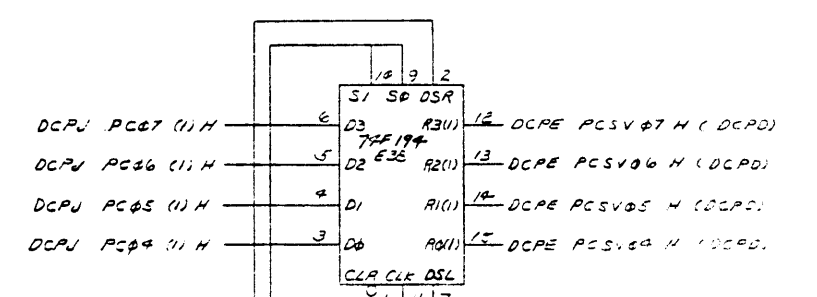
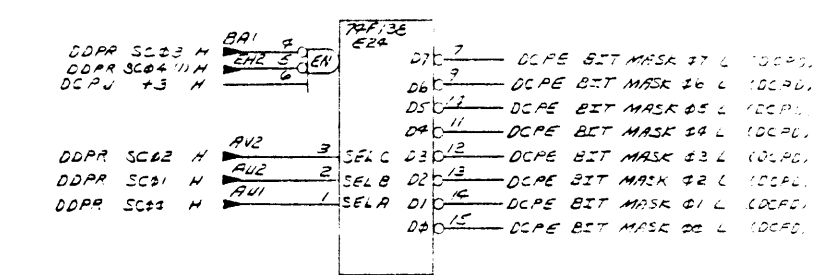
REVISIONS		
CHK	CHANGE NO.	REV.

THIS DRAWING AND SPECIFICATIONS HERIN ARE THE PROPERTY OF DIGITAL EQUIPMENT CORPORATION AND SHALL NOT BE REPRODUCED OR COPIED OR USED IN WHOLE OR IN PART AS THE BASIS FOR THE MANUFACTURE OR SALE OF ITEMS WITHOUT WRITTEN PERMISSION. COPYRIGHT © 1983 DIGITAL EQUIPMENT CORPORATION



RB, RC - 85S66A

LE	WE	CLK	FUNCTION
H	H	X	NO OPERATION
H	L	↓	STORE, RN ← SHF
↓	H	X	LATCH, LA ← (RN)



PCSV - 74F194

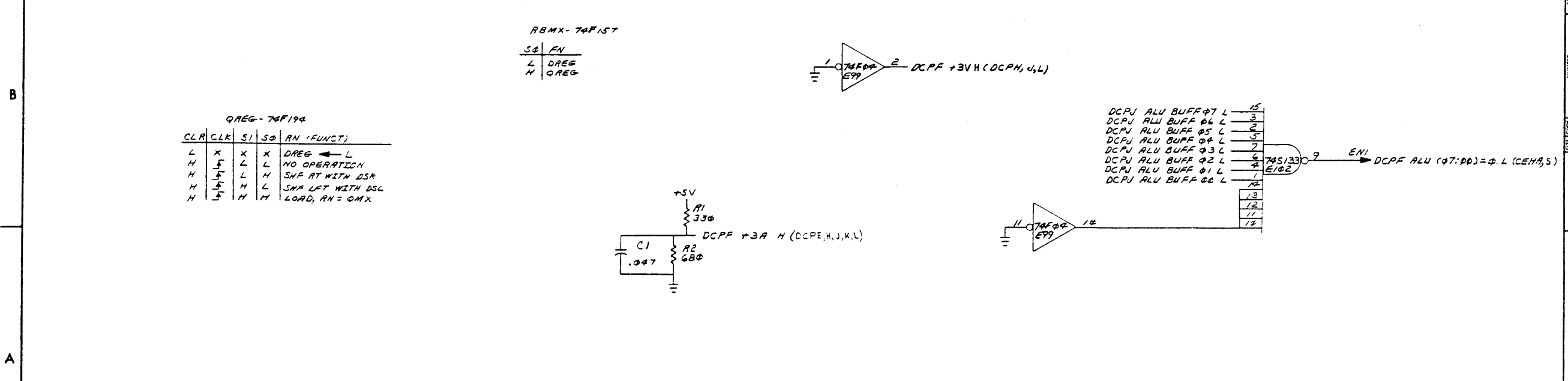
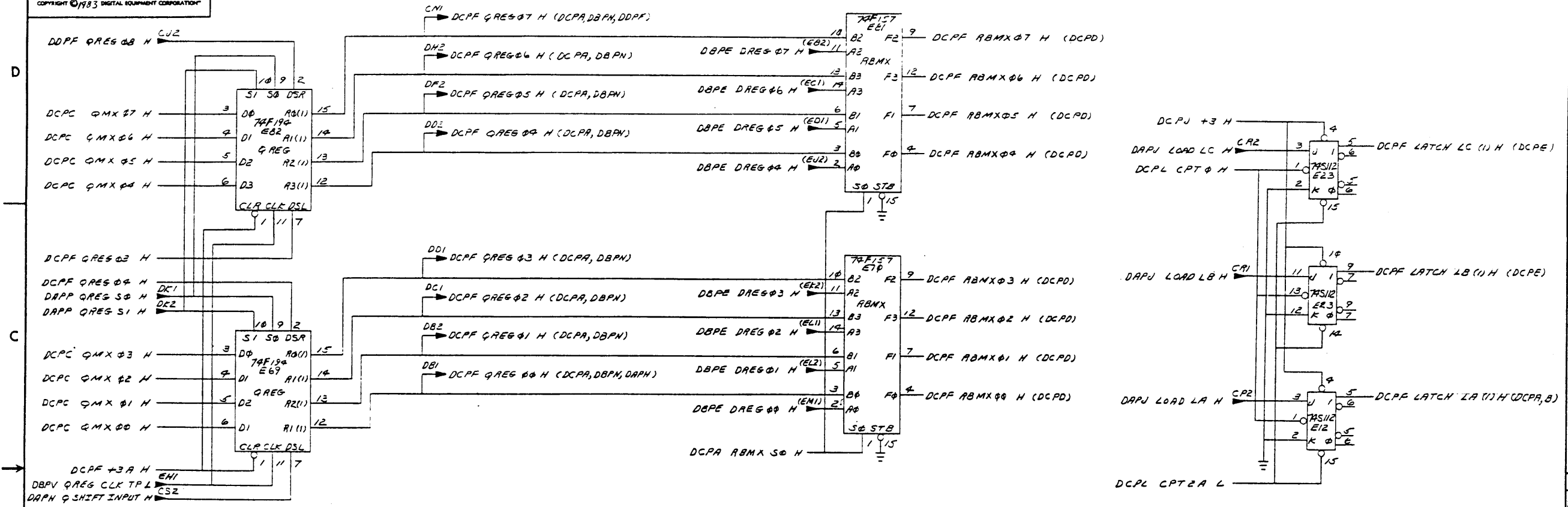
CLR	CLK	S1	S0	FUNC
L	X	X	X	RV =
H	X	L	L	NO OPERATION
H	↓	H	H	STORE, RV ← CS

REVISIONS		
CHK	CHANGE NO.	REV.

(RB, RC, PCSV AND BITMASK 07:00) (CONT'D)

TITLE	SIZE/CHG	NUMBER	REV.
DATA PATH 07:00 (DCPD)	DCSIM	4	1
SCALE	SHEET	NO. OF C.	TOTAL

THIS DRAWING AND SPECIFICATIONS, HEREIN, ARE THE PROPERTY OF DIGITAL EQUIPMENT CORPORATION AND SHALL NOT BE REPRODUCED OR COPIED OR USED IN WHOLE OR IN PART AS THE BASIS FOR THE MANUFACTURE OR SALE OF ITEMS WITHOUT WRITTEN PERMISSION. COPYRIGHT © 1983 DIGITAL EQUIPMENT CORPORATION

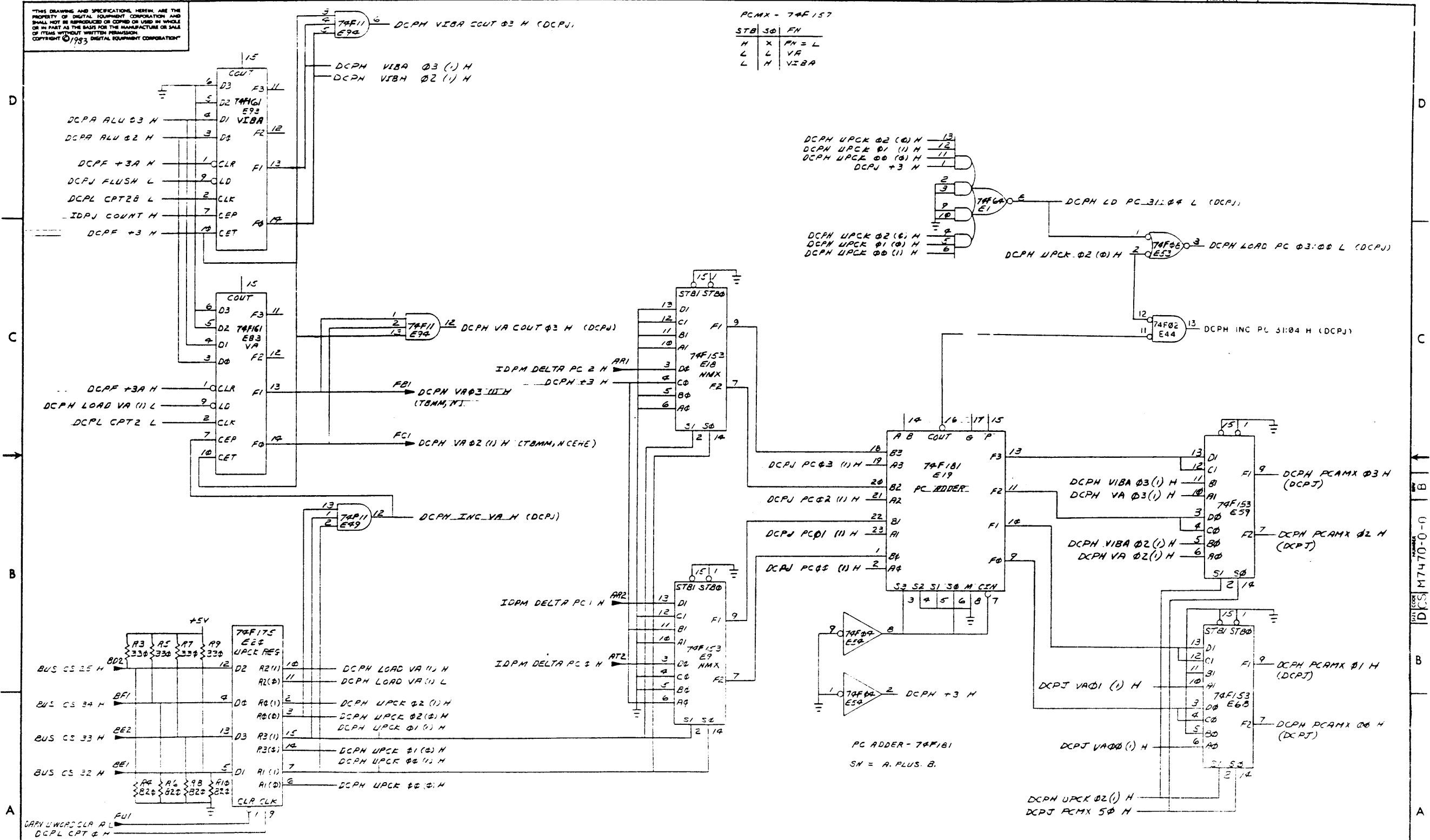


REVISIONS			TITLE		SIZE	CODE	NUMBER	REV.
CHK	CHANGE NO.	REV.	DATA PATH 07:00 (DCPF)		D	CS	M747C-C-0	B
			SCALE	SHEET	7	OF 12	DIST.	

"THIS DRAWING AND SPECIFICATIONS HEREIN ARE THE PROPERTY OF DIGITAL EQUIPMENT CORPORATION AND SHALL NOT BE REPRODUCED OR COPIED OR USED IN WHOLE OR IN PART AS THE BASIS FOR THE MANUFACTURE OR SALE OF ITEMS WITHOUT WRITTEN PERMISSION. COPYRIGHT © 1973, DIGITAL EQUIPMENT CORPORATION"

PCMX - 74F157

STB	S0	FN
H	X	FN = L
L	L	VA
L	H	VIBA



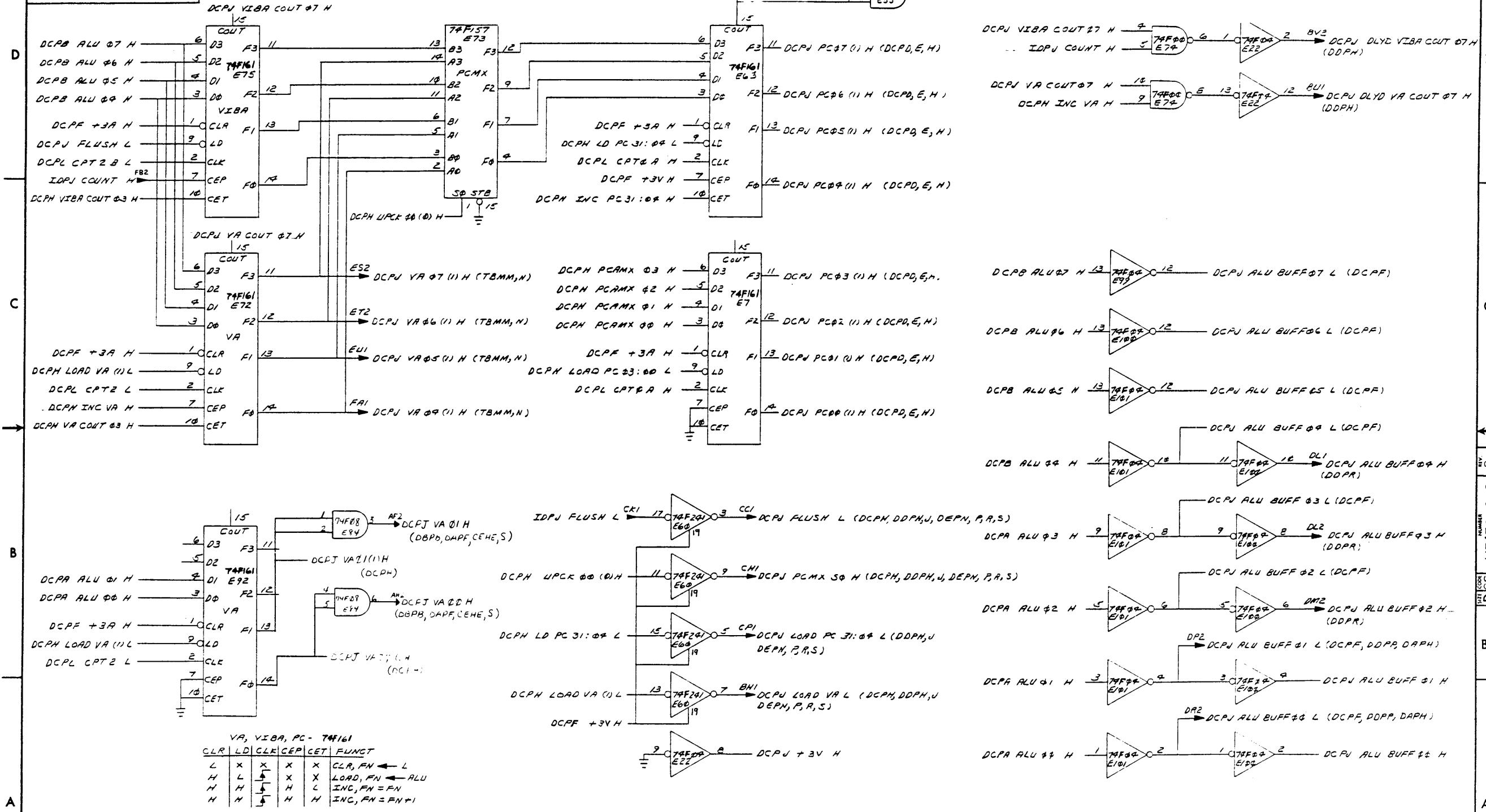
REVISIONS

CHK	CHANGE NO.	REV.

(VA, VIBA, NMUX, PCMX 03:00) (SLOT 12)

TITLE	SIZE CODE	NUMBER	REV.
DATA PATH 07:00 (DCPH)	D CS	M7470-0-0	6
SCALE	SHEET	9 OF 12	DIST.

THIS DRAWING AND SPECIFICATIONS HEREIN ARE THE PROPERTY OF DIGITAL EQUIPMENT CORPORATION AND SHALL NOT BE REPRODUCED OR COPIED OR USED IN WHOLE OR IN PART AS THE BASIS FOR THE MANUFACTURE OR SALE OF ITEMS WITHOUT WRITTEN PERMISSION. COPYRIGHT © 1963 DIGITAL EQUIPMENT CORPORATION



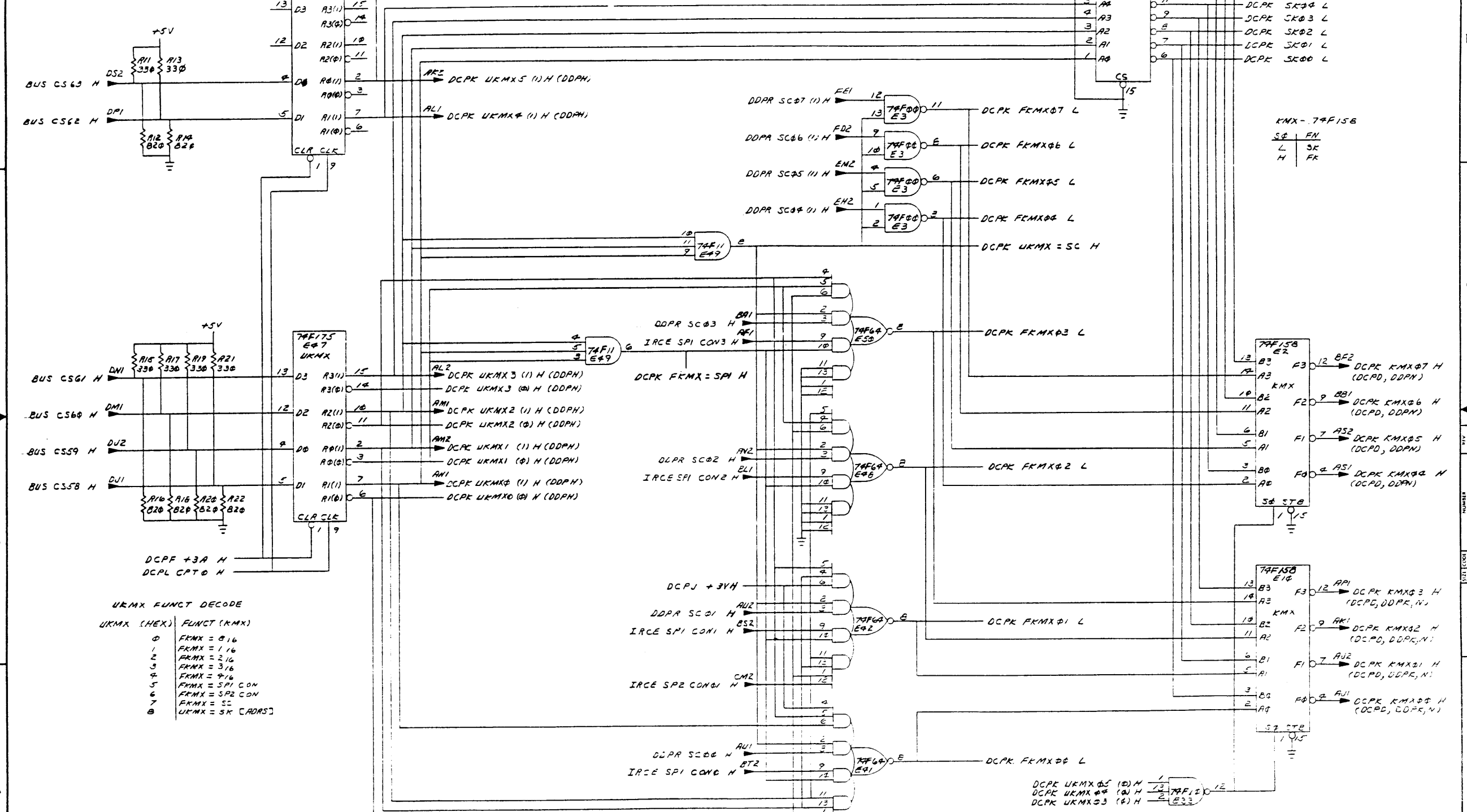
VA, VIBA, PC - 74F161

CLR	LD	CLK	CEP	CET	FUNCT
L	X	X	X	X	CLR, FN ← L
H	L	↓	X	X	LOAD, FN ← ALU
H	H	↓	H	L	INC, FN = FN
H	H	↓	H	H	INC, FN = FN + 1

REVISIONS		
CHK	CHANGE NO.	REV.



THIS DRAWING AND SPECIFICATIONS HEREIN ARE THE PROPERTY OF DIGITAL EQUIPMENT CORPORATION AND SHALL NOT BE REPRODUCED OR COPIED OR USED IN WHOLE OR IN PART AS THE BASIS FOR THE MANUFACTURE OR SALE OF ITEMS WITHOUT WRITTEN PERMISSION. COPYRIGHT © 1973 DIGITAL EQUIPMENT CORPORATION



UKMX FUNCT DECODE

UKMX (HEX)	FUNCT (KMX)
0	FRMX = 0/16
1	FRMX = 1/16
2	FRMX = 2/16
3	FRMX = 3/16
4	FRMX = 4/16
5	FRMX = SPI CON
6	FRMX = SPI CON
7	FRMX = SC
8	UKMX = SK [ADRS]

KMX-74F15B

SK	FN
L	SK
H	FK

REVISIONS

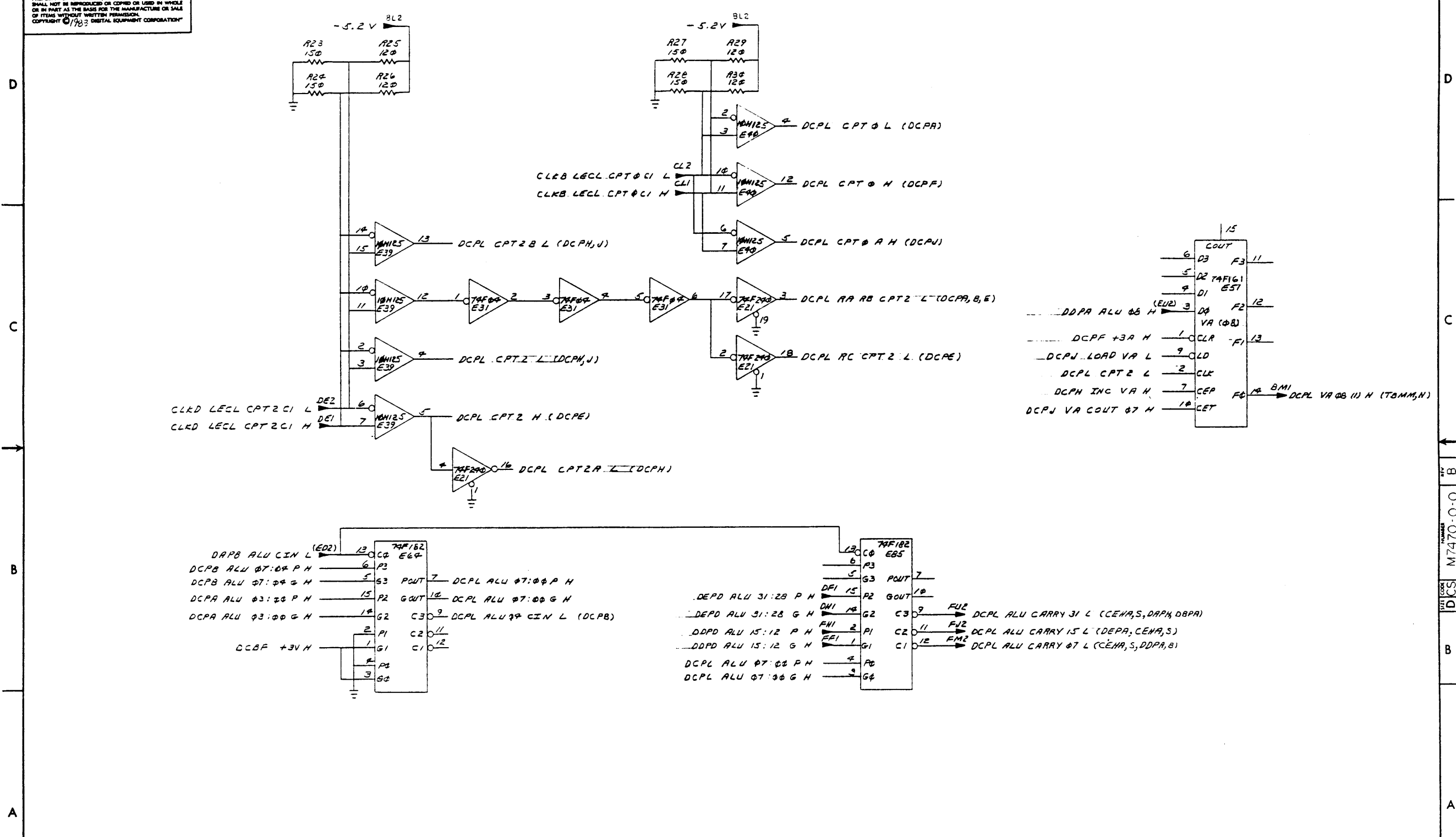
CHK	CHANGE NO	REV

(KMX AND CONTROL 07:00) (SLOT 12)

TITLE	SIZE CODE	NUMBER	REV.
DATA PATH 07:00 (DCPK)	D CS	M7470-0-0	B

SCALE: SHEET 1 OF 2

"THIS DRAWING AND SPECIFICATIONS HEREIN ARE THE PROPERTY OF DIGITAL EQUIPMENT CORPORATION AND SHALL NOT BE REPRODUCED OR COPIED OR USED IN WHOLE OR IN PART AS THE BASIS FOR THE MANUFACTURE OR SALE OF ITEMS WITHOUT WRITTEN PERMISSION. COPYRIGHT © 1963 DIGITAL EQUIPMENT CORPORATION"



REVISIONS		
CHK	CHANGE NO.	REV.

(CLKS AND LOOKAHEAD CARRY)		(SLOT 12)	
TITLE	SIZE CODE	NUMBER	REV.
DATA PATH 07:00 (DCPL)	D CS	M7470-0-0	B
SCALE	SHEET	DIST	
	11 OF 12		

THIS DRAWING AND SPECIFICATIONS HEREIN ARE THE PROPERTY OF DIGITAL EQUIPMENT CORPORATION AND SHALL NOT BE REPRODUCED OR COPIED OR USED IN WHOLE OR IN PART AS THE BASIS FOR THE MANUFACTURE OR SALE OF ITEMS WITHOUT WRITTEN PERMISSION. COPYRIGHT © 1973 DIGITAL EQUIPMENT CORPORATION.

DIGITAL EQUIPMENT CORPORATION  
MODEL 7470-0-0

SK (07:00) L

ROM ADDR = UKMX	ROM DATA								SLOW CONSTANT
	M7	M6	M5	M4	M3	M2	M1	M0	
00	L	L	L	L	L	L	L	L	X
01	L	L	L	L	L	L	L	L	X
02	L	L	L	L	L	L	L	L	X
03	L	L	L	L	L	L	L	L	X
04	L	L	L	L	L	L	L	L	X
05	L	L	L	L	L	L	L	L	X
06	L	L	L	L	L	L	L	L	X
07	L	L	L	L	L	L	L	L	X
08	H	H	H	L	H	L	H	H	--14
09	L	H	L	H	H	H	H	H	--A0
0A	H	H	L	L	H	L	H	H	--34
0B	H	H	L	H	L	H	H	H	--29
0C	H	L	H	H	H	H	H	H	--40
0D	H	L	H	L	H	H	H	H	--50
0E	H	H	H	H	H	H	H	H	--00
0F	L	L	L	H	L	L	L	L	--EF
10	L	H	H	H	H	H	H	H	--00
11	H	H	H	H	H	H	H	H	--00
12	L	L	L	L	L	L	L	L	--FF
13	H	H	H	H	H	H	H	H	--00
14	H	H	H	L	L	L	L	H	--1E
15	H	H	L	L	L	L	L	L	--3F
16	H	L	L	L	L	L	L	L	--7F
17	H	H	H	H	H	L	L	L	--07
18	H	H	H	H	L	L	L	L	--0F
19	H	H	H	L	H	H	H	H	--10
1A	L	L	L	H	L	H	H	H	--E0
1B	L	L	L	L	H	H	H	H	--F0
1C	L	L	L	L	L	H	H	H	--F0
1D	H	H	L	H	H	H	H	H	--20
1E	H	H	L	L	H	H	H	H	--30
1F	H	H	H	L	L	H	H	H	--10

NOTE: 20-3F NOT USED

SK (07:00) L

ROM ADDR = UKMX	ROM DATA								SLOW CONSTANT
	M7	M6	M5	M4	M3	M2	M1	M0	
40	L	L	L	L	L	L	L	L	--FF
41	H	H	H	H	L	L	H	H	--0C
42	H	H	H	H	L	L	H	L	--00
43	H	H	H	L	L	L	L	L	--1F
44	H	H	H	H	H	H	H	H	--00
45	L	H	L	L	H	H	H	H	--00
46	H	H	H	H	H	H	L	L	--03
47	H	L	L	L	L	L	H	H	--7C
48	L	L	L	H	H	H	H	H	--E0
49	H	L	L	H	H	H	H	H	--00
4A	L	L	L	L	L	L	L	L	-- SPARE
4B	L	L	H	H	L	L	L	L	--CF
4C	L	L	L	H	L	L	L	L	--EF
4D	L	L	L	L	H	H	L	L	--F1
4E	H	H	H	L	L	H	H	L	--19
4F	L	L	L	L	L	H	H	L	--F9
50	L	L	L	L	L	L	L	L	--FF
51	L	H	H	H	H	L	L	H	--06
52	H	H	L	L	H	H	H	H	--30
53	L	L	L	L	H	H	H	H	--F0
54	L	L	H	H	H	H	H	H	--00
55	H	H	H	H	H	L	L	H	--06
56	H	H	H	H	L	H	H	L	--09
57	L	L	L	L	H	L	L	H	--F6
58	L	L	L	L	H	L	H	L	--F5
59	H	H	H	L	L	H	L	H	--1A
5A	H	H	L	H	H	L	H	H	--24
5B	H	H	H	L	L	H	L	L	--18
5C	L	L	L	L	L	L	H	H	--FC
5D	H	H	H	H	L	H	L	H	--0A
5E	H	L	L	L	L	L	L	H	--7E
5F	L	L	L	H	L	L	H	H	--EC

NOTE: LOCATIONS 60-7F NOT USED

SK (07:00) L

ROM ADDR = UKMX	ROM DATA								SLOW CONSTANT
	M7	M6	M5	M4	M3	M2	M1	M0	
80	L	L	L	L	L	L	L	L	NOT USED
81									
82									
83									
84									
85									
86									
87									
88									
89									
8A									
8B									
8C									
8D									
8E									
8F									
90									
91									
92									
93									
94									
95									
96									
97									
98									
99									
9A									
9B									
9C									
9D									
9E									
9F									

NOTE: A0-BF NOT USED

SK (07:00) L

ROM ADDR = UKMX	ROM DATA								SLOW CONSTANT
	M7	M6	M5	M4	M3	M2	M1	M0	
C0	L	L	L	L	L	L	L	L	NOT USED
C1									
C2									
C3									
C4									
C5									
C6									
C7									
C8									
C9									
CA									
CB									
CC									
CD									
CE									
CF									
D0									
D1									
D2									
D3									
D4									
D5									
D6									
D7									
D8									
D9									
DA									
DB									
DC									
DD									
DE									
DF									

NOTE: E0-FF NOT USED

REVISIONS

CHK	CHANGE NO	REV

SLOW CONSTANT ROM 07:00 - 23-038 B2 - 04 (SLOT 12)

TITLE	DATA PATH 07:00 (DCP)	SIZE CODE	DGS	NUMBER	17470-0-0	REV.	B
SCALE		SHEET	12 OF 12	DIST.			

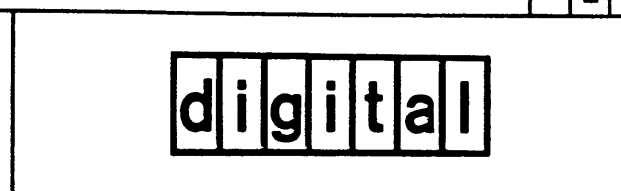
M7470-0-0 B

DRAWING NO.	NO. OF SHTS.	PART NO.	DESCRIPTION	REVISIONS														
	-	M7470-00	DCP PART REVISION	A	B	C												
E-UA-M7470-0-0	4		UNIT ASSEMBLY	A	B	C												
D-CS-M7470-0-0	12		CIRCUIT SCHEMATIC	A	A	B												
K-PL-M7470-0-DBP	2		PARTSLIST	A	B	C												
K-PC-M7470-0-DBG	-		P.C. DATABASE	C	C	C												
	-	5012600-00	ETCHED BOARD	C	C	C												
B-MD-5012600-0-0	3		CIRCUIT DRILL & ETCH	A	A	A												

NOTES:

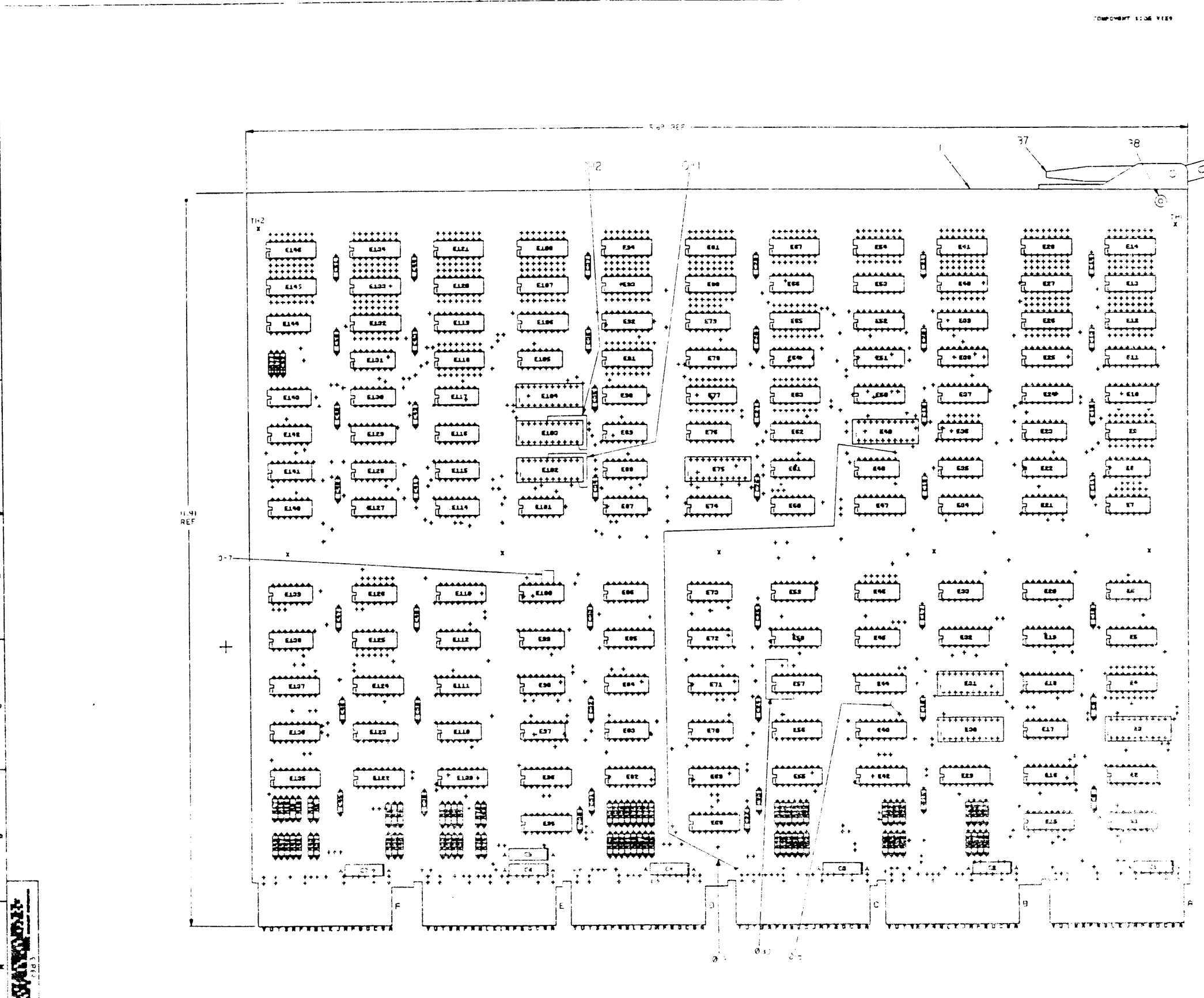
REVISIONS		DATE	CHG NO.	REV.
		1-84	TW1	B
		6-84	TW002	C

"THIS DRAWING AND SPECIFICATIONS, HEREIN, ARE THE PROPERTY OF DIGITAL EQUIPMENT CORPORATION AND SHALL NOT BE REPRODUCED OR COPIED OR USED IN WHOLE OR IN PART AS THE BASIS FOR THE MANUFACTURE OR SALE OF ITEMS WITHOUT WRITTEN PERMISSION."  
 COPYRIGHT © 1983 DIGITAL EQUIPMENT CORPORATION



USED ON OPTION/MODEL	DBA <i>Thomas E. Wald</i> 7-16-83	TITLE	DCP	
	CHK'D <i>[Signature]</i> 9-2-83	SIZE	CODE	NUMBER
	ENG <i>Keith McJannet</i> 10-11-83	B	DD	M7470-0-0
	PBC <i>[Signature]</i> 10-11-83	SHEET	OF	REV. C

TW



COMPONENT LINE VIEW

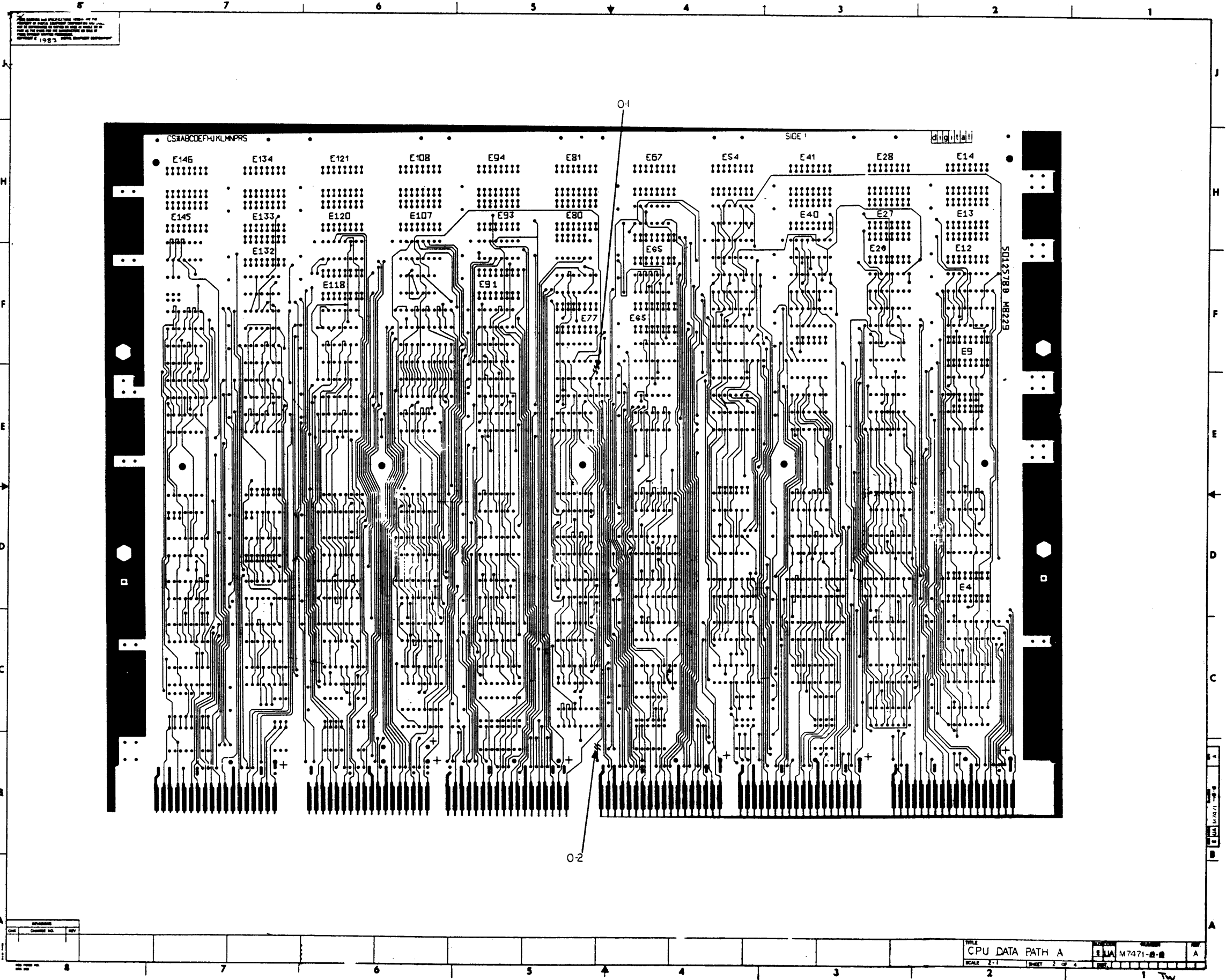
H.91 REF

T1-2

19 01 1 2010		
<b>DATE</b>	<b>DATE</b>	<b>DATE</b>
<b>SCALE</b>	<b>SCALE</b>	<b>SCALE</b>
<b>PROJECT</b>	<b>PROJECT</b>	<b>PROJECT</b>
<b>DRAWN BY</b>	<b>DRAWN BY</b>	<b>DRAWN BY</b>
<b>CHECKED BY</b>	<b>CHECKED BY</b>	<b>CHECKED BY</b>
WEST VIRGINIA UNIVERSITY		

ROOM NO. 11-10 ROOM NO. 11-11 ROOM NO. 11-12 ROOM NO. 11-13 ROOM NO. 11-14 ROOM NO. 11-15 ROOM NO. 11-16 ROOM NO. 11-17 ROOM NO. 11-18 ROOM NO. 11-19 ROOM NO. 11-20 ROOM NO. 11-21 ROOM NO. 11-22 ROOM NO. 11-23 ROOM NO. 11-24 ROOM NO. 11-25 ROOM NO. 11-26 ROOM NO. 11-27 ROOM NO. 11-28 ROOM NO. 11-29 ROOM NO. 11-30 ROOM NO. 11-31 ROOM NO. 11-32 ROOM NO. 11-33 ROOM NO. 11-34 ROOM NO. 11-35 ROOM NO. 11-36 ROOM NO. 11-37 ROOM NO. 11-38 ROOM NO. 11-39 ROOM NO. 11-40 ROOM NO. 11-41 ROOM NO. 11-42 ROOM NO. 11-43 ROOM NO. 11-44 ROOM NO. 11-45 ROOM NO. 11-46 ROOM NO. 11-47 ROOM NO. 11-48 ROOM NO. 11-49 ROOM NO. 11-50 ROOM NO. 11-51 ROOM NO. 11-52 ROOM NO. 11-53 ROOM NO. 11-54 ROOM NO. 11-55 ROOM NO. 11-56 ROOM NO. 11-57 ROOM NO. 11-58 ROOM NO. 11-59 ROOM NO. 11-60 ROOM NO. 11-61 ROOM NO. 11-62 ROOM NO. 11-63 ROOM NO. 11-64 ROOM NO. 11-65 ROOM NO. 11-66 ROOM NO. 11-67 ROOM NO. 11-68 ROOM NO. 11-69 ROOM NO. 11-70
--



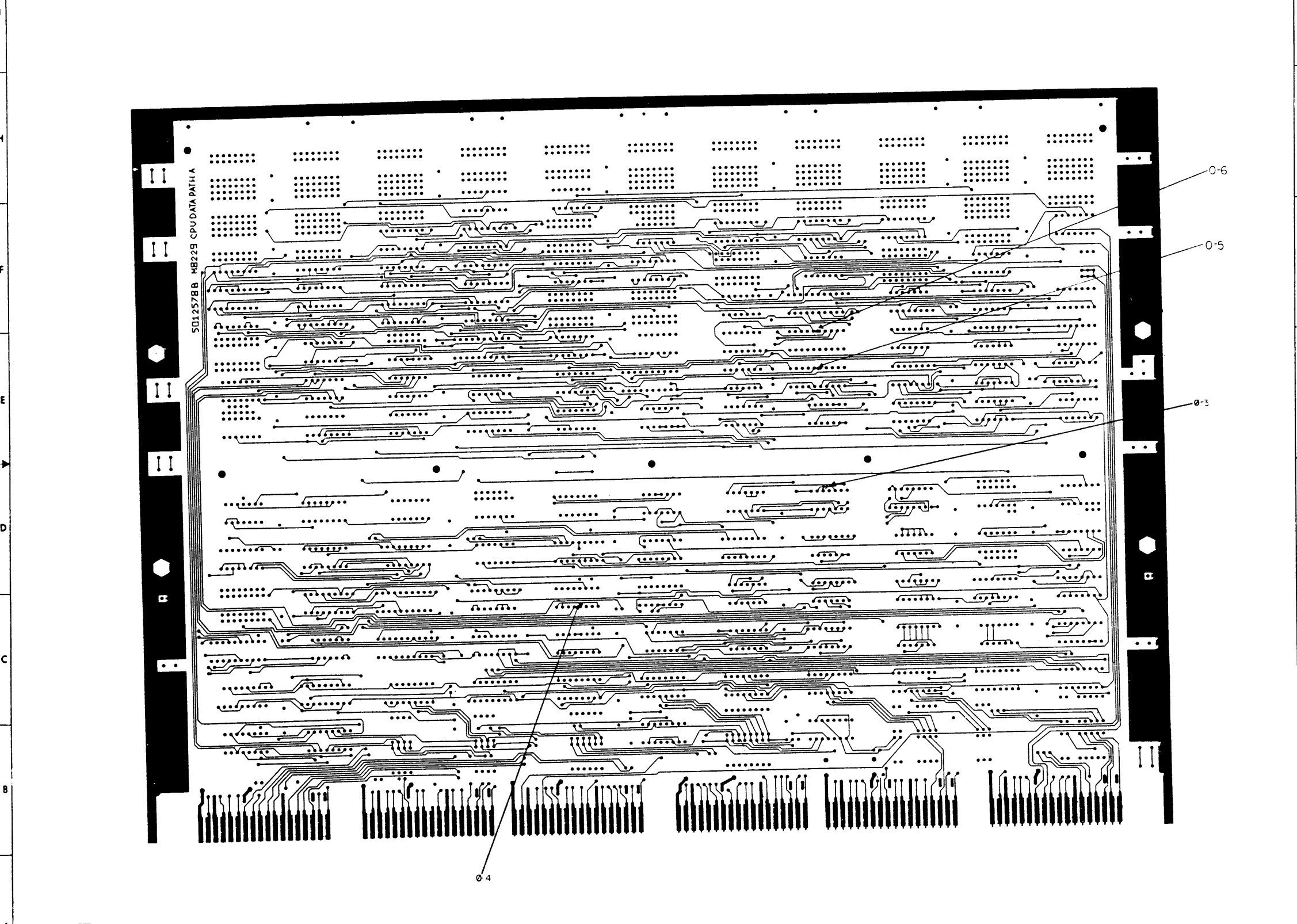
THE INFORMATION CONTAINED HEREIN IS UNCLASSIFIED EXCEPT WHERE SHOWN OTHERWISE AND IS NOT TO BE DISTRIBUTED OUTSIDE OF THE U.S. GOVERNMENT PRINTING OFFICE: 1983

REVISIONS		
Rev	Change	By

TITLE: CPU DATA PATH A  
 SCALE: 2:1  
 SHEET: 2 OF 4  
 PART: M7471-B  
 REV: A

3 7 6 5 4 3 2 1

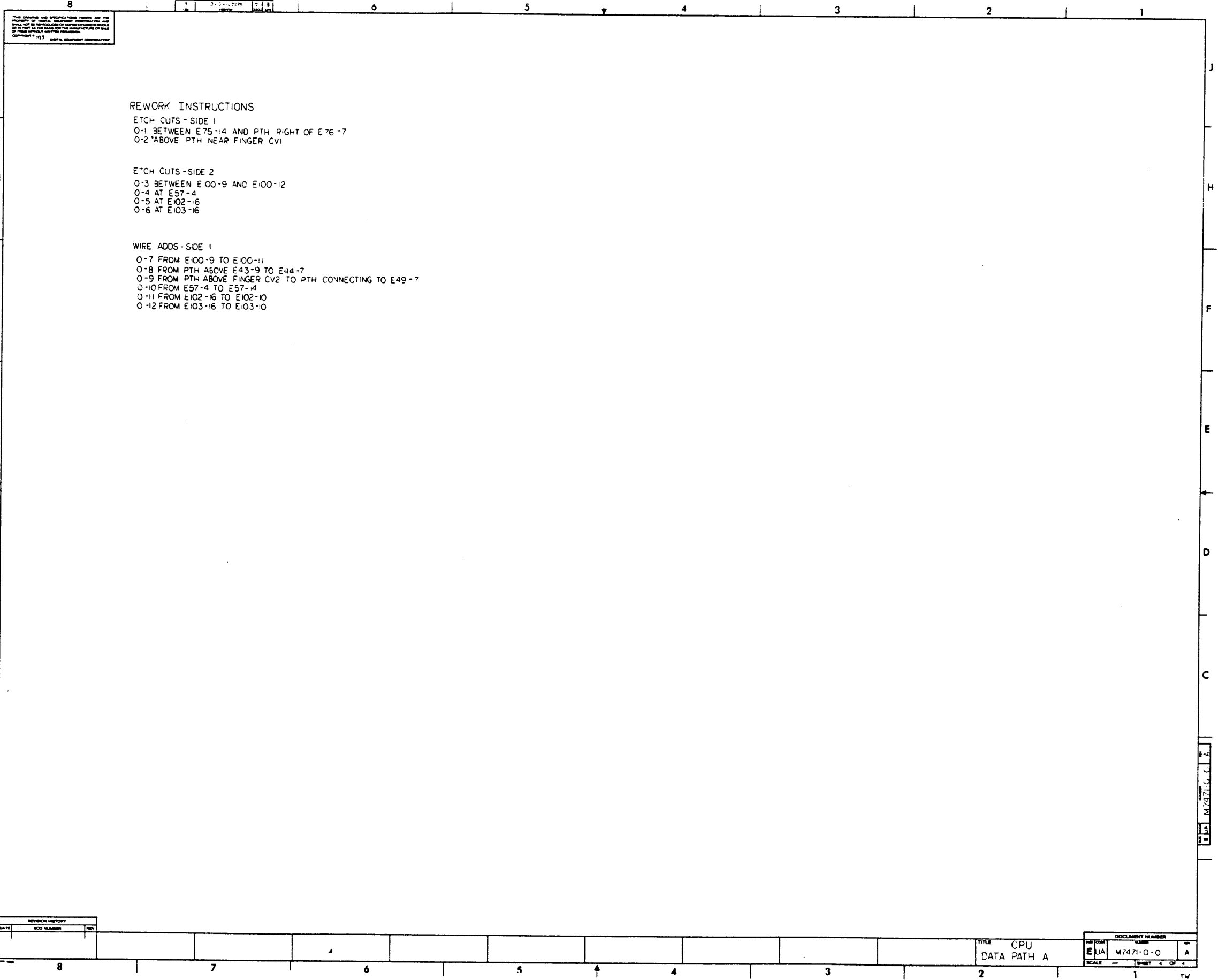
ALL DIMENSIONS ARE SPECIFIED UNLESS NOTED OTHERWISE IN MILLIMETERS  
UNLESS OTHERWISE SPECIFIED ALL DIMENSIONS ARE TO CENTER UNLESS NOTED OTHERWISE  
DATE: 1983 10/11 10:00 AM



REV	DATE	BY	CHKD

TITLE	SIZE/DWG	NUMBER	REV
CPU DATA PATH A	EUA	17471-0-0	A
SCALE	SHEET	OF	
2-1	3	4	

8 7 6 5 4 3 2 1 TW



THIS DRAWING AND SPECIFICATIONS HEREBY ARE THE PROPERTY OF DIGITAL EQUIPMENT CORPORATION AND SHALL NOT BE REPRODUCED OR COPIED IN WHOLE OR IN PART FOR THE BASIS FOR THE MANUFACTURE OR SALE OF PRODUCTS WITHOUT THE PERMISSION OF DIGITAL EQUIPMENT CORPORATION.

REWORK INSTRUCTIONS

ETCH CUTS - SIDE 1  
 O-1 BETWEEN E75-14 AND PTH RIGHT OF E76-7  
 O-2 ABOVE PTH NEAR FINGER CV1

ETCH CUTS - SIDE 2  
 O-3 BETWEEN E100-9 AND E100-12  
 O-4 AT E57-4  
 O-5 AT E102-16  
 O-6 AT E103-16

WIRE ADDS - SIDE 1  
 O-7 FROM E100-9 TO E100-11  
 O-8 FROM PTH ABOVE E43-9 TO E44-7  
 O-9 FROM PTH ABOVE FINGER CV2 TO PTH CONNECTING TO E49-7  
 O-10 FROM E57-4 TO E57-4  
 O-11 FROM E102-16 TO E102-10  
 O-12 FROM E103-16 TO E103-10

REVISION HISTORY		
DATE	ECO NUMBER	REV

TITLE		DOCUMENT NUMBER	
CPU DATA PATH A		EUA	M7471-0-0
SCALE	SHEET	OF	
	4	4	

M7471-0-0 C A



AUTOMATED BY PRTLST.4Q(50)

PARTS LIST

SHEET A1 OF A2

LINE	ITEM	TOP DOCUMENT	PART NUMBER	MIN REV	DESCRIPTION	QTY	PER VARIATION	REFERENCE DESIGNATOR
						00		
1	1	D-MD-5016098-0-0	5012578-00		M8229	1		
2	2		1012084-01	8	MFD 25V +75-10% AL EL	7		C1-C7
3	3		1012784-00	.047	MFD 50V +80-20% CER	45		C8-C52
4	4		1301424-00	680.0	.25 W 5.0 % CF	1		R78
5	5		1300247-00	120.0	.25 W 5.0 % CF	6		R71-R76
6	6		1300250-00	150.0	.25 W 5.0 % CF	6		R65-R70
7	7		1300295-00	330.0	.25 W 5.0 % CF	33		R1-R32,R77
8	8		1301775-00	820.0	.25 W 5.0 % CF	32		R33-R64
9	9		1921334-01		74F350 SHIFTER,4-BIT	1		E136
10	10		1913839-00		LS165 SHIFT REG.,8BIT	5		E39,E52,E92,E119,E106
11	11		1921305-01		74F00 NAND GATE,QUAD,2-IN	6		E7,E36,E87,E139,E141,E131
12	12		1921307-01		74F04 HEX INVERTER	10		E6,E23,E45,E59,E60,E66,E88,E140,
							CONT	E130,E48
13	13		1921309-01		74F10 NAND GATE,TRIPLE,3-I	3		E35,E70,E142
14	14		1921310-01		74F11 AND GATE,TRIPLE,3-IN	4		E8,E72,E89,E126
15	15		1921311-01		74F20 NAND GATE,DUAL,4-IN	6		E21,E33,E34,E125,E143,E105
16	16		1910541-00		74S40 BUFFER,POS-NAND,DUAL	2		E17,E101
17	17		1921313-01		74F64 AND OR INVERT GATE,4-	15		E83,E84,E86,E97,E98,E99,E100,
							CONT	E110,E111,E112,E127,E123,E128,
							CONT	E129,E117
18	18		1921314-01		74F74 FF-D,DUAL,POS.,EDGE	3		E61,E64,E144
19	19		1921320-01		74F157 MUX,QUAD,2-IN	1		E137
20	20		1921321-01		74F158 MUX,QUAD,2-IN	4		E1,E2,E18,E62
21	21		1921327-01		74F194 SHIFT REG,UNIV,BIDIR	1		E113
22	22		1921318-01		74F151 MUX,8-IN	13		E10,E11,E24,E25,E37,E38,E43,E44,
							CONT	E50,E51,E56,E57,E58
							CONT	E15,E16,E29,E47,E55,E69,E82,E96,
							CONT	E109,E122,E135,E42
24	24		1911469-00	DEC	8640 RECEIVER,BUS,QUAD,U	1		E79
25	25		1921316-01		74F138 DECODER/DEMUX,1-OF-8	4		E5,E71,E85,E124

REVISION HISTORY			BASIC PART NO: M7471	DRN: A.RUSZCZYK	DATE: 04-MAR-83	D I G I T A L			
ENG	ECO NUMBER	REV	SECTION A OF A	CHK'D: T.MCCULLOUGH	DATE: 04-MAR-83	TITLE PARTS LIST			
---	INITIAL	A	SECTION VARIATION INDEX	DES.ENG: KEITH MCLAREN <td>DATE: 19-SEP-83 <td colspan="4">CPU DATA PATH A (DAP)</td> </td>	DATE: 19-SEP-83 <td colspan="4">CPU DATA PATH A (DAP)</td>	CPU DATA PATH A (DAP)			
			(A) 00	RESP.ENG.: KEITH MCLAREN <td>DATE: 19-SEP-83 <td colspan="4">DOCUMENT NUMBER</td> </td>	DATE: 19-SEP-83 <td colspan="4">DOCUMENT NUMBER</td>	DOCUMENT NUMBER			
			(B)	MFG.ENG.: M.KRYSAK <td>DATE: 19-SEP-83 <td>SIZE: K</td> <td>CODE: PL</td> <td>NUMBER: M7471-0-DBP</td> <td>REV: A</td> </td>	DATE: 19-SEP-83 <td>SIZE: K</td> <td>CODE: PL</td> <td>NUMBER: M7471-0-DBP</td> <td>REV: A</td>	SIZE: K	CODE: PL	NUMBER: M7471-0-DBP	REV: A
			(C)	ASSEMBLY NUMBER: E-UA-M7471-0-0 <td>TOP DOCUMENT NUMBER: B-DD-M7471-0-0 <td colspan="4">RELEASE DATE: 14-OCT-83</td> </td>	TOP DOCUMENT NUMBER: B-DD-M7471-0-0 <td colspan="4">RELEASE DATE: 14-OCT-83</td>	RELEASE DATE: 14-OCT-83			
			(D)			FILE NAME: 23949A.PLS	EDIT # 1		
			(E)						
			(F)						
			(G)						
			(H)						
			(I)						
			(J)						
			(K)						
			(L)						
			(M)						
			(N)						

"THIS DRAWING AND THE SPECIFICATIONS CONTAINED HEREIN ARE CONFIDENTIAL AND PROPRIETARY. THEY ARE THE PROPERTY OF DIGITAL EQUIPMENT CORPORATION AND SHALL NOT BE REPRODUCED OR COPIED OR USED IN WHOLE OR IN PART AS THE BASIS FOR THE MANUFACTURE OR SALE OF ITEMS WITHOUT WRITTEN PERMISSION. THIS IS AN UNPUBLISHED WORK PROTECTED UNDER THE FEDERAL COPYRIGHT LAWS."

AUTOMATED BY PRTLST.4Q(50)

P A R T S L I S T

SHEET A2 OF A2

LINE	ITEM	TOP DOCUMENT	PART NUMBER	MIN REV	DESCRIPTION	QTY PER VARIATION	REFERENCE DESIGNATOR
					VARIATION REVISION LEVEL:	00	
26	26		1921720-01		10H125 TRANSLATOR ECL TO TTL QUA	2	E68,E95
27	27		1911712-00		74S51 AND-OR GATE-INVERT D	6	E46,E74,E114,E115,E116,E76
28	28		1911983-00		74S133 NAND GATE-POSITIVE 1	3	E19,E20,E32
29	29		1921315-01		74F86 EXCLUSIVE OR GATE,QU	1	E90
30	30		1921308-01		74F08 AND GATE,QUAD,2-IN	3	E22,E73,E138
31	31		1921333-01		74F283 BINARY FULL ADDER,4	2	E78,E53
32	32		1921008-01		74F240 BUFFER/LINE DRIVER,I	4	E3,E31,E75,E104
33	33		1921009-01		74F241 BUFFER/LINE DRIVER,N	1	E49
34	34		1921010-01		74F373 OCTAL TRANSPARENT LA	1	E30
35	35		23036B2-00		B2-03	1	E102
36	36		23035B2-00		B2-03	1	E103
37	37		1216988-02		HANDLE,MODULE,HEX TWO EJECTORS	1	
38	38		9000024-01		EYELET,ROLLED 0.1210DX0.192	12	
39	39		9105740-55		WIRE(WRAP) 30AWG KYNAR UL14	A/R	

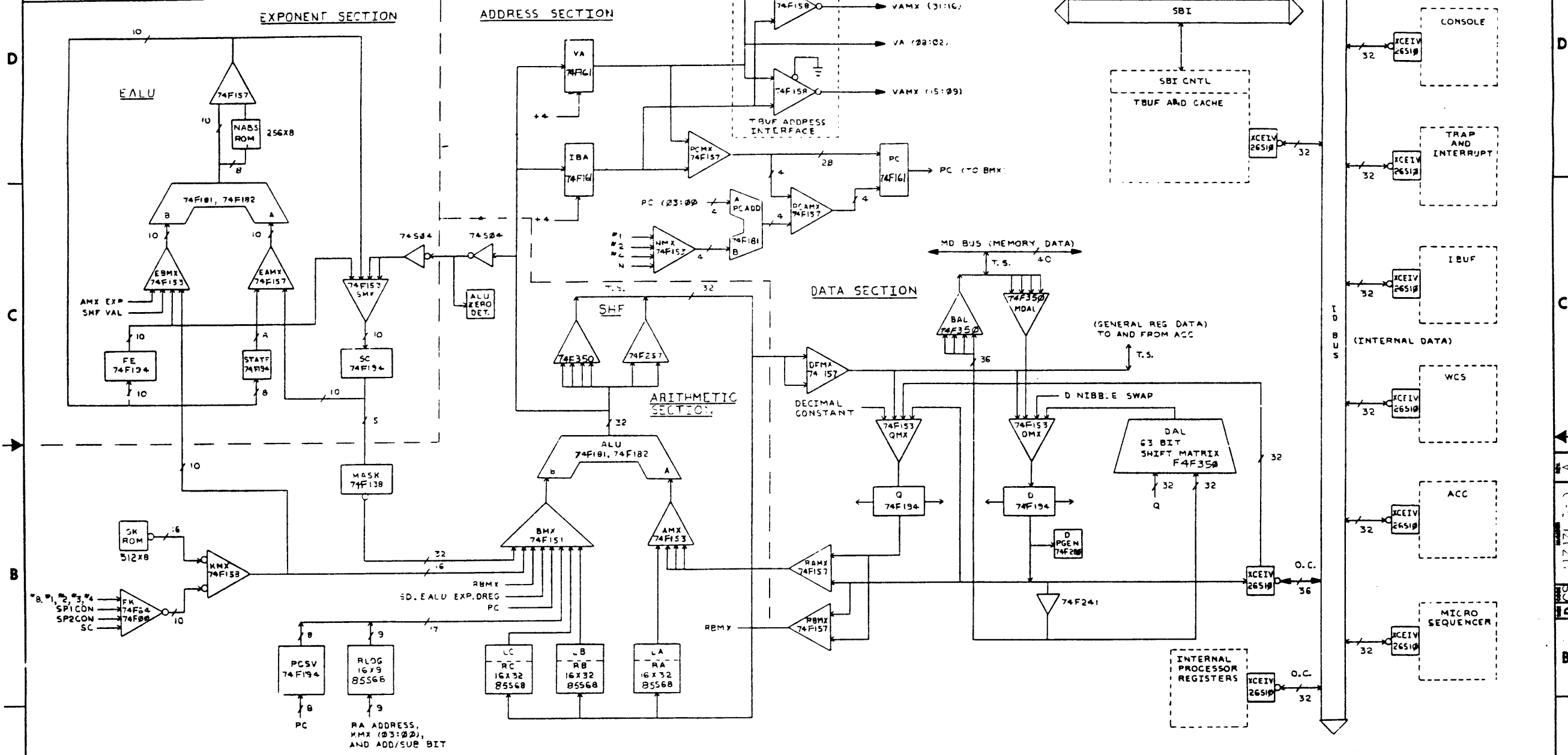
- 40 NOTE: SPARE IC'S E4,E9,E12-E14,E26-E28,E40,E41,E54,E63,E65,E67.  
 41 NOTE: SPARE IC'S CONTINUED E80,E81,E77,E91,E93,E94,E107,E108.  
 42 NOTE: SPARE IC'S CONTINUED E118,E120,E121,E132-E134,E145,E146

D	I	G	I	T	A	L	TITLE	SECTION A OF A	SIZE	CODE	DOCUMENT NUMBER	REV
							CPU DATA PATH A (DAP)		K	PL	M7471-0-DBP	A

THESE DRAWINGS AND SPECIFICATIONS HEREBY ARE THE PROPERTY OF DIGITAL EQUIPMENT CORPORATION AND SHALL NOT BE REPRODUCED OR COPIED IN WHOLE OR IN PART AS THE BASIS FOR THE MANUFACTURE OR SALE OF ITEMS WITHOUT WRITTEN PERMISSION OF DIGITAL EQUIPMENT CORPORATION.

NOTES:

DATA PATH

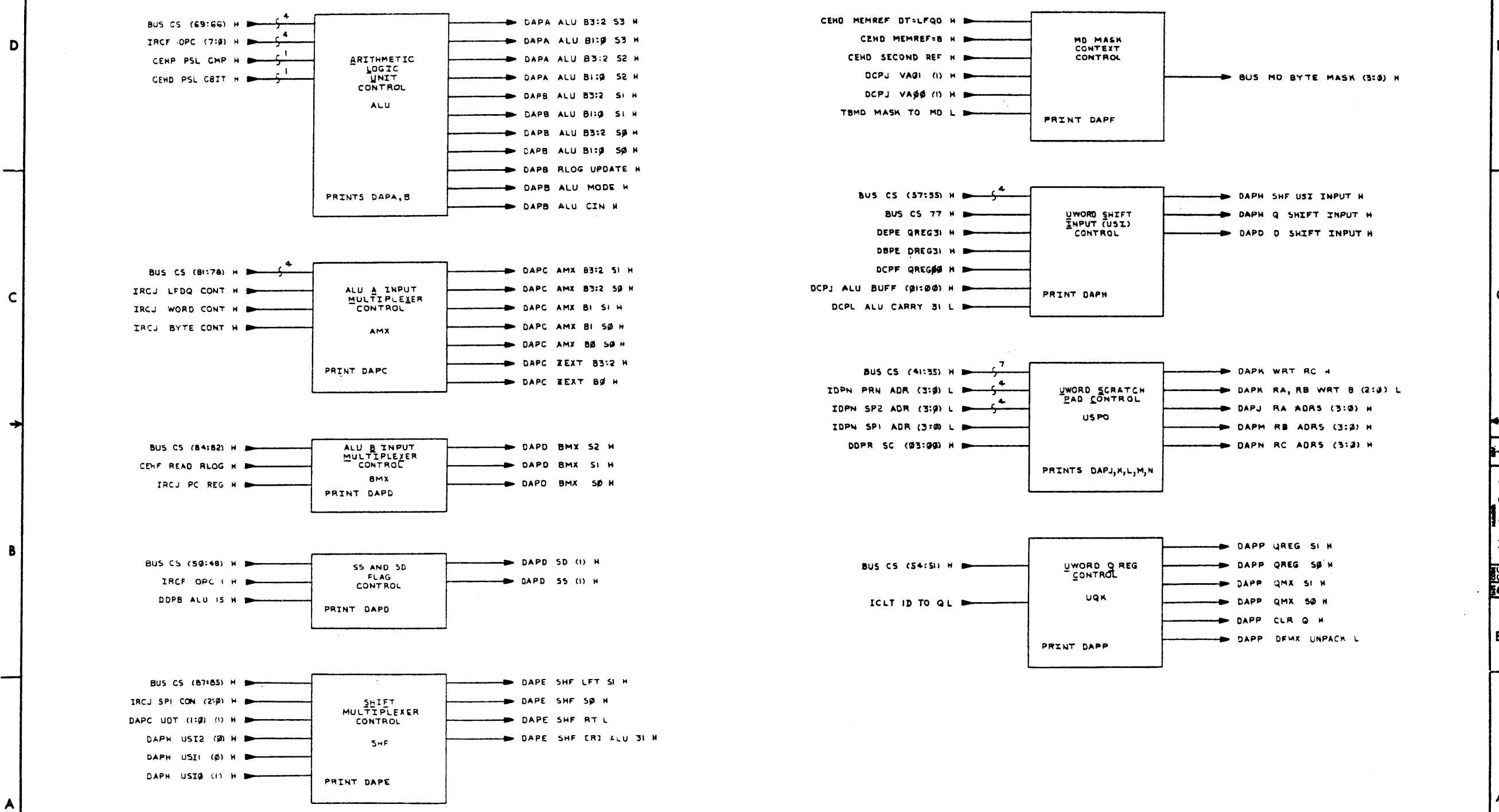


BLOCK DIAGRAM (SLOT 13)

DRN	CHK'D	ENG'D	PROJ. ENGR.	NEXT HOME WASS.	FIRST USED ON	TITLE	SIZE	CODE	NUMBER	REV.
					digital	DATA PATH CONTROL	D	CS	M7471-2-C	A
SCALE					SHEET		OF 22		DET.	

REV.	
CHG.	
NO.	

THIS DRAWING AND SPECIFICATIONS HEREIN ARE THE PROPERTY OF DIGITAL EQUIPMENT CORPORATION AND SHALL NOT BE REPRODUCED OR COPIED OR USED IN WHOLE OR IN PART AS THE BASIS FOR THE MANUFACTURE OR SALE OF ITEMS WITHOUT WRITTEN PERMISSION. COPYRIGHT © DIGITAL EQUIPMENT CORPORATION



REVISIONS		
CHK	CHANGE NO.	REV.

(DATA PATH CONTROL BLOCK DIAGRAM)(SLOT 13)

TITLE		DATA PATH CONTROL		DCS	M7471-O-0	A
SCALE	NONE	SHEET	2 OF 22	REV.		

THIS DRAWING AND SPECIFICATIONS HEREIN ARE THE PROPERTY OF DIGITAL EQUIPMENT CORPORATION AND SHALL NOT BE REPRODUCED OR COPIED IN WHOLE OR IN PART AS THIS DRAWING IS THE PROPRIETARY OR PATENTED INFORMATION OF DIGITAL EQUIPMENT CORPORATION.

AMX CONTROL — TRUTH TABLE

UAMX.		UDT		CONTEXT			AMX CONTROL								AMX OUTPUT FUNCTIONS				
I	0	I	0	LONG	WORD	BYTE	BYTE 3		BYTE 2		BYTE 1		BYTE 0		BYTE 3	BYTE 2	BYTE 1	BYTE 0	
							S	S0	STB	S1	S0	STB	S1	S0	STB	S1	S0	STB	
L	L	X	X	X	X	X	L	L	L	L	L	L	L	L	L	L	L	L	LA (31:00)
L	H	X	X	X	X	X	L	H	L	L	H	L	L	H	L	L	H	L	RAMX (31:00)
H	L	L	L	X	X	X	L	H	L	L	H	L	L	H	L	L	H	L	[SXT LONG] RAMX (31:00)
H	L	L	H	X	X	X	H	H	L	H	L	L	H	L	L	H	L	L	[SXT WORD] ← RAMX 15 RAMX (15:00)
H	L	H	L	X	X	X	H	L	L	H	L	L	H	H	L	L	H	L	[SXT BYTE] ← RAMX 7 RAMX (07:00)
H	L	H	H	H	L	L	L	H	L	L	H	L	L	H	L	L	H	L	RAMX (31:00)
H	L	H	H	L	H	L	L	H	H	L	H	L	L	H	L	L	H	L	[SXT WORD] ← RAMX 15 RAMX (15:00)
H	L	H	H	L	L	L	L	H	L	L	H	L	L	H	H	L	L	H	[SXT BYTE] ← RAMX 7 RAMX (07:00)
H	H	L	L	X	X	X	X	X	H	X	X	H	H	L	L	X	X	H	[0XT LONG] L ← L
H	H	L	H	X	X	X	X	X	H	X	X	H	L	L	H	L	L	H	[0XT WORD] L ← L RAMX (15:00)
H	H	H	L	X	X	X	X	X	H	X	X	H	L	L	H	L	L	H	[0XT BYTE] L ← L RAMX (07:00)
H	H	H	H	H	L	L	X	X	H	X	X	H	L	L	X	X	H	[0XT LONG] L ← L	
H	H	H	H	L	H	L	X	X	H	X	X	H	L	L	H	L	L	H	[0XT WORD] L ← L RAMX (15:00)
H	H	H	H	L	L	H	X	X	H	X	X	H	L	L	L	H	L	L	[0XT BYTE] L ← L RAMX (07:00)

NOTE: X=DON'T CARE  
SXT=SIGN EXTEND  
0XT=ZERO EXTEND

ALU FUNCTION SELECT — TRUTH TABLE

UALU (03:00)				FUNCTION SELECT LINES				MODE CONTROL		CARRY INPUT	ALU FUNCTION
HEX	3	2	1	0	S3	S2	S1	S0	H=LOGIC L=ARITH	CARRY=L	
0	L	L	L	L	L	H	H	L	L	L	A. MINUS. B
1	L	L	L	H	L	H	H	L	L	L	A. MINUS. B [R LOG]
2	L	L	H	L	L	H	H	L	L	H	A. MINUS. B. MINUS. I
3	L	L	H	H	#	#	#	#	#	#	INSTRUCTION DEP.
4	L	H	L	L	H	L	L	H	L	L	A. PLUS. B. PLUS. I
5	L	H	L	H	H	L	L	H	L	H	A. PLUS. B
6	L	H	H	L	H	L	L	H	L	H	A. PLUS. B [R LOG]
7	L	H	H	H	H	L	L	H	H	X	A. OR. NOT. B
8	H	L	L	L	L	H	H	L	H	X	A. XOR. B
9	H	L	L	H	L	H	H	H	H	X	A. AND. NOT. B
A	H	L	H	L	L	L	L	L	H	X	. NOT. A
B	H	L	H	H	H	L	L	H	L	PSL. C	A. PLUS. B. PLUS. C
C	H	H	L	L	H	H	H	L	H	X	A. OR. B
D	H	H	L	H	H	L	H	H	H	X	A. AND. B
E	H	H	H	L	H	L	H	L	H	X	B
F	H	H	H	H	H	H	H	H	H	X	A

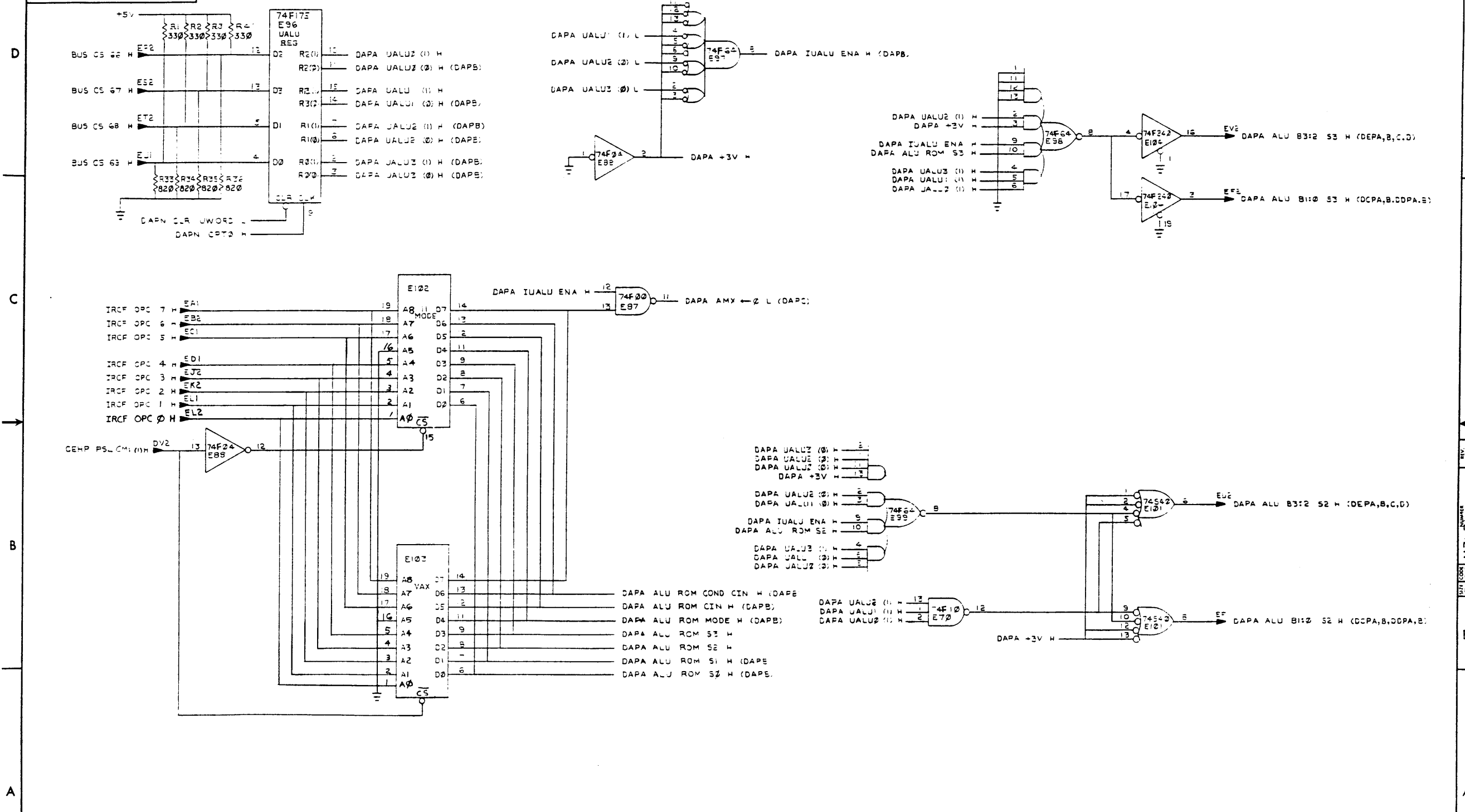
NOTE: X=DON'T CARE  
#=INSTRUCTION DEPENDENT

(ALU AND AMX CONTROL TRUTH TABLES) (SLOT 13)

REVISIONS		
CHK	CHANGE NO.	REV.

TITLE	DATA PATH CONTROL	REV. CODE	DCS	NUMBER	M7471-Q-0	REV.	A
SCALE	NONE	SHEET	3 OF 22	DIST.			

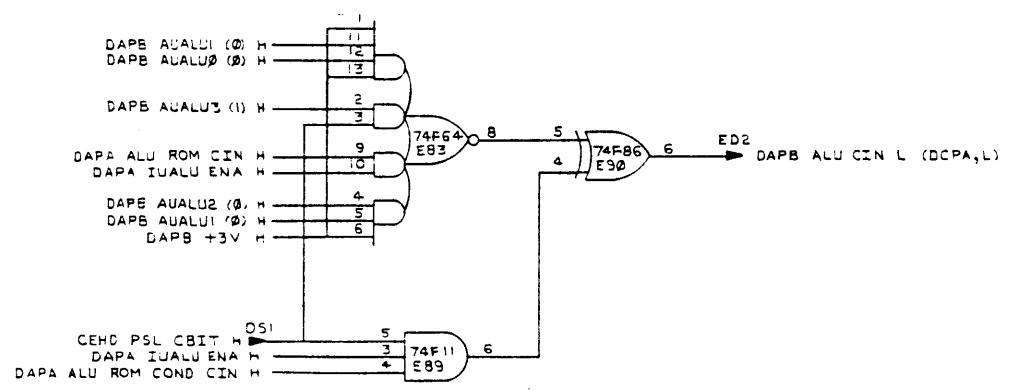
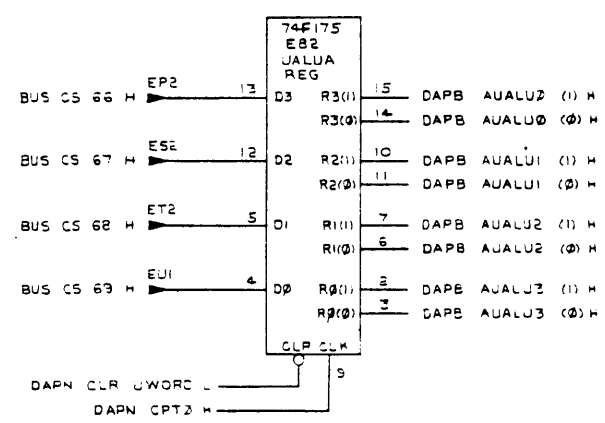
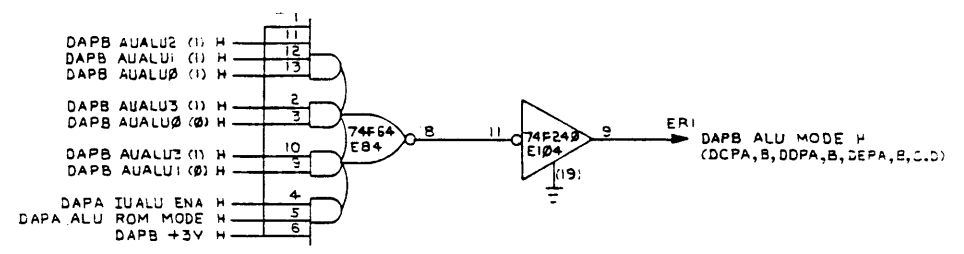
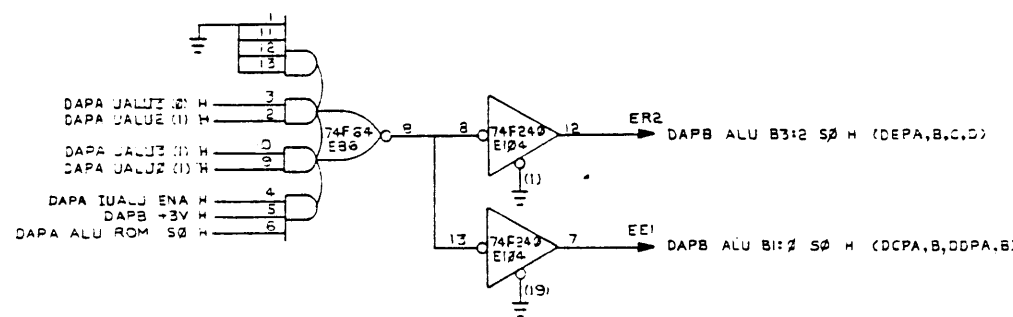
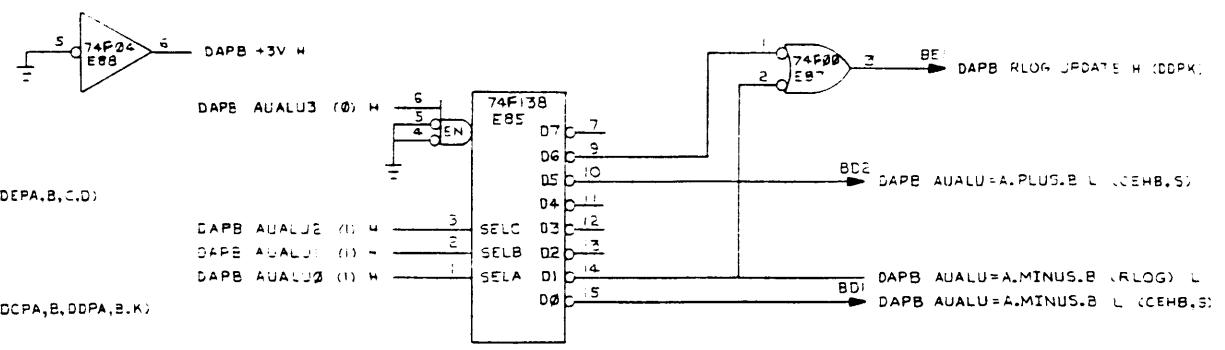
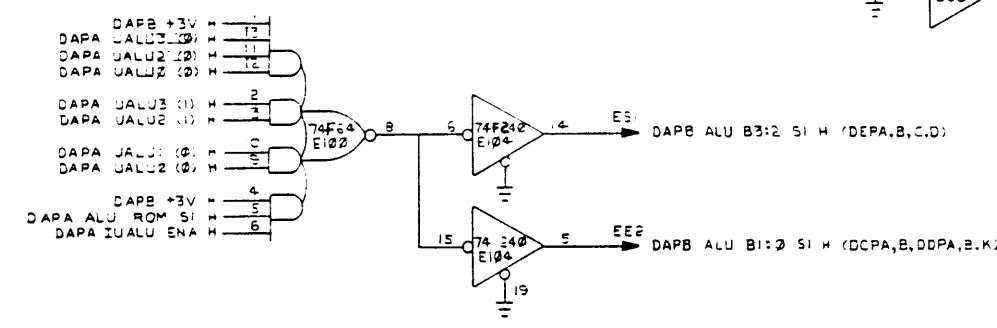
THIS DRAWING AND SPECIFICATIONS HEREIN ARE THE PROPERTY OF DIGITAL EQUIPMENT CORPORATION AND SHALL NOT BE REPRODUCED OR COPIED OR USED IN WHOLE OR IN PART AS THE BASIS FOR THE MANUFACTURE OR SALE OF ITEMS WITHOUT WRITTEN PERMISSION. COPYRIGHT © DIGITAL EQUIPMENT CORPORATION



REVISIONS		
CHK	CHANGE NO.	REV.

(ALU UWORD AND INSTR DEP CONTROL) (SLOT 13)			
TITLE	(DAPA)	SIZE/CODE	NUMBER
DATA PATH CONTROL	DCS	M7471-0-0	A
SCALE	NONE	SHEET	4 OF 22

THIS DRAWING AND SPECIFICATIONS HEREIN ARE THE PROPERTY OF DIGITAL EQUIPMENT CORPORATION AND SHALL NOT BE REPRODUCED OR COPIED OR USED IN WHOLE OR IN PART AS THE BASIS FOR THE MANUFACTURE OR SALE OF ITEMS WITHOUT WRITTEN PERMISSION. COPYRIGHT © DIGITAL EQUIPMENT CORPORATION



REVISIONS		
CHK	CHANGE NO.	REV

TITLE	(DAPB)	SIZE/SCALE	CODE	NUMBER	REV.
DATA PATH CONTROL	(ALU CONTROL)	NONE	D/CS	M7471-0-0	A
SHEET	5 OF 22	DIST			

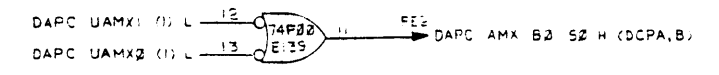
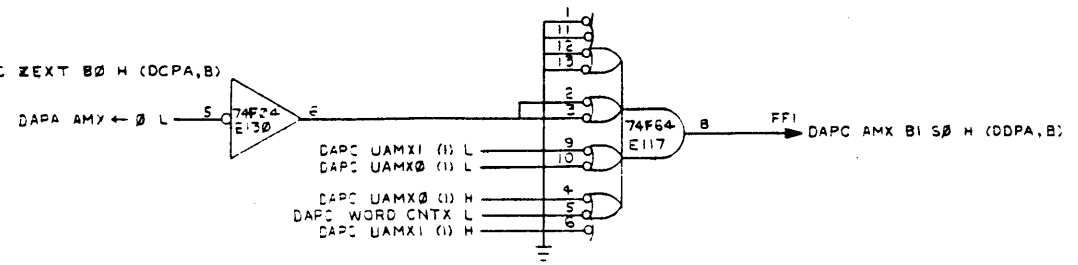
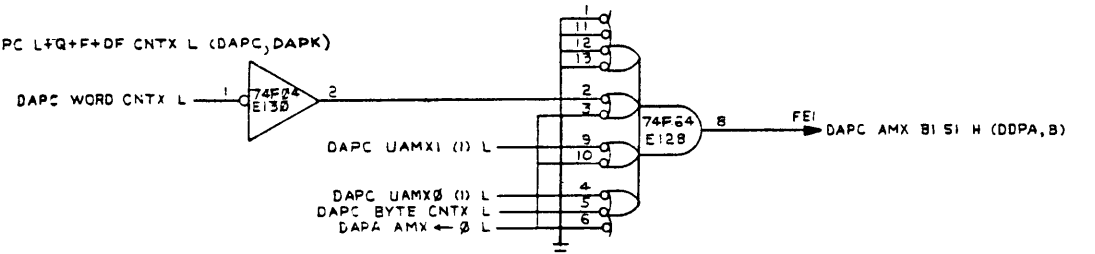
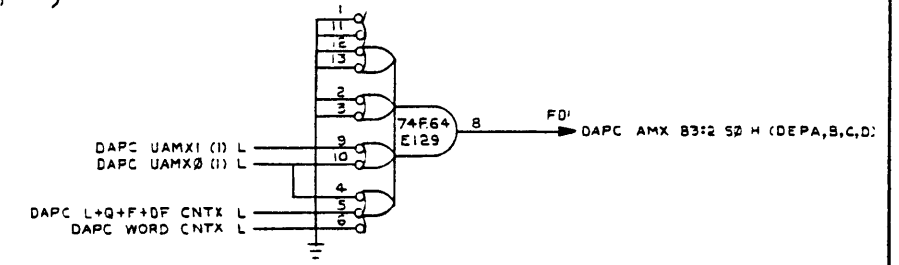
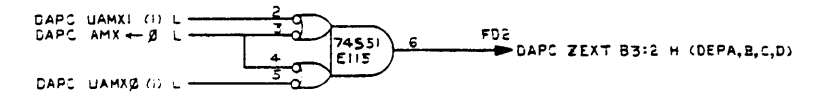
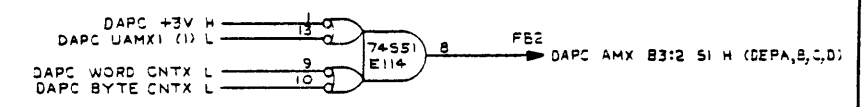
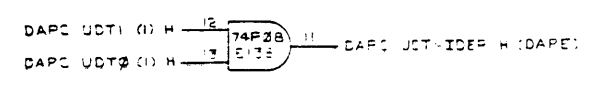
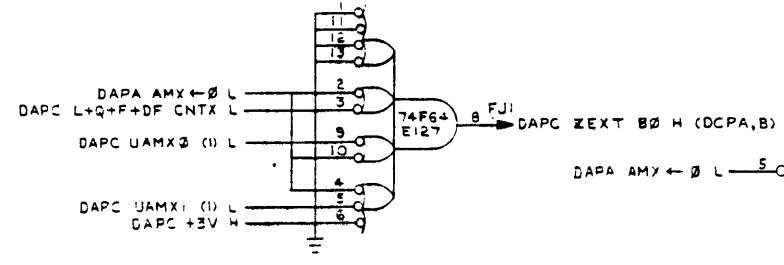
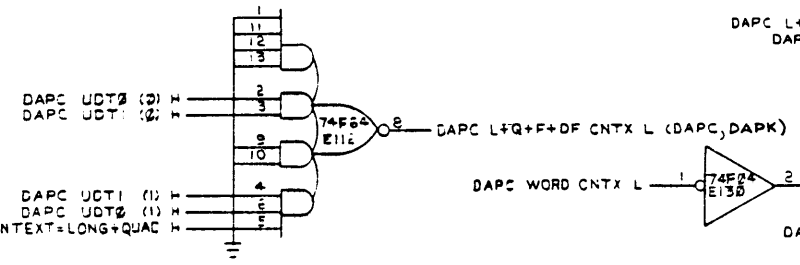
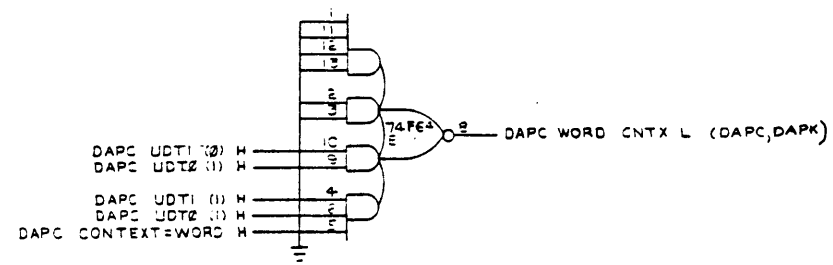
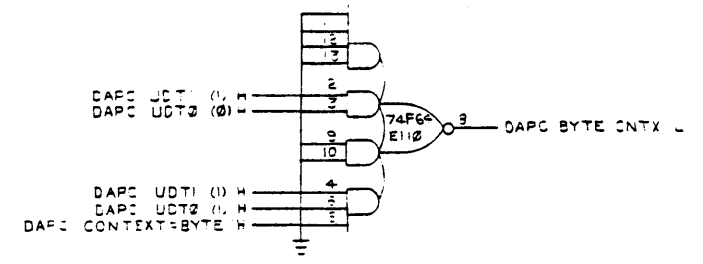
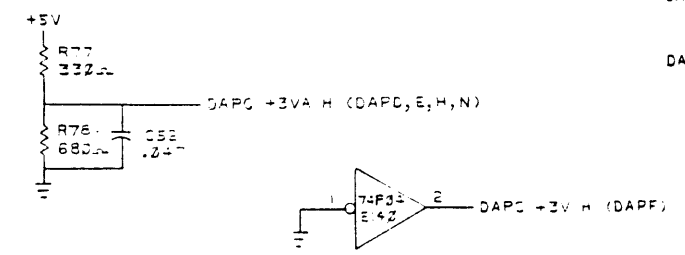
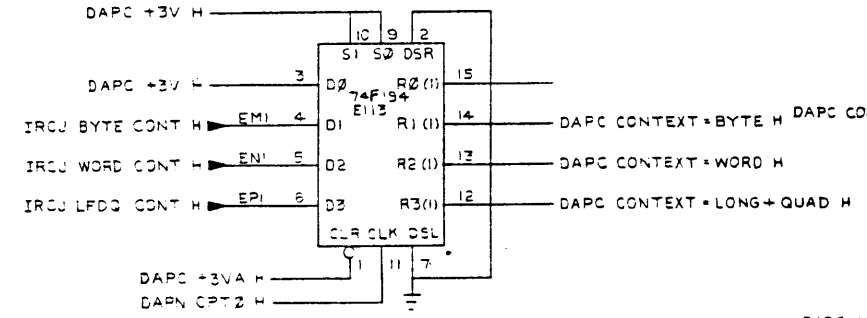
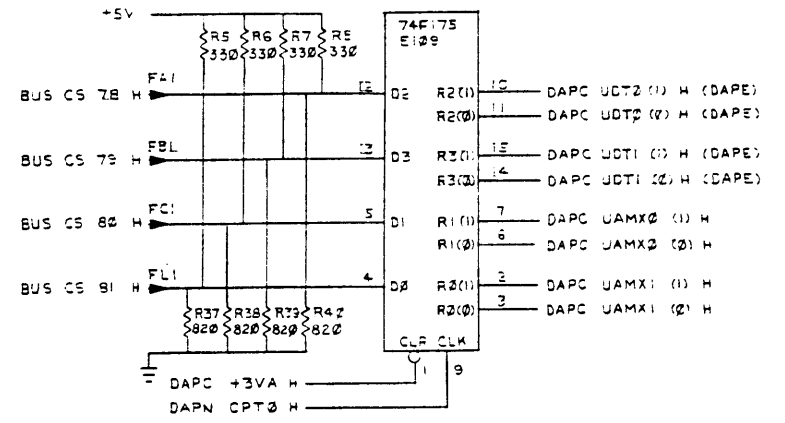
M7471-0-0

THIS DRAWING AND SPECIFICATIONS HEREIN ARE THE PROPERTY OF DIGITAL EQUIPMENT CORPORATION AND SHALL NOT BE REPRODUCED OR COPIED OR USED IN WHOLE OR IN PART AS THE BASIS FOR THE MANUFACTURE OR SALE OF ITEMS WITHOUT WRITTEN PERMISSION. COPYRIGHT © DIGITAL EQUIPMENT CORPORATION

\* NOTE:  
XX(1)L = XX(0)H

D  
C  
B  
A

D  
C  
B  
A

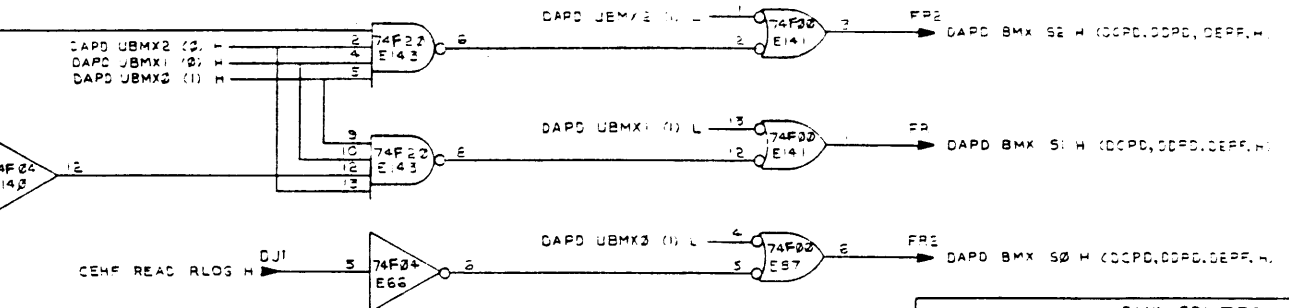
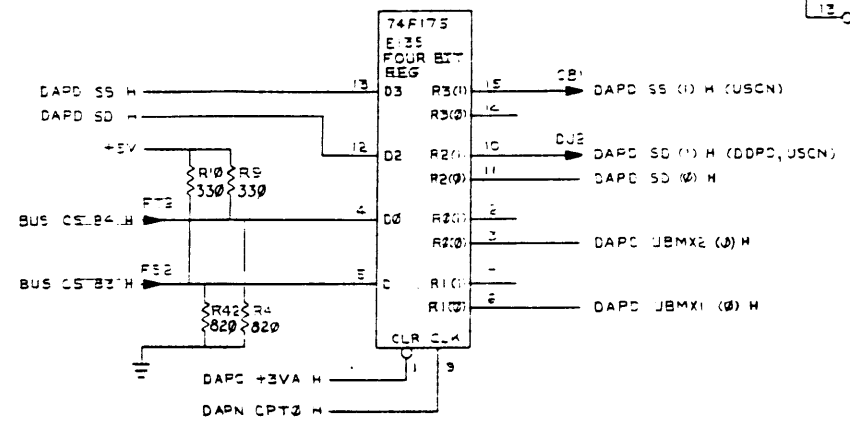


REVISIONS		
CHK	CHANGE NO	REV

TITLE		(AMX CONTROL) (SLOT 13)		SIZE	CODE	NUMBER	REV.
DATA PATH CONTROL		(DAPC)		D	CS	M7471-C-C	A
SCALE	NONE	SHEET	6 OF 22	DIST.			



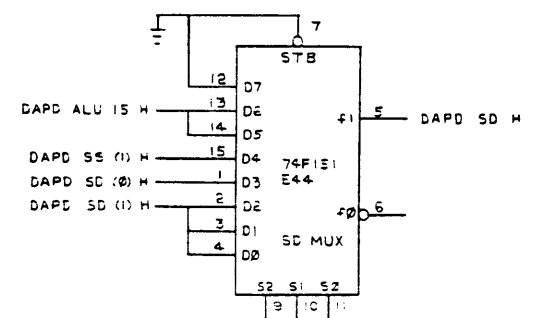
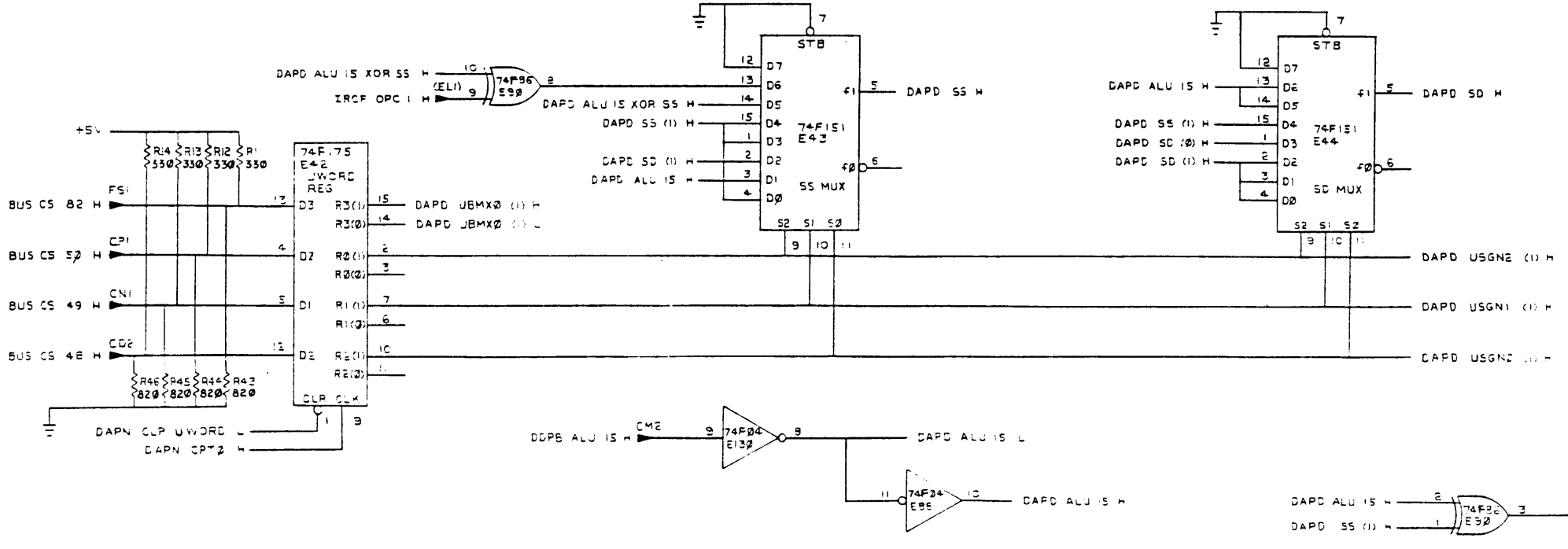
THIS DRAWING AND SPECIFICATIONS HEREIN ARE THE PROPERTY OF DIGITAL EQUIPMENT CORPORATION AND SHALL NOT BE REPRODUCED OR COPIED OR USED IN WHOLE OR IN PART AS THE BASIS FOR THE MANUFACTURE OR SALE OF ITEMS WITHOUT WRITTEN PERMISSION. DIGITAL EQUIPMENT CORPORATION ©



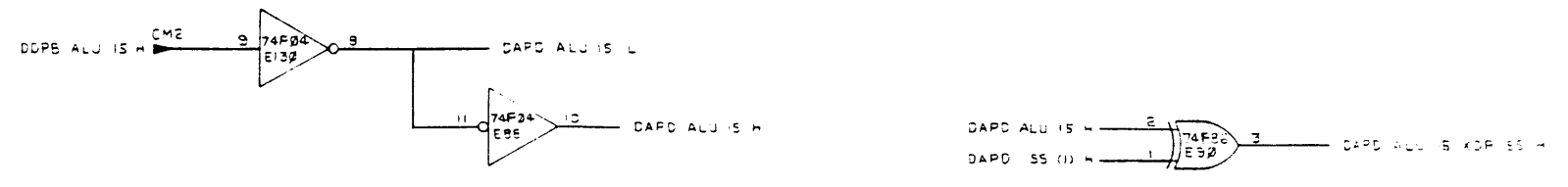
HEX	UBMX			READ RLOG REQUEST	COND PC OR LB	BMX DATA	BMX SELECT		
	2	1	0				S2	S1	S0
0	L	L	L	L	L	MASK	L	L	L
0	L	L	L	H	L	RLOG & PC3V	L	L	H
1	L	L	H	L	H	LB	L	H	H
1	L	L	H	L	H	PC	H	L	H
2	L	H	L	L	X	PACKED F	H	H	L
3	L	H	H	L	X	LB	L	H	H
4	H	L	L	L	X	LC	H	L	L
5	H	L	H	L	X	PC	H	L	H
6	H	H	L	L	X	KMX	H	H	L
7	H	H	H	L	X	RBMX	H	H	H

X = DON'T CARE

NOTE:  
XX (i) L = XX (i) H

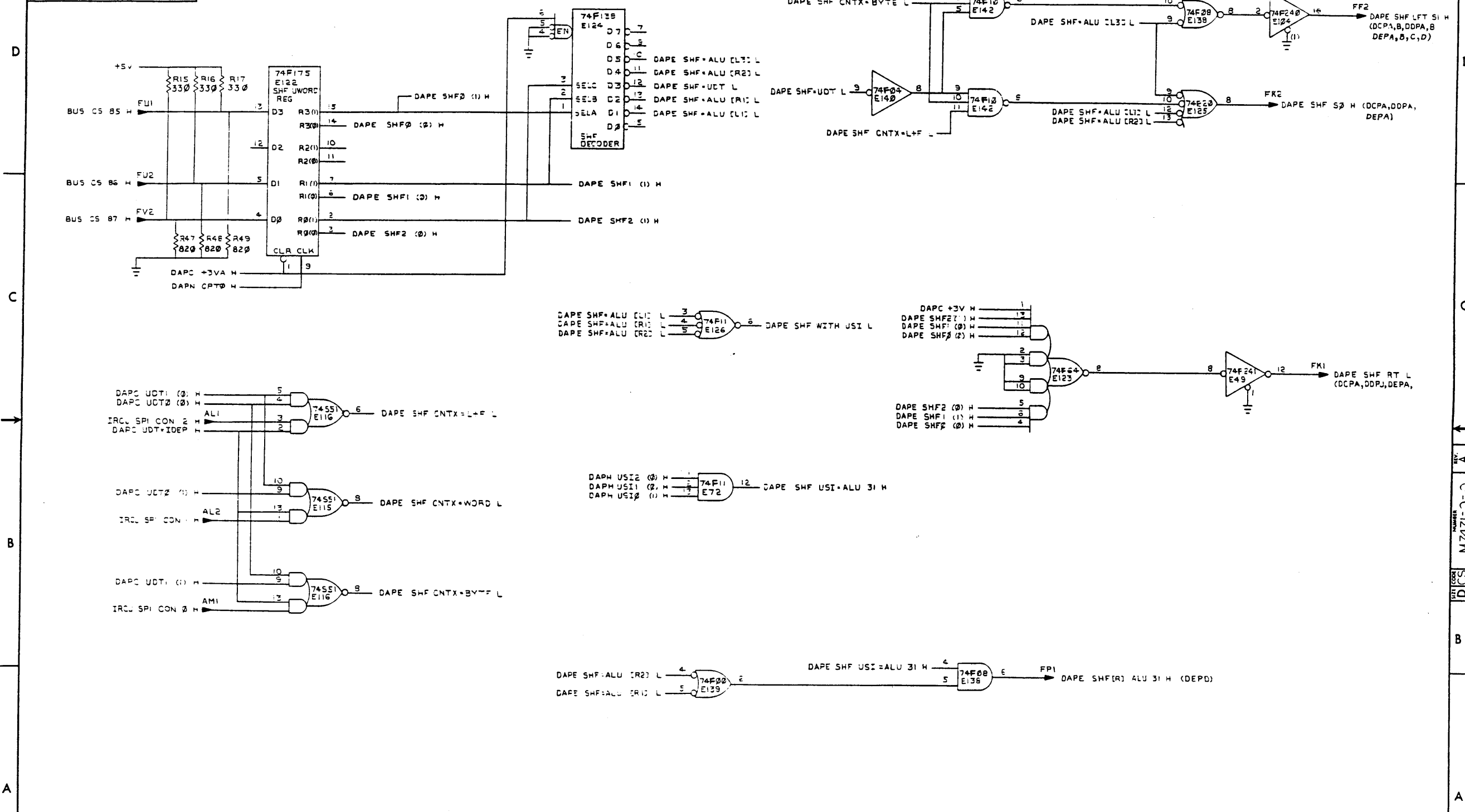


S2	S1	S0	F1
L	L	L	D0
L	L	H	D1
L	H	L	D2
L	H	H	D3
H	L	L	D4
H	L	H	D5
H	H	L	D6
H	H	H	D7



CHK	CHANGE NO.	REV.

THIS DRAWING AND SPECIFICATIONS, HEREIN, ARE THE PROPERTY OF DIGITAL EQUIPMENT CORPORATION AND SHALL NOT BE REPRODUCED OR COPIED OR USED IN WHOLE OR IN PART AS THE BASIS FOR THE MANUFACTURE OR SALE OF ITEMS WITHOUT WRITTEN PERMISSION. DIGITAL EQUIPMENT CORPORATION. COPYRIGHT ©



REVISIONS		
CHK	CHANGE NO.	REV.

REV. A  
 NUMBER M7471-0-0  
 D CS

THIS DRAWING AND SPECIFICATIONS HEREIN ARE THE PROPERTY OF DIGITAL EQUIPMENT CORPORATION AND SHALL NOT BE REPRODUCED OR COPIED OR USED IN WHOLE OR IN PART AS THE BASIS FOR THE MANUFACTURE OR SALE OF ITEMS WITHOUT WRITTEN PERMISSION. COPYRIGHT © DIGITAL EQUIPMENT CORPORATION

74F157 TRUTH TABLE

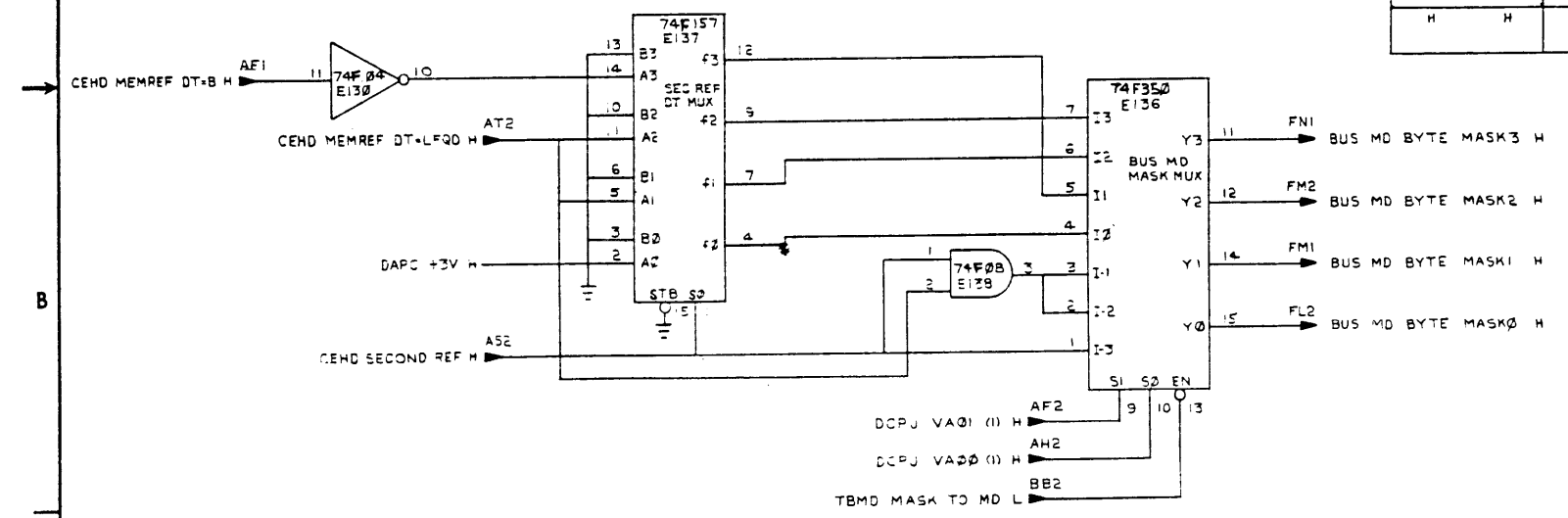
STB	S0	FN
H	-	FN+0
L	L	FN+AN
L	H	FN+BN

74F350 TRUTH TABLE

EN	S1	S0	Y3	Y2	Y1	Y0
H	-	-	Z	Z	Z	Z
L	L	L	I <sub>3</sub>	I <sub>2</sub>	I <sub>1</sub>	I <sub>0</sub>
L	L	H	I <sub>4</sub>	I <sub>3</sub>	I <sub>2</sub>	I <sub>1</sub>
L	H	L	I <sub>5</sub>	I <sub>4</sub>	I <sub>3</sub>	I <sub>2</sub>
L	H	H	I <sub>6</sub>	I <sub>5</sub>	I <sub>4</sub>	I <sub>3</sub>

BUS MD BYTE MASK TRUTH TABLE

BYTE ADRS.	DATA TYPE			SEC. REF. REQUIRED	BUS MD BYTE MASK			
	VA01	VA02	WORD (.NOT.B.N..NOT..LQDF)		3	2	1	0
L	L	H	L	L	L	L	L	H
L	H	H	L	L	L	L	L	H
H	L	H	L	L	L	H	L	L
H	H	H	L	L	L	H	L	L
L	L	L	L	H	L	L	L	H
L	H	L	L	H	L	L	H	L
H	L	L	L	H	L	H	H	L
H	H	L	L	H	L	H	L	L
L	L	L	H	L	L	H	H	H
L	H	L	H	L	L	H	H	L
H	L	L	H	L	H	L	L	L
H	H	L	H	L	H	L	L	L
H	H	L	H	L	H	L	H	H
H	H	L	H	L	H	L	H	H



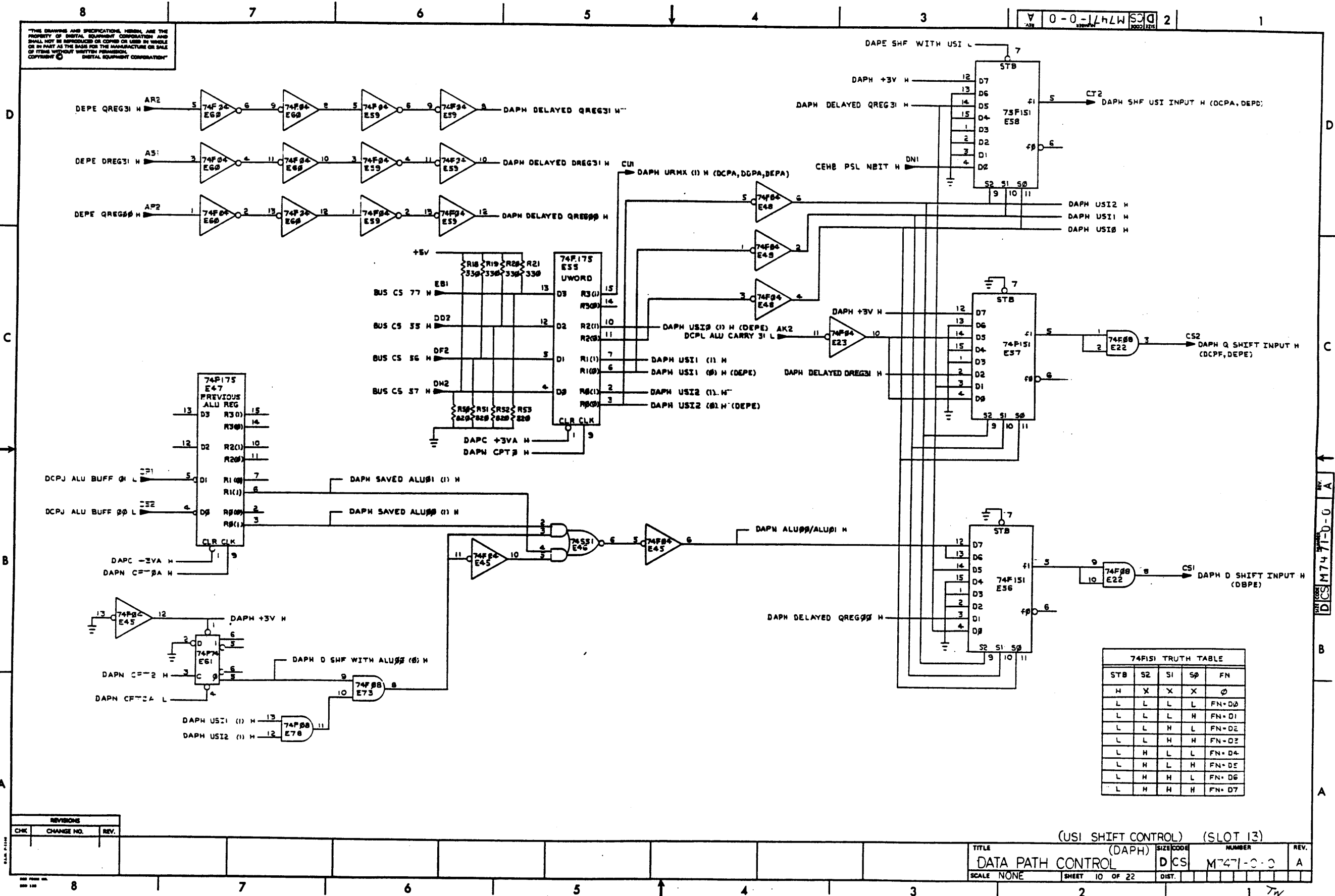
REVISIONS

CHK	CHANGE NO.	REV.

(MASK CONTEXT) (SLOT 13)

TITLE	SIZE/COO	NUMBER	REV.
DATA PATH CONTRCL (DAPC)	D/CS	N7471-0-0	A
SCALE NONE	SHEET 9 OF 22	DIST	

THIS DRAWING AND SPECIFICATIONS HEREIN ARE THE PROPERTY OF DIGITAL EQUIPMENT CORPORATION AND SHALL NOT BE REPRODUCED OR COPIED OR USED IN WHOLE OR IN PART AS THE BASIS FOR THE MANUFACTURE OR SALE OF ITEMS WITHOUT WRITTEN PERMISSION. COPYRIGHT © DIGITAL EQUIPMENT CORPORATION

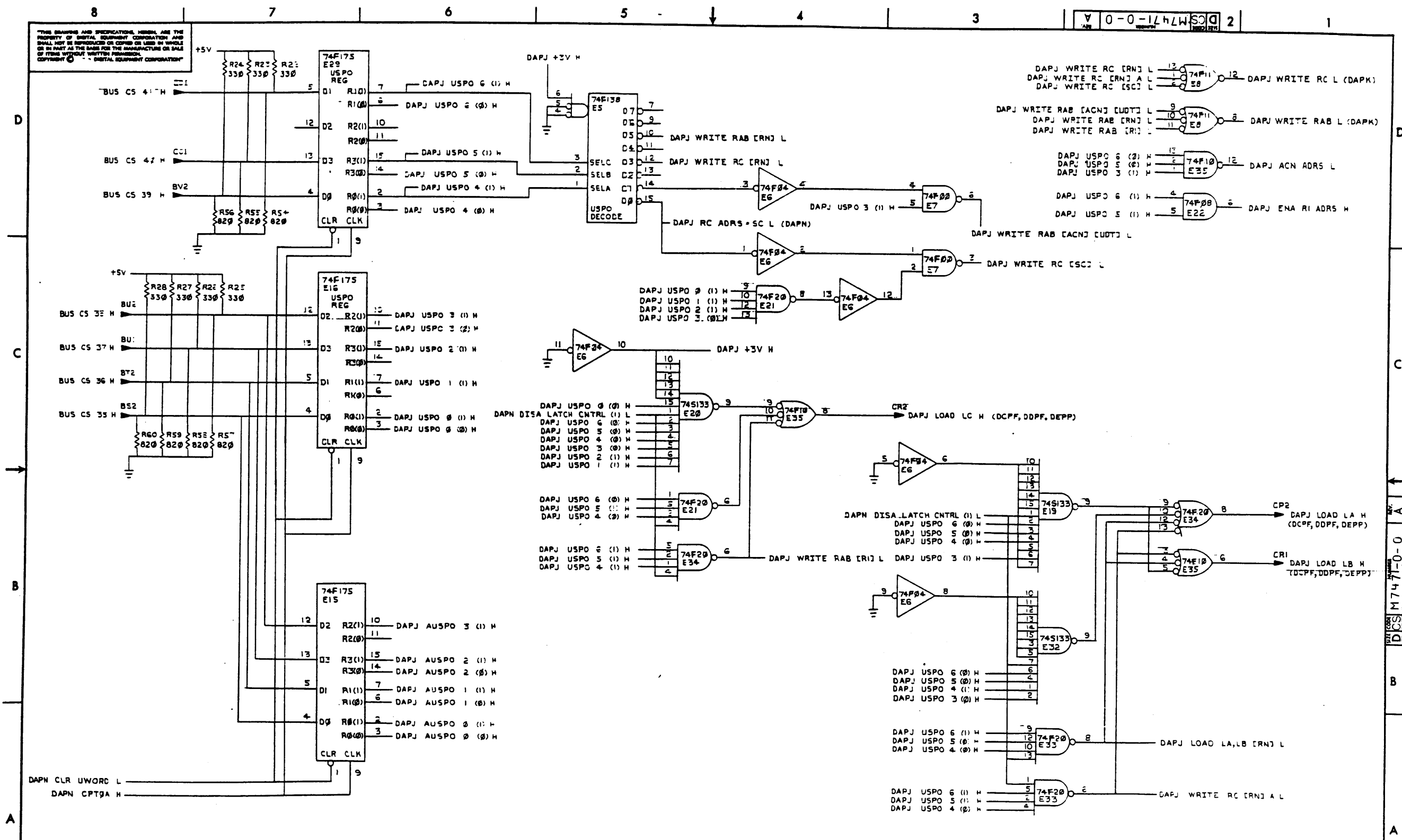


REVISIONS

CHK	CHANGE NO.	REV.

(USI SHIFT CONTROL) (SLOT 13)  
 TITLE DATA PATH CONTROL (DAPH) SIZE CODE NUMBER M7471-C-0 REV. A  
 SCALE NONE SHEET 10 OF 22 DIST.

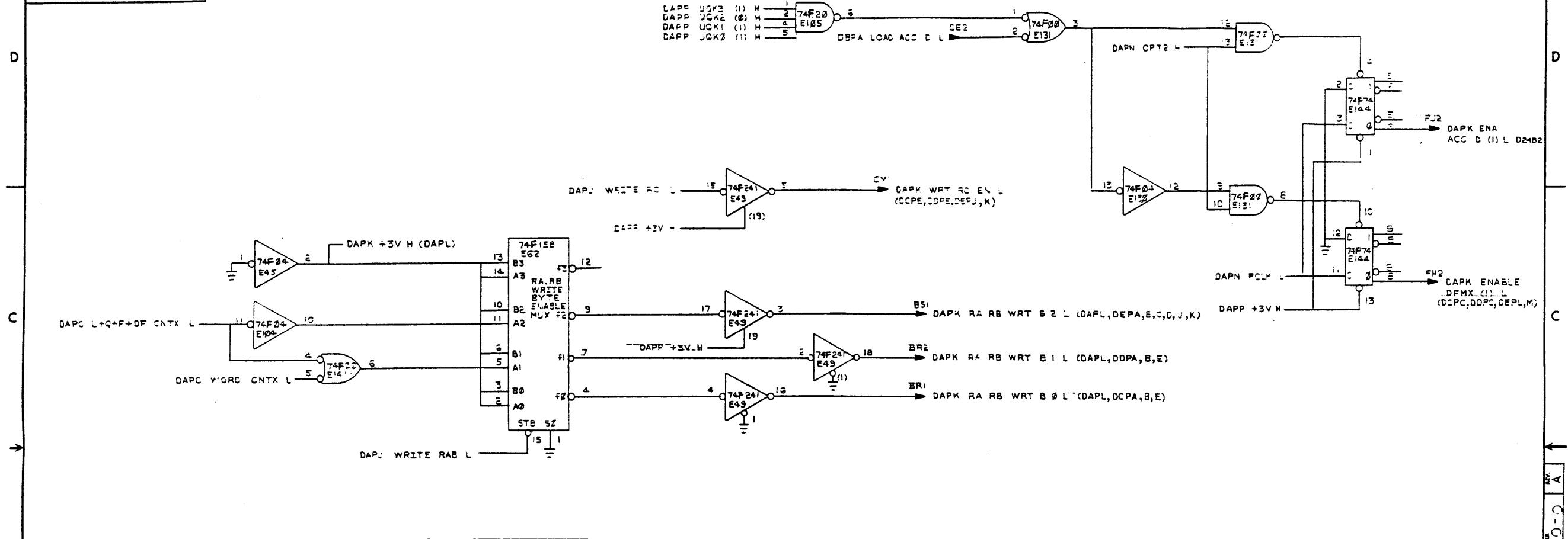
THIS DRAWING AND SPECIFICATIONS HEREIN ARE THE PROPERTY OF DIGITAL EQUIPMENT CORPORATION AND SHALL NOT BE REPRODUCED OR COPIED OR USED IN WHOLE OR IN PART AS THE BASIS FOR THE MANUFACTURE OR SALE OF ITEMS WITHOUT WRITTEN PERMISSION OF DIGITAL EQUIPMENT CORPORATION



REVISIONS		
CHK	CHANGE NO.	REV.

THIS DRAWING AND SPECIFICATIONS HEREIN ARE THE PROPERTY OF DIGITAL EQUIPMENT CORPORATION AND SHALL NOT BE REPRODUCED OR COPIED OR USED IN WHOLE OR IN PART AS THE BASIS FOR THE MANUFACTURE OR SALE OF ITEMS WITHOUT WRITTEN PERMISSION. COPYRIGHT © DIGITAL EQUIPMENT CORPORATION

0-0-1147W 33 2



74F158 TRUTH TABLE

STB	SZ	FN
H	X	FN=H
L	L	FN=AN
L	H	FN=BN

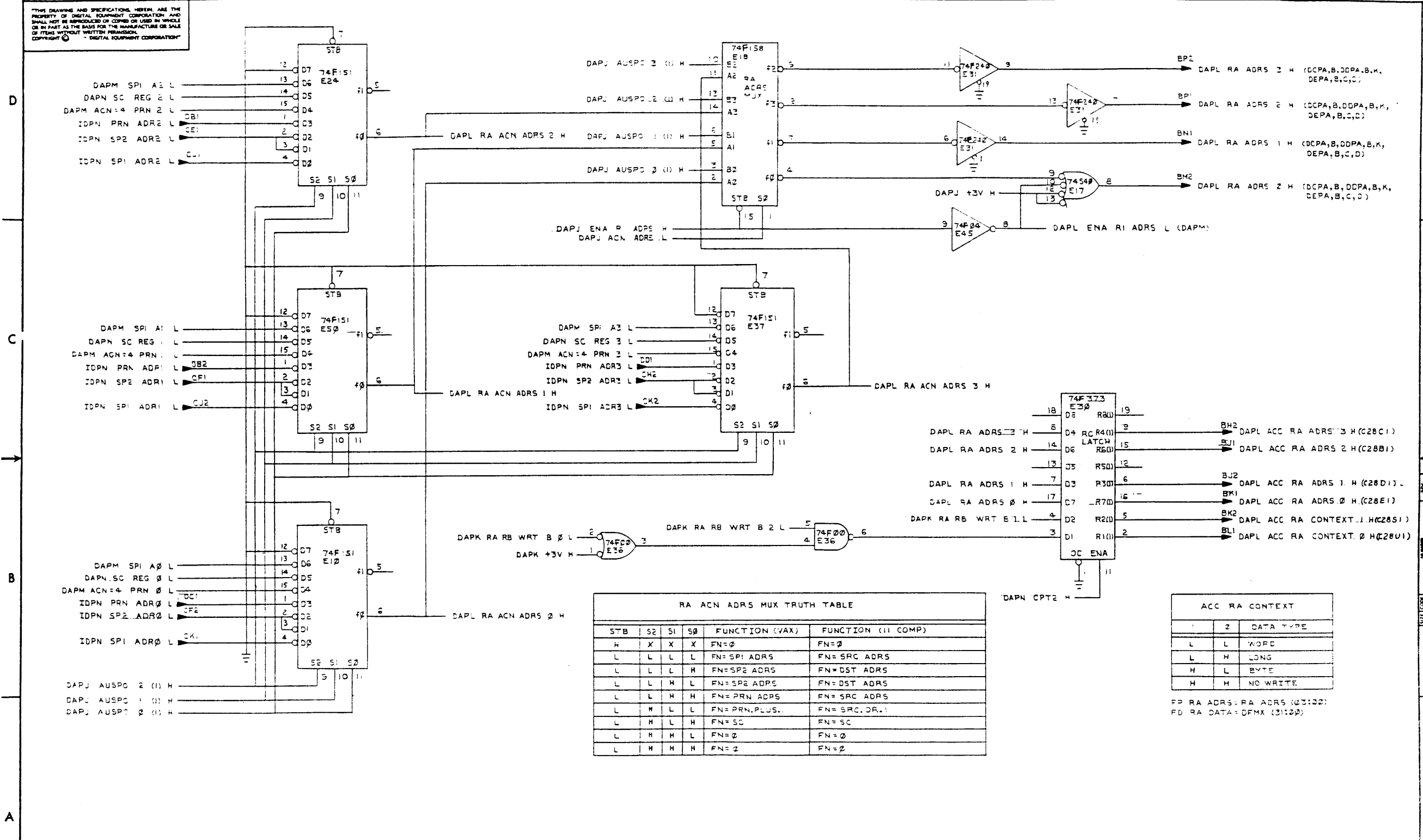
REVISIONS

CHK	CHANGE NO.	REV.

(RA, RB, RC WRITE) (SLOT 13)

TITLE	SIZE CODE	NUMBER	REV.
DATA PATH CONTROL (DAPK)	D CS	M7471-0-0	A
SCALE	NONE	SHEET 12 OF 22	DIST.

THIS DRAWING AND SPECIFICATIONS HEREIN ARE THE PROPERTY OF DIGITAL EQUIPMENT CORPORATION AND SHALL NOT BE REPRODUCED OR COPIED OR USED IN WHOLE OR IN PART AS THE BASIS FOR THE MANUFACTURE OR SALE OF ITEMS WITHOUT WRITTEN PERMISSION OF DIGITAL EQUIPMENT CORPORATION.



**RA ACN ADRS MUX TRUTH TABLE**

STB	S2	S1	S0	FUNCTION (VAX)	FUNCTION (11 COMP)
H	X	X	X	FN=0	FN=0
L	L	L	L	FN=SP1 ADRS	FN=SRC ADRS
L	L	L	H	FN=SP2 ADRS	FN=DST ADRS
L	L	H	L	FN=SP2 ADPS	FN=DST ADRS
L	L	H	H	FN=PRN ADPS	FN=SRC ADRS
L	H	L	L	FN=PRN PLUS..	FN=SRC DR..
L	H	L	H	FN=SC	FN=SC
L	H	H	L	FN=0	FN=0
L	H	H	H	FN=0	FN=0

**ACC RA CONTEXT**

1	2	DATA TYPE
L	L	WORD
L	H	LONG
H	L	BYTE
H	H	NO WRITE

FP RA ADRS: RA ADRS (03:00)  
FD RA DATA: DFMX (31:00)

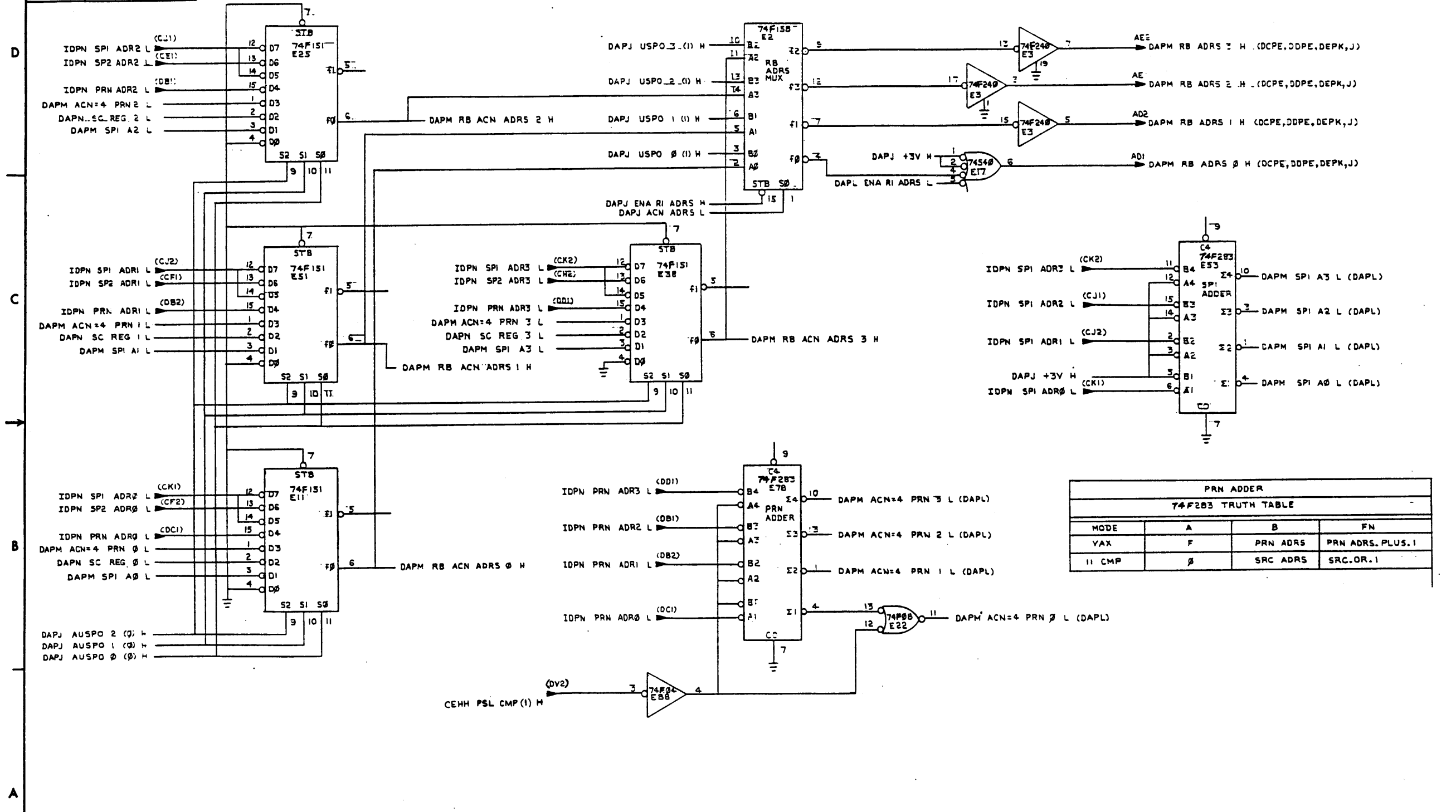
**REVISIONS**

CHK	CHANGE NO.	REV.

(RA ADDRESS) (SLOT 13)

TITLE	SIZE CODE	NUMBER	REV.
DATA PATH CONTROL (DAPL)	DCS	M747-0-0	A
SCALE: NONE	SHEET: 13 OF 22	DIST:	

THIS DRAWING AND SPECIFICATIONS HEREIN ARE THE PROPERTY OF DIGITAL EQUIPMENT CORPORATION AND SHALL NOT BE REPRODUCED OR COPIED OR USED IN WHOLE OR IN PART AS THE BASIS FOR THE MANUFACTURE OR SALE OF ITEMS WITHOUT WRITTEN PERMISSION. COPYRIGHT © "DIGITAL EQUIPMENT CORPORATION"



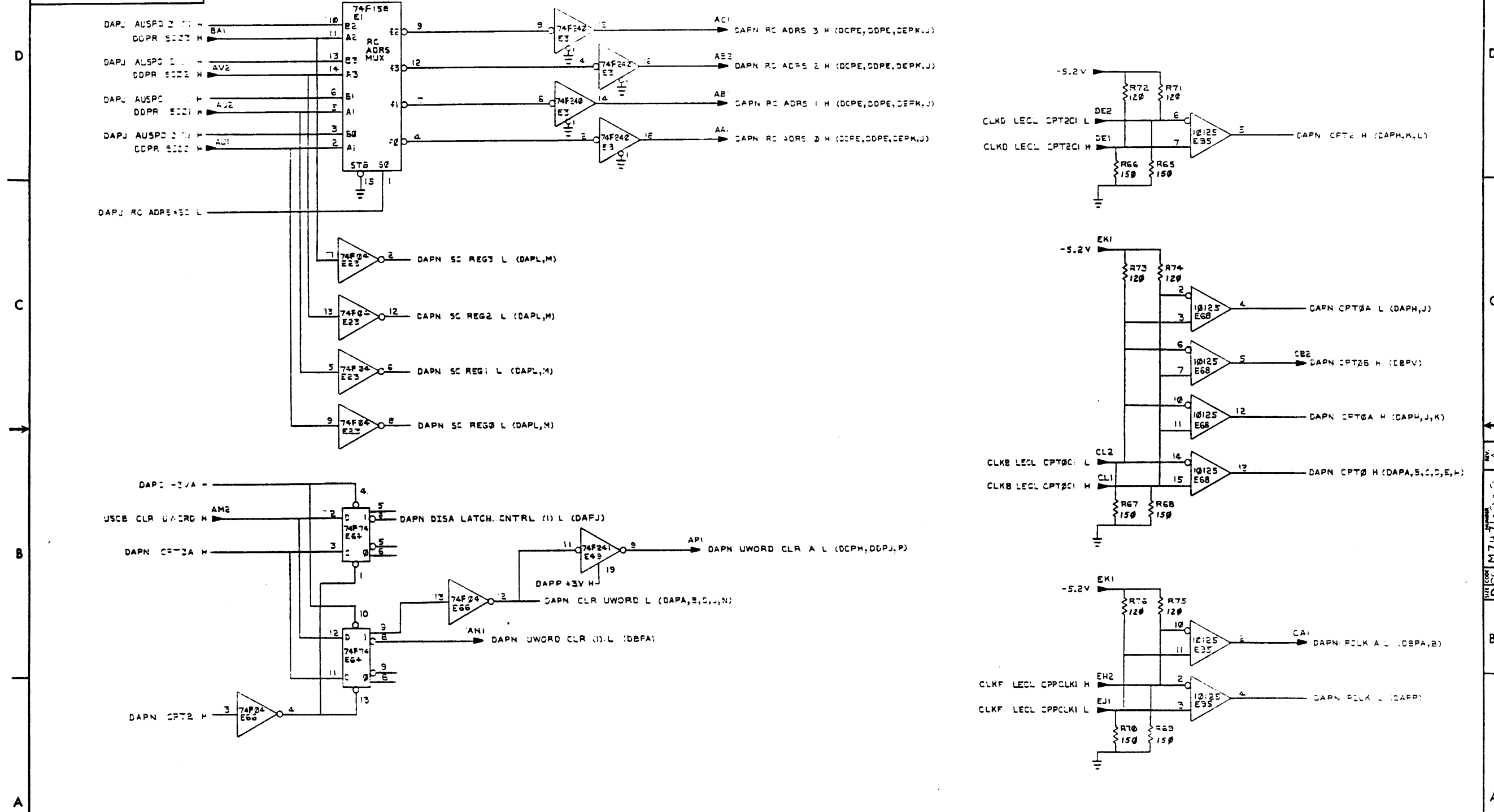
PRN ADDER			
74F283 TRUTH TABLE			
MODE	A	B	FN
VAX	F	PRN ADRS	PRN ADRS.PLUS.1
11 CMP	β	SRC ADRS	SRC.OR.1

REVISIONS		
CHK	CHANGE NO.	REV.

(RB ADDRESS) (SLOT 13)		(DAPM)		SIZE CODE	NUMBER	REV.
DATA PATH CONTROL		DCS	M7471-C-0	A		
SCALE	NONE	SHEET	14 OF 22	DIST.		



THIS DRAWING AND SPECIFICATIONS HEREIN ARE THE PROPERTY OF DIGITAL EQUIPMENT CORPORATION AND SHALL NOT BE REPRODUCED OR COPIED OR USED IN WHOLE OR IN PART AS THE BASIS FOR THE MANUFACTURE OR SALE OF ITEMS WITHOUT WRITTEN PERMISSION. COPYRIGHT © DIGITAL EQUIPMENT CORPORATION

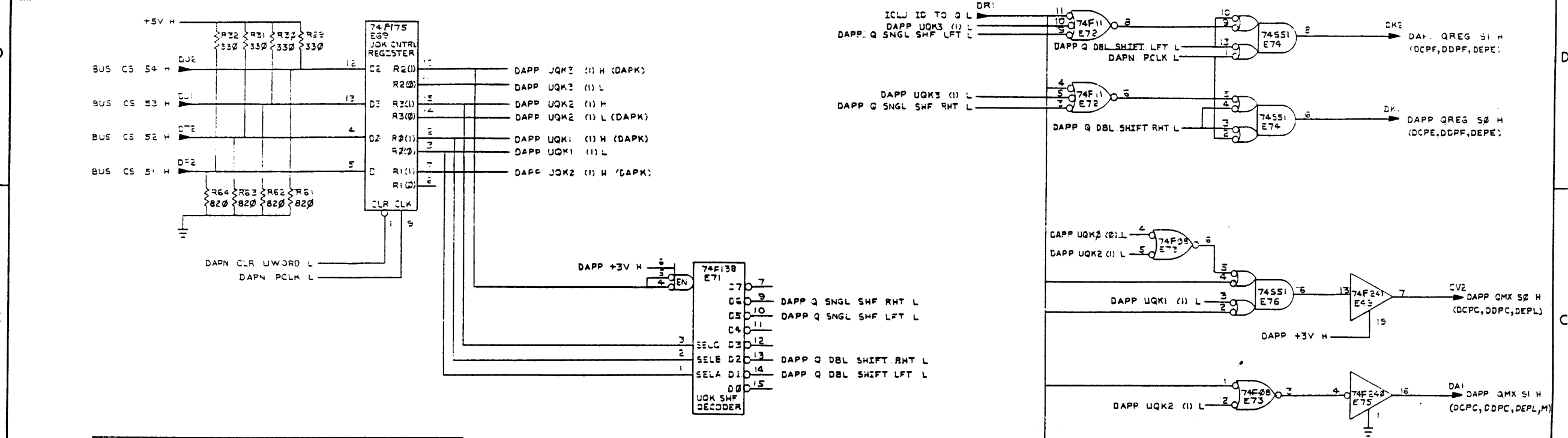


REVISIONS		
CHK	CHANGE NO.	REV.

TITLE (DAPN)		SIZE CODE	NUMBER	REV.
DATA PATH CONTROL		DCS	M7471-0-0	A
SCALE	NO. IN SHEET	SHEET	OF	DIST.
		15	OF	22

(RC ADDRESS AND CLOCKS) (SLOT 13)

THIS DRAWING AND SPECIFICATIONS HEREIN ARE THE PROPERTY OF DIGITAL EQUIPMENT CORPORATION AND SHALL NOT BE REPRODUCED OR COPIED OR USED IN WHOLE OR IN PART AS THE BASIS FOR THE MANUFACTURE OR SALE OF ITEMS WITHOUT WRITTEN PERMISSION. COPYRIGHT © DIGITAL EQUIPMENT CORPORATION

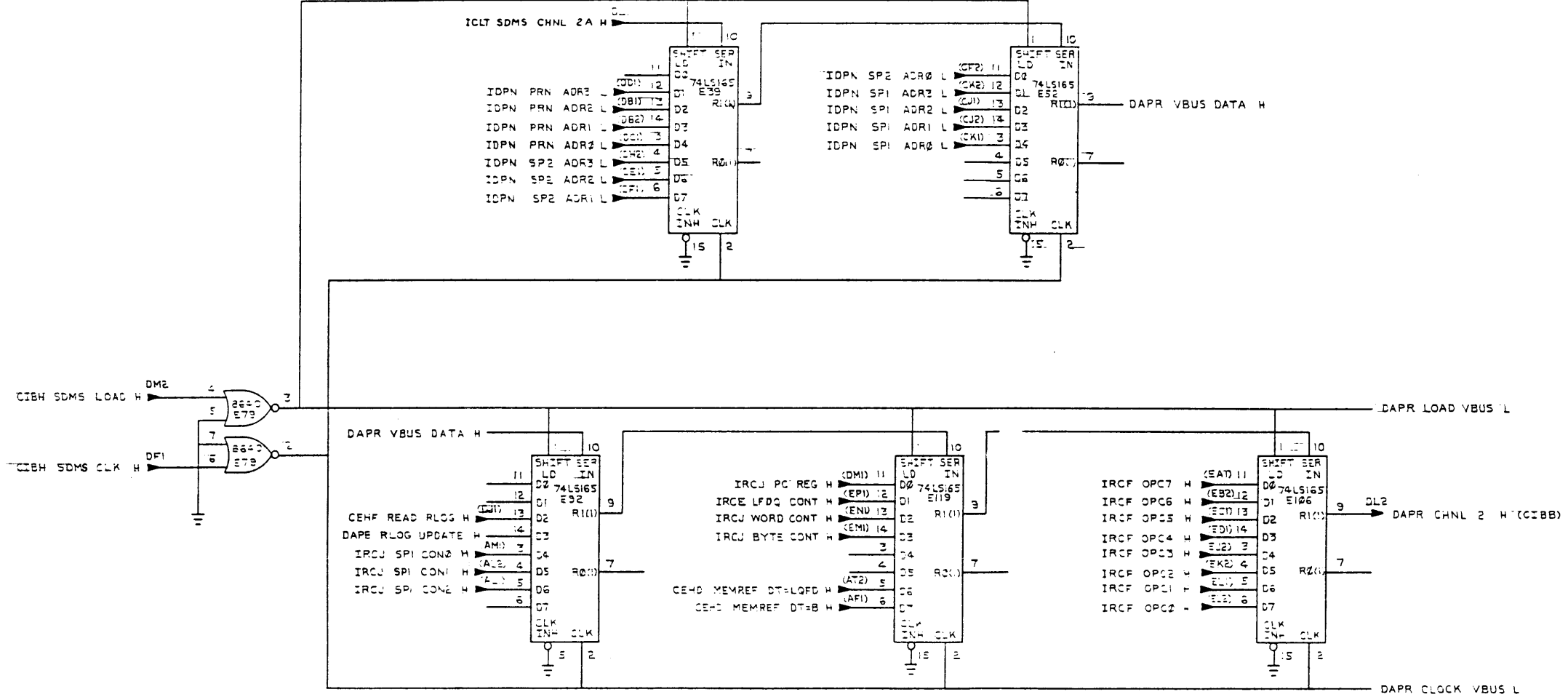


UQK	QMX				QREG				UQK FUNCTION
	3	2	1	0	S1	S0	S1	S0	
0	L	L	L	L	X	X	L	L	NO OPERATION
1	L	L	L	H	X	X	H	L	DBL SHIFT LEFT
2	L	L	H	L	X	X	L	H	DBL SHIFT RIGHT
3	L	L	H	H	X	X	L	L	RESERVED
4	L	H	L	L	X	X	L	L	RESERVED
5	L	H	L	H	X	X	H	L	SINGLE SHIFT LEFT
6	L	H	H	L	X	X	L	H	SINGLE SHIFT RIGHT
7	L	H	H	H	X	X	L	L	RESERVED
8	H	L	L	L	L	L	H	H	LOAD SHF (INTEGER)
9	H	L	L	H	L	L	H	H	LOAD SHF (UNPACKED F)
A	H	L	H	L	L	H	H	H	LOAD DECIMAL CONST.
B	H	L	H	H	L	L	H	H	LOAD ACC DATA
C	H	H	L	L	H	L	H	H	LOAD C
D	H	H	L	H	H	L	H	H	RESERVED
E	H	H	H	L	H	H	H	H	LOAD IC BUS
F	H	H	H	H	H	H	H	H	LOAD ZEROS

X=DON'T CARE STATE

REVISIONS		
CHK	CHANGE NO	REV

THIS DRAWING AND SPECIFICATIONS, HEREIN, ARE THE PROPERTY OF DIGITAL EQUIPMENT CORPORATION AND SHALL NOT BE REPRODUCED OR COPIED OR USED IN WHOLE OR IN PART AS THE BASIS FOR THE MANUFACTURE OR SALE OF ITEMS WITHOUT WRITTEN PERMISSION. COPYRIGHT © DIGITAL EQUIPMENT CORPORATION



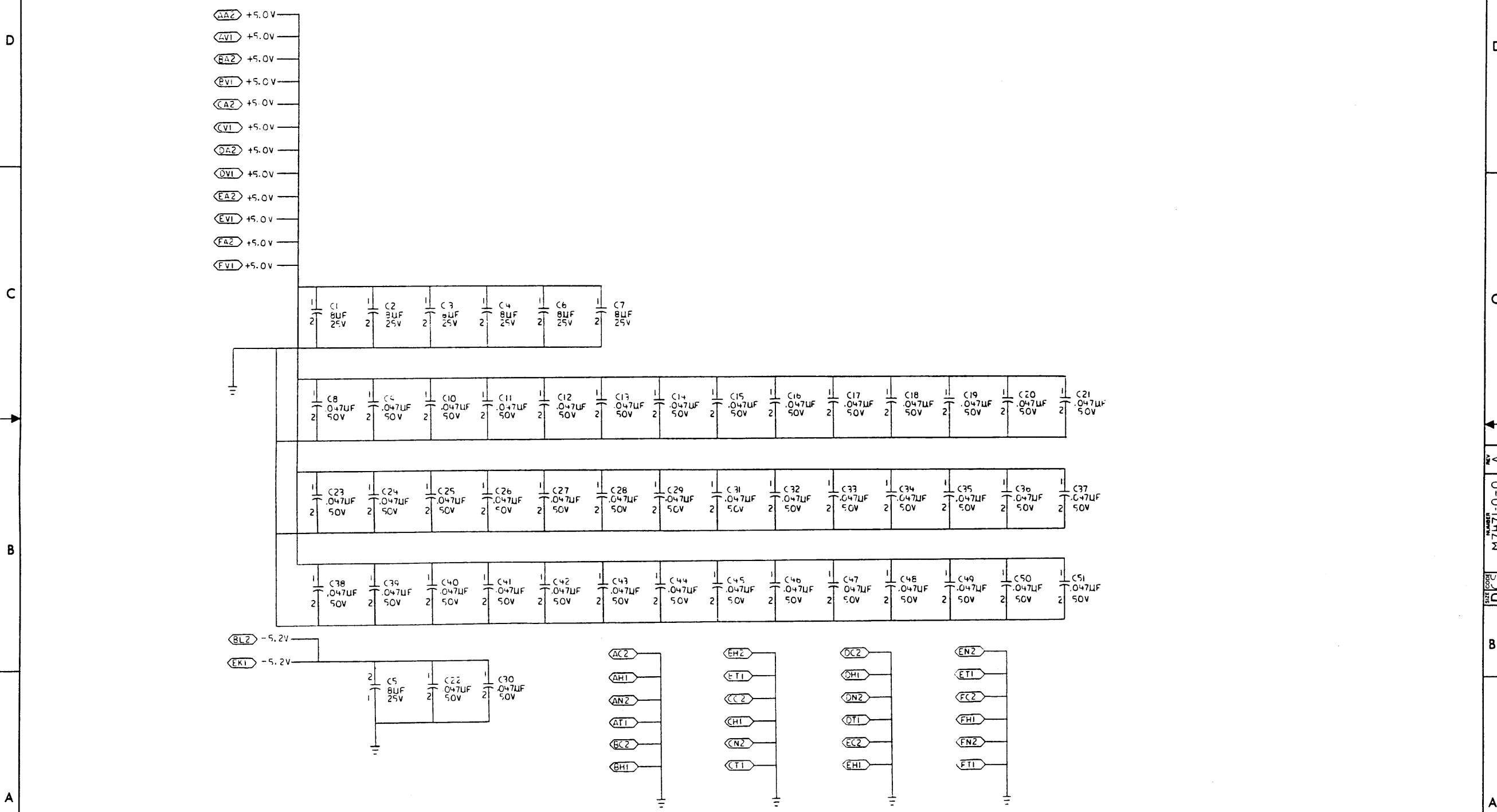
REVISIONS		
CHK	CHANGE NO	REV

TITLE		(DAPR)	SIZE CODE	NUMBER	REV.
DATA PATH CONTROL		DCS	M7471-0-0	A	
SCALE	NONE	SHEET	17 OF 22	DIST.	

(VBUS REGISTER) (SLOT 13)

REV. A  
NUMBER M7471-0-0  
DATE CODE DCS

THIS DRAWING AND SPECIFICATIONS HEREIN ARE THE PROPERTY OF DIGITAL EQUIPMENT CORPORATION AND SHALL NOT BE REPRODUCED OR COPIED OR USED IN WHOLE OR IN PART AS THE BASIS FOR THE MANUFACTURE OR SALE OF ITEMS WITHOUT WRITTEN PERMISSION. COPYRIGHT © 1972 DIGITAL EQUIPMENT CORPORATION.



REVISION HISTORY		
DATE	ECO NUMBER	REV

6

7

6

5

4

3

7-0-0-1171-0-0

2

1

THIS DRAWING AND SPECIFICATIONS HEREIN ARE THE PROPERTY OF DIGITAL EQUIPMENT CORPORATION AND SHALL NOT BE REPRODUCED OR COPIED OR USED IN WHOLE OR IN PART AS THE BASIS FOR THE MANUFACTURE OR SALE OF ITEMS WITHOUT WRITTEN PERMISSION OF DIGITAL EQUIPMENT CORPORATION

ALU INSTR. DEPENDENT ROM (CM)

ALU ROM AMX 0 H  
ALU ROM CONDUCT H  
ALU ROM CIN H  
ALU ROM MODE H  
ALU ROM 53 H  
ALU ROM 54 H  
ALU ROM 51 H  
ALU ROM 52 H

ALU ROM AMX 0 H  
ALU ROM CONDUCT H  
ALU ROM CIN H  
ALU ROM MODE H  
ALU ROM 53 H  
ALU ROM 52 H  
ALU ROM 51 H  
ALU ROM 52 H

ALU ROM AMX 0 H  
ALU ROM CONDUCT H  
ALU ROM CIN H  
ALU ROM MODE H  
ALU ROM 53 H  
ALU ROM 52 H  
ALU ROM 51 H  
ALU ROM 52 H

ALU ROM AMX 0 H  
ALU ROM CONDUCT H  
ALU ROM CIN H  
ALU ROM MODE H  
ALU ROM 53 H  
ALU ROM 52 H  
ALU ROM 51 H  
ALU ROM 52 H

Table with columns: ROM ADDR, OP- CODE, ROM DATA (M7-M0), FUNCTION. Rows include instructions like HALT, NOP, REC, BPT, RET, RSB, LOPCTX, SVRPTX, etc.

NOTE: 20-3F NOT USED

Table with columns: ROM ADDR, OP- CODE, ROM DATA (M7-M0), FUNCTION. Rows include instructions like ADDP4, SUBP4, SUBP6, CVTPN, MULP, CVTNP, DIVP, MOVCS, SCANC, SPANC, MOVCS, MOVTC, MOVTCU, BSBW, BRW, CVTWL, CVTWB, MOVP, CMPP3, CVTPL, CMPP4, EDITPC, MATCHC, LOCC, SKPC, MOV2W, MOV3W, MOV4W, MOV5W.

NOTE: 40-7F NOT USED

Table with columns: ROM ADDR, OP- CODE, ROM DATA (M7-M0), FUNCTION. Rows include instructions like ADDP2, ADDP3, SUBP2, SUBP3, MULP2, MULP3, DIVP2, DIVP3, CVTFB, CVTFW, CVTFL, CVTRFL, CVTRF, CVTWF, CVTLF, ACBF, MOVF, CMPF, MNEGF, TSTF, EMODF, POLVF, CVTFD, etc.

NOTE: A0-BF NOT USED

Table with columns: ROM ADDR, OP- CODE, ROM DATA (M7-M0), FUNCTION. Rows include instructions like ADD02, ADD03, SUB02, SUB03, MUL02, MUL03, DIV02, DIV03, CVT0B, CVT0W, CVT0L, CVTR0L, CVTR0, CVT0F, CVT0D, AC0B, MOV0, CMP0, MNE0, TST0, EMOD0, POLY0, CVT0F, etc.

NOTE: E0-FF NOT USED

REVISIONS table with columns: CHK, CHANGE NO, REV.

(VAX ALU INSTR. DEP ROM - 23026B1-00) (SLOT 13)

Metadata table with columns: TITLE, SCALE, SHEET, NUMBER, REV.

8

7

6

5

4

3

2

1



THIS DRAWING AND SPECIFICATIONS HEREIN ARE THE PROPERTY OF DIGITAL EQUIPMENT CORPORATION AND SHALL NOT BE REPRODUCED OR COPIED OR USED IN WHOLE OR IN PART AS THE BASIS FOR THE MANUFACTURE OR SALE OF ITEMS WITHOUT WRITTEN PERMISSION. COPYRIGHT © DIGITAL EQUIPMENT CORPORATION

ROM ADDR	OP-CODE	ROM DATA								FUNCTION
		M7	M6	M5	M4	M3	M2	M1	M0	
00	X	L	L	L	L	L	L	L	L	X
01	MOV	L	L	L	H	H	L	H	L	B
02	CMP	L	L	L	L	H	H	L	L	A.MIN.B.MIN.1
03	BIT	L	L	L	H	H	L	H	H	A*B
04	BIC	L	L	L	H	L	H	H	H	A*B
05	BIS	L	L	L	H	H	H	H	L	A+B
06	ADD	L	L	L	L	H	L	L	H	A.PL.B
07	MUL	L	L	L	L	L	L	L	L	X
08	X	L	L	L	L	L	L	L	L	X
09	MOV	L	L	L	H	H	L	H	L	B
0A	CMP	L	L	L	L	H	H	L	L	A.MIN.B.MIN.1
0B	BIT	L	L	L	H	H	L	H	H	A*B
0C	BIC	L	L	L	H	L	H	H	H	A*B
0D	BIS	L	L	L	H	H	H	H	L	A+B
0E	ADD	L	L	L	L	H	L	L	H	A.PL.B
0F	DIV	L	L	L	L	L	L	L	L	X
10	X	L	L	L	L	L	L	L	L	X
11	MOV	L	L	L	H	H	L	H	L	B
12	CMP	L	L	L	L	H	H	L	L	A.MIN.B.MIN.1
13	BIT	L	L	L	H	H	L	H	H	A*B
14	BIC	L	L	L	H	L	H	H	H	A*B
15	BIS	L	L	L	H	H	H	H	L	A+B
16	ADD	L	L	L	L	H	L	L	H	A.PL.B
17	ASH	L	L	L	L	L	L	L	L	X
18	X	L	L	L	L	L	L	L	L	X
19	MOV	L	L	L	H	H	L	H	L	B
1A	CMP	L	L	L	L	H	H	L	L	A.MIN.B.MIN.1
1B	BIT	L	L	L	H	H	L	H	H	A*B
1C	BIC	L	L	L	H	L	H	H	H	A*B
1D	BIS	L	L	L	H	H	H	H	L	A+B
1E	ADD	L	L	L	L	H	L	L	H	A.PL.B
1F	ASHC	L	L	L	L	L	L	L	L	X

NOTE: 20-3F NOT USED

NOTE: 40-7F NOT USED  
 II COMP ROM ADDR, INSTR - IS BYTE BIT ENCODING  
 IR (14:12)=0 L H | 15 11 10 9 8 7 6  
 IR (14:12)=0 L L | 15 11 10 9 14 13 12

NOTE: 80-BF NOT USED

NOTE: E0-FF NOT USED

REVISIONS		
CHK	CHANGE NO	REV

COMP MODE ALU INSTR DEP ROM — 23027B1-00 (SLOT 13)

TITLE	DATA PATH CONTROL	SIZE/CODE	DCS	NUMBER	M7471-0-0	REV.	A
SCALE	NONE	SHEET	21	OF 22	DIST		





REV.	A	NUMBER	M7471-0-0
SIZE	B	CODE	DD

DRAWING NO.	NO. OF SHTS.	PART NO.	DESCRIPTION	REVISIONS
	—	M7471-00	DAP	AI
E-UA-M7471-0-0	4		UNIT ASSEMBLY	A
D-CS-M7471-0-0	22		SCHEMATIC	A
K-PL-M7471-0-DBP	2		PARTS LIST	A
		5012578-00	ETCHED CIRCUIT BOARD	B
K-PC-M7471-0-DBG	-		PC. DATA BASE	B

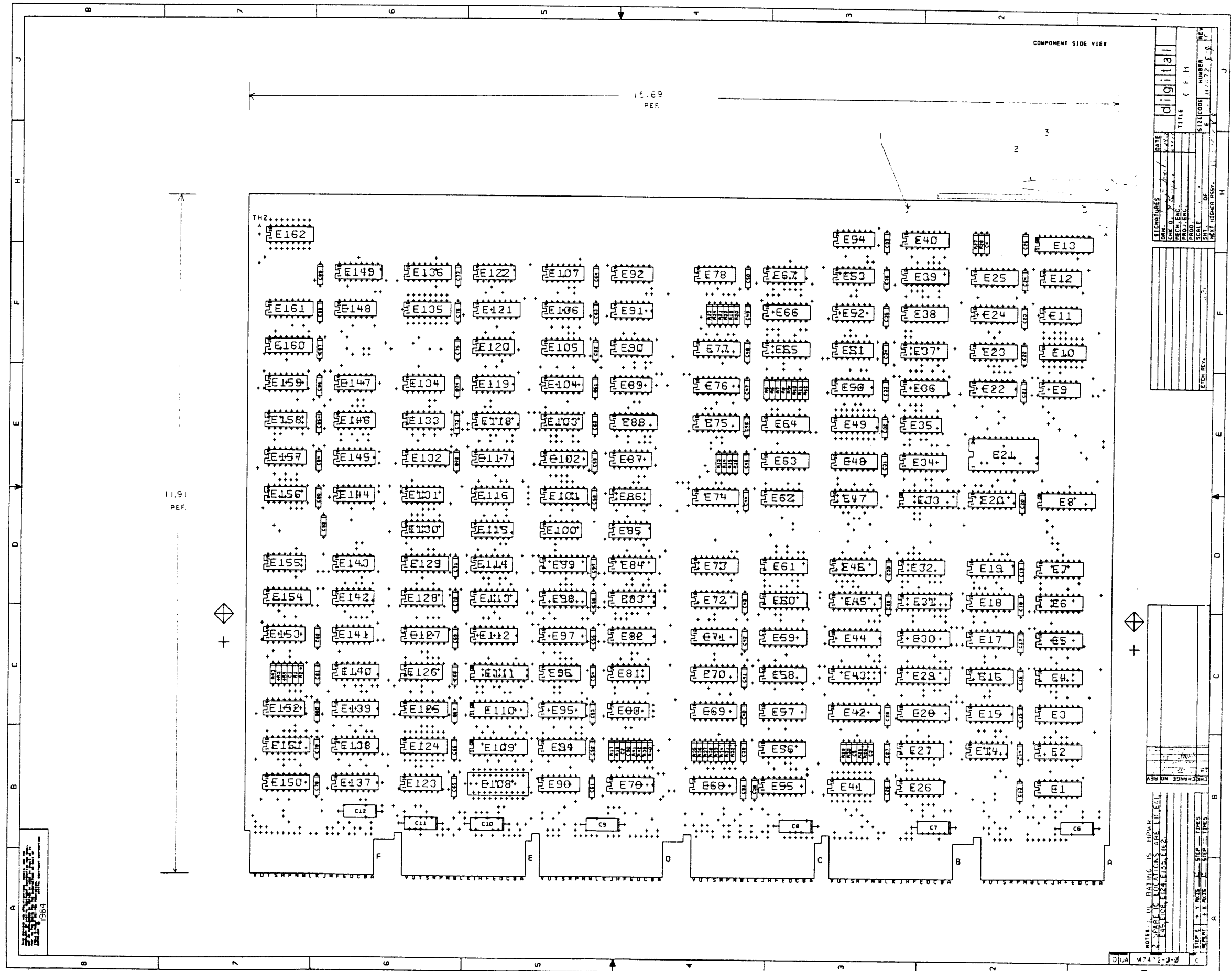
NOTES:

DATE	CHG NO.	REV.	DESCRIPTION
9/83	INIT	A	

THIS DRAWING AND SPECIFICATIONS, HEREIN, ARE THE PROPERTY OF DIGITAL EQUIPMENT CORPORATION AND SHALL NOT BE REPRODUCED OR COPIED OR USED IN WHOLE OR IN PART AS THE BASIS FOR THE MANUFACTURE OR SALE OF ITEMS WITHOUT WRITTEN PERMISSION.  
 COPYRIGHT © 1983 DIGITAL EQUIPMENT CORPORATION



USED ON OPTION/MODEL		DRN. <i>S. ILLANSOR</i> 14-SEP-83	TITLE DAP	
		CHK'D <i>M. HANFORD</i> 9-20-83	SIZE	CODE DD
		ENGR. <i>Keith H. Hays</i> 10-11-83	NUMBER	M7471-0-0
		APPROV. <i>[Signature]</i> 10-11-83	REV.	A
SHEET   OF				



DATE	11/17/72	DESIGNER	digital
CHK'D BY		PROJ. ENGR.	
SCALE		DATE	11/17/72
BY		REV.	
TEST NUMBER		REV.	

CHANGE NO	
DATE	
BY	
REASON	

STEP	1	2	3	4	5	6	7	8	9	10
DESCRIPTION	PCB LAYOUT	DRILLING	ETCHING	PLATING	INSULATION	COMPONENTS	TESTING	PACKAGING	SHIPPING	REWORK

1984

AUTOMATED BY PRTLST.40(50)

PARTS LIST

SHEET A1 OF A2

LINE	ITEM	TOP DOCUMENT	PART NUMBER	MIN REV	DESCRIPTION	QTY	PER VARIATION	REFERENCE DESIGNATOR
						00		
VARIATION REVISION LEVEL:								
1	1	D-MD-5016099-0-0	5016099-01		ETCH CIRCUIT BOARD	1		
2	2		1216988-02		HANDLE,MODULE,HEX TWO EJECTORS	1		
3	3		9000024-01		EYELET,ROLLED 0.1210DX0.192	12		
4	4	!_	1017472-00		10 MFD 35V +50-10% AL EL	7		C6-C12
5	5		1300250-00	150.0	.25 W 5.0 % CF	6		R32,R34,R36,R38,R40,R42
6	6		1300247-00	120.0	.25 W 5.0 % CF	6		R31,R33,R35,R37,R39,R41
7	7		1301775-00	820.0	.25 W 5.0 % CF	9		R6,R8,R10,R12,R14,R16,R20,R22, R24
8	8		1300309-00	390.0	.25 W 5.0 % CF	3		R3,R4,R43
9	9		1301424-00	680.0	.25 W 5.0 % CF	5		R2,R18,R26,R28,R30
10	10		1300295-00	330.0	.25 W 5.0 % CF	14		R1,R5,R7,!_R9,R11,R13,R15,R17,R R21,R23,R25,R27,R29
11	11		1911712-00		74S51 AND-OR GATE-INVERT D	2		E134,E144
12	12		1921315-01		74F86 EXCLUSIVE OR GATE,QU	1		E133
13	13		1921319-01		74F153 MUX,DUAL,4-IN	3		E121,E137,E150
14	14		1911469-00	DEC	8640 RECEIVER,BUS,QUAD,U	1		E119
15	15		1913839-00		LS165 SHIFT REG.,8BIT	8		E97,E99,E118,E138-E140,E149,E151
16	16		1910545-00		74S112 FF-JK DUAL,EDGE TRIG	2		E95,E113
17	17		1921311-01		74F20 !_NAND GATE,DUAL,4-IN	2		E92,E122
18	18		1921306-01		74F02 NOR GATE,QUAD,2-IN	1		E90
19	19		1912796-00		74148 ENCODER,PRIORITY,8 T	1		E84
20	20		1921309-01		74F10 NAND GATE,TRIPLE,3-I	6		E78,E85,E87,E107,E146,E147
21	21		1921 317-01		74F139 DECODER,DUAL,1-OF-4	1		E76
22	22		1921720-01		10H125 TRANSLATOR ECL TO TTL	2		E68,E79
23	23		1921316-01		74F138 DECODER/DEMUX,1-OF-8	2		E66,E132
24	24		1921324-01		74F175 FF-D,QUAD	5		E65,E77,E125,E136,E154
25	25	!_	1912746-01		74S37-1BUFFER-GATE	1		E62
26	26		1921308-01		74F08 AND GATE,QUAD,2-IN	5		E54,E96,E103,E106,E155
27	27		1921314-01		74F74 FF-D,DUAL,POS.,EDGE	2		E52,E80
28	28		1921310-01		74F11 AND GATE,TRIPLE,3-IN	2		E51,E89

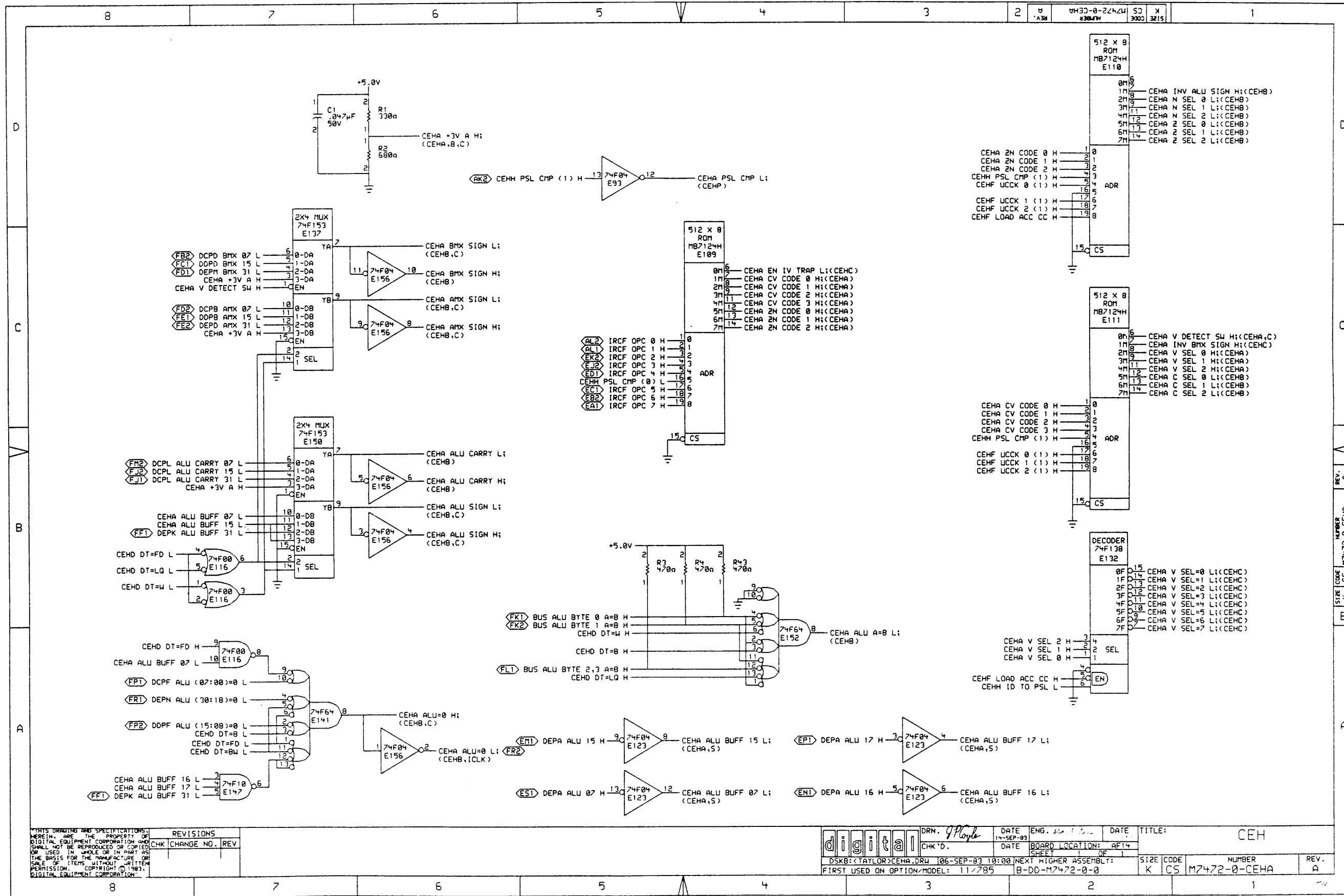
REVISION HISTORY			BASIC PART NO: M7472		DRN: P.GROSSE		DATE: 05-APR-83		D I G I T A L			
ENG	ECO NUMBER	REV	SECTION A OF A		CHK'D: F.GAROFALO		DATE: 05-APR-83		TITLE PARTS LIST			
---	INITIAL	A	SECTION VARIATION INDEX		DES.ENG: GRANT LEE <td colspan="2">DATE: 04-AUG-83 <td colspan="3">DOCUMENT NUMBER</td> </td>		DATE: 04-AUG-83 <td colspan="3">DOCUMENT NUMBER</td>		DOCUMENT NUMBER			
KM	M7472-TW001	B	(A)	00	RESP.ENG.: !_ GRANT LEE <td colspan="2">DATE: 04-AUG-83 <td>K</td> <td>PL</td> <td>M7472-0-DBP</td> <td>C</td> </td>		DATE: 04-AUG-83 <td>K</td> <td>PL</td> <td>M7472-0-DBP</td> <td>C</td>		K	PL	M7472-0-DBP	C
KS	M7472-TW002	C	(B)		MFG.ENG.: MIKE KRZAK <td colspan="2">DATE: 10-OCT-83 <td colspan="3">RELEASE DATE: 16-MAR-84</td> </td>		DATE: 10-OCT-83 <td colspan="3">RELEASE DATE: 16-MAR-84</td>		RELEASE DATE: 16-MAR-84			
			(C)		ASSEMBLY NUMBER:		TOP DOCUMENT NUMBER:		FILE NAME:		EDIT #	
			(D)		E-UA-M7472-0-0		B-DD-M7472-0-0		Z3943C.PLS		10	
			(E)									
			(F)									
			(G)									
			(H)									
			(I)									
			(J)									
			(K)									
			(L)									
			(M)									
			(N)									

"THIS DRAWING AND !\_ THE SPECIFICATIONS CONTAINED HEREIN ARE CONFIDENTIAL AND PROPRIETARY. THEY ARE THE PROPERTY OF DIGITAL EQUIPMENT CORPORATION AND SHALL NOT BE REPRODUCED OR COPIED OR USED IN WHOLE OR IN PART AS THE BASIS FOR THE MANUFACTURE OR SALE OF ITEMS WITHOUT WRITTEN PERMISSION. THIS IS AN UNPUBLISHED WORK PROTECTED UNDER THE FEDERAL COPYRIGHT LAWS."

LINE	ITEM	TOP DOCUMENT	PART NUMBER	MIN REV	DESCRIPTION	QTY	PER VARIATION	REFERENCE DESIGNATOR
VARIATION REVISION LEVEL:						00		
29	29		1921305-01	-!	74F00 NAND GATE,QUAD,2-IN	11		E35,E50,E53,E105,E114,E116,E117, CONT E120,E126,E143,E148
30	30		1921323-01		74F174 FF-D,HEX	3		E32,E46,E47
31	31		1912586-01		85S68A REGISTER,16X4 EDGE T	8		E28-E31,E42-E45
32	32		1921327-01		74F194 SHIFT REG,UNIV,BIDIR	13		E23,E25,E34,E37,E39,E48,E63,E64, CONT E74,E75,E82,E94,E101
33	33		1921320-01		74F157 MUX,QUAD,2-IN	6		E22,E24,E36,E38,E102,E160
34	34	34	1921325-01		74F181 ALU,4-BIT	1		E21
35	35		1921321-01		74F158 MUX,QUAD,2-IN	3		E20,E83,E88
36	36		1921313-01		74F64 AND OR INVERT GATE,4-	10		E12,E115,E130,E131,E141,E142, CONT E152,E157-E 159
37	37		1912089-00		74S85 CMPRTR-4BIT MAGNITUD	1		E40
38	38		1921307-01		74F04 HEX INVERTER	15		E9,E11,E14,E67,E81,E86,E91,E93, CONT E100,E104,E123,E128,E145,E153, CONT E156
39	39		23028B2-00		B2-03	2	-!	E8,E33
40	40	BLANK			*** THIS ITEM IS NOT USED ***	-		
41	41		23025B2-00		B2-03	1		E109
42	42		23026B2-00		B2-03	1	1	E110
43	43		23027B2-00		B2-03	1		E111
44	44		1921322-01		74F161 BINARY COUNTER,PRESE	4		E7,E19,E61,E73
45	45		1921318-01		74F151 MUX,8-IN	20		E3-E6,E15-E18,E57-E60,E69-E72, CONT E112,E127,E129,E161
46	46		1913788-00		26S10 TRANSCEIVER,BUS,QUA	6		E1,E2,E26,E27,E55,E56
47	47		1012784-00		.047 MFD 50V +80-20% CER	85		C1-C5,C13-C92
48	48		1922192-01		74F382 4-BIT ARITHMETIC LOGIC UN	1		E13
49	49		1911983-00		74S133 NAND GATE-POSITIVE	1	1	E98
50	50		9105740-55		WIRE(WRAP) 30AWG KYNAR UL14 A/R			

51 NOTE: 1.SPARE I.C.'S ARE E13,E41,E49,E124,E135,E162,& E10.

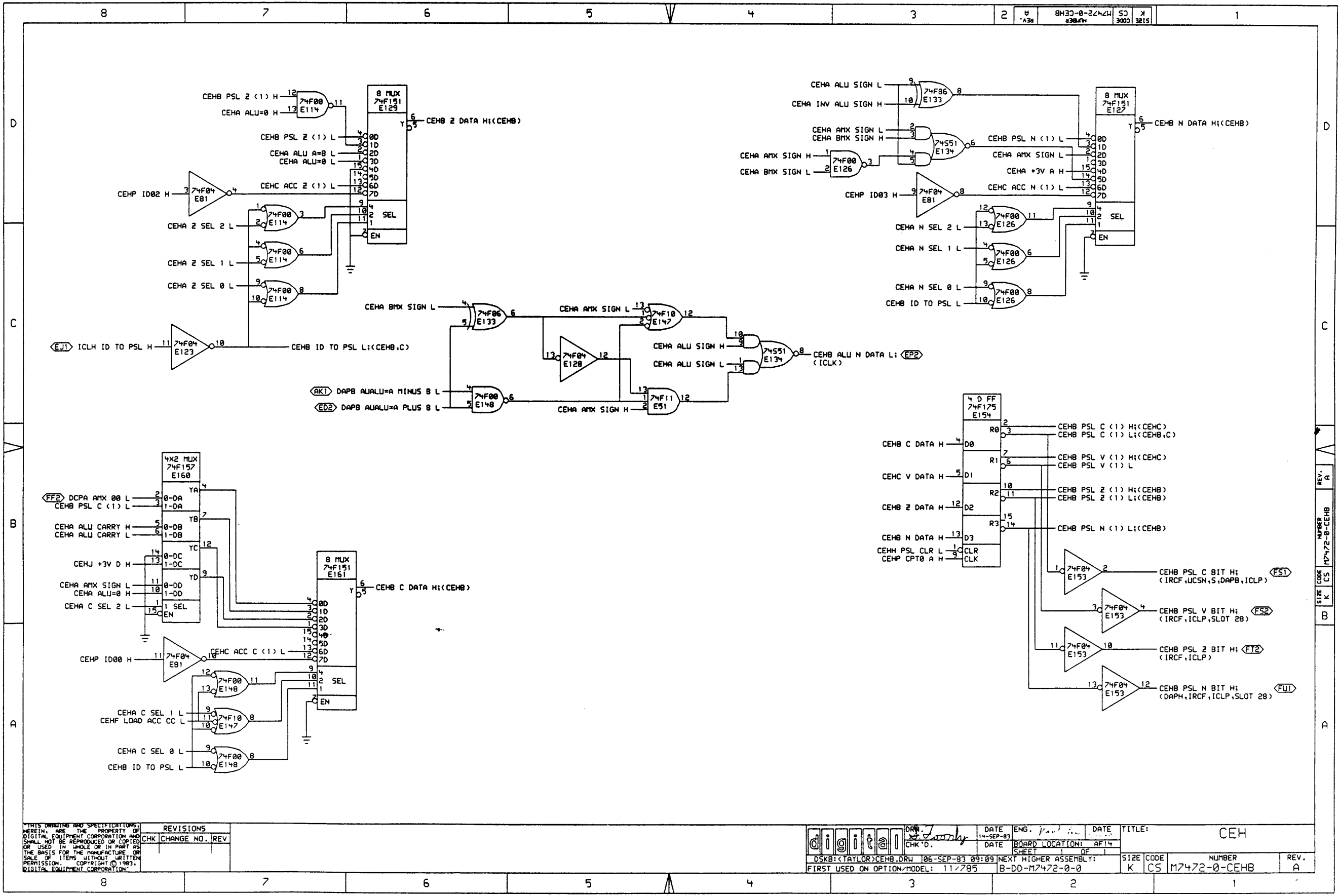
D	I	G	I	T	A	L	TITLE	SECTION A OF A	SIZE	CODE	DOCUMENT NUMBER	REV
							CEH		K	PL	M7472-0-DBP	C



THIS DRAWING AND SPECIFICATIONS HEREBY ARE THE PROPERTY OF DIGITAL EQUIPMENT CORPORATION AND SHALL NOT BE REPRODUCED OR COPIED OR USED IN WHOLE OR IN PART AS THE BASIS FOR THE MANUFACTURE OR SALE OF ITEMS WITHOUT WRITTEN PERMISSION. COPYRIGHT © 1983, DIGITAL EQUIPMENT CORPORATION.

REVISIONS	CHK	CHANGE NO.	REV

digital	DRN. <i>J.P. Doyle</i>	DATE 14-SEP-83	ENG. <i>...</i>	DATE	TITLE: CEHA
	CHK'D.	DATE	BOARD LOCATION: AF14	SHEET	
DSKB: <TAYLOR>CEHA.DRW 106-SEP-83 10:00 NEXT HIGHER ASSEMBLY:					SIZE CODE
FIRST USED ON OPTION/MODEL: 11/785					B-DD-M7472-0-0
				NUMBER	REV.
				K CS M7472-0-CEHA	A

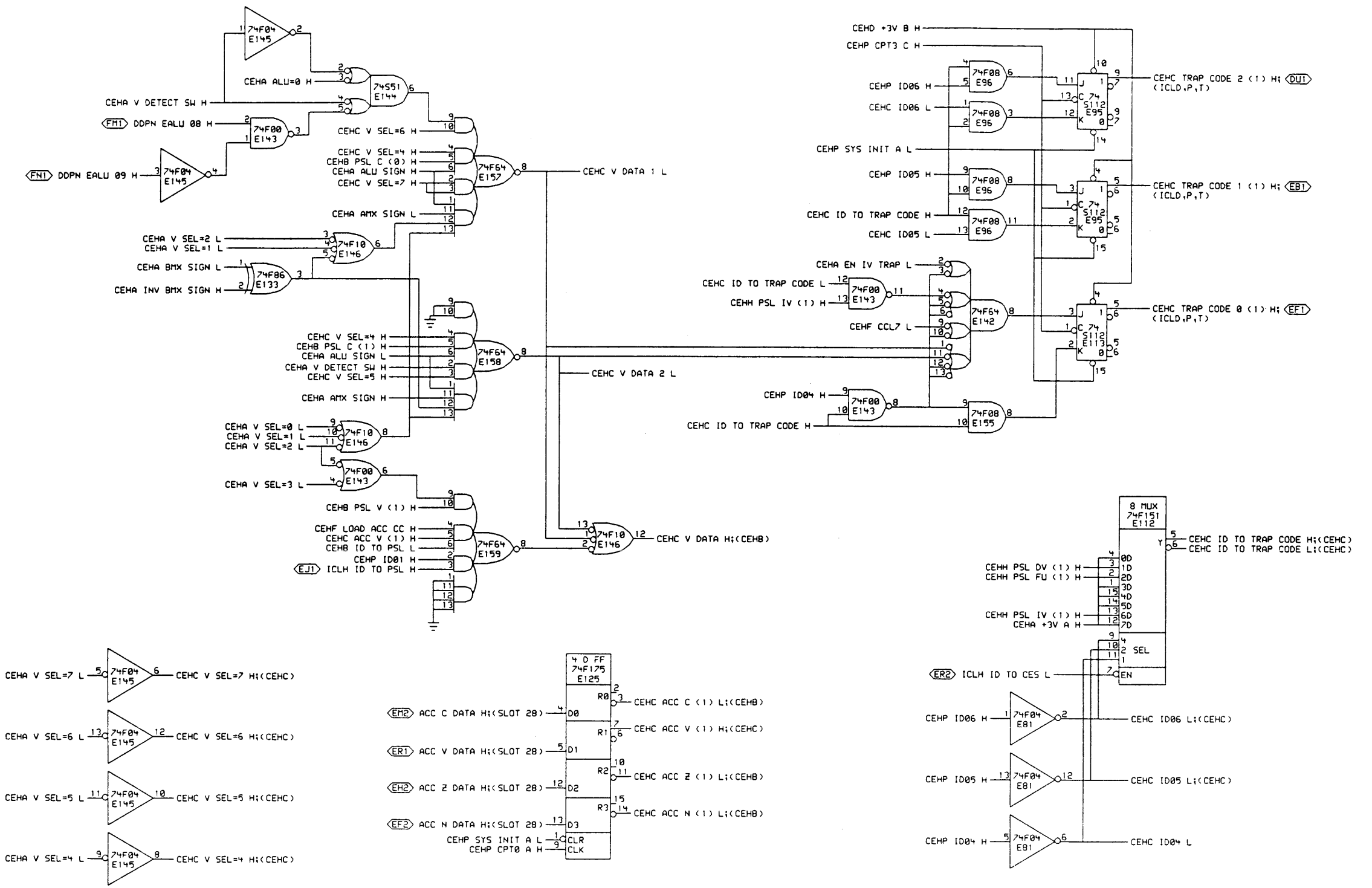


THIS DRAWING AND SPECIFICATIONS HEREM, ARE THE PROPERTY OF DIGITAL EQUIPMENT CORPORATION AND SHALL NOT BE REPRODUCED OR COPIED OR USED IN WHOLE OR IN PART AS THE BASIS FOR THE MANUFACTURE OR SALE OF ITEMS WITHOUT WRITTEN PERMISSION. COPYRIGHT © 1983, DIGITAL EQUIPMENT CORPORATION.

REVISIONS		
CHK	CHANGE NO.	REV

DATE	14-SEP-83	DATE		TITLE:	CEH
CHK'D.		DATE		BOARD LOCATION:	AF14
		SHEET			

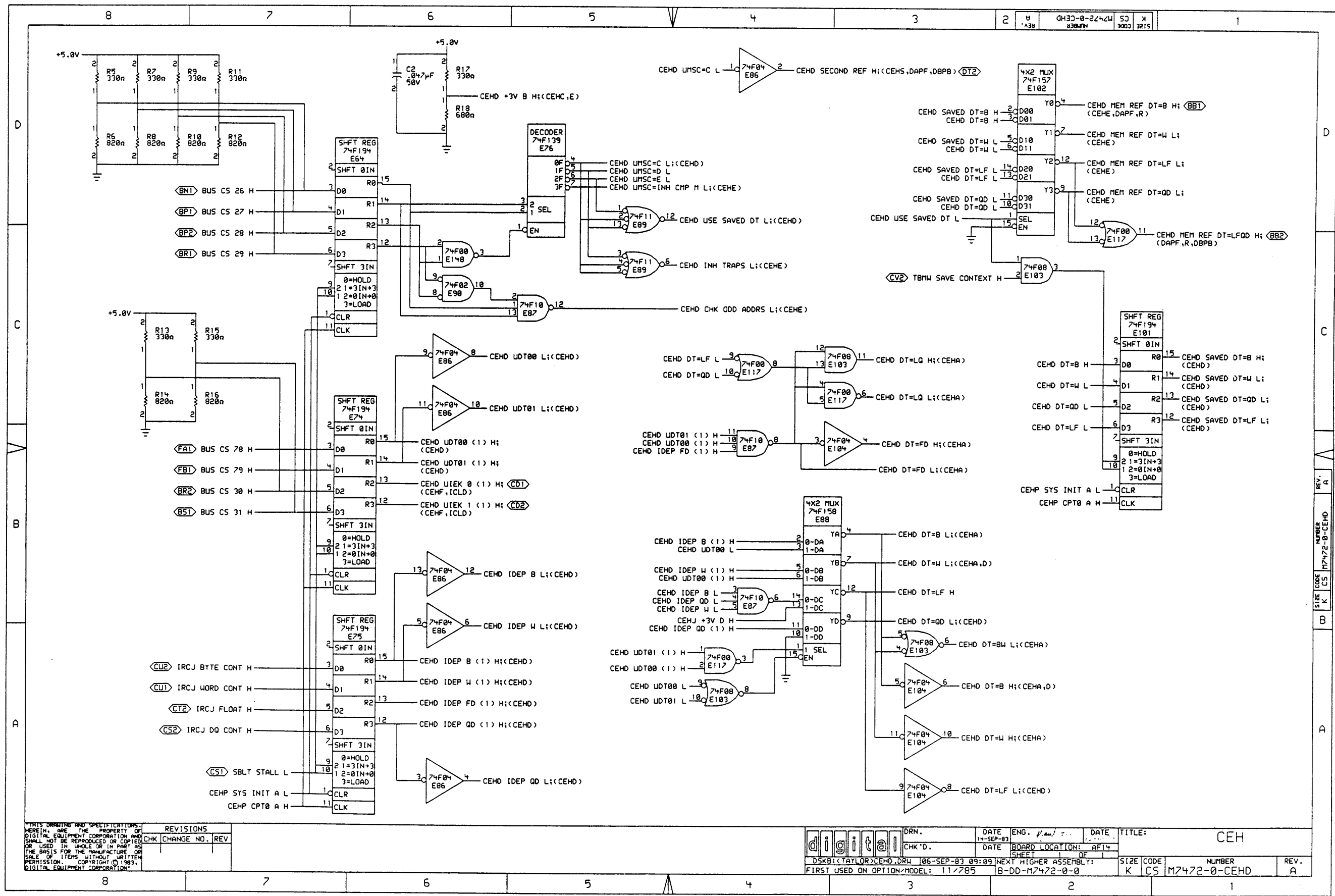
DSKB:	<TAYLOR>CEHB.DRW	06-SEP-83 09:09	NEXT HIGHER ASSEMBLY:		SIZE	CODE	NUMBER	REV.
FIRST USED ON OPTION/MODEL:	11/785	B-DD-M7472-0-0			K	CS	M7472-0-CEHB	A



THIS DRAWING AND SPECIFICATIONS ARE THE PROPERTY OF DIGITAL EQUIPMENT CORPORATION AND SHALL NOT BE REPRODUCED OR COPIED OR USED IN WHOLE OR IN PART AS THE BASIS FOR THE MANUFACTURE OR SALE OF ITEMS WITHOUT WRITTEN PERMISSION. COPYRIGHT © 1983, DIGITAL EQUIPMENT CORPORATION.

CHK	CHANGE NO.	REV

DATE	ENG.	DATE	TITLE:
14-SEP-83			CEH
DATE	BOARD LOCATION:	SHEET	OF
	AF14	1	1
OSKB: <TAYLOR>CEHC.DRW	06-SEP-83 10:02	NEXT HIGHER ASSEMBLY:	SIZE CODE NUMBER REV.
FIRST USED ON OPTION/MODEL: 11/285	B-DD-M7472-0-0		K CS M7472-0-CEHC A

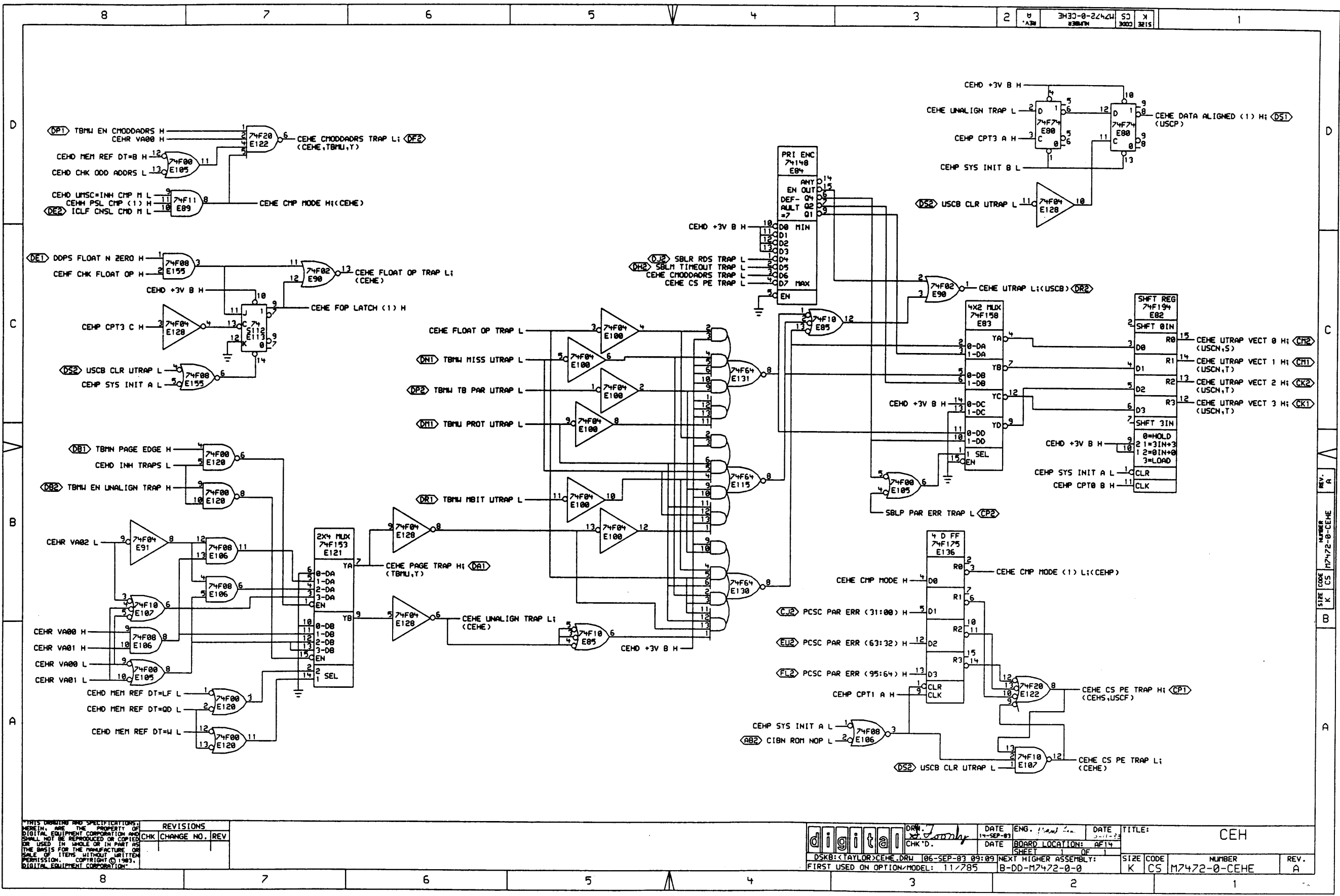


THIS DRAWING AND SPECIFICATIONS ARE THE PROPERTY OF DIGITAL EQUIPMENT CORPORATION AND SHALL NOT BE REPRODUCED OR COPIED OR USED IN WHOLE OR IN PART AS THE BASIS FOR THE MANUFACTURE OR SALE OF ANY ITEMS WITHOUT WRITTEN PERMISSION. COPYRIGHT © 1983, DIGITAL EQUIPMENT CORPORATION.

REV.	CHG	NO.	REV

DRN.	DATE	ENG. NAME	DATE	TITLE
CHK'D.	14-SEP-83			CEH
DATE	BOARD LOCATION	SHEET		
DSKB: TAYLOR:CEHD.DRW 06-SEP-83 09:09	NEXT HIGHER ASSEMBLY:	SIZE	CODE	NUMBER
FIRST USED ON OPTION/MODEL: 11/785	B-DD-M7472-0-0	K	CS	M7472-0-CEHD
				REV. A

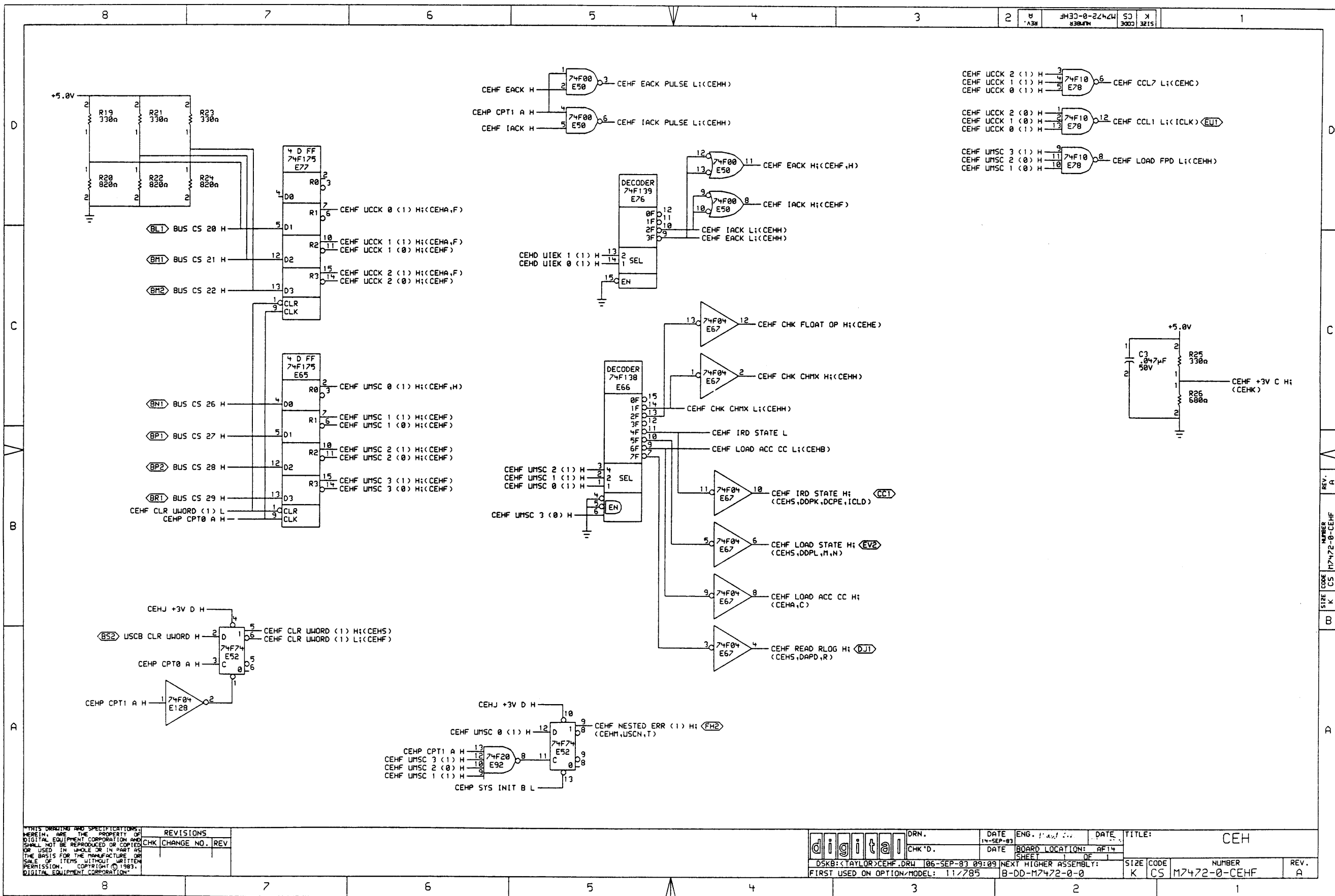




THIS DRAWING AND SPECIFICATIONS ARE THE PROPERTY OF DIGITAL EQUIPMENT CORPORATION AND SHALL NOT BE REPRODUCED OR COPIED OR USED IN WHOLE OR IN PART AS THE BASIS FOR THE MANUFACTURE OR SALE OF ITEMS WITHOUT WRITTEN PERMISSION. COPYRIGHT © 1983 DIGITAL EQUIPMENT CORPORATION

REVISIONS		
CHK	CHANGE NO.	REV

	DRW: <i>J. J. J.</i>	DATE: 14-SEP-83	ENG. <i>Frank...</i>	DATE: 11-23	TITLE: CEH
	CHK: D.	DATE: 06-SEP-83 09:09	BOARD LOCATION: AF14	SHEET: 1 OF 1	
DSKB: <TAYLOR>CEHE.DRW 06-SEP-83 09:09 NEXT HIGHER ASSEMBLY: B-DD-M7472-0-0			SIZE CODE: K CS	NUMBER: M7472-0-CEHE	REV: A



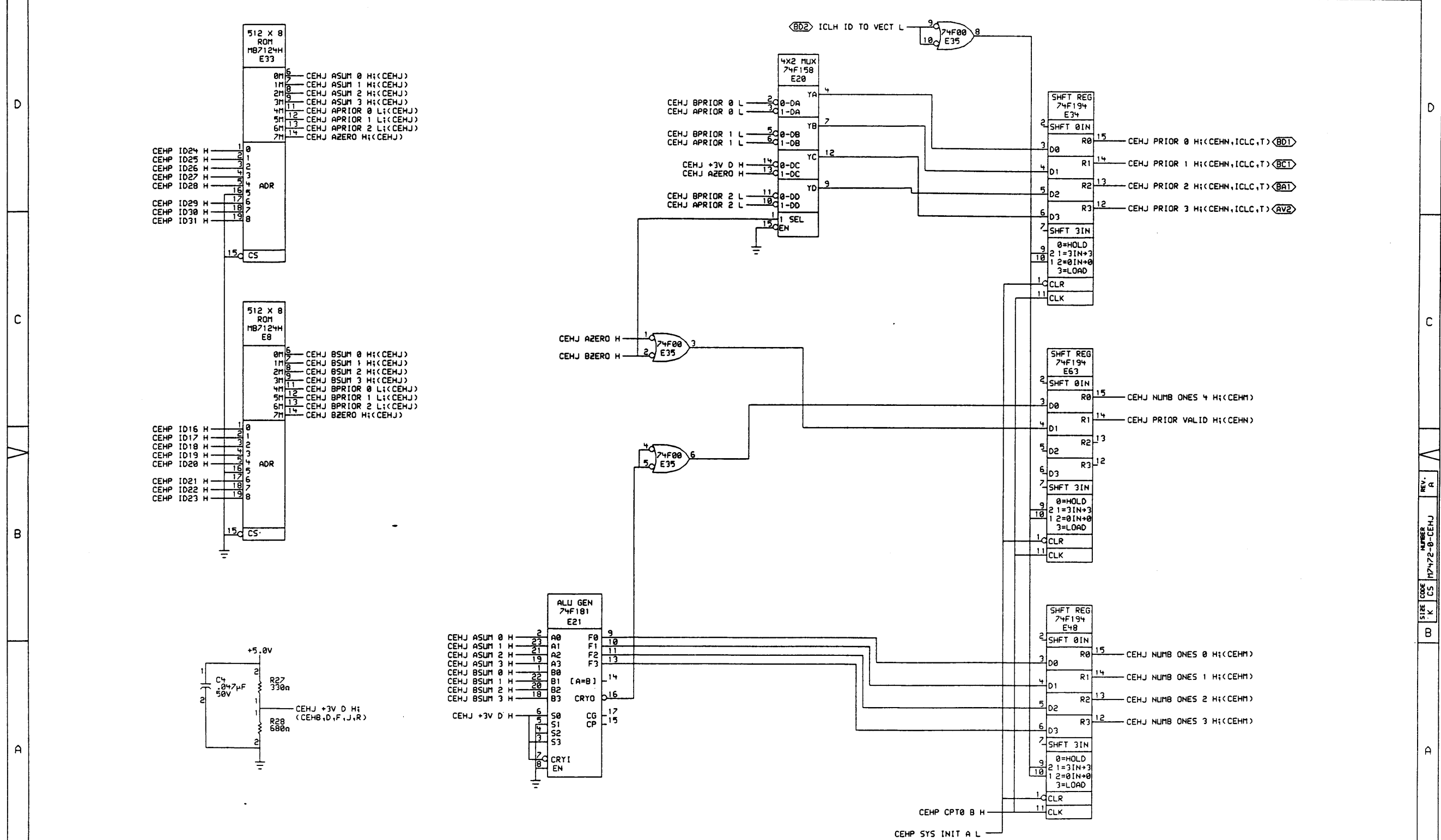
THIS DRAWING AND SPECIFICATIONS, HEREIN, ARE THE PROPERTY OF DIGITAL EQUIPMENT CORPORATION AND SHALL NOT BE REPRODUCED OR COPIED OR USED IN WHOLE OR IN PART AS THE BASIS FOR THE MANUFACTURE OR SALE OF ITEMS WITHOUT WRITTEN PERMISSION. COPYRIGHT © 1983, DIGITAL EQUIPMENT CORPORATION.

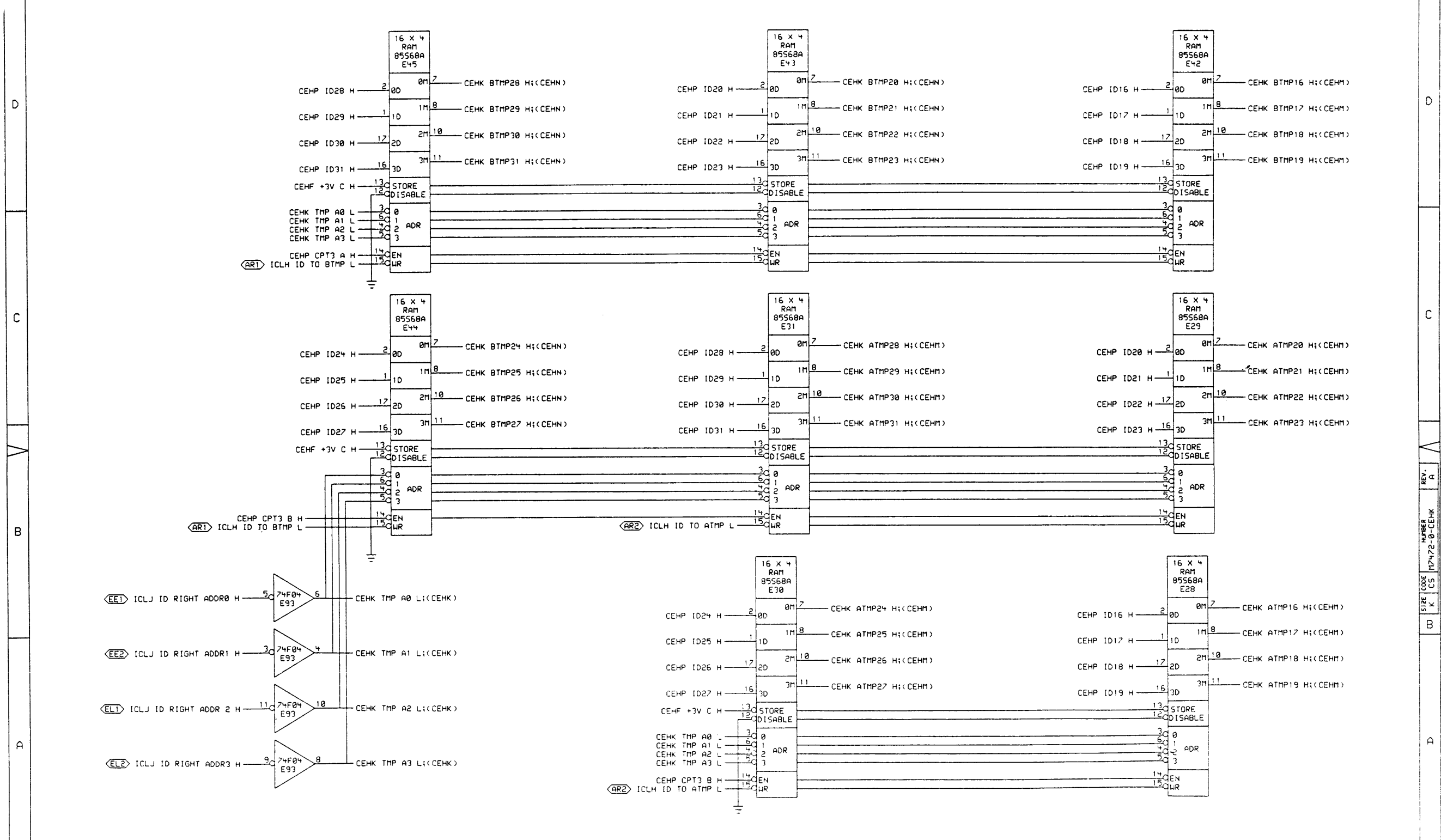
REVISIONS		
CHK	CHANGE NO.	REV

DRN.	DATE	ENG.	DATE	TITLE:	CEH
CHK'D.	14-SEP-83			BOARD LOCATION:	AF14
DSKB: <TAYLOR>CEHF.DRW 106-SEP-83 09:09		NEXT HIGHER ASSEMBLY:		SIZE	CODE
FIRST USED ON OPTION/MODEL: 11/785		B-DD-M7472-0-0		K	CS
				NUMBER	M7472-0-CEHF
				REV.	A

SIZE CODE NUMBER REV. A  
K CS M7472-0-CEHF





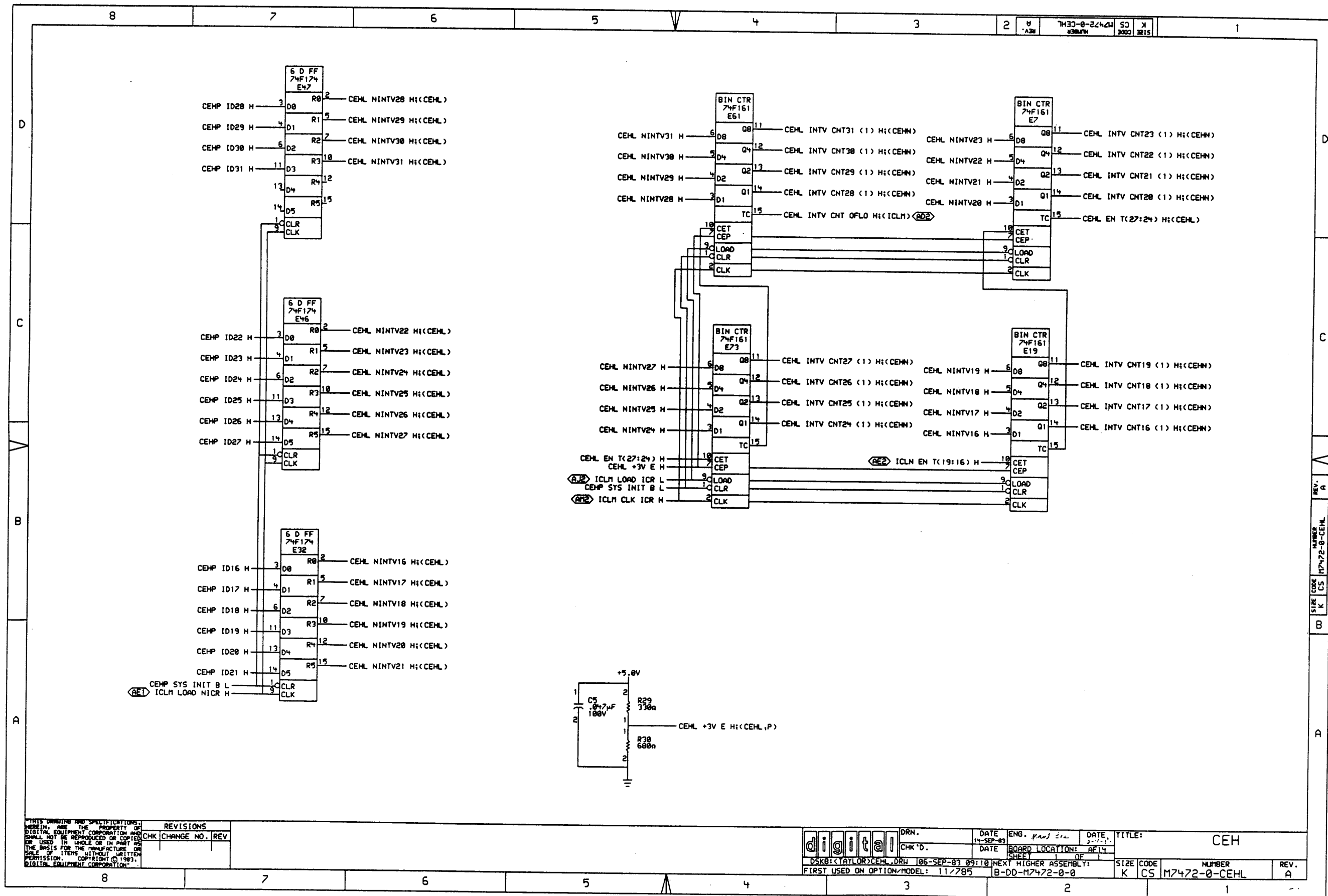


THIS DRAWING AND SPECIFICATIONS  
 HEREIN ARE THE PROPERTY OF  
 DIGITAL EQUIPMENT CORPORATION AND  
 SHALL NOT BE REPRODUCED OR COPIED,  
 OR USED IN WHOLE OR IN PART AS  
 THE BASIS FOR THE MANUFACTURE OR  
 SALE OF ITEMS WITHOUT WRITTEN  
 PERMISSION. COPYRIGHT © 1983,  
 DIGITAL EQUIPMENT CORPORATION.

REVISIONS	
CHK	CHANGE NO. REV

digital	DRN.	DATE	ENG.	DATE	TITLE
	CHK'D.	14-SEP-83			CEH
DSKB: <TAYLOR>CEHK.DRW 106-SEP-83 09:10		NEXT HIGHER ASSEMBLY:		SIZE	CODE
FIRST USED ON OPTION/MODEL: 11/785		B-DD-M7472-0-0		K	CS
				NUMBER	REV.
				M7472-0-CEHK	A

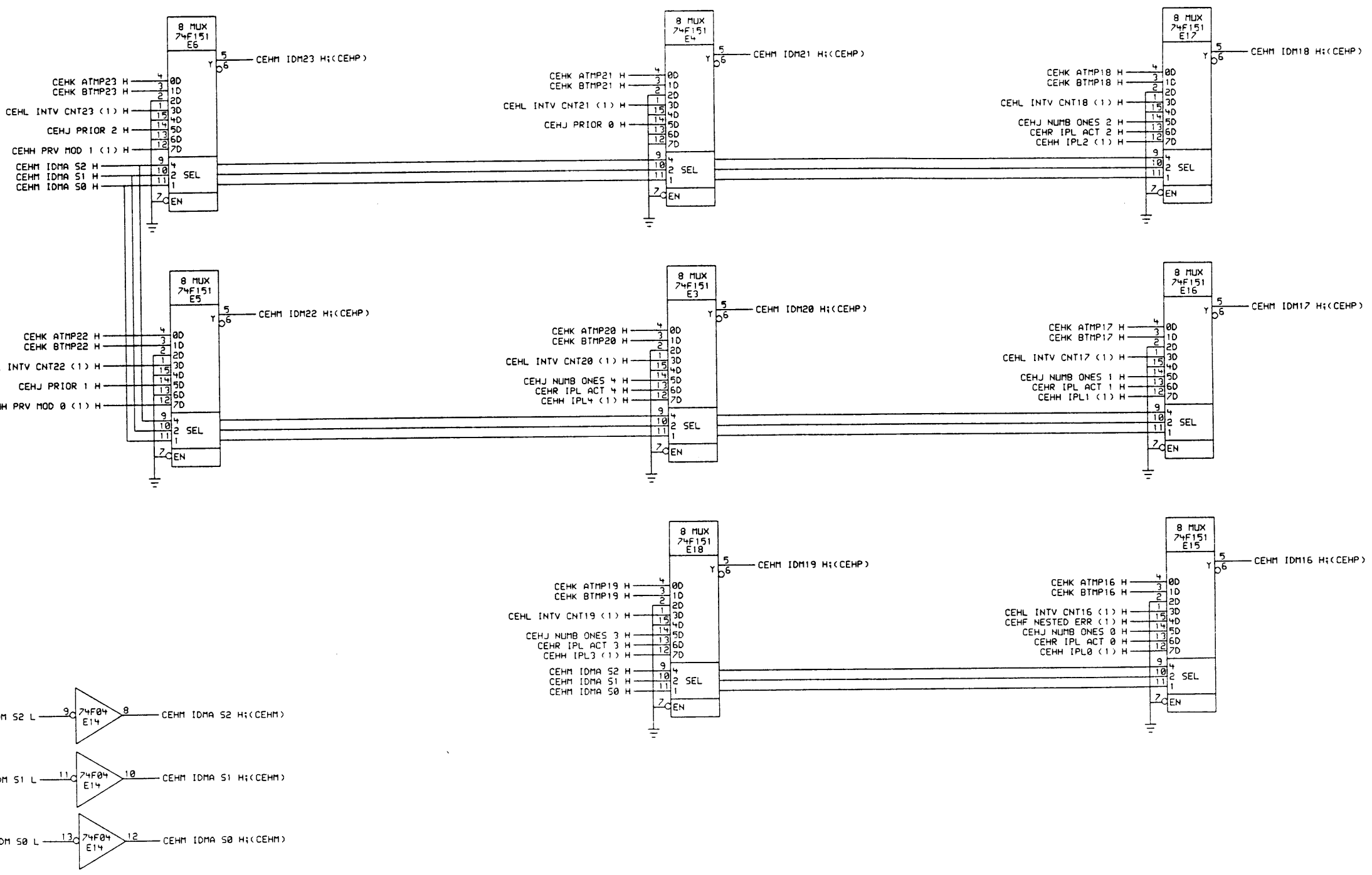
REV. A  
 NUMBER M7472-0-CEHK  
 SIZE CODE CS K



THIS DRAWING AND SPECIFICATIONS ARE THE PROPERTY OF DIGITAL EQUIPMENT CORPORATION AND SHALL NOT BE REPRODUCED OR COPIED OR USED IN WHOLE OR IN PART AS THE BASIS FOR THE MANUFACTURE OR SALE OF ITEMS WITHOUT WRITTEN PERMISSION. COPYRIGHT © 1981, DIGITAL EQUIPMENT CORPORATION.

REVISIONS	
CHK	CHANGE NO. REV

digital	DRN.	DATE	ENG. NAME	DATE	TITLE
	CHK'D.	DATE	BOARD LOCATION	SHEET	OF
DSKB: <TAYLOR>CEHL.DRW 06-SEP-83 09:10		NEXT HIGHER ASSEMBLY:		SIZE	CODE
FIRST USED ON OPTION/MODEL: 11785		B-DD-M7472-0-0		K	CS
NUMBER				M7472-0-CEHL	REV.
				A	



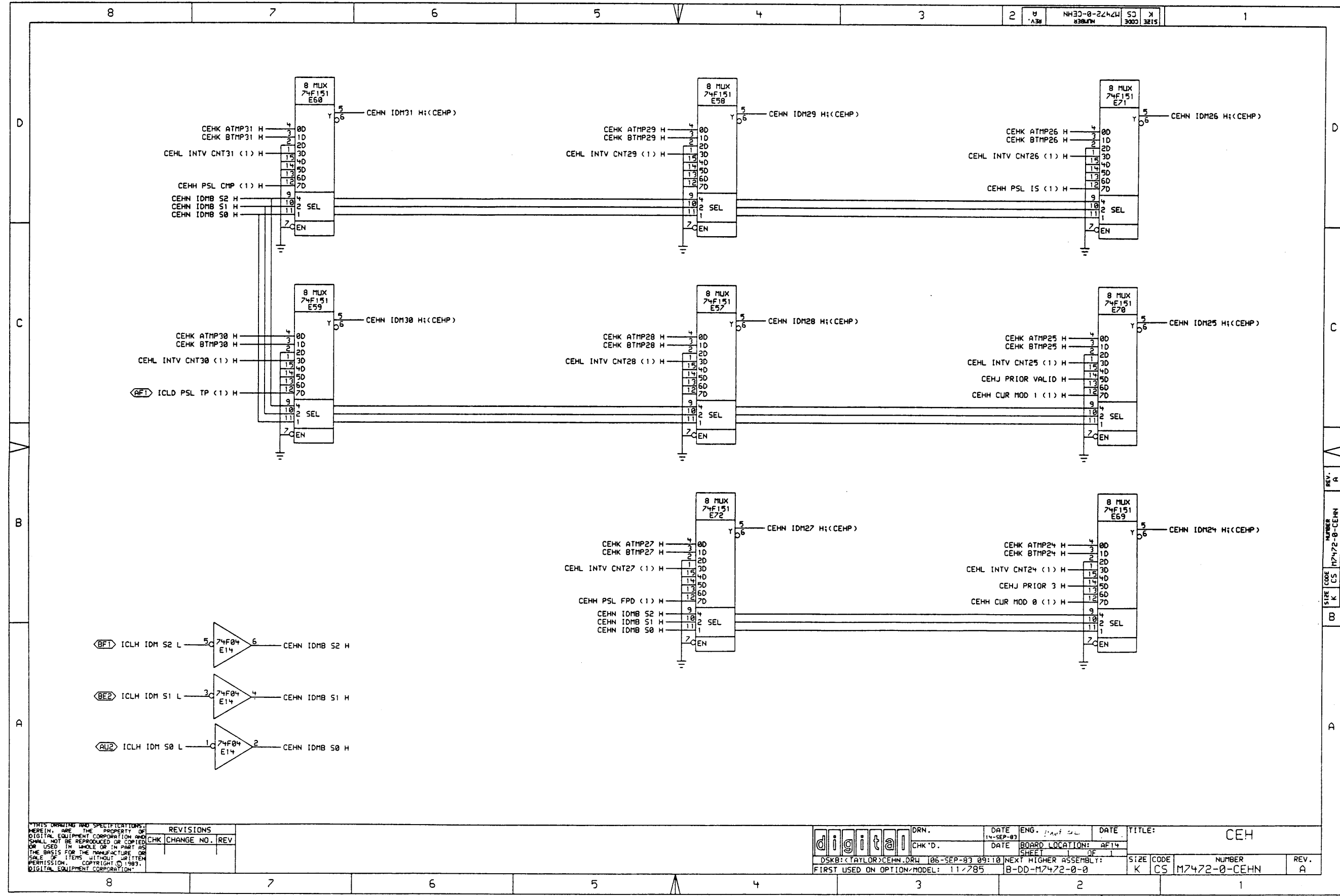
D  
C  
B  
A

D  
C  
B  
A

THIS DRAWING AND SPECIFICATIONS ARE THE PROPERTY OF DIGITAL EQUIPMENT CORPORATION AND SHALL NOT BE REPRODUCED OR COPIED OR USED IN WHOLE OR IN PART AS THE BASIS FOR THE MANUFACTURE OR SALE OF ITEMS WITHOUT WRITTEN PERMISSION. COPYRIGHT © 1983, DIGITAL EQUIPMENT CORPORATION.

REVISIONS	
CHK	CHANGE NO. REV

digital	DRN.	DATE	ENG. <i>phant</i>	DATE	TITLE: CEH
	CHK'D.	DATE	BOARD LOCATION: AF14	SHEET	OF
DSKB: <TAYLOR>CEHM.DRW 106-SEP-83 09:10		NEXT HIGHER ASSEMBLY: B-DD-M7472-0-0		SIZE CODE	NUMBER
FIRST USED ON OPTION/MODEL: 117785				K CS	M7472-0-CEHM
					REV. A



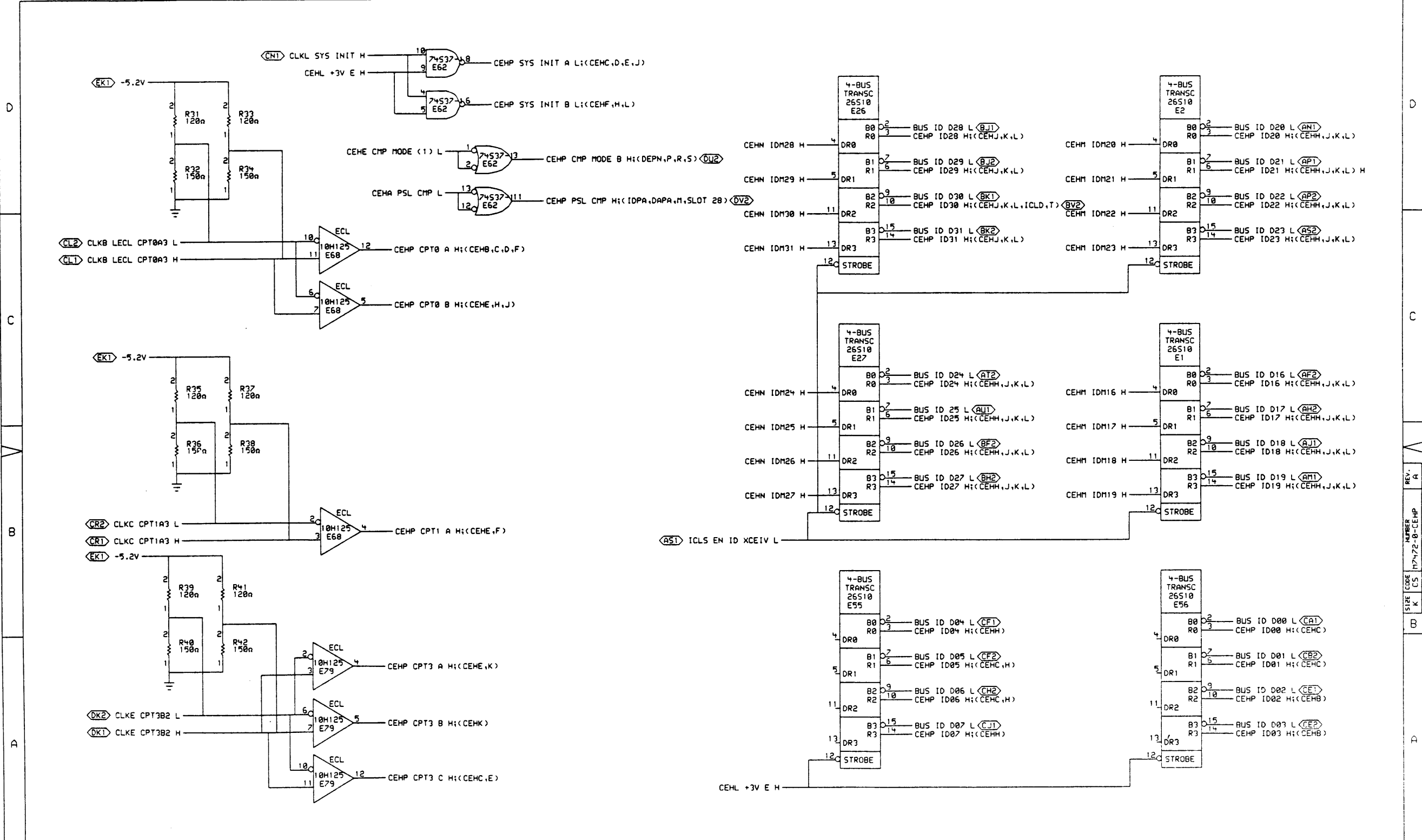
THIS DRAWING AND SPECIFICATIONS HEREIN ARE THE PROPERTY OF DIGITAL EQUIPMENT CORPORATION AND SHALL NOT BE REPRODUCED OR COPIED OR USED IN WHOLE OR IN PART AS THE BASIS FOR THE MANUFACTURE OR SALE OF ITEMS WITHOUT WRITTEN PERMISSION. COPYRIGHT © 1983, DIGITAL EQUIPMENT CORPORATION.

REVISIONS	
CHK	CHANGE NO. REV

digital	DRN.	DATE	ENG.	DATE	TITLE:
		14-SEP-83			CEH
	CHK'D.	DATE	BOARD LOCATION:		
			AFT4		
			SHEET	OF	

REV. A  
NUMBER M7472-0-CEHN  
REV. A

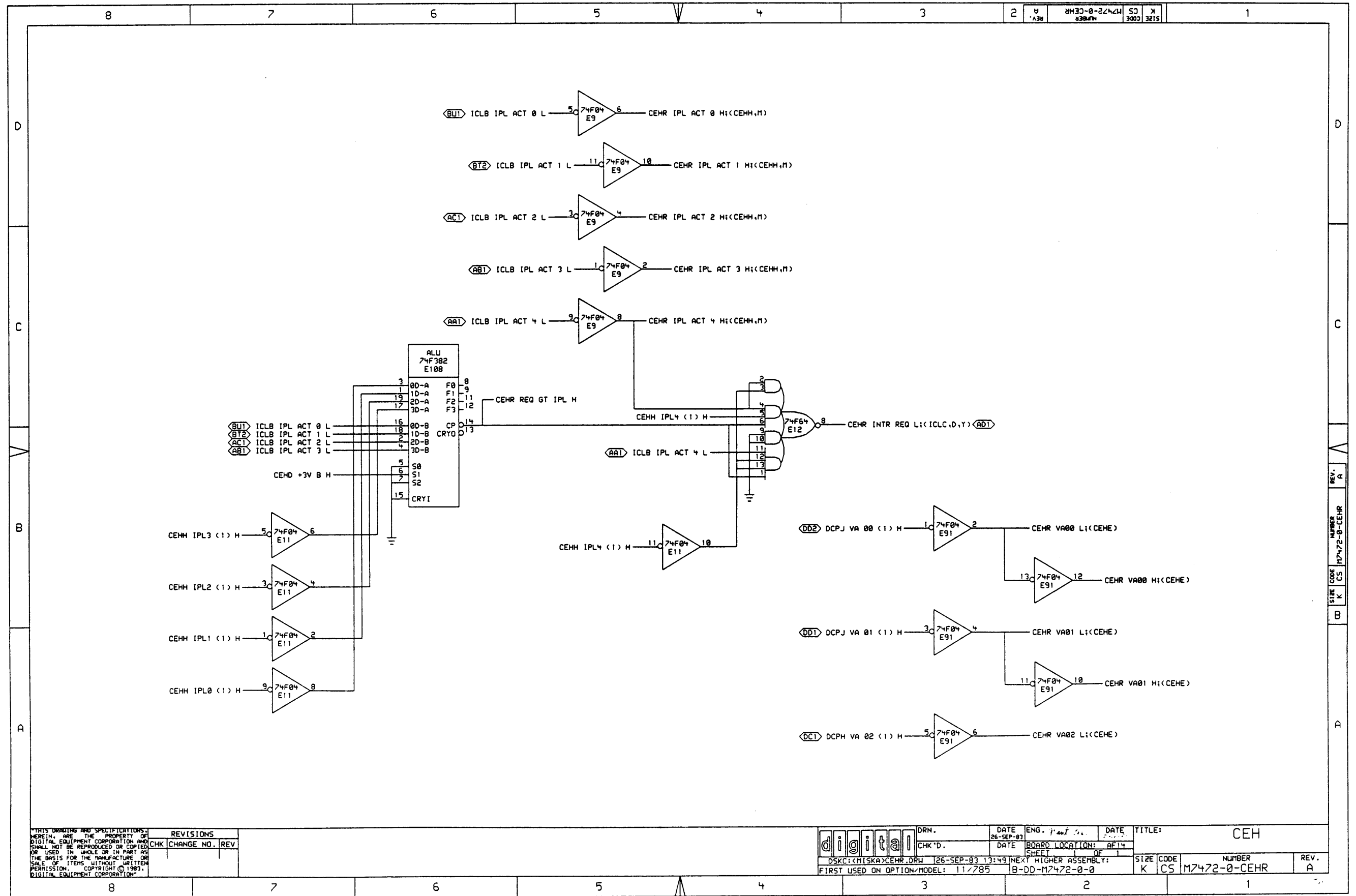




THIS DRAWING AND SPECIFICATIONS HEREIN ARE THE PROPERTY OF DIGITAL EQUIPMENT CORPORATION AND SHALL NOT BE REPRODUCED OR COPIED OR USED IN WHOLE OR IN PART AS THE BASIS FOR THE MANUFACTURE OR SALE OF ITEMS WITHOUT WRITTEN PERMISSION. COPYRIGHT © 1981 DIGITAL EQUIPMENT CORPORATION.

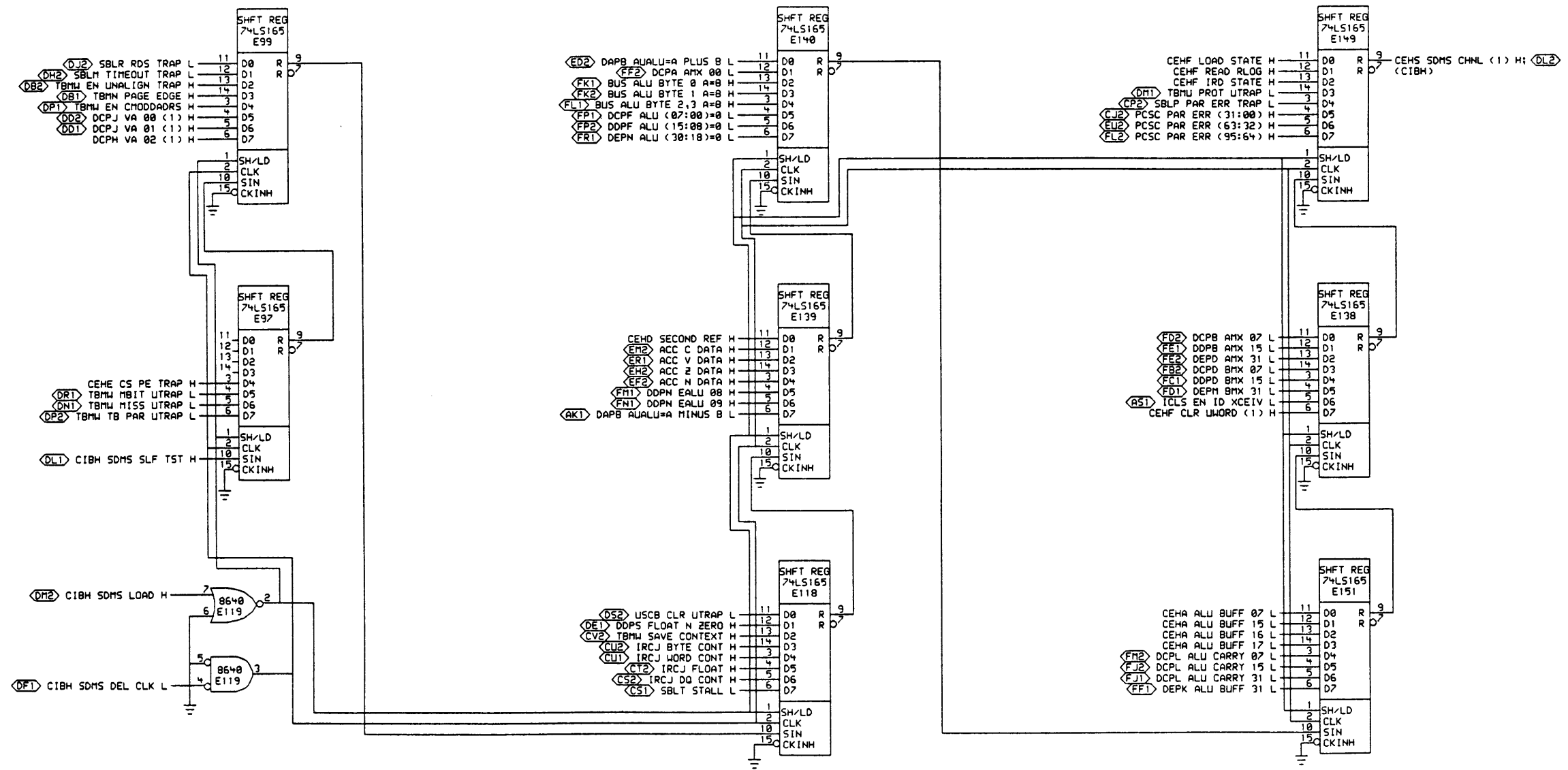
REV.	CHG.	CHANGE NO.	REV.

digital	DRN.	DATE	ENG. <i>Jan 10</i>	DATE	TITLE: CEH
	CHK'D.	DATE	BOARD LOCATION: AF14		
DSXB:(TAYLOR)CEHP.DRW 106-SEP-83 09:10		NEXT HIGHER ASSEMBLY: 1 1 1		SIZE	CODE
FIRST USED ON OPTION/MODEL: 11/795		B-DD-M7472-0-0		K CS	NUMBER
				M7472-0-CEHP	REV. A



THIS DRAWING AND SPECIFICATIONS  
HEREIN ARE THE PROPERTY OF  
DIGITAL EQUIPMENT CORPORATION AND  
SHALL NOT BE REPRODUCED OR COPIED  
OR USED IN WHOLE OR IN PART AS  
THE BASIS FOR THE MANUFACTURE OR  
SALE OF ITEMS WITHOUT WRITTEN  
PERMISSION. COPYRIGHT © 1983  
DIGITAL EQUIPMENT CORPORATION

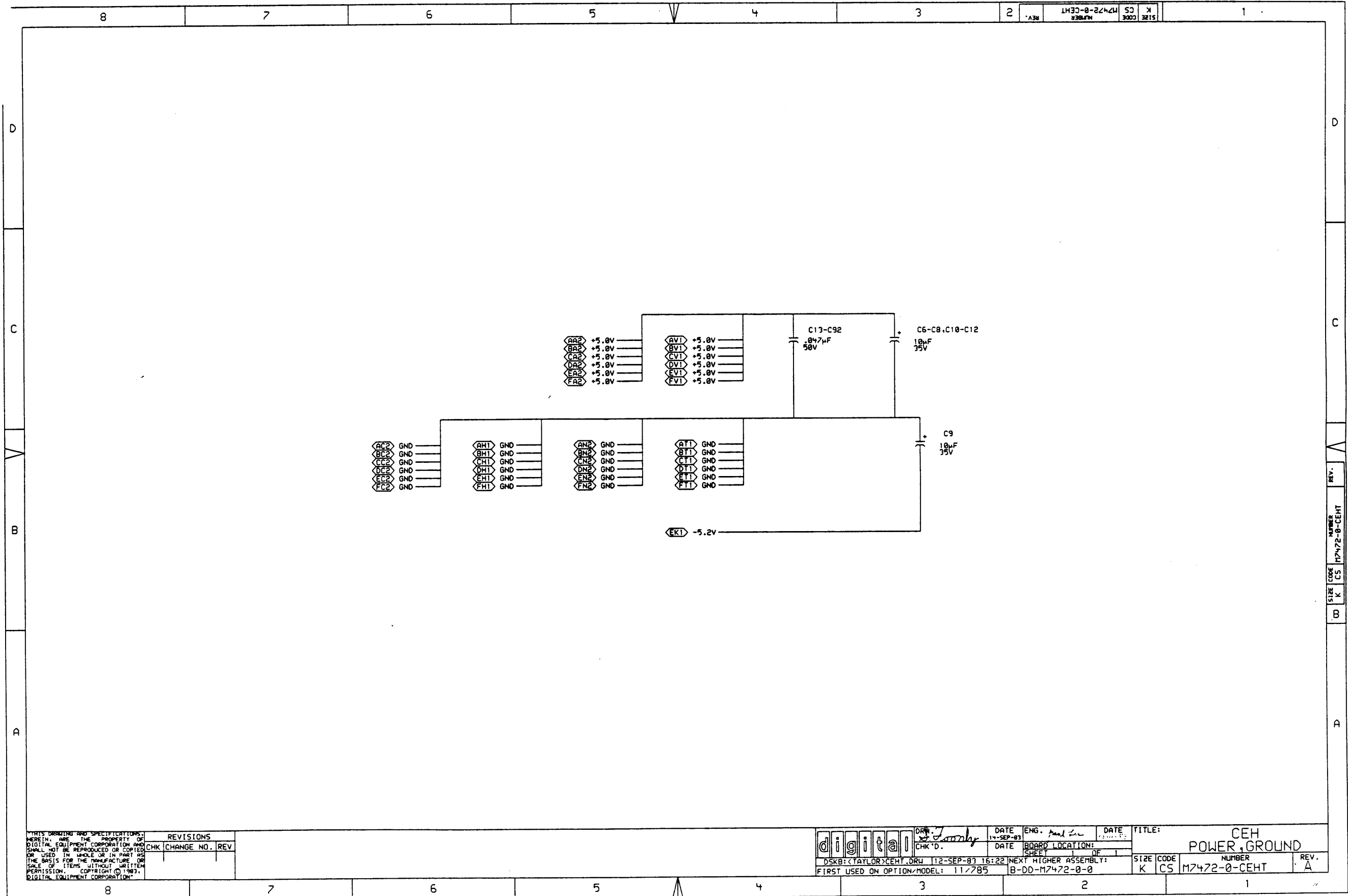
REVISIONS	
CHK	CHANGE NO. REV



THIS DRAWING AND SPECIFICATIONS HEREIN ARE THE PROPERTY OF DIGITAL EQUIPMENT CORPORATION AND SHALL NOT BE REPRODUCED OR COPIED OR USED IN WHOLE OR IN PART AS THE BASIS FOR THE MANUFACTURE OR SALE OF ITEMS WITHOUT WRITTEN PERMISSION. COPYRIGHT © 1983 DIGITAL EQUIPMENT CORPORATION.

REV.	CHANGE NO.	CHK

DRN.	DATE	ENG. NAME	DATE	TITLE
CHK'D.	DATE	BOARD LOCATION	DATE	CEH
DSKB: TAYLOR\CEHS.DRW 06-SEP-83 09:11 NEXT HIGHER ASSEMBLY:				SIZE CODE NUMBER REV.
FIRST USED ON OPTION/MODEL: 11/785				K CS M7472-0-CEHS A



THIS DRAWING AND SPECIFICATIONS  
HEREIN ARE THE PROPERTY OF  
DIGITAL EQUIPMENT CORPORATION AND  
SHALL NOT BE REPRODUCED OR COPIED  
OR USED IN WHOLE OR IN PART AS  
THE BASIS FOR THE MANUFACTURE OR  
SALE OF ITEMS WITHOUT WRITTEN  
PERMISSION. COPYRIGHT © 1983,  
DIGITAL EQUIPMENT CORPORATION

REVISIONS		
CHK	CHANGE NO.	REV

	DRW. <i>J. Smith</i>	DATE 14-SEP-83	ENG. <i>Paul Lee</i>	DATE	TITLE: CEH POWER GROUND
	CHK'D.	DATE	BOARD LOCATION:	SHEET 1 OF 1	SIZE CODE NUMBER REV. K CS M7472-0-CEHT A
DSKB: <TAYLOR>CEHT.DRW 112-SEP-83 16:22		NEXT HIGHER ASSEMBLY: B-DD-M7472-0-0		FIRST USED ON OPTION/MODEL: 11/785	

8

7

6

5

4

3

2

1

REV. 0 NUMBER 17472-0-CEHU SIZE CODE K CS

SIGNAL NAME PAGE NUMBER(S)

-ICLM IDM S0 H CEHN,M
-ICLM IDM S1 H CEHN,M
-ICLM IDM S2 H CEHN,M
-ICLM LOAD ICR H CEHL
-ICLS EN ID XCEIV H CEHP,S
-SBLM TIMEOUT TRAP H CEHE,S
-SBLP PAR ERR TRAP H CEHE,S
-SBLR RDS TRAP H CEHE,S
-SBLT STALL H CEHD,S
-TBMU PROT UTRAP H CEHE,S

-TBMW MBIT UTRAP H CEHS,E
-TBMW MISS UTRAP H CEHS,E
-TBMW TB PAR UTRAP H CEHS,E
-USCB CLR UTRAP H CEHE,S
ACC C DATA H CEHC,S
ACC N DATA H CEHC,S
ACC V DATA H CEHC,S
ACC Z DATA H CEHC,S
BUS ALU BYTE 0 A=B H CEHS,A
BUS ALU BYTE 1 A=B H CEHS,A

BUS ALU BYTE 2,3 A=B H CEHS,A
BUS CS 20 H CEHF
BUS CS 21 H CEHF
BUS CS 22 H CEHF
BUS CS 26 H CEHD,F
BUS CS 27 H CEHD,F
BUS CS 28 H CEHD,F
BUS CS 29 H CEHD,F
BUS CS 30 H CEHD
BUS CS 31 H CEHD

BUS CS 70 H CEHD
BUS CS 79 H CEHD
BUS ID 25 L CEHP
BUS ID 000 L CEHP
BUS ID 001 L CEHP
BUS ID 002 L CEHP
BUS ID 003 L CEHP
BUS ID 004 L CEHP
BUS ID 005 L CEHP
BUS ID 006 L CEHP

BUS ID 007 L CEHP
BUS ID 016 L CEHP
BUS ID 017 L CEHP
BUS ID 018 L CEHP
BUS ID 019 L CEHP
BUS ID 020 L CEHP
BUS ID 021 L CEHP
BUS ID 022 L CEHP
BUS ID 023 L CEHP
BUS ID 024 L CEHP

SIGNAL NAME PAGE NUMBER(S)

BUS ID 026 L CEHP
BUS ID 027 L CEHP
BUS ID 028 L CEHP
BUS ID 029 L CEHP
BUS ID 030 L CEHP
BUS ID 031 L CEHP
CEHA +3V A H CEHC,B,A
CEHA ALU A=B L CEHB,A
CEHA ALU BUFF 07 L CEHA,S
CEHA ALU BUFF 15 L CEHA,S

CEHA ALU BUFF 16 L CEHA,S
CEHA ALU BUFF 17 L CEHA,S
CEHA ALU CARRY H CEHA,B
CEHA ALU CARRY L CEHA,B
CEHA ALU SIGN H CEHB,A,C
CEHA ALU SIGN L CEHB,A,C
CEHA ALU=0 H CEHB,A,C
CEHA ALU=0 L CEHB,A
CEHA AMX SIGN H CEHB,A,C
CEHA AMX SIGN L CEHB,A,C

CEHA BMX SIGN H CEHB,A
CEHA BMX SIGN L CEHB,C,A
CEHA C SEL 0 L CEHA,B
CEHA C SEL 1 L CEHA,B
CEHA C SEL 2 L CEHA,B
CEHA CV CODE 0 H CEHA
CEHA CV CODE 1 H CEHA
CEHA CV CODE 2 H CEHA
CEHA CV CODE 3 H CEHA
CEHA EN IV TRAP L CEHA,C

CEHA INV ALU SIGN H CEHA,B
CEHA INV BMX SIGN H CEHA,C
CEHA N SEL 0 L CEHA,B
CEHA N SEL 1 L CEHA,B
CEHA N SEL 2 L CEHA,B
CEHA PSL CMP L CEHP,A
CEHA V DETECT SW H CEHA,C
CEHA V SEL 0 H CEHA
CEHA V SEL 1 H CEHA
CEHA V SEL 2 H CEHA

CEHA V SEL=0 L CEHA,C
CEHA V SEL=1 L CEHA,C
CEHA V SEL=2 L CEHA,C
CEHA V SEL=3 L CEHA,C
CEHA V SEL=4 L CEHA,C
CEHA V SEL=5 L CEHA,C
CEHA V SEL=6 L CEHA,C
CEHA V SEL=7 L CEHA,C
CEHA Z SEL 0 L CEHA,B
CEHA Z SEL 1 L CEHA,B

SIGNAL NAME PAGE NUMBER(S)

CEHA Z SEL 2 L CEHA,B
CEHA ZN CODE 0 H CEHA
CEHA ZN CODE 1 H CEHA
CEHA ZN CODE 2 H CEHA
CEHB ALU N DATA L CEHB
CEHB C DATA H CEHB
CEHB ID TO PSL L CEHB,C
CEHB N DATA H CEHB
CEHB PSL C (0)H CEHB,C
CEHB PSL C (1)H CEHB,C

CEHB PSL C BIT H CEHB
CEHB PSL N (0)H CEHB
CEHB PSL N BIT H CEHB
CEHB PSL V (0)H CEHB
CEHB PSL V (1)H CEHB,C
CEHB PSL V BIT H CEHB
CEHB PSL Z (0)H CEHB
CEHB PSL Z (1)H CEHB
CEHB PSL Z BIT H CEHB
CEHB Z DATA H CEHB

CEHC ACC C (0)H CEHC,B
CEHC ACC N (0)H CEHC,B
CEHC ACC V (1)H CEHC
CEHC ACC Z (0)H CEHC,B
CEHC ID TO TRAP CODE H CEHC
CEHC ID TO TRAP CODE L CEHC
CEHC ID04 L CEHC
CEHC ID05 L CEHC
CEHC ID06 L CEHC
CEHC TRAP CODE 0 (1)H CEHC

CEHC TRAP CODE 1 (1)H CEHC
CEHC TRAP CODE 2 (1)H CEHC
CEHC V DATA 1 L CEHC
CEHC V DATA 2 L CEHC
CEHC V DATA H CEHC,B
CEHC V SEL=4 H CEHC
CEHC V SEL=5 H CEHC
CEHC V SEL=6 H CEHC
CEHC V SEL=7 H CEHC
CEHD +3V B H CEHE,C,R,D

CEHD CHK ODD ADDRS L CEHD,E
CEHD DT=B H CEHD,A
CEHD DT=B L CEHD,A
CEHD DT=BW L CEHD,A
CEHD DT=FD H CEHD,A
CEHD DT=FD L CEHD,A
CEHD DT=LF H CEHD
CEHD DT=LF L CEHD
CEHD DT=LQ H CEHD,A
CEHD DT=LQ L CEHD,A

NOTES: 1. THIS PAGE LISTS THE SCHEMATIC PAGE NUMBER(S) WHERE A SIGNAL NAME IS REFERENCED.

THIS DRAWING AND SPECIFICATIONS... HEREIN ARE THE PROPERTY OF DIGITAL EQUIPMENT CORPORATION AND SHALL NOT BE REPRODUCED OR COPIED OR USED IN WHOLE OR IN PART AS THE BASIS FOR THE MANUFACTURE OR SALE OF ITEMS WITHOUT WRITTEN PERMISSION. COPYRIGHT © 1983, DIGITAL EQUIPMENT CORPORATION.

Table with 2 columns: REVISIONS, CHANGE NO., REV.

digital logo, DATE 22-SEP-83, BOARD LOCATION: AFT4, SHEET 1 OF 1, TITLE: CEH FORWARD REFERENCE, DSK:CTISKA>CEHU.DRW, 19-SEP-83 14:35, NEXT HIGHER ASSEMBLY: B-DD-M7472-0-0, SIZE CODE K CS, NUMBER M7472-0-CEHU, REV. A

8

7

6

5

4

3

2

1

REV. R NUMBER 17472-0-CEHU SIZE CODE K CS

SIGNAL NAME	PAGE NUMBER(S)	SIGNAL NAME	PAGE NUMBER(S)	SIGNAL NAME	PAGE NUMBER(S)
CEHD DT=QD L	CEHD	CEHF CHK CHMX H	CEHM,F	CEHM PSL FPD (1)H	CEHM,N
CEHD DT=W H	CEHD,A	CEHF CHK CHMX L	CEHM,F	CEHM PSL FU (1)H	CEHM,C
CEHD DT=W L	CEHD,A	CEHF CHK FLOAT OP H	CEHF,E	CEHM PSL IS (1)H	CEHM,N
CEHD IDEP B (1)H	CEHD	CEHF CLR UWORD (0)H	CEHF	CEHM PSL IV (1)H	CEHM,C
CEHD IDEP B L	CEHD	CEHF CLR UWORD (1)H	CEHF,S	CEHJ +3V D H	CEHJ,H,F,D,B
CEHD IDEP FD (1)H	CEHD	CEHF EACK H	CEHM,F	CEHJ APRIOR 0 L	CEHJ
CEHD IDEP QD (1)H	CEHD	CEHF EACK L	CEHF,H	CEHJ APRIOR 1 L	CEHJ
CEHD IDEP QD L	CEHD	CEHF EACK PULSE L	CEHF,H	CEHJ APRIOR 2 L	CEHJ
CEHD IDEP W (1)H	CEHD	CEHF IACK H	CEHF	CEHJ ASUM 0 H	CEHJ
CEHD IDEP W L	CEHD	CEHF IACK L	CEHM,F	CEHJ ASUM 1 H	CEHJ
CEHD INH TRAPS L	CEHD,E	CEHF IACK PULSE L	CEHF,H	CEHJ ASUM 2 H	CEHJ
CEHD MEM REF DT=B H	CEHD,E	CEHF IRD STATE H	CEHF,S	CEHJ ASUM 3 H	CEHJ
CEHD MEM REF DT=LF L	CEHD,E	CEHF IRD STATE L	CEHF	CEHJ AZERO H	CEHJ
CEHD MEM REF DT=LFQD H	CEHD	CEHF LOAD ACC CC H	CEHF,A,C	CEHJ BPRIOR 0 L	CEHJ
CEHD MEM REF DT=QD L	CEHD,E	CEHF LOAD ACC CC L	CEHF,B	CEHJ BPRIOR 1 L	CEHJ
CEHD MEM REF DT=W L	CEHD,E	CEHF LOAD FPD L	CEHM,F	CEHJ BPRIOR 2 L	CEHJ
CEHD SAVED DT=B H	CEHD	CEHF LOAD STATE H	CEHF,S	CEHJ BSUM 0 H	CEHJ
CEHD SAVED DT=LF L	CEHD	CEHF NESTED ERR (1)H	CEHM,F	CEHJ BSUM 1 H	CEHJ
CEHD SAVED DT=QD L	CEHD	CEHF READ RLOG H	CEHF,S	CEHJ BSUM 2 H	CEHJ
CEHD SAVED DT=W L	CEHD	CEHF UCK 0 (1)H	CEHF,A	CEHJ BSUM 3 H	CEHJ
CEHD SECOND REF H	CEHD,S	CEHF UCK 1 (0)H	CEHF	CEHJ BZERO H	CEHJ
CEHD UDT00 (1)H	CEHD	CEHF UCK 1 (1)H	CEHF,A	CEHJ NUMB ONES 0 H	CEHM,J
CEHD UDT00 L	CEHD	CEHF UCK 2 (0)H	CEHF	CEHJ NUMB ONES 1 H	CEHM,J
CEHD UDT01 (1)H	CEHD	CEHF UCK 2 (1)H	CEHF,A	CEHJ NUMB ONES 2 H	CEHM,J
CEHD UDT01 L	CEHD	CEHF UMSC 0 (1)H	CEHM,F	CEHJ NUMB ONES 3 H	CEHM,J
CEHD UIEK 0 (1)H	CEHD,F	CEHF UMSC 1 (0)H	CEHF	CEHJ NUMB ONES 4 H	CEHM,J
CEHD UIEK 1 (1)H	CEHD,F	CEHF UMSC 1 (1)H	CEHF	CEHJ PRIOR 0 H	CEHM,J
CEHD UMSC=C L	CEHD	CEHF UMSC 2 (0)H	CEHF	CEHJ PRIOR 1 H	CEHM,J
CEHD UMSC=D L	CEHD	CEHF UMSC 2 (1)H	CEHF	CEHJ PRIOR 2 H	CEHM,J
CEHD UMSC=E L	CEHD	CEHF UMSC 3 (0)H	CEHF	CEHJ PRIOR 3 H	CEHM,N
CEHD UMSC=INH CMP M L	CEHD,E	CEHF UMSC 3 (1)H	CEHF	CEHJ PRIOR VALID H	CEHM,N
CEHD USE SAVED DT L	CEHD	CEHM CUR MOD 0 (1)H	CEHM,N	CEHK ATP16 H	CEHM,K
CEHE CHODDADRS TRAP L	CEHE	CEHM CUR MOD 1 (1)H	CEHM,N	CEHK ATP17 H	CEHM,K
CEHE CMP MODE (0)H	CEHM,E	CEHM CUR MODE 0 H	CEHM	CEHK ATP18 H	CEHM,K
CEHE CMP MODE H	CEHE	CEHM CUR MODE 1 H	CEHM	CEHK ATP19 H	CEHM,K
CEHE CS PE TRAP H	CEHM,E	CEHM FPD BIT L	CEHM	CEHK ATP20 H	CEHM,K
CEHE CS PE TRAP L	CEHE	CEHM IACK CLR L	CEHM	CEHK ATP21 H	CEHM,K
CEHE DATA ALIGNED (1)H	CEHE	CEHM ID TO PSL L	CEHM,A	CEHK ATP22 H	CEHM,K
CEHE FLOAT OP TRAP L	CEHE	CEHM IPL0 (1)H	CEHM,N,H	CEHK ATP23 H	CEHM,K
CEHE FOP LATCH (1)H	CEHE	CEHM IPL1 (1)H	CEHM,N,H	CEHK ATP24 H	CEHM,N
CEHE PAGE TRAP H	CEHE	CEHM IPL2 (1)H	CEHM,N,H	CEHK ATP25 H	CEHM,N
CEHE UNALIGN TRAP L	CEHE	CEHM IPL3 (1)H	CEHM,N,H	CEHK ATP26 H	CEHM,N
CEHE UTRAP L	CEHE	CEHM IPL4 (1)H	CEHM,N,H	CEHK ATP27 H	CEHM,N
CEHE UTRAP VECT 0 H	CEHE	CEHM IS+CM L	CEHM	CEHK ATP28 H	CEHM,N
CEHE UTRAP VECT 1 H	CEHE	CEHM NCM GT PSL CM H	CEHM	CEHK ATP29 H	CEHM,N
CEHE UTRAP VECT 2 H	CEHE	CEHM PRV MOD 0 (1)H	CEHM,H	CEHK ATP30 H	CEHM,N
CEHE UTRAP VECT 3 H	CEHE	CEHM PRV MOD 1 (1)H	CEHM,H	CEHK ATP31 H	CEHM,N
CEHF +3V C H	CEHM,F	CEHM PSL CLR L	CEHM,B	CEHK BTMP16 H	CEHM,K
CEHF CCL1 L	CEHF	CEHM PSL CMP (1)H	CEHM,N,E,A	CEHK BTMP17 H	CEHM,K
CEHF CCL7 L	CEHF,C	CEHM PSL DV (1)H	CEHM,C	CEHK BTMP18 H	CEHM,K

NOTES:  
 1. THIS PAGE LISTS THE SCHEMATIC PAGE NUMBER(S) WHERE A SIGNAL NAME IS REFERENCED.

THIS DRAWING AND SPECIFICATIONS HEREIN ARE THE PROPERTY OF DIGITAL EQUIPMENT CORPORATION AND SHALL NOT BE REPRODUCED OR COPIED OR USED IN WHOLE OR IN PART AS THE BASIS FOR THE MANUFACTURE OR SALE OF ITEMS WITHOUT WRITTEN PERMISSION. COPYRIGHT © 1983. DIGITAL EQUIPMENT CORPORATION

REVISIONS
CHK CHANGE NO. REV

digital	DATE	ENG. <i>Stant</i>	DATE	TITLE:
	22-SEP-83			CEH FORWARD REFERENCE
CHK'D.	DATE	BOARD LOCATION:	AF14	
		SHEET	OF	
DSKC:((MISKA)CEHV.DRW		19-SEP-83 14:35	NEXT HIGHER ASSEMBLY:	SIZE CODE
FIRST USED ON OPTION/MODEL: 11/785		8-DD-M7472-0-0		K CS
			NUMBER	REV.
			M7472-0-CEHV	A

SIGNAL NAME	PAGE NUMBER(S)	SIGNAL NAME	PAGE NUMBER(S)	SIGNAL NAME	PAGE NUMBER(S)
CEHK BTMP19 H	CEHM,K	CEHL NINTV30 H	CEHL	CEHP ID27 H	CEHP,K,J,H,L
CEHK BTMP20 H	CEHM,K	CEHL NINTV31 H	CEHL	CEHP ID28 H	CEHP,K,J,L
CEHK BTMP21 H	CEHM,K	CEHM IDM16 H	CEHP,M	CEHP ID29 H	CEHP,K,J,L
CEHK BTMP22 H	CEHM,K	CEHM IDM17 H	CEHP,M	CEHP ID30 H	CEHP,K,J,L
CEHK BTMP23 H	CEHM,K	CEHM IDM18 H	CEHP,M	CEHP ID31 H	CEHP,K,J,H,L
CEHK BTMP24 H	CEHK,N	CEHM IDM19 H	CEHP,M	CEHP PSL CMP H	CEHP
CEHK BTMP25 H	CEHK,N	CEHM IDM20 H	CEHP,M	CEHP SYS INIT A L	CEHJ,P,D,E,C
CEHK BTMP26 H	CEHK,N	CEHM IDM21 H	CEHP,M	CEHP SYS INIT B L	CEHL,H,F,P,E
CEHK BTMP27 H	CEHK,N	CEHM IDM22 H	CEHP,M	CEHR INTR REQ L	CEHR
CEHK BTMP28 H	CEHK,N	CEHM IDM23 H	CEHP,M	CEHR IPL ACT 0 H	CEHR,M,H
CEHK BTMP29 H	CEHK,N	CEHM IDMA S0 H	CEHM	CEHR IPL ACT 1 H	CEHR,M,H
CEHK BTMP30 H	CEHK,N	CEHM IDMA S1 H	CEHM	CEHR IPL ACT 2 H	CEHR,M,H
CEHK BTMP31 H	CEHK,N	CEHM IDMA S2 H	CEHM	CEHR IPL ACT 3 H	CEHR,M,H
CEHK TMP A0 L	CEHK	CEHM IDM24 H	CEHP,N	CEHR IPL ACT 4 H	CEHR,R,H
CEHK TMP A1 L	CEHK	CEHM IDM25 H	CEHP,N	CEHR REQ GT IPL H	CEHR
CEHK TMP A2 L	CEHK	CEHM IDM26 H	CEHP,N	CEHR VA00 H	CEHR,E
CEHK TMP A3 L	CEHK	CEHM IDM27 H	CEHP,N	CEHR VA00 L	CEHR,E
CEHL +3V E H	CEHL,P	CEHM IDM28 H	CEHP,N	CEHR VA01 H	CEHR,E
CEHL EN T(27:24) H	CEHL	CEHM IDM29 H	CEHP,N	CEHR VA01 L	CEHR,E
CEHL INTV CNT OFLO H	CEHL	CEHM IDM30 H	CEHP,N	CEHR VA02 L	CEHR,E
CEHL INTV CNT16 (1)H	CEHM,L	CEHM IDM31 H	CEHP,N	CEHS SDMS CHNL (1)H	CEHS
CEHL INTV CNT17 (1)H	CEHM,L	CEHM IDMB S0 H	CEHN	CIBH SDMS DEL CLK L	CEHS
CEHL INTV CNT18 (1)H	CEHM,L	CEHM IDMB S1 H	CEHN	CIBH SDMS LOAD H	CEHS
CEHL INTV CNT19 (1)H	CEHM,L	CEHM IDMB S2 H	CEHN	CIBH SDMS SLF TST H	CEHS
CEHL INTV CNT20 (1)H	CEHM,L	CEHP CMP MODE B H	CEHP	CIBN ROM NOP L	CEHE
CEHL INTV CNT21 (1)H	CEHM,L	CEHP CPT0 A H	CEHF,D,P,C,B	CLKB LECL CPT0A3 H	CEHP
CEHL INTV CNT22 (1)H	CEHM,L	CEHP CPT0 B H	CEHM,J,P,E	CLKB LECL CPT0A3 L	CEHP
CEHL INTV CNT23 (1)H	CEHM,L	CEHP CPT1 A H	CEHF,P,E	CLKC OPT1A3 H	CEHP
CEHL INTV CNT24 (1)H	CEHM,L	CEHP CPT3 A H	CEHK,P,E	CLKC OPT1A3 L	CEHP
CEHL INTV CNT25 (1)H	CEHM,L	CEHP CPT3 B H	CEHK,P	CLKE CPT3B2 H	CEHP
CEHL INTV CNT26 (1)H	CEHM,L	CEHP CPT3 C H	CEHP,C,E	CLKE CPT3B2 L	CEHP
CEHL INTV CNT27 (1)H	CEHM,L	CEHP ID00 H	CEHP,B	CLKL SYS INIT H	CEHP
CEHL INTV CNT28 (1)H	CEHM,L	CEHP ID01 H	CEHP,C	DAPB AJALU=A MINUS B L	CEHS,B
CEHL INTV CNT29 (1)H	CEHM,L	CEHP ID02 H	CEHP,B	DAPB AJALU=A PLUS B L	CEHS,S
CEHL INTV CNT30 (1)H	CEHM,L	CEHP ID03 H	CEHP,B	DCPA AMX 00 L	CEHS,B
CEHL INTV CNT31 (1)H	CEHM,L	CEHP ID04 H	CEHP,C	DCPB AMX 07 L	CEHA,S
CEHL NINTV16 H	CEHL	CEHP ID05 H	CEHP,C,H	DCPD BMX 07 L	CEHA,S
CEHL NINTV17 H	CEHL	CEHP ID06 H	CEHP,C,H	DCPF ALU (07:00)=0 L	CEHS,A
CEHL NINTV18 H	CEHL	CEHP ID07 H	CEHP,H	DCPH VA 02 (1)H	CEHR,S
CEHL NINTV19 H	CEHL	CEHP ID16 H	CEHP,J,H,K,L	DCPJ VA 00 (1)H	CEHR,S
CEHL NINTV20 H	CEHL	CEHP ID17 H	CEHP,J,H,K,L	DCPJ VA 01 (1)H	CEHR,S
CEHL NINTV21 H	CEHL	CEHP ID18 H	CEHP,J,H,K,L	DCPL ALU CARRY 07 L	CEHA,S
CEHL NINTV22 H	CEHL	CEHP ID19 H	CEHP,J,H,K,L	DCPL ALU CARRY 15 L	CEHA,S
CEHL NINTV23 H	CEHL	CEHP ID20 H	CEHP,J,K,L,H	DCPL ALU CARRY 31 L	CEHA,S
CEHL NINTV24 H	CEHL	CEHP ID21 H	CEHP,J,K,L	DDPB AMX 15 L	CEHA,S
CEHL NINTV25 H	CEHL	CEHP ID22 H	CEHP,J,H,K,L	DDPD BMX 15 L	CEHA,S
CEHL NINTV26 H	CEHL	CEHP ID23 H	CEHP,J,H,K,L	DDPF ALU (15:08)=0 L	CEHS,A
CEHL NINTV27 H	CEHL	CEHP ID24 H	CEHP,K,J,H,L	DDPN EALU 08 H	CEHS,C
CEHL NINTV28 H	CEHL	CEHP ID25 H	CEHP,K,J,H,L	DDPN EALU 09 H	CEHS,C
CEHL NINTV29 H	CEHL	CEHP ID26 H	CEHP,K,J,H,L	DDPS FLOAT N ZERO H	CEHS,E

NOTES:  
 1. THIS PAGE LISTS THE SCHEMATIC PAGE NUMBER(S) WHERE A SIGNAL NAME IS REFERENCED.

THIS DRAWING AND SPECIFICATIONS ARE THE PROPERTY OF DIGITAL EQUIPMENT CORPORATION AND SHALL NOT BE REPRODUCED OR COPIED OR USED IN WHOLE OR IN PART AS THE BASIS FOR THE MANUFACTURE OR SALE OF ITEMS WITHOUT WRITTEN PERMISSION. COPYRIGHT © 1983. DIGITAL EQUIPMENT CORPORATION.	REVISIONS CHK CHANGE NO. REV		TITLE: CEH FORWARD REFERENCE
	DATE: 22-SEP-83 DATE: 19-SEP-83 14:35		
	BOARD LOCATION: AF14 SHEET: 1 OF 1		
DSKC:(MISKA)CEHW.DRW 117472-0-CEHW			SIZE CODE: K CS NUMBER: 117472-0-CEHW REV: A

8		7		6		5		4		3		2		1		
														REV. A	SIZE CODE K CS	NUMBER M7472-0-CEHX
SIGNAL NAME		PAGE NUMBER(S)		SIGNAL NAME		PAGE NUMBER(S)		SIGNAL NAME		PAGE NUMBER(S)		SIGNAL NAME		PAGE NUMBER(S)		
DEPA ALU 07 H		CEHA														
DEPA ALU 15 H		CEHA														
DEPA ALU 16 H		CEHA														
DEPA ALU 17 H		CEHA														
DEPD AMX 31 L		CEHA,S														
DEPK ALU BUFF 31 L		CEHA,S														
DEPM BMX 31 L		CEHA,S														
DEPN ALU (30:18)=0 L		CEHS,A														
ICLB IPL ACT 0 L		CEHR														
ICLB IPL ACT 1 L		CEHR														
ICLB IPL ACT 2 L		CEHR														
ICLB IPL ACT 3 L		CEHR														
ICLB IPL ACT 4 L		CEHR														
ICLD PSL TP (1)H		CEHN														
ICLF CNSL CMD M L		CEHE														
ICLH ID TO ATMP L		CEHK														
ICLH ID TO BTMP L		CEHK														
ICLH ID TO CES L		CEHC														
ICLH ID TO PSL H		CEHH,B,C														
ICLH ID TO VECT L		CEHJ														
ICLJ ID RIGHT ADDR 2 H		CEHK														
ICLJ ID RIGHT ADDR0 H		CEHK														
ICLJ ID RIGHT ADDR1 H		CEHK														
ICLJ ID RIGHT ADDR3 H		CEHK														
ICLM CLK ICR H		CEHL														
ICLM LOAD NICR H		CEHL														
ICLM EN T(19:16) H		CEHL														
IRCF OPC 0 H		CEHA														
IRCF OPC 1 H		CEHA														
IRCF OPC 2 H		CEHA														
IRCF OPC 3 H		CEHA														
IRCF OPC 4 H		CEHA														
IRCF OPC 5 H		CEHA														
IRCF OPC 6 H		CEHA														
IRCF OPC 7 H		CEHA														
IRCJ BYTE CONT H		CEHD,S														
IRCJ DQ CONT H		CEHD,S														
IRCJ FLOAT H		CEHD,S														
IRCJ WORD CONT H		CEHD,S														
PCSC PAR ERR (31:00) H		CEHE,S														
PCSC PAR ERR (63:32) H		CEHE,S														
PCSC PAR ERR (95:64) H		CEHE,S														
TBMN PAGE EDGE H		CEHS,E														
TBMW EN CMODDADR H		CEHS,E														
TBMW EN UNALIGN TRAP H		CEHS,E														
TBMW SAVE CONTEXT H		CEHD,S														
USCB CLR UWORD H		CEHF														

NOTES:  
1. THIS PAGE LISTS THE SCHEMATIC PAGE NUMBER(S) WHERE A SIGNAL NAME IS REFERENCED.

THIS DRAWING AND SPECIFICATIONS  
HEREIN ARE THE PROPERTY OF  
DIGITAL EQUIPMENT CORPORATION AND  
SHALL NOT BE REPRODUCED OR COPIED  
OR USED IN WHOLE OR IN PART AS  
THE BASIS FOR THE MANUFACTURE OR  
SALE OF ITEMS WITHOUT WRITTEN  
PERMISSION. COPYRIGHT © 1981,  
DIGITAL EQUIPMENT CORPORATION.

REVISIONS		
CHK	CHANGE NO.	REV

digital  
CHK'D.

DATE	ENG.	DATE	TITLE:
23-SEP-83	J. J. J.		CEH
DATE	BOARD LOCATION:	DATE	FORWARD REFERENCE
	AF14		
	SHEET	OF	

DSK:((MISKA)CEHX.DRW 19-SEP-83 14:36 NEXT HIGHER ASSEMBLY:  
FIRST USED ON OPTION/MODEL: 11/785 B-DD-M7472-0-0

SIZE	CODE	NUMBER	REV.
K	CS	M7472-0-CEHX	A

rw






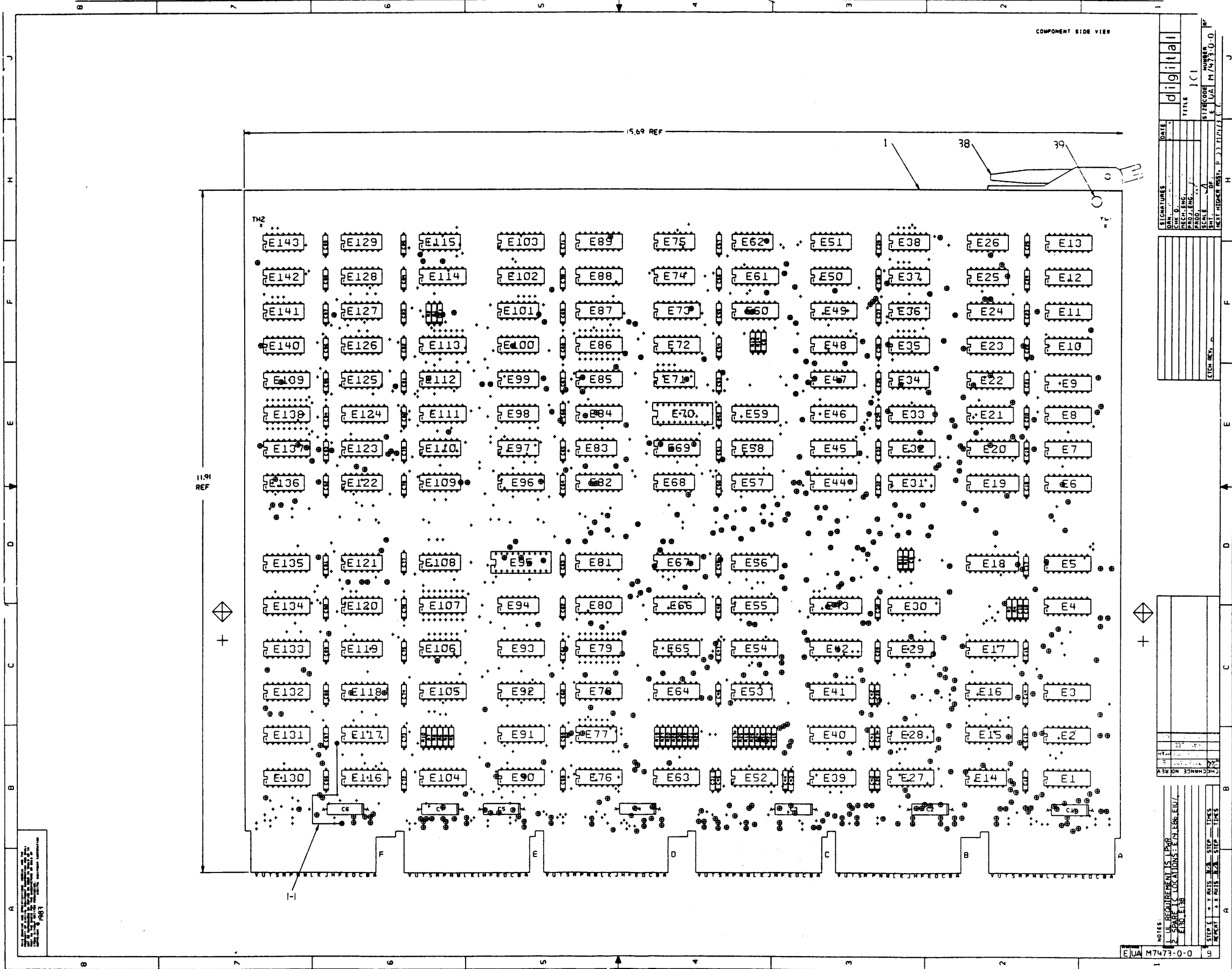
DRAWING NO.	NO. OF SHTS.	PART NO.	DESCRIPTION	REVISIONS																		
				A	B	C																
	-	M7472-00	CEH PART REVISION	A	B	B2																
E-UA-M7472-0-0	2		UNIT ASSEMBLY	A	B	C																
K-PL-M7472-0-DBP	2		PARTS LIST	A	B	C																
K-PC-M7472-0-DBI	-		P.C. DESIGN DATA BASE	A	A	B																
B-DD-5016099-0-0	1		DRAWING DIRECTORY	A	B	C																
K-CS-M7472-C-CEHA	1		SCHEMATIC	A	B	B																
K-CS-M7472-O-CEHB	1		SCHEMATIC	A	A	A																
K-CS-M7472-O-CEHC	1		SCHEMATIC	A	A	A																
K-CS-M7472-O-CEHD	1		SCHEMATIC	A	A	A																
K-CS-M7472-O-CEHE	1		SCHEMATIC	A	B	B																
K-CS-M7472-O-CEHF	1		SCHEMATIC	A	A	A																
K-CS-M7472-O-CEHG	1		SCHEMATIC	A	A	A																
K-CS-M7472-O-CEHH	1		SCHEMATIC	A	A	A																
K-CS-M7472-O-CEHI	1		SCHEMATIC	A	A	A																
K-CS-M7472-O-CEHJ	1		SCHEMATIC	A	A	A																
K-CS-M7472-O-CEHK	1		SCHEMATIC	A	A	A																
K-CS-M7472-O-CEHL	1		SCHEMATIC	A	A	A																
K-CS-M7472-O-CEHM	1		SCHEMATIC	A	A	A																
K-CS-M7472-O-CEHN	1		SCHEMATIC	A	A	A																
K-CS-M7472-O-CEHP	1		SCHEMATIC	A	B	B																
K-CS-M7472-O-CEHR	1		SCHEMATIC	A	B	C																
K-CS-M7472-O-CEHS	1		SCHEMATIC	A	A	A																
KCS M7472-O-CEHT	1		SCHEMATIC	A	A	A																
KCS M7472-O-CEHU	1		FORWARD REF	A	A	A																
KCS M7472-O-CEHV	1		FORWARD REF	A	A	A																
KCS M7472-O-CEHW	1		FORWARD REF	A	A	A																
KCS M7472-O-CEHX	1		FORWARD REF	A	A	A																
KCS M7472-O-DBS	-		SUDS DATA BASE	A	B	C																

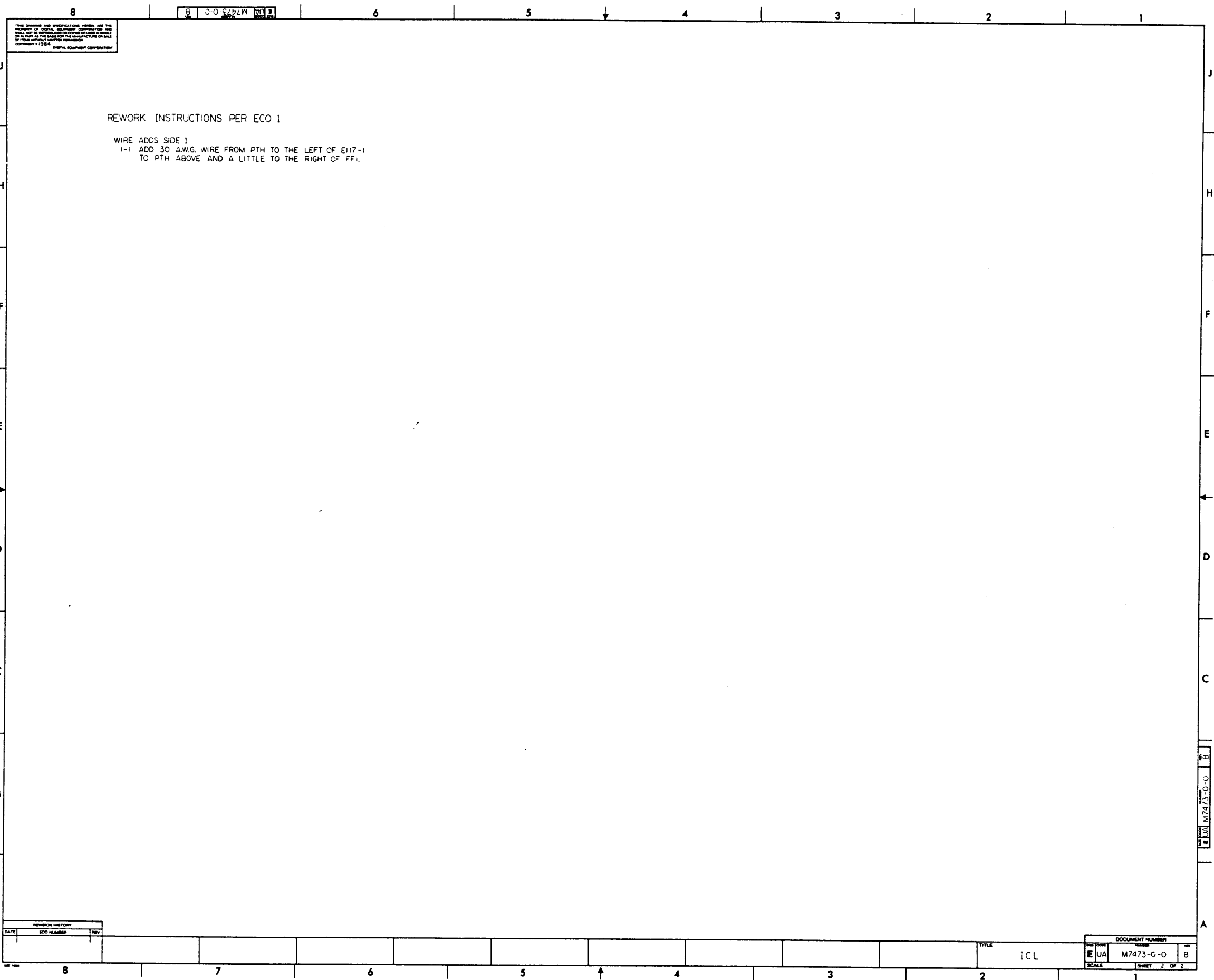
  

DATE	CHG NO.	INIT	REVISIONS			
			REV.	A	B	C
9/83				A		
2/84		TW001		B		
4/84		TW002		C		

"THIS DRAWING AND SPECIFICATIONS, HEREIN, ARE THE PROPERTY OF DIGITAL EQUIPMENT CORPORATION AND SHALL NOT BE REPRODUCED OR COPIED OR USED IN WHOLE OR IN PART AS THE BASIS FOR THE MANUFACTURE OR SALE OF ITEMS WITHOUT WRITTEN PERMISSION.  COPYRIGHT © 1983 DIGITAL EQUIPMENT CORPORATION		USED ON OPTION/MODEL	DRN. <i>S. H. ...</i>	TITLE	CEH	
			CHK'D <i>H. Harpole</i>	9-20-83		
			ENG. <i>...</i>	10-11-83	SIZE	DD
			RECD <i>...</i>	10-11-83	CODE	DD
				NUMBER	M7472-0-0	
				REV.	C	
				SHEET	1 OF 1	





THIS DRAWING AND SPECIFICATIONS HEREBY ARE THE PROPERTY OF SPECTRA ELECTRONIC CORPORATION AND SHALL NOT BE REPRODUCED OR COPIED IN WHOLE OR IN PART AS THE BASIS FOR THE MANUFACTURE OR SALE OF ITEMS WITHOUT WRITTEN PERMISSION COMPANY # 1984 SPECTRA ELECTRONIC CORPORATION

REWORK INSTRUCTIONS PER ECO 1  
 WIRE ADDS SIDE 1  
 1-1 ADD 30 A.W.G. WIRE FROM PTH TO THE LEFT OF E117-1 TO PTH ABOVE AND A LITTLE TO THE RIGHT OF FF1.

REVISION HISTORY		
DATE	ECO NUMBER	REV

DOCUMENT NUMBER		
REV	ECO	APP
E	UA	B

SCALE SHEET 2 OF 2

TITLE ICL

LINE	ITEM	TOP DOCUMENT	PART NUMBER	MIN REV	DESCRIPTION	QTY PER VARIATION	REFERENCE DESIGNATOR
					VARIATION REVISION LEVEL:	00	
1	1	D-MD-5016100-0-0	5016100-01		ETCH CIRCUIT BOARD	1	
2	2		1012084-01		8 MFD 25V +75-10% AL EL	7	C1-C7
3	3		1012784-00		.047 MFD 50V +80-20% CER	92	C8-C99
4	4		1300247-00		120.0 .25 W 5.0 % CF	8	R15-R22
5	5		1300250-00		150.0 .25 W 5.0 % CF	8	R23-R30
6	6		1300295-00		330.0 .25 W 5.0 % CF	7	R1,R3,R5,R6,R7,R11,R13
7	7		1301424-00		680.0 .25 W 5.0 % CF	4	R2,R4,R12,R14
8	8		1301775-00		820.0 .25 W 5.0 % CF	3	R8,R9,R10
9	9		1921305-01		74F00 NAND GATE,QUAD,2-IN	6	E57,E58,E110,E115,E122,E128
10	10		1921307-01		74F04 HEX INVERTER	13	E14,E38,E53,E75,E83,E94,E97, E112,E119,E120,E125,E136,E143
11	11		1921308-01		74F08 AND GATE,QUAD,2-IN	2	E37,E141
12	12		1921309-01		74F10 NAND GATE,TRIPLE,3-I	5	E68,E98,E123,E129,E142
13	13		1921310-01		74F11 AND GATE,TRIPLE,3-IN	3	E101,E109,E127
14	14		1921311-01		74F20 NAND GATE,DUAL,4-IN	1	E108
15	15		1912746-01		74S37-1BUFFER-GATE	2	E35,E71
16	16		1911712-00		74S51 AND-OR GATE-INVERT D	4	E51,E74,E126,E140
17	17		1921313-01		74F64 AND OR INVERT GATE,4-	4	E26,E62,E36,E121
18	18		1921314-01		74F74 FF-D,DUAL,POS,EDGE	5	E25,E50,F99,E100,E106
19	19		1922192-01		74F382 4-BIT ARITHMETIC LOGIC UN	1	E95
20	20		1910545-00		74S112 FF-JK DUAL,EDGE TRIG	2	E13,E113
21	21		1921316-01		74F138 DECODER/DEMUX,1-OF-8	2	E89,E114
22	22		1921317-01		74F139 DECODER,DUAL,1-OF-4	1	E96
23	23		1912796-00		74148 ENCODER,PRIORITY,8 T	4	E32,E49,E73,E88
24	24		1921318-01		74F151 MUX,8-IN	17	E1-E7,E15,E28,E29,E31,E44,E45, E46,E54,E55,E135
25	25		1921319-01		74F153 MUX,DUAL,4-IN	5	E60,E61,E132,E133,E139
26	26		1921320-01		74F157 MUX,QUAD,2-IN	2	E69,E118
27	27		1921321-01		74F158 MUX,QUAD,2-IN	7	E64,E90,E92,E105,E111,E116,E117
28	28		1921323-01		74F174 FF-D,HEX	4	E8,E11,E22,E91

REVISION HISTORY		BASIC PART NO: M7473		DRN: A.RUSZCZYK	DATE: 01-FEB-83	D I G I T A L		
ENG	ECO NUMBER	REV	SECTION A OF A	CHK'D: F GAROFALO	DATE: 05-JUL-83	TITLE PARTS LIST		
---	INITIAL	A	SECTION VARIATION INDEX	DES.ENG: GRANT LEE	DATE: 01-AUG-83	DOCUMENT NUMBER		
			(A) 00	RESP.ENG.: GRANT LEE	DATE: 01-AUG-83	SIZE	CODE	NUMBER
			(B)	MFG.ENG.: M.KRYSAK	DATE: 13-SEP-83	K	PL	M7473-0-DBP
			(C)	ASSEMBLY NUMBER:	TOP DOCUMENT NUMBER:	RELEASE DATE: 14-OCT-83		REV
			(D)	E-UA-M7473-0-0	B-DD-M7473-0-0	FILE NAME:	EDIT #	
			(E)			Z3946A.PLS	7	
			(F)					
			(G)					
			(H)					
			(I)					
			(J)					
			(K)					
			(L)					
			(M)					
			(N)					

THIS DRAWING AND THE SPECIFICATIONS CONTAINED HEREIN ARE CONFIDENTIAL AND PROPRIETARY. THEY ARE THE PROPERTY OF DIGITAL EQUIPMENT CORPORATION AND SHALL NOT BE REPRODUCED OR COPIED OR USED IN WHOLE OR IN PART AS THE BASIS FOR THE MANUFACTURE OR SALE OF ITEMS WITHOUT WRITTEN PERMISSION. THIS IS AN UNPUBLISHED WORK PROTECTED UNDER THE FEDERAL COPYRIGHT LAWS.

AUTOMATED BY PRTLST.40(50)

P A R T S L I S T

SHEET A2 OF A2

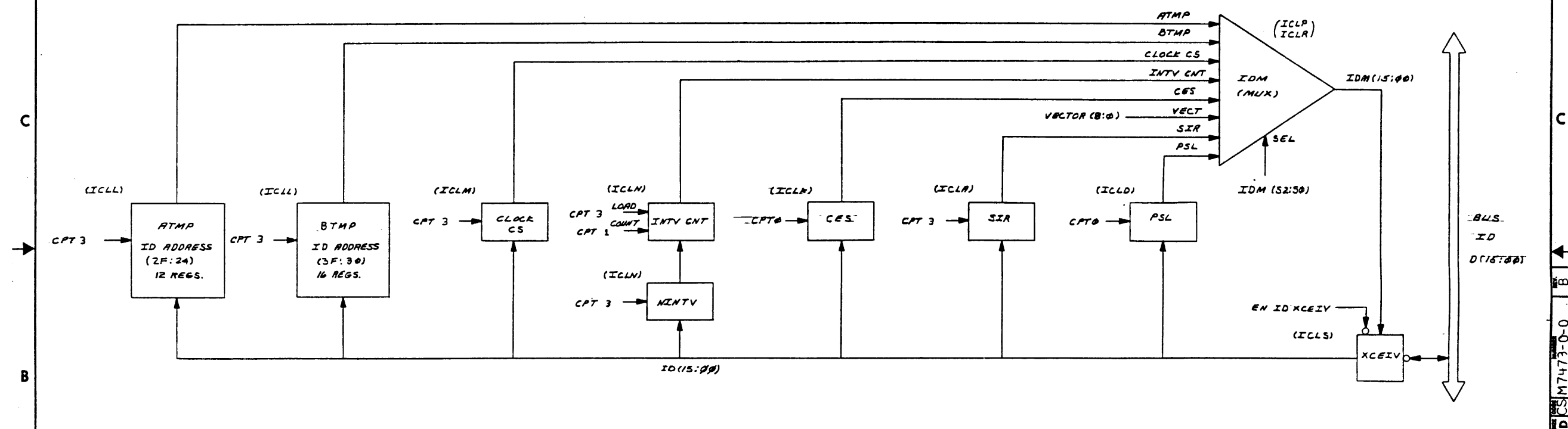
LINE	ITEM	TOP DOCUMENT	PART NUMBER	MIN REV	DESCRIPTION	QTY PER VARIATION	REFERENCE DESIGNATOR
						00	
							VARIATION REVISION LEVEL:
29	29		1921324-01		74F175 FF-D,QUAD	13	E16,E21,E33,E47,E67,E72,E85,E87, E93,E102,E103,E104,E124
30	30		1921327-01		74F194 SHIFT REG,UNIV,BIDIR	5	E48,E56,E59,E65,E81
31	31		1913839-00		LS165 SHIFT REG.,8BIT	8	E27,E78,E80,E82,E84,E131,E134, E137
32	32		1912586-01		85S68A REGISTER,16X4 EDGE T	8	E17-E20,E30,E42,E43,E66
33	33		1921322-01		74F161 BINARY COUNTER,PRESE	5	E9,E10,E12,E23,E24
34	34		1921720-01		10H125 TRANSLATOR ECL TO TTL QUA	2	E52,E63
35	35		1913788-00		26S10 TRANSCEIVER,BUS,QUA	4	E39,E40,E41,E76
36	36		1911469-00		DEC 8640 RECEIVER,BUS,QUAD,U	1	E77
37	37		2303182-00		B2-03	1	E70
38	38		1216988-02		HANDLE,MODULE,HEX TWO EJECTORS	1	
39	39		9000024-01		EYELET,ROLLED 0,1210DX0,192	12	
40	40		1921312-01		74F32 OR GATE,QUAD,2-IN	1	E34

41 NOTE: I C SPARE LOCATIONS ARE E79,E86,E107,E130 & E138.

D I G I T A L	TITLE ICL	SECTION A OF A	SIZE K	CODE PL	DOCUMENT NUMBER M7473-0-DBP	REV A
---------------	--------------	----------------	-----------	------------	--------------------------------	----------

THIS DRAWING AND SPECIFICATIONS HEREIN ARE THE PROPERTY OF DIGITAL EQUIPMENT CORPORATION AND SHALL NOT BE REPRODUCED OR COPIED OR USED IN WHOLE OR IN PART AS THE BASIS FOR THE MANUFACTURE OR SALE OF ITEMS WITHOUT WRITTEN PERMISSION. COPYRIGHT © 1983, DIGITAL EQUIPMENT CORPORATION

LOW BITS BLOCK DIAGRAM



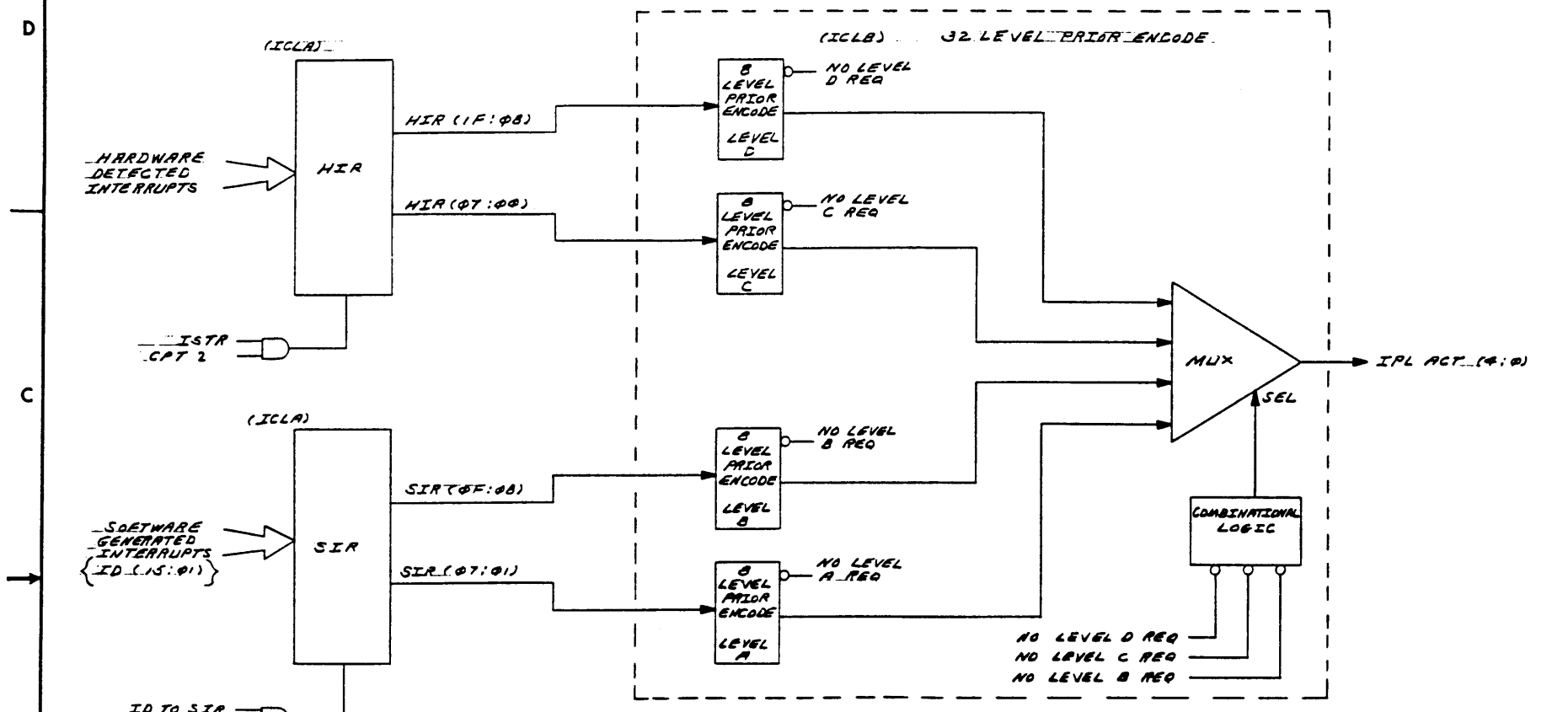
REV.	CHG.	NO.	BY	DATE
1	1	1	GRANT LEE	10-11-83
2	1	1	GRANT LEE	10-11-83
3	1	1	GRANT LEE	10-11-83
4	1	1	GRANT LEE	10-11-83

(REGISTER BLOCK DIAGRAM)

DRN. #	5-13-77	FIRST USED ON	digital
CHK'D	5-22-77	TITLE	INTERRUPT CONTROL AND LOW BITS (ICL)
ENG. #	10-8-83	SIZE	D CS
PROJ. ENG. #	10-11-83	CODE	M7473-0-0
PROO. #	10-11-83	NUMBER	1
NEXT HIGHER ASSY.		REV.	B
SCALE	1 OF 21	DIST.	

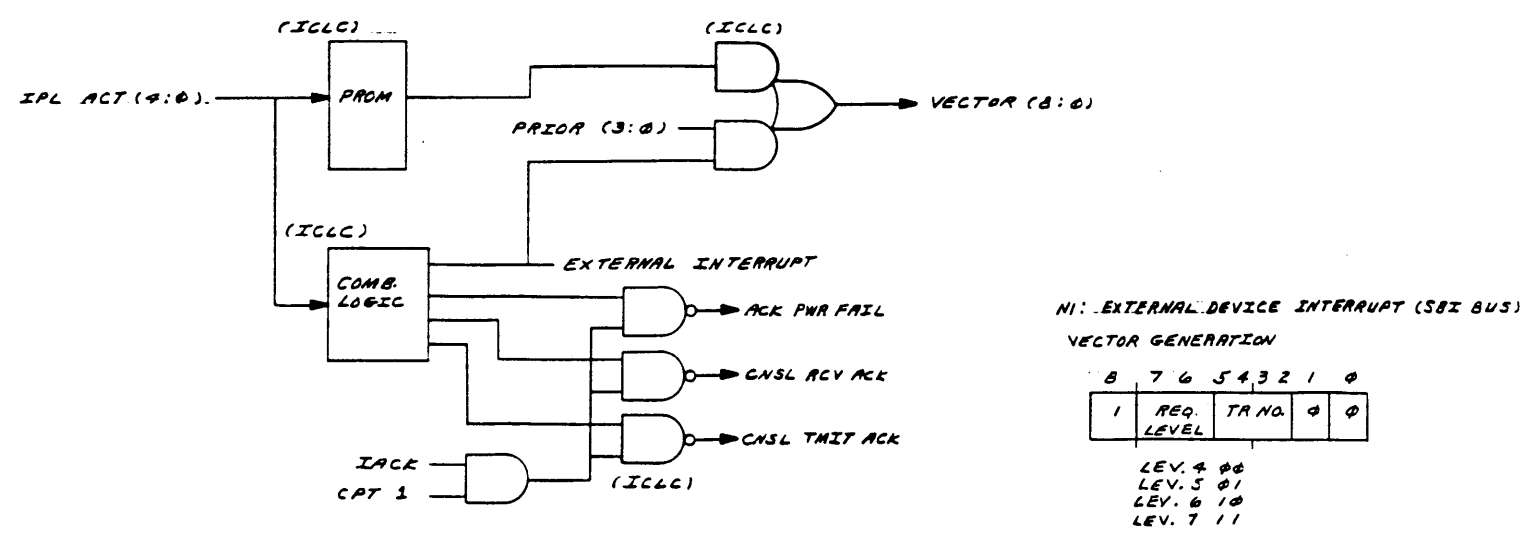
THIS DRAWING AND SPECIFICATIONS HEREIN ARE THE PROPERTY OF DIGITAL EQUIPMENT CORPORATION AND SHALL NOT BE REPRODUCED OR COPIED OR USED IN WHOLE OR IN PART AS THE BASIS FOR THE MANUFACTURE OR SALE OF ITEMS WITHOUT WRITTEN PERMISSION. COPYRIGHT © 1973 DIGITAL EQUIPMENT CORPORATION

**INTERRUPT ARBITRATION**



**INTERRUPT PRIORITY & VECTORS**

IPL ACT	INTERRUPT CONDITION	VECTOR	PRIORITY
1F	NONE ASSIGNED	x	HIGHEST
1E	CPU POWER FAIL	0C	
1D	CPU TIMEOUT	60	
1C	SBI FAULT	5C	
1B	SBI ALERT	5B	
1A	CARD RDS	54	
19	SBI SILO COMPARE	50	
18	INTERVAL TIMER	C0	
17	SBI REQ 7 (N1)	1C0 TO 1FC	
16	SBI REQ 6 (N1)	1B0 TO 1BC	
15	SBI REQ 5 (N1)	1A0 TO 17C	
14	SBI REQ 4 (N1)	100 TO 13C	
	CNSL RECEIVE INTR	FB	
	CNSL TRANSMIT INTR	FC	
13	NONE ASSIGNED	x	
12	NONE ASSIGNED	x	
11	NONE ASSIGNED	x	
10	NONE ASSIGNED	x	
0F	SIR0F	8C	
0E	SIR0E	8B	
0D	SIR0D	84	
0C	SIR0C	80	
0B	SIR0B	AC	
0A	SIR0A	AB	
09	SIR09	A4	
08	SIR08	A0	
07	SIR07	9C	
06	SIR06	9B	
05	SIR05	94	
04	SIR04	90	
03	SIR03	8C	
02	SIR02 OR AST DEL	8B	
01	SIR01	84	
00	NO INTERRUPT	x	LOWEST



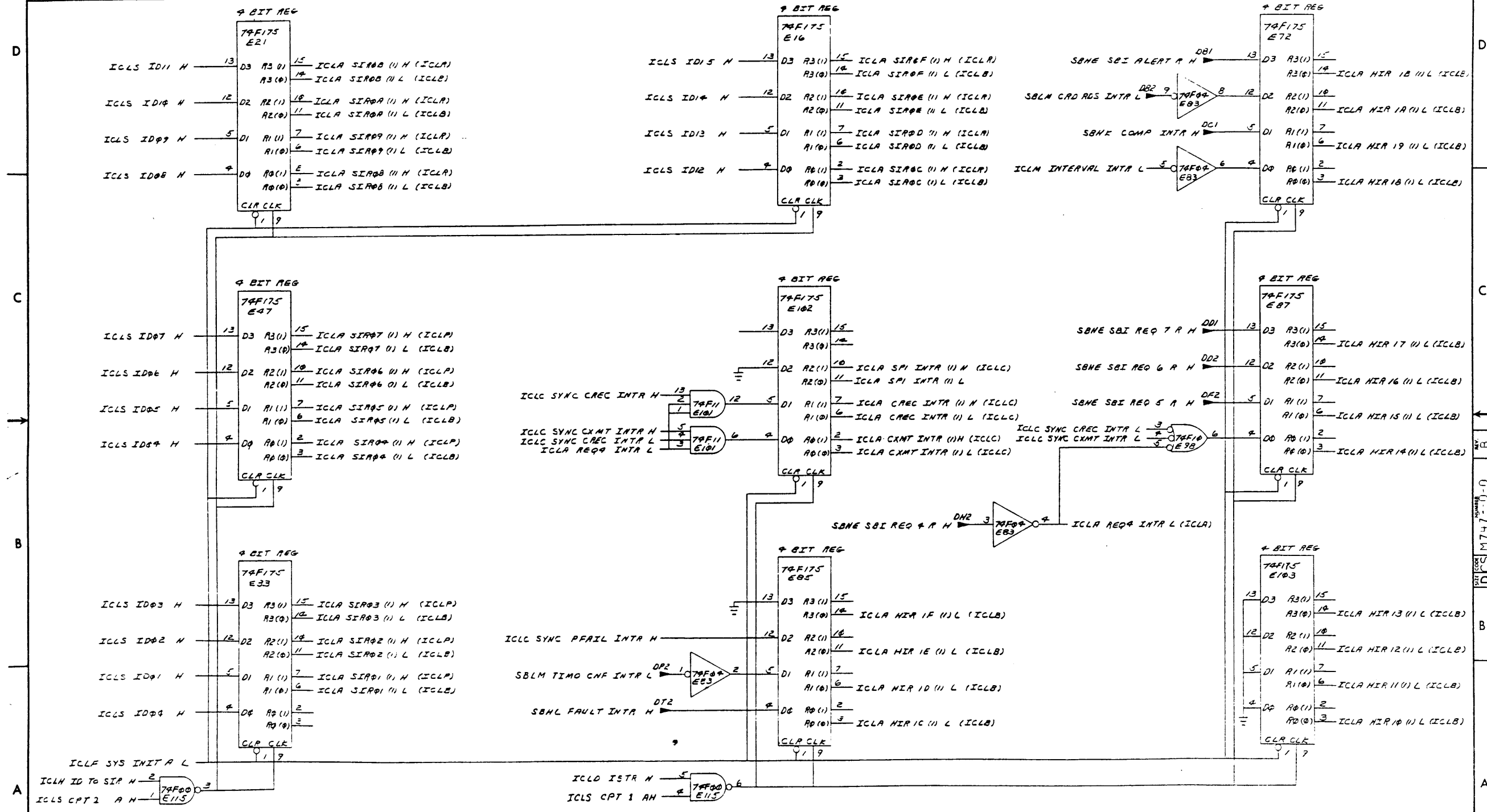
REVISIONS		
CHK	CHANGE NO.	REV.

(INTERRUPTS BLOCK DIAGRAM)

TITLE	INTERRUPT CONTROL AND LOW BITS (ICL)	SIZE CODE	DCS	NUMBER	M7473-0-0	REV.	E
SCALE	←	SHEET	2 OF 21	DIST.			



THIS DRAWING AND SPECIFICATIONS HEREIN ARE THE PROPERTY OF DIGITAL EQUIPMENT CORPORATION AND SHALL NOT BE REPRODUCED OR COPIED OR USED IN WHOLE OR IN PART AS THE BASIS FOR THE MANUFACTURE OR SALE OF ITEMS WITHOUT WRITTEN PERMISSION. COPYRIGHT © 1973 DIGITAL EQUIPMENT CORPORATION.



REVISIONS		
CHK	CHANGE NO.	REV.

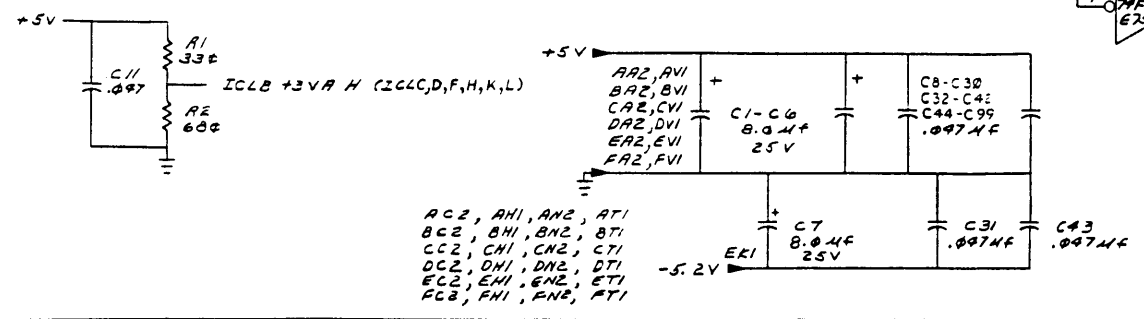
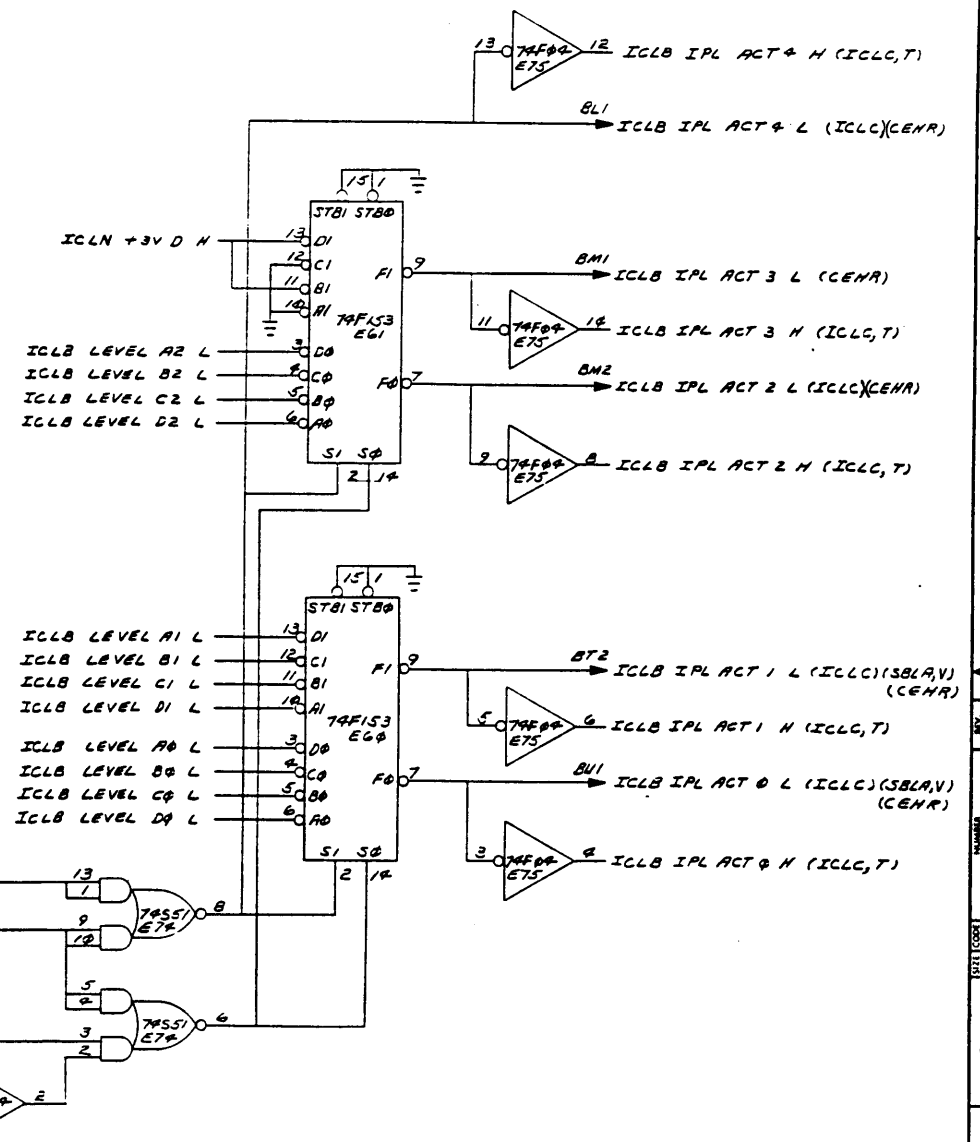
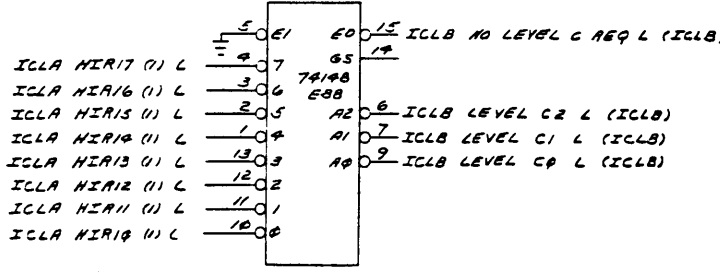
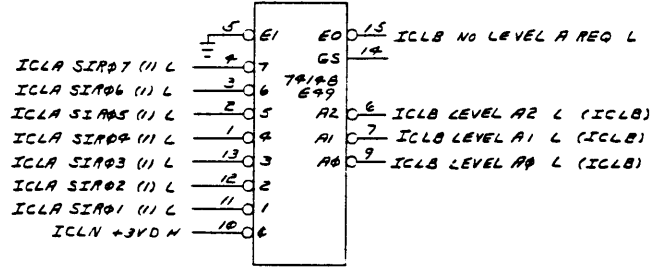
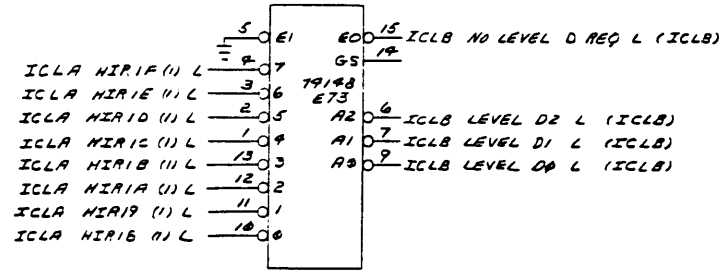
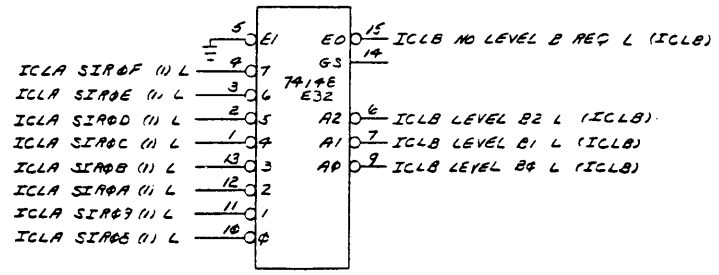
(SOFTWARE & HARDWARE INTERRUPT REQUEST REGS (SIR & HIR)) (SLOT 15)

TITLE	INTER interrupt CONTROL AND LOW BITS (ICLA)	SIZE CODE	D CS	NUMBER	M7473-00	REV.	B
SCALE		SHEET	3 OF 21	DIST.			

"THIS DRAWING AND SPECIFICATIONS HEREIN ARE THE PROPERTY OF DIGITAL EQUIPMENT CORPORATION AND SHALL NOT BE REPRODUCED OR COPIED OR USED IN WHOLE OR IN PART AS THE BASIS FOR THE MANUFACTURE OR SALE OF ITEMS WITHOUT WRITTEN PERMISSION. COPYRIGHT © 1983 DIGITAL EQUIPMENT CORPORATION"

74F153-9:1 MUX	NO LEVEL D REQ	NO LEVEL C REQ	NO LEVEL B REQ	SELECTED LEVEL
H X X L	X	X	X	X
L L L A → F	H	X	X	D (2:0)
L L H B → F	L	H	X	C (2:0)
L H L C → F	L	L	H	B (2:0)
L H H D → F	L	L	L	A (2:0)

74148-PRIORITY ENCODER

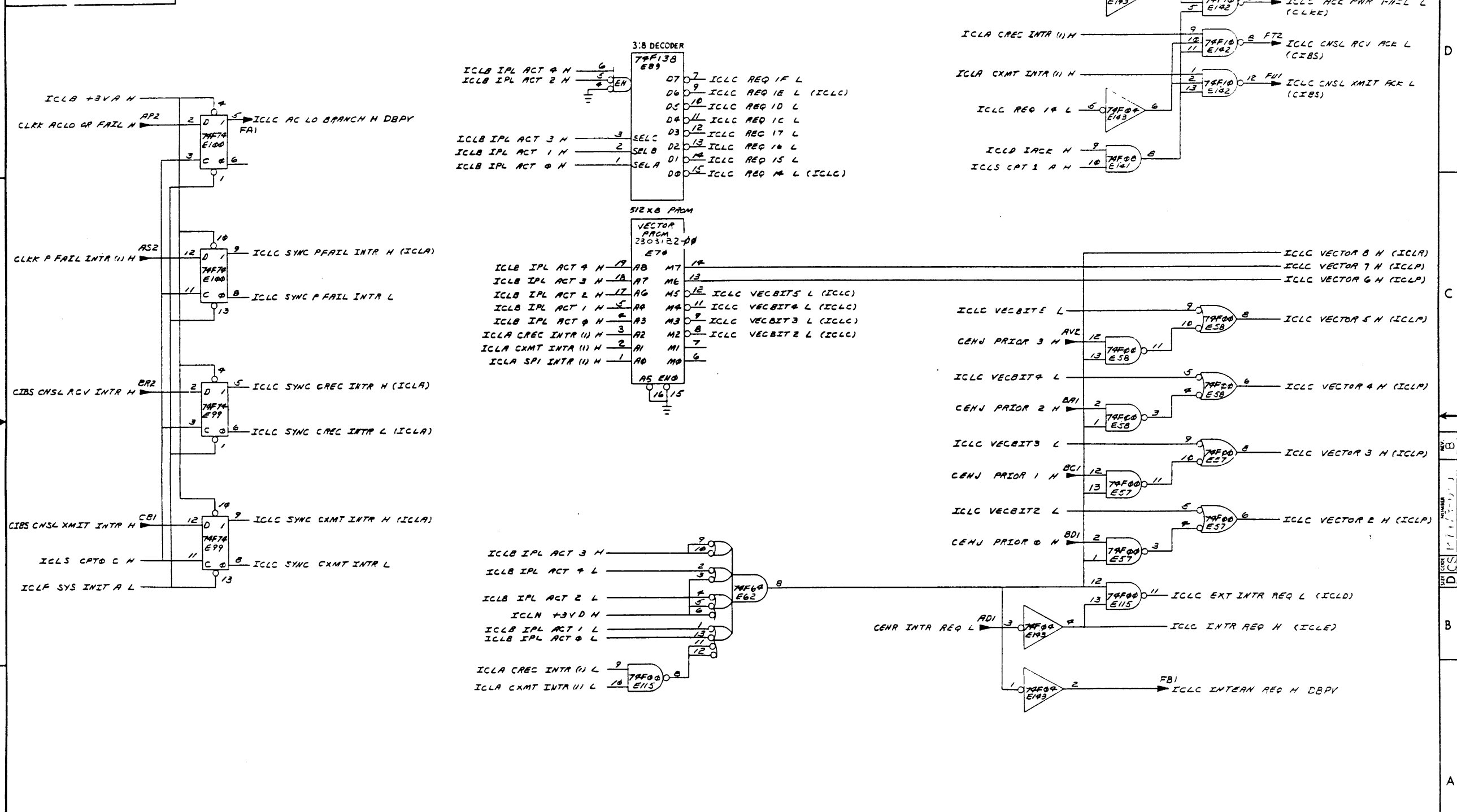


REVISIONS		
CHK	CHANGE NO.	REV.

(INTERRUPT PRIORITY ARBITRATION) (SLOT 15)

TITLE	INTERRUPT CONTROL AND LOW BITS (ICLB)	SIZE CODE	DCS	NUMBER	M7473-0-0	REV.	B
SCALE		SHEET	4 OF 21	DIST.			

THIS DRAWING AND SPECIFICATIONS HEREIN ARE THE PROPERTY OF DIGITAL EQUIPMENT CORPORATION AND SHALL NOT BE REPRODUCED OR COPIED OR USED IN WHOLE OR IN PART AS THE BASIS FOR THE MANUFACTURE OR SALE OF ITEMS WITHOUT WRITTEN PERMISSION. COPYRIGHT © 1973 DIGITAL EQUIPMENT CORPORATION

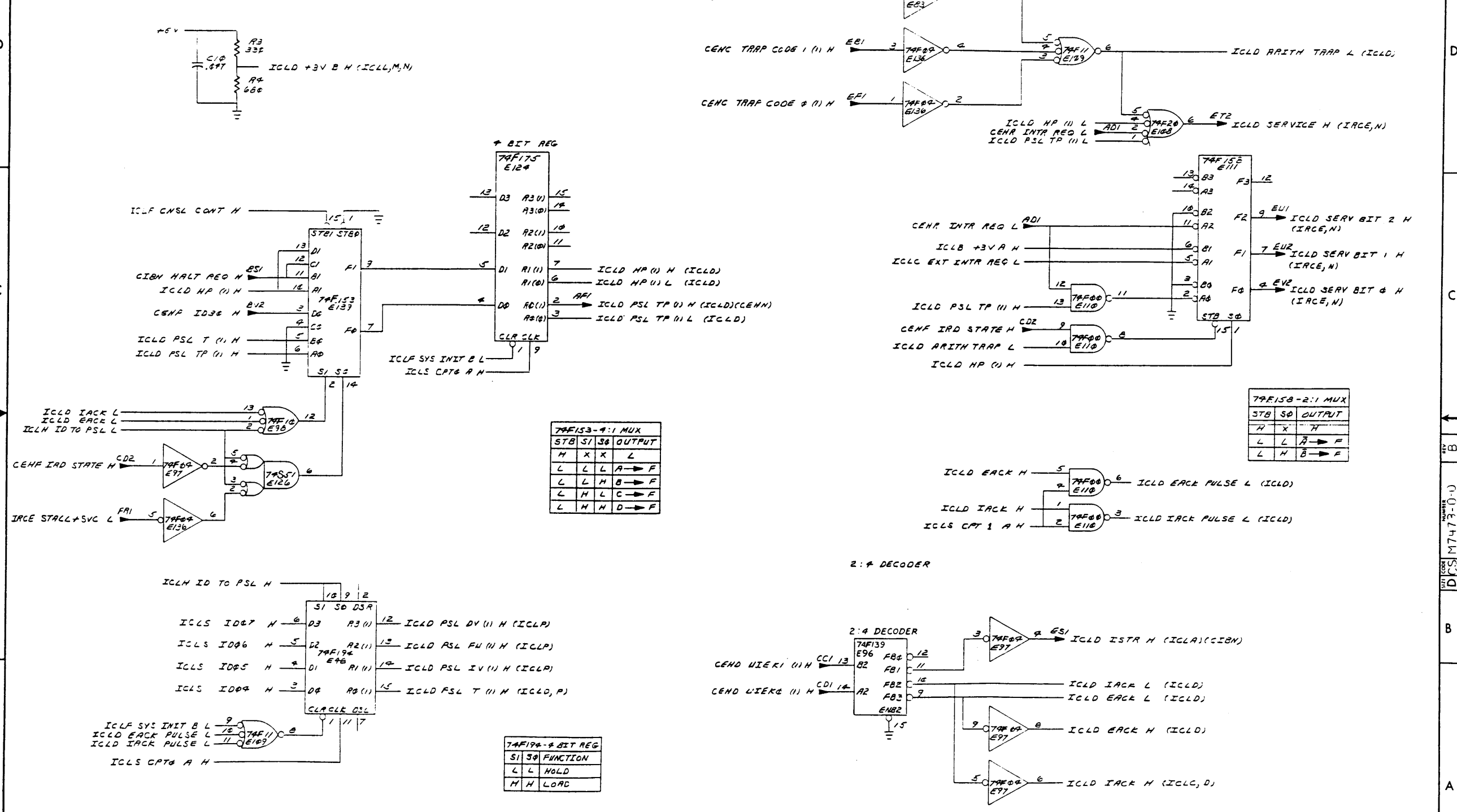


REVISIONS		
CHK	CHANGE NO.	REV.

(INTERRUPT ACKNOWLEDGES & VECTOR GENERATION) (SLOT 15)

TITLE	INTERRUPT CONTROL AND LOW BITS (ICLC)	SIZE CODE	DCS	NUMBER	M7473-0-0	REV.	B
SCALE		SHEET	50F21	DIST.			

"THIS DRAWING AND SPECIFICATIONS HEREIN ARE THE PROPERTY OF DIGITAL EQUIPMENT CORPORATION AND SHALL NOT BE REPRODUCED OR COPIED OR USED IN WHOLE OR IN PART AS THE BASIS FOR THE MANUFACTURE OR SALE OF ITEMS WITHOUT WRITTEN PERMISSION. COPYRIGHT © 1973 DIGITAL EQUIPMENT CORPORATION"

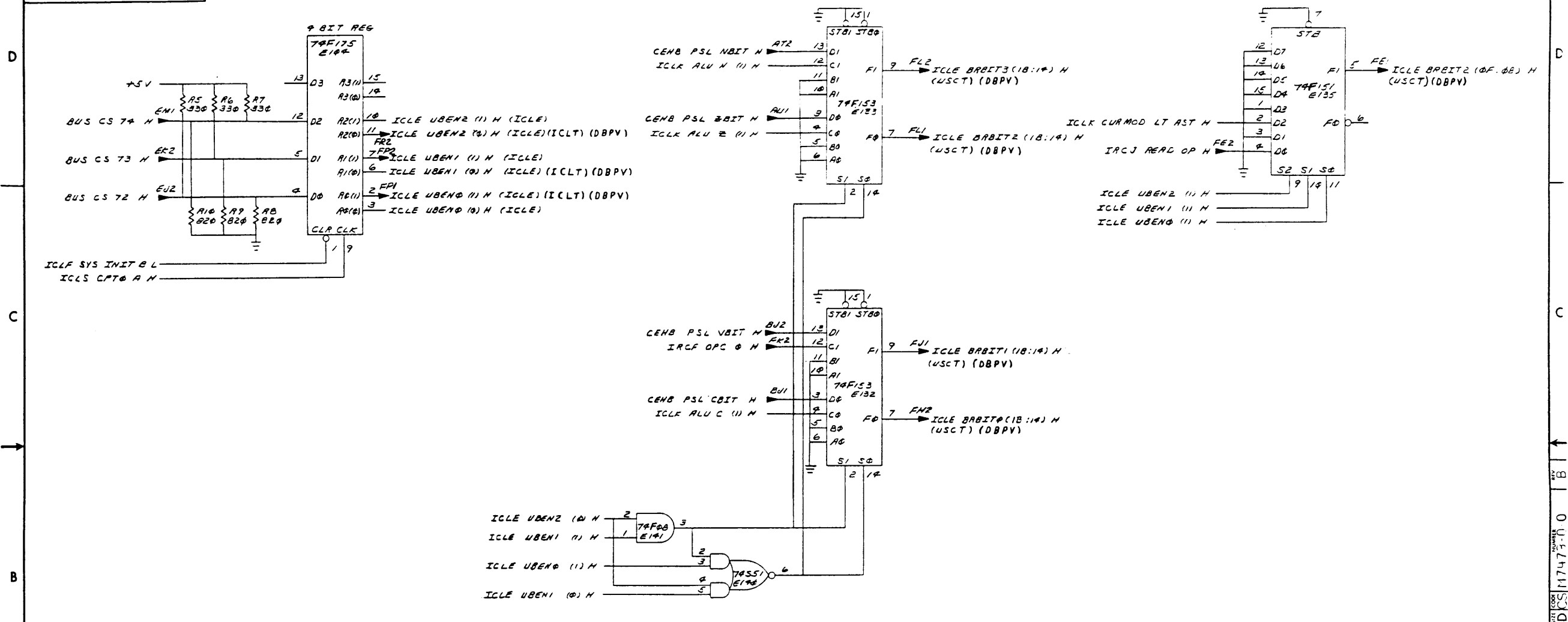


REVISIONS		
CHK	CHANGE NO.	REV.

(A FORK SERVICE LOGIC & PSL BITS) (SLOT 15)

TITLE	INTERRUPT CONTROL AND LOW BITS (ICLD)	SIZE CODE	DCS	NUMBER	M7473-C 0	REV.	B
SCALE		SHEET	6 OF 21	DIST.			

THIS DRAWING AND SPECIFICATIONS HEREIN ARE THE PROPERTY OF DIGITAL EQUIPMENT CORPORATION AND SHALL NOT BE REPRODUCED OR COPIED OR USED IN WHOLE OR IN PART AS THE BASIS FOR THE MANUFACTURE OR SALE OF ITEMS WITHOUT WRITTEN PERMISSION. COPYRIGHT © 1973 DIGITAL EQUIPMENT CORPORATION



**BEN (18:14) MUXES**

74F153-4:1 MUX	STB	S1	S0	OUTPUT	BEN SELECTED
	H	X	X	L	X
	L	L	L	A → F	19, 18
	L	L	H	B → F	17, 14
	L	H	L	C → F	16
	L	H	H	D → F	15

**BEN (0F:0E) MUXES**

74F153-4:1 MUX	STB	S1	S0	OUTPUT	BEN SELECTED
	H	X	X	L	X
	L	L	L	A → F	0D, 0C
	L	L	H	B → F	0B, 06
	L	H	L	C → F	0F
	L	H	H	D → F	0E

**74F151-8:1 MUX**

STB	S2	S1	S0	OUTPUT	BEN SELECTED
H	X	X	X	F1=L	X
L	L	L	L	D0 → F1	0E
L	L	L	H	D1 → F1	09
L	L	H	L	D2 → F1	0A
L	L	H	H	D3 → F1	0B
L	H	L	L	D4 → F1	0C
L	H	L	H	D5 → F1	0D
L	H	H	L	D6 → F1	0E
L	H	H	H	D7 → F1	0F

**REVISIONS**

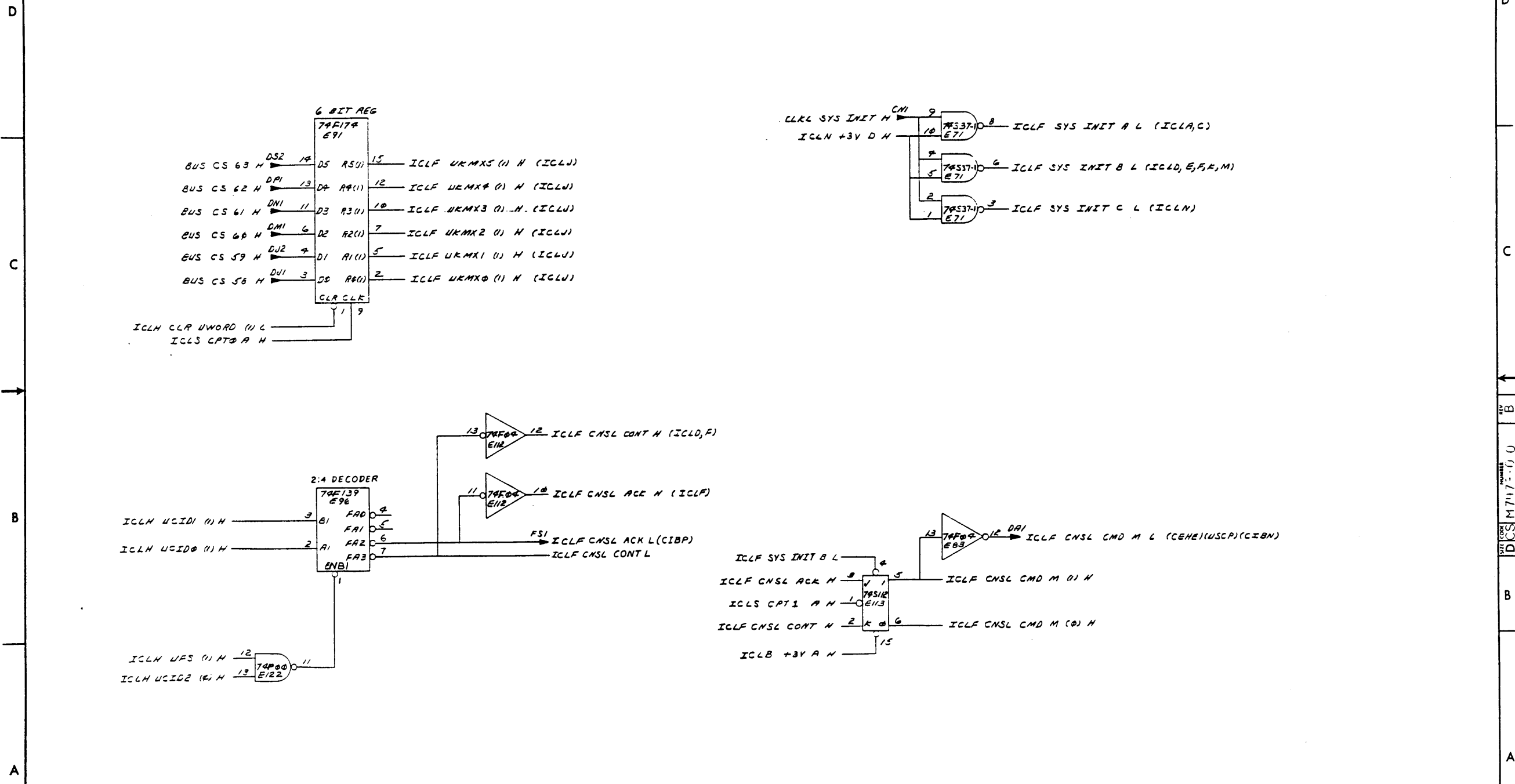
CHK	CHANGE NO.	REV.

(UBEN & UBRANCH MULTIPLEXORS) (SLOT 15)

TITLE	INTER interrupt CONTROL AND LOW BITS (ICLE)	SIZE CODE	DCS	NUMBER	M7473-0-0	REV.	B
SCALE		SHEET	7 OF 21	DIST.			

"THIS DRAWING AND SPECIFICATIONS HEREIN ARE THE PROPERTY OF DIGITAL EQUIPMENT CORPORATION AND SHALL NOT BE REPRODUCED OR COPIED OR USED IN WHOLE OR IN PART AS THE BASIS FOR THE MANUFACTURE OR SALE OF ITEMS WITHOUT WRITTEN PERMISSION. COPYRIGHT © 1973 DIGITAL EQUIPMENT CORPORATION"

00-327LW SCQ 2

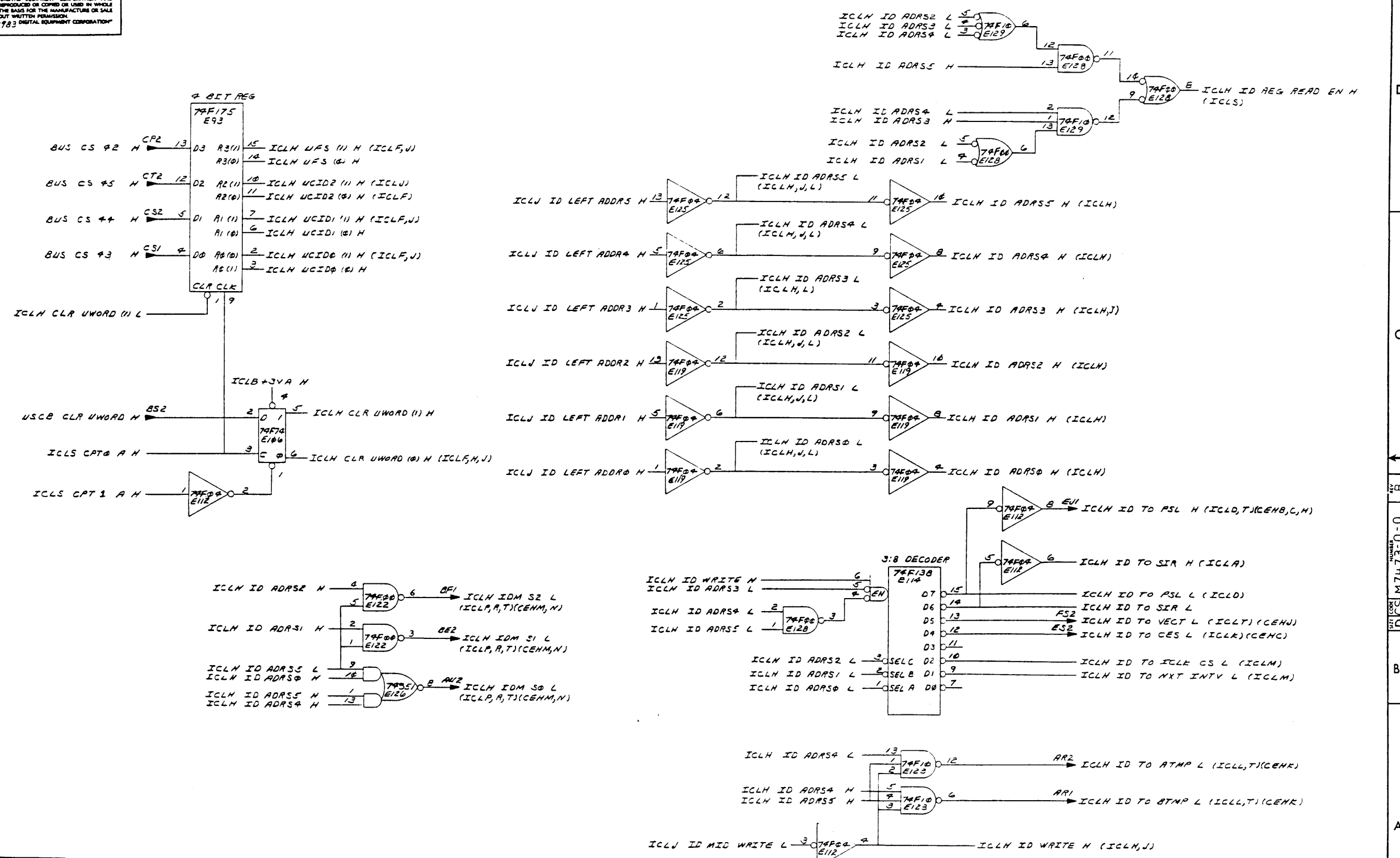


REVISIONS		
CHK	CHANGE NO.	REV.

(CONSOLE MODE CONTROL LOGIC & UKMX) (SLOT 15)

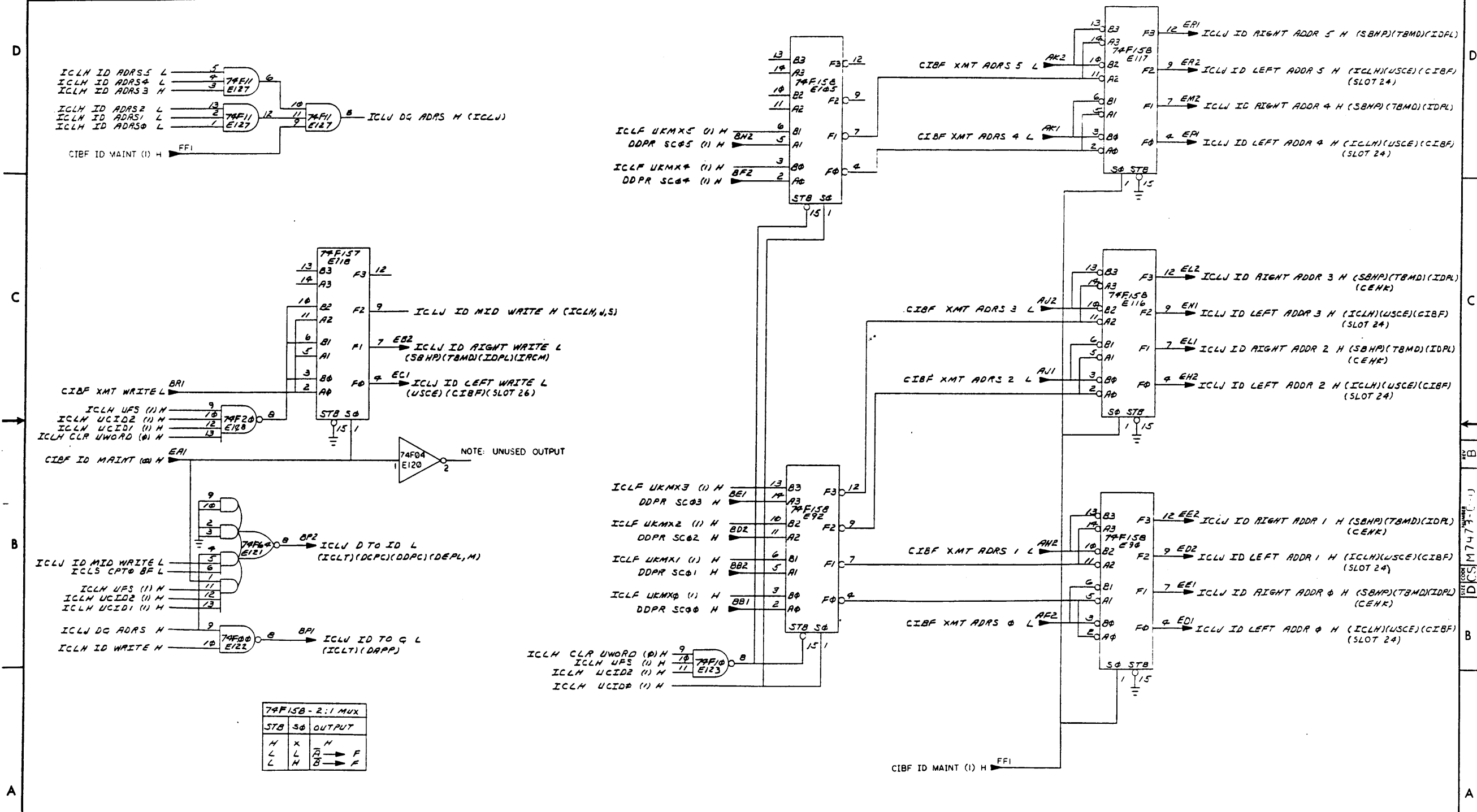
TITLE	INTERRUPT CONTROL AND LOW BITS (ICLF)	SIZE CODE	DCS	NUMBER	M7473-0-0	REV.	3
SCALE		SHEET	8 OF 21	DIST.			

THIS DRAWING AND SPECIFICATIONS HEREIN ARE THE PROPERTY OF DIGITAL EQUIPMENT CORPORATION AND SHALL NOT BE REPRODUCED OR COPIED OR USED IN WHOLE OR IN PART AS THE BASIS FOR THE MANUFACTURE OR SALE OF ITEMS WITHOUT WRITTEN PERMISSION. COPYRIGHT © 1973 DIGITAL EQUIPMENT CORPORATION



REVISIONS		
CHK	CHANGE NO.	REV.

THIS DRAWING AND SPECIFICATIONS HEREIN ARE THE PROPERTY OF DIGITAL EQUIPMENT CORPORATION AND SHALL NOT BE REPRODUCED OR COPIED OR USED IN WHOLE OR IN PART AS THE BASIS FOR THE MANUFACTURE OR SALE OF ITEMS WITHOUT WRITTEN PERMISSION. COPYRIGHT © 1973 DIGITAL EQUIPMENT CORPORATION



74F158 - 2:1 MUX

STB	S0	OUTPUT
H	X	H
L	L	F
L	H	F

REVISIONS

CHK	CHANGE NO.	REV.

(ID BUS CONTROL) (SLOT 15)

TITLE	INTERRUPT CONTROL AND LOW BITS (ICLJ)	SIZE CODE	D CS	NUMBER	M7473-00	REV.	B
SCALE	+	SHEET	10 OF 21	DIST.			



THIS DRAWING AND SPECIFICATIONS, HEREIN, ARE THE PROPERTY OF DIGITAL EQUIPMENT CORPORATION AND SHALL NOT BE REPRODUCED OR COPIED OR USED IN WHOLE OR IN PART AS THE BASIS FOR THE MANUFACTURE OR SALE OF ITEMS WITHOUT WRITTEN PERMISSION. COPYRIGHT © 1983 DIGITAL EQUIPMENT CORPORATION

74F157-2:1 MUX

STB	S0	OUTPUT
H	X	L
L	L	A → F
L	H	B → F

74F158-2:1 MUX

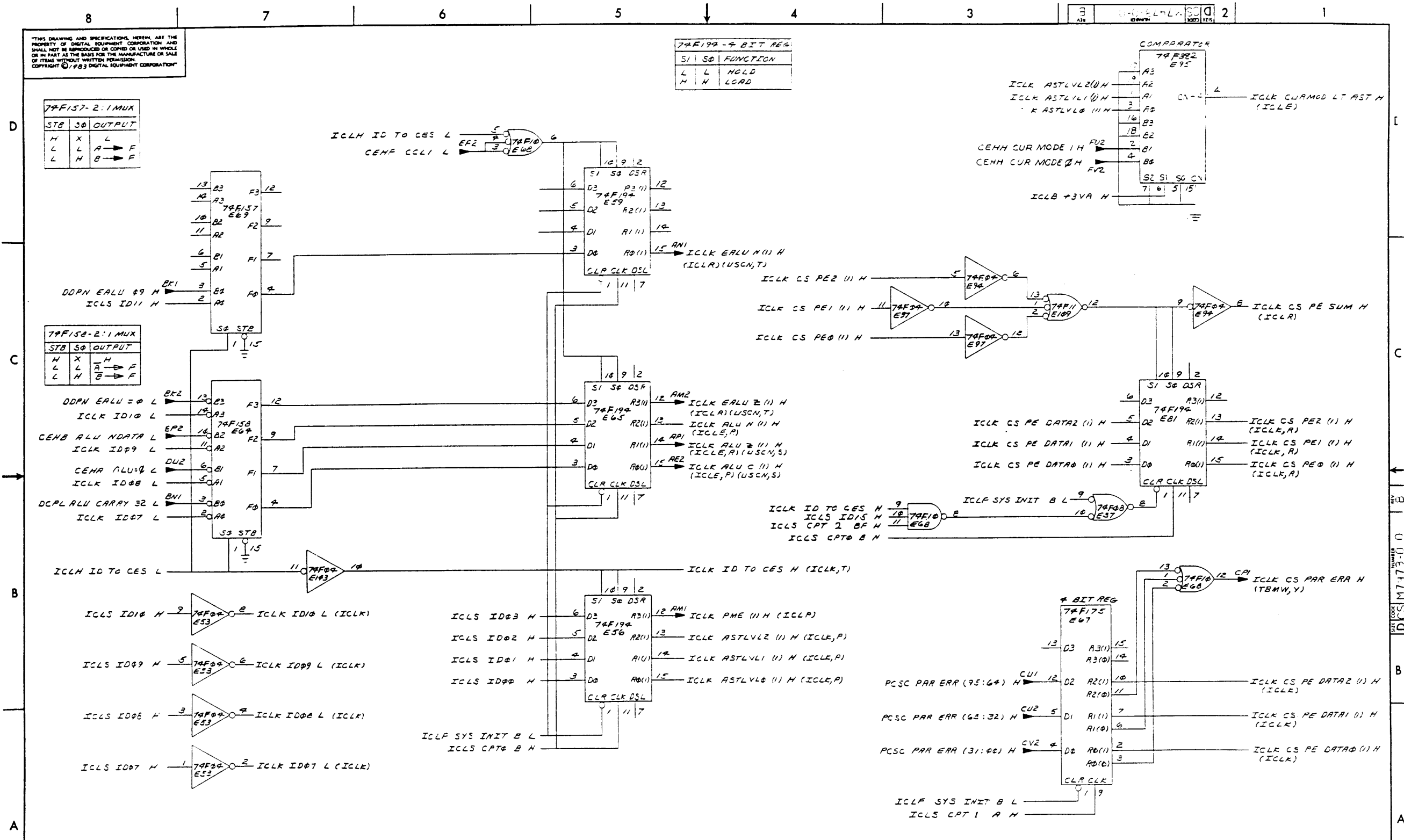
STB	S0	OUTPUT
H	X	H
L	L	A → F
L	H	B → F

74F194-4 BIT REG.

S1	S0	FUNCTION
L	L	HOLD
H	H	LOAD

COMPARATOR

S1	S0	CN
L	L	0
L	H	1
H	L	2
H	H	3



REVISIONS

CHK	CHANGE NO.	REV.

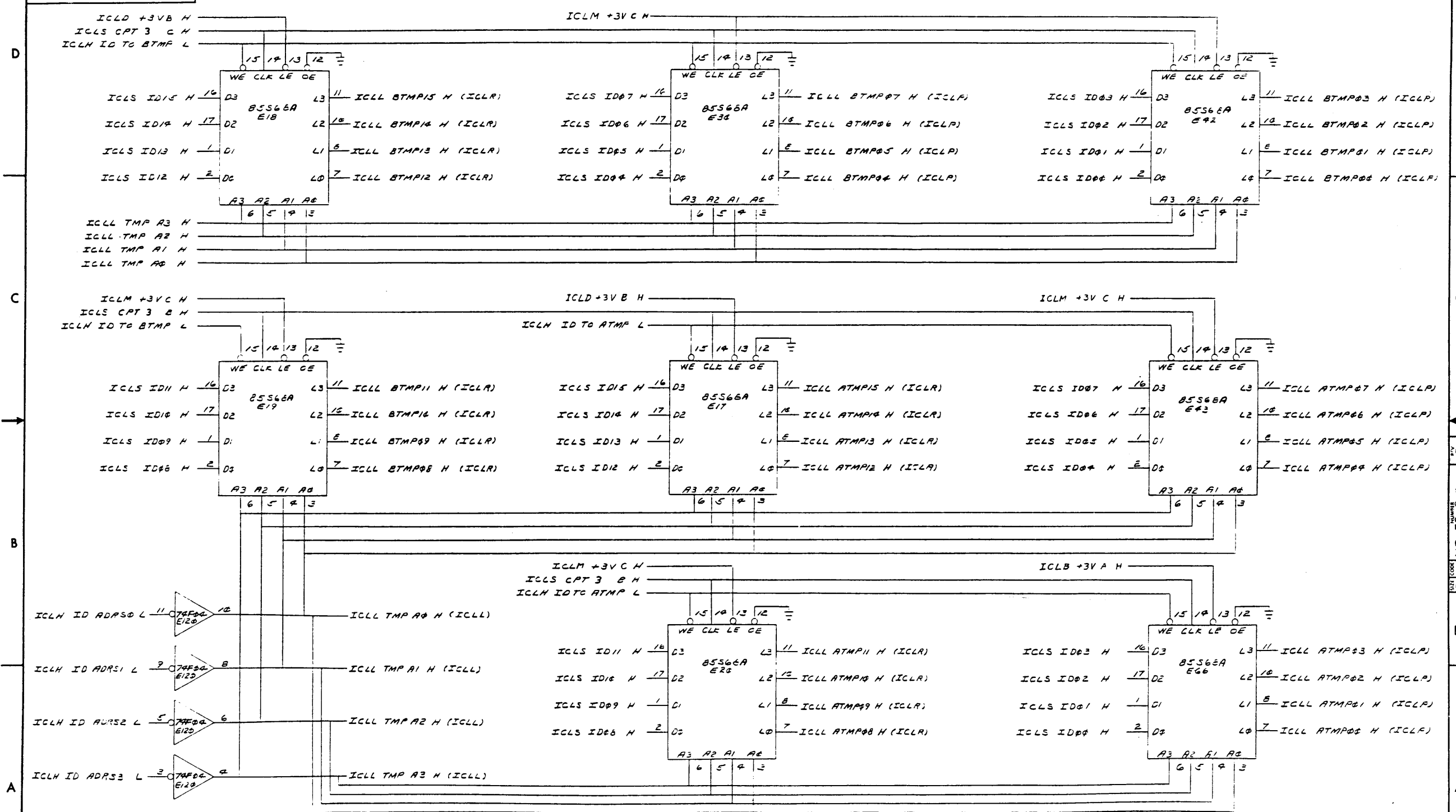
(CPU ERROR/STATUS REG (CES)) (SLOT 15)

TITLE	SIZE CODE	NUMBER	REV.
INTERRUPT CONTROL AND LOW BITS (ICLK)	D CS	M7473 0-0	B

SCALE: SHEET 11 OF 21 DIST. 1

THIS DRAWING AND SPECIFICATIONS, HEREIN, ARE THE PROPERTY OF DIGITAL EQUIPMENT CORPORATION AND SHALL NOT BE REPRODUCED OR COPIED OR USED IN WHOLE OR IN PART AS THE BASIS FOR THE MANUFACTURE OR SALE OF ITEMS WITHOUT WRITTEN PERMISSION. COPYRIGHT © 1983 DIGITAL EQUIPMENT CORPORATION

B5566A-16x9 EDGE TRIGGERED REG

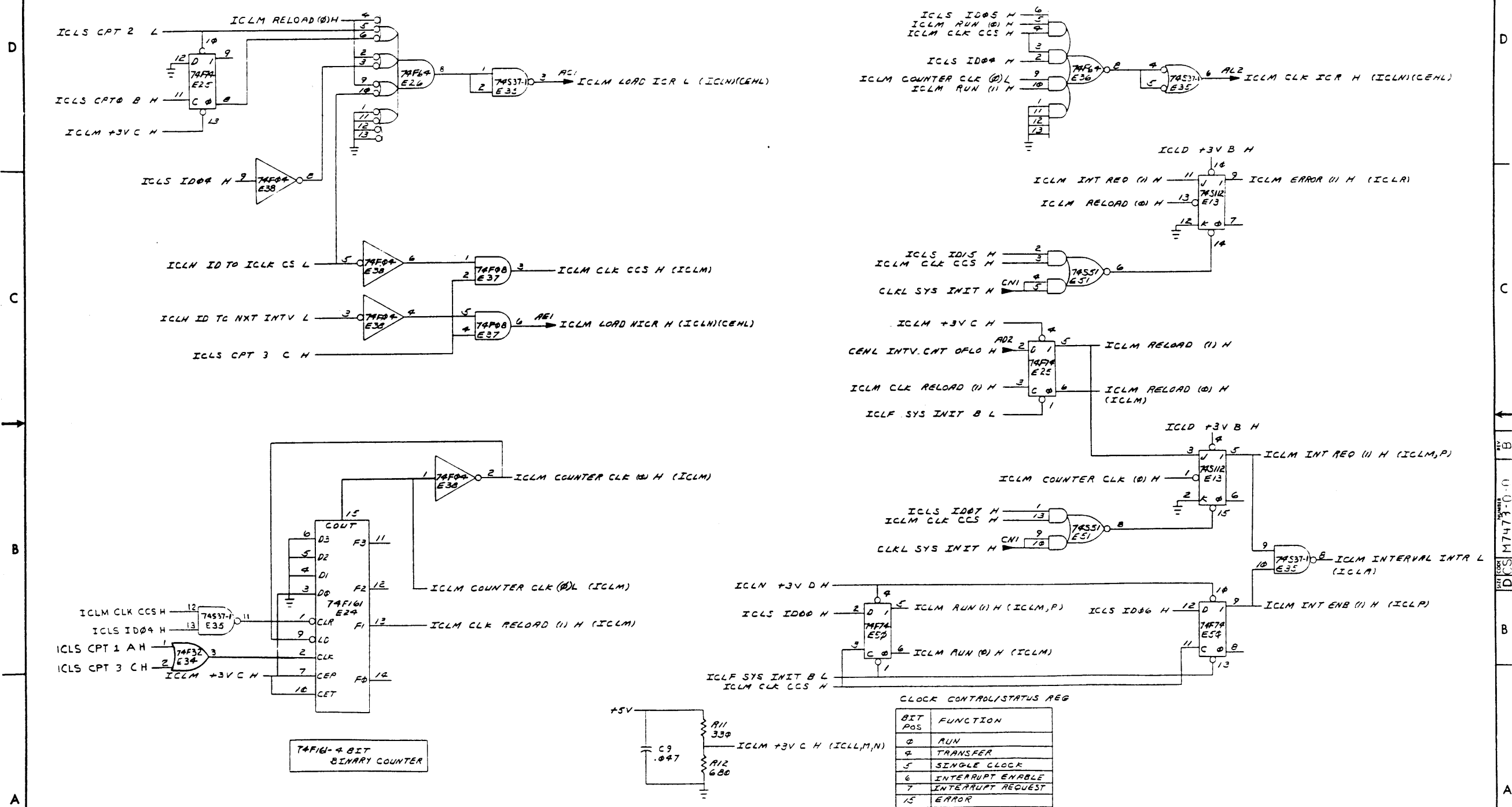


REVISIONS		
CHK	CHANGE NO.	REV.

(ID REGISTERS (24 TO 2F) LOW BITS) (SLOT 15)

TITLE	INTERRUPT CONTROL AND LOW BITS (ICLL)	SIZE CODE	DCS	NUMBER	M7473-0-0	REV.	B
SCALE		SHEET	12 OF 21	DIST.			

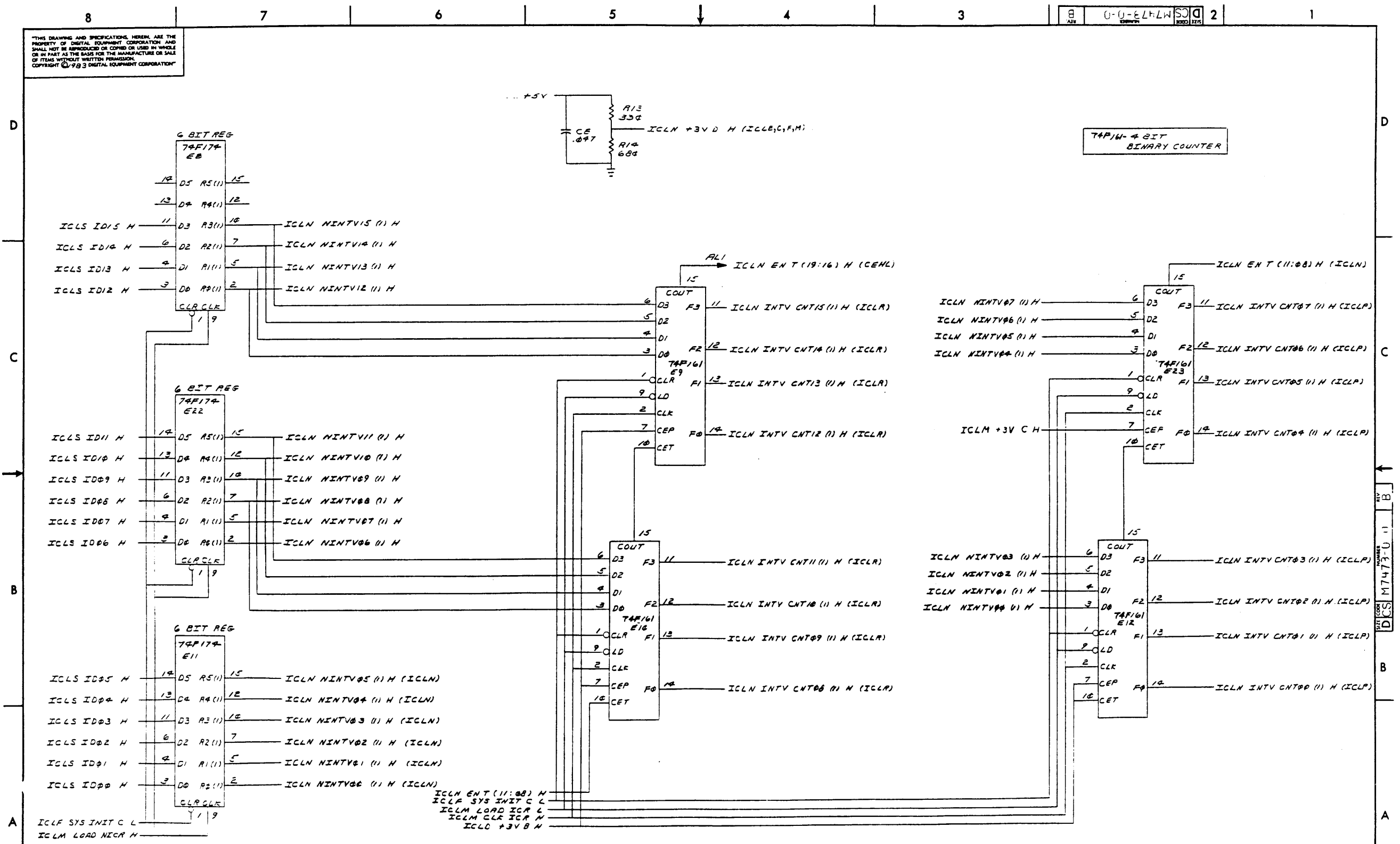
THIS DRAWING AND SPECIFICATIONS HEREIN ARE THE PROPERTY OF DIGITAL EQUIPMENT CORPORATION AND SHALL NOT BE REPRODUCED OR COPIED OR USED IN WHOLE OR IN PART AS THE BASIS FOR THE MANUFACTURE OR SALE OF ITEMS WITHOUT WRITTEN PERMISSION. COPYRIGHT © 1973 DIGITAL EQUIPMENT CORPORATION



REVISIONS		
CHK	CHANGE NO.	REV.

(INTERVAL CLOCK CONTROL) (SLOT 15)			
TITLE	SIZE CODE	NUMBER	REV.
INTERRUPT CONTROL AND LOW BITS (ICLM)	D CS	M7473-0-0	5
SCALE	SHEET 13 OF 21	DIST.	

THIS DRAWING AND SPECIFICATIONS HEREIN ARE THE PROPERTY OF DIGITAL EQUIPMENT CORPORATION AND SHALL NOT BE REPRODUCED OR COPIED OR USED IN WHOLE OR IN PART AS THE BASIS FOR THE MANUFACTURE OR SALE OF ITEMS WITHOUT WRITTEN PERMISSION. COPYRIGHT © 1973 DIGITAL EQUIPMENT CORPORATION

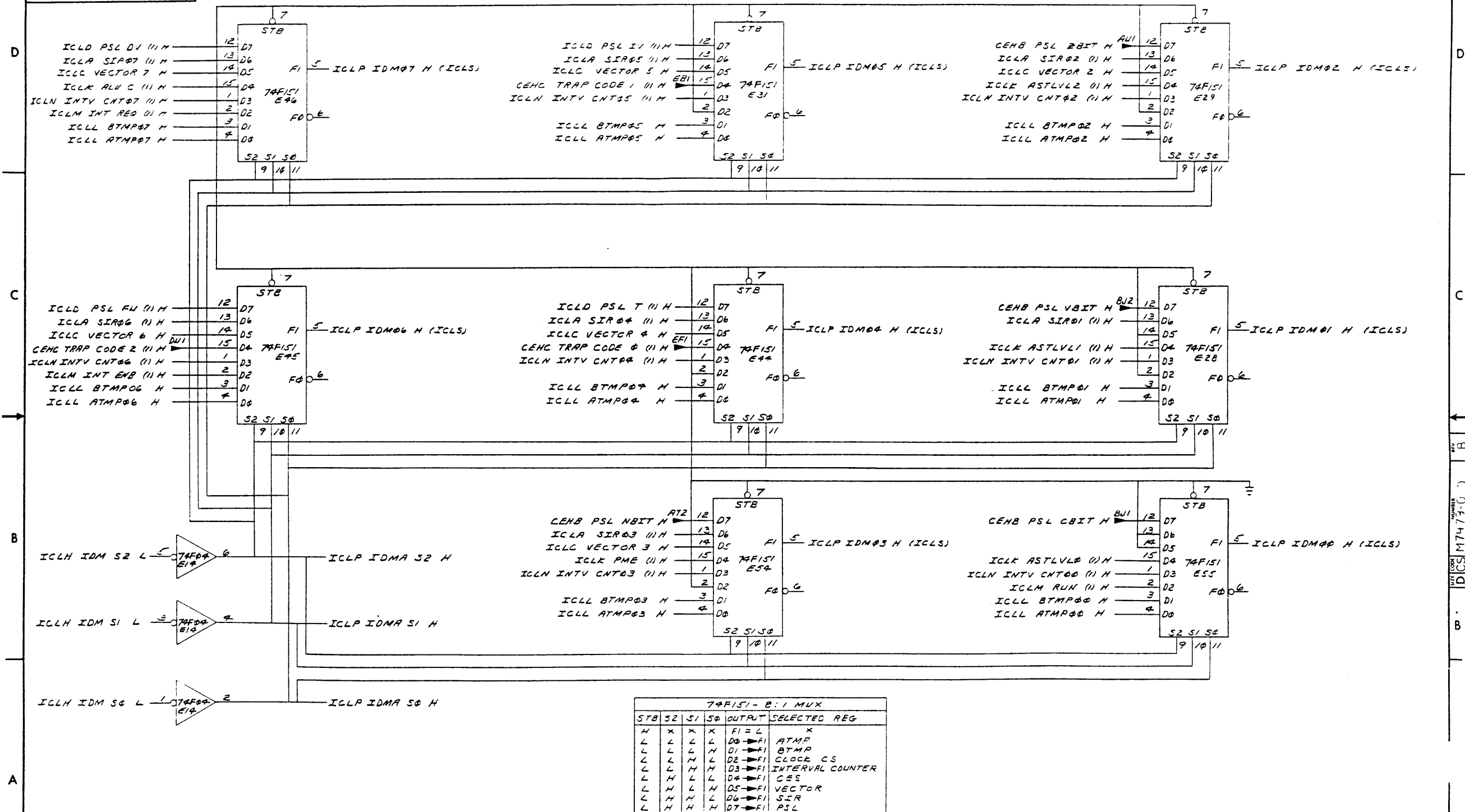


REVISIONS		
CHK	CHANGE NO.	REV.

(NEXT INTERVAL REG & INTERVAL COUNTER LOW BITS) (SLOT 15)

TITLE	INTERRUPT CONTROL AND LOW BITS (ICLN)	SIZE CODE	DCS	NUMBER	M7473-0-0	REV.	B
SCALE		SHEET	14 OF 21	DIST.			

THIS DRAWING AND SPECIFICATIONS HEREIN ARE THE PROPERTY OF DIGITAL EQUIPMENT CORPORATION AND SHALL NOT BE REPRODUCED OR COPIED OR USED IN WHOLE OR IN PART AS THE BASIS FOR THE MANUFACTURE OR SALE OF ITEMS WITHOUT WRITTEN PERMISSION. COPYRIGHT © 1973 DIGITAL EQUIPMENT CORPORATION

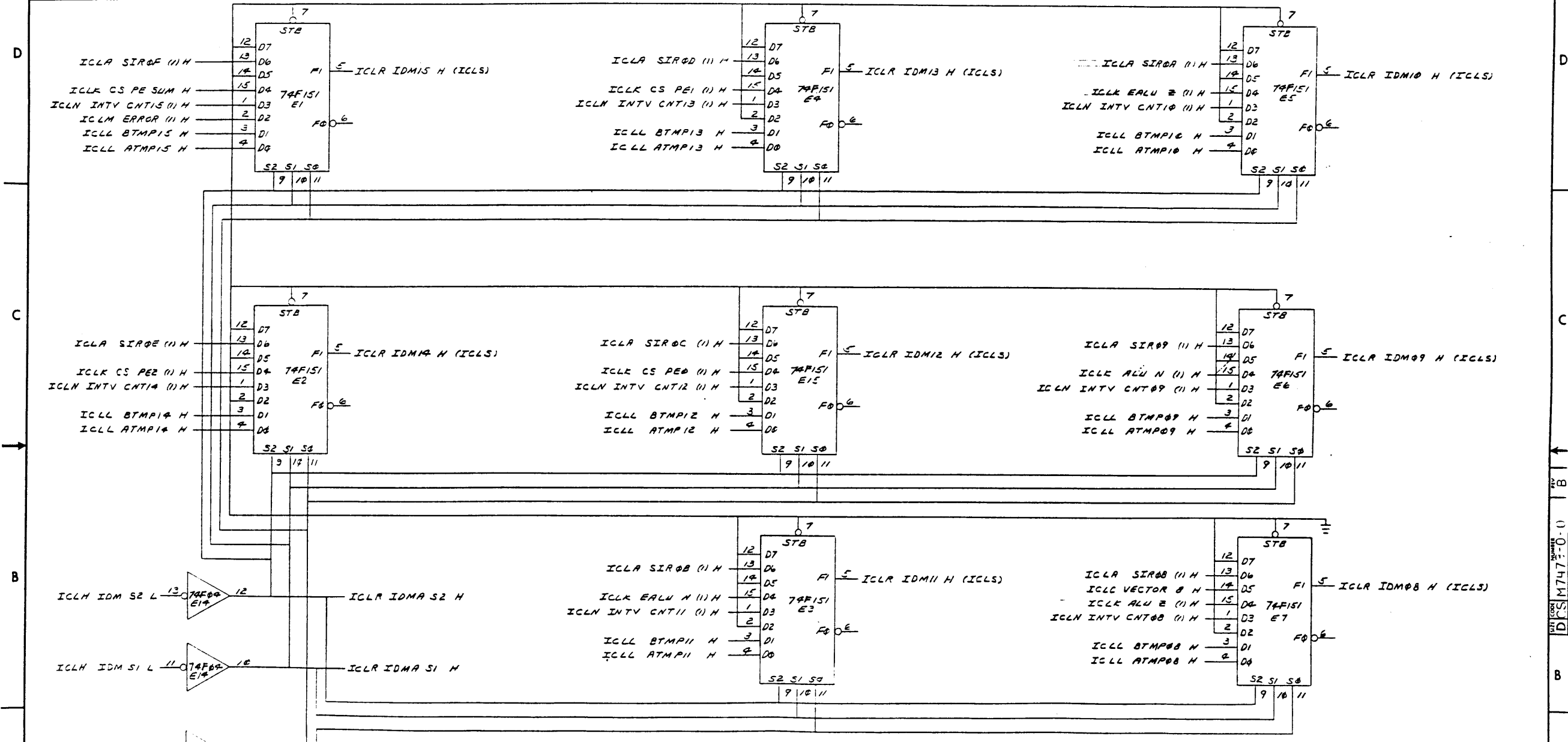


STB	S2	S1	S0	OUTPUT	SELECTED REG
H	X	X	X	F1 = L	X
L	L	L	L	D0 → F1	ATMP
L	L	L	H	D1 → F1	BTMP
L	L	H	L	D2 → F1	CLOCK CS
L	L	H	H	D3 → F1	INTERVAL COUNTER
L	H	L	L	D4 → F1	CSE
L	H	L	H	D5 → F1	VECTOR
L	H	H	L	D6 → F1	SIR
L	H	H	H	D7 → F1	PSL

CHK	CHANGE NO.	REV.

(ID DATA MULTIPLEXOR (IDM) BITS 07:00) (SLOT 15)  
 TITLE INTERRUPT CONTROL AND LOW BITS (ICLP) SIZE CODE NUMBER REV.  
 DCS M7473-C-0 3  
 SCALE SHEET 15 OF 21 DIST.

THIS DRAWING AND SPECIFICATIONS HEREIN ARE THE PROPERTY OF DIGITAL EQUIPMENT CORPORATION AND SHALL NOT BE REPRODUCED OR COPIED OR USED IN WHOLE OR IN PART AS THE BASIS FOR THE MANUFACTURE OR SALE OF ITEMS WITHOUT WRITTEN PERMISSION. COPYRIGHT © 1973 DIGITAL EQUIPMENT CORPORATION



74F151 - 8:1 MUX

STB	S2	S1	S0	OUTPUT	SELECTED REG
H	X	X	X	F1-L	X
L	L	L	L	D0 → F1	ATMP
L	L	L	H	D1 → F1	BTMP
L	L	H	L	D2 → F1	CLOCK CS
L	L	H	H	D3 → F1	INTERVAL COUNTER
L	H	L	L	D4 → F1	CES
L	H	L	H	D5 → F1	VECTOR
L	H	H	L	D6 → F1	LIR
L	H	H	H	D7 → F1	PSL

REVISIONS

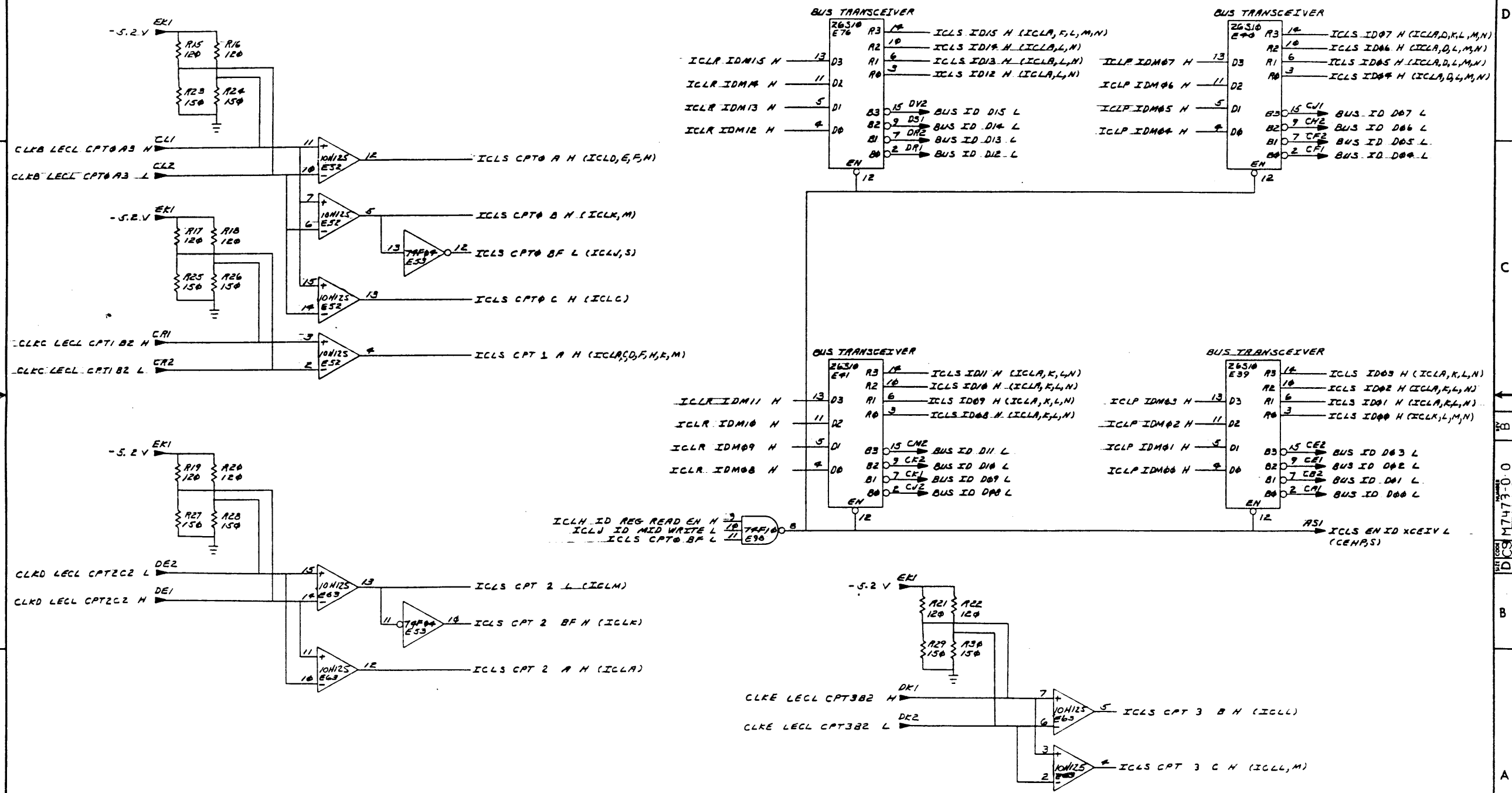
CHK	CHANGE NO.	REV.

(ID DATA MULTIPLEXOR (IDM) BITS 15:08) (SLOT 15)

TITLE INTERRUPT CONTROL AND LOW BITS (ICLR) SIZE CODE DCS NUMBER M7473-0-0 REV. B

SCALE SHEET 16 OF 21 DIST.

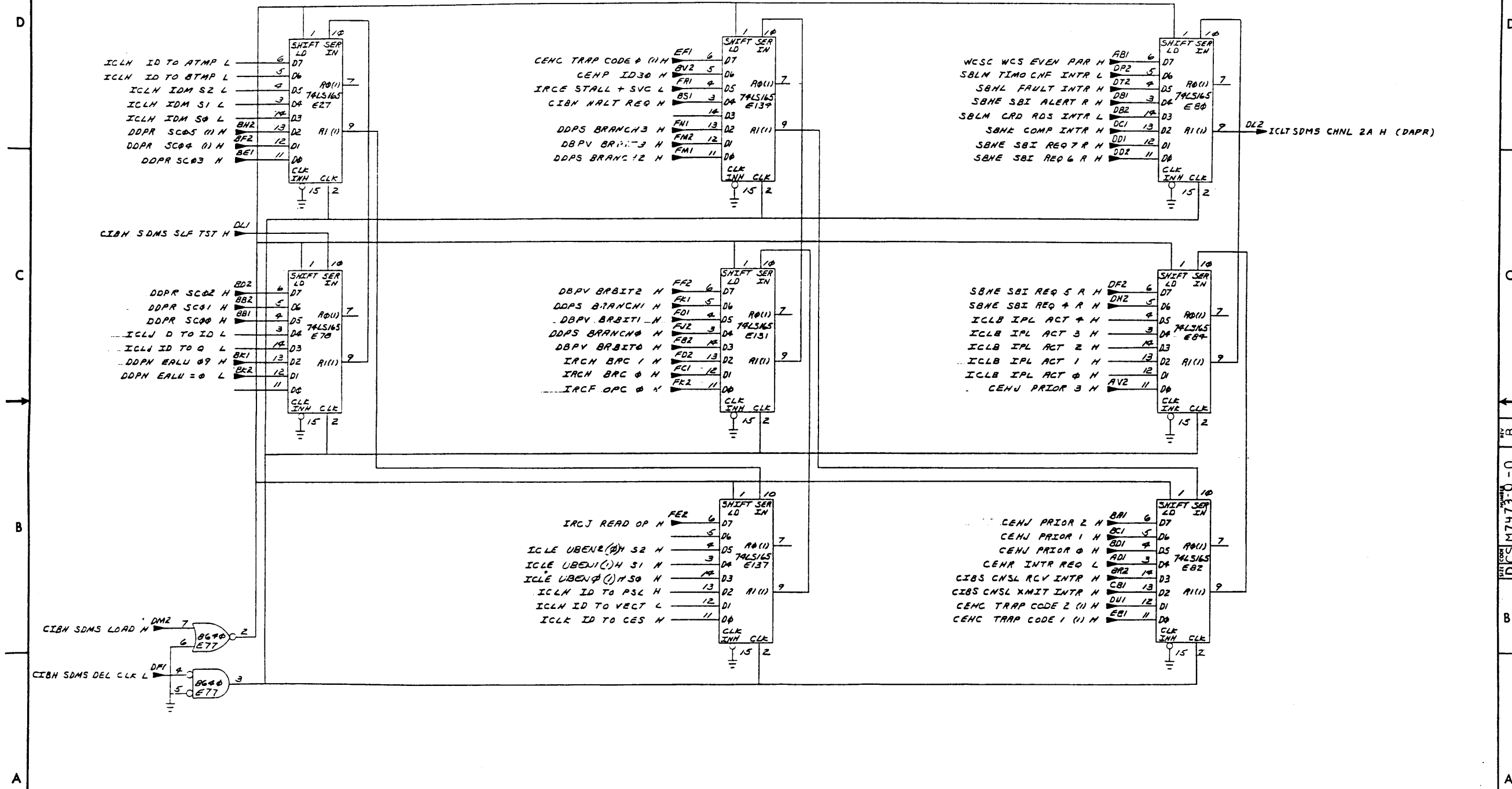
THIS DRAWING AND SPECIFICATIONS HEREIN ARE THE PROPERTY OF DIGITAL EQUIPMENT CORPORATION AND SHALL NOT BE REPRODUCED OR COPIED OR USED IN WHOLE OR IN PART AS THE BASIS FOR THE MANUFACTURE OR SALE OF ITEMS WITHOUT WRITTEN PERMISSION.  
 COPYRIGHT © 1973 DIGITAL EQUIPMENT CORPORATION



REVISIONS		
CHK	CHANGE NO.	REV.

THIS DRAWING AND SPECIFICATIONS HEREIN ARE THE PROPERTY OF DIGITAL EQUIPMENT CORPORATION AND SHALL NOT BE REPRODUCED OR COPIED OR USED IN WHOLE OR IN PART AS THE BASIS FOR THE MANUFACTURE OR SALE OF ITEMS WITHOUT WRITTEN PERMISSION. COPYRIGHT © 1973 DIGITAL EQUIPMENT CORPORATION

7ALS165-8 BIT SHIFT REG



REVISIONS		
CHK	CHANGE NO.	REV.

(SDMS BUS LOGIC)		(SLOT 15)	
TITLE	INTERRUPT CONTROL AND LOW BITS (ICLT)	SIZE/COOE	NUMBER
SCALE	←	DCS	M7473-0 0
SHEET	18 OF 21	DIST.	



THIS DRAWING AND SPECIFICATIONS HEREIN ARE THE PROPERTY OF DIGITAL EQUIPMENT CORPORATION AND SHALL NOT BE REPRODUCED OR COPIED OR USED IN WHOLE OR IN PART AS THE BASIS FOR THE MANUFACTURE OR SALE OF ITEMS WITHOUT WRITTEN PERMISSION. COPYRIGHT © 1973 DIGITAL EQUIPMENT CORPORATION

VECTOR PROM

PROM ADDR	IPL ACT	PROM DATA								VECTOR
		M7	M6	M5	M4	M3	M2	M1	M0	
000	00	L	L	H	H	H	H	L	L	X
001										
002										
003										
004										
005										
006										
007	↓									↓
008	01	H	L	H	H	H	L	L	L	04
009										
00A										
00B										
00C										
00D										
00E										
00F	↓									↓
010	02	H	L	H	H	L	H	L	L	08
011										
012										
013										
014										
015										
016	↓									↓
017	03	H	L	H	H	L	L	L	L	0C
018										
019										
01A										
01B										
01C										
01D										
01E										
01F	↓									↓
020	00	L	L	L	L	L	L	L	L	00
021										
022										
023										
024										
025										
026										
027										
028										
029										
02A										
02B										
02C										
02D										
02E										
02F	↓									↓
030	00	L	L	L	L	L	L	L	L	00
031										
032										
033										
034										
035										
036										
037										
038										
039										
03A										
03B										
03C										
03D										
03E										
03F	↓									↓

REVISIONS		
CHK	CHANGE NO.	REV.

(VECTOR PROM TRUTH TABLE)

TITLE	INTERRUPT CONTROL AND LOW BITS (ICL)	SIZE/CODE	D CS	NUMBER	M7473-0-0	REV.	3
SCALE		SHEET	19 OF 21	DIST.			

REV B  
PART CODE DCS M7473-0-0

THIS DRAWING AND SPECIFICATIONS HEREIN ARE THE PROPERTY OF DIGITAL EQUIPMENT CORPORATION AND SHALL NOT BE REPRODUCED OR COPIED OR USED IN WHOLE OR IN PART AS THE BASIS FOR THE MANUFACTURE OR SALE OF ITEMS WITHOUT WRITTEN PERMISSION. COPYRIGHT © 1973 DIGITAL EQUIPMENT CORPORATION

VECTOR PROM

PROM ADDR	IPL ACT	PROM DATA								VECTOR
		M7	M6	M5	M4	M3	M2	M1	M0	
100	10	L	L	H	H	H	H	L	L	X
101										
102										
103										
104										
105										
106										
107										
108	11	L	L	H	H	H	H	L	L	X
109										
10A										
10B										
10C										
10D										
10E										
10F										
110	12	L	L	H	H	H	H	L	L	X
111										
112										
113										
114										
115										
116										
117										
118	13	L	L	H	H	H	H	L	L	X
119										
11A										
11B										
11C										
11D										
11E										
11F										
120	00	L	L	L	L	L	L	L	L	00
121										
122										
123										
124										
125										
126										
127										
128										
129										
12A										
12B										
12C										
12D										
12E										
12F										
130										
131										
132										
133										
134										
135										
136										
137										
138										
139										
13A										
13B										
13C										
13D										
13E										
13F										

REVISIONS		
CHK	CHANGE NO.	REV.

(VECTOR PROM TRUTH TABLE)

TITLE	INTERRUPT CONTROL AND LOW BITS (ICL)	SIZE CODE	NUMBER	REV.
SCALE	+	SHEET	20 OF 21	3
DCS M7473-0-0		DIST.		

THIS DRAWING AND SPECIFICATIONS HEREIN ARE THE PROPERTY OF DIGITAL EQUIPMENT CORPORATION AND SHALL NOT BE REPRODUCED OR COPIED OR USED IN WHOLE OR IN PART AS THE BASIS FOR THE MANUFACTURE OR SALE OF ITEMS WITHOUT WRITTEN PERMISSION. COPYRIGHT © 1973 DIGITAL EQUIPMENT CORPORATION

DECODING LOGIC DESCRIPTION

(ICLD) HALT PENDING & TRACE TRAP PENDING

FUNCTION	HP LOAD COND	TP LOAD COND
ID TO PSL	HP	1039
IACK	HALT REQ	#
EACK	HALT REQ	#
CNSL CONT	#	PSL TP
DO NEXT INSTRUCTION (IPD STATE = STALL * SVC)	HALT REQ	PSL T

(ICLD) A FORK PRIORITY

CONDITION	SERV BIT CODE	PRIOR
ARITHMETIC TRAP	7	HIGHEST
HALT PENDING (HP)	5	↑
INTERRUPT REQ*EXT.DEV (NI)	6	
INTERRUPT REQ*INT.COND (NI)	4	↓
TRACE TRAP PENDING (TP)	1	
IDUF STALL	#	LOWEST
IBUF ERROP	#	
NEXT INSTRUCTION	#	

SVC {  
STALL {

NI - MUTUALLY EXCLUSIVE

(ICLF)  
(ICLH)  
(ICLJ)

UNWORD CONSOLE & ID BUS CONTROL

UFS	UCID	FUNCTIONS	
#	X	NO-OP	
1	#	NO-OP	
1	1	UNUSED	
1	2	CNSL ACK	
1	3	CNSL CONT	
1	4	ID DATA ← ID REG	ID ADDRS ← SC(5:#)
1	5		ID ADDRS ← UKMX
1	6	ID REG ← ID DATA	ID ADDRS ← SC(5:#)
1	7		ID ADDRS ← UKMX

(ICLH) ID ADDRESS DECODE

ID ADDRS	ID REGISTER	ID REG PEAD EN H	IDM(S2:S0) L		
			S2	S1	S0
98	DD (ID MAINT. ONLY)	L	X	X	X
99	NXT INTV	L	X	X	X
9A	CLOCK CS	H	H	L	H
9B	INTV CNT	H	H	L	L
9C	CES	H	L	H	H
9D	VECT	H	L	H	L
9E	SIR	H	L	L	H
9F	PSL	H	L	L	L
24-2F	ATMP	H	H	H	H
30-3F	BTMP	H	H	H	L

(ICLD) UIEK DECODE

UIEK	FUNCTION
#	NO-OP
1	ISTR
2	IACK
3	EACK

REVISIONS		
CHK	CHANGE NO.	REV.

(DECODING LOGIC DESCRIPTION)

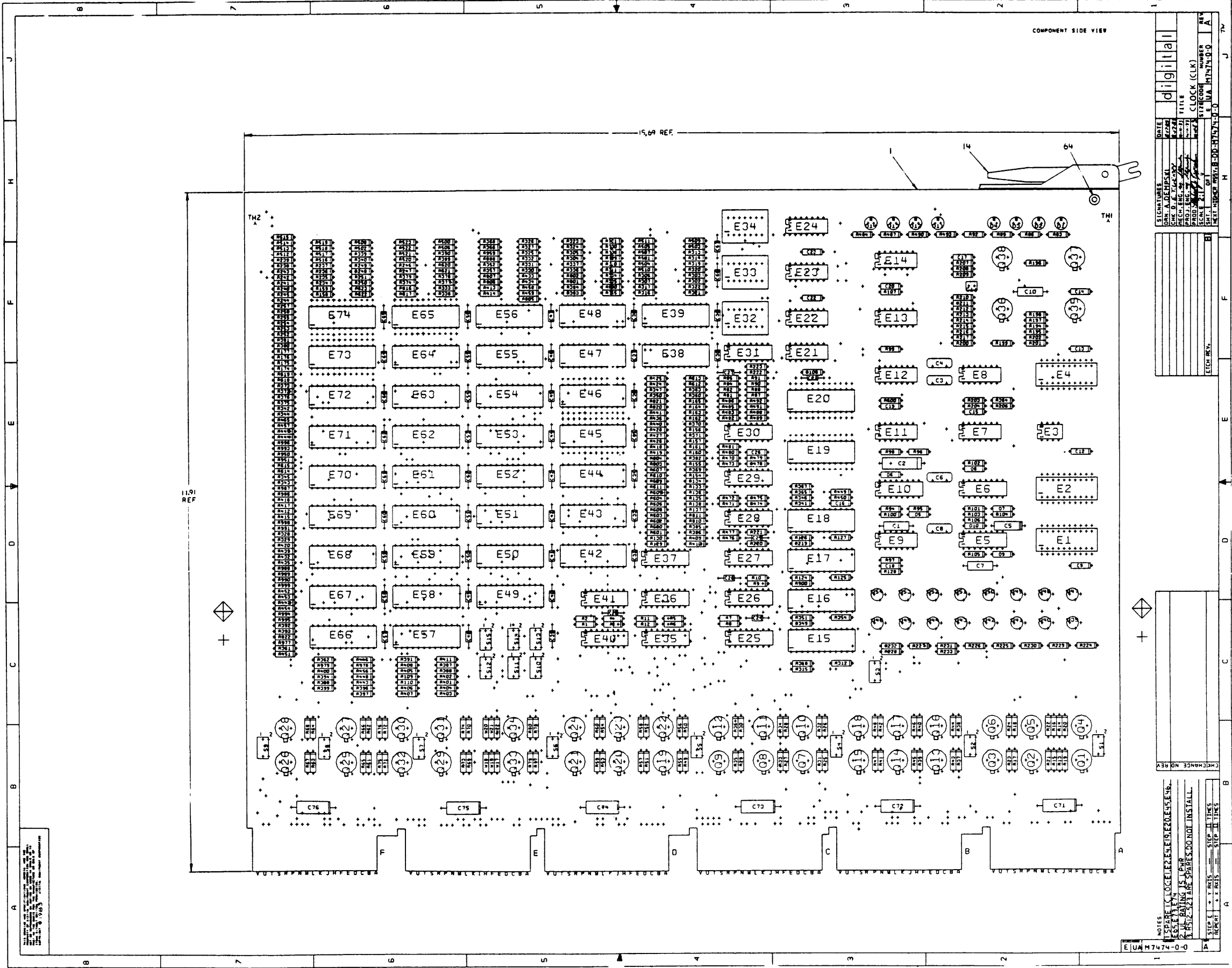
TITLE	INTERRUPT CONTROL AND LOW BITS (ICL)	SIZE CODE	D CS	NUMBER	M7473-0-0	REV.	B
SCALE	→	SHEET	2 / OF 2 /	DIST.			

DRAWING NO.	NO. OF SHTS.	PART NO.	DESCRIPTION	REVISIONS											
		M7473-00	ICL												
E-UA-M7473-0-0	1		UNIT ASSEMBLY	A	B										
K-PL-M7473-0-DBP	2		PARTS LIST	A	B										
K-PC-M7473-0-DBC	-		P.C. DESIGN DATA BASE	A	A										
B-DD-5016100-0-0	1		DRAWING DIRECTORY	A	B										
D-CS-M7473-0-0	21		SCHEMATICS	A	B										

<b>NOTES:</b>		REVISIONS																				
		DATE	CHG NO.	REV.	A	B																
		8/83	INIT	A	B																	
		5/84	TWOO1	A	B																	

*THIS DRAWING AND SPECIFICATIONS, HEREIN, ARE THE PROPERTY OF DIGITAL EQUIPMENT CORPORATION AND SHALL NOT BE REPRODUCED OR COPIED OR USED IN WHOLE OR IN PART AS THE BASIS FOR THE MANUFACTURE OR SALE OF ITEMS WITHOUT WRITTEN PERMISSION.	<b>digital</b>	USED ON OPTION/MODEL	DRN. S.MANSOR	26-AUG-83	TITLE	ICL
			CHK'D F.GAROFALO	9-19-83	SIZE	B DD
COPYRIGHT © 1983 DIGITAL EQUIPMENT CORPORATION			ENG. Grant Lee	10-11-83	NUMBER	M7473-0-0
			REC'D M. J. ...	10-11-83	REV.	B
DRB 126					SHEET	1 OF 1

TW



DATE	11/24/74	TITLE	digital
DESIGNED BY	W. J. ...	PROJECT NO.	1174-00
CHECKED BY	...	REV.	A
APPROVED BY	...	DATE	11/24/74
SCALE	1:1	STANDARD	...
SHEET NUMBER 001 OF 01		PROJECT NUMBER 1174-00	

CHANGE NO.	REV.

DATE	11/24/74
DESIGNED BY	W. J. ...
CHECKED BY	...
APPROVED BY	...
SCALE	1:1
SHEET NUMBER 001 OF 01	
PROJECT NUMBER 1174-00	

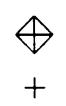
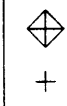
NOTES:  
 1. ALL COMPONENTS TO BE INSTALLED IN ACCORDANCE WITH THE PART SPECIFICATIONS.  
 2. ALL RAILING IS 1 PWR.  
 3. R51, R52, R53 ARE SPARES DO NOT INSTALL.

STEP	1	2
REPORT	Y	N

11.91 REF

15.09 REF

COMPONENT SIDE VIEW



AUTOMATED BY PRTLST.4Q(50)

PARTS LIST

SHEET A1 OF A4

LINE	ITEM	TOP DOCUMENT	PART NUMBER	MIN REV	DESCRIPTION	VARIATION REVISION LEVEL:	QTY PER VARIATION	REFERENCE DESIGNATOR
							00	
1	1		5016101-01		ETCH CIRCUIT BOARD		1	
2	2		1000021-00		220.0 MMF 100V 5%200PPM MICA		2	C6,C8
3	3		1000024-00		470.0 MMF 100V 5%200PPM MICA		2	C3,C4
4	4		1001610-00		.01 MFD 50V +80-20% Z5U CER		44	C21,C24,C25,C27-C67
5	5		1001776-00		1 MFD 35V 10% S.TANT		1	C5
6	6		1004813-00		10 MFD 20V 10% S.TANT		1	C2
7	7		1009964-00		.68 MFD 35V 10% S.TANT		3	C1,C7,C10
8	8		1110864-00		LED 2MCD@10MA		8	D1-D4,D11-D14
9	9		1011740-00		5600.0 MMF 50V 10% CER		1	C11
10	10		1012784-00		.047 MFD 50V +80-20% CER		13	C9,C12-C20,C22,C23,C26
11	11		1017472-00		10 MFD 35V +50-10% AL EL		6	C71-C76
12	12		1100114-00		PIV= 25 IO=135 MA		6	D5-D10
13	13		1211164-07		SW,DIP 2POS/1PST 5VDC100MA F		15	S1-S15
14	14		1216988-02		HANDLE,MODULE,HEX TWO EJECTORS		1	
15	15		1300271-00		220.0 .25 W 5.0 % CF		2	R99,R600
16	16		1300295-00		330.0 .25 W 5.0 % CF		8	R83,R86,R89,R92,R484,R487,R490,R493
17	17		1300365-00		1.0 K .25 W 5.0 % CF		28	R94,R97,R98,R100,R103,R108,R124-R128,R196,R219,R224-R227,R229-R232,R312,R315,R318,R349,R351,R354,R900
18	18		1300391-00		1.50 K .25 W 5.0 % CF		1	R195
19	19		1300439-00		3.30 K .25 W 5.0 % CF		1	R209
20	20		1300479-00		10.0 K .25 W 5.0 % CF		2	R104,R107
21	21		1301310-00		270.0 K .25 W 5.0 % CF		4	R199,R203,R210,R214
22	22		1301423-00		6.80 K .25 W 5.0 % CF		1	R208
23	23		1301972-00		270.0 .25 W 5.0 % CF		2	R228,R233
24	24		1302091-00		330.0 K .25 W 5.0 % CF		1	R198
25	25		1302092-00		220.0 K .25 W 5.0 % CF		4	R201,R212,R216,R364
26	26		1302394-00		30.0 K .25 W 5.0 % CF		6	R95,R96,R101,R102,R105,R106

REVISION HISTORY		BASIC PART NO: M7474		DRN: SHEILA MANSOR	DATE: 06-JUL-83	D I G I T A L	
ENG	ECO NUMBER	REV	SECTION A OF A	CHK'D: E.T.GERRY	DATE: 7-JUL-83	TITLE PARTS LIST	
	INITIAL	A	SECTION VARIATION INDEX	DES.ENG: M.STEFANSKI	DATE: 20-SEP-83	DOCUMENT NUMBER	
			[A] 00	RESP.ENG.: M.STEFANSKI	DATE: 20-SEP-83	SIZE: K	PL: PL
			[B]	MFG.ENG.: M.KRYSAK	DATE: 20-SEP-83	RELEASE DATE: 14-OCT-83	
			[C]	ASSEMBLY NUMBER:	TOP DOCUMENT NUMBER:	FILE NAME:	EDIT #:
			[D]	E-UA-M7474-0-0	B-DD-M7474-0-0	Z3950A.PLS	19
			[E]				
			[F]				
			[G]				
			[H]				
			[I]				
			[J]				
			[K]				
			[L]				
			[M]				
			[N]				

"THIS DRAWING AND THE SPECIFICATIONS CONTAINED HEREIN ARE CONFIDENTIAL AND PROPRIETARY. THEY ARE THE PROPERTY OF DIGITAL EQUIPMENT CORPORATION AND SHALL NOT BE REPRODUCED OR COPIED OR USED IN WHOLE OR IN PART AS THE BASIS FOR THE MANUFACTURE OR SALE OF ITEMS WITHOUT WRITTEN PERMISSION. THIS IS AN UNPUBLISHED WORK PROTECTED UNDER THE FEDERAL COPYRIGHT LAWS."

AUTOMATED BY PRTLST.4Q(50)

PARTS LIST

SHEET A2 OF A4

LINE	ITEM	TOP DOCUMENT	PART NUMBER	MIN REV	DESCRIPTION	QTY PER VARIATION	REFERENCE DESIGNATOR
						00	
							VARIATION REVISION LEVEL:
27	27		1302874-00		147.0	4	R82,R84,R87,R90
28	28	SEE NOTE 66-68	1302956-00		196.0	179	R2,R4,R6,R8,R10,R12,R14,R16,R18, CONT R20,R22,R24,R26,R28,R30,R32,R34, CONT R36,R38,R40,R42,R44,R46,R48,R50, CONT R52,R54,R56,R58,R60,R62,R64,R66, CONT R68,R70,R72,R74,R76,R78,R80, CONT R110,R130,R134,R136,R138,R159, CONT R161,R163,R165,R175,R177,R221, CONT R223,R235,R237,R239,R241,R243, CONT R245,R247,R249,R251,R253,R255, CONT R257,R301,R303,R305,R307,R309, CONT R311,R313,R317,R319,R321,R323, CONT R325,R326,R329,R331,R335,R336, CONT R338,R339,R341,R343,R344,R347, CONT R352,R361,R363,R366,R367, CONT R369-R371,R373,R376,R378,R379, CONT R381,R382,R384,R386,R388,R390, CONT R393,R394,R396,R399,R401,R403, CONT R405,R407,R409,R411,R413,R415, CONT R417,R419,R420,R425,R427,R428, CONT R433,R435,R436,R444,R448,R450, CONT R452,R454,R457,R459,R472-R474, CONT R477,R478,R481,R483,R486,R489, CONT R492,R603,R605,R606,R610,R611, CONT R613,R614
29	29	SEE NOTE 69-71	1302957-00		121.0	185	R1,R3,R5,R7,R9,R11,R13,R15,R17, CONT R19,R21,R23,R25,R27,R29,R31,R33, CONT R35,R37,R39,R41,R43,R45,R47,R49, CONT R51,R53,R55,R57,R59,R61,R63,R65, CONT R67,R69,R71,R73,R75,R77,R79,R81, CONT R85,R88,R91,R109,R129,R133,R135, CONT R137,R154-R158,R160,R162,R164, CONT R174,R176,R220,R222,R234,R236, CONT R238,R240,R242,R244,R246,R248, CONT R250,R252,R254,R256,R300,R302, CONT R304,R306,R308,R310,R314,R316, CONT R320,R322,R324,R327,R328,R330, CONT R332-R334,R337,R340,R342,R345, CONT R346,R350,R355,R357,R360,R362, CONT R365,R368,R372,R374,R375,R377, CONT R380,R383,R385,R387,R389,R391, CONT R392,R397,R398,R400,R402,R404, CONT R406,R408,R410,R412,R414,R416, CONT R418,R424,R426,R432,R434, CONT R439-R443,R445,R446,R449,R451, CONT R453,R455,R456,R458,R470,R471, CONT R475,R476,R479,R480,R482,R485, CONT R488,R491,R601,R602,R604,

D	I	G	I	T	A	L	TITLE	CLOCK	SECTION A	OF A	SIZE	CODE	DOCUMENT NUMBER	REV
											K	PL	M7474-0-DBP	A

LINE	ITEM	TOP DOCUMENT	PART NUMBER	MIN REV	DESCRIPTION	QTY	PER VARIATION	REFERENCE DESIGNATOR
						00		
						VARIATION REVISION LEVEL:		
30	30		1309595-00		1.0 M .25 W 5.0 % CF	4		CONT R607-R609
31	31		1310867-00		680.0 K .25 W 5.0 % CF	1		R202,R206,R213,R217
32	32		1312930-00		5.10 K .25 W 5.0 % CF	6		R197
33	33		1510959-00		2N 3725 NPN 3.5WC SI 50 60 P	38		R194,R200,R204,R207,R211,R215
34	34		1511686-00		DEC5433 FET N 350MW 10 25 1A	16		Q1-Q38
35	35		1910436-00		DEC 74123 ONE SHOT-DUAL,RETRIG	3		Q39-Q54
36	36		1921314-01		74F74 FF-D,DUAL,POS.,EDGE	2		E5,E6,E10
37	37		1910645-00		75452 DRIVER,PERIPH,DUAL,	1		E9,E11
38	38		1911324-00		7414 INVERTER,HEX 1IN SCH	1		E3
39	39		1911469-00		DEC 8640 RECEIVER,BUS,QUAD,U	1		E7
40	40		1912108-01		LM 339ANVOLT. CMPRTR,QUAD	1		E22
41	41		1912746-00		DEC 74S37 NAND GATE-QUAD 2IN	2		E8
42	42		1912811-00		LS21 AND GATE-DUAL 4IN,PO	1		E21,E24
43	43		1912838-00		LS132 NAND GATE-QUAD 2IN P	1		E23
44	44		1913220-00		10216 RECEIVER,TRIPLE LINE	2		E12
45	45		1917261-00		100171 MUX,TRIPLE,4-IN W/EN	1		E27,E37
46	46		1917271-00		100151 FF-D HEX	5		E48
47	47		1917277-00		100131 FF-D TRIPLE	11		E42,E43,E49,E67,E70
48	48		1917280-00		100125 TRANSLATOR,ECL TO TT	1		CONT E51,E53,E55,E56,E58,E59,E63,E64,
49	49		1917281-00		100124 TRANSLATOR,TTL TO EC	3		E68,E69,E71
50	50		1917284-00		100118 OA/OAI,5 WIDE	1		E18
51	51		1917286-00		100114 RECEIVER,LINE,QUAD	1		E15-E17
52	52		1917288-00		100107 OR/NOR,EXCLUSIVE,QUI	1		E44
53	53		1917289-00		100102 OR/NOR GATE,QUINT,2	7		E38
54	54		1917290-00		100101 OR/NOR GATE,TRIPLE,	3		E62
55	55		1921307-01		74F04 HEX INVERTER	1		E39,E47,E52,E57,E61,E66,E72
56	56		1921310-01		74F11 AND GATE,TRIPLE,3-IN	1		E50,E54,E60
57	57		1921718-01		10H101 OR/NOR GATE QUAD	6		E13
58	58		1921719-01		10H105 OR/NOR GATE TRIPLE 2-3-2	2		E14
59	59		1921720 01		10H125 TRANSLATOR ECL TO TTL QUA	2		E25,E26,E28,E29,E35,E36
60	60		9009185-00		JUMPER, WIRE, INSULATED, BLACK B	6		E40,E41
61	61		1821969-01		OSCILLATOR, XTAL 108.0 MHZ	1		E30,E31
62	62		1821969-02		OSCILLATOR, XTAL 120.0 MHZ	1		W17-W22
63	63		1821969-03		OSCILLATOR, XTAL 126.0 MHZ	1		E32
64	64		9000024-01		EYELET,ROLLED 0.1210DX0.192	12		E33
65	65		9007201-00		PAD,MOUNTING,COMPONENT	38		E34

66 NOTE: ITEM 28, REFERENCE DESIGNATORS CONT. ARE R616,R618,R620.  
 67 NOTE: R623,R630,R800,R802,R804,R811,R821,R888,R950,R977-R979,R987,  
 68 NOTE: R989,R995,R807,R996,R998,R999,R500-R505  
 69 NOTE: ITEM 29, REFERENCE DESIGNATORS CONT. ARE R612,R615,R617,  
 70 NOTE: R619,R621,R622,R801,R805,R806,R810,R820,R822,R951,R506-R511,R803

D	I	G	I	T	A	L	TITLE	SECTION A	OF	A	SIZE	CODE	DOCUMENT NUMBER	REV
							CLOCK				K	PL	M7474-0-DBP	A



AUTOMATED BY PRTLST.4Q(50)

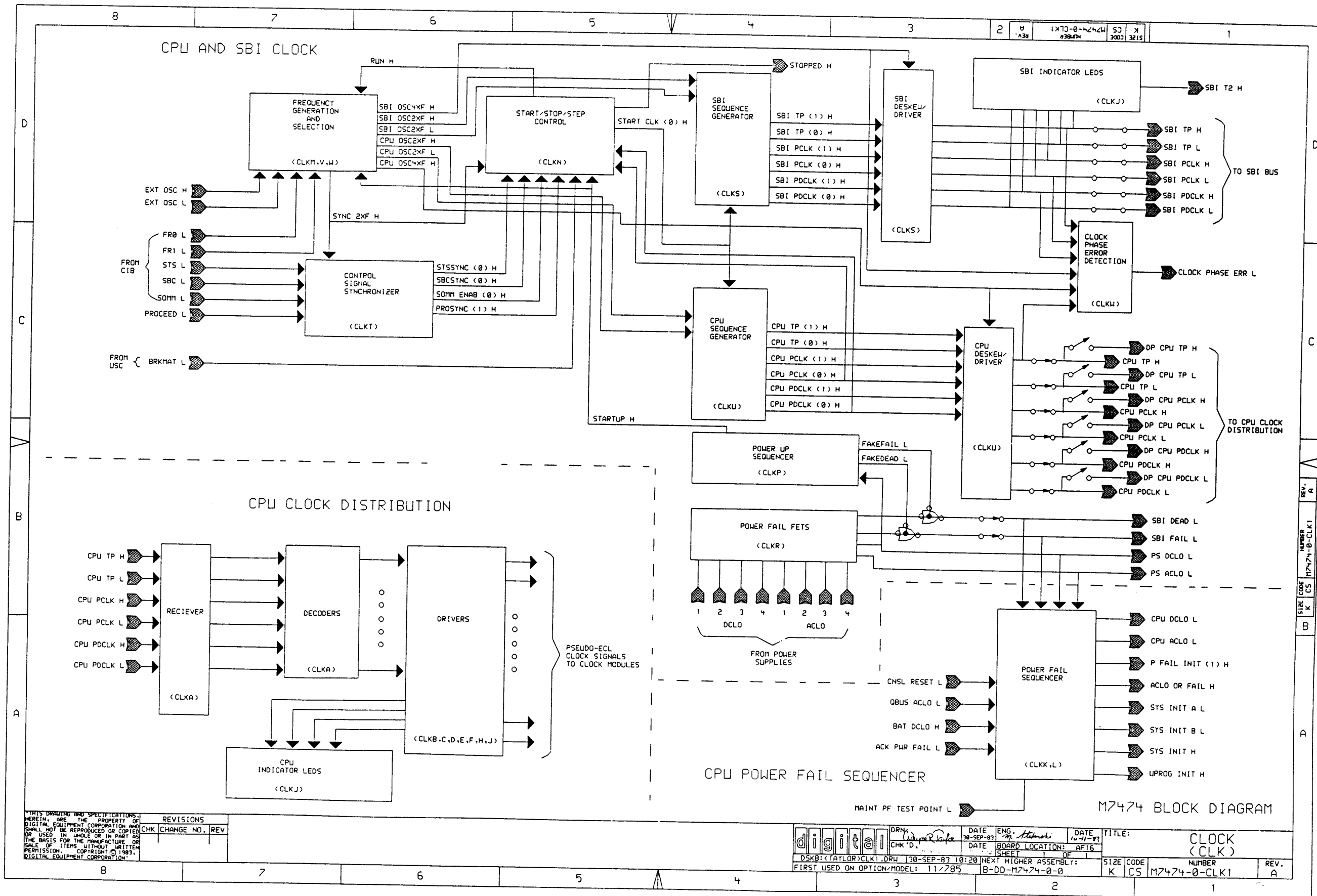
P A R T S L I S T

SHEET A4 OF A4

LINE ITEM TOP DOCUMENT PART NUMBER REV DESCRIPTION VARIATION REVISION LEVEL: MIN  
GTY PER VARIATION 00 REFERENCE DESIGNATOR

71 NOTE: R959,R986,R988,R990,R991,R993,R994

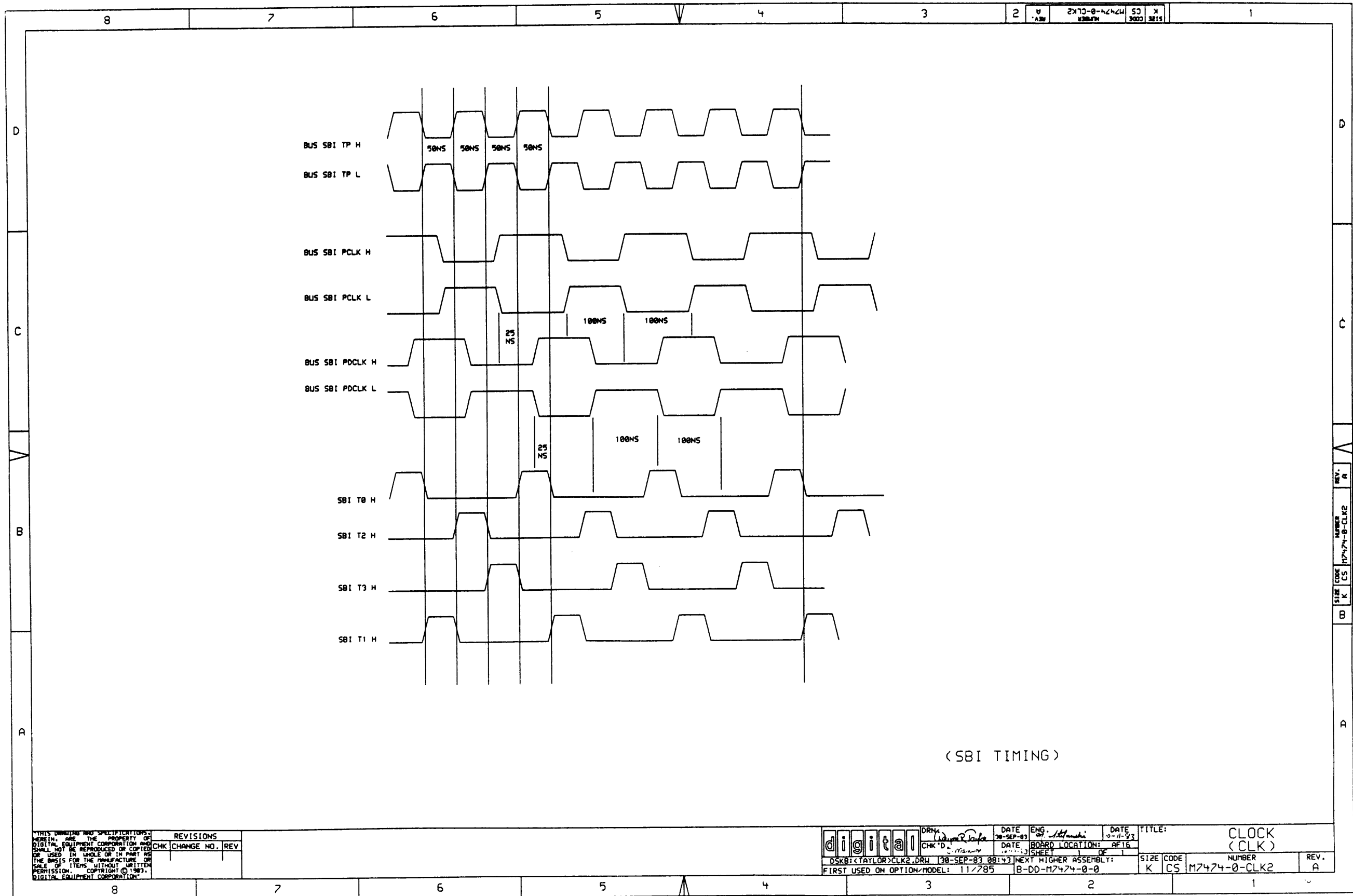
D I G I T A L	TITLE	SECTION A OF A	SIZE	CODE	DOCUMENT NUMBER	REV
	CLOCK		K	PL	M7474-0-CBP	A



THIS DRAWING AND SPECIFICATIONS HEREIN ARE THE PROPERTY OF DIGITAL EQUIPMENT CORPORATION AND SHALL NOT BE REPRODUCED OR COPIED OR USED IN WHOLE OR IN PART AS THE BASIS FOR THE MANUFACTURE OR SALE OF ITEMS WITHOUT WRITTEN PERMISSION. COPYRIGHT © 1981, DIGITAL EQUIPMENT CORPORATION.

REVISIONS	
CHK	CHANGE NO. REV.

digital	DRN: <i>W. R. Taylor</i>	DATE: 30-SEP-83	ENG: <i>M. Akhmed</i>	DATE: 10-11-81	TITLE: CLOCK (CLK)
	CHK: D	DATE: 10-11-81	BOARD LOCATION: AF16	SHEET: 1 OF 1	NUMBER: M7474-0-CLK1
DSKB: <TAYLOR>CLK1.DRW [30-SEP-83 10:20]		NEXT HIGHER ASSEMBLY: B-DD-M7474-0-0		SIZE CODE: K CS	REV. A
FIRST USED ON OPTION/MODEL: 11/785					

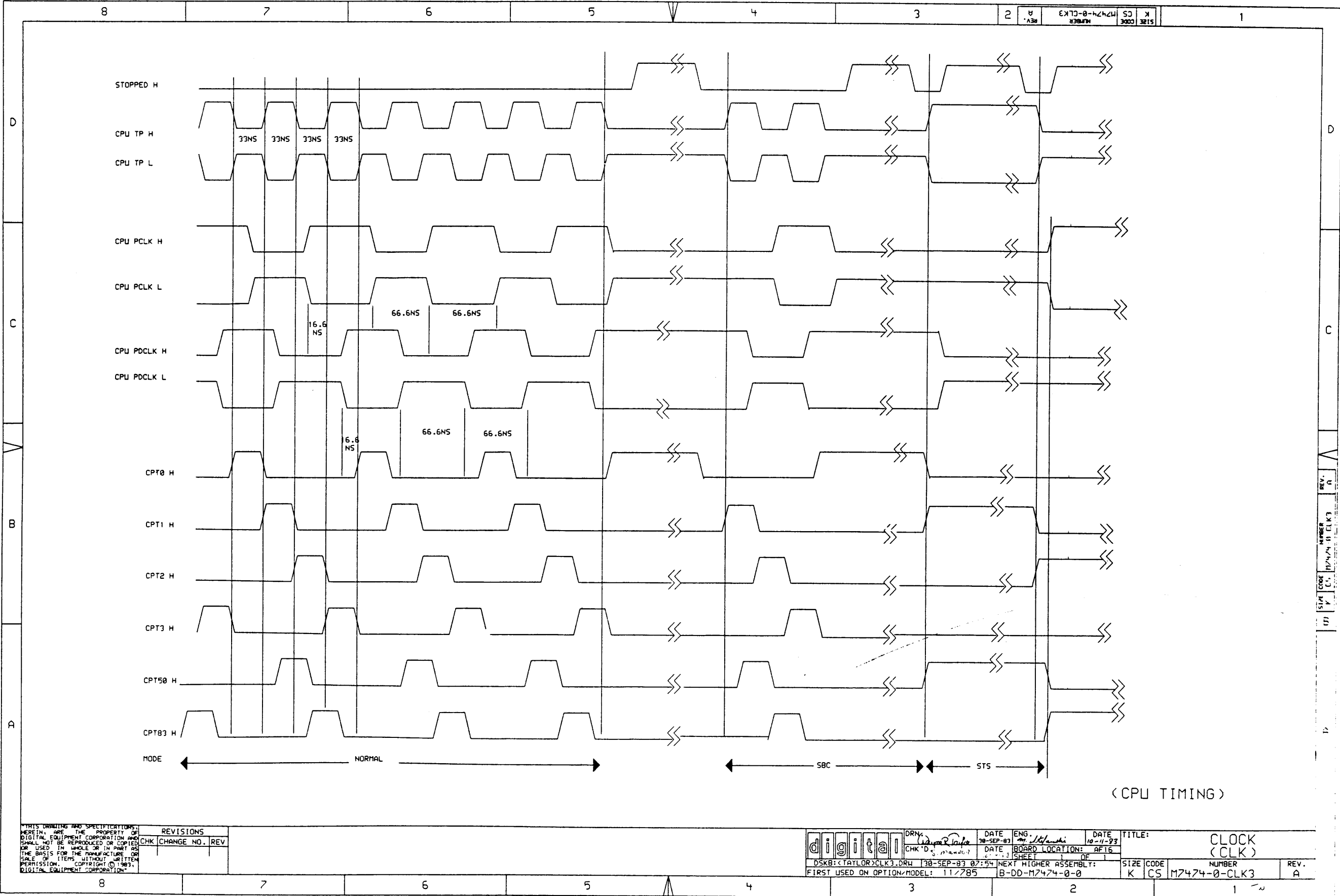


(SBI TIMING)

REVISIONS	
CHK	CHANGE NO. REV.

THIS DRAWING AND SPECIFICATIONS ARE THE PROPERTY OF DIGITAL EQUIPMENT CORPORATION AND SHALL NOT BE REPRODUCED OR COPIED OR USED IN WHOLE OR IN PART AS THE BASIS FOR THE MANUFACTURE OR SALE OF ITEMS WITHOUT WRITTEN PERMISSION. COPYRIGHT © 1983. DIGITAL EQUIPMENT CORPORATION

digital	DRN: <i>[Signature]</i>	DATE: 20-SEP-83	ENG: <i>[Signature]</i>	DATE: 10-11-83	TITLE: CLOCK (CLK)
	CHK'D: <i>[Signature]</i>	DATE: 11-11-83	BOARD LOCATION: AF16	SHEET: 1 OF 1	SIZE CODE: K CS
DSKB: <TAYLOR>CLK2.DRW 130-SEP-83 08:43				NEXT HIGHER ASSEMBLY: B-DD-M7474-0-0	NUMBER: M7474-0-CLK2
FIRST USED ON OPTION/MODEL: 11/785				REV. A	

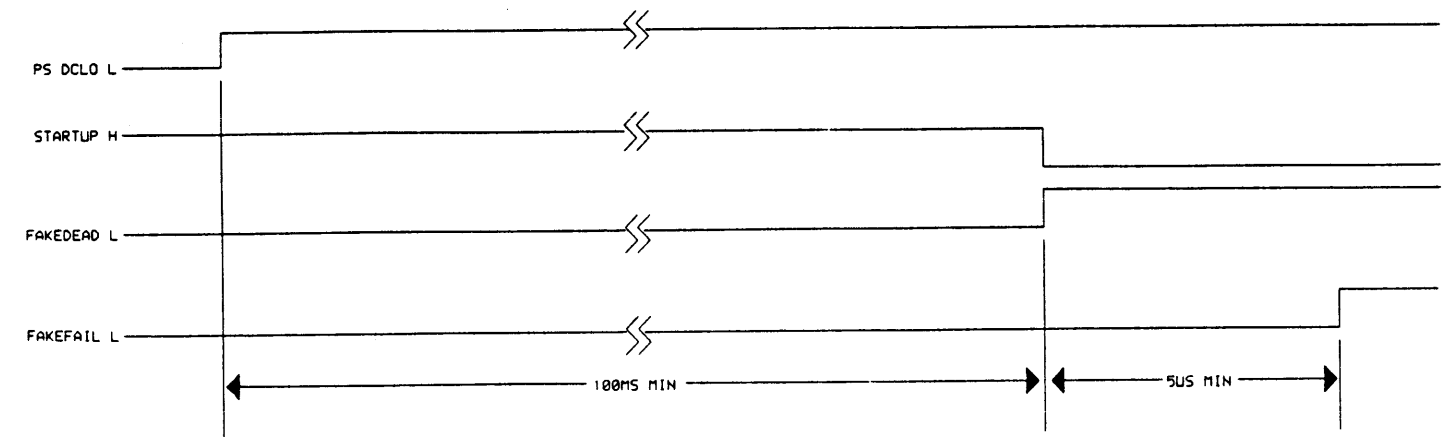
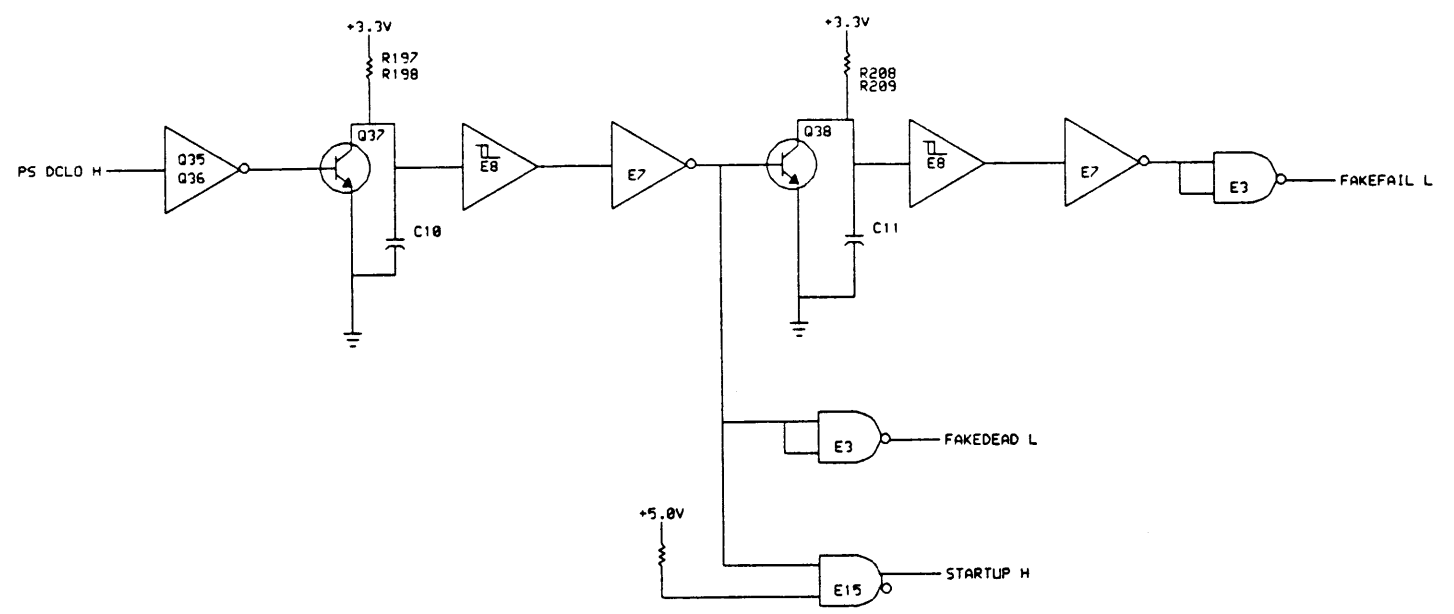


(CPU TIMING)

THIS DRAWING AND SPECIFICATIONS ARE THE PROPERTY OF DIGITAL EQUIPMENT CORPORATION AND SHALL NOT BE REPRODUCED OR COPIED OR USED IN WHOLE OR IN PART AS THE BASIS FOR THE MANUFACTURE OR SALE OF ITEMS WITHOUT WRITTEN PERMISSION. COPYRIGHT © 1983, DIGITAL EQUIPMENT CORPORATION.

REVISIONS		
CHK	CHANGE NO.	REV.

digital	DRN: <i>Adrian R. Taylor</i>	DATE: 30-SEP-83	ENG: <i>M. M. M. M.</i>	DATE: 10-11-83	TITLE: CLOCK (CLK)
	CHK'D: <i>S. M. M.</i>	DATE: 01-13	BOARD LOCATION: AF15	SHEET: 1 OF 1	
DSKB: <TAYLOR>CLK3.DRW		30-SEP-83 07:54	NEXT HIGHER ASSEMBLY: B-DD-M7474-0-0	SIZE: K	CODE: CS
FIRST USED ON OPTION/MODEL: 11/785				NUMBER: M7474-0-CLK3	REV.: A



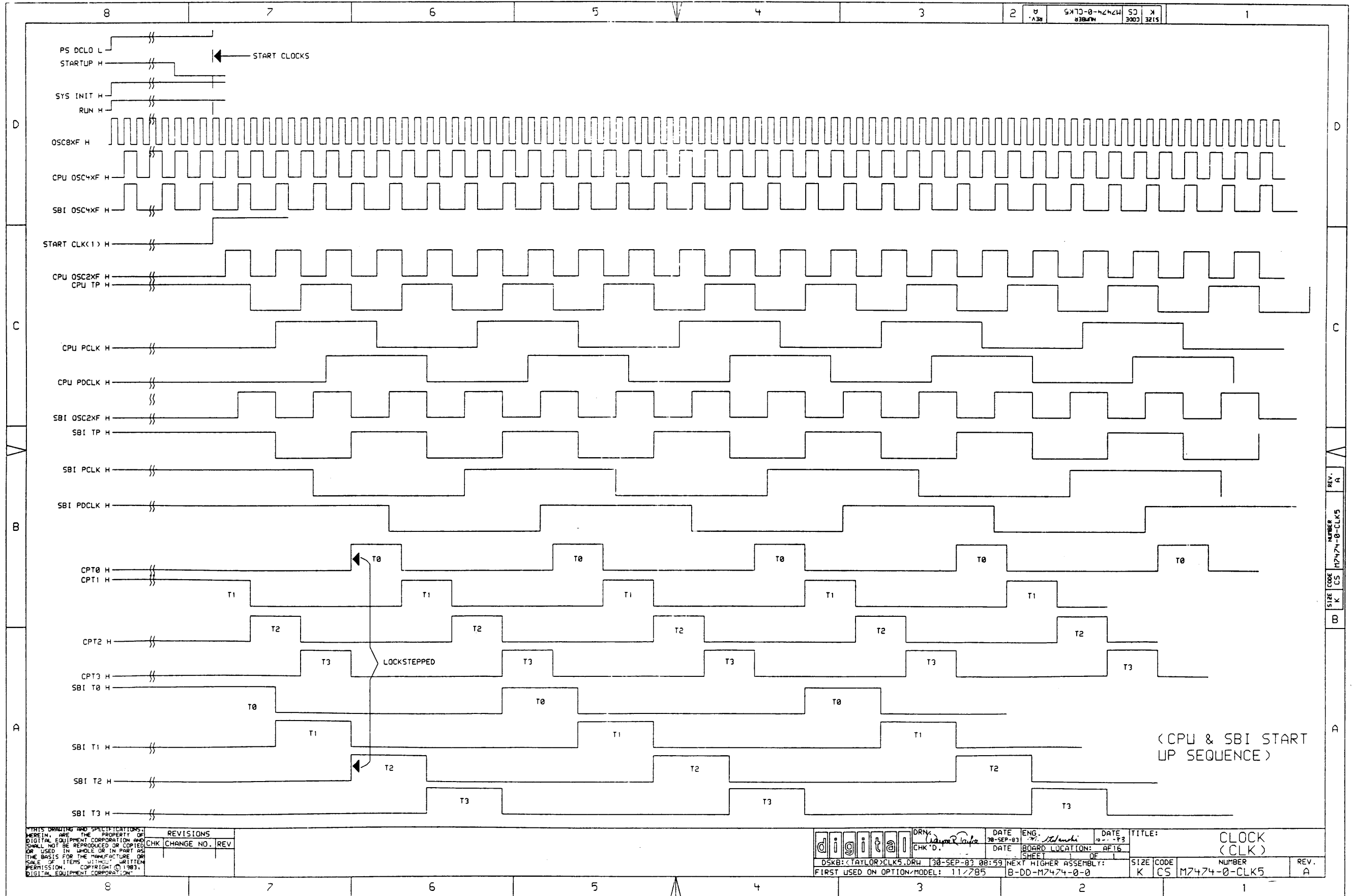
( SBI CLOCK POWER UP SEQUENCER TIMING )

THIS DRAWING AND SPECIFICATIONS, HEREIN, ARE THE PROPERTY OF DIGITAL EQUIPMENT CORPORATION AND SHALL NOT BE REPRODUCED OR COPIED OR USED IN WHOLE OR IN PART AS THE BASIS FOR THE MANUFACTURE OR SALE OF ITEMS, WITHOUT WRITTEN PERMISSION. COPYRIGHT © 1983, DIGITAL EQUIPMENT CORPORATION.

REVISIONS	
CHK	CHANGE NO. REV

<b>digital</b>	DRN: <i>W. Taylor</i>	DATE: 30-SEP-83	ENG: <i>W. Taylor</i>	DATE: 10-11-83	TITLE: CLOCK (CLK)
	CHK'D: <i>W. Taylor</i>	DATE: 30-SEP-83 10:32	BOARD LOCATION: AF16	SHEET: 1 OF 1	NUMBER: M7474-0-CLK4
FIRST USED ON OPTION/MODEL: 11/285			NEXT HIGHER ASSEMBLY: B-DD-M7474-0-0		REV. A

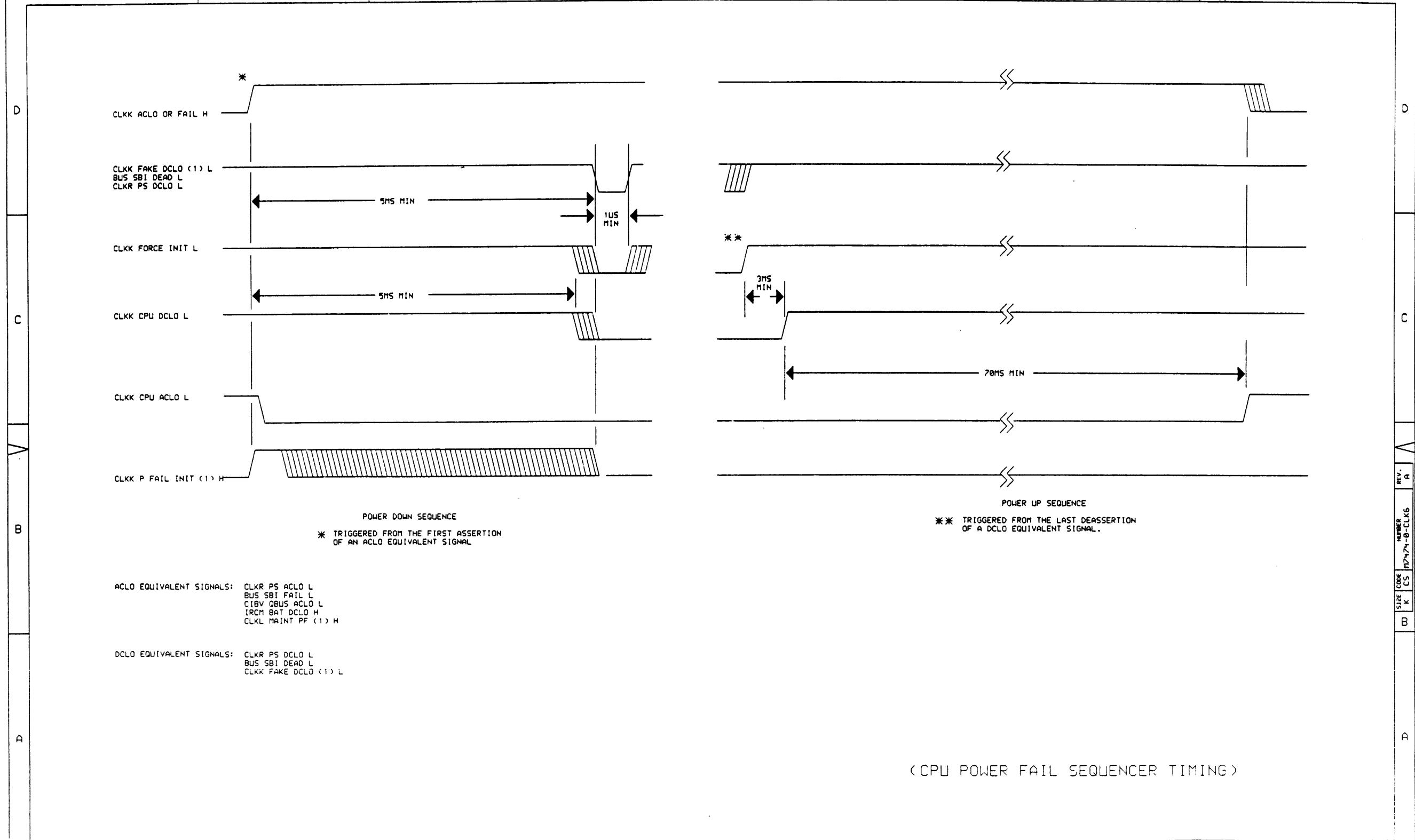
REV. A  
NUMBER M7474-0-CLK4  
SIZE CODE CS  
K



THIS DRAWING AND SPECIFICATIONS  
HEREIN ARE THE PROPERTY OF  
DIGITAL EQUIPMENT CORPORATION AND  
SHALL NOT BE REPRODUCED OR COPIED  
OR USED IN WHOLE OR IN PART AS  
THE BASIS FOR THE MANUFACTURE OR  
SALE OF ITEMS WITHOUT WRITTEN  
PERMISSION. COPYRIGHT © 1983,  
DIGITAL EQUIPMENT CORPORATION.

REVISIONS		
CHK	CHANGE NO.	REV

	DRN: <i>Adrian P. ...</i>	DATE: 30-SEP-83	ENG: <i>M. Stelmach</i>	DATE: 10-1-83	TITLE: CLOCK (CLK)
	CHK'D: <i>...</i>	DATE: <i>...</i>	BOARD LOCATION: APT6	SHEET: 1 OF 1	
DSKB: <TAYLOR>CLK5.DRW 130-SEP-83 08:59 NEXT HIGHER ASSEMBLY: B-DD-M7474-0-0			SIZE: K	CODE: CS	NUMBER: M7474-0-CLK5
FIRST USED ON OPTION/MODEL: 11/785					REV: A



(CPU POWER FAIL SEQUENCER TIMING)

REV. A  
NUMBER 117474-B-CLK6  
SIZE CODE CS K B

REV.	DATE	BY	CHK'D	DESCRIPTION
1	30-SEP-83	DPN	DPN	INITIAL DESIGN
2	30-SEP-83	DPN	DPN	REVISIONS

digital  
 DSKB: TAYLOR\CLK6.DRW 30-SEP-83 08:12:58  
 FIRST USED ON OPTION/MODEL: 117474-B-CLK6  
 DATE: 30-SEP-83  
 SIZE CODE: M7474-2-CLK6  
 REV. A

D  
C  
B  
A

D  
C  
B  
A

JUMPER IDENTIFICATION	SCHEMATIC REFERENCE	PURPOSE	INSTALLATION DATA
S1, S2, S4 THROUGH S9	CLKB, CLKC, CLKD, CLKE, CLKF, CLKH	SEND ECL CLOCK SIGNALS TO THE ACCELERATOR (SLOT 24, 25, 26 AND 28)	SWITCHED "ON" ONLY WHEN ACCELERATOR IS INSTALLED.
S3	CLKR	DRIVE SBI FAIL AND SBI DEAD ONTO THE BUS IN THE EVENT OF POWER FAILURE IN THE CPU SUBSYSTEM.	S3 "OFF" AND W17 THROUGH W22 ARE REMOVED ONLY WHEN THE CPU RECEIVES ITS CLOCK SIGNALS FROM ANOTHER DEVICE ON THE SBI (SUCH AS A SECOND CPU).
W17 THROUGH W22	CLKS	DRIVE THE SBI CLOCK SIGNALS ONTO THE BUS.	
S10 THROUGH S15	CLKU	DRIVE THE CPU CLOCK SIGNALS TO THE CPU DISTRIBUTION CIRCUITS.	S13 THROUGH S15 ARE "ON" FOR A SINGLE PROCESSOR CONFIGURATION.  S10 THROUGH S12 ARE "ON" WHEN THE CPU RECEIVES ITS CLOCK SIGNALS FROM ANOTHER DEVICE (SUCH AS A SECOND CPU).

(SWITCH & JUMPER SELECT DATA)

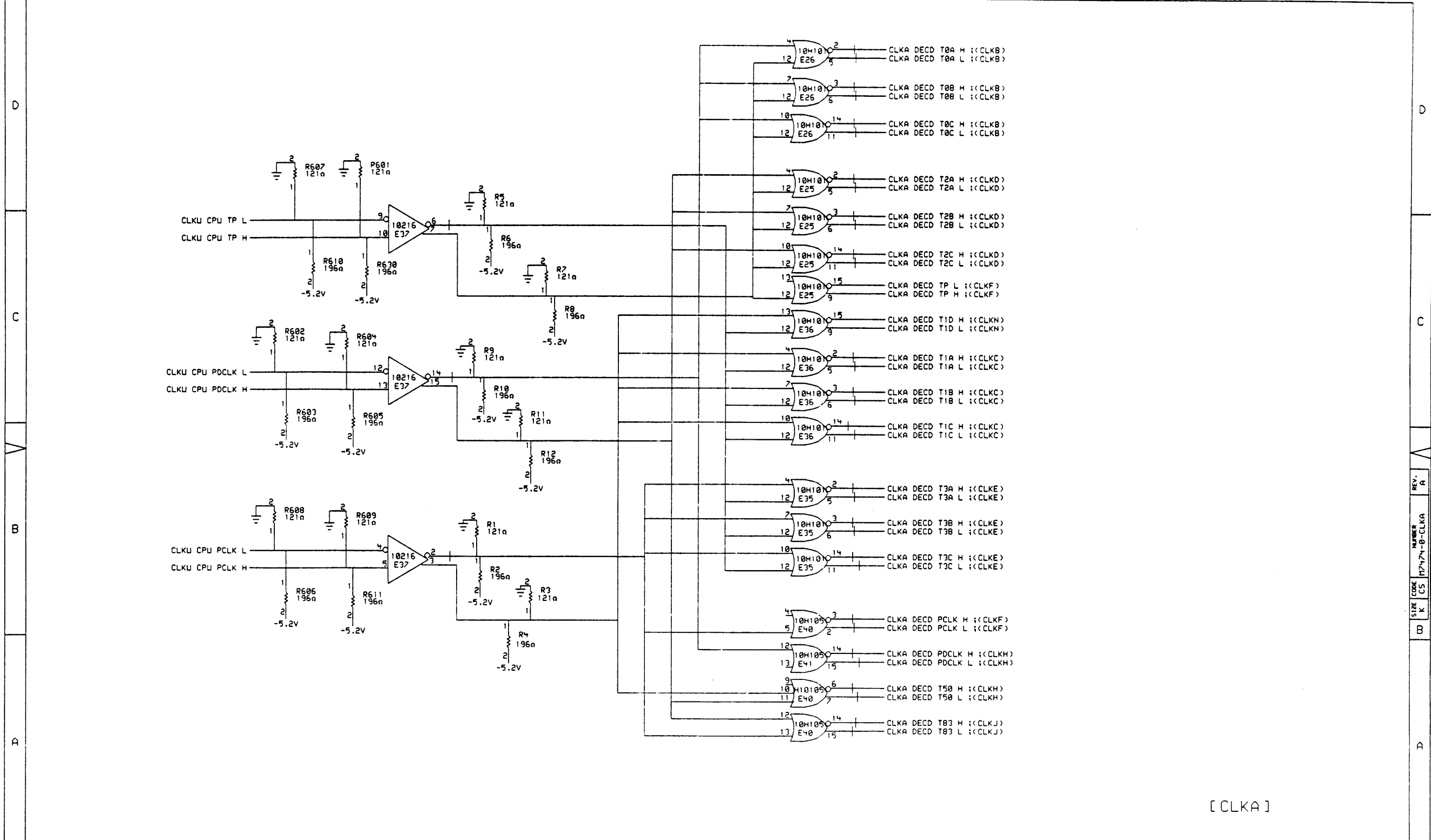
THIS DRAWING AND SPECIFICATIONS HEREIN ARE THE PROPERTY OF DIGITAL EQUIPMENT CORPORATION AND SHALL NOT BE REPRODUCED OR COPIED OR USED IN WHOLE OR IN PART AS THE BASIS FOR THE MANUFACTURE OR SALE OF ITEMS WITHOUT WRITTEN PERMISSION. COPYRIGHT © 1983. DIGITAL EQUIPMENT CORPORATION

REVISIONS	
CHK	CHANGE NO. REV.

digital	DRN: <i>Adrian R. Taylor</i>	DATE: 30-SEP-83	ENG: <i>W. J. ...</i>	DATE: 11-1-83	TITLE: CLOCK (CLK)
	CHK'D: <i>Adrian R. Taylor</i>	DATE: 29-SEP-83 15:46	BOARD LOCATION: AF16	SHEET: 1 OF 1	
DSKB: <TAYLOR>CLK7.DRW		FIRST USED ON OPTION/MODEL: 11/785	NEXT HIGHER ASSEMBLY: B-DD-M7474-0-0	SIZE CODE: K CS	NUMBER: M7474-0-CLK7
					REV. A

REV. A  
NUMBER M7474-0-CLK7  
SIZE CODE K CS





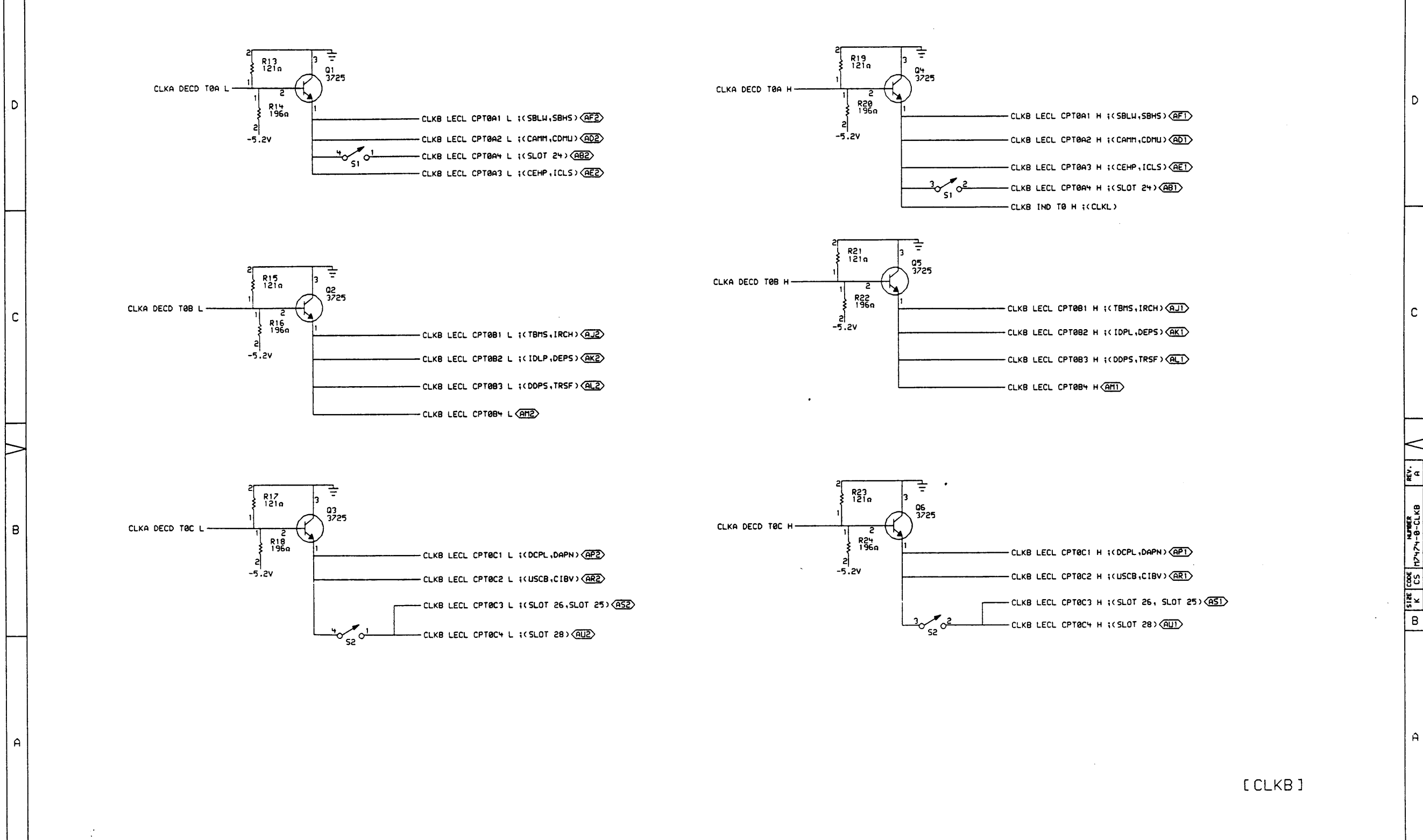
[CLKA]

THIS DRAWING AND SPECIFICATIONS ARE THE PROPERTY OF DIGITAL EQUIPMENT CORPORATION AND SHALL NOT BE REPRODUCED OR COPIED OR USED IN WHOLE OR IN PART AS THE BASIS FOR THE MANUFACTURE OR SALE OF ITEMS WITHOUT WRITTEN PERMISSION. COPYRIGHT © 1983, DIGITAL EQUIPMENT CORPORATION.

REVISIONS	
CHK	CHANGE NO. REV

DRN: <i>Adrian R. Rife</i>	DATE: 30-SEP-83	ENG: <i>M. Kishinski</i>	DATE: 30-SEP-83	TITLE: CLOCK (CLK)
CHK'D: <i>Adrian R. Rife</i>	DATE:	BOARD LOCATION: AF16	SHEET: 1	OF: 1
DSKB: <TAYLOR>CLKA.DRW 127-SEP-83 13:09		NEXT HIGHER ASSEMBLY: B-DD-M7474-0-0	SIZE CODE: K CS	NUMBER: M7474-0-CLKA
FIRST USED ON OPTION MODEL: 11/785				REV. A

REV. A  
NUMBER M7474-0-CLKA  
SIZE CODE K CS



[CLKB]

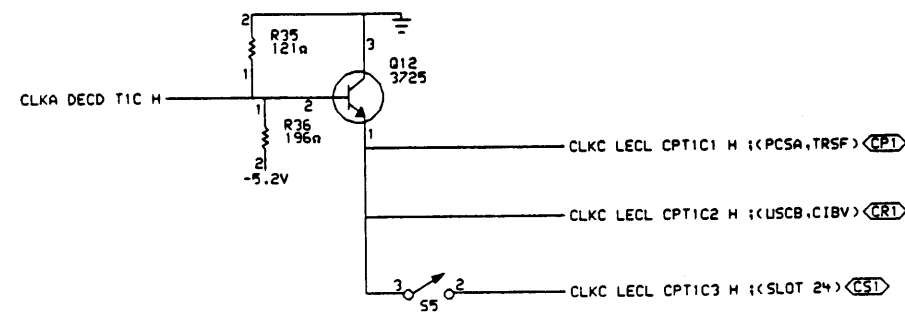
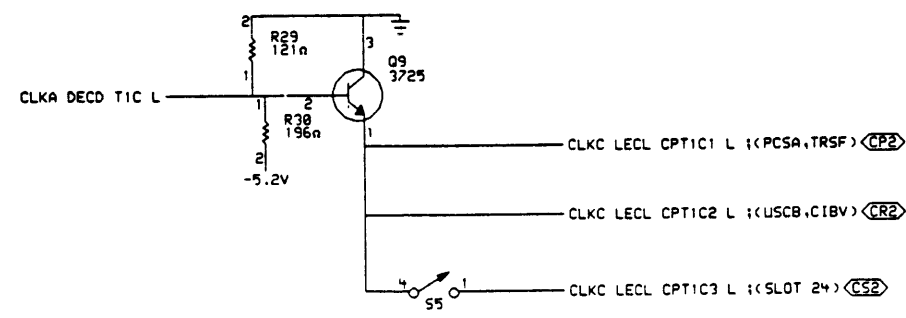
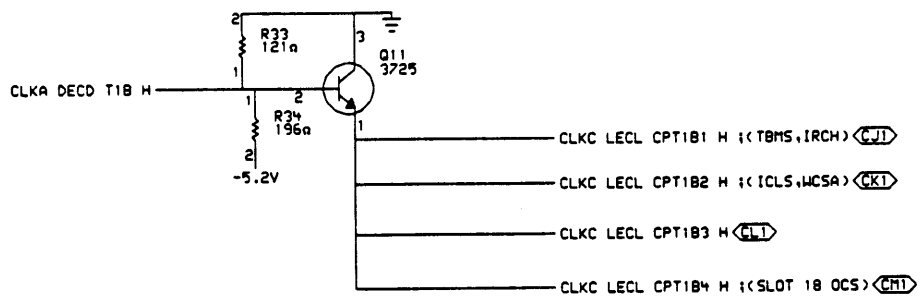
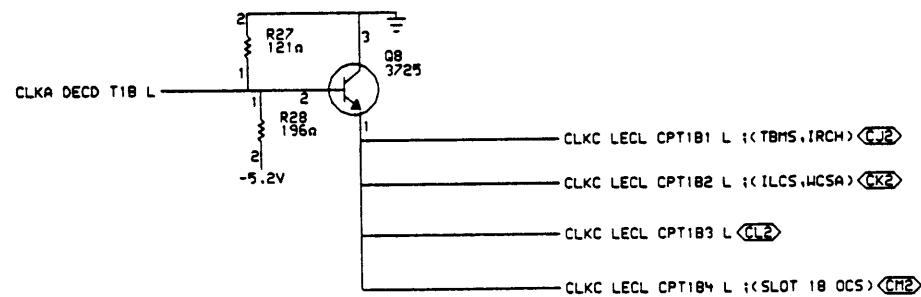
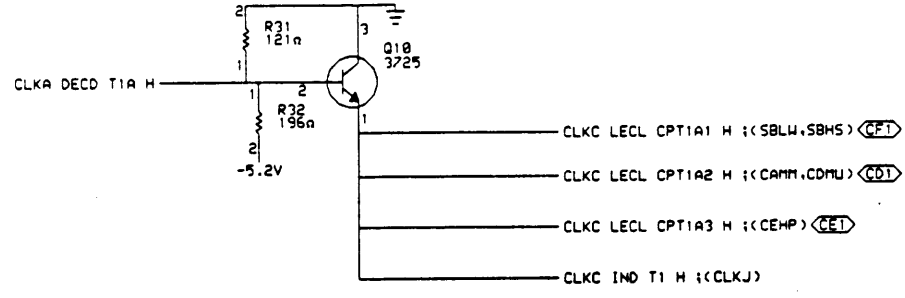
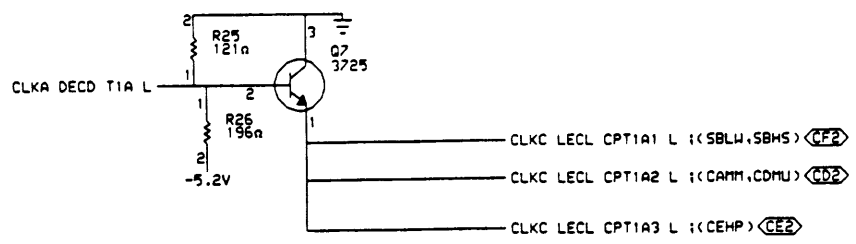
THIS DRAWING AND SPECIFICATIONS  
 HEREIN ARE THE PROPERTY OF  
 DIGITAL EQUIPMENT CORPORATION AND  
 SHALL NOT BE REPRODUCED OR COPIED  
 OR USED IN WHOLE OR IN PART AS  
 THE BASIS FOR THE MANUFACTURE OR  
 SALE OF ITEMS WITHOUT WRITTEN  
 PERMISSION. COPYRIGHT © 1983,  
 DIGITAL EQUIPMENT CORPORATION

REVISIONS	
CHK	CHANGE NO. REV

DRN: <i>Adar Lada</i>	DATE: 31-AUG-83	ENG: <i>M. H. G. S. H.</i>	DATE: 31-AUG-83	TITLE: CLOCK (CLK)
CHK'D: <i>Adar Lada</i>	DATE: 31-AUG-83	BOARD LOCATION: AF16	SHEET: 1	OF: 1
DSKB: <TAYLOR>CLCB.DRW 31-AUG-83 11:04		NEXT HIGHER ASSEMBLY: B-DD-M7474-0-0		SIZE CODE NUMBER REV. A
FIRST USED ON OPTION/MODEL: 11/785				K CS M7474-0-CLKB

8	7	6	5	4	3	2	1
---	---	---	---	---	---	---	---

REV. A  
 NUMBER 117474-0-CLKB  
 SIZE CODE K CS



[CLKC]

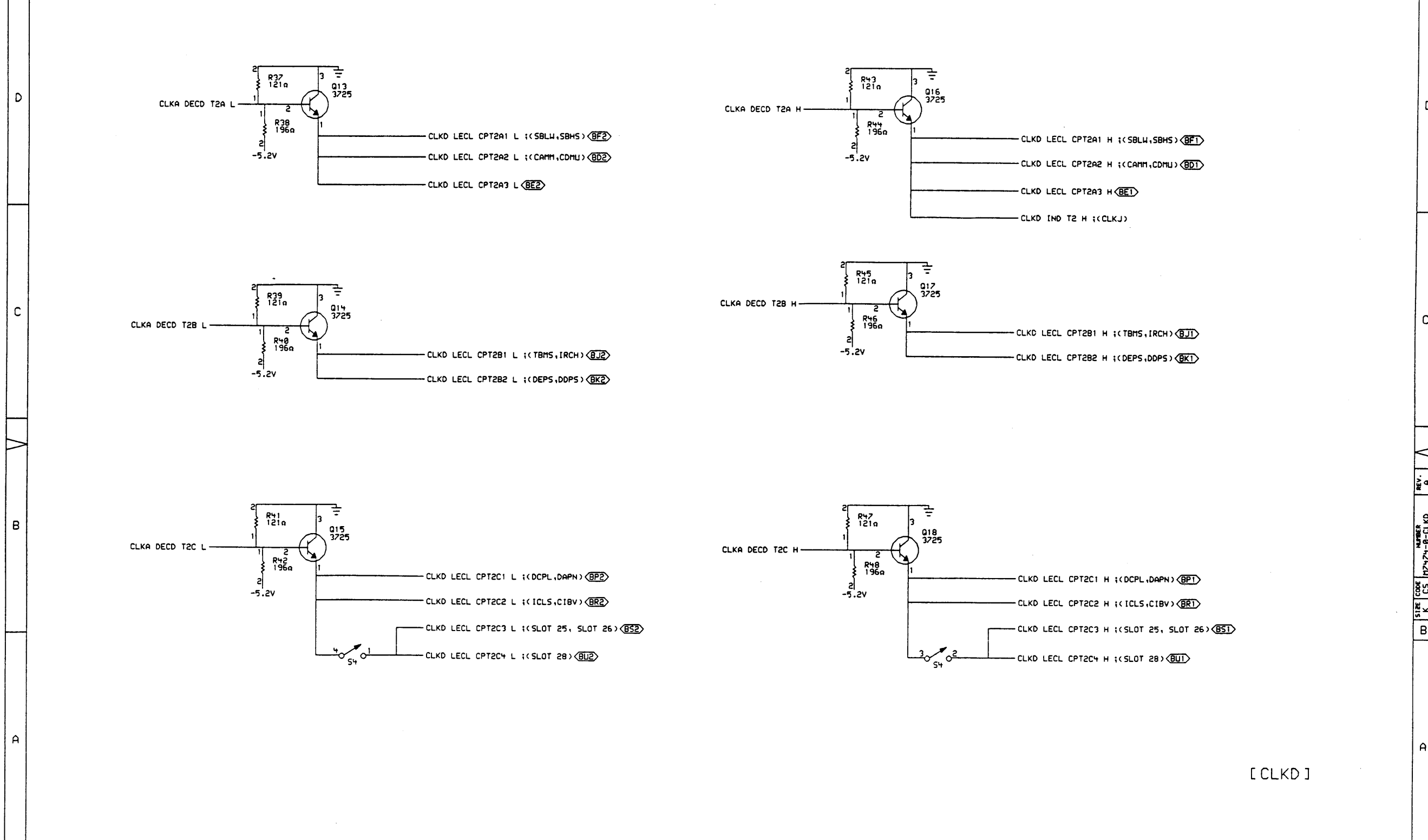
D  
C  
B  
A  
REV. A  
NUMBER M7474-0-CLKC  
SIZE CODE CS

THIS DRAWING AND SPECIFICATIONS HEREIN, ARE THE PROPERTY OF DIGITAL EQUIPMENT CORPORATION AND SHALL NOT BE REPRODUCED OR COPIED OR USED IN WHOLE OR IN PART AS THE BASIS FOR THE MANUFACTURE OR SALE OF ITEMS WITHOUT WRITTEN PERMISSION. COPYRIGHT © 1983. DIGITAL EQUIPMENT CORPORATION.

CHK	CHANGE NO.	REV.

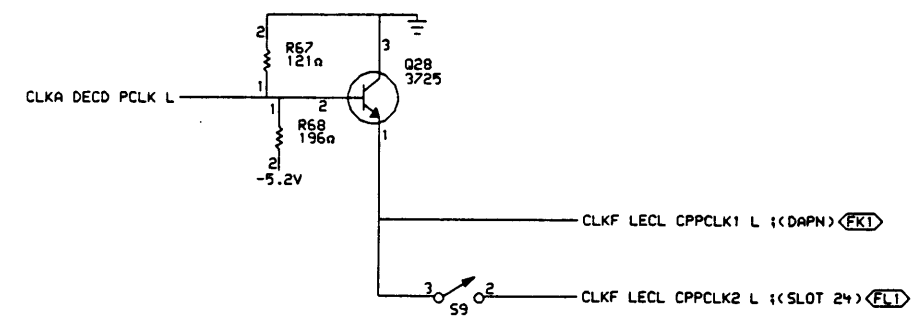
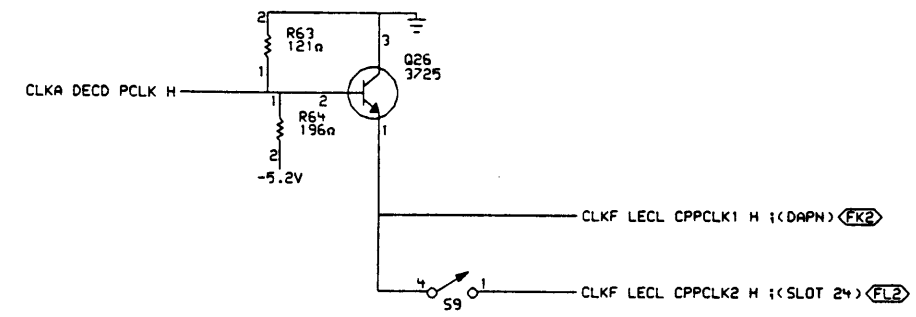
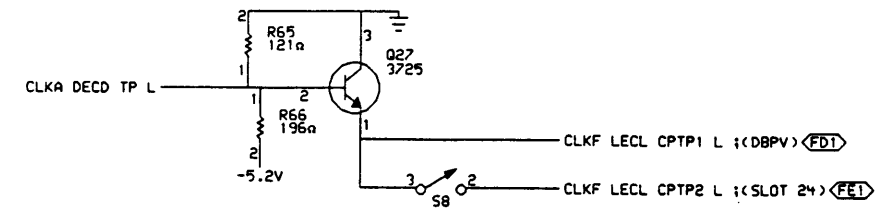
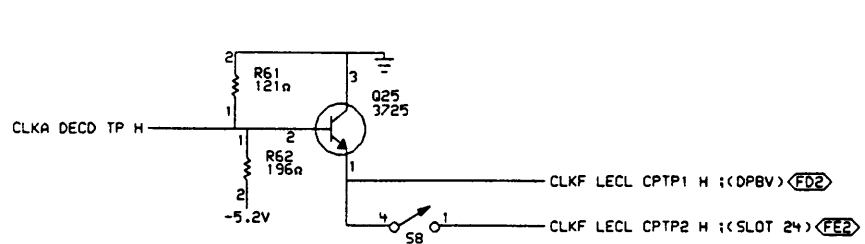
REVISONS

digital	DRN: <i>Edmund Taylor</i>	DATE: 31-AUG-83	ENG: <i>Edmund Taylor</i>	DATE: 31-AUG-83	TITLE: CLOCK (CLK)
	CHK'D: <i>Edmund Taylor</i>	DATE: 31-AUG-83 11:04	BOARD LOCATION: AF15	SHEET: 1 OF 1	
DSKB: <TAYLOR>CLCC.DRW		11/785	NEXT HIGHER ASSEMBLY: B-DD-M7474-0-0	SIZE CODE: K CS	NUMBER: M7474-0-CLKC
FIRST USED ON OPTION/MODEL: 11/785					REV. A



[ CLKD ]



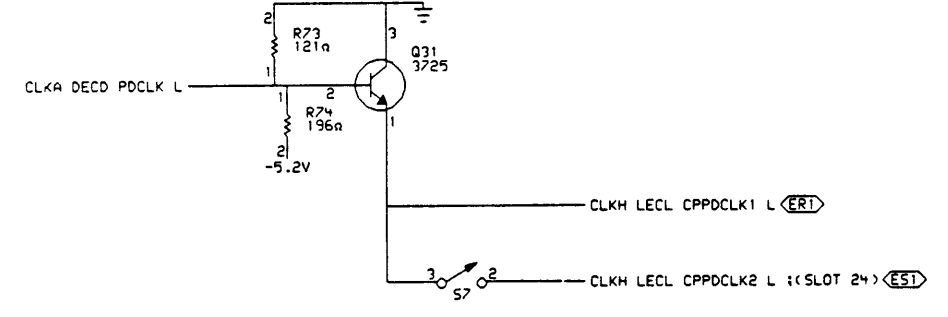
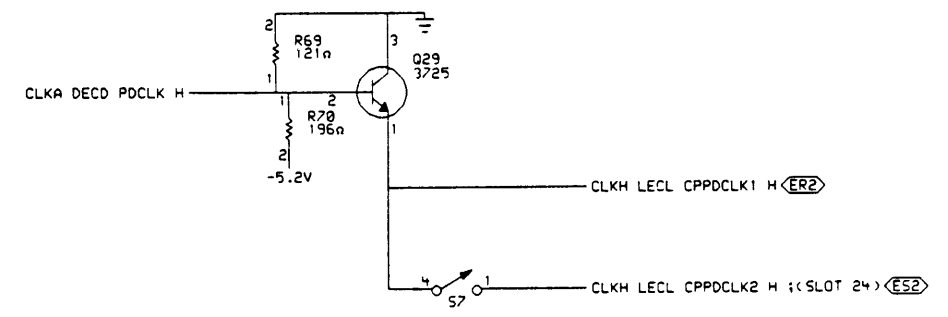
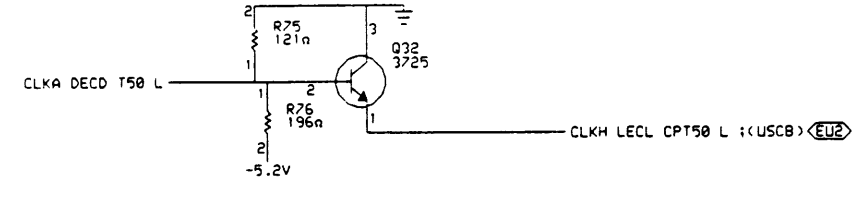
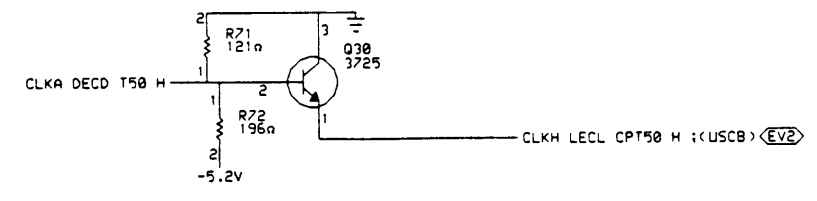


[ CLKF ]

THIS DRAWING AND SPECIFICATIONS  
 HEREIN ARE THE PROPERTY OF  
 DIGITAL EQUIPMENT CORPORATION AND  
 SHALL NOT BE REPRODUCED OR COPIED  
 OR USED IN WHOLE OR IN PART AS  
 THE BASIS FOR THE MANUFACTURE OR  
 SALE OF ITEMS WITHOUT WRITTEN  
 PERMISSION. COPYRIGHT © 1983  
 DIGITAL EQUIPMENT CORPORATION

REVISIONS	
CHK	CHANGE NO. REV

DRN: <i>W. J. ...</i>	DATE: 31-AUG-83	ENG: <i>M. ...</i>	DATE: 31-AUG-83	TITLE: CLOCK (CLK)
CHK'D:	DATE:	BOARD LOCATION: AF16	SHEET: 1 OF 1	SIZE CODE: K CS
DSKB: <TAYLOR>CLCF.DRW	31-AUG-83 11:05	NEXT HIGHER ASSEMBLY: B-DD-M7474-0-0	NUMBER: M7474-0-CLKF	REV.: A
FIRST USED ON OPTION/MODEL: 11/785				



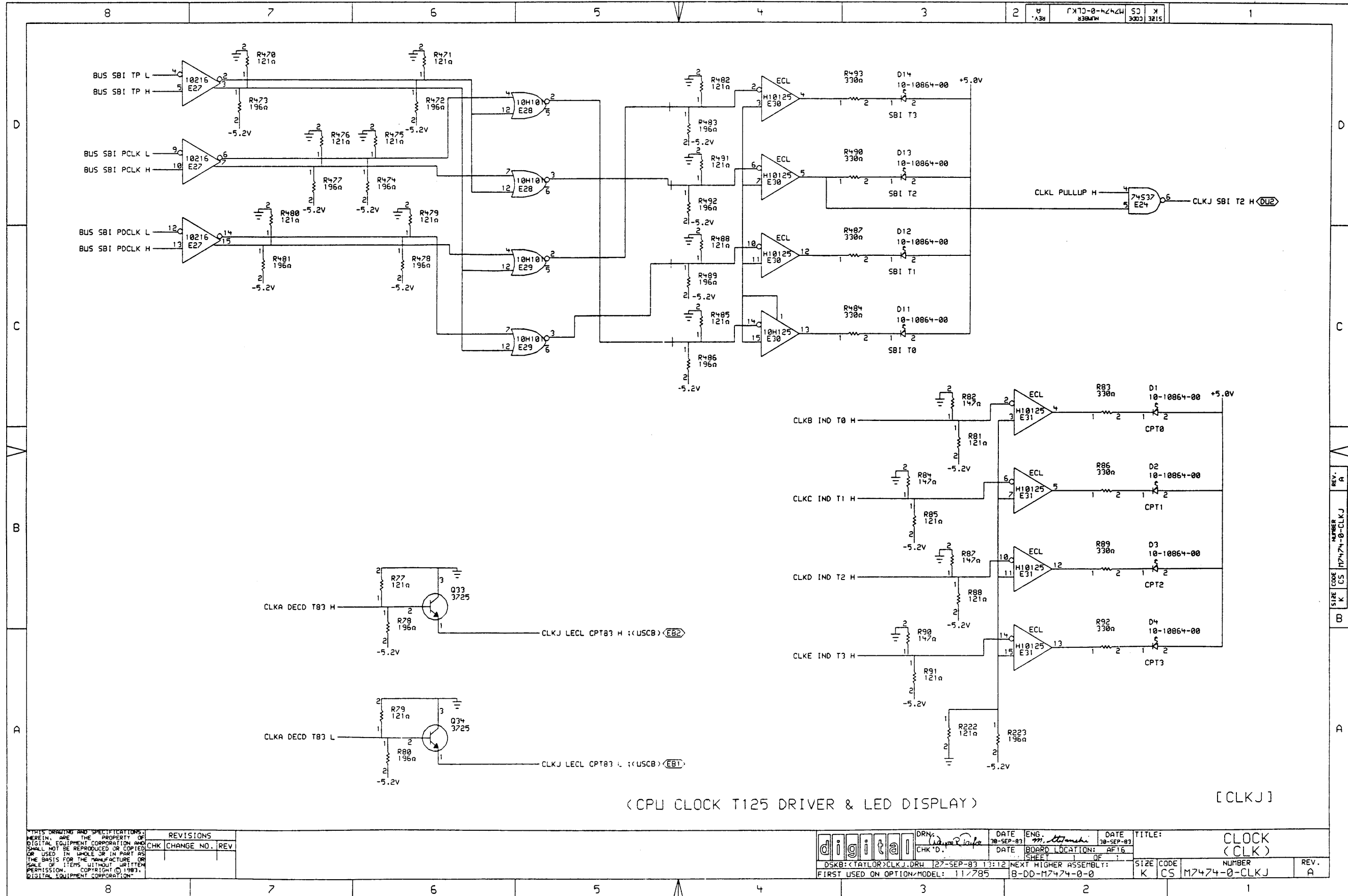
[ CLKH ]

REV. A  
 NUMBER M7474-0-CLKH  
 SIZE CODE K CS  
 D

THIS DRAWING AND SPECIFICATIONS, HEREIN, ARE THE PROPERTY OF DIGITAL EQUIPMENT CORPORATION AND SHALL NOT BE REPRODUCED OR COPIED OR USED IN WHOLE OR IN PART AS THE BASIS FOR THE MANUFACTURE OR SALE OF ITEMS WITHOUT WRITTEN PERMISSION. COPYRIGHT © 1987, DIGITAL EQUIPMENT CORPORATION.

REVISIONS		
CHK	CHANGE NO.	REV

DRN: <i>William R. Taylor</i>	DATE: 30-SEP-83	ENG: <i>W. Taylor</i>	DATE: 30-SEP-83	TITLE: CLOCK (CLK)
CHK'D:	DATE:	BOARD LOCATION: A16	SHEET: 1 OF 1	SIZE CODE NUMBER REV. K CS M7474-0-CLKH A
DSKB: ((TAYLOR))CLKH.DRW 127-SEP-83 13:11 NEXT HIGHER ASSEMBLY: B-DD-M7474-0-0		FIRST USED ON OPTION/MODEL: 11/285		



(CPU CLOCK T125 DRIVER & LED DISPLAY) [CLKJ]

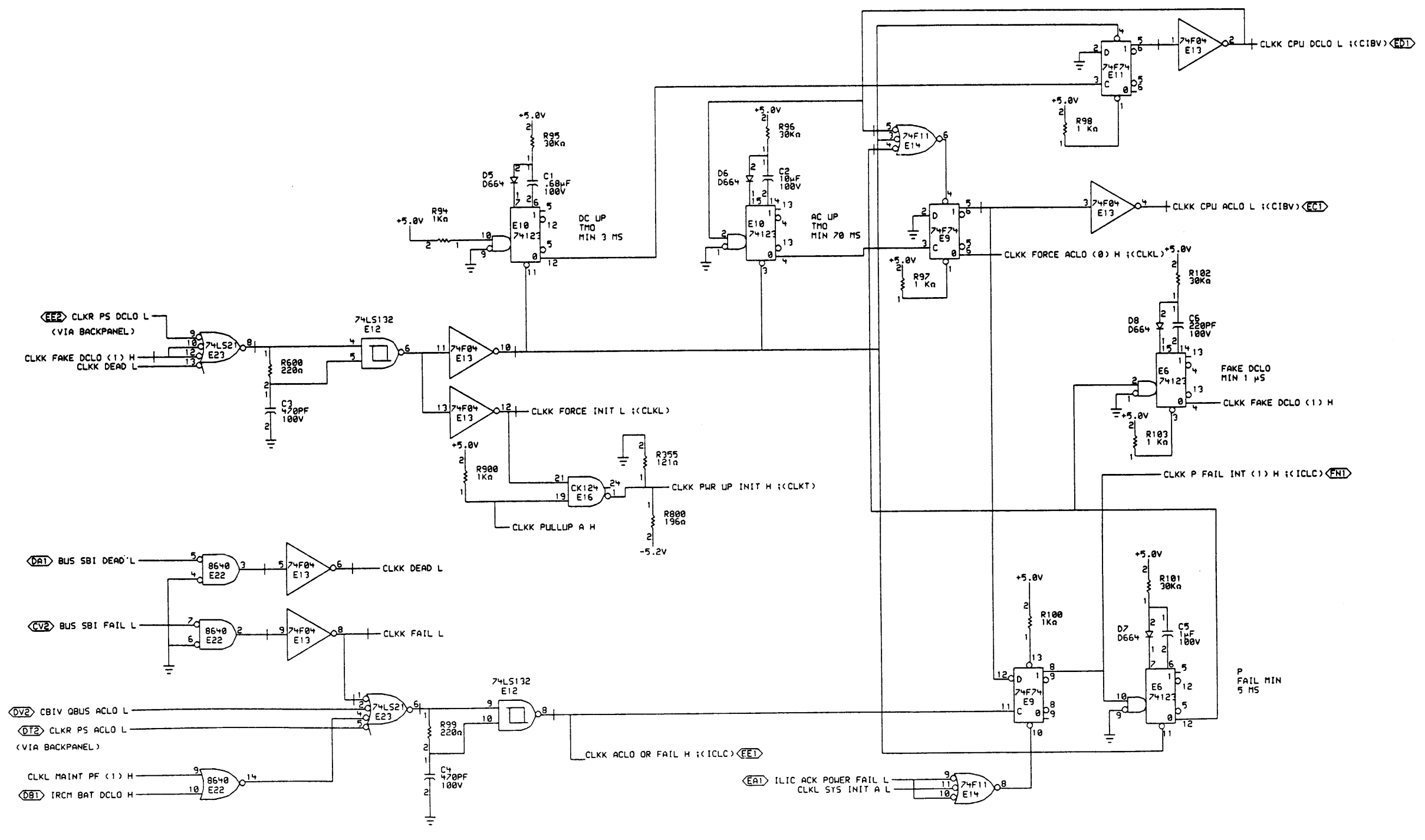
THIS DRAWING AND SPECIFICATIONS  
HEREIN ARE THE PROPERTY OF  
DIGITAL EQUIPMENT CORPORATION AND  
SHALL NOT BE REPRODUCED OR COPIED  
OR USED IN WHOLE OR IN PART AS  
THE BASIS FOR THE MANUFACTURE OR  
SALE OF ITEMS WITHOUT WRITTEN  
PERMISSION. COPYRIGHT © 1983,  
DIGITAL EQUIPMENT CORPORATION.

REVISIONS		
CHK	CHANGE NO.	REV

digital	DRN: <i>Admiral</i>	DATE: 30-SEP-83	ENG: <i>M. Attanasi</i>	DATE: 30-SEP-83	TITLE: CLOCK (CLK)
	CHK'D: <i>Admiral</i>	DATE: 30-SEP-83	BOARD LOCATION: AF16	SHEET: 1 OF 1	NUMBER: M7474-0-CLKJ
DSKB: <TAYLOR>CLKJ.DRW 127-SEP-83 13:12 NEXT HIGHER ASSEMBLY: B-DD-M7474-0-0				SIZE: K	CODE: CS
FIRST USED ON OPTION MODEL: 11/785				REV: A	

REV. A  
NUMBER 17474-0-CLKJ  
SIZE CODE CS K B





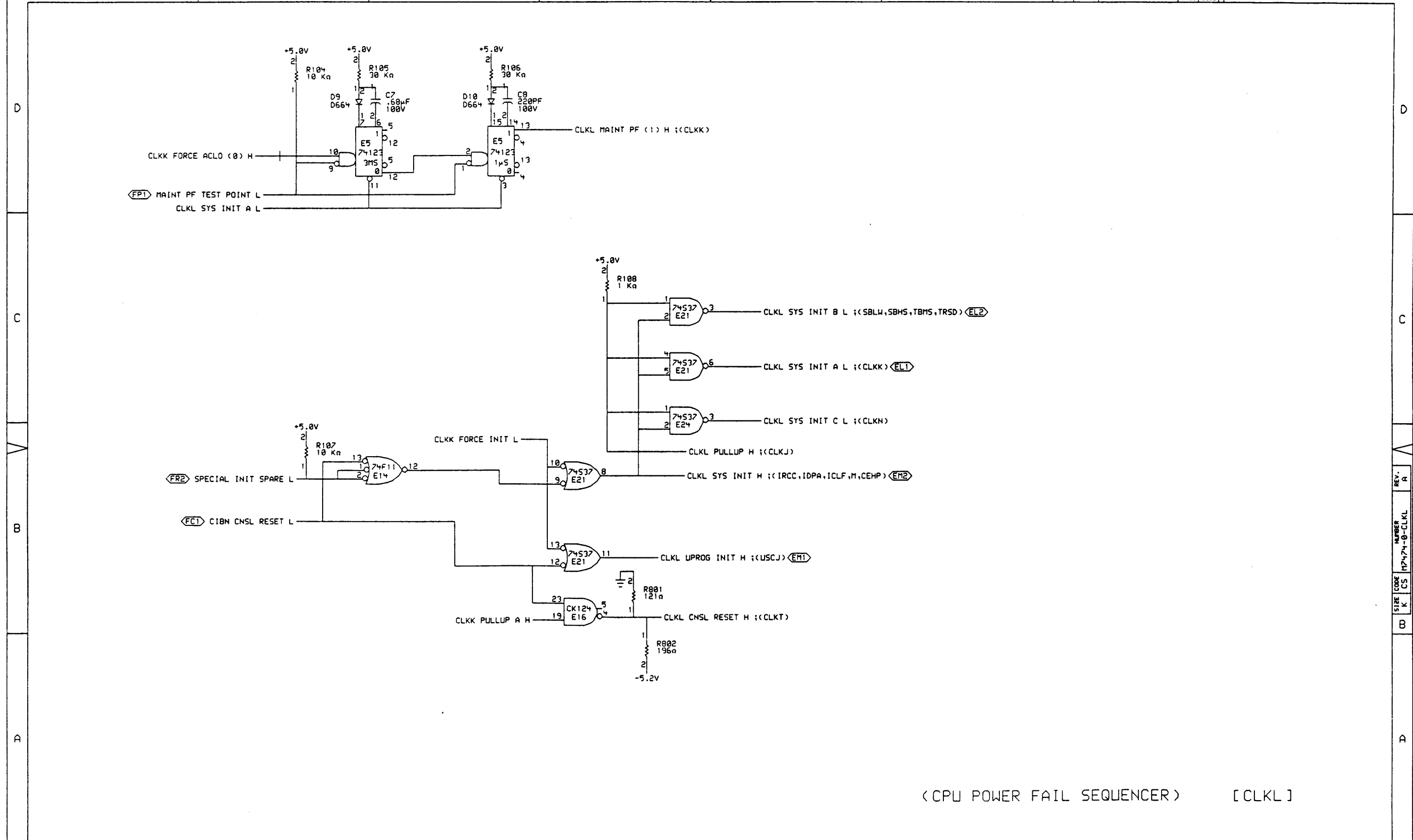
(CPU POWER FAIL SEQUENCER) [CLKK]

THIS DRAWING AND SPECIFICATIONS HEREIN ARE THE PROPERTY OF DIGITAL EQUIPMENT CORPORATION AND SHALL NOT BE REPRODUCED OR COPIED OR USED IN WHOLE OR IN PART AS THE BASIS FOR THE MANUFACTURE OR SALE OF ITEMS WITHOUT WRITTEN PERMISSION. COPYRIGHT © 1983. DIGITAL EQUIPMENT CORPORATION

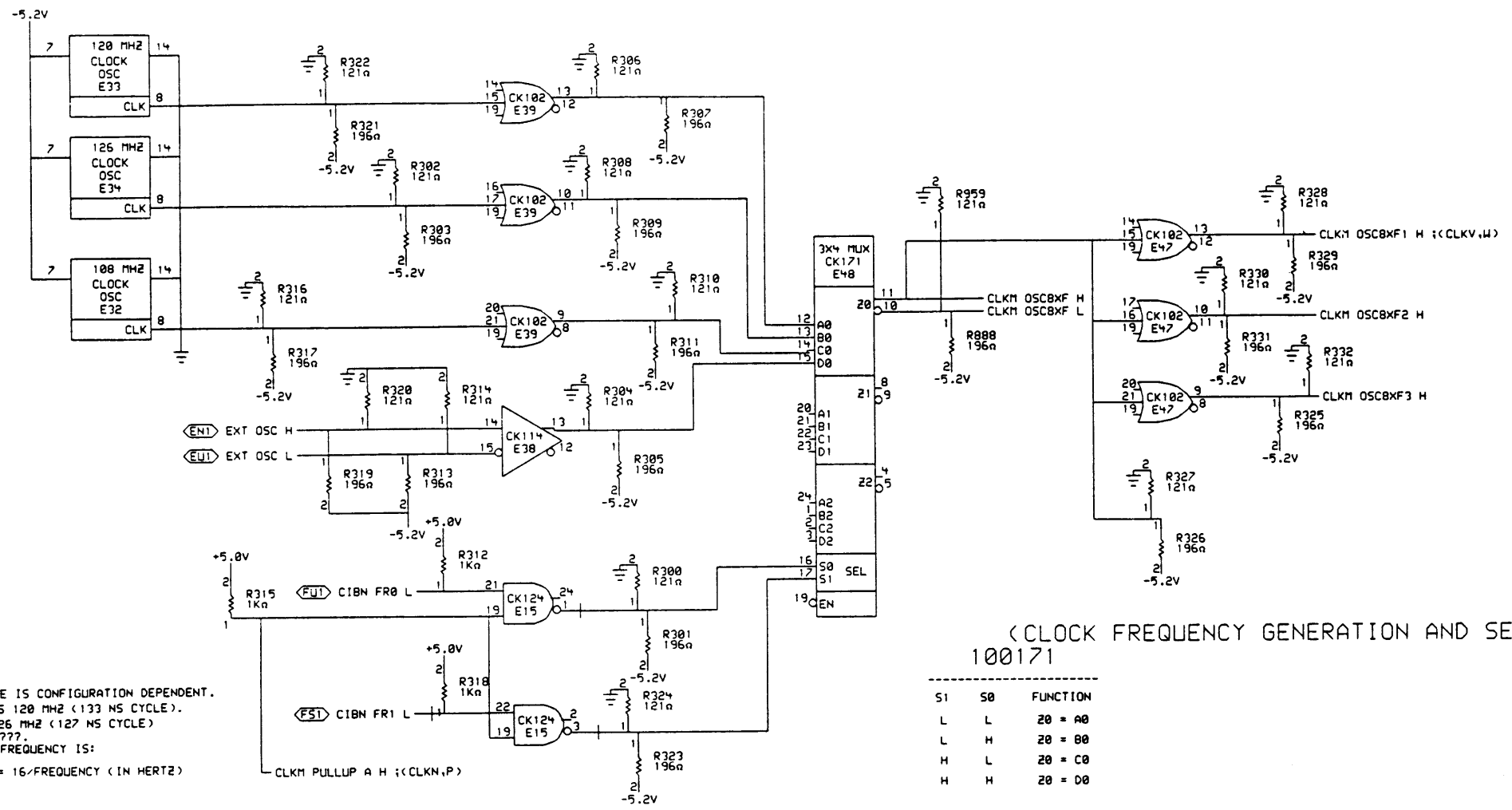
REVISIONS		
CHK	CHANGE NO.	REV

digital	DRN: <i>W. J. Taylor</i>	DATE: 31-AUG-83	ENG: <i>W. J. Taylor</i>	DATE: 31-AUG-83	TITLE: CLOCK (CLK)
	CHK: D.		DATE:	BOARD LOCATION: AF15	
DSKB: TAYLOR/CLKK.DRW		31-AUG-83 11:05	NEXT HIGHER ASSEMBLY:	SIZE: K	CODE: CS
FIRST USED ON OPTION/MODEL: 117785					NUMBER: M7474-0-CLKK
					REV. A

REV. A  
 NUMBER M7474-0-CLKK  
 SIZE K  
 CODE CS  
 D



(CPU POWER FAIL SEQUENCER) [CLKL]



NOTE: EXTERNAL OSCILLATOR INPUT RANGE IS CONFIGURATION DEPENDENT.  
 GUARANTEED MAXIMUM FREQUENCY IS 120 MHZ (133 NS CYCLE).  
 TYPICAL MAXIMUM FREQUENCY IS 126 MHZ (127 NS CYCLE)  
 TYPICAL MINIMUM FREQUENCY IS ????.  
 THE RELATION OF CYCLE TIME TO FREQUENCY IS:  
 $CYCLE \text{ (IN SECONDS)} = 16 / \text{FREQUENCY (IN HERTZ)}$

(CLOCK FREQUENCY GENERATION AND SELECTION)  
 100171

S1	S0	FUNCTION
L	L	Z0 = A0
L	H	Z0 = B0
H	L	Z0 = C0
H	H	Z0 = D0

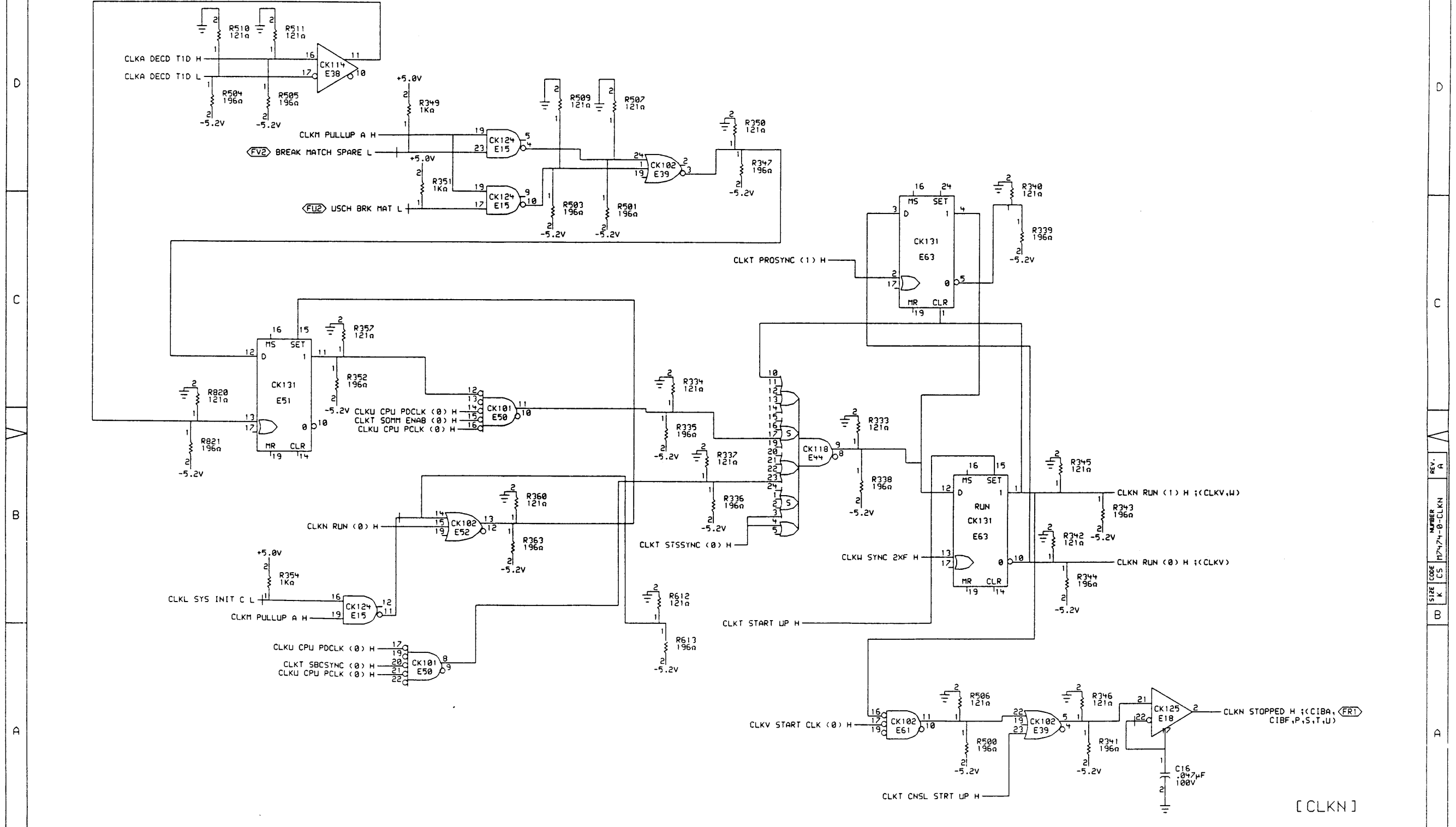
(CLOCK FREQUENCY GENERATION AND SELECTION)

[CLKM]

THIS DRAWING AND SPECIFICATIONS ARE THE PROPERTY OF DIGITAL EQUIPMENT CORPORATION AND SHALL NOT BE REPRODUCED OR COPIED OR USED IN WHOLE OR IN PART AS THE BASIS FOR THE MANUFACTURE OR SALE OF ITEMS WITHOUT WRITTEN PERMISSION. COPYRIGHT © 1987, DIGITAL EQUIPMENT CORPORATION.

REVISIONS		
CHK	CHANGE NO.	REV

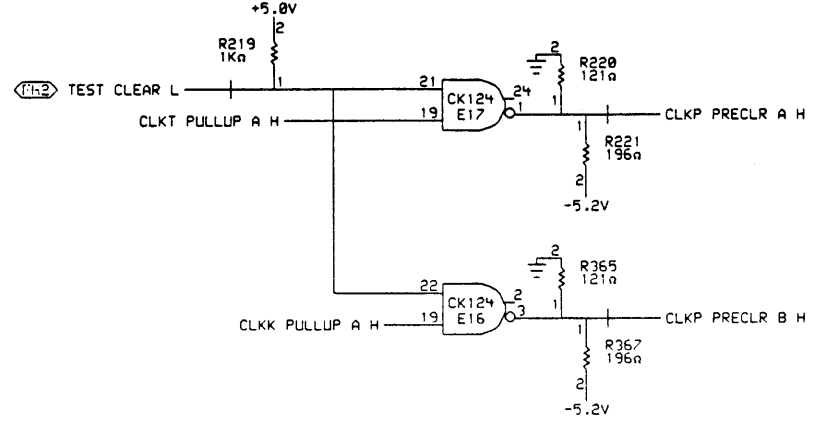
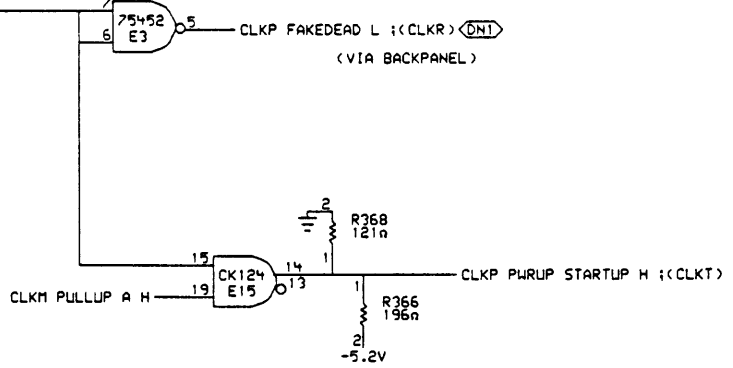
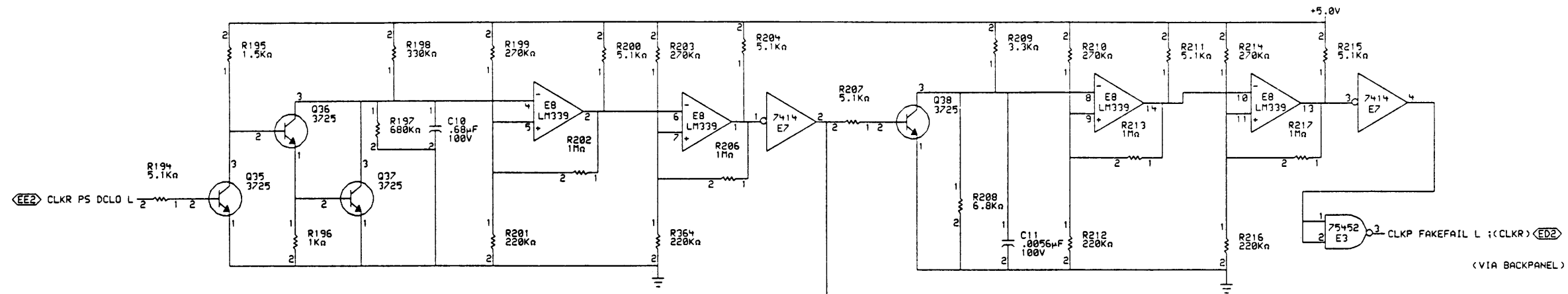
digital	DRN	DATE	ENG	DATE	TITLE:
	CHK'D.	31-AUG-87	Mr. Nelson	31-AUG-87	CLOCK (CLK)
DSKB: <TAYLOR>CLCH.DRW		31-AUG-87 11:05	NEXT HIGHER ASSEMBLY:		SIZE CODE NUMBER REV.
FIRST USED ON OPTION/MODEL: 11/785		B-DD-M7474-0-0		K CS M7474-0-CLKM	A



THIS DRAWING AND SPECIFICATIONS  
HEREIN ARE THE PROPERTY OF  
DIGITAL EQUIPMENT CORPORATION AND  
SHALL NOT BE REPRODUCED OR COPIED  
OR USED IN WHOLE OR IN PART AS  
THE BASIS FOR THE MANUFACTURE OR  
SALE OF ITEMS WITHOUT WRITTEN  
PERMISSION. COPYRIGHT © 1981  
DIGITAL EQUIPMENT CORPORATION

REVISIONS	
CHK	CHANGE NO. REV

digit	DRN: <i>William R. Taylor</i>	DATE: 31-AUG-83	ENG: <i>H. Steiner</i>	DATE: 31-AUG-83	TITLE: CLOCK (CLK)
	CHK'D.			BOARD LOCATION: AF16	
				SHEET: 1	
DSKB: <TAYLOR>CLCN.DRW 31-AUG-83 11:05 NEXT HIGHER ASSEMBLY:				SIZE CODE: K CS	NUMBER: M7474-0-CLKN
FIRST USED ON OPTION/MODEL: 11/285 B-DD-M7474-0-0					REV. A



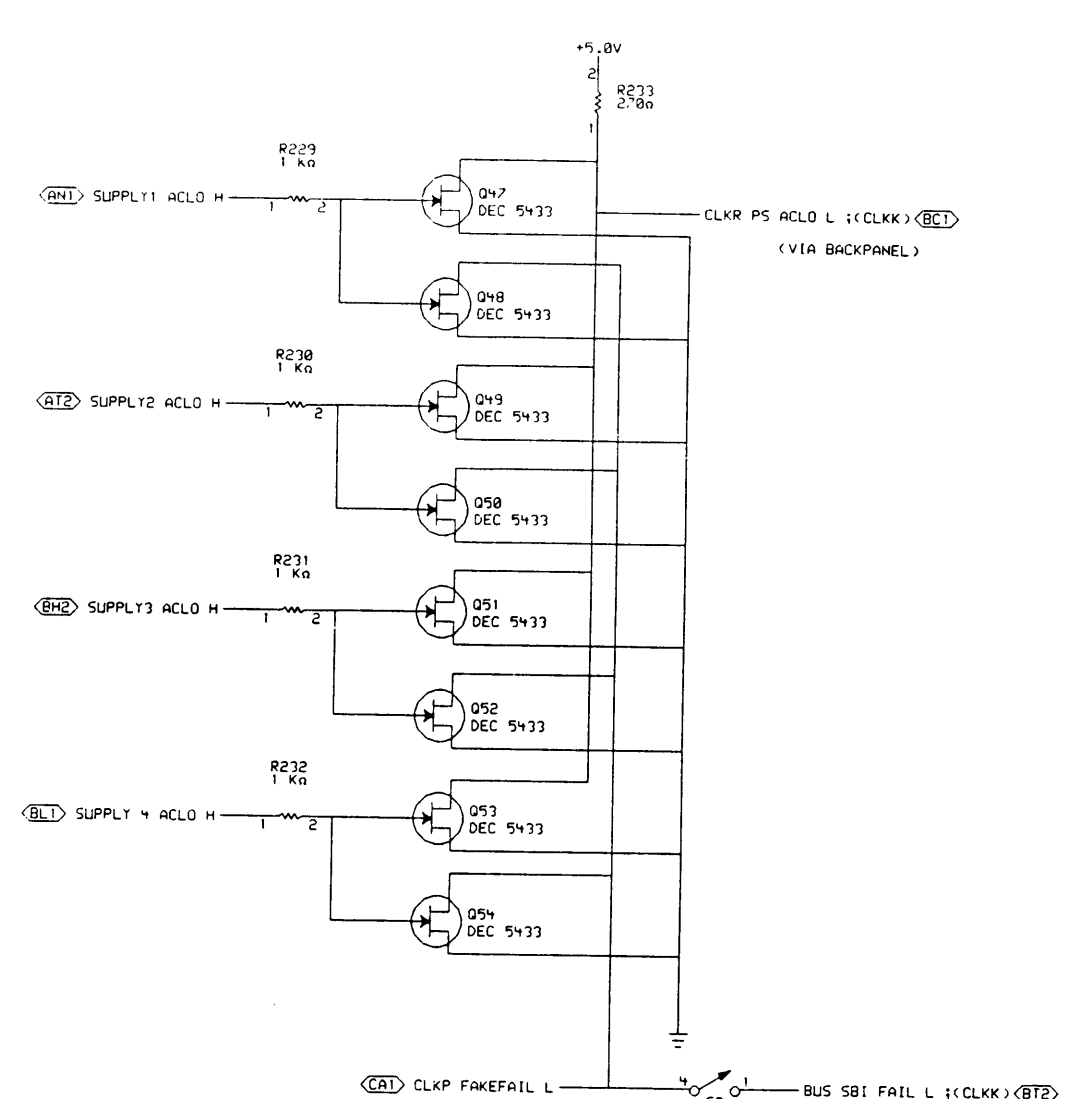
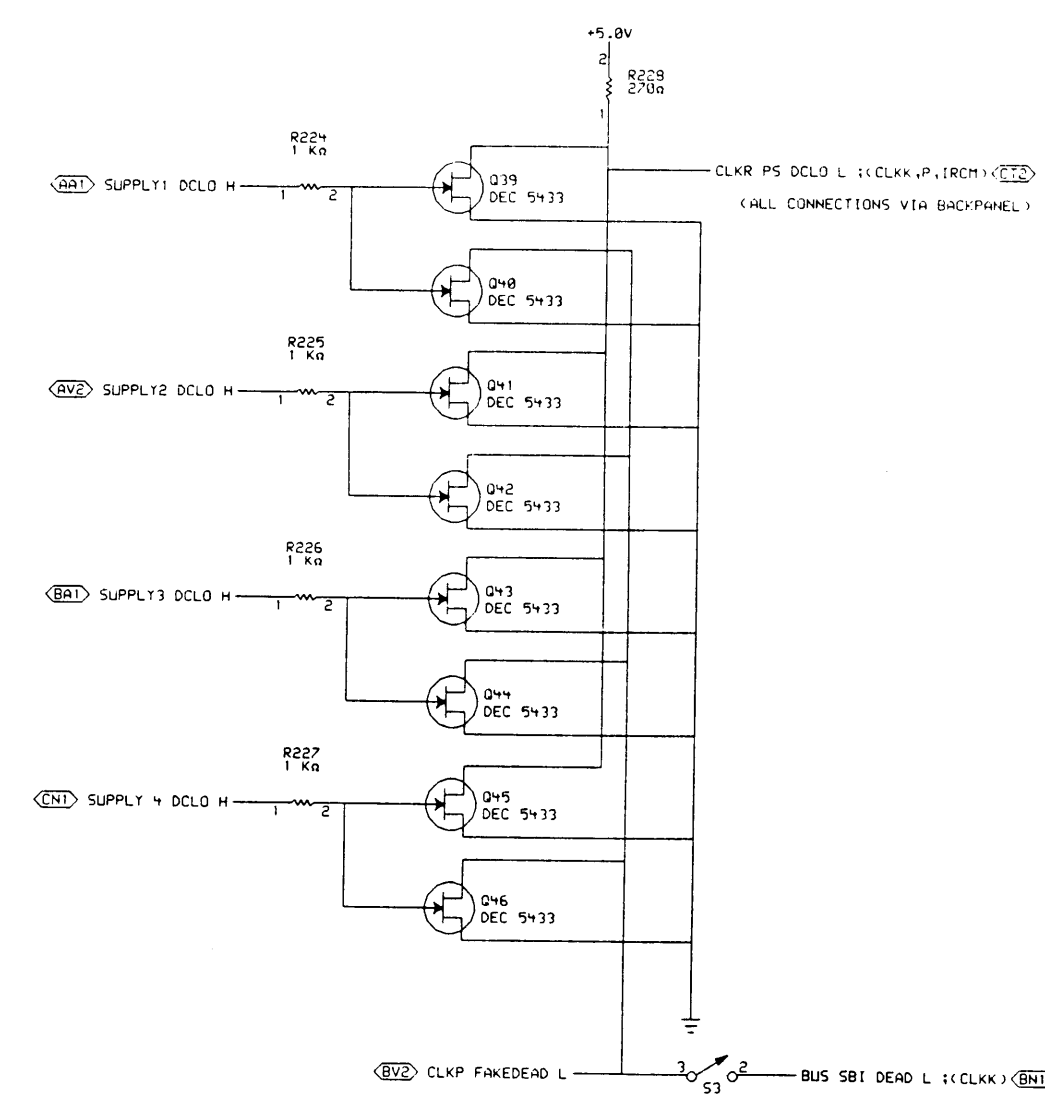
(SBI CLOCK POWER UP SEQUENCE)

[ CLKP ]

THIS DRAWING AND SPECIFICATIONS ARE THE PROPERTY OF DIGITAL EQUIPMENT CORPORATION AND SHALL NOT BE REPRODUCED OR COPIED OR USED IN WHOLE OR IN PART AS THE BASIS FOR THE MANUFACTURE OR SALE OF ITEMS WITHOUT WRITTEN PERMISSION. COPYRIGHT © 1983, DIGITAL EQUIPMENT CORPORATION.

REVISIONS		
CHK	CHANGE NO.	REV

digital	DRN: <i>[Signature]</i>	DATE: 31-AUG-83	ENG: <i>[Signature]</i>	DATE: 31-AUG-83	TITLE: CLOCK (CLK)
	CHK'D: <i>[Signature]</i>	DATE: 31-AUG-83	BOARD LOCATION: R16	SHEET: 1	REV. A
DSKB: TAYLOR\CLCP.DRW 31-AUG-83 11:05			NEXT HIGHER ASSEMBLY: B-DD-M7474-0-0	SIZE: K	CODE: CS
FIRST USED ON OPTION/MODEL: 11/785			NUMBER: M7474-0-CLKP	REV. A	



NOTE: LOGIC LEVELS  
H: APPROX. 0 V  
L: APPROX. < -7 V

NOTE: LOGIC LEVELS  
H: APPROX. 0 V  
L: APPROX. < -7 V

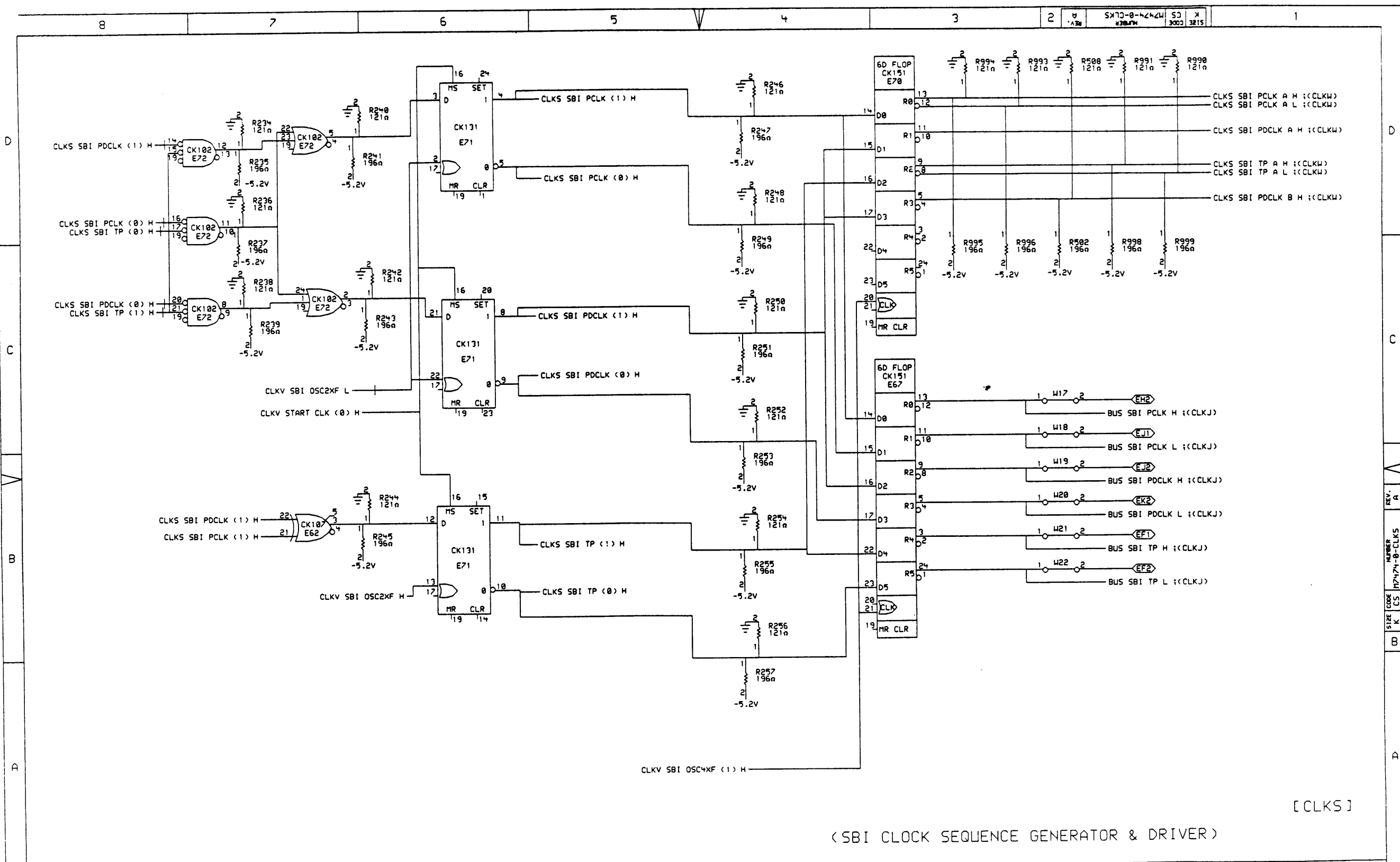
NOTE: FOR TEST AND DIAGNOSIS PURPOSES THE  
CIRCUITS ON THIS PAGE ARE CONNECTED  
TO OTHER PARTS OF THE MODULE BY  
BACKPANEL CONNECTIONS.

[ CLKR ]

THIS DRAWING AND SPECIFICATIONS  
HEREIN ARE THE PROPERTY OF  
DIGITAL EQUIPMENT CORPORATION AND  
SHALL NOT BE REPRODUCED OR COPIED  
OR USED IN WHOLE OR IN PART AS  
THE BASIS FOR THE MANUFACTURE OR  
SALE OF ITEMS WITHOUT WRITTEN  
PERMISSION. COPYRIGHT © 1983,  
DIGITAL EQUIPMENT CORPORATION.

REVISIONS		
CHK	CHANGE NO.	REV

digital	DRY	DATE 31-AUG-83	ENG. m. M. M.	DATE 31-AUG-83	TITLE: CLOCK (CLK)
	CHK'D.	DATE	BOARD LOCATION: AF15	SHEET 1 OF 1	
DSXB: TAYLOR XCLR.DRW		31-AUG-83 11:05	NEXT HIGHER ASSEMBLY: B-DD-M7474-0-0		SIZE CODE K CS
FIRST USED ON OPTION/MODEL: 11/785				NUMBER M7474-0-CLKR	REV. A



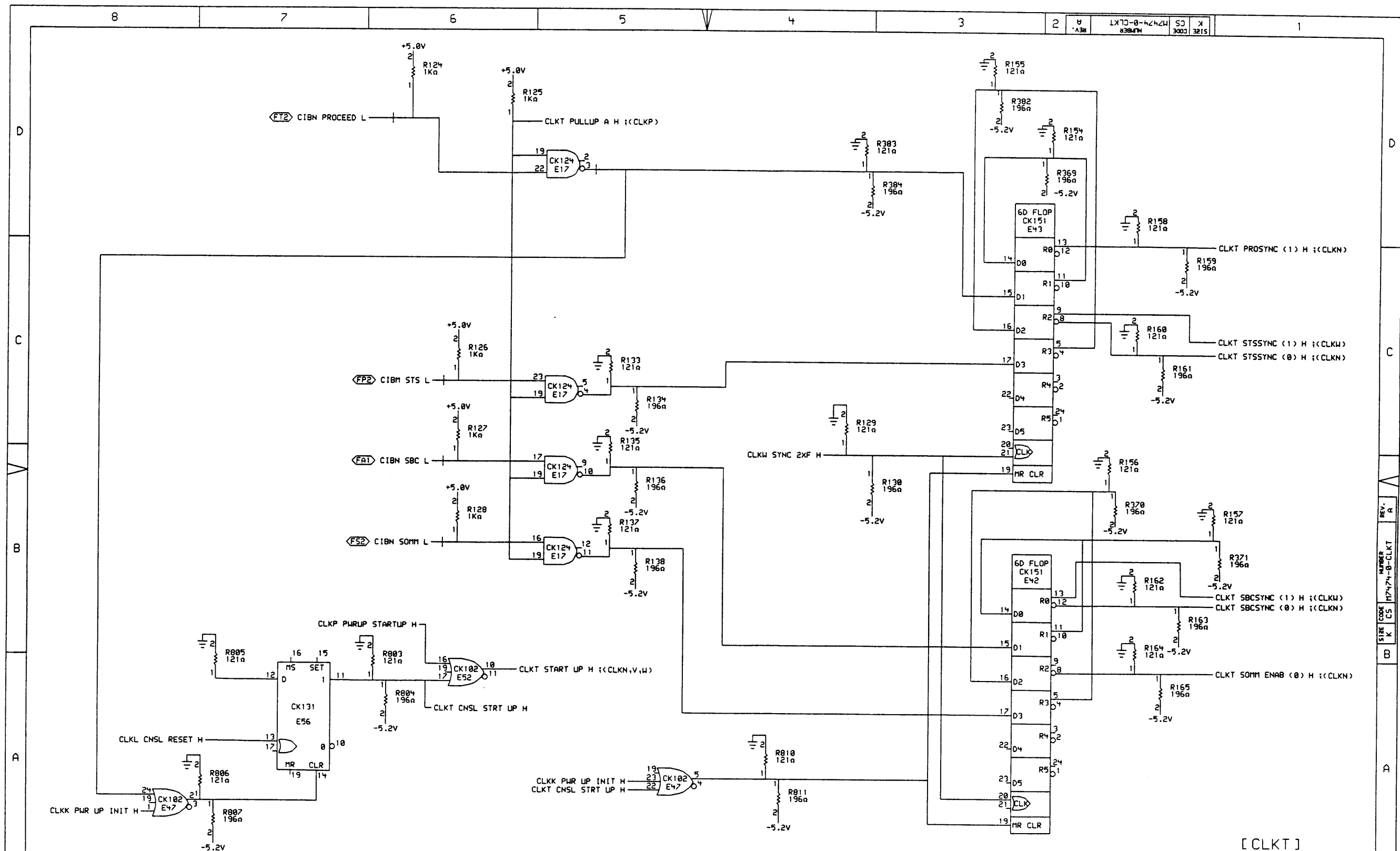
(SBI CLOCK SEQUENCE GENERATOR & DRIVER)

[CLKS]

THIS DRAWING AND SPECIFICATIONS ARE THE PROPERTY OF DIGITAL EQUIPMENT CORPORATION AND SHALL NOT BE REPRODUCED OR COPIED OR USED IN WHOLE OR IN PART AS THE BASIS FOR THE MANUFACTURE OR SALE OF ITEMS WITHOUT WRITTEN PERMISSION. COPYRIGHT © 1983, DIGITAL EQUIPMENT CORPORATION.

REVISIONS	
CHK	CHANGE NO. REV

DRN: <i>W. J. [Signature]</i>	DATE: 31-AUG-83	ENG: <i>[Signature]</i>	DATE: 31-AUG-83	TITLE: CLOCK (CLK)
CHK'D: <i>[Signature]</i>		BOARD LOCATION: AF16		
		SHEET: 1	OF: 1	
DSXB: TAYLOR\CLCS.DRW 31-AUG-83 11:05	NEXT HIGHER ASSEMBLY: B-DD-M2474-0-0	SIZE: K	CODE: CS	NUMBER: M2474-0-CLKS
FIRST USED ON OPTION/MODEL: 11/785				REV: A



THIS DRAWING AND SPECIFICATIONS HEREIN ARE THE PROPERTY OF DIGITAL EQUIPMENT CORPORATION AND SHALL NOT BE REPRODUCED OR COPIED OR USED IN WHOLE OR IN PART AS THE BASIS FOR THE MANUFACTURE OR SALE OF ITEMS WITHOUT WRITTEN PERMISSION. COPYRIGHT © 1983. DIGITAL EQUIPMENT CORPORATION.

REV.	NO.	DATE	BY	CHK'D.
1	1	31-AUG-83	W. J. [Signature]	[Signature]

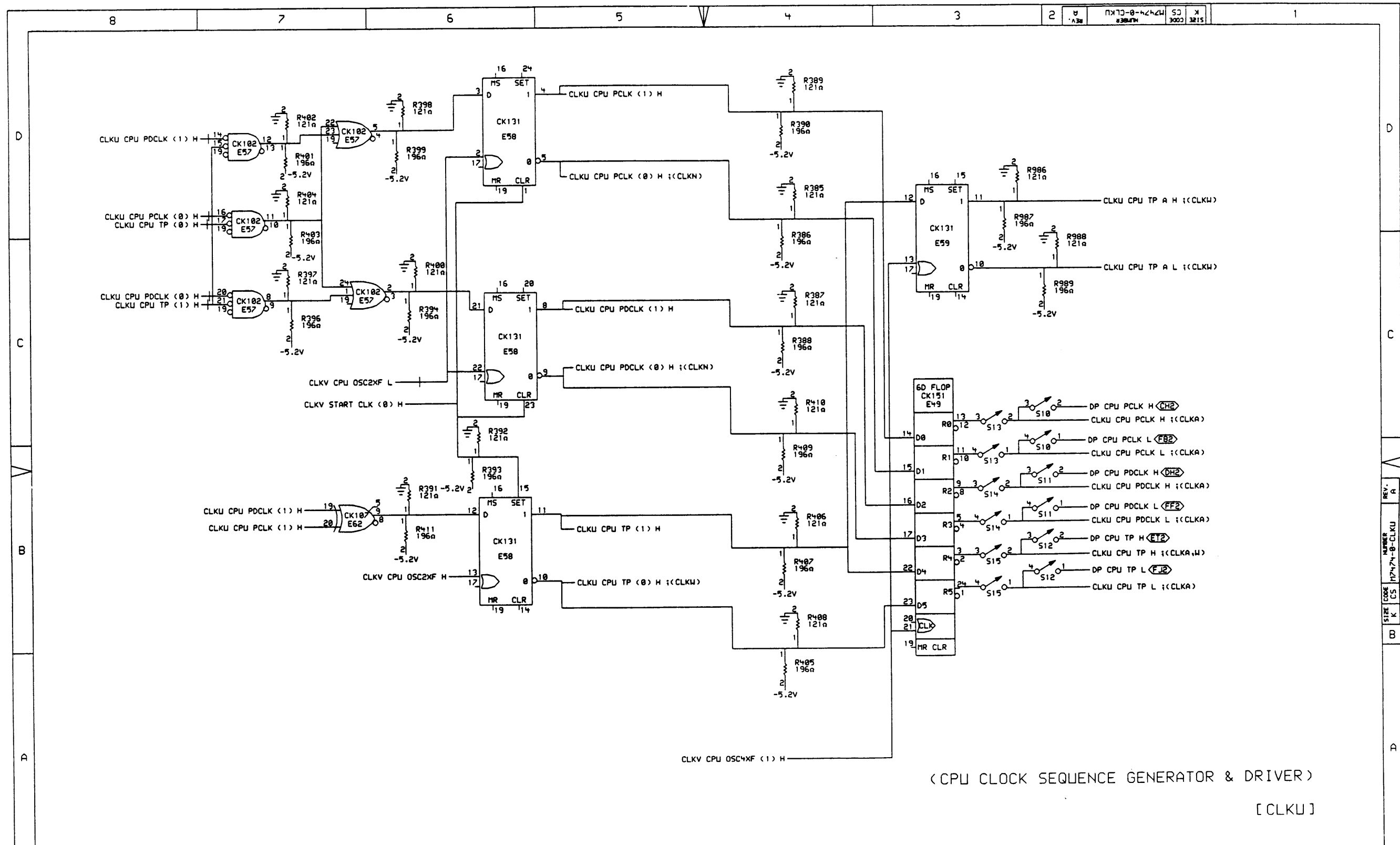
REVISIONS	
CHK	CHANGE NO. REV

DRN: [Signature]  
 DATE: 31-AUG-83  
 ENG: [Signature]  
 DATE: 31-AUG-83  
 BOARD LOCATION: AF16  
 SHEET: 1 OF 1  
 TITLE: CLOCK (CLK)

DSKB: <TAYLOR>CLCT.DRW	11:05	NEXT HIGHER ASSEMBLY:	B-DD-M7474-0-0	SIZE	CODE	NUMBER	REV.
FIRST USED ON OPTION/MODEL:	11/785			K	CS	M7474-0-CLKT	A

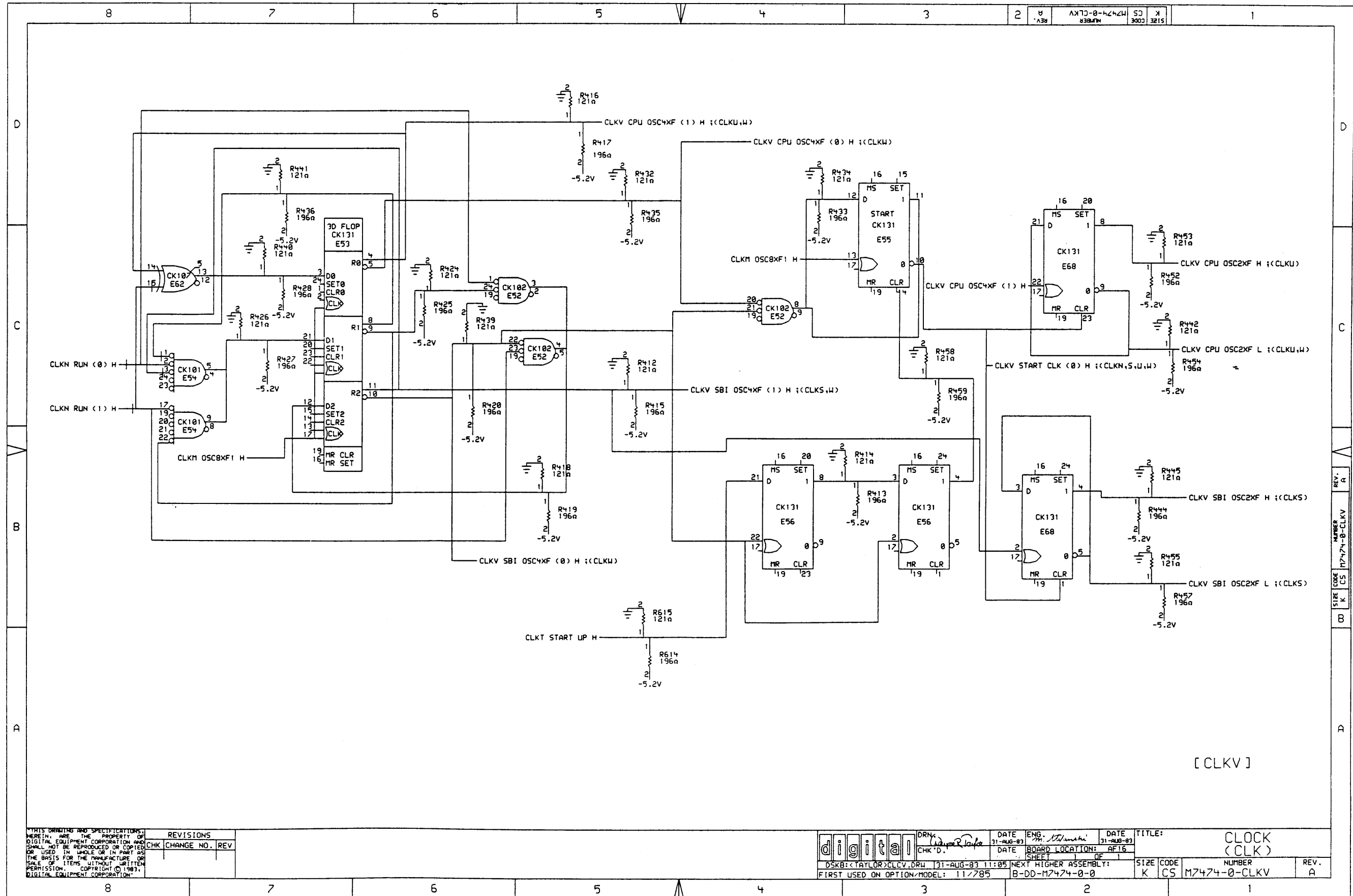
REV. A  
 NUMBER 17474-B-CLKT  
 SIZE CODE K CS





(CPU CLOCK SEQUENCE GENERATOR & DRIVER)  
[CLKU]

THIS DRAWING AND SPECIFICATIONS ARE THE PROPERTY OF DIGITAL EQUIPMENT CORPORATION AND SHALL NOT BE REPRODUCED OR COPIED OR USED IN WHOLE OR IN PART AS THE BASIS FOR THE MANUFACTURE OR SALE OF ITEMS WITHOUT WRITTEN PERMISSION. COPYRIGHT © 1983, DIGITAL EQUIPMENT CORPORATION.		<b>REVISIONS</b> CHK CHANGE NO. REV		<b>digital</b>		DRN: <i>W. J. ...</i> CHK'D:	DATE: 31-AUG-83 DATE:	ENG: <i>M. J. ...</i> BOARD LOCATION: R16	DATE: 31-AUG-83 SHEET: 1 OF 1	TITLE: <b>CLOCK (CLKU)</b>	SIZE: K CODE: CS	NUMBER: M7474-0-CLKU	REV: A
DSKB: <TAYLOR> CLCU.DRW   31-AUG-83 11:05 NEXT HIGHER ASSEMBLY: B-DD-M7474-0-0 FIRST USED ON OPTION/MODEL: 11/785													

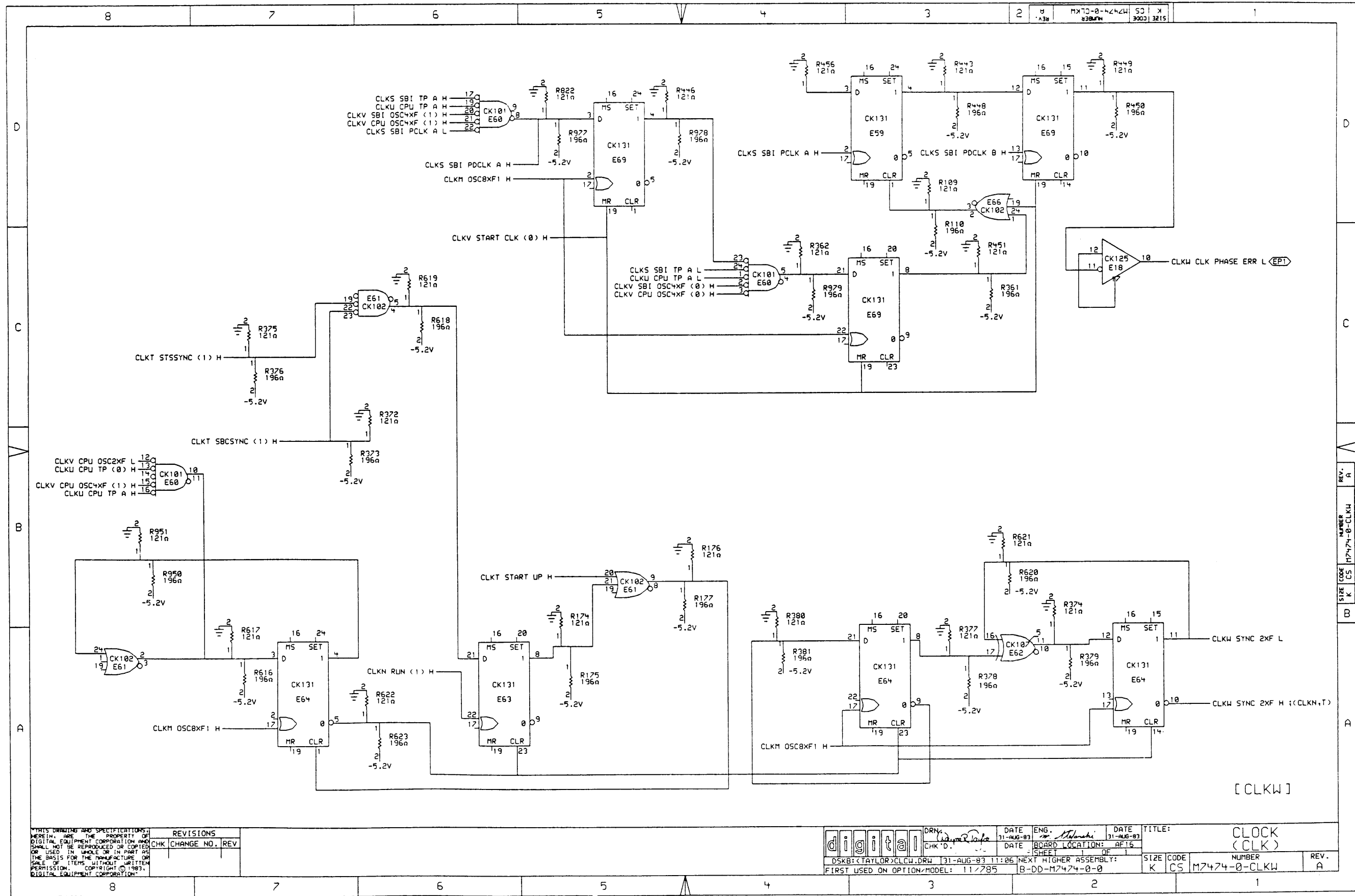


[ CLKV ]

THIS DRAWING AND SPECIFICATIONS ARE THE PROPERTY OF DIGITAL EQUIPMENT CORPORATION AND SHALL NOT BE REPRODUCED OR COPIED OR USED IN WHOLE OR IN PART AS THE BASIS FOR THE MANUFACTURE OR SALE OF ITEMS WITHOUT WRITTEN PERMISSION. COPYRIGHT © 1983, DIGITAL EQUIPMENT CORPORATION.

REVISIONS	
CHK	CHANGE NO. / REV

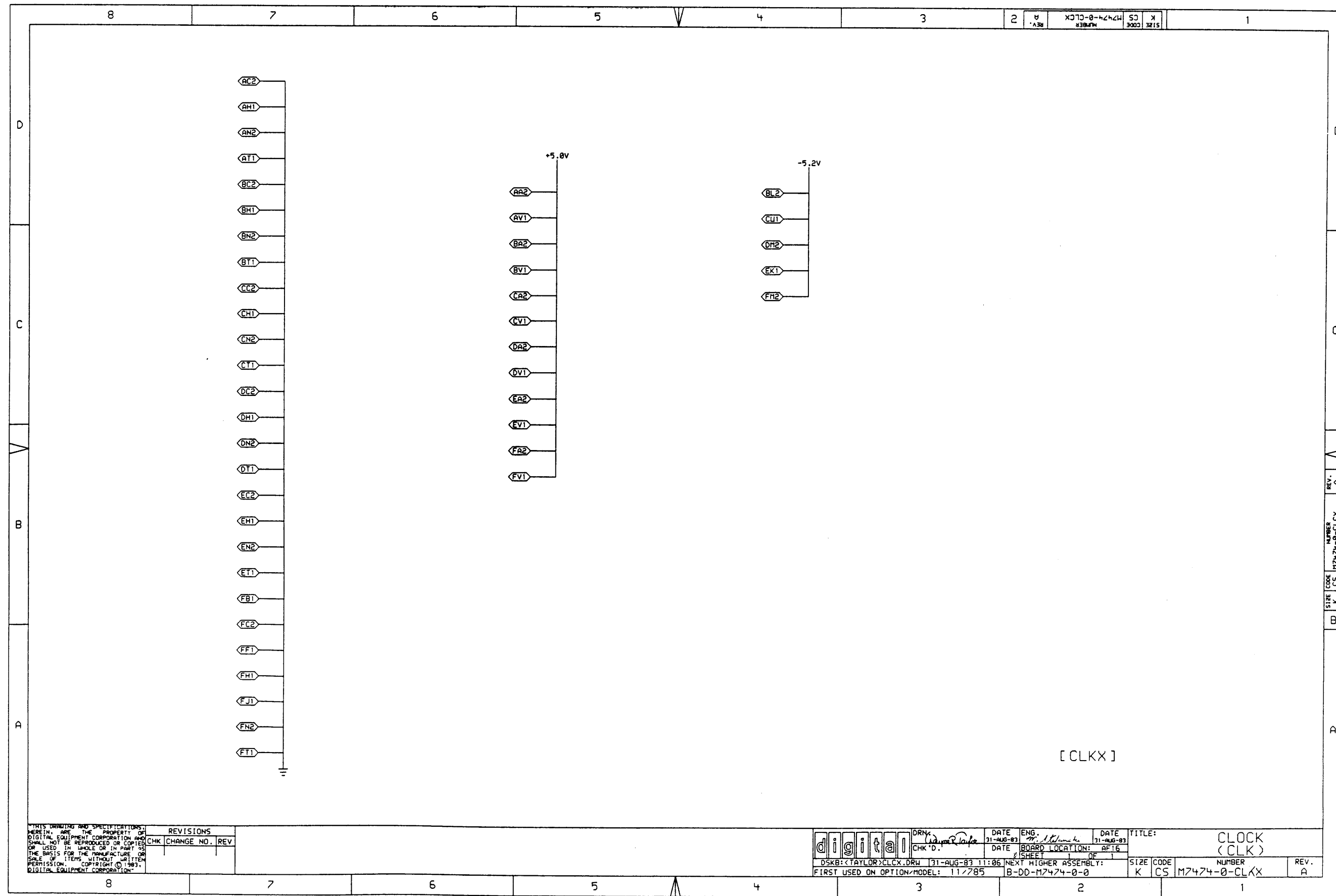
digital	DRN: <i>Adrian R. Lopez</i>	DATE: 31-AUG-83	ENG: <i>M. St. Amant</i>	DATE: 31-AUG-83	TITLE: CLOCK (CLK)
	CHK'D.	DATE:	BOARD LOCATION: AF16	SHEET: 1 OF 1	
DSKB: <TAYLOR>CLCV.DRW 31-AUG-83 11:05			NEXT HIGHER ASSEMBLY: B-DD-M7474-0-0	SIZE CODE: K CS	NUMBER: M7474-0-CLKV
FIRST USED ON OPTION/MODEL: 11/785					REV. A



THIS DRAWING AND SPECIFICATIONS HEREIN ARE THE PROPERTY OF DIGITAL EQUIPMENT CORPORATION AND SHALL NOT BE REPRODUCED OR COPIED OR USED IN WHOLE OR IN PART AS THE BASIS FOR THE MANUFACTURE OR SALE OF ITEMS WITHOUT WRITTEN PERMISSION. COPYRIGHT © 1983. DIGITAL EQUIPMENT CORPORATION.

REVISIONS	
CHK	CHANGE NO. REV

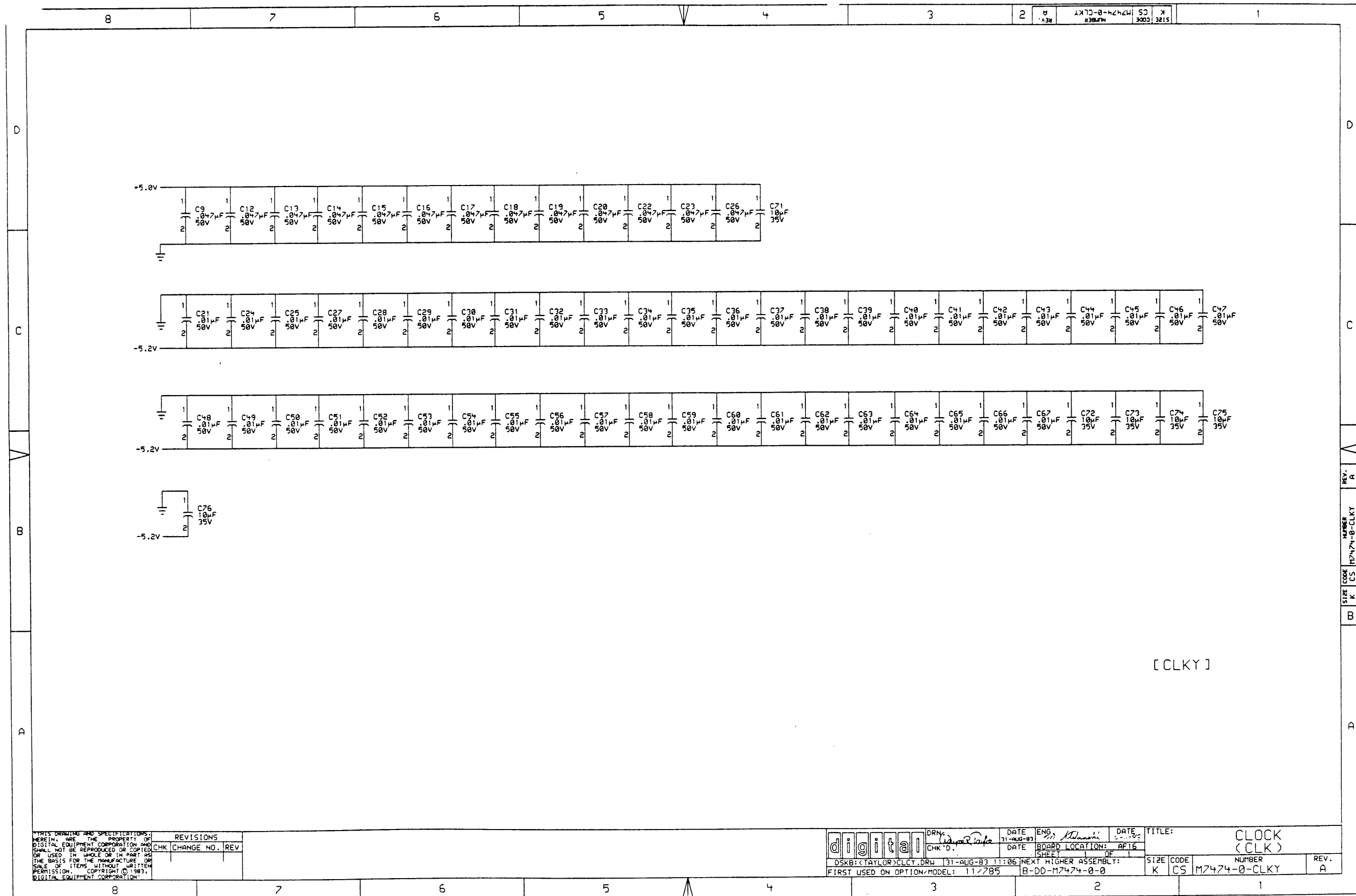
digital	DRN: <i>W. J. ...</i>	DATE: 31-AUG-83	ENG: <i>W. J. ...</i>	DATE: 31-AUG-83	TITLE: CLOCK (CLK)
	CHK'D: <i>W. J. ...</i>		BOARD LOCATION: AF15		
DSKB: TAYLOR/CLKW.DRW		31-AUG-83 11:06	NEXT HIGHER ASSEMBLY: B-DD-M7474-0-0		SIZE CODE: K CS
FIRST USED ON OPTION MODEL: 117785					NUMBER: M7474-0-CLKW
					REV: A



THIS DRAWING AND SPECIFICATIONS, HEREIN, ARE THE PROPERTY OF DIGITAL EQUIPMENT CORPORATION AND SHALL NOT BE REPRODUCED OR COPIED OR USED IN WHOLE OR IN PART AS THE BASIS FOR THE MANUFACTURE OR SALE OF ITEMS WITHOUT WRITTEN PERMISSION. COPYRIGHT © 1983, DIGITAL EQUIPMENT CORPORATION.

REVISIONS		
CHK	CHANGE NO.	REV

digital	DRN: <i>Walter Taylor</i>	DATE: 31-AUG-83	ENG: <i>W. J. Williams</i>	DATE: 31-AUG-83	TITLE: CLOCK (CLK)
	CHK'D:	DATE: 31-AUG-83	BOARD LOCATION: RFT6	SHEET: 1 OF 1	NUMBER: M7474-0-CLX
DSKB: <TAYLOR>CLX.DRW		31-AUG-83 11:06	NEXT HIGHER ASSEMBLY: B-DD-M7474-0-0	SIZE: K	CODE: CS
FIRST USED ON OPTION/MODEL: 11/785				REV: A	

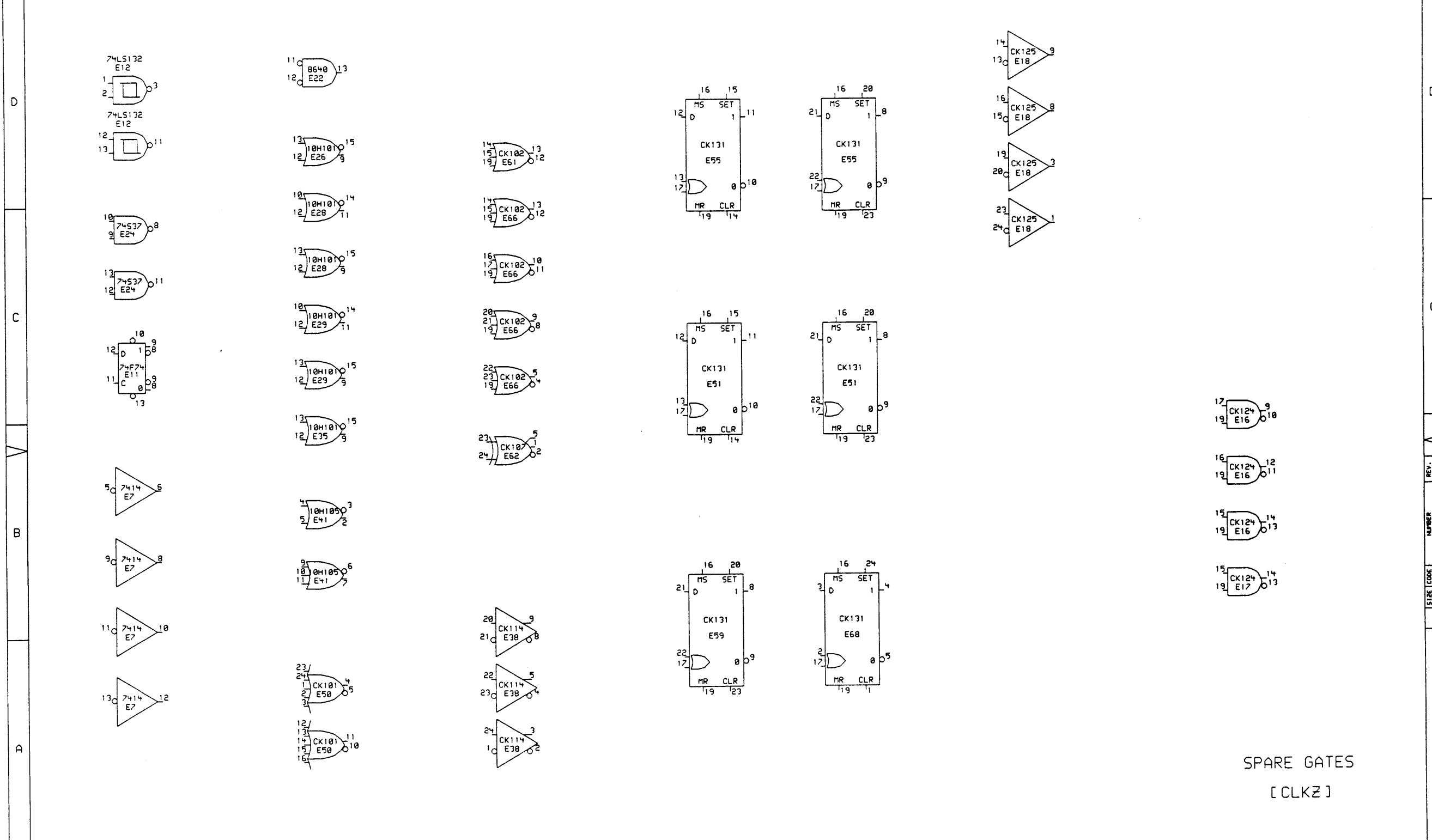


THIS DRAWING AND SPECIFICATIONS ARE THE PROPERTY OF DIGITAL EQUIPMENT CORPORATION AND SHALL NOT BE REPRODUCED OR COPIED OR USED IN WHOLE OR IN PART AS THE BASIS FOR THE MANUFACTURE OR SALE OF ITEMS WITHOUT WRITTEN PERMISSION. COPYRIGHT © 1983 DIGITAL EQUIPMENT CORPORATION.

REVISIONS		
CHK	CHANGE NO.	REV.

digital	DRY: <i>Adrian R. Sola</i>	DATE: 31-AUG-83	ENG: <i>W. M. Mason</i>	DATE: 2-1-83	TITLE: CLOCK (CLK)
	CHK'D: .....	DATE: .....	BOARD LOCATION: AF16	SHEET 1 OF 1	NUMBER M7474-0-CLKY
DSKB: <TAYLOR>CLCY.DRW 31-AUG-83 11:06 NEXT HIGHER ASSEMBLY: B-DD-M7474-0-0			SIZE: K	CODE: CS	REV: A
FIRST USED ON OPTION/MODEL: 117785					

REV. A  
NUMBER M7474-0-CLKY  
SIZE CODE K CS  
B



SPARE GATES  
[CLKZ]

DRAWING NO.	NO. OF SHTS.	PART NO.	DESCRIPTION	REVISIONS															
				A	B														
		M7474-00	CLK PART REVISION	A	B														
E-UA-M7474-00	1		UNIT ASSEMBLY	A	A														
K-FL-M7474-0-DEP	4		PART LIST	A	B														
K-PC-M7474-0-DBI	-		P.C. DATA BASE	B	B														
B-DD-5016101-G-0	1		DRAWING DIRECTORY	A	B														
K-CS-M7474-0-DBS	1		SUD DATA BASE	A	B														
K-CS-M7474-0-CLKA	1		SCHEMATIC	A	A														
K-CS-M7474-0-CLKB	1		SCHEMATIC	A	A														
K-CS-M7474-0-CLKC	1		SCHEMATIC	A	A														
K-CS-M7474-0-CLKD	1		SCHEMATIC	A	A														
K-CS-M7474-0-CLKE	1		SCHEMATIC	A	A														
K-CS-M7474-0-CLKF	1		SCHEMATIC	A	A														
K-CS-M7474-0-CLKH	1		SCHEMATIC	A	A														
K-CS-M7474-0-CLKJ	1		SCHEMATIC	A	A														
K-CS-M7474-0-CLKL	1		SCHEMATIC	A	A														
K-CS-M7474-0-CLKM	1		SCHEMATIC	A	B														
K-CS-M7474-0-CLKN	1		SCHEMATIC	A	A														
K-CS-M7474-0-CLKP	1		SCHEMATIC	A	A														
K-CS-M7474-0-CLKR	1		SCHEMATIC	A	A														
K-CS-M7474-0-CLKS	1		SCHEMATIC	A	A														
K-CS-M7474-0-CLKT	1		SCHEMATIC	A	A														
K-CS-M7474-0-CLKU	1		SCHEMATIC	A	A														
K-CS-M7474-0-CLKV	1		SCHEMATIC	A	A														
K-CS-M7474-0-CLKW	1		SCHEMATIC	A	A														
K-CS-M7474-0-CLKX	1		SCHEMATIC	A	A														
K-CS-M7474-0-CLKY	1		SCHEMATIC	A	A														

**NOTES:**

DATE	CHG NO.	INIT	REV.	REVISIONS															
				A	B														
9/83		INIT	A																
3/84		TWO	B																

"THIS DRAWING AND SPECIFICATIONS, HEREIN, ARE THE PROPERTY OF DIGITAL EQUIPMENT CORPORATION AND SHALL NOT BE REPRODUCED OR COPIED OR USED IN WHOLE OR IN PART AS THE BASIS FOR THE MANUFACTURE OR SALE OF ITEMS WITHOUT WRITTEN PERMISSION.  
 COPYRIGHT © 1983 DIGITAL EQUIPMENT CORPORATION



USED ON OPTION/MODEL		DRN	TITLE	
		<i>[Signature]</i>	CLK	
		CHK'D	28-52-83	
		<i>[Signature]</i>	10-4-83	
		ENG	10-11-83	
		<i>[Signature]</i>	10-11-83	
		REV'D	10-11-83	
		<i>[Signature]</i>	10-11-83	
SIZE	CODE	NUMBER	REV.	
B	DD	M7474-0-0	B	
SHEET		1 OF 2		

DRAWING NO.	NO. OF SHTS.	PART NO.	DESCRIPTION	REVISIONS																
				1	2	3	4	5	6	7	8	9	10							
K-CS-M7474-0-CLKZ	1		SCHEMATIC	A	A															
K-CS-M7474-0-CLK1	1		SCHEMATIC	A	A															
K-CS-M7474-0-CLK2	1		SCHEMATIC	A	A															
K-CS-M7474-0-CLK3	1		SCHEMATIC	A	A															
K-CS-M7474-0-CLK4	1		SCHEMATIC	A	A															
K-CS-M7474-0-CLK5	1		SCHEMATIC	A	A															
K-CS-M7474-0-CLK6	1		SCHEMATIC	A	A															
K-CS-M7474-0-CLK7	1		SCHEMATIC	A	A															
K CS M7474 0 CLKK	1		SCHEMATIC	A	A															

**NOTES:**

DATE	CHG NO.	REV.	REVISIONS																	
			1	2	3	4	5	6	7	8	9	10								
10/83	INIT.	A																		
3/84	TW001	B																		

THIS DRAWING AND SPECIFICATIONS, HEREIN, ARE THE PROPERTY OF DIGITAL EQUIPMENT CORPORATION AND SHALL NOT BE REPRODUCED OR COPIED OR USED IN WHOLE OR IN PART AS THE BASIS FOR THE MANUFACTURE OR SALE OF ITEMS WITHOUT WRITTEN PERMISSION.  
 COPYRIGHT © 1983 DIGITAL EQUIPMENT CORPORATION

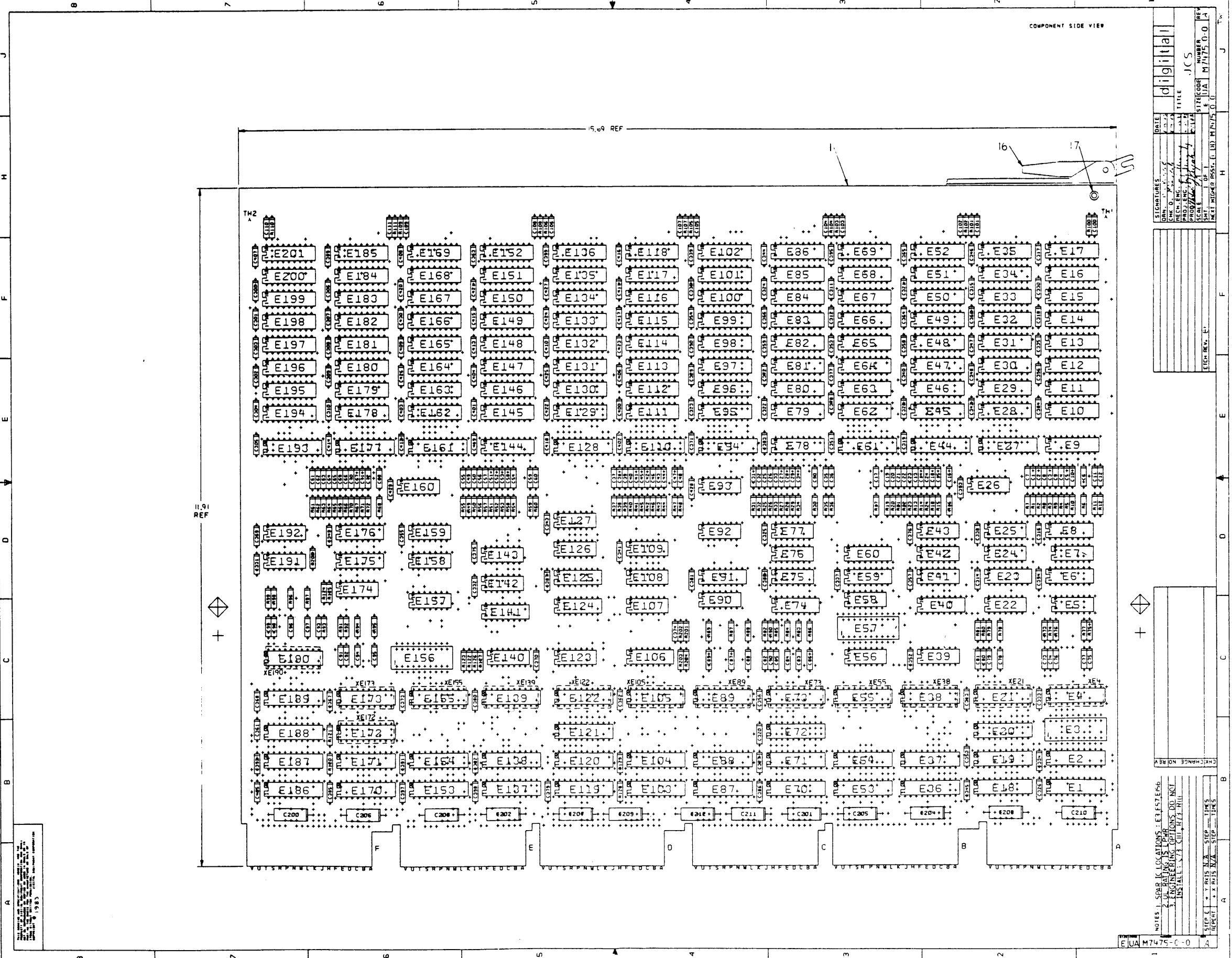


USED ON OPTION/MODEL		DRN. S. CORCORAN	28 SEP 83	TITLE CLK
		CHK'D J. Barofalo	10-4-83	SIZE B DD
		ENG. M. Stefanek	10-11-83	NUMBER M7474-0-0
		PROD. M. Stefanek	10-11-83	REV. B
SHEET 2 OF 2				



COMPONENT SIDE VIEW

1. SEARCH LOCATIONS - E1-E17, E16-E206  
 2. RATING IS PER  
 3. ENGINEERING OPTIONS DO NOT  
 DISTURB N/C X/C N/A  
 4. STEP 1/48  
 5. SUP 1/48



SIGNATURES		DATE	digital	
DESIGNER	DATE	1.1.1	DATE	1.1.1
DRG. ENGR.	DATE	1.1.1	DATE	1.1.1
PROJ. ENGR.	DATE	1.1.1	DATE	1.1.1
SCALE	DATE	1.1.1	DATE	1.1.1
CHKD. BY	DATE	1.1.1	DATE	1.1.1
HEAT INDEX	DATE	1.1.1	DATE	1.1.1
TITLE: JCS				
STAGE: UJA M7475-0-0				
DRAWN: M7475-0-0				
DATE: 1.1.1				

CHANGES NO. REV.

NOTES:  
 1. SEARCH LOCATIONS - E1-E17, E16-E206  
 2. RATING IS PER  
 3. ENGINEERING OPTIONS DO NOT  
 DISTURB N/C X/C N/A  
 4. STEP 1/48  
 5. SUP 1/48

UJA M7475-C-0

AUTOMATED BY PRTLST.4Q(50)

PARTS LIST

SHEET A1 OF A2

LINE	ITEM	TOP DOCUMENT	PART NUMBER	MIN REV	DESCRIPTION	QTY	PER VARIATION	REFERENCE DESIGNATOR
					VARIATION REVISION LEVEL:	00		
						B1		
1	1	D-MD-5016102-0-0	5016102-01		ETCH CIRCUIT BOARD	1		
2	2		23043B2-00		B2-03	1		E172
3	3		23044B2-00		B2-03	1		E173
4	4		23045B2-00		B2-03	1		E155
5	5		23046B2-00		B2-03	1		E139
6	6		23047B2-00		B2-03	1		E105
7	7		23048B2-00		B2-03	1		E122
8	8		23049B2-00		B2-03	1		E89
9	9		23050B2-00		B2-03	1		E73
10	10		23051B2-00		B2-03	1		E55
11	11		23052B2-00		B2-03	1		E38
12	12		23053B2-00		B2-03	1		E21
13	13		23054B2-00		B2-03	1		E4
14	14		23055B2-00		B2-03	1		E190
15	15		1920572-01		74F244 BUFFER/LINE DRIVER,0	9		E27,E44,E61,E94,E110,E128,E161, CONT E177,E193
16	16		1216988-02		HANDLE,MODULE,HEX TWO EJECTORS	1		
17	17		9000024-01		EYELET,ROLLED 0.1210DX0.192	12		
18	18		1017472-00		10 MFD 35V +75-10% AL EL	13		C200-C212
19	19		1300250-00		150.0 .25 W 5.0 % CF	2		R203,R204
20	20		1300247-00		120.0 .25 W 5.0 % CF	2		R201,R202
21	21		1300365-00		1.0 K .25 W 5.0 % CF	1		R200
22	22		1301775-00		820.0 .25 W 5.0 % CF	5		R121,R123,R125,R127,R129
23	23		1300295-00		330.0 .25 W 5.0 % CF	5		R120,R122,R124,R126,R128
24	24		1300229-00		100.0 .25 W 5.0 % CF	72		R1-R72
25	25		1921720-01		10H125 TRANSLATOR ECL TO TTL	1		E106
26	26		1921311-01		74F20 NAND GATE,DUAL,4-IN	2		E142,E159
27	27		1921315-01		74F86 EXCLUSIVE OR GATE,QU	1		E192
28	28		1921318-01		74F151 MUX,8-IN	1		E176
29	29		1912746-01		74S37-1BUFFER-GATE	1		E126

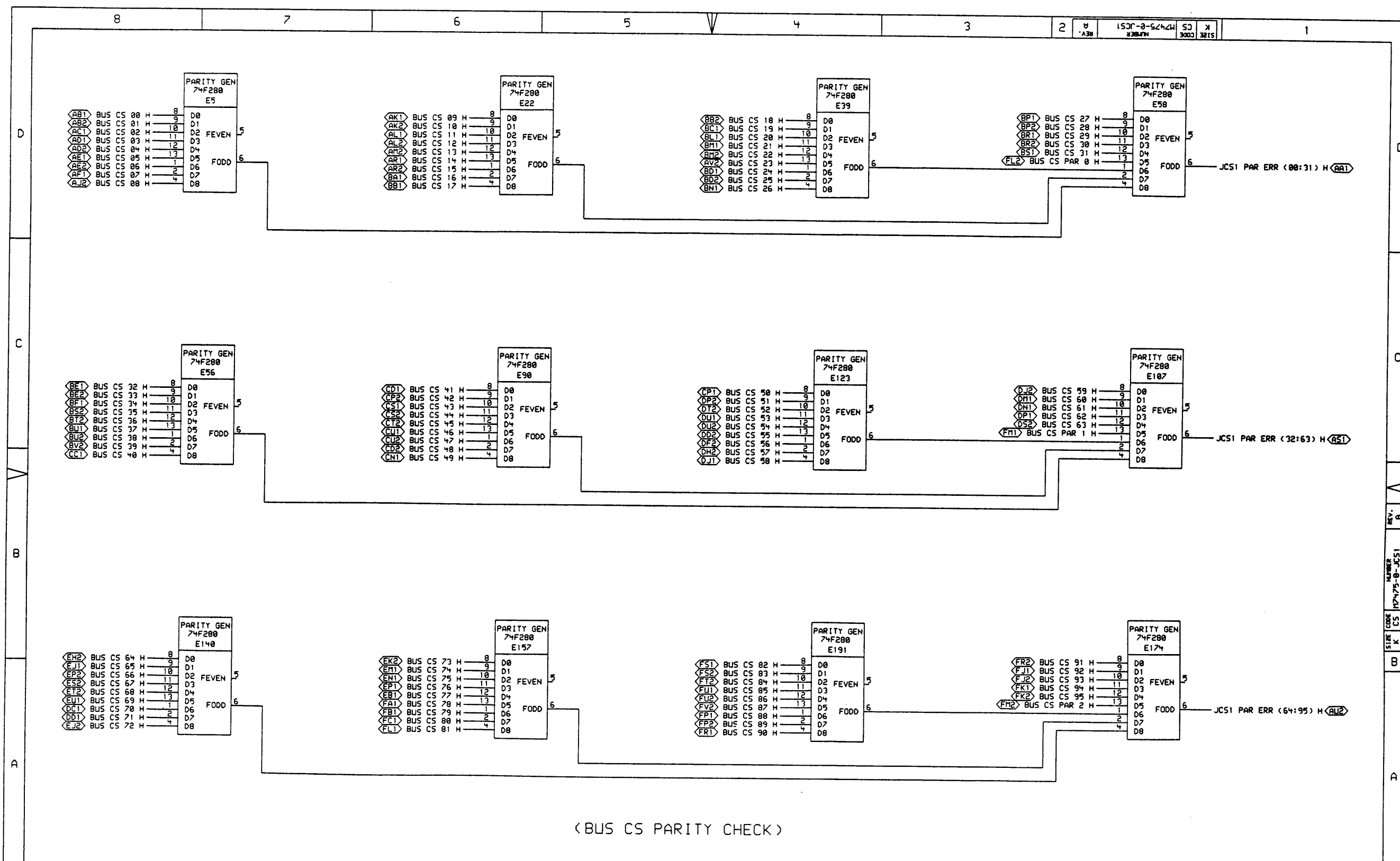
REVISION HISTORY			BASIC PART NO: M7475	DRN: S.MANSOR	DATE: 22-JUN-83	DIGITAL			
ENG	ECO NUMBER	REV	SECTION A OF A	CHK'D: F.GAROFALO	DATE: 27-JUN-83	TITLE PARTS LIST JOINT CONTROL STORE			
---	INITIAL	A	SECTION VARIATION INDEX	DES.ENG: J.STICKNEY	DATE: 22-JUN-83	DOCUMENT NUMBER			
JS	M7475-TW001	B	(A) 00	RESP.ENG.: J.STICKNEY	DATE: 22-JUN-83	SIZE: K	CODE: PL	NUMBER: M7475-0-DBP	REV: B
			(B)	MFG.ENG.: M.KRYSAK	DATE: 25-OCT-83	RELEASE DATE: 25-JAN-84			
			(C)	ASSEMBLY NUMBER: E-UA-M7475-0-0	TOP DOCUMENT NUMBER: B-DD-M7475-0-0	FILE NAME: Z3957B.PLS	EDIT #: 9		
			(D)						
			(E)						
			(F)						
			(H)						
			(J)						
			(K)						
			(L)						
			(M)						
			(N)						

"THIS DRAWING AND THE SPECIFICATIONS CONTAINED HEREIN ARE CONFIDENTIAL AND PROPRIETARY. THEY ARE THE PROPERTY OF DIGITAL EQUIPMENT CORPORATION AND SHALL NOT BE REPRODUCED OR COPIED OR USED IN WHOLE OR IN PART AS THE BASIS FOR THE MANUFACTURE OR SALE OF ITEMS WITHOUT WRITTEN PERMISSION. THIS IS AN UNPUBLISHED WORK PROTECTED UNDER THE FEDERAL COPYRIGHT LAWS."

LINE ITEM	TOP DOCUMENT	PART NUMBER	MIN REV	DESCRIPTION	QTY PER VARIATION	REFERENCE DESIGNATOR
				VARIATION REVISION LEVEL:	00 B1	
30	30	1921307-01		74F04 HEX INVERTER	2	E127,E143
31	31	1913788-00		26S10 TRANSCEIVER,BUS,QUA	8	E6,E8,E23,E40,E59,E74,E91,E125
32	32	1921305-01		74F00 NAND GATE,QUAD,2-IN	12	E24-E26,E42,E43,E76,E77,E92,E93, CONT E109,E158,E160
33	33	1921332-01		74F280 PARITY GEN/CHECK,9-B	16	E5,E7,E22,E39,E41,E56,E58,E75, CONT E90,E107,E108,E123,E140,E157, CONT E174,E191
34	34	2114523-03		2147H-1 4K MOS RAM 35NS 8	99	E9-E17,E28-E35,E45-E52,E62-E69, CONT E78-E86,E95-E102,E111-E118, CONT E129-E136,E144-E152,E162-E169, CONT E178-E185,E194-E201
35	35	1921008-01		74F240 BUFFER/LINE DRIVER,I	29	E1,E2,E18-E20,E36,E37,E53,E54, CONT E70-E72,E87,E88,E103,E104, CONT E119-E121,E137,E138,E153,E154, CONT E170,E171,E186-E189
36	36	1921321-01		74F158 MUX,QUAD,2-IN	4	E60,E124,E141,E175
37	37	1012784-00		.047 MFD 50V +80-20%	CER 131	C300-C430
38	38	1013466-06		100.0 MMF 50V 5%	CER 72	C1-C72
39	39	1215006-04		SKT,IC 20PIN DIP TIN	SOLD 13	XE4,XE21,XE38,XE55,XE73,XE89, CONT XE105,XE122,XE139,XE155,XE172, CONT XE173,XE190

40 NOTE: E3,E57,E156 ARE SPARE I.C. LOCATIONS  
 41 NOTE: ENGINEERING OPTION, DO NOT INSTALL C73-C111,R73-R111.

D	I	G	I	T	A	L	TITLE	SECTION A	OF A	SIZE	CODE	DOCUMENT NUMBER	REV
							JOINT CONTROL STORE			K	PL	M7475-0-DBP	B

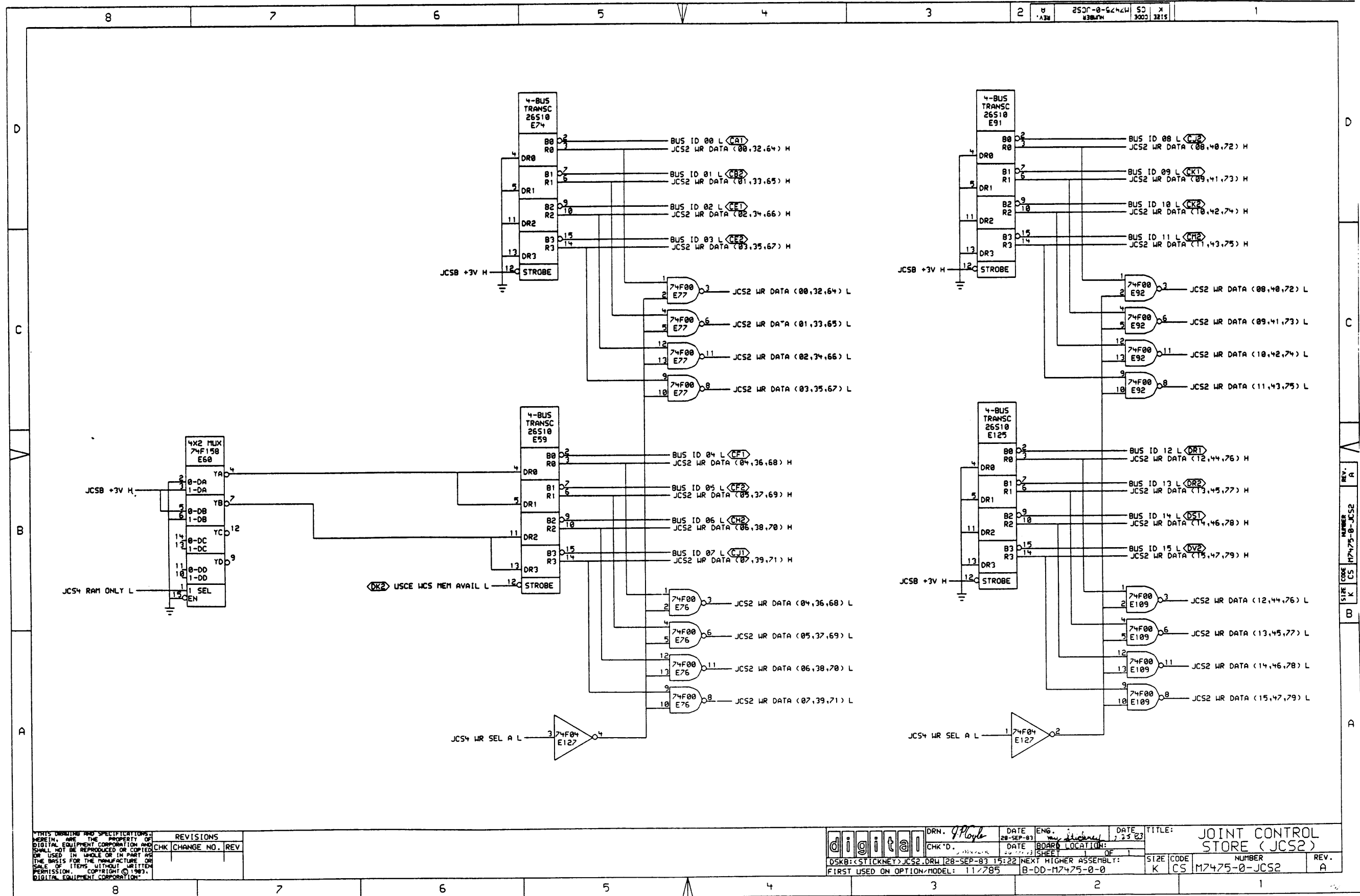


THIS DRAWING AND SPECIFICATIONS HEREIN ARE THE PROPERTY OF DIGITAL EQUIPMENT CORPORATION AND SHALL NOT BE REPRODUCED OR COPIED OR USED IN WHOLE OR IN PART AS THE BASIS FOR THE MANUFACTURE OR SALE OF ITEMS WITHOUT WRITTEN PERMISSION. COPYRIGHT © 1981 DIGITAL EQUIPMENT CORPORATION.

REVISIONS	
CHK	CHANGE NO. REV

	DRN. <i>9/10/83</i>	DATE	ENG. <i>Paul A. ...</i>	DATE	TITLE: <b>JOINT CONTROL STORE (JCS1)</b>
	CHK'D.	DATE	BOARD LOCATION	SHEET	OF
DSKB: CSTICKNET>JCS1.DRW 102-AUG-83 12:59		NEXT HIGHER ASSEMBLY: B-DD-M7475-0-0		SIZE	CODE
FIRST USED ON OPTION/MODEL: 11/285		B-DD-M7475-0-0		K	CS
NUMBER				M7475-0-JCS1	REV. A

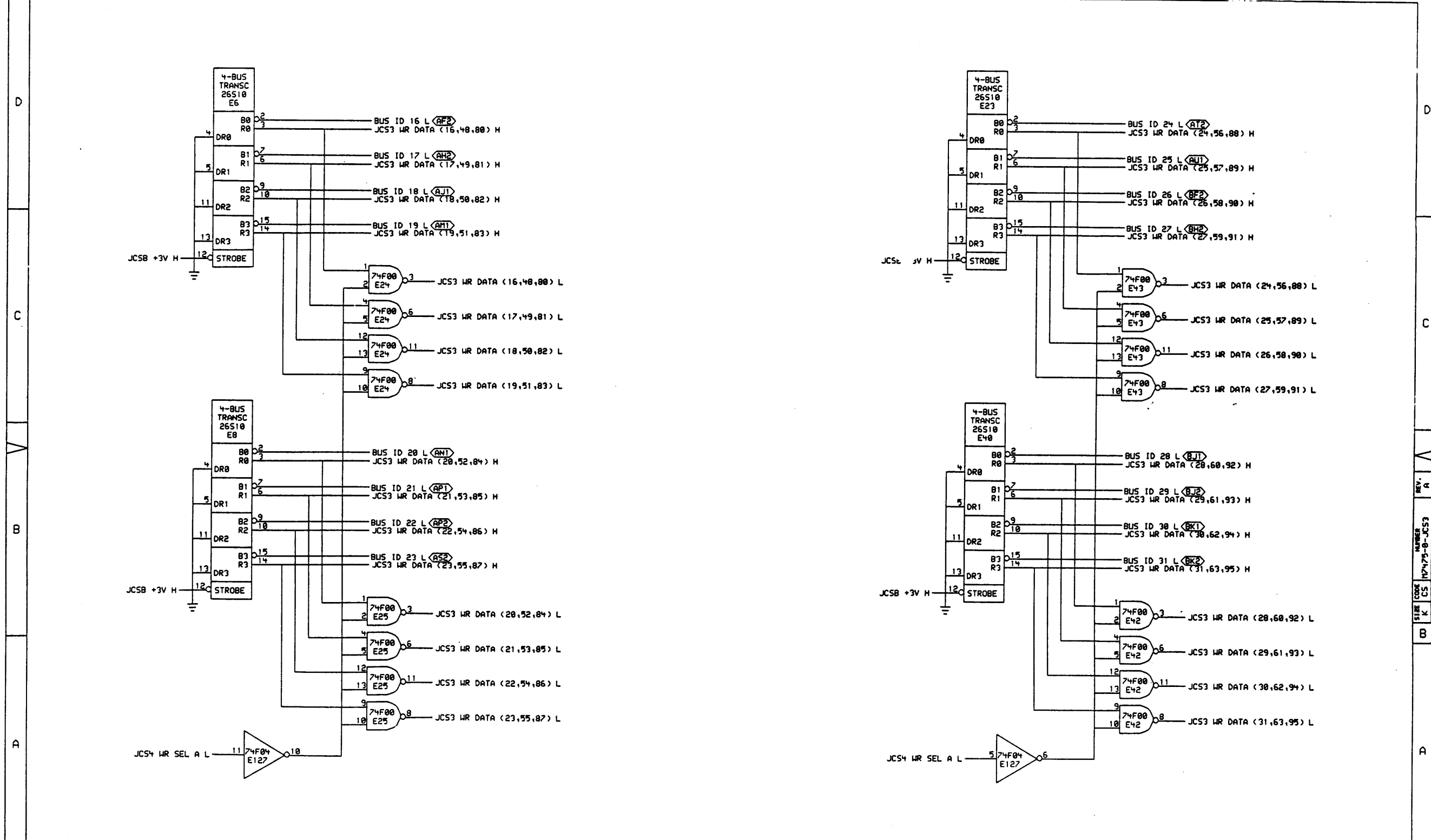
REV. A  
 NUMBER 107475-0-JCS1  
 SIZE CODE K CS

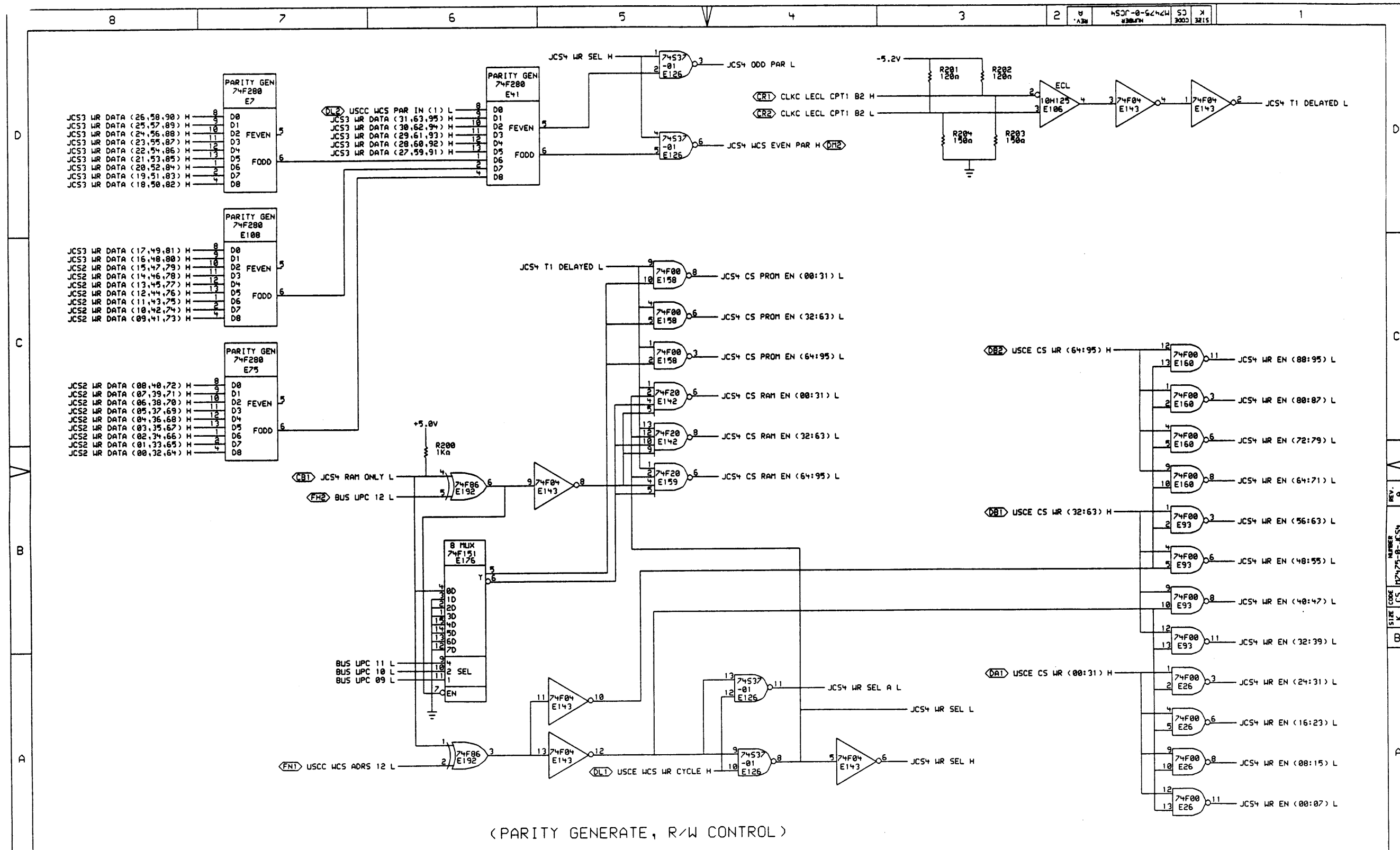


THIS DRAWING AND SPECIFICATIONS HEREIN ARE THE PROPERTY OF DIGITAL EQUIPMENT CORPORATION AND SHALL NOT BE REPRODUCED OR COPIED OR USED IN WHOLE OR IN PART AS THE BASIS FOR THE MANUFACTURE OR SALE OF ITEMS WITHOUT WRITTEN PERMISSION. COPYRIGHT © 1983, DIGITAL EQUIPMENT CORPORATION.

REVISIONS	
CHK	CHANGE NO. REV

digital	DRN. <i>J. P. Doyle</i>	DATE 28-SEP-83	ENG. <i>my initials</i>	DATE 7-25-83	TITLE: JOINT CONTROL STORE (JCS2)
	CHK'D.	DATE	BOARD LOCATION:	SHEET 1 OF 1	SIZE CODE NUMBER REV. K CS M7475-0-JCS2 A
DSKB: (STICKNET) JCS2.DRW		28-SEP-83 15:22	NEXT HIGHER ASSEMBLY: B-DD-M7475-0-0	FIRST USED ON OPTION/MODEL: 11/785	



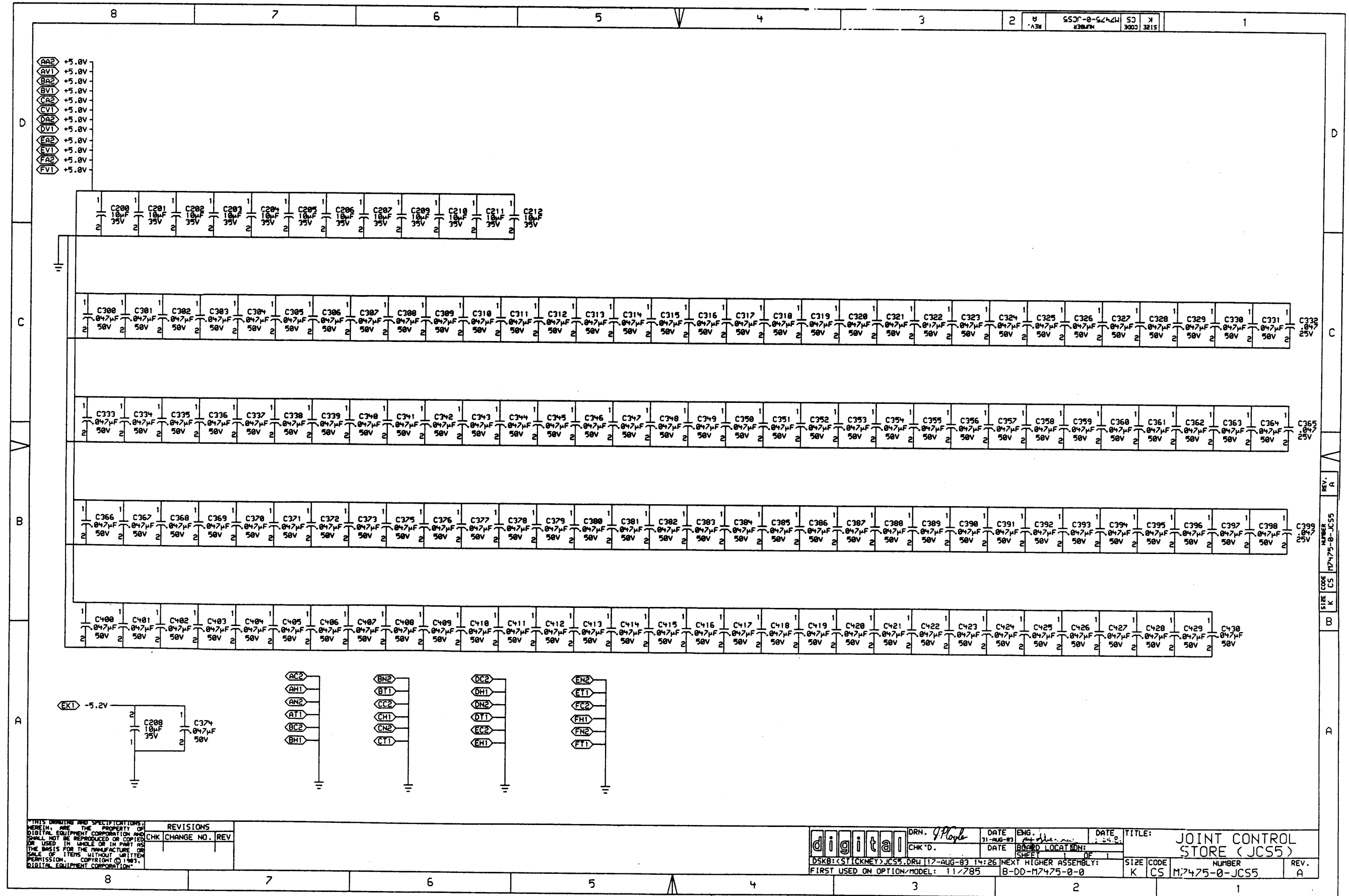


(PARITY GENERATE, R/W CONTROL)

REVISIONS	
CHK	CHANGE NO. REV

DRN. <i>J. Poyle</i>	DATE 83-NOV-83	ENG.	DATE	TITLE: JOINT CONTROL STORE (JCS4)
CHK'D.	DATE	BOARD LOCATION:	SHEET	OF
DSKB: (STICKNEY) JCS4.DRW 103-NOV-83 17:00		NEXT HIGHER ASSEMBLY:	SIZE	CODE
FIRST USED ON OPTION/MODEL: 11/785		B-DD-M7475-0-0	K	CS
NUMBER			REV.	
M7475-0-JCS4			A	

REV. A  
NUMBER 117475-0-JCS4  
SIZE CODE CS  
K CS



THIS DRAWING AND SPECIFICATIONS HEREIN ARE THE PROPERTY OF DIGITAL EQUIPMENT CORPORATION AND SHALL NOT BE REPRODUCED OR COPIED OR USED IN WHOLE OR IN PART OR THE BASIS FOR THE MANUFACTURE OF ANY ITEMS WITHOUT WRITTEN PERMISSION. COPYRIGHT © 1983, DIGITAL EQUIPMENT CORPORATION.

REVISIONS		
CHK	CHANGE NO.	REV

	DRN. <i>J.P. [unclear]</i>	DATE 31-AUG-83	ENG. <i>[unclear]</i>	DATE 25-9-	TITLE: JOINT CONTROL STORE (JCS5)
	CHK'D.	DATE	BOARD LOCATION: SHEET 1 OF 1		
DSKB: <STICKNEY> JCS5.DRW 117-AUG-83 14:26			NEXT HIGHER ASSEMBLY: B-DD-M7475-0-0		SIZE CODE NUMBER REV. K CS M7475-0-JCS5 A
FIRST USED ON OPTION/MODEL: 117285					



SIGNAL NAME	PAGE NUMBER(S)	SIGNAL NAME	PAGE NUMBER(S)	SIGNAL NAME	PAGE NUMBER(S)
BUS CS 00 H	JCSD,1	BUS CS 50 H	JCSH,1	BUS ID 01 L	JCS2
BUS CS 01 H	JCSD,1	BUS CS 51 H	JCSH,1	BUS ID 02 L	JCS2
BUS CS 02 H	JCSD,1	BUS CS 52 H	JCSH,1	BUS ID 03 L	JCS2
BUS CS 03 H	JCSD,1	BUS CS 53 H	JCSH,1	BUS ID 04 L	JCS2
BUS CS 04 H	JCSD,1	BUS CS 54 H	JCSH,1	BUS ID 05 L	JCS2
BUS CS 05 H	JCSD,1	BUS CS 55 H	JCSH,1	BUS ID 06 L	JCS2
BUS CS 06 H	JCSD,1	BUS CS 56 H	JCSH,1	BUS ID 07 L	JCS2
BUS CS 07 H	JCSD,1	BUS CS 57 H	JCSH,1	BUS ID 08 L	JCS2
BUS CS 08 H	JCS1,0	BUS CS 58 H	JCSH,1	BUS ID 09 L	JCS2
BUS CS 09 H	JCSD,1	BUS CS 59 H	JCSH,1	BUS ID 10 L	JCS2
BUS CS 10 H	JCSD,1	BUS CS 60 H	JCSH,1	BUS ID 11 L	JCS2
BUS CS 11 H	JCSD,1	BUS CS 61 H	JCSH,1	BUS ID 12 L	JCS2
BUS CS 12 H	JCSD,1	BUS CS 62 H	JCSH,1	BUS ID 13 L	JCS2
BUS CS 13 H	JCSD,1	BUS CS 63 H	JCSH,1	BUS ID 14 L	JCS2
BUS CS 14 H	JCSD,1	BUS CS 64 H	JCSJ,1	BUS ID 15 L	JCS2
BUS CS 15 H	JCSD,1	BUS CS 65 H	JCSJ,1	BUS ID 16 L	JCS3
BUS CS 16 H	JCS1,E	BUS CS 66 H	JCSJ,1	BUS ID 17 L	JCS3
BUS CS 17 H	JCS1,E	BUS CS 67 H	JCSJ,1	BUS ID 18 L	JCS3
BUS CS 18 H	JCSE,1	BUS CS 68 H	JCSJ,1	BUS ID 19 L	JCS3
BUS CS 19 H	JCSE,1	BUS CS 69 H	JCSJ,1	BUS ID 20 L	JCS3
BUS CS 20 H	JCSE,1	BUS CS 70 H	JCSJ,1,L	BUS ID 21 L	JCS3
BUS CS 21 H	JCSE,1	BUS CS 71 H	JCSJ,1,L	BUS ID 22 L	JCS3
BUS CS 22 H	JCSE,1	BUS CS 72 H	JCS1,J	BUS ID 23 L	JCS3
BUS CS 23 H	JCSE,1	BUS CS 73 H	JCSJ,1	BUS ID 24 L	JCS3
BUS CS 24 H	JCS1,E	BUS CS 74 H	JCSJ,1	BUS ID 25 L	JCS3
BUS CS 25 H	JCS1,E	BUS CS 75 H	JCSJ,1	BUS ID 26 L	JCS3
BUS CS 26 H	JCS1,E	BUS CS 76 H	JCSJ,1	BUS ID 27 L	JCS3
BUS CS 27 H	JCSE,1	BUS CS 77 H	JCSJ,1	BUS ID 28 L	JCS3
BUS CS 28 H	JCSE,1	BUS CS 78 H	JCSJ,1	BUS ID 29 L	JCS3
BUS CS 29 H	JCSE,1	BUS CS 79 H	JCSJ,1	BUS ID 30 L	JCS3
BUS CS 30 H	JCSE,1	BUS CS 80 H	JCS1,K	BUS ID 31 L	JCS3
BUS CS 31 H	JCSE,1	BUS CS 81 H	JCS1,K	BUS UPC 00 L	JCSB,A
BUS CS 32 H	JCS1,F	BUS CS 82 H	JCSK,1	BUS UPC 01 L	JCSB,A
BUS CS 33 H	JCS1,F	BUS CS 83 H	JCSK,1	BUS UPC 02 L	JCSB,A
BUS CS 34 H	JCS1,F	BUS CS 84 H	JCSK,1	BUS UPC 03 L	JCSB,A
BUS CS 35 H	JCS1,F	BUS CS 85 H	JCSK,1	BUS UPC 04 L	JCSB,A
BUS CS 36 H	JCS1,F	BUS CS 86 H	JCSK,1	BUS UPC 05 L	JCSB,A
BUS CS 37 H	JCS1,F	BUS CS 87 H	JCSK,1	BUS UPC 06 L	JCSB,A
BUS CS 38 H	JCS1,F	BUS CS 88 H	JCSK,1	BUS UPC 07 L	JCSB,A
BUS CS 39 H	JCS1,F	BUS CS 89 H	JCSK,1	BUS UPC 08 L	JCSB,A
BUS CS 40 H	JCS1,F	BUS CS 90 H	JCSK,1	BUS UPC 09 L	JCSA,4
BUS CS 41 H	JCSF,1	BUS CS 91 H	JCSK,1	BUS UPC 10 L	JCSA,4
BUS CS 42 H	JCSF,1	BUS CS 92 H	JCSK,1	BUS UPC 11 L	JCSA,4
BUS CS 43 H	JCSF,1	BUS CS 93 H	JCSK,1	BUS UPC 12 L	JCS4
BUS CS 44 H	JCSF,1	BUS CS 94 H	JCSK,1	CLKC LECL CPT1 02 H	JCS4
BUS CS 45 H	JCSF,1	BUS CS 95 H	JCSK,1	CLKC LECL CPT1 02 L	JCS4
BUS CS 46 H	JCSF,1	BUS CS PAR 0 H	JCS1,L	JCS CS SPARE H	JCSL
BUS CS 47 H	JCSF,1	BUS CS PAR 1 H	JCS1,L	JCS1 PAR ERR (00:31) H	JCS1
BUS CS 48 H	JCS1,H	BUS CS PAR 2 H	JCS1,L	JCS1 PAR ERR (32:63) H	JCS1
BUS CS 49 H	JCS1,H	BUS ID 00 L	JCS2	JCS1 PAR ERR (64:95) H	JCS1

NOTES:  
1. THIS PAGE LISTS THE SCHEMATIC PAGE NUMBER(S) WHERE A SIGNAL NAME IS REFERENCED.

THIS DRAWING AND SPECIFICATIONS  
HEREIN ARE THE PROPERTY OF  
DIGITAL EQUIPMENT CORPORATION AND  
SHALL NOT BE REPRODUCED OR COPIED  
OR USED IN WHOLE OR IN PART AS  
THE BASIS FOR THE MANUFACTURE OR  
SALE OF ITEMS WITHOUT WRITTEN  
PERMISSION. COPYRIGHT © 1981  
DIGITAL EQUIPMENT CORPORATION

REVISIONS	CHK	CHANGE NO.	REV

digital  
DATE 31-AUG-83  
ENG. *my silencing*  
DATE 10-22-83  
SHEET 1 OF 1  
BOARD LOCATION:  
NEXT HIGHER ASSEMBLY:  
SIZE CODE NUMBER REV.  
K CS M7475-0-JC56 A

DSKB: <STICKNET> JC56.DRW 102-AUG-83 18:13  
FIRST USED ON OPTION/MODEL: 11/785 B-DD-M7475-0-0

TITLE: JOINT CONTROL STORE (JC56)

SIGNAL NAME	PAGE NUMBER(S)	SIGNAL NAME	PAGE NUMBER(S)	SIGNAL NAME	PAGE NUMBER(S)
JCS2 WR DATA (00,32,64) H	JCS2,4	JCS3 WR DATA (25,57,89) H	JCS4,3	JCSA CSA 11 H	JCSA,B
JCS2 WR DATA (00,32,64) L	JCSM,2,S,H	JCS3 WR DATA (25,57,89) L	JCS3,R,V,2	JCSA RADR 00 (00:15) H	JCSC,L,M,A,N
JCS2 WR DATA (01,33,65) H	JCS2,4	JCS3 WR DATA (26,58,90) H	JCS4,3	JCSA RADR 00 (16:31) H	JCSC,A,P,R
JCS2 WR DATA (01,33,65) L	JCSM,2,S,H	JCS3 WR DATA (26,58,90) L	JCS3,R,V,2	JCSA RADR 00 (32:47) H	JCSC,L,S,A,T
JCS2 WR DATA (02,34,66) H	JCS2,4	JCS3 WR DATA (27,59,91) H	JCS3,4	JCSA RADR 00 (48:63) H	JCSC,V,A,U
JCS2 WR DATA (02,34,66) L	JCSM,2,S,H	JCS3 WR DATA (27,59,91) L	JCS3,R,V,2	JCSA RADR 01 (00:15) H	JCSC,L,M,A,N
JCS2 WR DATA (03,35,67) H	JCS2,4	JCS3 WR DATA (28,60,92) H	JCS3,4	JCSA RADR 01 (16:31) H	JCSC,A,P,R
JCS2 WR DATA (03,35,67) L	JCSM,2,S,H	JCS3 WR DATA (28,60,92) L	JCS3,R,V,2	JCSA RADR 01 (32:47) H	JCSC,L,S,A,T
JCS2 WR DATA (04,36,68) H	JCS2,4	JCS3 WR DATA (29,61,93) H	JCS3,4	JCSA RADR 01 (48:63) H	JCSC,V,A,U
JCS2 WR DATA (04,36,68) L	JCSM,2,S,H	JCS3 WR DATA (29,61,93) L	JCS3,R,V,2	JCSA RADR 02 (00:15) H	JCSC,L,M,A,N
JCS2 WR DATA (05,37,69) H	JCS2,4	JCS3 WR DATA (30,62,94) H	JCS3,4	JCSA RADR 02 (16:31) H	JCSC,A,P,R
JCS2 WR DATA (05,37,69) L	JCSM,2,S,H	JCS3 WR DATA (30,62,94) L	JCS3,R,V,2	JCSA RADR 02 (32:47) H	JCSC,L,S,A,T
JCS2 WR DATA (06,38,70) H	JCS2,4	JCS3 WR DATA (31,63,95) H	JCS3,4	JCSA RADR 02 (48:63) H	JCSC,V,A,U
JCS2 WR DATA (06,38,70) L	JCSM,5,H	JCS3 WR DATA (31,63,95) L	JCS3,R,V,2	JCSA RADR 03 (00:15) H	JCSC,L,M,A,N
JCS2 WR DATA (07,39,71) H	JCS2,4	JCS4 CS PROM EN (00:31) L	JCSD,E,H	JCSA RADR 03 (16:31) H	JCSC,A,P,R
JCS2 WR DATA (07,39,71) L	JCSM,2,S,H	JCS4 CS PROM EN (32:63) L	JCSF,H,H	JCSA RADR 03 (32:47) H	JCSC,L,S,A,T
JCS2 WR DATA (08,40,72) H	JCS4,2	JCS4 CS PROM EN (64:95) L	JCSJ,H,K,L	JCSA RADR 03 (48:63) H	JCSC,V,A,U
JCS2 WR DATA (08,40,72) L	JCSM,2,T,X	JCS4 CS RAM EN (00:31) L	JCSD,E,H	JCSA RADR 04 (00:15) H	JCSC,L,M,A,N
JCS2 WR DATA (09,41,73) H	JCS2,4	JCS4 CS RAM EN (32:63) L	JCSF,H,H	JCSA RADR 04 (16:31) H	JCSC,P,A,R
JCS2 WR DATA (09,41,73) L	JCSM,2,T,X	JCS4 CS RAM EN (64:95) L	JCSJ,H,K,L	JCSA RADR 04 (32:47) H	JCSC,L,S,A,T
JCS2 WR DATA (10,42,74) H	JCS2,4	JCS4 ODD PAR L	JCSL,H	JCSA RADR 04 (48:63) H	JCSC,A,V,U
JCS2 WR DATA (10,42,74) L	JCSM,2,T,X	JCS4 RAM ONLY L	JCS2,4	JCSA RADR 05 (00:15) H	JCSC,L,M,A,N
JCS2 WR DATA (11,43,75) H	JCS2,4	JCS4 T1 DELAYED L	JCS4	JCSA RADR 05 (16:31) H	JCSC,P,A,R
JCS2 WR DATA (11,43,75) L	JCSM,2,T,X	JCS4 MCS EVEN PAR H	JCS4	JCSA RADR 05 (32:47) H	JCSC,L,S,A,T
JCS2 WR DATA (12,44,76) H	JCS4,2	JCS4 WR EN (00:07) L	JCSC,L,M,H	JCSA RADR 05 (48:63) H	JCSC,A,V,U
JCS2 WR DATA (12,44,76) L	JCSM,T,2,X	JCS4 WR EN (00:15) L	JCSC,H,N	JCSA RADR 06 (00:15) H	JCSC,L,M,A,N
JCS2 WR DATA (13,45,77) H	JCS4,2	JCS4 WR EN (16:23) L	JCSC,H,P	JCSA RADR 06 (16:31) H	JCSC,P,A,R
JCS2 WR DATA (13,45,77) L	JCSM,T,2,X	JCS4 WR EN (24:31) L	JCSC,H,R	JCSA RADR 06 (32:47) H	JCSC,L,S,A,T
JCS2 WR DATA (14,46,78) H	JCS4,2	JCS4 WR EN (32:39) L	JCSC,L,S,H	JCSA RADR 06 (48:63) H	JCSC,A,V,U
JCS2 WR DATA (14,46,78) L	JCSM,T,2,X	JCS4 WR EN (40:47) L	JCSC,H,T	JCSA RADR 07 (00:15) H	JCSC,L,M,A,N
JCS2 WR DATA (15,47,79) H	JCS4,2	JCS4 WR EN (48:55) L	JCSC,H,U	JCSA RADR 07 (16:31) H	JCSC,P,A,R
JCS2 WR DATA (15,47,79) L	JCSM,T,2,X	JCS4 WR EN (56:63) L	JCSC,H,V	JCSA RADR 07 (32:47) H	JCSC,L,S,A,T
JCS3 WR DATA (16,48,80) H	JCS3,4	JCS4 WR EN (64:71) L	JCSC,L,H,H	JCSA RADR 07 (48:63) H	JCSC,A,V,U
JCS3 WR DATA (16,48,80) L	JCS3,P,U,Y	JCS4 WR EN (72:79) L	JCSC,H,X	JCSA RADR 08 (00:15) H	JCSC,L,M,A,N
JCS3 WR DATA (17,49,81) H	JCS3,4	JCS4 WR EN (80:87) L	JCSC,H,Y	JCSA RADR 08 (16:31) H	JCSC,P,A,R
JCS3 WR DATA (17,49,81) L	JCS3,P,U,Y	JCS4 WR EN (88:95) L	JCSC,H,Z	JCSA RADR 08 (32:47) H	JCSC,L,S,T,A
JCS3 WR DATA (18,50,82) H	JCS3,4	JCS4 WR SEL A L	JCS4,2,3	JCSA RADR 08 (48:63) H	JCSC,A,V,U
JCS3 WR DATA (18,50,82) L	JCS3,P,U,Y	JCS4 WR SEL H	JCS4	JCSA RADR 09 (00:15) H	JCSC,L,M,A,N
JCS3 WR DATA (19,51,83) H	JCS3,4	JCS4 WR SEL L	JCS4	JCSA RADR 09 (16:31) H	JCSC,P,A,R
JCS3 WR DATA (19,51,83) L	JCS3,P,U,Y	JCSA CSA 00 H	JCSA,B	JCSA RADR 09 (32:47) H	JCSC,L,S,T,A
JCS3 WR DATA (20,52,84) H	JCS4,3	JCSA CSA 01 H	JCSA,B	JCSA RADR 09 (48:63) H	JCSC,A,V,U
JCS3 WR DATA (20,52,84) L	JCS3,P,U,Y	JCSA CSA 02 H	JCSA,B	JCSA RADR 10 (00:15) H	JCSC,L,M,A,N
JCS3 WR DATA (21,53,85) H	JCS4,3	JCSA CSA 03 H	JCSA,B	JCSA RADR 10 (16:31) H	JCSC,P,A,R
JCS3 WR DATA (21,53,85) L	JCS3,P,U,Y	JCSA CSA 04 H	JCSA,B	JCSA RADR 10 (32:47) H	JCSC,L,S,T,A
JCS3 WR DATA (22,54,86) H	JCS4,3	JCSA CSA 05 H	JCSA,B	JCSA RADR 10 (48:63) H	JCSC,A,V,U
JCS3 WR DATA (22,54,86) L	JCS3,P,U,Y	JCSA CSA 06 H	JCSA,B	JCSA RADR 11 (00:15) H	JCSC,L,M,A,N
JCS3 WR DATA (23,55,87) H	JCS4,3	JCSA CSA 07 H	JCSA,B	JCSA RADR 11 (16:31) H	JCSC,P,A,R
JCS3 WR DATA (23,55,87) L	JCS3,P,U,Y	JCSA CSA 08 H	JCSA,B	JCSA RADR 11 (32:47) H	JCSC,L,S,T,A
JCS3 WR DATA (24,56,88) H	JCS4,3	JCSA CSA 09 H	JCSA,B	JCSA RADR 11 (48:63) H	JCSC,A,V,U
JCS3 WR DATA (24,56,88) L	JCS3,R,V,2	JCSA CSA 10 H	JCSA,B	JCSB +3V H	JCS3,2,B,L

NOTES:  
1. THIS PAGE LISTS THE SCHEMATIC PAGE NUMBER(S) WHERE A SIGNAL NAME IS REFERENCED.

<small>THIS DRAWING AND SPECIFICATIONS ARE THE PROPERTY OF DIGITAL EQUIPMENT CORPORATION AND SHALL NOT BE REPRODUCED OR COPIED OR USED IN WHOLE OR IN PART AS THE BASIS FOR THE MANUFACTURE OR SALE OF ITEMS WITHOUT WRITTEN PERMISSION. COPYRIGHT © 1983, DIGITAL EQUIPMENT CORPORATION.</small>	REVISIONS CHK CHANGE NO. REV.		TITLE: JOINT CONTROL STORE (JCS7)
	DATE: 31-AUG-83 DATE: 02-AUG-83 17:47 BOARD LOCATION: B-DD-M7475-0-0 SHEET: 1 OF 1		
DIGITAL FIRST USED ON OPTION/MODEL: 11/785			SIZE CODE NUMBER REV. K CS M7475-0-JCS7 A

8

7

6

5

4

3

2

1

REV. A  
NUMBER 8507-0-0-JCS8  
SIZE CODE K CS M7475-0-JCS8

SIGNAL NAME PAGE NUMBER(S)

JCSB PRADR 00 (00:31) H JCSC,D,B,E  
JCSB PRADR 00 (32:63) H JCSC,B,F,H  
JCSB PRADR 00 (64:95) H JCSC,B,J,K,L  
JCSB PRADR 01 (00:31) H JCSC,D,B,E  
JCSB PRADR 01 (32:63) H JCSC,B,F,H  
JCSB PRADR 01 (64:95) H JCSC,B,J,K,L  
JCSB PRADR 02 (00:31) H JCSC,D,B,E  
JCSB PRADR 02 (32:63) H JCSC,B,F,H  
JCSB PRADR 02 (64:95) H JCSC,B,J,K,L  
JCSB PRADR 03 (00:31) H JCSC,D,B,E

JCSB PRADR 03 (32:63) H JCSC,B,F,H  
JCSB PRADR 03 (64:95) H JCSC,B,J,K,L  
JCSB PRADR 04 (00:31) H JCSC,D,B,E  
JCSB PRADR 04 (32:63) H JCSC,B,F,H  
JCSB PRADR 04 (64:95) H JCSC,B,J,K,L  
JCSB PRADR 05 (00:31) H JCSC,D,B,E  
JCSB PRADR 05 (32:63) H JCSC,B,F,H  
JCSB PRADR 05 (64:95) H JCSC,B,J,K,L  
JCSB PRADR 06 (00:31) H JCSC,D,B,E  
JCSB PRADR 06 (32:63) H JCSC,B,F,H

JCSB PRADR 06 (64:95) H JCSC,J,K,B,L  
JCSB PRADR 07 (00:31) H JCSC,D,B,E  
JCSB PRADR 07 (32:63) H JCSC,F,H,B  
JCSB PRADR 07 (64:95) H JCSC,J,K,B,L  
JCSB PRADR 08 (00:31) H JCSC,D,E,B  
JCSB PRADR 08 (32:63) H JCSC,F,H,B  
JCSB PRADR 08 (64:95) H JCSC,J,K,B,L  
JCSB RADR 00 (64:79) H JCSC,L,W,B,X  
JCSB RADR 00 (00:95) H JCSC,Z,B,Y  
JCSB RADR 01 (64:79) H JCSC,L,W,B,X

JCSB RADR 01 (00:95) H JCSC,Z,B,Y  
JCSB RADR 02 (64:79) H JCSC,L,W,B,X  
JCSB RADR 02 (00:95) H JCSC,Z,B,Y  
JCSB RADR 03 (64:79) H JCSC,L,W,B,X  
JCSB RADR 03 (00:95) H JCSC,Z,B,Y  
JCSB RADR 04 (64:79) H JCSC,L,W,B,X  
JCSB RADR 04 (00:95) H JCSC,Z,B,Y  
JCSB RADR 05 (64:79) H JCSC,L,W,B,X  
JCSB RADR 05 (00:95) H JCSC,Z,B,Y  
JCSB RADR 06 (64:79) H JCSC,L,W,B,X

JCSB RADR 06 (00:95) H JCSC,Z,B,Y  
JCSB RADR 07 (64:79) H JCSC,L,W,B,X  
JCSB RADR 07 (00:95) H JCSC,Z,B,Y  
JCSB RADR 08 (64:79) H JCSC,L,W,X,B  
JCSB RADR 08 (00:95) H JCSC,Z,B,Y  
JCSB RADR 09 (64:79) H JCSC,L,W,X,B  
JCSB RADR 09 (00:95) H JCSC,Z,B,Y  
JCSB RADR 10 (64:79) H JCSC,L,W,X,B  
JCSB RADR 10 (00:95) H JCSC,Z,B,Y  
JCSB RADR 11 (64:79) H JCSC,L,W,X,B

SIGNAL NAME PAGE NUMBER(S)

JCSB RADR 11 (00:95) H JCSC,B,Z,Y  
JCSM RAM OUT 00 L JCSD,M  
JCSM RAM OUT 01 L JCSD,M  
JCSM RAM OUT 02 L JCSD,M  
JCSM RAM OUT 03 L JCSD,M  
JCSM RAM OUT 04 L JCSD,M  
JCSM RAM OUT 05 L JCSD,M  
JCSM RAM OUT 06 L JCSD,M  
JCSM RAM OUT 07 L JCSD,M  
JCSM RAM OUT 08 L JCSD,M

JCSM RAM OUT 09 L JCSD,N  
JCSM RAM OUT 10 L JCSD,N  
JCSM RAM OUT 11 L JCSD,N  
JCSM RAM OUT 12 L JCSD,N  
JCSM RAM OUT 13 L JCSD,N  
JCSM RAM OUT 14 L JCSD,N  
JCSM RAM OUT 15 L JCSD,N  
JCSM RAM OUT 16 L JCSE,P  
JCSM RAM OUT 17 L JCSE,P  
JCSM RAM OUT 18 L JCSE,P

JCSM RAM OUT 19 L JCSE,P  
JCSM RAM OUT 20 L JCSE,P  
JCSM RAM OUT 21 L JCSE,P  
JCSM RAM OUT 22 L JCSE,P  
JCSM RAM OUT 23 L JCSE,P  
JCSM RAM OUT 24 L JCSE,R  
JCSM RAM OUT 25 L JCSE,R  
JCSM RAM OUT 26 L JCSE,R  
JCSM RAM OUT 27 L JCSE,R  
JCSM RAM OUT 28 L JCSE,R

JCSM RAM OUT 29 L JCSE,R  
JCSM RAM OUT 30 L JCSE,R  
JCSM RAM OUT 31 L JCSE,R  
JCSS RAM OUT 32 L JCSF,S  
JCSS RAM OUT 33 L JCSF,S  
JCSS RAM OUT 34 L JCSF,S  
JCSS RAM OUT 35 L JCSF,S  
JCSS RAM OUT 36 L JCSF,S  
JCSS RAM OUT 37 L JCSF,S  
JCSS RAM OUT 38 L JCSF,S

JCSS RAM OUT 39 L JCSF,S  
JCST RAM OUT 40 L JCSF,T  
JCST RAM OUT 41 L JCSF,T  
JCST RAM OUT 42 L JCSF,T  
JCST RAM OUT 43 L JCSF,T  
JCST RAM OUT 44 L JCSF,T  
JCST RAM OUT 45 L JCSF,T  
JCST RAM OUT 46 L JCSF,T  
JCST RAM OUT 47 L JCSF,T  
JCSU RAM OUT 48 L JCSD,U

SIGNAL NAME PAGE NUMBER(S)

JCSU RAM OUT 49 L JCSD,U  
JCSU RAM OUT 50 L JCSD,U  
JCSU RAM OUT 51 L JCSD,U  
JCSU RAM OUT 52 L JCSD,U  
JCSU RAM OUT 53 L JCSD,U  
JCSU RAM OUT 54 L JCSD,U  
JCSU RAM OUT 55 L JCSD,U  
JCSV RAM OUT 56 L JCSD,U  
JCSV RAM OUT 57 L JCSD,U  
JCSV RAM OUT 58 L JCSD,U

JCSV RAM OUT 59 L JCSD,U  
JCSV RAM OUT 60 L JCSD,U  
JCSV RAM OUT 61 L JCSD,U  
JCSV RAM OUT 62 L JCSD,U  
JCSV RAM OUT 63 L JCSD,U  
JCSV RAM OUT 64 L JCSD,U  
JCSV RAM OUT 65 L JCSD,U  
JCSV RAM OUT 66 L JCSD,U  
JCSV RAM OUT 67 L JCSD,U  
JCSV RAM OUT 68 L JCSD,U

JCSV RAM OUT 69 L JCSD,U  
JCSV RAM OUT 70 L JCSD,U  
JCSV RAM OUT 71 L JCSD,U  
JCSX RAM OUT 72 L JCSD,U  
JCSX RAM OUT 73 L JCSD,U  
JCSX RAM OUT 74 L JCSD,U  
JCSX RAM OUT 75 L JCSD,U  
JCSX RAM OUT 76 L JCSD,U  
JCSX RAM OUT 77 L JCSD,U  
JCSX RAM OUT 78 L JCSD,U

JCSX RAM OUT 79 L JCSD,U  
JCSY RAM OUT 80 L JCSD,U  
JCSY RAM OUT 81 L JCSD,U  
JCSY RAM OUT 82 L JCSD,U  
JCSY RAM OUT 83 L JCSD,U  
JCSY RAM OUT 84 L JCSD,U  
JCSY RAM OUT 85 L JCSD,U  
JCSY RAM OUT 86 L JCSD,U  
JCSY RAM OUT 87 L JCSD,U  
JCSZ RAM OUT 88 L JCSD,U

JCSZ RAM OUT 89 L JCSD,U  
JCSZ RAM OUT 90 L JCSD,U  
JCSZ RAM OUT 91 L JCSD,U  
JCSZ RAM OUT 92 L JCSD,U  
JCSZ RAM OUT 93 L JCSD,U  
JCSZ RAM OUT 94 L JCSD,U  
JCSZ RAM OUT 95 L JCSD,U  
USCC MCS ADR 00 L JCSD,U  
USCC MCS ADR 01 L JCSD,U  
USCC MCS ADR 02 L JCSD,U

NOTES:  
1. THIS PAGE LISTS THE SCHEMATIC PAGE NUMBER(S) WHERE A SIGNAL NAME IS REFERENCED.

REVISIONS		
CHK	CHANGE NO.	REV.

THIS DRAWING AND SPECIFICATIONS ARE THE PROPERTY OF DIGITAL EQUIPMENT CORPORATION AND SHALL NOT BE REPRODUCED OR COPIED OR USED IN WHOLE OR IN PART AS THE BASIS FOR THE MANUFACTURE OR SALE OF ITEMS WITHOUT WRITTEN PERMISSION. COPYRIGHT © 1983, DIGITAL EQUIPMENT CORPORATION.

digital	DATE	ENG.	DATE	TITLE: JOINT CONTROL STORE (JCS8)
	31-AUG-83	Paul J. Conway	25-83	
CHK'D.	DATE	BOARD LOCATION	SHEET	OF
DSKB: <STICKNEY> JCSB.DRW 02-AUG-83 12:50		NEXT HIGHER ASSEMBLY:		SIZE CODE NUMBER REV.
FIRST USED ON OPTION/MODEL: 11/785		B-DD-M7475-0-0		K CS M7475-0-JCS8 A

8

7

6

5

4

3

2

1

REV. A  
NUMBER 8507-0-0-JCS8  
SIZE CODE K CS M7475-0-JCS8  
DD

A

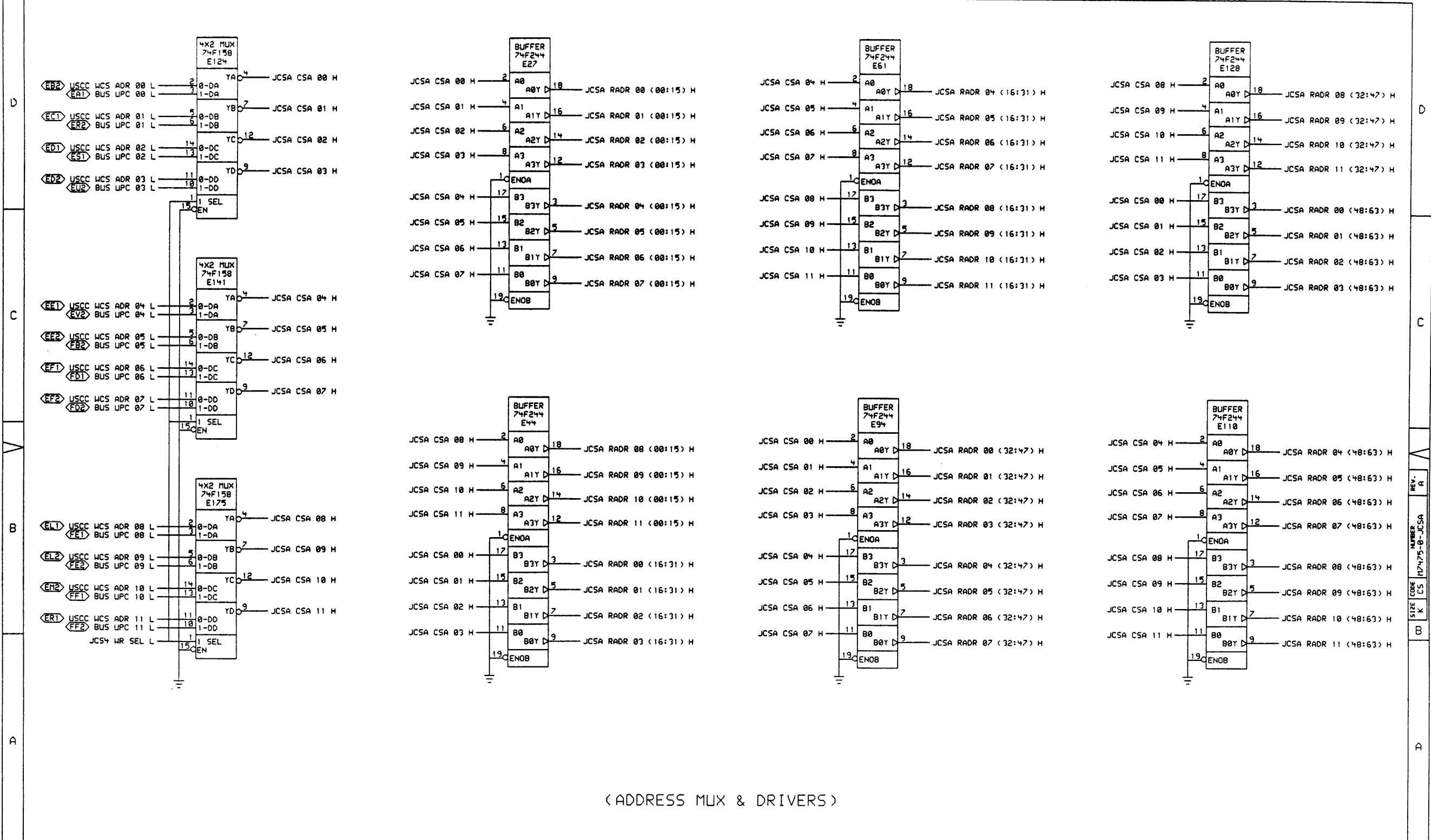
SIGNAL NAME	PAGE NUMBER(S)	SIGNAL NAME	PAGE NUMBER(S)	SIGNAL NAME	PAGE NUMBER(S)
USCC WCS ADR 03 L	JCSA				
USCC WCS ADR 04 L	JCSA				
USCC WCS ADR 05 L	JCSA				
USCC WCS ADR 06 L	JCSA				
USCC WCS ADR 07 L	JCSA				
USCC WCS ADR 08 L	JCSA				
USCC WCS ADR 09 L	JCSA				
USCC WCS ADR 10 L	JCSA				
USCC WCS ADR 11 L	JCSA				
USCC WCS ADR5 12 L	JCS4				
USCC WCS PAR IN (0)H	JCS4				
USCE CS WR (00:31) H	JCS4				
USCE CS WR (32:63) H	JCS4				
USCE CS WR (64:95) H	JCS4				
USCE WCS MEM AVAIL L	JCS2				
USCE WCS WR CYCLE H	JCS4				

NOTES:  
1. THIS PAGE LISTS THE SCHEMATIC PAGE NUMBER(S) WHERE A SIGNAL NAME IS REFERENCED.

THIS DRAWING AND SPECIFICATIONS  
HEREIN ARE THE PROPERTY OF  
DIGITAL EQUIPMENT CORPORATION AND  
SHALL NOT BE REPRODUCED OR COPIED  
OR USED IN WHOLE OR IN PART AS  
THE BASIS FOR THE MANUFACTURE OR  
SALE OF ITEMS WITHOUT WRITTEN  
PERMISSION. COPYRIGHT © 1983,  
DIGITAL EQUIPMENT CORPORATION.

REVISIONS		
CHK	CHANGE NO.	REV

digital	DATE	ENG.	DATE	TITLE:	
	31-AUG-83			JOINT CONTROL STORE (JCS9)	
CHK'D.	DATE	BOARD LOCATION:			
DSKB:((STICKNEY))JCS9.DRW [02-AUG-83 12:51] NEXT HIGHER ASSEMBLY:		SIZE	CODE	NUMBER	REV.
FIRST USED ON OPTION/MODEL: 11/785		B-DD-M7475-0-0	K CS	M7475-0-JCS9	A

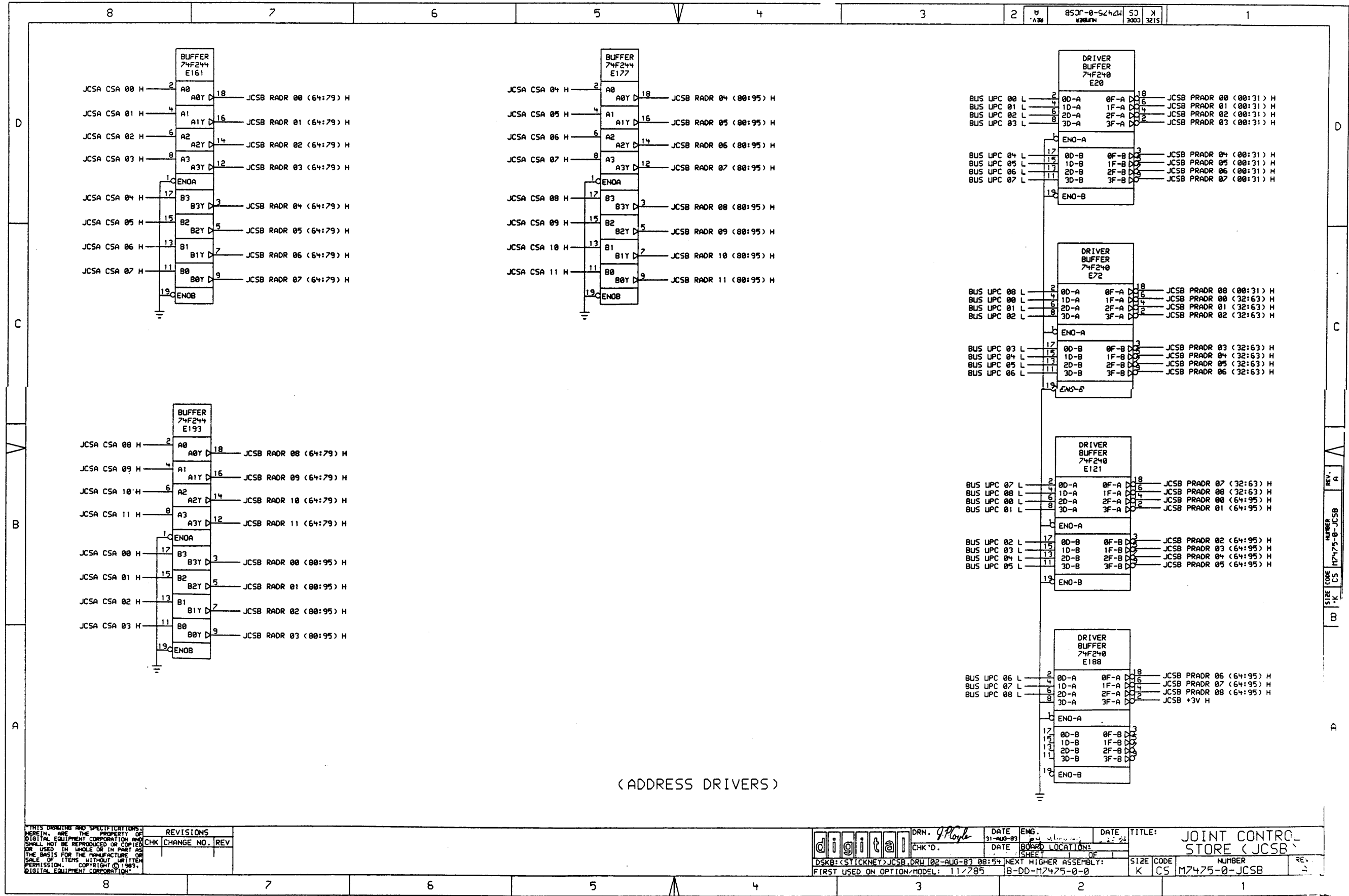


( ADDRESS MUX & DRIVERS )

THIS DRAWING AND SPECIFICATIONS HEREIN ARE THE PROPERTY OF DIGITAL EQUIPMENT CORPORATION AND SHALL NOT BE REPRODUCED OR COPIED OR USED IN WHOLE OR IN PART AS THE BASIS FOR THE MANUFACTURE OR SALE OF ITEMS WITHOUT WRITTEN PERMISSION. COPYRIGHT © 1981, DIGITAL EQUIPMENT CORPORATION.

REV.	CHG	NO.	REV.

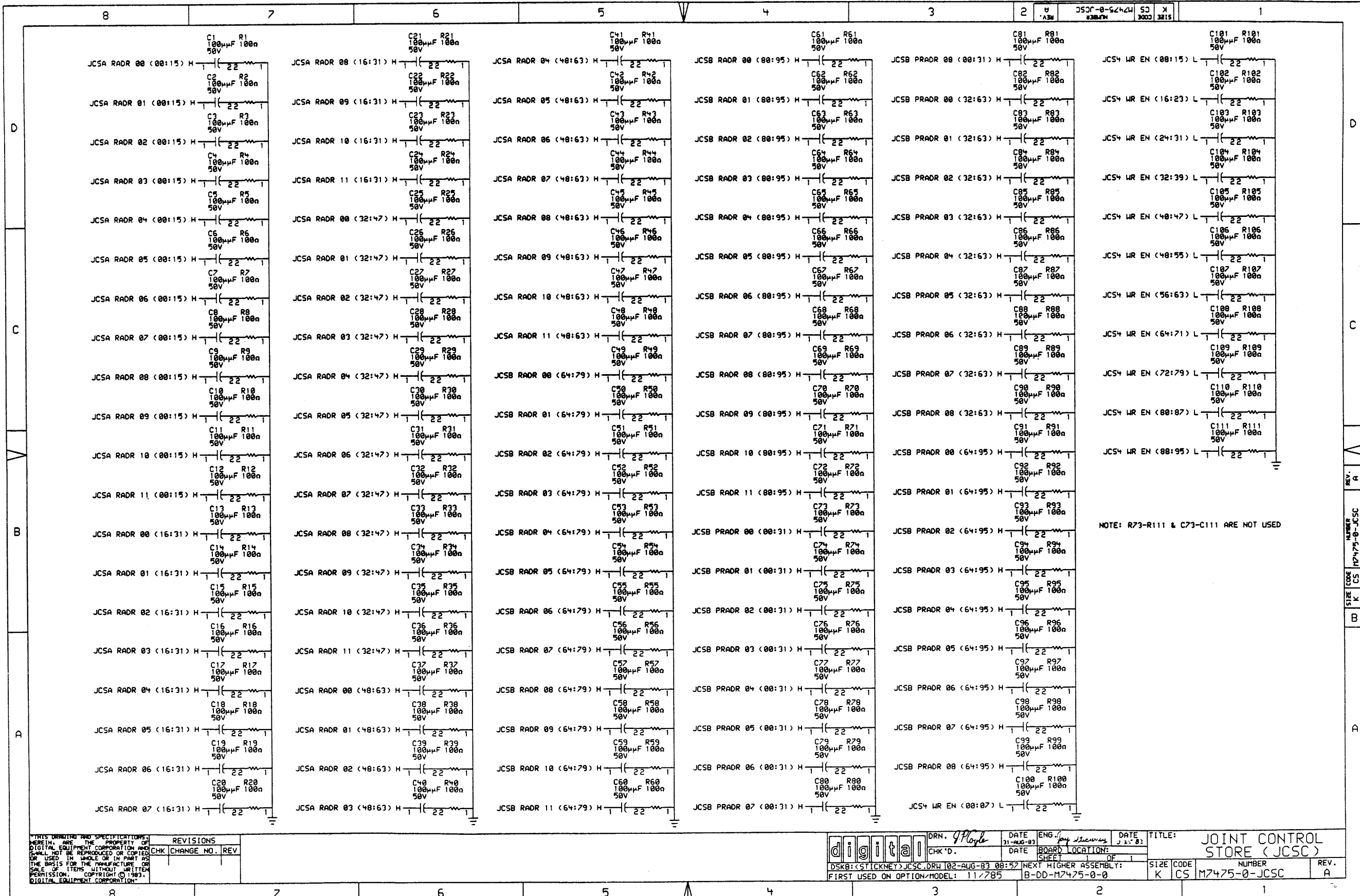
digital	DRN. <i>9/10/83</i>	DATE 31-AUG-83	ENG. <i>[Signature]</i>	DATE	TITLE: JOINT CONTROL STORE (JCSA)
	CHK'D.	DATE	BOARD LOCATION:	SHEET 1 OF 1	SIZE CODE K CS
DSKB: <STICKNET> JCSA.DRW 102-AUG-83 08:52 NEXT HIGHER ASSEMBLY: B-DD-M7475-0-0					NUMBER M7475-0-JCSA
FIRST USED ON OPTION/MODEL: 11/785					REV. A

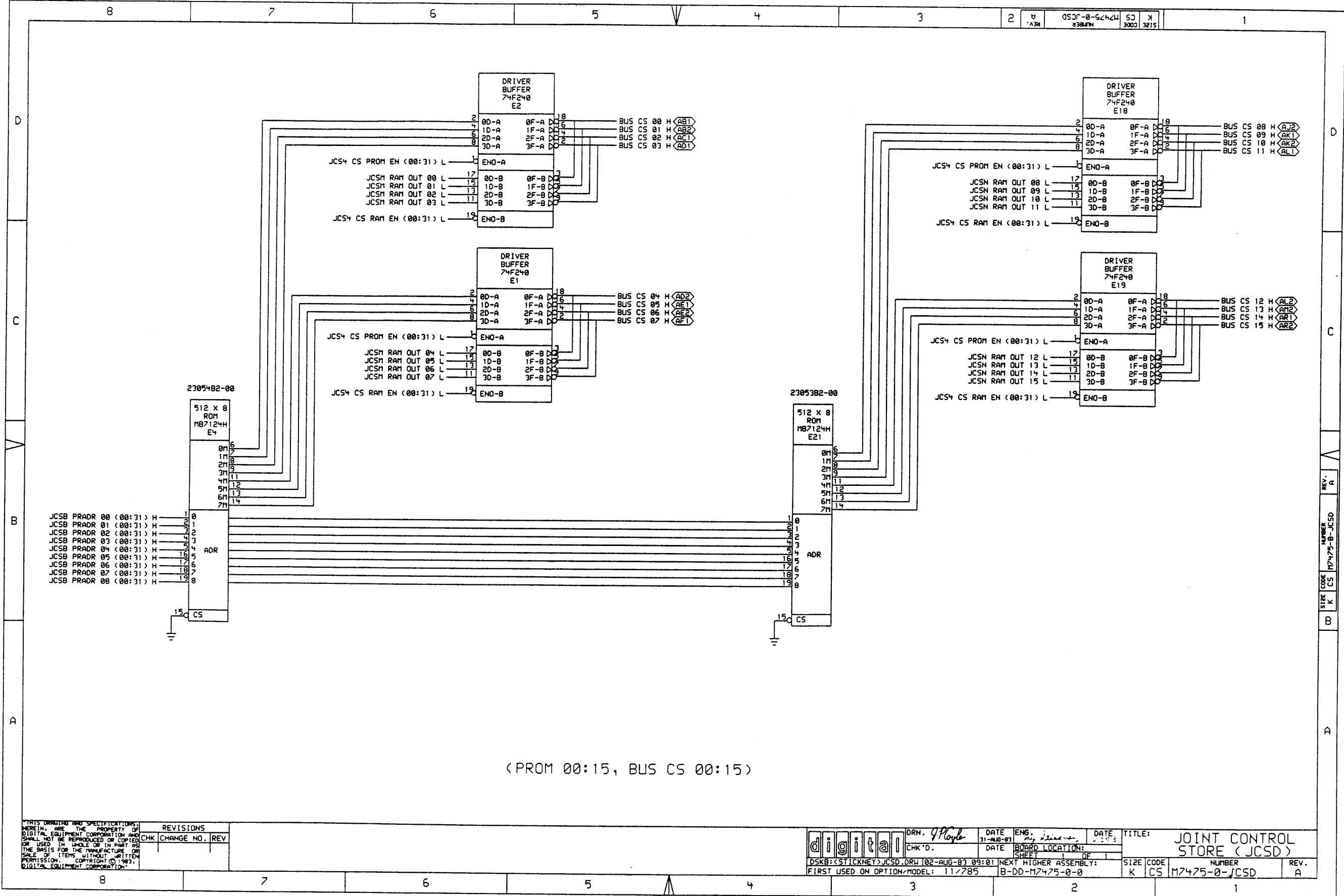


THIS DRAWING AND SPECIFICATIONS ARE THE PROPERTY OF DIGITAL EQUIPMENT CORPORATION AND SHALL NOT BE REPRODUCED OR COPIED OR USED IN WHOLE OR IN PART AS THE BASIS FOR THE MANUFACTURE OR SALE OF ITEMS WITHOUT WRITTEN PERMISSION. COPYRIGHT © 1983 DIGITAL EQUIPMENT CORPORATION

REVISIONS		
CHK	CHANGE NO.	REV

digital	DRN. <i>J. Poyle</i>	DATE 31-AUG-83	ENG.	DATE	TITLE: JOINT CONTROL STORE (JCSB)
	CHK'D.	DATE	BOARD LOCATION:	SHEET 1 OF 1	SIZE CODE NUMBER
DSKB: (STICKNEY) JCSB.DRW 102-AUG-83 08:54 NEXT HIGHER ASSEMBLY: B-DD-M7475-0-0					REV. 2
FIRST USED ON OPTION/MODEL: 11/785					SIZE CODE NUMBER
					K CS M7475-0-JCSB



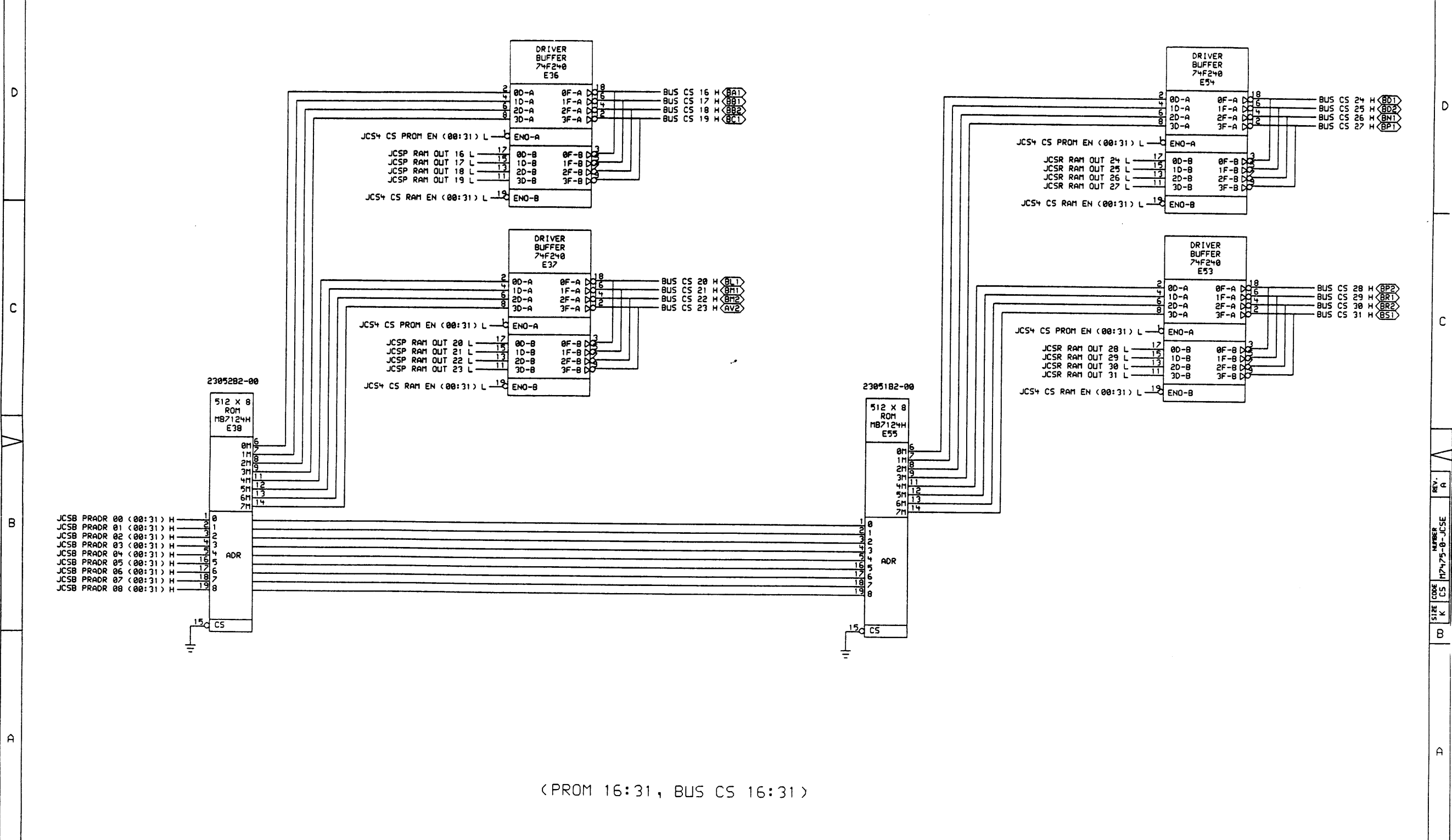


THIS DRAWING AND SPECIFICATIONS HEREIN ARE THE PROPERTY OF DIGITAL EQUIPMENT CORPORATION AND SHALL NOT BE REPRODUCED OR COPIED OR USED IN WHOLE OR IN PART AS THE BASIS FOR THE MANUFACTURE OR SALE OF ITEMS WITHOUT WRITTEN PERMISSION. COPYRIGHT © 1983, DIGITAL EQUIPMENT CORPORATION.

REVISIONS		
CHK	CHANGE NO.	REV

<b>digital</b>	DRN. <i>J. Doyle</i>	DATE 31-AUG-83	ENG. <i>Ray Williams</i>	DATE	TITLE: JOINT CONTROL STORE (JCS)
	CHK'D.	DATE	BOARD LOCATION:	SHEET 1 OF 1	SIZE CODE NUMBER REV. K CS M7475-0-JCSD A
DSKB: <STICKNEY> JCS.DRW [02-AUG-83 09:01] NEXT HIGHER ASSEMBLY: B-DD-M7475-0-0					FIRST USED ON OPTION/MODEL: 11785



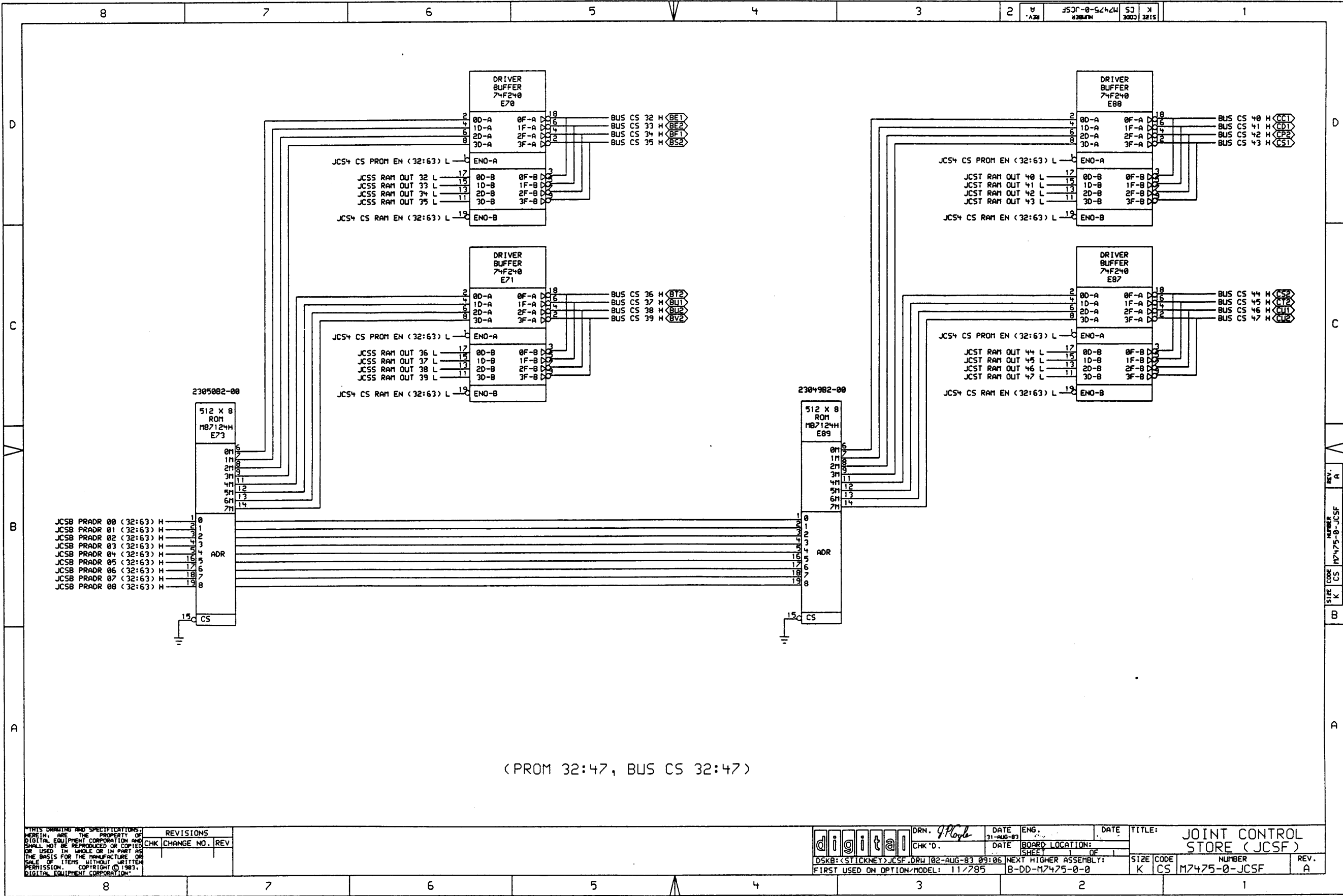


(PROM 16:31, BUS CS 16:31)

THIS DRAWING AND SPECIFICATIONS HEREIN ARE THE PROPERTY OF DIGITAL EQUIPMENT CORPORATION AND SHALL NOT BE REPRODUCED OR COPIED OR USED IN WHOLE OR IN PART OR THE BASIS FOR THE MANUFACTURE OR SALE OF ITEMS WITHOUT WRITTEN PERMISSION. COPYRIGHT © 1983. DIGITAL EQUIPMENT CORPORATION.

REVISIONS	
CHK	CHANGE NO. REV

	DRN. <i>9/10/83</i>	DATE 31-AUG-83	ENG. <i>John...</i>	DATE	TITLE: JOINT CONTROL STORE (JCSE)
	CHK'D.	DATE	BOARD LOCATION:	SHEET 1 OF 1	SIZE CODE K CS M7475-0-JCSE
DSKB: <STICKNEY> JCSE.DRW 02-AUG-83 09:03		NEXT HIGHER ASSEMBLY: B-DD-M7475-0-0		NUMBER REV. A	
FIRST USED ON OPTION/MODEL: 11/785					

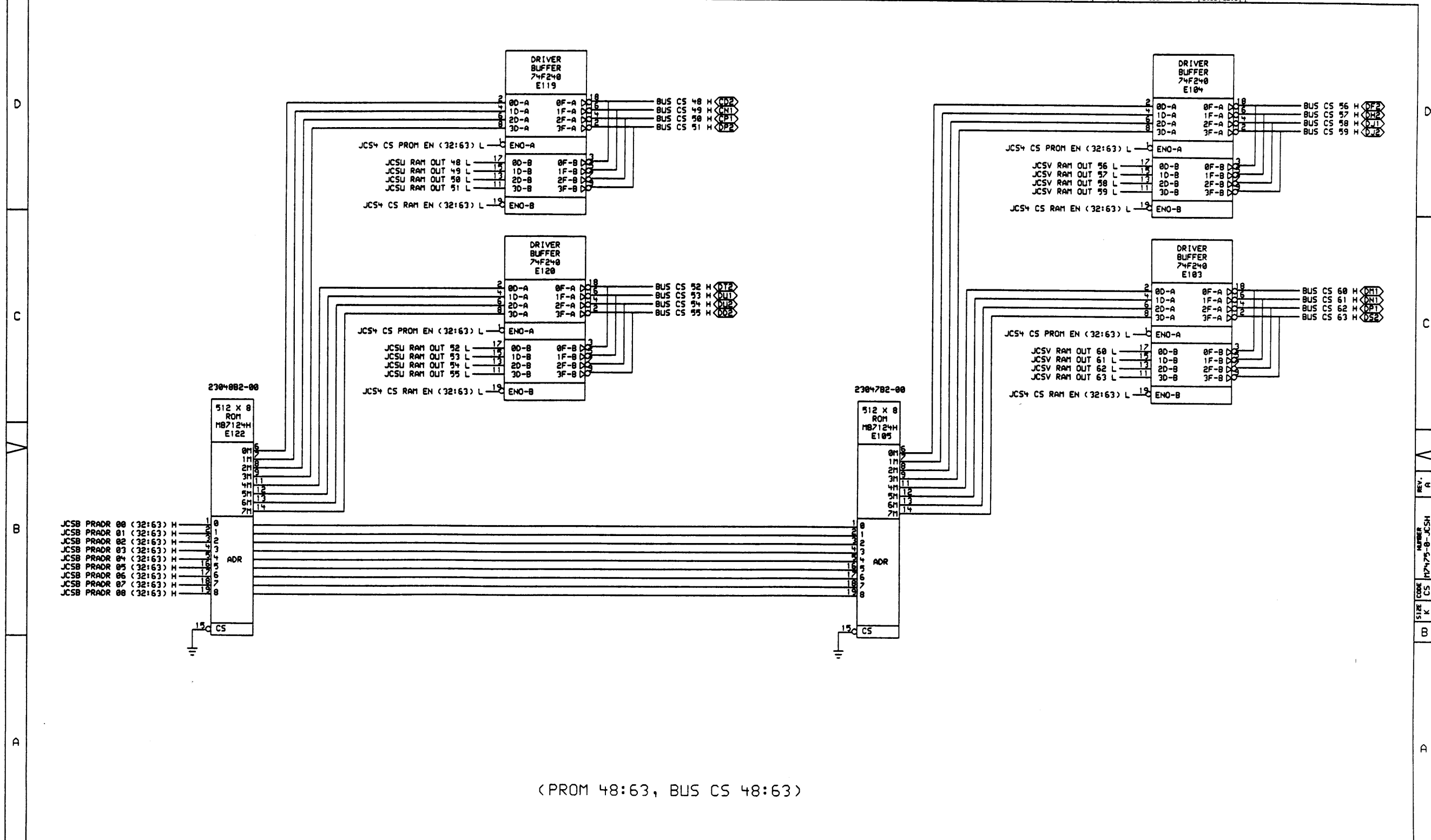


THIS DRAWING AND SPECIFICATIONS HEREIN ARE THE PROPERTY OF DIGITAL EQUIPMENT CORPORATION AND SHALL NOT BE REPRODUCED OR COPIED OR USED IN WHOLE OR IN PART AS THE BASIS FOR THE MANUFACTURE OR SALE OF ITEMS WITHOUT WRITTEN PERMISSION. COPYRIGHT © 1983. DIGITAL EQUIPMENT CORPORATION.

REVISIONS		
CHK	CHANGE NO.	REV.

	DRN. <i>J. Hoyle</i>	DATE 31-AUG-83	ENG.	DATE	TITLE: JOINT CONTROL STORE (JCSF)
	CHK'D.	DATE	BOARD LOCATION:	SHEET	OF
DSKB: <STICKNEY>JCSF.DRW 02-AUG-83 09:06 NEXT HIGHER ASSEMBLY:			SIZE CODE	NUMBER	REV.
FIRST USED ON OPTION/MODEL: 11/785			K CS	M7475-0-JCSF	A

REV. A  
 NUMBER 17475-0-JCSF  
 SIZE CODE K CS



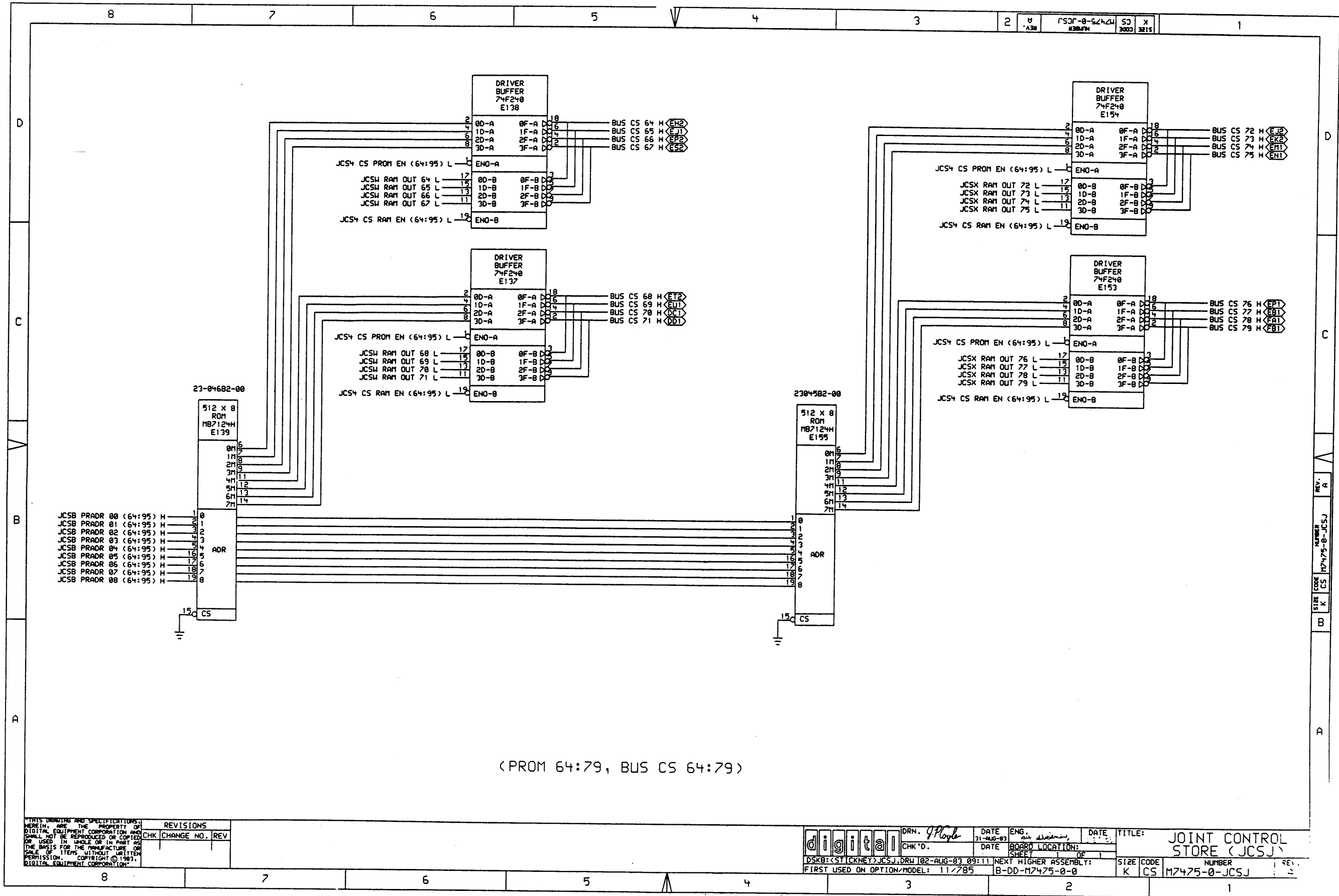
THIS DRAWING AND SPECIFICATIONS  
 HEREIN ARE THE PROPERTY OF  
 DIGITAL EQUIPMENT CORPORATION AND  
 SHALL NOT BE REPRODUCED OR COPIED  
 OR USED IN WHOLE OR IN PART AS  
 THE BASIS FOR THE MANUFACTURE OR  
 SALE OF ITEMS WITHOUT WRITTEN  
 PERMISSION. COPYRIGHT © 1983,  
 DIGITAL EQUIPMENT CORPORATION.

REVISIONS		
CHK	CHANGE NO.	REV

8 7 6 5 4 3 2 1

digital  
 DRN. 4/10/83  
 DATE 31-AUG-83  
 ENG. [Signature]  
 DATE [Signature]  
 TITLE: JOINT CONTROL STORE (JCSH)  
 DSKB: <STICKNEY>JCSH.DRW 102-AUG-83 09:08 NEXT HIGHER ASSEMBLY:  
 FIRST USED ON OPTION/MODEL: 11/785 B-DD-M7475-0-0  
 SIZE CODE NUMBER REV.  
 K CS M7475-0-JCSH A

REV. A  
 NUMBER 117475-0-JCSH  
 SIZE CODE CS  
 K



THIS DRAWING AND SPECIFICATIONS HEREIN ARE THE PROPERTY OF DIGITAL EQUIPMENT CORPORATION AND SHALL NOT BE REPRODUCED OR COPIED OR USED IN WHOLE OR IN PART AS THE BASIS FOR THE MANUFACTURE OR SALE OF ITEMS WITHOUT WRITTEN PERMISSION. COPYRIGHT © 1983, DIGITAL EQUIPMENT CORPORATION.

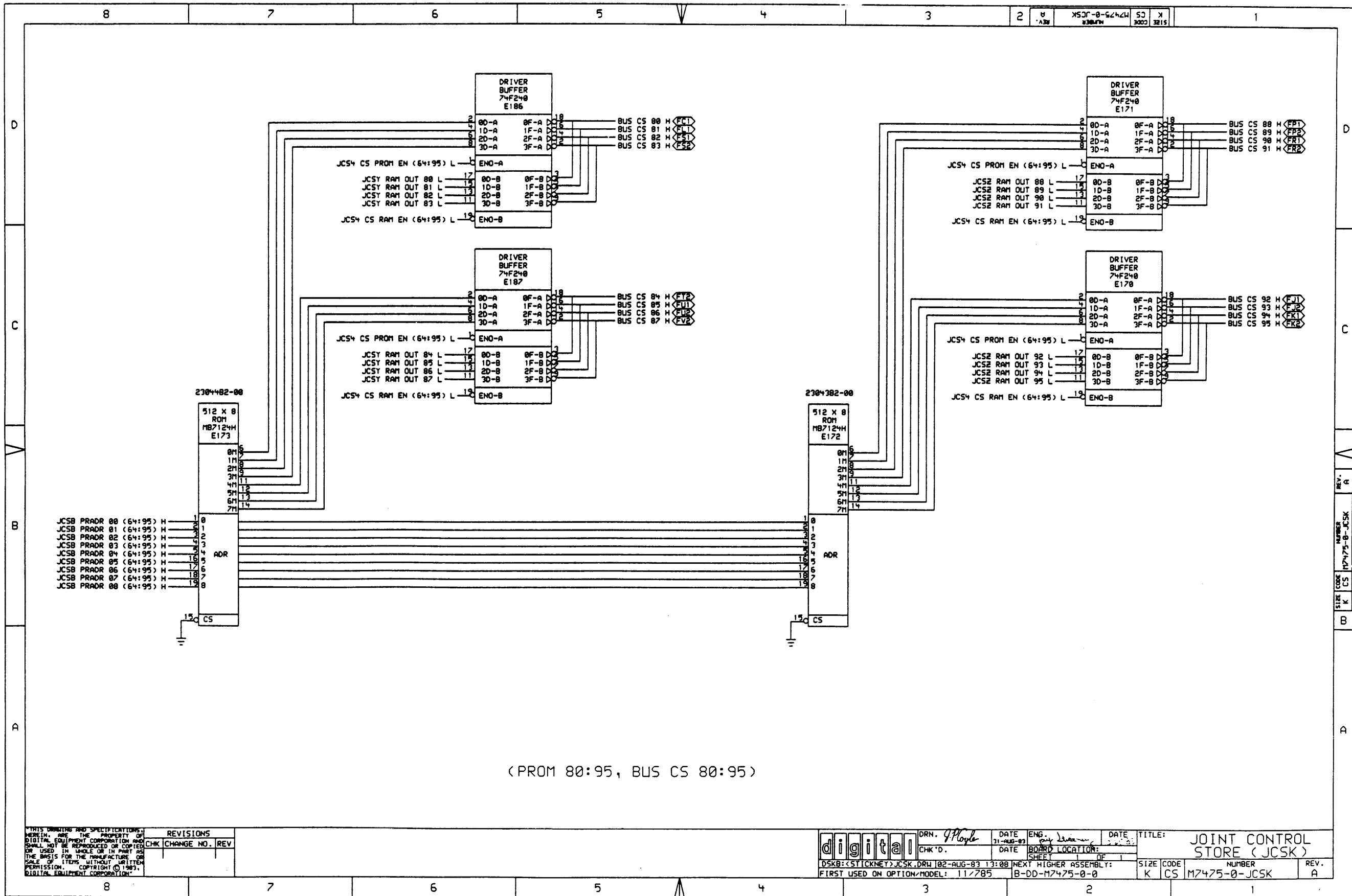
REVISIONS	
CHK	CHANGE NO. REV

**digital**

DRN. *J. Ployle* DATE 31-08-83 ENG. *Jim Williams* DATE 11-08-83  
 CHK'D. DATE BOARD LOCATION: SHEET 1 OF 1

DSKB: <STICKNEY> JCSJ.DRW 102-AUG-83 09:11 NEXT HIGHER ASSEMBLY: B-DD-M7475-0-0  
 FIRST USED ON OPTION/MODEL: 11/785

TITLE: **JOINT CONTROL STORE (JCSJ)**  
 SIZE CODE NUMBER REV.  
 K CS M7475-0-JCSJ 2



THIS DRAWING AND SPECIFICATIONS ARE THE PROPERTY OF DIGITAL EQUIPMENT CORPORATION AND SHALL NOT BE REPRODUCED OR COPIED OR USED IN WHOLE OR IN PART AS THE BASIS FOR THE MANUFACTURE OR SALE OF ITEMS WITHOUT WRITTEN PERMISSION. COPYRIGHT © 1983, DIGITAL EQUIPMENT CORPORATION.

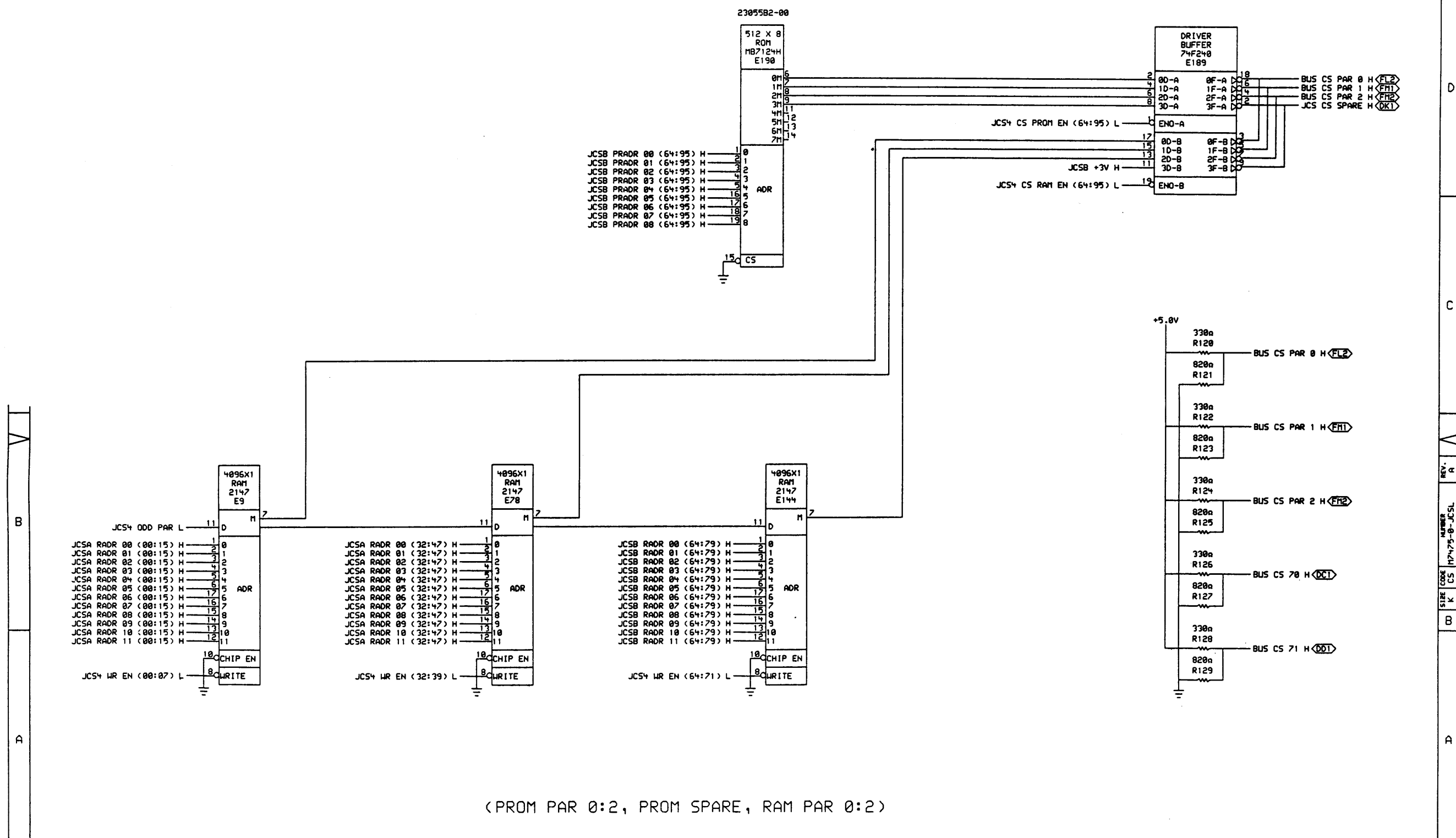
CHK	CHANGE NO.	REV

	DRN. <i>J. P. Doyle</i>	DATE 31-08-83	ENG. <i>Ray L...</i>	DATE 2-2-83	TITLE: JOINT CONTROL STORE (JCSK)
	CHK'D.	DATE	BOARD LOCATION:	SHEET 1 OF 1	NUMBER
FIRST USED ON OPTION/MODEL: 11/785		NEXT HIGHER ASSEMBLY: B-DD-M7475-0-0		SIZE CODE K CS	M7475-0-JCSK

REV. A

NUMBER M7475-0-JCSK

SIZE CODE K CS

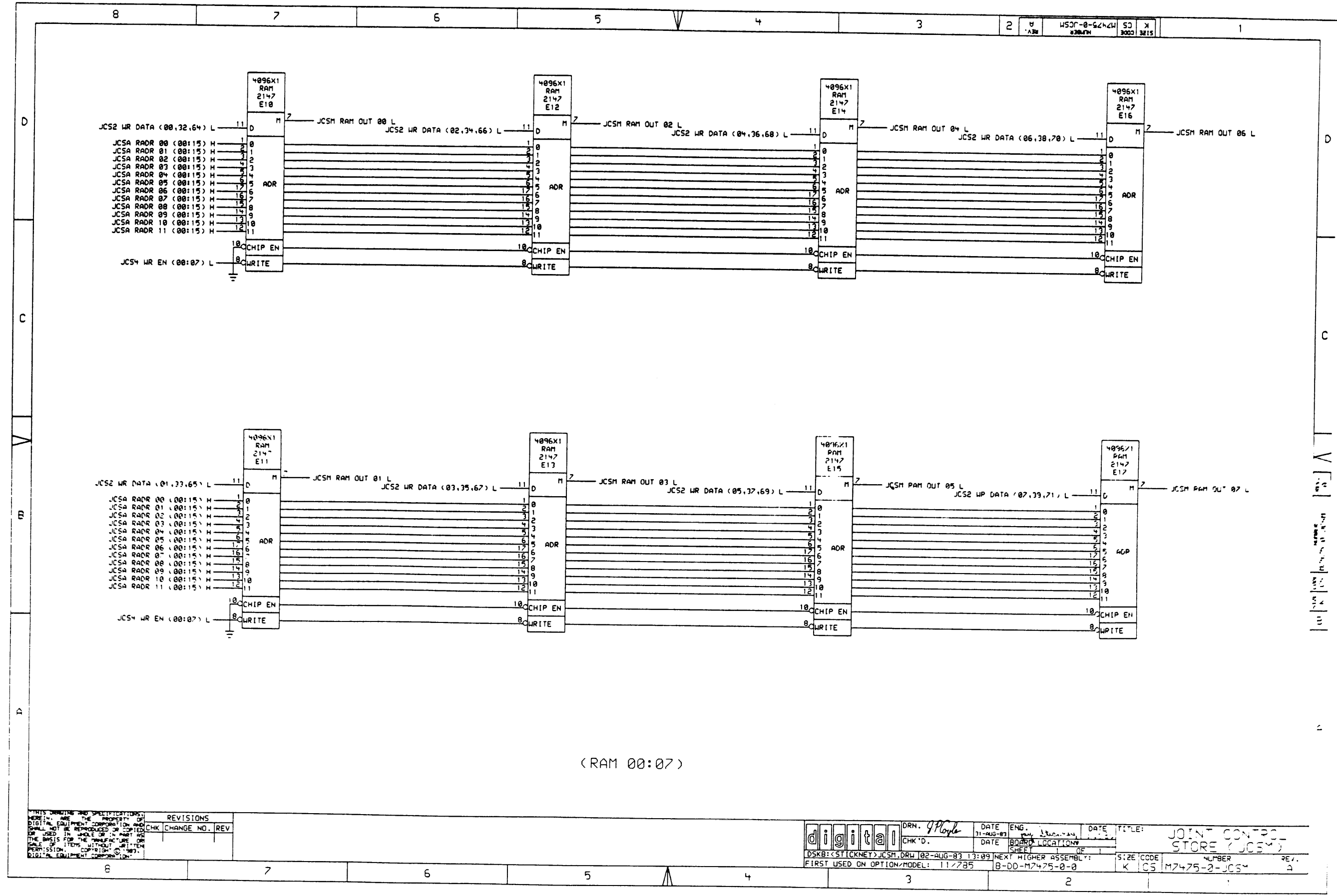


(PROM PAR 0:2, PROM SPARE, RAM PAR 0:2)

THIS DRAWING AND SPECIFICATIONS ARE THE PROPERTY OF DIGITAL EQUIPMENT CORPORATION AND SHALL NOT BE REPRODUCED OR COPIED OR USED IN WHOLE OR IN PART AS THE BASIS FOR THE MANUFACTURE OR SALE OF ITEMS WITHOUT WRITTEN PERMISSION. COPYRIGHT © 1983, DIGITAL EQUIPMENT CORPORATION.

REVISIONS	
CHK	CHANGE NO., REV

digital	DRN. <i>J. P. ...</i>	DATE 31-AUG-83	ENG. <i>...</i>	DATE 10-25-83	TITLE: JOINT CONTROL STORE (JCSL)
	CHK'D.	DATE	BOARD LOCATION:	SHEET 1 OF 1	SIZE CODE NUMBER REV. K CS M7475-0-JCSL A
DSKB: (STICKNET) JCSL.DRW 102-AUG-83 13:09		NEXT HIGHER ASSEMBLY: B-DD-M7475-0-0		FIRST USED ON OPTION/MODEL: 11/785	

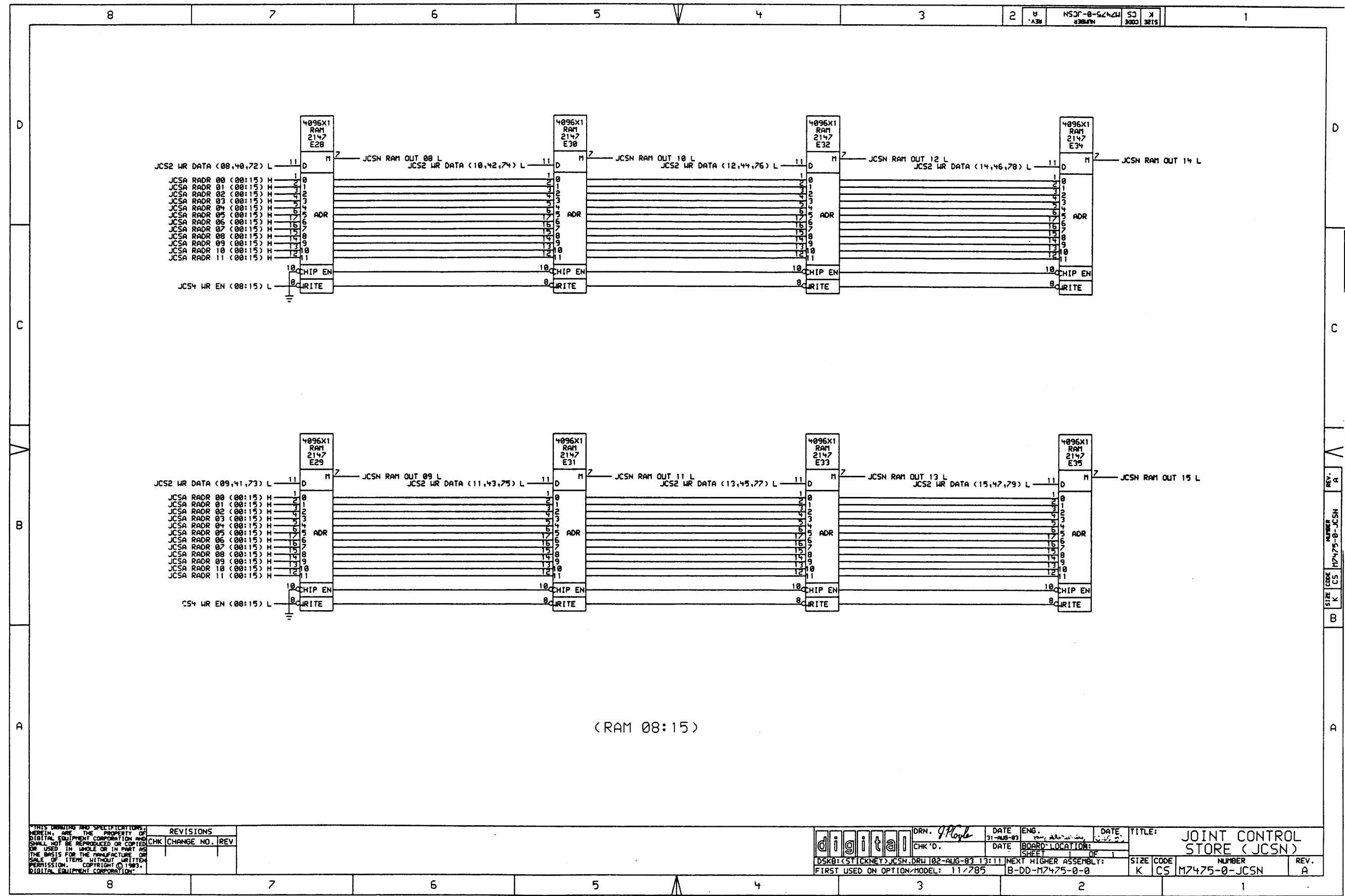


(RAM 00:07)

THIS DRAWING AND SPECIFICATIONS HEREIN ARE THE PROPERTY OF DIGITAL EQUIPMENT CORPORATION AND SHALL NOT BE REPRODUCED OR COPIED FOR USE IN WHOLE OR IN PART AS THE BASIS FOR THE MANUFACTURE OR SALE OF ITEMS WITHOUT WRITTEN PERMISSION. COPYRIGHT © 1983, DIGITAL EQUIPMENT CORPORATION.

REVISIONS	
CHK	CHANGE NO. REV

digital	DRN. <i>J. Ployle</i>	DATE 31-AUG-83	ENG. <i>J. Ployle</i>	DATE	TITLE: JOINT CONTROL STORE (JCSM)
	CHK'D.	DATE	BOARD LOCATION	SHEET 1 OF 1	SIZE CODE K CS M7475-2-JCSM
DSKB: <STICKNEY> JCSM.DRW 02-AUG-83 13:09		NEXT HIGHER ASSEMBLY: B-DD-M7475-0-0		NUMBER	REV. 2
FIRST USED ON OPTION/MODEL: 117785					



(RAM 08:15)

THIS DRAWING AND SPECIFICATIONS HEREAFTER ARE THE PROPERTY OF DIGITAL EQUIPMENT CORPORATION AND SHALL NOT BE REPRODUCED OR COPIED OR USED IN WHOLE OR IN PART AS THE BASIS FOR THE MANUFACTURE OR SALE OF ITEMS WITHOUT WRITTEN PERMISSION. COPYRIGHT © 1983, DIGITAL EQUIPMENT CORPORATION.

REVISIONS	
CHK	CHANGE NO. REV

digital

DRN. 97016  
CHK'D.

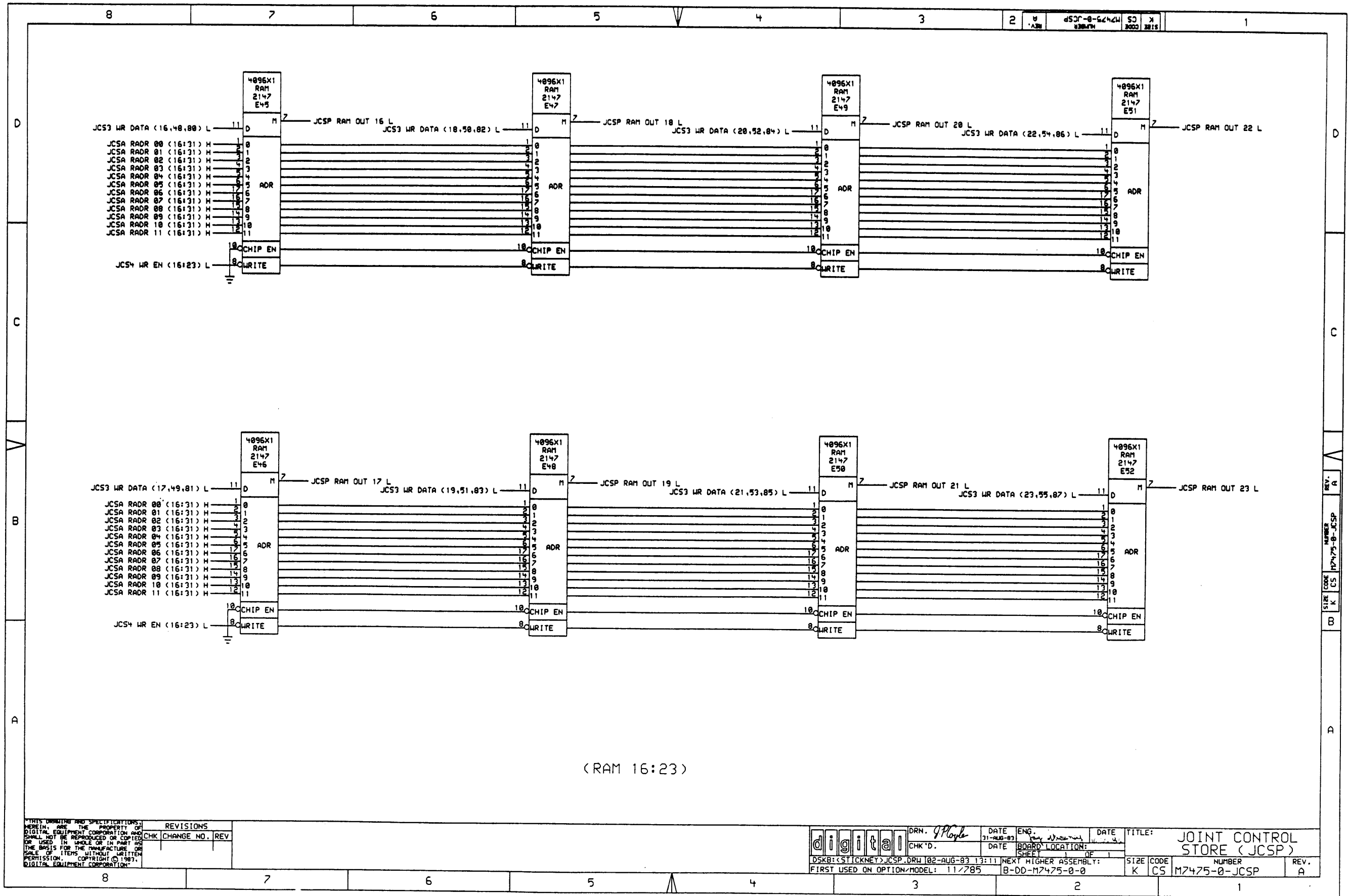
DATE	ENG.	DATE
31-AUG-83		
DATE	BOARD LOCATION	SHEET

TITLE: JOINT CONTROL STORE (JCSN)

DSK0:STICKNET>JCSN.DRW 102-AUG-83 13:11 NEXT HIGHER ASSEMBLY: B-DD-M7475-0-0  
FIRST USED ON OPTION/MODEL: 11/785

SIZE	CODE	NUMBER	REV.
K	CS	M7475-0-JCSN	A



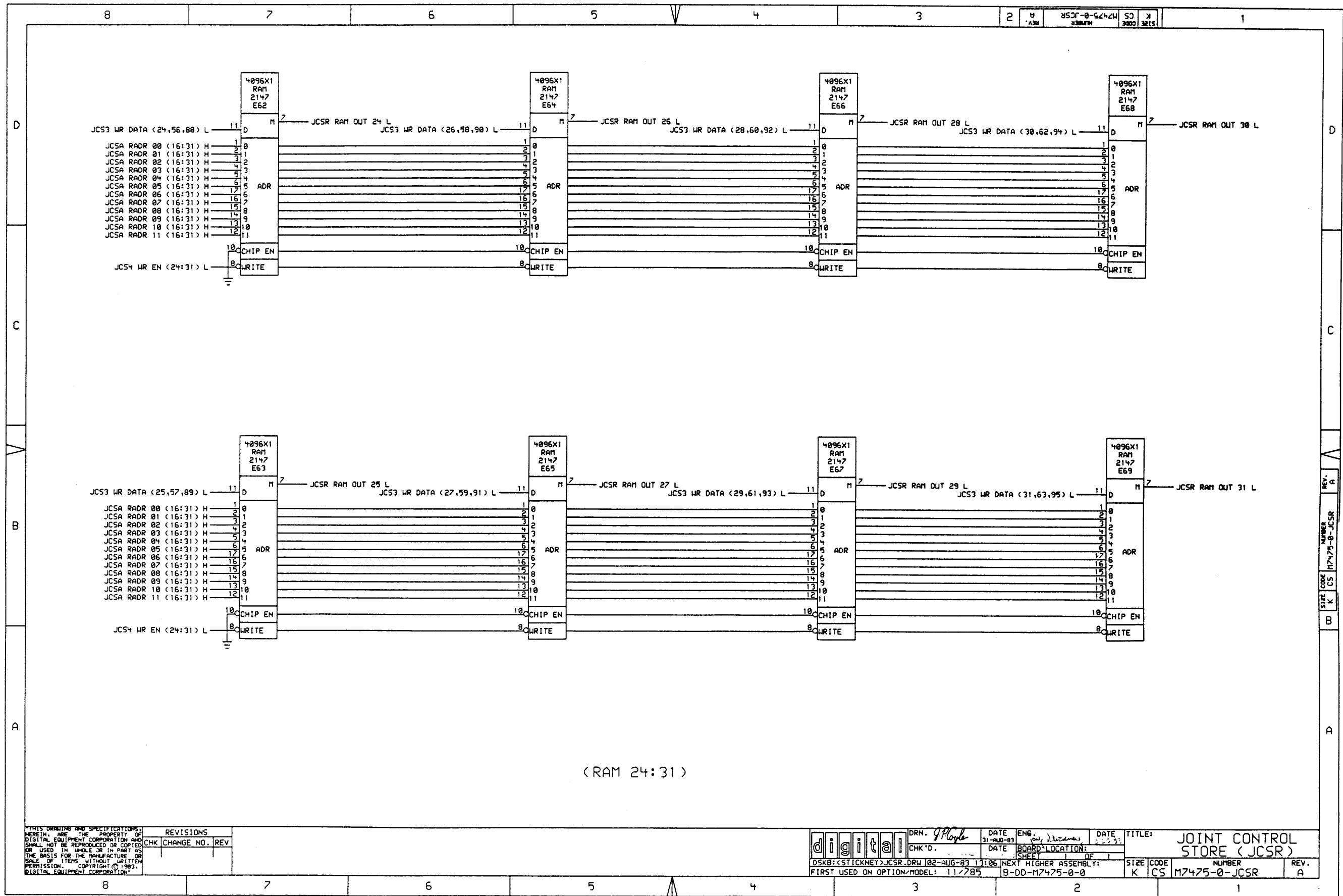


(RAM 16:23)

REVISIONS	
CHK	CHANGE NO. REV

<b>digital</b>	DRN. <i>J. P. Boyd</i>	DATE 31-AUG-83	ENG. <i>Ray Anderson</i>	DATE	TITLE: JOINT CONTROL STORE (JCSP)
	CHK'D.	DATE	BOARD LOCATION: SHEET 1 OF 1		
DSK: <STICKNEY> JCSP.DRW 102-AUG-83 13:11			NEXT HIGHER ASSEMBLY: B-DD-M7475-0-0		SIZE CODE K CS
FIRST USED ON OPTION/MODEL: 117785					NUMBER M7475-0-JCSP
					REV. A

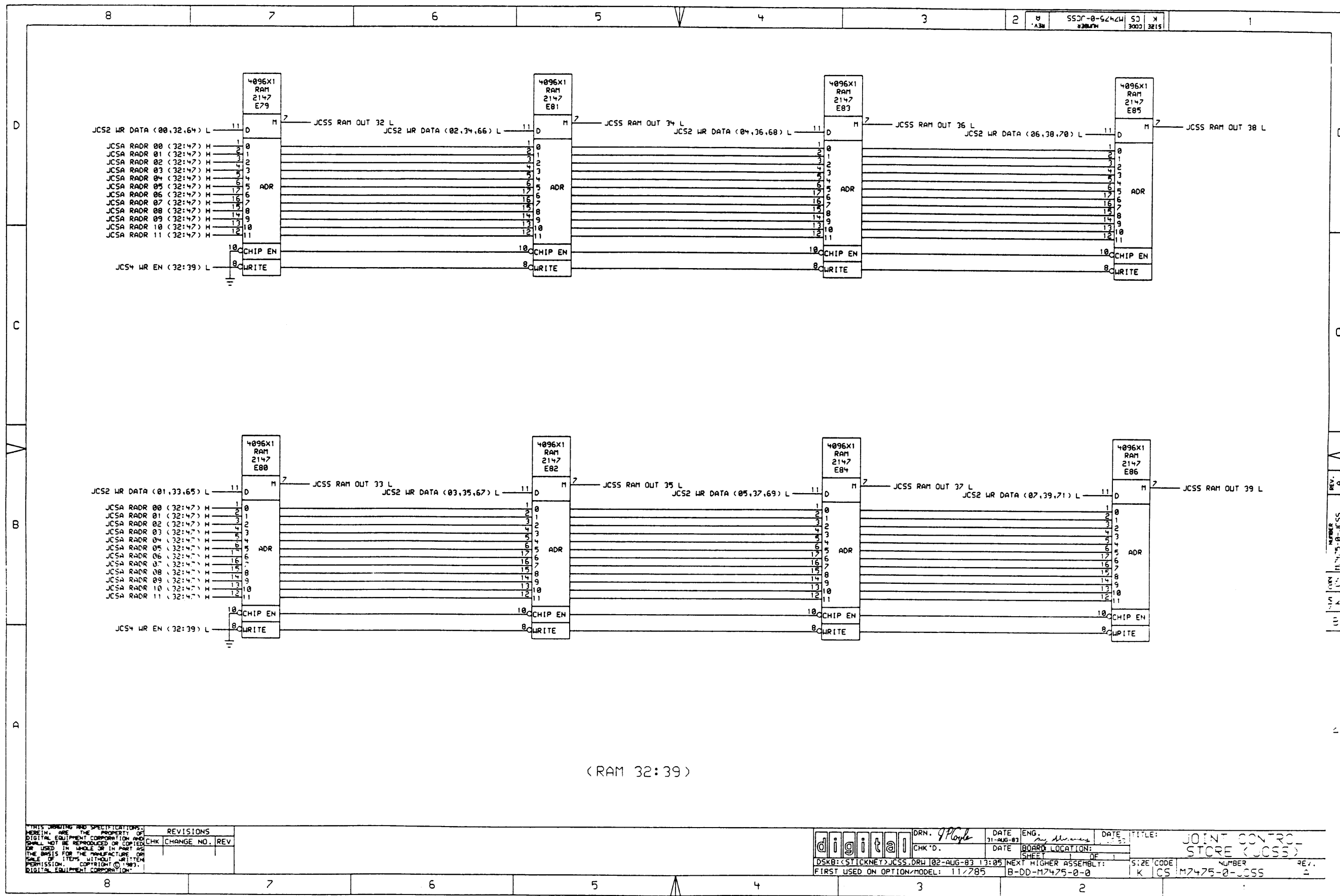
REV. A  
 NUMBER M7475-0-JCSP  
 SIZE CODE K CS



THIS DRAWING AND SPECIFICATIONS  
HEREIN ARE THE PROPERTY OF  
DIGITAL EQUIPMENT CORPORATION AND  
SHALL NOT BE REPRODUCED OR COPIED  
OR USED IN WHOLE OR IN PART AS  
THE BASIS FOR THE MANUFACTURE OR  
SALE OF ITEMS WITHOUT WRITTEN  
PERMISSION. COPYRIGHT © 1983,  
DIGITAL EQUIPMENT CORPORATION.

REVISIONS		
CHK	CHANGE NO.	REV

	DRN. <i>J.P. [unclear]</i>	DATE 31-AUG-83	ENG. <i>[unclear]</i>	DATE 3-2-83	TITLE: JOINT CONTROL STORE (JCSR)
	CHK'D.	DATE	BOARD LOCATION: SHEET 1 OF 1		
DSKB: (STICKNET) JCSR.DRW 02-AUG-83 13:06		NEXT HIGHER ASSEMBLY: B-DD-17475-0-0		SIZE CODE K CS	NUMBER 17475-0-JCSR
FIRST USED ON OPTION/MODEL: 11/285				REV. A	

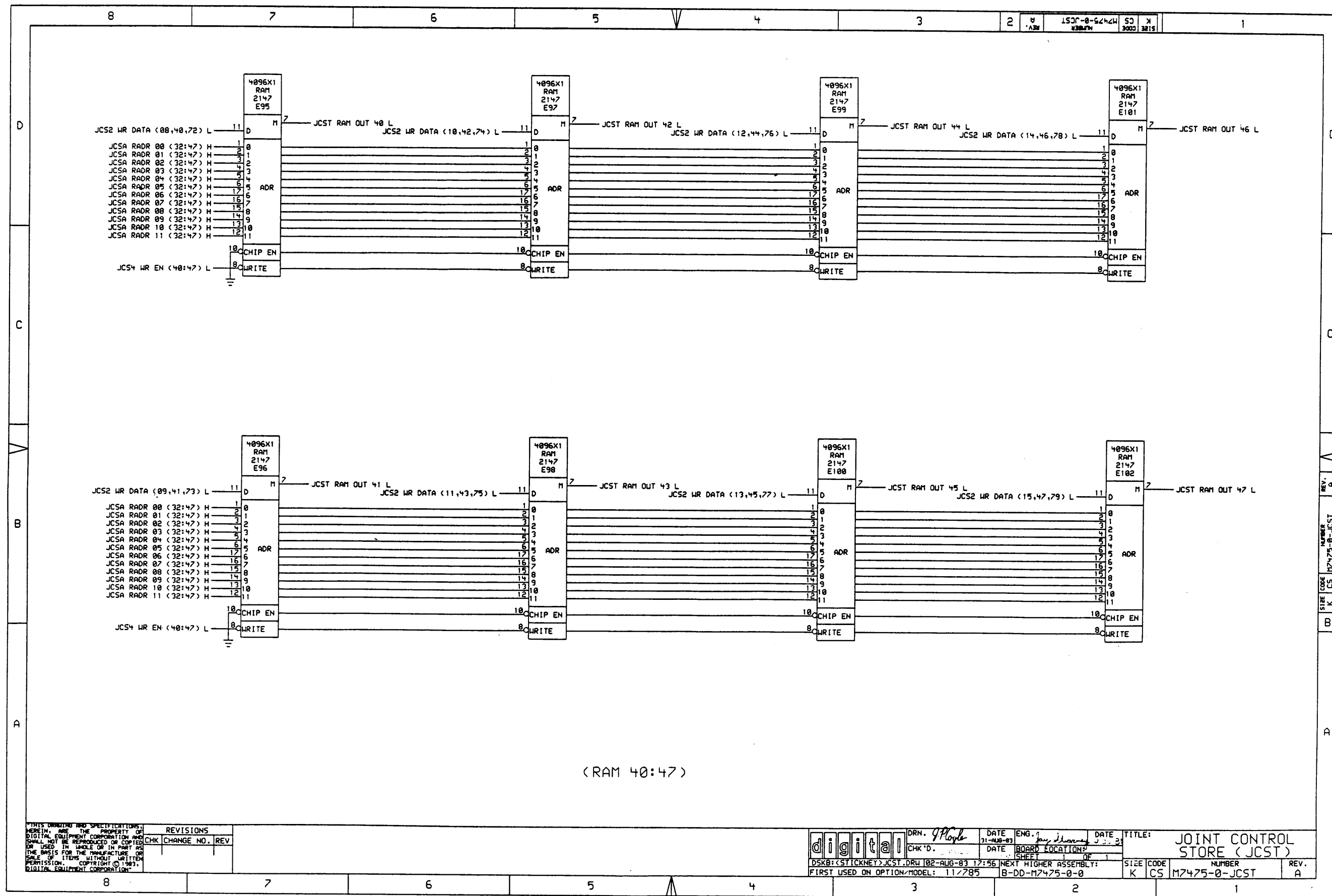


THIS DRAWING AND SPECIFICATIONS HEREIN ARE THE PROPERTY OF DIGITAL EQUIPMENT CORPORATION AND SHALL NOT BE REPRODUCED OR COPIED OR USED IN WHOLE OR IN PART AS THE BASIS FOR THE MANUFACTURE OR SALE OF ITEMS WITHOUT WRITTEN PERMISSION. COPYRIGHT © 1983, DIGITAL EQUIPMENT CORPORATION.

REVISIONS		
CHK	CHANGE NO.	REV

digital	DRN. <i>J. P. Doyle</i>	DATE 31-AUG-83	ENG. <i>M. M. M...</i>	DATE	TITLE: JOINT CONTROL STORE (JCSS)
	CHK'D.	DATE	BOARD LOCATION: SHEET	OF	
DSKB: (ST) CKNET JCSS.DRW 02-AUG-83 13:05		NEXT HIGHER ASSEMBLY: B-DD-M7475-0-0		SIZE CODE K	NUMBER CS M7475-0-JCSS
FIRST USED ON OPTION/MODEL: 11/785				REV. 2	

REV. A  
NUMBER 117475-0-JCSS

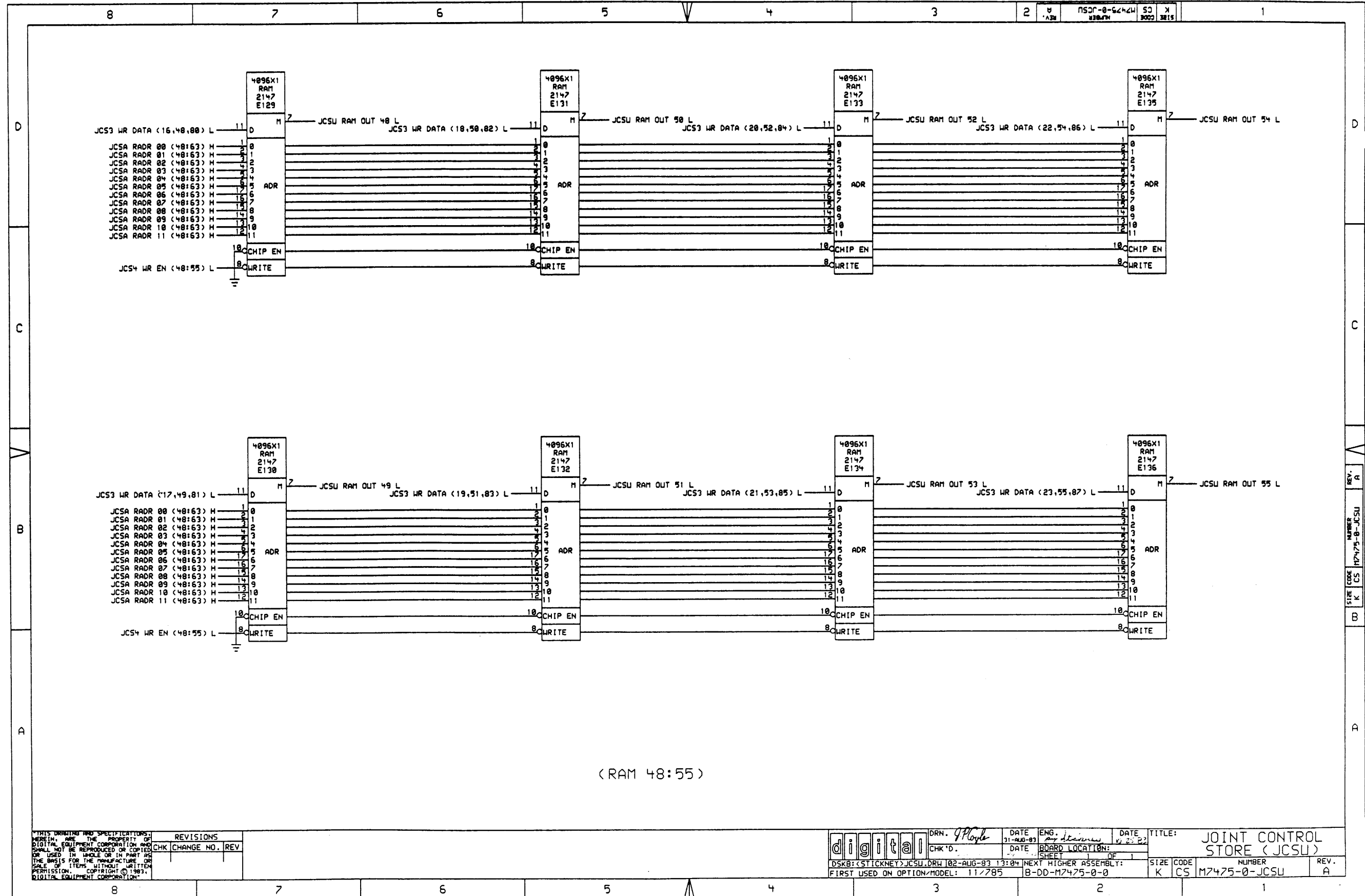


THIS DRAWING AND SPECIFICATIONS ARE THE PROPERTY OF DIGITAL EQUIPMENT CORPORATION AND SHALL NOT BE REPRODUCED OR COPIED OR USED IN WHOLE OR IN PART AS THE BASIS FOR THE MANUFACTURE OR SALE OF ITEMS WITHOUT WRITTEN PERMISSION. COPYRIGHT © 1983, DIGITAL EQUIPMENT CORPORATION.

REVISIONS		
CHK	CHANGE NO.	REV

	DRN. <i>J. P. ...</i>	DATE 31-AUG-83	ENG. <i>J. P. ...</i>	DATE 31-AUG-83	TITLE: JOINT CONTROL STORE (JCST)
	CHK'D.	DATE	BOARD LOCATION	SHEET 1 OF 1	
DSKB: <STICKNEY> JCST.DRW 102-AUG-83 17:56 NEXT HIGHER ASSEMBLY:			SIZE CODE K CS	NUMBER M7475-0-JCST	REV. A
FIRST USED ON OPTION/MODEL: 11/785			B-DD-M7475-0-0		

REV. A  
 NUMBER M7475-0-JCST  
 SIZE CODE K CS

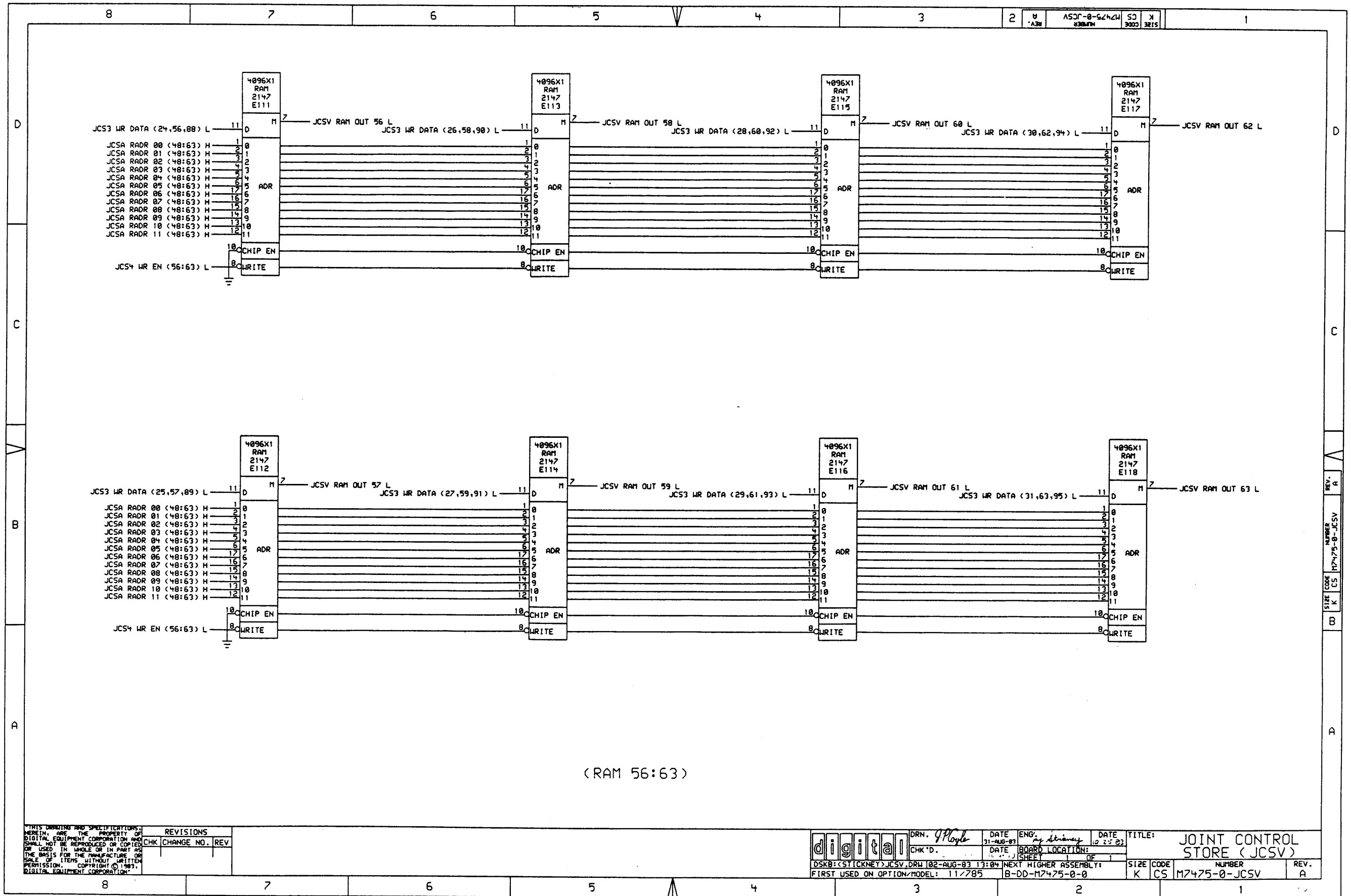


REV. A  
 MEMBER NUMBER 117475-0-JCSU  
 SIZE CODE CS  
 K  
 B

THIS DRAWING AND SPECIFICATIONS HEREIN ARE THE PROPERTY OF DIGITAL EQUIPMENT CORPORATION AND SHALL NOT BE REPRODUCED OR COPIED OR USED IN WHOLE OR IN PART AS THE BASIS FOR THE MANUFACTURE OR SALE OF ITEMS WITHOUT WRITTEN PERMISSION. COPYRIGHT © 1983, DIGITAL EQUIPMENT CORPORATION.

REVISIONS	
CHK	CHANGE NO. REV

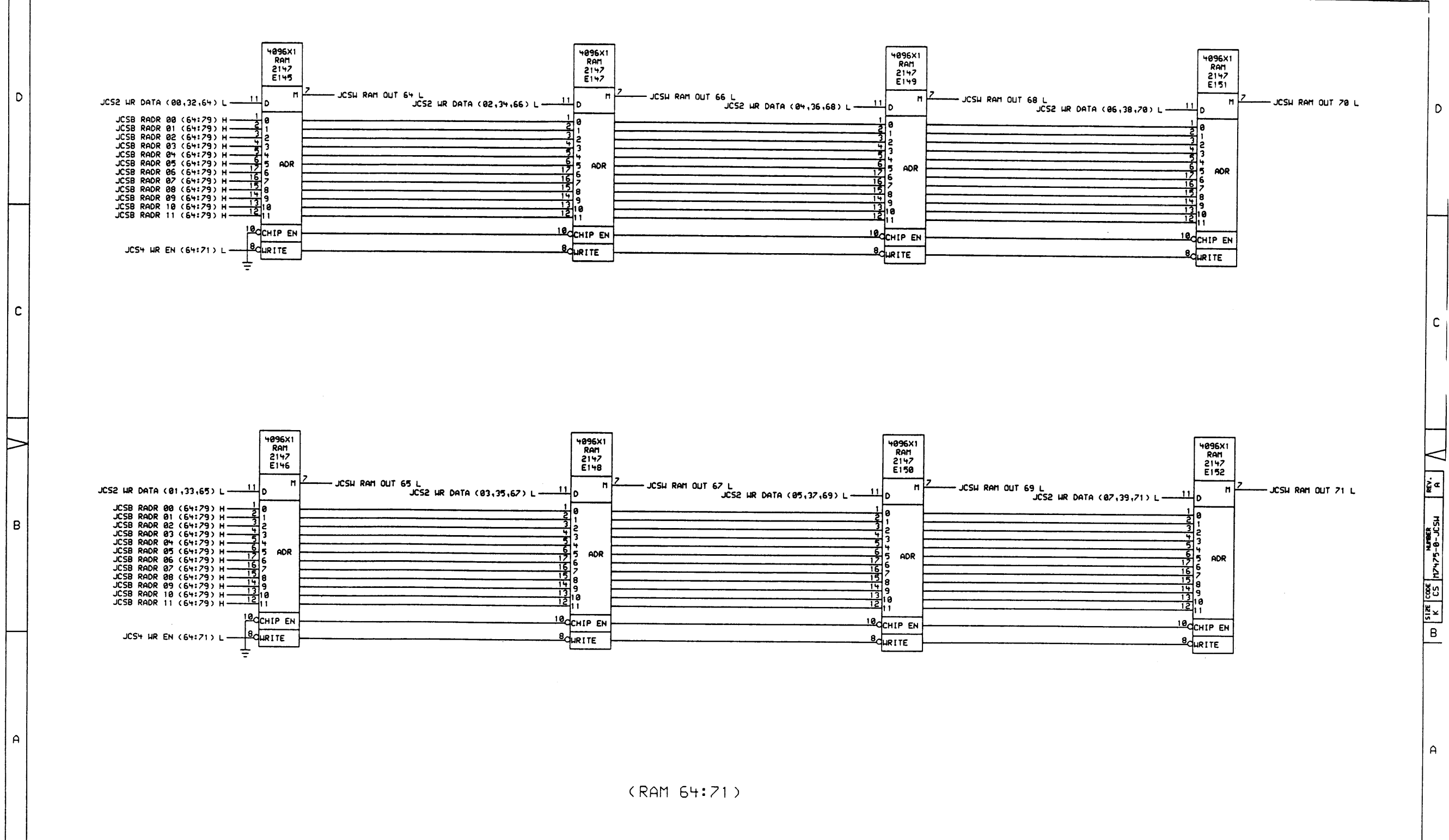
digital	DRN. <i>J. Poye</i>	DATE 31-AUG-83	ENG. <i>By Staines</i>	DATE 11-25-82	TITLE: JOINT CONTROL STORE (JCSU)
	CHK'D.	DATE	BOARD LOCATION:	SHEET 1 OF 1	SIZE CODE NUMBER REV. K CS M7475-0-JCSU A
DSKB: (STICKNET) JCSU.DRW 102-AUG-83 13:04		NEXT HIGHER ASSEMBLY: B-DD-M7475-0-0		FIRST USED ON OPTION/MODEL: 11/785	



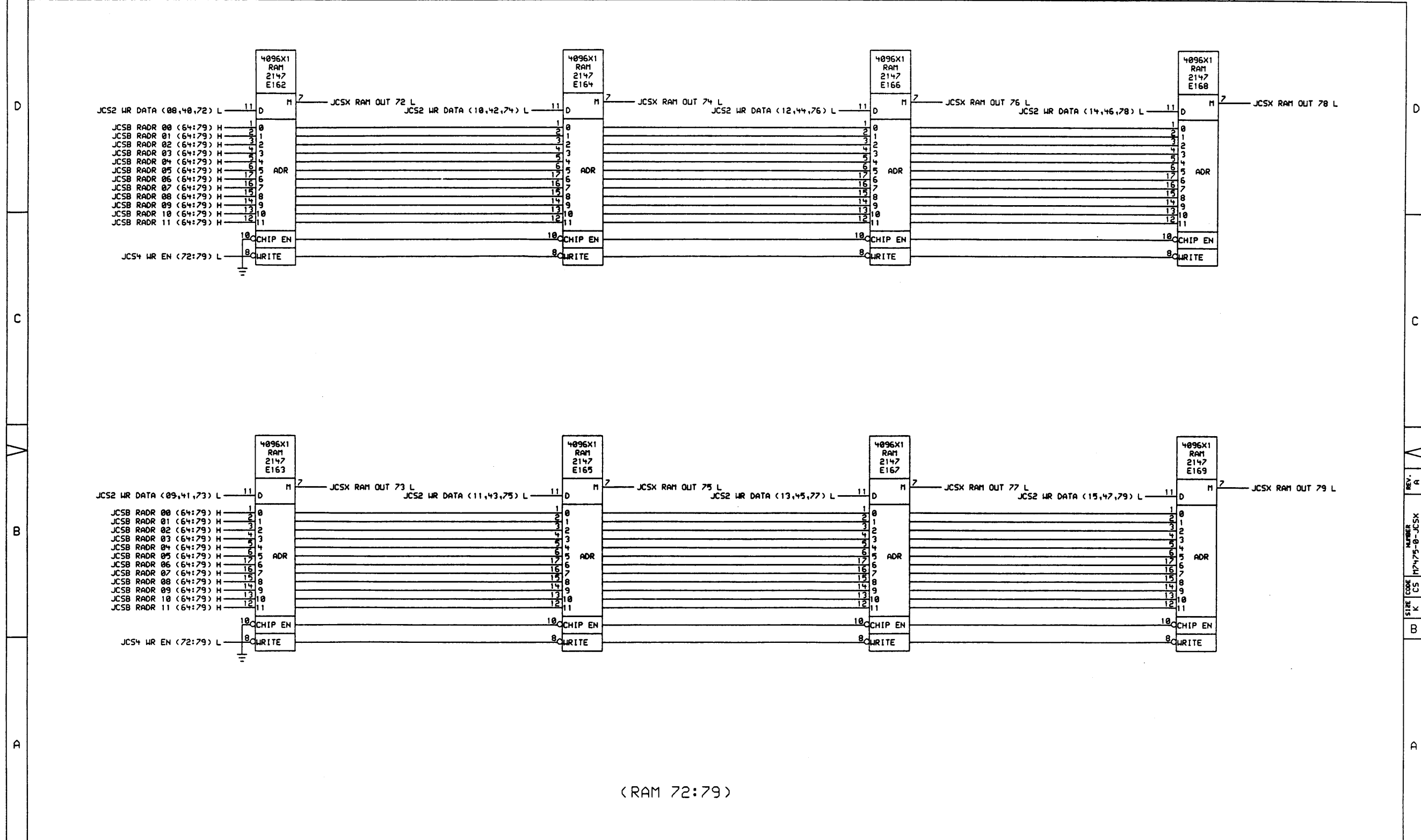
THIS DRAWING AND SPECIFICATIONS  
HEREIN ARE THE PROPERTY OF  
DIGITAL EQUIPMENT CORPORATION AND  
SHALL NOT BE REPRODUCED OR COPIED  
OR USED IN WHOLE OR IN PART AS  
THE BASIS FOR THE MANUFACTURE OR  
SALE OF ITEMS WITHOUT WRITTEN  
PERMISSION. COPYRIGHT © 1983,  
DIGITAL EQUIPMENT CORPORATION.

REVISIONS		
CHK	CHANGE NO.	REV

digital	DRN. <i>J. P. Doyle</i>	DATE 31-AUG-83	ENG. <i>as shown</i>	DATE 10-23-83	TITLE: JOINT CONTROL STORE (JCSV)
	CHK'D.	DATE	BOARD LOCATION:	SHEET 1 OF 1	SIZE CODE K CS
DSKB: (STICKNEY) JCSV.DRW 102-AUG-83 13:04 NEXT HIGHER ASSEMBLY:			FIRST USED ON OPTION/MODEL: 11/785		NUMBER M7475-0-JCSV
					REV. A

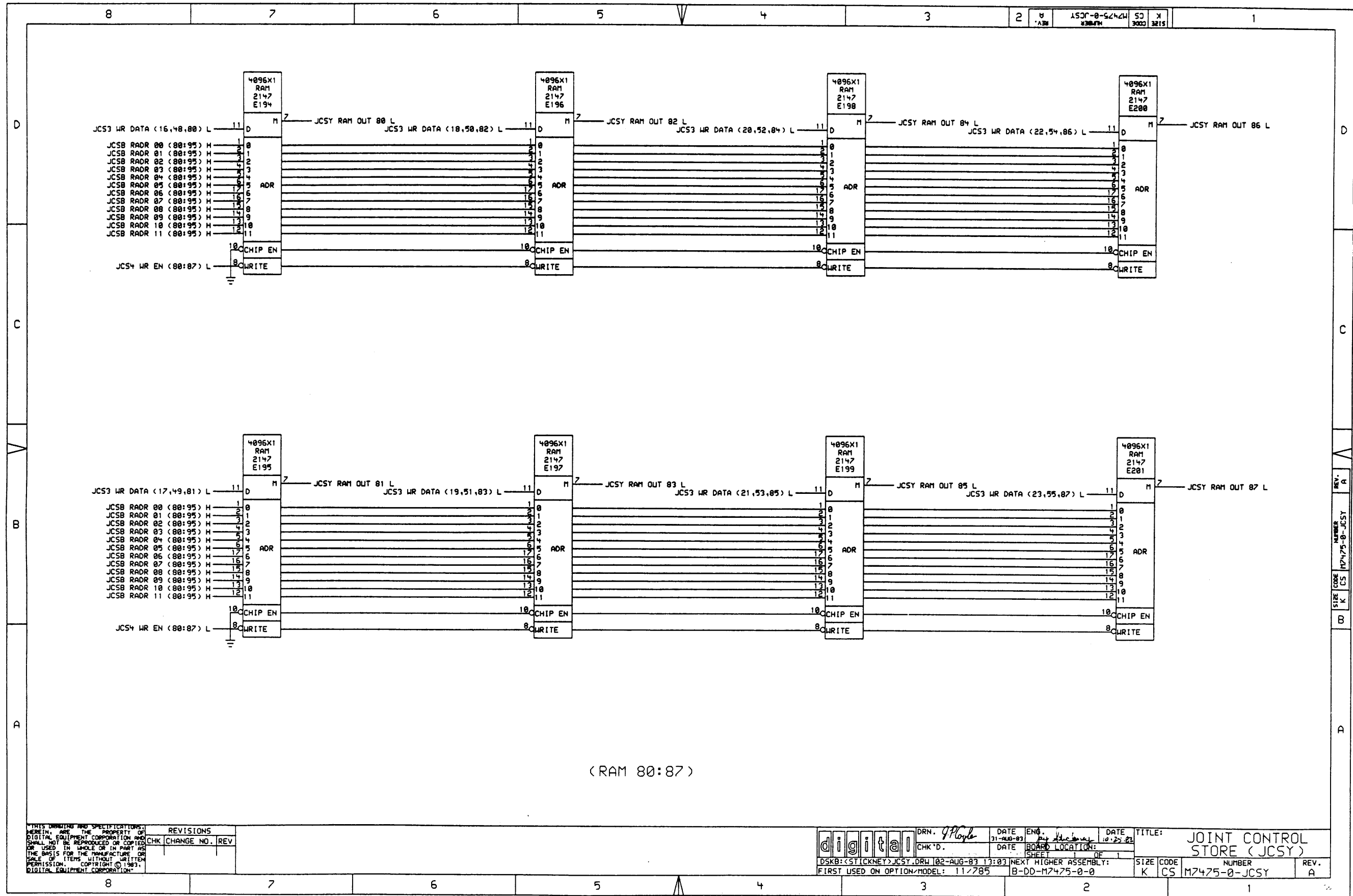


(RAM 64:71)



(RAM 72:79)

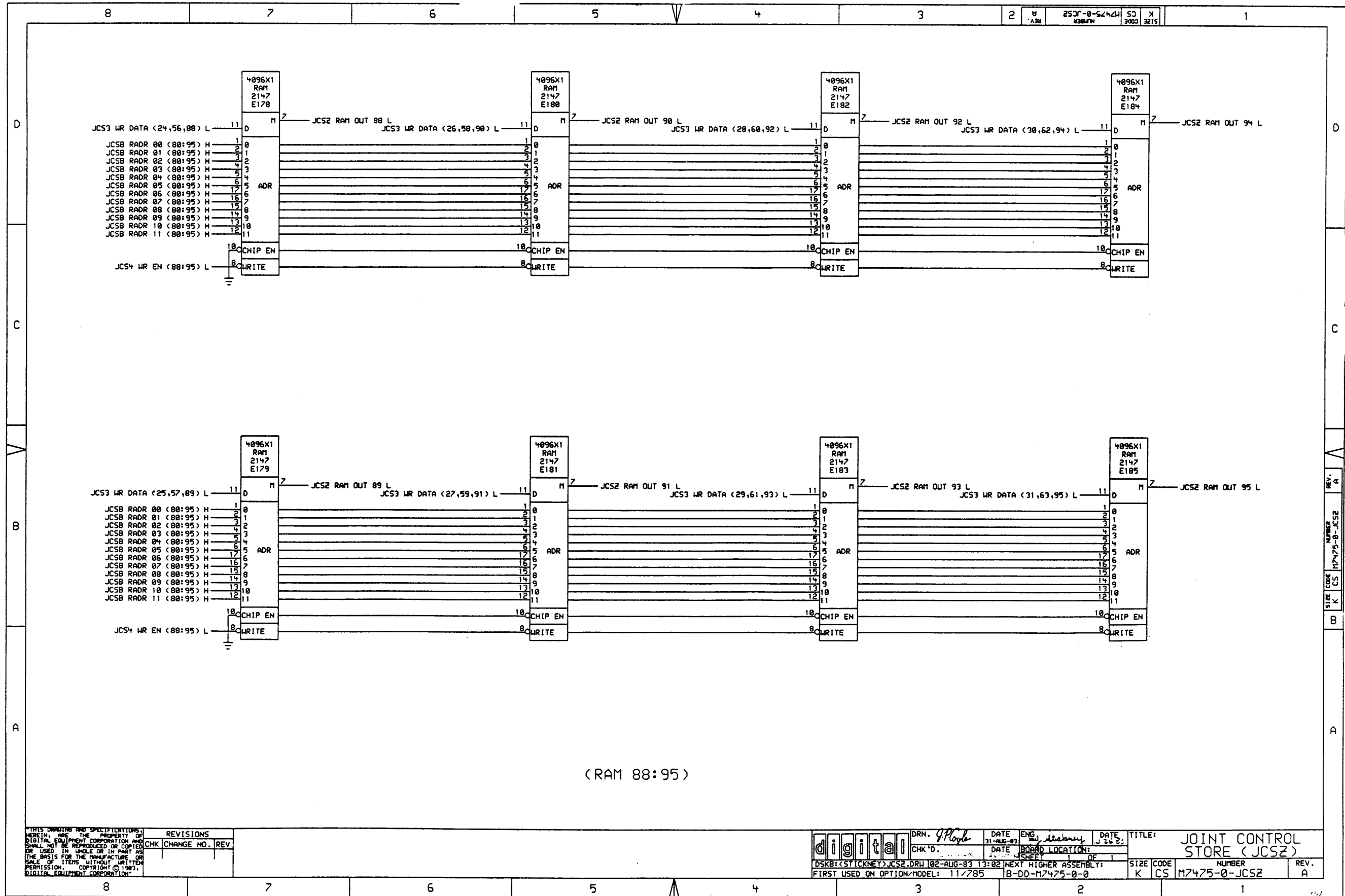




REVISIONS	
CHK	CHANGE NO. REV

	DRN. <i>J. Doyle</i>	DATE 31-AUG-83	ENGR. <i>Ray Anderson</i>	DATE 10-25-82	TITLE: JOINT CONTROL STORE (JCSY)
	CHK'D.	DATE	BOARD LOCATION:	SHEET 1 OF 1	SIZE CODE K CS
DSKB: <STICKNEY>JCSY.DRW 02-AUG-83 13:03			NEXT HIGHER ASSEMBLY: B-DD-M7475-0-0		NUMBER M7475-0-JCSY
FIRST USED ON OPTION/MODEL: 11785					REV. A

REV. A  
 NUMBER M7475-0-JCSY  
 SIZE CODE K CS  
 BOARD B



REV. A  
 NUMBER 117475-0-JCSZ  
 SIZE CODE K CS  
 ED

digital DRN. 44016 DATE 31-AUG-83 ENG. J. Steiner DATE 7-28-83  
 CHK'D. BOARD LOCATION: SHEET 1 OF 1  
 DSKB: <STICKNEY> JCSZ.DRW 102-AUG-83 13:02 NEXT HIGHER ASSEMBLY: 117475-0-JCSZ  
 FIRST USED ON OPTION/MODEL: 11785 18-DD-M7475-0-0 SIZE CODE K CS NUMBER M7475-0-JCSZ REV. A

DRAWING NO.	NO. OF SHTS.	PART NO.	DESCRIPTION	REVISIONS															
				DATE	CHG NO.	REV.													
		M7475-00	J.C.S.	A	E														
E-UA-M7475-0-0	1		UNIT ASSEMBLY	A	A														
K-PL-M7475-0-DBP	2		PARTS LIST	A	E														
K-FC-M7475-0-DBI	-		P.C. DATA BASE	B	E														
K-CS-M7475-0-DBS	-		SUDS DATA BASE	A	A														
K-CS-M7475-0-JCSA	1		SCHEMATIC	A	A														
K-CS-M7475-0-JCSB	1		SCHEMATIC	A	A														
K-CS-M7475-0-JCSC	1		SCHEMATIC	A	A														
K-CS-M7475-0-JCSD	1		SCHEMATIC	A	A														
K-CS-M7475-0-JCSE	1		SCHEMATIC	A	A														
K-CS-M7475-0-JCSF	1		SCHEMATIC	A	A														
K-CS-M7475-0-JCSH	1		SCHEMATIC	A	A														
K-CS-M7475-0-JCSI	1		SCHEMATIC	A	A														
K-CS-M7475-0-JCSK	1		SCHEMATIC	A	A														
K-CS-M7475-0-JCSL	1		SCHEMATIC	A	A														
K-CS-M7475-0-JCSM	1		SCHEMATIC	A	A														
K-CS-M7475-0-JCSN	1		SCHEMATIC	A	A														
K-CS-M7475-0-JCSP	1		SCHEMATIC	A	A														
K-CS-M7475-0-JCSP	1		SCHEMATIC	A	A														
K-CS-M7475-0-JCSQ	1		SCHEMATIC	A	A														
K-CS-M7475-0-JCSR	1		SCHEMATIC	A	A														
K-CS-M7475-0-JCSS	1		SCHEMATIC	A	A														
K-CS-M7475-0-JCST	1		SCHEMATIC	A	A														
K-CS-M7475-0-JCSU	1		SCHEMATIC	A	A														
K-CS-M7475-0-JCSV	1		SCHEMATIC	A	A														
K-CS-M7475-0-JCSW	1		SCHEMATIC	A	A														
K-CS-M7475-0-JCSX	1		SCHEMATIC	A	A														
K-CS-M7475-0-JCSY	1		SCHEMATIC	A	A														
NOTES:				DATE	9/83	INIT	Twl	REV.	A	B									
THIS DRAWING AND SPECIFICATIONS, HEREIN, ARE THE PROPERTY OF DIGITAL EQUIPMENT CORPORATION AND SHALL NOT BE REPRODUCED OR COPIED OR USED IN WHOLE OR IN PART AS THE BASIS FOR THE MANUFACTURE OR SALE OF ITEMS WITHOUT WRITTEN PERMISSION. COPYRIGHT © 1983 DIGITAL EQUIPMENT CORPORATION								USED ON OPTION/MODEL	DRN.		TITLE	J.C.S.							
								CHK'D			10-13-83	SIZE	DD	NUMBER	M7475-0-0	REV.	B		
								ENG.						SHEET	1 OF	2			
								 10-25-83											

DRAWING NO.	NO. OF SHTS.	PART NO.	DESCRIPTION	REVISIONS																			
K-CS-M7475-0-JCS7	1		SCHEMATIC	A	A																		
K-CS-M7475-0-JCS1	1		SCHEMATIC	A	A																		
K-CS-M7475-0-JCS2	1		SCHEMATIC	A	A																		
K-CS-M7475-0-JCS3	1		SCHEMATIC	A	A																		
K-CS-M7475-0-JCS4	1		SCHEMATIC	A	A																		
K-CS-M7475-0-JCS5	1		SCHEMATIC	A	A																		
K-CS-M7475-0-JCS6	1		SCHEMATIC	A	A																		
K-CS-M7475-0-JCS7	1		SCHEMATIC	A	A																		
K-CS-M7475-0-JCS8	1		SCHEMATIC	A	A																		
K-CS-M7475-0-JCS9	1		SCHEMATIC	A	A																		
B-DD-5016102-0-0	1		DRAWING DIRECTORY	A	A																		
K-BD-M7475-0-JCS	1		BLOCK DIAGRAM	A	A																		

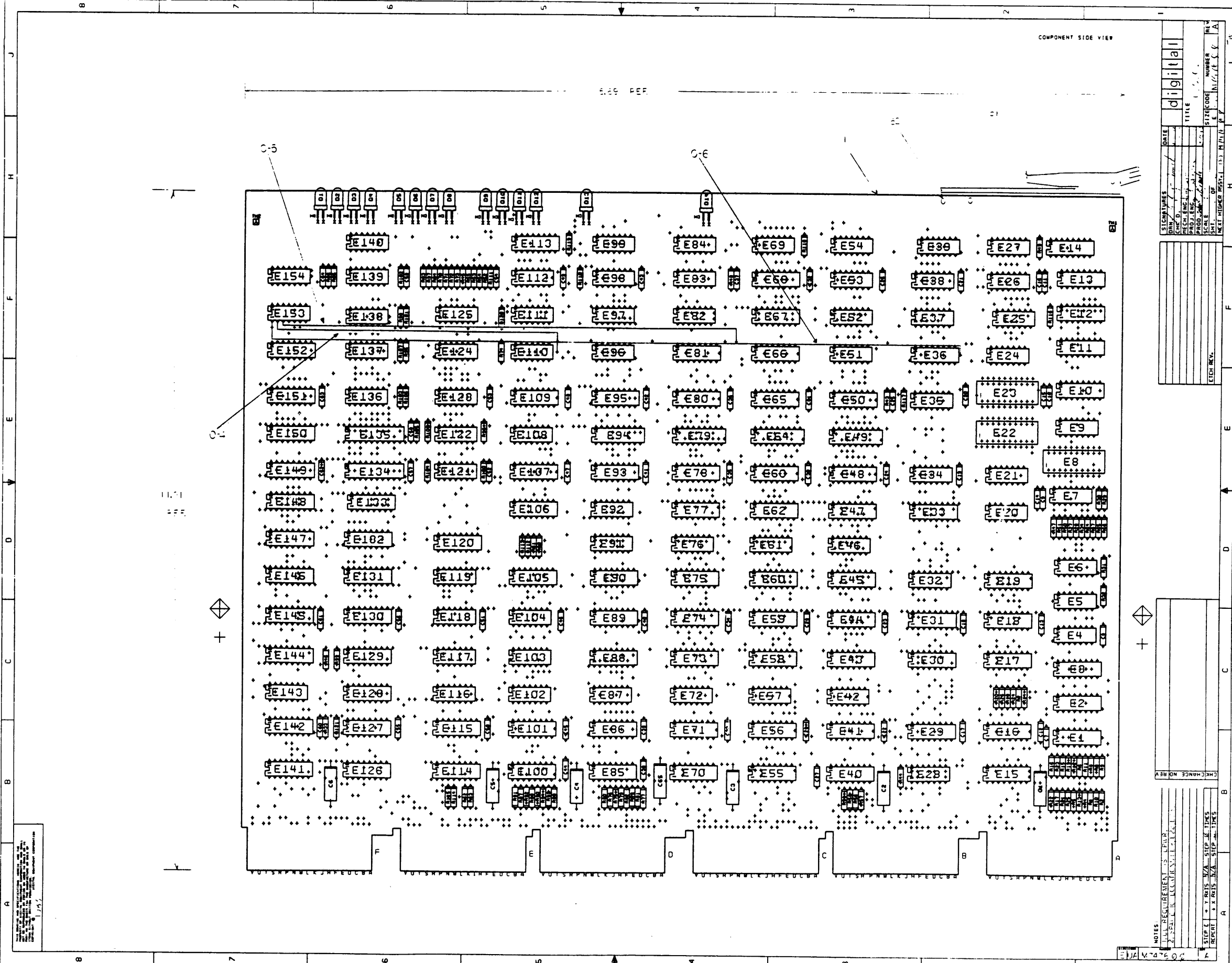
NOTES:

REVISIONS			REV.
DATE	CHG NO.	INIT	
9/83			A

"THIS DRAWING AND SPECIFICATIONS, HEREIN, ARE THE PROPERTY OF DIGITAL EQUIPMENT CORPORATION AND SHALL NOT BE REPRODUCED OR COPIED OR USED IN WHOLE OR IN PART AS THE BASIS FOR THE MANUFACTURE OR SALE OF ITEMS WITHOUT WRITTEN PERMISSION.  
 COPYRIGHT © 1983 DIGITAL EQUIPMENT CORPORATION



USED ON OPTION/MODEL	DRN. <i>A. Thirumala</i>	23-57-83	TITLE J.C.S.
	CHK'D <i>[Signature]</i>	10-18-83	
	ENG <i>[Signature]</i>	10-25-83	SIZE CODE NUMBER REV.
	PROP <i>[Signature]</i>	10-25-83	B DD M7475-0-0 B
	SHEET 2 OF 2		



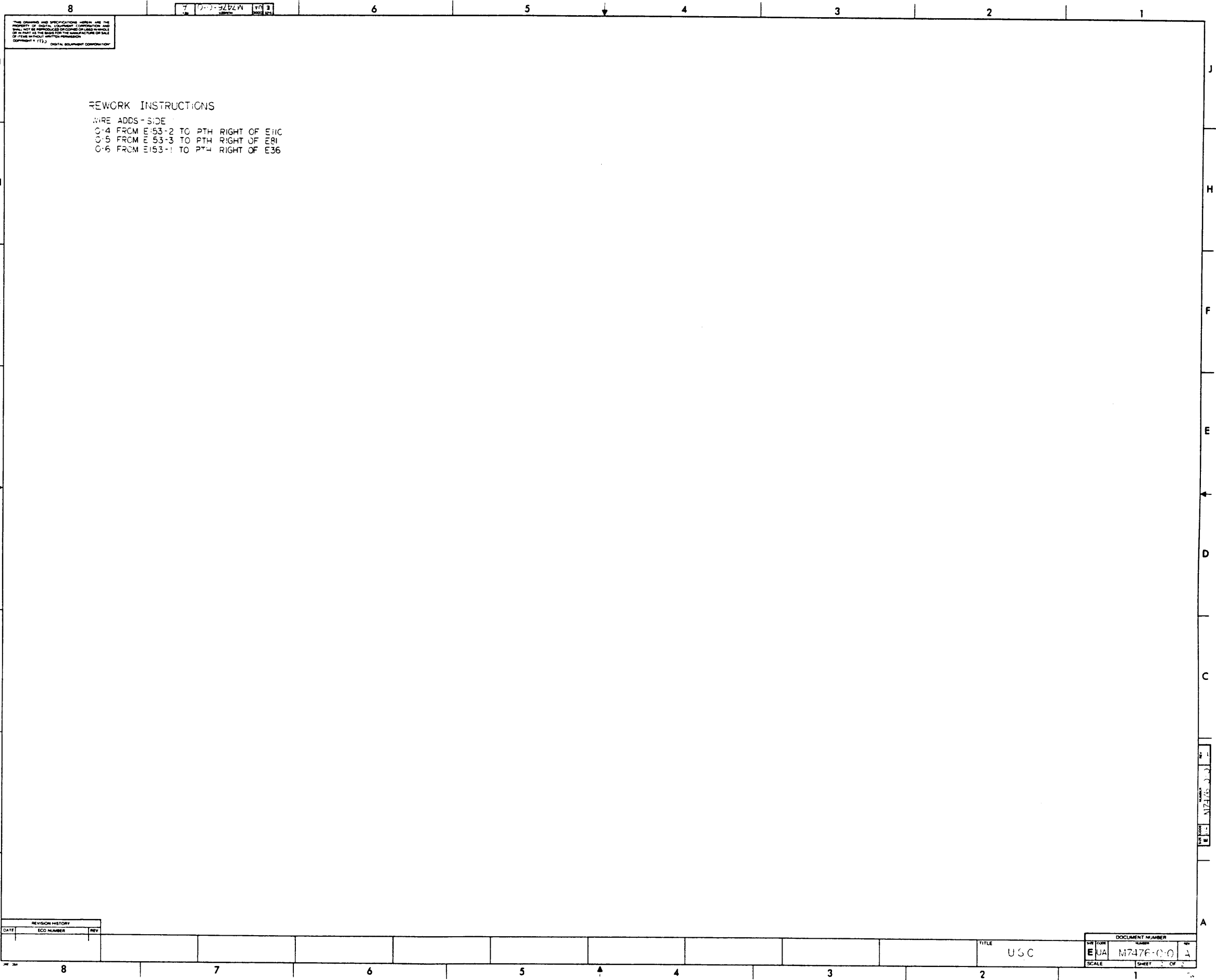
DATE	digital
DESIGNED BY	
CHECKED BY	
PROJ. ENG.	
PROD. ENG.	
DATE OF	
REV. NO.	
REV. DATE	
REV. BY	
REV. REASON	

ETCH NO.	
ETCH DATE	
ETCH BY	
ETCH REVISION	

CHANGE NO.	
CHANGE DATE	
CHANGE BY	
CHANGE REASON	

NOTES	
1. ALL REQUIREMENTS SHOWN	
2. SEE DRAWING FOR DIMENSIONS	
3. STEP 1 - 3.0 DIA. V/A	
4. STEP 2 - 1.5 DIA. V/A	
5. STEP 3 - 1.5 DIA. V/A	
6. STEP 4 - 1.5 DIA. V/A	
7. STEP 5 - 1.5 DIA. V/A	

1. ALL REQUIREMENTS SHOWN  
2. SEE DRAWING FOR DIMENSIONS  
3. STEP 1 - 3.0 DIA. V/A  
4. STEP 2 - 1.5 DIA. V/A  
5. STEP 3 - 1.5 DIA. V/A  
6. STEP 4 - 1.5 DIA. V/A  
7. STEP 5 - 1.5 DIA. V/A



THESE DIMENSIONS AND SPECIFICATIONS APPLY TO THE  
 PRODUCT OF DIGITAL EQUIPMENT CORPORATION AND  
 SHALL NOT BE INTRODUCED OR COPIED OR REPRODUCED  
 OR IN ANY MANNER FOR THE MANUFACTURE OR SALE  
 OF THIS PRODUCT WITHOUT PERMISSION  
 COPYRIGHT © 1982 DIGITAL EQUIPMENT CORPORATION

REWORK INSTRUCTIONS  
 WIRE ADDS - SIDE  
 Q-4 FROM E 53-2 TO PTH RIGHT OF E1C  
 Q-5 FROM E 53-3 TO PTH RIGHT OF E8I  
 Q-6 FROM E153-1 TO PTH RIGHT OF E36

REVISION HISTORY		
DATE	ECO NUMBER	REV

TITLE USC

DOCUMENT NUMBER	
EUA	N7476-0-0
SCALE	SHEET 1 OF 1

LINE	ITEM	TOP DOCUMENT	PART NUMBER	MIN REV	DESCRIPTION	VARIATION REVISION LEVEL:	QTY	PER VARIATION	REFERENCE DESIGNATOR
1	1	D-MD-5016103-0-0	5016103-01		ETCH CIRCUIT BOARD		1		
2	2		1300247-00		120.0 .25 W 5.0 %	CF	10		R56,R58,R76,R78,R79,R81,R90-R93
3	3		1300250-00		150.0 .25 W 5.0 %	CF	10		R57,R59,R75,R77,R80,R82,R87-R89, R94
4	4		1300295-00		330.0 .25 W 5.0 %	CF	17	CONT	R1,R3,R4,R9,R12-R15,R18,R19,R22, R23,R26,R60,R62,R112,R114
5	5		1300316-00		470.0 .25 W 5.0 %	CF	22	CONT	R28,R29,R31,R33,R45,R46,R51-R55, R64,R67,R70-R73,R83-R86,R111
6	6		1300365-00		1.0 K .25 W 5.0 %	CF	26	CONT	R43,R44,R48,R49,R74,R95-R108, R110,R116-R121
7	7		1301775-00		820.0 .25 W 5.0 %	CF	25	CONT	R2,R5-R8,R10,R11,R16,R17,R20, R21,R24,R25,R27,R30,R32,R34,R47, R50,R61,R63,R65,R66,R113,R115
8	8		1921305-01		74F00 NAND GATE,QUAD,2-IN		4		E32,E53,E97,E119
9	9		1910533-00		74S03 NAND GATE-QUAD 2IN,0		3		E4,E6,E7
10	10		1921307-01		74F04 HEX INVERTER		6		E9,E51,E82,E143,E103,E117
11	11		1910535-00		74S05 INVERTER GATE-HEX 1		4		E5,E123,E124,E154
12	12		1921309-01		74F10 NAND GATE,TRIPLE,3-I		6		E99,E116,E118,E72,E87,E102
13	13		1921310-01		74F11 AND GATE,TRIPLE,3-IN		5		E27,E83,E84,E96,E104
14	14		1921311-01		74F20 NAND GATE,DUAL,4-IN		6		E20,E46,E61,E76,E91,E108
15	15		1910540-00		74S22 NAND GATE-DUAL 4INPU		7		E121,E122,E136-E140
16	16		1910541-00		74S40 BUFFER,POS-NAND,DUAL		1		E21
17	17		1921313-01		74F64 AND OR INVERT GATE,4-		2		E54,E69
18	18		1921314-01		74F74 FF-D,DUAL,POS.,EDGE		5		E38,E26,E37,E92,E98
19	19		1910545-00		74S112 FF-JK DUAL,EDGE TRIG		1		E14
20	20		1910546-00		74S140 NAND GATE-DUAL 4INPU		1		E28
21	21		1921319-01		74F153 MUX,DUAL,4-IN		13		E1,E31,E55,E43,E44,E58,E59,E70, E73,E74,E88,E89,E101
22	22		1921320-01		74F157 MUX,QUAD,2-IN		5	CONT	E12,E50,E65,E80,E95
23	23		1921323-01		74F174 FF-D,HEX		4		E2,E3,E62,E77

REVISION HISTORY		BASIC PART NO: M7476		DRN:	S.MANSOR	DATE:	05-AUG-83	D I G I T A L			
ENG:	ECO NUMBER	REV	SECTION A OF A	CHK'D:	F.GAROFALO	DATE:	10-AUG-83	TITLE PARTS LIST			
---	INITIAL	A	SECTION VARIATION INDEX	DES.ENG:	K.SPENCER	DATE:	10-AUG-83	MICRO SEQUENCER CONTROL (USC)			
KS	M7476-TW001	B	(A) 00	RESP.ENG.:	K.SPENCER	DATE:	10-AUG-83	DOCUMENT NUMBER			
			(B)	MFG.ENG.:	M.KRYSAK	DATE:	27-SEP-83	SIZE:	CODE:	NUMBER	REV
			(C)	ASSEMBLY NUMBER:	E-UA-M7476-0-0	TOP DOCUMENT NUMBER:	B-DD-M7476-0-0	K	PL	M7476-0-DBP	B
			(D)			FILE NAME:	Z3955B.PLS				
			(E)			RELEASE DATE:	01-FEB-84				
			(F)			EDIT #:	11				
			(G)								
			(H)								
			(I)								
			(J)								
			(K)								
			(L)								
			(M)								
			(N)								

"THIS DRAWING AND THE SPECIFICATIONS CONTAINED HEREIN ARE CONFIDENTIAL AND PROPRIETARY. THEY ARE THE PROPERTY OF DIGITAL EQUIPMENT CORPORATION AND SHALL NOT BE REPRODUCED OR COPIED OR USED IN WHOLE OR IN PART AS THE BASIS FOR THE MANUFACTURE OR SALE OF ITEMS WITHOUT WRITTEN PERMISSION. THIS IS AN UNPUBLISHED WORK PROTECTED UNDER THE FEDERAL COPYRIGHT LAWS."

AUTOMATED BY PRTLST.4Q(50)

P A R T S L I S T

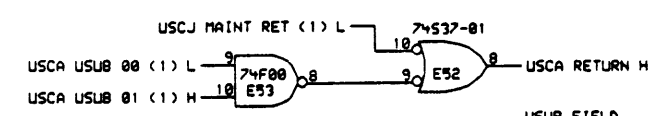
SHEET A2 OF A2

LINE	ITEM	TOP DOCUMENT	PART NUMBER	MIN REV	DESCRIPTION	QTY PER VARIATION	REFERENCE DESIGNATOR
					VARIATION REVISION LEVEL:	00 B1	
24	24		1921327-01		74F194 SHIFT REG,UNIV,BIDIR	5	E10,E48,E63,E78,E93
25	25	BLANK			*** THIS ITEM IS NOT USED ***	-	
26	26		1921318-01		74F151 MUX,8-IN	3	E17,E18,E29
27	27		1921324-01		74F175 FF-D,QUAD	6	E67,E105,E115,E146,E148,E150
28	28		1921720-01		10H125 TRANSLATOR ECL TO TTL	3	E40,E85,E100
29	29		1911469-00	DEC	8640 RECEIVER,BUS,QUAD,U	1	E110
30	30		1921316-01		74F138 DECODER/DEMUX,1-OF-8	1	E114
31	31		1921317-01		74F139 DECODER,DUAL,1-OF-4	1	E81
32	32		1911712-00		74S51 AND-OR GATE-INVERT D	1	E24
33	33		1912089-00		74S85 CMPRTR-4BIT MAGNITUD	4	E106,E107,E113,E120
34	34		1921306-01		74F02 NOR GATE,QUAD,2-IN	2	E112,E153
35	35		1921308-01		74F08 AND GATE,QUAD,2-IN	2	E39,E42
36	36		1912586-01		85S68A REGISTER,16X4 EDGE T	4	E49,E64,E79,E94
37	37		1921329-01		74F253 MUX,DUAL,4-IN	4	E129,E141,E142,E144
38	38		1921328-01		74F251 MUX,8-IN	1	E145
39	39		1912746-01		74S37-1BUFFER-GATE	3	E52,E57,E111
40	40		1912796-00		74148 ENCODER,PRIORITY,8 T	1	E68
41	41		1912820-00		LS51 A-0-I GATE 2-WIDE 2I	1	E25
42	42		1921333-01		74F283 BINARY FULL ADDER,4	2	E11,E13
43	43		1921322-01		74F161 BINARY COUNTER,PRESE	4	E45,E60,E75,E90
44	44		1921312-01		74F32 OR GATE,QUAD,2-IN	3	E34,E35,E125
45	45		1921008-01		74F240 BUFFER/LINE DRIVER,I	2	E134,E135
46	46		1913788-00		26S10 TRANSCEIVER,BUS,QUA	4	E41,E56,E71,E86
47	47		1913839-00		LS165 SHIFT REG.,8BIT	13	E15,E16,E19,E30,E33,E36,E47,E66, E109,E147,E149,E151,E152
48	48		1110324-00		LED 1MCD@10MA PIV=3	14	D1,D2,D3,D4,D5,D6,D7,D8,D9,D10, D11,D12,D13,D14
49	49		1017472-00		10 MFD 35V +75-10% AL EL	7	C1-C6,C65
50	50		1012784-00		.047 MFD 50V +80-20% CER	58	C7-C64
51	51		1216988-02		HANDLE,MODULE,HEX TWO EJECTORS	1	
52	52		9000024-01		EYELET,ROLLED 0.1210DX0.192	12	
53	53		1922191-01		74F353 DUAL 4IN MULTIPLEXER TRI-	7	E130-E133,E126-E128

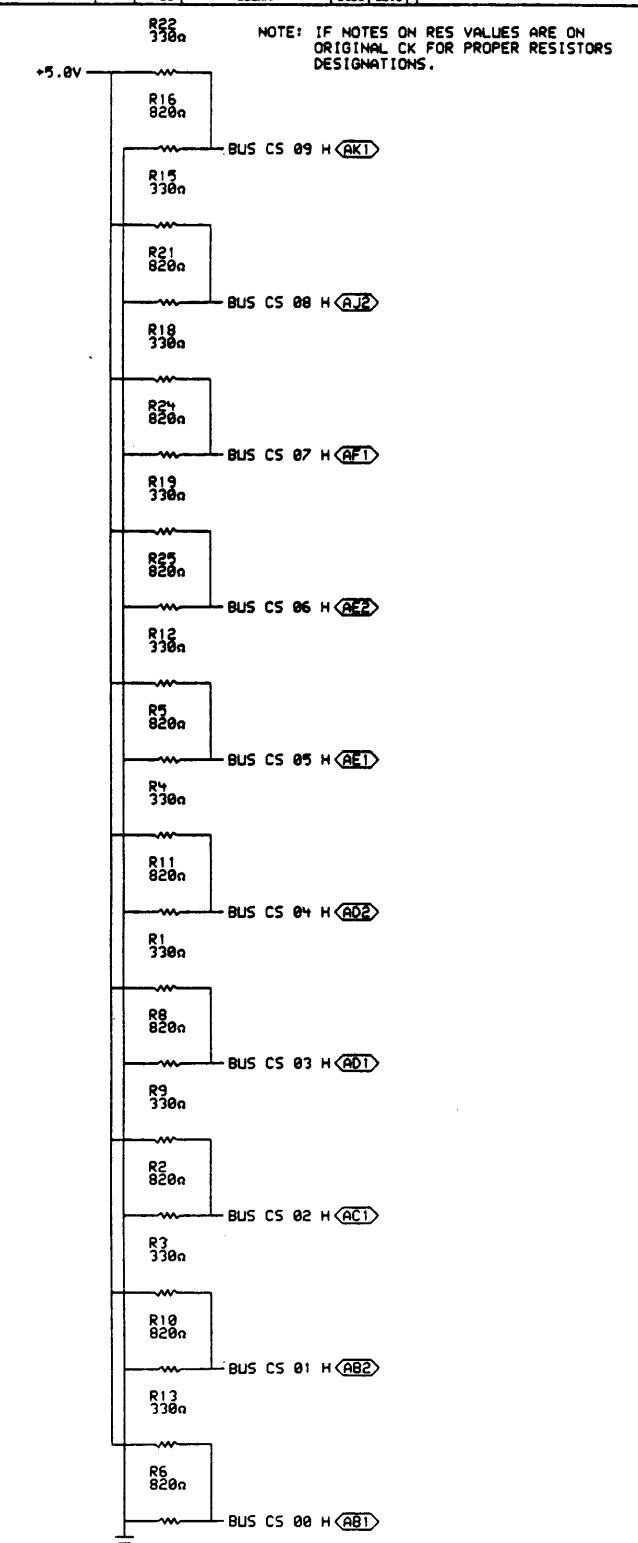
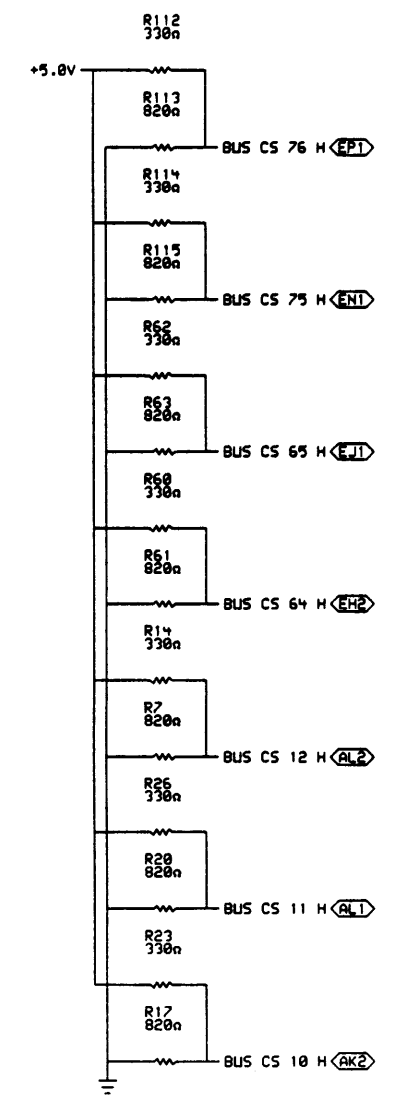
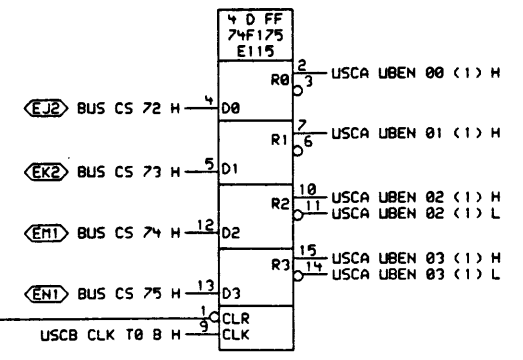
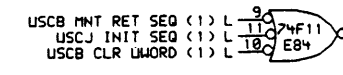
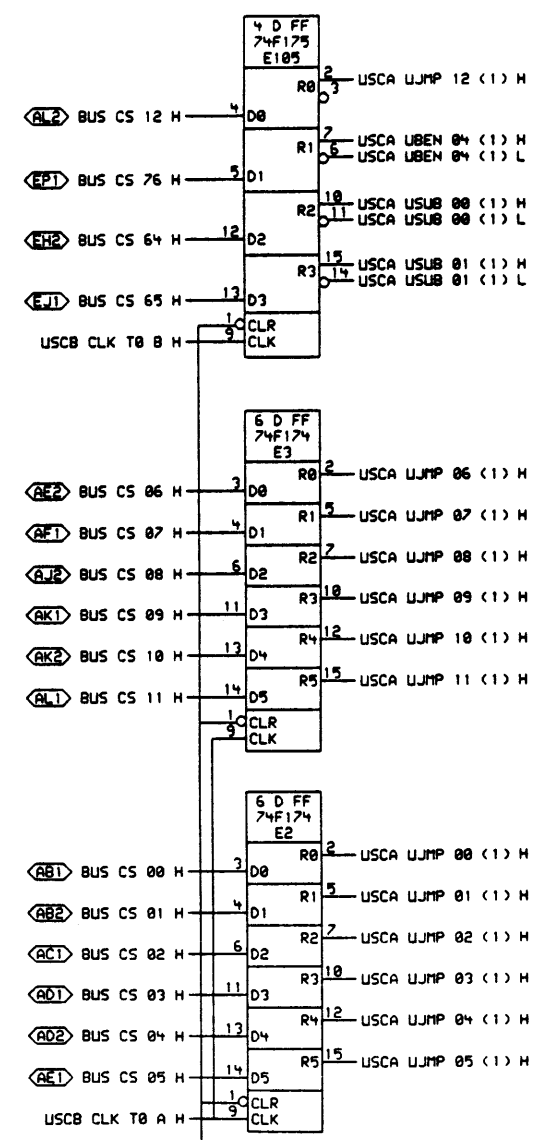
54 NOTE: SPARE I.C. LOC. ARE E8,E22,E23

D	I	G	I	T	A	L	TITLE	MICRO SEQUENCER CONTROL (USC)	SECTION A OF A	SIZE	CODE	DOCUMENT NUMBER	REV
										K	PL	M7476-0-DBP	B





USUB FIELD	FUNCTION
01 00	NONE
L=0 L=0	CALL (PUSH)
L=0 H=1	RETURN (POP)
H=1 L=0	DECISION POINT BRANCH AND F.P.A.
H=1 H=1	



NOTE: IF NOTES ON RES VALUES ARE ON ORIGINAL CK FOR PROPER RESISTORS DESIGNATIONS.

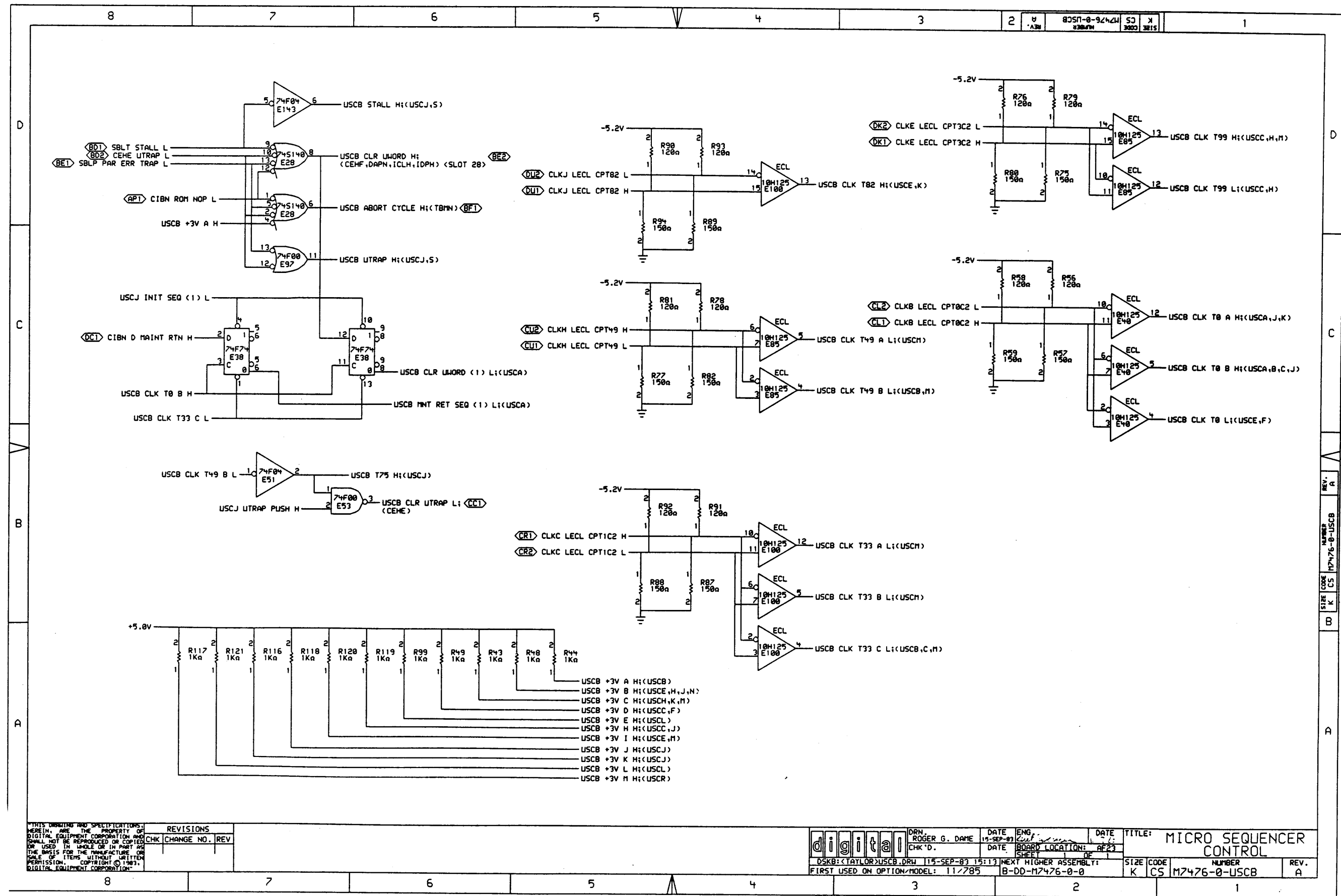
(MICRO FIELD REGISTERS) (SLOT 23)

THIS DRAWING AND SPECIFICATIONS ARE THE PROPERTY OF DIGITAL EQUIPMENT CORPORATION AND SHALL NOT BE REPRODUCED OR COPIED OR USED IN WHOLE OR IN PART AS THE BASIS FOR THE MANUFACTURE OR SALE OF ITEMS WITHOUT WRITTEN PERMISSION. COPYRIGHT © 1983, DIGITAL EQUIPMENT CORPORATION.

REVISIONS
CHK CHANGE NO. REV

digital	DRN. ROGER G. DAHE	DATE 15-SEP-83	ENG. DATE	TITLE: MICRO SEQUENCER CONTROL
	CHK'D.	DATE	BOARD LOCATION: AF23	SIZE CODE NUMBER REV. K CS M7476-0-USCA A
DSKB: <TAYLOR>USCA.DRW		15-SEP-83 15:13	NEXT HIGHER ASSEMBLY:	
FIRST USED ON OPTION/MODEL: 11/785			B-DD-M7476-0-0	

REV. A  
SHEET 1 OF 1  
CS M7476-0-USCA

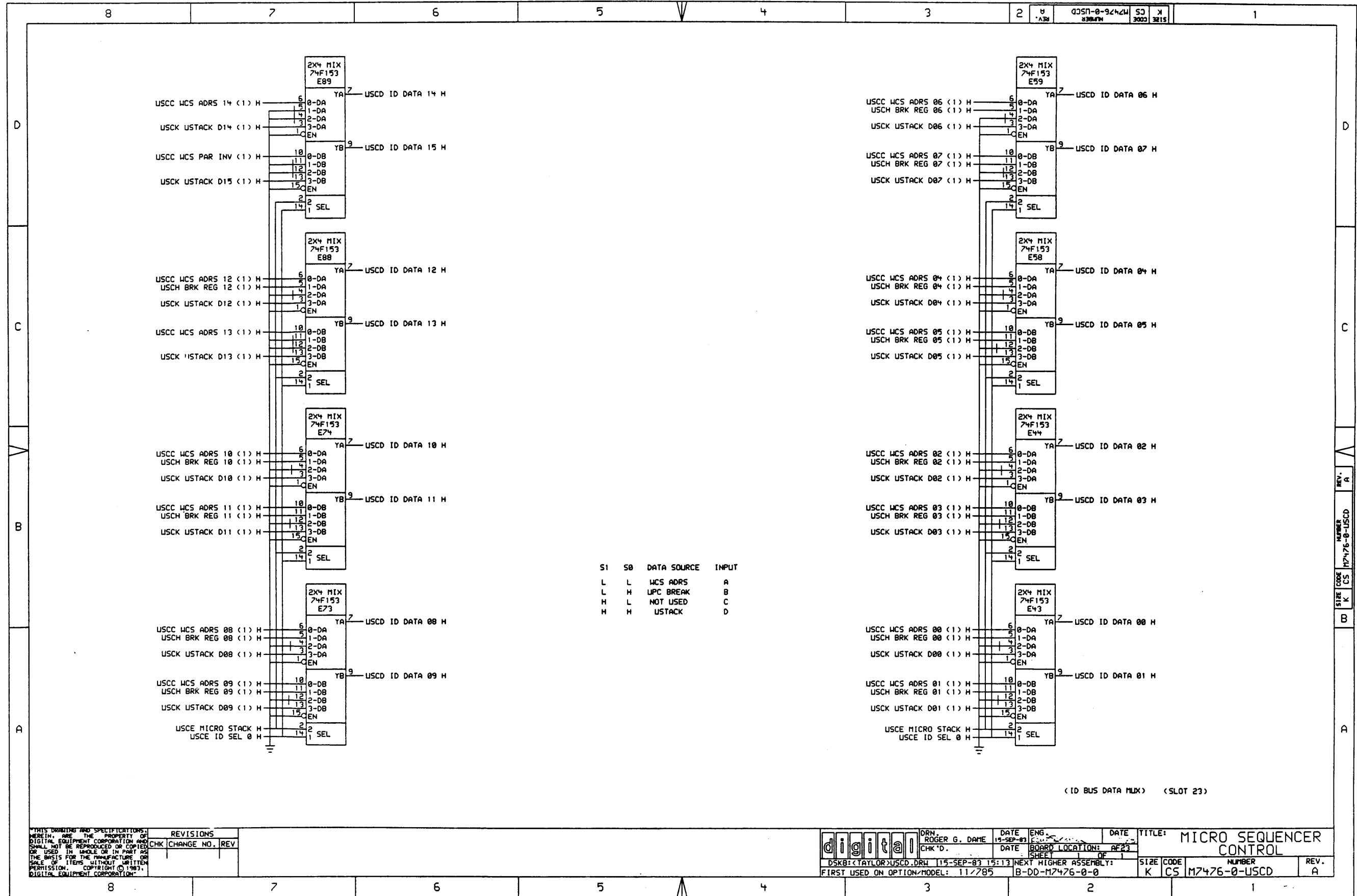


THIS DRAWING AND SPECIFICATIONS  
HEREIN ARE THE PROPERTY OF  
DIGITAL EQUIPMENT CORPORATION AND  
SHALL NOT BE REPRODUCED OR COPIED  
OR USED IN WHOLE OR IN PART AS  
THE BASIS FOR THE MANUFACTURE OR  
SALE OF ITEMS WITHOUT WRITTEN  
PERMISSION. COPYRIGHT © 1983,  
DIGITAL EQUIPMENT CORPORATION.

REVISIONS		
CHK	CHANGE NO.	REV

	DRN ROGER G. DAME	DATE 15-SEP-83	ENG CJL	DATE	TITLE: MICRO SEQUENCER CONTROL
	CHK'D.	DATE	BOARD LOCATION: AF23	SHEET 1 OF 1	REV. A
OSKB:(TAYLOR)USCB.DRW 115-SEP-83 15:13 NEXT HIGHER ASSEMBLY:			SIZE K CS	NUMBER M7476-0-USCB	REV. A
FIRST USED ON OPTION/MODEL: 11/785			B-DD-M7476-0-0		





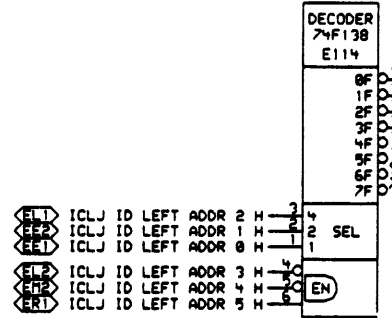
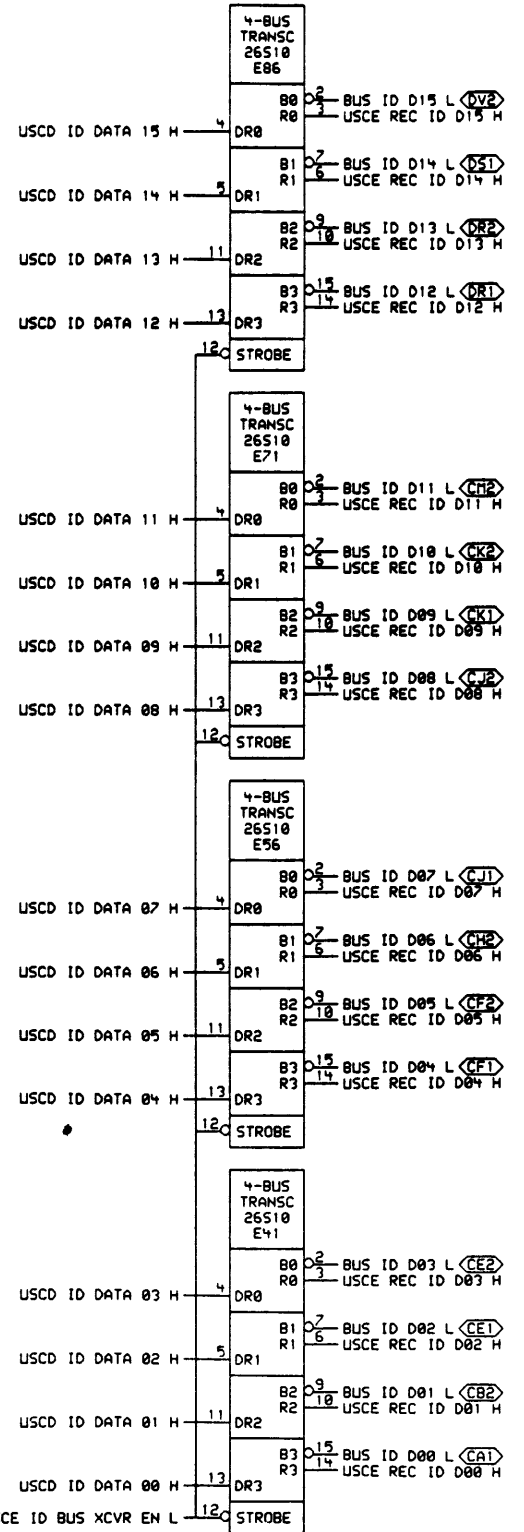
SI	S0	DATA SOURCE	INPUT
L	L	WCS ADRS	A
L	H	UPC BREAK	B
H	L	NOT USED	C
H	H	USTACK	D

< ID BUS DATA MUX > < SLOT 23 >

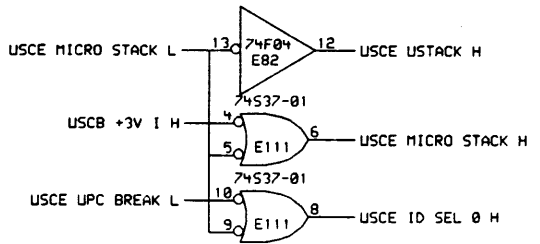
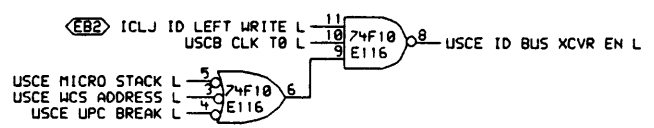
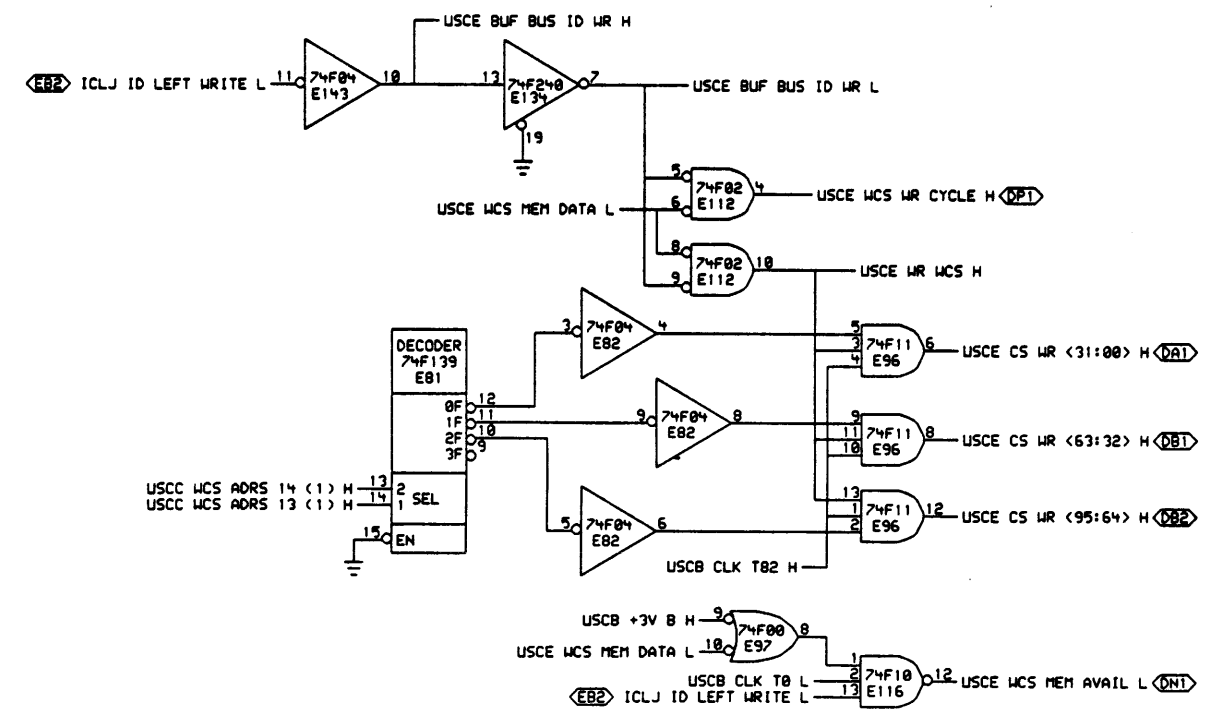
THIS DRAWING AND SPECIFICATIONS, HEREIN, ARE THE PROPERTY OF DIGITAL EQUIPMENT CORPORATION AND SHALL NOT BE REPRODUCED OR COPIED OR USED IN WHOLE OR IN PART AS THE BASIS FOR THE MANUFACTURE OR SALE OF ITEMS WITHOUT WRITTEN PERMISSION. COPYRIGHT © 1983, DIGITAL EQUIPMENT CORPORATION.

REVISIONS	
CHK	CHANGE NO. REV.

digital	DRN	ROGER G. DAME	DATE	15-SEP-83	ENG.		DATE		TITLE:	MICRO SEQUENCER CONTROL	
	CHK'D.		DATE		BOARD LOCATION:	AF23	SHEET	1	OF	1	
DSKB: <TAYLOR>USCD.DRW		15-SEP-83	15:13	NEXT HIGHER ASSEMBLY:		SIZE CODE	K CS	NUMBER	M7476-0-USCD	REV.	A
FIRST USED ON OPTION/MODEL:		11/785									



ID ADRS BIT	FUNCTION	HEX ADDRESS
05 04 03 02 01 00	NONE	00 - 17
L X X X X X	NONE	28 - 2F
H L H X X X	NONE	30 - 37
H H L X X X	MICRO STACK	20
H H H X X X	LPC BREAK	21
H L L L L L	WCS ADORS	22
H L L L L H	WCS MEM DATA	23
H L L H X X	NONE	24 - 27



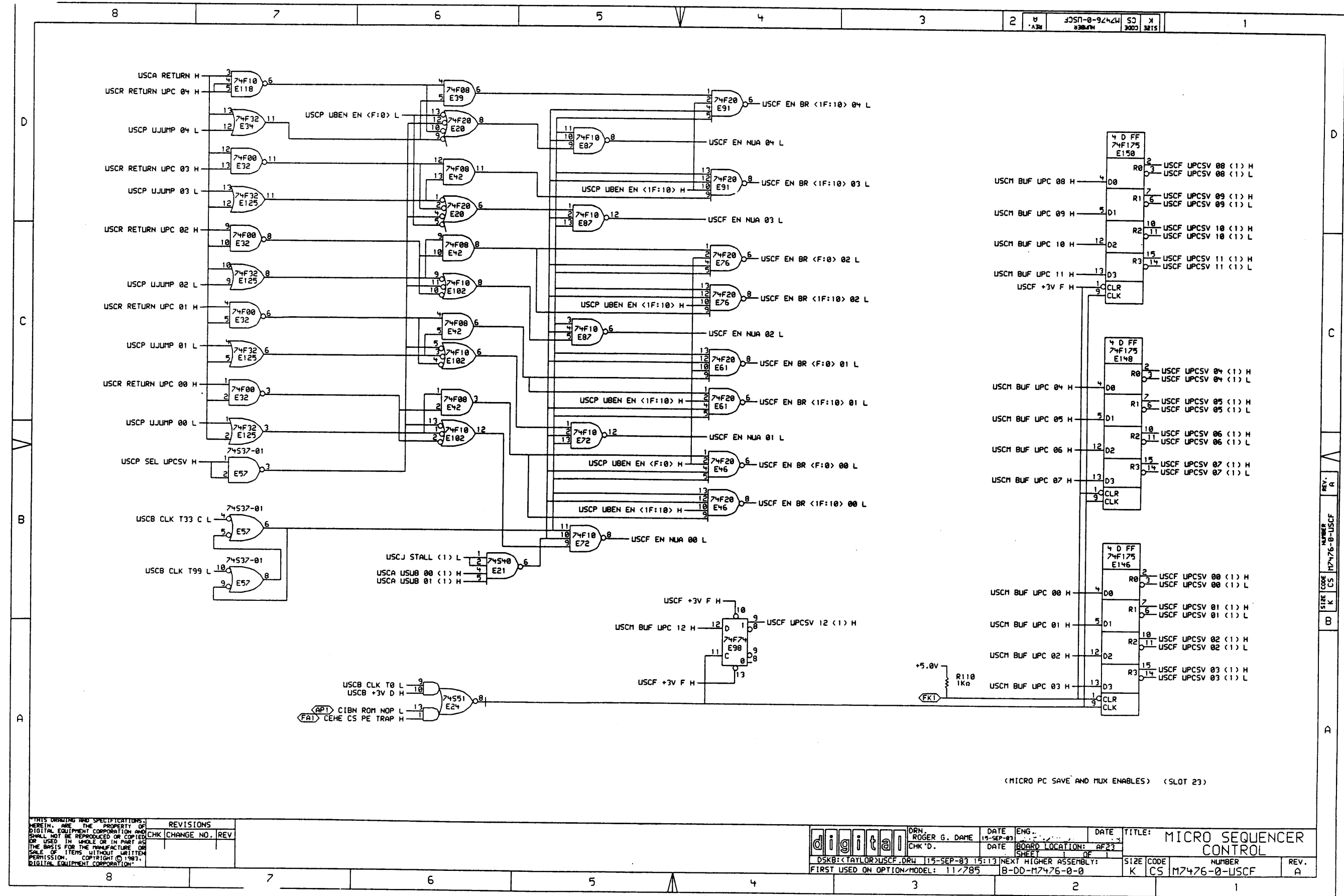
(ID BUS DRIVERS AND SELECTION DECODE) (SLOT 23)

THIS DRAWING AND SPECIFICATIONS HEREIN ARE THE PROPERTY OF DIGITAL EQUIPMENT CORPORATION AND SHALL NOT BE REPRODUCED OR COPIED OR USED IN WHOLE OR IN PART AS THE BASIS FOR THE MANUFACTURE OR SALE OF ITEMS WITHOUT WRITTEN PERMISSION. COPYRIGHT © 1983, DIGITAL EQUIPMENT CORPORATION.

REVISIONS		
CHK	CHANGE NO.	REV

digital	DRN. ROGER G. DAME	DATE 15-SEP-83	ENG. DATE	TITLE: MICRO SEQUENCER CONTROL
	CHK'D.	DATE	BOARD LOCATION: AF23	
DSKB: <TAYLOR>USCE.DRW 115-SEP-83 15:13 NEXT HIGHER ASSEMBLY:		SIZE CODE	NUMBER	REV.
FIRST USED ON OPTION/MODEL: 11/785		K CS	M7476-0-USCE	A

REV. A  
NUMBER 107476-0-USCE  
SIZE CODE K CS

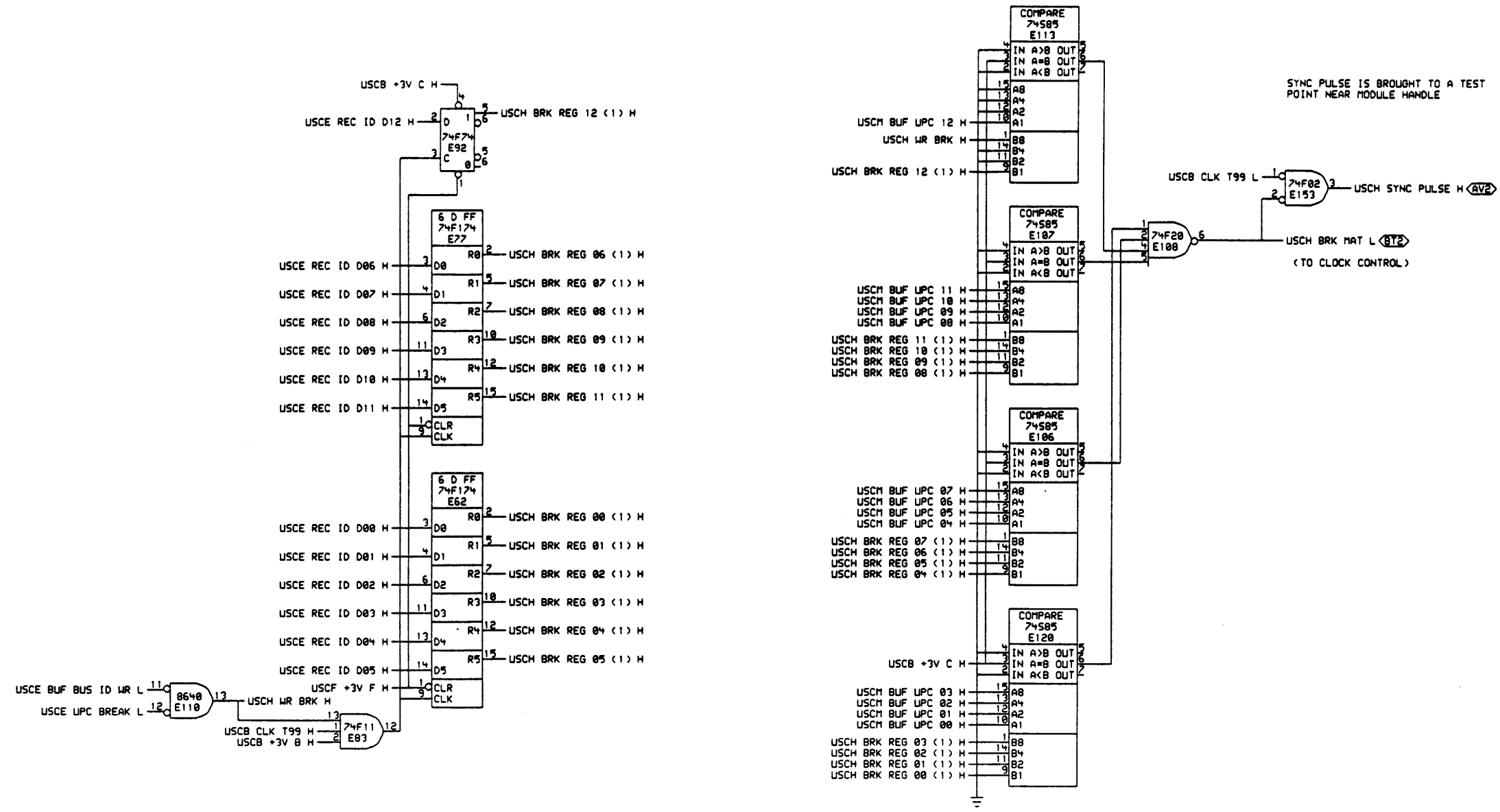


(MICRO PC SAVE AND MUX ENABLES) (SLOT 23)

THIS DRAWING AND SPECIFICATIONS, HEREIN, ARE THE PROPERTY OF DIGITAL EQUIPMENT CORPORATION AND SHALL NOT BE REPRODUCED OR COPIED OR USED IN WHOLE OR IN PART AS THE BASIS FOR THE MANUFACTURE OR SALE OF ITEMS WITHOUT WRITTEN PERMISSION. COPYRIGHT © 1983, DIGITAL EQUIPMENT CORPORATION.

REVISIONS	
CHK	CHANGE NO. REV

digital	DRN. ROGER G. DAME	DATE 15-SEP-83	ENG.	DATE	TITLE: MICRO SEQUENCER CONTROL
	CHK'D.	DATE	BOARD LOCATION: AF23	SHEET	OF
DSKB: <TAYLOR>USCF.DRW 15-SEP-83 15:13 NEXT HIGHER ASSEMBLY:					SIZE CODE NUMBER REV.
FIRST USED ON OPTION/MODEL: 11/785 B-DD-M7476-0-0					K CS M7476-0-USCF A



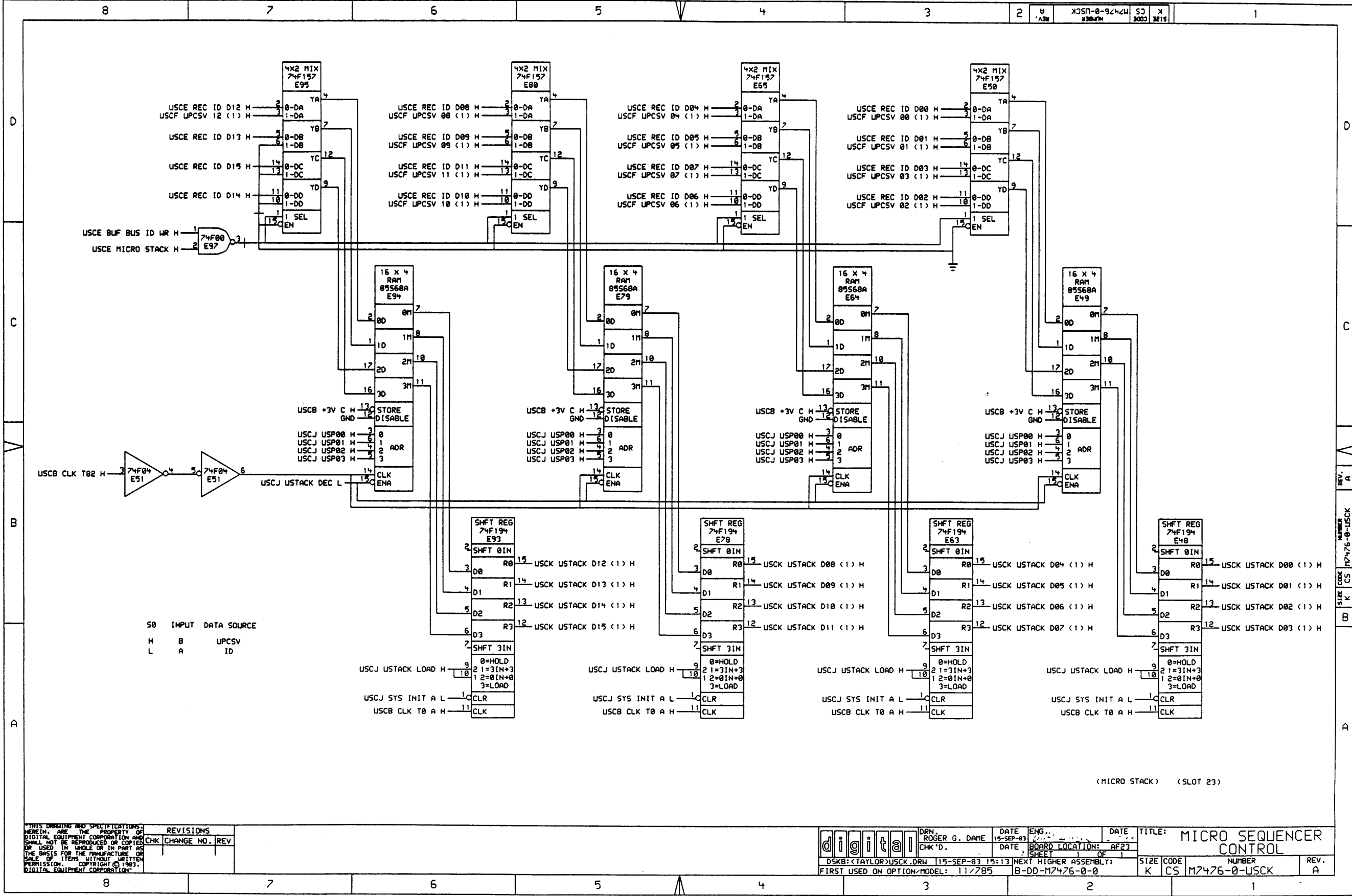
THIS DRAWING AND SPECIFICATIONS ARE THE PROPERTY OF DIGITAL EQUIPMENT CORPORATION AND SHALL NOT BE REPRODUCED OR COPIED OR USED IN WHOLE OR IN PART AS THE BASIS FOR THE MANUFACTURE OR SALE OF ITEMS WITHOUT WRITTEN PERMISSION. COPYRIGHT © 1983, DIGITAL EQUIPMENT CORPORATION.

REVISIONS	
CHK	CHANGE NO. REV

digital	DRN. ROGER G. DAME	DATE 12-OCT-83	ENG. DATE	TITLE: MICRO SEQUENCER CONTROL
	CHK'D.	DATE	BOARD LOCATION: AF23	
DSKC: (M)SKA)USCH.DRW 11-OCT-83 08:43		NEXT HIGHER ASSEMBLY: B-DD-M7476-0-0		SIZE CODE NUMBER REV. K CS M7476-0-USCH A
FIRST USED ON OPTION/MODEL: 11/785				







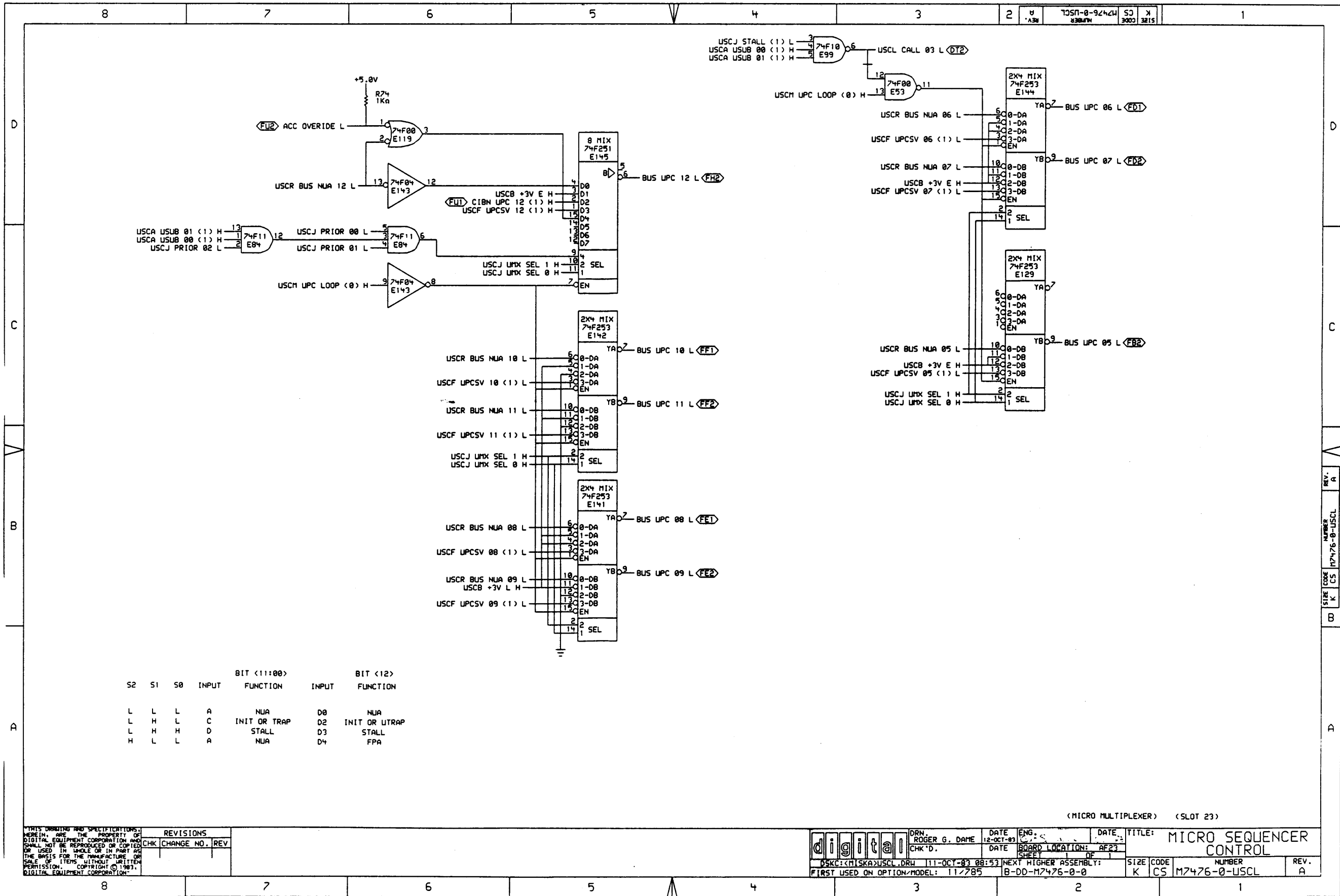
(MICRO STACK) (SLOT 23)

THIS DRAWING AND SPECIFICATIONS ARE THE PROPERTY OF DIGITAL EQUIPMENT CORPORATION AND SHALL NOT BE REPRODUCED OR COPIED OR USED IN WHOLE OR IN PART AS THE BASIS FOR THE MANUFACTURE OR SALE OF ITEMS WITHOUT WRITTEN PERMISSION. COPYRIGHT © 1983, DIGITAL EQUIPMENT CORPORATION.

REVISIONS	
CHK	CHANGE NO. REV

digital	DRN. ROGER G. DAME	DATE 15-SEP-83	ENG.	DATE	TITLE: MICRO SEQUENCER CONTROL
	CHK'D.	DATE	BOARD LOCATION: AF23	SHEET 1 OF 1	
DSKB: <TAYLOR>USCK.DRW 115-SEP-83 15:13 NEXT HIGHER ASSEMBLY:				SIZE CODE	NUMBER
FIRST USED ON OPTION/MODEL: 11/785 B-DD-M7476-0-0				K CS	M7476-0-USCK
					REV. A

REV. A  
NUMBER 117476-0-USCK  
SIZE CODE CS  
K



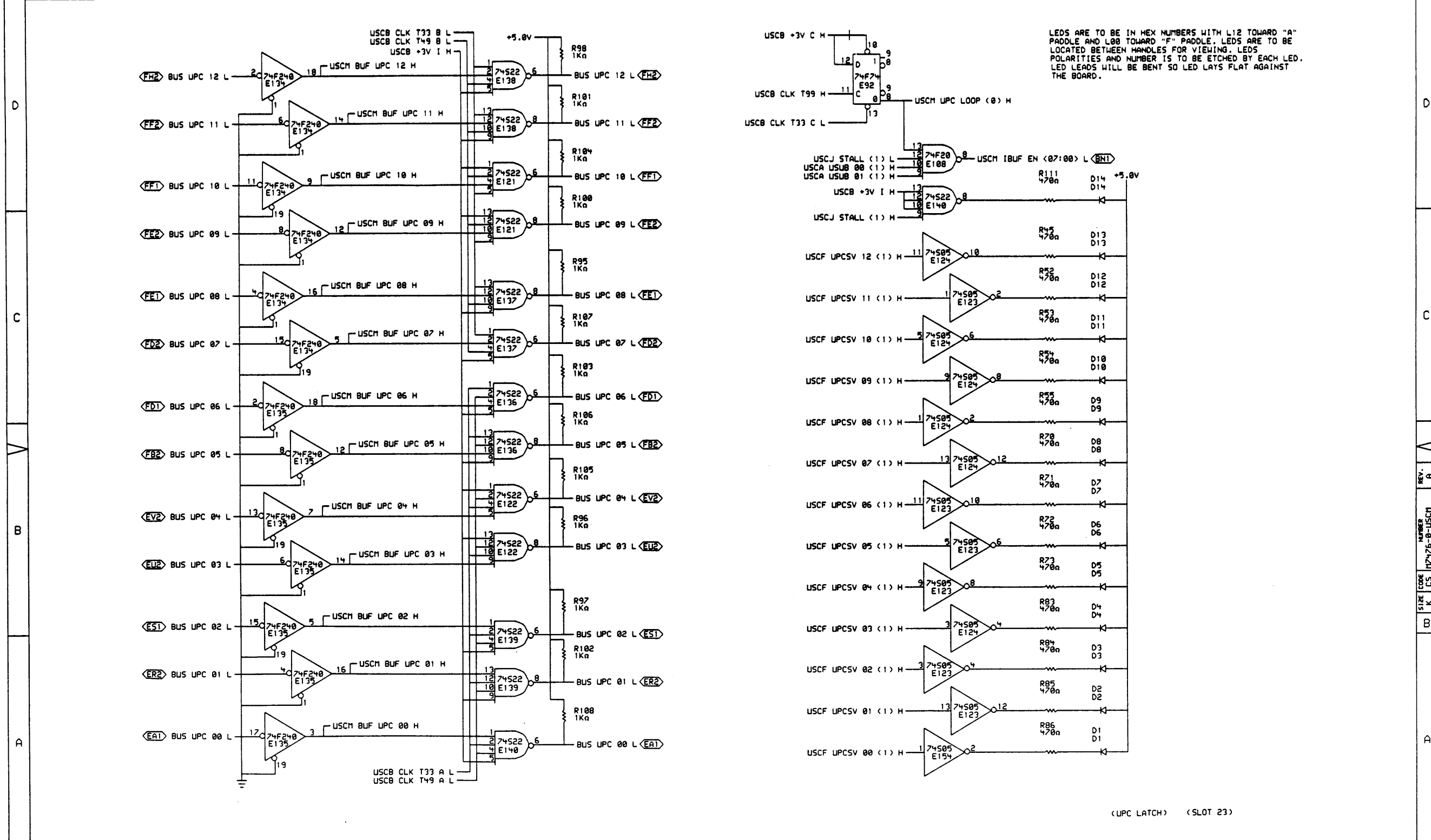
BIT <11:00>				BIT <12>		
S2	S1	S0	INPUT	FUNCTION	INPUT	FUNCTION
L	L	L	A	NUA	D0	NUA
L	H	L	C	INIT OR TRAP	D2	INIT OR UTRAP
L	H	H	D	STALL	D3	STALL
H	L	L	A	NUA	D4	FPA

THIS DRAWING AND SPECIFICATIONS HEREIN ARE THE PROPERTY OF DIGITAL EQUIPMENT CORPORATION AND SHALL NOT BE REPRODUCED OR COPIED OR USED IN WHOLE OR IN PART AS THE BASIS FOR THE MANUFACTURE OR SALE OF ITEMS WITHOUT WRITTEN PERMISSION. COPYRIGHT © 1983, DIGITAL EQUIPMENT CORPORATION.

REVISIONS		
CHK	CHANGE NO.	REV.

(MICRO MULTIPLEXER) (SLOT 23)

<b>digital</b>	DRN. ROGER G. DAME	DATE 12-OCT-83	ENG. [ ]	DATE [ ]	TITLE: MICRO SEQUENCER CONTROL
	CHK'D.	DATE [ ]	BOARD LOCATION: AF23	SHEET 1 OF 1	REV. A
DSK: (MISKA)USCL.DRW 11-OCT-83 08:53			NEXT HIGHER ASSEMBLY: B-DD-M7476-0-0		SIZE CODE K CS
FIRST USED ON OPTION/MODEL: 117785			NUMBER M7476-0-USCL		REV. A



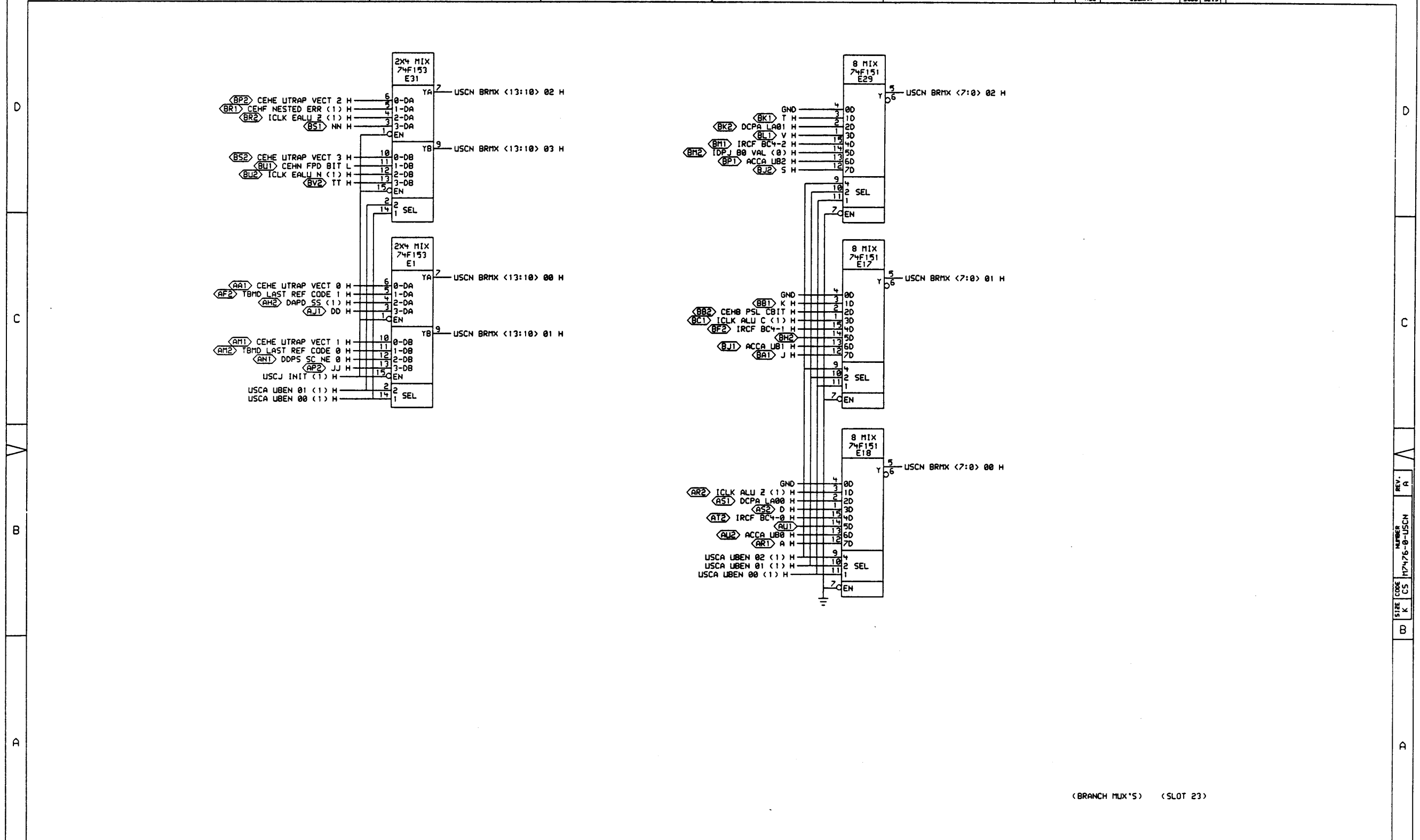
LEDS ARE TO BE IN HEX NUMBERS WITH L12 TOWARD "A" PADDLE AND L08 TOWARD "F" PADDLE. LEDS ARE TO BE LOCATED BETWEEN HANDLES FOR VIEWING. LEDS POLARITIES AND NUMBER IS TO BE ETCHED BY EACH LED. LED LEADS WILL BE BENT SO LED LAYS FLAT AGAINST THE BOARD.

(UPC LATCH) (SLOT 23)

REVISIONS	
CHK	CHANGE NO. REV

digital	DRN. ROGER G. DAME	DATE 15-SEP-83	ENG. 15-SEP-83	DATE	TITLE: MICRO SEQUENCER CONTROL
	CHK'D.	DATE	BOARD LOCATION: AF23	SHEET 1 OF 1	SIZE CODE NUMBER REV. K CS M7476-0-USCM A
DSKB: <TAYLOR>USCM.DRW		15-SEP-83 15:13	NEXT HIGHER ASSEMBLY: B-DD-M7476-0-0	FIRST USED ON OPTION-MODEL: 11/785	

REV. A  
NUMBER M7476-0-USCM  
SIZE CODE CS  
K CS



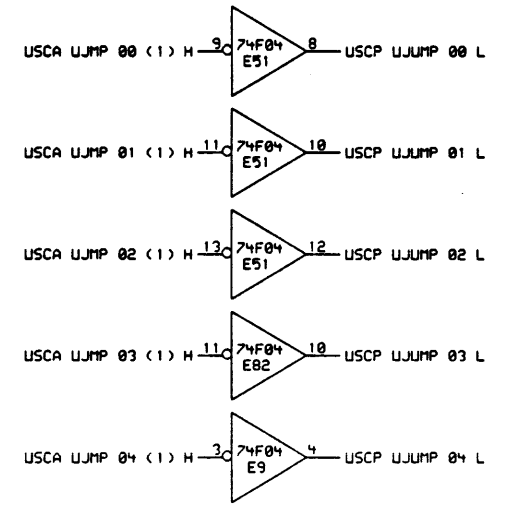
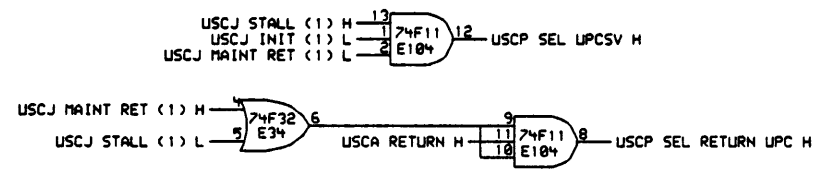
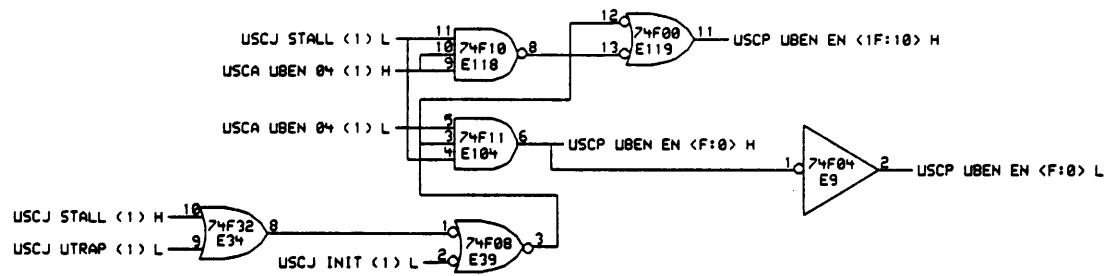
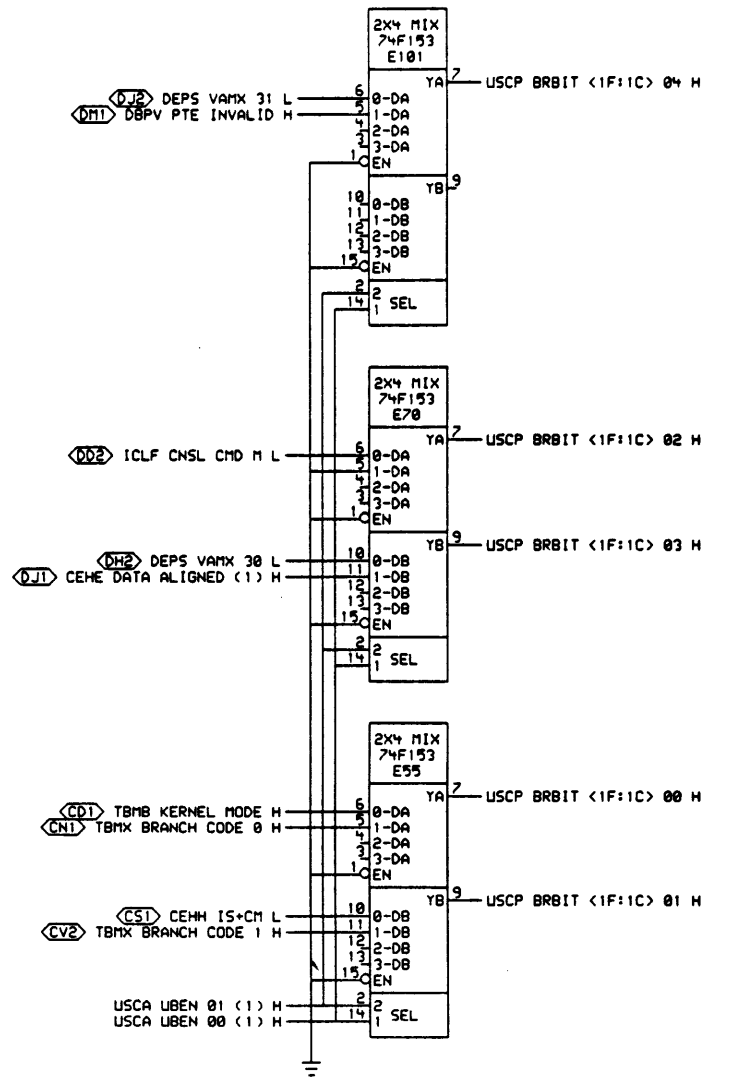
(BRANCH MUX'S) (SLOT 23)

THIS DRAWING AND SPECIFICATIONS HEREIN ARE THE PROPERTY OF DIGITAL EQUIPMENT CORPORATION AND SHALL NOT BE REPRODUCED OR COPIED OR USED IN WHOLE OR IN PART AS THE BASIS FOR THE MANUFACTURE OR SALE OF ITEMS WITHOUT WRITTEN PERMISSION. COPYRIGHT © 1983 DIGITAL EQUIPMENT CORPORATION

REVISIONS	
CHK	CHANGE NO. REV

digital	DRN. ROGER G. DAME	DATE 12-OCT-83	ENG. [Signature]	DATE [Signature]	TITLE: MICRO SEQUENCER CONTROL
	CHK'D.	DATE	BOARD LOCATION: AF23	SHEET 1 OF 1	SIZE CODE K CS
DSKC: (MISKA)USCN.DRW 111-OCT-83 08:55			NEXT HIGHER ASSEMBLY: B-DD-M7476-0-0		NUMBER M7476-0-USCN
FIRST USED ON OPTION/MODEL: 117785					REV. A

REV. A  
NUMBER M7476-0-USCN  
SIZE CODE K CS

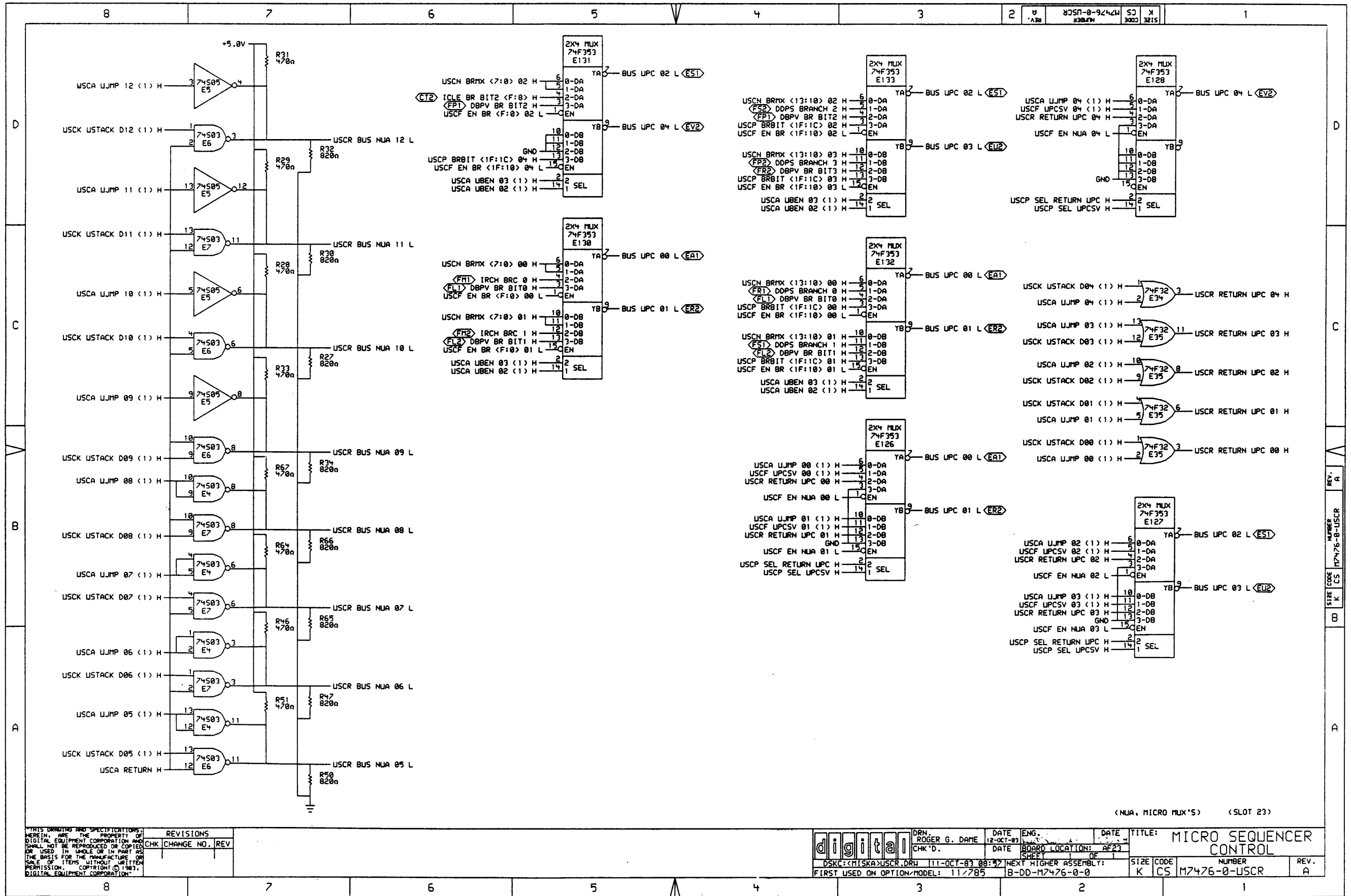


(BRANCH) (SLOT 23)

THIS DRAWING AND SPECIFICATIONS ARE THE PROPERTY OF DIGITAL EQUIPMENT CORPORATION AND SHALL NOT BE REPRODUCED OR COPIED OR USED IN WHOLE OR IN PART AS THE BASIS FOR THE MANUFACTURE OR SALE OF ITEMS WITHOUT WRITTEN PERMISSION. COPYRIGHT © 1983, DIGITAL EQUIPMENT CORPORATION.

REV.	CHG	NO.	REV

digital	DRN. ROGER G. DAME	DATE 15-SEP-83	ENG. [Signature]	DATE	TITLE: MICRO SEQUENCER CONTROL
	CHK'D.	DATE	BOARD LOCATION: AF23	SHEET 1 OF 1	NUMBER M7476-0-USCP
DSKB: <TAYLOR>USCP.DRW		15-SEP-83 15:13	NEXT HIGHER ASSEMBLY: B-DD-M7476-0-0	SIZE CODE K CS	REV. A
FIRST USED ON OPTION/MODEL: 11/785					

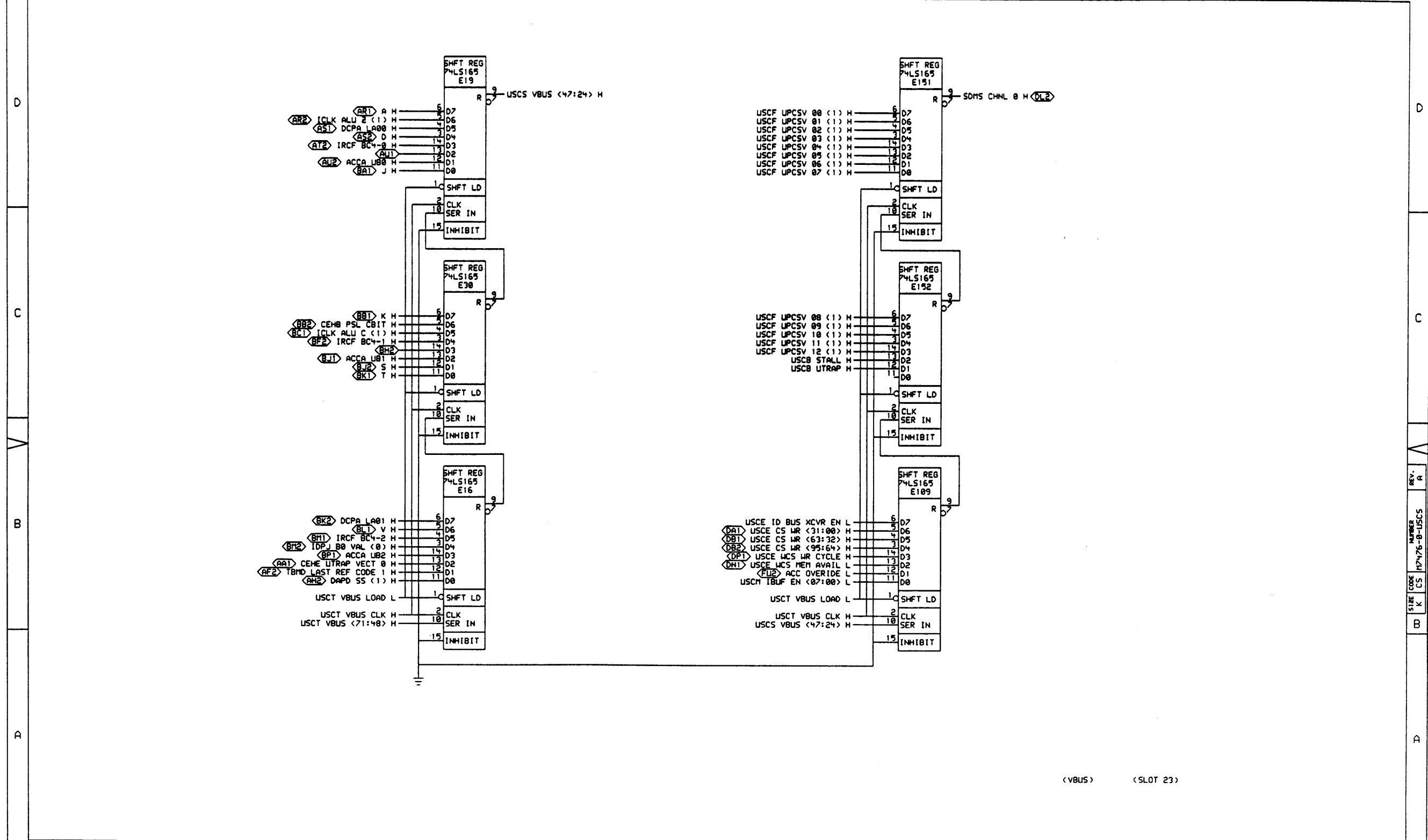


(NUA, MICRO MUX'S) (SLOT 23)

REVISIONS	
CHK	CHANGE NO. REV

THIS DRAWING AND SPECIFICATIONS ARE THE PROPERTY OF DIGITAL EQUIPMENT CORPORATION AND SHALL NOT BE REPRODUCED OR COPIED OR USED IN WHOLE OR IN PART AS THE BASIS FOR THE MANUFACTURE OR SALE OF ITEMS WITHOUT WRITTEN PERMISSION. COPYRIGHT © 1983 DIGITAL EQUIPMENT CORPORATION.

digital	DRN. ROGER G. DAME	DATE 12-OCT-83	ENG.	DATE	TITLE: MICRO SEQUENCER CONTROL
	CHK'D.	DATE	BOARD LOCATION: AF23	SHEET	OF
DSKC:MISKAJUSCR.DRW 111-OCT-83 08:47		NEXT HIGHER ASSEMBLY: B-DD-M7476-0-0		SIZE	CODE
FIRST USED ON OPTION MODEL: 11785				K	CS
				NUMBER	REV.
				M7476-0-USCR	A



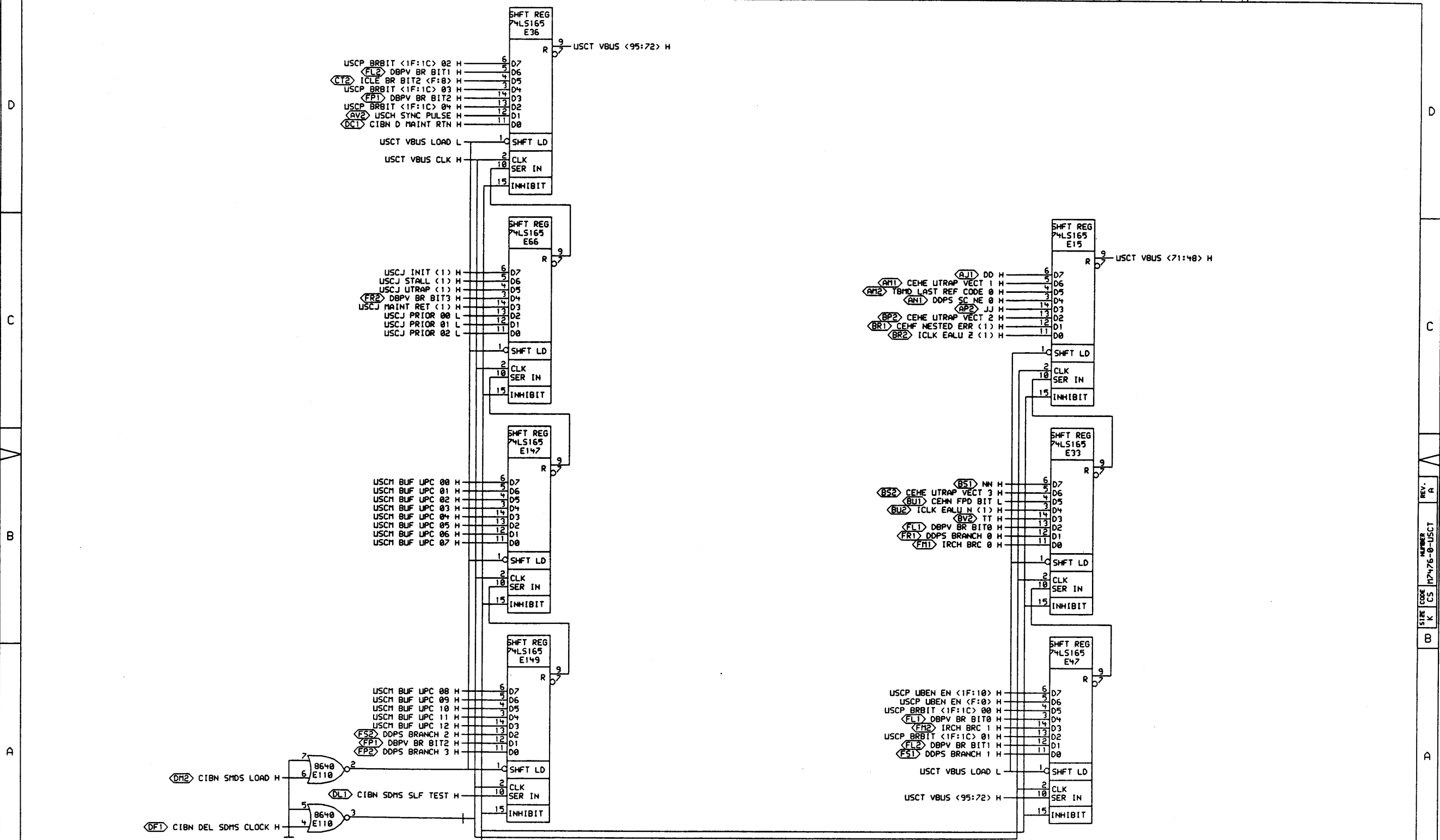
<VBUS> <SLOT 23>

THIS DRAWING AND SPECIFICATIONS, HEREIN, ARE THE PROPERTY OF DIGITAL EQUIPMENT CORPORATION AND SHALL NOT BE REPRODUCED OR COPIED OR USED IN WHOLE OR IN PART AS THE BASIS FOR THE MANUFACTURE OR SALE OF ITEMS WITHOUT WRITTEN PERMISSION. COPYRIGHT © 1983, DIGITAL EQUIPMENT CORPORATION.

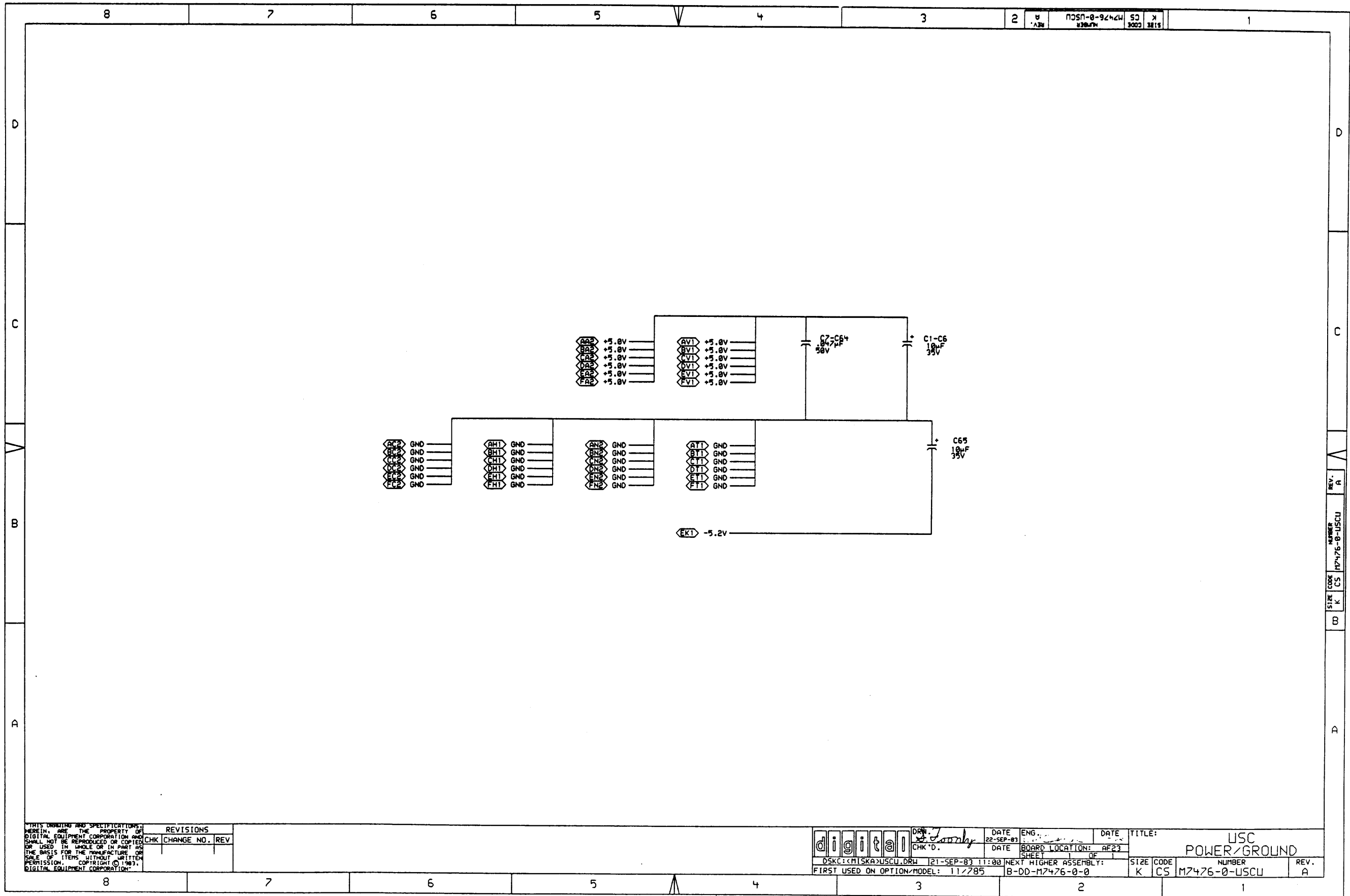
REVISIONS		
CHK	CHANGE NO.	REV

digital	DRN. ROGER G. DAME	DATE 15-SEP-83	ENG.	DATE	TITLE: MICRO SEQUENCER CONTROL
	CHK'D.	DATE	BOARD LOCATION: AF23	SHEET	OF
DSKB: TAYLOR\USCS.DRW 15-SEP-83 15:13		NEXT HIGHER ASSEMBLY: B-DD-M7476-0-0	SIZE CODE K CS	NUMBER M7476-0-USCS	REV. A
FIRST USED ON OPTION/MODEL: 11/785					

REV. A  
NUMBER M7476-0-USCS  
SIZE CODE K CS







THIS DRAWING AND SPECIFICATIONS, HEREIN, ARE THE PROPERTY OF DIGITAL EQUIPMENT CORPORATION AND SHALL NOT BE REPRODUCED OR COPIED OR USED IN WHOLE OR IN PART AS THE BASIS FOR THE MANUFACTURE OR SALE OF ITEMS WITHOUT WRITTEN PERMISSION. COPYRIGHT © 1983, DIGITAL EQUIPMENT CORPORATION.

REVISIONS	
CHK	CHANGE NO. REV

DIGITAL	DATE	ENG.	DATE	TITLE:
	22-SEP-83			USC POWER/GROUND
CHK'D.	DATE	BOARD LOCATION:	AF23	
DSKC: (MISKA)USCU.DRW	121-SEP-83 11:00	NEXT HIGHER ASSEMBLY:		
FIRST USED ON OPTION/MODEL:	11/785	B-DD-M7476-0-0	SIZE CODE	NUMBER
			K CS	M7476-0-USCU
			REV.	A

8	7	6	5	4	3	2	1																																																																																																																																																																																																																																																																																																																
<table border="1"> <thead> <tr> <th>SIGNAL NAME</th> <th>PAGE NUMBER(S)</th> </tr> </thead> <tbody> <tr><td>%AU1</td><td>USCN</td></tr> <tr><td>%AU1</td><td>USCS</td></tr> <tr><td>%BM2</td><td>USCN</td></tr> <tr><td>%BM2</td><td>USCS</td></tr> <tr><td>A H</td><td>USCN,S</td></tr> <tr><td>ACC OVERRIDE L</td><td>USCN,L</td></tr> <tr><td>ACCA UB0 H</td><td>USCN,S</td></tr> <tr><td>ACCA UB1 H</td><td>USCN,S</td></tr> <tr><td>ACCA UB2 H</td><td>USCS,N</td></tr> <tr><td>BUS CS 00 H</td><td>USCA</td></tr> <tr><td>BUS CS 01 H</td><td>USCA</td></tr> <tr><td>BUS CS 02 H</td><td>USCA</td></tr> <tr><td>BUS CS 03 H</td><td>USCA</td></tr> <tr><td>BUS CS 04 H</td><td>USCA</td></tr> <tr><td>BUS CS 05 H</td><td>USCA</td></tr> <tr><td>BUS CS 06 H</td><td>USCA</td></tr> <tr><td>BUS CS 07 H</td><td>USCA</td></tr> <tr><td>BUS CS 08 H</td><td>USCA</td></tr> <tr><td>BUS CS 09 H</td><td>USCA</td></tr> <tr><td>BUS CS 10 H</td><td>USCA</td></tr> <tr><td>BUS CS 11 H</td><td>USCA</td></tr> <tr><td>BUS CS 12 H</td><td>USCA</td></tr> <tr><td>BUS CS 64 H</td><td>USCA</td></tr> <tr><td>BUS CS 65 H</td><td>USCA</td></tr> <tr><td>BUS CS 72 H</td><td>USCA</td></tr> <tr><td>BUS CS 73 H</td><td>USCA</td></tr> <tr><td>BUS CS 74 H</td><td>USCA</td></tr> <tr><td>BUS CS 75 H</td><td>USCA</td></tr> <tr><td>BUS CS 76 H</td><td>USCA</td></tr> <tr><td>BUS ID 000 L</td><td>USCE</td></tr> <tr><td>BUS ID 001 L</td><td>USCE</td></tr> <tr><td>BUS ID 002 L</td><td>USCE</td></tr> <tr><td>BUS ID 003 L</td><td>USCE</td></tr> <tr><td>BUS ID 004 L</td><td>USCE</td></tr> <tr><td>BUS ID 005 L</td><td>USCE</td></tr> <tr><td>BUS ID 006 L</td><td>USCE</td></tr> <tr><td>BUS ID 007 L</td><td>USCE</td></tr> <tr><td>BUS ID 008 L</td><td>USCE</td></tr> <tr><td>BUS ID 009 L</td><td>USCE</td></tr> <tr><td>BUS ID 010 L</td><td>USCE</td></tr> <tr><td>BUS ID 011 L</td><td>USCE</td></tr> <tr><td>BUS ID 012 L</td><td>USCE</td></tr> <tr><td>BUS ID 013 L</td><td>USCE</td></tr> <tr><td>BUS ID 014 L</td><td>USCE</td></tr> <tr><td>BUS ID 015 L</td><td>USCE</td></tr> <tr><td>BUS UPC 00 L</td><td>USCR,M</td></tr> <tr><td>BUS UPC 01 L</td><td>USCR,M</td></tr> <tr><td>BUS UPC 02 L</td><td>USCR,M</td></tr> <tr><td>BUS UPC 03 L</td><td>USCM,R</td></tr> <tr><td>BUS UPC 04 L</td><td>USCM,R</td></tr> </tbody> </table>		SIGNAL NAME	PAGE NUMBER(S)	%AU1	USCN	%AU1	USCS	%BM2	USCN	%BM2	USCS	A H	USCN,S	ACC OVERRIDE L	USCN,L	ACCA UB0 H	USCN,S	ACCA UB1 H	USCN,S	ACCA UB2 H	USCS,N	BUS CS 00 H	USCA	BUS CS 01 H	USCA	BUS CS 02 H	USCA	BUS CS 03 H	USCA	BUS CS 04 H	USCA	BUS CS 05 H	USCA	BUS CS 06 H	USCA	BUS CS 07 H	USCA	BUS CS 08 H	USCA	BUS CS 09 H	USCA	BUS CS 10 H	USCA	BUS CS 11 H	USCA	BUS CS 12 H	USCA	BUS CS 64 H	USCA	BUS CS 65 H	USCA	BUS CS 72 H	USCA	BUS CS 73 H	USCA	BUS CS 74 H	USCA	BUS CS 75 H	USCA	BUS CS 76 H	USCA	BUS ID 000 L	USCE	BUS ID 001 L	USCE	BUS ID 002 L	USCE	BUS ID 003 L	USCE	BUS ID 004 L	USCE	BUS ID 005 L	USCE	BUS ID 006 L	USCE	BUS ID 007 L	USCE	BUS ID 008 L	USCE	BUS ID 009 L	USCE	BUS ID 010 L	USCE	BUS ID 011 L	USCE	BUS ID 012 L	USCE	BUS ID 013 L	USCE	BUS ID 014 L	USCE	BUS ID 015 L	USCE	BUS UPC 00 L	USCR,M	BUS UPC 01 L	USCR,M	BUS UPC 02 L	USCR,M	BUS UPC 03 L	USCM,R	BUS UPC 04 L	USCM,R	<table border="1"> <thead> <tr> <th>SIGNAL NAME</th> <th>PAGE NUMBER(S)</th> </tr> </thead> <tbody> <tr><td>BUS UPC 05 L</td><td>USCL,M</td></tr> <tr><td>BUS UPC 06 L</td><td>USCM,L</td></tr> <tr><td>BUS UPC 07 L</td><td>USCM,L</td></tr> <tr><td>BUS UPC 08 L</td><td>USCM,L</td></tr> <tr><td>BUS UPC 09 L</td><td>USCM,L</td></tr> <tr><td>BUS UPC 10 L</td><td>USCM,L</td></tr> <tr><td>BUS UPC 11 L</td><td>USCM,L</td></tr> <tr><td>BUS UPC 12 L</td><td>USCM,L</td></tr> <tr><td>CEMB PSL CBIT H</td><td>USCN,S</td></tr> <tr><td>CEME CS PE TRAP H</td><td>USCF</td></tr> <tr><td>CEME DATA ALIGNED (1)H</td><td>USCP</td></tr> <tr><td>CEME UTRAP L</td><td>USCB</td></tr> <tr><td>CEME UTRAP VECT 0 H</td><td>USCN,S</td></tr> <tr><td>CEME UTRAP VECT 1 H</td><td>USCN,T</td></tr> <tr><td>CEME UTRAP VECT 2 H</td><td>USCN,T</td></tr> <tr><td>CEME UTRAP VECT 3 H</td><td>USCN,T</td></tr> <tr><td>CEMF NESTED ERR (1)H</td><td>USCN,T</td></tr> <tr><td>CEMH IS+CM L</td><td>USCP</td></tr> <tr><td>CEMH FPD BIT L</td><td>USCN,T</td></tr> <tr><td>CIBN D MAINT RTN H</td><td>USCT,B,J</td></tr> <tr><td>CIBN DEL SDMS CLOCK H</td><td>USCT</td></tr> <tr><td>CIBN ROM NOP L</td><td>USCF,B,J</td></tr> <tr><td>CIBN SDMS SLF TEST H</td><td>USCT</td></tr> <tr><td>CIBN SDMS LOAD H</td><td>USCT</td></tr> <tr><td>CIBN UPC 12 (1)H</td><td>USCL</td></tr> <tr><td>CLKB LECL CPT0C2 H</td><td>USCB</td></tr> <tr><td>CLKB LECL CPT0C2 L</td><td>USCB</td></tr> <tr><td>CLKC LECL CPT1C2 H</td><td>USCB</td></tr> <tr><td>CLKC LECL CPT1C2 L</td><td>USCB</td></tr> <tr><td>CLKE LECL CPT3C2 H</td><td>USCB</td></tr> <tr><td>CLKE LECL CPT3C2 L</td><td>USCB</td></tr> <tr><td>CLKH LECL CPT75 H</td><td>USCB</td></tr> <tr><td>CLKH LECL CPT75 L</td><td>USCB</td></tr> <tr><td>CLKJ LECL CPT125 H</td><td>USCB</td></tr> <tr><td>CLKJ LECL CPT125 L</td><td>USCB</td></tr> <tr><td>CLKL UPROG INIT H</td><td>USCJ</td></tr> <tr><td>D H</td><td>USCN,S</td></tr> <tr><td>DAPD SS (1)H</td><td>USCN,S</td></tr> <tr><td>DBPV BR BIT0 H</td><td>USCT,R</td></tr> <tr><td>DBPV BR BIT1 H</td><td>USCT,R</td></tr> <tr><td>DBPV BR BIT2 H</td><td>USCT,R</td></tr> <tr><td>DBPV BR BIT3 H</td><td>USCT,R</td></tr> <tr><td>DBPV PTE INVALID H</td><td>USCP</td></tr> <tr><td>DCPA LA00 H</td><td>USCN,S</td></tr> <tr><td>DCPA LA01 H</td><td>USCN,S</td></tr> <tr><td>DD H</td><td>USCN,T</td></tr> <tr><td>DDPS BRANCH 0 H</td><td>USCT,R</td></tr> <tr><td>DDPS BRANCH 1 H</td><td>USCT,R</td></tr> <tr><td>DDPS BRANCH 2 H</td><td>USCR,T</td></tr> <tr><td>DDPS BRANCH 3 H</td><td>USCR,T</td></tr> </tbody> </table>		SIGNAL NAME	PAGE NUMBER(S)	BUS UPC 05 L	USCL,M	BUS UPC 06 L	USCM,L	BUS UPC 07 L	USCM,L	BUS UPC 08 L	USCM,L	BUS UPC 09 L	USCM,L	BUS UPC 10 L	USCM,L	BUS UPC 11 L	USCM,L	BUS UPC 12 L	USCM,L	CEMB PSL CBIT H	USCN,S	CEME CS PE TRAP H	USCF	CEME DATA ALIGNED (1)H	USCP	CEME UTRAP L	USCB	CEME UTRAP VECT 0 H	USCN,S	CEME UTRAP VECT 1 H	USCN,T	CEME UTRAP VECT 2 H	USCN,T	CEME UTRAP VECT 3 H	USCN,T	CEMF NESTED ERR (1)H	USCN,T	CEMH IS+CM L	USCP	CEMH FPD BIT L	USCN,T	CIBN D MAINT RTN H	USCT,B,J	CIBN DEL SDMS CLOCK H	USCT	CIBN ROM NOP L	USCF,B,J	CIBN SDMS SLF TEST H	USCT	CIBN SDMS LOAD H	USCT	CIBN UPC 12 (1)H	USCL	CLKB LECL CPT0C2 H	USCB	CLKB LECL CPT0C2 L	USCB	CLKC LECL CPT1C2 H	USCB	CLKC LECL CPT1C2 L	USCB	CLKE LECL CPT3C2 H	USCB	CLKE LECL CPT3C2 L	USCB	CLKH LECL CPT75 H	USCB	CLKH LECL CPT75 L	USCB	CLKJ LECL CPT125 H	USCB	CLKJ LECL CPT125 L	USCB	CLKL UPROG INIT H	USCJ	D H	USCN,S	DAPD SS (1)H	USCN,S	DBPV BR BIT0 H	USCT,R	DBPV BR BIT1 H	USCT,R	DBPV BR BIT2 H	USCT,R	DBPV BR BIT3 H	USCT,R	DBPV PTE INVALID H	USCP	DCPA LA00 H	USCN,S	DCPA LA01 H	USCN,S	DD H	USCN,T	DDPS BRANCH 0 H	USCT,R	DDPS BRANCH 1 H	USCT,R	DDPS BRANCH 2 H	USCR,T	DDPS BRANCH 3 H	USCR,T	<table border="1"> <thead> <tr> <th>SIGNAL NAME</th> <th>PAGE NUMBER(S)</th> </tr> </thead> <tbody> <tr><td>DDPS SC NE 0 H</td><td>USCN,T</td></tr> <tr><td>DEPS VAMP 30 L</td><td>USCP</td></tr> <tr><td>DEPS VAMP 31 L</td><td>USCP</td></tr> <tr><td>ICL6 BR BIT2 (F:0) H</td><td>USCT,R</td></tr> <tr><td>ICLF CNL CMD M L</td><td>USCP</td></tr> <tr><td>ICLJ ID LEFT ADDR 0 H</td><td>USCE</td></tr> <tr><td>ICLJ ID LEFT ADDR 1 H</td><td>USCE</td></tr> <tr><td>ICLJ ID LEFT ADDR 2 H</td><td>USCE</td></tr> <tr><td>ICLJ ID LEFT ADDR 3 H</td><td>USCE</td></tr> <tr><td>ICLJ ID LEFT ADDR 4 H</td><td>USCE</td></tr> <tr><td>ICLJ ID LEFT ADDR 5 H</td><td>USCE</td></tr> <tr><td>ICLJ ID LEFT WRITE L</td><td>USCE</td></tr> <tr><td>ICLK ALU C (1)H</td><td>USCN,S</td></tr> <tr><td>ICLK ALU Z (1)H</td><td>USCN,S</td></tr> <tr><td>ICLK EALU N (1)H</td><td>USCN,T</td></tr> <tr><td>ICLK EALU Z (1)H</td><td>USCN,T</td></tr> <tr><td>IDPJ B0 VAL (0)H</td><td>USCS,N</td></tr> <tr><td>IRCF BC4-0 H</td><td>USCN,S</td></tr> <tr><td>IRCF BC4-1 H</td><td>USCN,S</td></tr> <tr><td>IRCF BC4-2 H</td><td>USCS,N</td></tr> <tr><td>IRCH BRC 0 H</td><td>USCT,R</td></tr> <tr><td>IRCH BRC 1 H</td><td>USCT,R</td></tr> <tr><td>J H</td><td>USCN,S</td></tr> <tr><td>JJ H</td><td>USCN,T</td></tr> <tr><td>K H</td><td>USCN,S</td></tr> <tr><td>NN H</td><td>USCN,T</td></tr> <tr><td>S H</td><td>USCN,S</td></tr> <tr><td>SBLP PAR ERR TRAP L</td><td>USCB</td></tr> <tr><td>SBLT STALL L</td><td>USCB</td></tr> <tr><td>SDMS CHNL 0 H</td><td>USCS</td></tr> <tr><td>T H</td><td>USCN,S</td></tr> <tr><td>TBMB KERNEL MODE H</td><td>USCP</td></tr> <tr><td>TBMD LAST REF CODE 0 H</td><td>USCN,T</td></tr> <tr><td>TBMD LAST REF CODE 1 H</td><td>USCN,S</td></tr> <tr><td>TBMX BRANCH CODE 0 H</td><td>USCP</td></tr> <tr><td>TBMX BRANCH CODE 1 H</td><td>USCP</td></tr> <tr><td>TT H</td><td>USCN,T</td></tr> <tr><td>USCA RETURN H</td><td>USCR,F,A,P</td></tr> <tr><td>USCA UBEN 00 (1)H</td><td>USCN,P,A</td></tr> <tr><td>USCA UBEN 01 (1)H</td><td>USCN,P,A</td></tr> <tr><td>USCA UBEN 02 (0)H</td><td>USCA</td></tr> <tr><td>USCA UBEN 02 (1)H</td><td>USCN,A,R</td></tr> <tr><td>USCA UBEN 03 (0)H</td><td>USCA</td></tr> <tr><td>USCA UBEN 03 (1)H</td><td>USCA,R</td></tr> <tr><td>USCA UBEN 04 (0)H</td><td>USCP,A</td></tr> <tr><td>USCA UBEN 04 (1)H</td><td>USCA,P</td></tr> <tr><td>USCA UJMP 00 (1)H</td><td>USCA,R,P</td></tr> <tr><td>USCA UJMP 01 (1)H</td><td>USCA,R,P</td></tr> <tr><td>USCA UJMP 02 (1)H</td><td>USCA,R,P</td></tr> <tr><td>USCA UJMP 03 (1)H</td><td>USCA,R,P</td></tr> </tbody> </table>		SIGNAL NAME	PAGE NUMBER(S)	DDPS SC NE 0 H	USCN,T	DEPS VAMP 30 L	USCP	DEPS VAMP 31 L	USCP	ICL6 BR BIT2 (F:0) H	USCT,R	ICLF CNL CMD M L	USCP	ICLJ ID LEFT ADDR 0 H	USCE	ICLJ ID LEFT ADDR 1 H	USCE	ICLJ ID LEFT ADDR 2 H	USCE	ICLJ ID LEFT ADDR 3 H	USCE	ICLJ ID LEFT ADDR 4 H	USCE	ICLJ ID LEFT ADDR 5 H	USCE	ICLJ ID LEFT WRITE L	USCE	ICLK ALU C (1)H	USCN,S	ICLK ALU Z (1)H	USCN,S	ICLK EALU N (1)H	USCN,T	ICLK EALU Z (1)H	USCN,T	IDPJ B0 VAL (0)H	USCS,N	IRCF BC4-0 H	USCN,S	IRCF BC4-1 H	USCN,S	IRCF BC4-2 H	USCS,N	IRCH BRC 0 H	USCT,R	IRCH BRC 1 H	USCT,R	J H	USCN,S	JJ H	USCN,T	K H	USCN,S	NN H	USCN,T	S H	USCN,S	SBLP PAR ERR TRAP L	USCB	SBLT STALL L	USCB	SDMS CHNL 0 H	USCS	T H	USCN,S	TBMB KERNEL MODE H	USCP	TBMD LAST REF CODE 0 H	USCN,T	TBMD LAST REF CODE 1 H	USCN,S	TBMX BRANCH CODE 0 H	USCP	TBMX BRANCH CODE 1 H	USCP	TT H	USCN,T	USCA RETURN H	USCR,F,A,P	USCA UBEN 00 (1)H	USCN,P,A	USCA UBEN 01 (1)H	USCN,P,A	USCA UBEN 02 (0)H	USCA	USCA UBEN 02 (1)H	USCN,A,R	USCA UBEN 03 (0)H	USCA	USCA UBEN 03 (1)H	USCA,R	USCA UBEN 04 (0)H	USCP,A	USCA UBEN 04 (1)H	USCA,P	USCA UJMP 00 (1)H	USCA,R,P	USCA UJMP 01 (1)H	USCA,R,P	USCA UJMP 02 (1)H	USCA,R,P	USCA UJMP 03 (1)H	USCA,R,P
SIGNAL NAME	PAGE NUMBER(S)																																																																																																																																																																																																																																																																																																																						
%AU1	USCN																																																																																																																																																																																																																																																																																																																						
%AU1	USCS																																																																																																																																																																																																																																																																																																																						
%BM2	USCN																																																																																																																																																																																																																																																																																																																						
%BM2	USCS																																																																																																																																																																																																																																																																																																																						
A H	USCN,S																																																																																																																																																																																																																																																																																																																						
ACC OVERRIDE L	USCN,L																																																																																																																																																																																																																																																																																																																						
ACCA UB0 H	USCN,S																																																																																																																																																																																																																																																																																																																						
ACCA UB1 H	USCN,S																																																																																																																																																																																																																																																																																																																						
ACCA UB2 H	USCS,N																																																																																																																																																																																																																																																																																																																						
BUS CS 00 H	USCA																																																																																																																																																																																																																																																																																																																						
BUS CS 01 H	USCA																																																																																																																																																																																																																																																																																																																						
BUS CS 02 H	USCA																																																																																																																																																																																																																																																																																																																						
BUS CS 03 H	USCA																																																																																																																																																																																																																																																																																																																						
BUS CS 04 H	USCA																																																																																																																																																																																																																																																																																																																						
BUS CS 05 H	USCA																																																																																																																																																																																																																																																																																																																						
BUS CS 06 H	USCA																																																																																																																																																																																																																																																																																																																						
BUS CS 07 H	USCA																																																																																																																																																																																																																																																																																																																						
BUS CS 08 H	USCA																																																																																																																																																																																																																																																																																																																						
BUS CS 09 H	USCA																																																																																																																																																																																																																																																																																																																						
BUS CS 10 H	USCA																																																																																																																																																																																																																																																																																																																						
BUS CS 11 H	USCA																																																																																																																																																																																																																																																																																																																						
BUS CS 12 H	USCA																																																																																																																																																																																																																																																																																																																						
BUS CS 64 H	USCA																																																																																																																																																																																																																																																																																																																						
BUS CS 65 H	USCA																																																																																																																																																																																																																																																																																																																						
BUS CS 72 H	USCA																																																																																																																																																																																																																																																																																																																						
BUS CS 73 H	USCA																																																																																																																																																																																																																																																																																																																						
BUS CS 74 H	USCA																																																																																																																																																																																																																																																																																																																						
BUS CS 75 H	USCA																																																																																																																																																																																																																																																																																																																						
BUS CS 76 H	USCA																																																																																																																																																																																																																																																																																																																						
BUS ID 000 L	USCE																																																																																																																																																																																																																																																																																																																						
BUS ID 001 L	USCE																																																																																																																																																																																																																																																																																																																						
BUS ID 002 L	USCE																																																																																																																																																																																																																																																																																																																						
BUS ID 003 L	USCE																																																																																																																																																																																																																																																																																																																						
BUS ID 004 L	USCE																																																																																																																																																																																																																																																																																																																						
BUS ID 005 L	USCE																																																																																																																																																																																																																																																																																																																						
BUS ID 006 L	USCE																																																																																																																																																																																																																																																																																																																						
BUS ID 007 L	USCE																																																																																																																																																																																																																																																																																																																						
BUS ID 008 L	USCE																																																																																																																																																																																																																																																																																																																						
BUS ID 009 L	USCE																																																																																																																																																																																																																																																																																																																						
BUS ID 010 L	USCE																																																																																																																																																																																																																																																																																																																						
BUS ID 011 L	USCE																																																																																																																																																																																																																																																																																																																						
BUS ID 012 L	USCE																																																																																																																																																																																																																																																																																																																						
BUS ID 013 L	USCE																																																																																																																																																																																																																																																																																																																						
BUS ID 014 L	USCE																																																																																																																																																																																																																																																																																																																						
BUS ID 015 L	USCE																																																																																																																																																																																																																																																																																																																						
BUS UPC 00 L	USCR,M																																																																																																																																																																																																																																																																																																																						
BUS UPC 01 L	USCR,M																																																																																																																																																																																																																																																																																																																						
BUS UPC 02 L	USCR,M																																																																																																																																																																																																																																																																																																																						
BUS UPC 03 L	USCM,R																																																																																																																																																																																																																																																																																																																						
BUS UPC 04 L	USCM,R																																																																																																																																																																																																																																																																																																																						
SIGNAL NAME	PAGE NUMBER(S)																																																																																																																																																																																																																																																																																																																						
BUS UPC 05 L	USCL,M																																																																																																																																																																																																																																																																																																																						
BUS UPC 06 L	USCM,L																																																																																																																																																																																																																																																																																																																						
BUS UPC 07 L	USCM,L																																																																																																																																																																																																																																																																																																																						
BUS UPC 08 L	USCM,L																																																																																																																																																																																																																																																																																																																						
BUS UPC 09 L	USCM,L																																																																																																																																																																																																																																																																																																																						
BUS UPC 10 L	USCM,L																																																																																																																																																																																																																																																																																																																						
BUS UPC 11 L	USCM,L																																																																																																																																																																																																																																																																																																																						
BUS UPC 12 L	USCM,L																																																																																																																																																																																																																																																																																																																						
CEMB PSL CBIT H	USCN,S																																																																																																																																																																																																																																																																																																																						
CEME CS PE TRAP H	USCF																																																																																																																																																																																																																																																																																																																						
CEME DATA ALIGNED (1)H	USCP																																																																																																																																																																																																																																																																																																																						
CEME UTRAP L	USCB																																																																																																																																																																																																																																																																																																																						
CEME UTRAP VECT 0 H	USCN,S																																																																																																																																																																																																																																																																																																																						
CEME UTRAP VECT 1 H	USCN,T																																																																																																																																																																																																																																																																																																																						
CEME UTRAP VECT 2 H	USCN,T																																																																																																																																																																																																																																																																																																																						
CEME UTRAP VECT 3 H	USCN,T																																																																																																																																																																																																																																																																																																																						
CEMF NESTED ERR (1)H	USCN,T																																																																																																																																																																																																																																																																																																																						
CEMH IS+CM L	USCP																																																																																																																																																																																																																																																																																																																						
CEMH FPD BIT L	USCN,T																																																																																																																																																																																																																																																																																																																						
CIBN D MAINT RTN H	USCT,B,J																																																																																																																																																																																																																																																																																																																						
CIBN DEL SDMS CLOCK H	USCT																																																																																																																																																																																																																																																																																																																						
CIBN ROM NOP L	USCF,B,J																																																																																																																																																																																																																																																																																																																						
CIBN SDMS SLF TEST H	USCT																																																																																																																																																																																																																																																																																																																						
CIBN SDMS LOAD H	USCT																																																																																																																																																																																																																																																																																																																						
CIBN UPC 12 (1)H	USCL																																																																																																																																																																																																																																																																																																																						
CLKB LECL CPT0C2 H	USCB																																																																																																																																																																																																																																																																																																																						
CLKB LECL CPT0C2 L	USCB																																																																																																																																																																																																																																																																																																																						
CLKC LECL CPT1C2 H	USCB																																																																																																																																																																																																																																																																																																																						
CLKC LECL CPT1C2 L	USCB																																																																																																																																																																																																																																																																																																																						
CLKE LECL CPT3C2 H	USCB																																																																																																																																																																																																																																																																																																																						
CLKE LECL CPT3C2 L	USCB																																																																																																																																																																																																																																																																																																																						
CLKH LECL CPT75 H	USCB																																																																																																																																																																																																																																																																																																																						
CLKH LECL CPT75 L	USCB																																																																																																																																																																																																																																																																																																																						
CLKJ LECL CPT125 H	USCB																																																																																																																																																																																																																																																																																																																						
CLKJ LECL CPT125 L	USCB																																																																																																																																																																																																																																																																																																																						
CLKL UPROG INIT H	USCJ																																																																																																																																																																																																																																																																																																																						
D H	USCN,S																																																																																																																																																																																																																																																																																																																						
DAPD SS (1)H	USCN,S																																																																																																																																																																																																																																																																																																																						
DBPV BR BIT0 H	USCT,R																																																																																																																																																																																																																																																																																																																						
DBPV BR BIT1 H	USCT,R																																																																																																																																																																																																																																																																																																																						
DBPV BR BIT2 H	USCT,R																																																																																																																																																																																																																																																																																																																						
DBPV BR BIT3 H	USCT,R																																																																																																																																																																																																																																																																																																																						
DBPV PTE INVALID H	USCP																																																																																																																																																																																																																																																																																																																						
DCPA LA00 H	USCN,S																																																																																																																																																																																																																																																																																																																						
DCPA LA01 H	USCN,S																																																																																																																																																																																																																																																																																																																						
DD H	USCN,T																																																																																																																																																																																																																																																																																																																						
DDPS BRANCH 0 H	USCT,R																																																																																																																																																																																																																																																																																																																						
DDPS BRANCH 1 H	USCT,R																																																																																																																																																																																																																																																																																																																						
DDPS BRANCH 2 H	USCR,T																																																																																																																																																																																																																																																																																																																						
DDPS BRANCH 3 H	USCR,T																																																																																																																																																																																																																																																																																																																						
SIGNAL NAME	PAGE NUMBER(S)																																																																																																																																																																																																																																																																																																																						
DDPS SC NE 0 H	USCN,T																																																																																																																																																																																																																																																																																																																						
DEPS VAMP 30 L	USCP																																																																																																																																																																																																																																																																																																																						
DEPS VAMP 31 L	USCP																																																																																																																																																																																																																																																																																																																						
ICL6 BR BIT2 (F:0) H	USCT,R																																																																																																																																																																																																																																																																																																																						
ICLF CNL CMD M L	USCP																																																																																																																																																																																																																																																																																																																						
ICLJ ID LEFT ADDR 0 H	USCE																																																																																																																																																																																																																																																																																																																						
ICLJ ID LEFT ADDR 1 H	USCE																																																																																																																																																																																																																																																																																																																						
ICLJ ID LEFT ADDR 2 H	USCE																																																																																																																																																																																																																																																																																																																						
ICLJ ID LEFT ADDR 3 H	USCE																																																																																																																																																																																																																																																																																																																						
ICLJ ID LEFT ADDR 4 H	USCE																																																																																																																																																																																																																																																																																																																						
ICLJ ID LEFT ADDR 5 H	USCE																																																																																																																																																																																																																																																																																																																						
ICLJ ID LEFT WRITE L	USCE																																																																																																																																																																																																																																																																																																																						
ICLK ALU C (1)H	USCN,S																																																																																																																																																																																																																																																																																																																						
ICLK ALU Z (1)H	USCN,S																																																																																																																																																																																																																																																																																																																						
ICLK EALU N (1)H	USCN,T																																																																																																																																																																																																																																																																																																																						
ICLK EALU Z (1)H	USCN,T																																																																																																																																																																																																																																																																																																																						
IDPJ B0 VAL (0)H	USCS,N																																																																																																																																																																																																																																																																																																																						
IRCF BC4-0 H	USCN,S																																																																																																																																																																																																																																																																																																																						
IRCF BC4-1 H	USCN,S																																																																																																																																																																																																																																																																																																																						
IRCF BC4-2 H	USCS,N																																																																																																																																																																																																																																																																																																																						
IRCH BRC 0 H	USCT,R																																																																																																																																																																																																																																																																																																																						
IRCH BRC 1 H	USCT,R																																																																																																																																																																																																																																																																																																																						
J H	USCN,S																																																																																																																																																																																																																																																																																																																						
JJ H	USCN,T																																																																																																																																																																																																																																																																																																																						
K H	USCN,S																																																																																																																																																																																																																																																																																																																						
NN H	USCN,T																																																																																																																																																																																																																																																																																																																						
S H	USCN,S																																																																																																																																																																																																																																																																																																																						
SBLP PAR ERR TRAP L	USCB																																																																																																																																																																																																																																																																																																																						
SBLT STALL L	USCB																																																																																																																																																																																																																																																																																																																						
SDMS CHNL 0 H	USCS																																																																																																																																																																																																																																																																																																																						
T H	USCN,S																																																																																																																																																																																																																																																																																																																						
TBMB KERNEL MODE H	USCP																																																																																																																																																																																																																																																																																																																						
TBMD LAST REF CODE 0 H	USCN,T																																																																																																																																																																																																																																																																																																																						
TBMD LAST REF CODE 1 H	USCN,S																																																																																																																																																																																																																																																																																																																						
TBMX BRANCH CODE 0 H	USCP																																																																																																																																																																																																																																																																																																																						
TBMX BRANCH CODE 1 H	USCP																																																																																																																																																																																																																																																																																																																						
TT H	USCN,T																																																																																																																																																																																																																																																																																																																						
USCA RETURN H	USCR,F,A,P																																																																																																																																																																																																																																																																																																																						
USCA UBEN 00 (1)H	USCN,P,A																																																																																																																																																																																																																																																																																																																						
USCA UBEN 01 (1)H	USCN,P,A																																																																																																																																																																																																																																																																																																																						
USCA UBEN 02 (0)H	USCA																																																																																																																																																																																																																																																																																																																						
USCA UBEN 02 (1)H	USCN,A,R																																																																																																																																																																																																																																																																																																																						
USCA UBEN 03 (0)H	USCA																																																																																																																																																																																																																																																																																																																						
USCA UBEN 03 (1)H	USCA,R																																																																																																																																																																																																																																																																																																																						
USCA UBEN 04 (0)H	USCP,A																																																																																																																																																																																																																																																																																																																						
USCA UBEN 04 (1)H	USCA,P																																																																																																																																																																																																																																																																																																																						
USCA UJMP 00 (1)H	USCA,R,P																																																																																																																																																																																																																																																																																																																						
USCA UJMP 01 (1)H	USCA,R,P																																																																																																																																																																																																																																																																																																																						
USCA UJMP 02 (1)H	USCA,R,P																																																																																																																																																																																																																																																																																																																						
USCA UJMP 03 (1)H	USCA,R,P																																																																																																																																																																																																																																																																																																																						
<p>NOTES:</p> <p>1. THIS PAGE LISTS THE SCHEMATIC PAGE NUMBER(S) WHERE A SIGNAL NAME IS REFERENCED.</p>																																																																																																																																																																																																																																																																																																																							
<p>THIS DRAWING AND SPECIFICATIONS ARE THE PROPERTY OF DIGITAL EQUIPMENT CORPORATION AND SHALL NOT BE REPRODUCED OR COPIED OR USED IN WHOLE OR IN PART AS THE BASIS FOR THE MANUFACTURE OR SALE OF ITEMS WITHOUT WRITTEN PERMISSION. COPYRIGHT © 1983. DIGITAL EQUIPMENT CORPORATION.</p>		<table border="1"> <thead> <tr> <th>REVISIONS</th> <th>CHK</th> <th>CHANGE NO.</th> <th>REV</th> </tr> </thead> <tbody> <tr> <td> </td> <td> </td> <td> </td> <td> </td> </tr> </tbody> </table>		REVISIONS	CHK	CHANGE NO.	REV					<p>digital</p> <p>DATE: 22-SEP-83</p> <p>DATE: 21-SEP-83 11:11</p> <p>DATE: B-DD-M7476-0-0</p> <p>DATE: 11/785</p>		<p>DATE: 22-SEP-83</p> <p>DATE: B-DD-M7476-0-0</p> <p>DATE: 11/785</p>		<p>TITLE: USC FORWARD REFERENCE</p> <p>SIZE CODE NUMBER REV. K CS M7476-0-USCV A</p>																																																																																																																																																																																																																																																																																																							
REVISIONS	CHK	CHANGE NO.	REV																																																																																																																																																																																																																																																																																																																				

SIGNAL NAME PAGE NUMBER(S)

USCA UJMP 04 (1)H USCA,P,R  
 USCA UJMP 05 (1)H USCA,R  
 USCA UJMP 06 (1)H USCA,R  
 USCA UJMP 07 (1)H USCA,R  
 USCA UJMP 08 (1)H USCA,R  
 USCA UJMP 09 (1)H USCA,R  
 USCA UJMP 10 (1)H USCA,R  
 USCA UJMP 11 (1)H USCA,R  
 USCA UJMP 12 (1)H USCA,R  
 USCA USUB 00 (0)H USCA,J  
  
 USCA USUB 00 (1)H USCF,J,L,A,M  
 USCA USUB 01 (0)H USCF,A,J,L,M  
 USCA USUB 01 (1)H USCF,A,J,L,M  
 USCB +3V A H USCB  
 USCB +3V B H USCB  
 USCB +3V C H USCB  
 USCB +3V D H USCB  
 USCB +3V E H USCB  
 USCB +3V H H USCB  
 USCB +3V I H USCB  
  
 USCB +3V J H USCB  
 USCB +3V K H USCB  
 USCB +3V L H USCB  
 USCB +3V M H USCB  
 USCB ABORT CYCLE H USCB  
 USCB CLK T0 A H USCB  
 USCB CLK T0 B H USCB  
 USCB CLK T0 L USCB  
 USCB CLK T125 H USCB  
 USCB CLK T150 H USCB  
  
 USCB CLK T150 L USCB  
 USCB CLK T50 A L USCB  
 USCB CLK T50 B L USCB  
 USCB CLK T50 C L USCB  
 USCB CLK T75 A L USCB  
 USCB CLK T75 B L USCB  
 USCB CLR UTRAP L USCB  
 USCB CLR UWORD (0)H USCB  
 USCB CLR UWORD H USCB  
 USCB MNT RET SEQ (0)H USCB  
  
 USCB STALL H USCB  
 USCB T75 H USCB  
 USCB UTRAP H USCB  
 USCC CLK WCS ADRS H USCC  
 USCC CLR ADRS CNT L USCC  
 USCC WCS ADRS 00 (1)H USCC  
 USCC WCS ADRS 00 L USCC  
 USCC WCS ADRS 01 (1)H USCC  
 USCC WCS ADRS 01 L USCC  
 USCC WCS ADRS 02 (1)H USCC

SIGNAL NAME PAGE NUMBER(S)

USCC WCS ADRS 02 L USCC  
 USCC WCS ADRS 03 (1)H USCC  
 USCC WCS ADRS 03 L USCC  
 USCC WCS ADRS 04 (1)H USCC  
 USCC WCS ADRS 04 L USCC  
 USCC WCS ADRS 05 (1)H USCC  
 USCC WCS ADRS 05 L USCC  
 USCC WCS ADRS 06 (1)H USCC  
 USCC WCS ADRS 07 (1)H USCC  
 USCC WCS ADRS 07 L USCC  
  
 USCC WCS ADRS 08 (1)H USCC  
 USCC WCS ADRS 08 L USCC  
 USCC WCS ADRS 09 (1)H USCC  
 USCC WCS ADRS 09 L USCC  
 USCC WCS ADRS 10 (1)H USCC  
 USCC WCS ADRS 10 L USCC  
 USCC WCS ADRS 11 (1)H USCC  
 USCC WCS ADRS 11 L USCC  
 USCC WCS ADRS 12 (1)H USCC  
 USCC WCS ADRS 12 L USCC  
  
 USCC WCS ADRS 13 (0)H USCC  
 USCC WCS ADRS 13 (1)H USCC  
 USCC WCS ADRS 14 (0)H USCC  
 USCC WCS ADRS 14 (1)H USCC  
 USCC WCS ADRS COUNT H USCC  
 USCC WCS ADRS 06 L USCC  
 USCC WCS ADRS WRITE H USCC  
 USCC WCS PAR INV (0)H USCC  
 USCC WCS PAR INV (1)H USCC  
 USCC ID DATA 00 H USCC  
  
 USCD ID DATA 01 H USCD  
 USCD ID DATA 02 H USCD  
 USCD ID DATA 03 H USCD  
 USCD ID DATA 04 H USCD  
 USCD ID DATA 05 H USCD  
 USCD ID DATA 06 H USCD  
 USCD ID DATA 07 H USCD  
 USCD ID DATA 08 H USCD  
 USCD ID DATA 09 H USCD  
 USCD ID DATA 10 H USCD  
  
 USCD ID DATA 11 H USCD  
 USCD ID DATA 12 H USCD  
 USCD ID DATA 13 H USCD  
 USCD ID DATA 14 H USCD  
 USCD ID DATA 15 H USCD  
 USCE BUF BUS ID WR H USCE  
 USCE BUF BUS ID WR L USCE  
 USCE CS WR (31:00) H USCE  
 USCE CS WR (63:32) H USCE  
 USCE CS WR (95:64) H USCE

SIGNAL NAME PAGE NUMBER(S)

USCE ID BUS XCVR EN L USCE  
 USCE ID SEL 0 H USCE  
 USCE MICRO STACK H USCE  
 USCE MICRO STACK L USCE  
 USCE REC ID D00 H USCE  
 USCE REC ID D01 H USCE  
 USCE REC ID D02 H USCE  
 USCE REC ID D03 H USCE  
 USCE REC ID D04 H USCE  
 USCE REC ID D05 H USCE  
  
 USCE REC ID D06 H USCE  
 USCE REC ID D07 H USCE  
 USCE REC ID D08 H USCE  
 USCE REC ID D09 H USCE  
 USCE REC ID D10 H USCE  
 USCE REC ID D11 H USCE  
 USCE REC ID D12 H USCE  
 USCE REC ID D13 H USCE  
 USCE REC ID D14 H USCE  
 USCE REC ID D15 H USCE  
  
 USCE UPC BREAK L USCE  
 USCE USTACK H USCE  
 USCE WCS ADDRESS L USCE  
 USCE WCS MEM AVAIL L USCE  
 USCE WCS MEM DATA L USCE  
 USCE WCS WR CYCLE H USCE  
 USCE WR WCS H USCE  
 USCF +3V F H USCF  
 USCF EN BR (1F:10) 00 L USCF  
 USCF EN BR (1F:10) 01 L USCF  
  
 USCF EN BR (1F:10) 02 L USCF  
 USCF EN BR (1F:10) 03 L USCF  
 USCF EN BR (1F:10) 04 L USCF  
 USCF EN BR (F:0) 00 L USCF  
 USCF EN BR (F:0) 01 L USCF  
 USCF EN BR (F:0) 02 L USCF  
 USCF EN NJA 00 L USCF  
 USCF EN NJA 01 L USCF  
 USCF EN NJA 02 L USCF  
 USCF EN NJA 03 L USCF  
  
 USCF EN NJA 04 L USCF  
 USCF UPCS 00 (0)H USCF  
 USCF UPCS 00 (1)H USCF  
 USCF UPCS 01 (0)H USCF  
 USCF UPCS 01 (1)H USCF  
 USCF UPCS 02 (0)H USCF  
 USCF UPCS 02 (1)H USCF  
 USCF UPCS 03 (0)H USCF  
 USCF UPCS 03 (1)H USCF  
 USCF UPCS 04 (0)H USCF

NOTES:  
 1. THIS PAGE LISTS THE SCHEMATIC PAGE NUMBER(S) WHERE A SIGNAL NAME IS REFERENCED.

THIS DRAWING AND SPECIFICATIONS HEREIN ARE THE PROPERTY OF DIGITAL EQUIPMENT CORPORATION AND SHALL NOT BE REPRODUCED OR COPIED OR USED IN WHOLE OR IN PART AS THE BASIS FOR THE MANUFACTURE OR SALE OF ITEMS WITHOUT WRITTEN PERMISSION. COPYRIGHT © 1987, DIGITAL EQUIPMENT CORPORATION.	REVISIONS		DATE	ENG.	DATE	TITLE:
	CHK	CHANGE NO.				
						FORWARD REFERENCE
			21-SEP-83 11:12	1	1	USC
			11/785	B-DD-M7476-0-0	K CS	M7476-0-USCW
						REV. A

SIGNAL NAME	PAGE NUMBER(S)	SIGNAL NAME	PAGE NUMBER(S)	SIGNAL NAME	PAGE NUMBER(S)
USCF UPCSV 04 (1)H	USCK,M,R,F,S	USCJ USP03 H	USCJ,K	USCP BRBIT <1F:1C> 04 H	USCT,P,R
USCF UPCSV 05 (0)H	USCL,F	USCJ USTACK DEC L	USCJ,J	USCP SEL RETURN UPC H	USCP,R
USCF UPCSV 05 (1)H	USCK,M,F,S	USCJ USTACK INC L	USCJ	USCP SEL UPCSV H	USCF,P,R
USCF UPCSV 06 (0)H	USCL,F	USCJ USTACK LOAD H	USCJ,K	USCP UBEN EN <1F:10> H	USCF,T,P
USCF UPCSV 06 (1)H	USCK,M,F,S	USCJ UTRAP (0)H	USCP,J	USCP UBEN EN <F:0> H	USCF,F,T
USCF UPCSV 07 (0)H	USCL,F	USCJ UTRAP <1>H	USCT,J	USCP UBEN EN <F:0> L	USCF,F
USCF UPCSV 07 (1)H	USCK,M,F,S	USCJ UTRAP PUSH H	USCB,J	USCP UJUMP 00 L	USCF,F
USCF UPCSV 08 (0)H	USCL,F	USCK USTACK D00 (1)H	USCR,D,K	USCP UJUMP 01 L	USCF,F
USCF UPCSV 08 (1)H	USCK,M,F,S	USCK USTACK D01 (1)H	USCR,D,K	USCP UJUMP 02 L	USCF,F
USCF UPCSV 09 (0)H	USCL,F	USCK USTACK D02 (1)H	USCR,D,K	USCP UJUMP 03 L	USCF,F
USCF UPCSV 09 (1)H	USCK,M,F,S	USCK USTACK D03 (1)H	USCR,D,K	USCP UJUMP 04 L	USCF,F
USCF UPCSV 10 (0)H	USCL,F	USCK USTACK D04 (1)H	USCR,D,K	USCR BUS NUA 05 L	USCR,L
USCF UPCSV 10 (1)H	USCK,M,F,S	USCK USTACK D05 (1)H	USCR,D,K	USCR BUS NUA 06 L	USCR,L
USCF UPCSV 11 (0)H	USCL,F	USCK USTACK D06 (1)H	USCR,D,K	USCR BUS NUA 07 L	USCR,L
USCF UPCSV 11 (1)H	USCK,M,F,S	USCK USTACK D07 (1)H	USCR,D,K	USCR BUS NUA 08 L	USCR,L
USCF UPCSV 12 (1)H	USCK,F,M,L,S	USCK USTACK D08 (1)H	USCR,D,K	USCR BUS NUA 09 L	USCR,L
USCH BRK MAT L	USCH	USCK USTACK D09 (1)H	USCR,D,K	USCR BUS NUA 10 L	USCR,L
USCH BRK REG 00 (1)H	USCD,H	USCK USTACK D10 (1)H	USCR,D,K	USCR BUS NUA 11 L	USCR,L
USCH BRK REG 01 (1)H	USCD,H	USCK USTACK D11 (1)H	USCR,D,K	USCR BUS NUA 12 L	USCR,L
USCH BRK REG 02 (1)H	USCD,H	USCK USTACK D12 (1)H	USCR,D,K	USCR RETURN UPC 00 H	USCF,R
USCH BRK REG 03 (1)H	USCD,H	USCK USTACK D13 (1)H	USCD,K	USCR RETURN UPC 01 H	USCF,R
USCH BRK REG 04 (1)H	USCD,H	USCK USTACK D14 (1)H	USCD,K	USCR RETURN UPC 02 H	USCF,R
USCH BRK REG 05 (1)H	USCD,H	USCK USTACK D15 (1)H	USCD,K	USCR RETURN UPC 03 H	USCF,R
USCH BRK REG 06 (1)H	USCD,H	USCL CALL 03 L	USCL	USCR RETURN UPC 04 H	USCF,F
USCH BRK REG 07 (1)H	USCD,H	USCM BUF UPC 00 H	USCH,M,F,T	USCS VBUS <47:24> H	USCS
USCH BRK REG 08 (1)H	USCD,H	USCM BUF UPC 01 H	USCH,M,F,T	USCT VBUS <71:48> H	USCT,S
USCH BRK REG 09 (1)H	USCD,H	USCM BUF UPC 02 H	USCH,M,F,T	USCT VBUS <95:72> H	USCT
USCH BRK REG 10 (1)H	USCD,H	USCM BUF UPC 03 H	USCH,M,F,T	USCT VBUS CLK H	USCT,S
USCH BRK REG 11 (1)H	USCD,H	USCM BUF UPC 04 H	USCH,M,T,F	USCT VBUS LOAD L	USCT,S
USCH BRK REG 12 (1)H	USCD,H	USCM BUF UPC 05 H	USCH,M,T,F	V H	USCS,M
USCH SYNC PULSE H	USCT,H	USCM BUF UPC 06 H	USCH,M,T,F		
USCH WR BRK H	USCH	USCM BUF UPC 07 H	USCH,M,T,F		
USCJ INIT (0)H	USCJ,P	USCM BUF UPC 08 H	USCH,M,T,F		
USCJ INIT (1)H	USCN,J,T	USCM BUF UPC 09 H	USCH,M,T,F		
USCJ INIT SEQ (0)H	USCJ,B,A	USCM BUF UPC 10 H	USCH,M,T,F		
USCJ INIT SEQ (1)H	USCJ	USCM BUF UPC 11 H	USCH,M,T,F		
USCJ MAINT RET (0)H	USCA,J,P	USCM BUF UPC 12 H	USCF,H,M,T		
USCJ MAINT RET (1)H	USCP,T,J	USCM IBUF EN <07:00> L	USCM,S		
USCJ PRIOR 00 L	USCT,J,L	USCM UPC LOOP (0)H	USCL,M		
USCJ PRIOR 01 L	USCT,J,L	USCN BRMX <13:10> 00 H	USCN,R		
USCJ PRIOR 02 L	USCT,J,L	USCN BRMX <13:10> 01 H	USCN,R		
USCJ STALL (0)H	USCF,P,J,L,M	USCN BRMX <13:10> 02 H	USCN,R		
USCJ STALL (1)H	USCP,T,J,M	USCN BRMX <13:10> 03 H	USCN,R		
USCJ SYS INIT A L	USCJ,K	USCN BRMX <7:0> 00 H	USCN,R		
USCJ SYS INIT B L	USCC,J	USCN BRMX <7:0> 01 H	USCN,R		
USCJ UMX SEL 0 H	USCJ,L	USCN BRMX <7:0> 02 H	USCN,R		
USCJ UMX SEL 1 H	USCJ,L	USCP BRBIT <1F:1C> 00 H	USCT,P,R		
USCJ USP00 H	USCJ,K	USCP BRBIT <1F:1C> 01 H	USCT,P,R		
USCJ USP01 H	USCJ,K	USCP BRBIT <1F:1C> 02 H	USCT,P,R		
USCJ USP02 H	USCJ,K	USCP BRBIT <1F:1C> 03 H	USCT,P,R		

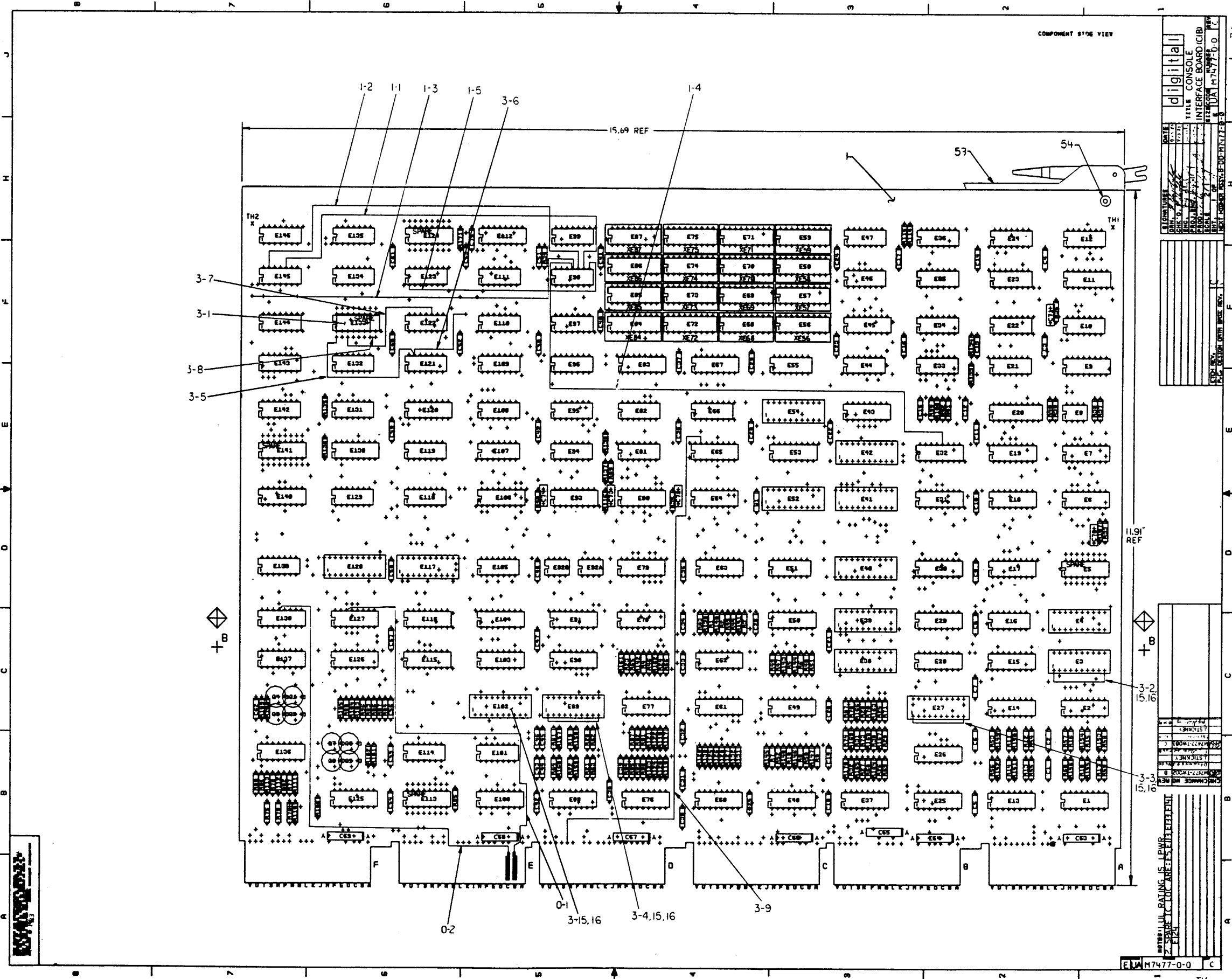
NOTES:  
 1. THIS PAGE LISTS THE SCHEMATIC PAGE NUMBER(S) WHERE A SIGNAL NAME IS REFERENCED.

THIS DRAWING AND SPECIFICATIONS HEREIN ARE THE PROPERTY OF DIGITAL EQUIPMENT CORPORATION AND SHALL NOT BE REPRODUCED OR COPIED OR USED IN WHOLE OR IN PART AS THE BASIS FOR THE MANUFACTURE OR SALE OF ITEMS WITHOUT WRITTEN PERMISSION. COPYRIGHT © 1983, DIGITAL EQUIPMENT CORPORATION.

REVISIONS
CHK CHANGE NO. REV

digital  
 DATE 22-SEP-83  
 DATE 21-SEP-83 11:12  
 DATE 11/785  
 ENG  
 BOARD LOCATION: AF23  
 SHEET  
 NEXT HIGHER ASSEMBLY: B-DD-M7476-0-0  
 TITLE: USC FORWARD REFERENCE  
 SIZE CODE NUMBER REV.  
 K CS M7476-0-USCX A

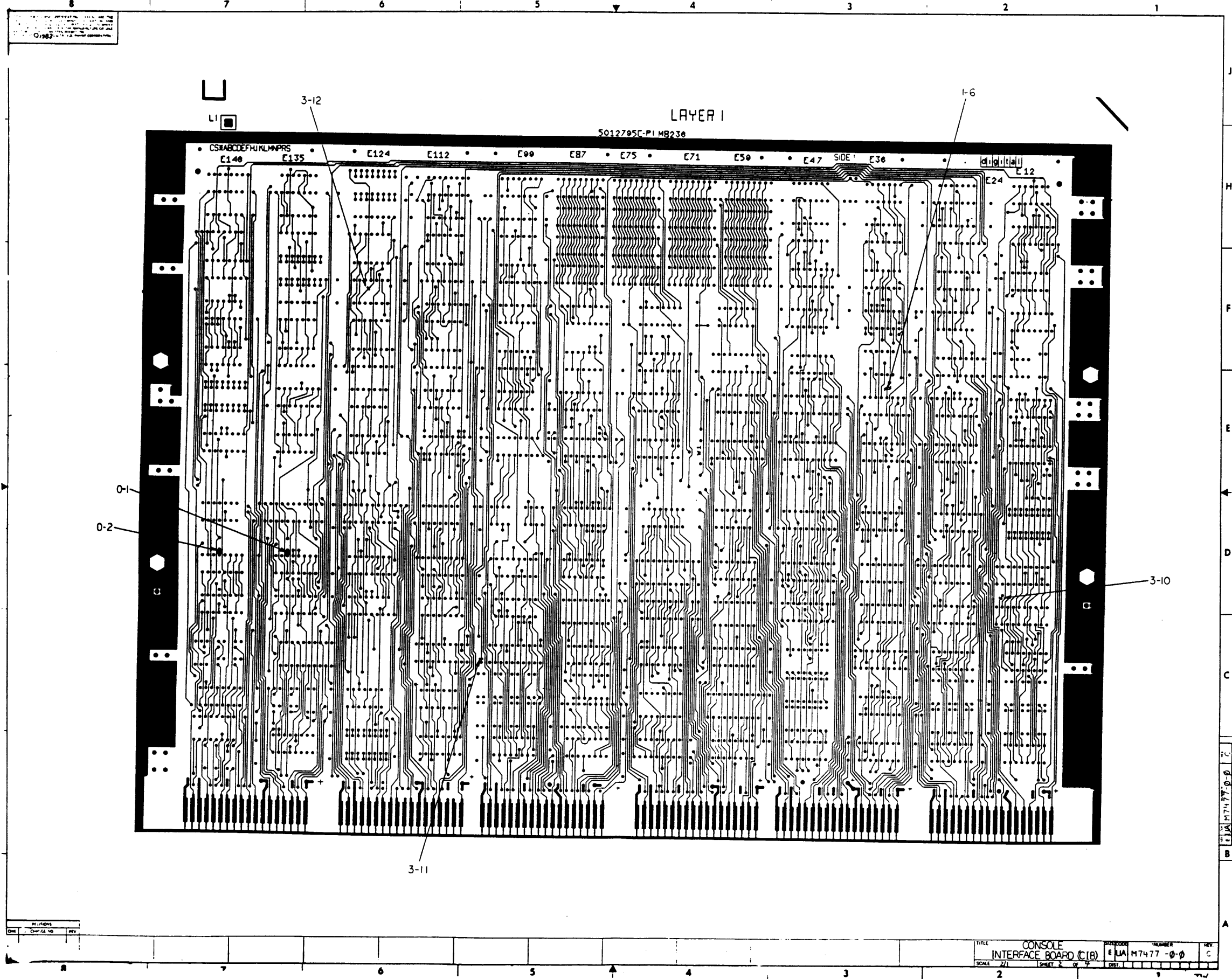




DATE	DESIGNED BY	CHECKED BY	TITLE
			CONSOLE INTERFACE BOARD (CIB)
			PART NO. M7477-0-0
			REV. NO. DATE DESCRIPTION

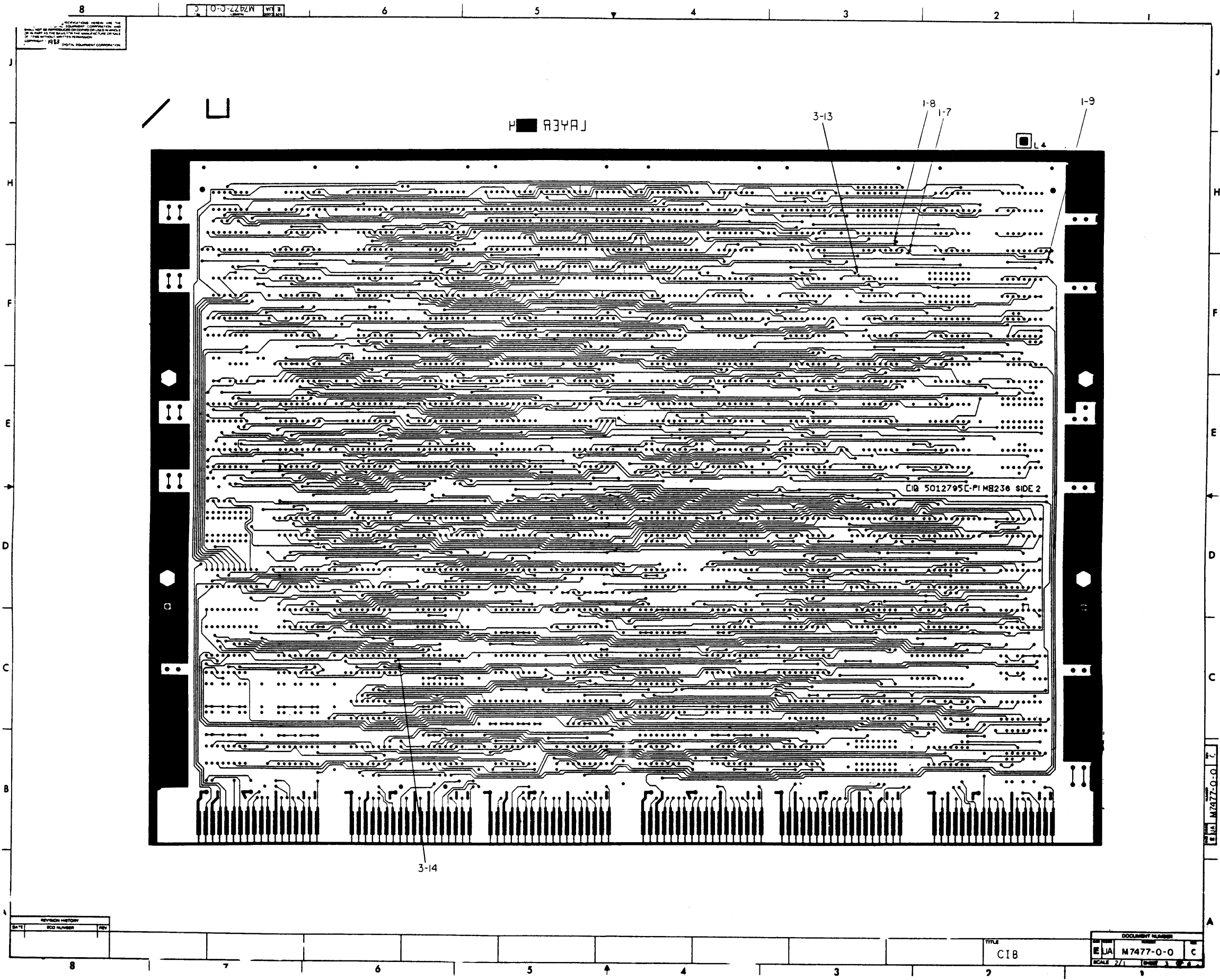
REV. NO.	DATE	DESCRIPTION

NOTES: 1. UNLESS OTHERWISE SPECIFIED, ALL DIMENSIONS ARE IN INCHES.  
FORM M7477-0-0



REV	DATE	BY

TITLE	CONSOLE	SIZE: 11A	NUMBER	REV
	INTERFACE BOARD (CIB)		M7477-0-0	C
SCALE	2/1	SHEET	2 OF 7	DIST. DATE
				11/77



P ■ R3YA J

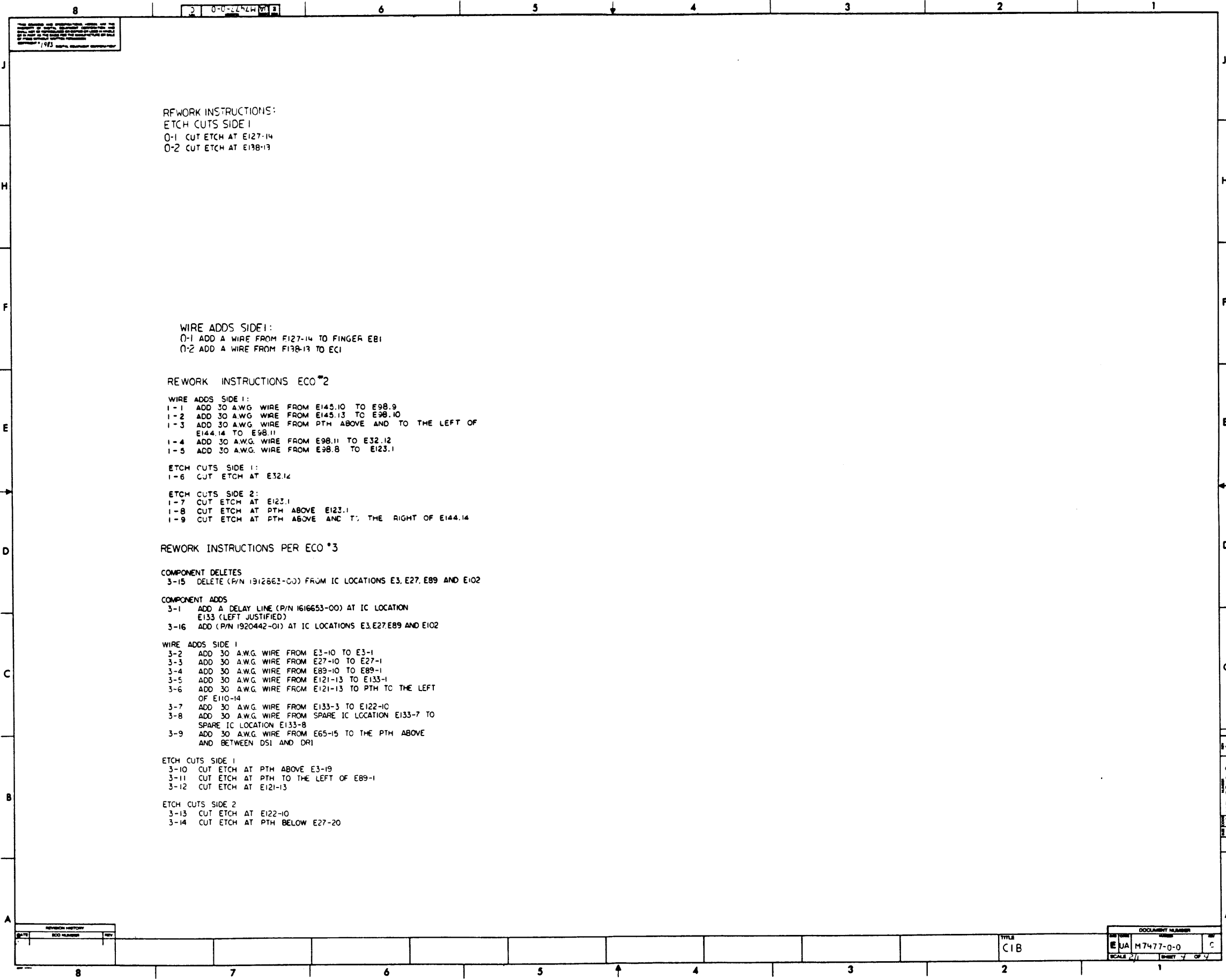
CIB 5012795C-P1MB236 SIDE 2

REVISIONS HEREIN ARE THE PROPERTY OF DIGITAL EQUIPMENT CORPORATION AND WILL BE REPRODUCED OR TRANSMITTED IN ANY FORM OR BY ANY MEANS WITHOUT THE WRITTEN PERMISSION OF DIGITAL EQUIPMENT CORPORATION.

REVISION HISTORY		
DATE	ECO NUMBER	REV

TITLE: CIB  
 DOCUMENT NUMBER: EJA M7477-0-0 C  
 SCALE: 2/1





REWORK INSTRUCTIONS:  
 ETCH CUTS SIDE 1  
 0-1 CUT ETCH AT E127-14  
 0-2 CUT ETCH AT E138-13

WIRE ADDS SIDE 1:  
 0-1 ADD A WIRE FROM F127-14 TO FINGER EB1  
 0-2 ADD A WIRE FROM F138-13 TO EC1

REWORK INSTRUCTIONS ECO #2

WIRE ADDS SIDE 1:  
 1-1 ADD 30 A.W.G. WIRE FROM E145.10 TO E98.9  
 1-2 ADD 30 A.W.G. WIRE FROM E145.13 TO E98.10  
 1-3 ADD 30 A.W.G. WIRE FROM PTH ABOVE AND TO THE LEFT OF  
 E144.14 TO E98.11  
 1-4 ADD 30 A.W.G. WIRE FROM E98.11 TO E32.12  
 1-5 ADD 30 A.W.G. WIRE FROM E98.8 TO E123.1

ETCH CUTS SIDE 1:  
 1-6 CUT ETCH AT E32.12

ETCH CUTS SIDE 2:  
 1-7 CUT ETCH AT E123.1  
 1-8 CUT ETCH AT PTH ABOVE E123.1  
 1-9 CUT ETCH AT PTH ABOVE AND TO THE RIGHT OF E144.14

REWORK INSTRUCTIONS PER ECO #3

COMPONENT DELETES  
 3-15 DELETE (P/N 1912863-00) FROM IC LOCATIONS E3, E27, E89 AND E102

COMPONENT ADDS  
 3-1 ADD A DELAY LINE (P/N 1616653-00) AT IC LOCATION  
 E133 (LEFT JUSTIFIED)  
 3-16 ADD (P/N 1920442-01) AT IC LOCATIONS E3, E27, E89 AND E102

WIRE ADDS SIDE 1  
 3-2 ADD 30 A.W.G. WIRE FROM E3-10 TO E3-1  
 3-3 ADD 30 A.W.G. WIRE FROM E27-10 TO E27-1  
 3-4 ADD 30 A.W.G. WIRE FROM E89-10 TO E89-1  
 3-5 ADD 30 A.W.G. WIRE FROM E121-13 TO E133-1  
 3-6 ADD 30 A.W.G. WIRE FROM E121-13 TO PTH TO THE LEFT  
 OF E110-14  
 3-7 ADD 30 A.W.G. WIRE FROM E133-3 TO E122-10  
 3-8 ADD 30 A.W.G. WIRE FROM SPARE IC LOCATION E133-7 TO  
 SPARE IC LOCATION E133-8  
 3-9 ADD 30 A.W.G. WIRE FROM E65-15 TO THE PTH ABOVE  
 AND BETWEEN DS1 AND DR1

ETCH CUTS SIDE 1  
 3-10 CUT ETCH AT PTH ABOVE E3-19  
 3-11 CUT ETCH AT PTH TO THE LEFT OF E89-1  
 3-12 CUT ETCH AT E121-13

ETCH CUTS SIDE 2  
 3-13 CUT ETCH AT E122-10  
 3-14 CUT ETCH AT PTH BELOW E27-20

REVISION HISTORY		
REV	ECO NUMBER	REV

TITLE  
 CIB

DOCUMENT NUMBER		
REV	ECO NUMBER	REV
EJA	M7477-0-0	C

SCALE 2/1 SHEET 7 OF 9



LINE	ITEM	TOP DOCUMENT	PART NUMBER	MIN REV	DESCRIPTION	QTY PER VARIATION	REFERENCE DESIGNATOR
					VARIATION REVISION LEVEL:	00 D1	
1	1	D-MD-5012795-0-0	5012795-00		CONSOLE INTERFACE BOARD	1	
2	2		1000016-00		100.0 MMF 100V 5%200PPM MICA	3	C70,C73,C74
3	3		1012084-01		8 MFD 25V +75-10% AL EL	7	C63-C69
4	4		1012784-00		.047 MFD 50V +80-20% CER	64	C1-C26,C28-C62,C71,C72,C75
5	5		1300247-00		120.0 .25 W 5.0 % CF	12	R37-R40,R119,R120,R123-R126, CONT R129,R130
6	6		1313469-00		240.0 .25 W 5.0 % CF	64	R1-R32,R139-R170
7	7		1300250-00		150.0 .25 W 5.0 % CF	8	R117,R118,R121,R122,R127,R128, CONT R131,R132
8	8		1301322-00		180.0 .25 W 5.0 % CF	5	R101,R108,R133,R135,R137
9	9		1301972-00		270.0 .25 W 5.0 % CF	32	R43-R74
10	10		1300309-00		390.0 .25 W 5.0 % CF	7	R41,R99,R102,R109,R134,R136,R138
11	11		1301424-00		680.0 .25 W 5.0 % CF	3	R36,R42,R100
12	12		1300365-00		1.0 K .25 W 5.0 % CF	34	R34,R75-R88,R91-R98,R103-R107, CONT R110-R115
13	13		1312930-00		5.10 K .25 W 5.0 % CF	2	R33,R116
14	14		1300479-00		10.0 K .25 W 5.0 % CF	1	R171
15	15		1302391-00		20.0 K .25 W 5.0 % CF	3	R35,R89,R90
16	16		1311003-01		R NETWORK 14-180 14-390 16PIN	3	E29,E43,E53
17	17		1300005-01		R NETWORK 13-1K 5.0 % 14PIN	1	E51
18	18		1511686-00		DEC5433 FET N 350MW 10 25 1A	8	Q1-Q8
19	19		1921305-01		74F00 NAND GATE,QUAD,2-IN	5	E24,E46,E119,E121,E123
20	20		1921306-01		74F02 NOR GATE,QUAD,2-IN	5	E12,E35,E95,E118,E134
21	21		1921307-01		74F04 HEX INVERTER	10	E16,E44,E47,E101,E105,E107,E111, CONT E114,E139,E146
22	22		1921308-01		74F08 AND GATE,QUAD,2-IN	2	E97,E129
23	23		1921309-01		74F10 NAND GATE,TRIPLE,3-I	1	E99
24	24		1921310-01		74F11 AND GATE,TRIPLE,3-IN	2	E55,E98
25	25		1921311-01		74F20 NAND GATE,DUAL,4-IN	2	E36,E132
26	26		1912813-00		LS27 NOR GATE-TRIPLE 3IN	1	E108

REVISION HISTORY			BASIC PART NO: M7477	DRN: D.FOURNIER	DATE: 21-MAR-84	D I G I T A L				
ENG:	ECO NUMBER	REV	SECTION A OF A	CHK'D: T.MCCULLOUGH	DATE: 21-MAR-84	TITLE PARTS LIST CONSOLE INTERFACE BOARD (CIB)				
---	INITIAL	A	SECTION VARIATION INDEX	DES.ENG: J.STICKNEY	DATE: 21-MAR-84	DOCUMENT NUMBER				
JS	M7477-TW001	B	(A) 00	RESP.ENG.: J.STICKNEY	DATE: 21-MAR-84	SIZE	CODE	NUMBER	REV	
JS	M7477-TW003	C	(B)	MFG.ENG.: MIKE KRYZAK	DATE: 21-MAR-84	K	PL	M7477-0-DBP	C	
			(C)	ASSEMBLY NUMBER:	TOP DOCUMENT NUMBER:	RELEASE DATE:		30-AUG-84		
			(D)	E-UA-M7477-0-0	B-DD-M7477-0-00	FILE NAME:		Z3941C.PLS		
			(E)			EDIT #:		7		
			(F)							
			(G)							
			(H)							
			(I)							
			(J)							
			(K)							
			(L)							
			(M)							
			(N)							

"THIS DRAWING AND THE SPECIFICATIONS CONTAINED HEREIN ARE CONFIDENTIAL AND PROPRIETARY. THEY ARE THE PROPERTY OF DIGITAL EQUIPMENT CORPORATION AND SHALL NOT BE REPRODUCED OR COPIED OR USED IN WHOLE OR IN PART AS THE BASIS FOR THE MANUFACTURE OR SALE OF ITEMS WITHOUT WRITTEN PERMISSION. THIS IS AN UNPUBLISHED WORK PROTECTED UNDER THE FEDERAL COPYRIGHT LAWS."

LINE ITEM	TOP DOCUMENT	PART NUMBER	MIN REV	DESCRIPTION	QTY	PER VARIATION	REFERENCE DESIGNATOR
				VARIATION REVISION LEVEL:	00		
					D1		
27	27	1921312-01		74F32 OR GATE,QUAD,2-IN	6		E10,E21-E23,E82,E131
28	28	1912746-01		74S37-1BUFFER-GATE	1		E66
29	29	1911712-00		74S51 AND-OR GATE-INVERT D	1		E122
30	30	1912820-00		LS51 A-0-I GATE 2-WIDE 2I	2		E110,E144
31	31	1921313-01		74F64 AND OR INVERT GATE,4-	3		E33,E142,E143
32	32	1921314-01		74F74 FF-D,DUAL,POS.,EDGE	7		E34,E81,E94,E109,E135,E145,E96
33	33	1912834-00		LS112 FF-JK,DUAL,EDGE TRIG	1		E130
34	34	1910436-00	DEC	74123 ONE SHOT-DUAL,RETRIG	1		E93
35	35	1912837-00		LS123 ONE SHOT-DUAL,RETRIG	2		E80,E112
36	36	1921316-01		74F138 DECODER/DEMUX,1-OF-8	1		E120
37	37	1921317-01		74F139 DECODER,DUAL,1-OF-4	3		E9,E11,E67
38	38	1921319-01		74F153 MUX,DUAL,4-IN	1		E78
39	39	1921320-01		74F157 MUX,QUAD,2-IN	8		E2,E15,E50,E63,E90,E91,E125,E136
40	40	1911330-00		74173 FF-D QUAD,TRISTATE	1		E106
41	41	1921323-01		74F174 FF-D,HEX	3		E17,E45,E83
42	42	1921324-01		74F175 FF-D,QUAD	2		E30,E140
43	43	1921328-01		74F251 MUX,8-IN	16		E6,E7,E18,E19,E31,E32,E64,E65, E103,E104,E115,E116,E126,E127, E137,E138
44	44	1921330-01		74F257 MUX,QUAD,2-IN	5	CONT	E14,E25,E61,E79,E100
45	45	1912863-00		LS273 FF-D OCTAL W/CLEAR	5	CONT	E38-E40,E117,E128
46	46	1910406-00		75451 DRIVER,PERIPH,DUAL,	3		E8,AE92,BE92
47	47	1913788-00		26S10 TRANSCEIVER,BUS,QUA	9	CONT	E1,E13,E26,E37,E48,E49,E62,E77, E88
48	48	1911579-00		8641 TRANSCEIVER,BUS,QUA	1		E28
49	49	1921720-01		10H125 TRANSLATOR ECL TO TTL	2		E60,E76
50	50	1912730-00	DC	003 INTERRUPT,2 CIRCUIT	1		E20
51	51	1912729-00	DC	004 PROTOCOL,REG. SELECT	1		E4
52	52	1913040-00	DC	005 TRANSCEIVER 4BIT	4		E41,E42,E52,E54
53	53	1216988-02		HANDLE,MODULE,HEX TWO EJECTORS	1		
54	54	9000024-01		EYELET,ROLLED 0.1210DX0.192	12		
55	55	1215006-03		SKT,IC 18PIN DIP TIN SOLD	16		XE56-XE59,XE68-XE75,XE84-XE87
56	56	23144F1-00		F1-01	1		E56
57	57	23145F1-00		F1-01	1		E68
58	58	23146F1-00		F1-01	1		E84
59	59	23147F1-00		F1-01	1		E72
60	60	23148F1-00		F1-01	1		E58
61	61	23149F1-00		F1-01	1		E70
62	62	23150F1-00		F1-01	1		E86
63	63	23151F1-00		F1-01	1		E74
64	64	23236F1-00		F1-01	1		E57
65	65	23237F1-00		F1-01	1		E69
66	66	23238F1-00		F1-01	1		E85
67	67	23239F1-00		F1-01	1		E73
68	68	9105740-55		WIRE(WRAP) 30AWG KYNAR UL14	A/R		
69	69	9009185-00		JUMPER, WIRE, INSULATED, BLACK B	1		W1
70	70	1616653-00		DELAY= 50NS,10TAPS WITH TTLBU	1		E133
71	71	1920442-01		74F374 FF-D,OCTAL,TRI-STATE	4		E3,E27,E89,E102

D	I	G	I	T	A	L	TITLE	CONSOLE INTERFACE BOARD (CIB)	SECTION A	OF A	SIZE	CODE	DOCUMENT NUMBER	REV
											K	PL	M7477-0-DBP	C

AUTOMATED BY PRTLST.5R(55)

PARTS LIST

SHEET A3 OF A3

LINE ITEM TOP DOCUMENT

MIN  
PART NUMBER REV DESCRIPTION

QTY PER VARIATION  
00  
01

REFERENCE DESIGNATOR

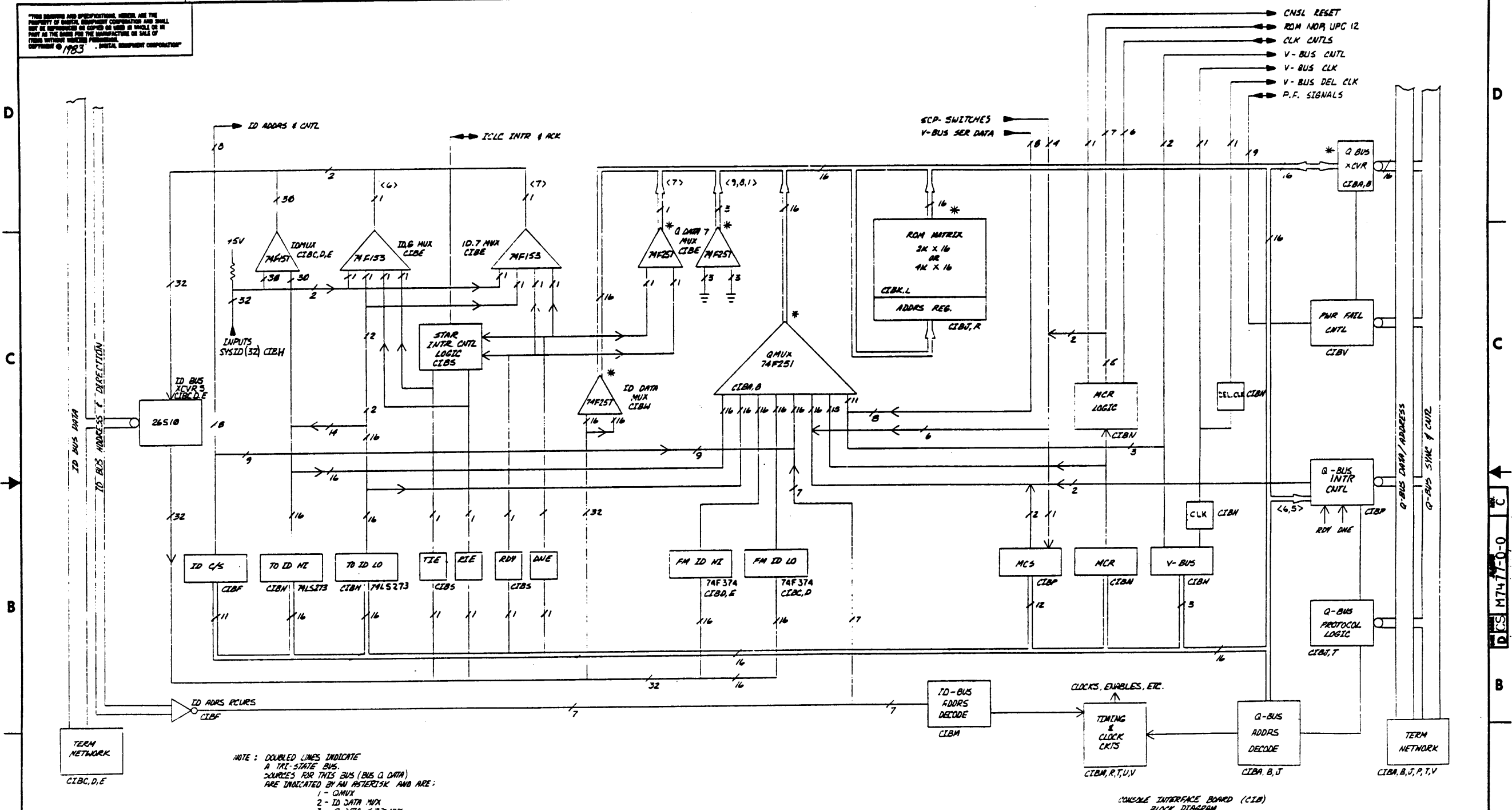
VARIATION REVISION LEVEL:

72 NOTE: SPARE I.C. LOCATIONS ARE E5,E113,E124,E141

D	I	G	I	T	A	L	TITLE	CONSOLE INTERFACE BOARD (CIB)	SECTION A OF A	SIZE	CODE	DOCUMENT NUMBER	REV
										K	PL	M7477-0-DBP	C

THIS DRAWING AND SPECIFICATIONS, HEREIN, ARE THE PROPERTY OF DIGITAL EQUIPMENT CORPORATION AND SHALL NOT BE REPRODUCED OR COPIED IN WHOLE OR IN PART AS THE BASIS FOR THE MANUFACTURE OR SALE OF ITEMS WITHOUT WRITTEN PERMISSION.  
 COPYRIGHT © 1983 DIGITAL EQUIPMENT CORPORATION

0-0-22477-0-0 2



NOTE: DOUBLED LINES INDICATE A TRI-STATE BUS.  
 SOURCES FOR THIS BUS (BUS Q DATA) ARE INDICATED BY AN ASTERISK AND ARE:  
 1 - QMUX  
 2 - ID DATA MUX  
 3 - Q DATA <7> MUX  
 4 - ROM MATRIX  
 5 - Q BUS TRANSCIEVERS

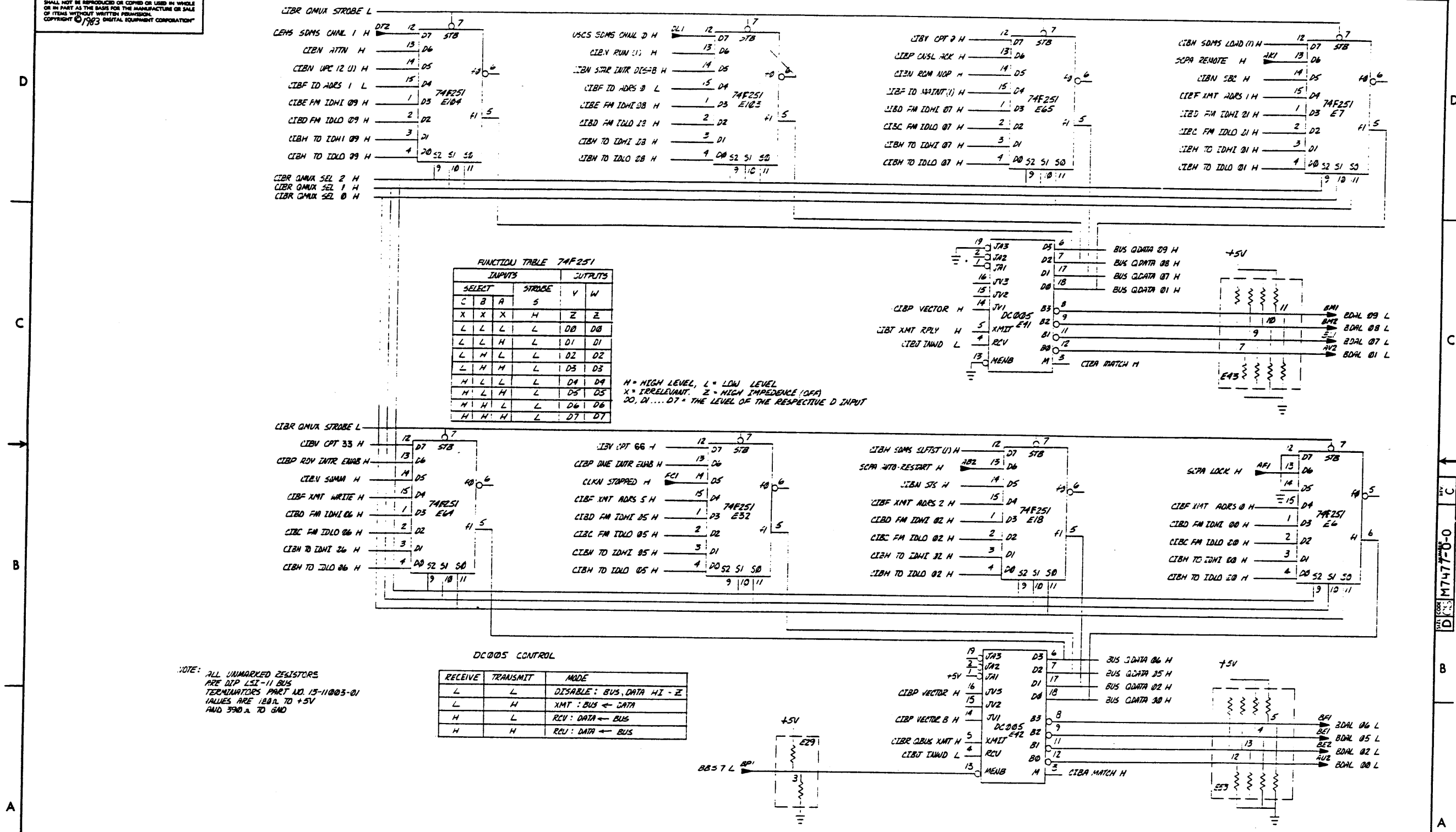
CONSOLE INTERFACE BOARD (CIB) BLOCK DIAGRAM

(BLOCK DIAGRAM)

REV.	CHG.	DATE	BY	APP.
1	W77-1W002	10-11-82	J. STICKNEY	
2	W77-1W003	10-11-82	J. STICKNEY	
3	W77-1W004	10-11-82	J. STICKNEY	

DRN. & APPROV.	6/14/77	FIRST USED ON	
CHK'D	7-11-77	TITLE	CCONSOLE INTERFACE BOARD
ENG. DESIGNED	10-11-82	SIZE CODE	D CS M7477-0-0
PROJ. ENG.	10-11-82	NUMBER	C
REV.		SHEET	1 OF 22

THIS DRAWING AND SPECIFICATIONS HEREIN ARE THE PROPERTY OF DIGITAL EQUIPMENT CORPORATION AND SHALL NOT BE REPRODUCED OR COPIED OR USED IN WHOLE OR IN PART AS THE BASIS FOR THE MANUFACTURE OR SALE OF ITEMS WITHOUT WRITTEN PERMISSION. COPYRIGHT © 1983 DIGITAL EQUIPMENT CORPORATION



FUNCTIONAL TABLE 74F251

INPUTS			OUTPUTS	
SELECT	STROBE		V	W
C B A	S		V	W
X X X	H		Z	Z
L L L	L		D0	D0
L L H	L		D1	D1
L H L	L		D2	D2
L H H	L		D3	D3
H L L	L		D4	D4
H L H	L		D5	D5
H H L	L		D6	D6
H H H	L		D7	D7

H = HIGH LEVEL, L = LOW LEVEL  
 X = IRRELEVANT, Z = HIGH IMPEDANCE (OPA)  
 D0, D1, ... D7 = THE LEVEL OF THE RESPECTIVE D INPUT

DC005 CONTROL

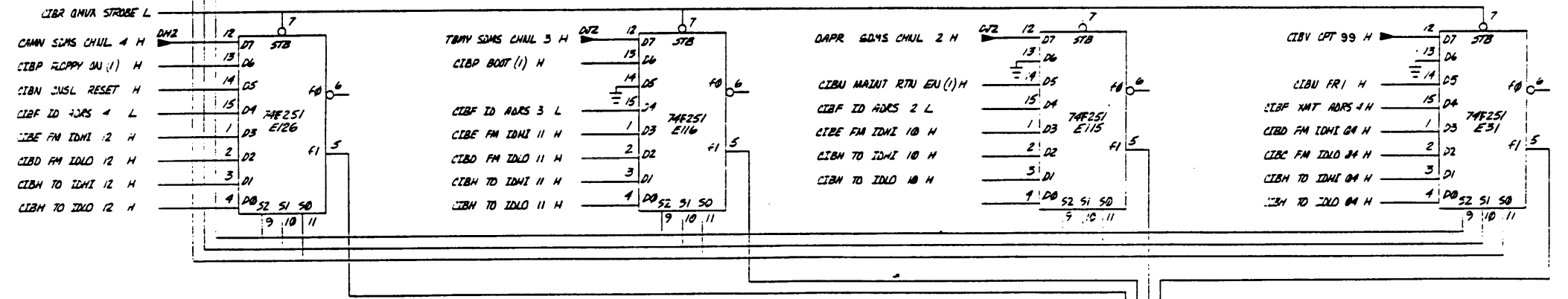
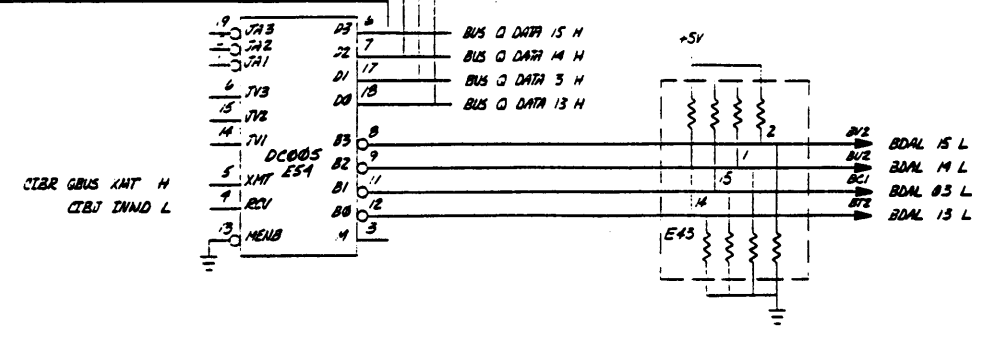
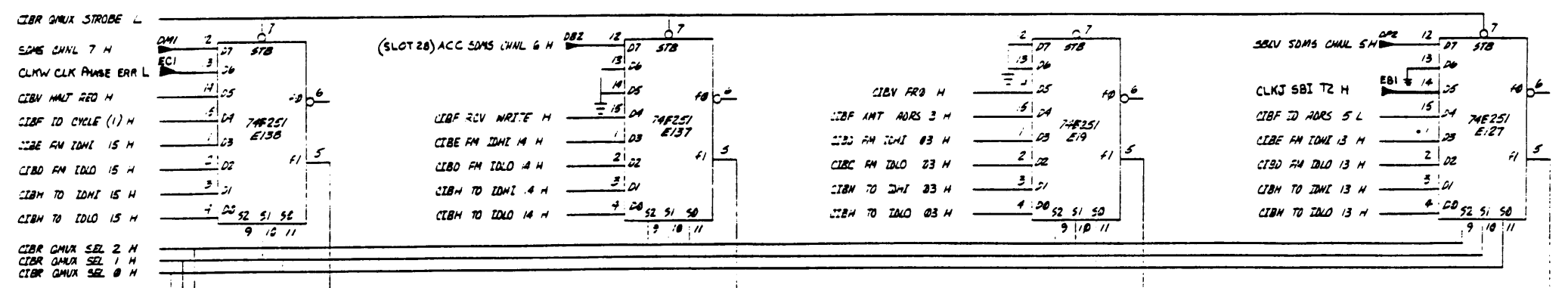
RECEIVE	TRANSMIT	MODE
L	L	DISABLE: BUS, DATA HI - Z
L	H	XMT: BUS ← DATA
H	L	RCV: DATA ← BUS
H	H	RCV: DATA ← BUS

NOTE: ALL UNMARKED RESISTORS ARE DIP LSI-11 BUS TERMINATORS PART NO. 13-11003-01 VALUES ARE 180Ω TO +5V AND 390Ω TO GND

REVISIONS

CHK	CHANGE NO.	REV.

THIS DRAWING AND SPECIFICATIONS HEREIN ARE THE PROPERTY OF DIGITAL EQUIPMENT CORPORATION AND SHALL NOT BE REPRODUCED OR COPIED IN WHOLE OR IN PART AS THE BASIS FOR THE MANUFACTURE OR SALE OF ITEMS WITHOUT WRITTEN PERMISSION. COPYRIGHT © 1983 DIGITAL EQUIPMENT CORPORATION

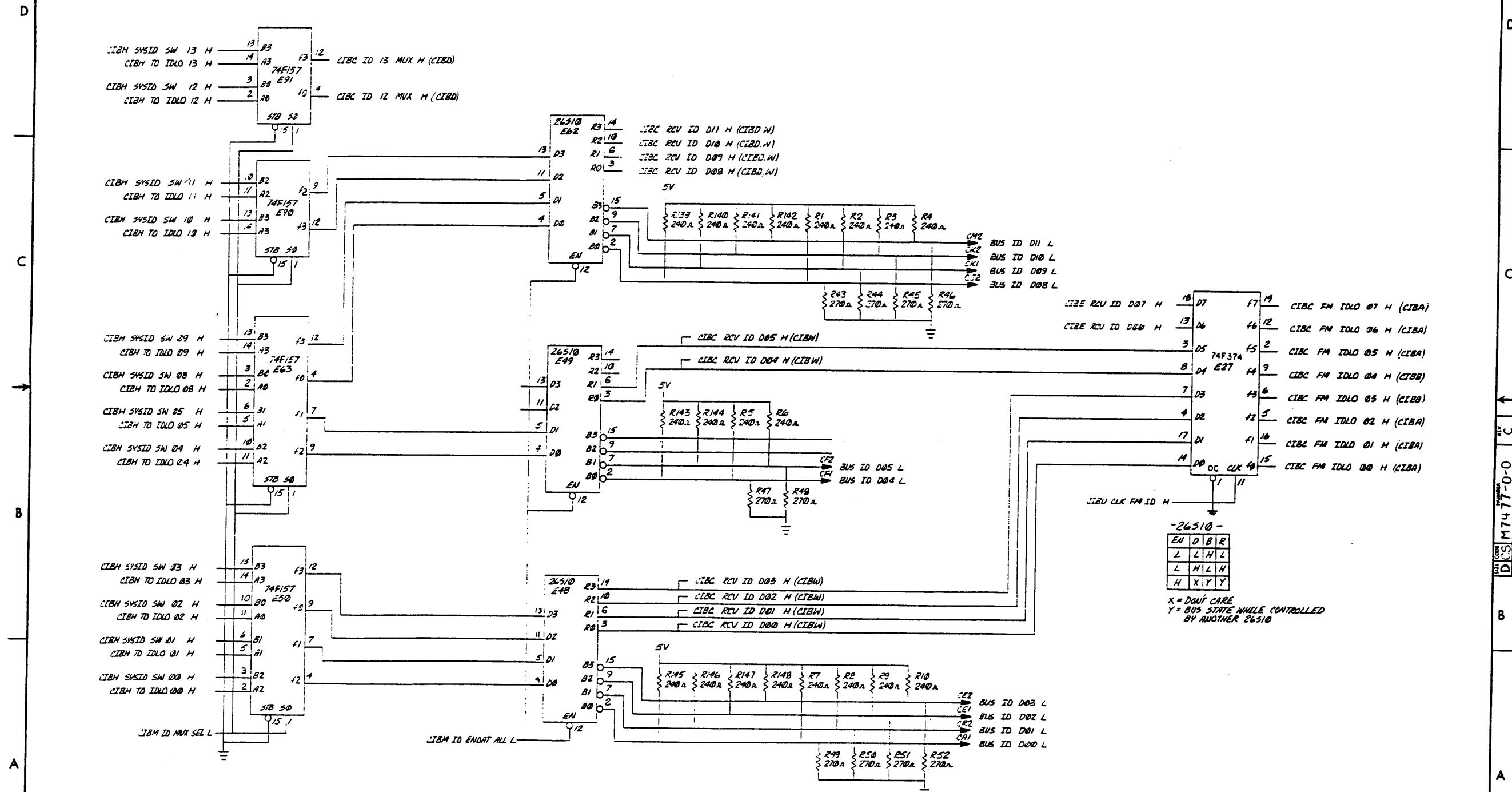


W1 INSTALLED : ADDS = 1730 XX  
W1 REMOVED : ADDS = 1630 XX  
VECTOR ADDS = 3000, 3004

REVISIONS		
CHK	CHANGE NO.	REV.

TITLE		GMUX <15:10> 4.3 GEUS TRANSCEIVERS (SLOT 29)	
SUBTITLE		CONSOLE (CIB8) INTERFACE BOARD	
SIZE	CODE	NUMBER	REV.
D	CS	M7477-0-0	C
SCALE	SHEET	DIST.	
	3 OF 22		

THIS DRAWING AND SPECIFICATIONS HEREIN ARE THE PROPERTY OF DIGITAL EQUIPMENT CORPORATION AND SHALL NOT BE REPRODUCED OR COPIED OR USED IN WHOLE OR IN PART AS THE BASIS FOR THE MANUFACTURE OR SALE OF ITEMS WITHOUT WRITTEN PERMISSION. COPYRIGHT © 1973 DIGITAL EQUIPMENT CORPORATION



18	D7	F7	19	CIBC FM IDLO 07 H (CIBA)
13	D6	F6	12	CIBC FM IDLO 06 H (CIBA)
5	D5	F5	2	CIBC FM IDLO 05 H (CIBA)
8	D4	F4	9	CIBC FM IDLO 04 H (CIBB)
7	D3	F3	6	CIBC FM IDLO 03 H (CIBB)
4	D2	F2	5	CIBC FM IDLO 02 H (CIBA)
17	D1	F1	16	CIBC FM IDLO 01 H (CIBA)
14	D0	F0	15	CIBC FM IDLO 00 H (CIBA)

26510 -  

E	D	B	R
L	L	H	L
L	H	L	H
H	X	Y	Y

  
 X = DON'T CARE  
 Y = BUS STATE WHILE CONTROLLED BY ANOTHER 26510

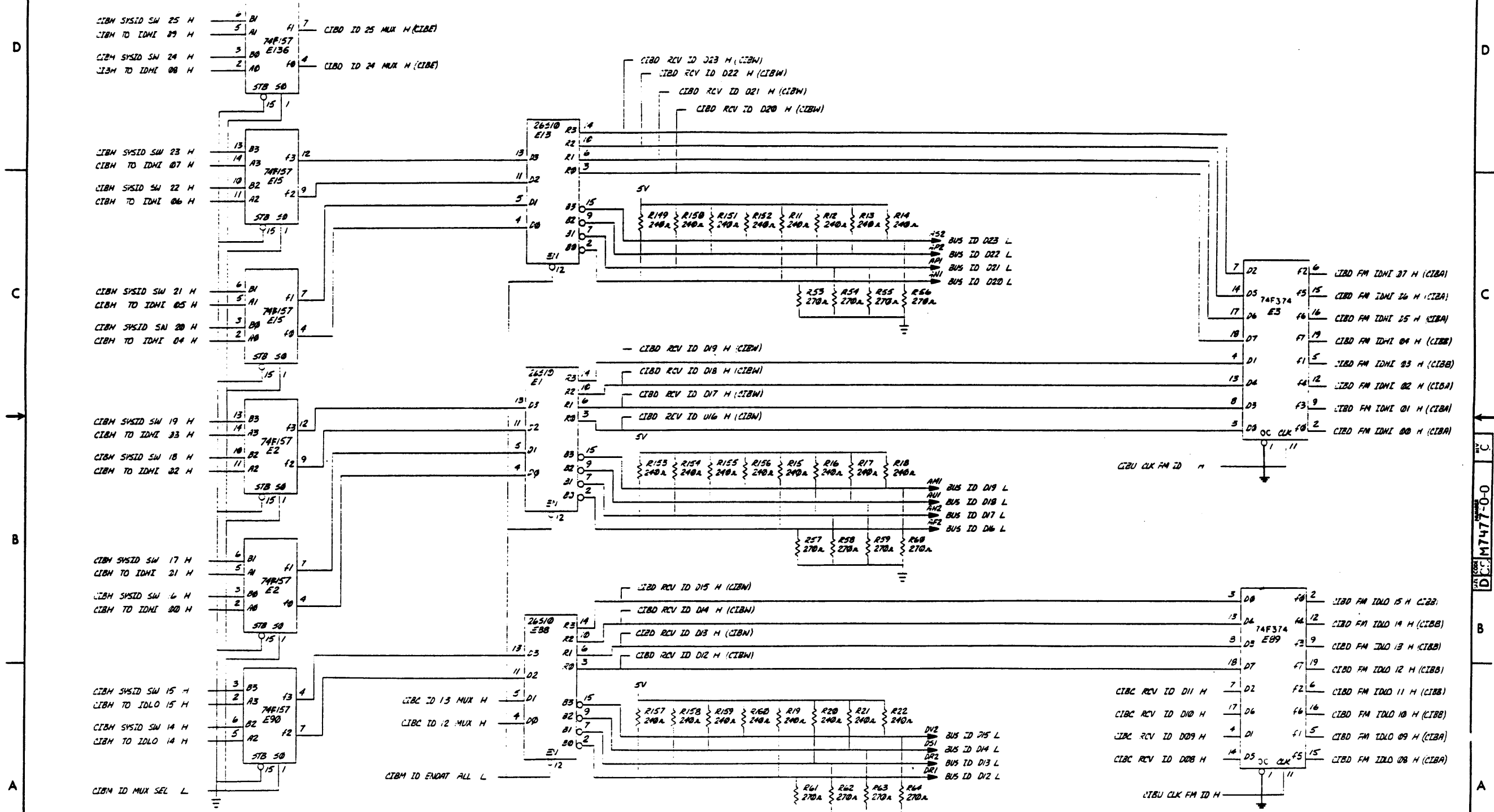
REVISIONS		
CHK	CHANGE NO.	REV.

ID MUX<13:00>, ID BUS<11:08>, <05:00> FROM ID LO <07:00> (SLOT 29)

TITLE	CONSOLE INTERFACE BOARD (CIB)	SIZE CODE	D CS	NUMBER	M7477-0-0	REV.	C
SCALE		SHEET	4 OF 22	DIST.			



THE DRAWING AND SPECIFICATIONS HEREIN ARE THE PROPERTY OF DIGITAL EQUIPMENT CORPORATION AND SHALL NOT BE REPRODUCED OR COPIED OR USED IN WHOLE OR IN PART AS THE BASIS FOR THE MANUFACTURE OR SALE OF ITEMS WITHOUT WRITTEN PERMISSION. COPYRIGHT © 1973 DIGITAL EQUIPMENT CORPORATION



REVISIONS		
CHK	CHANGE NO.	REV.

(IC MUX<25:14>;ID BUS<23:12>;FROM ID HI<07:00>;FROM ID LO<15:08>) (SLOT 29)

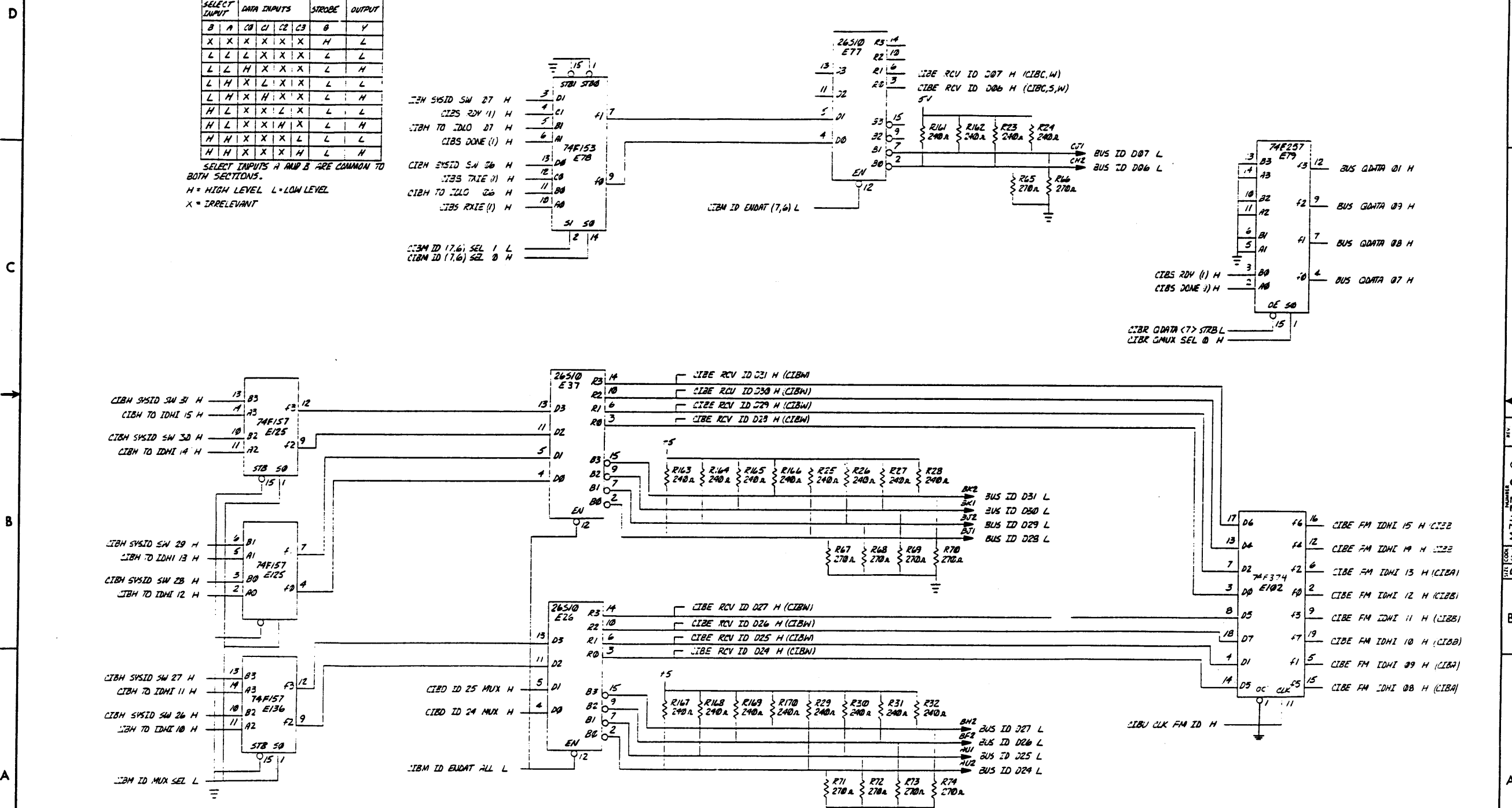
TITLE	CONSOLE INTERFACE BOARD (CIBD)	SIZE CODE	DCS	NUMBER	M7477-0-0	REV.	C
SCALE		SHEET	5 OF 22	DIST.			

THIS DRAWING AND SPECIFICATIONS HEREIN ARE THE PROPERTY OF DIGITAL EQUIPMENT CORPORATION AND SHALL NOT BE REPRODUCED OR COPIED OR USED IN WHOLE OR IN PART AS THE BASIS FOR THE MANUFACTURE OR SALE OF ITEMS WITHOUT WRITTEN PERMISSION. COPYRIGHT © 1983 DIGITAL EQUIPMENT CORPORATION

-74F153-  
FUNCTION TABLE

SELECT INPUT	DATA INPUTS					STROBE	OUTPUT
B A	C0	C1	C2	C3	0	Y	
X X	X X	X X	X X	X X	H	L	
L L	L X	X X	X X	X X	L	L	
L L	H X	X X	X X	X X	L	H	
L H	X L	X X	X X	X X	L	L	
L H	X H	X X	X X	X X	L	H	
H L	X X	L X	X X	X X	L	L	
H L	X X	H X	X X	X X	L	H	
H H	X X	X X	L X	X X	L	L	
H H	X X	X X	H X	X X	L	H	

SELECT INPUTS A AND B ARE COMMON TO BOTH SECTIONS.  
H = HIGH LEVEL L = LOW LEVEL  
X = IRRELEVANT

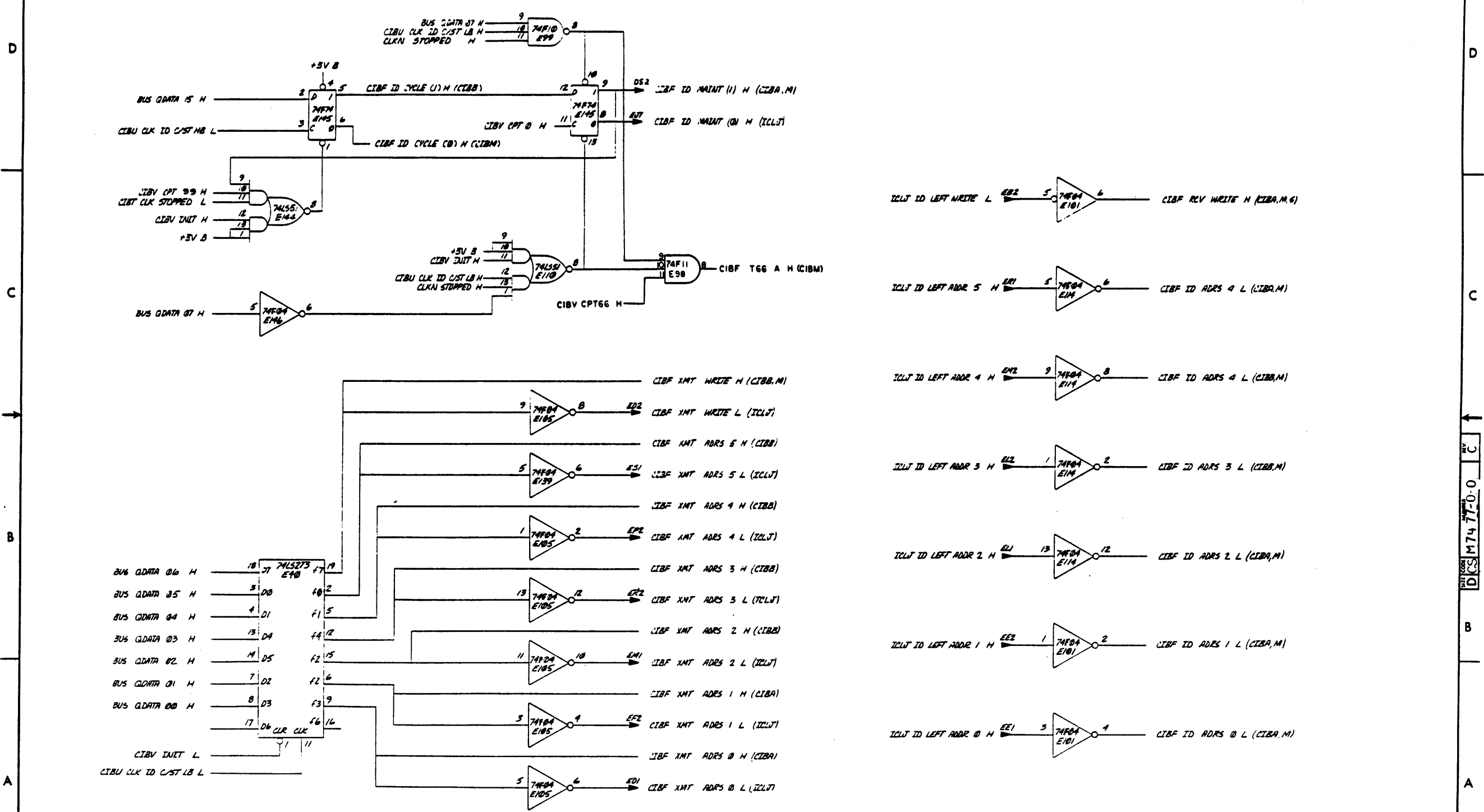


REVISIONS		
CHK	CHANGE NO.	REV.

ID <7:6> MUX, ID MUX <31:26>, ID BUS <31:24>, 7, 6 FROM ID HI <15:08>, GDATA <7> MUX (SLOT 29)

TITLE CONSOLE (CIB) INTERFACE BOARD  
SCALE SHEET 6 OF 22  
SIZE CODE DCS  
NUMBER M7477-1-0  
REV. C

THIS DRAWING AND SPECIFICATIONS HEREIN ARE THE PROPERTY OF DIGITAL EQUIPMENT CORPORATION AND SHALL NOT BE REPRODUCED OR COPIED OR USED IN WHOLE OR IN PART AS THE BASIS FOR THE MANUFACTURE OR SALE OF ITEMS WITHOUT WRITTEN PERMISSION. COPYRIGHT © 1973 DIGITAL EQUIPMENT CORPORATION



REVISIONS		
CHK	CHANGE NO.	REV.

(SLOT 29)  
 (ID CONTROL/STATUS REG ID ADRES/CONTROL RECEIVERS)  
**TITLE** CONSOLE (CIBF) INTERFACE BOARD  
**SIZE CODE** DCS  
**NUMBER** M7477-0-0  
**REV.** C  
 SCALE ← SHEET 7 OF 22 DIST. →

D CS M7477-0-0 REV. C

8

7

6

5

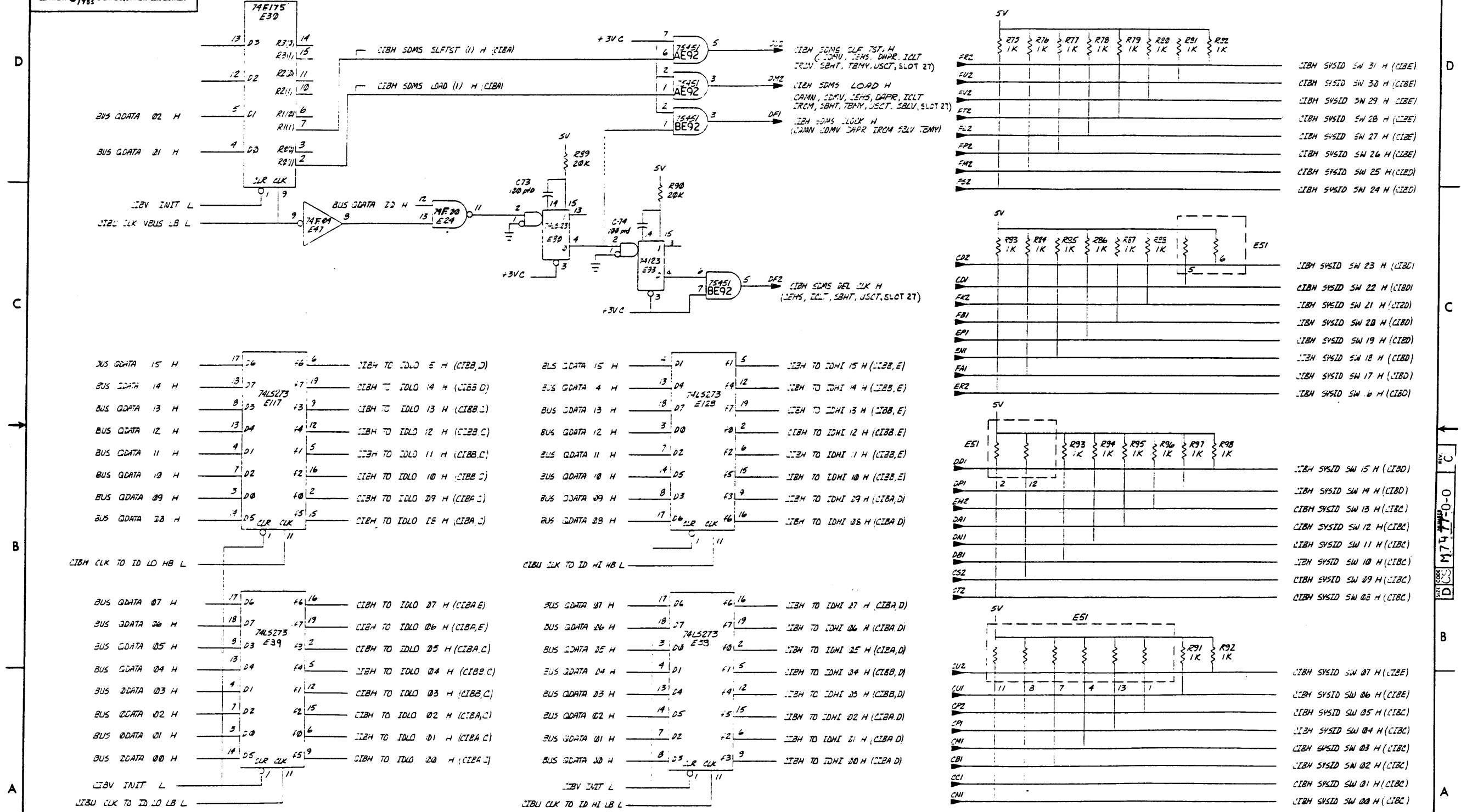
4

3

0-0-LL4LW 2

1

"THIS DRAWING AND SPECIFICATIONS, HEREIN, ARE THE PROPERTY OF DIGITAL EQUIPMENT CORPORATION AND SHALL NOT BE REPRODUCED OR COPIED OR USED IN WHOLE OR IN PART AS THE BASIS FOR THE MANUFACTURE OR SALE OF ITEMS WITHOUT WRITTEN PERMISSION. COPYRIGHT © 1983 DIGITAL EQUIPMENT CORPORATION"



REVISIONS		
CHK	CHANGE NO.	REV.

(TO ID LC, HI REGS. SYSTEM ID REG. VEBS CONTROL (SLOT 29))

TITLE: CONSOLE INTERFACE BOARD (CIBH)			SIZE/CODE: D CS		NUMBER: M7477-0-0		REV: C	
SCALE: _____			SHEET: 8 OF 22		DIST: _____			

8

7

6

5

4

3

2

1

D

C

B

A

0-0-LL4LW-0

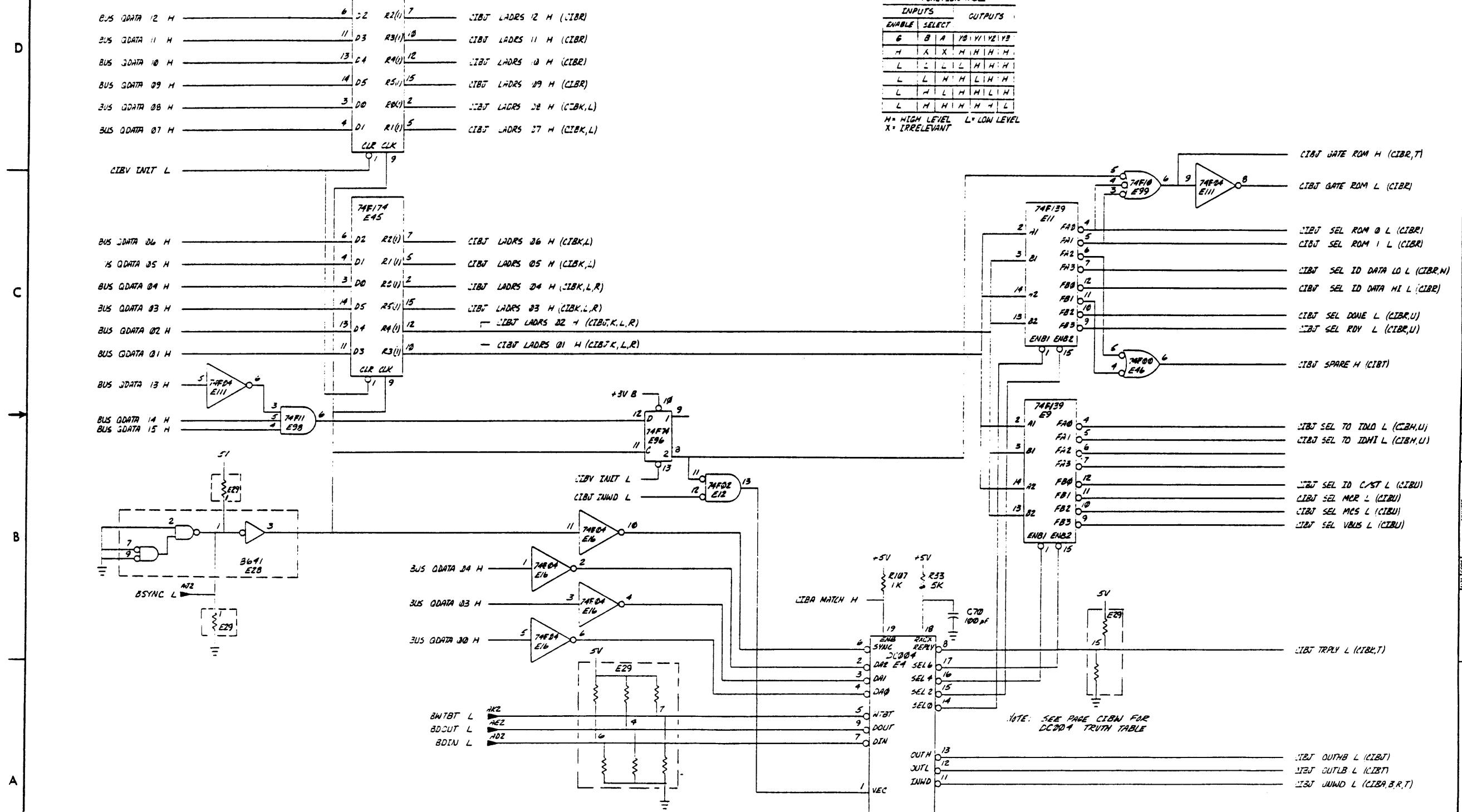
THIS DRAWING AND SPECIFICATIONS HEREIN ARE THE PROPERTY OF DIGITAL EQUIPMENT CORPORATION AND SHALL NOT BE REPRODUCED OR COPIED OR USED IN WHOLE OR IN PART AS THE BASIS FOR THE MANUFACTURE OR SALE OF ITEMS WITHOUT WRITTEN PERMISSION. COPYRIGHT © 1983 DIGITAL EQUIPMENT CORPORATION

-74F139-

EACH DECODER / DEMULTIPLEXER FUNCTION TABLE

INPUTS		OUTPUTS		
ENABLE	SELECT	Y0	Y1	Y2
H	X	X	H	H
L	L	L	L	H
L	L	H	L	H
L	H	L	H	L

H = HIGH LEVEL L = LOW LEVEL  
X = IRRELEVANT



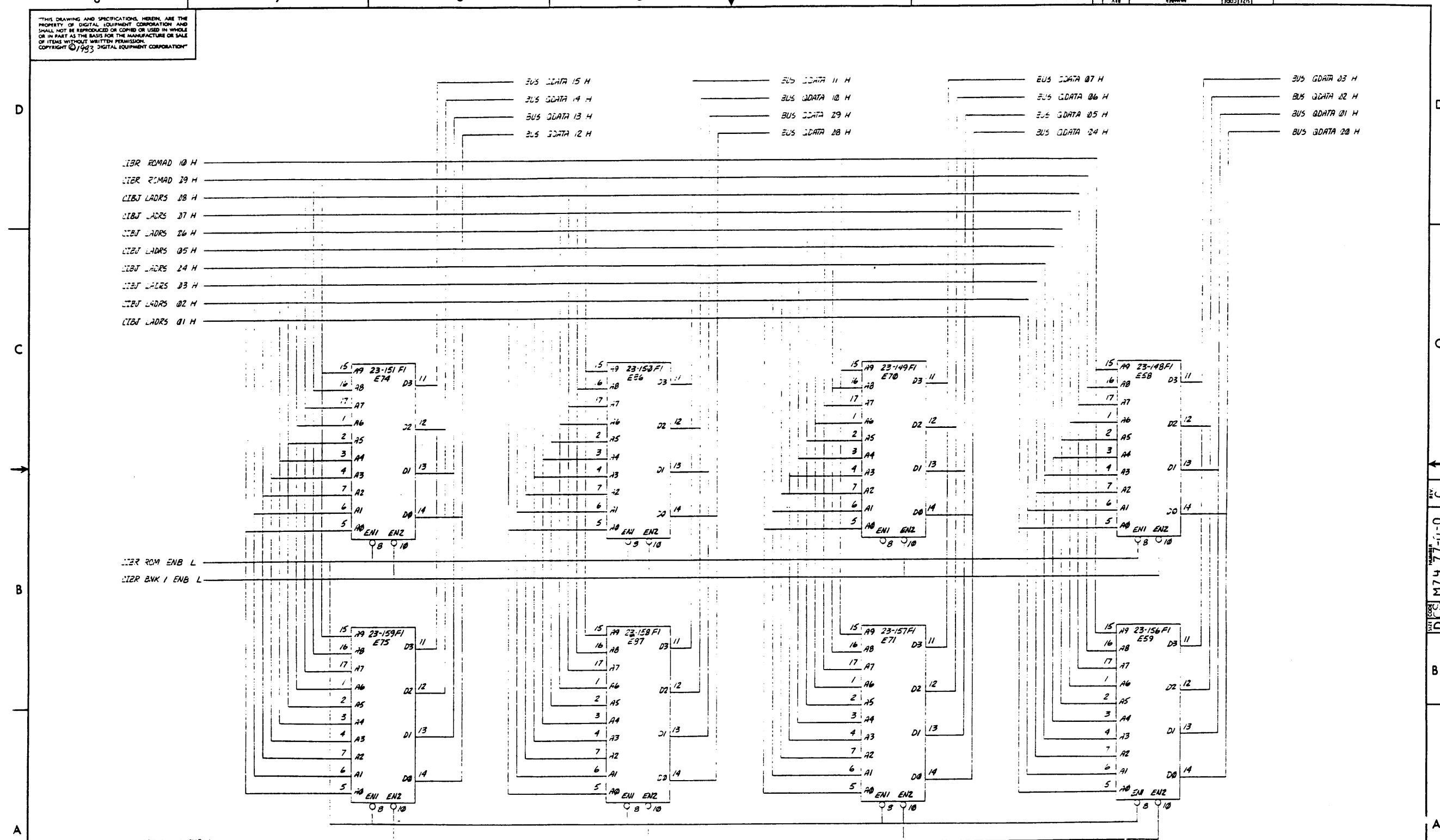
REVISIONS

CHK	CHANGE NO.	REV.

(SLOT 29)  
(PCM ADDR DECODE LATCH ADDR BITS <12:0> CIBUS REG SELECTS)

TITLE	CONSOLE INTERFACE BOARD (CIBU)	SIZE/CODE	D CS	NUMBER	M7477-0-0	REV.	C
SCALE		SHEET	9 OF 22	DIST.			

"THIS DRAWING AND SPECIFICATIONS HEREIN ARE THE PROPERTY OF DIGITAL EQUIPMENT CORPORATION AND SHALL NOT BE REPRODUCED OR COPIED OR USED IN WHOLE OR IN PART AS THE BASIS FOR THE MANUFACTURE OR SALE OF ITEMS WITHOUT WRITTEN PERMISSION. COPYRIGHT © 1993 DIGITAL EQUIPMENT CORPORATION"



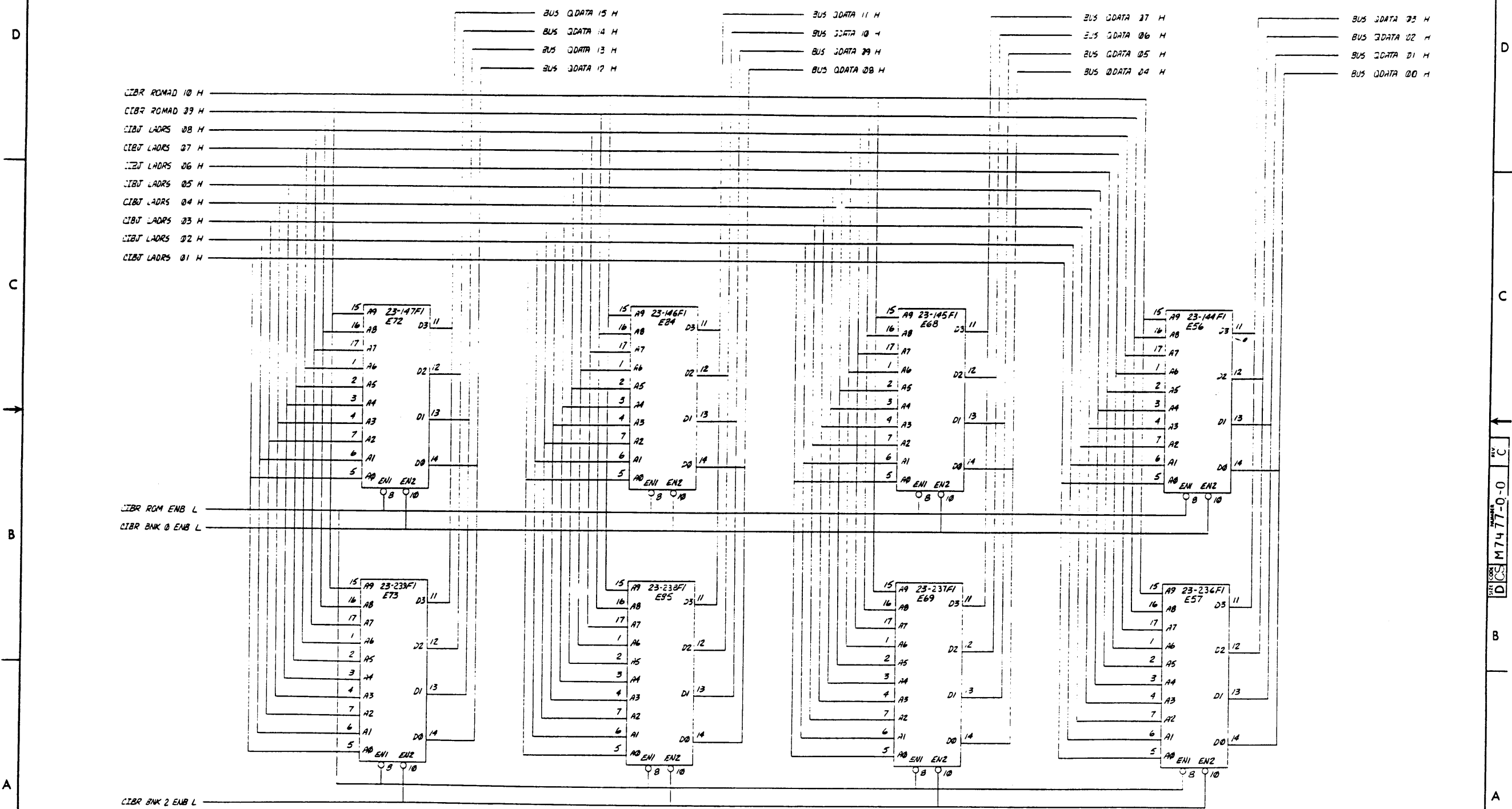
REVISIONS		
CHK	CHANGE NO.	REV.

REV. 1

REV. 1 M7477-0-0

THIS DRAWING AND SPECIFICATIONS HEREIN ARE THE PROPERTY OF DIGITAL EQUIPMENT CORPORATION AND SHALL NOT BE REPRODUCED OR COPIED OR USED IN WHOLE OR IN PART AS THE BASIS FOR THE MANUFACTURE OR SALE OF ITEMS WITHOUT WRITTEN PERMISSION. COPYRIGHT © 1975 DIGITAL EQUIPMENT CORPORATION

0-0-LLHLW 2



REVISIONS		
CHK	CHANGE NO.	REV.

FCM MATRIX (SLCT 29)  
 TITLE CONSOLE INTERFACE BOARD (CIBU)  
 SCALE SHEET 11 OF 22  
 SIZE CODE DIST. NUMBER M7477-0-0 REV. C

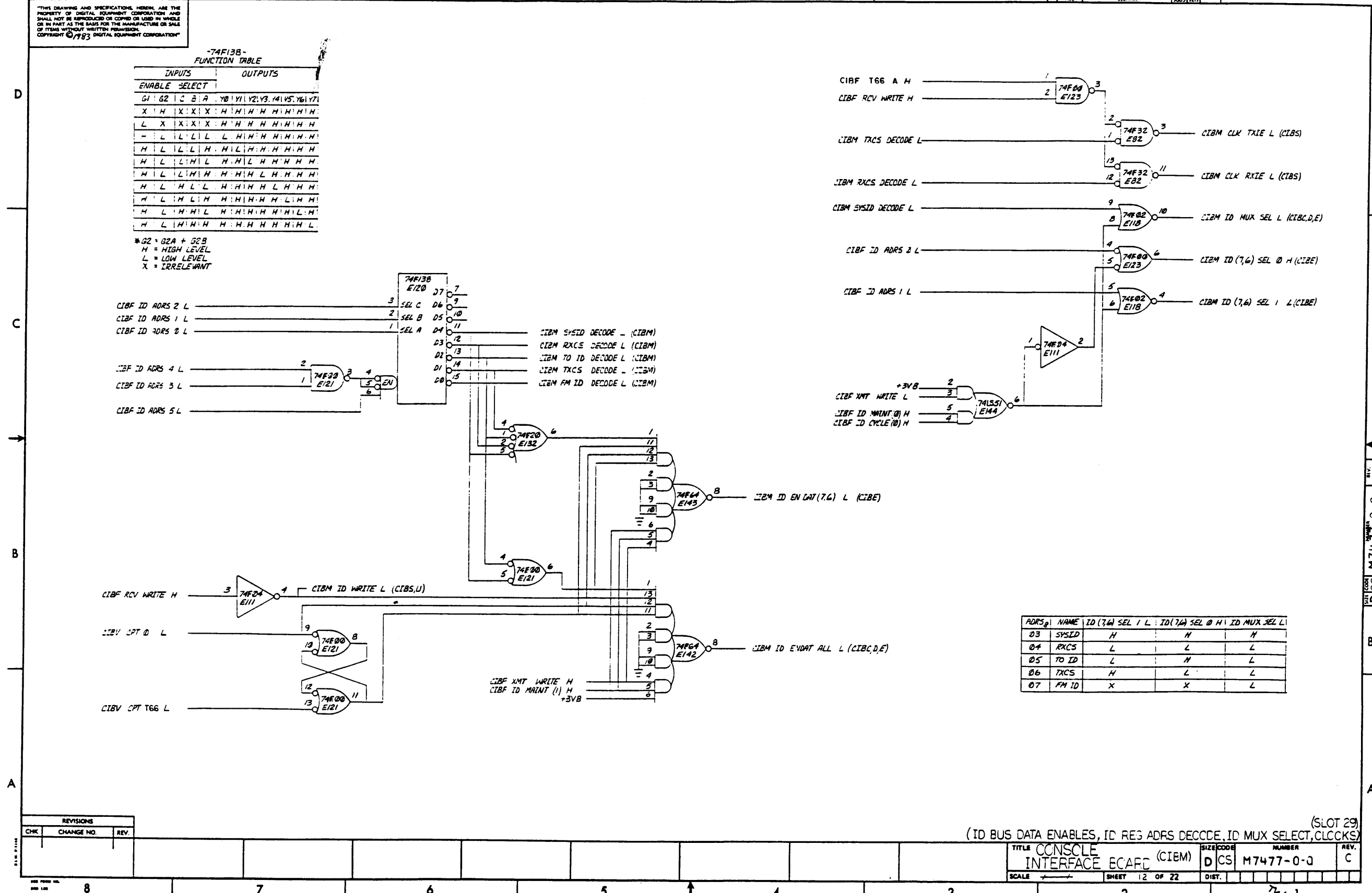
DATE CODE DCS M7477-0-0 REV. C

THIS DRAWING AND SPECIFICATIONS HEREIN ARE THE PROPERTY OF DIGITAL EQUIPMENT CORPORATION AND SHALL NOT BE REPRODUCED OR COPIED OR USED IN WHOLE OR IN PART AS THE BASIS FOR THE MANUFACTURE OR SALE OF ITEMS WITHOUT WRITTEN PERMISSION. COPYRIGHT © 1973 DIGITAL EQUIPMENT CORPORATION

-74F138-  
FUNCTION TABLE

INPUTS		OUTPUTS										
ENABLE	SELECT	Y0	Y1	Y2	Y3	Y4	Y5	Y6	Y7			
G1	G2	C	B	A	Y0	Y1	Y2	Y3	Y4	Y5	Y6	Y7
X	H	X	X	X	H	H	H	H	H	H	H	H
L	X	X	X	X	H	H	H	H	H	H	H	H
-	L	L	L	L	L	H	H	H	H	H	H	H
H	L	L	L	H	H	L	H	H	H	H	H	H
H	L	L	H	L	H	L	H	H	H	H	H	H
H	L	L	H	H	L	H	L	H	H	H	H	H
H	L	H	L	L	H	H	H	L	H	H	H	H
H	L	H	L	H	H	H	H	L	H	H	H	H
H	L	H	H	L	H	H	H	L	H	H	H	H
H	L	H	H	H	L	H	H	L	H	H	H	H
H	L	H	H	H	H	L	H	L	H	H	H	H
H	L	H	H	H	H	H	L	L	H	H	H	H

\*G2 = G2A + G2B  
H = HIGH LEVEL  
L = LOW LEVEL  
X = IRRELEVANT



ADRS <sub>g</sub>	NAME	ID (7,6) SEL 1 L	ID (7,6) SEL 0 H	ID MUX SEL L
03	SYSID	H	H	H
04	RXCS	L	L	L
05	TO ID	L	H	L
06	TXCS	H	L	L
07	FM ID	X	X	L

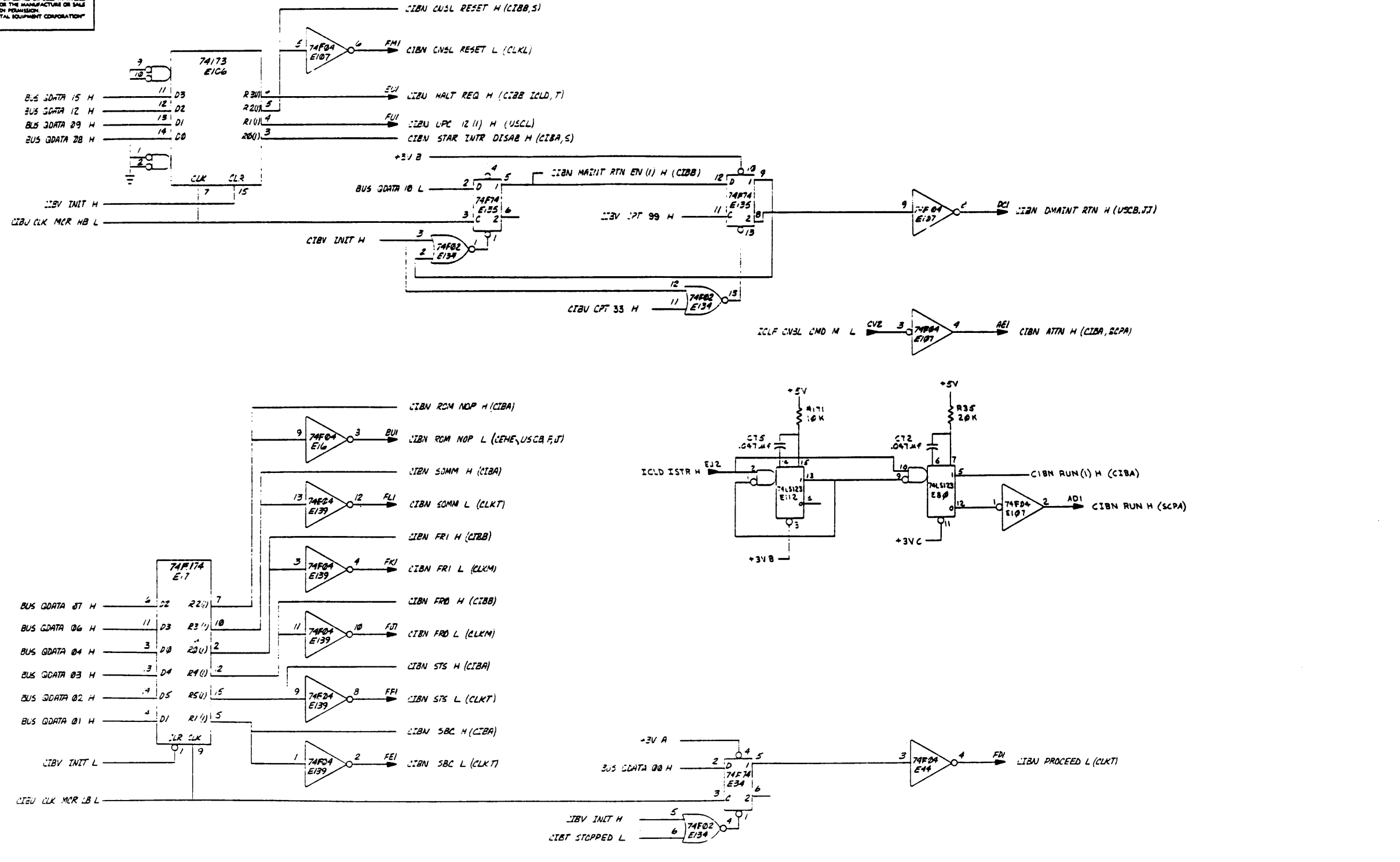
REVISIONS		
CHK	CHANGE NO.	REV.

(SLOT 29)  
(ID BUS DATA ENABLES, ID REG ADRS DECCDE, ID MUX SELECT, CLCKCS)

TITLE	CONSOLE INTERFACE ECARD (CIBM)	SIZE CODE	D CS	NUMBER	M7477-0-0	REV.	C
SCALE		SHEET	12 OF 22	DIST.			



THIS DRAWING AND SPECIFICATIONS HEREIN ARE THE PROPERTY OF DIGITAL EQUIPMENT CORPORATION AND SHALL NOT BE REPRODUCED OR COPIED OR USED IN WHOLE OR IN PART AS THE BASIS FOR THE MANUFACTURE OR SALE OF ITEMS WITHOUT WRITTEN PERMISSION. COPYRIGHT © 1983 DIGITAL EQUIPMENT CORPORATION



REVISIONS

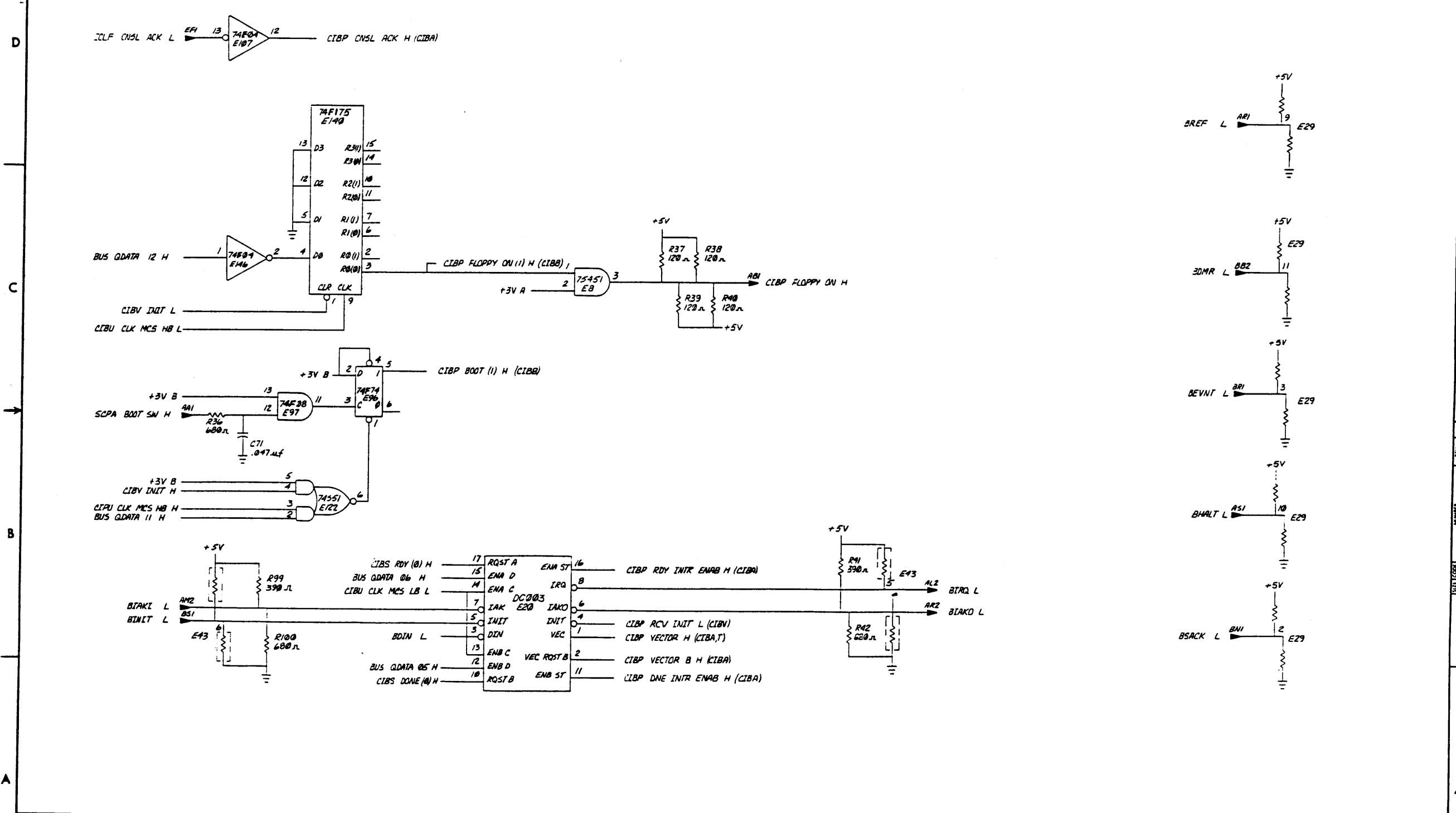
CHK	CHANGE NO.	REV.

(MACHINE CONTROL REG; RUN AND ATTENTION IN: IDTCRS (SLOT 29))

TITLE	CONSOLE INTERFACE BOARD (CIBU)	SIZE CODE	DCS	NUMBER	M7477-0-0	REV.	C
SCALE		SHEET	13 OF 22	DIST.			

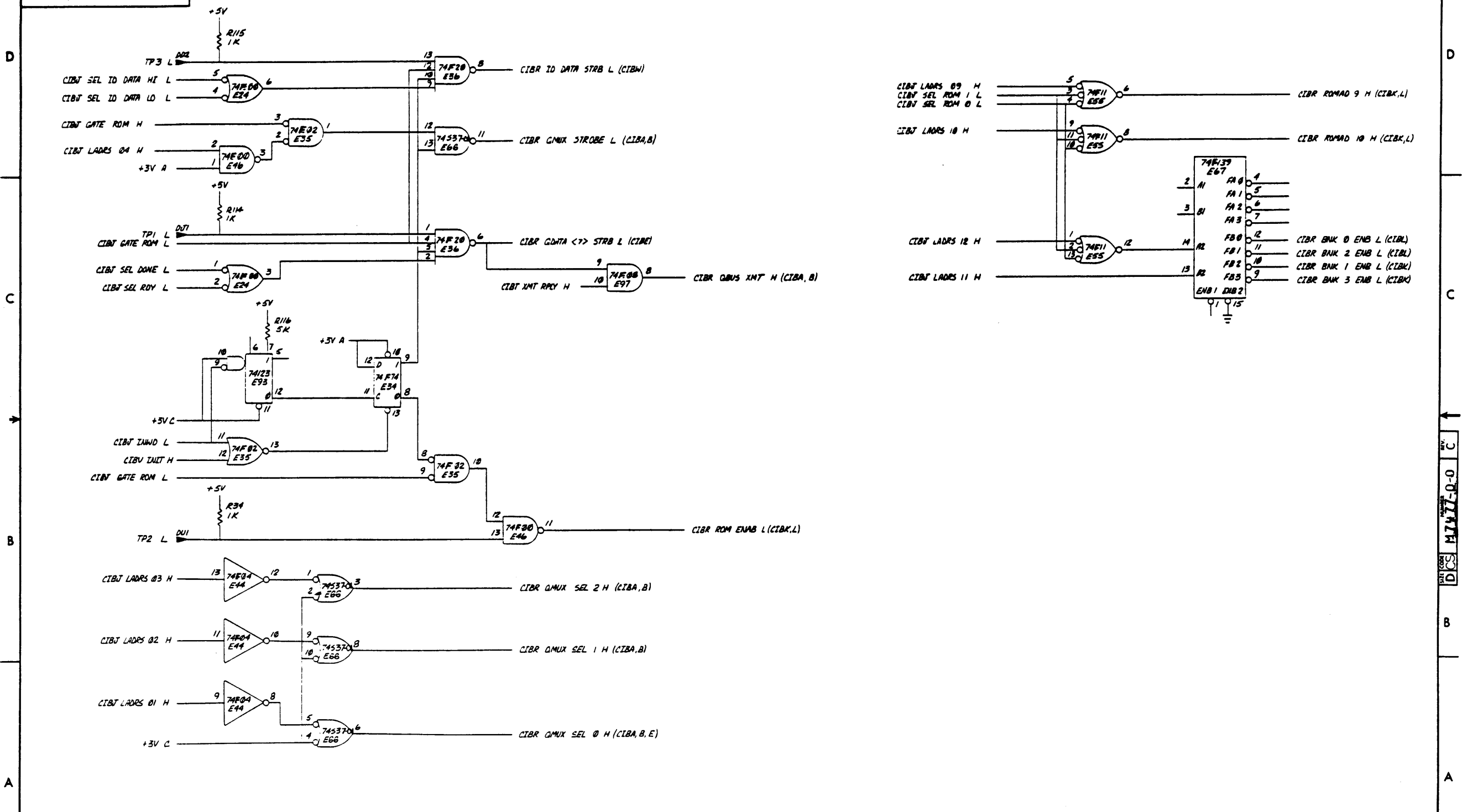
REV. C  
M7477-0-0

THIS DRAWING AND SPECIFICATIONS HEREIN ARE THE PROPERTY OF DIGITAL EQUIPMENT CORPORATION AND SHALL NOT BE REPRODUCED OR COPIED OR USED IN WHOLE OR IN PART AS THE BASIS FOR THE MANUFACTURE OR SALE OF ITEMS WITHOUT WRITTEN PERMISSION. COPYRIGHT © 1983 DIGITAL EQUIPMENT CORPORATION



REVISIONS		
CHK	CHANGE NO.	REV.

THIS DRAWING AND SPECIFICATIONS HEREIN ARE THE PROPERTY OF DIGITAL EQUIPMENT CORPORATION AND SHALL NOT BE REPRODUCED OR COPIED OR USED IN WHOLE OR IN PART AS THE BASIS FOR THE REPRODUCTION OR SALE OF ITEMS WITHOUT WRITTEN PERMISSION. COPYRIGHT © 1973 DIGITAL EQUIPMENT CORPORATION



REVISIONS		
CHK	CHANGE NO.	REV.

(QMUX SELECTS ROM BANK DECODE, ENABLE, ID DATA, QMUX STROBES, QBUS XMT (SLOT 29))

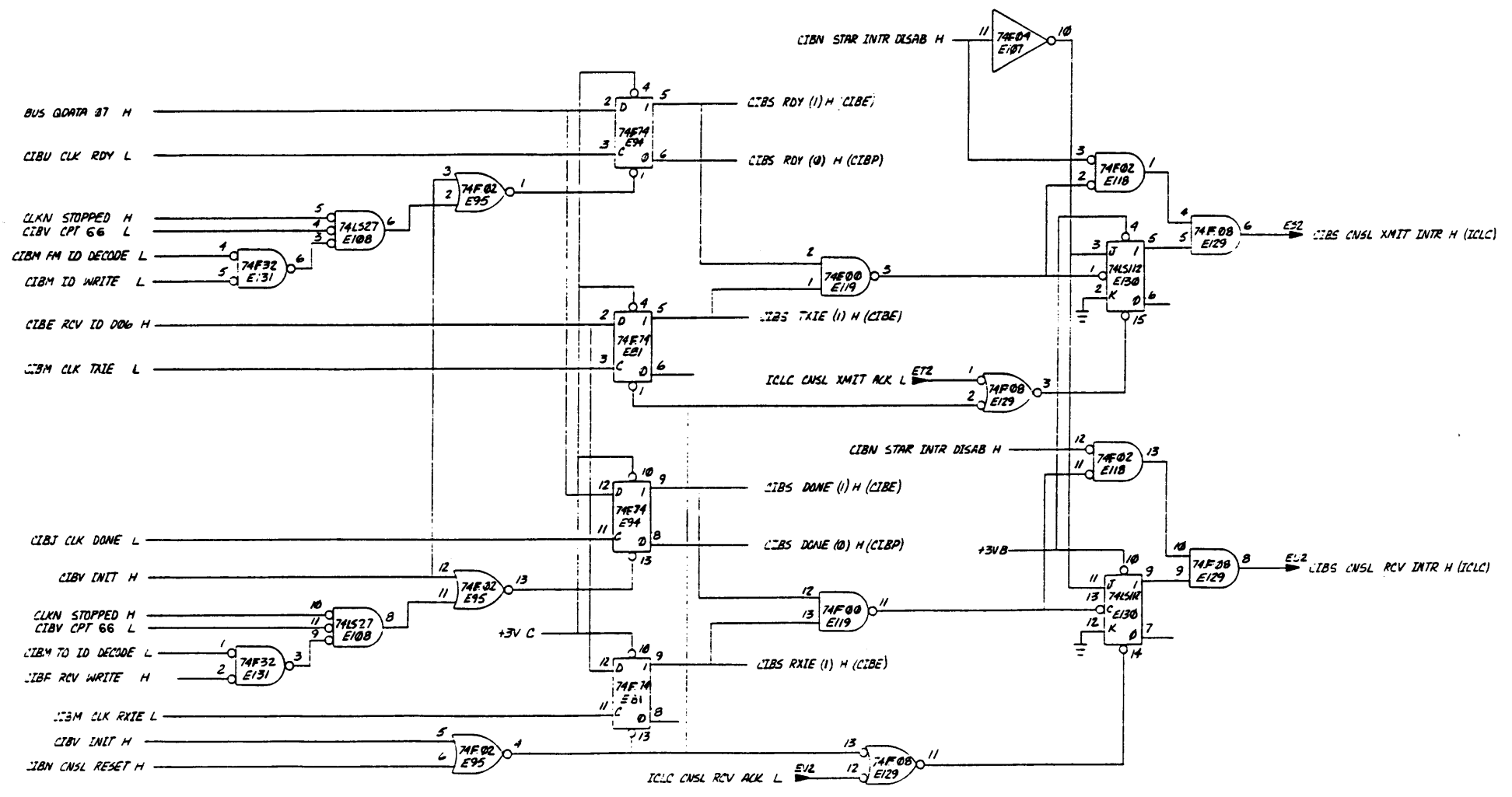
TITLE	CONSOLE INTERFACE BOARD (CIBR)	SIZE CODE	D CS	NUMBER	M7477-0-0	REV.	C
SCALE		SHEET	15 OF 22	DIST.			

D CS M7477-0-0 REV C

THIS DRAWING AND SPECIFICATIONS HEREIN ARE THE PROPERTY OF DIGITAL EQUIPMENT CORPORATION AND SHALL NOT BE REPRODUCED OR COPIED OR USED IN WHOLE OR IN PART AS THE BASIS FOR THE MANUFACTURE OR SALE OF ITEMS WITHOUT WRITTEN PERMISSION.  
 COPYRIGHT © 1973 DIGITAL EQUIPMENT CORPORATION

D  
C  
B  
A

D  
C  
B  
A



REVISIONS		
CHK	CHANGE NO.	REV.

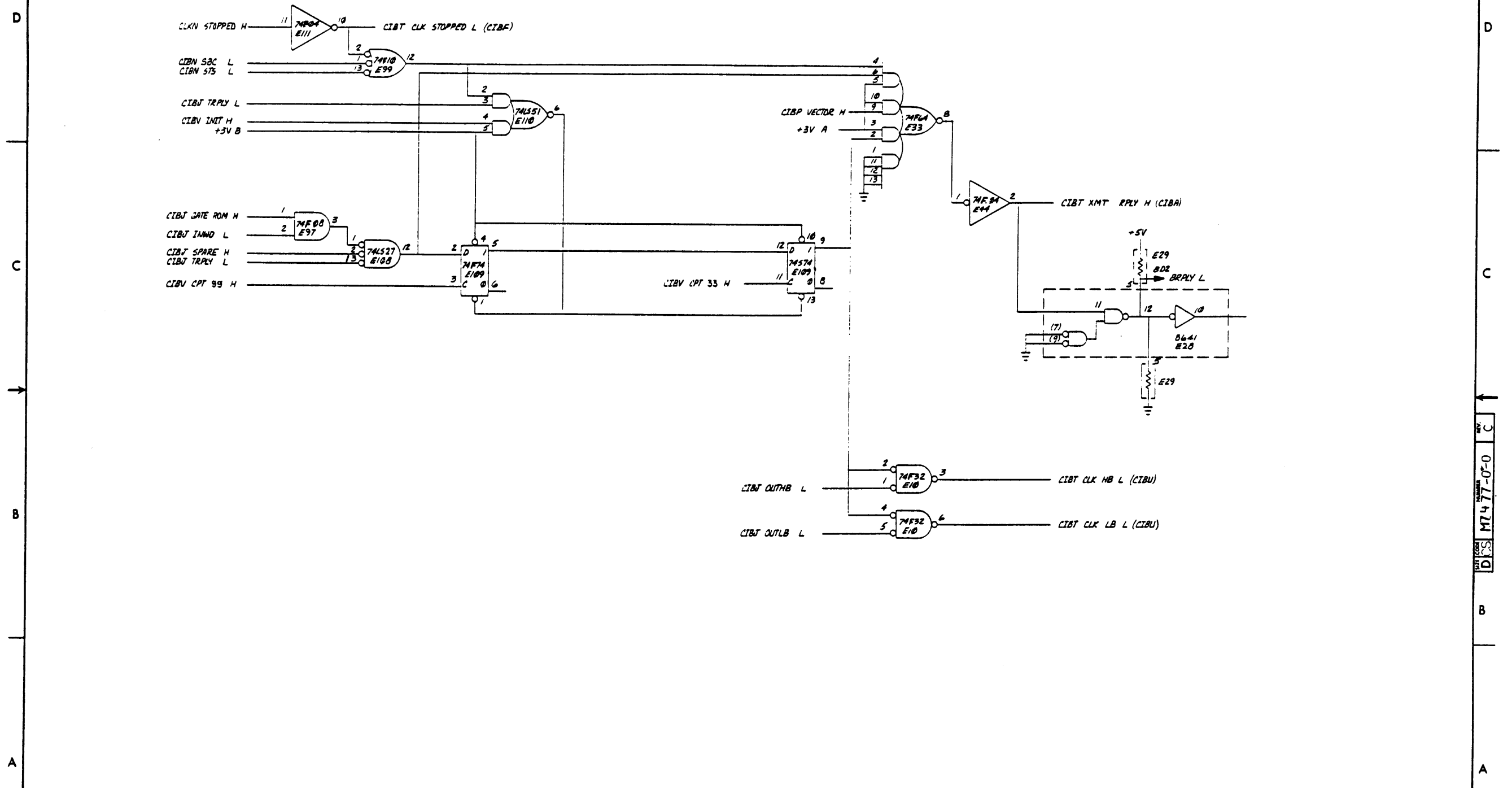
(READY, DONE, TRANSMIT AND RECEIVE INTERRUPT ENABLES (SLOT 29))

TITLE	CONSOLE (CIBS)	SIZE CODE	NUMBER	REV.
	INTERFACE BOARD	DCS	M7477-0-0	C
SCALE	SHEET	16 OF 22	DIST.	

REV. C  
M7477-0-0  
DCS

THE DRAWING AND SPECIFICATIONS HEREON ARE THE PROPERTY OF DIGITAL EQUIPMENT CORPORATION AND SHALL NOT BE REPRODUCED OR COPIED OR USED IN WHOLE OR IN PART AS THE BASIS FOR THE MANUFACTURE OR SALE OF ITEMS WITHOUT WRITTEN PERMISSION. COPYRIGHT © 1978, DIGITAL EQUIPMENT CORPORATION.

0-0-ZL4LW SCS 2



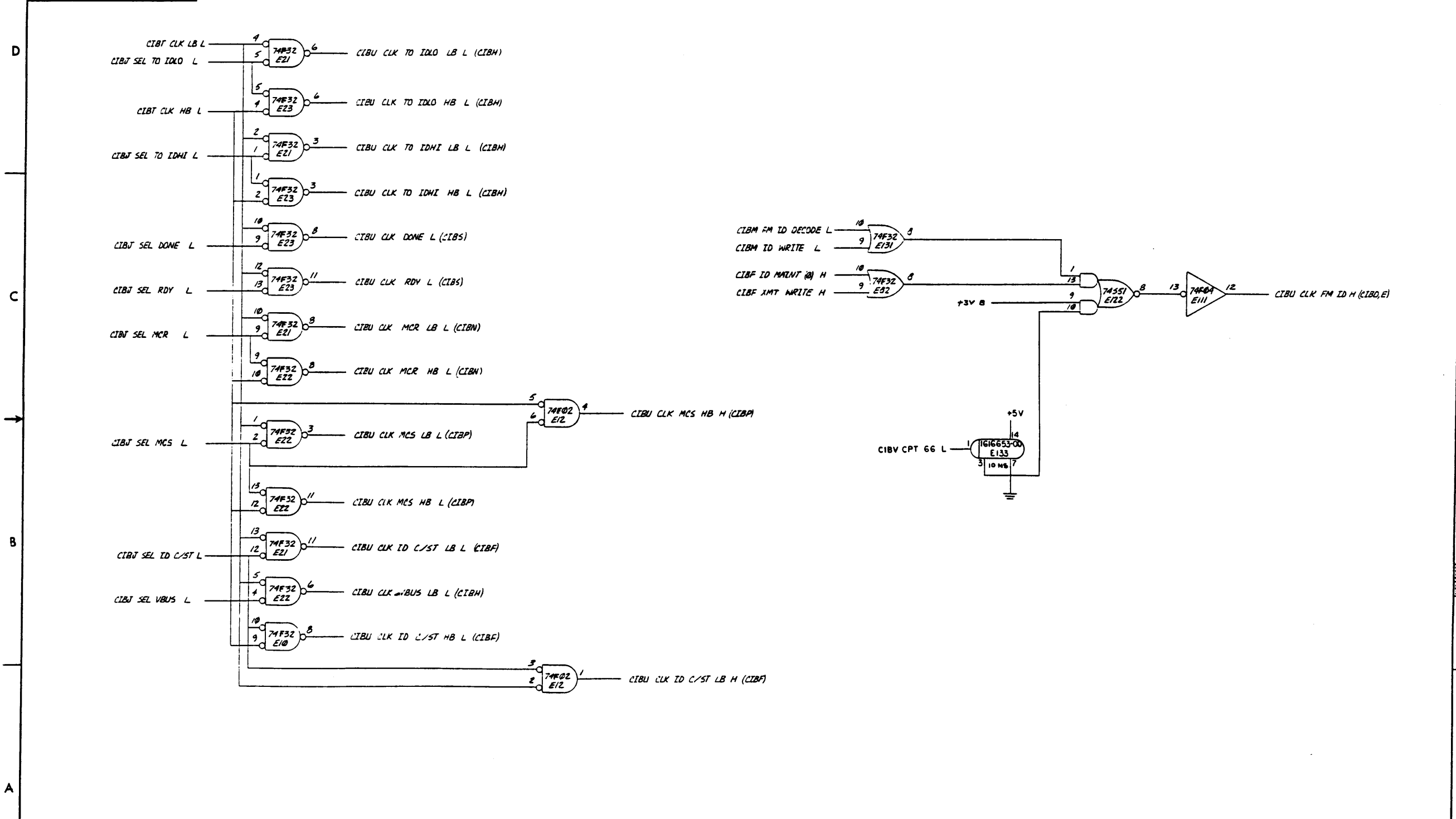
REVISIONS		
CHK	CHANGE NO.	REV.

(QBUS REPLY SYNCHRONIZER (SLOT 29))

TITLE	CONSOLE (CIBT) INTERFACE BOARD	SIZE/CODE	D CS	NUMBER	M7477-0-0	REV.	C
SCALE		SHEET	17 OF 22	DIST.			

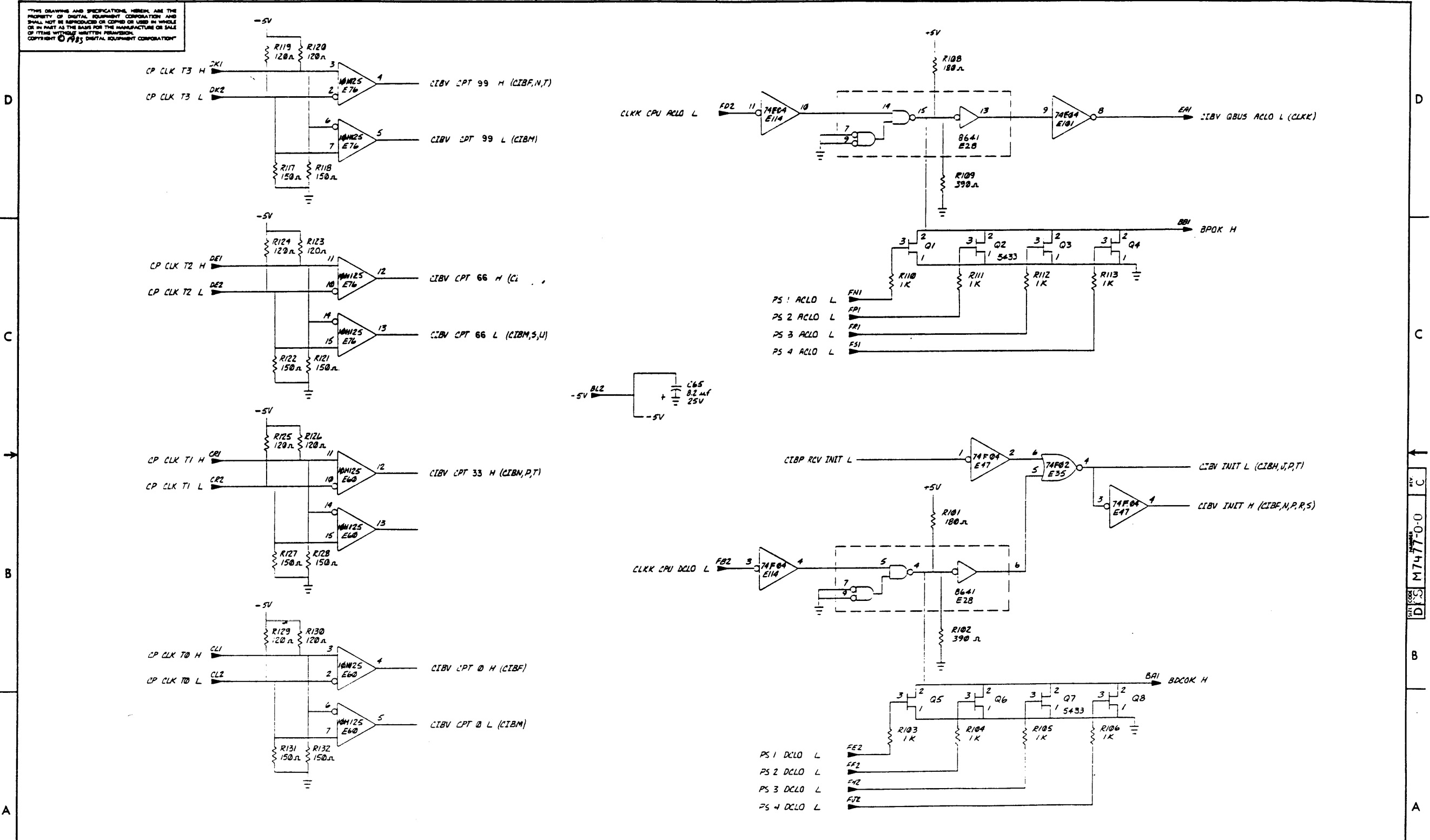
D CS M7477-0-0 C

"THIS DRAWING AND SPECIFICATIONS HEREIN ARE THE PROPERTY OF DIGITAL EQUIPMENT CORPORATION AND SHALL NOT BE REPRODUCED OR COPIED OR USED IN WHOLE OR IN PART AS THE BASIS FOR THE MANUFACTURE OR SALE OF ITEMS WITHOUT WRITTEN PERMISSION. COPYRIGHT © 1975 DIGITAL EQUIPMENT CORPORATION"



REVISIONS		
CHK	CHANGE NO.	REV.

THIS DRAWING AND SPECIFICATIONS HEREIN ARE THE PROPERTY OF DIGITAL EQUIPMENT CORPORATION AND SHALL NOT BE REPRODUCED OR COPIED OR USED IN WHOLE OR IN PART AS THE BASIS FOR THE MANUFACTURE OR SALE OF OTHER PRODUCTS WITHOUT PERMISSION. COPYRIGHT © 1981 DIGITAL EQUIPMENT CORPORATION



REVISIONS		
CHK	CHANGE NO.	REV.

(ECL CLOCK RECEIVERS, DCLO AND ACLO (SLOT 29))

TITLE	CONSOLE (CIBV) INTERFACE BOARD	SIZE CODE	D CS	NUMBER	M7477-0-0	REV.	C
SCALE		SHEET	19 OF 22	DIST.			

REV. C  
M7477-0-0  
D CS

"THIS DRAWING AND SPECIFICATIONS HEREIN ARE THE PROPERTY OF DIGITAL EQUIPMENT CORPORATION AND SHALL NOT BE REPRODUCED OR COPIED OR USED IN WHOLE OR IN PART AS THE BASIS FOR THE MANUFACTURE OR SALE OF ITEMS WITHOUT WRITTEN PERMISSION. COPYRIGHT © 1977 DIGITAL EQUIPMENT CORPORATION"

NOTE: SEE CIBT

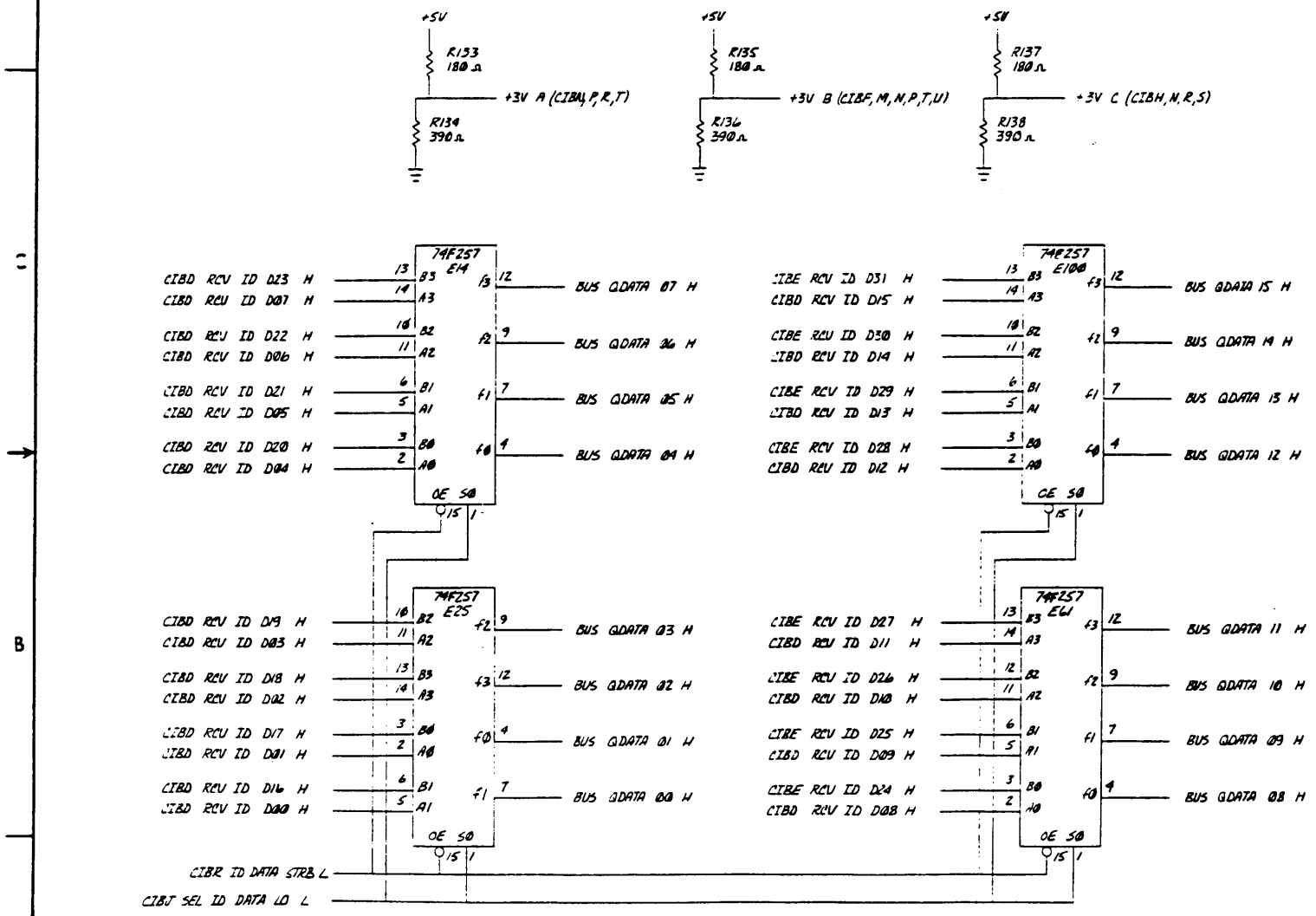
- 20004 -

TRUTH TABLE							
INPUTS				OUTPUTS			
BSYNC	ENB	BDAL 2	BDAL 1	SEL 6	SEL 4	SEL 2	SEL 0
H	X	X	X	H	H	H	H
L	L*	X	X	H	H	H	H
L	H*	L*	L*	L	H	H	H
L	H*	L*	H*	H	L	H	H
L	H*	H*	L*	H	H	L	H
L	H*	H*	H*	H	H	H	L

INPUTS				OUTPUTS				
BSYNC	ENB	BDAL 2	BDAL 1	OUTLB	OUTHB	BRPLY	RXCX	
H	X	X	X	H	H	H	L	
L	X	H	X	H	H	H	L	
L	L*	L	H	X	L	L	H	
L	L*	L	L	H*	L	H	L	
L	L*	L	L	L*	H	L	L	
L	H*	L	H	X	L	L	L	
L	H*	L	L	H*	L	H	L	
L	H*	L	L	L*	H	L	L	

INPUTS		OUTPUTS		INPUT		OUTPUTS	
BSYNC	ENB	BDAL 2	BDAL 1	BRPLY	RXCX	VECTOR	BRPLY
H	X	X	H	H	L	H	L
L	X	H	H	H	L	L	H
L	L*	L	L	H	L		
L	H*	L	L	L	H		

NOTES:  
 1.) H'S AND L'S MARKED WITH \* INDICATES THE STATE OF THE INPUT LINE AT THE FALLING EDGE OF BSYNC, ASSUMING THE PROPER SET-UP AND HOLD TIMES, OUTSIDE OF THIS INTERVAL, THE INPUT LEVEL ON THESE LINES IS X.  
 2.) X\* IMPLIES A DON'T CARE CONDITION.  
 3.) NOTE THAT "BRPLY" IS PRODUCED BY THREE MEANS. THE ACTUAL OUTPUT IS L IF ANY OF THE THREE TRUTH TABLES INDICATE L. THE OUTPUTS ARE H ONLY IF ALL THREE TRUTH TABLES INDICATE H. RXCX IS THE LOGICAL INVERSION OF BRPLY.



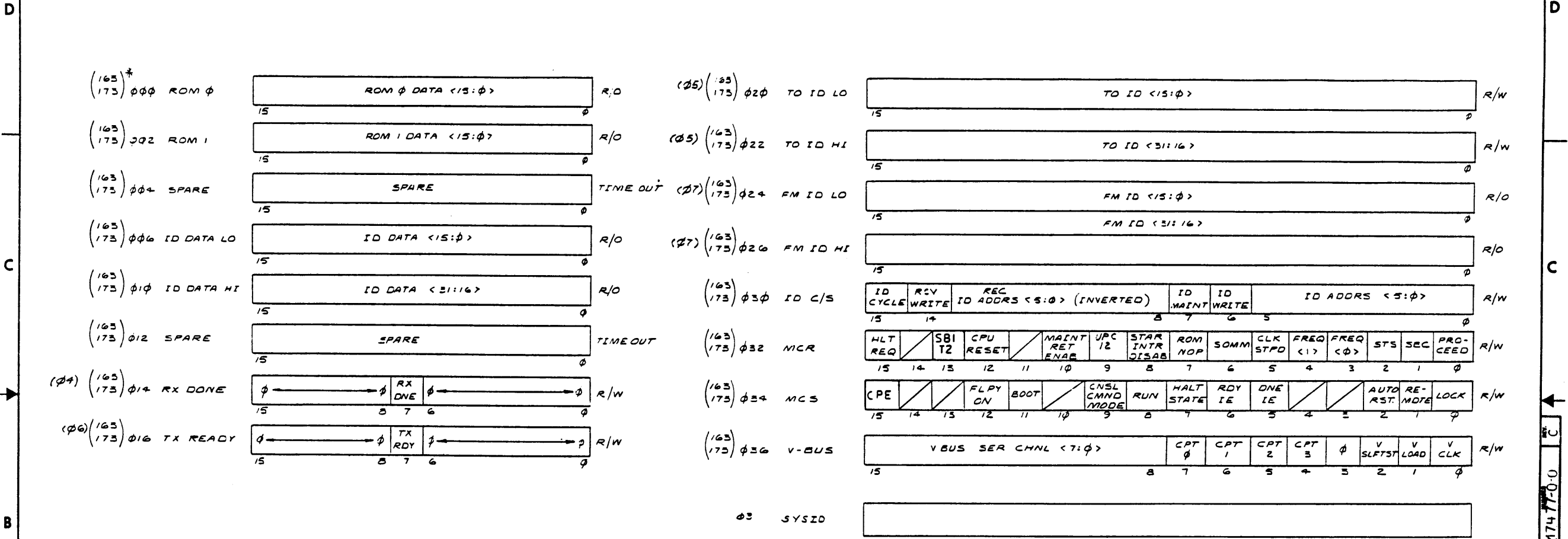
REVISIONS		
CHK	CHANGE NO.	REV.

(ID DATA MUX (SLOT 29))

TITLE	CONSOLE (CIBW) INTERFACE BOARD	SIZE CODE	D CS	NUMBER	M7477-0-0	REV.	C
SCALE		SHEET	20 OF 22	DIST.			



THIS DRAWING AND SPECIFICATIONS HEREIN ARE THE PROPERTY OF DIGITAL EQUIPMENT CORPORATION AND SHALL NOT BE REPRODUCED OR COPIED OR USED IN WHOLE OR IN PART AS THE BASIS FOR THE MANUFACTURE OR SALE OF ITEMS WITHOUT WRITTEN PERMISSION. COPYRIGHT © 1983, DIGITAL EQUIPMENT CORPORATION



\* START ADRS DETERMINED BY JUMPER WI ON M7477. SEE PAGE C1EB OF M7477 PRINTS FOR JUMPER DEFINITION.

CONTENTS SELECTED BY BACK PANEL JUMPERS. JUMPER INDICATES A 1.

REV	
CHANGE NO.	
CHK	

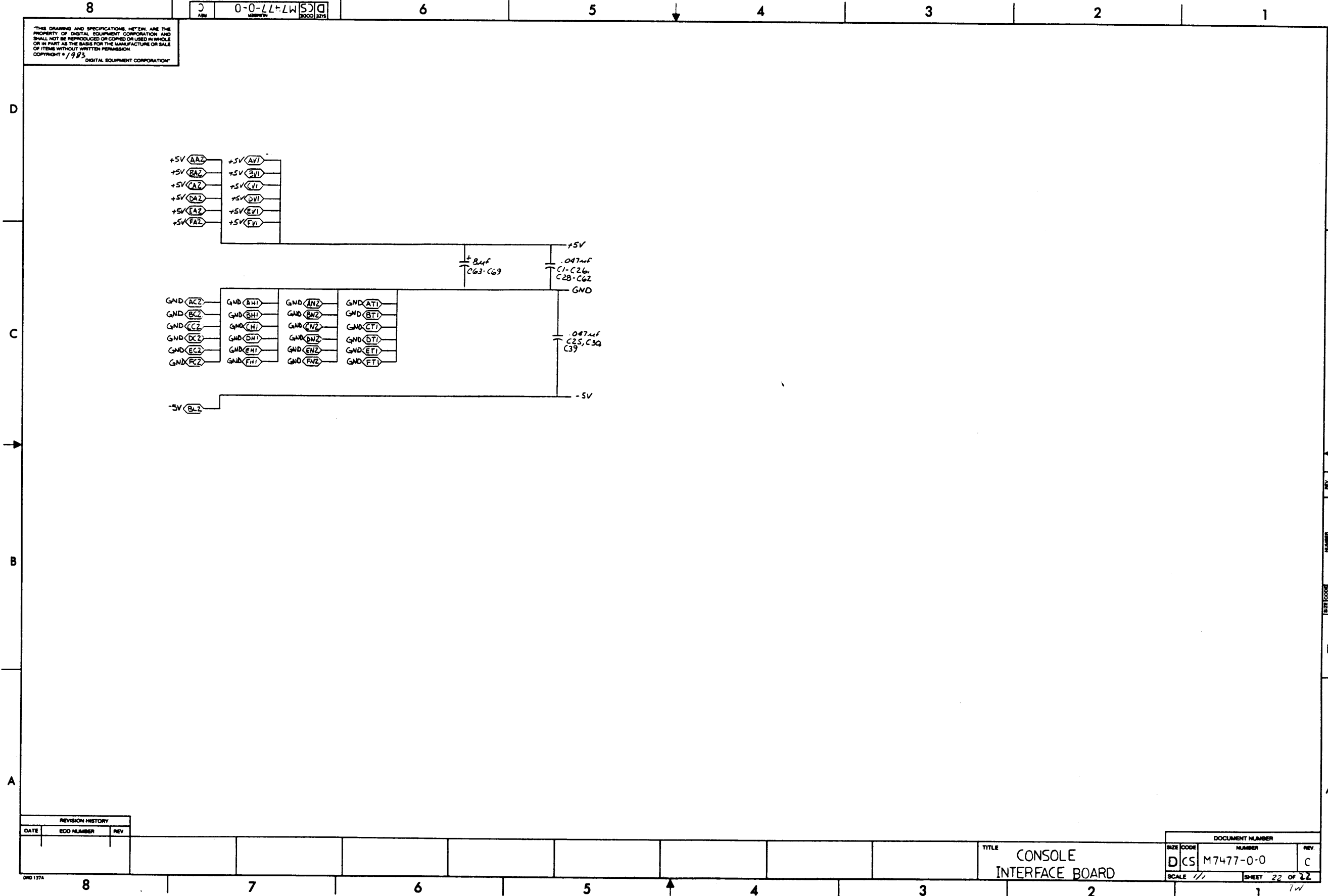
(CIB REGISTER DEFINITION (SLOT 29))

DRN. R.D.L. 8-5-77	FIRST USED ON	Digital
CHK'D 8-5-77	TITLE	CONSOLE (CIBX) INTERFACE BOARD
ENG/	PROJ. ENG/	
PROD. 12/83	NEXT HIGHER ASSY.	
SCALE 1:1	SIZE CODE	D CS
SHEET 21 OF 22	NUMBER	M7477-0-0
	REV.	C

M7477-0-0

THIS DRAWING AND SPECIFICATIONS HEREIN ARE THE PROPERTY OF DIGITAL EQUIPMENT CORPORATION AND SHALL NOT BE REPRODUCED OR COPIED OR USED IN WHOLE OR IN PART AS THE BASIS FOR THE MANUFACTURE OR SALE OF ITEMS WITHOUT WRITTEN PERMISSION. COPYRIGHT © 1975 DIGITAL EQUIPMENT CORPORATION.

DCS M7477-0-0



REVISION HISTORY		
DATE	ECO NUMBER	REV

TITLE  
CONSOLE  
INTERFACE BOARD

DOCUMENT NUMBER		
SIZE CODE	NUMBER	REV
DCS	M7477-0-0	C
SCALE	1/1	SHEET 22 OF 22

ORD 137A

8

7

6

5

4

3

2

1

TW

DRAWING NO.	NO. OF SHTS.	PART NO.	DESCRIPTION	REVISIONS																
				AI	BI	CI	DI	D2												
	-	M7477-00	CIB																	
E-UA-M7477-0-0	4		UNIT ASSEMBLY	A	A	B	C	-												
D-CS-M7477-0-0	22		SCHEMATIC	A	A	B	C	-												
K-PL-M7477-0-DBP	3		PARTS LIST	A	B	B	C	-												
K-PC-M7477-0-DBG	-		P.C. DATA BASE	C	C	C	C	-												
		5012795-00	ETCHED BOARD	C	C	C	C	-												
E-MD-5012795-0-0	5		ETCHED CIRCUIT BOARD	B	B	B	B	-												
		5017513-01	ETCHED BOARD	-	-	-	-	AI												
E-UA-M7477-0-1	1		UNIT ASSEMBLY	-	-	-	-	A												
K-PL-M7477-0-DBPI	3		PARTS LIST	-	-	-	-	A												
K-PC-M7477-0-DBGI	-		P.C. DATA BASE	-	-	-	-	A												
B-DD-5017513-0-0	1		DRAWING DIRECTORY	-	-	-	-	A												
D-CS-M7477-0-CIBA	1		CIB	-	-	-	-	A												
D-CS-M7477-0-CIBB	1		CIB	-	-	-	-	A												
D-CS-M7477-0-CIBC	1		CIB	-	-	-	-	A												
D-CS-M7477-0-CIBD	1		CIB	-	-	-	-	A												
D-CS-M7477-0-CIBE	1		CIB	-	-	-	-	A												
D-CS-M7477-0-CIBF	1		CIB	-	-	-	-	A												
D-CS-M7477-0-CIBH	1		CIB	-	-	-	-	A												
D-CS-M7477-0-CIBJ	1		CIB	-	-	-	-	A												
D-CS-M7477-0-CIBK	1		CIB	-	-	-	-	A												
D-CS-M7477-0-CIBL	1		CIB	-	-	-	-	A												
D-CS-M7477-0-CIBM	1		CIB	-	-	-	-	A												
D-CS-M7477-0-CIBN	1		CIB	-	-	-	-	A												
D-CS-M7477-0-CIBP	1		CIB	-	-	-	-	A												
D-CS-M7477-0-CIBR	1		CIB	-	-	-	-	A												

NOTES:

REVISIONS		REV.	A	B	C	D	E
DATE	CHG NO.						
7/83		INIT					
12/83		TW001					
4/84		TW002					
5/84		TW003					
1/85		TW004					

"THIS DRAWING AND SPECIFICATIONS, HEREIN, ARE THE PROPERTY OF DIGITAL EQUIPMENT CORPORATION AND SHALL NOT BE REPRODUCED OR COPIED OR USED IN WHOLE OR IN PART AS THE BASIS FOR THE MANUFACTURE OR SALE OF ITEMS WITHOUT WRITTEN PERMISSION."  
 COPYRIGHT © 1983 DIGITAL EQUIPMENT CORPORATION



USED ON OPTION/MODEL

DRN. <i>S. MANNICK</i>	7-15-83
CHK'D <i>[Signature]</i>	9-15-83
ENG. <i>Jay Stinson</i>	10-11-83
PROJ. <i>[Signature]</i>	10-11-83

TITLE CIB	
SIZE B DD	NUMBER M7477-0-0
REV. E	
SHEET OF 2	

REV	0-0-0	NUMBER	M7477
B	DD	SIZE	

DRAWING NO.	NO OF SHTS	PART NO.	DESCRIPTION	REVISIONS															
D-CS-M7477-0-CIBS	1		C I B	-	-	-	-	A											
D-CS-M7477-0-CIBT	1		C I B	-	-	-	-	A											
D-CS-M7477-0-CIBU	1		C I B	-	-	-	-	A											
D-CS-M7477-0-CIBV	1		C I B	-	-	-	-	A											
D-CS-M7477-0-CIBW	1		C I B	-	-	-	-	A											
D-CS-M7477-0-CIBX	1		C I B	-	-	-	-	A											
D-CS-M7477-0-CIBY	1		C I B	-	-	-	-	A											
D-BD-M7477-0-0	1		C I B	-	-	-	-	A											

**NOTES:**

REVISION HISTORY	DATE	ECO NO.	REV.

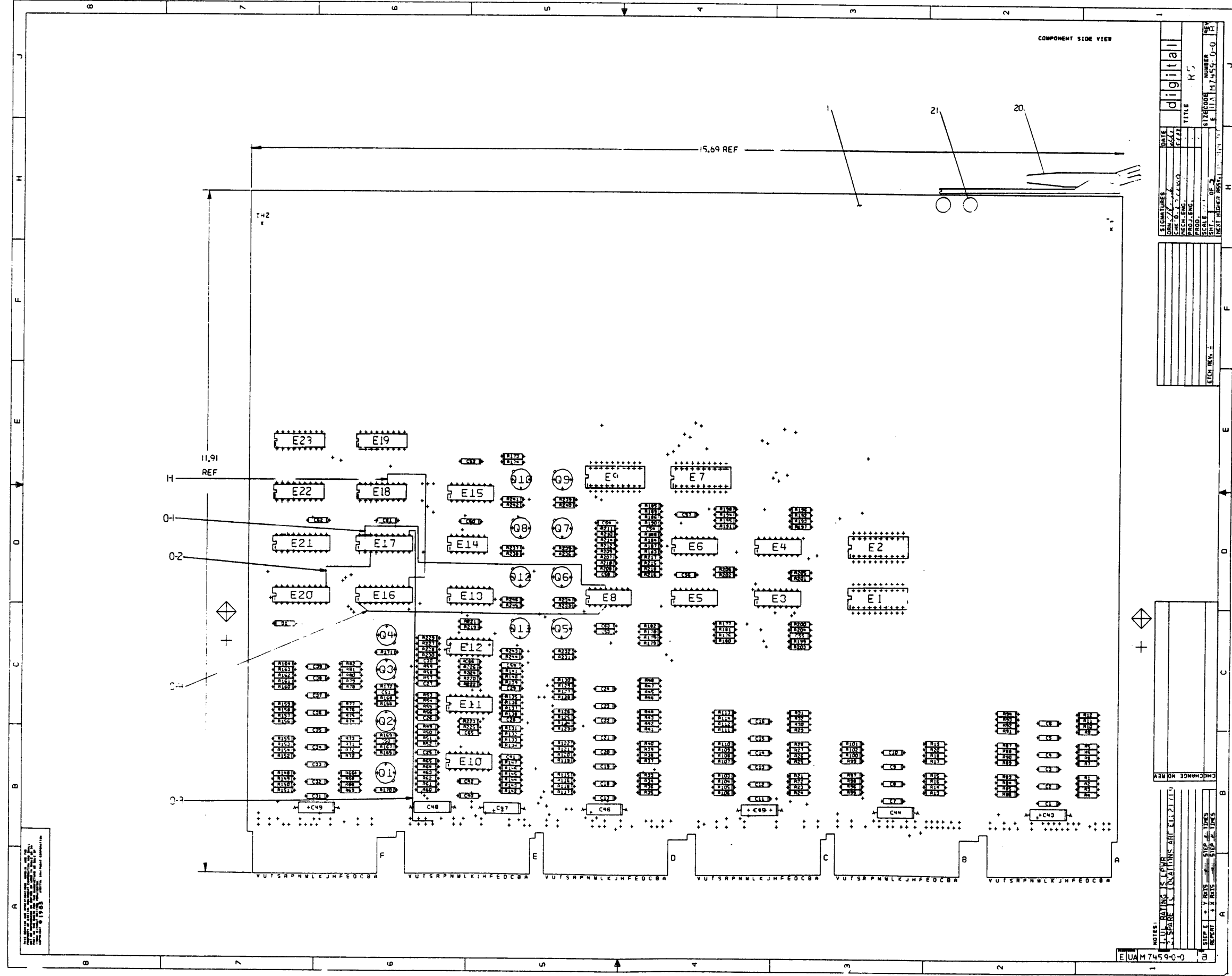
DRN.	DATE
CHK'D	DATE
DES. ENG.	DATE
RESP. ENG.	DATE
MFG. ENG.	DATE

TITLE C I B			
DOCUMENT NUMBER			
SIZE B	CODE DD	NUMBER M7477-0-0	REV E
SHEET 2 OF 2			



THIS DRAWING AND THE SPECIFICATIONS CONTAINED HEREIN ARE CONFIDENTIAL AND PROPRIETARY. THEY ARE THE PROPERTY OF DIGITAL EQUIPMENT CORPORATION AND SHALL NOT BE REPRODUCED OR COPIED OR USED IN WHOLE OR IN PART AS THE BASIS FOR THE MANUFACTURE OR SALE OF ITEMS WITHOUT WRITTEN PERMISSION. THIS IS AN UNPUBLISHED WORK PROTECTED UNDER THE FEDERAL COPYRIGHT LAWS. 1/64



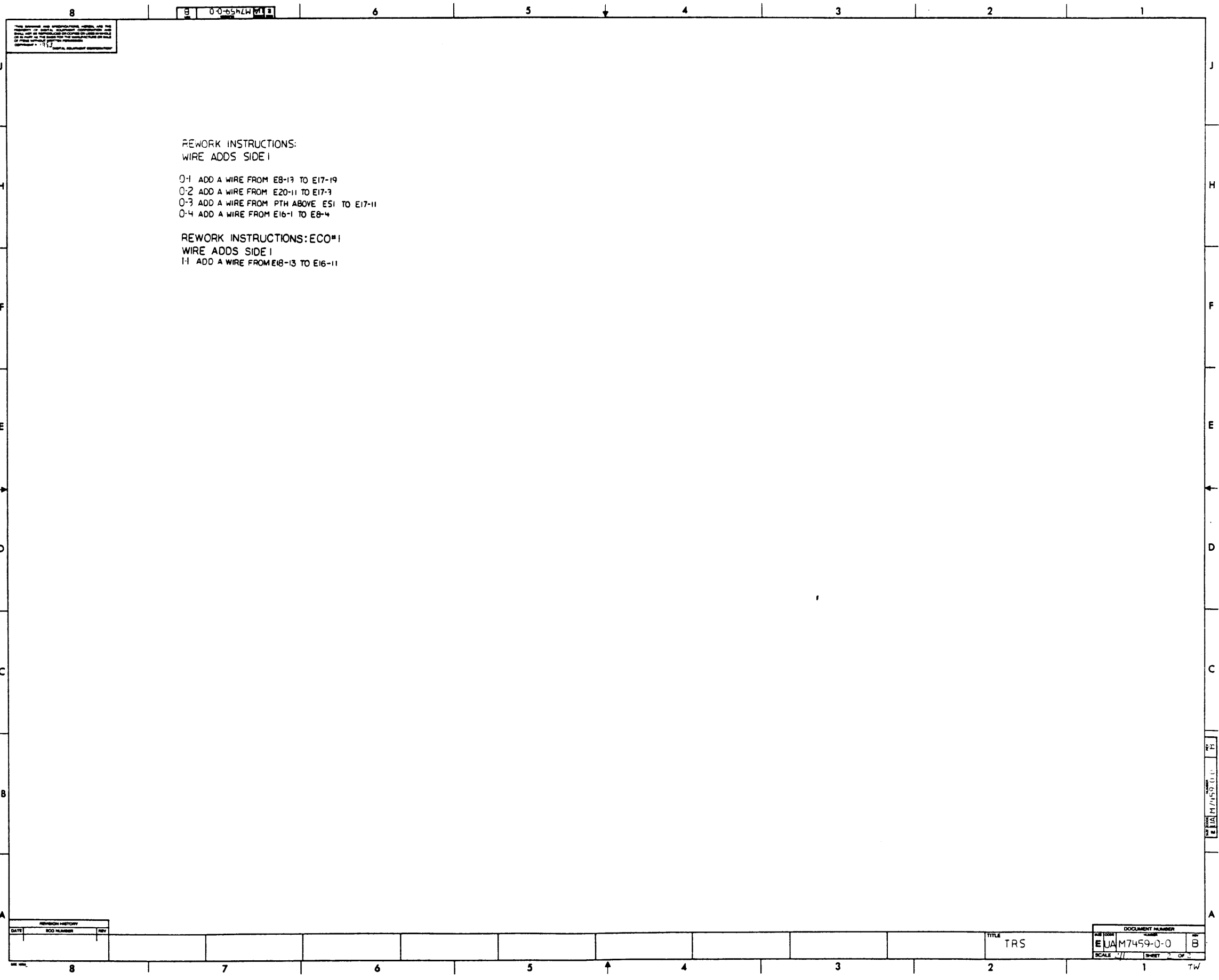


DATE	11/17/67	DESIGNED BY	digital
CHK'D BY	J. J. KAWA	DRW'G NO.	1
RECH. ENG.		TITLE	K5
PROD. ENG.		SIZE CODE	NUMBER
SCALE	1:1	EUA M7459-0-0	REF
SHEET	1 OF 2		
NEXT HIGHER ASSY. NO. 374 77			
EUA M7459-0-0			

CHANGE NO.	REV.

NOTES:  
 1. DRAWING IS FOR  
 2. SEE IN LOCATIONS ARE ELI-2111  
 3. STEP 1 - Y AXIS - STEP 1 - TIMES  
 4. STEP 2 - X AXIS - STEP 2 - TIMES  
 5. REPORT

EUA M7459-0-0



THIS DRAWING AND ANY INFORMATION CONTAINED HEREIN IS UNCLASSIFIED EXCEPT WHERE SHOWN OTHERWISE AND IS TO BE RELEASED TO THE PUBLIC ON REQUEST.

REWORK INSTRUCTIONS:  
 WIRE ADDS SIDE 1  
 0-1 ADD A WIRE FROM E8-13 TO E17-19  
 0-2 ADD A WIRE FROM E20-11 TO E17-3  
 0-3 ADD A WIRE FROM PTH ABOVE E51 TO E17-11  
 0-4 ADD A WIRE FROM E16-1 TO E8-4

REWORK INSTRUCTIONS: ECO#1  
 WIRE ADDS SIDE 1  
 1-1 ADD A WIRE FROM E18-13 TO E16-11

REVISION HISTORY		
DATE	ECO NUMBER	REV

DOCUMENT NUMBER	
EJAM7459-0-0	B
SCALE	SHEET 1 OF 1

TITLE TRS

AUTOMATED BY PRTLST.4Q(50)

PARTS LIST

SHEET A1 OF A2

LINE	ITEM	DOCUMENT NUMBER	PART NUMBER	DESCRIPTION	QTY	PER VARIATION	REFERENCE DESIGNATOR
					00		
1	1	D-MD-5016067-0-0	5016067-01	TERMINATOR SILO (TRS)	1		
2	2		1012784-00	.047 MFD 50V +80-20% CER	59		C1-C42,C50-C66
3	3		1012084-01	8 MFD 25V +75-10% AL EL	7		C43-C49
4	4		1103041-00	PIV= 8 IO= 50 MA	1		D1
5	5		1311422-00	178.0 .25 W 1.0 % RN55D-F10	84		R83-R166
6	6		1300365-00	1.0 K .25 W 5.0 % CF	4		R169-R172
7	7		1300295-00	330.0 .25 W 5.0 % CF	1		R173
8	8		1301424-00	680.0 .25 W 5.0 % CF	1		R174
9	9		1302957-00	121.0 .25 W 1.0 % RN55D-F10	106		R1-R82,R168,R167,R175-R178, R183-R186,R216,R191-R194, R199-R202,R207,R208,R211,R212, R215
10	10		1301972-00	270.0 .25 W 5.0 % CF	16		R179-R182,R187-R190,R195-R198, R203-R206
11	11		1300250-00	150.0 .25 W 5.0 % CF	6		R209,R210,R213,R214,R217,R218
12	12		1511686-00	DEC5433 FET N 350MW 10 25 1A	4		Q1-Q4
13	13		1921322-01	74F161 BINARY COUNTER,PRESE	1		E15
14	14		1912731-00	DEC 8646A TRANSCEIVER,48BIT BUS	4		E16,E17,E20,E21
15	15		1912586-00	DM 85S68N REGISTER,64BIT EDGE	4		E18,E19,E22,E23
16	16		1913788-00	26S10 TRANSCEIVER,BUS,QUA	4		E3-E6
17	17		1921318-01	74F151 MUX,8-IN	1		E13
18	18		1921311-01	74F20 NAND GATE,DUAL,4-IN	1		E14
19	19		1921719-01	10H105 OR/NOR GATE TRIPLE 2-3-2	2		E11,E12
20	20		1216988-02	HANDLE,MODULE,HEX TWO EJECTORS	1		
21	21		9000024-01	EYELET,ROLLED 0.1210DX0.192	12		
22	22		1510959-00	2N 3725 NPN 3.5WC SI 50 60 P	8		Q5-Q12
23	23		1921720-01	10H125 TRANSLATOR ECL TO TTL QUA	1		E8
24	24		1913220-00	10216 RECEIVER,TRIPLE LINE	1		E10
25	25		1301322-00	180.0 .25 W 5.0 % CF	14		R221,R222,R225,R226,R229,R230, R232,R234,R236,R238,R240,R242.

REVISION HISTORY		BASIC PART NO: M7459		DRN: THOMAS F WALSH	DATE: 04-AUG-83	D I G I T A L			
ENG:	ECO NUMBER	REV	SECTION A OF A	CHK'D: E.T. GERRY	DATE: 04-AUG-83	TITLE		PARTS LIST	
	INITIAL	A	SECTION VARIATION INDEX	DES. ENG: D CIRKA	DATE: 04-AUG-83	TRS			
			[A] 00	RESP. ENG.: D CIRKA	DATE: 04-AUG-83	DOCUMENT NUMBER			
			[B]	MFG. ENG.: M. J. KRYSAK	DATE:	SIZE	CODE	NUMBER	REV
			[C]	ASSEMBLY NUMBER:	TOP DOCUMENT NUMBER:	K	PL	M7459-0-DBP	A
			[D]	E-UA-M7459-0-0	B-DD-M7459-0-0	FILE NAME:		EDIT #	
			[E]			Z3937A.PLS		8	
			[F]	"THIS DRAWING AND SPECIFICATIONS HEREIN, ARE THE PROPERTY OF DIGITAL EQUIPMENT CORPORATION AND SHALL NOT BE REPRODUCED OR COPIED OR USED IN WHOLE OR IN PART AS THE BASIS FOR THE MANUFACTURE OR SALE OF ITEMS WITHOUT WRITTEN PERMISSION. COPYRIGHT (C) 1983. DIGITAL EQUIPMENT CORPORATION"					
			[G]						
			[H]						
			[J]						
			[K]						
			[L]						
			[M]						
			[N]						



AUTOMATED BY PRTLST.4Q(50)

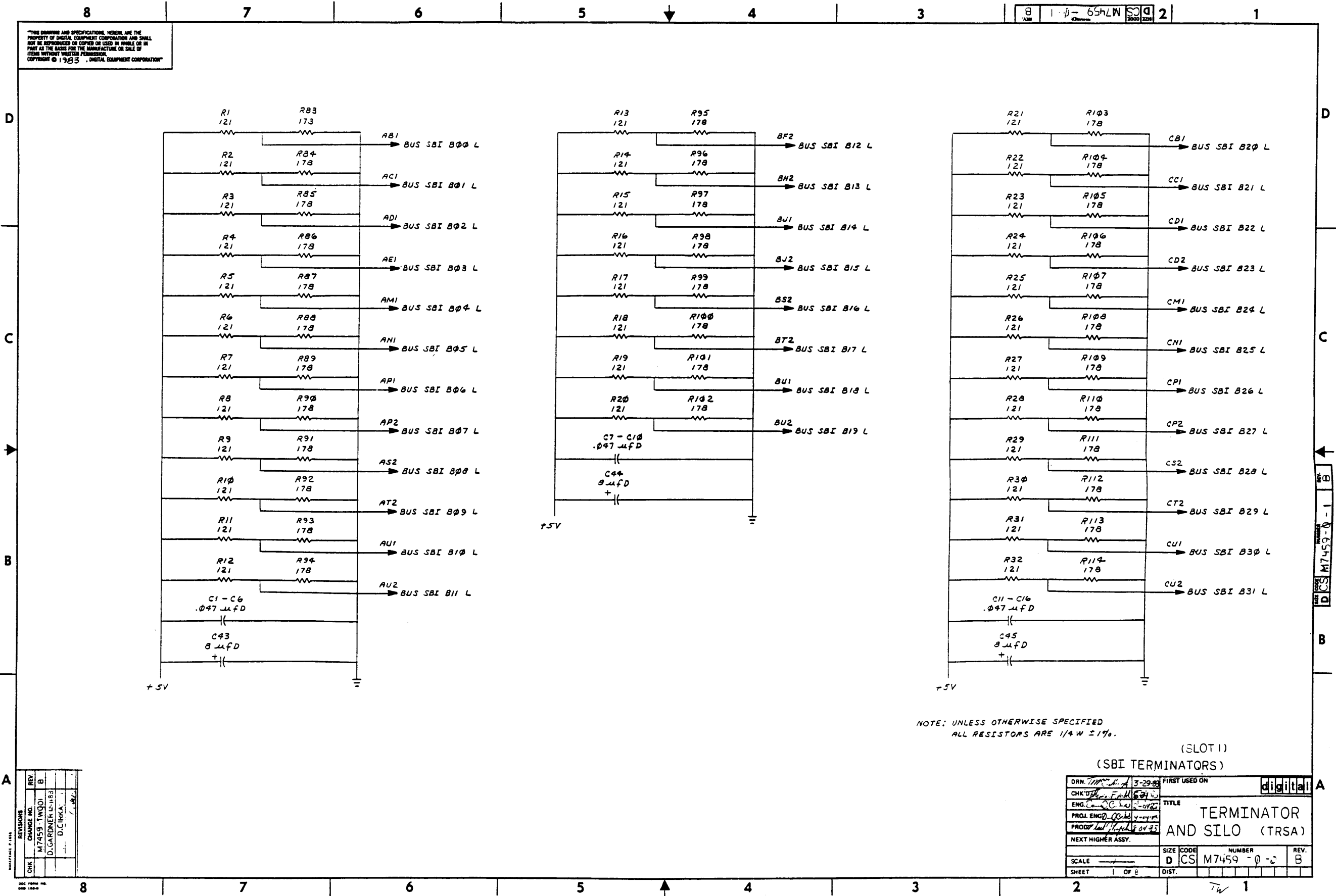
P A R T S L I S T

SHEET A2 OF A2

LINE ITEM	DOCUMENT NUMBER	PART NUMBER	DESCRIPTION	QTY	PER VARIATION	REFERENCE DESIGNATOR
26	26	1300247-00	120.0 .25 W 5.0 * CF	14	CONT	R244,R246 R219,R220,R223,R224,R227,R228, CONT R231,R233,R235,R237,R239,R241, CONT R243,R245
27	27	9105740-55	WIRE(WRAP) 30AWG KYNAR UL14	A/R		

D	I	G	I	T	A	L	TITLE	SECTION A OF A	SIZE	CODE	DOCUMENT NUMBER	REV
							TRS		K	PL	M7459-0-DBP	A

THIS DRAWING AND SPECIFICATIONS HEREON ARE THE PROPERTY OF DIGITAL EQUIPMENT CORPORATION AND SHALL NOT BE REPRODUCED OR COPIED OR USED IN WHOLE OR IN PART AS THE BASIS FOR THE MANUFACTURE OR SALE OF ITEMS WITHOUT WRITTEN PERMISSION.  
 COPYRIGHT © 1963, DIGITAL EQUIPMENT CORPORATION



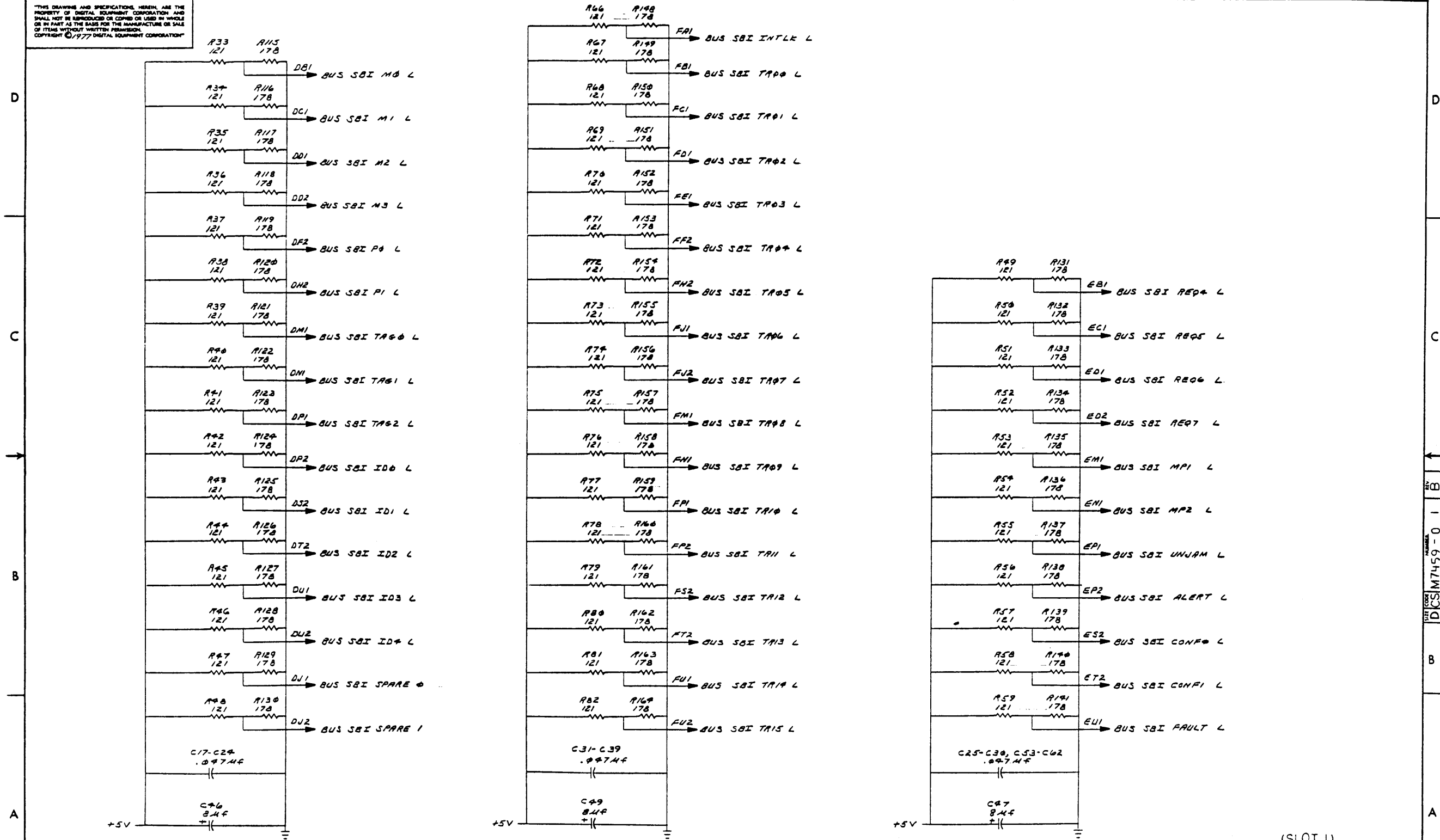
NOTE: UNLESS OTHERWISE SPECIFIED  
 ALL RESISTORS ARE 1/4W ±1%.

(SLOT 1)  
 (SBI TERMINATORS)

REV.	BY	CHK	CHANGE NO.
B			M7459-1WQ01
A			D. GARDNER 12-11-63
			D. CIRKA

DRN. <i>M. A. 3-29-63</i>	FIRST USED ON	digital
CHK'D <i>Frank 6-21-63</i>		
ENG. <i>C. E. 5-18-63</i>	TITLE	TERMINATOR AND SILO (TRSA)
PROJ. ENGR. <i>W. J. 5-18-63</i>		
PROD. <i>W. J. 5-18-63</i>		
NEXT HIGHER ASSY.	SIZE CODE	NUMBER
SCALE	D	CS M7459-0-1
SHEET 1 OF 8	DIST.	REV. B

THIS DRAWING AND SPECIFICATIONS HEREIN ARE THE PROPERTY OF DIGITAL EQUIPMENT CORPORATION AND SHALL NOT BE REPRODUCED OR COPIED OR USED IN WHOLE OR IN PART AS THE BASIS FOR THE MANUFACTURE OR SALE OF ITEMS WITHOUT WRITTEN PERMISSION. COPYRIGHT © 1977 DIGITAL EQUIPMENT CORPORATION



(SLOT 1)

(SBI TERMINATORS)

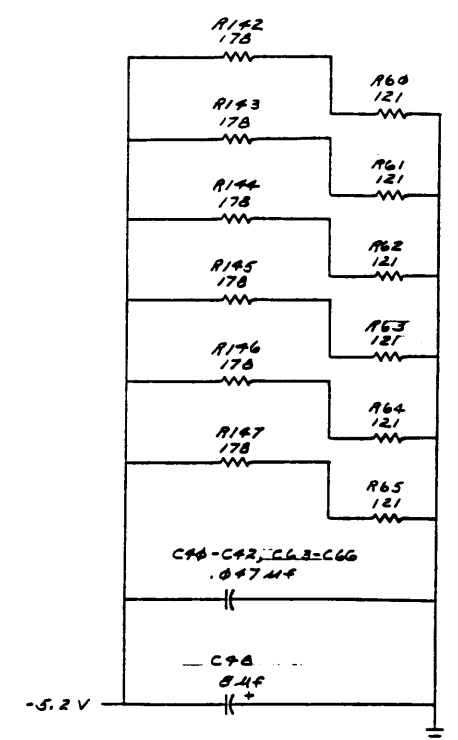
REVISIONS		
CHK	CHANGE NO	REV

TITLE	TERMINATOR AND SILO (TRSB)	SIZE CODE	D CS	NUMBER	M7459 - 1 - 0	REV.	B
SCALE		SHEET	2 OF 9	DIST.			

DRAWING NUMBER DCS M7459 - 0 - 1 - B

THIS DRAWING AND SPECIFICATIONS HEREIN ARE THE PROPERTY OF DIGITAL EQUIPMENT CORPORATION AND SHALL NOT BE REPRODUCED OR COPIED OR USED IN WHOLE OR IN PART AS THE BASIS FOR THE MANUFACTURE OR SALE OF ITEMS WITHOUT WRITTEN PERMISSION.  
 COPYRIGHT © 1977 DIGITAL EQUIPMENT CORPORATION

NOTE: R142 - R147, R60 - R65 ARE SPARE TERMINATOR NETWORKS.



R42, A41, B42, B41, C42, C41, D42, D41, E42, E41, R42, F41

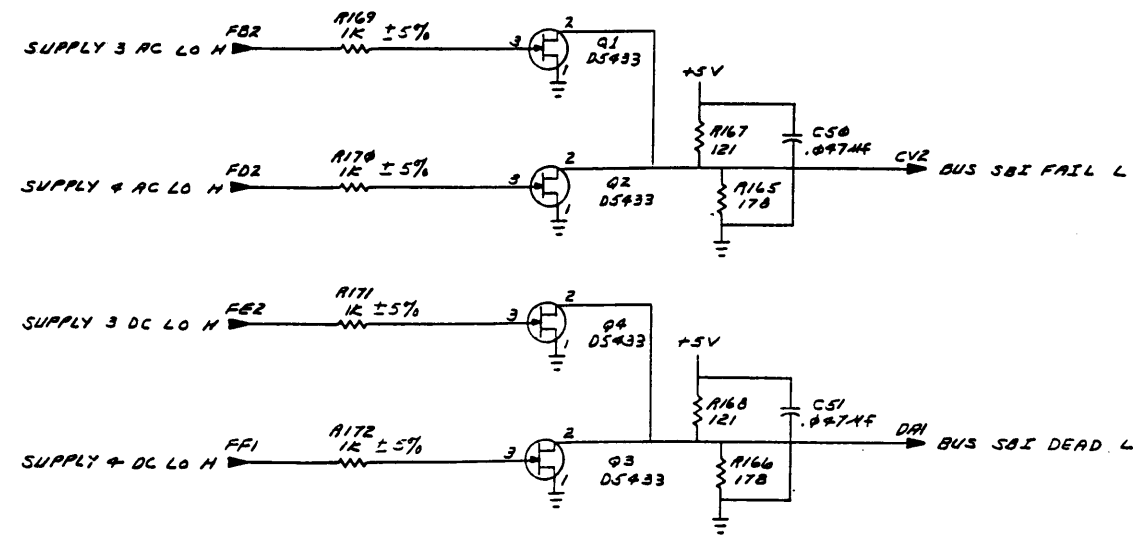
+5V

R42, A41, A42, A41, B42, B41, B42, B41, C42, C41, C42, C41, D42, D41, D42, D41, E42, E41, E42, E41, F42, F41, F42, F41

0

E41

-5.2V



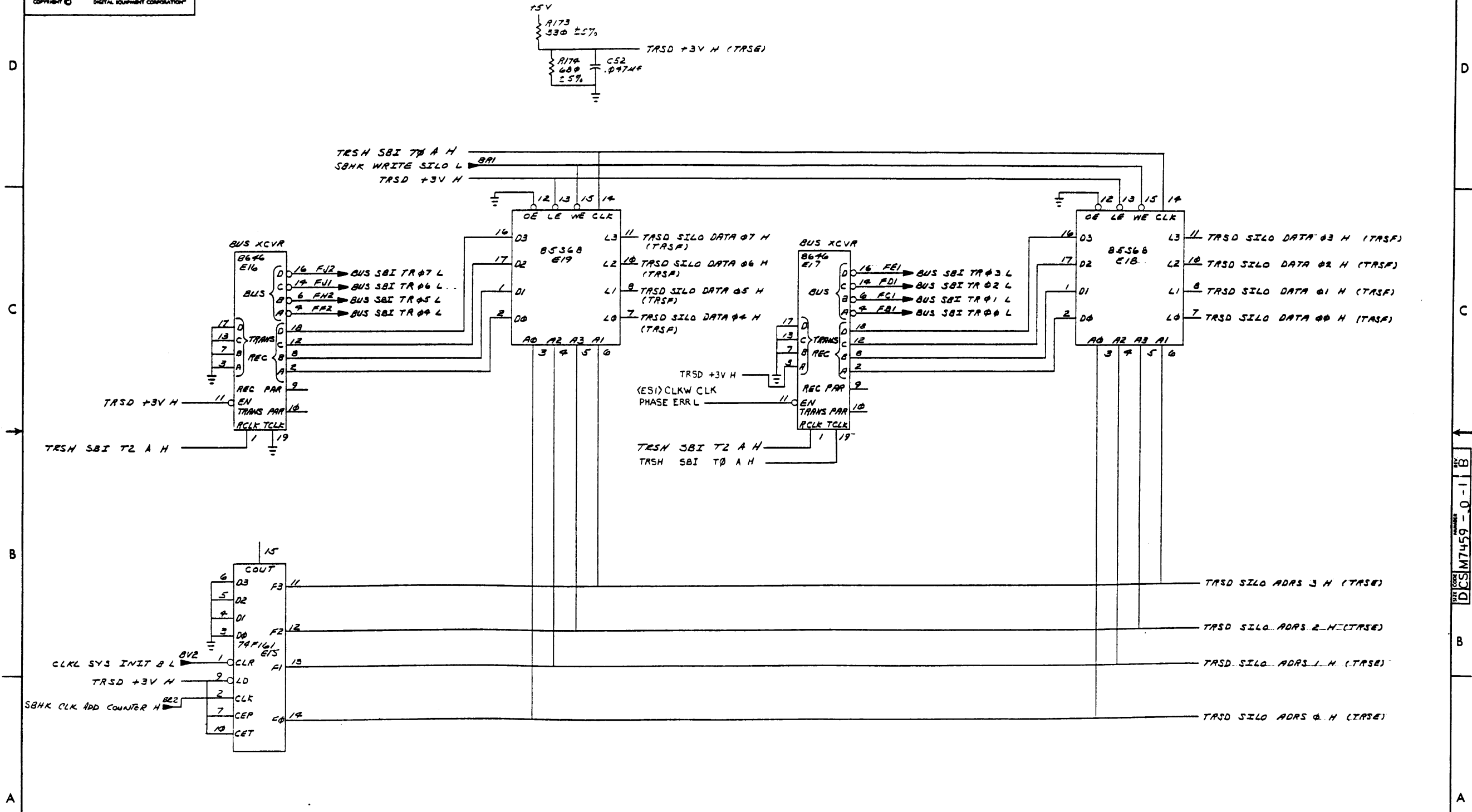
REVISIONS		
CHK	CHANGE NO.	REV.

(SLOT 1)  
 (SBI CLOCK TERMINATORS AND POWER FAIL SENSORS)

TITLE	TERMINATOR AND SILO (TRSC)	SIZE CODE	D CS	NUMBER	M7459 - 0 - 0	REV.	B
SCALE		SHEET	3 OF 8	DIST.			

DEC FORM NO. 080 138  
 NUMBER  
 DCS M7459-0-1 B

THIS DRAWING AND SPECIFICATIONS HEREIN ARE THE PROPERTY OF DIGITAL EQUIPMENT CORPORATION AND SHALL NOT BE REPRODUCED OR COPIED OR USED IN WHOLE OR IN PART AS THE BASIS FOR THE MANUFACTURE OR SALE OF ITEMS WITHOUT WRITTEN PERMISSION. COPYRIGHT © DIGITAL EQUIPMENT CORPORATION

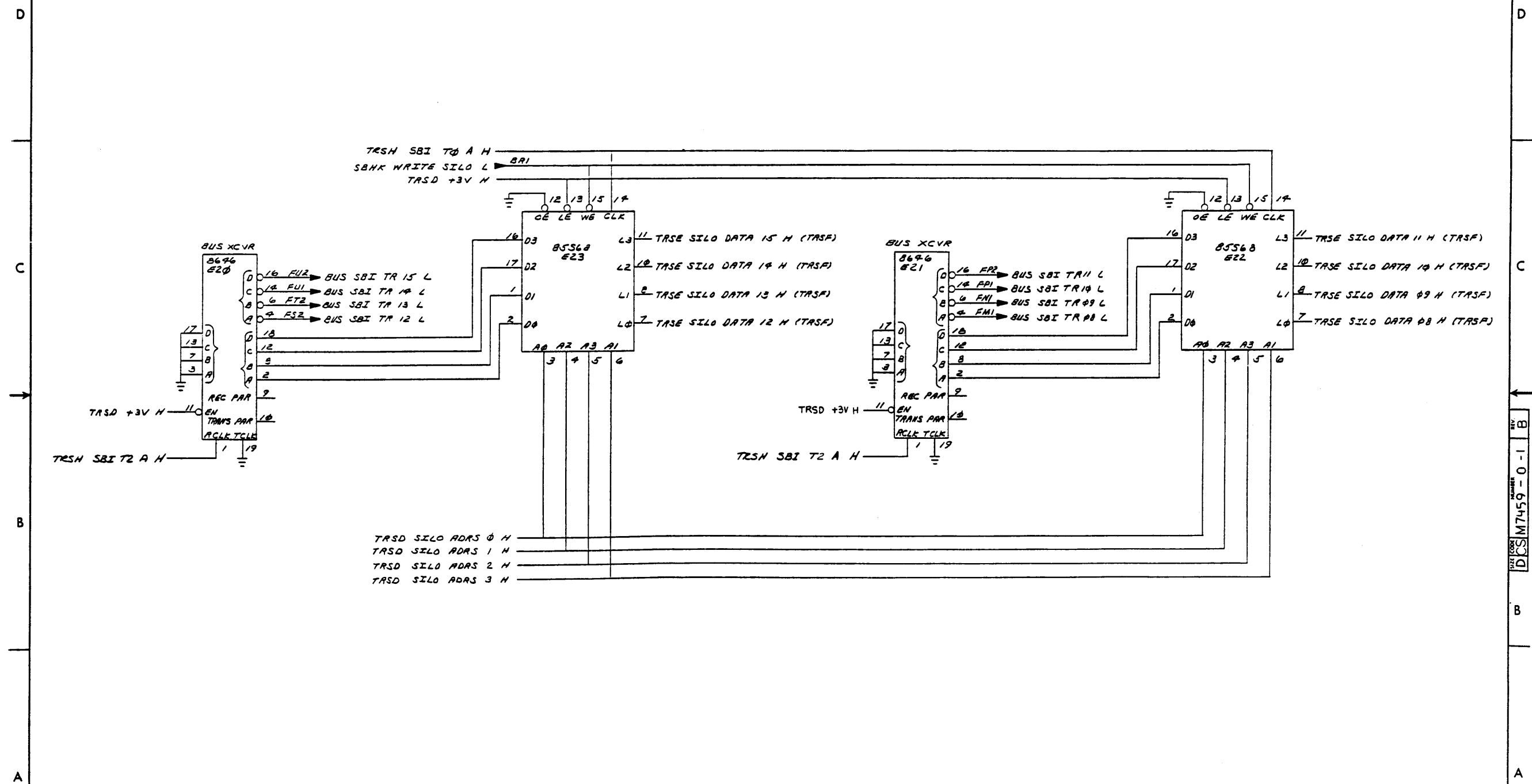


REVISIONS		
CHK	CHANGE NO.	REV.

(TR SILO BITS 7-0)		TITLE	SIZE/COOE	NUMBER	REV.
		TERMINATOR AND SILO (TRSD)	D/CS	M7459-0-0	B
SCALE	SHEET	DIST.			
	4 OF 8				

D/CS M7459-0-1 B

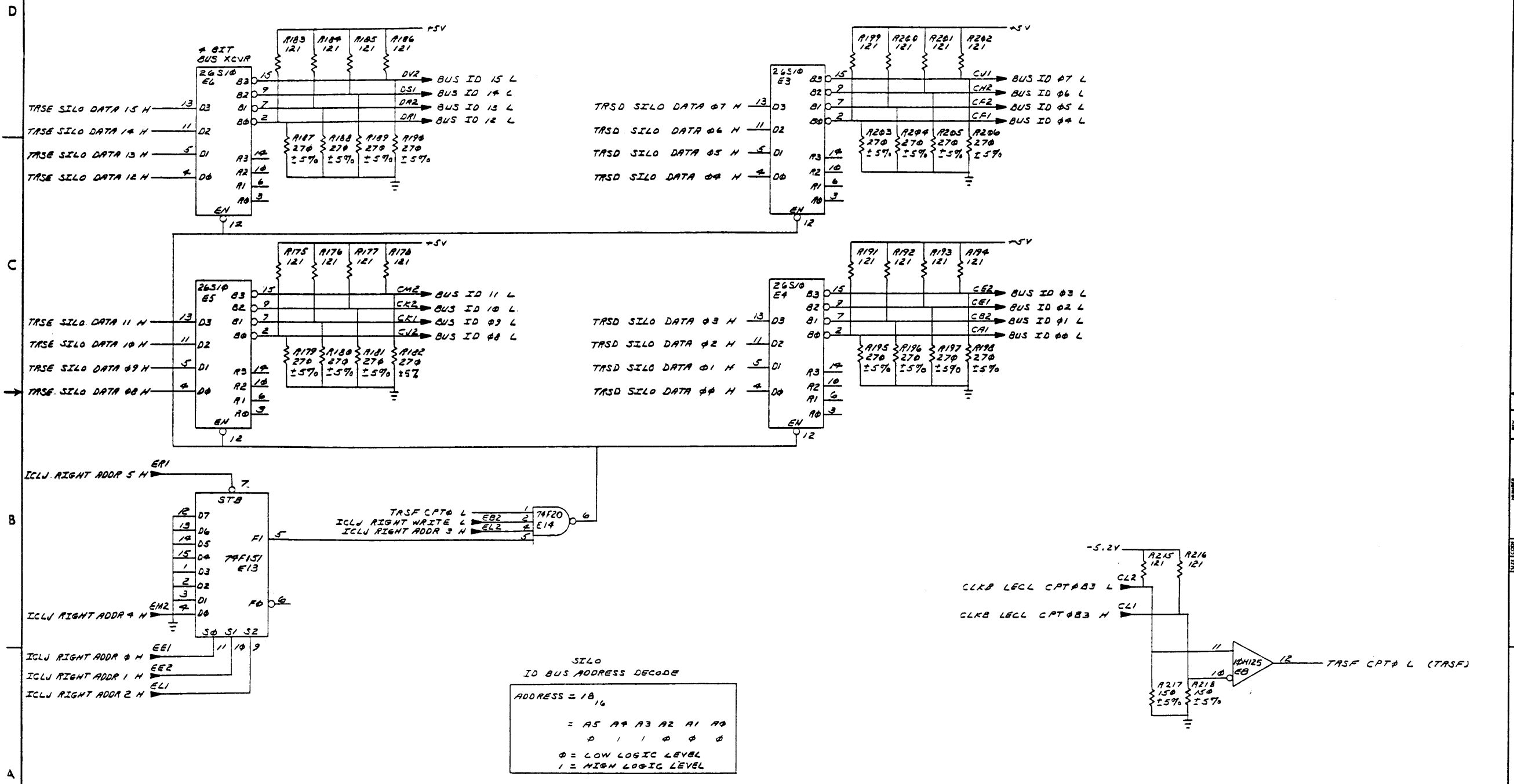
"THIS DRAWING AND SPECIFICATIONS, HEREIN, ARE THE PROPERTY OF DIGITAL EQUIPMENT CORPORATION AND SHALL NOT BE REPRODUCED OR COPIED OR USED IN WHOLE OR IN PART AS THE BASIS FOR THE MANUFACTURE OR SALE OF ITEMS WITHOUT WRITTEN PERMISSION. COPYRIGHT © 1977 DIGITAL EQUIPMENT CORPORATION"



REVISIONS		
CHK	CHANGE NO.	REV.

TITLE		TERMINATOR AND SILO (TRSE)	SIZE CODE	NUMBER	REV.
SCALE		SHEET	5 OF 8	DIST.	DCS M7459-0-C B

THIS DRAWING AND SPECIFICATIONS HEREIN ARE THE PROPERTY OF DIGITAL EQUIPMENT CORPORATION AND SHALL NOT BE REPRODUCED OR COPIED OR USED IN WHOLE OR IN PART AS THE BASIS FOR THE MANUFACTURE OR SALE OF ITEMS WITHOUT WRITTEN PERMISSION. COPYRIGHT © 1977 DIGITAL EQUIPMENT CORPORATION



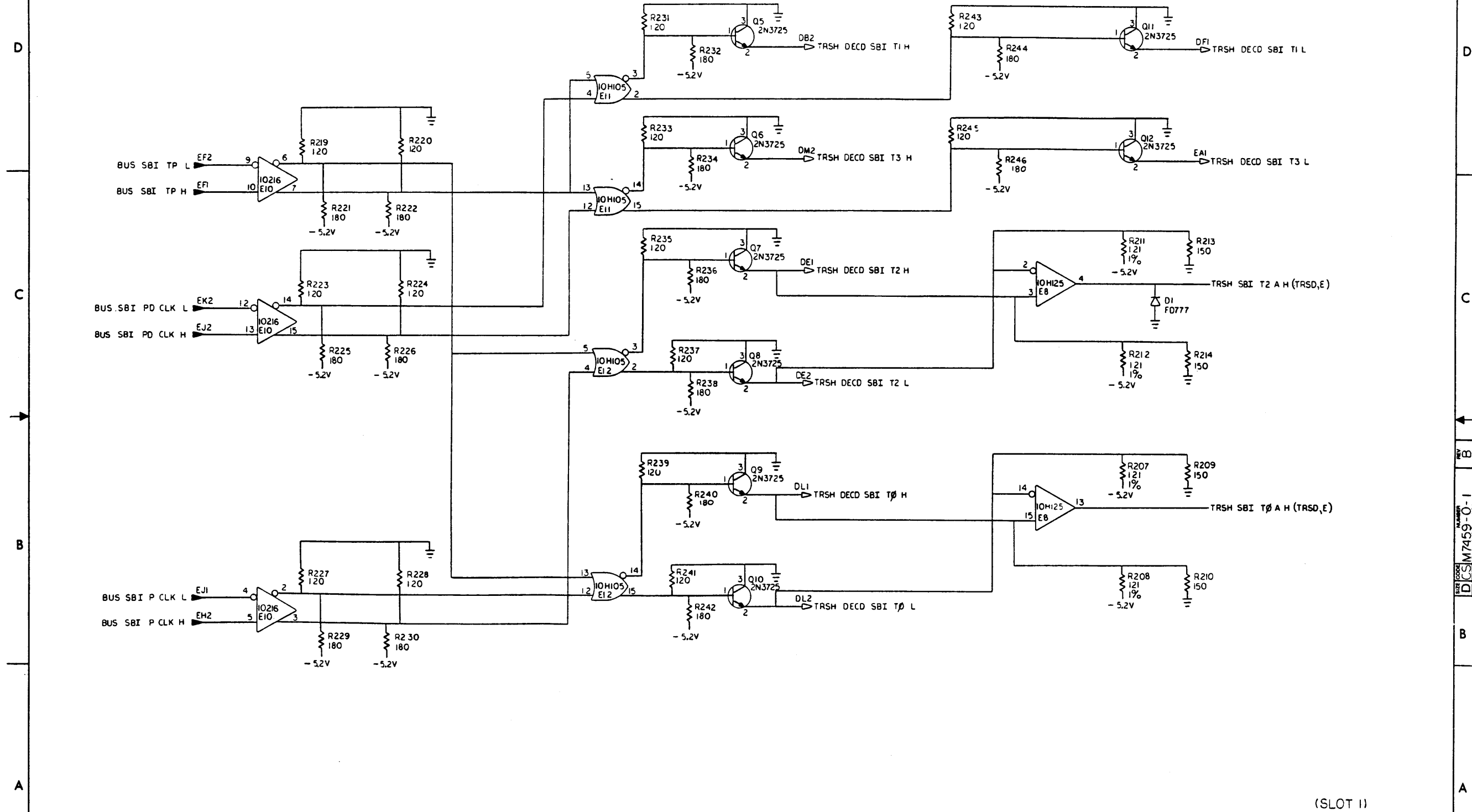
(ID BUS INTERFACE)

(SLOT 11)

REVISIONS		
CHK	CHANGE NO	REV

TITLE	TERMINATOR AND SILO (TRSF)	SIZE/CODE	DCS	NUMBER	M7459-0-	REV.	B
SCALE		SHEET	6 OF 8	DIST.			

THIS DRAWING AND SPECIFICATIONS HEREIN ARE THE PROPERTY OF DIGITAL EQUIPMENT CORPORATION AND SHALL NOT BE REPRODUCED OR COPIED OR USED IN WHOLE OR IN PART AS THE BASIS FOR THE MANUFACTURE OR SALE OF ITEMS WITHOUT WRITTEN PERMISSION. COPYRIGHT © 1983 DIGITAL EQUIPMENT CORPORATION.



(SLOT 11)

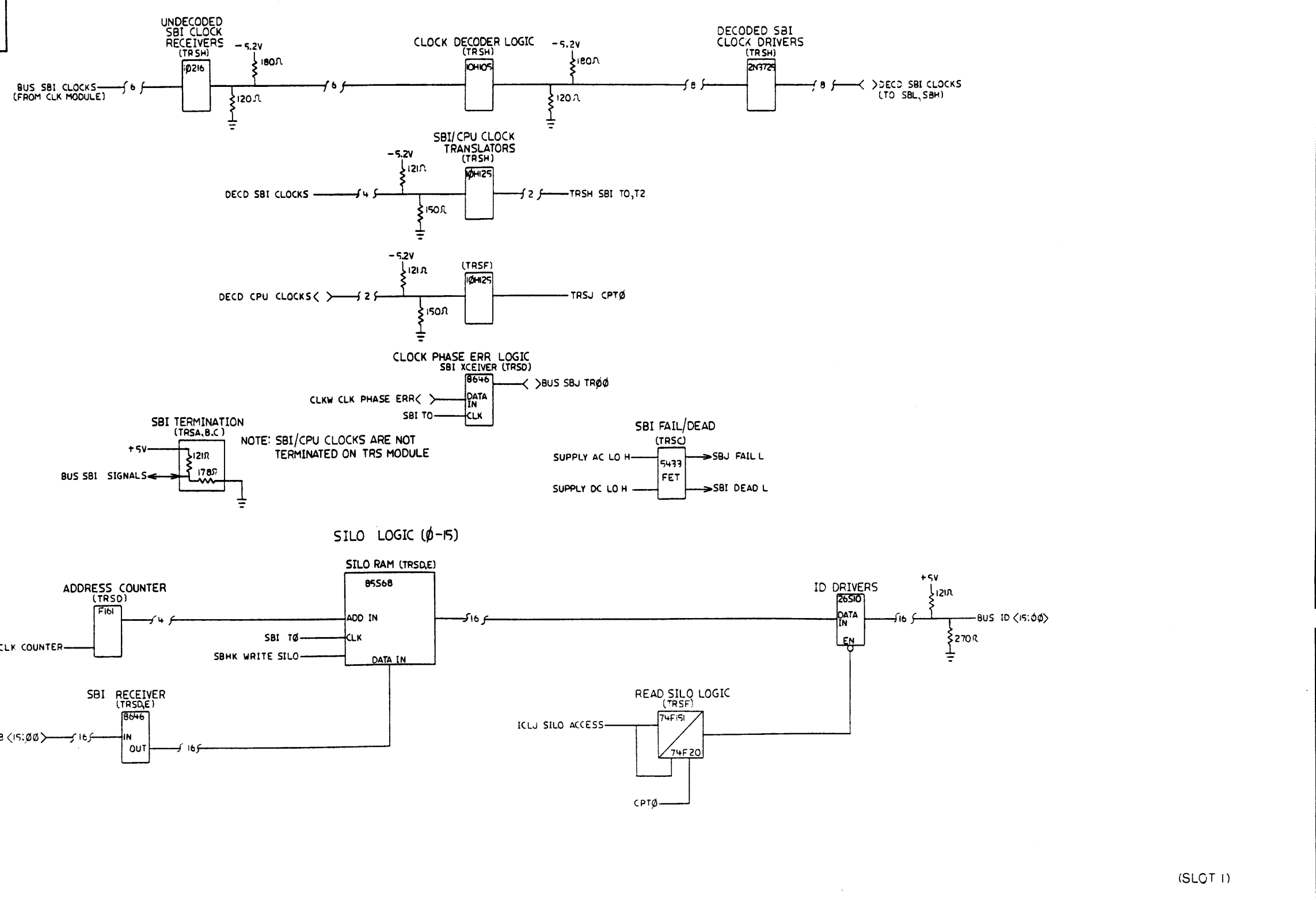
REVISION HISTORY		
DATE	ECO NUMBER	REV.

TITLE TERMINATOR AND SILO (TRSH)

DOCUMENT NUMBER		
SIZE CODE	NUMBER	REV.
DCS	M7459-0-0	B
SCALE	SHEET 7 OF 8	



THIS DRAWING AND THE SPECIFICATIONS CONTAINED HEREIN ARE CONFIDENTIAL AND PROPRIETARY. THEY ARE THE PROPERTY OF DIGITAL EQUIPMENT CORPORATION AND SHALL NOT BE REPRODUCED OR COPIED OR USED IN WHOLE OR IN PART AS THE BASIS FOR THE MANUFACTURE OR SALE OF ITEMS WITHOUT WRITTEN PERMISSION. THIS IS AN UNPUBLISHED WORK PROTECTED UNDER THE FEDERAL COPYRIGHT LAWS, 1983



REVISION HISTORY		
REV	ECO NUMBER	DATE

TITLE		DOCUMENT NUMBER	
TERMINATOR AND SILO (TRSJ)		DCS	M7459-0-0
SCALE	SHEET	B	OF 8

DRAWING NO.	NO. OF SHTS.	PART NO.	DESCRIPTION	REVISIONS													
				REV.	CHG NO.	DATE	REV.	CHG NO.	DATE	REV.	CHG NO.	DATE	REV.	CHG NO.	DATE		
		M7459-00	TRS PART REVISION	A	BI												
E-UA-M7459-0-0			UNIT ASSEMBLY	A	B												
D-CS-M7459-0-0			CIRCUIT SCHEMATIC	A	B												
K-PL-M7459-0-DBF			PARTSLIST	A	A												
K-PC-M7459-0-DEC			PC DATABASE	A	A												
		5016067-00	ETCHED BOARD	A	A												
B-DD-5016067-0			DRAWING DIRECTORY	A	B												
<b>NOTES:</b>				REVISIONS													
				DATE	12/83	TWO	ONE	B									

"THIS DRAWING AND SPECIFICATIONS, HEREIN, ARE THE PROPERTY OF DIGITAL EQUIPMENT CORPORATION AND SHALL NOT BE REPRODUCED OR COPIED OR USED IN WHOLE OR IN PART AS THE BASIS FOR THE MANUFACTURE OR SALE OF ITEMS WITHOUT WRITTEN PERMISSION.  
 COPYRIGHT © 1983 DIGITAL EQUIPMENT CORPORATION



USED ON OPTION/MODEL

DRN	Thomas F. White	7-18-83
CHKD	Thomas F. White	8-24-83
ENG	David C. [unclear]	7-04-83
PROP	Thomas F. White	5-04-83

TITLE	TRS		
SIZE	CODE	NUMBER	REV.
B	DD	M7459-0	B
SHEET	1 OF 1		