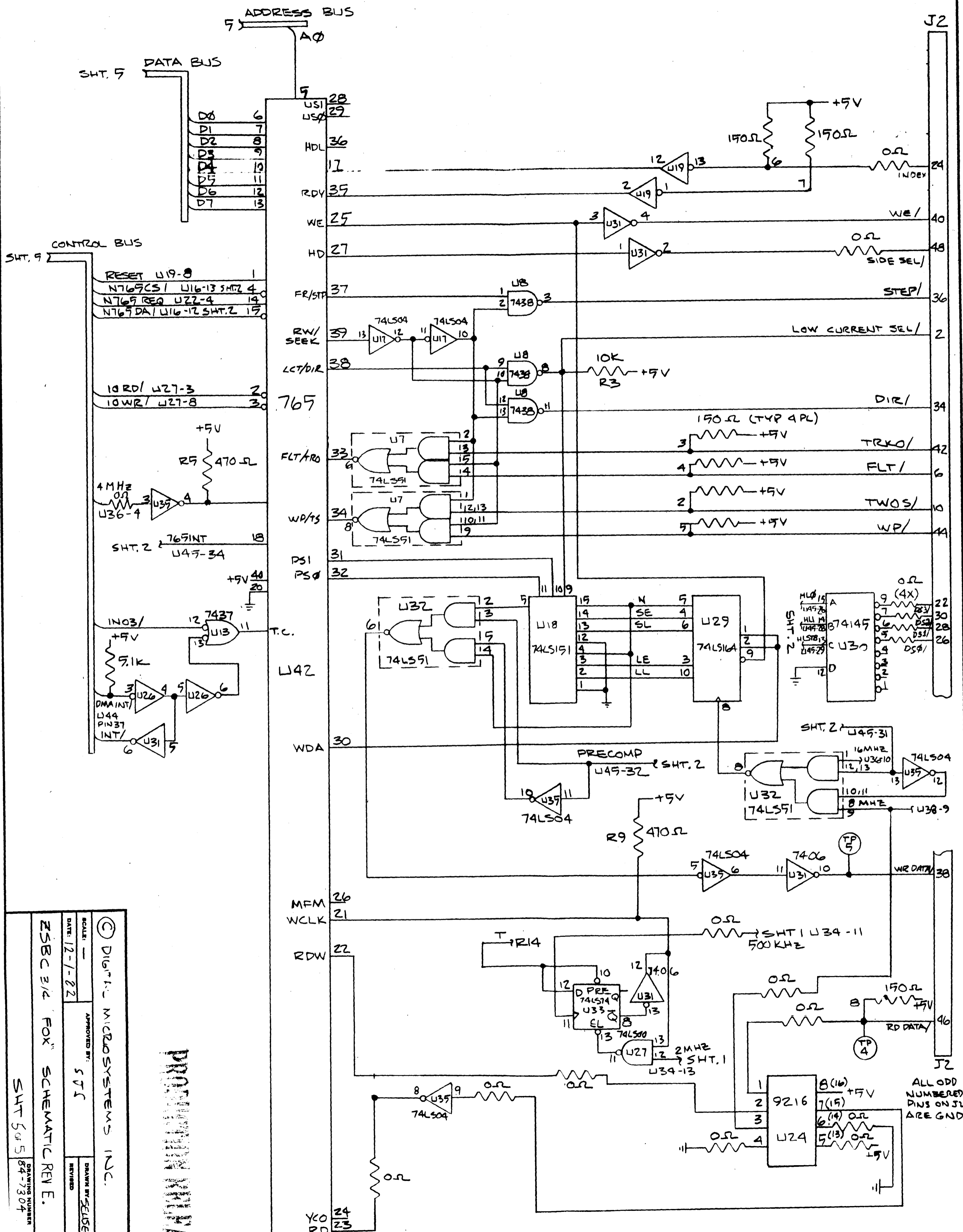


**PRODUCTION RELEASE**

© DIGITAL PRODUCTION SYSTEMS, INC.  
OAKLAND, CA.

SCALE: _____	APPROVED BY: _____	DRAWN BY: PRU
DATE: 12/1/82		REVISED: 20
ZSBC 3.2/FOX REV.E SCHEMATIC DIA.		
ZSBC 3.2	SHT. 3 OF 5	DRAWING NUMBER 84-7304



© Digital Microsystems Inc.  
 DATE: 12-1-82  
 SCALE: —  
 APPROVED BY: STJ  
 DRAWN BY: SEUSEK  
 REVISIONS:  
 ZSBC 3/4 FOX SCHEMATIC REV E.  
 SHT 5 of 5  
 DRAWING NUMBER: 84-7304

**PROTECTED BY PATENT**

ALL ODD NUMBERED PINS ON J2 ARE GND