

## INTRODUCTION TO NETWORK COMPONENTS

### INTRODUCTION

The Single in Line Package (SIP) R-Pac is available in a variety of lead spacings and number of leads, but is typically limited to ten pins. This package is most popular for resistor-only networks with relatively few elements, but can also be used for networks of 10 to 20 resistor elements such as in two-sided, parallel configurations. The SIP R-Pac will usually yield the lowest cost per element and highest packaging density at the board level and is therefore often the best choice for relatively simple network applications.

Recent efforts have resulted in packaging the SIP R-Pacs in slide packs which were designed expressly for automatic insertion.

The SIP R/C network is available in the eight pin 0.100 inch form factor, featuring up to three chip capacitors and up to five resistors. Since these parts meet the same physical outline drawing as the SIP R-Pac, no special handling and mounting is required. The same high packaging density and low cost per element advantages enjoyed by SIP R-Pacs is realized with these devices.

The Dual in Line Package (DIP) resistor network has become an increasingly popular style for resistor networks due to its compatibility with standard IC packaging schemes and the ability to provide relatively complex network functions by employing both sides of the substrate and up to 18 pin packages.

Precision resistor networks are commonly required when it is necessary to provide a series of accurate voltage inputs to amplifiers or logic circuits. The resistor networks often take the form of dividers where the relative as well as the absolute value of the resistors is critical to the circuit function.

R-PAC MODULES

DESCRIPTION

The SIP R-Pac is a thick-film resistor network module which is widely used throughout IBM in SMS, SLT, ASLT, MST, and VTL circuit applications. The thick-film resistor process is comprised of screening, firing, and adjusting resistor/conductor network on a ceramic substrate. R-Pacs are fabricated in a stand-up module form factor with 2, 4, 6, 8, and 10 in-line leads. The resistor network is then covered with a coating to provide mechanical protection and a surface for identification marking.

Figure 5-1 presents an eight leaded R-Pac without its protective coating. R1 is a typical unadjusted thick-film resistor and R2 is a typical resistor which has been adjusted to tolerance.

The ohmic value of a thick film resistor is determined by the sheet resistivity (ohms/square, which assumes a constant thickness) and the length to width ratio

$$R = \rho \frac{L}{W}$$

Standard resistor formulations are currently available in the range of 10  $\Omega/\square$  to 200  $\Omega/\square$ . The technology can be expanded to resistives as low as 10  $\Omega/\square$  and as high as several Mega-ohms per square. By varying resistor geometry (changing the length to width ratio, thereby changing the number of squares) as illustrated in Figure 5-2, resistance values of 5  $\Omega$  to 1 M $\Omega$  can be provided.

The "as fired" values of resistors in an R-Pac are increased in ohmic value to tolerance during the adjusting operation. The adjusting operation (trimming) changes the length to width ratio which results in an increase in the effective number of squares as illustrated in Figure 5-3.

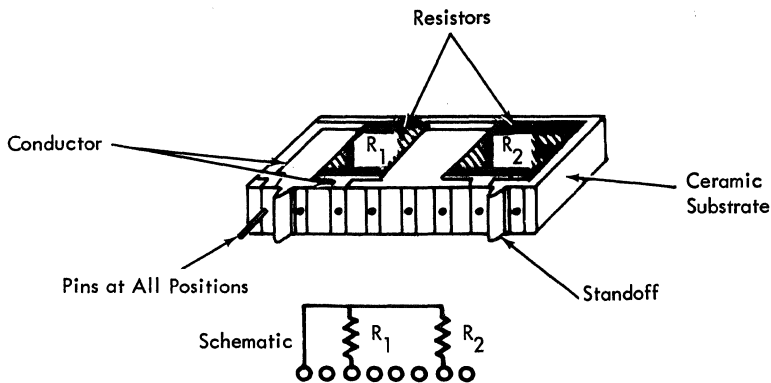


Figure 5-1. R-Pac Layout

PASSIVE COMPONENTS MANUAL

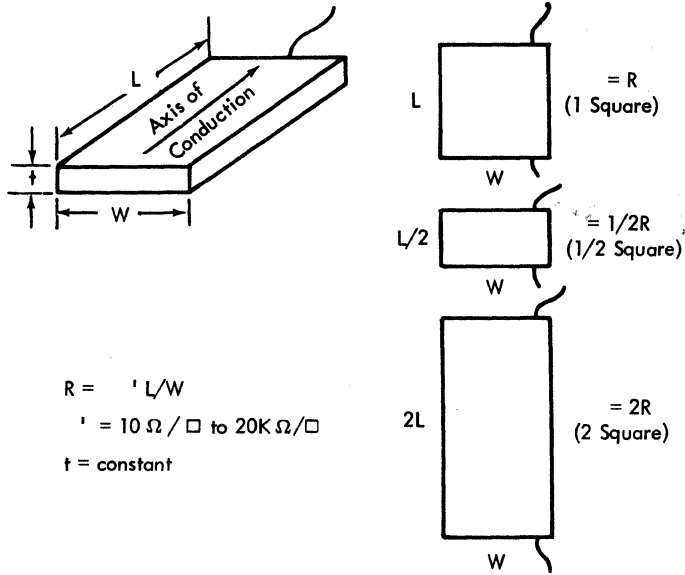


Figure 5-2. Resistor Geometry

PASSIVE COMPONENTS MANUAL

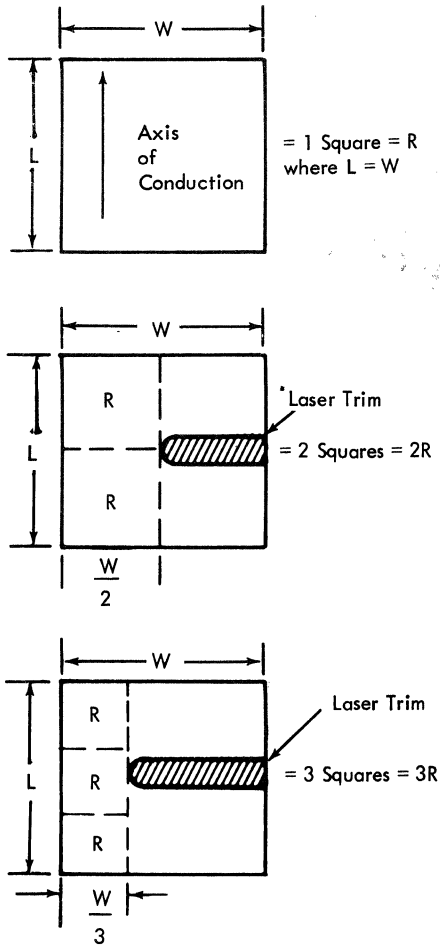


Figure 5-3. Effective Number of Squares

R-Pacs are manufactured in two families of lead center designs: 0.125" - originally developed for SLT, and 0.100" recently developed for VTL. Figure 5-4 and Table 5-1 define the maximum dimensions for the individual R-Pac body sizes. Detailed packaging dimensions for the 0.125" lead spacing R-Pacs can be found on physical outline drawings:

873595 - 2 Leaded	873596 - 4 Leaded
873597 - 6 Leaded	873600 - 8 Leaded

Package dimensions for the 0.100" lead spaced R-Pacs can be found on outline drawings:

865756 - 4 Leaded	865758 - 8 Leaded
865757 - 6 Leaded	865759 - 10 Leaded

When properly designed, R-Pacs offer the lowest cost per resistor element, the lowest assembly cost per element, and the highest packaging density of any of the resistor families. A knowledge of the product capabilities is the major



## PASSIVE COMPONENTS MANUAL

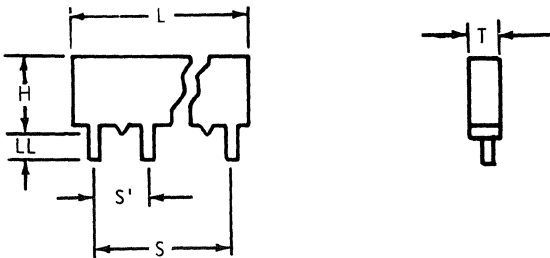
factor in achieving a properly designed module. The pertinent parameter capabilities are addressed in Table 5-2 while the performance characteristics will be discussed in detail later.

The power handling capabilities of R-Pacs are a function of several factors.

1. Power density per unit of active (trimmed) resistor area.
2. Power density per unit of substrate surface area.
3. Thermal properties of the substrate material.
4. Ratio of resistor to substrate area.
5. Machine ambient conditions - airflow and ambient temperature.

The recommended maximum module power handling capabilities follow.

Body Size	Lead Spacing	Lead Spacing
2	-	300 mW
4	600 mW	800 mW
6	900 mW	1200 mW
8	1200 mW	1500 mW
10	1500 mW	-



<u>S'</u>	<u>Description</u>
0.125"	SLT lead Spacing (center to center)
0.100"	VTL lead Spacing (center to center)

Figure 5-4. R-Pac Dimensions

PASSIVE COMPONENTS MANUAL

Table 5-1. R-Pac Dimensions (Inches)

S Si (No. of Leads)	H ALL	L		T		S		LL	
		0.125	0.100	0.125	0.100	0.125	0.100	0.125	0.100
2	0.350	0.240	-	0.120	-	0.125	-	0.095	-
4	0.350	0.490	0.384	0.120	0.090	0.375	0.300	0.095	0.095
6	0.350	0.740	0.584	0.120	0.090	0.625	0.500	0.095	0.095
8	0.350	0.990	0.784	0.120	0.090	0.875	0.700	0.095	0.095
10			0.984		0.090		0.900		0.095

Table 5-2. R-Pac Parameter Capabilities

Electrical Parameter	Standard R-Pac	Special R-Pac
Resistance Range	50 $\Omega$ to 100k $\Omega$	5 $\Omega$ to 50 $\Omega$ and 100k $\Omega$ to 1 M $\Omega$
Purchase Tolerance	2.5%	$\pm 1\%$ or $\pm 0.5\%$
TCR	300 ppm/ $^{\circ}$ C	$\pm 200$ ppm/ $^{\circ}$ C or $\pm 100$ ppm/ $^{\circ}$ C

PERFORMANCE

Performance characteristics of R-Pacs should be discussed in relationship to resistor drift, TCR, short term effects, relative tracking, and end of life tolerance (EOL). R-Pacs are designed to provide a worst case EOL resistor drift of less than (+2,-1)% over their useful life. At lower power levels the resistance drift will typically be less than  $\pm 1\%$ . Resistors fabricated simultaneously on the same substrate, using the same resistivity material, will typically track each other within 0.5% over the life of the module.

TCR for standard R-Pacs is  $\pm 300$  ppm/ $^{\circ}$ C. When matching requirements are necessary, resistors which have been screened from the same formulations in a given module may be specified to have a relative TCR of 50 ppm/ $^{\circ}$ C or 100 ppm/ $^{\circ}$ C depending on the ratio spread of the resistors.

## PASSIVE COMPONENTS MANUAL

Since operating temperature is the primary parameter determining overall resistor performance, [permanent degradation (drift) and transient changes (TCR)], it is necessary to consider operating temperature in the design of a resistor module for each machine application. Figure 5-5 presents typical temperature rise characteristics of each module body size with respect to total module power dissipation in a still air environment. Figure 5-6 provides a correction for operating temperature in moving air ambients. The temperature rise obtained from Figure 5-5 can be entered in the reference (horizontal) scale of Figure 5-6 and the temperature rise for the applicable air velocity can be obtained from the vertical scale. It should be noted that these curves represent maximum power capabilities of each standard module body size incorporating a single, ideally designed resistor. Obviously, multi-resistor networks will exhibit somewhat different thermal characteristics. However, these graphs may be used in determining maximum module power levels. In no instance should operating temperature (temperature rise plus ambient temperature) of the resistor exceed 100°C.

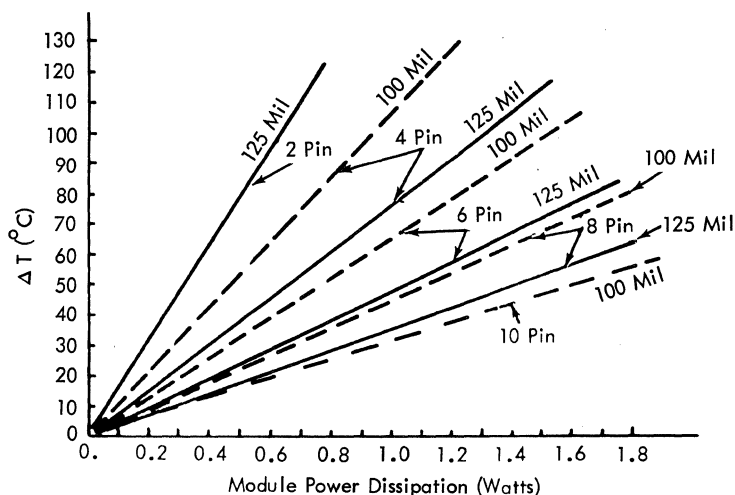


Figure 5-5. Temperature Rise Characteristics of Resistor Modules - Still Air Reference

## PASSIVE COMPONENTS MANUAL

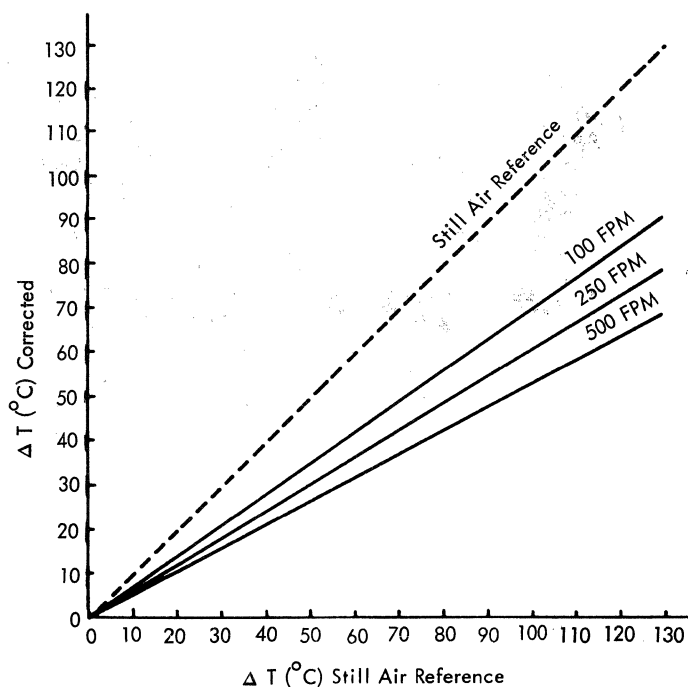


Figure 5-6. Temperature Rise Correction for Moving Air Ambients

The frequency response of R-Pacs has had a limited amount of study to date. However, certain general characteristics of this technology have been established and are presented here.

It should be noted that the test modules all had the same electrode geometry and that the resistors were of rectangular form. Obviously, electrode geometry variations and nonrectangular resistor patterns will have reactance characteristics which will be different from those presented.

It was found that with constant electrode geometry and a rectangular resistor pattern, the reactive characteristics were directly proportional to the particular ohmic value. Resistors in the 5 Ω to 90 Ω range typically show a constant inductance of less than 15 nanoHenries in series with the resistor. Resistors in the 90 Ω to 110 Ω range show little or no reactive component and are considered to be pure resistors.

Data above 100 MHz is not available and it is not possible to determine at what frequency this resistance range will have a reactive component. Resistors above 110 Ω demonstrate an equivalent series capacitance that yields a reactance which becomes a significant percentage of the impedance at the higher ohmic values. As the capacitive reactance increases the overall effective impedance decreases.

Circuit designers should consider that there will be resistance variations for the duration of the R-Pacs useful life which will affect the circuit's total performance. When requesting an R-Pac, the worst case absolute EOL tolerance is defined as the sum of the purchase tolerance, TCR, short term effect, and drift over the resistor's useful life. R-Pacs can be provided with a worst case EOL-tolerance of (+6,-5)% to (+4,-3)% by the TCR. When an overall worst case relative EOL tolerance for a pair of same value resistors in a given module is

## PASSIVE COMPONENTS MANUAL

required, it may be accomplished by specifying a relative initial tolerance of 0.5%. The relative initial tolerance must be added to the relative drift (0.5%), relative TCR (0.15%), and relative short term effects (0.25%) to determine the worst case relative EOL tolerance. The following example illustrates the worst case EOL tolerance calculations:

	Absolute	Relative
Purchase Tolerance	±2.5%	0.5%
TCR (30°C Δt)	±0.9% (300 ppm/°C)	0.15% (50 ppm/°C)
Drift	(+2.0, -1.0)%	0.5%
Short Term	±0.5%	0.25%
Total	(+5.9, -4.9)%	1.4%

The maximum failure rate presently supported for standard R-Pacs is 0.0001%/1k hours over a useful life of 100k hours. A higher failure rate of 0.0005%/1k hours is also supported for a certain group of high power R-Pacs. Refer to F/R specification 866451 for specific P/N failure rates.

## ECONOMICS AND DESIGN CONSIDERATIONS

To assure the best technical feasibility and economics an R-Pac should be designed within the following ground rules:

1. Resistor layout should allow all elements to be independently accessible at the termination. The exceptions are four resistor voltage dividers and bridge networks for termination.
2. Number of resistor elements is limited by maximum module power handling capability.
3. Resistor values over 150 kΩ limit the number of resistor elements per module.
4. The ohmic value ratio of the largest resistor to the smallest resistor in a module should be kept below 10:1.
5. Resistor values are measured from terminal to terminal and the conductor paths do contribute to that resistance.

PASSIVE COMPONENTS MANUAL

6. The module must be designed so there are no cross over conductors in the internal layout.

Assuming the above ground rules are not violated, the base cost of R-Pacs is dependent upon several factors which are significantly related.

1. The total yearly volume committed to the vendor
2. The individual R-Pac parameters
3. The individual P/N's yearly volume

The best R-Pac cost is achieved when at least 10,000 pieces per P/N can be ordered per buy. This is referred to as economical order quantity (EOQ). The base price for R-Pacs is determined from the standard R-Pac design specifications. Following are typical ranges of "to user" costs of standard R-Pacs.

Body Size	Module Cost	Cost per Element
2 leaded	16 to 18 cents	16 to 18 cents
4 leaded	20 to 23 cents	6 to 10 cents
6 leaded	25 to 28 cents	5 to 9 cents
8 leaded	28 to 33 cents	4 to 8 cents
10 leaded	34 to 39 cents	3 to 6 cents

Factors which will increase the base price of R-Pacs are:

1. Cost less than 10,000 pcs per buy
  - 5000 to 10000 pcs - 1.50 x base cost
  - 2500 to 5000 pcs - 2.0 x base cost
  - 1000 to 2500 pcs - 2.5 x base cost
  - Less than 1000 - 5.0 to 7.0 x base cost
2. Purchase tolerances less than 2.5%
3. TCR tighter than  $\pm 300$  ppm/ $^{\circ}$ C
4. Ohmic values in a module greater than 10 to 1 ratio
5. Resistance values less than 50  $\Omega$  or greater than 150k $\Omega$
6. Four resistor parallel voltage divider networks.
7. Resistor networks which require both sides of the substrate.

R-Pacs can save space and insertion costs over equivalent discrete packaging costs. Therefore, it should be realized that it is possible to pay more for components in modular form than would be required for discrettes, while saving multiples of that extra cost in packaging and assembly.

## SPECIFICATIONS

Specifications which are applicable to the R-Pac family are listed below for reference:

Engineering Specifications - 897660  
Quality Specifications - 873467

SIP R/C MODULES

DESCRIPTION

The 100 mil SIP R/C network is a thick film resistor network coupled with up to three chip capacitors in an eight pin SIP form factor. The thick film resistors and conductors, similar to the R-Pac technology, are screened on a ceramic substrate having the same length as an eight pin SIP module with a notch taken out of the top as illustrated in Figure 5-7. The chip capacitors are then epoxied into the notch in the substrate such that the overall dimensions of the R-Pac will meet the eight pin physical outline drawing (P/N 865758). The remainder of the manufacturing steps are the same as those for R-Pacs.

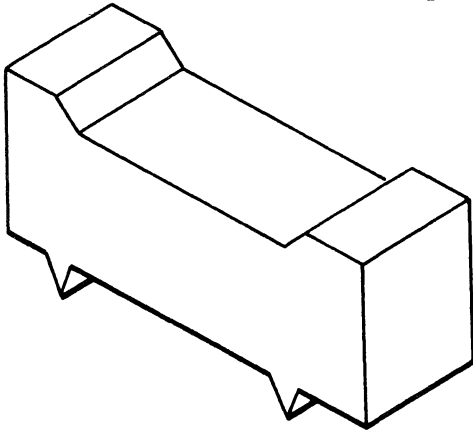


Figure 5-7. SIP R/C Substrate

The resistor technology capabilities and performance are basically the same as the standard R-Pac and will not be covered in detail here. In addition to these capabilities the capacitor parameters are given in Table 5-3.

The failure rate presently supported for the SIP R/C modules is 0.001%/1k hours. Refer to F/R Specification 866451.



Table 5-3. Capacitor Parameters

Parameter	Design Limit
Capacitance	10 pF to 2 nF
Purchase Tolerance	±20%
TCC (Temperature Coefficient of Capacitance)	±30 ppm/°C
Dissipation Factor	0.1% Maximum
Operating Voltage	50 V @ 125°C; 100 V @ 85°C
Insulation Resistance	10 <sup>10</sup>

### ECONOMIC AND DESIGN CONSIDERATIONS

The cost of this family of components is dependent on total yearly volume requirements committed to the vendor, the yearly volume of the individual P/N, and the specific individual P/N parameters. The typical "to user" cost of a standard eight pin 0.100 inch SIP R/C module is between \$1.40 and \$1.75.

The most economical design for the SIP R/C module is two symmetrical, two resistor - one capacitor circuits. Other designs can be manufactured at a slightly higher cost. It should be noted that since the modules fit the same physical outline drawings as the SIP R-Pacs no special handling or mounting techniques are required.

## SLT RESISTOR MODULES (SRM)

### DESCRIPTION

The SLT Resistor Module is a family of purchased components which is presently being utilized in IBM systems as memory terminating resistors. Thick-film resistors and conductors, similar to the R-Pac technology, are screened on standard SLT/MST 16 pin, 0.5 inch by 0.5 inch, ceramic substrates. The resistors and conductors are fired, pinned, tinned, adjusted, and cover-coated. The substrate is finally capped with an aluminum can and backfilled with RTV. The body dimensions are shown in Figure 5-8.

The SRM offers high packaging density for resistor networks while providing relatively low purchase and insertion costs per element. The handling and insertion techniques are compatible with standard SLT/MST modules. Up to sixteen resistors, with excellent drift and tracking performance, can be provided in a single module.

The resistor technology capabilities and performance are basically the same as the R-Pac, and will not be covered in detail here. However, the pertinent design capabilities are presented in Table 5-4 as application guidelines.

The power handling capabilities of the module in a given application may be determined from Figure 5-9. The typical temperature rise is compared with the total module power at several air flow conditions. To establish resistor operating temperature, the machine ambient temperature must be added to the temperature rise obtained from Figure 5-9. The resistors operating temperature should be kept below 100°C for best performance. A further restriction is that an individual resistor's power may not exceed 250 mW without special design considerations. Resistor/capacitor or capacitor-only modules are also feasible by employing chip capacitors.

The failure rate presently supported for the SRM family is 0.0005%/1k hours. Refer to F/R specification 866451.

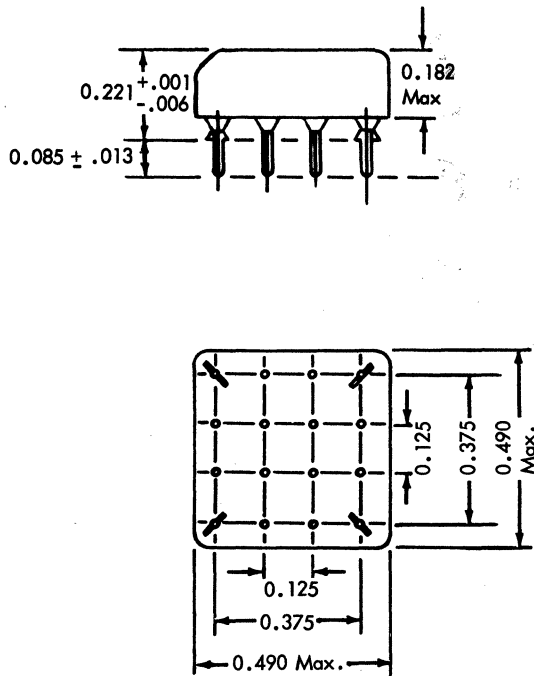


Figure 5-8. Typical SLT Resistor Module Configuration

PASSIVE COMPONENTS MANUAL

Table 5-4. SLT Resistor Module Parameter Capabilities

Module Capabilities	Standard Design	Special Design
Resistance Range	20 $\Omega$ to 10k $\Omega$	1 $\Omega$ to 100k $\Omega$
Purchase Tolerance	$\pm 2.5\%$ or greater	$\pm 1.0\%$ or less
TCR	$\pm 250$ ppm/ $^{\circ}\text{C}$	$\pm 100$ ppm/ $^{\circ}\text{C}$ to $\pm 250$ ppm/ $^{\circ}\text{C}$
TCR tracking	50 ppm/ $^{\circ}\text{C}$	-----
Number of resistors/module	up to 16	-----
Module power capabilities	1W @ 100 FPM airflow	2.0 watts
Capacitance range	1 pF to 2 $\mu\text{F}$	
Purchase tolerance	$\pm 1\%$ to (+100,-0)%	
TCC	$\pm 1\%$ to $\pm 85\%$	
Dissipation factor	<0.1%	
Insulation resistance	>10 <sup>9</sup> $\Omega$	
Voltage rating	10 to 100 watts	

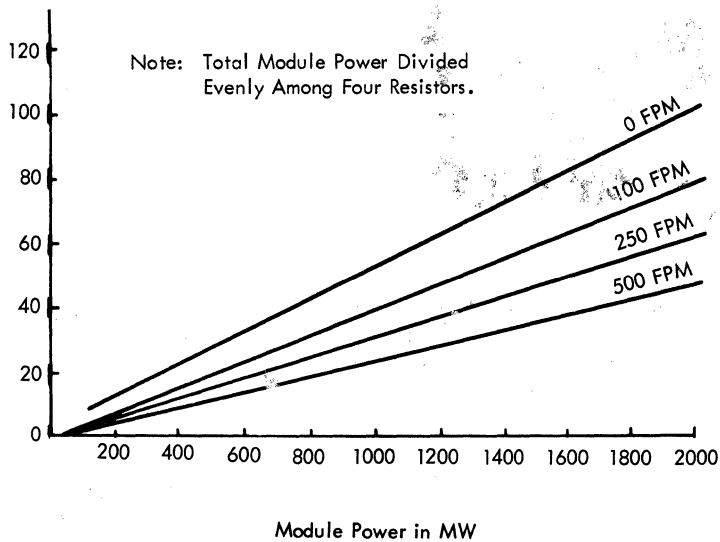


Figure 5-9. SRM Temperature Rise Characteristics

## ECONOMICS AND DESIGN CONSIDERATIONS

The cost of this family of components is dependent on total yearly volume requirements committed to the vendor, the yearly volume of the individual part number and the specific individual part number parameters. The typical "to user" cost of a standard SRM design is between \$1.25 and \$1.50. Typical "to-user" costs of R/C and capacitor-only modules will range between \$1.40 and \$2.00.

In order to economically utilize the SRM, the number of resistors should be maximized in order to minimize the cost per resistor element. In order to make the capacitor-only modules economical, a minimum of 5-capacitors (preferably 6 to 8) should be used. Parameters other than those of the standard design will increase the module cost.

## SPECIFICATIONS

Specifications which are applicable to the SRM family are listed below for reference:

Engineering Specification	- 866387
Quality Specification	- 866394
DCS code	- 2-6375
Substrate (MST)	- 5290195
Pin (MST)	- 5290011
Can (non-anodized)	- 5291402

## DIP R+R/C NETWORK MODULES

## DIP THICK FILM RESISTOR NETWORKS

### Description

Thick film resistor networks are available in standard 14, 16 and 18 pin DIP packages. The parameters of these networks are listed in Table 5-5. The resistor technology is basically the same as used in the R-Pac and SRM modules. Normally the maximum number of resistors available per module is one less than the number of pins.

The maximum allowable power dissipation per element is 250 mW. To keep the substrate temperature below the 105°C limit for card mounting, the approximate power dissipation limit per module in a 25°C still air environment is 1.2, 1.5, and 1.7 W respectively for the 14, 16, and 18 pin packages.

## DESIGN AND APPLICATION CONSIDERATIONS

To assure technical feasibility and lowest cost, the following ground rules should be adhered to when designing DIP R networks for machine applications:

1. All elements should be independently accessible at the terminations. Four resistor voltage divider networks are an exception to this requirement.
2. The resistance ratio of the largest to the smallest resistor should not exceed 10:1. The relative tracking of 50 PPM/°C applies only to resistors that fall within this ratio. A wider range of resistor values increases the manufacturing operations and the cost.
3. The network should be designed so there are no crossover conductors in the circuit layout.

Provided the above ground rules are adhered to, the to user cost for DIP resistor networks in quantities is on the order to \$0.80 to \$1.00.

## SPECIFICATIONS

Specifications applicable to DIP resistor networks are:

Engineering Specification - 897660  
Quality Specification - 2413219  
Physical Specification - 865770, 865771, and 865767  
Packaging Specification - 2412322

DIP R/C NETWORKS

Description

Networks containing both thick film resistors and ceramic chip capacitors have been released in 14 and 16 pin DIP packages. A maximum of eight capacitors, depending upon the size and pin connections, along with seven resistors are obtainable in a 16 pin DIP package.

The thermal mismatch between the ceramic used for the resistors and that used by the chip capacitors has caused a reliability concern. As a result, it is recommended that C networks and R networks be used and new R/C network designs not be released. Circuit designs calling for already released R/C networks will be honored.

The resistors in these networks are the same as those described in the section on DIP thick film resistor networks.

Figures 5-10, 5-11, and 5-12 represent the schematic drawing for a typical R/C DIP network, the layout drawing for this network, and a top view showing the capacitors in the network.

Table 5-5. Thick Film Dip Resistor Network Parameters

Parameter	Standard Design	Special Design
Resistance Range	22 to 500k	10 to 22 & 500k to 1 M
Purchase Tolerance	±5%	±1%
TCR	±300 ppm/°C	---
TCR Tracking	±50 ppm/°C	---
Worst Case Absolute EOL Tolerance	(+10,-9)%	(+6,-5)%
Worst Case Relative EOL Tolerance	±2.2%	±2.2%
Maximum Supported Failure Rate	0.001%/k hour	

PASSIVE COMPONENTS MANUAL

Element	Resistance/ Capacitance	Nominal Tolerance	Application- Max. Power/ Max. Voltage	T-C-R-/T-C-C. PPM/°C
R1	8.2K	± 5%	10MW	± 500
R2	15K	± 5%	10MW	± 500
C1	0.1 f	GMV	10 VDC	+22%, -56%
C2	2nf	+50%, -0	10 VDC	±15%
C3	30pf	± 5%	10 VDC	±50%

Module Schematic

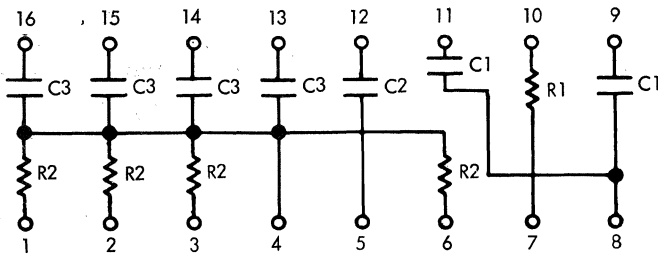


Figure 5-10. 16 Pin Dip Network, R & C Parametric Requirements, Layout and Schematic

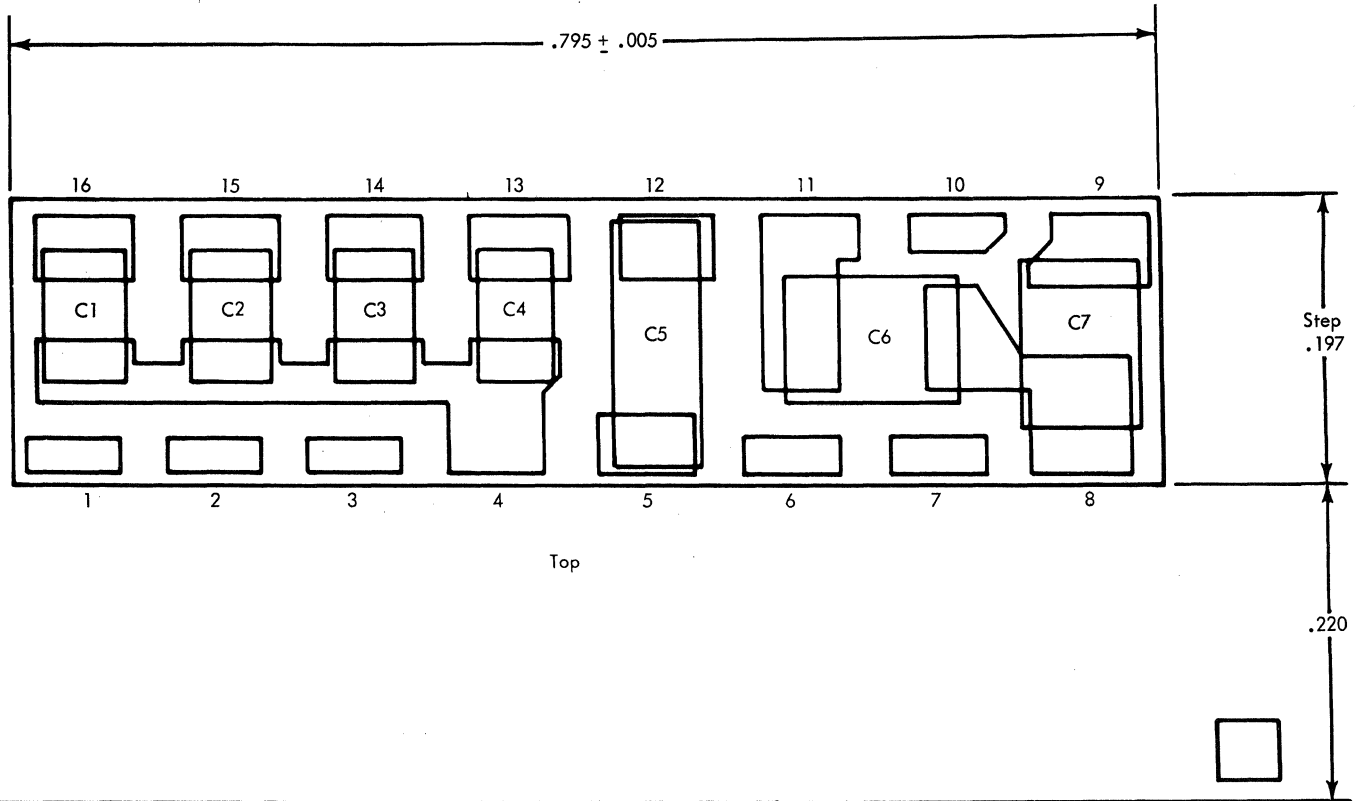


Figure 5-11. Layout for RC Network Module



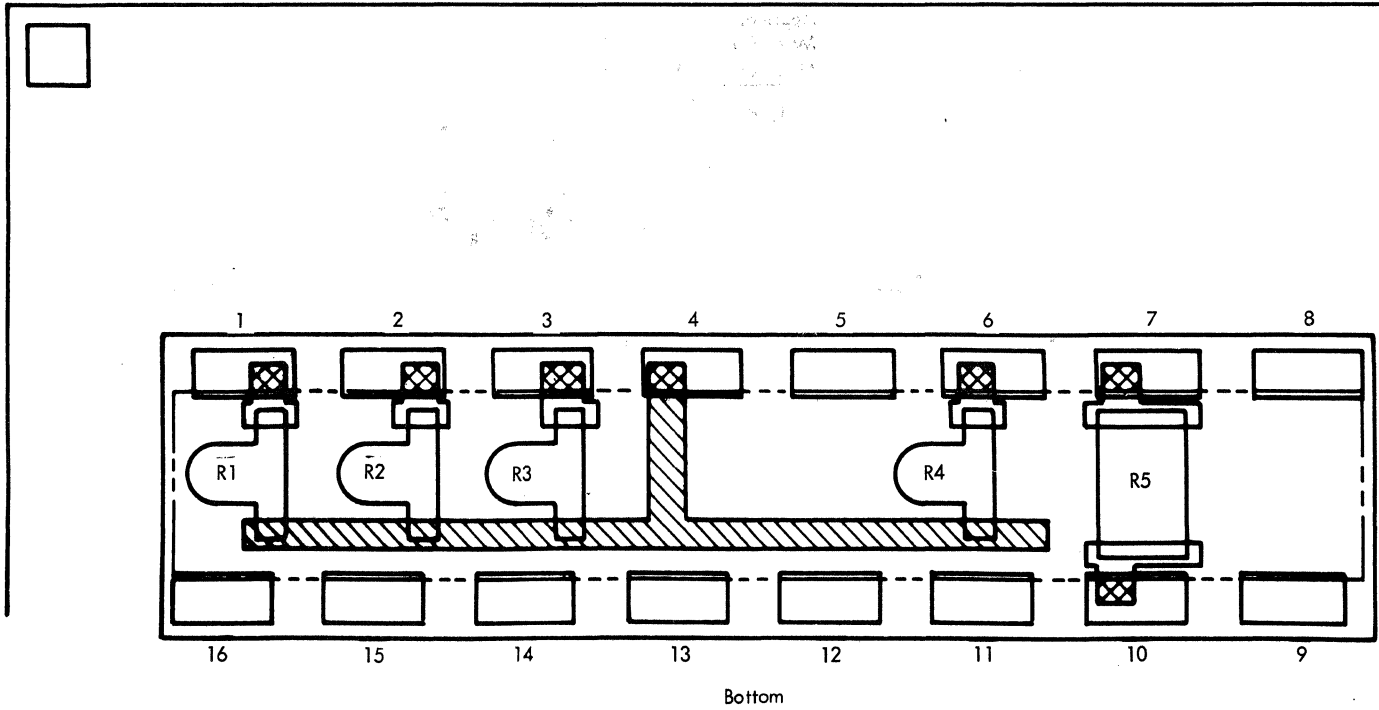


Figure 5-12. Layout for RC Network Module

PASSIVE COMPONENTS MANUAL

Table 5-6. DIP R/C Network Capacitor Parameters

Parameter	Standard Design	Special Design
Capacitance Range		
Class I	10 pF to 2.2 nF	2.2 nF to 6.8 nF
Class II (Z5U)	100 pF to 100 nF	100 nF to 270 nF
Class II (Z5U)	2.2 nF to 220 nF	220 nF to 470 nF
Purchase Tolerance		
Class I	±5%, ±10%, ±20%	
Class II (X7R)	±10%, ±20%, (+80,-20)%	
Class II (Z5U)	±20%, (+80,-20)%	
TCC		
Class I	±30 ppm/°C	
Class II (X7R)	±15% (-55 to +125°C)	
Class II (X5U)	(+22,-56)% (10 to 85°C)	
Dissipation Factor (Maximum)		
Class I	0.1%	
Class II (X7R)	3.0%	
Class II (Z5U)	4.0%	
Operating Voltage (Max WVDC)		
Class I	50 V @ 125°C, 100 V @ 85°C	
Class II	50 V @ 125°C, 100 V @ 85°C	
Class II	50 V @ 85°C	
Insulation Resistance		
Class I	10 <sup>10</sup>	
Class II (X7R)	10 <sup>9</sup>	
Class II (Z5U)	10 <sup>9</sup>	

Parameter	Standard Design	Special Design
Resistance Range	10 $\Omega$ to 100k $\Omega$	
Purchase Tolerance	$\pm 0.1\%$ and $\pm 0.25\%$	$\pm 0.01\%$
TCR	50 ppm/ $^{\circ}\text{C}$	10 ppm/ $^{\circ}\text{C}$ and 25 ppm/ $^{\circ}\text{C}$
TCR Tracking	5 ppm/ $^{\circ}\text{C}$	2 ppm/ $^{\circ}\text{C}$
Maximum Power/Element	80 mW	
Maximum Power Total	500 to 750 mW	
Worst Case Absolute EOL	$\pm 0.65\%$ and $\pm 0.80\%$	$\pm 0.2\%$ and $\pm 0.35\%$
Worst Case Relative EOL Tolerance	$\pm 0.15\%$ and $\pm 0.3\%$	$\pm 0.035\%$

## DESIGN AND APPLICABLE CONSIDERATIONS

The ground rules given for the thick film DIP networks apply also to the DIP R/C networks.

User costs for DIP R/C networks are on the order of \$1.50 to \$2.50 depending upon the number of capacitors required.

## SPECIFICATIONS

Specifications that apply to DIP R/C modules are the same as listed for thick film DIP resistor networks.

## DIP PRECISION THIN FILM RESISTOR NETWORKS

### Description

Thin film resistors are basically very thin layers (from less than 100 angstroms to a few microns thick) of metal alloys or compositions deposited on a glass or ceramic substrate by evaporation, sputtering, or some similar technique. The parameters of these networks are listed in Table 5-7. Some commonly used thin film resistor materials are tantalum nitride, nickel-chromium, and chromium-cobalt.

## PASSIVE COMPONENTS MANUAL

Thin film networks presently being evaluated in IBM employ nickel-chromium technology. The resistor material is deposited on an alkali-free glass substrate. The network pattern is obtained by photolithographic techniques. The resistor material is passivated by some form of oxide coating to improve its stability.

The glass substrate is bonded to the gold plated Kovar of the DIP package. The external leads are sandwiched between two thin ceramic frames. This assembly is bonded to the base with a special epoxy cement. A barrier metal is vacuum deposited to bond sites which have been etched on each resistor. Gold conductors which connect to the bond sites are vacuum deposited on the substrate. Gold wires are then thermo compression bonded to the conductors and external leads. A gold plated Kovar cover is epoxy bonded to the top of the ceramic frame to complete the package.

DIP thin film resistor networks are available with up to 13 resistors in the 14 pin package and 15 in the 16 pin DIP. The sheet resistivity of the nickel-chromium film is approximately  $100 \Omega/\square$ . The resistor elements are usually laid out in a serpentine pattern. Close tolerances are obtained by laser trimming. The magnitude of obtainable resistance is limited by the space available. Resistance values greater than one megohm can be manufactured, but the number of elements per network is thereby reduced.

Figure 5-13 is a photo of a thin film resistor module with the cover removed to show the resistor network layout.



Figure 5-13. Thin Film Resistor Module with Cover Removed

### DESIGN AND APPLICATION CONSIDERATIONS

Thin film resistors are ideally suited for use in ladder networks, matched resistor networks, and other applications where very close initial tolerances, accurate TCR tracking, and long term stability are essential.

The operating temperature range for thin film networks is 0 to 70°C.

Because of the manufacturing complexity and costly materials, thin film networks are quite expensive. Even in production quantities the present user cost is about \$14. However, it is anticipated that improved manufacturing and packaging techniques that have recently been developed will result in future production quantity prices on the order of \$8.

## PASSIVE COMPONENTS MANUAL

### SPECIFICATIONS

Engineering Specification - 2412467  
Quality Specification - 2412469  
Packaging Specification - 2412322  
Physical Specification - 865770 and 865771

PASSIVE COMPONENTS MANUAL

R-PAC MODULES

Component Data Bank - P/N Catalog

DCS CODES

-----

0.125" R-Pacs

23512

23513

1st Section Ascending Values of R1\*

2nd Section Ascending order of P/N's to Facilitate Matching Lead Assignments and Power Dissipation per P/N

PG. 1 06/30/82 23:32 UR0206 \*\*\* IBM INTERNAL USE \*\*\* COMPONENT DATA BANK INTERNAL USE ONLY  
 CDB/RP ALL/RP TECH DCS#N NE 23517 RP/L/SP#N EQ 125 SEQ/LH RP/R1/KO RP/L/NO  
 RES/ALL RP/T1 RP/TOL/O NO/LIMIT.

PART NUMBER	U OF C	NO. LEAD	R1 RESIST KILOHMS	R2 RESIST KILOHMS	R3 RESIST KILOHMS	R4 RESIST KILOHMS	R5 RESIST KILOHMS	R6 RESIST KILOHMS	R7 RESIST KILOHMS	R8 RESIST KILOHMS	R9 RESIST KILOHMS	R1 TOL %	TOL OHM
2392470	A	4	.004	.004	.004	.000	.000	.000	.000	.000	.000	.00	.5
2392707	A	6	.006	.000	.000	.000	.000	.000	.000	.000	.000	.00	.5
2390204	A	2	.010	.000	.000	.000	.000	.000	.000	.000	.000	5.00	.0
2390324	A	4	.010	.000	.000	.000	.000	.000	.000	.000	.000	.00	.5
2390376	A	4	.010	.010	.000	.000	.000	.000	.000	.000	.000	.00	.5
2390954	C	8	.010	.000	.000	.000	.000	.000	.000	.000	.000	5.00	.0
2392543	A	4	.010	.010	.010	.000	.000	.000	.000	.000	.000	.00	.5
2392637	A	6	.010	.010	.010	.010	.000	.000	.000	.000	.000	5.00	.0
2408629	A	6	.010	.010	.010	.010	.000	.000	.000	.000	.000	5.00	.0
2390393	A	4	.014	.014	.000	.000	.000	.000	.000	.000	.000	5.00	.0
2392705	A	6	.014	.010	.010	.010	.000	.000	.000	.000	.000	2.50	.0
2392399	A	4	.015	.015	.015	.000	.000	.000	.000	.000	.000	.00	.5
2390325	A	4	.016	.016	.016	.000	.000	.000	.000	.000	.000	.00	.5
2390358	A	4	.018	.018	.000	.000	.000	.000	.000	.000	.000	5.00	.5
2390325	A	4	.020	.000	.000	.000	.000	.000	.000	.000	.000	.00	.5
2390538	A	4	.020	.020	.020	.000	.000	.000	.000	.000	.000	5.00	.0
2392372	A	4	.020	.020	.020	.000	.000	.000	.000	.000	.000	2.50	.0
2392360	A	4	.021	.014	.000	.000	.000	.000	.000	.000	.000	.00	.5
2392472	A	4	.021	.010	.000	.000	.000	.000	.000	.000	.000	.00	.5
2390229	A	2	.022	.000	.000	.000	.000	.000	.000	.000	.000	.00	.5
2392476	A	4	.022	.015	.000	.000	.000	.000	.000	.000	.000	2.50	.5
2392818	A	8	.022	.016	.000	.000	.000	.000	.000	.000	.000	5.00	.0
2390485	A	4	.024	.024	.000	.000	.000	.000	.000	.000	.000	2.50	.5
2392501	A	4	.027	.014	.000	.000	.000	.000	.000	.000	.000	2.50	.0
2392614	A	6	.027	.027	.027	.027	.000	.000	.000	.000	.000	.00	.5
2392814	A	8	.028	.028	.000	.000	.000	.000	.000	.000	.000	.00	.5
2390218	A	2	.029	.000	.000	.000	.000	.000	.000	.000	.000	2.50	.0
2390206	A	2	.030	.000	.000	.000	.000	.000	.000	.000	.000	.00	.5
2390259	A	2	.030	.000	.000	.000	.000	.000	.000	.000	.000	2.50	.0
2390537	A	4	.033	.033	.000	.000	.000	.000	.000	.000	.000	2.50	.0
2392875	A	8	.040	.040	.040	.040	.000	.000	.000	.000	.000	5.00	.0
2392361	A	4	.042	.014	.000	.000	.000	.000	.000	.000	.000	2.50	.0
2392643	A	6	.043	.043	.043	.043	.000	.000	.000	.000	.000	.00	.5
2390577	A	4	.045	.000	.000	.000	.000	.000	.000	.000	.000	.00	.5
2390207	A	2	.046	.000	.000	.000	.000	.000	.000	.000	.000	1.00	.0
2390805	A	8	.047	.047	.047	.047	.000	.000	.000	.000	.000	5.00	.0
2390569	A	4	.049	.049	.000	.000	.000	.000	.000	.000	.000	1.00	.0
2390386	A	4	.050	.050	.050	.000	.000	.000	.000	.000	.000	2.50	.0
2390396	A	4	.050	.000	.000	.000	.000	.000	.000	.000	.000	2.50	.0
2392600	A	6	.050	.050	.050	.050	.000	.000	.000	.000	.000	1.00	.0
2390366	A	4	.051	.051	.051	.000	.000	.000	.000	.000	.000	1.00	.0
2392870	A	8	.051	.051	.051	.051	.022	.020	.000	.000	.000	2.50	.0
2390898	A	8	.052	.052	.052	.027	.027	.027	.000	.000	.000	1.00	.5
2392626	A	6	.052	.052	.052	.052	.000	.000	.000	.000	.000	1.00	.0
2390560	A	4	.054	.000	.000	.000	.000	.000	.000	.000	.000	1.00	.0
2390543	A	4	.056	.056	.056	.000	.000	.000	.000	.000	.000	1.00	.0
2392891	A	8	.056	.056	.056	.056	.056	.056	.056	.000	.000	5.00	.0

PASSIVE COMPONENTS MANUAL

Component Data Bank - P/N Catalog  
R-Pac Modules

PG. 2 06/30/82 23:32 UR0206 \*\*\* IBM INTERNAL USE \*\*\* COMPONENT DATA BANK INTERNAL USE ONLY  
CDB/RP ALL/RP TECH DCS#N NE 23517 RP/L/SP#N EQ 125 SEQ/LH RP/R1/KO RP/L/NO  
RES/ALL RP/TI RP/TOL/O NO/LIMIT.

PART NUMBER	T NO.	R1 RESIST KILOHMS	R2 RESIST KILOHMS	R3 RESIST KILOHMS	R4 RESIST KILOHMS	R5 RESIST KILOHMS	R6 RESIST KILOHMS	R7 RESIST KILOHMS	R8 RESIST KILOHMS	R9 RESIST KILOHMS	R1 TOL %	TOL OHM
2390251	A	2	.060	.000	.000	.000	.000	.000	.000	.000	1.00	.0
2390258	A	2	.060	.000	.000	.000	.000	.000	.000	.000	2.50	.0
2390799	A	6	.060	.060	.060	.060	.000	.000	.000	.000	1.00	.0
2390109	A	4	.064	.000	.000	.000	.000	.000	.000	.000	1.00	.0
2392583	C	4	.068	.068	.060	.060	.000	.000	.000	.000	2.50	.0
2392743	A	6	.068	.068	.035	.035	.000	.000	.000	.000	1.00	.5
2390306	A	4	.070	.000	.000	.000	.000	.000	.000	.000	1.00	.0
2390423	A	4	.070	.070	.000	.000	.000	.000	.000	.000	2.50	.0
2392490	A	4	.074	.074	.074	.000	.000	.000	.000	.000	2.50	.0
2392624	A	6	.075	.075	.075	.056	.000	.000	.000	.000	1.00	.0
2390230	A	2	.080	.000	.000	.000	.000	.000	.000	.000	1.00	.0
2390982	A	8	.080	.080	.040	.040	.012	.000	.000	.000	1.00	.0
2390698	A	6	.082	.082	.080	.080	.000	.000	.000	.000	5.00	.0
2390707	A	6	.082	.082	.082	.082	.000	.000	.000	.000	5.00	.0
2390380	A	4	.090	.090	.090	.000	.000	.000	.000	.000	2.50	.0
2392869	A	8	.090	.090	.090	.090	.090	.090	.000	.000	2.50	.0
2392883	A	8	.090	.000	.000	.000	.000	.000	.000	.000	2.50	.0
2390839	A	8	.091	.091	.091	.091	.000	.000	.000	.000	5.00	.0
2390962	A	8	.091	.091	.056	.056	.000	.000	.000	.000	2.50	.0
2390379	A	4	.095	.082	.000	.000	.000	.000	.000	.000	2.50	.0
2390410	A	4	.095	.095	.000	.000	.000	.000	.000	.000	2.50	.0
2390411	A	4	.095	.095	.095	.000	.000	.000	.000	.000	2.50	.0
2390564	A	4	.095	.000	.000	.000	.000	.000	.000	.000	2.50	.0
2392627	A	6	.095	.095	.000	.000	.000	.000	.000	.000	2.50	.0
2390246	A	2	.100	.000	.000	.000	.000	.000	.000	.000	5.00	.0
2390257	A	2	.100	.000	.000	.000	.000	.000	.000	.000	5.00	.0
2390394	A	4	.100	.022	.022	.000	.000	.000	.000	.000	2.50	.0
2390419	A	4	.100	.100	.000	.000	.000	.000	.000	.000	2.50	.0
2390445	A	4	.100	.100	.000	.000	.000	.000	.000	.000	2.50	.0
2390484	A	4	.100	.100	.000	.000	.000	.000	.000	.000	2.50	.0
2390796	A	6	.100	.100	.000	.000	.000	.000	.000	.000	5.00	.0
2390910	A	8	.100	.100	.100	.100	.100	.100	.000	.000	5.00	.0
2392345	A	4	.100	.100	.000	.000	.000	.000	.000	.000	2.50	.0
2392456	A	4	.100	.100	.000	.000	.000	.000	.000	.000	2.50	.0
2392663	A	6	.105	.105	.095	.095	.000	.000	.000	.000	1.00	.0
2390483	A	4	.110	.110	.110	.000	.000	.000	.000	.000	1.00	.0
2392765	A	6	.110	.006	.000	.000	.000	.000	.000	.000	2.50	.5
2392507	A	4	.115	.115	.000	.000	.000	.000	.000	.000	1.00	.0
2390341	A	4	.116	.023	.000	.000	.000	.000	.000	.000	1.00	.5
2392894	A	8	.120	.107	.079	.025	.020	.000	.000	.000	1.00	.5
2390435	A	4	.125	.125	.125	.000	.000	.000	.000	.000	5.00	.0
2390448	A	4	.125	.125	.000	.000	.000	.000	.000	.000	5.00	.0
2390450	A	4	.125	.125	.125	.000	.000	.000	.000	.000	5.00	.0
2390903	A	8	.125	.125	.125	.125	.125	.125	.000	.000	5.00	.0
2390533	A	4	.130	.000	.000	.000	.000	.000	.000	.000	2.50	.0
2390703	A	6	.130	.130	.130	.130	.000	.000	.000	.000	5.00	.0
2390843	A	8	.130	.130	.130	.130	.000	.000	.000	.000	5.00	.0

E45-0359 Rev. 2

IBM Internal Use Only

5-27

September 15, 1982

PASSIVE COMPONENTS MANUAL

Component Data Bank - P/N Catalog  
R-Pac Modules

PG. 3 06/30/82 23:32 UR0206 \*\*\* IBM INTERNAL USE \*\*\* COMPONENT DATA BANK INTERNAL USE ONLY  
CDB/RP ALL/RP TECH DCS#N NE 23517 RP/L/SP#N EQ 125 SEQ/LH RP/R1/KO RP/L/NO  
RES/ALL RP/T1 RP/TOL/O NO/LIMIT.

PART NUMBER	T NO. OF C LEAD	R1 RESIST KILOHMS	R2 RESIST KILOHMS	R3 RESIST KILOHMS	R4 RESIST KILOHMS	R5 RESIST KILOHMS	R6 RESIST KILOHMS	R7 RESIST KILOHMS	R8 RESIST KILOHMS	R9 RESIST KILOHMS	R1 TOL %	TOL OHM
2390897	A 8	.130	.130	.130	.130	.000	.000	.000	.000	.000	1.00	.0
2390928	A 8	.130	.130	.130	.130	.130	.130	.000	.000	.000	2.50	.0
2390947	A 8	.130	.130	.130	.130	.130	.130	.130	.000	.000	5.00	.0
2390985	C 8	.130	.000	.000	.000	.000	.000	.000	.000	.000	5.00	.0
2392664	A 6	.130	.091	.012	.000	.000	.000	.000	.000	.000	5.00	.0
2408651	A 6	.135	.135	.000	.000	.000	.000	.000	.000	.000	2.50	.0
2392914	A 8	.136	.136	.136	.136	.136	.136	.033	.000	.000	2.50	.0
2390369	A 4	.140	.140	.000	.000	.000	.000	.000	.000	.000	5.00	.0
2392412	A 4	.140	.057	.020	.000	.000	.000	.000	.000	.000	1.00	.5
2390249	A 2	.150	.000	.000	.000	.000	.000	.000	.000	.000	5.00	.0
2390265	A 2	.150	.000	.000	.000	.000	.000	.000	.000	.000	1.00	.0
2390364	A 4	.150	.150	.000	.000	.000	.000	.000	.000	.000	1.00	.6
2390498	A 4	.150	.150	.000	.000	.000	.000	.000	.000	.000	5.00	.0
2390838	A 8	.150	.150	.150	.150	.000	.000	.000	.000	.000	5.00	.0
2390934	A 8	.150	.150	.000	.000	.000	.000	.000	.000	.000	5.00	.0
2390938	A 8	.150	.095	.091	.091	.075	.000	.000	.000	.000	5.00	.0
2392337	A 4	.150	.150	.000	.000	.000	.000	.000	.000	.000	2.50	.0
2392505	A 4	.150	.020	.000	.000	.000	.000	.000	.000	.000	2.50	.0
2392566	A 4	.150	.150	.075	.000	.000	.000	.000	.000	.000	1.00	.0
2392612	A 6	.150	.150	.150	.150	.000	.000	.000	.000	.000	5.00	.0
2390943	A 8	.160	.160	.160	.160	.160	.160	.000	.000	.000	5.00	.0
2390436	A 4	.165	.165	.000	.000	.000	.000	.000	.000	.000	5.00	.0
2390449	A 4	.165	.165	.000	.000	.000	.000	.000	.000	.000	5.00	.0
2390395	A 4	.170	.026	.000	.000	.000	.000	.000	.000	.000	2.50	.0
2408677	A 6	.174	.100	.081	.043	.000	.000	.000	.000	.000	1.00	.5
2390342	A 4	.180	.180	.000	.000	.000	.000	.000	.000	.000	5.00	.0
2390417	A 4	.180	.140	.000	.000	.000	.000	.000	.000	.000	5.00	.0
2390418	A 4	.180	.140	.000	.000	.000	.000	.000	.000	.000	5.00	.0
2390431	A 4	.180	.180	.140	.000	.000	.000	.000	.000	.000	5.00	.0
2390433	A 4	.180	.140	.000	.000	.000	.000	.000	.000	.000	5.00	.0
2390434	A 4	.180	.180	.180	.000	.000	.000	.000	.000	.000	5.00	.0
2390446	A 4	.180	.140	.125	.000	.000	.000	.000	.000	.000	5.00	.0
2390456	A 4	.180	.140	.125	.000	.000	.000	.000	.000	.000	5.00	.0
2390470	A 4	.180	.180	.140	.000	.000	.000	.000	.000	.000	5.00	.0
2390522	A 4	.180	.180	.000	.000	.000	.000	.000	.000	.000	5.00	.0
2390562	A 4	.180	.150	.000	.000	.000	.000	.000	.000	.000	5.00	.0
2390610	A 6	.180	.180	.140	.140	.000	.000	.000	.000	.000	5.00	.0
2390640	A 6	.180	.180	.180	.140	.140	.000	.000	.000	.000	5.00	.0
2390647	A 6	.180	.180	.140	.140	.140	.000	.000	.000	.000	5.00	.0
2390651	A 6	.180	.165	.165	.140	.140	.000	.000	.000	.000	5.00	.0
2390664	A 6	.180	.180	.180	.140	.140	.000	.000	.000	.000	5.00	.0
2390665	A 6	.180	.180	.180	.140	.140	.000	.000	.000	.000	5.00	.0
2390666	A 6	.180	.180	.140	.140	.000	.000	.000	.000	.000	5.00	.0
2390734	A 8	.180	.180	.180	.180	.000	.000	.000	.000	.000	5.00	.0
2390826	A 8	.180	.180	.180	.140	.140	.000	.000	.000	.000	5.00	.0
2392318	A 4	.182	.182	.000	.000	.000	.000	.000	.000	.000	1.00	.0
2390305	A 4	.190	.168	.000	.000	.000	.000	.000	.000	.000	1.00	.0

E45-0359 Rev. 2

5-28  
IBM Internal Use Only

September 15, 1982



Component Data Bank - P/N Catalog  
R-Pac Modules

PASSIVE COMPONENTS MANUAL

PG. 4 06/30/82 23:32 UR0206 \*\*\* IBM INTERNAL USE \*\*\* COMPONENT DATA BANK INTERNAL USE ONLY  
CDB/RP ALL/RP TECH DCS#N NE 23517 RP/L/SP#N EQ 125 SEQ/LH RP/RI/KO RP/L/NO  
RES/ALL RP/T1 RP/TOL/O NO/LIMIT.

PART NUMBER	T NO. C	U OF LEAD	R1 RESIST KILOHMS	R2 RESIST KILOHMS	R3 RESIST KILOHMS	R4 RESIST KILOHMS	R5 RESIST KILOHMS	R6 RESIST KILOHMS	R7 RESIST KILOHMS	R8 RESIST KILOHMS	R9 RESIST KILOHMS	R1 TOL %	TOL OHM
2390361	A	4	.200	.150	.056	.000	.000	.000	.000	.000	.000	5.00	.0
2390527	A	4	.200	.200	.000	.000	.000	.000	.000	.000	.000	5.00	.0
2390687	A	6	.200	.200	.200	.200	.000	.000	.000	.000	.000	5.00	.0
2390837	A	8	.200	.200	.200	.200	.000	.000	.000	.000	.000	5.00	.0
2390950	A	8	.200	.200	.200	.150	.150	.056	.056	.000	.000	5.00	.0
2392321	A	4	.200	.200	.175	.175	.000	.000	.000	.000	.000	5.00	.0
2392338	A	4	.200	.200	.175	.175	.000	.000	.000	.000	.000	5.00	.0
2392346	A	4	.200	.200	.000	.000	.000	.000	.000	.000	.000	5.00	.0
2392457	A	4	.200	.200	.000	.000	.000	.000	.000	.000	.000	5.00	.0
2392459	A	4	.200	.200	.175	.175	.000	.000	.000	.000	.000	5.00	.0
2392497	A	4	.200	.051	.000	.000	.000	.000	.000	.000	.000	5.00	.0
2392642	A	6	.200	.200	.100	.000	.000	.000	.000	.000	.000	5.00	.0
2392308	A	4	.203	.203	.162	.162	.000	.000	.000	.000	.000	5.00	.0
2392915	A	8	.214	.214	.214	.214	.214	.214	.033	.000	.000	5.00	.0
2390385	A	4	.218	.218	.177	.177	.000	.000	.000	.000	.000	5.00	.0
2390540	A	4	.220	.000	.000	.000	.000	.000	.000	.000	.000	5.00	.0
2390653	A	6	.220	.220	.161	.161	.000	.000	.000	.000	.000	5.00	.0
2390387	A	4	.224	.224	.224	.000	.000	.000	.000	.000	.000	5.00	.0
2392305	A	4	.224	.090	.000	.000	.000	.000	.000	.000	.000	5.00	.0
2392631	A	6	.225	.225	.035	.035	.000	.000	.000	.000	.000	5.00	.0
2390437	A	4	.230	.230	.000	.000	.000	.000	.000	.000	.000	5.00	.0
2390463	A	4	.230	.230	.000	.000	.000	.000	.000	.000	.000	5.00	.0
2390405	A	4	.232	.232	.000	.000	.000	.000	.000	.000	.000	5.00	.0
2390426	A	4	.240	.240	.000	.000	.000	.000	.000	.000	.000	5.00	.0
2390836	A	8	.240	.240	.240	.240	.000	.000	.000	.000	.000	5.00	.0
2390935	A	8	.240	.240	.100	.100	.047	.047	.000	.000	.000	5.00	.0
2392606	A	6	.240	.100	.100	.062	.100	.000	.000	.000	.000	5.00	.0
2408822	A	8	.240	.100	.100	.051	.051	.000	.000	.000	.000	5.00	.0
2390539	A	4	.248	.000	.000	.000	.000	.000	.000	.000	.000	5.00	.0
2390388	A	4	.250	.250	.062	.062	.000	.000	.000	.000	.000	5.00	.0
2390390	A	4	.250	.000	.000	.000	.000	.000	.000	.000	.000	5.00	.0
2392313	A	4	.250	.250	.062	.062	.000	.000	.000	.000	.000	5.00	.0
2392446	A	4	.250	.120	.000	.000	.000	.000	.000	.000	.000	5.00	.0
2408380	A	4	.258	.258	.000	.000	.000	.000	.000	.000	.000	5.00	.0
2390264	A	2	.260	.000	.000	.000	.000	.000	.000	.000	.000	5.00	.0
2390472	A	4	.260	.260	.000	.000	.000	.000	.000	.000	.000	5.00	.0
2390686	A	6	.260	.260	.260	.260	.000	.000	.000	.000	.000	5.00	.0
2408670	A	6	.267	.260	.200	.000	.000	.000	.000	.000	.000	5.00	.0
2390599	A	4	.269	.269	.269	.000	.000	.000	.000	.000	.000	5.00	.0
2390356	A	4	.270	.062	.000	.000	.000	.000	.000	.000	.000	5.00	.0
2390455	A	4	.270	.270	.000	.000	.000	.000	.000	.000	.000	5.00	.0
2390636	A	6	.270	.180	.100	.000	.000	.000	.000	.000	.000	5.00	.0
2390722	A	6	.270	.180	.020	.020	.000	.000	.000	.000	.000	5.00	.0
2390923	A	8	.270	.270	.270	.240	.240	.240	.000	.000	.000	5.00	.0
2392648	A	6	.270	.270	.043	.043	.000	.000	.000	.000	.000	5.00	.0
2392657	A	6	.270	.270	.039	.039	.000	.000	.000	.000	.000	5.00	.0
2392545	A	4	.278	.168	.054	.000	.000	.000	.000	.000	.000	5.00	.0

Component Data Bank - P/N Catalog  
R-Pac Modules

PASSIVE COMPONENTS MANUAL

PG. 5 06/30/82 23:32 UR0206 \*\*\* IBM INTERNAL USE \*\*\* COMPONENT DATA BANK INTERNAL USE ONLY  
CDB/RP ALL/RP TECH DC5#N NE 23517 RP/L/SP#N EQ 125 SEQ/LH RP/R1/KO RP/L/NO  
RES/ALL RP/T1 RP/TOL/O NO/LIMIT.

PART NUMBER	T NO. OF C LEAD	R1 RESIST KILOHMS	R2 RESIST KILOHMS	R3 RESIST KILOHMS	R4 RESIST KILOHMS	R5 RESIST KILOHMS	R6 RESIST KILOHMS	R7 RESIST KILOHMS	R8 RESIST KILOHMS	R9 RESIST KILOHMS	R1 TOL %	TOL OHM
2390900	A 8	.280	.280	.280	.230	.230	.230	.000	.000	.000	5.00	.0
2390565	A 4	.281	.049	.000	.000	.000	.000	.000	.000	.000	1.00	.0
2390566	A 4	.281	.281	.000	.000	.000	.000	.000	.000	.000	1.00	.0
2392392	A 4	.284	.205	.119	.000	.000	.000	.000	.000	.000	2.50	.0
2390382	A 4	.285	.285	.154	.154	.000	.000	.000	.000	.000	2.50	.0
2390685	A 6	.285	.285	.285	.285	.000	.000	.000	.000	.000	5.00	.0
2392324	A 4	.287	.143	.000	.000	.000	.000	.000	.000	.000	1.00	.0
2390200	A 2	.300	.000	.000	.000	.000	.000	.000	.000	.000	1.00	.0
2390357	A 4	.300	.300	.000	.000	.000	.000	.000	.000	.000	5.00	.0
2390459	A 4	.300	.300	.300	.000	.000	.000	.000	.000	.000	5.00	.0
2390555	A 4	.300	.300	.300	.000	.000	.000	.000	.000	.000	2.50	.0
2390700	A 6	.300	.300	.120	.120	.000	.000	.000	.000	.000	5.00	.0
2390878	A 8	.300	.300	.300	.300	.300	.300	.000	.000	.000	2.50	.0
2390899	A 8	.300	.300	.300	.200	.200	.000	.000	.000	.000	5.00	.0
2392336	A 4	.300	.300	.000	.000	.000	.000	.000	.000	.000	2.50	.0
2392816	A 8	.300	.100	.010	.010	.010	.000	.000	.000	.000	5.00	.5
2392847	A C 8	.300	.300	.030	.030	.000	.000	.000	.000	.000	2.50	.0
2392524	A 4	.301	.255	.000	.000	.000	.000	.000	.000	.000	1.00	.0
2392605	A 4	.301	.301	.301	.000	.000	.000	.000	.000	.000	1.00	.0
2392359	A 4	.308	.308	.082	.090	.000	.000	.000	.000	.000	2.50	.0
2390718	A 4	.310	.310	.130	.091	.000	.000	.000	.000	.000	5.00	.0
2390377	A 4	.320	.125	.058	.058	.000	.000	.000	.000	.000	5.00	.0
2390571	A 4	.320	.320	.058	.058	.000	.000	.000	.000	.000	1.00	.0
2408700	A 6	.324	.318	.200	.200	.000	.000	.000	.000	.000	5.00	.0
2390594	A 4	.330	.330	.000	.000	.000	.000	.000	.000	.000	5.00	.0
2390694	A 6	.330	.330	.330	.110	.000	.000	.000	.000	.000	5.00	.0
2390708	A 6	.330	.330	.330	.330	.000	.000	.000	.000	.000	5.00	.0
2408673	A 6	.331	.331	.331	.287	.167	.000	.000	.000	.000	1.00	.0
2408671	A 6	.332	.200	.110	.100	.000	.000	.000	.000	.000	1.00	.0
2392535	A 4	.340	.105	.105	.000	.000	.000	.000	.000	.000	2.50	.0
2408663	A 6	.340	.323	.323	.154	.154	.000	.000	.000	.000	1.00	.0
2392638	A 6	.342	.342	.246	.246	.000	.000	.000	.000	.000	1.00	.0
2392655	A 6	.344	.344	.215	.215	.000	.000	.000	.000	.000	1.00	.0
2390227	A 2	.350	.000	.000	.000	.000	.000	.000	.000	.000	5.00	.0
2390706	A 6	.350	.350	.350	.350	.000	.000	.000	.000	.000	2.50	.0
2390738	A 6	.350	.350	.350	.000	.000	.000	.000	.000	.000	5.00	.0
2392437	A 4	.355	.260	.114	.000	.000	.000	.000	.000	.000	1.00	.0
2392916	A 8	.355	.355	.355	.355	.355	.033	.000	.000	.000	2.50	.0
2390402	A 4	.360	.360	.160	.160	.000	.000	.000	.000	.000	5.00	.0
2390549	A 4	.360	.360	.360	.000	.000	.000	.000	.000	.000	5.00	.0
2390902	A 8	.360	.360	.360	.360	.000	.000	.000	.000	.000	5.00	.0
2392309	A 4	.360	.360	.000	.000	.000	.000	.000	.000	.000	5.00	.0
2392390	A 4	.360	.150	.000	.000	.000	.000	.000	.000	.000	1.00	.0
2392506	A 4	.360	.120	.000	.000	.000	.000	.000	.000	.000	2.50	.0
2392602	A 6	.360	.360	.309	.309	.000	.000	.000	.000	.000	5.00	.0
2392603	A 6	.360	.360	.316	.316	.000	.000	.000	.000	.000	5.00	.0
2392632	A 6	.360	.360	.175	.175	.000	.000	.000	.000	.000	1.00	.0

E45-0359 Rev. 2

IBM Internal Use Only

5-30

September 15, 1982

PASSIVE COMPONENTS MANUAL

Component Data Bank - P/N Catalog  
R-Pac Modules

PG. 6 06/30/82 23:32 UR0206 \*\*\* IBM INTERNAL USE \*\*\* COMPONENT DATA BANK INTERNAL USE ONLY  
CDB/RP ALL/RP TECH DC5#N NE 23517 RP/L/SP#N EQ 125 SEQ/LH RP/R1/KO RP/L/NO  
RES/ALL RP/T1 RP/TOL/O NO/LIMIT.

PART NUMBER	T U C	NO. OF LEAD	R1 RESIST KILOHMS	R2 RESIST KILOHMS	R3 RESIST KILOHMS	R4 RESIST KILOHMS	R5 RESIST KILOHMS	R6 RESIST KILOHMS	R7 RESIST KILOHMS	R8 RESIST KILOHMS	R9 RESIST KILOHMS	R1 TOL %	TOL OHM
2408618	A	6	.360	.360	.174	.174	.000	.000	.000	.000	.000	2.50	.0
2392526	A	4	.374	.255	.000	.000	.000	.000	.000	.000	.000	1.00	.0
2390733	A	6	.385	.137	.000	.000	.000	.000	.000	.000	.000	1.00	.0
2390440	A	4	.390	.200	.000	.000	.000	.000	.000	.000	.000	1.00	.0
2390691	A	6	.390	.062	.000	.000	.000	.000	.000	.000	.000	2.50	.0
2390971	C	8	.390	.390	.190	.190	.000	.000	.000	.000	.000	5.00	.0
2392449	A	4	.390	.100	.000	.000	.000	.000	.000	.000	.000	2.50	.0
2390654	A	6	.395	.125	.000	.000	.000	.000	.000	.000	.000	2.50	.0
2390340	A	4	.400	.030	.000	.000	.000	.000	.000	.000	.000	5.00	.0
2390598	A	4	.400	.400	.400	.400	.000	.000	.000	.000	.000	1.00	.0
2390940	A	8	.400	.400	.400	.400	.400	.400	.400	.000	.000	1.00	.0
2392374	A	4	.400	.400	.350	.350	.000	.000	.000	.000	.000	2.50	.0
2408669	A	6	.400	.200	.133	.100	.000	.000	.000	.000	.000	2.50	.0
2392508	A	4	.402	.340	.000	.000	.000	.000	.000	.000	.000	1.00	.0
2392567	A	4	.402	.402	.267	.000	.000	.000	.000	.000	.000	1.00	.0
2390427	A	4	.420	.180	.000	.000	.000	.000	.000	.000	.000	5.00	.0
2390447	A	4	.420	.420	.000	.000	.000	.000	.000	.000	.000	5.00	.0
2390236	A	2	.430	.000	.000	.000	.000	.000	.000	.000	.000	1.00	.0
2390409	A	4	.430	.200	.000	.000	.000	.000	.000	.000	.000	1.00	.0
2392711	A	6	.430	.300	.180	.100	.000	.000	.000	.000	.000	1.00	.0
2392872	A	8	.430	.200	.150	.100	.000	.000	.000	.000	.000	2.50	.0
2408676	A	6	.432	.432	.324	.000	.000	.000	.000	.000	.000	1.00	.0
2390250	A	2	.442	.000	.000	.000	.000	.000	.000	.000	.000	1.00	.0
2390336	A	4	.450	.000	.000	.000	.000	.000	.000	.000	.000	5.00	.0
2392630	A	6	.450	.450	.450	.450	.000	.000	.000	.000	.000	2.50	.0
2392382	A	4	.456	.456	.120	.120	.000	.000	.000	.000	.000	2.50	.0
2408382	A	4	.461	.461	.461	.000	.000	.000	.000	.000	.000	1.00	.0
2390403	A	4	.470	.470	.155	.155	.000	.000	.000	.000	.000	5.00	.0
2390439	A	4	.470	.470	.470	.000	.000	.000	.000	.000	.000	5.00	.0
2392613	A	6	.470	.470	.470	.470	.000	.000	.000	.000	.000	1.00	.0
2392734	A	6	.470	.182	.127	.097	.000	.000	.000	.000	.000	2.50	.0
2392735	A	6	.470	.215	.131	.121	.000	.000	.000	.000	.000	2.50	.0
2392985	A	8	.470	.470	.470	.470	.000	.000	.000	.000	.000	2.50	.0
2408805	A	8	.470	.330	.270	.220	.220	.220	.000	.000	.000	2.50	.0
2392542	A	4	.475	.104	.104	.000	.000	.000	.000	.000	.000	2.50	.0
2392477	A	4	.499	.402	.205	.000	.000	.000	.000	.000	.000	2.50	.0
2392478	A	4	.499	.402	.392	.000	.000	.000	.000	.000	.000	2.50	.0
2408622	A	6	.499	.499	.499	.499	.000	.000	.000	.000	.000	2.50	.0
2408682	A	6	.499	.464	.100	.000	.000	.000	.000	.000	.000	2.50	.0
2390766	A	6	.500	.390	.000	.000	.000	.000	.000	.000	.000	5.00	.0
2390201	A	2	.510	.000	.000	.000	.000	.000	.000	.000	.000	2.50	.0
2390256	A	2	.510	.000	.000	.000	.000	.000	.000	.000	.000	2.50	.0
2390374	A	4	.510	.090	.000	.000	.000	.000	.000	.000	.000	5.00	.0
2390457	A	4	.510	.510	.000	.000	.000	.000	.000	.000	.000	5.00	.0
2390684	A	6	.510	.510	.510	.510	.000	.000	.000	.000	.000	2.50	.0
2390835	A	8	.510	.510	.510	.510	.510	.510	.510	.000	.000	2.50	.0
2390844	A	8	.510	.150	.130	.100	.000	.000	.000	.000	.000	5.00	.0

PG. 7 06/30/82 23:32 UR0206 \*\*\* IBM INTERNAL USE \*\*\* COMPONENT DATA BANK INTERNAL USE ONLY  
CDB/RP ALL/RP TECH DCS#N NE 23517 RP/L/SP#N EQ 125 SEQ/LH RP/R1/KO RP/L/NO  
RES/ALL RP/T1 RP/TOL/O NO/LIMIT.

PART NUMBER	T NO. OF C	R1 RESIST KILOHMS	R2 RESIST KILOHMS	R3 RESIST KILOHMS	R4 RESIST KILOHMS	R5 RESIST KILOHMS	R6 RESIST KILOHMS	R7 RESIST KILOHMS	R8 RESIST KILOHMS	R9 RESIST KILOHMS	R1 TOL %	TOL OHM
2392352	C	4	.510	.510	.000	.000	.000	.000	.000	.000	2.50	.0
2392373	A	4	.510	.000	.000	.000	.000	.000	.000	.000	5.00	.0
2392448	A	4	.510	.510	.360	.360	.000	.000	.000	.000	2.50	.0
2408687	A	6	.510	.330	.330	.240	.200	.000	.000	.000	2.50	.0
2390481	A	4	.511	.130	.091	.000	.000	.000	.000	.000	1.00	.0
2390717	A	6	.511	.511	.510	.310	.310	.000	.000	.000	1.00	.0
2392994	A	8	.511	.499	.121	.075	.075	.000	.000	.000	1.00	.0
2390443	A	4	.520	.000	.000	.000	.000	.000	.000	.000	2.50	.0
2390225	A	2	.560	.000	.000	.000	.000	.000	.000	.000	5.00	.0
2390360	A	4	.560	.130	.000	.000	.000	.000	.000	.000	5.00	.0
2390595	A	4	.560	.560	.560	.000	.000	.000	.000	.000	5.00	.0
2390605	A	6	.560	.560	.510	.510	.000	.000	.000	.000	5.00	.0
2390667	A	6	.560	.560	.039	.039	.000	.000	.000	.000	2.50	.0
2390891	A	8	.560	.560	.260	.100	.039	.039	.000	.000	5.00	.0
2390936	A	8	.560	.100	.068	.062	.000	.000	.000	.000	5.00	.0
2392388	A	4	.560	.039	.000	.000	.000	.000	.000	.000	2.50	.0
2392514	A	4	.560	.240	.000	.000	.000	.000	.000	.000	2.50	.0
2392430	A	4	.565	.565	.105	.000	.000	.000	.000	.000	1.50	.0
2392820	A	8	.565	.440	.240	.205	.000	.000	.000	.000	2.50	.0
8278739	A	8	.565	.330	.240	.205	.000	.000	.000	.000	2.50	.0
2392809	A	8	.576	.549	.200	.182	.000	.000	.000	.000	1.00	.0
2392311	A	4	.590	.590	.000	.000	.000	.000	.000	.000	1.00	.0
2390203	A	2	.600	.000	.000	.000	.000	.000	.000	.000	1.00	.0
2390690	A	4	.600	.600	.600	.600	.000	.000	.000	.000	5.00	.0
2390966	A	8	.600	.600	.600	.600	.600	.400	.000	.000	2.50	.0
2392395	A	4	.600	.100	.000	.000	.000	.000	.000	.000	5.00	.0
2392546	A	4	.600	.200	.140	.000	.000	.000	.000	.000	1.00	.0
2408666	A	6	.600	.600	.068	.068	.000	.000	.000	.000	2.50	.0
2408623	A	6	.604	.604	.499	.000	.000	.000	.000	.000	2.50	.0
2390381	A	4	.615	.615	.615	.000	.000	.000	.000	.000	2.50	.0
2392391	A	4	.615	.615	.224	.000	.000	.000	.000	.000	2.50	.0
2392453	A	4	.615	.615	.615	.000	.000	.000	.000	.000	2.50	.0
2392528	A	4	.619	.532	.255	.000	.000	.000	.000	.000	2.50	.0
2390480	A	4	.620	.620	.620	.000	.000	.000	.000	.000	5.00	.0
2390509	A	4	.620	.180	.000	.000	.000	.000	.000	.000	5.00	.0
2390695	A	6	.620	.620	.620	.620	.000	.000	.000	.000	5.00	.0
2390834	A	8	.620	.620	.620	.620	.620	.620	.000	.000	5.00	.0
2392539	A	4	.620	.300	.000	.000	.000	.000	.000	.000	1.00	.0
2390401	A	4	.630	.630	.000	.000	.000	.000	.000	.000	1.00	.0
2390668	A	6	.680	.680	.680	.680	.000	.000	.000	.000	5.00	.0
2390794	A	6	.680	.510	.510	.000	.000	.000	.000	.000	5.00	.0
2390937	A	8	.680	.680	.680	.680	.000	.000	.000	.000	5.00	.0
2392892	A	8	.680	.000	.000	.000	.000	.000	.000	.000	2.50	.0
2392618	A	6	.710	.710	.710	.710	.000	.000	.000	.000	1.00	.0
2408624	A	6	.732	.732	.560	.560	.000	.000	.000	.000	2.50	.0
2390245	A	2	.750	.000	.000	.000	.000	.000	.000	.000	5.00	.0
2390260	A	2	.750	.000	.000	.000	.000	.000	.000	.000	5.00	.0

Component Data Bank - P/N Catalog  
R-Pac Modules

PASSIVE COMPONENTS MANUAL

PG. 8 06/30/82 23:32 UR0206 \*\*\* IBM INTERNAL USE \*\*\* COMPONENT DATA BANK INTERNAL USE ONLY  
CDB/RP ALL/RP TECH DCS#N NE 23517 RP/L/SP#N EQ 125 SEQ/LH RP/R1/KO RP/L/NO  
RES/ALL RP/T1 RP/TOL/O NO/LIMIT.

PART NUMBER	T U C	NO. OF LEAD	R1 RESIST KILOHMS	R2 RESIST KILOHMS	R3 RESIST KILOHMS	R4 RESIST KILOHMS	R5 RESIST KILOHMS	R6 RESIST KILOHMS	R7 RESIST KILOHMS	R8 RESIST KILOHMS	R9 RESIST KILOHMS	R1 TOL %	TOL OHM
2390304	A	4	.750	.549	.300	.000	.000	.000	.000	.000	.000	2.50	.0
2390346	A	4	.750	.560	.000	.000	.000	.000	.000	.000	.000	2.50	.0
2390478	A	4	.750	.750	.000	.000	.000	.000	.000	.000	.000	2.50	.0
2390479	A	4	.750	.750	.750	.000	.000	.000	.000	.000	.000	2.50	.0
2390615	A	6	.750	.620	.620	.051	.000	.000	.000	.000	.000	2.50	.0
2390641	A	6	.750	.750	.750	.750	.000	.000	.000	.000	.000	2.50	.0
2390642	A	6	.750	.750	.750	.750	.000	.000	.000	.000	.000	2.50	.0
2390680	A	6	.750	.750	.082	.082	.000	.000	.000	.000	.000	2.50	.0
2390793	A	6	.750	.560	.560	.270	.000	.000	.000	.000	.000	2.50	.0
2390961	A	8	.750	.750	.510	.510	.510	.000	.000	.000	.000	2.50	.0
2392662	A	6	.750	.000	.000	.000	.000	.000	.000	.000	.000	2.50	.0
2392893	A	8	.750	.750	.750	.750	.615	.615	.000	.000	.000	2.50	.0
2408642	A	6	.750	.402	.255	.232	.150	.000	.000	.000	.000	2.50	.0
2390365	A	4	.753	.753	.753	.000	.000	.000	.000	.000	.000	2.50	.0
2390368	A	4	.760	.125	.000	.000	.000	.000	.000	.000	.000	2.50	.0
2392315	A	4	.760	.000	.000	.000	.000	.000	.000	.000	.000	2.50	.0
2390461	A	4	.780	.780	.780	.000	.000	.000	.000	.000	.000	2.50	.0
2392798	A	6	.806	.684	.505	.370	.000	.000	.000	.000	.000	2.50	.0
2408639	A	6	.806	.750	.390	.000	.000	.000	.000	.000	.000	2.50	.0
2390389	A	4	.815	.660	.000	.000	.000	.000	.000	.000	.000	2.50	.0
2390237	A	2	.820	.000	.000	.000	.000	.000	.000	.000	.000	2.50	.0
2390693	A	6	.820	.820	.820	.820	.820	.000	.000	.000	.000	2.50	.0
2392515	A	4	.845	.357	.105	.000	.000	.000	.000	.000	.000	2.50	.0
2392950	A	8	.847	.840	.470	.470	.100	.100	.000	.000	.000	2.50	.0
2390671	A	6	.860	.860	.660	.660	.000	.000	.000	.000	.000	2.50	.0
2408625	A	6	.887	.887	.560	.560	.000	.000	.000	.000	.000	2.50	.0
2390901	A	8	.900	.900	.900	.410	.410	.000	.000	.000	.000	2.50	.0
2392629	A	6	.900	.900	.900	.900	.000	.000	.000	.000	.000	2.50	.0
2390552	A	4	.910	.910	.910	.000	.000	.000	.000	.000	.000	2.50	.0
2390716	A	6	.910	.910	.910	.910	.000	.000	.000	.000	.000	2.50	.0
2390753	A	6	.910	.910	.910	.910	.000	.000	.000	.000	.000	2.50	.0
2390810	A	8	.910	.150	.130	.100	.000	.000	.000	.000	.000	2.50	.0
2390887	A	8	.910	.510	.062	.050	.000	.000	.000	.000	.000	2.50	.0
2408800	A	8	.910	.300	.300	.100	.100	.000	.000	.000	.000	2.50	.0
2392537	A	4	.916	.900	.125	.000	.000	.000	.000	.000	.000	2.50	.0
2390465	A	4	.930	.620	.450	.000	.000	.000	.000	.000	.000	2.50	.0
2392513	A	4	.931	.806	.000	.000	.000	.000	.000	.000	.000	2.50	.0
2390425	A	4	.960	.960	.110	.110	.000	.000	.000	.000	.000	2.50	.0
2390974	A	8	.960	.960	.960	.400	.400	.000	.000	.000	.000	2.50	.0
2390233	A	2	1.000	.000	.000	.000	.000	.000	.000	.000	.000	2.50	.0
2390339	A	4	1.000	.200	.000	.000	.000	.000	.000	.000	.000	2.50	.0
2390371	A	4	1.000	1.000	.075	.000	.000	.000	.000	.000	.000	2.50	.0
2390477	A	4	1.000	1.000	.000	.000	.000	.000	.000	.000	.000	2.50	.0
2390524	A	4	1.000	1.000	1.000	.000	.000	.000	.000	.000	.000	2.50	.0
2390574	A	4	1.000	.430	.000	.000	.000	.000	.000	.000	.000	2.50	.0
2390650	A	6	1.000	1.000	1.000	1.000	1.000	.000	.000	.000	.000	2.50	.0
2390747	A	6	1.000	.000	.000	.000	.000	.000	.000	.000	.000	2.50	.0

E45-0359 Rev. 2

IBM Internal Use Only

5-33

September 15, 1982

PASSIVE COMPONENTS MANUAL

PG. 9 06/30/82 23:32 UR0206 \*\*\* IBM INTERNAL USE \*\*\* COMPONENT DATA BANK INTERNAL USE ONLY  
CDB/RP ALL/RP TECH DCS#N NE 23517 RP/L/SP#N EQ 125 SEQ/LH RP/R1/KO RP/L/NO  
RES/ALL RP/TI RP/TOL/O NO/LIMIT.

PART NUMBER	T NO. OF LEAD	R1 RESIST KILOHMS	R2 RESIST KILOHMS	R3 RESIST KILOHMS	R4 RESIST KILOHMS	R5 RESIST KILOHMS	R6 RESIST KILOHMS	R7 RESIST KILOHMS	R8 RESIST KILOHMS	R9 RESIST KILOHMS	R1 TOL %	TOL OHM
2390773	A 6	1.000	.620	.091	.000	.000	.000	.000	.000	.000	5.00	.0
2390775	A 6	1.000	1.000	1.000	.360	.000	.000	.000	.000	.000	5.00	.0
2390784	A 6	1.000	1.000	.390	.390	.000	.000	.000	.000	.000	5.00	.0
2390807	A 8	1.000	1.000	.560	.560	.560	.560	.000	.000	.000	5.00	.0
2390820	A 8	1.000	1.000	1.000	1.000	.000	.000	.000	.000	.000	5.00	.0
2390833	A 8	1.000	1.000	.430	.430	.430	.430	.000	.000	.000	5.00	.0
2390915	A 8	1.000	1.000	.095	.080	.000	.000	.000	.000	.000	5.00	.0
2390929	A 8	1.000	1.000	1.000	1.000	1.000	1.000	1.000	1.000	.000	2.50	.0
2392347	C 4	1.000	1.000	.000	.000	.000	.000	.000	.000	.000	2.50	.0
2392396	A 4	1.000	1.000	.250	.000	.000	.000	.000	.000	.000	5.00	.6
2392413	A 4	1.000	1.000	.000	.000	.000	.000	.000	.000	.000	1.00	.6
2392474	A 4	1.000	.430	.000	.000	.000	.000	.000	.000	.000	2.50	.6
2392604	A 6	1.000	1.000	1.000	1.000	.000	.000	.000	.000	.000	2.50	.0
2392669	A 6	1.000	.230	.200	.000	.000	.000	.000	.000	.000	2.50	.0
2392697	C 6	1.000	.499	.243	.154	.000	.000	.000	.000	.000	1.00	.0
2392709	A 6	1.000	1.000	1.000	.100	.000	.000	.000	.000	.000	2.50	.0
2392710	A 6	1.000	.300	.150	.040	.000	.000	.000	.000	.000	2.50	.0
2392742	A 6	1.000	1.000	.900	.600	.550	.000	.000	.000	.000	2.50	.0
2392790	A 6	1.000	.033	.030	.000	.000	.000	.000	.000	.000	2.50	.0
2392803	A 8	1.000	.200	.200	.037	.000	.000	.000	.000	.000	2.50	.0
2392843	A 8	1.000	.900	.600	.600	.550	.420	.320	.000	.000	2.50	.0
2392930	A 8	1.000	1.000	.910	.030	.000	.000	.000	.000	.000	2.50	.0
2392993	A 8	1.000	1.000	.324	.324	.108	.108	.000	.000	.000	2.50	.0
2392999	A 8	1.000	1.000	.210	.210	.210	.210	.000	.000	.000	2.50	.0
2408619	A 6	1.000	1.000	.732	.732	.000	.000	.000	.000	.000	2.50	.0
2408647	A 6	1.000	.250	.230	.000	.000	.000	.000	.000	.000	2.50	.0
2408680	A 6	1.000	1.000	.300	.300	.000	.000	.000	.000	.000	2.50	.0
2408621	A 6	1.020	.750	.390	.000	.000	.000	.000	.000	.000	2.50	.0
2390984	C 8	1.050	.196	.120	.107	.000	.000	.000	.000	.000	1.00	.0
2392653	A 6	1.050	1.050	.274	.274	.000	.000	.000	.000	.000	1.00	.0
2392776	A 6	1.060	.354	.204	.114	.000	.000	.000	.000	.000	1.00	.0
2392821	A 8	1.070	1.070	.499	.430	.405	.135	.000	.000	.000	1.00	.0
2390397	A 4	1.100	1.100	1.100	.000	.000	.000	.000	.000	.000	1.00	.0
2390762	A 6	1.100	1.100	.560	.560	.000	.000	.000	.000	.000	2.50	.0
2390802	A 8	1.100	1.000	1.000	.220	.050	.000	.000	.000	.000	5.00	.0
2390890	A 8	1.100	.820	.820	.240	.240	.240	.240	.000	.000	5.00	.0
2392761	A 6	1.100	1.100	.200	.200	.000	.000	.000	.000	.000	2.50	.0
2392519	A 4	1.150	.357	.316	.000	.000	.000	.000	.000	.000	1.00	.0
2392558	A 4	1.180	.876	.100	.000	.000	.000	.000	.000	.000	2.50	.0
2408665	A 6	1.180	.600	.600	.316	.316	.000	.000	.000	.000	2.50	.0
2390367	A 4	1.200	.950	.560	.000	.000	.000	.000	.000	.000	1.00	.0
2390444	A 4	1.200	.093	.000	.000	.000	.000	.000	.000	.000	5.00	.0
2390516	A 4	1.200	.000	.000	.000	.000	.000	.000	.000	.000	2.50	.0
2390536	A 4	1.200	1.200	.000	.000	.000	.000	.000	.000	.000	5.00	.0
2390841	A 8	1.200	1.200	1.200	1.200	.000	.000	.000	.000	.000	5.00	.0
2390866	A 8	1.200	.330	.190	.150	.120	.000	.000	.000	.000	5.00	.0
2390922	C 8	1.200	.395	.300	.150	.150	.125	.000	.000	.000	5.00	.0

PASSIVE COMPONENTS MANUAL

Component Data Bank - P/N Catalog  
R-Pac Modules

PG. 10 06/30/82 23:32 UR0206 \*\*\* IBM INTERNAL USE \*\*\* COMPONENT DATA BANK INTERNAL USE ONLY  
CDB/RP ALL/RP TECH DCS#N NE 23517 RP/L/SP#N EQ 125 SEQ/LH RP/R1/KO RP/L/NO  
RES/ALL RP/T1 RP/TOL/O NO/LIMIT.

PART NUMBER	T U OF C	R1 RESIST KILOHMS	R2 RESIST KILOHMS	R3 RESIST KILOHMS	R4 RESIST KILOHMS	R5 RESIST KILOHMS	R6 RESIST KILOHMS	R7 RESIST KILOHMS	R8 RESIST KILOHMS	R9 RESIST KILOHMS	R1 TOL x	TOL OHM
2392312	A 4	1.200	.470	.150	.000	.000	.000	.000	.000	.000	5.00	.0
2392314	A 4	1.200	.910	.620	.000	.000	.000	.000	.000	.000	2.50	.0
2392370	A 4	1.200	.750	.620	.000	.000	.000	.000	.000	.000	2.50	.0
2392458	A 4	1.200	1.200	.000	.000	.000	.000	.000	.000	.000	2.50	.0
2392517	A 4	1.200	.604	.604	.000	.000	.000	.000	.000	.000	2.50	.0
2392717	A 6	1.200	1.150	1.000	.402	.000	.000	.000	.000	.000	2.50	.0
2392827	A 8	1.200	1.150	1.000	.422	.402	.357	.075	.000	.000	2.50	.0
2408307	A 4	1.200	.390	.000	.000	.000	.000	.000	.000	.000	2.50	.0
2390383	A 4	1.230	1.230	1.230	.000	.000	.000	.000	.000	.000	2.50	.0
2392441	A 4	1.230	1.230	1.230	.000	.000	.000	.000	.000	.000	2.50	.0
2392746	A 6	1.240	1.000	.590	.000	.000	.000	.000	.000	.000	2.50	.0
2392995	A 8	1.250	1.250	1.000	1.000	.330	.330	.000	.000	.000	1.00	.0
2392845	A 8	1.270	.562	.261	.261	.137	.137	.000	.000	.000	1.00	.0
2392620	A 6	1.300	.680	.510	.090	.080	.000	.000	.000	.000	5.00	.0
2392671	A 6	1.300	1.300	1.300	1.000	.000	.000	.000	.000	.000	2.50	.0
4481611	A 6	1.300	.510	.360	.240	.000	.000	.000	.000	.000	2.50	.0
2392509	A 4	1.370	.732	.000	.000	.000	.000	.000	.000	.000	2.50	.0
2392410	A 4	1.430	1.430	1.430	.000	.000	.000	.000	.000	.000	2.50	.0
2390488	A 4	1.500	.100	.100	.000	.000	.000	.000	.000	.000	2.50	.0
2390618	A 6	1.500	1.500	1.500	1.500	.000	.000	.000	.000	.000	2.50	.0
2390850	A 8	1.500	.680	.560	.020	.020	.000	.000	.000	.000	2.50	.0
2390939	A 8	1.500	1.100	.315	.220	.056	.000	.000	.000	.000	2.50	.0
2390948	A 8	1.500	1.500	1.500	1.200	1.200	1.200	.000	.000	.000	2.50	.0
2392641	A 6	1.500	.820	.360	.300	.000	.000	.000	.000	.000	2.50	.0
2392802	A 8	1.500	1.100	.315	.220	.028	.000	.000	.000	.000	2.50	.0
2392830	A 8	1.500	1.070	1.070	.374	.374	.000	.000	.000	.000	2.50	.0
2392846	C 8	1.500	1.500	1.000	.510	.150	.000	.000	.000	.000	2.50	.0
2390330	A 4	1.600	.510	.130	.000	.000	.000	.000	.000	.000	2.50	.0
2390507	A 4	1.600	1.600	.000	.000	.000	.000	.000	.000	.000	2.50	.0
2390719	A 6	1.600	1.600	.054	.054	.000	.000	.000	.000	.000	2.50	.0
2390848	A 8	1.600	1.600	1.600	1.600	1.600	1.600	.000	.000	.000	2.50	.0
2392781	A 6	1.600	1.600	.560	.560	.000	.000	.000	.000	.000	2.50	.0
2390946	A 8	1.620	1.240	1.240	1.150	1.000	1.000	.130	.000	.000	2.50	.0
2392452	A 4	1.740	1.740	1.740	.000	.000	.000	.000	.000	.000	2.50	.0
2392698	C 6	1.780	.487	.000	.000	.000	.000	.000	.000	.000	2.50	.0
2390301	A 4	1.800	.150	.150	.000	.000	.000	.000	.000	.000	2.50	.0
2390557	A 4	1.800	.220	.110	.000	.000	.000	.000	.000	.000	2.50	.0
2390558	A 4	1.800	.220	.000	.000	.000	.000	.000	.000	.000	2.50	.0
2392411	A 4	1.800	1.000	1.000	.000	.000	.000	.000	.000	.000	2.50	.0
2392666	A 6	1.800	1.500	1.500	1.100	.000	.000	.000	.000	.000	2.50	.0
2392782	A 6	1.800	1.800	1.800	.000	.000	.000	.000	.000	.000	2.50	.0
2392805	A 8	1.800	1.800	.000	.000	.000	.000	.000	.000	.000	2.50	.0
2390944	A 8	1.820	1.500	1.000	.825	.180	.180	.180	.000	.000	1.00	.0
2392853	A 8	1.870	1.000	.806	.590	.000	.000	.000	.000	.000	2.50	.0
2392777	A 6	1.900	1.500	1.300	.787	.000	.000	.000	.000	.000	1.00	.0
2390988	A 8	1.960	.800	.750	.402	.332	.060	.000	.000	.000	1.00	.0
2390238	A 2	2.000	.000	.000	.000	.000	.000	.000	.000	.000	5.00	.0

E45-0359 Rev. 2

5-35  
IBM Internal Use Only

September 15, 1982

Component Data Bank - P/N Catalog  
R-Pac Modules

PASSIVE COMPONENTS MANUAL

PG. 11 06/30/82 23:32 UR0206 \*\*\* IBM INTERNAL USE \*\*\* COMPONENT DATA BANK INTERNAL USE ONLY  
CDB/RP ALL/RP TECH DC5#N NE 23517 RP/L/SP#N EQ 125 SEQ/LH RP/RI/KO RP/L/NO  
RES/ALL RP/TI RP/TOL/O NO/LIMIT.

PART NUMBER	T NO. U OF LEAD	R1 RESIST KILOHMS	R2 RESIST KILOHMS	R3 RESIST KILOHMS	R4 RESIST KILOHMS	R5 RESIST KILOHMS	R6 RESIST KILOHMS	R7 RESIST KILOHMS	R8 RESIST KILOHMS	R9 RESIST KILOHMS	R1 TOL %	TOL OHM
2390326	A 4	2.000	.180	.100	.000	.000	.000	.000	.000	.000	2.50	.0
2390392	A 4	2.000	.450	.000	.000	.000	.000	.000	.000	.000	2.50	.0
2390454	A 4	2.000	.180	.000	.000	.000	.000	.000	.000	.000	2.50	.0
2390475	A 4	2.000	2.000	.000	.000	.000	.000	.000	.000	.000	5.00	.0
2390499	A 4	2.000	2.000	.000	.000	.000	.000	.000	.000	.000	1.00	.0
2390517	A 4	2.000	1.200	1.200	.000	.000	.000	.000	.000	.000	5.00	.0
2390561	A 4	2.000	1.000	.000	.000	.000	.000	.000	.000	.000	5.00	.0
2390627	A 6	2.000	2.000	2.000	2.000	.000	.000	.000	.000	.000	5.00	.0
2390678	A 6	2.000	2.000	.050	.050	.000	.000	.000	.000	.000	5.00	.0
2390702	A 6	2.000	2.000	2.000	2.000	.000	.000	.000	.000	.000	5.00	.0
2390821	A 8	2.000	2.000	2.000	2.000	2.000	2.000	.000	.000	.000	5.00	.0
2390879	A 8	2.000	2.000	2.000	2.000	.430	.430	.000	.000	.000	2.50	.0
2390945	A 8	2.000	2.000	2.000	.732	.732	.200	.100	.000	.000	2.50	.0
2392316	A 4	2.000	.175	.000	.000	.000	.000	.000	.000	.000	5.00	.0
2392443	A 4	2.000	2.000	.000	.000	.000	.000	.000	.000	.000	2.50	.0
2392454	A 4	2.000	2.000	.000	.000	.000	.000	.000	.000	.000	1.00	.0
2392540	A 4	2.000	2.000	.454	.000	.000	.000	.000	.000	.000	5.00	.0
2392786	A 6	2.000	2.000	2.000	2.000	2.000	2.000	.000	.000	.000	2.50	.0
2392804	A 8	2.000	1.500	50.000	50.000	46.400	24.000	.000	.000	.000	5.00	.0
2392813	A 8	2.000	1.240	.680	.453	.200	.150	.000	.000	.000	5.00	.0
2392860	A 8	2.000	1.660	1.300	1.050	.056	.000	.000	.000	.000	1.00	.0
2392912	A 8	2.000	2.000	1.300	.820	.270	.000	.000	.000	.000	2.50	.0
2392917	A 8	2.000	.499	.487	.487	.412	.332	.000	.000	.000	2.50	.0
2392951	A 8	2.000	1.200	.750	.750	.309	.100	.000	.000	.000	2.50	.0
2392960	A 8	2.000	1.000	1.000	1.000	.000	.000	.000	.000	.000	2.50	.0
2392998	A 8	2.000	1.690	1.370	1.500	1.300	1.150	.866	.000	.000	1.00	.0
2408605	A 6	2.000	2.000	1.500	1.500	.000	.000	.000	.000	.000	2.50	.0
2408617	A 6	2.000	2.000	.820	.820	.000	.000	.000	.000	.000	2.50	.0
2408631	A 6	2.000	.953	.487	.215	.100	.000	.000	.000	.000	2.50	.0
2408667	A 6	2.000	.301	.232	.000	.000	.000	.000	.000	.000	2.50	.0
2408681	A 6	2.000	.321	.215	.164	.000	.000	.000	.000	.000	2.50	.0
2408802	A 8	2.000	.820	.454	.430	.360	.000	.000	.000	.000	2.50	.0
2392859	A 8	2.050	1.620	.909	.619	.300	.105	.000	.000	.000	1.00	.5
2392667	A 6	2.100	1.600	1.400	1.300	.000	.000	.000	.000	.000	2.50	.0
2390541	A 4	2.140	.000	.000	.000	.000	.000	.000	.000	.000	5.00	.0
2390320	A 4	2.200	.820	.510	.000	.000	.000	.000	.000	.000	1.00	.0
2390487	A 4	2.200	.240	.000	.000	.000	.000	.000	.000	.000	2.50	.0
2390525	A 4	2.200	2.200	.000	.000	.000	.000	.000	.000	.000	5.00	.0
2390815	A 8	2.200	2.200	.107	.107	.050	.050	.000	.000	.000	5.00	.0
2392371	A 4	2.200	.909	.000	.000	.000	.000	.000	.000	.000	1.00	.0
2392762	A 6	2.260	2.260	.010	.010	.000	.000	.000	.000	.000	2.50	.5
2390490	A 4	2.300	2.300	.000	.000	.000	.000	.000	.000	.000	5.00	.0
2390625	A 6	2.300	2.300	2.300	2.300	.000	.000	.000	.000	.000	5.00	.0
2390689	A 6	2.300	2.300	.050	.000	.000	.000	.000	.000	.000	5.00	.0
2390827	A 8	2.300	2.300	2.300	2.300	2.300	2.300	2.300	.000	.000	5.00	.0
2392398	A 4	2.300	.270	.000	.000	.000	.000	.000	.000	.000	2.50	.0
2408342	A 4	2.300	.750	.000	.000	.000	.000	.000	.000	.000	2.00	.0

E45-0359 Rev. 2

5-36  
IBM Internal Use Only

September 15, 1982



PASSIVE COMPONENTS MANUAL

Component Data Bank - P/N Catalog  
R-Pac Modules

PG. 12 06/30/82 23:32 UR0206 \*\*\* IBM INTERNAL USE \*\*\* COMPONENT DATA BANK INTERNAL USE ONLY  
CDB/RP ALL/RP TECH DCS#N NE 23517 RP/L/SP#N EQ 125 SEQ/LH RP/RI/KO RP/L/NO  
RES/ALL RP/T1 RP/TOL/O NO/LIMIT.

PART NUMBER	T NO. OF C	R1 RESIST KILOHMS	R2 RESIST KILOHMS	R3 RESIST KILOHMS	R4 RESIST KILOHMS	R5 RESIST KILOHMS	R6 RESIST KILOHMS	R7 RESIST KILOHMS	R8 RESIST KILOHMS	R9 RESIST KILOHMS	R1 TOL %	TOL OHM
2390980 A	8	2.370	2.370	1.400	1.400	.210	.210	.000	.000	.000	1.00	.0
2392355 A	4	2.370	2.370	.000	.000	.000	.000	.000	.000	.000	.50	.0
2392775 A	6	2.370	1.080	1.080	1.050	.233	.000	.000	.000	.000	1.00	.0
2390372 A	4	2.400	1.000	.820	.000	.000	.000	.000	.000	.000	1.50	.0
2390523 A	4	2.400	2.400	2.400	.000	.000	.000	.000	.000	.000	5.00	.0
2390634 A	6	2.400	2.400	.500	.500	.000	.000	.000	.000	.000	2.50	.0
2390728 A	6	2.400	2.400	.150	.150	.000	.000	.000	.000	.000	5.00	.0
2390986 C	8	2.400	1.500	1.050	.301	.107	.000	.000	.000	.000	5.00	.0
2392665 A	6	2.400	1.600	1.400	1.300	.000	.000	.000	.000	.000	2.50	.0
2392904 A	8	2.400	2.400	2.400	1.500	.620	.620	.200	.000	.000	2.50	.0
2392946 A	8	2.400	2.400	2.400	.300	.300	.300	.000	.000	.000	2.50	.0
2408615 A	6	2.400	2.000	1.000	.510	.000	.000	.000	.000	.000	2.50	.0
2408662 A	6	2.400	2.400	.056	.056	.000	.000	.000	.000	.000	2.50	.0
2408683 A	6	2.400	1.500	1.000	.200	.100	.000	.000	.000	.000	2.50	.0
2392387 A	4	2.490	2.490	2.490	.000	.000	.000	.000	.000	.000	1.00	.0
2392536 A	4	2.500	.330	.330	.000	.000	.000	.000	.000	.000	1.00	.0
2392363 A	4	2.550	2.550	.000	.000	.000	.000	.000	.000	.000	2.50	.0
2392527 A	4	2.550	1.000	.604	.000	.000	.000	.000	.000	.000	1.00	.0
2392323 A	4	2.600	.470	.150	.000	.000	.000	.000	.000	.000	1.50	.0
2392832 A	8	2.630	.470	.152	.102	.102	.087	.000	.000	.000	1.50	.0
2390616 A	6	2.700	.120	.070	.000	.000	.000	.000	.000	.000	1.50	.0
2390630 A	6	2.700	2.700	.120	.120	.000	.000	.000	.000	.000	2.50	.0
2390746 A	6	2.700	2.200	.270	.050	.000	.000	.000	.000	.000	5.00	.0
2390926 A	8	2.700	2.320	2.320	1.000	.267	.267	.000	.000	.000	5.00	.0
2390970 A	8	2.700	.820	.280	.267	.100	.000	.000	.000	.000	5.00	.0
2390972 A	8	2.700	.820	.309	.287	.100	.000	.000	.000	.000	5.00	.0
2408674 A	6	2.700	1.600	.680	.430	.000	.000	.000	.000	.000	1.00	.0
2390994 A	8	2.740	.910	.620	.510	.000	.000	.000	.000	.000	1.00	.0
2392520 A	4	2.740	1.000	.698	.000	.000	.000	.000	.000	.000	1.00	.0
2392715 A	6	2.740	1.270	.190	.000	.000	.000	.000	.000	.000	1.00	.0
2392718 A	6	2.740	2.000	1.270	.190	.000	.000	.000	.000	.000	1.00	.0
2392783 A	6	2.740	2.740	2.740	2.740	2.740	.000	.000	.000	.000	1.50	.0
8278738 A	6	2.740	1.860	1.150	.191	.000	.000	.000	.000	.000	1.00	.0
2390307 A	4	2.800	.600	.430	.000	.000	.000	.000	.000	.000	1.00	.0
2390544 A	4	2.800	2.800	.000	.000	.000	.000	.000	.000	.000	1.00	.0
2390748 A	6	2.800	.000	.000	.000	.000	.000	.000	.000	.000	1.50	.0
2390261 A	2	2.870	.000	.000	.000	.000	.000	.000	.000	.000	2.50	.0
2392823 A	8	2.900	2.900	2.900	.665	.665	.665	.000	.000	.000	2.50	.0
2390378 A	4	3.000	3.000	1.500	.000	.000	.000	.000	.000	.000	5.00	.0
2390464 A	4	3.000	3.000	3.000	.000	.000	.000	.000	.000	.000	2.50	.0
2390489 A	4	3.000	3.000	.000	.000	.000	.000	.000	.000	.000	5.00	.0
2390518 A	4	3.000	2.000	.200	.000	.000	.000	.000	.000	.000	5.00	.0
2390659 A	6	3.000	3.000	3.000	3.000	.000	.000	.000	.000	.000	5.00	.0
2390860 A	6	3.000	1.300	1.300	.750	.051	.000	.000	.000	.000	5.00	.0
2390924 A	8	3.000	3.000	1.500	.910	.270	.100	.000	.000	.000	5.00	.0
2390992 A	8	3.000	3.000	2.000	1.000	.680	.000	.000	.000	.000	5.00	.0
2392491 A	4	3.000	2.000	1.200	.000	.000	.000	.000	.000	.000	2.50	.0

PG. 13 06/30/82 23:32 UR0206 \*\*\* IBM INTERNAL USE \*\*\* COMPONENT DATA BANK INTERNAL USE ONLY  
CDB/RP ALL/RP TECH DCS#N NE 23517 RP/L/SP#N EQ 125 SEQ/LH RP/RI/KO RP/L/NO  
RES/ALL RP/TI RP/TOL/O NO/LIMIT.

PART NUMBER	T U OF C	NO. LEAD	R1 RESIST KILOHMS	R2 RESIST KILOHMS	R3 RESIST KILOHMS	R4 RESIST KILOHMS	R5 RESIST KILOHMS	R6 RESIST KILOHMS	R7 RESIST KILOHMS	R8 RESIST KILOHMS	R9 RESIST KILOHMS	R1 TOL %	TOL OHM
2392608	A	6	3.000	.430	.200	.000	.000	.000	.000	.000	.000	5.00	.0
2392670	A	6	3.000	1.500	1.500	1.200	.000	.000	.000	.000	.000	2.50	.0
2392685	A	6	3.000	3.000	3.000	.750	.750	.000	.000	.000	.000	2.50	.0
2392736	A	6	3.000	3.000	3.000	.700	.000	.000	.000	.000	.000	2.50	.0
2408664	A	6	3.000	2.000	1.800	1.500	.000	.000	.000	.000	.000	1.00	.0
2408675	A	6	3.000	2.000	2.000	.620	.500	.000	.000	.000	.000	2.50	.0
2408838	A	8	3.000	1.500	1.500	.270	.075	.000	.000	.000	.000	2.50	.0
2408839	A	8	3.000	.750	.047	.047	.000	.000	.000	.000	.000	2.50	.0
2390990	A	8	3.010	1.000	.374	.196	.062	.000	.000	.000	.000	1.00	.0
2392439	A	4	3.010	.310	.000	.000	.000	.000	.000	.000	.000	2.50	.0
2392451	A	4	3.010	.750	.000	.000	.000	.000	.000	.000	.000	2.50	.0
2392760	A	6	3.010	2.370	1.820	.750	.000	.000	.000	.000	.000	2.50	.0
2392829	A	8	3.010	3.010	2.860	1.500	1.500	1.200	.750	.000	.000	1.00	.0
2408616	A	6	3.010	1.000	.825	.511	.000	.000	.000	.000	.000	2.50	.0
2392844	A	8	3.020	2.370	2.200	1.500	1.500	.390	.000	.000	.000	2.50	.0
2392877	A	8	3.054	2.850	2.150	2.000	.910	.000	.000	.000	.000	2.5	.0
2392450	A	4	3.090	.432	.000	.000	.000	.000	.000	.000	.000	1.00	.0
2390979	A	8	3.160	3.010	2.000	1.370	.845	.000	.000	.000	.000	1.00	.0
2392386	A	4	3.240	3.240	3.240	.000	.000	.000	.000	.000	.000	1.00	.0
2392529	A	4	3.240	1.070	.576	.000	.000	.000	.000	.000	.000	2.50	.0
2390311	A	4	3.300	3.000	.000	.000	.000	.000	.000	.000	.000	5.00	.0
2390596	A	4	3.300	.560	.510	.000	.000	.000	.000	.000	.000	5.00	.0
2390774	A	8	3.300	.560	.390	.240	.000	.000	.000	.000	.000	5.00	.0
2390919	A	8	3.300	1.600	.130	.082	.017	.000	.000	.000	.000	5.00	.0
2392763	A	6	3.300	2.700	.145	.114	.104	.000	.000	.000	.000	2.50	.0
2392764	A	6	3.300	2.700	.134	.105	.095	.000	.000	.000	.000	2.50	.0
2392864	A	8	3.300	1.500	1.000	.200	.000	.000	.000	.000	.000	2.50	.0
2392873	A	8	3.300	2.000	1.500	1.000	1.000	.560	.000	.000	.000	2.50	.0
2392931	A	8	3.300	1.500	.200	.120	.100	.000	.000	.000	.000	2.50	.0
2408608	A	6	3.300	3.300	1.600	1.600	.000	.000	.000	.000	.000	2.50	.0
2392447	A	4	3.320	.000	.000	.000	.000	.000	.000	.000	.000	2.50	.0
2392825	A	8	3.340	.470	.133	.115	.070	.000	.000	.000	.000	1.00	.0
2390776	A	6	3.600	2.150	.243	.182	.150	.000	.000	.000	.000	1.00	.0
2392668	A	6	3.600	1.800	1.500	1.300	.000	.000	.000	.000	.000	2.50	.0
2392684	A	6	3.600	1.800	1.500	1.100	.000	.000	.000	.000	.000	2.50	.0
2392696	A	6	3.680	3.480	1.500	1.500	.000	.000	.000	.000	.000	1.00	.0
2408668	A	6	3.680	2.690	2.150	1.330	.000	.000	.000	.000	.000	1.00	.0
2392672	A	6	3.500	3.500	3.100	3.100	.000	.000	.000	.000	.000	2.50	.0
2390958	A	8	3.530	3.100	.336	.320	.185	.000	.000	.000	.000	1.00	.0
2390975	A	8	3.530	3.100	.330	.300	.200	.000	.000	.000	.000	1.00	.0
2390309	A	4	3.600	2.700	1.000	.000	.000	.000	.000	.000	.000	5.00	.0
2390474	A	4	3.600	3.600	3.600	.000	.000	.000	.000	.000	.000	5.00	.0
2390704	A	6	3.600	3.600	3.600	3.600	.000	.000	.000	.000	.000	5.00	.0
2392442	A	4	3.600	3.600	.000	.000	.000	.000	.000	.000	.000	1.00	.0
2392810	A	8	3.650	3.650	3.010	3.010	.960	.604	.604	.000	.000	1.00	.0
2408640	A	8	3.740	1.740	1.000	.093	.000	.000	.000	.000	.000	1.00	.0
2392824	A	8	3.830	.470	.100	.078	.046	.046	.000	.000	.000	1.00	.0

PASSIVE COMPONENTS MANUAL

Component Data Bank - P/N Catalog  
R-Pac Modules

PG. 14 06/30/82 23:32 UR0206 \*\*\* IBM INTERNAL USE \*\*\* COMPONENT DATA BANK INTERNAL USE ONLY  
CDB/RP ALL/RP TECH DCS#N NE 23517 RP/L/SP#N EQ 125 SEQ/LH RP/R1/KO RP/L/NO  
RES/ALL RP/T1 RP/TOL/O NO/LIMIT.

PART NUMBER	T NO. OF C LEAD	R1 RESIST KILOHMS	R2 RESIST KILOHMS	R3 RESIST KILOHMS	R4 RESIST KILOHMS	R5 RESIST KILOHMS	R6 RESIST KILOHMS	R7 RESIST KILOHMS	R8 RESIST KILOHMS	R9 RESIST KILOHMS	R1 TOL %	TOL OHM
2390322 A	4	3.900	2.000	.000	.000	.000	.000	.000	.000	.000	5.00	.0
2390391 A	4	3.900	.900	.000	.000	.000	.000	.000	.000	.000	2.50	.0
2390563 A	4	3.900	.000	.000	.000	.000	.000	.000	.000	.000	5.00	.0
2390725 A	6	3.900	3.900	3.900	3.900	.000	.000	.000	.000	.000	5.00	.0
2390816 A	8	3.900	3.900	2.200	2.200	.470	.470	.000	.000	.000	5.00	.0
2390845 A	8	3.900	1.500	1.100	.750	.000	.000	.000	.000	.000	5.00	.0
2390854 A	8	3.900	3.900	3.900	3.900	3.900	3.900	3.900	.000	.000	5.00	.0
2390883 A	8	3.900	3.900	3.900	3.900	.000	.000	.000	.000	.000	5.00	.0
2390989 A	8	3.900	2.210	1.130	.178	.100	.047	.000	.000	.000	5.00	.0
2392767 A	6	3.900	3.900	3.900	3.900	.000	.000	.000	.000	.000	5.00	.0
2392996 A	8	3.900	3.900	3.910	.750	.750	.500	.000	.000	.000	2.50	.0
2392997 A	8	3.900	3.900	3.000	1.000	.750	.620	.500	.000	.000	2.50	.0
2408612 A	6	3.900	2.700	1.500	1.200	.062	.000	.000	.000	.000	2.50	.0
2408679 A	6	3.900	1.000	.620	.200	.075	.000	.000	.000	.000	2.50	.0
2392521 A	4	3.920	1.000	.000	.000	.000	.000	.000	.000	.000	1.00	.0
2392541 A	4	4.000	4.480	.240	.000	.000	.000	.000	.000	.000	1.00	.0
2392819 A	8	4.000	2.900	2.700	2.400	.665	.000	.000	.000	.000	2.50	.0
2392841 A	8	4.000	3.480	2.740	1.000	.200	.000	.000	.000	.000	2.50	.0
2392888 A	8	4.000	3.000	2.740	1.000	.200	.000	.000	.000	.000	2.50	.0
2408803 A	8	4.000	1.240	1.210	.604	.420	.330	.121	.000	.000	2.50	.0
2392562 A	4	4.020	.267	.267	.000	.000	.000	.000	.000	.000	1.00	.0
2392574 A	4	4.020	4.402	.127	.000	.000	.000	.000	.000	.000	1.00	.0
2392796 A	6	4.230	2.800	2.800	1.780	.000	.000	.000	.000	.000	2.50	.0
2390492 A	4	4.300	.075	.000	.000	.000	.000	.000	.000	.000	5.00	.0
2390511 A	4	4.300	4.300	.000	.000	.000	.000	.000	.000	.000	5.00	.0
2390535 A	4	4.300	.330	.000	.000	.000	.000	.000	.000	.000	5.00	.0
2390677 A	6	4.300	4.300	4.300	4.300	.000	.000	.000	.000	.000	5.00	.0
2390791 A	6	4.300	1.000	.510	.000	.000	.000	.000	.000	.000	5.00	.0
2390853 A	8	4.300	4.300	4.300	.330	.330	.000	.000	.000	.000	5.00	.0
2392538 A	4	4.300	1.000	.000	.000	.000	.000	.000	.000	.000	1.00	.0
2392563 A	4	4.300	3.300	2.400	.000	.000	.000	.000	.000	.000	2.50	.0
2392652 A	6	4.300	.715	.698	.365	.000	.000	.000	.000	.000	1.00	.0
2408686 A	6	4.300	1.800	1.600	.560	.510	.000	.000	.000	.000	2.50	.0
4481610 A	6	4.300	.510	.510	.360	.000	.000	.000	.000	.000	2.50	.0
2392826 A	8	4.460	.470	.162	.137	.080	.080	.000	.000	.000	1.00	.5
2408713 A	6	4.500	1.800	1.500	1.300	.000	.000	.000	.000	.000	2.50	.0
2392510 A	4	4.530	.100	.000	.000	.000	.000	.000	.000	.000	1.00	.0
2390530 A	4	4.700	1.600	.000	.000	.000	.000	.000	.000	.000	5.00	.0
2390736 A	6	4.700	1.200	.300	.000	.000	.000	.000	.000	.000	5.00	.0
2392397 A	4	4.700	4.700	1.200	1.200	.000	.000	.000	.000	.000	2.50	.0
2392516 A	4	4.700	4.700	4.700	.000	.000	.000	.000	.000	.000	2.50	.0
2392957 A	8	4.700	3.300	3.300	1.000	.000	1.000	.000	.000	.000	2.50	.0
2390911 A	8	4.870	4.870	3.010	3.010	.698	.698	.000	.000	.000	1.00	.0
2392784 A	6	4.990	4.990	4.990	4.990	.000	.000	.000	.000	.000	2.50	.0
2390467 A	4	5.000	5.000	.000	.000	.000	.000	.000	.000	.000	2.50	.0
2392348 C	4	5.000	5.000	.000	.000	.000	.000	.000	.000	.000	2.50	.0
4481612 A	6	5.000	5.000	3.000	2.150	.000	.000	.000	.000	.000	2.50	.0

Component Data Bank - P/N Catalog  
R-Pac Modules

PG. 15 06/30/82 23:32 UR0206 \*\*\* IBM INTERNAL USE \*\*\* COMPONENT DATA BANK INTERNAL USE ONLY  
CDB/RP ALL/RP TECH DCS#N NE 23517 RP/L/SP#N EQ 125 SEQ/LH RP/R1/KO RP/L/NO  
RES/ALL RP/T1 RP/TOL/O NO/LIMIT.

PART NUMBER	T U OF C	R1 RESIST LEAD KILOHMS	R2 RESIST KILOHMS	R3 RESIST KILOHMS	R4 RESIST KILOHMS	R5 RESIST KILOHMS	R6 RESIST KILOHMS	R7 RESIST KILOHMS	R8 RESIST KILOHMS	R9 RESIST KILOHMS	R1 TOL %	TOL OHM
2390235 A	2	5.100	.000	.000	.000	.000	.000	.000	.000	.000	5.00	.0
2390338 A	4	5.100	1.100	1.100	.000	.000	.000	.000	.000	.000	1.100	.0
2390494 A	4	5.100	2.670	2.670	.000	.000	.000	.000	.000	.000	1.100	.0
2390500 A	4	5.100	5.100	.000	.000	.000	.000	.000	.000	.000	5.00	.0
2390501 A	4	5.100	2.200	2.200	.000	.000	.000	.000	.000	.000	1.100	.0
2390559 A	4	5.100	5.100	1.440	.000	.000	.000	.000	.000	.000	2.50	.0
2390768 A	6	5.100	2.000	1.000	.000	.000	.000	.000	.000	.000	5.00	.0
2390862 A	8	5.100	3.000	1.200	1.200	.750	.000	.000	.000	.000	5.00	.0
2390960 A	8	5.100	5.100	.620	.620	.620	.000	.000	.000	.000	2.50	.0
2390996 A	8	5.100	3.000	1.000	1.000	1.000	.000	.000	.000	.000	5.00	.0
2392455 A	4	5.100	5.100	.000	.000	.000	.000	.000	.000	.000	2.50	.0
2392511 A	4	5.100	1.500	.000	.000	.000	.000	.000	.000	.000	2.50	.0
2392587 A	4	5.100	.860	.860	.000	.000	.000	.000	.000	.000	1.00	.0
2392741 A	6	5.100	3.100	1.600	.800	.730	.000	.000	.000	.000	2.50	.0
2392794 A	6	5.100	4.300	4.000	2.000	.000	.000	.000	.000	.000	2.50	.0
2392871 A	8	5.100	4.300	4.300	3.900	2.200	.680	.000	.000	.000	2.50	.0
2392938 A	8	5.100	2.000	1.300	.820	.250	.000	.000	.000	.000	2.50	.0
2392945 A	8	5.100	2.000	1.300	.820	.165	.000	.000	.000	.000	2.50	.0
2392973 A	8	5.100	1.800	1.100	.620	.510	.470	.220	.000	.000	2.50	.0
2408628 A	6	5.100	4.000	2.700	2.000	.000	.000	.000	.000	.000	2.50	.0
2408831 A	8	5.100	5.100	2.400	2.400	.510	.300	.000	.000	.000	2.50	.0
2392429 A	4	5.230	2.610	.000	.000	.000	.000	.000	.000	.000	1.100	.0
2392512 A	4	5.250	.360	.000	.000	.000	.000	.000	.000	.000	1.100	.0
2390859 A	8	5.500	.619	.536	.360	.162	.162	.000	.000	.000	5.00	.0
2392811 A	8	5.500	5.500	3.000	3.000	3.000	3.000	.000	.000	.000	2.50	.0
2392881 A	8	5.580	4.210	2.420	1.290	.240	.000	.000	.000	.000	1.100	.0
2392882 A	8	5.580	2.670	2.420	1.330	.240	.000	.000	.000	.000	1.100	.0
2390593 A	4	5.600	1.300	.620	.000	.000	.000	.000	.000	.000	5.00	.0
2390597 A	4	5.600	.680	.000	.000	.000	.000	.000	.000	.000	5.00	.0
2390676 A	6	5.600	5.600	.270	.270	.000	.000	.000	.000	.000	5.00	.0
2390764 A	6	5.600	5.600	.000	.000	.000	.000	.000	.000	.000	2.50	.0
2390873 A	8	5.600	5.100	4.700	4.300	2.700	.200	.000	.000	.000	5.00	.0
2390959 A	8	5.600	5.600	5.600	5.600	1.540	1.540	1.540	1.540	.000	2.50	.0
2392758 A	6	5.600	2.200	2.000	1.000	.000	.000	.000	.000	.000	2.50	.0
2392774 A	6	5.600	5.600	.000	.000	.000	.000	.000	.000	.000	2.50	.0
2392834 A	8	5.600	5.100	3.900	.750	.510	.510	.000	.000	.000	2.50	.0
2390751 A	6	5.620	5.600	3.600	3.240	.000	.000	.000	.000	.000	1.100	.0
2392919 A	8	5.620	2.670	2.430	1.300	.240	.000	.000	.000	.000	1.100	.0
2392921 A	8	5.620	4.820	2.430	1.330	.240	.000	.000	.000	.000	1.100	.0
2390912 A	8	5.760	4.760	4.320	4.320	1.050	.953	.000	.000	.000	1.100	.0
2408604 A	6	5.860	2.900	1.600	1.600	.900	1.000	.000	.000	.000	2.50	.0
4481609 A	8	5.000	1.150	1.150	1.000	1.000	1.000	.000	.000	.000	2.50	.0
8519123 A	8	5.000	1.230	1.150	1.150	1.000	1.000	.000	.000	.000	2.50	.0
2392475 A	4	6.040	6.040	2.430	2.430	.000	.000	.000	.000	.000	2.50	.0
2392525 A	4	6.040	.100	.000	.000	.000	.000	.000	.000	.000	1.00	.0
2392693 A	6	6.040	6.040	6.040	6.040	.000	.000	.000	.000	.000	1.00	.0
2390771 A	6	6.190	6.190	2.000	2.000	.000	.000	.000	.000	.000	1.00	.0

E45-0359 Rev. 2

IBM Internal Use Only

5-40  
September 15, 1982

Component Data Bank - P/N Catalog  
R-Pac Modules

PASSIVE COMPONENTS MANUAL

PG. 16 06/30/82 23:32 UR0206 \*\*\* IBM INTERNAL USE \*\*\* COMPONENT DATA BANK INTERNAL USE ONLY  
CDB/RF ALL/RF TECH DCS#N NE 23517 RP/L/SP#N EQ 125 SEQ/LH RP/R1/KO RP/L/NO  
RES/ALL RP/T1 RP/TOL/O NO/LIMIT.

PART NUMBER	T NO. OF C	R1 RESIST KILOHMS	R2 RESIST KILOHMS	R3 RESIST KILOHMS	R4 RESIST KILOHMS	R5 RESIST KILOHMS	R6 RESIST KILOHMS	R7 RESIST KILOHMS	R8 RESIST KILOHMS	R9 RESIST KILOHMS	R1 TOL X	TOL OHM
2392833 A	8	6.190	3.010	3.010	1.500	1.500	1.200	.750	.000	.000	1.00	.0
2390602 A	6	6.200	6.200	.750	.750	.000	.000	.000	.000	.000	1.50	.0
2390629 A	6	6.200	1.000	1.000	.100	.000	.000	.000	.000	.000	2.50	.0
2390721 A	6	6.200	6.200	3.900	3.900	.000	.000	.000	.000	.000	2.50	.0
2390735 A	6	6.200	6.200	6.200	.000	.000	.000	.000	.000	.000	5.00	.0
2390800 A	8	6.200	6.200	6.200	.750	.750	.750	.000	.000	.000	5.00	.0
2390894 A	8	6.200	6.200	6.200	6.200	6.200	6.200	.000	.000	.000	5.00	.0
2390913 A	8	6.200	6.200	5.100	5.100	3.000	3.000	.000	.000	.000	5.00	.0
2392544 A	4	6.200	1.000	.000	.000	.000	.000	.000	.000	.000	2.50	.0
2392654 A	6	6.200	.931	.267	.000	.000	.000	.000	.000	.000	1.00	.0
2392943 A	8	6.200	5.100	1.000	.620	.620	.000	.000	.000	.000	2.50	.0
2408837 A	8	6.200	3.600	2.000	2.000	.910	.000	.000	.000	.000	2.50	.0
2390964 A	8	6.500	6.200	6.200	1.740	1.270	.000	.000	.000	.000	1.00	.0
2392952 A	8	6.500	3.500	.750	.750	.300	.100	.000	.000	.000	2.50	.0
2390652 A	6	6.600	6.600	6.600	6.600	.000	.000	.000	.000	.000	5.00	.0
2390669 A	6	6.800	6.800	6.800	6.800	6.800	.000	.000	.000	.000	5.00	.0
2390765 A	6	6.800	3.600	1.400	1.000	.000	.000	.000	.000	.000	5.00	.0
2392393 A	4	6.800	1.300	.200	.000	.000	.000	.000	.000	.000	5.00	.0
2392394 A	4	6.800	.047	.000	.000	.000	.000	.000	.000	.000	5.00	.0
2392650 A	6	6.800	2.200	.750	.680	.360	.000	.000	.000	.000	1.00	.0
2408672 A	6	6.800	2.370	1.000	.698	.000	.000	.000	.000	.000	1.00	.0
2392695 A	6	6.810	6.810	2.570	.000	.000	.000	.000	.000	.000	1.00	.0
2390956 C	8	7.000	1.600	.130	.080	.017	.000	.000	.000	.000	2.50	.0
2392842 A	8	7.000	3.000	2.640	2.580	1.000	.915	.780	.000	.000	2.50	.5
2392889 A	8	7.000	2.450	2.160	1.900	1.000	.915	.780	.000	.000	2.50	.0
4481608 A	6	7.150	4.870	3.000	2.400	.000	.000	.000	.000	.000	2.50	.0
2392694 A	6	7.400	7.400	7.400	7.400	.000	.000	.000	.000	.000	1.00	.0
2390981 C	8	7.500	2.400	.820	.620	.120	.000	.000	.000	.000	5.00	.0
2390987 A	8	7.500	5.830	4.300	.820	.261	.147	.000	.000	.000	5.00	.0
2392690 A	6	7.500	7.500	1.200	1.200	.000	.000	.000	.000	.000	5.00	.0
2392759 A	6	7.500	7.500	3.740	.000	.000	.000	.000	.000	.000	2.50	.0
2392874 A	8	7.500	7.500	7.500	7.500	3.300	2.200	.510	.000	.000	1.00	.0
2392955 C	8	7.500	4.700	4.300	3.900	2.000	2.000	.000	.000	.000	2.50	.0
2390300 A	4	7.600	.815	.000	.000	.000	.000	.000	.000	.000	5.00	.0
2392766 A	6	7.680	5.760	2.740	.620	.100	.000	.000	.000	.000	1.50	.5
2392831 A	8	7.680	3.000	2.000	1.820	1.820	1.500	.000	.000	.000	1.00	.0
2390998 A	8	7.870	1.500	1.500	1.000	.499	.000	.000	.000	.000	1.00	.0
2390600 A	6	8.000	8.000	8.000	8.000	.000	.000	.000	.000	.000	5.00	.0
2390968 A	8	8.000	4.000	2.000	1.000	.500	.250	.125	.000	.000	1.50	.5
2390546 A	4	8.060	5.100	.000	.000	.000	.000	.000	.000	.000	1.00	.0
2390804 A	8	8.060	4.420	2.700	.750	.000	.000	.000	.000	.000	2.50	.0
2390767 A	6	8.200	6.200	2.200	.620	.000	.000	.000	.000	.000	5.00	.0
2390885 A	8	8.200	6.200	3.900	2.200	2.000	.620	.000	.000	.000	5.00	.0
2392376 A	4	8.200	5.100	.000	.000	.000	.000	.000	.000	.000	5.00	.0
2408678 A	6	8.200	8.200	8.200	4.000	.000	.000	.000	.000	.000	2.50	.0
2392681 A	6	8.450	8.450	4.990	4.990	.000	.000	.000	.000	.000	1.00	.0
2408613 A	6	8.870	8.870	2.740	1.100	.000	.000	.000	.000	.000	1.00	.0

E45-0359 Rev. 2

5-41  
IBM Internal Use Only

September 15, 1982

PASSIVE COMPONENTS MANUAL

Component Data Bank - P/N Catalog  
R-Pac Modules

PG. 17 06/30/82 23:32 UR0206 \*\*\* IBM INTERNAL USE \*\*\* COMPONENT DATA BANK INTERNAL USE ONLY  
CDB/RP ALL/RP TECH DCS#N NE 23517 RP/L/SP#N EQ 125 SEQ/LH RP/R1/KO RP/L/NO  
RES/ALL RP/T1 RP/TOL/O NO/LIMIT.

PART NUMBER	T NO. U OF C	R1 RESIST LEAD KILOHMS	R2 RESIST KILOHMS	R3 RESIST KILOHMS	R4 RESIST KILOHMS	R5 RESIST KILOHMS	R6 RESIST KILOHMS	R7 RESIST KILOHMS	R8 RESIST KILOHMS	R9 RESIST KILOHMS	R1 TOL %	TOL OHM
2390362	A 4	9.000	9.000	.000	.000	.000	.000	.000	.000	.000	.000	.000
2390542	A 4	9.100	9.100	9.100	.000	.000	.000	.000	.000	.000	.000	.000
2390675	A 6	9.100	9.100	2.300	2.300	.000	.000	.000	.000	.000	.000	.000
2390993	A 8	9.100	1.000	.806	.430	.330	.000	.000	.000	.000	.000	.000
2392625	A 6	9.100	9.100	9.100	6.200	6.200	.000	.000	.000	.000	.000	.000
2392817	A 8	9.100	8.200	6.800	4.700	3.900	.470	.000	.000	.000	.000	.000
2392909	A 8	9.100	5.600	1.600	.680	.510	.390	.000	.000	.000	.000	.000
2408829	A 8	9.100	9.100	9.100	9.100	9.100	.000	.000	.000	.000	.000	.000
2392795	A 6	9.530	9.530	4.750	2.000	.000	.000	.000	.000	.000	.000	.000
2408614	A 6	9.530	9.530	5.490	2.000	.000	.000	.000	.000	.000	.000	.000
2390355	A 4	9.600	3.850	2.750	.000	.000	.000	.000	.000	.000	.000	.000
2390927	A 8	9.760	9.760	5.230	2.000	2.000	.825	.000	.000	.000	.000	.000
2390359	A 4	10.000	10.000	.000	.000	.000	.000	.000	.000	.000	.000	.000
2390400	A 4	10.000	2.000	.000	.000	.000	.000	.000	.000	.000	.000	.000
2390573	A 4	10.000	2.000	.000	.000	.000	.000	.000	.000	.000	.000	.000
2390749	A 6	10.000	10.000	2.000	1.200	.000	.000	.000	.000	.000	.000	.000
2390783	A 6	10.000	9.100	8.200	6.800	.000	.000	.000	.000	.000	.000	.000
2390857	A 8	10.000	2.000	2.000	2.000	1.500	.000	.000	.000	.000	.000	.000
2390858	A 8	10.000	10.000	4.300	4.300	.000	.000	.000	.000	.000	.000	.000
2390914	A 8	10.000	5.100	2.000	2.000	2.000	.000	.000	.000	.000	.000	.000
2390925	A 8	10.000	.698	.698	.300	.301	.000	.000	.000	.000	.000	.000
2390949	A 8	10.000	10.000	3.000	3.000	.430	.430	.000	.000	.000	.000	.000
2392349	A 4	10.000	10.000	.000	.000	.000	.000	.000	.000	.000	.000	.000
2392440	A 4	10.000	10.000	.000	.000	.000	.000	.000	.000	.000	.000	.000
2392445	A 4	10.000	2.440	.000	.000	.000	.000	.000	.000	.000	.000	.000
2392651	A 6	10.000	10.000	.806	.806	.000	.000	.000	.000	.000	.000	.000
2392673	A 6	10.000	2.200	1.000	.100	.000	.000	.000	.000	.000	.000	.000
2392691	A 6	10.000	10.000	10.000	1.500	1.000	.000	.000	.000	.000	.000	.000
2392744	A 6	10.000	5.100	3.600	1.000	.000	.000	.000	.000	.000	.000	.000
2392752	A 6	10.000	7.500	5.600	3.000	2.400	.000	.000	.000	.000	.000	.000
2392785	A 6	10.000	10.000	10.000	10.000	10.000	.000	.000	.000	.000	.000	.000
2392835	A 8	10.000	6.200	2.000	1.800	1.000	1.000	.390	.000	.000	.000	.000
2392879	A 8	10.000	10.000	10.000	1.400	1.400	1.400	.000	.000	.000	.000	.000
2392927	A 8	10.000	3.000	1.400	.910	.430	.150	.000	.000	.000	.000	.000
2392954	A 8	10.000	10.000	10.000	5.600	4.300	2.000	1.500	.000	.000	.000	.000
2392959	A 8	10.000	10.000	3.900	2.000	1.500	.390	.000	.000	.000	.000	.000
2392981	A 8	10.000	10.000	10.000	82.000	10.000	.000	.000	.000	.000	.000	.000
2408620	A 6	10.000	10.000	4.430	.430	.000	.000	.000	.000	.000	.000	.000
2408684	A 6	10.000	10.000	5.000	5.000	.000	.000	.000	.000	.000	.000	.000
2408801	A 8	10.000	10.000	8.200	2.500	2.000	1.500	.000	.000	.000	.000	.000
2408817	A 8	10.000	3.700	2.600	2.000	1.000	.000	.000	.000	.000	.000	.000
2408870	A 8	10.000	4.320	3.320	2.000	.316	.290	.000	.000	.000	.000	.000
2408956	A 8	10.000	8.200	2.000	2.000	.300	.000	.000	.000	.000	.000	.000
2390874	A 8	11.000	3.000	3.000	1.500	.750	.180	.140	.000	.000	.000	.000
2390918	A 8	11.000	3.600	2.000	.130	.047	.000	.000	.000	.000	.000	.000
2390995	A 8	11.000	9.100	2.200	.909	.330	.178	.000	.000	.000	.000	.000
2392317	A 4	11.000	3.600	.047	.000	.000	.000	.000	.000	.000	.000	.000

PASSIVE COMPONENTS MANUAL

Component Data Bank - P/N Catalog  
R-Pac Modules

PG. 18 06/30/82 23:32 UR0206 \*\*\* IBM INTERNAL USE \*\*\* COMPONENT DATA BANK INTERNAL USE ONLY  
CDB/RP ALL/RP TECH DC5#N NE 23517 RP/L/SP#N EQ 125 SEQ/LH RP/R1/KO RP/L/NO  
RES/ALL RP/T1 RP/TOL/O NO/LIMIT.

PART NUMBER	U OF C	T NO. OF LEAD	R1 RESIST KILOHMS	R2 RESIST KILOHMS	R3 RESIST KILOHMS	R4 RESIST KILOHMS	R5 RESIST KILOHMS	R6 RESIST KILOHMS	R7 RESIST KILOHMS	R8 RESIST KILOHMS	R9 RESIST KILOHMS	R1 TOL %	TOL OHM
2392676	A	6	11.000	8.870	6.190	2.000	.000	.000	.000	.000	.000	1.00	.0
2392913	A	8	11.000	5.580	2.420	1.100	.240	.000	.000	.000	.000	1.00	.0
2392920	A	8	11.000	5.620	2.430	1.100	.240	.000	.000	.000	.000	1.00	.0
2392989	A	8	11.000	11.000	11.000	11.000	.000	.000	.000	.000	.000	2.50	.0
2392990	A	8	11.000	11.000	11.000	11.000	11.000	11.000	.000	.000	.000	2.50	.0
2408862	A	8	11.000	11.000	5.600	5.600	1.600	1.600	1.000	.000	.000	2.50	.0
2392364	A	4	11.300	11.300	11.300	.000	.000	.000	.000	.000	.000	1.00	.0
2390955	A	8	11.500	6.900	5.500	3.000	1.070	.306	.000	.000	.000	1.00	.0
2392745	A	6	11.600	8.500	2.700	.000	.000	.000	.000	.000	.000	2.50	.0
2390312	A	4	12.000	1.300	.000	.000	.000	.000	.000	.000	.000	5.00	.0
2390745	A	6	12.000	8.200	4.300	.510	.000	.000	.000	.000	.000	5.00	.0
2390842	A	8	12.000	12.000	1.000	1.000	.750	.750	.000	.000	.000	5.00	.0
2390856	A	8	12.000	11.000	2.000	1.200	1.200	1.100	.000	.000	.000	5.00	.0
2390867	A	8	12.000	9.100	9.100	5.100	3.000	3.000	.200	.000	.000	5.00	.0
2392822	A	8	12.000	5.000	.205	.205	.200	.180	.170	.000	.000	2.50	.5
2392928	A	8	12.000	4.000	3.010	2.850	2.150	2.000	.000	.000	.000	2.50	.0
2392979	A	8	12.000	4.000	3.010	2.850	2.150	1.970	.000	.000	.000	2.50	.0
2408317	A	4	12.000	8.500	3.000	.000	.000	.000	.000	.000	.000	1.00	.0
2390344	A	4	12.100	12.100	.000	.000	.000	.000	.000	.000	.000	1.00	.0
2392688	A	6	12.100	12.100	12.100	12.100	.000	.000	.000	.000	.000	1.00	.0
2392797	A	6	12.100	11.000	3.480	3.010	.000	.000	.000	.000	.000	2.50	.0
2408316	A	4	12.500	7.140	6.250	.000	.000	.000	.000	.000	.000	1.00	.0
2408955	A	8	12.500	12.500	9.800	8.480	7.300	6.250	4.450	.000	.000	1.00	.0
2390739	A	6	13.000	13.000	13.000	13.000	13.000	.000	.000	.000	.000	5.00	.0
2390973	C	8	13.000	2.000	.680	.560	.560	.374	.300	.300	.000	5.00	.0
2392375	A	4	13.000	13.000	13.000	.000	.000	.000	.000	.000	.000	5.00	.0
2392686	A	6	13.000	10.000	10.000	10.000	10.000	.000	.000	.000	.000	1.00	.0
2392713	C	6	13.000	13.000	13.000	13.000	13.000	.000	.000	.000	.000	5.00	.0
2392644	C	6	13.300	11.300	6.340	1.100	.000	.000	.000	.000	.000	1.00	.0
2390710	A	6	13.500	13.500	.650	.000	.000	.000	.000	.000	.000	1.00	.0
2392319	A	4	13.500	4.700	3.780	.000	.000	.000	.000	.000	.000	5.00	.0
2392518	A	4	13.700	11.000	.000	.000	.000	.000	.000	.000	.000	2.50	.0
2392573	A	4	13.700	1.650	.000	.000	.000	.000	.000	.000	.000	5.00	.0
2408952	A	8	13.750	12.500	12.500	11.750	10.000	9.380	5.250	.000	.000	1.00	.0
2390303	A	4	14.000	2.400	1.000	.000	.000	.000	.000	.000	.000	5.00	.0
2390755	A	6	14.000	14.000	4.300	4.300	.000	.000	.000	.000	.000	5.00	.0
2392773	A	6	14.000	14.000	4.300	4.300	.000	.000	.000	.000	.000	2.50	.0
2390997	A	8	14.270	14.270	8.200	1.960	1.390	.000	.000	.000	.000	1.00	.0
2408815	A	8	14.400	10.000	8.870	8.870	8.660	4.000	.000	.000	.000	1.00	.0
2390337	A	4	15.000	1.820	.000	.000	.000	.000	.000	.000	.000	2.50	.0
2390495	A	4	15.000	4.750	4.750	.000	.000	.000	.000	.000	.000	1.00	.0
2390547	A	4	15.000	13.000	.000	.000	.000	.000	.000	.000	.000	5.00	.0
2390743	A	6	15.000	2.700	2.000	2.000	1.500	.000	.000	.000	.000	5.00	.0
2390788	A	6	15.000	1.500	1.330	.806	.160	.000	.000	.000	.000	5.00	.0
2390819	A	8	15.000	15.000	.100	.100	.000	.000	.000	.000	.000	5.00	.0
2390881	A	8	15.000	5.600	4.700	.324	.120	.000	.000	.000	.000	5.00	.0
2390895	A	8	15.000	2.400	1.000	.750	.560	.510	.000	.000	.000	5.00	.0

E45-0359 Rev. 2

5-43  
IBM Internal Use Only

September 15, 1982

PASSIVE COMPONENTS MANUAL

PG. 19 06/30/82 23:32 UR0206 \*\*\* IBM INTERNAL USE \*\*\* COMPONENT DATA BANK INTERNAL USE ONLY  
CDB/RP ALL/RP TECH DCS#N NE 23517 RP/L/SP#N EQ 125 SEQ/LH RP/R1/KO RP/L/NO  
RES/ALL RP/T1 RP/TOL/O NO/LIMIT.

PART NUMBER	T U OF C	NO. LEAD	R1 RESIST KILOHMS	R2 RESIST KILOHMS	R3 RESIST KILOHMS	R4 RESIST KILOHMS	R5 RESIST KILOHMS	R6 RESIST KILOHMS	R7 RESIST KILOHMS	R8 RESIST KILOHMS	R9 RESIST KILOHMS	R1 TOL %	TOL OHM
2392356	C	4	15.000	15.000	.000	.000	.000	.000	.000	.000	.000	2.50	.0
2392467	A	4	15.000	.120	.000	.000	.000	.000	.000	.000	.000	2.50	.0
2392522	A	4	15.000	.080	.000	.000	.000	.000	.000	.000	.000	2.50	.0
2392523	A	4	15.000	11.300	.000	.000	.000	.000	.000	.000	.000	2.50	.0
2408381	A	4	15.000	.970	.970	.000	.000	.000	.000	.000	.000	1.00	.0
2408834	A	8	15.000	1.000	1.000	.510	.063	.000	.000	.000	.000	2.50	.0
2408954	A	8	15.040	14.220	12.500	11.880	10.900	9.360	8.660	.000	.000	1.00	.0
2392435	A	4	15.800	15.800	7.870	.000	.000	.000	.000	.000	.000	2.50	.0
2390778	A	6	16.000	10.000	1.500	.000	.000	.000	.000	.000	.000	5.00	.0
2390870	A	8	16.000	15.000	12.000	12.000	9.100	.060	.000	.000	.000	5.00	.0
2408610	A	6	16.000	16.000	16.000	16.000	.000	.000	.000	.000	.000	2.50	.0
2390422	A	4	16.200	3.480	3.010	.000	.000	.000	.000	.000	.000	2.50	.0
2408685	A	6	16.500	11.000	3.000	3.000	1.000	.000	.000	.000	.000	1.00	.0
2392748	A	6	16.900	13.750	4.220	1.690	.000	.000	.000	.000	.000	2.50	.0
2392496	A	4	17.300	3.000	.000	.000	.000	.000	.000	.000	.000	2.50	.0
2390809	A	8	17.400	10.000	10.000	6.980	4.640	2.940	.000	.000	.000	5.00	.0
2408630	A	6	17.400	3.570	3.010	1.400	.000	.000	.000	.000	.000	2.50	.0
2390468	A	4	18.000	2.300	.000	.000	.000	.000	.000	.000	.000	5.00	.0
2390656	A	6	18.000	18.000	18.000	18.000	.000	.000	.000	.000	.000	5.00	.0
2390742	A	6	18.000	15.000	4.300	.680	.000	.000	.000	.000	.000	5.00	.0
2390868	A	8	18.000	15.000	1.000	.510	.510	.000	.000	.000	.000	5.00	.0
2392806	A	8	18.000	18.000	4.300	4.300	4.300	4.300	.000	.000	.000	2.50	.0
2408607	A	6	18.000	14.400	2.560	1.540	.000	.000	.000	.000	.000	2.50	.0
2392435	A	4	18.700	9.530	6.340	.000	.000	.000	.000	.000	.000	2.50	.0
2392425	A	4	19.000	12.300	7.700	.000	.000	.000	.000	.000	.000	1.00	.0
2390327	A	6	20.000	20.000	.000	.000	.000	.000	.000	.000	.000	5.00	.0
2390625	A	4	20.000	20.000	20.000	20.000	.000	.000	.000	.000	.000	5.00	.0
2390737	A	6	20.000	20.000	20.000	20.000	20.000	.000	.000	.000	.000	5.00	.0
2390792	A	6	20.000	6.200	1.000	1.000	.000	.000	.000	.000	.000	5.00	.0
2390864	A	8	20.000	18.000	5.600	5.600	3.000	.000	.000	.000	.000	5.00	.0
2392343	A	4	20.000	.820	.620	.000	.000	.000	.000	.000	.000	1.00	.0
2392350	C	4	20.000	20.000	.000	.000	.000	.000	.000	.000	.000	2.50	.0
2392403	A	4	20.000	20.000	.000	.000	.000	.000	.000	.000	.000	1.00	.0
2392661	A	6	20.000	10.000	10.000	10.000	10.000	.000	.000	.000	.000	1.00	.0
2392789	A	6	20.000	20.000	3.300	1.500	.000	.000	.000	.000	.000	2.50	.0
2392812	A	8	20.000	5.100	2.000	1.100	.600	.605	.000	.000	.000	5.00	.0
2392851	A	8	20.000	11.000	10.000	4.300	2.000	.000	.000	.000	.000	2.50	.5
2408830	A	8	20.000	.510	.510	.510	.510	.510	.000	.000	.000	2.50	.0
2392801	A	8	20.500	15.000	2.870	1.000	.750	.010	.000	.000	.000	5.00	.0
2408820	A	8	20.500	20.500	20.500	4.120	4.120	.000	.000	.000	.000	1.00	.0
2390226	A	2	22.000	.000	.000	.000	.000	.000	.000	.000	.000	5.00	.0
2390310	A	4	22.000	13.000	2.700	.000	.000	.000	.000	.000	.000	5.00	.0
2390787	A	6	22.000	22.000	.460	.460	.000	.000	.000	.000	.000	5.00	.0
2392431	A	4	22.000	22.000	2.700	.000	.000	.000	.000	.000	.000	2.50	.0
2392721	A	6	22.000	2.000	1.000	1.000	1.000	.000	.000	.000	.000	2.50	.0
2392956	A	8	22.000	18.000	9.100	7.500	5.100	.000	.000	.000	.000	2.50	.0
2408818	A	8	22.100	16.200	10.000	6.900	4.020	3.000	.000	.000	.000	1.00	.0



PASSIVE COMPONENTS MANUAL

Component Data Bank - P/N Catalog  
R-Pac Modules

PG. 20 06/30/82 23:32 UR0206 \*\*\* IBM INTERNAL USE \*\*\* COMPONENT DATA BANK INTERNAL USE ONLY  
CDB/RP ALL/RP TECH DCS#N NE 23517 RP/L/SP#N EQ 125 SEQ/LH RP/R1/KO RP/L/NO  
RES/ALL RP/T1 RP/TOL/O NO/LIMIT.

PART NUMBER	T U OF C	R1 RESIST KILOHMS	R2 RESIST KILOHMS	R3 RESIST KILOHMS	R4 RESIST KILOHMS	R5 RESIST KILOHMS	R6 RESIST KILOHMS	R7 RESIST KILOHMS	R8 RESIST KILOHMS	R9 RESIST KILOHMS	R1 TOL %	TOL OHM
2392658	A	6	22.300	22.300	7.960	7.960	.000	.000	.000	.000	1.00	.0
2390430	A	4	22.600	2.740	.000	.000	.000	.000	.000	.000	2.50	.0
2408969	A	8	23.050	19.970	18.580	15.250	12.500	10.940	10.720	.000	1.00	.0
2392682	A	6	23.700	23.700	23.700	23.700	.000	.000	.000	.000	1.00	.0
2390626	A	6	24.000	10.000	3.900	3.000	.000	.000	.000	.000	5.00	.0
2392436	A	4	24.000	2.400	.000	.000	.000	.000	.000	.000	2.50	.0
2392747	A	6	24.000	10.000	6.200	2.400	.000	.000	.000	.000	2.50	.0
2392749	A	6	24.000	8.200	2.400	2.400	.000	.000	.000	.000	2.50	.0
2392468	A	4	25.000	.250	.000	.000	.000	.000	.000	.000	2.50	.0
2408953	A	8	25.000	19.970	18.580	15.250	12.500	10.940	10.720	.000	1.00	.0
2392850	A	8	25.500	25.500	25.500	25.500	25.500	25.500	25.500	.000	1.00	.0
2392751	A	6	26.700	8.870	3.010	.000	.000	.000	.000	.000	2.50	.0
2390673	A	6	27.000	27.000	.220	.000	.000	.000	.000	.000	5.00	.0
2390730	A	6	27.000	6.200	1.200	.510	.000	.000	.000	.000	5.00	.0
2392675	A	6	27.000	7.000	6.800	6.200	.000	.000	.000	.000	5.00	.0
2390635	A	6	30.000	.261	.243	.095	.000	.000	.000	.000	5.00	.0
2390872	A	8	30.000	16.000	14.000	13.000	12.400	12.000	.000	.000	5.00	.0
2390876	A	8	30.000	30.000	10.000	10.000	9.100	9.100	.000	.000	5.00	.0
2392609	A	6	30.000	30.000	30.000	30.000	.000	.000	.000	.000	2.50	.0
2392649	A	6	30.000	30.000	30.000	.000	.000	.000	.000	.000	2.50	.0
2392861	A	8	30.000	20.000	4.700	3.600	2.700	1.100	.000	.000	2.50	.0
2408833	A	8	30.000	24.000	16.000	10.000	10.000	.000	.000	.000	2.50	.0
2408865	A	8	30.000	30.000	26.700	2.100	1.000	.000	.000	.000	2.50	.0
2392384	A	4	30.100	30.100	.000	.000	.000	.000	.000	.000	1.00	.0
2392722	A	6	31.600	5.600	3.090	.750	.470	.000	.000	.000	1.00	.0
2392808	A	8	31.600	30.200	23.600	11.000	.700	.000	.000	.000	1.00	.0
2392636	A	6	32.000	32.000	32.000	32.000	.000	.000	.000	.000	5.00	.0
2390363	A	4	33.000	10.000	.000	.000	.000	.000	.000	.000	2.50	.0
2390909	A	8	33.000	30.000	1.800	1.500	.470	.000	.000	.000	5.00	.0
2408318	A	4	34.600	30.000	17.700	.000	.000	.000	.000	.000	1.00	.0
2390672	A	6	36.000	36.000	3.300	3.300	.000	.000	.000	.000	5.00	.0
2390779	A	6	36.000	24.000	12.000	3.900	.000	.000	.000	.000	5.00	.0
2390855	A	8	36.000	15.000	15.000	12.000	10.000	10.000	2.700	.000	5.00	.0
2390882	A	8	36.000	5.100	4.300	.500	.000	.000	.000	.000	5.00	.0
2392322	A	4	36.500	36.500	12.200	.000	.000	.000	.000	.000	1.00	.0
2392902	A	8	36.500	20.500	20.500	10.200	4.130	.000	.000	.000	1.00	.0
2392610	A	6	36.800	18.000	3.720	.650	.000	.000	.000	.000	1.00	.0
2390983	A	8	37.300	15.000	6.130	2.210	.886	.750	.000	.000	5.00	.0
2392683	A	6	37.400	29.400	1.070	1.070	.000	.000	.000	.000	5.00	.0
2390933	A	8	39.000	30.000	1.800	1.800	.470	.000	.000	.000	5.00	.0
2392837	A	8	39.000	32.400	32.400	19.100	.620	.000	.000	.000	5.00	.0
2392849	A	8	39.200	39.200	19.600	19.600	3.920	.000	.000	.000	2.50	.0
2408863	A	8	39.200	7.500	5.600	4.320	1.000	.150	.000	.000	2.50	.0
2390655	A	6	40.000	40.000	.710	.710	.000	.000	.000	.000	5.00	.0
2392714	A	6	40.000	2.000	1.200	.365	.000	.000	.000	.000	5.00	.0
2392434	A	4	40.200	26.700	15.800	.000	.000	.000	.000	.000	2.50	.0
2390504	A	4	43.000	3.000	.000	.000	.000	.000	.000	.000	5.00	.0

E45-0359 Rev. 2

IBM Internal Use Only

5-45

September 15, 1982

PG. 21 06/30/82 23:32 UR0206 \*\*\* IBM INTERNAL USE \*\*\* COMPONENT DATA BANK INTERNAL USE ONLY  
CDB/RP ALL/RP TECH DC5#N NE 23517 RP/L/SP#N EQ 125 SEQ/LH RP/RI/KO RP/L/NO  
RES/ALL RP/TI RP/TOL/O NO/LIMIT.

PART NUMBER	T U OF C	NO. OF LEAD	R1 RESIST KILOHMS	R2 RESIST KILOHMS	R3 RESIST KILOHMS	R4 RESIST KILOHMS	R5 RESIST KILOHMS	R6 RESIST KILOHMS	R7 RESIST KILOHMS	R8 RESIST KILOHMS	R9 RESIST KILOHMS	R1 TOL %	TOL OHM
2390884	A	8	43.000	39.000	27.000	20.000	13.000	12.000	11.000	.000	.000	5.00	.0
2392944	A	8	43.000	20.000	6.000	5.100	3.300	.000	.000	.000	.000	2.50	.0
2392570	A	4	44.200	5.620	.000	.000	.000	.000	.000	.000	.000	2.50	.0
2392438	A	4	46.400	.220	.160	.000	.000	.000	.000	.000	.000	2.50	.0
2392678	A	4	46.400	25.900	21.000	15.800	6.500	.000	.000	.000	.000	1.00	.0
2392469	A	4	47.000	.510	.000	.000	.000	.000	.000	.000	.000	2.50	.0
2392534	A	4	48.000	12.000	2.000	.000	.000	.000	.000	.000	.000	1.00	.0
2392900	A	8	48.000	25.800	19.100	18.200	10.200	10.200	4.800	.000	.000	1.00	.0
2390991	A	8	49.900	49.900	.255	.240	.082	.062	.000	.000	.000	1.00	.0
2392385	A	4	49.900	49.900	.000	.000	.000	.000	.000	.000	.000	1.00	.0
2408654	A	6	51.000	27.000	15.000	14.300	.000	.000	.000	.000	.000	2.50	.0
2390520	A	4	51.900	.100	.000	.000	.000	.000	.000	.000	.000	1.00	.0
2392852	A	8	53.600	53.600	26.700	26.700	.000	.000	.000	.000	.000	2.50	.0
2392750	A	6	54.500	20.400	6.200	6.200	5.450	.000	.000	.000	.000	2.50	.0
2408819	A	8	54.900	16.000	10.700	8.870	8.200	.000	.000	.000	.000	1.00	.0
2390323	A	4	56.000	20.000	10.000	.000	.000	.000	.000	.000	.000	5.00	.0
2390670	A	6	56.000	56.000	22.000	.000	.000	.000	.000	.000	.000	5.00	.0
2390308	A	4	56.200	42.200	.000	.000	.000	.000	.000	.000	.000	1.00	.0
2392432	A	4	59.000	15.800	11.800	.000	.000	.000	.000	.000	.000	2.50	.0
2392645	A	6	60.000	60.000	60.000	60.000	60.000	.000	.000	.000	.000	5.00	.0
2392800	A	8	62.000	4.300	2.000	.750	.510	.000	.000	.000	.000	5.00	.0
2392354	A	4	64.900	64.900	.000	.000	.000	.000	.000	.000	.000	1.00	.0
2390458	A	4	67.000	50.000	2.900	.000	.000	.000	.000	.000	.000	1.00	.0
2390769	A	6	68.000	6.200	.510	.300	.270	.000	.000	.000	.000	5.00	.0
2392689	A	6	71.500	44.200	8.660	6.190	.000	.000	.000	.000	.000	1.00	.0
2408816	A	8	80.600	80.600	68.100	40.200	34.000	20.000	.000	.000	.000	1.00	.0
2390321	A	4	82.000	27.000	.000	.000	.000	.000	.000	.000	.000	5.00	.0
2390777	A	6	82.000	47.000	16.000	13.000	.000	.000	.000	.000	.000	5.00	.0
2390951	A	8	82.000	82.000	82.000	7.500	7.500	7.500	.000	.000	.000	5.00	.0
2390952	A	8	82.000	82.000	5.490	.560	.500	.180	.000	.000	.000	5.00	.0
2390967	A	8	82.000	82.000	82.000	82.000	82.000	82.000	.000	.000	.000	1.00	.0
2392929	A	8	82.000	10.000	3.650	.340	.000	.000	.000	.000	.000	2.50	.0
2392901	A	8	89.200	80.200	19.100	12.700	10.000	10.000	.000	.000	.000	1.00	.0
2392674	A	6	90.900	45.300	22.600	13.000	.000	.000	.000	.000	.000	1.00	.0
2408835	A	8	91.000	27.000	27.000	16.000	1.800	.000	.000	.000	.000	2.50	.0
2408804	A	8	95.500	80.000	71.500	71.500	68.000	24.000	.000	.000	.000	1.00	.0
2392351	C	4	100.000	100.000	.000	.000	.000	.000	.000	.000	.000	2.50	.0
2392639	A	6	100.000	100.000	7.500	7.500	.000	.000	.000	.000	.000	2.50	.0
2392905	A	8	100.000	10.000	1.650	.506	.433	.000	.000	.000	.000	2.50	.0
2392925	A	8	100.000	10.000	2.210	.768	.760	.000	.000	.000	.000	2.50	.0
2392980	A	8	100.000	10.000	2.540	1.450	.000	.000	.000	.000	.000	2.50	.0
2408315	A	4	100.000	17.720	16.880	.000	.000	.000	.000	.000	.000	1.00	.0
2408656	A	6	100.000	47.000	24.000	12.000	.000	.000	.000	.000	.000	2.50	.0
2408795	A	6	100.000	31.600	21.250	17.720	16.880	.000	.000	.000	.000	1.00	.0
2408836	A	8	100.000	100.000	51.000	15.000	1.000	.000	.000	.000	.000	2.50	.0
2408866	A	8	100.000	30.000	30.000	5.000	5.000	3.000	3.000	.000	.000	2.50	.0
2408873	A	8	100.000	100.000	20.000	15.000	15.000	7.500	.910	.000	.000	2.50	.0

PASSIVE COMPONENTS MANUAL

Component Data Bank - P/N Catalog  
R-Pac Modules

PG. 22 06/30/82 23:32 UR0206 \*\*\* IBM INTERNAL USE \*\*\* COMPONENT DATA BANK INTERNAL USE ONLY  
CDB/RP ALL/RP TECH DCS#N NE 23517 RP/L/SP#N EQ 125 SEQ/LH RP/R1/KO RP/L/NO  
RES/ALL RP/T1 RP/TOL/O NO/LIMIT.

PART NUMBER	T NO. U OF C LEAD	R1 RESIST KILOHMS	R2 RESIST KILOHMS	R3 RESIST KILOHMS	R4 RESIST KILOHMS	R5 RESIST KILOHMS	R6 RESIST KILOHMS	R7 RESIST KILOHMS	R8 RESIST KILOHMS	R9 RESIST KILOHMS	R1 TOL %	TOL OHM
2408860 A	8	110.000	60.000	5.500	4.500	.750	.279	.220	.000	.000	2.50	.0
2392807 A	8	115.000	44.200	41.200	37.400	31.600	12.100	.000	.000	.000	1.00	.0
2390976 A	8	123.000	71.000	45.700	20.000	11.600	8.990	.000	.000	.000	1.00	.0
2392659 A	6	138.000	103.000	35.700	28.300	17.400	.000	.000	.000	.000	1.00	.0
2392492 A	4	145.000	145.000	100.000	.000	.000	.000	.000	.000	.000	2.50	.0
2392924 A	8	150.000	6.800	2.490	1.000	.000	.000	.000	.000	.000	2.50	.0
2408864 A	8	150.000	62.000	13.000	7.500	5.600	5.600	1.600	.000	.000	2.50	.0
2392677 A	6	160.000	68.000	36.000	27.000	27.000	.000	.000	.000	.000	5.00	.0
2408661 A	6	160.000	430.000	43.000	20.000	.000	.000	.000	.000	.000	2.50	.0
2392704 A	6	180.000	63.400	52.300	52.300	36.000	.000	.000	.000	.000	1.00	.0
2392679 A	6	187.000	150.000	76.800	23.700	14.600	.000	.000	.000	.000	1.00	.0
2408962 A	8	193.000	137.000	20.000	3.300	.200	.000	.000	.000	.000	2.00	.0
2392499 A	4	200.000	100.000	.000	.000	.000	.000	.000	.000	.000	1.00	.0
2392923 A	8	200.000	3.000	2.490	1.000	.000	.000	.000	.000	.000	2.50	.0
2392922 A	8	220.000	13.000	2.490	1.000	.000	.000	.000	.000	.000	2.50	.0
2392932 A	8	220.000	4.300	2.490	1.000	.000	.000	.000	.000	.000	2.50	.0
2392572 A	4	245.000	20.000	.000	.000	.000	.000	.000	.000	.000	2.50	.0
2408655 A	6	270.000	100.000	62.000	51.000	51.000	.000	.000	.000	.000	2.50	.0
2408965 A	8	294.000	270.000	259.000	186.200	.000	.000	.000	.000	.000	1.00	.0
2392575 A	4	300.000	130.000	50.000	.000	.000	.000	.000	.000	.000	2.50	.0
2392353 A	4	313.000	252.000	.000	.000	.000	.000	.000	.000	.000	2.50	.0
2390977 A	8	535.000	411.000	223.000	157.000	.000	.000	.000	.000	.000	2.50	.0
2390978 A	8	817.000	621.000	353.000	266.000	.000	.000	.000	.000	.000	2.50	.0
2392320 A	4	1.240.000	.000	.000	.000	.000	.000	.000	.000	.000	5.00	.0
TOTAL RECORDS	1,011											

E45-0359 Rev. 2

5-47  
IBM Internal Use Only

September 15, 1982

PASSIVE COMPONENTS MANUAL

Component Data Bank - P/N Catalog  
R-Pac Modules

PG. 1 06/30/82 23:33 UR0206 *** IBM INTERNAL USE *** COMPONENT DATA BANK INTERNAL USE ONLY		CDB/RP ALL/RP TECH DCS#N NE 23517 RP/L/SP#N EQ 125 RP/L/NO LEAD/ASSIGN PD/ALL																			
RP/L/LG NO/LIMIT.																					
PART	T	NO.	R1	R2	R3	R4	R5	R6	R7	R8	R9	R1	R2	R3	R4	R5	R6	R7	R8	R9	NOM
NUMBER	U	OF	LEAD	LEAD	LEAD	LEAD	LEAD	LEAD	LEAD	LEAD	LEAD	P D	P D	P D	P D	P D	P D	P D	P D	P D	LEAD
	C	LEAD	ASGN	ASGN	ASGN	ASGN	ASGN	ASGN	ASGN	ASGN	ASGN	MW	MW	MW	MW	MW	MW	MW	MW	MW	LGTH
2390109	A	4	1-4									750									90
2390200	A	2	1-2									125									90
2390201	A	2	1-2									100									90
2390203	A	2	1-2									100									90
2390204	A	2	1-2									150									90
2390206	A	2	1-2									150									90
2390207	A	2	1-2									100									90
2390218	A	2	1-2									100									90
2390225	A	2	1-2									75									90
2390226	A	2	1-2									50									90
2390227	A	2	1-2									50									90
2390229	A	2	1-2									50									90
2390230	A	2	1-2									200									90
2390233	A	2	1-2									200									90
2390235	A	2	1-2									25									90
2390236	A	2	1-2									120									90
2390237	A	2	1-2									25									90
2390238	A	2	1-2									50									90
2390245	A	2	1-2									125									90
2390246	A	2	1-2									100									90
2390249	A	2	1-2									110									90
2390250	A	2	1-2									25									90
2390251	A	2	2-1									75									90
2390256	A	2	1-2									125									90
2390257	A	2	1-2									125									90
2390258	A	2	1-2									125									90
2390259	A	2	1-2									150									90
2390260	A	2	1-2									50									90
2390261	A	2	1-2									125									90
2390264	A	2	1-2									125									90
2390265	A	2	1-2									125									90
2390300	A	4	2-1	4-3								125	125								90
2390301	A	4	4-1	2-1	3-1							25	200	200							90
2390303	A	4	2-1	4-3	3-1							150	25	25							90
2390304	A	4	2-1	1-4	3-4							25	100	150							90
2390305	A	4	2-1	4-3								200	480								90
2390306	A	4	4-1									800									90
2390307	A	4	4-3	3-1	2-1							25	25	50							90
2390308	A	4	3-4	2-4								25	25								90
2390309	A	4	2-1	3-1	4-3							25	50	25							90
2390310	A	4	2-1	3-1	4-3							50	25	25							90
2390311	A	4	4-3	2-1								125	125								90
2390312	A	4	3-4	1-4								25	25								90
2390320	A	4	3-4	1-4	2-4							150	100	25							90
2390321	A	4	2-1	4-3								25	50								90
2390322	A	4	2-1	3-1								75	110								90
2390323	A	4	2-1	4-1	3-1							25	25	25							90

E45-0359 Rev. 2

5-48  
IBM Internal Use Only

September 15, 1982

PASSIVE COMPONENTS MANUAL

Component Data Bank - P/N Catalog  
R-Pac Modules

PG. 2 06/30/82 23:33 UR0206 *** IBM INTERNAL USE *** COMPONENT DATA BANK INTERNAL USE ONLY		CDB/RP ALL/RP TECH DCS#N NE 23517 RP/L/SP#N EQ 125 RP/L/NO LEAD/ASSIGN PD/ALL																					
RP/L/LG NO/LIMIT.		T	NO.	R1	R2	R3	R4	R5	R6	R7	R8	R9	R1	R2	R3	R4	R5	R6	R7	R8	R9	NOM	
PART	U	OF	LEAD	LEAD	LEAD	LEAD	LEAD	LEAD	LEAD	LEAD	LEAD	LEAD	P D	P D	P D	P D	P D	P D	P D	P D	P D	P D	LEAD
NUMBER	C	LEAD	ASGN	ASGN	ASGN	ASGN	ASGN	ASGN	ASGN	ASGN	ASGN	ASGN	MW	MW	MW	MW	MW	MW	MW	MW	MW	MW	LGTH
2390324	A	4	4-1										130										90
2390325	A	4	4-1										75										90
2390326	A	4	4-1	3-1	2-1								25	150	200								90
2390327	A	4	2-1	4-3									50	50									90
2390330	A	4	3-4	4-3	2-1								25	75	200								90
2390336	A	4	4-1										600										90
2390337	A	4	3-1	2-1	4-1								25	25	25								90
2390338	A	4	2-1	3-1	4-1								100	100	100								90
2390339	A	4	2-1	4-3									125	125									90
2390340	A	4	2-4	1-4									75	25									90
2390341	A	4	1-2	3-2									110	50									90
2390342	A	4	2-1	4-3									200	200									90
2390344	A	4	2-1	4-3									150	150									90
2390346	A	4	4-3	1-3									125	125									90
2390355	A	4	3-2	1-2	4-3								50	75	25								90
2390356	A	4	3-2	4-3	1-2								25	25	25								90
2390357	A	4	2-1	4-3									125	125									90
2390358	A	4	2-1	4-3									260	260									90
2390359	A	4	2-1	4-3									190	190									90
2390360	A	4	4-3	2-1									75	25									90
2390361	A	4	4-1	2-1	3-1								120	25	75								90
2390362	A	4	1-2	4-2									75	75									90
2390363	A	4	4-3	2-1									25	175									90
2390364	A	4	1-4	3-4									75	75									90
2390365	A	4	1-2	3-2	4-2								25	25	25								90
2390366	A	4	1-4	2-4	3-4								25	25	25								90
2390367	A	4	1-4	2-4	3-4								50	50	75								90
2390368	A	4	2-1	3-1									75	170									90
2390369	A	4	2-1	4-3									290	290									90
2390371	A	4	1-2	4-2	3-2								75	75	75								90
2390372	A	4	4-1	3-2	2-1								75	75	75								90
2390374	A	4	3-4	1-4									75	75									90
2390376	A	4	1-2	3-2									75	75									90
2390377	A	4	2-3	3-4	1-2	4-1							75	75	75	75							90
2390378	A	4	1-3	2-3	4-3								100	100	75								90
2390379	A	4	4-3	2-3									25	25									90
2390380	A	4	1-2	3-2	4-2								110	110	110								90
2390381	A	4	1-2	3-2	4-2								125	125	125								90
2390382	A	4	1-2	2-3	3-4	4-1							25	25	25	25							90
2390383	A	4	1-2	3-2	4-2								25	25	25								90
2390385	A	4	1-2	2-3	3-4	4-1							25	25	25	25							90
2390386	A	4	1-2	3-2	4-2								25	25	25								90
2390387	A	4	1-4	2-4	3-4								100	100	100								90
2390388	A	4	3-4	4-1	1-2	2-3							75	75	25	25							90
2390389	A	4	4-3	2-1									220	140									90
2390390	A	4	4-1										800										90
2390391	A	4	4-3	2-1									75	215									90

E45-0359 Rev. 2

5-49 IBM Internal Use Only

September 15, 1982

PASSIVE COMPONENTS MANUAL

Component Data Bank - P/N Catalog  
R-Pac Modules

PG. 3 06/30/82 23:33 UR0206 \*\*\* IBM INTERNAL USE \*\*\* COMPONENT DATA BANK INTERNAL USE ONLY  
CDB/RP ALL/RP TECH DCS#N NE 23517 RP/L/SP#N EQ 125 RP/L/NO LEAD/ASSIGN PD/ALL  
RP/L/LG NO/LIMIT.

PART NUMBER	T OF C	NO. LEAD	R1 LEAD	R2 LEAD	R3 LEAD	R4 LEAD	R5 LEAD	R6 LEAD	R7 LEAD	R8 LEAD	R9 LEAD	R1 LEAD	R1 P D	R2 P D	R3 P D	R4 P D	R5 P D	R6 P D	R7 P D	R8 P D	R9 P D	NOM LEAD LGTH
2390392	A	4	4-3	2-1									100	420								90
2390393	A	4	2-1	4-3									25	25								90
2390394	A	4	3-4	1-4	2-4								25	25	25							90
2390395	A	4	4-2	1-2									25	75								90
2390396	A	4	2-1	4-3									125	125								90
2390397	A	4	2-1	3-1	4-1								100	100	100							90
2390400	A	4	2-1	4-1									75	75								90
2390401	A	4	2-1	4-3									200	200								90
2390402	A	4	2-3	3-4	1-2	4-1							125	125	125	125						90
2390403	A	4	2-3	3-4	1-2	4-1							110	110	100	100						90
2390405	A	4	2-1	3-1	4-1								75	75	75							90
2390409	A	4	2-1	4-3									125	125								90
2390410	A	4	2-1	4-1									110	110								90
2390411	A	4	2-1	3-1	4-1								110	110	110							90
2390417	A	4	3-2	4-2									50	75								90
2390418	A	4	1-2	4-2									50	75								90
2390419	A	4	2-1	4-1									160	160								90
2390422	A	4	3-1	2-1	4-3								50	50	50							90
2390423	A	4	2-1	3-1									50	50								90
2390425	A	4	2-3	3-4	1-2	4-1							75	75	100	100						90
2390426	A	4	2-1	3-1									135	135								90
2390427	A	4	1-2	3-2	4-2								50	50	75							90
2390430	A	4	2-1	4-3									50	50								90
2390431	A	4	1-3	3-2	4-2								75	50	75							90
2390433	A	4	3-2	1-2	4-2								50	75	75							90
2390434	A	4	1-2	3-2	4-2								75	75	75							90
2390435	A	4	1-2	3-2	4-2								75	75	75							90
2390436	A	4	1-2	3-2	4-2								75	75	75							90
2390437	A	4	1-2	3-2	4-2								50	50	50							90
2390439	A	4	2-1	3-1	4-1								150	150	150							90
2390440	A	4	2-1	4-3									75	50								90
2390443	A	4	2-1	4-3									50	50								90
2390444	A	4	4-3	2-1									150	150								90
2390445	A	4	2-1	3-1	4-1								200	200	200							90
2390446	A	4	3-2	4-2	1-2								50	75	75							90
2390447	A	4	2-1	3-1									25	25								90
2390448	A	4	2-1	3-1									75	75								90
2390449	A	4	2-1	3-1									75	75								90
2390450	A	4	2-1	3-1	4-1								160	160	160							90
2390454	A	4	2-1	4-3									25	75								90
2390455	A	4	2-1	4-3									200	200								90
2390456	A	4	2-1	3-1	4-1								50	75	75							90
2390457	A	4	2-1	4-3									100	100								90
2390458	A	4	2-3	4-3	1-2								25	25	25							90
2390459	A	4	2-1	3-1	4-1								125	125	125							90
2390461	A	4	2-1	3-1	4-1								75	75	75							90
2390463	A	4	2-1	3-1									50	50								90

E45-0359 Rev. 2

5-50

IBM Internal Use Only

September 15, 1982

PASSIVE COMPONENTS MANUAL

Component Data Bank - P/N Catalog  
R-Pac Modules

PG. 4 06/30/82 23:33 UR0206 \*\*\* IBM INTERNAL USE \*\*\* COMPONENT DATA BANK INTERNAL USE ONLY  
CDB/RP ALL/RP TECH DCS#N NE 23517 RP/L/SP#N EQ 125 RP/L/NO LEAD/ASSIGN PD/ALL  
RP/L/LG NO/LIMIT.

PART NUMBER	T U	NO. OF LEAD	R1 LEAD	R2 LEAD	R3 LEAD	R4 LEAD	R5 LEAD	R6 LEAD	R7 LEAD	R8 LEAD	R9 LEAD	R1 P D	R2 P D	R3 P D	R4 P D	R5 P D	R6 P D	R7 P D	R8 P D	R9 P D	NOM LEAD LGTH
2390464	A	4	2-1	3-1	4-1							150	150	150							90
2390465	A	4	3-2	1-2	4-3							50	50	50							90
2390467	A	4	2-1	4-3								125	125								90
2390468	A	4	2-1	4-3								25	25								90
2390470	A	4	2-1	4-1	3-1							50	50	75							90
2390472	A	4	3-1	4-1								200	200								90
2390474	A	4	2-1	3-1	4-1							100	100	100							90
2390475	A	4	2-1	4-3								75	75								90
2390477	A	4	1-4	2-4								125	125								90
2390478	A	4	2-1	3-1								120	120								90
2390479	A	4	2-1	3-1	4-1							75	75	75							90
2390480	A	4	1-3	2-3	4-3							125	125	125							90
2390481	A	4	4-1	3-1	2-3							150	50	50							90
2390483	A	4	2-1	3-1	4-1							100	100	100							90
2390484	A	4	2-1	4-3								100	100								90
2390485	A	4	2-1	4-3								100	100								90
2390487	A	4	2-1	4-3								125	130								90
2390488	A	4	2-1	3-1	4-1							100	50	50							90
2390489	A	4	2-1	4-3								75	75								90
2390490	A	4	2-1	4-1								50	50								90
2390492	A	4	2-1	4-3								25	100								90
2390494	A	4	2-1	3-1	4-1							100	50	50							90
2390495	A	4	3-1	2-1	4-1							50	50	50							90
2390498	A	4	2-1	4-3								25	25								90
2390499	A	4	2-1	4-3								75	75								90
2390500	A	4	2-1	4-3								200	200								90
2390501	A	4	2-1	3-1	4-1							25	25	25							90
2390504	A	4	2-1	4-3								25	25								90
2390507	A	4	2-1	4-3								100	100								90
2390509	A	4	4-2	1-2								25	130								90
2390511	A	4	2-1	4-1								25	25								90
2390516	A	4	1-2	3-2								25	25								90
2390517	A	4	1-2	3-2	4-2							25	25	25							90
2390518	A	4	3-1	4-3	2-1							25	25	25							90
2390520	A	4	4-2	1-2								25	25								90
2390522	A	4	2-1	4-3								150	150								90
2390523	A	4	2-1	3-1	4-1							25	25	25							90
2390524	A	4	2-1	3-1	4-1							150	150	150							90
2390525	A	4	2-1	4-3								50	50								90
2390527	A	4	2-1	4-3								75	75								90
2390530	A	4	4-3	2-1								125	125								90
2390533	A	4	4-1									300									90
2390535	A	4	4-2	3-2								50	50								90
2390536	A	4	2-1	4-3								200	200								90
2390537	A	4	2-1	4-3								150	150								90
2390538	A	4	2-1	3-1	4-1							110	110	110							90
2390539	A	4	4-1									400									90

E45-0359 Rev. 2

5-51  
IBM Internal Use Only

September 15, 1982

PASSIVE COMPONENTS MANUAL

Component Data Bank - P/N Catalog  
R-Pac Modules

PG. 5 06/30/82 23:33 UR0206 *** IBM INTERNAL USE *** COMPONENT DATA BANK INTERNAL USE ONLY		CDB/RP ALL/RP TECH DCS#N NE 23517 RP/L/SP#N EQ 125 RP/L/NO LEAD/ASSIGN PD/ALL RP/L/LG NO/LIMIT.																		
PART NUMBER	T NO.	R1	R2	R3	R4	R5	R6	R7	R8	R9	R1	R2	R3	R4	R5	R6	R7	R8	R9	NOM LEAD LGTH
NUMBER	U OF LEAD C LEAD	OF LEAD R1 ASGN	LEAD R2 ASGN	LEAD R3 ASGN	LEAD R4 ASGN	LEAD R5 ASGN	LEAD R6 ASGN	LEAD R7 ASGN	LEAD R8 ASGN	LEAD R9 ASGN	P D MW	P D MW	P D MW	P D MW	P D MW	P D MW	P D MW	P D MW	P D MW	LEAD LGTH
2390540	A	4	4-1								750									90
2390541	A	4	4-1								500									90
2390542	A	4	2-1	3-1	4-1						25	25	25							90
2390543	A	4	2-1	3-1	4-1						110	110	110							90
2390544	A	4	2-1	4-3							200	200								90
2390546	A	4	2-1	4-3							50	75								90
2390547	A	4	4-3	2-1							75	75								90
2390549	A	4	1-4	2-4	3-4						160	160	160							90
2390552	A	4	2-1	3-1	4-1						50	50	50							90
2390555	A	4	2-1	3-1	4-1						150	150	150							90
2390557	A	4	2-1	3-1	4-1						100	100	25							90
2390558	A	4	4-3	2-1							100	100								90
2390559	A	4	1-3	4-3	2-3						25	25	25							90
2390560	A	4	4-1								750									90
2390561	A	4	2-1	4-3							100	350								90
2390562	A	4	4-3	2-1							140	290								90
2390563	A	4	4-1								550									90
2390564	A	4	4-1								525									90
2390565	A	4	2-1	4-3							75	25								90
2390566	A	4	1-2	4-2							75	75								90
2390569	A	4	1-3	4-3							25	25								90
2390571	A	4	1-2	2-4	1-3	3-4					75	75	25	25						90
2390573	A	4	2-1	4-3							25	75								90
2390574	A	4	1-2	4-2							200	200								90
2390577	A	4	3-1								750									90
2390593	A	4	3-4	1-2	2-4						25	50	25							90
2390594	A	4	3-1	4-1							25	25								90
2390595	A	4	2-1	3-1	4-1						100	100	100							90
2390596	A	4	3-1	2-1	4-1						50	100	100							90
2390597	A	4	2-1	4-3							25	75								90
2390598	A	4	2-1	3-1	4-1						50	50	50							90
2390599	A	4	2-1	3-1	4-1						75	75	75							90
2390600	A	6	2-1	3-1	4-1	5-1					50	50	50	50						90
2390602	A	6	2-1	3-1	4-6	5-6					25	25	25	25						90
2390605	A	6	2-1	3-1	4-6	5-6					75	75	50	50						90
2390610	A	6	2-1	4-1	3-1	5-1					50	50	75	75						90
2390615	A	6	3-1	5-4	2-1	6-5					75	150	100	25						90
2390616	A	6	3-1	2-1	6-5						25	25	50							90
2390618	A	6	2-1	3-1	4-1	5-1					130	130	130	130						90
2390623	A	6	1-3	2-3	4-3	5-3					125	125	125	125						90
2390625	A	6	1-3	2-3	4-3	5-3					25	25	25	25						90
2390626	A	6	4-6	3-1	5-6	2-1					25	25	50	25						90
2390627	A	6	2-1	3-1	4-1	5-1					125	125	125	125						90
2390629	A	6	2-1	4-6	5-6	3-1					50	150	150	25						90
2390630	A	6	2-3	4-6	1-3	5-6					25	25	25	25						90
2390634	A	6	3-1	5-1	2-1	4-1					50	50	100	100						90
2390635	A	6	2-1	6-4	4-3	3-1					25	100	160	100						90

E45-0359 Rev. 2

IBM Internal Use Only

5-52

September 15, 1982



PG. 6 06/30/82 23:33 UR0206 \*\*\* IBM INTERNAL USE \*\*\* COMPONENT DATA BANK INTERNAL USE ONLY  
CDB/RP ALL/RP TECH DCS#N NE 23517 RP/L/SP#N EQ 125 RP/L/NO LEAD/ASSIGN PD/ALL  
RP/L/LG NO/LIMIT.

PART NUMBER	T U	NO OF LEAD C	R1 LEAD ASGN	R2 LEAD ASGN	R3 LEAD ASGN	R4 LEAD ASGN	R5 LEAD ASGN	R6 LEAD ASGN	R7 LEAD ASGN	R8 LEAD ASGN	R9 LEAD ASGN	R1 P D MW	R2 P D MW	R3 P D MW	R4 P D MW	R5 P D MW	R6 P D MW	R7 P D MW	R8 P D MW	R9 P D MW	NOM LEAD LGTH
2390636	A	6	6-5	2-1	4-1							50	25	25							90
2390640	A	6	1-4	3-4	5-4	2-4	6-4					50	50	50	75	75					90
2390641	A	6	2-1	3-1	4-1	5-1	6-1					75	75	75	75	75					90
2390642	A	6	2-1	3-1	4-1	5-1						75	75	75	75						90
2390647	A	6	3-4	5-4	1-4	2-4	6-4					50	50	75	75	75					90
2390650	A	6	2-1	3-1	4-1	5-1	6-1					50	50	50	50	50					90
2390651	A	6	3-2	5-2	6-2	1-2	4-2					50	75	75	75	75					90
2390652	A	6	2-1	3-1	4-1	5-1						25	25	25	25						90
2390653	A	6	3-2	6-5	2-1	5-1						160	160	50	50						90
2390654	A	6	6-1	2-1								565	225								90
2390655	A	6	2-1	4-1	3-1	5-1						25	25	100	100						90
2390656	A	6	1-3	2-3	4-3	5-3						25	25	25	25						90
2390659	A	6	2-1	3-1	4-6	5-6						110	110	110	110						90
2390664	A	6	2-1	4-1	6-1	3-1	5-1					50	50	50	75	75					90
2390665	A	6	3-2	5-2	1-2	4-2	6-2					50	50	75	75	75					90
2390666	A	6	3-1	5-4	4-1	6-1						50	50	75	75						90
2390667	A	6	1-3	2-3	5-4	6-4						75	75	25	25						90
2390668	A	6	2-1	3-1	4-1	5-1	6-1					75	75	75	75	75					90
2390669	A	6	2-1	3-1	4-1	5-1	6-1					25	25	25	25	25					90
2390670	A	6	3-1	6-4	2-1	5-4						25	25	25	25						90
2390671	A	6	5-4	6-4	1-3	2-3						250	250	195	195						90
2390672	A	6	2-1	5-6	3-1	4-6						25	25	200	200						90
2390673	A	6	2-1	3-1	5-4	6-4						25	25	170	170						90
2390675	A	6	4-1	5-1	2-1	3-1						50	50	150	150						90
2390676	A	6	2-1	3-1	4-6	5-6						75	75	100	100						90
2390677	A	6	2-1	3-1	4-1	5-1						125	125	125	125						90
2390678	A	6	2-1	3-1	4-6	5-6						25	25	25	25						90
2390680	A	6	2-1	3-1	4-6	5-6						50	50	50	50						90
2390684	A	6	2-1	3-1	4-1	5-1						50	50	50	50						90
2390685	A	6	2-1	3-1	4-1	5-1	6-1					100	100	100	100	100					90
2390686	A	6	1-3	2-3	4-6	5-6						125	125	125	125						90
2390687	A	6	2-1	3-1	4-1	5-1						75	75	75	75						90
2390689	A	6	4-3	2-1	6-5							150	25	25							90
2390690	A	6	2-1	3-1	4-1	5-1						75	75	75	75						90
2390691	A	6	3-1	6-1								330	75								90
2390693	A	6	2-1	3-1	4-1	5-1						125	125	125	125	125					90
2390694	A	6	1-5	2-5	3-5	4-5						150	150	150	110						90
2390695	A	6	1-3	2-3	5-4	6-4						25	25	25	25						90
2390698	A	6	3-1	5-6	2-1	4-6						25	25	100	100						90
2390700	A	6	2-1	5-6	3-1	4-6						150	150	100	100						90
2390702	A	6	2-1	3-1	4-1	5-1	6-1					100	100	100	100	100					90
2390703	A	6	2-6	3-6	4-6	5-6						50	50	50	50						90
2390704	A	6	2-1	3-1	5-4	6-4						25	25	25	25						90
2390706	A	6	2-1	3-1	4-1	5-1						75	75	75	75						90
2390707	A	6	2-1	3-1	4-1	5-1						50	50	50	50						90
2390708	A	6	2-1	3-1	4-1	5-1	6-1					150	150	150	150	150					90
2390710	A	6	2-1	5-6	3-1	4-6						25	25	25	25						90

PASSIVE COMPONENTS MANUAL

Component Data Bank - P/N Catalog  
R-Pac Modules

PG. 7 06/30/82 23:33 UR0206 *** IBM INTERNAL USE *** COMPONENT DATA BANK INTERNAL USE ONLY		CDB/RP ALL/RP TECH DCS#N NE 23517 RP/L/SP#N EQ 125 RP/L/NO LEAD/ASSIGN PD/ALL																			
RP/L/LG NO/LIMIT.		T NO.	R1	R2	R3	R4	R5	R6	R7	R8	R9	R1	R2	R3	R4	R5	R6	R7	R8	R9	NOM
PART	U	OF	LEAD	LEAD	LEAD	LEAD	LEAD	LEAD	LEAD	LEAD	LEAD	P D	P D	P D	P D	P D	P D	P D	P D	P D	LEAD
NUMBER	C	LEAD	ASGN	ASGN	ASGN	ASGN	ASGN	ASGN	ASGN	ASGN	ASGN	MW	MW	MW	MW	MW	MW	MW	MW	MW	LGTH
2390716	A	6	2-1	3-1	4-1	5-1	6-1					25	25	25	25	25					90
2390717	A	6	6-1	4-1	5-1	2-1	3-1					100	50	50	75	75					90
2390718	A	6	2-1	3-1	4-1	5-1						25	25	50	50						90
2390719	A	6	2-1	3-1	5-4	6-4						75	75	50	50						90
2390721	A	6	1-2	4-5	3-2	6-5						50	50	75	75						90
2390722	A	6	2-3	4-3	1-3	6-5						110	25	25	25	25					90
2390725	A	6	1-6	2-6	3-6	4-6						25	25	25	25						90
2390728	A	6	2-1	3-1	4-6	5-6						140	140	100	100						90
2390730	A	6	2-1	3-1	6-5	5-1						25	50	50	160						90
2390733	A	6	6-1	4-1								440	110								90
2390734	A	6	1-5	2-5	3-5	4-5						75	75	75	75						90
2390735	A	6	2-1	4-3	6-5							75	75	75							90
2390736	A	6	6-5	2-1	4-3							75	180	160							90
2390737	A	6	2-1	3-1	4-1	5-1	6-1					25	25	25	25	25					90
2390738	A	6	1-2	3-4	5-6							150	150	150							90
2390739	A	6	2-1	3-1	4-1	5-1	6-1					120	120	120	120	120					90
2390742	A	6	3-1	6-4	2-1	5-4						75	100	50	25	25					90
2390743	A	6	4-3	5-3	1-2	6-5	1-3					25	25	25	25	50					90
2390745	A	6	2-1	3-2	4-3	5-4						125	50	25	100						90
2390746	A	6	3-1	4-6	5-6	2-1						50	25	25	50						90
2390747	A	6	6-1									715									90
2390748	A	6	6-1									550									90
2390749	A	6	6-5	4-3	2-1	3-1						25	25	25	25						90
2390751	A	6	3-1	5-4	6-4	2-1						100	75	50	50						90
2390753	A	6	2-1	3-1	4-1	5-1						75	75	75	75						90
2390755	A	6	2-1	5-4	3-1	6-1						25	25	25	25						90
2390762	A	6	4-6	5-6	2-1	3-1						75	75	25	25						90
2390764	A	6	2-1	5-6								270	270								90
2390765	A	6	6-4	2-1	4-1	3-1						25	50	50	190						90
2390766	A	6	6-5	2-1								370	180								90
2390767	A	6	6-5	2-4	3-4	1-4						120	50	50	25						90
2390768	A	6	3-4	5-6	2-3							75	25	25							90
2390769	A	6	2-1	4-3	3-1	5-3	6-5					25	25	100	50	100					90
2390771	A	6	3-1	5-6	2-1	4-6						110	110	160	160						90
2390773	A	6	3-1	6-5	2-1							75	150	25							90
2390774	A	6	2-6	2-1	4-6	3-6						25	25	75	150						90
2390775	A	6	2-3	2-4	6-5	1-2						25	25	25	130						90
2390776	A	6	4-3	6-4	3-1	2-1	5-4					25	25	25	25	25					90
2390777	A	6	6-5	6-4	3-1	2-1						25	25	25	25						90
2390778	A	6	2-1	5-4	3-1							25	25	25	25						90
2390779	A	6	2-1	4-3	6-5	3-1						25	25	25	25						90
2390783	A	6	1-2	6-4	5-4	3-2						25	25	25	25						90
2390784	A	6	1-3	2-3	5-4	6-4						50	50	100	100						90
2390787	A	6	2-1	4-1	3-1	5-1						25	25	100	100						90
2390788	A	6	2-1	6-4	4-3	3-1	5-4					25	25	25	25	220					90
2390791	A	6	3-1	2-1	5-4	6-4						25	50	25	25						90
2390792	A	6	3-1	5-1	2-1	4-1						25	25	50	50						90

E45-0359 Rev. 2

5-54  
IBM Internal Use Only

September 15, 1982

PG. 8 06/30/82 23:33 UR0206 \*\*\* IBM INTERNAL USE \*\*\* COMPONENT DATA BANK INTERNAL USE ONLY  
CDB/RP ALL/RP TECH DCS#N NE 23517 RP/L/SP#N EQ 125 RP/L/NO LEAD/ASSIGN PD/ALL  
RP/LG NO/LIMIT.

PART NUMBER	T U	NO. OF LEAD	R1 LEAD ASGN	R2 LEAD ASGN	R3 LEAD ASGN	R4 LEAD ASGN	R5 LEAD ASGN	R6 LEAD ASGN	R7 LEAD ASGN	R8 LEAD ASGN	R9 LEAD ASGN	R1 P D MW	R2 P D MW	R3 P D MW	R4 P D MW	R5 P D MW	R6 P D MW	R7 P D MW	R8 P D MW	R9 P D MW	NOM LEAD LGTH	
2390793	A	6	1-3	2-3	6-5	3-4	5-4					130	100	100	25	25					90	
2390794	A	6	6-5	2-1	4-3							130	100	100								90
2390796	A	6	1-5	3-5	2-5	4-5						250	250	25	25							90
2390799	A	6	1-2	3-2	4-5	6-5						25	25	25	25							90
2390800	A	8	2-1	3-1	4-1	5-8	6-8	7-8				25	25	25	25	25	25					90
2390802	A	8	5-4	2-1	3-1	6-4	8-6					25	50	50	25	120						90
2390804	A	8	4-3	6-5	8-7	2-1						75	100	25	50							90
2390805	A	8	2-1	4-3	6-5	8-7						125	125	125	125							90
2390807	A	8	6-8	7-8	2-1	3-1	4-1	5-1				50	50	25	25	25	25					90
2390809	A	8	6-7	4-1	3-1	2-1	8-7	5-1				25	25	25	25	50	50					90
2390810	A	8	4-3	8-7	2-1	6-5						25	75	100	25							90
2390815	A	8	2-1	4-1	7-6	8-6	3-2	5-4				75	75	25	25	25	25					90
2390816	A	8	3-2	7-6	4-1	8-1	2-1	6-5				50	50	25	25	100	100					90
2390819	A	8	2-1	3-1	5-4	7-6						50	50	25	25							90
2390820	A	8	2-1	4-3	6-5	8-7						125	125	125	125							90
2390821	A	8	2-1	3-1	4-1	6-1	7-1	8-1				50	50	50	50	50	50					90
2390826	A	8	2-1	5-1	7-1	3-1	6-1	8-1				50	50	50	75	75	75					90
2390827	A	8	2-1	3-1	4-1	5-1	6-1	7-1	8-1			75	75	75	75	75	75	75				90
2390833	A	8	6-8	7-8	2-1	3-1	4-1	5-1				75	75	50	50	50	50					90
2390834	A	8	3-2	4-2	5-2	6-2	7-2	8-2				125	125	125	125	125	125					90
2390835	A	8	1-7	2-7	3-7	4-7	5-7	6-7	8-7			100	100	100	100	100	100	100				90
2390836	A	8	2-1	4-1	6-1	8-1						200	200	200	200							90
2390837	A	8	2-1	4-2	6-4	8-6						200	200	200	200							90
2390838	A	8	2-1	3-4	5-6	7-8						200	200	200	200							90
2390839	A	8	1-2	3-4	5-6	7-8						150	150	150	150							90
2390841	A	8	1-2	3-4	5-6	7-8						175	175	175	175							90
2390842	A	8	2-1	3-1	5-4	7-4	6-4	8-4				25	25	25	25	25	25					90
2390843	A	8	1-2	3-4	5-6	7-8						150	150	150	150							90
2390844	A	8	3-4	7-8	1-2	5-6						25	75	75	25							90
2390845	A	8	3-4	5-6	7-8	1-2						25	25	25	25							90
2390848	A	8	1-8	2-8	3-8	4-8	6-8	7-8				50	50	50	50	50	50					90
2390850	A	8	4-5	7-8	3-2	1-2	6-5					35	25	25	25	25						90
2390853	A	8	5-8	6-8	7-8	1-4	2-4	3-4				50	50	50	50	50	50					90
2390854	A	8	1-8	2-8	3-8	4-8	5-8	6-8	7-8			50	50	50	50	50	50	50				90
2390855	A	8	6-5	8-7	7-6	4-5	2-5	3-5	2-1			75	160	160	160	170	170	75				90
2390856	A	8	1-2	3-2	4-3	5-3	8-6	7-6				160	160	140	50	50	50					90
2390857	A	8	7-6	3-1	4-1	5-1	2-1					170	140	140	140	140						90
2390858	A	8	6-5	8-7	2-1	3-1	4-1					50	50	110	110	110						90
2390859	A	8	8-4	5-4	6-4	7-4	2-1	3-1				325	50	25	110	100	100					90
2390860	A	8	8-7	3-1	4-3	2-1	6-5					125	125	135	225	25						90
2390862	A	8	6-5	4-3	2-1	3-1	8-7					25	25	50	50	50						90
2390864	A	8	6-5	4-5	1-2	3-2	8-7					50	50	125	125	75						90
2390866	A	8	2-3	5-6	4-6	1-3	7-8					25	25	75	120	25						90
2390867	A	8	6-5	7-6	8-6	3-4	4-5	5-4	1-2			75	100	100	50	25	25	25				90
2390868	A	8	2-1	4-3	6-8	5-8	7-8					25	25	50	25	25						90
2390870	A	8	2-1	3-1	6-5	5-1	4-1	7-8				100	100	50	50	75	25					90
2390872	A	8	3-1	5-1	8-1	2-1	7-1	4-1				75	75	100	120	100	120					90

PG. 9 06/30/82 23:33 UR0206 \*\*\* IBM INTERNAL USE \*\*\* COMPONENT DATA BANK INTERNAL USE ONLY  
CDB/RP ALL/RP TECH DCS#N NE 23517 RP/L/SP#N EQ 125 RP/L/NO LEAD/ASSIGN PD/ALL  
RP/L/LG NO/LIMIT.

PART NUMBER	T NO. C	R1 LEAD	R2 LEAD	R3 LEAD	R4 LEAD	R5 LEAD	R6 LEAD	R7 LEAD	R8 LEAD	R9 LEAD	R1 P D	R2 P D	R3 P D	R4 P D	R5 P D	R6 P D	R7 P D	R8 P D	R9 P D	NOM LEAD LGTH
2390873	A	8 6-8	6-5	4-5	3-5	7-8	1-2				25	120	25	25	25	25				90
2390874	A	8 1-4	3-4	2-4	4-3	7-8	6-8	5-8			130	25	25	25	75	1*0	110			90
2390876	A	8 3-1	5-1	7-6	8-6	2-1	4-1				100	100	25	25	150	150				90
2390878	A	8 1-2	3-2	4-2	5-2	6-2	7-2	8-2			100	100	100	100	100	100	100			90
2390879	A	8 2-1	3-1	6-8	7-8	4-1	5-1				75	75	75	75	100	100				90
2390881	A	8 3-1	5-4	7-6	2-1	8-6					130	125	25	25	25					90
2390882	A	8 6-5	4-3	2-1	7-5						25	25	25	100						90
2390883	A	8 2-1	3-1	5-4	7-6						25	25	25	25						90
2390884	A	8 5-1	3-1	8-7	7-1	4-3	6-5	2-1			25	25	25	50	25	25	50			90
2390885	A	8 2-1	4-1	6-1	8-7	5-1	3-1				50	50	75	50	110	260				90
2390887	A	8 8-7	2-1	6-4	5-4						25	75	50	50						90
2390890	A	8 8-1	4-3	5-6	3-8	6-8	2-3	7-6			25	25	25	75	75	25	25			90
2390891	A	8 2-1	3-1	7-6	8-6	4-1	5-1				75	75	100	75	25	25				90
2390894	A	8 1-8	2-8	3-8	4-8	5-8	6-8				75	75	75	75	75	75				90
2390895	A	8 5-3	8-7	2-3	6-7	1-2	4-3				25	25	25	50	25	75				90
2390897	A	8 1-2	3-4	5-6	7-8						150	150	150	150						90
2390898	A	8 1-7	5-7	8-7	2-7	3-7	4-7	6-7			50	50	50	50	50	50	50			90
2390899	A	8 1-2	4-5	5-6	2-3	3-4	6-7				25	25	25	75	75	75				90
2390900	A	8 2-3	3-4	6-7	1-2	4-5	5-6				75	75	75	25	25	25				90
2390901	A	8 2-3	3-4	6-7	1-2	4-5	5-6				125	125	125	125	125	125				90
2390902	A	8 1-2	3-4	5-6	7-8						165	165	165	165						90
2390903	A	8 1-5	2-5	3-5	4-5	6-5	7-5	8-5			75	75	75	75	75	75	75			90
2390909	A	8 1-3	8-7	6-5	4-3	2-3					150	140	25	75	50					90
2390910	A	8 1-4	2-4	3-4	5-4	6-4	7-4	8-4			50	50	50	50	50	50	50			90
2390911	A	8 1-2	5-6	3-2	7-6	4-3	8-7				25	25	25	25	25	25				90
2390912	A	8 5-3	4-3	1-3	2-3	6-3	7-6				25	25	25	25	75	75				90
2390913	A	8 4-3	5-3	1-3	2-3	6-7	8-7				25	25	25	25	25	25				90
2390914	A	8 5-4	8-7	1-2	3-2	6-4					75	150	75	75	75					90
2390915	A	8 1-2	3-2	5-4	7-6						125	125	110	200						90
2390918	A	8 8-7	7-6	1-2	4-2	5-6					25	75	50	50	25					90
2390919	A	8 8-7	7-6	4-3	1-3	5-6					110	100	130	260	130					90
2390922	C	8 8-7	6-5	2-1	5-4	3-1	7-6				300	400	25	100	100	125				90
2390923	A	8 2-3	4-3	6-7	1-2	5-4	8-7				190	190	190	110	110	110				90
2390924	A	8 5-8	7-8	2-1	3-1	6-8	4-1				25	25	50	50	25	150				90
2390925	A	8 3-1	2-1	4-1	8-7	6-5					25	25	25	50	50					90
2390926	A	8 7-8	2-1	3-1	6-8	4-1					25	25	25	50	25	25				90
2390927	A	8 1-2	5-4	7-8	2-3	4-3	6-8				110	110	25	110	110	25				90
2390928	A	8 1-2	3-2	4-2	5-6	7-6	8-6				170	170	170	170	170	170				90
2390929	A	8 1-4	2-4	3-4	5-4	6-4	7-4	8-4			75	75	75	75	75	75	75			90
2390933	A	8 1-3	8-7	4-3	6-5	2-3					150	140	75	75	50					90
2390934	A	8 4-1	8-5								740	740								90
2390935	A	8 2-3	4-3	1-3	5-3	6-7	8-7				140	140	360	360	25	25				90
2390936	A	8 3-2	7-6	5-4	1-2						75	400	25	490						90
2390937	A	8 1-4	2-4	3-4	5-4	6-4	7-4				125	125	125	125	125	125				90
2390938	A	8 8-7	7-5	3-5	4-5	2-1					50	390	110	110	50					90
2390939	A	8 2-1	8-7	5-4	3-1	6-4					50	100	190	210	50					90
2390940	A	8 1-4	2-4	3-4	5-4	6-4	7-4	8-4			25	25	25	25	25	25	25			90

PG. 10 06/30/82 23:33 UR0206 \*\*\* IBM INTERNAL USE \*\*\* COMPONENT DATA BANK INTERNAL USE ONLY  
CDB/RP ALL/RP TECH DCS#N NE 23517 RP/L/SP#N EQ 125 RP/L/NO LEAD/ASSIGN PD/ALL  
RP/L/LG NO/LIMIT.

PART NUMBER	T U C	NO. OF LEAD	R1 LEAD ASGN	R2 LEAD ASGN	R3 LEAD ASGN	R4 LEAD ASGN	R5 LEAD ASGN	R6 LEAD ASGN	R7 LEAD ASGN	R8 LEAD ASGN	R9 LEAD ASGN	R1 P D MW	R2 P D MW	R3 P D MW	R4 P D MW	R5 P D MW	R6 P D MW	R7 P D MW	R8 P D MW	R9 P D MW	NOM LEAD LGTH
2390943	A	8	1-4	2-4	3-4	5-4	6-4	7-4	8-4			110	110	110	110	110	110	110		90	
2390944	A	8	8-3	7-3	6-3	5-3	4-3	2-3	1-3			75	50	75	25	260	260	260		90	
2390945	A	8	1-5	2-5	3-5	6-5	7-5	8-5	4-5			25	25	25	25	25	240	470		90	
2390946	A	8	8-7	1-4	2-4	7-4	3-4	5-4	6-4			25	25	25	25	25	25	50		90	
2390947	A	8	1-4	2-4	3-4	5-4	6-4	7-4	8-4			100	100	100	100	100	100	100		90	
2390948	A	8	2-3	4-3	8-7	1-2	5-4	6-7				140	140	140	25	25	25			90	
2390949	A	8	7-6	8-6	1-3	5-3	2-3	4-3				190	190	50	50	100	100			90	
2390950	A	8	4-5	2-3	8-6	1-3	7-6	3-5	5-6			130	25	25	25	25	75	75		90	
2390951	A	8	2-3	4-3	6-7	1-2	5-4	8-7				25	25	25	25	25	25			90	
2390952	A	8	4-1	5-1	2-1	7-6	8-7	3-1				25	25	25	190	75	75			90	
2390954	C	8	1-8									1500								90	
2390955	A	8	6-5	7-6	5-4	1-2	8-6	3-4				50	25	100	75	25	50			90	
2390956	C	8	8-7	7-6	4-3	1-3	5-6					110	100	130	260	25				90	
2390958	A	8	5-6	8-7	1-2	2-3	4-3					50	50	130	75	50				90	
2390959	A	8	1-4	3-4	6-5	8-5	1-2	2-3	7-6	8-7		50	50	50	50	25	25	25		90	
2390960	A	8	3-4	6-5	1-4	2-4	7-5	8-5				25	25	130	130	130	130			90	
2390961	A	8	3-4	6-5	1-4	2-4	7-5	8-5				75	75	50	50	50	50			90	
2390962	A	8	4-3	6-5	1-2	7-8						25	25	100	100					90	
2390964	A	8	2-4	6-5	8-7	3-4	1-4					75	75	75	250	250				90	
2390966	A	8	1-4	2-4	3-4	5-4	6-4	7-4	8-4			25	25	25	25	25	25	25		90	
2390967	A	8	1-4	2-4	3-4	6-4	7-4	8-4				25	25	25	25	25	25	25		90	
2390968	A	8	8-7	7-6	6-5	5-4	4-3	3-2	2-1			25	25	25	25	25	25	25		90	
2390970	A	8	8-7	6-5	5-4	3-4	2-1					75	285	310	315	25				90	
2390971	C	8	2-3	6-7	1-5	4-8						25	25	850	850					90	
2390972	A	8	8-7	6-5	5-4	3-4	2-1					75	285	280	290	25				90	
2390973	C	8	6-4	3-4	5-4	7-4	8-4	2-3	1-2	1-4		25	75	100	200	200	25	200	200	90	
2390974	A	8	2-3	3-4	6-7	1-2	4-5	5-6				25	25	25	25	25	25			90	
2390975	A	8	6-5	8-7	1-2	2-3	4-3					110	110	150	75	50	50			90	
2390976	A	8	7-1	6-1	5-1	2-1	4-1	3-1				25	25	25	25	25	25			90	
2390977	A	8	8-4	7-4	2-4	1-4						25	25	25	25	25				90	
2390978	A	8	8-4	7-4	2-4	1-4						25	25	25	25	25				90	
2390979	A	8	6-5	1-2	3-2	4-5	8-7					75	25	25	75	50				90	
2390980	A	8	3-2	7-6	1-2	5-6	4-3	8-7				50	50	75	75	25	25			90	
2390981	C	8	8-6	7-6	2-6	4-6	1-6					25	150	450	375	200	200			90	
2390982	A	8	1-2	3-2	4-5	6-5	8-7					25	25	25	25	125				90	
2390983	A	8	2-3	8-7	1-3	6-7	5-3	4-3				50	25	100	25	75	100			90	
2390984	C	8	1-5	8-5	3-5	7-5						400	125	425	250					90	
2390985	C	8	1-8									1250								90	
2390986	C	8	6-4	8-7	1-4	5-4	3-4					50	200	425	150	225				90	
2390987	A	8	8-6	7-6	5-6	4-6	3-2	1-2				25	50	50	75	75	50			90	
2390988	A	8	3-4	2-4	5-4	1-2	7-4	8-7				50	100	75	50	350	75			90	
2390989	A	8	1-2	8-6	7-6	5-6	4-2	3-2				25	150	50	150	25	200			90	
2390990	A	8	6-5	1-3	8-7	4-3	5-3					75	300	25	75	250				90	
2390991	A	8	5-4	6-5	1-3	8-6	2-3	4-3				125	125	50	375	75	250			90	
2390992	A	8	1-3	2-3	6-3	8-7	5-3					50	50	150	25	300				90	
2390993	A	8	1-4	2-4	7-4	6-4	3-4					25	150	75	300	75				90	
2390994	A	8	6-5	8-5	1-5	3-5	7-5					75	175	300	250	25				90	

PG. 11 06/30/82 23:33 UR0206 \*\*\* IBM INTERNAL USE \*\*\* COMPONENT DATA BANK INTERNAL USE ONLY  
CDB/RP ALL/RP TECH DCS#N NE 23517 RP/L/SP#N EQ 125 RP/L/NO LEAD/ASSIGN PD/ALL  
RP/L/LG NO/LIMIT.

PART NUMBER	T NO.	R1 LEAD	R2 LEAD	R3 LEAD	R4 LEAD	R5 LEAD	R6 LEAD	R7 LEAD	R8 LEAD	R9 LEAD	R1 P D	R2 P D	R3 P D	R4 P D	R5 P D	R6 P D	R7 P D	R8 P D	R9 P D	NOM LEAD
		ASGN	ASGN	ASGN	ASGN	ASGN	ASGN	ASGN	ASGN	ASGN	MW	MW	MW	MW	MW	MW	MW	MW	MW	LGTH
2390995	A	8 1-3	2-3	4-3	5-6	8-6	7-6				25	25	75	25	25	25				90
2390996	A	8 5-4	4-3	1-3	2-3	6-7	8-7				25	25	25	25	25	25				90
2390997	A	8 7-6	8-6	5-6	2-1	3-6					75	75	25	75	500	25				90
2390998	A	8 7-6	6-4	1-2	3-2	8-7					25	325	125	125	50					90
2392305	A	4 4-3	2-1								125	125								90
2392308	A	4 1-2	1-4	2-3	3-4						50	50	50	50						90
2392309	A	4 2-1	4-3								75	275								90
2392311	A	4 1-2	4-2								310	310								90
2392312	A	4 4-3	3-2	1-2							25	110	75							90
2392313	A	4 1-2	2-4	3-1	3-4						75	75	25	25						90
2392314	A	4 1-2	3-2	4-2							25	25	25							90
2392315	A	4 4-1									875									90
2392316	A	4 1-2	4-2								50	75								90
2392317	A	4 4-3	3-2	1-2							25	75	25							90
2392318	A	4 2-1	4-3								25	25								90
2392319	A	4 2-4	3-4	1-4							25	75	75							90
2392320	A	4 4-1									25									90
2392321	A	4 1-2	2-3	1-4	3-4						50	50	100	100						90
2392322	A	4 1-3	2-3	4-3							25	25	25							90
2392323	A	4 4-3	2-3	1-2							25	110	75							90
2392324	A	4 1-2	3-2								75	375								90
2392325	A	4 1-2	3-2	4-2							180	180	180							90
2392336	A	4 2-1	4-3								25	25								90
2392337	A	4 2-1	4-3								125	125								90
2392338	A	4 1-4	3-4	2-3	1-2						50	50	100	100						90
2392343	A	4 4-3	2-1	3-1							125	250	125							100
2392345	A	4 2-1	4-3								125	125								90
2392346	A	4 2-1	4-3								125	125								90
2392347	C	4 2-1	4-3								125	125								90
2392348	C	4 2-1	4-3								125	125								90
2392349	A	4 2-1	4-3								150	150								90
2392350	C	4 2-1	4-3								125	125								90
2392351	C	4 2-1	4-3								125	125								90
2392352	C	4 2-1	4-3								125	125								90
2392353	A	4 4-2	1-2								25	25								90
2392354	A	4 2-1	4-3								25	25								90
2392355	A	4 2-1	4-3								25	25								90
2392356	C	4 2-1	4-3								125	125								90
2392359	A	4 1-4	3-4	1-2	2-3						75	75	125	120						90
2392360	A	4 4-3	1-3								150	100								90
2392361	A	4 4-3	1-3								100	100								90
2392363	A	4 2-1	4-3								125	125								90
2392364	A	4 2-1	3-1	4-1							175	175	175							90
2392370	A	4 1-2	3-2	4-2							125	125	125							90
2392371	A	4 3-1	2-1								125	125								90
2392372	A	4 1-2	3-2	4-2							125	125	125							90
2392373	A	4 4-1									675									90

PASSIVE COMPONENTS MANUAL

Component Data Bank - P/N Catalog  
R-Pac Modules

PG. 12 06/30/82 23:33 UR0206 *** IBM INTERNAL USE *** COMPONENT DATA BANK INTERNAL USE ONLY		CDB/RP ALL/RP TECH DCS#N NE 23517 RP/L/SP#N EQ 125 RP/L/NO LEAD/ASSIGN PD/ALL																				
RP/L/LG NO/LIMIT.		T	NO.	R1	R2	R3	R4	R5	R6	R7	R8	R9	R1	R2	R3	R4	R5	R6	R7	R8	R9	NOM
PART	U	OF	LEAD	LEAD	LEAD	LEAD	LEAD	LEAD	LEAD	LEAD	LEAD	LEAD	P D	P D	P D	P D	P D	P D	P D	P D	P D	LEAD
NUMBER	C	LEAD	ASGN	ASGN	ASGN	ASGN	ASGN	ASGN	ASGN	ASGN	ASGN	ASGN	MW	MW	MW	MW	MW	MW	MW	MW	MW	LGTH
2392374	A	4	4-1	4-3	1-2	3-2							75	75	100	100						90
2392375	A	4	2-1	3-1	4-1								125	125	125							90
2392376	A	4	4-3	2-1									125	125								90
2392382	A	4	4-3	4-1	2-3	2-1							75	75	355	355						90
2392384	A	4	1-2	3-2									125	125								90
2392385	A	4	1-2	3-2									125	125								90
2392386	A	4	2-1	3-1	4-1								125	125	125							90
2392387	A	4	2-1	3-1	4-1								125	125	125							90
2392388	A	4	4-3	2-1									125	200								90
2392390	A	4	2-1	4-1									125	125								90
2392391	A	4	3-2	4-3	2-1								125	125	125							90
2392392	A	4	3-2	4-3	2-1								100	75	360							90
2392393	A	4	4-2	3-2	1-2								125	125	125							90
2392394	A	4	2-1	4-3									125	125								90
2392395	A	4	2-1	2-3									125	125								90
2392396	A	4	1-2	4-2	3-2								125	125	125							90
2392397	A	4	1-4	3-4	1-2	2-3							125	125	125	125						90
2392398	A	4	4-3	2-1									125	150								90
2392399	A	4	1-2	3-2	4-2								125	125	125							90
2392403	A	4	3-1	4-1									125	125								90
2392410	A	4	2-1	3-1	4-1								125	125	125							90
2392411	A	4	4-1	3-1	2-1								125	125	125							90
2392412	A	4	2-1	3-1	4-1								125	125	125							90
2392413	A	4	2-1	3-1									125	125								90
2392423	A	4	3-1	4-1	2-1								125	125	125							90
2392429	A	4	2-1	4-1									125	125								90
2392430	A	4	4-3	3-2	1-2	1-4							25	25	50	50						90
2392431	A	4	4-3	3-2	2-1								125	125	125							90
2392432	A	4	3-1	2-1	4-1								125	125	125							90
2392433	A	4	3-1	2-1	4-1								125	125	125							90
2392434	A	4	3-1	2-1	4-1								125	125	125							90
2392435	A	4	2-1	3-1	4-1								125	125	125							90
2392436	A	4	4-3	2-1									125	125								90
2392437	A	4	3-2	4-3	2-1								110	100	400							90
2392438	A	4	4-3	3-2	1-2								125	125	125							90
2392439	A	4	4-3	2-1									125	125								90
2392440	A	4	2-4	3-4									125	125								90
2392441	A	4	1-4	2-4	3-4								125	125	125							90
2392442	A	4	2-1	4-3									125	125								90
2392443	A	4	1-4	2-4	3-4								125	125	125							90
2392445	A	4	4-3	2-1									125	125								90
2392446	A	4	2-3	4-3									125	125								90
2392447	A	4	2-1	4-3									125	125								90
2392448	A	4	1-4	1-2	2-3	3-4							100	100	50	50						90
2392449	A	4	4-3	2-1									125	125								90
2392450	A	4	4-3	2-1									125	125								90
2392451	A	4	4-3	2-1									125	125								90

E45-0359 Rev. 2

IBM Internal Use Only

5-59

September 15, 1982

PASSIVE COMPONENTS MANUAL

Component Data Bank - P/N Catalog  
R-Pac Modules

PG. 13 06/30/82 23:33 UR0206 \*\*\* IBM INTERNAL USE \*\*\* COMPONENT DATA BANK INTERNAL USE ONLY  
CDB/RP ALL/RP TECH DCS#N NE 23517 RP/L/SP#N EQ 125 RP/L/NO LEAD/ASSIGN PD/ALL  
RP/L/LG NO/LIMIT.

PART NUMBER	T U C	NO. OF LEAD	R1 LEAD	R2 LEAD	R3 LEAD	R4 LEAD	R5 LEAD	R6 LEAD	R7 LEAD	R8 LEAD	R9 LEAD	R1 P D	R2 P D	R3 P D	R4 P D	R5 P D	R6 P D	R7 P D	R8 P D	R9 P D	NOM LEAD LGTH
2392452	A	4	2-1	3-1	4-1							125	125	125							90
2392453	A	4	1-2	3-2	4-2							125	125	125							90
2392454	A	4	2-1	4-3								125	125								90
2392455	A	4	2-1	4-3								200	200								90
2392456	A	4	2-1	4-3								125	125								90
2392457	A	4	2-1	4-3								125	125								90
2392458	A	4	2-1	4-3								200	200								90
2392459	A	4	1-4	3-4	1-2	2-3						50	50	100	100						90
2392467	A	4	4-3	2-1								125	125								90
2392468	A	4	4-3	2-1								125	125								90
2392469	A	4	4-3	2-1								125	125								90
2392470	A	4	1-4	2-4	3-4							25	25	25							90
2392472	A	4	4-3	1-3								150	150								90
2392474	A	4	4-3	2-1								125	125								90
2392475	A	4	1-2	2-3	1-4	3-4						100	100	100	100						90
2392476	A	4	2-1	4-3								250	100								90
2392477	A	4	2-1	3-1	4-3							125	125	125							90
2392478	A	4	2-1	3-1	4-3							125	125	125							90
2392490	A	4	1-4	2-4	3-4							125	125	125							90
2392491	A	4	1-2	3-2	4-3							125	125	125							90
2392492	A	4	2-1	3-1	4-1							100	100	100							90
2392496	A	4	2-1	3-1								125	125								90
2392497	A	4	2-1	4-3								125	125								90
2392499	A	4	2-1	4-3								25	25								90
2392501	A	4	4-3	3-1								220	100								90
2392505	A	4	4-3	2-1								125	125								90
2392506	A	4	4-3	2-1								125	125								90
2392507	A	4	2-1	4-3								200	200								90
2392508	A	4	2-1	4-3								125	125								90
2392509	A	4	4-3	2-1								125	125								90
2392510	A	4	4-3	2-1								125	125								90
2392511	A	4	2-1	4-3								125	125								90
2392512	A	4	4-3	2-1								125	125								90
2392513	A	4	4-3	2-1								125	125								90
2392514	A	4	2-1	4-3								125	125								90
2392515	A	4	2-4	1-4	3-4							125	125	125							90
2392516	A	4	2-1	3-1	4-1							125	125	125							90
2392517	A	4	1-4	2-4	3-4							125	125	125							90
2392518	A	4	2-1	4-3								125	125								90
2392519	A	4	2-4	1-4	3-4							125	125	125							90
2392520	A	4	4-1	2-1	3-1							125	125	125							90
2392521	A	4	2-1	4-1								125	125								90
2392522	A	4	4-3	2-1								125	125								90
2392523	A	4	4-3	2-1								125	125								90
2392524	A	4	2-1	4-3								200	200								90
2392525	A	4	4-3	2-1								125	125								90
2392526	A	4	4-1	2-1								125	125								90

E45-0359 Rev. 2

5-60

IBM Internal Use Only

September 15, 1982



PG. 14 06/30/82 23:33 UR0206 \*\*\* IBM INTERNAL USE \*\*\* COMPONENT DATA BANK INTERNAL USE ONLY  
CDB/RP ALL/RP TECH DCS#N NE 23517 RP/L/SP#N EQ 125 RP/L/NO LEAD/ASSIGN PD/ALL  
RP/L/LG NO/LIMIT.

PART NUMBER	T NO. C	R1 OF LEAD	R2 LEAD	R3 LEAD	R4 LEAD	R5 LEAD	R6 LEAD	R7 LEAD	R8 LEAD	R9 LEAD	R1 P D	R2 P D	R3 P D	R4 P D	R5 P D	R6 P D	R7 P D	R8 P D	R9 P D	NOM LEAD LGTH
2392527	A	4	4-2	1-2	3-2						125	125	125							90
2392528	A	4	3-2	4-3	2-1						125	125	125							90
2392529	A	4	3-4	2-4	1-4						125	125	125							90
2392534	A	4	1-4	2-4	3-4						125	125	125							90
2392535	A	4	3-2	1-2	4-3						125	125	125							90
2392536	A	4	4-1	2-1	3-1						125	125	125							90
2392537	A	4	3-2	4-3	1-2						125	125	125							90
2392538	A	4	1-2	3-2	4-3						125	125	125							90
2392539	A	4	1-3	2-3							125	125								90
2392540	A	4	1-4	2-4	3-4						125	125	125							90
2392541	A	4	4-3	3-2	1-2						125	125	125							90
2392542	A	4	4-3	3-2	1-2						125	125	125							90
2392543	A	4	2-1	3-1	4-1						125	125	125							90
2392544	A	4	4-3	2-1							125	125								90
2392545	A	4	4-3	1-2	3-2						125	180	125							90
2392546	A	4	4-3	2-3	1-2						125	125	125							90
2392558	A	4	4-3	3-2	2-1						410	50	25							90
2392562	A	4	4-3	2-1	3-2						125	125	125							90
2392563	A	4	3-2	4-3	2-1						125	125	125							90
2392566	A	4	1-4	3-4	2-4						125	125	125							90
2392567	A	4	1-2	3-4	2-3						125	125	125							90
2392570	A	4	2-1	4-3							125	125								90
2392572	A	4	4-3	2-1							10	125								90
2392573	A	4	4-3	2-1							125	125								90
2392574	A	4	1-2	2-3	4-3						125	125	125							90
2392575	A	4	1-4	2-4	3-4						25	75	125							90
2392583	C	4	2-3	1-2	4-1	4-3					75	75	75	75						90
2392587	A	4	2-1	3-1	4-1						125	125	125							90
2392600	A	6	2-1	3-1	5-4	6-4					50	50	50	50						90
2392602	A	6	2-5	4-5	1-5	3-5					110	110	75	75						90
2392603	A	6	2-5	4-5	1-5	3-5					110	110	75	75						90
2392604	A	6	1-3	2-3	5-4	6-4					100	100	100	100						90
2392605	A	6	1-3	2-3	5-4	6-4					160	160	160	160						90
2392606	A	6	6-5	4-1	3-1	2-1					100	25	25	130						90
2392608	A	6	1-2	3-2	6-4						50	100	25							90
2392609	A	6	2-1	3-1	5-4	6-4					25	25	25	25						90
2392610	A	6	1-2	3-5	4-5	3-2					50	75	50	25						90
2392612	A	6	1-6	2-6	3-6	4-6					100	100	100	100						90
2392613	A	6	1-6	2-6	3-6	4-6					50	50	50	50						90
2392614	A	6	1-2	3-2	4-5	6-5					100	100	100	100						90
2392618	A	6	1-6	2-6	3-6	4-6					110	110	110	110						90
2392620	A	6	2-6	3-6	5-6	4-5	4-5				75	75	75	75	75					90
2392624	A	6	3-2	4-5	6-5	1-2					75	75	75	75	75	75				90
2392625	A	6	3-2	4-3	5-3	1-2	6-5				25	25	25	25	25	25				90
2392626	A	6	1-2	3-2	4-5	6-5					50	50	50	50						90
2392627	A	6	1-3	6-4							350	350								90
2392629	A	6	1-3	2-3	4-3	5-3					75	75	75	75						90

PG. 15 06/30/82 23:33 UR0206 \*\*\* IBM INTERNAL USE \*\*\* COMPONENT DATA BANK INTERNAL USE ONLY  
CDB/RP ALL/RP TECH DCS#N NE 23517 RP/L/SP#N EQ 125 RP/L/NO LEAD/ASSIGN PD/ALL  
RP/L/LG NO/LIMIT.

PART NUMBER	T NO.	R1	R2	R3	R4	R5	R6	R7	R8	R9	R1	R2	R3	R4	R5	R6	R7	R8	R9	NOM LEAD LGTH
U OF LEAD	NO.	LEAD	LEAD	LEAD	LEAD	LEAD	LEAD	LEAD	LEAD	LEAD	P D	P D	P D	P D	P D	P D	P D	P D	P D	
C		ASGN	ASGN	ASGN	ASGN	ASGN	ASGN	ASGN	ASGN	ASGN	MW	MW	MW	MW	MW	MW	MW	MW	MW	
2392630	A	6	1-3	2-3	4-3	5-3					150	150	150	150						90
2392631	A	6	3-2	4-5	1-2	6-5					25	75	25	25						90
2392632	A	6	1-2	3-2	4-6	5-6					120	120	75	75						90
2392636	A	6	1-3	2-3	5-3	6-3					25	25	25	25						90
2392637	A	6	1-2	3-2	6-5	4-5					100	100	100	100						90
2392638	A	6	3-1	6-4	2-1	5-4					25	25	25	25						90
2392639	A	6	3-2	6-5	1-2	4-5					25	25	25	25						90
2392641	A	6	6-5	3-2	1-2	4-3					25	75	170	25						90
2392642	A	6	4-3	6-5	2-1						130	50	25							90
2392643	A	6	2-1	3-1	5-4	6-4					25	25	25	25						90
2392644	C	6	3-2	1-2	4-3	5-4					25	25	25	110						90
2392645	A	6	2-1	3-1	4-1	5-1	6-1				25	25	25	25	25					90
2392648	A	6	2-1	6-3	4-3	5-3					25	25	25	25						90
2392649	A	6	2-1	4-3	6-5						150	150	150							90
2392650	A	6	1-3	5-3	6-5	4-3	2-3				125	125	75	125	125					100
2392651	A	6	1-2	6-5	3-2	4-5					250	250	75	75						100
2392652	A	6	6-5	1-2	4-5	3-2					250	250	125	125						100
2392653	A	6	1-2	6-5	3-2	4-5					250	250	75	75						100
2392654	A	6	5-4	1-2	3-2						125	250	75							100
2392655	A	6	3-1	6-4	2-1	5-4					25	25	25	25						90
2392657	A	6	2-1	6-3	4-3	5-3					25	25	25	25						90
2392658	A	6	2-1	5-1	3-1	4-1					25	25	25	25						90
2392659	A	6	6-1	5-1	4-1	2-1	3-1				25	25	25	25	25					90
2392661	A	6	3-1	2-1	4-1	5-1	6-1				25	25	25	25	25					90
2392662	A	6	6-1								600									90
2392663	A	6	3-2	6-5	1-2	4-5					125	125	50	50						90
2392664	A	6	1-3	4-3	6-5						250	200	125							90
2392665	A	6	1-2	4-3	2-3	6-5					125	125	125	125						90
2392666	A	6	1-2	2-3	4-3	6-5					125	125	125	125						90
2392667	A	6	1-2	4-3	2-3	6-5					125	125	125	125						90
2392668	A	6	1-2	4-3	6-5	2-3					125	125	125	125						90
2392669	A	6	4-3	2-1	6-5						125	125	125							90
2392670	A	6	1-2	6-5	4-3	2-3					125	125	125	125						90
2392671	A	6	2-3	4-3	6-5	1-2					125	125	125	125						90
2392672	A	6	3-2	6-5	1-2	4-5					125	125	125	125						90
2392673	A	6	4-5	6-5	1-2	3-2					125	125	125	125						90
2392674	A	6	2-1	3-1	4-1	6-5					125	125	125	125						90
2392675	A	6	6-5	4-5	1-2	3-2					125	150	125	125						90
2392676	A	6	2-1	3-1	4-1	5-1					150	190	125	125						90
2392677	A	6	6-1	4-1	5-1	2-1	3-1				60	125	190	125	125					90
2392678	A	6	6-1	2-3	4-1	5-1	3-1				125	125	125	125	125					90
2392679	A	6	3-1	2-1	4-1	5-1	6-1				25	75	125	125	125					90
2392681	A	6	2-3	5-6	1-3	4-6					125	125	125	125						90
2392682	A	6	1-2	3-2	4-5	6-5					125	125	125	125						90
2392683	A	6	5-6	2-1	3-1	4-6					125	125	125	125						90
2392684	A	6	1-2	4-3	6-5	2-3					125	125	125	125						90
2392685	A	6	1-2	5-4	6-4	2-3	4-3				125	125	125	125	125					90

PASSIVE COMPONENTS MANUAL

Component Data Bank - P/N Catalog  
R-Pac Modules

PG. 16 06/30/82 23:33 UR0206 \*\*\* IBM INTERNAL USE \*\*\* COMPONENT DATA BANK INTERNAL USE ONLY  
CDB/RP ALL/RP TECH DCS#N NE 23517 RP/L/SP#N EQ 125 RP/L/NO LEAD/ASSIGN PD/ALL  
RP/L/LG NO/LIMIT.

PART NUMBER	T NO. U OF C	R1 LEAD	R2 LEAD	R3 LEAD	R4 LEAD	R5 LEAD	R6 LEAD	R7 LEAD	R8 LEAD	R9 LEAD	R1 LEAD	R2 P D	R3 P D	R4 P D	R5 P D	R6 P D	R7 P D	R8 P D	R9 P D	NOM LEAD LGTH
2392686	A	6 2-3	1-3	4-3	5-4	6-5						125	125	125	125	125				90
2392688	A	6 1-2	3-2	4-5	6-5							125	125	125	125					90
2392689	A	6 6-5	4-5	3-2	1-2							125	125	125	125					90
2392690	A	6 1-2	4-5	3-2	6-5							125	125	125	125					90
2392691	A	6 2-1	5-1	6-1	4-1	3-1						125	125	125	125	125				90
2392693	A	6 1-2	3-2	4-5	6-5							125	125	125	125					90
2392694	A	6 1-2	3-2	4-5	6-5							125	125	125	125					90
2392695	A	6 1-2	6-5	3-1	4-5							125	125	125	125					90
2392696	A	6 3-2	4-5	1-2	6-5							125	125	125	125					90
2392697	C	6 6-5	5-4	1-3	4-3							140	75	285	180					90
2392698	C	6 1-4	6-4									360	280							90
2392704	A	6 4-1	2-1	5-1	6-1	3-1						55	125	125	125	125				90
2392705	A	6 1-3	2-3	4-6	5-6							75	75	75	75					90
2392707	A	6 6-1										1000								90
2392709	A	6 1-3	5-4	6-4	2-3							125	125	125	125					90
2392710	A	6 3-1	6-5	2-1	4-5							125	125	125	125					90
2392711	A	6 3-2	1-2	5-4	6-4							125	125	150	125					90
2392713	C	6 2-1	3-1	4-1	5-1	6-1						125	125	125	125	125				100
2392714	A	6 3-2	1-2	6-5	4-5							125	125	125	125					90
2392715	A	6 1-2	5-4	3-2								125	125	125						90
2392717	A	6 6-5	4-3	2-1	3-1							125	125	125	125					90
2392718	A	6 6-4	2-3	1-3	5-6							125	125	125	125					90
2392721	A	6 5-1	6-5	2-1	3-1	4-1						125	125	125	125	125				90
2392722	A	6 5-1	6-1	4-1	2-1	3-1						125	125	125	125	125				90
2392734	A	6 5-4	4-1	2-1	3-1	6-4						70	225	180	400	400				90
2392735	A	6 5-4	4-1	2-1	3-1	6-4						70	190	180	335	335				90
2392736	A	6 1-2	4-5	3-2	6-5							300	300	100	100					90
2392741	A	6 6-5	1-2	3-2	5-3	4-3						125	125	125	125	125				90
2392742	A	6 2-1	3-2	5-4	4-3	6-5						125	125	125	125	125				90
2392743	A	6 4-6	5-6	1-3	2-3							140	140	210	210					90
2392744	A	6 2-1	5-4	6-4	3-1							125	125	125	125					90
2392745	A	6 5-4	2-1	4-3								125	125	125						90
2392746	A	6 6-5	4-3	2-1								125	125	125						90
2392747	A	6 6-5	2-1	4-3	3-1							125	125	125	125					90
2392748	A	6 2-1	3-1	6-4	5-4							125	125	125	125					90
2392749	A	6 6-5	4-3	3-1	2-1							125	125	125	125					90
2392750	A	6 4-1	3-1	5-1	6-5	2-1						125	125	125	125	125				90
2392751	A	6 3-1	2-1	5-4								125	125	125						90
2392752	A	6 1-2	5-3	6-5	4-3	2-3						125	125	125	125	125				90
2392758	A	6 6-5	3-4	4-5	2-3							125	125	125	125					90
2392759	A	6 2-1	3-1	5-6								125	125	125						90
2392760	A	6 2-3	5-6	3-4	1-3							125	125	125	125					90
2392761	A	6 4-6	5-6	2-1	3-1							125	125	125	125					90
2392762	A	6 1-3	2-3	4-6	5-6							125	125	50	50					90
2392763	A	6 1-2	2-4	3-4	5-6	4-6						50	50	240	100	365				90
2392764	A	6 1-2	2-4	3-4	5-6	4-6						50	50	240	100	365				90
2392765	A	6 6-4	1-3									330	245							90

E45-0359 Rev. 2

IBM Internal Use Only

5-63

September 15, 1982

PG. 17 06/30/82 23:33 UR0206 \*\*\* IBM INTERNAL USE \*\*\* COMPONENT DATA BANK INTERNAL USE ONLY  
CDB/RP ALL/RP TECH DCS#N NE 23517 RP/L/SP#N EQ 125 RP/L/NO LEAD/ASSIGN PD/ALL  
RP/L/LG NO/LIMIT.

PART NUMBER	T U OF C	NO. LEAD	R1 LEAD	R2 LEAD	R3 LEAD	R4 LEAD	R5 LEAD	R6 LEAD	R7 LEAD	R8 LEAD	R9 LEAD	R1 P D	R2 P D	R3 P D	R4 P D	R5 P D	R6 P D	R7 P D	R8 P D	R9 P D	NOM LEAD LGTH
2392766	A	6	3-1	3-6	4-6	2-1	5-6					50	50	75	75	75					90
2392767	A	6	1-6	2-6	3-6	4-6						125	125	125	125						90
2392773	A	6	2-1	5-4	3-1	6-4						125	125	125	125						90
2392774	A	6	2-1	5-6								275	275								90
2392775	A	6	1-6	3-6	5-6	2-6	4-6					125	125	125	125	125					90
2392776	A	6	5-3	6-3	4-3	2-1						125	125	125	125						90
2392777	A	6	3-2	6-5	1-2	4-3						125	125	125	125						90
2392781	A	6	1-3	4-6	2-3	5-6						110	110	110	110						90
2392782	A	6	2-1	4-3	6-5							110	110	110							90
2392783	A	6	2-1	3-1	4-1	5-1	6-1					125	125	125	125	125					90
2392784	A	6	2-1	3-1	4-1	5-1	6-1					125	125	125	125	125					90
2392785	A	6	2-1	3-1	4-1	5-1	6-1					125	125	125	125	125					90
2392786	A	6	2-1	3-1	4-1	5-1	6-1					125	125	125	125	125					90
2392789	A	6	1-2	3-2	4-5	6-5						125	125	125	125						90
2392790	A	6	2-1	4-3	6-5							125	125	125							90
2392794	A	6	5-4	2-1	6-4	3-1						125	125	125	125						90
2392795	A	6	2-3	4-3	1-2	6-5						125	125	125	125						90
2392796	A	6	4-3	1-2	2-3	6-5						125	125	125	125						90
2392797	A	6	2-3	4-3	1-2	6-5						125	125	125	125						90
2392798	A	6	6-5	4-3	2-3	1-2						125	125	125	125						90
2392800	A	8	3-2	4-5	6-5	1-2	8-7					25	150	25	250	100					90
2392801	A	8	7-6	3-2	5-6	8-7	4-6	1-2				25	50	50	200	25	25				90
2392802	A	8	2-1	8-7	5-4	3-1	6-4					125	125	190	210	125					90
2392803	A	8	5-4	7-6	3-2	1-2						125	125	125	125						90
2392804	A	8	7-6	8-6	5-3	2-1	4-3	3-2				125	125	125	125	125	125				90
2392805	A	8	4-1	8-5								450	450								90
2392806	A	8	4-3	5-6	1-2	3-2	6-7	8-7				125	125	170	170	170	170				90
2392807	A	8	7-5	8-5	2-3	4-3	1-2	6-5				50	125	125	125	125	125				90
2392808	A	8	6-8	7-8	4-1	3-1	2-1					260	260	25	25	75					90
2392809	A	8	3-1	5-4	8-7	2-1						200	160	125	125						90
2392810	A	8	1-2	8-7	4-3	5-6	3-6	3-2	6-7			125	125	125	125	125	125	125			90
2392811	A	8	1-2	7-6	2-3	4-3	5-3	6-3				125	125	125	125	125					90
2392812	A	8	6-5	1-4	2-4	8-7	4-5	3-4	7-6			125	125	125	125	125					90
2392813	A	8	6-5	5-3	2-1	4-3	7-5	8-7				125	125	125	125	150	125				90
2392814	A	8	2-8	1-7								1200	1200								90
2392816	A	8	8-7	6-5	1-5	2-5	3-5	4-5				125	125	100	100	100	100				90
2392817	A	8	6-7	5-1	2-1	3-1	8-6	4-1				125	125	125	125	125	125				90
2392818	A	8	2-7	1-8								1000	1400								90
2392819	A	8	4-3	7-5	2-1	8-7	6-5					125	125	125	125	170					90
2392820	A	8	5-4	1-2	3-2	7-6						125	125	125	200						90
2392821	A	8	5-3	6-3	4-3	2-1	7-3	8-7				150	150	125	125	125	125				90
2392822	A	8	8-7	7-6	1-3	2-3	4-6	5-6	3-4			125	125	125	125	125	125	125			90
2392823	A	8	5-8	6-8	7-8	2-1	3-1	4-1				125	125	125	125	125	125				90
2392824	A	8	8-7	5-4	4-1	6-4	2-1	3-1				100	100	200	290	135	135				90
2392825	A	8	8-7	5-4	4-1	6-4	2-1	3-1				100	100	205	250	130	130				90
2392826	A	8	8-7	5-4	4-1	6-4	2-1	3-1				100	100	200	225	125	125				90
2392827	A	8	1-2	8-7	6-5	3-2	6-5	5-3	4-3			125	125	125	125	125	125	125			90

E45-0359 Rev. 2

IBM Internal Use Only

5-64

September 15, 1982

PG. 18 06/30/82 23:33 UR0206 \*\*\* IBM INTERNAL USE \*\*\* COMPONENT DATA BANK INTERNAL USE ONLY  
CDB/RP ALL/RP TECH DCS#N NE 23517 RP/L/SP#N EQ 125 RP/L/NO LEAD/ASSIGN PD/ALL  
RP/L/LG NO/LIMIT.

PART NUMBER	T NO. OF LEAD C	R1 LEAD ASN	R2 LEAD ASN	R3 LEAD ASN	R4 LEAD ASN	R5 LEAD ASN	R6 LEAD ASN	R7 LEAD ASN	R8 LEAD ASN	R9 LEAD ASN	R1 P D MW	R2 P D MW	R3 P D MW	R4 P D MW	R5 P D MW	R6 P D MW	R7 P D MW	R8 P D MW	R9 P D MW	NOM LEAD LGTH
2392829	A	8 4-3	5-3	8-7	1-3	2-3	6-3	7-3			125	125	125	125	125	125	125			90
2392830	A	8 1-2	7-6	8-6	4-3	5-3					125	125	125	125	125	125				90
2392831	A	8 6-4	8-7	7-4	3-4	5-4	1-2				125	125	125	125	125	125				90
2392832	A	8 8-7	5-4	4-1	2-1	3-1	6-4				50	120	330	300	300	50				90
2392833	A	8 8-7	4-3	5-3	1-3	2-3	6-3	7-3			125	125	125	125	125	125	125			90
2392834	A	8 3-1	6-1	5-1	4-1	2-1	8-7				125	125	125	125	125	125				90
2392835	A	8 7-5	4-1	8-7	3-1	2-1	5-4	6-5			125	125	125	125	125	125	125			90
2392837	A	8 4-5	1-2	3-2	8-7	6-5					125	125	125	125	125	175				90
2392841	A	8 4-5	3-2	1-2	8-7	6-7					125	125	125	125	125					90
2392842	A	8 8-6	4-3	6-5	5-4	3-2	1-2	7-6			125	125	125	125	125	125	125			90
2392843	A	8 8-7	6-5	5-4	4-3	7-6	3-2	1-2			125	125	125	125	125	125	125			90
2392844	A	8 5-4	7-6	8-6	2-1	3-1	4-1				75	75	75	75	75	275				90
2392845	A	8 3-4	7-8	5-8	6-8	1-4	2-4				125	125	125	125	125	125				90
2392846	C	8 4-3	2-1	5-3	7-3	8-3					125	125	190	125	125					100
2392847	C	8 1-2	8-7	3-2	5-4	6-4					715	110	50	50	50					100
2392849	A	8 6-5	8-7	2-1	3-1	4-3					125	125	125	125	125					90
2392850	A	8 2-1	3-2	4-2	5-2	6-5	7-6	8-6			125	125	125	125	125	125	125			90
2392851	A	8 5-4	8-7	3-2	2-1	6-4					125	125	125	125	125					90
2392852	A	8 7-6	5-4	3-1	2-1						125	125	125	125						90
2392853	A	8 8-7	4-3	6-5	2-1						125	125	125	125						90
2392859	A	8 7-6	2-1	8-7	6-5	4-1	3-1				125	125	125	125	175	170				90
2392860	A	8 7-6	6-5	2-1	8-7	3-1	5-4				125	125	125	125	250					90
2392861	A	8 4-3	3-2	8-7	7-6	6-5	5-4				125	125	125	125	125	150				90
2392864	A	8 4-3	7-6	2-1	5-6						125	125	125	175						90
2392869	A	8 1-5	2-5	3-5	4-5	6-5	7-5	8-5			125	125	125	125	125	125	125			90
2392870	A	8 3-5	4-5	7-6	8-6	2-1					125	125	125	125	125	125				90
2392871	A	8 3-1	4-1	8-5	2-1	7-5	6-5				200	100	100	300	50	100				90
2392872	A	8 5-4	8-7	3-1	2-1	6-4					125	200	125	125	125					90
2392873	A	8 4-3	2-1	7-5	3-1	6-5	8-5				125	125	125	125	125	125	125			90
2392874	A	8 2-1	3-1	4-1	7-1	5-1	6-1	8-7			125	125	125	125	125	125	125			90
2392875	A	8 2-1	4-3	5-6	7-8						200	200	200	200						90
2392877	A	8 8-7	5-3	4-3	6-7	1-2					75	75	75	75	100					90
2392879	A	8 1-2	5-4	8-7	2-3	4-3	7-6				125	125	125	125	125	125				90
2392881	A	8 7-8	2-1	6-8	3-1	5-4					125	125	125	125	125					90
2392882	A	8 7-8	3-1	6-8	2-1	5-4					125	125	125	125	125					90
2392883	A	8 1-8									1250									90
2392888	A	8 5-4	3-2	1-2	8-7	6-7					125	125	125	125	125					90
2392889	A	8 8-6	6-5	4-3	5-4	3-2	1-2	7-6			125	125	125	125	125	125	125			90
2392891	A	8 1-8	2-3	3-8	4-8	5-8	6-8	7-8			125	125	125	125	125	125	125			90
2392892	A	8 1-8									830									90
2392893	A	8 3-2	4-2	6-5	7-5	2-1	5-1				125	125	125	125	125	125				90
2392894	A	8 2-1	3-2	6-1	4-3	8-1					125	125	125	400	400					90
2392900	A	8 4-1	6-1	8-1	3-1	5-1	7-1	2-1			125	125	125	125	125	125	125			90
2392901	A	8 2-1	3-1	4-1	5-1	7-6	8-6				125	125	125	125	125	125				90
2392902	A	8 2-1	7-6	8-6	4-3	5-6					125	125	125	125	125					90
2392904	A	8 4-1	5-4	6-1	7-6	2-1	3-1	8-1			125	125	125	125	125	125	125			90
2392905	A	8 7-6	5-6	2-1	4-3	8-7					100	125	125	125	125					90

PASSIVE COMPONENTS MANUAL

Component Data Bank - P/N Catalog  
R-Pac Modules

PG. 19 06/30/82 23:33 UR0206 *** IBM INTERNAL USE *** COMPONENT DATA BANK INTERNAL USE ONLY		CDB/RP ALL/RP TECH DCS#N NE 23517 RP/L/SP#N EQ 125 RP/L/NO LEAD/ASSIGN PD/ALL																				
RP/L/LG NO/LIMIT.		T	NO.	R1	R2	R3	R4	R5	R6	R7	R8	R9	R1	R2	R3	R4	R5	R6	R7	R8	R9	NOM
PART	U	OF	LEAD	LEAD	LEAD	LEAD	LEAD	LEAD	LEAD	LEAD	LEAD	LEAD	P D	P D	P D	P D	P D	P D	P D	P D	P D	LEAD
NUMBER	C	LEAD	ASGN	ASGN	ASGN	ASGN	ASGN	ASGN	ASGN	ASGN	ASGN	ASGN	MW	MW	MW	MW	MW	MW	MW	MW	MW	LGTH
2392909	A	8	2-1	3-2	4-1	6-1	7-1	5-4					125	125	125	125	125	125				90
2392912	A	8	1-3	4-6	2-3	8-7	5-6						125	125	125	125	125					90
2392913	A	8	3-1	7-8	6-8	2-1	5-4						125	125	125	125	125					90
2392914	A	8	3-1	4-1	5-1	6-1	7-1	8-1	2-1				125	125	125	125	125	125	125			90
2392915	A	8	3-1	4-1	5-1	6-1	7-1	8-1	2-1				125	125	125	125	125	125	125			90
2392916	A	8	3-1	4-1	5-1	6-1	7-1	8-1	2-1				125	125	125	125	125	125	125			90
2392917	A	8	3-4	2-3	1-2	4-5	6-7	5-6					125	125	125	125	125	125				90
2392919	A	8	4-5	3-2	6-5	1-2	8-7						125	125	125	125	125					90
2392920	A	8	3-2	4-5	6-5	1-2	8-7						125	125	125	125	125					90
2392921	A	8	4-5	1-2	6-5	3-2	8-7						125	125	125	125	125					90
2392922	A	8	7-6	5-6	2-1	4-3							50	125	125	125	125					90
2392923	A	8	7-6	5-6	2-1	4-3							50	125	125	125	125					90
2392924	A	8	7-6	5-6	2-1	4-3							50	125	125	125	125					90
2392925	A	8	7-6	5-6	1-2	4-3							100	125	125	125	125	125				90
2392927	A	8	6-7	5-3	8-7	4-3	1-2	2-3					125	125	125	125	125	125	125			90
2392928	A	8	8-7	6-7	4-5	2-3	1-2	3-4					125	125	125	125	125	125				90
2392929	A	8	6-5	4-3	2-1	8-7							125	125	125	125	125					90
2392930	A	8	2-1	3-4	5-4	8-7							125	125	125	125						90
2392931	A	8	8-7	4-5	6-5	3-2	1-2						125	125	125	125	125					90
2392932	A	8	7-6	5-6	2-1	3-4							50	125	125	125	125					90
2392938	A	8	4-6	1-3	2-3	8-7	6-5						125	125	125	125	125					90
2392943	A	8	7-4	5-4	6-4	1-3	2-3						125	125	125	125	125					90
2392944	A	8	6-7	2-3	3-4	1-2	7-8						125	125	125	125	125					90
2392945	A	8	4-6	1-3	2-3	8-7	5-6						125	125	125	125	125					90
2392946	A	8	1-2	5-4	8-7	2-3	4-3	7-3					250	250	250	75	75	75				90
2392950	A	8	2-1	3-1	4-3	5-3	7-6	8-6					125	125	125	125	125	125				90
2392951	A	8	7-5	6-5	1-4	204	3-4	5-4	8-7				125	200	75	75	75	325	50			90
2392952	A	8	2-3	1-2	4-3	5-3	7-6	6-3					125	125	125	125	125	125				90
2392954	A	8	1-2	2-8	6-7	4-8	3-4	7-8	5-7				125	125	125	125	125	125	125			90
2392955	C	8	2-3	6-7	8-7	1-2	3-4	4-5					50	280	245	50	150	150				90
2392956	A	8	1-2	3-2	7-8	6-8	5-8						100	100	125	125	125					90
2392957	A	8	1-2	2-3	3-4	5-4	6-7	8-7					125	125	125	125	125	125				90
2392959	A	8	3-1	7-6	6-1	5-1	2-1	4-1					125	125	125	125	125	125				90
2392960	A	8	2-1	4-1	6-1	8-1							145	290	290	290						90
2392973	A	8	3-2	2-1	4-1	8-7	6-1	5-4	7-1				125	125	125	125	125	125	125			90
2392979	A	8	8-7	6-7	4-5	2-3	1-2	3-4					125	125	125	125	125	125				90
2392980	A	8	7-6	5-6	2-1	4-3							125	125	125	125						90
2392981	A	8	5-7	6-7	1-2	3-4	4-7						125	125	125	125	125					90
2392985	A	8	1-2	3-4	5-6	7-8							180	180	180	180						90
2392989	A	8	1-2	3-4	5-6	7-8							250	250	250	250						90
2392990	A	8	2-1	3-1	4-1	5-1	6-1	7-1					125	125	125	125	125	125				90
2392993	A	8	2-5	3-5	7-6	8-6	1-5	4-5					125	125	125	125	125	125				90
2392994	A	8	8-7	7-6	5-6	3-1	4-1						125	125	125	125	125					90
2392995	A	8	2-1	3-1	6-1	7-1	4-1	5-1					125	125	125	125	125	125				90
2392996	A	8	6-4	7-4	1-4	5-4	8-7	3-4	2-4				125	125	125	125	125	125	125			90
2392997	A	8	3-2	8-3	7-3	4-3	1-2	6-3	5-3				125	125	125	125	125	125	125			90
2392998	A	8	2-3	4-3	7-3	8-3	5-3	6-3	1-2				125	125	125	125	125	125	125			90

E45-0359 Rev. 2

5-66  
IBM Internal Use Only

September 15, 1982

PASSIVE COMPONENTS MANUAL

Component Data Bank - P/N Catalog  
R-Pac Modules

PG. 20 06/30/82 23:33 UR0206 *** IBM INTERNAL USE *** COMPONENT DATA BANK INTERNAL USE ONLY																						
CDB/RP ALL/RP TECH DCS#N NE 23517 RP/L/SP#N EQ 125 RP/L/NO LEAD/ASSIGN PD/ALL																						
RP/L/LG NO/LIMIT.																						
PART	T	NO.	R1	R2	R3	R4	R5	R6	R7	R8	R9	R1	R2	R3	R4	R5	R6	R7	R8	R9	NOM	
NUMBER	U	OF	LEAD	LEAD	LEAD	LEAD	LEAD	LEAD	LEAD	LEAD	LEAD	P D	P D	P D	P D	P D	P D	P D	P D	P D	LEAD	
	C	LEAD	ASGN	ASGN	ASGN	ASGN	ASGN	ASGN	ASGN	ASGN	ASGN	MW	MW	MW	MW	MW	MW	MW	MW	MW	LGTH	
2392999	A	8	4-3	5-4	1-2	3-2	6-5	7-6				125	125	125	125	125	125				90	
2408307	A	4	3-2	1-2								100	125									90
2408315	A	4	2-1	3-1	4-1							25	100	100								90
2408316	A	4	2-1	4-1	3-1							100	100	100								90
2408317	A	4	1-3	2-3	4-3							100	125	125								90
2408318	A	4	2-1	4-1	3-2							100	100	100								90
2408342	A	4	2-3	2-1								150	150									90
2408380	A	4	1-2	3-4								100	100									90
2408381	A	4	1-3	1-2	1-4							25	100	100								90
2408382	A	4	3-1	3-2	3-4							100	100	100								90
2408604	A	6	6-5	1-2	3-2	4-3	5-3					125	125	125	125	125						90
2408605	A	6	1-2	6-2	3-4	5-4						360	360	75	75	125						90
2408607	A	6	1-2	4-3	3-2	6-5						100	100	360	100							90
2408608	A	6	3-1	6-4	2-1	5-4						125	125	125	125							90
2408610	A	6	1-1	3-2	4-5	6-5						125	125	125	125							90
2408612	A	6	4-3	2-1	3-2	6-3	5-3					125	125	125	125	125						90
2408613	A	6	2-3	4-3	6-5	1-2						125	125	125	125							90
2408614	A	6	2-3	4-3	1-2	6-5						125	125	125	125							90
2408615	A	6	1-1	3-2	4-3	6-5						125	125	125	125							90
2408616	A	6	4-3	2-1	3-2	6-5						125	125	125	125							90
2408617	A	6	1-1	6-5	2-3	4-5						125	125	125	125							90
2408618	A	6	1-1	3-2	4-6	5-6						125	125	125	125							90
2408619	A	6	2-3	5-4	1-3	6-4						125	125	125	125							90
2408620	A	6	5-3	6-5	1-2	4-5						125	125	125	125							90
2408621	A	6	6-5	4-3	2-1							125	125	125								90
2408622	A	6	1-1	2-3	5-4	6-4						125	125	125	125							90
2408623	A	6	1-1	6-4	2-3	5-4						125	125	125	125							90
2408624	A	6	1-1	6-4	2-3	5-4						125	125	125	125							90
2408625	A	6	1-1	6-4	2-3	5-4						125	125	125	125							90
2408628	A	6	5-4	6-4	2-1	3-1						125	125	125	125							90
2408629	A	6	2-1	3-1	4-1	5-1						100	100	100	100							90
2408630	A	6	6-5	3-2	4-5	1-2						125	125	125	125							90
2408631	A	6	6-5	1-2	2-3	3-4						100	345	150	100	125						90
2408639	A	6	6-5	4-3	2-1							125	125	125								90
2408640	A	6	2-4	6-4	1-4	3-4						125	125	125	125							90
2408642	A	6	6-5	4-1	2-1	3-1	5-1					125	125	125	125	125						90
2408647	A	6	4-3	6-5	2-1							125	125	125								90
2408651	A	6	3-1	6-4								300	300									90
2408654	A	6	4-1	5-1	3-1	2-1						125	100	100	125							90
2408655	A	6	3-1	2-1	4-1	5-1	6-5					25	100	125	125	125						90
2408656	A	6	2-1	3-1	4-1	5-1						100	125	125	125							90
2408661	A	6	2-1	1-5	3-5	4-5						60	25	125	125							90
2408662	A	6	1-1	4-5	2-2	6-5						125	125	125	125							90
2408663	A	6	6-4	4-3	3-2	5-4	1-2					125	125	125	125	125						90
2408664	A	6	4-6	5-6	3-2	1-2						125	125	125	125							90
2408665	A	6	4-1	3-2	5-3	1-2	6-5					125	125	125	125	125						90
2408666	A	6	4-2	3-2	1-2	5-4						125	125	125	125							90

E45-0359 Rev. 2

IBM Internal Use Only

5-67

September 15, 1982

PG. 21 06/30/82 23:33 UR0206 \*\*\* IBM INTERNAL USE \*\*\* COMPONENT DATA BANK INTERNAL USE ONLY  
 CDB/RP ALL/RP TECH DCS#N NE 23517 RP/L/SP#N EQ 125 RP/L/NO LEAD/ASSIGN PD/ALL  
 RP/L/LG NO/LIMIT.

PART NUMBER	T NO.	R1	R2	R3	R4	R5	R6	R7	R8	R9	R1	R2	R3	R4	R5	R6	R7	R8	R9	NOM LEAD LGTH
U OF LEAD	OF LEAD	LEAD	LEAD	LEAD	LEAD	LEAD	LEAD	LEAD	LEAD	LEAD	P D	P D	P D	P D	P D	P D	P D	P D	P D	LEAD LGTH
C	LEAD	ASGN	ASGN	ASGN	ASGN	ASGN	ASGN	ASGN	ASGN	ASGN	MW	MW	MW	MW	MW	MW	MW	MW	MW	
2408667	A	6	2-1	3-5	3-1	4-1					125	125	125	125						90
2408668	A	6	2-1	3-1	5-1	6-1					125	125	125	125						90
2408669	A	6	4-5	3-5	2-5	1-5					125	125	125	125						90
2408670	A	6	2-1	4-3	6-5						125	125	125							90
2408671	A	6	2-1	3-1	6-1	4-1	5-1				125	125	125	125	125					90
2408672	A	6	5-3	6-3	4-3	2-1					125	125	125	125						90
2408673	A	6	2-1	3-1	4-1	5-1	6-1				125	125	125	125	125					90
2408674	A	6	5-3	4-3	6-3	2-1					125	125	125	125						90
2408675	A	6	1-2	5-3	6-5	4-3	2-3				125	125	125	125	125					90
2408676	A	6	4-6	5-6	1-3	2-3					125	125	125	125						90
2408677	A	6	3-2	1-2	6-4	5-4					125	125	125	125						90
2408678	A	6	2-1	5-4	6-4	3-1					125	125	125	125						90
2408679	A	6	5-4	3-4	1-2	6-5	2-3				250	50	400	50	50					90
2408680	A	6	1-2	6-5	3-2	4-5					325	325	120	120						90
2408681	A	6	6-5	1-2	3-4	2-3					50	390	260	200						90
2408682	A	6	6-5	4-3	2-1						125	125	125							90
2408683	A	6	3-1	4-3	2-1	5-1	6-1				125	125	125	125	175					90
2408684	A	6	4-5	6-5	1-2	3-2					125	125	125	125						90
2408685	A	6	1-2	6-5	2-3	3-4	4-5				125	125	125	125	125					90
2408686	A	6	6-5	5-4	2-1	3-1	4-1				125	125	125	125	125					90
2408687	A	6	1-2	3-2	5-3	6-5	4-3				125	125	125	125	125					90
2408700	A	6	6-5	4-5	1-2	3-2					125	125	125	125						90
2408713	A	6	1-2	4-3	6-5	2-3					125	125	125	125						90
2408795	A	6	1-6	1-2	1-5	1-3	1-4				25	50	50	50	50					90
2408800	A	8	2-1	4-3	6-5	3-1	5-1	8-7			125	125	125	125	125	125				90
2408801	A	8	7-5	8-5	3-1	4-1	6-5	2-1			125	125	125	125	125	125				90
2408802	A	8	5-4	8-7	2-1	4-3	7-6				125	125	125	125	125					90
2408803	A	8	4-3	1-2	5-3	6-5	8-6	2-3	7-6		125	125	125	125	125	125	125			90
2408804	A	8	3-1	2-1	5-6	7-6	8-7	4-1			125	125	125	125	125	125	125			90
2408805	A	8	5-6	3-2	1-2	4-2	7-6	8-7			120	330	630	65	630	630				90
2408815	A	8	6-5	4-3	1-2	2-3	5-3	8-7			125	125	125	125	125	125				90
2408816	A	8	1-2	3-2	4-3	6-5	7-5	8-5			125	125	125	125	125	125				90
2408817	A	8	2-1	3-1	6-4	5-4	8-7				125	125	125	125	125					90
2408818	A	8	5-4	6-4	3-1	7-6	8-6	2-1			125	125	125	125	125	125				90
2408819	A	8	3-1	6-5	2-1	4-1	7-5	8-7			125	125	125	125	125	125				90
2408820	A	8	2-1	3-1	6-7	4-1	5-7				125	125	125	125	125					90
2408822	A	8	2-3	1-3	8-7	5-4	6-4				125	125	125	125	125					90
2408829	A	8	2-1	3-2	5-4	7-6	8-7				125	125	125	125	125					90
2408830	A	8	6-1	8-6	2-1	3-1	4-1	5-1			125	175	125	125	125	125				90
2408831	A	8	7-6	8-7	6-5	8-5	2-1	3-5	4-5		125	125	100	100	175	125	125			90
2408833	A	8	2-1	3-1	5-3	7-6	8-6				125	125	125	125	125					90
2408834	A	8	3-2	1-2	6-7	5-4	8-7				125	125	125	125	125					90
2408835	A	8	5-4	6-7	8-7	1-2	3-2				100	125	125	125	125					90
2408836	A	8	3-1	4-1	8-7	2-1	6-7				100	100	125	125	125					90
2408837	A	8	6-5	3-2	1-2	4-5	8-7				125	125	125	125	125					90
2408838	A	8	8-7	1-2	6-7	5-4	3-2				125	125	125	125	125					90
2408839	A	8	2-1	8-7	4-3	6-5					125	125	125	125						90

Component Data Bank - P/N Catalog  
 R-Pac Modules

PASSIVE COMPONENTS MANUAL

E45-0359 Rev. 2

IBM Internal Use Only

5-68

September 15, 1982



Component Data Bank - P/N Catalog  
R-Pac Modules

PG. 22 06/30/82 23:33 UR0206 \*\*\* IBM INTERNAL USE \*\*\* COMPONENT DATA BANK INTERNAL USE ONLY  
CDB/RP ALL/RP TECH DCS#N NE 23517 RP/L/SP#N EQ 125 RP/L/NO LEAD/ASSIGN PD/ALL  
RP/L/LG NO/LIMIT.

PART NUMBER	T NO. OF LEAD	R1 LEAD ASGN	R2 LEAD ASGN	R3 LEAD ASGN	R4 LEAD ASGN	R5 LEAD ASGN	R6 LEAD ASGN	R7 LEAD ASGN	R8 LEAD ASGN	R9 LEAD ASGN	R1 P D MW	R2 P D MW	R3 P D MW	R4 P D MW	R5 P D MW	R6 P D MW	R7 P D MW	R8 P D MW	R9 P D MW	NOM LEAD LGTH
2408860	A	8 4-1	3-2	5-1	6-5	2-1	8-7	7-1			5	125	125	125	125	150	125			90
2408862	A	8 2-1	3-1	5-4	7-6	4-1	6-1	8-1			125	125	125	125	125	125	200			90
2408863	A	8 5-4	7-4	8-7	6-5	2-1	3-1				125	125	125	125	150	125				90
2408864	A	8 3-1	2-1	8-6	6-1	5-4	7-6	4-1			25	25	125	125	125	125	125			90
2408865	A	8 8-6	7-6	4-3	5-3	2-1					125	125	125	125	200					90
2408866	A	8 8-1	7-1	6-1	3-2	2-1	6-1	7-1			25	125	125	125	125	125	125			90
2408870	A	8 6-7	2-5	8-7	1-2	3-5	4-5				125	125	125	125	125	125				90
2408873	A	8 5-4	4-6	8-7	7-6	3-4	1-6	2-6			75	75	75	75	75	75	75			90
2408952	A	8 2-1	6-1	6-8	3-1	4-1	5-1	7-8			100	100	100	100	100	100	125			90
2408953	A	8 1-8	6-8	5-8	4-8	7-8	3-8	2-8			100	100	100	100	100	100	100			90
2408954	A	8 3-1	4-1	2-1	5-1	8-1	6-1	7-1			100	100	100	100	100	100	100			90
2408955	A	8 6-1	6-8	2-1	3-1	4-1	5-1	7-8			100	100	100	100	100	100	100			90
2408956	A	8 4-1	2-1	5-3	7-8	6-8					100	100	125	125	125					90
2408962	A	8 3-4	3-2	6-7	3-5	1-2					30	30	100	125	125					90
2408965	A	8 4-5	6-7	1-3	1-2						10	10	10	10						90
2408969	A	8 8-1	8-6	8-5	8-4	8-7	8-3	8-2			50	50	50	50	50	50	50			90
4481608	A	6 4-1	5-3	1-2	6-5						100	100	100	100						90
4481609	A	8 7-6	5-4	6-5	2-1	4-3	8-7				100	100	100	100	100	100				90
4481610	A	6 3-2	1-2	6-5	4-5						100	100	100	100						90
4481611	A	6 3-4	5-4	6-5	1-2						100	100	100	100						90
4481612	A	6 3-1	6-4	2-1	5-4						100	100	100	100						90
8278738	A	6 4-6	3-2	3-1	4-5						125	125	125	125						90
8278739	A	8 4-5	2-1	2-3	6-7						125	125	125	200						90
8519123	A	8 6-1	1-2	4-5	5-6	3-4	7-8				100	100	100	100	100	100				90
TOTAL RECORDS			1,011																	

PASSIVE COMPONENTS MANUAL

R-PAC MODULES

Component Data Bank - P/N Catalog

DCS CODES

-----

0.100 R-Pacs

23514

23515

1st Section Ascending Values of R1\*

2nd Section Ascending order of P/N's to Facilitate Matching Lead Assignments and Power Dissipation per P/N

Note: Resistors on modules in descending order for data bank usage, i.e.; R1 Largest, R2 next largest etc.

PG. 1 06/30/82 23:31 UR0206 \*\*\* IBM INTERNAL USE \*\*\* COMPONENT DATA BANK INTERNAL USE ONLY  
 CDB/RP ALL/RP TECH DCS#N NE 23517 RP/L/SP#N EQ 100 SEQ/LH RP/R1/KO RP/L/NO  
 RES/ALL RP/T1 RP/TOL/O NO/LIMIT.

PART NUMBER	T U OF C	NO. LEAD	R1 RESIST KILOHMS	R2 RESIST KILOHMS	R3 RESIST KILOHMS	R4 RESIST KILOHMS	R5 RESIST KILOHMS	R6 RESIST KILOHMS	R7 RESIST KILOHMS	R8 RESIST KILOHMS	R9 RESIST KILOHMS	R1 TOL %	TOL OHM
2392576	A	4	.000	.000	.000	.000	.000	.000	.000	.000	.000	.00	.0
2392577	A	4	.000	.000	.000	.000	.000	.000	.000	.000	.000	.00	.0
2392578	A	4	.000	.000	.000	.000	.000	.000	.000	.000	.000	.00	.0
2392579	A	4	.000	.000	.000	.000	.000	.000	.000	.000	.000	.00	.0
2392580	A	4	.000	.000	.000	.000	.000	.000	.000	.000	.000	.00	.0
2392581	A	4	.000	.000	.000	.000	.000	.000	.000	.000	.000	.00	.0
2392503	A	4	.005	.000	.000	.000	.000	.000	.000	.000	.000	.00	.0
8278686	A	6	.008	.008	.000	.000	.000	.000	.000	.000	.000	.00	.5
2408373	A	4	.019	.019	.000	.000	.000	.000	.000	.000	.000	.00	.5
4481957	A	10	.019	.019	.000	.000	.000	.000	.000	.000	.000	.00	.5
2408169	A	10	.020	.020	.020	.019	.019	.019	.019	.019	.019	.00	.5
2408715	A	6	.020	.020	.020	.020	.020	.020	.020	.020	.000	.00	.5
2408980	A	8	.020	.020	.020	.020	.020	.020	.020	.000	.000	2.50	.0
8278659	A	8	.020	.020	.020	.020	.020	.020	.000	.000	.000	.00	.5
2408375	A	4	.024	.024	.000	.000	.020	.014	.000	.000	.000	.00	.5
2392977	A	8	.027	.027	.000	.000	.000	.000	.000	.000	.000	.00	.5
2408847	A	8	.027	.027	.000	.000	.000	.000	.000	.000	.000	2.50	.0
2408376	A	4	.030	.030	.000	.000	.000	.000	.000	.000	.000	.00	.5
2392898	A	8	.033	.033	.000	.033	.000	.000	.000	.000	.000	2.50	.0
8278784	A	4	.033	.033	.000	.000	.033	.033	.033	.000	.000	2.50	.0
2408874	A	8	.034	.015	.000	.000	.000	.000	.000	.000	.000	5.00	.0
2408925	A	8	.035	.035	.000	.000	.000	.000	.000	.000	.000	2.50	.0
8519279	A	8	.036	.036	.000	.000	.000	.000	.000	.000	.000	.00	.5
2408799	A	6	.039	.031	.000	.000	.000	.000	.000	.000	.000	9.99	.0
2408869	A	8	.039	.039	.000	.000	.000	.000	.000	.000	.000	.00	.5
8278634	A	10	.040	.040	.040	.040	.040	.040	.040	.040	.040	.00	.5
8278635	A	10	.040	.040	.040	.040	.040	.040	.040	.040	.040	1.00	.0
2408362	A	4	.043	.043	.000	.000	.000	.028	.028	.028	.000	1.00	.0
2408646	A	6	.043	.043	.000	.043	.043	.043	.000	.000	.000	2.50	.0
2408314	A	4	.044	.036	.000	.000	.000	.000	.000	.000	.000	2.50	.0
2392568	A	4	.045	.045	.000	.000	.000	.000	.000	.000	.000	2.50	.0
2392780	A	6	.045	.000	.000	.000	.000	.000	.000	.000	.000	2.50	.0
2408102	A	10	.045	.045	.045	.045	.045	.045	.045	.045	.045	2.50	.0
2408769	A	6	.045	.053	.053	.000	.045	.045	.045	.045	.000	2.50	.0
2408951	A	8	.045	.000	.000	.000	.000	.000	.000	.000	.000	1.00	.0
8519328	A	6	.045	.000	.000	.000	.000	.000	.000	.000	.000	.00	.5
8519124	A	4	.047	.000	.000	.000	.000	.000	.000	.000	.000	2.50	.0
2408361	A	4	.050	.050	.000	.000	.000	.000	.000	.000	.000	1.00	.0
4481500	A	6	.050	.050	.000	.000	.000	.000	.000	.000	.000	1.00	.0
4481668	A	6	.050	.050	.050	.000	.000	.000	.000	.000	.000	2.00	.0
4481672	A	10	.050	.050	.050	.050	.050	.050	.050	.050	.050	2.50	.0
4481984	A	8	.050	.050	.050	.050	.000	.050	.050	.050	.000	1.00	.0
8278630	A	6	.050	.050	.050	.050	.000	.000	.000	.000	.000	2.50	.0
2408645	A	6	.052	.052	.052	.052	.052	.000	.000	.000	.000	1.00	.0
4481504	A	10	.054	.054	.054	.054	.054	.054	.054	.054	.054	2.50	.0
8278723	A	6	.056	.056	.000	.000	.000	.054	.054	.054	.054	2.50	.0
2408660	A	6	.062	.062	.062	.062	.000	.000	.000	.000	.000	1.00	.0

PASSIVE COMPONENTS MANUAL

Component Data Bank - P/N Catalog  
R-Pac Modules

PG. 2 06/30/82 23:31 UR0206 \*\*\* IBM INTERNAL USE \*\*\* COMPONENT DATA BANK INTERNAL USE ONLY  
CDB/RP ALL/RP TECH DCS#N NE 23517 RP/L/SP#N EQ 100 SEQ/LH RP/RI/KO RP/L/NO  
RES/ALL RP/T1 RP/TOL/O NO/LIMIT.

PART NUMBER	T U OF C	NO. LEAD	R1 RESIST KILOHMS	R2 RESIST KILOHMS	R3 RESIST KILOHMS	R4 RESIST KILOHMS	R5 RESIST KILOHMS	R6 RESIST KILOHMS	R7 RESIST KILOHMS	R8 RESIST KILOHMS	R9 RESIST KILOHMS	R1 TOL X	TOL OHM
2408931 A	8		.065	.065	.065	.065	.065	.065	.065	.000	.000	2.50	.0
2408757 A	6		.066	.000	.000	.000	.000	.000	.000	.000	.000	1.00	.0
2408758 A	6		.067	.067	.067	.067	.000	.000	.000	.000	.000	1.00	.0
2408363 A	4		.068	.068	.060	.060	.000	.000	.000	.000	.000	2.50	.0
8519538 A	10		.068	.068	.068	.068	.068	.068	.068	.068	.000	1.00	.0
2392976 A	8		.070	.070	.070	.000	.000	.000	.000	.000	.000	2.50	.0
2408313 A	4		.070	.000	.000	.000	.000	.000	.000	.000	.000	1.00	.0
2408871 A	8		.070	.070	.070	.070	.070	.070	.070	.000	.000	2.50	.0
8519743 A	10		.073	.073	.073	.073	.073	.073	.073	.073	.000	1.00	.0
2392708 A	6		.075	.075	.000	.000	.000	.000	.000	.000	.000	2.50	.0
4481288 A	8		.075	.075	.075	.075	.075	.000	.000	.000	.000	2.50	.0
8519542 A	6		.075	.075	.040	.040	.000	.000	.000	.000	.000	1.00	.0
2408734 A	6		.080	.080	.080	.080	.080	.000	.000	.000	.000	2.50	.0
8278605 A	6		.080	.080	.080	.000	.000	.000	.000	.000	.000	1.00	.0
8278727 C	8		.080	.080	.080	.080	.080	.000	.000	.000	.000	2.50	.0
8519590 A	6		.080	.080	.080	.080	.080	.000	.000	.000	.000	2.50	.0
2408711 A	6		.082	.082	.082	.082	.000	.000	.000	.000	.000	5.00	.0
4481509 A	4		.082	.082	.082	.000	.000	.000	.000	.000	.000	1.00	.0
4481793 A	10		.085	.085	.085	.085	.085	.085	.085	.085	.085	2.50	.0
2392471 A	4		.090	.090	.090	.000	.000	.000	.000	.000	.000	2.50	.0
2392564 A	4		.090	.090	.000	.000	.000	.000	.000	.000	.000	2.50	.0
4481614 A	10		.090	.090	.090	.090	.090	.000	.000	.000	.000	2.50	.0
8519363 A	4		.090	.090	.090	.000	.000	.000	.000	.000	.000	2.50	.0
8494013 A	8		.092	.092	.092	.092	.092	.000	.000	.000	.000	1.00	.0
2392585 A	4		.095	.095	.095	.000	.000	.000	.000	.000	.000	2.50	.0
2408122 A	10		.095	.095	.095	.095	.095	.000	.000	.000	.000	2.50	.0
2408321 A	4		.095	.095	.000	.000	.000	.000	.000	.000	.000	2.50	.0
2408846 A	8		.095	.095	.000	.000	.000	.000	.000	.000	.000	2.50	.0
2408926 A	8		.095	.095	.095	.095	.095	.000	.000	.000	.000	2.50	.0
8278691 A	8		.095	.095	.000	.000	.000	.000	.000	.000	.000	2.50	.0
8278692 A	8		.095	.095	.095	.095	.000	.000	.000	.000	.000	2.50	.0
2392485 A	4		.100	.100	.000	.000	.000	.000	.000	.000	.000	1.00	.0
2408712 A	6		.100	.100	.100	.100	.100	.000	.000	.000	.000	2.50	.0
2408894 A	8		.100	.100	.100	.100	.000	.000	.000	.000	.000	2.50	.0
2408981 A	8		.100	.100	.000	.000	.000	.000	.000	.000	.000	2.50	.0
4718624 A	6		.100	.100	.100	.100	.100	.000	.000	.000	.000	2.50	.0
2408716 A	6		.110	.110	.110	.110	.110	.000	.000	.000	.000	2.50	.0
2392380 A	4		.112	.000	.000	.000	.000	.000	.000	.000	.000	2.50	.0
4481963 A	10		.113	.113	.113	.113	.113	.113	.113	.113	.000	1.00	.0
8278674 A	8		.116	.116	.116	.116	.116	.116	.086	.000	.000	2.50	.0
4481615 A	6		.121	.121	.402	.000	.000	.000	.000	.000	.000	1.00	.0
8519663 A	4		.121	.432	.000	.000	.000	.000	.000	.000	.000	1.00	.0
2408970 A	8		.125	.125	.091	.091	.017	.017	.000	.000	.000	1.00	.0
2392828 A	8		.130	.130	.130	.130	.000	.000	.000	.000	.000	2.50	.0
8519522 A	4		.137	.077	.000	.000	.000	.000	.000	.000	.000	1.00	.0
2392481 A	4		.150	.150	.000	.000	.000	.000	.000	.000	.000	1.00	.0
2392988 A	8		.150	.150	.000	.000	.000	.000	.000	.000	.000	2.50	.0

PASSIVE COMPONENTS MANUAL

Component Data Bank - P/N Catalog  
R-Pac Modules

PG. 3 06/30/82 23:31 UR0206 \*\*\* IBM INTERNAL USE \*\*\* COMPONENT DATA BANK INTERNAL USE ONLY  
CDB/RP ALL/RP TECH DCS#N NE 23517 RP/L/SP#N EQ 100 SEQ/LH RP/R1/KO RP/L/NO  
RES/ALL RP/T1 RP/TOL/O NO/LIMIT.

PART NUMBER	T NO.	R1 RESIST KILOHMS	R2 RESIST KILOHMS	R3 RESIST KILOHMS	R4 RESIST KILOHMS	R5 RESIST KILOHMS	R6 RESIST KILOHMS	R7 RESIST KILOHMS	R8 RESIST KILOHMS	R9 RESIST KILOHMS	R1 TOL %	TOL OHM
2408649	A	6	.150	.150	.150	.150	.000	.000	.000	.000	2.50	.0
2408699	A	6	.150	.150	.051	.051	.000	.000	.000	.000	2.50	.0
2408781	A	6	.150	.150	.150	.150	.000	.000	.000	.000	2.50	.0
2408797	A	6	.150	.150	.150	.025	.000	.000	.000	.000	2.50	.0
2408983	A	8	.150	.150	.150	.150	.000	.000	.000	.000	2.50	.0
4481809	A	6	.150	.150	.070	.070	.000	.000	.000	.000	2.50	.0
4718623	A	6	.150	.150	.150	.150	.000	.000	.000	.000	2.50	.0
8278609	A	6	.150	.150	.150	.150	.000	.000	.000	.000	2.50	.0
8278628	A	6	.150	.150	.150	.000	.000	.000	.000	.000	2.50	.0
8519526	A	4	.150	.150	.000	.000	.000	.000	.000	.000	1.00	.0
2408132	A	10	.152	.152	.152	.152	.152	.152	.152	.000	1.00	.0
2408191	A	10	.164	.164	.164	.164	.164	.164	.164	.000	2.50	.0
2408648	A	6	.170	.170	.170	.170	.000	.000	.000	.000	2.50	.0
4481671	A	8	.170	.170	.170	.170	.000	.000	.000	.000	1.00	.0
4481797	A	10	.170	.170	.170	.170	.170	.170	.170	.170	2.50	.0
2408120	A	10	.175	.175	.175	.125	.125	.125	.125	.125	2.50	.0
8519587	A	6	.175	.175	.175	.175	.000	.000	.000	.000	2.50	.0
2392571	A	4	.180	.180	.000	.000	.000	.000	.000	.000	2.50	.0
2408319	A	4	.180	.056	.000	.000	.000	.000	.000	.000	1.00	.0
4481676	A	6	.180	.180	.180	.180	.000	.000	.000	.000	2.50	.0
4481820	A	10	.180	.120	.120	.120	.120	.120	.110	.110	2.50	.0
2408606	A	6	.182	.100	.050	.000	.000	.000	.000	.000	2.50	.0
8278737	A	6	.186	.186	.186	.186	.174	.174	.174	.000	2.50	.0
4429726	A	10	.188	.188	.188	.188	.188	.188	.188	.188	2.50	.0
2392495	A	4	.200	.200	.175	.000	.000	.000	.000	.000	2.50	.0
2392500	A	4	.200	.120	.106	.000	.000	.000	.000	.000	2.50	.0
2392896	A	8	.200	.200	.200	.200	.200	.200	.000	.000	2.50	.0
2408917	A	8	.200	.200	.200	.200	.000	.000	.000	.000	2.50	.0
4481510	A	4	.200	.200	.200	.000	.000	.000	.000	.000	2.50	.0
8278611	A	6	.200	.200	.200	.200	.000	.000	.000	.000	2.50	.0
8519329	A	4	.200	.200	.175	.000	.000	.000	.000	.000	2.50	.0
8519525	A	4	.200	.121	.000	.000	.000	.000	.000	.000	2.50	.0
8519547	A	6	.200	.200	.200	.200	.000	.000	.000	.000	2.50	.0
2408771	A	6	.210	.210	.090	.000	.000	.000	.000	.000	2.50	.0
4481507	A	4	.210	.210	.140	.000	.000	.000	.000	.000	2.50	.0
2408934	A	8	.220	.220	.000	.000	.000	.000	.000	.000	2.50	.0
8278613	A	6	.220	.220	.220	.000	.000	.000	.000	.000	2.50	.0
2408338	A	4	.224	.224	.224	.000	.000	.000	.000	.000	1.00	.0
2392848	A	8	.226	.226	.226	.000	.000	.000	.000	.000	2.50	.0
2408733	A	6	.232	.232	.232	.123	.123	.123	.123	.000	2.50	.0
4481887	A	4	.232	.150	.000	.000	.000	.000	.000	.000	1.00	.0
2392590	A	4	.240	.100	.000	.000	.000	.000	.000	.000	2.50	.0
2408967	A	8	.240	.240	.240	.240	.240	.240	.000	.000	1.00	.0
8519389	A	4	.240	.048	.000	.000	.000	.000	.000	.000	1.00	.0
8493083	A	4	.243	.075	.000	.000	.000	.000	.000	.000	1.00	.0
2408367	A	4	.245	.150	.000	.000	.000	.000	.000	.000	2.50	.0
8519383	A	4	.250	.250	.000	.000	.000	.000	.000	.000	1.00	.0

PASSIVE COMPONENTS MANUAL

Component Data Bank - P/N Catalog  
R-Pac Modules

PG. 4 06/30/82 23:31 URO206 \*\*\* IBM INTERNAL USE \*\*\* COMPONENT DATA BANK INTERNAL USE ONLY  
CDB/RP ALL/RP TECH DCS#N NE 23517 RP/L/SP#N EQ 100 SEQ/LH RP/R1/KO RP/L/NO  
RES/ALL RP/TI RP/TOL/O NO/LIMIT.

PART NUMBER	U OF C	NO. OF LEAD	R1 RESIST KILOHMS	R2 RESIST KILOHMS	R3 RESIST KILOHMS	R4 RESIST KILOHMS	R5 RESIST KILOHMS	R6 RESIST KILOHMS	R7 RESIST KILOHMS	R8 RESIST KILOHMS	R9 RESIST KILOHMS	R1 TOL %	TOL OHM
2408872	A	8	.261	.261	.261	.261	.138	.138	.138	.138	.000	2.50	.0
2408634	A	6	.268	.268	.000	.000	.000	.000	.000	.000	.000	2.50	.0
2392733	A	6	.270	.036	.036	.000	.000	.000	.000	.000	.000	2.50	.0
2408106	A	10	.270	.270	.270	.270	.000	.000	.000	.000	.000	2.50	.0
2408139	A	10	.270	.240	.240	.240	.200	.000	.000	.000	.000	2.50	.0
2408748	A	6	.270	.270	.270	.270	.270	.000	.000	.000	.000	2.50	.0
4429727	A	10	.270	.270	.270	.270	.188	.188	.188	.188	.000	2.50	.0
4481590	A	8	.270	.270	.150	.150	.000	.000	.000	.000	.000	2.50	.0
4718625	A	6	.270	.270	.270	.270	.270	.000	.000	.000	.000	2.50	.0
8278607	A	6	.270	.270	.270	.270	.270	.000	.000	.000	.000	2.50	.0
4481508	A	4	.280	.280	.280	.000	.000	.000	.000	.000	.000	2.50	.0
2392427	A	4	.300	.150	.010	.000	.000	.000	.000	.000	.000	2.50	.5
2408177	A	8	.300	.300	.220	.220	.100	.000	.000	.000	.000	2.50	.0
2408357	A	4	.300	.300	.120	.120	.000	.000	.000	.000	.000	2.50	.0
2408697	A	6	.300	.300	.300	.300	.000	.000	.000	.000	.000	2.50	.0
2408765	A	6	.300	.300	.300	.100	.000	.000	.000	.000	.000	2.50	.0
2408793	A	6	.300	.300	.300	.300	.000	.000	.000	.000	.000	2.50	.0
4481920	A	6	.300	.200	.200	.200	.200	.000	.000	.000	.000	2.50	.0
4481921	A	6	.300	.300	.300	.200	.200	.000	.000	.000	.000	2.50	.0
8278636	A	6	.300	.300	.300	.000	.000	.000	.000	.000	.000	2.50	.0
8519527	A	4	.310	.200	.000	.000	.000	.000	.000	.000	.000	2.50	.0
2408762	A	6	.312	.312	.312	.312	.182	.182	.182	.182	.000	2.50	.0
2408939	A	8	.312	.312	.312	.312	.182	.182	.182	.182	.000	2.50	.0
2392992	A	8	.320	.070	.021	.010	.000	.000	.000	.000	.000	2.50	.5
2408371	A	4	.330	.330	.000	.000	.000	.000	.000	.000	.000	2.50	.0
2408658	A	6	.330	.330	.330	.330	.000	.000	.000	.000	.000	2.50	.0
4481818	A	4	.332	.226	.000	.000	.000	.000	.000	.000	.000	2.50	.0
2392547	A	4	.333	.333	.143	.143	.000	.000	.000	.000	.000	2.50	.0
2392584	A	4	.340	.105	.105	.000	.000	.000	.000	.000	.000	2.50	.0
2392377	A	4	.348	.182	.000	.000	.000	.000	.000	.000	.000	2.50	.0
2408888	A	8	.348	.348	.348	.348	.185	.185	.185	.185	.000	2.50	.0
2408751	A	6	.350	.350	.150	.150	.000	.000	.000	.000	.000	2.50	.0
2408905	A	8	.365	.365	.365	.365	.365	.365	.365	.365	.000	2.50	.0
2408611	A	6	.375	.375	.375	.375	.375	.000	.000	.000	.000	2.50	.0
4481794	A	10	.375	.375	.375	.375	.375	.375	.375	.375	.375	2.50	.0
2392936	A	8	.390	.390	.090	.000	.000	.000	.000	.000	.000	2.50	.0
2392940	A	8	.390	.390	.390	.390	.390	.390	.390	.390	.000	2.50	.0
2408355	A	4	.390	.220	.100	.000	.000	.000	.000	.000	.000	2.50	.0
2408635	A	6	.390	.390	.390	.390	.390	.000	.000	.000	.000	2.50	.0
4481919	A	6	.390	.300	.300	.200	.200	.000	.000	.000	.000	2.50	.0
4481922	A	6	.390	.390	.300	.300	.200	.000	.000	.000	.000	2.50	.0
4481983	A	4	.393	.383	.000	.000	.000	.000	.000	.000	.000	2.50	.0
2392488	A	4	.400	.400	.400	.000	.000	.000	.000	.000	.000	2.50	.0
8278704	A	8	.400	.100	.050	.030	.030	.000	.000	.000	.000	2.50	.0
2392908	A	8	.410	.410	.410	.410	.000	.000	.000	.000	.000	2.50	.0
2392588	A	4	.430	.200	.000	.000	.000	.000	.000	.000	.000	2.50	.0
2392739	A	6	.430	.430	.430	.430	.430	.000	.000	.000	.000	2.50	.0

PASSIVE COMPONENTS MANUAL

Component Data Bank - P/N Catalog  
R-Pac Modules

PG. 5 06/30/82 23:31 UR0206 \*\*\* IBM INTERNAL USE \*\*\* COMPONENT DATA BANK INTERNAL USE ONLY  
CDB/RP ALL/RP TECH DCS#N NE 23517 RP/L/SP#N EQ 100 SEQ/LH RP/RI/KO RP/L/NO  
RES/ALL RP/T1 RP/TOL/O NO/LIMIT.

PART NUMBER	T NO. OF LEAD	R1 RESIST KILOHMS	R2 RESIST KILOHMS	R3 RESIST KILOHMS	R4 RESIST KILOHMS	R5 RESIST KILOHMS	R6 RESIST KILOHMS	R7 RESIST KILOHMS	R8 RESIST KILOHMS	R9 RESIST KILOHMS	R1 TOL %	TOL OHM
2408754 A	6	.450	.250	.150	.150	.000	.000	.000	.000	.000	2.50	.0
8493282 A	10	.460	.460	.460	.460	.460	.000	.000	.000	.000	2.50	.0
2392966 A	8	.470	.430	.430	.430	.000	.000	.000	.000	.000	2.50	.0
8278746 A	10	.470	.470	.470	.470	.470	.470	.470	.470	.000	2.50	.0
2392918 A	8	.480	.480	.400	.400	.400	.400	.400	.400	.000	2.50	.0
2408848 A	8	.485	.485	.485	.485	.485	.485	.485	.485	.000	2.50	.0
2392703 A	6	.499	.402	.287	.000	.000	.000	.000	.000	.000	2.50	.0
8519371 A	6	.499	.383	.210	.000	.000	.000	.000	.000	.000	1.00	.0
8519523 A	4	.499	.499	.000	.000	.000	.000	.000	.000	.000	1.00	.0
2392791 A	6	.500	.500	.500	.500	.500	.000	.000	.000	.000	2.50	.0
2408974 A	8	.500	.500	.200	.200	.039	.039	.000	.000	.000	2.50	.0
8278745 A	6	.500	.258	.106	.060	.052	.000	.000	.000	.000	2.50	.0
2392379 A	4	.510	.430	.196	.000	.000	.000	.000	.000	.000	5.00	.0
2392941 A	8	.510	.510	.510	.510	.510	.510	.510	.000	.000	2.50	.0
2392964 A	8	.510	.510	.510	.510	.000	.000	.000	.000	.000	2.50	.0
2408324 A	4	.510	.510	.000	.000	.000	.000	.000	.000	.000	2.50	.0
2408636 A	6	.510	.510	.510	.510	.510	.000	.000	.000	.000	2.50	.0
4718622 A	4	.510	.510	.510	.510	.000	.000	.000	.000	.000	2.50	.0
8519174 A	4	.510	.300	.000	.000	.000	.000	.000	.000	.000	2.50	.0
4481278 A	6	.534	.534	.229	.229	.000	.000	.000	.000	.000	2.50	.0
2408353 A	4	.536	.536	.000	.000	.000	.000	.000	.000	.000	2.50	.0
4429729 A	10	.540	.540	.540	.540	.375	.375	.375	.375	.000	2.50	.0
2408796 A	6	.550	.550	.150	.150	.000	.000	.000	.000	.000	2.50	.0
2392428 A	4	.560	.560	.430	.430	.000	.000	.000	.000	.000	2.50	.0
2392953 A	8	.560	.560	.560	.560	.000	.000	.000	.000	.000	2.50	.0
2408364 A	4	.560	.560	.000	.000	.000	.000	.000	.000	.000	2.50	.0
2408601 A	6	.560	.560	.510	.510	.000	.000	.000	.000	.000	2.50	.0
4481506 A	4	.560	.560	.560	.000	.000	.000	.000	.000	.000	2.50	.0
8278618 A	6	.560	.560	.560	.560	.560	.000	.000	.000	.000	2.50	.0
8519276 A	8	.560	.560	.470	.470	.056	.000	.000	.000	.000	2.50	.0
2408877 A	8	.562	.143	.109	.097	.086	.077	.069	.000	.000	1.00	.0
2392991 A	8	.580	.320	.070	.016	.000	.000	.000	.000	.000	2.50	.0
2392740 A	6	.600	.100	.010	.000	.000	.000	.000	.000	.000	2.50	.0
2392942 A	8	.600	.600	.600	.600	.600	.600	.600	.600	.000	2.50	.0
2408331 A	4	.600	.600	.000	.000	.000	.000	.000	.000	.000	1.00	.0
2408637 A	6	.600	.600	.600	.600	.600	.000	.000	.000	.000	2.50	.0
2408775 A	6	.610	.450	.450	.000	.000	.000	.000	.000	.000	1.00	.0
2408372 A	4	.619	.383	.324	.000	.000	.000	.000	.000	.000	1.00	.0
2392939 A	8	.620	.620	.620	.510	.510	.510	.000	.000	.000	2.50	.0
8519380 A	6	.620	.150	.150	.000	.000	.000	.000	.000	.000	2.50	.0
2408763 A	6	.650	.650	.650	.380	.380	.380	.380	.380	.000	2.50	.0
2408940 A	8	.650	.650	.650	.380	.380	.380	.380	.380	.000	2.50	.0
8519220 A	6	.665	.665	.150	.150	.000	.000	.000	.000	.000	2.50	.0
2392586 A	4	.667	.285	.000	.000	.000	.000	.000	.000	.000	2.50	.0
8278718 A	8	.667	.667	.667	.120	.075	.068	.000	.000	.000	2.50	.0
2392974 A	8	.680	.464	.294	.056	.051	.000	.000	.000	.000	2.50	.0
4481953 A	6	.680	.680	.680	.250	.000	.000	.000	.000	.000	2.50	.0

E45-0359 Rev. 2

5-74  
IBM Internal Use Only

September 15, 1982

PASSIVE COMPONENTS MANUAL

Component Data Bank - P/N Catalog  
R-Pac Modules

PG. 6 06/30/82 23:31 UR0206 \*\*\* IBM INTERNAL USE \*\*\* COMPONENT DATA BANK INTERNAL USE ONLY  
CDB/RP ALL/RP TECH DCS#N NE 23517 RP/L/SP#N EQ 100 SEQ/LH RP/R1/KO RP/L/NO  
RES/ALL RP/T1 RP/TOL/O NO/LIMIT.

PART NUMBER	T NO. U OF C	R1 RESIST KILOHMS	R2 RESIST KILOHMS	R3 RESIST KILOHMS	R4 RESIST KILOHMS	R5 RESIST KILOHMS	R6 RESIST KILOHMS	R7 RESIST KILOHMS	R8 RESIST KILOHMS	R9 RESIST KILOHMS	R1 TOL %	TOL OHM
4718612	A 6	.680	.680	.680	.250	.000	.000	.000	.000	.000	2.50	.0
8278647	A 6	.680	.680	.680	.150	.000	.000	.000	.000	.000	2.50	.0
2392589	A 4	.687	.309	.091	.000	.000	.000	.000	.000	.000	2.50	.0
2408131	A 10	.700	.270	.270	.170	.170	.170	.160	.020	.000	2.50	.0
2408719	A 6	.700	.700	.700	.700	.000	.000	.000	.000	.000	2.50	.0
2408752	A 8	.700	.700	.150	.150	.000	.000	.000	.000	.000	2.50	.0
2408875	A 8	.700	.700	.700	.700	.700	.700	.700	.000	.000	2.50	.0
4481502	A 8	.700	.700	.700	.170	.160	.010	.000	.000	.000	2.50	.0
8519555	A 4	.715	.240	.000	.000	.000	.000	.000	.000	.000	2.50	.0
2408736	A 6	.720	.720	.720	.720	.720	.000	.000	.000	.000	2.50	.0
4481825	A 6	.720	.470	.240	.000	.000	.000	.000	.000	.000	1.00	.0
2392389	A 4	.740	.610	.000	.000	.000	.000	.000	.000	.000	5.00	.0
2392557	A 4	.750	.750	.750	.000	.000	.000	.000	.000	.000	2.50	.0
2392712	A 6	.750	.750	.750	.750	.750	.000	.000	.000	.000	2.50	.0
2392885	A 8	.750	.750	.750	.750	.750	.750	.750	.000	.000	2.50	.0
2408774	A 6	.750	.750	.600	.600	.470	.000	.000	.000	.000	2.50	.0
4481430	A 4	.750	.022	.000	.000	.000	.000	.000	.000	.000	2.50	.0
4718618	A 8	.750	.750	.750	.750	.750	.750	.750	.000	.000	2.50	.0
8278670	A 10	.750	.750	.750	.750	.750	.750	.750	.750	.750	2.50	.0
8278690	A 10	.750	.750	.750	.750	.750	.750	.750	.750	.000	2.50	.0
8519536	A 4	.750	.550	.000	.000	.000	.000	.000	.000	.000	1.00	.0
8519537	A 10	.750	.750	.750	.750	.750	.750	.750	.750	.750	1.00	.0
2408323	A 4	.800	.210	.190	.000	.000	.000	.000	.000	.000	2.50	.0
8519520	A 4	.805	.805	.000	.000	.000	.000	.000	.000	.000	1.00	.0
2408747	A 6	.820	.820	.820	.820	.820	.000	.000	.000	.000	2.50	.0
4481960	A 4	.820	.750	.750	.000	.000	.000	.000	.000	.000	1.00	.0
2408352	A 4	.825	.825	.000	.000	.000	.000	.000	.000	.000	1.00	.0
2408108	A 10	.858	.858	.858	.858	.858	.333	.333	.333	.333	2.50	.0
2408889	A 8	.858	.858	.858	.858	.858	.333	.333	.333	.333	2.50	.0
2408923	A 8	.858	.858	.858	.858	.858	.333	.333	.333	.333	2.50	.0
2408768	A 6	.882	.882	.455	.445	.125	.108	.000	.000	.000	2.50	.0
2408335	A 4	.887	.887	.000	.000	.000	.000	.000	.000	.000	1.00	.0
8519664	A 4	.909	.909	.000	.000	.000	.000	.000	.000	.000	1.00	.0
2392969	A 8	.910	.300	.033	.030	.016	.000	.000	.000	.000	2.50	.0
4481442	A 10	.910	.910	.910	.910	.056	.056	.056	.056	.000	2.50	.0
4481554	A 6	.910	.200	.013	.000	.000	.000	.000	.000	.000	2.50	.0
2408798	A 6	.950	.950	.150	.150	.000	.000	.000	.000	.000	1.00	.0
8278766	A 6	.985	.985	.408	.408	.000	.000	.000	.000	.000	1.00	.0
2408764	A 6	.996	.996	.996	.996	.580	.580	.580	.580	.000	2.50	.0
2408941	A 8	.996	.996	.996	.996	.580	.580	.580	.580	.000	2.50	.0
2392473	A 4	1.000	.395	.125	.000	.000	.000	.000	.000	.000	2.50	.0
2392720	A 6	1.000	1.000	1.000	1.000	1.000	.000	.000	.000	.000	2.50	.0
2392787	A 6	1.000	1.000	1.000	1.000	.000	.000	.000	.000	.000	1.00	.0
2392793	A 6	1.000	.619	.430	.215	.000	.000	.000	.000	.000	1.00	.0
2392886	A 8	1.000	1.000	1.000	1.000	1.000	1.000	1.000	.000	.000	2.50	.0
2392971	A 8	1.000	1.000	.075	.075	.000	.000	.000	.000	.000	2.50	.0
2408119	A 10	1.000	1.000	1.000	1.000	1.000	.000	.000	.000	.000	2.50	.0

Component Data Bank - P/N Catalog  
R-Pac Modules

PASSIVE COMPONENTS MANUAL

PG. 7 06/30/82 23:31 UR0206 \*\*\* IBM INTERNAL USE \*\*\* COMPONENT DATA BANK INTERNAL USE ONLY  
CDB/RP ALL/RP TECH DCS#N NE 23517 RP/L/SP#N EQ 100 SEQ/LH RP/RI/KO RP/L/NO  
RES/ALL RP/TI RP/TOL/O NO/LIMIT.

PART NUMBER	T NO. OF C	R1 RESIST KILOHMS	R2 RESIST KILOHMS	R3 RESIST KILOHMS	R4 RESIST KILOHMS	R5 RESIST KILOHMS	R6 RESIST KILOHMS	R7 RESIST KILOHMS	R8 RESIST KILOHMS	R9 RESIST KILOHMS	R1 TOL %	TOL OHM
2408129	A 10	1.000	.600	.600	.600	.600	.470	.390	.220	.000	2.00	.0
2408156	A 10	1.000	.600	.600	.600	.470	.390	.220	.000	.000	1.00	.0
2408173	A 8	1.000	.437	.220	.150	.100	.000	.000	.000	.000	2.50	.0
2408197	A 8	1.000	.590	.487	.232	.226	.226	.000	.000	.000	1.00	.0
2408341	A 4	1.000	1.000	.333	.000	.000	.000	.000	.000	.000	1.00	.0
2408354	A 4	1.000	1.000	.000	.000	.000	.000	.000	.000	.000	1.00	.0
2408368	C 4	1.000	1.000	1.000	.000	.000	.000	.000	.000	.000	1.00	.0
2408688	A 6	1.000	1.000	1.000	1.000	.000	.000	.000	.000	.000	2.50	.0
2408721	A 6	1.000	1.000	.333	.333	.000	.000	.000	.000	.000	1.00	.0
2408739	A 6	1.000	1.000	.390	.390	.390	.000	.000	.000	.000	2.50	.0
2408745	A 6	1.000	.333	.333	.126	.000	.000	.000	.000	.000	1.00	.0
2408749	A 6	1.000	1.000	.000	.000	.000	.000	.000	.000	.000	2.50	.0
2408772	A 6	1.000	1.000	.500	.500	.000	.000	.000	.000	.000	1.00	.0
2408843	A 8	1.000	.000	.000	.000	.000	.000	.000	.000	.000	2.50	.0
2408851	A 8	1.000	1.000	1.000	1.000	.000	.000	.000	.000	.000	2.50	.0
2408882	A 8	1.000	1.000	1.000	.390	.000	.000	.000	.000	.000	2.50	.0
2408976	A 8	1.000	1.000	.330	.330	.200	.200	.000	.000	.000	2.50	.0
4481284	A 4	1.000	.150	.000	.000	.000	.000	.000	.000	.000	2.50	.0
4481449	A 4	1.000	1.000	1.000	1.000	.000	.000	.000	.000	.000	2.50	.0
4481692	A 10	1.000	1.000	1.000	1.000	1.000	1.000	1.000	1.000	1.000	2.50	.0
4481859	A 6	1.000	.650	.500	.430	.000	.000	.000	.000	.000	1.00	.0
4718616	A 6	1.000	1.000	1.000	1.000	1.000	.000	.000	.000	.000	2.50	.0
4718619	A 8	1.000	1.000	1.000	1.000	1.000	1.000	1.000	.000	.000	2.50	.0
4718626	A 6	1.000	1.000	1.000	.000	.000	.000	.000	.000	.000	2.50	.0
8278600	A 6	1.000	1.000	.220	.220	.000	.000	.000	.000	.000	2.50	.0
8278638	A 6	1.000	.500	.250	.125	.000	.000	.000	.000	.000	2.50	.0
8278641	A 6	1.000	1.000	.300	.300	1.000	.429	.429	.000	.000	2.50	.0
8278679	A 10	1.000	1.000	.437	.220	.150	.000	.000	.000	.000	2.50	.0
8278722	A 6	1.000	1.000	.442	.350	.000	.000	.000	.000	.000	1.00	.0
8278731	A 6	1.000	.787	.247	.124	.029	.000	.000	.000	.000	1.00	.0
8519137	A 6	1.000	1.000	1.000	.200	.000	.000	.000	.000	.000	1.00	.0
8519352	A 8	1.000	1.000	1.000	1.000	.000	.000	.000	.000	.000	2.50	.0
8519519	A 6	1.000	.560	.560	.000	.000	.000	.000	.000	.000	2.50	.0
8519539	A 4	1.000	.330	.330	.000	.000	.000	.000	.000	.000	1.00	.0
8519583	A 8	1.000	1.000	1.000	1.000	1.000	1.000	1.000	1.000	.000	2.50	.0
8519661	A 4	1.000	.300	.000	.000	.000	.000	.000	.000	.000	1.00	.0
8519746	A 4	1.000	.500	.390	.000	.000	.000	.000	.000	.000	2.50	.0
2408753	A 6	1.050	1.050	.150	.150	.000	.000	.000	.000	.000	2.50	.0
4481905	A 4	1.050	1.050	.000	.000	.000	.000	.000	.000	.000	1.00	.0
2392498	A 4	1.068	.354	.204	.000	.000	.000	.000	.000	.000	1.00	.0
2408780	A 6	1.068	1.068	.458	.458	.000	.000	.000	.000	.000	2.50	.0
4481428	A 4	1.070	1.070	.000	.000	.000	.000	.000	.000	.000	1.00	.0
8519665	A 4	1.070	1.070	.931	.931	.000	.000	.000	.000	.000	2.50	.0
4481823	A 6	1.100	1.100	.620	.620	.000	.000	.000	.000	.000	2.50	.0
8278665	A 10	1.170	11.702	1.170	1.170	1.170	1.170	1.170	1.170	1.170	2.50	.0
2392968	A 8	1.200	1.200	1.200	.750	.750	.000	.000	.000	.000	2.50	.0
2408160	A 10	1.200	1.200	1.200	1.200	1.200	1.200	1.200	1.200	1.200	2.50	.0

E45-0359 Rev. 2

IBM Internal Use Only

5-76

September 15, 1982



Component Data Bank - P/N Catalog  
R-Pac Modules

PASSIVE COMPONENTS MANUAL

PG. 8 06/30/82 23:31 UR0206 \*\*\* IBM INTERNAL USE \*\*\* COMPONENT DATA BANK INTERNAL USE ONLY  
CDB/RP ALL/RP TECH DCS#N NE 23517 RP/L/SP#N EQ 100 SEQ/LH RP/R1/KO RP/L/NO  
RES/ALL RP/T1 RP/TOL/O NO/LIMIT.

PART NUMBER	T NO.	R1 RESIST KILOHMS	R2 RESIST KILOHMS	R3 RESIST KILOHMS	R4 RESIST KILOHMS	R5 RESIST KILOHMS	R6 RESIST KILOHMS	R7 RESIST KILOHMS	R8 RESIST KILOHMS	R9 RESIST KILOHMS	R1 TOL %	TOL OHM
2408988 A	8	1.200	1.200	1.200	1.200	1.200	1.200	1.200	.000	.000	2.50	.0
4481841 A	8	1.200	1.200	1.200	1.200	1.200	1.200	.500	.500	.000	2.50	.0
8278619 A	6	1.200	1.200	1.200	1.200	.390	.390	.390	.390	.000	2.50	.0
8278666 A	10	1.200	1.200	1.200	1.200	.500	.500	.500	.500	.000	2.50	.0
8278706 A	8	1.200	1.160	1.000	1.200	.000	.000	.000	.000	.000	2.50	.0
4481803 A	8	1.240	1.240	1.240	1.240	.000	.000	.000	.000	.000	2.50	.0
4481694 A	4	1.270	1.270	.000	.000	.000	.000	.000	.000	.000	2.50	.0
2392582 A	4	1.300	1.300	.820	.820	.000	.000	.000	.000	.000	2.50	.0
2408706 A	6	1.300	1.300	1.300	1.300	1.300	.000	.000	.000	.000	2.50	.0
2408904 A	8	1.300	1.300	1.300	1.300	1.300	1.300	1.300	.000	.000	2.50	.0
8278617 A	6	1.300	1.300	.110	.110	.000	.000	.000	.000	.000	2.50	.0
8278632 A	6	1.300	1.300	.051	.051	.000	.000	.000	.000	.000	2.50	.0
8519351 A	8	1.300	1.300	1.300	1.300	1.300	1.300	.000	.000	.000	2.50	.0
8519355 A	6	1.300	1.300	1.300	1.300	1.300	1.300	.000	.000	.000	2.50	.0
2408760 A	6	1.400	1.400	.050	.050	.000	.000	.000	.000	.000	2.50	.0
8278705 A	6	1.400	1.400	.051	.051	.000	.000	.000	.000	.000	2.50	.0
2392400 A	4	1.500	.395	.125	.000	.000	.000	.000	.000	.000	2.50	.0
2392419 A	4	1.500	1.500	1.500	.000	.000	.000	.000	.000	.000	2.50	.0
2392493 A	4	1.500	1.500	1.500	.000	.000	.000	.000	.000	.000	2.50	.0
2408176 A	8	1.500	1.500	1.000	1.000	.100	.000	.000	.000	.000	2.50	.0
2408767 A	6	1.500	1.500	1.500	1.500	1.500	.000	.000	.000	.000	2.50	.0
2408844 A	8	1.500	1.500	.150	.150	.050	.050	.000	.000	.000	2.50	.0
2408887 A	8	1.500	1.500	1.500	1.500	1.370	.576	.000	.000	.000	2.50	.0
2408912 A	8	1.500	1.500	.800	.800	.100	.000	.000	.000	.000	2.50	.0
2408958 A	8	1.500	1.500	1.500	1.500	1.500	1.500	1.500	.000	.000	2.50	.0
4481577 A	8	1.500	.510	.121	.402	.000	.000	.000	.000	.000	2.50	.0
4481606 A	4	1.500	.500	.000	.000	.000	.000	.000	.000	.000	2.50	.0
4481955 A	8	1.500	1.000	.735	.310	.100	.010	.000	.000	.000	2.50	.0
8278732 A	10	1.500	1.370	1.000	.294	.294	.154	.118	.118	.000	2.50	.0
8278742 A	4	1.500	1.000	.000	.000	.000	.000	.000	.000	.000	2.50	.0
8519327 A	8	1.500	1.500	.910	.500	.500	.500	.000	.000	.000	2.50	.0
8519568 A	8	1.500	1.000	1.000	1.500	.150	.150	.000	.000	.000	2.50	.0
4481281 A	6	1.550	1.550	1.550	1.550	.500	.500	.500	.500	.000	2.50	.0
2392975 A	8	1.580	1.300	1.240	1.400	.000	.000	.000	.000	.000	2.50	.0
2392958 A	8	1.600	1.600	1.600	1.600	1.600	1.600	1.600	.000	.000	2.50	.0
4481016 A	8	1.600	1.600	.000	.000	.000	.000	.000	.000	.000	2.50	.0
4481238 A	4	1.600	.750	.750	.220	.000	.000	.000	.000	.000	2.50	.0
4481670 A	6	1.600	.619	.402	.000	.000	.000	.000	.000	.000	2.50	.0
8519354 A	8	1.600	1.600	1.600	1.600	1.600	1.600	1.600	.000	.000	2.50	.0
8519379 A	4	1.600	1.600	.000	.000	.000	.000	.000	.000	.000	2.50	.0
2408880 A	4	1.690	1.600	.787	.560	.000	.000	.000	.000	.000	2.50	.0
2408927 A	8	1.740	1.740	1.000	1.000	.100	.025	.000	.000	.000	2.50	.0
4481429 A	4	1.780	1.780	.000	.000	.000	.000	.000	.000	.000	2.50	.0
2392552 A	4	1.800	1.800	1.800	.000	.000	.000	.000	.000	.000	2.50	.0
2408111 A	10	1.800	1.800	1.800	1.800	1.800	1.800	1.800	.000	.000	2.50	.0
4481286 A	8	1.800	1.800	1.000	.750	.000	.000	.000	.000	.000	2.50	.0
8278602 A	6	1.800	1.800	.223	.223	.000	.000	.000	.000	.000	2.50	.0

PASSIVE COMPONENTS MANUAL

Component Data Bank - P/N Catalog  
R-Pac Modules

PG. 9 06/30/82 23:31 UR0206 \*\*\* IBM INTERNAL USE \*\*\* COMPONENT DATA BANK INTERNAL USE ONLY  
CDB/RP ALL/RP TECH DCS#N NE 23517 RP/L/SP#N EQ 100 SEQ/LH RP/R1/KO RP/L/NO  
RES/ALL RP/T1 RP/TOL/O NO/LIMIT.

PART NUMBER	T U C	NO. OF LEAD	R1 RESIST KILOHMS	R2 RESIST KILOHMS	R3 RESIST KILOHMS	R4 RESIST KILOHMS	R5 RESIST KILOHMS	R6 RESIST KILOHMS	R7 RESIST KILOHMS	R8 RESIST KILOHMS	R9 RESIST KILOHMS	R1 TOL %	TOL OHM
8519396	A	10	1.800	1.800	1.000	1.000	1.000	.815	.815	.815	.000	2.50	.0
2408691	A	6	1.820	.000	1.000	.000	.000	.000	.000	.000	.000	2.50	.0
8278640	A	8	1.940	1.940	1.620	1.000	.000	.000	.000	.000	.000	2.50	.0
2392422	A	4	2.000	2.000	1.000	.000	.000	.000	.000	.000	.000	2.50	.0
2392555	A	4	2.000	2.000	2.000	.000	.000	.000	.000	.000	.000	2.50	.0
2392700	A	6	2.000	2.000	2.000	2.000	2.000	.000	.000	.000	.000	5.00	.0
2392719	A	6	2.000	2.000	2.000	.000	.000	.000	.000	.000	.000	2.50	.0
2392868	A	8	2.000	.894	.680	.327	.200	.150	.000	.000	.000	5.00	.0
2392897	A	8	2.000	2.000	2.000	2.000	2.000	2.000	2.000	.000	.000	2.50	.0
2392935	A	8	2.000	2.000	2.000	.090	.000	.000	.000	.000	.000	2.50	.0
2408121	A	10	2.000	2.000	2.000	2.000	.850	.850	.560	.560	.000	2.50	.0
2408170	A	8	2.000	2.000	1.500	1.000	.300	.300	.000	.000	.000	2.50	.0
2408196	A	8	2.000	2.000	1.000	1.000	.000	.000	.000	.000	.000	1.00	.0
2408627	A	6	2.000	2.000	2.000	.200	.200	.000	.000	.000	.000	2.50	.0
2408726	A	6	2.000	2.000	.768	.000	.000	.000	.000	.000	.000	1.00	.0
2408807	A	8	2.000	.300	.300	.300	.300	.000	.000	.000	.000	2.50	.0
2408823	A	8	2.000	2.000	2.000	2.000	.410	.410	.000	.000	.000	2.50	.0
2408855	A	8	2.000	2.000	2.000	.300	.300	.000	.000	.000	.000	2.50	.0
2408868	A	8	2.000	2.000	2.000	.220	.220	.000	.000	.000	.000	2.50	.0
2408913	A	8	2.000	1.000	1.000	.390	.000	.000	.000	.000	.000	2.50	.0
2408949	A	8	2.000	1.000	2.000	.400	.000	.000	.000	.000	.000	1.00	.0
2408961	A	8	2.000	2.000	1.000	1.000	1.000	1.000	.000	.000	.000	2.50	.0
2408997	A	8	2.000	2.000	2.000	2.000	2.000	2.000	1.000	.000	.000	2.50	.0
4481248	A	8	2.000	2.000	2.000	1.910	1.740	1.000	.000	.000	.000	1.00	.0
4481299	A	8	2.000	2.000	1.000	1.120	.120	.000	.000	.000	.000	2.50	.0
4481415	A	8	2.000	2.000	1.000	1.000	.000	.000	.000	.000	.000	2.50	.0
4481482	A	8	2.000	2.000	1.500	.000	.000	.000	.000	.000	.000	2.50	.0
4481483	A	8	2.000	1.500	1.500	.300	.000	.000	.000	.000	.000	2.50	.0
4481584	A	4	2.000	2.000	.000	.000	.000	.000	.000	.000	.000	1.00	.0
4481589	A	8	2.000	2.000	.470	.470	.200	.200	.000	.000	.000	2.50	.0
4481815	A	6	2.000	2.000	2.000	2.000	.750	.000	.000	.000	.000	2.50	.0
4481816	A	6	2.000	2.000	1.175	.175	.000	.000	.000	.000	.000	2.50	.0
4718615	A	6	2.000	2.000	2.000	2.000	.000	.000	.000	.000	.000	2.50	.0
4718627	A	6	2.000	.510	.510	.100	.000	.000	.000	.000	.000	2.50	.0
8278627	A	6	2.000	.960	.700	.000	.000	.000	.000	.000	.000	2.50	.0
8278631	A	6	2.000	2.000	1.000	1.000	.000	.000	.000	.000	.000	1.00	.0
8278684	A	8	2.000	.310	.280	.110	.024	.000	.000	.000	.000	2.50	.0
8278694	A	10	2.000	.310	.280	.110	.100	.024	.011	.000	.000	5.00	.0
8278696	A	8	2.000	2.000	2.000	2.000	.000	.000	.000	.000	.000	1.00	.0
8278697	A	8	2.000	1.600	.390	.220	.220	.000	.000	.000	.000	2.50	.0
8278743	A	6	2.000	2.000	2.000	2.000	.000	.000	.000	.000	.000	1.00	.0
8519136	A	6	2.000	2.000	1.690	.000	.000	.000	.000	.000	.000	1.00	.0
8519275	A	6	2.000	2.000	1.000	1.000	.000	.000	.000	.000	.000	1.00	.0
8519349	A	4	2.000	2.000	2.000	.000	.000	.000	.000	.000	.000	2.50	.0
8519350	A	6	2.000	2.000	2.000	.000	.000	.000	.000	.000	.000	2.50	.0
8519353	A	8	2.000	2.000	2.000	2.000	2.000	2.000	2.000	.000	.000	2.50	.0

E45-0359 Rev. 2

IBM Internal Use Only

5-78

September 15, 1982

PASSIVE COMPONENTS MANUAL

Component Data Bank - P/N Catalog  
R-Pac Modules

PG. 10 06/30/82 23:31 UR0206 \*\*\* IBM INTERNAL USE \*\*\* COMPONENT DATA BANK INTERNAL USE ONLY  
CDB/RP ALL/RP TECH DCS#N NE 23517 RP/L/SP#N EQ 100 SEQ/LH RP/R1/KO RP/L/NO  
RES/ALL RP/T1 RP/TOL/O NO/LIMIT.

PART NUMBER	T NO. OF C	R1 RESIST KILOHMS	R2 RESIST KILOHMS	R3 RESIST KILOHMS	R4 RESIST KILOHMS	R5 RESIST KILOHMS	R6 RESIST KILOHMS	R7 RESIST KILOHMS	R8 RESIST KILOHMS	R9 RESIST KILOHMS	R1 TOL %	TOL OHM
8519119	A 4	2.050	.887	.000	.000	.000	.000	.000	.000	.000	1.00	.0
2408821	A 8	2.080	2.080	1.040	1.040	1.040	.520	.000	.000	.000	2.50	.0
2392792	A 6	2.150	1.080	1.080	1.050	1.221	.000	.000	.000	.000	1.00	.0
2408336	A 4	2.150	2.150	.000	.000	.000	.000	.000	.000	.000	1.00	.0
2408351	A 4	2.150	2.150	.000	.000	.000	.000	.000	.000	.000	1.00	.0
4481804	A 6	2.150	.536	.200	.200	.000	.000	.000	.000	.000	1.00	.0
2408826	A 8	2.200	2.200	2.090	2.090	1.800	1.800	.000	.000	.000	1.50	.0
8278700	A 6	2.200	2.200	2.200	2.200	2.200	.000	.000	.000	.000	2.50	.0
8519580	A 4	2.200	1.300	.500	.000	.000	.000	.000	.000	.000	2.50	.0
2408328	A 4	2.270	2.000	1.030	.000	.000	.000	.000	.000	.000	1.00	.0
2408359	A 4	2.300	2.300	.750	.000	.000	.000	.000	.000	.000	2.50	.0
2408717	A 6	2.300	2.300	2.300	2.300	.750	.750	.750	.750	.750	2.50	.0
8519586	A 10	2.370	2.370	1.000	.200	.200	.000	.000	.000	.000	2.50	.0
2392414	A 4	2.400	2.400	2.400	.000	.000	.000	.000	.000	.000	2.50	.0
2392416	A 8	2.400	2.400	.681	.000	.000	.000	.000	.000	.000	1.00	.0
2392895	A 8	2.400	2.400	2.400	.110	.110	.110	.000	.000	.000	2.50	.0
2408123	A 10	2.400	2.400	2.400	2.400	.300	.300	.300	.300	.300	2.50	.0
2408698	A 8	2.400	2.400	1.800	1.400	.000	.000	.000	.000	.000	1.50	.0
2408975	A 6	2.400	.750	.200	.091	.000	.000	.000	.000	.000	2.50	.0
4481282	A 6	2.400	2.400	2.400	2.400	.000	.000	.000	.000	.000	1.00	.0
4481432	A 4	2.400	2.000	.000	.000	.000	.000	.000	.000	.000	2.50	.0
8278740	A 8	2.400	2.000	2.000	2.000	1.000	.400	.000	.000	.000	2.50	.0
8519540	A 8	2.400	1.950	1.400	.750	.000	.000	.000	.000	.000	1.00	.0
2392381	A 4	2.430	.200	.000	.000	.000	.000	.000	.000	.000	2.50	.0
2408325	A 4	2.430	2.000	1.100	.000	.000	.000	.000	.000	.000	1.00	.0
2408720	A 6	2.430	2.430	1.700	1.700	.047	.000	.000	.000	.000	2.50	.0
2408718	A 6	2.450	2.450	2.450	2.450	2.450	.000	.000	.000	.000	2.50	.0
8519667	A 4	2.490	2.490	.000	.000	.000	.000	.000	.000	.000	1.00	.0
2408652	A 6	2.500	2.500	1.800	1.800	.000	.000	.000	.000	.000	2.50	.0
4481226	A 4	2.500	2.300	1.200	.000	.000	.000	.000	.000	.000	1.00	.0
4481450	A 4	2.500	2.500	.215	.000	.000	.000	.000	.000	.000	1.00	.0
4481451	A 6	2.500	2.500	2.500	2.500	2.500	.000	.000	.000	.000	1.00	.0
4481503	A 6	2.500	2.500	2.500	2.500	1.500	.000	.000	.000	.000	1.00	.0
8278606	A 6	2.500	2.500	2.500	2.500	2.500	.000	.000	.000	.000	2.50	.0
8519543	A 10	2.500	2.500	2.500	1.240	.619	.619	.250	.000	.000	1.00	.0
2408827	A 8	2.540	2.540	1.910	1.910	1.480	1.480	.000	.000	.000	1.50	.0
2392592	A 4	2.550	2.550	.000	.000	.000	.000	.000	.000	.000	1.00	.0
4481434	A 4	2.610	2.610	.000	.000	.000	.000	.000	.000	.000	1.00	.0
2392987	A 8	2.670	2.150	.000	1.580	1.580	1.580	.000	.000	.000	2.50	.0
2408157	A 10	2.670	2.670	2.670	2.670	2.670	2.670	2.670	2.670	2.670	2.50	.0
2408814	A 8	2.680	2.000	1.000	.470	.000	.000	.000	.000	.000	2.50	.0
2392970	A 8	2.700	1.500	1.300	1.100	1.000	.510	.051	.000	.000	2.50	.0
8278655	A 10	2.700	2.700	2.700	2.500	1.450	.400	.000	.000	.000	1.00	.0
8278682	A 10	2.700	2.700	2.700	2.700	.300	.300	.300	.300	.000	2.50	.0
2408714	A 6	2.750	.800	.500	.100	.000	.000	.000	.000	.000	1.50	.0
2392878	A 8	2.800	2.800	2.800	.866	.866	.866	.000	.000	.000	1.00	.0
2408165	A 10	2.800	2.800	2.800	2.800	2.800	2.800	2.800	2.800	2.800	2.50	.0

E45-0359 Rev. 2

IBM Internal Use Only

5-79

September 15, 1982

Component Data Bank - P/N Catalog  
R-Pac Modules

PASSIVE COMPONENTS MANUAL

PG. 11 06/30/82 23:31 UR0206 \*\*\* IBM INTERNAL USE \*\*\* COMPONENT DATA BANK INTERNAL USE ONLY  
CDB/RP ALL/RP TECH DCS#N NE 23517 RP/L/SP#N EQ 100 SEQ/LH RP/RI/KO RP/L/NO  
RES/ALL RP/T1 RP/TOL/O NO/LIMIT.

PART NUMBER	T U OF C	R1 RESIST KILOHMS	R2 RESIST KILOHMS	R3 RESIST KILOHMS	R4 RESIST KILOHMS	R5 RESIST KILOHMS	R6 RESIST KILOHMS	R7 RESIST KILOHMS	R8 RESIST KILOHMS	R9 RESIST KILOHMS	R1 TOL %	TOL OHM	
8519138	A	8	2.800	2.800	2.200	2.200	.560	.560	.200	.000	.000	1.00	.0
8278719	A	8	2.870	1.700	1.100	.437	.000	.000	.000	.000	.000	2.50	.0
2408330	A	4	2.940	2.940	.000	.000	.000	.000	.000	.000	.000	1.00	.0
4481585	A	4	2.940	2.940	.000	.000	.000	.000	.000	.000	.000	1.00	.0
2392554	A	4	.000	3.000	.000	.000	.000	.000	.000	.000	.000	2.50	.0
2392723	A	6	.000	3.000	2.400	.000	.000	.000	.000	.000	.000	2.50	.0
2392788	A	6	.000	1.000	1.000	.750	.350	.000	.000	.000	.000	2.50	.0
2392815	A	8	.000	3.000	3.000	3.000	3.000	3.000	.000	.000	.000	2.50	.0
2392911	A	8	.000	1.000	.750	.750	.130	.000	.000	.000	.000	2.50	.0
2392978	A	8	.000	3.000	3.000	3.000	3.000	3.000	.000	.000	.000	1.00	.0
2408103	A	10	.000	3.000	3.000	3.000	2.000	3.000	2.000	.000	1.000	1.00	.0
2408137	A	10	.000	3.000	3.000	3.000	3.000	3.000	3.000	.000	3.000	2.50	.0
2408369	A	4	.000	2.000	.000	.000	.000	.000	.000	.000	.000	2.50	.0
2408603	A	6	.000	3.000	3.000	3.000	.000	.000	.000	.000	.000	2.50	.0
2408881	A	8	.000	3.000	1.100	.931	.000	.000	.000	.000	.000	1.00	.0
2408982	A	8	.000	3.000	3.000	3.000	.000	.000	.000	.000	.000	2.50	.0
4429950	A	8	.000	2.400	2.000	2.000	1.500	1.300	1.000	.000	.000	2.50	.0
4481578	A	6	.000	3.000	.200	.200	.000	.000	.000	.000	.000	2.50	.0
8278612	A	6	.000	3.000	3.000	.000	.000	.000	.000	.000	.000	2.50	.0
8278620	A	6	.000	3.000	3.000	3.000	1.000	1.000	1.000	.000	1.000	2.50	.0
8278744	A	6	.000	1.820	1.300	.000	.000	.000	.000	.000	.000	1.00	.0
8519121	A	6	.000	.590	.590	.590	.000	.000	.000	.000	.000	1.00	.0
4481256	A	6	.010	2.740	2.320	.000	.000	.000	.000	.000	.000	2.50	.0
8278668	A	6	.010	1.820	1.080	1.080	.000	.000	.000	.000	.000	1.00	.0
8278741	A	8	.200	3.200	3.000	1.600	1.000	1.000	1.000	.000	.000	1.00	.0
8519118	A	6	.240	2.670	1.330	.374	.000	.000	.000	.000	.000	1.00	.0
8519518	A	6	.240	2.670	1.880	.530	.000	.000	.000	.000	.000	1.00	.0
2408158	A	10	.300	3.300	3.300	3.300	3.300	3.300	3.300	.000	3.300	2.50	.0
2408164	A	10	.300	3.300	3.300	3.300	3.300	3.300	3.300	.000	3.300	2.50	.0
2408368	A	4	.300	1.000	.000	.000	.000	.000	.000	.000	.000	2.50	.0
2408696	A	6	.300	3.300	3.300	3.300	.000	.000	.000	.000	.000	1.00	.0
4481247	A	8	.300	3.100	.442	.316	.000	.000	.000	.000	.000	2.50	.0
4481253	A	6	.300	3.100	1.270	.887	.000	.000	.000	.000	.000	2.50	.0
8278610	A	6	.300	3.300	3.300	3.300	.000	.000	.000	.000	.000	2.50	.0
2408742	A	6	.320	1.620	.056	.056	.000	.000	.000	.000	.000	1.00	.0
2408365	A	4	.480	2.000	.000	.000	.000	.000	.000	.000	.000	1.00	.0
8278717	A	8	.500	2.200	2.100	2.000	1.170	.600	.350	.000	.000	1.00	.0
2408110	A	10	.600	3.600	3.600	2.400	2.400	2.400	.000	.000	.000	2.50	.0
2408159	A	10	.600	3.600	3.600	3.600	3.600	3.600	.000	.000	.000	2.50	.0
2408309	A	4	.600	1.000	.000	.000	.000	.000	.000	.000	.000	2.50	.0
4481962	A	10	.600	2.000	2.000	1.400	.260	.000	.000	.000	.000	1.00	.0
8493141	A	10	.650	3.600	3.600	2.000	1.780	1.020	.698	.000	.000	2.50	.0
4481426	A	4	.660	3.660	.000	.000	.000	.000	.000	.000	.000	1.00	.0
8278616	A	6	.770	3.510	3.510	2.000	.000	.000	.000	.000	.000	2.50	.0
8519532	A	10	.770	3.770	3.770	2.400	1.770	1.580	1.430	.342	.000	1.00	.0
4481965	A	10	.830	3.500	1.500	1.000	1.000	1.000	1.000	.000	.000	1.00	.0
4481555	A	8	3.900	3.600	.240	.200	.024	.000	.000	.000	.000	2.50	.0

E45-0359 Rev. 2

IBM Internal Use Only

5-80

September 15, 1982

PASSIVE COMPONENTS MANUAL

Component Data Bank - P/N Catalog  
R-Pac Modules

PG. 12 06/30/82 23:31 UR0206 \*\*\* IBM INTERNAL USE \*\*\* COMPONENT DATA BANK INTERNAL USE ONLY  
CDB/RP ALL/RP TECH DCS#N NE 23517 RP/L/SP#N EQ 100 SEQ/LH RP/R1/KO RP/L/NO  
RES/ALL RP/TI RP/TOL/O NO/LIMIT.

PART NUMBER	T OF C	NO. LEAD	R1 RESIST KILOHMS	R2 RESIST KILOHMS	R3 RESIST KILOHMS	R4 RESIST KILOHMS	R5 RESIST KILOHMS	R6 RESIST KILOHMS	R7 RESIST KILOHMS	R8 RESIST KILOHMS	R9 RESIST KILOHMS	R1 TOL X	TOL OHM
4481824	A	10	3.900	3.900	3.900	3.900	3.900	3.900	3.900	3.900	3.900	2.50	.0
8519277	A	10	3.900	3.900	3.900	3.900	3.900	3.900	3.900	3.900	3.900	2.50	.0
4481252	A	6	3.920	1.100	.887	.000	.000	.000	.000	.000	.000	2.50	.0
2408326	A	4	4.000	3.350	.345	.000	.000	.000	.000	.000	.000	2.50	.0
2408332	A	4	4.000	4.000	4.000	.000	.000	.000	.000	.000	.000	2.50	.0
2408784	A	6	4.000	1.000	.100	.000	.000	.000	.000	.000	.000	2.50	.0
2408854	A	8	4.000	4.000	4.000	.090	.000	.000	.000	.000	.000	2.50	.0
4481736	A	10	4.000	4.000	2.000	1.000	1.000	1.000	1.000	1.000	1.000	2.50	.0
8278709	A	8	4.000	4.000	4.000	4.000	4.000	4.000	4.000	4.000	4.000	2.50	.0
8278710	A	8	4.000	.266	.266	.000	.200	.000	.000	.000	.000	2.50	.0
2408730	A	6	4.020	2.050	.243	.000	.000	.000	.000	.000	.000	2.50	.0
4481240	A	4	4.020	3.570	.000	.000	.000	.000	.000	.000	.000	2.50	.0
8278730	A	6	4.020	3.240	1.000	.000	.000	.000	.000	.000	.000	2.50	.0
8278725	A	6	4.100	3.500	1.330	.000	.374	.000	.000	.000	.000	2.50	.0
2392701	A	6	4.300	4.300	1.500	.000	.000	.000	.000	.000	.000	2.50	.0
2408340	A	4	4.300	4.300	4.300	4.300	4.300	4.300	4.300	4.300	4.300	2.50	.0
2408695	A	6	4.300	2.400	.000	.000	.000	.000	.000	.000	.000	2.50	.0
4481613	A	6	4.300	.510	.510	.100	.000	.000	.000	.000	.000	2.50	.0
8493258	A	8	4.300	4.300	4.300	4.300	.000	.000	.000	.000	.000	2.50	.0
8519226	A	8	4.300	.500	.500	.330	.330	.000	.000	.000	.000	2.50	.0
4481258	A	6	4.320	3.090	2.000	2.000	.000	.000	.000	.000	.000	2.50	.0
4481537	A	6	4.400	4.400	4.400	4.400	1.700	1.700	1.700	1.700	1.700	2.50	.0
4481556	A	10	4.400	4.400	4.400	4.400	4.400	4.400	4.400	4.400	4.400	2.50	.0
8519524	A	4	4.420	4.420	.604	.604	.000	.000	.000	.000	.000	2.50	.0
2408339	A	4	4.500	.510	.000	.000	.000	.000	.000	.000	.000	2.50	.0
8519503	A	4	4.530	4.420	.000	.000	.000	.000	.000	.000	.000	2.50	.0
8519521	A	4	4.530	2.260	.000	.000	.000	.000	.000	.000	.000	2.50	.0
2408171	A	8	4.670	2.920	1.700	1.100	.000	.000	.000	.000	.000	2.50	.0
8278714	A	8	4.670	2.870	1.700	1.100	.000	.000	.000	.000	.000	2.50	.0
2408770	A	6	4.700	4.700	3.000	3.000	.000	.000	.000	.000	.000	2.50	.0
2408809	A	8	4.700	2.000	1.000	1.000	.750	.000	.000	.000	.000	2.50	.0
2408907	A	8	4.700	4.700	4.700	4.700	.000	.000	.000	.000	.000	2.50	.0
8278622	A	6	4.700	.714	.320	.320	.000	.000	.000	.000	.000	2.50	.0
8278662	A	10	4.700	.714	.320	.320	.000	.000	.000	.000	.000	2.50	.0
8519549	A	10	4.700	1.500	1.000	1.000	.500	.309	.169	.000	.000	2.50	.0
4481899	A	6	4.730	1.005	.662	.303	.293	.000	.000	.000	.000	2.50	.0
8493084	A	6	4.730	.887	.835	.293	.263	.000	.000	.000	.000	2.50	.0
2408188	A	8	4.750	4.750	3.920	3.920	1.960	.976	.487	.000	.000	2.50	.0
8519660	A	8	4.800	2.700	2.700	2.300	.615	.000	.000	.000	.000	2.50	.0
2392887	A	8	4.850	4.850	4.850	4.850	4.850	4.850	4.850	4.850	4.850	2.50	.0
2408609	A	6	4.850	4.850	4.850	4.850	4.850	4.850	4.850	4.850	4.850	2.50	.0
8519545	A	6	4.850	4.850	4.850	4.850	4.850	4.850	4.850	4.850	4.850	2.50	.0
2408898	A	8	4.950	4.950	1.500	1.500	1.500	.000	.000	.000	.000	2.50	.0
2392569	A	4	5.000	5.000	5.000	5.000	.000	.000	.000	.000	.000	2.50	.0
2392754	A	6	5.000	5.000	5.000	5.000	.000	.000	.000	.000	.000	2.50	.0
2392880	A	8	5.000	5.000	5.000	5.000	5.000	5.000	5.000	5.000	5.000	2.50	.0
2408126	A	10	5.000	5.000	5.000	5.000	5.000	5.000	5.000	5.000	5.000	2.00	.0

E45-0359 Rev. 2

IBM Internal Use Only

5-81

September 15, 1982

PASSIVE COMPONENTS MANUAL

Component Data Bank - P/N Catalog  
R-Pac Modules

PG. 13 06/30/82 23:31 UR0206 \*\*\* IBM INTERNAL USE \*\*\* COMPONENT DATA BANK INTERNAL USE ONLY  
CDB/RP ALL/RP TECH DCS#N NE 23517 RP/L/SP#N EQ 100 SEQ/LH RP/RI/KO RP/L/NO  
RES/ALL RP/T1 RP/TOL/O NO/LIMIT.

PART NUMBER	T U C	NO. OF LEAD	R1 RESIST KILOHMS	R2 RESIST KILOHMS	R3 RESIST KILOHMS	R4 RESIST KILOHMS	R5 RESIST KILOHMS	R6 RESIST KILOHMS	R7 RESIST KILOHMS	R8 RESIST KILOHMS	R9 RESIST KILOHMS	R1 TOL %	TOL OHM
2408374	A	4	5.000	4.200	.510	.000	.000	.000	.000	.000	.000	2.50	.0
2408377	A	4	5.000	2.500	2.500	.000	.000	.000	.000	.000	.000	1.00	.0
2408779	A	6	5.000	5.000	.300	.300	.000	.000	.000	.000	.000	2.50	.0
2408959	A	8	5.000	5.000	5.000	.500	.500	.000	.000	.000	.000	2.50	.0
4481549	A	10	5.000	3.300	2.000	2.000	1.300	.000	.000	.000	.000	2.50	.0
4481964	A	6	5.000	5.000	.500	.500	.000	.000	.000	.000	.000	1.00	.0
4718607	A	8	5.000	5.000	1.000	1.000	.000	.000	.000	.000	.000	2.50	.0
4718617	A	8	5.000	5.000	5.000	5.000	5.000	5.000	5.000	.000	.000	2.50	.0
8278688	A	6	5.000	5.000	5.000	.000	.000	.000	.000	.000	.000	2.50	.0
8278708	A	8	5.000	5.000	.580	.580	.350	.350	.000	.000	.000	2.50	.0
8278724	A	6	5.000	1.000	.700	.500	.500	.400	.000	.000	.000	1.00	.0
8278729	A	10	5.000	1.634	1.634	1.500	1.500	1.000	.289	.000	.000	2.50	.0
8519223	A	6	5.000	1.820	1.300	.000	.000	.000	.000	.000	.000	1.00	.0
8519530	A	4	5.000	5.000	5.000	.000	.000	.000	.000	.000	.000	2.50	.0
8519582	A	10	5.000	5.000	2.000	2.000	1.000	1.000	.000	.000	.000	2.50	.0
2408379	A	4	5.090	4.980	2.000	.000	.000	.000	.000	.000	.000	1.00	.0
2392738	A	6	5.100	3.000	.082	.027	.000	.000	.000	.000	.000	2.50	.0
2408728	A	6	5.100	1.000	.430	.300	.000	.000	.000	.000	.000	2.50	.0
4481259	A	8	5.100	1.000	.056	.010	.000	.000	.000	.000	.000	2.50	.0
4481279	A	6	5.100	4.400	1.600	1.200	.000	.000	.000	.000	.000	2.50	.0
4481306	A	6	5.100	1.000	.510	.430	.000	.000	.000	.000	.000	2.50	.0
4481591	A	6	5.100	5.100	4.700	4.700	.000	.000	.000	.000	.000	2.50	.0
4481601	A	6	5.100	3.600	2.900	2.100	.000	.000	.000	.000	.000	2.50	.0
4481958	A	10	5.100	1.600	1.000	1.000	.294	.118	.118	.000	.000	1.00	.0
8278680	A	8	5.100	5.100	4.700	4.700	4.700	4.700	.000	.000	.000	2.50	.0
8519507	C	8	5.100	.100	.027	.000	.000	.000	.000	.000	.000	2.50	.0
2392417	A	4	5.110	4.990	.000	.000	.000	.000	.000	.000	.000	1.00	.0
8493301	A	6	5.110	5.110	1.470	1.470	.000	.000	.000	.000	.000	2.50	.0
8519666	A	4	5.110	1.000	1.000	.000	.000	.000	.000	.000	.000	1.00	.0
2408346	A	4	5.360	2.320	.000	.000	.000	.000	.000	.000	.000	1.00	.0
2408348	A	4	5.360	5.360	.000	.000	.000	.000	.000	.000	.000	1.00	.0
4481586	A	4	5.360	5.360	.000	.000	.000	.000	.000	.000	.000	1.00	.0
2392972	A	8	5.600	5.600	3.600	3.600	3.000	3.000	.000	.000	.000	2.50	.0
2408632	A	6	5.600	5.600	5.600	5.600	.000	.000	.000	.000	.000	2.50	.0
8278649	A	6	5.880	3.240	2.660	2.660	2.100	.000	.000	.000	.000	1.00	.0
4429757	A	10	5.900	5.900	5.900	5.900	.540	.540	.540	.540	.000	2.50	.0
2408856	A	8	5.930	2.000	1.450	1.000	1.000	.888	.000	.000	.000	1.00	.0
8519365	A	8	5.000	2.500	2.500	.700	.000	.000	.000	.000	.000	1.00	.0
8519541	A	4	6.000	6.000	.000	.000	.000	.000	.000	.000	.000	2.50	.0
4481251	A	4	6.040	5.100	.665	.000	.000	.000	.000	.000	.000	2.50	.0
4481433	A	4	6.040	2.260	.000	.000	.000	.000	.000	.000	.000	1.00	.0
8519224	A	8	6.040	3.570	2.490	.000	.000	.000	.000	.000	.000	1.00	.0
2408828	A	8	6.100	6.100	5.720	5.720	3.900	3.900	.000	.000	.000	1.50	.0
2408327	A	4	6.180	4.000	.750	.000	.000	.000	.000	.000	.000	1.00	.0
8278625	A	6	6.200	6.200	1.500	.620	.000	.000	.000	.000	.000	2.50	.0
8278715	A	6	6.200	6.200	1.100	.620	.000	.000	.000	.000	.000	2.50	.0
8278716	A	8	6.200	5.100	2.000	2.000	2.000	1.000	.000	.000	.000	2.50	.0

E45-0359 Rev. 2

5-82  
IBM Internal Use Only

September 15, 1982

PASSIVE COMPONENTS MANUAL

Component Data Bank - P/N Catalog  
R-Pac Modules

PG. 14 06/30/82 23:31 UR0206 \*\*\* IBM INTERNAL USE \*\*\* COMPONENT DATA BANK INTERNAL USE ONLY  
CDB/RP ALL/RP TECH DCS#N NE 23517 RP/L/SP#N EQ 100 SEQ/LH RP/RI/KO RP/L/NO  
RES/ALL RP/TI RP/TOL/O NO/LIMIT.

PART NUMBER	T U OF C	NO. LEAD	R1 RESIST KILOHMS	R2 RESIST KILOHMS	R3 RESIST KILOHMS	R4 RESIST KILOHMS	R5 RESIST KILOHMS	R6 RESIST KILOHMS	R7 RESIST KILOHMS	R8 RESIST KILOHMS	R9 RESIST KILOHMS	R1 TOL %	TOL OHM
4481906	A	4	6.340	6.340	.000	.000	.000	.000	.000	.000	.000	1.00	.0
8278702	A	10	6.500	6.000	6.000	4.000	1.041	1.000	1.000	1.000	.427	2.50	.0
8519533	A	10	6.550	3.660	1.930	1.930	1.840	1.620	.854	.000	.000	1.00	.0
4481254	A	6	6.650	5.850	2.490	.909	.000	.000	.000	.000	.000	2.50	.0
2392737	A	6	6.800	6.800	6.800	6.800	6.800	.000	.000	.000	.000	2.50	.0
2408994	A	8	6.800	3.000	2.500	2.000	.000	.000	.000	.000	.000	2.50	.0
4481481	A	10	6.800	6.800	6.800	6.800	.910	.910	.910	.910	.000	2.50	.0
8278785	A	10	6.880	6.880	6.880	6.880	4.750	4.750	4.750	4.750	.000	1.00	.0
2408333	A	4	7.000	2.500	.000	.000	.000	.000	.000	.000	.000	1.00	.0
2392699	A	6	7.320	7.320	7.320	7.320	7.320	.000	.000	.000	.000	2.50	.0
4718614	A	6	7.320	7.320	7.320	7.320	7.320	.000	.000	.000	.000	2.50	.0
8278767	A	4	7.320	7.320	7.320	.000	.000	.000	.000	.000	.000	2.50	.0
2408991	A	8	7.480	7.480	.725	.725	.687	.687	.000	.000	.000	2.50	.0
2408735	A	6	7.500	7.500	.950	.000	.000	.000	.000	.000	.000	1.00	.0
4481678	A	4	7.500	2.500	.000	.000	.000	.000	.000	.000	.000	1.00	.0
4429904	A	8	7.680	6.650	6.490	2.000	1.910	.000	.000	.000	.000	1.00	.0
4481605	A	6	7.700	3.100	2.200	1.000	.000	.000	.000	.000	.000	2.50	.0
8278601	A	6	7.870	2.700	2.210	.820	.000	.000	.000	.000	.000	1.00	.0
8519535	A	10	7.900	7.900	7.900	7.900	7.900	7.900	7.900	7.900	7.900	1.00	.0
2408194	A	10	8.000	8.000	8.000	8.000	8.000	8.000	8.000	8.000	8.000	2.50	.0
2408195	A	10	8.000	8.000	3.000	1.000	.000	.000	.000	.000	.000	1.00	.0
2408626	A	6	8.000	8.000	8.000	8.000	8.000	.000	.000	.000	.000	2.50	.0
4481229	A	10	8.000	8.000	4.000	4.000	2.000	1.000	1.000	1.000	1.000	1.00	.0
4718621	A	10	8.000	8.000	8.000	8.000	8.000	8.000	8.000	8.000	8.000	2.50	.0
4481602	A	6	8.160	8.050	7.000	6.900	.000	.000	.000	.000	.000	2.50	.0
2392378	A	4	8.200	3.320	.000	.000	.000	.000	.000	.000	.000	5.00	.0
2408806	A	8	8.200	.510	.470	.470	.200	.000	.000	.000	.000	2.50	.0
2408990	A	8	8.200	4.700	1.263	.287	.000	.000	.000	.000	.000	1.00	.0
4481018	A	10	8.200	8.200	8.200	8.200	.750	.750	.750	.750	.000	2.50	.0
8278637	A	10	8.200	8.200	8.200	8.200	2.000	2.000	2.000	2.000	.000	2.50	.0
2408350	A	4	8.250	8.250	.000	.000	.000	.000	.000	.000	.000	1.00	.0
8278761	A	4	8.450	5.900	3.320	.000	.000	.000	.000	.000	.000	1.00	.0
8493685	A	8	8.450	3.400	1.500	.576	.000	.000	.000	.000	.000	1.00	.0
8278673	A	8	8.800	8.800	8.800	8.800	8.800	8.800	1.000	.000	.000	2.50	.0
8278677	A	10	8.800	8.800	8.800	8.800	8.800	8.800	8.800	8.800	1.000	2.50	.0
8519283	A	8	8.800	8.800	8.800	8.800	8.800	8.800	1.000	.000	.000	2.50	.0
8519284	A	10	8.800	8.800	8.800	8.800	8.800	8.800	8.800	8.800	1.000	2.50	.0
2408825	A	8	8.910	8.910	6.320	6.320	3.680	3.680	.000	.000	.000	2.50	.0
8278733	A	10	9.050	5.050	4.550	4.400	3.980	2.800	2.800	1.770	.000	1.00	.0
4481819	A	6	9.090	1.470	.576	.527	.000	.000	.000	.000	.000	1.00	.0
2408966	A	8	9.200	3.000	2.000	1.586	.910	.303	.000	.000	.000	1.00	.0
2408778	A	6	9.280	3.560	1.620	.000	.000	.000	.000	.000	.000	2.50	.0
2392984	A	8	9.310	9.310	2.610	2.610	1.000	1.000	.536	.000	.000	1.00	.0
2408896	A	8	9.400	8.250	7.300	6.450	5.000	5.000	5.000	.000	.000	1.00	.0
4481249	A	6	9.530	3.570	2.940	1.470	.000	.000	.000	.000	.000	2.50	.0
2408140	A	10	9.600	9.600	9.600	9.600	1.200	1.200	1.200	1.200	.000	2.50	.0
8493684	A	8	9.760	3.240	1.500	.590	.000	.000	.000	.000	.000	1.00	.0

E45-0359 Rev. 2

5-83  
IBM Internal Use Only

September 15, 1982

PG. 15 06/30/82 23:31 UR0206 \*\*\* IBM INTERNAL USE \*\*\* COMPONENT DATA BANK INTERNAL USE ONLY  
CDB/ RP ALL/ RP TECH DCS#N NE 23517 RP/L/SP#N EQ 100 SEQ/LH RP/R1/KO RP/L/NO  
RES/ALL RP/T1 RP/TOL/O NO/LIMIT.

PART NUMBER	T NO.	U OF LEAD	R1 RESIST KILOHMS	R2 RESIST KILOHMS	R3 RESIST KILOHMS	R4 RESIST KILOHMS	R5 RESIST KILOHMS	R6 RESIST KILOHMS	R7 RESIST KILOHMS	R8 RESIST KILOHMS	R9 RESIST KILOHMS	R1 TOL X	TOL OHM
4481234 A	8		9.780	9.020	7.500	5.000	5.000	5.000	.000	.000	.000	1.00	.0
8519274 A	10		9.980	5.360	4.020	1.540	1.520	1.300	1.000	.000	.000	1.00	.0
2392598 A	4		10.000	2.400	2.400	.000	.000	.000	.000	.000	.000	2.50	.0
2392702 A	6		10.000	3.000	2.000	.000	.000	.000	.000	.000	.000	2.50	.0
2392890 A	8		10.000	10.000	10.000	10.000	10.000	10.000	10.000	.000	.000	2.50	.0
2408101 A	10		10.000	2.000	.100	.100	.100	.100	.000	.000	.000	2.50	.0
2408198 A	8		10.000	5.100	5.100	5.100	3.900	2.500	2.400	.000	.000	2.50	.0
2408349 A	4		10.000	3.320	.000	.000	.000	.000	.000	.000	.000	1.00	.0
2408600 A	6		10.000	10.000	10.000	.000	.000	.000	.000	.000	.000	2.50	.0
2408638 A	6		10.000	10.000	10.000	10.000	10.000	.000	.000	.000	.000	2.50	.0
2408725 A	6		10.000	10.000	8.200	.820	.000	.000	.000	.000	.000	2.50	.0
2408840 A	8		10.000	10.000	5.000	5.000	2.500	2.500	.000	.000	.000	1.00	.0
2408841 A	8		10.000	3.740	2.000	.715	.619	.000	.000	.000	.000	2.50	.0
2408858 A	8		10.000	10.000	5.000	5.000	1.500	1.500	.000	.000	.000	2.50	.0
2408906 A	8		10.000	10.000	3.600	3.600	3.600	3.600	.000	.000	.000	2.50	.0
2408914 A	8		10.000	5.100	5.100	3.600	.289	.000	.000	.000	.000	2.50	.0
2408919 A	8		10.000	10.000	10.000	3.650	.301	.301	.000	.000	.000	2.50	.0
2408987 A	8		10.000	10.000	10.000	10.000	10.000	10.000	10.000	.000	.000	2.50	.0
4481110 A	8		10.000	10.000	1.000	1.000	.330	.000	.000	.000	.000	1.00	.0
4481227 A	6		10.000	10.000	10.000	10.000	.000	.000	.000	.000	.000	2.50	.0
4481241 A	6		10.000	10.000	8.250	8.250	.000	.000	.000	.000	.000	2.50	.0
4481242 A	6		10.000	10.000	7.320	.000	.000	.000	.000	.000	.000	2.50	.0
4481435 A	4		10.000	10.000	5.760	.000	.000	.000	.000	.000	.000	1.00	.0
4481583 A	4		10.000	10.000	.000	.000	.000	.000	.000	.000	.000	1.00	.0
4481677 A	4		10.000	7.680	3.010	.000	.000	.000	.000	.000	.000	1.00	.0
4481956 A	8		10.000	5.000	5.000	5.000	1.500	.500	.000	.000	.000	2.50	.0
8278676 A	10		10.000	10.000	10.000	10.000	10.000	5.000	5.000	5.000	5.000	1.00	.0
8278685 A	10		10.000	10.000	10.000	10.000	10.000	10.000	.000	.000	.000	2.50	.0
8278698 A	10		10.000	10.000	10.000	10.000	10.000	10.000	10.000	10.000	10.000	2.50	.0
8278699 A	10		10.000	10.000	10.000	10.000	10.000	10.000	10.000	1.000	1.000	2.50	.0
8278703 A	10		10.000	10.000	10.000	.874	.874	.402	.000	.000	.000	2.50	.0
8278774 A	10		10.000	10.000	3.740	1.000	1.000	.000	.000	.000	.000	2.50	.0
8519263 A	4		10.000	10.000	.000	.000	.000	.000	.000	.000	.000	1.00	.0
8519273 A	4		10.000	8.980	1.780	1.000	1.000	.000	.000	.000	.000	1.00	.0
8519278 A	4		10.000	.860	.000	.000	.000	.000	.000	.000	.000	1.00	.0
8519374 A	10		10.000	6.250	6.250	2.130	2.130	1.000	1.000	1.000	.000	1.00	.0
8519375 A	10		10.000	10.000	10.000	10.000	10.000	10.000	5.000	.000	.000	1.00	.0
8519376 A	10		10.000	10.000	10.000	10.000	10.000	5.000	.000	.000	.000	1.00	.0
4481603 A	6		10.000	10.000	8.200	2.200	.000	.000	.000	.000	.000	2.50	.0
2408794 A	6		10.000	8.000	6.000	6.000	.260	.000	.000	.000	.000	1.00	.0
2408792 A	6		10.000	8.000	6.000	6.000	.290	.000	.000	.000	.000	1.00	.0
8519120 A	4		10.000	3.010	2.550	.000	.000	.000	.000	.000	.000	1.00	.0
8519493 A	4		10.000	9.310	.000	.000	.000	.000	.000	.000	.000	1.00	.0
2408879 A	8		11.000	6.200	5.100	5.100	3.600	.000	.000	.000	.000	2.50	.0
2408893 A	8		11.000	5.600	5.600	5.600	5.600	2.400	.000	.000	.000	1.00	.0
2408996 A	8		11.000	11.000	10.000	10.000	2.000	2.000	.000	.000	.000	1.00	.0
2408998 A	8		11.000	11.000	11.000	7.500	7.500	7.500	.000	.000	.000	1.00	.0



PG. 16 06/30/82 23:31 UR0206 \*\*\* IBM INTERNAL USE \*\*\* COMPONENT DATA BANK INTERNAL USE ONLY  
CDB/RP ALL/RP TECH DCS#N NE 23517 RP/L/SP#N EQ 100 SEQ/LH RP/R1/KO RP/L/NO  
RES/ALL RP/TI RP/TOL/O NO/LIMIT.

PART NUMBER	T NO. OF C	R1 RESIST KILOHMS	R2 RESIST KILOHMS	R3 RESIST KILOHMS	R4 RESIST KILOHMS	R5 RESIST KILOHMS	R6 RESIST KILOHMS	R7 RESIST KILOHMS	R8 RESIST KILOHMS	R9 RESIST KILOHMS	R1 TOL %	TOL OHM
4481961 A	4	11.000	.750	.000	.000	.000	.000	.000	.000	.000	1.00	.0
4481235 A	8	11.040	9.700	7.500	5.000	5.000	5.000	.000	.000	.000	1.00	.0
8278756 A	4	11.050	10.130	9.360	.000	.000	.000	.000	.000	.000	1.00	.0
8493887 A	4	11.300	3.000	.787	.000	.000	.000	.000	.000	.000	1.00	.0
2408641 A	6	11.500	11.500	11.500	11.500	11.500	.000	.000	.000	.000	2.50	.0
8519544 A	10	11.500	10.000	7.680	6.190	5.000	2.000	.000	.000	.000	1.00	.0
2408789 A	6	11.600	11.600	10.100	.000	.000	.000	.000	.000	.000	1.00	.0
2408791 A	6	11.800	11.600	11.600	5.200	.000	.000	.000	.000	.000	1.00	.0
2408897 A	8	11.800	11.800	9.760	9.760	9.760	7.150	.000	.000	.000	1.00	.0
4429655 A	8	11.800	10.000	10.000	2.000	1.000	.270	.000	.000	.000	2.50	.0
2392504 A	4	12.000	1.300	.000	.000	.000	.000	.000	.000	.000	2.50	.0
2408109 A	10	12.000	12.000	12.000	12.000	12.000	12.000	12.000	12.000	.000	2.50	.0
2408692 A	6	12.000	12.000	12.000	.000	.000	.000	.000	.000	.000	2.50	.0
8278621 A	6	12.000	4.000	1.400	1.400	.000	.000	.000	.000	.000	1.00	.0
8278783 A	6	12.000	10.000	2.000	1.780	.000	.000	.000	.000	.000	1.00	.0
2408729 A	6	12.100	12.100	8.450	8.450	.000	.000	.000	.000	.000	2.50	.0
2408857 A	8	12.100	5.790	4.000	1.600	1.500	.000	.000	.000	.000	1.00	.0
2408867 A	8	12.100	5.800	1.750	1.600	1.500	.000	.000	.000	.000	1.00	.0
8493140 A	10	12.100	7.500	4.750	2.260	1.820	1.690	1.370	1.240	.000	1.00	.0
4481821 A	10	12.220	12.220	6.550	6.550	2.500	2.500	2.500	2.500	.000	1.00	.0
2408750 A	6	12.500	12.500	12.500	.000	.000	.000	.000	.000	.000	2.50	.0
2392593 A	4	12.600	30.550	16.250	.000	.000	.000	.000	.000	.000	2.50	.0
4481959 A	10	12.600	12.600	3.600	3.400	3.400	3.400	.000	.000	.000	1.00	.0
2408732 A	6	12.700	8.060	5.110	2.870	.000	.000	.000	.000	.000	1.00	.0
8278782 A	8	12.980	5.750	3.240	1.650	1.650	1.400	.000	.000	.000	2.50	.0
2392961 A	8	13.000	13.000	13.000	10.000	10.000	10.000	.000	.000	.000	2.50	.0
2408199 A	8	13.000	6.200	3.000	2.500	.000	.000	.000	.000	.000	2.50	.0
2408653 A	6	13.000	13.000	13.000	13.000	13.000	.000	.000	.000	.000	2.50	.0
2408995 A	8	13.000	10.000	5.100	5.100	5.100	2.500	.000	.000	.000	2.50	.0
4481257 A	6	13.000	8.450	2.320	2.000	.000	.000	.000	.000	.000	2.50	.0
8278623 A	6	13.000	13.000	13.000	13.000	4.700	4.700	4.700	4.700	.000	2.50	.0
8278707 A	8	13.000	6.200	4.100	2.500	.000	.000	.000	.000	.000	2.50	.0
4481418 A	10	13.090	13.090	13.090	12.000	12.000	12.000	12.000	12.000	12.000	1.00	.0
2408154 A	10	13.100	8.540	3.420	3.120	2.340	2.170	2.130	1.410	.000	1.00	.0
8519373 A	8	13.300	13.300	13.300	13.300	5.000	5.000	.000	.000	.000	1.00	.0
4481627 A	8	13.530	11.400	7.500	5.000	5.000	5.000	.000	.000	.000	1.00	.0
8278778 A	8	13.700	10.000	6.800	5.360	4.700	3.600	2.700	.000	.000	1.00	.0
8278648 A	6	13.800	9.310	5.240	.332	.000	.000	.000	.000	.000	1.00	.0
2408345 A	4	14.000	14.000	5.760	.000	.000	.000	.000	.000	.000	1.00	.0
4481250 A	8	14.000	4.320	4.020	4.020	3.830	.000	.000	.000	.000	2.50	.0
4481255 A	8	14.000	4.420	4.020	2.210	1.540	.000	.000	.000	.000	2.50	.0
2392884 A	8	14.100	14.100	14.100	14.100	14.100	14.100	14.100	.000	.000	2.50	.0
2408602 A	6	14.100	14.100	14.100	14.100	14.100	.000	.000	.000	.000	2.50	.0
4481236 A	8	14.200	11.780	7.500	5.000	5.000	5.000	.000	.000	.000	1.00	.0
4481237 A	8	14.690	12.700	7.500	5.000	5.000	5.000	.000	.000	.000	1.00	.0
2392983 A	8	14.700	2.210	1.820	1.000	562.000	.432	.130	.000	.000	1.00	.0
2392933 A	8	14.900	14.900	1.000	.033	.033	.000	.000	.000	.000	1.00	.5

PASSIVE COMPONENTS MANUAL

Component Data Bank - P/N Catalog  
R-Pac Modules

PG. 17 06/30/82 23:31 UR0206 \*\*\* IBM INTERNAL USE \*\*\* COMPONENT DATA BANK INTERNAL USE ONLY  
CDB/RP ALL/RP TECH DCS#N NE 23517 RP/L/SP#N EQ 100 SEQ/LH RP/R1/KO RP/L/NO  
RES/ALL RP/T1 RP/TOL/O NO/LIMIT.

PART NUMBER	T U	NO. OF LEAD	R1 RESIST KILOHMS	R2 RESIST KILOHMS	R3 RESIST KILOHMS	R4 RESIST KILOHMS	R5 RESIST KILOHMS	R6 RESIST KILOHMS	R7 RESIST KILOHMS	R8 RESIST KILOHMS	R9 RESIST KILOHMS	R1 TOL %	TOL OHM
2392530	A	4	15.000	15.000	15.000	.000	.000	.000	.000	.000	.000	2.50	.0
2392937	A	8	15.000	15.000	10.000	10.000	1.500	1.500	.000	.000	.000	2.50	.0
2392949	A	8	15.000	15.000	6.200	1.500	1.500	1.500	.000	.000	.000	2.50	.0
2408107	A	10	15.000	15.000	15.000	15.000	15.000	15.000	15.000	15.000	.000	2.50	.0
2408189	A	8	15.000	5.000	2.160	1.500	.600	.000	.000	.000	.000	2.50	.0
2408190	A	8	15.000	14.000	5.000	2.000	1.820	.000	.000	.000	.000	2.50	.0
2408659	A	6	15.000	15.000	15.000	15.000	15.000	.000	.000	.000	.000	2.50	.0
2408787	A	6	15.000	15.000	4.600	3.140	.000	.000	.000	.000	.000	1.00	.0
4481665	A	6	15.000	15.000	7.500	.000	.000	.000	.000	.000	.000	2.50	.0
8278608	A	6	15.000	15.000	15.000	15.000	15.000	.000	.000	.000	.000	2.50	.0
8278726	A	8	15.000	5.000	4.000	4.000	2.000	1.820	5.000	.000	.000	2.50	.0
8278777	A	10	15.000	15.000	9.760	8.450	5.000	5.000	5.000	3.340	.000	1.00	.0
8519364	A	4	15.000	15.000	15.000	.000	.000	.000	.000	.000	.000	2.50	.0
8519546	A	6	15.000	15.000	15.000	15.000	15.000	.000	.000	.000	.000	2.50	.0
4481520	A	8	15.400	14.700	2.430	1.820	1.240	.000	.000	.000	.000	2.50	.0
4481772	A	8	15.400	14.700	2.940	2.610	.475	.000	.000	.000	.000	2.50	.0
4481243	A	6	15.800	15.800	10.000	10.000	.000	.000	.000	.000	.000	2.50	.0
8519372	A	8	15.800	5.000	5.000	5.000	3.740	.000	.000	.000	.000	1.00	.0
2392531	A	4	16.000	16.000	16.000	.000	.000	.000	.000	.000	.000	2.50	.0
2408777	A	6	16.000	15.500	1.070	1.000	.000	.000	.000	.000	.000	2.50	.0
8278639	A	6	16.000	8.000	4.000	2.000	.000	.000	.000	.000	.000	1.00	.0
8278642	A	6	16.000	15.500	3.010	2.600	.000	.000	.000	.000	.000	2.50	.0
8519502	A	4	16.200	14.700	.000	.000	.000	.000	.000	.000	.000	1.00	.0
2408902	A	8	16.900	10.000	6.980	1.600	.430	.000	.000	.000	.000	1.00	.0
4481822	A	10	16.900	7.220	4.390	2.500	2.500	2.500	2.500	1.550	.000	1.00	.0
8278736	A	6	16.900	16.900	16.900	16.900	8.450	.000	.000	.000	.000	2.50	.0
8278728	A	10	16.980	10.000	10.000	3.460	.000	1.000	1.000	.000	.000	2.50	.0
2408786	A	6	17.060	12.680	4.600	1.586	.000	.000	.000	.000	.000	1.00	.0
2408790	A	6	17.300	11.600	11.600	3.700	.000	.000	.000	.000	.000	1.00	.0
2392906	A	8	17.400	2.210	1.820	1.000	.562	.432	.150	.000	.000	1.00	.0
4481829	A	4	17.400	5.620	2.870	.000	.000	.000	.000	.000	.000	1.00	.0
8278644	A	6	17.400	2.500	1.000	.000	.000	.000	.000	.000	.000	2.50	.0
4481604	A	6	17.700	10.500	5.000	5.000	.000	.000	.000	.000	.000	2.50	.0
4481244	A	6	17.800	17.800	10.000	10.000	.000	.000	.000	.000	.000	2.50	.0
2392596	A	4	18.000	18.000	3.600	.000	.000	.000	.000	.000	.000	2.50	.0
2408852	A	8	18.000	18.000	18.000	18.000	5.100	5.100	.000	.000	.000	2.50	.0
4481552	A	10	18.000	10.000	10.000	10.000	2.000	.000	.000	.000	.000	2.50	.0
8278615	A	6	18.000	18.000	3.300	3.300	.000	.000	.000	.000	.000	2.50	.0
8278744	A	10	18.000	10.200	10.200	10.200	7.850	7.850	.000	.000	.000	1.00	.0
8519378	A	8	18.000	13.000	4.100	2.500	.000	.000	.000	.000	.000	2.50	.0
2408920	A	8	18.200	18.200	10.000	10.000	.309	.309	.000	.000	.000	2.50	.0
4718630	A	8	18.200	17.400	11.500	8.450	2.610	2.000	.000	.000	.000	2.50	.0
2408788	A	6	18.300	13.000	11.600	11.600	3.700	.000	.000	.000	.000	1.00	.0
2408127	A	10	18.500	8.500	3.350	3.050	2.100	.980	.463	.341	.000	1.00	.0
2408644	A	6	18.700	18.700	.393	.393	.000	.000	.000	.000	.000	2.50	.0
2408984	A	8	19.100	4.750	2.490	2.050	1.070	.000	.000	.000	.000	1.00	.0
4481230	A	6	19.100	19.100	10.200	5.230	.000	.000	.000	.000	.000	1.00	.0

E45-0359 Rev. 2

5-86  
IBM Internal Use Only

September 15, 1982

Component Data Bank - P/N Catalog  
R-Pac Modules

PASSIVE COMPONENTS MANUAL

PG. 18 06/30/82 23:31 UR0206 \*\*\* IBM INTERNAL USE \*\*\* COMPONENT DATA BANK INTERNAL USE ONLY  
CDB/RP ALL/RP TECH DCS#N NE 23517 RP/L/SP#N EQ 100 SEQ/LH RP/R1/KO RP/L/NO  
RES/ALL RP/T1 RP/TOL/O NO/LIMIT.

PART NUMBER	T U C	NO. OF LEAD	R1 RESIST KILOHMS	R2 RESIST KILOHMS	R3 RESIST KILOHMS	R4 RESIST KILOHMS	R5 RESIST KILOHMS	R6 RESIST KILOHMS	R7 RESIST KILOHMS	R8 RESIST KILOHMS	R9 RESIST KILOHMS	R1 TOL %	TOL OHM
4481231	A	6	19.100	19.100	12.100	5.430	.000	.000	.000	.000	.000	1.00	.0
4481232	A	6	19.100	19.100	17.400	5.230	.000	.000	.000	.000	.000	1.00	.0
4481233	A	6	19.100	19.100	19.100	5.230	.000	.000	.000	.000	.000	1.00	.0
4481669	A	6	19.100	15.000	12.400	5.000	.000	.000	.000	.000	.000	1.00	.0
2408824	A	8	19.840	19.840	14.630	14.630	9.350	9.350	.000	.000	.000	2.50	.0
2392494	A	4	20.000	20.000	20.000	.000	.000	.000	.000	.000	.000	2.50	.0
2392867	A	8	20.000	5.100	5.100	2.000	1.100	.605	.390	.000	.000	5.00	.0
2392903	A	8	20.000	10.000	10.000	2.000	2.000	1.000	1.000	.000	.000	2.50	.0
2408100	A	10	20.000	10.000	10.000	2.000	1.000	1.000	.010	.000	.000	2.50	.5
2408329	A	4	20.000	20.000	20.000	.000	.000	.000	.000	.000	.000	1.00	.0
2408693	A	6	20.000	20.000	20.000	20.000	20.000	.000	.000	.000	.000	2.50	.0
2408755	A	6	20.000	12.000	4.700	4.700	.000	.000	.000	.000	.000	2.50	.0
2408810	A	8	20.000	20.000	20.000	1.660	1.660	.000	.000	.000	.000	2.50	.0
2408878	A	8	20.000	20.000	20.000	20.000	10.000	10.000	.000	.000	.000	2.50	.0
2408895	A	8	20.000	20.000	20.000	10.000	10.000	5.000	.000	.000	.000	2.50	.0
2408924	A	8	20.000	20.000	11.800	9.530	5.900	.000	.000	.000	.000	2.50	.0
2408945	A	8	20.000	20.000	16.000	12.000	10.000	10.000	4.000	.000	.000	2.50	.0
2408992	A	8	20.000	20.000	10.000	10.000	10.000	10.000	.000	.000	.000	2.50	.0
2408993	A	8	20.000	20.000	8.230	8.230	.692	.692	.000	.000	.000	2.50	.0
4481274	A	8	20.000	11.000	10.000	6.490	3.010	2.050	.562	.000	.000	1.00	.0
4481592	A	6	20.000	5.100	3.300	2.200	.000	.000	.000	.000	.000	2.50	.0
4718608	A	4	20.000	20.000	.000	.000	.000	.000	.000	.000	.000	1.00	.0
8278614	A	6	20.000	20.000	10.000	10.000	.000	.000	.000	.000	.000	2.50	.0
8278633	A	6	20.000	13.410	8.230	3.970	.000	.000	.000	.000	.000	2.50	.0
8278651	A	8	20.000	10.000	4.000	4.000	1.000	.000	.000	.000	.000	2.50	.0
8278671	A	10	20.000	20.000	20.000	20.000	20.000	20.000	3.000	.300	.300	2.50	.0
8278711	A	8	20.000	20.000	20.000	20.000	5.000	.000	.000	.000	.000	2.50	.0
8278752	A	4	20.000	20.000	18.980	.000	.000	.000	.000	.000	.000	2.50	.0
8278788	A	8	20.000	12.000	6.000	5.500	5.000	5.000	.000	.000	.000	1.00	.0
2392934	A	8	20.300	20.300	20.300	12.400	12.400	12.400	.000	.000	.000	2.50	.0
2408964	A	8	20.700	20.700	10.000	10.000	1.620	1.309	.309	.000	.000	2.50	.0
4481666	A	8	21.800	18.400	3.400	2.500	.000	.000	.000	.000	.000	1.00	.0
2392591	A	4	22.000	22.000	.000	.000	.000	.000	.000	.000	.000	2.50	.0
2392967	A	8	22.000	22.000	22.000	22.000	22.000	22.000	.000	.000	.000	2.50	.0
2408727	A	6	22.000	3.000	3.000	.000	.000	.000	.000	.000	.000	2.50	.0
2408782	A	6	22.000	18.000	3.000	.000	.000	.000	.000	.000	.000	2.50	.0
4481441	A	8	22.000	22.000	22.000	3.900	3.900	3.900	.000	.000	.000	2.50	.0
4481519	A	4	22.000	22.000	.000	.000	.000	.000	.000	.000	.000	2.50	.0
4718620	A	8	22.000	22.000	22.000	22.000	22.000	22.000	.000	.000	.000	2.50	.0
2408921	A	8	22.100	22.100	22.100	22.100	22.100	22.100	.000	.000	.000	1.00	.0
8278656	A	10	22.400	19.600	13.200	6.480	5.620	5.620	.000	.000	.000	1.00	.0
2408114	A	10	22.600	22.100	22.100	22.100	22.100	18.700	16.900	12.700	.000	1.00	.0
4481667	A	8	22.600	19.100	19.100	19.100	.000	.000	.000	.000	.000	1.00	.0
8278654	A	10	22.600	12.100	6.190	5.600	4.640	4.020	3.480	2.850	.000	1.00	.0
8278749	A	4	22.530	21.310	.000	.000	.000	.000	.000	.000	.000	1.00	.0
8278772	A	6	22.700	23.700	17.800	16.200	2.370	.000	.000	.000	.000	1.00	.0
2408104	A	10	24.000	3.000	2.400	.800	.160	.000	.000	.000	.000	2.50	.0

PASSIVE COMPONENTS MANUAL

Component Data Bank - P/N Catalog  
R-Pac Modules

PG. 19 06/30/82 23:31 UR0206 \*\*\* IBM INTERNAL USE \*\*\* COMPONENT DATA BANK INTERNAL USE ONLY  
CDB/RP ALL/RP TECH DC5#N NE 23517 RP/L/SP#N EQ 100 SEQ/LH RP/R1/KO RP/L/NO  
RES/ALL RP/T1 RP/TOL/O NO/LIMIT.

PART NUMBER	T U C	NO. OF LEAD	R1 RESIST KILOHMS	R2 RESIST KILOHMS	R3 RESIST KILOHMS	R4 RESIST KILOHMS	R5 RESIST KILOHMS	R6 RESIST KILOHMS	R7 RESIST KILOHMS	R8 RESIST KILOHMS	R9 RESIST KILOHMS	R1 TOL %	TOL OHM
8519584	A	6	24.000	6.000	6.000	6.000	.000	.000	.000	.000	.000	2.50	.0
8519585	A	6	24.000	24.000	12.000	12.000	.000	.000	.000	.000	.000	2.50	.0
2408948	A	8	24.450	18.700	6.340	4.990	4.000	.000	.000	.000	.000	1.00	.0
2392599	A	4	26.100	22.600	13.000	.000	.000	.000	.000	.000	.000	1.00	.0
2408916	A	8	26.100	22.100	22.100	22.100	15.400	15.400	.000	.000	.000	1.00	.0
2408985	A	8	26.100	6.490	3.480	1.910	1.020	.000	.000	.000	.000	1.00	.0
8278650	A	8	26.700	3.650	3.320	2.800	1.400	.825	.000	.000	.000	1.00	.0
2408892	A	8	26.940	24.880	22.580	20.940	11.230	10.000	9.810	.000	.000	1.00	.0
2408785	A	6	27.000	2.000	.700	.100	.000	.000	.000	.000	.000	1.00	.0
2408968	A	8	27.000	27.000	27.000	4.600	4.600	4.600	.000	.000	.000	2.50	.0
4481285	A	6	27.000	10.000	2.000	.000	.000	.000	.000	.000	.000	2.50	.0
2392502	A	4	28.000	28.000	28.000	.000	.000	.000	.000	.000	.000	2.50	.0
8278776	A	6	28.000	20.000	12.100	12.000	.000	.000	.000	.000	.000	1.00	.0
8493257	A	6	28.000	7.150	3.000	1.130	.000	.000	.000	.000	.000	1.00	.0
2408773	A	6	28.700	28.700	28.700	28.700	.000	.000	.000	.000	.000	2.50	.0
2408850	A	8	28.800	12.900	12.000	8.900	3.600	.000	.000	.000	.000	2.50	.0
2392986	A	8	29.400	17.400	2.150	2.150	1.580	1.580	.000	.000	.000	2.50	.0
2408723	A	6	29.400	14.700	14.700	4.870	.000	.000	.000	.000	.000	1.00	.0
2408179	A	10	30.000	11.900	10.000	10.000	1.800	1.000	.510	.000	.000	2.50	.0
2408320	A	4	30.000	30.000	30.000	.000	.000	.000	.000	.000	.000	1.00	.0
2408358	A	4	30.000	20.000	10.000	.000	.000	.000	.000	.000	.000	2.50	.0
2408705	A	6	30.000	30.000	27.000	10.000	.000	.000	.000	.000	.000	2.50	.0
2408808	A	8	30.000	30.000	30.000	13.300	13.300	13.300	.000	.000	.000	2.50	.0
2408811	A	8	30.000	18.000	15.000	15.000	3.900	.000	.000	.000	.000	2.50	.0
4481431	A	4	30.000	10.000	.000	.000	.000	.000	.000	.000	.000	2.50	.0
8278781	A	10	30.000	16.000	12.100	10.000	8.000	8.000	8.000	4.020	.000	2.50	.0
2408884	A	8	30.100	23.700	10.000	10.000	7.320	.000	.000	.000	.000	1.00	.0
2408986	A	8	30.100	7.500	3.240	2.740	1.180	.000	.000	.000	.000	1.00	.0
8519377	A	6	30.100	30.100	14.700	7.500	.000	.000	.000	.000	.000	1.00	.0
8519552	A	8	32.550	20.000	20.000	20.000	20.000	18.980	.000	.000	.000	1.00	.0
8519122	A	4	33.000	33.000	28.400	.000	.000	.000	.000	.000	.000	2.50	.0
2392947	A	8	33.200	6.000	6.000	1.580	.000	.000	.000	.000	.000	1.00	.0
2408935	A	8	33.200	8.410	8.410	1.580	.000	.000	.000	.000	.000	1.00	.0
8278769	A	6	33.200	24.900	24.300	15.000	10.000	.000	.000	.000	.000	1.00	.0
8519142	A	10	34.000	34.000	34.000	34.000	34.000	34.000	34.000	34.000	.000	1.00	.0
2408633	A	6	35.000	.628	.625	.025	.000	.000	.000	.000	.000	2.50	.5
2408356	A	4	35.700	35.700	.000	.000	.000	.000	.000	.000	.000	1.00	.0
8278672	A	6	36.000	36.000	6.200	.000	.000	.000	.000	.000	.000	2.50	.0
8278681	A	8	36.000	.800	.800	.256	.150	.000	.000	.000	.000	1.00	.0
8278762	A	4	36.500	13.300	.000	.000	.000	.000	.000	.000	.000	1.00	.0
4481607	A	8	36.500	33.000	33.000	28.400	18.300	5.800	.000	.000	.000	2.50	.0
2392597	A	4	37.500	12.500	.000	.000	.000	.000	.000	.000	.000	1.00	.0
2408812	A	8	38.300	15.800	14.300	8.060	2.400	.000	.000	.000	.000	2.50	.0
2408903	A	8	38.600	32.430	29.650	24.880	24.880	14.380	5.000	.000	.000	2.50	.0
4481885	A	4	39.000	39.000	.000	.000	.000	.000	.000	.000	.000	2.50	.0
8278652	A	10	39.900	18.600	11.000	8.870	4.700	3.390	2.440	.000	.000	1.00	.0
4481290	A	10	40.000	33.000	22.000	18.000	11.700	10.000	10.000	6.000	.000	1.00	.0

E45-0359 Rev. 2

5-88

IBM Internal Use Only

September 15, 1982

Component Data Bank - P/N Catalog  
R-Pac Modules

PASSIVE COMPONENTS MANUAL

PG. 20 06/30/82 23:31 UR0206 \*\*\* IBM INTERNAL USE \*\*\* COMPONENT DATA BANK INTERNAL USE ONLY  
CDB/RP ALL/RP TECH DCS#N NE 23517 RP/L/SP#N EQ 100 SEQ/LH RP/R1/KO RP/L/NO  
RES/ALL RP/T1 RP/TOL/O NO/LIMIT.

PART NUMBER	T NO. OF LEAD	R1 RESIST KILOHMS	R2 RESIST KILOHMS	R3 RESIST KILOHMS	R4 RESIST KILOHMS	R5 RESIST KILOHMS	R6 RESIST KILOHMS	R7 RESIST KILOHMS	R8 RESIST KILOHMS	R9 RESIST KILOHMS	R1 TOL %	TOL OHM
2408842 A	8	40.900	40.900	40.900	10.000	10.000	.000	.000	.000	.000	2.50	.0
2408900 A	8	42.200	10.500	7.500	1.500	1.070	.000	.000	.000	.000	1.00	.0
2408890 A	8	42.500	36.250	33.750	23.250	23.250	20.000	7.500	.000	.000	1.00	.0
2392965 A	8	43.000	43.000	43.000	43.000	43.000	43.000	43.000	.000	.000	2.50	.0
8278757 A	4	44.190	13.050	.000	.000	.000	.000	.000	.000	.000	1.00	.0
8519550 A	10	44.190	34.000	13.050	11.050	10.130	9.360	.000	.000	.000	1.00	.0
2408731 A	6	44.200	35.700	15.800	14.300	.000	.000	.000	.000	.000	1.00	.0
2408738 A	6	45.010	23.000	19.200	13.940	.000	.000	.000	.000	.000	1.00	.0
8493081 A	6	45.300	7.500	.374	.000	.000	.000	.000	.000	.000	2.50	.0
2408105 A	10	46.000	37.400	3.350	.460	.072	.000	.000	.000	.000	2.50	.0
8278646 A	6	47.000	39.000	33.000	.000	.000	.000	.000	.000	.000	2.50	.0
8519662 A	4	47.000	10.000	.000	.000	.000	.000	.000	.000	.000	2.50	.0
4481600 A	6	48.500	12.300	11.600	11.500	.000	.000	.000	.000	.000	2.50	.0
4481541 A	4	49.000	49.000	.000	.000	.000	.000	.000	.000	.000	1.00	.0
8278771 A	8	49.900	49.900	22.600	13.000	8.250	6.340	5.110	.000	.000	1.00	.0
2392565 A	4	50.000	50.000	50.000	.000	.000	.000	.000	.000	.000	2.50	.0
2408161 A	8	50.000	50.000	50.000	50.000	11.800	11.800	5.070	5.070	.000	2.50	.0
2408378 A	4	50.000	50.000	.000	.000	.000	.000	.000	.000	.000	1.00	.0
4481239 A	6	50.000	20.000	10.000	10.000	10.000	.000	.000	.000	.000	2.50	.0
4481289 A	10	50.000	50.000	20.000	20.000	8.200	8.200	6.700	.000	.000	1.00	.0
4481419 A	6	50.000	2.700	.620	.300	.000	.000	.000	.000	.000	2.50	.0
8519494 A	8	50.000	16.000	1.000	1.000	.200	.000	.000	.000	.000	2.50	.0
2408690 A	6	51.000	51.000	3.740	3.740	.000	.000	.000	.000	.000	2.50	.0
2408722 A	6	51.000	7.500	6.200	.000	.000	.000	.000	.000	.000	2.50	.0
2408724 A	6	51.000	51.000	10.000	.000	.000	.000	.000	.000	.000	2.50	.0
2408999 A	8	51.000	51.000	51.000	7.500	7.500	7.500	7.500	.000	.000	2.50	.0
4481287 A	6	51.000	51.000	51.000	6.200	5.100	.000	.000	.000	.000	2.50	.0
8278678 A	6	51.000	51.000	51.000	.000	.000	.000	.000	.000	.000	2.50	.0
8519381 A	8	51.000	13.000	10.000	10.000	10.000	10.000	.000	.000	.000	2.50	.0
8519508 A	6	51.000	3.000	1.500	1.500	.000	.000	.000	.000	.000	2.50	.0
8278786 A	10	51.300	50.000	17.000	15.500	13.600	13.600	10.000	10.000	10.000	1.00	.0
2408116 A	10	52.300	37.400	37.400	22.100	22.100	22.100	22.100	15.400	.000	1.00	.0
4481542 A	4	53.000	10.000	.000	.000	.000	.000	.000	.000	.000	1.00	.0
2408972 A	8	53.600	13.000	.680	.680	.680	.680	.680	.000	.000	2.50	.0
4481521 A	6	53.600	7.500	7.320	1.180	1.150	.000	.000	.000	.000	2.50	.0
4718628 A	6	53.600	53.600	7.500	.000	.000	.000	.000	.000	.000	1.00	.0
2408344 A	4	54.900	54.900	54.900	.000	.000	.000	.000	.000	.000	1.00	.0
2408901 A	8	54.900	9.090	7.680	1.540	1.020	.000	.000	.000	.000	1.00	.0
8278765 A	10	56.000	56.000	56.000	56.000	6.500	5.100	.000	.000	.000	1.00	.0
2408740 A	6	57.100	57.100	20.000	4.700	4.700	.000	.000	.000	.000	2.50	.0
2408899 A	8	57.600	16.200	14.300	2.610	2.320	.000	.000	.000	.000	1.00	.0
8278751 A	4	58.220	18.240	.000	.000	.000	.000	.000	.000	.000	1.00	.0
2408112 A	10	59.000	59.000	53.000	37.100	22.100	22.100	10.000	10.000	.000	1.00	.0
2408943 A	8	59.000	48.700	36.000	32.400	18.200	13.000	7.150	.000	.000	1.00	.0
8278687 A	6	60.000	60.000	30.000	30.000	.000	.000	.000	.000	.000	1.00	.0
8278750 A	4	60.000	18.000	.000	.000	.000	.000	.000	.000	.000	1.00	.0
2408366 A	4	60.400	60.400	6.810	.000	.000	.000	.000	.000	.000	2.50	.0

E45-0359 Rev. 2

IBM Internal Use Only

5-89

September 15, 1982

PASSIVE COMPONENTS MANUAL

Component Data Bank - P/N Catalog  
R-Pac Modules

PG. 21 06/30/82 23:31 UR0206 \*\*\* IBM INTERNAL USE \*\*\* COMPONENT DATA BANK INTERNAL USE ONLY  
CDB/RP ALL/RP TECH DCS#N NE 23517 RP/L/SP#N EQ 100 SEQ/LH RP/R1/KO RP/L/NO  
RES/ALL RP/T1 RP/TOL/O NO/LIMIT.

PART NUMBER	T NO.	R1 U OF LEAD	R2 RESIST KILOHMS	R3 RESIST KILOHMS	R4 RESIST KILOHMS	R5 RESIST KILOHMS	R6 RESIST KILOHMS	R7 RESIST KILOHMS	R8 RESIST KILOHMS	R9 RESIST KILOHMS	R1 TOL %	TOL OHM
4481664	A	4	60.400	1.000	.000	.000	.000	.000	.000	.000	1.00	.0
8278735	A	4	60.400	44.600	.000	.000	.000	.000	.000	.000	1.00	.0
2392963	A	8	62.000	11.300	8.200	7.500	6.190	5.600	.000	.000	1.00	.0
2408710	A	6	62.000	2.000	2.000	2.000	.000	.000	.000	.000	2.50	.0
8278701	A	10	62.000	50.000	50.000	46.540	42.690	25.000	10.000	.000	2.50	.0
2408885	A	8	63.400	59.000	54.900	32.400	26.700	8.660	.000	.000	1.00	.0
8278758	A	6	64.300	50.000	20.000	.000	.000	.000	.000	.000	1.00	.0
8278755	A	4	65.550	20.000	20.000	.000	.000	.000	.000	.000	1.00	.0
2408813	A	8	66.500	66.500	51.000	39.200	4.000	2.800	.000	.000	2.50	.0
2408845	A	8	66.500	66.500	66.500	51.000	4.000	2.800	.000	.000	2.50	.0
2392840	A	8	68.000	4.300	4.000	.000	.000	.000	.000	.000	2.50	.0
2408643	A	6	68.000	68.000	18.700	3.300	.000	.000	.000	.000	1.00	.0
4481817	A	6	68.000	10.000	.360	.000	.000	.000	.000	.000	2.50	.0
2392982	A	8	68.100	43.200	30.100	30.100	15.000	5.620	.000	.000	2.50	.0
4481517	A	6	69.800	28.000	15.800	7.500	6.650	.000	.000	.000	2.50	.0
8278734	A	4	70.900	54.900	.000	.000	.000	.000	.000	.000	1.00	.0
8493589	A	8	71.000	71.000	51.000	15.000	1.000	.000	.000	.000	1.00	.0
8519581	A	8	72.000	72.000	12.000	12.000	12.000	12.000	.000	.000	2.50	.0
2408113	A	10	73.200	73.200	37.400	37.400	22.100	22.100	22.100	.000	1.00	.0
2408115	A	10	73.200	73.200	26.100	26.100	22.100	22.100	22.100	.000	1.00	.0
8278759	A	4	73.960	20.490	.000	.000	.000	.000	.000	.000	1.00	.0
2408168	A	10	75.000	75.000	75.000	75.000	51.000	51.000	51.000	.000	1.00	.0
2408942	A	8	75.000	68.000	50.000	39.000	27.000	15.000	.000	.000	2.50	.0
4429911	A	6	75.000	37.400	37.400	31.600	.000	.000	.000	.000	1.00	.0
8519492	A	8	78.000	78.000	78.000	78.000	78.000	3.900	.000	.000	1.00	.0
2408979	A	8	79.000	79.000	20.000	20.000	.000	.000	.000	.000	1.00	.0
2408192	A	10	80.000	80.000	80.000	80.000	80.000	40.000	40.000	40.000	1.00	.0
8278760	A	4	80.000	22.230	15.840	.000	.000	.000	.000	.000	1.00	.0
8278770	A	8	80.000	40.000	30.000	24.000	8.000	7.500	.000	.000	1.00	.0
8519554	A	10	80.000	73.960	64.300	50.000	22.230	20.490	15.840	.000	1.00	.0
2408166	A	10	82.000	68.100	39.000	13.000	.820	.680	.000	.000	2.50	.0
2408971	A	8	82.000	2.940	.470	.470	.100	.000	.000	.000	1.00	.0
2408973	A	8	82.000	2.660	2.210	1.300	.909	.820	.000	.000	2.50	.0
8278689	A	6	82.400	41.200	11.800	11.800	.000	.000	.000	.000	1.00	.0
2408343	A	4	82.500	41.200	41.200	.000	.000	.000	.000	.000	1.00	.0
2408347	A	4	82.500	8.250	.000	.000	.000	.000	.000	.000	1.00	.0
2408124	A	10	85.000	53.600	39.000	13.000	.820	.680	.000	.000	2.50	.0
8278747	A	4	89.840	36.260	25.950	.000	.000	.000	.000	.000	1.00	.0
8278643	A	6	90.000	90.000	10.000	10.000	.000	.000	.000	.000	2.50	.0
2408886	A	8	90.900	73.200	8.060	8.060	.000	.000	.000	.000	1.00	.0
8278773	A	4	90.900	69.800	60.400	.000	.000	.000	.000	.000	1.00	.0
8278779	A	8	90.900	37.400	23.200	22.100	18.700	12.400	.000	.000	1.00	.0
2408946	A	8	91.000	68.000	36.000	24.000	24.000	20.000	10.000	.000	2.50	.0
2408707	A	6	93.000	25.000	23.600	18.000	8.250	.000	.000	.000	2.50	.0
8278787	A	10	94.300	87.000	70.900	62.300	10.000	10.000	10.000	.000	1.00	.0
8278748	A	4	98.440	.000	.000	.000	.000	.000	.000	.000	1.00	.0
8519551	A	8	98.440	60.000	23.530	21.310	18.000	.000	.000	.000	1.00	.0

E45-0359 Rev. 2

IBM Internal Use Only

5-90

September 15, 1982

PASSIVE COMPONENTS MANUAL

Component Data Bank - P/N Catalog  
R-Pac Modules

PG. 22 06/30/82 23:31 UR0206 \*\*\* IBM INTERNAL USE \*\*\* COMPONENT DATA BANK INTERNAL USE ONLY  
CDB/RP ALL/RP TECH DCS#N NE 23517 RP/L/SP#N EQ 100 SEQ/LH RP/RI/KO RP/L/NO  
RES/ALL RP/TI RP/TOL/O NO/LIMIT.

PART NUMBER	T NO. OF LEAD	R1 RESIST KILOHMS	R2 RESIST KILOHMS	R3 RESIST KILOHMS	R4 RESIST KILOHMS	R5 RESIST KILOHMS	R6 RESIST KILOHMS	R7 RESIST KILOHMS	R8 RESIST KILOHMS	R9 RESIST KILOHMS	R1 TOL %	TOL OHM
2408130 A	10	100.000	100.000	100.000	100.000	20.000	.000	.000	.000	.000	2.00	.0
2408134 A	10	100.000	100.000	100.000	100.000	36.000	20.000	14.700	5.000	3.240	2.50	.0
2408136 A	10	100.000	36.000	20.000	9.090	9.090	5.000	4.700	2.000	1.000	2.50	.0
2408163 A	10	100.000	100.000	36.000	9.090	9.090	8.000	4.700	3.300	1.000	2.50	.0
2408172 A	8	100.000	76.000	100.000	76.000	15.000	.000	.000	.000	.000	2.50	.0
2408174 A	8	100.000	100.000	82.500	82.500	28.700	11.000	.000	.000	.000	2.50	.0
2408322 A	4	100.000	51.000	1.000	.000	.000	.000	.000	.000	.000	2.50	.0
2408337 A	4	100.000	100.000	100.000	.000	.000	.000	.000	.000	.000	2.50	.0
2408708 A	6	100.000	72.000	10.000	10.000	.000	.000	.000	.000	.000	2.50	.0
2408737 A	6	100.000	47.500	27.500	22.500	18.750	.000	.000	.000	.000	2.50	.0
2408776 A	6	100.000	100.000	20.000	.300	.300	.800	.000	.000	.000	2.50	.0
2408783 A	6	100.000	20.000	2.000	.000	.000	.000	.000	.000	.000	2.50	.0
2408861 A	8	100.000	100.000	5.000	5.000	5.000	5.000	3.740	.000	.000	2.50	.0
4481518 A	8	100.000	50.000	50.000	33.200	20.000	.000	.000	.000	.000	2.50	.0
4481693 A	4	100.000	10.000	.000	.000	.000	.000	.000	.000	.000	2.50	.0
4481954 A	6	100.000	22.000	13.000	.000	.000	.000	.000	.000	.000	2.50	.0
4718611 A	6	100.000	22.000	13.000	.000	.000	.000	.000	.000	.000	2.50	.0
8278624 A	6	100.000	100.000	10.000	10.000	.000	.000	.000	.000	.000	2.50	.0
8278645 A	6	100.000	22.000	16.000	.000	.000	.000	.000	.000	.000	2.50	.0
8278683 A	8	100.000	62.000	25.000	10.000	6.200	6.200	5.600	.000	.000	2.50	.0
8278713 A	8	100.000	82.500	82.500	38.300	28.700	.000	.000	.000	.000	2.50	.0
8278720 A	8	100.000	82.500	82.500	38.300	28.700	4.670	.000	.000	.000	2.50	.0
8278721 A	6	100.000	100.000	100.000	100.000	20.000	.000	.000	.000	.000	2.50	.0
8278768 A	6	100.000	100.000	100.000	100.000	2.500	.000	.000	.000	.000	2.50	.0
8278775 A	8	100.000	18.000	12.400	12.400	12.000	.000	.000	.000	.000	2.50	.0
8278789 A	8	100.000	102.000	37.400	23.200	22.100	12.400	.000	.000	.000	1.00	.0
2408155 A	10	106.000	78.300	72.700	50.900	20.000	.000	.000	.000	.000	1.00	.0
2392594 A	4	107.000	54.900	12.000	.000	.000	.000	.000	.000	.000	1.00	.0
2408138 A	10	110.000	110.000	110.000	73.200	73.200	73.200	.000	.000	.000	1.00	.0
4481314 A	6	110.000	5.100	3.900	2.400	.000	.000	.000	.000	.000	2.50	.0
8278754 A	4	112.700	20.000	20.000	.000	.000	.000	.000	.000	.000	1.00	.0
8519553 A	8	112.700	65.550	20.000	20.000	20.000	20.000	.000	.000	.000	1.00	.0
4718629 A	10	113.000	6.300	6.300	3.700	2.000	2.000	1.200	1.000	.000	2.50	.0
8278629 A	6	120.000	120.000	120.000	120.000	.000	.000	.000	1.000	.000	2.50	.0
2408334 A	4	121.000	121.000	.000	.000	.000	.000	.000	.000	.000	1.00	.0
2408741 A	6	121.000	110.000	1.000	1.000	.000	.000	.000	.000	.000	2.50	.0
8278661 A	8	130.000	20.000	20.000	20.000	20.000	.000	.000	.000	.000	2.50	.0
2408133 A	10	133.000	20.000	20.000	20.000	13.600	3.200	2.000	2.000	.800	2.50	.0
2408859 A	8	133.000	85.000	57.000	20.300	19.500	17.300	10.000	.000	.000	2.50	.0
2408908 A	8	133.000	115.000	57.000	20.300	19.500	17.300	10.000	.000	.000	2.50	.0
8519370 A	4	133.000	133.000	.000	.000	.000	.000	.000	.000	.000	2.50	.0
8278763 A	4	147.560	73.780	73.780	.000	.000	.000	.000	.000	.000	1.00	.0
2408167 A	8	150.000	150.000	150.000	150.000	.000	.000	.000	.000	.000	5.00	.0
2408650 A	6	150.000	15.000	10.000	7.500	.000	.000	.000	.000	.000	2.50	.0
2408883 A	8	150.000	113.000	48.700	20.000	.000	.000	.000	.000	.000	1.00	.0
2408950 A	8	150.000	113.000	48.700	40.000	.000	.000	.000	.000	.000	1.00	.0
4481439 A	6	150.000	150.000	10.000	2.000	.000	.000	.000	.000	.000	2.50	.0

PG. 23 06/30/82 23:31 UR0206 \*\*\* IBM INTERNAL USE \*\*\* COMPONENT DATA BANK INTERNAL USE ONLY  
CDB/RP ALL/RP TECH DCS#N NE 23517 RP/L/SP#N EQ 100 SEQ/LH RP/R1/KO RP/L/NO  
RES/ALL RP/T1 RP/TOL/O NO/LIMIT.

PART NUMBER	T U OF C	NO. LEAD	R1 RESIST KILOHMS	R2 RESIST KILOHMS	R3 RESIST KILOHMS	R4 RESIST KILOHMS	R5 RESIST KILOHMS	R6 RESIST KILOHMS	R7 RESIST KILOHMS	R8 RESIST KILOHMS	R9 RESIST KILOHMS	R1 TOL %	TOL OHM
8278695	A	10	150.000	50.000	50.000	1.000	1.000	1.000	1.000	.720	.165	2.50	.0
8278753	A	4	153.000	20.000	20.000	.000	.000	.000	.000	.000	.000	1.00	.0
2408963	A	8	159.000	159.000	45.000	45.000	.000	.000	.000	.000	.000	1.00	.0
8278667	A	8	160.000	30.000	30.000	30.000	10.000	10.000	10.000	.000	.000	1.00	.0
4481112	A	6	165.000	165.000	53.600	10.000	.000	.000	.000	.000	.000	1.00	.0
2408193	A	10	166.000	80.000	80.000	74.300	40.000	17.820	17.820	17.820	.000	1.00	.0
2408128	A	10	167.000	152.000	107.000	49.000	20.000	.000	.000	.000	.000	1.00	.0
4481544	A	6	191.000	191.000	100.000	100.000	.000	.000	.000	.000	.000	1.00	.0
4481545	A	6	193.000	115.000	115.000	.000	.000	.000	.000	.000	.000	1.00	.0
4481427	A	4	196.000	196.000	.000	.000	.000	.000	.000	.000	.000	1.00	.0
2392948	A	8	200.000	21.500	21.500	10.000	4.380	.000	.000	.000	.000	1.00	.0
2392962	A	8	200.000	13.000	11.300	6.800	6.800	1.910	.000	.000	.000	1.00	.0
2408162	A	10	200.000	49.900	49.900	10.000	5.000	2.000	.800	.576	.324	2.50	.0
8278653	A	10	200.000	20.500	13.700	10.000	4.950	2.300	1.000	.000	.000	5.00	.0
8278669	A	6	200.000	47.000	29.400	4.300	.000	.000	.000	.000	.000	5.00	.0
8278693	A	8	200.000	47.000	29.400	11.000	4.300	1.000	.000	.000	.000	5.00	.0
8278780	A	6	200.000	100.000	100.000	30.000	30.000	.000	.000	.000	.000	5.00	.0
8519534	A	4	201.523	110.402	.000	.000	.000	.000	.000	.000	.000	2.50	.0
8278712	A	10	209.000	80.000	80.000	72.700	40.000	22.700	22.700	22.700	.000	1.00	.0
2408135	A	10	232.000	155.000	100.000	51.000	21.000	20.000	20.000	18.000	.000	2.50	.0
2408709	A	6	250.000	67.000	2.900	2.370	.510	.000	.000	.000	.000	1.00	.0
2408876	A	8	270.000	137.000	3.300	2.000	.200	.000	.000	.000	.000	2.50	.0
4481543	A	4	271.000	67.700	.000	.000	.000	.000	.000	.000	.000	1.00	.0
8519225	A	8	294.000	2.940	1.960	.845	.187	.000	.000	.000	.000	1.00	.0
2392595	A	4	300.000	30.000	30.000	.000	.000	.000	.000	.000	.000	1.00	.0
2408936	A	8	300.000	21.500	21.500	10.000	4.380	.000	.000	.000	.000	1.00	.0
2408759	A	6	390.000	390.000	390.000	.000	.000	.000	.000	.000	.000	2.50	.0
2408853	A	8	390.000	390.000	390.000	390.000	390.000	.000	.000	.000	.000	2.50	.0
2408922	A	8	390.000	100.000	68.000	41.200	36.500	4.000	.800	.000	.000	2.50	.0
2408944	A	8	390.000	390.000	390.000	.000	.000	.000	.000	.000	.000	2.50	.0
4481228	A	6	400.000	55.000	55.000	.300	.000	.000	.000	.000	.000	2.50	.0
4481734	A	8	500.000	500.000	500.000	500.000	.000	.000	.000	.000	.000	2.50	.0
8278660	A	8	500.000	500.000	500.000	500.000	.000	.000	.000	.000	.000	2.50	.0
2408766	A	6	510.000	46.500	259.000	186.200	.000	.000	.000	.000	.000	1.00	.0
4481539	A	8	510.000	510.000	240.000	240.000	.000	.000	.000	.000	.000	2.50	.0
4481546	A	6	512.000	70.000	70.000	.493	.000	.000	.000	.000	.000	1.00	.0
2408947	A	8	910.000	510.000	180.000	.000	.000	.000	.000	.000	.000	2.50	.0
2408178	A	10	1,000.000	1,000.000	1,000.000	1,000.000	1,000.000	1,000.000	1,000.000	1,000.000	.000	9.00	.0
2408370	A	4	1,000.000	10.000	.000	.000	.000	.000	.000	.000	.000	5.00	.0
4481225	A	4	1,000.000	100.000	.000	.000	.000	.000	.000	.000	.000	9.99	.0
2408743	A	6	1,300.000	1,300.000	1,200	1,200	.000	.000	.000	.000	.000	2.50	.0
TOTAL RECORDS			1,075										



PG. 1 06/30/82 23:32 UR0206 \*\*\* IBM INTERNAL USE \*\*\* COMPONENT DATA BANK INTERNAL USE ONLY  
CDB/RP ALL/RP TECH DCS#N NE 23517 RP/L/SP#N EQ 100 RP/L/NO LEAD/ASSIGN PD/ALL  
RP/L/LG NO/LIMIT.

PART NUMBER	T U C	NO. OF LEAD	R1 LEAD	R2 LEAD	R3 LEAD	R4 LEAD	R5 LEAD	R6 LEAD	R7 LEAD	R8 LEAD	R9 LEAD	R1 P D	R2 P D	R3 P D	R4 P D	R5 P D	R6 P D	R7 P D	R8 P D	R9 P D	NOM LEAD LGTH
2392377	A	4	4-2	1-2								50	175								90
2392378	A	4	2-1	4-3								100	100								90
2392379	A	4	1-2	3-2	4-3							100	100	100							90
2392380	A	4	1-4									600									90
2392381	A	4	4-3	2-1								230	50								90
2392389	A	4	4-3	3-1								100	400								90
2392400	A	4	3-1	4-1	2-1							50	100	255							90
2392414	A	4	2-1	3-1	4-1							100	100	100							90
2392416	A	4	1-2	3-2	4-3							125	125	125							90
2392417	A	4	2-1	3-4								125	125								90
2392419	A	4	1-2	3-2	4-2							125	125	125							90
2392422	A	4	2-1	4-3								125	125								90
2392427	A	4	4-3	3-1	2-1							75	50	200							90
2392428	A	4	4-3	4-1	1-2	2-3						50	50	75	75						90
2392471	A	4	2-1	3-1	4-1							165	165	165							90
2392473	A	4	3-1	4-1	2-1							50	100	255							90
2392481	A	4	1-4	3-4								125	125								90
2392485	A	4	2-1	4-3								100	100								90
2392488	A	4	2-1	3-1	4-1							100	100	100							90
2392493	A	4	2-1	3-1	4-1							100	100	100							90
2392494	A	4	2-1	3-1	4-1							100	100	100							90
2392495	A	4	4-1	3-4	1-2	2-3						50	50	200	200						90
2392498	A	4	4-1	2-1	3-1							100	100	100							90
2392500	A	4	4-1	2-1	3-1							100	100	100							90
2392502	A	4	2-1	3-1	4-1							100	100	100							90
2392503	A	4	2-1	4-3								100	100								90
2392504	A	4	3-4	1-4								100	100								90
2392530	A	4	2-1	3-1	4-1							100	100	100							90
2392531	A	4	2-1	3-1	4-1							100	100	100							90
2392547	A	4	4-1	3-4	1-2	2-3						50	50	200	200						90
2392552	A	4	2-1	3-1	4-1							100	100	100							90
2392554	A	4	2-1	4-3								125	125								90
2392555	A	4	1-4	2-4	3-4							125	125	125							90
2392557	A	4	2-1	3-1	4-1							100	100	100							90
2392564	A	4	2-1	3-1								250	250								90
2392565	A	4	2-1	3-1	4-1							100	100	100							90
2392568	A	4	2-1	3-1	4-1							100	100	100							90
2392569	A	4	2-1	3-1	4-1							100	100	100							90
2392571	A	4	2-1	4-3								100	100								90
2392576	A	4																			130
2392577	A	4																			130
2392578	A	4																			130
2392579	A	4																			130
2392580	A	4																			130
2392581	A	4																			130
2392582	A	4	3-2	4-3	4-1	2-1						100	100	100	100						130
2392584	A	4	3-2	4-2	1-2							125	125	125							90

PASSIVE COMPONENTS MANUAL

Component Data Bank - P/N Catalog  
R-Pac Modules

PG. 2 06/30/82 23:32 UR0206 *** IBM INTERNAL USE *** COMPONENT DATA BANK INTERNAL USE ONLY		CDB/RP ALL/RP TECH DCS#N NE 23517 RP/L/SP#N EQ 100 RP/L/NO LEAD/ASSIGN PD/ALL																	NOM			
RP/L/LG NO/LIMIT.		T	R1	R2	R3	R4	R5	R6	R7	R8	R9	R1	R2	R3	R4	R5	R6	R7	R8	R9	LEAD	
PART	U	NO.	LEAD	LEAD	LEAD	LEAD	LEAD	LEAD	LEAD	LEAD	LEAD	P D	P D	P D	P D	P D	P D	P D	P D	P D	P D	LGTH
NUMBER	C	LEAD	ASGN	ASGN	ASGN	ASGN	ASGN	ASGN	ASGN	ASGN	ASGN	MW	MW	MW	MW	MW	MW	MW	MW	MW	MW	
2392585	A	4 2-1	3-1	4-1								125	125	125								90
2392586	A	4 4-3	1-3									125	125									90
2392588	A	4 2-1	3-4									125	125									90
2392589	A	4 3-1	2-1	4-1								125	125	125								90
2392590	A	4 2-1	4-3									10	500									90
2392591	A	4 2-1	3-2									125	125									90
2392592	A	4 1-2	1-3	1-4								125	125	125								90
2392593	A	4 3-1	4-1	2-1								100	100	100								90
2392594	A	4 3-2	1-3	5-4								10	50	75								90
2392595	A	4 1-2	3-2	4-3								10	50	50								90
2392596	A	4 2-1	3-1	4-3								100	100	100								90
2392597	A	4 3-2	1-2									125	125									90
2392598	A	4 2-1	3-1	4-1								100	100	100								90
2392599	A	4 3-2	1-2	4-2								50	50	50								90
2392699	A	6 2-1	3-1	4-1	5-1	6-1						100	100	100	100	100						90
2392700	A	6 2-1	3-1	4-1	5-1	6-1						100	100	100	100	100						90
2392701	A	6 2-1	3-1	4-1	5-1	6-1						50	50	50	50	50						90
2392702	A	6 4-3	1-3	6-5								125	275	125								90
2392703	A	6 6-5	4-3	2-1								50	100	50								90
2392708	A	6 3-1	6-4									300	300									90
2392712	A	6 2-1	3-1	4-1	5-1	6-1						100	100	100	100	100						90
2392719	A	6 2-1	4-3	6-5								100	100	100								90
2392720	A	6 2-1	3-1	4-1	5-1	6-1						100	100	100	100	100						90
2392723	A	6 5-4	6-4	2-1								125	125	125								90
2392733	A	6 2-1	4-3	6-5								180	75	75								90
2392737	A	6 2-1	3-1	4-1	5-1	6-1						100	100	100	100	100						90
2392738	A	6 4-6	2-1	5-6	3-1							50	50	170	75	75						90
2392739	A	6 2-1	3-1	4-1	5-1	6-1						75	75	75	75	75						90
2392740	A	6 5-1	6-5	2-1								560	50	150								90
2392754	A	6 2-1	4-3	6-5								75	75	75								90
2392780	A	6 6-1										725										90
2392787	A	6 1-3	2-3	5-4	6-4							100	100	100	100							90
2392788	A	6 3-1	2-1	6-1	5-1	4-1						180	100	100	125	115						90
2392791	A	6 2-1	3-1	4-1	5-1	6-1						165	165	165	165	165						90
2392792	A	6 6-1	2-1	3-1	4-1	5-1						100	100	100	100	100						90
2392793	A	6 1-2	6-5	5-2	5-3							100	100	100	100							90
2392815	A	8 2-1	3-1	4-1	5-1	6-1	7-1	8-1				75	75	75	75	75	75	75				90
2392828	A	8 2-1	4-3	6-5	8-7							150	150	150	150							90
2392840	A	8 7-1	8-7	6-1								50	50	765								90
2392848	A	8 2-1	4-3	6-5	8-7							225	225	225								90
2392867	A	8 6-5	1-4	2-4	8-7	4-5	3-4	7-6				100	100	100	100	100	100	100				90
2392868	A	8 6-5	5-3	2-1	4-3	7-5	8-7					100	100	100	100	150	125					90
2392878	A	8 2-3	3-4	8-7	1-2	5-4	6-7					100	100	100	100	100	100					90
2392880	A	8 1-4	2-4	5-4	5-4	6-4	7-4	8-4				100	100	100	100	100	100	100				90
2392884	A	8 2-1	3-1	4-1	5-1	6-1	7-1	8-1				100	100	100	100	100	100	100				90
2392885	A	8 2-1	3-1	4-1	5-1	6-1	7-1	8-1				100	100	100	100	100	100	100				90
2392886	A	8 2-1	3-1	4-1	5-1	6-1	7-1	8-1				100	100	100	100	100	100	100				90

E45-0359 Rev. 2

IBM Internal Use Only

September 15, 1982

Component Data Bank - P/N Catalog  
R-Pac Modules

PG. 3 06/30/82 23:32 UR0206 \*\*\* IBM INTERNAL USE \*\*\* COMPONENT DATA BANK INTERNAL USE ONLY  
CDB/RP ALL/RP TECH DCS#N NE 23517 RP/L/SP#N EQ 100 RP/L/NO LEAD/ASSIGN PD/ALL  
RP/L/LG NO/LIMIT.

PART NUMBER	T U	NO. OF LEAD C	R1 LEAD ASGN	R2 LEAD ASGN	R3 LEAD ASGN	R4 LEAD ASGN	R5 LEAD ASGN	R6 LEAD ASGN	R7 LEAD ASGN	R8 LEAD ASGN	R9 LEAD ASGN	R1 P D MW	R2 P D MW	R3 P D MW	R4 P D MW	R5 P D MW	R6 P D MW	R7 P D MW	R8 P D MW	R9 P D MW	NOM LEAD LGTH
2392887	A	8	2-1	3-1	4-1	5-1	6-1	7-1	8-1			100	100	100	100	100	100	100			90
2392890	A	8	2-1	3-1	4-1	5-1	6-1	7-1	8-1			100	100	100	100	100	100	100			90
2392895	A	8	2-3	4-3	7-6	1-2	5-4	8-7				250	250	250	175	175	175				90
2392896	A	8	2-1	3-1	4-1	5-1	6-1	7-1	8-1			100	100	100	100	100	100	100			90
2392897	A	8	2-1	3-1	4-1	5-1	6-1	7-1	8-1			100	100	100	100	100	100	100			90
2392898	A	8	2-1	3-1	4-1	5-1	6-1	7-1	8-1			100	100	100	100	100	100	100			90
2392903	A	8	4-5	2-3	6-7	3-5	1-3	8-7				100	100	100	100	100	100				90
2392906	A	8	8-7	3-2	1-2	7-5	4-3	5-4	6-5			100	100	100	100	100	120	100			90
2392908	A	8	2-1	4-3	6-5	8-7						100	100	100	100						90
2392911	A	8	4-8	5-8	1-8	2-8	3-8	6-8				100	100	100	100	100	250				90
2392918	A	8	7-6	8-6	1-6	2-6	3-6	4-6	5-6			100	100	100	100	100	100	100			90
2392933	A	8	4-3	7-6	8-7	3-2	6-5					100	100	100	100	100					90
2392934	A	8	3-2	4-3	8-7	2-1	5-6	7-6				100	100	100	100	100	100				90
2392935	A	8	6-5	7-5	8-5	1-5						100	100	100	450						90
2392936	A	8	1-2	3-2	8-4							100	100	450							90
2392937	A	8	1-2	5-4	2-3	4-3	6-7	8-7				100	100	100	100	100	100				90
2392939	A	8	3-2	5-4	7-6	2-1	4-1	6-1				100	100	100	100	100	100				90
2392940	A	8	2-1	3-1	4-1	5-1	6-1	7-1	8-1			100	100	100	100	100	100	100			90
2392941	A	8	2-1	3-1	4-1	5-1	6-1	7-1	8-1			100	100	100	100	100	100	100			90
2392942	A	8	2-1	3-1	4-1	5-1	6-1	7-1	8-1			100	100	100	100	100	100	100			90
2392947	A	8	2-1	4-3	5-3	7-6						100	100	100	100						90
2392948	A	8	6-7	1-2	5-4	8-7	3-2					50	100	100	100	100					90
2392949	A	8	8-5	7-5	6-5	2-1	3-1	4-1				100	100	100	100	100	100				90
2392953	A	8	2-1	4-3	6-5	8-7						100	100	100	100						90
2392958	A	8	2-1	3-1	4-1	5-1	6-1	7-1	8-1			100	100	100	100	100	100	100			90
2392961	A	8	2-1	6-5	7-8	3-2	5-4	8-7				100	100	100	100	100	100				90
2392962	A	8	7-5	4-5	8-7	2-1	3-2	6-5				50	100	100	100	100	100				90
2392963	A	8	5-3	7-6	2-3	1-2	8-7	6-3				100	100	100	100	100	100				90
2392964	A	8	2-1	4-1	6-1	8-1						195	195	195	195						90
2392965	A	8	2-1	5-1	4-1	5-1	6-1	7-1	8-1			100	100	100	100	100	100	100			90
2392966	A	8	6-1	2-1	4-1	8-1						210	230	230							90
2392967	A	8	2-1	3-1	4-1	5-1	6-1	7-1				100	100	100	100	100	100				90
2392968	A	8	2-1	4-1	6-1	3-2	5-4	7-6				100	100	100	100	100	100				90
2392969	A	8	4-5	1-7	8-7	6-5	3-1					100	240	180	25	50					90
2392970	A	8	1-3	6-5	7-5	4-3	5-4	2-3	8-7			100	100	100	100	100	100	100			90
2392971	A	8	4-1	4-7	2-1	6-7						160	160	100	100						90
2392972	A	8	2-1	7-6	4-3	5-4	3-2	6-5				100	100	100	100	100	100				90
2392974	A	8	1-4	5-4	8-7	2-3	6-5					100	100	100	100	100					90
2392975	A	8	4-3	8-7	2-1	6-5						50	255	50	100						90
2392976	A	8	1-5	3-5	8-5							250	250	250							90
2392977	A	8	7-1	8-2								950	950								90
2392978	A	8	2-1	3-1	4-1	5-1	6-1	7-1	8-1			100	100	100	100	100	100	100			90
2392982	A	8	1-3	6-5	4-3	5-4	8-7	7-6				100	100	100	100	100	100				90
2392983	A	8	8-7	3-2	1-2	7-5	4-3	5-4	6-5			100	100	100	100	100	100	100			90
2392984	A	8	3-4	8-7	4-6	7-6	1-2	2-3	5-6			100	100	100	100	100	100	100			90
2392986	A	8	8-7	7-6	3-2	5-4	2-1	6-5				100	100	100	100	100	100				90
2392987	A	8	5-4	3-2	8-7	2-1	6-5	7-6				100	100	100	100	100	100				90

PG. 4 06/30/82 23:32 UR0206 \*\*\* IBM INTERNAL USE \*\*\* COMPONENT DATA BANK INTERNAL USE ONLY  
CDB/RP ALL/RP TECH DCS#N NE 23517 RP/L/SP#N EQ 100 RP/L/NO LEAD/ASSIGN PD/ALL  
RP/L/LG NO/LIMIT.

PART NUMBER	T	NO. OF LEAD C	R1 LEAD	R2 LEAD	R3 LEAD	R4 LEAD	R5 LEAD	R6 LEAD	R7 LEAD	R8 LEAD	R9 LEAD	R1 P D	R2 P D	R3 P D	R4 P D	R5 P D	R6 P D	R7 P D	R8 P D	R9 P D	NOM LEAD LGTH
2392988 A		8	1-4	8-5								285	285								90
2392991 A		8	4-5	1-3	8-3	6-5						150	200								90
2392992 A		8	1-6	8-6	3-1	5-6						200	225	150	50						90
2408100 A		10	5-6	3-4	7-8	4-6	2-4	9-8	10-8			100	100	100	100	100	100				90
2408101 A		10	2-3	4-5	5-6	6-7	8-9	10-9				100	100	100	100	100	100				90
2408102 A		10	2-1	3-1	4-1	5-1	6-1	7-1	8-1	9-1		100	100	100	100	100	100	100			90
2408103 A		10	2-1	4-1	6-1	8-1	3-2	5-4	7-6	9-8	5-3	100	100	100	100	100	100	100	100		90
2408104 A		10	6-7	5-7	1-3	3-7	10-8					50	300	250	50	300					90
2408105 A		10	7-8	1-4	6-5	8-9	10-9					50	495	50	50	250					90
2408106 A		10	1-2	3-4	5-6	7-8	9-10					125	125	125	125	125					90
2408107 A		10	2-1	3-1	4-1	5-1	6-1	7-1	8-1	9-1		100	100	100	100	100	100	100	100		90
2408108 A		10	1-6	3-6	3-6	5-6	7-6	1-4	2-4	3-4	5-4	50	50	50	50	50	90	90	90		90
2408109 A		10	2-1	3-1	4-1	5-1	6-1	7-1	8-1	9-1		100	100	100	100	100	100	100			90
2408110 A		10	8-7	9-7	10-7	2-1	4-3	6-5				100	100	100	100	100	100				90
2408111 A		10	1-2	3-2	4-5	6-5	7-8	9-8				100	108	100	100	100	100				90
2408112 A		10	2-5	6-5	8-9	3-4	4-5	9-10	1-2	7-6		25	25	25	50	50	50	50	50		90
2408113 A		10	1-2	7-6	3-4	8-9	2-5	4-5	6-5	9-10		25	25	50	50	50	50	50	50		90
2408114 A		10	7-6	2-5	6-5	4-5	9-10	8-9	3-4	1-2		75	75	75	75	75	75	75	100		90
2408115 A		10	3-4	8-9	7-6	1-2	2-5	4-5	6-5	9-10		25	25	75	75	75	75	75	75		90
2408116 A		10	6-7	1-2	8-9	2-3	4-3	7-10	9-10	5-4		75	75	75	75	75	75	75	75		90
2408119 A		10	1-2	3-4	5-6	7-8	9-10					125	125	125	125	125					90
2408120 A		10	1-4	3-3	8-9	7-10	3-5	4-5	6-7	6-8	1-2	25	25	25	25	25	25	25	25	25	90
2408121 A		10	1-6	7-8	7-9	7-10	2-3	4-5	2-6	5-6		100	100	100	100	100	100	100	100		90
2408122 A		10	1-2	3-4	5-6	7-8	9-10					300	300	300	300	300					90
2408123 A		10	1-2	4-5	7-8	9-10	2-3	3-4	3-7	3-9		250	250	250	250	75	75	75	75		90
2408124 A		10	9-10	1-5	1-6	1-4	7-8	1-2	1-3			25	25	25	25	100	100	100			90
2408126 A		10	2-1	2-3	5-4	5-6	7-8	9-10				125	125	125	125	125	125				90
2408127 A		10	2-3	4-3	7-6	9-10	2-1	4-5	8-7	9-8		100	125	125	125	125	125	125			90
2408128 A		10	8-7	6-5	4-3	2-1	9-10					25	25	25	75	100					90
2408129 A		10	9-10	3-5	2-6	2-7	2-8	2-1	2-3	3-4		125	125	125	125	125	125	125	125		90
2408130 A		10	1-2	3-4	5-6	7-8	9-10					25	25	25	25	100					90
2408131 A		10	9-10	7-8	6-8	8-1	8-2	8-3	8-4	4-5		125	125	125	125	125	125	125	125		90
2408132 A		10	5-1	5-2	5-3	5-4	6-7	6-8	6-9	6-10		185	185	185	185	185	185	185	185		90
2408133 A		10	5-4	1-2	5-8	8-9	5-6	4-5	5-7	8-10	2-3	15	25	25	25	25	50	75	75	100	90
2408134 A		10	4-2	6-8	8-9	8-10	1-2	3-4	6-7	4-5	4-6	10	10	10	10	10	20	25	100	100	90
2408135 A		10	5-6	5-7	8-9	1-2	4-5	7-8	9-10	2-3		20	10	10	10	10	10	10	10	225	90
2408136 A		10	7-8	7-6	9-10	4-5	3-4	1-3	5-6	8-9	2-3	20	20	20	20	20	50	20	50	75	90
2408137 A		10	1-2	1-3	1-4	1-5	1-6	1-7	1-8	1-9		100	100	100	100	100	100	100	100		90
2408138 A		10	2-3	5-6	8-9	2-1	5-4	8-7				10	10	10	15	10	10				90
2408139 A		10	9-10	7-8	5-6	3-4	1-2					150	150	150	150	150					90
2408140 A		10	1-2	4-5	7-8	1-2	2-3	3-4	3-7	3-9		125	125	125	125	50	50	50	50		90
2408154 A		10	2-3	3-4	7-8	6-7	8-9	1-2	9-10	4-5		100	125	125	125	125	125	125	125		90
2408155 A		10	7-8	3-4	5-6	1-2	9-10					25	25	25	75	110					90
2408156 A		10	9-10	2-6	2-7	2-8	2-1	4-3	4-5			125	125	125	125	125	125	125	125		90
2408157 A		10	1-2	1-3	1-4	1-5	1-6	1-7	1-8	1-9	1-10	150	150	150	150	150	150	150	150	150	90
2408158 A		10	1-2	1-3	1-4	1-5	1-6	1-7	1-8	1-9	1-10	150	150	150	150	150	150	150	150	150	90
2408159 A		10	1-2	1-3	1-4	1-5	1-6	1-7	1-8	1-9	1-10	150	150	150	150	150	150	150	150	150	90

PASSIVE COMPONENTS MANUAL

Component Data Bank - P/N Catalog  
R-Pac Modules

PG. 5 06/30/82 23:32 UR0206 \*\*\* IBM INTERNAL USE \*\*\* COMPONENT DATA BANK INTERNAL USE ONLY  
CDB/ RP ALL/ RP TECH DCS#N NE 23517 RP/L/ SP#N EQ 100 RP/L/ NO LEAD/ ASSIGN PD/ ALL  
RP/L/ LG NO/ LIMIT.

PART NUMBER	T	NO. OF C	R1 LEAD	R2 LEAD	R3 LEAD	R4 LEAD	R5 LEAD	R6 LEAD	R7 LEAD	R8 LEAD	R9 LEAD	R1 P D	R2 P D	R3 P D	R4 P D	R5 P D	R6 P D	R7 P D	R8 P D	R9 P D	NOM LEAD LGTH
2408160	A	10	1-2	1-3	1-4	1-5	1-6	1-7	1-8	1-9	1-10	150	150	150	150	150	150	150	150	150	90
2408161	A	8	1-2	3-4	8-6	8-7	8-5	5-6	5-1	5-3		50	50	50	50	20	20	20	20	20	90
2408162	A	10	6-8	2-3	3-4	8-9	6-7	5-6	4-5	9-10	1-2	10	10	25	75	50	50	75	150	100	90
2408163	A	10	3-2	3-6	1-2	8-9	9-10	3-4	7-8	6-7	4-5	10	10	25	25	25	25	100	100	100	90
2408164	A	10	1-2	1-3	1-4	1-5	1-6	1-7	1-8	1-9	1-10	100	100	100	100	100	100	100	100	100	90
2408165	A	10	1-2	1-3	1-4	1-5	1-6	1-7	1-8	1-9	1-10	100	100	100	100	100	100	100	100	108	90
2408166	A	10	9-10	1-5	1-6	1-4	7-8	1-2	1-3			25	25	25	25	100	100	100			90
2408167	A	8	1-2	3-4	5-6	7-8						10	10	10	10						90
2408168	A	10	1-2	1-3	1-4	1-5	10-6	10-7	10-8	10-9		25	25	25	25	25	25	25	25		90
2408169	A	10	1-2	1-3	1-4	1-5	10-6	10-7	10-8	10-9		100	100	100	100	100	100	100			90
2408170	A	8	5-3	4-3	2-3	7-8	1-2	5-6				100	100	100	100	100	100				90
2408171	A	8	3-4	7-8	1-2	5-6						100	100	100	100						90
2408172	A	8	7-8	3-4	3-5	3-6	1-2					10	10	10	10	25					90
2408173	A	8	7-8	6-5	2-3	1-2	4-6					100	100	100	100	100					90
2408174	A	8	5-6	7-8	2-3	3-4	3-5	1-2				10	10	10	10	25	25				90
2408176	A	8	6-7	7-8	3-4	4-5	1-2					100	100	100	100	100					90
2408177	A	8	6-7	7-8	3-4	4-5	1-2					100	100	100	100	100					90
2408178	A	10	1-2	1-3	1-4	1-5	1-6	1-7	1-8	1-9		15	15	15	15	15	15	15			90
2408179	A	10	5-7	5-6	4-2	9-8	4-3	9-10	4-1			50	50	50	50	50	50	50			90
2408188	A	8	5-6	6-8	4-5	6-7	3-4	2-3	1-2			50	50	50	50	50	50				90
2408189	A	8	5-6	5-4	1-2	7-8	2-3					125	125	125	125	125					90
2408190	A	8	3-4	4-5	3-2	1-2	5-6	7-8				100	100	100	100	100	100				90
2408191	A	10	5-1	5-2	5-3	5-4	6-7	6-8	6-9	6-10		185	185	185	185	185	185	185	185		90
2408192	A	10	1-2	3-4	5-6	7-8	9-10	2-4	4-6	6-8	8-10	20	20	20	20	20	20	20	20	20	90
2408193	A	10	9-10	2-3	3-4	9-8	3-1	5-9	6-9	7-9		10	20	20	20	20	20	20	20		90
2408194	A	10	1-2	1-3	1-4	1-5	1-6	1-7	1-8	1-9	1-10	100	100	100	100	100	100	100	100	100	90
2408195	A	10	3-5	6-7	8-9	1-2	3-4					100	100	100	100	100					90
2408196	A	8	1-2	1-3	4-5	6-7						100	100	100	100						90
2408197	A	8	1-2	1-5	1-3	1-4	1-6	1-7				100	100	100	100	100	100				90
2408198	A	8	1-3	1-2	1-5	1-6	1-8	1-7	1-4			50	50	50	50	50	50				90
2408199	A	8	3-4	5-6	1-2	7-8						100	100	100	100						90
2408309	A	4	1-3	4-3								150	150								90
2408313	A	4	4-1									600									90
2408314	A	4	4-2	1-2								285	125								90
2408319	A	4	1-2	3-4								100	100								90
2408320	A	4	1-2	2-3	2-4							100	100								90
2408321	A	4	1-2	1-3	1-4							175	175								90
2408322	A	4	1-4	1-3	1-3							25	25								90
2408323	A	4	2-1	2-3	3-4							100	100								90
2408324	A	4	1-2	3-4								125	125								90
2408325	A	4	1-2	3-4	2-3							100	100								90
2408326	A	4	2-1	3-4	2-3							100	100								90
2408327	A	4	3-4	2-1	2-3							100	100								90
2408328	A	4	2-1	3-4	1-3							100	100								90
2408329	A	4	1-4	2-4	3-4							75	75								90
2408330	A	4	1-2	3-4								100	100								90
2408331	A	4	1-2	3-4								100	100								90

PASSIVE COMPONENTS MANUAL

Component Data Bank - P/N Catalog  
R-Pac Modules

PG. 6 06/30/82 23:32 UR0206 \*\*\* IBM INTERNAL USE \*\*\* COMPONENT DATA BANK INTERNAL USE ONLY  
 CDB/RP ALL/RP TECH DCS#N NE 23517 RP/L/SP#N EQ 100 RP/L/NO LEAD/ASSIGN PD/ALL  
 RP/L/LG NO/LIMIT.

PART NUMBER	T U	NO. OF LEAD	R1 R1 LEAD	R2 R2 LEAD	R3 R3 LEAD	R4 R4 LEAD	R5 R5 LEAD	R6 R6 LEAD	R7 R7 LEAD	R8 R8 LEAD	R9 R9 LEAD	P D P D	P D P D	P D P D	P D P D	P D P D	P D P D	P D P D	P D P D	NOM LEAD LGTH
2408332 A		4	1-4	2-4	3-4							100	100	100						90
2408333 A		4	1-2	3-4								100								90
2408334 A		4	1-2	3-4								25	25							90
2408335 A		4	1-2	3-4								200	200							90
2408336 A		4	3-4	1-2								125	125							90
2408337 A		4	1-3	2-3	4-3							20	20	20						90
2408338 A		4	2-1	2-3	2-4							100	100	100						90
2408339 A		4	3-4	1-2								100	100							90
2408340 A		4	1-2	3-4								100	100							90
2408341 A		4	1-2	1-3	1-4							125	125	125						90
2408343 A		4	3-4	1-2	2-3							50	50	50						90
2408344 A		4	4-1	4-2	4-3							50	50	50						90
2408345 A		4	4-3	4-2	4-1							50	50	50						90
2408346 A		4	1-2	3-4								100	100							90
2408347 A		4	1-2	3-4								50	50							90
2408348 A		4	1-2	3-4								100	100							90
2408349 A		4	1-2	3-4								100	100							90
2408350 A		4	1-2	3-4								100	100							90
2408351 A		4	1-2	3-4								100	100							90
2408352 A		4	1-2	3-4								100	100							90
2408353 A		4	1-2	3-4								100	100							90
2408354 A		4	1-2	3-4								125	125							90
2408355 A		4	1-3	1-2	1-4							125	125	125						90
2408356 A		4	1-2	3-4								100	100							90
2408357 A		4	1-4	3-4	1-2	2-3						55	55	245	245					90
2408358 A		4	3-4	2-3	1-2							50	50	50						90
2408359 A		4	3-4	1-4	1-2	2-3						100	100	100	100					90
2408360 C		4	1-2	1-3	1-4							250	250	250						90
2408361 A		4	1-2	3-4								150	150							90
2408362 A		4	1-2	3-4								300	300							90
2408363 A		4	1-2	2-3	1-4	3-4						125	125	100	100					90
2408364 A		4	1-2	3-4								100	100							90
2408365 A		4	1-2	3-4								100	100							90
2408366 A		4	2-3	3-4	1-2							100	100	100						90
2408367 A		4	3-4	3-1								300	300							90
2408368 A		4	2-3	2-1								100	100							90
2408369 A		4	2-3	2-1								100	100							90
2408370 A		4	2-3	2-1								5	100							90
2408371 A		4	1-2	3-4								100	100							90
2408372 A		4	1-4	1-2	1-3							100	100	100						90
2408373 A		4	1-2	3-4								200	200							90
2408374 A		4	3-4	1-2	2-3							100	100	100						90
2408375 A		4	1-2	3-4								300	300							90
2408376 A		4	1-2	3-4								300	300							90
2408377 A		4	3-4	1-3	1-2							100	100	100						90
2408378 A		4	1-2	2-4								50	50							90
2408379 A		4	1-3	1-2	1-4							100	100	100						90

Component Data Bank - P/N Catalog  
R-Pac Modules

PG. 7 06/30/82 23:32 UR0206 \*\*\* IBM INTERNAL USE \*\*\* COMPONENT DATA BANK INTERNAL USE ONLY  
 CDB/RP ALL/RP TECH DCS#N NE 23517 RP/L/SP#N EQ 100 RP/L/NO LEAD/ASSIGN PD/ALL  
 RP/L/LG NO/LIMIT.

PART NUMBER	T NO. OF LEAD C	R1 LEAD ASGN	R2 LEAD ASGN	R3 LEAD ASGN	R4 LEAD ASGN	R5 LEAD ASGN	R6 LEAD ASGN	R7 LEAD ASGN	R8 LEAD ASGN	R9 LEAD ASGN	R1 LEAD P D MW	R2 LEAD P D MW	R3 LEAD P D MW	R4 LEAD P D MW	R5 LEAD P D MW	R6 LEAD P D MW	R7 LEAD P D MW	R8 LEAD P D MW	R9 LEAD P D MW	NOM LEAD LGTH
2408600 A	6	2-1	4-3	6-5							100	100	100							90
2408601 A	6	2-1	3-1	5-4	6-4						100	100	100	100						90
2408602 A	6	2-1	3-1	4-1	5-1	6-1					100	100	100	100	100					90
2408603 A	6	2-1	3-1	4-1	5-1	6-1					100	100	100	100	100					90
2408606 A	6	4-3	6-5	2-1							510	100	100							90
2408609 A	6	2-1	3-1	4-1	5-1	6-1					100	100	100	100	100					90
2408611 A	6	2-1	3-1	4-1	5-1	6-1					100	100	100	100	100					90
2408626 A	6	2-1	3-1	4-1	5-1	6-1					100	100	100	100	100					90
2408627 A	6	4-3	5-3	6-3	1-3	2-3					100	100	100	125	125					90
2408632 A	6	2-1	3-1	4-1	5-1						100	100	100	100						90
2408633 A	6	1-2	2-3	6-5	3-4	4-5					100	100	100	100	100					90
2408634 A	6	3-1	6-1								275	275								90
2408635 A	6	2-1	3-1	4-1	5-1	6-1					100	100	100	100	100					90
2408636 A	6	2-1	3-1	4-1	5-1	6-1					100	100	100	100	100					90
2408637 A	6	2-1	3-1	4-1	5-1	6-1					100	100	100	100	100					90
2408638 A	6	2-1	3-1	4-1	5-1	6-1					100	100	100	100	100					90
2408641 A	6	2-1	3-1	4-1	5-1	6-1					100	100	100	100	100					90
2408643 A	6	2-1	3-1	4-5	6-5						100	100	100	100						90
2408644 A	6	3-2	6-5	1-2	4-5						100	100	100	100						90
2408645 A	6	2-1	3-1	4-1	5-1	6-1					115	115	115	115	115					90
2408646 A	6	2-1	3-1	4-1	5-1	6-1					115	115	115	115	115					90
2408648 A	6	2-1	3-1	4-1	5-1	6-1					120	120	120	120	120					90
2408649 A	6	2-1	3-1	4-1	5-1	6-1					100	100	100	100	100					90
2408650 A	6	3-1	4-3	6-5	2-1						50	50	50	240						90
2408652 A	6	3-2	6-5	1-2	4-5						200	200	200	200						90
2408653 A	6	2-1	3-1	4-1	5-1	6-1					100	100	100	100	100					90
2408658 A	6	2-1	3-1	4-1	5-1						100	100	100	100						90
2408659 A	6	2-1	3-1	4-1	5-1	6-1					100	100	100	100	100					90
2408660 A	6	1-3	2-3	5-4	6-4						125	125	125	125						90
2408688 A	6	1-6	2-6	3-6	4-6						100	100	100	100						90
2408690 A	6	1-2	5-4	2-3	4-3						100	100	165	165						90
2408691 A	6	6-1									750									90
2408692 A	6	2-1	4-3	6-5							100	100	100							90
2408693 A	6	2-1	3-1	4-1	5-1	6-1					100	100	100	100	100					90
2408695 A	6	1-2	6-5	4-5	3-2						100	100	100	100						90
2408696 A	6	1-6	2-6	3-6	4-6						100	100	100	100						90
2408697 A	6	1-6	2-6	3-6	4-6						100	100	100	100						90
2408698 A	6	3-2	4-5	1-2	6-5						100	100	100	100						90
2408699 A	6	3-2	6-5	1-2	4-5						100	100	100	100						90
2408705 A	6	1-2	3-2	6-5	4-5						125	125	125	125						90
2408706 A	6	2-1	3-1	4-1	5-1	6-1					100	100	100	100	100					90
2408707 A	6	1-2	3-6	5-6	2-3	4-6					50	100	100	100	100					90
2408708 A	6	3-2	6-3	1-2	4-6						10	25	100	100						90
2408709 A	6	1-2	6-3	5-3	4-3	3-2					25	125	125	125	125					90
2408710 A	6	5-4	2-1	3-1	4-1						25	250	250	250						90
2408711 A	6	2-1	3-1	4-1	5-1						125	125	125	125						90
2408712 A	6	2-1	3-1	4-1	5-1	6-1					100	100	100	100	100					130

PG. 8 06/30/82 23:32 URO206 \*\*\* IBM INTERNAL USE \*\*\* COMPONENT DATA BANK INTERNAL USE ONLY  
CDB/RP ALL/RP TECH DCS#N NE 23517 RP/L/SP#N EQ 100 RP/L/NO LEAD/ASSIGN PD/ALL  
RP/L/LG NO/LIMIT.

PART NUMBER	T NO.	R1 LEAD	R2 LEAD	R3 LEAD	R4 LEAD	R5 LEAD	R6 LEAD	R7 LEAD	R8 LEAD	R9 LEAD	R1 P D	R2 P D	R3 P D	R4 P D	R5 P D	R6 P D	R7 P D	R8 P D	R9 P D	NOM LEAD LGTH
2408714	A	6 3-2	1-2	4-3	5-4						100	100	100	100						90
2408715	A	6 2-1	3-1	4-1	5-1	6-1					125	125	125	125	125					90
2408716	A	6 2-1	3-1	4-1	5-1	6-1					125	125	125	125	125					90
2408717	A	6 2-6	3-6	4-6	5-6	5-1	4-1	3-1	2-1		50	50	50	50	100	100	100			90
2408718	A	6 2-1	3-1	4-1	5-1	6-1					100	100	100	100	100					90
2408719	A	6 2-1	3-1	4-1	5-1	6-1					100	100	100	100	100					90
2408720	A	6 4-5	4-3	2-3	6-5	1-2					125	125	125	125	125					90
2408721	A	6 3-2	6-5	1-2	4-5						125	125	125	125						90
2408722	A	6 2-1	6-5	4-3							50	100	100							90
2408723	A	6 4-5	1-2	6-5	3-2						125	125	125	125						90
2408724	A	6 2-1	3-1	4-5							50	50	100							90
2408725	A	6 2-1	3-1	4-5	6-5						100	100	100	100						90
2408726	A	6 3-2	5-4	1-2							125	125	125							90
2408727	A	6 6-5	2-1	4-3							75	200	200							90
2408728	A	6 6-5	2-4	1-2	3-4						50	50	50	300						90
2408729	A	6 3-2	4-5	1-2	6-5						125	125	125	125						90
2408730	A	6 2-1	6-5	4-5							125	125	125							90
2408731	A	6 4-3	3-2	6-4	1-2						75	75	75	75						90
2408732	A	6 3-2	4-3	1-2	6-4						100	100	100	100						90
2408733	A	6 1-4	3-4	5-4	6-4	1-2	3-2	5-2	6-2		50	50	50	50	50	50	50			90
2408734	A	6 1-4	2-4	3-4	5-4	6-4					100	100	100	100	100					90
2408735	A	6 2-3	5-6	3-4	4-5						100	100	100	100	100					90
2408736	A	6 2-1	3-1	4-1	5-1	6-1					100	100	100	100	100					90
2408737	A	6 6-1	4-1	5-1	3-1	2-1					25	100	100	100	100					90
2408738	A	6 4-1	5-1	3-1	2-1						75	100	100	100						90
2408739	A	6 2-1	3-1	4-1	5-1	6-1					125	125	125	125	125					90
2408740	A	6 2-4	5-4	3-4	1-2	6-5					50	50	75	75	75					90
2408741	A	6 2-3	3-4	4-5	1-2						50	50	75	75	75					90
2408742	A	6 6-5	4-5	3-4	1-2						75	75	75	75	75					90
2408743	A	6 1-2	5-6	2-3	3-5						1	1	100	100						90
2408745	A	6 3-2	1-2	4-5	6-5						125	125	125	125						90
2408747	A	6 2-1	3-1	4-1	5-1	6-1					100	100	100	100	100					90
2408748	A	6 2-1	3-1	4-1	5-1	6-1					160	160	160	160	160					90
2408749	A	6 2-1	3-4	5-6							125	125	125							90
2408750	A	6 2-1	3-2	4-5							125	125	125							90
2408751	A	6 1-2	5-6	2-3	5-4						50	50	50	50						90
2408752	A	6 2-1	5-6	2-3	4-5						100	100	50	50						90
2408753	A	6 1-2	5-6	2-3	5-4						135	135	25	25						90
2408754	A	6 5-6	1-2	2-3	4-5						75	50	25	25						90
2408755	A	6 2-1	3-2	4-3	5-3	6-5					125	125	125	125	125					90
2408757	A	6 1-6									650									90
2408758	A	6 1-2	3-2	4-5	6-5						125	125	125	125						90
2408759	A	6 1-2	3-4	5-6							5	5	5							90
2408760	A	6 3-1	4-6	2-1	5-6						150	150	250	250						90
2408762	A	6 1-4	3-4	5-4	6-4	1-2	3-2	5-2	6-2		50	50	50	50	175	175	175	175		90
2408763	A	6 1-4	3-4	5-4	6-4	1-2	3-2	5-2	6-2		50	50	50	50	100	100	100	100		90
2408764	A	6 1-4	3-4	5-4	6-4	1-2	3-2	5-2	6-2		50	50	50	50	100	100	100	100		90



PG. 9 06/30/82 23:32 UR0206 \*\*\* IBM INTERNAL USE \*\*\* COMPONENT DATA BANK INTERNAL USE ONLY  
CDB/ RP ALL/ RP TECH DCS#N NE 23517 RP/L/ SP#N EQ 100 RP/L/ NO LEAD/ ASSIGN PD/ ALL  
RP/L/ LG NO/ LIMIT.

PART NUMBER	T U	NO. OF LEAD	R1 LEAD	R2 LEAD	R3 LEAD	R4 LEAD	R5 LEAD	R6 LEAD	R7 LEAD	R8 LEAD	R9 LEAD	R1 P D	R2 P D	R3 P D	R4 P D	R5 P D	R6 P D	R7 P D	R8 P D	R9 P D	NOM LEAD LGTH
2408765	A	6	3-6	4-6	5-6	1-2						125	125	125	125						90
2408766	A	6	2-1	3-6	5-6	4-6						5	50	5	5						90
2408767	A	6	2-1	3-1	4-1	5-1	6-1					100	100	100	100	100					90
2408768	A	6	1-4	2-4	1-3	2-3	1-2	5-6				25	25	125	125		100	100			90
2408769	A	6	1-3	3-6	6-3							125	175	175							90
2408770	A	6	2-3	4-5	1-2	5-6						50	50	50	50						90
2408771	A	6	1-2	5-6	2-3	4-5						90	90	40	40						90
2408772	A	6	1-3	4-6	3-2	4-5						100	100	100	100						90
2408773	A	6	1-2	2-3	4-5	5-6						100	100	100	100						90
2408774	A	6	3-5	4-5	2-5	1-5	6-5					100	100	100	100	100					90
2408775	A	6	5-6	1-2	3-4							50	50	50	100	100					90
2408776	A	6	2-4	4-5	4-3	1-2	5-6					50	50	50	100	100					90
2408777	A	6	2-3	2-1	5-4	5-6						100	100	100	100						90
2408778	A	6	5-6	3-4	1-2							100	100	100							90
2408779	A	6	2-1	4-5	2-3	5-6						100	100	100	100						90
2408780	A	6	2-1	5-6	2-3	5-4						100	100	100	100						90
2408781	A	6	2-1	2-3	5-4	5-6						200	200	200	200						90
2408782	A	6	1-2	4-5	4-3							50	50	50							90
2408783	A	6	4-5	2-3	2-1							20	75	100							90
2408784	A	6	2-3	2-1	5-4	5-6						125	125	125	100						90
2408785	A	6	5-6	2-1	2-3	5-4						50	125	125	125						90
2408786	A	6	5-4	2-1	5-6	2-3						75	100	125	125						90
2408787	A	6	2-1	2-1	5-6	5-4						75	75	125	125						90
2408788	A	6	2-1	2-3	2-4	4-5	5-6					50	50	50	50	50					90
2408789	A	6	2-4	4-5	5-6	1-2						100	100	100			50				90
2408790	A	6	5-6	2-4	4-5	1-2						100	100	100	100						90
2408791	A	6	1-2	1-3	3-5	5-6						100	100	100	100						90
2408792	A	6	5-6	1-2	3-4	2-3	4-5					100	100	100	100	100					90
2408793	A	6	3-1	3-2	4-5	4-6						325	325	125	125						90
2408794	A	6	5-6	1-2	3-2	4-5						100	100	100	100	100					90
2408796	A	6	1-2	6-5	2-3	5-4						125	125	125	125						90
2408797	A	6	2-1	2-3	5-4	5-6						100	100	100	100						90
2408798	A	6	2-1	5-6	2-3	4-5						150	150	100	100						90
2408799	A	6	1-3	3-6								350	350								90
2408806	A	8	8-6	7-6	2-1	3-1	4-1	5-1				125	100	100	100	700	75				90
2408807	A	8	8-7	2-1	3-1	5-4	6-4					100	100	100	100	100					90
2408808	A	8	6-5	7-5	8-7	2-1	3-1	4-3				100	100	100	100	100	100				90
2408809	A	8	2-1	6-4	3-1	8-7	5-4					100	100	100	100	100	100				90
2408810	A	8	2-1	5-4	8-7	3-1	6-4					100	100	100	100	100					90
2408811	A	8	6-5	4-3	3-1	8-7	2-1					100	100	100	100	100					90
2408812	A	8	3-1	6-4	5-4	2-1	8-7					100	100	100	100	100					90
2408813	A	8	2-1	4-1	8-7	5-4	6-5	3-1				100	100	100	100	100	100				90
2408814	A	8	6-5	4-3	8-7	2-1						100	100	100	125						90
2408821	A	8	2-3	4-3	1-2	5-4	8-7	6-7				100	100	100	100	100	100				90
2408823	A	8	1-4	2-4	3-4	6-4	7-4	8-4				100	100	100	100	100	100				90
2408824	A	8	3-5	8-5	2-5	7-5	1-5	6-5				100	100	1	100	100	100				90
2408825	A	8	3-5	8-5	2-5	7-5	1-5	6-5				100	100	100	100	100	100				90

PG. 10 06/30/82 23:32 UR0206 \*\*\* IBM INTERNAL USE \*\*\* COMPONENT DATA BANK INTERNAL USE ONLY  
CDB/RP ALL/RP TECH DCS#N NE 23517 RP/L/SP#N EQ 100 RP/L/NO LEAD/ASSIGN PD/ALL  
RP/L/LG NO/LIMIT.

PART NUMBER	T NO.	R1 LEAD	R2 LEAD	R3 LEAD	R4 LEAD	R5 LEAD	R6 LEAD	R7 LEAD	R8 LEAD	R9 LEAD	R1 P D	R2 P D	R3 P D	R4 P D	R5 P D	R6 P D	R7 P D	R8 P D	R9 P D	NOM LEAD LGTH
2408826	A	8 2-5	7-5	3-5	8-5	1-5	6-5				100	100	100	100	100	100				90
2408827	A	8 2-5	7-5	3-5	8-5	1-5	6-5				100	100	100	100	100	100				90
2408828	A	8 3-5	8-5	1-5	6-5	2-5	7-5				100	100	100	100	100	100				90
2408840	A	8 6-1	8-7	4-1	5-1	2-1	3-1				100	100	200	200	150	150				90
2408841	A	8 6-7	4-3	8-7	2-3	1-2					100	100	100	100	100					90
2408842	A	8 2-3	4-3	8-7	1-2	6-7					100	100	100	100	100					90
2408843	A	8 8-1									875									90
2408844	A	8 4-2	5-7	1-2	8-7	3-2	6-7				160	160	340	340	125	125				90
2408845	A	8 2-1	4-1	5-4	8-7	6-5	3-1				100	100	100	100	100	100				90
2408846	A	8 1-4	8-5								390	390								90
2408847	A	8 4-1	5-4								475	475								90
2408848	A	8 2-1	3-1	4-1	5-1	6-1	7-1	8-1			100	100	100	100	100	100	100			90
2408850	A	8 6-5	4-5	8-7	3-2	1-2					100	100	100	100	100					90
2408851	A	8 2-1	4-3	6-5	8-7						125	125	125	125						90
2408852	A	8 5-4	6-5	7-6	8-7	1-2	3-2				125	125	125	125	125	125				90
2408853	A	8 2-1	3-1	4-1	6-1	7-1	8-1				25	25	25	25	25	25				90
2408854	A	8 6-5	7-5	8-5	1-5						100	100	100	450						90
2408855	A	8 2-1	3-1	4-1	7-6	8-6					100	100	100	100	100					90
2408856	A	8 1-3	7-8	4-5	3-8	5-8	6-7				250	50	100	50	50	50				90
2408857	A	8 8-7	2-3	4-5	6-7	1-3					100	100	100	100	100					90
2408858	A	8 2-3	4-3	1-2	5-4	6-7	8-7				100	100	100	100	100	100				90
2408859	A	8 2-3	4-3	1-2	5-3	8-7	6-5	7-6			15	50	100	100	100	100	100			90
2408861	A	8 3-4	6-7	1-2	1-3	4-5	5-6	7-8			5	5	100	100	100	100	100			90
2408867	A	8 8-7	2-3	4-5	6-7	1-3					100	100	100	125	100					90
2408868	A	8 1-2	5-4	8-7	2-3	4-3	7-3				270	270	270	50	50	50				90
2408869	A	8 1-4	5-8								400	400								90
2408871	A	8 2-1	3-1	4-1	5-1	6-1	7-1	8-1			125	125	125	125	125	125	125			90
2408872	A	8 1-5	2-5	3-5	4-5	1-3	2-3	4-3	6-3		210	210	210	210	50	50	50	50		90
2408874	A	8 1-4	8-4								700	300								90
2408875	A	8 2-1	3-1	4-1	5-1	6-1	7-1	8-1			100	100	100	100	100	100	100			90
2408876	A	8 4-3	2-3	5-3	7-6	1-2					30	30	100	100	100					90
2408877	A	8 2-3	1-2	8-7	7-6	5-6	4-5	3-4			100	100	100	100	100	100	100			90
2408878	A	8 1-2	2-3	4-3	5-3	6-3	7-6				125	125	125	125	125	125				90
2408879	A	8 8-7	6-7	1-2	3-2	4-5					100	100	100	100	100					90
2408880	A	8 7-6	4-3	5-6	1-2						125	125	125	125						90
2408881	A	8 7-6	5-4	3-2	2-1						200	200	100	100						90
2408882	A	8 1-2	3-2	4-5	7-8						125	125	125	125						90
2408883	A	8 8-7	6-5	2-1	4-3						50	50	75	100						90
2408884	A	8 2-1	8-7	3-1	4-1	6-5					100	100	125	125	125					90
2408885	A	8 8-7	3-4	2-3	5-4	1-2	6-4				75	75	75	100	100	100				90
2408886	A	8 2-1	3-1	4-5	6-5	7-6					50	50	100	100	100					90
2408887	A	8 1-3	2-3	4-3	5-4	6-7	8-7				125	125	125	125	125	125				90
2408888	A	8 1-5	2-5	4-5	6-5	7-5	1-3	2-3	4-3	6-3	50	50	50	50	50	160	160	160	160	90
2408889	A	8 1-5	2-5	4-5	6-5	7-5	1-3	2-3	4-3	6-3	60	60	60	60	60	100	100	100	100	90
2408890	A	8 8-4	7-4	6-4	4-3	3-2	5-4	1-2			100	100	100	100	100	100	125			90
2408892	A	8 7-3	3-2	6-3	5-3	4-3	1-2	8-3			125	125	125	125	125	125	125			90
2408893	A	8 8-7	1-2	3-2	4-3	5-4	6-7				125	125	125	125	125	125				90

Component Data Bank - P/N Catalog  
R-Pac Modules

PG. 11 06/30/82 23:32 UR0206 \*\*\* IBM INTERNAL USE \*\*\* COMPONENT DATA BANK INTERNAL USE ONLY  
CDB/RP ALL/RP TECH DCS#N NE 23517 RP/L/SP#N EQ 100 RP/L/NO LEAD/ASSIGN PD/ALL  
RP/L/LG NO/LIMIT.

PART NUMBER	T NO. U OF C	R1 LEAD	R2 LEAD	R3 LEAD	R4 LEAD	R5 LEAD	R6 LEAD	R7 LEAD	R8 LEAD	R9 LEAD	R1 P D	R2 P D	R3 P D	R4 P D	R5 P D	R6 P D	R7 P D	R8 P D	R9 P D	NOM LEAD LGTH
2408894	A	8 1-2	3-4	5-6	7-8						125	125	125	125						90
2408895	A	8 3-1	4-1	5-6	7-6	8-6	2-1				100	100	100	100	100	125				90
2408896	A	8 4-5	3-5	2-5	1-5	6-5	7-6	8-7			125	125	125	125	125	125	125			90
2408897	A	8 2-3	3-4	5-6	6-7	7-8	1-2				75	75	75	75	75	75				90
2408898	A	8 1-2	5-6	2-3	4-5	7-8					75	75	75	75	75					90
2408899	A	8 6-7	4-5	1-2	3-4	2-3					40	100	100	125	125					90
2408900	A	8 6-7	1-2	4-5	2-3	3-4					50	75	75	100	100					90
2408901	A	8 6-7	4-5	1-2	2-3	3-4					75	75	75	75	75					90
2408902	A	8 1-2	7-8	2-3	4-5	5-6					75	75	75	75	75					90
2408903	A	8 8-4	7-4	6-4	4-3	3-2	5-4	1-2			100	100	100	100	100	100	125			90
2408904	A	8 2-1	3-1	4-1	5-1	6-1	7-1				150	150	150	150	150	150				90
2408905	A	8 2-1	3-1	4-1	5-8	6-8	7-8				100	100	100	100	100	100				90
2408906	A	8 7-4	8-4	2-1	3-1	5-4	6-4				100	100	100	100	100					90
2408907	A	8 2-1	4-3	6-5	8-7						100	100	100	100						90
2408908	A	8 2-3	4-3	1-2	5-3	8-7	6-5	7-6			15	50	100	100	100	100	100			90
2408912	A	8 4-5	6-5	1-2	3-2	7-8					125	125	125	125	125					90
2408913	A	8 7-8	1-2	3-2	4-5	6-5					125	125	125	125	125					90
2408914	A	8 8-7	1-2	3-2	5-4	6-7					100	150	150	100	100					90
2408916	A	8 8-7	7-6	5-6	2-3	1-2	4-5				50	50	50	50	50	50				90
2408917	A	8 1-2	3-4	5-6	7-8						100	100	100	100						90
2408919	A	8 2-3	3-4	7-8	6-7	1-2	4-5				100	100	100	100	100	100				90
2408920	A	8 7-8	3-4	6-7	2-3	5-6	1-2				100	100	100	100	100	100				90
2408921	A	8 2-1	3-1	4-1	5-1	6-8	7-8				100	100	100	100	100	100				90
2408922	A	8 4-3	5-4	7-6	3-2	6-3	1-2	8-3			3	3	10	10	10	25	150			90
2408923	A	8 1-5	2-5	4-5	6-5	7-5	1-3	2-3	4-3	6-3	75	75	75	75	75	75	125	125	125	90
2408924	A	8 2-1	3-2	4-3	8-7	5-6					100	100	100	100	100					90
2408925	A	8 1-4	1-8								250	250								90
2408926	A	8 1-2	1-4	1-5	1-7	1-8					175	175	175	175	175					90
2408927	A	8 6-7	3-4	2-3	5-6	7-8	1-2				50	50	50	50	100	100				90
2408931	A	8 2-1	3-1	4-1	5-1	6-1	7-1	8-1			100	100	100	100	100	100	100			90
2408934	A	8 1-4	5-8								500	500								90
2408935	A	8 1-2	4-3	5-3	6-7						75	100	100	125						90
2408936	A	8 6-7	1-2	4-5	7-8	2-3					5	75	75	100	100					90
2408939	A	8 1-5	2-5	4-5	6-5	1-3	2-3	4-3	6-3		50	50	50	50	175	175	175	175	175	90
2408940	A	8 1-5	2-5	4-5	6-5	1-3	2-3	4-3	6-3		50	50	50	50	100	100	100	100	100	90
2408941	A	8 1-5	2-5	4-5	6-5	1-3	2-3	4-3	6-3		50	50	50	50	100	100	100	100	100	90
2408942	A	8 5-4	7-5	6-5	2-1	4-3	3-2	8-7			50	50	50	100	100	125	125			90
2408943	A	8 8-6	4-3	3-2	5-3	2-1	7-6	6-3			50	50	100	100	125	125	125			90
2408944	A	8 1-5	3-5	8-5							10	10	10							90
2408945	A	8 2-1	7-6	8-7	4-2	6-5	3-2	5-4			125	125	125	125	125	125	125			90
2408946	A	8 4-1	5-1	6-5	2-1	3-1	7-6	8-7			50	50	100	125	125	125	125			90
2408947	A	8 8-5	3-1	5-3							5	15	25							90
2408948	A	8 7-8	5-3	6-8	4-3	2-1					100	100	125	125	125					90
2408949	A	8 5-4	1-2	3-2	7-8						125	125	125	125						90
2408950	A	8 7-8	5-6	1-2	3-4						20	25	75	75						90
2408951	A	8 8-1									850									90
2408958	A	8 2-1	3-1	4-1	5-1	6-1	7-1	8-1			100	100	100	100	100	100	100			90

PG. 12 06/30/82 23:32 UR0206 \*\*\* IBM INTERNAL USE \*\*\* COMPONENT DATA BANK INTERNAL USE ONLY  
CDB/RP ALL/RP TECH DCS#N NE 23517 RP/L/SP#N EQ 100 RP/L/NO LEAD/ASSIGN PD/ALL  
RP/L/LG NO/LIMIT.

PART NUMBER	T U C	NO. OF LEAD	R1 LEAD	R2 LEAD	R3 LEAD	R4 LEAD	R5 LEAD	R6 LEAD	R7 LEAD	R8 LEAD	R9 LEAD	R1 P D	R2 P D	R3 P D	R4 P D	R5 P D	R6 P D	R7 P D	R8 P D	R9 P D	NOM LEAD LGTH
2408959	A	8	1-2	4-5	7-8	2-3	3-4	3-7				270	270	270	50	50	50				90
2408960	A	8	1-2	3-4	5-6	7-8						150	150	150	150						135
2408961	A	8	3-5	3-4	7-8	1-2	5-6					100	100	100	100	100					90
2408963	A	8	3-4	7-8	1-2	5-6						25	25	75	75						90
2408964	A	8	2-3	7-8	3-4	6-7	1-2	4-5	5-6			100	100	100	100	100	100	100			90
2408966	A	8	2-1	5-6	7-8	2-3	4-5	3-4				100	100	100	100	100	100				90
2408967	A	8	4-1	4-2	4-3	5-6	5-7	5-8				200	200	200	200	200	200				90
2408968	A	8	1-2	4-5	7-8	2-3	4-3	7-3				125	125	125	75	75	75				90
2408970	A	8	4-3	5-6	4-2	5-7	4-1	5-8				200	200	200	200	100	100				90
2408971	A	8	1-4	7-8	1-2	1-3	5-6					10	50	100	100	400					90
2408972	A	8	7-8	4-7	1-2	1-3	4-5	4-6	1-6			25	25	100	100	100	100	100			90
2408973	A	8	7-8	1-4	1-5	1-6	1-3	1-2				25	100	100	100	125	150				90
2408974	A	8	7-8	4-7	1-2	1-3	4-5	4-6				50	50	150	150	300	300				90
2408975	A	8	5-4	5-6	7-8	1-2						125	125	125	250						90
2408976	A	8	1-8	1-7	1-5	1-6	1-2	1-3	1-4			125	125	125	125	125	125	125			90
2408979	A	8	3-4	7-8	1-2	5-6						25	25	110	110						90
2408980	A	8	3-1	3-2	3-4	3-5	3-7	3-8				200	200	200	200	200	200				90
2408981	A	8	1-4	5-8								600	600								90
2408982	A	8	1-2	3-4	5-6	7-8						150	150	150	150						90
2408983	A	8	1-2	3-4	5-6	7-8						150	150	150	150						90
2408984	A	8	6-7	1-2	4-5	2-3	3-4					125	125	125	125	125					90
2408985	A	8	6-7	1-2	4-5	2-3	3-4					125	125	125	125	125					90
2408986	A	8	6-7	1-2	2-3	4-5	3-4					125	125	125	125	125					90
2408987	A	8	1-2	1-3	1-4	1-5	1-6	1-7	1-8			100	100	100	100	100	100	100			90
2408988	A	8	1-2	1-3	1-4	1-5	1-6	1-7	1-8			100	100	100	100	100	100	100			90
2408990	A	8	7-8	5-6	2-3	3-4						100	200	125	100						90
2408991	A	8	3-4	7-8	2-3	6-7	1-2	5-6				100	100	100	100	125	125				90
2408992	A	8	2-3	6-7	1-2	3-4	5-6	7-8				50	50	50	50	50	50				90
2408993	A	8	3-4	7-8	4-2	6-8	1-4	5-8				100	100	50	50	100	100				90
2408994	A	8	5-6	1-2	7-8	3-4						100	100	100	100						90
2408995	A	8	1-4	1-3	1-2	1-5	1-6	1-7				25	25	100	100	100	100				90
2408996	A	8	1-6	1-7	1-4	1-5	1-3	1-2				100	100	100	100	100	100				90
2408997	A	8	1-4	1-5	1-2	1-3	1-6	1-7				100	100	100	100	100	100				90
2408998	A	8	1-2	1-3	1-4	8-5	8-6	8-7				100	100	100	100	100	100				90
2408999	A	8	1-5	1-6	1-7	1-8	1-2	1-3	1-4			25	25	25	100	100	100	100			90
4429655	A	8	3-4	3-6	6-7	1-2	3-5	2-3				100	100	100	100	100	100				90
4429726	A	10	1-10	2-10	3-10	4-10	5-10	6-10	7-10	8-10	9-10	100	100	100	100	100	100	100	100	100	90
4429727	A	10	1-2	1-3	1-4	1-5	10-2	10-3	10-4	10-5		50	50	50	50	50	50	50	50	50	90
4429729	A	10	1-2	1-3	1-4	1-5	10-2	10-3	10-4	10-5		50	50	50	50	50	50	50	50	50	90
4429757	A	10	2-3	4-5	6-7	9-10	1-2	1-4	1-6	8-9		225	225	225	225	25	25	25	25		90
4429904	A	8	1-2	4-5	7-8	2-3	6-7					100	100	100	100	100					90
4429911	A	6	4-5	1-2	2-3	5-6						100	100	100	100						90
4429950	A	8	1-3	4-5	3-4	7-8	5-6	1-2	6-7			50	50	50	50	50	50	50			90
4481016	A	8	1-4	5-8								500	500								90
4481018	A	10	2-3	4-5	6-7	9-10	1-2	1-4	1-6	8-9		250	250	250	250	20	20	20	20		90
4481110	A	8	3-4	5-6	1-2	2-3	7-8					100	100	100	100	100					90
4481112	A	6	1-2	2-3	4-5	4-6						60	60	100	100						90

Component Data Bank - P/N Catalog  
R-Pac Modules

PASSIVE COMPONENTS MANUAL

PG. 13 06/30/82 23:32 UR0206 \*\*\* IBM INTERNAL USE \*\*\* COMPONENT DATA BANK INTERNAL USE ONLY  
CDB/RP ALL/RP TECH DCS#N NE 23517 RP/L/SP#N EQ 100 RP/L/NO LEAD/ASSIGN PD/ALL  
RP/L/LG NO/LIMIT.

PART NUMBER	T NO. OF LEAD C	R1 LEAD ASGN	R2 LEAD ASGN	R3 LEAD ASGN	R4 LEAD ASGN	R5 LEAD ASGN	R6 LEAD ASGN	R7 LEAD ASGN	R8 LEAD ASGN	R9 LEAD ASGN	R1 P D MW	R2 P D MW	R3 P D MW	R4 P D MW	R5 P D MW	R6 P D MW	R7 P D MW	R8 P D MW	R9 P D MW	NOM LEAD LGTH
4481225 A	4	1-2	3-4								5	10								90
4481226 A	4	1-2	2-3	3-4							100	100	100							90
4481227 A	6	3-1	3-2	4-5	4-6						50	50	50	50						90
4481228 A	6	4-5	1-2	5-6	2-3						5	25	25	100						90
4481229 A	10	1-2	5-6	2-3	6-7	3-4	7-8	4-5	8-9	9-10	50	50	50	50	100	100	100	100	100	90
4481230 A	6	2-3	3-4	1-2	4-5						50	50	100	100						90
4481231 A	6	2-3	3-4	1-2	4-5						50	50	100	100						90
4481232 A	6	2-3	3-4	1-2	4-5						50	50	50	100						90
4481233 A	6	1-2	2-3	3-4	4-5						50	50	50	100						90
4481234 A	8	1-2	2-3	5-6	3-4	4-5	4-7				100	100	100	100	100	100				90
4481235 A	8	1-2	2-3	5-6	3-4	4-5	4-7				100	100	100	100	100	100				90
4481236 A	8	1-2	2-3	5-6	3-4	4-5	4-7				100	100	100	100	100	100				90
4481237 A	8	1-2	2-3	5-6	3-4	4-5	4-7				100	100	100	100	100	100				90
4481238 A	4	2-3									100	100	100	100						90
4481239 A	6	1-2	3-5	2-3	3-4	5-6					25	25	50	50	50					90
4481240 A	4	1-2	3-4								100	100								90
4481241 A	6	2-3	3-4	5-6	1-2	4-5					50	50	50	50						90
4481242 A	6	2-3	3-4	5-6	1-2	4-5					100	100	100	100						90
4481243 A	6	1-2	4-5	2-3	5-6						50	50	100	100						90
4481244 A	6	1-2	4-5	2-3	5-6						50	50	100	100						90
4481247 A	8	1-2	3-4	4-5	6-7						100	100	100	100						90
4481248 A	8	1-2	1-4	1-5	1-6	1-7	1-8	1-3			100	100	100	100	100	100				90
4481249 A	6	4-5	2-3	1-2	3-4						100	100	100	100						90
4481250 A	8	2-3	6-7	1-2	3-4	4-5					25	100	100	100	100					90
4481251 A	4	1-3	1-2	3-4							50	50	50							90
4481252 A	6	4-5	1-3	1-2							100	100	100							90
4481253 A	6	1-2	2-3	3-4	5-6						50	50	50	50						90
4481254 A	6	4-5	2-3	1-2	3-4						50	50	50	50						90
4481255 A	8	2-3	6-7	1-2	4-5	3-4					25	25	25	25	25					90
4481256 A	6	1-2	4-5	3-4	2-3						50	50	50	50						90
4481257 A	6	1-2	4-5	2-3	3-4						25	25	25	25						90
4481258 A	6	4-5	1-2	2-3	3-4						50	50	50	50						90
4481259 A	8	1-2	4-6	7-8	5-6						100	100	100	100						90
4481274 A	8	7-8	1-2	5-7	1-3	5-6	1-5	1-4			100	100	100	100	100	100				90
4481278 A	6	2-1	5-6	2-3	4-5						100	100	100	100						90
4481279 A	6	5-6	3-4	2-1	2-3						50	50	250	50						90
4481281 A	6	6-2	6-3	6-4	6-5	1-2	1-3	1-4	1-5		50	50	50	50	100	100	100	100		90
4481282 A	6	1-3	2-3	4-5	4-6						100	100	100	100						90
4481284 A	4	1-2	3-4								100	100								90
4481285 A	6	5-6	3-4	1-2							50	50	100							90
4481286 A	8	6-7	1-3	1-2	4-5						50	50	50	225						90
4481287 A	6	1-2	2-3	5-6	2-4	4-5					50	50	50	50	50					90
4481288 A	8	1-2	3-4	5-6	7-8	9-10					240	240	240	240	240					90
4481289 A	10	3-4	6-7	4-5	5-6	2-4	1-2	6-8			50	50	50	50	100					90
4481290 A	10	8-9	2-3	1-2	4-6	4-7	4-8	8-10	4-5		10	10	10	50	25	30	30	100		90
4481299 A	8	1-3	4-5	5-6	7-8	1-2					100	100	100	100	100					90
4481306 A	6	4-6	4-5	2-3	1-3						100	100	100	100						90

PG. 14 06/30/82 23:32 UR0206 \*\*\* IBM INTERNAL USE \*\*\* COMPONENT DATA BANK INTERNAL USE ONLY  
CDB/RP ALL/RP TECH DC#N NE 23517 RP/L/SP#N EQ 100 RP/L/NO LEAD/ASSIGN PD/ALL  
RP/L/LG NO/LIMIT.

PART NUMBER	T NO. OF C	R1 LEAD	R2 LEAD	R3 LEAD	R4 LEAD	R5 LEAD	R6 LEAD	R7 LEAD	R8 LEAD	R9 LEAD	R1 P D	R2 P D	R3 P D	R4 P D	R5 P D	R6 P D	R7 P D	R8 P D	R9 P D	NOM LEAD LGTH
4481314	A	6	4-6	1-4	4-5	2-4					90	100	100	100						90
4481415	A	8	1-2	5-6	7-8	2-3					100	100	100	100	100					90
4481418	A	10	4-5	4-6	4-7	1-2	2-3	3-4	4-8	8-9	9-10	25	25	25	100	100	25	25	25	90
4481419	A	6	1-2	4-5	2-3	5-6					25	100	100	100						90
4481426	A	4	1-2	3-4							100	100								90
4481427	A	4	1-2	3-4							25	25								90
4481428	A	4	1-2	3-4							50	50								90
4481429	A	4	1-2	3-4							50	50								90
4481430	A	4	1-2	3-4							50	50								90
4481431	A	4	1-2	3-4							50	50								90
4481432	A	4	1-2	3-4							50	50								90
4481433	A	4	1-2	3-4							125	125								90
4481434	A	4	1-2	3-4							100	100								90
4481435	A	4	1-2	1-3	1-4						100	100	100							90
4481439	A	6	2-3	4-5	1-2	5-6					60	60	100	100						90
4481441	A	8	2-3	4-5	6-7	1-2	1-4	1-6			100	100	100	100	100	100				90
4481442	A	10	1-2	1-4	1-6	1-8	2-3	4-5	6-7	8-9	100	100	100	100	100	100	100	100		90
4481449	A	4	1-2	2-3	3-4	1-4					100	100	100	100						90
4481450	A	4	1-3	1-4	1-2						75	75	150							90
4481451	A	6	1-2	1-3	1-4	1-5	1-6				100	100	100	100	100					90
4481481	A	10	2-3	4-5	6-7	8-9	1-2	1-4	1-6	1-8	100	100	100	100	100	100	100	100		90
4481482	A	8	1-2	3-4	5-6	7-8					100	100	100	100						90
4481483	A	8	7-8	3-4	5-6	1-2					100	100	100	100						90
4481500	A	6	1-3	4-6							300	300								90
4481502	A	8	6-5	6-4	7-8	6-1	6-2	2-3			125	125	125	125	125	125				90
4481505	A	6	1-3	1-4	1-5	1-6	1-2				100	100	100	100	100					90
4481504	A	10	1-2	1-3	1-4	1-5	1-6	1-7	1-8	1-9	100	100	100	100	100	100	100	100		90
4481506	A	4	1-2	1-3	1-4						100	100	100							90
4481507	A	4	3-4	1-4	1-2	2-3					55	55	230	230						90
4481508	A	4	1-2	1-3	1-4						100	100	100							90
4481509	A	4	1-2	1-3	1-4						100	100	100							90
4481510	A	4	1-2	1-3	1-4						100	100	100							90
4481517	A	6	5-6	5-4	1-2	2-3	3-5				100	100	100	100	100					90
4481518	A	8	2-3	1-3	4-5	4-6	7-8				50	50	50	50	50					90
4481519	A	4	1-2	3-4							100	100								90
4481520	A	8	7-8	2-3	5-6	4-5	1-2				50	50	50	50	50					90
4481521	A	6	1-2	2-3	5-6	4-5	2-4				50	100	100	100	100					90
4481537	A	6	6-2	6-3	6-4	6-5	1-2	1-3	1-4	1-5	100	100	100	100	100	100	100	100		90
4481539	A	8	1-2	3-4	5-6	7-8					19	19	38	38						90
4481541	A	4	1-2	3-4							50	50								90
4481542	A	4	1-2	3-4							50	50								90
4481543	A	4	1-2	3-4							50	50								90
4481544	A	6	2-1	5-6	2-3	5-4					50	50	50	50						90
4481545	A	6	1-2	4-5	5-6	4-3					50	50	50	50						90
4481546	A	6	5-6	2-3	3-4	1-2					10	50	50	100						90
4481549	A	10	5-6	3-4	1-2	9-10	7-8				100	100	100	100	100					90
4481552	A	10	3-4	1-2	7-8	9-10	5-6				100	100	100	100	100					90

PG. 15 06/30/82 23:32 UR0206 \*\*\* IBM INTERNAL USE \*\*\* COMPONENT DATA BANK INTERNAL USE ONLY  
CDB/RP ALL/RP TECH DCS#N NE 23517 RP/L/SP#N EQ 100 RP/L/NO LEAD/ASSIGN PD/ALL  
RP/L/LG NO/LIMIT.

PART NUMBER	T	NO.	R1	R2	R3	R4	R5	R6	R7	R8	R9	R1	R2	R3	R4	R5	R6	R7	R8	R9	NOM LEAD LGTH
NUMBER	C	LEAD	LEAD	LEAD	LEAD	LEAD	LEAD	LEAD	LEAD	LEAD	LEAD	P D	P D	P D	P D	P D	P D	P D	P D	P D	
4481554	A	6	5-6	3-4	1-2							100	100	100							90
4481555	A	8	1-3	7-8	3-4	5-6	1-2					100	100	100							90
4481556	A	10	2-10	3-10	4-10	5-10	6-10	7-10	8-10	9-10	2-1	100	100	100	100	100	100	100	100	50	90
4481577	A	8	4-5	6-7	1-3	1-2						100	100	100	100						90
4481578	A	6	1-2	4-5	1-3	4-6						100	100	100	100						90
4481583	A	4	1-2	3-4								190	190								90
4481584	A	4	1-2	3-4								100	100								90
4481585	A	4	1-2	3-4								100	100								90
4481586	A	4	1-2	3-4								100	100								90
4481589	A	8	4-1	6-5	3-1	7-5	2-1	8-5				100	100	100	100	100	100				90
4481590	A	8	2-1	8-7	4-3	6-5						280	280	100	100						90
4481591	A	6	5-4	6-4	1-3	2-3						100	100	100	100						90
4481592	A	6	5-4	1-3	6-4	2-3						50	100	100	100						90
4481600	A	6	1-2	6-5	4-5	3-2						75	100	100	100						90
4481601	A	6	1-2	4-5	3-2	6-5						100	100	100	100						90
4481602	A	6	1-2	4-5	3-1	5-6						100	100	100	100						90
4481603	A	6	3-2	4-5	1-2	6-5						75	75	100	100						90
4481604	A	6	3-2	1-2	4-5	6-5						75	75	100	100						90
4481605	A	6	5-6	2-1	3-1	4-6						100	100	100	100						90
4481606	A	4	1-2	4-2								100	100								90
4481607	A	8	3-1	4-5	6-5	7-5	2-1	8-5				50	50	50	50	75	100				90
4481613	A	6	3-1	2-1	6-4	5-4						100	100	100	100						90
4481614	A	10	1-2	3-4	5-6	7-8	9-10					250	250	250	250	250					90
4481615	A	6	1-3	4-6	1-2	4-5						100	100	100	100						90
4481627	A	8	1-2	2-3	5-6	3-4	4-5	4-7				100	100	100	100	100	100				90
4481664	A	4	3-4	1-2								25	100								90
4481665	A	6	3-4	5-6	1-2							50	50	50							90
4481666	A	8	4-6	4-5	4-7	1-2	1-3					50	50	100	100						90
4481667	A	8	3-4	3-5	3-6	3-7	1-2					50	50	50	50	100					90
4481668	A	6	1-2	3-4	5-6							100	100	100							90
4481669	A	6	1-4	1-2	1-3	5-6						25	25	50	100						90
4481670	A	6	5-6	1-2	3-4							25	100	100							90
4481671	A	8	1-2	3-4	5-6	7-8						125	125	125	125						90
4481672	A	10	1-2	1-3	1-4	1-5	10-6	10-7	10-8	10-9		100	100	100	100	100	100	100			90
4481676	A	6	1-2	1-3	1-4	1-5	1-6					135	135	135	135	135					90
4481677	A	4	1-4	1-3	1-2							100	100	100							90
4481678	A	4	1-2	1-3								100	100								90
4481692	A	10	1-2	1-3	1-5	1-7	1-9	3-4	5-6	7-8	9-10	100	100	100	100	100	100	100	100		90
4481693	A	4	1-2	3-4								200	100								90
4481694	A	4	1-2	3-4								50	50								90
4481734	A	8	2-1	2-4	7-5	7-8						5	5	5	5						90
4481736	A	10	1-5	6-10	1-4	7-10	1-2	1-3	8-10	9-10		100	100	100	100	100	100	100			90
4481772	A	8	7-8	2-3	5-6	4-5	1-2					50	50	50	50	25					90
4481793	A	10	1-10	2-10	3-10	4-10	5-10	6-10	7-10	8-10	9-10	100	100	100	100	100	100	100	100	100	90
4481794	A	10	1-10	2-10	3-10	4-10	5-10	6-10	7-10	8-10	9-10	100	100	100	100	100	100	100	100	100	90
4481797	A	10	1-10	2-10	3-10	4-10	5-10	6-10	7-10	8-10	9-10	100	100	100	100	100	100	100	100	100	90
4481803	A	8	1-2	3-4	5-6	7-8						100	100	100	100						90

PASSIVE COMPONENTS MANUAL

Component Data Bank - P/N Catalog  
R-Pac Modules

PG. 16 06/30/82 23:32 UR0206 \*\*\* IBM INTERNAL USE \*\*\* COMPONENT DATA BANK INTERNAL USE ONLY  
CDB/RP ALL/RP TECH DCS#N NE 23517 RP/L/SP#N EQ 100 RP/L/NO LEAD/ASSIGN PD/ALL  
RP/L/LG NO/LIMIT.

PART NUMBER	T NO.	R1 LEAD	R2 LEAD	R3 LEAD	R4 LEAD	R5 LEAD	R6 LEAD	R7 LEAD	R8 LEAD	R9 LEAD	R1 P D	R2 P D	R3 P D	R4 P D	R5 P D	R6 P D	R7 P D	R8 P D	R9 P D	NOM LEAD LGTH
4481804	A	6 1-3	4-6	2-3	4-5						100	100	100	100						90
4481809	A	6 2-3	4-5	1-2	5-6						125	125	125	125						90
4481815	A	6 2-5	3-5	4-5	5-6	1-5					100	100	100	100	100					90
4481816	A	6 1-2	1-3	1-4	1-5	1-6					100	100	100	100	100					90
4481817	A	6 1-2	3-5	3-4							100	100	100							90
4481818	A	4 1-2	3-4								100	100	100							90
4481819	A	6 2-3	5-6	1-2	4-5						100	100	100	100						90
4481820	A	10 1-2	4-5	5-6	6-7	7-8	8-9	9-10	2-3	3-4	150	100	100	100	100	100	100	100	100	90
4481821	A	10 6-7	8-9	2-3	4-5	3-1	5-1	7-1	9-1		50	50	50	50	50	50	50	50	50	90
4481822	A	10 8-9	6-7	4-5	3-1	5-1	7-1	9-1	2-3	9-10	50	50	50	50	50	50	50	50	50	90
4481823	A	6 2-3	5-6	1-2	4-5						50	50	50	50						90
4481824	A	10 1-2	1-3	1-4	1-5	1-6	1-7	1-8	1-9	1-10	50	50	50	50	50	50	50	50	50	90
4481825	A	6 1-2	4-5	5-6	2-3						50	50	50	50						90
4481829	A	4 1-2	3-4	1-3							100	100	100							90
4481841	A	8 2-8	3-8	4-8	5-8	6-8	7-8	2-1	3-1		75	75	75	75	75	75	75	75		90
4481859	A	6 1-2	4-5	3-4	5-6						100	100	100	100						90
4481885	A	4 1-2	2-3								125	125								90
4481887	A	4 3-4	1-2								100	100								90
4481899	A	6 2-3	5-6	3-4	4-5	1-2					100	100	100	100	100					90
4481905	A	4 1-2	3-4								50	50								90
4481906	A	4 1-2	3-4								50	50								90
4481919	A	6 1-4	1-5	1-6	1-2	1-3					100	100	100	100	100					90
4481920	A	6 1-2	1-3	1-4	1-5	1-6					100	100	100	100	100					90
4481921	A	6 1-5	1-6	1-2	1-3	1-4					100	100	100	100	100					90
4481922	A	6 1-3	1-5	1-2	1-4	1-6					100	100	100	100	100					90
4481953	A	6 1-2	1-3	1-4	5-6						100	100	100	150						90
4481954	A	6 1-2	3-4	4-5							10	50	50							90
4481955	A	8 7-8	2-3	1-2	5-6	3-4	4-5				150	50	50	250	100	75				90
4481956	A	8 6-7	1-2	1-3	1-4	7-8	5-6				100	100	100	100	100	100				90
4481957	A	10 1-2	2-3	3-4	4-5	6-7	7-8	8-9	9-10		180	180	180	180	180	180	180	180		90
4481958	A	10 9-10	8-10	5-7	6-7	2-4	1-4	3-4			100	100	100	100	100	150	150			90
4481959	A	10 4-5	6-7	1-2	2-3	8-9	9-10				50	50	100	100	100	100				90
4481960	A	4 1-4	1-2	1-3							100	100	100							90
4481961	A	4 3-4	1-2								50	100								90
4481962	A	10 1-2	7-9	8-9	3-4	3-5	3-6				100	100	100	100	150	150				90
4481963	A	10 5-1	5-2	5-3	5-4	6-7	6-8	6-9	6-10		100	100	100	100	100	100	100	100		90
4481964	A	6 1-3	4-6	2-3	4-5						100	100	100	100						90
4481965	A	10 1-2	5-6	2-3	3-4	4-5	7-8	9-10			100	100	100	100	100	100	100			90
4481983	A	4 3-4	1-2								100	100								90
4481984	A	8 1-2	3-4	5-6	7-8						150	150	150	150						90
4718607	A	8 3-4	5-6	1-2	7-8						100	100	100	100						90
4718608	A	4 1-2	3-4								100	100								90
4718611	A	6 1-2	3-4	4-5							10	50	50							90
4718612	A	6 1-2	1-3	1-4	5-6						100	100	100	150						90
4718614	A	6 1-2	1-3	1-4	1-5	1-6					100	100	100	100	100					110
4718615	A	6 1-2	1-3	1-4	1-5	1-6					100	100	100	100	100					110
4718616	A	6 1-2	1-3	1-4	1-5	1-6					100	100	100	100	100					110

E45-0359 Rev. 2

5-108  
IBM Internal Use Only

September 15, 1982



Component Data Bank - P/N Catalog  
R-Pac Modules

PG. 17 06/30/82 23:32 UR0206 \*\*\* IBM INTERNAL USE \*\*\* COMPONENT DATA BANK INTERNAL USE ONLY  
CDB/RP ALL/RP TECH DCS#N NE 23517 RP/L/SP#N EQ 100 RP/L/NO LEAD/ASSIGN PD/ALL  
RP/L/LG NO/LIMIT.

PART NUMBER	T U OF C	NO. OF LEAD	R1 ASGN	R2 ASGN	R3 ASGN	R4 ASGN	R5 ASGN	R6 ASGN	R7 ASGN	R8 ASGN	R9 ASGN	R1 P D MW	R2 P D MW	R3 P D MW	R4 P D MW	R5 P D MW	R6 P D MW	R7 P D MW	R8 P D MW	R9 P D MW	NOM LEAD LGTH
4718617	A	8	4-1	4-2	4-3	4-5	4-6	4-7	4-8			100	100	100	100	100	100	100			110
4718618	A	8	1-2	1-3	1-4	1-5	1-6	1-7	1-8			100	100	100	100	100	100	100			110
4718619	A	8	1-2	1-3	1-4	1-5	1-6	1-7	1-8			100	100	100	100	100	100	100			110
4718620	A	8	1-2	1-3	1-4	1-5	1-6	1-7				100	100	100	100	100	100				110
4718621	A	10	1-2	1-3	1-4	1-5	1-6	1-7	1-8	1-9	1-10	100	100	100	100	100	100	100	100	100	110
4718622	A	6	1-2	1-3	1-4	1-5	1-6					100	100	100	100	100					110
4718623	A	6	1-2	1-3	1-4	1-5	1-6					100	100	100	100	100					110
4718624	A	6	1-2	1-3	1-4	1-5	1-6					100	100	100	100	100					110
4718625	A	6	1-2	1-3	1-4	1-5	1-6					160	160	160	160	160					110
4718626	A	6	1-2	3-4	5-6							125	125	125							110
4718627	A	6	1-3	1-2	4-6	4-5						100	100	100	100						90
4718628	A	6	1-2	1-3	5-6							100	100	100							90
4718629	A	10	2-3	4-5	4-6	3-4	6-7	7-8	8-9	1-2		100	100	100	100	100	100	100	100		90
4718630	A	8	4-5	1-2	7-8	6-7	2-3	3-4				50	50	50	50	50					90
8278600	A	6	1-2	2-3	4-5	5-6						125	125	125	125						90
8278601	A	6	6-3	6-4	6-2	6-5						100	100	100	100						90
8278602	A	6	3-1	3-2	4-5	4-6						150	150	350	350						90
8278605	A	6	3-1	3-4	3-6							300	300	300							90
8278606	A	6	1-2	1-3	1-4	1-5	1-6					150	150	150	150	150					90
8278607	A	6	1-2	1-3	1-4	1-5	1-6					150	150	150	150	150					90
8278608	A	6	1-2	1-3	1-4	1-5	1-6					150	150	150	150	150					90
8278609	A	6	1-2	1-3	1-4	1-5	1-6					150	150	150	150	150					90
8278610	A	6	1-2	1-3	1-4	1-5	1-6					100	100	100	100	100					90
8278611	A	6	1-1	1-2	1-3	1-4	1-5					150	150	150	150	150					90
8278612	A	6	1-2	3-4	5-6							225	225	225							90
8278613	A	6	1-2	3-4	5-6							150	150	150							90
8278614	A	6	1-2	4-5	2-3	5-6						50	50	50	50						90
8278615	A	6	1-2	4-5	2-3	5-6						50	50	100	100						90
8278616	A	6	2-3	2-1	4-5	4-6						250	25	25	25						90
8278617	A	6	1-2	4-5	2-3	5-6						100	100	100	100						90
8278618	A	6	1-2	1-3	1-4	1-5	1-6					100	100	100	100	100					90
8278619	A	6	6-5	6-4	6-3	6-2	1-2	1-3	1-4	1-5		50	50	50	50	100	100	100	100		90
8278620	A	6	6-2	6-3	6-4	6-5	1-2	1-3	1-4	1-5		100	100	100	100	100	100	100	100		90
8278621	A	6	1-2	3-4	5-6							100	100	100	100						90
8278622	A	6	5-4	5-6	2-3	1-2						75	175	75	75						90
8278623	A	6	6-2	6-3	6-4	6-5	1-2	1-3	1-4	1-5		100	100	100	100	100	100	100	100		90
8278624	A	6	2-3	4-5	2-1	3-4						10	10	10	10						90
8278625	A	6	2-1	4-5	2-3	3-4						100	100	100	100						90
8278627	A	6	5-6	5-4	2-1	2-3						100	100	100	100						90
8278628	A	6	1-2	3-4	5-6							125	125	125							90
8278629	A	6	6-1	6-2	6-3	6-4						75	75	75	75						90
8278630	A	6	3-1	3-2	3-4	3-5						100	100	100	100						90
8278631	A	6	2-3	3-4	2-1	4-5						100	100	100	100						90
8278632	A	6	1-2	4-5	2-3	5-6						100	100	100	100						90
8278633	A	6	6-1	6-2	6-3	6-4						100	100	100	100						90
8278634	A	10	1-2	1-3	1-4	1-5	10-9	10-8	10-7	10-6		100	100	100	100	100	100	100	100		90
8278635	A	10	1-2	1-3	1-4	1-5	10-6	10-7	10-8	10-9		100	100	100	100	100	100	100	100		90

PG. 18 06/30/82 23:32 UR0206 \*\*\* IBM INTERNAL USE \*\*\* COMPONENT DATA BANK INTERNAL USE ONLY  
CDB/RP ALL/RP TECH DCS#N NE 23517 RP/L/SP#N EQ 100 RP/L/NO LEAD/ASSIGN PD/ALL  
RP/L/LG NO/LIMIT.

PART NUMBER	T	NO. OF LEAD	R1 LEAD	R2 LEAD	R3 LEAD	R4 LEAD	R5 LEAD	R6 LEAD	R7 LEAD	R8 LEAD	R9 LEAD	R1 P D	R2 P D	R3 P D	R4 P D	R5 P D	R6 P D	R7 P D	R8 P D	R9 P D	NOM LEAD LGTH
8278636	A	6	1-2	1-4	1-6							300	300	300							90
8278637	A	10	2-3	3-4	7-8	8-9	1-2	4-5	6-7	9-10		100	100	100	100	100	100	100	100		90
8278638	A	6	1-2	1-3	1-4	1-5						100	100	125	225						90
8278639	A	6	1-2	1-3	1-4	1-5						100	100	100	100						90
8278640	A	8	2-3	7-8	1-2	3-4	6-7	4-5	5-6			100	100	100	100						90
8278641	A	6	2-1	5-4	2-3	5-6						100	100	100	100	100		100			90
8278642	A	6	2-3	1-2	5-6	4-5						100	100	100	100						90
8278643	A	6	2-1	5-4	3-2	5-6						100	100	100	100						90
8278644	A	6	3-4	1-2	5-6							25	150	275							90
8278645	A	6	1-2	3-4	4-5							10	50	50							90
8278646	A	6	5-6	3-4	1-2							25	25	25							90
8278647	A	6	1-2	1-3	1-4	5-6						100	100	100	150						90
8278648	A	6	2-3	4-6	1-2	4-5						100	100	100	100						90
8278649	A	6	2-3	4-6	5-6	5-6	3-4					100	100	175	175	100					90
8278650	A	8	1-3	6-7	2-3	4-5	6-8	5-6				100	100	100	100	100	100				90
8278651	A	8	3-6	7-8	3-4	3-5	1-4					25	100	100	100	100	100				90
8278652	A	10	4-6	5-6	7-8	3-6	9-10	1-6	2-6			25	25	100	100	100	100	100	100		90
8278653	A	10	1-4	1-2	4-5	7-8	1-3	4-6	8-9			5	50	75	100	100	100	100			90
8278654	A	10	1-3	7-10	1-5	1-4	7-8	1-6	1-2	7-9		100	100	100	100	100	100	100	100		90
8278655	A	10	1-3	2-3	6-7	7-8	4-5	8-9				100	100	100	100	175	100				90
8278656	A	10	1-3	4-5	3-4	8-9	2-3	5-6	7-8			100	100	100	100	100	100	100			90
8278659	A	8	3-1	3-4	6-5	6-7	6-8	3-2				200	200	200	200	200	200				90
8278660	A	8	1-2	3-4	5-6	7-8						10	10	10	10						90
8278661	A	8	6-7	6-5	3-4	3-2	3-1					25	50	50	50	50					90
8278662	A	10	5-6	1-3	1-2	1-4						75	175	75	75						90
8278665	A	10	1-2	1-3	1-4	1-5	1-6	1-7	1-8	1-9	1-10	160	1600	160	160	160	160	160	160	160	90
8278666	A	10	1-2	3-4	7-8	9-10	2-5	3-5	6-8	6-9		200	200	200	200	100	100	100	100		90
8278667	A	8	7-8	2-3	4-5	1-6	1-2	1-4	6-7			25	50	50	50	25	25				90
8278668	A	6	2-3	1-2	3-4	3-5	3-6					100	100	150	150	150					90
8278669	A	6	4-5	2-3	1-2	5-6						25	25	25	25						90
8278670	A	10	1-2	1-3	1-4	1-5	1-6	1-7	1-8	1-9	1-10	150	150	150	150	150	150	150	150	150	90
8278671	A	10	9-8	9-7	9-6	9-5	9-4	9-3	9-2	9-1		25	25	25	25	25	25	150	150		90
8278672	A	6	1-2	4-5	2-3	5-6						100	100	100							90
8278673	A	8	1-4	2-4	3-4	6-4	7-4	8-4	4-5			185	185	185	185	185	185	25			90
8278674	A	8	1-7	2-7	3-7	4-7	5-7	6-7	7-8			175	175	175	175	175	175	150			90
8278676	A	10	1-2	1-3	4-5	6-7	8-9	1-4	4-6			100	100	100	100	100	100	100	100		90
8278677	A	10	1-5	2-5	3-5	4-5	5-7	5-8	5-9	5-10	5-6	185	185	185	185	185	185	185	185	25	90
8278678	A	6	1-2	3-4	5-6							25	25	25							90
8278679	A	10	7-8	9-10	5-6	2-3	1-2	4-6				200	200	100	100	100	100				90
8278680	A	8	1-4	8-5	1-2	1-3	8-5	8-6				100	100	100	100	100	100				90
8278681	A	8	7-8	5-6	3-4	1-2	7-6					50	50	50	50	50					90
8278682	A	10	1-2	5-4	6-7	9-10	1-3	3-5	6-8	8-10		100	100	100	100	100	100	100	100		90
8278683	A	8	7-8	6-7	4-5	1-2	4-6	2-3	4-3			10	10	25	25	25	25				90
8278684	A	8	3-4	1-3	5-6	7-8	1-2					100	200	100	100	100					90
8278685	A	10	3-1	3-2	5-4	5-7	8-9	8-10				100	100	100	100	100	100				90
8278686	A	6	3-1	3-2	4-5	4-6						125	125	125	125						90
8278687	A	6	3-1	4-6	3-2	4-5						50	50	50	50						90

PG. 19 06/30/82 23:32 UR0206 \*\*\* IBM INTERNAL USE \*\*\* COMPONENT DATA BANK INTERNAL USE ONLY  
CDB/RP ALL/RP TECH DCS#N NE 23517 RP/L/SP#N EQ 100 RP/L/NO LEAD/ASSIGN PD/ALL  
RP/L/LG NO/LIMIT.

PART NUMBER	T NO.	R1	R2	R3	R4	R5	R6	R7	R8	R9	R1	R2	R3	R4	R5	R6	R7	R8	R9	NOM LEAD LGTH
U OF LEAD	OF LEAD	LEAD	LEAD	LEAD	LEAD	LEAD	LEAD	LEAD	LEAD	LEAD	P D	P D	P D	P D	P D	P D	P D	P D	P D	
C LEAD	ASGN	ASGN	ASGN	ASGN	ASGN	ASGN	ASGN	ASGN	ASGN	ASGN	MW	MW	MW	MW	MW	MW	MW	MW	MW	
8278688	A	6	1-2	1-3	6-4	6-5					125	125	125	125						90
8278689	A	6	1-2	4-6	4-3	4-5					50	50	50	50						90
8278690	A	10	1-2	1-3	1-4	1-5	1-6	1-7	1-8	1-9	150	150	150	150	150	150	150	150		90
8278691	A	6	4-1	4-6							400	400	400							90
8278692	A	8	5-1	5-4	5-8						400	400	400							90
8278693	A	8	6-5	2-3	2-1	6-8	6-7	3-4			25	25	25	25	25	25				90
8278694	A	10	1-4	1-3	8-7	5-6	8-9	1-2	8-10		25	200	50	75	50	50	50			90
8278695	A	10	4-5	2-3	3-4	5-6	6-7	8-10	9-10	7-10	1-2	10	25	25	100	100	100	100	100	90
8278696	A	8	1-2	3-4	5-6	7-8					150	150	150	150						90
8278697	A	8	7-8	1-2	2-3	4-5	5-6				125	125	125	125	125					90
8278698	A	10	1-2	1-3	1-4	1-5	1-6	1-7	1-8	1-9	1-10	75	75	75	75	75	75	75	75	90
8278699	A	10	1-4	1-5	1-6	1-7	1-8	1-9	1-10	1-2	1-3	75	75	75	75	75	75	100	100	90
8278700	A	6	1-2	1-3	1-4	1-5	1-6				180	180	180	180						90
8278701	A	10	8-10	1-4	4-7	1-2	7-6	7-5	1-3	8-9	20	10	10	10	20	20	20	50		90
8278702	A	10	5-3	5-6	6-7	3-2	9-10	7-8	1-2	5-4	8-9	100	100	100	100	100	100	100	100	90
8278703	A	10	3-2	3-4	6-7	8-10	9-10	4-5			25	25	25	200	200	100				90
8278704	A	8	8-7	1-5	8-6	1-4	1-2	1-3			150	300	50	125	75	75				90
8278705	A	6	1-2	4-5	2-3	5-6					100	100	100	100						90
8278706	A	8	1-2	2-3	5-8	5-4					75	75	350	100						90
8278707	A	8	3-4	5-6	2-1	7-8					100	100	100	100						90
8278708	A	8	3-4	7-8	2-3	6-7	1-2	5-6			50	50	50	50	225	225				90
8278709	A	8	1-2	1-3	1-4	1-5	1-6	1-7	1-8		100	100	100	100	100	100	100			90
8278710	A	8	8-7	5-3	3-2	2-1	5-6				10	200	200	200	50					90
8278711	A	8	3-1	3-2	4-5	4-6	7-8				10	10	10	10	25					90
8278712	A	10	9-10	3-2	3-4	9-8	3-1	9-5	9-6	9-7	10	25	25	25	25	25	25	25		90
8278713	A	8	5-6	2-3	3-4	7-8	3-5				25	25	25	25	25					90
8278714	A	8	3-4	7-8	1-2	5-6					100	100	100	100						90
8278715	A	6	4-5	1-2	2-3	3-4					100	100	100	100						90
8278716	A	8	2-1	2-3	8-5	8-6	8-7	3-4			125	100	100	100	100	100				90
8278717	A	8	7-8	6-7	5-6	2-1	4-5	2-3	3-4		50	50	50	50	50	50	50			90
8278718	A	8	2-1	2-3	3-4	4-5	5-6	7-8			100	100	100	100	100	175				90
8278719	A	8	7-8	1-2	5-6	8-4					100	100	100	100						90
8278720	A	8	5-6	2-3	3-4	7-8	3-5	1-5			10	10	10	25	25	10				90
8278721	A	6	1-2	1-3	1-4	1-5	1-6				50	50	50	50	50					90
8278722	A	6	4-2	4-3	5-6	4-1					150	150	150	150						90
8278723	A	6	1-2	4-3							150	150								90
8278724	A	6	2-3	3-4	4-5	7-6	7-8	1-2			150	150	150	150	150	150				90
8278725	A	6	2-3	5-6	4-5						150	150	150							90
8278726	A	8	3-4	3-2	4-5	5-6	1-2	7-8			100	100	100	100	100	150				90
8278727	C	8	3-1	3-2	3-4	6-5	6-7	6-8			75	75	75	75	75	75				138
8278728	A	10	6-7	1-2	3-4	6-5	9-8	2-3	9-10		50	50	50	50	50	50	200			90
8278729	A	10	7-8	2-1	2-3	4-5	5-6	9-10	3-4		200	50	50	50	50	50	50			90
8278730	A	6	5-6	4-6	3-2	3-4					100	100	100	100						90
8278731	A	6	5-6	6-3	6-1	6-4	6-2				100	100	100	100						90
8278732	A	10	8-10	9-10	1-2	1-3	1-5	1-4	1-6	1-7	100	100	100	100	100	100	100	100		90
8278733	A	10	1-2	9-10	4-5	8-9	6-7	2-3	3-4	7-8	50	50	50	50	50	50	50	50		90
8278734	A	4	3-4	1-2							25	25								90

PASSIVE COMPONENTS MANUAL

Component Data Bank - P/N Catalog  
R-Pac Modules

PG. 20 06/30/82 23:32 UR0206 \*\*\* IBM INTERNAL USE \*\*\* COMPONENT DATA BANK INTERNAL USE ONLY  
CDB/RP ALL/RP TECH DCS#N NE 23517 RP/L/SP#N EQ 100 RP/L/NO LEAD/ASSIGN PD/ALL  
RP/L/LG NO/LIMIT.

PART NUMBER	T NO. OF C	R1 LEAD	R2 LEAD	R3 LEAD	R4 LEAD	R5 LEAD	R6 LEAD	R7 LEAD	R8 LEAD	R9 LEAD	R1 P D	R2 P D	R3 P D	R4 P D	R5 P D	R6 P D	R7 P D	R8 P D	R9 P D	NOM LEAD LGTH
8278735 A	4	1-2	3-4								25	25								90
8278736 A	6	2-1	2-3	3-4	5-6	4-5					50	50	50	50	50					90
8278737 A	6	4-1	4-3	4-5	4-6	2-1	2-3	2-5	2-6		180	180	180	180	170	170	170	170		90
8278740 A	8	2-3	8-5	8-6	8-7	3-4	1-2				100	100	100	100	100	100				90
8278741 A	8	4-3	4-5	1-2	4-2	5-6	6-7	6-8			100	100	100	100	100	100	100			90
8278742 A	4	1-2	3-4								100	100								90
8278743 A	6	2-1	2-3	5-4	5-6						100	100	100	100						90
8278744 A	6	3-5	5-4	1-2							100	100	100							90
8278745 A	6	2-6	2-3	3-4	2-1	4-5					100	100	100	100	100					90
8278746 A	10	1-2	1-3	1-4	1-5	1-6	1-7	1-8	1-9		100	100	100	100	100	100	100	100		90
8278747 A	4	1-2	2-3	2-4							5	5	5							90
8278748 A	4	1-2									5	5								90
8278749 A	4	1-2	2-3								5	5								90
8278750 A	4	1-2	2-3								5	5								90
8278751 A	4	1-2	1-3								5	5								90
8278752 A	4	1-2	2-3	3-4							5	5		5						90
8278753 A	4	1-2	2-3	3-4							5	5		5						90
8278754 A	4	1-4	4-1	1-2							5	5		5						90
8278755 A	4	3-4	2-3	1-2							5	5		5						90
8278756 A	4	3-4	1-1	1-3							5	5		5						90
8278757 A	4	3-4	1-1	2-2							5	5		5						90
8278758 A	6	2-3	5-6	1-2							5	5		5						90
8278759 A	4	2-3	1-2								5	5		5						90
8278760 A	4	3-4	1-2	2-3							5	5		5						90
8278761 A	4	3-4	1-2	2-3							5	5		5						90
8278762 A	4	1-2	2-3								5	5		5						90
8278763 A	4	1-2	2-3	3-4							5	5		5						90
8278764 A	10	8-9	6-5	6-7	9-10	1-2	3-4				50	100	100	100	100	100				90
8278765 A	10	1-2	2-3	4-5	5-6	7-8	9-10				100	100	100	100	50	50				90
8278766 A	6	5-4	5-6	2-1	2-3						50	50	50	50						90
8278767 A	4	1-2	1-3	1-4							100	100	100							90
8278768 A	6	1-2	1-3	1-4	1-5	1-6					50	50	50	50	50					90
8278769 A	6	3-6	3-2	3-4	2-1	3-5					10	100	100	100	100					90
8278770 A	8	6-4	6-5	8-7	4-2	4-3	4-1	6-7			15	15	25	100	100	100	100			90
8278771 A	8	3-4	5-6	6-7	3-2	2-1	6-8	3-5			20	20	100	100	100	100	100			90
8278772 A	6	2-1	3-4	4-5	5-6	2-3					100	100	100	100	100					90
8278773 A	4	1-4	2-4	3-4							10	15	25							90
8278774 A	10	1-2	3-4	7-9	5-6	7-8					100	100	100	100	100					90
8278775 A	8	2-1	4-7	4-5	4-6	2-3					10	125	100	100	100					90
8278776 A	6	2-3	1-2	3-4	5-6						100	100	100	100						90
8278777 A	10	1-2	1-6	1-4	4-5	6-7	1-8	1-9	2-3		100	100	100	100	100	100	100	100		90
8278778 A	8	5-6	3-4	1-2	4-5	3-2	6-7	7-8			100	100	200	100	100	100	100			90
8278779 A	8	6-7	1-2	1-3	4-5	5-6	1-4				10	50	100	100	100	100				90
8278780 A	6	3-4	3-5	1-2	5-6						10	25	25	75	75					90
8278781 A	10	3-5	3-2	6-8	3-6	6-7	9-10	1-2			25	100	100	100	100	100	100	100		90
8278782 A	8	2-3	1-6	4-5	1-2	1-4	6-7				100	100	100	100	100					90
8278783 A	6	2-3	3-4	1-2	4-5						100	100	100	100						90

PG. 21 06/30/82 23:32 UR0206 \*\*\* IBM INTERNAL USE \*\*\* COMPONENT DATA BANK INTERNAL USE ONLY  
CDB/RP ALL/RP TECH DCS#N NE 23517 RP/L/SP#N EQ 100 RP/L/NO LEAD/ASSIGN PD/ALL  
RP/L/LG NO/LIMIT.

PART NUMBER	T	NO.	R1	R2	R3	R4	R5	R6	R7	R8	R9	R1	R2	R3	R4	R5	R6	R7	R8	R9	NOM LEAD
NUMBER	C	LEAD	ASGN	ASGN	ASGN	ASGN	ASGN	ASGN	ASGN	ASGN	ASGN	P D	P D	P D	P D	P D	P D	P D	P D	P D	LGTH
8278784	A	4	1-2	3-4								300	300								90
8278785	A	10	2-3	4-5	6-7	8-9	1-2	1-4	1-6	1-8		50	50	50	50	50	50	50	50	25	90
8278786	A	10	9-10	3-4	7-8	1-2	4-5	4-6	3-7	2-3	3-9	25	25	25	25	25	25	25	25		90
8278787	A	10	4-3	7-8	7-9	4-5	9-10	5-6	3-1	3-2		25	25	25	25	50	50	50	50		90
8278788	A	8	7-8	3-4	6-7	5-6	1-2	5-4				50	50	50	50	50	50	50			90
8278789	A	8	7-8	5-6	1-2	1-3	4-5	1-4				10	25	50	50	50	50				90
8493081	A	6	1-2	3-5	3-4							100	100	100							90
8493083	A	4	3-4	1-2								100	100								90
8493084	A	6	2-3	3-4	5-6	1-2	4-5					100	100	100	100	100					90
8493140	A	10	3-4	6-7	5-4	3-2	9-10	1-5	7-8	5-6		100	100	100	100	100	100	100	100		90
8493141	A	10	6-7	3-4	4-5	1-2	8-9	7-8	7-10			100	100	100	100	100	100	100			90
8493257	A	6	1-4	1-3	1-2	1-5						100	100	100	100						90
8493258	A	8	1-2	3-4	5-6	7-8						160	160	160	160						90
8493282	A	10	1-2	3-4	5-6	7-8	9-10					180	180	180	180	180					90
8493301	A	6	1-2	4-5	2-3	5-6						100	100	100	100						90
8493589	A	8	1-3	1-4	7-8	1-2	6-7					125	125	125	125	125					90
8493684	A	8	1-5	1-3	6-7	1-2						100	100	100	100						90
8493685	A	8	1-5	1-3	6-7	1-2						100	100	100	100						90
8493887	A	4	1-4	1-3	1-2							100	100	100							90
8494013	A	8	1-2	1-3	1-4	1-5	1-7	1-8				160	160	160	160	160	160				90
8519118	A	6	5-6	4-6	2-3	1-3						100	100	100	100						90
8519119	A	4	3-4	1-2								100	100								90
8519120	A	4	1-3	1-2	1-4							100	100	100							90
8519121	A	6	5-6	1-2	1-3	1-4						100	100	100	100						90
8519122	A	4	1-2	2-3	2-4							100	100	100							90
8519124	A	4	1-4									600									90
8519136	A	6	3-4	5-6	1-2							100	100	100							90
8519137	A	6	3-4	3-5	3-6	1-2						100	100	100	100						90
8519138	A	8	3-4	6-7	1-3	1-6	4-5	7-8	1-2			100	100	100	100	100	100	100			90
8519142	A	10	1-2	1-3	1-4	1-5	10-6	10-7	10-8	10-9		100	100	100	100	100	100	100	100		90
8519174	A	4	3-4	1-3								300	300								90
8519220	A	6	4-6	5-6	1-2	1-3						100	100	100	100						90
8519223	A	6	3-5	4-5	1-2							100	100	100							90
8519224	A	8	1-4	5-6	7-8							300	200	150							90
8519225	A	8	7-8	4-6	1-2	2-3	4-5					100	100	100	100	100					90
8519226	A	8	1-2	1-3	1-4	6-5	7-8					100	100	100	100	100					90
8519263	A	4	1-2	3-4								190	190								110
8519273	A	6	1-2	5-6	2-3	3-4	3-5					100	100	100	100	100					90
8519274	A	10	3-4	7-8	6-7	8-9	2-3	5-6	1-2	4-5	9-10	100	100	100	100	100	100	100			90
8519275	A	6	1-2	4-5	2-3	5-6						100	100	100	100						90
8519276	A	8	4-5	7-8	3-4	5-6	1-2					100	100	100	100	100					90
8519277	A	10	1-2	1-3	1-4	1-5	1-6	1-7	1-8	1-9	1-10	100	100	100	100	100	100	100	100	100	90
8519278	A	4	3-4	1-2								100	100								90
8519279	A	8	1-2	3-4	5-6							100	100	100							90
8519283	A	8	4-1	4-2	4-3	4-6	4-7	4-8	4-5			185	185	185	185	185	185	25			110
8519284	A	10	5-1	5-2	5-3	5-4	5-7	5-8	5-9	5-10	5-6	185	185	185	185	185	185	185	185	25	110
8519327	A	8	4-5	7-8	1-2	2-3	3-4	6-7				100	100	100	100	100	100				90

PG. 22 06/30/82 23:32 UR0206 \*\*\* IBM INTERNAL USE \*\*\* COMPONENT DATA BANK INTERNAL USE ONLY  
CDB/RP ALL/RP TECH DCS#N NE 23517 RP/L/SP#N EQ 100 RP/L/NO LEAD/ASSIGN PD/ALL  
RP/L/LG NO/LIMIT.

PART NUMBER	T NO.	R1	R2	R3	R4	R5	R6	R7	R8	R9	R1	R2	R3	R4	R5	R6	R7	R8	R9	NOM LEAD LGTH
U OF LEAD C	NO.	LEAD	LEAD	LEAD	LEAD	LEAD	LEAD	LEAD	LEAD	LEAD	P D	P D	P D	P D	P D	P D	P D	P D	P D	LEAD
NUMBER	C	LEAD	ASGN	ASGN	ASGN	ASGN	ASGN	ASGN	ASGN	ASGN	MW	MW	MW	MW	MW	MW	MW	MW	MW	LGTH
8519328 A	6	1-6									725									110
8519329 A	4	3-4	1-4	1-2	2-3						50	50	190	190						110
8519349 A	4	4-1	4-2	4-3							125	125	125							110
8519350 A	6	1-2	3-4	5-6							100	125	100							110
8519351 A	8	1-2	1-3	1-4	1-5	1-6	1-7				150	150	150	150	150	150				110
8519352 A	8	1-2	3-4	5-6	7-8						125	125	125	125						110
8519353 A	8	1-2	1-3	1-4	1-5	1-6	1-7	1-8			100	100	100	100	100	100	100			110
8519354 A	8	1-2	1-3	1-4	1-5	1-6	1-7	1-8			100	100	100	100	100	100	100			110
8519355 A	6	1-2	1-3	1-4	1-5	1-6					100	100	100	100	100					110
8519363 A	4	1-2	1-3	1-4							165	165	165							110
8519364 A	4	1-2	1-3	1-4							100	100	100							90
8519365 A	8	7-8	2-3	2-4	5-6						100	100	100	100						90
8519370 A	4	1-2	3-4								100	100								90
8519371 A	6	5-6	1-2	3-4							100	100	100							90
8519372 A	8	7-8	3-4	3-5	3-6	1-2					100	100	100	100	100	100				90
8519373 A	8	1-4	2-4	5-6	5-7	3-4	5-8				100	100	100	100	100	100				90
8519374 A	10	8-9	1-2	6-7	2-3	5-6	3-4	4-5	9-10		100	100	100	100	100	100	100	100		90
8519375 A	10	1-3	2-3	3-4	4-5	5-6	7-8	9-10			100	100	100	100	100	100	100			90
8519376 A	10	1-2	2-3	4-6	5-6	7-8	9-10				100	100	100	100	100	100				90
8519377 A	6	4-6	3-6	3-6	1-2						100	100	100	100						90
8519378 A	8	5-6	3-4	1-2	7-8						100	100	100	100						90
8519379 A	4	1-2	3-4								125	125								90
8519380 A	6	5-6	1-2	4-5	2-3						100	100	100	150						90
8519381 A	8	2-3	5-6	1-2	4-5	5-7	7-8				100	100	100	100	100	100				90
8519383 A	4	1-2	3-4								100	100								90
8519389 A	4	1-2	2-3								100	100								90
8519396 A	10	8-10	9-10	1-3	3-5	3-7	1-2	4-5	6-7		100	100	100	100	100	100	100	100		90
8519492 A	8	2-3	3-4	4-5	6-5	6-7	1-2				125	125	125	125	125	125				90
8519493 A	4	1-2	3-4								100	100								90
8519494 A	8	4-5	1-2	7-8	3-5	6-7					100	100	350	100	100					90
8519502 A	4	4-3	2-1								100	100								90
8519503 A	4	4-3	2-1								100	100								90
8519507 C	8	4-6	1-2	7-8							25	160	50							90
8519508 A	6	1-2	5-6	1-3	1-4						100	100	100	100						90
8519518 A	6	5-6	4-6	2-3	1-3						100	100	100	100						90
8519519 A	6	1-2	1-3	4-5							125	125	125							90
8519520 A	4	1-2	3-4								125	125								90
8519521 A	4	3-4	1-2								125	125								90
8519522 A	4	1-2	3-4								125	125								90
8519523 A	4	1-2	3-4								125	125								90
8519524 A	4	1-4	3-4	1-2	2-3						125	125	125	125						90
8519525 A	4	1-2	3-4								125	125								90
8519526 A	4	1-2	3-4								250	250								90
8519527 A	4	3-4	1-3								300	300								90
8519530 A	4	1-2	1-3	1-4							100	100	100							110
8519532 A	10	1-2	1-3	9-10	8-10	1-4	1-5	7-10	6-10		100	100	100	100	100	100	100	100		90
8519533 A	10	8-9	4-5	2-3	3-4	7-8	6-7	1-2			100	100	100	100	100	100	100			90

PASSIVE COMPONENTS MANUAL

Component Data Bank - P/N Catalog  
R-Pac Modules

PG. 23 06/30/82 23:32 UR0206 \*\*\* IBM INTERNAL USE \*\*\* COMPONENT DATA BANK INTERNAL USE ONLY  
CDB/RP ALL/RP TECH DCS#N NE 23517 RP/L/SP#N EQ 100 RP/L/NO LEAD/ASSIGN PD/ALL  
RP/L/LG NO/LIMIT.

PART NUMBER	T NO.	R1	R2	R3	R4	R5	R6	R7	R8	R9	R1	R2	R3	R4	R5	R6	R7	R8	R9	NOM LEAD LGTH
U OF LEAD	OF LEAD	LEAD	LEAD	LEAD	LEAD	LEAD	LEAD	LEAD	LEAD	LEAD	P D	P D	P D	P D	P D	P D	P D	P D	P D	
C LEAD	LEAD	ASGN	ASGN	ASGN	ASGN	ASGN	ASGN	ASGN	ASGN	ASGN	MW	MW	MW	MW	MW	MW	MW	MW	MW	
8519534	A	4	3-4	1-2							10	10								90
8519535	A	10	1-2	1-3	1-4	1-5	1-6	1-7	1-8	1-9	1-10	50	50	50	50	50	50		50	90
8519536	A	4	3-4	1-2							100	100								90
8519537	A	10	1-2	1-3	1-4	1-5	1-6	1-7	1-8	1-9	1-10	50	50	50	50	50	50		50	90
8519538	A	10	1-3	2-3	3-4	3-5	6-8	7-8	8-9	8-10	185	185	185	185	185	185	185			90
8519539	A	4	1-4	1-2	1-3						100	100	100							90
8519540	A	8	1-2	6-7	4-5	7-8					100	100	100	100						90
8519541	A	4	1-2	3-4							100	100								90
8519542	A	6	4-6	5-6	1-3	2-3					100	100	100	100						90
8519543	A	10	3-4	4-5	4-6	2-3	7-8	9-10	1-2		100	100	100	100	100	100	100			90
8519544	A	10	3-6	6-7	3-5	8-9	3-4	1-2			100	100	100	100	100	100				90
8519545	A	6	1-2	1-3	1-4	1-5	1-6				100	100	100	100	100					110
8519546	A	6	1-2	1-3	1-4	1-5	1-6				100	100	100	100	100					110
8519547	A	6	1-2	1-3	1-4	1-5	1-6				150	150	150	150	150					110
8519548	A	8	3-4	4-5	4-6	7-8	1-2	2-3			150	100	100	100	100	100				90
8519549	A	10	9-10	7-8	1-2	4-5	8-9	5-6	3-4		150	150	150	150	150	150	150			90
8519550	A	10	7-8	5-6	9-10	1-2	3-4	2-3			100	100	100	100	100	100				90
8519551	A	8	1-2	7-8	4-5	3-4	6-7				100	100	100	100	100					90
8519552	A	8	1-2	2-3	3-4	5-7	7-8	5-6			100	100	100	100	100	100				90
8519553	A	8	1-2	5-6	2-3	3-4	5-7	7-8			50	100	100	100	100	100				90
8519554	A	10	6-7	2-3	5-6	9-10	8-9	1-2	4-5	7-8	100	100	100	100	100	100	100	100		90
8519555	A	4	1-2	3-4							100	100								90
8519580	A	4	1-4	1-3	1-2						100	100	100							90
8519581	A	8	3-4	5-6	1-4	2-4	5-7	5-8			50	50	100	100	100	100				90
8519582	A	10	1-3	8-10	4-5	6-7	2-3	8-9			100	100	100	100	100	100				90
8519583	A	8	1-2	2-3	3-4	1-4	5-8	5-6	6-7	7-8	100	100	100	100	100	100	100			90
8519584	A	6	1-3	2-3	4-6	5-6					50	100	100	100						90
8519585	A	6	2-3	4-5	1-3	4-6					50	50	100	100						90
8519586	A	10	6-7	8-9	4-5	1-3	2-3				100	100	100	100	100					90
8519587	A	6	1-2	1-3	1-4	1-5	1-6				180	180	180	180	180					90
8519590	A	6	1-2	1-3	1-4	1-5	1-6				100	100	100	100	100					90
8519660	A	8	5-7	1-2	1-3	4-7	6-7				125	125	125	125	125					90
8519661	A	4	1-2	3-4							125	125								90
8519662	A	4	3-4	1-2							125	125								90
8519663	A	4	1-2	3-4							125	125								90
8519664	A	4	1-2	3-4							125	125								90
8519665	A	4	1-4	3-4	1-2	2-3					125	125	125	125						90
8519666	A	4	1-3	1-2	1-4						125	125	125							90
8519667	A	4	1-2	3-4							125	125								90
8519743	A	10	1-3	2-3	3-4	3-5	6-8	7-8	8-9	8-10	185	185	185	185	185	185	185	185		90
8519746	A	4	2-3	1-2	1-4						100	100	100							90
TOTAL RECORDS																				1,075

E45-0359 Rev. 2

IBM Internal Use Only

September 15, 1982

PASSIVE COMPONENTS MANUAL

SLT RESISTOR MODULES (SRM)

Component Data Bank - P/N Catalog

DCS CODES

-----  
23541

PG. 1 06/30/82 23:33 UR0206 \*\*\* IBM INTERNAL USE \*\*\* COMPONENT DATA BANK INTERNAL USE ONLY  
CDB/SRM DCS EQ 23541 ALL/SRM SRM/PARI TECH NO/LIMIT.

PART NUMBER	LE NO.	AD RES	1 OHMS	2 OHMS	3 OHMS	4 OHMS	5 OHMS	6 OHMS	7 OHMS	8 OHMS	9 OHMS	T U DCS CODE
0361471	16	14	60	120								C 23541
1582527	16	12	1300	2700	4700	16000						C 23541
1582584	16	12	2260	4520								C 23541
1582592	16	15	121	130	280	402	523	576	787	953	1000	C 23541
1582719	16	14	1600	1600	13000	13000	10000	3000	16000	697	400	C 23541
1582734	16	3	5000	630	4300							C 23541
1582735	16	4	590	2000	5000	51000						C 23541
1582737	16	8	2000	1200	300	3000	5100	680	100	1000		C 23541
1582779	16	13	1800	2000	1800	3320	6190	2400	7500	820	20000	C 23541
1582780	16	12	15000	15000	15000	2000	7500	10000	8100	10000	1600	C 23541
1582781	16	15	2200	7870	7870	510	7870	7500	1500	1000	4300	C 23541
1582798	16	15	150	225	5780	3750	2250	4870	30000	10000	20000	C 23541
1582799	16	12	5760	110000	110000	110000	10700	12400	12100	12400	10700	C 23541
1582800	16	13	10700	110000	12100	12100	110000	31600	6340	16500	8450	C 23541
1582801	16	14	16500	30100	9090	29400	9090	12100	11300	110000	4990	C 23541
1582802	16	12	10700	30100	12100	110000	110000	8450	16500	16500	9090	C 23541
1582803	16	13	8060	16500	110000	12100	12100	12100	110000	19600	5490	C 23541
1582804	16	14	23700	110000	69800	7870	18700	5110	45300	12100	16900	C 23541
1582805	16	13	8250	12100	110000	7500	6490	18200	16900	110000	10200	C 23541
1582806	16	12	7500	7500	12100	7150	12100	12100	110000	13000	16200	C 23541
1582807	16	11	12100	110000	22100	7150	14300	7150	12100	12100	7150	C 23541
1582808	16	10	110000	12100	11500	12700	11500	12700	11500	11500	12100	C 23541
1582809	16	11	7050	150	12100	15400	15400	7680	15400	15400	7680	C 23541
1582844	16	12	6040	550	2000	8000	2000	550	1500	1370	3000	C 23541
1582878	16	10	51	51	1360	200	390	100	430	2000	1000	C 23541
1582906	16	15	10000	3000	1100	22000	200	3480	3900	7320	98000	C 23541
1582985	16	11	10000	10000	300000	360000	15000	10700	39000	39000	3480	C 23541
1589016	16	13	750	169	47000	82000	5760	820	7500	820	3000	C 23541
1589150	16	12	10000	3570	3000	3000	2550	2550	2000	2000	2000	C 23541
1589151	16	10	1200	759	759	496	496	165	165	135	135	C 23541
1589152	16	12	1200	1200	165	165	165	165	135	135	135	C 23541
1589192	16	10	300	4850	7150	4500	1600	1500	2890	6000	10000	C 23541
1589194	16	14	3000	5620	5000	3350	4630	2500	1670	3400	10000	C 23541
1589195	16	14	3700	7520	3530	5900	2800	4000	10000	3400	2000	C 23541
1589196	16	14	10000	9250	9000	5650	5500	5360	5000	5000	3880	C 23541
1589197	16	14	8770	12400	5000	14300	3700	4000	10000	3400	9000	C 23541
1589251	16	13	1800	2000	1800	3320	6190	2400	7500	470	15000	C 23541
1589346	16	14	5500	2500	5000	2620	1670	4000	6000	3000	3500	C 23541
1589482	16	13	1000	7500	15000	2000	7500	10000	8100	10000	1600	C 23541
2395100	16	16	40	260								C 23541
2395101	16	16	63	477								C 23541
2395102	16	16	25	83								C 23541
2396787	16	13	4300	4700	9100							C 23541
2396890	16	15	2200	3300	3900	4300	5100	7500	10000			C 23541
2396892	16	12	100	150	240	510	560	1500	2000	3900	5600	C 23541
2396937	16	14	910	2000	5100							C 23541
2396938	16	12	820	1000	1100	5100	10000					C 23541
2396939	16	15	330	475	499	680	806	1000	1580	2000	2430	C 23541



Component Data Bank - P/N Catalog  
SIT Resistor Modules (SRM)

PG. 2 06/30/82 23:33 UR0206 \*\*\* IBM INTERNAL USE \*\*\* COMPONENT DATA BANK INTERNAL USE ONLY  
 CDB/SRM DCS EQ 23541 ALL/SRM SRM/PARI TECH NO/LIMIT.

PART NUMBER	LE NO. AD RES	1 OHMS	2 OHMS	3 OHMS	4 OHMS	5 OHMS	6 OHMS	7 OHMS	8 OHMS	9 OHMS	T U DCS CODE
2396940	16 12	200	620	1000	1100	1500	2000	3000	4700	10000	C 23541
2396941	16 12	200	1000	2000	2400	5100	7500	11000			C 23541
2396953	16 14	120	2000	13500							C 23541
2397014	16 10	430	1500								C 23541
2397015	16 11	50	100	720	1150	1300	2490	3000	5100	5360	C 23541
2397017	16 12	81	133	137	250	700	1420				C 23541
2397018	16 12	1200	1230	1500	3600						C 23541
2397019	16 13	200	1000	1200	2100	2800	3000	3600	6200	6490	C 23541
2397091	16 13	75	150	165	1300	6650	120000				C 23541
2410096	16 18	470									C 23541
2410097	16 12	68	2000								C 23541
2410098	16 12	65	2000								C 23541
5616141	16 14	2500	8450	12800	14500	6000	6000	6000	6000	14400	C 23541
5616167	16 14	1500	7850	150	450	225	5780	2000	4870	5550	C 23541
8493234	16 10	35000	35000	35000	35000	35000	14000	14000	14000	14000	C 23541
TOTAL RECORDS		63									

E45-0359 Rev. 2

IBM Internal Use Only

5-117

September 15, 1982

PASSIVE COMPONENTS MANUAL

Component Data Bank - P/N Catalog  
S1T Resistor Modules (SRM)

PG. 1 06/30/82 23:33 UR0206 \*\*\* IBM INTERNAL USE \*\*\* COMPONENT DATA BANK INTERNAL USE ONLY  
CDB/SRM DCS EQ 23541 ALL/SRM SRM/PAR2 TECH NO/LIMIT.

PART NUMBER	10 OHMS	11 OHMS	12 OHMS	13 OHMS	14 OHMS	15 OHMS	16 OHMS	17 OHMS	18 OHMS	T	U DCS CODE
0361471										C	23541
1582527										C	23541
1582584										C	23541
1582592	1100	1270	1620	1740	4990					C	23541
1582719	1000	1470	2430	3910	360					C	23541
1582734										C	23541
1582735										C	23541
1582737										C	23541
1582779	2400	5600	7500	3900						C	23541
1582780	2000	3900	6800							C	23541
1582781	2000	560	3300	10000	3300	2320				C	23541
1582798	15000	7850	450	5550	5250	1130				C	23541
1582799	12100	12100	12400							C	23541
1582800	12100	110000	5490	16500						C	23541
1582801	10700	110000	12100	110000	12100					C	23541
1582802	110000	12100	12100							C	23541
1582803	110000	12100	14000	110000						C	23541
1582804	23200	13700	13700	11500	5620					C	23541
1582805	7500	45300	18200	12100						C	23541
1582806	16200	16200	16200							C	23541
1582807	8660	110000								C	23541
1582808	110000									C	23541
1582809	15400	15400								C	23541
1582844	4870	2000	3000							C	23541
1582878	3300									C	23541
1582906	75000	750	5100	3900	6980	10000				C	23541
1582985	4530	560	1600							C	23541
1589016	180	6200	82	6200						C	23541
1589150	1430	1000	1000							C	23541
1589151	120									C	23541
1589152	135	120	120							C	23541
1589192	300									C	23541
1589194	3680	5000	5000	3400	2500					C	23541
1589195	3000	4630	3350	5000	6000					C	23541
1589196	3400	3400	3250	3000	2620					C	23541
1589197	3000	3880	5360	2980	6000					C	23541
1589251	2400	5600	7500	3900						C	23541
1589346	12500	7500	5000	4000	6000					C	23541
1589482	1700	3900	6800	1000						C	23541
2395100										C	23541
2395101										C	23541
2395102										C	23541
2396787										C	23541
2396890										C	23541
2396892	15000	20000								C	23541
2396937										C	23541
2396938										C	23541
2396939	3300	3740	68000							C	23541

E45-0359 Rev. 2

IBM Internal Use Only

5-118

September 15, 1982

PASSIVE COMPONENTS MANUAL

Component Data Bank - P/N Catalog  
 SMT Resistor Modules (SRM)

PG.	2	06/30/82	23:33	UR0206	*** IBM INTERNAL USE *** COMPONENT DATA BANK INTERNAL USE ONLY											
CDB/SRM	DCS	EQ	23541	ALL/SRM	SRM/PAR2	TECH NO/LIMIT.										
PART NUMBER	10 OHMS	11 OHMS	12 OHMS	13 OHMS	14 OHMS	15 OHMS	16 OHMS	17 OHMS	18 OHMS	RES VAL	RES VAL	RES VAL	RES VAL	T		
2396940	22000													C 23541		
2396941														C 23541		
2396953														C 23541		
2397014														C 23541		
2397015														C 23541		
2397017														C 23541		
2397018														C 23541		
2397019														C 23541		
2397091														C 23541		
2410096														C 23541		
2410097														C 23541		
2410098														C 23541		
5616141	6000	6000	34800	26400	6000									C 23541		
5616167	3750	1000	3000	1130	5250	2250								C 23541		
8493234	14000													C 23541		
TOTAL RECORDS														63		

E45-0359 Rev. 2

5-119  
 IBM Internal Use Only

September 15, 1982

PASSIVE COMPONENTS MANUAL

DIP R+R/C NETWORK MODULES

Component Data Bank - P/N Catalog

DCS Codes

-----  
23549

PG. 1 06/30/82 23:33 UR0206 \*\*\* IBM INTERNAL USE \*\*\* COMPONENT DATA BANK INTERNAL USE ONLY  
CDB/SRM DCS EQ 23549 ALL/SRM SRM/PARI SEQ/LH SRM/RES/VAL/1 TECH NO/LIMIT.

PART NUMBER	LE NO. AD RES	1 OHMS	2 OHMS	3 OHMS	4 OHMS	5 OHMS	6 OHMS	7 OHMS	8 OHMS	9 OHMS	U C	DCS CODE
5616755											C	23549
5616756											C	23549
6833789	16 8	22	22	22	22	22	22	22	22	22	C	23549
8493430	16 8	39	39	39	39	39	39	39	39	39	A	23549
8493442	16 8	75	75	75	75	160	160	160	75		A	23549
5615443	16 11	79	348	1000	1000	180	36	787	38	576	C	23549
5615601	16 16	85	125	85	125	85	125	85	125	85	C	23549
5617134	14 7	100	800	800	300	1500	1500	300			C	23549
8519517	14 13	110	110	110	110	110	110	110	110	110	C	23549
1589061	14 10	130	660	1000	1000	1000	20	470	1000	10000	A	23549
8493157	16 15	130	130	130	130	130	130	130	130	130	A	23549
4429721	16 8	150									C	23549
5617149	14 13	152	152	152	150	150	150	150	150	284	C	23549
5615565	16 28	180	390	180	390	180	390	180	390	180	C	23549
1589332	14 7	220	220	220	220	220	220	220			C	23549
5617135	14 6	220	1000	1000	2000	93	220				C	23549
1589437	16 6	240	240	81	133	100	133				C	23549
5615882	16 15	270	270	270	270	270	270	270	270	270	C	23549
5621275	16 9	300	1000	300	300	510	100	75	276	1000	C	23549
8493155	16 15	300	1200	620	1240	1240	2000	3000	420	420	C	23549
8519388	16 8	300	300	300	300	300	300	300	300		A	23549
5615567	14 7	330	330	330	330	330	330	330			C	23549
5617077	14 24	390	1200								C	23549
4429720	14 9	402	130000	1800	130000	1800	402	615	615	615	C	23549
8493459	14 11	510	510	5100	5000	2150	1500	925	750	180	A	23549
5617133	18 12	620	330								C	23549
4429601	18 32	750	2300								C	23549
5616531	14 7	750	750	750	750	750	750	750			C	23549
8493431	16 8	750	750	750	750	750	750	750	750		A	23549
1589331	14 13	1000	1000	1000	1000	1000	1000	1000	1000	1000	C	23549
8272247	16 13	1000	3000	3000	3830	680	4300	1500	15000	3000	C	23549
8493432	16 8	1000	1000	1000	1000	1000	1000	1000	1000		A	23549
8493837	16 12	1000	1000	1500	1000	3000	1300	1000	1000	1500	A	23549
8493775	14 10	1042	1042	1712	1712	1180	1042	1042	1712	1712	A	23549
5615444	16 11	1150	1000	4990	1000	1000	1000	1000000	150	1000	C	23549
5616825	14 14	1300	1300	1300	1300	1300	1300	1300	1300	1300	C	23549
5616532	16 15	1500	1500	1500	1500	1500	1500	1500	1500	1500	C	23549
1589024	14 12	2000	30000	68000	12000	10000	2000	2000	30000	68000	C	23549
1589060	16 13	2000	2700	7500	6200	75	10000	50000	5300	20000	A	23549
1589313	16 7	2000	2000	2000	2000	2000	2000	2000			C	23549
1589459	16 12	2000	2000	750	750	730	660	3600	3000	5000	C	23549
4429718	14 10	2000	2000	2000	10000	10000	1950	1950	1580	10000	C	23549
5615954	14 11	2000	2000	2000	3000	1000	7500	3000	1580	5000	C	23549
5616088	14 7	2000	2320	2320	2000	2320	2320	1910			C	23549
8272185	14 10	2000	2000	2000	1000	6650	3900	51100	2000	2000	C	23549
8493154	14 13	2000	2000	2000	2000	2000	2000	2000	2000	2000	A	23549
8493158	16 10	2000	2320	2320	2320	2320	2320	2320	2000	2000	C	23549
8493171	14 11	2000	2000	2000	10000	10000	1950	1950	1580	5000	C	23549

PASSIVE COMPONENTS MANUAL

Component Data Bank - P/N Catalog  
DIP R+R/C Network Module

PG. 2		06/30/82 23:33 UR0206 *** IBM INTERNAL USE *** COMPONENT DATA BANK INTERNAL USE ONLY												
CDB/SRM		DCS EQ 23549 ALL/SRM SRM/PAR1 SEQ/LH SRM/RES/VAL/1 TECH NO/LIMIT.												
		RES VAL RES VAL RES VAL RES VAL RES VAL RES VAL RES VAL RES VAL RES VAL												
PART NUMBER	LE NO. AD RES	1 OHMS	2 OHMS	3 OHMS	4 OHMS	5 OHMS	6 OHMS	7 OHMS	8 OHMS	9 OHMS	T U	DCS CODE		
8493433	16 8	2000	2000	2000	2000	2000	2000	2000	2000		A	23549		
6832325	16 10	2600	3000	3000	2600	100	100	760	247	247	C	23549		
8493156	16 12	3000	750	2000	1500	3600	3600	3600	750	2000	C	23549		
8493320	14 12	3000	25800	3000	11400	6800	3000	8000	3000	3000	C	23549		
8493321	14 13	3000	16400	2000	3000	5020	4910	5484	4516	4296	C	23549		
5615503	16 13	3400	668	1305	10000	470	240	100000	10000	470000	C	23549		
5617076	14 24	3500	12000								C	23549		
5621274	14 12	3530	7520	2980	12400	5000	5500	2500	5000	4000	C	23549		
4429716	16 12	3560	28000	28000	3570	11000	28500	28500	28000	28000	C	23549		
8493061	14 11	3900	3900	3900	3900	3900	3900	1300	1300	1300	A	23549		
8493440	16 8	4020	4020	4020	4020	4020	4020	4020	4020	4020	A	23549		
4430089	14 11	4220	26700	13300	76800	42200	35700	124000	38300	15800	C	23549		
4430095	16 15	4427	3243	2000	2000	2000	2000	2000	2000	1960	A	23549		
1589420	16 15	4700	510000	4700	510000	4700	510000	4700	510000	510000	C	23549		
4430015	16 8	4700		4700		4700		4700			C	23549		
5615566	14 13	4700	4700	4700	4700	4700	4700	4700	4700	4700	C	23549		
5615881	16 13	4700	510000	4700	510000	4700	510000	4700	510000	1100	C	23549		
4430099	14 12	5000	5000	5000	5000	3200	3200	3200	3200	500	C	23549		
5621276	16 11	5000	5000	10000	5000	5000	10000	1000	2000	2200	C	23549		
6832333	16 13	5000	5000	2000	2000	13000	10000	3010	30900	2000	C	23549		
8272249	14 12	5000	14300	5000	5900	5000	9250	3700	2800	5000	C	23549		
8493706	16 13	5000	5000	5000	5000	5000	1000	1000	2010	6040	A	23549		
8493435	16 8	5100	5100	5100	5100	5100	5100	5100	5100	5100	A	23549		
4429717	16 14	5850	15000	2000	2280	16110	10000	10000	10000	10000	C	23549		
8493242	16 13	6040	2000	6040	7680	3000	3000	6040	14000	2460	C	23549		
8493434	16 8	6200	6200	6200	6200	6200	6200	6200	6200		A	23549		
5621277	14 7	6300	24400	12000	24000	40000	18700	46500			C	23549		
8493172	16 12	6800	13000	67900	199000	20000	70000	28000	155000	14440	C	23549		
1589259	14 10	7200	1000	7200	1000	2500	3333	10000	1867	2000	C	23549		
5615504	16 13	7500	20000	4700	9000	3700	51	600	36000	1000	C	23549		
5616826	16 16	8200	8200	8200	8200	8200	8200	8200	8200	8200	C	23549		
8519495	16 15	8200	8200	8200	8200	8200	8200	8200	8200	8200	A	23549		
4429715	16 13	8840	10000	21250	7500	8660	56850	56850	5900	8000	C	23549		
5615952	16 11	9660	19900	20000	28500	199100	28500	28000	28000	14000	C	23549		
1589062	18 16	10000	10000	28000	28000	140000	6000	50000	50	8200	A	23549		
4430093	16 15	10000	10000	10000	10000	10000	10000	10000	10000	10000	A	23549		
5615953	16 12	10000	18680	1000	2000	11000	3570	2000	2000	2000	C	23549		
5616089	16 8	10000	10000	1000000	1000	1000000	10000	10000	1000		C	23549		
5616827	16 16	10000	10000	10000	10000	10000	8200	8200	1300	10000	C	23549		
8493159	14 9	10000	10000	1000	1000	10000	10000	1000000	1000000	1000	C	23549		
8493208	16 6	10000	10000	10000	10000	10000	10000				C	23549		
8493436	16 8	10000	10000	10000	10000	10000	10000	10000	10000		A	23549		
8493845	16 15	10000	7100	6000	5000	5000	10000	50000	5000	24000	A	23549		
4429728	14 12	10500	4000	50000	3000	3000	4750	102500	7500	12000	C	23549		
8493439	16 8	11800	11800	11800	11800	11800	11800	11800	11800		A	23549		
4429714	16 12	14000	14760	28000	28000	35400	88830	19900	35400	28000	C	23549		
5615949	16 12	14000	35400	28000	28000	86000	35400	28000	28000	28000	C	23549		
4430096	16 13	15000	15000	15000	15000	15000	750	750	510	330	A	23549		

E45-0359 Rev. 2

IBM Internal Use Only

5-121

September 15, 1982

PASSIVE COMPONENTS MANUAL

Component Data Bank - P/N Catalog  
DIP R+R/C Network Module

PG. 3 06/30/82 23:33 UR0206 *** IBM INTERNAL USE *** COMPONENT DATA BANK INTERNAL USE ONLY												
CDB/SRM DCS EQ 23549 ALL/SRM SRM/PAR1 SEQ/LH SRM/RES/VAL/1 TECH NO/LIMIT.												
PART NUMBER	LE AD	NO. RES	1 OHMS	2 OHMS	3 OHMS	4 OHMS	5 OHMS	6 OHMS	7 OHMS	8 OHMS	9 OHMS	T U DCS CODE
8493410	14	6	15200	15200	50000	50000	15200	50000				A 23549
1589418	14	8	20000	2000	20000	2000	20000	2000	20000	2000		C 23549
4430097	14	12	20000	20000	20000	20000	20000	20000	20000	20000	7000	C 23549
8493437	16	8	20000	20000	20000	20000	20000	20000	20000	20000		A 23549
4430098	14	6	27000	27000	27000	27000	27000	27000	27000			C 23549
8493160	16	12	28700	28700	100000	4750	100000	4750	4750	100000	4750	C 23549
4481291	16	15	30100	30100	30100	6490	6490	6490	5110	5110	5110	A 23549
6833160	14	10	38300	11000	11000	51100	169000	30900	30900	205000	75000	C 23549
5615950	16	14	40000	40000	8660	3220	18000	40000	10000	3000	3320	C 23549
1589063	16	12	50000	1000	560	3500	10000	100000	5000	50000	2000	A 23549
4429719	14	9	67900	99550	99550	20000	70000	28000	77500	77500	14440	C 23549
4430014	16	5	82000	68100	13000	4700	820			4700		C 23549
4430047	16	15	90900	162000	34800	59000	20500	9530	56960	18200	11000	C 23549
5615951	16	15	90900	169800	36500	122000	31900	12420	57000	10120	6400	C 23549
5616090	16	8	100000	4750	4750	100000	100000	4750	4750	100000		C 23549
5616091	14	6	100000	100000	100000	100000	25000	25000				C 23549
5616092	14	7	100000	1600	22600	5000	10000	5000	10000			C 23549
8272129	18	12	100000	100000	400000	200000	77000	36000	200000	66000	564000	C 23549
8493161	14	10	100000	100000	100000	100000	48000	22000	10000	10000	22000	C 23549
8493438	16	8	100000	100000	100000	100000	100000	100000	100000	100000		A 23549
8493233	16	4	201523	200403	201523	200403						C 23549
1589424	16	9	510000	13000	510000	4700	820	82000	510000	510000	68100	C 23549
8493441	16	8	1000000	1000000	1000000	1000000	1000000	1000000	1000000	1000000		A 23549
TOTAL RECORDS			119									

E45-0359 Rev. 2

5-122  
IBM Internal Use Only

September 15, 1982

PASSIVE COMPONENTS MANUAL

Component Data Bank - P/N Catalog  
DIP R+R/C Network Module

PG.	1	06/30/82 23:33 UR0206 *** IBM INTERNAL USE *** COMPONENT DATA BANK INTERNAL USE ONLY												
CDB/SRM	DCS EQ	23549	ALL/SRM	SRM/PAR2	SEQ/LH	SRM/RES/VAL/1	TECH	NO/LIMIT.					RES	VAL
PART NUMBER	10	11	12	13	14	15	16	17	18	U	DCS	T	RES	VAL
	OHMS	OHMS	OHMS	OHMS	OHMS	OHMS	OHMS	OHMS	OHMS	C	CODE		1	OHMS
5616755										C	23549			
5616756										C	23549			
6833789										C	23549		22	
8493430										A	23549		39	
8493442										A	23549		75	
5615443	620	910								C	23549		79	
5615601	125	85	125	85	125	85	125			C	23549		85	
5617134										C	23549		100	
8519517	110	110	110	110						C	23549		110	
1589061	10000									A	23549		130	
8493157	130	130	130	130	130	130				A	23549		130	
4429721										C	23549		150	
5617149	284	504	325	284						C	23549		152	
5615565	390	180	390	180	390	180	390	180	390	C	23549		180	
1589332										C	23549		220	
5617135										C	23549		220	
1589437										C	23549		240	
5615882	270	270	270	270	270	270				C	23549		270	
5621275										C	23549		300	
8493155	300	300	620	1170	1170	1170				C	23549		300	
8519388										A	23549		300	
5615567										C	23549		330	
5617077										C	23549		390	
4429720										C	23549		402	
8493459	1100	5830								A	23549		510	
5617133										C	23549		620	
4429601										C	23549		750	
5616531										C	23549		750	
8493431										A	23549		750	
1589331	1000	1000	1000	1000						C	23549		1000	
8272247	3000	3000	3000	9100						C	23549		1000	
8493432										A	23549		1000	
8493837	1000	3000	1300							A	23549		1000	
8493775	1180									A	23549		1042	
5615444	4020	4990								C	23549		1150	
5616825	1300	1300	1300	1300						C	23549		1300	
5616532	1500	1500	1500	1500	1500	1500				C	23549		1500	
1589024	12000	10000	2000							C	23549		2000	
1589060	12000	36000	20000	11000						A	23549		2000	
1589313										C	23549		2000	
1589459	300	620	680							C	23549		2000	
4429718	5000									C	23549		2000	
5615954	953	5000								C	23549		2000	
5616088										C	23549		2000	
8272185	2000									C	23549		2000	
8493154	2000	2000	2000	2000						A	23549		2000	
8493158	977									C	23549		2000	
8493171	5000	1000								C	23549		2000	

PASSIVE COMPONENTS MANUAL

PG. 2 06/30/82 23:33 UR0206 *** IBM INTERNAL USE *** COMPONENT DATA BANK INTERNAL USE ONLY												
CDB/SRM DCS EQ 23549 ALL/SRM SRM/PAR2 SEQ/LH SRM/RES/VAL/1 TECH NO/LIMIT.												
PART NUMBER	10 OHMS	11 OHMS	12 OHMS	13 OHMS	14 OHMS	15 OHMS	16 OHMS	17 OHMS	18 OHMS	T U DCS CODE	RES VAL	RES VAL
8493433										A 23549	2000	
6832325		2000								C 23549	2600	
8493156	2500	1000	1000							C 23549	3000	
8493320	7200	4200	3000							C 23549	3000	
8493321	5704	3000	30800	3000						C 23549	3000	
5615503	6040	13000	10000							C 23549	3400	
5617076										C 23549	3500	
5621274	6000	2620	1670							C 23549	3530	
4429716	14000	14000	11100							C 23549	3560	
8493061	1300	1000	1000							A 23549	3900	
8493440										A 23549	4020	
4430089	27000	5900								C 23549	4220	
4430095	1000	1000	1000	1000	1000	500				A 23549	4427	
1589420	4700	510000	4700	510000	4700	680				C 23549	4700	
4430015	4700		4700		4700	680				C 23549	4700	
5615566	4700	4700	4700	4700						C 23549	4700	
5615881	2660	2210	1300	620						C 23549	4700	
4430099	500	500	500							C 23549	5000	
5621276	2940	4000								C 23549	5000	
6832333	2000	2000	2000	2000						C 23549	5000	
8272249	5000	2500	3250							C 23549	5000	
8493706	6040	6040	6040	2520						A 23549	5000	
8493435										A 23549	5100	
4429717	5000	15000	5850	10000	10000					C 23549	5850	
8493242	10000	6040	71500	6040						C 23549	6040	
8493434										A 23549	6200	
5621277										C 23549	6300	
8493172	22100	150000	110000							C 23549	6800	
1589259	28000									C 23549	7200	
5615504	1000	36000	51	1500						C 23549	7500	
5616826	8200	8200	8200	8200	8200	8200				C 23549	8200	
8519495	8200	8200	8200	8200	8200	8200				A 23549	8200	
4429715	5000	55000	40000	5970						C 23549	8840	
5615952	10000	14000								C 23549	9660	
1589062	5600	5600	28000	68000	30000	7500	47000			A 23549	10000	
4430093	10000	10000	10000	10000	10000	10000				A 23549	10000	
5615953	2800	10980	10000							C 23549	10000	
5616089										C 23549	10000	
5616827	10000	10000	10000							C 23549	10000	
8493159										C 23549	10000	
8493208										C 23549	10000	
8493436										A 23549	10000	
8493845	10000	5000	8600	20000	10000	10000				A 23549	10000	
4429728	2000	3000	50000							C 23549	10500	
8493439										A 23549	11800	
4429714	28000	28000	14000							C 23549	14000	
5615949	28000	28000	14000							C 23549	14000	
4430096	330	240	150	150						A 23549	15000	



Component Data Bank - P/N Catalog  
DIP R+R/C Network Module

PG.	06/30/82 23:33 UR0206 *** IBM INTERNAL USE *** COMPONENT DATA BANK INTERNAL USE ONLY												
CDB/SRM	DCS EQ 23549 ALL/SRM SRM/PAR2 SEQ/LH SRM/RES/VAL/1 TECH NO/LIMIT.												
PART NUMBER	10 OHMS	11 OHMS	12 OHMS	13 OHMS	14 OHMS	15 OHMS	16 OHMS	17 OHMS	18 OHMS	T C	DCS CODE	RES VAL OHMS	
8493410										A	23549	15200	
1589418										C	23549	20000	
4430097	7000	7000	7000							C	23549	20000	
8493437										A	23549	20000	
4430098										C	23549	27000	
8493160	100000	28700	28700							C	23549	28700	
4481291	2000	2000	2000	825	825	825				A	23549	30100	
6833160	26100									C	23549	38300	
5615950	8000	40000	35000	6190	113700					C	23549	40000	
1589063	50000	2000	3500							A	23549	50000	
4429719										C	23549	67900	
4430014										C	23549	82000	
4430047	6650	6650	13300	28700	21500	4990				C	23549	90900	
5615951	8840	7650	17220	15160	90500	4990				C	23549	90900	
5616090										C	23549	100000	
5616091										C	23549	100000	
5616092										C	23549	100000	
8272129	77000	200000	196000							C	23549	100000	
8493161	52000									C	23549	100000	
8493438										A	23549	100000	
8493233										C	23549	201523	
1589424										C	23549	510000	
8493441										A	23549	1000000	
TOTAL RECORDS 119													
END 00719 PROC/TIME = 13.59, CPU/TIME = 1.37													

E45-0359 Rev. 2

IBM Internal Use Only

September 15, 1982

