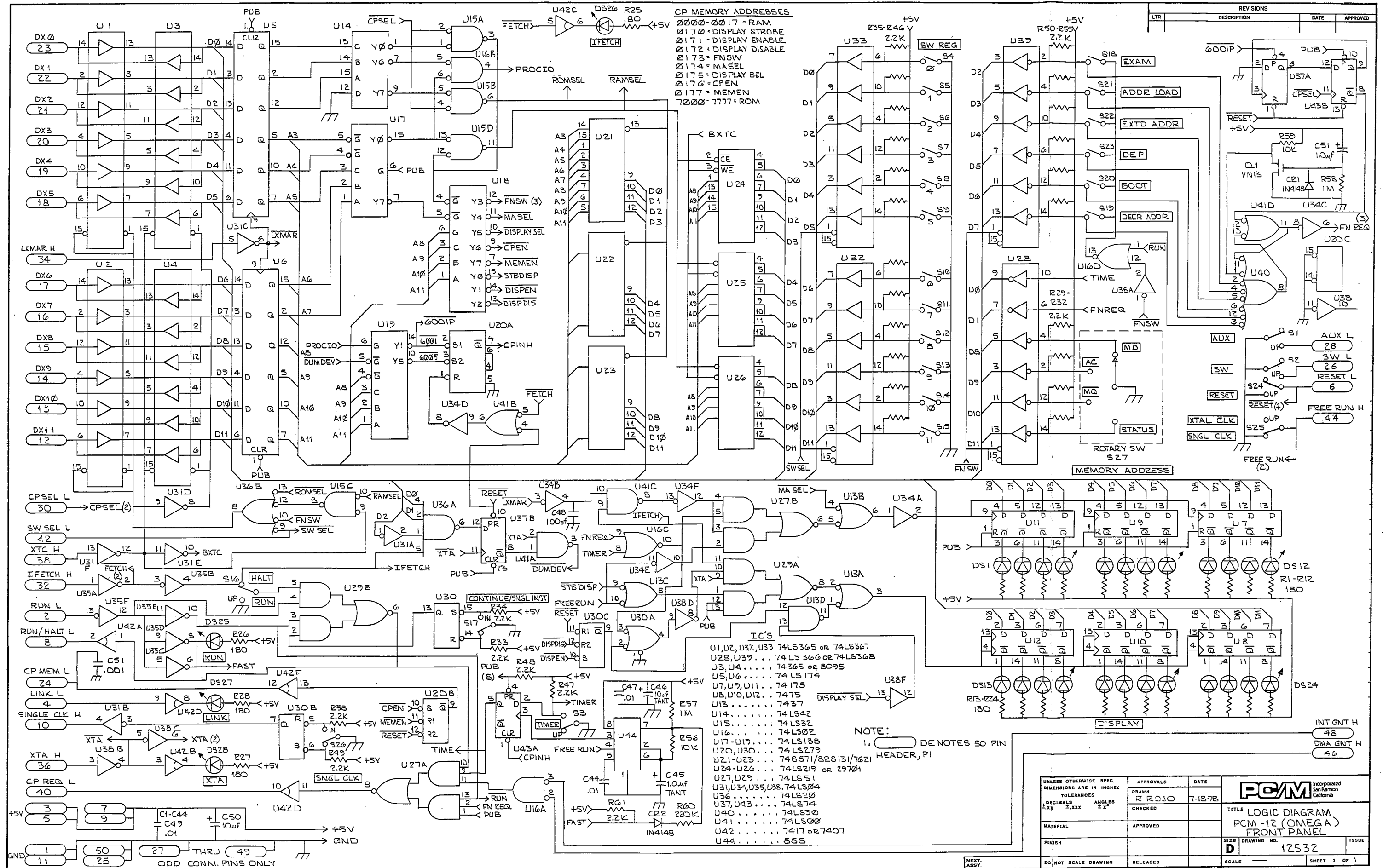


CP MEMORY ADDRESSES  
 0000-0017 = RAM  
 0170 = DISPLAY STROBE  
 0171 = DISPLAY ENABLE  
 0172 = DISPLAY DISABLE  
 0173 = FNSW  
 0174 = MASEL  
 0175 = DISPLAY SEL  
 0176 = CPEN  
 0177 = MEMEN  
 7000-7777 = ROM

REVISIONS	DESCRIPTION	DATE	APPROVED



- IC'S
- U1, U2, U3, U33 74LS365 or 74LS367
  - U28, U39... 74LS366 or 74LS368
  - U3, U4... 74LS365 or 8095
  - U5, U6... 74LS174
  - U7, U9, U11... 74175
  - U8, U10, U12... 74175
  - U13... 7437
  - U14... 74LS42
  - U15... 74LS32
  - U16... 74LS02
  - U17, U19... 74LS138
  - U20, U30... 74LS279
  - U21-U23... 74LS71/82S131/7621
  - U24-U26... 74LS219 or 29701
  - U27, U29... 74LS51
  - U31, U34, U35, U38... 74LS04
  - U36... 74LS20
  - U37, U43... 74LS74
  - U40... 74LS30
  - U41... 74LS00
  - U42... 7417 or 7407
  - U44... 555

NOTE:  
 1. DE NOTES 50 PIN  
 HEADER, P1

UNLESS OTHERWISE SPEC. DIMENSIONS ARE IN INCHES: TOLERANCES DECIMALS .XXX ANGLES ±X°	APPROVALS	DATE	
	DRAWN R ROJO	7-18-78	
MATERIAL	CHECKED		TITLE LOGIC DIAGRAM PCM-12 (OMEGA) FRONT PANEL
FINISH	APPROVED		SIZE DRAWING NO. D 12532
DO NOT SCALE DRAWING	RELEASED		SCALE SHEET 1 OF 1