

Revisions				216339	C
LAL	Rev.	Description	Chk	Date	Approved
	A	ENGRG RELEASE	<i>BN</i>	3-8-76	<i>RF</i>
	B	REVISED; ADDED ITEM 27	<i>FM BN</i>	7-28-76	<i>BN RF</i>
	C	ADDED NOTE 2, SH 7 REVISED "WAKECURT" SCHEMATIC. SH 12 REVISED "SWKMRT" SCHEMATIC.	<i>BN</i>	10-4-76	<i>RF</i>

**ENGINEERING
RELEASE**

THIS DOCUMENT CONTAINS 14 SHEETS.

Dist Code ALT

These drawings and specifications, and the data contained therein, are the exclusive property of Xerox Corporation and/or Rank Xerox, Ltd. issued in strict confidence and shall not, without the prior written permission of Xerox Corporation or Rank Xerox, Ltd., be reproduced, copied or used for any purpose whatsoever, except the manufacture of articles for Xerox Corporation or Rank Xerox, Ltd.	Notes Unless Specified	Drawn <i>Matyke</i>	Xerox Corporation El Segundo, California		
	1. Tolerances .XX ±.03 Angular .XXX ±.010 ±1/2° 2. Break All Sharp Edges .010 Approx. 3. Mach. Surfaces <input checked="" type="checkbox"/> 4. All Dim. in Inches	Check <i>Wickens</i>	Title ALTO II ASSEMBLY, PRINTED WIRING - DISPLAY CONTROL		
		Appr. <i>BN</i>			
		Material			
Model No. ALTO II First Use EWO 7YF92	Finish	Code Ident. 18338	Size A	Dwg. No. 216339	
Next Assy. First Use 21 6302		Scale -	Do Not Scale Drawing	Change Letter C	
			Sheet 1		

NOTES: UNLESS OTHERWISE SPECIFIED

1. ASSEMBLE PER ALTO II MODULE ASSEMBLY SPECIFICATION, DWG NO. 216207.
2. CUT ETCH & ADD JUMPERS AS FOLLOWS: (FOR "B" REV ASSYS ONLY)
 - A. CUT ETCH BETWEEN A20-13 AND PIN 115 (CIRCUIT SIDE).
 - B. ADD JUMPER FROM A20-13 TO A18-13 (CIRCUIT SIDE).
 - C. ADD JUMPER FROM A18-12 TO PIN 115 (CIRCUIT SIDE).
 - D. CUT ETCH BETWEEN A18-14 AND FEEDTHRU BETWEEN A57 AND A58(CONNECTS TO A54-10) (CIRCUIT SIDE).
 - E. CUT ETCH BETWEEN A21-9 AND A62-6 (CIRCUIT SIDE)
 - F. ADD JUMPER:

FROM:	TO:
1) A8-9	A21-9
2) A8-5	A8-11
3) A8-11	A8-15
4) A8-4	A8-12
5) A18-14	A8-10
6) A8-13	A8-14
7) A8-13	A54-10 (FEED-THRU BETWEEN A57 & A58)

These drawings and specifications, and the data contained therein, are the exclusive property of Xerox Corporation and/or Rank Xerox, Ltd. issued in strict confidence and shall not, without the prior written permission of Xerox Corporation or Rank Xerox, Ltd., be reproduced, copied or used for any purpose whatsoever, except the manufacture of articles for Xerox Corporation or Rank Xerox, Ltd.

Title ALTO II
ASSEMBLY, P.W.-
DISPLAY CONTROL

Xerox Corporation
El Segundo, California

XEROX

216339

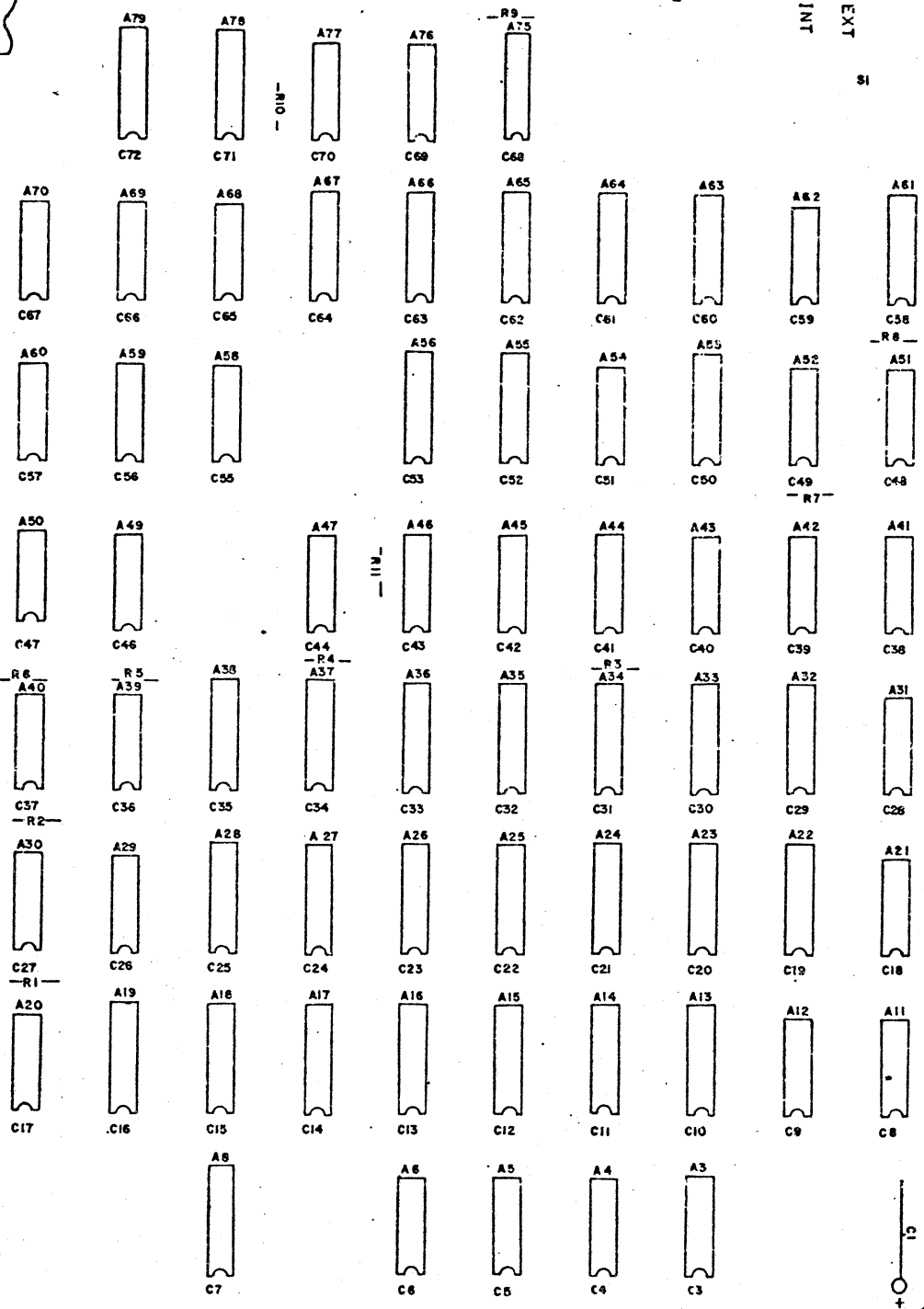
C

Sheet 2 Of

ALTO II DISPLAY CONTROL

ASSY NO. 216339

PWB NO. 216341



58
59
2 PLACES

57

The drawings and specifications, and the data contained therein, are the exclusive property of Xerox Corporation and/or Rank Xerox, Ltd. issued in strict confidence and shall not, without the prior written permission of Xerox Corporation or Rank Xerox, Ltd., be reproduced, copied or used for any purpose whatsoever, except the manufacture of articles for Xerox Corporation or Rank Xerox, Ltd.

Title
ASSY, PRINTED WIRING
DISPLAY CONTROL

Xerox Corporation El Segundo, California		XEROX
216339	C	
Sheet	3	Of

Material List

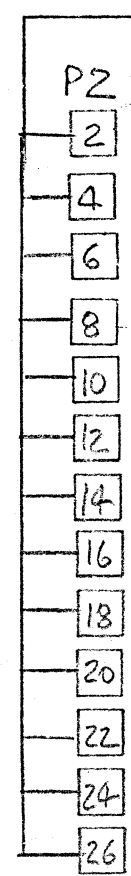
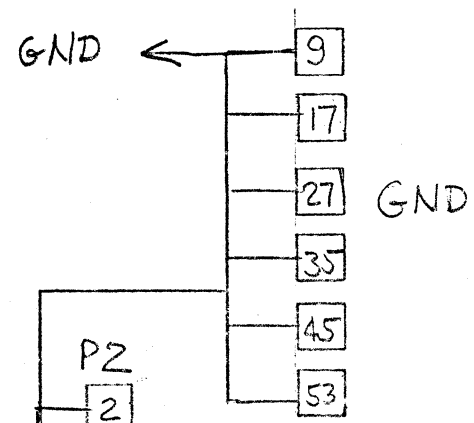
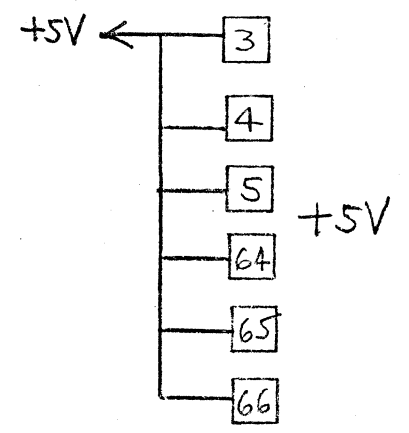
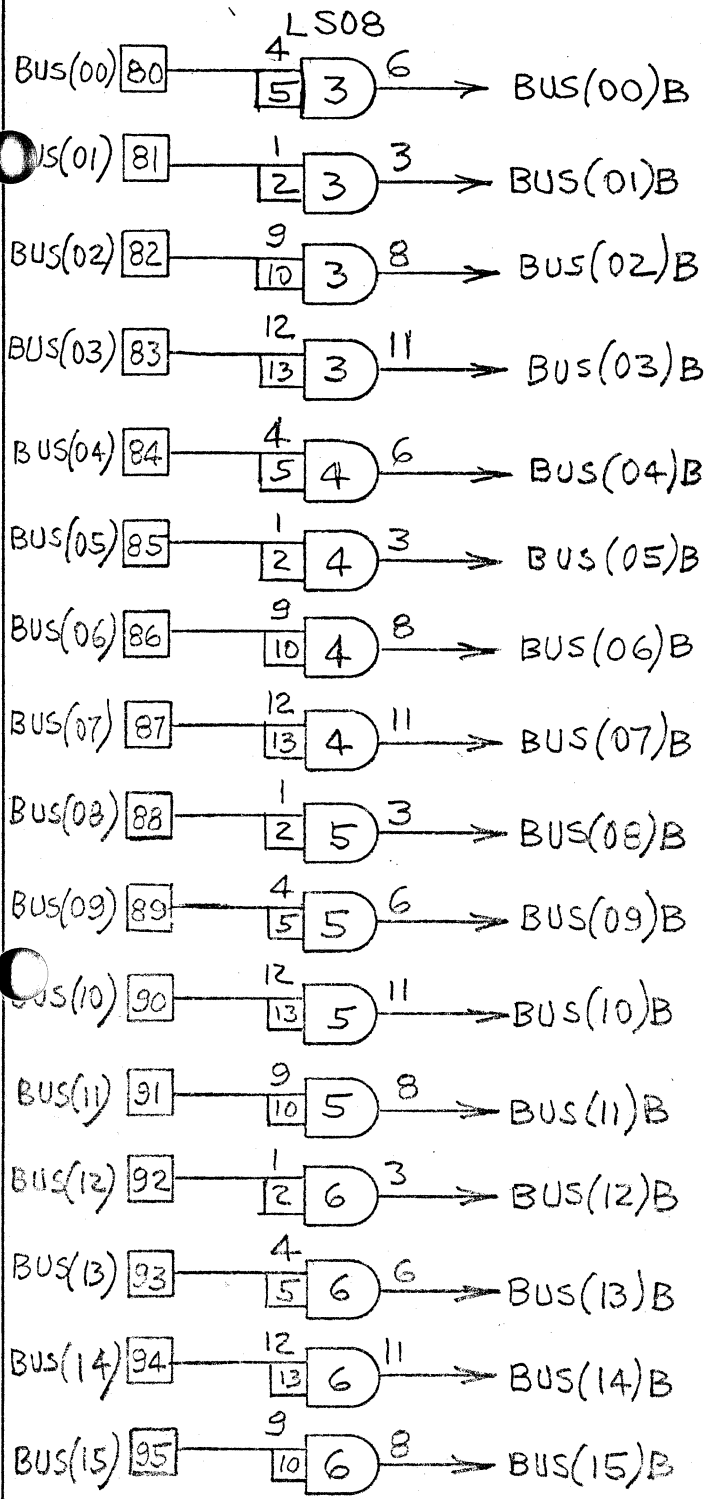
ML	Drawing No. 216339	Rev. C
-----------	-----------------------	-----------

Drawing Title ALTO II	ASSEMBLY, PRINTED WIRING- DISPLAY CONTROL

These drawings and specifications, and the data contained therein, are the exclusive property of Xerox Corporation and/or Rank Xerox, Ltd. issued in strict confidence and shall not, without the prior written permission of Xerox Corporation or Rank Xerox, Ltd., be reproduced, copied or used for any purpose whatsoever, except the manufacture of articles for Xerox Corporation or Rank Xerox, Ltd.

Date 3/4/76	Sheet 4 of
----------------	---------------

Item No.	Drawing Title	Drawing No.	No. Req.	Remarks
1	Board, P.W., Display Control	216341	1	
2	Procedure, Test	216340	REF	
3	Spec, Module Assembly	216207	REF	
4	Microcircuit, 74H00		4	A29,30,43,58
5	74H01		1	A40
6	74H04		1	A42
7	74H08		1	A31
8	74H10		1	A21
9	74H11		2	A11,12
10	74H21		1	A46
11	74H30		1	A76
12	74H50		1	A52
13	74H74		3	A44, 45, 47
14	74157		1	A35
15	74166		4	A17,22,28,32
16	74174		2	A18,64
17	74279		1	A19
18	74298		1	A56
19	74S02		2	A20,50
20	74S04		4	A41,49,62,70
21	74S10		1	A59
22	74S163		3	A61,78,79
23	74LS08		4	A3,4,5,6
24	74S08		1	A39
25	74S74		1	A68
26	Microcircuit, 74S00		1	A69
27	MICROCIRCUIT, 74109		1	A8
28				
29				
30	Microcircuit, 13101A Intel		4	A14,15,24,25
31	Microcircuit, 13404 Intel		3	A13,23,34
32				
33				

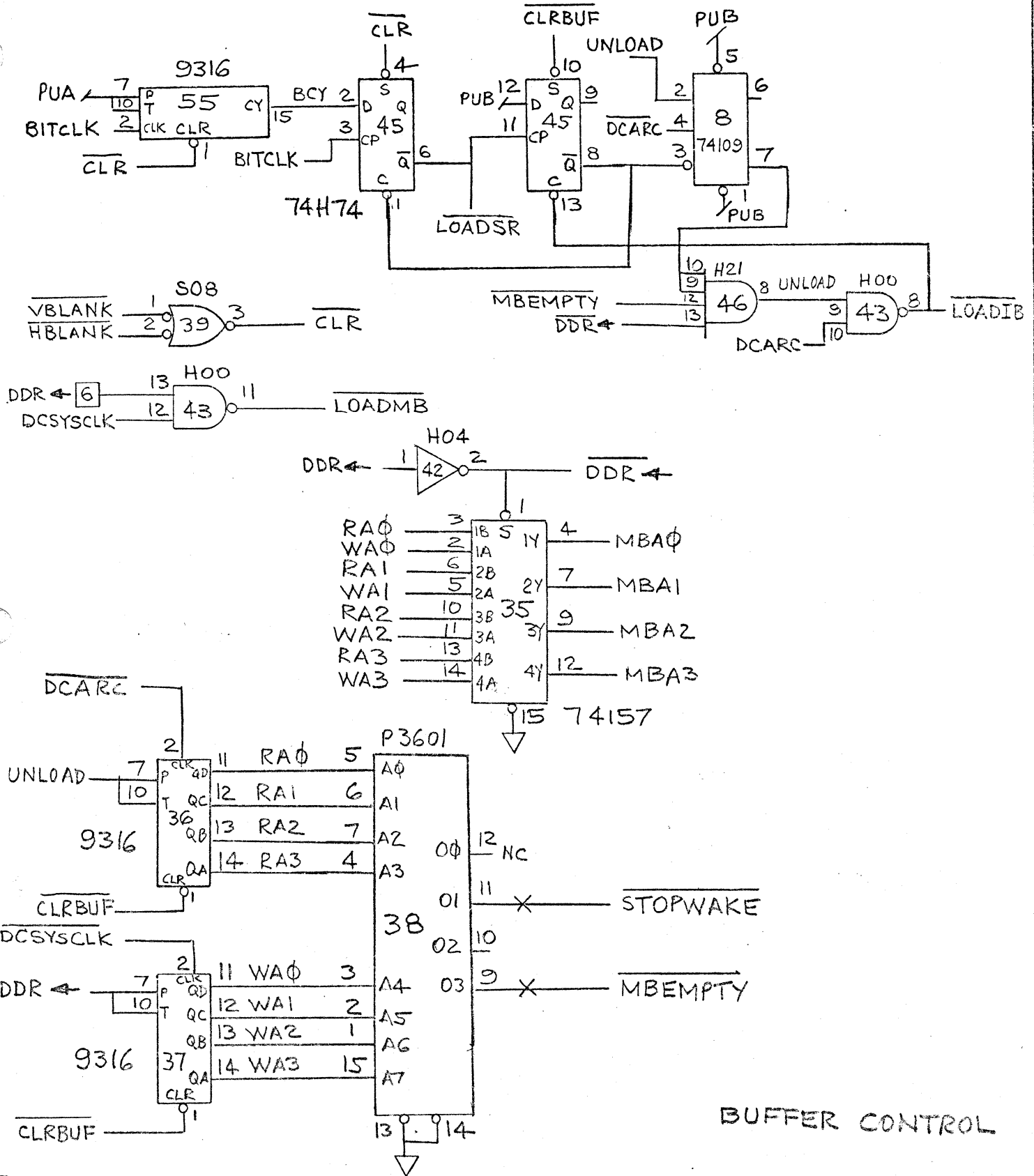


BUS BUFFERS

These drawings and specifications, and the data contained therein, are the exclusive property of Xerox Corporation and/or Rank Xerox, Ltd. issued in strict confidence and shall not, without the prior written permission of Xerox Corporation or Rank Xerox, Ltd., be reproduced, copied or used for any purpose whatsoever, except the manufacture of articles for Xerox Corporation or Rank Xerox, Ltd.

Title ALTO II
ASSEMBLY, P.W.-
DISPLAY CONTROL

Xerox Corporation
El Segundo, California
216339
Sheet 6 Of
C
XEROX



BUFFER CONTROL

These drawings and specifications, and the data contained therein, are the exclusive property of Xerox Corporation and/or Rank Xerox, Ltd. issued in strict confidence and shall not, without the prior written permission of Xerox Corporation or Rank Xerox, Ltd., be reproduced, copied or used for any purpose whatsoever, except the manufacture of articles for Xerox Corporation or Rank Xerox, Ltd.

Title
ALTO II
ASSEMBLY, P.W.-
DISPLAY CONTROL

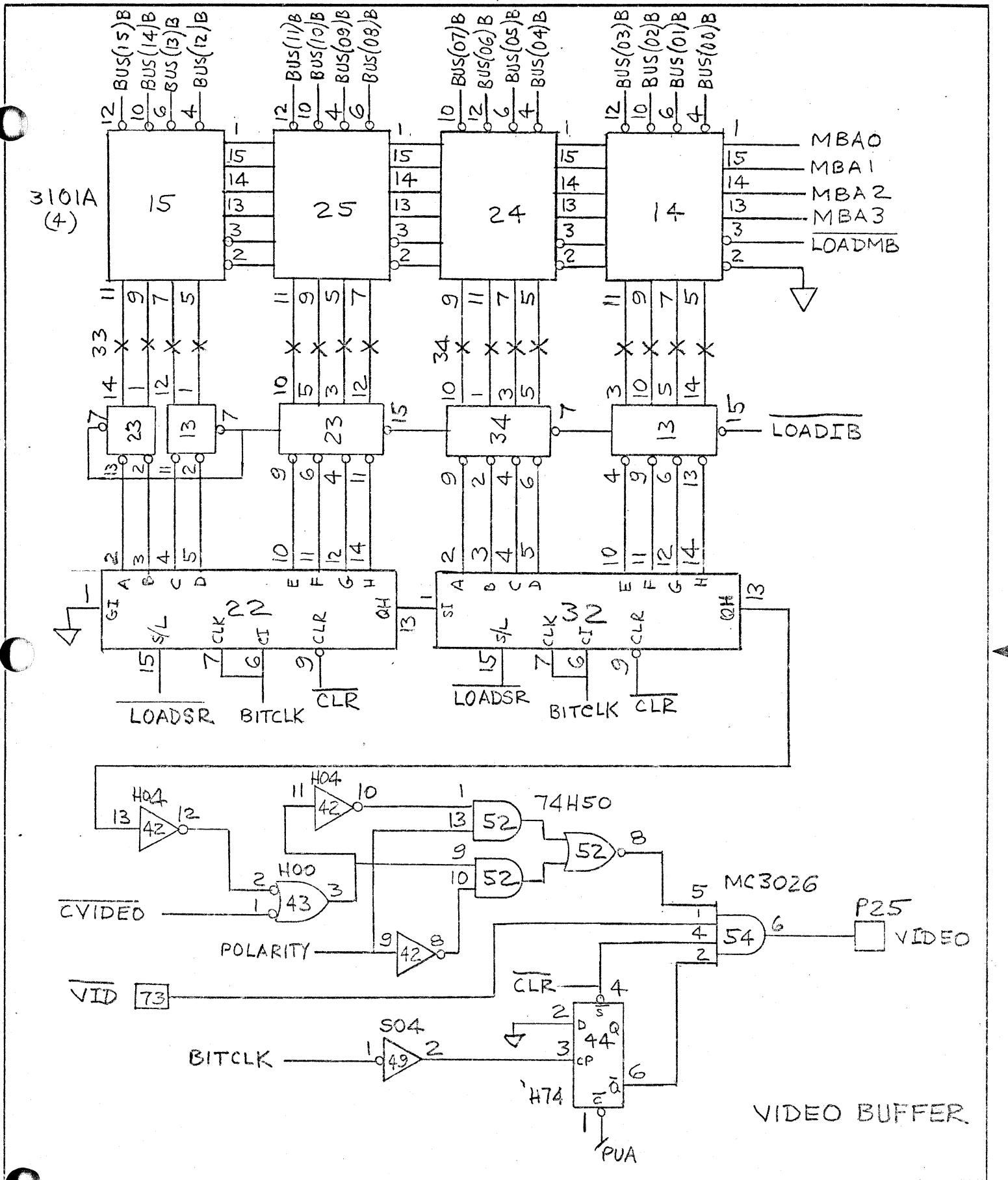
Xerox Corporation
 El Segundo, California

XEROX

216339

C

Sheet 8 Of



These drawings and specifications, and the data contained therein, are the exclusive property of Xerox Corporation and/or Rank Xerox, Ltd. issued in strict confidence and shall not, without the prior written permission of Xerox Corporation or Rank Xerox, Ltd., be reproduced, copied or used for any purpose whatsoever, except the manufacture of articles for Xerox Corporation or Rank Xerox, Ltd.

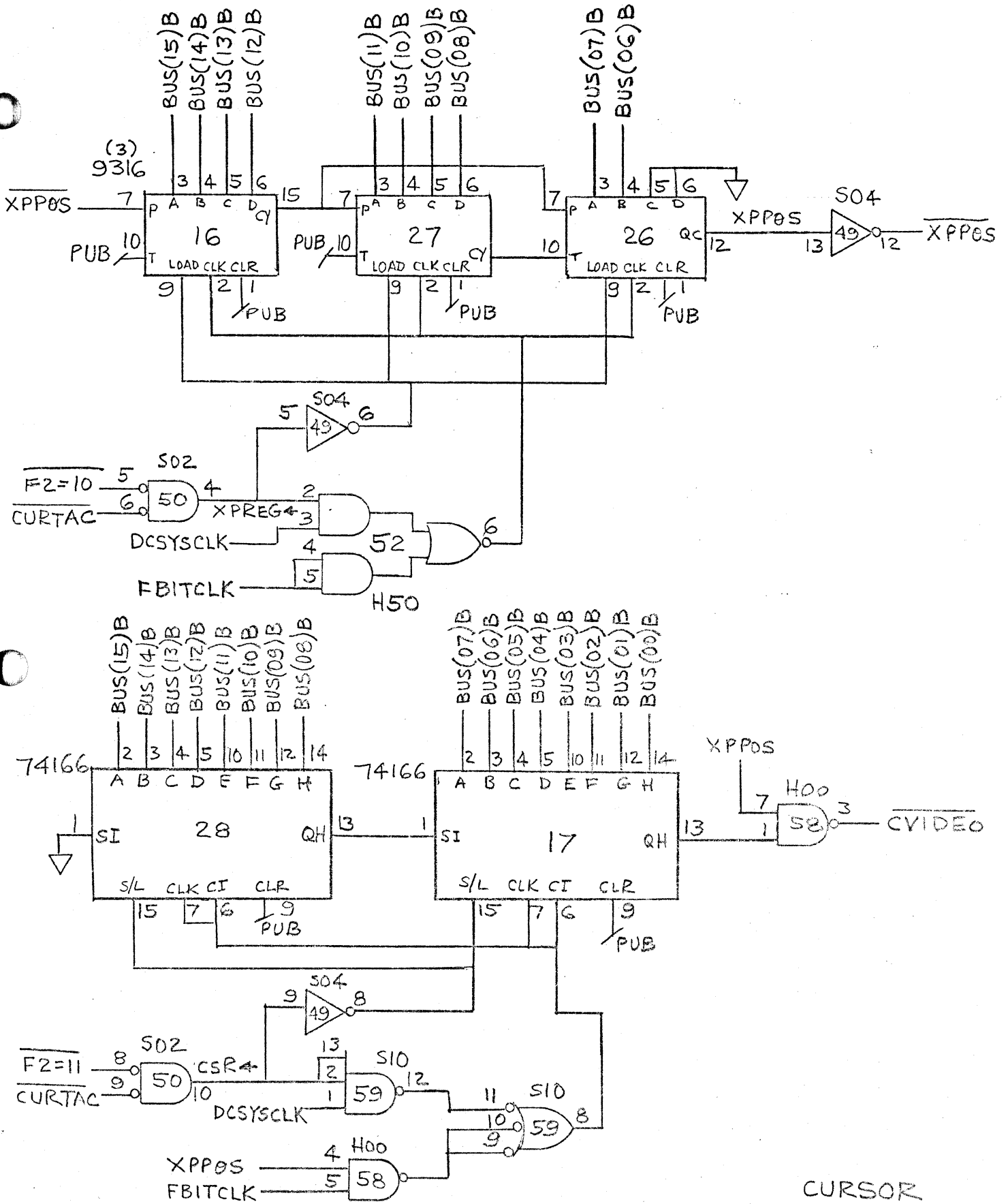
Title
**ALTO II
 ASSEMBLY, P.W.-
 DISPLAY CONTROL**

Xerox Corporation
 El Segundo, California

XEROX

216339 C

Sheet 10 Of

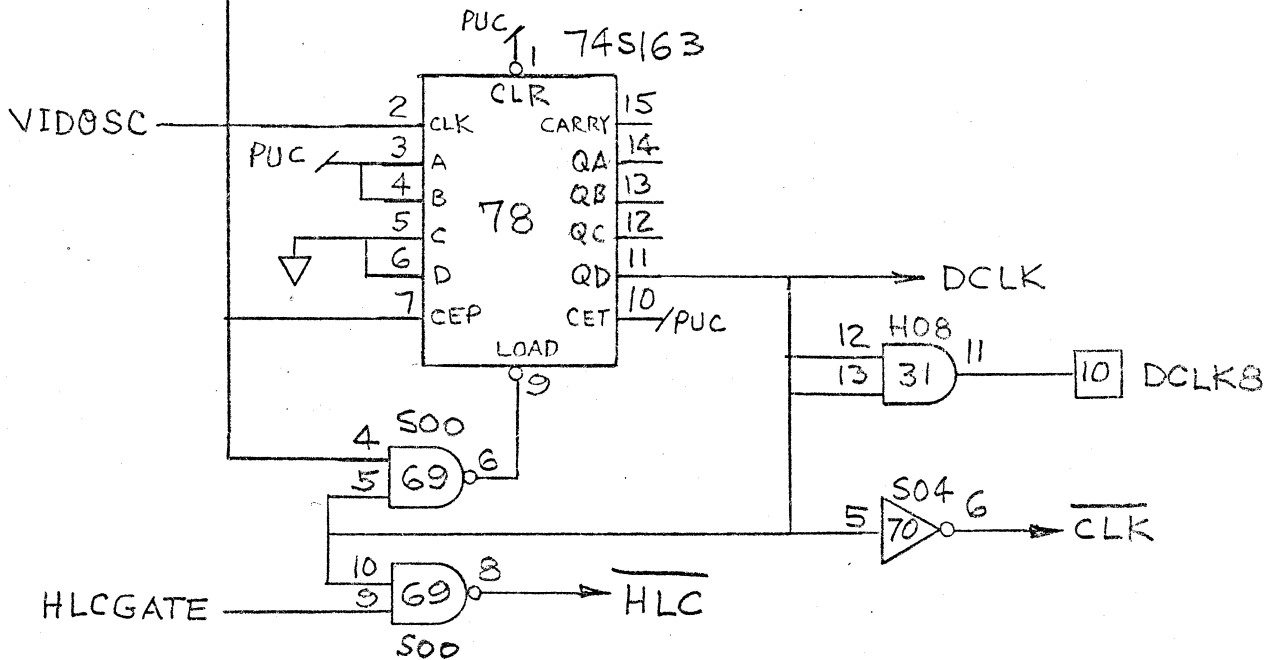
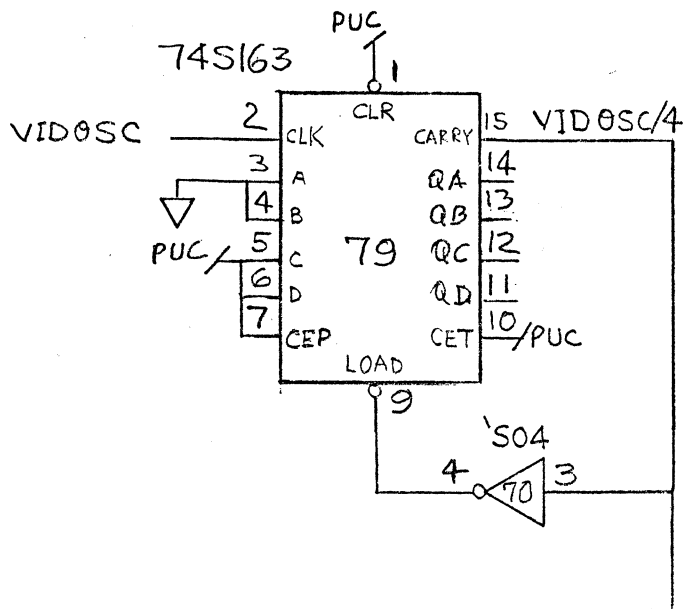


CURSOR

These drawings and specifications, and the data contained therein, are the exclusive property of Xerox Corporation and/or Rank Xerox, Ltd. issued in strict confidence and shall not, without the prior written permission of Xerox Corporation or Rank Xerox, Ltd., be reproduced, copied or used for any purpose whatsoever, except the manufacture of articles for Xerox Corporation or Rank Xerox, Ltd.

Title: ALTO II
 ASSEMBLY, P.W.-
 DISPLAY CONTROL

Xerox Corporation El Segundo, California		XEROX
215339	C	
Sheet	11 Of	



These drawings and specifications, and the data contained therein, are the exclusive property of Xerox Corporation and/or Rank Xerox, Ltd. issued in strict confidence and shall not, without the prior written permission of Xerox Corporation or Rank Xerox, Ltd., be reproduced, copied or used for any purpose whatsoever, except the manufacture of articles for Xerox Corporation or Rank Xerox, Ltd.

Title
ALTO II
ASSEMBLY, P.W. -
DISPLAY CONTROL

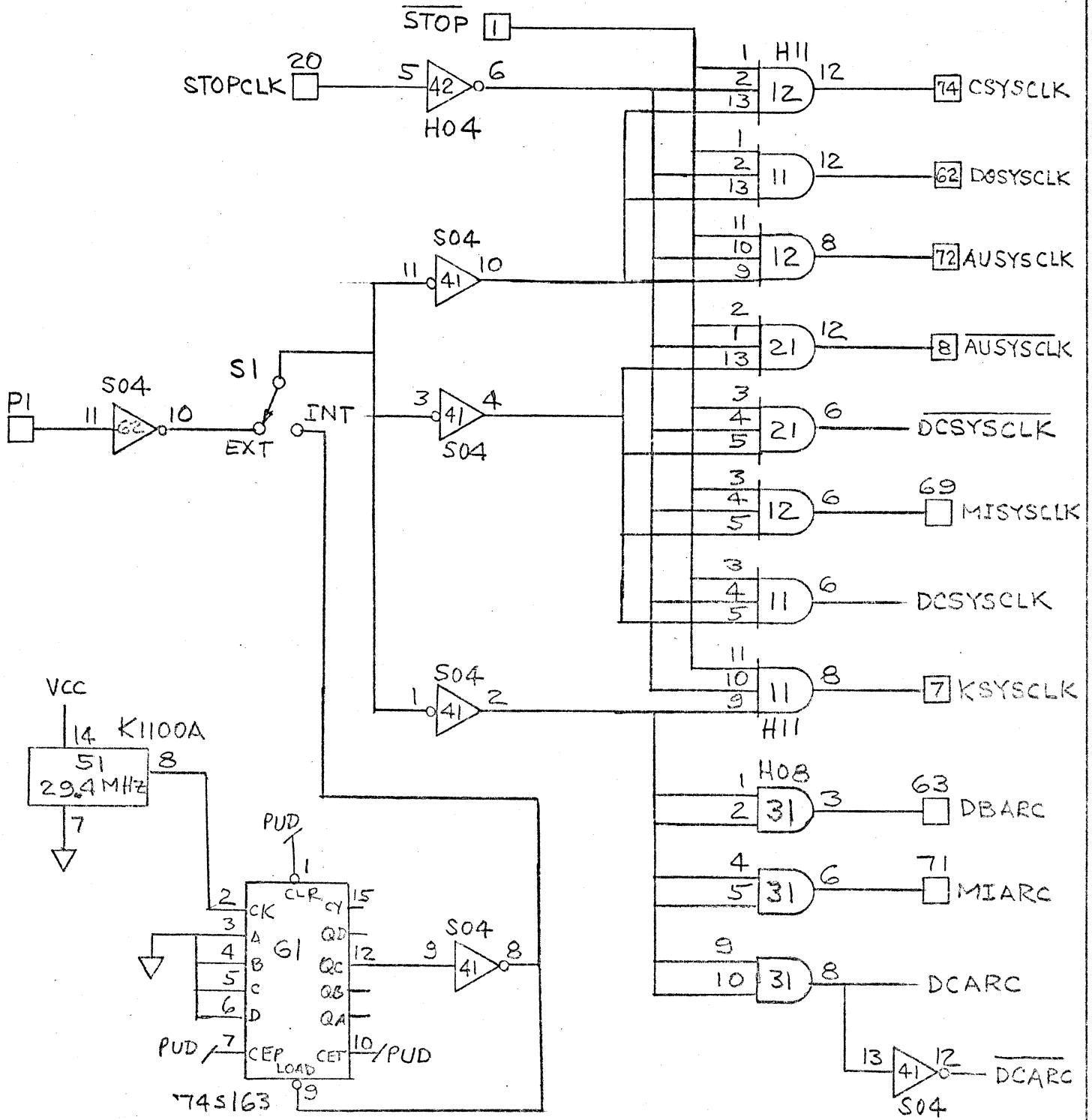
Xerox Corporation
El Segundo, California

XEROX

216339

C

Sheet 13 Of



SYSTEM CLOCKS

These drawings and specifications, and the data contained therein, are the exclusive property of Xerox Corporation and/or Rank Xerox, Ltd. issued in strict confidence and shall not, without the prior written permission of Xerox Corporation or Rank Xerox, Ltd., be reproduced, copied or used for any purpose whatsoever, except the manufacture of articles for Xerox Corporation or Rank Xerox, Ltd.

Title
ALTO II
ASSEMBLY, P.W.-
DISPLAY CONTROL

Xerox Corporation
El Segundo, California

XEROX

216339

C

Sheet

14

of