

Revisions			216389	H	
LAL	Rev.	Description	Chk	Date	Approved
	A	ENGRG RELEASE	<i>FW</i>		<i>R. Freeman</i>
	B	REVISED	<i>FW</i>	6-11 76	<i>R. Freeman</i>
	C	REVISED RESET MODE REGISTER LOGIC	<i>FW</i>	7-19 76	<i>R. Freeman</i>
	D	M/L ITEM 11 8T10 WAS 74173. SH 9 A14,15,16,17 8T10 WAS 74173. SH 11 A46, 47 8T10 WAS 74173.	<i>FW</i>	10-22 76	<i>R. Freeman</i>
	E	M/L ITEM 41 ADDED R20, QTY WAS 1.	<i>FW</i>	4-10 77	<i>R. Freeman</i>
	F	M/L ITEM 31 P/N WAS K1100A.	<i>FW</i>	1-16 78	<i>R. Freeman</i>
X	G	REVISED SH 7 & 18, ADDED NOTE 1E-1H.	<i>FW</i>	3-27-78	<i>R. Freeman</i>
X	H	DELETED NOTE 1	<i>FW</i>	5-16-78	<i>R. Freeman</i>

THIS DOCUMENT CONTAINS 18 SHEETS

Dist Code SPG

These drawings and specifications, and the data contained therein, are the exclusive property of Xerox Corporation and/or Rank Xerox, Ltd. issued in strict confidence and shall not, without the prior written permission of Xerox Corporation or Rank Xerox, Ltd., be reproduced, copied or used for any purpose whatsoever, except the manufacture of articles Xerox Corporation or Rank Xerox, Ltd.

- Notes Unless Specified
- Tolerances
.XX ±.03 Angular ±1/2°
.XXX ±.010
 - Break All Sharp Edges
.010 Approx.
 - Mach. Surfaces
 - All Dim. in Inches

Drawn *W. W. W. W.*
Check *M. J. J.*
Appr. *R. Freeman* 6-15-76
Material

Xerox Corporation
El Segundo, California

XEROX

Title
**ALTO II
ASSEMBLY, PRINTED WIRING-
DISK CONTROL**

Model No.
First Use **ALTO II
EWO 7YF 92**
Next Assy.
First Use **216302**

Finish

Code Ident. **18338**
Scale

Size **A**
Dwg. No. **216389**
Do Not Scale Drawing

Change Letter **H**
Sheet **1**

NOTES: UNLESS OTHERWISE SPECIFIED

1. ~~CUT ETCH AND ADD JUMPER AS FOLLOWS:~~
 - A. ~~CUT ETCH BETWEEN A11-13 AND FEED THRU (NEAR C22),
(COMPONENT SIDE), (FEED THRU CONNECTS TO PIN 70).~~
 - B. ~~CUT ETCH BETWEEN A11-10 AND A11-13, (CIRCUITRY SIDE).~~
 - C. ~~ADD JUMPER FROM A11-10 TO FEED THRU (NEAR C22),
(FEED THRU CONNECTS TO PIN 70).~~
 - D. ~~ADD JUMPER FROM PIN 73 TO A11-13.~~
 - E. ~~CUT ETCH BETWEEN A67-1 AND A67-5 (ETCH SIDE).~~
 - F. ~~CUT ETCH BETWEEN A67-1 AND A67-15 (COMP. SIDE UNDER I.C. SOCKET).~~
 - G. ~~ADD JUMPER FROM A67-5 TO A67-15 (ETCH SIDE).~~
 - H. ~~ADD JUMPER FROM A67-1 TO A1-1 (ETCH SIDE).~~

2. ASSEMBLE PER ALTO II MODULE ASSEMBLY SPEC, DWG NO. 216207.

These drawings and specifications, and the data contained therein, are the exclusive property of Xerox Corporation and/or Rank Xerox, Ltd. issued in strict confidence and shall not, without the prior written permission of Xerox Corporation or Rank Xerox, Ltd., be reproduced, copied or used for any purpose whatsoever, except the manufacture of articles for Xerox Corporation or Rank Xerox, Ltd.

Title
ALTO II
ASSEMBLY, P.W.
DISK CONTROL

Xerox Corporation
El Segundo, California

XEROX

216389
Sheet 2 Of

H

AT1011 DISK CONTROL

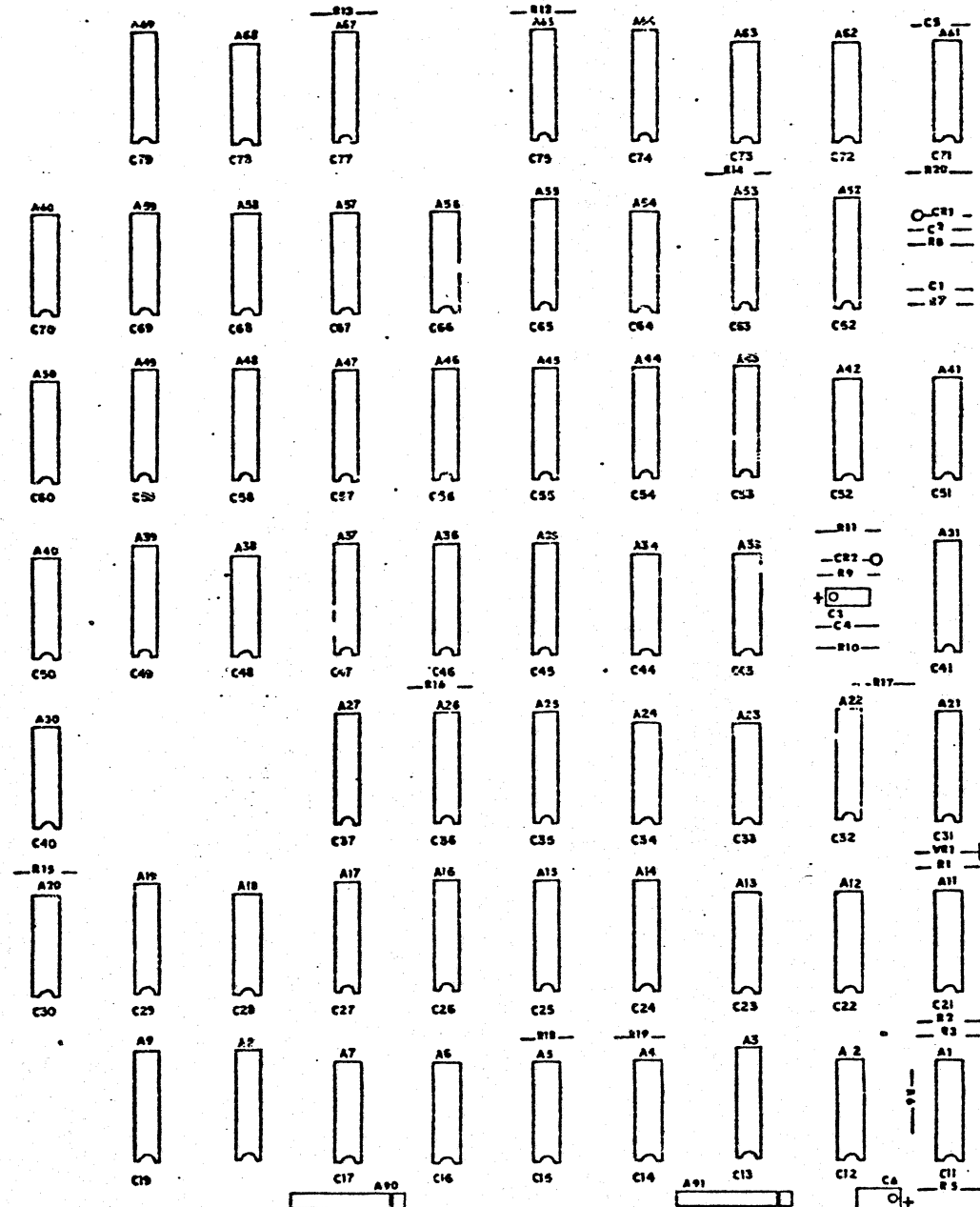
ASSY NO. 216389

P.W. NO. 212391

59

58

2 PLACES



60

These drawings and specifications, and the data contained therein, are the exclusive property of Xerox Corporation and/or Rank Xerox, Ltd. issued in strict confidence and shall not, without the prior written permission of Xerox Corporation or Rank Xerox, Ltd., be reproduced, copied or used for any purpose whatsoever, except the manufacture of articles for Xerox Corporation or Rank Xerox, Ltd.

Title
ASSY, P.W.-
DISK CONTROL

Xerox Corporation
El Segundo, California

XEROX

216389

H

Sheet 3 Of

Material List

ML	Drawing No. 216389	Rev. 11
-----------	-----------------------	------------

Rev. **0**
 Drawing Title
ALTO II
**ASSEMBLY, PRINTED WIRING-
 DISK CONTROL**

These drawings and specifications, and the data contained therein, are the exclusive property of Xerox Corporation and/or Rank Xerox, Ltd. issued in strict confidence and shall not, without the prior written permission of Xerox Corporation or Rank Xerox, Ltd., be reproduced, copied or used for any purpose whatsoever, except the manufacture of articles for Xerox Corporation or Rank Xerox, Ltd.

Model No. **ALTO II** Date **6/14/76** Sheet **4 of 4**

Drawing No.
216389
ML

Item No.	Drawing Title	Drawing No.	No. Req.	Remarks
1	BOARD, PRINTED WIRING	216391	1	
2	SPEC, TEST	216390	REF	
3	SPEC, MODULE ASSEMBLY	216207	REF	
4	MICROCIRCUIT, MPQ3303		1	A1
5	74H04		3	A2, 56, 59
6	3205		1	A3
7	74LS08		4	A4, 5, 6, 7
8	74H00		1	A11
9	74S04		1	A12
10	74164		2	A13, 18
11	8T10		6	A14, 15, 16, 17, 46, 47
12	74166		2	A19, 39
13	7437		5	A20, 30, 40, 58, 68
14	74109		8	A21, 22, 43, 44, 45, 53, 55, 67
15	74S32		2	A23, 57
16	7438		2	A24, 34
17	74174		3	A25, 26, 27
18	74123		2	A31, 52
19	7400		2	A33, 63
20	13404		1	A35
21	74195		2	A36, 37
22	74H08		2	A38, 42
23	74H11		1	A41
24	8231		2	A48, 49
25	74H01		2	A50, 60
26	74S02		1	A54
27	7414		1	A61
28	74H106		1	A64
29	74153		1	A65
30	MICROCIRCUIT, 74161		1	A69
31	OSCILLATOR, K1100A 3.33 MH		1	A62
32				

Material List

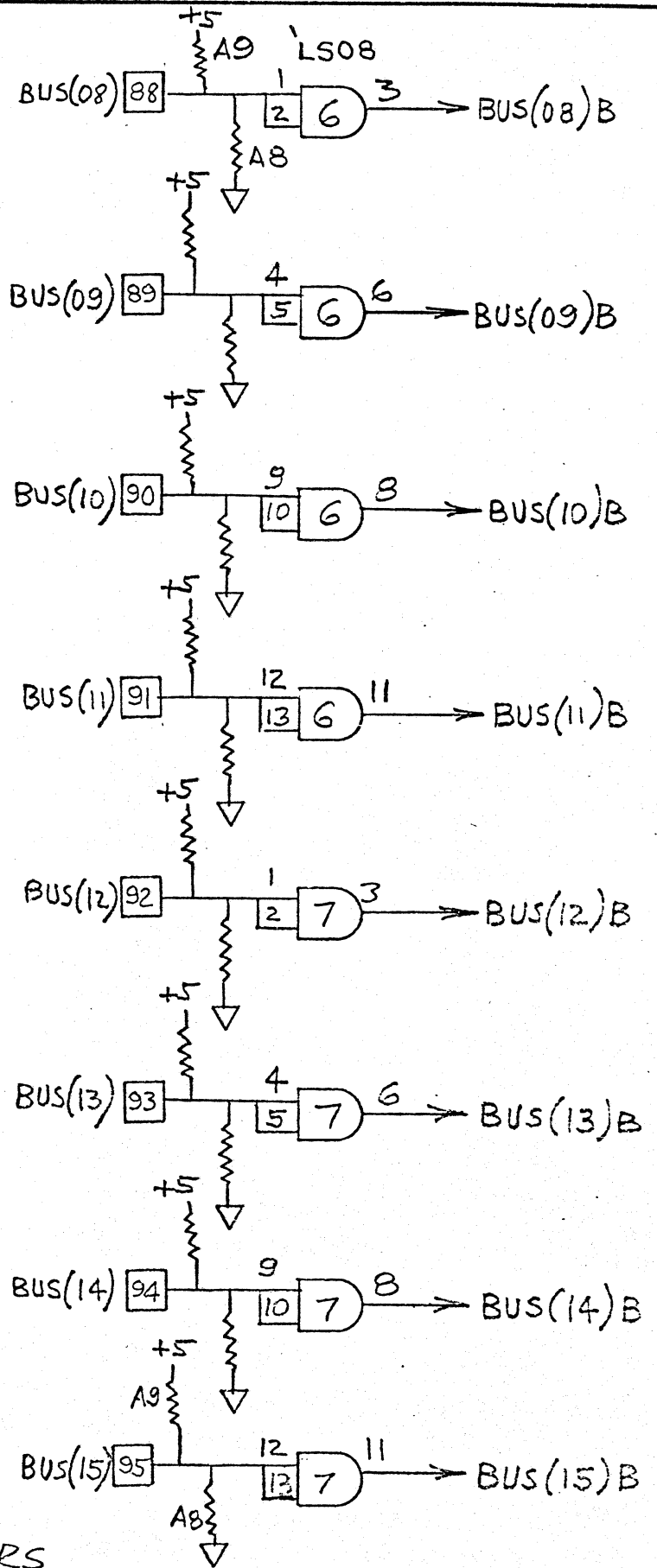
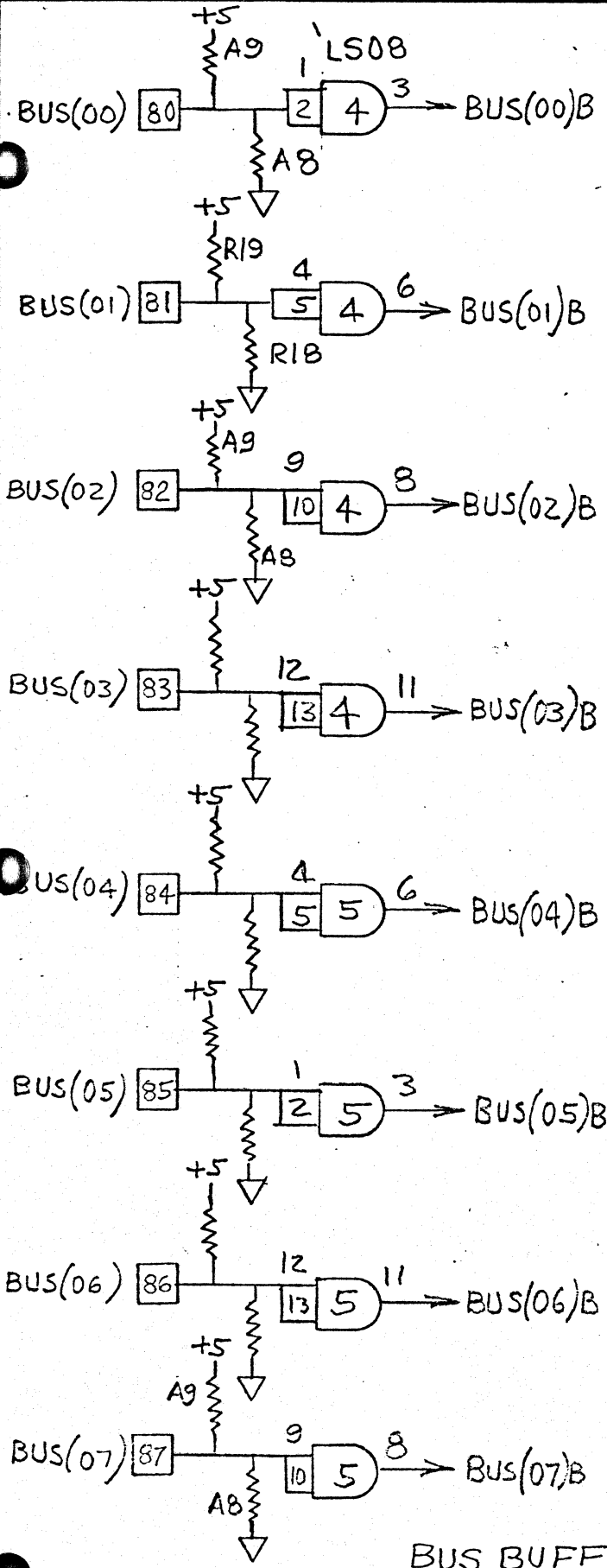
ML	Drawing No. 216389	Rev. H
-----------	------------------------------	------------------

Rev.	Drawing Title ALTO II ASSEMBLY, PRINTED WIRING- DISK CONTROL
------	--

These drawings and specifications, and the data contained therein, are the exclusive property of Xerox Corporation and/or Rank Xerox, Ltd. issued in strict confidence and shall not, without the prior written permission of Xerox Corporation or Rank Xerox, Ltd., be reproduced, copied or used for any purpose whatsoever, except the manufacture of articles for Xerox Corporation or Rank Xerox, Ltd.

Model No. ALTO II	Date 6/14/76	Sheet 5 of
-----------------------------	------------------------	----------------------

Item No.	Drawing Title	Drawing No.	No. Req.	Remarks
33	RESISTOR, NETWORK, DIP, 270Ω (AB#316A271)		1	A9
34	RESISTOR, NETWORK, DIP, 560Ω (AB#316A561)		1	A8
35	RESISTOR, NETWORK, 470Ω, (CTS #750-81-R470)		2	A90, 91
36	RESISTOR, FILM, 39Ω ±5%, 1/4W	116447-390	2	R1, R2
37	200 Ω ±5%, 1/4W	116447-201	5	R3, 4, 5, 6, 12
38	24K ±5%, 1/4W	116447-243	2	R7, 8
39	15K ±5%, 1/4W	116447-153	1	R9
40	30K ±5%, 1/4W	116447-303	1	R10
41	330 Ω ±5%, 1/4W	116447-331	2	R11, R20
42	560 Ω ±5%, 1/4W	116447-561	1	R18
43	270 Ω ±5%, 1/4W	116447-271	1	R19
44	RESISTOR, FILM, 1K ±5%, 1/4W	116447-102	5	R13, 14, 15, 16, 17
45				
46	DIODE, IN4148		2	CR1, CR2
47	DIODE, ZENER, IN5227		1	VR1
48				
49	CAPACITOR, 150PF NYTRONICS DC151		1	C1
50	CAPACITOR, .01μF		2	C2, C4
51	CAPACITOR, .47μF ±20%, 50V	114491-474	1	C3
52	CAPACITOR, 270PF NYTRONICS DC 271		1	C5
53	CAPACITOR, TANT., 22μF ±20%, 15V	114491-226	1	C6
54	CAPACITOR, .05μF, 10V CENTRALAB#UK10-503		62	C11-17, 19, 21-37, 40, 41, 43-60, 62-75, 77-79
55				
56	SOCKET, MICROCIRCUIT		31	AUGAT#514-AG10D
57	SOCKET, MICROCIRCUIT		32	AUGAT#516-AG10D
58	RIVET	156111-005	2	
59	EXTRACTOR	216250	2	
60	STIFFENER	216242	1	



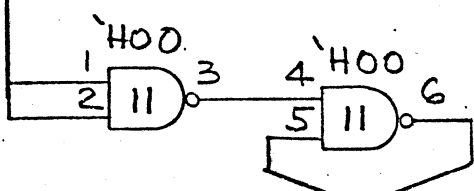
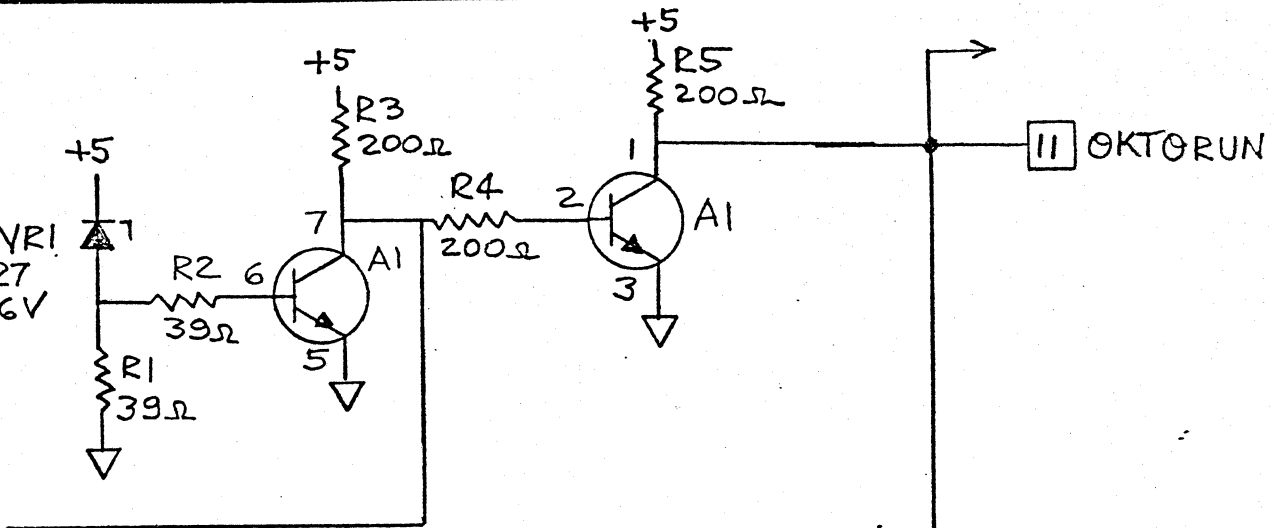
BUS BUFFERS

These drawings and specifications, and the data contained therein, are the exclusive property of Xerox Corporation and/or Rank Xerox, Ltd. issued in strict confidence and shall not, without the prior written permission of Xerox Corporation or Rank Xerox, Ltd., be reproduced, copied or used for any purpose whatsoever, except the manufacture of articles for Xerox Corporation or Rank Xerox, Ltd.

Title ALTO II
 ASSEMBLY, P.W.-
 DISK CONTROL

Xerox Corporation El Segundo, California		XEROX
216389		
Sheet	6	Of H

VR1
IN5227
3.6V



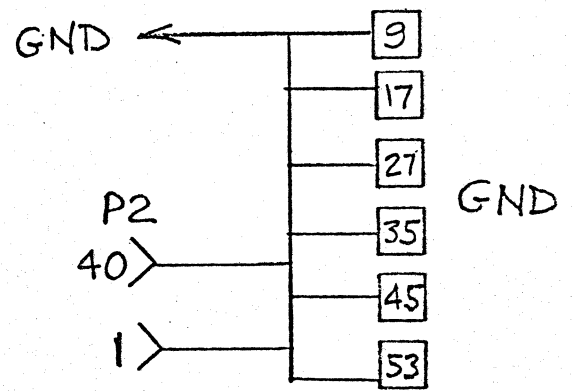
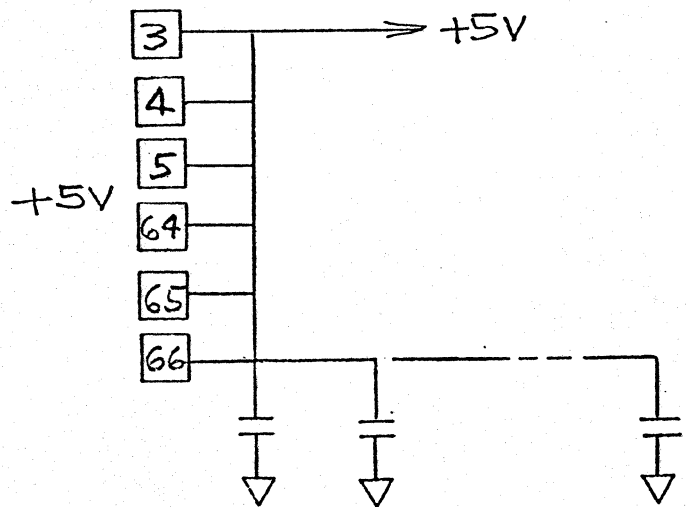
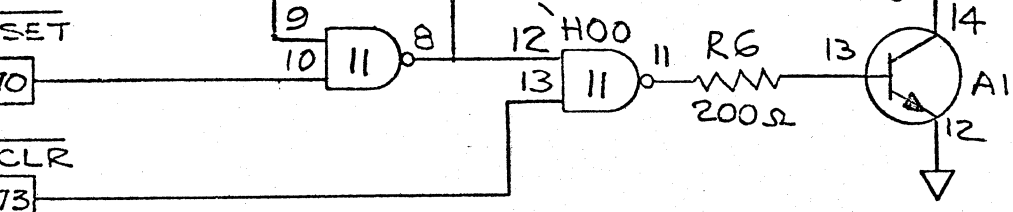
S RESET

70

RMCLR

73

MPQ3303



POWER ON RESET

These drawings and specifications, and the data contained therein, are the exclusive property of Xerox Corporation and/or Rank Xerox, Ltd. issued in strict confidence and shall not, without the prior written permission of Xerox Corporation or Rank Xerox, Ltd., be reproduced, copied or used for any purpose whatsoever, except the manufacture of articles for Xerox Corporation or Rank Xerox, Ltd.

Title
ALTO II
ASSEMBLY, P.W.-
DISK CONTROL

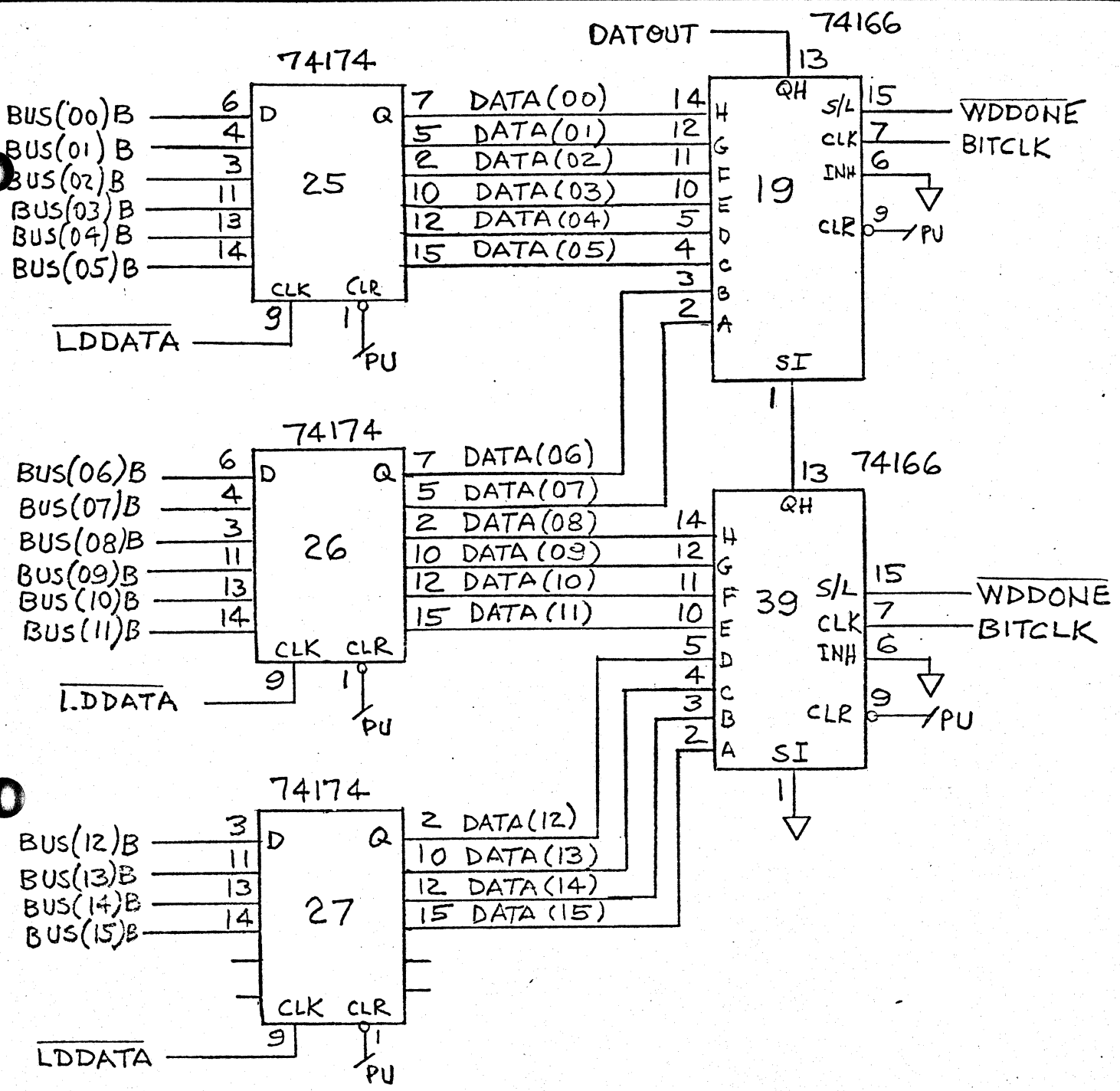
Xerox Corporation
El Segundo, California

XEROX

216389

H

Sheet 7 of

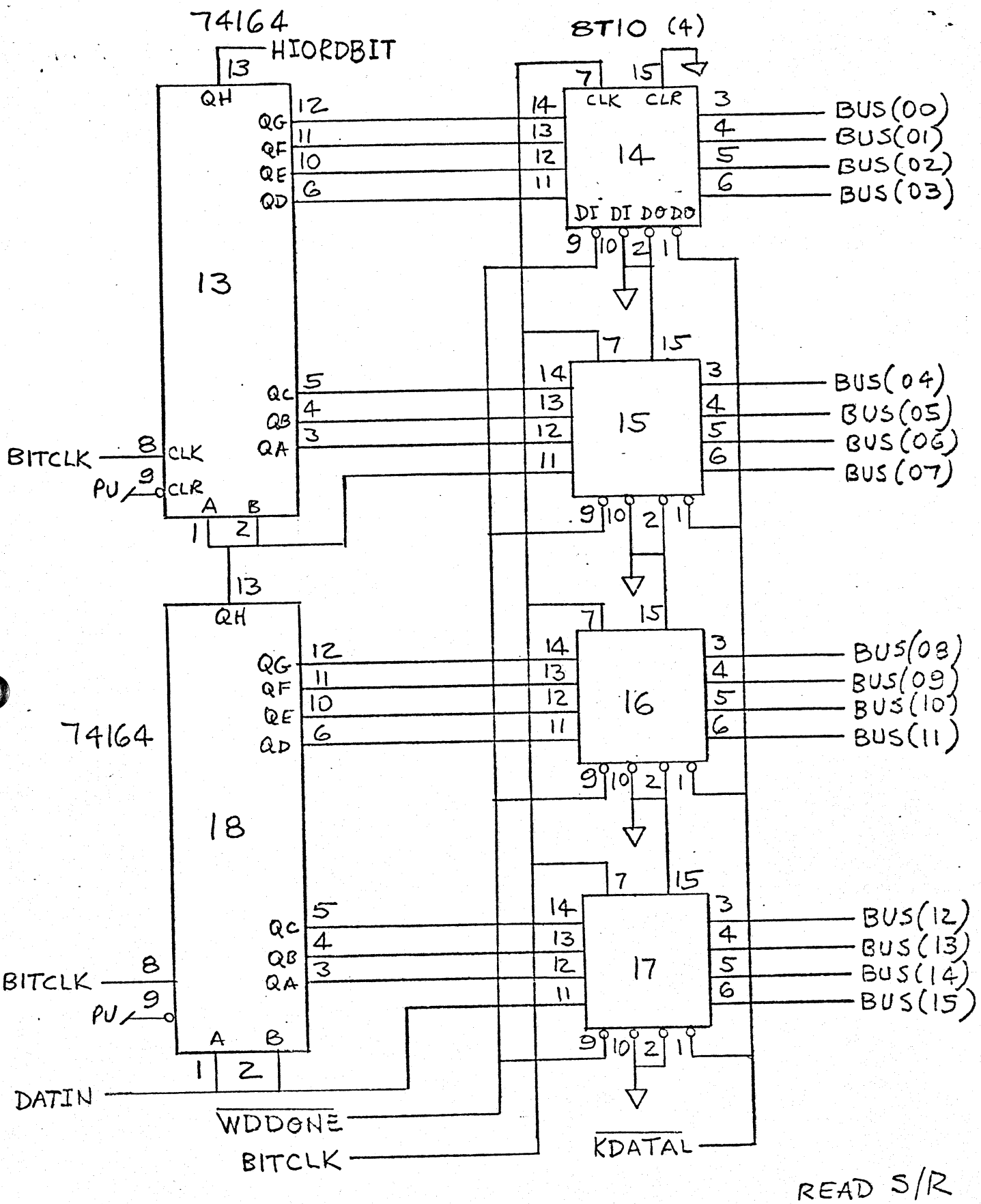


WRITE S/R

These drawings and specifications, and the data contained therein, are the exclusive property of Xerox Corporation and/or Rank Xerox, Ltd. issued in strict confidence and shall not, without the prior written permission of Xerox Corporation or Rank Xerox, Ltd., be reproduced, copied or used for any purpose whatsoever, except the manufacture of articles for Xerox Corporation or Rank Xerox, Ltd.

Title
ALTO II
ASSEMBLY, P.W.-
DISK CONTROL

Xerox Corporation El Segundo, California		XEROX
216389	H	
Sheet	8	of



These drawings and specifications, and the data contained therein, are the exclusive property of Xerox Corporation and/or Rank Xerox, Ltd. issued in strict confidence and shall not, without the prior written permission of Xerox Corporation or Rank Xerox, Ltd., be reproduced, copied or used for any purpose whatsoever, except the manufacture of articles for Xerox Corporation or Rank Xerox, Ltd.

Title
ALTO II
 ASSEMBLY, PRINTED W.
 DISK CONTROL

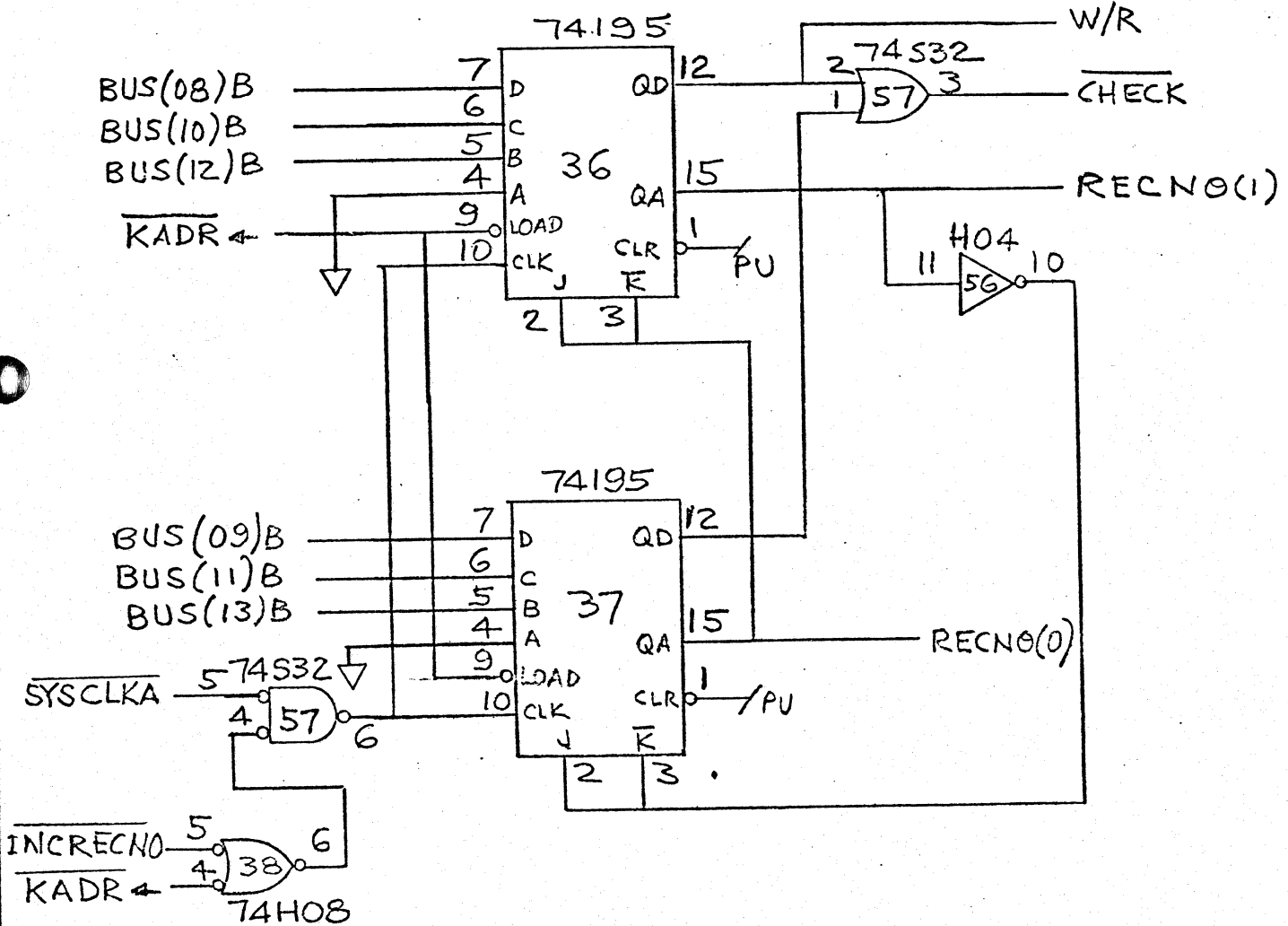
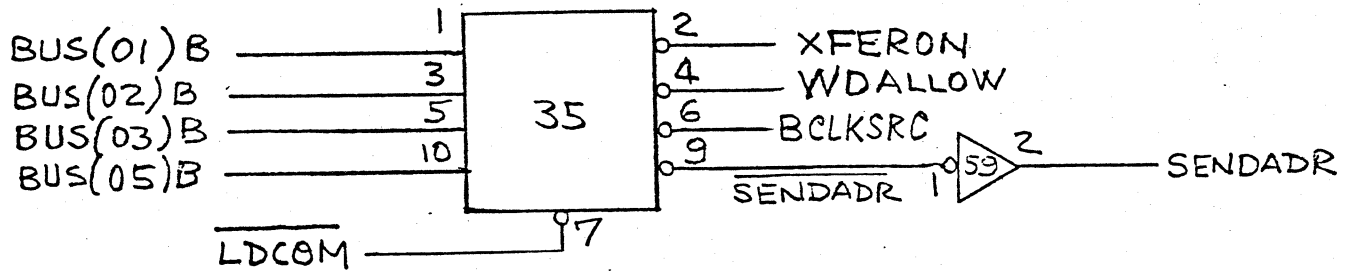
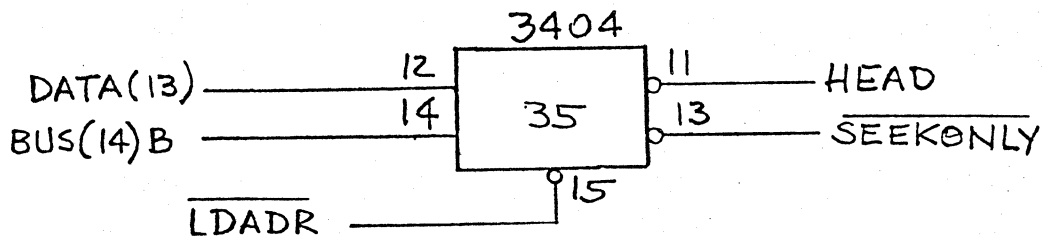
Xerox Corporation
 El Segundo, California

XEROX

216389

Sheet 9 Of

H



COMP. AND REG.

These drawings and specifications, and the data contained therein, are the exclusive property of Xerox Corporation and/or Rank Xerox, Ltd. issued in strict confidence and shall not, without the prior written permission of Xerox Corporation or Rank Xerox, Ltd., be reproduced, copied or used for any purpose whatsoever, except the manufacture of articles for Xerox Corporation or Rank Xerox, Ltd.

Title
ALTO II
ASSEMBLY P.W. -
DISK CONTROL

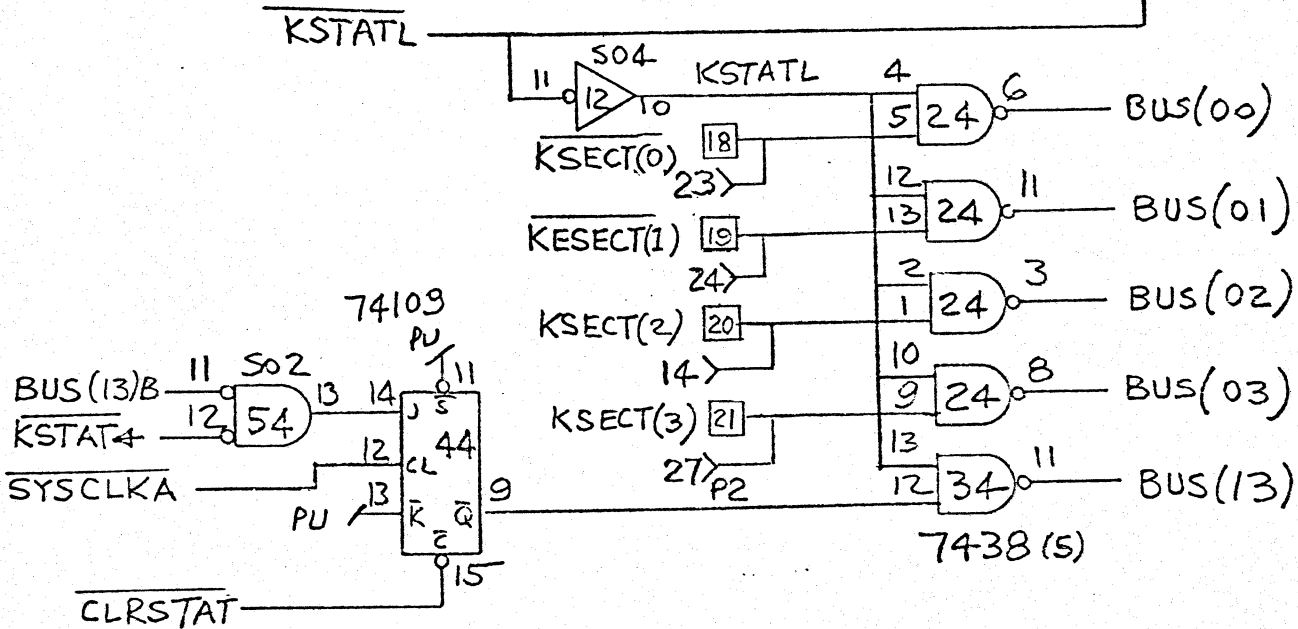
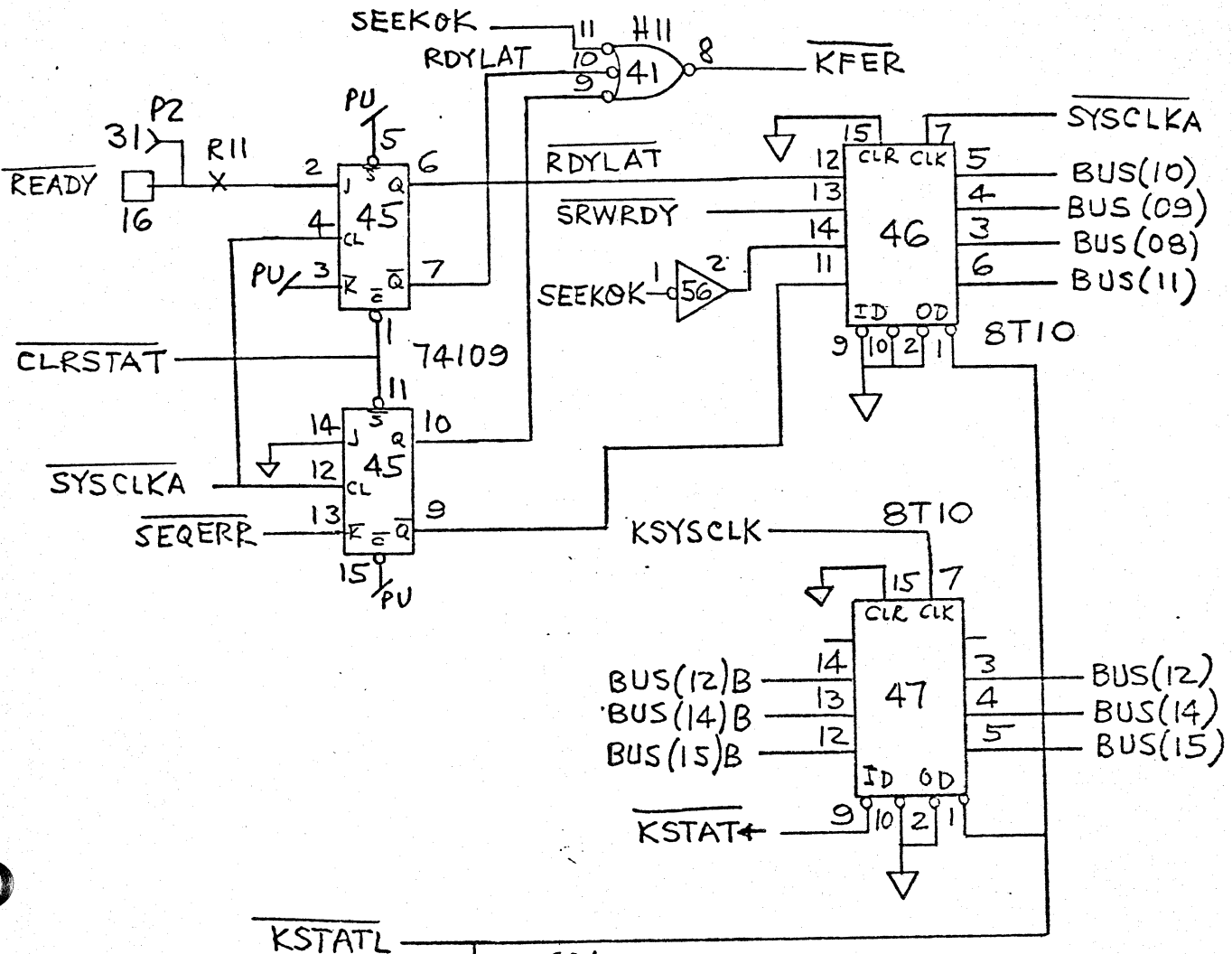
Xerox Corporation
El Segundo, California

XEROX

216389

H

Sheet 10 Of

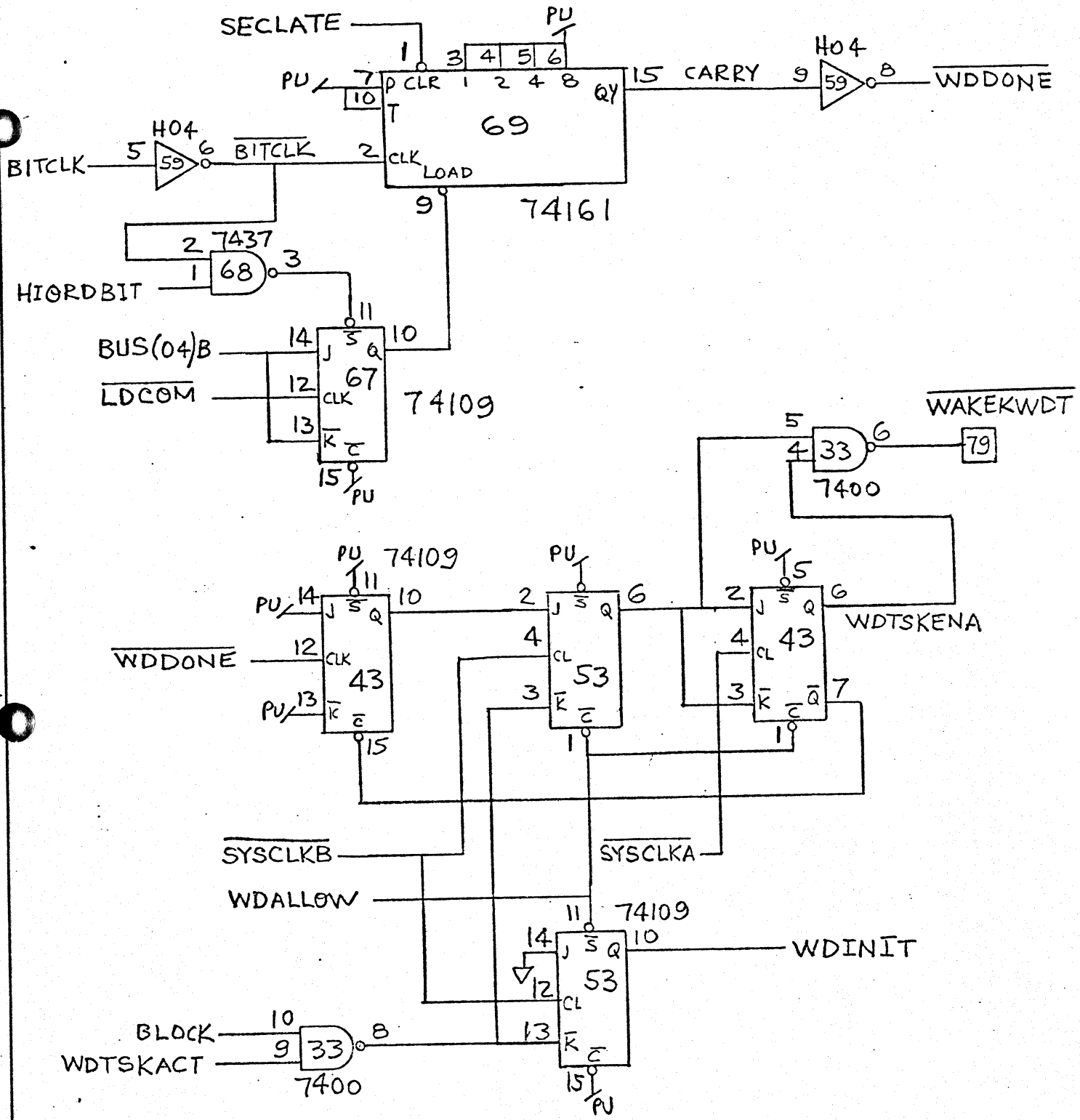


STATUS

These drawings and specifications, and the data contained therein, are the exclusive property of Xerox Corporation and/or Rank Xerox, Ltd. issued in strict confidence and shall not, without the prior written permission of Xerox Corporation or Rank Xerox, Ltd., be reproduced, copied or used for any purpose whatsoever, except the manufacture of articles for Xerox Corporation or Rank Xerox, Ltd.

Title
ALTO II
ASSEMBLY, P.W. -
DISK CONTROL

Xerox Corporation El Segundo, California		XEROX
216389	H	
Sheet	11 of	



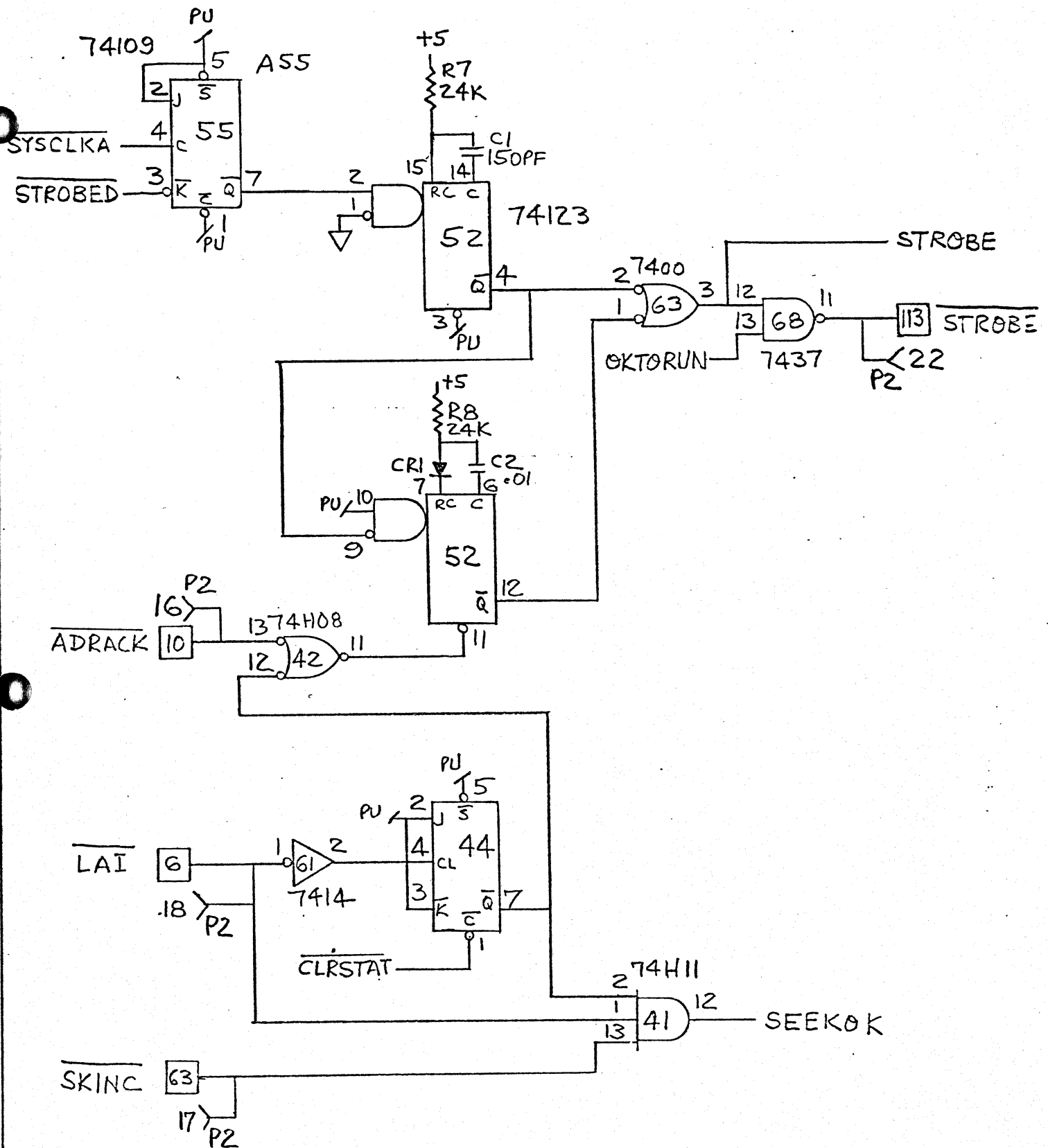
WORD TIMING

These drawings and specifications, and the data contained therein, are the exclusive property of Xerox Corporation and/or Rank Xerox, Ltd. issued in strict confidence and shall not, without the prior written permission of Xerox Corporation or Rank Xerox, Ltd., be reproduced, copied or used for any purpose whatsoever, except the manufacture of articles for Xerox Corporation or Rank Xerox, Ltd.

Title
**ALTO II
 ASSEMBLY, PW.-
 DISK CONTROL**

Xerox Corporation El Segundo, California		XEROX
216389		
Sheet	12	Of





STROBE, SEEK ERRORS

These drawings and specifications, and the data contained therein, are the exclusive property of Xerox Corporation and/or Rank Xerox, Ltd. issued in strict confidence and shall not, without the prior written permission of Xerox Corporation or Rank Xerox, Ltd., be reproduced, copied or used for any purpose whatsoever, except the manufacture of articles for Xerox Corporation or Rank Xerox, Ltd.

Title
 ALTO II
 ASSEMBLY P.W.-
 DISK CONTROL

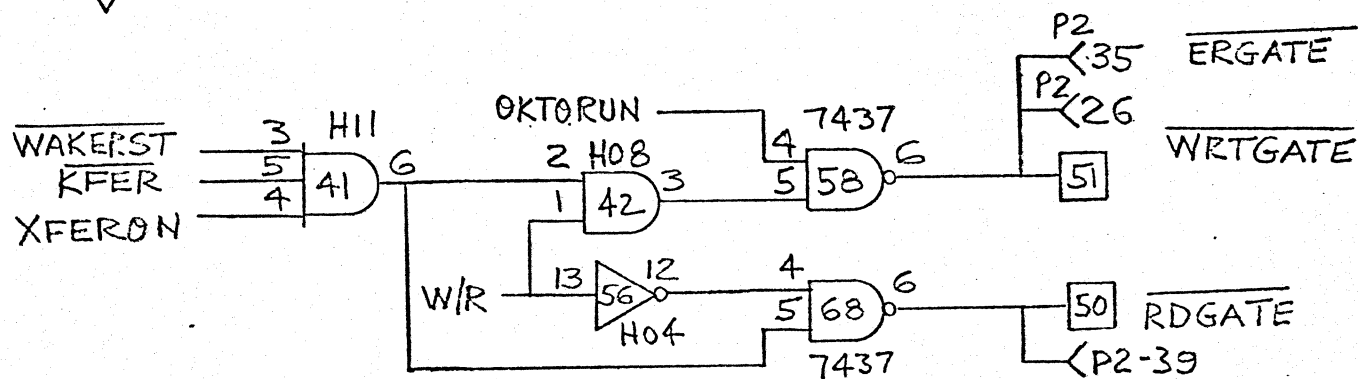
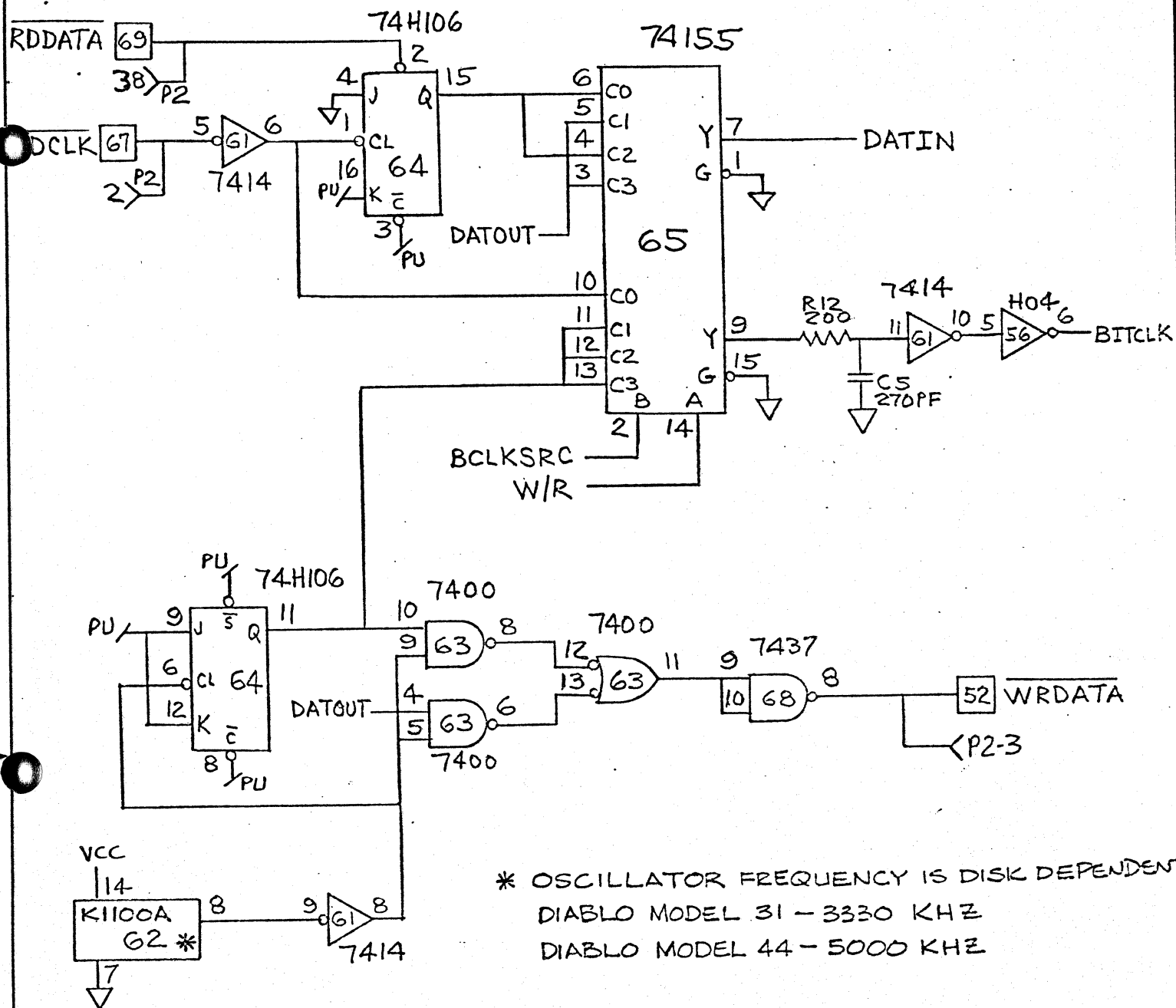
Xerox Corporation
 El Segundo, California

XEROX

216389

H

Sheet 13 of



DATA HANDLING

These drawings and specifications, and the data contained therein, are the exclusive property of Xerox Corporation and/or Rank Xerox, Ltd. issued in strict confidence and shall not, without the prior written permission of Xerox Corporation or Rank Xerox, Ltd., be reproduced, copied or used for any purpose whatsoever, except the manufacture of articles for Xerox Corporation or Rank Xerox, Ltd.

Title
**ALTO II
 ASSEMBLY, P.W.-
 DISK CONTROL**

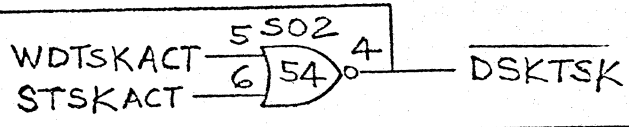
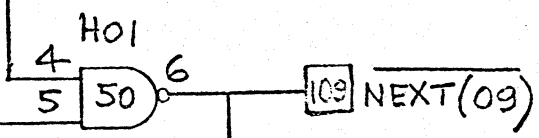
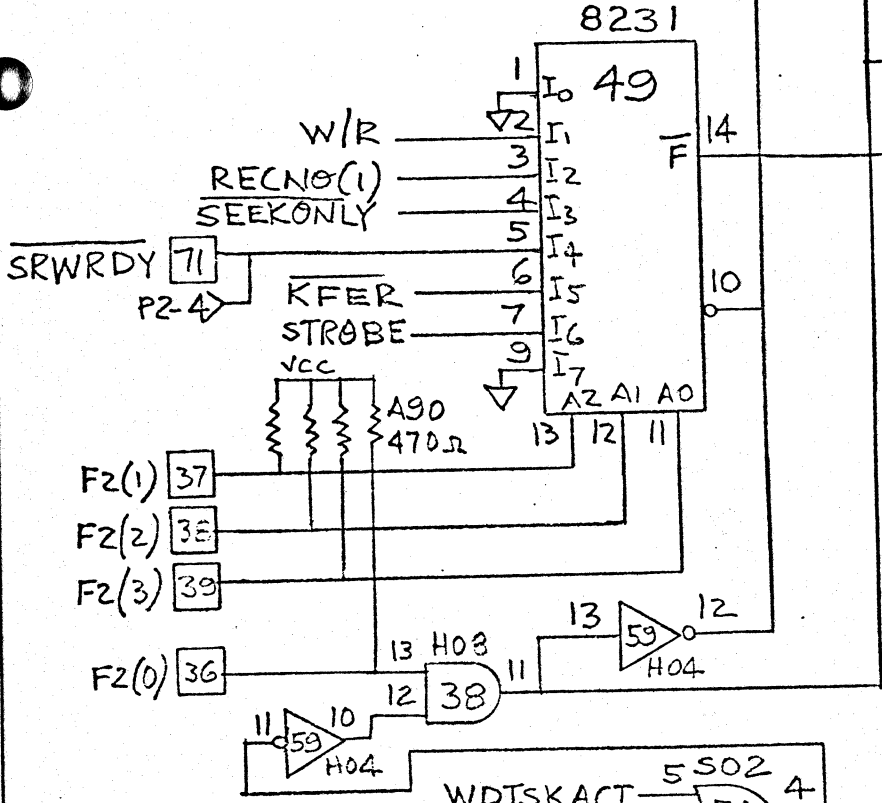
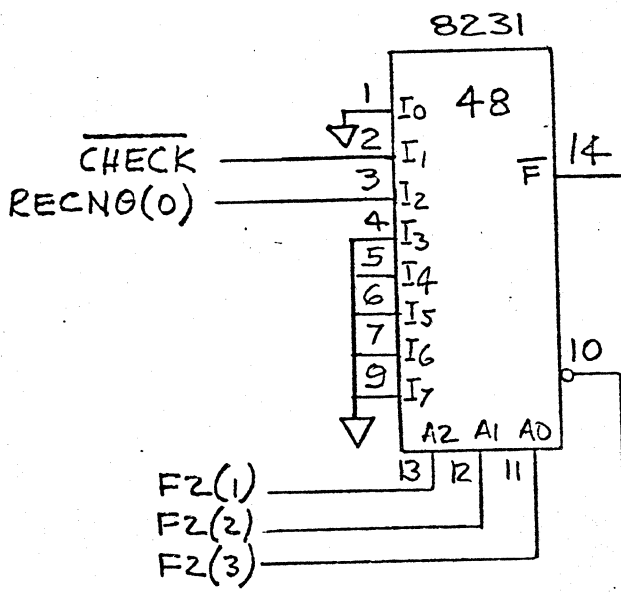
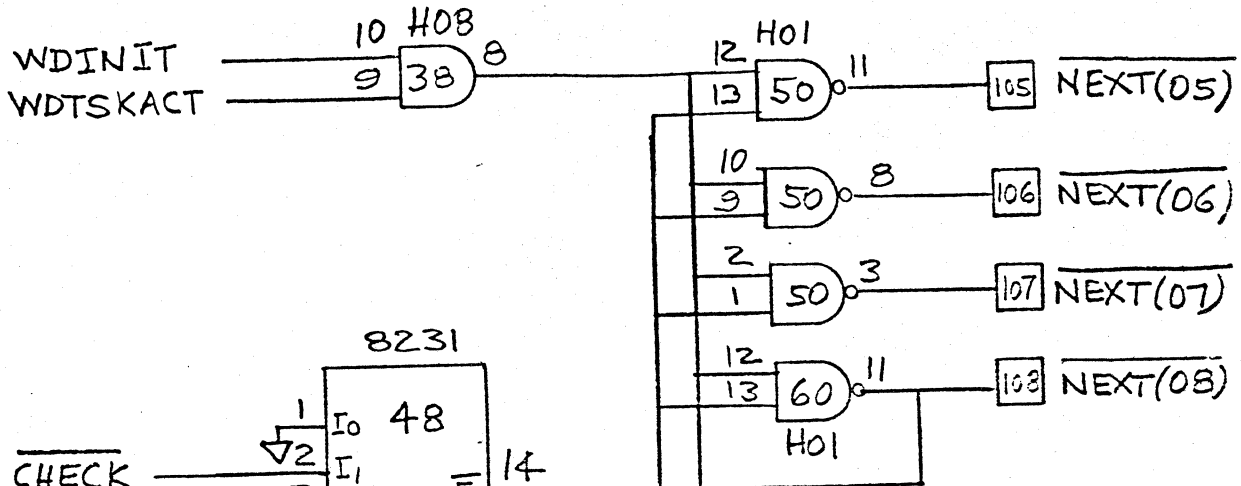
Xerox Corporation
 El Segundo, California

XEROX

216389

H

Sheet 14 Of

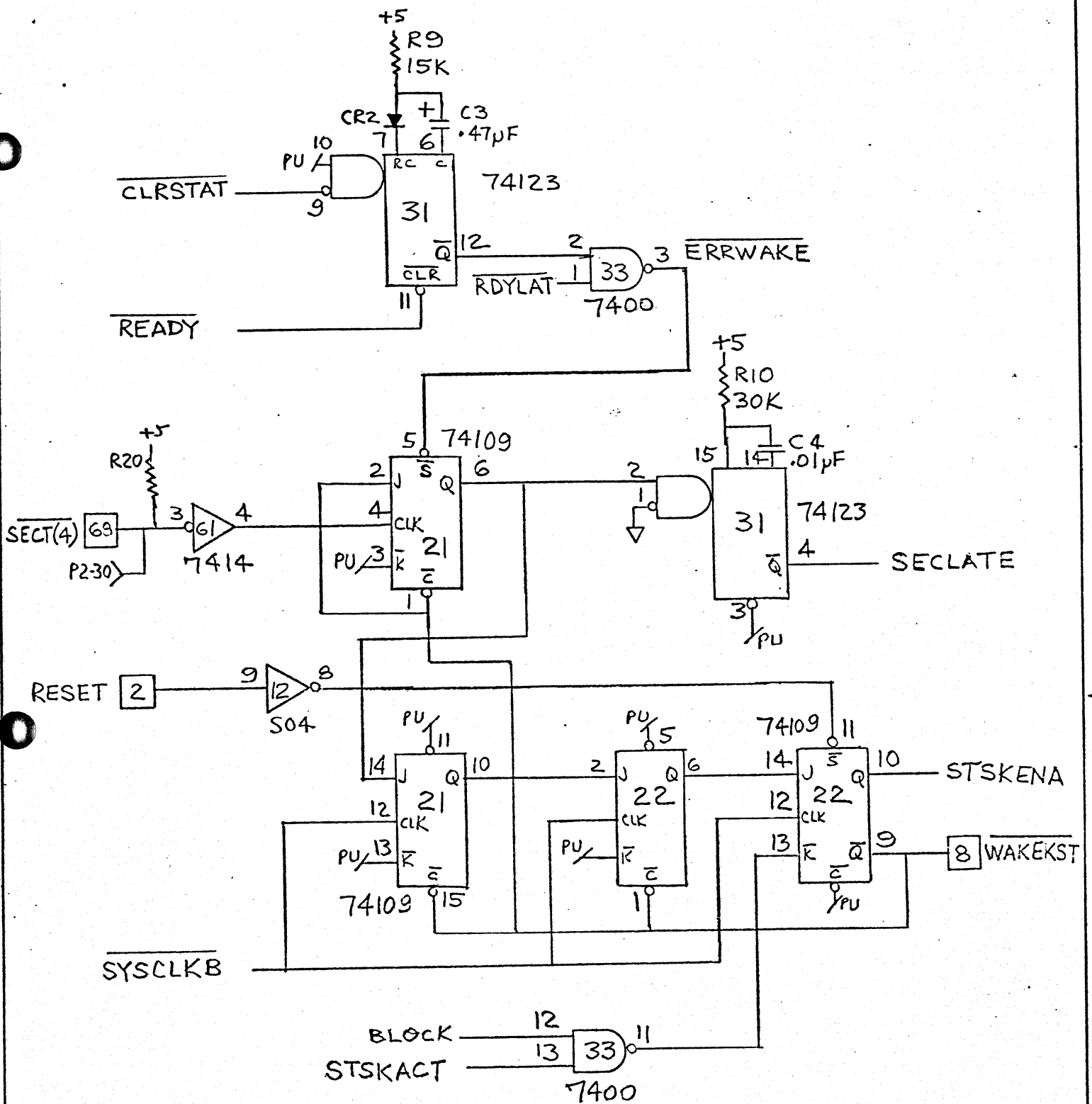


ADDRESS MODIFIERS

These drawings and specifications, and the data contained therein, are the exclusive property of Xerox Corporation and/or Rank Xerox, Ltd. issued in strict confidence and shall not, without the prior written permission of Xerox Corporation or Rank Xerox, Ltd., be reproduced, copied or used for any purpose whatsoever, except the manufacture of articles for Xerox Corporation or Rank Xerox, Ltd.

Title
ALTO II
ASSEMBLY P.W.-
DISK CONTROL

Xerox Corporation El Segundo, California		XEROX	
216389			
Sheet	15	Of	



SECTOR, ERROR WAKEUPS

These drawings and specifications, and the data contained therein, are the exclusive property of Xerox Corporation and/or Rank Xerox, Ltd. issued in strict confidence and shall not, without the prior written permission of Xerox Corporation or Rank Xerox, Ltd., be reproduced, copied or used for any purpose whatsoever, except the manufacture of articles for Xerox Corporation or Rank Xerox, Ltd.

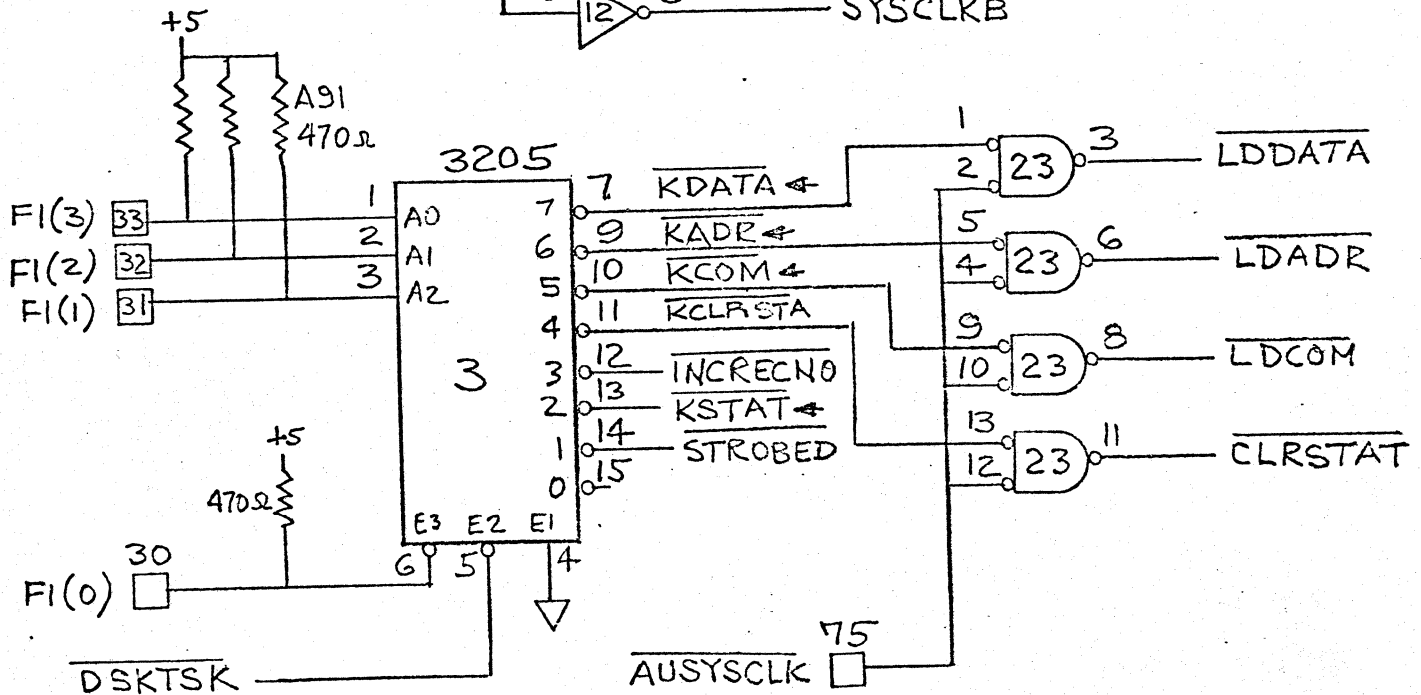
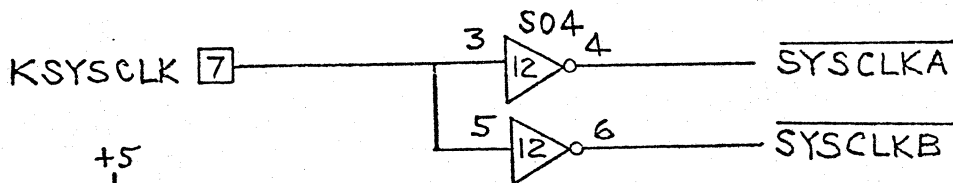
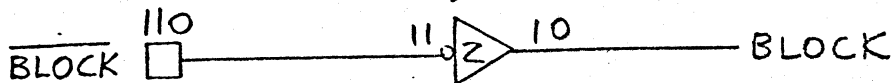
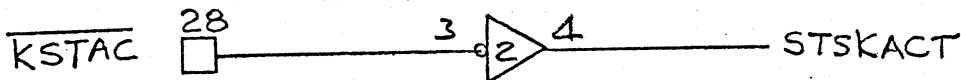
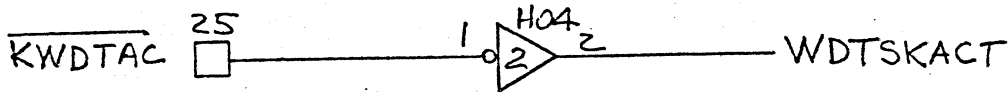
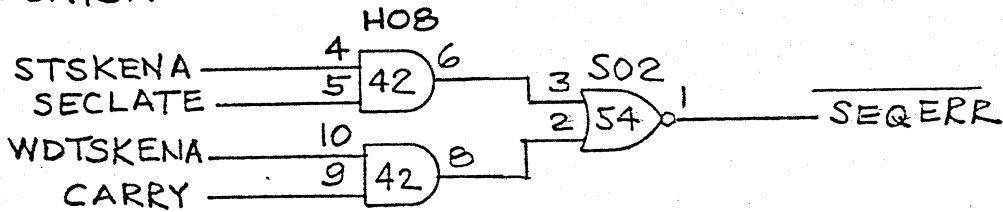
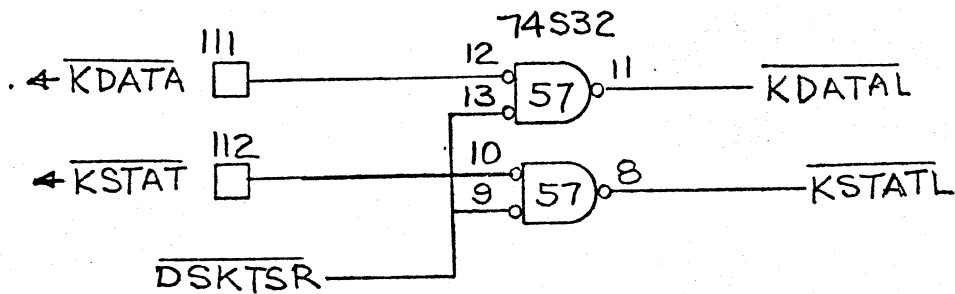
Title
ALTO II
ASSEMBLY, P.W. -
DISK CONTROL

Xerox Corporation
El Segundo, California

XEROX

216389
Sheet 16 of

H



F DECODE, CLOCKS

These drawings and specifications, and the data contained therein, are the exclusive property of Xerox Corporation and/or Rank Xerox, Ltd. issued in strict confidence and shall not, without the prior written permission of Xerox Corporation or Rank Xerox, Ltd., be reproduced, copied or used for any purpose whatsoever, except the manufacture of articles for Xerox Corporation or Rank Xerox, Ltd.

Title
ALTO II
ASSEMBLY, P.W.-
DISK CONTROL

Xerox Corporation
El Segundo, California

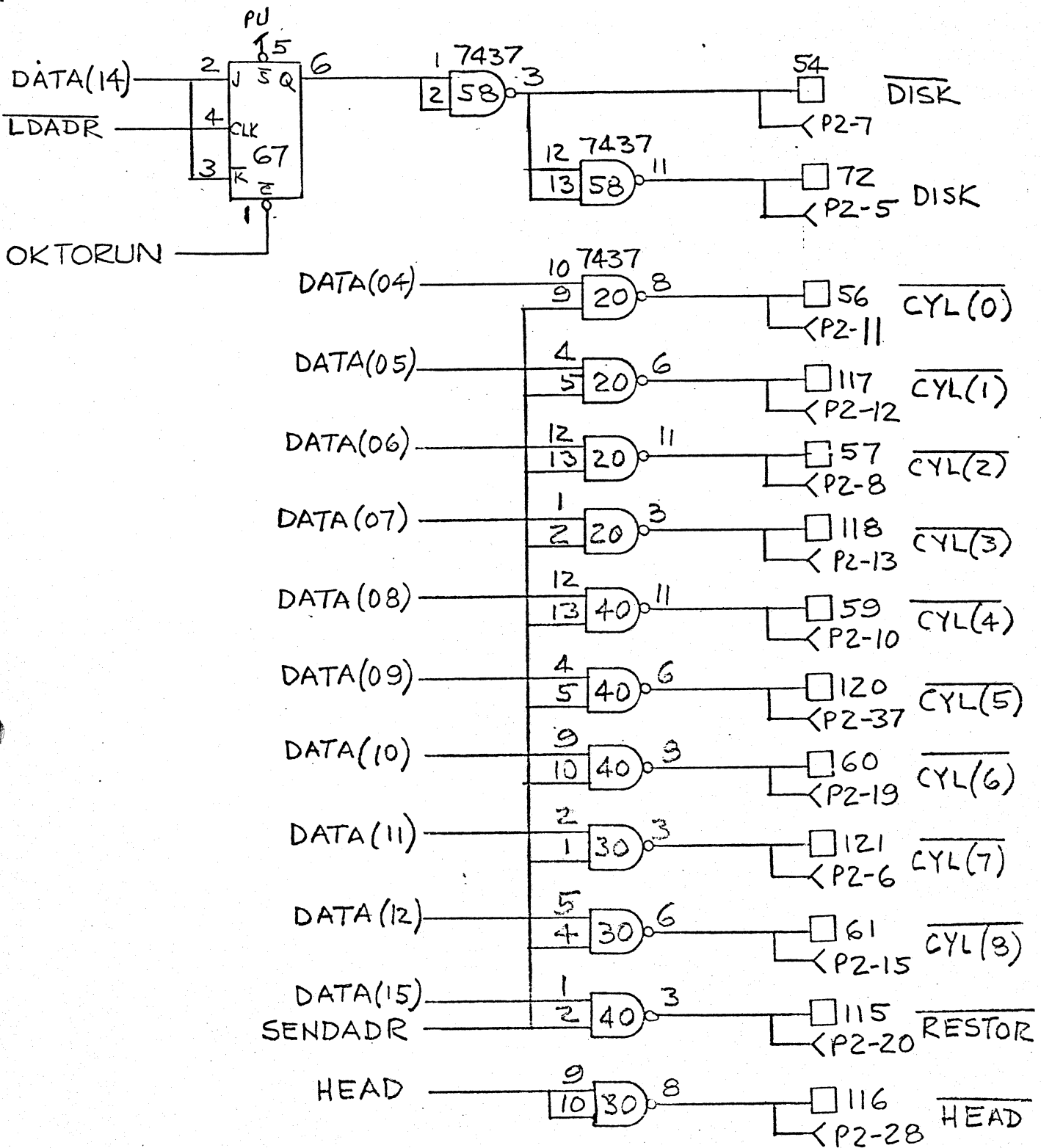
XEROX

216389

H

Sheet

17 of



DISK ADDRESSING

These drawings and specifications, and the data contained therein, are the exclusive property of Xerox Corporation and/or Rank Xerox, Ltd. issued in strict confidence and shall not, without the prior written permission of Xerox Corporation or Rank Xerox, Ltd., be reproduced, copied or used for any purpose whatsoever, except the manufacture of articles for Xerox Corporation or Rank Xerox, Ltd.

Title
ALTO II
ASSEMBLY, P.W.-
DISK CONTROL

Xerox Corporation
El Segundo, California

XEROX

216389	H
Sheet 18 of	