

May 1980

**8051 Single-Chip Microcomputer
Architectural Specification
and Functional Description**

Bob Koehler
Microcontroller
Product Marketing

Intel Corporation makes no warranty for the use of its products and assumes no responsibility for any errors which may appear in this document nor does it make a commitment to update the information contained herein.

Intel software products are copyrighted by and shall remain the property of Intel Corporation. Use, duplication or disclosure is subject to restrictions stated in Intel's software license, or as defined in ASPR 7-104.9 (a) (9). Intel Corporation assumes no responsibility for the use of any circuitry other than circuitry embodied in an Intel product. No other circuit patent licenses are implied.

No part of this document may be copied or reproduced in any form or by any means without the prior written consent of Intel Corporation.

The following are trademarks of Intel Corporation and may only be used to identify Intel products:

i	Intellec	Multimodule
ICE	iSBC	PROMPT
ICS	Library Manager	Promware
i _m	MCS	RMX
Insite	Megachassis	UPI
Intel	Micromap	μScope
Intelelevision		

and the combinations of ICE, iCS, iSBC, MCS or RMX and a numerical suffix.

Additional copies of this or other Intel literature may be obtained from:

Literature Department
Intel Corporation
3065 Bowers Avenue
Santa Clara, CA 95051

8031/8051/8751 SINGLE-COMPONENT 8-BIT MICROCOMPUTER

- 8031 - Control Oriented CPU With RAM and I/O
- 8051 - An 8031 With Factory Mask- Programmable ROM
- 8751 - An 8031 With User Programmable/Erasable EPROM

- 4K x 8 ROM/EPROM
- 128 x 8 RAM
- Four 8-Bit Ports, 32 I/O Lines
- Two 16-Bit Timer/Event Counters
- High-Performance Full-Duplex Serial Channel
- Boolean Processor
- Compatible with MCS-80™/MCS-85™ Peripherals
- External Memory Expandable to 128K
- MCS-48™ Architecture Enhanced with:
 - Non-Paged Jumps
 - Direct Addressing
 - Four 8-Register Banks
 - Stack Depth Up to 128-Bytes
 - Multiply, Divide, Subtract, Compare
- Most Instructions Execute in 1μs
- 4μs Multiply and Divide

The Intel® 8031/8051/8751 is a stand-alone, high-performance single-chip computer fabricated with Intel's highly-reliable +5 Volt, depletion-load, N-Channel, silicon-gate HMOS technology and packaged in a 40-pin DIP. It provides the hardware features, architectural enhancements and new instructions that are necessary to make it a powerful and cost effective controller for applications requiring up to 64K bytes of program memory and/or up to 64K bytes of data storage.

The 8051/8751 contains a non-volatile 4K x 8 read only program memory; a volatile 128 x 8 read/write data memory; 32 I/O lines; two 16-bit timer/counters; a five-source, two-priority-level, nested interrupt structure; a serial I/O port for either multi-processor communications, I/O expansion, or full duplex UART; and on-chip oscillator and clock circuits. The 8031 is identical, except that it lacks the program memory. For systems that require extra capability, the 8051 can be expanded using standard TTL compatible memories and the byte oriented MCS-80 and MCS-85 peripherals.

The 8051 microcomputer, like its 8048 predecessor, is efficient both as a controller and as an arithmetic processor. The 8051 has extensive facilities for binary and BCD arithmetic and excels in bit-handling capabilities. Efficient use of program memory results from an instruction set consisting of 44% one-byte, 41% two-byte, and 15% three-byte instructions. With a 12 MHz crystal, 58% of the instructions execute in 1μs, 40% in 2μs and multiply and divide require only 4μs. Among the many instructions added to the standard 8048 instruction set are multiply, divide, subtract and compare.

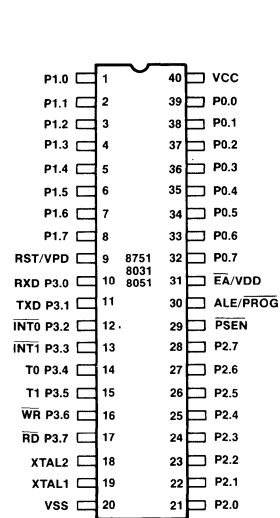


Figure 1. Pin Configuration

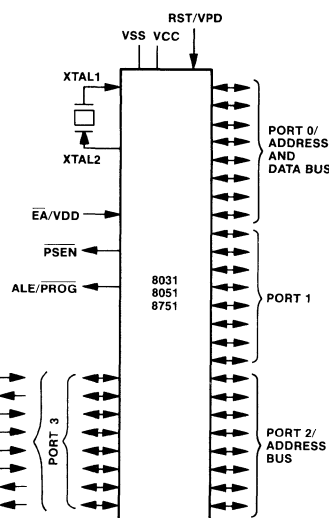


Figure 2. Logic Symbol

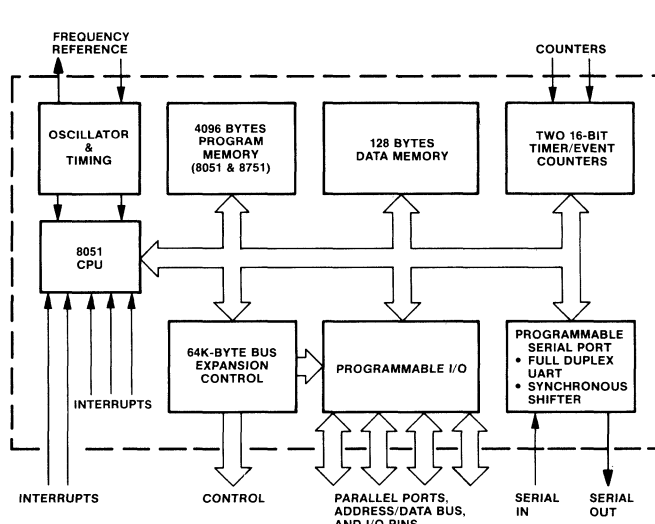


Figure 3. Block Diagram

8051 Single-Chip Microcomputer Architectural Specification and Functional Description

Contents

CHAPTER 1	INTRODUCTION	1
1.0	Abstract	1
1.1	Intel's Complete Line of Single-Chip Microcomputers	1
1.2	Enhancing the 8048 Architecture for the 80's	1
CHAPTER 2	ARCHITECTURAL OVERVIEW AND FUNCTIONAL DESCRIPTION	2
2.0	The 8051 Family	2
2.1	Macro-view of the 8051 Architecture	2
	2.1.1 8051 CPU Architecture	2
	2.1.2 On-Chip Peripheral Functions.....	3
	2.1.2.1 Interrupt System	3
	2.1.2.2 I/O Facilities	4
	2.1.2.2.1 Open Drain I/O Pins	4
	2.1.2.2.2 Quasi-Bidirectional I/O Pins	4
	2.1.2.2.3 Microprocessor Bus	5
	2.1.2.3 Timer/Event Counters	6
	2.1.2.4 Serial Communications	7
2.2	CPU Hardware.....	9
	2.2.1 Instruction Decoder	9
	2.2.2 Program Counter	9
	2.2.3 Internal Data Memory	9
	2.2.3.1 Internal Data RAM	9
	2.2.3.2 Register Banks	9
	2.2.3.3 Special Function Registers ...	9
	2.2.3.4 A Register	9
	2.2.3.5 B Register	9
	2.2.3.6 PSW Register	9
	2.2.3.7 Stack Pointer	9
	2.2.3.8 Data Pointer	11
	2.2.4 Arithmetic Section	11
	2.2.5 Program Control Section	11
	2.2.6 Oscillator and Timing Circuitry	11
	2.2.7 Boolean Processor	11
2.3	Memory Organization	11
2.4	Operand Addressing	12
2.5	Data Manipulation.....	14
	2.5.1 Data Transfer Operations	14
	2.5.2 Logic Operations	15
	2.5.3 Arithmetic Operations	16
2.6	Control Transfer	17
2.7	Instruction Set	18
	2.7.1 What the Instruction Set Is	18
	2.7.2 Organization of the Instruction Set ..	18
	2.7.3 Operand Addressing Modes and Associated Operations	21
2.8	Interrupt System	22
	2.8.1 External Interrupts	24
	2.8.1.1 Transition-Activated Interrupts	24
	2.8.1.2 Level-Activated Interrupts	24
2.9	Ports and I/O Pins.....	24

CHAPTER 2 ARCHITECTURAL OVERVIEW AND
FUNCTIONAL DESCRIPTION (Continued)

2.10	Accessing External Memory	25
	2.10.1 Operation of Ports	26
	2.10.2 Bus Cycle Timing	26
2.11	Timer/Counter	28
	2.11.1 T/C Mode Selection	28
	2.11.2 Configuring the T/C Input	28
	2.11.3 T/C Operation	29
	2.11.4 Reading and Reloading the T/C	29
2.12	Serial Channel	29
	2.12.1 Serial Port Control Register and Serial Data Registers	31
	2.12.2 Operating Modes	31
	2.12.2.1 Operating Mode 0	31
	2.12.2.2 Operating Modes 1 through 3	32
	2.12.3 The Serial Frame	32
	2.12.4 Transmission Rate Generation	32
	2.12.5 UART Message Error Conditions ...	33
2.13	External Interface	33
	2.13.1 Processor Reset and Initialization	33
	2.13.2 Power Down Operation of Internal RAM	33
2.14	EPROM Programming	34
2.15	The 8051 as an Evolution of the 8048	34
2.16	Development System and Software Support	34
2.17	8051 Pin Description	35
Table 2.1	Instruction Set Summary	37

1.0 ABSTRACT

The 8031, 8051, and 8751 are the latest additions to Intel's line of single-chip microcomputers. The CPU architecture and on-chip peripheral functions of the 8051 are described in this document. A user familiar with the MCS-48 family should be able to evaluate and design-in the 8051 using the information included herein.

A detailed description of the hardware required to expand the 8051 with more program memory, data memory, I/O, specialized peripherals and into multi-processor configurations is described in the 8051 Family User's Manual.

1.1 INTEL'S COMPLETE LINE OF SINGLE-CHIP MICROCOMPUTERS

In 1976 Intel introduced the 8748 microcomputer. This marked the first time in history that technology permitted a complete 8-bit computer to be fabricated on a single silicon die. This single chip can control a limitless variety of products ranging from appliances to automobiles to computer terminals.

Since 1976 Intel has offered products for the full range of single-chip microcomputer applications by pushing the 8048's architecture in several directions. The 8049 ran nearly twice as fast as the 8748/8048 while doubling the amount of on-chip program memory and data memory. Applications requiring solely external program memory were satisfied with the 8035 and 8039. Cost sensitive and less I/O intensive applications incorporated the 8021 which executed a subset of the 8048's instruction set at a slower speed. Finally, the 8022 integrated an 8-bit A/D converter onto the 8021 die to allow the chip to interface directly to a world in which most signals are analog. Figure 1.1 positions these products on a performance versus die-size curve.

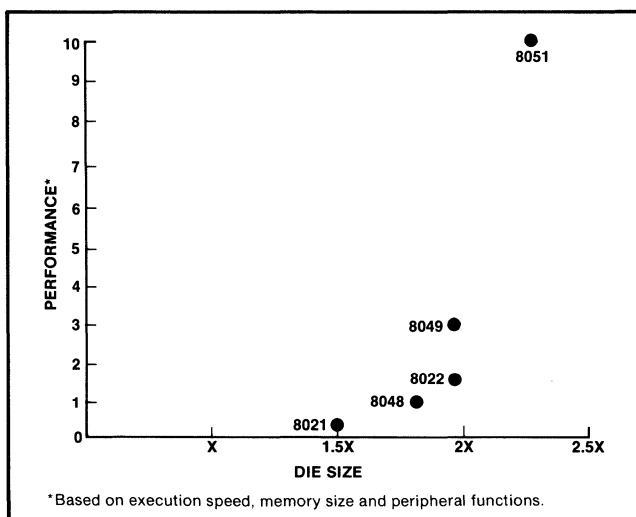


Figure 1.1. Performance Versus Cost

Now, thanks to the density of HMOS, technology has once again permitted the birth of a microcomputer with performance to leap into new product areas. The 8051 achieves a 10X function/speed improvement over the 8048 by packing 60,000 transistors onto a die 230 mils square.

The 8051 family addresses the high-end of the single-chip computer market. It is the highest performance micro-computer family in the world and out-performs all micro-processors and microcomputers in control oriented applications. It offers an upward compatible growth path for 8048 users with ten times the power of the 8048 as shown in Table 1.1.

- 4X Program Memory (4k Bytes)
- 2X Data Memory (128 Bytes)
- 2X Register Banks (4 vs. 2)
- 2X Timers (Two 16-bit Timers)
- New Full-Duplex Serial I/O Port
- More I/O Pins (32 vs. 27)
- Enhanced MCS-48 Architecture
- 2½ X To 10X Execution Speed
- 1.4X Die Size

Table 1.1: 8051 Functions/Speed/Cost Relative to 8048

1.2 ENHANCING THE 8048 ARCHITECTURE FOR THE 80's

The goal of the 8051 is to extend the architecture of the industry standard 8048 single-chip microcomputer into the 80's. This meant increasing the power of the 8048's CPU as well as increasing the power, variety and quantity of on-chip CPU peripherals.

The 8048's CPU architecture is ideal for control-oriented applications demanding a low-cost microcomputer because of its hardware simplicity and resulting silicon efficiency. A simple ALU is used in virtually all operations: arithmetic, logic, data moves, bit testing and I/O. Since all data is moved through the ALU this also simplifies the internal data path. The 8048's simple addressing methods of Register-, Register-Indirect- and Immediate-Addressing minimize hardware. The conditional branch logic simply concatenates an immediate value to the upper bits of the program counter to economize on silicon, but results in page boundaries. The simplicity of the table-look-up circuitry also results in page boundaries. The user flags and test pins provided for monitoring program and external status in an efficient manner are limited to two of each. This architecture, and the choice of instruction encodings that it permits, results in 1,024 byte programs of unsurpassed byte efficiency.

The silicon economic architecture of the 8048 causes some inconvenience to the programmer but the relatively short programs (one or two kilobytes) keep frustration levels in check. The 8051 challenge was to maintain software and feature compatibility with the 8048 while providing a more powerful microcomputer that is easier to program and use. This allows a designer currently using the 8048 to easily upgrade to the 8051 while protecting his investment in algorithm development and the knowledge he gained by designing with the 8048.

Some of the achievements of the 8051 were to extend the maximum program memory address space to 64K-bytes, extending on-chip peripheral functions (counters, serial ports and parallel ports) to satisfy emerging single-chip applications, and enhancing a paged architecture to make it suitable for the relocatable and re-entrant code generated by modern programming techniques. Op codes were reassigned to add new high-power operations and to permit new addressing modes which make the old operations more orthogonal. During this process special care was taken to provide optimum byte efficiency and maximum execution speed. The 8051 is typically 20% more code efficient than the 8049 for programs longer than 2048 bytes. Efficient use of program memory results from an instruction set consisting of 44% one-byte, 41% two-byte and 15% three-byte instructions. With a 12 MHz crystal, 58% of the instructions execute in $1\mu\text{s}$, 40% in $2\mu\text{s}$ and multiply and divide require only $4\mu\text{s}$.

2.0 THE 8051 FAMILY

The 8051 is a stand-alone high-performance single-chip computer intended for use in sophisticated real-time applications such as instrumentation, industrial control and intelligent computer peripherals. It provides the hardware features, architectural enhancements and new instructions that make it a powerful and cost effective controller for applications requiring up to 64K-bytes of program memory and/or up to 64K-bytes of data storage. A Block Diagram is shown in Figure 3.

The 8031 is a control-oriented CPU without on-chip program memory. It can address 64K-bytes of external Program Memory in addition to 64K-bytes of External Data Memory. For systems requiring extra capability, each member of the 8051 family can be expanded using standard memories and the byte oriented MCS-80 and MCS-85 peripherals. The 8051 is an 8031 with the lower 4K-bytes of Program Memory filled with on-chip mask programmable ROM while the 8751 has 4K-bytes of UV-light-erasable/electrically-programmable ROM.

The three pin-compatible versions of this component reduce development problems to a minimum and provide maximum flexibility. The 8751 is well suited for develop-

ment, prototyping, low-volume production and applications requiring field updates; the 8051 for low-cost, high-volume production and the 8031 for applications desiring the flexibility of external Program Memory which can be easily modified and updated in the field.

2.1 MACRO-VIEW OF THE 8051 ARCHITECTURE

On a single die the 8051 microcomputer combines CPU; non-volatile 4K x 8 read-only program memory; volatile 128 x 8 read/write data memory; 32 I/O lines; two 16-bit timer/event counters; a five-source, two-priority-level, nested interrupt structure; serial I/O port for either multiprocessor communications, I/O expansion, or full duplex UART; and on-chip oscillator and clock circuits. This section will provide an overview of the 8051 by providing a high-level description of its major elements: the CPU architecture and the on-chip functions peripheral to the CPU. The generic term "8051" is also used to refer collectively to the 8031, 8051, and 8751.

2.1.1 8051 CPU Architecture

The 8051 CPU manipulates operands in four memory spaces. These are the 64K-byte Program Memory, 64K-byte External Data Memory, 384-byte Internal Data Memory and 16-bit Program Counter spaces. The Internal Data Memory address space is further divided into the 256-byte Internal Data RAM and 128-byte Special Function Register (SFR) address spaces shown in Figure 2.1. Four Register Banks (each with eight registers), 128 addressable bits, and the stack reside in the Internal Data RAM. The stack depth is limited only by the available Internal Data RAM and its location is determined by the 8-bit Stack Pointer. All registers except the Program Counter and the four 8-Register Banks reside in the Special Function Register address space. These memory mapped registers include arithmetic registers, pointers, I/O ports, and registers for the interrupt system, timers and serial channel. 128 bit locations in the SFR address space are addressable as bits. The 8051 contains 128 bytes of Internal Data RAM and 20 SFRs.

The 8051 provides a non-paged Program Memory address space to accommodate relocatable code. Conditional branches are performed relative to the Program Counter. The register-indirect jump permits branching relative to a 16-bit base register with an offset provided by an 8-bit index register. Sixteen-bit jumps and calls permit branching to any location in the contiguous 64K Program Memory address space.

The 8051 has five methods for addressing source operands: Register, Direct, Register-Indirect, Immediate, and Base-Register- plus Index-Register- Indirect Addressing.

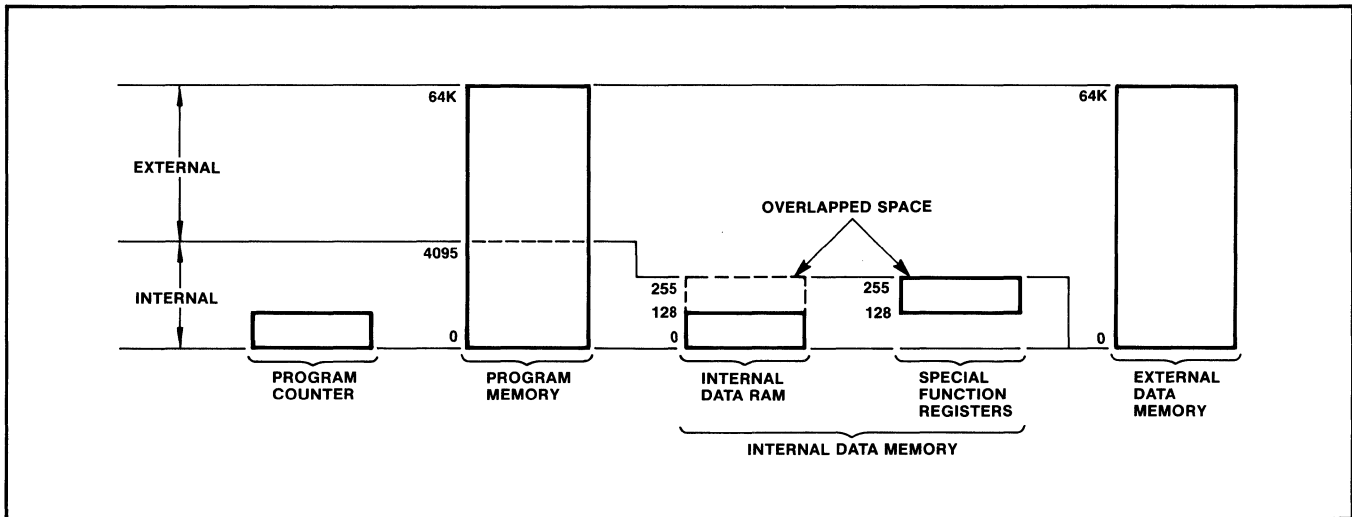


Figure 2.1. 8051 Family Memory Organization

The first three methods can be used for addressing destination operands. Most instructions have a “destination,source” field that specifies the data type, addressing methods and operands involved. For operations other than moves, the destination operand is also a source operand.

Registers in the four 8-Register Banks can be accessed through Register, Direct, or Register-Indirect Addressing; the 128 bytes of Internal Data RAM through Direct or Register-Indirect Addressing; and the Special Function Registers through Direct Addressing. External Data Memory is accessed through Register-Indirect Addressing. Look-Up-Tables resident in Program Memory can be accessed through Base-Register- plus Index-Register- Indirect Addressing.

The 8051 is classified as an 8-bit machine since the internal ROM, RAM, Special Function Registers, Arithmetic/Logic Unit and external data bus are each 8-bits wide. The 8051 performs operations on bit, nibble, byte and double-byte data types.

The 8051 has extensive facilities for byte transfer, logic, and integer arithmetic operations. It excels at bit handling since data transfer, logic and conditional branch operations can be performed directly on Boolean variables.

The 8051’s instruction set is an enhancement of the instruction set familiar to MCS-48 users. It is enhanced to allow expansion of on-chip CPU peripherals and to optimize byte efficiency and execution speed. Op codes were reassigned to add new high-power operations and to permit new addressing modes which make the old operations more orthogonal. Efficient use of program memory results from an instruction set consisting of 49

single-byte, 45 two-byte and 17 three-byte instructions. When using a 12 MHz oscillator, 64 instructions execute in $1\mu\text{s}$ and 45 instructions execute in $2\mu\text{s}$. The remaining instructions (multiply and divide) require only $4\mu\text{s}$. The number of bytes in each instruction and the number of oscillator periods required for execution are listed in the appended 8051 Instruction Set Summary.

2.1.2 On-Chip Peripheral Functions

Thus far only the CPU and memory spaces of the 8051 have been described. In addition to the CPU and memories, an interrupt system, extensive I/O facilities, and several peripheral functions are integrated on-chip to relieve the CPU of repetitious, complicated or time-critical tasks and to permit stringent real-time control of external system interfaces. The extensive I/O facilities include the I/O pins, parallel I/O ports, bidirectional address/data bus and the serial port for I/O expansion. The CPU peripheral functions integrated on-chip are the two 16-bit counters and the serial port. All of these work together to greatly boost system performance.

2.1.2.1 INTERRUPT SYSTEM

External events and the real-time-driven on-chip peripherals require service by the CPU asynchronous to the execution of any particular section of code. To tie the asynchronous activities of these functions to normal program execution, a sophisticated multiple-source, two-priority-level, nested interrupt system is provided. Interrupt response latency ranges from $3\mu\text{s}$ to $7\mu\text{s}$ when using a 12 MHz crystal.

The 8051 acknowledges interrupt requests from five sources: Two from external sources via the $\overline{\text{INT0}}$ and $\overline{\text{INT1}}$ pins, one from each of the two internal counters and

one from the serial I/O port. Each interrupt vectors to a separate location in Program Memory for its service program. Each of the five sources can be assigned to either of two priority levels and can be independently enabled and disabled. Additionally all enabled sources can be globally disabled or enabled. Each external interrupt is programmable as either level- or transition-activated and is active-low to allow the “wire or-ing” of several interrupt sources to the input pin. The interrupt system is shown diagrammatically in Figure 2.2.

2.1.2.2 I/O FACILITIES

The 8051 has instructions that treat its 32 I/O lines as 32 individually addressable bits and as four parallel 8-bit ports addressable as Ports 0, 1, 2 and 3. Ports 0, 2 and 3 can also assume other functions. Port 0 provides the multiplexed low-order address and data bus used for expanding the 8051 with standard memories and peripherals. Port 2 provides the high-order address bus when expanding the 8051 with external Program Memory or more than 256 bytes of External Data Memory. The pins of Port 3 can be configured individually to provide external interrupt request inputs, counter inputs, the serial port’s receiver input and transmitter output, and to generate the control signals used for reading and writing External Data Memory. The generation or use of an alternate function on a Port 3 pin is done automatically by

the 8051 as long as the pin is configured as an input. The configuration of the ports is shown on the 8051 Family Logic Symbol of Figure 2.

2.1.2.2.1 Open Drain I/O Pins

Each pin of Port 0 can be configured as an open drain output or as a high impedance input. Resetting the microcomputer programs each pin as an input by writing a one (1) to the pin. If a zero (0) is later written to the pin it becomes configured as an output and will continuously sink current. Re-writing the pin to a one (1) will place its output driver in a high-impedance state and configure the pin as an input. Each I/O pin of Port 0 can sink two TTL loads.

2.1.2.2.2 Quasi-Bidirectional I/O Pins

Ports 1, 2 and 3 are quasi-bidirectional buffers. Resetting the microcomputer programs each pin as an input by writing a one (1) to the pin. If a zero (0) is later written to the pin it becomes configured as an output and will continuously sink current. Any pin that is configured as an output will be reconfigured as an input when a one (1) is written to the pin. Simultaneous to this reconfiguration the output driver of the quasi-bidirectional port will source current for two oscillator periods. Since current is sourced only when a bit previously written to a zero (0) is

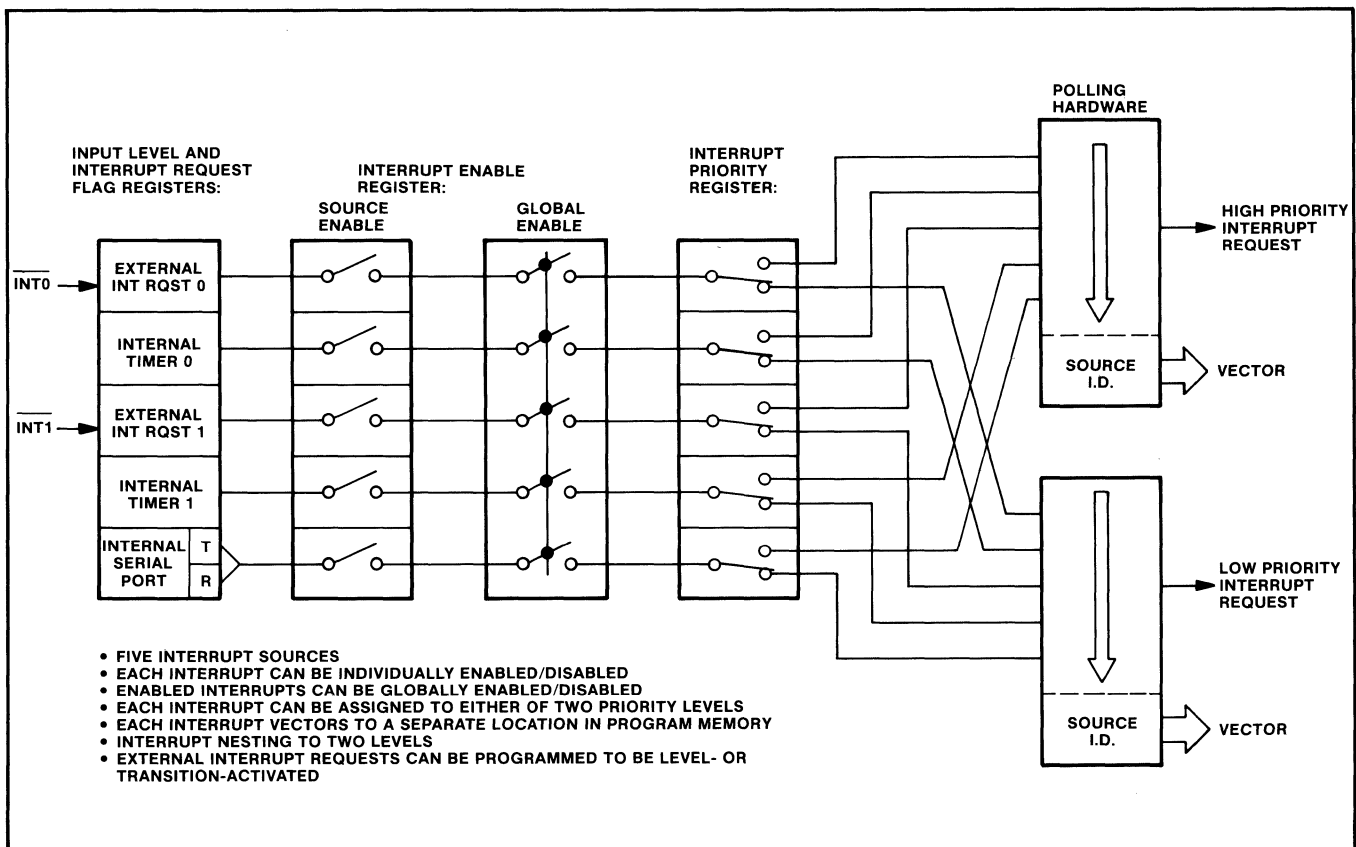


Figure 2.2. 8051 Interrupt System

updated to a one (1), a pin programmed as an input will not source current into the TTL gate that is driving it if the pin is later written with another one (1). Since the quasi-bidirectional output driver sources current for only two oscillator periods, an internal pullup resistor of approximately 20K- to 40K-ohms is provided to hold the external driver's loading at a TTL high level. Ports 1, 2 and 3 can sink/source one TTL load.

2.1.2.2.3 Microprocessor Bus

A microprocessor bus is provided to permit the 8051 to solve a wide range of problems and to allow the upward growth of user products. This multiplexed address and data bus provides an interface compatible with standard memories, MCS-80 peripherals and the MCS-85 memories that include on-chip programmable I/O ports and timing functions. These are summarized in the 8051 Microcomputer Expansion Components chart of Figure 2.3.

When accessing external memory the high-order address is emitted on Port 2 and the low-order address on Port 0.

The ALE signal is provided for strobing the address into an external latch. The program store enable (PSEN) signal is provided for enabling an external memory device to Port 0 during a read from the Program Memory address space. When the MOVX instruction is executed Port 3 automatically generates the read (\overline{RD}) signal for enabling an External Data Memory device to Port 0 or generates the write (\overline{WR}) signal for strobing the external memory device with the data emitted by Port 0. Port 0 emits the address and data to the external memory through a push/pull driver that can sink/source two TTL loads. At the end of the read/write bus cycle Port 0 is automatically reprogrammed to its high impedance state and Port 2 is returned to the state it had prior to the bus cycle. The 8051 generates the address, data and control signals needed by memory and I/O devices in a manner that minimize the requirements placed on external program and data memories. At 12 MHz, the Program Memory cycle time is 500ns and the access times required from stable address and \overline{PSEN} are approximately 320ns and 150ns respectively. The External Data Memory cycle

Category	I.D.	Description	Comments	
I/O Expander		8 Line I/O Expander (Shift Register)	Low Cost I/O Expander	
Compatible MCS-80/85 Components	Standard EPROMs	2758 2716-1 2732 2732A	1K x 8 450 ns Light Erasable 2K x 8 350 ns Light Erasable 4K x 8 450 ns Light Erasable 4K x 8 250 ns Light Erasable	User programmable and erasable.
	Standard RAMs	2114A 2148 2142-2	1K x 4 100 ns RAM 1K x 4 70 ns RAM 1K x 4 200 ns RAM	Data memory can be easily expanded using standard NMOS RAMs.
	Multiplexed Address/Data RAMs	8185A	1K x 8 300 ns RAM	
	Standard I/O	8212 8282 8283	8-Bit I/O Port 8-Bit I/O Port 8-Bit I/O Port	Serves as Address Latch or I/O port.
		8255A 8251A	Programmable Peripheral Interface Programmable Communications Interface	Three 8-bit programmable I/O ports. Serial Communications Receiver/ Transmitter.
		Standard Peripherals	8205 8286 8287 8253A 8279 8291 8292	1 of 8 Binary Decoder Bi-directional Bus Driver Bi-directional Bus Driver (Inverting) Programmable Interval Timer Programmable Keyboard/Display Interface (128 Keys) GPIB Talker/Listener GPIB Controller
	Universal Peripheral Interfaces	8041A 8741A	ROM Program Memory EPROM Program Memory	User programmable to perform custom I/O and control functions.
	Memories with on-chip I/O and Peripheral Functions.	8155-2 8355-2 8755-2	256 x 8 330 ns RAM 2K x 8 300 ns ROM 2K x 8 300 ns EPROM	

Figure 2.3. 8051 Microcomputer Expansion Components

time is $1\mu s$ and the access times required from stable address and from read (\overline{RD}) or write (\overline{WR}) command are approximately 600ns and 250ns respectively.

2.1.2.3 TIMER/EVENT COUNTERS

The 8051 contains two 16-bit counters for measuring time intervals, measuring pulse widths, counting events and generating precise, periodic interrupt requests. Each can be programmed independently to operate similar to an 8048 8-bit timer with divide by 32 prescaler or 8-bit counter with divide by 32 prescaler (Mode 0), as a 16-bit time-interval or event counter (Mode 1), or as an 8-bit time-interval or event counter with automatic reload upon overflow (Mode 2).

Additionally, counter 0 can be programmed to a mode that divides it into one 8-bit time-interval or event counter and one 8-bit time-interval counter (Mode 3).

When counter 0 is in Mode 3, counter 1 can be programmed to any of the three aforementioned modes, although it cannot set an interrupt request flag or generate an interrupt. This mode is useful because counter 1's overflow can be used to pulse the serial port's transmission-rate generator. Along with their multiple operating modes and 16-bit precision, the counters can also handle very high input frequencies. These range from 0.1 MHz to 1.0 MHz (for 1.2 MHz to 12 MHz crystal) when programmed for an input that is a division by 12 of the oscillator frequency and from 0 Hz to an upper limit of 50 KHz to 0.5 MHz (for 1.2 MHz to 12 MHz crystal) when programmed for external inputs. Both internal and external inputs can be gated to the counter by a second external source for directly measuring pulse widths.

The counters are started and stopped under software control. Each counter sets its interrupt request flag when it overflows from all ones to all zeros (or auto-reload value). The operating modes and input sources are summarized in Figures 2.4A and 2.4B. The effects of the configuration flags and the status flags are shown in Figures 2.5A and 2.5B.

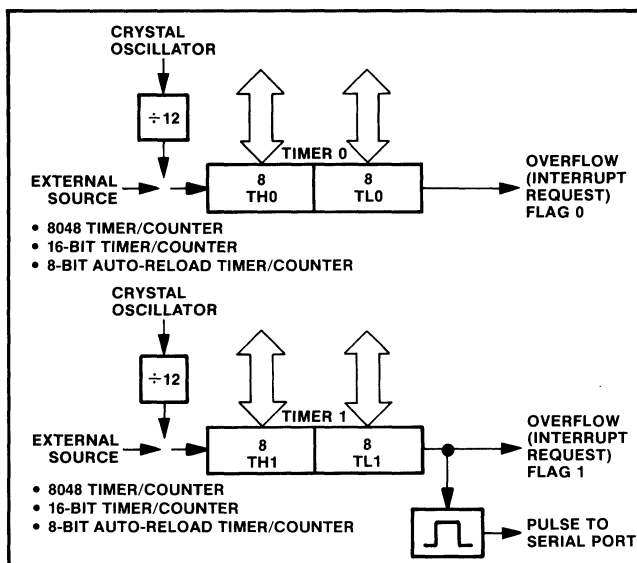


Figure 2.4.A. Timer/Event Counter Modes 0, 1, and 2

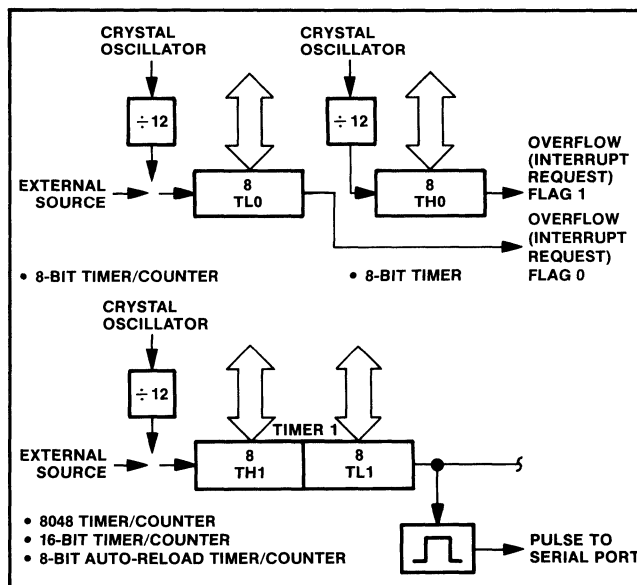


Figure 2.4.B. Timer/Event Counter Mode 3

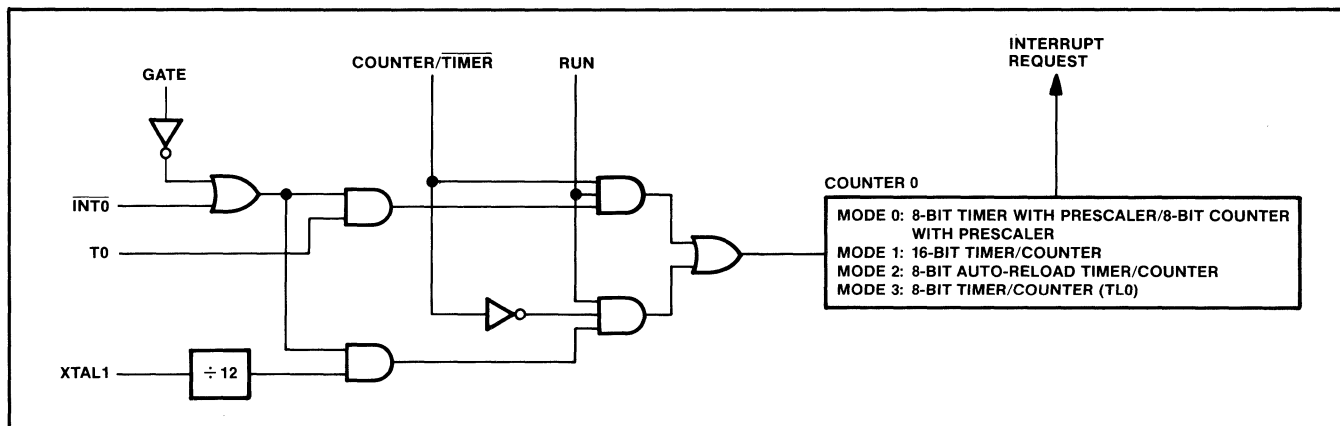


Figure 2.5.A. Timer/Counter 0 Control and Status Flag Circuitry

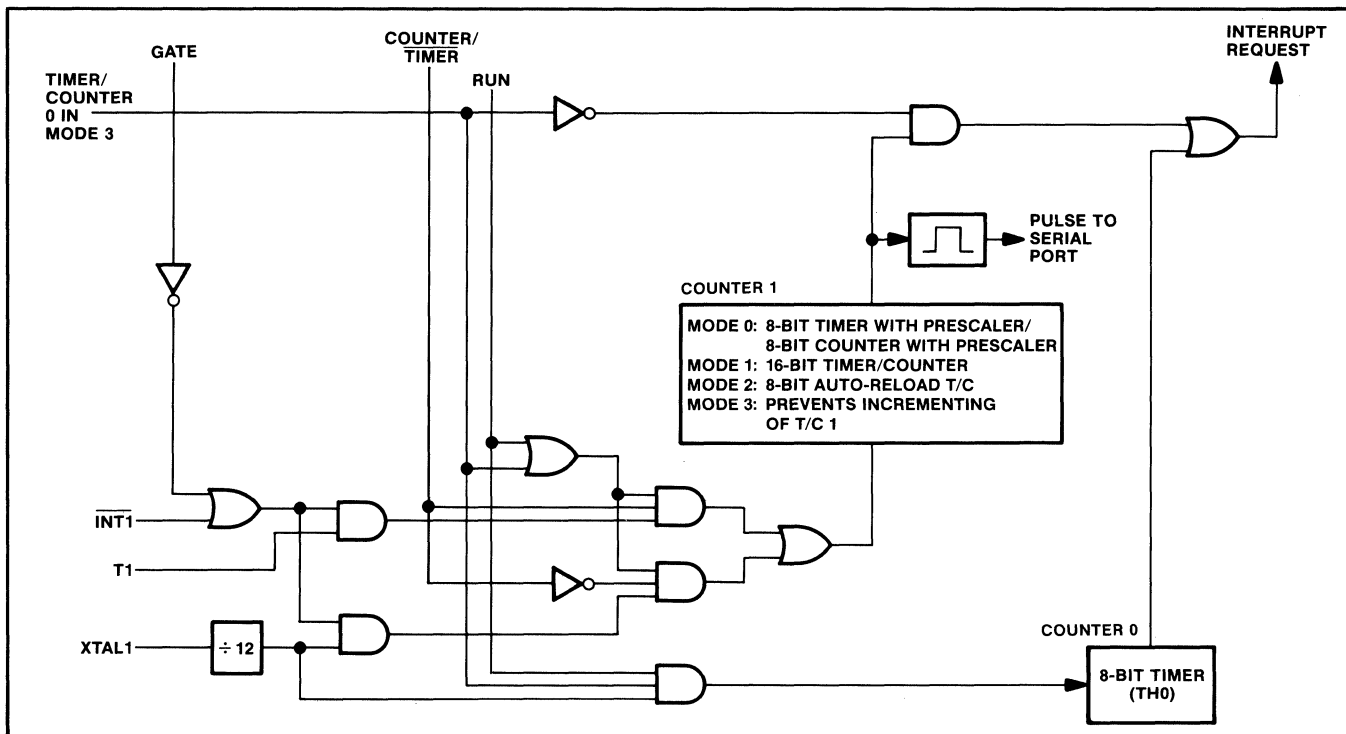


Figure 2.5.B. Timer/Counter 1 Control and Status Flag Circuitry

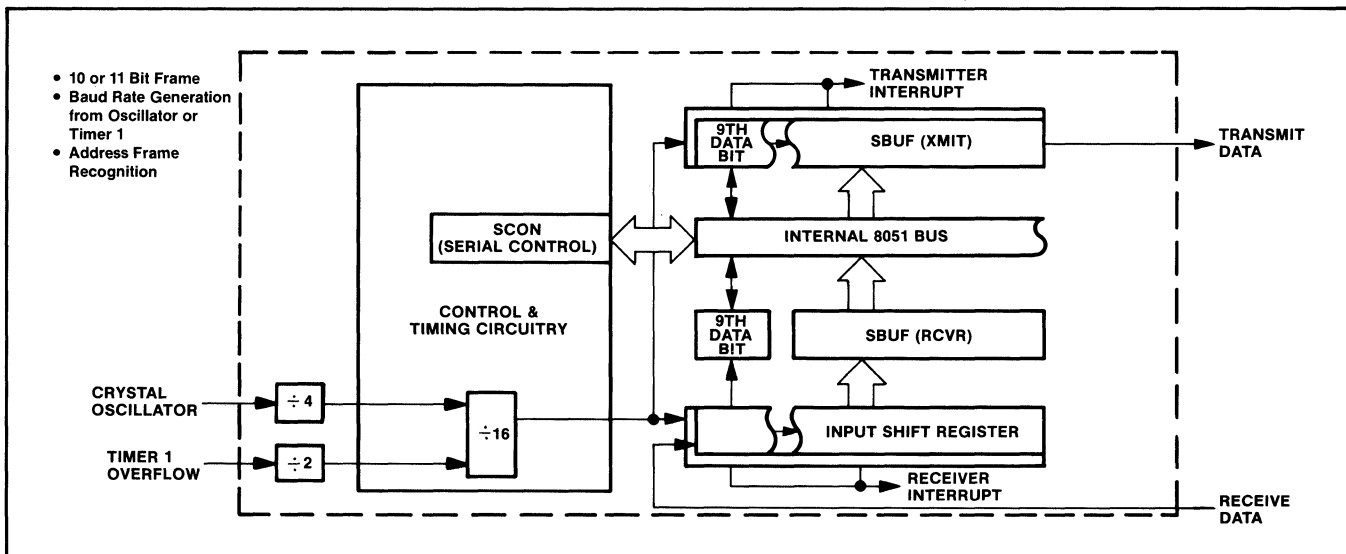


Figure 2.6. Serial Port—UART Modes 1, 2, and 3

2.1.2.4 SERIAL COMMUNICATIONS

The 8051 has a serial I/O port that is useful for serially linking peripheral devices as well as multiple 8051s through standard asynchronous protocols with full-duplex operation. The serial port also has a synchronous mode for expansion of I/O lines using CMOS and TTL shift registers. This hardware serial communications interface saves ROM code and permits a much higher transmission rate than could be achieved through software. In response to a serial port interrupt request the CPU has only to read/write the serial port's buffer to

service the serial link. A block diagram of the serial port is shown in Figure 2.6. Methods for linking UART (universal asynchronous receiver/transmitter) devices are shown in Figure 2.7 and a method for I/O expansion is shown in Figure 2.8.

The full-duplex serial I/O port provides asynchronous modes to facilitate communications with standard UART devices, such as printers and CRT terminals, or communications with other 8051s in multi-processor systems.

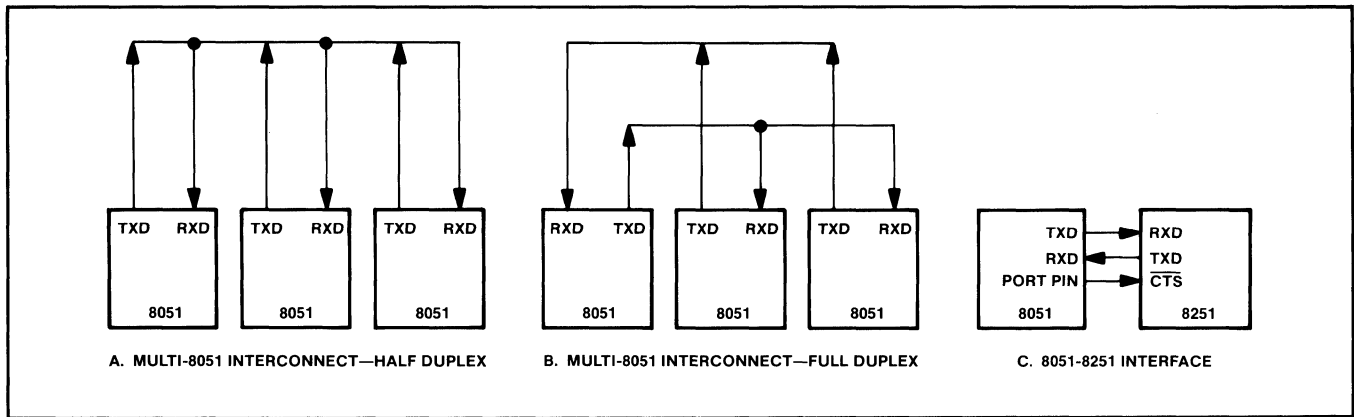


Figure 2.7. UART Interfacing Schemes

The receiver is double buffered to eliminate the overrun that would occur if the CPU failed to respond to the receiver's interrupt before the beginning of the next frame. Double buffering of the transmitter is not needed since the 8051 can generally maintain the serial link at its maximum rate without it. A minor degradation in transmission rate can occur in rare events such as when the servicing of the transmitter has to wait for a lengthy interrupt service program to complete. In asynchronous modes, false start-bit rejection is provided on received frames. For noise rejection a best two-out-of-three vote is taken on three samples near the center of each received bit.

When interfacing with standard UART devices the serial channel can be programmed to a mode (Mode 1) that transmits/receives a ten-bit frame or programmed to a mode (Mode 2 or 3) that transmits/receives an eleven-bit frame as shown in Figure 2.9. The frame consists of a start bit, eight or nine data bits and a stop bit. In Modes 1 and 3, the transmission-rate timing circuitry receives a pulse from counter 1 each time the counter overflows. The input to counter 1 can be an external source or a division by 12 of the oscillator frequency. The auto-reload mode of the counter provides communication rates of 122 to 31,250 bits per second (including start and stop bits) for a 12 MHz crystal. In Mode 2 the communication rate is a division by 64 of the oscillator frequency yielding a transmission rate of 187,500 bits per second (including start and stop bits) for a 12 MHz crystal.

Distributed processing offers a faster, more powerful system than can be provided by a single CPU processor. This results from a hierarchy of interconnected processors, each with its own memories and I/O. In multiprocessing, a host 8051 microcomputer controls a multiplicity of 8051s configured to operate simultaneously on separate portions of the program, each controlling a portion of the overall process. The interconnected 8051s reduce the load on the host processor and result in a low-cost system of data transmission. This form of distributed

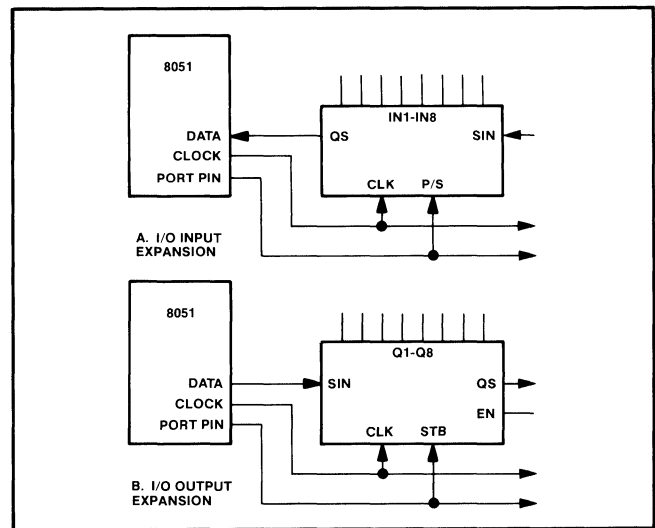


Figure 2.8. I/O Expansion Technique

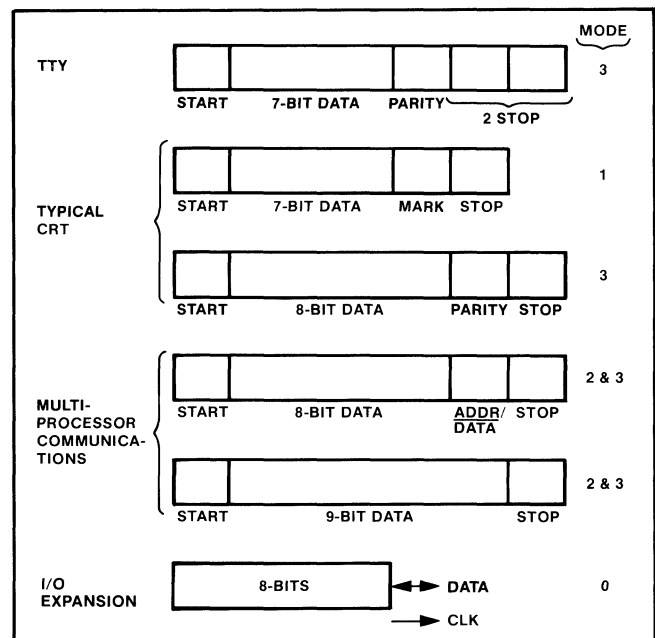


Figure 2.9. Typical Frame Formats

processing is especially effective in systems where controls in a complex process are required at physically separated locations.

In Modes 2 and 3 the automatic wake-up of slave processors through interrupt driven address-frame recognition is provided to facilitate interprocessor communications. The protocol for interprocessor communications is shown in Figure 2.10.

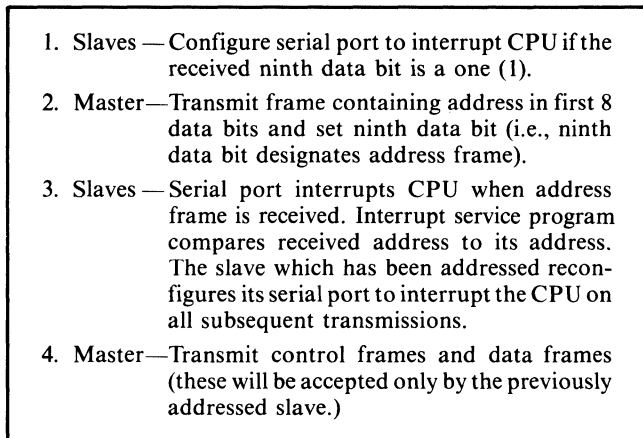


Figure 2.10. Protocol for Multi-Processor Communications

In synchronous mode (Mode 0) the high-speed serial port provides an efficient, low-cost method of expanding I/O lines using standard TTL and CMOS shift registers. The serial channel provides a clock output for synchronizing the shifting of bits to/from an external register. The data rate is a division by 12 of the oscillator frequency and is 1M bits per second at 12 MHz.

2.2 CPU HARDWARE

This section describes the hardware architecture of the 8051's CPU in detail. The interrupt system and on-chip functions peripheral to the CPU are described in subsequent sections. A detailed 8051 Functional Block Diagram is displayed in Figure 2.11.

2.2.1 Instruction Decoder

Each program instruction is decoded by the instruction decoder. This unit generates the internal signals that control the functions of each unit within the CPU section. These signals control the sources and destination of data, as well as the function of the Arithmetic/Logic Unit (ALU).

2.2.2 Program Counter

The 16-bit Program Counter (PC) controls the sequence in which the instructions stored in program memory are executed. It is manipulated with the Control Transfer instructions listed in section 2.7.2.

2.2.3 Internal Data Memory

The 8051 contains a 128-byte Internal Data RAM (which includes registers R7-R0 in each of four Banks), and twenty memory-mapped Special Functional Registers.

2.2.3.1 INTERNAL DATA RAM

The Internal Data RAM provides a convenient 128-byte scratch pad memory.

2.2.3.2 REGISTER BANKS

There are four 8-Register Banks within the Internal Data RAM, each containing registers R7-R0.

2.2.3.3 SPECIAL FUNCTION REGISTERS

The Special Function Registers include arithmetic registers (A, B, PSW), pointers (SP, DPH, DPL) and registers that provide an interface between the CPU and the on-chip peripheral functions.

2.2.3.4 A REGISTER

The A register is the accumulator register. ACC is the location of the accumulator in the Internal Data Memory.

2.2.3.5 B REGISTER

The B register is dedicated during multiply and divide and serves as both a source and a destination. During all other operations the B register is simply another location of the Internal Data Memory.

2.2.3.6 PSW REGISTER

The carry (CY), auxiliary carry (AC), user flag 0 (FO), register bank select 1 (RS1), register bank select 0 (RS0), overflow (OV) and parity (P) flags reside in the Program Status Word (PSW) Register. These flags are bit-memory-mapped within the byte-memory-mapped PSW. The PSW flags record processor status information and control the operation of the processor.

The CY, AC, and OV flags generally reflect the status of the latest arithmetic operation. The P flag always reflects the parity of the A register. The carry flag is also a Boolean accumulator for bit operations. Specific details are provided in the "Flag Register Settings" section of 2.7.2.

FO is a general purpose flag which is pushed onto the stack as part of a PSW save.

The two Register Bank select bits (RS1 and RS0) determine which of the four 8-Register Banks is selected.

2.2.3.7 STACK POINTER

The 8-bit Stack Pointer (SP) contains the address at which the last byte was pushed onto the stack. This is also the address of the next byte that will be popped. SP is updatable under software control.

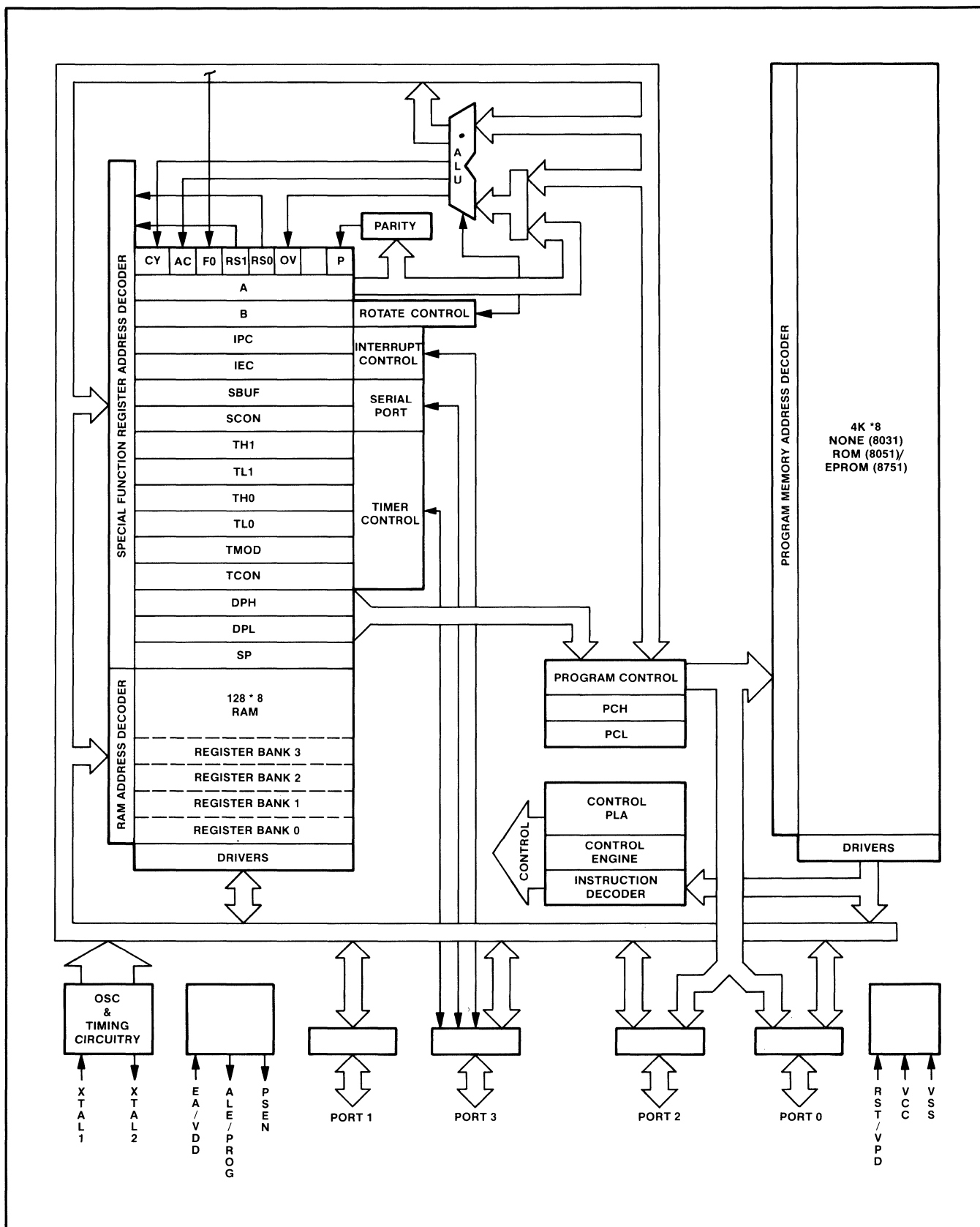


Figure 2.11. 8051 Family Functional Block Diagram

2.2.3.8 DATA POINTER

The 16-bit Data Pointer (DPTR) register is the concatenation of registers DPH (data pointer's high-order byte) and DPL (data pointer's low-order byte). The DPTR is used in Register-Indirect Addressing to move Program Memory constants, to move External Data Memory variables, and to branch over the 64K Program Memory address space.

2.2.4 Arithmetic Section

The arithmetic section of the processor performs many data manipulation functions and is comprised of the Arithmetic/Logic Unit (ALU), A register, B register and PSW register.

The ALU accepts 8-bit data words from one or two sources and generates an 8-bit result under the control of the instruction decoder. The ALU performs the arithmetic operations of add, subtract, multiply, divide, increment, decrement, BCD-decimal-add-adjust and compare and the logic operations of and, or, exclusive-or, complement and rotate [right, left, or nibble swap (left four)].

2.2.5 Program Control Section

The program control section controls the sequence in which the instructions stored in program memory are executed. The conditional branch logic enables conditions internal and external to the processor to cause a change in the sequence of program execution.

2.2.6 Oscillator and Timing Circuitry

Timing generation for the 8051 is completely self-contained, except for the frequency reference which can be a crystal or external clock source. The on-board oscillator is a parallel anti-resonant circuit with a frequency range of 1.2 to 12 MHz. The XTAL2 pin is the output of a high-gain amplifier, while XTAL1 is its input. A crystal connected between XTAL1 and XTAL2 provides the feedback and phase shift required for oscillation. The 1.2 to 12 MHz range is also accommodated when an external TTL compatible clock is applied to XTAL1 as the frequency source.

2.2.7 Boolean Processor

Although the Boolean processor is an integral part of the 8051's architecture, it may be considered an independent bit processor since it has its own instruction set, its own accumulator (the carry flag), and its own bit-addressable RAM and I/O.

The bit-manipulation instructions allow the Direct Addressing of 128 bits within the Internal Data RAM and 128 bits within the Special Function Registers. The Special Function Registers with an address evenly divisible by eight (P0, TCON, P1, SCON, P2, IEC, P3, IPC, PSW, A, and B) contain Direct Addressable bits.

On any addressable bit, the Boolean processor can perform the bit operations of set, clear, complement, jump-if-set, jump-if-not-set, jump-if-set-then-clear and move to/from carry. Between any addressable bit (or its complement) and the carry flag it can perform the bit operation of logical and or logical or with the result returned to the carry flag.

The bit-manipulation instructions provide optimum code and speed efficiency in "bit-banging" applications such as the control of the 8051's on-chip peripherals. The Boolean processor also provides a straightforward means of converting logic equations (like those used in random logic design) directly into software. Complex combinatorial-logic functions can be resolved without extensive data movement, byte masking and test-and-branch trees.

2.3 MEMORY ORGANIZATION

In the 8051 family the memory is organized over three address spaces and the program counter. The memory spaces shown in Figure 2.1 are the:

- 16-bit Program Counter
- 64K-byte Program Memory address space
- 64K-byte External Data Memory address space
- 384-byte Internal Data Memory address space

The 16-bit Program Counter register provides the 8051 with its 64K addressing capabilities. The Program Counter allows the user to execute calls and branches to any location within the Program Memory space. There are no instructions that permit program execution to move from the Program Memory space to any of the data memory spaces.

In the 8051 and 8751 the lower 4K of the 64K Program Memory address space is filled by internal ROM and EPROM, respectively. By trying the \overline{EA} pin high, the processor can be forced to fetch from the internal ROM/EPROM for Program Memory addresses 0 through 4K. Bus expansion for accessing Program Memory beyond 4K is automatic since external instruction fetches occur automatically when the Program Counter increases above 4095. If the \overline{EA} pin is tied low all Program Memory fetches are from external memory. The execution speed of the 8051 is the same regardless of whether fetches are from internal or external Program Memory. If all program storage is on-chip, byte location 4095 should be left vacant to prevent an undesired prefetch from external Program Memory address 4096.

Certain locations in Program Memory are reserved for specific programs. Locations 0000 through 0002 are reserved for the initialization program. Following reset, the CPU always begins execution at location 0000. Locations 0003 through 0042 are reserved for the five interrupt-request service programs. Each resource that can request an interrupt requires that its service program be stored at its reserved location.

The 64K-byte External Data Memory address space is automatically accessed when the MOVX instruction is executed.

Functionally the Internal Data Memory is the most flexible of the address spaces. The Internal Data Memory space is subdivided into a 256-byte Internal Data RAM address space and a 128-byte Special Function Register address space as shown in Figure 2.12.

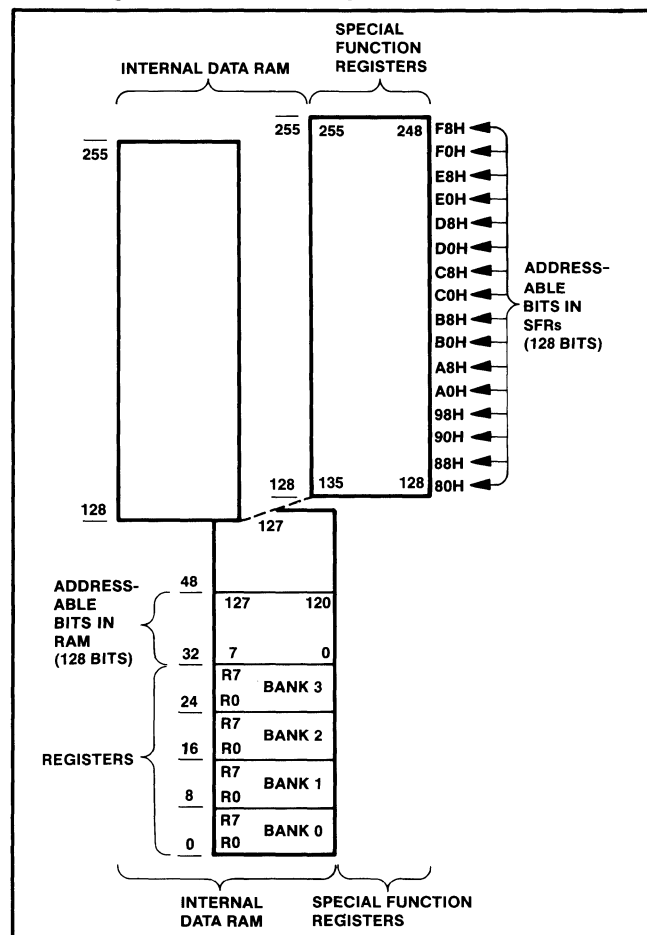


Figure 2.12. Internal Data Memory Address Space

The Internal Data RAM address space is 0 to 255. Four 8-Register Banks occupy locations 0 through 31. The stack can be located anywhere in the Internal Data RAM address space. In addition, 128 bit locations of the on-chip RAM are accessible through Direct Addressing. These bits reside in Internal Data RAM at byte locations 32 through 47. Currently locations 0 through 127 of the Internal Data RAM address space are filled with on-chip RAM. Locations 128 through 255 may be filled on later products without affecting existing software.

The stack depth is limited only by the available Internal Data RAM, thanks to an 8-bit reloadable Stack Pointer. The stack is used for storing the Program Counter during subroutine calls and may be used for passing parameters. Any byte of Internal Data RAM or Special Function

Register accessible through Direct Addressing can be pushed/popped.

The Special Function Register address space is 128 to 255. All registers except the Program Counter and the four 8-Register Banks reside here. Memory mapping the Special Function Registers allows them to be accessed as easily as internal RAM. As such, they can be operated on by most instructions. In addition, 128 bit locations within the Special Function Register address space can be accessed using Direct Addressing. These bits reside in the Special Function Register byte locations divisible by eight. The twenty Special Function Registers are listed in Figure 2.13. Their mapping in the Special Function Register address space is shown in Figure 2.14.

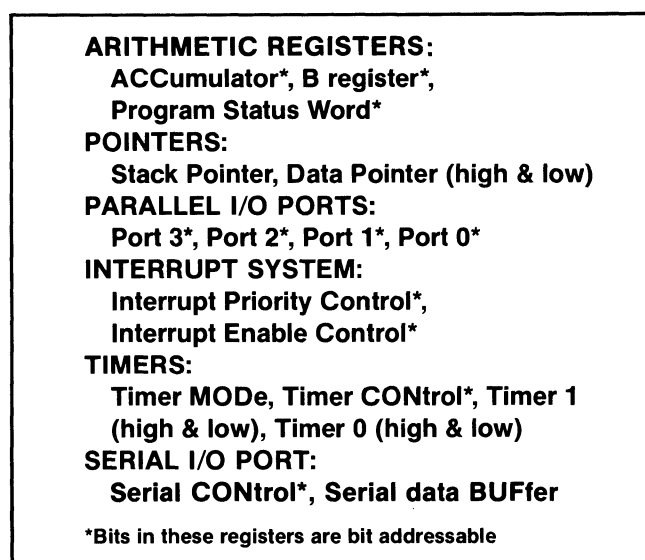


Figure 2.13. Special Function Registers

Performing a read from a location of the Internal Data Memory where neither a byte of Internal Data RAM (i.e. RAM addresses 128–255) nor a Special Function Register exists will access data of indeterminable value.

Architecturally, each memory space is a linear sequence of 8-bit wide bytes. By Intel convention the storage of multi-byte address and data operands in program and data memories is least significant byte at the low-order address and the most significant byte at the high-order address. Within byte X, the most significant bit is represented by X.7 while the least significant bit is X.0. Any deviation from these conventions will be explicitly stated in the text.

2.4 OPERAND ADDRESSING

There are five methods of addressing source operands. They are Register Addressing, Direct Addressing, Register-Indirect Addressing, Immediate Addressing, and Base-Register- plus Index-Register- Indirect Addressing. The first three of these methods can also be used to

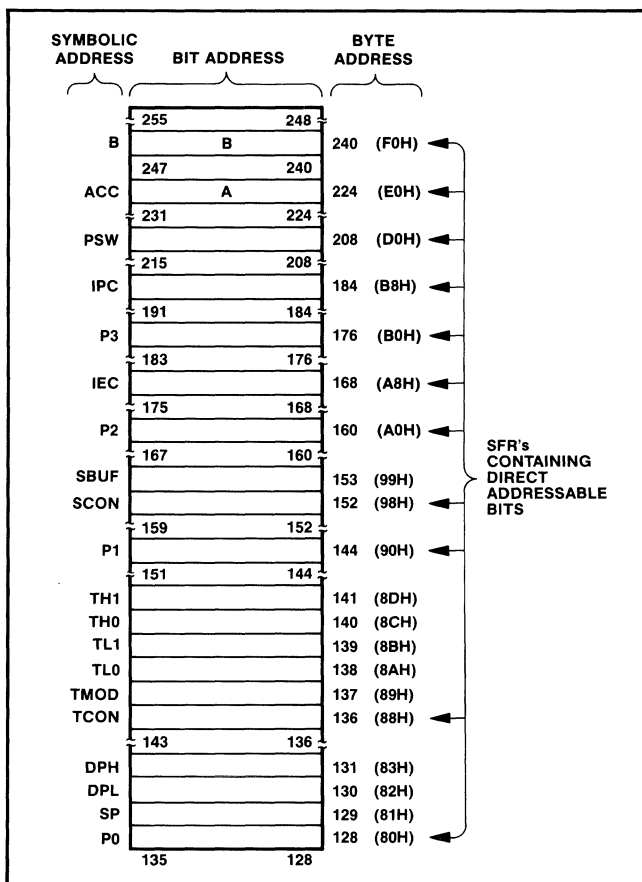


Figure 2.14. Mapping Of Special Function Registers

address a destination operand. Since operations in the 8051 require 0 (NOP only), 1, 2, 3 or 4 operands, these five addressing methods are used in combinations to provide the 8051 with its 21 addressing modes.

Most instructions have a “destination, source” field that specifies the data type, addressing methods and operands involved. For operations other than moves, the destination operand is also a source operand. For example, in “subtract-with-borrow A,#5” the A register receives the result of the value in register A minus 5, minus C.

Most operations involve operands that are located in Internal Data Memory. The selection of the Program Memory space or External Data Memory space for a second operand is determined by the operation mnemonic unless it is an immediate operand. The subset of the Internal Data Memory being addressed is determined by the addressing method and address value. For example, the Special Function Registers can be accessed only through Direct Addressing with an address of 128-255. A summary of the operand addressing methods is shown in Figure 2.15. The following paragraphs describe the five addressing methods.

Register Addressing permits access to the eight registers

- **Register Addressing**
 - R7-R0
 - A, B, C (bit), AB (two bytes), DPTR (double byte)
- **Direct Addressing**
 - Lower 128 bytes of Internal Data RAM
 - Special Function Registers
 - 128 bits in subset of Internal Data RAM address space
 - 128 bits in subset of Special Function Register address space
- **Register-Indirect Addressing**
 - Internal Data RAM [$@R1$, $@R0$, $@SP$ (PUSH and POP only)]
 - Least Significant Nibbles in Internal Data RAM ($@R1$, $@R0$)
 - External Data Memory ($@R1$, $@R0$, $@DPTR$)
- **Immediate Addressing**
 - Program Memory (in-code constant)
- **Base-Register- plus Index-Register- Indirect Addressing**
 - Program Memory ($@ DPTR+A$, $@ PC+A$)

Figure 2.15. Operand Addressing Methods

(R7-R0) of the selected Register Bank (RB). One of the four 8-Register Banks is selected by a two-bit field in the PSW. The registers may also be accessed through Direct Addressing and Register-Indirect Addressing since the four Register Banks are mapped into the lowest 32 bytes of Internal Data RAM as shown in Figure 2.16. Other Internal Data Memory locations that are addressed as registers are A, B, C, AB and DPTR.

Direct Addressing provides the only means of accessing the memory-mapped byte-wide Special Function Registers and memory mapped bits within the Special Function Registers and Internal Data RAM. Direct Addressing of bytes may also be used to access the lower 128 bytes of Internal Data RAM. Direct Addressing of bits gains access to a 128 bit subset of the Internal Data RAM and 128 bit subset of the Special Function Registers as shown in Figures 2.12, 2.14 and 2.16.

Register-Indirect Addressing using the content of R1 or R0 in the selected Register Bank, or using the content of the Stack Pointer (PUSH and POP only), addresses the Internal Data RAM. Register-Indirect Addressing is also used for accessing the External Data Memory. In this case, either R1 or R0 in the selected Register Bank may be used for accessing locations within a 256-byte block. The block number can be preselected by the contents of a port. The 16-bit Data Pointer may be used for accessing any location within the full 64K external address space.

Immediate Addressing allows constants which are part

of the instruction to be accessed from the Program Memory.

Base-Register- plus Index-Register- Indirect Addressing simplifies accessing look-up-tables (LUT) resident in Program Memory. A byte may be accessed from a LUT via an indirect move from a location whose address is the sum of a base register (the DPTR or PC) and the index register (A).

as two locations in Internal Data Memory (DPH & DPL). The Program Counter is always manipulated as a single double-byte register.

While the 8051 has extensive facilities for byte logic operations as well as byte binary and two-digit BCD arithmetic, it excels in its bit handling capabilities. 128 bits in the Special Function Registers and 128 software flags in the Internal Data RAM are all supported orthogonally by the logic operations of and, or, set, clear, and complement; the conditional branch operations of jump-if-bit-set, jump-if-bit-not-set, and jump-if-bit-set-then-clear-bit; and the transfer operation of move bit. Performing conditional branch, logical, and transfer operations directly on Boolean variables is a breakthrough for microcomputers, since this makes the 8051 both a byte processor and a Boolean processor.

2.5.1 Data Transfer Operations

Look-up-tables resident in Program Memory can be accessed by indirect moves. A byte constant can be transferred to the A register (i.e. accumulator) from the Program Memory location whose address is the sum of a base register (the PC or DPTR) and the index register (A). This provides a convenient means for programming translation algorithms such as ASCII to seven segment conversions. The Program Memory move operations are shown diagrammatically in Figure 2.17.

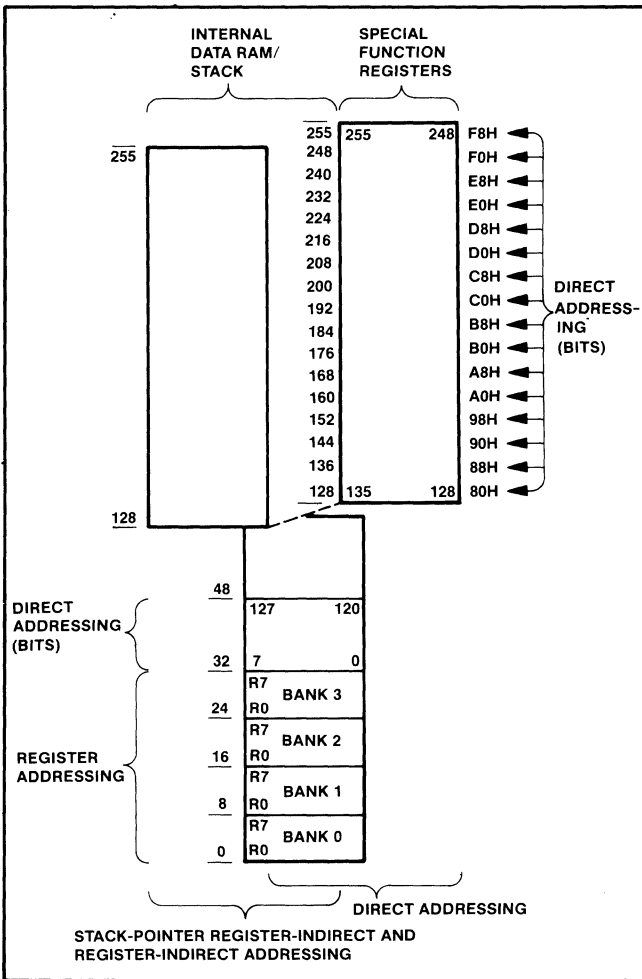


Figure 2.16. Addressing Operands In Internal Data Memory

2.5 DATA MANIPULATION

The 8051 microcomputer is efficient both as an arithmetic processor and as a controller. In addition to the capabilities of its 8048 predecessor, the 8051 was enhanced with improved data transfer, logic manipulation, arithmetic processing, and real-time control capabilities. The 8051 performs operations on bit, nibble (4-bit), byte (8-bit) and double-byte (16-bit) data types. It is classified as an 8-bit machine since the internal ROM, RAM, Special Function Registers, Arithmetic/Logic Unit (ALU) and the external data bus are each 8-bits wide. The double-byte data type is used only by the Data Pointer and the Program Counter. The Data Pointer can be manipulated as a single double-byte register (DPTR) or

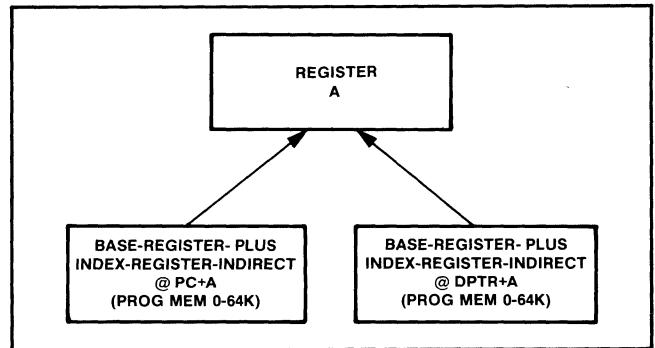


Figure 2.17 Program Memory Move Operations

A byte location within a 256-byte block of External Data Memory can be accessed using R1 or R0 in Register-Indirect Addressing. Any location within the full 64K External Data Memory address space can be accessed through Register-Indirect Addressing using a 16-bit base register (i.e. the Data Pointer). These moves are shown in Figure 2.18.

The byte in-code-constant (immediate) moves and byte variable moves within the 8051 are highly orthogonal as detailed in Figure 2.19. When one considers that the accumulator and the registers in the Register Banks can be Direct Addressed, the two-operand data transfer operations allow a byte to be moved between any two of the RB registers, Internal Data RAM, accumulator and Special Function Registers. Also, immediate operands

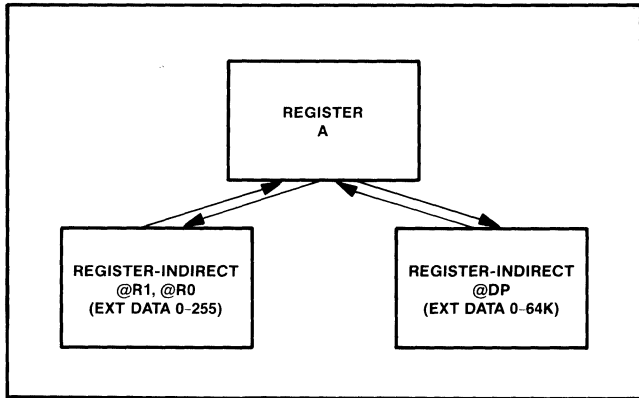


Figure 2.18. External Data Memory Move Operations

can be moved to any of these locations. Of particular interest is the Direct Address to Direct Address move which permits the value in a port to be moved to the Internal Data RAM without using any RB registers or the accumulator. The Data Pointer register can be loaded with a double-byte immediate value. Also, the 8051's Boolean Processor can move any Direct Addressed bit to or from the carry flag.

The A register can be exchanged with a register in the selected Register Bank, with a Register-Indirect Addressed byte in the Internal Data RAM or with a Direct Addressed byte in the Internal Data RAM or Special Function Register. The least significant nibble of the A register can also be exchanged with the least significant nibble of a Register-Indirect Addressed byte in the Internal Data RAM. The exchange operation is shown in Figure 2.20

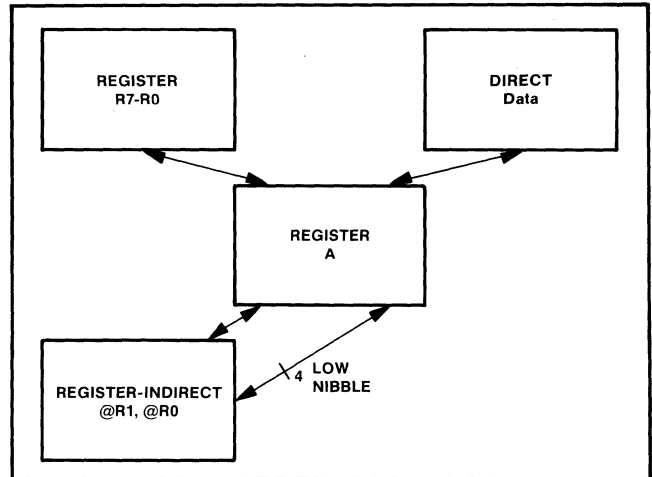


Figure 2.20. Internal Data Memory Exchange Operations

2.5.2 Logic Operations

The 8051 permits the logic operations of and, or, and exclusive-or to be performed on the A register by a second operand which can be immediate value, a register in the selected Register Bank, a Register-Indirect Addressed byte of Internal Data RAM or a Direct Addressed byte of Internal Data RAM or Special Function Register. In addition, these logic operations can be performed on a Direct Addressed byte of the Internal Data RAM or Special Function Register using the A register as the second operand. Also, use of Immediate Addressing with Direct Addressing permits these logic operations to set, clear or complement any bit anywhere in the Internal Data RAM or Special Function Registers without

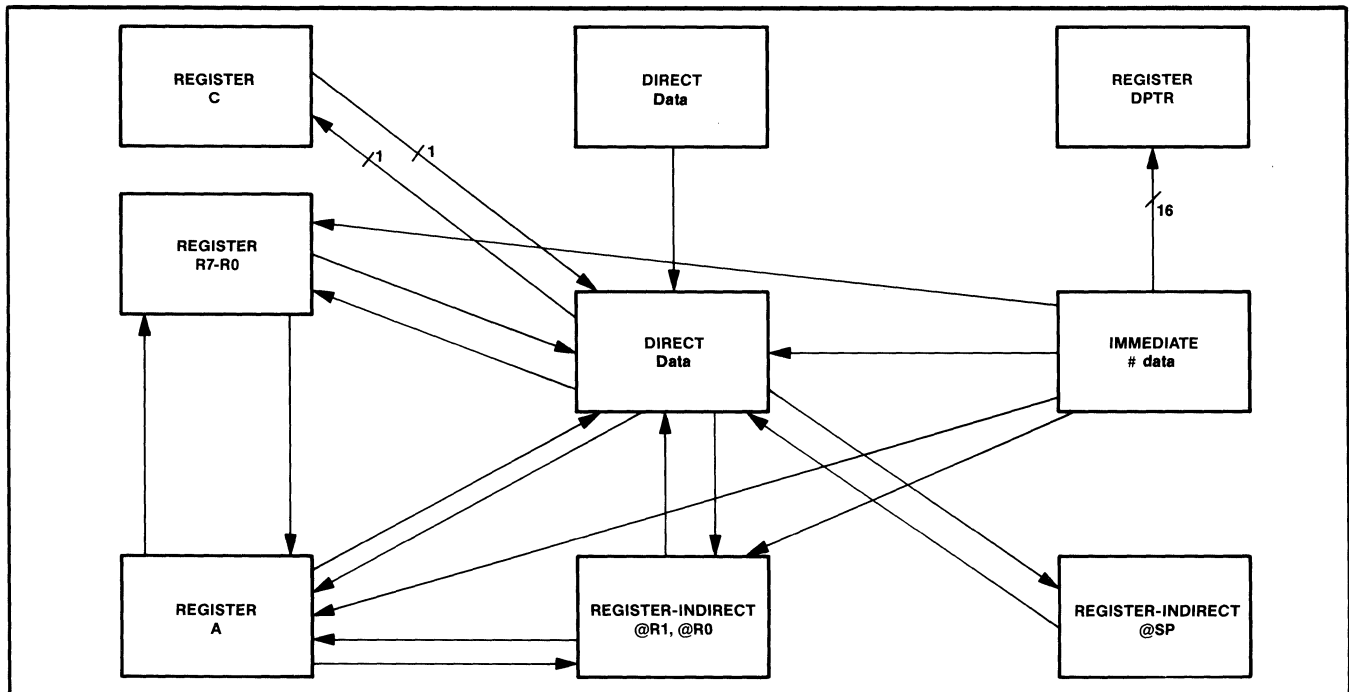


Figure 2.19. Internal Data Memory Move Operations

affecting the PSW, RB registers or accumulator. When one takes into account that registers R7-R0 and the accumulator can be Direct Addressed, the two-operand logic operations allow the destination (first operand) to be a byte in the Internal Data RAM, a Special Function Register, RB registers (R7-R0) or the accumulator while the choice of the second operand can be any of the aforementioned or an immediate value. The 8051 can also perform a logical or, or a logical and, between the Boolean accumulator (i.e. the carry flag) and any bit, or its complement, that can be accessed through Direct Addressing. The and, or, and exclusive-or logic operations are summarized in Figure 2.21.

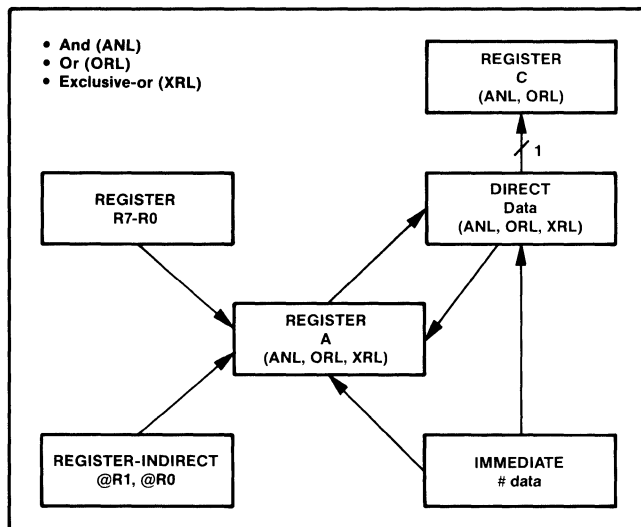


Figure 2.21. Internal Data Memory Logic Operations

In addition to the logic operations that are performed on Internal Data Memory as shown in Figure 2.21, there are also logic operations that are performed specifically on the A register. These are summarized in Figure 2.22.

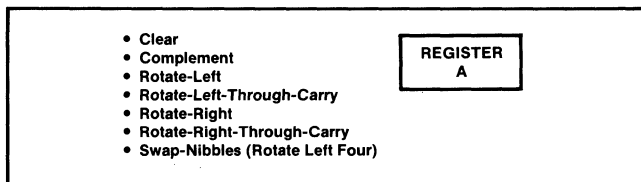


Figure 2.22. Internal Data Memory Logic Operations (Register A Specific)

In addition to the and and or bit logicals shown in Figure 2.21, there are logicals that can operate exclusively on a Direct Addressed bit. These operations are listed in Figure 2.23. The carry flag is also addressed as a register and can be set, cleared or complemented with one-byte instructions.

2.5.3 Arithmetic Operations

Along with the existing 8048 arithmetic operations of

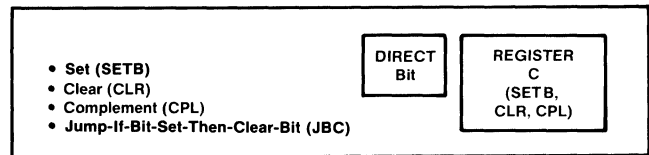


Figure 2.23. Internal Data Memory Logic Operations (Bit-Specific)

add, increment, decrement, compare-to-zero, decrement-and-compare-to-zero, and decimal-add-adjust, the 8051 implemented subtract-with-borrow, compare, multiply and divide.

Only unsigned binary integer arithmetic is performed in the Arithmetic/Logic Unit. In the two-operand operations of add, add-with-carry and subtract-with-borrow, the A register is the first operand and receives the result of the operation. The second operand can be an immediate byte, a register in the selected Register Bank, a Register-Indirect Addressed byte or a Direct Addressed byte. These instructions affect the overflow, carry, auxiliary-carry and parity flags in the Program Status Word (PSW). The carry flag facilitates nonsigned integer and multi-precision addition and subtraction and multi-precision rotation. Handling two's-complement-integer (signed) addition and subtraction can easily be accommodated with software's monitoring of the PSW's overflow flag. The auxiliary-carry flag simplifies BCD arithmetic. An operation that has an arithmetic aspect similar to a subtract is the compare-and-jump-if-not-equal operation. This operation performs a conditional branch if a register in the selected Register Bank, or an Indirect Addressed byte of Internal Data RAM, does not equal an immediate value; or if the A register does not equal a byte in the Direct Addressable Internal Data RAM, or a Special Function Register. While the destination operand is not updated and neither source operand is affected by the compare operation, the carry flag is. A summary of the two-operand add/subtract operations is shown in Figure 2.24.

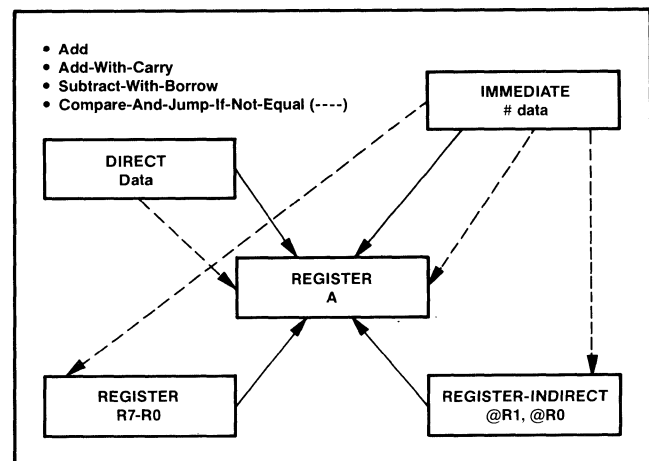


Figure 2.24. Internal Data Memory Arithmetic Operations

There are three arithmetic operations that operate exclusively on the A register. These are the decimal-adjust for BCD addition and the two test conditions shown in Figure 2.25. The decimal-adjust operation converts the result from a binary addition of two two-digit BCD values to yield the correct two-digit BCD result. During this operation the auxiliary-carry flag helps effect the proper adjustment. Conditional branches may be taken based on the value in the A register being zero or not zero.

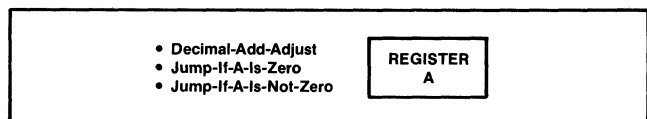


Figure 2.25. Internal Data Memory Arithmetic Operations (Register A Specific)

The 8051 simplifies the implementation of software counters since the increment and decrement operations can be performed on the A register, a register in the selected Register Bank, an Indirect Addressed byte in the Internal Data RAM or a byte in the Direct Addressed Internal Data RAM or Special Function Register. The 16-bit Data Pointer can be incremented. For efficient loop control the decrement-and-jump-if-not-zero operation is provided. This operation can test a register in the selected Register Bank, any Special Function Register or any byte of Internal Data RAM accessible through Direct Addressing and force a branch if it is not zero. The increment/decrement operations are summarized in Figure 2.26.

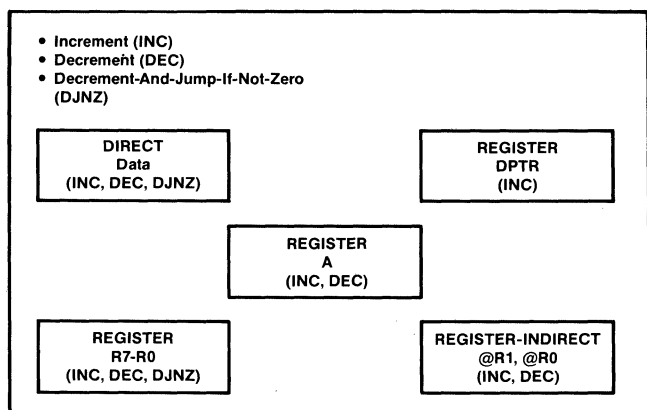


Figure 2.26. Internal Data Memory Arithmetic Operations

The multiply operation multiplies the one-byte A register by the one-byte B register and returns a double-byte result (MSB in B, LSB in A). The divide operation divides the one-byte A register by the one-byte B register and returns a byte quotient to the A register and a byte remainder to the B register. These are shown in Figure 2.27.

2.6 CONTROL TRANSFER

The 8051 has a non-paged Program Memory to accom-

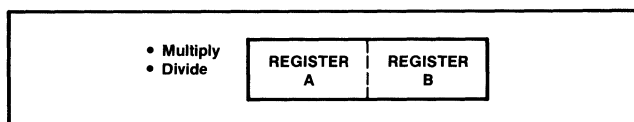


Figure 2.27. Internal Data Memory Arithmetic Operations (Register A with B Specific)

modate relocatable code. The advantage of a non-paged memory is that a minor change to a program that causes a shift of the code's position in memory will not cause page boundary readjustments to be necessary. This also makes relocation possible. Relocation is desirable since it permits several programmers to write relocatable modules in various assembly and high-level languages which can later be linked together to form the machine object code.

Sixteen-bit jumps and calls are provided to allow branching to any location in the contiguous 64K Program Memory address space and preempt the need for Program Memory bank switching. Eleven-bit jumps and calls are also provided to maintain compatibility with the 8048 and to provide an efficient jump within a 2K program module. Unlike the 8048, the 8051's call operations do not push the Program Status Word (PSW) to the stack along with the Program Counter, since many subroutines written for the 8051 do not affect the PSW. Hence the 8051 return operations pop only the Program Counter. The 8051's branch, call and return operations are shown diagrammatically in Figures 2.28, 2.29 and 2.30 respectively.

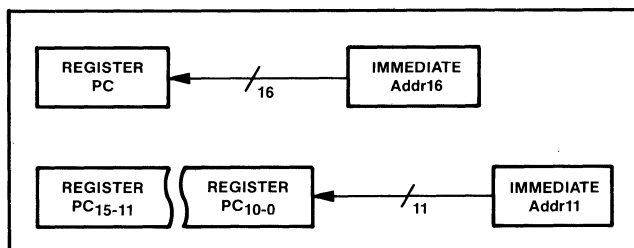


Figure 2.28. Unconditional Branch Operations

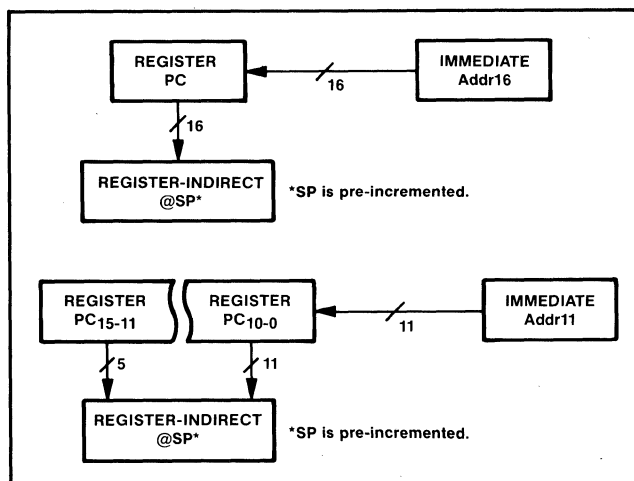


Figure 2.29. Call Operations

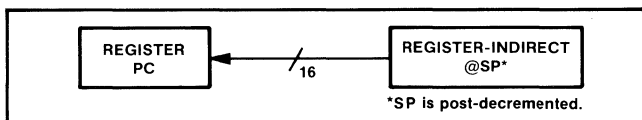


Figure 2.30. Return Operation

The 8051 also provides a method for performing conditional and unconditional branching relative to the starting address of the next instruction (PC - 128 to PC + 127). The bit test operations allow a conditional branch to be taken on the condition of a Direct Addressed bit being set or not set. The accumulator test operations allow a conditional branch based on the accumulator being zero or non-zero. Also provided are compare-and-jump-if-not-equal and decrement-and-compare-to-zero. These are shown in Figure 2.31.

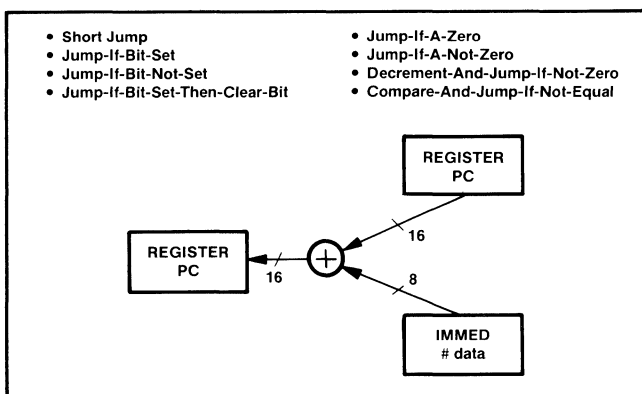


Figure 2.31. Unconditional Short Branch and Conditional Branch Operations

The register-indirect jump in the 8051 permits branching relative to a base register (DPTR) with an offset provided by the non-signed integer value in the index register (A). This accommodates N-way branching. The indirect jump is shown in Figure 2.32.

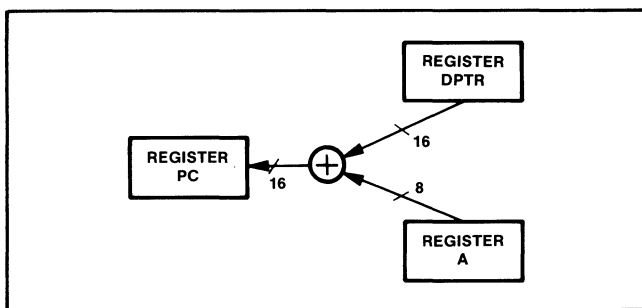


Figure 2.32. Unconditional Branch (Indirect) Operation

2.7 INSTRUCTION SET

2.7.1 What the Instruction Set Is

An instruction set is a set of codes that directs a computer to perform its operations. The ease of understanding the instruction set does not depend upon the structure of the

machine codes that the computer recognizes, so much as it depends upon the structure of the symbolic language that is used to describe the machine codes.

The 8051 assembly language needs only forty-two mnemonics to specify the 8051's thirty-three functions. A function may have several mnemonics (e.g., MOV, MOVX, MOVC) since the function mnemonic specifies when the Program Memory or External Data Memory is used in conjunction with the Internal Data Memory. When the function mnemonics are combined with unique address combinations specified in the "destination, source" field, 111 instructions are possible. The "destination, source" field specifies the data type and the combination of addressing methods to be used to address the destination and source operands. A summary of the 8051 instruction set is provided in Table 2-1.

The syntax of most 8051 assembly language instructions consists of a function mnemonic followed by a "destination, source" operand field. Thus "MOV @R0, Data" may be interpreted as "The content of the Internal Data Memory location addressed by the content of Register 0 receives the content of the Internal Data Memory location addressed by Data." In two operand instructions, the destination address also serves as the address of the first source. As an example of this, "ANL Data, #5" may be interpreted as "The content of the Internal Data Memory location addressed by Data receives the result of the operation when the content of the memory location specified by Data is and-ed with the immediate 5."

The 8051's instruction set is an enhancement of the instruction set familiar to MCS-48 users. It is enhanced to allow expansion of on-chip CPU peripherals and to optimize byte efficiency and execution speed. Efficient use of program memory results from an instruction set consisting of 49 single-byte, 45 two-byte and 17 three-byte instructions. Most arithmetic, logical and branching operations can be performed using an instruction that appends either a short address or a long address. For example, Register Addressing allows a two byte equivalent of the three byte Direct Addressing instructions. Also, short branches are more code efficient than long branches. 64 instructions execute in twelve oscillator periods, 45 instructions execute in twenty-four oscillator periods, and multiply and divide take only forty-eight oscillator periods. The number of bytes in each instruction and the number of oscillator periods required for execution are listed in Table 2-1.

2.7.2 Organization of the Instruction Set

Instructions are described here in four functional groups:

- Data Transfer
- Arithmetic
- Logic
- Control Transfer

The Data Transfer, Arithmetic and Logic groups mentioned in the preceding list are further subdivided into an array of codes that specify whether the operation is to act upon immediate, RB register, accumulator, SFR or memory locations; whether bits, nibbles, bytes or double-bytes are to be processed; and what addressing methods are to be employed.

DATA TRANSFER

Data transfer operations are divided into three classes:

- General Purpose
- Accumulator-Specific
- Address-Object

None affect the flag settings except a POP or MOV into the PSW.

General Purpose Transfers. Three general purpose data transfer operations are provided. These may be applied to most operands, though there are specific exceptions.

- MOV performs a bit or a byte transfer from the source operand to the destination operand.
- PUSH increments the SP register and then transfers a byte from the source operand to the stack element currently addressed by SP.
- POP transfers a byte operand from the stack element addressed by the SP register to the destination operand and then decrements SP.

Accumulator-Specific Transfers. Four accumulator-specific transfer operations are provided:

- XCH exchanges the byte source operand with register A (accumulator).
- XCHD exchanges the low-order nibble of the byte source operand with the low-order nibble of register A.
- MOVX performs a byte move between the External Data Memory and the A register. The external address can be specified by the DPTR register (16-bit) or the R1 or R0 register (8-bit).
- MOVC performs the move of a byte from the Program Memory to register A as follows. The operand in the A register is used as an index into a 256-byte table pointed to by the base register (DPTR or PC). The byte operand accessed is transferred to A. MOVC is used for table-look-up byte translation and for accessing operands from code-in-line tables.

Address-Object Transfer

- MOV DPTR,#data loads 16-bits of immediate data into a pair of destination registers, DPH and DPL (DPH from low-order address, DPL from high-order address).

LOGIC

The 8051 performs the basic logic operations on both bit and byte operands.

Single-Operand Operations. Seven single-operand logical operations are provided:

- CLR is used to set either the A register, the C register, or any Direct Addressed bit to zero (0).
- SETB sets either the C register or any Direct Addressed bit to one (1).
- CPL either forms the one's complement of the operand in the A register and returns the result to the A register without affecting flags or forms the one's complement of the C register or any Direct Addressed bit.
- RL, RLC, RR, RRC, SWAP. Five rotate operations can be performed on the A register; RL (rotate left), RR (rotate right), RLC (rotate left through C), RRC (rotate right through C) and SWAP (rotate left four). For RLC and RRC the C flag becomes equal to the last bit rotated out. SWAP rotates the A register left four places to exchange bits 3 through 0 with bits 7 through 4.

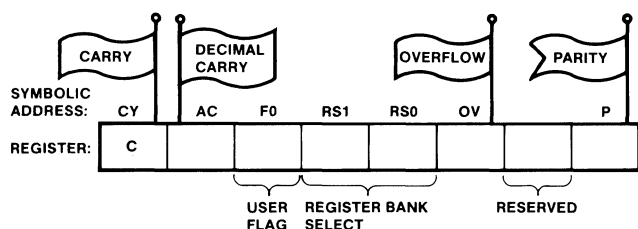
Two-Operand Operations. Three two-operand logical operations are provided:

- ANL performs the bitwise logical conjunction of two source operands (for both bit and byte operands) and returns the result to the location of the first operand.
- ORL performs the bitwise logical inclusive disjunction of two source operands (for both bit and byte operands) and returns the result to the location of the first operand.
- XRL performs the bitwise logical exclusive disjunction of the two source operands (byte operands) and returns the result to the location of the first operand.

ARITHMETIC

The 8051 provides the four basic mathematical operations. Only 8-bit operations using unsigned arithmetic are supported directly. The overflow flag permits the addition and subtraction operations to serve for both unsigned and signed binary integers. A correction operation is also provided to allow arithmetic to be performed directly on packed decimal (BCD) representations.

Flag Register Settings. Three one-bit flag registers are set or cleared by arithmetic operations to reflect certain properties of the result of the operation. These flags are not affected by the increment and decrement instructions. A fourth flag (P) denotes the parity of the eight accumulator bits. These flag registers are located in the Program Status Word (PSW) register. Their bit assignment are shown below. A list of the instructions that affect these flags is provided in the "8051 Instruction Set Summary" in Table 2-1.



- PSW.7: CY: Carry Flag (also the C register)
 PSW.6: AC: Auxiliary-Carry Flag
 PSW.2: OV: Overflow Flag
 PSW.0: P: Parity Flag
 PSW.5: F0: User Flag 0
 PSW.1: ---: reserved
 PSW.4: RS1: Register Select MSb
 PSW.3: RS0: Register Select LSb

Unless otherwise stated, the instructions obey these rules:

- CY is set if the operation results in a carry out of (during addition) or a borrow into (during subtraction) the high-order bit of the result; otherwise CY is cleared.
- AC is set if the operation results in a carry out of the low-order four bits of the result (during addition) or a borrow from the high-order bits into the low-order 4 bits (during subtraction); otherwise AC is cleared.
- OV is set if the operation results in a carry into the high-order bit of the result but not a carry out of the high-order bit, or vice versa; otherwise OV is cleared. OV is of use in two's-complement arithmetic, since it becomes set when the signed result cannot be represented in 8 bits.
- P is set if the module 2 sum of the eight bits in the accumulator is 1 (odd parity); otherwise P is cleared (even parity). When a value is written to the PSW register, the P bit remains unchanged, as it always reflects the parity of A.

Addition. Four addition operations are provided:

- INC (increment) performs an addition of the source operand and one (1) and returns the result to the operand.
- ADD performs an addition between the A register and the second source operand and returns the result to the A register.
- ADDC (add with carry) performs an addition between the A register and the second source operand; adds one (1) if the C flag is found previously set and returns the result to register A.
- DA (decimal-add-adjust for BCD addition) performs a correction to the sum which resulted from the binary addition of two two-digit decimal operands. The packed decimal sum formed by DA is returned to A. The carry flag is set if the BCD result is greater than 99; else it is cleared.

Subtraction. Two subtraction operations are provided:

- SUBB (subtract with borrow) performs a subtraction of the second source operand from the first

operand (the accumulator), subtracts one (1) if the C flag is found previously set and returns the result to the A register.

- DEC (decrement) performs a subtraction of one (1) from the source operand and returns the results to the operand.

Multiplication.

- MUL performs an unsigned multiplication of the A register by the B register, returning a double-byte result. Register A receives the low-order byte, B receives the high-order byte. OV is cleared if the top half of the result is zero and is set if it is non-zero. C is cleared. AC remains unaltered.

Division.

- DIV performs an unsigned division of the A register by the B register and returns the integer quotient to register A and returns the fractional remainder to the B register. Division by zero leaves indeterminate data in registers A and B and sets OV, otherwise OV is cleared. C is cleared. AC remains unaltered.

CONTROL TRANSFER

There are three classes of control transfer operations: unconditional calls, returns and jumps; conditional jumps; and interrupts. All control transfer operations cause, some upon a specific condition, the program execution to continue at a non-sequential location in program memory.

Unconditional Calls, Returns and Jumps. Unconditional calls, returns and jumps transfer control from the current value of the Program Counter to the target address. Both direct and indirect transfers are supported. The three transfer operations are described below.

- ACALL and LCALL push the address of the next instruction onto the stack (PCL to low-order address, PCH to high-order address) and then transfer control to the target address. Absolute Call is a 2-byte instruction used when the target address is in the current 2K page. Long Call is a 3-byte instruction that addresses the full 64K program space. In ACALL, immediate data (i.e. an 11 bit address field) is concatenated to the five most significant bits of the PC (which is pointing to the next instruction). If ACALL is in the last 2 bytes of a 2K page then the call will be made to the next page since the PC will have been incremented to the next instruction prior to execution.
- RET transfers control to the return address saved on the stack by a previous call operation and decrements the SP register by two (2) to adjust the SP for the popped address.
- AJMP, LJMP and SJMP transfer control to the target operand. The operation of AJMP and LJMP are analogous to ACALL and LCALL.

The SJMP (short jump) instruction provides for transfers within a 256 byte range centered about the starting address of the next instruction (-128 to +127). The PC-relative short jump facilitates relocatable code.

- JMP @ A+DPTR performs a jump relative to the DPTR register. The operand in the A register is used as the offset (0-255) to the address in the DPTR register. Thus, the effective destination for a jump can be anywhere in the Program Memory space. This indirect jump is also useful for implementing N-way branches.

Conditional Jumps. In the control transfer group, the conditional jumps perform a jump contingent upon a specific condition. The destination will be within a 256-byte range centered about the starting address of the next instruction (-128 to +127).

- JZ performs a jump if the accumulator is zero.
- JNZ performs a jump if the accumulator is not zero.
- JC performs a jump if the carry flag is set.
- JNC performs a jump if the carry flag is not set.
- JB performs a jump if the Direct Addressed bit is set.
- JNB performs a jump if the Direct Addressed bit is not set.
- JBC performs a jump if the Direct Addressed bit is set and then clears the Direct Addressed bit.
- CJNE compares the first operand to the second operand and performs a jump if they are not equal. C is set if the first operand is less than the second operand; else it is cleared. Comparisons can be made between the A register and Direct Addressable bytes in the Internal Data Memory or between an immediate value and either the A register, an RB register in the selected Register Bank, or a Register-Indirect addressed byte of the Internal Data RAM.
- DJNZ decrements the source operand and returns the result to the operand. A jump is performed if the result is not zero. The DJNZ instruction makes a RAM location efficient for use as a program loop counter by allowing the programmer to decrement and test the counter in a single instruction. The source operand of the DJNZ instruction may be any byte in the Internal Data Memory. Either Direct or Register Addressing may be used to address the source operand.

Interrupts. Program execution control may be transferred by means of internal and external interrupts. All interrupts perform a transfer by pushing the Program Counter onto the stack and then branching to programs located at absolute locations 3, 11, 19, 27, and 35 in the Program Memory. The programmer must push all registers that will be altered by his interrupt service program onto the

stack to avoid corruption. Only one interrupt transfer operation is necessary:

- RETI transfers control in a manner identical to RET. In addition, RETI reenables interrupts for the current priority level.

See section 2.8 for further details on the operation and control of the interrupt system.

2.7.3 Operand Addressing Modes & Associated Operations

In section 2.4 the instruction set was explained from the point of view of which operands could be used with each operation. This section lists the operations that can be used with each addressing method.

As an introduction, Figure 2.33.A tabulates the total addressing mode combinations for one-, two-, three-, and four-operand operations. The various combinations give the 8051 programmer great flexibility in writing code.

The following pages provide a handy reference for determining which function mnemonic can be combined with the various operand addressing methods. The format permits a quick reference to how the 8051's memory spaces may be manipulated.

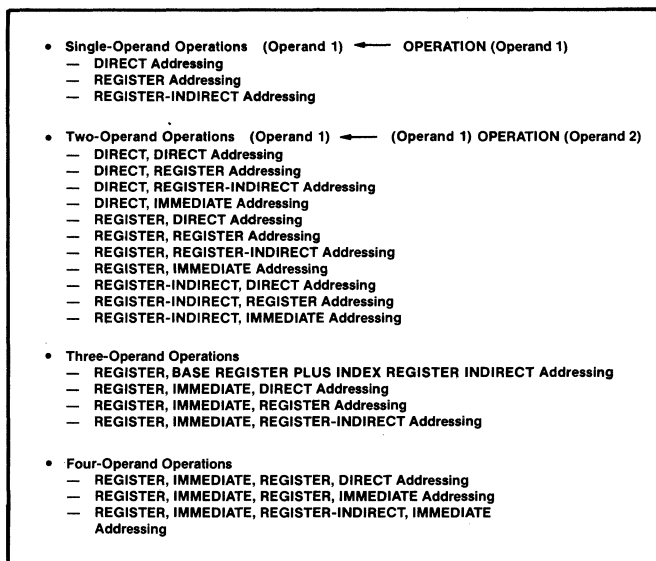


Figure 2.33.A. 8051 Operand Addressing Modes

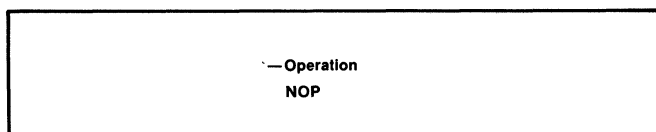


Figure 2.33.B. Operand Addressing-
No-Operand Operations

<ul style="list-style-type: none"> • DIRECT Addressing <ul style="list-style-type: none"> — Operand 1: RAM (bits 0-127) or SFR (bits 128-255) — Operand 2: RAM (0-127) or SFR (128-255) • REGISTER Addressing <ul style="list-style-type: none"> — Operand 1: C — Operand 2: A • REGISTER-INDIRECT Addressing <ul style="list-style-type: none"> — Operand 1: @R1, @R0 [i.e., RAM (0-255)] 	<ul style="list-style-type: none"> — Operation: SETB, CLR, CPL — Operation: INC, DEC — Operation: SETB, CLR, CPL, INC, DEC, DA, CLR, CPL, RL, RLC, RR, RRC, SWAP — Operation: INC, DEC — Operation: INC, DEC
--	---

Note: SFR = Special Function Register

Figure 2.33.C. Operand Addressing Single-Operand Operations

<ul style="list-style-type: none"> • REGISTER-INDIRECT, DIRECT Addressing <ul style="list-style-type: none"> — Operand 1: @R1, @R0 [RAM (0-255)] — Operand 2: @SP [RAM (0-255)] • REGISTER-INDIRECT, REGISTER Addressing <ul style="list-style-type: none"> — Operand 1: @R1, @R0 [RAM (0-255)] — Operand 2: @R1, @R0 [EXT DATA (0-255)] — Operand 3: @DPTR [EXT DATA (0-64K)] • REGISTER-INDIRECT, IMMEDIATE Addressing <ul style="list-style-type: none"> — Operand 1: @R1, @R0 [RAM (0-255)] 	<ul style="list-style-type: none"> — Operand 2: RAM or SFR — Operand 2: RAM or SFR — Operand 2: A — Operand 2: A — Operand 2: PM (Immediate) 	<ul style="list-style-type: none"> — Operation: MOV, PUSH, POP — Operation: MOV, MOVX, MOVX — Operation: MOV
--	---	---

Figure 2.33.F. Operand Addressing Two-Operand Operations

<ul style="list-style-type: none"> • DIRECT, DIRECT Addressing <ul style="list-style-type: none"> — Operand 1: RAM or SFR — Operand 2: RAM or SFR • DIRECT, REGISTER Addressing <ul style="list-style-type: none"> — Operand 1: RAM (bits) or SFR (bits) Complement RAM (bits) or SFR (bits) — Operand 2: C — Operand 3: C • DIRECT, REGISTER-INDIRECT Addressing <ul style="list-style-type: none"> — Operand 1: RAM or SFR — Operand 2: @R1, @R0 • DIRECT, IMMEDIATE Addressing <ul style="list-style-type: none"> — Operand 1: RAM or SFR — Operand 2: PM (Immediate) 	<ul style="list-style-type: none"> — Operation: MOV — Operation: MOV, ANL, ORL — Operation: MOV, ANL, ORL, XRL — Operation: MOV
---	---

Note: PM = Program Memory

Figure 2.33.D. Operand Addressing Two-Operand Operations

<ul style="list-style-type: none"> • REGISTER, BASE-REGISTER-plus-INDEX-REGISTER-INDIRECT Addressing <ul style="list-style-type: none"> — Operand 1: A — Operand 2: @ DPTR+A — Operand 3: @ PC+A — Operand 4: @ DPTR+A • REGISTER, IMMEDIATE, REGISTER-INDIRECT Addressing <ul style="list-style-type: none"> — Operand 1: PC — Operand 2: PM (Immediate) — Operand 3: @SP • REGISTER, IMMEDIATE, DIRECT Addressing <ul style="list-style-type: none"> — Operand 1: PC — Operand 2: PM — Operand 3: RAM (bits) or SFR (bits) • REGISTER, IMMEDIATE, REGISTER Addressing <ul style="list-style-type: none"> — Operand 1: PC — Operand 2: PM — Operand 3: C — Operand 4: A — Operand 5: R7-R0 	<ul style="list-style-type: none"> — Operation: MOV, MOVX, MOVX — Operation: JMP (Indirect) — Operation: LCALL, ACALL — Operation: JB, JNB, JBC, DJNZ — Operation: JC, JNC, JZ, JNZ, DJNZ
--	--

Figure 2.33.G. Operand Addressing Three-Operand Operations

<ul style="list-style-type: none"> • REGISTER, DIRECT Addressing <ul style="list-style-type: none"> — Operand 1: C — Operand 2: A • REGISTER, REGISTER Addressing <ul style="list-style-type: none"> — Operand 1: R7-R0 — Operand 2: RAM or SFR • REGISTER, REGISTER-INDIRECT Addressing <ul style="list-style-type: none"> — Operand 1: A — Operand 2: @R1, @R0 [RAM (0-255)] • REGISTER, IMMEDIATE Addressing <ul style="list-style-type: none"> — Operand 1: A — Operand 2: PM (Immediate) 	<ul style="list-style-type: none"> — Operation: MOV, XCH, ADD, ADDC, SUBB, ANL, ORL, XRL, MOV — Operation: MOV, XCH, ADD, ADDC, SUBB, ANL, ORL, XRL, MOV — Operation: MOV, XCH, ADD, ADDC, SUBB, ANL, ORL, XRL, MOV — Operation: MOV, XCH, ADD, ADDC, SUBB, ANL, ORL, XRL, MOV
---	--

Note: PM = Program Memory

Figure 2.33.E. Operand Addressing Two-Operand Operations

<ul style="list-style-type: none"> • REGISTER, IMMEDIATE, REGISTER, DIRECT Addressing <ul style="list-style-type: none"> — Operand 1: PC — Operand 2: PM — Operand 3: A — Operand 4: RAM or SFR • REGISTER, IMMEDIATE, REGISTER, IMMEDIATE Addressing <ul style="list-style-type: none"> — Operand 1: PC — Operand 2: PM — Operand 3: A — Operand 4: PM • REGISTER, IMMEDIATE, REGISTER-INDIRECT, IMMEDIATE Addressing <ul style="list-style-type: none"> — Operand 1: PC — Operand 2: PM — Operand 3: @R1, @R0 — Operand 4: PM 	<ul style="list-style-type: none"> — Operation: CJNE — Operation: CJNE — Operation: CJNE
--	---

Figure 2.33.H. Operand Addressing Four-Operand Operations

2.8 INTERRUPT SYSTEM

Interrupts result in a transfer of control to a new program location. The program servicing the request begins at this address. In the 8051 there are five hardware resources that can generate an interrupt request. The starting address of the interrupt service program for each interrupt source is shown in Figure 2.34.

A resource requests an interrupt by setting its associated interrupt request flag in the TCON or SCON register, as detailed in Figure 2.35. The interrupt request will be

Interrupt Source	Starting Address
External Request 0	3 (0003 H)
Internal Timer/Counter 0	11 (000B H)
External Request 1	19 (0013 H)
Internal Timer/Counter 1	27 (001B H)
Internal Serial Port	35 (0023 H)

Figure 2.34. Program Memory Location of Interrupt Service Programs

acknowledged if its interrupt enable bit in the Interrupt Enable register (shown in Figure 2.36) is set and if it is the highest priority resource requesting an interrupt. A resource's interrupt priority level is established as high or low by the polarity of a bit in the Interrupt Priority register. These bit assignments are shown in Figure 2.37. Setting the resource's associated bit to a one (1) programs it to the higher level. The priority of multiple interrupt requests occurring simultaneously and assigned to the same priority level is also shown in Figure 2.37.

The servicing of a resource's interrupt request occurs at the end of the instruction-in-progress. The processor transfers control to the starting address of this resource's interrupt service program and begins execution.

Interrupt Source	Request Flag	Bit Location
External Request 0	IE0	TCON.1
Internal Timer/Counter 0	TF0	TCON.5
External Request 1	IE1	TCON.3
Internal Timer/Counter 1	TF1	TCON.7
Internal Serial Port (xmit)	TI	SCON.1
Internal Serial Port (rcvr)	RI	SCON.0

Figure 2.35. Interrupt Request Flags

Interrupt Source	Enable Flag	Bit Location
External Request 0	EX0	IE.0
Internal Timer/Counter 0	ET0	IE.1
External Request 1	EX1	IE.2
Internal Timer/Counter 1	ET1	IE.3
Internal Serial Port	ES	IE.4
Reserved	None	IE.5
Reserved	None	IE.6
All Enabled	EA	IE.7

Figure 2.36. Interrupt Enable Flags

Within the Interrupt Enable register (IE) there are six addressable flags. Five flags enable/disable the five interrupt sources when set/cleared. Setting/clearing the sixth flag permits a global enable/disable of each enabled interrupt request.

Setting/clearing a bit in the Interrupt Priority register (IP) establishes its associated interrupt request as a high/low priority. If a low-priority level interrupt is being serviced, a high-priority level interrupt will interrupt it. However, an interrupt source cannot interrupt a service program of the same or higher level.

Interrupt Source	Priority Flag	Priority Within Level	Bit Location
External Request 0	PX0	.0 (highest)	IP.0
Internal Timer/Counter 0	PT0	.1	IP.1
External Request 1	PX1	.2	IP.2
Internal Timer/Counter 1	PT1	.3	IP.3
Internal Serial Port	PS	.4 (lowest)	IP.4
Reserved	None		IP.5
Reserved	None		IP.6
Reserved	None		IP.7

Figure 2.37. Interrupt Priority Flags

The processor records the active priority level(s) by setting internal flip-flop(s). One of these non-addressable flip-flops is set while a low-level interrupt is being serviced. The other flip-flop is set while the high-level interrupt is being serviced. The appropriate flip-flop is set when the processor transfers control to the service program. The flip-flop corresponding to the interrupt level being serviced is reset when the processor executes an RETI Instruction.

To summarize, the sequence of events for an interrupt is: A resource provokes an interrupt by setting its associated interrupt request bit to let the processor know an interrupt condition has occurred. The CPU's internal hardware latches the interrupt request near the falling-edge of ALE in the tenth, twenty-second, thirty-fourth and forty-sixth oscillator period of the instruction-in-progress. The interrupt request is conditioned by bits in the interrupt enable and interrupt priority registers. The processor acknowledges the interrupt by setting one of the two internal "priority-level active" flip-flops and performing a hardware subroutine call. This call pushes the PC (but not the PSW) onto the stack and, for most sources, clears the interrupt request flag. The service program is then executed. Control is returned to the main program when the RETI instruction is executed. The RETI instruction also clears one of the internal "priority-level active" flip-flops.

Most interrupt request flags (IE0, IE1, TF0 and TF1) are cleared when the processor transfers control to the first instruction of the interrupt service program. The TI and RI interrupt request flags are the exceptions and must be cleared as part of the serial port's interrupt service program.

The process whereby a high-level interrupt request interrupts a low-level interrupt service program is called nesting. In this case the address of the next instruction in the low-priority service program is pushed onto the stack, the stack pointer is incremented by two (2) and processor control is transferred to the Program Memory location of the first instruction of the high-level service program. The last instruction of the high-priority interrupt service program must be an RETI instruction. This instruction clears the higher “priority-level-active” flip-flop. RETI also returns processor control to the next instruction of the low-level interrupt service program. Since the lower “priority-level-active” flip-flop has remained set, high priority interrupts are re-enabled while further low priority interrupts remain disabled.

The highest-priority interrupt request gets serviced at the end of the instruction-in-progress unless the request is made in the last fourteen oscillator periods of the instruction-in-progress. Under this circumstance, the next instruction will also execute before the interrupt’s subroutine call is made. The first instruction of the service program will begin execution twenty-four oscillator periods (the time required for the hardware subroutine call) after the completion of the instruction-in-progress or, under the circumstances mentioned earlier, twenty-four oscillator periods after the next instruction.

Thus, the greatest delay in response to an interrupt request is 86 oscillator periods (approximately 7 μ sec @ 12 MHz). Examples of the best and worst case conditions are illustrated in Figure 2.38.

Instruction	Time (Oscillator Periods)	
	Best Case	Worst Case
1) External interrupt request generated immediately before (best)/after (worst) the pin is sampled. (Time until end of bus cycle.)	2 + ϵ	2 - ϵ
2) Current or next instruction finishes in 12 oscillator periods	12	12
3) Next instruction is MUL or DIV	don't care	48
4) Internal latency for hardware subroutine call	24	24
	38	86

Figure 2.38. Best and Worst Case Response to Interrupt Request

2.8.1 External Interrupts

The external interrupt request inputs ($\overline{INT0}$ and $\overline{INT1}$)

can be programmed for either transition-activated or level-activated operation. Control of the external interrupts is provided by the four low-order bits of TCON.

Function	Flag	Bit Location
External Interrupt Request Flag 1 Input $\overline{INT1}$ Transition-Activated	IE1	TCON.3
External Interrupt Request Flag 0 Input $\overline{INT0}$ Transition Activated	IE0	TCON.1
	IT0	TCON.0

**Figure 2.39. Function of Bits in TCON
(Lower Nibble)**

When $IT0$ and $IT1$ are set to one (1), interrupt requests on $\overline{INT0}$ and $\overline{INT1}$ are transition-activated (high-to-low); else they are low-level activated. $IE0$ and $IE1$ are the interrupt request flags. These flags are set when their corresponding interrupt request inputs at $\overline{INT0}$ and $\overline{INT1}$, respectively, are low when sampled by the 8051 and the transition-activated scheme is selected by $IT0$ and $IT1$. When $IT0$ and $IT1$ are programmed for level-activated interrupts, the $IE0$ and $IE1$ flags are not affected by the inputs at $\overline{INT0}$ and $\overline{INT1}$ respectively.

2.8.1.1 TRANSITION-ACTIVATED INTERRUPTS

The external interrupt request inputs ($\overline{INT0}$ and $\overline{INT1}$) can be programmed for high-to-low transition-activated operation. For transition-activated operation, the input must remain low for greater than twelve oscillator periods, but need not be synchronous with the oscillator. It is internally latched by the 8051 near the falling-edge of ALE during an instruction’s tenth, twenty-second, thirty-fourth and forty-sixth oscillator periods and, if the input is low, $IE0$ or $IE1$ is set. The upward transition of a transition-activated input may occur at any time after the twelve oscillator period latching time, but the input must remain high for twelve oscillator periods before reactivation.

2.8.1.2 LEVEL-ACTIVATED INTERRUPTS

The external interrupt request inputs ($\overline{INT0}$ and $\overline{INT1}$) can be programmed for level-activated operation. The input is sampled by the 8051 near the falling-edge of ALE during the instruction’s tenth, twenty-second, thirty-fourth and forty-sixth oscillator periods. If the input is low during the sampling that occurs fourteen oscillator periods before the end of the instruction in progress, an interrupt subroutine call is made. The level-activated input need be low only during the sampling that occurs fourteen oscillator periods before the end of the instruction-in-progress and may remain low during the entire execution of the service program. However, the input must be raised before the service program completes to avoid possibly invoking a second interrupt.

2.9 PORTS AND I/O PINS

There are 32 I/O pins configured as four 8-bit ports. Each pin can be individually and independently programmed

as an input or an output and each can be reconfigured dynamically (i.e., on-the-fly) under software control.

An instruction that uses a port's bit/byte as a source operand reads a value that is the logical and of the last value written to the bit/byte and the polarity being applied to the pin/pins by an external device (this assumes that none of the 8051's electrical specs are being violated). An instruction that reads a bit/byte, operates on the content, and writes the result back to the bit/byte, reads the last value written to the bit/byte instead of the logic level at the pin/pins. Pins comprising a single port can be made a mixed collection of inputs and outputs by writing a "one" to each pin that is to be an input. Each time an instruction uses a port as the destination, the operation must write "ones" to those bits that correspond to the input pins. An input to a port pin need not be synchronized to the oscillator. Each port pin is sampled near the falling-edge of ALE during the read instruction's tenth or twenty-second oscillator period. If an input is in transition when it is sampled near the falling-edge of ALE it will be read as an indeterminate value.

The instructions that perform a read of, operation on, and write to a port's bit/byte are INC, DEC, CPL, JBC, CJNE, DJNZ, ANL, ORL, and XRL. The source read by these operations is the last value that was written to the port, without regard to the levels being applied at the pins. This insures that bits written to a one (1) for use as inputs are not inadvertently cleared. See Figure 2.40.

When used as a port, Port 0 has an open-drain output. When used as a bus, it has a standard three-state driver. The Port 0 output driver can sink/source two TTL loads.

Ports 1, 2 and 3 have quasi-bidirectional output drivers which incorporate a pullup resistor of 20K- to 40K-Ohms as shown in Figure 2.40.B. In Ports 1, 2 and 3 the output

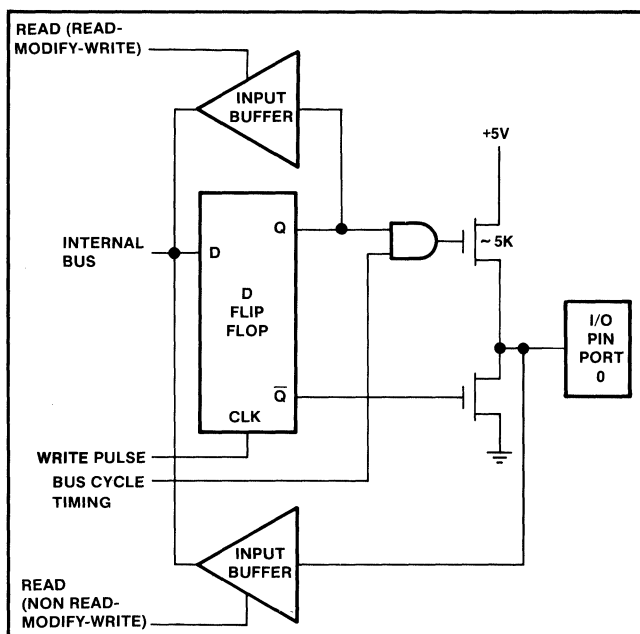


Figure 2.40.A. "Bidirectional" Port Structure

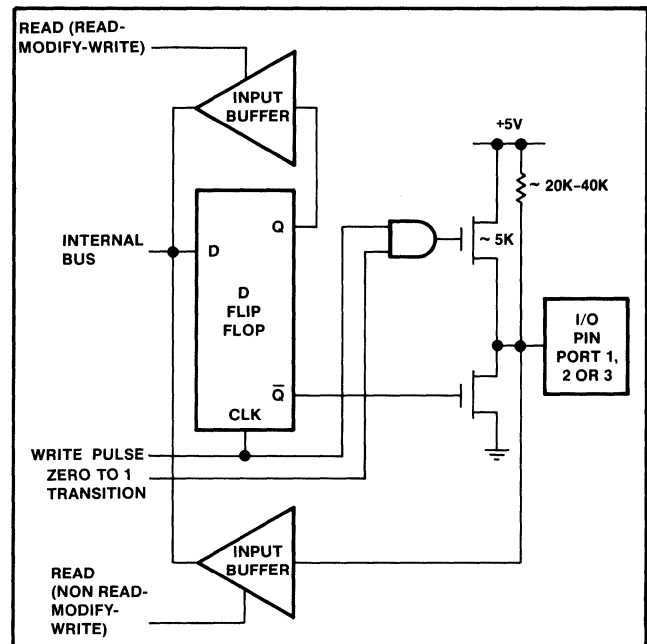


Figure 2.40.B. "Quasi-Bidirectional" Port Structure

driver provides source current for two oscillator periods if, and only if, software updates the bit in the output latch from a zero (0) to a one (1). Sourcing current only on a "zero to one" transition prevents a pin, programmed as an input, from sourcing current into the external device that is driving the input pin. The output drivers in Ports 1, 2 and 3 can sink/source one TTL load.

Secondary functions (\overline{RD} , \overline{WR} , etc.) can be selected individually and independently for the pins of Port 3. Port 3 generates these secondary control signals automatically as long as the pin corresponding to the appropriate signal is programmed as an input.

2.10 ACCESSING EXTERNAL MEMORY

When accessing external memory the 8051 emits the upper address byte from Port 2 and the lower address byte, as well as the data, from Port 0. It uses ALE, \overline{PSEN} and two pins from Port 3 (\overline{RD} and \overline{WR}) for memory control. ALE is used for latching the address into the external memory. The \overline{PSEN} signal enables the external Program Memory to Port 0, the \overline{RD} signal enables External Data Memory to Port 0 and the \overline{WR} signal latches the data byte emitted by Port 0 into the External Data Memory. Externally the \overline{PSEN} and \overline{RD} signals can be combined logically if a contiguous external program and data memory space (similar to a "von Neuman" machine) is desired. The P3.7 (\overline{RD}) and P3.6 (\overline{WR}) output latches must be programmed to a one (1) if External Data Memory is to be accessed. When P3.7 and P3.6 are programmed as \overline{RD} and \overline{WR} respectively, the remaining pins of Port 3 may be individually programmed as desired.

The 8051 can address 64K bytes of external Program Memory when the \overline{EA} pin is tied low. When \overline{EA} is high,

the 8051 fetches instructions from internal Program Memory when the address is between 0 and 4095 and from external Program Memory when the addressed memory location is between 4096 and 64K. In either case, Ports 2 and 0 are automatically configured as an external bus based on the value of the PC. Instruction execution times are the same for code fetched from internal or external Program Memory.

Up to 64K of External Data Memory can be accessed using the MOVX instructions. These instructions automatically configure Port 0, and often Port 2, as an external bus. The MOVX instructions use the DPTR, R1 or R0 register as a pointer into the External Data Memory. The 16-bit DPTR register is used when successive accesses cover a wide range of the 64K space. The 8-bit R1 and R0 registers provide greatest byte efficiency when successive accesses are constrained to a 256-byte block of the External Data Memory space. When using R1 and R0 a subsequent block can be accessed by updating the output latch of Port 2. Port 2 is not affected by execution of a MOVX that uses R1 or R0 such that, if 32K or less of external memory is present, only part of Port 2 needs to be used for selecting the desired block; the remaining pins can be used for I/O. When a MOVX using DPTR is executed, the value in Port 2's output latch is altered only during the external access and then is returned to its prior value. This permits efficient external block moves by interleaving MOVX instructions that use DPTR and R1 or R0.

The ALE signal is generated every sixth oscillator period during reads from either internal or external Program Memory. The PSEN signal is generated every sixth oscillator period when reading from the external Program Memory. When a read or write from External Data Memory is being performed, a single ALE and a RD or a WR signal is generated during a twelve oscillator period interval. The 8051 always fetches an even number of bytes from its Program Memory. If an odd number of bytes are executed prior to a branch or to an External Data Memory access, the non-executed byte is ignored by the 8051. If an instruction requires more oscillator periods for its execution than for its fetch, the first byte of the next instruction is fetched repeatedly while the first instruction completes execution. If the CPU does not address External Data Memory then ALE is generated every sixth oscillator period and can be used as an external clock. When External Data Memory is present, external logic may be used to combine the occurrence of RD, WR, and ALE to generate an external clock with a period equal to six oscillator periods.

2.10.1 Accessing External Memory—Operation of Ports

The Port 0 bus is time multiplexed to permit transfer of both addresses and data. This bus is used directly by memory and peripheral devices that incorporate on-chip

address latching (MCS-85 memories with peripherals), or it can be demultiplexed with an address latch to generate a non-multiplexed bus (MCS-80 peripherals and memory). During an external access the low-order byte of the address and the data (for a write) is emitted by the Port 0 output drivers. Ones (1's) are automatically written to Port 0 at the very end of the bus cycle. Since the Port 0 output latches will contain ones (1's) at the end of the bus cycle, Port 0 will be in its high impedance state when a bus cycle is not in progress. Port 2 emits the upper 8-bits of the address when a MOVX instruction using DPTR is executed. Port 2's output drivers provide source current for two oscillator periods when emitting the address. Port 2's internal pullup resistors sustain the high level.

2.10.2 Accessing External Memory—Bus Cycle Timing

Program Memory Read Sequence (Figure 2.11)

Each Program Memory bus cycle consists of six oscillator periods. These are referred to as T1, T2, T3, T4, T5 and T6 on Figure 2.41. The address is emitted from the processor during T3. Data transfer occurs on the bus during T5, T6 and the following bus cycle's T1. When fetching from external Program Memory, the 8051 will always fetch an even number of bytes. If an odd number of bytes are executed prior to a branch or an External Data Memory access the non-executed byte will be ignored by the 8051. An even number of idle bus cycles (each 6 oscillator periods in duration) can occur between external bus cycles when the processor is fetching from internal Program Memory. The read cycle begins during T2, with the assertion of address latch enable signal ALE (1). The falling edge of ALE (2) is used to latch the address information, which is present on the bus at this time (3), into the 8282 latch if a non-multiplexed bus is required. At T5, the address is removed from the Port 0 bus and the processor's bus drivers go to the high-impedance state (4). The program memory read control signal (PSEN) (5) is also asserted during T5. PSEN causes the addressed device to enable its bus drivers to the now-released bus. At some later time, valid instruction data will become available on the bus (6). When the 8051 subsequently returns PSEN to the high level (7), the addressed device will then float its bus drivers, relinquishing the bus again (8).

For the MOVC instruction the op-code is fetched in the first six-oscillator period, the first byte of the next instruction is fetched during the second six-oscillator period, the table entry is fetched in a third six-oscillator period and the first byte of the next instruction is again fetched in the fourth six-oscillator period.

Data Memory Read Sequence (Figure 2.42)

Each External Data Memory bus cycle consists of twelve oscillator periods. These are shown as T1 through T12 on

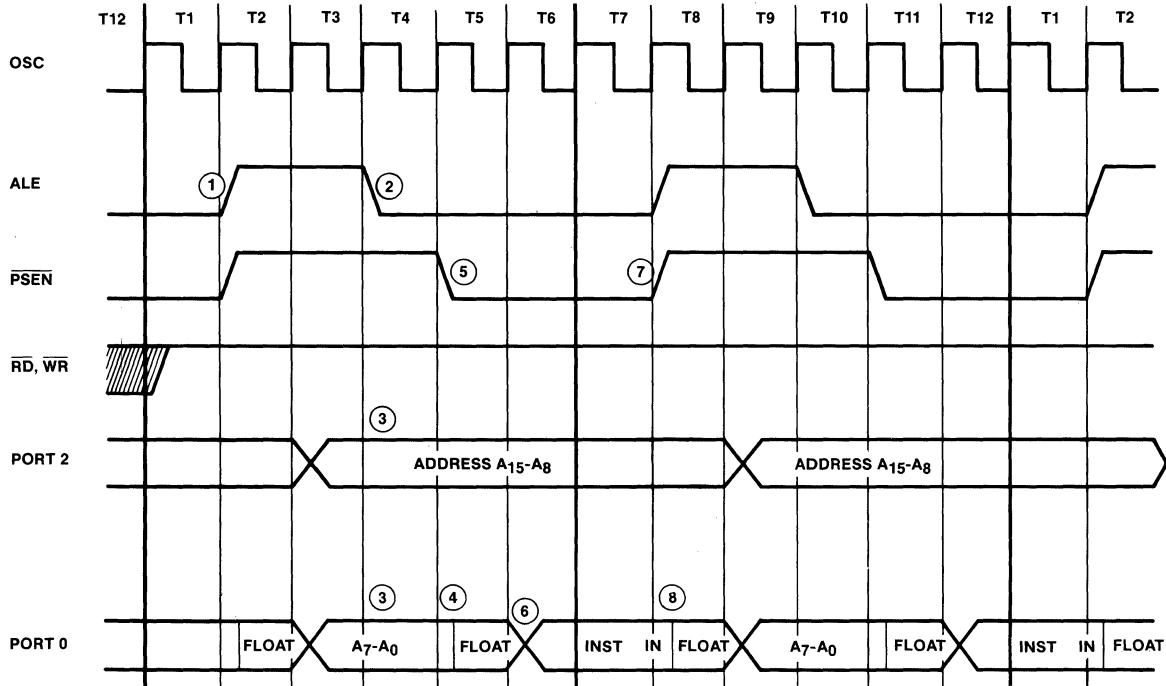


Figure 2.41. Program Memory Read Cycle Timing

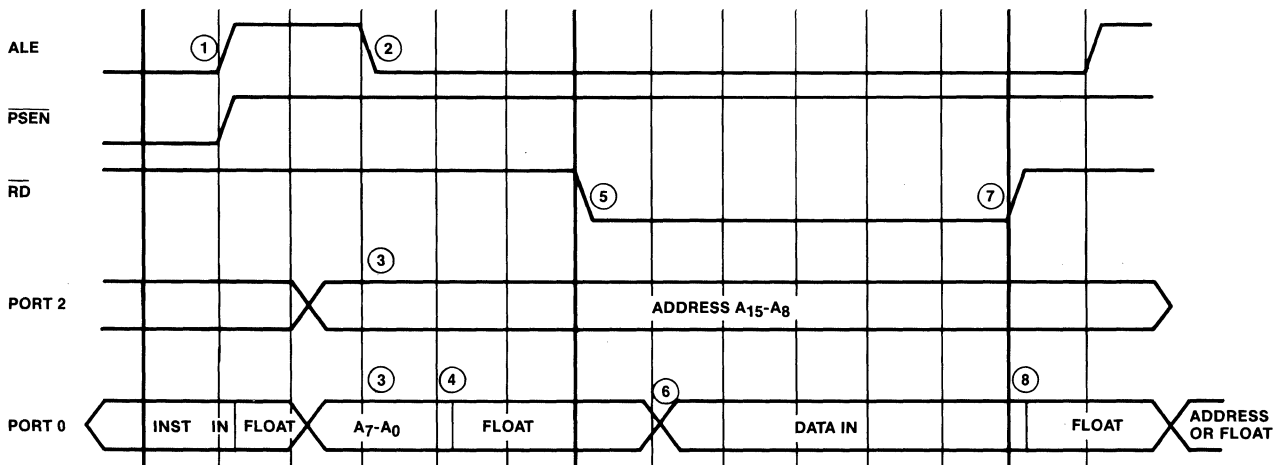
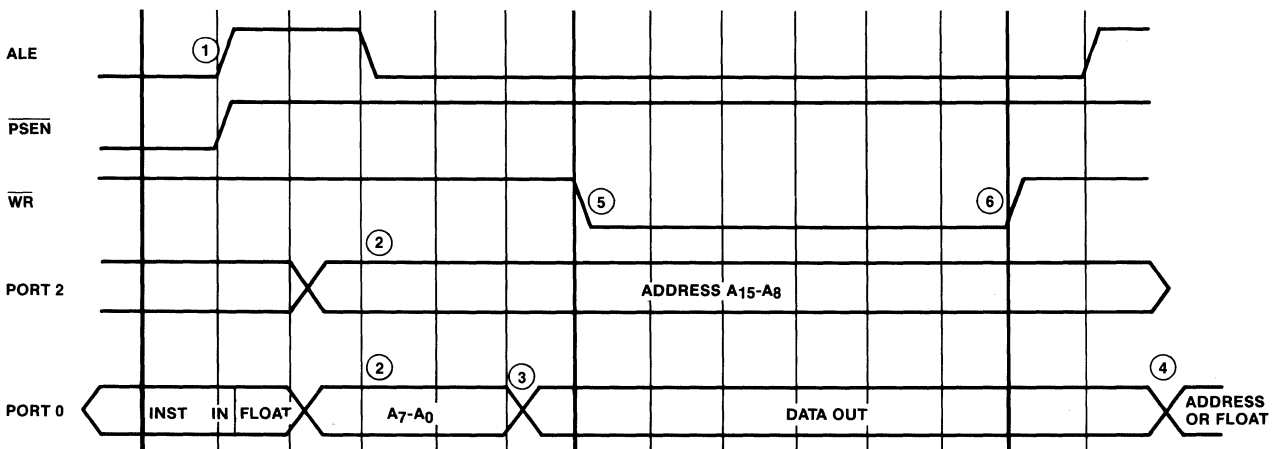


Figure 2.42. Data Memory Read Cycle Timing



NOTE: In Figures 2.42 and 2.43 the Prior and Subsequent Machine Cycles access Program Memory.

Figure 2.43. Data Memory Write Cycle Timing

Figure 2.42. The twelve period External Data Memory cycle allows the 8051 to use peripherals that are relatively slower than its program memories. The address is emitted from the processor during T3. Data transfer occurs on the bus during T7 through T12. T5 and T6 is the period during which the direction of the bus is changed for the read operation. The read cycle begins during T2, with the assertion of address latch enable signal ALE (1). The falling edge of ALE (2) is used to latch the address information, which is present on the bus at this time (3), into the 8282 latch if a non-multiplexed bus is desired. At T5, the address is removed from the Port 0 bus and the processor's bus drivers go to the high-impedance state (4). The data memory read control signal \overline{RD} (5), is asserted during T7. \overline{RD} causes the addressed device to enable its bus drivers to the now-released bus. At some later time, valid data will become available on the bus (6). When the 8051 subsequently returns \overline{RD} to the high level (7), the addressed device will then float its bus drivers, relinquishing the bus again (8).

Data Memory Write Sequence (Figure 2.43)

The write cycle, like the read cycle, begins with the assertion of ALE (1) and the emission of an address (2). In T6, the processor emits the data to be written into the addressed data memory location (3). This data remains valid on the bus until the end of the following bus cycle's T2 (4). The write signal \overline{WR} goes low at T6 (5) and remains active through T12 (6).

2.11 TIMER/COUNTER

Two independent 16-bit timer/counters are on-board the 8051 for use in measuring time intervals, measuring pulse widths, counting events, and causing periodic (repetitious) interrupts.

2.11.1 Timer/Counter Mode Selection

Counter 1 can be configured in one of four modes:

- Mode 0) Provides an 8-bit counter with a divide-by-32 prescaler or an 8-bit timer with a divide-by-32 prescaler. A read/write of TH1 accesses counter 1's bits 12-5. A read/write of TL1 accesses counter 1's bits 7-0. The programmer should clear the prescaler (counter 1's bits 4-0) before setting the run flag.
- Mode 1) Configures counter 1 as a 16-bit timer/counter.
- Mode 2) Configures counter 1 as an 8-bit auto-reload timer/counter. TH1 holds the reload value. TL1 is incremented. The value in TH1 is reloaded into TL1 when TL1 overflows from all ones (1's). An 8048 compatible counter is achieved by configuring to mode 2 after zero-ing TH1.
- Mode 3) When counter 1's mode is reprogrammed to mode 3 (from mode 0, 1 or 2), it disables the incrementing of the counter. This mode is provided as an alternative to using the TR1 bit (TCON.6) to start and stop counter 1.

The serial port receives a pulse each time that counter 1 overflows. The standard UART modes divide this pulse rate to generate the transmission rate.

Counter 0 can also be configured in one of four modes:

Modes 0-2) Modes 0-2 are the same as for counter 1.

Mode 3) In Mode 3, the configuration of TH0 is not affected by the bits in TMOD or TCON (see next section). It is configured solely as an 8-bit timer that is enabled for incrementing by TCON's TR1 bit. Upon TH0's overflow the TF1 flag gets set. Thus, neither TR1 nor TF1 is available to counter 1 when counter 0 is in Mode 3. The function of TR1 can be done by placing counter 1 in Mode 3, so only the function of TF1 is actually given up by counter 1. In Mode 3, TL0 is configured as an 8-bit timer/counter and is controlled, as usual, by the Gate (TMOD.3), C/\overline{T} (TMOD.2), TR0 (TCON.4) and TF0 (TCON.5) control bits.

2.11.2 Configuring the Timer/Counter Input

The use of the timer/counters is determined by two 8-bit registers, TMOD (timer mode) and TCON (timer control). The counter input circuitry is shown in Figures 2.46A and 2.46B. The input to the counter circuitry is from an external reference (for use as a counter), or from the on-chip oscillator (for use as a timer), depending on whether TMOD's C/\overline{T} bit is set or cleared, respectively. When used as a time base, the on-chip oscillator frequency is divided by twelve (12) before being input to the counter circuitry. When TMOD's Gate bit is set (1), the external reference input (T1, T0) or the oscillator input is gated to the counter conditional upon a second external input ($\overline{INT0}$, $\overline{INT1}$) being high. When the Gate bit is zero (0), the external reference or oscillator input is unconditionally enabled. In either case, the normal interrupt function of $\overline{INT0}$ and $\overline{INT1}$ is not affected by the counter's operation. If enabled, an interrupt will occur when the input at $\overline{INT0}$ or $\overline{INT1}$ is low. The counters are enabled for incrementing when TCON's TR1 and TR0 bits are set. When the counters overflow the TF1 and TF0 bits in TCON get set and interrupt requests are generated. The functions of the bits in TCON are shown in Figure 2.44.

Function	Flag	Bit Location
Counter interrupt request and overflow Flag	TF1	TCON.7
Counter enable/disable bit	TR1	TCON.6
Counter interrupt request and overflow Flag	TF0	TCON.5
Counter enable/disable bit	TR0	TCON.4

Figure 2.44. Function of Bits in TCON (Upper Nibble)

The functions of the bits in TMOD are shown in Figure 2.45. Recall from section 2.3 that the bits in TMOD are not bit addressable.

Function	Flag	Bit Location
Enable input at T1 using $\overline{INT1}$	Gate	TMOD.7
Counter 1/Timer 1 select	C/\overline{T}	TMOD.6
C 1/T 1 Mode select MSb	M1	TMOD.5
C 1/T 1 Mode select LSb	M0	TMOD.4
Enable input to T0 using $\overline{INT0}$	Gate	TMOD.3
Counter 0/Timer 0 select	C/\overline{T}	TMOD.2
C 0/T 0 Mode select MSb	M1	TMOD.1
C 0/T 0 Mode select LSb	M0	TMOD.0

Figure 2.45. Functions of Bits in TMOD

2.11.3 Operation

The counter circuitry counts up to all 1's and then overflows to either 0's or the reload value. Upon overflow, TF1 or TF0 gets set. When an instruction changes the timer's mode or alters its control bits, the actual change occurs at the end of the instruction's execution.

The T1 and T0 inputs are sampled near the falling-edge of ALE in the tenth, twenty-second, thirty-fourth and forty-sixth oscillator periods of the instruction-in-progress. They are also sampled in the twenty-second oscillator period of MOVX despite the absence of ALE. Thus, an external reference's high and low times must each be a minimum of twelve oscillator periods in duration. There is a twelve oscillator period delay from when a toggled input (transition from high to low) is sampled to when the counter is incremented.

2.11.4 Reading and Reloading the Timer/Counters

The timer/counters can be read and reloaded on the fly. However, the 16-bit timer/counters must be read and loaded as two 8-bit bytes. During a read the potential "phasing error" can be programmed around, as follows:

```
RTC  MOV A, TH0
      MOV B, TL0
      CJNE A, TH0, RTC
```

2.12 SERIAL CHANNEL

The 8051 has a serial channel useful for serially linking UART (universal asynchronous receiver/transmitter) devices and for expanding I/O. This full-duplex serial I/O port can be programmed to function in one of four operating modes.

- Mode 0) Synchronous I/O expansion using TTL or CMOS shift registers
- Mode 1) UART interface with 10-bit frame and variable transmission rate
- Mode 2) UART interface with 11-bit frame and fixed transmission rate
- Mode 3) UART interface with 11-bit frame and variable transmission rate

Modes 2 and 3 also provide automatic wake-up of slave processors through interrupt driven address-frame recognition for multiprocessor communications. Several schemes of UART interfacing are shown in Figure 2.47 and an I/O expansion technique is shown in Figure 2.48.

2.12.1 Serial Port Control and Data Buffer Registers

Data for transmission and from reception reside in the serial port buffer register (SBUF). A write to SBUF

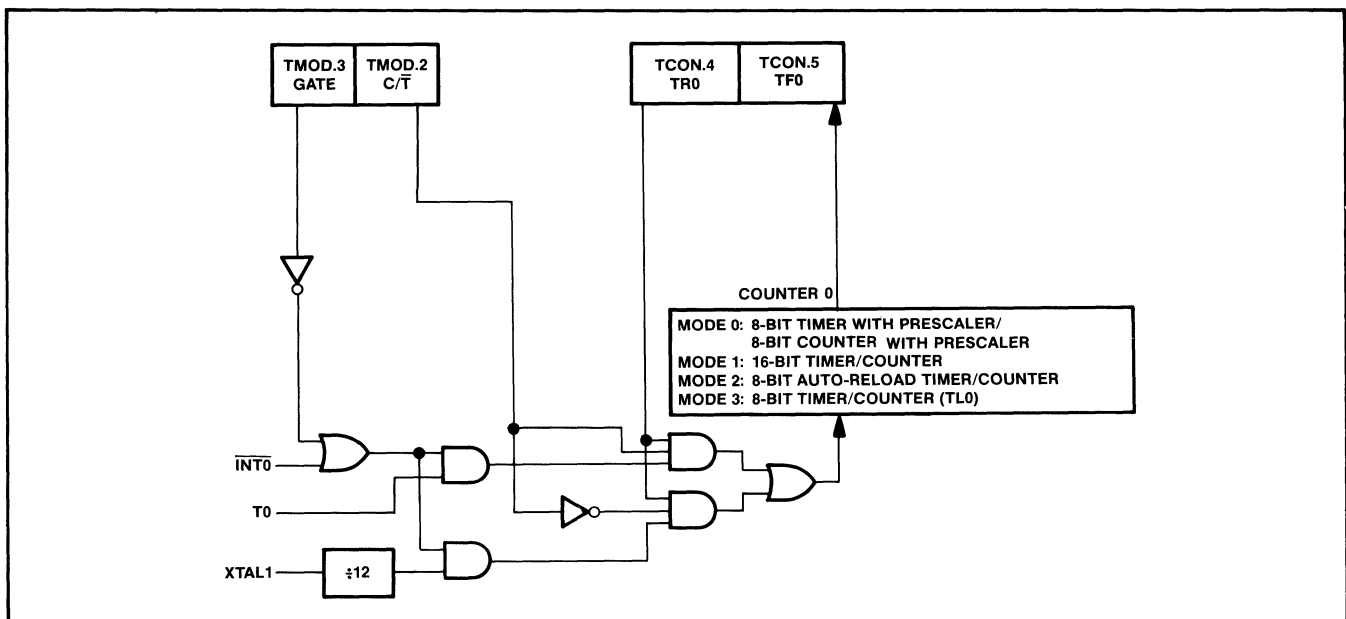


Figure 2.46.A. Timer/Event Counter 0 Control and Status Flag Circuitry

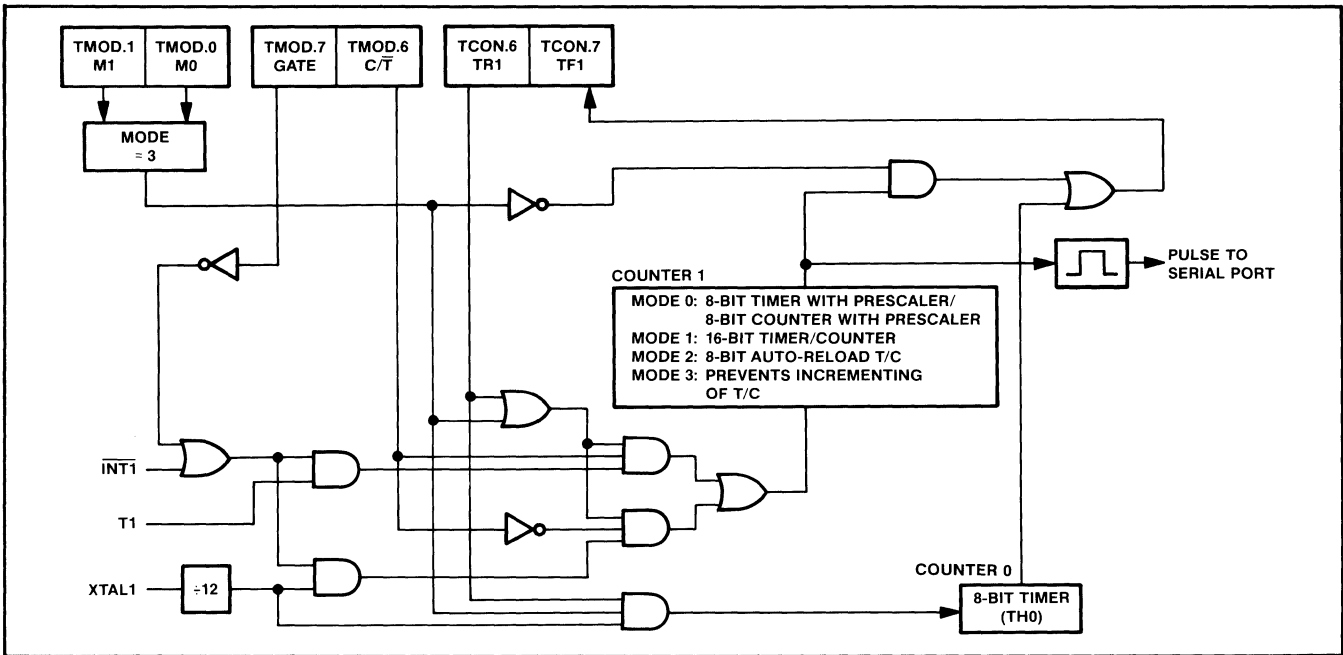


Figure 2.46.B. Timer/Event Counter 1 Control and Status Flag Circuitry

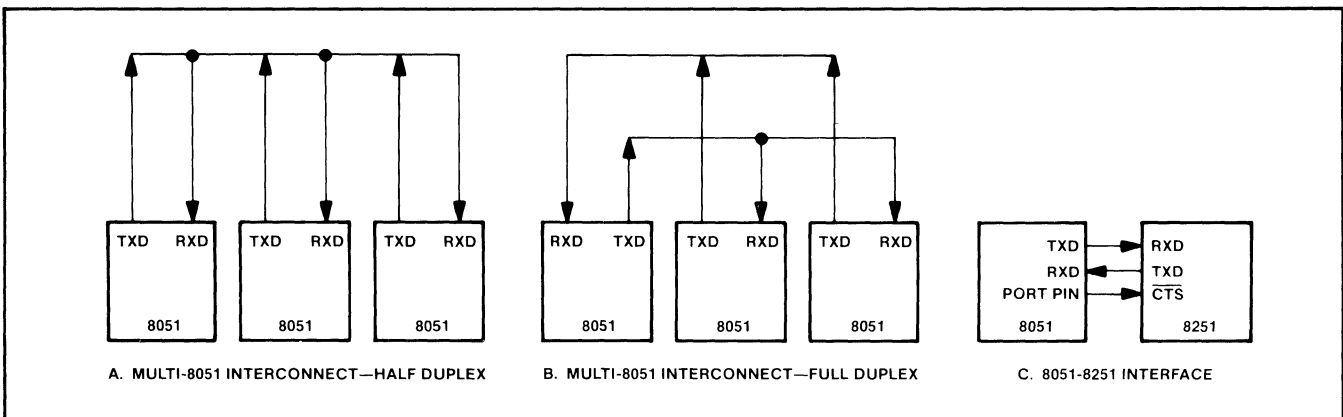


Figure 2.47. UART Interfacing Technique

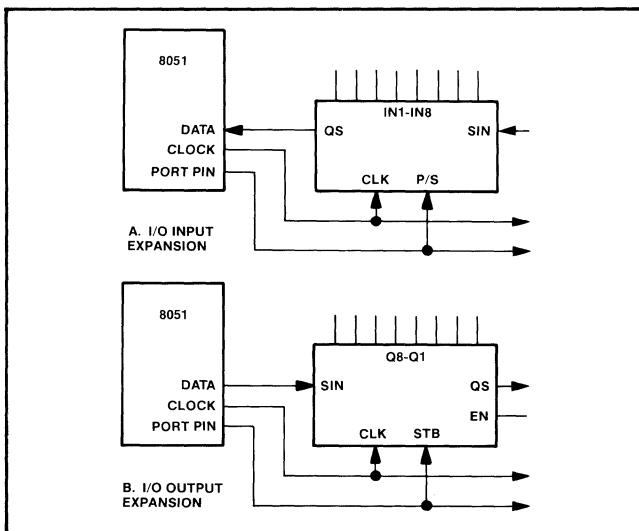


Figure 2.48. I/O Expansion Technique

updates the transmitter register, while a read from SBUF reads a buffer that is updated by the receiver register if/when flag RI is reset. The receiver is double buffered to eliminate the overrun that would occur if the CPU failed to respond to the receiver's interrupt before the beginning of the next frame. In general double buffering of the transmitter is not needed for the high performance 8051 to maintain the serial link at its maximum rate. A minor degradation in data rate can occur in rare events such as when the servicing of the transmitter has to wait for a lengthy interrupt service program to complete. In asynchronous mode, false start-bit rejection is provided on received frames. A two-out-of-three vote is taken on each received bit for noise rejection. The serial port's control and the monitoring of its status is provided by the serial port control register (SCON). The contents of the 8-bit SCON register are shown in Figure 2.49.

Function	Flag	Bit Location
Serial Port Operation Mode (MSb)	SM0	SCON. 7
Serial Port Operation Mode (LSb)	SM1	SCON. 6
Conditional Receiver Enable	SM2	SCON. 5
Receiver Enable	REN	SCON. 4
Transmitter Data Bit 8	TB8	SCON. 3
Received Data Bit 8	RB8	SCON. 2
Transmission Complete Interrupt Flag	TI	SCON. 1
Reception Complete Interrupt Flag	RI	SCON. 0

Figure 2.49. Functions of Bits in SCON

Mode control bits SM0 and SM1 program the serial port in one of four operating modes. A detailed description of the modes is provided in section 2.12.2. The receiver-enable bit (REN) resets the receiver's start/stop logic. When software sets REN to one (1), the receiver's transmission-rate generator is initialized and reception is enabled. REN must be set as part of the serial channel's initialization program. When REN is cleared, reception is disabled.

The CPU is informed that the transmitter portion of SBUF is empty or the receiver portion is full by TI and RI respectively. TI and RI must be cleared as part of the interrupt service program so as not to continuously interrupt the CPU. Since TI and RI are or-ed together to generate the serial port's interrupt request, they must be polled to determine the source of the interrupt.

2.12.2 Operating Modes

2.12.2.1 OPERATING MODE 0

The I/O expansion mode, Mode 0, is used to expand the number of input and output pins. In this mode, a clock output is provided for synchronizing the shifting of bits into or from an external register. Eight bits will be shifted out each time a data byte is written to the serial channel's data buffer (SBUF), even if TI is set. Each time software clears the RI flag, eight bits are shifted into SBUF before the RI flag is again set. The receiver must be enabled [i.e., REN set to one (1)] for reception to occur.

The synchronizing clock is output on pin P3.1 and toggles from high to low near the falling-edge of ALE in the fifteenth oscillator period following execution of the instruction that updated SBUF or cleared the RI flag. It then toggles near the falling-edge of ALE in each subsequent sixth oscillator period until 8-bits are transferred. The eighth rising-edge of clock (P3.1) sets the RI or TI flag. At this point shifting is complete and the clock is once again high. The first bit is shifted out of P3.0 at the beginning of the eighteenth oscillator period

following the instruction that updated SBUF. The first bit shifted in from P3.0 is latched by the clock's rising-edge in the twenty-fourth oscillator period following the instruction that cleared the RI flag. One bit is shifted every twelfth oscillator period until all eight bits have been shifted.

2.12.2.2 OPERATING MODES 1-3

In the UART Modes (i.e., 1 through 3), the transmission rate is sub-divided into 16 "ticks." The value of a received bit is determined by taking a majority vote after it has been sampled during the seventh, eighth and ninth "ticks". If two or three ones (1's) are detected, the bit will be given a one (1) value; if two or three zeros (0's) are detected, the bit will be given a zero (0) value.

Until a start bit arrives, the receiver samples the RXD input pin (P3.0) every "tick". One-half bit time (eight "ticks") after the start bit is detected (i.e., a low input level was sampled on "tick" one), the serial port checks its validity (majority vote from "ticks" seven, eight and nine) and accepts or rejects it. This provides rejection of false start bits.

The contents of the receiver's input shift register is moved to SBUF and RB8 (Modes 2 and 3), and RI is set, when a frame's ninth (Mode 1) or tenth (Modes 2 and 3) bit is received. Upon reception of a second frame's ninth or tenth bit, the data bits in the shift register are again transferred to SBUF and RB8, but only if software has reset the RI flag. If RI has not been reset, then overrun will occur since the shift register will continue to accept bits. Double buffering the receiver provides the CPU with one frame-time in which to empty the SBUF and RB8 registers. The RI flag is set and bit RB8 is loaded during the ninth "tick" of the received frame's ninth or tenth bit. The serial port begins looking for the next start bit one-half bit time after the center of a stop bit is received.

Data is transmitted from the TXD output pin (P3.1) each time a byte is written to SBUF, even if TI is set. TI is set at the beginning of the transmitted tenth (Mode 1) or eleventh (Modes 2 or 3) bit. After TI becomes set, if SBUF is written-to prior to the end of the stop (tenth or eleventh) bit, the transmission of the next frame's start bit will not begin until the end of the stop bit.

In Modes 2 and 3, if SM2 is set, frames are received but an interrupt request is generated only when the received data bit 8 (RB8) is a one (1). This feature permits interrupt generated wake-up during interprocessor communications when multiple 8051's are connected to a serial bus. Thus, data bit 8 (RB8) awakens all processors on the serial bus only when the master is changing the address to a different processor. Each processor not addressed then ignores the subsequent transmission of control information and data. A protocol for multi-8051 serial communications is shown in Figure 2.50. The SM2 bit has no effect in Modes 0 and 1.

1. The hardware in each slave's serial port begins by listening for an address. Receipt of an address frame will force an interrupt if the slave's SM2 bit is set to one (1) to enable "interrupt on address frame only".
2. The master then transmits a frame containing the 8-bit address of the slave that is to receive the subsequent commands and data. A transmitted address frame has its ninth data bit (TB8) set equal to one (1).
3. When the address frame is received, each slave's serial port interrupts its CPU. The CPU then compares the address sent to its own.
4. The 8051 slave which has been addressed then resets its SM2 bit to zero (0) to receive all subsequent transmissions. All other 8051's leave their SM2 bits at a one (1) to ignore transmissions until a new address arrives.
5. The master device then sends control information and data, which in turn is accepted by the previously addressed 8051 [i.e., the one that had set its SM2 bit to zero (0)].

Figure 2.50. Protocol for Multi- Processor Communications

2.12.3 The Serial Frame

A frame is a string of bits. The frame transmitted and received in Mode 0 is 8 bits in length. The data bits of the frame are transmitted SBUF.0 first and SBUF.7 last.

The frame transmitted and received in Mode 1 is ten bits in length. The frame transmitted and received in Modes 2 and 3 is eleven bits in length. These frames consist of one start bit, eight or nine data bits and a stop bit. Data bits 0-7 are loaded into SBUF.0-SBUF.7 respectively, and data bit 8 into RB8 (receive) or TB8 (transmit). With nominal software overhead, the last data bit can be made a parity bit, as shown in Figure 2.51.

```
MOV C, P    ; Parity moved to carry (byte
            ; already in A).
MOV TB8, C  ; Put carry into Transmitter Bit 8
MOV SBUF, A; Load Transmit Register
```

Figure 2.51. Generating Parity and Transmitting Frame

Figure 2.52 shows some typical frame formats for different applications. The data bits of the frame are transmitted least significant bit first (SBUF.0) and TB8 last.

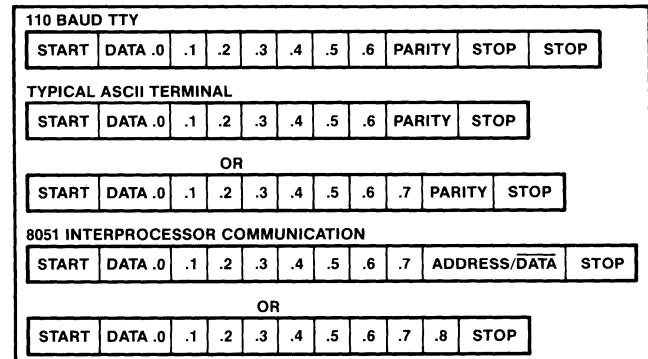


Figure 2.52. Typical Frame Formats

2.12.4 Transmission Rate Generation

The proper timing for the serial I/O data is provided by a transmission-rate generator. On-board the 8051, three different methods of transmission rate generation are provided. The transmission-rate achievable is dependent upon the operating mode of the serial port.

In the I/O expansion mode (Mode 0) the oscillator frequency is simply divided by 12 to generate the transmission rate. This produces a transmission rate of 1M bits per second at 12 MHz. If Modes 1 or 3 are being used, the transmission rate can be generated from the oscillator frequency or from an external reference frequency. In these modes, either one-twelfth the oscillator frequency or the T1 input frequency is divided by 256 minus the value in TH1 (counter 1 must be configured in auto-reload mode by software) and then divided by 32 to generate the transmission rate. When the oscillator frequency input (rather than T1) is selected, this method produces a transmission rate of 122 to 31,250 bits per second (including start and stop bits) at 12 MHz. The T1 external input is selected by setting the C/\bar{T} bit to one (1). When Mode 2 is used, the oscillator frequency is simply divided by 64 to generate the transmission rate. This produces a transmission rate of 187,500 bits per second (including start and stop bits) at 12 MHz.

2.12.5 UART Error Conditions

There are two UART error conditions that should be accounted for when designing systems that use the serial channel.

First, the 8051's serial channel provides no indication that a valid stop bit has been received. However, since a start bit is detected as a high-level to low-level transition, the UART will not receive additional frames if a stop bit is not received.

Second, the RI flag is set and SBUF and RB8 are loaded from the receiver's input shift register when the received

last data bit (i.e. ninth or tenth received bit) is sampled. As long as RI is set, the loading of SBUF, the updating of RB8 and the generation of further receiver interrupts is inhibited. Thus, overrun will occur if the programmer does not reset RI before reception of the next frame's last data bit since the receiver's input shift register will shift in a third frame.

2.13 EXTERNAL INTERFACE

2.13.1 Processor Reset and Initialization

Processor initialization is accomplished with activation of the RST/VPD pin. To reset the processor, this pin should be held high for at least twenty-four oscillator periods. Upon powering up, RST/VPD should be held high for at least 1 ms after the power supply stabilizes to allow the oscillator to stabilize. Upon receipt of RST, the processor ceases instruction execution and remains dormant for the duration of the pulse. The low-going transition then initiates a sequence which requires approximately twelve oscillator periods to execute before ALE is generated and normal operation commences with the instruction at absolute location 0000H. This sequence ends with registers initialized as shown in Figure 2.53.

Register	Content
PC	0000H
SP	07H
PSW, DPH, DPL, A, B,	00H
IP, IE, SCON, TCON,	00H
TMOD, TH1, TH0,	00H
TL1, TL0	00H
SBUF	Indeterminate
Port 3-Port 0	FFH (configures all I/O pins as inputs)
Internal RAM	Unchanged if VPD applied; else indeterminate

Figure 2.53 Register Initialization

In addition, certain of the control pins are driven to a TTL high level during initialization. These are ALE/ $\overline{\text{PROG}}$ and $\overline{\text{PSEN}}$. Thus, no ALE or $\overline{\text{PSEN}}$ signals are generated while RST/VPD is high. When the processor is reset all ports are immediately written with ones (1's).

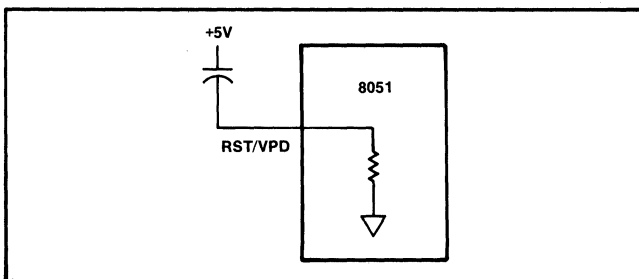


Figure 2.54. Power-On Reset

The Schmitt-trigger input has a small internal pull down resistor which permits power-on reset (as shown in Figure 2.54) using only a small capacitor tied to VCC. A conventional external reset circuit, such as that in Figure 2.55, can also be used.

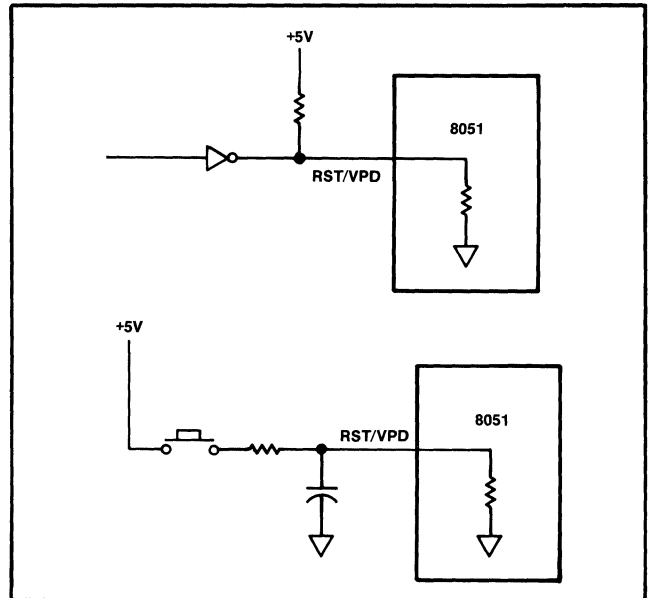


Figure 2.55. External Reset

2.13.2 Power Down (Standby) Operation of Internal RAM

Data can be maintained valid in the Internal Data RAM while the remainder of the 8051 is powered down. When powered down, the 8051 consumes about 10% of its normal operating power. During normal operation, both the CPU and the internal RAM derive their power from VCC. However, the internal RAM will derive its power from RST/VPD when the voltage on VCC is more than a diode drop below that on RST/VPD.

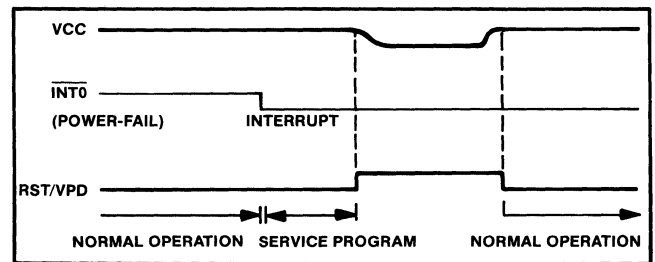


Figure 2.56. Power-Down Sequence

When a power-supply failure is imminent, the user's system generates a "power-failure" signal to interrupt the processor via $\overline{\text{INT0}}$ or $\overline{\text{INT1}}$. This power-failure signal must be early enough to allow the 8051 to save all data that is relevant for recovery before VCC falls below its operating limit. The program servicing the power-failure interrupt request must save any important data and machine status into the Internal Data RAM. The service

program must also enable the backup power supply to the RST/VPD pin. Applying power to the RST/VPD pin resets the 8051 and retains the internal RAM data valid as the VCC power supply falls below limit. Normal operation resumes when RST/VPD is returned low. Figure 2.56 shows the waveforms for the power-down sequence.

2.14 EPROM PROGRAMMING

The 8751 is programmed and the 8051 and 8751 are verified using the UPP-851 programming card. For programming and verification, address is input on Port 1 and Port pins 2.0–2.3. Pins P2.4 and P2.5 are held to a TTL low. Data is input and output through Port 0. RST/VPD is held at a TTL high level and $\overline{\text{PSEN}}$ is held at a TTL low level during program and verify. To program, $\overline{\text{ALE/PROG}}$ is held at a TTL low level. $\overline{\text{ALE/PROG}}$ is held at a TTL high level to verify the program. Port pin 2.7 forces the Port 0 output drivers to the high impedance state when held at a TTL high level and is held at a TTL low level for verification. Erasure of an 8751 will leave the EPROM programmed to an all one's (1's) state.

2.15 THE 8051 AS AN EVOLUTION OF THE 8048

For every 8048 instruction there is a corresponding 8051 instruction, or in rare cases, a short sequence of instructions. An example of the latter is the adjustment required for the use the 8051 makes of PC- and DPTR-relative addressing. Thus, while the 8051 has new bit patterns in its instruction coding, the functions of the 8048 may be performed by the 8051. For this purpose Intel provides a conversion program (CONV-51) which translates 8048 assembly source code to 8051 assembly source code. In the 8051 the stack pointer has been changed from a 3-bit field in the PSW to an 8-bit register. Therefore, the stack pointer does not “roll-over” from address 23 to address 8, but will increment to address 24. In general, 8048 code that manipulates the stack pointer cannot be translated by CONV-51. In translating 8048 code, upon an interrupt, an unused RAM location can be used for storing the PSW using the PUSH instruction with Direct Addressing to keep the 8051's stack size equivalent to that of the 8048.

8048 and 8049 programs using only the low-order six or seven bits of R1 and R0 in Indirect Addressing must now use all eight bits. Thus, bit seven (and bit six for 8048 programs) must be zero.

8048 operations no longer necessary (and invalid) for the 8051 are MOVD, ANLD and ORLD. These instructions control the 8243 I/O expander chip. Since the 8051 uses a shift register for low-cost I/O expansion, these are no longer necessary. However, the 8051 can interface to an 8243 using standard instructions on its ports. Also no longer needed are the ENT0 CLK and SEL MBI instructions. The 8051 uses ALE (along with $\overline{\text{RD}}$ and $\overline{\text{WR}}$ when

necessary) as the system clock. The 64K contiguous memory preempts the need for the SEL MBI instructions. The SEL RBI instructions are preempted by instructions that manipulate the PSW.

2.16 DEVELOPMENT SYSTEM AND SOFTWARE SUPPORT

The 8051 is supported by a total range of Intel development tools. This broad range of support shortens the product development cycle and thus brings the product to market sooner.

- ASM51 Absolute macro assembler for the 8051.
- CONV51 8048 assembly language source code to 8051 assembly source code conversion program.
- EM-51 8051/8751 emulator board that uses a modified 8051 and an EPROM.
- ICE-51™ Real-time in-circuit emulator.
- UPP-851 PROM programmer personality card.
- 8051 Workshop.

8051 Software Development Package (ASM51 and CONV51)

The 8051 software development package provides development system support for the powerful 8051 family of single chip microcomputers. The package contains a symbolic macro assembler and 8048 to 8051 source code converter. This diskette-based software package runs under ISIS-II on any Intellec® Microcomputer Development System with 64K bytes of memory.

8051 Macro Assembler (ASM51)

The 8051 macro assembler translates symbolic 8051 assembly language instructions into machine executable object code. These assembly language mnemonics are easier to program and are more readable than binary or hexadecimal machine instructions. Also, by allowing the programmer to give symbolic names to memory locations rather than absolute addresses, software design and debug are performed more quickly and reliably.

ASM51 provides symbolic access for the many useful addressing methods in the 8051 architecture. These features include referencing bit and byte locations, and provide 4-bit operations for BCD arithmetic. The assembler also provides symbolic access to the bits and bytes in the RAM and Special Function Register address spaces.

The assembler supports macro definitions and calls. This provides a convenient means of programming a frequently used code sequence only once. The assembler also provides conditional assembly capabilities. Cross referencing is provided in the symbol table listing, which shows the user the lines in which each symbol was defined and referenced.

If an 8051 program contains errors, the assembler provides a comprehensive set of error diagnostics, which are

included in the assembly listing, or on another file.

The object code generated may be used to program the 8751 EPROM version of the chip or sent to Intel for fabricating the 8051 ROM version. The assembler output can also be debugged using the ICE-51 in-circuit emulator.

8048 to 8051 Assembly Language Converter Utility Program (CONV51)

The 8048 to 8051 assembly language converter is a utility to help users of the MCS-48 family of microcomputers upgrade their designs to the high performance 8051 architecture. By converting 8048 source code to 8051 source code, the investment in software developed for the 8048 is maintained when the system is upgraded.

8051 Emulation Board (EM-51)

The EM-51 8051 emulation board is a small (2.85" x 5.25") board which emulates an 8031/8051/8751 microcomputer using standard PROMs or EPROMs in place of the 8051's on-chip program memory. The board includes a modified 8051 microcomputer, supporting circuits, and two sockets for program memory. The user may select two 2716 EPROMs, a 2732 EPROM, or two 3636 bipolar PROMs depending on crystal frequency and power requirements.

8051 In-Circuit Emulator (ICE-51™)

The 8051 In-Circuit Emulator resides in the Intel development system. The development system interfaces with the user's 8051 system through an in-cable module with the cable terminating in an 8051 pin-compatible plug. Together these replace the 8051 device in the system. With the emulator plug in place, the designer can exercise the system in real-time while collecting up to 255 instruction cycles of real-time data. In addition, he can single step the system program. Static RAM memory is available in the ICE-51 module to emulate the 8051's internal and external program memories and external data memory. The designer can display and alter the contents of internal 8051 registers, internal data RAM, Special Function Registers, and replacement external memory. Symbolic reference capability allows the designer to use meaningful symbols provided by ASM51 rather than absolute values when examining and modifying the memory, registers, flags, and I/O ports in his system.

Universal PROM Programmer Personality Card (UPP-851)

The UPP-851 is a personality card for the UPP-103 Universal PROM Programmer. The Universal PROM Programmer is an Intellec system peripheral capable of programming and verifying the 8751. Programming and verification operations are initiated from the Intellec development system console and are controlled by the Universal PROM Mapper (UPM) program.

8051 Workshop

The workshop provides the design engineer or system designer hands-on experience with the 8051 microcomputers. The course includes explanation of the Intel 8051 architecture, system timing and input/output design. Lab sessions will allow the attendee to gain detailed familiarity with the 8051 family and support tools.

INSITE™ Library

The INSITE Library contains 8051 utilities and applications programs.

2.17 8051 FAMILY PIN DESCRIPTION

V_{SS}

Circuit ground potential.

V_{CC}

+5V power supply during operation, programming and verification.

Port 0

Port 0 is an 8-bit open drain bidirectional I/O port. It is also the multiplexed low-order address and data bus when using external memory. It is used for data input and output during programming and verification. Port 0 can sink/source two TTL loads.

Port 1

Port 1 is an 8-bit quasi-bidirectional I/O port. It is used for the low-order address byte during programming and verification. Port 1 can sink/source one TTL load.

Port 2

Port 2 is an 8-bit quasi-bidirectional I/O port. It also emits the high-order 8 bits of address when accessing external memory. It is used for the high-order address and the control signals during programming and verification. Port 2 can sink/source one TTL load.

Port 3

Port 3 is an 8-bit quasi-bidirectional I/O port. It also contains the interrupt, timer, serial port and \overline{RD} and \overline{WR} pins that are used by various options. The output latch corresponding to a special function must be programmed to a one (1) for that function to operate. Port 3 can sink/source one TTL load. The special functions are assigned to the pins of Port 3, as follows:

- RXD/data (P3.0). Serial port's receiver data input (asynchronous) or data input/output (synchronous).
- TXD/clock (P3.1). Serial port's transmitter data output (asynchronous) or clock output (synchronous).
- $\overline{INT0}$ (P3.2). Interrupt 0 input or gate control input for counter 0.
- $\overline{INT1}$ (P3.3). Interrupt 1 input or gate control input for counter 1.
- T0 (P3.4). Input to counter 0.
- T1 (P3.5). Input to counter 1.

- \overline{WR} (P3.6). The write control signal latches the data byte from Port 0 into the External Data Memory.
- \overline{RD} (P3.7). The read control signal enables External Data Memory to Port 0.

RST/VPD

A low to high transition on this pin (at approximately 3V) resets the 8051. If VPD is held within its spec (approximately +5V), while VCC drops below spec, VPD will provide standby power to the RAM. When VPD is low, the RAM's current is drawn from VCC. A small internal resistor permits power-on reset using only a capacitor connected to VCC.

ALE/PROG

Provides Address Latch Enable output used for latching the address into external memory during normal operation. Receives the program pulse input during EPROM programming.

PSEN

The Program Store Enable output is a control signal that enables the external Program Memory to the bus during normal fetch operations.

 \overline{EA}/V_{DD}

When held at a TTL high level, the 8051 executes instructions from the internal ROM/EPROM when the PC is less than 4096. When held at a TTL low level, the 8051 fetches all instructions from external Program Memory. The pin also receives the 21V EPROM programming supply voltage.

XTAL 1

Input to the oscillator's high gain amplifier. A crystal or external source can be used.

XTAL 2

Output from the oscillator's amplifier. Required when a crystal is used.

TABLE 2-1 8051 INSTRUCTION SET SUMMARY

Notes on instruction set and addressing modes:

Rn	—Register R7-R0 of the currently selected Register Bank.
data	—8-bit internal data location's address. This could be an Internal Data RAM location (0-127) or a SFR [i.e. I/O port, control register, status register, etc. (128-255)].
@Ri	—8-bit Internal Data RAM location (0-255) addressed indirectly through register R1 or R0.
#data	—8-bit constant included in instruction.
#data 16	—16-bit constant included in instruction.
addr16	—16-bit destination address. Used by LCALL & LJMP. A branch can be anywhere within the 64K-byte Program Memory address space.
addr11	—11-bit destination address. Used by ACALL & AJMP. The branch will be within the same 2K-byte page of program memory as the first byte of the following instruction.
rel	—Signed (two's complement) 8-bit offset byte. Used by SJMP and all conditional jumps. Range is -128 to +127 bytes relative to first byte of the following instruction.
bit	—Direct Addressed bit in Internal Data RAM or Special Function Register.
*	—New operation not provided by 8048/8049.

Interrupt Response Time: To finish execution of current instruction, respond to the interrupt request, push the PC and to vector to the first instruction of the interrupt service program requires 38 to 81 oscillator periods (3 to 7 μ s @ 12 MHz).

INSTRUCTIONS THAT AFFECT FLAG SETTINGS¹

INSTRUCTION	FLAG			INSTRUCTION	FLAG		
	C	OV	AC		C	OV	AC
ADD	X	X	X	CLR C			O
ADDC	X	X	X	CPL C			X
SUBB	X	X	X	ANL C, bit			X
MUL	O	X		ANL C, /bit			X
DIV	O	X		ORL C, bit			X
DA	X			ORL C, /bit			X
RRC	X			MOV C, bit			X
RLC	X			CJNE			X
SETB C		1					

¹Note that operations on SFR byte address 208 or bit addresses 209-215 (i.e. the PSW or bits in the PSW) will also affect flag settings.

Data Transfer Mnemonic	Description	Bytes	Oscillator Periods
MOV A,Rn	Move register to A	1	12
*MOV A,data	Move direct byte to A	2	12
MOV A,@Ri	Move indirect RAM to A	1	12
MOV A,#data	Move immediate data to A	2	12
MOV Rn,A	Move A to register	1	12
*MOV Rn,data	Move direct byte to register	2	24
MOV Rn,#data	Move immediate data to register	2	12
*MOV data,A	Move A to direct byte	2	12
*MOV data,Rn	Move register to direct byte	2	24
*MOV data,data	Move direct byte to direct byte	3	24
*MOV data,@Ri	Move indirect RAM to direct byte	2	24
*MOV data,#data	Move immediate data to direct byte	3	24
MOV @Ri,A	Move A to indirect RAM	1	12
*MOV @Ri,data	Move direct byte to indirect RAM	2	24
MOV @Ri,#data	Move immediate data to indirect RAM	2	12
*MOV DPTR,#data 16	Move 16-bit constant to Data Pointer	3	24
*MOV C,bit	Move direct bit to carry	2	12
*MOV bit,C	Move carry to direct bit	2	24
*MOVC A,@A+DPTR	Move Program Memory byte addressed by A+DPTR to A	1	24
*MOVC A,@A+PC	Move Program Memory byte addressed by A+PC to A	1	24
MOVX A,@Ri	Move External Data (8-bit address) to A	1	24
*MOVX A,@DPTR	Move External Data (16-bit address) to A	1	24
MOVX @Ri,A	Move A to External Data (8-bit address)	1	24
*MOVX @DPTR,A	Move A to External Data (16-bit address)	1	24
*PUSH data	Move direct byte to stack and inc. SP	2	24
*POP data	Move direct byte from stack and dec. SP	2	24
XCH A,Rn	Exchange register with A	1	12
*XCH A,data	Exchange direct byte with A	2	12
XCH A,@Ri	Exchange indirect RAM with A	1	12
XCHD A,@Ri	Exchange indirect RAM's least sig nibble with A's LSN	1	12

Logic Mnemonic	Description	Bytes	Oscillator Periods
ANL A,Rn	AND register to A	1	12
*ANL A,data	AND direct byte to A	2	12
ANL A,@Ri	AND indirect RAM to A	1	12
ANL A,#data	AND immediate data to A	2	12
*ANL data,A	AND A to direct byte	2	12
*ANL data,#data	AND immediate data to direct byte	3	24
*ANL C,bit	AND direct bit to carry	2	24
*ANL C,/bit	AND complement of direct bit to carry	2	24
ORL A,Rn	OR register to A	1	12
*ORL A,data	OR direct byte to A	2	12
ORL A,@Ri	OR indirect RAM to A	1	12
ORL A,#data	OR immediate data to A	2	12
*ORL data,A	OR A to direct byte	2	12
*ORL data,#data	OR immediate data to direct byte	3	24
*ORL C,bit	OR direct bit to carry	2	24
*ORL C,/bit	OR complement of direct bit to carry	2	24
XRL A,Rn	Exclusive-OR register to A	1	12
*XRL A,data	Exclusive-OR direct byte to A	2	12
XRL A,@Ri	Exclusive-OR indirect RAM to A	1	12
XRL A,#data	Exclusive-OR immediate data to A	2	12
*XRL data,A	Exclusive-OR A to direct byte	2	12
*XRL data,#data	Exclusive-OR immediate data to direct byte	3	24
*SETB C	Set carry	1	12
*SETB bit	Set direct bit	2	12
CLR A	Clear A	1	12
CLR C	Clear carry	1	12
*CLR bit	Clear direct bit	2	12
CPL A	Complement A	1	12
CPL C	Complement carry	1	12
*CPL bit	Complement direct bit	2	12
RL A	Rotate A Left	1	12
RLC A	Rotate A Left through carry	1	12
RR A	Rotate A Right	1	12
RRC A	Rotate A Right through carry	1	12
SWAP A	Rotate A left four (exchange nibbles within A)	1	12

All mnemonics copyrighted© Intel Corporation 1980.

AFN-01488A-41

Arithmetic		Oscillator	
Mnemonic	Description	Bytes	Periods
ADD A,Rn	Add register to A	1	12
*ADD A,data	Add direct byte to A	2	12
ADD A,@Ri	Add indirect RAM to A	1	12
ADD A,#data	Add immediate data to A	2	12
ADDC A,Rn	Add register and carry flag to A	1	12
*ADDC A,data	Add direct byte and carry flag to A	2	12
ADDC A,@Ri	Add indirect RAM and carry flag to A	1	12
ADDC A,#data	Add immediate data and carry flag to A	2	12
*SUBB A,Rn	Subtract register and carry flag from A	1	12
*SUBB A,data	Subtract direct byte and carry flag from A	2	12
*SUBB A,@Ri	Subtract indirect RAM and carry flag from A	1	12
*SUBB A,#data	Subtract immediate data and carry flag from A	2	12
INC A	Increment A	1	12
INC Rn	Increment register	1	12
*INC data	Increment direct byte	2	12
INC @Ri	Increment indirect RAM	1	12
DEC A	Decrement A	1	12
DEC Rn	Decrement register	1	12
*DEC data	Decrement direct byte	2	12
*DEC @Ri	Decrement indirect RAM	1	12
*INC DPTR	Increment Data Pointer	1	24
*MUL AB	Multiply A times B	1	48
*DIV AB	Divide A by B	1	48
DA A	Decimal add Adjust of A	1	12

Control Transfer (Branch)		Oscillator	
Mnemonic	Description	Bytes	Periods
AJMP addr11	Absolute Jump	2	24
*LJMP addr16	Long Jump	3	24
*SJMP rel	Short Jump	2	24
*JMP @A+DPTR	Jump indirect relative to the DPTR	1	24
JZ rel	Jump if A is zero	2	24
JNZ rel	Jump if A is not zero	2	24
JC rel	Jump if carry is set	2	24
JNC rel	Jump if carry is not set	2	24
*JB bit,rel	Jump relative if direct bit is set	3	24
*JNB bit,rel	Jump relative if direct bit is not set	3	24
*JBC bit,rel	Jump relative if direct bit is set, then clear bit	3	24
*CJNE A,data,rel	Compare direct byte to A & Jump if not Eq. See Note a.	3	24
*CJNE A,#data,rel	Compare immed. to A & Jump if not Eq. See Note a.	3	24
*CJNE Rn,#data,rel	Compare immed. to reg & Jump if not Eq. See Note a.	3	24
*CNJE @Ri,#data,rel	Compare immed. to indirect RAM & Jump if not Eq. See Note a.	3	24
DJNZ Rn,rel	Decrement register & Jump if not zero	3	24
*DJNZ data,rel	Decrement direct byte & Jump if not zero	3	24

Note a) Set C if the first operand is less than the second operand; else clear

Other		Oscillator	
Mnemonic	Description	Bytes	Periods
NOP	No Operation	1	12

Control Transfer (Subroutine)		Oscillator	
Mnemonic	Description	Bytes	Periods
ACALL addr11	Absolute Subroutine Call	2	24
LCALL addr16	Long Subroutine Call	3	24
RET	Return from Subroutine Call	1	24
RETI	Return from Interrupt Call	1	24



INTEL CORPORATION, 3065 Bowers Avenue, Santa Clara, CA 95057 (408) 987-8080