

# IMPEDANCE MATCHING NETWORKS APPLIED TO R-F POWER TRANSISTORS

Prepared by:  
**B. Becciolini**  
Applications Engineering  
Geneva, Switzerland



# CONTENTS

1. INTRODUCTION
2. DEVICE PARAMETERS
  - 2.1 INPUT IMPEDANCE
  - 2.2 OUTPUT IMPEDANCE
3. OUTPUT LOAD
4. MATCHING NETWORKS
  - 4.1 NUMERICAL DESIGN
    - 4.1.1 TWO-REACTANCE NETWORKS
    - 4.1.2 THREE-REACTANCE NETWORKS
    - 4.1.3 FOUR-REACTANCE NETWORKS
    - 4.1.4 MATCHING NETWORKS USING QUARTER-WAVE TRANSFORMERS
    - 4.1.5 BROADBAND MATCHING USING BAND-PASS FILTER TYPE NETWORKS. HIGH Q CASE
    - 4.1.6 LINE TRANSFORMERS
  - 4.2 GRAPHIC DESIGN
    - 5.1 DEVICE CHARACTERISTICS
    - 5.2 CIRCUIT SCHEMATIC
    - 5.3 TEST RESULTS
5. PRACTICAL EXAMPLE
6. LITERATURE



# IMPEDANCE MATCHING NETWORKS APPLIED TO R-F POWER TRANSISTORS

## 1. INTRODUCTION

Some graphic and numerical methods of impedance matching will be reviewed here. The examples given will refer to high frequency power amplifiers.

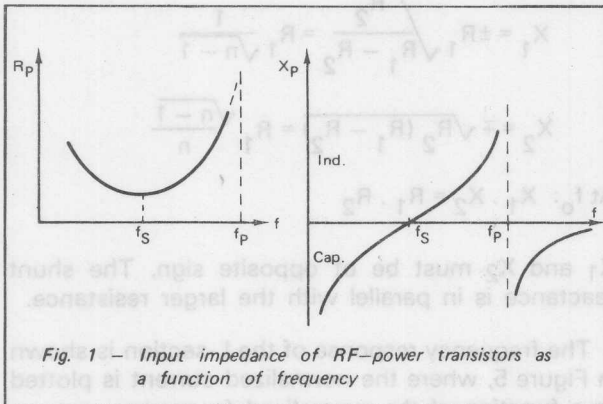
Although matching networks normally take the form of filters and therefore are also useful to provide frequency discrimination, this aspect will only be considered as a corollary of the matching circuit.

Matching is necessary for the best possible energy transfer from stage to stage. In RF-power transistors the input impedance is of low value, decreasing as the power increases, or as the chip size becomes larger. This impedance must be matched either to a generator — of generally 50 ohms internal impedance — or to a preceding stage. Impedance transformation ratios of 10 or even 20 are not rare. Interstage matching has to be made between two complex impedances, which makes the design still more difficult, especially if matching must be accomplished over a wide frequency band.

## 2. DEVICE PARAMETERS

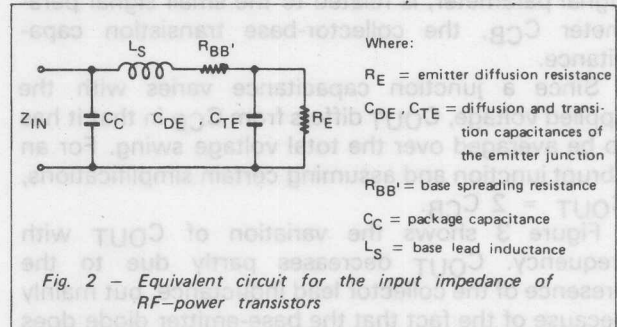
### 2.1 INPUT IMPEDANCE

The general shape of the input impedance of RF-power transistors is as shown in Figure 1. It is a large signal parameter, expressed here by the parallel combination of a resistance  $R_p$  and a reactance  $X_p$  (Ref. (1)).



The equivalent circuit shown in Figure 2 accounts for the behaviour illustrated in Figure 1.

With the presently used stripline or flange packaging, most of the power devices for VHF low band will have their  $R_p$  and  $X_p$  values below the series resonant point  $f_s$ . The input impedance will be essentially capacitive.



Most of the VHF high band transistors will have the series resonant frequency within their operating range, i.e. be purely resistive at one single frequency  $f_s$ , while the parallel resonant frequency  $f_p$  will be outside.

Parameters for one or two gigahertz transistors will be beyond  $f_s$  and approach  $f_p$ . They show a high value of  $R_p$  and  $X_p$  with inductive character.

A parameter that is very often used to judge on the broadband capabilities of a device is the input Q or  $Q_{IN}$ , defined simply as the ratio  $R_p/X_p$ . Practically  $Q_{IN}$  ranges around 1 or less for VHF devices and around 5 or more for microwave transistors.

$Q_{IN}$  is an important parameter to consider for broadband matching. Matching networks normally are low-pass or pseudo low-pass filters. If  $Q_{IN}$  is high, it can be necessary to use band-pass filter type matching networks and to allow insertion losses. But broadband matching is still possible. This will be discussed later.

### 2.2. OUTPUT IMPEDANCE

The output impedance of the RF-power transistors, as given by all manufacturers' data sheets, generally consists of only a capacitance  $C_{OUT}$ . The internal resistance of the transistor is supposed to be much higher than the load and is normally neglected. In the case of a relatively low internal resistance, the efficiency of the device would decrease by the factor:

$$1 + R_L / R_T$$

Circuit diagrams external to Motorola products are included as a means of illustrating typical semiconductor applications; consequently, complete information sufficient for construction purposes is not necessarily given. The information in this Application Note has been carefully checked and is believed to be entirely reliable. However, no responsibility is assumed for inaccuracies. Furthermore, such information does not convey to the purchaser of the semiconductor devices described any license under the patent rights of Motorola Inc. or others.

where  $R_L$  is the load resistance, seen at the collector-emitter terminals, and  $R_T$  the internal transistor resistance equal to:

$$\frac{1}{\omega_T \cdot (C_{TC} + C_{DC})}$$

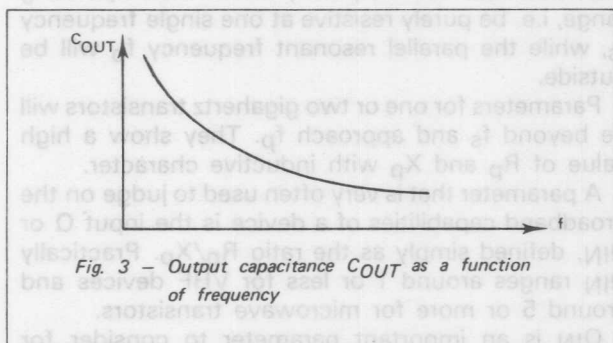
defined as a small signal parameter, where:

$\omega_T$  = transit angular frequency  
 $C_{TC} + C_{DC}$  = transition and diffusion capacitances at the collector junction

The output capacitance  $C_{OUT}$ , which is a large signal parameter, is related to the small signal parameter  $C_{CB}$ , the collector-base transition capacitance.

Since a junction capacitance varies with the applied voltage,  $C_{OUT}$  differs from  $C_{CB}$  in that it has to be averaged over the total voltage swing. For an abrupt junction and assuming certain simplifications,  $C_{OUT} = 2 C_{CB}$ .

Figure 3 shows the variation of  $C_{OUT}$  with frequency.  $C_{OUT}$  decreases partly due to the presence of the collector lead inductance, but mainly because of the fact that the base-emitter diode does not shut off anymore when the operating frequency approaches the transit frequency  $f_T$ .



### 3. OUTPUT LOAD

In the absence of a more precise indication, the output load  $R_L$  is taken equal to:

$$R_L = \left[ \frac{V_{CC} - V_{CE(sat)}}{2P_{OUT}} \right]^2$$

with  $V_{CE(sat)}$  equal to 2 or 3 volts, increasing with frequency.

The above equation just expresses a well-known relation, but also shows that the load, in first approximation, is not related to the device, except for  $V_{CE(sat)}$ . The load value is primarily dictated by the required output power and the peak voltage; it is not matched to the output impedance of the device.

At higher frequencies this approximation becomes less exact and for microwave devices the load that must be presented to the device is indicated on the data sheet. This parameter will be measured on all Motorola RF-power devices in the future.

Strictly speaking, impedance matching is accomplished only at the input. Interstage and load matching are more impedance transformations of the device input impedance and of the load into a value  $R_L$  (sometimes with additional reactive component) that depends essentially on the power demanded and the supply voltage.

## 4. MATCHING NETWORKS

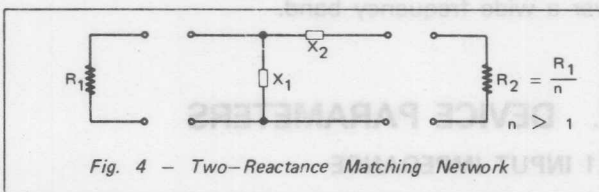
In the following, matching networks will be described by order of complexity. These are ladder type reactance networks.

The different reactance values will be calculated and determined graphically. Increasing the number of reactances broadens the bandwidth. However, networks consisting of more than four reactances are rare. Above four reactances, the improvement is small.

### 4.1 NUMERICAL DESIGN

#### 4.1.1 Two-Resistance Networks

Resistance terminations will first be considered. Figure 4 shows the reactive L-section and the terminations to be matched.



Matching or exact transformation from  $R_2$  into  $R_1$  occurs at a single frequency  $f_0$ .

At  $f_0$ ,  $X_1$  and  $X_2$  are equal to:

$$X_1 = \pm R_1 \sqrt{\frac{R_2}{R_1 - R_2}} = R_1 \frac{1}{\sqrt{n-1}}$$

$$X_2 = \mp \sqrt{R_2 (R_1 - R_2)} = R_1 \frac{\sqrt{n-1}}{n}$$

At  $f_0$ :  $X_1 \cdot X_2 = R_1 \cdot R_2$

$X_1$  and  $X_2$  must be of opposite sign. The shunt reactance is in parallel with the larger resistance.

The frequency response of the L-section is shown in Figure 5, where the normalized current is plotted as a function of the normalized frequency.

If  $X_1$  is capacitive and consequently  $X_2$  inductive, then:

$$X_1 = -\frac{f_0}{f} R_1 \sqrt{\frac{R_2}{R_1 - R_2}} = -\frac{f_0}{f} R_1 \frac{1}{\sqrt{n-1}}$$

$$\text{and } X_2 = \frac{f}{f_0} \sqrt{R_2 (R_1 - R_2)} = \frac{f}{f_0} R_1 \frac{\sqrt{n-1}}{n}$$

The normalized current absolute value is equal to:

$$\left| \frac{I_2}{I_0} \right| = \frac{2\sqrt{n}}{\sqrt{(n-1)^2 \cdot \left(\frac{f}{f_0}\right)^4 - 2\left(\frac{f}{f_0}\right)^2 + (n+1)^2}}$$

where  $I_0 = \frac{\sqrt{n} E}{2 \cdot R_1}$ , and is plotted in Figure 5 (Ref. (2)).

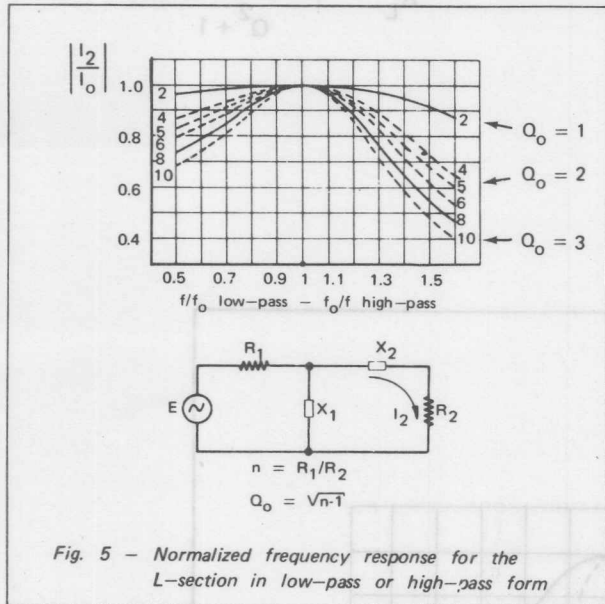


Fig. 5 - Normalized frequency response for the L-section in low-pass or high-pass form

If  $X_1$  is inductive and consequently  $X_2$  capacitive, the only change required is a replacement of  $f$  by  $f_0$  and vice-versa. The L-section has low pass form in the first case and high-pass form in the second case.

The  $Q$  of the circuit at  $f_0$  is equal to:

$$Q_0 = \frac{X_2}{R_2} = \frac{R_1}{X_1} = \sqrt{n-1}$$

For a given transformation ratio  $n$ , there is only one possible value of  $Q$ . On the other hand, there are two symmetrical solutions for the network, that can be either a low-pass filter or a high-pass filter.

The frequency  $f_0$  does not need to be the center frequency,  $\frac{f_1 + f_2}{2}$ , of the desired band limited by  $f_1$  and  $f_2$ .

In fact, as can be seen from the low-pass configuration of Figure 5, it may be interesting to shift  $f_0$  toward the high band edge frequency  $f_2$  to obtain a

larger bandwidth  $w$ , where  $w = \frac{2(f_1 + f_2)}{f_2 - f_1}$

This will, however, be at the expense of poorer harmonic rejection.

Example:

For a transformation ratio  $n = 4$ , it can be determined from the above relations:

Bandwidth $w$	0.1	0.3
Max insertion losses	0.025	0.2
$X_1/R_1$	1.730	1.712

If the terminations  $R_1$  and  $R_2$  have a reactive component  $X$ , the latter may be taken as part of the external reactance as shown in Figure 6.

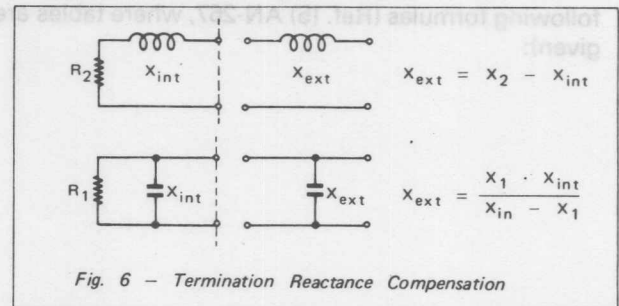


Fig. 6 - Termination Reactance Compensation

This compensation is applicable as long as

$$Q_{INT} = \frac{X_{INT}}{R_2} \text{ or } \frac{R_1}{X_{INT}} < n-1$$

Tables giving reactance values can be found in Ref. (3) and (4).

#### 4.1.1.1 Use of transmission lines and inductors

In the preceding section, the inductance was expected to be realized by a lumped element. A transmission line can be used instead (Fig 7).

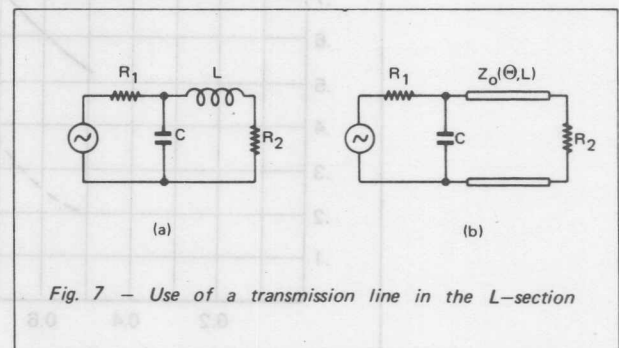


Fig. 7 - Use of a transmission line in the L-section

As can be seen from the computed selectivity curves (Fig. 8) for the two configurations, transmission lines result in a larger bandwidth. The gain is important for a transmission line having a length  $L = \lambda/4$  ( $\theta = 90^\circ$ ) and a characteristic impedance

$Z_0 = \sqrt{R_1 \cdot R_2}$ . It is not significant for lines short with respect to  $\lambda/4$ . One will notice that there is an infinity of solutions, one for each value of  $C$ , when using transmission lines.

#### 4.1.2 Three-reactance matching networks

The networks which will be investigated are shown in Figure 9. They are made of three reactances alternatively connected in series and shunt.

A three-reactances configuration allows to make the quality factor  $Q$  of the circuit and the transformation ratio  $n = \frac{R_2}{R_1}$  independent of each other and consequently to choose the selectivity between certain limits.

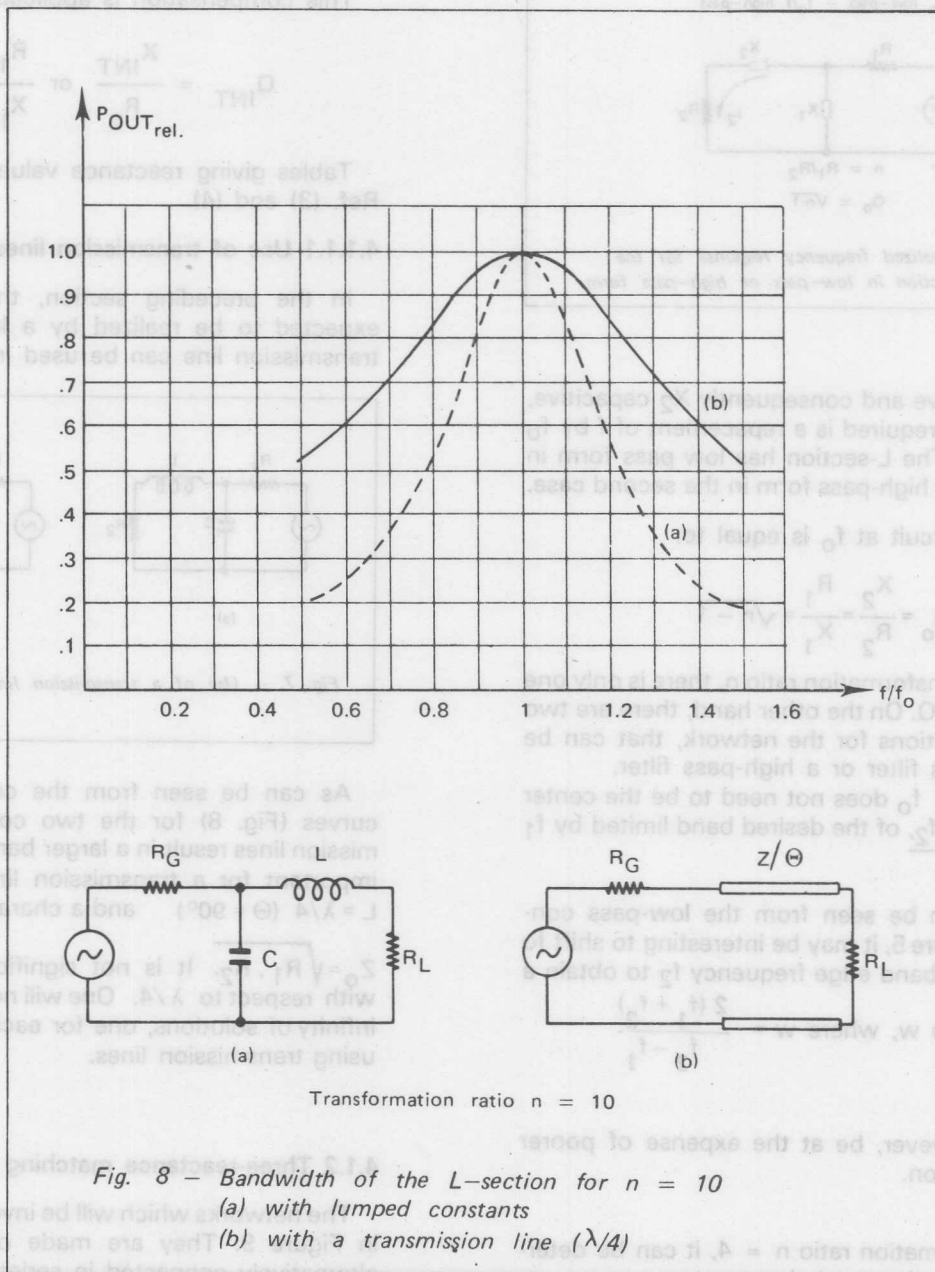
For narrow band designs, one can use the following formulas (Ref. (5) AN-267, where tables are given):

Network (a):

$$X_{C1} = R_1/Q \quad Q \text{ must be first selected}$$

$$X_{C2} = R_2 \sqrt{\frac{R_1 R_2}{(Q^2+1) - \frac{R_1}{R_2}}}$$

$$X_L = \frac{QR_1 + (R_1 R_2 / X_{C2})}{Q^2 + 1}$$



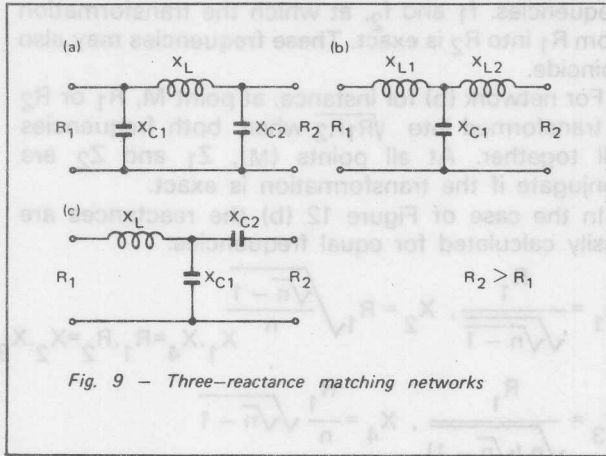


Fig. 9 - Three-reactance matching networks

Network (b) : Q must first be selected

$$X_{L1} = R_1 Q$$

$$X_{L2} = R_2 B \quad A = R_1 (1 + Q^2)$$

$$X_{C1} = \frac{A}{Q + B} \quad B = \sqrt{\frac{A}{R_2} - 1}$$

Network (c) : Q must first be selected

$$X_{L1} = Q R_1$$

$$X_{C2} = A R_2 \quad A = \sqrt{\frac{R_1 (1 + Q^2)}{R_2} - 1}$$

$$X_{C1} = \frac{B}{Q - A} \quad B = R_1 (1 + Q^2)$$

The network which yields the most practical component values, should be selected for a given application.

The three-reactance networks can be thought of as being formed of a L-section (two reactances) and of a compensation reactance. The L-section essentially performs the impedance transformation, while the additional reactance compensates for the reactive part of the transformed impedance over a certain frequency band.

Figure 10 shows a representation in the Z-plane of the circuit of Figure 9 (a) split into two parts  $R_1-C_1-L_1$  and  $C_2-R_2$ .

Exact transformation from  $R_1$  into  $R_2$  occurs at the points of intersection M and N. Impedances are then conjugate or  $Z' = R' + jX'$  and  $Z'' = R'' + jX''$  with  $R' = R''$  and  $X' = -X''$ .

The only possible solution is obtained when  $X'$  and  $-X''$  are tangential to each other. For the dashed curve, representing another value of  $L_1$  or  $C_1$ , a wider frequency band could be expected at the expense of some ripple inside the band. However, this can only be reached with four reactances as will be shown in section 4.1.3.

With a three-reactance configuration, there are not enough degrees of freedom to permit  $X' = -X''$  and simultaneously obtain the same variation of frequency on both curves from M' to point N'.

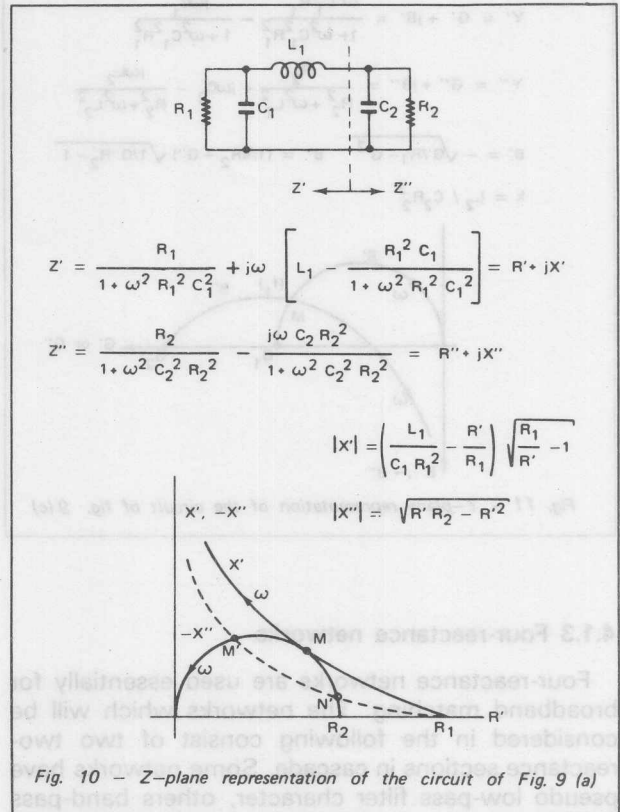


Fig. 10 - Z-plane representation of the circuit of Fig. 9 (a)

Exact transformation can, therefore, only be obtained at one frequency.

The values of the three reactances can be calculated by making  $X' = -X''$ ,  $R' = R''$  and  $\frac{dX'}{dR'} = -\frac{dX''}{dR''}$ .

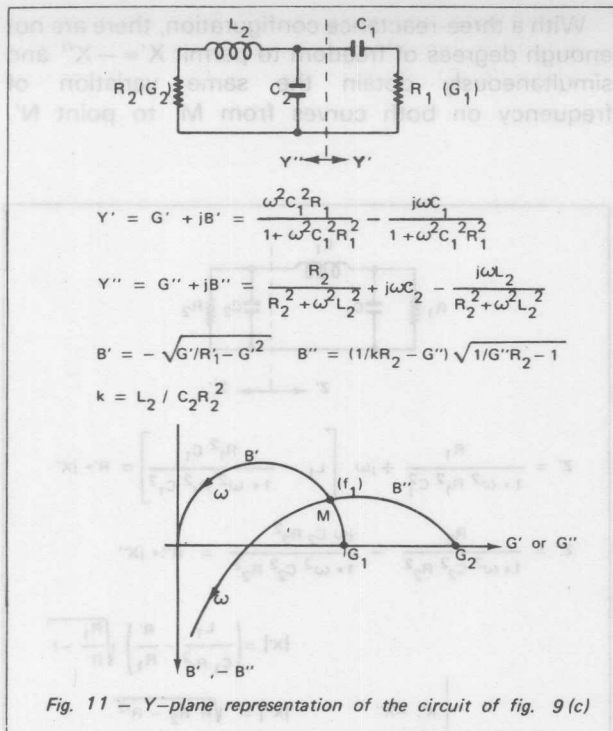
The general solution of these equations leads to complicated calculations. Therefore, computed tables should be used.

One will note on Figure 10 that the compensation reactance contributes somewhat to impedance transformation, i.e.  $R'$  varies when going from M to  $R_2$ .

The circuit of Figure 9 (b) is dual with respect to the first one and gives exactly the same results in a Y-plane representation.

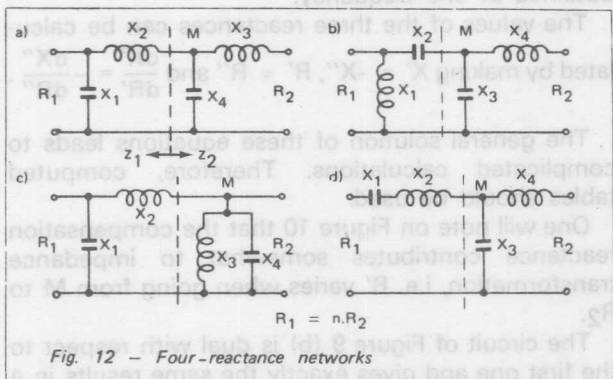
Circuit of Figure 9 (c) is somewhat different since only one intersection M exists as shown in Figure 11. Narrower frequency bands must be expected from this configuration. The widest band is obtained for  $C_1 = \infty$

Again, if one of the terminations has a reactive component, the latter can be taken as a part of the matching network, provided it is not too large (see Fig. 6).



### 4.1.3 Four-reactance networks

Four-reactance networks are used essentially for broadband matching. The networks which will be considered in the following consist of two two-reactance sections in cascade. Some networks have pseudo low-pass filter character, others band-pass filter character. In principle, the former show narrower bandwidth since they extend the impedance transformation to very low frequencies unnecessarily, while the latter insure good matching over a wide frequency band around the center frequency only (see Fig. 14).



The two-reactance sections used in above networks have either transformation properties or compensation properties. Impedance transformation is obtained with one series reactance and one shunt reactance. Compensation is made with both reactances in series or in shunt.

If two cascaded transformation networks are used, transformation is accomplished partly by each one. With four-reactance networks there are two

frequencies.  $f_1$  and  $f_2$ , at which the transformation from  $R_1$  into  $R_2$  is exact. These frequencies may also coincide.

For network (b) for instance, at point M,  $R_1$  or  $R_2$  is transformed into  $\sqrt{R_1 R_2}$  when both frequencies fall together. At all points (M),  $Z_1$  and  $Z_2$  are conjugate if the transformation is exact.

In the case of Figure 12 (b) the reactances are easily calculated for equal frequencies:

$$X_1 = \frac{R_1}{\sqrt{n-1}}, \quad X_2 = R_1 \sqrt{\frac{\sqrt{n}-1}{n}} \quad X_1 \cdot X_4 = R_1 \cdot R_2 = X_2 \cdot X_3$$

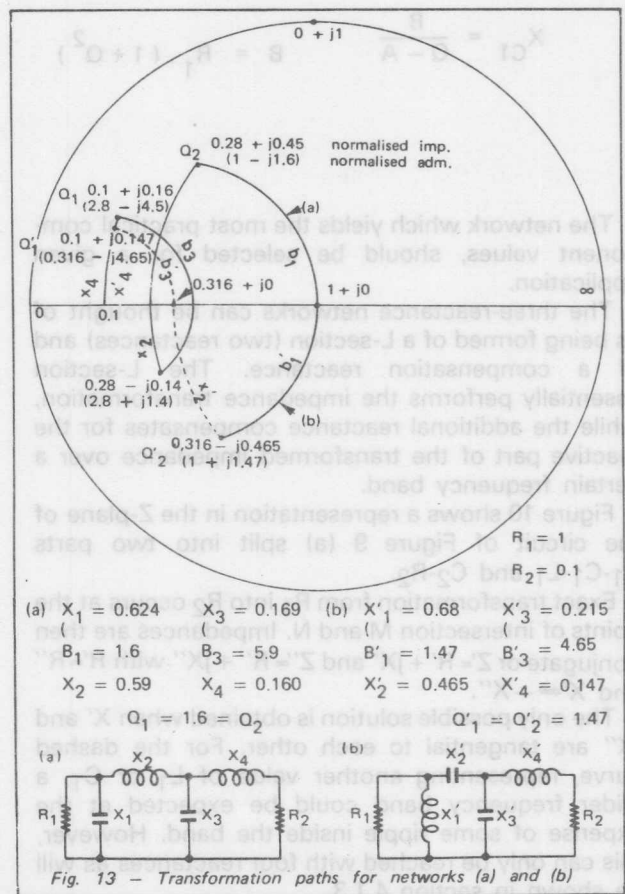
$$X_3 = \frac{R_1}{\sqrt{n(\sqrt{n}-1)}}, \quad X_4 = \frac{R_1}{n} \sqrt{\sqrt{n}-1}$$

For network (a) normally, at point (M),  $Z_1$  and  $Z_2$  are complex. This pseudo low-pass filter has been computed elsewhere (Ref. (3)). Many tables can be found in the literature for networks of four and more reactances having Tchebyscheff character or maximally-flat response (Ref. (3), (4) and (6)).

Figure 13 shows the transformation path from  $R_1$  to  $R_2$  for networks (a) and (b) on a Smith-Chart (refer also to section 4.2, Graphic Design).

Case (a) has been calculated using tables mentioned in Ref. (4).

Case (b) has been obtained from the relationship given above for  $X_1 \dots X_4$ . Both apply to a transformation ratio equal to 10 and for  $R_1 = 1$ .





There is no simple relationship for  $X'_1 \dots X'_4$  of network (b) if  $f_1$  is made different from  $f_2$  for larger bandwidth.

Figure 14 shows the respective bandwidths of network (a) and (b) for the circuits shown in Figure 13.

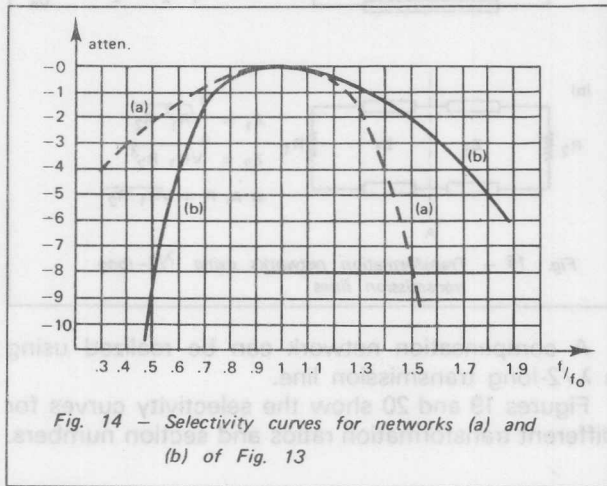


Fig. 14 - Selectivity curves for networks (a) and (b) of Fig. 13

If the terminations contain a reactive component, the computed values for  $X_1$  or  $X_4$  may be adjusted to compensate for this.

For configuration (a), it can be seen from Figure 13, that in the considered case the  $Q$ 's are equal to 1.6.

For configuration (b)  $Q'_1$ , which is equal to  $Q'_2$ , is fixed for each transformation ratio.

n	2	4	8	10	16	$Q' = \sqrt{\sqrt{n} - 1}$
$Q'_1 = Q'_2$	0.65	1	1.35	1.46	1.73	

The maximum value of reactance that the terminations may have for use in this configuration can be determined from the above values of  $Q'$ .

If  $R_1$  is the load resistance of a transistor, the internal transistor resistance may not be equal to  $R_1$ . In this case the selectivity curve will be different from the curves given in Figure 14. Figure 15 shows the selectivity for networks (a) and (b) when the source resistance  $R_1$  is infinite.

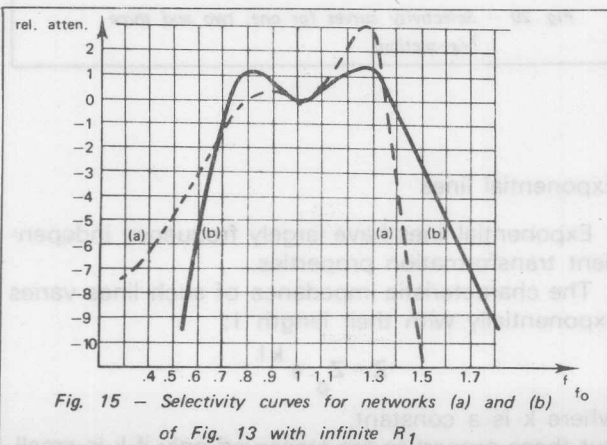


Fig. 15 - Selectivity curves for networks (a) and (b) of Fig. 13 with infinite  $R_1$

From Figure 15 it can be seen that network (a) is more sensitive to  $R_1$  changes than network (b).

As mentioned earlier, the four-reactance network can also be thought of as two cascaded two-reactance sections; one used for transformation, the other for compensation. Figure 16 shows commonly used compensation networks, together with the associated L-section.

The circuit of Figure 16 (a) can be compared to the three-reactance network shown in Figure 9 (c). The difference is that capacitor  $C_2$  of that circuit has been replaced by a L-C circuit. The resulting improvement may be seen by comparing Figure 17 with Figure 11.

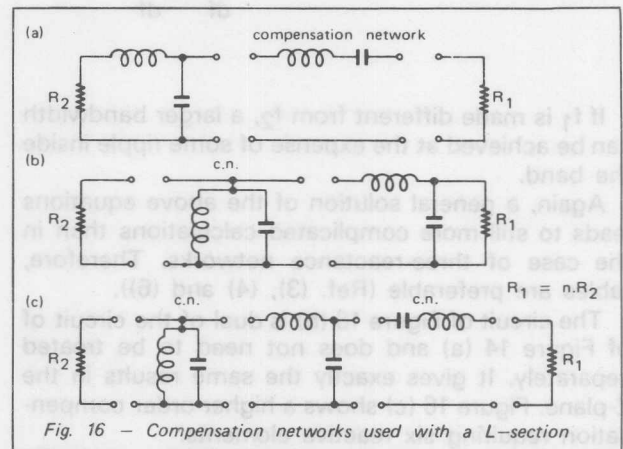


Fig. 16 - Compensation networks used with a L-section

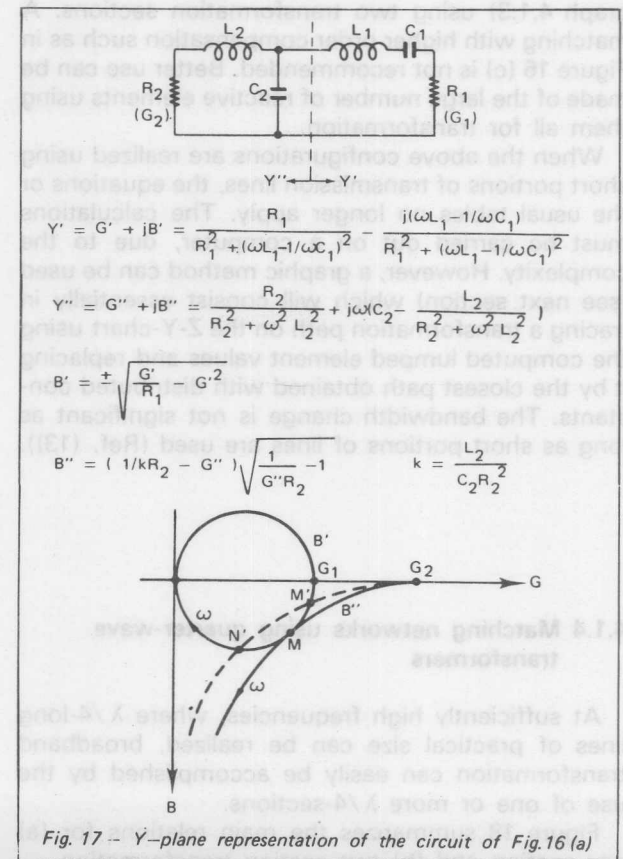


Fig. 17 - Y-plane representation of the circuit of Fig. 16 (a)

By adding one reactance, exact impedance transformation is achieved at two frequencies. It is now possible to choose component values such that the point of intersection  $M'$  occurs at the same frequency  $f_1$  on both curves and simultaneously that  $N'$  occurs at the same frequency  $f_2$  on both curves. Among the infinite number of possible intersections, only one allows to achieve this.

When  $M'$  and  $N'$  coincide in  $M$ , the new condition can be added to the condition  $X' = -X''$  (for three-reactance networks) and similarly  $R' = R''$  and  $\frac{dR'}{df} = \frac{dR''}{df}$ .

If  $f_1$  is made different from  $f_2$ , a larger bandwidth can be achieved at the expense of some ripple inside the band.

Again, a general solution of the above equations leads to still more complicated calculations than in the case of three-reactance networks. Therefore, tables are preferable (Ref. (3), (4) and (6)).

The circuit of Figure 16 (b) is dual of the circuit of Figure 14 (a) and does not need to be treated separately. It gives exactly the same results in the Z-plane. Figure 16 (c) shows a higher order compensation requiring six reactive elements.

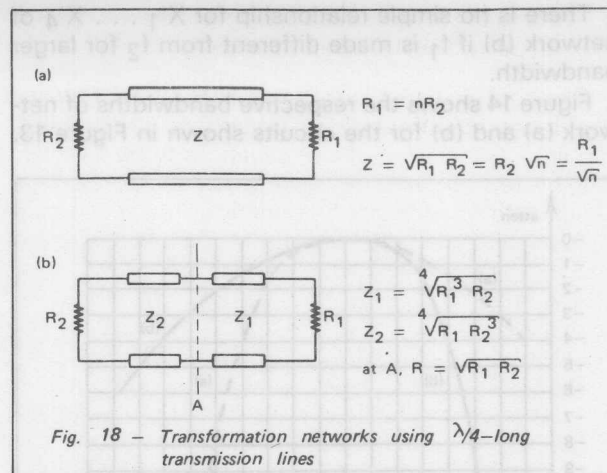
The above discussed matching networks employing compensation circuits result in narrower bandwidths than the former solutions (see paragraph 4.1.3) using two transformation sections. A matching with higher order compensation such as in Figure 16 (c) is not recommended. Better use can be made of the large number of reactive elements using them all for transformation.

When the above configurations are realized using short portions of transmission lines, the equations or the usual tables no longer apply. The calculations must be carried out on a computer, due to the complexity. However, a graphic method can be used (see next section) which will consist essentially in tracing a transformation path on the Z-Y-chart using the computed lumped element values and replacing it by the closest path obtained with distributed constants. The bandwidth change is not significant as long as short portions of lines are used (Ref. (13)).

#### 4.1.4 Matching networks using quarter-wave transformers

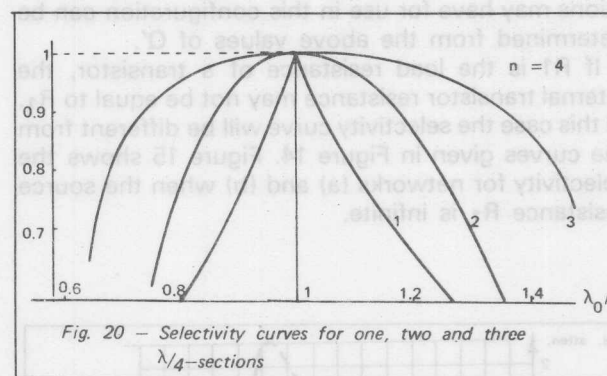
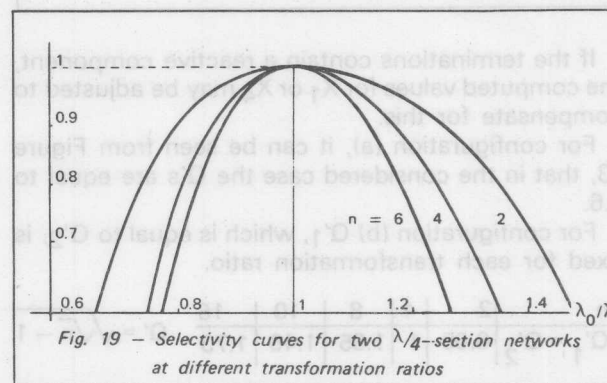
At sufficiently high frequencies, where  $\lambda/4$ -long lines of practical size can be realized, broadband transformation can easily be accomplished by the use of one or more  $\lambda/4$ -sections.

Figure 18 summarizes the main relations for (a) one-section and (b) two-section transformation.



A compensation network can be realized using a  $\lambda/2$ -long transmission line.

Figures 19 and 20 show the selectivity curves for different transformation ratios and section numbers.



#### Exponential lines

Exponential lines have largely frequency independent transformation properties.

The characteristic impedance of such lines varies exponentially with their length  $l$ :

$$Z = Z_0 \cdot e^{kl}$$

where  $k$  is a constant, but these properties are preserved only if  $k$  is small.

### 4.1.5 Broadband matching using band-pass filter type networks. High Q case.

The above circuits are applicable to devices having low input or output Q, if broadband matching is required. Generally, if the impedances to be matched can be represented for instance by a resistor R in series with an inductor L (sometimes a capacitor C) within the band of interest and if L is sufficiently low, the latter can be incorporated into the first inductor of the matching network. This is also valid if the representation consists of a shunt combination of a resistor and a reactance

Practically this is feasible for Q's around one or two. For higher Q's or for input impedances consisting of a series or parallel resonant circuit (see Fig. 2), as it appears to be for large bandwidths, a different treatment must be followed.

Let us first recall that, as shown by Bode and Fano (Ref. (7) and (8)), limitations exist on the impedance matching of a complex load. In the example of Figure 21, the load to be matched consists of a capacitor C and a resistor R in shunt.

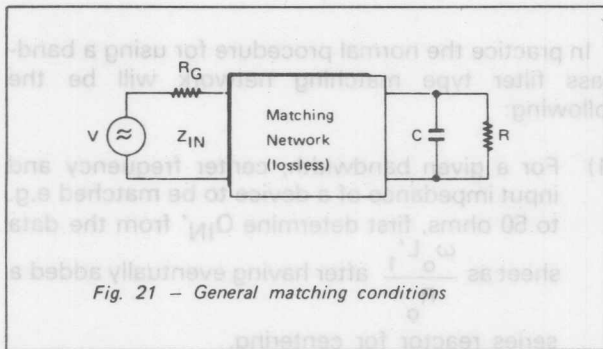


Fig. 21 - General matching conditions

The reflection coefficient between transformed load and generator is equal to:

$$\Gamma = \frac{Z_{IN} - R_g}{Z_{IN} + R_g}$$

$\Gamma = 0$ , perfect matching,

$\Gamma = 1$ , total reflection.

The ratio of reflected to incident power is:

$$\frac{P_r}{P_i} = |\Gamma|^2$$

The fundamental limitation on the matching takes the form:

$$\int_{\omega=0}^{\infty} \ln \left( \frac{1}{|\Gamma|} \right) d\omega \leq \frac{\pi}{RC} \quad \text{Bode equation}$$

and is represented in Figure 22.

The meaning of Bode equation is that the area S under the curve cannot be greater than  $\frac{\pi}{RC}$  and therefore, if matching is required over a certain bandwidth, this can only be done at the expense of less power transfer within the band. Thus, power

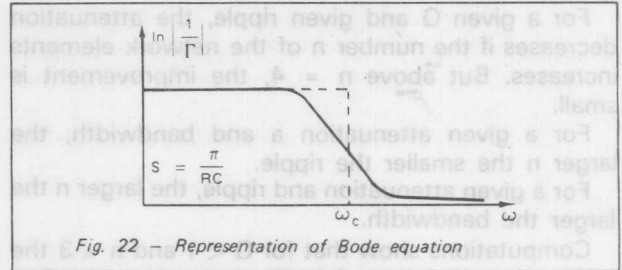


Fig. 22 - Representation of Bode equation

transfer and bandwidth appear as interchangeable quantities.

It is evident that the best utilization of the area S is obtained when  $|\Gamma|$  is kept constant over the desired band  $\omega_c$  and made equal to 1 over the rest of the spectrum. Then  $|\Gamma| = e^{-\frac{\pi}{\omega_c RC}}$  within the band and no power transfer happens outside.

A network fulfilling this requirement cannot be obtained in practice as an infinite number of reactive elements would be necessary.

If the attenuation a is plotted versus the frequency for practical cases, one may expect to have curves like the ones shown in Figure 23 for a low-pass filter having Tchebyscheff character.

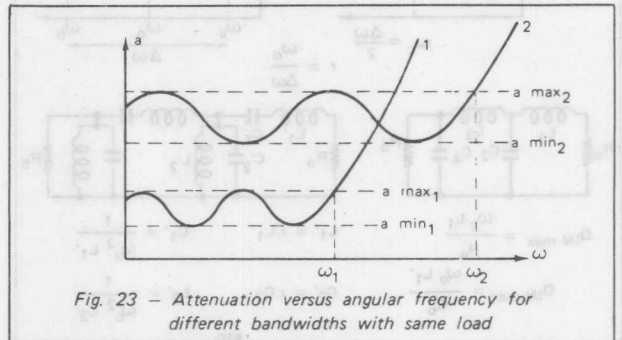


Fig. 23 - Attenuation versus angular frequency for different bandwidths with same load

For a given complex load, an extension of the bandwidth from  $\omega_1$  to  $\omega_2$  is possible only with a simultaneous increase of the attenuation a. This is especially noticeable for Q's exceeding one or two (see Figure 24).

Thus, devices having relatively high input Q's are useable for broadband operation, provided the consequent higher attenuation or reflection introduced is acceptable.

The general shape of the average insertion losses or attenuation a (neglecting the ripple) of a low-pass impedance matching network is represented in Figure 24 as a function of  $1/Q$  for different numbers of network elements n (ref. (3)).

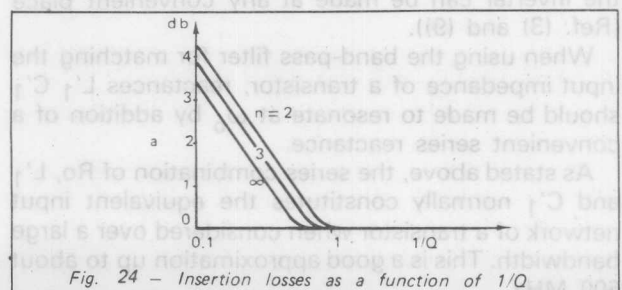


Fig. 24 - Insertion losses as a function of 1/Q

For a given  $Q$  and given ripple, the attenuation decreases if the number  $n$  of the network elements increases. But above  $n = 4$ , the improvement is small.

For a given attenuation  $a$  and bandwidth, the larger  $n$  the smaller the ripple.

For a given attenuation and ripple, the larger  $n$  the larger the bandwidth.

Computations show that for  $Q < 1$  and  $n \leq 3$  the attenuation is below 0.1 db approximately. The impedance transformation ratio is not free here. The network is a true low-pass filter. For a given load, the optimum generator impedance will result from the computation.

Before impedance transformation is introduced, a conversion of the low-pass prototype into a band-pass filter type network must be made. Figure 25 summarizes the main relations for this conversion.

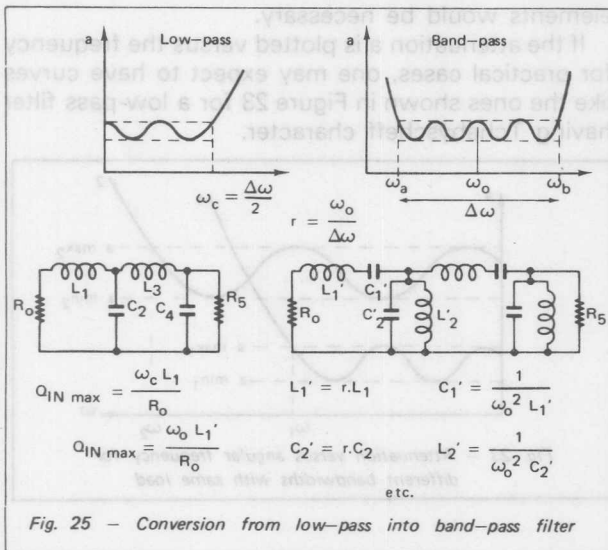


Fig. 25 - Conversion from low-pass into band-pass filter

$r$  is the conversion factor.

For the band-pass filter,  $Q_{IN \max}$  or the maximum possible input  $Q$  of a device to be matched, has been increased by the factor  $r$  (from Figure 25,  $Q'_{IN \max} = r \cdot Q_{IN \max}$ ).

Impedance inverters will be used for impedance transformation. These networks are suitable for insertion into a band-pass filter without affecting the transmission characteristics.

Figure 26 shows four impedance inverters. It will be noticed that one of the reactances is negative and must be combined in the band-pass network with a reactance of at least equal positive value. Insertion of the inverter can be made at any convenient place (Ref. (3) and (9)).

When using the band-pass filter for matching the input impedance of a transistor, reactances  $L'_1 C'_1$  should be made to resonate at  $\omega_o$  by addition of a convenient series reactance.

As stated above, the series combination of  $R_o, L'_1$  and  $C'_1$  normally constitutes the equivalent input network of a transistor when considered over a large bandwidth. This is a good approximation up to about 500 MHz.

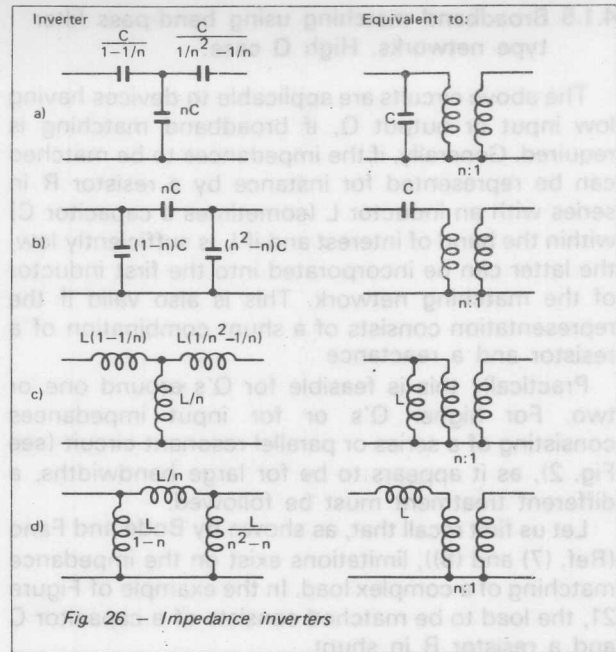


Fig. 26 - Impedance inverters

In practice the normal procedure for using a band-pass filter type matching network will be the following:

- (1) For a given bandwidth, center frequency and input impedance of a device to be matched e.g. to 50 ohms, first determine  $Q_{IN}'$  from the data sheet as  $\frac{\omega_o L'}{R_o}$  after having eventually added a series reactor for centering,
- (2) Convert the equivalent circuit  $R_o L'_1 C'_1$  into a low-pass prototype  $R_o L_1$  and calculate  $Q_{IN}$  using the formulas of Figure 25,
- (3) Determine the other reactance values from tables (Ref. (3)) for the desired bandwidth,
- (4) Convert the element values found by step (3) into series or parallel resonant circuit parameters,
- (5) Insert the impedance inverter in any convenient place.

In the above discussions, the gain roll-off has not been taken into account. This is of normal use for moderate bandwidths (30% for ex.). However, several methods can be employed to obtain a constant gain within the band despite the intrinsic gain decrease of a transistor with frequency.

Tables have been computed elsewhere (Ref. (10)) for matching networks approximating 6 db/octave attenuation versus frequency.

Another method consists in using the above mentioned network and then to add a compensation circuit as shown for example in Figure 27.

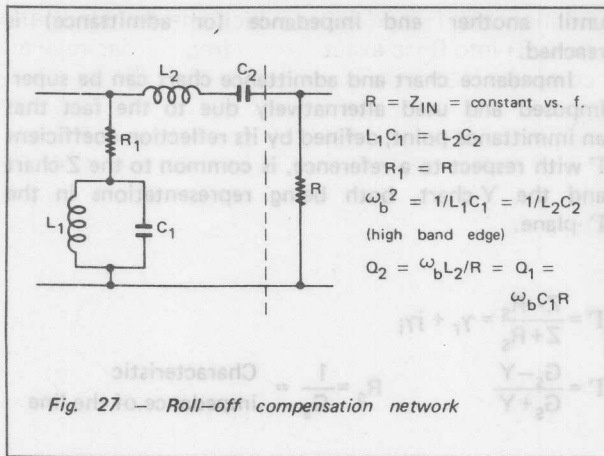


Fig. 27 - Roll-off compensation network

Resonance  $\omega_b$  is placed at the high edge of the frequency band. Choosing Q correctly, roll-off can be made 6 db/octave.

The response of the circuit shown in Figure 27 is expressed by:

$$\frac{1}{1 + Q^2 \left( \frac{\omega}{\omega_b} - \frac{\omega_b}{\omega} \right)^2}$$

where  $\omega < \omega_b$

This must be equal to  $\frac{\omega}{\omega_b}$  for 6db/octave compensation.

At the other band edge a, exact compensation can be obtained if:

$$Q = \frac{\left( \frac{\omega_b}{\omega_a} \right)^2 - 1}{\frac{\omega_a}{\omega_b} - \left( \frac{\omega_b}{\omega_a} \right)^2}$$

#### 4.1.6 Line Transformers

The broadband properties of line transformers make them very useful in the design of broadband impedance matching networks (Ref. (11) and (12)).

A very common form is shown by Figure 28. This is a 4:1 impedance transformer. Other transformation ratios like 9 : 1 or 16 : 1 are also often used but will not be considered here.

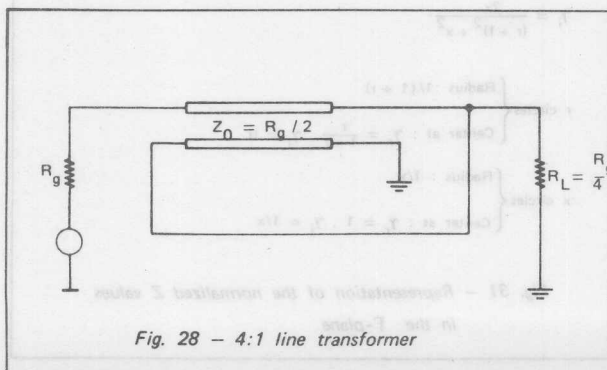


Fig. 28 - 4:1 line transformer

The high frequency cut-off is determined by the length of line which is usually chosen smaller than  $\lambda \text{ min}/8$ . Short lines extend the high frequency performance.

The low frequency cut-off is determined first by the length of line, long lines extending the low frequency performance of the transformer. Low frequency cut-off is also improved by a high even mode impedance, which can be achieved by the use of ferrite material. With matched ends, no power is coupled through the ferrite which cannot saturate.

For matched impedances, the high frequency attenuation a of the 4 : 1 transformer is given by:

$$a = \frac{(1 + 3 \cos 2\pi l/\lambda)^2 + 4 \sin^2 2\pi l/\lambda}{4(1 + \cos 2\pi l/\lambda)^2}$$

For  $l = \lambda/4$ ,  $a = 1.25$  or 1 db ; for  $l = \lambda/2$ ,  $a = \infty$ .

The characteristic impedance of the line transformer must be equal to:

$$Z_0 = \sqrt{R_g R_L}$$

Figures 29 and 30 show two different realizations of 4 : 1 transformers for a 50 to 12.5 ohm-transformation designed for the band 118-136 MHz.

The transformers are made of two printed circuit boards or two ribbons stuck together and connected as shown in Figures 29 and 30.

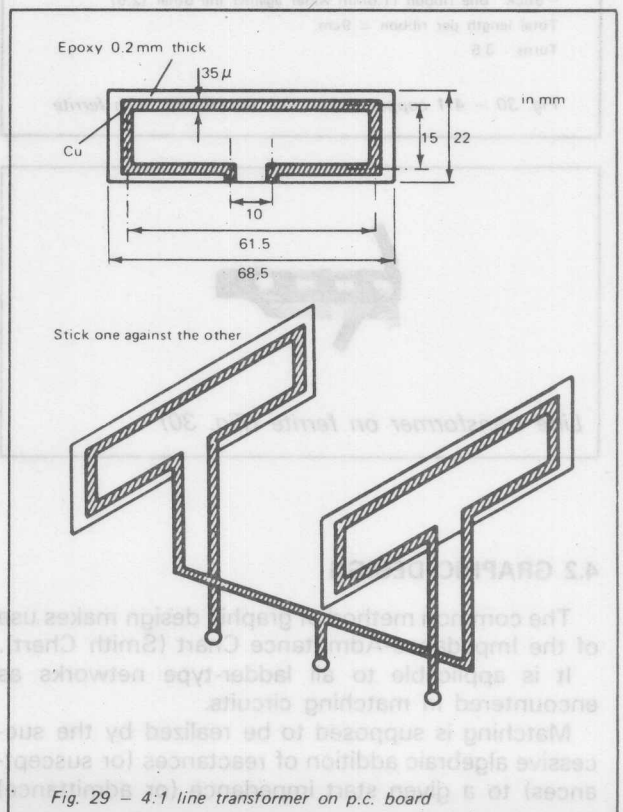
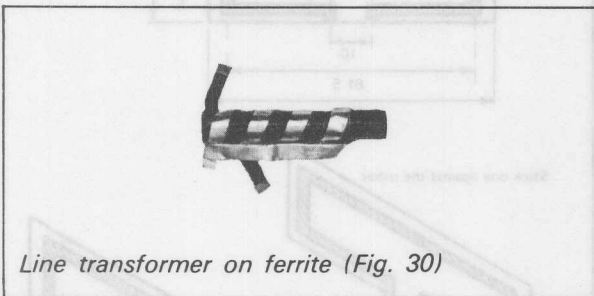
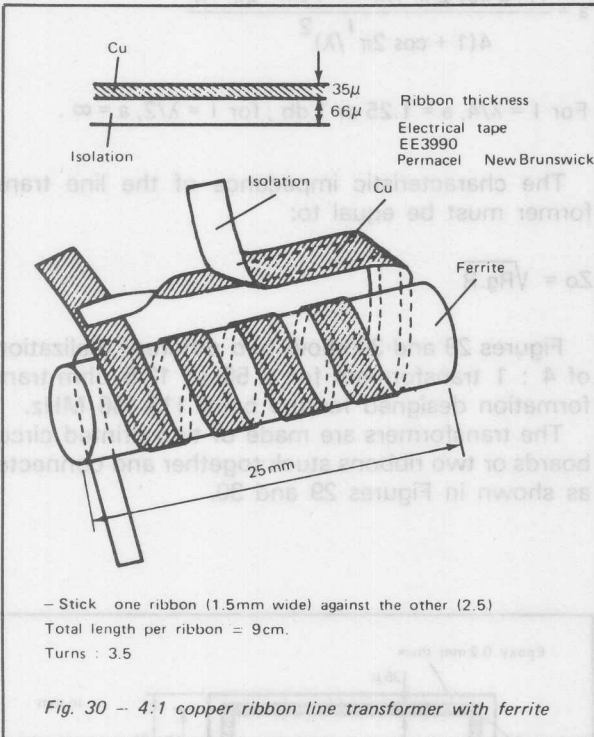
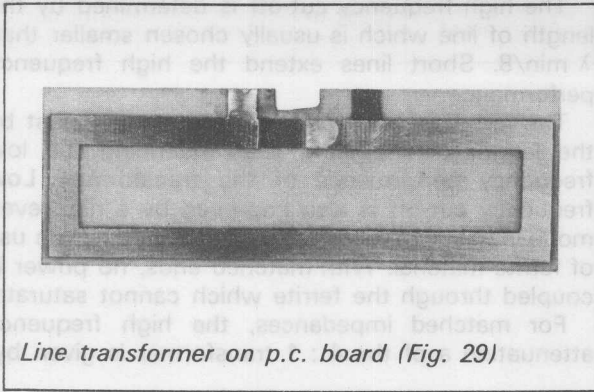


Fig. 29 - 4:1 line transformer on p.c. board



**4.2 GRAPHIC DESIGN**

The common method of graphic design makes use of the Impedance-Admittance Chart (Smith Chart). It is applicable to all ladder-type networks as encountered in matching circuits. Matching is supposed to be realized by the successive algebraic addition of reactances (or susceptances) to a given start impedance (or admittance)

until another end impedance (or admittance) is reached.

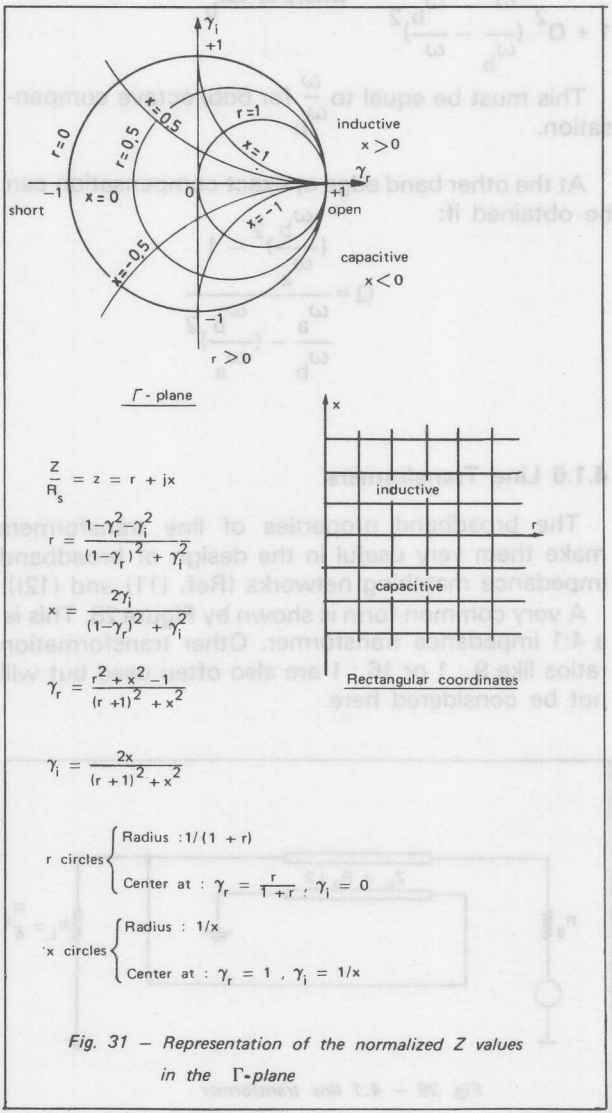
Impedance chart and admittance chart can be superimposed and used alternatively due to the fact that an immittance point, defined by its reflection coefficient  $\Gamma$  with respect to a reference, is common to the Z-chart and the Y-chart, both being representations in the  $\Gamma$ -plane.

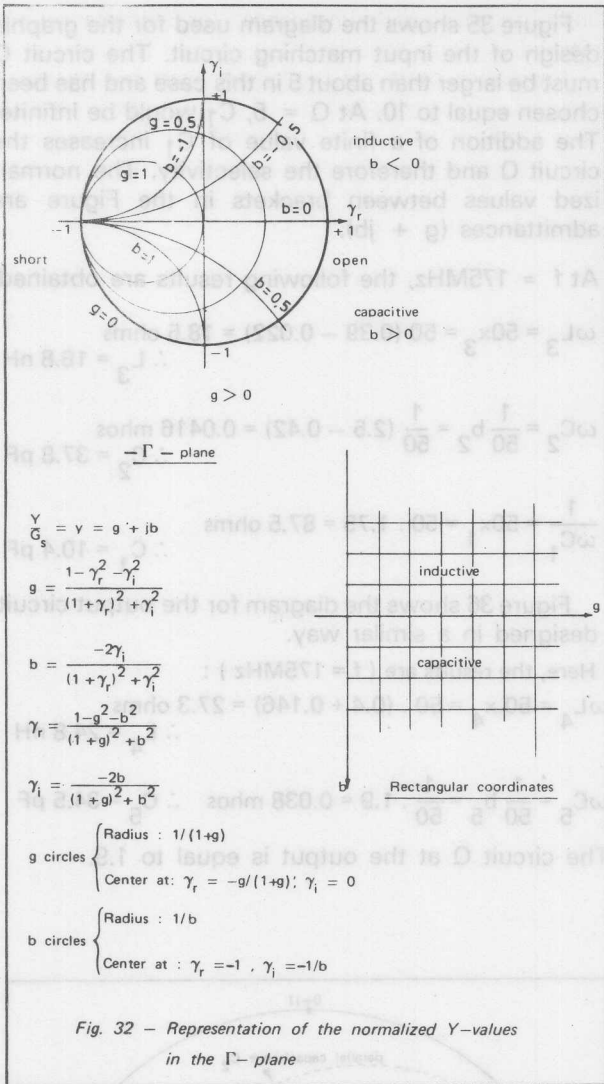
$$\Gamma = \frac{Z - R_s}{Z + R_s} = \gamma_r + j\gamma_i$$

$$\Gamma = \frac{G_s - Y}{G_s + Y} \quad R_s = \frac{1}{G_s} = \text{Characteristic impedance of the line}$$

More precisely, the Z-chart is a plot in the  $\Gamma$ -plane, while the Y-chart is a plot in the  $-\Gamma$ -plane. The change from the  $\Gamma$  to  $-\Gamma$ -plane is accounted for in the construction rules given below.

Figure 31 and 32 show the representation of normalized Z and Y respectively, in the  $\Gamma$ -plane.





The Z-chart is used for the algebraic addition of series reactances. The Y-chart is used for the algebraic addition of shunt reactances.

For the practical use of the charts, it is convenient to make the design on transparent paper and then place it on a usual Smith-chart of impedance type (for example). For the addition of a series reactor, the chart will be placed with "short" to the left. For the addition of a shunt reactor, it will be rotated by 180° with "short" (always in terms of impedance) to the right.

The following design rules apply. They can very easily be found by thinking of the more familiar Z and Y representation in rectangular coordinates.

For joining two impedance points, there are a infinity of solutions. Therefore, one must first decide on the number of reactances that will constitute the matching network. This number is related essentially to the desired bandwidth and the transformation ratio.

Addition of	Chart to be used	Direction	Using curve of constant
series R	Z	open (in terms of admittance)	x
series G	Y	short (in terms of admittance)	b
series C (+ $\frac{1}{j\omega C}$ )	Z	ccw	r
shunt C (+ $j\omega C$ )	Y	cw	g
series L (+ $j\omega L$ )	Z	cw	r
shunt L (+ $\frac{1}{j\omega L}$ )	Y	ccw	g

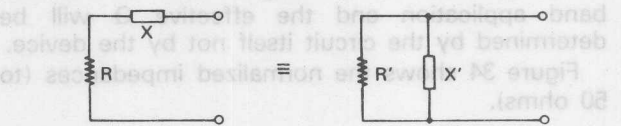
Secondly, one must choose the operating Q of the circuit, which is also related to the bandwidth. Q can be defined at each circuit node as the ratio of the reactive part to the real part of the impedance at that node. The Q of the circuit, which is normally referred to, is the highest value found along the path.

Constant Q curves can be superimposed to the charts and used in conjunction with them. In the  $\Gamma$ -plane, Q-curves are circles with a radius equal to  $\sqrt{1 + \frac{1}{Q^2}}$  and a center at the point  $\pm \frac{1}{Q}$  on the imaginary axis, which is expressed by:

$$Q = \frac{x}{r} = \frac{2\gamma_i}{1 - \gamma_r^2 - \gamma_i^2} \quad \gamma_r^2 + (\gamma_i + \frac{1}{Q})^2 = 1 + \frac{1}{Q^2}$$

The use of the charts will be illustrated with the help of an example.

The following series shunt conversion rules also apply:



$$R = \frac{R'}{1 + \frac{R}{X'^2}} \quad G' = \frac{1}{R'} = \frac{R}{R^2 + X^2}$$

$$X = \frac{X'}{1 + \frac{X'}{R^2}} \quad -B' = \frac{1}{X'} = \frac{X}{R^2 + X^2}$$

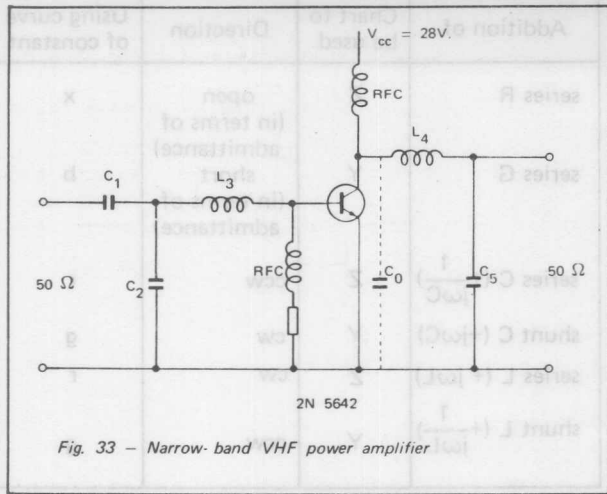


Fig. 33 - Narrow-band VHF power amplifier

Figure 33 shows the schematic of an amplifier using the 2N5642 RF power transistor. Matching has to be achieved at 175 MHz, on a narrow band basis.

The rated output power for the device in question is 20 W at 175 MHz and 28 V collector supply. The input impedance at these conditions is equal to 2.6 ohms in parallel with -200 pF (see data Sheet). This converts to a resistance of 1.94 ohms in series with a reactance of 1.1 ohm.

The collector load must be equal to:

$$\frac{[V_{cc} - V_{ce(sat)}]^2}{2 \times P_{out}} \text{ or } \frac{(28 - 3)^2}{40} = 15.6 \text{ ohms.}$$

The collector capacitance given by the data sheet is 40 pF, corresponding to a capacitive reactance of 22.7 ohms.

The output impedance seen by the collector to insure the required output power and cancel out the collector capacitance must be equal to a resistance of 15.6 ohms in parallel with an inductance of 22.7 ohms. This is equivalent to a resistance of 10.6 ohms in series with an inductance of 7.3 ohms.

The input Q is equal to, 1.1/1.94 or 0.57 while the output Q is 7.3/10.6 or 0.69.

It is seen that around this frequency, the device has good broadband capabilities. Nevertheless, the matching circuit will be designed here for a narrow band application and the effective Q will be determined by the circuit itself not by the device.

Figure 34 shows the normalized impedances (to 50 ohms).

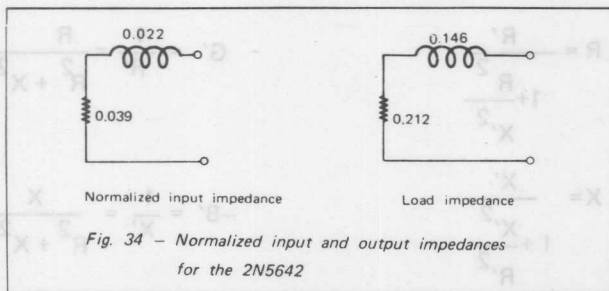


Fig. 34 - Normalized input and output impedances for the 2N5642

Figure 35 shows the diagram used for the graphic design of the input matching circuit. The circuit Q must be larger than about 5 in this case and has been chosen equal to 10. At Q = 5, C<sub>1</sub> would be infinite. The addition of a finite value of C<sub>1</sub> increases the circuit Q and therefore the selectivity. The normalized values between brackets in the Figure are admittances (g + jb).

At f = 175MHz, the following results are obtained:

$$\omega L_3 = 50x_3 = 50 (0.39 - 0.022) = 18.5 \text{ ohms} \quad \therefore L_3 = 16.8 \text{ nH}$$

$$\omega C_2 = \frac{1}{50} b_2 = \frac{1}{50} (2.5 - 0.42) = 0.0416 \text{ mhos} \quad \therefore C_2 = 37.8 \text{ pF}$$

$$\frac{1}{\omega C_1} = 50x_1 = 50 \cdot 1.75 = 87.5 \text{ ohms} \quad \therefore C_1 = 10.4 \text{ pF}$$

Figure 36 shows the diagram for the output circuit, designed in a similar way.

Here, the results are (f = 175MHz) :

$$\omega L_4 = 50 \cdot x_4 = 50 \cdot (0.4 + 0.146) = 27.3 \text{ ohms} \quad \therefore L_4 = 24.8 \text{ nH}$$

$$\omega C_5 = \frac{1}{50} b_5 = \frac{1}{50} \cdot 1.9 = 0.038 \text{ mhos} \quad \therefore C_5 = 34.5 \text{ pF}$$

The circuit Q at the output is equal to 1.9.

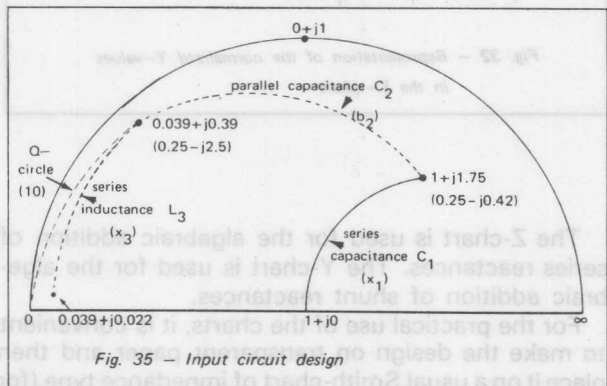


Fig. 35 - Input circuit design

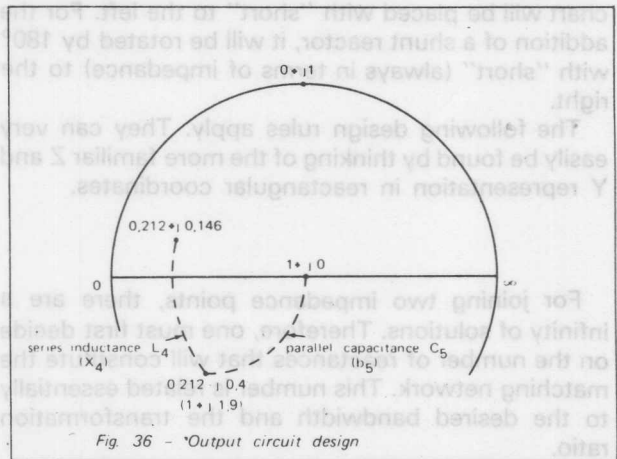


Fig. 36 - Output circuit design



The selectivity of a matching circuit can also be determined graphically by changing the x or b values according to a chosen frequency change. The diagram will give the VSWR and the attenuation can be computed.

The graphic method is also useful for conversion from a lumped circuit design into a stripline design. The immittance circles will now have their centres on the  $1 + j0$  point.

At low impedance levels (large circles), the difference between lumped and distributed elements is small.

## 5. PRACTICAL EXAMPLE

The example shown refers to a broadband amplifier stage using a 2N 6083 for operation in the VHF-band 118-136 MHz. The 2N 6083 is a 12.5 V-device and, since amplitude modulation is used at these transmission frequencies, that choice supposes low level modulation associated with a feedback system for distortion compensation.

Line transformers will be used at the input and output. Therefore the matching circuits will reduce to two-reactance networks, due to the relatively low impedance transformation ratio required.

### 5.1 DEVICE CHARACTERISTICS

Input impedance of the 2N 6083 at 125 MHz:

$$R_p = 0.9 \text{ ohms}$$

$$C_p = -390 \text{ pF}$$

Rated output power:

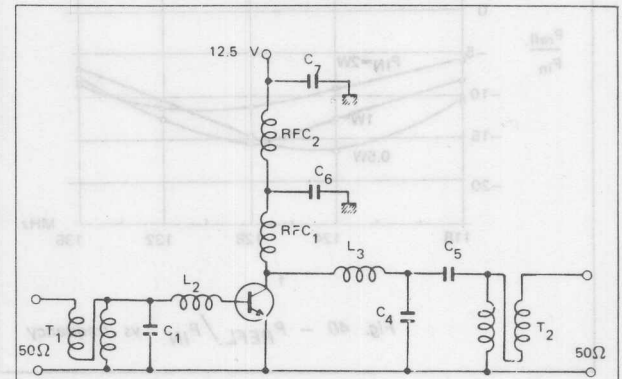
30W for 8W input at 175MHz. From the data sheet it appears that at 125MHz, 30W output will be achieved with about 4W input.

Output impedance:

$$\frac{[V_{cc} - V_{ce(sat)}]^2}{2 \times P_{out}} = \frac{100}{60} = 1.67 \text{ ohms}$$

$$C_{out} = 180 \text{ pF at } 125 \text{ MHz}$$

### 5.2 CIRCUIT SCHEMATIC



- $C_1 = 300 \text{ pF}$  (chip)
- $L_2 = 4.2 \text{ nH}$  (adjust)
- $L_3 = 8 \text{ nH}$  (adjust)
- $C_4 = 130 \text{ pF}$  (chip)
- $C_5 = 750 \text{ pF}$  (chip)
- $C_6 = 2.2 \text{ }\mu\text{F}$
- $T_1, T_2$  see Figure 30
- $RFC_1 = 7$  turns  
6.3 mm coil diameter  
0.8 mm wire diameter
- $RFC_2 = 3$  turns on ferrite bead
- $C_7 = 0.68 \text{ }\mu\text{F}$

Fig. 37 - Circuit schematic

### 5.3 TEST RESULTS

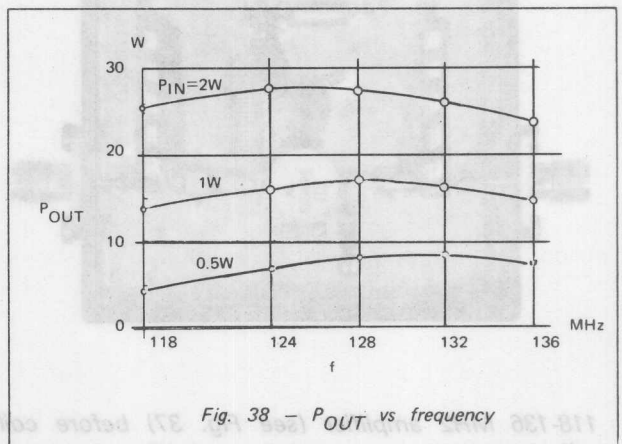


Fig. 38 -  $P_{OUT}$  vs frequency

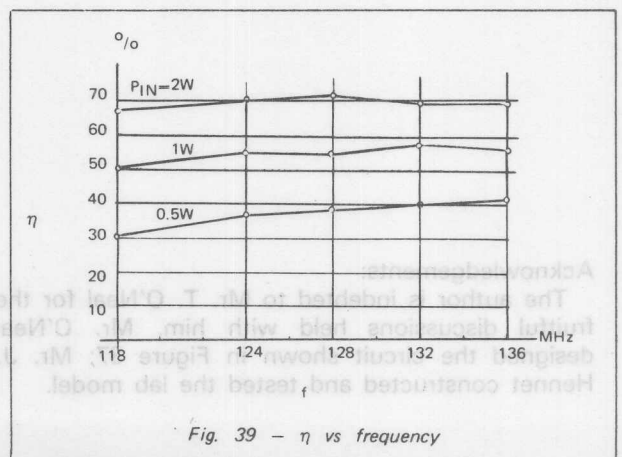
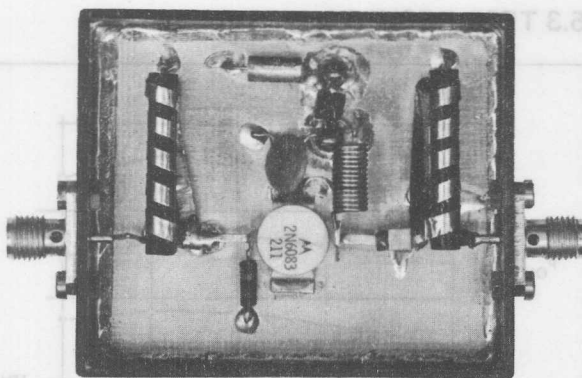
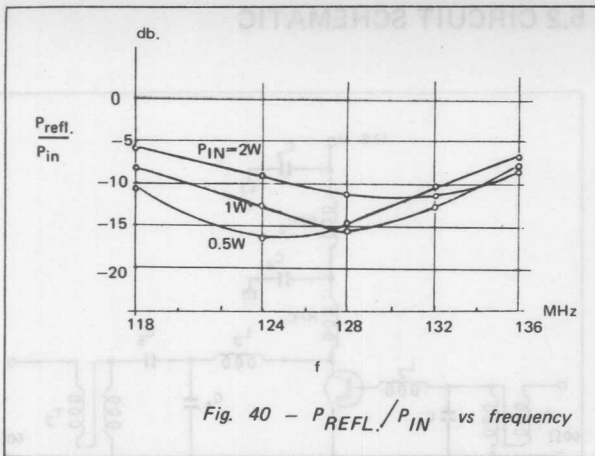


Fig. 39 -  $\eta$  vs frequency



118-136 MHz amplifier (see Fig. 37) before coil adjustment.

#### Acknowledgements:

The author is indebted to Mr. T. O'Neal for the fruitful discussions held with him. Mr. O'Neal designed the circuit shown in Figure 37; Mr. J. Hennet constructed and tested the lab model.

## 6. LITERATURE

1. Motorola Application Note AN-282 A "Systemizing RF Power Amplifier Design"
2. W. E. Everitt and G. E. Anner "Communication Engineering" McGraw-Hill Book Company, Inc.
3. G. L. Matthaei, L. Young, E. M. T. Jones "Microwave Filters, Impedance-Matching Networks and Coupling Structures" McGraw-Hill Book Company, Inc.
4. G. L. Matthaei "Tables of Chebyshev Impedance-Transforming Networks of Low-Pass Filter Form" Proc. IEEE, August 1964
5. Motorola Application Note AN-267 "Matching Network Designs with Computer Solutions"
6. E. G. Cristal "Tables of Maximally Flat Impedance-Transforming Networks of Low-Pass-Filter Form" IEEE Transactions on Microwave Theory and Techniques Vol. MTT 13, No 5, September 1965 Correspondence
7. H. W. Bode "Network Analysis and Feedback Amplifier Design" D. Van Nostrand Co., N.Y.
8. R. M. Fano "Theoretical limitations on the Broadband Matching of Arbitrary Impedances" Journal of Franklin Institute, January-February 1950
9. J. H. Horwitz "Design Wideband UHF-Power Amplifiers" Electronic Design 11, May 24, 1969
10. O. Pitzalis, R. A. Gilson "Tables of Impedance Matching Networks which Approximate Prescribed Attenuation Versus Frequency Slopes" IEEE Transactions on Microwave Theory and Techniques Vol. MTT-19, No 4, April 1971
11. C. L. Ruthroff "Some Broadband Transformers" Proc. IRE, August 1959
12. H. H. Meinke "Theorie der H. F. Schaltungen" München, Oldenburg 1951