

**PHILIPS**

Data handbook



Electronic  
components  
and materials

# Integrated circuits

Part 1

May

1980

Bipolar ICs for radio and audio equipment

# INTEGRATED CIRCUITS

PART 1 - MAY 1980

## BIPOLAR ICs FOR RADIO AND AUDIO EQUIPMENT

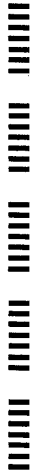
FUNCTIONAL AND NUMERICAL INDEX  
MAINTENANCE TYPE LIST

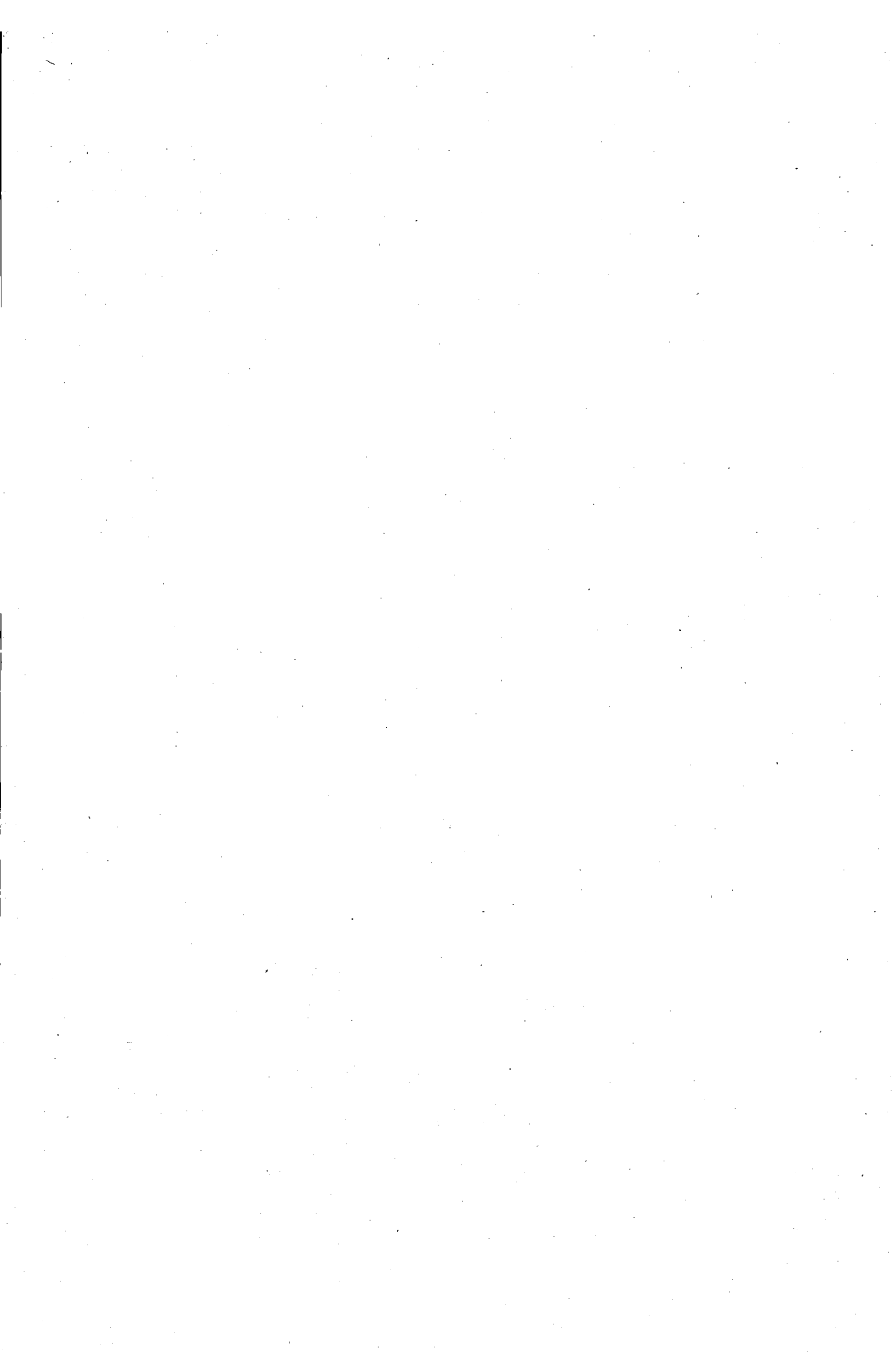
GENERAL

PACKAGE OUTLINES

INTRODUCTION

DEVICE DATA





## DATA HANDBOOK SYSTEM

Our Data Handbook System is a comprehensive source of information on electronic components, sub-assemblies and materials; it is made up of four series of handbooks each comprising several parts.

ELECTRON TUBES	BLUE
SEMICONDUCTORS	RED
INTEGRATED CIRCUITS	PURPLE
COMPONENTS AND MATERIALS	GREEN

The several parts contain all pertinent data available at the time of publication, and each is revised and reissued periodically.

Where ratings or specifications differ from those published in the preceding edition they are pointed out by arrows. Where application information is given it is advisory and does not form part of the product specification.

If you need confirmation that the published data about any of our products are the latest available, please contact our representative. He is at your service and will be glad to answer your inquiries.

---

This information is furnished for guidance, and with no guarantee as to its accuracy or completeness; its publication conveys no licence under any patent or other right, nor does the publisher assume liability for any consequence of its use; specifications and availability of goods mentioned in it are subject to change without notice; it is not to be reproduced in any way, in whole or in part without the written consent of the publisher.

---

## ELECTRON TUBES (BLUE SERIES)

Starting in 1980, new part numbers and corresponding codes are being introduced. The former code of the preceding issue is given in brackets under the new code.

Part 1	February 1980	T1 02-80 (ET1a 12-75)	Tubes for r.f. heating
Part 2	April 1980	T2 04-80 (ET1b 08-77)	Transmitting tubes for communications
Part 2a	November 1977	ET2a 11-77	<b>Microwave tubes</b> Communication magnetrons, magnetrons for microwave heating, klystrons, travelling-wave tubes, diodes, triodes T-R switches
Part 2b	May 1978	ET2b 05-78	<b>Microwave semiconductors and components</b> Gunn, Impatt and noise diodes, mixer and detector diodes, backward diodes, varactor diodes, Gunn oscillators, sub-assemblies, circulators and isolators
Part 3	January 1975	ET3 01-75	<b>Special Quality tubes, miscellaneous devices</b>
Part 5a	October 1979	ET5a 10-79	<b>Cathode-ray tubes</b> Instrument tubes, monitor and display tubes, C.R. tubes for special applications
Part 5b	December 1978	ET5b 12-78	<b>Camera tubes and accessories, image intensifiers</b>
Part 6	January 1977	ET6 01-77	<b>Products for nuclear technology</b> Channel electron multipliers, neutron tubes, Geiger-Müller tubes
Part 7a	March 1977	ET7a 03-77	<b>Gas-filled tubes</b> Thyratrons, industrial rectifying tubes, ignitrons, high-voltage rectifying tubes
Part 7b	May 1979	ET7b 05-79	<b>Gas-filled tubes</b> Segment indicator tubes, indicator tubes, switching diodes, dry reed contact units
Part 8	July 1979	ET8 07-79	<b>Picture tubes and components</b> Colour TV picture tubes, black and white TV picture tubes, monitor tubes, components for colour television, components for black and white television
Part 9	March 1978	ET9 03-78	<b>Photomultiplier tubes; phototubes</b>

## SEMICONDUCTORS (RED SERIES)

Starting in 1980, new part numbers and corresponding codes are being introduced. The former code of the preceding issue is given in brackets under the new code.

Part 1	March 1980	S1 03-80 (SC1b 05-77)	Diodes Small-signal germanium diodes, small-signal silicon diodes, special diodes, voltage regulator diodes (< 1,5 W), voltage reference diodes, tuner diodes, rectifier diodes
Part 2	May 1980	S2 05-80 (SC1a 08-78)	Power diodes, thyristors, triacs Rectifier diodes, voltage regulator diodes (> 1,5 W), rectifier stacks, thyristors, triacs
Part 2	June 1979	SC2 06-79	Low-frequency power transistors
Part 3	January 1978	SC3 01-78	High-frequency, switching and field-effect transistors *
Part 3	April 1980	S3 04-80 (SC2 11-77, partly) (SC3 01-78, partly)	Small-signal transistors
Part 4a	December 1978	SC4a 12-78	Transmitting transistors and modules
Part 4b	September 1978	SC4b 09-78	Devices for optoelectronics Photosensitive diodes and transistors, light-emitting diodes, photocouplers, infrared sensitive devices, photoconductive devices
Part 4c	July 1978	SC4c 07-78	Discrete semiconductors for hybrid thick and thin-film circuits

\* Field-effect transistors and wideband transistors will be transferred to S5 and SC3c respectively. The old book SC3 01-78 should be kept until then.

## INTEGRATED CIRCUITS (PURPLE SERIES)

Starting in 1980, new part numbers and corresponding codes are being introduced. The former code of the preceding issue is given in brackets under the new code. Books with the purple cover will replace existing red covered editions as each is revised.

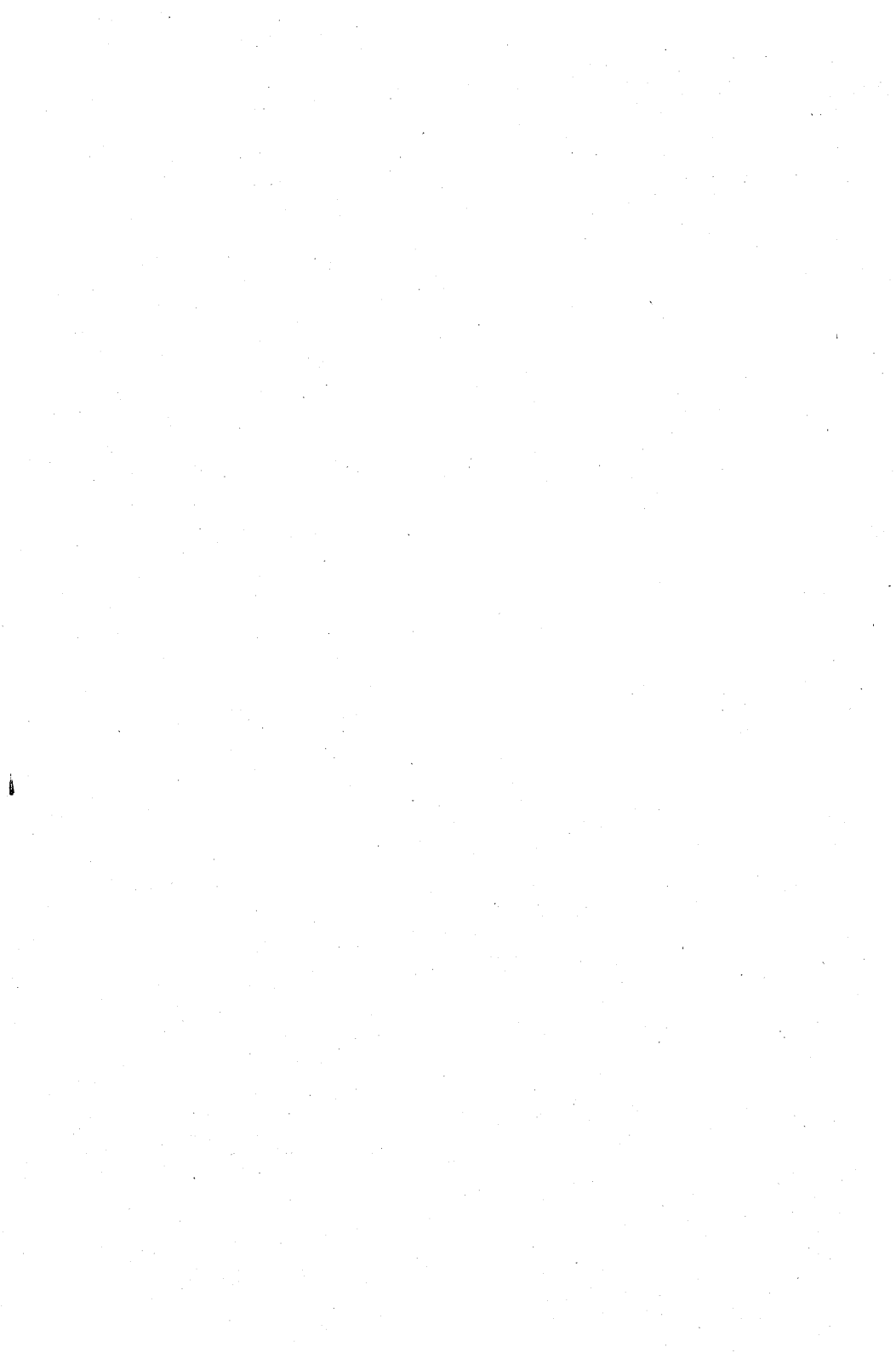
<b>Part 1</b>	<b>May 1980</b>	<b>IC1 04-80</b>	<b>Bipolar ICs for radio and audio equipment</b>
		<b>(SC5b 03-77)</b>	
<b>Part 2</b>	<b>May 1980</b>	<b>IC2 04-80</b>	<b>Bipolar ICs for video equipment</b>
		<b>(SC5b 03-77)</b>	
<b>Part 5a</b>	<b>November 1976</b>	<b>SC5a 11-76</b>	<b>Professional analogue integrated circuits</b>
<b>Part 6</b>	<b>October 1977</b>	<b>SC6 10-77</b>	<b>Digital integrated circuits</b> <b>LOCOS HE4000B family</b>
<b>Part 6b</b>	<b>August 1979</b>	<b>SC6b 08-79</b>	<b>ICs for digital systems in radio and television receivers</b>
<b>Signetics integrated circuits</b>			<b>Bipolar and MOS memories 1979</b> <b>Bipolar and MOS microprocessors 1978</b> <b>Analogue circuits 1979</b> <b>Logic - TTL 1978</b>

## COMPONENTS AND MATERIALS (GREEN SERIES)

Starting in 1980, new part numbers and corresponding codes are being introduced. The former code of the preceding issue is given in brackets under the new code.

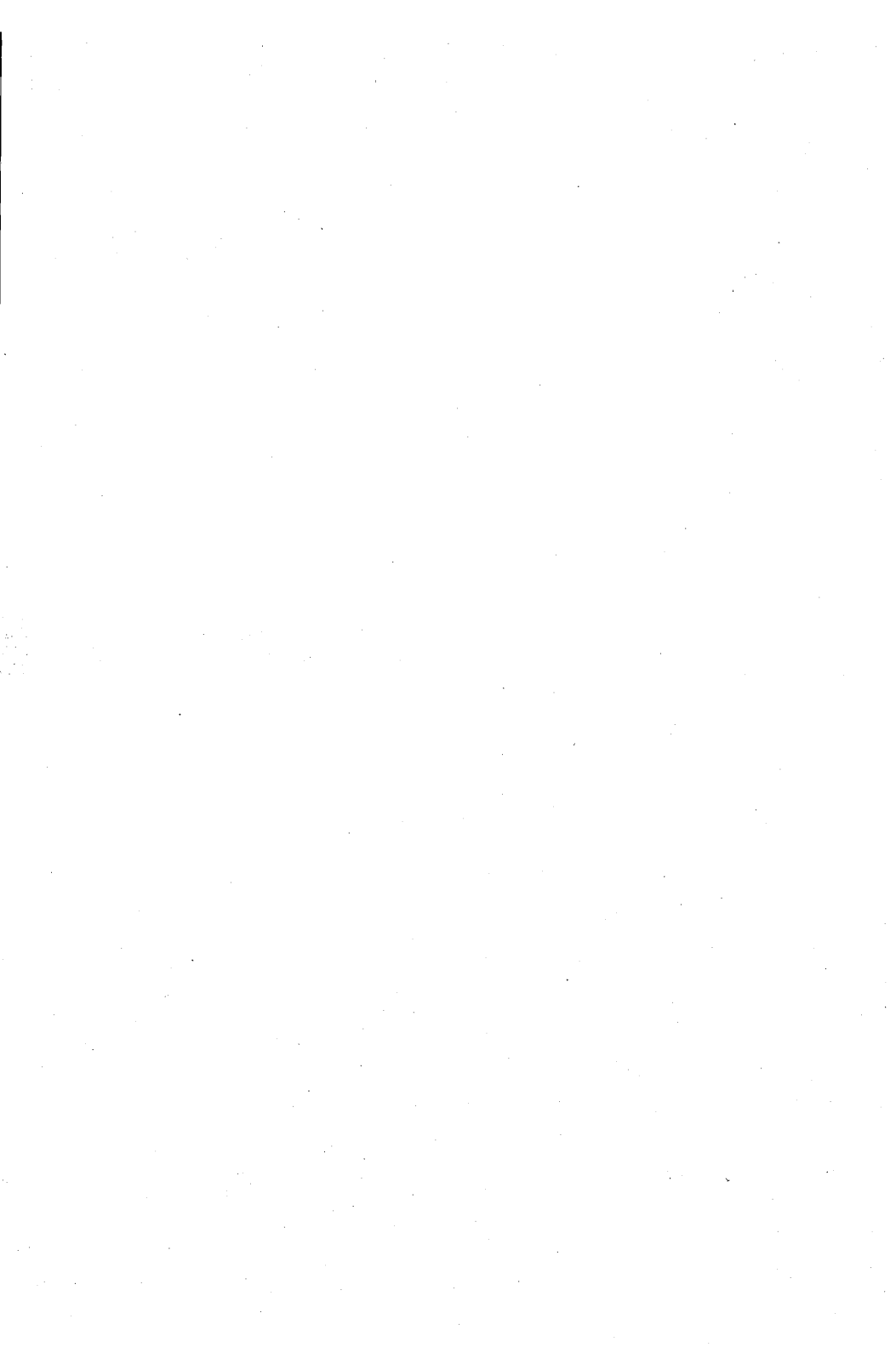
Part 1	July 1979	CM1 07-79	<b>Assemblies for industrial use</b> PLC modules, high noise immunity logic FZ/30 series, NORbits 60-series, 61-series, 90-series, input devices, hybrid integrated circuits, peripheral devices
Part 3a	September 1978	CM3a 09-78	<b>FM tuners, television tuners, surface acoustic wave filters</b>
Part 3b	October 1978	CM3b 10-78	<b>Loudspeakers</b>
Part 4a	November 1978	CM4a 11-78	<b>Soft Ferrites</b> Ferrites for radio, audio and television, beads and chokes, Ferroxcube potcores and square cores, Ferroxcube transformer cores
Part 4b	February 1979	CM4b 02-79	<b>Piezoelectric ceramics, permanent magnet materials</b>
Part 6	April 1977	CM6 04-77	<b>Electric motors and accessories</b> Small synchronous motors, stepper motors, miniature direct current motors
Part 7	September 1971	CM7 09-71	<b>Circuit blocks</b> Circuit blocks 100 kHz-series, circuit blocks 1-series, circuit blocks 10-series, circuit blocks for ferrite core memory drive
Part 7a	January 1979	CM7a 01-79	<b>Assemblies</b> Circuit blocks 40-series and CSA70 (L), counter modules 50-series, input/output devices
Part 8	June 1979	CM8 06-79	<b>Variable mains transformers</b>
Part 9	August 1979	CM9 08-79	<b>Piezoelectric quartz devices</b> Quartz crystal units, temperature compensated crystal oscillators
Part 10	April 1978	CM10 04-78	<b>Connectors</b>
Part 11	December 1979	CM11 12-79	<b>Non-linear resistors</b> Voltage dependent resistors (VDR), light dependent resistors (LDR), negative temperature coefficient thermistors (NTC), positive temperature coefficient thermistors (PTC)
Part 12	November 1979	CM12 11-79	<b>Variable resistors and test switches</b>
Part 13	December 1979	CM13 12-79	<b>Fixed resistors</b>
Part 14	April 1980	C14 04-80 (CM2b 02-78)	<b>Electrolytic and solid capacitors</b>
Part 15	May 1980	C15 05-80 (CM2b 02-78)	<b>Film capacitors, ceramic capacitors, variable capacitors</b>





FUNCTIONAL AND NUMERICAL INDEX  
MAINTENANCE TYPE LIST





## SELECTION GUIDE BY FUNCTION

**AM CHANNELS**

TDA1072 AM receiver circuit  
TEA5550 AM car radio receiver circuit

**FM CHANNELS**

TCA420A hi-fi FM/IF amplifier  
TEA5560 FM/IF system for car radios and hi-fi

**AM/FM COMBINED CHANNELS**

TBA570A; AQ AM/FM radio receiver circuit  
TBA700 AM/FM radio receiver circuit  
TDA5700; Q AM/FM radio receiver circuit

**STEREO DECODERS**

TDA1005A; AT frequency multiplex PLL stereo decoder

**INTERFERENCE SUPPRESSORS**

TDA1001A; AT interference absorption circuit

**D.C. CONTROLLED AUDIO CIRCUITS**

TCA730A d.c. volume and balance stereo control circuit  
TCA740A d.c. treble and bass stereo control circuit  
TDA1028 signal-sources switch (2 x four channels)  
TDA1029 signal-sources switch (4 x two channels)  
TDA1074 dual electronic stereo potentiometer circuit

**VOLTAGE STABILIZERS**

TCA530 voltage stabilizer for electronic tuning  
TCA750 multi-stabilizer for electronic tuning

**AUDIO POWER AMPLIFIERS**

TCA760B 1,5 W audio amplifier  
TDA1004A 10 W audio power amplifier with thermal shut-down  
TDA1010 6 W audio power amplifier  
TDA1011 2 to 6 W audio power amplifier  
TDA1011A 2 to 6 W audio power amplifier with inverted input/output  
TDA1013 4 W audio power amplifier with d.c. volume control  
TDA1512 12 to 20 W hi-fi audio power amplifier  
TDA2611A 5 W audio power amplifier

**RECORDER AMPLIFIERS**

TDA1002A recording and playback amplifier  
TDA1012 recording/playback and 2 W audio power amplifier



## SELECTION GUIDE BY FUNCTION (continued)

### MOTOR SPEED CONTROL ICs

TDA1003A	motor regulator and bias/erase oscillator circuit
TDA1006A	motor regulator with automatic tape-end indicator
TDA1059B	motor speed regulator with thermal shut-down
TDA1059C	motor speed regulator
TDA1533	PLL motor speed control circuit for hi-fi applications

### MISCELLANEOUS

OM200/S2	integrated amplifier for use in ear hearing aids
TAA263	low-level amplifier
TAA320	integrated MOST amplifier
TAA320A	integrated MOST level sensor
TDA1008	gating/frequency divider for electronic musical instruments

## NUMERICAL INDEX

- OM200/S2 integrated amplifier for use in ear hearing aids  
 TAA263 low-level amplifier  
 TAA320 integrated MOST amplifier  
 TAA320A integrated MOST level sensor  
 TBA570A; AQ AM/FM radio receiver circuit
- TBA700 AM/FM radio receiver circuit  
 TCA420A hi-fi FM/IF amplifier  
 TCA530 voltage stabilizer for electronic tuning  
 TCA730A d.c. volume and balance stereo control circuit  
 TCA740A d.c. treble and bass stereo control circuit
- TCA750 multi-stabilizer for electronic tuning  
 TCA760B 1,5 W audio amplifier  
 TDA1001A; AT interference absorption circuit  
 TDA1002A recording and playback amplifier  
 TDA1003A motor regulator and bias/erase oscillator circuit
- TDA1004A 10 W audio power amplifier with thermal shut-down  
 TDA1005A; AT frequency multiplex PLL stereo decoder  
 TDA1006A motor regulator with automatic tape-end indicator  
 TDA1008 gating/frequency divider for electronic musical instruments  
 TDA1010 6 W audio power amplifier
- TDA1011 2 to 6 W audio power amplifier  
 TDA1011A 2 to 6 W audio power amplifier with inverted input/output  
 TDA1012 recording/play-back and 2 W audio power amplifier  
 TDA1013 4 W audio power amplifier with d.c. volume control  
 TDA1028 signal-sources switch (2 x four channels)
- TDA1029 signal-sources switch (4 x two channels)  
 TDA1059B motor speed regulator with thermal shut-down  
 TDA1059C motor speed regulator  
 TDA1072 AM receiver circuit  
 TDA1074 dual electronic stereo potentiometer circuit
- TDA1512 12 to 20 W hi-fi audio power amplifier  
 TDA1533 PLL motor speed control circuit for hi-fi applications  
 TDA2611A 5 W audio power amplifier  
 TDA5700; Q AM/FM radio receiver circuit  
 TEA5550 AM car radio receiver circuit
- TEA5560 FM/IF system for car radios and hi-fi



## MAINTENANCE TYPE LIST

The types listed below are not included in this handbook.  
Detailed information will be supplied on request.

SAJ110

TCA290A

TCA450

TCA730 (successor type: TCA730A)

TCA740 (successor type: TCA740A)

TDA1002 (successor type: TDA1002A)

TDA1005 (successor type: TDA1005A; AT)

TDA1006 (successor type: TDA1006A)

TDA1009

TDA2611 (successor type: TDA2611A)

GENERAL

**Preface to data of ICs**  
**Type designation**  
**Rating systems**  
**Letter symbols**







## **PREFACE TO DATA OF INTEGRATED CIRCUITS**

### **1. General**

The published data comprise particulars needed by designers of equipment in which integrated circuits are to be incorporated, and criteria on which to base acceptance testing of such circuits. For ease of reference, the data on each circuit are grouped according to the several headings discussed below.

The limiting values quoted under the headings Characteristics and Package Outline may be taken as references for acceptance testing.

Values cited as typical are given for information only.

For an explanation of the type designation code, see the section Type Designation. For an explanation of the letter symbols used in designating terminals and performance of integrated circuits, and the electrical and logic quantities pertaining to them, see the section Letter Symbols.

### **2. Quick Reference Data**

The main properties of the integrated circuit summarized for quick reference

### **3. Ratings**

Ratings are limits beyond which the serviceability of the integrated circuit may be impaired. The ratings given here are in accordance with the Absolute Maximum System as defined in publication no. 134 of the International Electrical Commission; for further details see item 2 of the section Rating Systems.

If a circuit is used under the conditions set forth in the sections Characteristics and Additional System Design Data, its operation within the ratings is ensured.

### **4. Circuit diagram**

Circuit diagrams and logic symbols are given to illustrate the circuit function. The diagrams show only essential elements, parasitic elements due to the method of manufacture normally being omitted. The manufacturer reserves the right to make minor changes to improve manufacturability.

### **5. System Design Data and Additional System Design Data**

System Design Data normally derived from the Characteristics and based on worst-case assumptions as to temperature, loading and supply voltage, are quoted for the guidance of equipment designers. Supplementary information derived from measurements on large production samples may be given under Additional System Design Data.

## 6. Application information

Under this heading, practical circuit connections and the resulting performance are described. Care has been taken to ensure the accuracy and completeness of the information given, but no liability therefor is assumed, nor is licence under any patent implied.

## 7. Characteristics

Characteristics are measurable properties of the integrated circuit described. Under a specific set of test conditions compliance with limit values given under this heading establishes the specified performance of the circuit; this can be used as a criterion for acceptance testing.

Values cited as typical are given for information only and are not subject to any form of guarantee.

## 8. Logic symbols (digital circuits)

Graphical logic symbols accord with MIL standard 806B.

Supplementary drawings correlate logic functions with pin locations as a help to laying out printed circuit boards.

## 9. Outline drawing and pin 1 identification

Dimensional drawings indicate the pin numbering of circuit packages.

Dual in-line packages have a notch at one end to identify pin 1.

Take care not to mistake adventitious moulding marks for the pin 1 identification. Flat packs identify pin 1 by a small projection on the pin itself and/or by a dot on the body of the package.

Metal can encapsulations identify pin 1 by a tab on the rim of the can.

## PRO ELECTRON TYPE DESIGNATION CODE FOR INTEGRATED CIRCUITS

This type nomenclature applies to semiconductor monolithic, semiconductor multi-chip, thin-film, thick-film and hybrid integrated circuits.

A basic number consists of:

*THREE LETTERS FOLLOWED BY A SERIAL NUMBER*

### FIRST AND SECOND LETTER

#### 1. DIGITAL FAMILY CIRCUITS

The FIRST TWO LETTERS identify the FAMILY (see note 1).

#### 2. SOLITARY CIRCUITS

The FIRST LETTER divides the solitary circuits into:

- S : Solitary digital circuits
- T : Analogue circuits
- U : Mixed analogue/digital circuits

The SECOND LETTER is a serial letter without any further significance except 'H' which stands for hybrid circuits.

#### 3. MICROPROCESSORS

The FIRST TWO LETTERS identify microprocessors and correlated circuits as follows:

- MA : { Microcomputer
- Central processing unit
- MB : Slice processor (see note 2)
- MD : Correlated memories
- ME : Other correlated circuits (interface, clock, peripheral controller, etc.)

### THIRD LETTER

It indicates the operating ambient temperature range.

The letters A to G give information about the temperature:

- A : temperature range not specified
- B : 0 to + 70 °C
- C : -55 to + 125 °C
- D : -25 to + 70 °C
- E : -25 to + 85 °C
- F : -40 to + 85 °C
- G : -55 to + 85 °C

If a circuit is published for another temperature range, the letter indicating a narrower temperature range may be used or the letter 'A'.

Example: the range 0 to + 75 °C can be indicated by 'B' or 'A'.

**SERIAL NUMBER**

This may be either a 4-digit number assigned by Pro Electron, or the serial number (which may be a combination of figures and letters) of an existing company type designation of the manufacturer.

To the basic type number may be added:

**A VERSION LETTER**

Indicates a minor variant of the basic type or the package. Except for 'Z', which means customized wiring, the letter has no fixed meaning. The following letters are recommended for package variants:

- C : for cylindrical
- D : for ceramic DIL
- F : for flat pack
- P : for plastic DIL
- Q : for QIL
- U : for uncased chip

Alternatively a TWO LETTER SUFFIX may be used instead of a single package version letter, if the manufacturer (sponsor) wishes to give more information.

**FIRST LETTER:** General shape

- C : Cylindrical
- D : Dual-in-line (DIL)
- E : Power DIL (with external heatsink)
- F : Flat (leads on 2 sides)
- G : Flat (leads on 4 sides)
- K : Diamond (TO-3 family)
- M : Multiple-in-line (except Dual-, Triple-, Quadruple-in-line)
- Q : Quadruple-in-line (QIL)
- R : Power QIL (with external heatsink)
- S : Single-in-line
- T : Triple-in-line

**SECOND LETTER:** Material

- C : Metal-ceramic
- G : Glass-ceramic (cerdip)
- M : Metal
- P : Plastic

A hyphen precedes the suffix to avoid confusion with a version letter.

**Notes**

1. A logic family is an assembly of digital circuits designed to be interconnected and defined by its basic electrical characteristics (such as: supply voltage, power consumption, propagation delay, noise immunity).
2. By 'slice processor' is meant: a functional slice of microprocessor.

## RATING SYSTEMS

The rating systems described are those recommended by the International Electrotechnical Commission (IEC) in its Publication 134.

### DEFINITIONS OF TERMS USED

*Electronic device.* An electronic tube or valve, transistor or other semiconductor device.

#### Note

This definition excludes inductors, capacitors, resistors and similar components.

*Characteristic.* A characteristic is an inherent and measurable property of a device. Such a property may be electrical, mechanical, thermal, hydraulic, electro-magnetic, or nuclear, and can be expressed as a value for stated or recognized conditions. A characteristic may also be a set of related values, usually shown in graphical form.

*Bogey electronic device.* An electronic device whose characteristics have the published nominal values for the type. A bogey electronic device for any particular application can be obtained by considering only those characteristics which are directly related to the application.

*Rating.* A value which establishes either a limiting capability or a limiting condition for an electronic device. It is determined for specified values of environment and operation, and may be stated in any suitable terms.

#### Note

Limiting conditions may be either maxima or minima.

*Rating system.* The set of principles upon which ratings are established and which determine their interpretation.

#### Note

The rating system indicates the division of responsibility between the device manufacturer and the circuit designer, with the object of ensuring that the working conditions do not exceed the ratings.

### ABSOLUTE MAXIMUM RATING SYSTEM

Absolute maximum ratings are limiting values of operating and environmental conditions applicable to any electronic device of a specified type as defined by its published data, which should not be exceeded under the worst probable conditions.

These values are chosen by the device manufacturer to provide acceptable serviceability of the device, taking no responsibility for equipment variations, environmental variations, and the effects of changes in operating conditions due to variations in the characteristics of the device under consideration and of all other electronic devices in the equipment.

The equipment manufacturer should design so that, initially and throughout life, no absolute maximum value for the intended service is exceeded with any device under the worst probable operating conditions with respect to supply voltage variation, equipment component variation, equipment control adjustment, load variations, signal variation, environmental conditions, and variations in characteristics of the device under consideration and of all other electronic devices in the equipment.

### **DESIGN MAXIMUM RATING SYSTEM**

Design maximum ratings are limiting values of operating and environmental conditions applicable to a bogey electronic device of a specified type as defined by its published data, and should not be exceeded under the worst probable conditions.

These values are chosen by the device manufacturer to provide acceptable serviceability of the device, taking responsibility for the effects of changes in operating conditions due to variations in the characteristics of the electronic device under consideration.

The equipment manufacturer should design so that, initially and throughout life, no design maximum value for the intended service is exceeded with a bogey device under the worst probable operating conditions with respect to supply voltage variation, equipment component variation, variation in characteristics of all other devices in the equipment, equipment control adjustment, load variation, signal variation and environmental conditions.

### **DESIGN CENTRE RATING SYSTEM**

Design centre ratings are limiting values of operating and environmental conditions applicable to a bogey electronic device of a specified type as defined by its published data, and should not be exceeded under normal conditions.

These values are chosen by the device manufacturer to provide acceptable serviceability of the device in average applications, taking responsibility for normal changes in operating conditions due to rated supply voltage variation, equipment component variation, equipment control adjustment, load variation, signal variation, environmental conditions, and variations in the characteristics of all electronic devices.

The equipment manufacturer should design so that, initially, no design centre value for the intended service is exceeded with a bogey electronic device in equipment operating at the stated normal supply voltage.

## LETTER SYMBOLS FOR LINEAR INTEGRATED CIRCUITS

### General

The voltages and currents are normally related to the terminals to which they are applied or at which they appear. Each terminal is indicated by a number. In appropriate cases voltages, currents etc. pertinent to one or more of the circuit elements (transistors, diodes) are given in which case symbols are based on the recommendations as published in I.E.C. Publication 148.

### Quantity symbols

1. Instantaneous values of current, voltage and power, which vary with time are represented by the appropriate lower case letter.

Examples:  $i$ ,  $v$ ,  $p$

2. Maximum (peak), average, d.c. and root-mean-square values are represented by the appropriate upper case letter.

Examples:  $I$ ,  $V$ ,  $P$

### Polarity of current and voltage

A current is defined to be positive when its conventional direction of flow is into the device.

A voltage is measured with respect to the reference terminal, which is indicated by the subscripts. Its polarity is defined to be positive when the potential is higher than that of the reference terminal.

### Subscripts

For currents the number behind the quantity symbol indicates the terminal carrying the current.

Examples:  $I_2$ ,  $i_{14}$

For voltages normally two number subscripts are used, connected by a hyphen. The first number indicates the terminal at which the voltage is measured and the second subscript the reference terminal.

Where there is no possibility of confusion the second subscript may be omitted.

Examples:  $V_{2-12}$ ,  $v_{14-2}$ ,  $V_5$ ,  $v_8$



## LETTER SYMBOLS

To distinguish between maximum (peak), average, d.c. and root-mean-square values the following subscripts are added:

For maximum (peak) values : M or m  
For average values : AV or av  
For root-mean-square values: (RMS) or (rms)  
For d.c. values : no additional subscripts

The upper case subscripts indicate total values.

The lower case subscripts indicate values of varying components:

Examples:  $I_2$ ,  $I_{2AV}$ ,  $I_{2(rms)}$ ,  $I_{2(RMS)}$

If in appropriate cases quantity symbols are pertinent to single elements of a circuit (transistors or diodes), the normal subscripts for semiconductor devices can be used.

Examples:  $V_{CBO}$ ,  $V_{be}$ ,  $V_{CES}$ ,  $I_C$

$V_{DSS}$ ,  $V_{GS}$ ,  $I_D$

List of subscripts:

E, e = Emitter terminal  
B, b = Base terminal for bipolar transistors,  
Substrate for MOS devices  
C, c = Collector terminal  
D, d = Drain terminal  
G, g = Gate terminal  
S, s = Source terminal for MOS devices  
Substrate for bipolar transistor circuits  
(BR) = Break-down  
M, m = Maximum (peak) value  
AV, av = Average value  
(RMS), (rms) = R.M.S. value

### Electrical Parameter Symbols

1. The values of four pole matrix parameters or other resistances, impedances, admittances, etc., inherent in the device, are represented by the lower case symbol with appropriate subscript.

Examples:  $h_i$ ,  $z_f$ ,  $y_o$ ,  $k_r$

### Subscripts for Parameter Symbols

1. The static values of parameters are indicated by upper case subscripts.

Examples:  $h_{FE}$ ,  $h_I$

2. The small signal values of parameters are indicated by lower case subscripts.

Examples:  $h_i$ ,  $z_o$

3. The first subscript, in matrix notation identifies the element of the four pole matrix.

- i (for 11) = input
- o (for 22) = output
- f (for 21) = forward transfer
- r (for 12) = reverse transfer

$$\text{Examples: } V_1 = h_i I_1 + h_r V_2$$

$$I_2 = h_f I_1 + h_o V_2$$

The voltage and current symbols in matrix notation are indicated by a single digit subscript.

The subscript 1 = input; the subscript 2 = output.

The voltages and currents in these equations may be complex quantities.

4. A second subscript is used only for separate circuit elements (e.g. transistors) to identify the circuit configuration:

- e = common emitter
- b = common base
- c = common collector

5. If it is necessary to distinguish between real and imaginary parts of the four pole parameters, the following notation may be used:

- $R_e (h_i)$  etc. ... for the real part
- $I_m (h_i)$  etc. ... for the imaginary part



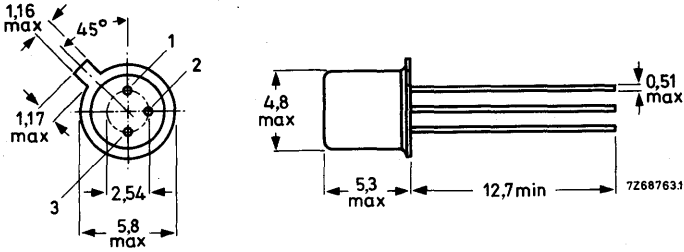


PACKAGE OUTLINES

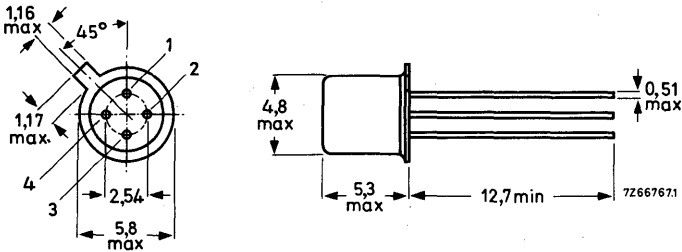




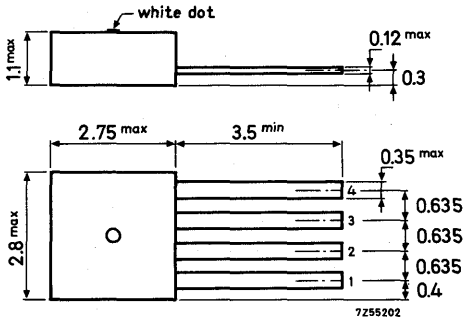
METAL TO-72 (SOT-18/13)



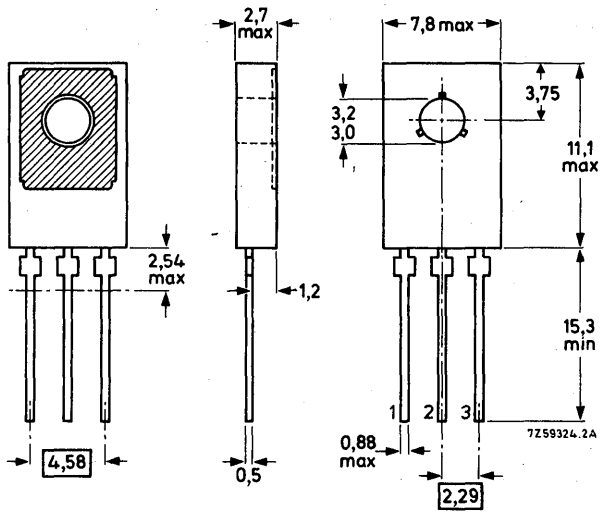
METAL TO-72 (SOT-18/17)



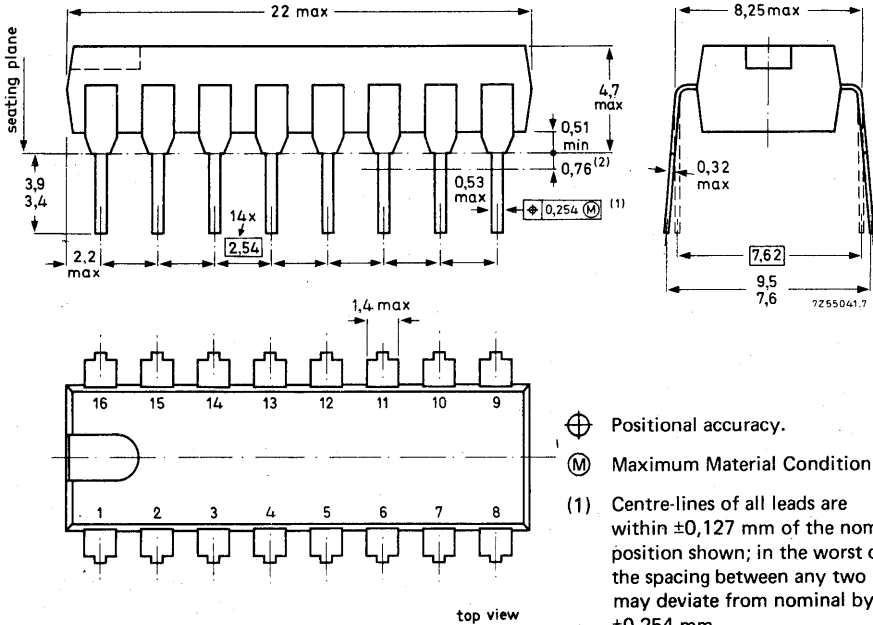
PLASTIC (SOT-20)



PLASTIC TO-126 (SOT-32)



16-LEAD DUAL IN-LINE; PLASTIC (SOT-38)



⊕ Positional accuracy.

Ⓜ Maximum Material Condition.

(1) Centre-lines of all leads are within  $\pm 0,127$  mm of the nominal position shown; in the worst case, the spacing between any two leads may deviate from nominal by  $\pm 0,254$  mm.

(2) Lead spacing tolerances apply from seating plane to the line indicated.

Dimensions in mm

SOLDERING

1. By hand

Apply the soldering iron below the seating plane (or not more than 2 mm above it).

If its temperature is below 300 °C it must not be in contact for more than 10 seconds; if between 300 °C and 400 °C, for not more than 5 seconds.

2. By dip or wave

The maximum permissible temperature of the solder is 260 °C; this temperature must not be in contact with the joint for more than 5 seconds. The total contact time of successive solder waves must not exceed 5 seconds.

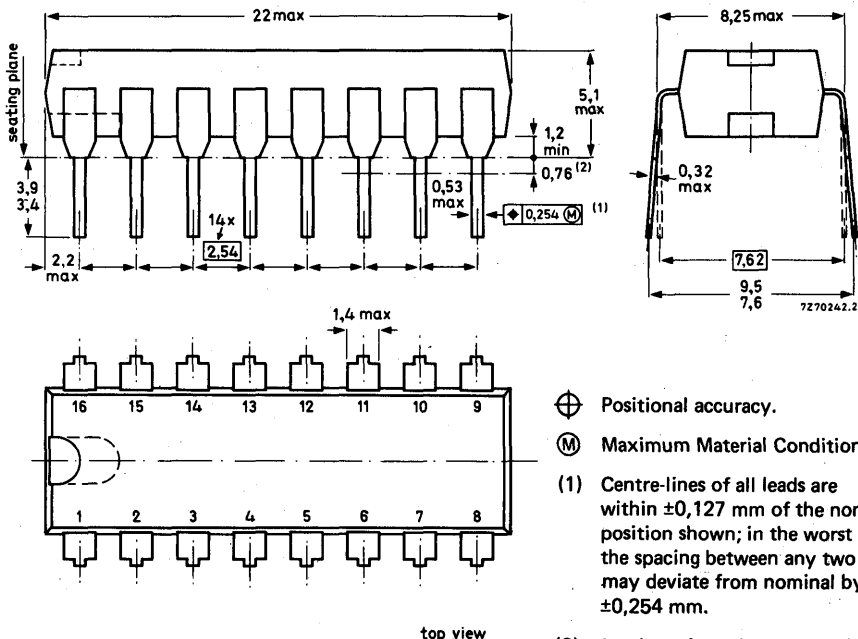
The device may be mounted up to the seating plane, but the temperature of the plastic body must not exceed the specified storage maximum. If the printed-circuit board has been pre-heated, forced cooling may be necessary immediately after soldering to keep the temperature within the permissible limit.

3. Repairing soldered joints

The same precautions and limits apply as in (1) above.



16-LEAD DUAL IN-LINE; PLASTIC POWER (SOT-38M and N)



- ⊕ Positional accuracy.
  - Ⓜ Maximum Material Condition.
- (1) Centre-lines of all leads are within  $\pm 0,127$  mm of the nominal position shown; in the worst case, the spacing between any two leads may deviate from nominal by  $\pm 0,254$  mm.
  - (2) Lead spacing tolerances apply from seating plane to the line indicated.

Dimensions in mm

top view

SOLDERING

1. By hand

Apply the soldering iron below the seating plane (or not more than 2 mm above it). If its temperature is below 300 °C it must not be in contact for more than 10 seconds; if between 300 °C and 400 °C, for not more than 5 seconds.

2. By dip or wave

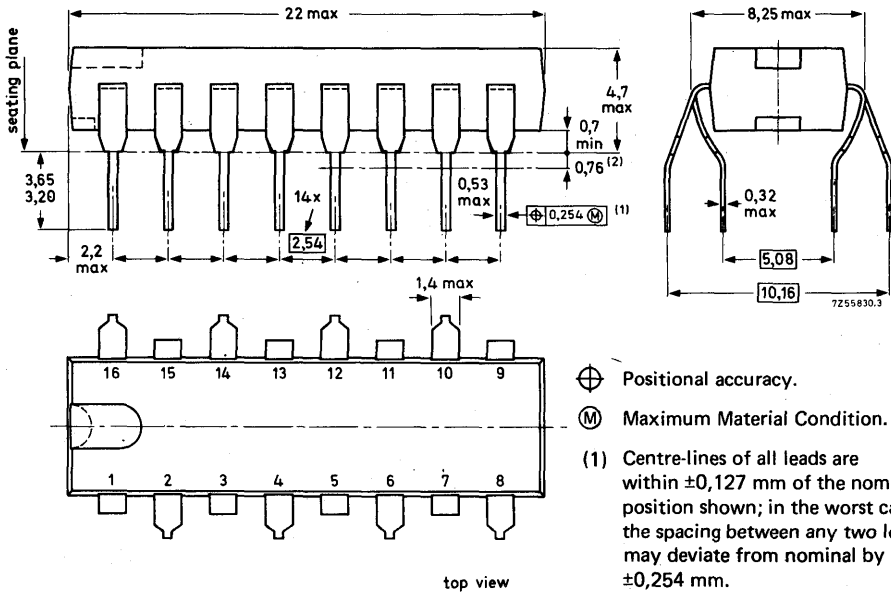
The maximum permissible temperature of the solder is 260 °C; this temperature must not be in contact with the joint for more than 5 seconds. The total contact time of successive solder waves must not exceed 5 seconds.

The device may be mounted up to the seating plane, but the temperature of the plastic body must not exceed the specified storage maximum. If the printed-circuit board has been pre-heated, forced cooling may be necessary immediately after soldering to keep the temperature within the permissible limit.

3. Repairing soldered joints

The same precautions and limits apply as in (1) above.

16-LEAD QUADRUPLE IN-LINE; PLASTIC (SOT-58)



- ⊕ Positional accuracy.
- Ⓜ Maximum Material Condition.

- (1) Centre-lines of all leads are within  $\pm 0,127$  mm of the nominal position shown; in the worst case, the spacing between any two leads may deviate from nominal by  $\pm 0,254$  mm.
- (2) Lead spacing tolerances apply from seating plane to the line indicated.

Dimensions in mm

SOLDERING

1. By hand

Apply the soldering iron below the seating plane (or not more than 2 mm above it). If its temperature is below 300 °C it must not be in contact for more than 10 seconds; if between 300 °C and 400 °C, for not more than 5 seconds.

2. By dip or wave

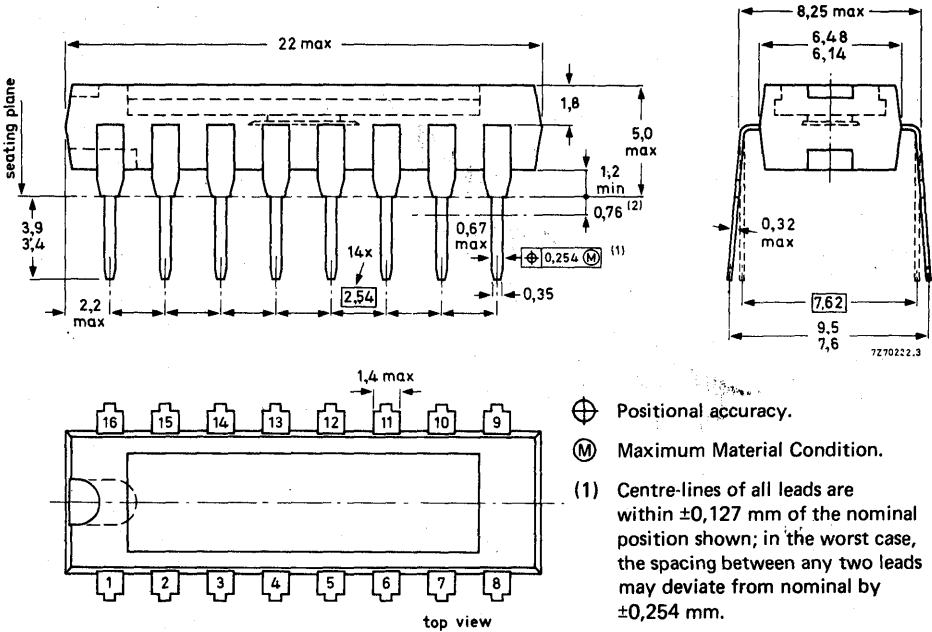
The maximum permissible temperature of the solder is 260 °C; this temperature must not be in contact with the joint for more than 5 seconds. The total contact time of successive solder waves must not exceed 5 seconds.

The device may be mounted up to the seating plane, but the temperature of the plastic body must not exceed the specified storage maximum. If the printed-circuit board has been pre-heated, forced cooling may be necessary immediately after soldering to keep the temperature within the permissible limit.

3. Repairing soldered joints

The same precautions and limits apply as in (1) above.

16-LEAD DUAL IN-LINE; PLASTIC POWER (SOT-69B, D)



Dimensions in mm

SOLDERING

1. By hand

Apply the soldering iron below the seating plane (or not more than 2 mm above it).

If its temperature is below 300 °C it must not be in contact for more than 10 seconds; if between 300 °C and 400 °C, for not more than 5 seconds.

2. By dip or wave

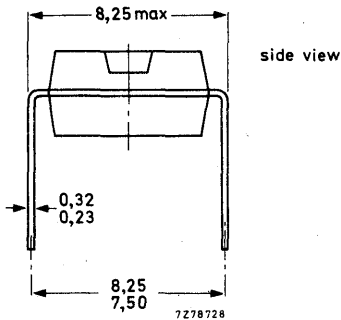
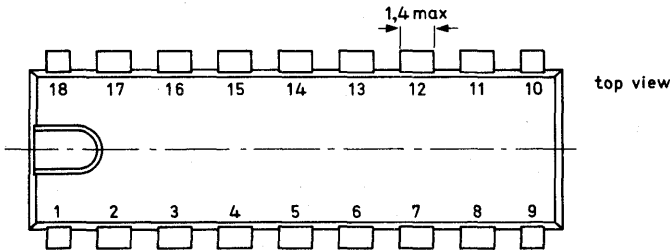
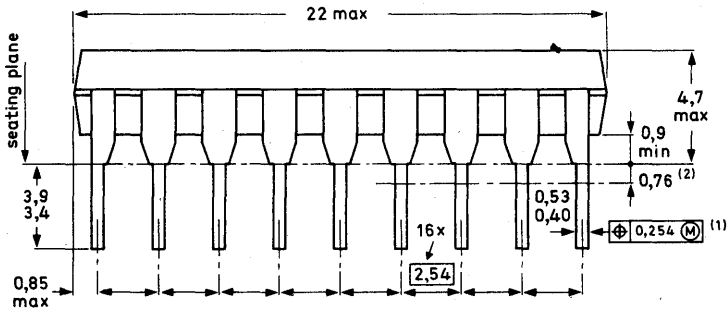
The maximum permissible temperature of the solder is 260 °C; this temperature must not be in contact with the joint for more than 5 seconds. The total contact time of successive solder waves must not exceed 5 seconds.

The device may be mounted up to the seating plane, but the temperature of the plastic body must not exceed the specified storage maximum. If the printed-circuit board has been pre-heated, forced cooling may be necessary immediately after soldering to keep the temperature within the permissible limit.

3. Repairing soldered joints

The same precautions and limits apply as in (1) above.

18-LEAD DUAL IN-LINE; PLASTIC (SOT-102C)



⊕ Positional accuracy.

Ⓜ Maximum Material Condition.

(1) Centre-lines of all leads are within  $\pm 0,127$  mm of the nominal position shown; in the worst case, the spacing between any two leads may deviate from nominal by  $\pm 0,254$  mm.

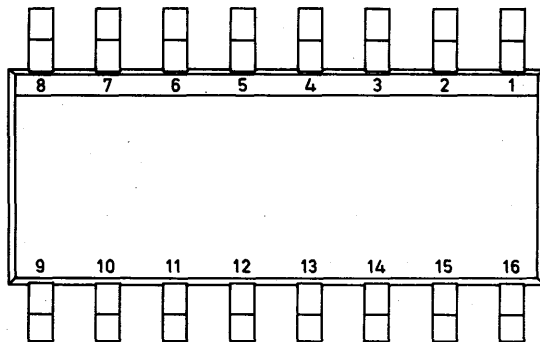
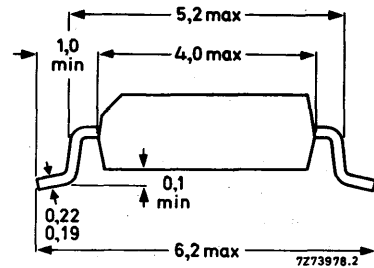
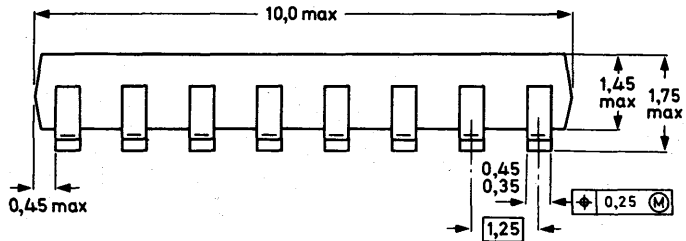
(2) Lead spacing tolerances apply from seating plane to the line indicated.

Dimensions in mm

SOLDERING

See SOT-69B, D, for example.

## 16-LEAD FLAT PACK; PLASTIC (SO-16; SOT-109A)



top view

Dimensions in mm

⊕ Positional accuracy.

Ⓜ Maximum Material Condition.

SOLDERING

See next page.

## SOLDERING

### The reflow solder technique

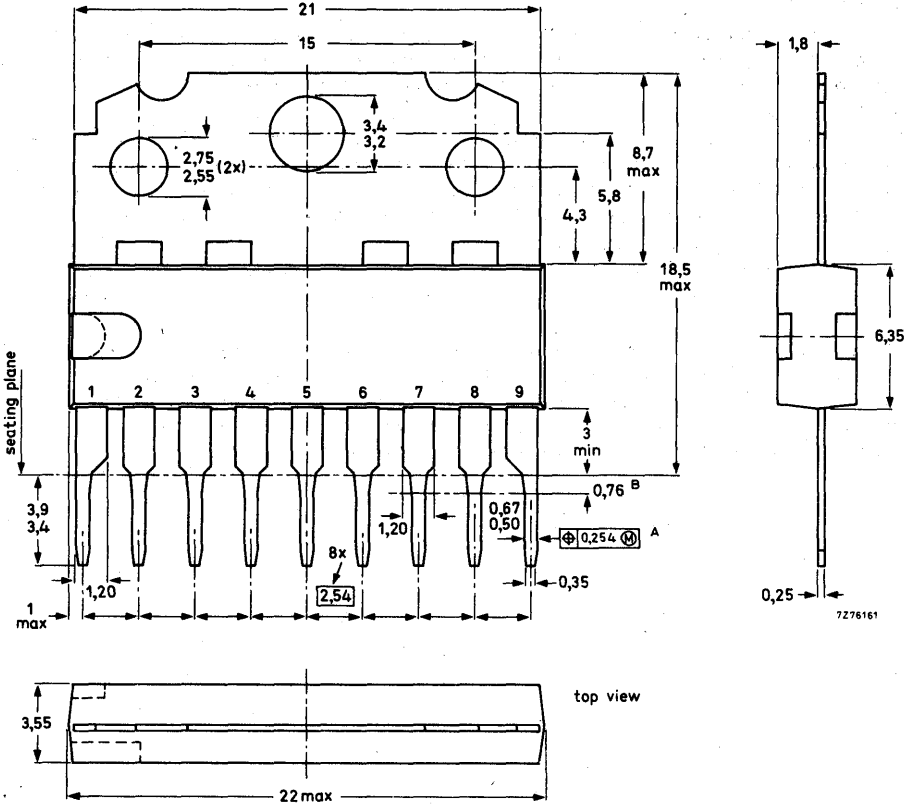
The preferred technique for mounting miniature components on hybrid thick or thin-film circuits is reflow soldering. Solder is applied to the required areas on the substrate by dipping in a solder bath or, more usually, by screen printing a solder paste. Components are put in place and the solder is reflowed by heating.

Solder pastes consist of very finely powdered solder and flux suspended in an organic liquid binder. They are available in various forms depending on the specification of the solder and the type of binder used. For hybrid circuit use, a tin-lead solder with 2 to 4% silver is recommended. The working temperature of this paste is about 220 to 230 °C when a mild flux is used.

For printing the paste onto the substrate a stainless steel screen with a mesh of 80 to 105  $\mu\text{m}$  is used for which the emulsion thickness should be about 50  $\mu\text{m}$ . To ensure that sufficient solder paste is applied to the substrate, the screen aperture should be slightly larger than the corresponding contact area.

The contact pins are positioned on the substrate, the slight adhesive force of the solder paste being sufficient to keep them in place. The substrate is heated to the solder working temperature preferably by means of a controlled hot plate. The soldering process should be kept as short as possible: 10 to 15 seconds is sufficient to ensure good solder joints and evaporation of the binder fluid. After soldering, the substrate must be cleaned of any remaining flux.

9-LEAD SINGLE IN-LINE; PLASTIC (SOT-110A)



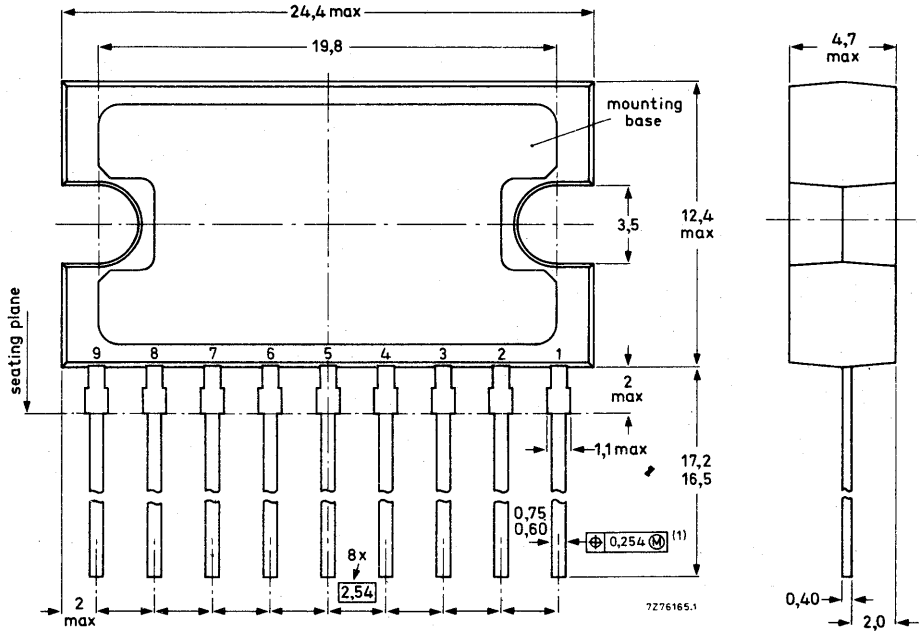
Dimensions in mm

- ⊕ Positional accuracy.
- Ⓜ Maximum Material Condition.

A Centre-lines of all leads are within  $\pm 0.127$  mm of the nominal position shown; in the worst case, the spacing between any two leads may deviate from nominal by  $\pm 0.254$  mm.

B Lead spacing tolerances apply from seating plane to the line indicated.

9-LEAD SINGLE IN-LINE; PLASTIC POWER (SOT-131B)



Dimensions in mm

⊕ Positional accuracy.

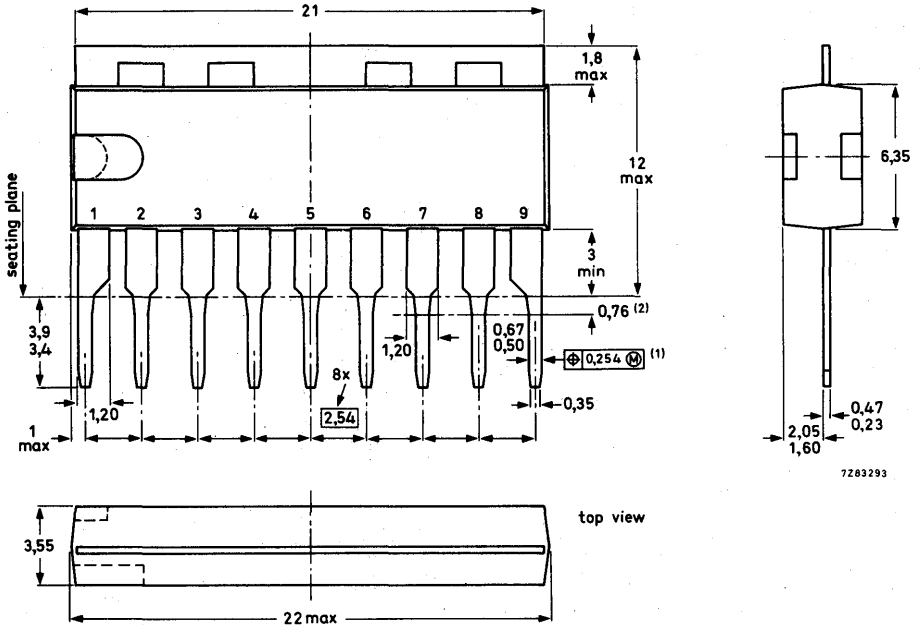
Ⓜ Maximum Material Condition.

- (1) Centre-lines of all leads are within  $\pm 0,127$  mm of the nominal position shown; in the worst case, the spacing between any two leads may deviate from nominal by  $\pm 0,254$  mm.





9-LEAD SINGLE IN-LINE; PLASTIC (SOT-142)



7283293

Dimensions in mm

- ⊕ Positional accuracy.
- Ⓜ Maximum Material Condition.

- (1) Centre-lines of all leads are within  $\pm 0,127$  mm of the nominal position shown; in the worst case, the spacing between any two leads may deviate from nominal by  $\pm 0,254$  mm.
- (2) Lead spacing tolerances apply from seating plane to the line indicated.

INTRODUCTION





## INTRODUCTION TO BIPOLAR ICs FOR RADIO AND AUDIO EQUIPMENT

Three main fields of application are shown in the following block diagram concepts. These are:

- portable radio recorder,
- hi-fi,
- car radio player.

'Concept' here means: a total IC programme is available for a system, in which the ICs are perfectly matched to each other *during the design phase*. All ICs can also be used as solitary types in combination with other components.

The various concept types are chosen as a function of the required compromise between performance and cost.

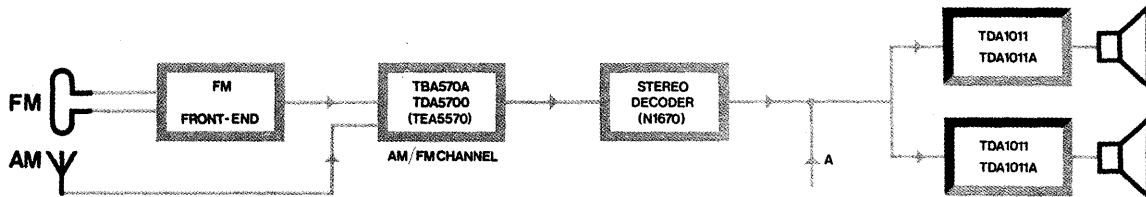
Two concepts are given for portable radio recorders:

high performance,  
economical.

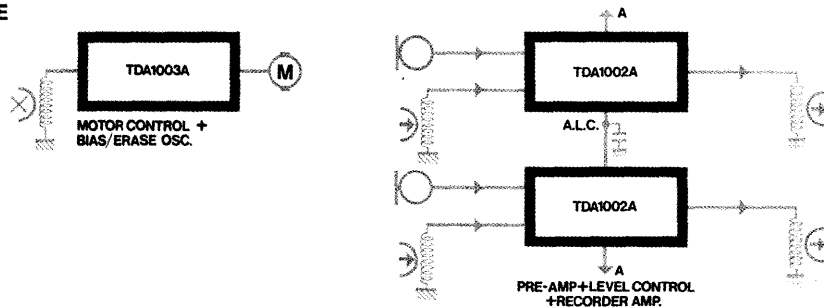
Some types in the IC programme are still in the development stage at the date of publication of this data handbook. These type numbers are given in brackets in the block diagrams (some of them still have the 'in-house' development number).



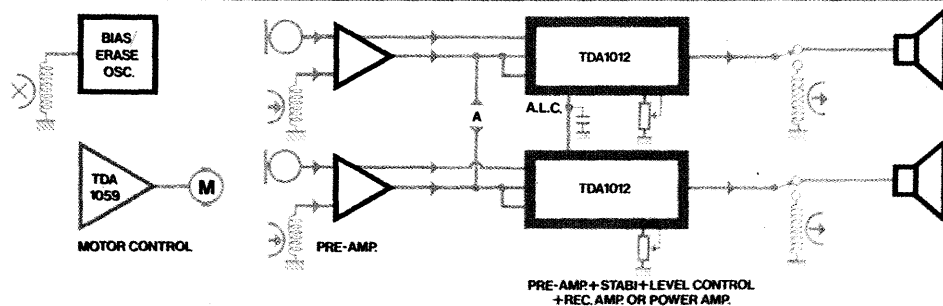
# PORTABLE RADIO RECORDER CONCEPT



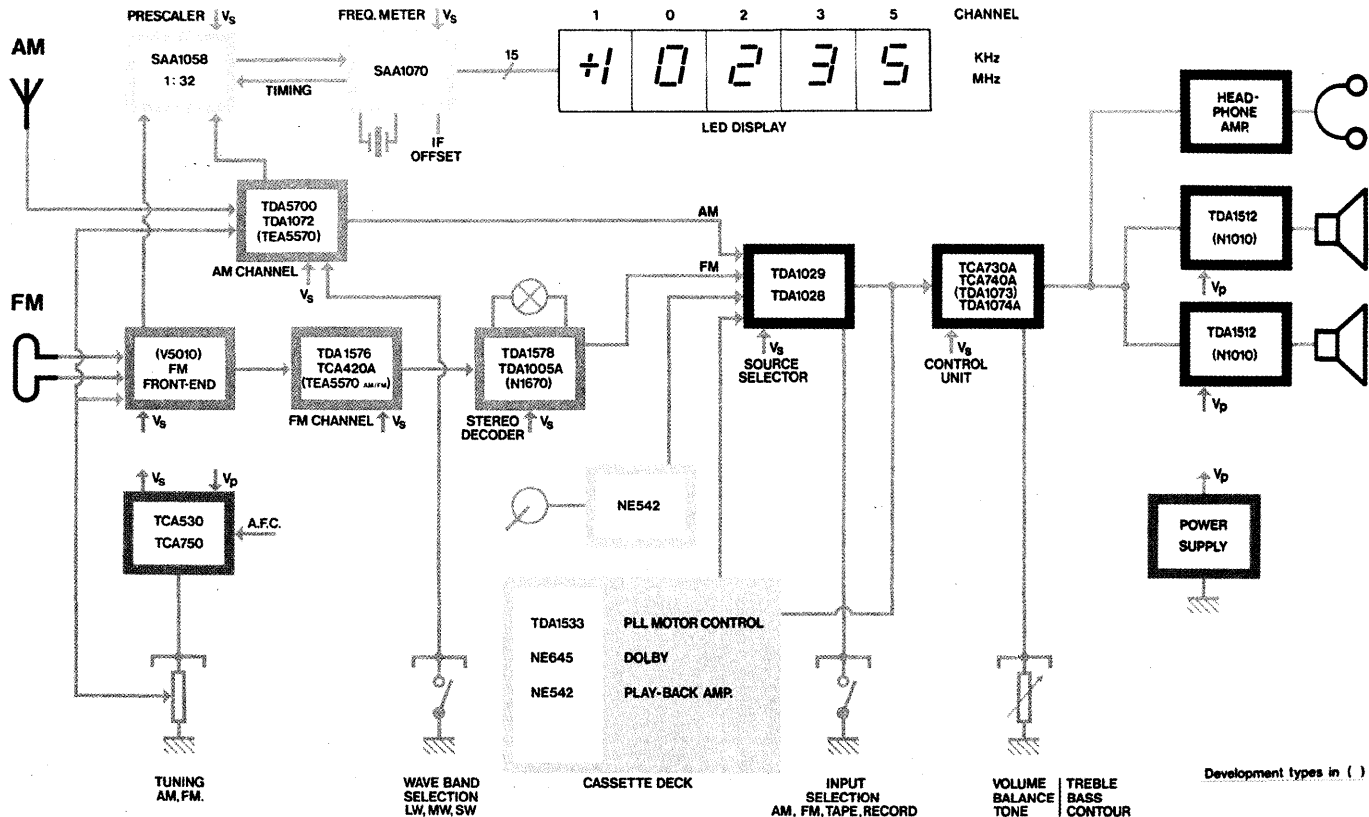
## HIGH PERFORMANCE



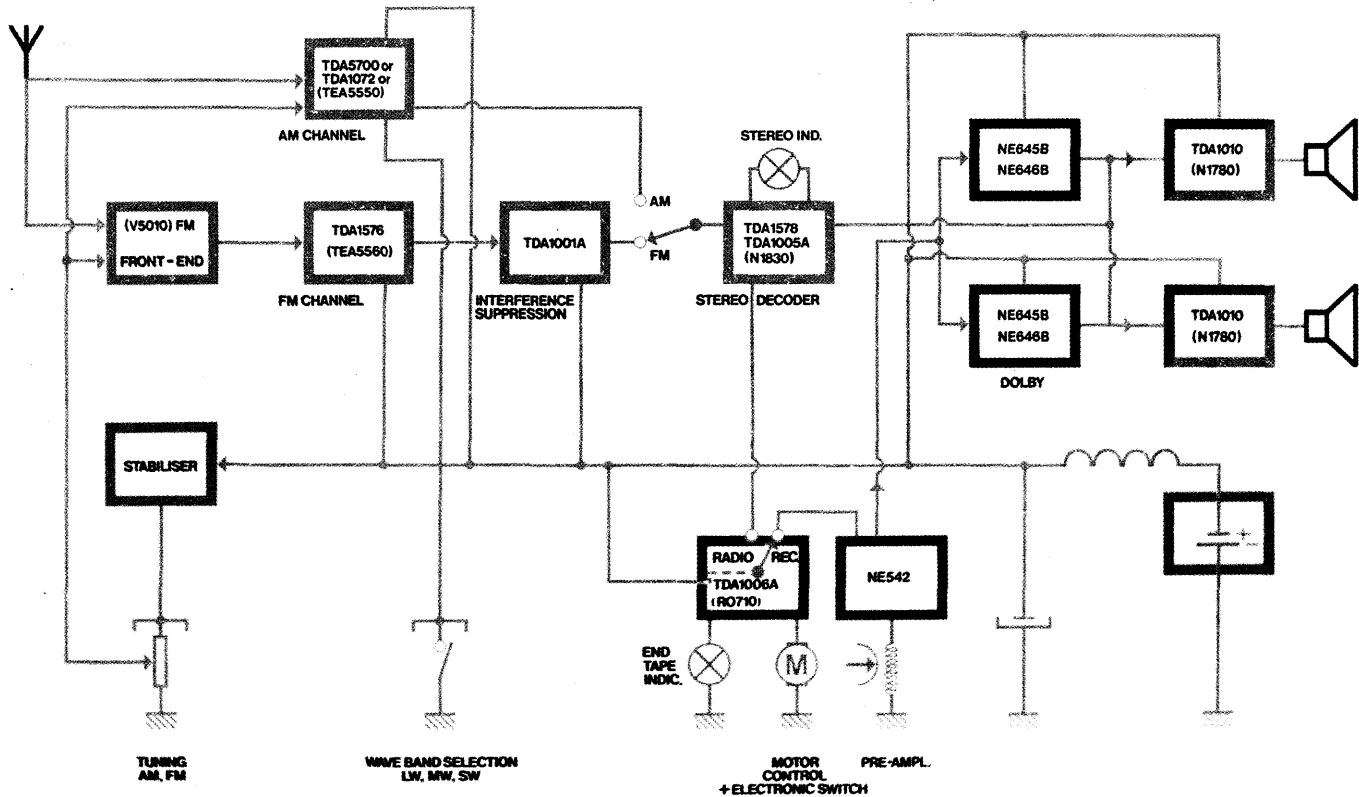
## ECONOMICAL



# HI-FI CONCEPT



# CAR RADIO PLAYER CONCEPT



DEVICE DATA







## INTEGRATED AMPLIFIER

### for use in ear hearing aids

Monolithic integrated circuit amplifier in a plastic envelope, primarily intended for use in ear hearing aids.

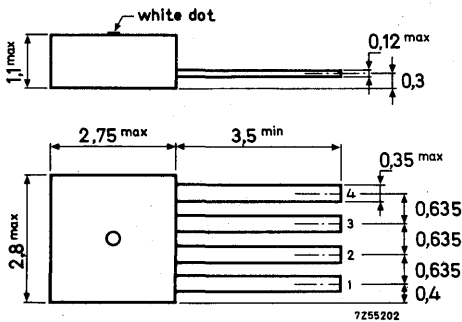
#### QUICK REFERENCE DATA

For meaning of symbols see test circuit on page 3

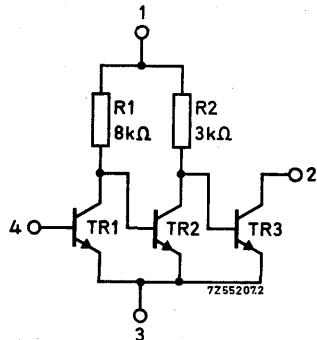
Supply voltage	$V_{1-3}$	max.	5 V
Supply current	$I_2$	max.	5 mA
Total power dissipation up to $T_{amb} = 25\text{ }^{\circ}\text{C}$	$P_{tot}$	max.	25 mW
The following data are measured in test circuit on page 3			
Total supply current	$I_{tot}$	typ.	1 mA
Transducer gain	$G_{tr}$	>	77 dB
		typ.	85 dB
Output power at $d_{tot} = 10\%$	$P_o$	>	0,2 mW
Cut-off frequency (-3 dB)	$f_c$	>	20 kHz

#### PACKAGE OUTLINE (Dimensions in mm)

SOT-20



#### CIRCUIT DIAGRAM



The sealing of the plastic envelope withstands the accelerated damp heat test of IEC recommendation 68-2 (test D, severity IV, 6 cycles).

**RATINGS** Limiting values in accordance with the Absolute Maximum System (IEC 134)  
 For meaning of symbols test circuit on page 3.

Voltages

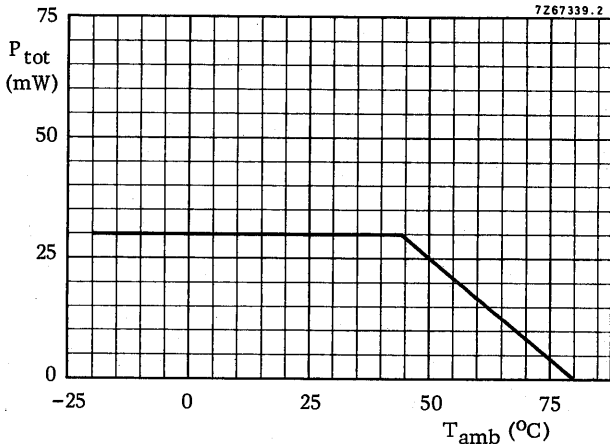
Supply voltage	$V_{1-3}$ max.	5 V
Output voltage	$V_{2-3}$ max.	5 V <sup>1)</sup>
Input voltage	$-V_{4-3}$ max.	5 V

Currents

Output current	$I_2$ max.	5 mA
Input current	$I_4$ max.	5 mA

Power dissipation

Power derating curve



Temperatures

Storage temperature	$T_{stg}$	-20 to +80 °C
Ambient temperature (see derating curve above)	$T_{amb}$	-20 to +80 °C

1) This value may be exceeded during inductive switch-off for transient energies  $< 10\mu Ws$ .

**CHARACTERISTICS** at  $V_{1-3} = 1,3 \text{ V}$ ;  $I_2 = 0,7 \text{ mA}$  and  $T_{\text{amb}} = 25 \text{ }^\circ\text{C}$  unless otherwise specified

Supply currents (no signal)

$I_{\text{tot}}$	<	1,1	mA
$I_1$	typ.	0,30	mA

Transducer gain at  $f = 1 \text{ kHz}$

$G_{\text{tr}}$	>	77	dB <sup>1)</sup>
	typ.	85	dB

Total distortion at  $f = 1 \text{ kHz}$

$P_o = 100 \text{ } \mu\text{W}$

$d_{\text{tot}}$	typ.	4	%
	<	6	%

$P_o = 200 \text{ } \mu\text{W}$

$d_{\text{tot}}$	<	10	%
------------------	---	----	---

Noise figure at  $R_S = 5 \text{ k}\Omega$

$B = 400 \text{ to } 3200 \text{ Hz}$

$F$	typ.	2,5	dB
	<	6	dB <sup>2)</sup>

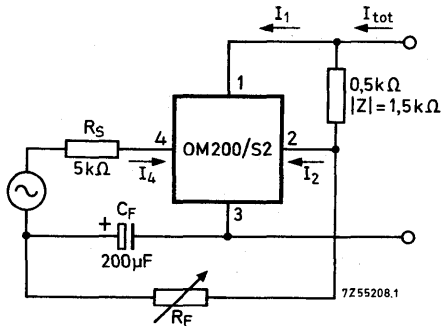
Cut-off frequency (-3 dB)

$f_c$	>	20	kHz
-------	---	----	-----

Value of  $R_F$  to adjust  $I_2$  at 0,7 mA

$R_F$	170 to 1000	k $\Omega$	
	typ.	400	k $\Omega$

Test circuit



Note

$I_2 = 0,7 \text{ mA}$ ; adjusted by means of  $R_F$   
 $V_{1-3} = 1,3 \text{ V}$ ;  $T_{\text{amb}} = 25 \text{ }^\circ\text{C}$

<sup>1)</sup> The transducer gain is defined as the ratio of the output power in the load  $|Z| = 1,5 \text{ k}\Omega$  and the available input power of the source with  $R_S = 5 \text{ k}\Omega$ .

$$G_{\text{tr}} = \frac{P_o}{V_i^2 / 4 R_S}$$

<sup>2)</sup> Due to special processing and pre-measuring, the flutter-noise level is extremely low.

**SOLDERING RECOMMENDATIONS**

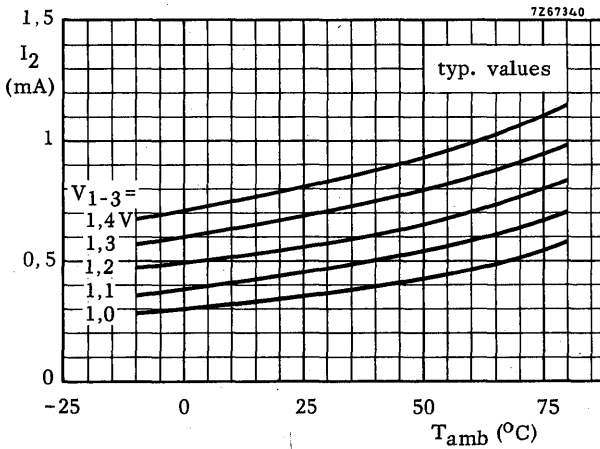
1. Iron soldering

At a maximum iron temperature of 300 °C the maximum permissible soldering time is 3 seconds, provided the solder spot is at least 0,5 mm from the seal and the leads are not soldered at the same time. Soldering in immediate subsequence is allowed.

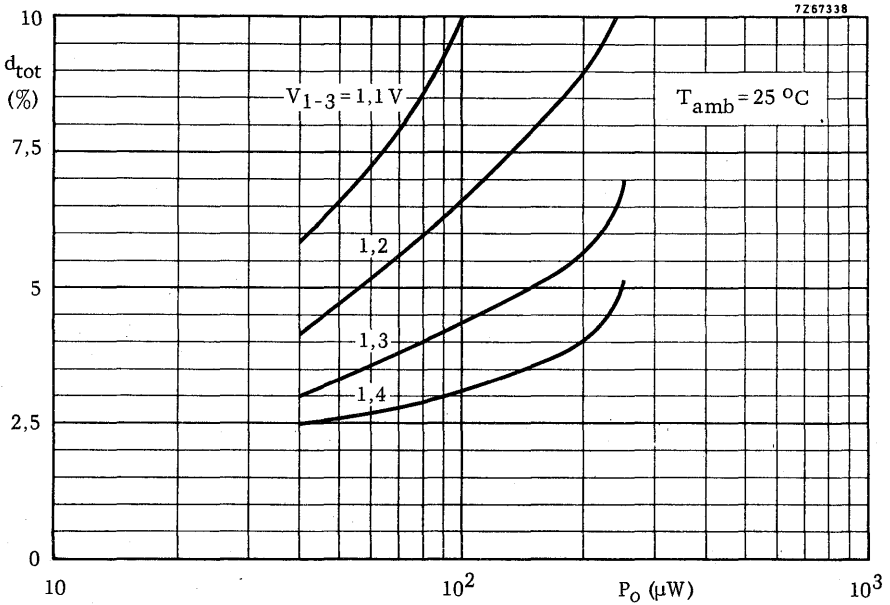
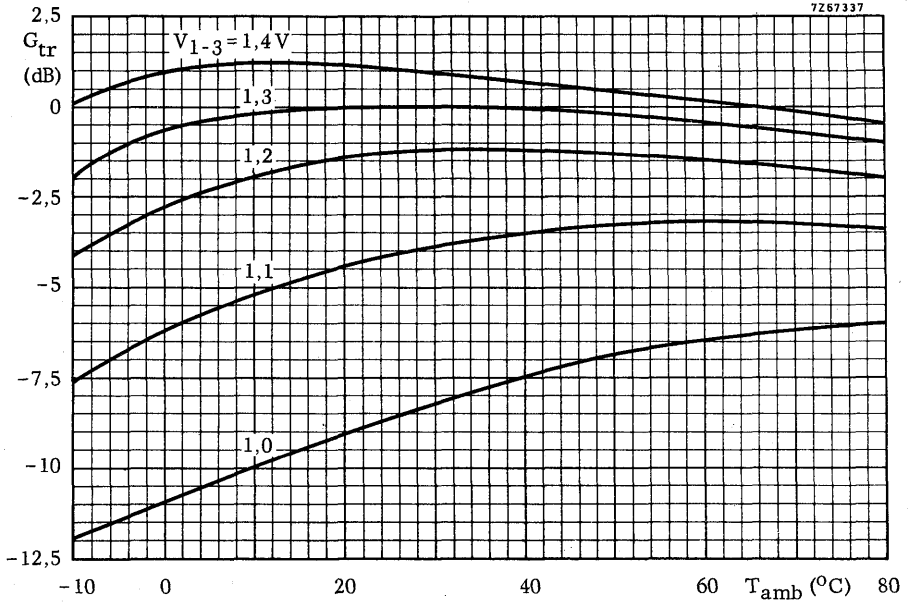
2. Dipsoldering

At a maximum solder temperature of 250 °C the maximum permissible soldering time is 3 seconds, provided the soldered spot is at least 0,5 mm from the seal.

**CHARACTERISTICS**



The graph applies to test circuit on page 3





## LOW-LEVEL AMPLIFIER

The TAA263 is a semiconductor integrated amplifier in a 4-lead TO-72 metal envelope. It comprises a three-stage, direct coupled low-level amplifier for use from d.c. up to frequencies of 600 kHz.

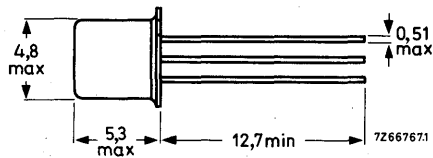
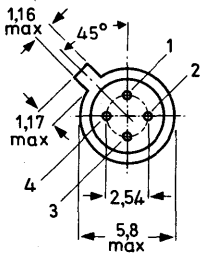
### QUICK REFERENCE DATA

Supply voltage	$V_B$	max.	8 V
Output voltage	$V_{3-4}$	max.	7 V
Output current	$I_3$	max.	25 mA
Transducer gain at $P_o = 10$ mW			
$R_L = 150 \Omega; f = 1$ kHz	$G_{tr}$	typ.	77 dB
Operating ambient temperature	$T_{amb}$		-20 to +100 °C

### PACKAGE OUTLINE

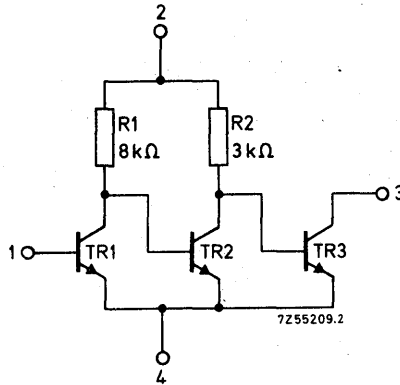
Dimensions in mm

TO-72 (SOT-18/17)





## CIRCUIT DIAGRAM



### RATINGS Limiting values in accordance with the Absolute Maximum System (IEC134)

#### Voltages

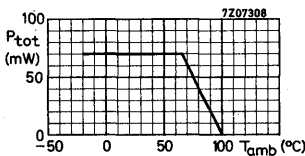
Supply voltage	$V_B$	max.	8 V
Output voltage	$V_{3-4}$	max.	7 V
Input voltage	$-V_{1-4}$	max.	5 V

#### Currents

Output current	$I_3$	max.	25 mA
Input current	$I_1$	max.	10 mA

#### Power dissipation

Total power dissipation up to $T_{amb} = 65^\circ\text{C}$	$P_{tot}$	max.	70 mW
--	-----------	------	-------



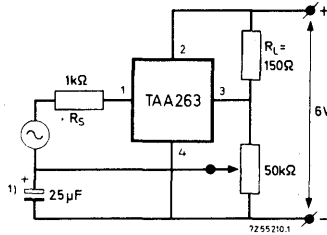
#### Temperatures

Storage temperature	$T_{stg}$	-55 to +125 °C
Operating ambient temperature (see derating curve above)	$T_{amb}$	-20 to +100 °C

## CHARACTERISTICS

$T_{amb} = 25\text{ }^{\circ}\text{C}$

Test circuit:



### Currents

Output current	$I_3$	typ.	12 mA
Total current drain (no signal)	$I_2 + I_3$	<	16 mA

### Over-all small signal current gain

$f = 1\text{ kHz}$	$h_{f\text{ tot}}$	typ.	$5 \cdot 10^5$
--------------------	--------------------	------	----------------

### Transducer gain

$f = 1\text{ kHz}; P_O = 10\text{ mW}$	$G_{tr}$	>	70 dB
		typ.	77 dB

### Output power at $f = 1\text{ kHz}; d_{tot} = 10\%$

	$P_O$	>	10 mW
--	-------	---	-------

$d_{tot} = 5\%$

	$P_O$	>	8 mW
--	-------	---	------

### Noise figure

$f = 400\text{ Hz to } 6\text{ kHz}$	$F$	typ.	5 dB
		<	10 dB

$f = 450\text{ kHz}; \Delta f = 5\text{ kHz}$	$F$	typ.	2.7 dB
---	-----	------	--------

1)  $Z \leq 10\text{ }\Omega$  at  $f = 1\text{ kHz}$

**CHARACTERISTICS** (continued)

$T_{amb} = 25\text{ }^{\circ}\text{C}$

y parameters (point 4 common connection)

$V_B = 6\text{ V}; I_3 = 3\text{ mA}; V_{3-4} = 4.2\text{ V}$

$f = 1\text{ kHz}$

Input admittance	$y_i = g_i$	typ.	20	$\mu\Omega^{-1}$
Transfer admittance	$y_f = g_f$	typ.	11	$\Omega^{-1}$
Output admittance	$y_o = g_o$	typ.	60	$\mu\Omega^{-1}$

$f = 450\text{ kHz}$

Input conductance	$g_i$	typ.	15	$\mu\Omega^{-1}$
Input capacitance	$C_i$	typ.	14	pF
Transfer admittance	$ y_f $	typ.	9.4	$\Omega^{-1}$
Phase angle of transfer admittance	$\varphi_f$	typ.	125	$^{\circ}$
Output conductance	$g_o$	typ.	20	$\mu\Omega^{-1}$
Output capacitance	$C_o$	typ.	13	pF

## INTEGRATED MOST AMPLIFIER

The TAA320 is a silicon monolithic integrated circuit, consisting of a MOS transistor and an n-p-n transistor in a TO-18 metal envelope.

The device is primarily intended for audio amplifiers with a very high input resistance (e.g. for crystal pick-ups).

Besides this application the TAA320 is also suitable for other applications where a high input resistance is required, like impedance converters, timing circuits, microphone-amplifiers, etc.

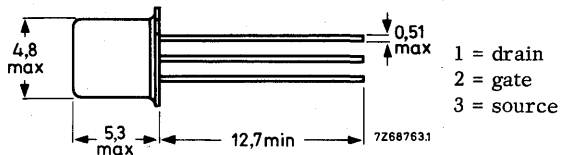
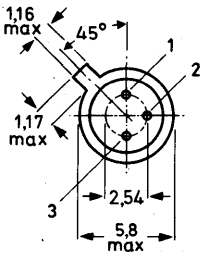
### QUICK REFERENCE DATA

Drain-source voltage ( $V_{GS} = 0$ )	$-V_{DSS}$	max.	20 V
Drain current	$-I_D$	max.	25 mA
Gate-source voltage $-I_D = 10$ mA; $-V_{DS} = 10$ V	$-V_{GS}$	typ.	11 V
Gate-source resistance $-V_{GS}$ up to 20 V; $T_j$ up to 125 °C	$r_{GS}$	>	100 G $\Omega$
Transfer admittance at $f = 1$ kHz $-I_D = 10$ mA; $-V_{DS} = 10$ V	$ Y_{fs} $	typ.	75 m $\Omega^{-1}$

### PACKAGE OUTLINE

Dimensions in mm

TO-18 (SOT-18/13)

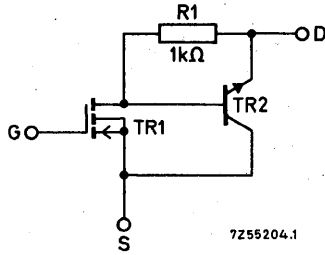


1 = drain  
2 = gate  
3 = source

Source connected to the case

Accessories supplied on request: 56246, 56263

## CIRCUIT DIAGRAM



### RATINGS Limiting values in accordance with the Absolute Maximum System (IEC134)

#### Voltages

Drain-source voltage ( $V_{GS} = 0$ )	$-V_{DSS}$	max.	20 V
Gate-source voltage ( $I_D = 0$ )	$-V_{GSO}$	max.	20 V
Non repetitive peak gate-source voltage ( $t \leq 10$ ms)	$-V_{GSM}$	max.	100 V

#### Current

Drain current	$-I_D$	max.	25 mA
---------------	--------	------	-------

#### Power dissipation

Total power dissipation up to $T_{amb} = 25$ °C	$P_{tot}$	max.	200 mW
---	-----------	------	--------

#### Temperatures

Storage temperature	$T_{stg}$	-55 to +125 °C
Operating ambient temperature (see derating curve on page 8)	$T_{amb}$	-20 to +125 °C

### THERMAL RESISTANCE

From junction to ambient in free air	$R_{th\ j-a}$	=	0.5 °C/mW
--------------------------------------	---------------	---	-----------

**CHARACTERISTICS**

$T_j = 25\text{ }^\circ\text{C}$  unless otherwise specified

Drain current

$-V_{DS} = 20\text{ V}; V_{GS} = 0$   $-I_{DSS}$  typ. 5 nA  
 $<$  1  $\mu\text{A}$

Gate-source voltage 1)

$-I_D = 10\text{ mA}; -V_{DS} = 10\text{ V}$   $-V_{GS}$  typ. 11 V  
 9 to 14 V

Gate-source resistance

$-V_{GS}$  up to 20 V;  $T_j$  up to 125  $^\circ\text{C}$   $r_{GS}$   $>$  100  $\text{G}\Omega$

Equivalent noise voltage

$-I_D = 10\text{ mA}; -V_{DS} = 10\text{ V}$   
 $B = 50\text{ Hz to }15\text{ kHz}$   $v_n$  typ. 25  $\mu\text{V}$

y parameters at  $f = 1\text{ kHz}$

$-I_D = 10\text{ mA}; -V_{DS} = 10\text{ V}$

Transfer admittance  $|y_{fs}|$  typ. 75  $\text{m}\Omega^{-1}$   
 40 to 120  $\text{m}\Omega^{-1}$

Input capacitance  $C_{is}$  typ. 8 pF

Feedback capacitance  $-C_{rs}$  typ. 1.5 pF

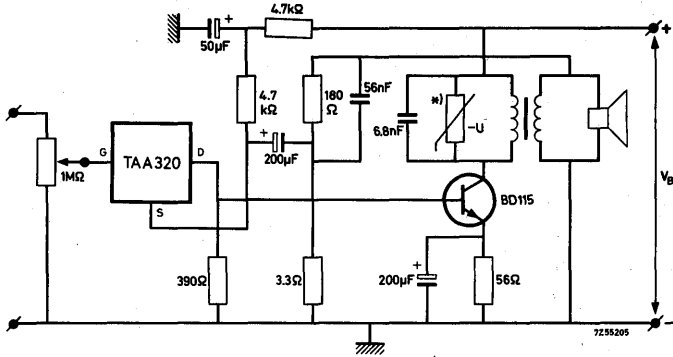
Output conductance  $g_{os}$  typ. 0.65  $\text{m}\Omega^{-1}$

**NOTE**

To exclude the possibility of damage to the gate oxide layer by an electrostatic charge building up on the high resistance gate electrode, the leads of the device have been short circuited by a clip. The clip has been arranged so that it need not be removed until the device has been mounted in the circuit.

1)  $-V_{GS}$  decreases about 6 mV/ $^\circ\text{C}$  with increasing ambient temperature at a constant  $-I_D$ .

## APPLICATION INFORMATION 2 W audio amplifier with TAA320 and BD115



\* The voltage dependent resistor (2322 552 03381) suppresses voltage transients that might otherwise exceed the safe operating limits of the BD115.

Supply voltage	$V_B$	=	100 V
Collector current of BD115	$I_C$	typ.	50 mA
Drain current of TAA320	$-I_D$	typ.	9.5 mA
Primary d.c. resistance of output transformer			140 $\Omega$
Primary inductance of output transformer			2.7 H
A.C. collector load for BD115			1.8 k $\Omega$

Performance at  $f = 1$  kHz; feedback = 16 dB

Output power at $d_{tot} = 10\%$ (on primary of the output transformer)	$P_O$	typ.	2.6 W
Input voltage for $P_O = 50$ mW	$V_i(rms)$	typ.	13.5 mV
Input voltage for $P_O = 2$ W	$V_i(rms)$	typ.	86 mV
Total distortion at $P_O = 2$ W	$d_{tot}$	typ.	3.6 %
Minimum frequency response (-3 dB)			60 Hz to 20 kHz
Signal-noise ratio at $P_O = 2$ W		typ.	73 dB

### Mounting instruction for BD115

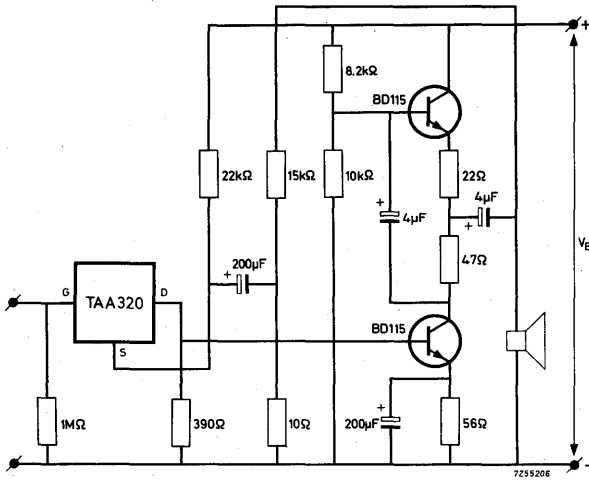
Proper continuous operation is ensured up to  $T_{amb} = 50$  °C, provided the BD115 is directly mounted on a 1.5 mm blackened Al. heatsink of 30 cm<sup>2</sup> with a clamping washer of type 56218.

If the transistor is mounted on a heatsink with a mica washer, the heatsink should have an area of 50 cm<sup>2</sup>.

Recommended diameter of hole in heatsink: 7.7 mm.

## APPLICATION INFORMATION (continued)

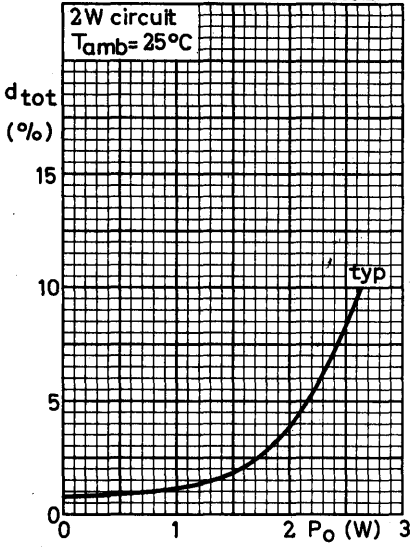
### 4 W audio amplifier with TAA320 and 2 transistors of type BD115.



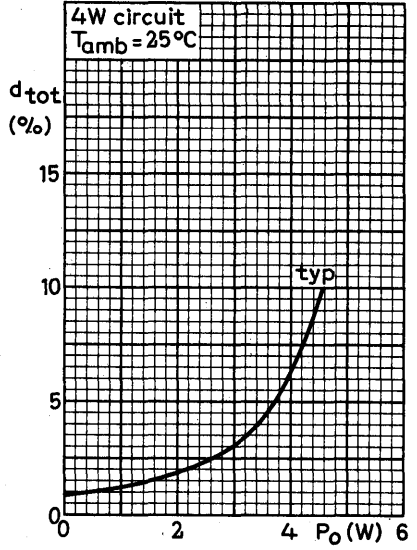
Supply voltage	$V_B$	=	200 V
Collector current of a BD115	$I_C$	typ.	52 mA
Drain current of TAA320	$-I_D$	typ.	8.6 mA
<u>Performance at <math>f = 1</math> kHz; feedback = 12 dB</u>			
Output power at $d_{tot} = 10\%$	$P_O$	typ.	4.5 W
Input voltage for $P_O = 50$ mW	$V_i(\text{rms})$	typ.	7.5 mV
Input voltage for $P_O = 4$ W	$V_i(\text{rms})$	typ.	67 mV
Total distortion at $P_O = 4$ W	$d_{tot}$	typ.	6 %
Minimum frequency response (-3 dB)			50 Hz to 20 kHz
Signal-noise ratio at $P_O = 4$ W		typ.	73 dB
Mounting instruction for BD115 see page 4			



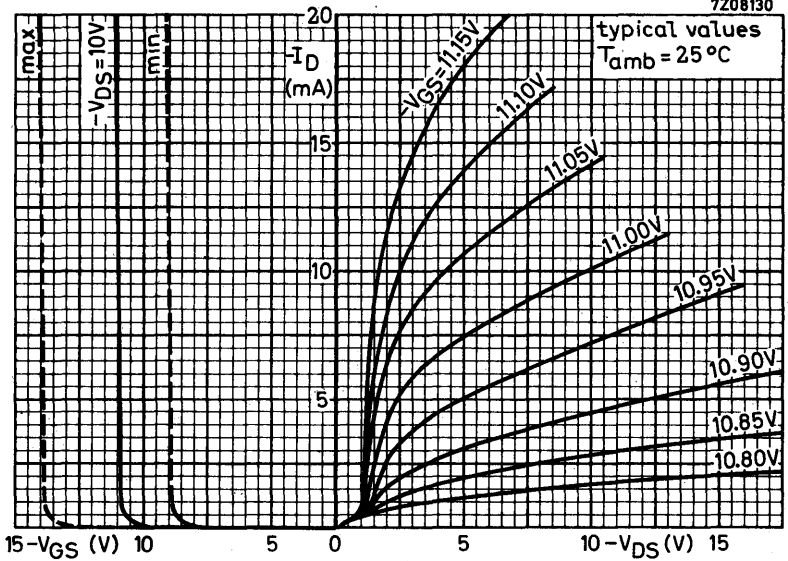
7Z08127

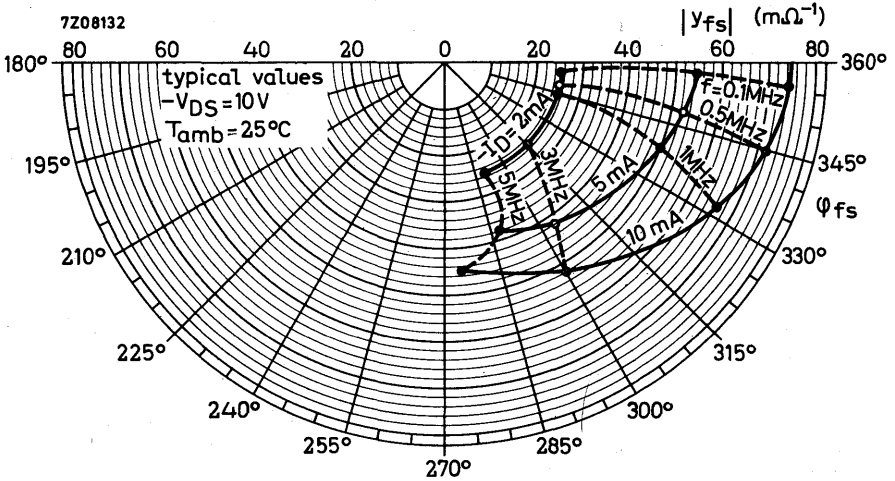
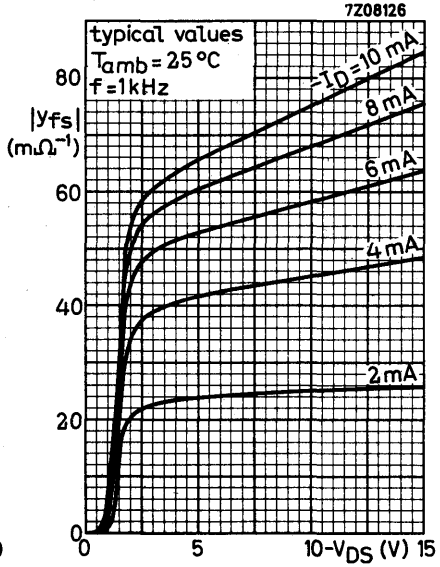
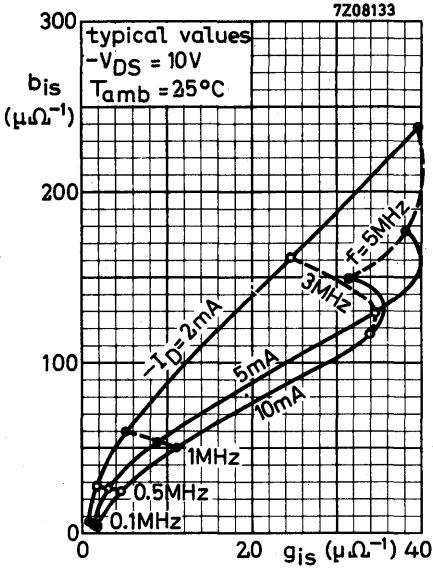


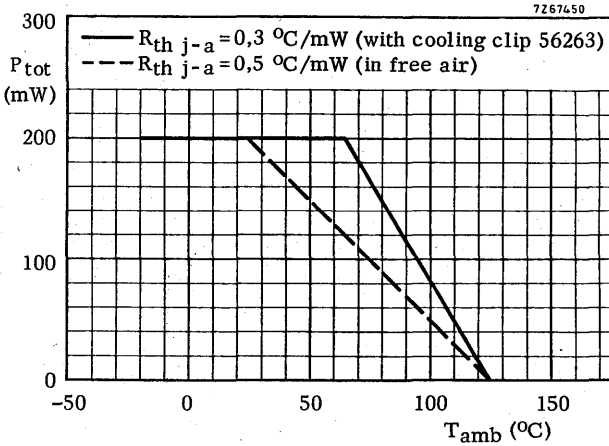
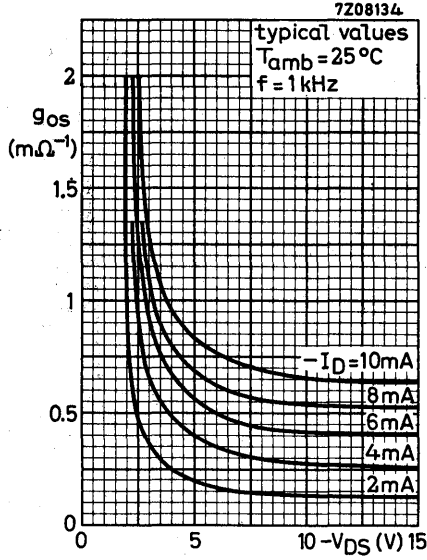
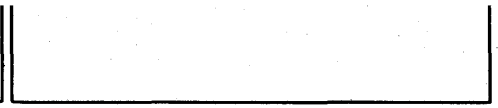
7Z08128



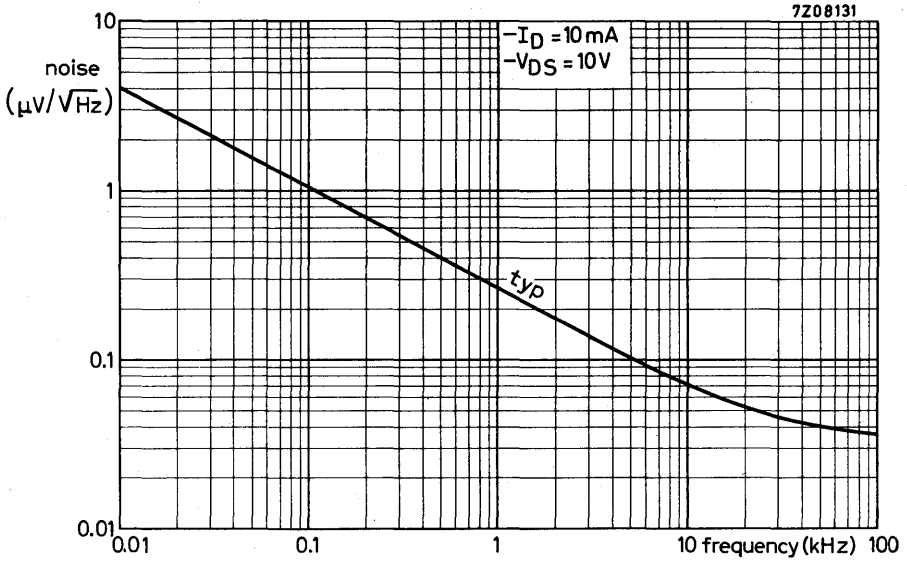
7Z08130







TTTTT





## INTEGRATED MOST LEVEL SENSOR

The TAA320A is a silicon monolithic integrated circuit, consisting of a p-channel enhancement type MOS transistor and an n-p-n transistor, in a TO-18 metal envelope. The device is intended for level sensors with a very high input resistance (e.g. timing circuits, thermostats, liquid level sensors, flame control circuits).<sup>1)</sup>

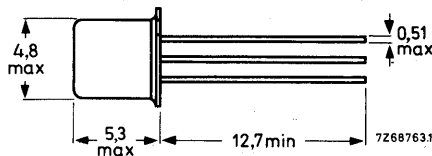
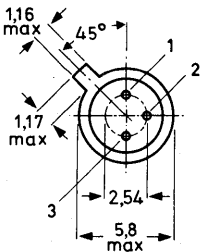
### QUICK REFERENCE DATA

Drain-source voltage ( $V_{GS} = 0$ )	$-V_{DSS}$	max.	20	V
Drain current	$-I_D$	max.	60	mA
Gate-source voltage <sup>1)</sup>				
$-I_D = 10 \text{ mA}; -V_{DS} = 10 \text{ V}$	group 1: $-V_{GS}$	typ.	10,6	V
			10,0 to 11,2	V
	group 2: $-V_{GS}$	typ.	11,3	V
			10,7 to 11,9	V
	group 3: $-V_{GS}$	typ.	12,0	V
			11,4 to 12,6	V
	group 4: $-V_{GS}$	typ.	12,7	V
			12,1 to 13,3	V
Gate cut-off current at $T_{amb} = 25 \text{ }^\circ\text{C}$				
$-V_{GS} = 20 \text{ V}; I_D = 0$	$-I_{GSO}$	typ.	1	pA
$-V_{GS} = 20 \text{ V}; V_{DS} = 0$	$-I_{GSS}$	typ.	1	pA

### PACKAGE OUTLINE

Dimensions in mm

TO-18 (SOT-18/13)



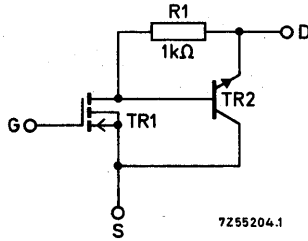
1 = drain  
2 = gate  
3 = source

source connected to the case

Accessories supplied on request: 56246; 56263

<sup>1)</sup> For explanation of the group codification see note b on page 3.

## CIRCUIT DIAGRAM



**RATINGS** Limiting values in accordance with the Absolute Maximum System (IEC 134)

### Voltages

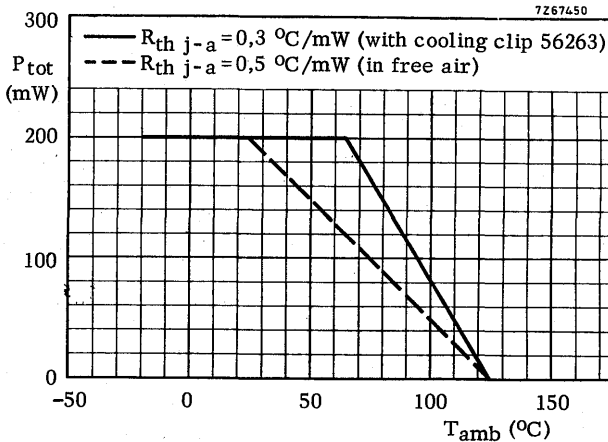
Drain-source voltage ( $V_{GS} = 0$ )	$-V_{DSS}$	max.	20 V
Gate-source voltage ( $I_D = 0$ )	$-V_{GSO}$	max.	20 V
Non-repetitive peak gate-source voltage ( $t \leq 10$ ms)	$\pm V_{GSM}$	max.	100 V

### Current

Drain current	$-I_D$	max.	60 mA
Peak drain current ( $t < 200$ ms; $\delta$ 0,001)	$-I_{DM}$	max.	100 mA

### Temperatures

Storage temperature	$T_{stg}$	-65 to +125 °C
Operating ambient temperature (see curve below)	$T_{amb}$	-20 to +125 °C



**CHARACTERISTICS** $T_j = 25^\circ\text{C}$  unless otherwise specifiedDrain current

$-V_{DS} = 20\text{ V}; V_{GS} = 0$	$-I_{DSS}$	typ.	5	nA
		<	1	$\mu\text{A}$

Drain-source voltage <sup>1)</sup>

$-I_D = 10\text{ mA}; -V_{GS} = 20\text{ V}$	$-V_{DS}$	<	1	V
$-I_D = 60\text{ mA}; -V_{GS} = 20\text{ V}$	$-V_{DS}$	<	1,5	V

Gate-source voltage (see note b)

$-I_D = 10\text{ mA}; -V_{DS} = 10\text{ V}$	group 1: $-V_{GS}$	typ.	10,6	V
			10,0 to 11,2	V
	group 2: $-V_{GS}$	typ.	11,3	V
			10,7 to 11,9	V
	group 3: $-V_{GS}$	typ.	12,0	V
			11,4 to 12,6	V
	group 4: $-V_{GS}$	typ.	12,7	V
			12,1 to 13,3	V

Gate cut-off current

$-V_{GS} = 20\text{ V}; I_D = 0$	$-I_{GSO}$	typ.	1	$\text{pA}^2)$
$-V_{GS} = 20\text{ V}; V_{DS} = 0$	$-I_{GSS}$	typ.	1	$\text{pA}^2)$

**NOTES**

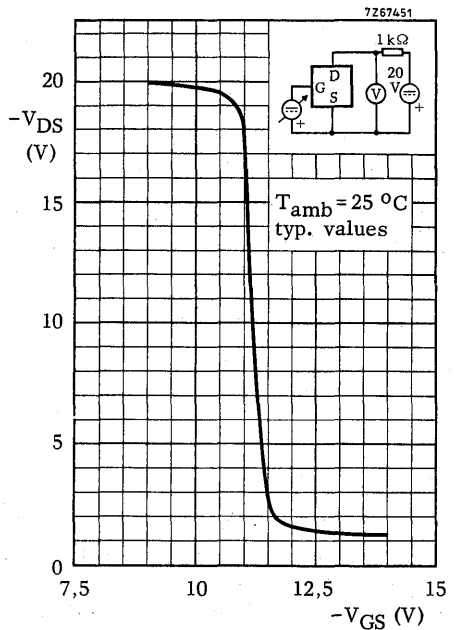
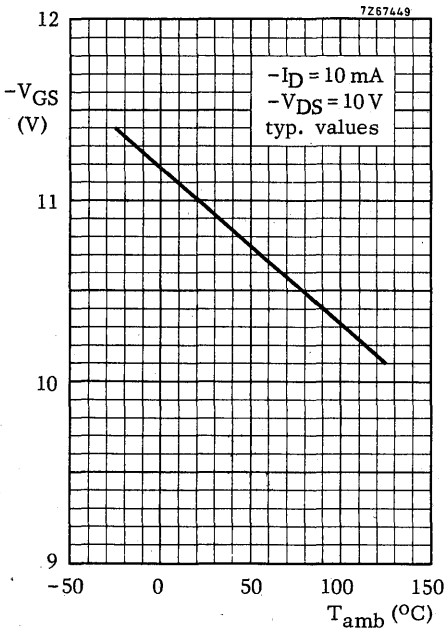
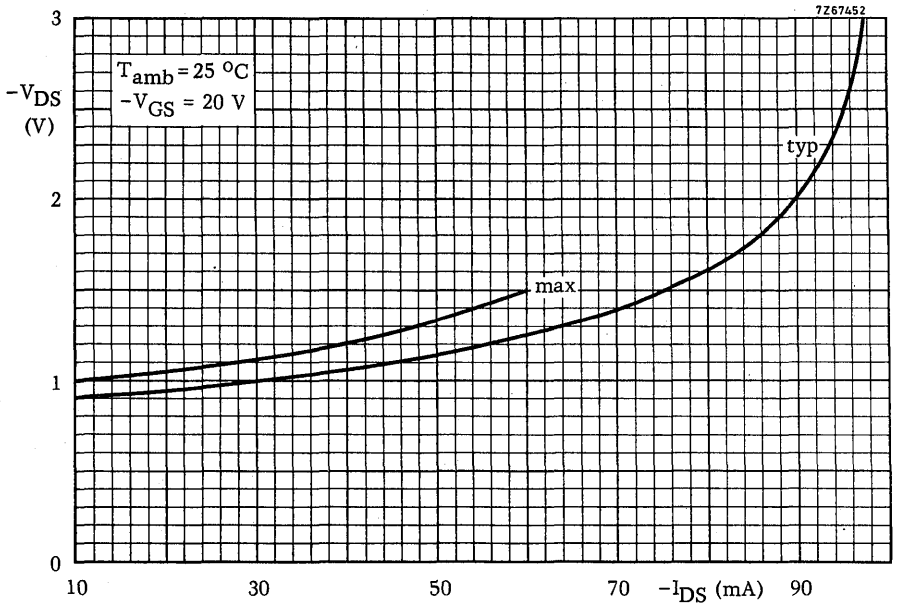
- The leads are short-circuited by a clip to protect the oxide layer against damage due to accumulation (or build-up) of electrostatic charge on the high resistance gate electrode. The clip should not be removed until after the device is mounted.
- As a service to the customer the  $-V_{GS}$  group to which a device belongs is identified by a numerical suffix (1, 2, 3 or 4), however, individual groups cannot be ordered separately.

1. See also upper graph on page 4.

2. Being dependent on handling and ambient humidity, the quoted value applies only up to the time of shipping.

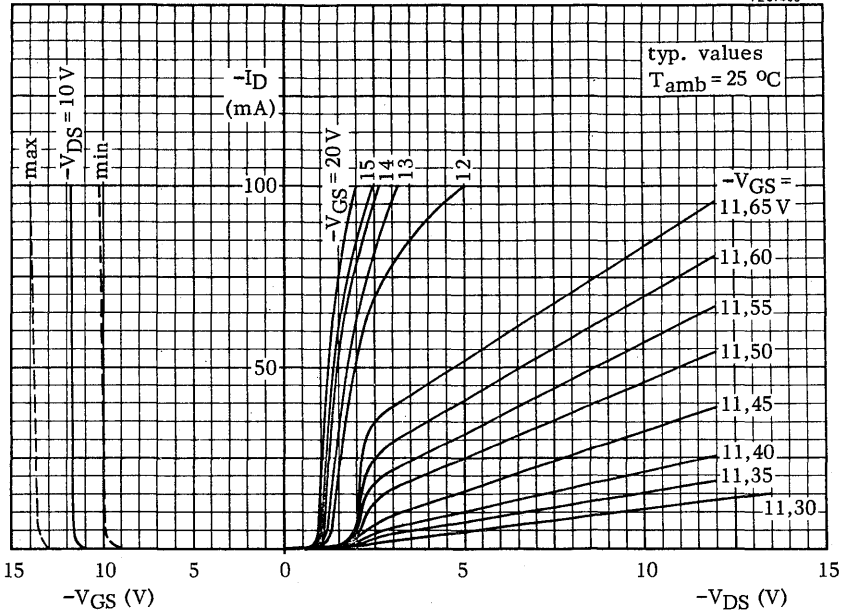
Efficient drying treatment is advised before the device is mounted, provided the application requires this low current.





7Z67495

typ. values  
 $T_{amb} = 25\text{ }^{\circ}\text{C}$





## INTEGRATED AM/FM RADIO RECEIVER CIRCUIT

The TBA570A is for use in small low-cost a. m. portable receivers as well as in high quality battery or mains-fed a. m. and a. m./f. m. receivers.

The IC incorporates: a. m. mixer, oscillator, i. f. amplifier, a. g. c. amplifier, a. m. detector and capacitor, f. m. /i. f. limiting amplifier and stable base bias for f. m. front-end, and an audio preamplifier and driver.

The unique integrated audio part has an internally limited bandwidth (18 kHz) and negligible h. f. radiation back to the ferrite rod. This makes the TBA570A ideally suitable for small size a. m. receivers because print layout is not critical. The driver stage can directly drive complementary output stages ( $P_O = 6 \text{ W max.}$ ), or operate as a post amplifier ( $V_O = 500 \text{ mV}$ ).

In its standard applications, the TBA570A can replace the TBA570.

### QUICK REFERENCE DATA

Applicable supply voltage range of receiver	$V_P$	2, 7 to 18	V
Ambient temperature	$T_{amb}$	25	°C
Supply voltage at pin 8	$V_{8-16}$	nom. 5, 3	V
-----			
Total quiescent current except output stages, driver stage TR30 and f. m. front-end	$I_{tot}$	typ. 9	mA
<b>A.M. performance (at pin 2)</b>			
R. F. input voltage; S/N = 26 dB	$V_i$	typ. 18	$\mu\text{V}$
for $P_O = 50 \text{ mW}$ (adjustable)	$V_i$	typ. 2	$\mu\text{V}$
A. G. C. range; change of r. f. input voltage for 10 dB expansion in audio range		typ. 65	dB
R. F. signal handling; $d_{tot} = 10\%$ ; $m = 0, 8$		typ. 150	mV
<b>F.M. performance (at pin 2)</b>			
R. F. input voltage; 3 dB before limiting	$V_i$	typ. 50	$\mu\text{V}$
<b>Audio performance</b>			
Output driver current (peak value)	$I_{11M}$	< 100	mA
Input impedance (at pin 12)	$ Z_{12-16} $	typ. 100	k $\Omega$

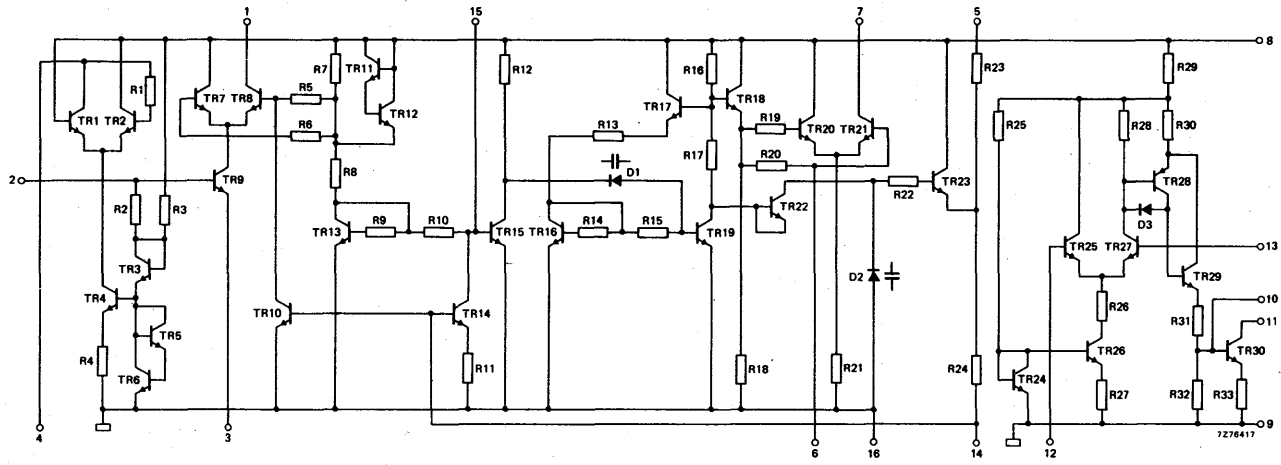
### PACKAGE OUTLINES

TBA570A : 16-lead DIL; plastic (SOT-38).

TBA570AQ : 16-lead QIL; plastic (SOT-58).



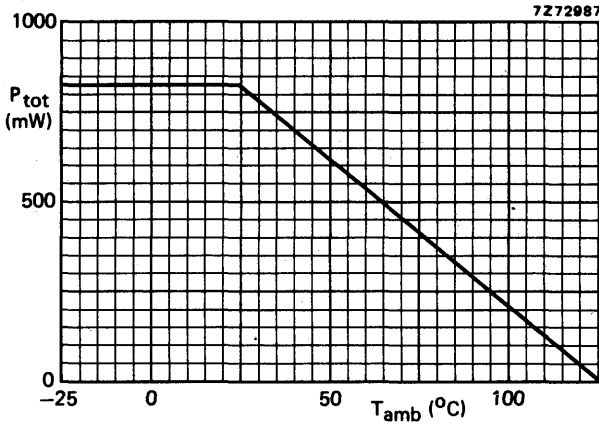
CIRCUIT DIAGRAM



7276417

**RATINGS** Limiting values in accordance with the Absolute Maximum System (IEC 134)

Pin 11 voltage	$V_{11-9}$	max.	18	V
Pin 8 voltage	$V_{8-16}$	max.	8	V
Pin 11 current (peak value)	$I_{11M}$	max.	100	mA
Total power dissipation	see derating curve below			
Storage temperature	$T_{stg}$		-55 to +125	°C
Operating ambient temperature; $V_{8;4;7;1-16} = 8$ V; $I_{11M} = 100$ mA; see also derating curve below	$T_{amb}$		-20 to +85	°C



**DESIGN DATA**

Characteristics of integrated components are determined by process and layout data.

Pins not under measuring condition should not be connected.

Voltages with respect to pin 9 and 16 (tolerated minimum : 0 V)

Pins 1 and 7	$V_{1-9(16)}$ $V_{7-9(16)}$	} max.	18	V
Pin 4	$V_{4-9(16)}$	max.	8	V
Pin 8	$V_{8-9(16)}$	max.	8	V
Pin 3	$V_{3-9(16)}$	max.	3	V
Pin 5	$V_{5-9(16)}$	max.	4	V
Pin 14	$V_{14-9(16)}$	max.	1	V

Currents (tolerated minimum : 0 mA)

Pins 2, 6, 12, 13 and 15	$I_2; I_6; I_{12}$ $I_{13}; I_{15}$	} max.	80	µA
Pin 10	$I_{10}$	max.	5	mA

**D.C. CHARACTERISTICS** at  $T_{amb} = 25\text{ }^{\circ}\text{C}$

Saturation voltage of driver stage

$I_C = 50\text{ mA}$ ;  $I_B = 2,5\text{ mA}$

$V_{11-16sat}$	typ.	1,0	V
	<	1,5	V

Collector breakdown voltage of driver stage

$I_C = 25\text{ mA}$ ;  $R_{BE} = 7\text{ k}\Omega$

$V_{11-16(BR)}$	>	18	V
-----------------	---	----	---

D. C. current gain of driver stage

$I_C = 50\text{ mA}$

$h_{FE}$	>	25	
----------	---	----	--

Total quiescent current

except driver stage collector current;

f. m. front-end;

discrete output stages;  $V_{8-16} = 5,3\text{ V}$

$V_{8-16} = 4,2\text{ V}$

$I_{tot}$	typ.	9	mA
-----------	------	---	----

$I_{tot}$	typ.	8	mA
-----------	------	---	----

Applicable supply voltage range of receiver

$V_P$		2,7 to 18	V <sup>1)</sup>
-------	--	-----------	-----------------

Base bias voltage for f. m. front-end

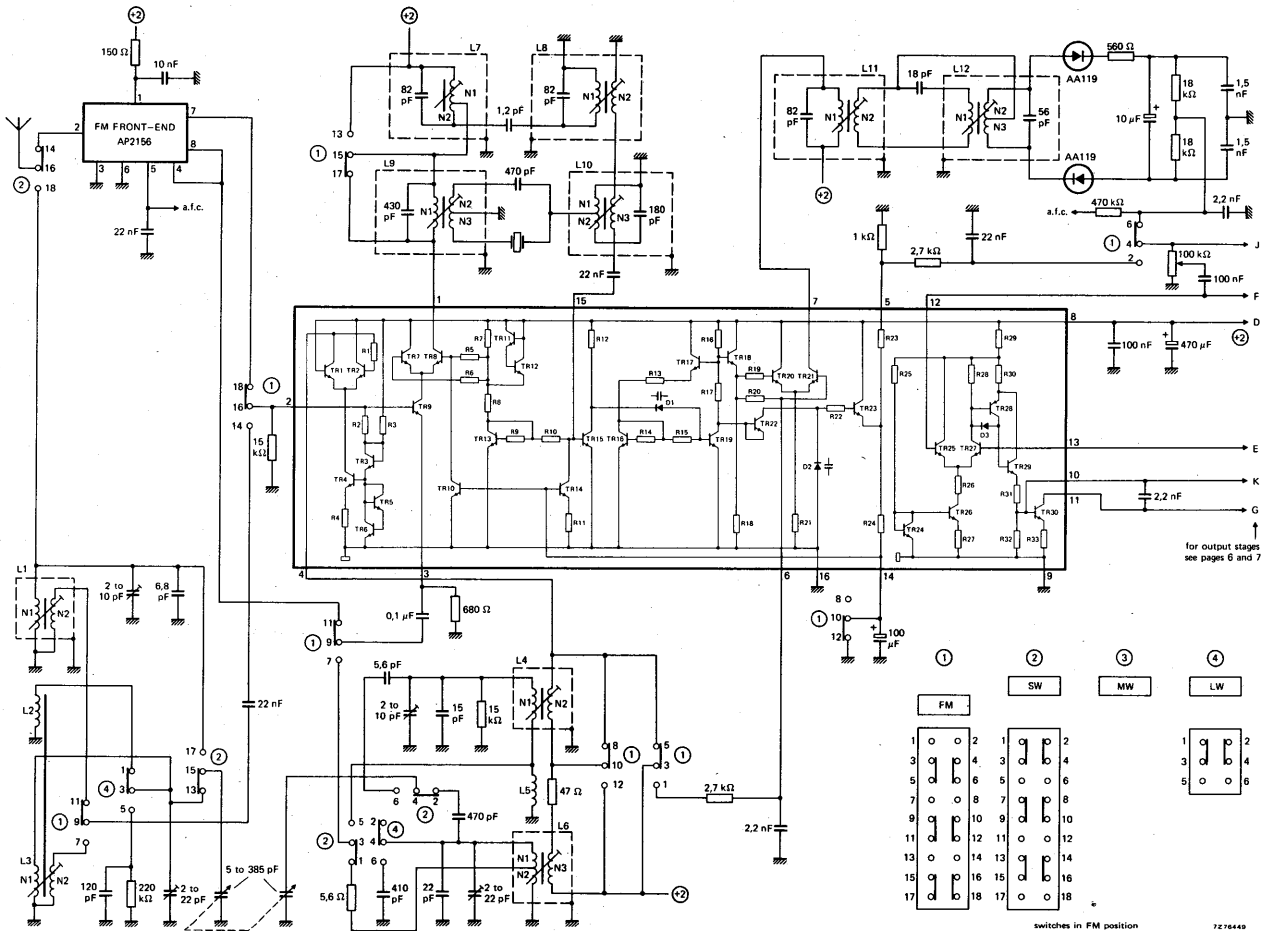
total external load current at pin 2:  $-I_2 = 150\mu\text{A}$

$V_{2-16}$	typ.	1,2	V
------------	------	-----	---

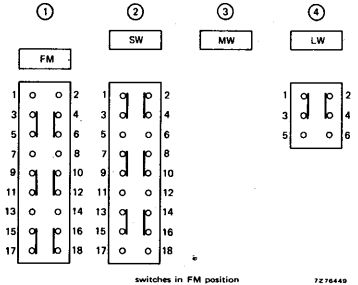
**A.C. CHARACTERISTICS** at  $T_{amb} = 25\text{ }^{\circ}\text{C}$ ;  $V_{8-16} = 5,3\text{ V}$ ;  $I_E (TR9) = 1\text{ mA}$

		0,45	1	10,7	MHz
Input conductance at pin 2	$g_{ie}$ typ.	-	0,4	0,5	mA/V
Output conductance at pin 1	$g_{oe}$ typ.	6	-	90	$\mu\text{A/V}$
Input conductance at pin 15	$g_{ie}$ typ.	0,35	-	0,7	mA/V

<sup>1)</sup> Adjustable by a dropping resistor in the  $V_P$ -line; see also maximum tolerated voltages for pins 1, 4, 7 and 8 in design data on page 3.



H. F. part of a high quality FM/AM (LW; MW; SW) receiver.



switches in FM position 7276440

TBA570A  
TBA570AQ



**TBA570A**  
**TBA570AQ**

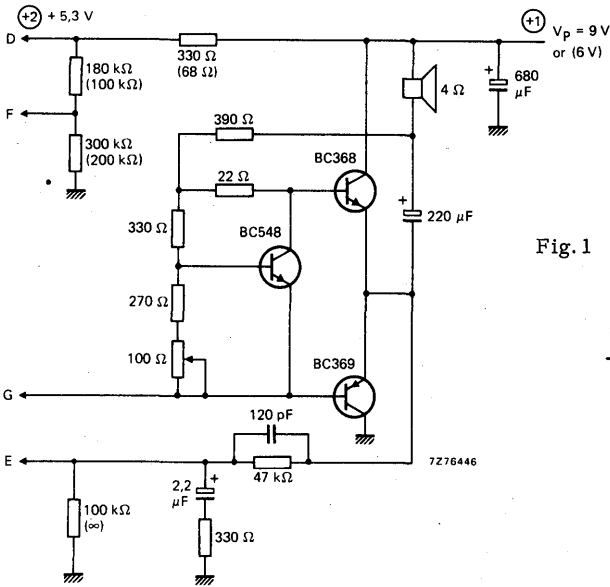


Fig. 1 Output stage for  $V_P = 9\text{ V}$  or  $6\text{ V}$  (resistor values between parentheses).

$V_P$	$R_L$	$P_O$ at $d_{tot} = 10\%$
9 V	4 $\Omega$	1,8 W
6 V	4 $\Omega$	0,6 W

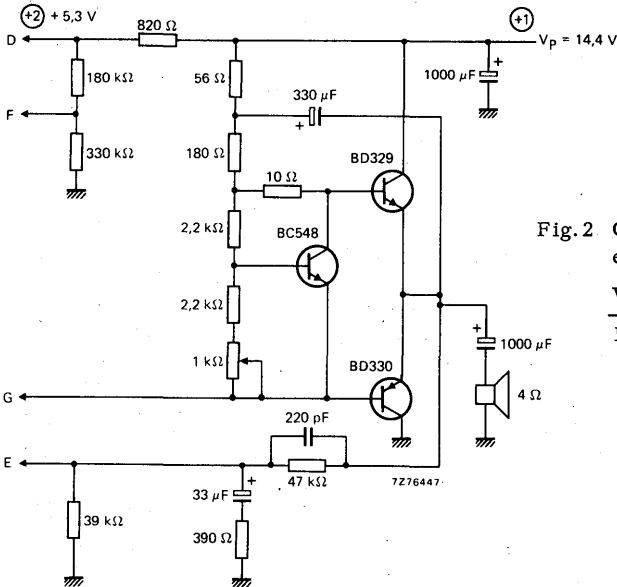


Fig. 2 Output stage for  $V_P = 14,4\text{ V}$ ; especially used in car radios.

$V_P$	$R_L$	$P_O$ at $d_{tot} = 10\%$
14,4 V	4 $\Omega$	5,5 W

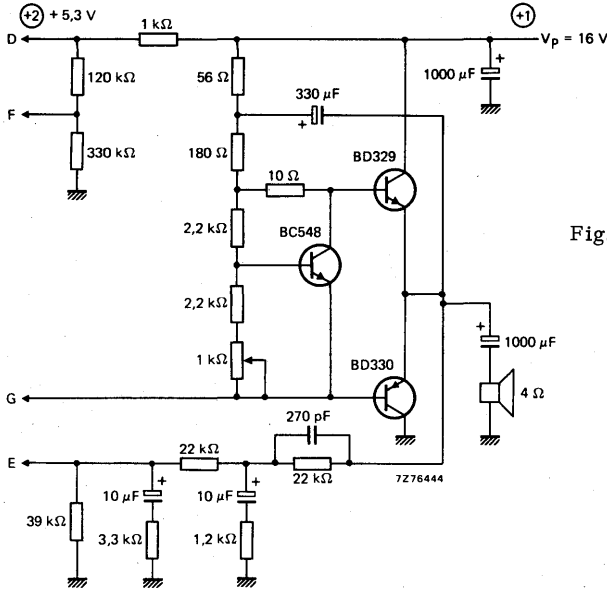


Fig. 3 Output stage for  $V_P = 16\text{ V}$ .

$V_P$	$R_L$	$P_O$ at $d_{tot} = 10\%$
16 V	4 $\Omega$	6, 8 W

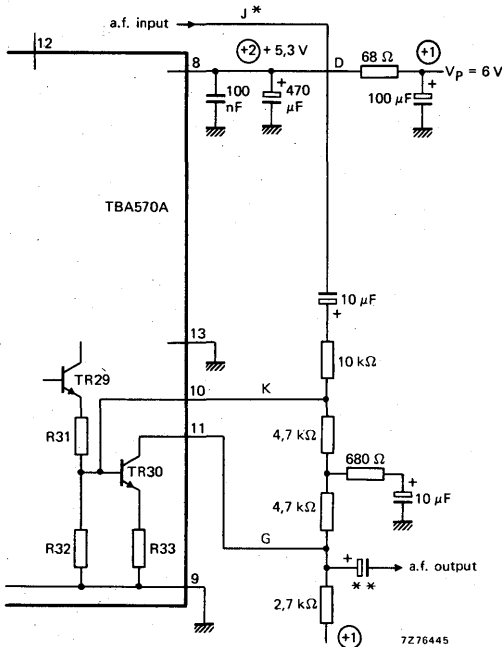


Fig. 4 Post amplifier for  $V_O = 500\text{ mV}$  and  $V_P = 6\text{ V}$ .

\*In circuit on page 5 volume control resistor (100 k $\Omega$ ) and capacitor (100 nF) on pin 12 should be omitted.

\*\*Capacitor value depends on load.



**COIL DATA (in circuit on page 5)**

**High quality AM/FM receiver (for portable and mains-fed applications)**

A. M. -I.F. coils ( $f_0 = 455 \text{ kHz}$ )

I. F. bandpass filter :

- |                                      |                                    |
|--------------------------------------|------------------------------------|
| <b>L9</b> $N_1 = 284, 5 \mu\text{H}$ | <b>L10</b> $N_1 = 680 \mu\text{H}$ |
| $Q_0 = 100$                          | $Q_0 = 100$                        |
| $N_1/N_2 = 40$                       | $N_2/N_1 = 74$                     |
| $N_2/N_3 = 1$                        | $(N_2 + N_1)/N_3 = 10, 7$          |
| $ Z_T  = 3 \text{ k}\Omega$          |                                    |

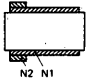
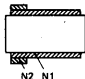
F. M. -I.F. coils ( $f_0 = 10, 7 \text{ MHz}$ )

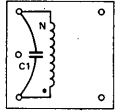
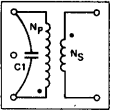
Second i.f. bandpass filter :

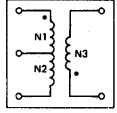
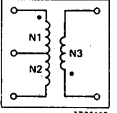
Ratio detector :

- |  |                                    |                                     |  |
|--|------------------------------------|-------------------------------------|--|
| <b>L7</b> $N_1 + N_2 = 2, 7 \mu\text{H}$ | <b>L8</b> $N_1 = 2, 7 \mu\text{H}$ | <b>L11</b> $N_1 = 2, 7 \mu\text{H}$ | <b>L12</b> $N_2 + N_3 = 3, 25 \mu\text{H}$ |
| $Q_0 = 100$                              | $Q_0 = 90$                         | $Q_0 = 85$                          | $Q_0 = 85$                                 |
| $k_{QL6-L7} = 1, 2$                      | $N_1/N_2 = 5, 5$                   | $k_{QL11-L12} = 0, 7$               | $(N_2 + N_3)/N_1 = 6$                      |
| $N_1/N_2 = 1, 75$                        |                                    | $N_1/N_2 = 2, 2$                    | $N_2 = N_3$                                |

**Low-cost 2-band AM portable receiver (see page 9)**

- |   |  |   |  |  |
|---|--|---|--|--|
| <b>L1</b>  | $N_1 = 11$<br>$N_2 = 2$<br>wire : 1, 1 $\emptyset$ | <b>L2</b>  | $N_1 = 60$<br>$N_2 = 4$<br>wire : 20 x 0, 03 | <b>L1 and L2 on ferrite rod; 10 mm<math>\emptyset</math>; length = 10 cm</b> |
|---|--|---|--|--|

- |   |   |   |  |
|---|---|---|--|
| <b>L3</b>  | $N = 284, 5 \mu\text{H}$ $f_m = 452 \text{ kHz}$<br>$C_1 = 430 \text{ pF}$ $Q_0 = 100$<br>wire : 0, 1 $\emptyset$ | <b>L4</b>  | $N_p = 284, 5 \mu\text{H}$ $f_m = 452 \text{ kHz}$<br>$N_p/N_s = 16, 7$ $Q_0 = 100$<br>$C_1 = 430 \text{ pF}$<br>wire : 0, 1 $\emptyset$ |
| core material : 7 MN(C)   |   | core material : 7 MN(C)   |  |

- |   |   |   |   |
|---|---|---|---|
| <b>L5</b>  | $N_1 + N_2 = 127 \mu\text{H}$ $f_m = 1 \text{ MHz}$<br>$(N_1 + N_2)/N_2 = 58$ $Q_0 = 100$<br>$(N_1 + N_2)/N_3 = 4, 8$ $C_p = 200 \text{ pF}$<br>wire : 0, 1 $\emptyset$ | <b>L6</b>  | $N_1 + N_2 = 13 \mu\text{H}$ $f_m = 7 \text{ MHz}$<br>$(N_1 + N_2)/N_2 = 20$ $Q_0 = 90$<br>$(N_1 + N_2)/N_3 = 4$ $C_p = 40 \text{ pF}$<br>wire : 0, 1 $\emptyset$ |
| core material : 7 BR  |   | core material : 119 AM(C)   |   |

**Note**

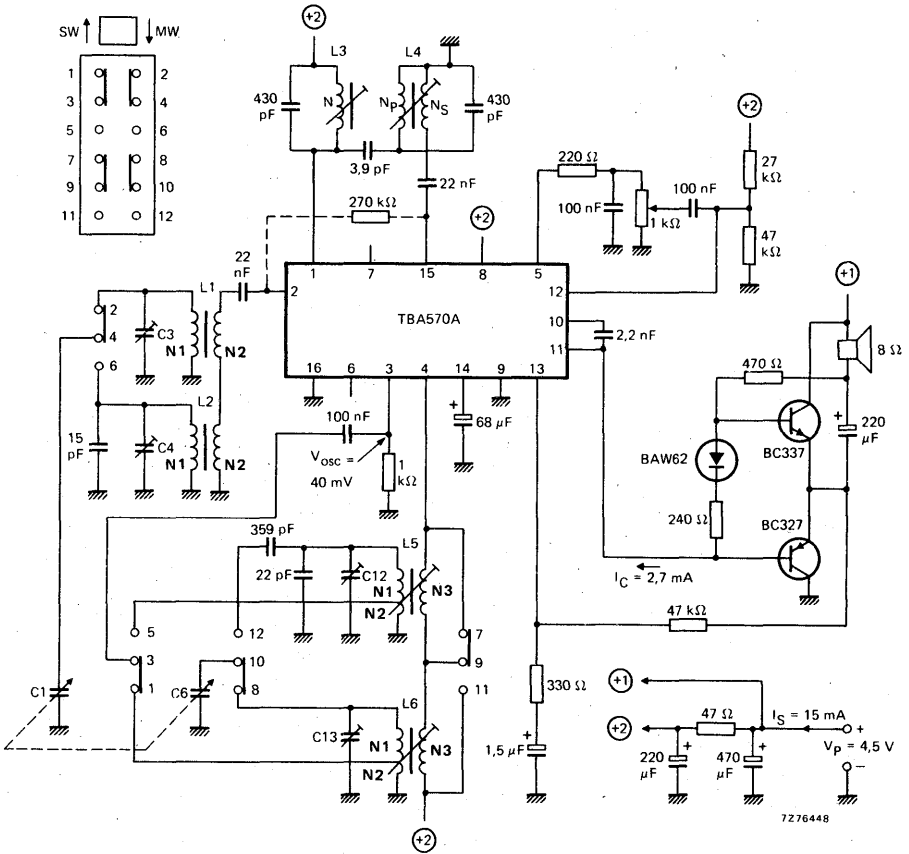
In the circuit on page 9 for L3 and L4 a similar coil to L9 in the circuit on page 5 can be used with the following exceptions :

L3 : secondary windings N2 and N3 are not used.

L4 : secondary windings N2 and N3 are connected in series.

When using a resistor between pins 2 and 15 (see dashed resistor in circuit on page 9), signal handling is improved.

Low-cost 2-band (SW-MW) AM portable receiver ( $P_O = 250 \text{ mW}$ )



7276448

Note : C1 and C6 max. 385 pF.



# TBA570A TBA570AQ

## APPLICATION INFORMATION at $T_{amb} = 25\text{ }^{\circ}\text{C}$

A.M. performance	$V_{8-16}$	$5, 3\text{ V } 1)$	$4, 2\text{ V } 2)$
R.F. input voltage: $S/N = 26\text{ dB}$ (notes 3 and 4) for $P_O = 50\text{ mW}$ (adjustable); notes 3, 4 and 5	$V_i$	typ. 18	10 $\mu\text{V}$
	$V_i$	typ. 2	2 $\mu\text{V}$
R.F. input voltage for 10 mV (a.f.) across volume control (notes 3 and 4)	$V_i$	typ. 2,7	4,5 $\mu\text{V}$
A.F. voltage across volume control at 100 $\mu\text{V}$ (r.f.) input voltage (notes 3 and 4)	$V_O$	typ. 70	70 mV
Signal-to-noise ratio at 1 mV (r.f.) input voltage (notes 3 and 4)	$S/N$	typ. 46	47 dB
A.G.C. range (change in r.f. input voltage for 10 dB expansion in audio range); notes 3 and 4		typ. 60	60 dB
R.F. signal handling capability at 80% modulation; $d_{tot} < 10\%$ (note 3)	$V_i$	typ. 150	7 mV
Harmonic distortion of h.f. part over most of a.g.c. range; $m = 0, 3$ ; $f_m = 1\text{ kHz}$ (note 6)	$d_{tot}$	typ. 1	1 %
I.F. selectivity	$S_9$	typ. 33	16 dB
I.F. bandwidth (3 dB)	B	typ. 5	5,5 kHz

### Notes

- See circuits on pages 5, 6 and 7 (high quality AM/FM receiver).
- See circuit on page 9 (low-cost 2-band AM portable receiver).
- A.F. signal: measured across volume control.
  - R.F. signal: measured at pin 2 with the aerial circuit connected (source resistance about 1  $\text{k}\Omega$ ).
  - $f_O = 1\text{ MHz}$ ;  $f_m = 1\text{ kHz}$ .
- $m = 0, 3$ .
- A.M. sensitivity for  $P_O = 50\text{ mW}$  can be adjusted by means of the a.c. feedback network in the audio part e.g. :  $V_i = 1, 5\text{ }\mu\text{V}$  for  $P_O = 50\text{ mW}$  ( $S/N \approx 4\text{ dB}$ ).
- Distortion can be decreased to 0,7% by connecting a resistor of 270  $\text{k}\Omega$  between pins 2 and 15.

**APPLICATION INFORMATION** (continued) at  $T_{amb} = 25\text{ }^{\circ}\text{C}$ ;  $V_{8-16} = 5,3\text{ V}$

Measured in the circuit on page 5

**F.M. performance**

Sensitivity for an f. m. signal 3 dB before limiting at 75 $\Omega$ aerial input of f. m. front-end (note 1) at pin 2; first i. f. (notes 2 and 6)	$V_i$	typ.	3,5 $\mu\text{V}$
	$V_i$	typ.	50 $\mu\text{V}$
Sensitivity for 26 dB S/N ratio at 75 $\Omega$ aerial input of f. m. front-end (note 1)	$V_i$	typ.	2,5 $\mu\text{V}$
A. F. output voltage across volume control at an i. f. signal beyond limiting (note 2)	$V_o$	typ.	120 mV
Signal-to-noise ratio over most of signal range (note 2)	S/N	typ.	65 dB
A. M. suppression over most of signal range (note 3)		typ.	60 dB
I. F. selectivity (note 4)	$S_{300}$	typ.	43 dB
I. F. bandwidth (3 dB; note 4)	B	typ.	150 kHz
A. F. signal distortion 3 dB before i. f. limiting (note 5)	$d_{tot}$	typ.	0,8 %

Notes

1. Aerial e. m. f. ( $V_i$ ) at  $f_o = 98\text{ MHz}$ ;  $R_S = 50\ \Omega$ ;  $\Delta f = \pm 22,5\text{ kHz}$ ;  $f_m = 1\text{ kHz}$ .
2.  $f_o = 10,7\text{ MHz}$ ;  $\Delta f = \pm 22,5\text{ kHz}$ ;  $f_m = 1\text{ kHz}$ .
3. A. M. signal :  $m = 0,3$ ;  $f_m = 1000\text{ Hz}$ .  
F. M. signal :  $f_o = 10,7\text{ MHz}$ ;  $\Delta f = \pm 75\text{ kHz}$ ;  $f_m = 400\text{ Hz}$ .  
Carrier simultaneously modulated with a. m. and f. m.
4. Including ratio detector.
5.  $f_o = 98\text{ MHz}$ ;  $\Delta f = \pm 40\text{ kHz}$ ;  $f_m = 1\text{ kHz}$ .
6. Pin 3 by-passed to ground with a capacitor of 220 nF.



**TBA570A**  
**TBA570AQ**

**AUDIO PERFORMANCE**

Distortion before clipping (note 1)	$d_{tot}$	typ.	0,5	%
Input impedance (note 2)	$ Z_i $	typ.	90	k $\Omega$
Noise output power; volume control at min. (note 3)	$P_n$	typ.	10	nW
Overall fidelity; flat within 3 dB (obtainable values)			35 Hz to 15	kHz
Open loop voltage gain	$G_v$	typ.	62	dB

$V_p$	V	4,5	6	9	14,4	16
$R_L$	$\Omega$	8	4	4	4	4
$P_o$ at $d_{tot} = 10\%$	W	0,22	0,6	1,8	5,5	6,8
$P_o$ at onset of clipping; $d_{tot} = 1\%$	W	0,15	0,4	1,2	4	4,8
$V_i$ for $d_{tot} = 10\%$ (pin 12)	mV	14	16	25	50	45
$V_i$ for $P_o = 50$ mW (pin 12)	mV	5,5	4,5	4	3,5	3,5
Output transistors		BC327 BC337	BC368 BC369	BC368 BC369	BD329 BD330	BD329 BD330
Circuit diagrams on page 6, 7 or 9		page 9	Fig. 1	Fig. 1	Fig. 2	Fig. 3

**Post-amplifier (see Fig. 4 on page 7)**

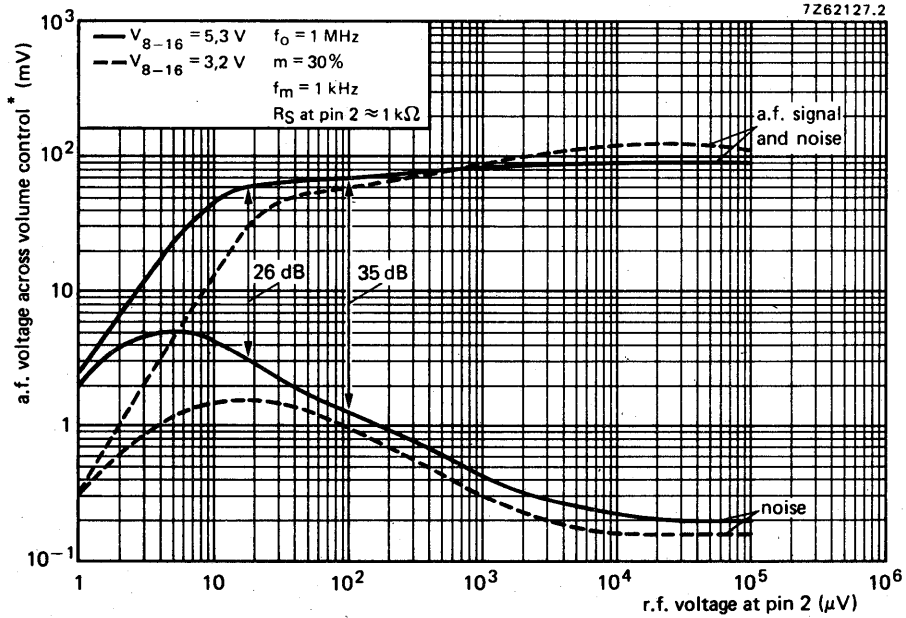
Output voltage	: 500 mV
Audio gain (adjustable):	5
Distortion	: 0,2%

Notes

1. Measured at 1 kHz and a negative feedback of 16 dB.
2. At the maximum tolerated value of resistance-tap/bleeder at pin 12.
3. Measured at a bandwidth of 60 Hz to 15 kHz, pin 12 being connected via a capacitor of 32  $\mu$ F to pin 9;  $R_L = 4 \Omega$ .

APPLICATION INFORMATION (continued)

Typical a.g.c. curves for AM reception (circuit diagram on page 5)



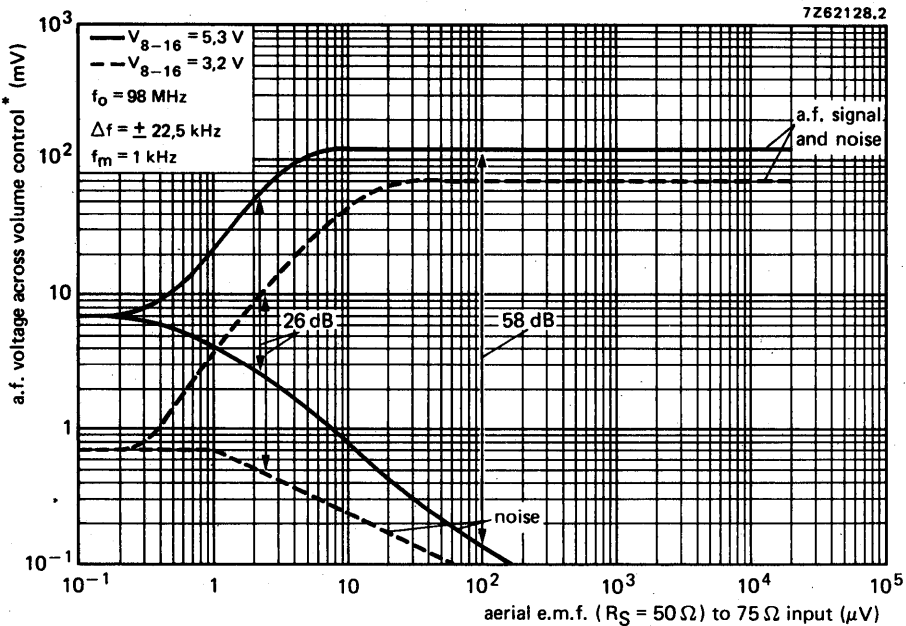
A.F. voltage across volume control as a function of r.f. voltage at pin 2.

\*) Slider at lower end.



**APPLICATION INFORMATION (continued)**

Typical S/N curves for FM reception (circuit diagram on page 5)



A.F. voltage across volume control as a function of aerial e. m. f. from a source with  $R_S = 50 \Omega$  to the  $75 \Omega$  input of the f. m. front-end.

\*) Slider at lower end.

## INTEGRATED A.M./F.M. RADIO RECEIVER CIRCUIT

The TBA700 is a monolithic integrated circuit for use in a.m. (including the short-wave band), a.m./f.m. receivers.

It incorporates the class-B audio output stage (1 W), stabilization circuit for quiescent current, driver, pre-amplifier, 2-stage i.f. amplifier, a.g.c. and stabilized bias circuit.

The discrete input stage (for a.m. : mixer-oscillator; for f.m. : 1st i.f.) enables a high flexibility in circuit lay-out with conventional or lumped selectivity.

The internal stabilization ensures negligible loss of sensitivity and cross-over distortion over a wide supply voltage range from 2,7 V to 12 V.

### QUICK REFERENCE DATA

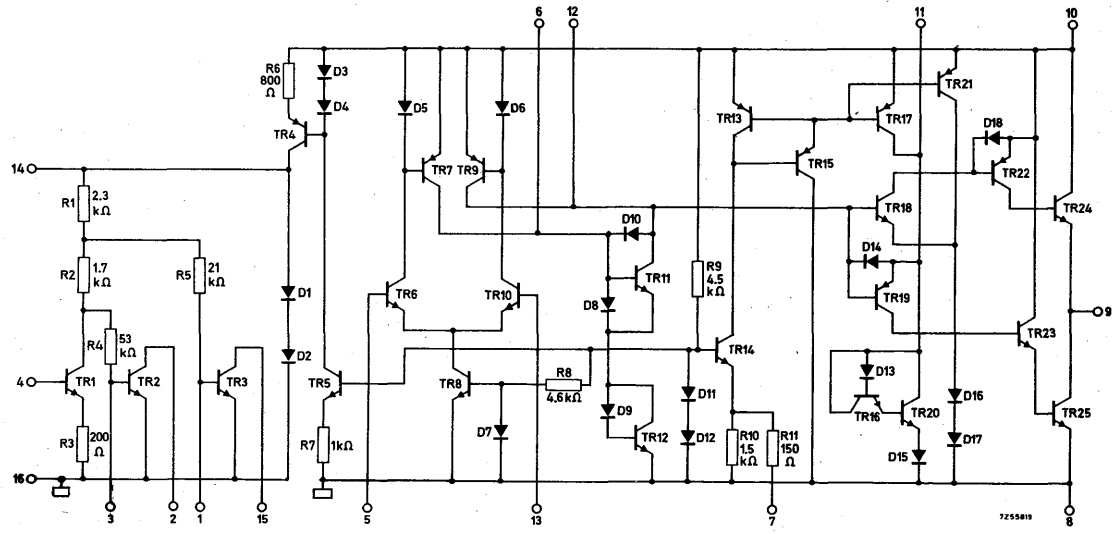
Applicable supply voltage range of receiver	$V_{10-8}$	2,7 to 12	V <sup>1)</sup>
Ambient temperature	$T_{amb}$	25	°C
Supply voltage	$V_P$	nom. 9	V
-----			
Total quiescent current (inclusive discrete input transistor, exclusive f.m. front end)	$I_{tot}$	typ. 24,5	mA
A.F. output power at $d_{tot} = 10\%$ , $R_L = 8\ \Omega$	$P_O$	typ. 1000	mW
<u>A.M. performance</u>			
R.F. input voltage (S/N = 26 dB) (at base of external mixer-oscillator)	$V_i$	typ. 15	$\mu V$
A.G.C. range (change of r.f. input voltage for 10 dB expansion in audio range)		typ. 72	dB
<u>F.M. performance</u>			
R.F. input voltage (at base of external i.f. stage) 3 dB before limiting	$V_i$	typ. 150	$\mu V$

### PACKAGE OUTLINE

16-lead DIL; plastic with internal copper slug (SOT-38).

1) The data given in this sheet are based on a receiver with  $V_P = 9\ V$ ;  $P_O = 1000\ mW$ .

CIRCUIT DIAGRAM



7259419

**RATINGS** Limiting values in accordance with the Absolute Maximum System (IEC134)

Voltages

Pin No. 10 voltage	$V_{10-8}$	max.	12	V
Pins No. 15, 9, 2 voltages	$V_{15-8}, V_{9-8}, V_{2-8}$	max.	11,4	V
Pin No. 16 voltage	$V_{16-8}$	max.	0	V 1)
Pin No. 7 voltage	$\pm V_{7-8}$	max.	5	V
Pins No. 4, 3, 1 voltages	$-V_{4-16}, -V_{3-16}, -V_{1-16}$	max.	5	V
Pin No. 5 voltage	$\pm V_{5-13}$	max.	5	V
Pin No. 10 voltage	$V_{10-9}$	max.	11,4	V

Currents

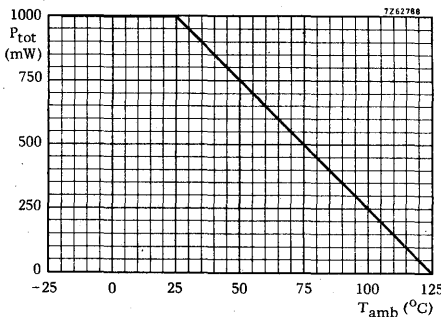
Pins No. 14, 12, 11, 6 currents	$I_{14}, I_{12}, I_{11}, I_6$	max.	5	mA
Pins No. 13, 5, 4, 3, 1 currents	$I_{13}, I_5, I_4, I_3, I_1$	max.	0,5	mA
Pins No. 15, 2 currents	$I_{15}, I_2$	max.	10	mA
Pin No. 8 current	$-I_{8RM}$	max.	0,8	A 2)
Pin No. 9 current	$\pm I_{9RM}$	max.	0,8	A 2)
Pin No. 10 current	$I_{10RM}$	max.	0,8	A 2)

Dissipation

Total power dissipation at $T_{amb} = 45\text{ }^\circ\text{C}$	$P_{tot}$	max.	800	mW
at $T_{amb} = 25\text{ }^\circ\text{C}$	$P_{tot}$	max.	1000	mW

Temperatures

Storage temperature	$T_{stg}$	-55 to +125	$^\circ\text{C}$
Operating ambient temperature	$T_{amb}$	-20 to +125	$^\circ\text{C}$



- 1) Substrate connected to pin 16.
- 2) Repetitive peak value; internally limited.

## CHARACTERISTICS

D.C. characteristics at  $T_{amb} = 25\text{ }^{\circ}\text{C}$ ;  $V_P = 9\text{ V}$

### I. F. amplifier

Collector current of i. f. transistor TR2  
(a. g. c. transistor "off")

$I_C$  typ. 1 mA  
0,55 to 1,6 mA

Collector current of i. f. transistor TR3  
(a. g. c. transistor "off")

$I_C$  typ. 2,5 mA  
1,4 to 4,2 mA

Saturation voltage of i. f. transistor TR2  
at  $I_C \leq 2\text{ mA}$

$V_{CEsat}$  < 150 mV

Saturation voltage of i. f. transistor TR3  
at  $I_C \leq 5\text{ mA}$

$V_{CEsat}$  < 200 mV

Bias voltage for mixer and tuner

$V_{14-16}$  { typ. 1,4 V  
1,25 to 1,55 V

Temperature dependency of  
bias voltage  $V_{14-16}$

$T_c$  typ. -3,6 mV/ $^{\circ}\text{C}$

Bias current (available)

$-I_{14}$  < 100  $\mu\text{A}$

### A. F. amplifier

Input common mode voltage range

$V_{5-8}, V_{13-8}$  1,0 to 8,5 V <sup>1)</sup>

Input base bias current

$I_5, I_{13}$  < 25  $\mu\text{A}$

### Complete circuit

Total quiescent current with 3,3 k $\Omega$   
between pins 7 and 8 (inclusive discrete  
input transistor, exclusive f. m. front end)

$I_{tot}$  typ. 24,5 mA <sup>2)</sup>  
< 30,5 mA <sup>2)</sup>

1) Maximum input common mode voltage;  $V_{5-8}, V_{13-8} < (V_P - 0,5)\text{ V}$ .

2) In those cases where a lower supply current is required the resistor between pins 7 and 8 (3,3 k $\Omega$ ) can be avoided, resulting in a total current of 17 mA. In this case however some devices may show a marginal increase of the distortion level.

## CHARACTERISTICS (continued)

## A.C. characteristics of i.f. part

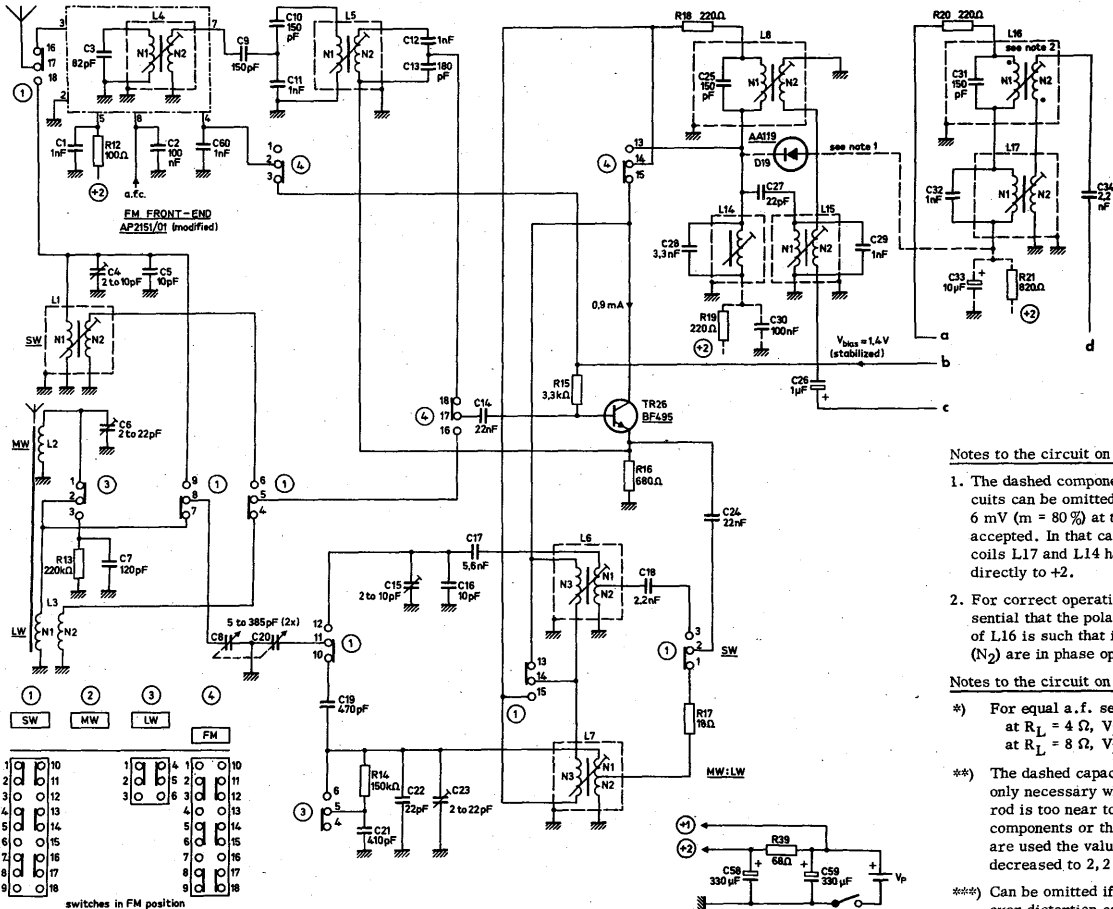
y parameters at  $f = 450 \text{ kHz}$  <sup>1)</sup>

	i. f. transistors: TR2			TR3	
Input conductance	$g_{ie}$	typ.	0,45	1,15	mA/V
Input capacitance	$C_{ie}$	typ.	23	36	pF
Output conductance	$g_{oe}$	typ.	6,0	13,5	$\mu\text{A}/\text{V}$
Output capacitance	$C_{oe}$	typ.	4,0	4,25	pF
Transfer admittance	$ y_{fe} $	typ.	37	82	mA/V
Phase angle of transfer admittance	$\varphi_{fe}$	typ.	$1^\circ$	$2^\circ$	
Feedback admittance	$ y_{re} $	typ.	2,5	1,8	$\mu\text{A}/\text{V}$
Phase angle of feedback admittance	$\varphi_{re}$	typ.	$90^\circ$	$90^\circ$	

y parameters at  $f = 10,7 \text{ MHz}$  <sup>1)</sup>

	i. f. transistors: TR2			TR3	
Input conductance	$g_{ie}$	typ.	0,6	1,5	mA/V
Input capacitance	$C_{ie}$	typ.	22	35	pF
Output conductance	$g_{oe}$	typ.	24	30	$\mu\text{A}/\text{V}$
Output capacitance	$C_{oe}$	typ.	4,3	4,7	pF
Transfer admittance	$ y_{fe} $	typ.	35	73	mA/V
Phase angle of transfer admittance	$\varphi_{fe}$	typ.	$22^\circ$	$35^\circ$	
Feedback admittance	$ y_{re} $	typ.	64	43	$\mu\text{A}/\text{V}$
Phase angle of feedback admittance	$\varphi_{re}$	typ.	$90^\circ$	$90^\circ$	

1) At typical values for  $h_{fe}$  and  $I_C$ .



Notes to the circuit on this page

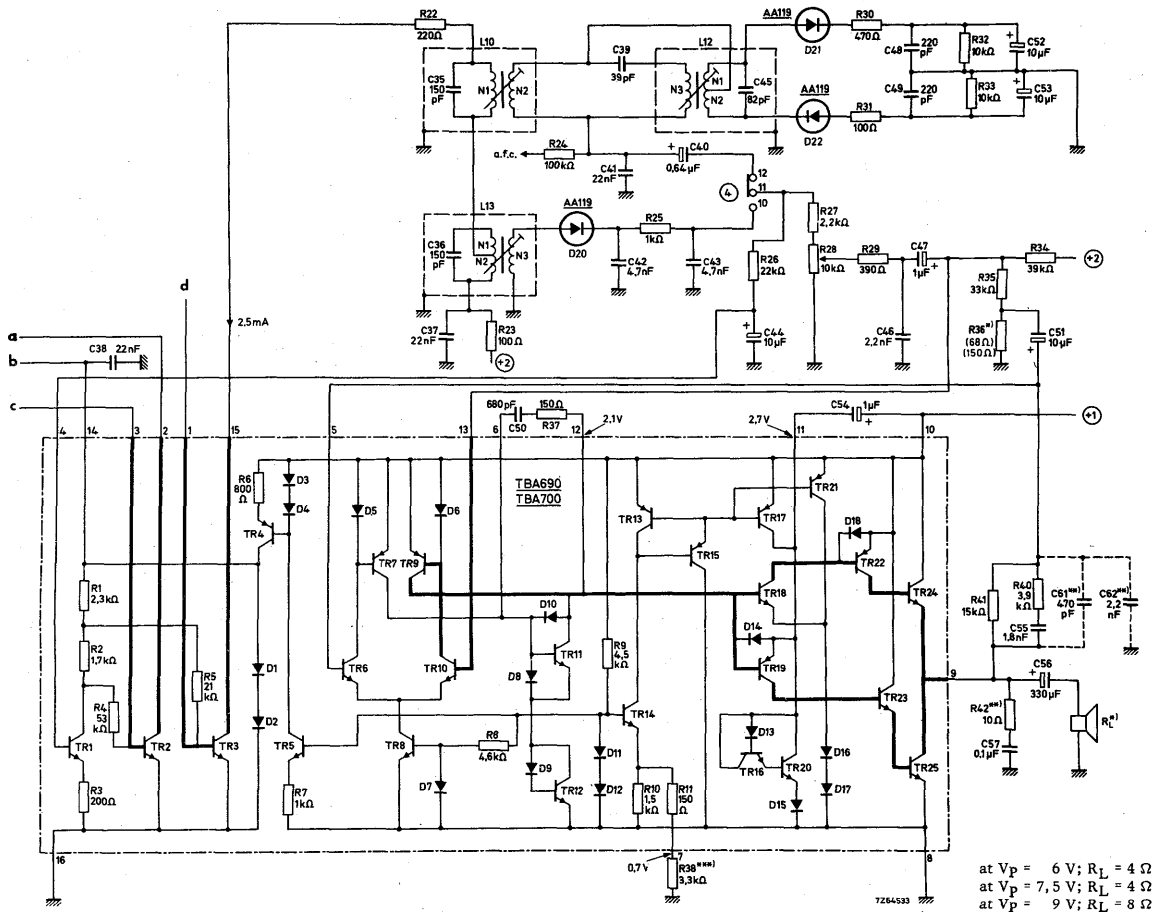
1. The dashed components in the i.f. circuits can be omitted if signal handling of 6 mV (m = 80%) at the base of TR26 is accepted. In that case the cold ends of coils L17 and L14 have to be connected directly to +2.
2. For correct operation on f.m. it is essential that the polarity of the windings of L16 is such that input (N<sub>1</sub>) and output (N<sub>2</sub>) are in phase opposition.

Notes to the circuit on page 7

\*) For equal a.f. sensitivity:  
 at R<sub>L</sub> = 4 Ω, V<sub>p</sub> = 6 V: R36 = 150 Ω  
 at R<sub>L</sub> = 8 Ω, V<sub>p</sub> = 9 V: R36 = 68 Ω

\*\*) The dashed capacitors (C61; C62) are only necessary when the ferrite aerial rod is too near to the a.f. output components or the IC. If C61 and C62 are used the value of R42 must be decreased to 2, 2 Ω.

\*\*) Can be omitted if degraded cross-over distortion can be tolerated.



at  $V_p = 6\text{ V}$ ;  $R_L = 4\ \Omega$   
 at  $V_p = 7.5\text{ V}$ ;  $R_L = 4\ \Omega$   
 at  $V_p = 9\text{ V}$ ;  $R_L = 8\ \Omega$

TBA700



## APPLICATION INFORMATION (continued) at $T_{amb} = 25\text{ }^{\circ}\text{C}$ ; $V_P = 9\text{ V}$

See also circuit diagram on pages 6 and 7.

### A.M. performance

R. F. input voltage for signal to noise ratio of 26 dB	$V_i$	typ.	15	$\mu\text{V}$	$1)^2)$
R. F. input voltage for 10 mV (a. f.) across volume control	$V_i$	typ.	3	$\mu\text{V}$	$1)^2)$
A. F. voltage across volume control at 100 $\mu\text{V}$ (r. f.) input voltage	$V_o$	typ.	100	mV	$1)^2)$
Signal to noise ratio at 1 mV (r. f.) input voltage	S/N	typ.	53,4	dB	$1)^2)$
A. G. C. range (change in r. f. input voltage for 10 dB expansion in audio range)					
without a. g. c. diode		typ.	42	dB	$1)^2)^3)$
with a. g. c. diode		typ.	72	dB	$1)^2)$
R. F. signal handling capability on base of TR26 80% modulation ( $d_{tot} \leq 10\%$ )					
without a. g. c. diode	$V_i$	typ.	6	mV	$3)$
with a. g. c. diode	$V_i$	typ.	80	mV	
Harmonic distortion of h. f. part (over most of a. g. c. range)	$d_{tot}$	typ.	1	%	$1)^2)$
I. F. selectivity	$S_9$	typ.	30	dB	
I. F. bandwidth	$B_{3dB}$	typ.	4,5	kHz	

- 1) a. Negligible influence of supply voltage variations in a range of 2,7 V to 12 V
  - b. A. F. signal: measured across volume control.
  - c. R. F. signal: measured at base of external mixer-oscillator with the antenna-circuit connected (source resistance  $R_S$  of about 1 k $\Omega$ ).
  - d.  $f_o = 1\text{ MHz}$ ,  $f_m = 1\text{ kHz}$
- 2)  $m = 0.3$
- 3) Dashed parts of circuit diagram on pages 6 and 7 are omitted.

## APPLICATION INFORMATION (continued) See also circuit on pages 6 and 7.

F.M. performanceSensitivity for an f. m. signal 3 dB  
before limiting

at 75 $\Omega$ aerial input of f. m. front end	$V_i$	typ.	12	$\mu$ V	1)
at base of external (first i. f. ) stage	$V_i$	typ.	150	$\mu$ V	2)
at pin 3	$V_i$	typ.	2, 2	mV	2)

Sensitivity for 26 dB S/N ratio

at 75 $\Omega$ aerial input of f. m. front end	$V_i$	typ.	4	$\mu$ V	1)
--	-------	------	---	---------	----

A. F. output voltage across volume  
control at an i. f. signal beyond limiting

$V_o$	typ.	140	mV	2)
-------	------	-----	----	----

S/N ratio over most of signal range

S/N	typ.	55	dB	2)
-----	------	----	----	----

A. M. suppression over most of signal range

>	40	dB	2)3)
---	----	----	------

I. F. selectivity

$S_{300}$	typ.	40	dB	4)
-----------	------	----	----	----

I. F. bandwidth

$B_{3dB}$	typ.	180	kHz	4)
-----------	------	-----	-----	----

A. F. signal distortion, 3 dB before i. f. limiting

$d_{tot}$	<	2	%	5)
-----------	---	---	---	----

Audio performanceA. F. output power at  $d_{tot} = 10\%$ 

$P_o$	typ.	1	W	6)
-------	------	---	---	----

at onset of clipping

$P_o$	typ.	0, 7	W	6)
-------	------	------	---	----

Distortion before clipping

$d_{tot}$	typ.	1	%	6)
-----------	------	---	---	----

A. F. input signal (at pin 13)

at  $P_o = 50$  mW

$V_i$	typ.	6	mV	6)
-------	------	---	----	----

at  $P_o = 700$  mW

$V_i$	typ.	17	mV	6)
-------	------	----	----	----

Noise output power (volume control at minimum)

$P_N$	typ.	20	nW	7)
-------	------	----	----	----

Typical overall fidelity (flat within 3 dB)

200 Hz to 6	kHz	8)
-------------	-----	----

Open loop voltage gain

$G_v$	typ.	60	dB
-------	------	----	----

1) Aerial e. m. f. ( $V_i$ ) at  $f_o = 100$  MHz;  $R_S = 50 \Omega$  (source resistance; see page 12) $\Delta f = \pm 15$  kHz;  $f_m = 1$  kHz.2)  $f_o = 10, 7$  MHz;  $\Delta f = \pm 15$  kHz;  $f_m = 1$  kHz.3) A. M. signal:  $m = 0, 3$ ;  $f_m = 400$  Hz (carrier simultaneously modulated with a. m. and f. m. ).

4) Including ratio detector.

5)  $f_o = 100$  MHz;  $\Delta f = \pm 40$  kHz;  $f_m = 1$  kHz.6) Measured at 1 kHz, a negative feedback of 15 dB and a loudspeaker of 8  $\Omega$ ;  $V_p = 9$  V.7) Measured at a bandwidth of 200 Hz to 6 kHz, pin 13 being connected via a capacitor of 32  $\mu$ F to pin 16; loudspeaker impedance 8  $\Omega$ .

8) Depending on values of capacitors C51 and C55, 50 Hz to 15 kHz is possible.

**COIL DATA** See also circuit on pages 6 and 7.

**1. A.M.-I.F. coils ( $f_0 = 452$  kHz)**

<u>First i. f. bandpass filter</u>	<u>Single tuned coil</u>	<u>Detector coil</u>
Primary : L14 = 38 $\mu$ H $C_p = 3300$ pF $Q_0 = 90$	L17 ( $N_1$ ) = 125 $\mu$ H $C_p = 1000$ pF $Q_0 = 80$ $N_1/N_2 = 30$	L13 ( $N_1+N_2$ ) = 0,84 mH $C_p = 150$ pF $Q_0 = 130$ $N_1/N_2 = 3,1$ $(N_1+N_2)/N_3 = 4$
Secondary : L15 ( $N_1$ ) = 125 $\mu$ H $C_p = 1000$ pF $Q_0 = 80$ $N_1/N_2 = 18$ $k_{QL14-L15} = 1$		

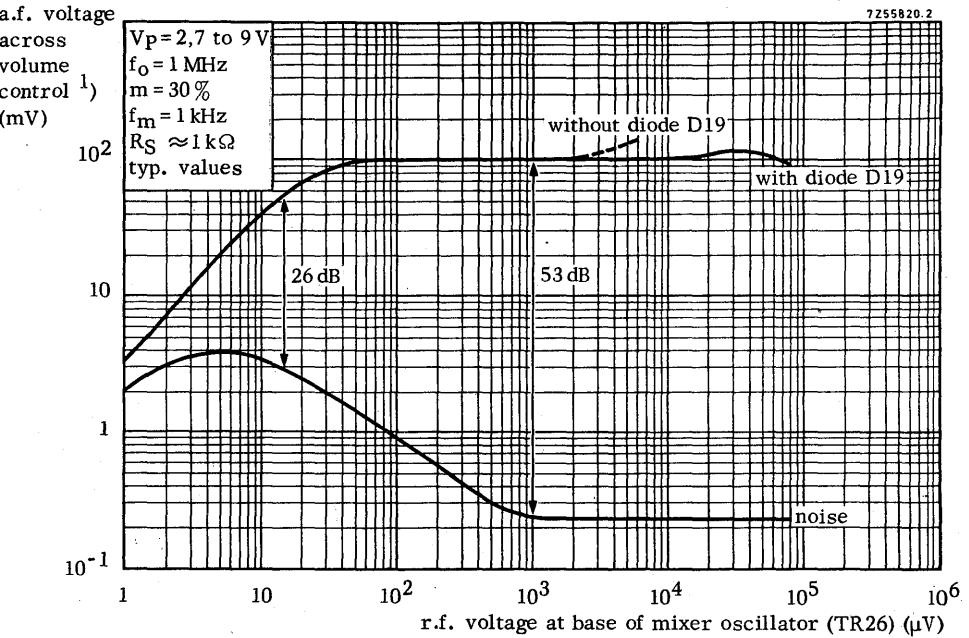
**2. F.M.-I.F. coils ( $f_0 = 10,7$  MHz)**

<u>First i. f. bandpass filter</u>	<u>First single tuned filter</u>	<u>Second single tuned filter</u>
Primary : L4 ( $N_1$ ) = 2,6 $\mu$ H $C_p = 82$ pF $Q_0 = 90$ $N_1/N_2 = 10$	L8 ( $N_1$ ) = 1,44 $\mu$ H $C_p = 150$ pF $Q_0 = 45$ $N_1/N_2 = 5,7$	L16 ( $N_1$ ) = 1,44 $\mu$ H $C_p = 150$ pF $Q_0 = 45$ $N_1/N_2 = 5,7$
Secondary : L5 ( $N_1$ ) = 1,44 $\mu$ H $C_p = 150$ pF $Q_0 = 55$ $N_1/N_2 = 5,7$ $k_{QL4-L5} = 1,2$		

Ratio detector

Primary : L10 ( $N_1$ ) = 1,44 $\mu$ H $C_p = 150$ pF $Q_0 = 95$ $N_1/N_2 = 2$	Secondary : L12 ( $N_1+N_2$ ) = 2,6 $\mu$ H $C_p = 82$ pF $Q_0 = 110$ $N_1/N_2 = 1$ $(N_1+N_2)/N_3 = 5,4$ $k_{QL10-L12} = 0,7$
---	---

APPLICATION INFORMATION (continued)

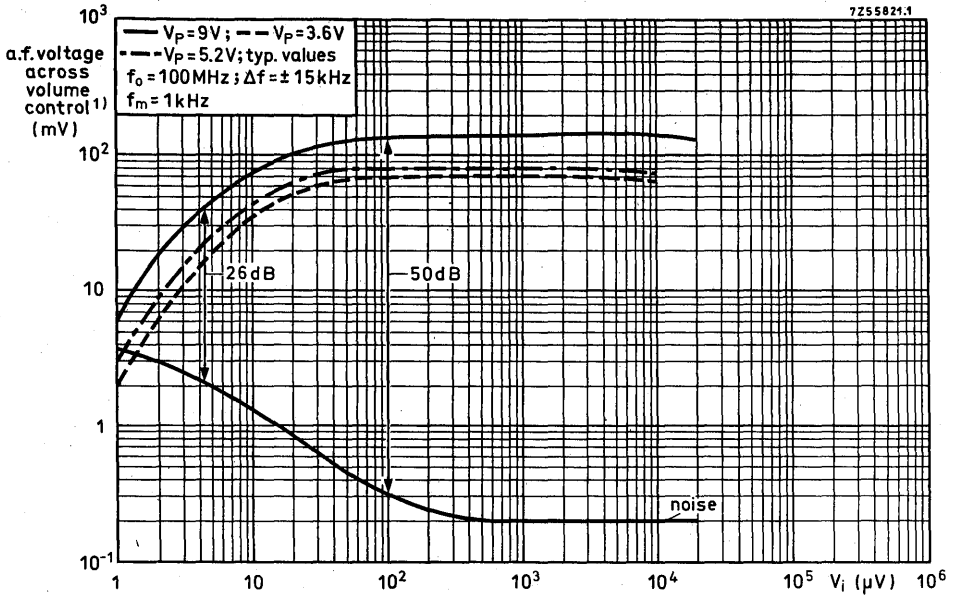


Typical a.g.c. curves at a.m. reception

A. F. voltages across volume control versus r. f. voltage at base of mixer -oscillator.

1) Slider at lower end.

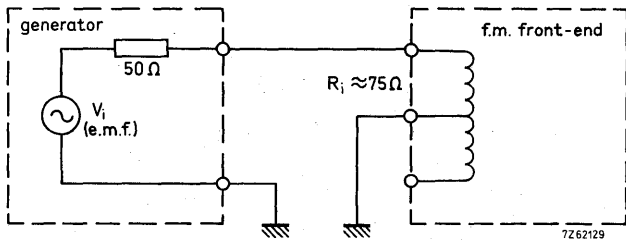
APPLICATION INFORMATION (continued)



Typical S/N curves at f.m. reception

A.F. voltage across volume control versus aerial e.m.f. represented by the generator voltage  $V_i$  (e.m.f.) connected to the  $75 \Omega$  input of the f.m. front-end.

Test circuit



1) Slider at lower end.

## HI-FI F.M./I.F. AMPLIFIER

The TCA420A is a monolithic integrated f.m./i.f. amplifier for car and hi-fi equipment provided with the following functions:

- limiter amplifier
- symmetrical quadrature detector
- symmetrical a.f.c. output
- field-strength indication output
- stereo decoder switching voltage
- adjustable side response suppression
- muting

## QUICK REFERENCE DATA

Supply voltage (pin 11)	$V_p$	typ.	15 V
Supply current (pin 11)	$I_p$	typ.	26 mA
Input limiting voltage ( $-3$ dB); $f_o = 10,7$ MHz	$V_{i\text{ lim}}$	typ.	20 $\mu$ V
A.F. output voltage (pin 5); $\Delta f = \pm 15$ kHz; r.m.s. value	$V_{o(\text{rms})}$	typ.	115 mV
Signal plus noise-to-noise ratio; $V_i > 1$ mV; $\Delta f = \pm 15$ kHz	S+N/N	typ.	72 dB
I.F. input voltage; $\Delta f = \pm 15$ kHz			
S + N/N = 26 dB	$V_i$	typ.	15 $\mu$ V
S + N/N = 46 dB	$V_i$	typ.	45 $\mu$ V
A.M. rejection; $V_i = 10$ mV; $f_m = 1$ kHz (f.m.); $\Delta f = \pm 15$ kHz	$\alpha$	typ.	50 dB
Total distortion (single tuned circuit); $\Delta f = \pm 15$ kHz	$d_{\text{tot}}$	typ.	0,1 %
Centre shift of f.m. detector curve	$\Delta f =  f_{o1} - f_{o2} $	typ.	7 kHz
Field-strength indication range	$\Delta V_i$	typ.	70 dB
Supply voltage range (pin 11)	$V_p$		6 to 18 V
Ambient temperature range	$T_{\text{amb}}$		$-30$ to $+80$ °C

## PACKAGE OUTLINE

16-lead DIL; plastic (SOT-38).

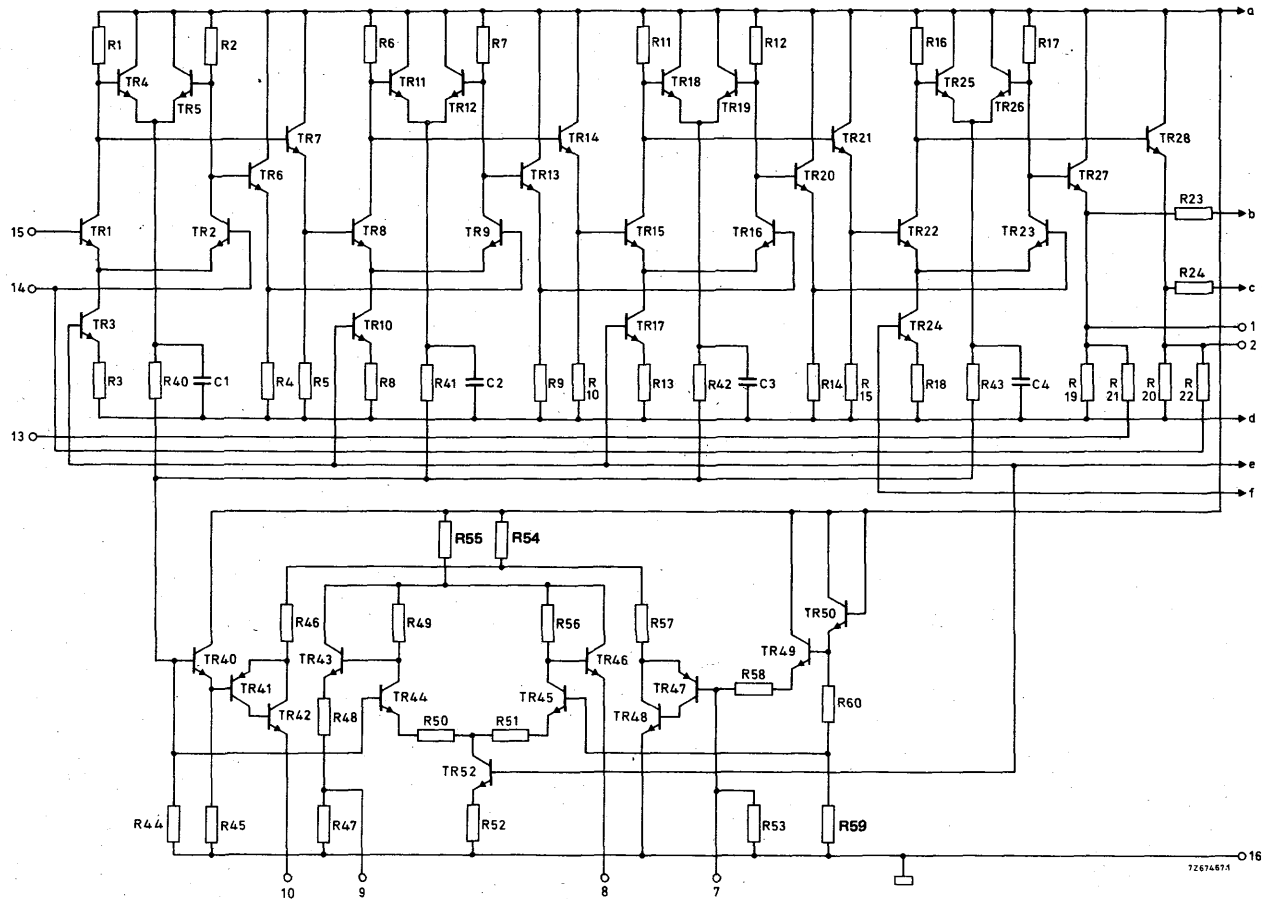


Fig. 1a Part of circuit diagram; other part continued in Fig. 1b.

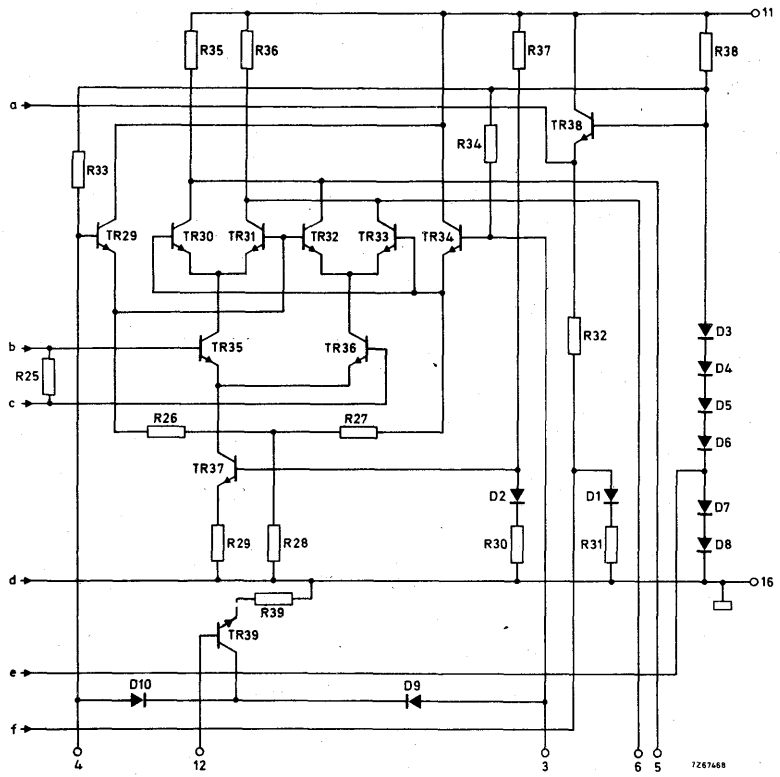


Fig. 1b Part of circuit diagram; continued from Fig. 1a.





## RATINGS

Limiting values in accordance with the Absolute Maximum System (IEC 134)

Supply voltage (pin 11)	$V_P = V_{11-16}$	max. 18 V
Total power dissipation	$P_{tot}$	max. 720 mW
Storage temperature	$T_{stg}$	-55 to +150 °C
Operating ambient temperature	$T_{amb}$	-30 to +80 °C

## CHARACTERISTICS

$V_P = 8$  or  $15$  V;  $T_{amb} = 25$  °C;  $f_o = 10,7$  MHz;  $\Delta f = \pm 15$  kHz;  $f_m = 1$  kHz;  $R_G = 30$   $\Omega$ ; with de-emphasis ( $C_{5-6} = 10$  nF); adjustment conforms to adjustment procedure unless otherwise specified; the characteristics are valid for a TCA420A mounted on a printed-circuit board (see Figs 2, 3 and 4).

Supply voltage range (pin 11)

		$V_P$	6 to 18 V
		$V_P = 8$ V	$V_P = 15$ V
Supply current; $R_{7-16} = 5$ k $\Omega$ ; pin 11	$I_P$	typ. 21 < -	26 mA 35 mA
<b>I.F. amplifier/detector</b>			
Input voltages (d.c. value)	$V_{13-16}; V_{14-16}; V_{15-16}$	typ. 2,6	2,8 V
Input limiting voltage (-3 dB)	$V_{i\ lim}$	typ. 20 < -	20 $\mu$ V 50 $\mu$ V
I.F. output voltage (peak-to-peak value)			
$V_i = 5$ mV; $f = 1$ MHz; without detector circuit;	$V_{1-16(p-p)}$	> 300	320 mV
$Z_{1-16} = Z_{2-16} = 10$ M $\Omega$ in parallel with 8 pF	$V_{2-16(p-p)}$	typ. 350	375 mV
Output voltages (d.c. value)	$V_{5-16}$	> 4,7	8,3 V
	$V_{6-16}$	typ. 5,0 < 5,3	9,5 V 11,0 V
Output voltage difference (d.c. value)	$\pm V_{5-6}$	< 180	350 mV
A.F. output voltage; $V_i = 1$ mV (pins 5 and 6)	$V_o$	> -	95 mV
$\Delta f = \pm 15$ kHz	$V_o$	typ. 60	115 mV
$\Delta f = \pm 40$ kHz	$V_o$	typ. 160	307 mV
$\Delta f = \pm 75$ kHz	$V_o$	typ. 300	575 mV
Total distortion; $V_i = 1$ mV; single tuned circuit; $Q_L = 20$			
with de-emphasis; $C_{5-6} = 10$ nF	$d_{tot}$	< 0,1	0,1 %
$\Delta f = \pm 15$ kHz	$d_{tot}$	typ. 0,18	0,18 %
$\Delta f = \pm 40$ kHz	$d_{tot}$	typ. 0,45	0,45 %
$\Delta f = \pm 75$ kHz	$d_{tot}$		
without de-emphasis; $C_{5-6} = 220$ pF	$d_{tot}$	< 0,1	0,1 %
$\Delta f = \pm 15$ kHz	$d_{tot}$	typ. 0,22	0,22 %
$\Delta f = \pm 40$ kHz	$d_{tot}$	typ. 0,65	0,65 %
$\Delta f = \pm 75$ kHz	$d_{tot}$	< 1	1 %

		$V_p = 8\text{ V}$	$V_p = 15\text{ V}$
<b>I.F. input voltage; with filter: B = 250 Hz to 16 kHz</b>			
S+N/N = 26 dB; with de-emphasis; $C_{5-6} = 10\text{ nF}$			
$\Delta f = \pm 15\text{ kHz}$	$V_i$	typ. 15	15 $\mu\text{V}$
$\Delta f = \pm 75\text{ kHz}$	$V_i$	typ. 5	5 $\mu\text{V}$
S+N/N = 26 dB; without de-emphasis; $C_{5-6} = 220\text{ pF}$			
$\Delta f = \pm 15\text{ kHz}$	$V_i$	typ. 20	20 $\mu\text{V}$
$\Delta f = \pm 75\text{ kHz}$	$V_i$	typ. 8	8 $\mu\text{V}$
S+N/N = 46 dB; with de-emphasis; $C_{5-6} = 10\text{ nF}$			
$\Delta f = \pm 15\text{ kHz}$	$V_i$	typ. 45	45 $\mu\text{V}$
$\Delta f = \pm 75\text{ kHz}$	$V_i$	typ. 20	20 $\mu\text{V}$
S+N/N = 46 dB; without de-emphasis; $C_{5-6} = 220\text{ pF}$			
$\Delta f = \pm 15\text{ kHz}$	$V_i$	typ. 65	65 $\mu\text{V}$
$\Delta f = \pm 75\text{ kHz}$	$V_i$	typ. 30	30 $\mu\text{V}$
<b>Signal plus noise-to-noise ratio; with filter:</b>			
B = 250 Hz to 16 kHz; $V_i = 1\text{ mV}$			
with de-emphasis			
$\Delta f = \pm 15\text{ kHz}$	S+N/N	typ. 74	76 dB
$\Delta f = \pm 75\text{ kHz}$	S+N/N	typ. 88	90 dB
without de-emphasis			
$\Delta f = \pm 15\text{ kHz}$	S+N/N	typ. 68	70 dB
$\Delta f = \pm 75\text{ kHz}$	S+N/N	typ. 82	84 dB
<b>Noise output voltage; weighted conform DIN45405</b>			
with de-emphasis			
$V_i = 0$	$V_{no}$	typ. 7	12 mV
$V_i = 1\text{ mV}$	$V_{no}$	typ. 30	50 $\mu\text{V}$
<b>A.M. rejection; with filter: B = 700 Hz to 5 kHz</b>			
$f_m = 70\text{ Hz}$ ; $\Delta f = \pm 15\text{ kHz}$ (for f.m.);			
$f_m = 1\text{ kHz}$ ; $m = 0,3$ (for a.m.); simultaneously modulated			
$V_i = 0,3\text{ mV}$	$\alpha$	typ. 52	52 dB
$V_i = 1\text{ mV}$	$\alpha$	typ. 40	40 dB
$V_i = 10\text{ mV}$	$\alpha$	typ. 52	52 dB
$V_i = 100\text{ mV}$	$\alpha$	typ. 43	43 dB
<b>Zero crossing shift of f.m. detector curve (see note)</b>			
$f_m = 70\text{ Hz}$ ; $\Delta f = \pm 75\text{ kHz}$ (for f.m.);			
$f_m = 1\text{ kHz}$ ; $m = 85\%$ (for a.m.)			
	$\Delta f =  f_{o1} - f_{o2} $	typ. 4	7 kHz
		< 9	15 kHz
<b>Detector input impedance</b>			
	$Z_{3-4}$	4,4 k $\Omega$ /2,25 pF	
<b>Output resistance</b>			
	$R_{5-11}; R_{6-11}$	typ. 3,3	3,3 k $\Omega$

**Note**

Zero crossing shift is defined as the difference between frequencies  $f_{o1}$  at  $V_i = 1\text{ mV}$  and  $f_{o2}$  at  $V_i = 30\text{ mV}$ .

**CHARACTERISTICS (continued)**

**Side response suppression**

Input voltage for 10 dB side response suppression at  
 S1 = 'on' adjust R1, so  $V_{10-16} = 1,3 \text{ V}$  at  $V_i = 0$ ;  
 S1 = 'off';  $R_4 = 3,9 \text{ k}\Omega$

		$V_p = 8 \text{ V}$	$V_p = 15 \text{ V}$
$V_{i(rms)}$	typ.	35	30 $\mu\text{V}$

**Side response suppression level**

$\Delta f = \pm 15 \text{ kHz}$ ;  $V_{i(rms)} = 1 \text{ mV}$   
 control voltage for  $\Delta V_o = -1 \text{ dB}$   
 control voltage for  $\Delta V_o = -10 \text{ dB}$

$V_{12-16}$	typ.	0,7	0,7 V
$V_{12-16}$	typ.	1,1	1,1 V

**Muting**

Output signal muting at S2 = 'on';  
 reference signal at S2 = 'off';  
 $V_{i(rms)} = 1 \text{ mV}$ ;  $\Delta f = \pm 75 \text{ kHz}$ ;  $R_4 = 3,9 \text{ k}\Omega$

$\Delta V_o$	typ.	-80	-80 dB
--------------	------	-----	--------

**Field-strength indication**

Output voltages (d.c. value)  
 $V_i = 0$ ;  $I_{8-9} = 0$ ;  $R_{8-16} = 4,3 \text{ k}\Omega$

$V_{9-16}$	typ.	1,75	1,85 V
$V_{8-16}$	typ.	1,90	2,00 V

**Field-strength indicator current**

$R_{indicator} = 2 \text{ k}\Omega$ ;  
 adjust R2 so  $I_{8-9} = 0$  at  $V_i = 0$  and  $R_3 = 0$   
 measured at  $V_{i(rms)} = 120 \text{ mV}$

$I_{8-9}$	>	130	140 $\mu\text{A}$
	typ.	190	210 $\mu\text{A}$

**Output resistance**

$R_o$	typ.	810	850 $\Omega$
$R_{9-16}$	typ.	3,7	3,7 $\text{k}\Omega$

**Stereo decoder switching voltage**

Reference voltage; without load:  $I_7 = 0$

$V_{7-16}$	typ.	2,05	2,25 V
------------	------	------	--------

Output voltage;  $I_{10} = I_{10max}$

$V_{10-16}$	typ.	1,70	1,90 V
-------------	------	------	--------

Available output current

$-I_{10max}$	typ.	0,45	0,85 mA
--------------	------	------	---------

Output voltage as a function of the  
 i.f. input voltage

$R_{10-16} = 3,9 \text{ k}\Omega$ ;  $R_1 = 5 \text{ k}\Omega$

$\frac{\Delta V_{10-16}}{20 \log \frac{V_{i1}}{V_{i2}}}$	typ.	-0,9	-1,2 V/20 dB
--	------	------	--------------

Input voltage for  $V_{10-16} = 0,8 \text{ V}$   
 adjust R1 so  $V_{10-16} = 1,3 \text{ V}$  at  $V_{i(rms)} = 0$

$V_{i(rms)}$	typ.	98	100 $\mu\text{V}$
	<	150	200 $\mu\text{V}$

Input voltage for  $V_{10-16} = 1,3 \text{ V}$   
 adjust R1 so  $V_{10-16} = 0,8 \text{ V}$  at  $V_{i(rms)} = 3 \text{ mV}$

$V_{i(rms)}$	typ.	1,3	1,3 mV
	<	-	1,75 mV

Input resistance (pin 7)

$R_{7-16}$	typ.	4	4,7 $\text{k}\Omega$
------------	------	---	----------------------

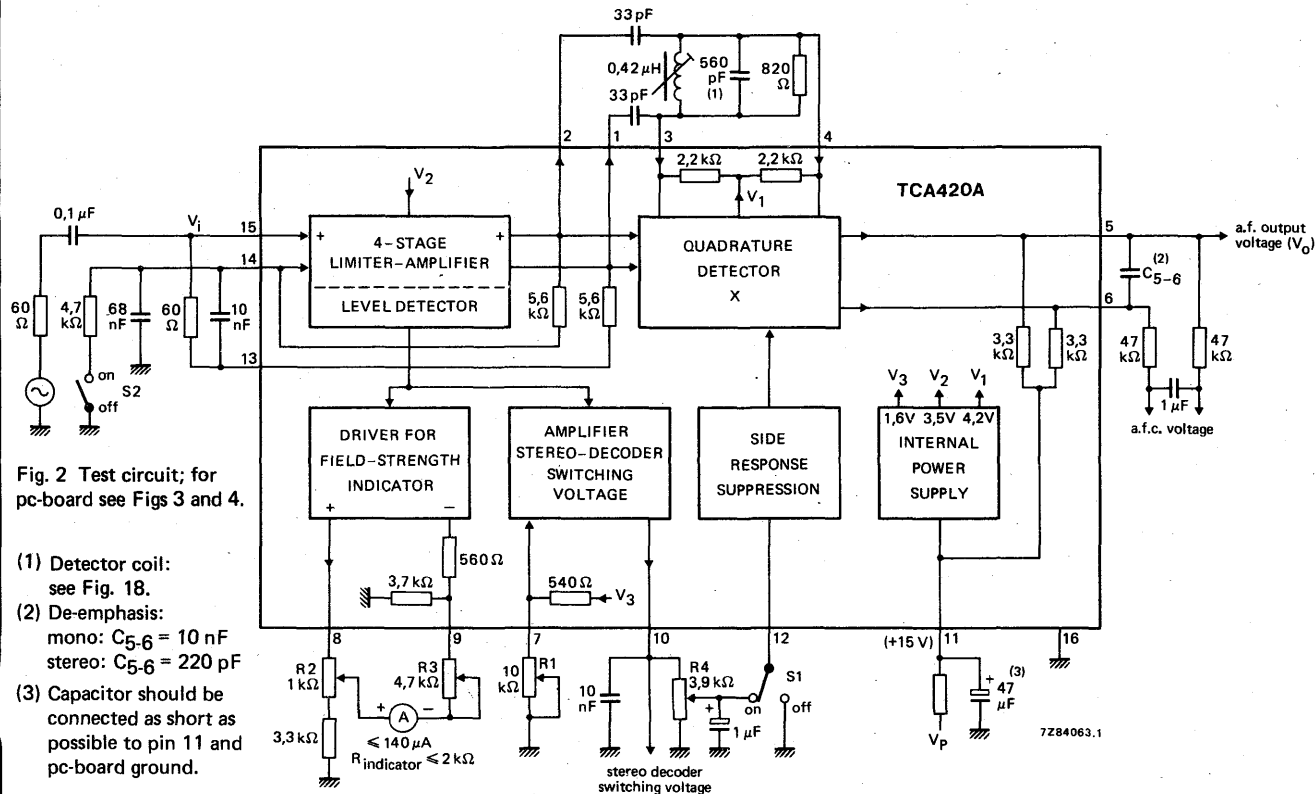
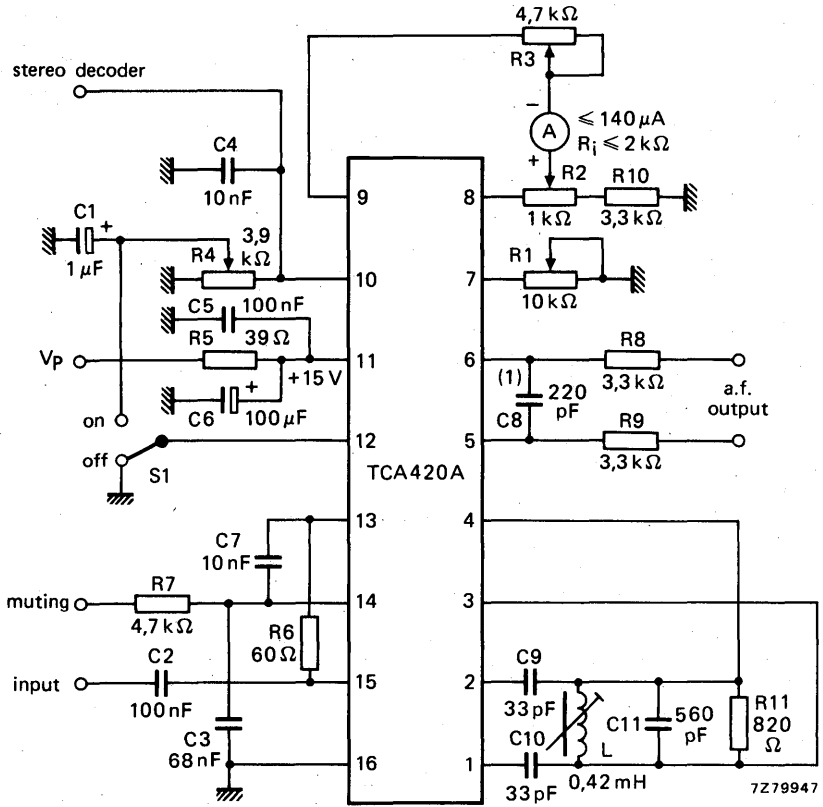


Fig. 2 Test circuit; for pc-board see Figs 3 and 4.

- (1) Detector coil: see Fig. 18.  
 (2) De-emphasis: mono:  $C_{5-6} = 10 \text{ nF}$   
 stereo:  $C_{5-6} = 220 \text{ pF}$   
 (3) Capacitor should be connected as short as possible to pin 11 and pc-board ground.

R1 = preset potentiometer for adjusting output voltage  $V_{10-16}$  for mono/stereo switching of stereo decoder. S1 = side response suppression switch.  
 R2 = preset potentiometer for adjusting the zero level of the field-strength indicator current.  
 R3 = preset potentiometer for adjusting the maximum level of the field-strength indicator current. S2 = output signal muting switch.  
 R4 = preset potentiometer for adjusting the side response suppression.



- (1)  $C_8 = C_{5-6}$  (see Fig. 2).  
 For mono:  $C_8 = 10 \text{ nF}$ .  
 For stereo:  $C_8 = 220 \text{ pF}$ .

Fig. 3 Circuit diagram showing components arrangement for printed-circuit board (Fig. 4). The circuit is similar to the test circuit of Fig. 2.

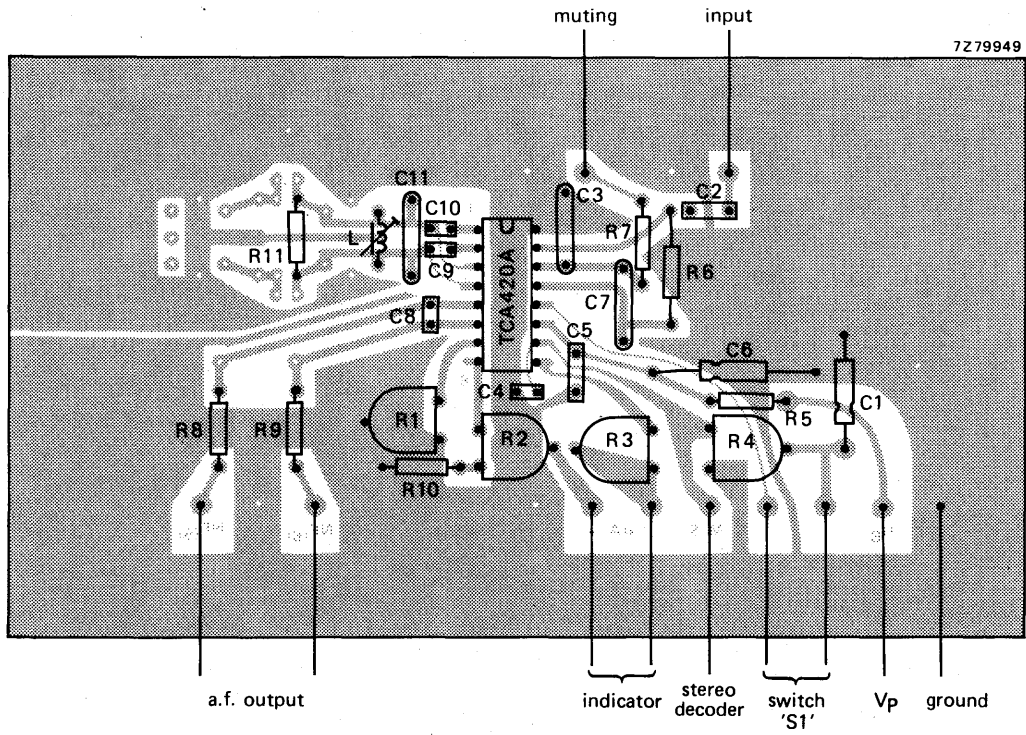


Fig. 4 Printed-circuit board component side, showing component layout. For circuit diagram see Fig. 3.



7284064

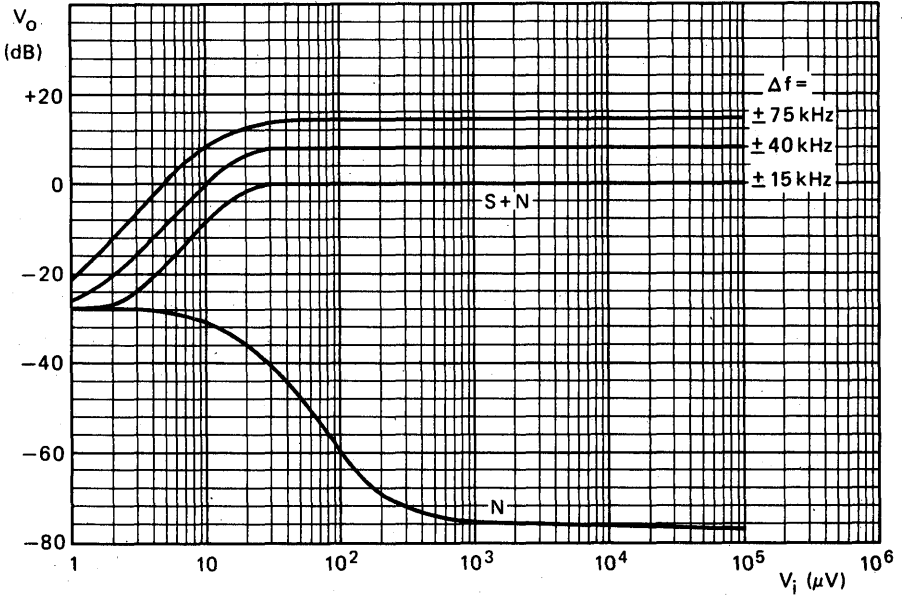


Fig. 5  $V_p = 15$  V;  $f_m = 1$  kHz;  $B = 250$  Hz to 16 kHz; typical values.

7284065

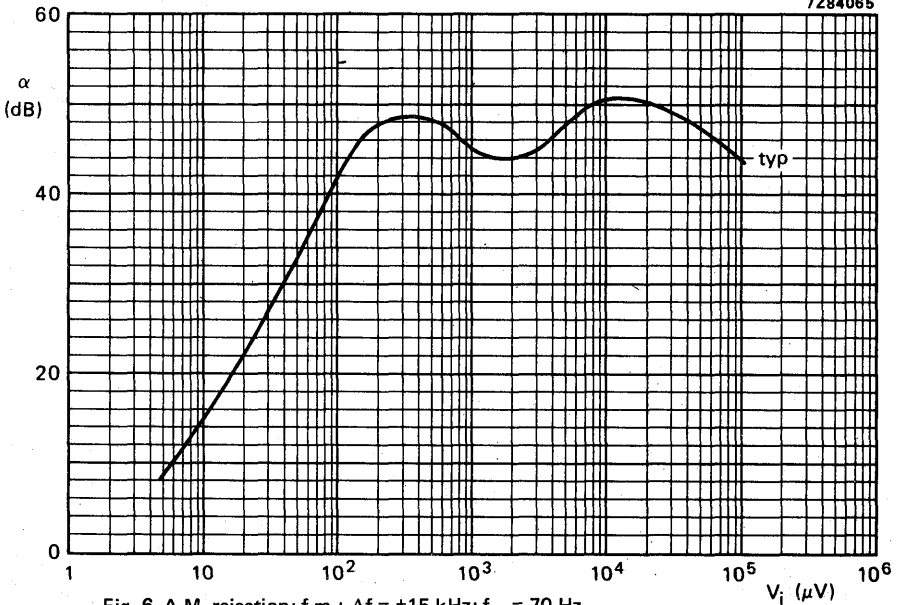


Fig. 6 A.M. rejection; f.m.:  $\Delta f = \pm 15$  kHz;  $f_m = 70$  Hz.  
a.m.:  $m = 30\%$ ;  $f_m = 1$  kHz; simultaneously modulated.

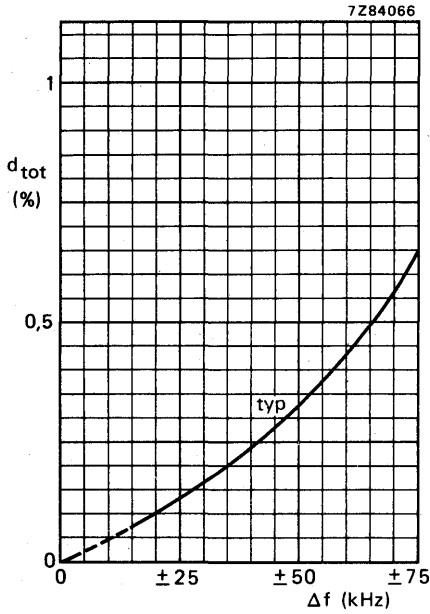


Fig. 7 Total distortion as a function of frequency deviation; single tuned circuit with  $Q_L = 20$ ;  $f_m = 1$  kHz;  $C_{5-6} = 220$  pF.

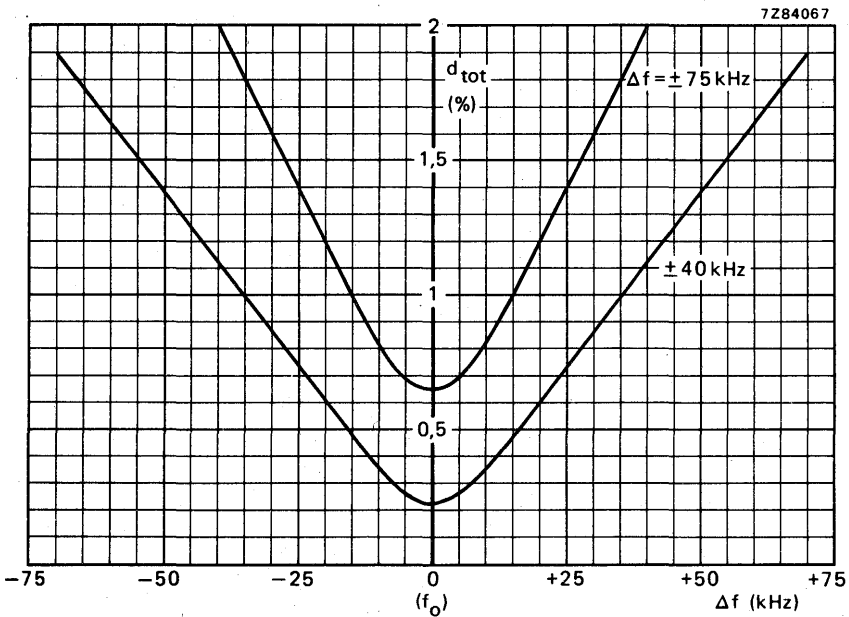


Fig. 8 Total distortion as a function of detuning; single tuned circuit with  $Q_L = 20$ ;  $f_m = 1$  kHz;  $C_{5-6} = 220$  pF.



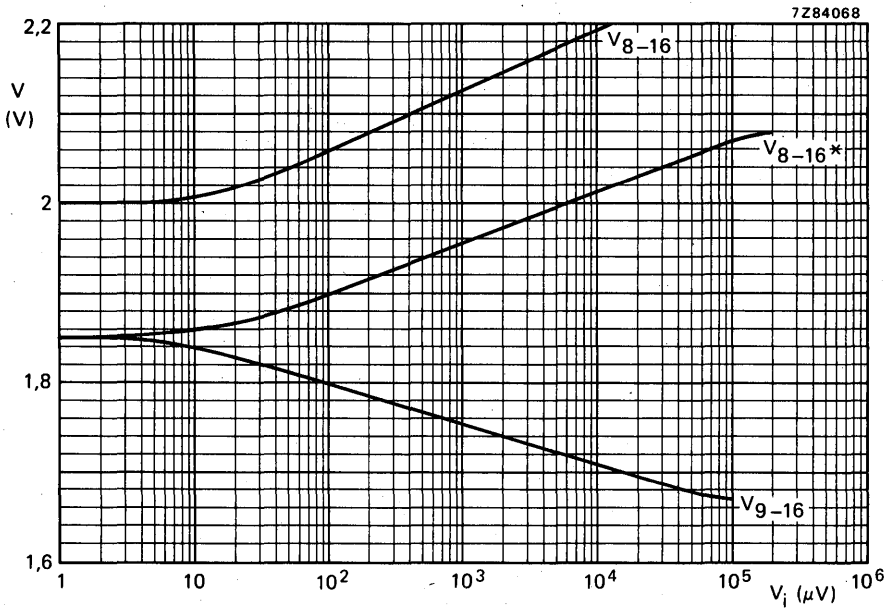


Fig. 9 Field-strength indication output voltages as a function of i.f. input voltage;  $R_2$  adjusted so  $V_{8-9} = 0$  at  $V_i = 0$ ;  $R_{\text{indicator}} + R_2 = 2 \text{ k}\Omega$ ; for  $V_{8-16^*}$  definition see Fig. 11.

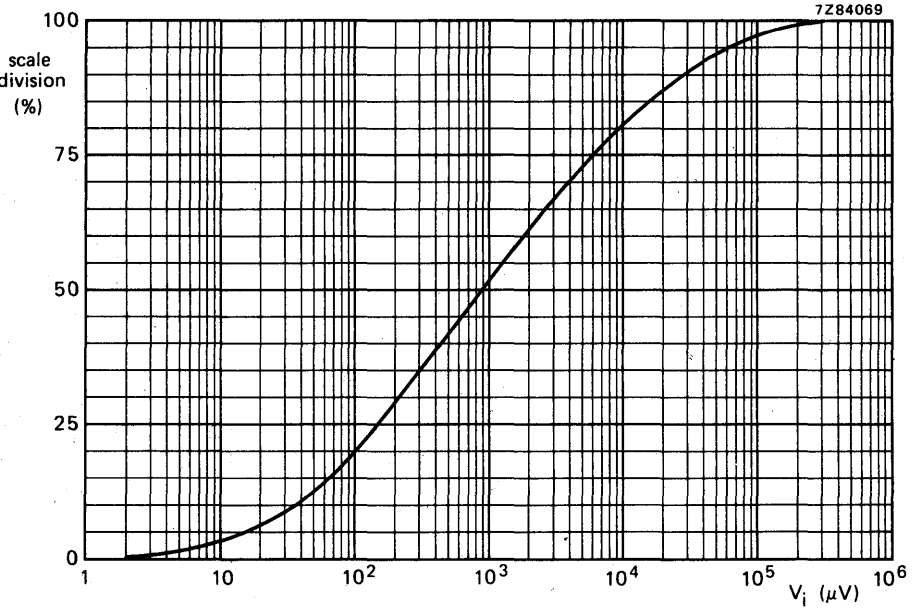


Fig. 9 Scale division of indicator as a function of i.f. input voltage; R2 adjusted so  $V_{8-9} = 0$  at  $V_i = 0$ ;  $R_{\text{indicator}} = 2 \text{ k}\Omega$ ; R3 adjusted at indication 100%; indicator current =  $140 \mu\text{A}$ ; see Fig. 11.

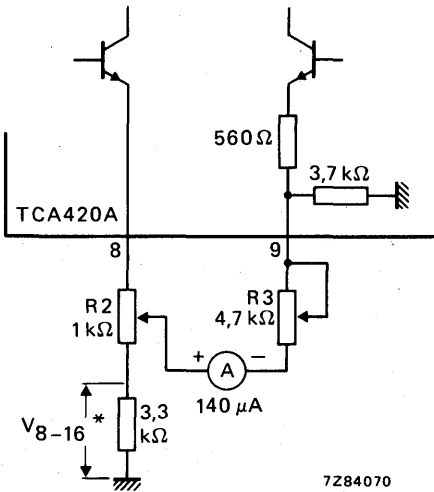


Fig. 11 Circuit diagram showing field-strength indicator adjustment components.

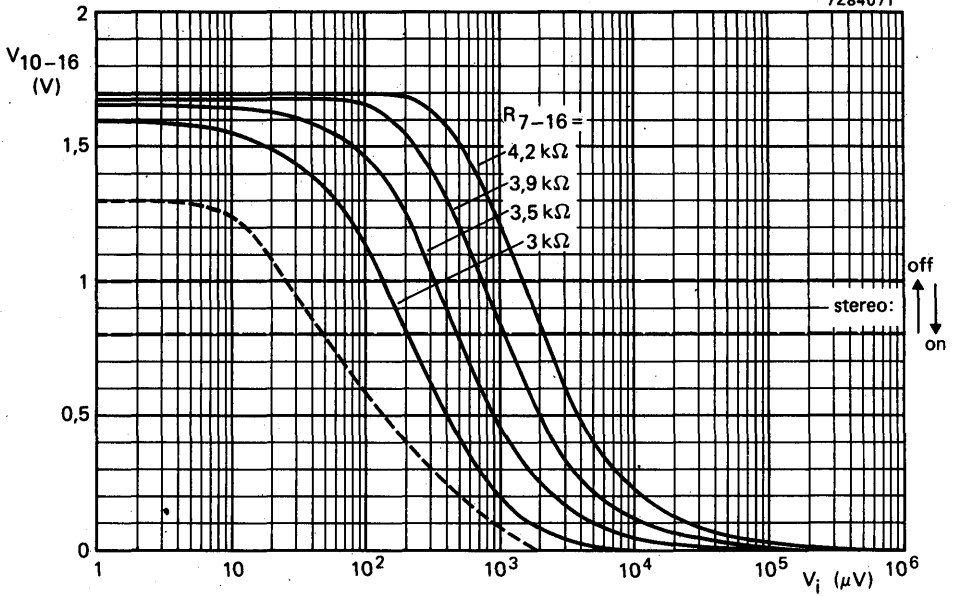


Fig. 12 Stereo decoder switching voltage as a function of i.f. input voltage;  $R_4 = 3,9 \text{ k}\Omega$ ; -----  $R_1$  adjusted so  $V_{10-16} = 0$  at  $V_i = 0$ ; see Fig. 13.

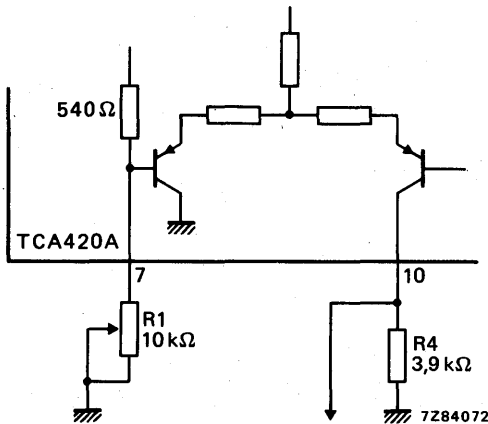


Fig. 13 Circuit diagram showing stereo decoder switching voltage adjustment.

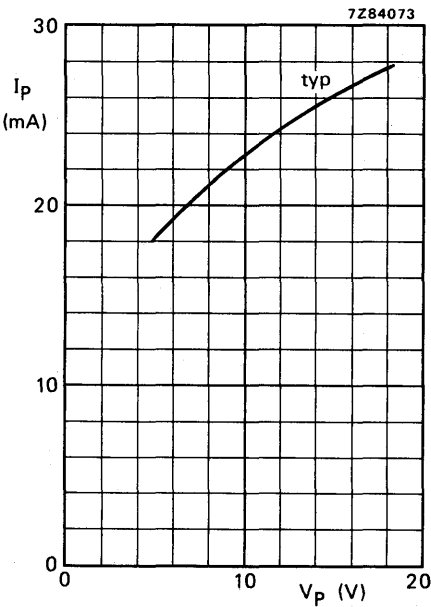


Fig. 14 Supply current consumption.

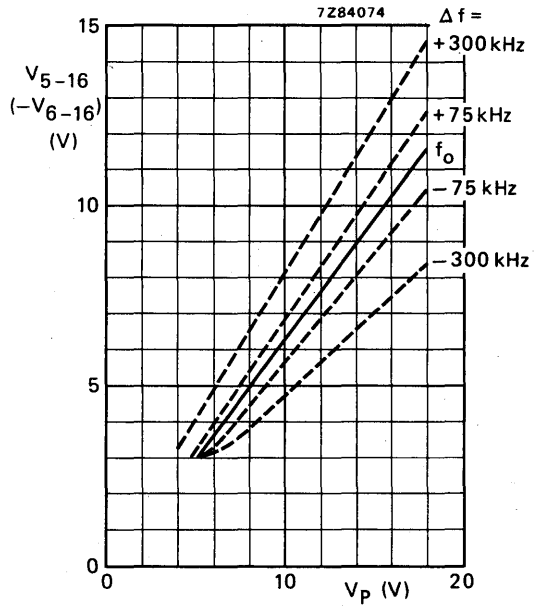


Fig. 15 Output voltage range.

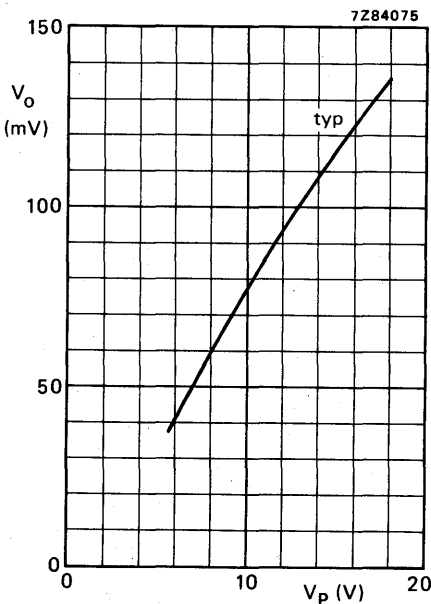


Fig. 16 A.F. output voltage;  $\Delta f = \pm 15$  kHz;  $f_m = 1$  kHz;  $V_i = 1$  mV.

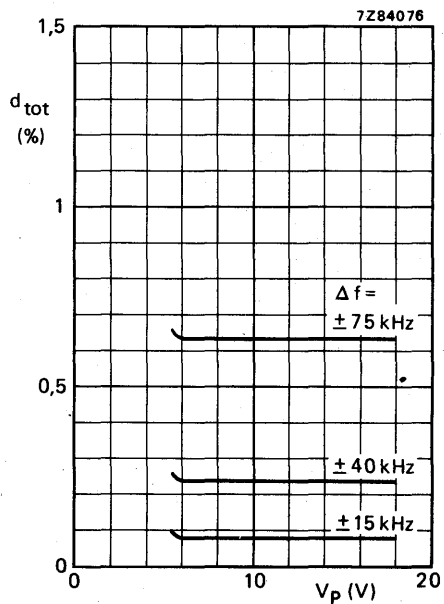


Fig. 17 Total distortion;  $f_m = 1$  kHz;  $V_i = 1$  mV;  $C_{5-6} = 220$  pF.

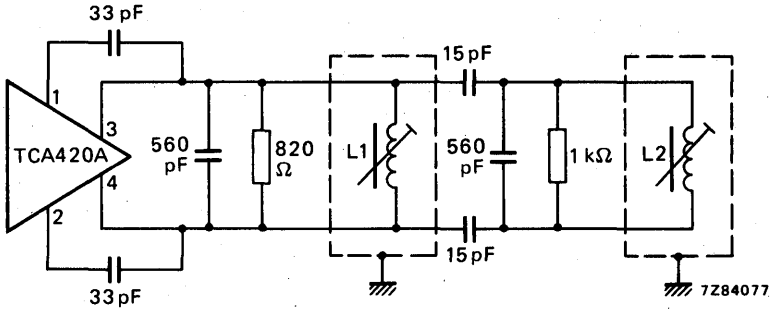


Fig. 18 Example of the TCA420A when using a detector with two tuned circuits;  $f_0 = 10,7 \text{ MHz}$ ;  $L1 = L2 \approx 0,4 \mu\text{H}$ ;  $Q_0 = 70$ .

Adjustment of the detector:

When having an i.f. input signal on top of the limiter capability, L2 should be detuned, L1 should be adjusted to minimum distortion, and then L2 to minimum distortion.

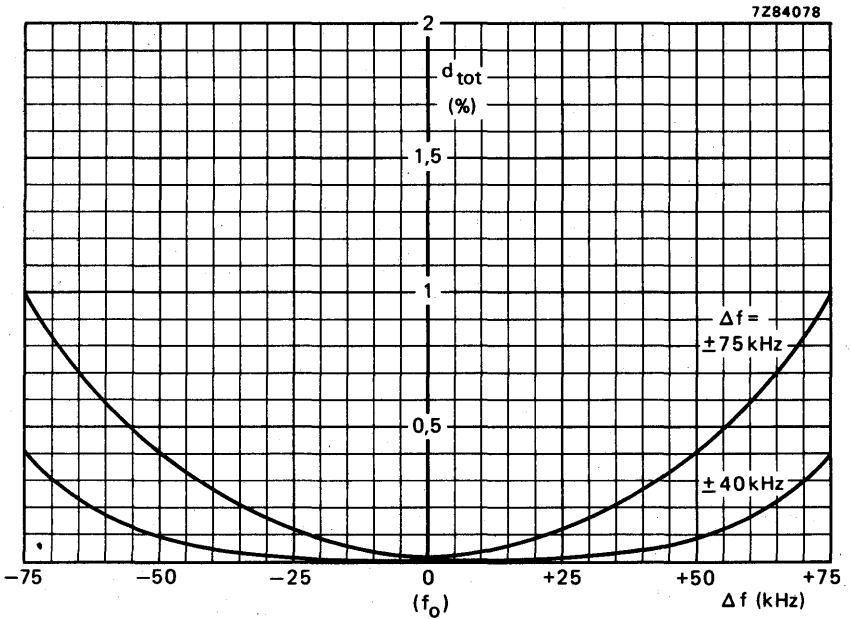


Fig. 19 Total distortion as a function of detuning; circuit as Fig. 18;  $f_m = 1 \text{ kHz}$ ;  $C_{5-6} = 220 \text{ pF}$ .  $V_0 = 500 \text{ mV}$  for a frequency deviation  $\Delta f = \pm 75 \text{ kHz}$  and  $d_{tot} < 0,1\%$ .

APPLICATION INFORMATION

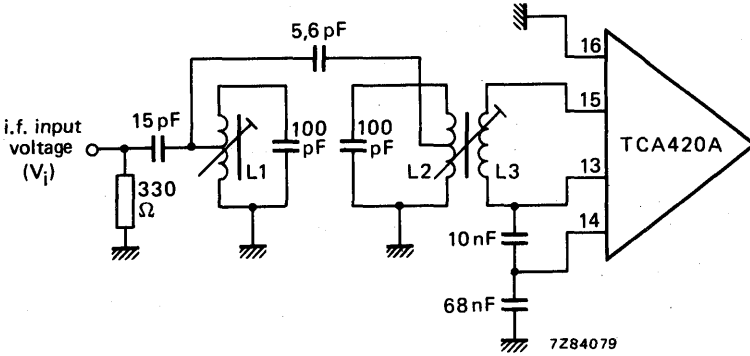


Fig. 20 I.F. coupling circuit, using LC filter; L1 = L2 = 7 + 7 turns h.f. litz wire (5 x 0,04); L3 = 3 turns h.f. litz wire wound on L2 (5 x 0,04).

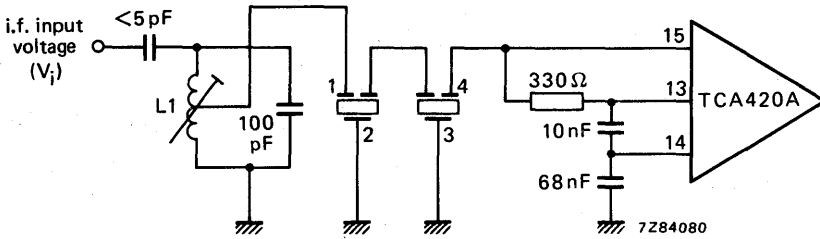
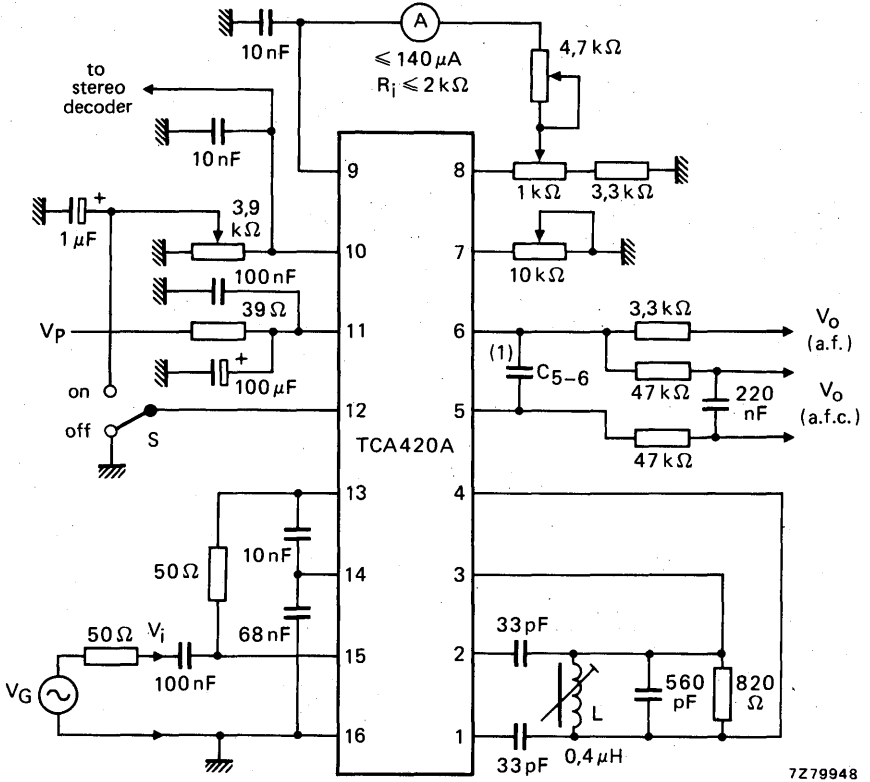


Fig. 21 I.F. coupling circuit, using ceramic filter; L1 = 14 turns h.f. litz wire (5 x 0,04), tab at 3 turns.

APPLICATION INFORMATION (continued)



7279948

(1) For mono:  $C_{5-6} = 10 \text{ nF}$ .  
 For stereo:  $C_{5-6} = 220 \text{ pF}$ .

Fig. 22 Application example of using TCA420A.

## INTEGRATED VOLTAGE STABILIZER

The TCA530 is an adjustable 30 V integrated circuit voltage stabilizer for use with variable capacitance diodes.

The circuit features: continuous short-circuit protected output, a.f.c. control voltage input, internal switch-on delay (can be adjusted externally), pre-stabilization and crystal temperature control (temperature sensor and heater).

### QUICK REFERENCE DATA

Input (supply) voltage range (for $R_i = 3,3 \text{ k}\Omega$ )	$V_i = V_p$	50 to 68 V
Output voltage	$V_O = V_{6-16}$	typ. 30 V
Amplitude range of output voltage for a.f.c.	$\Delta V_{6-16}$	typ. $\pm 0,75 \text{ V}$
Variation of output voltage as a function of:		
input (supply) voltage variations	$\Delta V_{6-12}/\Delta V_i$	typ. $-0,2 \text{ mV/V}$
output current variations	$\Delta V_{6-12}/\Delta I_6$	typ. $0,5 \text{ mV/mA}$
temperature variations	$\Delta V_{6-12}/\Delta T_{\text{amb}}$	typ. $0,1 \text{ mV/K}$
heater voltage variations	$\Delta V_{6-12}/\Delta V_{1-16}$	typ. $0,2 \text{ mV/V}$
Output current	$I_6 - I_Q$	typ. 3,0 mA
-----		
Allowable output voltage range	$V_O = V_{6-16}$	25 to $30 \pm 0,75 \text{ V}$
Allowable output current range	$I_6$	0 to 4,6 mA

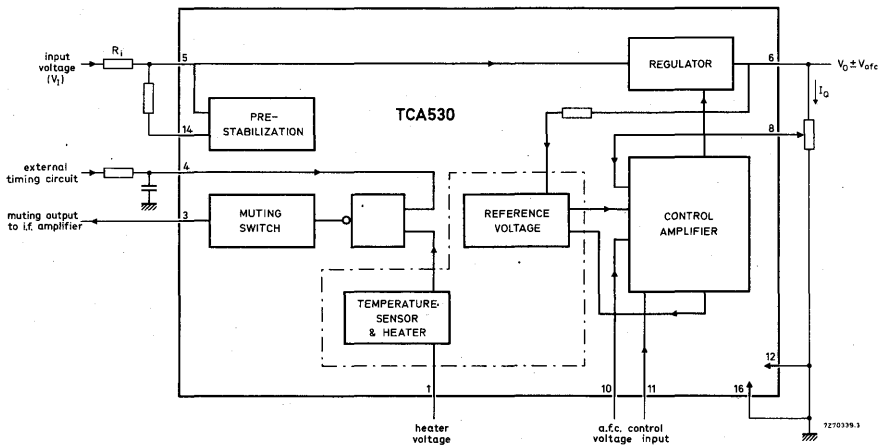


Fig. 1 Block diagram.

### PACKAGE OUTLINE

16-lead DIL; plastic (SOT-38).



## RATINGS

Limiting values in accordance with the Absolute Maximum System (IEC 134)

Voltages: pin 1 (heater voltage)	$V_{1-16}$		0 to 20 V
pin 3 (muting switch supply)	$V_{3-16}$	max.	15 V
pins 10 and 11 (a.f.c. input control voltage)	$\pm V_{10-11}$	max.	6 V
Currents: pin 3	$\pm I_3$	max.	5 mA
pin 4	$I_4$	max.	500 $\mu$ A
pin 5	$I_5$	max.	25 mA
pin 6	$I_6$	max.	30 mA
pin 8	$I_8$	max.	500 $\mu$ A
pin 10	$I_{10}$	max.	500 $\mu$ A
pin 11	$I_{11}$	max.	500 $\mu$ A
pin 14	$I_{14}$	max.	15 mA
Total power dissipation (excluding heater power) at $T_{amb} = 60^\circ\text{C}$	$P_{tot}$	max.	500 mW
Storage temperature	$T_{stg}$		-55 to + 150 $^\circ\text{C}$
Operating ambient temperature	$T_{amb}$		-20 to + 80 $^\circ\text{C}$

## CHARACTERISTICS

 $V_{6-12} = 30\text{ V}$ ;  $V_{10-12} = V_{11-12} = 10\text{ V}$ ;  $V_{1-16} = 15\text{ V}$ ;  $T_{amb} = 25^\circ\text{C}$ ; measured in Fig. 3.

## Voltage control

Input (supply) voltage range\*

 $R_i = 3,3\text{ k}\Omega$ ;  $I_6 = 3,5\text{ mA}$  $V_I = V_P$  50 to 68 V

Current consumption

 $I_P$  typ. 8,1 mA

5,2 to 11,0 mA

 $I_5$  typ.  $I_6 + (1,1 \pm 0,3)\text{ mA}$ 

Regulator voltage drop

within operating range of  
the pre-stabilizer $V_{5-6}$  typ. 2,7 V  
2 to 3,5 Voutside operating range of  
the pre-stabilizer\*\* $V_{5-6} <$  6 V

Output current (start of current limiting)

 $I_6 >$  8 mA

Internal reference voltage

 $V_{8-12}$  typ. 20 V  
18,2 to 21,8 V\* For other input (supply) voltage ranges and output currents, the series resistor  $R_i$  has to be altered (see also Fig. 2).

\*\* The specified output voltage dependency of the input (supply) voltage is not guaranteed outside the operating range of the pre-stabilizer.

Input current of control amplifier	$I_g$	typ. <	0,5 $\mu$ A 1 $\mu$ A
Variation of output voltage as a function of * input (supply) voltage variations	$\Delta V_{6-12}/\Delta V_I$	typ.	0,2 mV/V
output current variations	$\Delta V_{6-12}/\Delta I_6$	typ.	0,5 mV/mA
temperature variations	$\Delta V_{6-12}/\Delta T_{amb}$	typ.	0,1 mV/K
heater voltage variations	$\Delta V_{6-12}/\Delta V_{1-16}$	typ.	0,2 mV/V
Hum suppression at $f = 50$ Hz			
between input (supply) voltage and pin 6		typ.	80 dB
between pins 5 and 6		typ.	60 dB
between pins 1 and 6		typ.	80 dB
Output noise voltage at $f = 10$ Hz to 15 kHz (r.m.s. value)	$V_{n(rms)}$	<	50 $\mu$ V
<b>A.F.C. control amplifier</b>			
Common mode input voltage range	$V_{10-12} = V_{11-12}$		6,0 to 18,0 V
Common mode rejection ratio	CMRR	typ.	60 dB
Input current	$I_{10} = I_{11}$	typ. <	0,1 $\mu$ A 0,5 $\mu$ A
Input resistance	$R_i(10-11)$	>	1 M $\Omega$
Ratio between output voltage variation and a.f.c. input voltage variation	$\Delta V_{6-12}/\Delta V_{10-11}$		1,2 : 1
Amplitude range of output voltage	$\Delta V_{6-12}$	typ.	$\pm 0,75$ V $\pm 0,5$ to $\pm 1,0$ V

**Muting switch**

When the crystal temperature has reached approximately its stationary final value, the output of the muting switch (pin 3) becomes high-ohmic. The switching of pin 3 can be delayed by an external RC-circuit at pin 4 or by a switching voltage.

**Muting switch ON (pin 3 low-ohmic)**

Input voltage	$V_{4-16}$	<	8 V
Input current	$I_4$	typ.	1 $\mu$ A
Output saturation voltage at $I_3 = 1$ mA	$V_{3-16 sat}$	typ. <	0,45 V 0,6 V

**Muting switch OFF (pin 3 high-ohmic)**

Input voltage	$V_{4-16}$		8 to 11 V
Input current	$I_4$	>	0,1 $\mu$ A
Output voltage	$V_{3-16}$	<	15 V
Output current	$I_3$	<	1 $\mu$ A
Internal switch-on delay	$t_d$	<	3 s

\* External component value changes are not taken into account.

**CHARACTERISTICS (continued)**

**Crystal temperature control**

Heater voltage range

$V_{1-16}$  8 to 20 V

Heater peak current at switching on

$I_{1M}$  typ. 230 mA  
< 300 mA

Continuous heater current at  $V_{1-16} = 15$  V

$I_1$  typ. 40 mA  
< 55 mA

Continuous heater power

$P_h$  typ. 600 mW

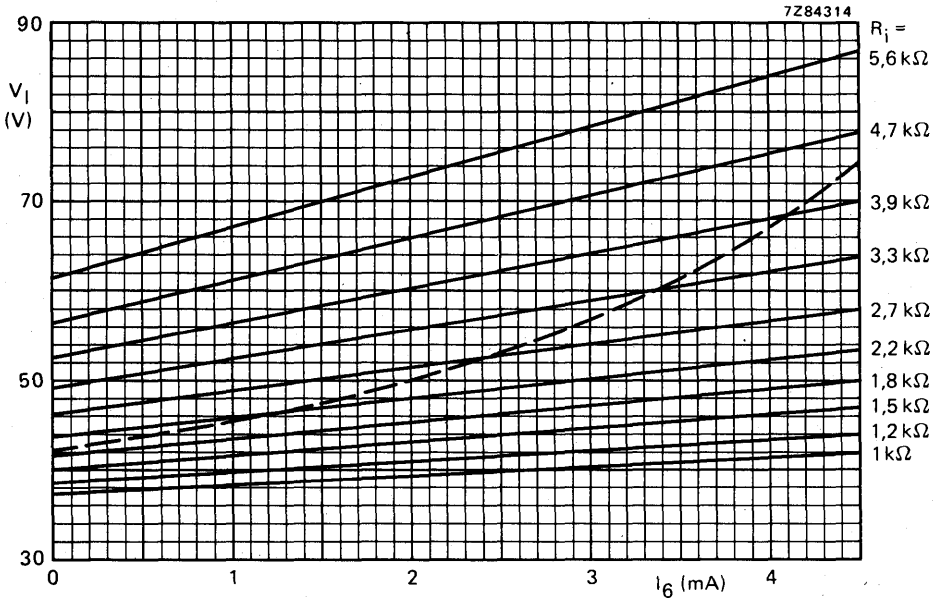
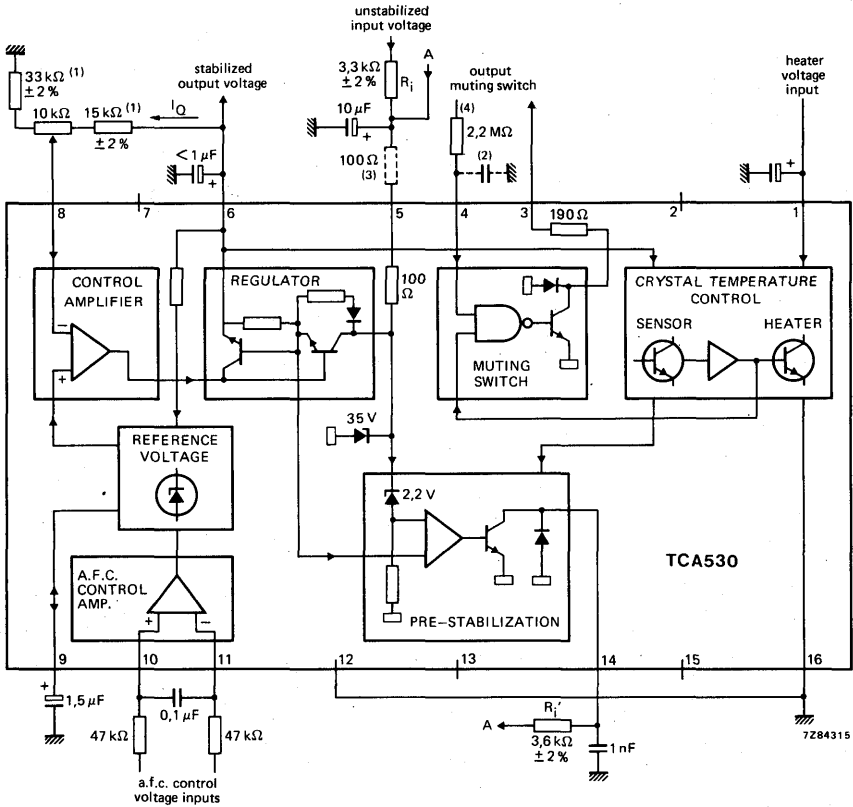


Fig. 2 Curves to obtain  $R_i$ -values for various input (supply) voltages and/or output currents. Conditions:  $V_{6-12} = 30$  V; tolerance of  $I_6 = \pm 20\%$ ;  $R_{5-14} = 3,6$  k $\Omega$ ; tolerance of  $R_i = \pm 2\%$ . Above the dotted curve a tolerance of  $V_1$  ( $V_p$ ) of  $\pm 15\%$  is allowed.



- (1) It is recommended that fixed resistors of the same kind be used for the voltage divider.  
The voltage divider of Fig. 4 can be used when a narrow temperature dependency is required.
- (2) This capacitor can be applied to increase the delay.
- (3) This resistor is recommended when the IC is not soldered on a printed-circuit board.
- (4) Can be connected to pin 6, for example.

Fig. 3 Test circuit.



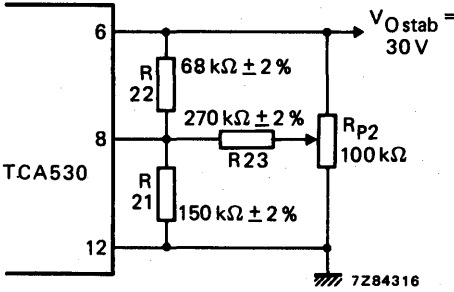


Fig. 4 Voltage divider for the narrowest possible temperature dependency.

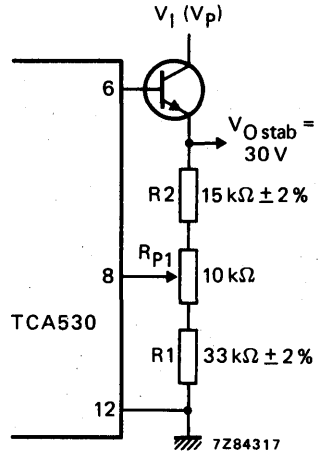


Fig. 5 Circuit extension by means of a series transistor at the output, for output currents > 4,6 mA.

The following table gives some resistor value examples for various output voltages with  $\Delta R/R \leq \pm 2\%$  and  $\Delta R_p/R_p \leq \pm 20\%$ .

$V_{Ostab}$ V	$R_{p2}$ k $\Omega$	$R_{21}$ k $\Omega$	$R_{22}$ k $\Omega$	$R_{23}$ k $\Omega$	$R_{p1}$ k $\Omega$	$R_1$ k $\Omega$	$R_2$ k $\Omega$
30	100	200	82	300	10	20	10
30	47	180	82	300	47	100	47
29					22	39	18
28	100	220	75	300	22	39	15
28	47	300	100	430			
27					47	68	24
26					22	27	8,2
25	100	560	91	390	47	47	12
25	47	620	100	430			

The series resistors  $R_i$  and  $R_i'$  (see Fig. 3), as well as the input (supply) voltage  $V_1$  ( $V_p$ ), have to be adapted to the chosen output voltages  $V_{Ostab}$ .

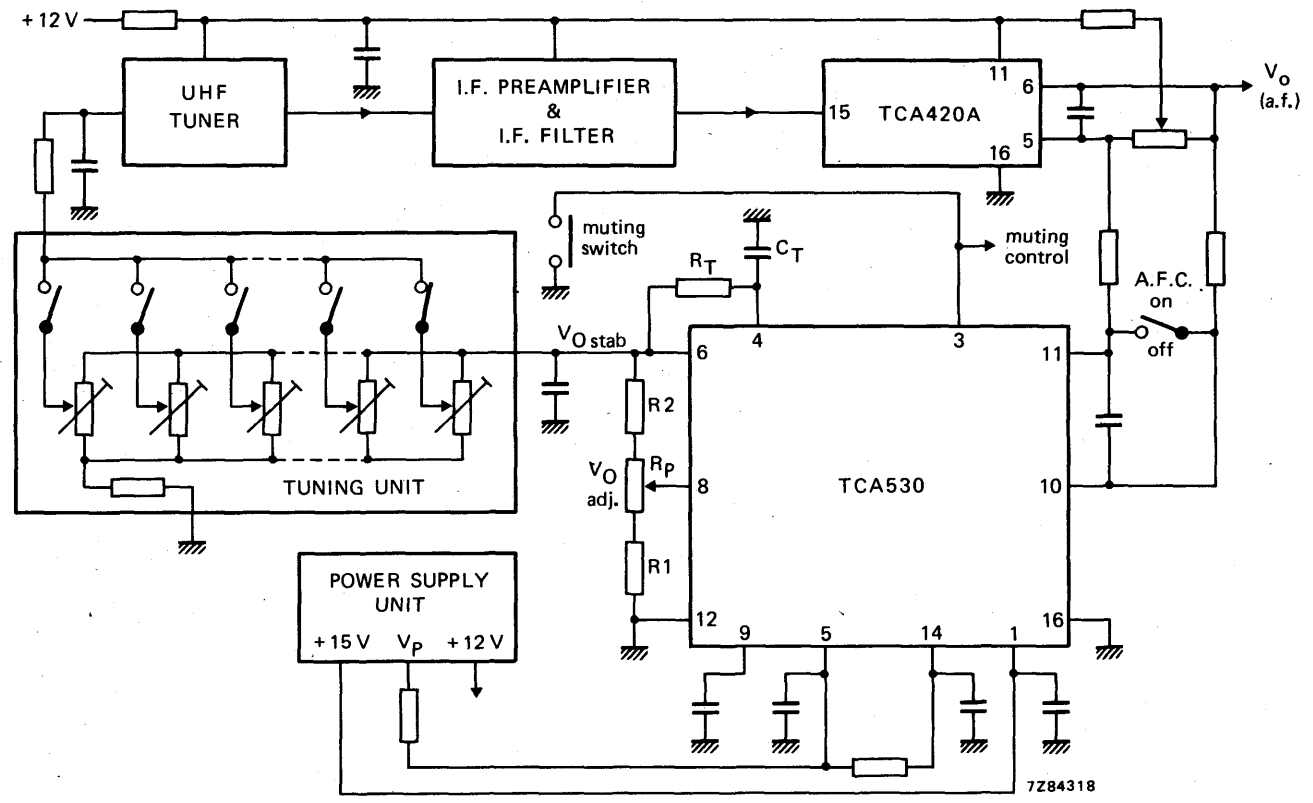


Fig. 6 Application example; f.m. receiver with TCA530 and TCA420A.





## D.C. VOLUME AND BALANCE STEREO CONTROL CIRCUIT

The TCA730A is a monolithic integrated circuit for controlling volume and balance in stereo amplifiers by means of a d.c. voltage.

## Features:

- physiological volume control
- balance control
- internal amplifier
- high-ohmic signals inputs
- internal supply voltage stabilization
- converter for the control voltage

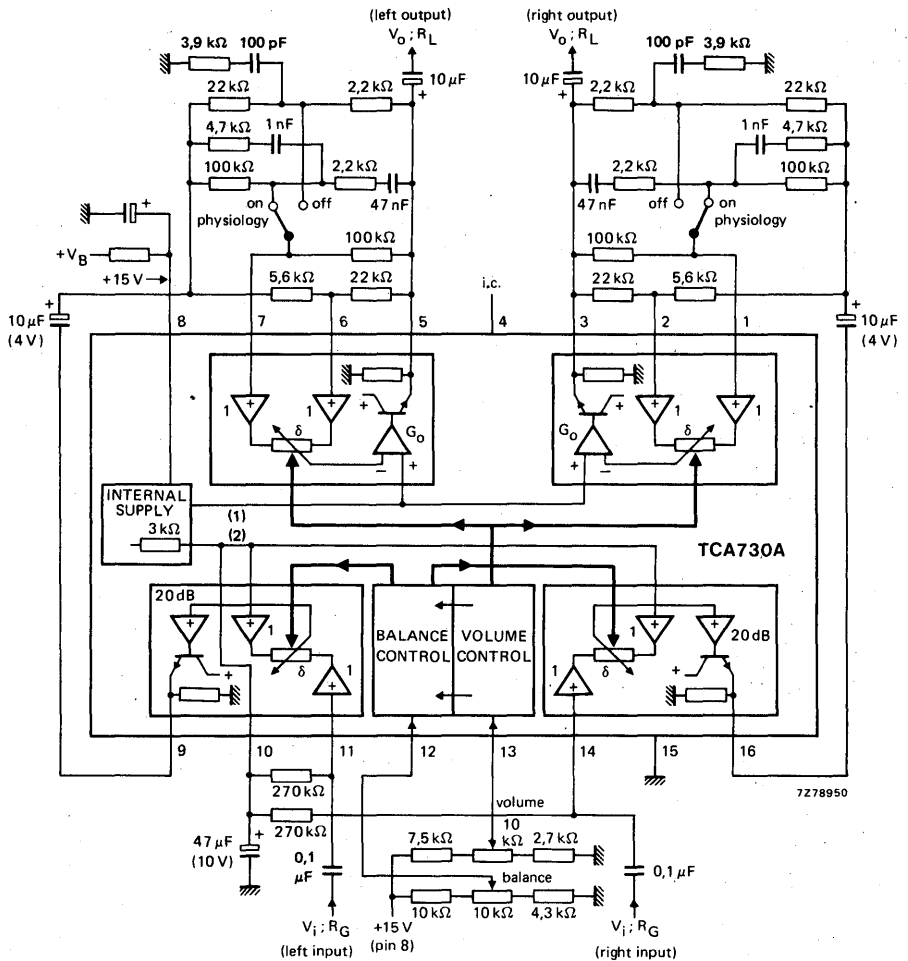
## QUICK REFERENCE DATA

Supply voltage (pin 8)	$V_P$	typ. 15 V
Supply current (pin 8)	$I_P$	typ. 35 mA
Input voltage range (r.m.s. value)	$V_{i(rms)}$	0,1 to 1,7 V
Nominal input voltage; $m = 1$ (r.m.s. value)	$V_{i(rms)}$	typ. 0,5 V
Input resistance	$R_i$	typ. 250 k $\Omega$
Output voltage at nominal output power (r.m.s. value)	$V_{o(rms)}$	typ. 1 V
Volume control range	$G_V$	+20 to -80 dB
Channel balance	$\Delta G_V$	typ. 1 dB
Balance control range	$G_V$	+5 to -7 dB
Total distortion at $V_{o(rms)} = 1$ V	$d_{tot}$	typ. 0,1 %
Channel separation	$\alpha$	typ. 55 dB
Signal-to-noise ratio	S/N	typ. 67 dB
Frequency response (-1 dB)		20 Hz to 20 kHz
Volume control voltage range	$V_{13-15}$	2 to 9,5 V
Balance control voltage range	$V_{12-15}$	2,5 to 9,0 V
Supply voltage range (pin 8)	$V_P$	13,5 to 16,5 V
Ambient temperature range	$T_{amb}$	-30 to +80 $^{\circ}$ C

## PACKAGE OUTLINE

16-lead DIL; plastic (SOT-38).





- (1)  $6,6 V_{BE}; V_1 = 4,6 V$
- (2)  $0,35 V_p + 0,65 V_{BE}; V_2 = 5,7 V.$

Fig. 1 Block diagram with external circuitry.

**RATINGS**

Limiting values in accordance with the Absolute Maximum System (IEC 134)

Supply voltage (pin 8)	$V_P$	max. 18 V
Input voltages	$V_{11-15}; V_{14-15}$	min. 0 V
		max. $V_P$ V
Control voltages	$V_{12-15}; V_{13-15}$	min. -5 V
		max. 12 V
Total power dissipation	$P_{tot}$	max. 900 mW
Storage temperature range	$T_{stg}$	-55 to +150 °C
Operating ambient temperature range	$T_{amb}$	-30 to +80 °C

**CHARACTERISTICS**

$V_P = 15$  V;  $T_{amb} = 25$  °C; measured in Fig. 1; balance control in mid-position ( $V_{12-10} = 0$ ); physiology switch off;  $f = 1$  kHz;  $R_G = 22$  k $\Omega$ ;  $R_L = 5,6$  k $\Omega$ ; unless otherwise specified.

Supply voltage range (pin 8)	$V_P$	13,5 to 16,5 V
Supply current	$I_P$	typ. 35 mA
		25 to 43 mA
Voltage gain range	$G_V$	0 to 20 dB
		typ. 20 dB
Voltage gain at $V_{13-15} = 9,5$ V (0,63 $V_P$ )	$G_V$	18 to 22 dB
Voltage attenuation range	$G_V$	0 to -80 dB
		> -75 dB
Voltage attenuation at $V_{13-15} = 3$ V (0,2 $V_P$ )	$G_V$	typ. -80 dB
		+5 to -7 dB
Balance control range at $G_V = -10$ dB		

**Control inputs**

Recommended control voltage range		volume	$V_{13-15}$	2 to 9,5 V
		balance	$V_{12-15}$	2,5 to 9,0 V
Control voltage for $G_V = -10$ dB; $V_{12-10} = 0$			$V_{13-15}$	6,7 to 7,1 V*
Control voltage for balance 0 dB; $V_{13-15} = 6,9$ V			$V_{12-10}$	typ. $0 \pm 0,2$ V
			$V_{10-15}$	typ. 5,9 V
Internal supply voltage (0,35 $V_P + 0,65 V_{BE}$ )			$V_{10-15}$	5,7 to 6,1 V
			$R_{o10}$	typ. 3 k $\Omega$
Output resistance (pin 10)				
Control current		volume ( $V_{13-15} = 6,9$ V)	$I_{13}$	typ. 15 $\mu$ A
			<	50 $\mu$ A
balance ( $V_{12-15} = 5,9$ V)			$I_{12}$	typ. 8 $\mu$ A
			<	25 $\mu$ A
Input resistance		pin 13 (volume)	$R_{i13}$	typ. 500 k $\Omega$
			pin 12 (balance)	$R_{i12}$

\* Typical value 6,9 V.

**CHARACTERISTICS** (continued)

**Signal processing**

Frequency response (-1 dB)	f	20 Hz to 20 kHz
Input resistance; $R_{i1-10} = R_{i14-10} = 270 \text{ k}\Omega$ (pins 11; 14)	$R_{i11;14}$	typ. 250 $\text{k}\Omega$
Output resistance (pins 3; 5)	$R_{o3,5}$	typ. 10 $\Omega$
Maximum input voltage; $V_{o(rms)} < 1 \text{ V}$ ; $d_{tot} = 0,7 \%$ (r.m.s. value)	$V_{i(rms)}$	$> 1,3 \text{ V}$ typ. 1,7 V
Maximum output voltage; $V_{i(rms)} < 1 \text{ V}$ ; $d_{tot} = 0,7\%$ (r.m.s. value)	$V_{o(rms)}$	$> 1,8 \text{ V}$ typ. 2,0 V
Nominal input voltage; $m = 1$ (r.m.s. value)	$V_{i(rms)}$	typ. 0,5 V
Nominal output voltage at nominal output power (r.m.s. value)	$V_{o(rms)}$	typ. 1 V
Total distortion		
$V_{o(rms)} = 1 \text{ V}$ ; $G_V = \text{maximum}$	$d_{tot}$	typ. 0,07 % $< 0,2 \%$
$V_{o(rms)} = 1 \text{ V}$ ; $V_{i(rms)} = 1 \text{ V}$	$d_{tot}$	typ. 0,2 %
$V_{o(rms)} = 50 \text{ mV}$ ; $V_{i(rms)} = 150 \text{ mV}$	$d_{tot}$	typ. 0,03 % $< 0,1 \%$
$V_{o(rms)} = 50 \text{ mV}$ ; $V_{i(rms)} = 1 \text{ V}$	$d_{tot}$	typ. 0,2 %
Output noise voltage; $f = 20 \text{ Hz}$ to $20 \text{ kHz}$ signal plus noise voltage (r.m.s. value)		
$G_V = -60 \text{ dB}$	$V_{no(rms)}$	typ. 6 $\mu\text{V}$
$G_V = -10 \text{ dB}$	$V_{no(rms)}$	typ. 15 $\mu\text{V}$
$G_V = \text{maximum (+20 dB)}$	$V_{no(rms)}$	typ. 100 $\mu\text{V}$
noise voltage; weighted conform DIN45405 (peak value)		
$G_V = -60 \text{ dB}$	$V_{no(m)}$	typ. 15 $\mu\text{V}$
$G_V = -10 \text{ dB}$	$V_{no(m)}$	typ. 35 $\mu\text{V}$ $< 80 \mu\text{V}$
$G_V = \text{maximum (+20 dB)}$	$V_{no(m)}$	typ. 230 $\mu\text{V}$ $< 350 \mu\text{V}$
Channel separation; $G_V = \pm 20 \text{ dB}$ ; $V_i = V_o < 1 \text{ V}$		
$f = 250 \text{ Hz}$ to $12,5 \text{ kHz}$	$\alpha$	$> 52 \text{ dB}$ typ. 53 dB
$f = 40 \text{ Hz}$ to $16 \text{ kHz}$	$\alpha$	$> 46 \text{ dB}$ typ. 50 dB
Channel balance		
$G_V = +15$ to $-50 \text{ dB}$	$\Delta G_V$	typ. 1 dB $< 2 \text{ dB}$
$G_V < 50 \text{ dB}$	$\Delta G_V$	typ. 2 dB

**Amplifier characteristics**

Input resistance (pins 11 and 14)	$R_{i11;14}$	>	3 M $\Omega$
D.C. output voltages (0,35 V <sub>P</sub> – 1,35 V <sub>BE</sub> )	V <sub>3-15</sub> ; V <sub>16-15</sub>	typ.	4,2 V
(6,6 V <sub>BE</sub> )	V <sub>3-15</sub> ; V <sub>16-15</sub>	typ.	4,6 V
Quiescent input currents (pins 1,2,6,7,11,14)	I <sub>1</sub> ; I <sub>2</sub> ; I <sub>6</sub> ; I <sub>7</sub> ; I <sub>11</sub> ; I <sub>14</sub>	typ.	0,5 $\mu$ A
		<	2 $\mu$ A
Input resistance (pins 1,2,6 and 7) of physiology; without external circuitry	$R_{i1;2;6;7}$	>	1 M $\Omega$
Internal load resistance at outputs (pins 3,5,9,16)	R <sub>3-15</sub> ; R <sub>5-15</sub> ; R <sub>9-15</sub> ; R <sub>10-15</sub>	typ.	2 k $\Omega$
		>	40 dB
Maximum gain; no load	G <sub>3-1</sub> ; G <sub>3-2</sub> ; G <sub>5-6</sub> ; G <sub>5-7</sub>	typ.	43 dB

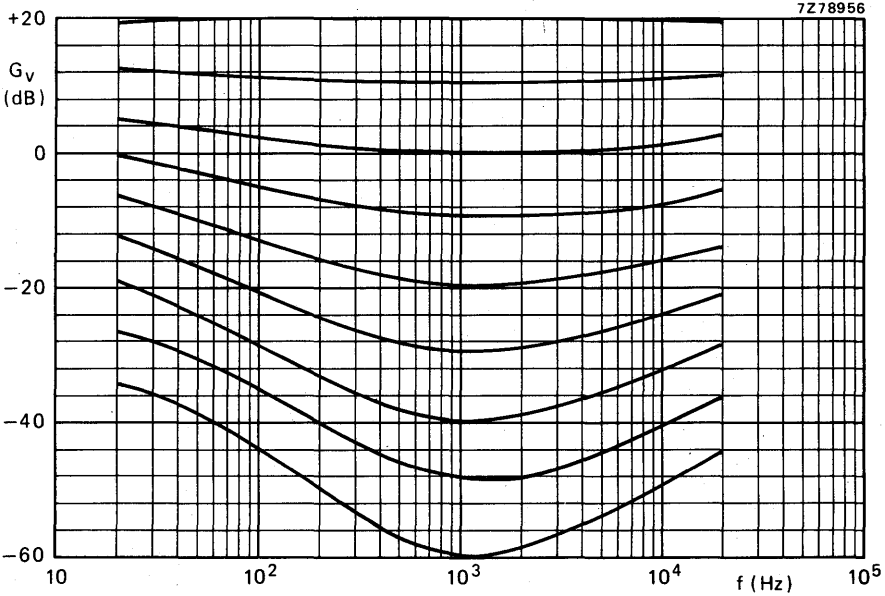


Fig. 2 Frequency response volume control with physiology.

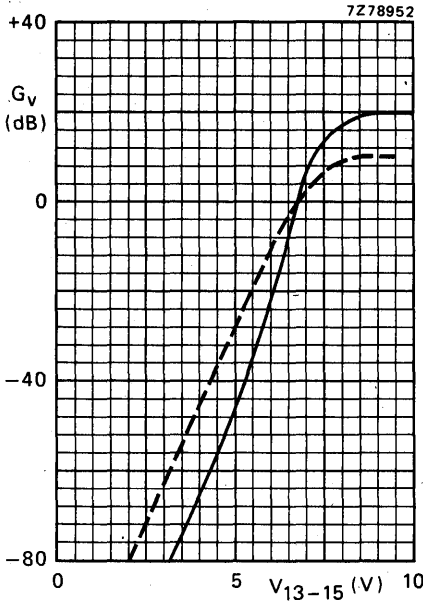


Fig. 3 Volume control curves; without physiology; balance = 0;  $V_{12-10} = 0$ .

—  $G_v$  tot;  $G_v$  5-11;  $G_v$  3-14  
 - - -  $G_v$  9-11;  $G_v$  16-14

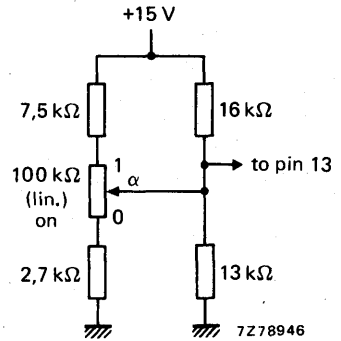
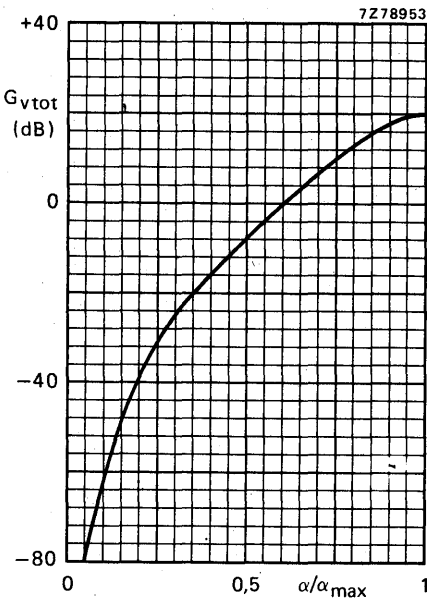


Fig. 4 Volume adjustment curve; balance = 0;  $V_{12-10} = 0$ .

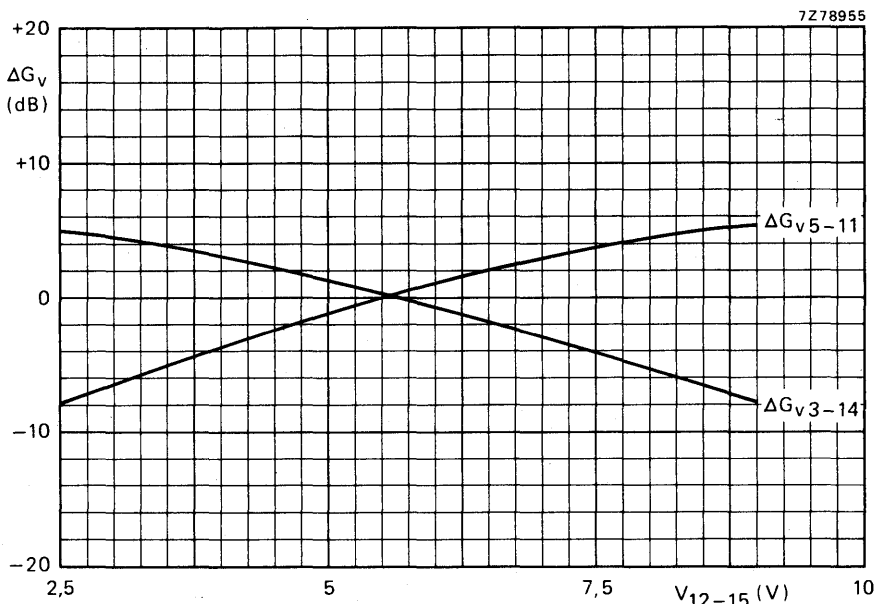


Fig. 5 Balance control curves;  $G_{v \text{ tot}} = -10$  dB ( $V_{13-15} = 6,9$  V); for balance = 0.

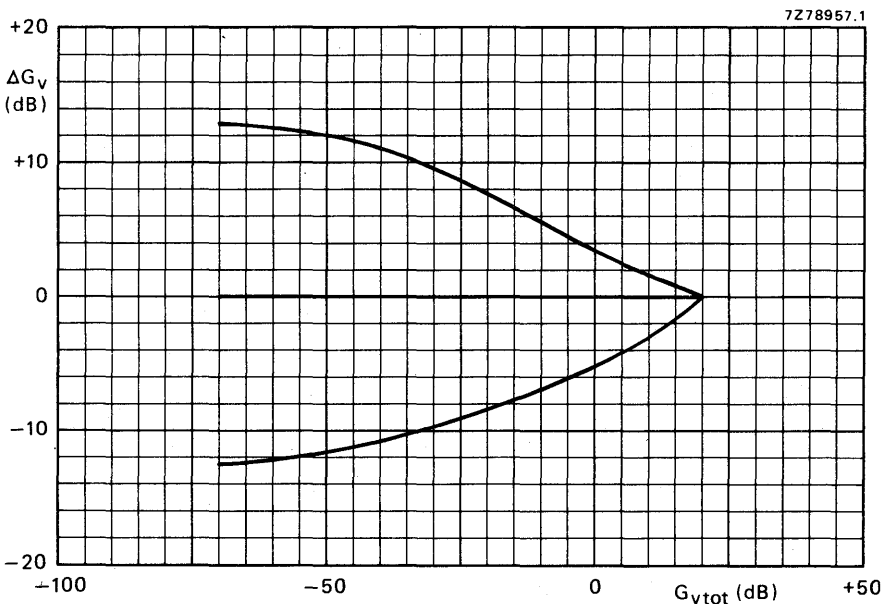
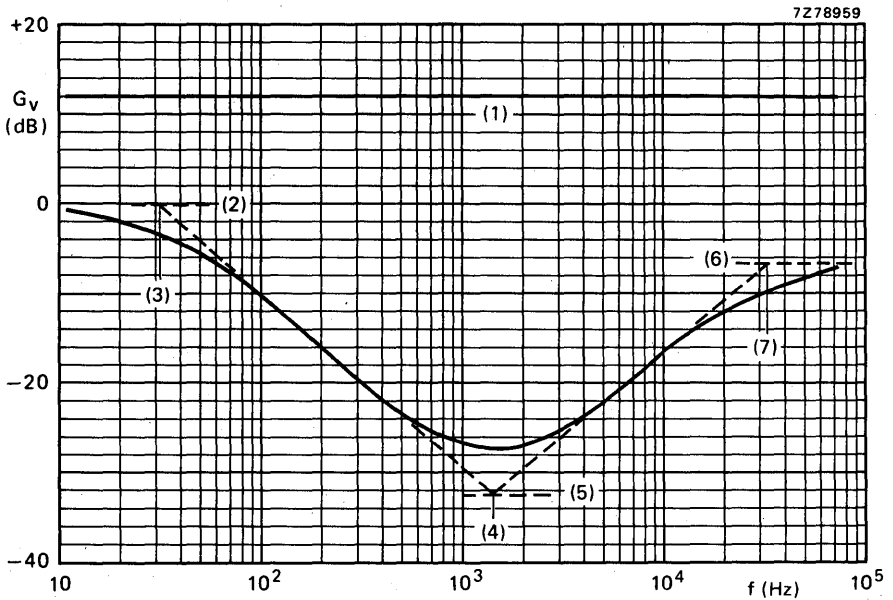


Fig. 6 Balance control range;  $V_{12-15} = 2,5$  to  $9,0$  V.



- (1)  $G_v = R_2/R_1$
- (2)  $G_v = R_42/R_31$
- (3)  $G_v = 1/2\pi \cdot R_42 \cdot C_42$
- (4)  $G_v = 1/2\pi \cdot R_41 \cdot C_31 = 1/2\pi \cdot R_31 \cdot C_31$
- (5)  $G_v \approx R_41/R_32$
- (6)  $G_v \approx R_41/R_32$
- (7)  $G_v = 1/2\pi \cdot R_32 \cdot C_31$

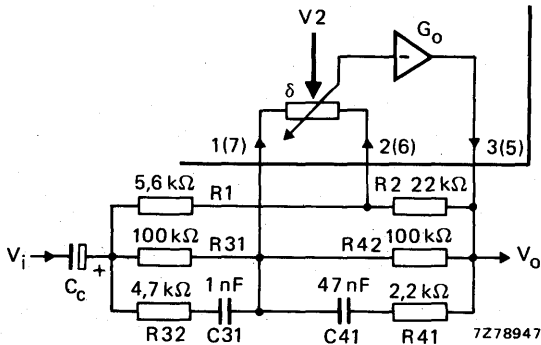


Fig. 7 Frequency response of the physiology part.

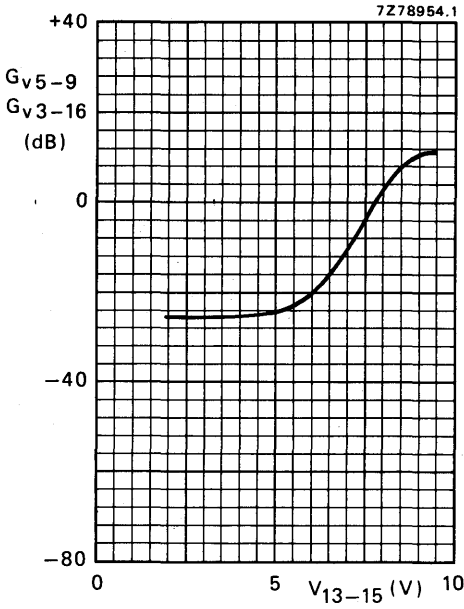


Fig. 8 Physiology control curve;  $f = 1$  kHz; balance = 0;  $V_{12-15} = 0$ .





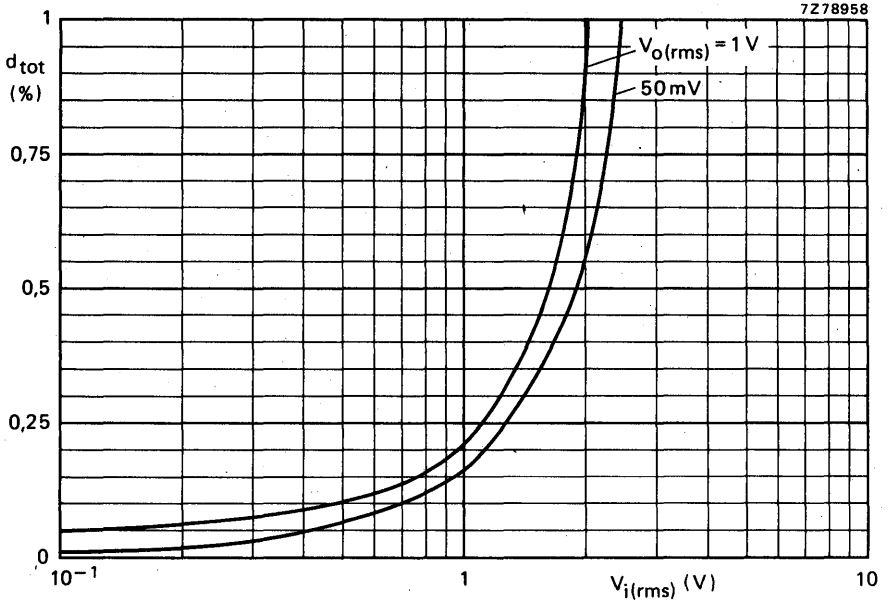


Fig. 9 Total distortion as a function of r.m.s. input voltage;  $f = 1 \text{ kHz}$ ;  $R_L = 5,6 \text{ k}\Omega$ .

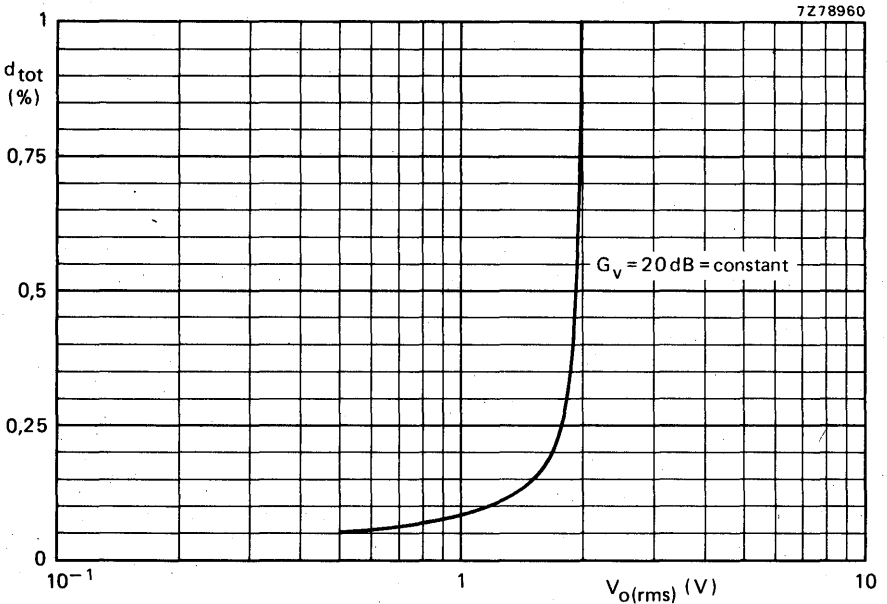


Fig. 10 Total distortion as a function of r.m.s. output voltage;  $f = 1 \text{ kHz}$ ;  $R_L = 5,6 \text{ k}\Omega$ .

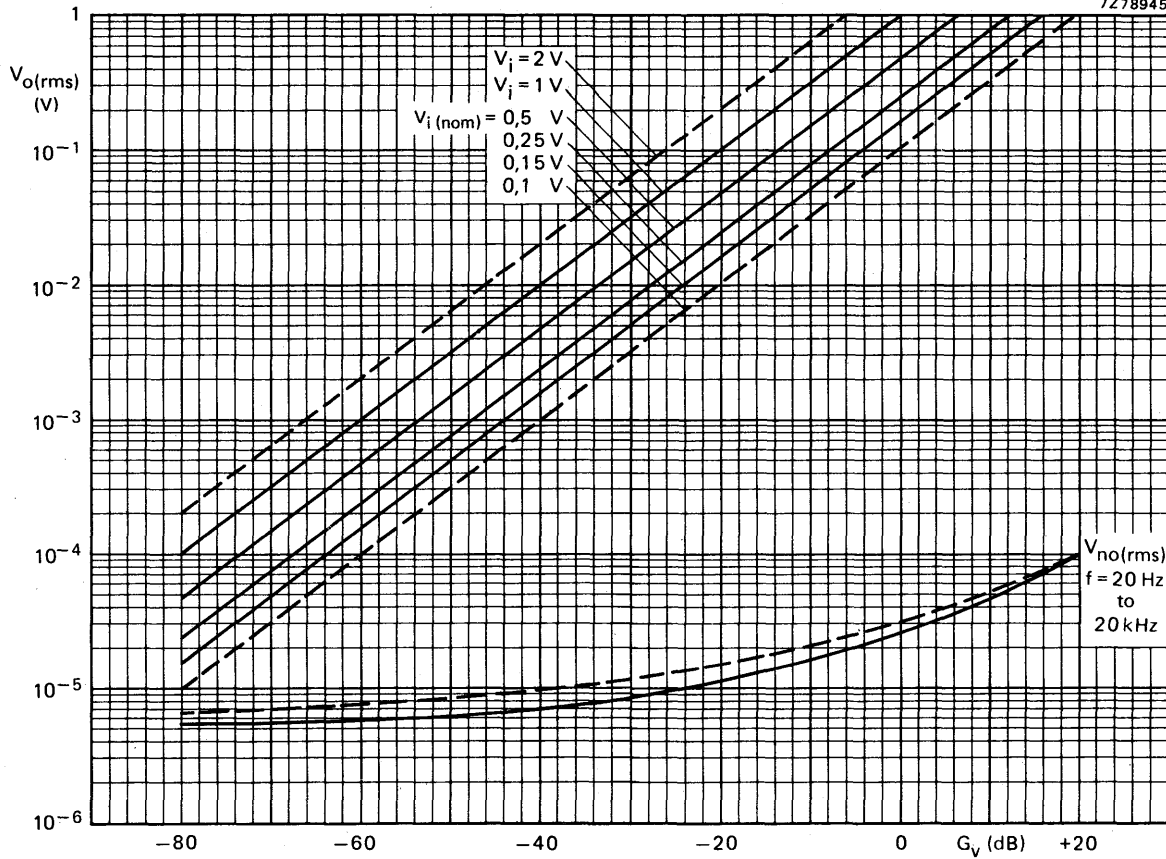
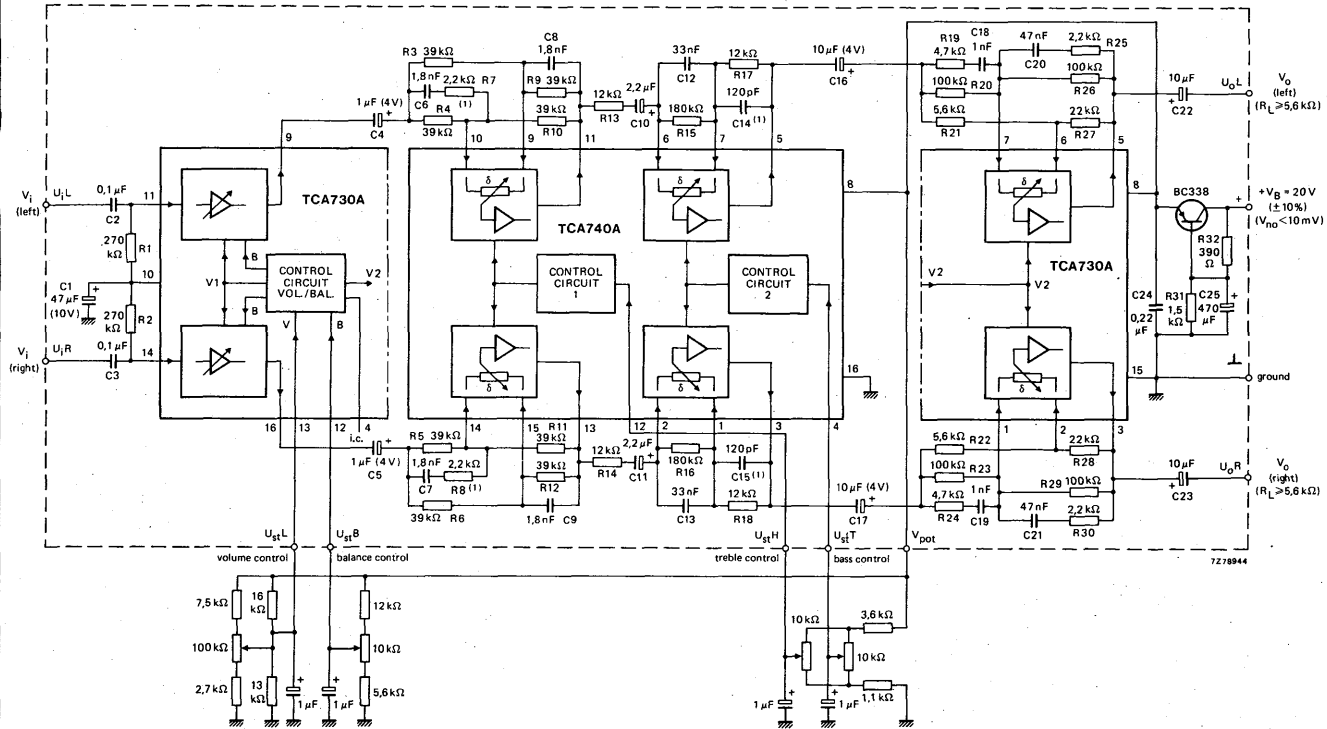


Fig. 11 The r.m.s. output voltage as a function of voltage gain;  $P_o(\text{nom})$  relative to  $V_o(\text{rms}) = 1 \text{ V}$ .  
 — without physiological volume control; - - - with physiological volume control.

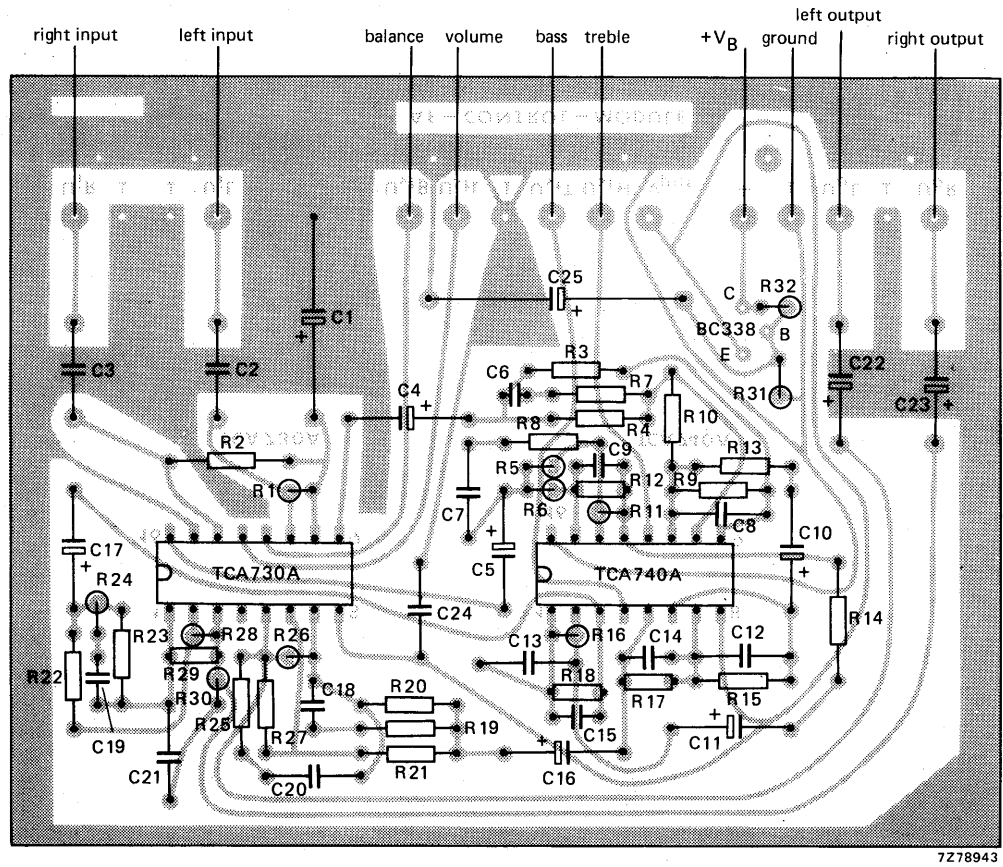


## APPLICATION INFORMATION



(1) RC network for limiting treble boost (linear:  $f_{-3dB} = 100\text{ kHz}$ ).

Fig. 12 Application diagram for TCA730A and TCA740A. For printed-circuit board see Fig. 13.

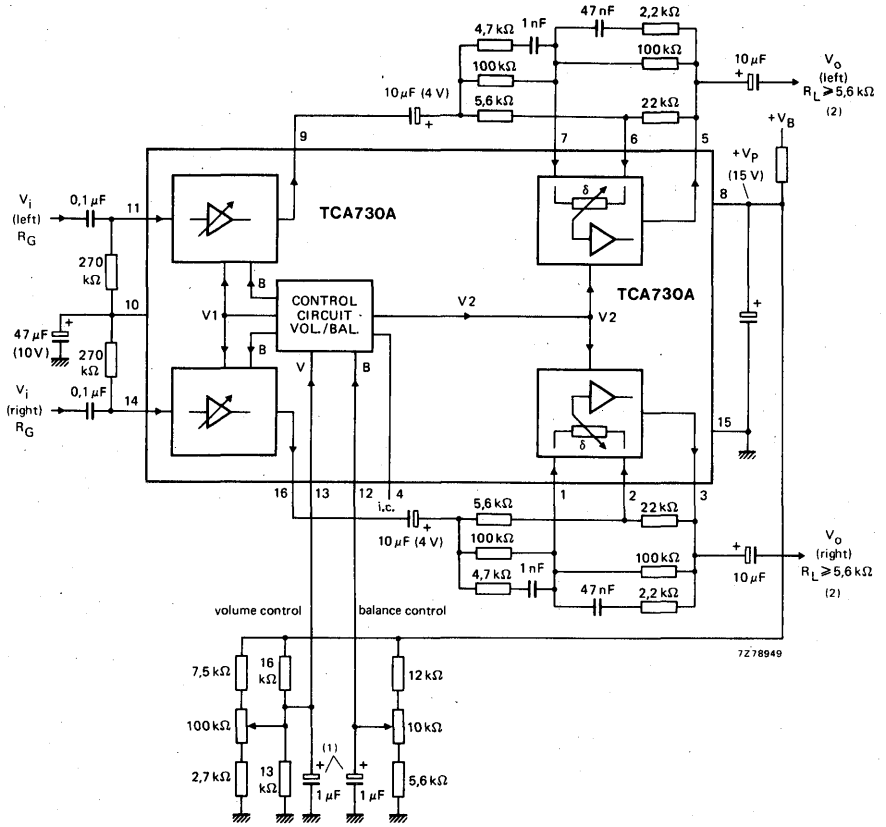


7278943

Fig. 13 Printed-circuit board component side, showing component layout; for circuit diagram see Fig. 12.



APPLICATION INFORMATION (continued)



- (1) C13-15 = C12-15 = 1 μF are intended for suppression of the noise when adjusting the mechanical potentiometers.
- (2) For rejecting noise, caused by switching on or off, corresponding muting switches can be used before or in the output power stage.

Fig. 14 Application example of TCA730A used for volume and balance control.

## D.C. TREBLE AND BASS STEREO CONTROL CIRCUIT

The TCA740A is a monolithic integrated circuit for controlling treble and bass in stereo amplifiers by means of a d.c. voltage.

## Features:

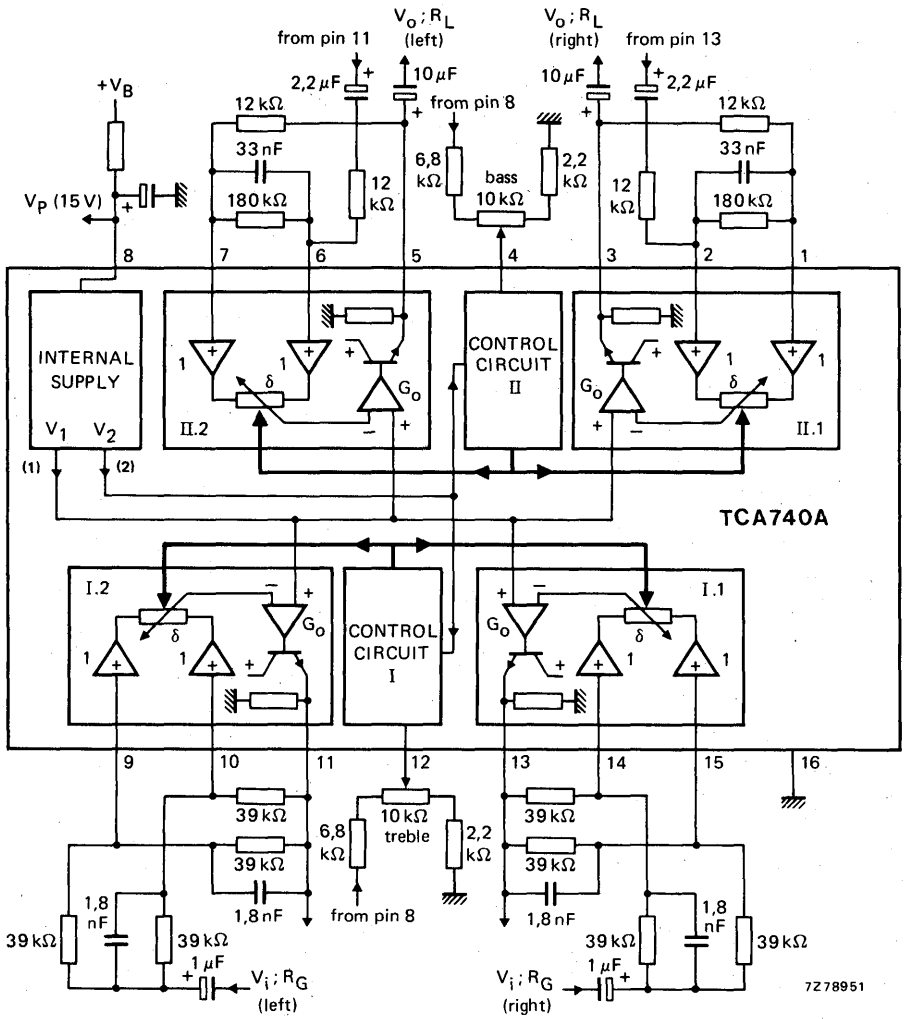
- two double potentiometer circuits
- feedback control
- internal amplifier
- high-ohmic signal inputs
- converter for the control voltages
- low-ohmic and short-circuit protected signal outputs

## QUICK REFERENCE DATA

Supply voltage (pin 8)	$V_p$	typ.	15 V
Supply current (pin 8)	$I_p$	typ.	35 mA
Bass boost and cut at 40 Hz (ref. 1 kHz)		typ.	$\pm 16$ dB
Treble boost and cut at 16 kHz (ref. 1 kHz)		typ.	$\pm 16$ dB
Input/output voltage at $d_{tot} = 0,7\%$ (r.m.s. value)	$V_{i,o(rms)}$	typ.	2 V
Total distortion at $V_o(rms) = 1$ V; linear frequency response	$d_{tot}$	typ.	0,1 %
Channel separation	$\alpha$	typ.	70 dB
Output signal plus noise voltage (r.m.s. value)	$V_{no(rms)}$	typ.	45 $\mu$ V
Frequency response (-1 dB)	f		20 Hz to 20 kHz
Treble/bass control voltage range	$V_{12-16}; V_{4-16}$		1,8 to 9,5 V
-----			
Supply voltage range (pin 8)	$V_p$		13,5 to 16,5 V
Ambient temperature range	$T_{amb}$		-30 to + 80 $^{\circ}$ C

## PACKAGE OUTLINE

16-lead DIL; plastic (SOT-38).



- (1)  $6,6 V_{BE}; V_1 = 4,6 V$
- (2)  $0,31 V_p + 1,4 V_{BE}; V_2 = 5,6 V$

Fig. 1 Block diagram with external circuitry.

**RATINGS**

Limiting values in accordance with the Absolute Maximum System (IEC 134)

Supply voltage (pin 8)	$V_p$	max.	18 V
Control voltages (pins 4 and 12)	$V_{4-16}$	max.	12 V
	$-V_{4-16}$	max.	5 V
	$V_{12-16}$	max.	12 V
	$-V_{12-16}$	max.	5 V
Total power dissipation	$P_{tot}$	max.	900 mW
Storage temperature range	$T_{stg}$		-55 to + 150 °C
Operating ambient temperature range	$T_{amb}$		-30 to + 80 °C

**CHARACTERISTICS**

$V_p = 15$  V;  $T_{amb} = 25$  °C; measured in Fig. 1; in position 'linear' ( $V_{4-16} = V_{12-16} = 5,6$  V);  
 $R_G = 60$   $\Omega$ ;  $R_L = 5,6$  k $\Omega$ ;  $f = 1$  kHz; unless otherwise specified

Supply voltage range (pin 8)	$V_p$		13,5 to 16,5 V
Supply current (pin 8)	$I_p$	typ.	34 mA 25 to 45 mA

**Signal processing**

Voltage gain at linear frequency response	$G_V$	typ.	0 dB	
Frequency response (-1 dB)	$f$		20 Hz to 20 kHz	
Maximum gain variation at $f = 1$ kHz at maximum bass/treble boost or cut	$\Delta G_V$	<	$\pm 1,5$ dB	
Bass boost at 40 Hz (ref. 1 kHz) $V_{4-16} = 9,2$ V		>	15 dB	
		typ.	16 dB	
Bass cut at 40 Hz (ref. 1 kHz) $V_{4-16} = 2$ V		>	15 dB	
		typ.	16 dB	
Treble boost at 16 kHz (ref. 1 kHz) $V_{12-16} = 9,2$ V		>	15 dB	
		typ.	16 dB	
Treble cut at 16 kHz (ref. 1 kHz) $V_{12-16} = 2$ V		>	15 dB	
		typ.	16 dB	
Total distortion	$V_{O(rms)} = 100$ mV; $f = 1$ kHz	$d_{tot}$	typ.	0,03 %
		$d_{tot}$	typ.	0,1 %
	$V_{O(rms)} = 1$ V; $f = 1$ kHz	$d_{tot}$	typ.	0,07 %
		$d_{tot}$	<	0,2 %
		$d_{tot}$	typ.	0,2 %
Input/output voltage at $d_{tot} = 0,7$ % (r.m.s. value)	$V_{i(rms)} = V_{o(rms)}$	>	1,6 V	
		typ.	2 V	
Output signal plus noise voltage (r.m.s. value) $f = 20$ Hz to 20 kHz	$V_{no(rms)}$	typ.	40 $\mu$ V	
		typ.	90 $\mu$ V	
Output noise voltage; weighted conform DIN45405; peak value	$V_{no(m)}$	<	160 $\mu$ V	





**CHARACTERISTICS** (continued)

Channel separation

f = 1 kHz	$\alpha$	typ.	72 dB
f = 250 Hz to 12,5 kHz	$\alpha$	typ.	68 dB
		>	50 dB
f = 40 Hz to 16 kHz	$\alpha$	typ.	58 dB

**Control voltages**

Recommended control voltage range treble/bass		>	0 V
	$V_{4-16} = V_{12-16}$	<	2 to 9,2 V
			0,66 $V_p$ V
		typ.	5,6 V
Control voltage at linear frequency response	$V_{4-16} = V_{12-16}$		5,4 to 5,8 V
			(0,31 $V_p$ to 1,4 $V_{BE}$ ) V

Quiescent input current

$V_{4-16} = V_{12-16} = 2$ to 9,2 V	$I_4 = I_{12}$	typ.	6 $\mu A$
		<	25 $\mu A$

Input resistance (pins 4 and 12)

$V_{4-16} = V_{12-16} = 5,6$ V	$R_{i4;12}$	typ.	800 $k\Omega$
--------------------------------	-------------	------	---------------

**Amplifier characteristics**

Quiescent input currents;  $V_i = 4,6$  V  
(pins 1, 2, 6, 7, 9, 10, 14 and 15)

$I_{1;2;6;7;9;10;14;15}$	typ.	0,6 $\mu A$
	<	2 $\mu A$

Input resistance (pins 1,2,6,7,9,10,14 and 15)

$R_{i1;2;6;7;9;10;14;15}$	>	1 $M\Omega$
---------------------------	---	-------------

Internal emitter resistance at outputs

$R_{3-16}; R_{5-16}; R_{11-16}; R_{13-16}$	typ.	2 $k\Omega$
--	------	-------------

Output resistance (pins 3,5,11 and 13)

$R_{o3;5;11;13-16}$	typ.	10 $\Omega$
---------------------	------	-------------

Maximum gain; no load

$G_v$	>	40 dB
	typ.	43 dB

D.C. output voltages

$V_{4-16} = V_{12-16} = 5,6$ V (pins 3,5,11 and 13)	$V_{3-16}; V_{5-16}; V_{11-16}; V_{13-16}$	typ.	4,6 V
			4,3 to 4,9 V
			(6,6 $V_{BE}$ ) V

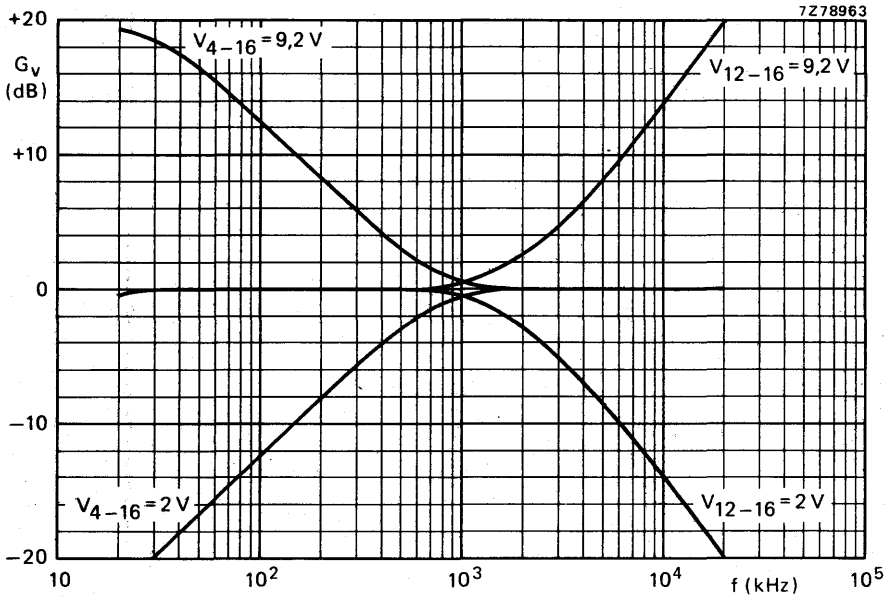


Fig. 2 Frequency response.

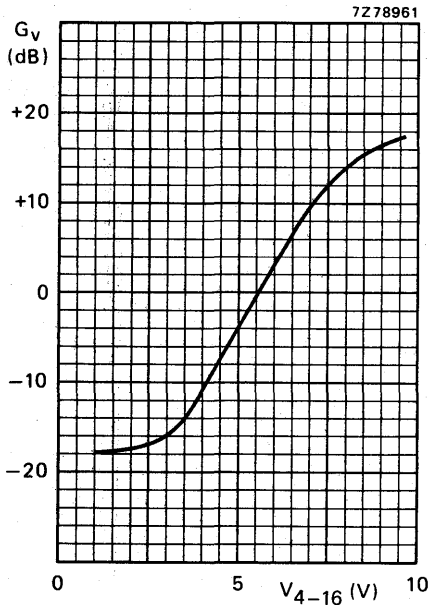


Fig. 3 Bass control curve at  $f = 40$  Hz.

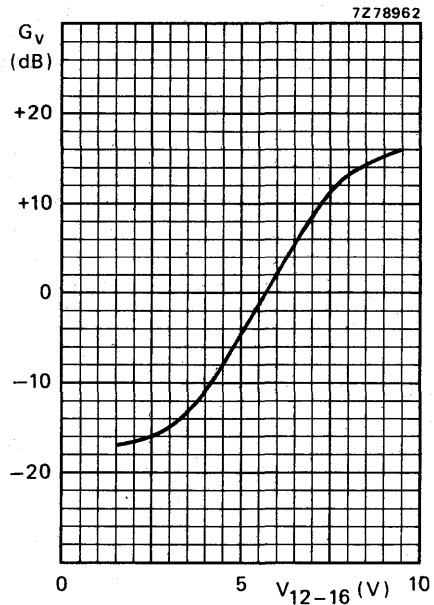


Fig. 4 Treble control curve at  $f = 16$  kHz.

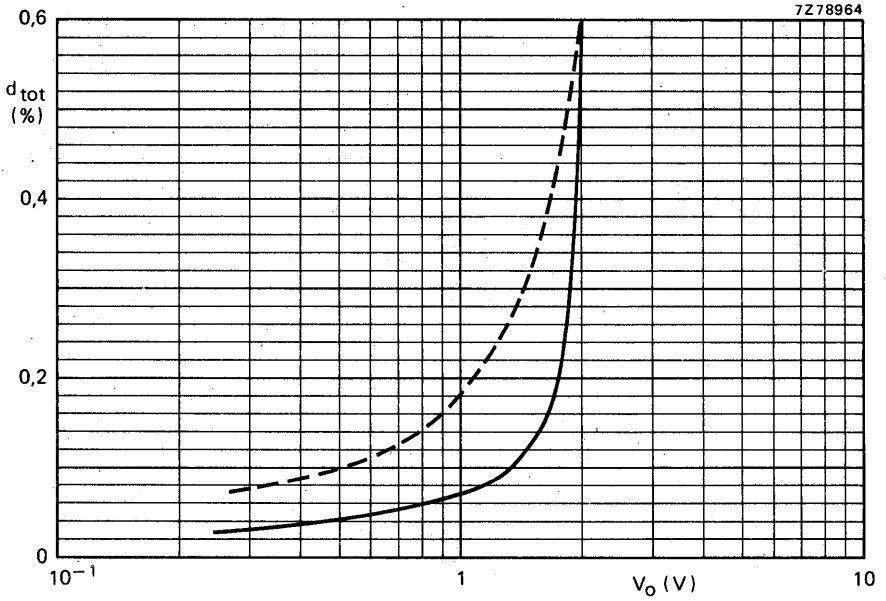
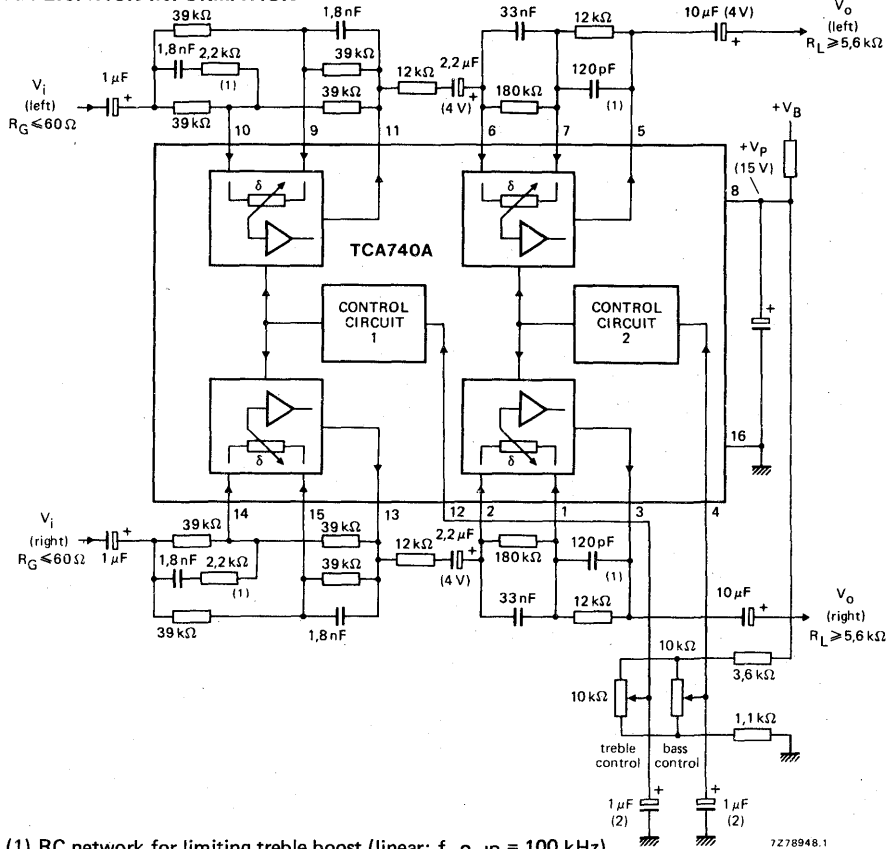


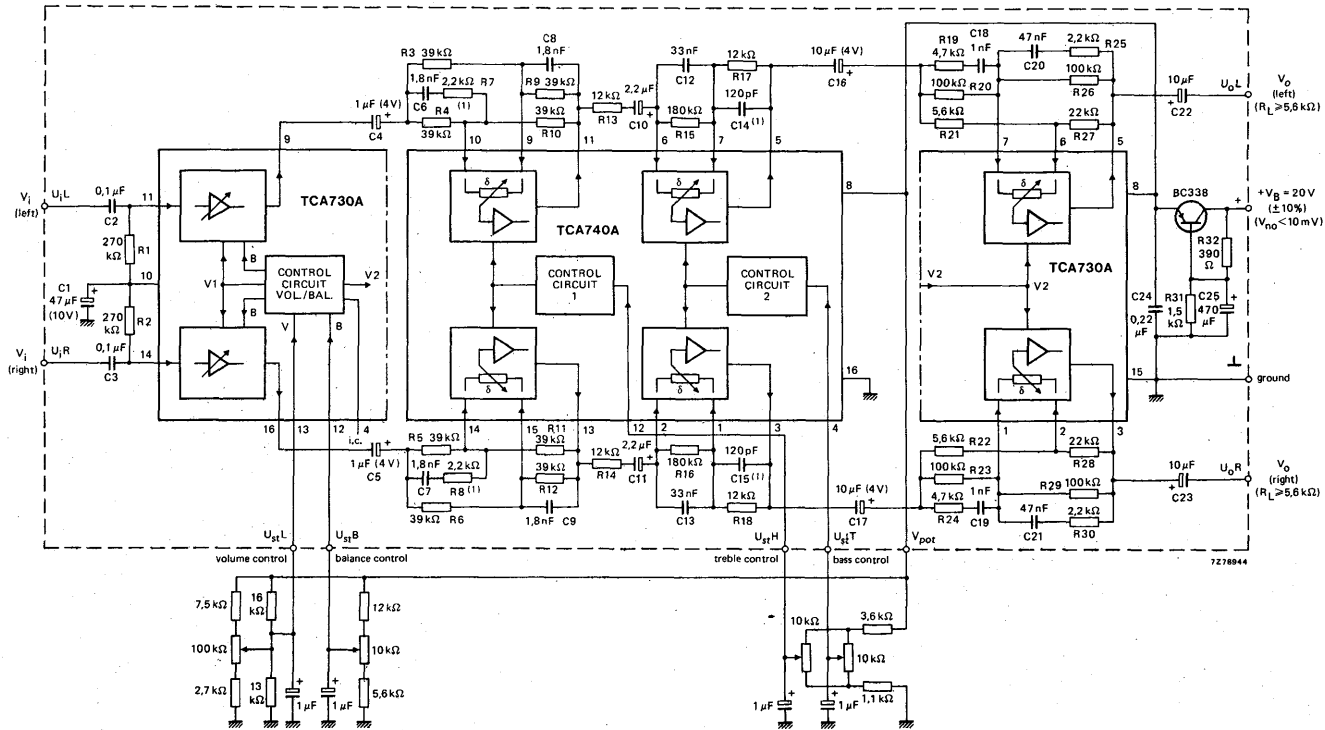
Fig. 5 Total distortion as a function of output voltage;  $V_{4-16} = V_{12-16} = 5,6$  V (linear,  $G_{v\ tot} = 1$ );  
—  $f = 1$  kHz; ---  $f = 40$  Hz to 16 kHz.

APPLICATION INFORMATION



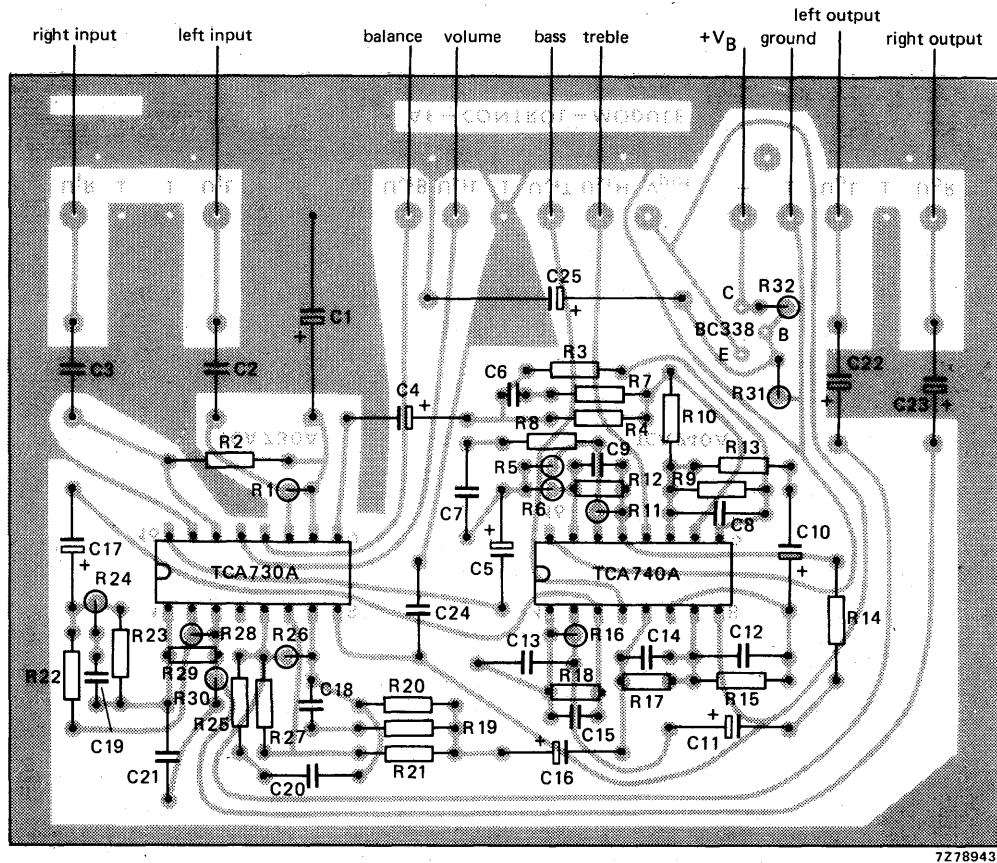
- (1) RC network for limiting treble boost (linear:  $f_{-3\text{ dB}} = 100\text{ kHz}$ ).
- (2) Capacitors are intended for suppression of the noise when adjusting the mechanical potentiometers.

Fig. 6 Application example of TCA740A used for treble and bass control.



(1) RC network for limiting treble boost (linear:  $f_{-3 \text{ dB}} = 100 \text{ kHz}$ ).

Fig. 7 Application diagram for TCA730A and TCA740A.  
For printed-circuit board see Fig. 8.



7278943

Fig. 8 Printed-circuit board component side, showing component layout; for circuit diagram see Fig. 7.





## MULTI-STABILIZER FOR ELECTRONIC TUNING

The TCA750 is basically a stabilizer for use in electronic tuning systems. The circuit is combined with an external reference diode which entirely determines the thermal stability of the system and can be adapted to the stability requirements of AM, FM or TV receivers.

The reference diode BZV38 used in conjunction with the TCA750 form an ideal pair for FM tuners in radio or TV receivers.

Additional to a stabilized voltage ( $V_{O1}$ ) for the electronic tuning system, the TCA750 incorporates two other output voltages ( $V_{O2}$  and  $V_{O3}$ ) for stabilized supply of the entire receiver combination as well as the following attractive features:

- The output current of any of the three stabilizers can be increased by a discrete power transistor without affecting circuit stability.
- For mute control at switching on,  $V_{O2}$  can be delayed by external components.
- An a.f.c. coupling circuit provides a constant correction factor by superimposing an a.f.c. voltage on  $V_{O1}$ .
- Adjustable a.f.c. amplification factor ( $< 5$ ).
- Pulse or touch contact operation switches off the a.f.c. whilst changing stations.
- Delayed switching on of the a.f.c., externally adjustable ( $t_d < 2$  s).
- Search tuning becomes very simple when using the a.f.c. current source (pin 10).
- All three stabilized outputs are protected against short-circuit and are individually adjustable.

**QUICK REFERENCE DATA** see page 2

### PACKAGE OUTLINE

16-lead DIL; plastic (SOT-38).



## QUICK REFERENCE DATA

Input voltage range	$V_{13-16}$	26,5 to 54 V
Ambient temperature	$T_{amb}$	typ. 25 °C
Input voltage	$V_{13-16}$	typ. 45 V
-----		
→ Tuning voltage ( $V_{O1}$ ) *	$V_{12-16}$	21 to 34 V
Output current (I1) *	$I_{12}$	< 14,5 mA
Stabilizing time	$t_{stab}$	typ. 0,8 s
Temperature coefficient ( $V_{O1}$ )		
TCA750	$\Delta V_{O1}/\Delta T$	typ. 1 ppm/°C
BZV38		typ. 30 ppm/°C
Line regulation	$\Delta V_{O1}/\Delta V_{in}$	typ. 10 ppm/V
→ Output voltage ( $V_{O2}$ ) *	$V_{14-16}$	8 to 21 V
Output current (I2) *	$I_{14}$	< 6 mA
→ Output voltage ( $V_{O3}$ ) *	$V_{2-16}$	8 to 29 V
Output current (I3) *	$I_2$	< 6 mA

\* Symbols used in test circuit Fig. 3.

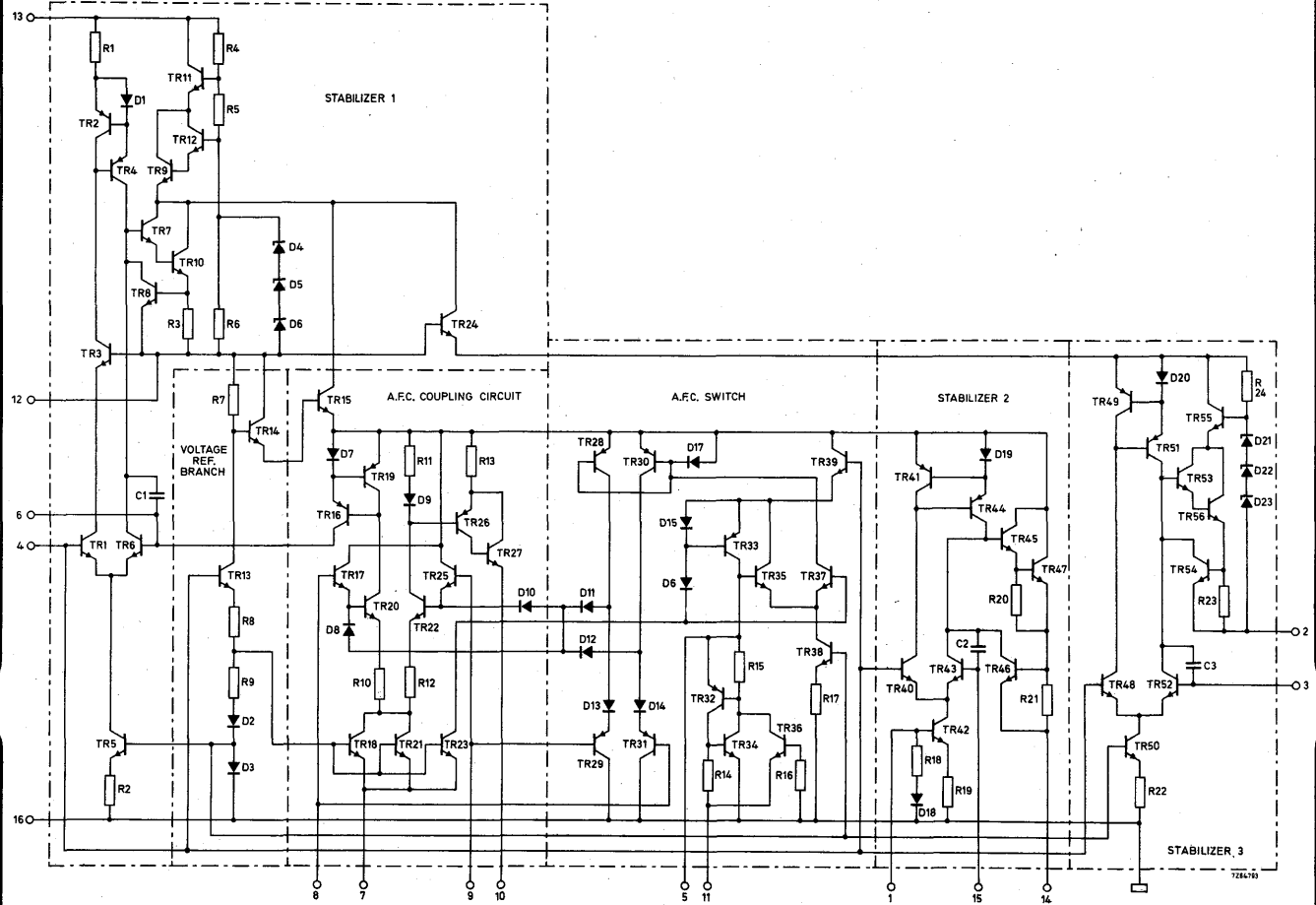


Fig. 1 Circuit diagram.



## RATINGS

Limiting values in accordance with the Absolute Maximum System (IEC 134)

Input voltage (supply)	$V_{13-16}$	max.	54 V
A.F.C. input voltages (pins 8 and 9)	$V_{8-16}, V_{9-16}$	max.	17 V
	$\pm V_{8-9}$	max.	6 V
Output current			
pin 12	$I_{12}$	max.	55 mA
pin 14	$I_{14}$	max.	20 mA
pin 2	$I_2$	max.	25 mA
Input current (pin 11)	$\pm I_{11}$	max.	6 mA
Storage temperature	$T_{stg}$		-55 to + 150 °C
Operating ambient temperature	$T_{amb}$		-25 to + 150 °C *
Total power dissipation			see derating curve Fig. 2

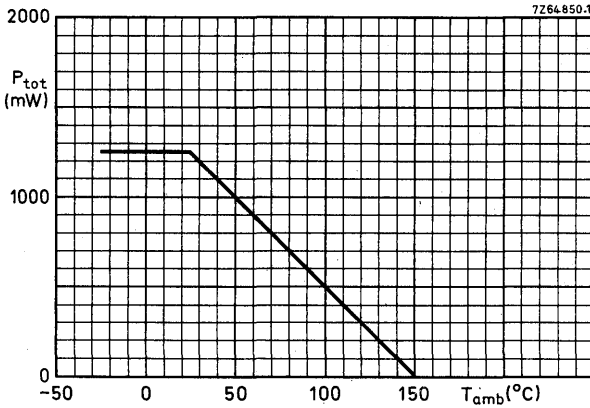
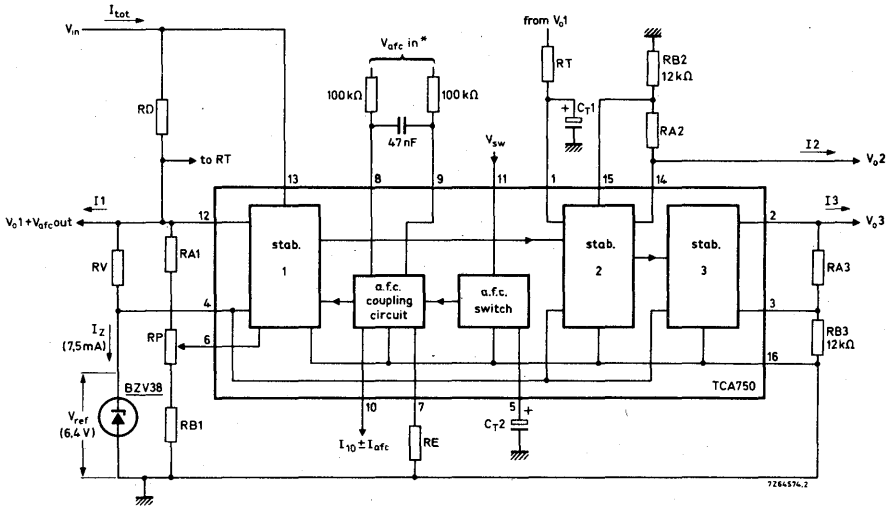


Fig. 2 Power derating curve.

\* See derating curve Fig. 2.



\*  $V_{afc}$  in is superimposed on a common-mode voltage ( $V_{com}$ ) of 5 V to 17 V.

Fig. 3 Test circuit and multi-stabilizer peripheral components.

**Note to power reduction resistor RD**

For worst case conditions (maximum output currents of the three stabilizers and a high supply voltage  $V_{in}$ ) the power dissipation ( $P_{tot}$ ) must be reduced by the use of the external resistor RD.

$$\text{Power reduction} = \frac{(V_{in} - V_{O1})^2}{RD}$$

The minimum permissible value of RD is derived by the formula

$$RD_{min} = \frac{V_{in\ max} - V_{O1} - V_{afc\ out}}{I_{12} - I_{13\ min}}$$

where,

$$I_{13\ min} = 4,5\ \text{mA (stand-by current } I_s)$$

$$I_{12} = I_z + I_{RA1} + I_{13\ min}$$

**CHARACTERISTICS and APPLICATION INFORMATION**

T<sub>amb</sub> = 25 °C; see test circuit Fig. 3.

**Supplies**

		note	min.	typ.	max.	
Input voltage	V <sub>in</sub>	1	26,5	—	54	V
Input current	I <sub>tot</sub>	2	—	—	31	mA

**Output characteristics**

D.C. output resistance (all stabilizers)	R <sub>out</sub>	—	—	1	—	Ω
Permissible output short-circuit duration stabilizer 1	t <sub>short</sub>	—	continuous	—	—	—
stabilizers 2 or 3		—	—	—	10	s

**Stabilizer 1**

→ Output voltage range (adjustable)	V <sub>O1</sub>	3	21	—	34	V
Output current	I <sub>1</sub>	4, 5	0	—	5	mA
Stabilizing time	t <sub>stab</sub>	6	—	—	1	s
Output voltage temp. coefficient	ΔV <sub>O1</sub> /ΔT	7, 8	—	40	—	ppm/°C
Line regulation	ΔV <sub>O1</sub> /ΔV <sub>in</sub>	8	—	10	—	ppm/V

**A.F.C. coupling circuit**

A.F.C. input voltage (½ V <sub>afc</sub> swing)	V <sub>afc in</sub>	—	—	—	5	V
A.F.C. output voltage (½ V <sub>afc lim</sub> swing)	V <sub>afc lim</sub>	15, 16	—	—	0,9	V
A.F.C. output current threshold	I <sub>10</sub>	15, 16	—	—	1,5	mA
A.F.C. output current swing	I <sub>afc lim</sub>	15, 16	—	—	3,0	mA
A.F.C. off delay	t <sub>d</sub>	—	—	2	—	s
Amplification factor	μ	—	—	—	5	—
A.F.C. slope (ΔI <sub>afc</sub> /ΔV <sub>afc in</sub> )	S	14	—	2,5	—	mA/V
Common-mode voltage	V <sub>com</sub>	9	5	—	17	V
V <sub>O1</sub> change due to a.f.c. switching	ΔV <sub>O1/afc</sub>	—	—	—	25	mV
Asymmetry of a.f.c. input (a.f.c. off)	± (I <sub>g</sub> -I <sub>g</sub> )	—	—	—	0,5	μA

**A.F.C. switch operated by manual switch**

Input voltage (a.f.c. on)	V <sub>sw</sub>	—	-0,5	—	+0,5	V
Positive input voltage (a.f.c. off)	+V <sub>sw</sub>	—	0,8	—	6	V
Negative input voltage (a.f.c. off)	-V <sub>sw</sub>	—	0,8	—	—	V
Positive input current (a.f.c. off)	+I <sub>11</sub>	—	0,004	—	3	mA
Negative input current (a.f.c. off)	-I <sub>11</sub>	—	0,8	—	2	mA

**A.F.C. switch operated by pulse**

Positive trigger pulse peak current	+I <sub>11</sub> pulse	13	—	—	—	—
pulse width = 10 μs		—	800	—	3000	μA
100 μs		—	80	—	3000	μA
1 ms		—	8	—	3000	μA
10 ms		—	4	—	3000	μA
Negative trigger pulse peak current	-I <sub>11</sub> pulse	—	0,8	—	2	mA
Negative trigger pulse width		—	10	—	—	μs

**Stabilizer 2**

		note	min.	typ.	max.	
Output voltage range (adjustable)	$V_{O2}$	10	8	—	21	V ←
Output current	$I_2$	5	0	—	5,5	mA
Output voltage temp. coefficient	$\Delta V_{O2}/\Delta T$	7, 8	—	45	—	ppm/°C
Switch-on delay time	$t_{don}$	11	0	—	6	s
Switching voltage	$V_{1-16}$	—	0,8	—	1	V

**Stabilizer 3**

		note	min.	typ.	max.	
Output voltage range (adjustable)	$V_{O3}$	12	8	—	29	V ←
Output current	$I_3$	5	0	—	5,5	mA
Output voltage temp. coefficient	$\Delta V_{O3}/\Delta T$	7, 8	—	45	—	ppm/°C

**Notes**

1. The  $V_{in}$  range depends on the value of  $V_{O1}$  (see Fig. 4).
2. At  $I_1 = 5$  mA,  $I_2 = I_3 = 5,5$  mA,  $I_{10} = 0$ .
3. Adjustable by means of RA1, RB1 and RP.
4. If a higher level is required from the output of stabilizer 1, the reference diode supply may be obtained from the emitter of a power transistor connected to the output from stabilizer 3 (see Fig. 8). In this case, the current available from stabilizer 1 is increased to 12,5 mA (bleeder current  $I_{RA1} = 2$  mA).
5. At  $T_{amb} = 60$  °C maximum with all stabilizers at rated currents.
6. With  $V_{O1}$  within 0,05% of its steady value.
7. Temperature coefficient at  $T_{amb}$  from 10 °C to 60 °C with  $V_{in}$  constant, and using metal film bleed resistors having a temperature coefficient of  $\leq 50$  ppm/°C.
8. With all stabilizer output currents constant and within the specified limits.
9. Common-mode voltage = voltage between pins 8 and 16, and 9 and 16 of the I.C.
10.  $V_{O2}$  depends on the value of  $V_{O1}$  (see Fig. 6); adjustable with RA2.
11. Adjustable by means of RT and  $C_{T1}$ . The delay time is limited by the leakage current of  $C_{T1}$ .
12.  $V_{O3}$  depends on the value of  $V_{O1}$  (see Fig. 7); adjustable with RA3.
13. The delay time after triggering depends on the value of  $C_{T2}$ .
14. With  $RE = 10$  k $\Omega$  and  $T_{amb} = 25$  °C.
15.  $V_{afc}$  out at  $V_{afc}$  in after limiting.
16. With  $RE = 10$  k $\Omega$ ;  $RA1 = 12$  k $\Omega$ .

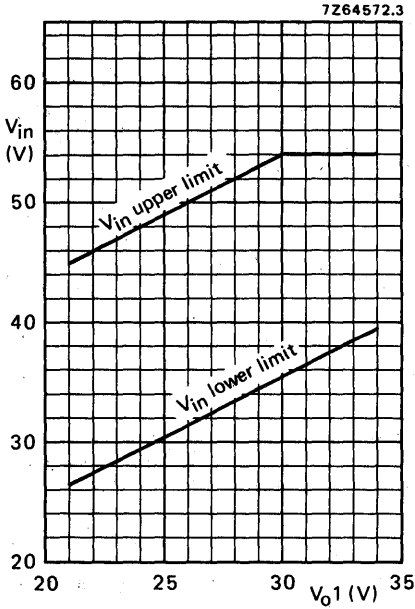


Fig. 4 Range of values for  $V_{O1}$ .

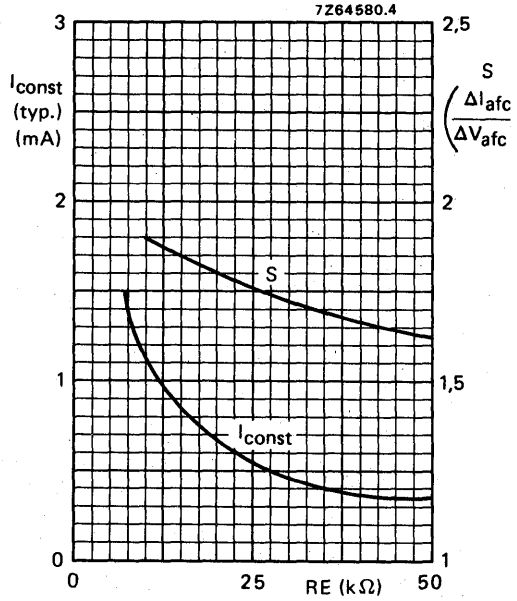


Fig. 5 Determination of  $I_{10}$  and S-factor ( $S = a.f.c. slope$ ) from  $RE$ .

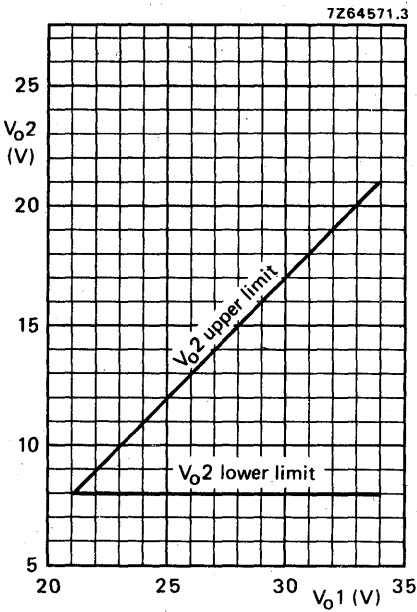


Fig. 6 Range of values for  $V_{O2}$ .

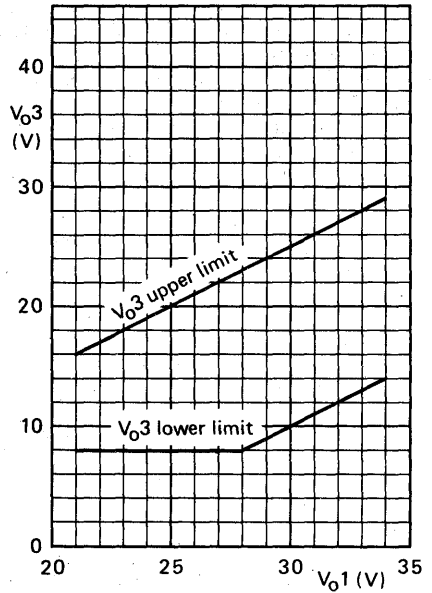


Fig. 7 Range of values for  $V_{O3}$ .

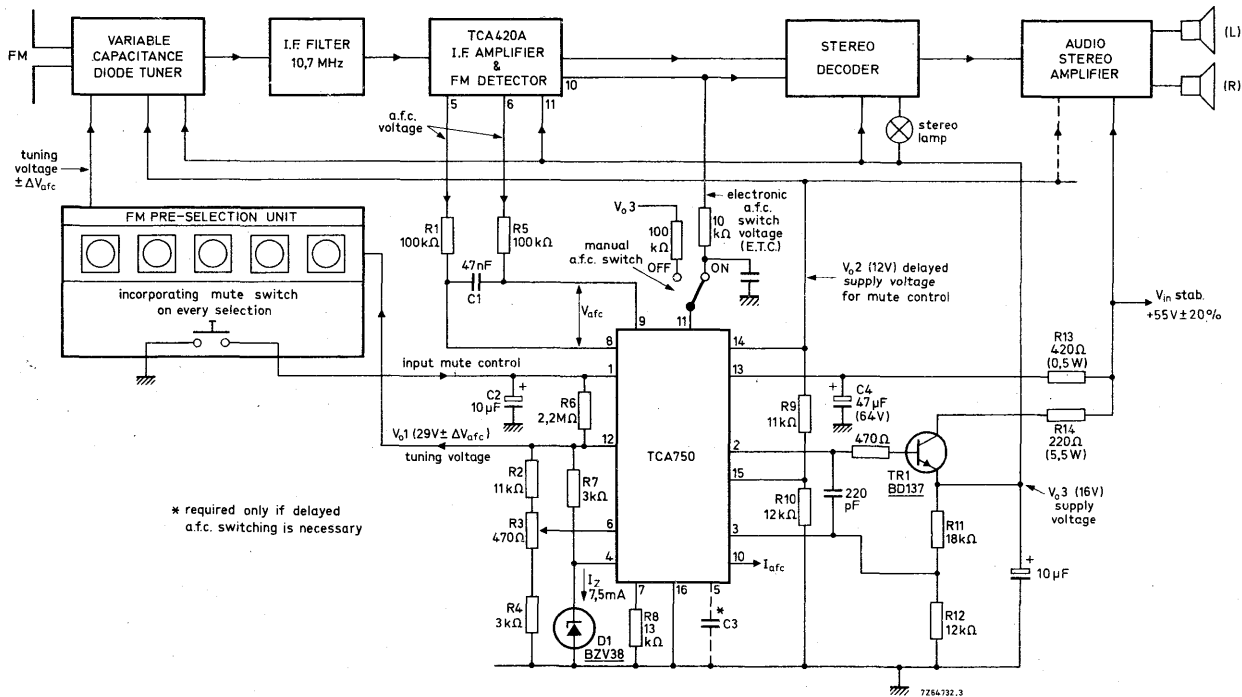


Fig. 8 Hi-fi radio receiver with electronic tuning using TCA750.





## INTEGRATED AUDIO AMPLIFIER

The TCA760B is a monolithic integrated audio amplifier incorporating high flexibility for applications in battery and mains-fed equipment.

Due to special internal circuitry (stabilization, temperature correction, high a.c. feedback of 20 dB) the cross-over distortion is negligible over the entire supply voltage range (5 to 14 V). Presetting is not required for the quiescent current (5 to 15,7 mA), it is internally adjusted.

Additional features are:

- low noise output voltage;
- high peak current (1 A);
- high unloaded supply voltage (15 V);
- high gain (closed loop 15 dB at a feedback of 20 dB);
- safe operation regarding second breakdown;
- high ripple rejection.

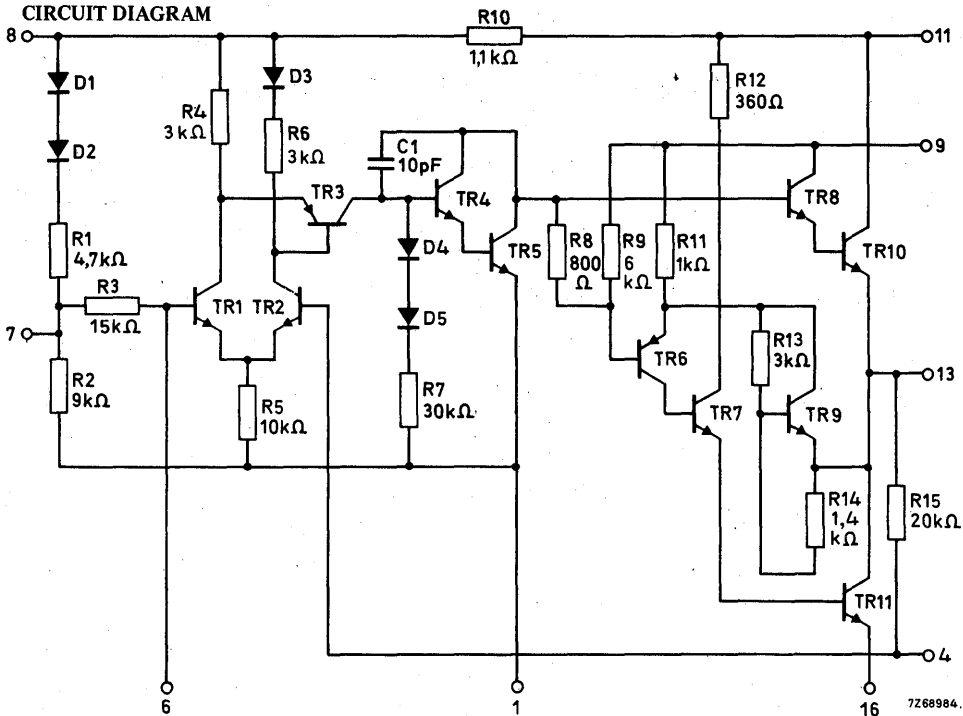
The device will withstand repetitive short circuits across the speaker load if the absolute maximum junction temperature is not exceeded.

### QUICK REFERENCE DATA

Supply voltage range	$V_p$		5 to 14	V
Total quiescent current	$I_{tot}$		5 to 15,7	mA
Supply voltage (peak value)	$V_{PM}$	max.	15	V
Output power at $d_{tot} = 10\%$ at $V_p = 9$ V; $R_L = 8 \Omega$ at $V_p = 12$ V; $R_L = 8 \Omega$	$P_o$	typ.	1,1	W
	$P_o$	typ.	2,1	W
Total distortion before clipping	$d_{tot}$	typ.	0,7	%
Input impedance	$ Z_i $	typ.	15	$k\Omega$
Sensitivity for $P_o$ at $d_{tot} = 10\%$	$V_i$	typ.	10	mV

### PACKAGE OUTLINE

16-lead DIL; plastic (SOT-38).



7268984

**RATINGS** Limiting values in accordance with the Absolute Maximum System (IEC 134)

Voltages

Supply voltage (pin 11)	$V_{11-16}$	max.	14	V
Unloaded supply voltage (pin 11; peak value) (no-signal condition)	$V_{11-16M}$	max.	15	V

Currents

Output current (pin 13, 11, 4)	$I_O$	max.	1	A
Non-repetitive peak output current (pin 13, 11, 4)	$I_{OSM}$	max.	2	A

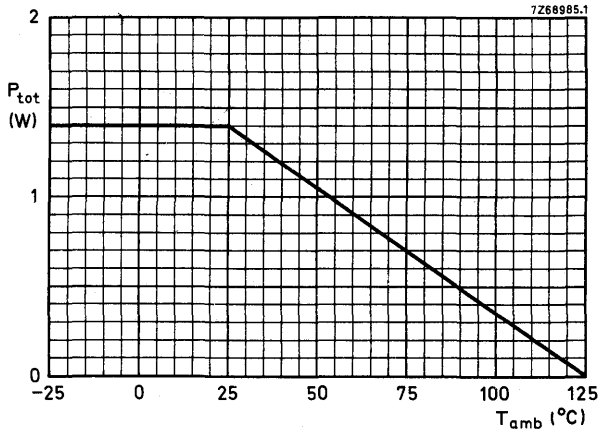
Power dissipation <sup>1)</sup>

Total power dissipation at $T_{amb} = 25\text{ }^\circ\text{C}$ .	$P_{tot}$	max.	1,4	W
---	-----------	------	-----	---

Temperatures

Storage temperature	$T_{stg}$	-55 to +125	$^\circ\text{C}$
Operating ambient temperature	$T_{amb}$	-25 to +125	$^\circ\text{C}$

<sup>1)</sup> See derating curve on page 3.



#### Design data

Pin 6 to 4 voltage

$\pm V_{6-4}$  max. 6 V

Pin 13 to 16 voltage

$V_{13-16}$  max. 14 V

Pin 11 to 13 voltage

$V_{11-13}$  max. 14 V



**CHARACTERISTICS** at  $T_{amb} = 25\text{ }^{\circ}\text{C}$ ;  $V_P = 9\text{ V}$ ;  $R_L = 8\text{ }\Omega$  unless otherwise specified

D.C. characteristics

Supply voltage range	$V_{11-16}$	5 to 14 V
Total quiescent current	$I_{11\text{ tot}}$	{ typ. 10 mA <sup>1)</sup> 5 to 15,7 mA
Saturation voltages of output stages at $I_o = 0,5\text{ A}$	$V_{CESat}$	< 0,9 V

A.C. characteristics

A.F. output power at onset of clipping at $d_{tot} = 10\%$	$P_o$	typ. 0,8 W
	$P_o$	typ. 1,1 W <sup>3)</sup>
Open loop voltage gain	$G_v$	typ. 70 dB
Total harmonic distortion at $P_o = 0,7\text{ W}$	$d_{tot}$	{ typ. 0,7 % < 3 %
Noise output power at $R_S = 0$	$P_n$	typ. 2 nW <sup>1)2)</sup>
Input sensitivity at $P_o = 0,7\text{ W}$	$V_i$	4 to 8,5 mV
Input impedance	$ Z_i $	typ. 15 k $\Omega$
Equivalent input noise voltage at $R_S = 7\text{ k}\Omega$	$V_n$	{ typ. 1,5 $\mu\text{V}$ <sup>1)2)</sup> < 3,0 $\mu\text{V}$

1) Measured without signal.

2) Measured at a frequency ranging from 30 Hz to 15 kHz.

3) Measured across  $R_L$ .

## APPLICATION INFORMATION

Supply voltage $V_{11-16}$	6	6	7,5	7,5	9	9	10	12	V
Load resistance $R_L$	4	8	4	8	4	8	8	8	$\Omega$
A. F. output power at onset of clipping	0,45 0,42	0,35 0,33	0,8 0,7	0,6 0,57	1,1 1,0	0,9 0,8	1,2 1,1	1,4 1,3	W 1) W 2)
A. F. output power at $d_{tot} = 10\%$	0,66 0,62	0,48 0,46	1,1 1,0	0,8 0,78	1,5 1,4	1,2 1,1	1,5 1,45	2,1 2,0	W 1) W 2)
Sensitivity for $P_o = 50$ mW $V_i$ for $d_{tot} = 10\%$ $V_i$	1,4 4,8	2,0 7,0	1,4 8,0	2,0 9,0	1,4 10	2,0 10	2,0 11,0	2,0 12,0	mV mV
$T_{amb}$ (maximum)	93	107	78	99	45	87	81	45	$^{\circ}C$
Supply current for full output power	185	125	225	165	300	190	215	250	mA
Quiescent current $I_{tot}$	10,0	10,0	10,0	10,0	10,0	10,0	10,0	10,0	mA
Value of R1	47	47	47	47	47	47	47	47	$\Omega$
R2	100	100	100	100	100	100	100	100	$\Omega$
R3	1	1	1	1	1	1	1	1	$\Omega$
C1	1,6	1,6	1,6	1,6	1,6	1,6	1,6	1,6	$\mu F$
C2	47	47	47	47	47	47	47	47	$\mu F$
C3	125	125	125	125	125	125	125	125	$\mu F$
C4	470	220	470	220	470	220	220	220	$\mu F$
C5	1000	470	1000	470	1000	470	470	470	$\mu F$
C6	150	150	150	150	150	150	150	150	nF
C7	47	47	47	47	47	47	47	47	$\mu F$
Input impedance $ Z_i $	15	15	15	15	15	15	15	15	k $\Omega$
Closed loop voltage gain $G_V$	50	50	50	50	50	50	50	50	dB 3)
Open loop voltage gain $G_V$	66	68	70	71	70	74	76	78	dB
Frequency response	← see pages 9 and 10 →								
Noise output power $P_N$			4			2			nW 4)
Noise output power $P_N$			50			25			nW 5)

1) Measured before output capacitor (C5).

2) Measured across  $R_L$ .

3) At  $R_1 = 47 \Omega$ . The gain can be increased by decreasing the value of  $R_1$ ; at decreasing the gain level however the maximum tolerated value of  $R_1$  amounts to  $100 \Omega$ ; at further decrease of the gain an attenuator at the input is preferred.

4)  $R_S = 0 \Omega$ ; frequency range 30 Hz to 15 kHz.

5)  $R_S = 7 k\Omega$ ; frequency range 30 Hz to 15 kHz.

## APPLICATION INFORMATION (continued)

### General notes

#### 1. Prescription for print lay-out:

Pin 1 must be used as a ground connection for the input circuit.

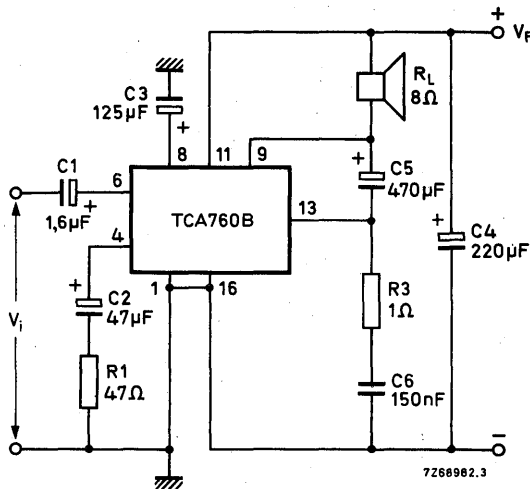
Pin 16 must be used for the output circuit and for connection of the negative supply voltage.

The pins 16 and 1 have to be interconnected as close to the package as possible to prevent a common impedance in the ground line.

#### 2. The smoothing capacitor across the supply must be connected close to the pins.

#### 3. To prevent radio signals in the low frequency amplifier a small capacitor of about 560 pF between pins 6 and 1 is preferred.

### Basic power amplifier

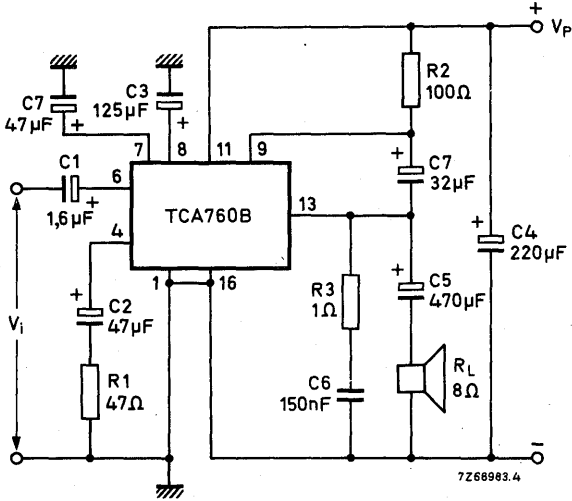


## APPLICATION INFORMATION (continued)

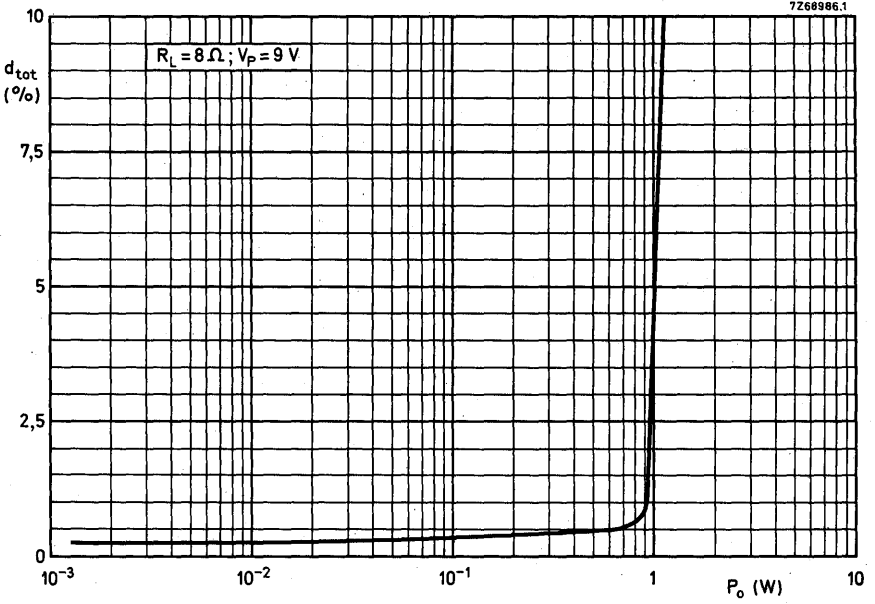
## Power amplifier for mains-fed supply

When using a mains-fed power supply with high ripple it is advantageous to connect the speaker to ground by bootstrapping pin 9.

Pin 7 is available for extra hum suppression (see graphs on page 9).



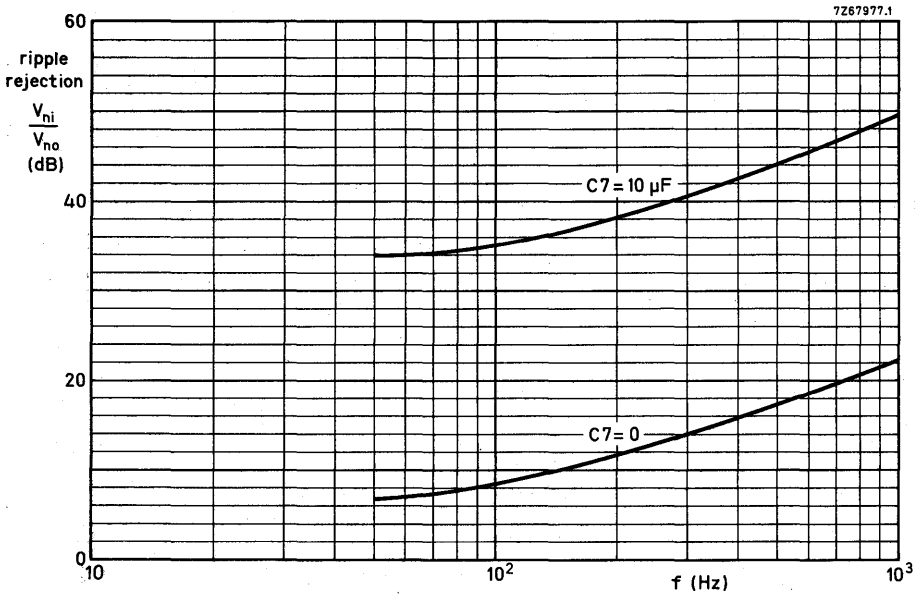
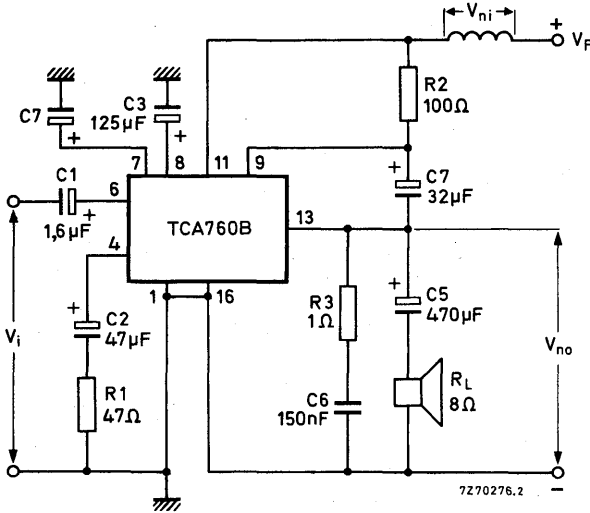


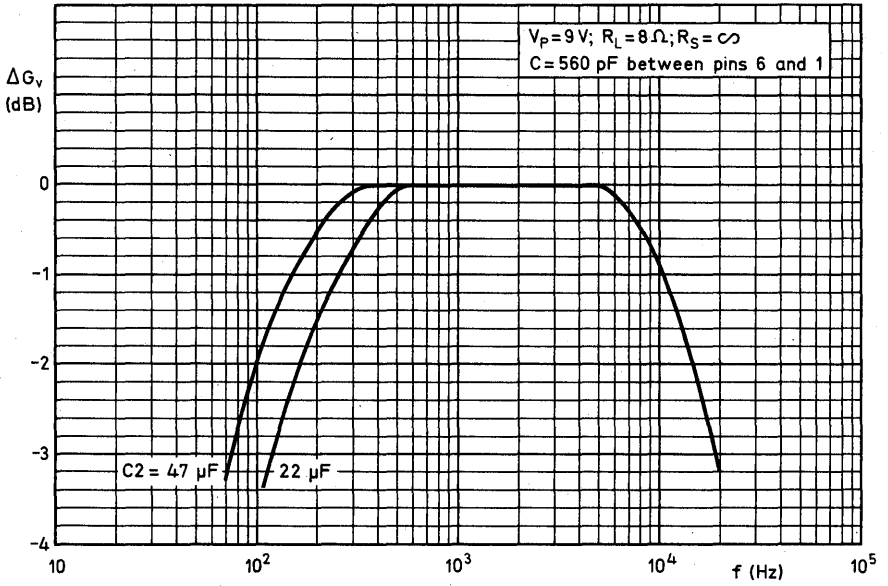


## APPLICATION INFORMATION (continued)

The influence on the hum suppression when a capacitor of  $10\ \mu\text{F}$  is connected between pins 7 and 1 is shown in the graph below.

An increase of the capacitor value gives no further improvement in hum suppression.





## INTERFERENCE ABSORPTION CIRCUIT

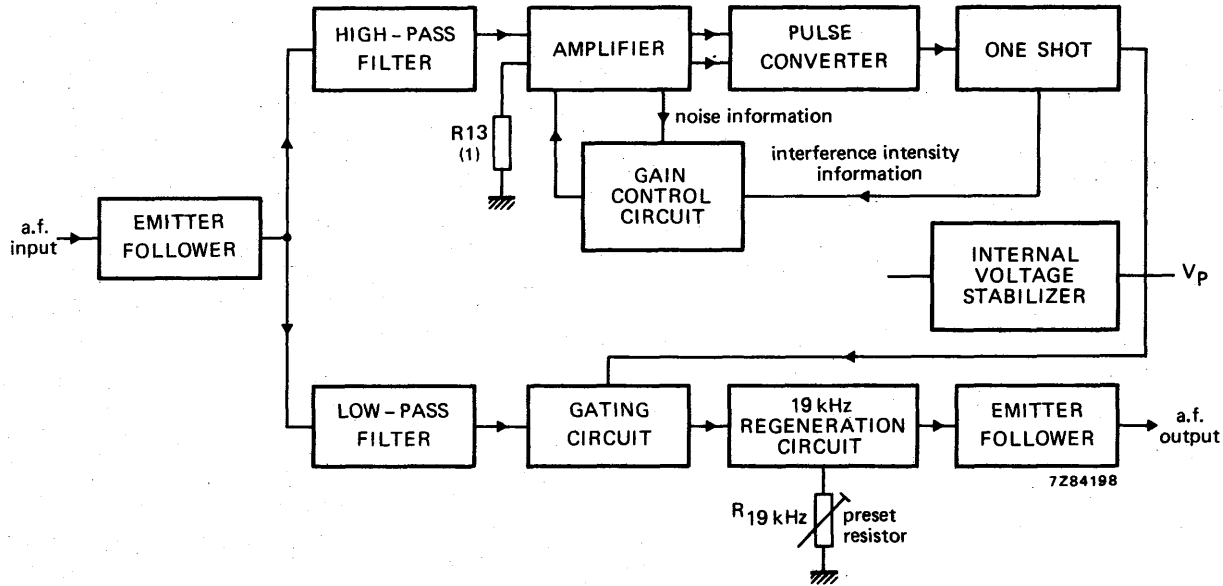
The TDA1001A is a monolithic integrated circuit for very effectively suppressing interference which, especially in FM mono and stereo receivers, disturbs the quality of reception. The operation is based on the use of a high-pass filter separating the interference from the a.f. signal. The interference pulses are amplified to trigger a one shot. In this way gating pulses are obtained interrupting the audio signal, which is delayed by a low-pass filter, during the interference periods, the output being kept constant for that time. A 19 kHz filter can be externally connected to sustain the stereo pilot signal during suppression for improved performance as described below. An integrating network decreases the trigger sensitivity for interference of high duty factor, so that the receiver remains operative even during periods of continuous interference.

### QUICK REFERENCE DATA

Supply voltage range	$V_p = V_{9-16}$		8 to 15 V
Ambient temperature	$T_{amb}$	typ.	25 °C
Supply voltage	$V_p$	nom.	12 V
Total quiescent current	$I_{tot}$	typ.	15 mA
-----			
A, F. input signal handling (peak-to-peak value)			
$d_{tot} < 1\%$ ; $f = 1$ kHz	$V_{1-16(p-p)}$	<	1,5 V
Input impedance at $f = 40$ kHz (pin 1)	$ Z_i $	>	30 k $\Omega$
Audio voltage gain	$\frac{V_{6-16}}{V_{1-16}}$	typ.	0,8 dB
Total distortion			
$f = 1$ kHz; $V_{i(rms)} \leq 0,5$ V	$d_{tot}$	typ.	0,35 %
Residual gate pulse in output signal (pin 6) (peak-to-peak value)	$V_{r6-16(p-p)}$	<	4 mV
Interference trigger sensitivity (adjustable)			
R13 = 3,3 k $\Omega$ ; peak value	$V_{1-16M}$	typ.	50 mV
R13 = 2,5 k $\Omega$ ; peak value	$V_{1-16M}$	typ.	42 mV
Suppression pulse duration (pin 10)	$t_s$		20 to 35 $\mu$ s

### PACKAGE OUTLINES

TDA1001A: 16-lead DIL; plastic (SOT-38)  
TDA1001AT: 16-lead flat pack; plastic (SO-16; SOT-109A).



(1) The interference trigger sensitivity is predetermined by R13 (see also Fig. 3) and is defined by

$$V_{tr} = \left( 1 + \frac{R_{13}}{R_S} \right) \times V_{tr0}, \text{ in which } V_{tr} = \text{trigger voltage, } V_{tr0} = \text{trigger voltage at } 0 \Omega, R_S = 2,2 \text{ k}\Omega \text{ (internal source resistance).}$$

Fig. 1 Block diagram.

## RATINGS

Limiting values in accordance with the Absolute Maximum System (IEC 134)

Supply voltage (pin 9)	$V_p$	max.	18 V
D.C. input voltage (pin 1)	$V_{1-16}$	max.	$V_p$ V
D.C. output current (pin 6)	$-I_6$	max.	15 mA
	$+I_6$	max.	1 mA
Storage temperature	$T_{stg}$		-65 to +150 °C
Operating ambient temperature*	$T_{amb}$		-30 to +80 °C

\* Based on nominal application, Fig. 3; for deviating periphery see power derating curve Fig. 2.

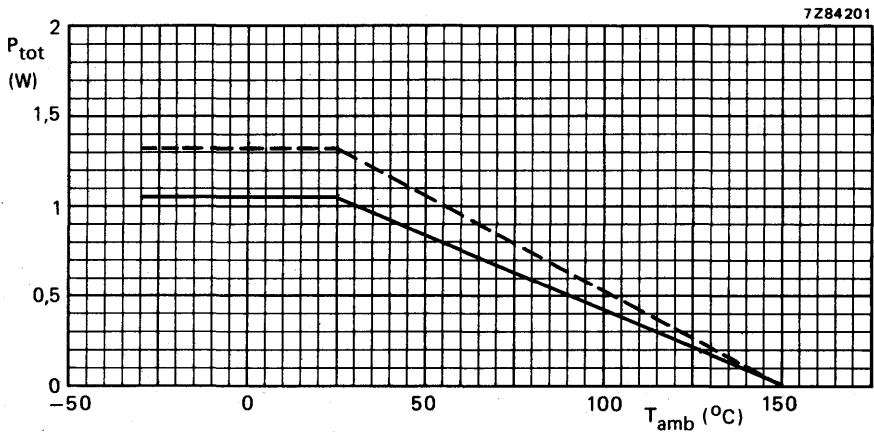


Fig. 2 Power derating curves; — SOT-38; --- SO-16, SOT-109A mounted on a ceramic substrate of 50 x 15 x 0,7 mm.



**CHARACTERISTICS** measured in Fig. 3

D.C. characteristics at  $T_{amb} = 25\text{ }^{\circ}\text{C}$

Supply voltage	$V_p$	typ.	12 V 8 to 15 V
Total quiescent current at $V_p = 12\text{ V}$	$I_{tot}$	typ. <	15 mA 25 mA

A.C. characteristics at  $T_{amb} = 25\text{ }^{\circ}\text{C}$ ;  $V_p = 12\text{ V}$

**Preamplifier; delay and gating circuit; output stage**

(input: pin 1; output: pin 6)

A.F. input signal handling (peak-to-peak value)

for  $d_{tot} < 1\%$  at pin 6;  $f = 1\text{ kHz}$

$V_{1-16(p-p)}$	<	1,5 V
-----------------	---	-------

Input impedance (pin 1)

$f = 40\text{ kHz}$

$ Z_i $	>	30 $k\Omega$
---------	---	--------------

Input impedance (pin 3)

$f = 1\text{ kHz}$

$ Z_i $	>	230 $k\Omega$
---------	---	---------------

Input impedance (pin 5)

$f = 1\text{ kHz}$ , during suppression

(gating circuit non-conducting)

$ Z_i $	>	4 $M\Omega$
---------	---	-------------

Audio voltage gain

$\frac{V_{6-16}}{V_{1-16}}$	typ.	0,8 dB
-----------------------------	------	--------

Residual gate pulse in output signal (pin 6)

(peak-to-peak value)

see note 1

$V_{r6-16(p-p)}$	<	4 mV
------------------	---	------

Discharge current at pin 5

$I_{d5}$	<	250 nA
----------	---	--------

Total distortion; no-interference condition (pin 6)

$f = 1\text{ kHz}$ ;  $V_i(rms) \leq 0,5\text{ V}$

$d_{tot}$	typ. <	0,35 % 1 %
-----------	-----------	---------------

**Preamplifier; interference separator; pulse converter; one shot**

(input: pin 1; output: pin 10)

Input signal: sine-wave of 120 kHz (high-pass filter characteristic is  $V_{14-16}/V_{1-16} = -2\text{ dB}$  at 120 kHz)

Interference trigger sensitivity at 120 kHz (pin 1)

(r.m.s. values); see note 2

*control function OFF* (pin 12 connected to pin 9)

at  $R_{13} = 3,3\text{ k}\Omega$

$V_{1-16(rms)}$	typ.	30 mV 20 to 42 mV
-----------------	------	----------------------

at  $R_{13} = 2,5\text{ k}\Omega$

$V_{1-16(rms)}$	typ.	25 mV 18 to 36 mV
-----------------	------	----------------------

*control function ON*

at  $R_{13} = 3,3\text{ k}\Omega$

$V_{1-16(rms)}$	typ.	170 mV
-----------------	------	--------

at  $R_{13} = 2,5\text{ k}\Omega$

$V_{1-16(rms)}$	typ.	145 mV
-----------------	------	--------

For notes see next page.

Input signal: pulse signal with  $t_p = 10 \mu\text{s}$ ; repetition frequency  $f_r = 1 \text{ kHz}$ ; pulse rise and fall times  $t_r = t_f = 6 \text{ ns}$

Pulse trigger sensitivity (pulse peak value); see note 2

control function OFF (pin 12 connected to pin 9)

at  $R_{13} = 3,3 \text{ k}\Omega$

$V_{1-16M}$  typ. 50 mV

at  $R_{13} = 2,5 \text{ k}\Omega$

$V_{1-16M}$  typ. 42 mV

Suppression pulse duration of 'one shot'; see note 3

$t_s$  20 to 35  $\mu\text{s}$

### Noise threshold circuit

(input: pin 1; output: pin 12 with respect to pin 9)

Input signal: sine-wave of 120 kHz (high-pass filter characteristic is  $V_{14-16}/V_{1-16} = -2 \text{ dB}$  at 120 kHz)

Input voltage (r.m.s. value)

for  $V_{12-g} = 100 \text{ mV}$

at  $R_{13} = 3,3 \text{ k}\Omega$

$V_{1-16(\text{rms})}$  typ. 15 mV

at  $R_{13} = 2,5 \text{ k}\Omega$

$V_{1-16(\text{rms})}$  typ. 13 mV

for  $V_{12-g} = 600 \text{ mV}$  (pin 10 short-circuited to pin 9)

at  $R_{13} = 3,3 \text{ k}\Omega$

$V_{1-16(\text{rms})}$  typ. 16 mV

12 to 22 mV

at  $R_{13} = 2,5 \text{ k}\Omega$

typ. 14 mV

10 to 19 mV

Minimum interference repetition rate to cause defeat action (pin 12); see note 4

$f_r \text{ min}$  > 20 kHz

Amplification control by interference intensity

$V_i = 50 \text{ mV}$ ;  $f = 19 \text{ kHz}$ ;  $V_{1-16M} = 300 \text{ mV}$ ;

pulse duration  $t_p = 10 \mu\text{s}$ ;

repetition frequency  $f_r = 1 \text{ kHz}$

repetition frequency  $f_r = 16 \text{ kHz}$

$V_{6-16}$  50 to 60 mV

$V_{6-16}$  45 to 65 mV

19 kHz filter (input: pin 7; output: pin 8)

$\frac{\Delta I_7}{\Delta I_8}$  typ. 3

Current amplification (see notes 5 and 6)

$\frac{\Delta I_7}{\Delta I_8}$  2,8 to 3,2

### Notes

- See Fig. 4 for the output pulse description; with the 19 kHz filter switched off (pin 7 connected to pin 16).
- The interference trigger sensitivity is predetermined by  $R_{13}$  and is defined by the formula  $V_{tr} = (1 + R_{13}/R_S) \times V_{tr0}$  in which  $R_S = 2,2 \text{ k}\Omega$  (see also note in Fig. 1).
- Adjustable with  $R_{11}$  or  $C_{11}$ ; for 20 to 35  $\mu\text{s}$ :  $R_{11} = 6,8 \text{ k}\Omega$  and  $C_{11} = 2,2 \text{ nF}$ .
- Adjustable with  $R_{10}$ ; at  $R_{10} = 1,5 \text{ k}\Omega$ :  $f_r = 20 \text{ kHz}$ .  
Defeat action starts if  $V_{12-16}$  has reacted a control voltage of  $V_{BE}$  (0,6 V).
- 19 kHz adjustable with  $R_{19 \text{ kHz}}$  (see Fig. 3).
- The IC may also be used, if desired, without 19 kHz filter by connecting the 1,5 k $\Omega$  resistor and 6,6 nF capacitor of pin 5 to pin 16, and by leaving pins 7 and 8 unused (see Fig. 3).



**APPLICATION INFORMATION**

$T_{amb} = 25\text{ }^{\circ}\text{C}$ ;  $V_p = 12\text{ V}$ ; measured in Fig. 3

**SIGNAL PATH**

**Input amplifier**

Input impedance at  $f = 40\text{ kHz}$  (pin 1)

pin 2 unloaded

pin 2 loaded

$ Z_i $	typ.	500 k $\Omega$
$ Z_i $	typ.	40 k $\Omega$

D.C. input voltage adjustment

$V_{1-16}$	typ.	0,4 V <sub>p</sub> V
------------	------	----------------------

Output impedance (pin 2)

pin 2 unloaded; pin 1 loaded

$ Z_o $	typ.	480 $\Omega$
---------	------	--------------

**Low-pass filter**

Input impedance at  $f = 1\text{ kHz}$  (pin 3)

$ Z_i $	typ.	1 M $\Omega$
---------	------	--------------

D.C. input current at  $V_{3-16} = 3,4\text{ V}$

$I_3$	typ.	2 $\mu\text{A}$
-------	------	-----------------

Output impedance (pin 4)

$ Z_o $	typ.	500 $\Omega$
---------	------	--------------

-3 dB point of low-pass filter

$f(-3\text{ dB})$	typ.	75 kHz
-------------------	------	--------

**Gate circuit with output stage**

Leakage current (pin 5)

$I_5$	typ.	100 nA
-------	------	--------

**Pilot regeneration 19 kHz filter**

Current amplification

$\frac{\Delta I_7}{\Delta I_8}$	typ.	3
		2,8 to 3,2

**INTERFERENCE PATH**

**High-pass filter**

Input impedance at  $f = 1\text{ kHz}$  (pin 15)

$ Z_i $	typ.	1 M $\Omega$
---------	------	--------------

D.C. input current

at  $V_{15-16} = 0,19\text{ V}$ ;  $V_{9-16} = 2,0\text{ V}$

$I_{15}$	typ.	1 $\mu\text{A}$
----------	------	-----------------

Output impedance (pin 14)

$ Z_o $	typ.	500 $\Omega$
---------	------	--------------

Voltage gain

$\frac{V_{14-16}}{V_{15-16}}$	typ.	1,4
-------------------------------	------	-----

-3 dB point of high-pass filter

$f(-3\text{ dB})$	typ.	140 kHz
-------------------	------	---------

**Pulse amplifier; converter and gain control**

Peak output current

(noise controlled feedback in ON position)

$I_{12M}$	typ.	0,4 mA
-----------	------	--------

Input voltage

(noise controlled feedback in ON position)

$-V_{12-9}$	typ.	0,65 V
-------------	------	--------

**One shot**Gate circuit conducting; no-interference condition  
required input voltage level $V_{11-16} < 1 \text{ V}$ 

output leakage current

 $I_{10} \text{ typ. } 15 \mu\text{A}$ Gate circuit non-conducting; interference condition  
required input voltage level $V_{11-16} > 2 \text{ V}$ 

output current

 $I_{10} > 1 \text{ mA}$ 

Offset voltage; backlash

 $\Delta V_{11-16} \text{ typ. } 0,4 \text{ V}$ 

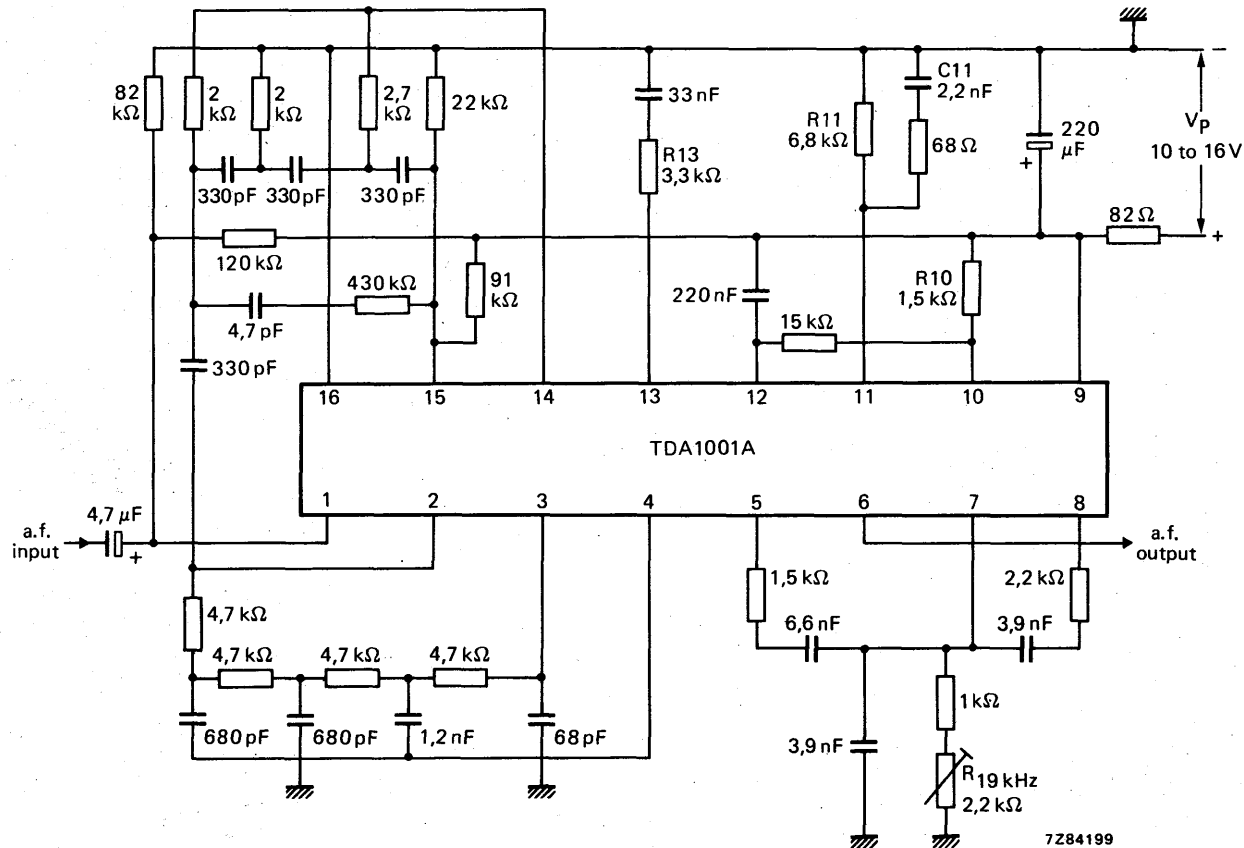


Fig. 3 Test/application circuit.

7Z84200

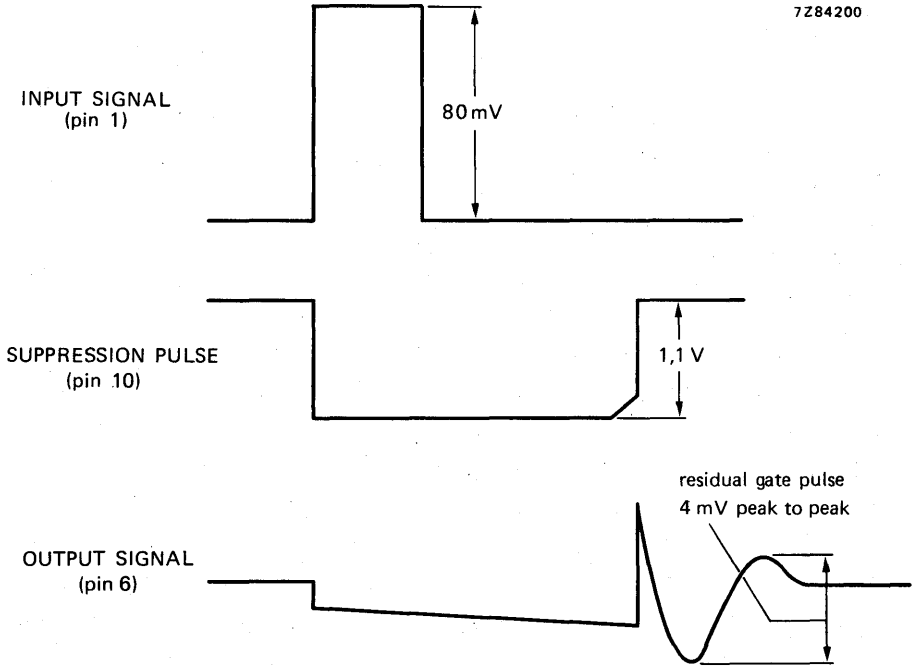
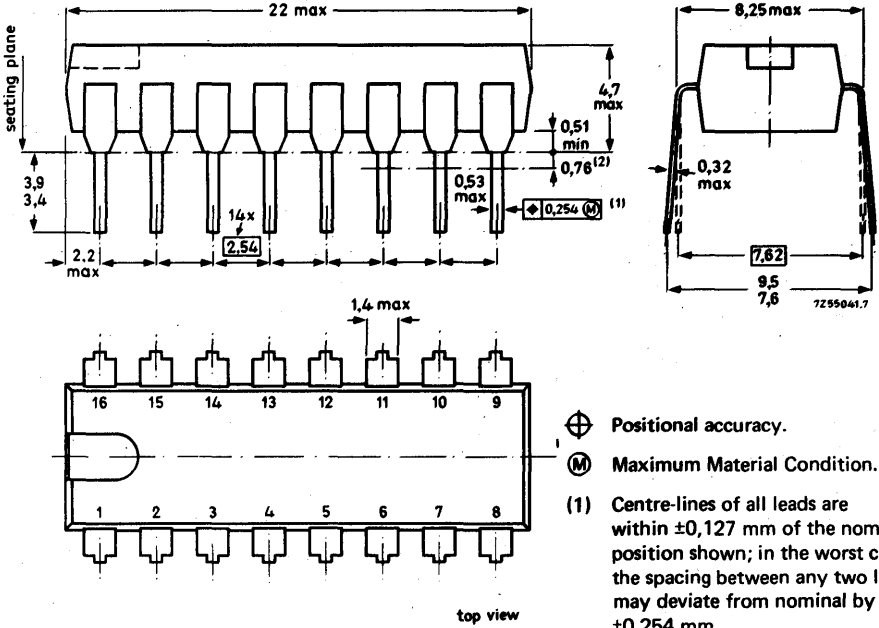


Fig. 4 Residual gate pulse in output signal at  $V_i = 80$  mV; pulse duration  $t_p = 10$   $\mu$ s; repetition frequency  $f_r = 1$  kHz.

16-LEAD DUAL IN-LINE; PLASTIC (SOT-38)



- ⊕ Positional accuracy.
- Ⓜ Maximum Material Condition.

- (1) Centre-lines of all leads are within  $\pm 0,127$  mm of the nominal position shown; in the worst case, the spacing between any two leads may deviate from nominal by  $\pm 0,254$  mm.
- (2) Lead spacing tolerances apply from seating plane to the line indicated.

Dimensions in mm

SOLDERING

1. By hand

Apply the soldering iron below the seating plane (or not more than 2 mm above it). If its temperature is below 300 °C it must not be in contact for more than 10 seconds; if between 300 °C and 400 °C, for not more than 5 seconds.

2. By dip or wave

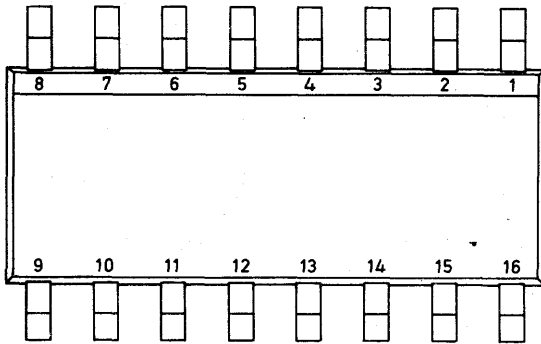
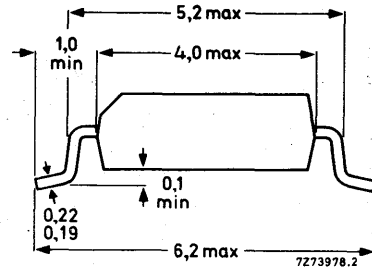
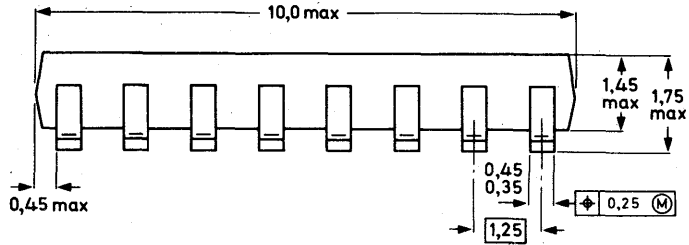
The maximum permissible temperature of the solder is 260 °C; this temperature must not be in contact with the joint for more than 5 seconds. The total contact time of successive solder waves must not exceed 5 seconds.

The device may be mounted up to the seating plane, but the temperature of the plastic body must not exceed the specified storage maximum. If the printed-circuit board has been pre-heated, forced cooling may be necessary immediately after soldering to keep the temperature within the permissible limit.

3. Repairing soldered joints

The same precautions and limits apply as in (1) above.

# 16-LEAD FLAT PACK; PLASTIC (SO-16; SOT-109A)



top view

Dimensions in mm

- ⊕ Positional accuracy.
- Ⓜ Maximum Material Condition.

**SOLDERING**  
See next page.



## SOLDERING

### The reflow solder technique

The preferred technique for mounting miniature components on hybrid thick or thin-film circuits is reflow soldering. Solder is applied to the required areas on the substrate by dipping in a solder bath or, more usually, by screen printing a solder paste. Components are put in place and the solder is reflowed by heating.

Solder pastes consist of very finely powdered solder and flux suspended in an organic liquid binder. They are available in various forms depending on the specification of the solder and the type of binder used. For hybrid circuit use, a tin-lead solder with 2 to 4% silver is recommended. The working temperature of this paste is about 220 to 230 °C when a mild flux is used.

For printing the paste onto the substrate a stainless steel screen with a mesh of 80 to 105  $\mu\text{m}$  is used for which the emulsion thickness should be about 50  $\mu\text{m}$ . To ensure that sufficient solder paste is applied to the substrate, the screen aperture should be slightly larger than the corresponding contact area.

The contact pins are positioned on the substrate, the slight adhesive force of the solder paste being sufficient to keep them in place. The substrate is heated to the solder working temperature preferably by means of a controlled hot plate. The soldering process should be kept as short as possible: 10 to 15 seconds is sufficient to ensure good solder joints and evaporation of the binder fluid. After soldering, the substrate must be cleaned of any remaining flux.

## RECORDING AND PLAYBACK AMPLIFIER

This integrated circuit incorporates all amplifier circuits necessary for the record/playback functions, with the exception of the audio power output amplifier. It comprises:

- a preamplifier for microphone or playback,
- a recording amplifier with automatic level control,
- a dynamic limiter with a short limiting time.

Compared to its predecessor TDA1002, this type features an improved automatic level control circuit; the control range has been enlarged from 40 to 55 dB and the spread in control characteristic has been reduced to less than 2 dB.

## QUICK REFERENCE DATA

Supply voltage range	$V_P$	4 to 12 V
Operating ambient temperature	$T_{amb}$	-25 to + 125 °C
Total quiescent current ( $V_P = 9$ V)	$I_{tot}$	typ. 15 mA

## Preamplifier

Input impedance (pin 1)	$ Z_i $	typ. 16 k $\Omega$
Open loop gain	$G_o$	typ. 70 dB
Clipping level (pin 4); $V_P = 9$ V; r.m.s. value	$V_{4.5(rms)}$	typ. 2 V
Equivalent noise input voltage $R_S = 500 \Omega$ ; B = 300 Hz to 15 kHz	$V_{n(rms)}$	< 0,75 $\mu$ V

## Recording amplifier

Input impedance (pin 8)	$ Z_i $	typ. 40 k $\Omega$
Open loop gain	$G_o$	typ. 80 dB
Clipping level (pin 9); $V_P = 9$ V; r.m.s. value	$V_{9.10(rms)}$	typ. 2 V

## Automatic Level Control (A.L.C.)

Input impedance (pin 6)			
at low signal level at pin 8	$ Z_i $	typ. 250 k $\Omega$	
at high signal level pin 8	$ Z_i $	typ. 25 $\Omega$	
Control voltage			
$V_{4.5} = 10$ mV; f = 1 kHz; $V_P = 9$ V	$V_{9.10}$	typ. 250 mV	
$V_{4.5} = 1000$ mV; f = 1 kHz; $V_P = 9$ V	$V_{9.10}$	typ. 750 mV	
Limiting time (Fig. 12)	$t_l$	typ. 10 ms	
Level setting time (Fig. 12)	$t_s$	typ. 4 s	
Recovery time (Fig. 13)	$t_r$	typ. 35 s	

## PACKAGE OUTLINE

16-lead DIL; plastic (SOT-38).



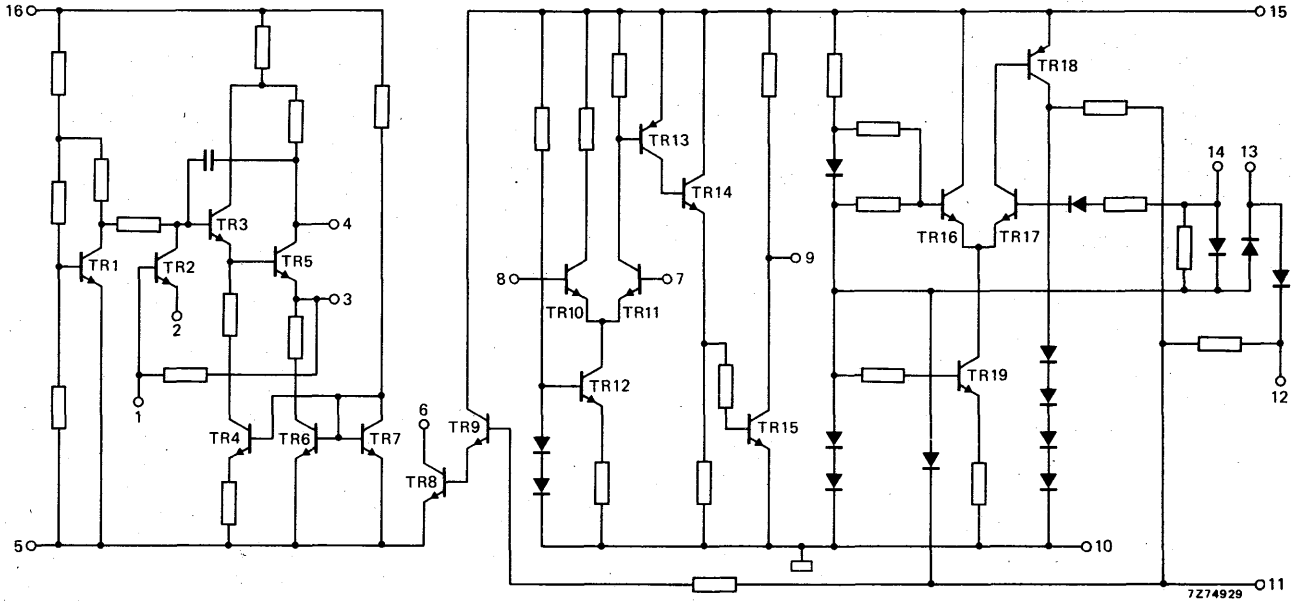


Fig. 1 Circuit diagram.

**RATINGS**

Limiting values in accordance with the Absolute Maximum System (IEC 134)

Supply voltage preamplifier	V <sub>16-5</sub>	max.	12 V
Supply voltage recording amplifier	V <sub>15-10</sub>	max.	12 V
Total power dissipation			see derating curve Fig. 2
Storage temperature	T <sub>stg</sub>		-65 to +125 °C
Operating ambient temperature	T <sub>amb</sub>		-25 to +125 °C

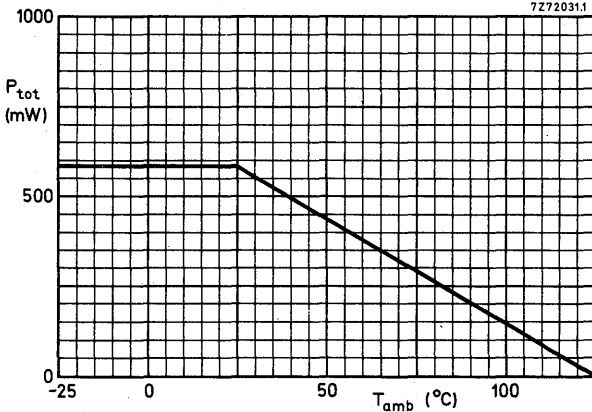


Fig. 2 Power dissipation derating curve.

**D.C. CHARACTERISTICS**T<sub>amb</sub> = 25 °C unless otherwise specified.

Supply voltage recording amplifier	V <sub>15-10</sub>		4 to 12 V
Supply voltage preamplifier	V <sub>16-5</sub>		4 to 12 V
Quiescent current rec. amplifier; V <sub>p</sub> = 9 V	I <sub>15</sub>	typ.	10 mA
Quiescent current preamplifier; V <sub>p</sub> = 9 V	I <sub>16</sub>	typ.	5 mA
Output voltage recording amplifier	V <sub>9-10</sub>	typ.	½ V <sub>p</sub> V
Output voltage preamplifier	V <sub>4-5</sub>	typ.	½ V <sub>p</sub> -0,35 V



**A.C. CHARACTERISTICS**

$T_{amb} = 25\text{ }^{\circ}\text{C}$ ;  $V_p = 9\text{ V}$  unless otherwise specified.

**Preamplifier (note 1)**

			recording	playback
Open loop voltage gain	$G_o$	typ.	70	70 dB
Closed loop voltage gain at $f = 1\text{ kHz}$	$G_c$	typ.	38	45 dB
Output voltage (clipping level); r.m.s. value	$V_{4-5(rms)}$	typ.	2	2 V
Equivalent noise input voltage; r.m.s. value (note 2)	$V_n$	<	0,75	0,75 $\mu\text{V}$
Input impedance (pin 1)	$ Z_i $	typ.	16	16 k $\Omega$
Total harmonic distortion				
$f = 1\text{ kHz}$ ; $V_{4-5} = 150\text{ mV}$	$d_t$	typ.	—	0,12 %
$f = 1\text{ kHz}$ ; $V_{4-5} = 500\text{ mV}$	$d_t$	<	0,2	—
Amplitude response			flat: 20 Hz to 20 kHz see Fig. 7	

**Recording amplifier (Fig. 9)**

with A.L.C.; unless otherwise specified.

Open loop gain	$G_o$	typ.	80 dB
Closed loop voltage gain at $f = 1\text{ kHz}$ (note 3)	$G_c$	typ.	49 dB
Output voltage (clipping level); r.m.s. value	$V_{9-10(rms)}$	typ.	2 V
Input impedance pin 8	$ Z_i $	typ.	40 k $\Omega$
Input impedance pin 6			
low signal levels	$ Z_i $	typ.	250 k $\Omega$
high signal levels	$ Z_i $	typ.	25 $\Omega$
Total harmonic distortion			see Fig. 11
Amplitude response (note 3)			see Fig. 10

**Automatic level control (see Fig. 8)**

$V_{4-5} = 10\text{ mV}$ ; $f = 1\text{ kHz}$	$V_{9-10}$	typ.	250 mV
$V_{4-5} = 100\text{ mV}$ ; $f = 1\text{ kHz}$	$V_{9-10}$	typ.	450 mV
$V_{4-5} = 1000\text{ mV}$ ; $f = 1\text{ kHz}$	$V_{9-10}$	typ.	750 mV
$V_{4-5} = 2000\text{ mV}$ ; $f = 1\text{ kHz}$	$V_{9-10}$	typ.	880 mV
Limiting time (see Fig. 12)	$t_l$	typ.	10 ms
Level setting time (see Fig. 12)	$t_s$	typ.	4 s
Recovery time (see Fig. 13)	$t_r$	typ.	35 s

**Notes**

- For recording see Fig. 3; for playback see Fig. 5.
- $R_S = 500\text{ }\Omega$ ; bandwidth = 300 Hz to 15 kHz.
- Pin 6 not connected to pin 8.

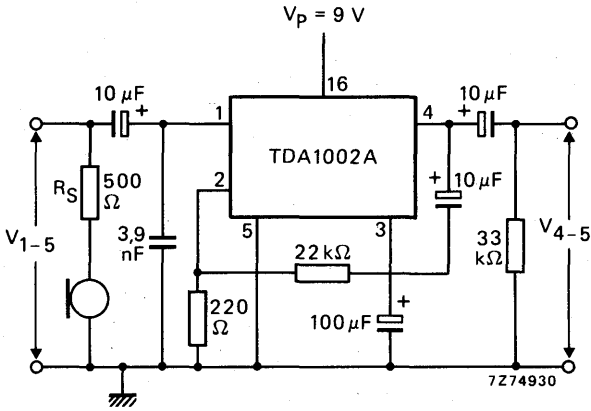


Fig. 3 Preamplifier used as microphone amplifier.

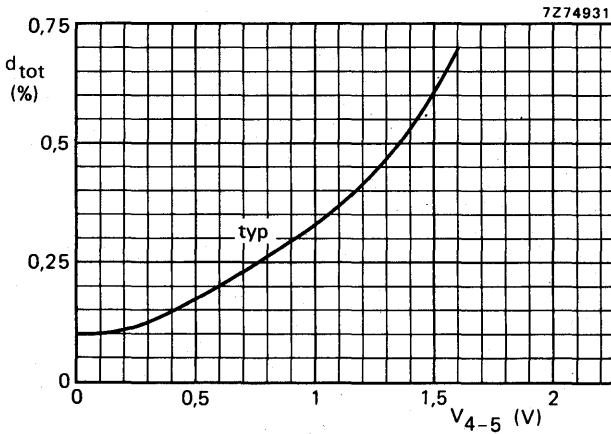


Fig. 4 Total harmonic distortion of preamplifier used for recording.

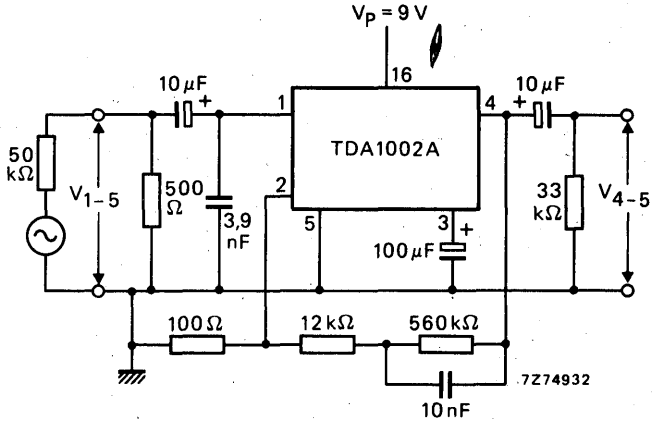


Fig. 5 Preamplifier used for playback.

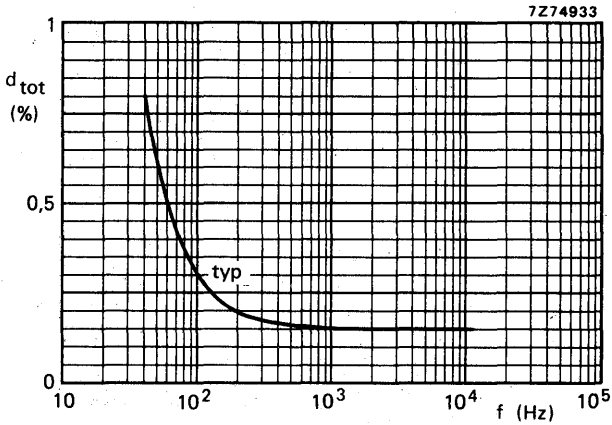


Fig. 6 Total harmonic distortion of preamplifier used for playback at  $V_{4.5} = 150$  mV.

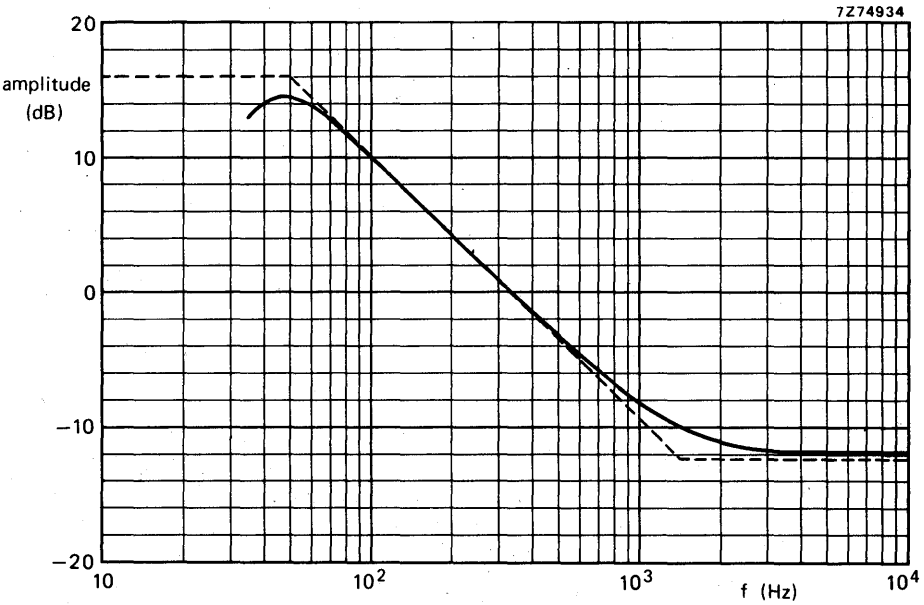


Fig. 7 Amplitude response of preamplifier used for playback; typical values.  
 0 dB = input voltage of 0,3 mV at  $f = 333$  Hz. Dotted line according to DIN 45513.

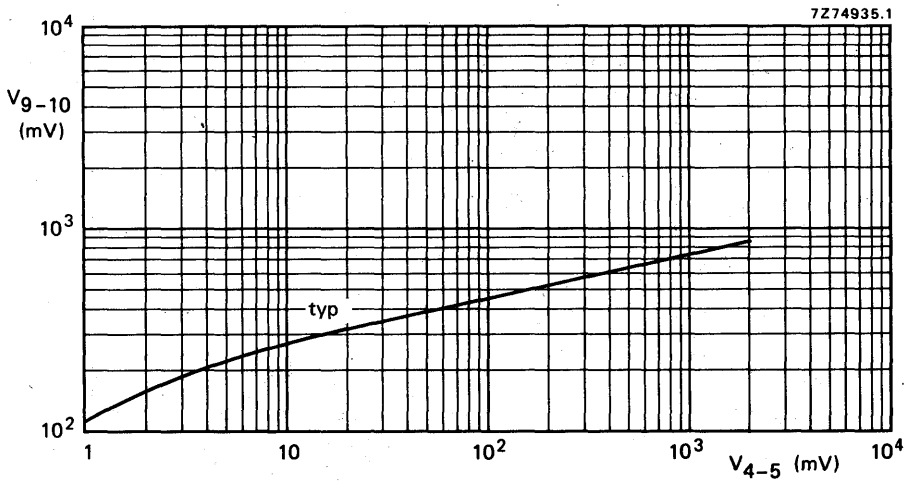
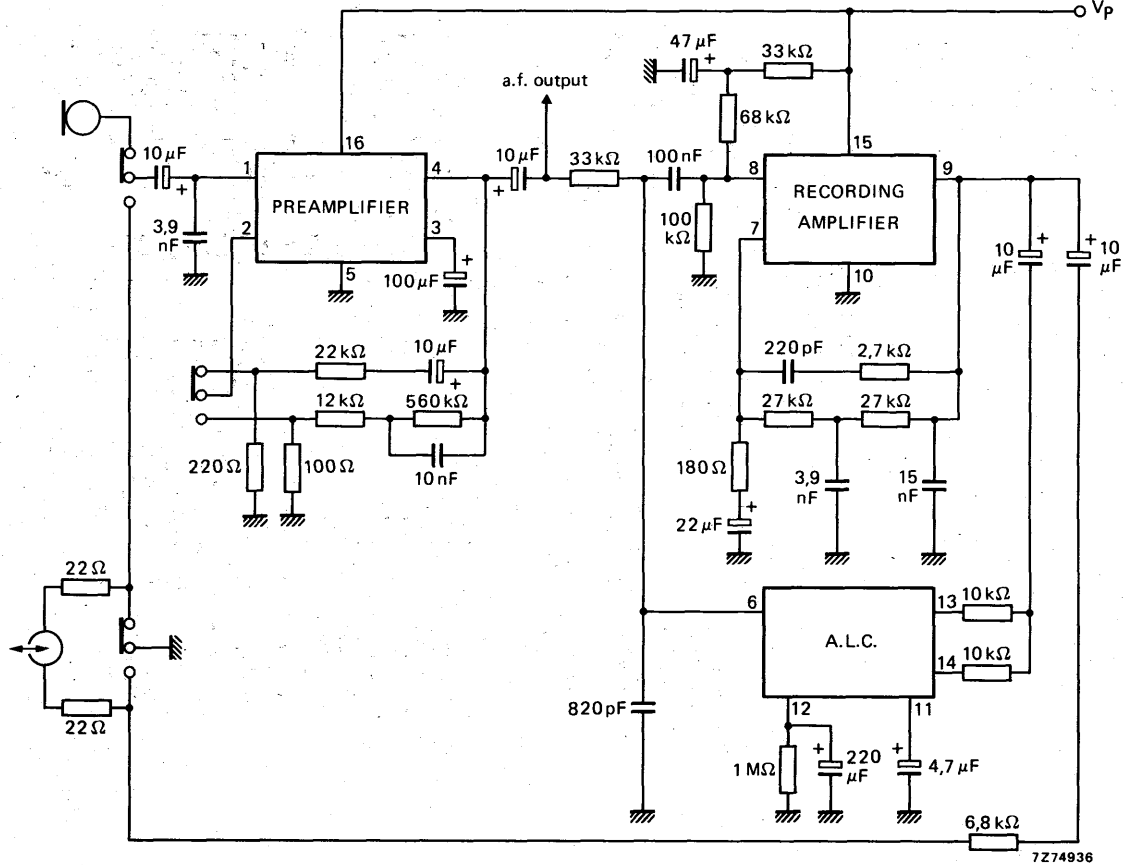


Fig. 8 Automatic level control; for circuitry see Fig. 9;  $f = 1$  kHz.



7Z74936

Fig. 9 Application of TDA1002A (recording position).

7Z74937

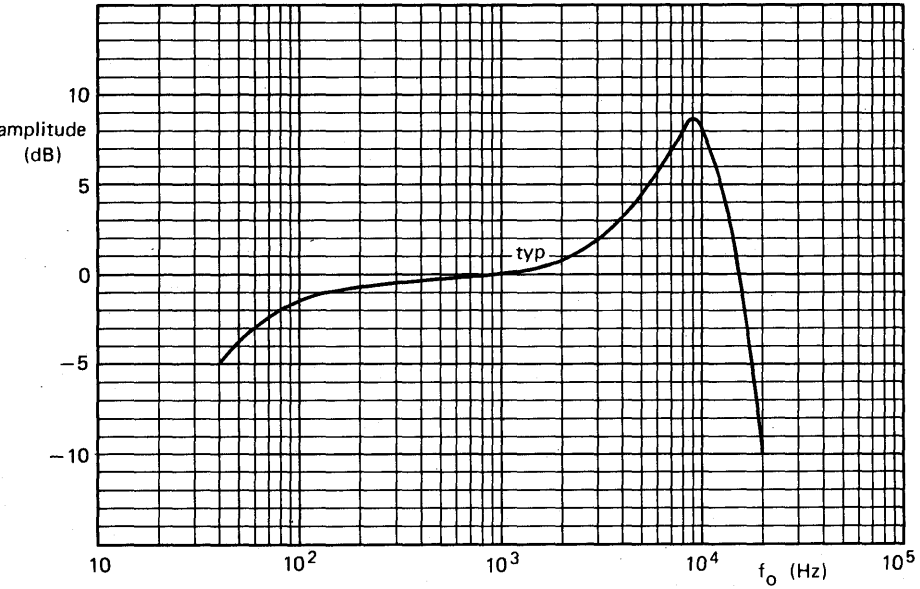


Fig. 10 Amplitude response of recording amplifier (A.L.C. not connected).

7Z74938

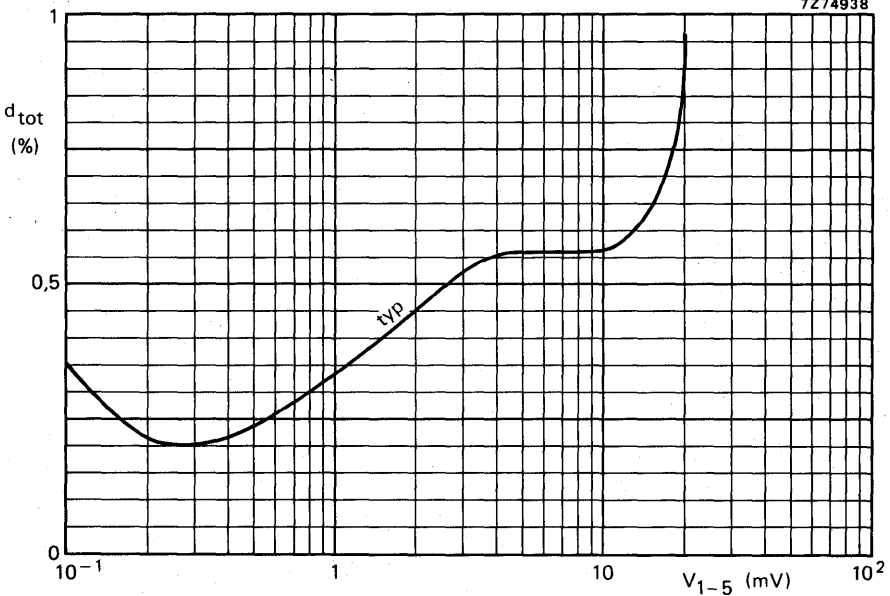


Fig. 11 Total harmonic distortion recording amplifier with A.L.C.; f = 1 kHz.



TIMING DIAGRAMS

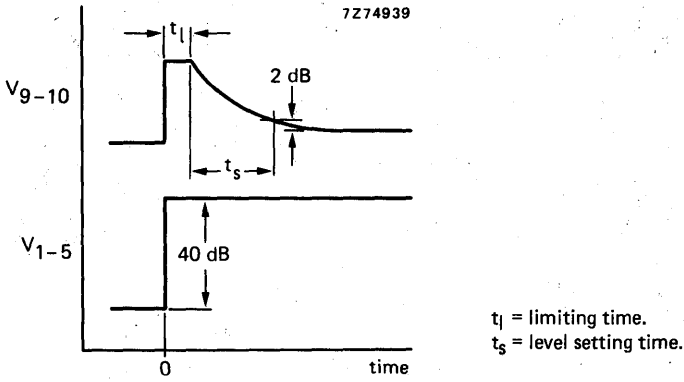


Fig. 12 Output response at input level jumps.

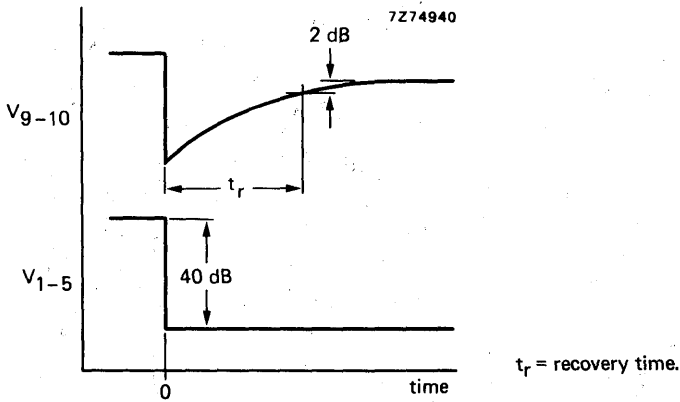


Fig. 13 Output response at input level jumps.

## MOTOR REGULATOR AND BIAS/ERASE OSCILLATOR CIRCUIT

The TDA1003A is pin for pin compatible with the TDA1003 with an extension of features. The TDA1003A is for use in recording/playback systems. It incorporates capstan motor speed control, an automatic stop circuit, and a bias/erase oscillator.

The motor circuit controls the back e. m. f. and delivers a stabilized voltage to the capstan motor. The motor voltage is corrected for line voltage and torque variations, and temperature variations of the magnetic material and windings. The motor speed control is operative as long as a pulse train, derived from the tape wind spool mechanism via an interrupter, is applied to the automatic stop circuit. The TDA1003A can also be used without stop circuit by connecting pin 16 to ground. An output is available for a "stop" indicator lamp.

The oscillator section contains a temperature-independent voltage reference source and an a. g. c. circuit controlling the transconductance of a balanced oscillator circuit incorporating the erase head. Any Q variations of the erase head winding are fed back to maintain the oscillator output as a constant undistorted sine-wave so that harmonic products do not cause interference during radio recording.

### QUICK REFERENCE DATA

Supply voltage range	$V_p$		3, 5 to 18	V
Ambient temperature	$T_{amb}$	typ.	25	°C
Supply voltage	$V_p$	typ.	9	V

#### Motor regulator

Current consumption	$I_4$	typ.	1, 8	mA
Motor starting current	$I_3$	<	1000	mA
Operating motor current	$I_3$	<	250	mA
Minimum operating voltage at $I_3 = 600$ mA	$V_{3-2min}$	typ.	0, 9	V
Supply voltage rejection	$\Delta V_{3-2}/\Delta V_{4-2}$	typ.	1	mV/V

#### Stop circuit

Output current for "stop" indicator lamp	$I_1$	<	100	mA
Knee voltage at $I_1 = 100$ mA	$V_{1-2}$	typ.	0, 6	V
Input current for $I_1 = 100$ mA	$I_{16}$	>	4	µA

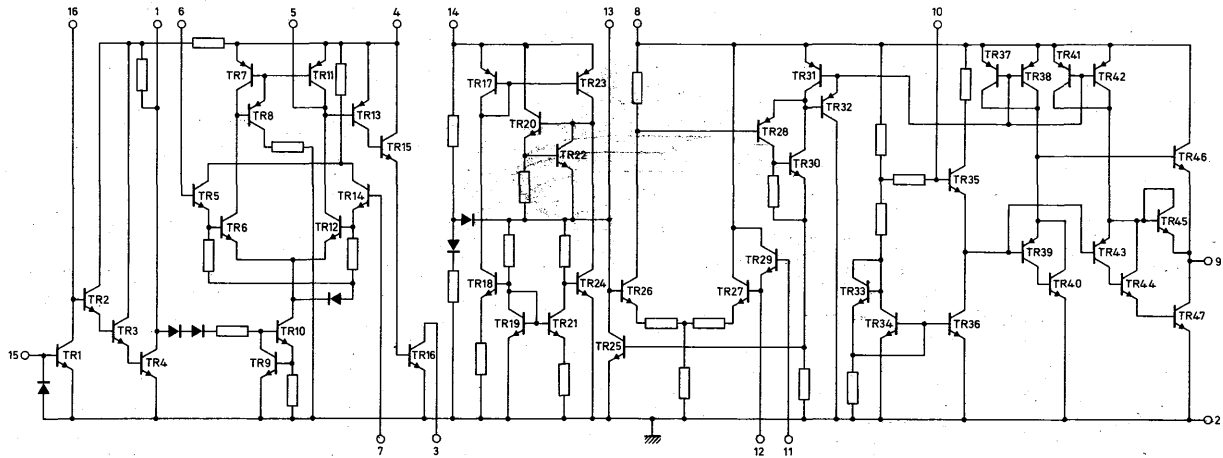
#### Bias and erase oscillator

Current consumption at $Q = 40$	$I_8$	typ.	25	mA
Erase head voltage at $Q = 40$ (r. m. s. value)	$V_{erase(rms)}$	typ.	16	V

### PACKAGE OUTLINE

16-lead DIL; plastic power (SOT-38N).

CIRCUIT DIAGRAM



**RATINGS** Limiting values in accordance with the Absolute Maximum System (IEC 134)

Voltages

Supply voltage on : pin 4	$V_{4-2}$	max.	18	V
pin 8	$V_{8-2}$	max.	18	V
pin 14	$V_{14-2}$	max.	18	V

Currents

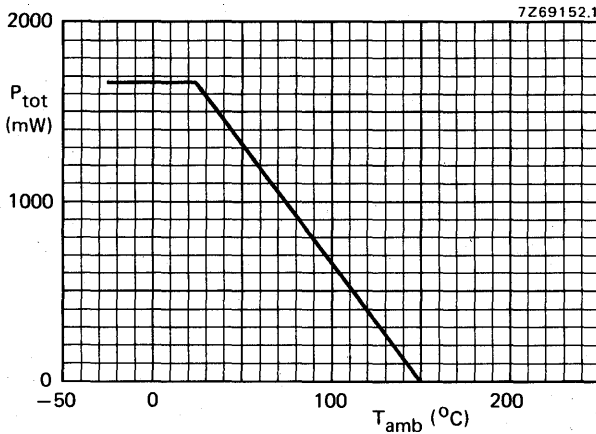
Motor current (pin 3; peak-value)	$I_{3M}$	max.	1000	mA
"Stop" indicator lamp current (d. c. ; pin 1)	$I_1$	max.	100	mA
Maximum input current (pin 15)	$\pm I_{15 \max}$	max.	20	mA

Temperatures

Storage temperature	$T_{stg}$	-65 to +150	°C
Operating ambient temperature see also power derating curve below	$T_{amb}$	-20 to +150	°C

Power dissipation

Total power dissipation see derating curve below



**CHARACTERISTICS** at  $V_p = 9\text{ V}$ ;  $T_{amb} = 25\text{ }^\circ\text{C}$  unless otherwise specified; see test circuit on page 6

Supply voltage range (pins 4, 8 and 14)	$V_p$		3, 5 to 18 V	1)
<b>Motor regulator</b>				
Current consumption	$I_4$	typ.	1, 8 mA 1 to 3 mA	
Operating motor current	$I_3$	<	250 mA	
Motor starting current (peak-value)	$I_{3M}$	<	1000 mA	
Input offset voltage at $I_3 = 3\text{ mA}$	$ V_{7-6} $	typ. <	2 mV 8 mV	
Input offset current at $I_3 = 3\text{ mA}$	$ I_{7-6} $	typ.	0, 2 $\mu\text{A}$	
Input voltage range (common mode)	$V_{6-2}$ $V_{7-2}$		2, 4 to ( $V_p-0, 25$ ) V 2, 4 to ( $V_p-0, 25$ ) V	
Input bias current	$I_6; I_7$	typ. <	0, 1 $\mu\text{A}$ 1, 0 $\mu\text{A}$	
Input sensitivity (for $\Delta I_3 = 100\text{ mA}$ )	$\Delta V_{7-6}$	typ. <	1 mV 10 mV	
Minimum operating voltage at $I_3 = 600\text{ mA}$	$V_{3-2\text{ min}}$	typ. <	0, 9 V 1, 8 V	2)
<b>Automatic motor "stop" circuit</b>				
"Stop" indicator lamp current	$I_1$	<	100 mA	
Knee voltage at $I_1 = 100\text{ mA}$	$V_{15-2} = \text{low}$ ("stop" condition)	typ.	0, 6 V	
		<	1, 0 V	
Input current for $I_1 = 100\text{ mA}$	$I_{16}$	>	4 $\mu\text{A}$	
Voltage at pin 1 without external load ( $V_{16} = \text{low}$ )	$V_{1-2}$	typ.	4, 1 V 3 to 5, 0 V	
Maximum input current (pin 15)	$\pm I_{15\text{ max}}$	<	20 mA	

1) To guarantee proper functioning with  $V_p = 3, 5\text{ V to } 18\text{ V}$ , the external component values as shown in test circuit on page 6 should be modified.

2) The minimum operating voltage is defined as the voltage ( $V_{3-2}$ ) at which the motor still operates at correct speed.

**CHARACTERISTICS** (continued)**Bias and erase oscillator**

Current consumption at Q = 40	$I_8$	typ.	25	mA
at Q = 20	$I_8$	{ typ. <	38 46	mA
Internal current limiting	$I_8$	<	95	mA <sup>1)</sup>
Peak output current	$\pm I_9$	>	100	mA
Output voltage swing (peak-to-peak value)	$V_{9-2(p-p)}$	typ.	$V_{P-2}$	V
Current consumption of reference source	$I_{14}$	typ. <	1,8 2,4	mA
Reference voltage (temperature compensated) <sup>2)</sup>	$V_{13-2}$	typ.	1,7	V
Erase head voltage; Q = 40; L = 620 $\mu$ H (r. m. s. value)	$V_{erase(rms)}$	typ.	16	V
Change of $V_{erase}$ when Q changes from 20 to 60	$\Delta V_{erase}$	typ. <	1 1,8	V

**APPLICATION INFORMATION** measured in circuit on page 7**Motor regulator**

Supply voltage rejection	$\frac{\Delta V_{3-2}}{\Delta V_{4-2}}$	typ.	1	mV/V
Motor speed variation over $T_{amb} = -5$ to $+55$ °C	$\pm \Delta n$	typ.	2	%

**Automatic motor "stop" circuit**

Input voltage from wind spool supplied via 10 k $\Omega$ to pin 15 (peak-to-peak value)	$V_{W(p-p)}$	typ.	1,2	V
Input current (pin 15)	$\pm I_{15}$	<	20	mA

**Bias and erase oscillator**

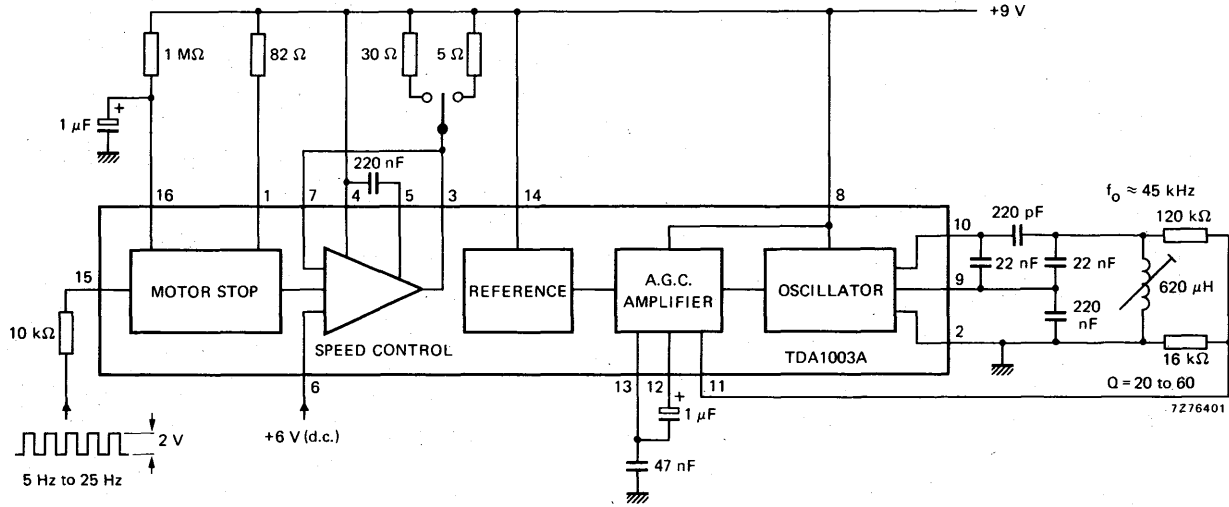
Erase head voltage for Q = 40; L = 620 $\mu$ H (r. m. s. value)	$V_{erase(rms)}$	typ.	16	V
Change of $V_{erase}$ when Q changes from 20 to 60	$\Delta V_{erase}$	typ.	1	V
Harmonic distortion (unsaturated erase head)	$-\alpha_{2nd_{harm}}$	typ.	55	dB <sup>3)</sup>
	$-\alpha_{3rd_{harm}}$	typ.	40	dB
	$-\alpha_{>6th_{harm}}$	>	80	dB

<sup>1)</sup> If erase head is defective.

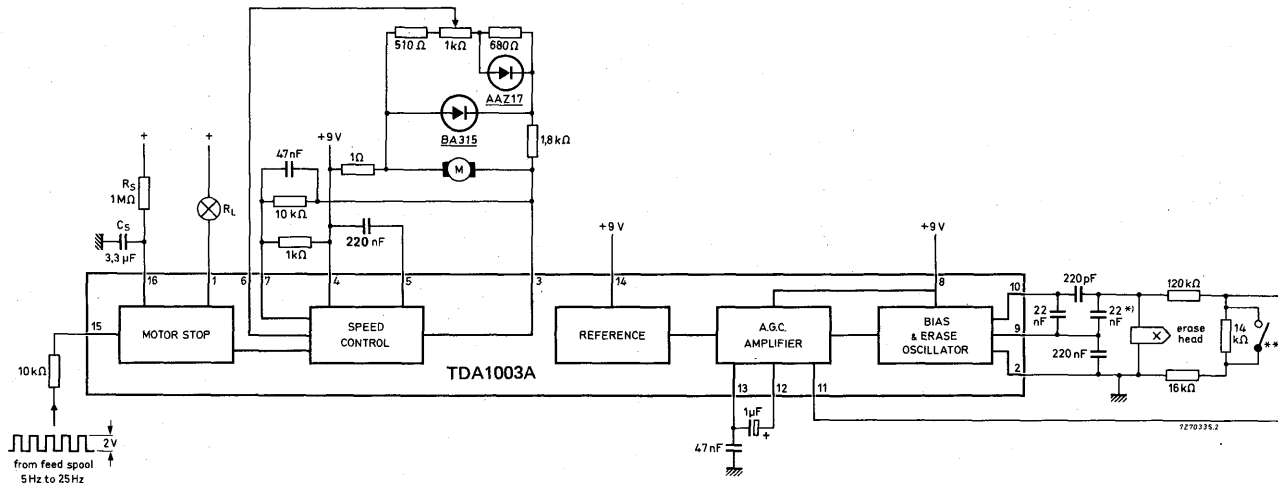
<sup>2)</sup> Typical value of temperature coefficient 0 mV/°C.

<sup>3)</sup> At unsaturated erase head, with respect to 45 kHz.

## TEST CIRCUIT



APPLICATION INFORMATION (continued)



Indicator lamp : 9 V ; 40 mA

Motor (M) :  $R_a = 14 \Omega$   
 $E_n = 2, 3 \text{ V at } 1500 \text{ r. p. m.}$

Erase head :  $L = 620 \mu\text{H}$   
 $Q = 40$   
 $f_o = 45 \text{ kHz}$

\*) Capacitor with low losses required; especially for CrO<sub>2</sub> tape and low battery voltage.

\* \*) Switch closed : suitable for CrO<sub>2</sub> tape  
 open : suitable for Fe<sub>2</sub>O<sub>3</sub> tape.







## 10 W AUDIO POWER AMPLIFIER

### with thermal shut-down

The TDA1004A is a monolithic integrated circuit in a plastic 16-lead power dual in-line package, intended for use as a low-frequency class-B amplifier.

This circuit can also be used in car radios, even when  $2 \Omega$  load is required.

The device provides 10 W output power at  $20 \text{ V}/4 \Omega$ ; 6 W at  $14 \text{ V}/4 \Omega$  and 7,5 W at  $14 \text{ V}/2 \Omega$ . The supply voltage ranges from 9 to 20 V.

The TDA1004A is pin for pin compatible with the TDA1004.

The d. c. and a. c. gain are equal, which means an external feedback network is not necessary.

The circuit comprises two separate amplifiers with the following features :

- low-cost and small number of external components;
- thermal limiting circuit, the gain of the circuit decreases when the crystal temperature exceeds  $150 \text{ }^\circ\text{C}$ ;
- continuous short-circuit protection of the load for supply voltages up to 16 V;
- very good ripple rejection;
- low input impedance;
- low thermal resistance of the package thus requiring relatively small heatsinks;
- filtered but not stabilized supply (pin 6) available for other electronic functions.

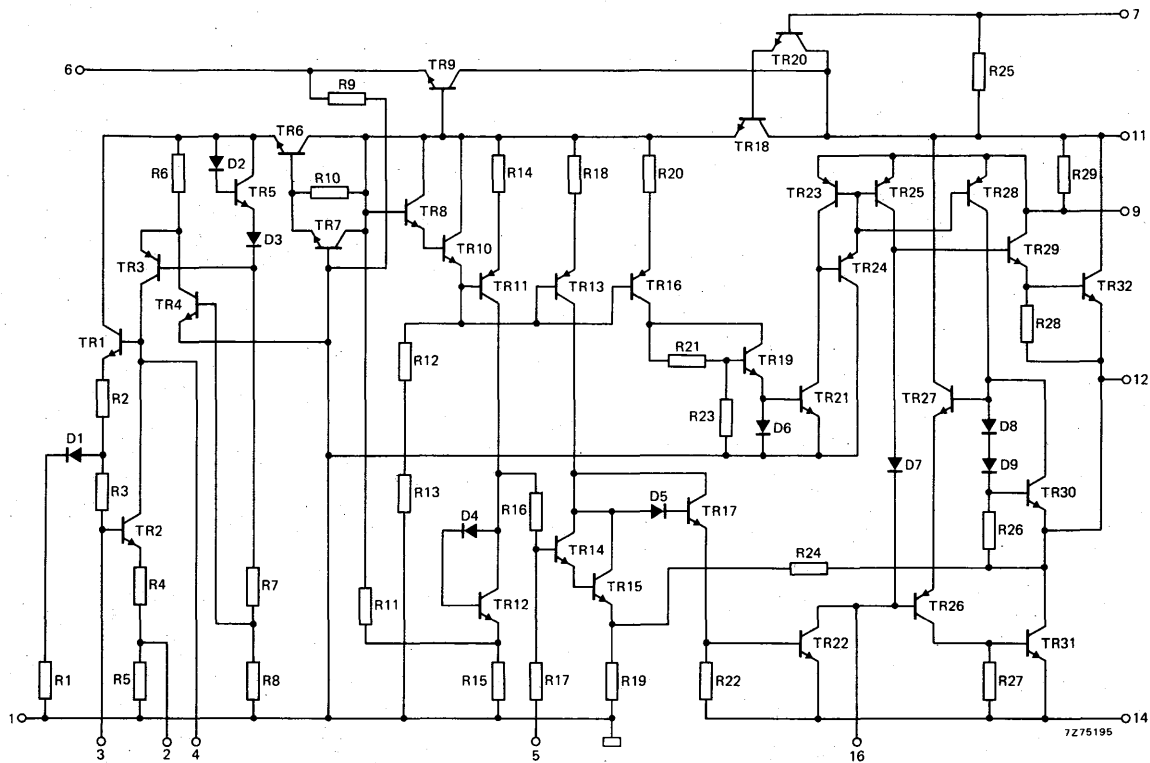
#### QUICK REFERENCE DATA

Supply voltage range	$V_P$	9 to 20	V
D. C. output current (peak value)	$I_{OM}$	< 2,5	A
Output power at $d_{tot} = 10\%$			
at $V_P = 14 \text{ V}; R_L = 4 \Omega$	$P_O$	typ. 6,2	W
at $V_P = 14 \text{ V}; R_L = 2 \Omega$	$P_O$	typ. 7,0	W
at $V_P = 20 \text{ V}; R_L = 8 \Omega$	$P_O$	typ. 7,0	W
at $V_P = 20 \text{ V}; R_L = 4 \Omega$	$P_O$	typ. 11,0	W
Total harmonic distortion at $P_O < 1 \text{ W}; R_L = 4 \Omega$	$d_{tot}$	typ. 0,2	%
Input impedance	$ Z_i $	typ. 20	k $\Omega$
Total quiescent current at $V_P = 14 \text{ V}$	$I_{tot}$	typ. 30	mA
Sensitivity at $P_O = 1 \text{ W}; R_L = 4 \Omega$	$V_i$	typ. 6,6	mV
Operating ambient temperature	$T_{amb}$	-25 to +150	$^\circ\text{C}$
Storage temperature	$T_{stg}$	-55 to +150	$^\circ\text{C}$

#### PACKAGE OUTLINE

16-lead DIL; plastic power (SOT-69B).

CIRCUIT DIAGRAM



**RATINGS** Limiting values in accordance with the Absolute Maximum System (IEC 134)

Voltage

Supply voltage  $V_P$  max. 24 V

Currents

Repetitive peak output current (pins 11, 12, 14)  $I_{ORM}$  max. 2,5 A

Non-repetitive peak output current (pins 11, 12, 14)  $I_{OSM}$  max. 5,0 A

Supply current from pin 6  $I_6$  max. 30 mA

Power dissipation

Total power dissipation see derating curve below

Temperatures

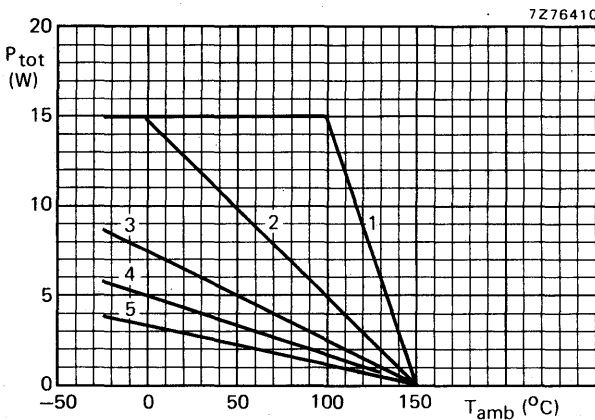
Storage temperature  $T_{stg}$  -55 to +150 °C

Operating ambient temperature  $T_{amb}$  -25 to +150 °C

Short-circuiting

A. C. short-circuit duration of load impedance during sine-wave signal drive; without heatsink at  $V_P = 14$  V

$t_{sc}$  max. 100 hours



1. Infinite heatsink
2. External heatsink of 100 cm<sup>2</sup>
3. External heatsink of 30 cm<sup>2</sup>
4. External heatsink of 12 cm<sup>2</sup>
5. In free air; without external heatsink

Heatsink: blackened aluminium area.

## THERMAL RESISTANCE (The power derating curve on page 3 is based on the following data)

From junction to case	$R_{th\ j-c}$	=	3,3	°C/W
From junction to ambient	$R_{th\ j-a}$	=	45	°C/W

## CHARACTERISTICS

### D.C. characteristics

Supply voltage range (pin 11)	$V_P$		9 to 20	V
Supply voltage (pin 6) at $I_G = 0$ mA	$V_{G-1}$	>	11,0	V
	$V_{G-1}$	>	10,8	V
Output current (peak value)	$I_{OM}$	<	2,5	A
Output current at pin 6 (peak value)	$I_{6M}$	<	30	mA
Total quiescent current at $V_P = 14$ V	$I_{tot}$	typ.	30	mA
	$I_{tot}$	<	90	mA

### A.C. characteristics at $T_{amb} = 25$ °C; $V_P = 14$ V; $R_L = 4$ Ω; $f = 1$ kHz unless otherwise specified; see also test circuit on page 5.

A. F. output power at $d_{tot} = 10\%$ <sup>1)</sup>	$P_O$	>	4,8	W
at $V_P = 14$ V; $R_L = 4$ Ω; without bootstrap <sup>2)</sup>	$P_O$	>	5,5	W
at $V_P = 14$ V; $R_L = 4$ Ω	$P_O$	typ.	6,2	W
at $V_P = 14$ V; $R_L = 2$ Ω	$P_O$	typ.	7,0	W
at $V_P = 20$ V; $R_L = 8$ Ω	$P_O$	typ.	7,0	W
at $V_P = 20$ V; $R_L = 4$ Ω	$P_O$	typ.	11,0	W

with bootstrap <sup>1)</sup>

Voltage gain preamplifier	$G_{v1}$	typ.	20	dB
			17 to 23	dB
power amplifier	$G_{v2}$	typ.	30	dB
			27 to 33	dB
total amplifier	$G_{v\ tot}$	typ.	50	dB
			47 to 53	dB

Total harmonic distortion at $P_O = 1$ W	$d_{tot}$	typ.	0,2	%
		<	1,0	%

Frequency response (-3 dB)	B		60 Hz to 17	kHz
----------------------------	---	--	-------------	-----

Input impedance: preamplifier	$ Z_i $	>	15	kΩ
power amplifier	$ Z_i $	typ.	20	kΩ
	$ Z_i $	typ.	30	kΩ

Output impedance of preamplifier (pin 4)	$ Z_o $	>	10	kΩ <sup>3)</sup>
--	---------	---	----	------------------

<sup>1)</sup> Output power is always measured at the d.c. output of the amplifier, so losses in coupling capacitor are not taken into account.

<sup>2)</sup> See circuit on page 7. With this circuit 4,8 W is guaranteed.

<sup>3)</sup> At this impedance value from pin 4 to ground, the maximum output power can be delivered.

## CHARACTERISTICS (continued)

Output voltage preamplifier

at  $d_{tot} = 5\%$  (r. m. s. value)

$V_{4-1}(\text{rms})$	>	0,6 V	1)
	typ.	1,0 V	

Noise output voltage at  $R_S = 0 \Omega$

at  $R_S = 2 \text{ k}\Omega$

$V_n$	typ.	0,3 mV	2)
$V_n$	<	1,0 mV	

Sensitivity at  $P_O = 1 \text{ W}$

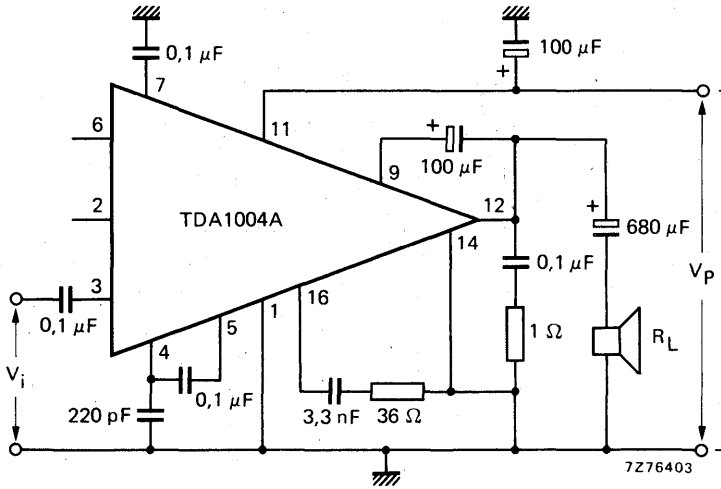
$V_i$	typ.	6,6 mV
-------	------	--------

Ripple rejection at  $f = 100 \text{ Hz}$

at  $f = 1 \text{ kHz}$

RR	typ.	32,5 dB	3)
RR	typ.	50,0 dB	

## Test circuit

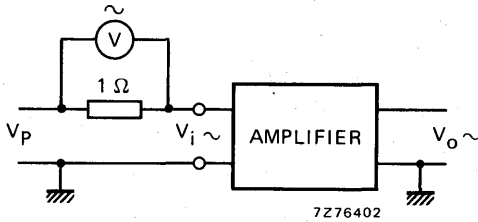
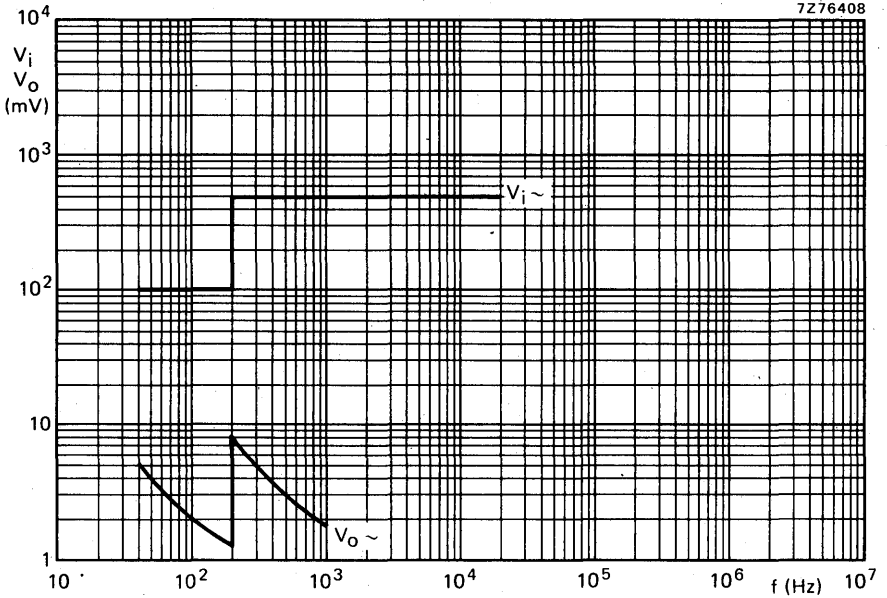


1) Measured with a  $30 \text{ k}\Omega$  a. c. load impedance at pin 4 (disconnected from pin 5).

2) Measured at a bandwidth of 60 Hz to 15 kHz.

3) See ripple rejection on page 6.

RIPPLE REJECTION

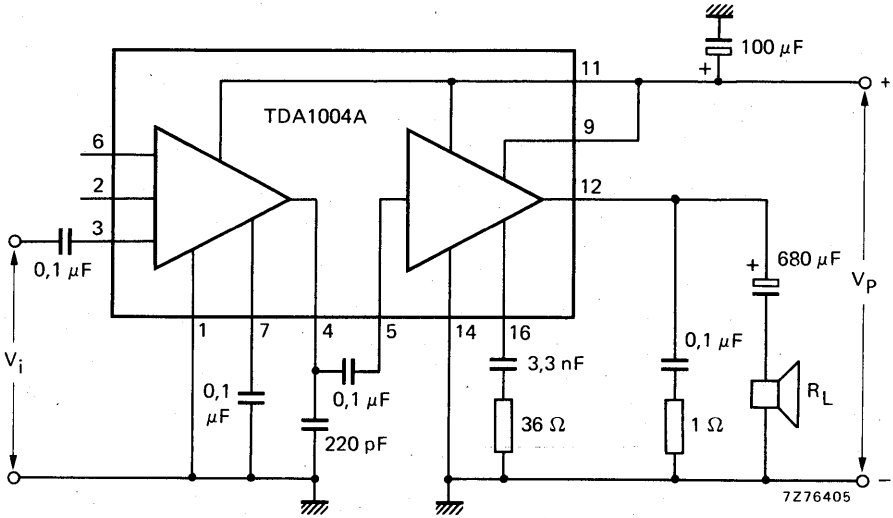


Typical ripple rejection measured with nominal load impedance ( $R_L = 4 \Omega$ ) and input a.c. short-circuited.

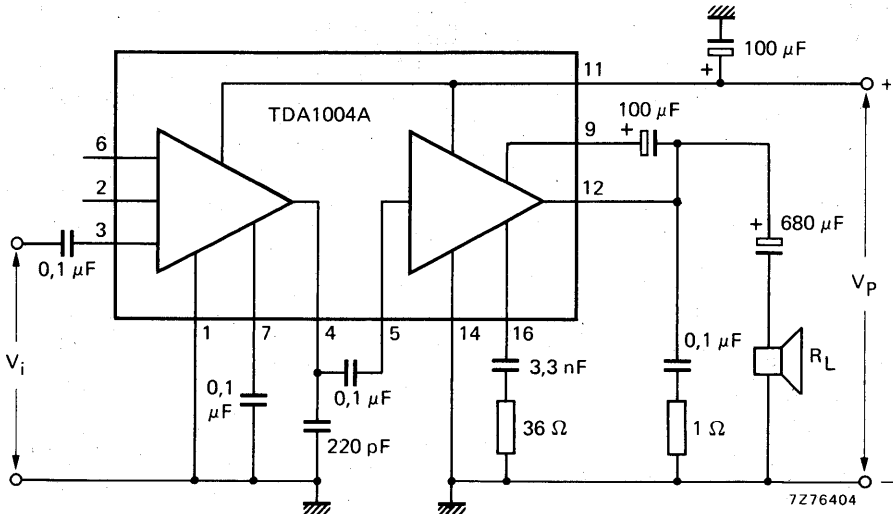
$V_o \text{ max} = 4 \text{ mV}$  at  $f = 10^3 \text{ Hz}$ .

## APPLICATION INFORMATION

### Without bootstrap



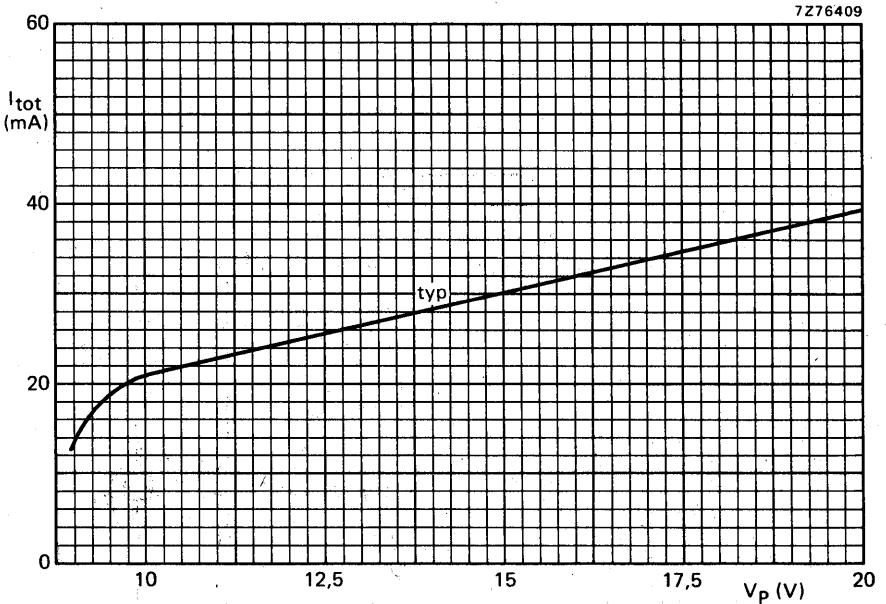
### With bootstrap





## APPLICATION INFORMATION (continued)

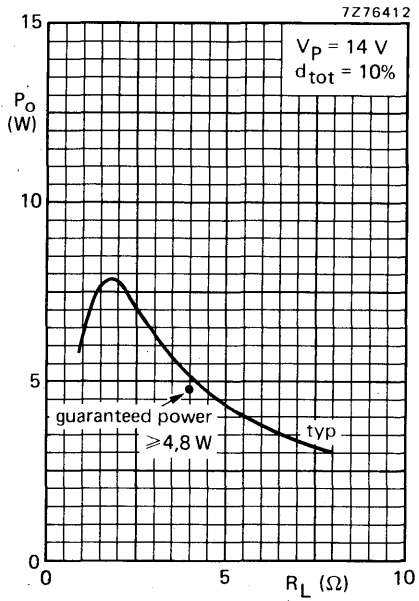
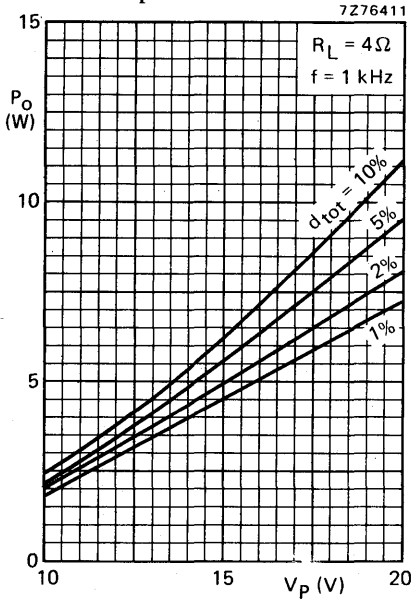
Supply voltage ( $V_{11-14}$ )	$V_P$	14			20		V
		2	4	8	4	8	
Load resistance	$R_L$	2	4	8	4	8	$\Omega$
Total quiescent current	$I_{tot}$	30	30	30	40	40	mA
Output power at $d_{tot} = 10\%$ with bootstrap	$P_O$	7,0 <sup>1)</sup>	6	3,5	12	7	W
	$P_O$	7,5	5	3,0	11	6	W
Distortion at $P_O = 2$ W	$d_{tot}$	1	0,2	0,2	0,2	0,2	%
Input sensitivity for $P_O = 1$ W	$V_i$	4,8	6,6	9,1	6,6	9,1	mV
Ripple rejection at $f = 100$ Hz	RR	32,5	32,5	32,5	32,5	32,5	dB
	RR	50,0	50,0	50,0	50,0	50,0	dB
Noise output voltage at B = 60 Hz to 15 kHz	$V_n$	0,30	0,30	0,30	0,30	0,30	mV
	$V_n$	0,45	0,45	0,45	0,45	0,45	mV
Input impedance	$ Z_i $	23	23	23	23	23	k $\Omega$
Maximum power dissipation	$P_{tot}$	5,2	2,8	1,6	5,5	3,0	W



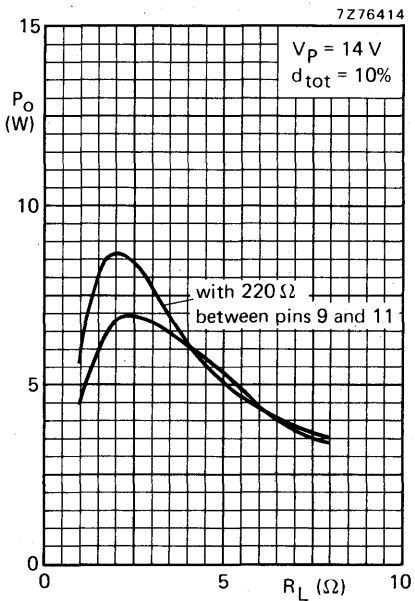
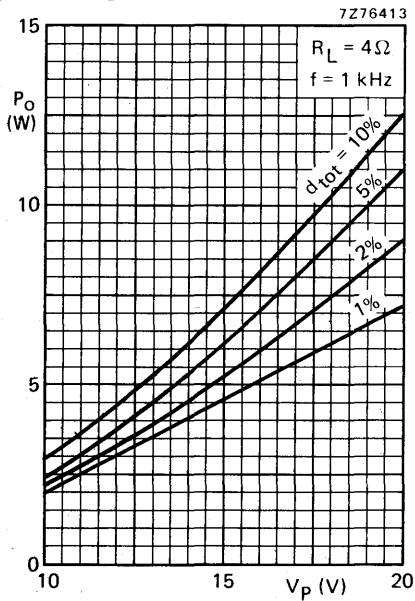
<sup>1)</sup>  $P_O = 9$  W, when a resistor of 220  $\Omega$  is connected between pins 9 and 11.

APPLICATION INFORMATION (continued)

Without bootstrap



With bootstrap



**MOUNTING INSTRUCTIONS**

When using an external heatsink, connected to the heat spreader of the IC, the thermal power in the circuit can be reduced to a negligible value.

The optimum heatsink dimensions (blackened aluminium) for a given operating ambient temperature, can be found from the derating curves on page 3.

The fact that the thermal resistance of the encapsulation is very good, results in a relatively small heatsink for thermal power reduction; e.g.  $P_0 = 2 \text{ W}$  at  $T_{\text{amb}} = 50 \text{ }^\circ\text{C}$  can be obtained without an external heatsink.

Two mounting methods are shown below.

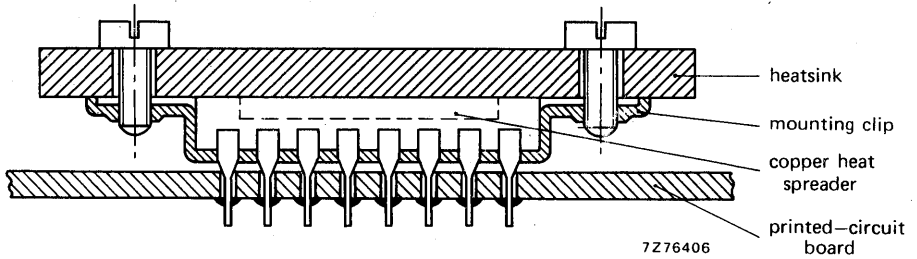
By using these methods, no extra copper area is required on the printed-circuit board, so a saving in printed-wiring area is obtained.

Mounting the external heatsink can be done by screwing or clipping.

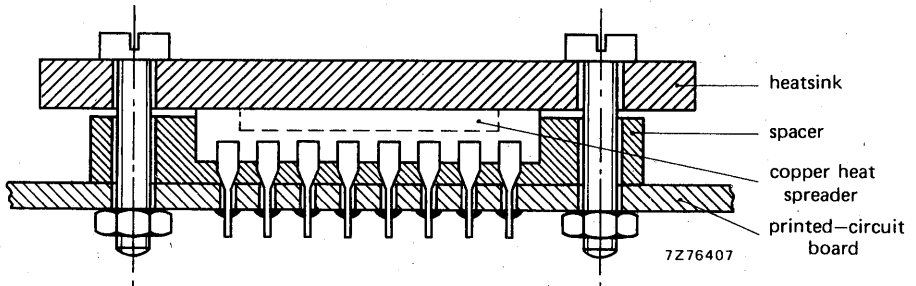
Mechanical stresses do not damage the IC.

It is recommended that a heatsink-compound be used between IC heat spreader and heatsink.

Method 1



Method 2



## FREQUENCY MULTIPLEX PLL STEREO DECODER

The TDA1005A is a high quality PLL stereo decoder based on the frequency-division multiplex (f.d.m.) principle, performing:

- excellent ACI (Adjacent Channel Interference) and SCA (Storecast) rejection
- very low BFC (Beat-Frequency Components) distortion in the higher frequency region

The circuit incorporates the following features:

- with simplified peripheral circuitry the circuit can perform as a time-division multiplex (t.d.m.) decoder, for use in economic medium and low-class apparatus
- for car radios: operation at a supply voltage of 8 V
- extra pin for smooth mono/stereo take-over without "clicks"
- automatic mono/stereo switching (minimum switching level is 16 mV), controlled by both pilot signal and field strength level
- low distortion in the loop resonance frequency region ( $\approx 300$  Hz; THD = 0,2% typ.)
- external adjustment for obtaining optimum channel separation in the complete receiver
- internal amplification: t.d.m., 7 dB; f.d.m., 10 dB
- driver for stereo indicator lamp
- externally switchable: VCO-off or mono condition
- guaranteed VCO capture range ( $> 3,5\%$  or 2,7 kHz)

### QUICK REFERENCE DATA

Supply voltage range	$V_{8-16}$		8 to 18	V
Supply voltage	$V_{8-16}$	typ.	15	V
Ambient temperature	$T_{amb}$	typ.	25	$^{\circ}C$
-----				
Measured at $V_{i(p-p)} = 1$ V (MUX signal with 8% pilot)			t.d.m.	f.d.m.
Channel separation at $f = 1$ kHz	$\alpha$	typ.	50	55 dB
Carrier suppression				
at $f = 19$ kHz	$\alpha_{19}$	typ.	36	36 dB
at $f = 38$ kHz	$\alpha_{38}$	typ.	45	40 dB
at $f = 76$ kHz	$\alpha_{76}$	typ.	80	75 dB
ACI rejection at $f = 114$ kHz	$\alpha_{114}$	typ.	52	70 dB
SCA rejection at $f = 67$ kHz	$\alpha_{67}$	typ.	85	90 dB
VCO capture range		$>$	3,5	3,5 %
Total harmonic distortion				
$f_m = 1$ kHz	THD	typ.	0,2	0,1 %
$f_m = 300$ Hz to 10 kHz	THD	typ.	0,2	0,1 %
BFC suppression	$d_{BFC}$	$>$	40	60 dB

### PACKAGE OUTLINES

- TDA1005A ; 16-lead DIL; plastic (SOT-38).
- TDA1005AT; 16-lead flat pack; plastic (SO-16; SOT-109A).

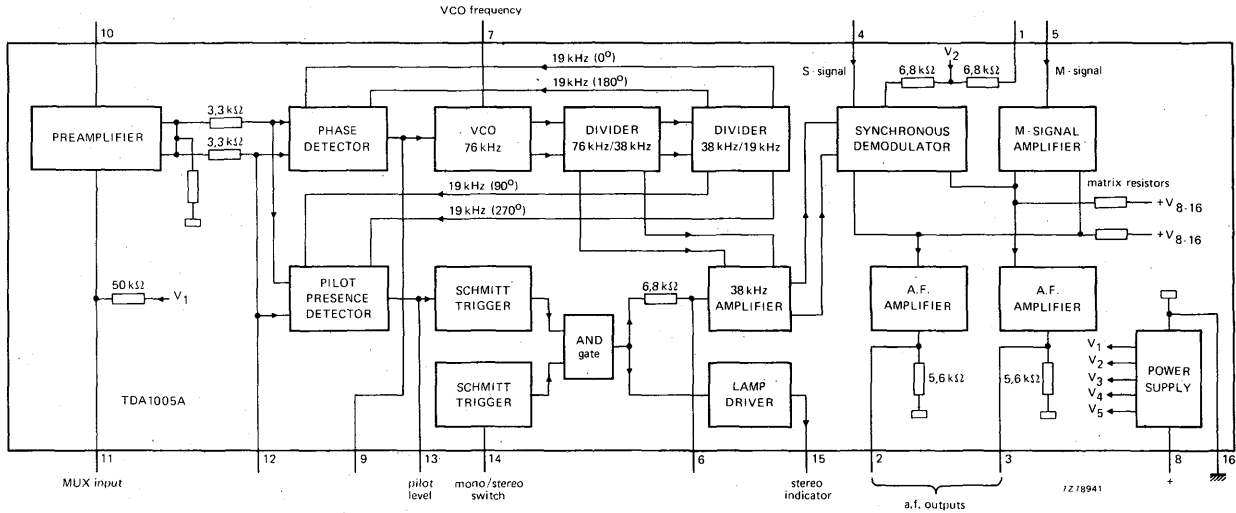


Fig. 1 Block diagram.

**RATINGS**

Limiting values in accordance with the Absolute Maximum System (IEC 134)

Supply voltage	V <sub>8-16</sub>	max.	18 V
Indicator-lamp voltage	V <sub>15-16</sub>	max.	22 V
Mono/stereo switching voltage	V <sub>14-16</sub>	max.	4 V
Indicator lamp current	I <sub>15</sub>	max.	100 mA
Indicator lamp turn-on current (peak value)	I <sub>15M</sub>	max.	200 mA
Total power dissipation	see derating curve Fig. 2		
Storage temperature	T <sub>stg</sub>	-55 to + 150 °C	
Operating ambient temperature (see also Fig. 2)	T <sub>amb</sub>	-25 to + 150 °C	

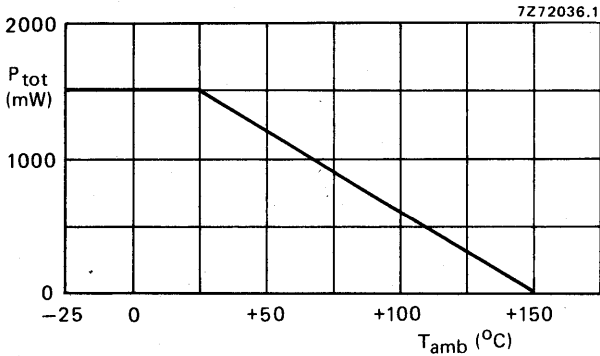


Fig. 2 Power derating curve.



A.C. CHARACTERISTICS and APPLICATION INFORMATION

T<sub>amb</sub> = 25 °C; V<sub>B-16</sub> = 15 V (unless otherwise specified); see also Fig. 7 and Fig. 10.

	note	pin	parameter		t.d.m.	f.d.m.	unit	
Channel separation see Figs 23 and 24	1, 2	2, 3	$\alpha$	>	40	45	dB	
				typ.	50	55	dB	
F.M.—I.F. roll-off correction range	1, 2				48 to 72	—	kHz	
Input MUX-voltage; L = 1; R = 1 for THD < 0,35%	1, 2	11	V <sub>i(p-p)</sub>	typ.	1	1	V	
Input impedance		11	Z <sub>i</sub>	>	35	35	k $\Omega$	
				typ.	50	50	k $\Omega$	
Voltage gain per channel	1, 2		G <sub>v</sub>	typ.	7	10	dB	
Channel balance	1, 2		$\pm \Delta G_v$	<	1	1	dB	
Output voltage (r.m.s. value) L = 1; R = 1	1, 2	2	V <sub>2-16(rms)</sub>	>	0,61	0,97	V	
		3	V <sub>3-16(rms)</sub>	>	0,61	0,97	V	
Output impedance	3	2, 3	Z <sub>o</sub>	typ.	5,6	5,6	k $\Omega$	
					4 to 7	4 to 7	k $\Omega$	
Total harmonic distortion; see Figs 25 and 26								
	f <sub>m</sub> = 1 kHz (all conditions)	1	2, 3	THD	typ.	0,2	0,1	%
	f <sub>m</sub> = 1 kHz; L = 1; R = 1	1	2, 3	THD	<	0,35	0,35	%
	f <sub>m</sub> = 300 Hz to 10 kHz	1	2, 3	THD	typ.	0,2	0,1	%
Carrier suppression		2, 3						
→ f = 19 kHz; without notch filter	1		$\alpha_{19}$	typ.	36	36	dB	
f = 19 kHz; with notch filter	1, 9		$\alpha_{19}$	typ.	60	60	dB	
f = 38 kHz; without notch filter	1		$\alpha_{38}$	>	40	38	dB	
f = 38 kHz; with notch filter	1, 9		$\alpha_{38}$	>	72	72	dB	
f = 57 kHz; without notch filter	1		$\alpha_{57}$	typ.	46	56	dB	
f = 57 kHz; with notch filter	1, 9		$\alpha_{57}$	typ.	59	61	dB	
→ f = 76 kHz; without notch filter	1		$\alpha_{76}$	typ.	80	75	dB	
ACI rejection		2, 3						
at f = 114 kHz	4		$\alpha_{114}$	typ.	52	70	dB	
at f = 190 kHz	4		$\alpha_{190}$	typ.	55	74	dB	
SCA rejection at f = 67 kHz	5	2, 3	$\alpha_{67}$	typ.	85	90	dB	
Ripple rejection; f = 100 Hz; V <sub>B-16(rms)</sub> = 200 mV			RR	>	40	40	dB	
				typ.	50	50	dB	

	note	pin	parameter	t.d.m.	f.d.m.	unit
VCO; adjustable with R7-16 nominal frequency	6		$f_{VCO}$ typ.	76	76	kHz
capture range (deviation from 76 kHz centre frequency)	6		>	3,5	3,5	%
19 kHz pilot signal of 32 mV	6					
temperature coefficient uncompensated	6		-TC typ.	$450 \cdot 10^{-6}$	$450 \cdot 10^{-6}$	$K^{-1}$
compensated	6		$\pm TC$ typ.	$200 \cdot 10^{-6}$	$200 \cdot 10^{-6}$	$K^{-1}$
Stereo/mono switch when equal to 19 kHz pilot-tone threshold voltage; adjustable with R13-8	7	11	$V_i$	10 to 100	10 to 100	mV
when equal to threshold voltage at $R_{13-8} = 620 \text{ k}\Omega$ for switching to stereo		11	$V_i$	7 to 16	7 to 16	mV
for switching to mono		11	$V_i$ <	5	5	mV
hysteresis	8	11	$\Delta V_i$ typ.	2,5	2,5	dB
Smooth take-over circuit full mono	8	6	$V_{6-16}$ <	0,65	0,65	V
full stereo	8	6	$V_{6-16}$ >	1,3	1,3	V

Notes

- $V_{i(p-p)} = 1 \text{ V}$  (MUX signal with 8% pilot level).
- $f_m = 1 \text{ kHz}$ .
- At supply voltages of 8 to 11 V, resistors of  $5,6 \text{ k}\Omega$  have to be connected from ground to pins 2 and 3.
- Measured with a composite input signal: L = R;  $f_m = 1 \text{ kHz}$ ; 90% M-signal; 9% pilot signal; 1% spurious signal of 110 kHz (for  $\alpha_{114}$ ) or 186 kHz (for  $\alpha_{190}$ ).

ACI suppression is defined as:  $20 \log \frac{V_o \text{ (at 4 kHz)}}{V_o \text{ (at 1 kHz)}}$

- Measured with a composite input signal: L = R;  $f_m = 1 \text{ kHz}$ ; 80% S-signal; 9% pilot signal; 10% SCA carrier (67 kHz);  $d_{13} = 20 \log \frac{V_o \text{ (at 9 kHz)}}{V_o \text{ (at 1 kHz)}}$ .
- See also Figs 7 and 10; compensated with RC network on pin 7.
- Adjustable with R13-8; see also Fig. 28; for field strength dependent input (pin 14) see next page.

$$8. \Delta V_i = 20 \log \frac{V_{11-16} \text{ (mono/stereo)}}{V_{11-16} \text{ (stereo/mono)}}$$

For additional circuitry on pin 6 see Figs 7 and 10; for graph see Fig. 29.

- For example of notch filter see Fig. 6.



**D.C. CHARACTERISTICS**

$T_{amb} = 25\text{ }^{\circ}\text{C}$ ;  $V_{8-16} = 15\text{ V}$  (unless otherwise specified)

Supply voltage range	$V_{8-16}$		8 to 18 V *
Total current (except indicator lamp)	$I_g$	typ.	21 mA
Power dissipation (operating) at lamp current $I_{15} = 100\text{ mA}$ ; $V_{8-16} = 18\text{ V}$	$P_{tot}$	<	570 mW
Saturation voltage of lamp driver at $I_{15} = 100\text{ mA}$	$V_{15-16}$	typ.	0,9 V
Maximum lamp driver voltage	$V_{15-16}$	<	22 V
Switching voltage to mono	$V_{14-16}$	>	1,2 V **
to stereo	$V_{14-16}$	<	0,65 V
hysteresis	$V_{14-16}$	typ.	0,2 V

**APPLICATION NOTES**

**1. Switching-off the VCO**

If the internal gain is used with A.M. reception, the VCO can be switched off by connecting pin 9 via a 100 kΩ resistor to ground (no h.f. signal on the leads), or connecting pin 7 to ground.

**2. Mono button**

The decoder can be switched to the mono position by connecting pin 12 to ground. The VCO then remains operational so this possibility cannot be used with A.M. reception.

**3. Economic periphery**

- a. For a fixed stereo switching level of  $\leq 16\text{ mV}$  a resistor of 620 kΩ can be connected between pin 13 and positive supply (+) instead of a potentiometer in series with a resistor.
- b. The 10 kΩ resistor connected in parallel with the stereo indicator lamp can be omitted, however, some TDA1005A circuits will switch to mono during lamp failure.
- c. The 10 μF capacitor in series with a 1 kΩ resistor at pin 9 can be decreased to a 1 μF capacitor, bearing in mind that the distortion will increase, especially around loop resonance.
- d. A MUX-input filter is not needed, if i.f. roll-off starts at a frequency of 62 kHz.

**4. Printed-circuit boards**

For both the f.d.m. and t.d.m. stereo decoder circuits a printed-circuit board layout is given as an example (Figs 8 and 11). Also for an active filter, which is mainly used with a t.d.m. decoder, a printed-circuit board layout is given in Fig. 4.

**5. Notch filter**

If attention has to be paid for suppression of the 57 kHz signal (T.W.S. = Traffic Warning System) and the 19 kHz signal, an input filter can be used as given in Fig. 6.

\* At supply voltages of 8 to 11 V, resistors of 5,6 kΩ have to be connected from ground to pins 2 and 3.

\*\* Maximum voltage for safe operation:  $V_{14-16} < 4\text{ V}$ .

APPLICATION INFORMATION

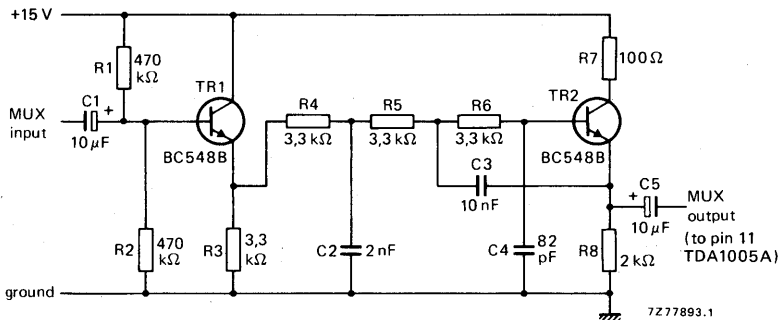


Fig. 3 Active filter circuit diagram.

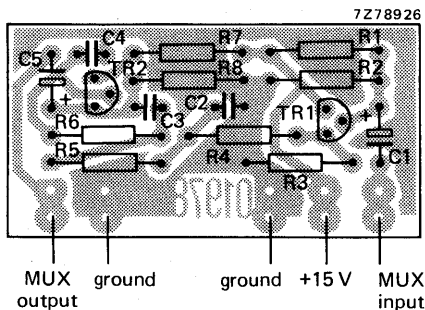


Fig. 4 Printed-circuit board component side, showing component layout.

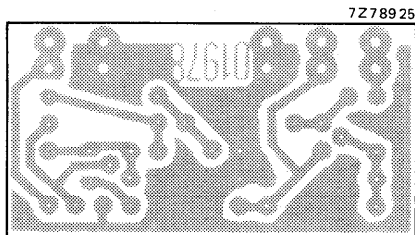
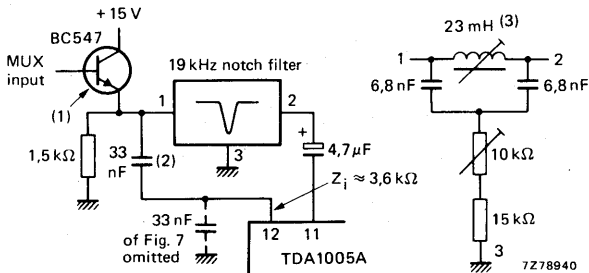


Fig. 5 Printed-circuit board showing track side.



- (1) Transistor to achieve low impedance driving of notch filter.
- (2) 33 nF will give common mode suppression of 19 kHz.
- (3) Coil: TOKO 10 PA, 700 turns,  $\phi$ 0,07 mm Cu; case type: P06-0114; drumcore: AN01-0021; base 5 pins type: 07-0084-02; core type CAN02-0029.

Fig. 6 Example of using a 19 kHz tuned notch filter; for other input structures see Figs 13 to 21.

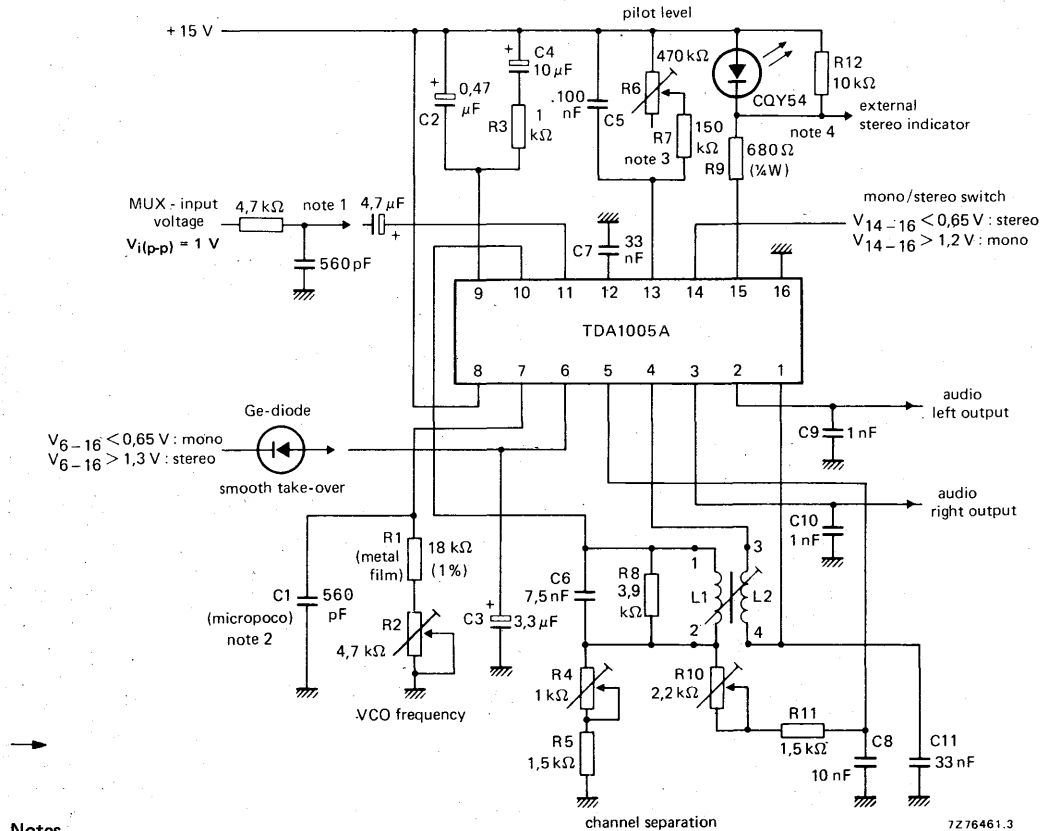


Fig. 7 Basic application circuit of a frequency-division multiplex (f.d.m.) stereo decoder.

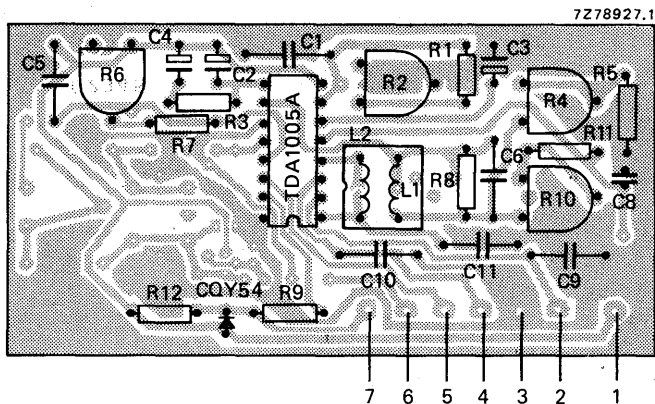


Fig. 8 Printed-circuit board component side of an f.d.m. decoder, showing component layout. For circuit diagram see Fig. 7.

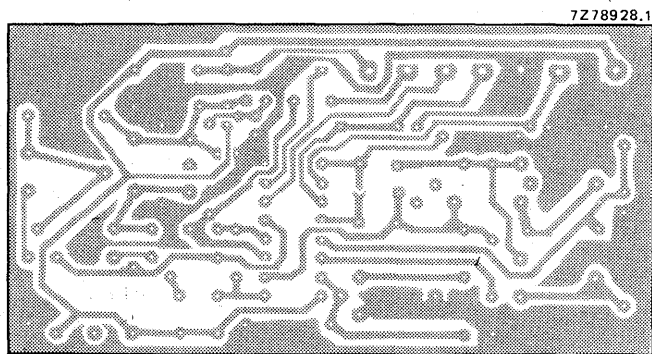
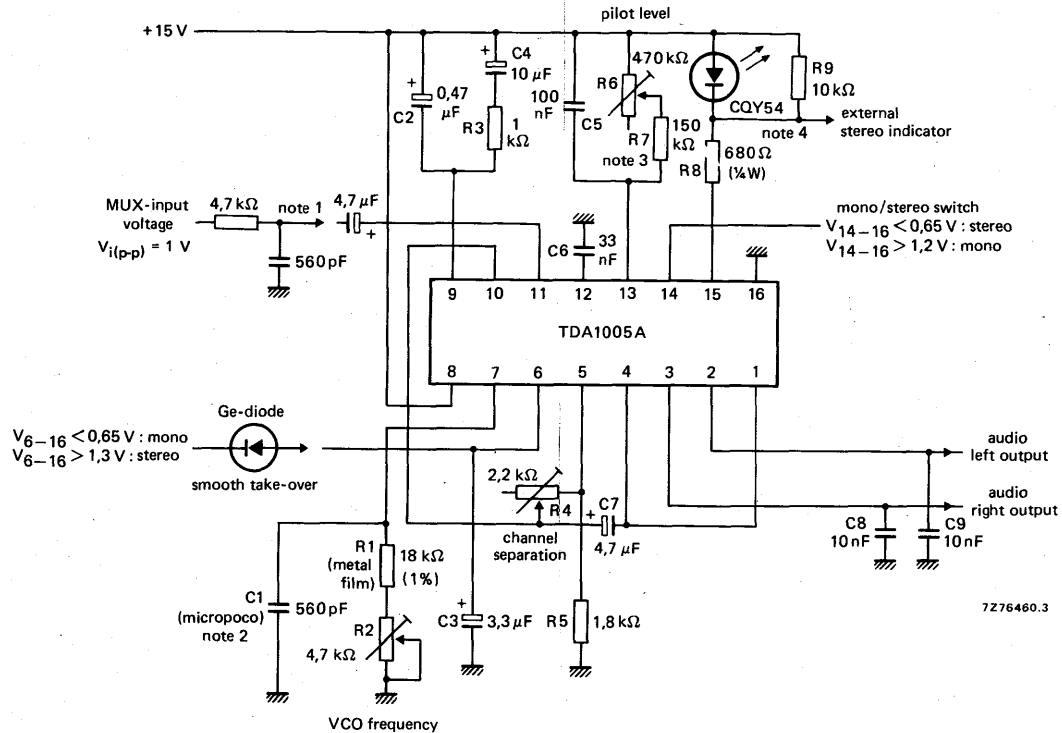


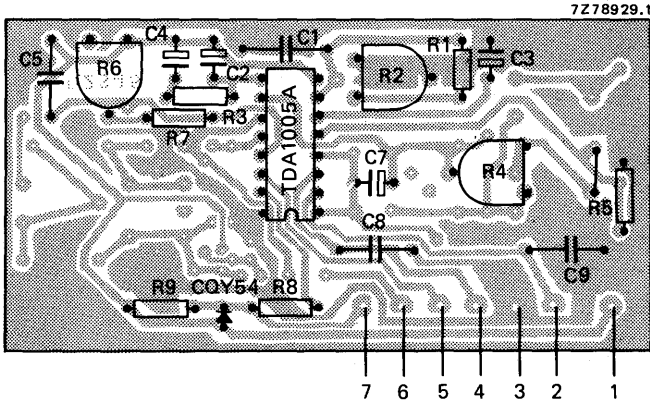
Fig. 9 Printed-circuit board showing track side.



## Notes

1. For other input structures see Figs 13 to 21; shown here is with RC-filter (Fig. 15).
2. The micropoco capacitor has a temperature coefficient of  $125 \cdot 10^{-6} \pm 60 \cdot 10^{-6} \text{ } ^\circ\text{C}^{-1}$ .
3. In simplified circuits a fixed resistor (e.g. 620 kΩ) can be used for a guaranteed switching level of  $\leq 16\text{ mV}$ .
4. Either the LED circuit or an external stereo indicator can be used.

Fig. 10 Basic application circuit of a time-division multiplex (t.d.m.) stereo decoder.



1. Positive supply (+ 15 V).
2. Left output.
3. Ground.
4. Right output.
5. Mono/stereo switch.
6. MUX input.
7. External stereo indicator.

Fig. 11 Printed-circuit board component side of a t.d.m. decoder, showing component layout. For circuit diagram see Fig. 10.

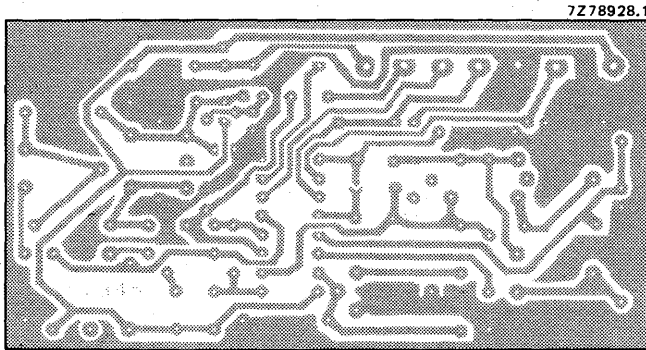


Fig. 12 Printed-circuit board showing track side.

INPUT STRUCTURES (see also Figs 7 and 10)

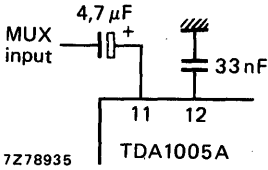


Fig. 13 Without filtering.

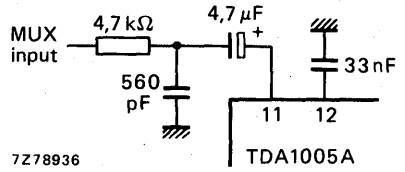


Fig. 15 With RC-filter for achieving i.f. roll-off (typ. 62 kHz).

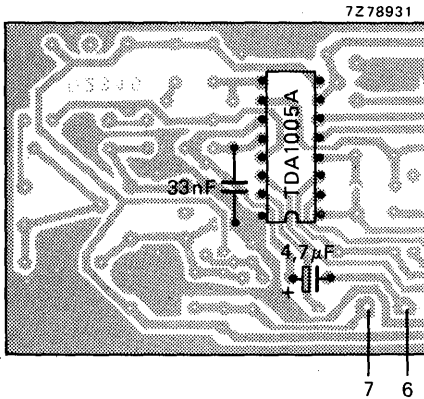


Fig. 14 Printed-circuit board component side, showing component layout of Fig. 13.

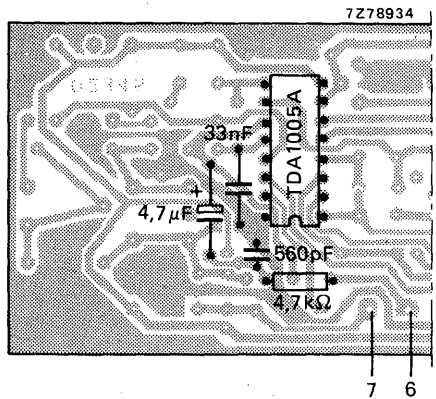


Fig. 16 Printed-circuit board component side, showing component layout of Fig. 15.

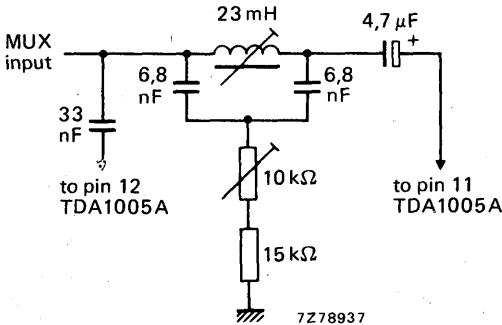


Fig. 17 With 19 kHz notch filter.

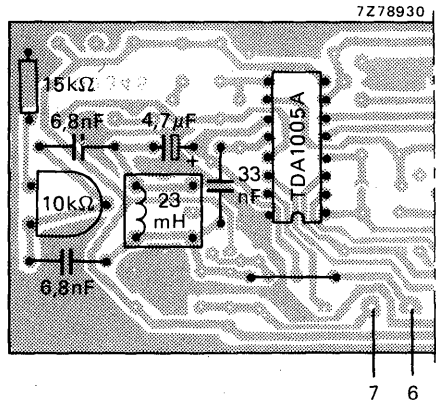


Fig. 18 Printed-circuit board component side, showing component layout of Fig. 17.

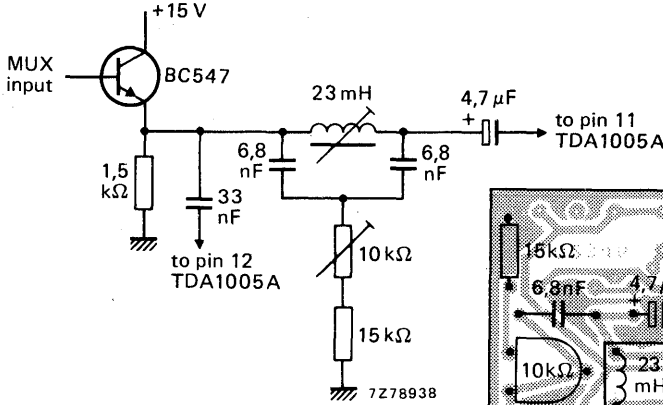


Fig. 19 With buffer stage (to achieve low impedance driving of notch filter; see Fig. 6) and 19 kHz notch filter.

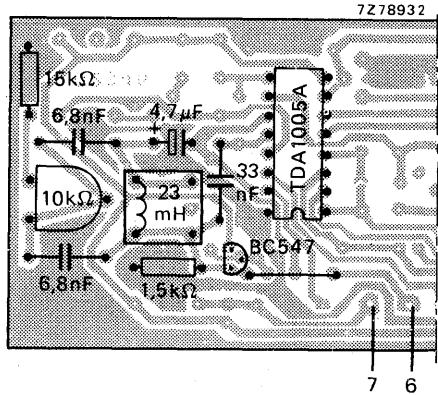


Fig. 20 Printed-circuit board component side, showing component layout of Fig. 19.

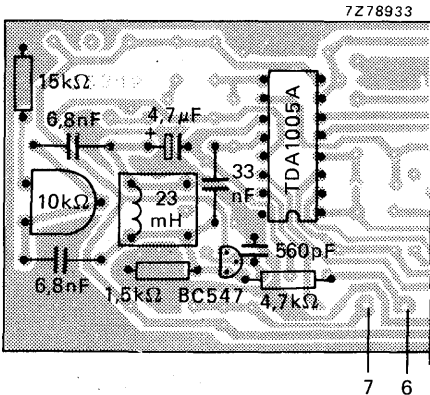
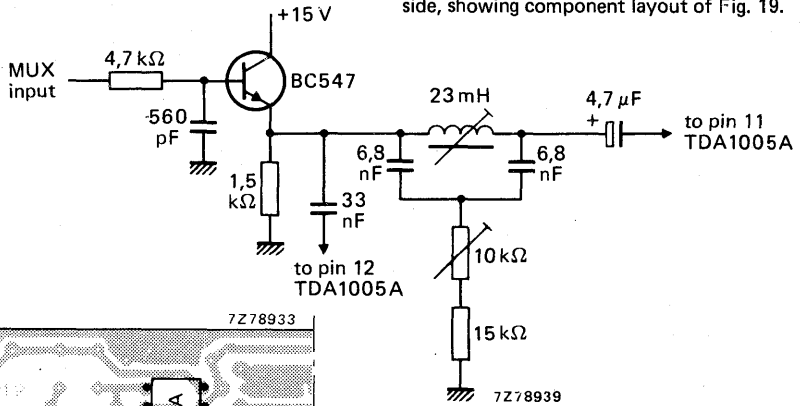
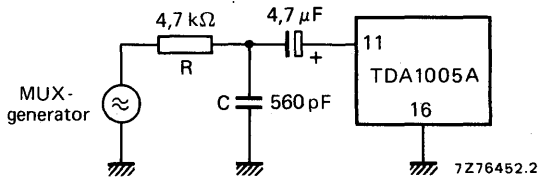
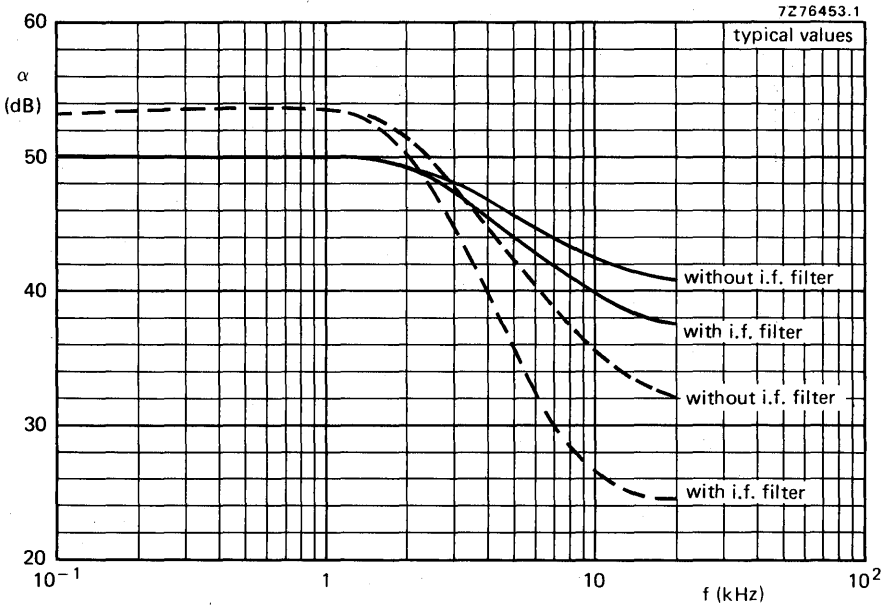


Fig. 21 With RC-filter, buffer stage and 19 kHz notch filter.

Fig. 22 Printed-circuit board component side, showing component layout of Fig. 21.





- time-division multiplex system; adjusted at 1 kHz (R4 in Fig. 10)
- - - frequency-division multiplex system; adjusted at 1 and 5 kHz (R4 and R10 in Fig. 7)

Conditions:  $V_{8-16} = 15 \text{ V}$ ;  $V_{i(p-p)} = 1 \text{ V}$ .

Note: RC-filter for simulating the i.f. roll-off (typ. 62 kHz).

Fig. 23 Channel separation as a function of frequency.

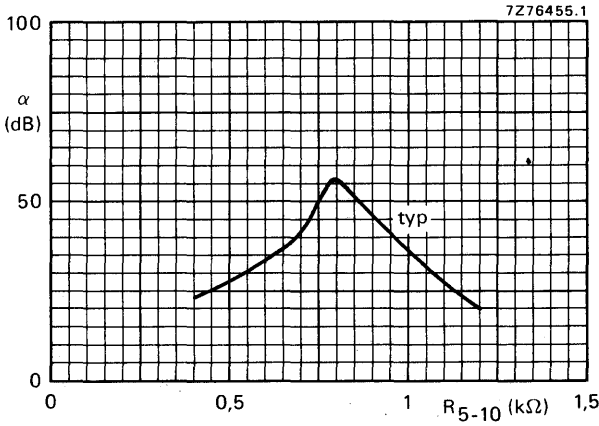


Fig. 24 Channel separation at  $f = 1$  kHz as a function of resistance between pins 5 and 10 for a t.d.m. system. For test circuit see Fig. 23. ←

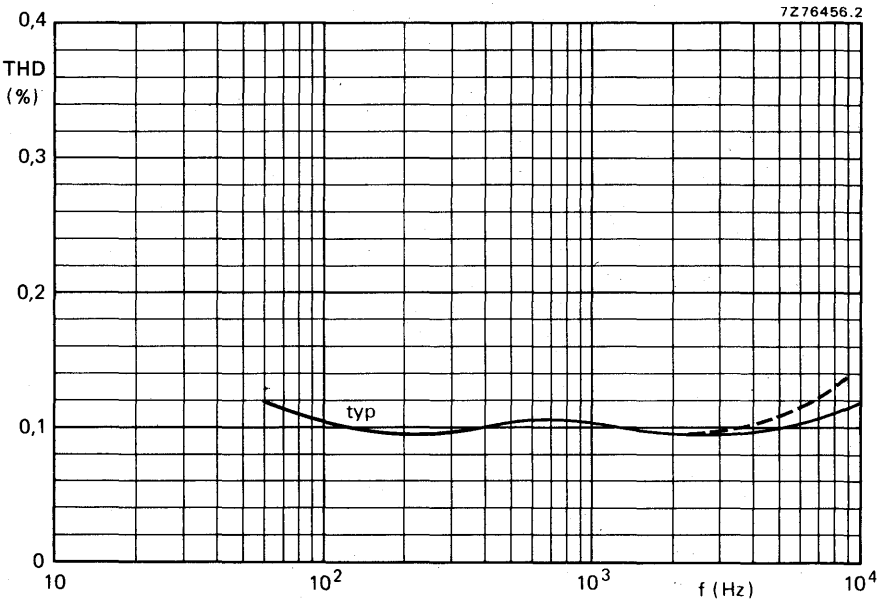
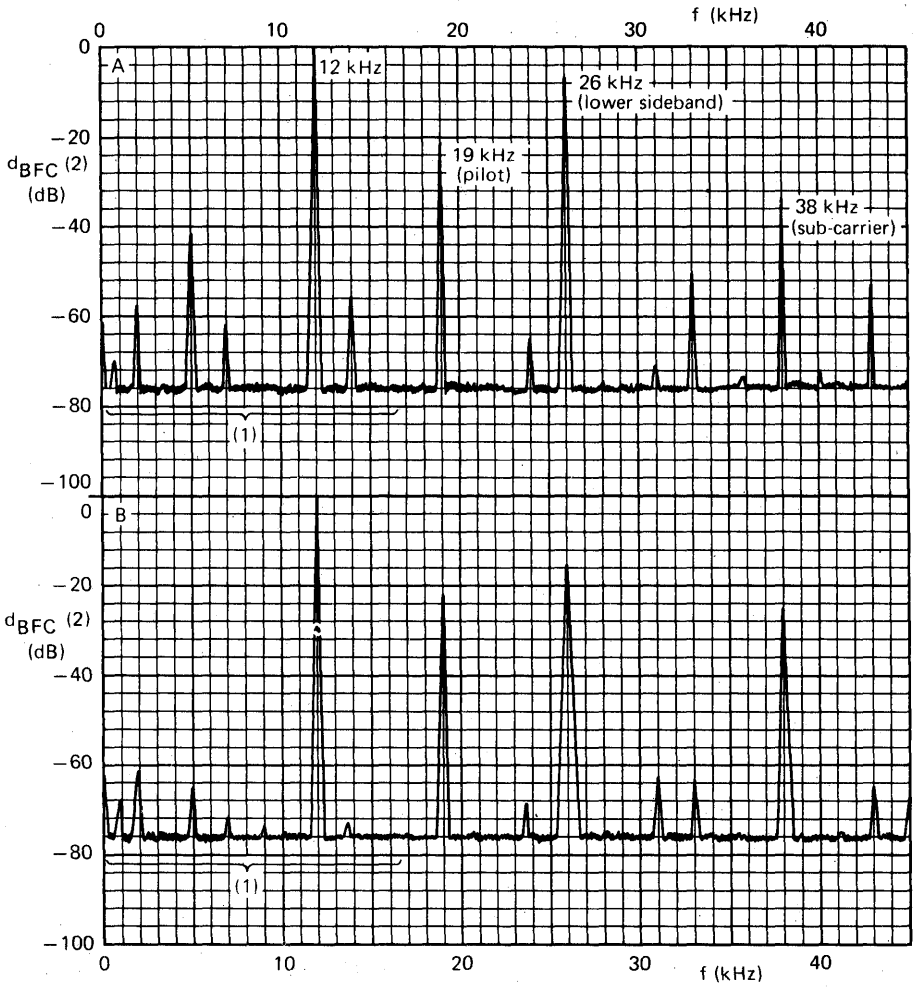


Fig. 25 Distortion as a function of audio frequency;  $R = 1$ ;  $L = 0$ ;  $V_{8-16} = 15$  V;  $V_{2-16} = V_{3-16} = 1$  V (r.m.s.). - - - t.d.m. system; — f.d.m. system. ←



(1) Audible interferences (BFC-distortion) and desired 12 kHz signal.

$$(2) d_{BFC} = 20 \log \frac{V_{BFC}}{V \text{ (at 12 kHz)}}$$

Fig. 26 Spectrum at the decoder outputs; A for t.d.m.; B for f.d.m.  $V_{i(p-p)} = 1 \text{ V}$ ;  $R = 1$ ;  $L = 0$ ;  $m = 90\%$  for  $f = 12 \text{ kHz}$ ;  $m = 10\%$  for  $f = 19 \text{ kHz}$ .

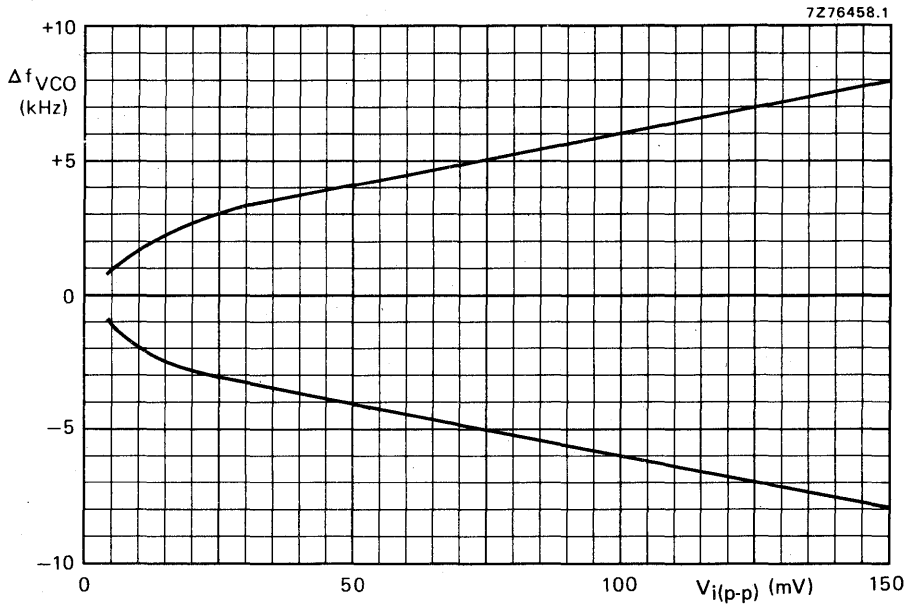


Fig. 27 Typical values of the capture range of the oscillator as a function of the pilot threshold voltage at MUX-input.

$V_{8-16} = 15$  V;  $\Delta f_{VCO} = f_{VCO} - 76$  kHz where:  $f_{VCO}$  = modulated, free-running oscillator frequency;  
 $\Delta f_{VCO}$  = maximum  $f_{VCO}$  deviation which will be captured if pilot signal (pin 11) is switched-on.

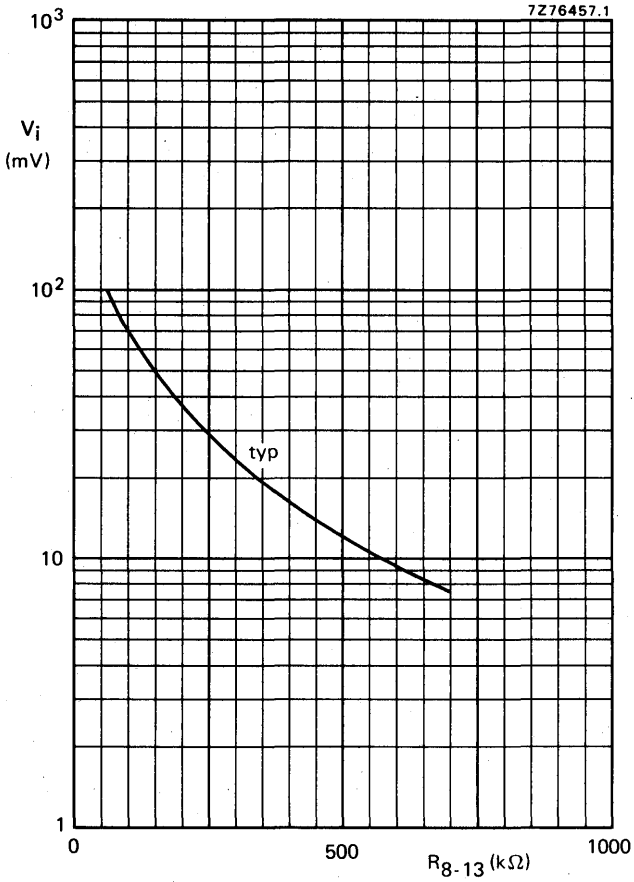


Fig. 28 Pilot input voltage switching level (stereo 'on') as a function of resistance between pins 8 and 13.

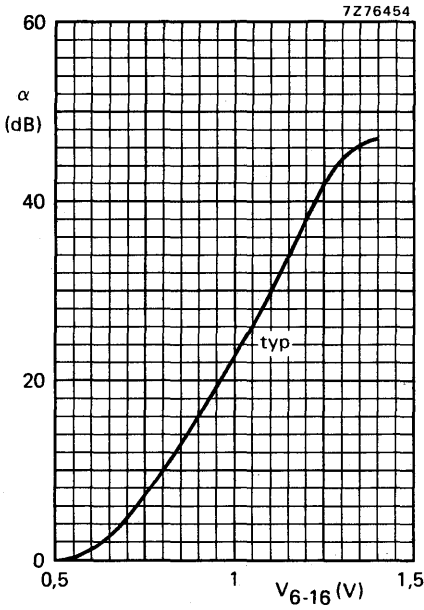


Fig. 29 Channel separation as a function of  $V_{6-16}$  at 1 kHz (smooth take-over).





## MOTOR REGULATOR WITH AUTOMATIC TAPE-END INDICATOR

The TDA1006A is for use in car radio tape-decks

The circuit incorporates the following functions:

- capstan motor speed control;
- an electronic motor stop in conjunction with hysteresis slip-coupling or commutator pulses;
- an automatic switch from playback to radio at tape-end;
- playback indication with lamp;
- tape-end indication with intermittent light.

### QUICK REFERENCE DATA

Supply voltage range	$V_p$	6 to 22 V
Ambient temperature	$T_{amb}$	typ. 25 °C
Supply voltage	$V_p$	typ. 14 V
<b>Motor regulator</b>		
Current consumption ( $R_{3-4} = 7,5 \text{ k}\Omega$ )		
radio	$I_4$	typ. 9 mA
playback ( $I_1 = 0$ )	$I_4$	typ. 12 mA
playback	$I_4$	typ. 52 mA
tape-end	$I_4$	typ. 32 mA
Operating motor current	$I_3$	typ. 200 mA
Supply voltage rejection	$\Delta V_{3-2}/\Delta V_{4-2}$	typ. 1 mV/V
<b>Automatic stop circuit</b>		
Input current	$I_{14}$	> 25 $\mu\text{A}$
Input voltage at commutator	$V_{11-2}$	-6 to +6 V

### PACKAGE OUTLINE

16-lead DIL; plastic power (SOT-38N2).



Fig. 1a Circuit diagram (continued in Fig. 1b).

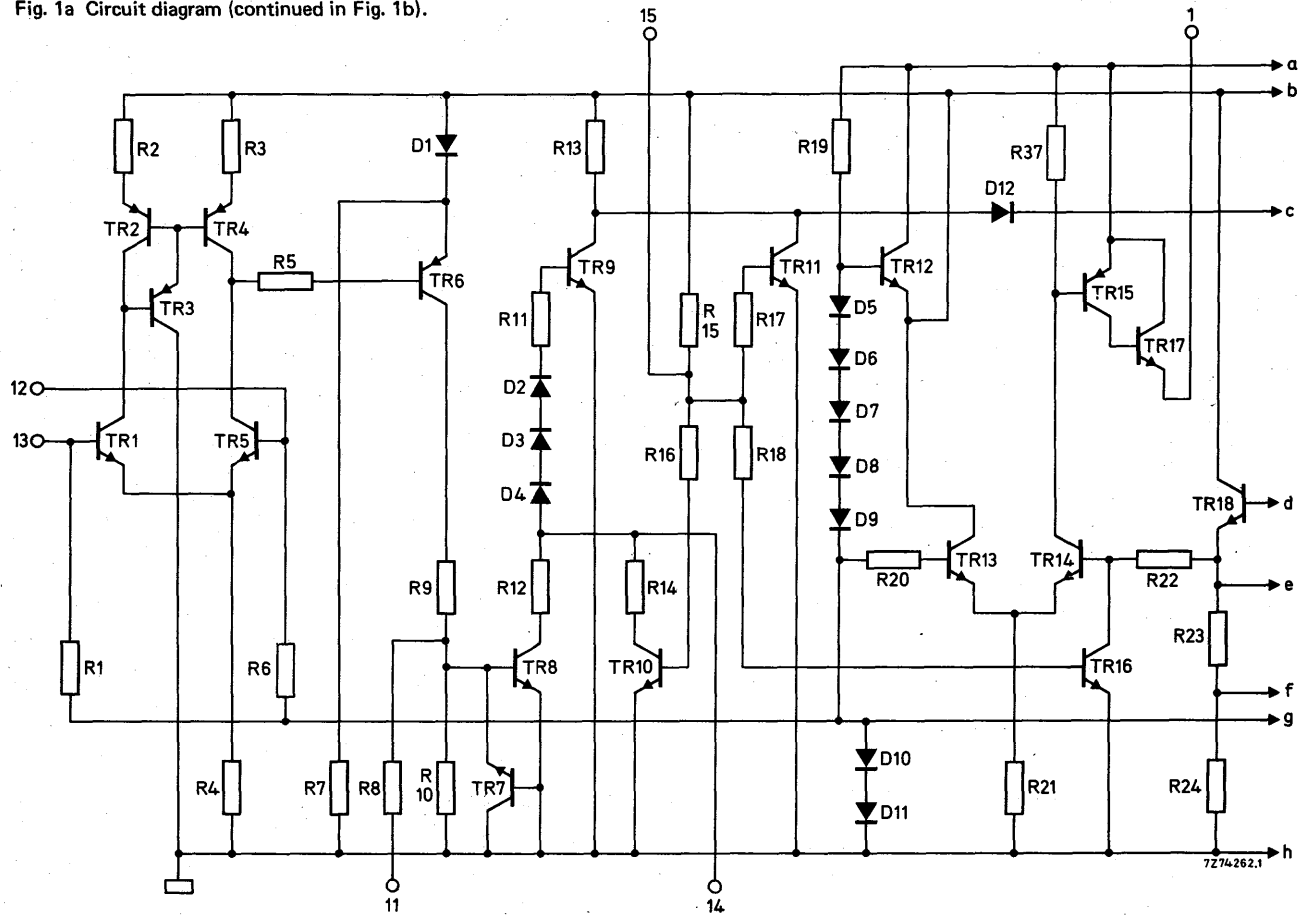
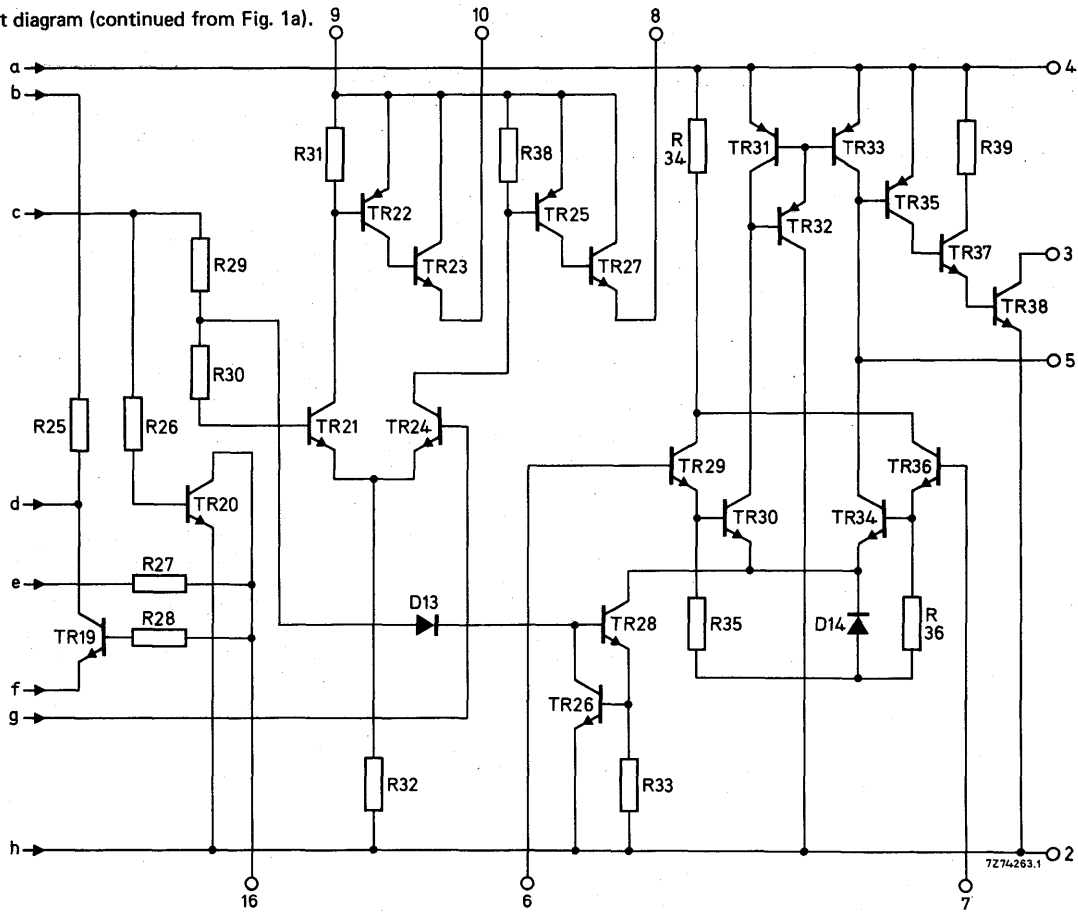


Fig. 1b Circuit diagram (continued from Fig. 1a).



**RATINGS**

Limiting values in accordance with the Absolute Maximum System (IEC 134)

**Supply voltage**

pin 4	V <sub>4-2</sub>	max.	24 V
pin 9	V <sub>9-2</sub>	max.	24 V
	V <sub>4-2</sub>	≥	V <sub>9-2</sub>

**Output current**

pin 1 (d.c. value)	-I <sub>1</sub>	max.	40 mA
(peak value)	-I <sub>1M</sub>	max.	100 mA
pin 3 (d.c. value)	I <sub>3</sub>	max.	250 mA
(non-repetitive peak value)	I <sub>3SM</sub>	max.	600 mA
pin 8 (d.c. value)	-I <sub>8</sub>	max.	45 mA
(peak value)	-I <sub>8M</sub>	max.	80 mA
pin 10 (d.c. value)	-I <sub>10</sub>	max.	20 mA
(peak value)	-I <sub>10M</sub>	max.	20 mA

**Storage temperature**

T<sub>stg</sub> -65 to +150 °C

**Operating ambient temperature**

see power derating curve Fig. 2

T<sub>amb</sub> -25 to +150 °C

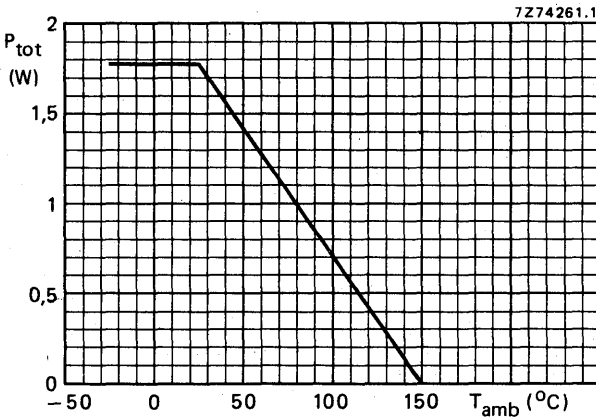


Fig. 2 Power derating curve; derating factor: 14,3 mW/°C.

**CHARACTERISTICS**

$V_P = 14\text{ V}$ ;  $T_{amb} = 25\text{ }^\circ\text{C}$  unless otherwise specified (see test circuit Fig. 3).

Supply voltage range (pins 4 and 9)

$V_{P4-2} \geq 6\text{ to }22\text{ V}$   
 $V_{9-2}$

**Motor regulator**

Current consumption ( $R_{3,4} = 7,5\text{ k}\Omega$ )  
 radio

$I_4$  typ. 9 mA

playback ( $I_1 = 0$ )

$I_4$  { typ. 12 mA  
 9,5 to 17 mA

playback

$I_4$  typ. 52 mA

tape-end

$I_4$  typ. 32 mA

Input offset voltage at  $I_3 = 3\text{ mA}$

$|V_{7-6}|$  { typ. 2 mV  
 < 8 mV

Input voltage range (common mode)

$V_{6-2}; V_{7-2}$  2,4 to  $V_P - 0,2\text{ V}$

Input bias current

$I_6; I_7$  { typ. 80 nA  
 < 700 nA

Input sensitivity (for  $\Delta I_3 = 100\text{ mA}$ )

$\Delta V_{7-6}$  < 13 mV

Operating voltage of TR38 at  $I_{3SM} = 600\text{ mA}$

$V_{3-2}$  typ. 900 mV  
 < 1800 mV

Supply voltage rejection

$\Delta V_{3-2}/\Delta V_{4-2}$  typ. 1 mV/V

Operating motor current

$I_3$  { typ. 200 mA  
 < 250 mA

**Automatic motor 'stop' circuit**

Input current

$I_{14} > 25\text{ }\mu\text{A}$

Voltage when TR20 is not conducting  
 (pin 16; peak-to-peak value)

$V_{16-2(p-p)}$  0,9 to 1,4 V

Voltage when TR20 is conducting (pin 16)

$V_{16-2} < 250\text{ mV}$

Input voltage at commutator (pin 11)

$V_{11-2} -6\text{ to }+6\text{ V}$

**Stop signal amplifier**

Differential input voltage

$V_{12-13}$  { typ. 3,5 mV  
 2,6 to 4,4 mV

Voltage without input signal

$V_{11-2}$  85 to 170 mV

Input voltage (r.m.s. value)

$V_{12-13(rms)} > 10\text{ mV}$

**CHARACTERISTICS** (continued)**Radio and preamplifier supply**

Radio supply current (d.c.)

 $-I_8 \leq 45 \text{ mA}$ Saturation voltage at  $-I_{8M} = 80 \text{ mA}$  $V_{8-9} \leq 1,35 \text{ V}$ 

Preamplifier supply current (d.c.)

 $-I_{10} \leq 20 \text{ mA}$ Saturation voltage at  $-I_{10} = 20 \text{ mA}$  $V_{10-9} \leq 1,2 \text{ V}$ **Lamp driver**

Output current (d.c.)

 $-I_1 \leq 40 \text{ mA}$ Saturation voltage at  $-I_{1M} = 100 \text{ mA}$  $V_{4-1} \leq 1,85 \text{ V}$ 

D.C. voltage level

 $V_{15-2} \text{ } 0,75 \text{ to } 1,2 \text{ V}$





## GATING/FREQUENCY DIVIDER FOR ELECTRONIC MUSICAL INSTRUMENTS

The TDA1008 is a monolithic bipolar integrated circuit based on I<sup>2</sup>L (integrated injection logic), with frequency dividers directly coupled to the gating system.

The outputs of the dividers, together with the input signal, are applied internally to nine gate inputs. By activating a key input, five successive signals out of the nine are selected and transferred to the outputs. Five key inputs are available, each selecting a different combination; e.g. 16<sup>1</sup>, 8<sup>1</sup>, 4<sup>1</sup>, 2<sup>1</sup> and 1<sup>1</sup>. The output signal level is proportional to the voltage applied to the key inputs. By connecting RC combinations to the key inputs, sustain of the output signal is easily obtained. The duration of the sustained signal can be adjusted by connecting a variable voltage to the appropriate terminal (pin 7).

In electronic organs using a top octave synthesizer directly coupled to twelve TDA1008 circuits, only one busbar per manual is needed to obtain five octave-related tones per key.

The tone output signals are symmetrical around a fixed d.c. voltage, thereby avoiding key clicks.

### QUICK REFERENCE DATA

Supply voltage (pin 1)	V <sub>P1-16</sub>	typ.	12 V
Supply voltage divider (pin 13)	V <sub>P13-16</sub>	typ.	6 V
Supply voltage tone outputs (pins 2, 3, 4, 5, 6)	V <sub>Ptone</sub>	typ.	9 V
Input voltage; HIGH	V <sub>IH</sub>	>	1,5 V
Input voltage; LOW	V <sub>IL</sub>	<	0,4 V
Required key voltage (pins 8, 9, 10, 11, 12)	V <sub>K1 to VK5</sub>	typ.	V <sub>P13-16</sub>
Key input impedance (see note)	Z <sub>K1 to ZK5</sub>	>	8 MΩ
Supply current (pin 1)			
all keys activated	I <sub>1</sub>	typ.	13 mA
no activated keys	I <sub>1</sub>	typ.	0 mA
Supply current (pin 13)	I <sub>13</sub>	typ.	11 mA
Sustaining voltage range (pin 7)	V <sub>7sust</sub>		0 to 2 V
Input frequency	f <sub>i</sub>	<	100 kHz
Tone output signal voltage			
with one key activated	V <sub>Q(p-p)</sub>	typ.	600 mV
Operating ambient temperature range	T <sub>amb</sub>		0 to + 70 °C

**Note**  
Key input impedance is determined by the voltage applied to pin 7. This impedance is stated at zero volt on pin 7.

### PACKAGE OUTLINE

16-lead DIL; plastic (SOT-38).



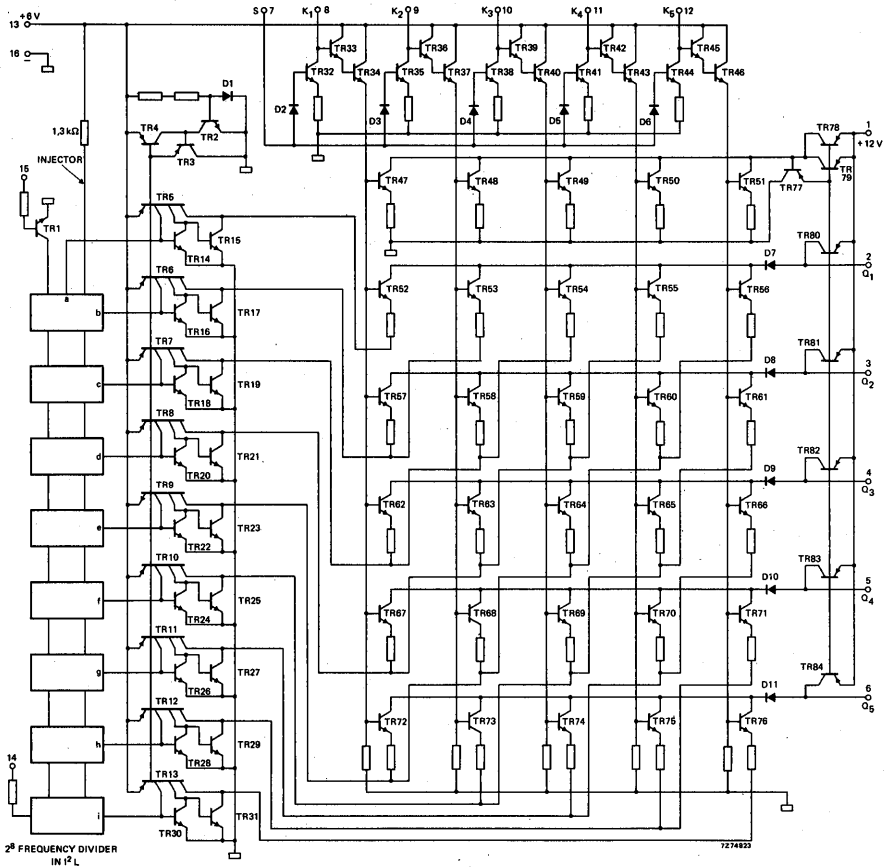


Fig. 1 Circuit diagram.

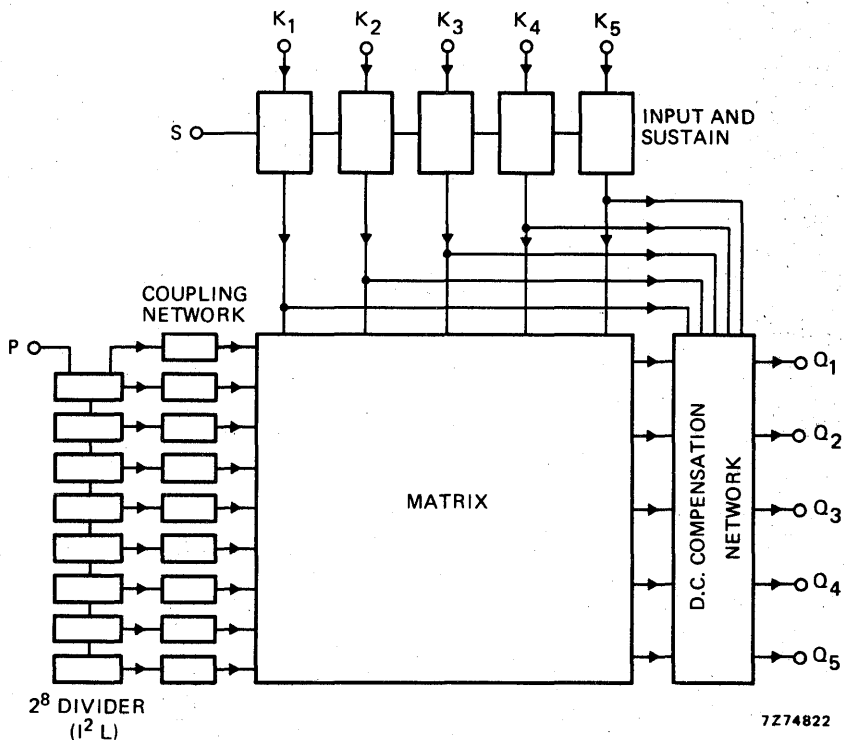


Fig. 2 Block diagram.

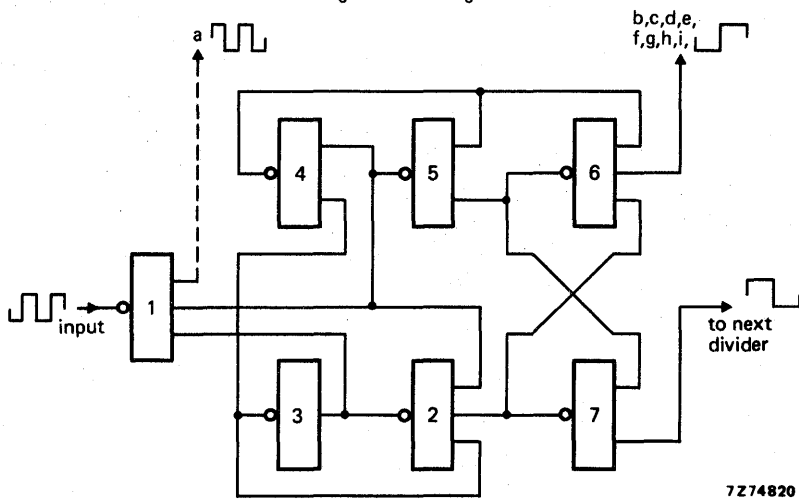


Fig. 3 Logic diagram of the  $I^2L$  2-divider.

**RATINGS**

Limiting values in accordance with the Absolute Maximum System (IEC 134)

Supply voltages

pin 1	$V_{P1-16}$	max.	13 V
pin 13	$V_{P13-16}$	max.	6,5 V
pin 14	$V_{P14-16}$	max.	6,5 V

Input voltages

K inputs (pins 8, 9, 10, 11, 12)	$V_{K1}$ to $V_{K5}$	max.	$V_{P13-16}$
$f_i$ input (pin 15)	$V_{fi}$	max.	15 V
S input (pin 7)	$V_S$	max.	2,5 V

Output voltages

$Q_1$ to $Q_5$ (pins 2, 3, 4, 5, 6)	$V_{Q1}$ to $V_{Q5}$	max.	12 V
-------------------------------------	----------------------	------	------

Operating ambient temperature

see derating curve Fig. 4

Storage temperature

$T_{stg}$  -25 to + 125 °C

Total power dissipation

see derating curve Fig. 4

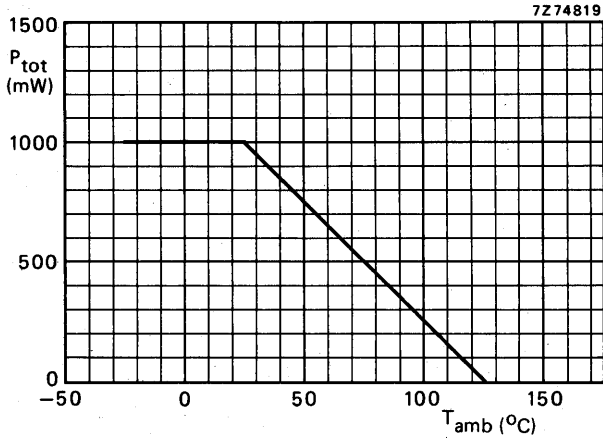


Fig. 4 Power derating curve.

## CHARACTERISTICS

All voltages with reference to pin 16; all currents positive into the IC.

Supply voltage range

pin 13	$V_{P13-16}$	5 to 6,5 V
pin 1	$V_{P1-16}$	10 to 13 V
pin 9	$V_{P9-16}$	see note 1

Characteristics at  $T_{amb} = 25\text{ }^{\circ}\text{C}$ ;  $V_{P13-16} = 6\text{ V}$ ;  $V_{P1-16} = 12\text{ V}$ ; see Fig. 6.

Supply current (pin 13)

K-inputs at 6 V	$I_{13}$	typ.	7,5 to 16 mA 11 mA
-----------------	----------	------	-----------------------

Supply current (pin 1)

K-inputs at 6 V	$I_1$	typ.	8 to 16 mA 12,7 mA
-----------------	-------	------	-----------------------

Input current at  $f_i$  (pin 15)

$V_{fi} = 6\text{ V}$	$I_{15}$	typ.	100 to 200 $\mu\text{A}$ 150 $\mu\text{A}$
-----------------------	----------	------	---

Input current K-inputs (pins 8, 9, 10, 11, 12)

$V_K = 6\text{ V}$	$I_K$	typ.	150 nA
S-input connected to 0 V		<	750 nA

S-input connected to 2,0 V

$I_K$	typ.	80 to 150 $\mu\text{A}$ 100 $\mu\text{A}$
-------	------	--

Input current S-input (pin 7)

no key inputs activated	$I_S$	typ.	500 $\mu\text{A}$
all key inputs activated	$I_S$	typ.	10 $\mu\text{A}$

Output current Q-output (pins 2, 3, 4, 5, 6)

$V_Q = \text{LOW}$ (note 2)	$+I_Q$	typ.	230 to 450 $\mu\text{A}$ 300 $\mu\text{A}$
-----------------------------	--------	------	---

$V_Q = \text{HIGH}$  (note 2)

$-I_Q$	typ.	230 to 450 $\mu\text{A}$ 300 $\mu\text{A}$
--------	------	---

Output current pin 14

$I_{14}$	<	20 $\mu\text{A}$
----------	---	------------------

Peak output voltage (pins 2, 3, 4, 5, 6)

by activating one K-input only (Fig. 5)	$V_{QM}$	typ.	300 mV
---	----------	------	--------

Input frequency at pin 15

$V_{15HIGH} > 1,5\text{ V}$ ; $V_{15LOW} < 0,4\text{ V}$	$f_i$	<	100 kHz
--	-------	---	---------

## Notes

1. This voltage has to be in the middle of  $V_{P1-16}$  and  $V_{13-16}$ .
2. To be multiplied by the number of activated K-inputs.

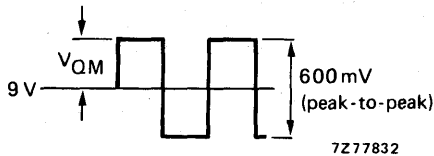


Fig. 5

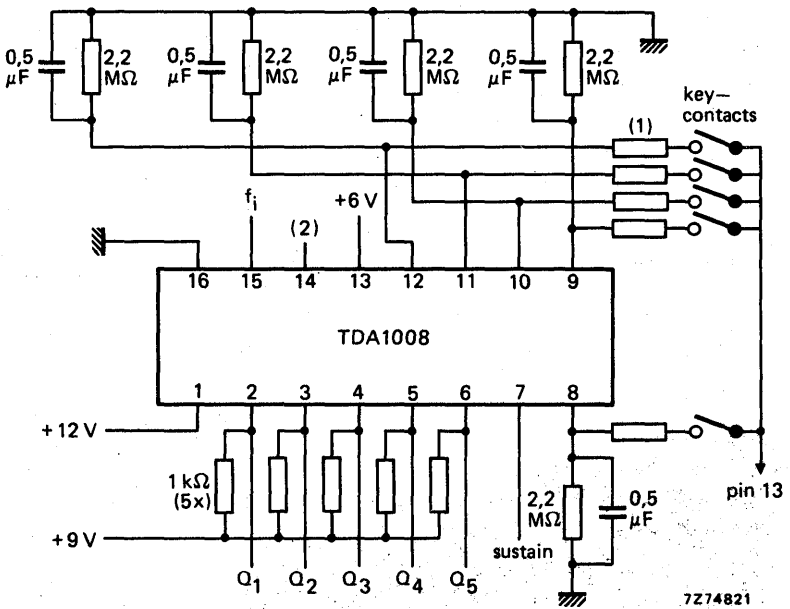
TRUTH TABLE

	K <sub>1</sub>	K <sub>2</sub>	K <sub>3</sub>	K <sub>4</sub>	K <sub>5</sub>
Q <sub>1</sub>	f <sub>i</sub>	f <sub>i</sub> /2	f <sub>i</sub> /4	f <sub>i</sub> /8	f <sub>i</sub> /16
Q <sub>2</sub>	f <sub>i</sub> /2	f <sub>i</sub> /4	f <sub>i</sub> /8	f <sub>i</sub> /16	f <sub>i</sub> /32
Q <sub>3</sub>	f <sub>i</sub> /4	f <sub>i</sub> /8	f <sub>i</sub> /16	f <sub>i</sub> /32	f <sub>i</sub> /64
Q <sub>4</sub>	f <sub>i</sub> /8	f <sub>i</sub> /16	f <sub>i</sub> /32	f <sub>i</sub> /64	f <sub>i</sub> /128
Q <sub>5</sub>	f <sub>i</sub> /16	f <sub>i</sub> /32	f <sub>i</sub> /64	f <sub>i</sub> /128	f <sub>i</sub> /256

Activating 'one' key input only gives the notified output frequency.

By activating more key inputs at a time, the output amplitude will be the sum signal of the notified frequencies.

APPLICATION INFORMATION



- (1) If required contact-current limiting resistors.
- (2) a. Factory test point; ungated output from the final divider.  
 b. Can be used for obtaining very low frequencies (pedals). It should be connected to pin 13 (+6 V) via a resistor of minimum 300 kΩ to deliver the current I<sub>14</sub>.

Fig. 6 Basic application diagram.

## 6 W AUDIO POWER AMPLIFIER

The TDA1010 is a monolithic integrated class-B audio amplifier circuit in a 9-lead single in-line (SIL) plastic package. The device is primarily developed as a 6 W car radio amplifier for use with 4  $\Omega$  and 2  $\Omega$  load impedances. The wide supply voltage range and the flexibility of the IC make it an attractive proposition for record players and tape recorders with output powers up to 8 W.

Special features are:

- single in-line (SIL) construction for easy mounting
- separated preamplifier and power amplifier
- high output power
- low-cost external components
- good ripple rejection
- thermal protection

### QUICK REFERENCE DATA

Supply voltage range	$V_P$		6 to 24 V
Repetitive peak output current	$I_{ORM}$	max.	3 A
Output power at pin 2; $d_{tot} = 10\%$			
$V_P = 14,4$ V; $R_L = 2 \Omega$	$P_O$	typ.	6,4 W
$V_P = 14,4$ V; $R_L = 4 \Omega$	$P_O$	typ.	6,2 W
$V_P = 14,4$ V; $R_L = 8 \Omega$	$P_O$	typ.	3,4 W
$V_P = 14,4$ V; $R_L = 2 \Omega$ ; with additional bootstrap resistor of 220 $\Omega$ between pins 3 and 4	$P_O$	typ.	9 W
Total harmonic distortion at $P_O = 1$ W; $R_L = 4 \Omega$	$d_{tot}$	typ.	0,2 %
Input impedance			
preamplifier (pin 8)	$ Z_i $	typ.	30 k $\Omega$
power amplifier (pin 6)	$ Z_i $	typ.	20 k $\Omega$
Total quiescent current at $V_P = 14,4$ V	$I_{tot}$	typ.	31 mA
Sensitivity for $P_O = 5,8$ W; $R_L = 4 \Omega$	$V_i$	typ.	10 mV
Operating ambient temperature	$T_{amb}$		-25 to + 150 $^{\circ}$ C
Storage temperature	$T_{stg}$		-55 to + 150 $^{\circ}$ C

### PACKAGE OUTLINE

9-lead SIL; plastic (SOT-110A).

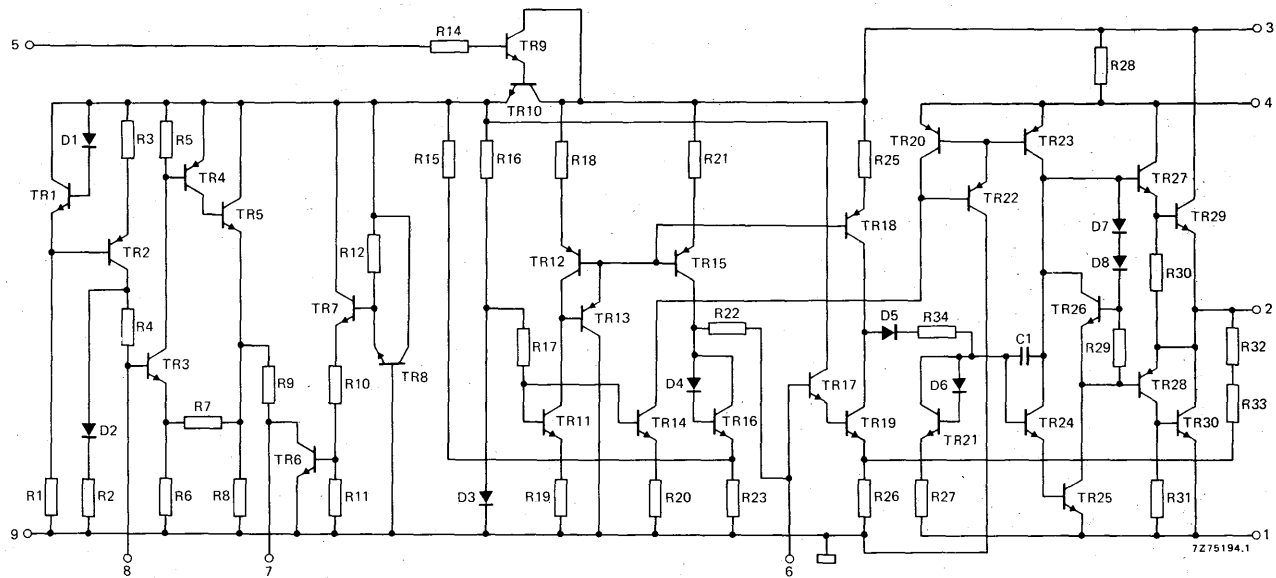


Fig. 1 Circuit diagram.

**RATINGS**

Limiting values in accordance with the Absolute Maximum System (IEC 134)

Supply voltage	$V_p$	max.	24 V
Peak output current	$I_{OM}$	max.	5 A
Repetitive peak output current	$I_{ORM}$	max.	3 A
Total power dissipation	see derating curve Fig. 2		
Storage temperature	$T_{stg}$	-55 to + 150 °C	
Operating ambient temperature	$T_{amb}$	-25 to + 150 °C	
A.C. short-circuit duration of load during sine-wave drive; without heatsink at $V_p = 14,4$ V	$t_{sc}$	max.	100 hours

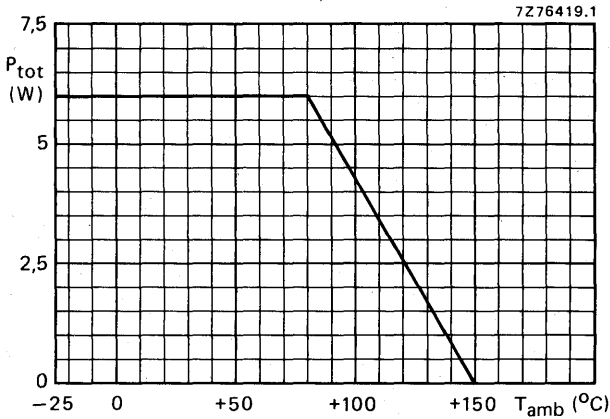


Fig. 2 Power derating curve.

**HEATSINK DESIGN**

Assume  $V_p = 14,4$  V;  $R_L = 2 \Omega$ ;  $T_{amb} = 60$  °C maximum; thermal shut-down starts at  $T_j = 150$  °C. The maximum sine-wave dissipation in a  $2 \Omega$  load is about 5,2 W. The maximum dissipation for music drive will be about 75% of the worst-case sine-wave dissipation, so this will be 3,9 W. Consequently, the total resistance from junction to ambient

$$R_{th\ j-a} = R_{th\ j-tab} + R_{th\ tab-h} + R_{th\ h-a} = \frac{150 - 60}{3,9} = 23 \text{ } ^\circ\text{C/W.}$$

Since  $R_{th\ j-tab} = 12$  °C/W and  $R_{th\ tab-h} = 1$  °C/W,

$$R_{th\ h-a} = 23 - (12 + 1) = 10 \text{ } ^\circ\text{C/W.}$$



**D.C. CHARACTERISTICS**

Supply voltage range	$V_P$	6 to 24 V
Repetitive peak output current	$I_{ORM}$	< 3 A
Total quiescent current at $V_P = 14,4$ V	$I_{tot}$	typ. 31 mA

**A.C. CHARACTERISTICS**

$T_{amb} = 25$  °C;  $V_P = 14,4$  V;  $R_L = 4$   $\Omega$ ;  $f = 1$  kHz unless otherwise specified; see also Fig. 3.

A.F. output power (see Fig. 4) at  $d_{tot} = 10\%$ ;  
measured at pin 2; with bootstrap

$V_P = 14,4$ V; $R_L = 2$ $\Omega$ (note 1)	$P_O$	typ. 6,4 W
$V_P = 14,4$ V; $R_L = 4$ $\Omega$ (note 1 and 2)	$P_O$	{ > 5,9 W typ. 6,2 W
$V_P = 14,4$ V; $R_L = 8$ $\Omega$ (note 1)	$P_O$	typ. 3,4 W
$V_P = 14,4$ V; $R_L = 4$ $\Omega$ ; without bootstrap	$P_O$	typ. 5,7 W
$V_P = 14,4$ V; $R_L = 2$ $\Omega$ ; with additional bootstrap resistor of 220 $\Omega$ between pins 3 and 4	$P_O$	typ. 9 W

Voltage gain

preamplifier (note 3)	$G_{V1}$	typ. 24 dB 21 to 27 dB
power amplifier	$G_{V2}$	typ. 30 dB 27 to 33 dB
total amplifier	$G_{V,tot}$	typ. 54 dB 51 to 57 dB

Total harmonic distortion at  $P_O = 1$  W

$d_{tot}$	typ. 0,2 %
-----------	------------

Efficiency at  $P_O = 6$  W

$\eta$	typ. 75 %
--------	-----------

Frequency response (-3 dB)

B	80 Hz to 15 kHz
---	-----------------

Input impedance

preamplifier (note 4)	$ Z_i $	typ. 30 k $\Omega$ 20 to 40 k $\Omega$
-----------------------	---------	---

power amplifier (note 5)	$ Z_i $	typ. 20 k $\Omega$ 14 to 26 k $\Omega$
--------------------------	---------	---

Output impedance of preamplifier; pin 7 (note 5)

$ Z_o $	typ. 20 k $\Omega$ 14 to 26 k $\Omega$
---------	---

Output voltage preamplifier (r.m.s. value)

$d_{tot} < 1\%$ (pin 7) (note 3)	$V_o(rms)$	> 0,7 V
----------------------------------	------------	---------

Noise output voltage (r.m.s. value; note 6)

$R_S = 0$ $\Omega$	$V_n(rms)$	typ. 0,3 mV
--------------------	------------	-------------

$R_S = 8,2$ k $\Omega$	$V_n(rms)$	typ. 0,7 mV < 1,4 mV
------------------------	------------	-------------------------

Ripple rejection at  $f = 1$  kHz to 10 kHz (note 7)

RR	> 42 dB
----	---------

at $f = 100$ Hz; $C_2 = 1$ $\mu$ F	RR	> 37 dB
------------------------------------	----	---------

Sensitivity for  $P_O = 5,8$  W

$V_i$	typ. 10 mV
-------	------------

Bootstrap current at onset of clipping; pin 4 (r.m.s. value)

$I_4(rms)$	typ. 30 mA
------------	------------

## Notes

1. Measured with an ideal coupling capacitor to the speaker load.
2. Up to  $P_o \leq 3 \text{ W}$  :  $d_{\text{tot}} \leq 1\%$ .
3. Measured with a load impedance of  $20 \text{ k}\Omega$ .
4. Independent of load impedance of preamplifier.
5. Output impedance of preamplifier ( $|Z_o|$ ) is correlated (within 10%) with the input impedance ( $|Z_i|$ ) of the power amplifier.
6. Unweighted r.m.s. noise voltage measured at a bandwidth of 60 Hz to 15 kHz (12 dB/octave).
7. Ripple rejection measured with a source impedance between 0 and  $2 \text{ k}\Omega$  (maximum ripple amplitude: 2 V).

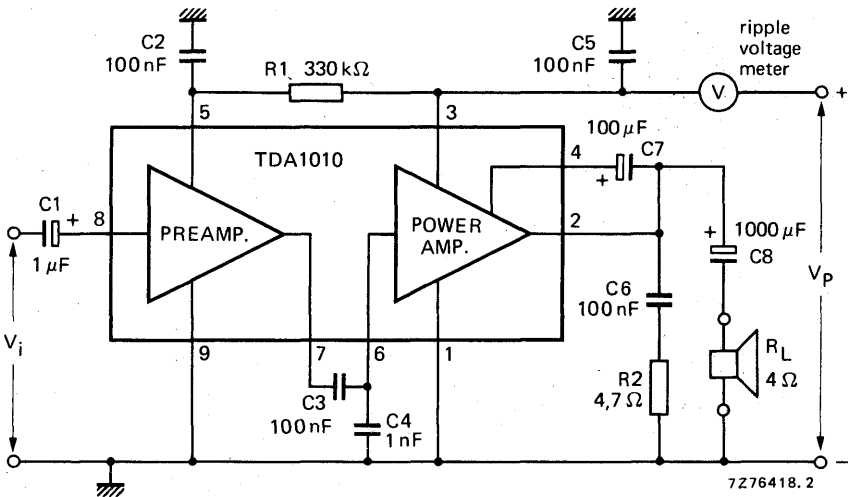


Fig. 3 Test circuit.

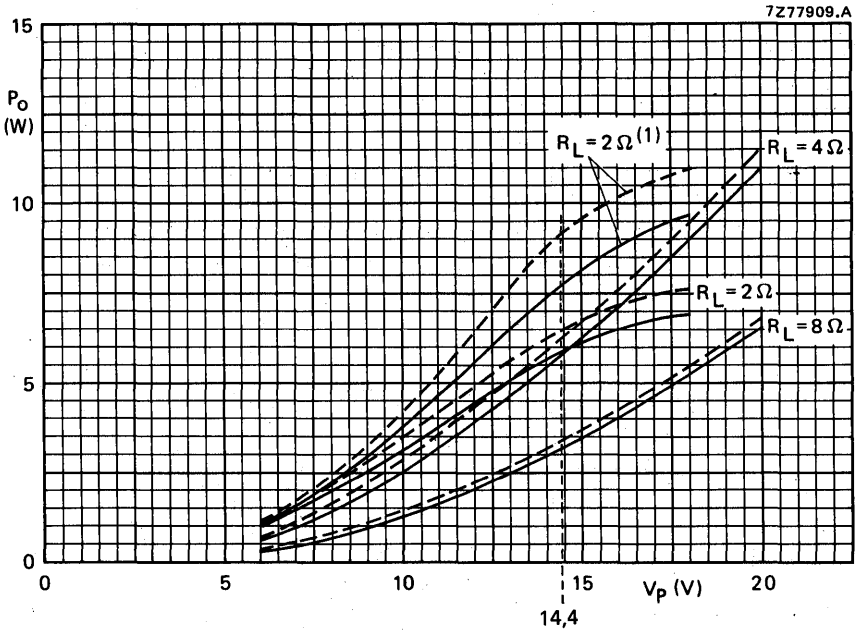


Fig. 4 Output power of the circuit of Fig. 3 as a function of the supply voltage with the load impedance as a parameter; typical values. Solid lines indicate the power across the load, dashed lines that available at pin 2 of the TDA1010.  $R_L = 2 \Omega$  (1) has been measured with an additional  $220 \Omega$  bootstrap resistor between pins 3 and 4. Measurements were made at  $f = 1 \text{ kHz}$ ,  $d_{\text{tot}} = 10\%$ ,  $T_{\text{amb}} = 25 \text{ }^\circ\text{C}$ .

Fig. 5 See next page.

Total harmonic distortion in the circuit of Fig. 3 as a function of the output power with the load impedance as a parameter; typical values. Solid lines indicate the power across the load, dashed lines that available at pin 2 of the TDA1010.  $R_L = 2 \Omega$  (1) has been measured with an additional  $220 \Omega$  bootstrap resistor between pins 3 and 4. Measurements were made at  $f = 1 \text{ kHz}$ ,  $V_p = 14,4 \text{ V}$ .

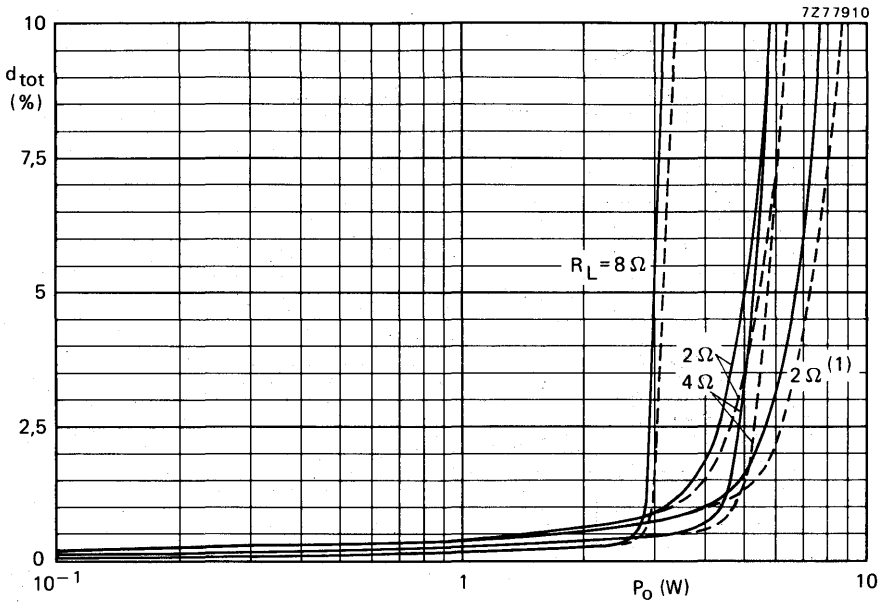


Fig. 5 For caption see page 6.

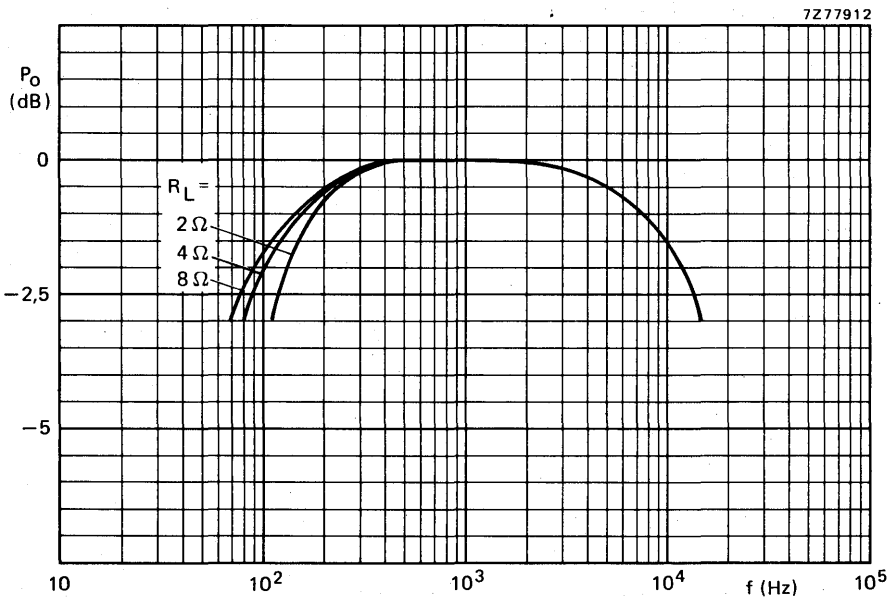


Fig. 6 Frequency characteristics of the circuit of Fig. 3 for three values of load impedance; typical values.  $P_o$  relative to 0 dB = 1 W;  $V_p = 14,4$  V.

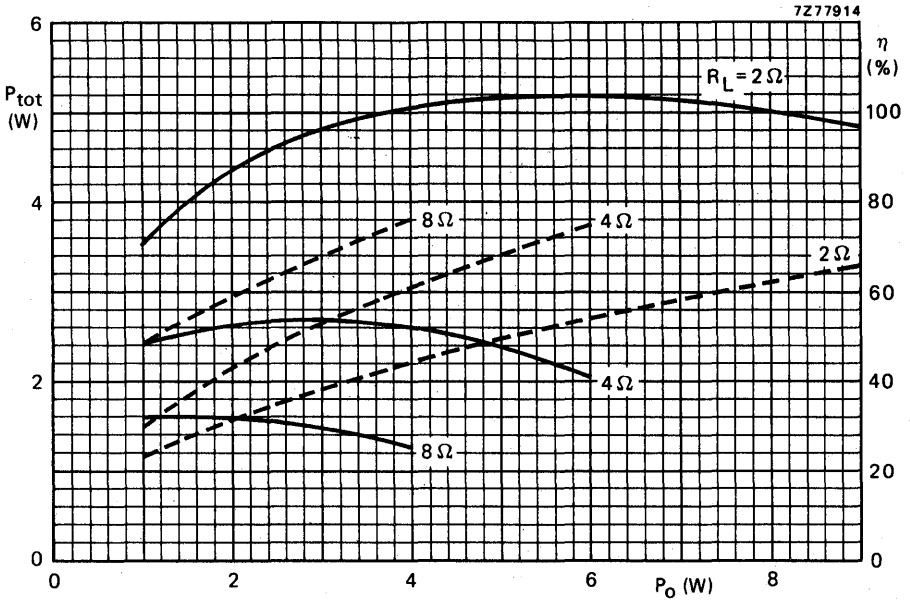


Fig. 7 Total power dissipation (solid lines) and the efficiency (dashed lines) of the circuit of Fig. 3 as a function of the output power with the load impedance as a parameter (for  $R_L = 2\Omega$  an external bootstrap resistor of  $220\Omega$  has been used); typical values.  $V_p = 14,4\text{ V}$ ;  $f = 1\text{ kHz}$ .

7Z77915

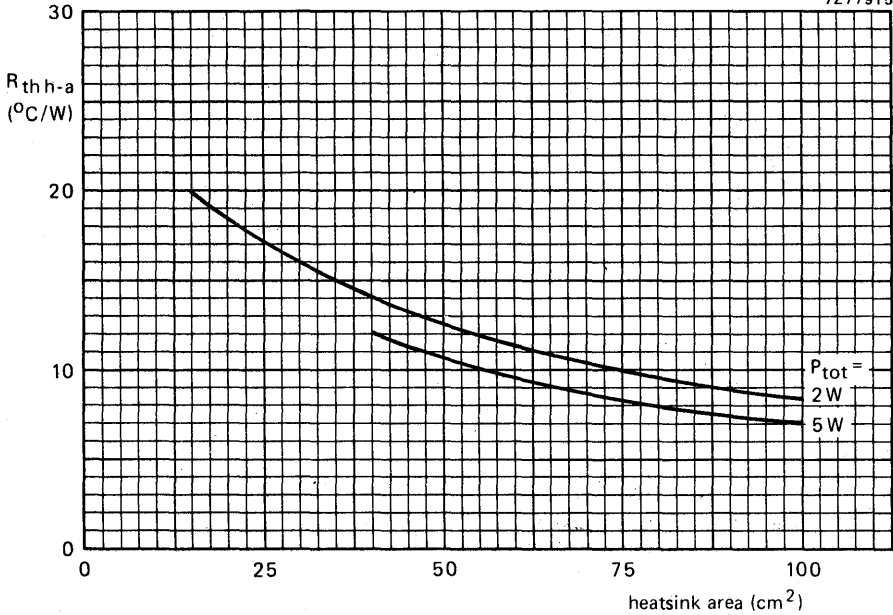


Fig. 8 Thermal resistance from heatsink to ambient of a 1,5 mm thick bright aluminium heatsink as a function of the single-sided area of the heatsink with the total power dissipation as a parameter.

## APPLICATION INFORMATION

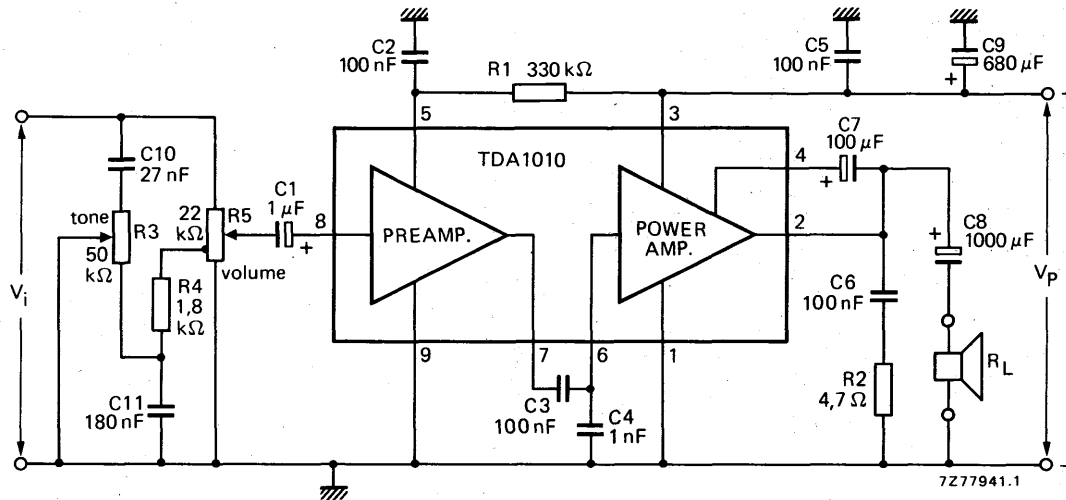
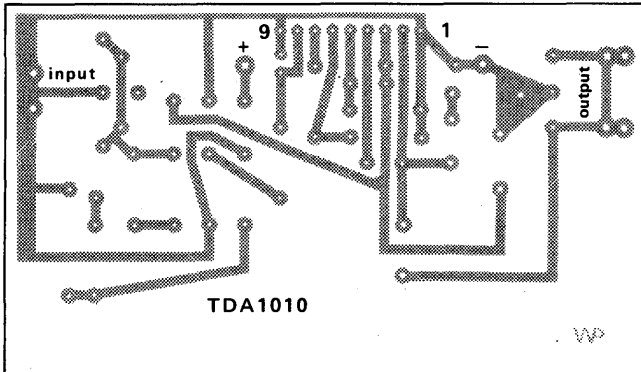


Fig. 9 Complete mono audio amplifier of a car radio.



7Z77931

Fig. 10 Track side of printed-circuit board used for the circuit of Fig. 9; p.c. board dimensions 92 mm x 52 mm.

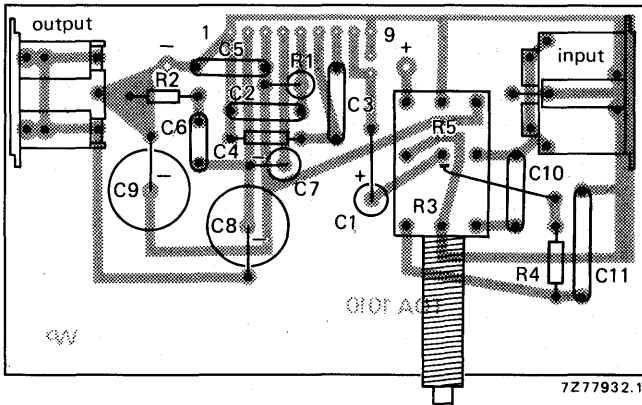


Fig. 11 Component side of printed-circuit board showing component layout used for the circuit of Fig. 9.



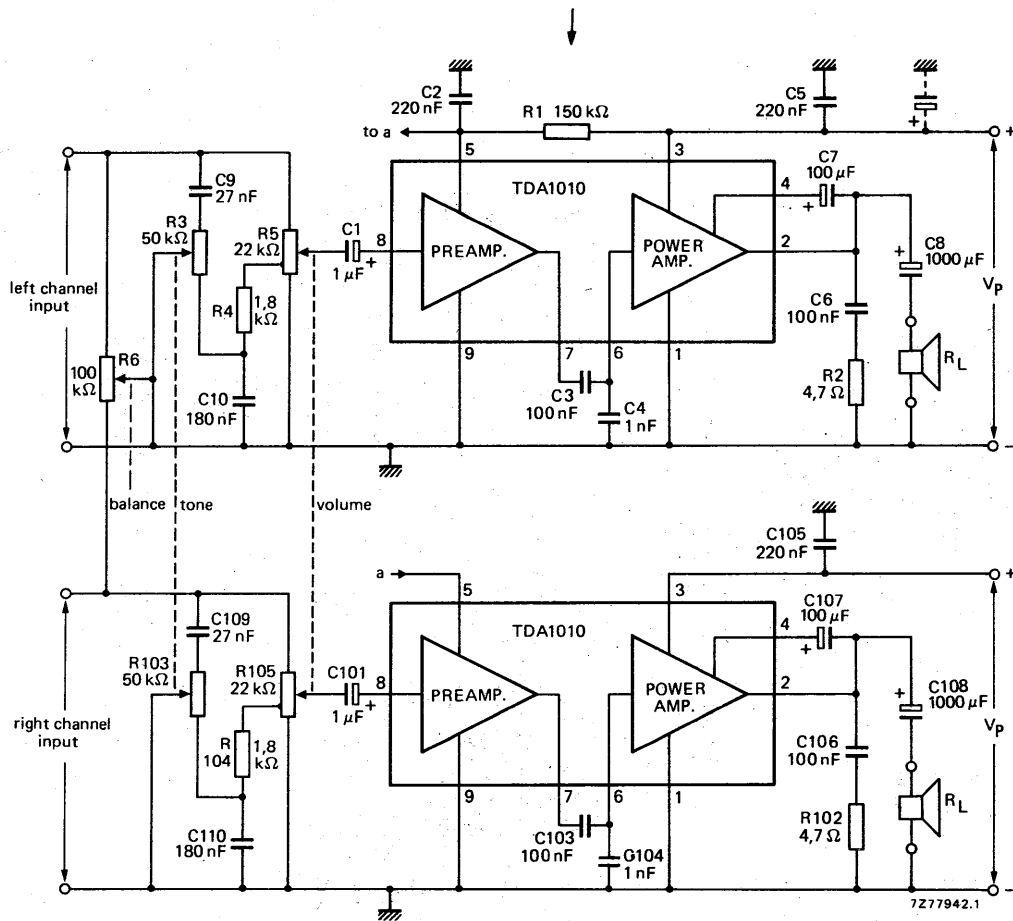
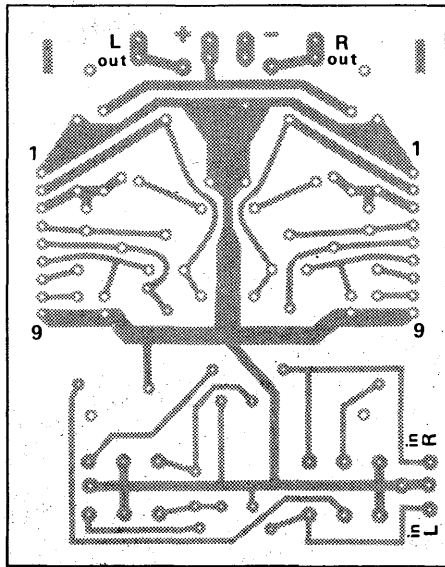
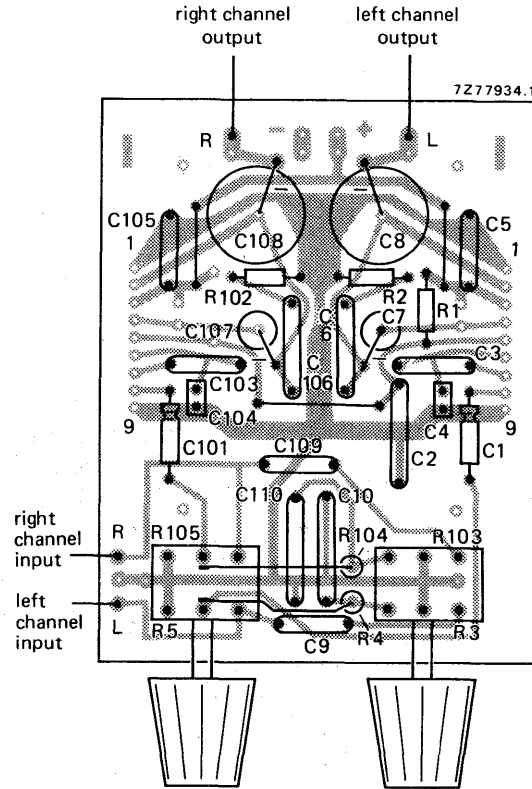


Fig. 12 Complete stereo car radio amplifier.



7Z77933

Fig. 13 Track side of printed-circuit board used for the circuit of Fig. 12; p.c. board dimensions 83 mm x 65 mm.



7Z77934.1

Fig. 14 Component side of printed-circuit board showing component layout used for the circuit of Fig. 12. Balance control is not on the p.c. board.



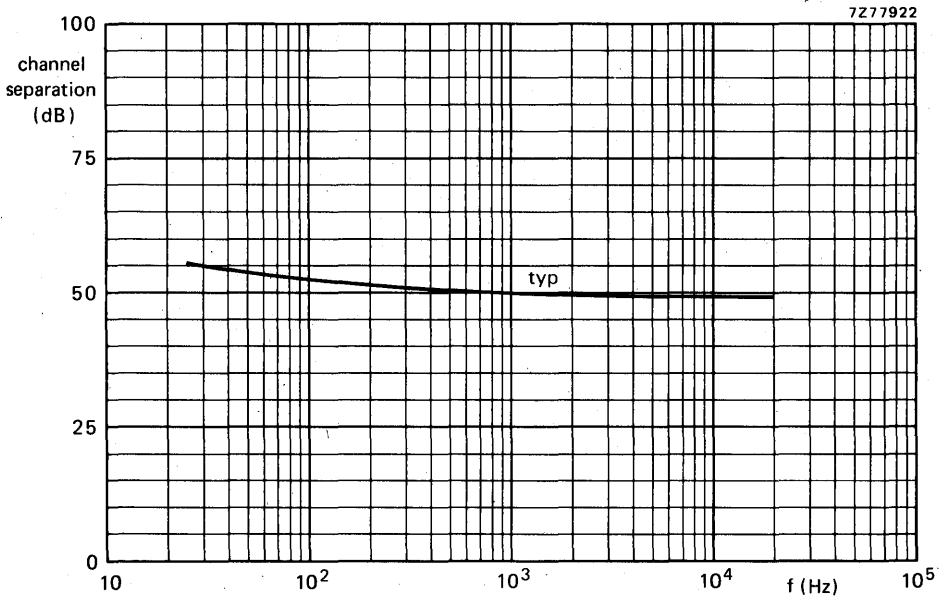


Fig. 15 Channel separation of the circuit of Fig. 12 as a function of the frequency.

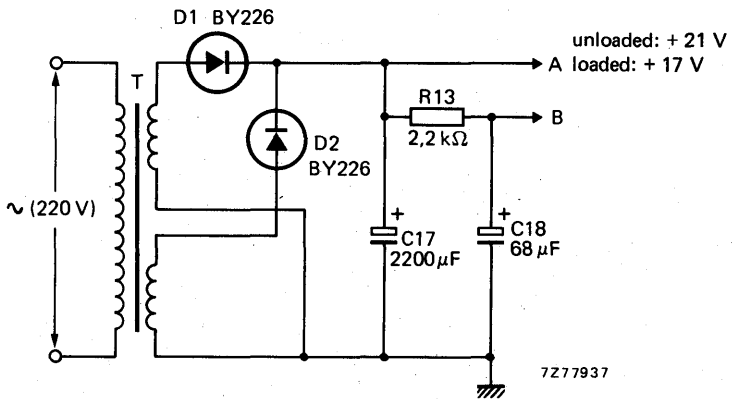


Fig. 16 Power supply of circuit of Fig. 17.

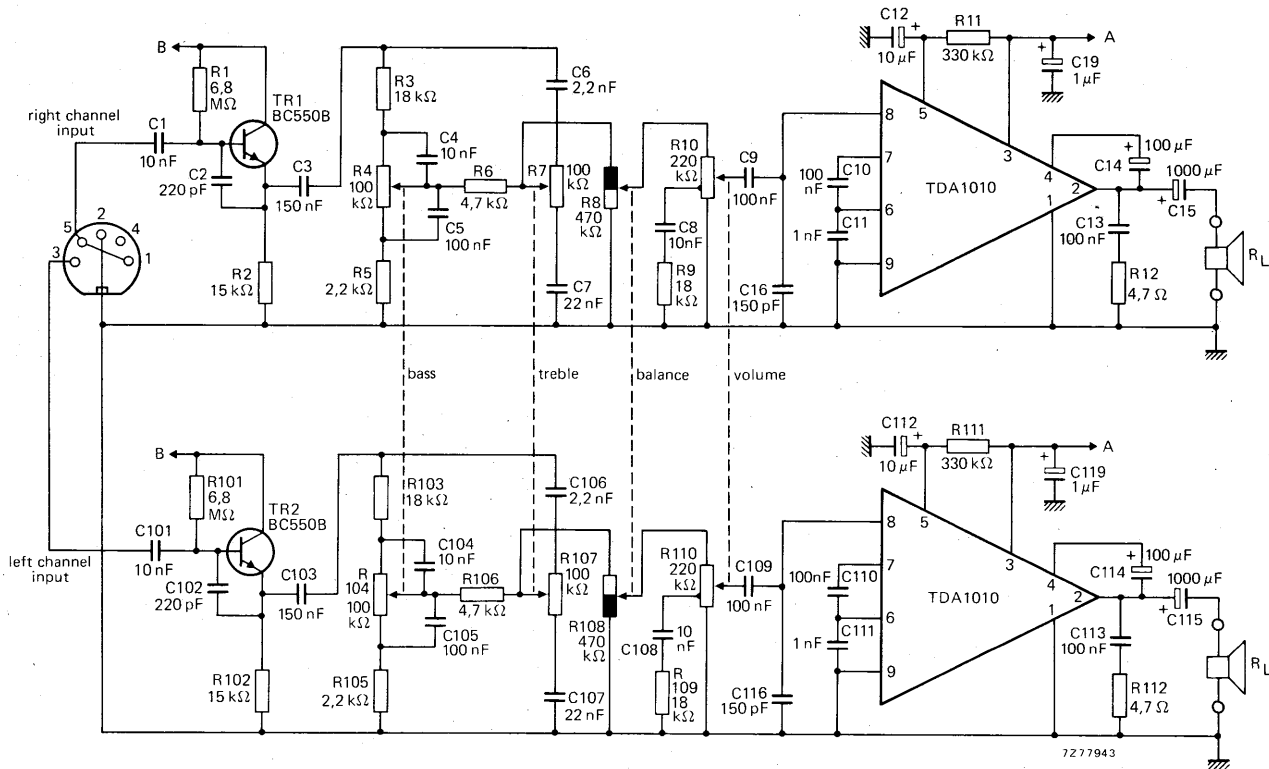


Fig. 17 Complete mains-fed ceramic stereo pick-up amplifier; for power supply see Fig. 16.



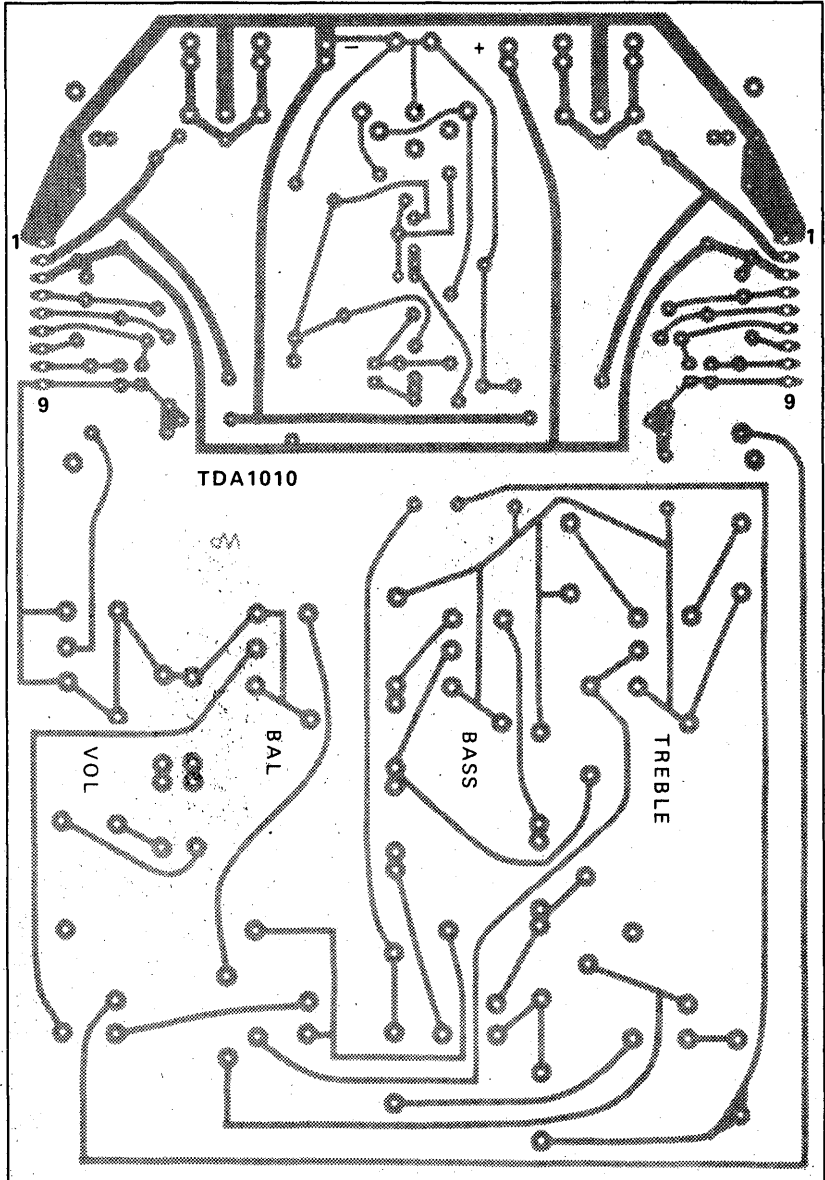


Fig. 18 Track side of printed-circuit board used for the circuit of Fig. 17 (Fig. 16 partly); p.c. board dimensions 169 mm x 118 mm.

7277935

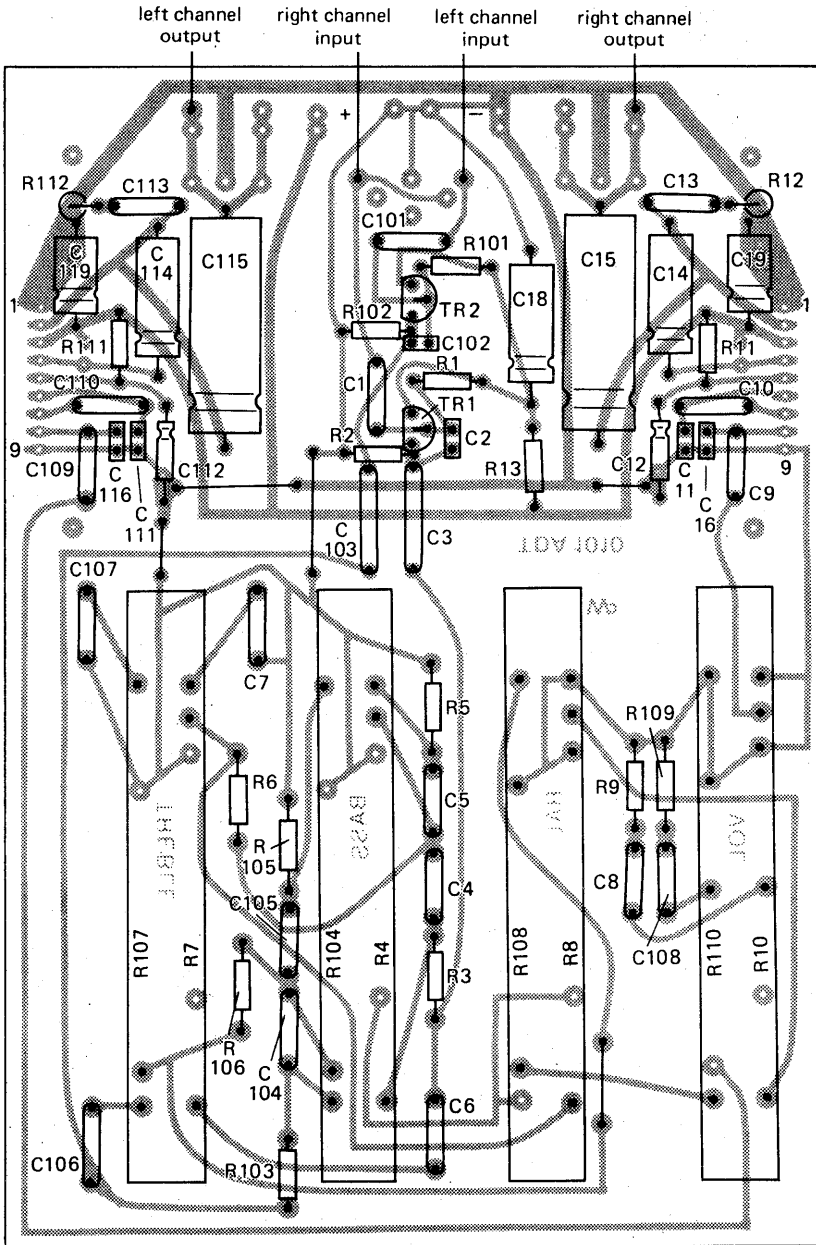


Fig. 19 Component side of printed-circuit board showing component layout used for the circuit of Fig. 17 (Fig. 16 partly).

7277936

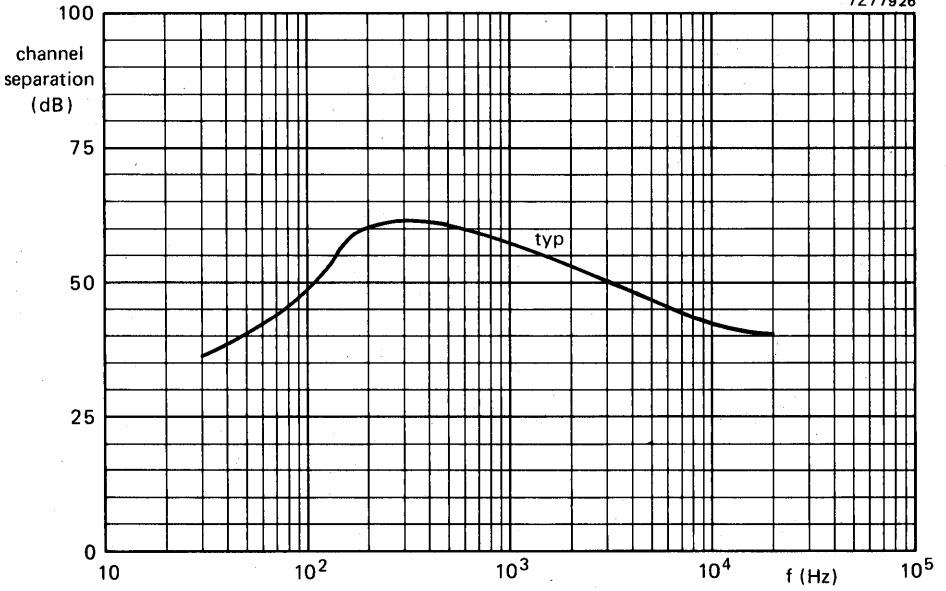


Fig. 20 Channel separation of the circuit of Fig. 17 as a function of frequency.

## 2 TO 6 W AUDIO POWER AMPLIFIER

The TDA1011 is a monolithic integrated audio amplifier circuit in a 9-lead single in-line (SIL) plastic package. The device is especially designed for portable radio and recorder applications and delivers up to 4 W in a  $4 \Omega$  load impedance. The device can deliver up to 6 W into  $4 \Omega$  at 16 V loaded supply in mains-fed applications. The maximum permissible supply voltage of 24 V makes this circuit very suitable for d.c. and a.c. apparatus, while the very low applicable supply voltage of 3,6 V permits 6 V applications. Special features are:

- single in-line (SIL) construction for easy mounting
- separated preamplifier and power amplifier
- high output power
- thermal protection
- high input impedance
- low current drain
- limited noise behaviour at radio frequencies

### QUICK REFERENCE DATA

Supply voltage range	$V_P$	3,6 to 24 V
Peak output current	$I_{OM}$	max. 3 A
Output power at $d_{tot} = 10\%$		
$V_P = 16 \text{ V}; R_L = 4 \Omega$	$P_O$	typ. 6,5 W
$V_P = 12 \text{ V}; R_L = 4 \Omega$	$P_O$	typ. 4,2 W
$V_P = 9 \text{ V}; R_L = 4 \Omega$	$P_O$	typ. 2,3 W
$V_P = 6 \text{ V}; R_L = 4 \Omega$	$P_O$	typ. 1,0 W
Total harmonic distortion at $P_O = 1 \text{ W}; R_L = 4 \Omega$	$d_{tot}$	typ. 0,2 %
Input impedance		
preamplifier (pin 8)	$ Z_i $	> 100 k $\Omega$
power amplifier (pin 6)	$ Z_i $	typ. 20 k $\Omega$
Total quiescent current	$I_{tot}$	typ. 14 mA
Operating ambient temperature	$T_{amb}$	-25 to + 150 $^{\circ}\text{C}$
Storage temperature	$T_{stg}$	-55 to + 150 $^{\circ}\text{C}$

### PACKAGE OUTLINE

9-lead SIL; plastic (SOT-110A).



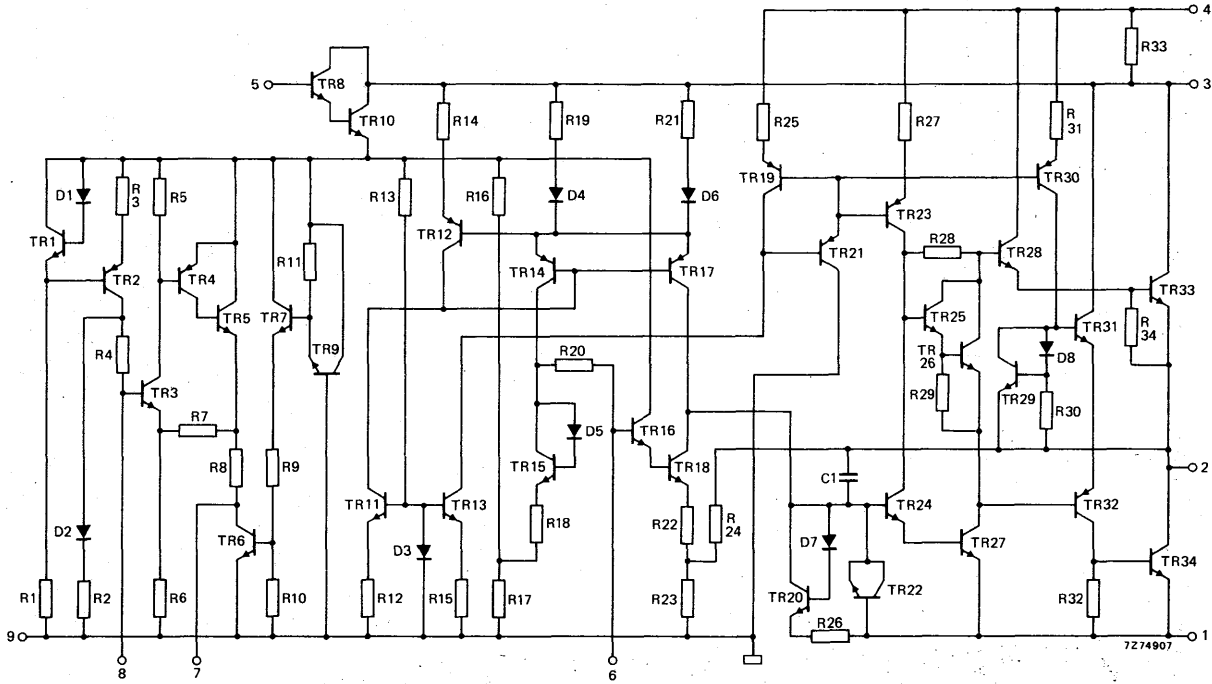


Fig. 1 Circuit diagram.

**RATINGS**

Limiting values in accordance with the Absolute Maximum System (IEC 134)

Supply voltage	$V_p$	max.	24 V
Peak output current	$I_{OM}$	max.	3 A
Total power dissipation			see derating curve Fig. 2
Storage temperature	$T_{stg}$		-55 to +150 °C
Operating ambient temperature	$T_{amb}$		-25 to +150 °C
A.C. short-circuit duration of load during sine-wave drive; $V_p = 12$ V	$t_{sc}$	max.	100 hours

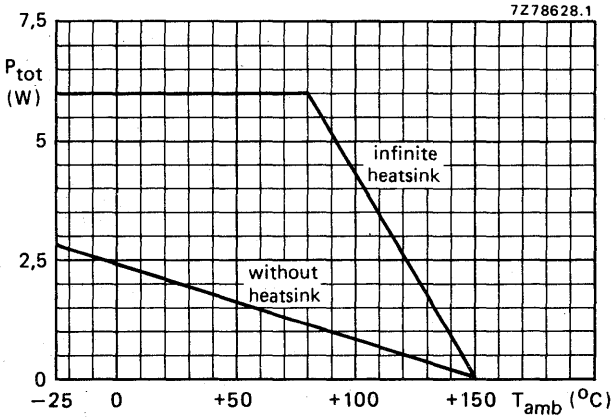


Fig. 2 Power derating curve.

**D.C. CHARACTERISTICS**

Supply voltage range	$V_p$	3,6 to 24 V
Repetitive peak output current	$I_{ORM}$	< 2 A
Total quiescent current at $V_p = 12 V$	$I_{tot}$	typ. 14 mA < 22 mA

**A.C. CHARACTERISTICS**

$T_{amb} = 25\text{ }^\circ\text{C}$ ;  $V_p = 12 V$ ;  $R_L = 4\ \Omega$ ;  $f = 1\text{ kHz}$  unless otherwise specified; see also Fig. 3.

A.F. output power at  $d_{tot} = 10\%$  (note 1)

with bootstrap:

$V_p = 16 V$ ;  $R_L = 4\ \Omega$   $P_o$  typ. 6,5 W

$V_p = 12 V$ ;  $R_L = 4\ \Omega$   $P_o$  > 3,6 W  
typ. 4,2 W

$V_p = 9 V$ ;  $R_L = 4\ \Omega$   $P_o$  typ. 2,3 W

$V_p = 6 V$ ;  $R_L = 4\ \Omega$   $P_o$  typ. 1,0 W

without bootstrap:

$V_p = 12 V$ ;  $R_L = 4\ \Omega$   $P_o$  typ. 3,0 W

Voltage gain:

preamplifier (note 2)  $G_{v1}$  typ. 23 dB  
21 to 25 dB

power amplifier  $G_{v2}$  typ. 29 dB  
27 to 31 dB

total amplifier  $G_{v\ tot}$  typ. 52 dB  
50 to 54 dB

Total harmonic distortion at  $P_o = 1,5 W$

$d_{tot}$  typ. 0,3 %  
< 1 %

Frequency response; -3 dB (note 3)

B 60 Hz to 15 kHz

Input impedance:

preamplifier (note 4)  $|Z_{i1}|$  > 100 k $\Omega$   
typ. 200 k $\Omega$

power amplifier  $|Z_{i2}|$  typ. 20 k $\Omega$

Output impedance preamplifier

$|Z_{o1}|$  typ. 1 k $\Omega$

Output voltage preamplifier (r.m.s. value)

$d_{tot} < 1\%$  (note 2)  $V_{o(rms)}$  > 0,7 V

Noise output voltage (r.m.s. value; note 5)

$R_S = 0\ \Omega$   $V_{n(rms)}$  typ. 0,2 mV

$R_S = 10\text{ k}\Omega$   $V_{n(rms)}$  typ. 0,6 mV  
< 1,4 mV

Noise output voltage at  $f = 500\text{ kHz}$  (r.m.s. value)

B = 5 kHz;  $R_S = 0\ \Omega$   $V_{n(rms)}$  typ. 8  $\mu V$

Ripple rejection (note 6)

$f = 1\text{ to }10\text{ kHz}$  RR typ. 42 dB

$f = 100\text{ Hz}$ ;  $C_2 = 1\ \mu F$  RR > 35 dB

Bootstrap current at onset of clipping; pin 4 (r.m.s. value)

$I_4(rms)$  typ. 35 mA

## Notes

1. Measured with an ideal coupling capacitor to the speaker load.
2. Measured with a load resistor of  $20\text{ k}\Omega$ .
3. Measured at  $P_O = 1\text{ W}$ ; the frequency response is mainly determined by C1 and C3 for the low frequencies and by C4 for the high frequencies.
4. Independent of load impedance of preamplifier.
5. Unweighted r.m.s. noise voltage measured at a bandwidth of 60 Hz to 15 kHz (12 dB/octave).
6. Ripple rejection measured with a source impedance between 0 and  $2\text{ k}\Omega$  (maximum ripple amplitude : 2 V).

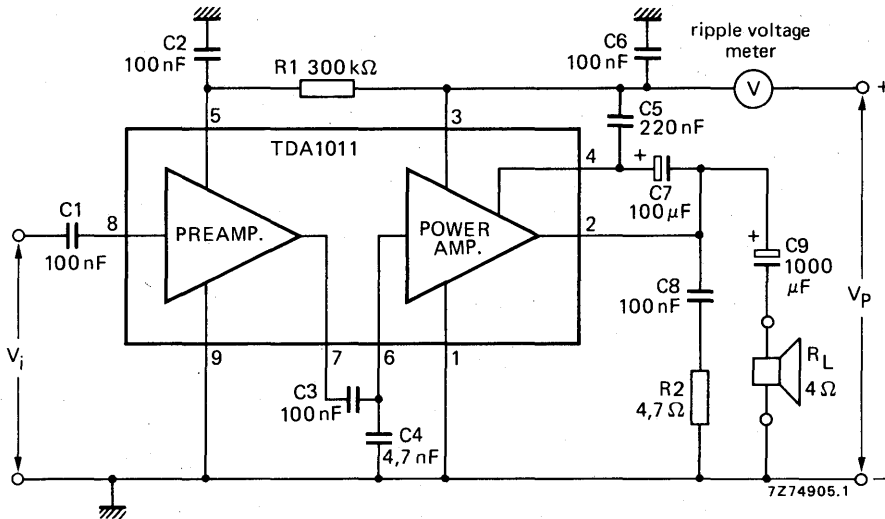


Fig. 3 Test circuit.

APPLICATION INFORMATION

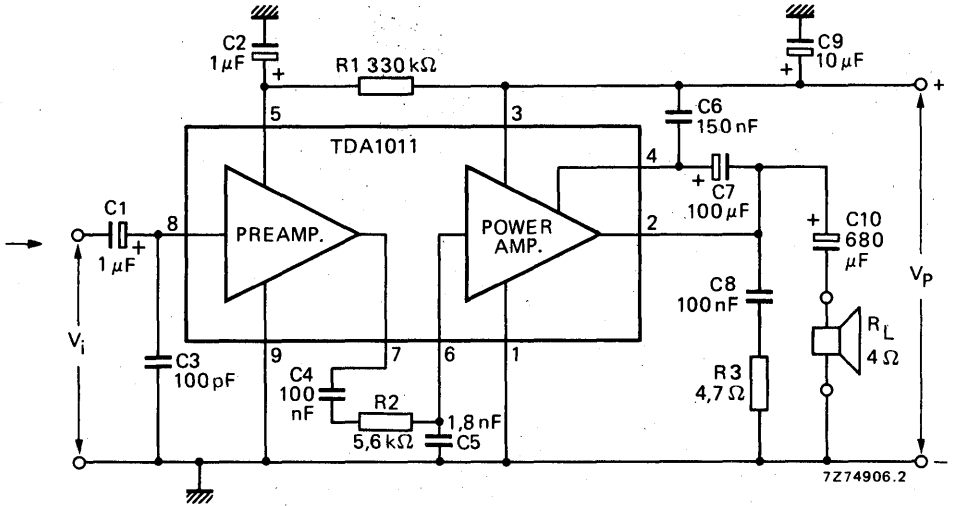


Fig. 4 Circuit diagram of a 4 W amplifier.

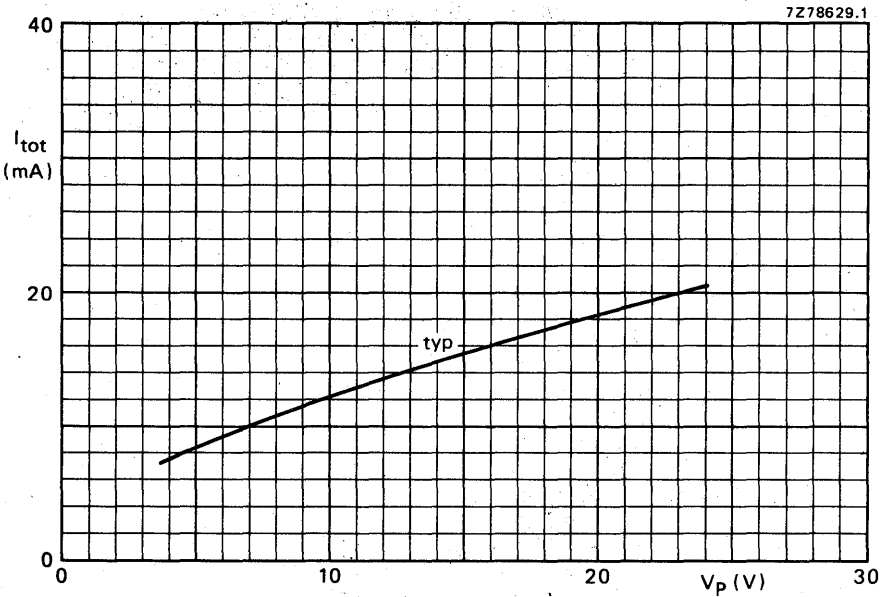


Fig. 5 Total quiescent current as a function of supply voltage.

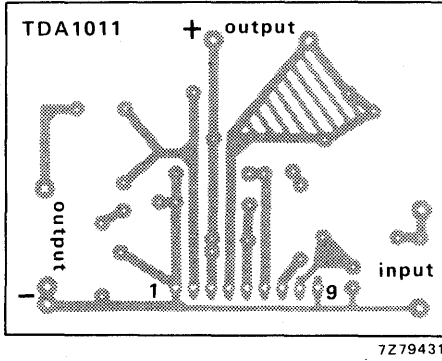


Fig. 6 Track side of printed-circuit board used for the circuit of Fig. 4; p.c. board dimensions 62 mm x 48 mm.

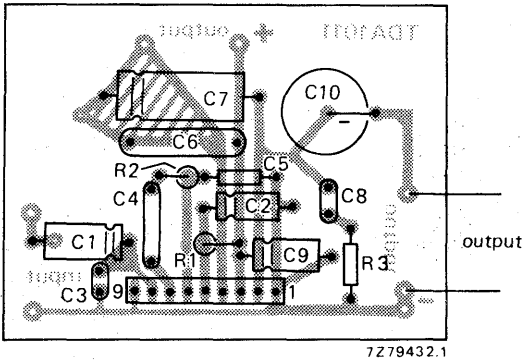


Fig. 7 Component side of printed-circuit board showing component layout used for the circuit of Fig. 4.

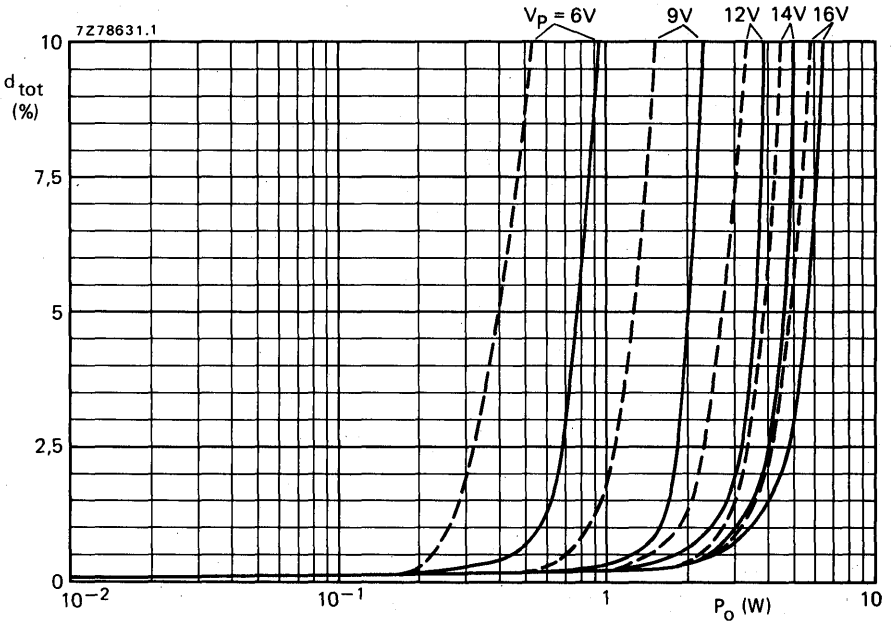


Fig. 8 Total harmonic distortion as a function of output power across  $R_L$ ; — with bootstrap; - - - without bootstrap;  $f = 1$  kHz; typical values. The available output power is 5% higher when measured at pin 2 (due to series resistance of C10).

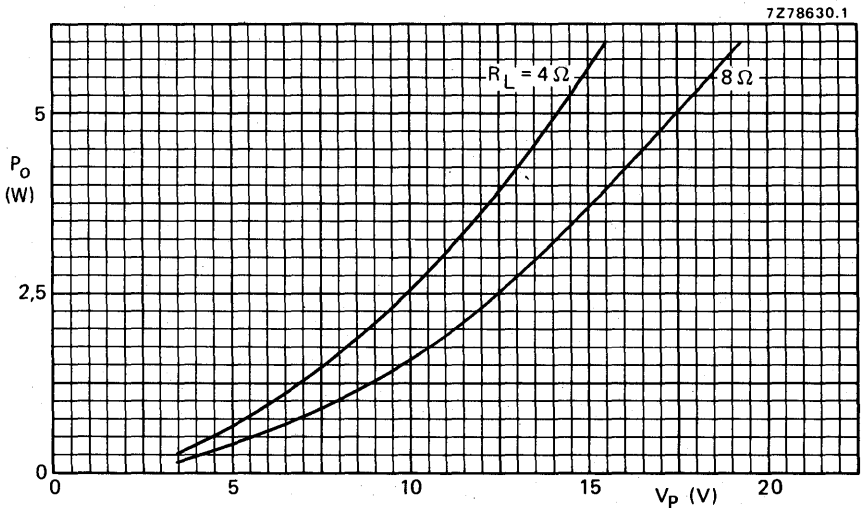


Fig. 9 Output power across  $R_L$  as a function of supply voltage with bootstrap;  $d_{tot} = 10\%$ ; typical values. The available output power is 5% higher when measured at pin 2 (due to series resistance of C10).

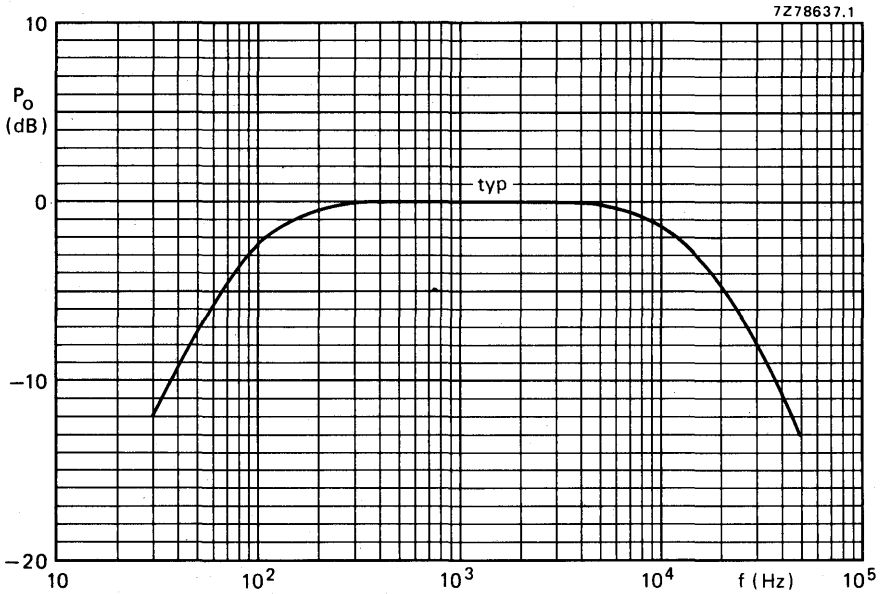


Fig. 10 Voltage gain as a function of frequency;  $P_o$  relative to 0 dB = 1 W;  $V_p = 12$  V;  $R_L = 4 \Omega$ .

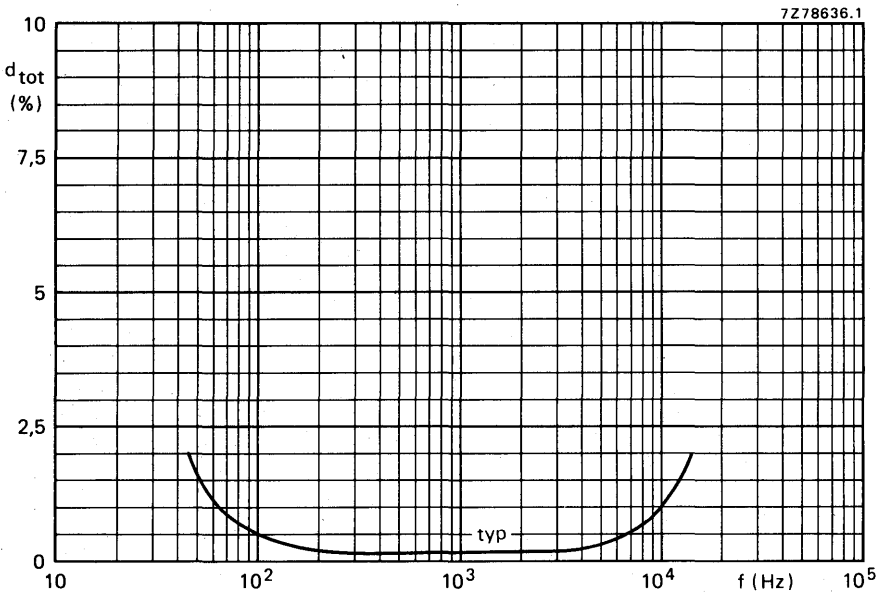


Fig. 11 Total harmonic distortion as a function of frequency;  $P_o = 1$  W;  $V_p = 12$  V;  $R_L = 4 \Omega$ .



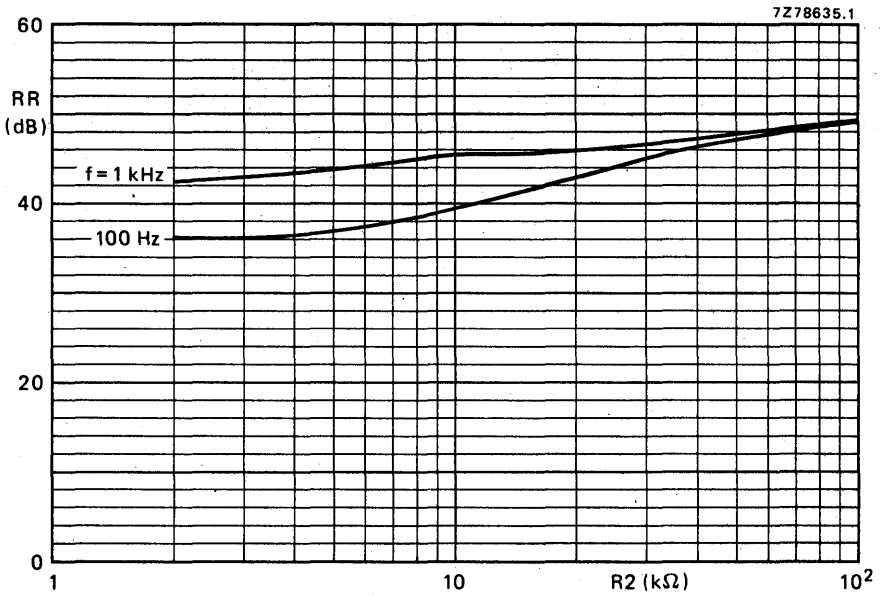


Fig. 12 Ripple rejection as a function of R2 (see Fig. 4);  $R_S = 0$ ; typical values.

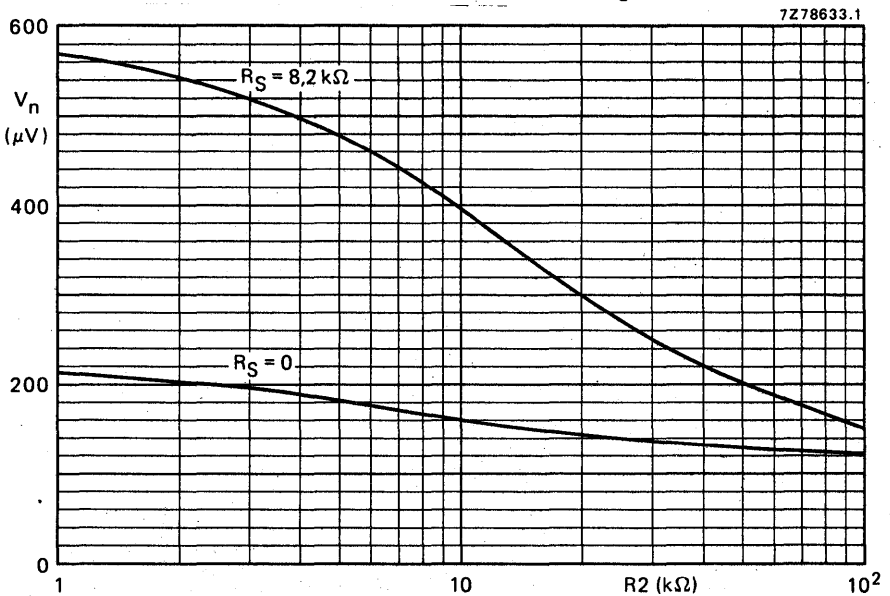


Fig. 13 Noise output voltage as a function of R2 (see Fig. 4); measured according to A-curve; capacitor C5 is adapted for obtaining a constant bandwidth.

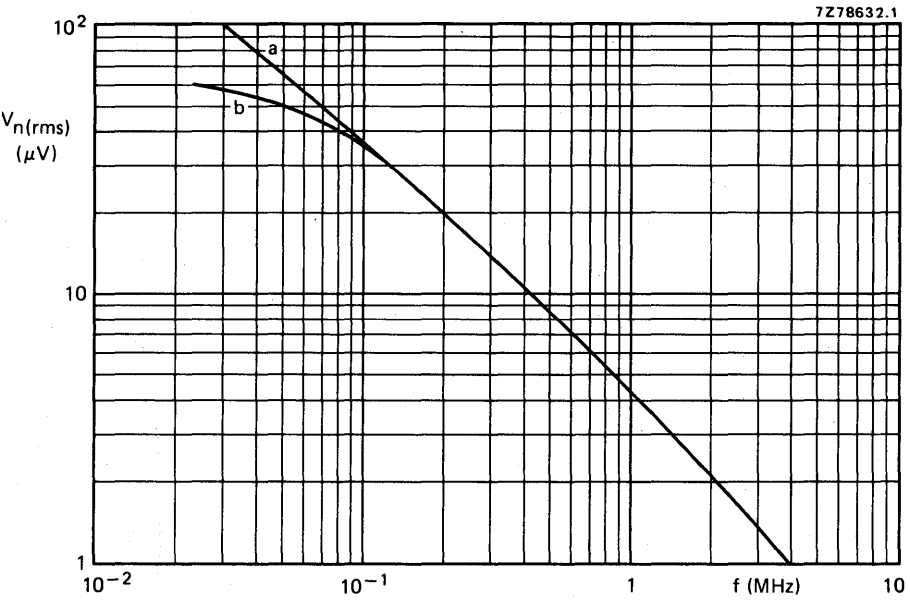


Fig. 14 Noise output voltage as a function of frequency; curve a: total amplifier; curve b: power amplifier;  $B = 5$  kHz;  $R_S = 0$ ; typical values.

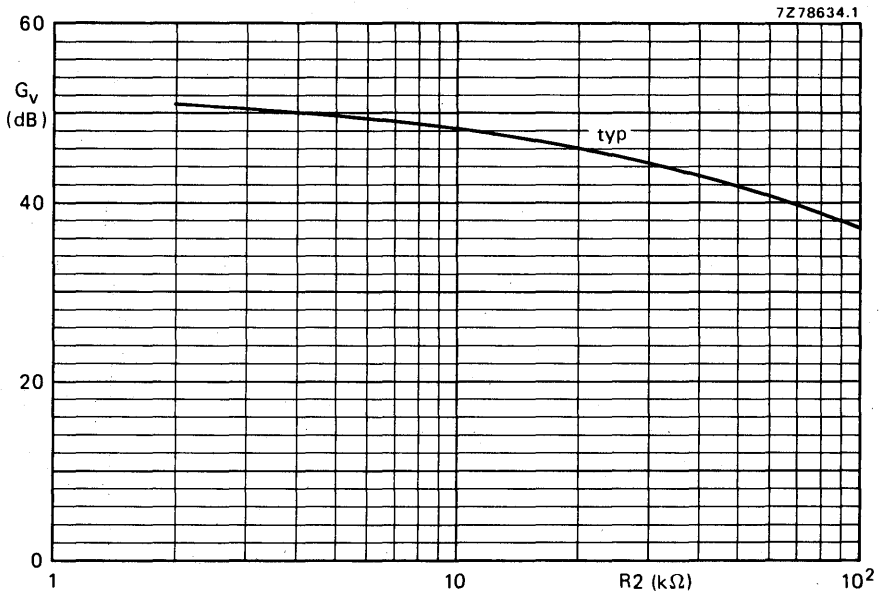


Fig. 15 Voltage gain as a function of  $R_2$  (see Fig. 4).



## DEVELOPMENT SAMPLE DATA

This information is derived from development samples made available for evaluation. It does not necessarily imply that the device will go into regular production.

TDA1011A

## 2 TO 6 W AUDIO POWER AMPLIFIER

The TDA1011A is a monolithic integrated audio amplifier circuit in a 9-lead single in-line (SIL) plastic package. The device is especially designed for portable radio and recorder applications and delivers up to 4 W in a  $4 \Omega$  load impedance. The device can deliver up to 6 W into  $4 \Omega$  at 16 V loaded supply in mains-fed applications. The maximum permissible supply voltage of 24 V makes this circuit very suitable for d.c. and a.c. apparatus, while the low applicable supply voltage of 5,4 V permits 9 V applications. The power amplifier has an inverted input/output which makes the circuit optimal for applications with active tone control and spatial stereo. Special features are:

- single in-line (SIL) construction for easy mounting
- separated preamplifier and power amplifier
- high output power
- thermal protection
- high input impedance
- low current drain
- limited noise behaviour at radio frequencies

### QUICK REFERENCE DATA

Supply voltage range	$V_p$	5,4 to 24 V
Peak output current	$I_{OM}$	max. 3 A
Output power at $d_{tot} = 10\%$		
$V_p = 16 \text{ V}; R_L = 4 \Omega$	$P_o$	typ. 6,5 W
$V_p = 12 \text{ V}; R_L = 4 \Omega$	$P_o$	typ. 4,2 W
$V_p = 9 \text{ V}; R_L = 4 \Omega$	$P_o$	typ. 2,3 W
$V_p = 6 \text{ V}; R_L = 4 \Omega$	$P_o$	typ. 1,0 W
Total harmonic distortion at $P_o = 1 \text{ W}; R_L = 4 \Omega$	$d_{tot}$	typ. 0,2 %
Input impedance		
preamplifier (pin 8)	$ Z_i $	> 100 k $\Omega$
Total quiescent current	$I_{tot}$	typ. 14 mA
Operating ambient temperature	$T_{amb}$	-25 to + 150 $^{\circ}\text{C}$
Storage temperature	$T_{stg}$	-55 to + 150 $^{\circ}\text{C}$

### PACKAGE OUTLINE

9-lead SIL; plastic (SOT-110A).

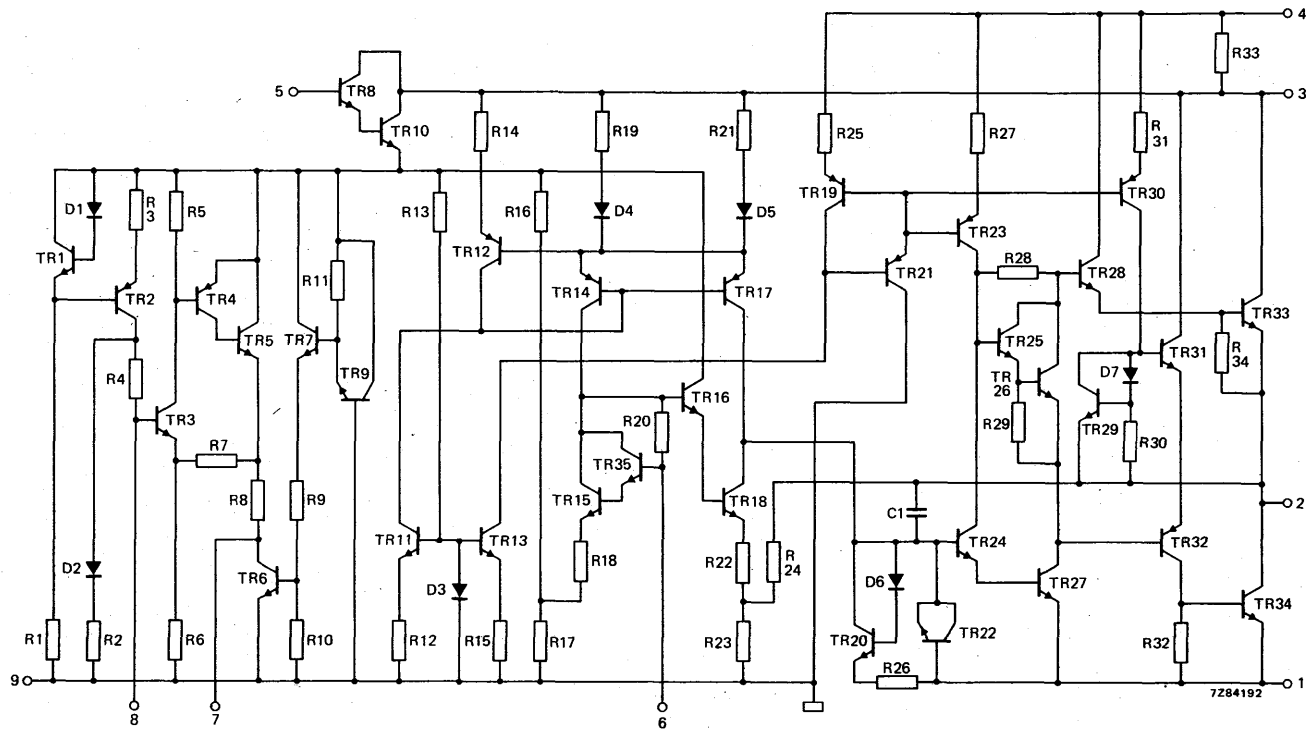


Fig. 1 Circuit diagram.

7284192

## RATINGS

Limiting values in accordance with the Absolute Maximum System (IEC 134)

Supply voltage	$V_P$	max.	24 V
Peak output current	$I_{OM}$	max.	3 A
Total power dissipation			see derating curve Fig. 2
Storage temperature	$T_{stg}$		-55 to +150 °C
Operating ambient temperature	$T_{amb}$		-25 to +150 °C
A.C. short-circuit duration of load during sine-wave drive; $V_P = 12$ V	$t_{sc}$	max.	100 hours

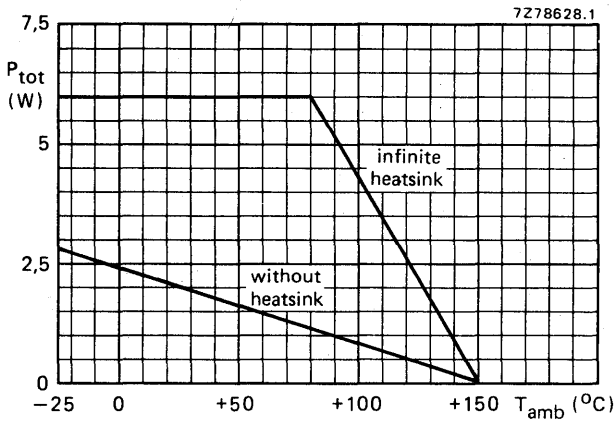


Fig. 2 Power derating curve.

**D.C. CHARACTERISTICS**

Supply voltage range	$V_P$	5,4 to 24 V
Repetitive peak output current	$I_{ORM}$	< 2 A
Total quiescent current at $V_P = 12$ V		typ. 14 mA
	$I_{tot}$	< 22 mA

**A.C. CHARACTERISTICS**

$T_{amb} = 25$  °C;  $V_P = 12$  V;  $R_L = 4$   $\Omega$ ;  $f = 1$  kHz unless otherwise specified; see also Fig. 3.

A.F. output power at  $d_{tot} = 10\%$  (note 1)  
with bootstrap:

$V_P = 16$ V; $R_L = 4$ $\Omega$	$P_O$	typ.	6,5 W
$V_P = 12$ V; $R_L = 4$ $\Omega$		>	3,6 W
	$P_O$	typ.	4,2 W
$V_P = 9$ V; $R_L = 4$ $\Omega$	$P_O$	typ.	2,3 W
$V_P = 6$ V; $R_L = 4$ $\Omega$	$P_O$	typ.	1,0 W

without bootstrap:

$V_P = 12$ V; $R_L = 4$ $\Omega$	$P_O$	typ.	3,5 W
----------------------------------	-------	------	-------

Voltage gain:

preamplifier (note 2)	$G_{V1}$	typ.	23 dB
			21 to 25 dB

power amplifier (note 3)	$G_{V2}$	typ.	29 dB
--------------------------	----------	------	-------

total amplifier (note 3)	$G_{V tot}$	typ.	52 dB
--------------------------	-------------	------	-------

Total harmonic distortion at  $P_O = 1,5$  W

$d_{tot}$	typ.	0,3 %
	<	1 %

Frequency response; -3 dB (note 4)

B	60 Hz to 15 kHz
---	-----------------

Input impedance:

preamplifier (note 5)	$ Z_{i1} $	>	100 k $\Omega$
		typ.	200 k $\Omega$

Output impedance preamplifier

$ Z_{o1} $	typ.	1 k $\Omega$
------------	------	--------------

Output voltage preamplifier (r.m.s. value)

$d_{tot} < 1\%$ (note 2)	$V_{O(rms)}$	>	0,7 V
--------------------------	--------------	---	-------

Noise output voltage (r.m.s. value; note 6)

$R_S = 0$ $\Omega$	$V_{n(rms)}$	typ.	0,5 mV
--------------------	--------------	------	--------

$R_S = 10$ k $\Omega$	$V_{n(rms)}$	typ.	0,8 mV
-----------------------	--------------	------	--------

Noise output voltage at  $f = 500$  kHz (r.m.s. value)

$B = 5$ kHz; $R_S = 0$ $\Omega$	$V_{n(rms)}$	typ.	8 $\mu$ V
---------------------------------	--------------	------	-----------

Ripple rejection (note 6)

$f = 1$ to 10 kHz	RR	typ.	42 dB
-------------------	----	------	-------

$f = 100$ Hz; $C_2 = 1$ $\mu$ F	RR	>	35 dB
---------------------------------	----	---	-------

Bootstrap current at onset of clipping; pin 4 (r.m.s. value)

$I_4(rms)$	typ.	35 mA
------------	------	-------

## Notes

1. Measured with an ideal coupling capacitor to the speaker load.
2. Measured with a load resistor of  $20\text{ k}\Omega$ .
3. Measured with  $R2 = 20\text{ k}\Omega$ .
4. Measured at  $P_O = 1\text{ W}$ ; the frequency response is mainly determined by  $C1$  and  $C3$  for the low frequencies and by  $C4$  for the high frequencies.
5. Independent of load impedance of preamplifier.
6. Unweighted r.m.s. noise voltage measured at a bandwidth of 60 Hz to 15 kHz (12 dB/octave).
7. Ripple rejection measured with a source impedance between 0 and  $2\text{ k}\Omega$  (maximum ripple amplitude: 2 V).

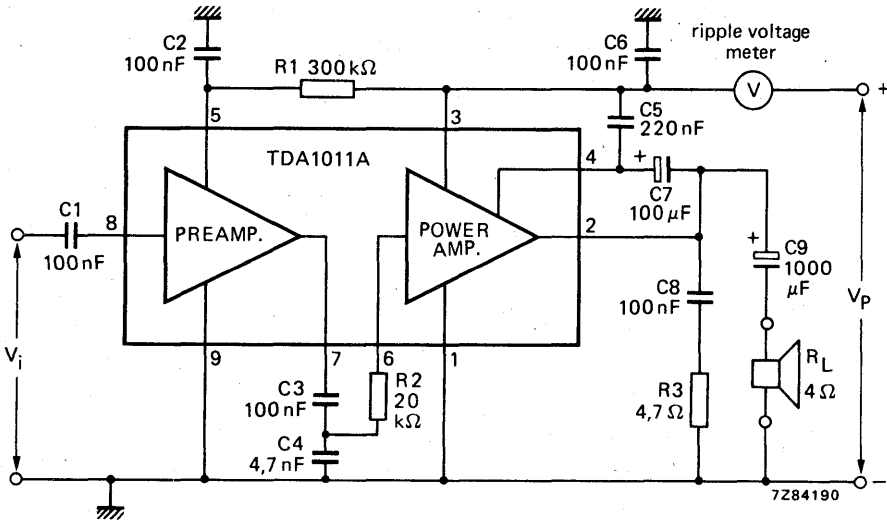


Fig. 3 Test circuit.



APPLICATION INFORMATION

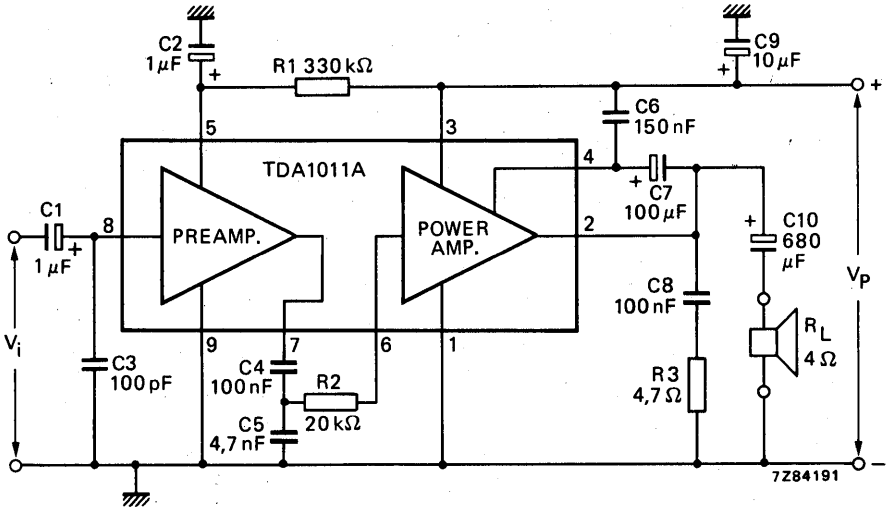


Fig. 4 Circuit diagram of a 4 W amplifier.

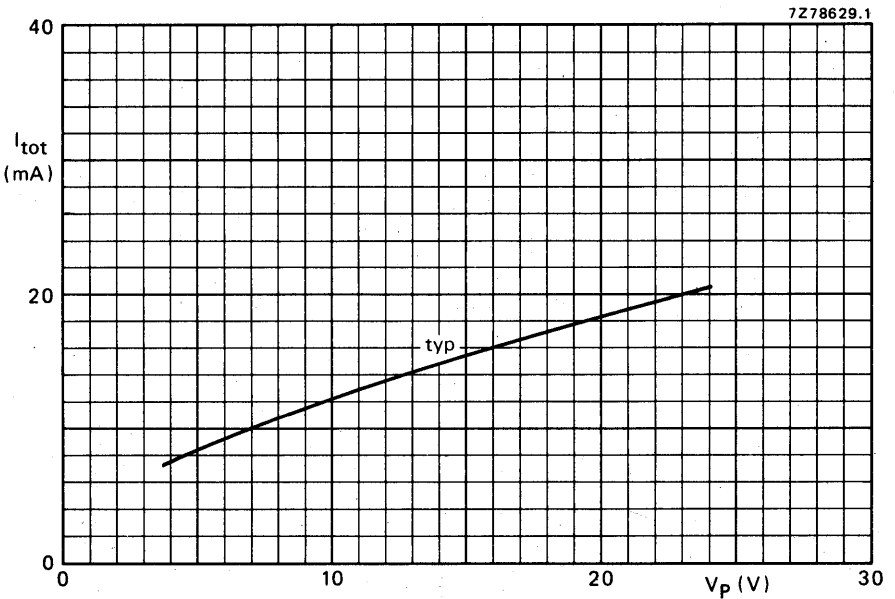


Fig. 5 Total quiescent current as a function of supply voltage.

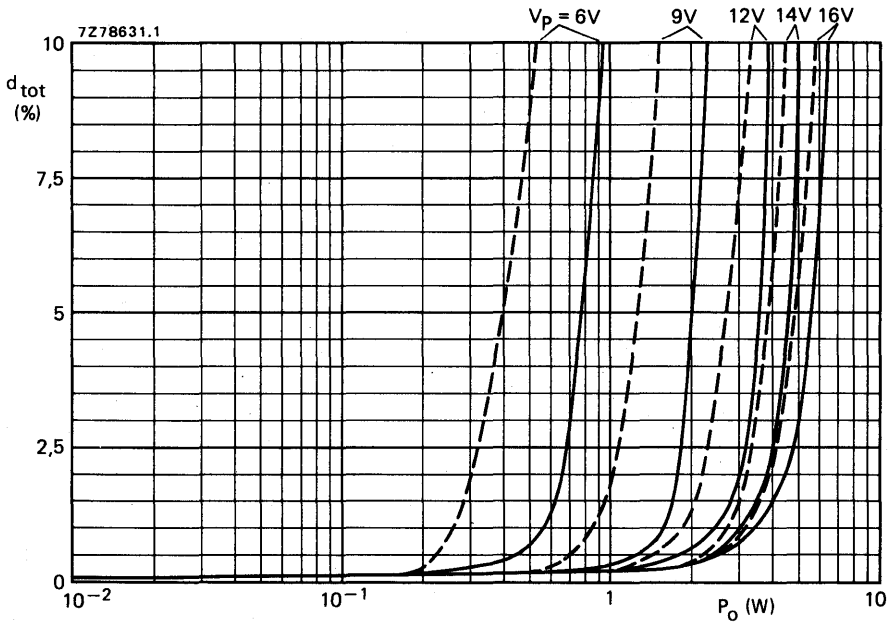


Fig. 6 Total harmonic distortion as a function of output power across  $R_L$ ; — with bootstrap; - - - without bootstrap;  $f = 1$  kHz; typical values. The available output power is 5% higher when measured at pin 2 (due to series resistance of C10).

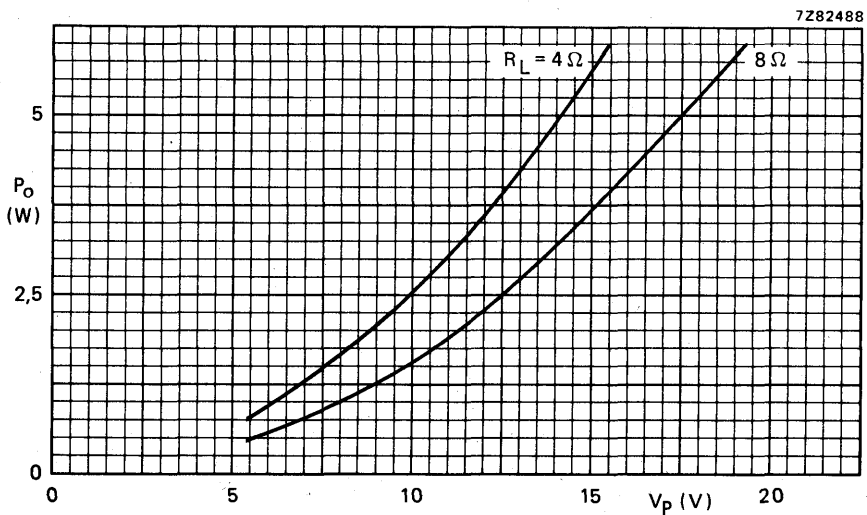


Fig. 7 Output power across  $R_L$  as a function of supply voltage with bootstrap;  $d_{tot} = 10\%$ ; typical values. The available output power is 5% higher when measured at pin 2 (due to series resistance of C10).

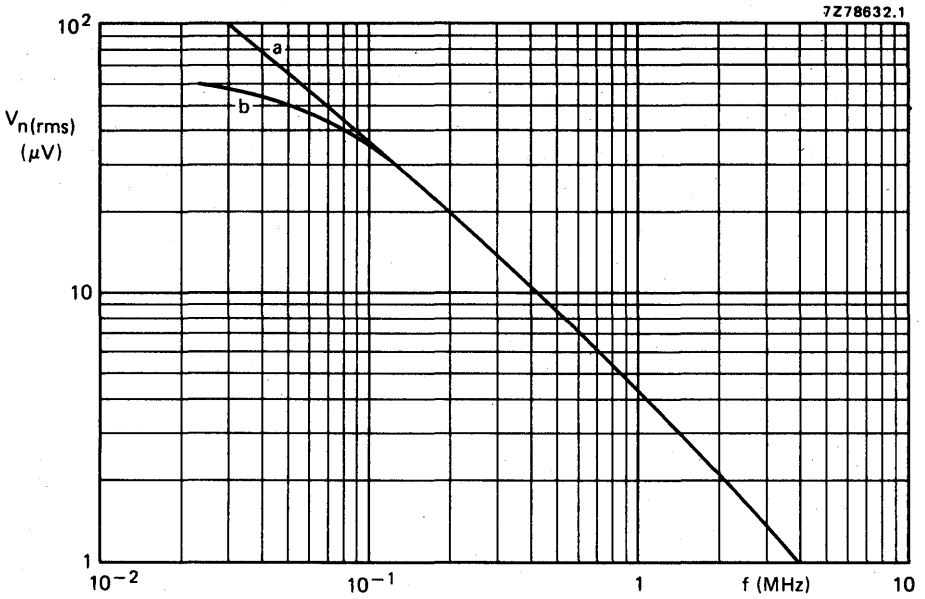


Fig. 8 Noise output voltage as a function of frequency; curve a: total amplifier; curve b: power amplifier;  $B = 5$  kHz;  $R_S = 0$ ; typical values.

## DEVELOPMENT SAMPLE DATA

This information is derived from development samples made available for evaluation. It does not necessarily imply that the device will go into regular production.

TDA1012

## RECORDING / PLAY-BACK AND 2 W AUDIO POWER AMPLIFIER

The TDA1012 is a monolithic integrated audio power amplifier, preamplifier and A.L.C. circuit designed for applications in radio-recorders and recorders. The wide supply voltage range makes this circuit very suitable for d.c. and a.c. apparatus. The circuit is thermal protected and contains the following functions:

- Power amplifier
- Preamplifier
- Automatic Level Control (A.L.C.) circuit
- Voltage stabilizer

### QUICK REFERENCE DATA

Supply voltage range	$V_p$	3,6 to 18 V
Total quiescent current at $V_p = 9$ V	$I_{tot}$	typ. 14 mA
<b>Power amplifier</b>		
Output power at $d_{tot} = 10\%$ $V_p = 9$ V; $R_L = 4 \Omega$	$P_o$	typ. 2 W
Closed loop voltage gain	$G_c$	typ. 36 dB
<b>Preamplifier</b>		
Open loop voltage gain	$G_o$	> 66 dB
Minimum closed loop voltage gain	$G_{c \min}$	31 dB
Output voltage at $d_{tot} = 1\%$	$V_o$	> 2 V
<b>Automatic Level Control (A.L.C.)</b>		
Gain variation for $\Delta V_i = 40$ dB	$\Delta G_v$	typ. 2 dB
<b>Stabilized supply voltage</b>		
Output voltage	$V_{11-15}$	typ. 4,2 V

### PACKAGE OUTLINE

16-lead DIL; plastic medium power (with internal heat spreader).

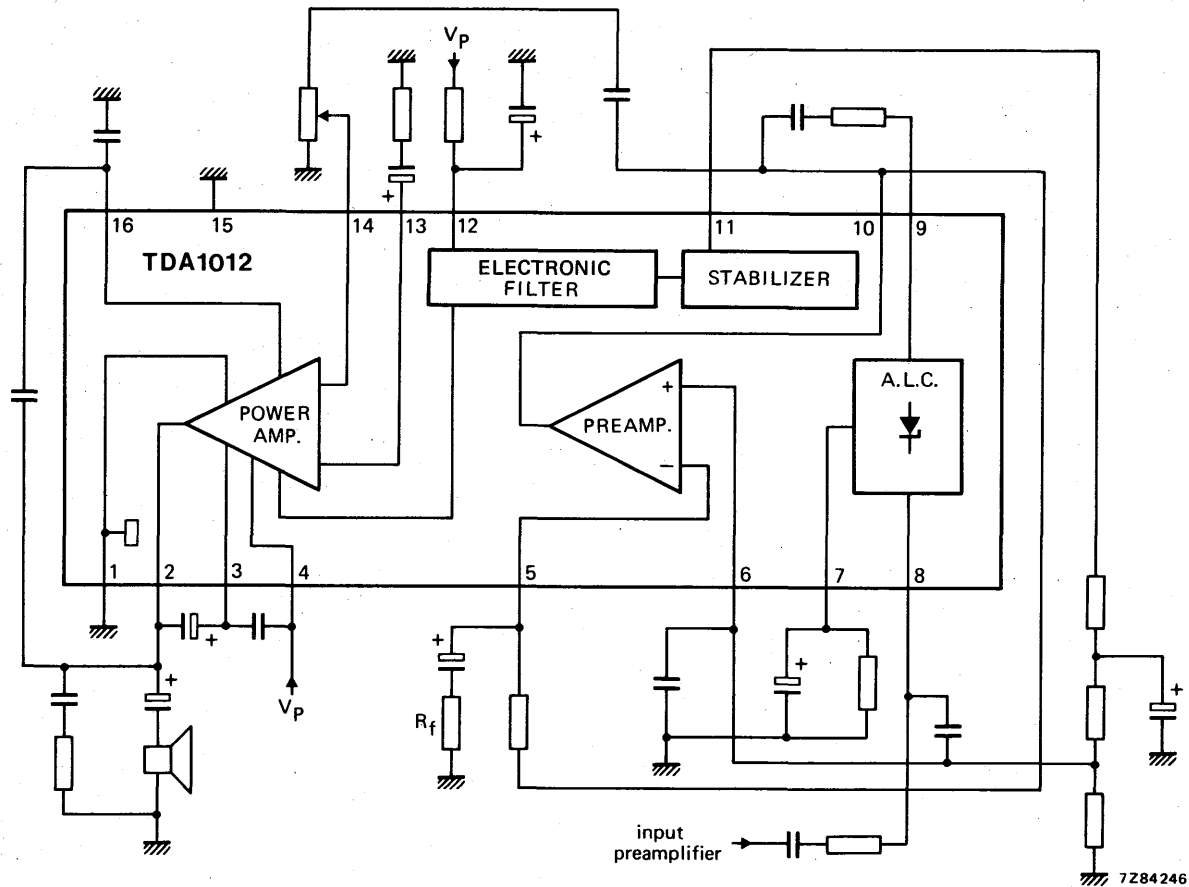


Fig. 1 Block diagram with external components; also used as test circuit.

## RATINGS

Limiting values in accordance with the Absolute Maximum System (IEC 134)

Supply voltage (pin 4)	$V_P = V_{4-1}$	max.	18 V
Non-repetitive peak output current (pin 2)	$I_{OSM}$	max.	2 A
Storage temperature	$T_{stg}$		-55 to +150 °C
Crystal temperature	$T_c$	max.	150 °C
Total power dissipation	see derating curve Fig. 2		
A.C. short-circuit duration of load during sine-wave drive; $V_P = 12$ V	$t_{sc}$	max.	100 hours

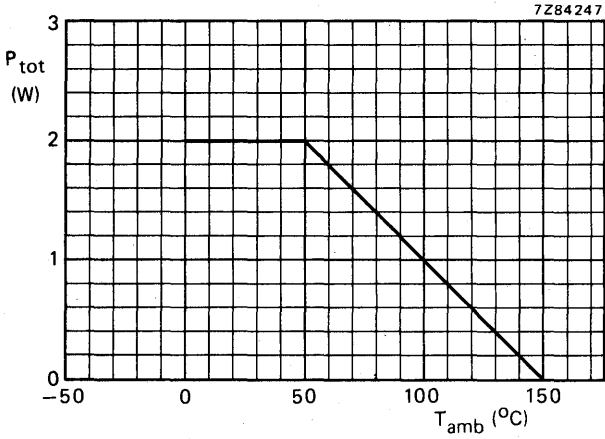


Fig. 2 Power derating curve.

**CHARACTERISTICS**

$V_P = 9\text{ V}$ ;  $R_L = 4\ \Omega$ ;  $f = 1\text{ kHz}$ ;  $T_{\text{amb}} = 25\ \text{°C}$ ; measured in test circuit of Fig. 1;  
unless otherwise specified.

**Power amplifier**

Output power at $d_{\text{tot}} = 10\%$	$P_O$	typ.	2 W
Closed loop voltage gain	$G_C$	typ.	36 dB
Total harmonic distortion at $P_O = 1\text{ W}$	$d_{\text{tot}}$	<	1 %
Input impedance	$ Z_i $	>	1 M $\Omega$
Ripple rejection at $f = 100\text{ Hz}$	RR	>	40 dB
Noise output voltage (r.m.s. value) $R_S = 0\ \Omega$ ; $B = 60\text{ Hz to }15\text{ kHz}$	$V_{n(\text{rms})}$	typ.	150 $\mu\text{V}$

**Preamplifier**

Open loop voltage gain	$G_O$	>	66 dB
Closed loop voltage gain	$G_C$	typ.	48 dB
Minimum closed loop voltage gain (when changing $R_f$ )	$G_{C\text{ min}}$		31 dB
Output voltage at $d_{\text{tot}} = 1\%$	$V_O$	>	2 V
Output voltage with A.L.C. $V_i = 4,8\text{ mV}$	$V_O$	typ.	1,1 V
Total harmonic distortion with A.L.C. $V_i = 4,8\text{ mV}$ $V_i = 480\text{ mV}$	$d_{\text{tot}}$ $d_{\text{tot}}$	< <	1 % 3 %
Signal-to-noise ratio related to $V_i = 1,2\text{ mV}$ ; $R_S = 0\ \Omega$ ; $B = 60\text{ Hz to }15\text{ kHz}$	S/N	typ.	60 dB
Input impedance	$ Z_i $	>	100 k $\Omega$
Ripple rejection at $f = 100\text{ Hz}$	RR	>	52 dB
Output impedance	$ Z_O $	<	50 $\Omega$

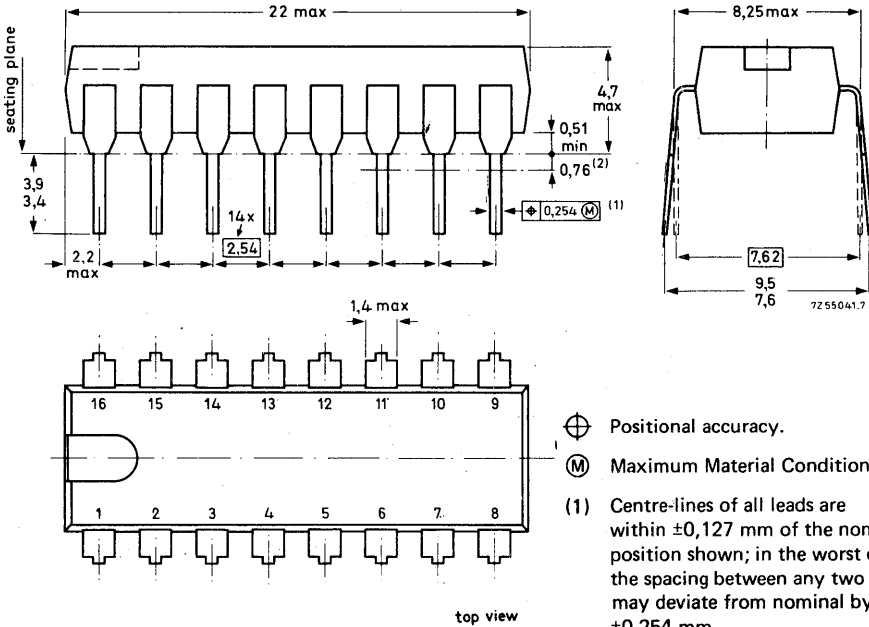
**Automatic Level Control (A.L.C.)**

Gain variation for $\Delta V_i = 40\text{ dB}$	$\Delta G_V$	typ.	2 dB
Limiting time at $\Delta V_i = 40\text{ dB}$	$t_l$	<	50 ms
Level setting time at $\Delta V_i = 40\text{ dB}$	$t_s$	<	50 ms
Recovery time at $\Delta V_i = 40\text{ dB}$	$t_r$	typ.	100 s

**Voltage stabilizer**

Output voltage	$V_{11-15}$	typ.	4,2 V
Load current	$I_{11}$	<	1 mA
Ripple rejection at $f = 100\text{ Hz}$	RR	>	40 dB

## 16-LEAD DUAL IN-LINE; PLASTIC MEDIUM POWER



- ⊕ Positional accuracy.  
 (M) Maximum Material Condition.

- (1) Centre-lines of all leads are within  $\pm 0,127$  mm of the nominal position shown; in the worst case, the spacing between any two leads may deviate from nominal by  $\pm 0,254$  mm.  
 (2) Lead spacing tolerances apply from seating plane to the line indicated.

Dimensions in mm

## SOLDERING

## 1. By hand

Apply the soldering iron below the seating plane (or not more than 2 mm above it).

If its temperature is below 300 °C it must not be in contact for more than 10 seconds; if between 300 °C and 400 °C, for not more than 5 seconds.

## 2. By dip or wave

The maximum permissible temperature of the solder is 260 °C; this temperature must not be in contact with the joint for more than 5 seconds. The total contact time of successive solder waves must not exceed 5 seconds.

The device may be mounted up to the seating plane, but the temperature of the plastic body must not exceed the specified storage maximum. If the printed-circuit board has been pre-heated, forced cooling may be necessary immediately after soldering to keep the temperature within the permissible limit.

## 3. Repairing soldered joints

The same precautions and limits apply as in (1) above.





## DEVELOPMENT SAMPLE DATA

This information is derived from development samples made available for evaluation. It does not necessarily imply that the device will go into regular production.

TDA1013

## 4 W AUDIO POWER AMPLIFIER WITH D.C. VOLUME CONTROL

The TDA1013 is a monolithic integrated audio amplifier circuit with d.c. volume control in a 9-lead single in-line (SIL) plastic package. The wide supply voltage range makes this circuit very suitable for applications in mains-fed apparatus such as : television receivers and record players.

The d.c. volume control stage has a good control characteristic with a range of more than 80 dB; control can be obtained by means of a variable d.c. voltage between 4 and 8 V.

The audio amplifier has a well defined open loop gain and a fixed integrated closed loop gain. This offers an optimum in number of external components, performance and stability.

The SIL package (SOT-110A) offers a simple and low-cost heatsink connection.

### QUICK REFERENCE DATA

Supply voltage range	$V_p$	15 to 35 V
Repetitive peak output current	$I_{ORM}$	max. 1,5 A
Total sensitivity (d.c. control at max. gain) for $P_O = 2,5$ W	$V_i$	typ. 55 mV
<b>Audio amplifier</b>		
Output power at $d_{tot} = 10$ % $V_p = 18$ V; $R_L = 8 \Omega$	$P_O$	typ. 4,5 W
Total harmonic distortion at $P_O = 2,5$ W; $R_L = 8 \Omega$	$d_{tot}$	typ. 0,5 %
Sensitivity for $P_O = 2,5$ W	$V_i$	typ. 125 mV
<b>D.C. volume control unit</b>		
Gain control range	$\phi$	> 80 dB
Signal handling at $d_{tot} < 1$ % (d.c. control at 0 dB)	$V_i$	> 1,2 V
Sensitivity for $V_O = 125$ mV at max. voltage gain	$V_i$	typ. 55 mV
Input impedance (pin 9)	$ Z_i $	typ. 200 k $\Omega$

### PACKAGE OUTLINE

9-lead SIL; plastic (SOT-110A).

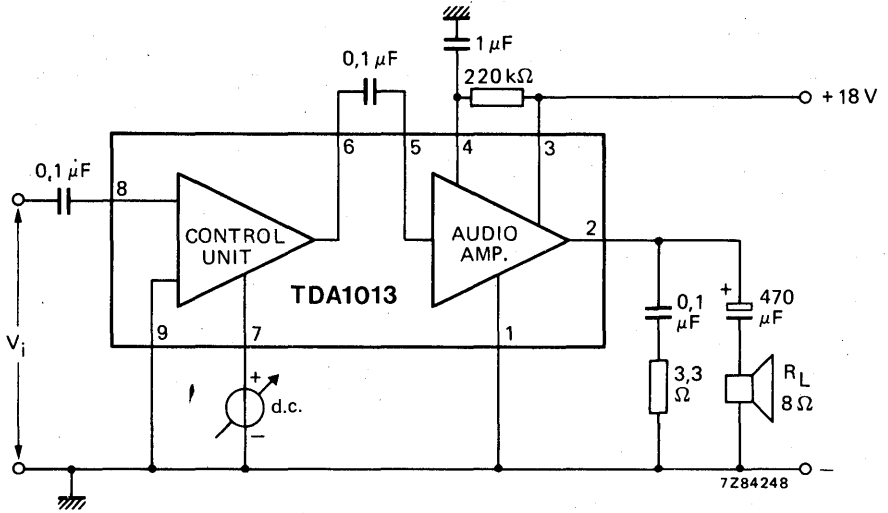


Fig. 1 Block diagram and external components.

**RATINGS**

Limiting values in accordance with the Absolute Maximum System (IEC 134)

Supply voltage	$V_P$	max.	35 V
Non-repetitive peak output current	$I_{OSM}$	max.	3 A
Repetitive peak output current	$I_{ORM}$	max.	1,5 A
Storage temperature	$T_{stg}$		-55 to + 150 °C
Crystal temperature	$T_j$		-25 to + 150 °C
Total power dissipation			see derating curve Fig. 2

**HEATSINK DESIGN**

Assume  $V_P = 18 V$ ;  $R_L = 8 \Omega$ ;  $T_{amb} = 60 \text{ }^\circ\text{C}$  (max.);  $T_j = 150 \text{ }^\circ\text{C}$  (max.); for a 4 W application into an 8  $\Omega$  load, the maximum dissipation is about 2,5 W.

The thermal resistance from junction to ambient can be expressed as:

$$R_{th\ j-a} = R_{th\ j-tab} + R_{th\ tab-h} + R_{th\ h-a} = \frac{T_j\ max - T_{amb}\ max}{P_{max}} = \frac{150 - 60}{2,5} = 36\ K/W.$$

Since  $R_{th\ j-tab} = 12\ K/W$  and  $R_{th\ tab-h} = 1\ K/W$ ,  $R_{th\ h-a} = 36 - (12 + 1) = 23\ K/W.$

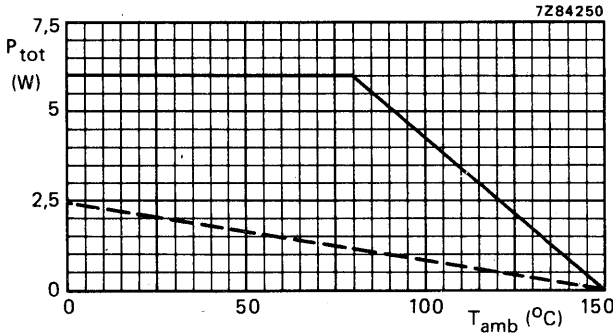


Fig. 2 Power derating curve.  
 ——— infinite heatsink;  
 - - - without heatsink.

**CHARACTERISTICS**

V<sub>p</sub> = 18 V; R<sub>L</sub> = 8 Ω; f = 1 kHz; T<sub>amb</sub> = 25 °C; unless otherwise specified

Supply voltage	V <sub>p</sub>	typ.	18 V
			15 to 35 V
Total quiescent current	I <sub>tot</sub>	typ.	35 mA
Ripple rejection at f = 100 Hz; R <sub>S</sub> = 0	RR	>	40 dB
Signal-to-noise ratio (d.c. control at minimum gain) see also note	S/N	>	60 dB
Total sensitivity (d.c. control at maximum gain) for P <sub>O</sub> = 2,5 W	V <sub>i</sub>	typ.	55 mV
<b>Audio amplifier</b>			
Repetitive peak output current	I <sub>ORM</sub>	<	1,5 A
Output power at d <sub>tot</sub> = 10%	P <sub>O</sub>	>	4 W
		typ.	4,5 W
Total harmonic distortion at P <sub>O</sub> = 2,5 W	d <sub>tot</sub>	typ.	0,5 %
Voltage gain	G <sub>V</sub>	typ.	30 dB
Sensitivity for P <sub>O</sub> = 2,5 W	V <sub>i</sub>	typ.	125 mV
Input impedance (pin 5)	Z <sub>i</sub>	typ.	200 kΩ
			100 to 500 kΩ
Frequency response	f	>	15 kHz

**Note**

Measured in a bandwidth according to IEC-curve 'A', related to P<sub>O</sub> = 2,5 W; R<sub>S</sub> = 5 kΩ.

**CHARACTERISTICS** (continued)

**D.C. volume control unit**

Gain control range (see also Fig. 3)	$\phi$	>	80 dB
Signal handling at $d_{tot} < 1\%$ (d.c. control at 0 dB)	$V_i$	>	1,2 V
Sensitivity for $V_o = 125$ mV at max. voltage gain	$V_i$	typ.	55 mV
Input impedance (pin 9)	$ Z_i $	typ.	200 k $\Omega$
		100 to	500 k $\Omega$
Output impedance (pin 7)	$ Z_o $	typ.	1 k $\Omega$

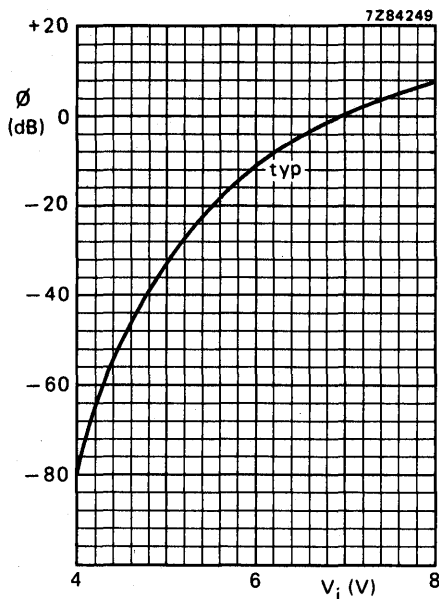


Fig. 3 Gain control curve;  $V_i$  at pin 8.

## SIGNAL-SOURCES SWITCH

The TDA1028 is a quadruple operational amplifier connected as an impedance converter. Each amplifier has 2 switchable inputs which are protected by clamping diodes. The input currents are independent of the switch position and the outputs are short-circuit protected.

The device is intended as an electronic four-channel signal-sources switch in a.f. amplifiers.

### QUICK REFERENCE DATA

Supply voltage range (pin 9)	$V_P$		6 to 23 V
Operating ambient temperature	$T_{amb}$		-30 to + 80 °C
Supply voltage (pin 9)	$V_P$	typ.	20 V
Current consumption (pins 4, 5, 12, 13 unloaded)	$I_g$	typ.	2,9 mA
Maximum input signal handling (r.m.s. value)	$V_{i(rms)}$	typ.	6 V
Voltage gain	$G_V$	typ.	1
Total harmonic distortion	$d_{tot}$	typ.	0,01 %
Crosstalk	$\alpha$	typ.	70 dB
Signal-to-noise ratio	S/N	typ.	120 dB

### PACKAGE OUTLINE

16-lead DIL; plastic (SOT-38).

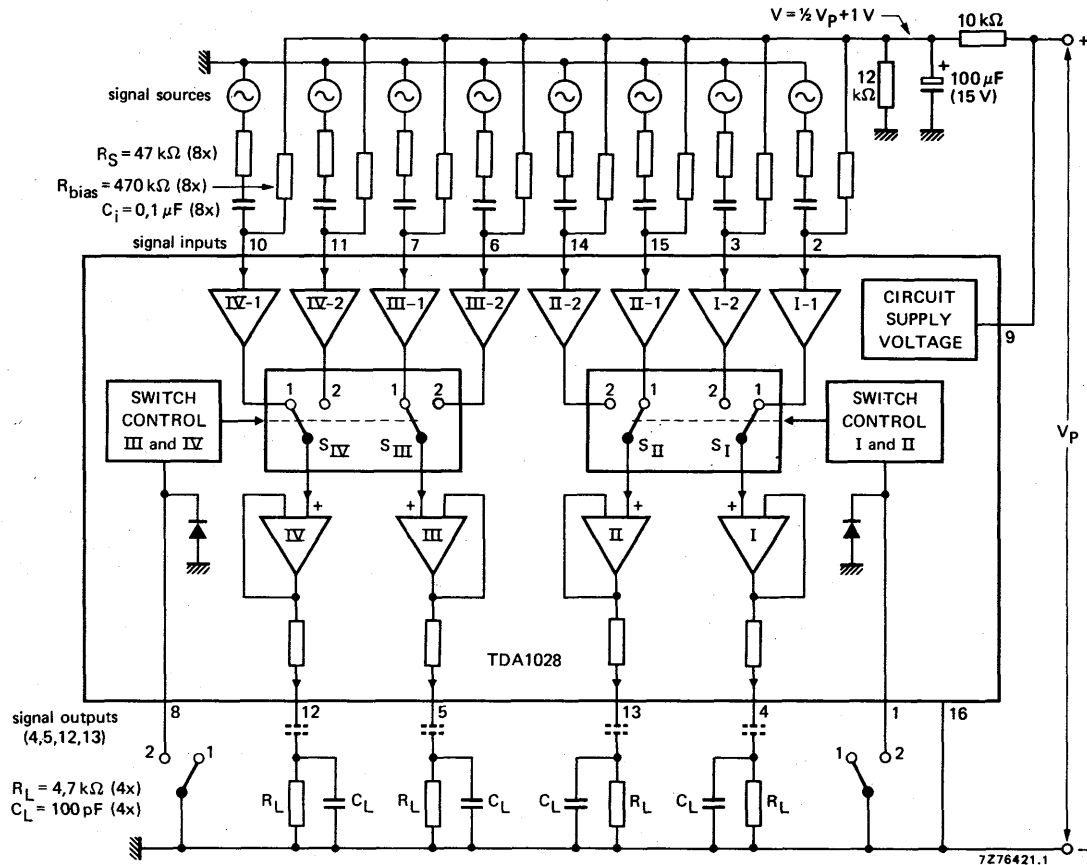


Fig. 1 Block diagram.

**RATINGS**

Limiting values in accordance with the Absolute Maximum System (IEC 134)

Supply voltage (pin 9)	$V_p$	max.	23 V
Input voltages (pins 2, 3, 6, 7, 10, 11, 14, 15)	$V_I$	max.	$V_p$
	$-V_I$	max.	0,5 V
Switch control voltage (pin 1 and 8)	$V_S$		0 to 23 V
Input current	$\pm I_I$	max.	20 mA
Switch control current	$-I_S$	max.	50 mA
Total power dissipation	$P_{tot}$	max.	800 mW
Storage temperature	$T_{stg}$		-55 to + 150 °C
Operating ambient temperature	$T_{amb}$		-30 to + 80 °C

**CHARACTERISTICS** $V_p = 20$  V;  $T_{amb} = 25$  °C; unless otherwise specified

Current consumption without load; $I_4, 5, 12, 13 = 0$	$I_g$	typ.	2,9 mA
			1,6 to 4,2 mA
Supply voltage range	$V_p$		6 to 23 V

**Signal inputs**

Input offset voltage of switched-on inputs ( $R_S < 1$ k $\Omega$ )	$V_{io}$	typ.	2 mV
		<	10 mV

Input offset current of switched-on inputs	$I_{io}$	typ.	20 nA
		<	200 nA

Input offset current of a switched-on input with respect to a non-switched-on input	$I_{io}$	typ.	20 nA
		<	200 nA

Input bias current independent of switch position	$I_i$	typ.	250 nA
		<	950 nA

Capacitance between adjacent inputs	C	typ.	0,5 pF
-------------------------------------	---	------	--------

D.C. input voltage range	$V_I$		3 to 19 V
--------------------------	-------	--	-----------

Supply voltage rejection ratio; $R_S < 10$ k $\Omega$	SVRR	typ.	100 $\mu$ V/V
---	------	------	---------------

Equivalent input noise voltage $R_S \leq 1$ k $\Omega$ ; $f = 20$ Hz to 20 kHz (r.m.s. value)	$V_{n(rms)}$	typ.	3,5 $\mu$ V
--	--------------	------	-------------

Equivalent input noise current $f = 20$ Hz to 20 kHz (r.m.s. value)	$I_{n(rms)}$	typ.	0,05 nA
--	--------------	------	---------

Crosstalk between a switched-on input and a non-switched-on input; measured at the output at $R_S < 1$ k $\Omega$ ; $f = 1$ kHz	$\alpha$	typ.	100 dB
---	----------	------	--------

**Signal amplifier**

Voltage gain of a switched-on input at $I_4, 5, 12, 13 = 0$ ; $R_L = \infty$	$G_v$	typ.	1
---	-------	------	---

Current gain of a switched-on amplifier	$G_i$	typ.	$10^5$
---	-------	------	--------



**CHARACTERISTICS (continued)**

**Signal outputs**

Output resistance	$R_o$	typ.	400 $\Omega$
Output current capability (pins 4, 5, 12 and 13)	$\pm I_o$	>	5 mA
Frequency limit of the output voltage at $V_{i(p-p)} = 1$ V; $R_S < 1$ k $\Omega$ ; $R_L = 10$ M $\Omega$ ; $C_L = 10$ pF	f	typ.	1,3 MHz
Slew rate (unity gain) $\Delta V_{4, 5; 12; 13-16}/\Delta t$ at $R_L = 10$ M $\Omega$ ; $C_L = 10$ pF	S	typ.	2 V/ $\mu$ s

**Switch control**

switched-on inputs	interconnected pins	control voltages	
		V1-16	V8-16
I-1, II-1	2-4, 15-13	H	—
I-2, II-2	3-4, 14-13	L	—
III-1, IV-1	7-5, 10-12	—	H
III-2, IV-2	6-5, 11-12	—	L

**Control inputs (pins 1 and 8)**

Required voltage			
HIGH	$V_{SH}$	>	3,3 V *
LOW	$V_{SL}$	<	2,1 V
Input current			
HIGH (leakage current)	$I_{SH}$	<	1 $\mu$ A
LOW (control current)	$-I_{SL}$	<	200 $\mu$ A

\* Or control inputs open;  $R_{1-16}, R_{8-16} > 33$  M $\Omega$ .

## APPLICATION INFORMATION

$V_P = 20\text{ V}$ ;  $T_{\text{amb}} = 25\text{ }^\circ\text{C}$ ; measured in Fig. 1;  $R_S = 47\text{ k}\Omega$ ;  $C_i = 0,1\text{ }\mu\text{F}$ ;  $R_{\text{bias}} = 470\text{ k}\Omega$ ;  $R_L = 4,7\text{ k}\Omega$ ;  $C_L = 100\text{ pF}$  (unless otherwise specified)

Voltage gain	$G_V$	typ.	-1,5 dB	
D.C. output voltage variation when switching the inputs (pins 4, 5, 12 and 13)	$\Delta V_O$	typ.	10 mV	
		<	100 mV	
Total harmonic distortion over most of signal range (see Fig. 4)	$d_{\text{tot}}$	typ.	0,01 %	
		at $V_i = 5\text{ V}$ ; $f = 1\text{ kHz}$	typ.	0,02 %
		at $V_i = 5\text{ V}$ ; $f = 20\text{ Hz to }20\text{ kHz}$	typ.	0,03 %
Output signal handling $d_{\text{tot}} = 0,1\%$ ; $f = 1\text{ kHz}$ (r.m.s. value)	$V_{O(\text{rms})}$	>	5,0 V	
		typ.	5,3 V	
Noise output voltage (unweighted) $f = 20\text{ Hz to }20\text{ kHz}$ (r.m.s. value)	$V_{n(\text{rms})}$	typ.	5 $\mu\text{V}$	
Noise output voltage (weighted) $f = 20\text{ Hz to }20\text{ kHz}$ (in accordance with DIN 45405)	$V_n$	typ.	12 $\mu\text{V}$	
Amplitude response (pins 4, 5, 12 and 13) $V_i = 5\text{ V}$ ; $f = 20\text{ Hz to }20\text{ kHz}$	$\Delta V_O$	typ.	0,1 dB *	
Crosstalk between a switched-on input and a non-switched-on input; measured at the output at $f = 1\text{ kHz}$	$\alpha$	typ.	75 dB **	
Crosstalk between switched-on inputs and the outputs of the other channels; at $f = 1\text{ kHz}$	$\alpha$	typ.	90 dB **	

\* The lower cut-off frequency depends on values of  $R_{\text{bias}}$  and  $C_i$ .

\*\* Depends on external circuitry and  $R_S$ . The value will be fixed mostly by capacitive crosstalk of the external components.

7Z75947.1

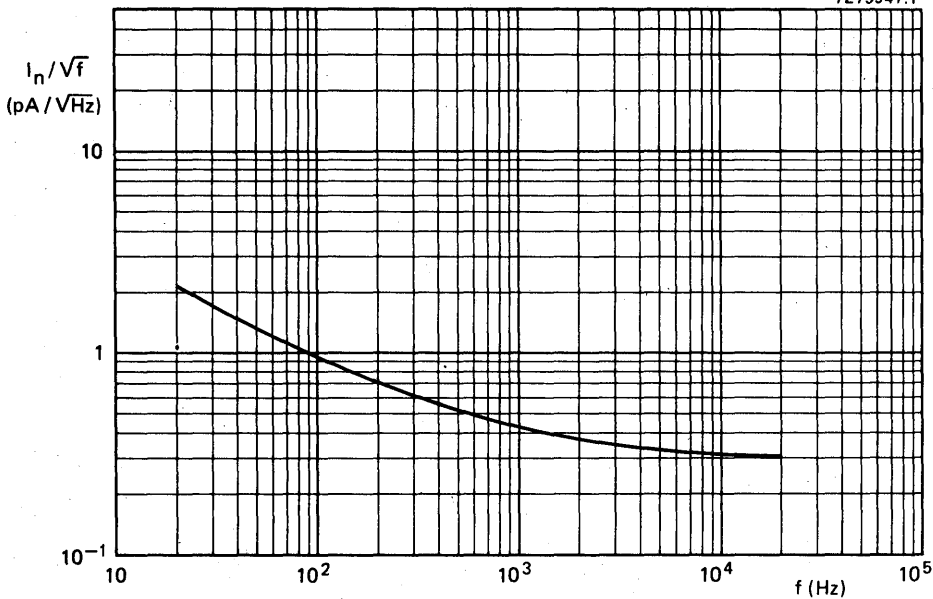


Fig. 2 Equivalent input noise current.

7Z75945.1

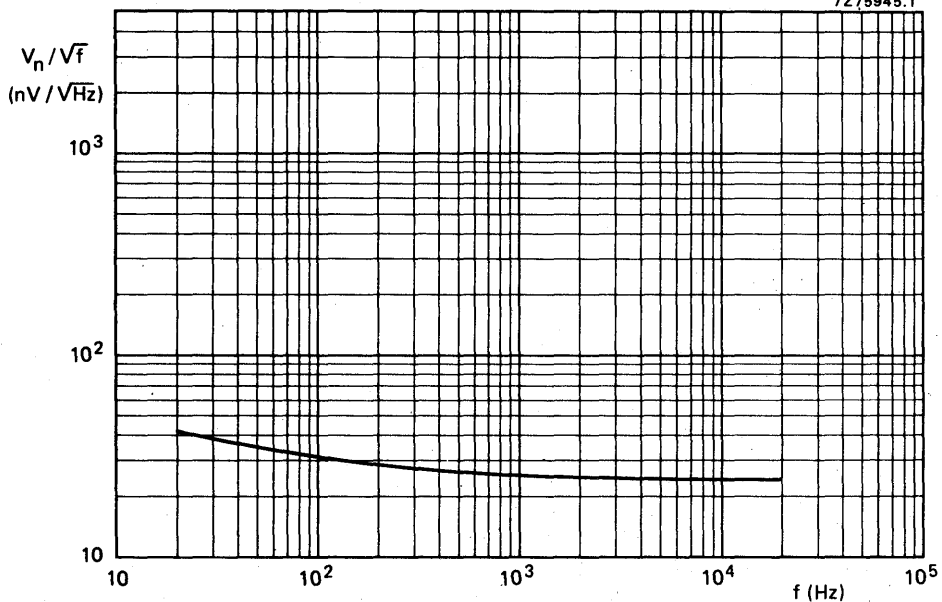


Fig. 3 Equivalent input noise voltage.

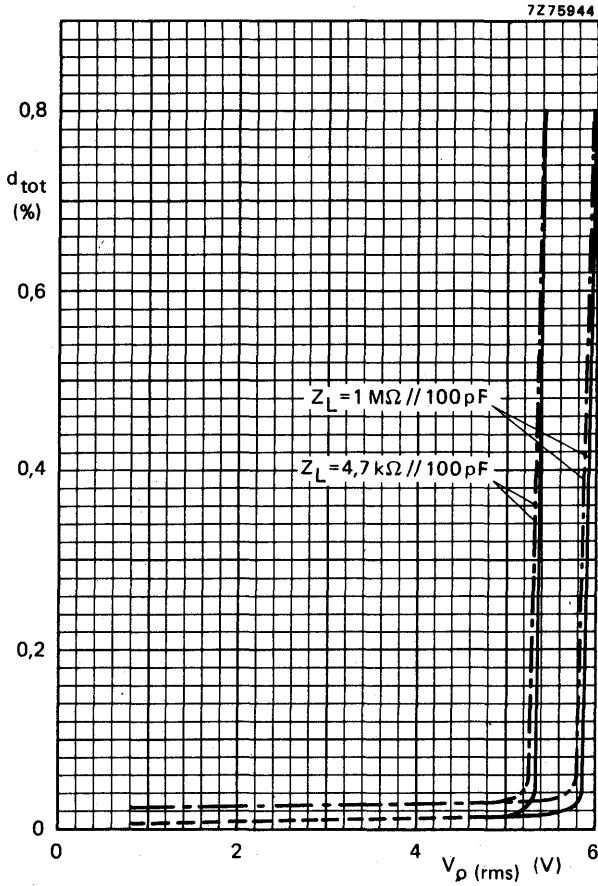


Fig. 4 Total harmonic distortion as a function of r.m.s. output voltage.  
—  $f = 1\text{ kHz}$ ; - - -  $f = 20\text{ kHz}$ .

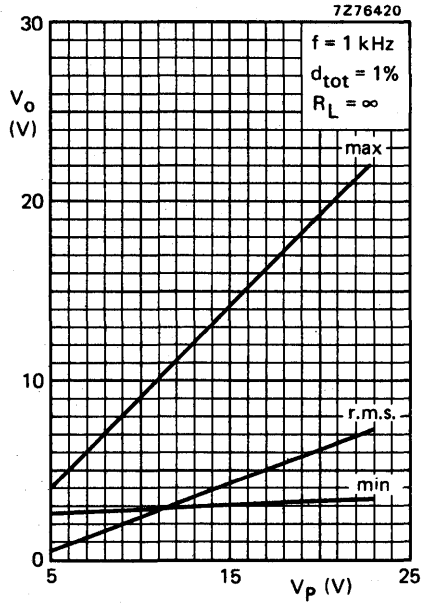


Fig. 5 Output voltage as a function of supply voltage.

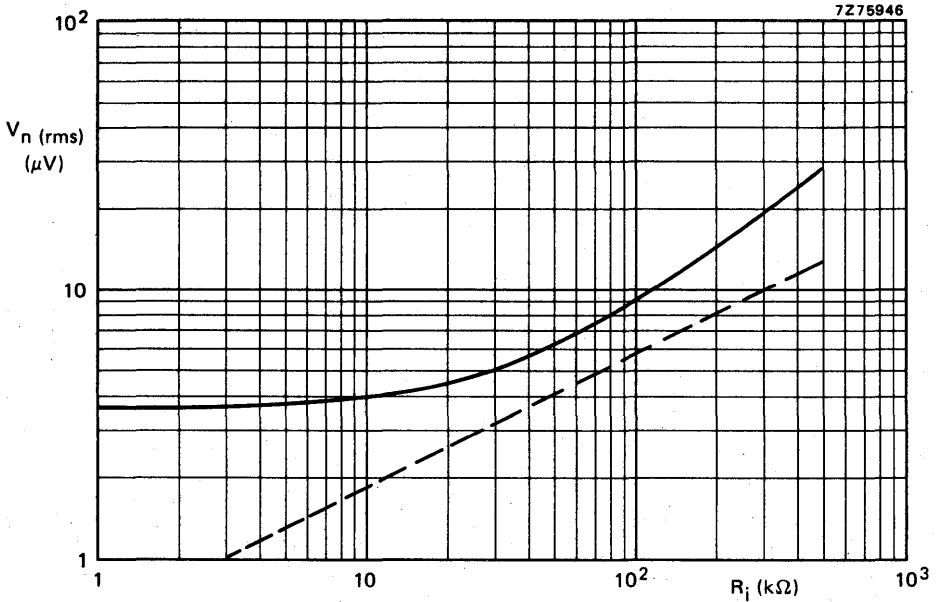


Fig. 6 Noise output voltage as a function of input resistance;  $G_v = 1$ ;  $f = 20 \text{ Hz to } 20 \text{ kHz}$ .  
 —  $V_n$  (output); ---  $V_n$  ( $R_S$ ).

## APPLICATION NOTES

## Input protection circuit and indication

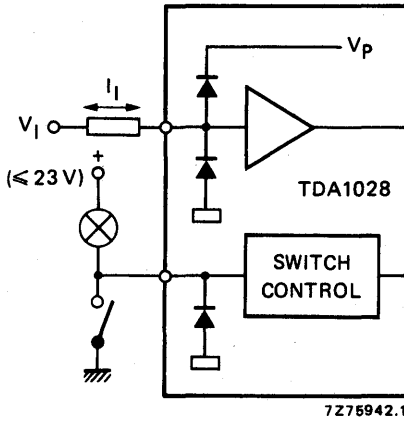


Fig. 7 Circuit diagram showing input protection and indication.

## Unused signal inputs

Any unused inputs must be connected to a d.c. (bias) voltage, which is within the d.c. input voltage range.

## Circuits with standby operation

The control inputs (pins 1 and 8) are high-ohmic at  $V_{SH} \leq 20\text{ V}$  ( $I_{SH} \leq 1\ \mu\text{A}$ ), as well as, when the supply voltage (pin 9) is switched off.



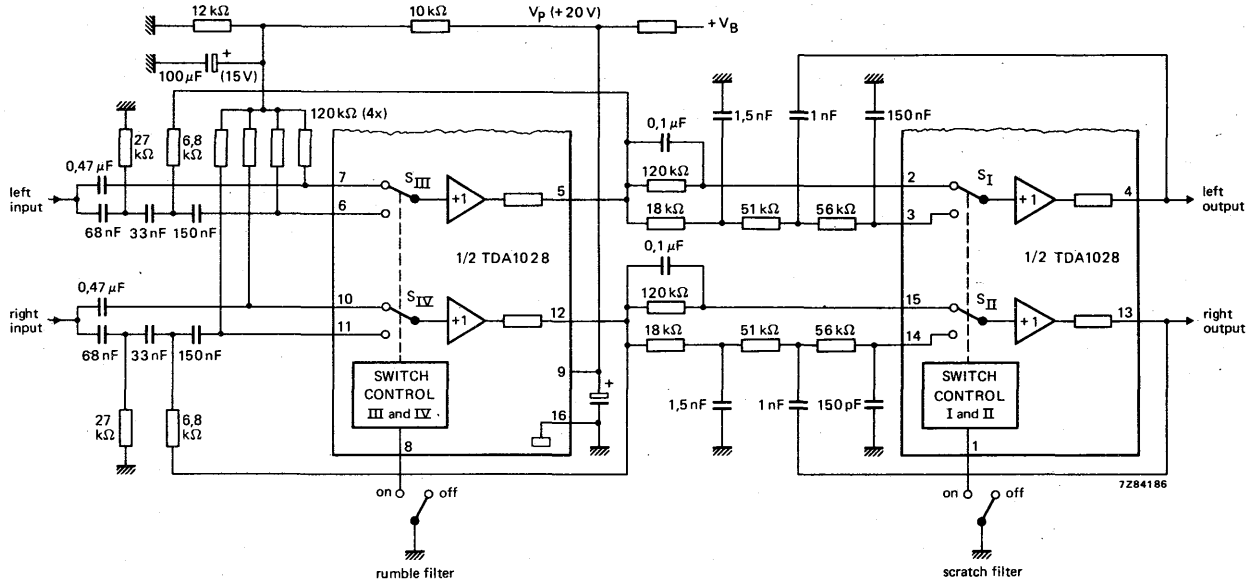


Fig. 8 Typical application diagram for a switchable scratch/rumble filter.

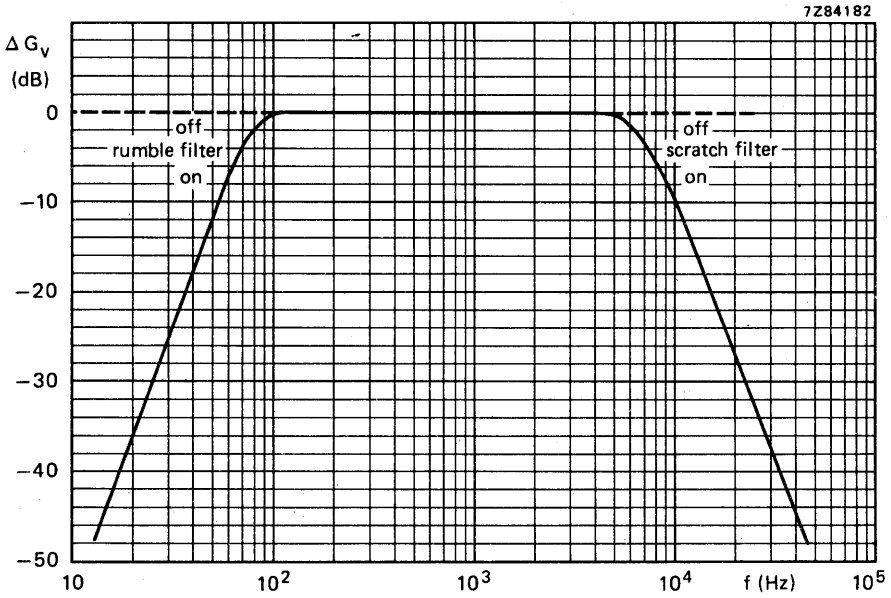


Fig. 9 Frequency response curves for scratch/rumble filters in Fig. 8.







## SIGNAL-SOURCES SWITCH

The TDA1029 is a dual operational amplifier (connected as an impedance converter) each amplifier having 4 mutually switchable inputs which are protected by clamping diodes. The input currents are independent of switch position and the outputs are short-circuit protected.

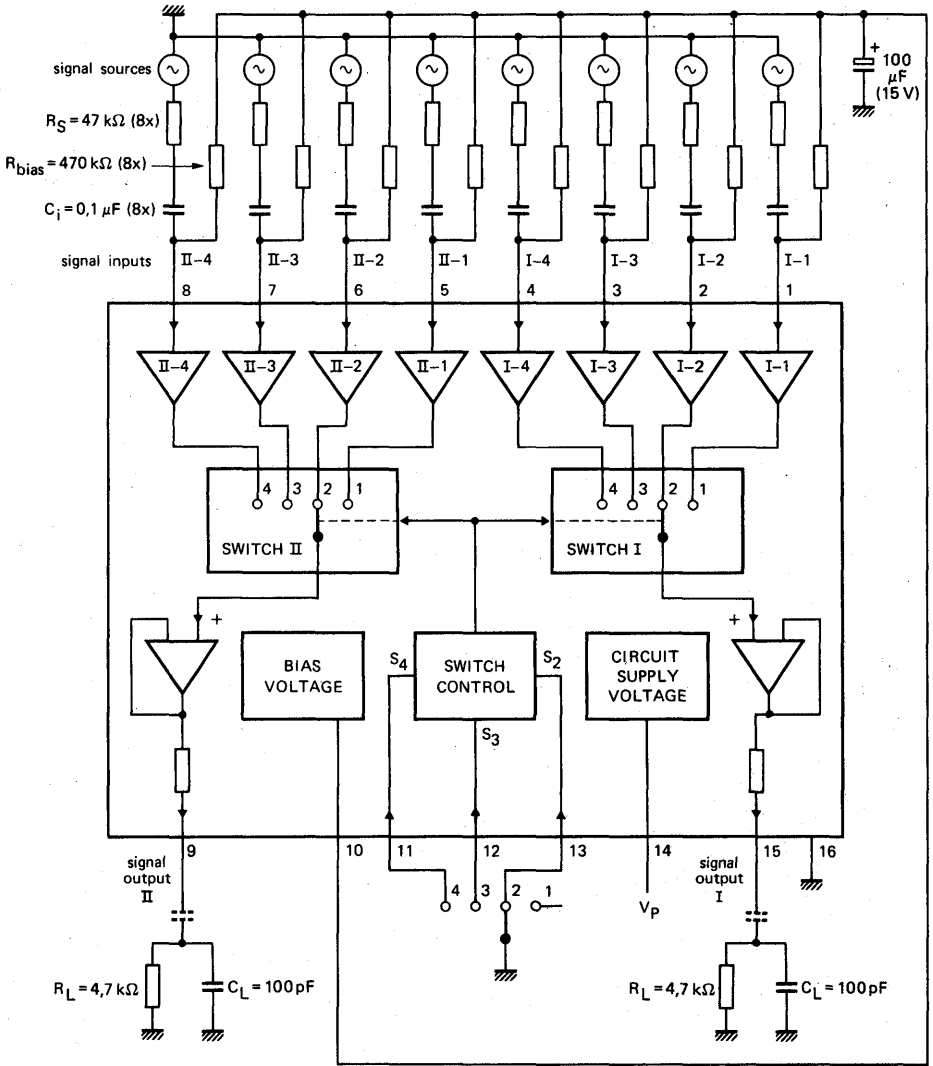
The device is intended as an electronic two-channel signal-source switch in a.f. amplifiers.

### QUICK REFERENCE DATA

Supply voltage range (pin 14)	$V_p$		6 to 23 V
Operating ambient temperature	$T_{amb}$		-30 to + 80 °C
Supply voltage (pin 14)	$V_p$	typ.	20 V
Current consumption	$I_{14}$	typ.	3,5 mA
Maximum input signal handling (r.m.s. value)	$V_{i(rms)}$	typ.	6 V
Voltage gain	$G_v$	typ.	1
Total harmonic distortion	$d_{tot}$	typ.	0,01 %
Crosstalk	$\alpha$	typ.	70 dB
Signal-to-noise ratio	S/N	typ.	120 dB

### PACKAGE OUTLINE

16-lead DIL; plastic (SOT-38).



7Z76181.1

Fig. 1 Block diagram.

**RATINGS**

Limiting values in accordance with the Absolute Maximum System (IEC 134)

Supply voltage (pin 14)	$V_P$	max.	23 V
Input voltage (pins 1 to 8)	$V_I$	max.	$V_P$
	$-V_I$	max.	0,5 V
Switch control voltage (pins 11, 12 and 13)	$V_S$		0 to 23 V
Input current	$\pm I_I$	max.	20 mA
Switch control current	$-I_S$	max.	50 mA
Total power dissipation	$P_{tot}$	max.	800 mW
Storage temperature	$T_{stg}$		-55 to + 150 °C
Operating ambient temperature	$T_{amb}$		-30 to + 80 °C

**CHARACTERISTICS** $V_P = 20\text{ V}$ ;  $T_{amb} = 25\text{ °C}$ ; unless otherwise specified

Current consumption

without load;  $I_G = I_{15} = 0$ 

$I_{14}$	typ.	3,5 mA
		2 to 5 mA

Supply voltage range (pin 14)

$V_P$	6 to 23 V
-------	-----------

**Signal inputs**Input offset voltage  
of switched-on inputs  
 $R_S \leq 1\text{ k}\Omega$ 

$V_{io}$	typ.	2 mV
		< 10 mV

Input offset current  
of switched-on inputs

$I_{io}$	typ.	20 nA
		< 200 nA

Input offset current  
of a switched-on input with respect to a  
non-switched-on input of a channel

$I_{io}$	typ.	20 nA
		< 200 nA

Input bias current  
independent of switch position

$I_i$	typ.	250 nA
		< 950 nA

Capacitance between adjacent inputs

$C$	typ.	0,5 pF
-----	------	--------

D.C. input voltage range

$V_I$	3 to 19 V
-------	-----------

Supply voltage rejection ratio;  $R_S \leq 10\text{ k}\Omega$ 

SVRR	typ.	100 $\mu\text{V/V}$
------	------	---------------------

Equivalent input noise voltage  
 $R_S \neq 0$ ;  $f = 20\text{ Hz to }20\text{ kHz}$  (r.m.s. value)

$V_{n(rms)}$	typ.	3,5 $\mu\text{V}$
--------------	------	-------------------

Equivalent input noise current  
 $f = 20\text{ Hz to }20\text{ kHz}$  (r.m.s. value)

$I_{n(rms)}$	typ.	0,05 nA
--------------	------	---------

Crosstalk between a switched-on input  
and a non-switched-on input;  
measured at the output at  $R_S = 1\text{ k}\Omega$ ;  $f = 1\text{ kHz}$ 

$\alpha$	typ.	100 dB
----------	------	--------

**CHARACTERISTICS** (continued)

**Signal amplifier**

Voltage gain of a switched-on input  
at  $I_g = I_{15} = 0$ ;  $R_L = \infty$

$G_V$  typ. 1

Current gain of a switched-on amplifier

$G_i$  typ.  $10^5$

**Signal outputs**

Output resistance (pins 9 and 15)

$R_o$  typ. 400  $\Omega$

Output current capability at  $V_p = 6$  to 23 V

$\pm I_g; \pm I_{15}$  typ. 5 mA

Frequency limit of the output voltage

$V_{i(p-p)} = 1$  V;  $R_S = 1$  k $\Omega$ ;  $R_L = 10$  M $\Omega$ ;  $C_L = 10$  pF

f typ. 1,3 MHz

Slew rate (unity gain);  $\Delta V_{9-16}/\Delta t$ ;  $\Delta V_{15-16}/\Delta t$   
 $R_L = 10$  M $\Omega$ ;  $C_L = 10$  pF

S typ. 2 V/ $\mu$ s

**Bias voltage**

D.C. output voltage

$V_{10-16}$  typ. 11 V \*  
10,2 to 11,8 V

Output resistance

$R_{10-16}$  typ. 8,2 k $\Omega$

**Switch control**

switched-on inputs	interconnected pins	control voltages		
		$V_{11-16}$	$V_{12-16}$	$V_{13-16}$
I-1, II-1	1-15, 5-9	H	H	H
I-2, II-2	2-15, 6-9	H	H	L
I-3, II-3	3-15, 7-9	H	L	H
I-4, II-4	4-15, 8-9	L	H	H
I-4, II-4	4-15, 8-9	L	L	H
I-4, II-4	4-15, 8-9	L	H	L
I-4, II-4	4-15, 8-9	L	L	L
I-3, II-3	3-15, 7-9	H	L	L

In the case of offset control, an internal blocking circuit of the switch control ensures that not more than one input will be switched on at a time. In that case safe switching-through is obtained at  $V_{SL} \leq 1,5$  V.

**Control inputs** (pins 11, 12 and 13)

Required voltage

HIGH

$V_{SH} > 3,3$  V \*\*

LOW

$V_{SL} < 2,1$  V

Input current

HIGH (leakage current)

$I_{SH} < 1$   $\mu$ A

LOW (control current)

$-I_{SL} < 250$   $\mu$ A

\*  $V_{10-16}$  is typically  $0,5 \cdot V_{14-16} + 1,5 \cdot V_{BE}$ .

\*\* Or control inputs open ( $R_{11,12,13-16} > 33$  M $\Omega$ ).

## APPLICATION INFORMATION

$V_P = 20 \text{ V}$ ;  $T_{\text{amb}} = 25 \text{ }^\circ\text{C}$ ; measured in Fig. 1;  $R_S = 47 \text{ k}\Omega$ ;  $C_i = 0,1 \text{ }\mu\text{F}$ ;  $R_{\text{bias}} = 470 \text{ k}\Omega$ ;  $R_L = 4,7 \text{ k}\Omega$ ;  $C_L = 100 \text{ pF}$  (unless otherwise specified)

Voltage gain	$G_V$	typ.	-1,5 dB	
Output voltage variation when switching the inputs	$\Delta V_{9-16}$	} typ.	10 mV	
	$\Delta V_{15-16}$		< 100 mV	
Total harmonic distortion over most of signal range (see Fig. 4)	$d_{\text{tot}}$	typ.	0,01 %	
		$V_i = 5 \text{ V}$ ; $f = 1 \text{ kHz}$	typ.	0,02 %
		$V_i = 5 \text{ V}$ ; $f = 20 \text{ Hz to } 20 \text{ kHz}$	typ.	0,03 %
Output signal handling $d_{\text{tot}} = 0,1\%$ ; $f = 1 \text{ kHz}$ (r.m.s. value)	$V_{O(\text{rms})}$	>	5,0 V	
		typ.	5,3 V	
Noise output voltage (unweighted) $f = 20 \text{ Hz to } 20 \text{ kHz}$ (r.m.s. value)	$V_{n(\text{rms})}$	typ.	5 $\mu\text{V}$	
Noise output voltage (weighted) $f = 20 \text{ Hz to } 20 \text{ kHz}$ (in accordance with DIN 45405)	$V_n$	typ.	12 $\mu\text{V}$	
Amplitude response $V_i = 5 \text{ V}$ ; $f = 20 \text{ Hz to } 20 \text{ kHz}$ ; $C_i = 0,22 \text{ }\mu\text{F}$	$\Delta V_{9-16}$ $\Delta V_{15-16}$	} <	0,1 dB *	
Crosstalk between a switched-on input and a non-switched-on input; measured at the output at $f = 1 \text{ kHz}$	$\alpha$	typ.	75 dB **	
Crosstalk between switched-on inputs and the outputs of the other channels	$\alpha$	typ.	90 dB **	

\* The lower cut-off frequency depends on values of  $R_{\text{bias}}$  and  $C_i$ .

\*\* Depends on external circuitry and  $R_S$ . The value will be fixed mostly by capacitive crosstalk of the external components.

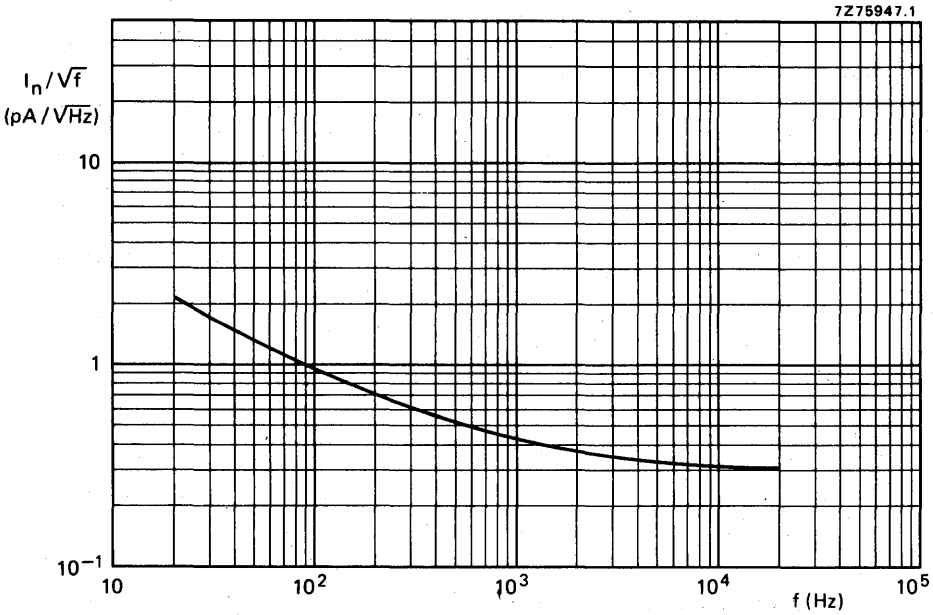


Fig. 2 Equivalent input noise current.

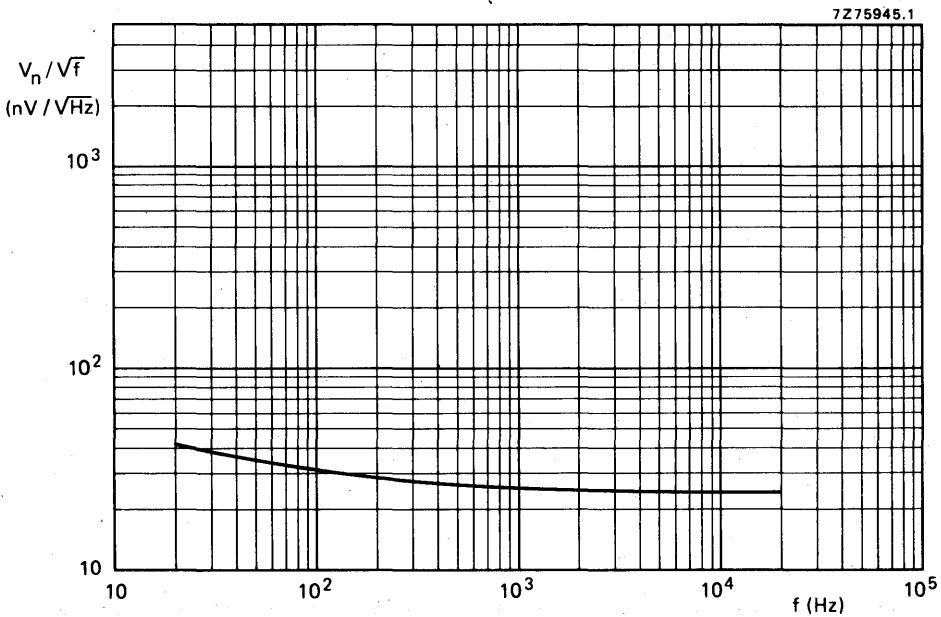


Fig. 3 Equivalent input noise voltage.

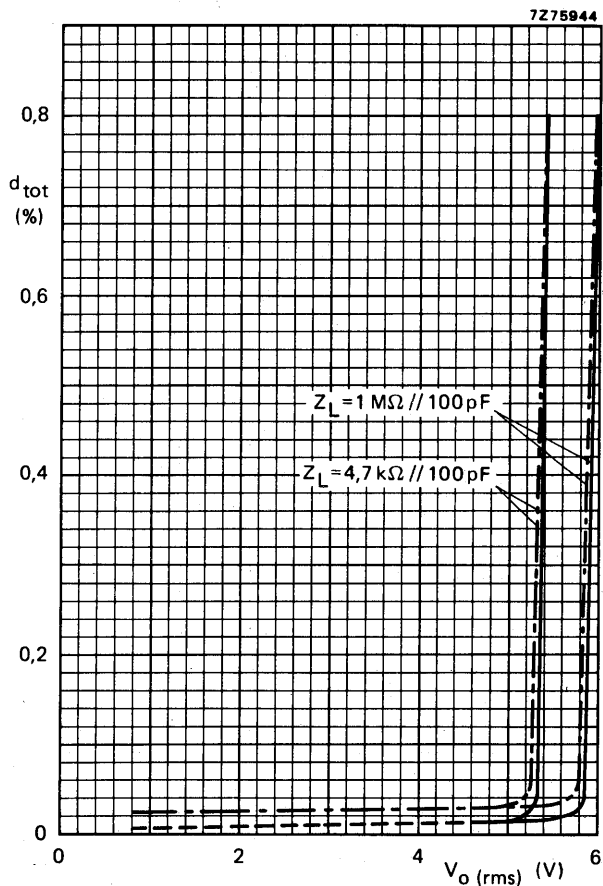


Fig. 4 Total harmonic distortion as a function of r.m.s. output voltage.  
—  $f = 1$  kHz; - - -  $f = 20$  kHz.





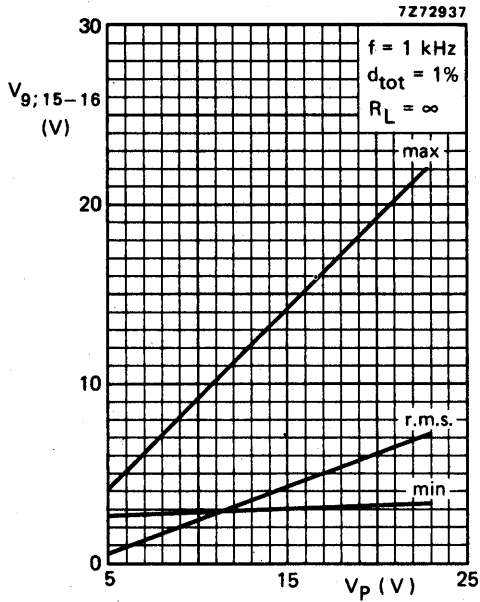


Fig. 5 Output voltage as a function of supply voltage.

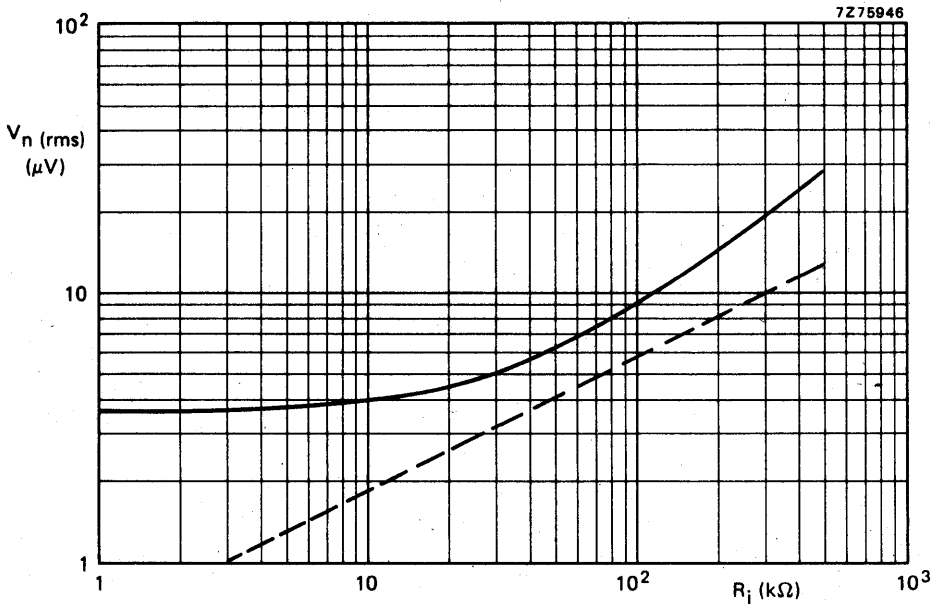


Fig. 6 Noise output voltage as a function of input resistance;  $G_V = 1$ ;  $f = 20 \text{ Hz to } 20 \text{ kHz}$ .  
 —  $V_n$  (output); - - -  $V_n$  ( $R_G$ ).

## APPLICATION NOTES

## Input protection circuit and indication

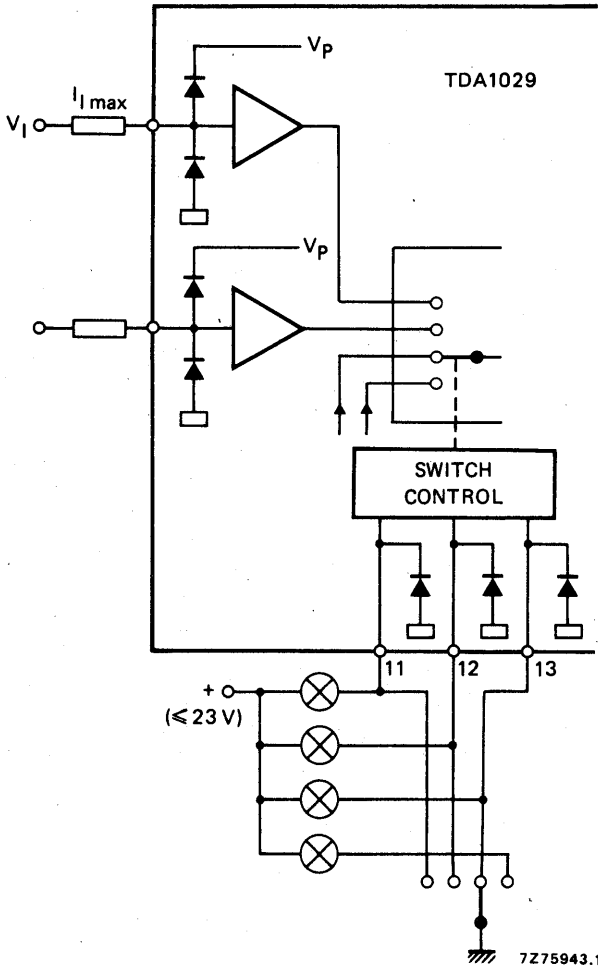


Fig. 7 Circuit diagram showing input protection and indication.

**Unused signal inputs**

Any unused inputs must be connected to a d.c. (bias) voltage, which is within the d.c. input voltage range; e.g. unused inputs can be connected directly to pin 10.

**Circuits with standby operation**

The control inputs (pins 11, 12 and 13) are high-ohmic at  $V_{SH} \leq 20\text{ V}$  ( $I_{SH} \leq 1\text{ }\mu\text{A}$ ), as well as, when the supply voltage (pin 14) is switched off.

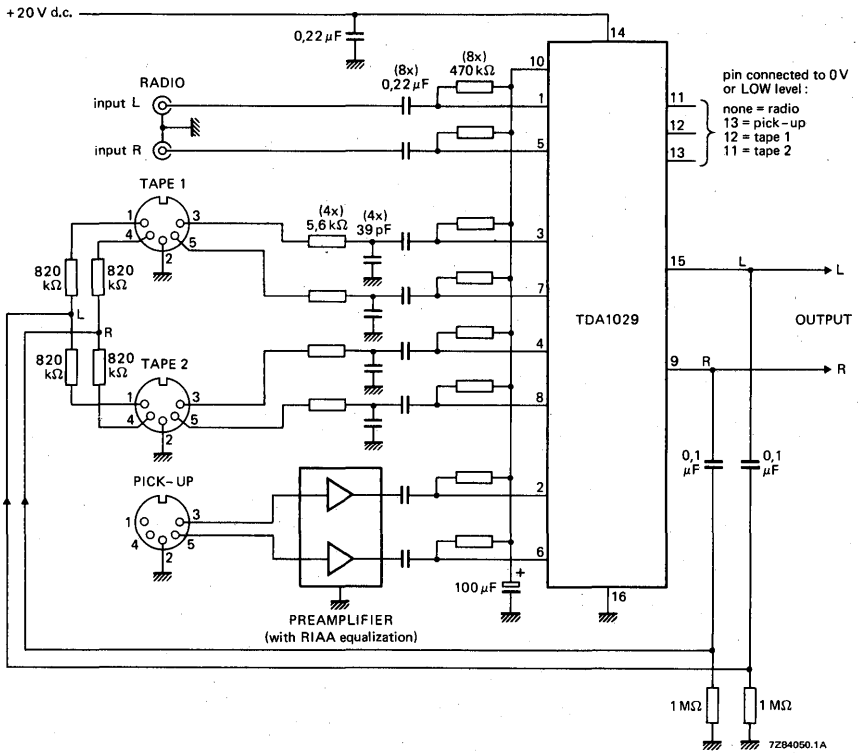


Fig. 8 TDA1029 connected as a four input stereo source selector.

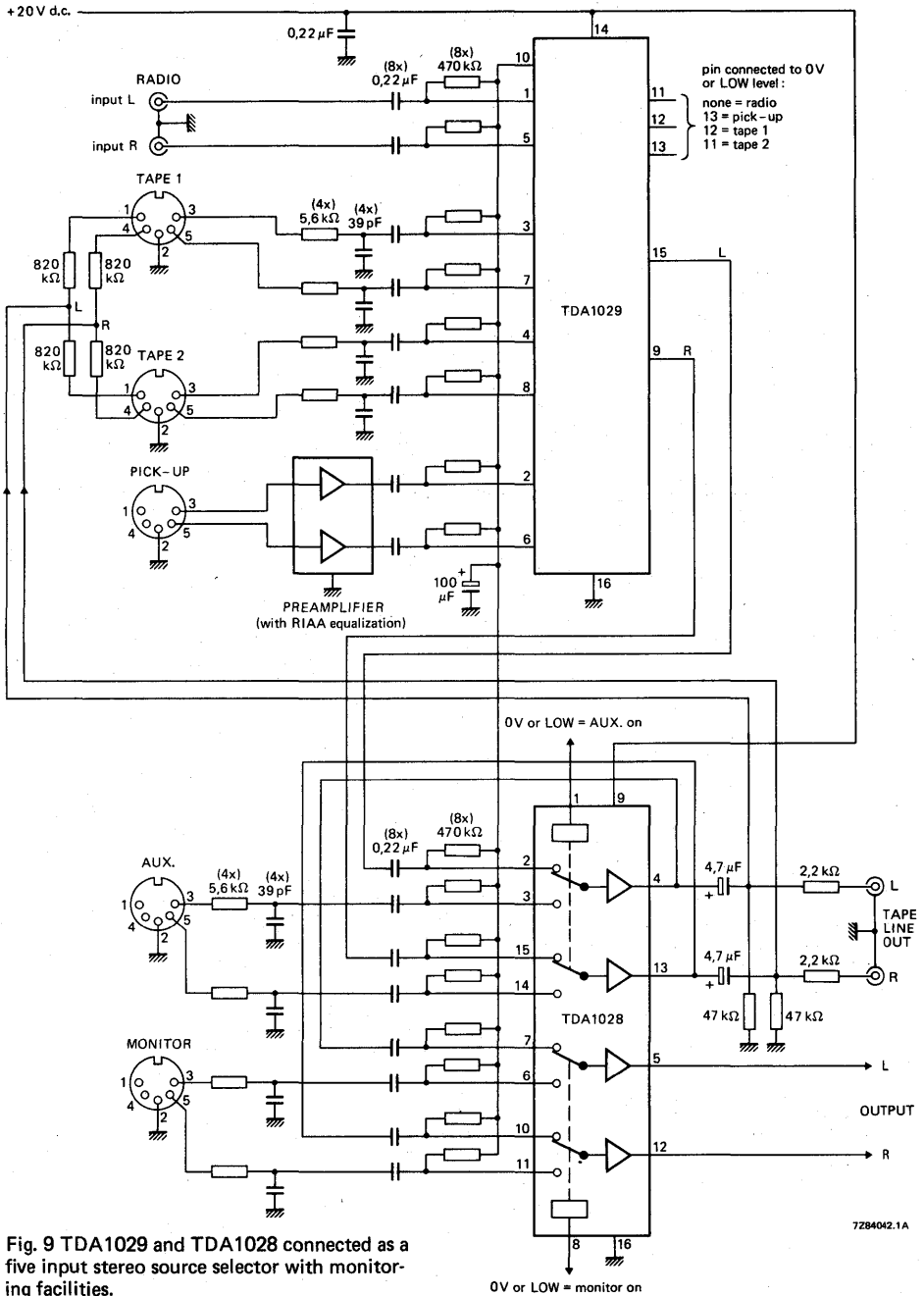


Fig. 9 TDA1029 and TDA1028 connected as a five input stereo source selector with monitoring facilities.

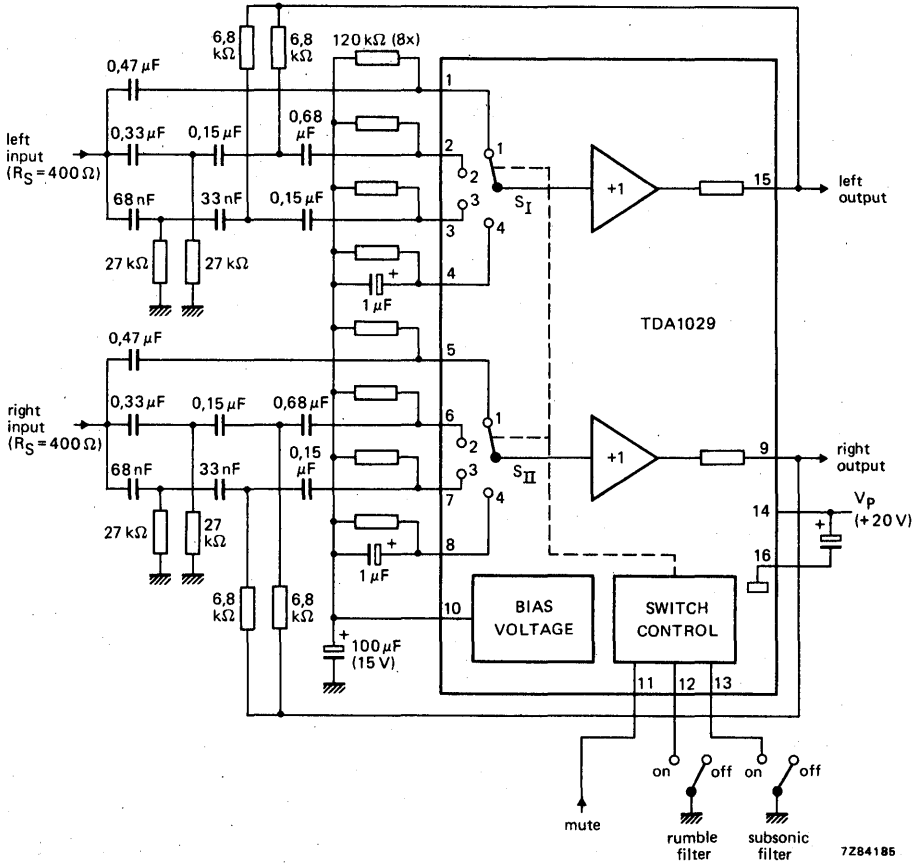


Fig. 10 TDA1029 connected as a third-order active high-pass filter with Butterworth response and component values chosen according to the method proposed by Fjällbrant. It is a four-function circuit which can select mute, rumble filter, subsonic filter and linear response.

Switch control

function	V <sub>11-16</sub>	V <sub>12-16</sub>	V <sub>13-16</sub>
linear	H	H	H
subsonic filter 'on'	H	H	L
rumble filter 'on'	H	L	X
mute 'on'	L	X	X

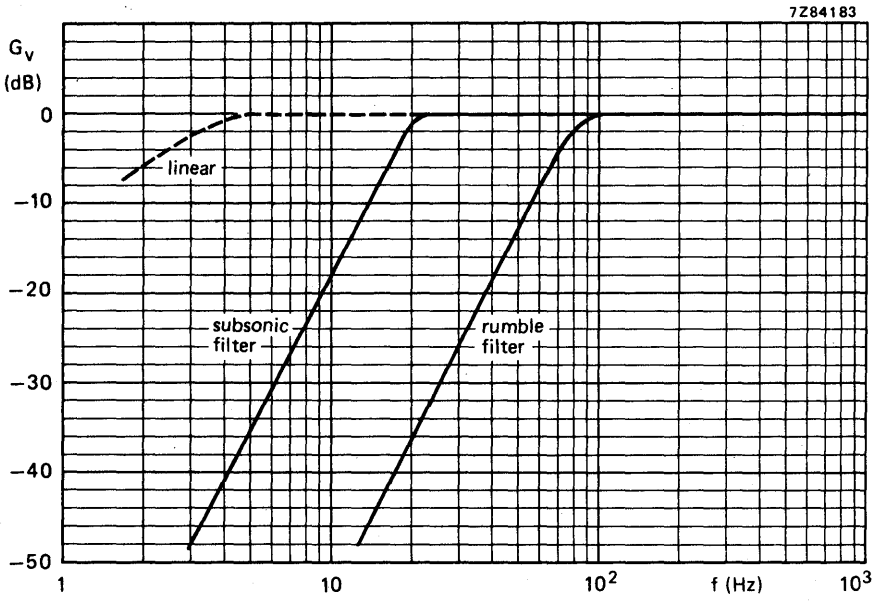
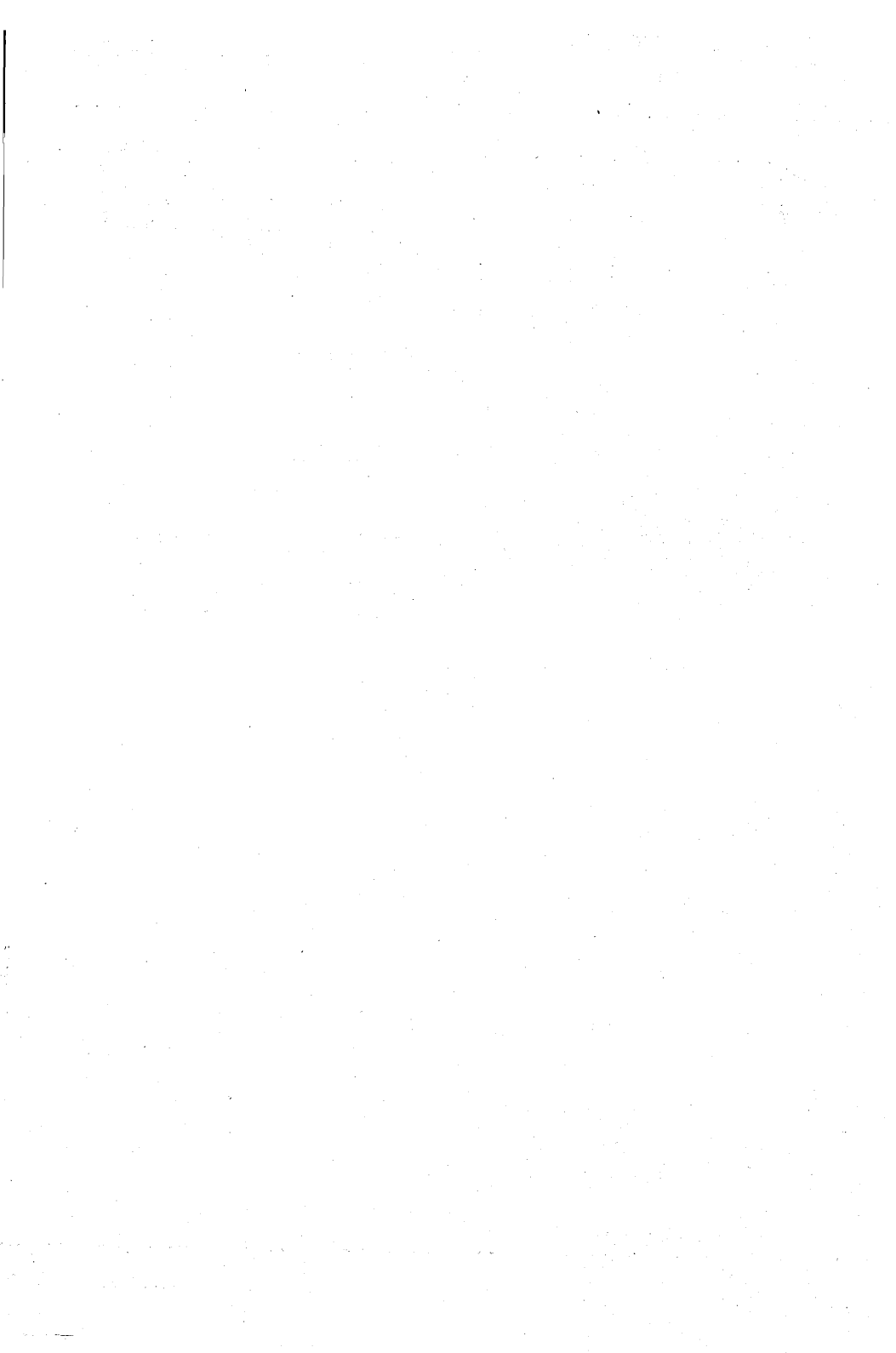


Fig. 11 Frequency response curves for the circuit of Fig. 10.



## DEVELOPMENT SAMPLE DATA

This information is derived from development samples made available for evaluation. It does not necessarily imply that the device will go into regular production.

TDA1059B

## MOTOR SPEED REGULATOR WITH THERMAL SHUT-DOWN

The TDA1059B is a monolithic integrated circuit with a current limiter and with good thermal characteristics in a TO-126 plastic package for easy mounting. It is intended to regulate the speed of d.c. motors in record players, cassette recorders and car cassette recorders.

### QUICK REFERENCE DATA

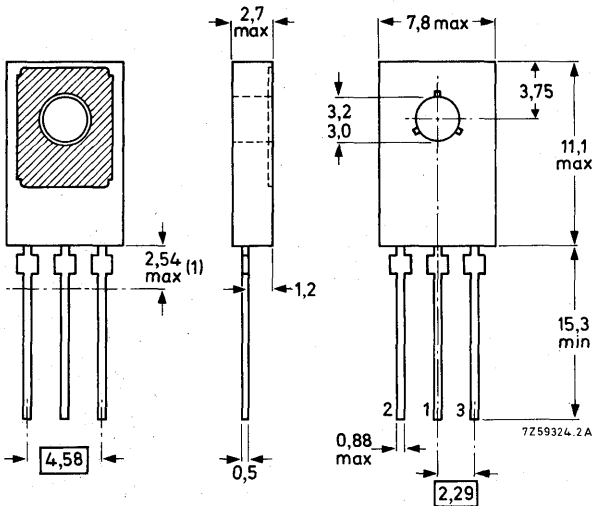
Supply voltage	$V_P = V_{2-1}$	typ.	9 V
			3,3 to 16 V
Internal reference voltage	$V_{ref}$	typ.	1,3 V
Drop-out voltage	$V_{3-1}$	typ.	1,8 V
Limited output current	$I_{3lim}$	typ.	0,6 A
Multiplication coefficient	k	typ.	9

### PACKAGE OUTLINE

Dimensions in mm

Fig. 1 TO-126 (SOT-32).

Pin 1 connected to metal part of mounting surface.



(1) Within this region the cross-section of the leads is uncontrolled.



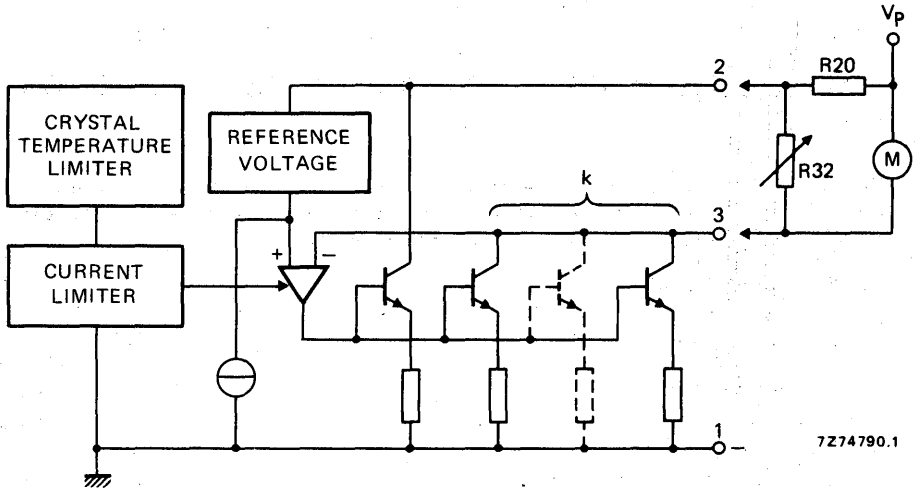


Fig. 2 Functional diagram.

**RATINGS**

Limiting values in accordance with the Absolute Maximum System (IEC 134)

Supply voltage	$V_P = V_{2-1}$	max.	16 V
Storage temperature	$T_{stg}$		-55 to + 150 °C
Operating ambient temperature (see Fig. 3 and note)	$T_{amb}$		-25 to + 130 °C

**THERMAL RESISTANCE**

From junction to case	$R_{th\ j-c}$	=	10° K/W
From junction to ambient	$R_{th\ j-a}$	=	100 K/W

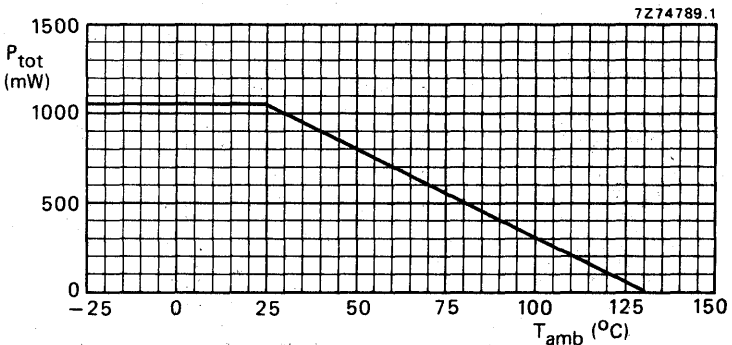


Fig. 3 Power derating curve.

**Note**

At ambient temperatures above 130 °C, the crystal temperature limiter decreases the internal power consumption.

## CHARACTERISTICS

$V_P = 9\text{ V}$ ;  $T_{\text{amb}} = 25\text{ }^\circ\text{C}$ ;  $R_{20} = 0$ ; heatsink with  $R_{\text{th}} = 100\text{ K/W}$  and after thermal stabilization; unless otherwise specified; see test circuit Fig. 4.

		min.	typ.	max.
Supply voltage	$V_P = V_{2-1}$	3,3	9	16 V
Internal reference voltage $V_P = 3,3\text{ V}$ ; $I_3 = 80\text{ mA}$	$V_{\text{ref}}$	1,24	1,3	1,36 V
Drop-out voltage $I_3 = 80\text{ mA}$ ; $\Delta V_{\text{ref}} = 5\%$	$V_{3-1}$	—	1,8	2,06 V
Quiescent current; $I_3 = 0$	$I_q$	1,8	2,3	2,8 mA
Limited output current*	$I_{3\text{lim}}$	0,3	0,6	1 A
Multiplication coefficient $I_3 = 50\text{ mA} \pm 10\text{ mA}$	$k = \frac{\Delta I_3}{\Delta I_2}$	8,5	9	9,5
Line regulation				
$V_P = 3,3\text{ to }16\text{ V}$ at $I_3 = 50\text{ mA}$				
reference voltage variation	$\frac{\Delta V_{\text{ref}}}{V_{\text{ref}}} / \Delta V_P$	-0,115	0	+0,115 %/V
multiplication coefficient variation $I_3 = 50 \pm 10\text{ mA}$	$\frac{\Delta k}{k} / \Delta V_P$	—	0,86	— %/V
input current variation; $I_3 = 50\text{ mA}$	$\frac{\Delta I_2}{\Delta V_P}$	-15	0	+15 $\mu\text{A/V}$
Load regulation				
reference voltage variation $I_3 = 20\text{ to }80\text{ mA}$	$\frac{\Delta V_{\text{ref}}}{V_{\text{ref}}} / \Delta I_3$	0	19	38,5 %/A
multiplication coefficient variation $I_3 = 30 \pm 10\text{ to }70 \pm 10\text{ mA}$	$\frac{\Delta k}{k} / \Delta I_3$	-0,075	0	+0,075 %/mA
Temperature coefficient				
$I_3 = 50\text{ mA}$ ; $T_{\text{amb}} = -15\text{ to }+65\text{ }^\circ\text{C}$				
reference voltage variation	$\frac{\Delta V_{\text{ref}}}{V_{\text{ref}}} / \Delta T_{\text{amb}}$	-0,03	0	+0,03 %/K
multiplication coefficient variation $\Delta I_3 = \pm 10\text{ mA}$	$\frac{\Delta k}{k} / \Delta T_{\text{amb}}$	—	0,008	— %/K
input current variation	$\frac{\Delta I_2}{\Delta T_{\text{amb}}}$	-2	0	+2 $\mu\text{A/K}$

\* If the motor is stopped by a mechanical brake, the current limitation is effective in the supply voltage range. If the motor is short-circuited, the TDA1059B will be damaged if the supply voltage is higher than 10 V due to parasitic oscillations.

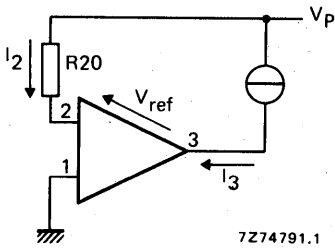
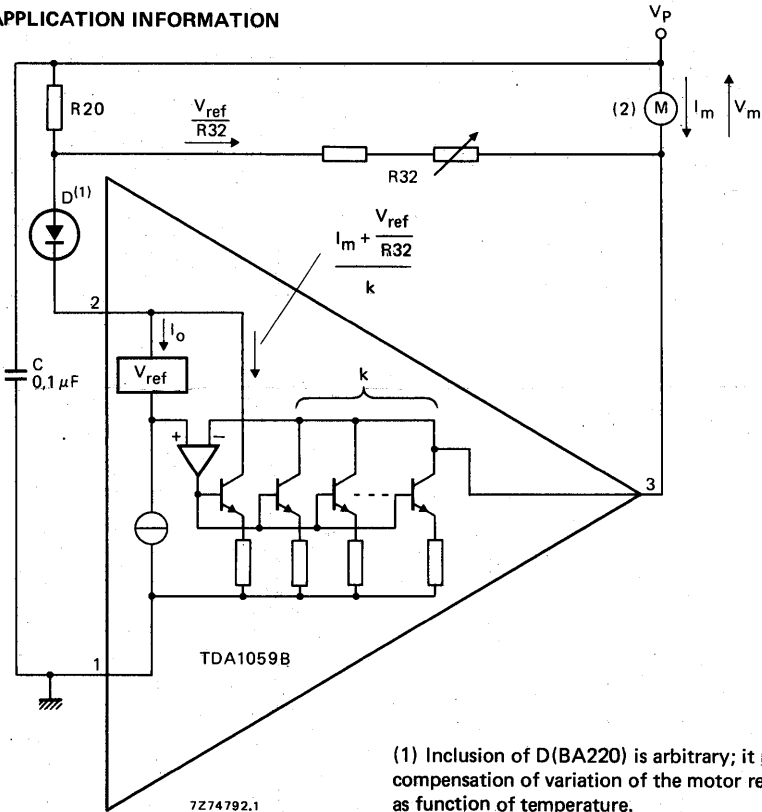


Fig. 4 Test circuit.

Note

For start operation:  $V_{ref}$  must start with final  $V_p = 6,7$  V and a time constant of  $3\tau = 100$  ms in which  $\tau = R.C$ ; R = source impedance, C = by-pass capacitor.

APPLICATION INFORMATION



(1) Inclusion of D(BA220) is arbitrary; it permits compensation of variation of the motor resistance as function of temperature.

(2) Motor example (without diode D):

Catalogue no. 9904 120 01806;  $n = 2000$  rev/min;  $R_20 = 180 \Omega (\pm 2\%)$ ;  $R_32 = 100 \Omega + 100 \Omega$  (variable).

Fig. 5 Example of using the TDA1059B in a d.c. motor speed regulation circuit.

**Motor equations**

$$\begin{aligned}
 E_m &= \alpha_1 n && \text{where: } \alpha_1, \alpha_2 = \text{motor constant} \\
 I_m &= \alpha_2 r && n = \text{number of revolutions} \\
 V_m &= E_m + R_m I_m && r = \text{motor torque} \\
 &&& E_m = \text{back electromotive force} \\
 &&& R_m = \text{motor resistance}
 \end{aligned}$$

The back electromotive force ( $E_m$ ) in Fig. 5 can be expressed (excluding diode D) as:

$$E_m = \left( \frac{R_{20}}{k} - R_m \right) I_m + V_{ref} \left\{ 1 + \frac{R_{20}}{R_{32}} \left( 1 + \frac{1}{k} \right) \right\} + R_{20} I_o$$

and including diode D, as:

$$E_m = \left( \frac{R_{20}}{k} - R_m \right) I_m + (V_{ref} + V_D) \left\{ 1 + \frac{R_{20}}{R_{32}} \left( 1 + \frac{1}{k} \right) \right\} + R_{20} I_o$$

Speed regulation is constant when  $E_m$  is independent of  $I_m$  variations; this will be obtained when  $R_{20} = kR_m$ .

$E_m$ , and therefore the motor speed, is regulated by  $R_{32}$ . A practical condition for stability is  $R_{20} < kR_m$ .





## DEVELOPMENT SAMPLE DATA

This information is derived from development samples made available for evaluation. It does not necessarily imply that the device will go into regular production.

TDA1059C

## MOTOR SPEED REGULATOR

The TDA1059C is a monolithic integrated circuit with a current limiter and with good thermal characteristics in a TO-126 plastic package for easy mounting. It is intended to regulate the speed of d.c. motors in record players, cassette recorders and car cassette recorders.

### QUICK REFERENCE DATA

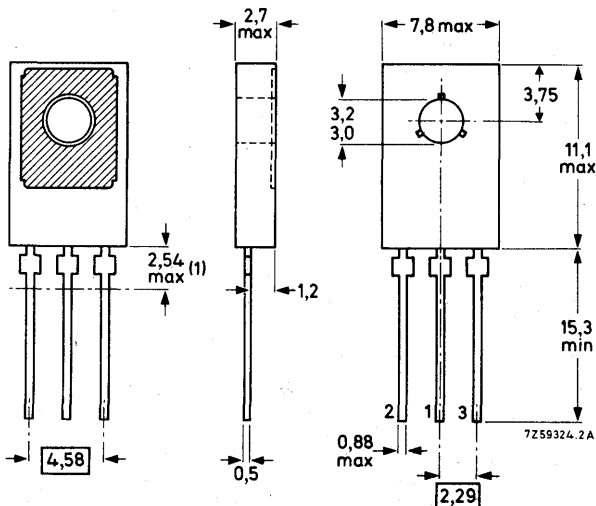
Supply voltage	$V_P = V_{2-1}$	typ. 9 V 2,5 to 15 V
Internal reference voltage	$V_{ref}$	typ. 1,1 V
Drop-out voltage	$V_{3-1}$	typ. 1,0 V
Limited output current	$I_{3lim}$	typ. 0,6 A
Multiplication coefficient	k	typ. 9

### PACKAGE OUTLINE

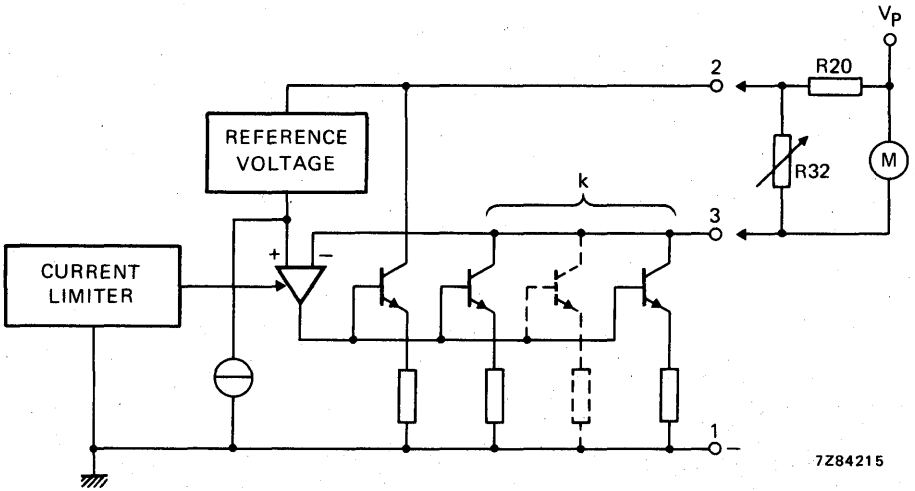
Dimensions in mm

Fig. 1 TO-126 (SOT-32).

Pin 1 connected to metal part of mounting surface.



(1) Within this region the cross-section of the leads is uncontrolled.



7Z84215

Fig. 2 Functional diagram.

**RATINGS**

Limiting values in accordance with the Absolute Maximum System (IEC 134)

Supply voltage	$V_P = V_{2-1}$	max.	16 V
Storage temperature	$T_{stg}$		-55 to + 150 °C
Operating ambient temperature (see Fig. 3)	$T_{amb}$		-25 to + 150 °C

**THERMAL RESISTANCE**

From junction to case	$R_{th\ j-c}$	=	10 K/W
From junction to ambient	$R_{th\ j-a}$	=	100 K/W

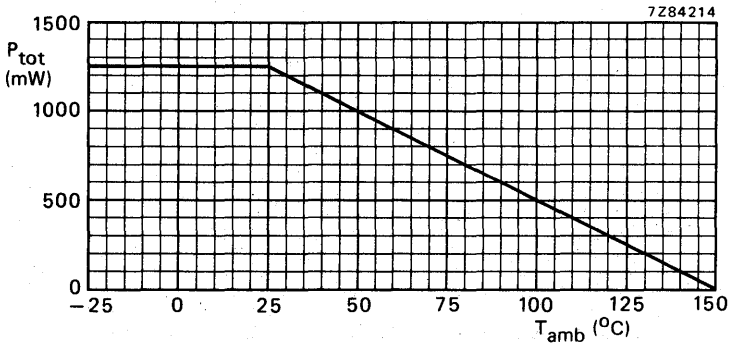


Fig. 3 Power derating curve.

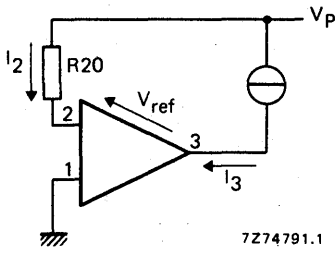
## CHARACTERISTICS

$V_P = 9\text{ V}$ ;  $T_{\text{amb}} = 25\text{ }^\circ\text{C}$ ;  $R_{20} = 0$ ; heatsink with  $R_{\text{th}} = 100\text{ K/W}$  and after thermal stabilization; unless otherwise specified; see test circuit Fig. 4

		min.	typ.	max.
Supply voltage	$V_P = V_{2-1}$	2,5	9	15 V
Internal reference voltage $V_P = 2,5\text{ V}$ ; $I_3 = 80\text{ mA}$	$V_{\text{ref}}$	1,05	1,1	1,15 V
Drop-out voltage $I_3 = 80\text{ mA}$ ; $\Delta V_{\text{ref}} = 5\%$	$V_{3-1}$	—	1,0	1,45 V
Quiescent current; $I_3 = 0$	$I_q$	2,5	3	3,5 mA
Limited output current *	$I_{3\text{lim}}$	0,3	0,6	1 A
Multiplication coefficient $I_3 = 50\text{ mA} \pm 10\text{ mA}$	$k = \frac{\Delta I_3}{\Delta I_2}$	8,5	9	9,5
Line regulation				
$V_P = 2,5\text{ to }15\text{ V}$ at $I_3 = 50\text{ mA}$				
reference voltage variation	$\frac{\Delta V_{\text{ref}}}{V_{\text{ref}}} / \Delta V_P$	0,04	0,13	0,22 %/V
multiplication coefficient variation $I_3 = 50 \pm 10\text{ mA}$	$\frac{\Delta k}{k} / \Delta V_P$	—	0,86	— %/V
input current variation; $I_3 = 50\text{ mA}$	$\frac{\Delta I_2}{\Delta V_P}$	0	15	30 $\mu\text{A/V}$
Load regulation				
reference voltage variation $I_3 = 20\text{ to }80\text{ mA}$	$\frac{\Delta V_{\text{ref}}}{V_{\text{ref}}} / \Delta I_3$	0	23	45,5 %/A
multiplication coefficient variation $I_3 = 30 \pm 10\text{ to }70 \pm 10\text{ mA}$	$\frac{\Delta k}{k} / \Delta I_3$	—	0	— %/mA
Temperature coefficient				
$I_3 = 50\text{ mA}$ ; $T_{\text{amb}} = -15\text{ to }+65\text{ }^\circ\text{C}$				
reference voltage variation	$\frac{\Delta V_{\text{ref}}}{V_{\text{ref}}} / \Delta T_{\text{amb}}$	-0,036	0	+0,036 %/K
multiplication coefficient variation $\Delta I_3 = \pm 10\text{ mA}$	$\frac{\Delta k}{k} / \Delta T_{\text{amb}}$	—	0,008	— %/K
input current variation	$\frac{\Delta I_2}{\Delta T_{\text{amb}}}$	—	0	— $\mu\text{A/K}$

\* If the motor is stopped by a mechanical brake, the current limitation is effective in the supply voltage range. If the motor is short-circuited, the TDA1059C will be damaged if the supply voltage is higher than 10 V due to parasitic oscillations.



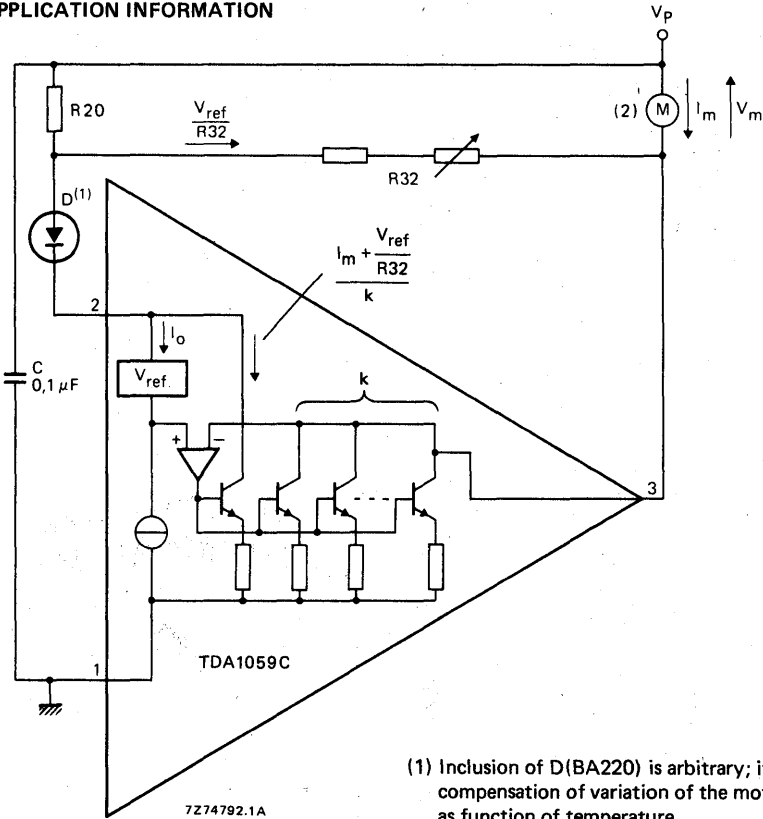


**Note**

For start operation:  $V_{ref}$  must start with final  $V_p = 6,7 \text{ V}$  and a time constant of  $3\tau = 100 \text{ ms}$  in which  $\tau = R.C.$ ;  $R$  = source impedance,  $C$  = by-pass capacitor.

Fig. 4 Test circuit.

**APPLICATION INFORMATION**



(1) Inclusion of D(BA220) is arbitrary; it permits compensation of variation of the motor resistance as function of temperature.

(2) Motor example (without diode D):

Catalogue no. 9904 120 01806;  $n = 2000 \text{ rev/min}$ ;  $R_{20} = 180 \Omega (\pm 2\%)$ ;  $R_{32} = 39 \Omega + 47 \Omega \text{ (variable)}$ .

Fig. 5 Example of using the TDA1059C in a d.c. motor speed regulation circuit.

**Motor equations**

$E_m = \alpha_1 n$       where:  $\alpha_1, \alpha_2 =$  motor constant  
 $I_m = \alpha_2 r$        $n =$  number of revolutions  
 $V_m = E_m + R_m I_m$        $r =$  motor torque  
                                   $E_m =$  back electromotive force  
                                   $R_m =$  motor resistance

The back electromotive force ( $E_m$ ) in Fig. 5 can be expressed (excluding diode D) as:

$$E_m = \left( \frac{R_{20}}{k} - R_m \right) I_m + V_{ref} \left\{ 1 + \frac{R_{20}}{R_{32}} \left( 1 + \frac{1}{k} \right) \right\} + R_{20} \cdot I_o$$

and including diode D, as:

$$E_m = \left( \frac{R_{20}}{k} - R_m \right) I_m + \left( V_{ref} + V_D \right) \left\{ 1 + \frac{R_{20}}{R_{32}} \left( 1 + \frac{1}{k} \right) \right\} + R_{20} \cdot I_o$$

Speed regulation is constant when  $E_m$  is independent of  $I_m$  variations; this will be obtained when  $R_{20} = kR_m$ ,  $E_m$ , and therefore the motor speed, is regulated by  $R_{32}$ . A practical condition for stability is  $R_{20} < kR_m$ .

DEVELOPMENT SAMPLE DATA





## AM RECEIVER CIRCUIT

The TDA1072 is a monolithic integrated AM receiver circuit provided with the following functions:

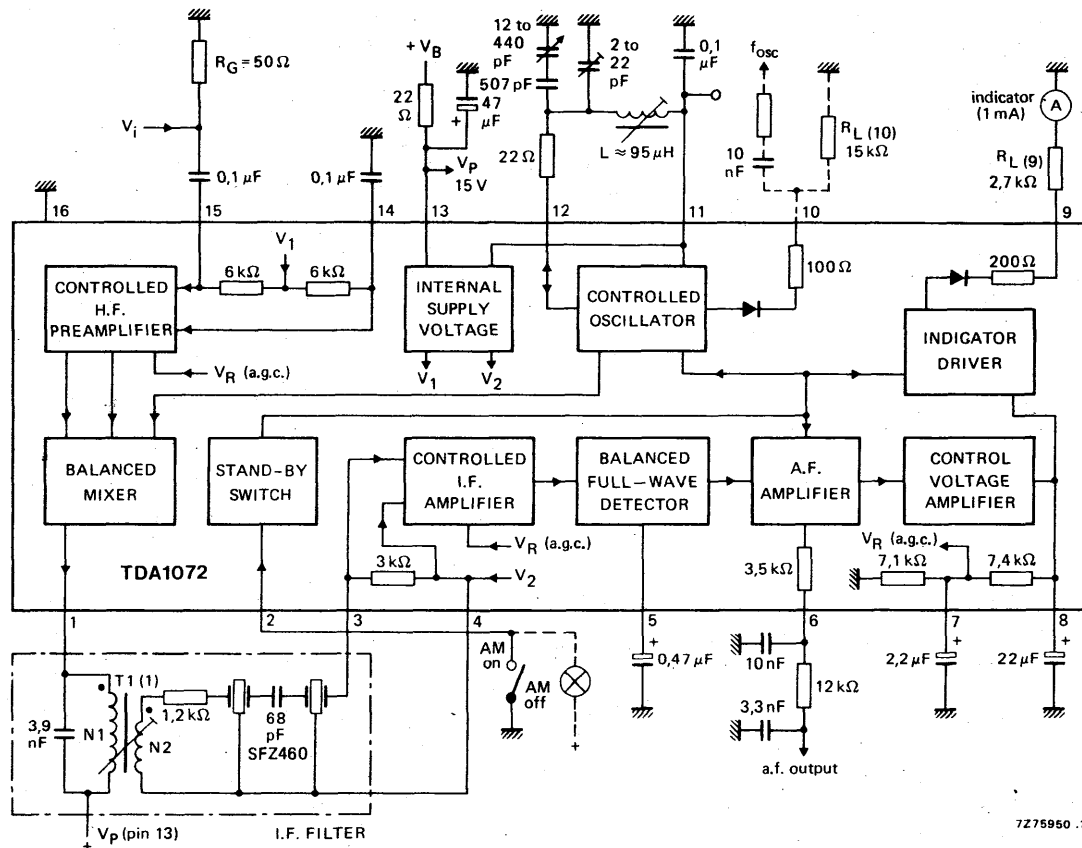
- controlled h.f. preamplifier
- multiplicative balanced mixer
- separate oscillator with amplitude control
- i.f. amplifier with gain control
- balanced full-wave detector
- a.f. preamplifier
- internal a.g.c. voltage
- amplifier for field-strength indication
- electronic stand-by on/off switch

## QUICK REFERENCE DATA

Supply voltage (pin 13)	$V_p$	typ.	15 V
Supply current	$I_p$	typ.	22 mA
H.F. input voltage	$V_i$	typ.	2,2 $\mu V$
S + N/N = 6 dB	$V_i$	typ.	30 $\mu V$
S + N/N = 26 dB	$V_i$	typ.	650 mV
H.F. input voltage; $d_{tot} = 3\%$ ; $m = 80\%$	$V_i$	typ.	340 mV
A.F. output voltage; $V_i = 2$ mV	$V_o$	typ.	0,5 %
Total distortion	$d_{tot}$	typ.	91 dB
Input voltage range for $\Delta V_o = 6$ dB	$\Delta V_i$	typ.	0,6 to 31 MHz
Oscillator frequency range	$f_{osc}$	typ.	140 mV
Oscillator voltage amplitude	$V_{osc}$	typ.	100 dB
Field-strength indication range	$\Delta V_i$	typ.	
-----			
Supply voltage range	$V_p$		7,5 to 18 V
Ambient temperature range	$T_{amb}$		-30 to +80 °C

## PACKAGE OUTLINE

16-lead DIL; plastic (SOT-38).



7275950..1

(1) T1 : N1/N2 = 34/9; Q<sub>0</sub> = 65; Q<sub>L</sub> = 60; Z<sub>21</sub> = 700 Ω at R<sub>L</sub>(3) = 3 kΩ; Z<sub>11</sub> = 5,2 kΩ.

Fig. 1 Block diagram with external components; used as test circuit.

## RATINGS

Limiting values in accordance with the Absolute Maximum System (IEC 134)

Supply voltage (pin 13)	$V_P = V_{13-16}$	max.	23 V
Voltage on pin 2	$V_{2-16}$		0 to 23 V

## H.F. inputs

Voltages between:

pins 14 and 15	$\pm V_{14-15}$	max.	12 V
pins 14 and 16	$V_{14-16}$	max.	$V_P$ V
pins 15 and 16	$V_{15-16}$	max.	$V_P$ V

Or currents:

pin 14	$\pm I_{14}$	max.	10 mA
pin 15	$\pm I_{15}$	max.	10 mA

Storage temperature range  $T_{stg}$  -55 to + 150 °COperating ambient temperature range  $T_{amb}$  -30 to + 80 °C

## CHARACTERISTICS

$V_P = 15$  V;  $T_{amb} = 25$  °C;  $f_i = 1$  MHz (h.f.),  $R_G = 50$   $\Omega$ ;  $f_m = 0,4$  kHz;  $m = 30\%$ ;  
i.f. frequency = 460 kHz; unless otherwise specified

Supply voltage range (pin 13)	$V_P$		7,5 to 18 V
Supply current; without load ( $I_{L(11)} = 0$ )	$I_P$	typ.	22 mA 15 to 30 mA

## H.F. preamplifier and mixer

D.C. input voltages  $V_{14-16}; V_{15-16}$  typ. 2,75 ( $4V_{BE}$ ) V

Input impedance

$V_i < 300$ $\mu$ V	$Z_i(14-16); Z_i(15-16)$	typ.	6 k $\Omega$ 6 pF
$V_i > 10$ mV	$Z_i(14-16); Z_i(15-16)$	typ.	9 k $\Omega$ 2,5 pF

Output impedance

	$Z_o(1-16)$	>	200 k $\Omega$
		typ.	4 pF

Maximum conversion conductance

	$S_M$	typ.	5,5 mA/V*
--	-------	------	-----------

Maximum i.f. output voltage (peak-to-peak value)

	$V_o(1)(p-p)$	typ.	2,8 V
--	---------------	------	-------

Output current capability

	$I_o(1)$	typ.	1 mA
--	----------	------	------

Control range of preamplifier

	$\Delta S_M$	typ.	30 dB
--	--------------	------	-------

Maximum h.f. input voltage (peak-to-peak value)

	$V_i(14-15)(p-p)$	typ.	2,8 V
--	-------------------	------	-------

\*  $S_M$  is defined as  $I_o(1)/V_i$ .

**CHARACTERISTICS (continued)**

**Oscillator**

Frequency range	$f_{osc}(12)$	0,6 to 31 MHz
Oscillator impedance range	$Z_L(12)$	1 to 200 k $\Omega$
Controlled oscillator amplitude	$V_{osc}(12)$	typ. 140 mV < 200 mV
D.C. output voltage ( $I_{L(11)} = 0$ )	$V_{11-16}$	typ. $V_p - 1,3$ V
Output load current range	$-I_{L(11)}$	0 to 15 mA
Output resistance; $I_{L(11)} = 5 \pm 0,5$ mA	$R_o(11)$	typ. 7 $\Omega$

**Oscillator frequency output (pin 10)**

Output voltage (peak-to-peak value) $R_{10-16} = 15$ k $\Omega$ ( $R_{L(10)}$ )	$V_o(10)(p-p)$	typ. 200 mV
Output resistance	$R_o(10)$	typ. 150 $\Omega$
Allowable output current (peak value)	$I_o(10)M$	< 2 mA

**I.F. amplifier and a.f. stage**

D.C. input voltages	$V_{3-16}; V_{4-16}$	typ. 2 V
Input impedance	$Z_i(3)$	typ. 3 k $\Omega$ 2,4 to 3,9 k $\Omega$ typ. 4 pF
Max. i.f. input voltage; $m = 80\%$ ; $d_{tot} = 3\%$	$V_i(3)$	typ. 75 mV
Control range; $V_o = -6$ dB	$\Delta V_i$	typ. 62 dB
A.F. output voltage; $V_i(3) = 2$ mV; without load	$V_o(6)$	typ. 350 mV
A.F. output resistance	$R_o(6)$	typ. 3,5 k $\Omega$

**Field-strength indication**

D.C. indicator voltage $V_i = 0$ ; $R_{L(9)} = 2,7$ k $\Omega$	$V_{9-16}$	typ. 0 mV < 140 mV
$V_i = 500$ mV; $R_{L(9)} = 2,7$ k $\Omega$	$V_{9-16}$	typ. 2,8 V 2,5 to 3,1 V
Output current capability	$-I_g$	> 1,2 mA
Output resistance; $-I_g = 0,5$ mA	$R_o(9)$	typ. 250 $\Omega$
Leakage voltage at the output; $\pm I_g \leq 1$ $\mu$ A; at AM switch off ( $V_{2-16} \geq 3,5$ V)	$V_{9-16}$	typ. 6 V



**Stand-by switch**

Switching voltage	$V_{2-16}$	typ.	2,6 V
Required control voltage*			
AM on	$V_{2-16}$	<	2 V
AM off	$V_{2-16}$	>	3,5 V**
Input current			
AM on; switching current	$-I_2$	<	100 $\mu$ A
AM off; leakage current ( $V_{2-16} = V_{3-16}$ )	$\pm I_2$	<	1 $\mu$ A

**APPLICATION INFORMATION**

$V_P = 15$  V;  $T_{amb} = 25$  °C; measured in Fig. 1;  $f_i = 1$  MHz (h.f.);  $f_m = 0,4$  kHz;  $m = 30\%$ ; unless otherwise specified

**H.F. input voltage**

$S + N/N = 6$ dB	$V_i$	typ.	2,2 $\mu$ V
$S + N/N = 10$ dB	$V_i$	typ.	3,5 $\mu$ V
$S + N/N = 26$ dB	$V_i$	typ.	30 $\mu$ V
$S + N/N = 46$ dB	$V_i$	typ.	550 $\mu$ V

**H.F. input voltage for a.g.c. operation**

$V_i$	typ.	14 $\mu$ V
-------	------	------------

**Control range for  $\Delta V_o = 6$  dB**

reference value $V_i = 500$ mV	$\Delta V_i$	typ.	91 dB
--------------------------------	--------------	------	-------

**Maximum h.f. input voltage**

$d_{tot} = 3\%$ ; $m = 80\%$	$V_i$	typ.	0,65 V
$d_{tot} = 3\%$ ; $m = 30\%$	$V_i$	typ.	0,9 V
$d_{tot} = 10\%$ ; $m = 30\%$	$V_i$	typ.	1,3 V

**A.F. output voltage;  $V_i = 2$  mV**

$V_o$	typ.	340 mV
-------	------	--------

**Change of a.f. output voltage;  $V_i = 2$  mV**

$\Delta V_o$	typ.	$\pm 2$ dB
--------------	------	------------

**H.F. input voltage;  $V_o = 60$  mV**

$V_i$	typ.	4 $\mu$ V
-------	------	-----------

**Total distortion of a.f. output voltage**

$V_i = 2$ mV; $m = 80\%$	$d_{tot}$	typ.	0,5 %
$V_i = 500$ mV; $m = 80\%$	$d_{tot}$	typ.	1,8 %
		<	3 %

**Signal plus noise-to-noise ratio of a.f. output voltage**

$V_i = 2$ mV	$S + N/N$	typ.	50 dB
--------------	-----------	------	-------

**I.F. bandwidth ( $-3$  dB)**

B	typ.	4,6 kHz
---	------	---------

**I.F. selectivity**

$\Delta f = \pm 9$ kHz	$S(9)$	typ.	30 dB
$\Delta f = \pm 36$ kHz	$S(36)$	typ.	60 dB

\* At allowable ambient temperature range and supply voltage range.

\*\* Also achieved at open input.



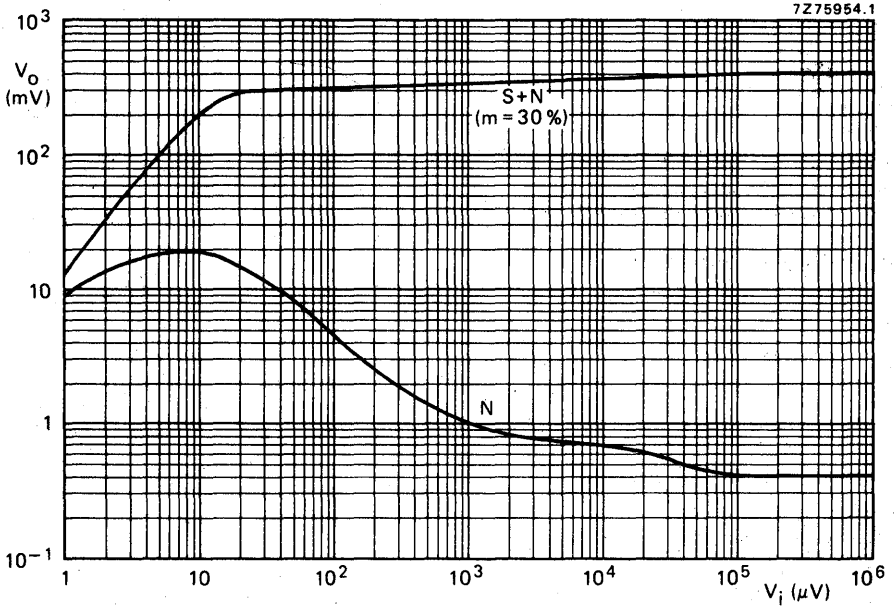


Fig. 2 A.F. output voltage as a function of h.f. input voltage;  $f_i = 1$  MHz (h.f.);  $R_G = 50 \Omega$ ;  $f_m = 0,4$  kHz.

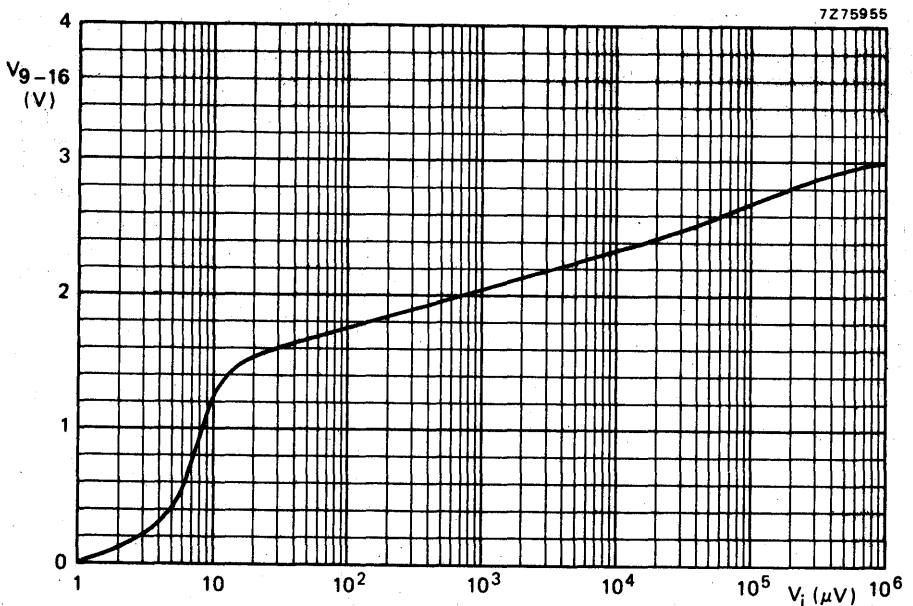


Fig. 3 Indication voltage as a function of h.f. input voltage;  $R_{g-16} = 2,7$  k $\Omega$ .

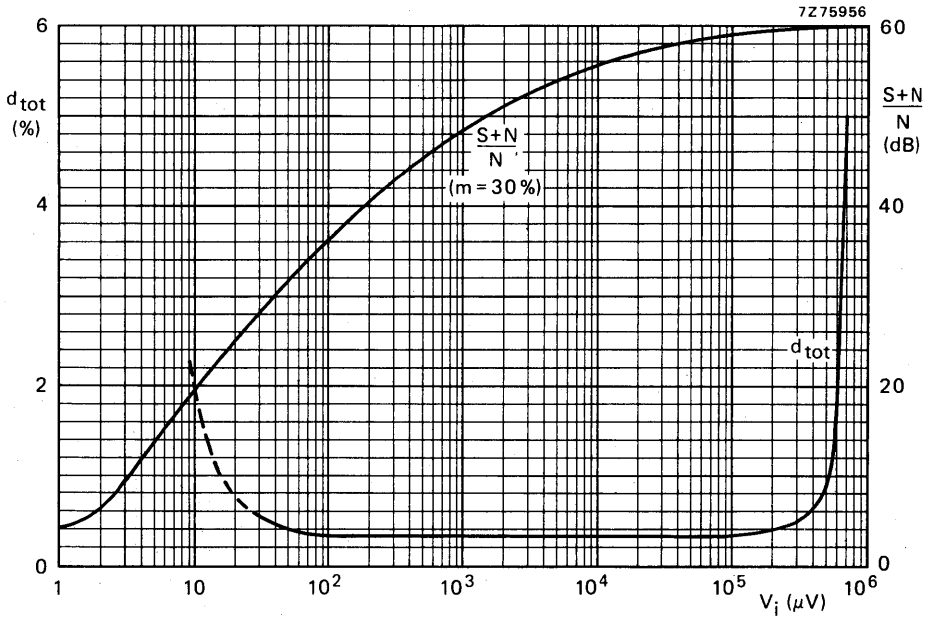


Fig. 4 Total distortion and signal plus noise-to-noise ratio as a function of h.f. input voltage; for  $d_{\text{tot}}$ :  $f_m = 0,4$  kHz;  $m = 80\%$ .

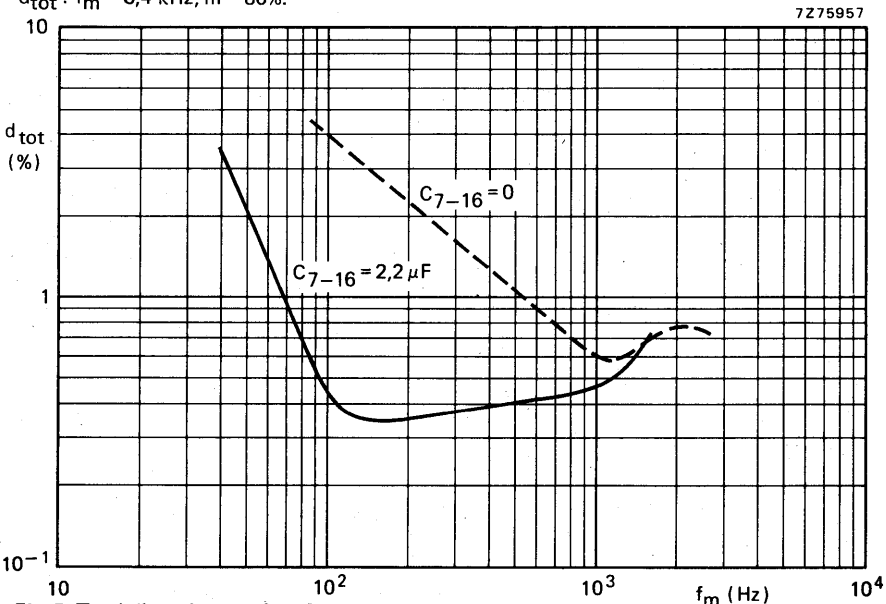


Fig. 5 Total distortion as a function of the modulation frequency;  $V_i = 10$  mV;  $f_i = 1$  MHz;  $m = 80\%$ .  $C_{8-16} = 22 \mu\text{F}$ .

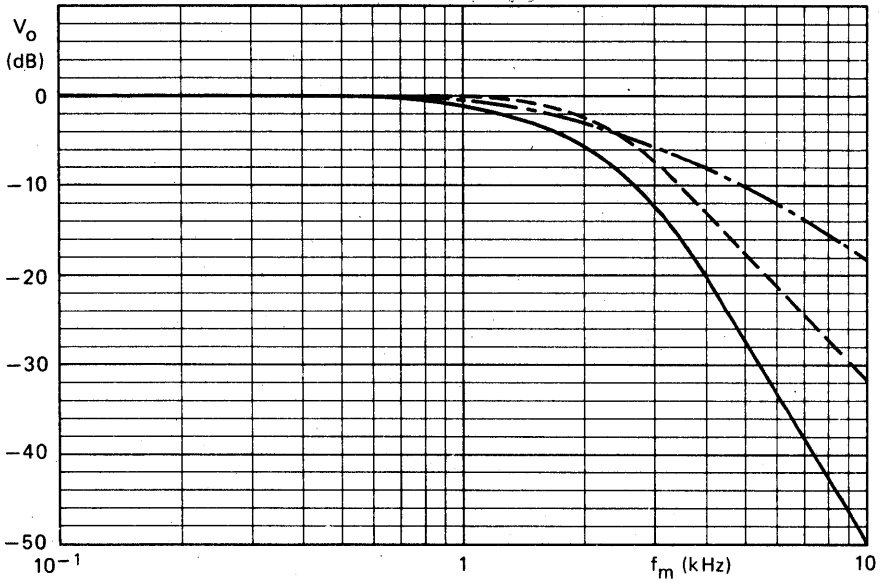
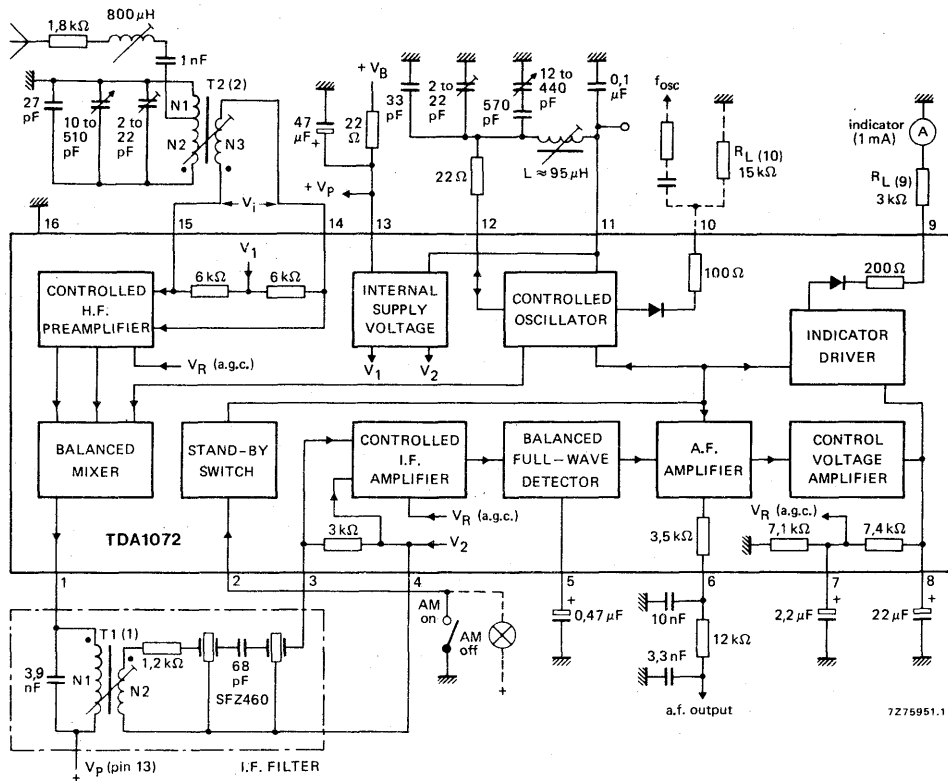


Fig. 6 Frequency responses (wobbled) for various conditions:  
— with a.f. and i.f. filter  
- - - with i.f. filter  
- · - with a.f. filter



7275951.1

- (1) T1 :  $N1/N2 = 34/9$ ;  $Q_o = 65$ ;  $Q_L = 60$ ;  $Z_{21} = 700 \Omega$  at  $R_L(3) = 3 k\Omega$ ;  $Z_{11} = 5,2 k\Omega$ .  
 (2) T2 :  $N1/N2/N3 = 14/67/17$ ;  $L = 175 \mu H$ ;  $Q_o = 145$ ;  $Q_L = 50$  ( $f = 1 \text{ MHz}$ );  $V_i/V_G = -6 \text{ dB}$ .  
 Fig. 7 Application circuit diagram of a AM-MW receiver with two double variable tuning capacitors;  
 $f_i = 510 \text{ to } 1620 \text{ kHz}$  (h.f.);  $f_i = 460 \text{ kHz}$  (i.f.).



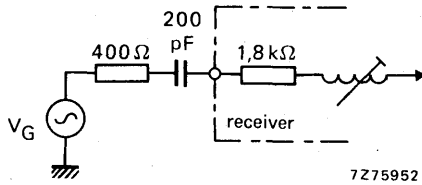
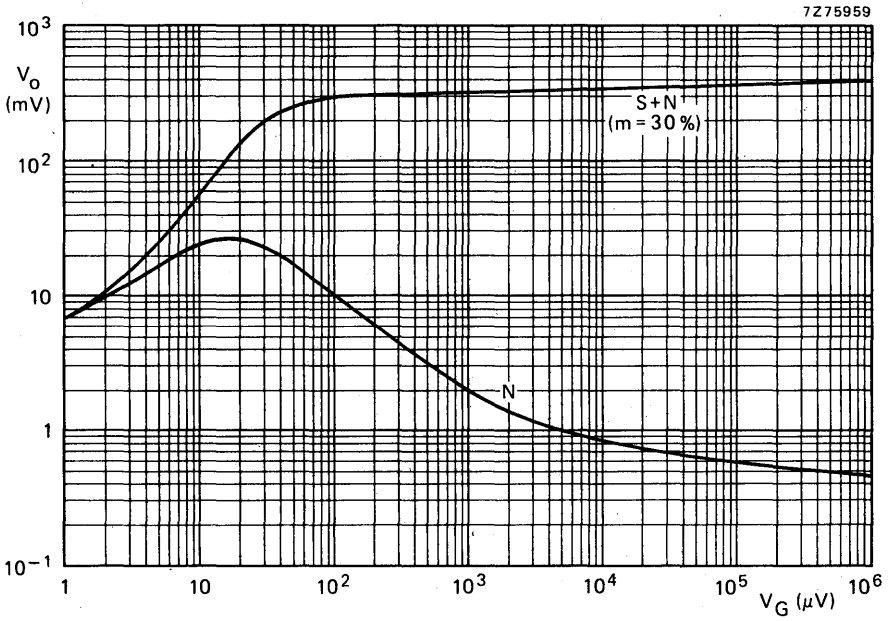


Fig. 8 A.F. output voltage as a function of the h.f. generator input voltage;  $f_i = 1$  MHz (h.f.);  $f_m = 0,4$  kHz.

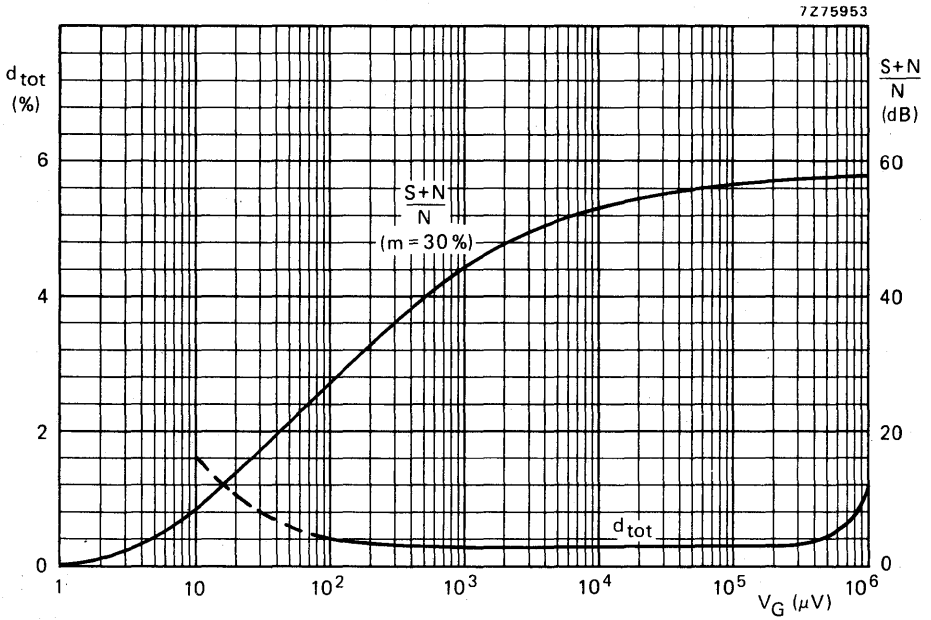


Fig. 9 Total distortion and signal plus noise-to-noise ratio as a function of h.f. generator input voltage; for  $d_{\text{tot}}$ :  $f_m = 0,4$  kHz;  $m = 80\%$ .





# DEVELOPMENT SAMPLE DATA

This information is derived from development samples made available for evaluation. It does not form part of our data handbook system and does not necessarily imply that the device will go into production

TDA1074

## DUAL ELECTRONIC STEREO POTENTIOMETER CIRCUIT

The TDA1074 is a monolithic integrated circuit designed for use as adjustment circuit in stereo amplifiers. The circuit contains the following functions:

- internal amplifier
- two high-ohmic inputs for each adjuster
- electronic supply voltage filter
- feedback output stages with short-circuit protected current limitation

### QUICK REFERENCE DATA

Supply voltage (pin 11)	$V_p$	typ.	20 V
Supply current (pin 11)	$I_p$	typ.	20 mA
Input signal voltage (r.m.s. value)	$V_{i(rms)}$	$\leq$	6 V
Output signal voltage (r.m.s. value)	$V_{o(rms)}$	$<$	6 V
Total distortion	$d_{tot}$	typ.	0,05 %
Output noise voltage (r.m.s. value)	$V_{no(rms)}$	typ.	50 $\mu$ V
Adjustment range	$\Delta\alpha$	typ.	110 dB
Channel separation	$\alpha$	typ.	80 dB
Hum suppression	$\alpha_{100}$	typ.	46 dB
Channel balance	$\Delta G$	typ.	0,5 dB
-----			
Supply voltage range	$V_p$		7,5 to 23 V
Ambient temperature range	$T_{amb}$		-30 to +80 °C

### PACKAGE OUTLINE

18-lead DIL; plastic (SOT-102C).



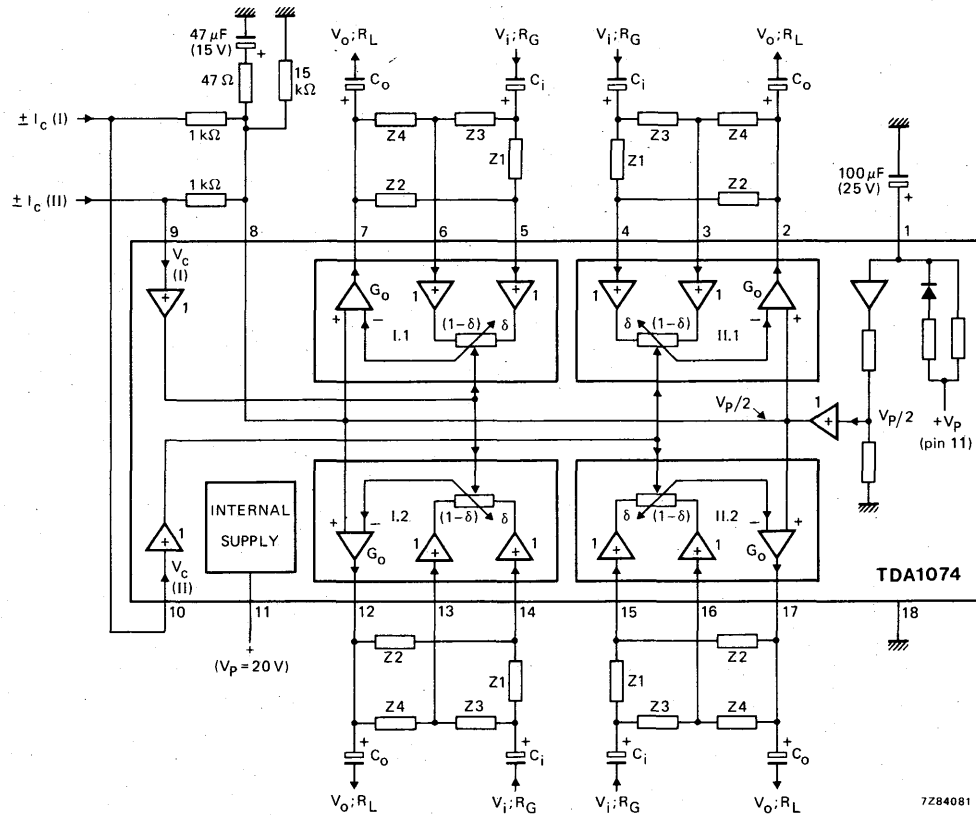


Fig. 1 Block diagram and external components;  $I_c(I)$ ,  $I_c(II)$ ,  $V_c(I) = V_{9-8}$ ,  $V_c(II) = V_{10-8}$  are control input currents and voltages;  $Z1 = Z2 = Z3 = Z4 = 22 \text{ k}\Omega$ ;  $R_G = 60 \Omega$ ;  $R_L = 4,7 \text{ k}\Omega$ ;  $C_i = 2,2 \mu\text{F}$ ;  $C_o = 10 \mu\text{F}$ .

**Application notes**

When one or more adjusters of an IC are not used, the following is recommended:

1. Unused signal inputs of an adjuster should be connected to the associated output, e.g. pins 3 and 4 to pin 2.
2. Unused control voltage inputs should be connected directly to pin 8.
3. Where more than one TDA1074 circuit is used in an application, pins 1 can be connected together; however, pins 8 may not be connected together directly.

**RATINGS**

Limiting values in accordance with the Absolute Maximum System (IEC 134)

Supply voltage (pin 11)	$V_p$	max.	23 V
Control voltages ( $V_c$ )	$V_{9-8}; V_{10-8}$	max.	1 V
	$-V_{9-8}; -V_{10-8}$	max.	1 V
Input voltages (with respect to pin 18) at pins 3, 4, 5, 6, 13, 14, 15, 16			0 to $V_p$
Total power dissipation	$P_{tot}$	max.	800 mW
Storage temperature range	$T_{stg}$		-55 to +150 °C
Operating ambient temperature range	$T_{amb}$		-30 to +80 °C

**THERMAL RESISTANCE**

From crystal to ambient	$R_{th\ cr-a}$	=	80 °C/W
-------------------------	----------------	---	---------

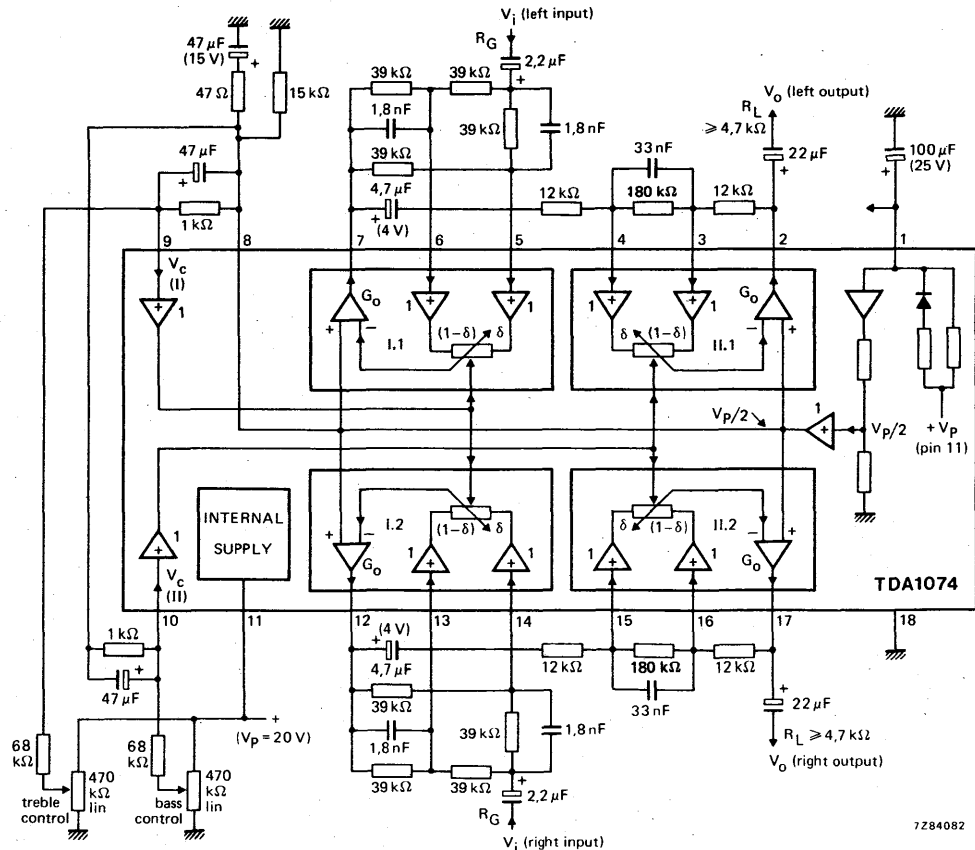


Fig. 2 Application diagram for treble and bass control.

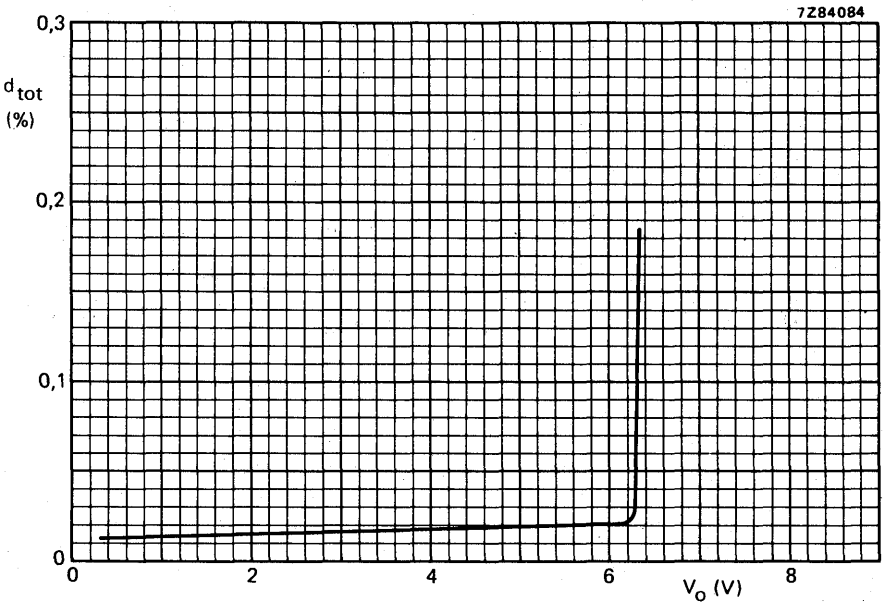
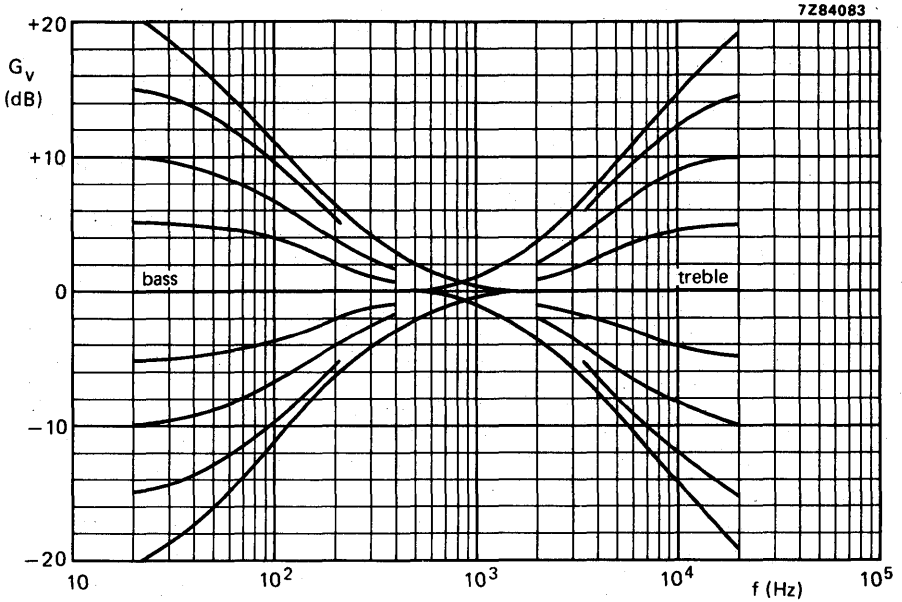
## APPLICATION INFORMATION

## Tone control circuit

$V_P = 20 \text{ V}$ ;  $T_{\text{amb}} = 25 \text{ }^\circ\text{C}$ ; in the application for treble control and bass control Fig. 2;  $R_G = 60 \text{ } \Omega$ ;  $R_L \geq 4,7 \text{ k}\Omega$ ;  $C_L \leq 30 \text{ pF}$ ;  $f = 1 \text{ kHz}$ ; unless otherwise specified.

Supply current; without load	$I_P$	typ. 20 mA 13 to 30 mA
Frequency response (-1 dB) $V_C = 0$	$f$	10 Hz to 20 kHz
Voltage gain at linear frequency response $V_C = 0$	$G_V$	typ. 0 dB
Maximum gain variation at $f = 1 \text{ kHz}$ at maximum bass/treble boost or cut $\pm V_C = 120 \text{ mV}$	$\Delta G_V$	typ. $\pm 1,5 \text{ dB}$
Bass boost at 40 Hz (ref. 1 kHz) $V_{C(11)} = V_{10.8} = 120 \text{ mV}$		typ. 17 dB
Bass cut at 40 Hz (ref. 1 kHz) $-V_{C(11)} = V_{10.8} = 120 \text{ mV}$		typ. -17 dB
Treble boost at 16 kHz (ref. 1 kHz) $V_{C(1)} = V_{9.8} = 120 \text{ mV}$		typ. 16 dB
Treble cut at 16 kHz (ref. 1 kHz) $-V_{C(1)} = V_{9.8} = 120 \text{ mV}$		typ. -16 dB
Total distortion at $V_{i(\text{rms})} = 5 \text{ V}$ $V_C = 0$ , at linear frequency response for $f = 1 \text{ kHz}$	$d_{\text{tot}}$	typ. 0,03 % < 0,1 %
for $f = 40 \text{ Hz to } 16 \text{ kHz}$	$d_{\text{tot}}$	typ. 0,07 %
Channel separation at $V_{i(\text{rms})} = 5 \text{ V}$ $V_C = 0$ , at linear frequency response	$\alpha$	typ. 80 dB
Output noise voltages; $V_C = 0$ ; $f = 20 \text{ Hz to } 20 \text{ kHz}$ signal plus noise voltage (r.m.s. value)	$V_{\text{no}(\text{rms})}$	typ. 75 $\mu\text{V}$
noise voltage; weighted conform DIN 45405; peak value	$V_{\text{no}(m)}$	typ. 170 $\mu\text{V}$ $\leq 230 \mu\text{V}$
Signal level for $d_{\text{tot}} = 1\%$ ; $V_C = 0$	$V_{i(\text{rms})} = V_{o(\text{rms})}$	typ. 6 V
Hum suppression for $f = 100 \text{ Hz}$ $V_{P(\text{rms})} \leq 200 \text{ mV}$ (at 100 Hz); $V_C = 0$	$\alpha_{100}$	typ. 46 dB





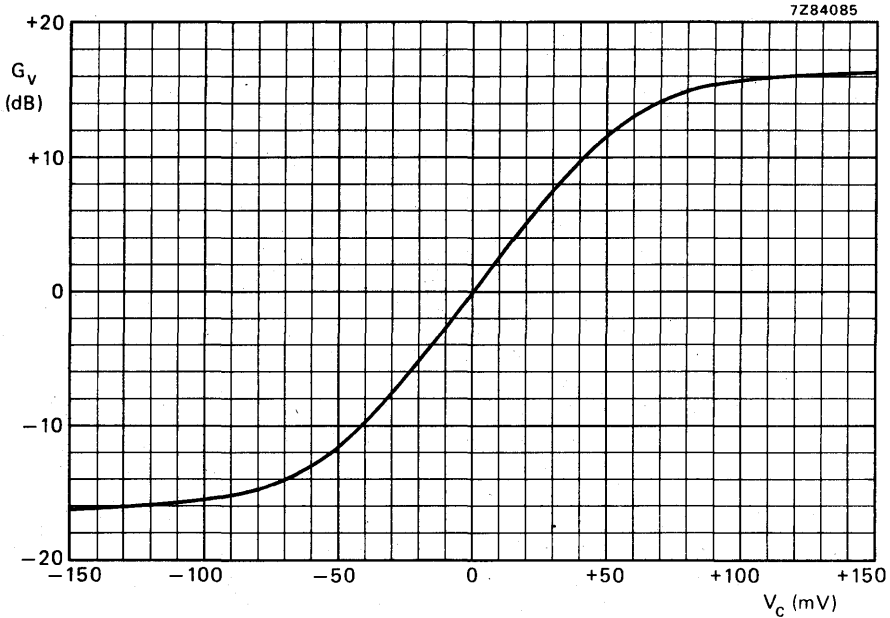


Fig. 5 Control curve; voltage gain (treble) as a function of control voltage;  $f = 16$  kHz.

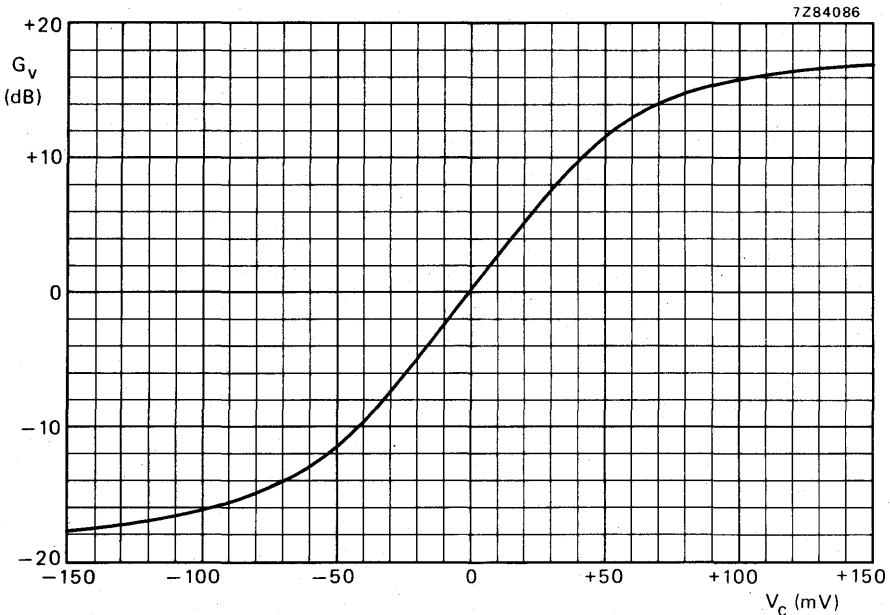


Fig. 6 Control curve; voltage gain (bass) as a function of control voltage.

APPLICATION INFORMATION (continued)

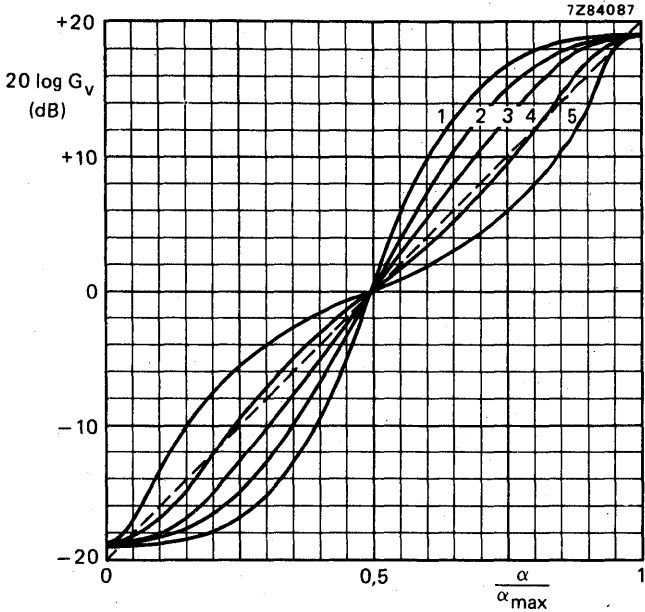
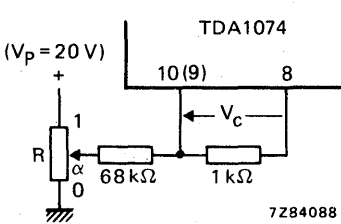


Fig. 7 Adjustment curves at 40 Hz to 16 kHz as a function of the angle of rotation ( $\alpha$ ) of a linear potentiometer (R); for curves see table below.



curve no.	value of R
1	10 k $\Omega$
2	100 k $\Omega$
3	220 k $\Omega$
4	470 k $\Omega$
5	1 M $\Omega$

Fig. 8 Circuit diagram showing measurement of curves in Fig. 7.

## DEVELOPMENT SAMPLE DATA

This information is derived from development samples made available for evaluation. It does not necessarily imply that the device will go into regular production.

TDA1512

## 12 TO 20 W HI-FI AUDIO POWER AMPLIFIER

The TDA1512 is a monolithic integrated hi-fi audio power amplifier designed for asymmetrical or symmetrical power supplies for mains-fed apparatus.

Special features are:

- Thermal protection
- Low intermodulation distortion
- Low transient intermodulation distortion
- Built-in output current limiter
- Low input offset voltage
- Output stage with low cross-over distortion
- Single in-line (SIL) power package

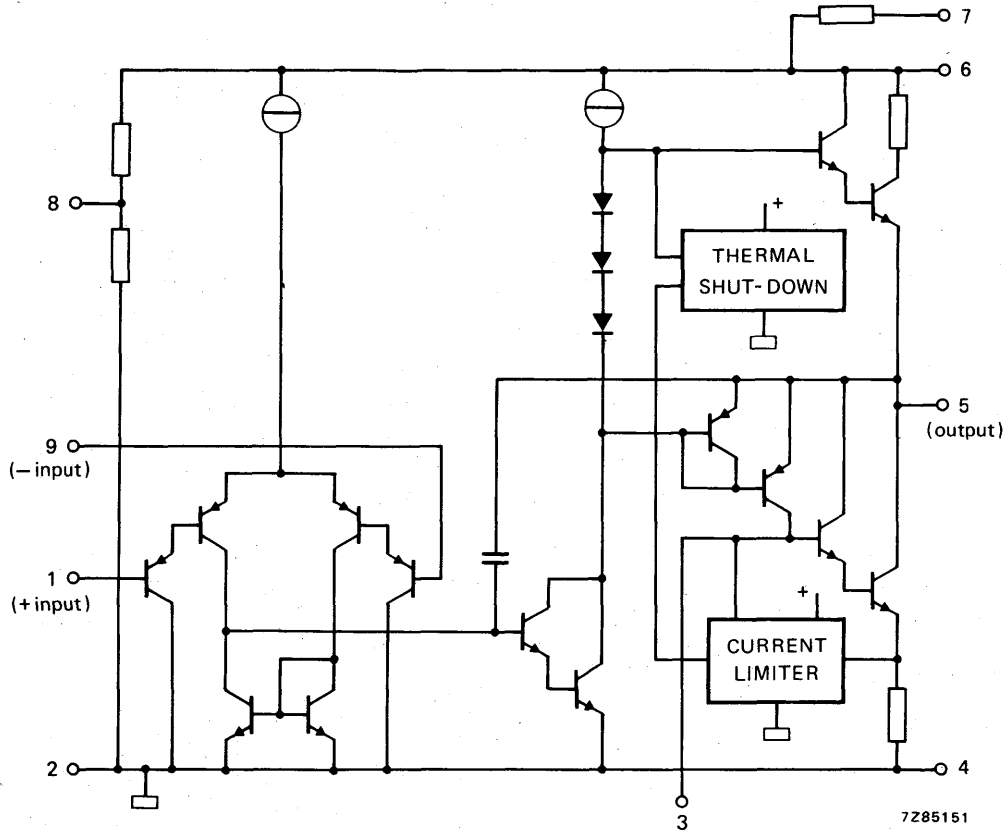
### QUICK REFERENCE DATA

Supply voltage range	$V_p$		15 to 35 V
Total quiescent current at $V_p = 25$ V	$I_{tot}$	typ.	65 mA
Output power at $d_{tot} = 0,7\%$			
sine-wave power			
$V_p = 25$ V; $R_L = 4 \Omega$	$P_o$	typ.	13 W
$V_p = 25$ V; $R_L = 8 \Omega$	$P_o$	typ.	7 W
music power			
$V_p = 32$ V; $R_L = 4 \Omega$	$P_o$	typ.	21 W
$V_p = 32$ V; $R_L = 8 \Omega$	$P_o$	typ.	12 W
Closed-loop voltage gain (externally determined)	$G_c$	typ.	30 dB
Input resistance (externally determined)	$R_i$	typ.	20 k $\Omega$
Signal-to-noise ratio at $P_o = 50$ mW	S/N	typ.	72 dB
Supply voltage ripple rejection at $f = 100$ Hz	RR	typ.	50 dB

### PACKAGE OUTLINE

9-lead SIL; plastic power (SOT-131B).



**PINNING**

1. Non-inverting input
2. Input ground (substrate)
3. Compensation
4. Negative supply (ground)
5. Output
6. Positive supply ( $V_p$ )
7. Externally connected to pin 6
8. Ripple rejection
9. Inverting input (feedback)

Fig. 1 Simplified internal circuit diagram.

7Z85151

**RATINGS**

Limiting values in accordance with the Absolute Maximum System (IEC 134)

Supply voltage	$V_p$	max.	35 V
Repetitive peak output current	$I_{ORM}$	max.	3,2 A
Non-repetitive peak output current	$I_{OSM}$	max.	5 A
Total power dissipation	see derating curve Fig. 2		
Storage temperature	$T_{stg}$		-55 to + 150 °C
Operating ambient temperature	$T_{amb}$		-25 to + 150 °C
A.C. short-circuit duration of load during full-load sine-wave drive $R_L = 0$ ; $V_p = 30$ V with $R_i = 4 \Omega$	$t_{sc}$	max.	100 hours

DEVELOPMENT SAMPLE DATA

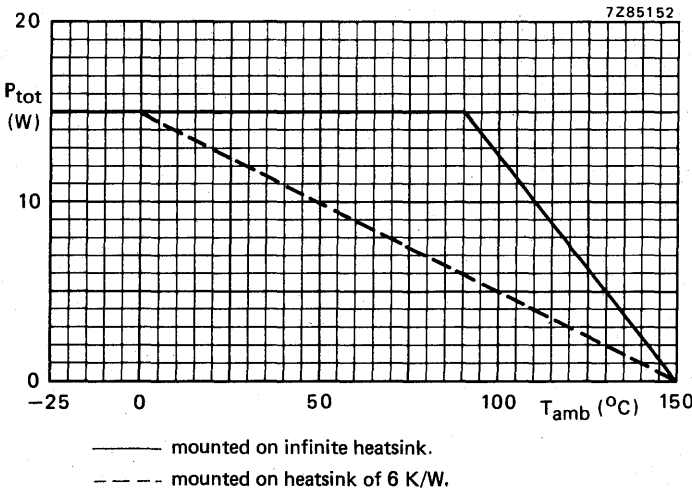


Fig. 2 Power derating curves.

**THERMAL RESISTANCE**

From junction to mounting base

$$R_{th\ j-mb} \leq 4 \text{ K/W}$$

**D.C. CHARACTERISTICS**

Supply voltage range	$V_p$		15 to 35 V
Total quiescent current at $V_p = 25$ V	$I_{tot}$	typ.	65 mA

**A.C. CHARACTERISTICS**

$V_p = 25$  V;  $R_L = 4 \Omega$ ;  $f = 1$  kHz;  $T_{amb} = 25$  °C; measured in test circuit of Fig. 3; unless otherwise specified

**Output power**

sine-wave power at  $d_{tot} = 0,7$  %

$R_L = 4 \Omega$	$P_o$	typ.	13 W
$R_L = 8 \Omega$	$P_o$	typ.	7 W

music power at  $V_p = 32$  V

$R_L = 4 \Omega$ ; $d_{tot} = 0,7$ %	$P_o$	typ.	21 W
$R_L = 4 \Omega$ ; $d_{tot} = 10$ %	$P_o$	typ.	25 W
$R_L = 8 \Omega$ ; $d_{tot} = 0,7$ %	$P_o$	typ.	12 W
$R_L = 8 \Omega$ ; $d_{tot} = 10$ %	$P_o$	typ.	15 W

Power bandwidth; $-3$ dB; $d_{tot} = 0,7$ %	B		20 Hz to 20 kHz
---	---	--	-----------------

**Voltage gain**

open-loop	$G_o$	typ.	74 dB
closed-loop	$G_c$	typ.	30 dB

Input resistance (pin 1)	$R_i$	>	100 k $\Omega$
--------------------------	-------	---	----------------

Input resistance of test circuit (Fig. 3)	$R_i$	typ.	20 k $\Omega$
---	-------	------	---------------

**Input sensitivity**

for $P_o = 50$ mW	$V_i$	typ.	16 mV
for $P_o = 10$ W	$V_i$	typ.	210 mV

**Signal-to-noise ratio**

at $P_o = 50$ mW; $R_S = 2$ k $\Omega$ ; $f = 20$ Hz to 20 kHz; unweighted	S/N	typ.	72 dB
---	-----	------	-------

weighted; measured according to IEC 173 (A-curve)	S/N	typ.	76 dB
---	-----	------	-------

Ripple rejection at $f = 100$ Hz	RR	typ.	50 dB
----------------------------------	----	------	-------

Total harmonic distortion at $P_o = 10$ W	$d_{tot}$	typ.	0,1 %
		<	0,3 %

Output resistance (pin 5)	$R_o$	typ.	0,1 $\Omega$
---------------------------	-------	------	--------------

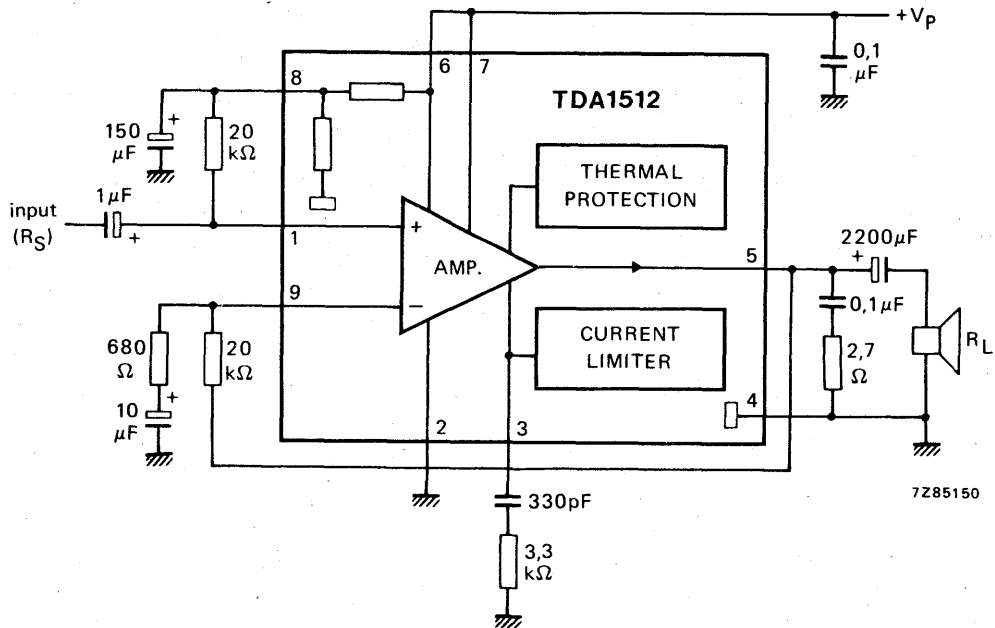


Fig. 3 Test circuit.

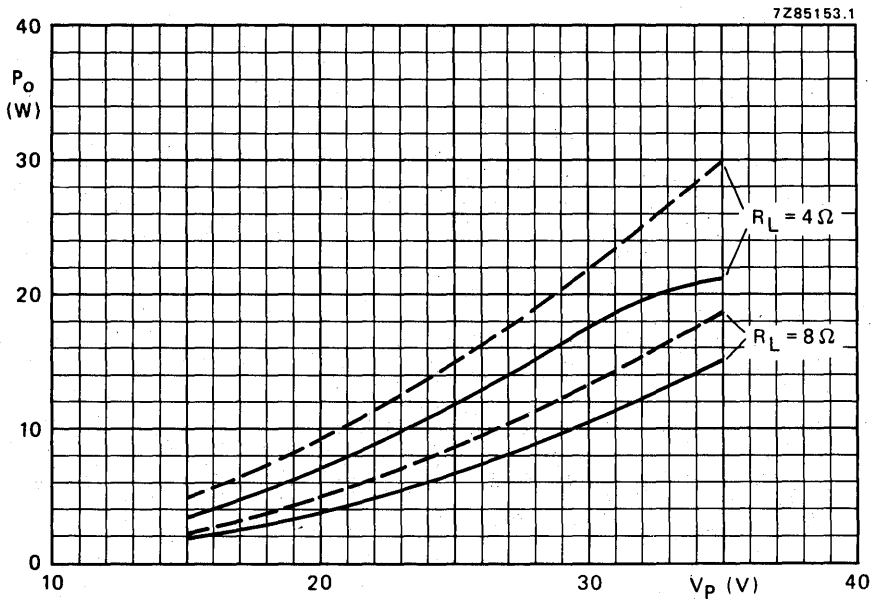


Fig. 4 Output power as a function of the supply voltage;  $f = 1 \text{ kHz}$ ;  
 $d_{\text{tot}} = 0,7\%$ ; ---  $d_{\text{tot}} = 10\%$ .

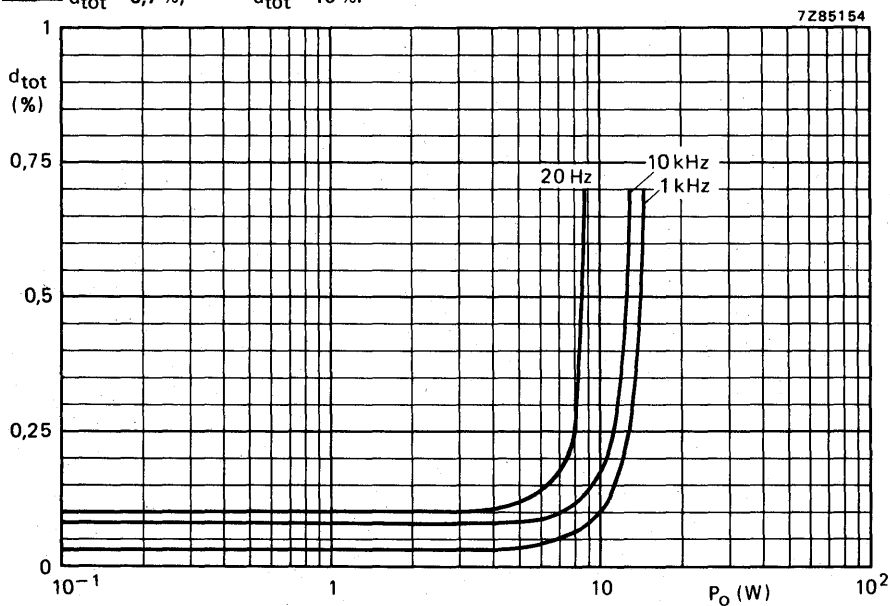


Fig. 5 Total harmonic distortion as a function of the output power.

## DEVELOPMENT SAMPLE DATA

This information is derived from development samples made available for evaluation. It does not necessarily imply that the device will go into regular production.

TDA1533

# PLL MOTOR SPEED CONTROL CIRCUIT FOR HI-FI APPLICATIONS

The TDA1533 is a monolithic integrated circuit intended for PLL motor speed control in several hi-fi applications; e.g. record players, cassette recorders, reel-to-reel, and operates in accordance with the phase-locked-loop (PLL) system.

The circuit incorporates the following functions:

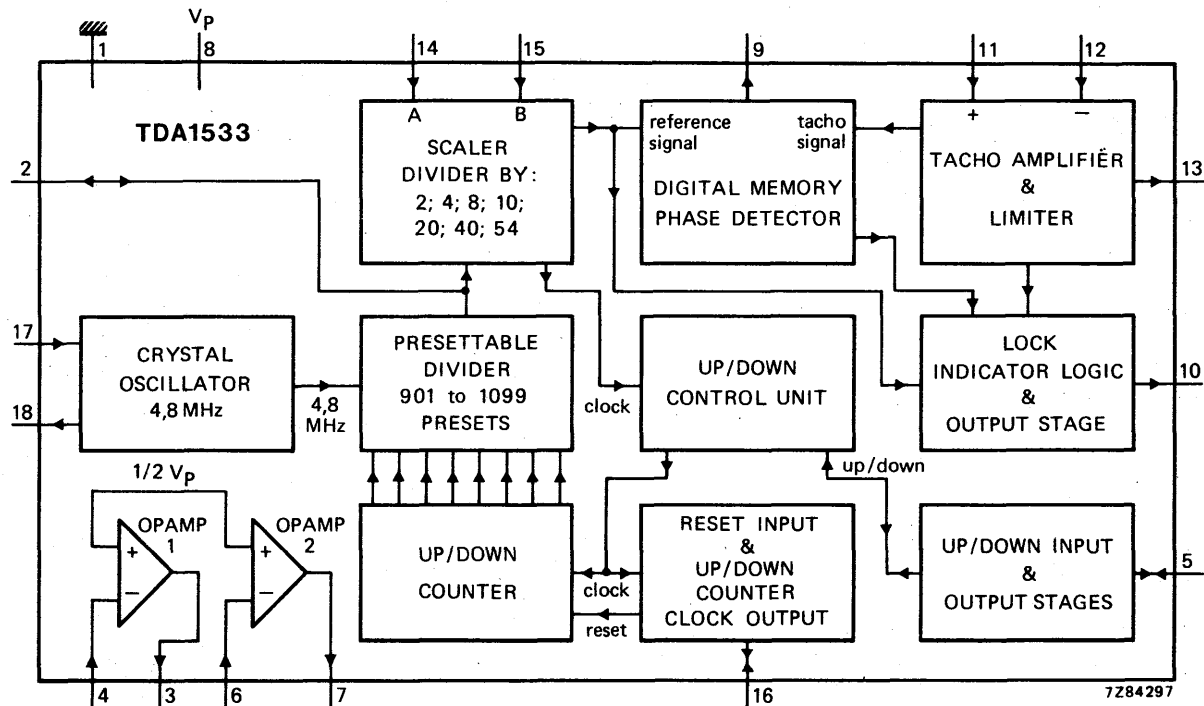
- A quartz reference oscillator
- A synthesizer for adjustment of the phase detector reference frequency
- A programmable scaler for the several applications
- A digital memory phase detector
- A tachosignal amplifier/limiter
- Two operational amplifiers for the external integration and loop filtering of the phase detector output.

## QUICK REFERENCE DATA

Supply voltage range	$V_p$		9 to 11 V
Supply current	$I_p$	typ.	50 mA
<b>Crystal oscillator</b>			
Frequency	$f$	<	5 MHz
Temperature coefficient	TC	<	$0,1 \cdot 10^{-6} \text{ K}^{-1}$
<b>Tacho input</b>			
Input voltage	$V_I$		-0,3 to + 10 V
Input sensitivity (peak-to-peak value)	$V_{i(p-p)}$	>	10 mV
<b>Operational amplifiers</b>			
Voltage gain	$G_v$	typ.	10 000
Input bias current	$I_{bias}$	<	100 nA
Input offset voltage	$V_{io}$	<	15 mV
<b>Temperatures</b>			
Storage temperature	$T_{stg}$		-25 to + 125 °C
Operating ambient temperature	$T_{amb}$		0 to + 60 °C

## PACKAGE OUTLINE

18-lead DIL; plastic (SOT-102C).



## PINNING

- |                         |                             |                               |
|-------------------------|-----------------------------|-------------------------------|
| 1. Ground               | 7. Output of opamp 2        | 13. Output tacho limiter      |
| 2. Test input/output    | 8. Positive supply (+ 10 V) | 14. A-input scaler control    |
| 3. Output of opamp 1    | 9. Phase detector output    | 15. B-input scaler control    |
| 4. Input of opamp 1     | 10. Lock indicator output   | 16. Reset input/output        |
| 5. Up/down input/output | 11. + input tacho limiter   | 17. Crystal oscillator input  |
| 6. Input of opamp 2     | 12. - input tacho limiter   | 18. Crystal oscillator output |

Fig. 1 Block diagram.

**GENERAL DESCRIPTION** (see also Fig. 1)

The crystal frequency (e.g. 4,8 MHz) is divided by the presettable 901 to 1099 divider. The scaler is used to obtain the reference signal for the digital memory phase detector. The tacho signal is derived from the tacho amplifier/limiter.

The output of the phase detector becomes HIGH on the positive-going edge of the reference signal, and it is floating on the first-coming positive edge of the tacho signal, if the angle between the edges is not more than 360°. The output becomes LOW if the first positive-going edge is the edge of the tacho signal, and it is floating on the first-coming positive edge of the reference signal. This means that the holding range is 720°.

The lock indication output is HIGH, except for the period between the two positive and the two negative-going edges of the tacho and reference signals.

The dividing number of the presettable divider depends on the state of its presets, thus on the position of the up/down counter.

A pull-up to the IC supply voltage of the reset input results into a reset of the up/down counter and dividing by 1000.

The up/down counter can be changed in position by means of the up/down input and the up/down control unit, and therefore the divisors of the presettable divider in a range from 901 to 1099.

The clock of the up/down counter is available at the reset input as a 0,1 V<sub>p</sub> to 0,8 V<sub>p</sub> pulse.

The timing diagram of the up/down counter is given in Fig. 2.

The up/down input and the scaler control inputs are 3-state inputs. The scaler truth table is given below. A HIGH level at the up/down input gives an increase, a LOW level a decrease, of the phase detector reference signal frequency.

The information at the up/down input will be internally forced on the state present, over a period of 250 ms. Together with the up/down clock at the reset pin, this offers the possibility of displaying the number of clock pulses used.

**SCALER TRUTH TABLE**

control inputs		division ratio
A	B	
H	H	note 1
H	L	note 2
F	F	4
F	H	8
F	L	2
H	F	54
L	H	10
L	L	20
L	F	40

H = HIGH state (the more positive voltage)

L = LOW state ( the less positive voltage)

F = floating (pin open)

**Notes**

1. Test 1; general preset.
2. Test 2; fast clock via test pin (pin 2).



**RATINGS**

Limiting values in accordance with the Absolute Maximum System (IEC 134)

Supply voltage	$V_p = V_{g-1}$	max.	12 V
Total power dissipation	$P_{tot}$	max.	1 W
Storage temperature	$T_{stg}$		-25 to + 125 °C
Operating ambient temperature	$T_{amb}$		-20 to + 80 °C

**CHARACTERISTICS**

Supply voltage	$V_p$	typ.	10 V 9 to 11 V
Supply current	$I_p$	typ.	50 mA
Operating ambient temperature	$T_{amb}$		0 to 60 °C

The following characteristics are measured at  $V_p = 10$  V;  $T_{amb} = 25$  °C; unless otherwise specified**Crystal oscillator**

Frequency	$f$	typ.	4,8 MHz < 5,0 MHz
Input voltage HIGH	$V_{IH}$		2,6 to 10 V
Input voltage LOW	$V_{IL}$		-2,0 to + 2,0 V
Input resistance	$R_i$	>	50 k $\Omega$
Input capacitance	$C_i$	<	5 pF
Open voltage 1	$V_{o1}$	typ.	2 V
Open voltage 2	$V_{o2}$	typ.	1,3 V
Temperature coefficient	TC	<	$0,1 \cdot 10^{-6}$ K <sup>-1</sup>

**Lock indicator output (open collector)**

Output voltage HIGH	$V_{OH}$	<	12 V
Output voltage LOW at 10 mA	$V_{OL}$	typ. <	0,25 V 0,5 V
Output sink current	$I_o$	typ. <	10 mA 20 mA

**Phase detector output**

Output voltage HIGH at 20 $\mu$ A	$V_{OH}$	> typ.	9,5 V 9,7 V
Output voltage LOW at 20 $\mu$ A	$V_{OL}$	typ. <	0,3 V 0,5 V
Output current source	$I_o$	> typ.	30 $\mu$ A 44 $\mu$ A
sink	$I_o$	> typ.	30 $\mu$ A 30 $\mu$ A

**Tacho input**

Input voltage	$V_I$	-0,3 to + 10 V
Input biasing current	$I_{bias}$	typ. 0,5 $\mu$ A < 5,0 $\mu$ A
Input sensitivity (peak-to-peak value)	$V_{i(p-p)}$	> 10 mV
Offset voltage over temperature range	$V_{io}$	typ. 0,1 mV < 2,0 mV
Offset current over temperature range	$I_{io}$	typ. 50 nA < 250 nA

**Tacho output (open collector)**

Output voltage HIGH	$V_{OH}$	< 12 V
Output voltage LOW at 5 mA	$V_{OL}$	< 0,5 V
Output sink current	$I_o$	< 10 mA

**Up/down - input/output**

Input voltage LOW	$V_{IL}$	typ. 0 V -0,4 to + 0,4 V
Output voltage HIGH	$V_{OH}$	3 to 10 V
Open voltage	$V_o$	typ. 0,7 V 0,6 to 0,8 V
Open voltage HIGH at 0,5 mA	$V_{oH}$	> 8,5 V typ. 9,0 V
Open voltage LOW at 0,5 mA	$V_{oL}$	< 0,5 V
Output sink current	$I_o$	< 10 mA
Output source impedance	$ Z_o $	< 1,5 k $\Omega$

**Scaler inputs**

Input voltage LOW	$V_{IL}$	typ. 0 V -0,4 to + 0,4 V
Input voltage HIGH	$V_{IH}$	4 to 10 V
Open voltage	$V_o$	typ. 0,7 V 0,6 to 0,8 V

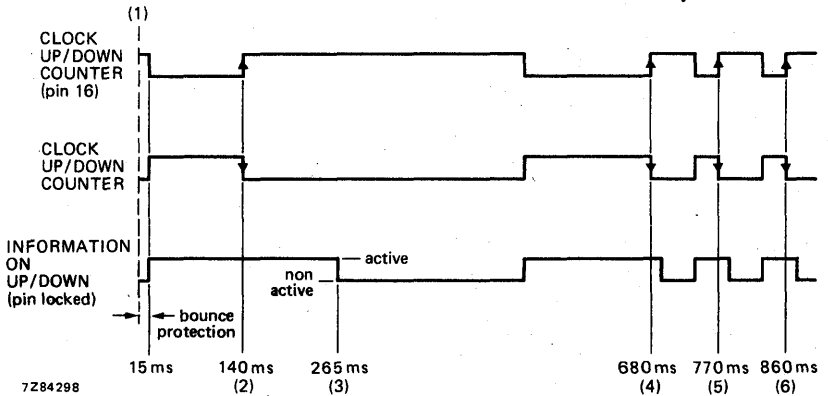
**Reset input/output**

Input voltage HIGH	$V_{IH}$	> 9,5 V typ. 10,0 V
Output voltage LOW	$V_{OL}$	typ. 0,3 V < 0,5 V
Output voltage HIGH	$V_{OH}$	typ. 8 V

**CHARACTERISTICS (continued)**

**Operational amplifiers**

Voltage gain	$G_v$	typ.	10 000
Input bias current	$I_{bias}$	typ.	30 nA
		<	100 nA
Output sink current at $V_o = 1 V$	$I_o$	typ.	0,1 mA
Output source current at $V_o = 9 V$	$I_o$	>	15 mA
		typ.	20 mA
Input offset voltage	$V_{io}$	<	15 mV
Input offset voltage drift	$\Delta V_{io}/\Delta T$	<	0,25 mV/K
Bandwidth (3 dB)	B		60 Hz



- (1) Start operation of up/down pin.
- (2) 1st clock pulse.
- (3) From this point on, restart of cycle by second excitation is possible.
- (4) 2nd clock pulse.
- (5) 3rd clock pulse.
- (6) 4th clock pulse.

Fig. 2 Timing diagram of up/down counter.

## 5 W AUDIO POWER AMPLIFIER

The TDA2611A is a monolithic integrated circuit in a 9-lead single in-line (SIL) plastic package with a high supply voltage audio amplifier. Special features are:

- possibility for increasing the input impedance
- single in-line (SIL) construction for easy mounting
- very suitable for application in mains-fed apparatus
- extremely low number of external components
- thermal protection
- well defined open loop gain circuitry with simple quiescent current setting and fixed integrated closed loop gain

## QUICK REFERENCE DATA

Supply voltage range	$V_P$	6 to 35 V
Repetitive peak output current	$I_{ORM}$	< 1,5 A
Output power at $d_{tot} = 10\%$	$P_O$	typ. 4,5 W
$V_P = 18 V; R_L = 8 \Omega$	$P_O$	typ. 5 W
$V_P = 25 V; R_L = 15 \Omega$	$d_{tot}$	typ. 0,3 % ←
Total harmonic distortion at $P_O < 2 W; R_L = 8 \Omega$	$ Z_i $	typ. 45 k $\Omega$
Input impedance	$I_{tot}$	typ. 25 mA
Total quiescent current at $V_P = 18 V$	$V_i$	typ. 55 mV
Sensitivity for $P_O = 2,5 W; R_L = 8 \Omega$	$T_{amb}$	-25 to + 150 °C
Operating ambient temperature	$T_{stg}$	-55 to + 150 °C
Storage temperature		

## PACKAGE OUTLINE

9-lead SIL; plastic (SOT-110A).

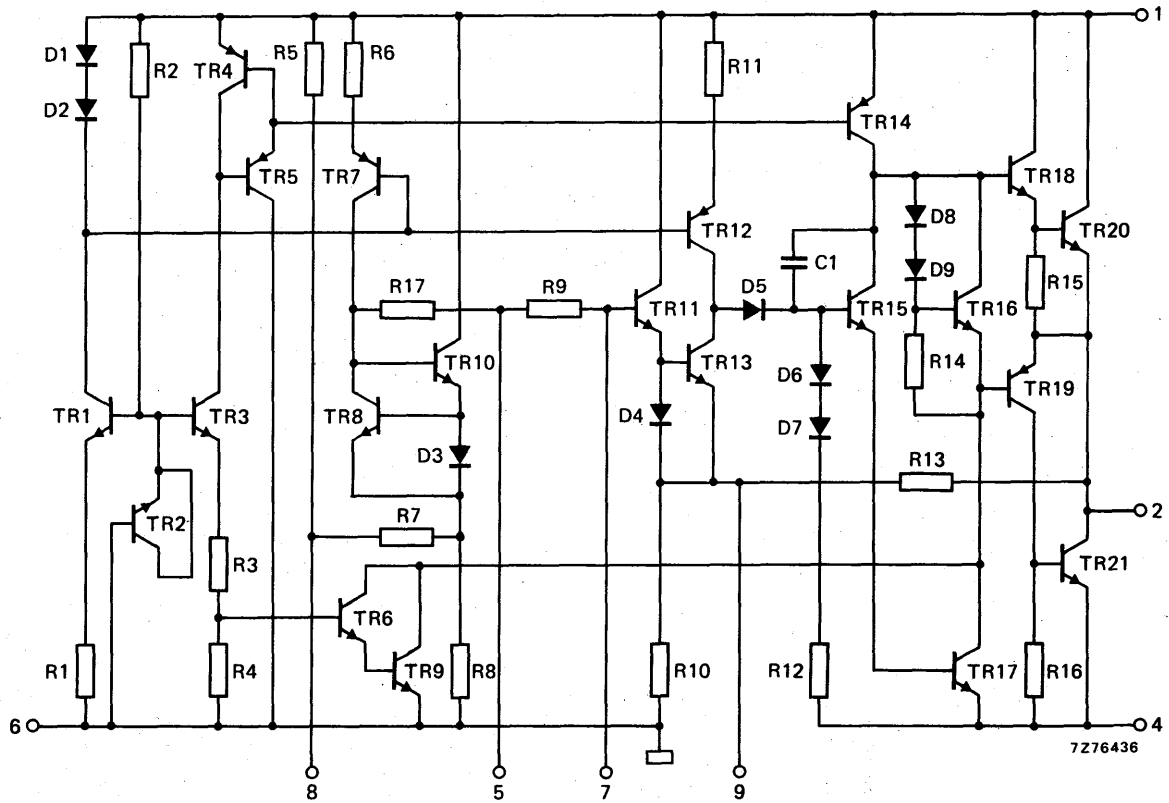


Fig. 1 Circuit diagram; pin 3 not connected.

7276436

**RATINGS**

Limiting values in accordance with the Absolute Maximum System (IEC 134)

Supply voltage	$V_p$	max.	35 V
Non-repetitive peak output current	$I_{OSM}$	max.	3 A
Repetitive peak output current	$I_{ORM}$	max.	1,5 A
Total power dissipation			see derating curves Fig. 2
Storage temperature	$T_{stg}$	-55 to + 150 °C	
Operating ambient temperature	$T_{amb}$	-25 to + 150 °C	

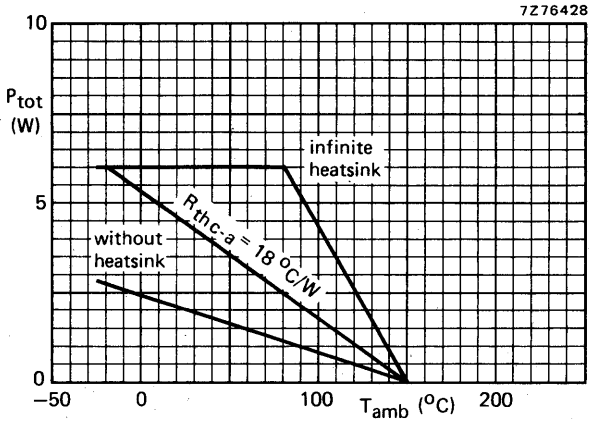


Fig. 2 Power derating curves.



## D.C. CHARACTERISTICS

Supply voltage range

$V_P$  6 to 35 V

Repetitive peak output current

$I_{ORM}$  < 1,5 A

Total quiescent current at  $V_P = 18$  V

$I_{tot}$  typ. 25 mA

## A.C. CHARACTERISTICS

$T_{amb} = 25$  °C;  $V_P = 18$  V;  $R_L = 8$   $\Omega$ ;  $f = 1$  kHz unless otherwise specified; see also Fig. 3

A.F. output power at  $d_{tot} = 10\%$

$V_P = 18$  V;  $R_L = 8$   $\Omega$

$P_o$  > 4 W

$V_P = 12$  V;  $R_L = 8$   $\Omega$

typ. 4,5 W

$V_P = 8,3$  V;  $R_L = 8$   $\Omega$

$P_o$  typ. 1,7 W

$V_P = 20$  V;  $R_L = 8$   $\Omega$

$P_o$  typ. 0,65 W

$V_P = 25$  V;  $R_L = 15$   $\Omega$

$P_o$  typ. 6 W

$P_o$  typ. 5 W

→ Total harmonic distortion at  $P_o = 2$  W

$d_{tot}$  typ. 0,3 %

< 1 %

Frequency response

> 15 kHz

Input impedance

$|Z_i|$  typ. 45 k $\Omega$  \*

Noise output voltage at  $R_S = 5$  k $\Omega$ ; B = 60 Hz to 15 kHz

$V_n$  typ. 0,2 mV

< 0,5 mV

Sensitivity for  $P_o = 2,5$  W

$V_i$  typ. 55 mV

44 to 66 mV

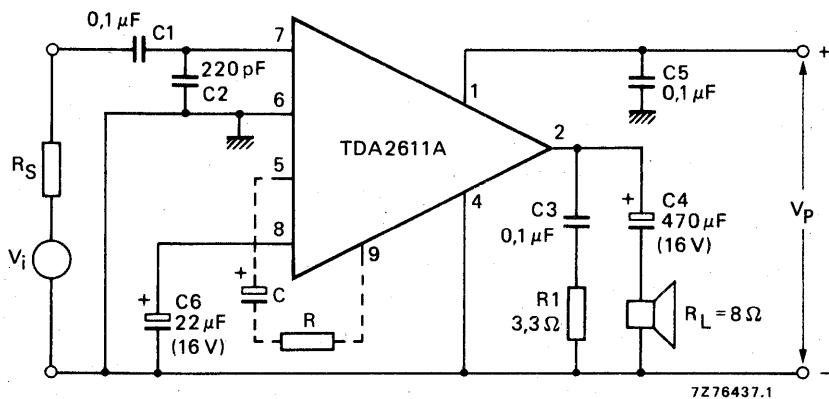


Fig. 3 Test circuit; pin 3 not connected.

\* Input impedance can be increased by applying C and R between pins 5 and 9 (see also Figures 6 and 7).

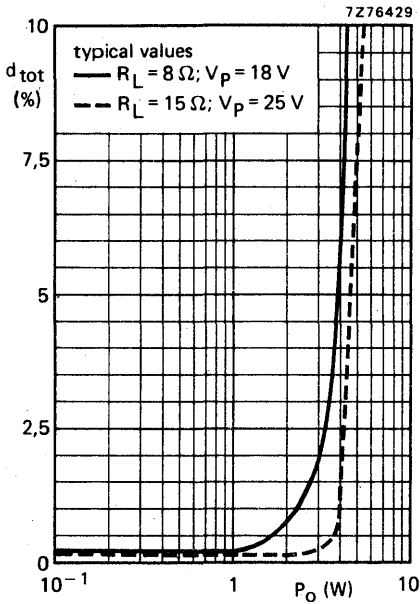


Fig. 4 Total harmonic distortion as a function of output power.

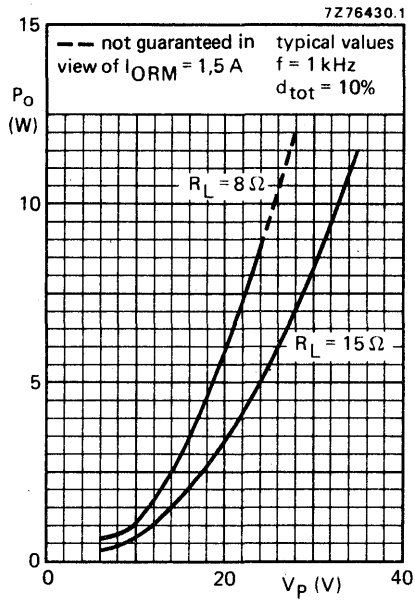


Fig. 5 Output power as a function of supply voltage.

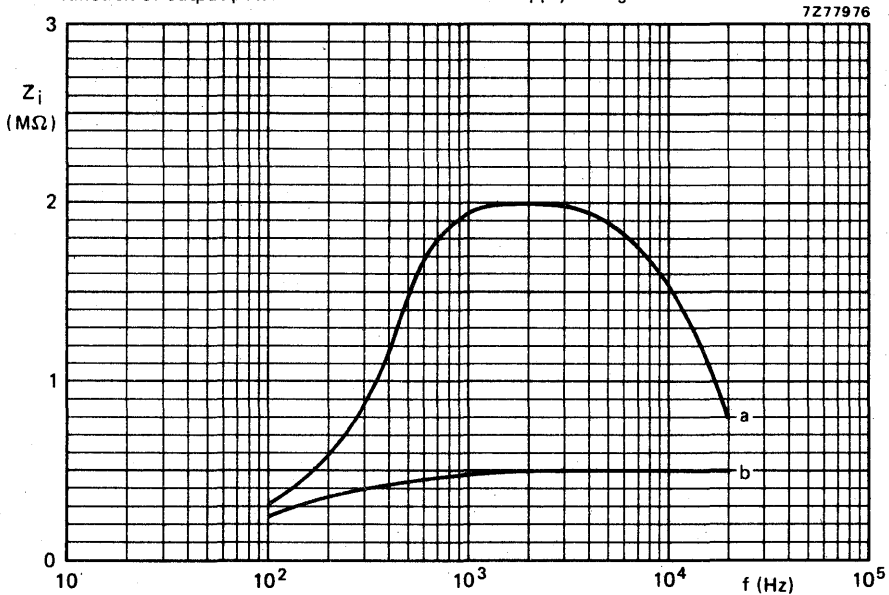


Fig. 6 Input impedance as a function of frequency; curve a for  $C = 1 \mu\text{F}$ ,  $R = 0 \Omega$ ; curve b for  $C = 1 \mu\text{F}$ ,  $R = 1 \text{ k}\Omega$ ; circuit of Fig. 3;  $C_2 = 10 \text{ pF}$ ; typical values.



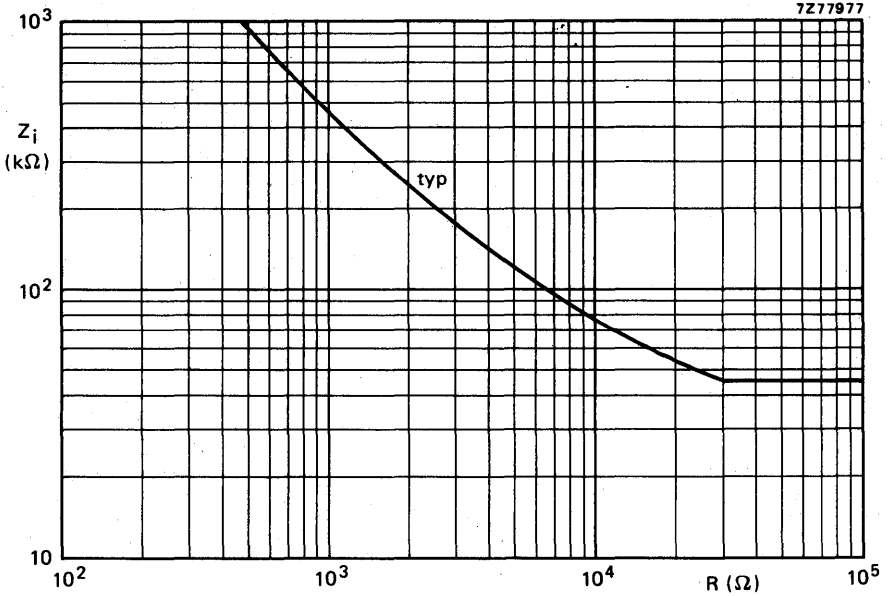


Fig. 7 Input impedance as a function of R in circuit of Fig. 3; C = 1 μF; f = 1 kHz.

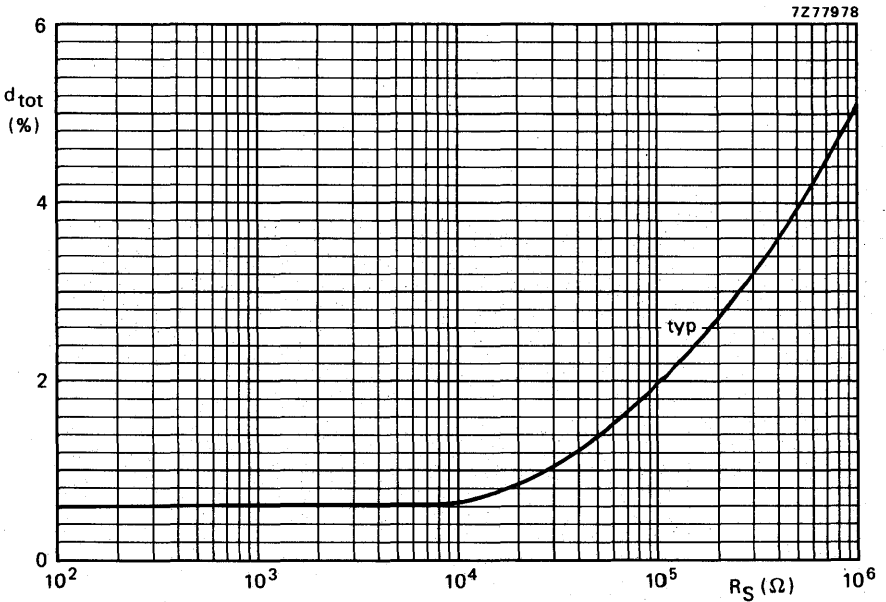


Fig. 8 Total harmonic distortion as a function of R<sub>S</sub> in the circuit of Fig. 3; P<sub>o</sub> = 3.5 W; f = 1 kHz.

7276433

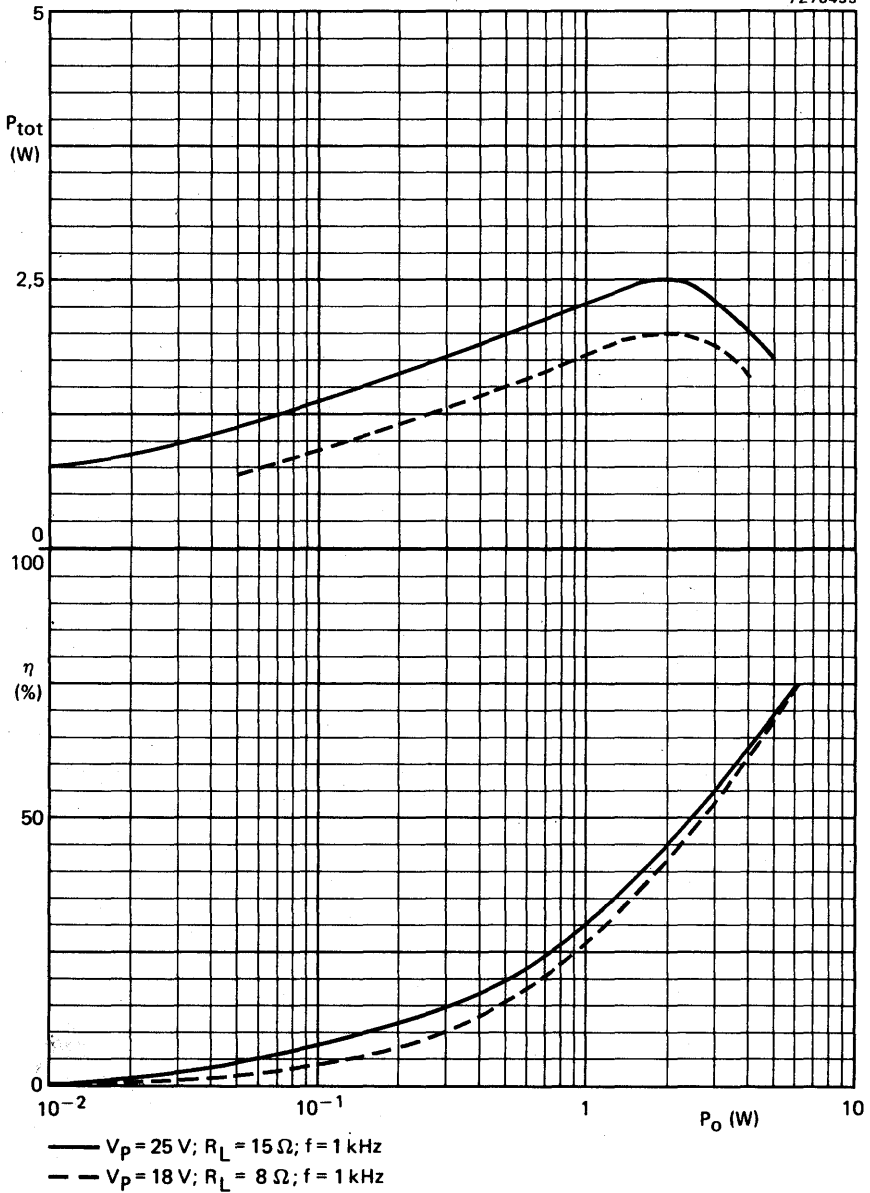


Fig. 9 Total power dissipation and efficiency as a function of output power.

APPLICATION INFORMATION

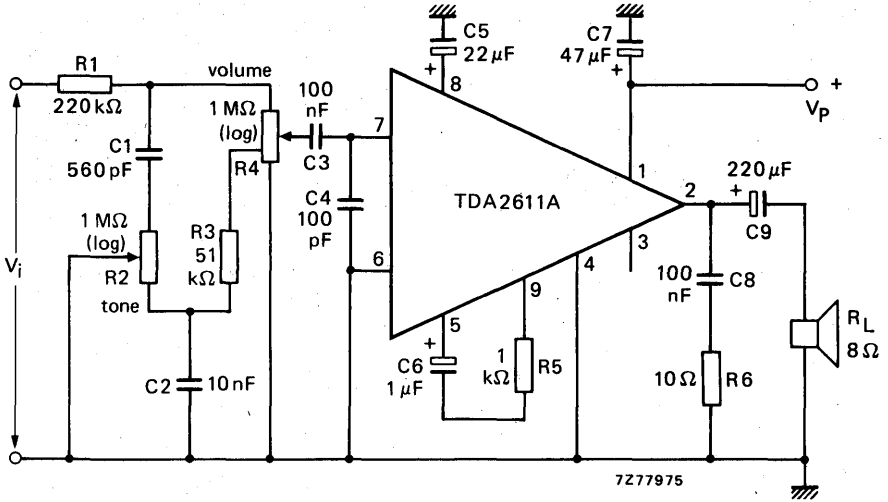


Fig. 10 Ceramic pickup amplifier circuit.

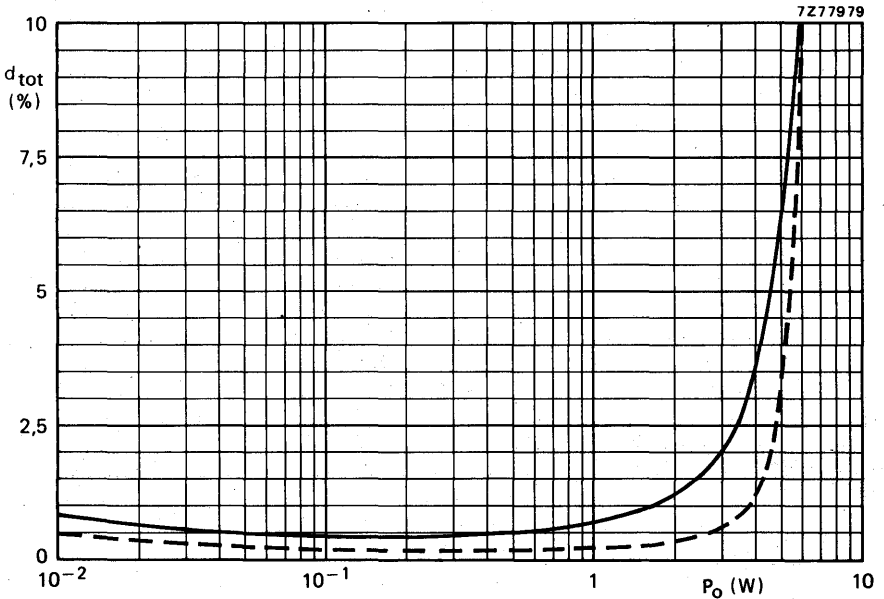


Fig. 11 Total harmonic distortion as a function of output power; — with tone control; --- without tone control; in circuit of Fig. 10; typical values.

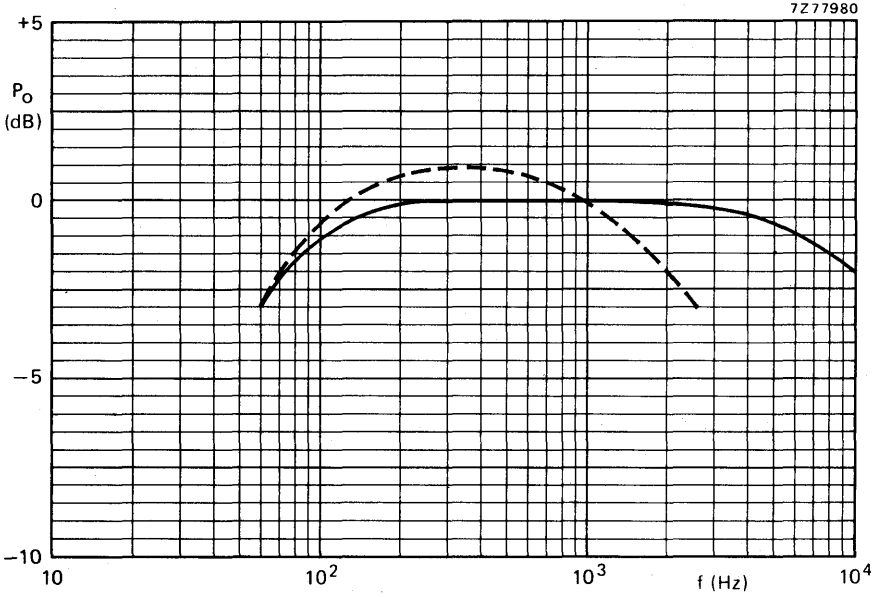


Fig. 12 Frequency characteristics of the circuit of Fig. 10; — tone control max. high; - - - tone control min. high;  $P_o$  relative to 0 dB = 3 W; typical values.

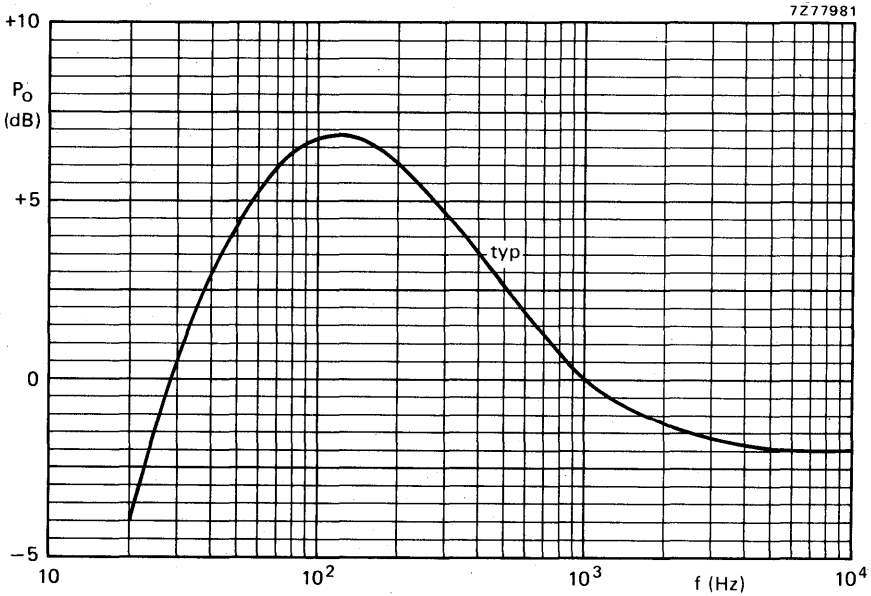


Fig. 13 Frequency characteristic of the circuit of Fig. 10; volume control at the top; tone control max. high.



# DEVELOPMENT SAMPLE DATA

This information is derived from development samples made available for evaluation. It does not form part of our data handbook system and does not necessarily imply that the device will go into production

TDA5700  
TDA5700Q

## INTEGRATED AM/FM RADIO RECEIVER CIRCUIT

The TDA5700 is for use in high quality battery or mains-fed a.m. and a.m./f.m. receivers as well as small low-cost a.m. portable receivers. The IC incorporates a.m. mixer, oscillator, i.f. amplifier, a.g.c. amplifier, a.m. detector and capacitor, f.m./i.f. limiting amplifier and stable base bias for f.m. front-end. The TDA5700 is pin compatible, with the h.f. part of the TBA570A. The IC has been designed to improve the distortion characteristics of the a.m. part and is very suitable in combination with ceramic filters, of which application is given.

### QUICK REFERENCE DATA

Applicable supply voltage range of receiver	$V_p$		2,7 to 12 V
Ambient temperature	$T_{amb}$		25 °C
Supply voltage at pin 8	$V_{8-16}$	nom.	5,4 V
Total quiescent current	$I_{tot}$	typ.	9 mA
<b>A.M. performance (at pin 2)</b>			
R.F. input voltage			
S/N = 26 dB	$V_i$	typ.	18 $\mu$ V
for $V_o = 10$ mV	$V_i$	typ.	2,5 $\mu$ V
A.G.C. range; change of r.f. input voltage			
for 10 dB expansion in audio range		typ.	65 dB
R.F. signal handling			
$d_{tot} = 10\%$ ; $m = 0,8$	$V_i$	typ.	300 mV
<b>F.M. performance (at pin 2)</b>			
R.F. input voltage			
3 dB before limiting	$V_i$	typ.	125 $\mu$ V

### PACKAGE OUTLINES

TDA5700: 16-lead DIL; plastic (SOT-38).

TDA5700Q: 16-lead QIL; plastic (SOT-58).

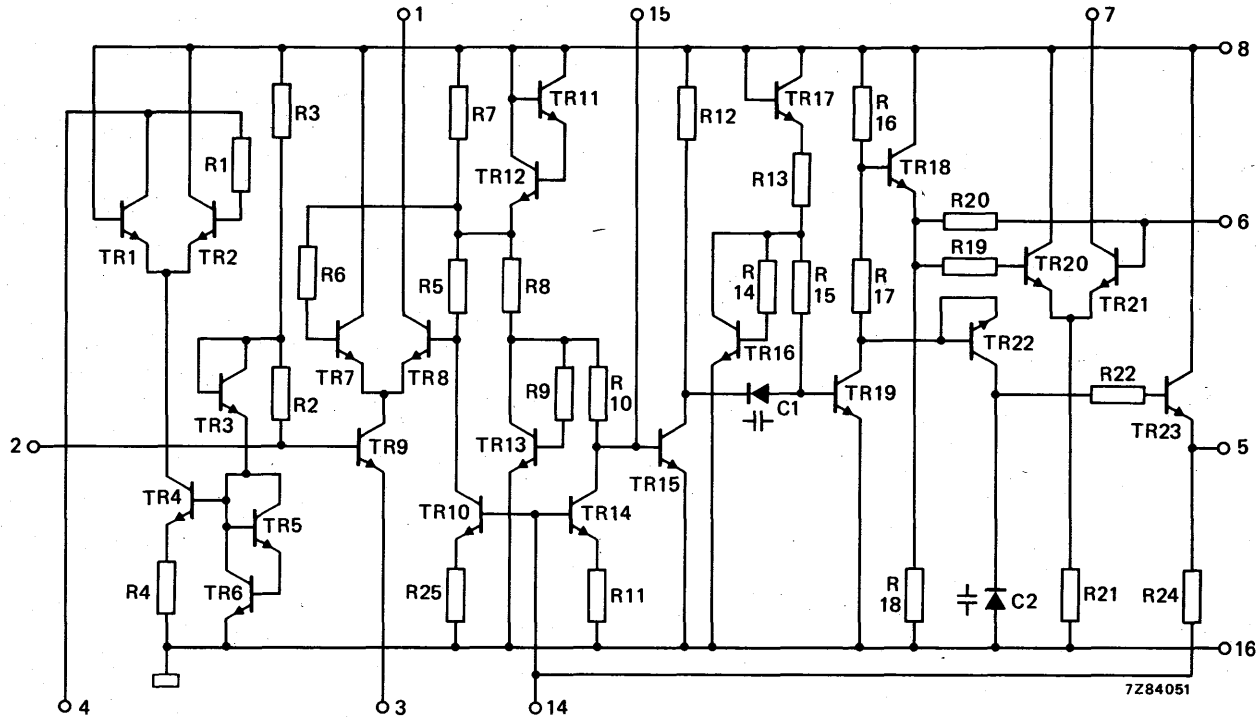


Fig. 1 Circuit diagram.

**RATINGS**

Limiting values in accordance with the Absolute Maximum System (IEC 134)

Voltage pin 8	V <sub>8-16</sub>	max.	8 V
Total power dissipation	see derating curve (Fig. 2)		
Storage temperature	T <sub>stg</sub>	-55 to + 150 °C	
Operating ambient temperature	V <sub>8</sub> ; 4; 7; 1-16 = 8 V; see also derating curve (Fig. 2)		
	T <sub>amb</sub>	-20 to. + 85 °C	

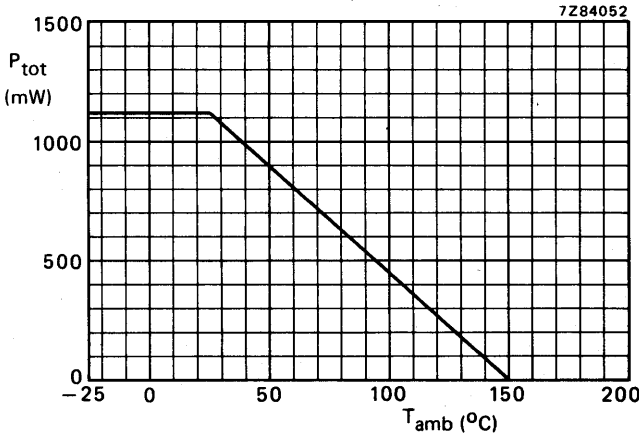


Fig. 2 Derating curve.

**DESIGN DATA**

Characteristics of integrated components are determined by process and layout data.

Pins not under measuring condition should not be connected.

Pins 9, 10, 11, 12 and 13 are not allowed to be connected

Voltage pins 1 and 7 *	V <sub>1-16</sub> V <sub>7-16</sub>	max.	12 V
Voltage pin 4 *	V <sub>4-16</sub>	min.	V <sub>8</sub> - 0,5 V
		max.	V <sub>8</sub> + 0,5 V
Voltage pin 8 *	V <sub>8-16</sub>	max.	7 V
Voltage pin 3 *	V <sub>3-16</sub>	max.	3 V
Voltage pin 5 *	V <sub>5-16</sub>	max.	4 V
Voltage pin 14 *	V <sub>14-16</sub>	max.	1 V
Current pin 2, 6 and 15 *	I <sub>2</sub> ; I <sub>6</sub> ; I <sub>15</sub>	max.	80 µA

\* Tolerated minimum for voltages 0 V; for currents 0 mA.



**D.C. CHARACTERISTICS**

$T_{amb} = 25\text{ }^{\circ}\text{C}$

Total quiescent current

$V_{8-16} = 5,4\text{ V}$

$V_{8-16} = 3,4\text{ V}$

Applicable supply voltage range of receiver (note 1)

Base bias voltage for f.m. front-end

total external load current at pin 2:  $-I_2 = 150\text{ }\mu\text{A}$

$I_{tot}$	typ.	9 mA
$I_{tot}$	typ.	8 mA
$V_p$		2,7 to 12 V
$V_{2-16}$	typ.	1,2 V

**A.C. CHARACTERISTICS**

$T_{amb} = 25\text{ }^{\circ}\text{C}$ ;  $V_{8-16} = 5,4\text{ V}$ ;  $I_E\text{ (TR9)} = 1\text{ mA}$

Input conductance at pin 2

Output conductance at pin 1

Input conductance at pin 15

		0,45	1	10,7 MHz
$g_{ie}$	typ.	—	0,3	0,4 mA/V
$g_{oe}$	typ.	10	—	40 $\mu\text{A/V}$
$g_{ie}$	typ.	0,5	—	1,0 mA/V

**A.M. performance (in test circuit Fig. 3)**

R.F. input voltage;  $S/N = 26\text{ dB}$  (notes 2 and 3)

R.F. input voltage for 10 mV (a.f.)  
across volume control

A.F. voltage across volume control  
at 100  $\mu\text{V}$  (r.f.) input voltage (notes 2 and 3)

Signal-to-noise ratio  
at 1 mV (r.f.) input voltage (notes 2 and 3)

A.G.C. range (change in r.f. input voltage for 10 dB  
expansion in audio range) (notes 2 and 3)

R.F. signal handling capability at 80% modulation;  
 $d_{tot} < 10\%$  (note 2)

Harmonic distortion of h.f. part over most of  
a.g.c. range;  $m = 0,3$ ;  $f_m = 1\text{ kHz}$

I.F. selectivity

I.F. bandwidth (3 dB)

		$V_{8-16}$	5,4 V	3,4 V
$V_i$	typ.	18	18 $\mu\text{V}$	
$V_i$	typ.	2,5	6,0 $\mu\text{V}$	
$V_o$	typ.	100	100 mV	
$S/N$	typ.	46	49 dB	
	typ.	65	65 dB	
$V_i$	typ.	300	100 mV	
$d_{tot}$	typ.	1	1 %	
$S_g$	typ.	33	33 dB	
$B$	typ.	5	5 kHz	

**Notes**

- Adjustable by a dropping resistor in the  $V_p$ -line; see also maximum tolerated voltages for pins 1, 4, 7 and 8 in design data on page 3.
- a. A.F. signal: measured across volume control.  
b. R.F. signal: measured at pin 2 at source impedance of 50  $\Omega$ .  
c.  $f_o = 1\text{ MHz}$ ;  $f_m = 1\text{ kHz}$ .
- $m = 0,3$ .

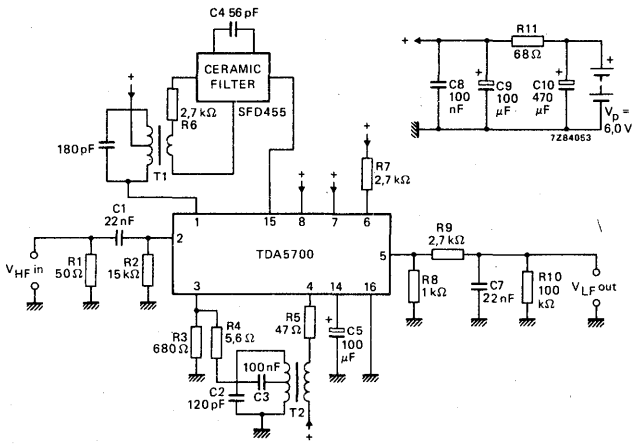
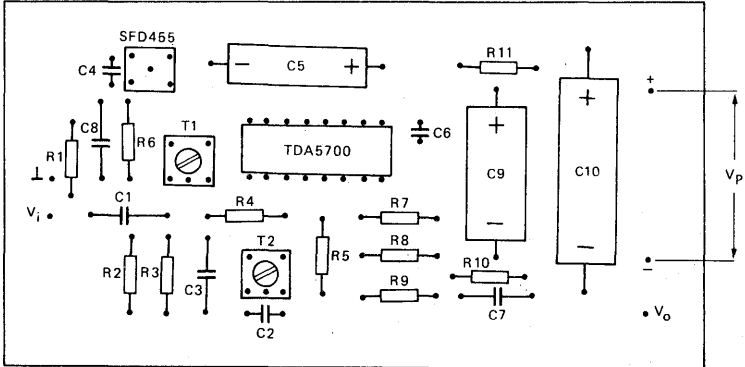
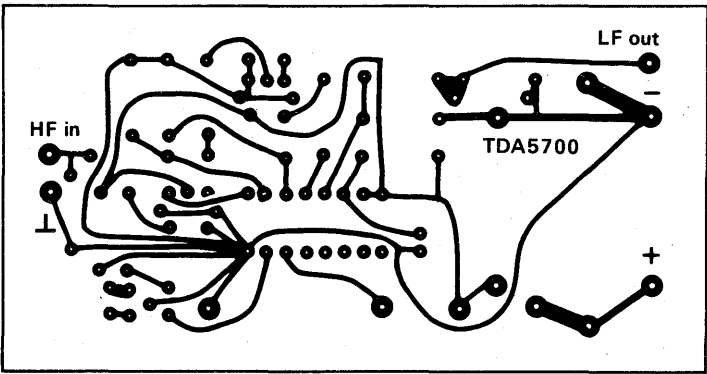


Fig. 3 A.M. performance test circuit.



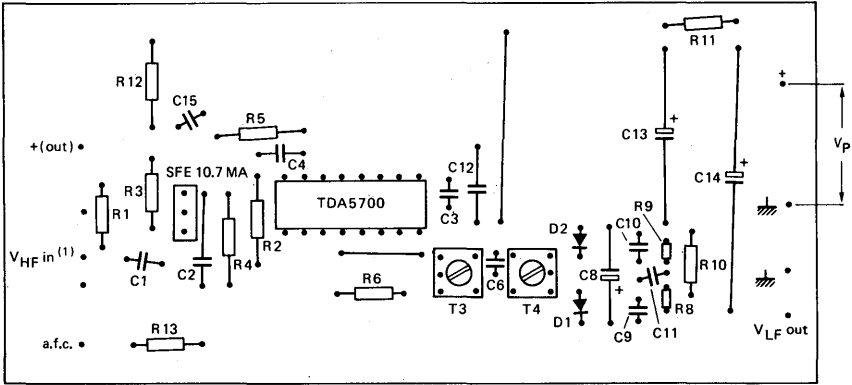
7284060



7284061

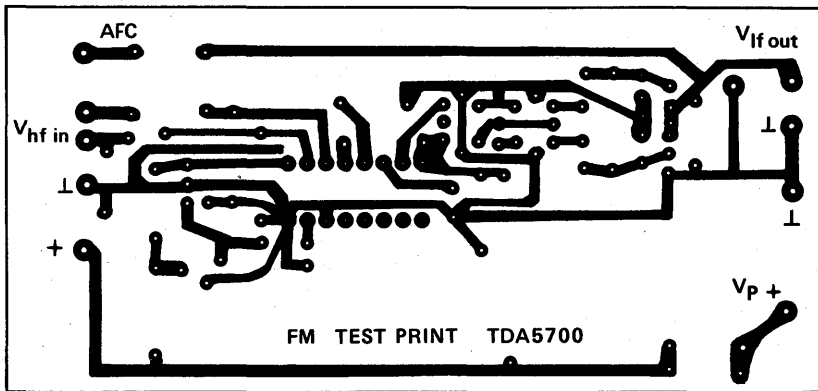
Fig. 4 Component side of printed-circuit board (test circuit Fig. 3).  
Fig. 5 Track side of printed-circuit board (test circuit Fig. 3).





7284059

Fig. 7 Component side of printed-circuit board (test circuit Fig. 6).



7284062

Fig. 8 Track side of printed-circuit board; (test circuit Fig. 6).



## APPLICATION INFORMATION

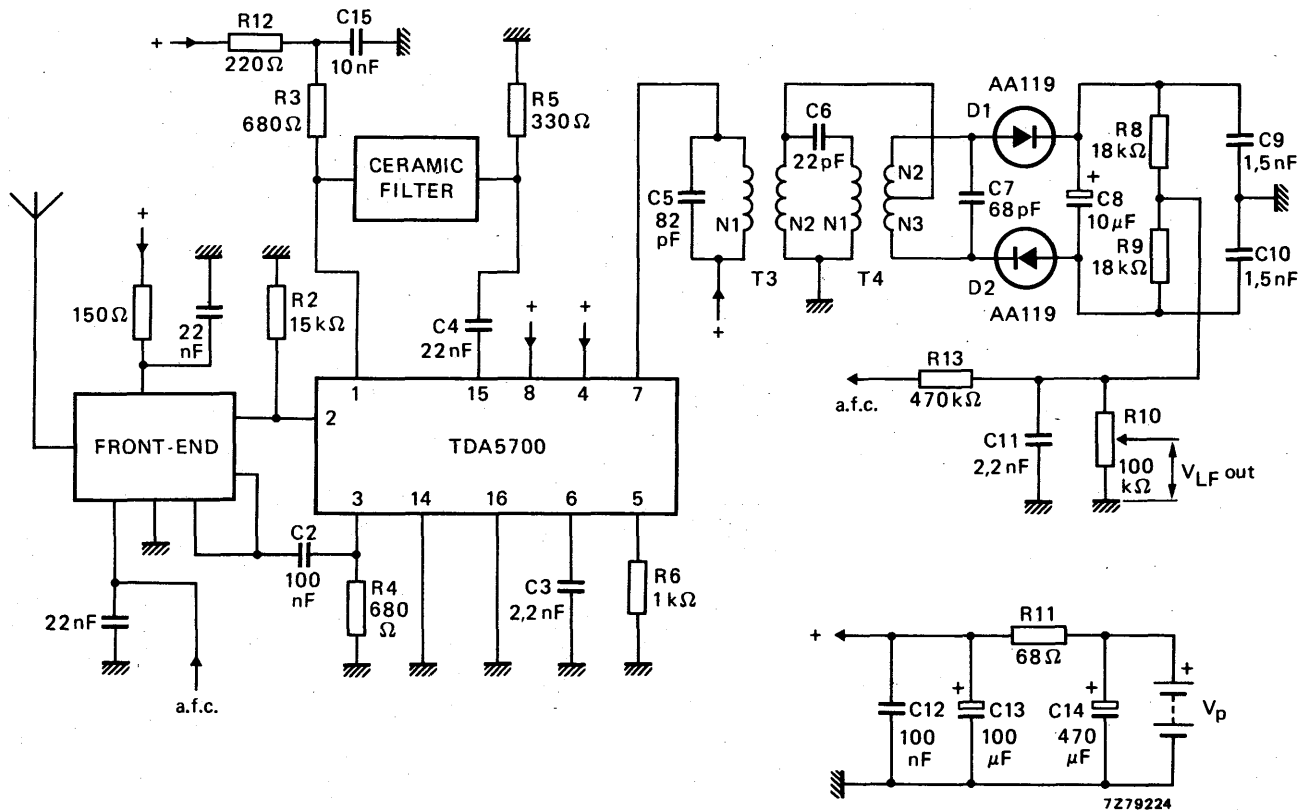


Fig. 9 Performance of an f.m. circuit including the f.m. tuner.

## APPLICATION INFORMATION (continued)

F.M. performance of the complete f.m. circuit measured at  $V_p = 6,0$  V.

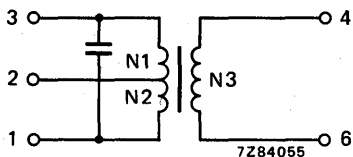
Sensitivity for an f.m. signal 3 dB before limiting at 75 $\Omega$ aerial input of the f.m. front-end (note 1) at pin 2; first i.f. input (notes 2 and 6)	$V_i$	typ.	12,5 $\mu$ V
	$V_i$	typ.	125 $\mu$ V
Sensitivity for 26 dB S/N ratio at 75 $\Omega$ aerial input of the f.m. front-end (note 1)	$V_i$	typ.	3 $\mu$ V
A.F. output voltage across a volume control of 100 k $\Omega$ at an i.f. signal beyond limiting	$V_o$	typ.	140 mV
Signal-to-noise over most of the signal range	S/N	typ.	65 dB
A.M. suppression over most of the signal range (note 3)	S/N	typ.	60 dB
I.F. selectivity (note 4)	S <sub>300</sub>	typ.	55 dB
I.F. bandwidth (3 dB; note 4)	B	typ.	180 kHz
A.F. distortion at an i.f. signal level 3 dB before limiting (note 5)	$d_{tot}$	typ.	0,5 %

## Notes

- Aerial e.m.f. ( $V_i$ ) at  $f_o = 98$  MHz;  $R_S = 75 \Omega$ ;  $\Delta f = \pm 22,5$  kHz;  $f_m = 1$  kHz.
- $f_o = 10,7$  MHz;  $\Delta f = \pm 22,5$  kHz;  $f_m = 1$  kHz.
- A.M. signal:  $m = 0,3$ ;  $f_m = 1$  kHz.  
F.M. signal:  $f_o = 10,7$  MHz;  $\Delta f = \pm 75$  kHz;  $f_m = 70$  Hz.  
Carrier simultaneously modulated with a.m. and f.m.
- Including the ratio detector, measured at N1 of the secondary coil of the ratio detector.  
Level of measurement: 3 dB before limiting.
- $f_o = 98$  MHz;  $\Delta f = 40$  kHz;  $f_m = 1$  kHz.  
Measurement carried out selectively to avoid noise influence on meter reading.
- Pin 3 bypassed to ground with a capacitor of 220 nF.

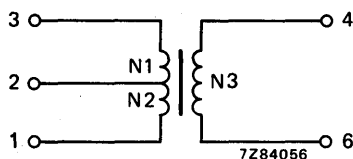
COIL DATA

A.M. — i.f. coils (Fig. 3)



N1 = 86 t.  
N2 = 60 t.  
C = 180 pF.  
N3 = 8 t.

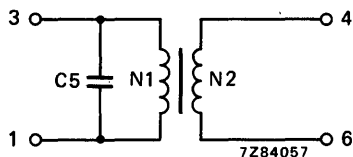
Fig. 10 I.F. bandpass filter (L1). TOKO sample no. 7 MCS-A 3544 EK.  $L = 680 \mu\text{H}$  at 455 kHz;  $Q_0 = 110$ .



N1 = 55 t.  
N2 = 2 t.  
N3 = 9 t.

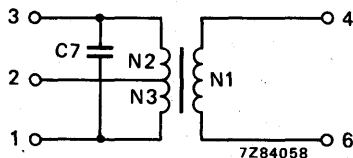
Fig. 11 Oscillator coil (L2). TOKO sample no. 7 BOS-A 3498 EK.  $L = 115 \mu\text{H}$  at 796 kHz;  $Q_0 = 110$ .

F.M. — i.f. coils (Figs 6 and 9)



N1 = 11 t.  
N2 = 5 t.  
C5 = 82 pF.

Fig. 12 Primary ratio detector coil (L3). TOKO sample no. 119 ACS-A 3503 AO.  $L = 2,7 \mu\text{H}$  at 10,7 MHz;  $Q_0 = 90$ .



N3 = 6 t.  
N2 = 6 t.  
C7 = 68 pF.  
N1 = 2 t.

Fig. 13 Secondary ratio detector coil (L4). TOKO sample no. 119 ACS-A 3258 EK.  $L = 3,25 \mu\text{H}$  at 10,7 MHz;  $Q_0 = 85$ .

## DEVELOPMENT SAMPLE DATA

This information is derived from development samples made available for evaluation. It does not necessarily imply that the device will go into regular production.

TEA5550

## AM CAR RADIO RECEIVER CIRCUIT

The TEA5550 is a monolithic integrated radio circuit, primarily intended for use in car radios. The IC can reduce the costs in a car radio due to the following features:

- minimum periphery
- ceramic filter application
- simple a.m./f.m. switching possibility

The TEA5550 incorporates the following functions:

- a double balanced mixer with large signal handling and common mode rejection properties
- a 'one-pin' oscillator, permitting the application of a variable capacitance diode
- an i.f. amplifier, designed for ceramic filters
- an a.m. envelope detector
- a.g.c. stages
- a voltage stabilizer, for the internal circuit current and an external current up to 20 mA
- a simple d.c. switch for a.m./f.m. radios

### QUICK REFERENCE DATA

Supply voltage range (pin 8)	$V_p$		10,2 to 16 V
Ambient temperature	$T_{amb}$	typ.	25 °C
Supply voltage (pin 8)	$V_p$	typ.	14,4 V
-----			
R.F. input voltage (pin 1)			
$V_o = 30$ mV	$V_i$	typ.	4 $\mu$ V
S/N = 26 dB	$V_i$	typ.	13 $\mu$ V
S/N = 46 dB	$V_i$	typ.	160 $\mu$ V
A.F. output voltage (pin 10)			
$V_i = 1$ mV	$V_o$	typ.	180 mV
Total harmonic distortion; $m = 0,8$ ; $V_i = 1$ mV	THD	<	2,5 %
R.F. signal handling			
THD < 10%; $m = 0,8$	$V_i$	typ.	400 mV

### PACKAGE OUTLINE

16-lead DIL; plastic (SOT-38).



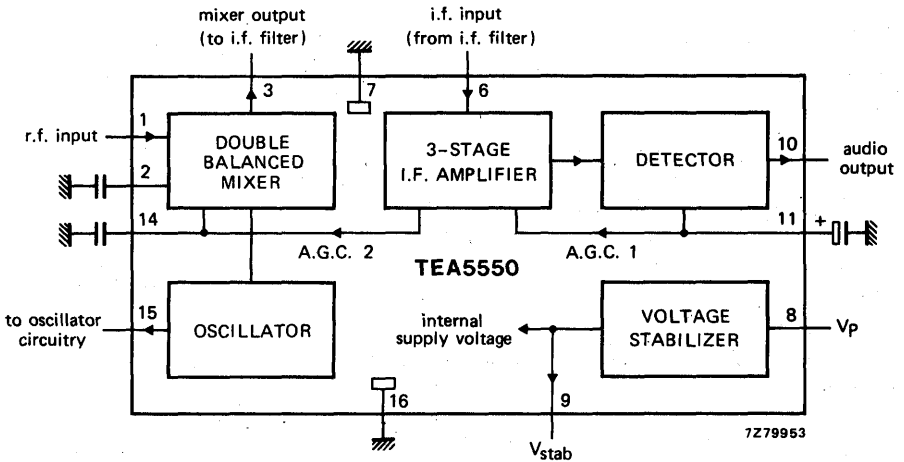


Fig. 1 Block diagram.

**RATINGS**

Limiting values in accordance with the Absolute Maximum System (IEC 134)

## Supply voltages

pin 8

 $V_p = V_{8-16}$  max. 24 V

pin 3

 $V_{3-16}$  max. 24 V

Non-repetitive peak output current (pin 9)

 $I_{9SM}$  max. 100 mA

Total power dissipation

 $P_{tot}$  max. 1100 mW

Storage temperature

 $T_{stg}$  -65 to +150 °C

Operating ambient temperature

 $T_{amb}$  -30 to +85 °C**D.C. CHARACTERISTICS** at  $V_i = 0$  $V_p = 14,4$  V;  $T_{amb} = 25$  °C; measured in Fig. 2

Supply voltage range (unstabilized)\*

 $V_p$  10,2 to 16 VVoltage at pin 9;  $-I_g = 0$  $V_{9-16}$  typ. 8 V  
7,5 to 9 V

Voltage at pin 10

 $V_{10-16}$  typ. 1,2 V

Voltage at pins 1 and 2

 $V_{1-16} = V_{2-16}$  typ. 5,2 V\*A stabilized supply voltage of 7 to 9 V can also be applied at pin 9 instead of  $V_p$  (pin 8).

Total supply current; $-I_g = 0$	$I_{tot}$	typ.	20 mA
Current drain			
pin 3	$I_3$	typ.	1 mA
pin 15	$I_{15}$	typ.	0,2 mA
Current supplied from pin 9	$-I_g$	<	20 mA
Power dissipation; $-I_g = 0$	P	typ.	300 mW

**A.C. CHARACTERISTICS**

$V_p = 14,4$  V;  $T_{amb} = 25$  °C; r.f. condition:  $f_i = 1$  MHz,  $m = 0,3$ ,  $f_m = 1$  kHz; measured in Fig. 2; unless otherwise specified

R.F. input voltage; $V_o = 30$ mV	$V_i$		2,5 to 5,5 $\mu$ V
H.F. sensitivity for:			
S/N = 6 dB	$V_i$	typ.	1,3 $\mu$ V
S/N = 26 dB	$V_i$	<	16 $\mu$ V
S/N = 46 dB	$V_i$	typ.	160 $\mu$ V
S/N = 50 dB	$V_i$	typ.	350 $\mu$ V
Input conductance at pin 1			
$V_i = 0,1$ mV	$g_{ie}$	typ.	0,2 mS
$V_i = 100$ mV	$g_{ie}$	typ.	0,1 mS
Input conductance at pin 6	$g_{ie}$	typ.	0,3 mS
Change in r.f. input voltage for 10 dB change in a.f. output voltage; $V_{i1} = 200$ mV	$V_{i1}/V_{i2}$	typ.	86 dB
A.F. output voltage			
$V_i = 1$ mV	$V_o$	>	160 mV
		typ.	180 mV
A.F. output impedance (pin 10)	$ Z_o $	typ.	2,7 k $\Omega$
Total harmonic distortion at $m = 0,8$			
$V_i = 16$ $\mu$ V	THD	<	2,5 %
$V_i = 1$ mV	THD	typ.	1,2 %
$V_i = 2,5$ mV	THD	<	2,5 %
R.F. signal handling			
THD < 10%; $m = 0,8$	$V_i$	>	350 mV
		typ.	400 mV
I.F. suppression			
$V_o = 30$ mV; without input selection	$\alpha$	>	20 dB*
Oscillator voltage			
$V_{9-16} = 8$ V; $f_{osc} = 1468$ kHz	$V_{15-8}$	<	250 mV

\*  $\alpha = 20 \log \frac{V_{i1}}{V_{i2}}$ , where:  $V_{i1}$  is input voltage at  $f = 468$  kHz and  $V_{i2}$  is input voltage at  $f = 1$  MHz.

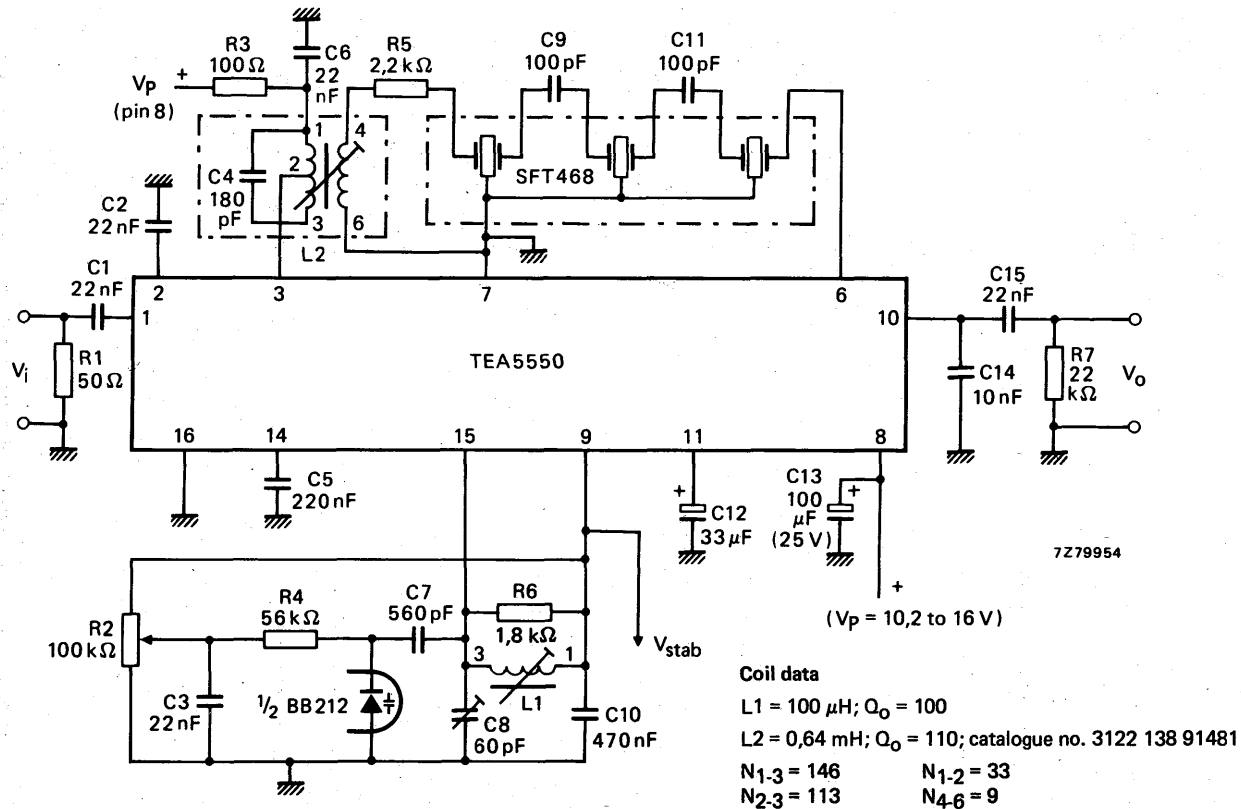


Fig. 2 AM test circuit; for printed-circuit board see Figs 3 and 4.

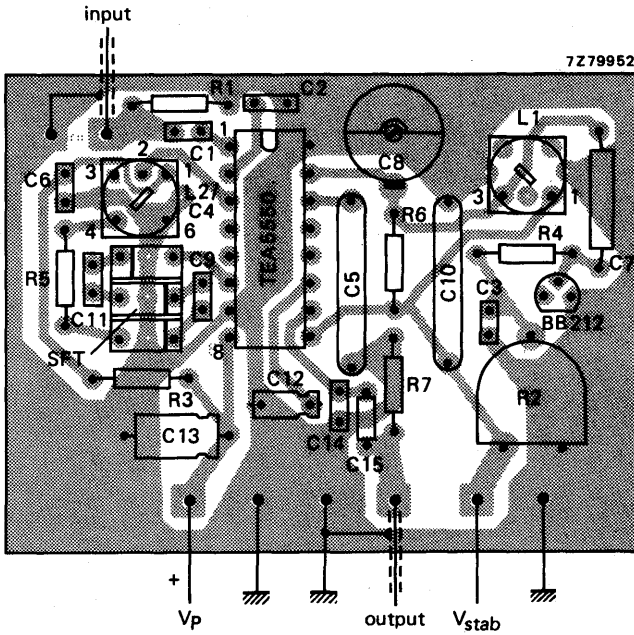


Fig. 3 Printed-circuit board component side, showing component layout. For circuit diagram see Fig. 2.

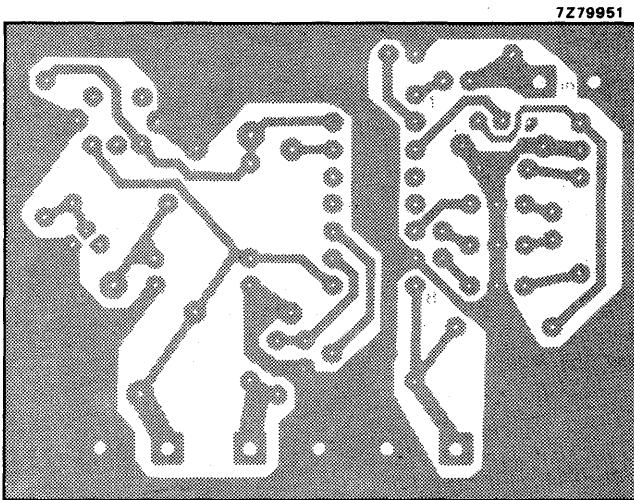


Fig. 4 Printed-circuit board showing track side.



## DEVELOPMENT SAMPLE DATA

This information is derived from development samples made available for evaluation. It does not necessarily imply that the device will go into regular production.

TEA5560

## FM/IF SYSTEM

The TEA5560 is a monolithic integrated f.m./i.f. system circuit, intended for car radios and home-receivers equipped with a ratio detector.

The system incorporates the following functions:

- a three-stage i.f. limiting amplifier
- a 15 dB field-strength dependent muting circuit
- a field-strength dependent d.c. voltage for e.g.:
  - mono/stereo switching
  - channel separation control of a stereo decoder
  - an indicator ( $I_{\max} \leq 1$  mA)
- standby ON/OFF switching circuit
- a voltage stabilizer, for the internal circuit current and an external current up to 10 mA
- adjustable gain ( $\Delta G = 15$  dB)

### QUICK REFERENCE DATA

Supply voltage range (pin 6)	$V_P$	10,2 to 16 V
Ambient temperature	$T_{\text{amb}}$	typ. 25 °C
Supply voltage (pin 6)	$V_P$	typ. 14,4 V
Frequency	$f_o$	10,7 MHz
-----		
Sensitivity (3 dB limiting)	$V_i$	typ. 150 $\mu$ V
Signal-to-noise ratio for $V_i = 10$ mV	S/N	> 70 dB
A.F. output voltage at $\Delta f = \pm 22,5$ kHz	$V_o$	typ. 190 mV
Total harmonic distortion; $\Delta f = \pm 22,5$ kHz	THD	typ. 0,35 %
A.M. suppression		
a.m. signal: $m = 0,3$ ; $f_m = 1$ kHz		
f.m. signal: $\Delta f = \pm 22,5$ kHz; $f_m = 70$ Hz	$\alpha$	typ. 50 dB

### PACKAGE OUTLINE

9-lead SIL; plastic (SOT-142).

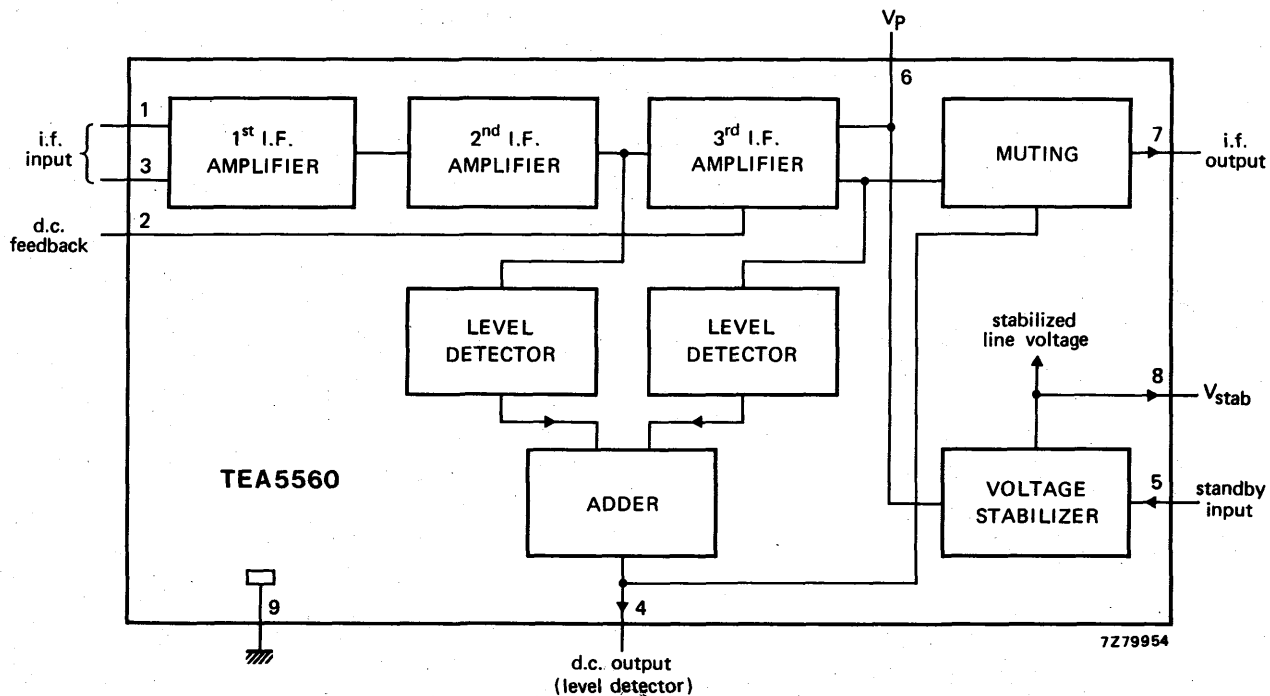


Fig. 1 Block diagram.

**RATINGS**

Limiting values in accordance with the Absolute Maximum System (IEC 134)

## Supply voltages

pin 6	$V_p = V_{6-9}$	max.	24 V
pin 7	$V_{7-9}$	max.	24 V
Voltage at pin 4	$V_{4-9}$	max.	7 V
Voltage at pin 5	$V_{5-9}$	max.	9 V
Non-repetitive peak output current (pin 8)	$-I_{8SM}$	max.	100 mA
Total power dissipation	$P_{tot}$	max.	1000 mW
Storage temperature	$T_{stg}$		-65 to +150 °C
Operating ambient temperature	$T_{amb}$		-30 to +85 °C

**D.C. CHARACTERISTICS** at  $V_i = 0$  $V_p = 14,4$  V;  $T_{amb} = 25$  °C; measured in Fig. 2

Supply voltage range (unstabilized, pin 6)*	$V_p$		10,2 to 16 V
Voltage at pin 8	$V_{8-9}$	typ.	8 V
Voltage at pin 4 (level detector)	$V_{4-9}$	<	100 mV
Voltage at pins 1, 2 and 3	$V_{1; 2; 3-9}$	typ.	2,3 V
Total supply current	$I_{tot}$	typ.	20 mA
$-I_8 = 0$	$I_{tot}$	typ.	11 mA
$V_{5-9} = 0$	$-I_8$	<	10 mA
Current supplied from pin 8	$I_5$	typ.	1,5 mA
Current into pin 5	$I_7$	typ.	3,5 mA
Current into pin 7	$P$	typ.	300 mW
Power dissipation; $-I_8 = 0$			

\* A stabilized supply voltage of 7 to 9 V can also be applied at pins 5 and 6 (linked); in that case pin 8 must be not connected.



**A.C. CHARACTERISTICS**

$V_p = 14,4 \text{ V}$ ;  $T_{amb} = 25 \text{ }^\circ\text{C}$ ;  $V_i = 1 \text{ mV}$ ;  $f_o = 10,7 \text{ MHz}$ ;  $\Delta f = \pm 22,5 \text{ kHz}$ ;  $f_m = 1 \text{ kHz}$ ; measured in Fig. 2; unless otherwise specified

**I.F. part and ratio detector**

Sensitivity at  $-3 \text{ dB}$  before limiting (pin 1)

$V_i$  typ.  $150 \mu\text{V}$   
85 to  $210 \mu\text{V}$

**A.F. output voltage**

$\Delta f = \pm 22,5 \text{ kHz}$

$\Delta f = \pm 75 \text{ kHz}$

$V_o$  typ.  $190 \text{ mV}$   
 $V_o$  typ.  $600 \text{ mV}$

**Total harmonic distortion**

$\Delta f = \pm 22,5 \text{ kHz}$

$\Delta f = \pm 75 \text{ kHz}$

THD typ.  $0,35 \%$   
THD typ.  $1,7 \%$

**A.M. suppression**

a.m. signal:  $m = 0,3$ ;  $f_m = 1 \text{ kHz}$

f.m. signal:  $\Delta f = \pm 22,5 \text{ kHz}$ ;  $f_m = 70 \text{ Hz}$

$\alpha$  typ.  $50 \text{ dB}$

**H.F. sensitivity at B = 300 Hz to 15 kHz**

for a signal-to-noise ratio of:

$S/N = 26 \text{ dB}$

$S/N = 70 \text{ dB}$

$V_i$  typ.  $4 \mu\text{V}$   
 $V_i > 1 \text{ mV}$

**Level detector circuit****D.C. output voltage at pin 4**

$V_i = 200 \mu\text{V}$

$V_i = 500 \mu\text{V}$

$V_i = 1 \text{ mV}$

$V_i = 10 \text{ mV}$

$V_{4.9}$  typ.  $1,4 \text{ V}$   
 $V_{4.9}$  typ.  $2,0 \text{ V}$   
 $V_{4.9}$  typ.  $2,6 \text{ V}$   
 $V_{4.9}$  typ.  $4,5 \text{ V}$

**Muting circuit**

Output voltage ratio at  $V_i = 3 \mu\text{V}$

with muting:  $V_{4.9} < 0,3 \text{ V}$  and

without muting:  $V_{4.9} = 1 \text{ V}$

$\alpha_{vo}$  typ.  $15 \text{ dB}$

**Stabilizer circuit**

Voltage at pin 8;  $-I_8 = 0$

Maximum current supplied from pin 8

$V_{8.9}$   $7,6$  to  $8,2 \text{ V}$   
 $-I_8 < 10 \text{ mA}$

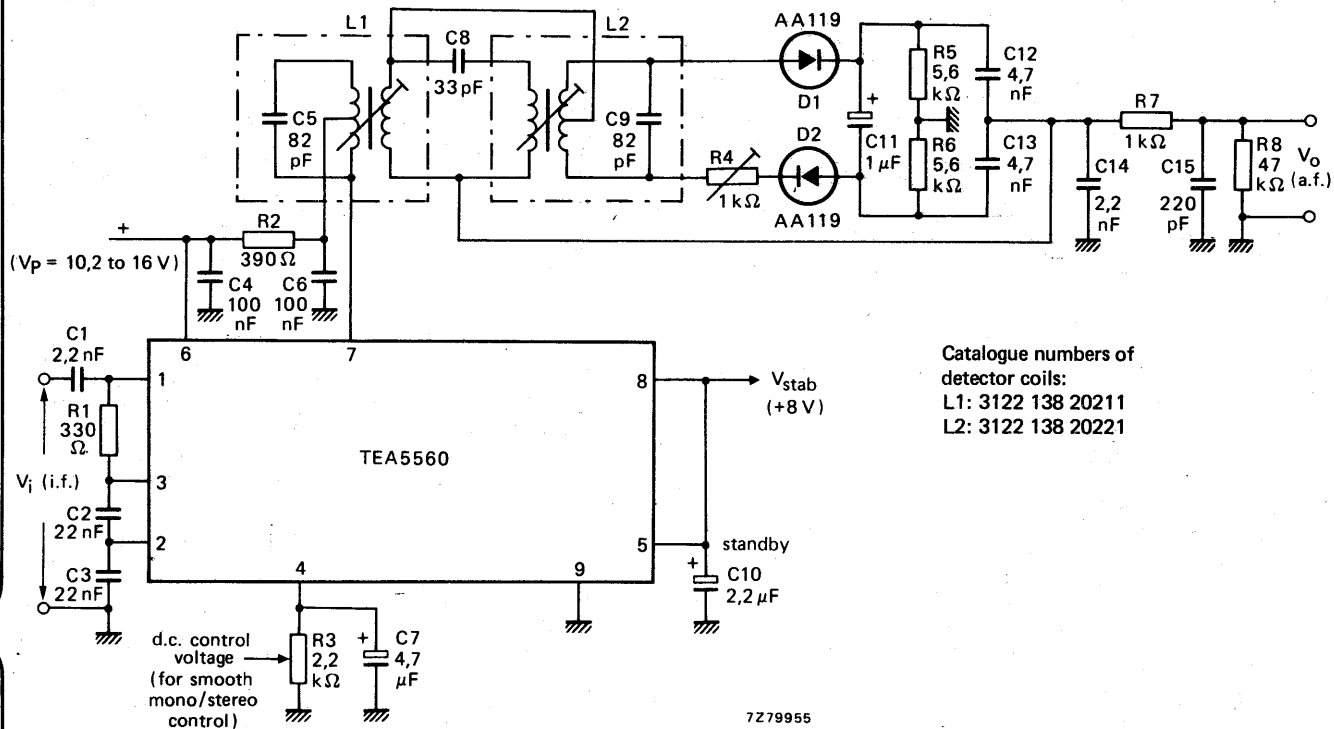


Fig. 2 F.M. test circuit; for printed-circuit board see Figs 3 and 4.



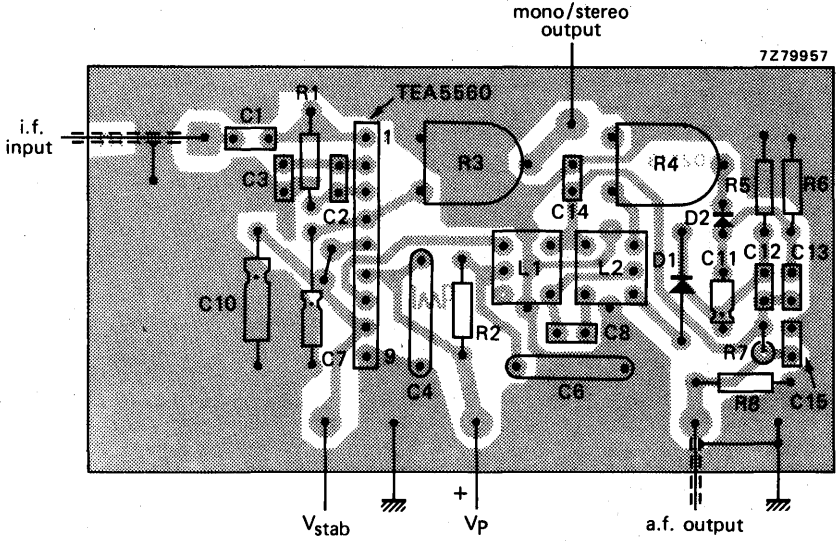


Fig. 3 Printed-circuit board component side, showing component layout. For circuit diagram see Fig. 2.

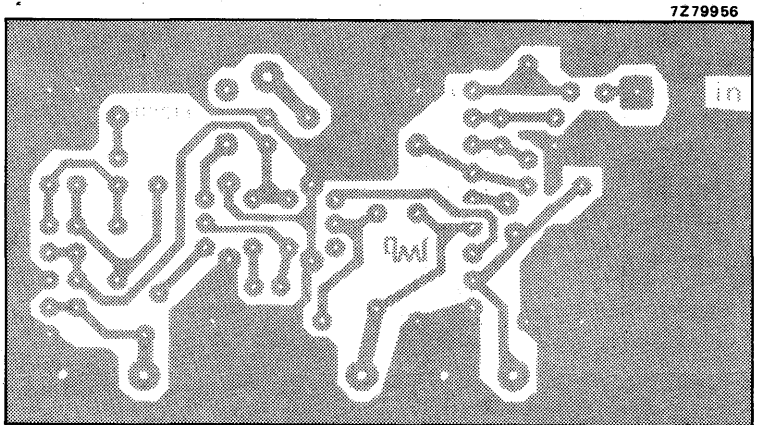
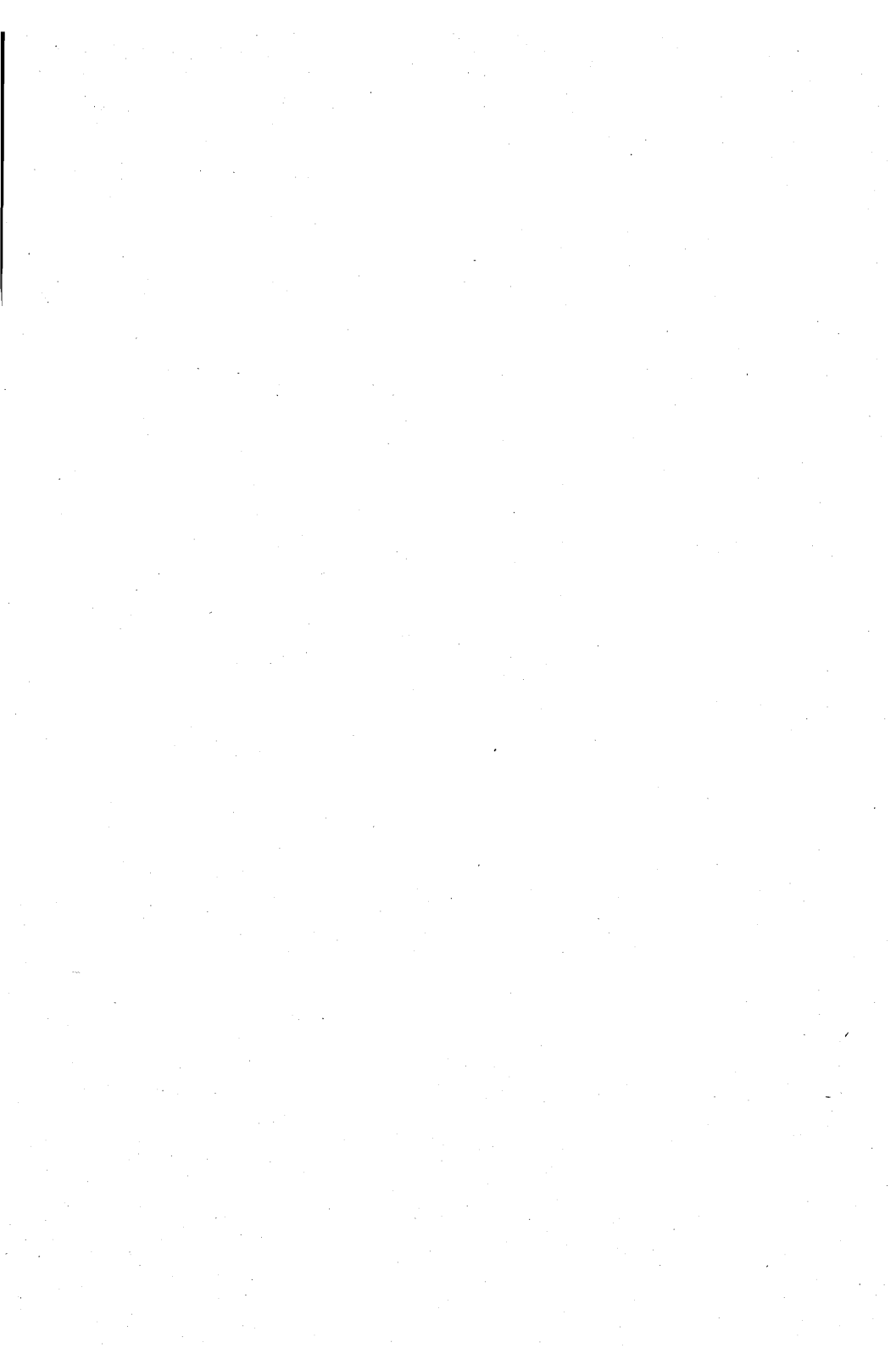


Fig. 4 Printed-circuit board showing track side.














# BIPOLAR ICs FOR RADIO AND AUDIO EQUIPMENT



FUNCTIONAL AND NUMERICAL INDEX  
MAINTENANCE TYPE LIST

GENERAL

PACKAGE OUTLINES

INTRODUCTION

DEVICE DATA



**Argentina:** FAPESA I y C., Av. Crovara 2550, Tablada, Prov. de BUENOS AIRES, Tel. 652-7438/7478.

**Australia:** PHILIPS INDUSTRIES HOLDINGS LTD., Elcoma Division, 67 Mars Road, LANE COVE, 2066, N.S.W., Tel. 427 08 88.

**Austria:** ÖSTERREICHISCHE PHILIPS BAUELEMENTE Industrie G.m.b.H., Triester Str. 64, A-1101 WIEN, Tel. 62 91 11.

**Belgium:** M.B.L.E., 80, rue des Deux Gares, B-1070 BRUXELLES, Tel. 523 00 00.

**Brazil:** IBRAPE, Caixa Postal 7383, Av. Brigadeiro Faria Lima, 1735 SAO PAULO, SP, Tel. (011) 211-2600.

**Canada:** PHILIPS ELECTRONICS LTD., Electron Devices Div., 601 Milner Ave., SCARBOROUGH, Ontario, M1B 1M8, Tel. 292-5161.

**Chile:** PHILIPS CHILENA S.A., Av. Santa Maria 0760, SANTIAGO, Tel. 39-40 01.

**Colombia:** SADAPE S.A., P.O. Box 9805, Calle 13, No. 51 + 39, BOGOTA D.E. 1., Tel. 600 600.

**Denmark:** MINIWATT A/S, Emdrupvej 115A, DK-2400 KØBENHAVN NV., Tel. (01) 69 16 22.

**Finland:** OY PHILIPS AB, Elcoma Division, Kaivokatu 8, SF-00100 HELSINKI 10, Tel. 1 72 71.

**France:** R.T.C. LA RADIOTECHNIQUE-COMPELEC, 130 Avenue Ledru Rollin, F-75540 PARIS 11, Tel. 355-44-99.

**Germany:** VALVO, UB Bauelemente der Philips G.m.b.H., Valvo Haus, Burchardstrasse 19, D-2 HAMBURG 1, Tel. (040) 3296-1.

**Greece:** PHILIPS S.A. HELLENIQUE, Elcoma Division, 52, Av. Syngrou, ATHENS, Tel. 915 311.

**Hong Kong:** PHILIPS HONG KONG LTD., Elcoma Div., 15/F Philips Ind. Bldg., 24-28 Kung Yip St., KWAI CHUNG, Tel. NT 24 51 21.

**India:** PEICO ELECTRONICS & ELECTRICALS LTD., Ramon House, 169 Backbay Reclamation, BOMBAY 400020, Tel. 295144.

**Indonesia:** P.T. PHILIPS-RALIN ELECTRONICS, Elcoma Division, 'Timah' Building, Jl. Jen. Gatot Subroto, P.O. Box 220, JAKARTA, Tel. 44 163.

**Ireland:** PHILIPS ELECTRICAL (IRELAND) LTD., Newstead, Clonskeagh, DUBLIN 14, Tel. 69 33 55.

**Italy:** PHILIPS S.p.A., Sezione Elcoma, Piazza IV Novembre 3, I-20124 MILANO, Tel. 2-6994.

**Japan:** NIHON PHILIPS CORP., Shuwa Shinagawa Bldg., 26-33 Takanawa 3-chome, Minato-ku, TOKYO (108), Tel. 448-5611.  
(IC Products) SIGNETICS JAPAN, LTD, TOKYO, Tel. (03)230-1521.

**Korea:** PHILIPS ELECTRONICS (KOREA) LTD., Elcoma Div., Philips House, 260-199 Itaewon-dong, Yongsan-ku, C.P.O. Box 3680, SEOUL, Tel. 794.

**Malaysia:** PHILIPS MALAYSIA SDN. BERHAD, Lot 2, Jalan 222, Section 14, Petaling Jaya, P.O. B. 2163, KUALA LUMPUR, Selangor, Tel. 77 44 11.

**Mexico:** ELECTRONICA S.A. de C.V., Varsovia No. 36, MEXICO 6, D.F., Tel. 533-11-80.

**Netherlands:** PHILIPS NEDERLAND B.V., Afd. Elonco, Boschdijk 525, 5600 PB EINDHOVEN, Tel. (040) 79 33 33.

**New Zealand:** PHILIPS ELECTRICAL IND. LTD., Elcoma Division, 2 Wagener Place, St. Lukes, AUCKLAND, Tel. 867 119.

**Norway:** NORSK A/S PHILIPS, Electronica, Sørkedalsveien 6, OSLO 3, Tel. 46 38 90.

**Peru:** CADESA, Rocca de Vergallo 247, LIMA 17, Tel. 62 85 99.

**Philippines:** PHILIPS INDUSTRIAL DEV. INC., 2246 Pasong Tamo, P.O. Box 911, Makati Comm. Centre, MAKATI-RIZAL 3116, Tel. 86-89-51 to 59.

**Portugal:** PHILIPS PORTUGESA S.A.R.L., Av. Eng. Duharte Pacheco 6, LISBOA 1, Tel. 68 31 21.

**Singapore:** PHILIPS PROJECT DEV. (Singapore) PTE LTD., Elcoma Div., P.O. B. 340, Toa Payoh CPO, Lorong 1, Toa Payoh, SINGAPORE 12, Tel. 53

**South Africa:** EDAC (Pty.) Ltd., 3rd Floor Rainer House, Upper Railway Rd. & Ove St., New Doornfontein, JOHANNESBURG 2001, Tel. 614-2362/9.

**Spain:** COPRESA S.A., Balmes 22, BARCELONA 7, Tel. 301 63 12.

**Sweden:** A.B. ELCOMA, Lidingsvägen 50, S-115 84 STOCKHOLM 27, Tel. 08/67 97 80.

**Switzerland:** PHILIPS A.G., Elcoma Dept., Allmendstrasse 140-142, CH-8027 ZÜRICH, Tel. 01/43 22 11.

**Taiwan:** PHILIPS TAIWAN LTD., 3rd Fl., San Min Building, 57-1, Chung Shan N. Rd, Section 2, P.O. Box 22978, TAIPEI, Tel. 5513101-5.

**Thailand:** PHILIPS ELECTRICAL CO. OF THAILAND LTD., 283 Silom Road, P.O. Box 961, BANGKOK, Tel. 233-6330-9.

**Turkey:** TÜRK PHILIPS TICARET A.Ş., EMET Department, Inonu Cad. No. 78-80, ISTANBUL, Tel. 43 59 10.

**United Kingdom:** MULLARD LTD., Mullard House, Torrington Place, LONDON WC1E 7HD, Tel. 01-580 6633.

**United States:** (Active devices & Materials) AMPEREX SALES CORP., Providence Pike, SLATERSVILLE, R.I. 02876, Tel. (401) 762-9000.  
(Passive devices) MEPCO/ELECTRA INC., Columbia Rd., MORRISTOWN, N.J. 07960, Tel. (201) 539-2000.  
(IC Products) SIGNETICS CORPORATION, 811 East Arques Avenue, SUNNYVALE, California 94086, Tel. (408) 739-7700.

**Uruguay:** LUZILETRON S.A., Rondeau 1567, piso 5, MONTEVIDEO, Tel. 943 21.

**Venezuela:** IND. VENEZOLANAS PHILIPS S.A., Elcoma Dept., A. Ppal de los Ruices, Edif. Centro Colgate, CARACAS, Tel. 36 05 11.