

THE INFORMATION CONTAINED HEREON IS THE PROPERTY OF
 ABLE COMPUTER TECHNOLOGY, INC. TRANSMITTAL, RECEIPT
 OR POSSESSION OF THE INFORMATION DOES NOT EXPRESS
 LICENSE OR IMPLY ANY RIGHTS TO USE, SELL, OR MANUFAC-
 TURE FROM THIS INFORMATION AND NO REPRODUCTION OR
 PUBLICATION OF IT, IN WHOLE OR IN PART, SHALL BE MADE
 WITHOUT WRITTEN AUTHORIZATION FROM AN OFFICER OF
 THE ABOVE FIRM.

REVISIONS

LTR	DESCRIPTION	DATE	APPROVED
A	PROD. RELEASE PER E.O.00634	7/21/81	<i>[Signature]</i>
D	INC. PER E.O. 01039	4 JUNE 82	<i>[Signature]</i>

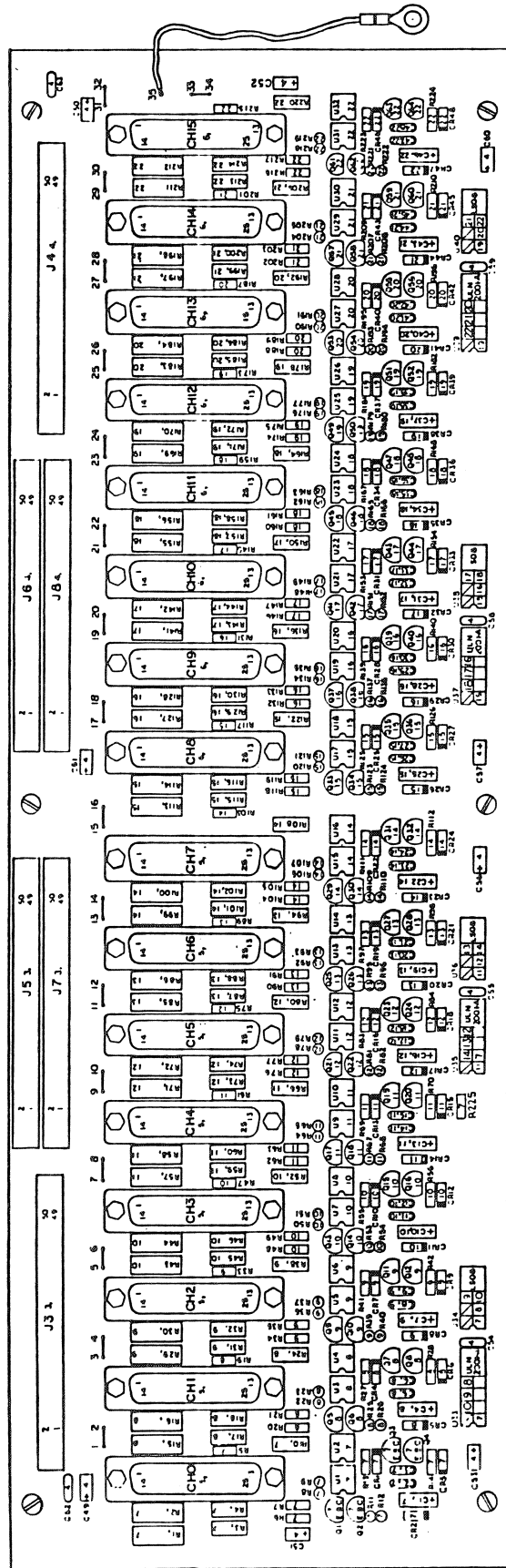
REF. ONLY

TOLERANCES UNLESS OTHERWISE SPECIFIED		ABLE COMPUTER TECHNOLOGY	
FRACTIONS	DEC	ANGLES	
±	±	±	
APPROVALS	DATE	DRAWING NO.	
<i>[Signature]</i>	6 AUG 81	B 10130003	
CHECKED	7/2/81	SCALE	DO NOT SCALE DRAWING
<i>[Signature]</i>	7/2/81		SHEET 1 OF 24

1 RESISTOR VALUES ARE IN OHMS ± 5%.
 NOTES: UNLESS OTHERWISE SPECIFIED.

REV	DATE	BY	CHKD
1	11-10-60

THIS DOCUMENT CONTAINS NEITHER RECOMMENDATIONS NOR DISCLAIMERS ON THE PART OF THE AIR FORCE. IT IS THE PROPERTY OF THE AIR FORCE AND IS LOANED TO YOUR ORGANIZATION; IT AND ITS CONTENTS ARE TO BE RETURNED TO THE AIR FORCE WHEN REQUESTED.



REFERENCE DESIGNATION CHART

TYPE	LAST USED	NOT USED
IC	U-3	
TRANSISTOR	264	
RESISTOR	R225	
CAPACITOR	C63	
DIODE	228	
CONNECTOR	J6, CH15, J12	

The information contained herein is the property of
 Bishop Graphics/ACCUPRESS and is to be used only for
 the purposes of the contract with ACCUPRESS.
 No part of this information may be reproduced or
 transmitted in any form or by any means, electronic
 or mechanical, including photocopying, recording, or
 by any information storage and retrieval system, without
 the express written permission of Bishop Graphics/ACCUPRESS.

DATA
 CHO-7

SHT	J3	SHT
7	DTRO0-H	7
8	DTRO1-H	8
9	DTRO2-H	9
10	DTRO3-H	10
11	DTRO4-H	11
12	DTRO5-H	12
13	DTRO6-H	13
14	DTRO7-H	14
7	MAIN-H	GND
7	TXD00-H	7
7	RXD00-H	4
8	TXD01-H	8
8	RXD01-H	4
9	TXD02-H	9
9	RXD02-H	4
10	TXD03-H	10
10	RXD03-H	4
11	TXD04-H	11
11	RXD04-H	4
12	TXD05-H	12
12	RXD05-H	4
13	TXD06-H	13
13	RXD06-H	4
14	TXD07-H	14
14	RXD07-H	4

MAINTENANCE
 CHO-7

SHT	J7	SHT
23	DTRO0-H	23
23	DTRO1-H	23
23	DTRO2-H	23
23	DTRO3-H	23
23	DTRO4-H	23
23	DTRO5-H	23
23	DTRO6-H	23
23	DTRO7-H	23
23	TXD00-H	23
23	RXD00-H	23
23	TXD01-H	23
23	RXD01-H	23
23	TXD02-H	23
23	RXD02-H	23
23	TXD03-H	23
23	RXD03-H	23
23	TXD04-H	23
23	RXD04-H	23
23	TXD05-H	23
23	RXD05-H	23
23	TXD06-H	23
23	RXD06-H	23
23	TXD07-H	23
23	RXD07-H	23

STAGGERED MAINT.
 CHO-7

SHT	J5	SHT
24	DTRO0-H	24
24	DTRO1-H	24
24	DTRO2-H	24
24	DTRO3-H	24
24	DTRO4-H	24
24	DTRO5-H	24
24	DTRO6-H	24
24	DTRO7-H	24
24	TXD00-H	24
24	RXD00-H	24
24	TXD01-H	24
24	RXD01-H	24
24	TXD02-H	24
24	RXD02-H	24
24	TXD03-H	24
24	RXD03-H	24
24	TXD04-H	24
24	RXD04-H	24
24	TXD05-H	24
24	RXD05-H	24
24	TXD06-H	24
24	RXD06-H	24
24	TXD07-H	24
24	RXD07-H	24

THE INFORMATION CONTAINED HEREIN IS THE PROPERTY OF
 THE COMPANY AND IS TO BE KEPT CONFIDENTIAL.
 IT IS TO BE USED ONLY FOR THE PURPOSES FOR WHICH
 IT WAS SUPPLIED AND IS NOT TO BE REPRODUCED,
 COPIED, OR TRANSMITTED IN ANY FORM OR BY ANY
 MEANS, ELECTRONIC OR MECHANICAL, INCLUDING
 PHOTOCOPYING, RECORDING, OR BY ANY INFORMATION
 STORAGE AND RETRIEVAL SYSTEM, WITHOUT THE
 WRITTEN PERMISSION OF THE COMPANY.

DATA
 CH8-15

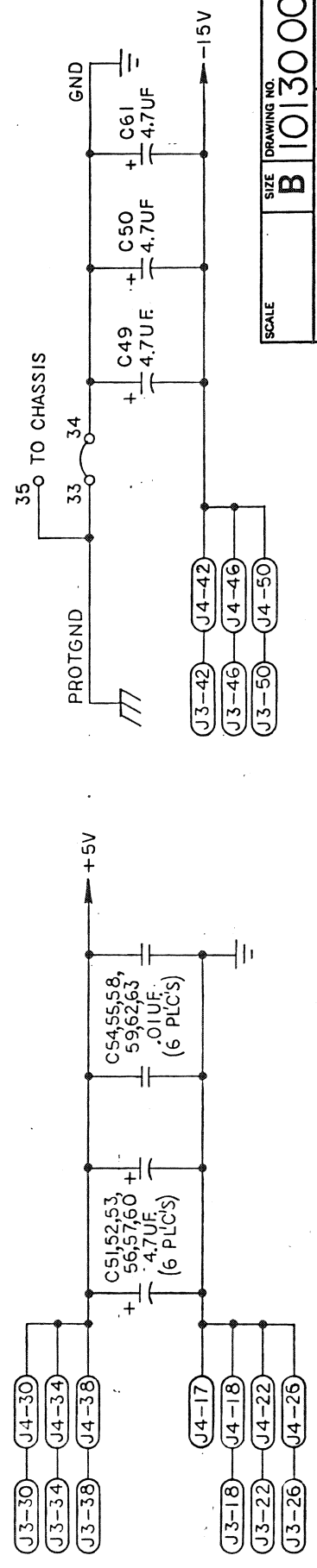
SHT	J4	SHT
15	DTR08-H 1 2 CARRO8-H 15	
16	DTR09-H 3 4 CARRO9-H 16	
17	DTR10-H 5 6 CARR10-H 17	
18	DTR11-H 7 8 CARR11-H 18	
19	DTR12-H 9 10 CARR12-H 19	
20	DTR13-H 11 12 CARR13-H 20	
21	DTR14-H 13 14 CARR14-H 21	
22	DTR15-H 15 16 CARR15-H 22	
4	GND 17 18 GND 4	
15	TXD08-H 19 20 RING08-H 15	
16	TXD09-H 21 22 RING09-H 16	
17	TXD10-H 23 24 RING10-H 17	
18	TXD11-H 25 26 RING11-H 18	
19	TXD12-H 27 28 RING12-H 19	
20	TXD13-H 29 30 RING13-H 20	
21	TXD14-H 31 32 RING14-H 21	
22	TXD15-H 33 34 RING15-H 22	
4	GND 35 36 GND 4	
15	TXD08-H 37 38 RING08-H 15	
16	TXD09-H 39 40 RING09-H 16	
17	TXD10-H 41 42 RING10-H 17	
18	TXD11-H 43 44 RING11-H 18	
19	TXD12-H 45 46 RING12-H 19	
20	TXD13-H 47 48 RING13-H 20	
21	TXD14-H 49 50 RING14-H 21	
22	TXD15-H 51 52 RING15-H 22	
4	GND 53 54 GND 4	

MAINTENANCE
 CH8-15

SHT	J8	SHT
23	DTR08-H 1 2 CARRO8-H 23	
24	DTR09-H 3 4 CARRO9-H 24	
25	DTR10-H 5 6 CARR10-H 25	
26	DTR11-H 7 8 CARR11-H 26	
27	DTR12-H 9 10 CARR12-H 27	
28	DTR13-H 11 12 CARR13-H 28	
29	DTR14-H 13 14 CARR14-H 29	
30	DTR15-H 15 16 CARR15-H 30	
17	GND 17 18 GND 17	
23	TXD08-H 19 20 RING08-H 23	
24	TXD09-H 21 22 RING09-H 24	
25	TXD10-H 23 24 RING10-H 25	
26	TXD11-H 25 26 RING11-H 26	
27	TXD12-H 27 28 RING12-H 27	
28	TXD13-H 29 30 RING13-H 28	
29	TXD14-H 31 32 RING14-H 29	
30	TXD15-H 33 34 RING15-H 30	
17	GND 35 36 GND 17	
23	TXD08-H 37 38 RING08-H 23	
24	TXD09-H 39 40 RING09-H 24	
25	TXD10-H 41 42 RING10-H 25	
26	TXD11-H 43 44 RING11-H 26	
27	TXD12-H 45 46 RING12-H 27	
28	TXD13-H 47 48 RING13-H 28	
29	TXD14-H 49 50 RING14-H 29	
30	TXD15-H 51 52 RING15-H 30	
17	GND 53 54 GND 17	

STAGGERED MAINT.
 CH8-15

SHT	J6	SHT
24	DTR08-H 1 2 CARRO8-H 24	
25	DTR09-H 3 4 CARRO9-H 25	
26	DTR10-H 5 6 CARR10-H 26	
27	DTR11-H 7 8 CARR11-H 27	
28	DTR12-H 9 10 CARR12-H 28	
29	DTR13-H 11 12 CARR13-H 29	
30	DTR14-H 13 14 CARR14-H 30	
31	DTR15-H 15 16 CARR15-H 31	
17	GND 17 18 GND 17	
24	TXD08-H 19 20 RING08-H 24	
25	TXD09-H 21 22 RING09-H 25	
26	TXD10-H 23 24 RING10-H 26	
27	TXD11-H 25 26 RING11-H 27	
28	TXD12-H 27 28 RING12-H 28	
29	TXD13-H 29 30 RING13-H 29	
30	TXD14-H 31 32 RING14-H 30	
31	TXD15-H 33 34 RING15-H 31	
17	GND 35 36 GND 17	
24	TXD08-H 37 38 RING08-H 24	
25	TXD09-H 39 40 RING09-H 25	
26	TXD10-H 41 42 RING10-H 26	
27	TXD11-H 43 44 RING11-H 27	
28	TXD12-H 45 46 RING12-H 28	
29	TXD13-H 47 48 RING13-H 29	
30	TXD14-H 49 50 RING14-H 30	
31	TXD15-H 51 52 RING15-H 31	
17	GND 53 54 GND 17	



SCALE B 10130003

DO NOT SCALE DRAWING

SHEET 4 OF 24

The information contained herein is the property of
 and is to be used only for the purposes of the
 contract under which it was prepared. It is not to be
 distributed, copied, or otherwise made available to
 any other person without the prior written consent
 of the originator.

CH - 0		CH - 1		CH - 2		CH - 3		CH - 4		CH - 5		CH - 6		CH - 7	
PIN	SHT	PIN	SHT	PIN	SHT	PIN	SHT	PIN	SHT	PIN	SHT	PIN	SHT	PIN	SHT
1	PROT GND	1	PROT GND	1	PROT GND	1	PROT GND	1	PROT GND	1	PROT GND	1	PROT GND	1	PROT GND
2	TXDOO -H	2	TXDOI -H	2	TXDO2 -H	2	TXDO3 -H	2	TXDO4 -H	2	TXDO5 -H	2	TXDO6 -H	2	TXDO7 -H
3	RXDOO -H	3	RXDOI -H	3	RXDO2 -H	3	RXDO3 -H	3	RXDO4 -H	3	RXDO5 -H	3	RXDO6 -H	3	RXDO7 -H
4	DTROO -H	4	DTROI -H	4	DTRO2 -H	4	DTRO3 -H	4	DTRO4 -H	4	DTRO5 -H	4	DTRO6 -H	4	DTRO7 -H
5		5		5		5		5		5		5		5	
6		6		6		6		6		6		6		6	
7	GND	7	GND	7	GND	7	GND	7	GND	7	GND	7	GND	7	GND
8	CARROO -H	8	CARROI -H	8	CARRO2 -H	8	CARRO3 -H	8	CARRO4 -H	8	CARRO5 -H	8	CARRO6 -H	8	CARRO7 -H
9	GND	9	GND	9	GND	9	GND	9	GND	9	GND	9	GND	9	GND
10	TXCOO -P	10	TXCOI -P	10	TXCO2 -P	10	TXCO3 -P	10	TXCO4 -P	10	TXCO5 -P	10	TXCO6 -P	10	TXCO7 -P
11		11		11		11		11		11		11		11	
12		12		12		12		12		12		12		12	
13	TXCOO -N	13	TXCOI -N	13	TXCO2 -N	13	TXCO3 -N	13	TXCO4 -N	13	TXCO5 -N	13	TXCO6 -N	13	TXCO7 -N
14	TXCSOO -N	14	TXCSOI -N	14	TXCSO2 -N	14	TXCSO3 -N	14	TXCSO4 -N	14	TXCSO5 -N	14	TXCSO6 -N	14	TXCSO7 -N
15	TXCSOO -P	15	TXCSOI -P	15	TXCSO2 -P	15	TXCSO3 -P	15	TXCSO4 -P	15	TXCSO5 -P	15	TXCSO6 -P	15	TXCSO7 -P
16	RXC5OO -N	16	RXC5OI -N	16	RXC5O2 -N	16	RXC5O3 -N	16	RXC5O4 -N	16	RXC5O5 -N	16	RXC5O6 -N	16	RXC5O7 -N
17	RXC5OO -P	17	RXC5OI -P	17	RXC5O2 -P	17	RXC5O3 -P	17	RXC5O4 -P	17	RXC5O5 -P	17	RXC5O6 -P	17	RXC5O7 -P
18	RXC0O -N	18	RXC0I -N	18	RXC02 -N	18	RXC03 -N	18	RXC04 -N	18	RXC05 -N	18	RXC06 -N	18	RXC07 -N
19	RFCOO -N	19	RFCOI -N	19	RFCO2 -N	19	RFCO3 -N	19	RFCO4 -N	19	RFCO5 -N	19	RFCO6 -N	19	RFCO7 -N
20	DTROO -H	20	DTROI -H	20	DTRO2 -H	20	DTRO3 -H	20	DTRO4 -H	20	DTRO5 -H	20	DTRO6 -H	20	DTRO7 -H
21		21		21		21		21		21		21		21	
22	RINGOO -H	22	RINGOI -H	22	RINGO2 -H	22	RINGO3 -H	22	RINGO4 -H	22	RINGO5 -H	22	RINGO6 -H	22	RINGO7 -H
23	RXC0O -P	23	RXC0I -P	23	RXC02 -P	23	RXC03 -P	23	RXC04 -P	23	RXC05 -P	23	RXC06 -P	23	RXC07 -P
24	RCDOO -H	24	RCDOI -H	24	RCDO2 -H	24	RCDO3 -H	24	RCDO4 -H	24	RCDO5 -H	24	RCDO6 -H	24	RCDO7 -H
25	MAIN -L	25	MAIN -L	25	MAIN -L	25	MAIN -L	25	MAIN -L	25	MAIN -L	25	MAIN -L	25	MAIN -L

EIA CONNECTORS

CHO — CH7

THE INFORMATION CONTAINED HEREIN IS THE PROPERTY OF
 AND IS LOANED TO YOU BY THE COMPANY.
 IT IS TO BE USED ONLY FOR THE PROJECT AND NOT TO BE
 REPRODUCED OR TRANSMITTED IN ANY FORM OR BY ANY
 MEANS, ELECTRONIC OR MECHANICAL, INCLUDING PHOTOCOPYING,
 RECORDING, OR BY ANY INFORMATION STORAGE AND RETRIEVAL
 SYSTEMS, WITHOUT PERMISSION IN WRITING FROM THE COMPANY.

PIN	CH - 8	SHT	PIN	CH - 9	SHT	PIN	CH - 10	SHT	PIN	CH - 11	SHT	PIN	CH - 12	SHT	PIN	CH - 13	SHT	PIN	CH - 14	SHT	PIN	CH - 15	SHT
1	PROTGND	15	1	PROTGND	16	1	PROTGND	17	1	PROTGND	18	1	PROTGND	19	1	PROTGND	20	1	PROTGND	21	1	PROTGND	22
2	TXDO8 -H	15	2	TXDO9 -H	16	2	TXDIO -H	17	2	TXDII -H	18	2	TXDI2 -H	19	2	TXDI3 -H	20	2	TXDI4 -H	21	2	TXDI5 -H	22
3	RXDO8 -H	15	3	RXDO9 -H	16	3	RXDIO -H	17	3	RXDII -H	18	3	RXD12 -H	19	3	RXD13 -H	20	3	RXD14 -H	21	3	RXD15 -H	22
4	DTR08 -H	15	4	DTR09 -H	16	4	DTRIO -H	17	4	DTRII -H	18	4	DTR12 -H	19	4	DTR13 -H	20	4	DTR14 -H	21	4	DTR15 -H	22
5			5			5			5			5			5			5			5		
6			6			6			6			6			6			6			6		
7	GND	15	7	GND	16	7	GND	17	7	GND	18	7	GND	19	7	GND	20	7	GND	21	7	GND	22
8	CAR08 -H	15	8	CAR09 -H	16	8	CARRIO -H	17	8	CARRII -H	18	8	CARR12 -H	19	8	CARR13 -H	20	8	CARR14 -H	21	8	CARR15 -H	22
9	GND	15	9	GND	16	9	GND	17	9	GND	18	9	GND	19	9	GND	20	9	GND	21	9	GND	22
10	TXCO8 -P	15	10	TXCO9 -P	16	10	TXCIO -P	17	10	TXCII -P	18	10	TXC12 -P	19	10	TXC13 -P	20	10	TXC14 -P	21	10	TXC15 -P	22
11			11			11			11			11			11			11			11		
12			12			12			12			12			12			12			12		
13	TXCO8 -N	15	13	TXCO9 -N	16	13	TXCIO -N	17	13	TXCII -N	18	13	TXC12 -N	19	13	TXC13 -N	20	13	TXC14 -N	21	13	TXC15 -N	22
14	TXCO8 -N	15	14	TXCO9 -N	16	14	TXCSIO -N	17	14	TXCSII -N	18	14	TXCS12 -N	19	14	TXCS13 -N	20	14	TXCS14 -N	21	14	TXCS15 -N	22
15	TXCO8 -P	15	15	TXCO9 -P	16	15	TXCSIO -P	17	15	TXCSII -P	18	15	TXCS12 -P	19	15	TXCS13 -P	20	15	TXCS14 -P	21	15	TXCS15 -P	22
16	RXCO8 -N	15	16	RXCO9 -N	16	16	RXCSIO -N	17	16	RXCSII -N	18	16	RXCS12 -N	19	16	RXCS13 -N	20	16	RXCS14 -N	21	16	RXCS15 -N	22
17	RXCO8 -P	15	17	RXCO9 -P	16	17	RXCSIO -P	17	17	RXCSII -P	18	17	RXCS12 -P	19	17	RXCS13 -P	20	17	RXCS14 -P	21	17	RXCS15 -P	22
18	RXCO8 -N	15	18	RXCO9 -N	16	18	RXCSIO -N	17	18	RXCSII -N	18	18	RXCS12 -N	19	18	RXCS13 -N	20	18	RXCS14 -N	21	18	RXCS15 -N	22
19	RFC08 -N	15	19	RFC09 -N	16	19	RFCIO -N	17	19	RFCII -N	18	19	RFC12 -N	19	19	RFC13 -N	20	19	RFC14 -N	21	19	RFC15 -N	22
20	DTR08 -H	15	20	DTR09 -H	16	20	DTRIO -H	17	20	DTRII -H	18	20	DTR12 -H	19	20	DTR13 -H	20	20	DTR14 -H	21	20	DTR15 -H	22
21			21			21			21			21			21			21			21		
22	RING08 -H	15	22	RING09 -H	16	22	RINGIO -H	17	22	RINGII -H	18	22	RING12 -H	19	22	RING13 -H	20	22	RING14 -H	21	22	RING15 -H	22
23	RXCO8 -P	15	23	RXCO9 -P	16	23	RXCSIO -P	17	23	RXCSII -P	18	23	RXCS12 -P	19	23	RXCS13 -P	20	23	RXCS14 -P	21	23	RXCS15 -P	22
24	RCDO8 -H	15	24	RCDO9 -H	16	24	RCDIO -H	17	24	RCDII -H	18	24	RCDI2 -H	19	24	RCDI3 -H	20	24	RCDI4 -H	21	24	RCDI5 -H	22
25	MAIN-L	15	25	MAIN-L	16	25	MAIN-L	17	25	MAIN-L	18	25	MAIN-L	19	25	MAIN-L	20	25	MAIN-L	21	25	MAIN-L	22

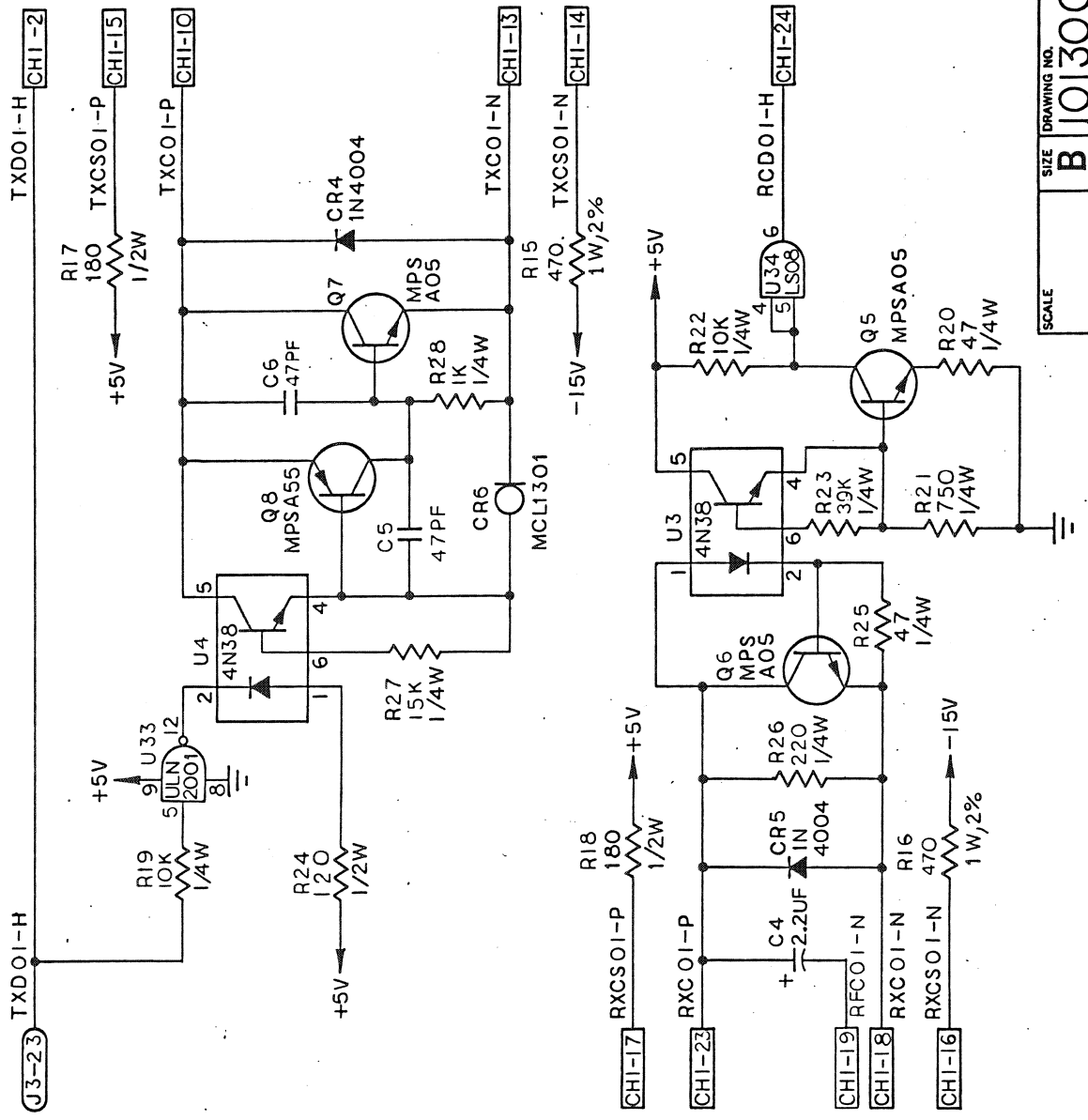
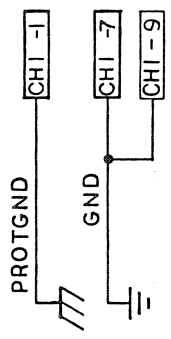
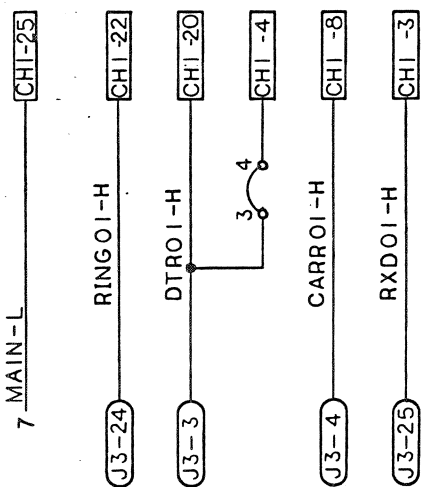
EIA. CONNECTORS

CH8 — CH15

SCALE SIZE DRAWING NO **B 10130003** DO NOT SCALE DRAWING SHEET 6 OF 24

THIS DRAWING IS THE PROPERTY OF
 BISHOP GRAPHICS, INC. IT IS TO BE USED
 ONLY FOR THE PROJECT AND FOR THE
 CLIENT'S USE. IT IS NOT TO BE
 REPRODUCED OR TRANSMITTED IN ANY
 FORM OR BY ANY MEANS, ELECTRONIC
 OR MECHANICAL, INCLUDING PHOTOCOPYING,
 RECORDING, OR BY ANY INFORMATION
 STORAGE AND RETRIEVAL SYSTEM.

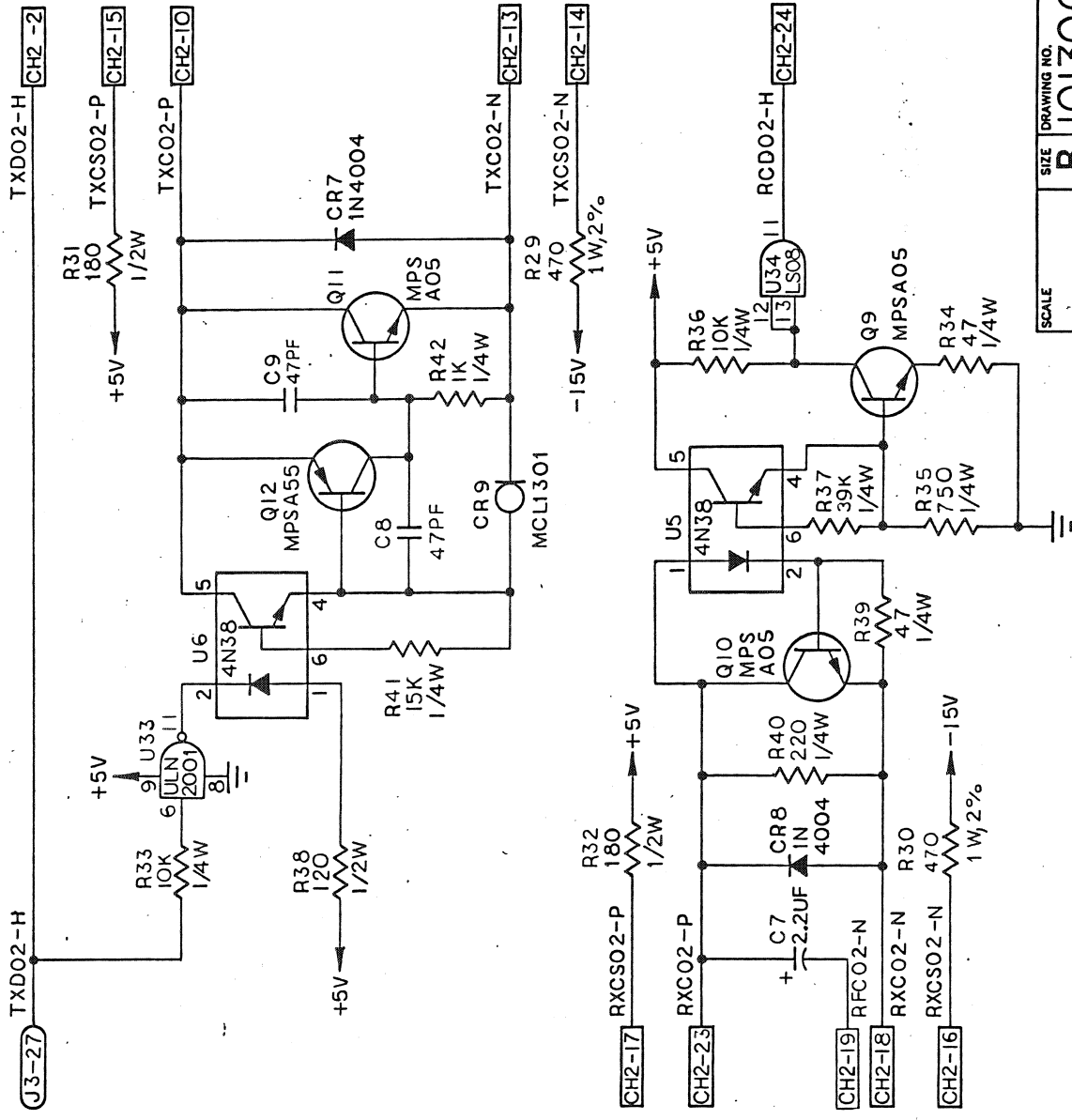
CH-1



THIS DRAWING IS THE PROPERTY OF
 THE UNITED STATES GOVERNMENT AND IS LOANED TO YOU BY THE NATIONAL ARCHIVES.
 IT IS TO BE REPRODUCED AS SHOWN AND NOT TO BE REPRODUCED IN ANY MANNER WITHOUT THE WRITTEN PERMISSION OF THE NATIONAL ARCHIVES.

CH-2

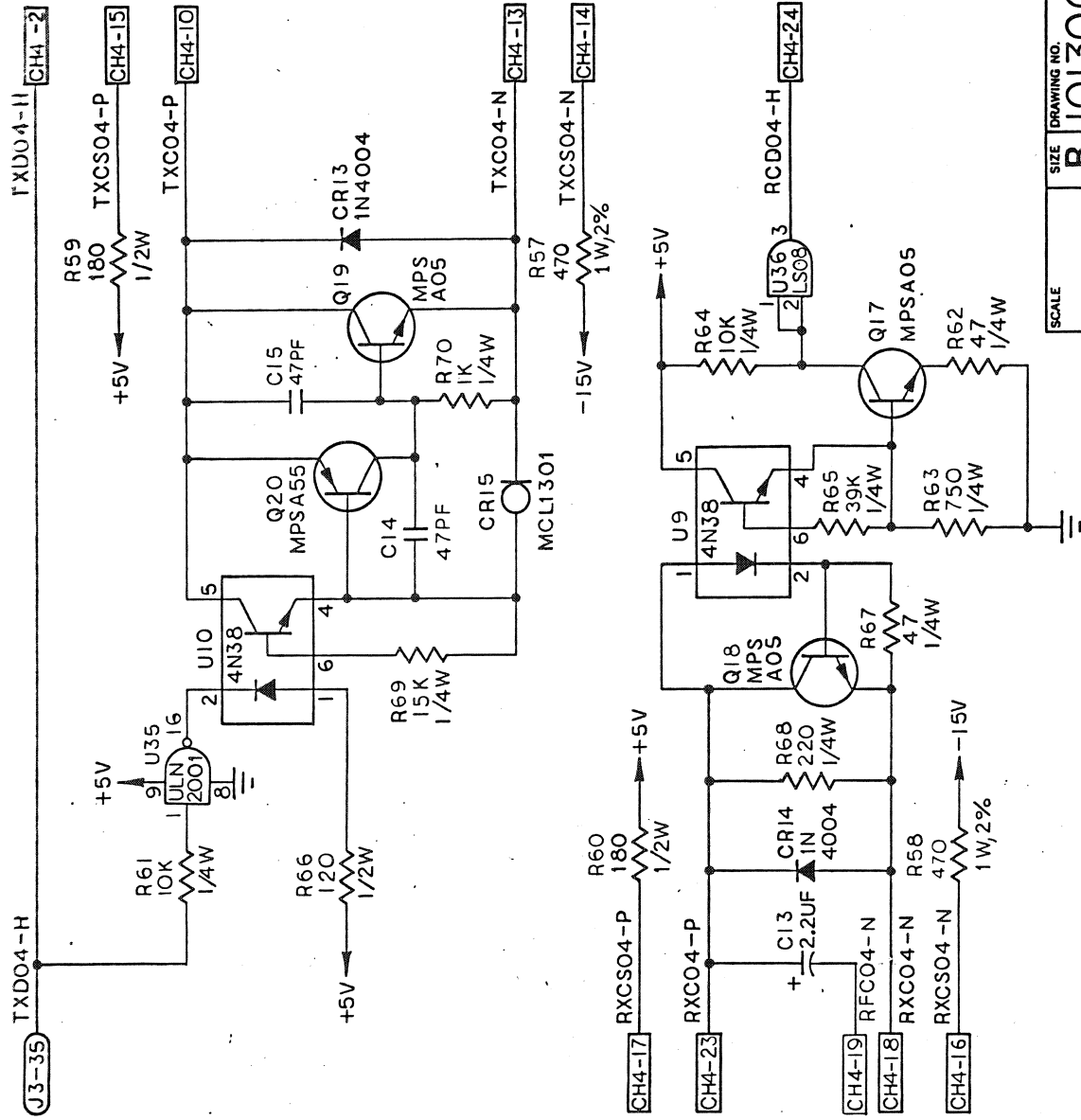
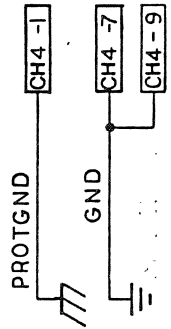
- 7 MAIN-L — CH2-25
- RINGO2-H — CH2-22
- DTRO2-H — CH2-20
- 5 — CH2-4
- CARRO2-H — CH2-8
- RXDO2-H — CH2-3



THIS DRAWING IS THE PROPERTY OF
 THE COMPANY AND IS NOT TO BE
 REPRODUCED OR TRANSMITTED IN
 ANY FORM OR BY ANY MEANS,
 ELECTRONIC, MECHANICAL, PHOTOCOPYING,
 RECORDING, OR BY ANY INFORMATION
 STORAGE AND RETRIEVAL SYSTEM,
 WITHOUT THE WRITTEN PERMISSION OF
 THE COMPANY. ANY UNAUTHORIZED
 REPRODUCTION OR TRANSMISSION
 OF THIS DRAWING IS PROHIBITED.

CH-4

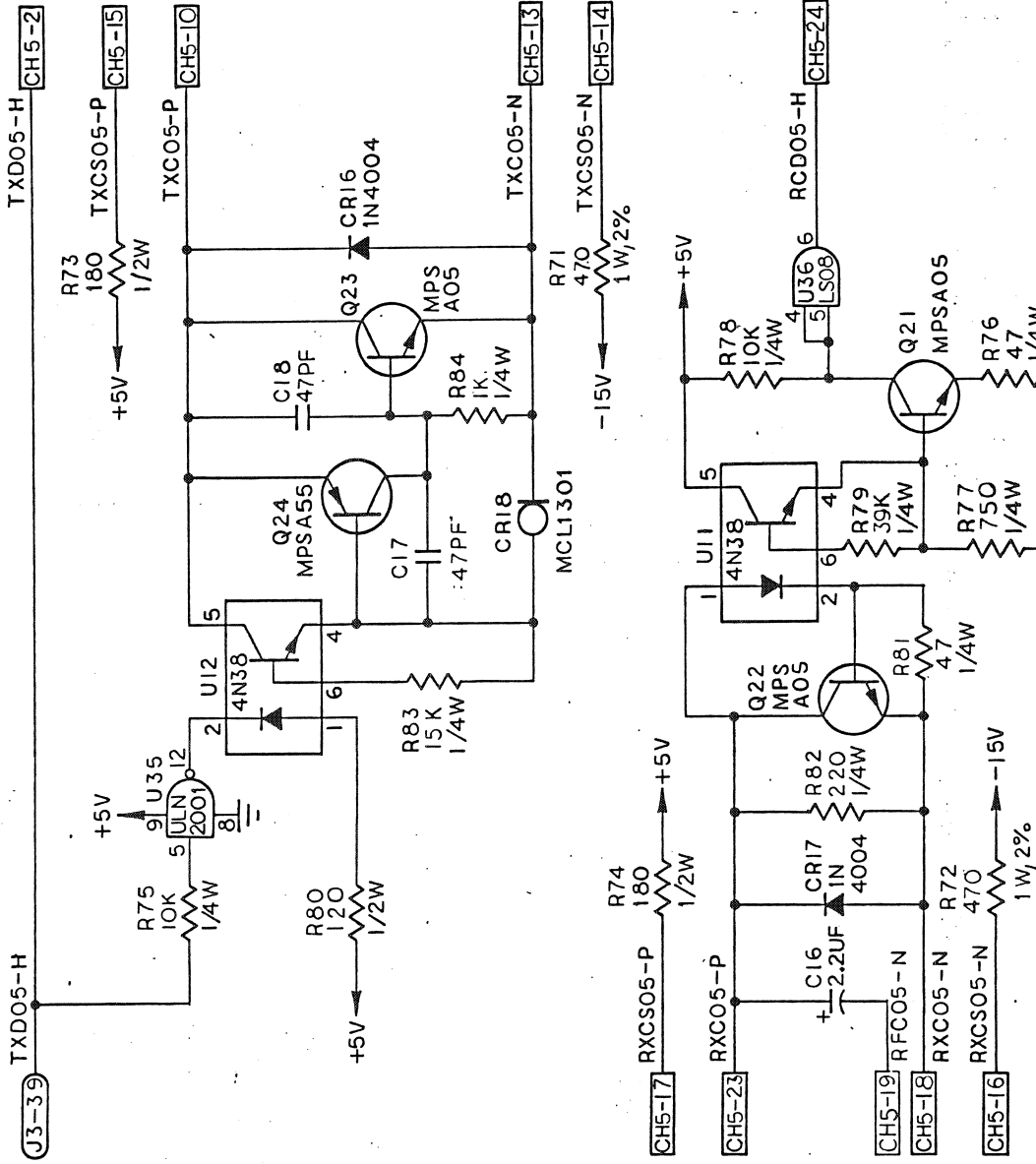
- 7 MAIN-H CH4-25
- RINGO4-H CH4-22
- DTRO4-H CH4-20
- CH4-4
- CARRO4-H CH4-8
- RXDO4-H CH4-3



THE INFORMATION CONTAINED HEREIN IS UNCLASSIFIED EXCEPT WHERE SHOWN OTHERWISE. IT IS THE PROPERTY OF THE UNITED STATES GOVERNMENT AND IS LOANED TO YOUR AGENCY/ORGANIZATION. IT AND ITS CONTENTS ARE NOT TO BE DISTRIBUTED OUTSIDE YOUR AGENCY/ORGANIZATION. THIS DOCUMENT IS UNCLASSIFIED EXCEPT WHERE SHOWN OTHERWISE.

CH-5

- 7 MAIN-H CH5-25
- RING05-H CH5-22
- DTRO5-H CH5-20
- 11 12 CH5-4
- CARRO5-H CH5-8
- RXDO5-H CH5-3



ALL DIMENSIONS ARE IN MILLIMETERS UNLESS OTHERWISE SPECIFIED.
 ALL CONNECTIONS TO BE MADE TO THE BOARD SHALL BE MADE TO THE
 BOARD SURFACE UNLESS OTHERWISE SPECIFIED.
 DIMENSIONS ARE GIVEN IN MILLIMETERS UNLESS OTHERWISE SPECIFIED.
 DIMENSIONS ARE GIVEN IN MILLIMETERS UNLESS OTHERWISE SPECIFIED.

CH-7

7 MAIN-L CH7-25

RING07-H CH7-22

DTR07-H CH7-20

CH7-4

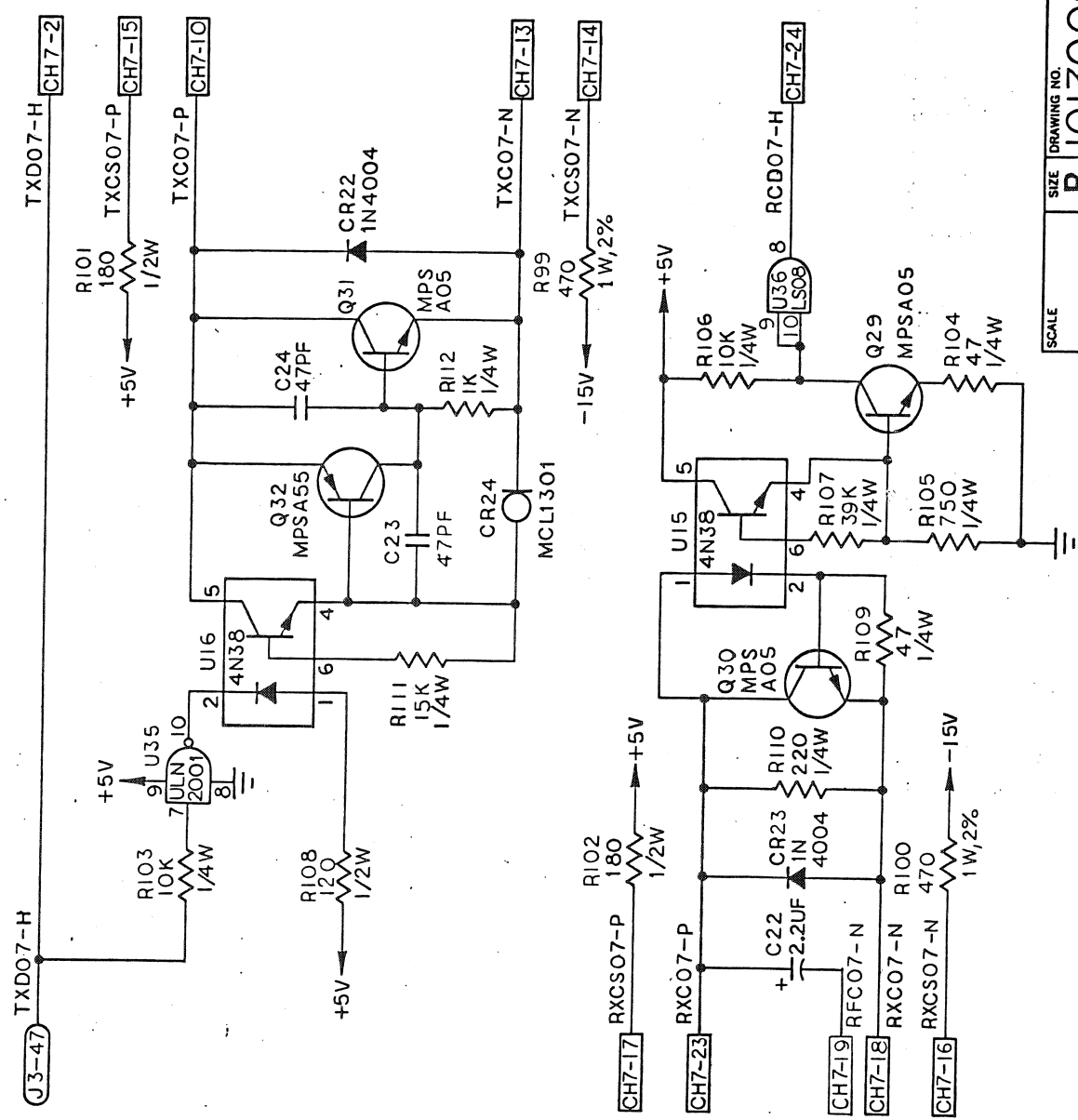
CARR07-H CH7-8

RXD07-H CH7-3

PROT GND CH7-1

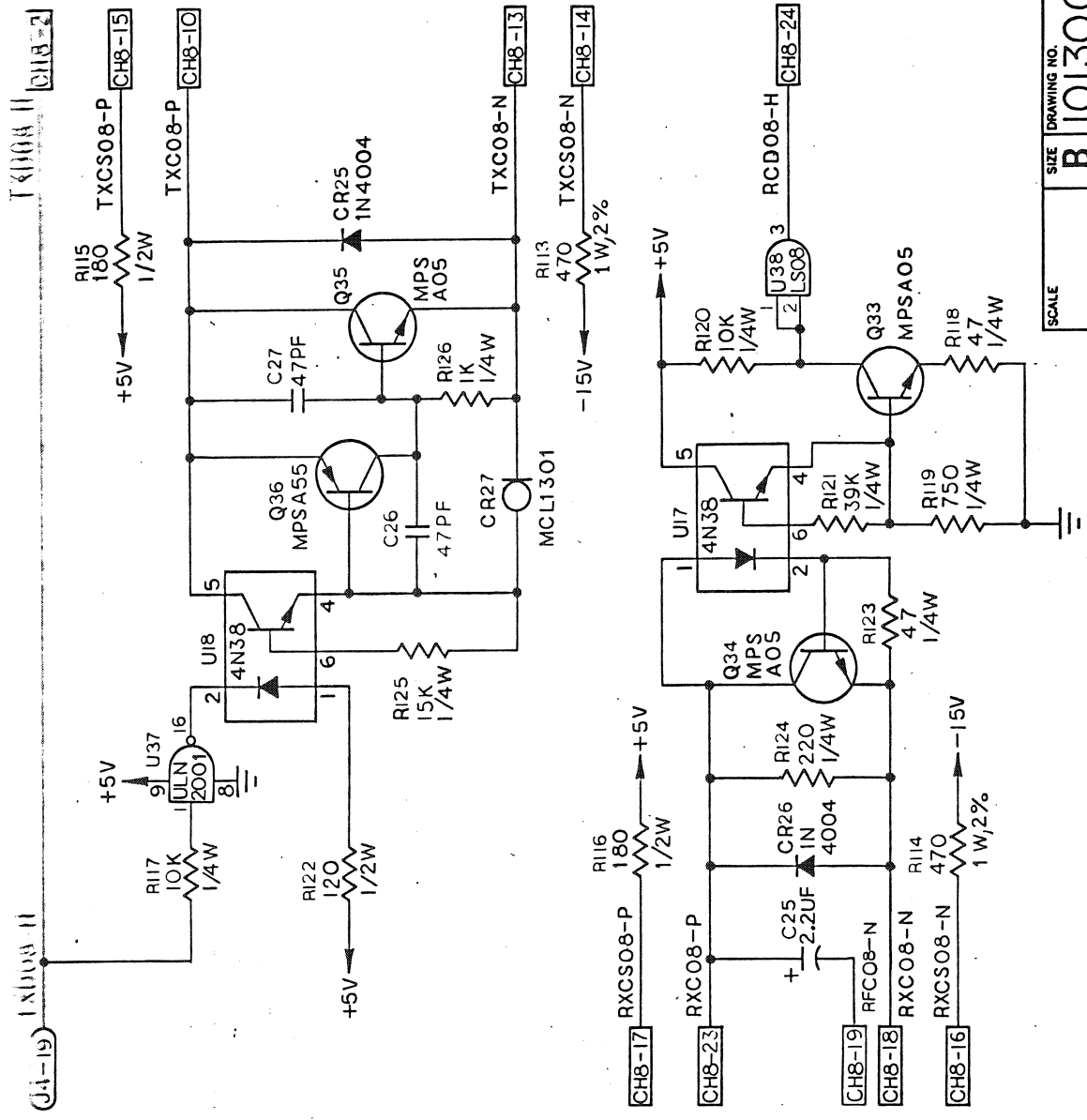
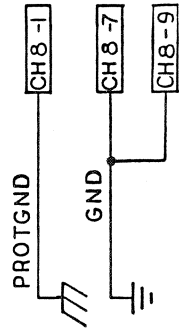
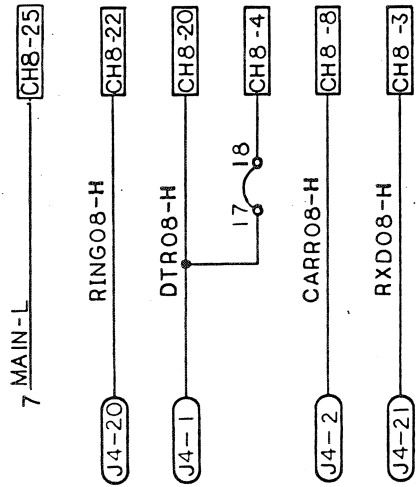
GND CH7-7

CH7-9



THIS DRAWING IS THE PROPERTY OF THE COMPANY AND IS NOT TO BE REPRODUCED OR TRANSMITTED IN ANY FORM OR BY ANY MEANS, ELECTRONIC OR MECHANICAL, INCLUDING PHOTOCOPYING, RECORDING, OR BY ANY INFORMATION STORAGE AND RETRIEVAL SYSTEM. THE COMPANY ACCEPTS NO LIABILITY FOR DAMAGES OF ANY KIND, INCLUDING CONSEQUENTIAL DAMAGES, ARISING FROM THE USE OF THIS DRAWING. THE COMPANY MAKES NO WARRANTY, EXPRESS OR IMPLIED, AS TO THE ACCURACY, COMPLETENESS, OR SUITABILITY OF THIS DRAWING FOR ANY PARTICULAR PURPOSE. THE USER OF THIS DRAWING SHALL BE RESPONSIBLE FOR OBTAINING NECESSARY PERMITS AND APPROVALS FROM THE APPROPRIATE AUTHORITIES. THE COMPANY SHALL NOT BE RESPONSIBLE FOR ANY DELAYS OR DAMAGES CAUSED BY UNUSUAL CIRCUMSTANCES, INCLUDING BUT NOT LIMITED TO, NATURAL DISASTERS, WAR, TERRORISM, OR OTHER UNFORESEEN EVENTS. THE COMPANY SHALL NOT BE RESPONSIBLE FOR ANY COSTS INCURRED BY THE USER IN OBTAINING OR USING THIS DRAWING. THE COMPANY SHALL NOT BE RESPONSIBLE FOR ANY INTELLECTUAL PROPERTY INFRINGEMENTS OF ANY KIND, INCLUDING BUT NOT LIMITED TO, PATENT, TRADEMARK, OR COPYRIGHT VIOLATIONS. THE COMPANY SHALL NOT BE RESPONSIBLE FOR ANY UNLAWFUL USE OF THIS DRAWING. THE COMPANY SHALL NOT BE RESPONSIBLE FOR ANY HARM OR DAMAGE CAUSED BY THE USE OF THIS DRAWING. THE COMPANY SHALL NOT BE RESPONSIBLE FOR ANY COSTS INCURRED BY THE USER IN OBTAINING OR USING THIS DRAWING. THE COMPANY SHALL NOT BE RESPONSIBLE FOR ANY INTELLECTUAL PROPERTY INFRINGEMENTS OF ANY KIND, INCLUDING BUT NOT LIMITED TO, PATENT, TRADEMARK, OR COPYRIGHT VIOLATIONS. THE COMPANY SHALL NOT BE RESPONSIBLE FOR ANY UNLAWFUL USE OF THIS DRAWING. THE COMPANY SHALL NOT BE RESPONSIBLE FOR ANY HARM OR DAMAGE CAUSED BY THE USE OF THIS DRAWING.

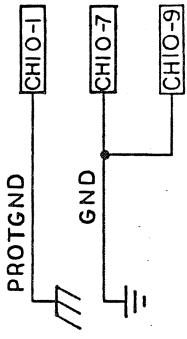
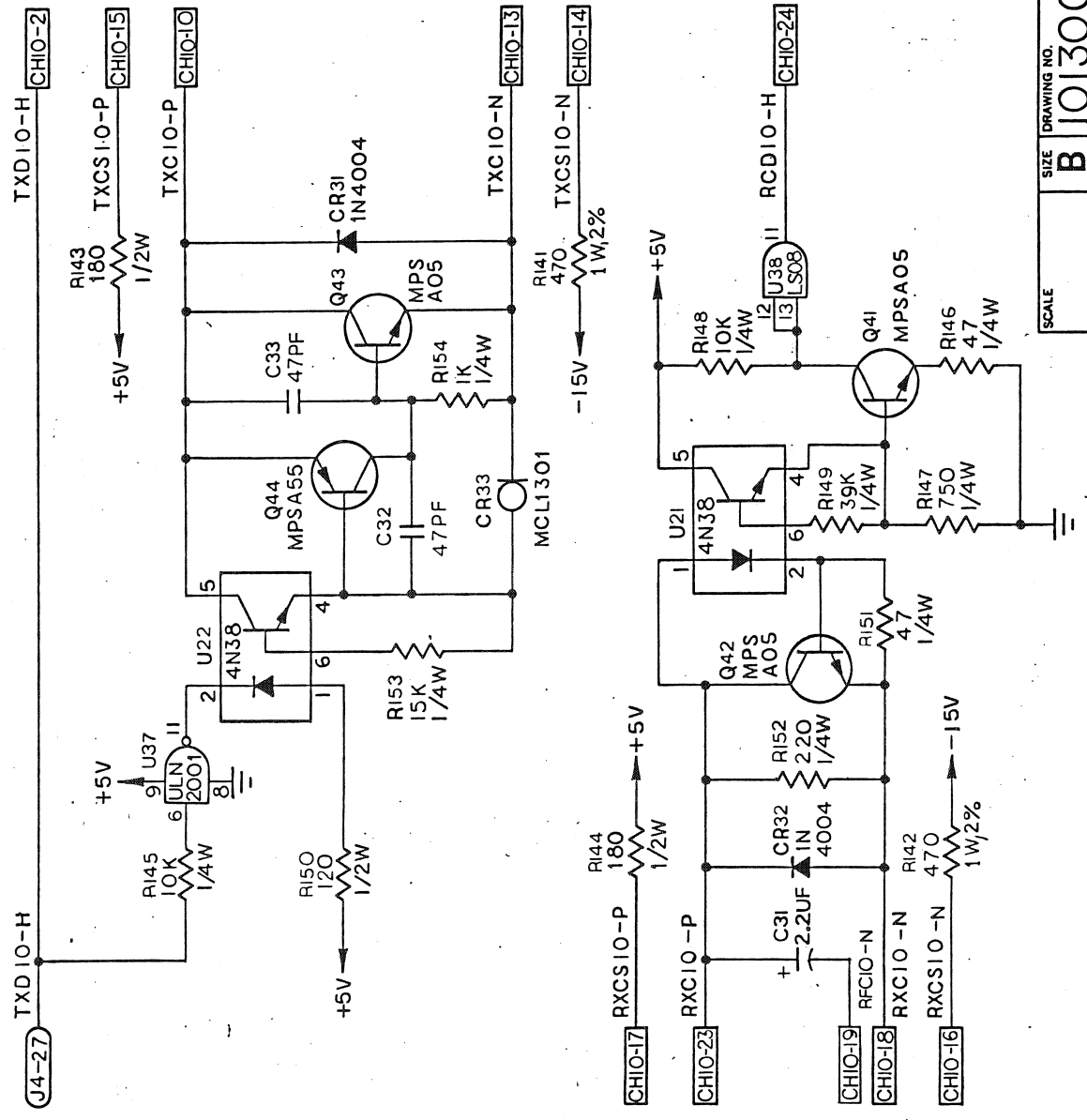
CH-8



Notwithstanding to whomsoever it is made, the responsibility of the manufacturer of the work shown hereon shall remain with the manufacturer of the work shown hereon. The manufacturer of the work shown hereon shall not be held responsible for any damage or injury to persons or property caused by the use of the work shown hereon. The manufacturer of the work shown hereon shall not be held responsible for any damage or injury to persons or property caused by the use of the work shown hereon.

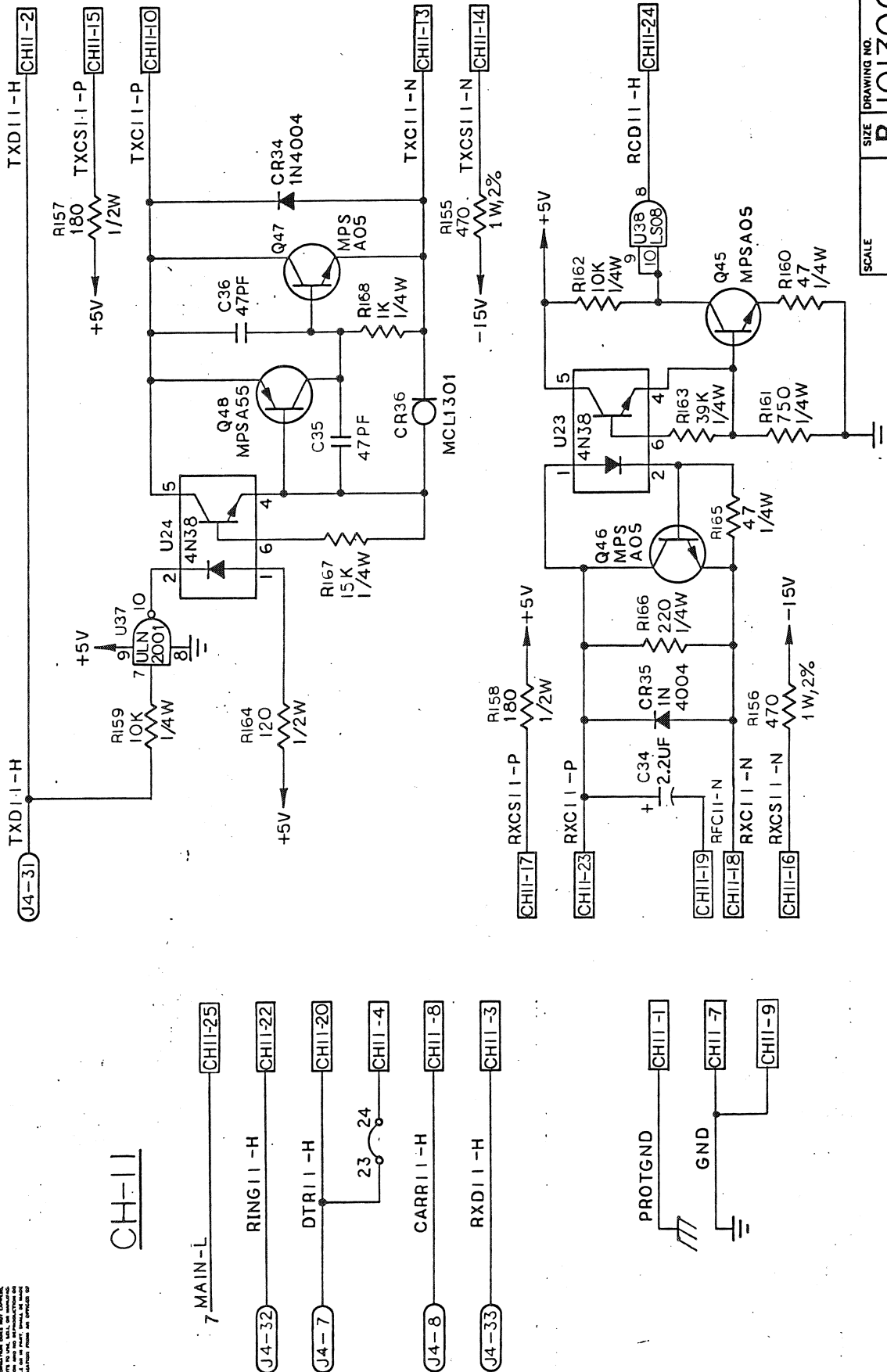
CH-10

- 7 MAIN-L — CHIO23
- RINGIO-H — CHIO22
- DTRIO-H — CHIO20
- 21 — 22 — CHIO-4
- CARRIO-H — CHIO-8
- RXDIO-H — CHIO-3



The information on this drawing is the property of
 The Computer Electronics, Inc. Management, and
 is not to be distributed, copied, or otherwise
 used in any way without the express written
 permission of the originator. This drawing is
 classified as "CONFIDENTIAL" and its use is
 restricted to the project for which it was
 prepared.

CHII



THE INFORMATION CONTAINED HEREIN IS THE PROPERTY OF
 BISHOP GRAPHICS, INC. AND IS TO BE USED ONLY FOR THE
 PROJECT AND FOR THE CUSTOMER'S USE. IT IS NOT TO BE
 REPRODUCED OR TRANSMITTED IN ANY FORM OR BY ANY
 MEANS, ELECTRONIC OR MECHANICAL, INCLUDING PHOTOCOPYING,
 RECORDING, OR BY ANY INFORMATION STORAGE AND RETRIEVAL
 SYSTEMS. WITHOUT THE WRITTEN PERMISSION OF BISHOP
 GRAPHICS, INC.

CH-14

7 MAIN - L CHI4-25

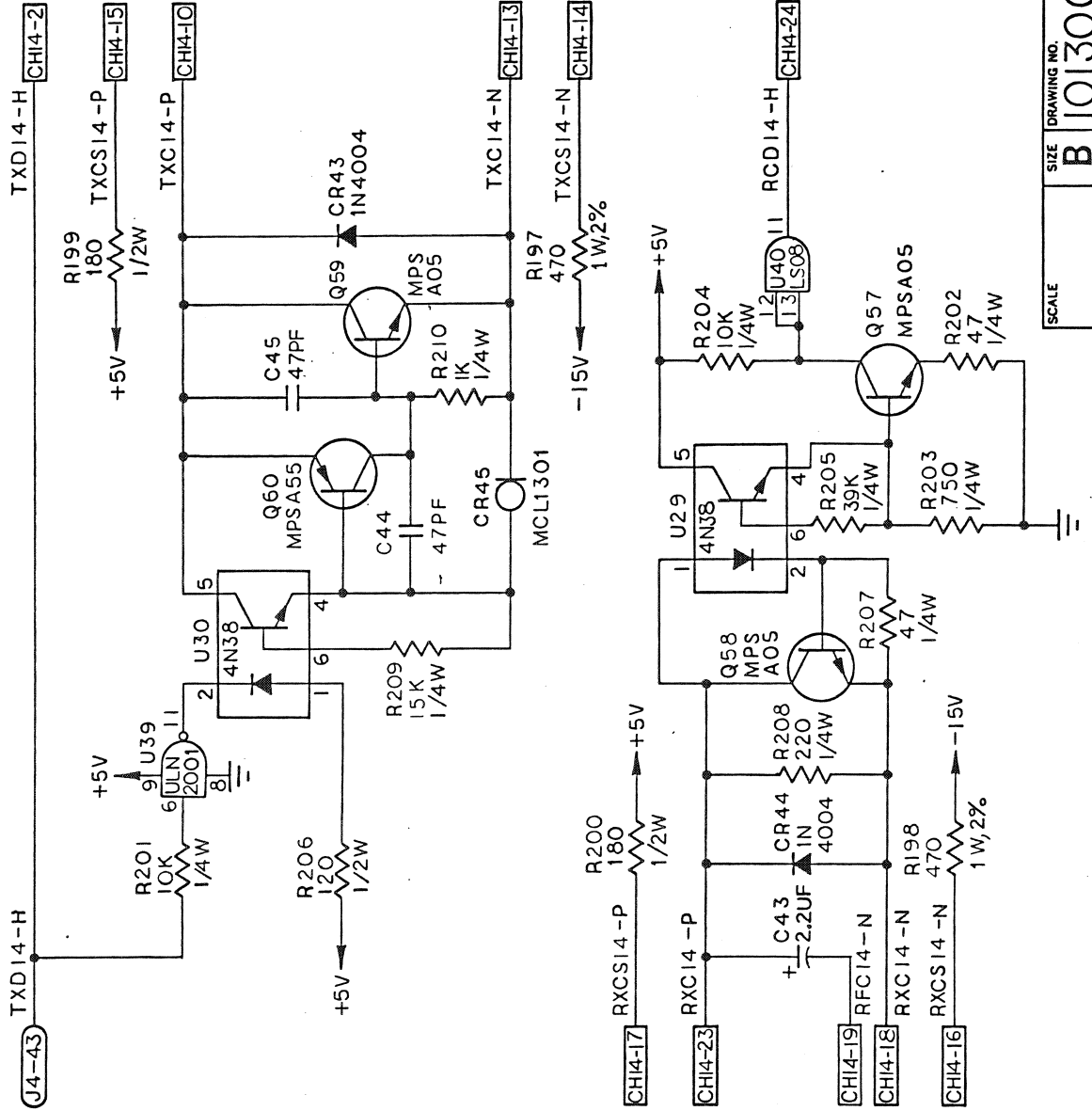
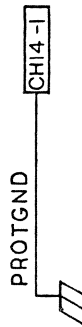
J4-44 RING14-H CHI4-22

J4-13 DTR14-H CHI4-20

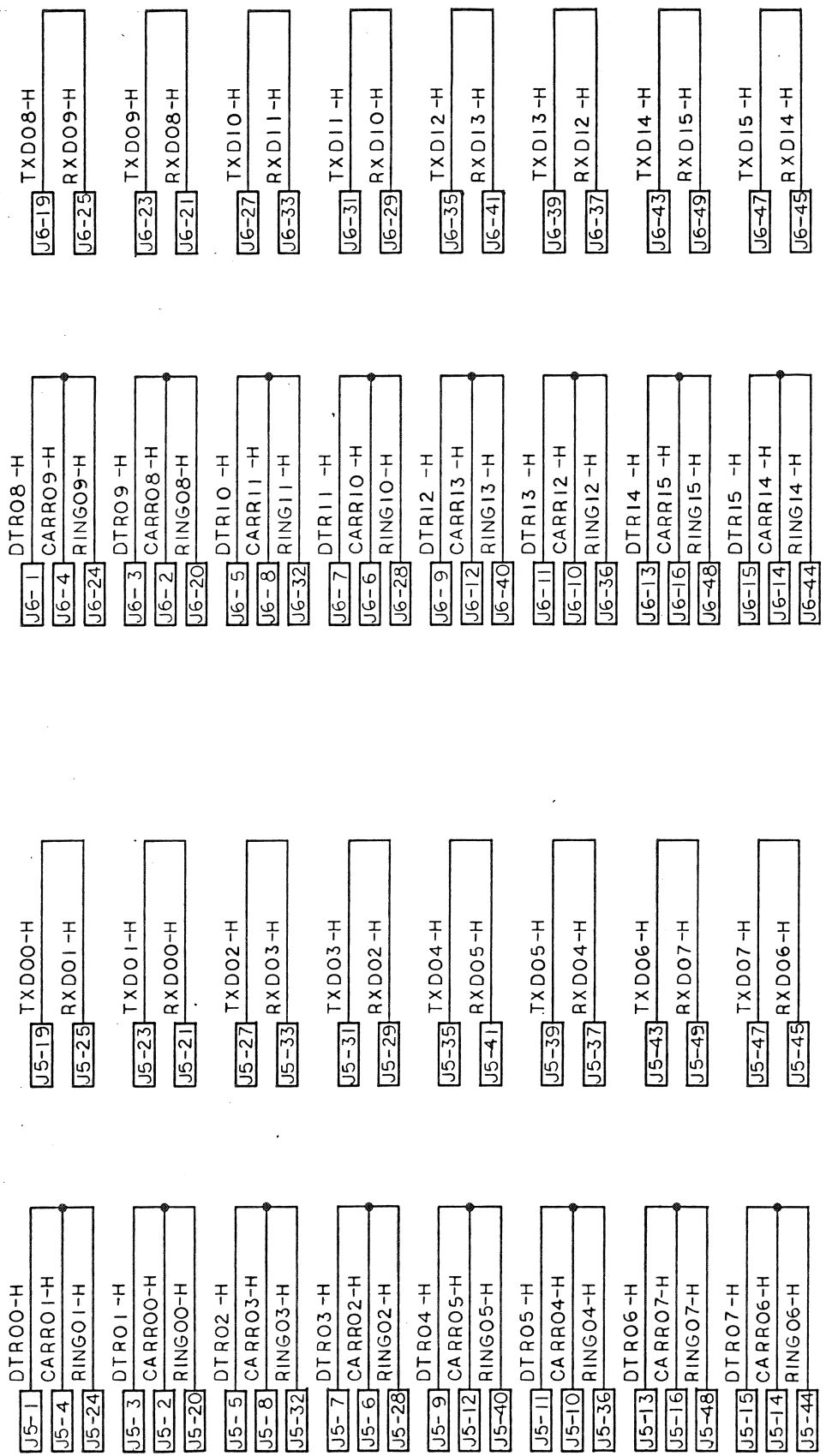
29 30 CHI4-4

J4-14 CARR14-H CHI4-8

J4-45 RXD14-H CHI4-3



THIS DRAWING IS THE PROPERTY OF BISHOP GRAPHICS/ACCUPRESS AND IS NOT TO BE REPRODUCED OR TRANSMITTED IN ANY FORM OR BY ANY MEANS, ELECTRONIC OR MECHANICAL, INCLUDING PHOTOCOPYING, RECORDING, OR BY ANY INFORMATION STORAGE AND RETRIEVAL SYSTEM. WITHOUT THE WRITTEN PERMISSION OF BISHOP GRAPHICS/ACCUPRESS, ANY REPRODUCTION OR TRANSMISSION OF THIS DRAWING IS STRICTLY PROHIBITED.



CHO-15 STAGGERED MAINTENANCE