

THE INFORMATION CONTAINED HEREON IS THE PROPERTY OF ABLE COMPUTER TECHNOLOGY, INC. TRANSMITTAL, RECEIPT OR POSSESSION OF THE INFORMATION DOES NOT EXPRESS, LICENSE, OR IMPLY ANY RIGHTS TO USE, SELL, OR MANUFACTURE FROM THIS INFORMATION AND NO REPRODUCTION OR PUBLICATION OF IT, IN WHOLE OR IN PART, SHALL BE MADE WITHOUT WRITTEN AUTHORIZATION FROM AN OFFICER OF THE ABOVE FIRM.

REVISIONS

LTR	DESCRIPTION	DATE	APPROVED
A	PROD. REL. PER E.O. 01501	5-16-83	RCE


REF. ONLY

5. GND IS CONNECTED TO: U1-8, U2-12, U3-12, U4-12, U5-8, U6-12, U7-12, U8-12, U9-8, U10-10, U11-10, U12-8, U13-8, U14-10, U15-10, U16-8, U17-10, U18-10, U19-10, U20-8, U21-8, U22-30, U23-30, U24-8, U25-8, U26-8, U27-10, U28-8, U29-7, U30-8, U31-8, U32-5&15, U33-5&15, U34-9, U35-10, U36-10, U37-8, U38-10, U39-5&15, U40-9, U41-12, U42-8, U43-7, U45-5&15, U46-8, U47-8, U48-8, U49-7, U50-10, U51-5&15, U52-10, U53-8, U54-10, U55-7, U57-8, U58-7, U59-8, U60-7, U61-7, U62-7, U63-8, U64-7, U65-7, U66-10, U67-7, U68-8, U69-7, U70-10, U71-7, U72-7, U73-7, U74-1, U75-7, U76-7, U77-7, U78-7, U79-10, U80-7, U81-5&15, U82-7, U83-7, U84-8, U85-8, U86-10, U87-5&15, U88-7, U89-4, U90-4, U91-4, U92-4, U93-7, U94-5&15, U95-7, U96-7, U97-5&15, U98-7, U100-10, U101-7, U102-4, U103-4, U104-4, U105-4, U106-8, U108-7, U109-8, U110-10, U111-7, U112-10, U114-7, U115-4, U116-4, U117-4, U118-4, U119-10, U120-5&15, U121-7, U122-7, U123-10, U124-10, U125-7, U126-7, U127-4, U128-4, U129-4, U130-4, U131-10, U132-10, U133-7, U134-7, U135-8, U137-7, U138-8.
4. +5V IS CONNECTED TO: U1-2, U2-24, U3-24, U4-24, U5-16, U6-24, U7-24, U8-24, U9-16, U10-20, U11-20, U12-2, U13-2, U14-20, U15-20, U16-16, U17-20, U18-20, U19-20, U20-16, U21-16, U22-10, U23-10, U24-16, U25-16, U26-16, U27-20, U28-16, U29-14, U30-16, U31-16, U32-20, U33-20, U34-18, U35-20, U36-20, U37-16, U38-20, U39-20, U40-18, U41-24, U42-16, U43-14, U45-20, U46-16, U47-16, U48-16, U49-14, U50-20, U51-20, U52-20, U53-16, U54-20, U55-14, U57-16, U58-14, U59-16, U60-14, U61-14, U62-14, U63-16, U64-14, U65-14, U66-20, U67-14, U68-16, U69-14, U70-20, U71-14, U72-14, U73-14, U74-8, U75-14, U76-14, U77-14, U78-14, U79-20, U80-14, U81-20, U82-14, U83-14, U84-16, U85-16, U86-20, U87-20, U89-26, U90-26, U91-26, U92-26, U93-14, U94-20, U96-14, U97-20, U98-14, U100-20, U102-26, U103-26, U104-26, U105-26, U106-16, U109-16, U110-20, U111-14, U112-20, U115-26, U116-26, U117-26, U118-26, U119-20, U120-20, U121-14, U123-20, U124-20, U125-14, U127-26, U128-26, U129-26, U130-26, U131-20, U132-20, U133-14, U135-16, U137-14, U138-16.

3. SHORTING PLUGS INSTALLED AT E33 & E34, FOR FUTURE USE, REF. USERS GUIDE.

2. ALL CAPACITOR VALUES ARE PICO FARADS  
 1. ALL RESISTOR VALUES ARE 1/4W, 5%.

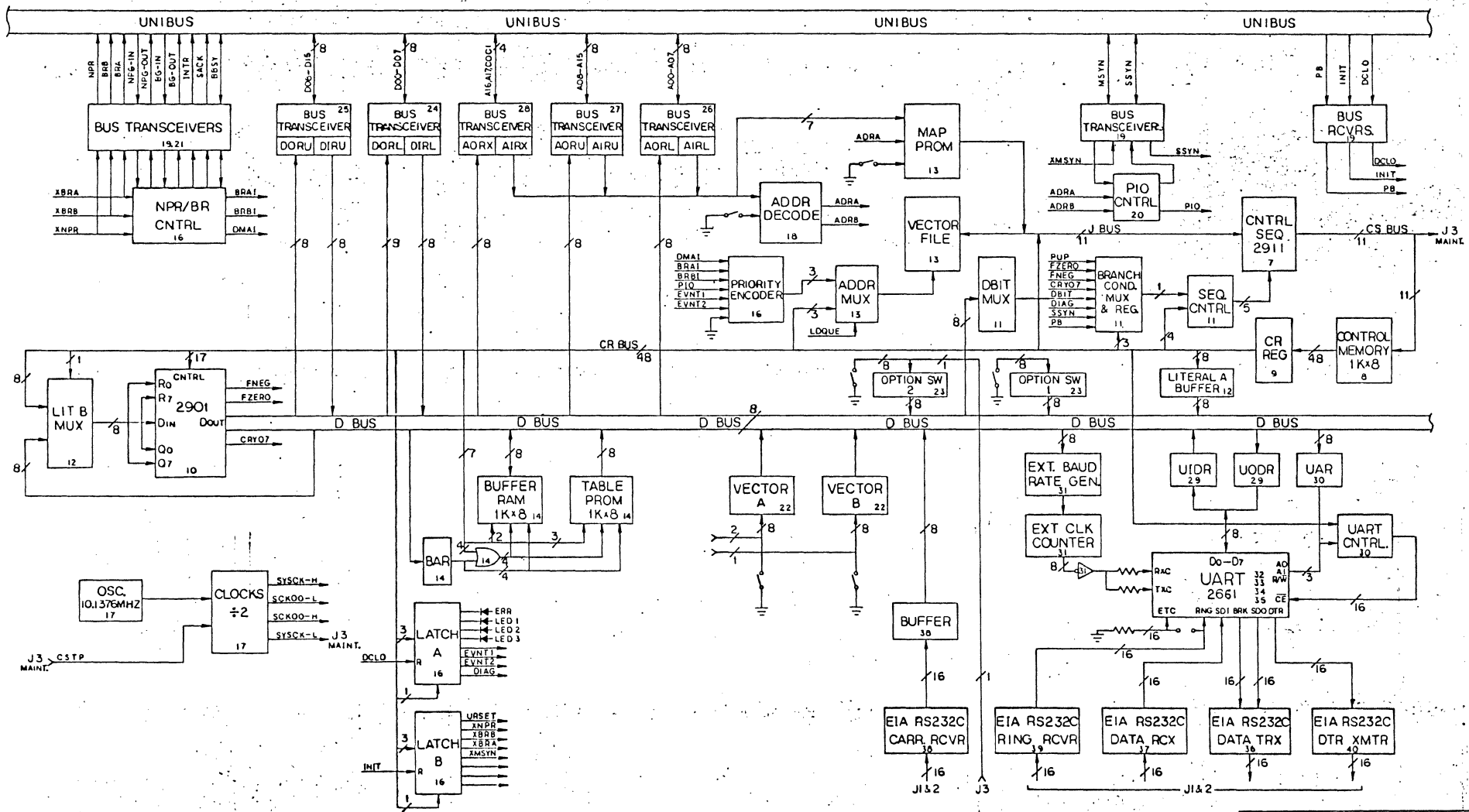
NOTES: UNLESS OTHERWISE SPECIFIED.

TOLERANCES UNLESS OTHERWISE SPECIFIED FRACTIONS DEC ANGLES		 <b>ABLE COMPUTER TECHNOLOGY</b>	
$\pm$ $\pm$ $\pm$		<b>SCHEM-16 CH ASYNC. DMA COM. CNTRLR. I</b>	
APPROVALS	DATE	SCALE	DRAWING NO.
DRAWN <i>RW</i>	25 FEB 81		
CHECKED <i>RCE</i>	4/12/83	B	
	5-16-83	DO NOT SCALE DRAWING	
			SHEET 1 OF 40



THE INFORMATION CONTAINED HEREIN IS THE PROPERTY OF  
 AILE COMPUTER TECHNOLOGY, INC. TRANSMITTAL, RECEIPT  
 OR HOLDING OF THIS INFORMATION DOES NOT CONSTITUTE  
 A LICENSE, OR ANY OTHER RIGHTS TO USE, MAKE OR REPRODUCE  
 THEREFROM WITHOUT THE PERMISSION AND REPRODUCTION OF  
 AILE COMPUTER TECHNOLOGY, INC. THIS INFORMATION IS  
 FURNISHED TO YOU AS A SERVICE OF AILE COMPUTER TECHNOLOGY, INC. AND SHALL BE KEPT  
 CONFIDENTIAL. ANY DISCLOSURE OF THIS INFORMATION TO ANY OTHER PARTY WITHOUT THE WRITTEN  
 AUTHORIZATION OF AILE COMPUTER TECHNOLOGY, INC. IS STRICTLY PROHIBITED.

REVISIONS			
LTN	DESCRIPTION	DATE	APPROVED
A	SEE SHT. 1		



APPROVED	DATE	BY	REVISION
APPROVED	DATE	BY	REVISION
APPROVED	DATE	BY	REVISION
APPROVED	DATE	BY	REVISION

**ALT** AILE COMPUTER TECHNOLOGY  
 16 CH ASYNC DMA COM  
 CNTRLR.I BLOCK DIAGRAM  
 PART NUMBER  
 D 10208003

THE INFORMATION CONTAINED HEREIN IS THE PROPERTY OF  
 AEGIS COMPUTER TECHNOLOGY, INC. TRANSMISSION, REPRODUCTION  
 OR POSSESSION OF THE INFORMATION DOES NOT CONSTITUTE  
 AGENCY, OR ANY OTHER RIGHTS TO USE, SHALL BE DERIVED  
 FROM THIS INFORMATION AND NO REPRODUCTION OR  
 PUBLICATION OF IT IN WHOLE OR IN PART, SHALL BE MADE  
 WITHOUT WRITTEN AUTHORIZATION FROM AN OFFICE OF  
 THE AEGIS FIRM.

2901 DATA PATH PHRASE										DBUS PHRASE					ORDER PHRASE					SEQUENCE CONTROL PHRASE																											
47	46	45	44	43	42	41	40	39	38	37	36	35	34	33	32	31	30	29	28	27	26	25	24	23	22	21	20	19	18	17	16	15	14	13	12	11	10	09	08	07	06	05	04	03	02	01	00
2901 CONTROL				C CRY	A	B	D/S		LO			T	S	AD																																	
2901 CONTROL					FILE	FILE	D DEST.	D SRCE.	LITERAL A					LIT B / RESUME DATA																																	
DEST.	ALU	SOURCE R S			FILE	FILE	D DEST.	D SRCE.	ORDER	ADDR.	D	T/F	TEST	SEQ.	BRANCH	ADDRESS																															
0	Q	R + S	A Q	0	0	0	DBUS	LITA	NULL	RD_DATA ERR URSET	0		-GOTO	LITB	0	0	0																														
1	NOD	S - R	A B	1	1	1	BRR	TPRM	REL_PIO	WRT_DATA LED1 XNPR	1		-ALUZ	RETURN	1	1	1																														
2	<sup>B</sup> (BYPASS)	R - S	0 Q		2	2	DORL	MEM	SET_INTR	RD_STAT LED2 XBRB			-ALUNEG	GOTO	2	2	2																														
3	B	R OR S	0 B		3	3	DORU	MVR	RESUME	N/A LED3 XBRA			-CRY	CALL	3	3	3																														
4	BQ RIGHT	R AND S	0 A		4	4	MAR	ALU	NOT USED	RD_MODE NOT USED XMSYN			-DBIT	MAP_PIO	4	4	4																														
5	B RIGHT	R AND S	D A		5	5	UODR	UIDR	UART	WRT_MODE EVNT1 NOT USED			-NO_DIAG	N/A	5	5	5																														
6	BQ LEFT	R XOR S	D Q		6	6	UAR	DIRL	A LATCH	RD_CMD EVNT2 NOT USED			-SSYN	VECTOR	6	6	6																														
7	B LEFT	R.XNOR S	D 0		7	7	MEM	DIRU	B LATCH	WRT_CMD DIAG NOT USED			-PB	N/A	7	7	7																														
8					8	8	AORL		N/A				GOTO		8	8	8																														
9					9	9	AORU		N/A				-ALUZ		9	9	9																														
A					10	10	AORX		N/A				ALUNEG		A	A	A																														
B					11	11	NOT USED		N/A				CRY		B	B	B																														
C					12	12	N/A		N/A				DBIT		C	C	C																														
D					13	13	N/A		N/A				NO_DIAG		D	D	D																														
E					14	14	N/A		N/A				SSYN		E	E	E																														
F					15	15	N/A		N/A				PB		F	F	F																														

PRIORITY	EVENTS
7	PIO
6	DMAI
5	BRAI
4	BRBI
3	NOT USED
2	EVNT2
1	EVNT1
0	SCAN

THE INFORMATION CONTAINED HEREIN IS THE PROPERTY OF ARMS COMPUTER TECHNOLOGY INC. TRANSMITTAL, RECEIPT OR FORFEITURE OF THE INFORMATION DOES NOT EXPRESS LICENSE OR IMPLY ANY RIGHTS TO USE, REPRODUCE, OR PUBLISH FROM THE INFORMATION AND NO REPRODUCTION OR PUBLICATION IN WHOLE OR IN PART, SHALL BE MADE WITHOUT WRITTEN AUTHORIZATION FROM AN OFFICER OF THE ARMS FIRM.

SHT	I	A	2	SHT
		A	+5V	6
		B		
		C	GND	6
		D		
		E		
		F		
		H		
		J		
		K		
		L		
		M		
28	BUS-A21-L	N		
28	BUS-A20-L	P		
		R		
		S		
6	GND	T		
		U		
		V		

SHT	I	C	2	SHT
21	BUS-NPG-IN-H	A	+5V	6
21	BUS-NPGO-H	B	-15V	6
		C	GND	6
		D	BUS-D15-L	25
		E	BUS-D14-L	25
		F	BUS-D13-L	25
25	BUS-D11-L	H	BUS-D12-L	25
		J	BUS-D10-L	25
		K	BUS-D09-L	25
		L	BUS-D08-L	25
		M	BUS-D07-L	24
19	BUS-DCLO-L	N	BUS-D04-L	24
		P	BUS-D05-L	24
		R	BUS-D01-L	24
19	BUS-PB-L	S	BUS-D00-L	24
6	GND	T	BUS-D03-L	24
6	+15V	U	BUS-D02-L	24
		V	BUS-D06-L	24

SHT	I	E	2	SHT
		A	+5V	6
		B		
27	BUS-A12-L	C	GND	6
28	BUS-A17-L	D	BUS-A15-L	27
19	BUS-MSYN-L	E	BUS-A16-L	28
26	BUS-AO2-L	F	BUS-C1-L	28
26	BUS-AO1-L	H	BUS-AO0-L	26
19	BUS-SSYN-L	J	BUS-CO-L	28
27	BUS-A14-L	K	BUS-A13-L	27
27	BUS-A11-L	L		
		M		
		N	BUS-AO8-L	27
27	BUS-A10-L	P	BUS-AO7-L	26
27	BUS-AO9-L	R		
		S		
6	GND	T		
26	BUS-AO6-L	U	BUS-AO4-L	26
26	BUS-AO5-L	V	BUS-AO3-L	26

SHT	I	B	2	SHT
		A	+5V	6
		B		
		C	GND	6
		D		
28	BUS-A19-L	E	BUS-A18-L	28
		F		
		H		
		J		
		K		
		L		
		M		
		N		
		P		
		R		
		S		
6	GND	T		
		U		
		V		

SHT	I	D	2	SHT
		A	+5V	6
		B		
		C	GND	6
		D		
		E	BUS-BR6-L	21
		F	BUS-BR5-L	21
		H	BUS-BR4-L	21
		J		
		K	BUS-BG7-IN-H	21
19	BUS-INIT-L	L	BUS-BG7-OUT-H	21
		M	BUS-BG6-IN-H	21
		N	BUS-BG6-OUT-H	21
		P	BUS-BG5-IN-H	21
		R	BUS-BG5-OUT-H	21
		S	BUS-BG4-IN-H	21
6	GND	T	BUS-BG4-OUT-H	21
		U		
		V		

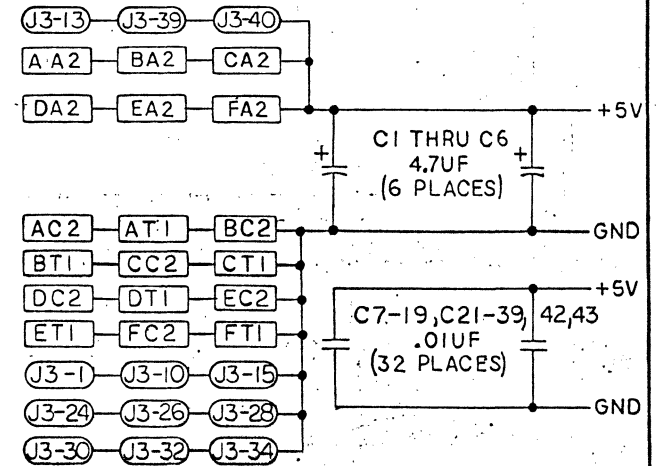
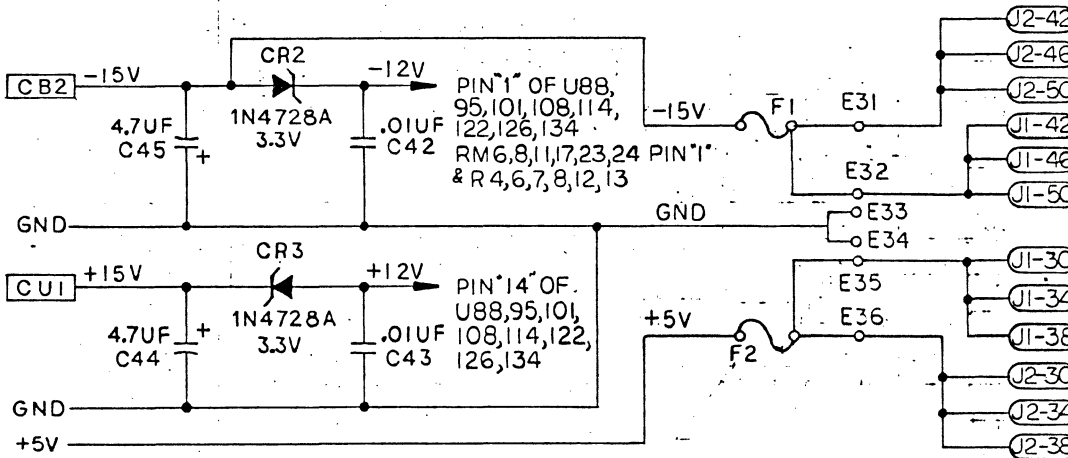
SHT	I	F	2	SHT
		A	+5V	6
		B		
		C	GND	6
19	BUS-BBSY-L	D		
		E		
		F		
		H		
19	BUS-NPR-L	J		
		K		
		L		
19	BUS-INTR-L	M		
		N		
		P		
		R		
		S		
6	GND	T	BUS-SACK-L	19
		U		
		V		

THE INFORMATION CONTAINED HEREIN IS THE PROPERTY OF  
 ANS COMPUTER TECHNOLOGY, INC. TRANSMITTAL, REPRODUCTION  
 OR FURTHER DISSEMINATION OF THIS INFORMATION DOES NOT CONSTITUTE  
 LICENSE OR AUTHORITY TO REPRODUCE, STORE, TRANSMIT, OR  
 FURNISH FROM THIS INFORMATION FOR THE PRODUCTION OF  
 IDENTICAL COPIES IN WHOLE OR IN PART, SHALL BE MADE  
 WITHOUT WRITTEN AUTHORIZATION FROM AN OFFICE OF THE  
 SERVICE PERS.

SHT	J1		SHT
40	DTR00-H	1 2	CAR00-H 38
40	DTR01-H	3 4	CAR01-H 38
40	DTR02-H	5 6	CAR02-H 38
40	DTR03-H	7 8	CAR03-H 38
40	DTR04-H	9 10	CAR04-H 38
40	DTR05-H	11 12	CAR05-H 38
40	DTR06-H	13 14	CAR06-H 38
40	DTR07-H	15 16	CAR07-H 38
23	MAIN-H	17 18	GND 36
36	TXD00-H	19 20	RING00-H 39
37	RXD00-H	21 22	GND 36
36	TXD01-H	23 24	RING01-H 39
37	RXD01-H	25 26	GND 36
36	TXD02-H	27 28	RING02-H 39
37	RXD02-H	29 30	GND/+5V 6
36	TXD03-H	31 32	RING03-H 39
37	RXD03-H	33 34	GND/+5V 6
36	TXD04-H	35 36	RING04-H 39
37	RXD04-H	37 38	GND/+5V 6
36	TXD05-H	39 40	RING05-H 39
37	RXD05-H	41 42	GND/-15V 6
36	TXD06-H	43 44	RING06-H 39
37	RXD06-H	45 46	GND/-15V 6
36	TXD07-H	47 48	RING07-H 39
37	RXD07-H	49 50	GND/-15V 6

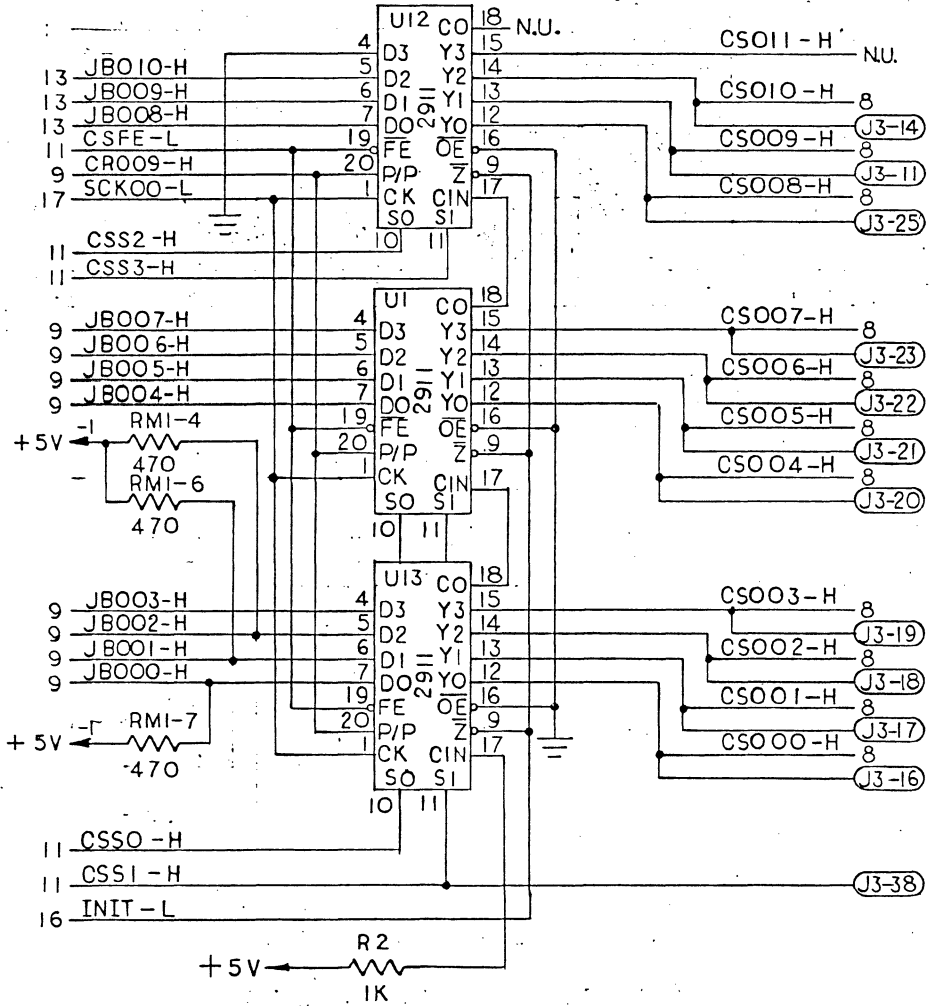
SHT	J2		SHT
40	DTR08-H	1 2	CAR08-H 38
40	DTR09-H	3 4	CAR09-H 38
40	DTR10-H	5 6	CARR10-H 38
40	DTR11-H	7 8	CARR11-H 38
40	DTR12-H	9 10	CARR12-H 38
40	DTR13-H	11 12	CARR13-H 38
40	DTR14-H	13 14	CARR14-H 38
40	DTR15-H	15 16	CARR15-H 38
36	GND	17 18	GND 36
36	TXD08-H	19 20	RING08-H 39
37	RXD08-H	21 22	GND 36
36	TXD09-H	23 24	RING09-H 39
37	RXD09-H	25 26	GND 36
36	TXD10-H	27 28	RING10-H 39
37	RXD10-H	29 30	GND/+5V 6
36	TXD11-H	31 32	RING11-H 39
37	RXD11-H	33 34	GND/+5V 6
36	TXD12-H	35 36	RING12-H 39
37	RXD12-H	37 38	GND/+5V 6
36	TXD13-H	39 40	RING13-H 39
37	RXD13-H	41 42	GND/-15V 6
36	TXD14-H	43 44	RING14-H 39
37	RXD14-H	45 46	GND/-15V 6
36	TXD15-H	47 48	RING15-H 39
37	RXD15-H	49 50	GND/-15V 6

SHT	J3		SHT
6	GND	1 2	DB000-H 24
24	DB001-H	3 4	DB002-H 24
24	DB003-H	5 6	DB004-H 24
24	DB005-H	7 8	DB006-H 24
24	DB007-H	9 10	GND 6
7	CS009-H	11 12	
6	+5V	13 14	CS010-H 7
6	GND	15 16	CS000-H 7
7	CS001-H	17 18	CS002-H 7
7	CS003-H	19 20	CS004-H 7
7	CS005-H	21 22	CS006-H 7
7	CS007-H	23 24	GND 6
7	CS008-H	25 26	
17	MINIT-L	27 28	
17	MDCLO-L	29 30	
17	CSTP-L	31 32	
17	SYSC-L	33 34	
22	SSW1-L	35 36	SSW2-L 22
22	SSW3-L	37 38	CSS1-H 7
6	+5V	39 40	+5V 6



SCALE	SIZE	DRAWING NO.
	<b>B</b>	10208003
DO NOT SCALE DRAWING		SHEET 6 OF 40

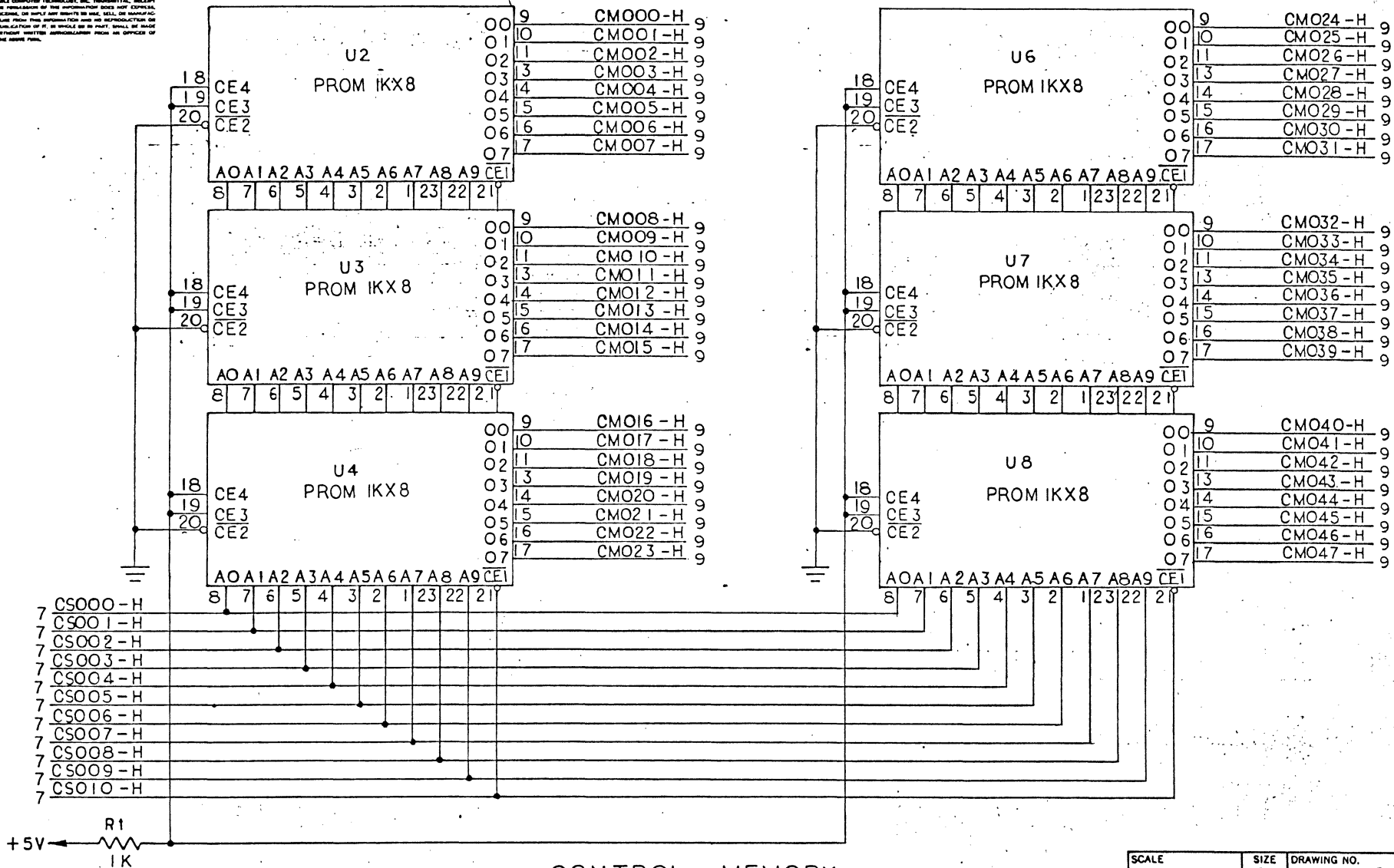
THE INFORMATION CONTAINED HEREIN IS THE PROPERTY OF ARMY COMPUTER TECHNOLOGY INC. TRANSMITTAL, REPRODUCTION OR DISSEMINATION OF THIS INFORMATION DOES NOT CONSTITUTE A LICENSE OR ANY OTHER RIGHTS TO USE, REPRODUCE OR TRANSMIT IN ANY FORM OR BY ANY MEANS, ELECTRONIC OR MECHANICAL, INCLUDING PHOTOCOPYING, RECORDING, OR BY ANY INFORMATION STORAGE AND RETRIEVAL SYSTEM. PERMISSION TO REPRODUCE THIS DOCUMENT IN WHOLE OR IN PART, SHALL BE MADE WITHOUT WRITTEN AUTHORIZATION FROM AN OFFICER OF THE ARMY PERS.



SI	SO	OPERATION
0	0	INCREMENT
0	1	NOT IMPLEMENTED
1	0	RETURN
1	1	GOTO/MAP/CALL/VECTOR

CONTROL SEQUENCER

THIS INFORMATION CONTAINED HEREIN IS THE PROPERTY OF ARBE COMPUTER TECHNOLOGIES, INC. TRANSMITTAL, RECEIPT OR FORWARDING OF THE INFORMATION SHOWN HEREON CONSTITUTES A VIOLATION OF THE INFORMATION SECURITY ACT. NO REPRODUCTION OR PUBLICATION OF IT, IN WHOLE OR IN PART, SHALL BE MADE WITHOUT WRITTEN AUTHORIZATION FROM AN OFFICER OF THE ARBE CORP.

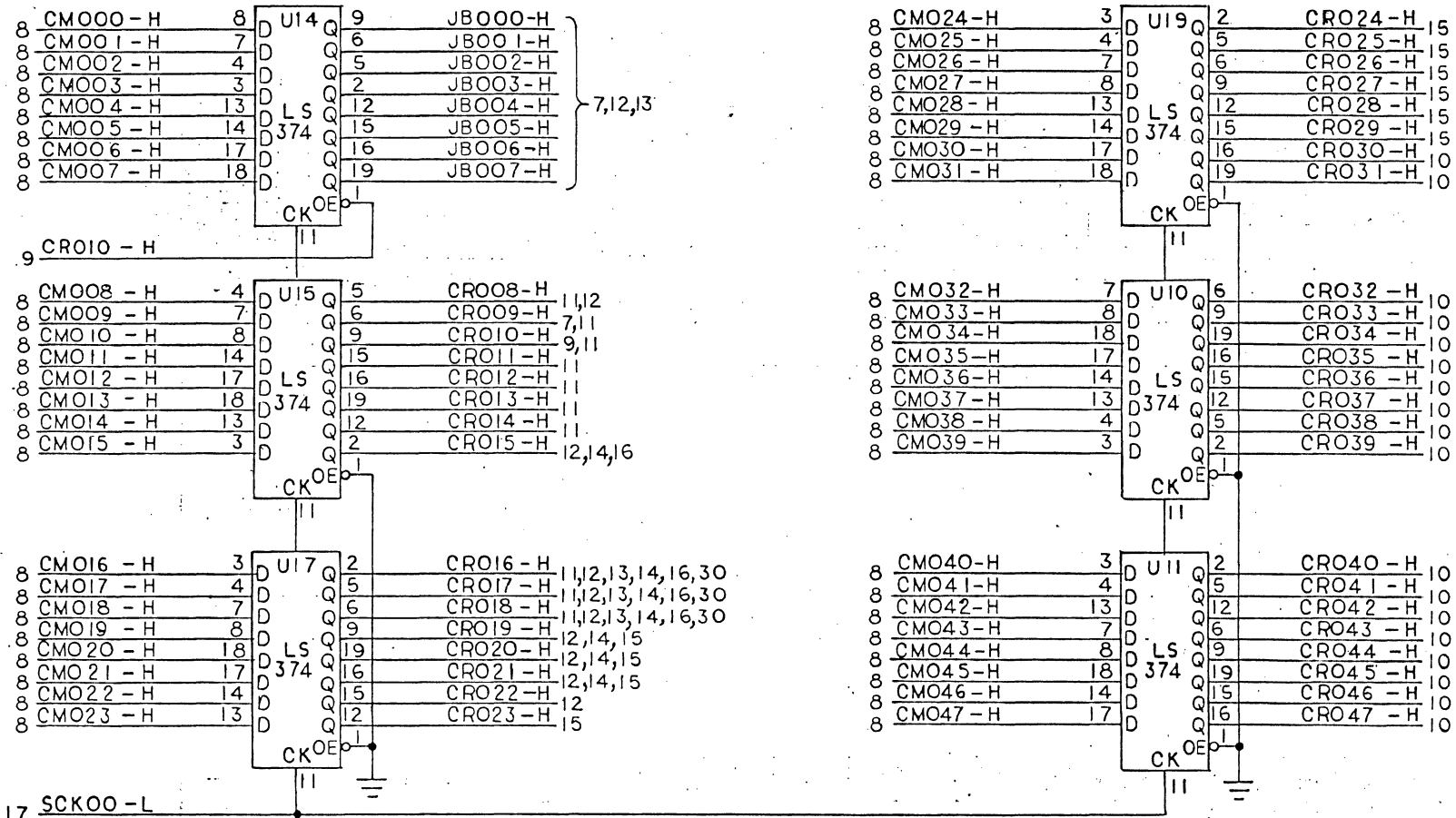


CONTROL MEMORY

SCALE	SIZE	DRAWING NO.
	<b>B</b>	10208003
DO NOT SCALE DRAWING		SHEET 8 OF 40



THE INFORMATION CONTAINED HEREIN IS THE PROPERTY OF  
 IBM CORPORATION. IT IS LOANED TO YOUR ORGANIZATION FOR YOUR USE ONLY.  
 REPRODUCTION OR TRANSMISSION OF THIS INFORMATION IS PROHIBITED.  
 IBM AND THE IBM LOGO ARE TRADEMARKS OF INTERNATIONAL BUSINESS MACHINES CORPORATION.  
 OTHER BRAND NAMES OR PRODUCT NAMES ARE THE PROPERTY OF THEIR RESPECTIVE OWNERS.  
 PUBLICATION OF THIS INFORMATION IS PROHIBITED WITHOUT THE WRITTEN AUTHORIZATION FROM AN OFFICE OF  
 THE ABOVE FIRM.

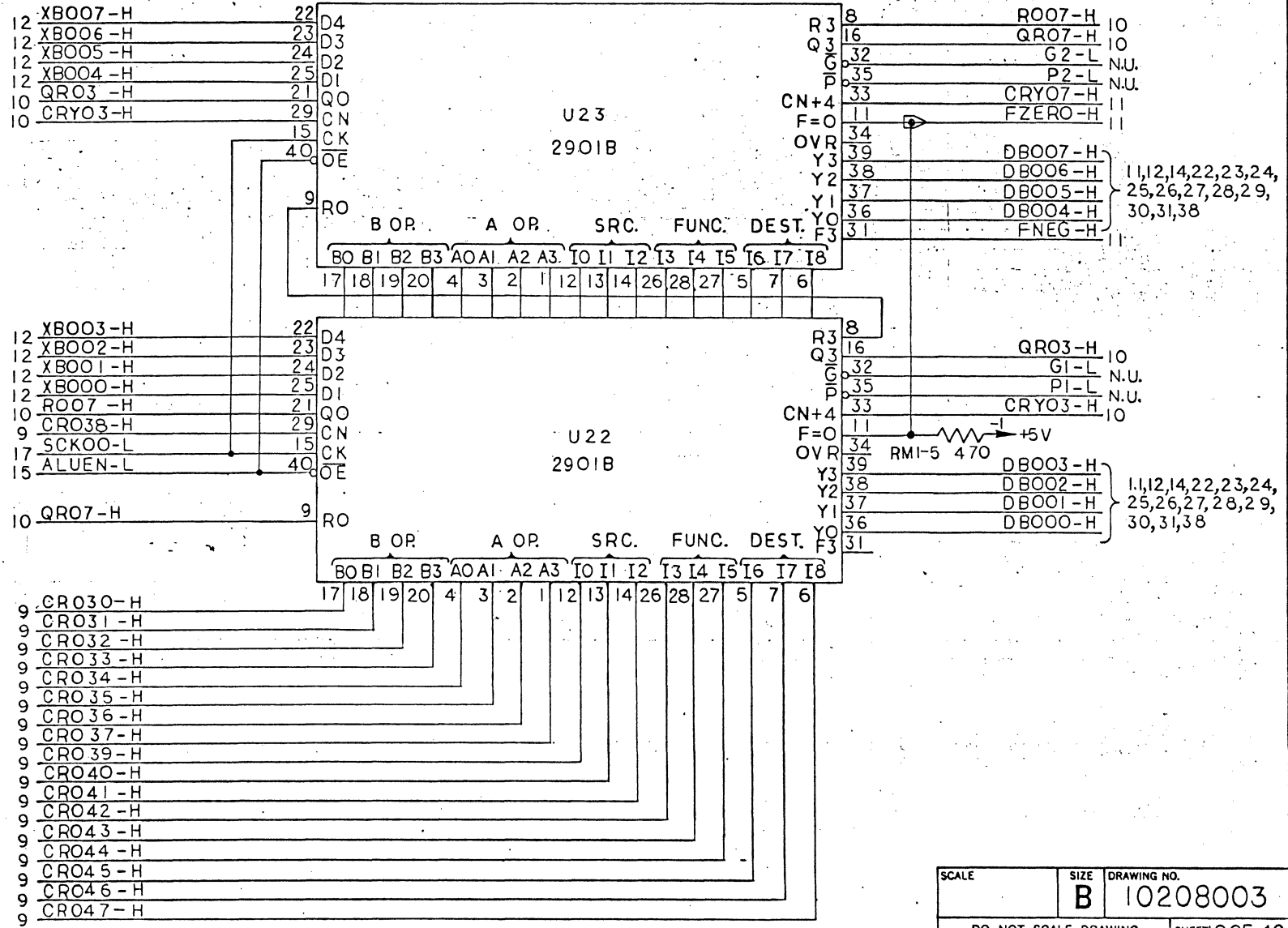


CONTROL REGISTER

SCALE	SIZE	DRAWING NO.
	<b>B</b>	10208003
DO NOT SCALE DRAWING		SHEET 9 OF 40

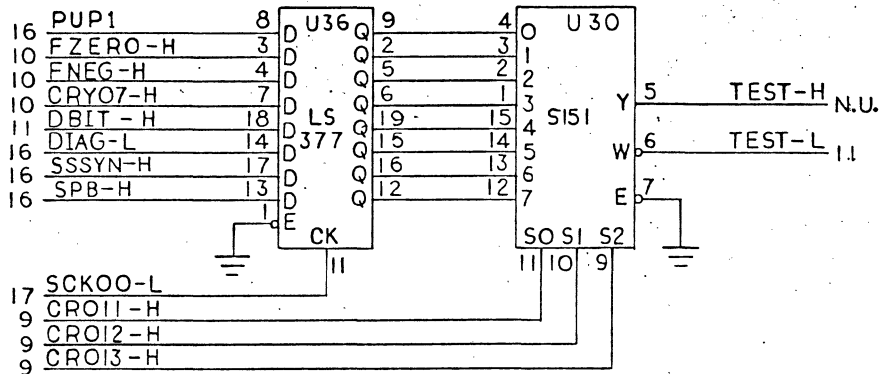
THE INFORMATION CONTAINED HEREIN IS THE PROPERTY OF  
 ANALOG COMPUTER TECHNOLOGY, INC. TRANSMITTAL, REPRODUCTION,  
 OR FURNISHING OF THE ORIGINAL OR ANY COPY, WITHOUT  
 LICENSE, OR WRITING FROM ANALOG COMPUTER TECHNOLOGY,  
 IS PROHIBITED. THIS DRAWING IS NOT TO BE REPRODUCED OR  
 TRANSMITTED IN ANY FORM OR BY ANY MEANS, ELECTRONIC OR  
 MECHANICAL, INCLUDING PHOTOCOPYING, RECORDING, OR BY  
 INFORMATION STORAGE AND RETRIEVAL SYSTEMS. WITHOUT  
 WRITTEN PERMISSION FROM ANALOG COMPUTER TECHNOLOGY,  
 THIS DRAWING IS NOT TO BE REPRODUCED OR TRANSMITTED  
 IN ANY FORM OR BY ANY MEANS, ELECTRONIC OR MECHANICAL,  
 INCLUDING PHOTOCOPYING, RECORDING, OR BY INFORMATION  
 STORAGE AND RETRIEVAL SYSTEMS. WITHOUT WRITTEN  
 PERMISSION FROM ANALOG COMPUTER TECHNOLOGY, THIS  
 DRAWING IS NOT TO BE REPRODUCED OR TRANSMITTED  
 IN ANY FORM OR BY ANY MEANS, ELECTRONIC OR  
 MECHANICAL, INCLUDING PHOTOCOPYING, RECORDING,  
 OR BY INFORMATION STORAGE AND RETRIEVAL SYSTEMS.

# MICROPROCESSOR

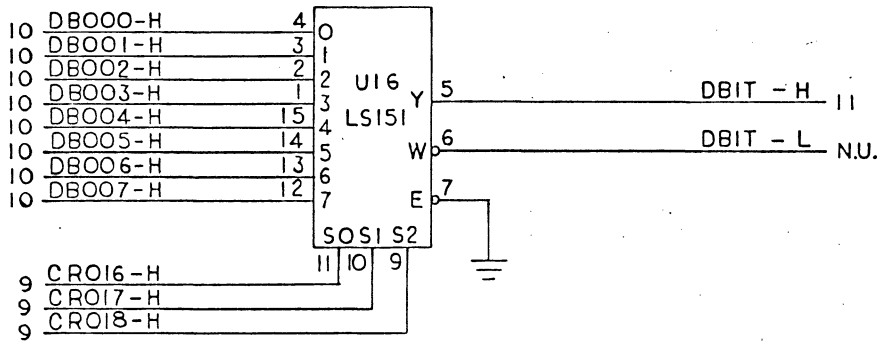


SCALE	SIZE	DRAWING NO.
	<b>B</b>	10208003
DO NOT SCALE DRAWING		SHEET 0 OF 40

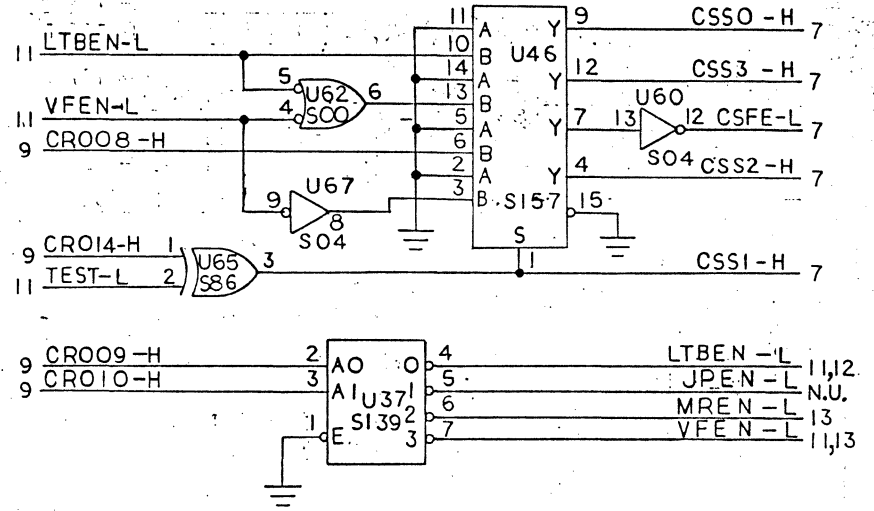
THE INFORMATION CONTAINED HEREIN IS THE PROPERTY OF  
 AND COMPUTER TECHNOLOGY INC. TRANSMISSION, REPRODUCTION  
 OR PERFORMANCE OF THE INFORMATION DOES NOT CONSTITUTE  
 LICENSE OR IMPLY ANY RIGHTS TO USE, REPRODUCE, OR TRANSMIT  
 INFORMATION FROM THE INFORMATION AND NO REPRODUCTION OR  
 PUBLICATION OF IT IN WHOLE OR IN PART SHALL BE MADE  
 WITHOUT WRITTEN AUTHORIZATION FROM AN OFFICER OF  
 THE ABOVE FIRM.



TEST REGISTER AND MUX



DATA BIT TEST

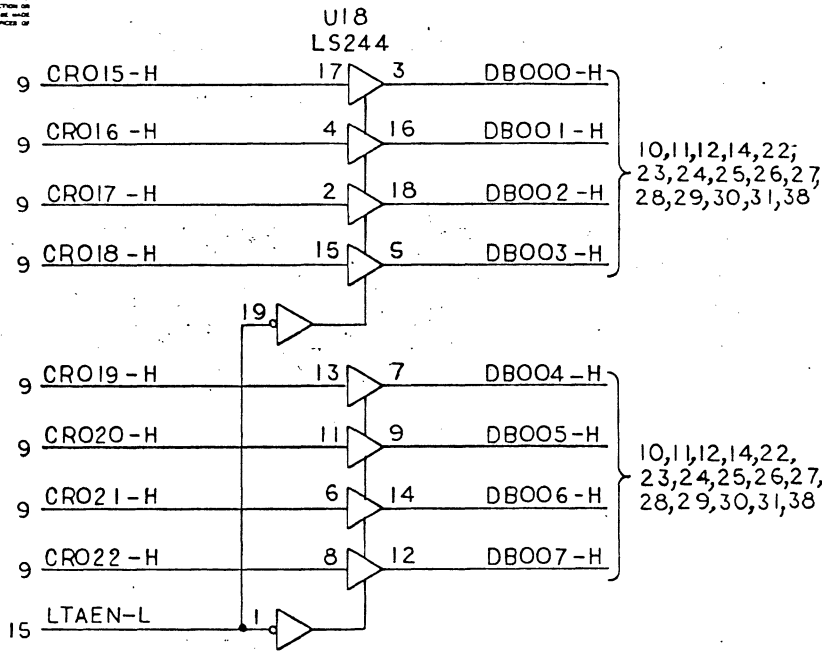


SEQUENCE CONTROL

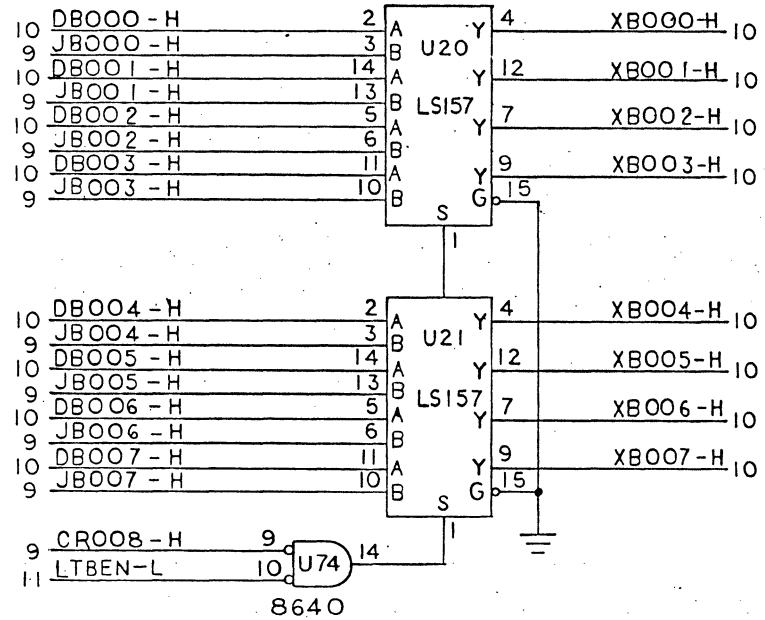
SCALE	SIZE	DRAWING NO.
	<b>B</b>	10208003

DO NOT SCALE DRAWING SHEET 11 OF 40

ALL INFORMATION CONTAINED HEREIN IS THE PROPERTY OF  
 J. CAPLUM TECHNOLOGY INC. TRANSMITTAL, REPRODUCTION,  
 OR ANY USE OF THE CONTENTS OF THIS DOCUMENT IS  
 PROHIBITED WITHOUT THE WRITTEN AUTHORIZATION OF  
 J. CAPLUM TECHNOLOGY INC. IN WASHINGTON, DC. NO PART  
 OF THIS DOCUMENT IS TO BE REPRODUCED OR TRANSMITTED  
 IN ANY FORM OR BY ANY MEANS, ELECTRONIC OR MECHANICAL,  
 INCLUDING PHOTOCOPYING, RECORDING, OR BY ANY INFORMATION  
 STORAGE AND RETRIEVAL SYSTEM.



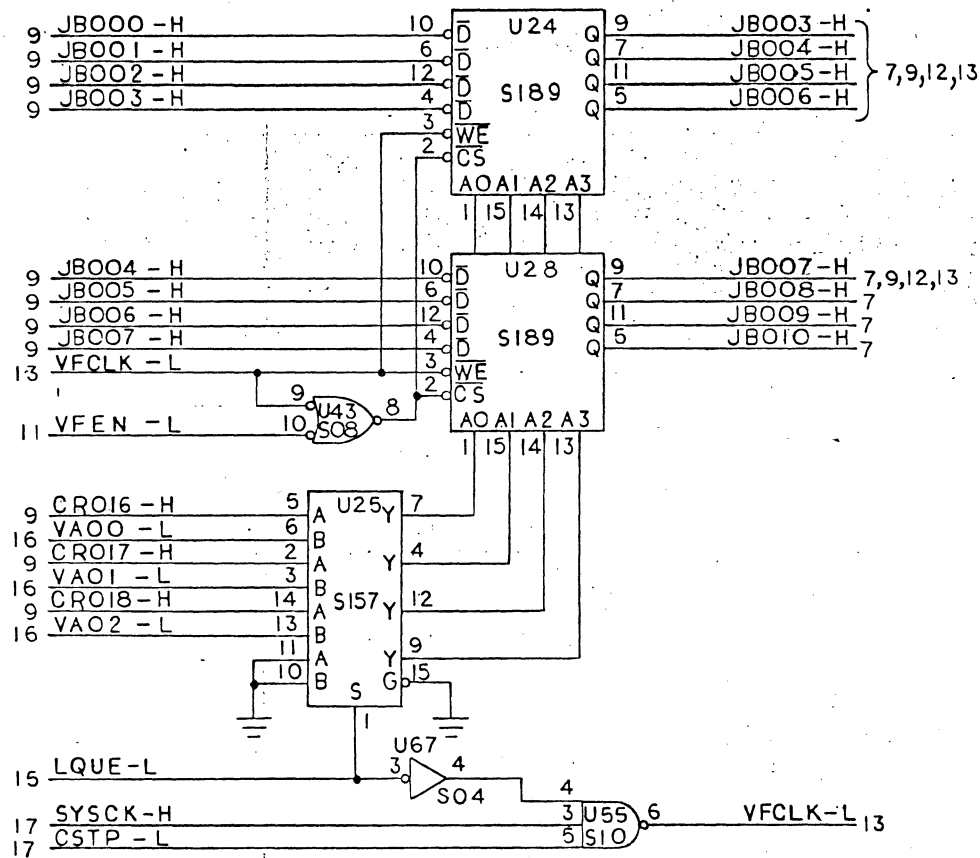
LITERAL A



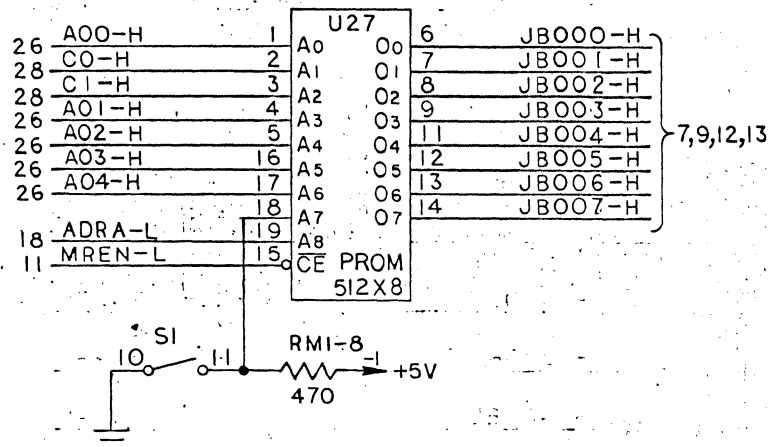
LITERAL B MUX

SCALE	SIZE	DRAWING NO.
	B	10208003
DO NOT SCALE DRAWING		SHEET 12 OF 40

THE INFORMATION CONTAINED HEREIN IS THE PROPERTY OF  
 AILE ELECTRONICS TECHNOLOGY, INC. TRANSMITTAL, REPLY  
 OR DISSEMINATION OF THE INFORMATION HEREIN IS STRICTLY  
 CONFIDENTIAL. IT IS TO BE KEPT UNDER LOCK AND KEY AND  
 NOT TO BE REPRODUCED OR TRANSMITTED IN ANY FORM OR  
 BY ANY MEANS, ELECTRONIC OR MECHANICAL, INCLUDING  
 PHOTOCOPYING, RECORDING, OR BY ANY INFORMATION  
 STORAGE AND RETRIEVAL SYSTEM, WITHOUT THE WRITTEN  
 PERMISSION OF AILE ELECTRONICS TECHNOLOGY, INC.



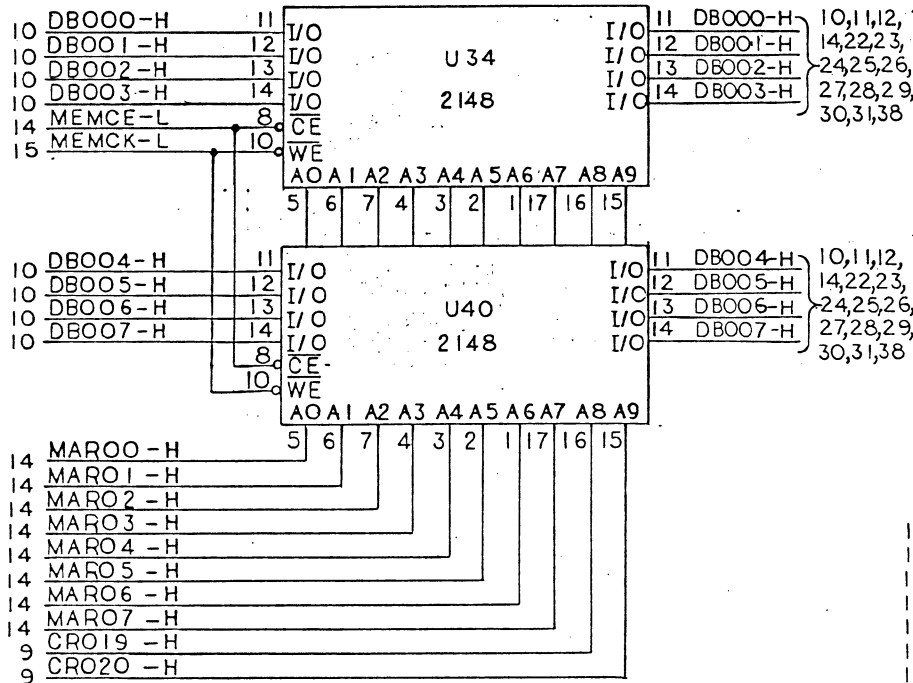
VECTOR FILE



MAP PROM

SCALE	SIZE	DRAWING NO.
	<b>B</b>	10208003
DO NOT SCALE DRAWING		SHEET 13 OF 40

THE INFORMATION CONTAINED HEREIN IS THE PROPERTY OF  
 SILEX ELECTRONIC TECHNOLOGY, INC. TRANSMITTAL, REPLY  
 OR RELEASE OF THE INFORMATION DOES NOT CONSTITUTE  
 A LICENSE OR ANY OTHER RIGHTS TO USE, REPRODUCE,  
 TRANSMIT, OR IN ANY MANNER TO DISCLOSE OR MAKE  
 AVAILABLE THIS INFORMATION AND THE REPRODUCTION OR  
 TRANSMISSION OF IT IN WHOLE OR IN PART, SHALL BE MADE  
 WITHOUT WRITTEN AUTHORIZATION FROM AN OFFICE OF  
 THE ARMY PENTAGON.



1 X 8 MEMORY

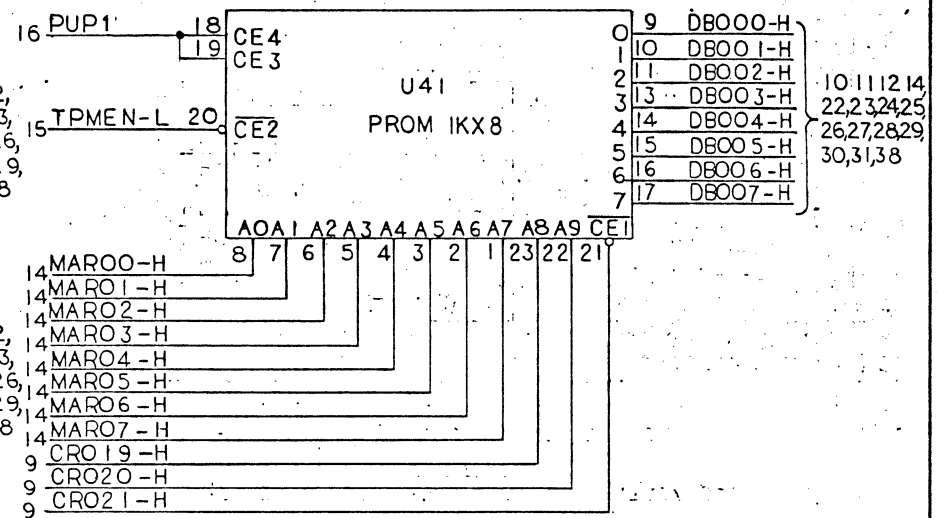
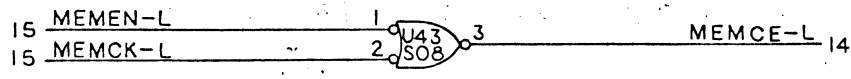
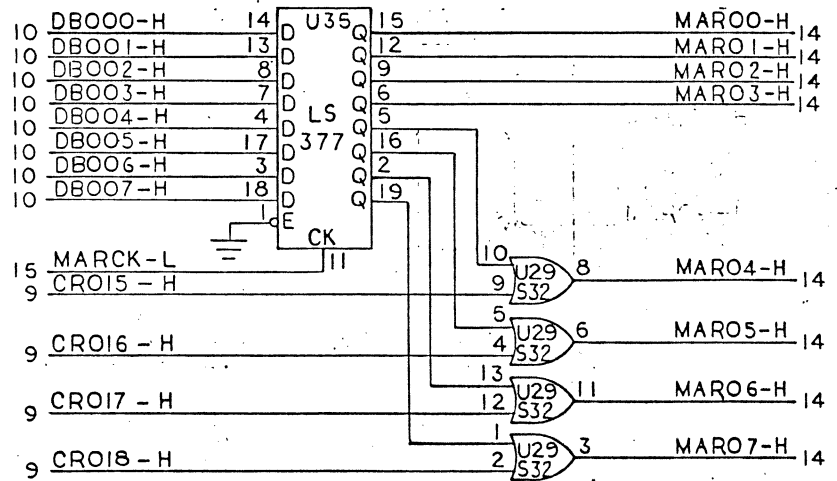


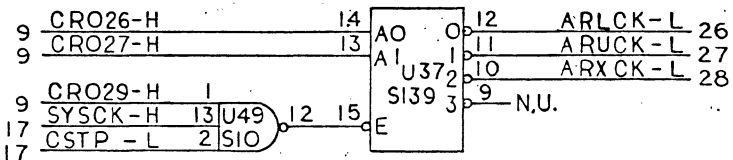
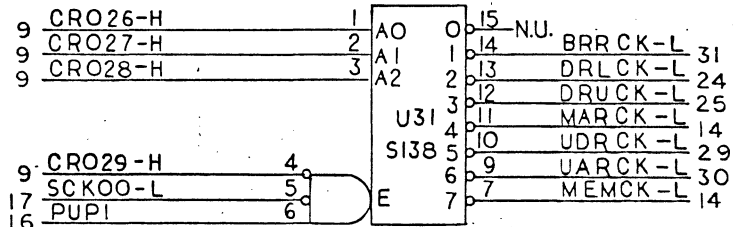
TABLE PROM



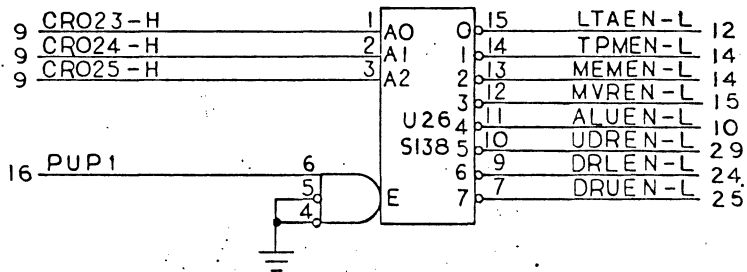
MEMORY ADDRESS REGISTER

SCALE	SIZE	DRAWING NO.
	B	10208003
DO NOT SCALE DRAWING		SHEET 14 OF 40

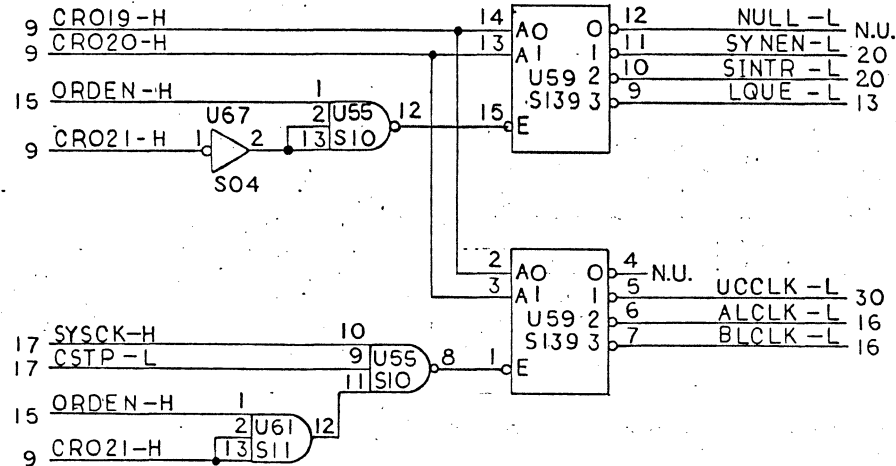
THE INFORMATION CONTAINED HEREIN IS THE PROPERTY OF  
 THE UNITED STATES GOVERNMENT AND IS LOANED TO YOUR AGENCY  
 UNDER CONTRACT NUMBER DA-19-62-ORD-4947. IT IS TO BE  
 REPRODUCED AND TRANSMITTED IN ANY FORM AND BY ANY  
 MEANS, ELECTRONIC OR MECHANICAL, INCLUDING PHOTOCOPYING,  
 RECORDING, OR BY ANY INFORMATION STORAGE AND RETRIEVAL  
 SYSTEM, WITHOUT PERMISSION IN WRITING FROM THE  
 GOVERNMENT. THIS DRAWING IS UNCLASSIFIED DATE 08-14-2013 BY 60322 UCBAW/SJS



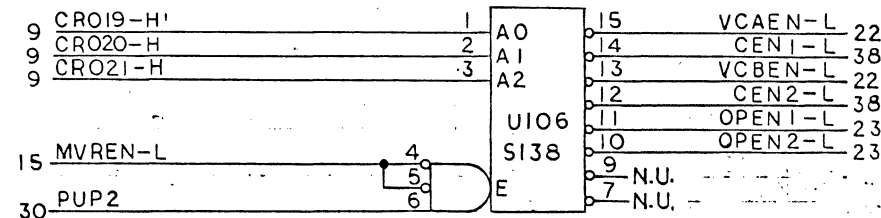
### DESTINATION CLOCKS



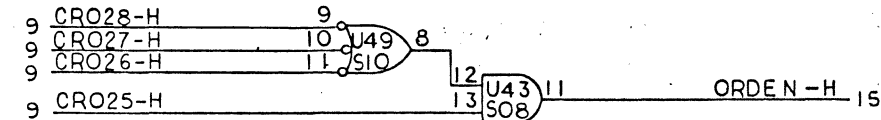
### SOURCE ENABLES



### ORDER DECODE



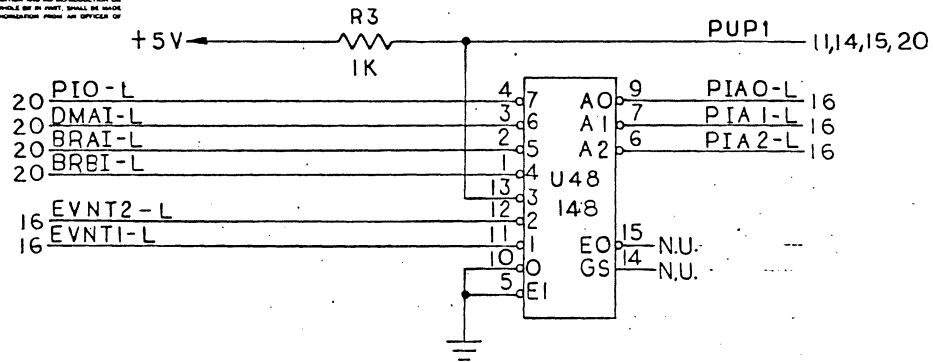
### VECTOR AND CARRIER ENABLES



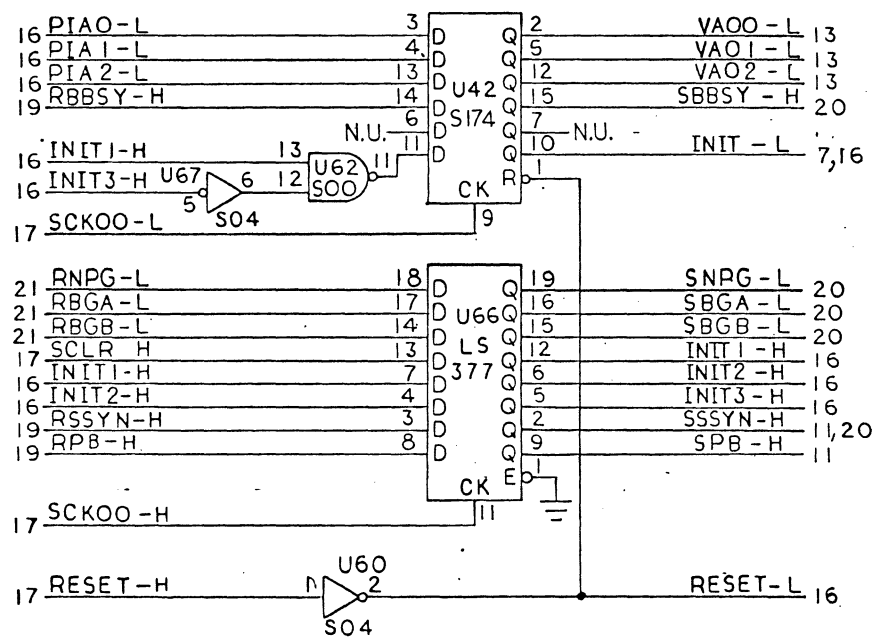
### ORDER ENABLE

SCALE	SIZE	DRAWING NO.
	B	10208003
DO NOT SCALE DRAWING		SHEET 5 OF 40

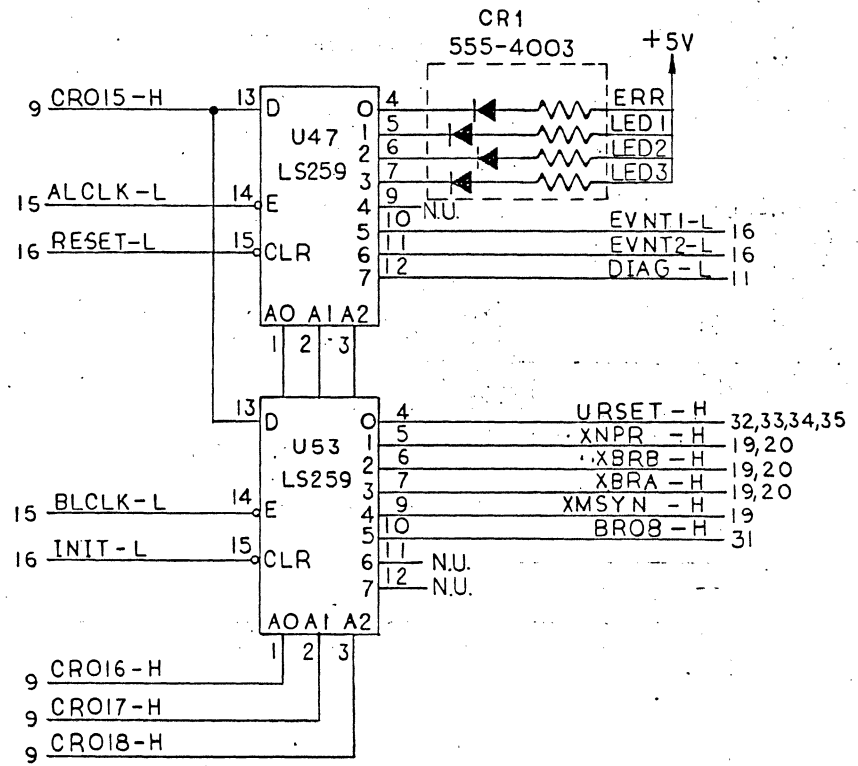
THE INFORMATION CONTAINED HEREIN IS THE PROPERTY OF AND IS OBSERVED, REPRODUCED, OR TRANSMITTED IN ANY FORM OR BY ANY MEANS, ELECTRONIC OR MECHANICAL, INCLUDING PHOTOCOPYING, RECORDING, OR BY ANY INFORMATION STORAGE AND RETRIEVAL SYSTEM, WITHOUT PERMISSION IN WRITING FROM THE AIR FORCE. THIS INFORMATION IS UNCLASSIFIED EXCEPT WHERE SHOWN OTHERWISE. THIS INFORMATION IS UNCLASSIFIED EXCEPT WHERE SHOWN OTHERWISE. THIS INFORMATION IS UNCLASSIFIED EXCEPT WHERE SHOWN OTHERWISE.



EVENT PRIORITY



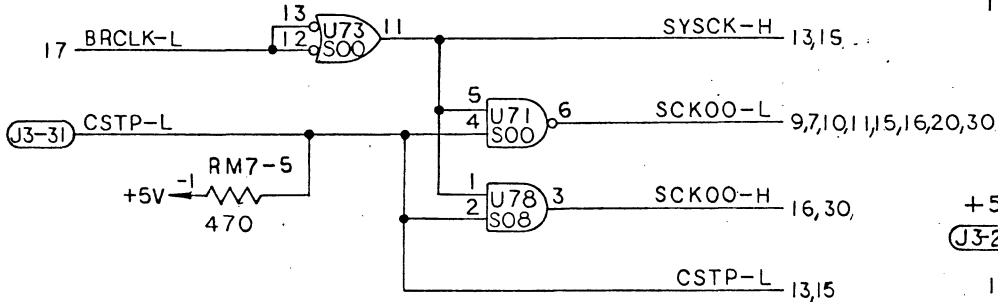
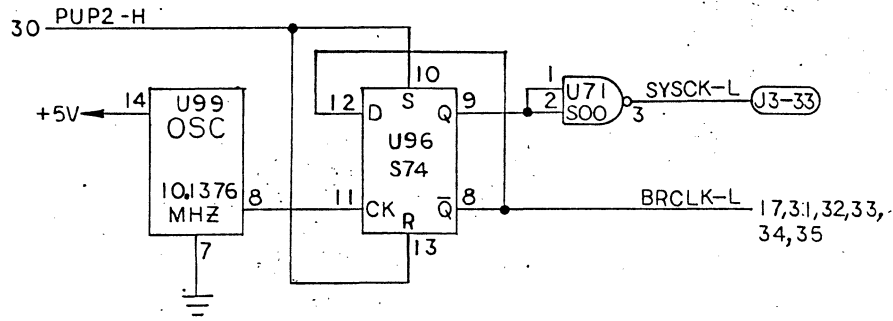
A AND B LATCHES



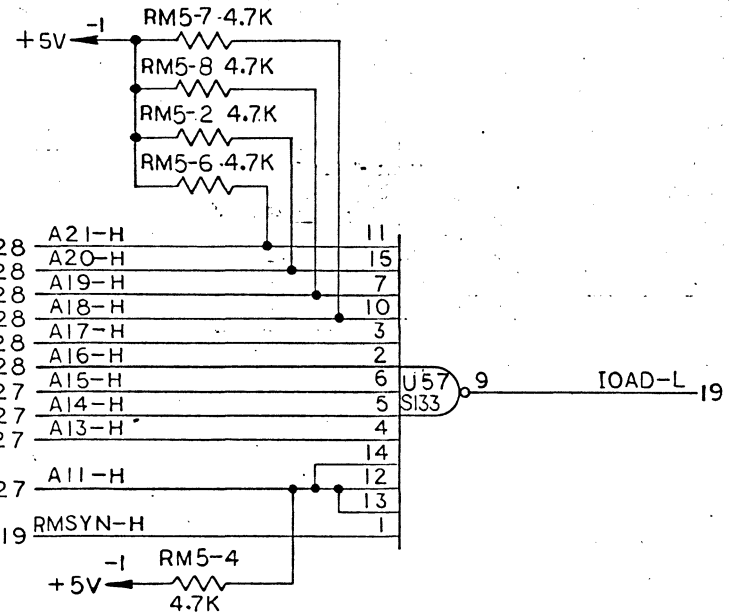
SCALE	SIZE	DRAWING NO.
	<b>B</b>	10208003
DO NOT SCALE DRAWING		SHEET 16 OF 40



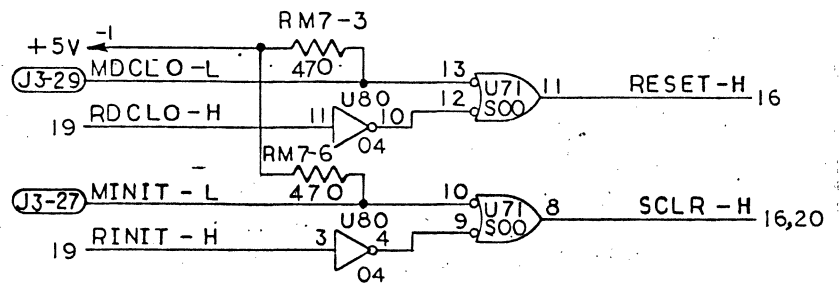
THE INFORMATION CONTAINED HEREIN IS THE PROPERTY OF  
 ARL COMPUTER TECHNOLOGY, INC. TRANSMITTAL, REPRODUCTION,  
 OR RELEASE OF THE INFORMATION HEREIN IS EXPRESSLY  
 FORBIDDEN, UNLESS ANY RIGHTS TO USE, REPRODUCE, OR  
 TRANSMIT IN ANY FORM OR BY ANY MEANS, ELECTRONIC,  
 MECHANICAL, OR BY ANY INFORMATION STORAGE AND RETRIEVAL  
 SYSTEM, IS GRANTED IN WRITING BY THE DIRECTOR OF THE  
 ARMY RESEARCH AND DEVELOPMENT COMMAND, ARDCOM, AT  
 FORT MONTELEONE, TEXAS 78401.



CLOCKS



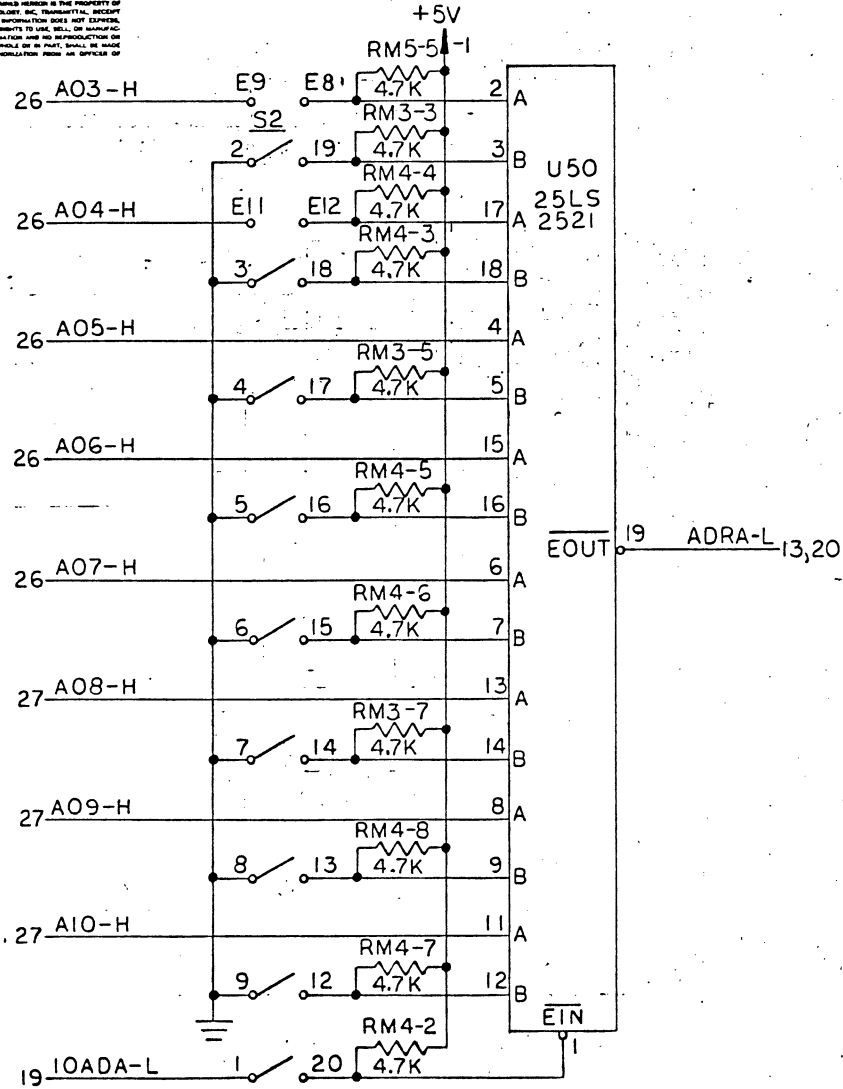
I/O ADDRESS DETECT



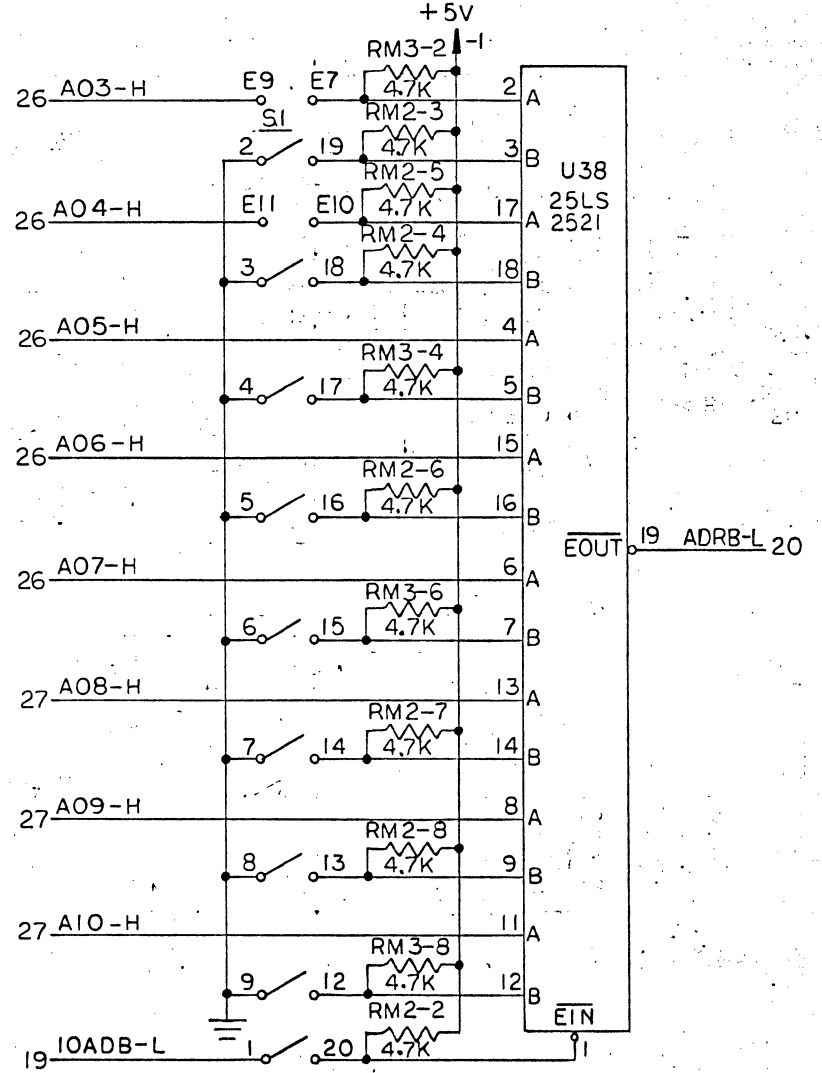
RESET AND SOFT CLEAR

SCALE	SIZE	DRAWING NO.
	<b>B</b>	<b>10208003</b>
DO NOT SCALE DRAWING		SHEET 17 OF 40

THE INFORMATION CONTAINED HEREIN IS THE PROPERTY OF  
 ANALOG COMPUTER TECHNOLOGY, INC. TRANSMITTAL, REPRODUCTION,  
 OR DISSEMINATION OF THIS INFORMATION IS PROHIBITED WITHOUT  
 WRITTEN PERMISSION OF ANALOG COMPUTER TECHNOLOGY, INC.  
 ANY REPRODUCTION OF THIS INFORMATION FOR ANY PURPOSE  
 WITHOUT WRITTEN AUTHORIZATION FROM AN OFFICER OF  
 ANALOG COMPUTER TECHNOLOGY, INC. IS PROHIBITED.



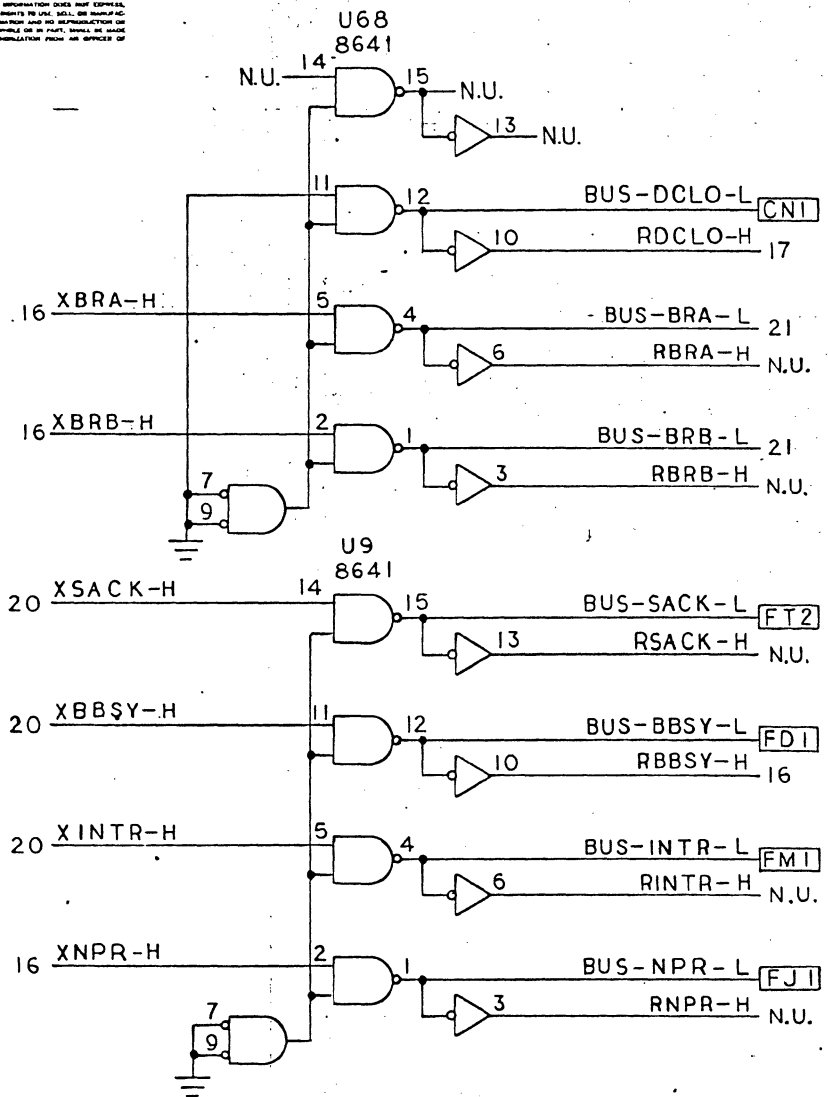
ADDRESS SELECT A



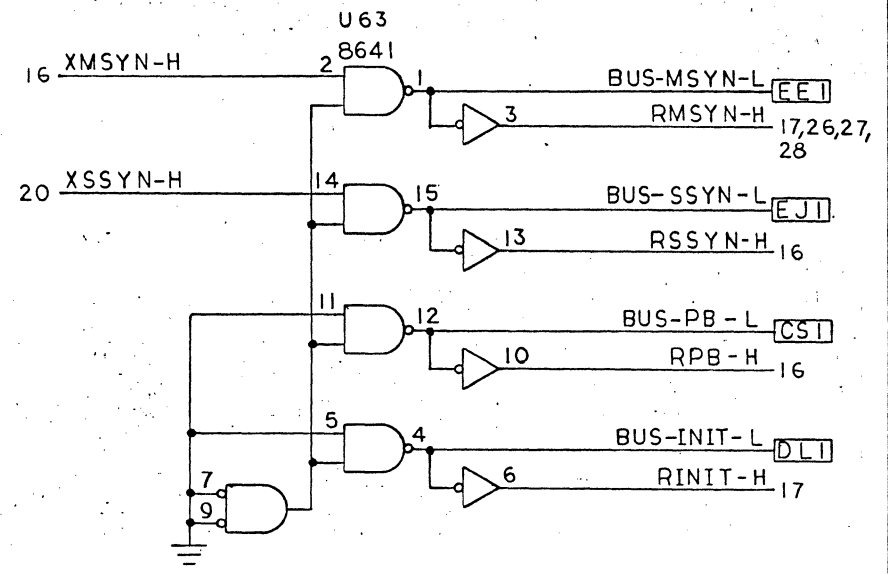
ADDRESS SELECT B

SCALE	SIZE	DRAWING NO.
	<b>B</b>	10208003
DO NOT SCALE DRAWING		SHEET 18 OF 40

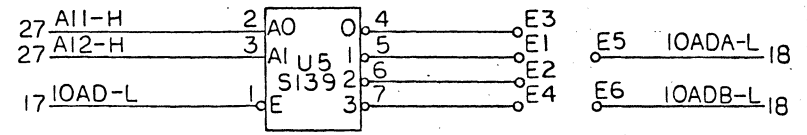
THE INFORMATION CONTAINED HEREIN IS THE PROPERTY OF  
 AND IS CONSIDERED CONFIDENTIAL. IT IS TO BE KEPT  
 IN CONFIDENCE AND IS NOT TO BE DISCLOSED OR  
 REPRODUCED IN ANY MANNER WITHOUT THE WRITTEN  
 PERMISSION OF THE INFORMATION SYSTEMS DIVISION.  
 IT IS THE POLICY OF THE INFORMATION SYSTEMS DIVISION  
 TO MAKE THIS INFORMATION AVAILABLE TO ALL PERSONNEL  
 EMPLOYED BY IT IN WHOLE OR IN PART, IN ACCORDANCE  
 WITH THE POLICY OF THE INFORMATION SYSTEMS DIVISION  
 WITHOUT WRITTEN AUTHORIZATION FROM AN OFFICER OF  
 THE ABOVE BUREAU.



BUS TRANSCEIVERS

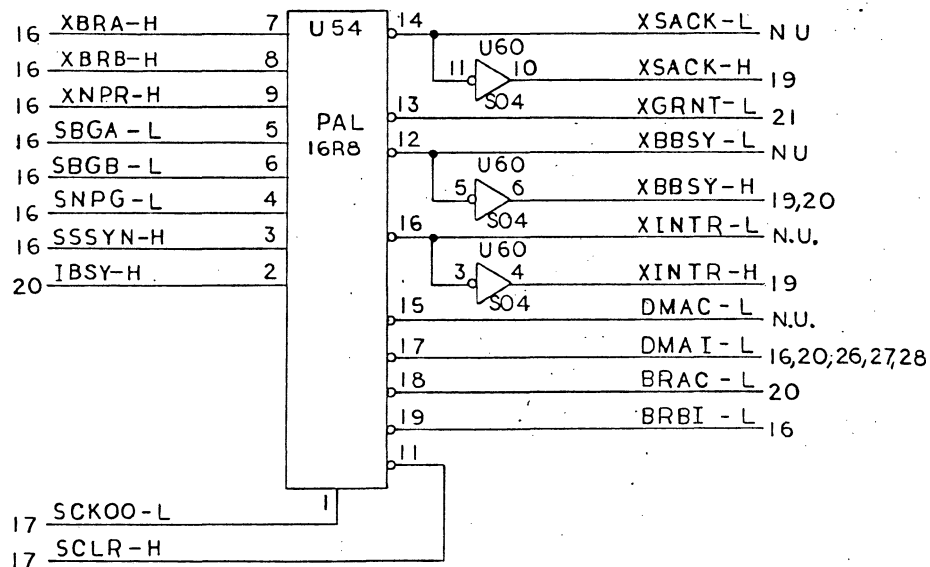


BUS TRANSCEIVERS

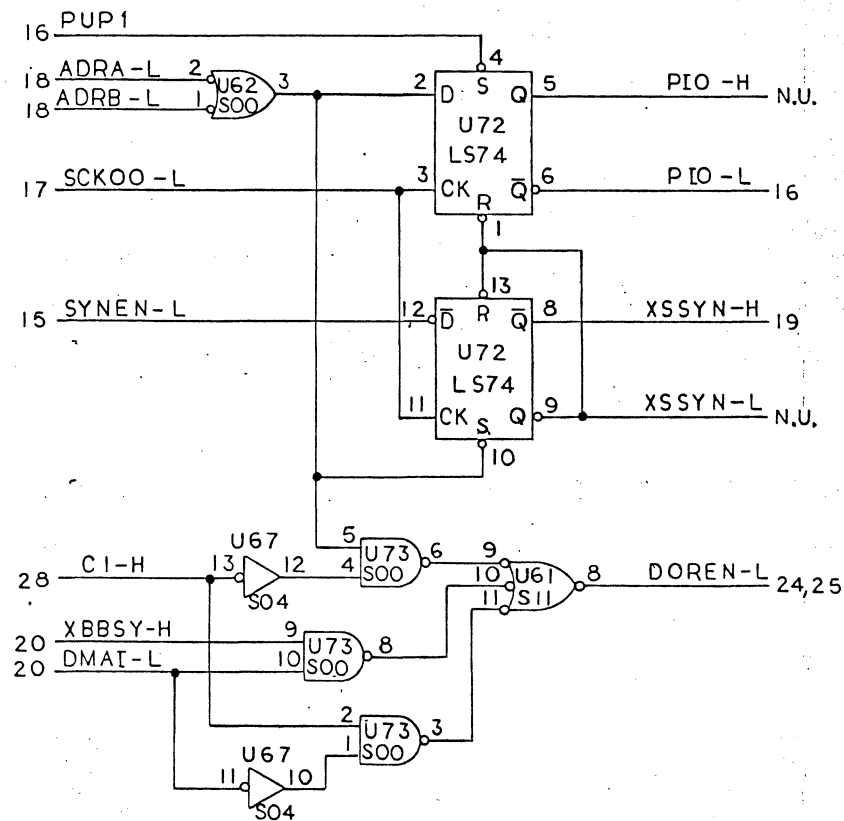
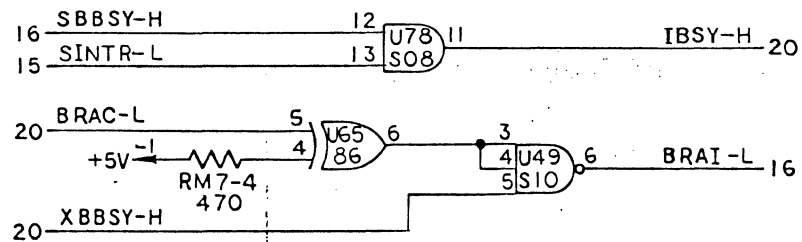


SCALE	SIZE	DRAWING NO.
	<b>B</b>	10208003
DO NOT SCALE DRAWING		SHEET 19 OF 40

THE INFORMATION CONTAINED HEREIN IS THE PROPERTY OF  
 AND COMPANY, INC. TRADEMARKS, SERVICE  
 OR REGISTRATION OF THE UNITED STATES PATENT AND OFFICE.  
 VLSI, OR ANY OF ITS AFFILIATES, SHALL BE HELD AS  
 CONFIDENTIAL. THIS DRAWING IS UNCLASSIFIED AND IS  
 PUBLICATION OF IT, IN WHOLE OR IN PART, SHALL BE MADE  
 WITHOUT WRITTEN AUTHORIZATION FROM AN OFFICER OF  
 THE ARMY.



BUS CONTROLLER



BUS CONTROL

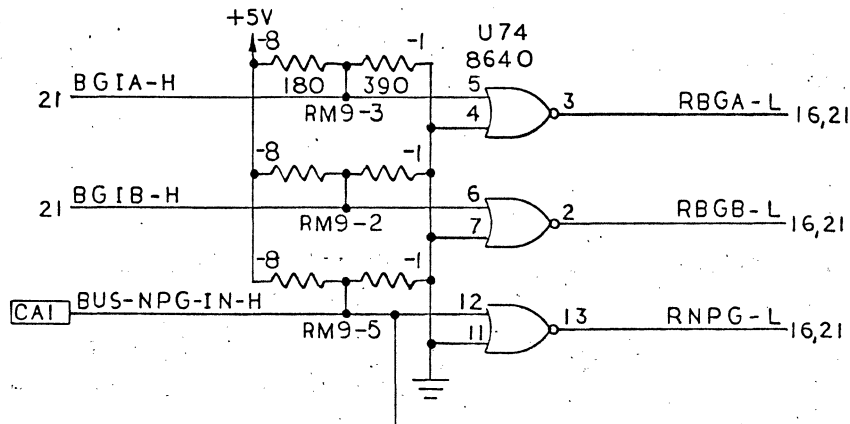
SCALE	SIZE	DRAWING NO.
	<b>B</b>	10208003
DO NOT SCALE DRAWING		SHEET 2 OF 40

THE INFORMATION CONTAINED HEREIN IS THE PROPERTY OF ARRL COMPUTER TECHNOLOGY, INC. TRANSMITTAL, REPLY OR PUBLICATION OF THE INFORMATION HEREIN WITHOUT EXPRESS WRITTEN PERMISSION OF ARRL COMPUTER TECHNOLOGY, INC. IS PROHIBITED. NO PART OF THIS DOCUMENT IS TO BE REPRODUCED OR TRANSMITTED IN ANY FORM OR BY ANY MEANS, ELECTRONIC OR MECHANICAL, INCLUDING PHOTOCOPYING, RECORDING, OR BY ANY INFORMATION STORAGE AND RETRIEVAL SYSTEM. PERMISSION TO REPRODUCE THIS DOCUMENT IN ANY FORM OR BY ANY MEANS, ELECTRONIC OR MECHANICAL, INCLUDING PHOTOCOPYING, RECORDING, OR BY ANY INFORMATION STORAGE AND RETRIEVAL SYSTEM, SHALL BE MADE WITHOUT WRITTEN AUTHORIZATION FROM AN OFFICE OF THE ARRL.

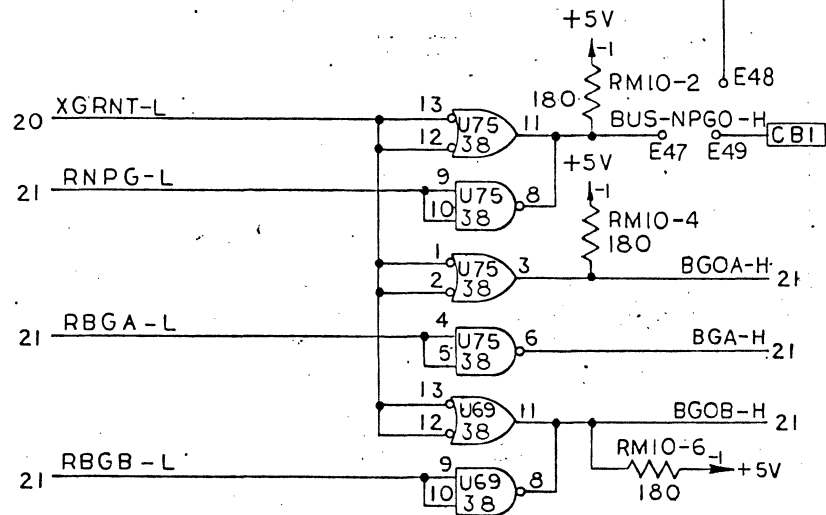
21	BGOA -H	30
21	BGOB -H	13
21	BGA -H	17
DS2	BUS-BG4-IN-H	16
DP2	BG5-IN-H	20
DM2	BG6-IN-H	21
DK2	BG7-IN-H	23
19	BRB-L	25
19	BUS-BRA-L	27

15	BGIB -H	21
19	BGIA -H	21
14	BUS-BG4-OUT-H	DT2
18	BG5-OUT-H	DR2
22	BG6-OUT-H	DN2
24	BUS-BG7-OUT-H	DL2
26	BUS-BR4-L	DH2
28	BUS-BR5-L	DF2
29	BUS-BR6-L	DE2

### INTERRUPT LEVEL SELECTION



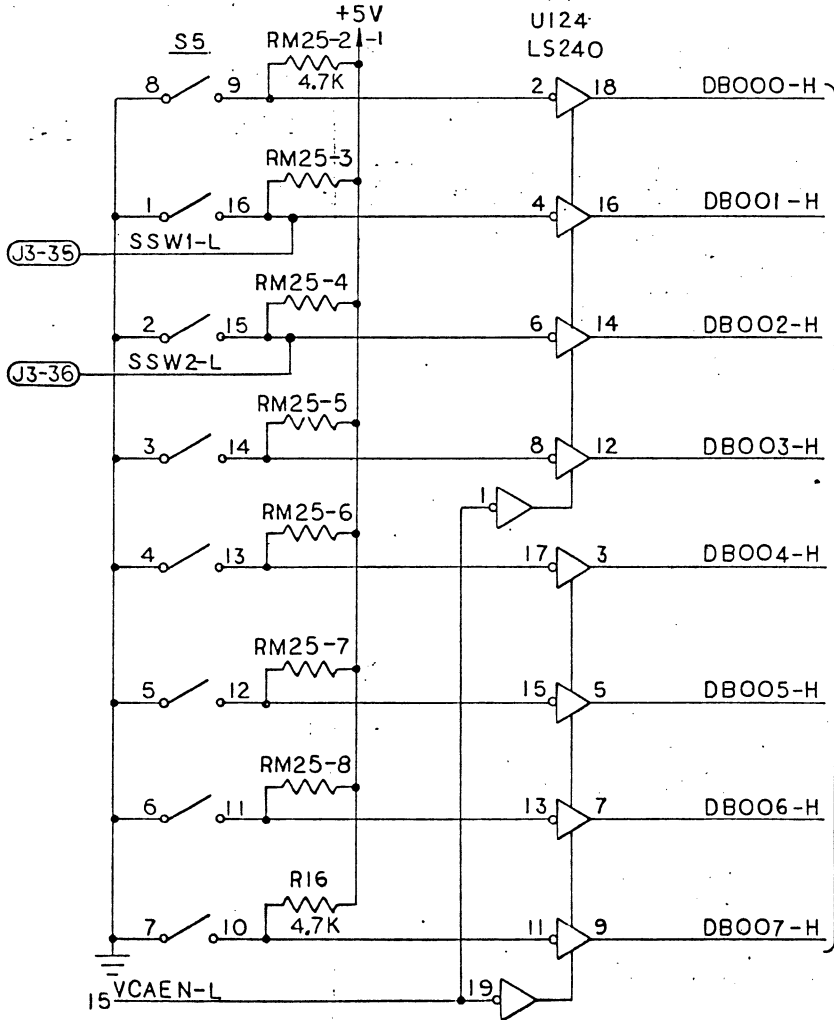
### GRANT BUS RECEIVERS



### GRANT BUS DRIVERS

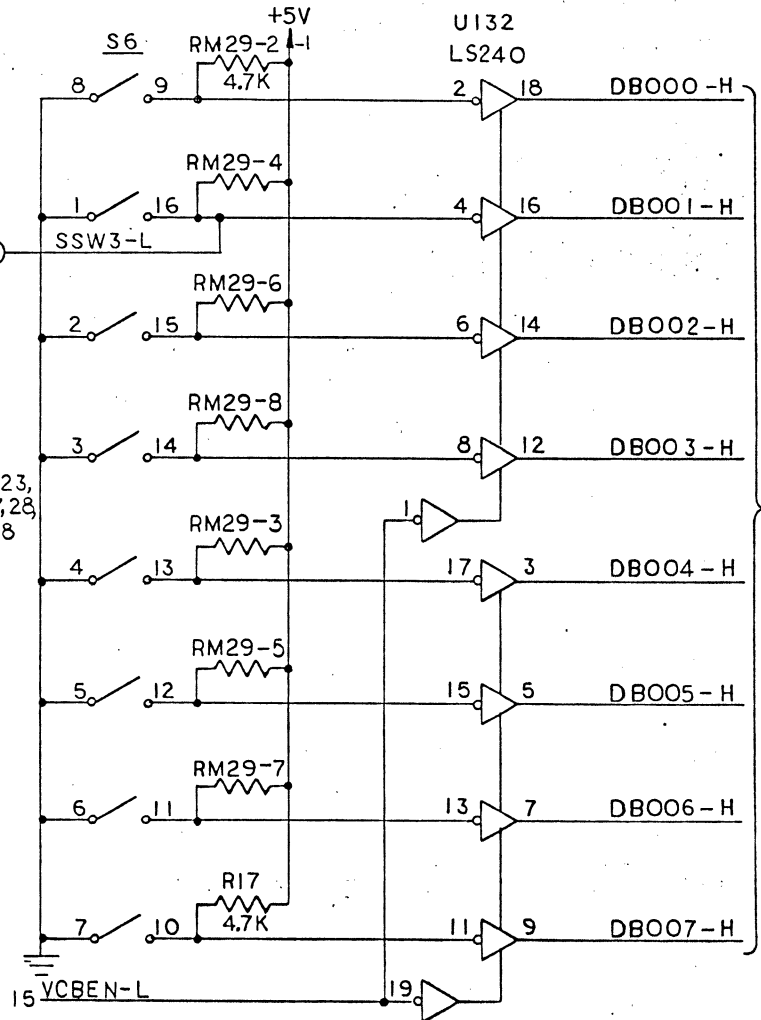
SCALE	SIZE	DRAWING NO.
	B	10208003
DO NOT SCALE DRAWING		SHEET 21 OF 40

THE INFORMATION CONTAINED HEREIN IS THE PROPERTY OF  
 ANALOGIC CORPORATION. IT IS TRANSMITTED, RECEIVED,  
 OR ASSIGNED TO THE APPLICANT UNDER THE PROVISIONS OF  
 PATENT LAW. IT IS HEREBY GRANTED TO THE APPLICANT  
 FOR THE TERM OF THIS PATENT AND NO REPRODUCTION OR  
 PUBLICATION OF IT, IN WHOLE OR IN PART, SHALL BE MADE  
 WITHOUT WRITTEN AUTHORIZATION FROM AN OFFICER OF  
 THE ABOVE FIRM.



VECTOR A

10,11,12,14,23,  
24,25,26,27,28,  
29,30,31,38

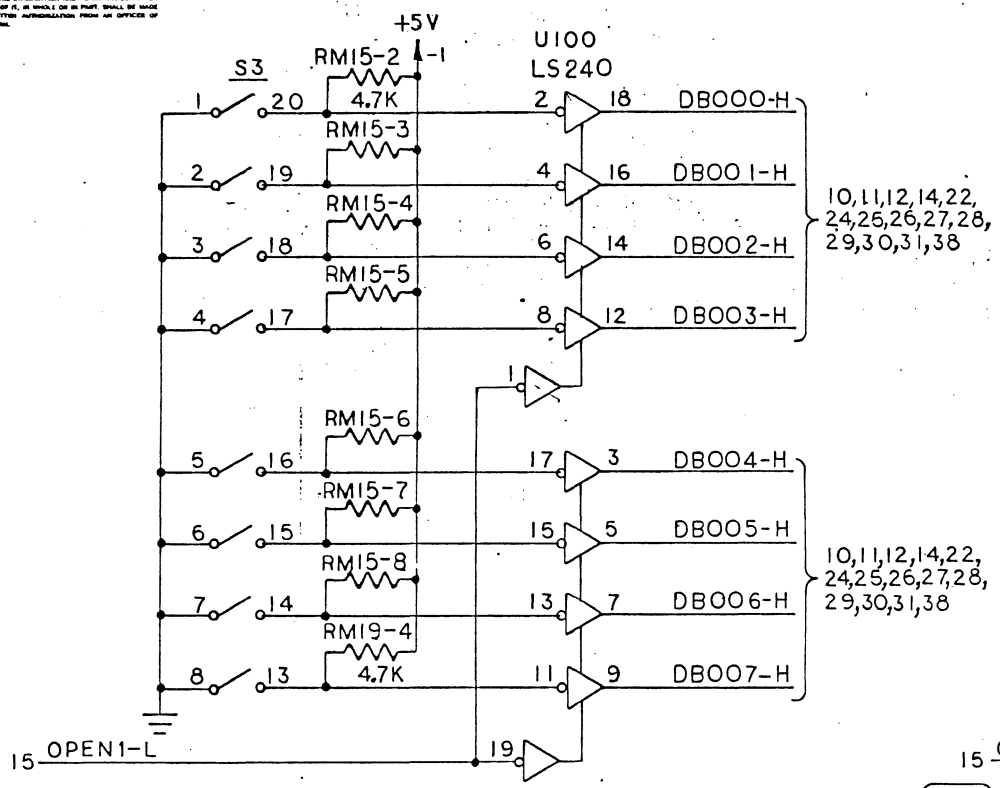


VECTOR B

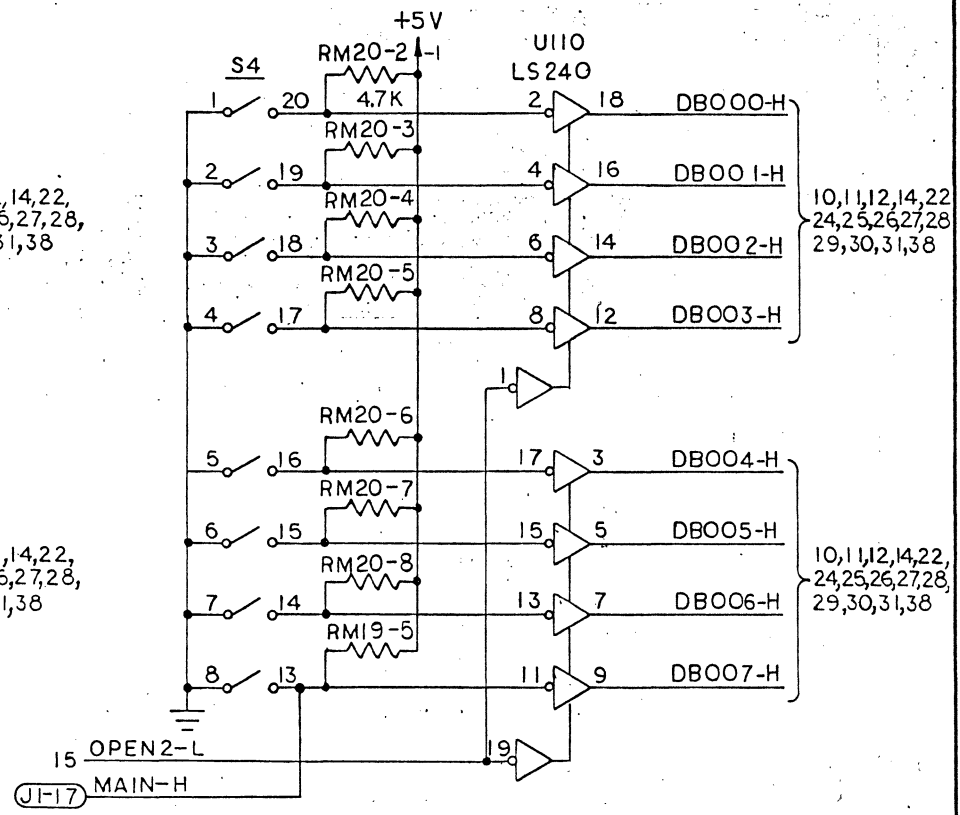
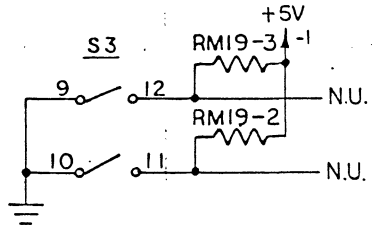
10,11,12,14,23,  
24,25,26,27,28,  
29,30,31,38

SCALE	SIZE	DRAWING NO.
	B	10208003
DO NOT SCALE DRAWING		SHEET 22 OF 40

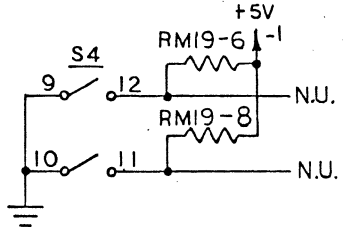
THE INFORMATION CONTAINED HEREIN IS THE PROPERTY OF  
 AEC COMPUTERS TECHNOLOGY INC. TRANSMITTAL, RECEIPT  
 OR POSSESSION OF THE INFORMATION DOES NOT CONSTITUTE  
 LICENSE OR ANY RIGHTS TO USE, REPRODUCE OR MANUFACTURE  
 THEREFROM. THIS INFORMATION AND THE REPRODUCTION OF  
 THIS INFORMATION IN WHOLE OR IN PART SHALL BE MADE  
 WITHOUT WRITTEN AUTHORIZATION FROM AN OFFICE OF  
 THE ABOVE FIRM.



OPTION SWITCHES GROUP 1

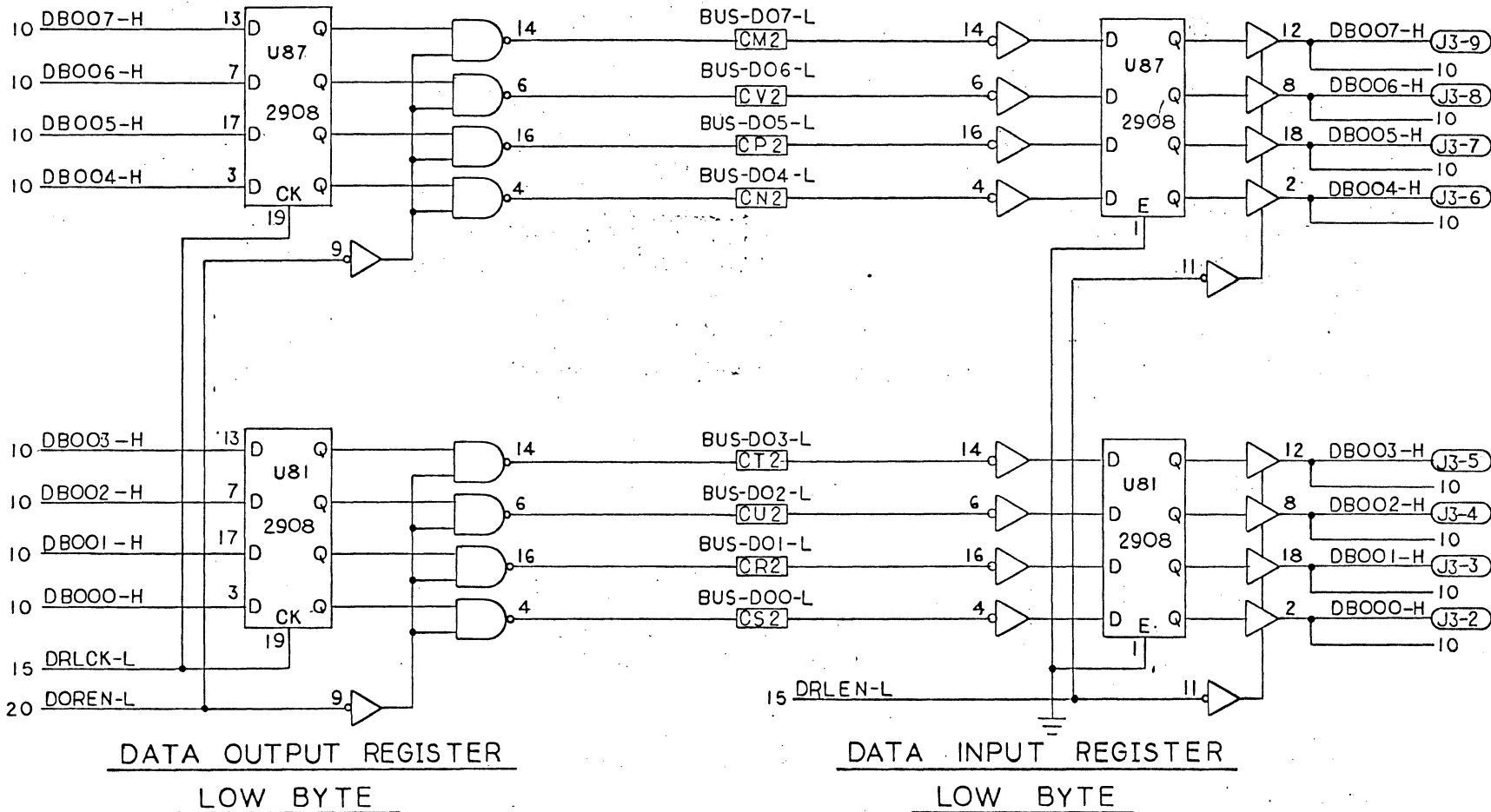


OPTION SWITCHES - GROUP 2



SCALE	SIZE	DRAWING NO.
	B	10208003
DO NOT SCALE DRAWING		SHEET 23 OF 40

THE INFORMATION CONTAINED HEREIN IS THE PROPERTY OF  
 IBM CORPORATION. IT IS LOANED TO YOUR ORGANIZATION ON THE CONDITION THAT IT IS NOT TO BE  
 REPRODUCED OR TRANSMITTED IN ANY FORM OR BY ANY MEANS, ELECTRONIC OR MECHANICAL,  
 INCLUDING PHOTOCOPYING, RECORDING, OR BY ANY INFORMATION STORAGE AND RETRIEVAL SYSTEM,  
 WITHOUT THE WRITTEN AUTHORIZATION OF THE ABOVE PARTY.



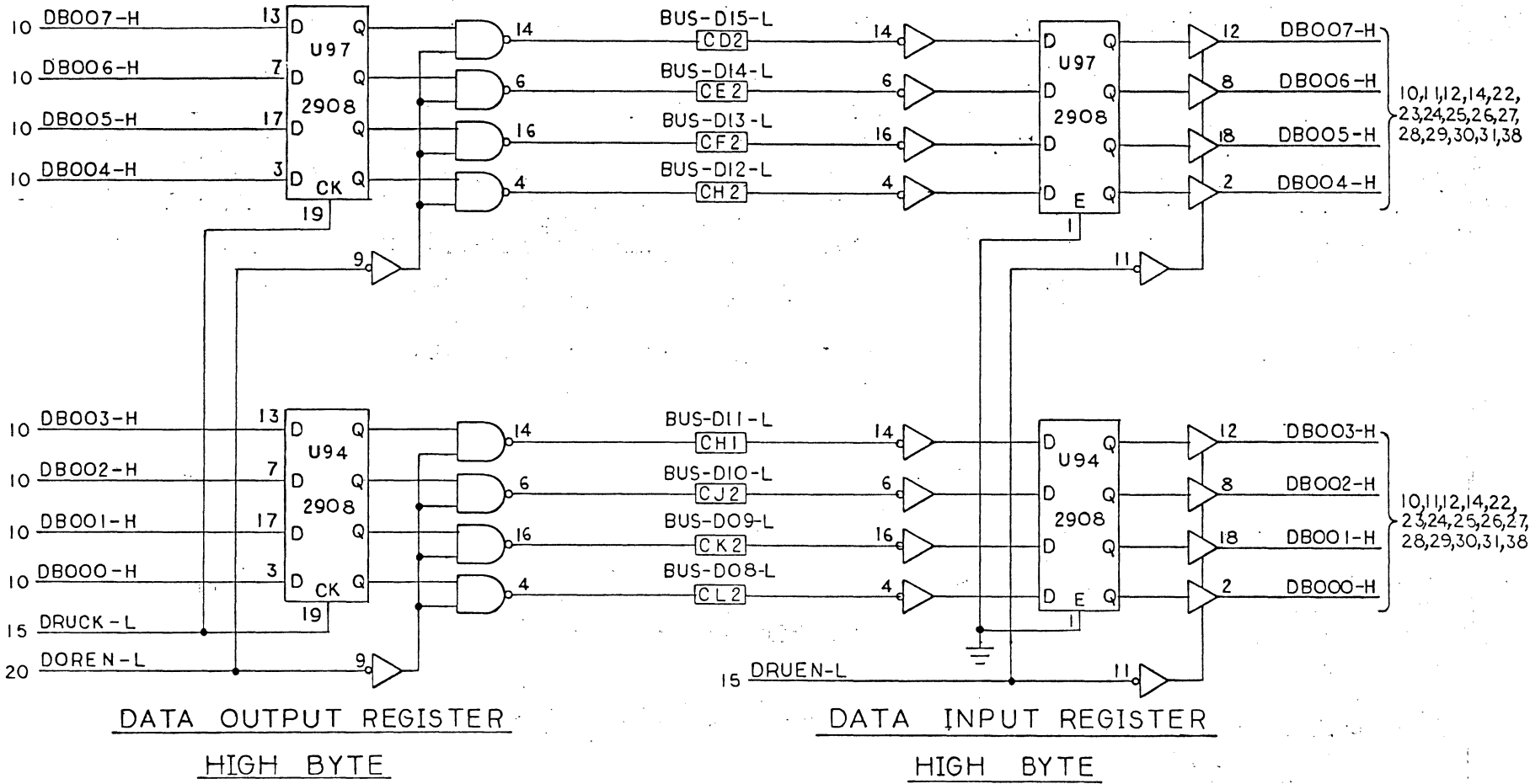
DATA OUTPUT REGISTER  
LOW BYTE

DATA INPUT REGISTER  
LOW BYTE

SCALE	SIZE	DRAWING NO.
	B	10208003
DO NOT SCALE DRAWING		SHEET 24 OF 40



THE INFORMATION CONTAINED HEREIN IS THE PROPERTY OF  
 ANE CORPORATION, FORT MONMOUTH, NEW JERSEY. RECEIPT  
 OR POSSESSION OF THIS INFORMATION DOES NOT CONSTITUTE  
 A WARRANTY, OR ANY OTHER RIGHTS TO USE, REPRODUCE, OR  
 TRANSMIT IN ANY MANNER, OR TO DISCLOSE OR REPRODUCE  
 THEREFROM, WITHOUT THE WRITTEN AUTHORIZATION FROM ANE  
 CORPORATION.

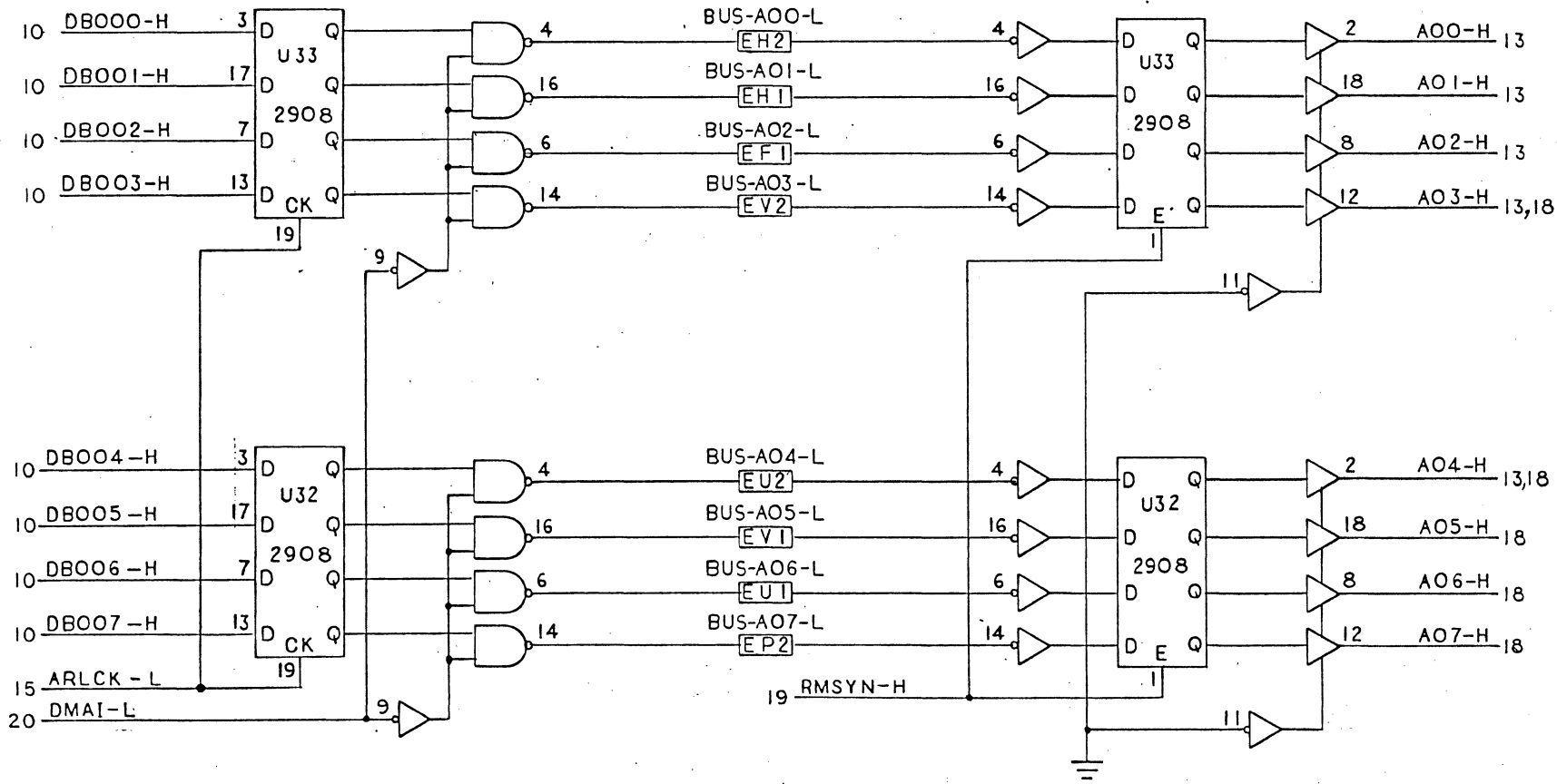


DATA OUTPUT REGISTER  
HIGH BYTE

DATA INPUT REGISTER  
HIGH BYTE

SCALE	SIZE	DRAWING NO.
	<b>B</b>	<b>10208003</b>
DO NOT SCALE DRAWING		SHEET 25 OF 40

THE INFORMATION CONTAINED HEREIN IS THE PROPERTY OF  
 IBM CORPORATION, THOMSON DATA INC. THE INFORMATION IS LOANED TO YOU BY THE INFORMATION SYSTEMS CENTER,  
 JEROME, ON A NON-RENTAL BASIS TO USE, REPRODUCE OR TRANSMIT IN ANY MANNER OR BY ANY MEANS, OR TO MAKE  
 PUBLIC IN ANY MANNER, OR TO REPRODUCE OR TRANSMIT IN ANY MANNER, OR TO REPRODUCE OR TRANSMIT IN ANY MANNER,  
 WITHOUT WRITTEN AUTHORIZATION FROM AN OFFICE OF  
 THE ABOVE FIRM.



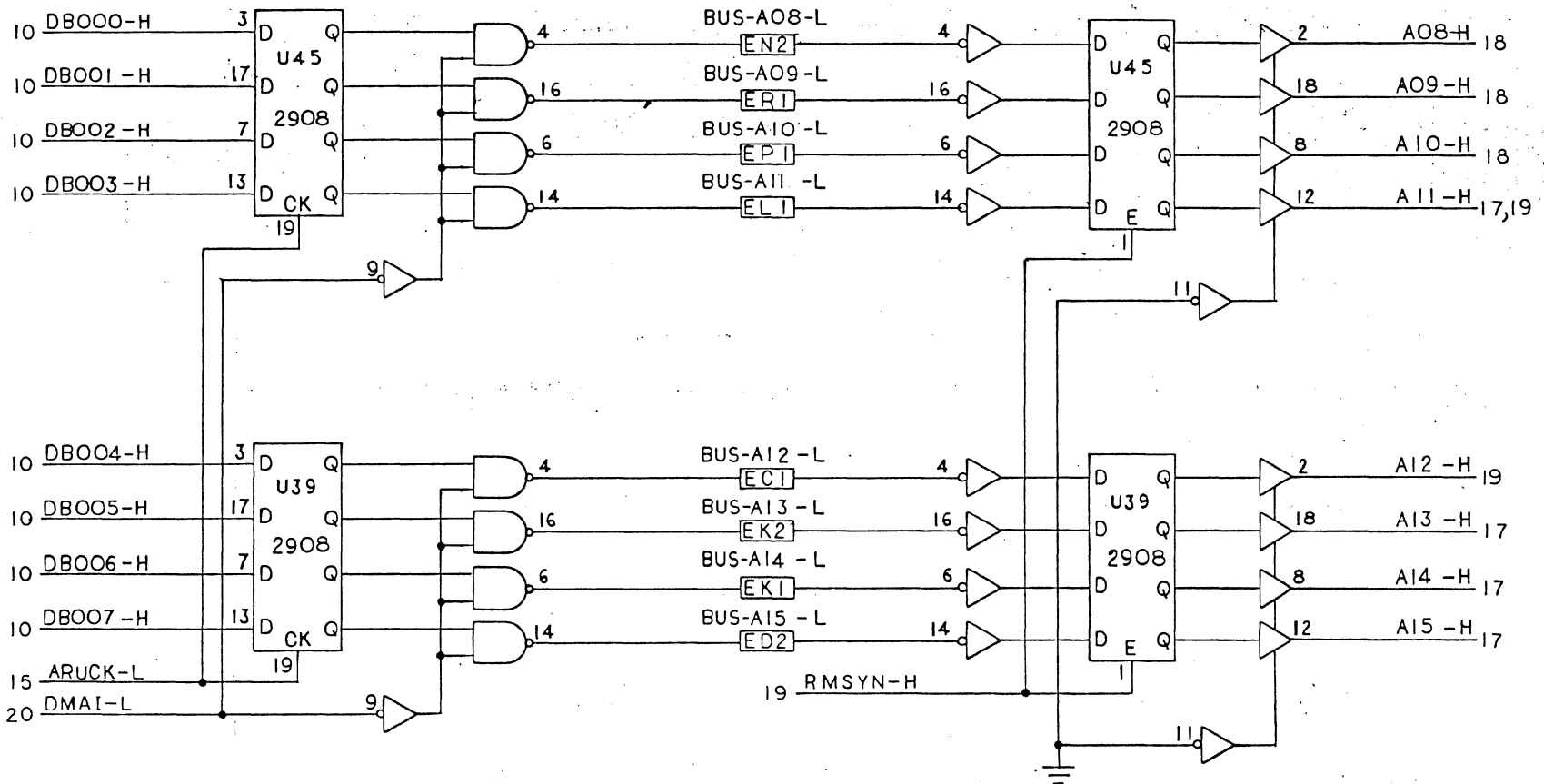
ADDRESS OUTPUT REGISTER

ADDRESS INPUT LATCH

SCALE	SIZE	DRAWING NO.
	B	10208003

DO NOT SCALE DRAWING SHEET 26 OF 40

THE INFORMATION CONTAINED HEREIN IS THE PROPERTY OF  
 IBM CORPORATION. IT IS TO BE KEPT UNCLASSIFIED, UNLESS  
 OTHERWISE INDICATED. NO PART OF THIS DOCUMENT IS TO BE  
 REPRODUCED OR TRANSMITTED IN ANY FORM OR BY ANY  
 MEANS, ELECTRONIC OR MECHANICAL, INCLUDING PHOTOCOPYING,  
 RECORDING, OR BY ANY INFORMATION STORAGE AND RETRIEVAL  
 SYSTEM, WITHOUT PERMISSION IN WRITING FROM THE  
 INTERNATIONAL BUSINESS MACHINES CORPORATION.



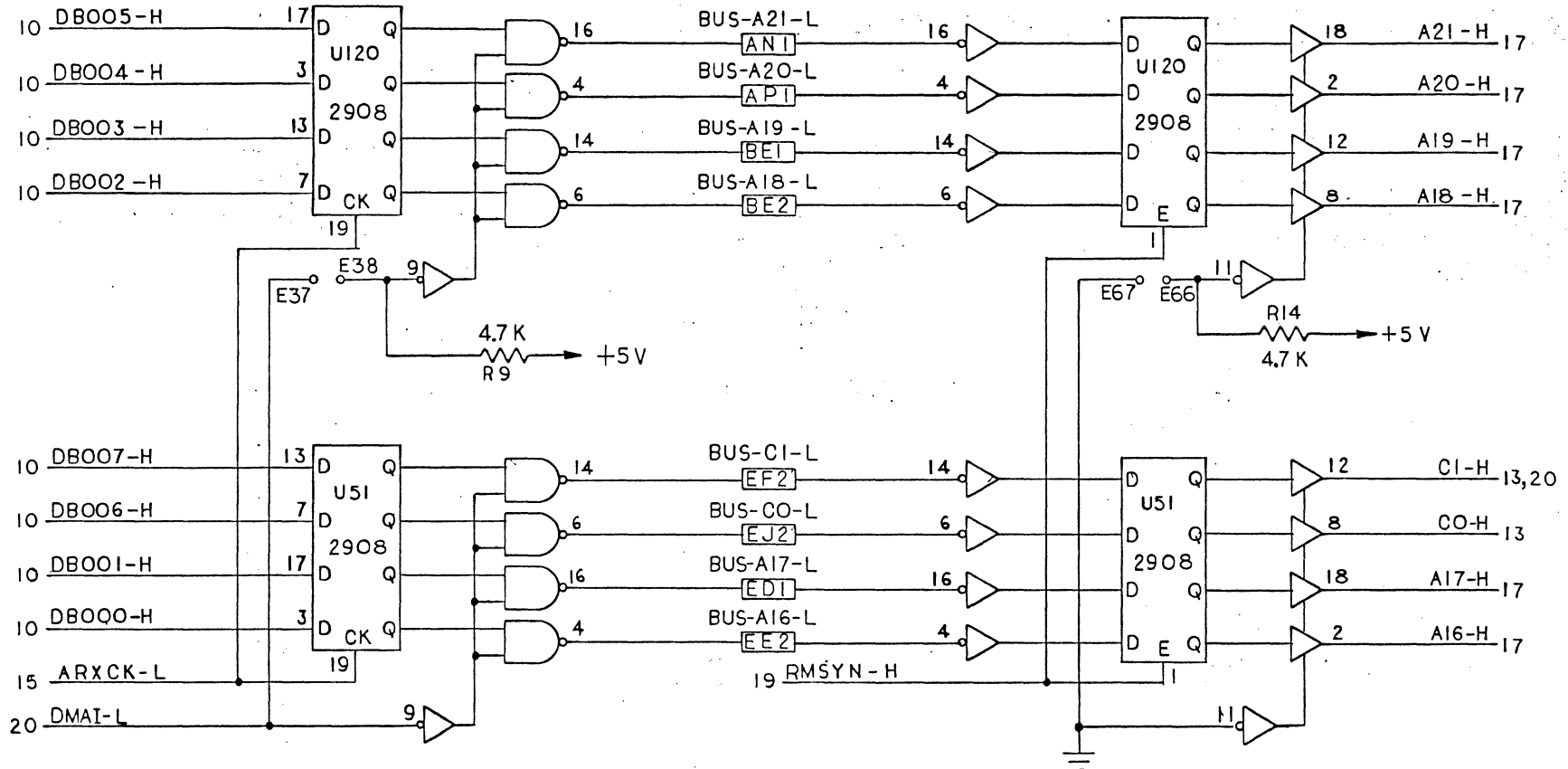
ADDRESS OUTPUT REGISTER

ADDRESS INPUT LATCH

SCALE	SIZE	DRAWING NO.
	B	10208003

DO NOT SCALE DRAWING SHEET 27 OF 40

THE INFORMATION CONTAINED HEREIN IS THE PROPERTY OF  
 IBM CORPORATION. IT IS LOANED TO YOU BY THE  
 LIBRARY. IT IS NOT TO BE REPRODUCED, COPIED,  
 TRANSMITTED, OR IN ANY MANNER DISCLOSED  
 TO THE PUBLIC, IN WHOLE OR IN PART, WITHOUT  
 WRITTEN AUTHORIZATION FROM AN OFFICER OF  
 THE ABOVE FIRM.

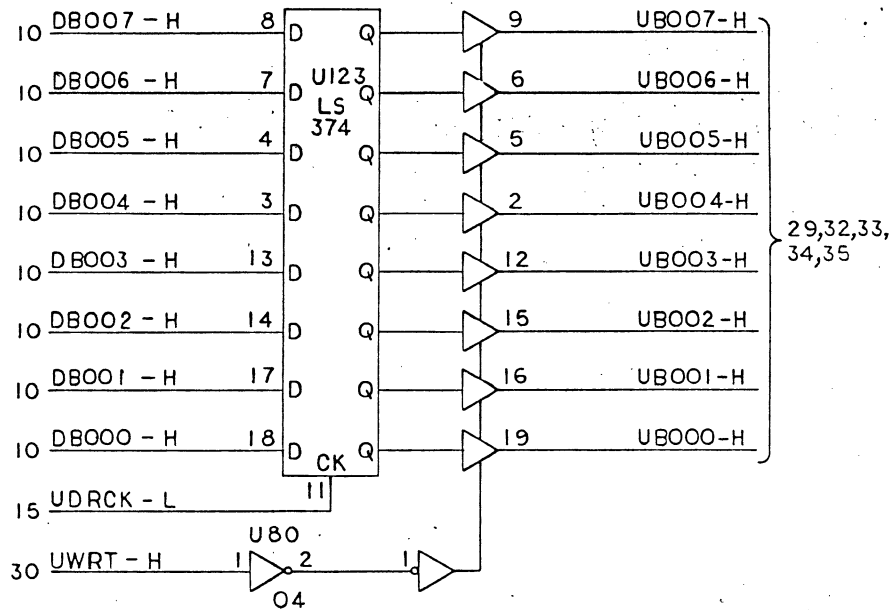


ADDRESS OUTPUT REGISTER

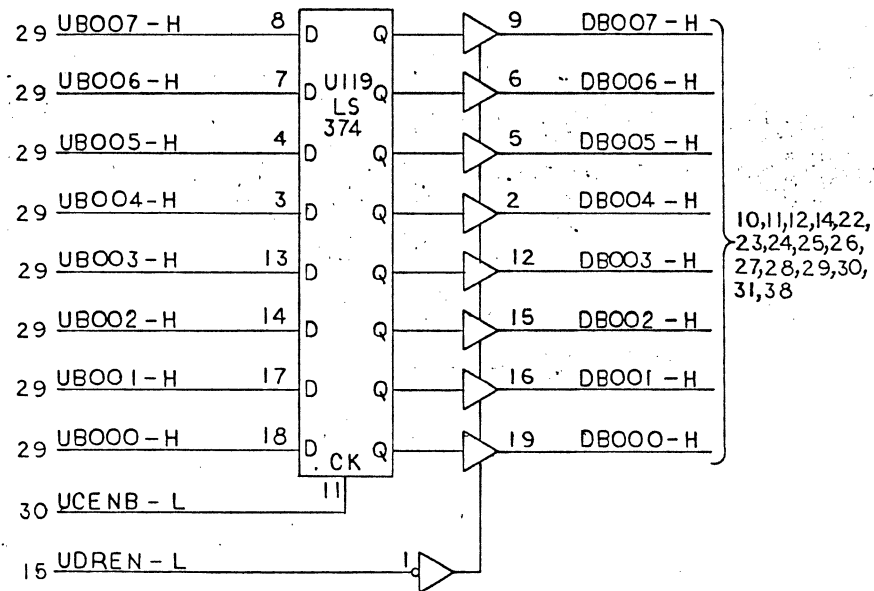
ADDRESS INPUT LATCH

SCALE	SIZE	DRAWING NO.
	B	10208003
DO NOT SCALE DRAWING		SHEET 28 OF 40

THE INFORMATION CONTAINED HEREIN IS THE PROPERTY OF  
 AN&S COMPUTER TECHNOLOGY, INC. TRANSMITTAL, RECEIPT,  
 OR POSSESSION OF THE INFORMATION DOES NOT CONSTITUTE  
 LICENSE OR ANY OTHER RIGHTS TO USE, REPRODUCE OR TRANSMIT  
 THEREFROM IN ANY MANNER OR BY ANY MEANS, WITHOUT WRITTEN  
 AUTHORIZATION FROM AN OFFICE OF  
 THE ABOVE FIRM.



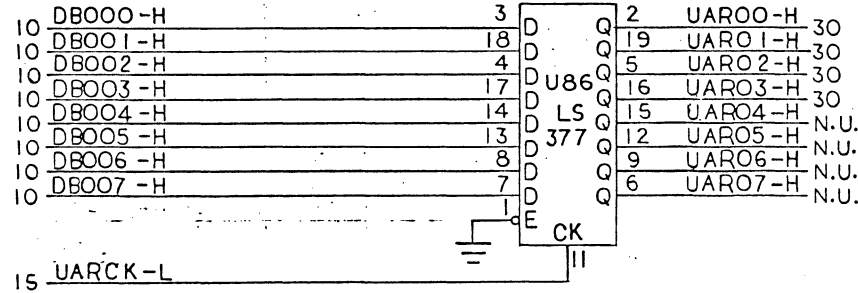
UART OUTPUT DATA REGISTER



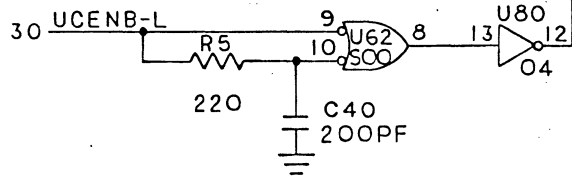
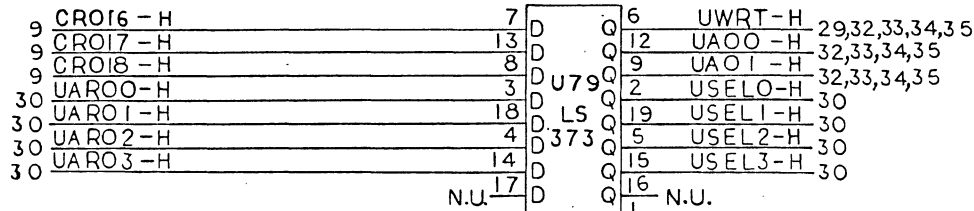
UART INPUT DATA REGISTER

SCALE	SIZE	DRAWING NO.
	<b>B</b>	10208003
DO NOT SCALE DRAWING		SHEET 29CF 40

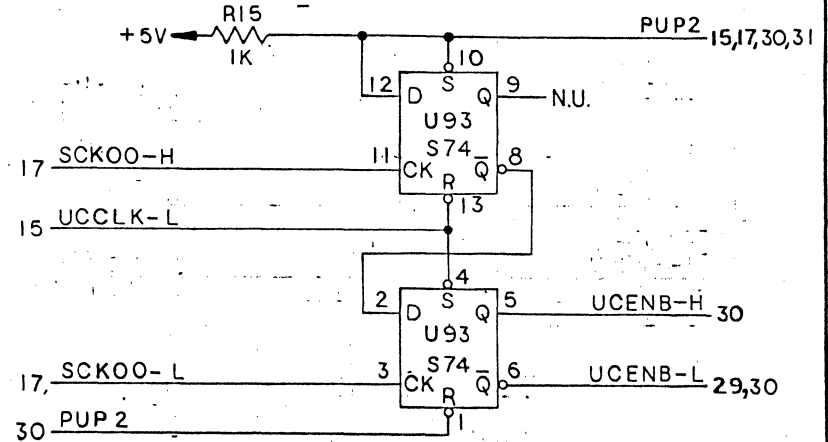
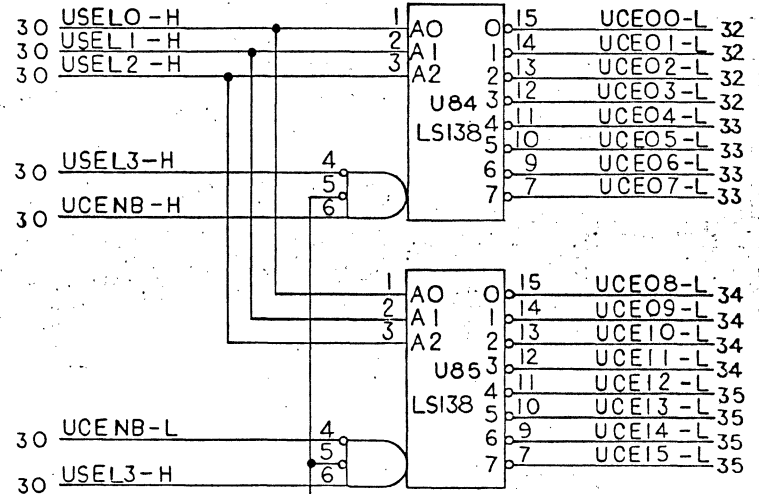
THE INFORMATION CONTAINED HEREIN IS THE PROPERTY OF  
 ANALOG COMPUTER TECHNOLOGY, INC. TRANSMITTAL, REPRODUCTION,  
 OR DISSEMINATION OF THE INFORMATION DOES NOT EXPRESS  
 WARRANTIES, OR ANY RIGHTS TO USE, SELL, OR MANUFACTURE  
 THEREFROM. THE INFORMATION IS NOT TO BE REPRODUCED OR  
 PUBLISHED IN ANY MANNER, IN WHOLE OR IN PART, WITHOUT THE  
 WRITTEN AUTHORIZATION FROM AN OFFICER OF  
 THE ABOVE FIRM.



UART ADDRESS REGISTER



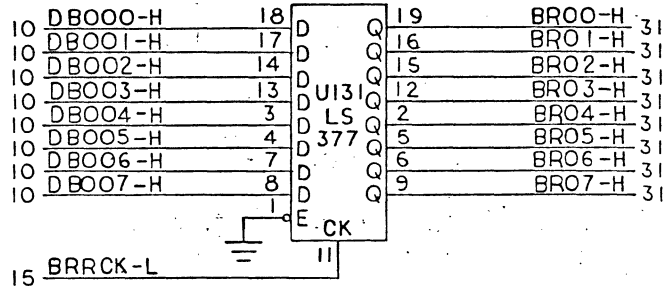
UART COMMAND DECODE



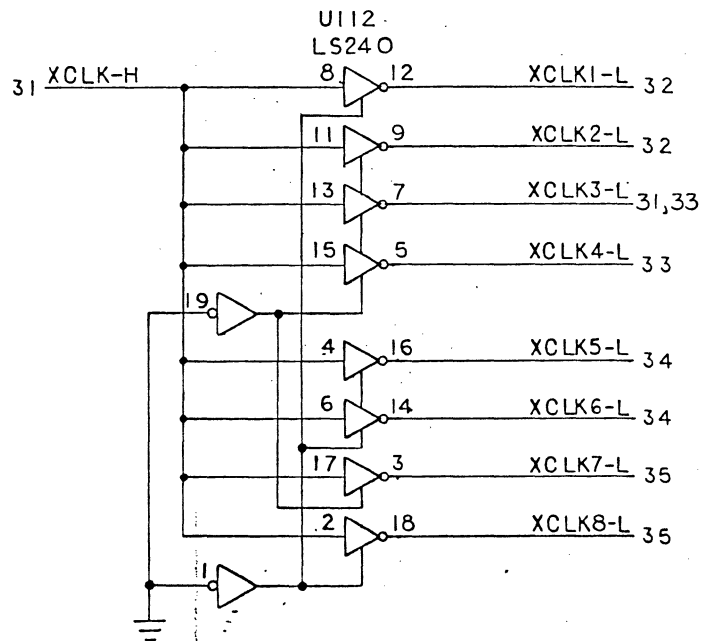
UART CHIP ENABLES

SCALE	SIZE	DRAWING NO.
	<b>B</b>	10208003
DO NOT SCALE DRAWING		SHEET 30 OF 40

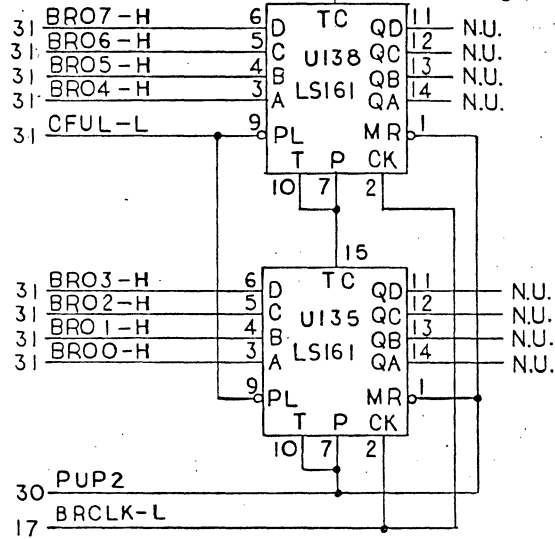
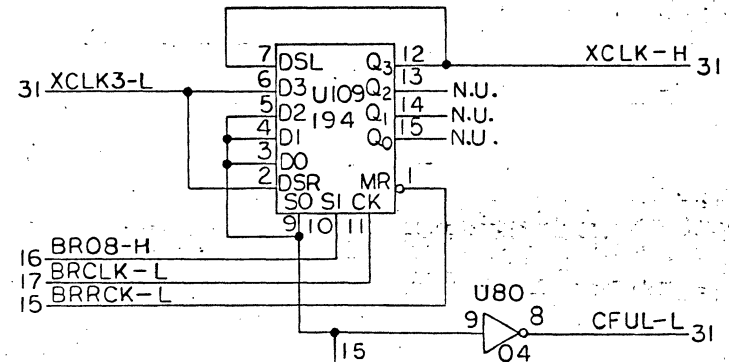
THE INFORMATION CONTAINED HEREIN IS THE PROPERTY OF  
 IBM CORPORATION. IT IS LOANED TO YOU BY THE  
 LICENSEE OF THE INFORMATION AND IS NOT TO BE  
 REPRODUCED OR TRANSMITTED IN ANY FORM OR BY  
 ANY MEANS, ELECTRONIC OR MECHANICAL, INCLUDING  
 PHOTOCOPYING, RECORDING, OR BY ANY INFORMATION  
 STORAGE AND RETRIEVAL SYSTEM, WITHOUT THE  
 WRITTEN PERMISSION OF IBM CORPORATION.



EXT. BAUD RATE REGISTER



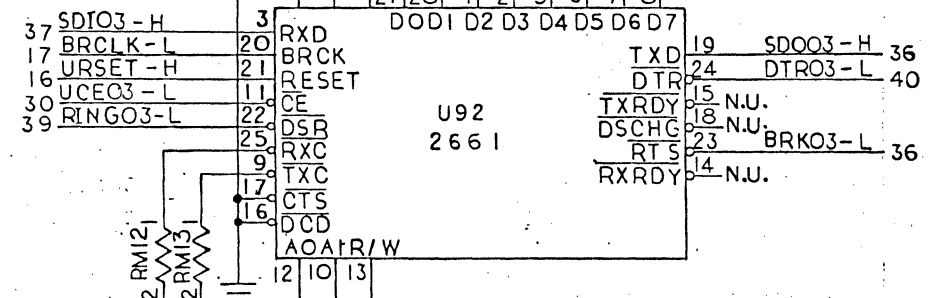
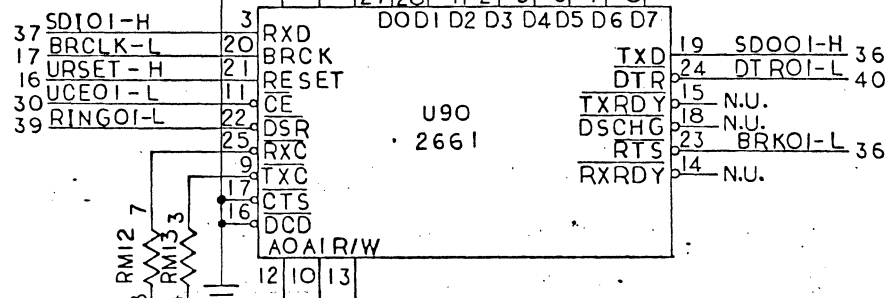
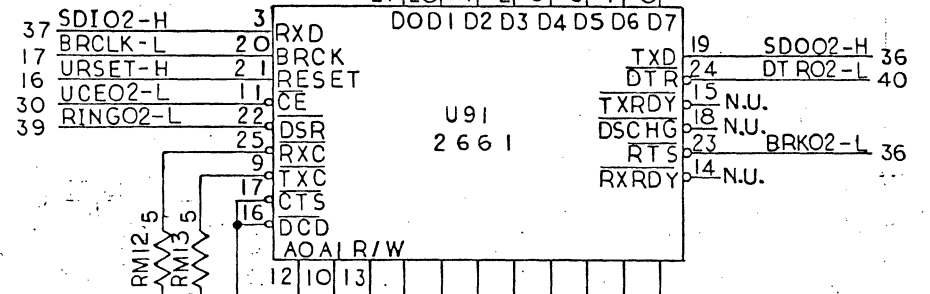
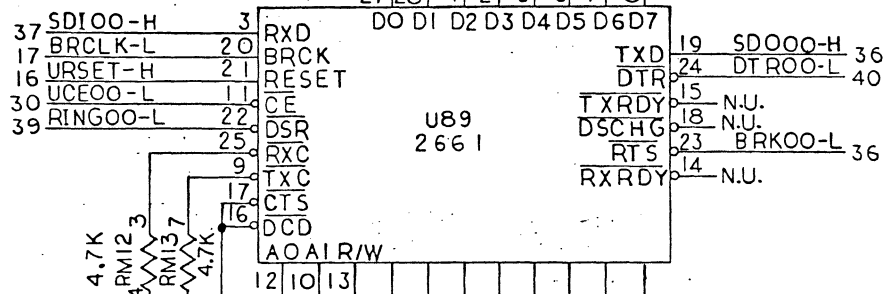
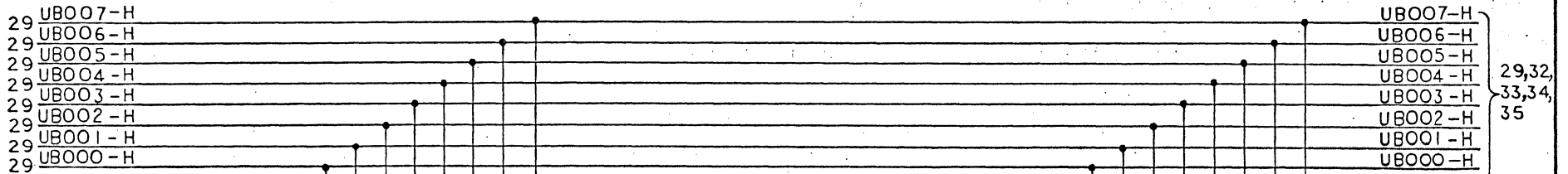
EXT. CLOCK DRIVER



UART EXT. CLOCK GENERATOR

SCALE	SIZE	DRAWING NO.
	<b>B</b>	10208003
DO NOT SCALE DRAWING		SHEET 31 OF 40

THE INFORMATION CONTAINED HEREIN IS THE PROPERTY OF  
 IBM CORPORATION. IT IS LOANED TO YOU BY CONTRACTUAL AGREEMENT.  
 IT IS TO BE USED ONLY FOR THE PURPOSES SPECIFIED IN THE CONTRACT.  
 IT IS NOT TO BE REPRODUCED OR TRANSMITTED IN ANY FORM OR BY ANY  
 MEANS, ELECTRONIC OR MECHANICAL, INCLUDING PHOTOCOPYING, RECORDING,  
 OR BY ANY INFORMATION STORAGE AND RETRIEVAL SYSTEM, WITHOUT THE  
 EXPRESS WRITTEN PERMISSION OF IBM CORPORATION.



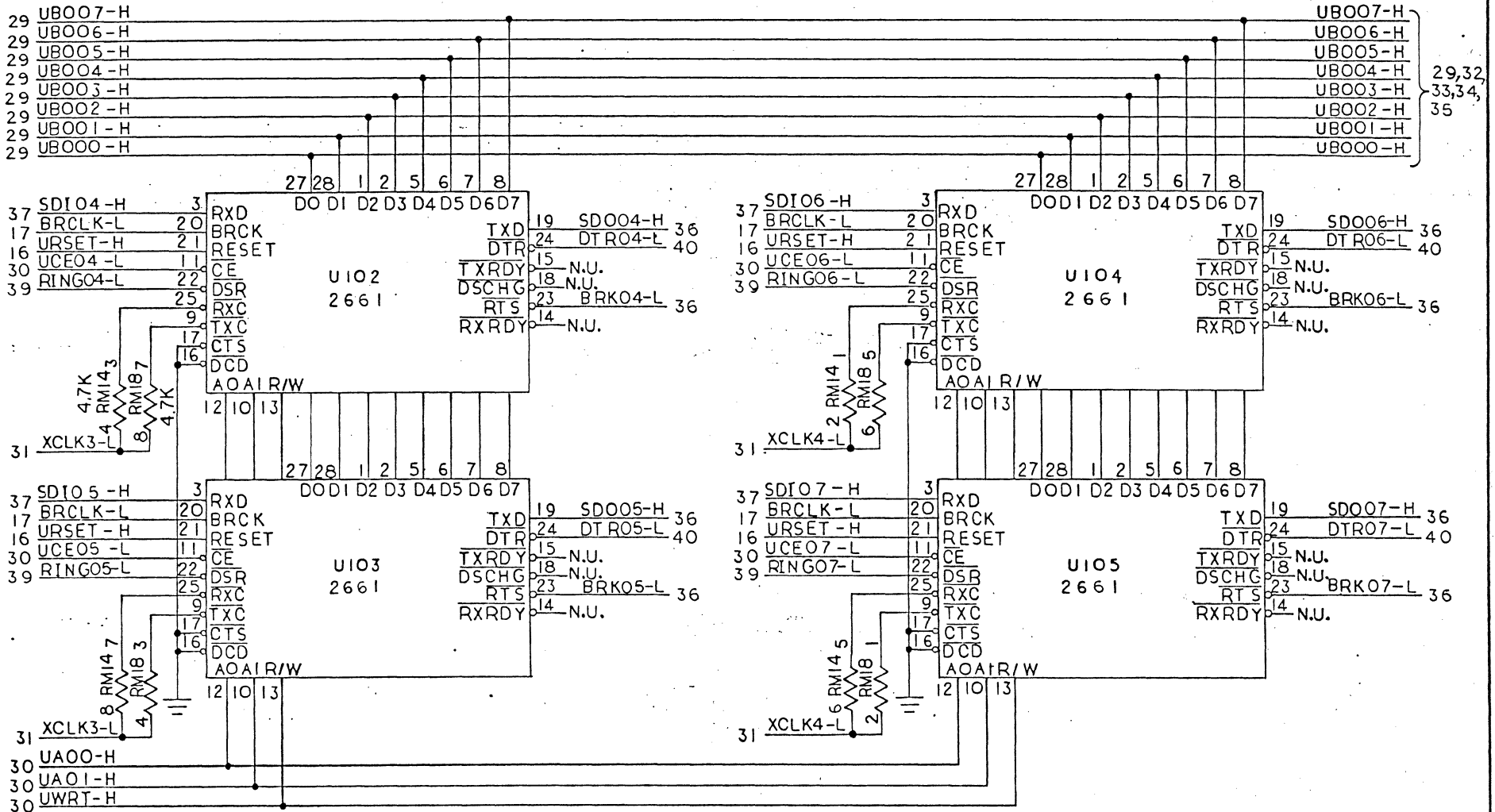
UART CH0 AND CH1

UART CH2 AND CH3

SCALE	SIZE	DRAWING NO.
	B	10208003
DO NOT SCALE DRAWING		SHEET 32 OF 40



THE INFORMATION CONTAINED HEREIN IS THE PROPERTY OF  
 MILITARY COMMUNICATIONS TECHNOLOGY, INC. TRANSMITTAL, RECEIPT  
 OR POSSESSION OF THE INFORMATION DOES NOT EXPRESSLY  
 WARRANT, OR IMPLY ANY RIGHTS TO USE, COPY, OR REPRODUCE  
 THEREFROM. THIS INFORMATION AND NO REPRODUCTION OF  
 IT IN WHOLE OR IN PART, SHALL BE MADE  
 WITHOUT WRITTEN AUTHORIZATION FROM AN OFFICER OF  
 THE ARMY.

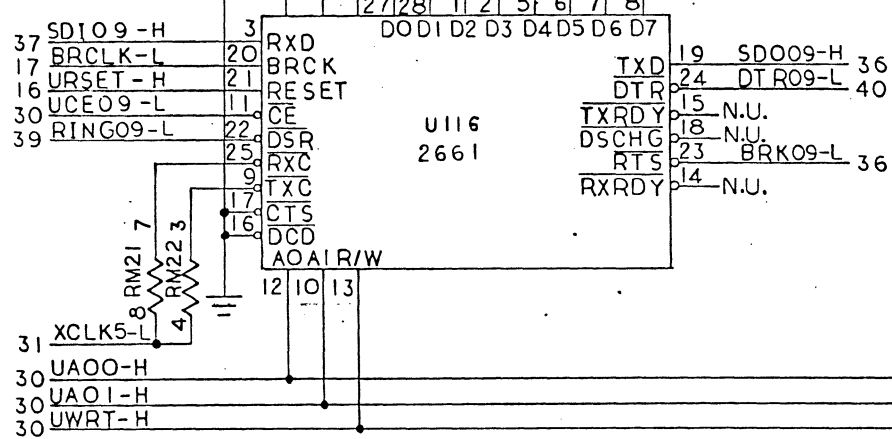
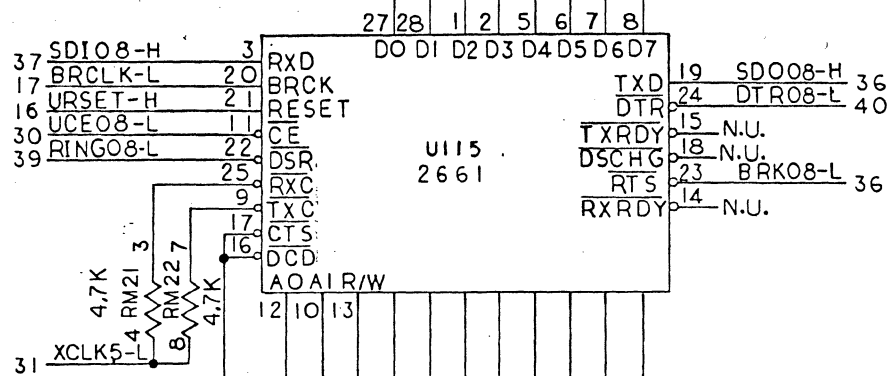
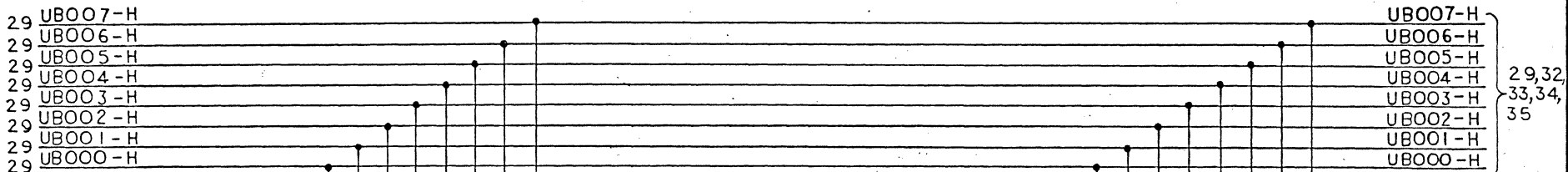


UART CH4 AND CH5

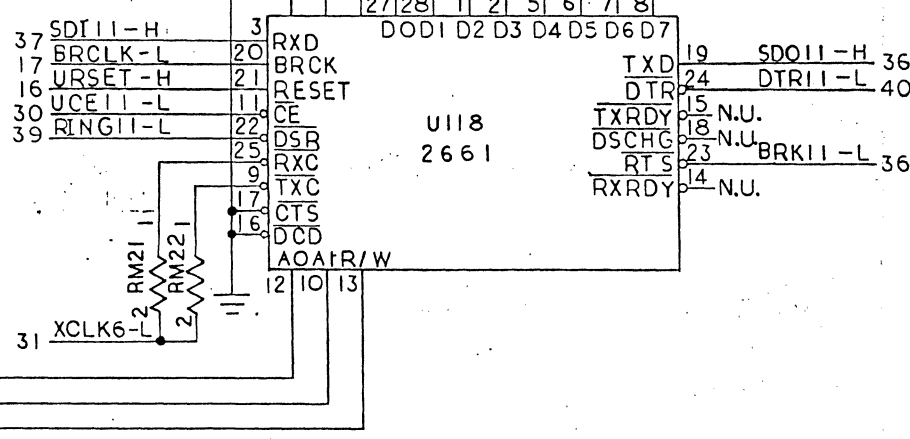
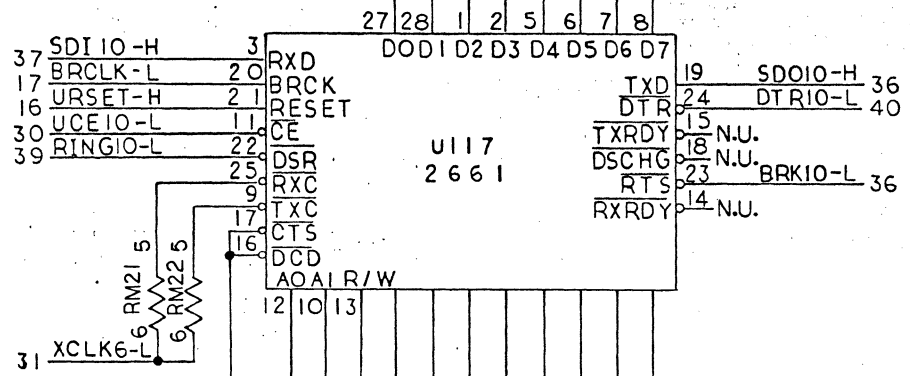
UART CH6 AND CH7

SCALE	SIZE	DRAWING NO.
	B	10208003
DO NOT SCALE DRAWING		SHEET 33 OF 40

THE INFORMATION CONTAINED HEREIN IS THE PROPERTY OF  
 AILE COMPUTER TECHNOLOGY, INC. TRANSMITTAL, REPRODUCTION  
 OR PERFORMANCE OF THE INFORMATION CONTAINED HEREIN,  
 LICENSED, OR ONLY BY THE RIGHTS TO USE, SELL, OR MANUFACTURE  
 THEREFROM THE INFORMATION AND NO REPRODUCTION OR  
 PERFORMANCE OF IT IS PERMITTED IN ANY MANNER, IN WHOLE  
 OR IN PART, WITHOUT WRITTEN AUTHORIZATION FROM AN OFFICER OF  
 THE ABOVE FIRM.



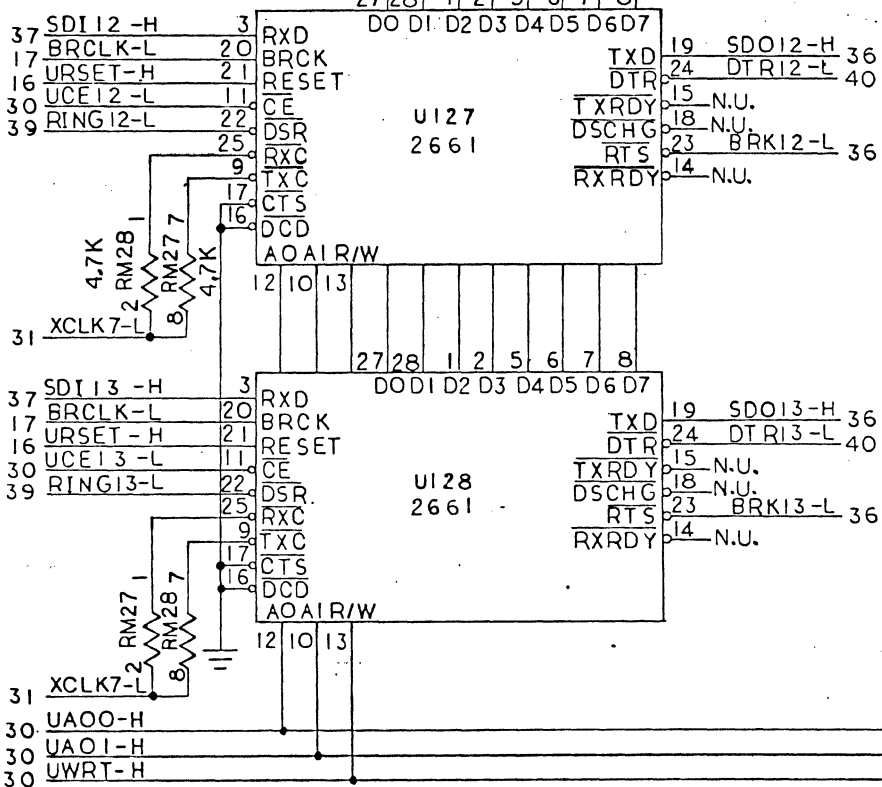
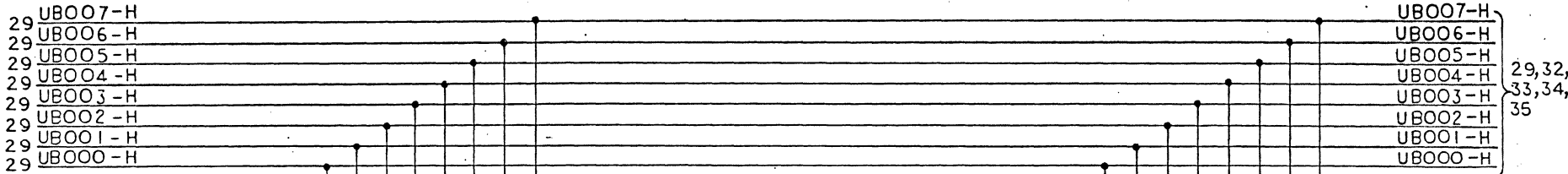
UART CH8 AND CH9



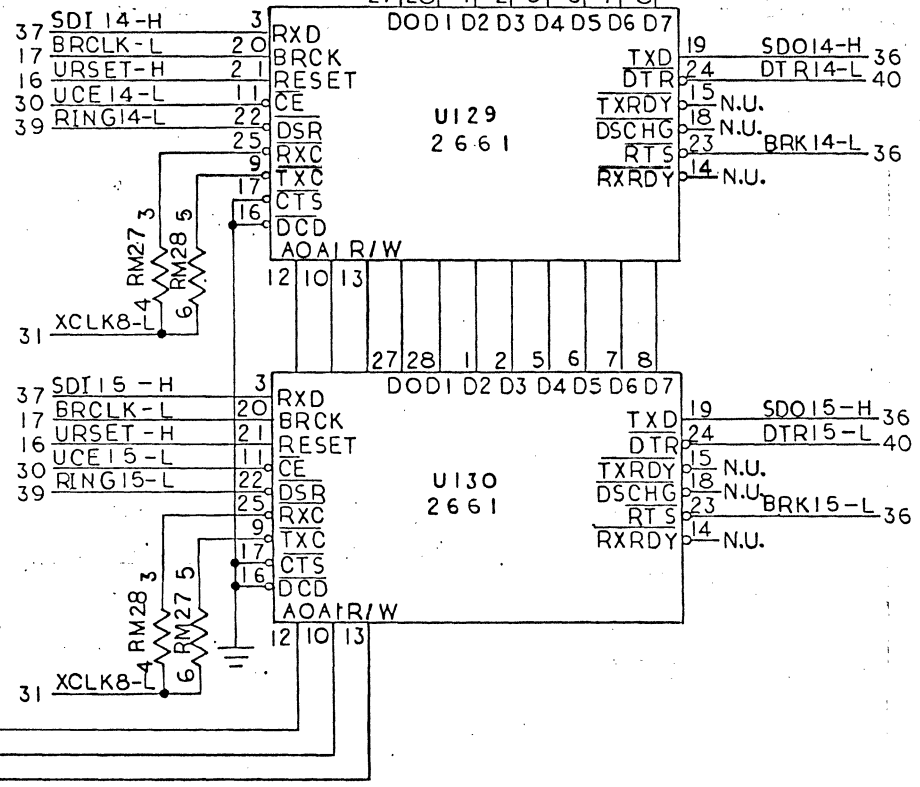
UART C10 AND C11

SCALE	SIZE	DRAWING NO.
	<b>B</b>	10208003
DO NOT SCALE DRAWING		SHEET 34 OF 40

THE INFORMATION CONTAINED HEREIN IS THE PROPERTY OF  
 ARLS COMPUTER TECHNOLOGY INC. TRANSMITTAL, REPRODUCTION  
 OR FORFEASION OF THE INFORMATION HEREIN IS STRICTLY  
 FORN. NO PART MAY BE REPRODUCED OR TRANSMITTED IN ANY  
 FORM OR BY ANY MEANS, ELECTRONIC OR MECHANICAL, INCLUDING  
 PHOTOCOPYING, RECORDING, OR BY ANY INFORMATION STORAGE  
 AND RETRIEVAL SYSTEM, WITHOUT PERMISSION IN WRITING FROM  
 ARLS COMPUTER TECHNOLOGY INC.



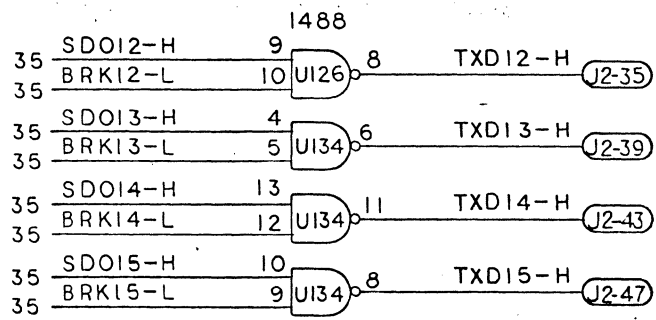
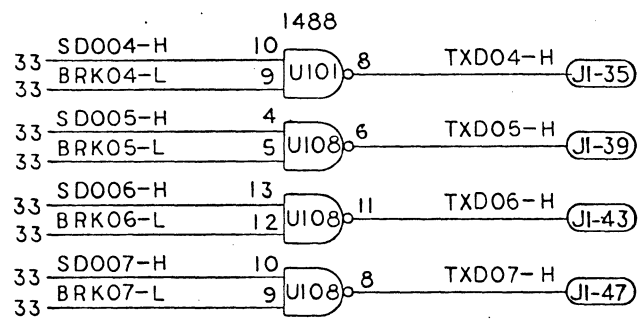
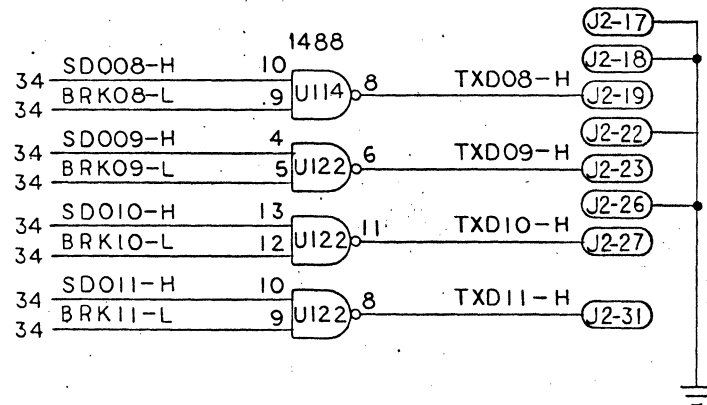
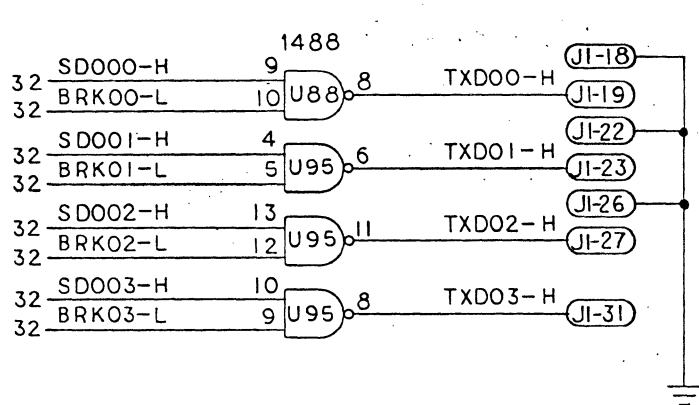
UART CH12 AND CH13



UART CH14 AND CH15

SCALE	SIZE	DRAWING NO.
	<b>B</b>	10208003
DO NOT SCALE DRAWING		SHEET 35 OF 40

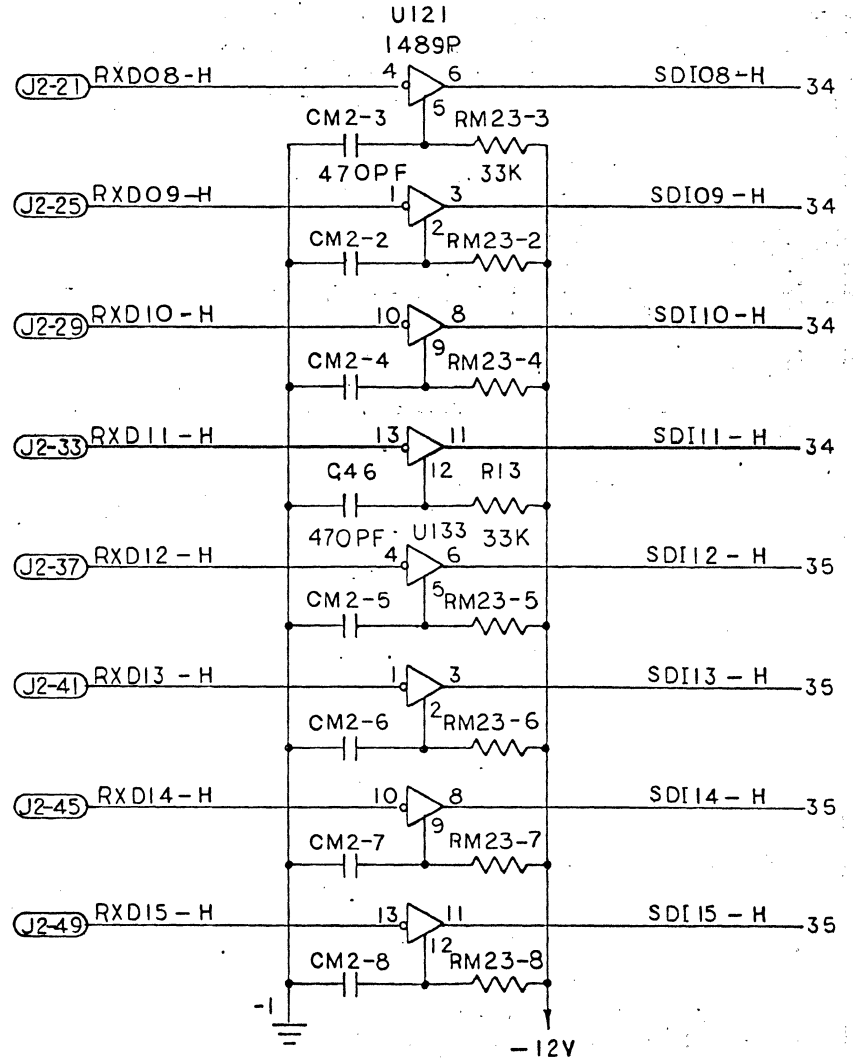
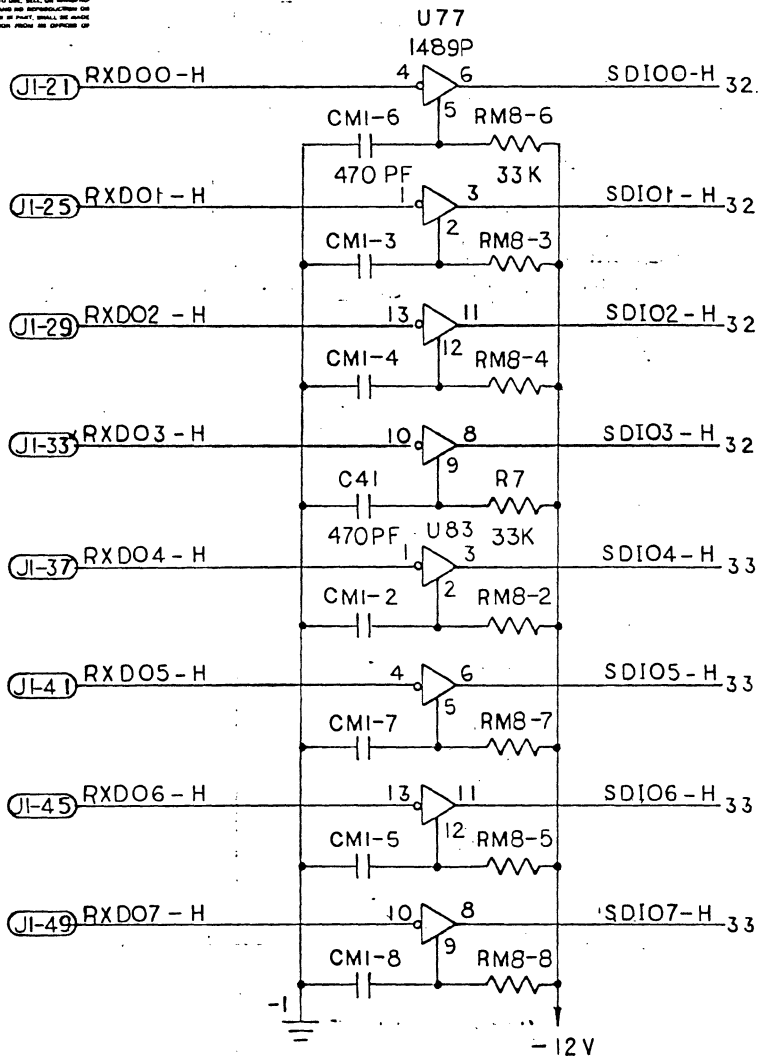
THE INFORMATION CONTAINED HEREIN IS THE PROPERTY OF  
 AEGIS COMPUTER TECHNOLOGY AND TRANSMITTAL HEREOF  
 OR DISSEMINATION OF THE INFORMATION DOES NOT EXPRESS  
 LICENSE OR ANY OTHER RIGHTS TO USE, REPRODUCE, OR  
 TRANSMIT, IN ANY FORM OR BY ANY MEANS, WITHOUT  
 WRITTEN PERMISSION FROM THE AEGIS FIRM.



EIA TRANSMIT DATA CHO-CH15

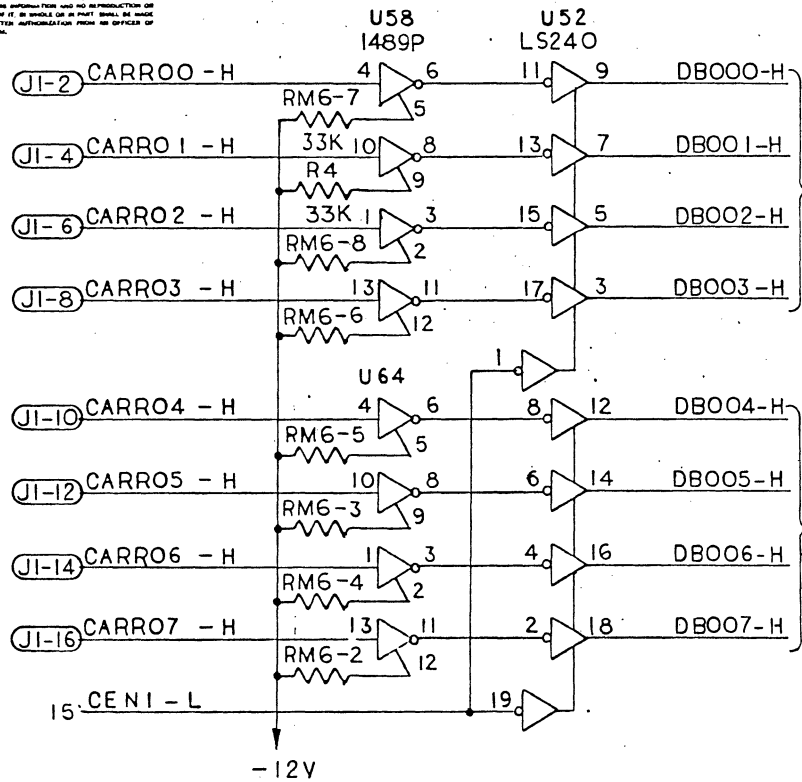
SCALE	SIZE	DRAWING NO.
	B	10208003
DO NOT SCALE DRAWING		SHEET 36 OF 40

THE INFORMATION CONTAINED HEREIN IS THE PROPERTY OF  
 AND COMPANY (INCORPORATED) AND TRANSMITTED, REPRODUCTION OR  
 DISSEMINATION OF THIS INFORMATION IS STRICTLY PROHIBITED.  
 LEGAL AND UNLAWFUL RIGHTS TO USE, REPRODUCE, TRANSMIT  
 OR DISSEMINATE THIS INFORMATION ARE HEREBY DENIED.  
 THIS INFORMATION IS UNCLASSIFIED AND IS BEING RELEASED  
 WITHOUT LIMITATION OF RIGHTS IN WHOLE OR IN PART SHALL BE MADE  
 WITHOUT WRITTEN AUTHORIZATION FROM AN OFFICER OF  
 THE ABOVE FIRM.



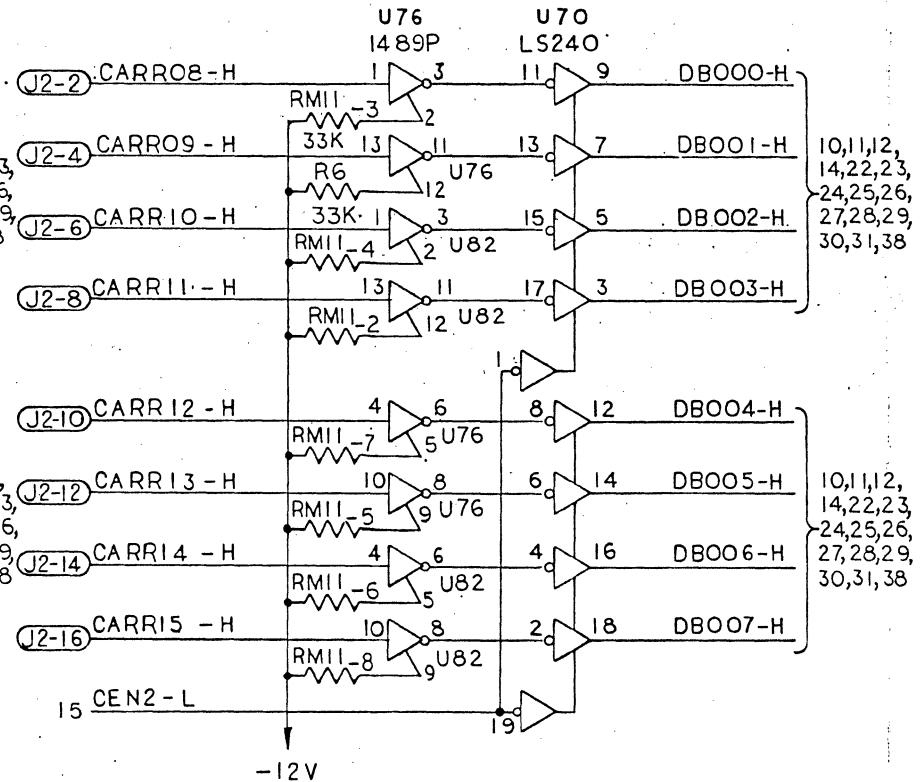
SCALE	SIZE	DRAWING NO.
	<b>B</b>	10208003
DO NOT SCALE DRAWING		SHEET 37 OF 40

THE INFORMATION CONTAINED HEREIN IS THE PROPERTY OF  
 ANALOG COMPUTER TECHNOLOGY, INC. TRANSMISSION, REPRODUCTION  
 OR FOR ANY OTHER PURPOSES WITHOUT THE WRITTEN CONSENT OF  
 ANALOG COMPUTER TECHNOLOGY, INC. WILL BE PROHIBITED.  
 LICENSE OR ANY OTHER RIGHTS TO USE WILL BE WITHDRAWN  
 IMMEDIATELY UPON THE REPORTING AND NO REPRODUCTION OR  
 PUBLICATION OF IT IN WHOLE OR IN PART SHALL BE MADE  
 WITHOUT WRITTEN AUTHORIZATION FROM AN OFFICE OF  
 THE SERVICE PERS.



10,11,12,  
14,22,23,  
24,25,26,  
27,28,29,  
30,31,38

10,11,12,  
14,22,23,  
24,25,26,  
27,28,29,  
30,31,38



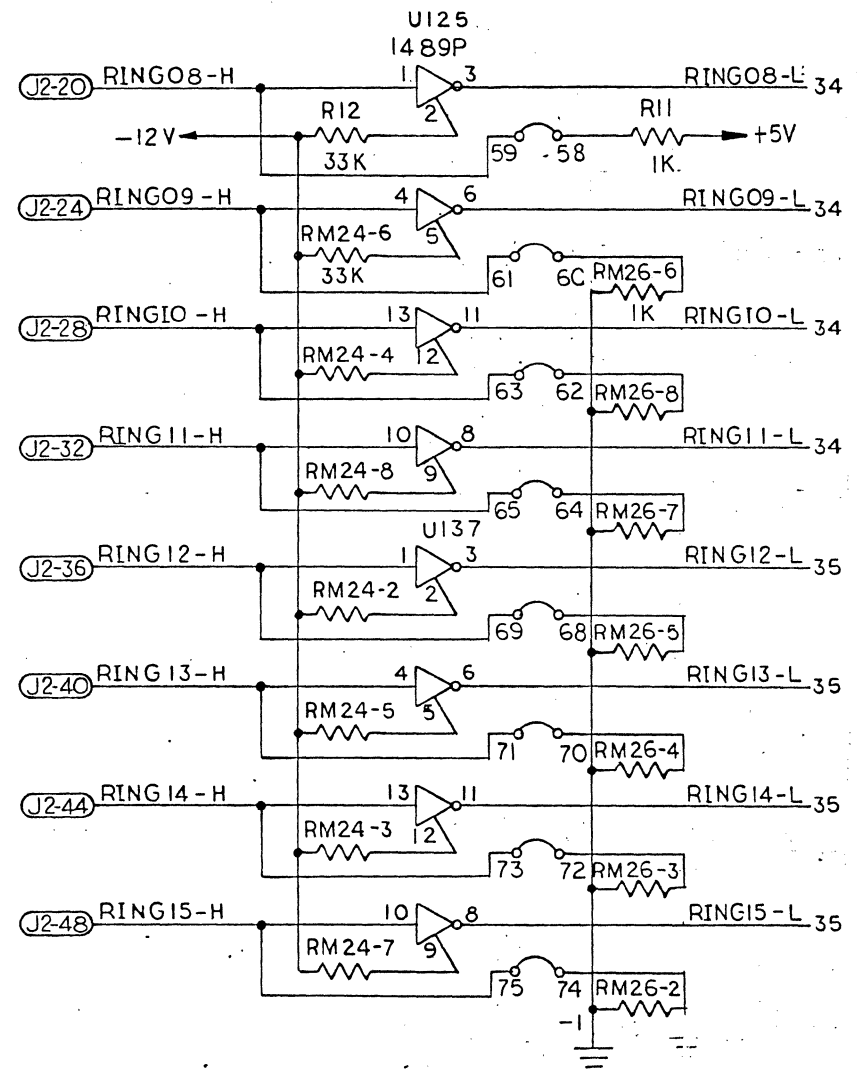
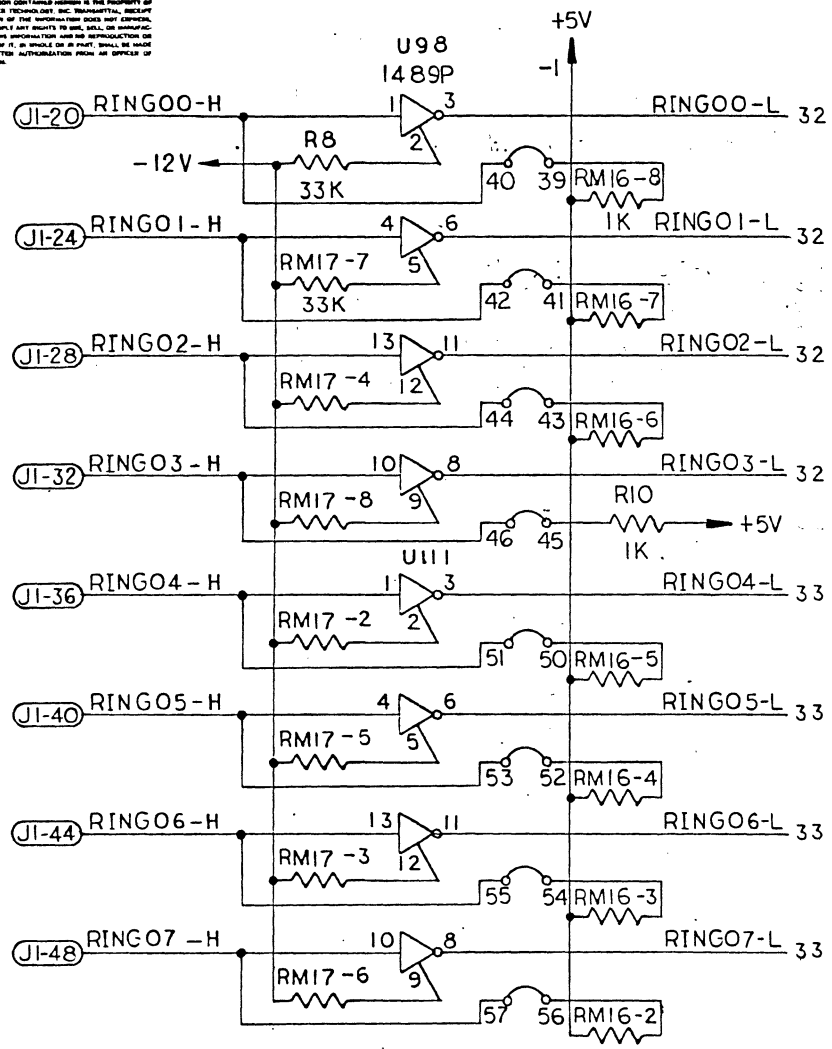
10,11,12,  
14,22,23,  
24,25,26,  
27,28,29,  
30,31,38

10,11,12,  
14,22,23,  
24,25,26,  
27,28,29,  
30,31,38

CARRIER EIA RECEIVERS AND BUFFERS

SCALE	SIZE	DRAWING NO.
	B	10208003
DO NOT SCALE DRAWING		SHEET 38 OF 40

THE INFORMATION CONTAINED HEREIN IS THE PROPERTY OF  
 ANE COMPUTER TECHNOLOGY, INC. TRANSMITTAL, RECEIPT  
 OR PRODUCTION OF THIS INFORMATION DOES NOT CONSTITUTE  
 LICENSE, OR ANY RIGHTS TO USE, REPRODUCE, OR TRANSMIT  
 THIS INFORMATION IN ANY MANNER OR BY ANY MEANS, WITHOUT  
 WRITTEN PERMISSION FROM THE INFORMATION SOURCE. REPRODUCTION  
 OF THIS INFORMATION IN ANY MANNER OR BY ANY MEANS, WITHOUT  
 WRITTEN PERMISSION FROM THE INFORMATION SOURCE IS PROHIBITED.



RING EIA RECEIVERS

SCALE	SIZE	DRAWING NO.
	B	10208003
DO NOT SCALE DRAWING		SHEET 39 OF 40

THE INFORMATION CONTAINED HEREON IS THE PROPERTY OF ABLE COMPUTER TECHNOLOGY, INC. TRANSMITTAL, RECEIPT OR POSSESSION OF THE INFORMATION DOES NOT EXPRESS, LICENSE, OR IMPLY ANY RIGHTS TO USE, SELL, OR MANUFACTURE FROM THIS INFORMATION AND NO REPRODUCTION OR PUBLICATION OF IT, IN WHOLE OR IN PART, SHALL BE MADE WITHOUT WRITTEN AUTHORIZATION FROM AN OFFICER OF THE ABOVE FIRM.

REVISIONS			
LTR	DESCRIPTION	DATE	APPROVED
A	PROD. RELEASE PER E.O.00634	9/21/81	<i>[Signature]</i>
D	INC. PER E.O. 01039	4 JUNE 82	<i>[Signature]</i>

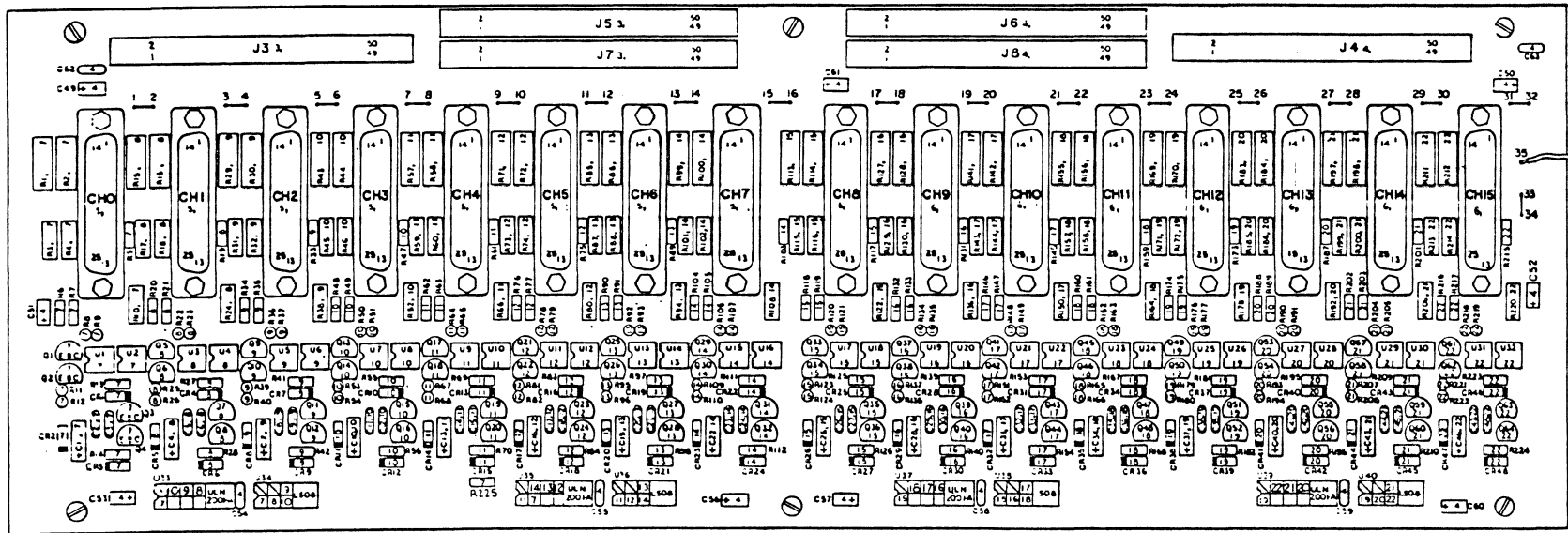
REF. ONLY

1 RESISTOR VALUES ARE IN OHMS  $\pm 5\%$ .  
 NOTES: UNLESS OTHERWISE SPECIFIED.

TOLERANCES UNLESS OTHERWISE SPECIFIED		<b>ACT</b> ABLE COMPUTER TECHNOLOGY									
FRACTIONS DEC	ANGLES										
<table border="1"> <tr> <td>APPROVALS</td> <td>DATE</td> </tr> <tr> <td>DRAWN <i>R. Hermal</i></td> <td>6 AUG 81</td> </tr> <tr> <td>CHECKED <i>[Signature]</i></td> <td>9/21/81</td> </tr> <tr> <td><i>[Signature]</i></td> <td>1/21/81</td> </tr> </table>		APPROVALS	DATE	DRAWN <i>R. Hermal</i>	6 AUG 81	CHECKED <i>[Signature]</i>	9/21/81	<i>[Signature]</i>	1/21/81	SCHEMATIC-16 CH. RS232C/C.L. DIST. PNL.	
APPROVALS	DATE										
DRAWN <i>R. Hermal</i>	6 AUG 81										
CHECKED <i>[Signature]</i>	9/21/81										
<i>[Signature]</i>	1/21/81										
SCALE		SIZE <b>B</b>	DRAWING NO. <b>10130003</b>								
DO NOT SCALE DRAWING			SHEET 1 OF 24								



ALL DIMENSIONS SHOWN UNLESS OTHERWISE SPECIFIED ARE IN MILLIMETERS. DIMENSIONS IN PARENTHESES ARE IN INCHES. DIMENSIONS IN PARENTHESES ARE NOT TO BE USED FOR FABRICATION OF THIS DRAWING. DIMENSIONS IN PARENTHESES ARE NOT TO BE USED FOR FABRICATION OF THIS DRAWING. DIMENSIONS IN PARENTHESES ARE NOT TO BE USED FOR FABRICATION OF THIS DRAWING.



REFERENCE DESIGNATION CHART		
TYPE	LAST USED	NOT USED
IC	U33	
TRANSISTOR	264	
RESISTOR	R225	
CAPACITOR	C63	
DIODE	D48	
CONNECTOR	J6, CH5	J4, 2

		<b>ACT</b> AERIAL COMMUNICATIONS TECHNOLOGY SCHEMATIC-16 CH. RS232C/C.L. DIST PNL
SCALE	NONE	QTY 1 PART NUMBER 10130003
301 PART SCALE 04/19/68		10130003

The information contained herein is the property of  
 and is controlled by the Department of Defense. It is to be  
 used only for the purposes for which it was prepared.  
 It is not to be distributed, copied, or reproduced in  
 any form or by any means without the express written  
 permission of the Department of Defense.

DATA  
 CHO-7

SHT		J3			SHT
7	DTRO0-H	1	2	CARRO0-H	7
8	DTRO1-H	3	4	CARRO1-H	8
9	DTRO2-H	5	6	CARRO2-H	9
10	DTRO3-H	7	8	CARRO3-H	10
11	DTRO4-H	9	10	CARRO4-H	11
12	DTRO5-H	11	12	CARRO5-H	12
13	DTRO6-H	13	14	CARRO6-H	13
14	DTRO7-H	15	16	CARRO7-H	14
7	MAIN-H	17	18	GND	4
7	TXD00-H	19	20	RING00-H	7
7	RXD00-H	21	22	GND	4
8	TXD01-H	23	24	RING01-H	8
8	RXD01-H	25	26	GND	4
9	TXD02-H	27	28	RING02-H	9
9	RXD02-H	29	30	+5V	4
10	TXD03-H	31	32	RING03-H	10
10	RXD03-H	33	34	+5V	4
11	TXD04-H	35	36	RING04-H	11
11	RXD04-H	37	38	+5V	4
12	TXD05-H	39	40	RING05-H	12
12	RXD05-H	41	42	-15V	4
13	TXD06-H	43	44	RING06-H	13
13	RXD06-H	45	46	-15V	4
14	TXD07-H	47	48	RING07-H	14
14	RXD07-H	49	50	-15V	4

MAINTENANCE  
 CHO-7

SHT		J7			SHT
23	DTRO0-H	1	2	CARRO0-H	23
↑	DTRO1-H	3	4	CARRO1-H	↑
	DTRO2-H	5	6	CARRO2-H	
	DTRO3-H	7	8	CARRO3-H	
	DTRO4-H	9	10	CARRO4-H	
	DTRO5-H	11	12	CARRO5-H	
↓	DTRO6-H	13	14	CARRO6-H	↓
23	DTRO7-H	15	16	CARRO7-H	23
		17	18		
23	TXD00-H	19	20	RING00-H	23
↑	RXD00-H	21	22		↑
	TXD01-H	23	24	RING01-H	23
	RXD01-H	25	26		
	TXD02-H	27	28	RING02-H	23
	RXD02-H	29	30		
	TXD03-H	31	32	RING03-H	23
	RXD03-H	33	34		
	TXD04-H	35	36	RING04-H	23
	RXD04-H	37	38		
	TXD05-H	39	40	RING05-H	23
	RXD05-H	41	42		
	TXD06-H	43	44	RING06-H	23
	RXD06-H	45	46		
↓	TXD07-H	47	48	RING07-H	23
23	RXD07-H	49	50		

STAGGERED MAINT.  
 CHO-7

SHT		J5			SHT
24	DTRO0-H	1	2	CARRO0-H	24
↑	DTRO1-H	3	4	CARRO1-H	↑
	DTRO2-H	5	6	CARRO2-H	
	DTRO3-H	7	8	CARRO3-H	
	DTRO4-H	9	10	CARRO4-H	
	DTRO5-H	11	12	CARRO5-H	
↓	DTRO6-H	13	14	CARRO6-H	↓
24	DTRO7-H	15	16	CARRO7-H	24
		17	18		
24	TXD00-H	19	20	RING00-H	24
↑	RXD00-H	21	22		↑
	TXD01-H	23	24	RING01-H	24
	RXD01-H	25	26		
	TXD02-H	27	28	RING02-H	24
	RXD02-H	29	30		
	TXD03-H	31	32	RING03-H	24
	RXD03-H	33	34		
	TXD04-H	35	36	RING04-H	24
	RXD04-H	37	38		
	TXD05-H	39	40	RING05-H	24
	RXD05-H	41	42		
	TXD06-H	43	44	RING06-H	24
	RXD06-H	45	46		
↓	TXD07-H	47	48	RING07-H	24
24	RXD07-H	49	50		

SCALE	SIZE	DRAWING NO.
	B	10130003
DO NOT SCALE DRAWING		SHEET 3 OF 24

THE INFORMATION CONTAINED HEREIN IS THE PROPERTY OF  
 AND IS LOANED TO YOU BY THE NATIONAL BUREAU OF  
 STANDARDS. IT IS TO BE USED ONLY FOR THE PURPOSES  
 FOR WHICH IT IS LOANED AND IS NOT TO BE REPRODUCED  
 OR TRANSMITTED IN ANY FORM OR BY ANY MEANS,  
 ELECTRONIC OR MECHANICAL, INCLUDING PHOTOCOPYING,  
 RECORDING, OR BY ANY INFORMATION STORAGE AND  
 RETRIEVAL SYSTEM, WITHOUT PERMISSION IN WRITING  
 FROM THE NATIONAL BUREAU OF STANDARDS.

### DATA CH8-15

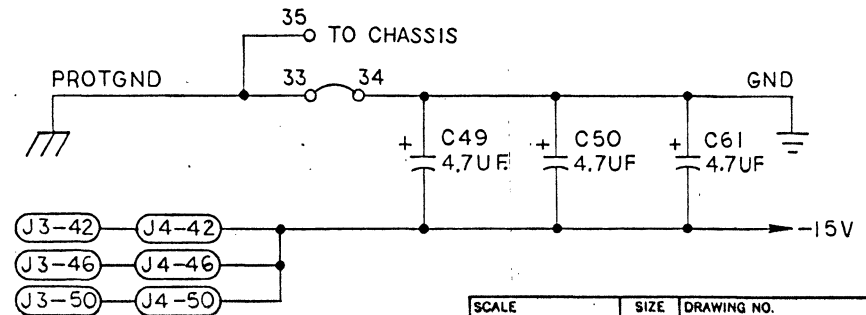
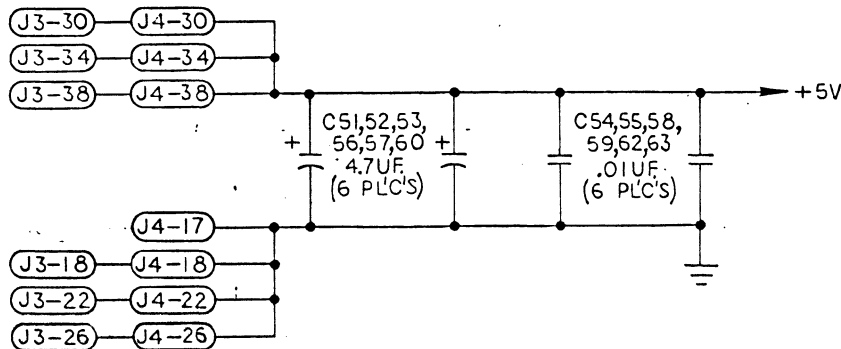
SHT		J4			SHT
15	DTR08-H	1	2	CARRO8-H	15
16	DTR09-H	3	4	CARRO9-H	16
17	DTR10-H	5	6	CARR10-H	17
18	DTR11-H	7	8	CARR11-H	18
19	DTR12-H	9	10	CARR12-H	19
20	DTR13-H	11	12	CARR13-H	20
21	DTR14-H	13	14	CARR14-H	21
22	DTR15-H	15	16	CARR15-H	22
4	GND	17	18	GND	4
15	TXD08-H	19	20	RING08-H	15
15	RXD08-H	21	22	GND	4
16	TXD09-H	23	24	RING09-H	16
16	RXD09-H	25	26	GND	4
17	TXD10-H	27	28	RING10-H	17
17	RXD10-H	29	30	+5V	4
18	TXD11-H	31	32	RING11-H	18
18	RXD11-H	33	34	+5V	4
19	TXD12-H	35	36	RING12-H	19
19	RXD12-H	37	38	+5V	4
20	TXD13-H	39	40	RING13-H	20
20	RXD13-H	41	42	-15V	4
21	TXD14-H	43	44	RING14-H	21
21	RXD14-H	45	46	-15V	4
22	TXD15-H	47	48	RING15-H	22
22	RXD15-H	49	50	-15V	4

### MAINTENANCE CH8-15

SHT		J8			SHT
23	DTR08-H	1	2	CARRO8-H	23
↑	DTR09-H	3	4	CARRO9-H	↑
↑	DTR10-H	5	6	CARR10-H	↑
↑	DTR11-H	7	8	CARR11-H	↑
↑	DTR12-H	9	10	CARR12-H	↑
↑	DTR13-H	11	12	CARR13-H	↑
↓	DTR14-H	13	14	CARR14-H	↓
23	DTR15-H	15	16	CARR15-H	23
↑		17	18		↑
23	TXD08-H	19	20	RING08-H	23
↑	RXD08-H	21	22		↑
↑	TXD09-H	23	24	RING09-H	23
↑	RXD09-H	25	26		↑
↑	TXD10-H	27	28	RING10-H	23
↑	RXD10-H	29	30		↑
↑	TXD11-H	31	32	RING11-H	23
↑	RXD11-H	33	34		↑
↑	TXD12-H	35	36	RING12-H	23
↑	RXD12-H	37	38		↑
↑	TXD13-H	39	40	RING13-H	23
↑	RXD13-H	41	42		↑
↑	TXD14-H	43	44	RING14-H	23
↑	RXD14-H	45	46		↑
↓	TXD15-H	47	48	RING15-H	23
23	RXD15-H	49	50		23

### STAGGERED MAINT. CH8-15

SHT		J6			SHT
24	DTR08-H	1	2	CARRO8-H	24
↑	DTR09-H	3	4	CARRO9-H	↑
↑	DTR10-H	5	6	CARR10-H	↑
↑	DTR11-H	7	8	CARR11-H	↑
↑	DTR12-H	9	10	CARR12-H	↑
↑	DTR13-H	11	12	CARR13-H	↑
↓	DTR14-H	13	14	CARR14-H	↓
24	DTR15-H	15	16	CARR15-H	24
↑		17	18		↑
24	TXD08-H	19	20	RING08-H	24
↑	RXD08-H	21	22		↑
↑	TXD09-H	23	24	RING09-H	24
↑	RXD09-H	25	26		↑
↑	TXD10-H	27	28	RING10-H	24
↑	RXD10-H	29	30		↑
↑	TXD11-H	31	32	RING11-H	24
↑	RXD11-H	33	34		↑
↑	TXD12-H	35	36	RING12-H	24
↑	RXD12-H	37	38		↑
↑	TXD13-H	39	40	RING13-H	24
↑	RXD13-H	41	42		↑
↑	TXD14-H	43	44	RING14-H	24
↑	RXD14-H	45	46		↑
↓	TXD15-H	47	48	RING15-H	24
24	RXD15-H	49	50		24



SCALE	SIZE	DRAWING NO.
	<b>B</b>	<b>10130003</b>
DO NOT SCALE DRAWING		SHEET 4 OF 24

THE INFORMATION CONTAINED HEREIN IS THE PROPERTY OF  
 ARLI COMPUTER TECHNOLOGY, INC. THUNDERBOLT, ACCEPT  
 OR PURCHASER OF THE INFORMATION DOES NOT EXPRESS  
 LOCATION, OR ANY PART HEREIN TO THE USER, OR MANUFACTURER,  
 FROM THIS INFORMATION AND NO REPRODUCTION OR  
 PUBLICATION OF IT IN WHOLE OR IN PART, SHALL BE MADE  
 WITHOUT WRITTEN AUTHORIZATION FROM AN OFFICE OF  
 THE ARMY PENTAGON.

PIN	CH - 0	SHT	PIN	CH - 1	SHT	PIN	CH - 2	SHT	PIN	CH - 3	SHT	PIN	CH - 4	SHT	PIN	CH - 5	SHT	PIN	CH - 6	SHT	PIN	CH - 7	SHT
1	PROTGND	7	1	PROTGND	8	1	PROTGND	9	1	PROTGND	10	1	PROTGND	11	1	PROTGND	12	1	PROTGND	13	1	PROTGND	14
2	TXDOO -H	7	2	TXDOI -H	8	2	TXDO2 -H	9	2	TXDO3 -H	10	2	TXDO4 -H	11	2	TXDO5 -H	12	2	TXDO6 -H	13	2	TXDO7 -H	14
3	RXDOO -H	7	3	RXDOI -H	8	3	RXDO2 -H	9	3	RXDO3 -H	10	3	RXDO4 -H	11	3	RXDO5 -H	12	3	RXDO6 -H	13	3	RXDO7 -H	14
4	DTROO -H	7	4	DTROI -H	8	4	DTRO2 -H	9	4	DTRO3 -H	10	4	DTRO4 -H	11	4	DTRO5 -H	12	4	DTRO6 -H	13	4	DTRO7 -H	14
5			5			5			5			5			5			5			5		
6			6			6			6			6			6			6			6		
7	GND	7	7	GND	8	7	GND	9	7	GND	10	7	GND	11	7	GND	12	7	GND	13	7	GND	14
8	CARROO -H	7	8	CARROI -H	8	8	CARRO2 -H	9	8	CARRO3 -H	10	8	CARRO4 -H	11	8	CARRO5 -H	12	8	CARRO6 -H	13	8	CARRO7 -H	14
9	GND	7	9	GND	8	9	GND	9	9	GND	10	9	GND	11	9	GND	12	9	GND	13	9	GND	14
10	TXCOO -P	7	10	TXCOI -P	8	10	TXCO2 -P	9	10	TXCO3 -P	10	10	TXCO4 -P	11	10	TXCO5 -P	12	10	TXCO6 -P	13	10	TXCO7 -P	14
11			11			11			11			11			11			11			11		
12			12			12			12			12			12			12			12		
13	TXCOO -N	7	13	TXCOI -N	8	13	TXCO2 -N	9	13	TXCO3 -N	10	13	TXCO4 -N	11	13	TXCO5 -N	12	13	TXCO6 -N	13	13	TXCO7 -N	14
14	TXCSOO -N	7	14	TXCSOI -N	8	14	TXCSO2 -N	9	14	TXCSO3 -N	10	14	TXCSO4 -N	11	14	TXCSO5 -N	12	14	TXCSO6 -N	13	14	TXCSO7 -N	14
15	TXCSOO -P	7	15	TXCSOI -P	8	15	TXCSO2 -P	9	15	TXCSO3 -P	10	15	TXCSO4 -P	11	15	TXCSO5 -P	12	15	TXCSO6 -P	13	15	TXCSO7 -P	14
16	RXCSOO -N	7	16	RXCSOI -N	8	16	RXCSO2 -N	9	16	RXCSO3 -N	10	16	RXCSO4 -N	11	16	RXCSO5 -N	12	16	RXCSO6 -N	13	16	RXCSO7 -N	14
17	RXCSOO -P	7	17	RXCSOI -P	8	17	RXCSO2 -P	9	17	RXCSO3 -P	10	17	RXCSO4 -P	11	17	RXCSO5 -P	12	17	RXCSO6 -P	13	17	RXCSO7 -P	14
18	RXCOO -N	7	18	RXCOI -N	8	18	RXCO2 -N	9	18	RXCO3 -N	10	18	RXCO4 -N	11	18	RXCO5 -N	12	18	RXCO6 -N	13	18	RXCO7 -N	14
19	RFCOO -N	7	19	RFCOI -N	8	19	RFCO2 -N	9	19	RFCO3 -N	10	19	RFCO4 -N	11	19	RFCO5 -N	12	19	RFCO6 -N	13	19	RFCO7 -N	14
20	DTROO -H	7	20	DTROI -H	8	20	DTRO2 -H	9	20	DTRO3 -H	10	20	DTRO4 -H	11	20	DTRO5 -H	12	20	DTRO6 -H	13	20	DTRO7 -H	14
21			21			21			21			21			21			21			21		
22	RINGOO -H	7	22	RINGOI -H	8	22	RINGO2 -H	9	22	RINGO3 -H	10	22	RINGO4 -H	11	22	RINGO5 -H	12	22	RINGO6 -H	13	22	RINGO7 -H	14
23	RXCOO -P	7	23	RXCOI -P	8	23	RXCO2 -P	9	23	RXCO3 -P	10	23	RXCO4 -P	11	23	RXCO5 -P	12	23	RXCO6 -P	13	23	RXCO7 -P	14
24	RCDOO -H	7	24	RCDOI -H	8	24	RCDO2 -H	9	24	RCDO3 -H	10	24	RCDO4 -H	11	24	RCDO5 -H	12	24	RCDO6 -H	13	24	RCDO7 -H	14
25	MAIN-L	7	25	MAIN-L	8	25	MAIN-L	9	25	MAIN-L	10	25	MAIN-L	11	25	MAIN-L	12	25	MAIN-L	13	25	MAIN-L	14

## E.I.A. CONNECTORS

CHO — CH7

SCALE	SIZE	DRAWING NO.
	<b>B</b>	10130003
DO NOT SCALE DRAWING		SHEET 5 OF 24

THE INFORMATION CONTAINED HEREIN IS THE PROPERTY OF  
 BISHOP GRAPHICS/ACCUPRESS, INC. REPRODUCTION, DISSEMINATION,  
 OR PUBLICATION OF THE INFORMATION DOES NOT CONSTITUTE  
 A WARRANTY OF ANY KIND, EXPRESS OR IMPLIED, INCLUDING  
 LIABILITY FOR DAMAGES, AND NO PART OF THIS DOCUMENT  
 SHALL BE REPRODUCED OR TRANSMITTED IN ANY FORM OR BY ANY  
 MEANS, ELECTRONIC OR MECHANICAL, INCLUDING PHOTOCOPYING,  
 RECORDING, OR BY ANY INFORMATION STORAGE AND RETRIEVAL  
 SYSTEM, WITHOUT PERMISSION IN WRITING FROM BISHOP GRAPHICS/ACCUPRESS, INC.

PIN	CH - 8	SHT	PIN	CH - 9	SHT	PIN	CH - 10	SHT	PIN	CH - 11	SHT	PIN	CH - 12	SHT	PIN	CH - 13	SHT	PIN	CH - 14	SHT	PIN	CH - 15	SHT
1	PROTGND	15	1	PROTGND	16	1	PROTGND	17	1	PROTGND	18	1	PROTGND	19	1	PROTGND	20	1	PROTGND	21	1	PROTGND	22
2	TXD08 -H	15	2	TXD09 -H	16	2	TXD10 -H	17	2	TXD11 -H	18	2	TXD12 -H	19	2	TXD13 -H	20	2	TXD14 -H	21	2	TXD15 -H	22
3	RXD08 -H	15	3	RXD09 -H	16	3	RXD10 -H	17	3	RXD11 -H	18	3	RXD12 -H	19	3	RXD13 -H	20	3	RXD14 -H	21	3	RXD15 -H	22
4	DTR08 -H	15	4	DTR09 -H	16	4	DTR10 -H	17	4	DTR11 -H	18	4	DTR12 -H	19	4	DTR13 -H	20	4	DTR14 -H	21	4	DTR15 -H	22
5			5			5			5			5			5			5			5		
6			6			6			6			6			6			6			6		
7	GND	15	7	GND	16	7	GND	17	7	GND	18	7	GND	19	7	GND	20	7	GND	21	7	GND	22
8	CARRO8 -H	15	8	CARRO9 -H	16	8	CARRIO -H	17	8	CARRI1 -H	18	8	CARRI2 -H	19	8	CARRI3 -H	20	8	CARRI4 -H	21	8	CARRI5 -H	22
9	GND	15	9	GND	16	9	GND	17	9	GND	18	9	GND	19	9	GND	20	9	GND	21	9	GND	22
10	TXCO8 -P	15	10	TXCO9 -P	16	10	TXCIO -P	17	10	TXCI1 -P	18	10	TXCI2 -P	19	10	TXCI3 -P	20	10	TXCI4 -P	21	10	TXCI5 -P	22
11			11			11			11			11			11			11			11		
12			12			12			12			12			12			12			12		
13	TXCO8 -N	15	13	TXCO9 -N	16	13	TXCIO -N	17	13	TXCI1 -N	18	13	TXCI2 -N	19	13	TXCI3 -N	20	13	TXCI4 -N	21	13	TXCI5 -N	22
14	TXCS08 -N	15	14	TXCS09 -N	16	14	TXCSIO -N	17	14	TXCSI1 -N	18	14	TXCSI2 -N	19	14	TXCSI3 -N	20	14	TXCSI4 -N	21	14	TXCSI5 -N	22
15	TXCS08 -P	15	15	TXCS09 -P	16	15	TXCSIO -P	17	15	TXCSI1 -P	18	15	TXCSI2 -P	19	15	TXCSI3 -P	20	15	TXCSI4 -P	21	15	TXCSI5 -P	22
16	RXCS08 -N	15	16	RXCS09 -N	16	16	RXCSIO -N	17	16	RXCSI1 -N	18	16	RXCSI2 -N	19	16	RXCSI3 -N	20	16	RXCSI4 -N	21	16	RXCSI5 -N	22
17	RXCS08 -P	15	17	RXCS09 -P	16	17	RXCSIO -P	17	17	RXCSI1 -P	18	17	RXCSI2 -P	19	17	RXCSI3 -P	20	17	RXCSI4 -P	21	17	RXCSI5 -P	22
18	RXCO8 -N	15	18	RXCO9 -N	16	18	RXCIO -N	17	18	RXCII -N	18	18	RXC12 -N	19	18	RXC13 -N	20	18	RXC14 -N	21	18	RXC15 -N	22
19	RFC08 -N	15	19	RFC09 -N	16	19	RFCIO -N	17	19	RFCI1 -N	18	19	RFC12 -N	19	19	RFC13 -N	20	19	RFC14 -N	21	19	RFC15 -N	22
20	DTR08 -H	15	20	DTR09 -H	16	20	DTRIO -H	17	20	DTRI1 -H	18	20	DTRI2 -H	19	20	DTRI3 -H	20	20	DTRI4 -H	21	20	DTRI5 -H	22
21			21			21			21			21			21			21			21		
22	RING08 -H	15	22	RING09 -H	16	22	RINGIO -H	17	22	RINGI1 -H	18	22	RINGI2 -H	19	22	RINGI3 -H	20	22	RINGI4 -H	21	22	RINGI5 -H	22
23	RXCO8 -P	15	23	RXCO9 -P	16	23	RXCIO -P	17	23	RXCII -P	18	23	RXC12 -P	19	23	RXC13 -P	20	23	RXC14 -P	21	23	RXC15 -P	22
24	RCDO8 -H	15	24	RCDO9 -H	16	24	RCDIO -H	17	24	RCDI1 -H	18	24	RCDI2 -H	19	24	RCDI3 -H	20	24	RCDI4 -H	21	24	RCDI5 -H	22
25	MAIN -L	15	25	MAIN -L	16	25	MAIN -L	17	25	MAIN -L	18	25	MAIN -L	19	25	MAIN -L	20	25	MAIN -L	21	25	MAIN -L	22

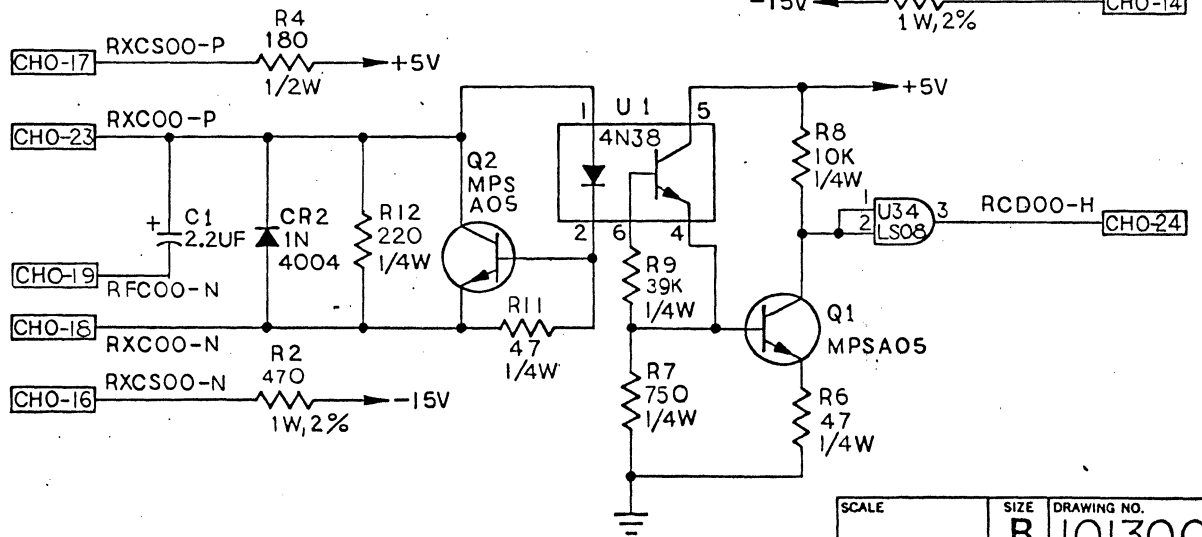
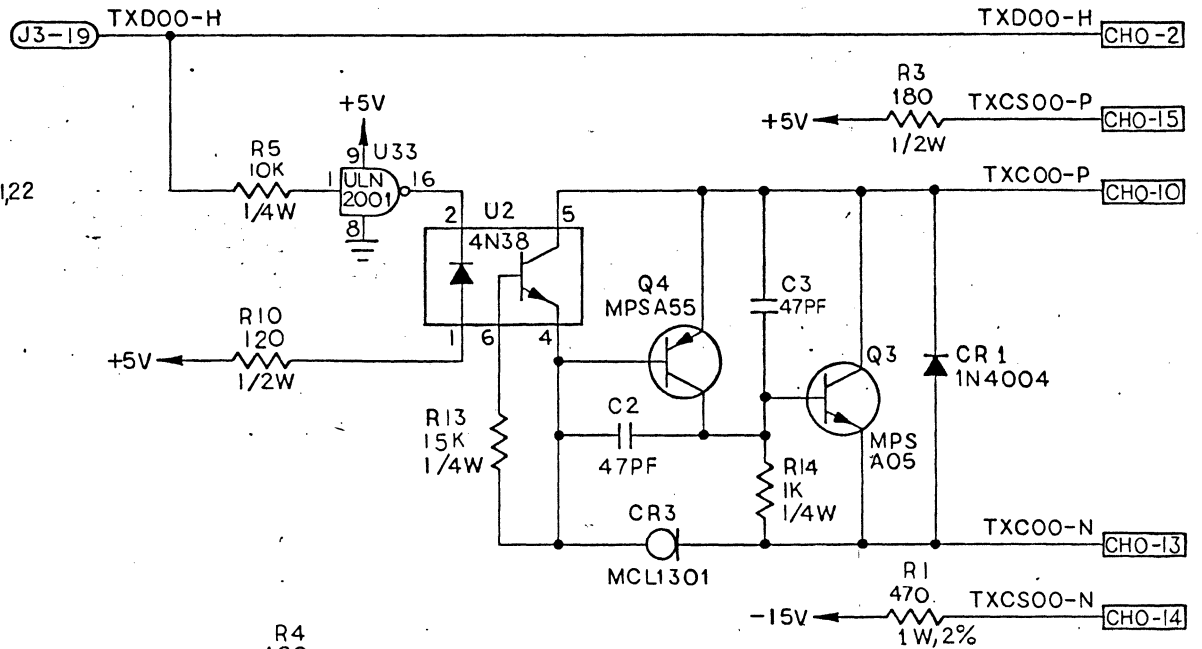
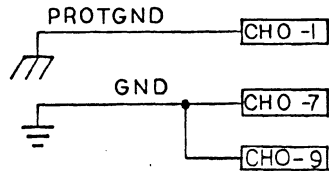
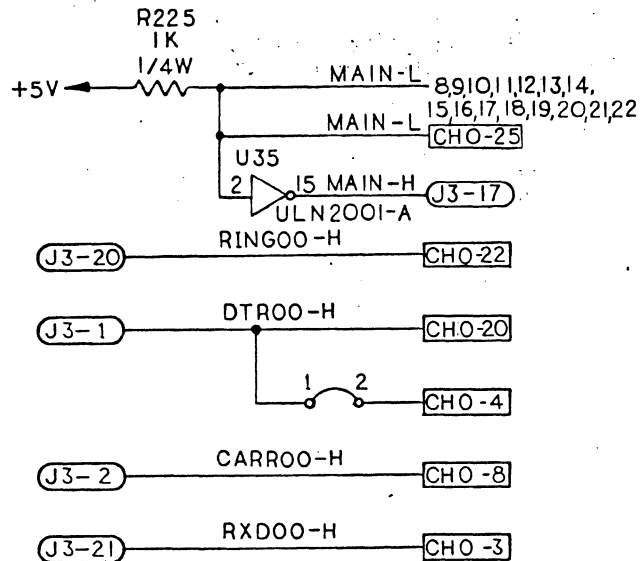
## E.I.A. CONNECTORS

CH8 — CH15

SCALE	SIZE	DRAWING NO
	<b>B</b>	<b>10130003</b>
DO NOT SCALE DRAWING		SHEET 6 OF 24

THE INFORMATION CONTAINED HEREIN IS THE PROPERTY OF  
 SILE COMPUTER TECHNOLOGY, INC. TRANSMITTED, REPRODUCED  
 OR DISCLOSED BY THE ORIGINAL SOURCE AND OTHERS  
 WITHOUT WRITTEN APPROVAL FROM SILE COMPUTER TECHNOLOGY, INC.  
 IS PROHIBITED. THIS INFORMATION IS UNCLASSIFIED.

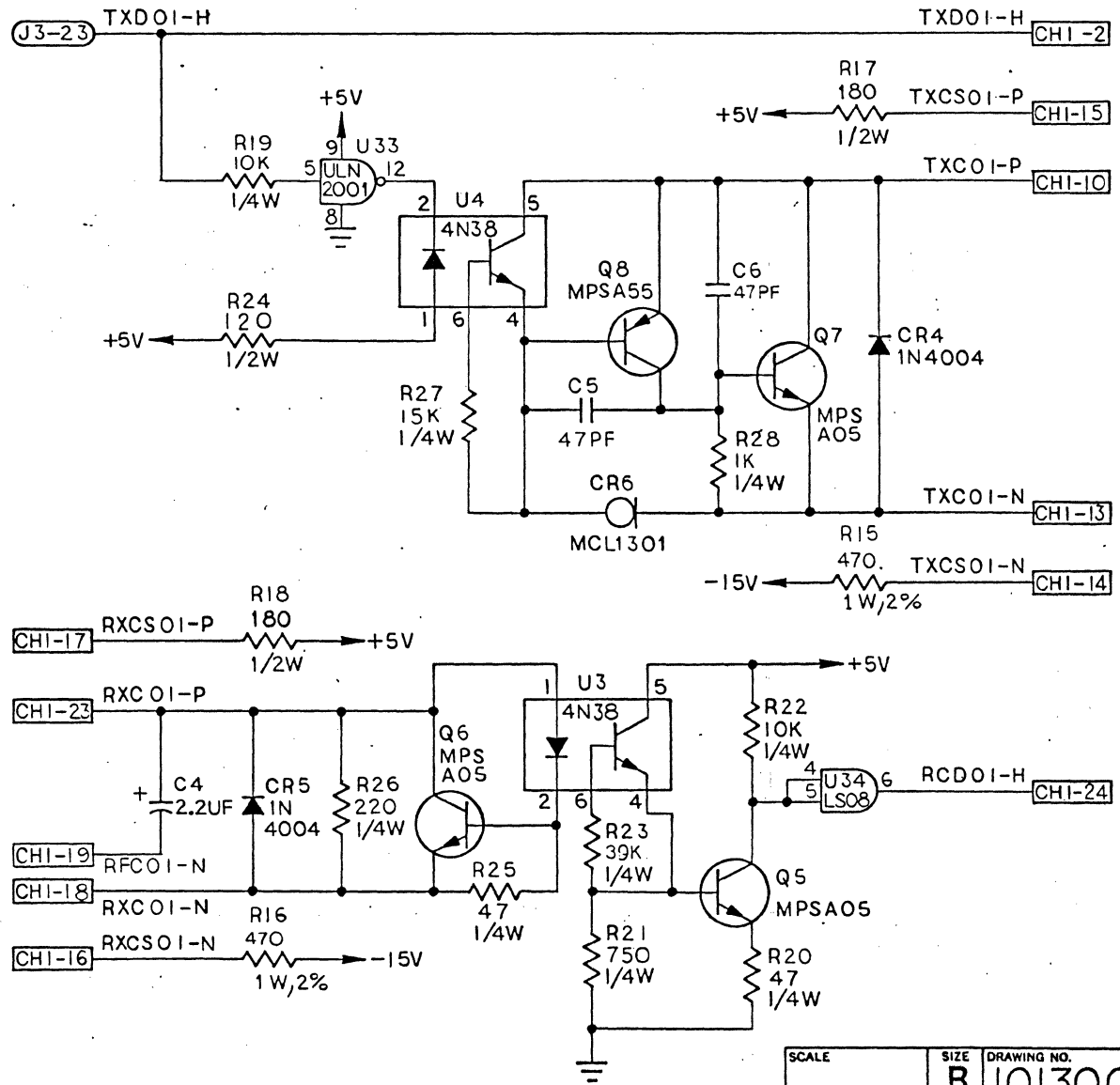
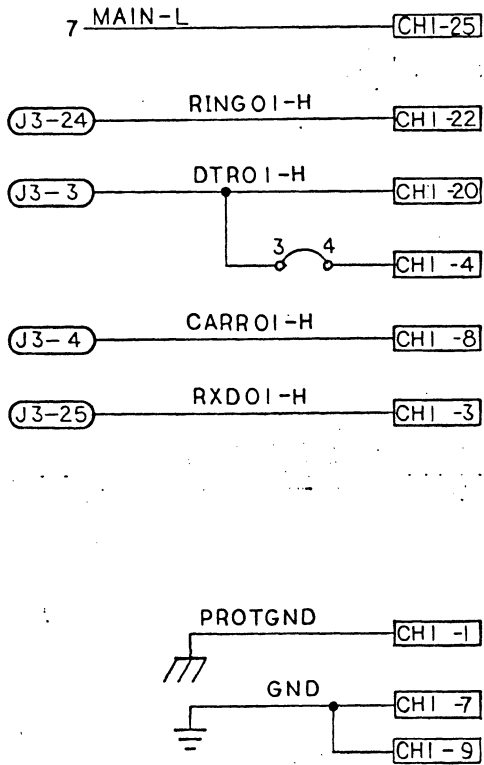
# CH-0



SCALE	SIZE	DRAWING NO.
	B	10130003
DO NOT SCALE DRAWING		SHEET 7 OF 24

THIS INFORMATION CONTAINS NEITHER RECOMMENDATIONS NOR WARRANTIES, EITHER EXPRESSED OR IMPLIED, BY THE COMPANY FOR THE INFORMATION HEREIN. THE COMPANY SHALL NOT BE RESPONSIBLE FOR ANY DAMAGE TO PERSONS OR PROPERTY, OR FOR ANY LOSS OR DAMAGE TO ANYTHING, ARISING FROM THE USE OF THIS INFORMATION, OR FOR ANY LOSS OF PROFITS, OR FOR ANY OTHER DAMAGE, ARISING FROM THE USE OF THIS INFORMATION, OR FOR ANY OTHER DAMAGE, ARISING FROM THE USE OF THIS INFORMATION, OR FOR ANY OTHER DAMAGE, ARISING FROM THE USE OF THIS INFORMATION.

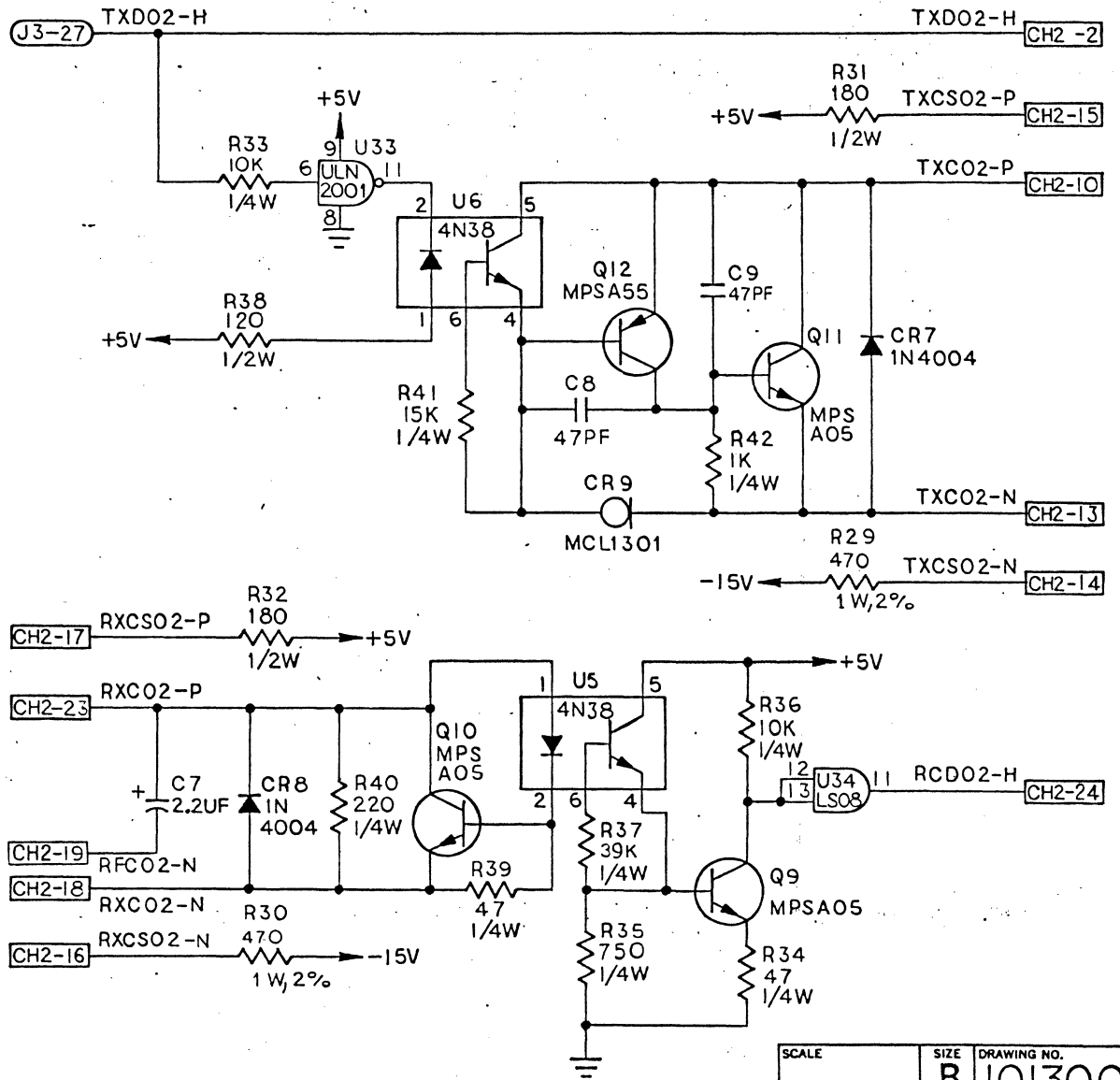
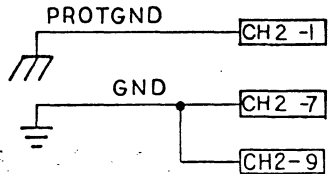
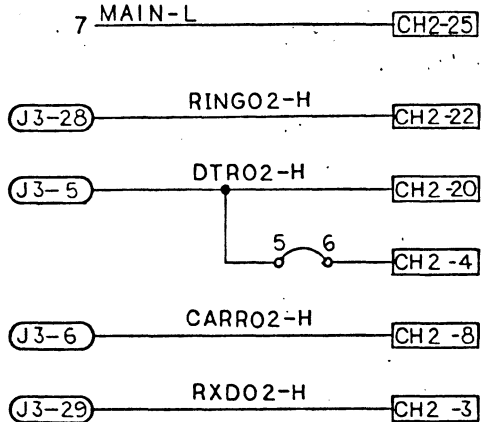
# CH-1



SCALE	SIZE	DRAWING NO.
	B	10130003
DO NOT SCALE DRAWING		SHEET 8 OF 24

THE INFORMATION CONTAINED HEREIN IS THE PROPERTY OF  
 BISHOP GRAPHICS, INC. REPRODUCTION, DISSEMINATION,  
 OR ANY USE OF THIS INFORMATION IN ANY MANNER  
 WITHOUT THE WRITTEN PERMISSION OF BISHOP GRAPHICS,  
 INC. IS PROHIBITED. THIS INFORMATION IS UNCLASSIFIED  
 DATE 08-01-2011 BY 60322 UCBAW/STP/STP

# CH-2

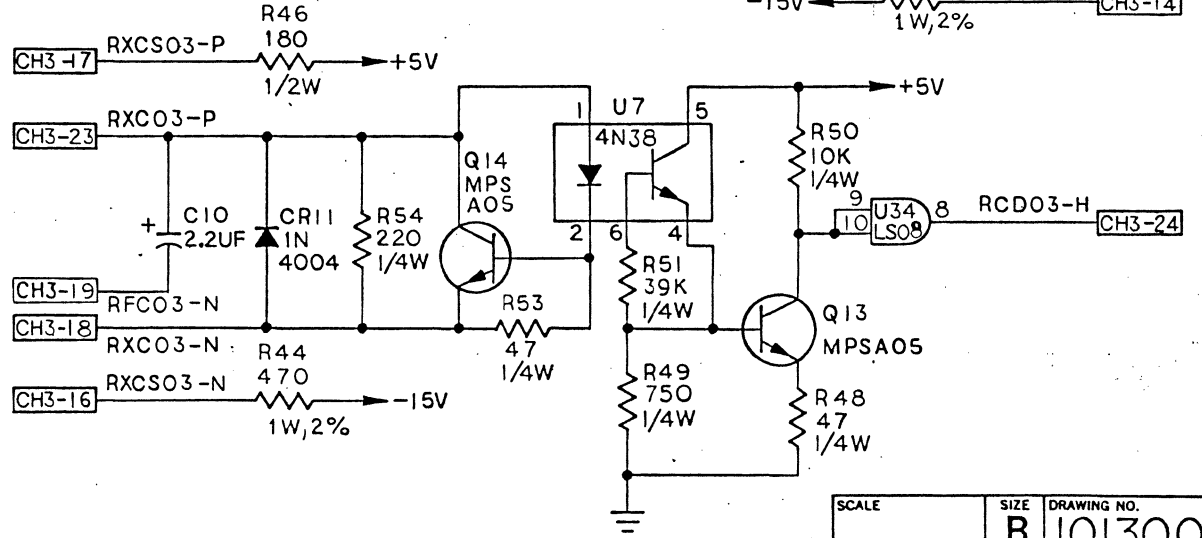
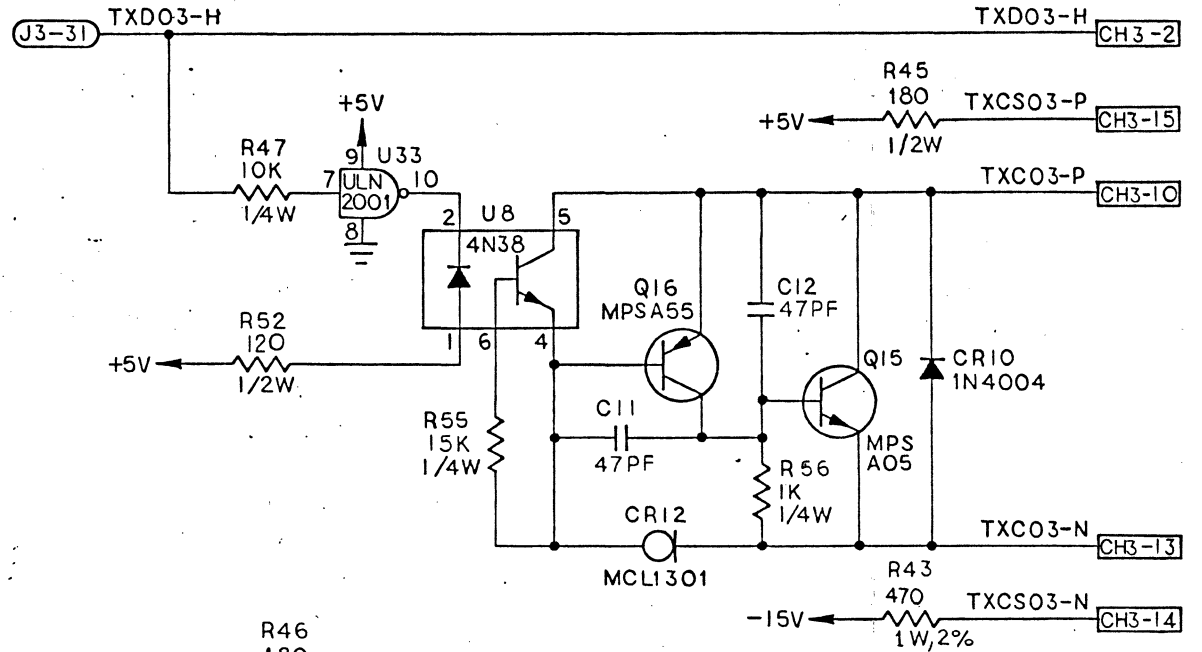
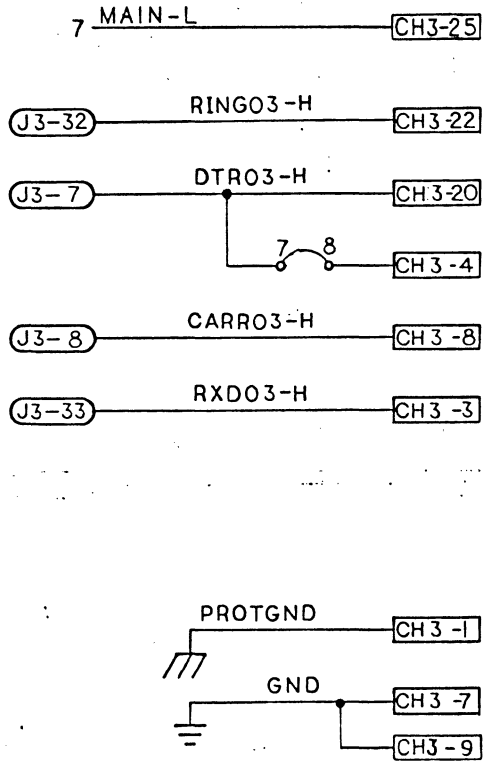


SCALE	SIZE	DRAWING NO.
	B	10130003
DO NOT SCALE DRAWING		SHEET 9 OF 24



THE INFORMATION CONTAINED HEREIN IS THE PROPERTY OF AND IS LOANED TO YOU BY THE PROPERTY OF THE UNITED STATES GOVERNMENT. IT IS TO BE USED FOR THE PURPOSES SPECIFIED IN THE REQUEST AND IS NOT TO BE REPRODUCED OR TRANSMITTED IN ANY FORM OR BY ANY MEANS, ELECTRONIC OR MECHANICAL, INCLUDING PHOTOCOPYING, RECORDING, OR BY ANY INFORMATION STORAGE AND RETRIEVAL SYSTEM, WITHOUT PERMISSION IN WRITING FROM THE UNITED STATES GOVERNMENT. THIS DOCUMENT IS NOT TO BE DISTRIBUTED OUTSIDE THE UNITED STATES GOVERNMENT WITHOUT AUTHORITY FROM THE UNITED STATES GOVERNMENT.

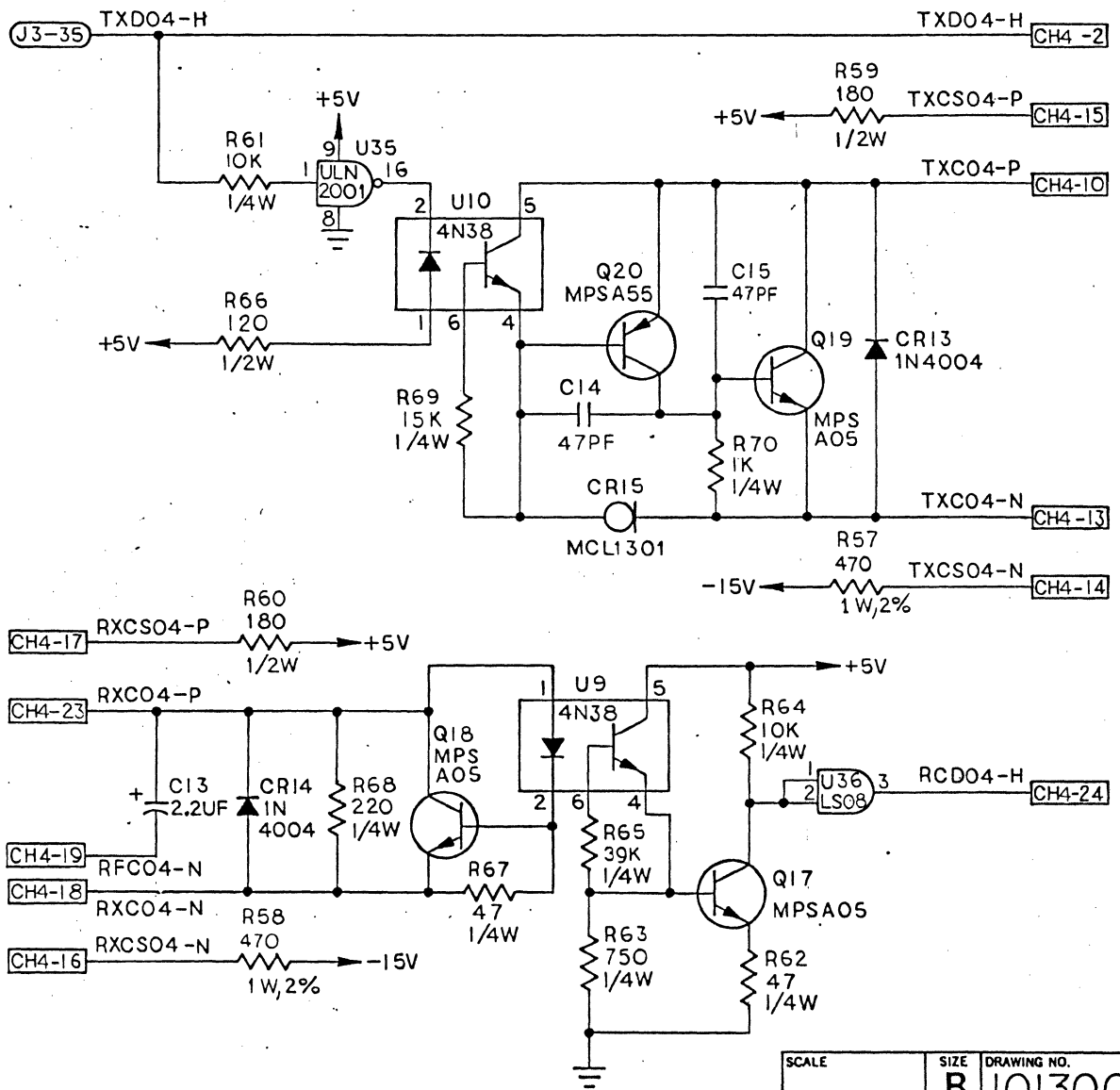
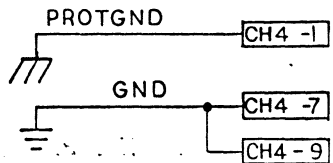
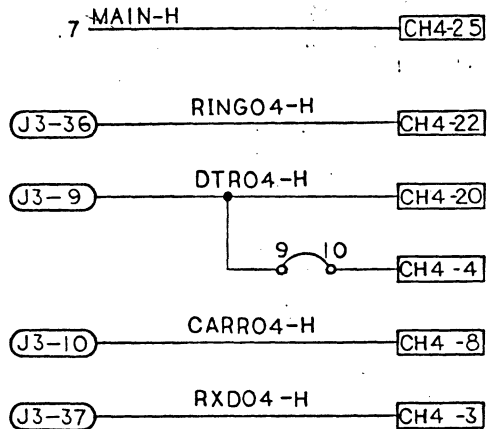
# CH-3



SCALE	SIZE	DRAWING NO.
	B	10130003
DO NOT SCALE DRAWING		SHEET 1 OF 24

THE INFORMATION CONTAINED HEREIN IS THE PROPERTY OF  
 AEGIS COMMUNICATIONS TECHNOLOGY, INC. TRANSMISSION, REPRODUCTION,  
 OR RELEASE OF THE INFORMATION HEREIN WITHOUT  
 WRITTEN PERMISSION IS STRICTLY PROHIBITED. ANY UNAUTHORIZED  
 REPRODUCTION OR TRANSMISSION OF THIS INFORMATION IS  
 PROHIBITED BY FEDERAL LAW. THE INFORMATION CONTAINED  
 HEREIN IS UNCLASSIFIED EXCEPT WHERE SHOWN OTHERWISE.

# CH-4



SCALE	SIZE	DRAWING NO.
	B	10130003
DO NOT SCALE DRAWING		SHEET 11 OF 24

# CH-5

7 MAIN-H CH5-25

J3-40 RING05-H CH5-22

J3-11 DTR05-H CH5-20

11 12 CH5-4

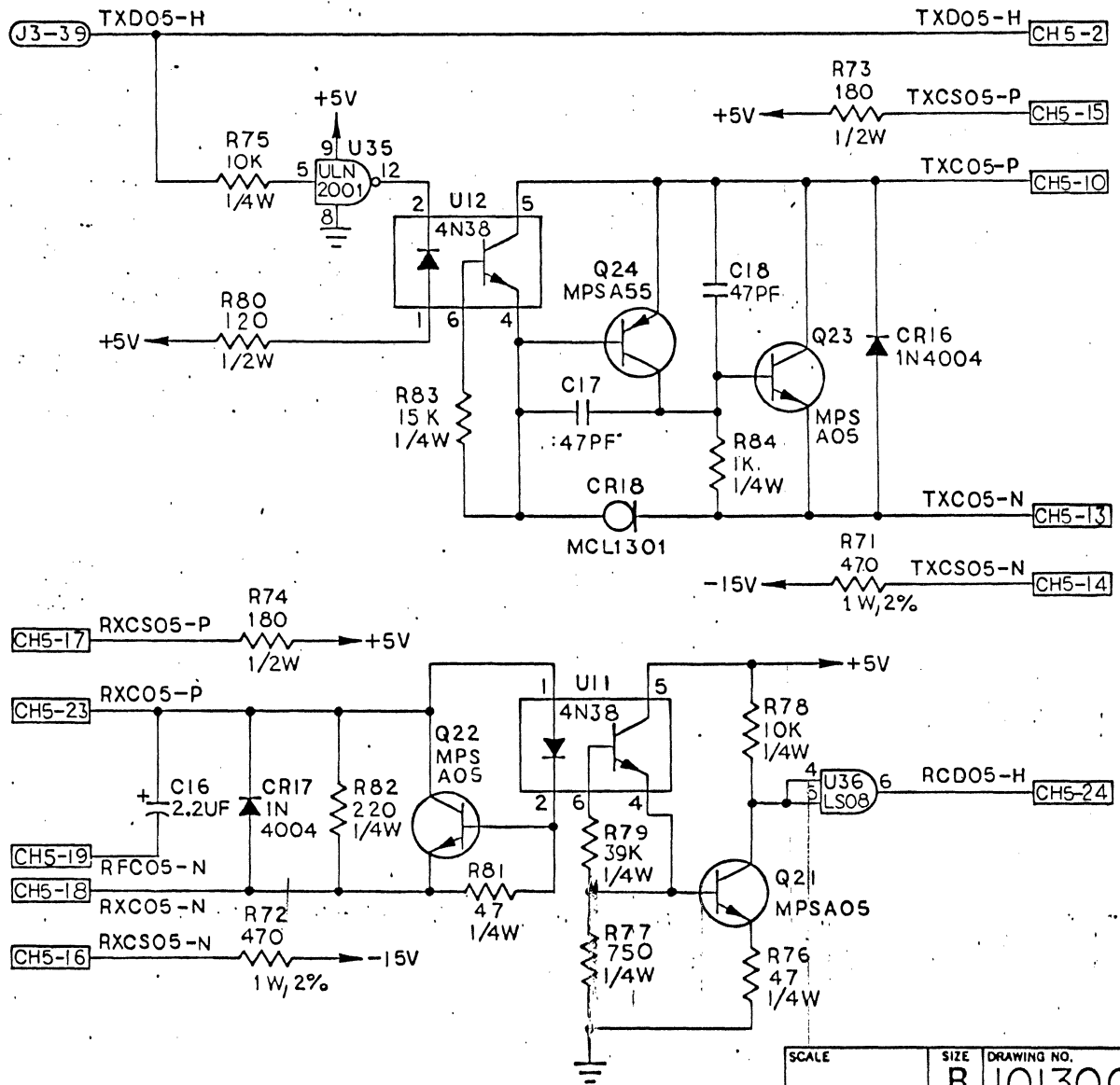
J3-12 CARRO5-H CH5-8

J3-41 RXD05-H CH5-3

PROTGND CH5-1

GND CH5-7

CH5-9



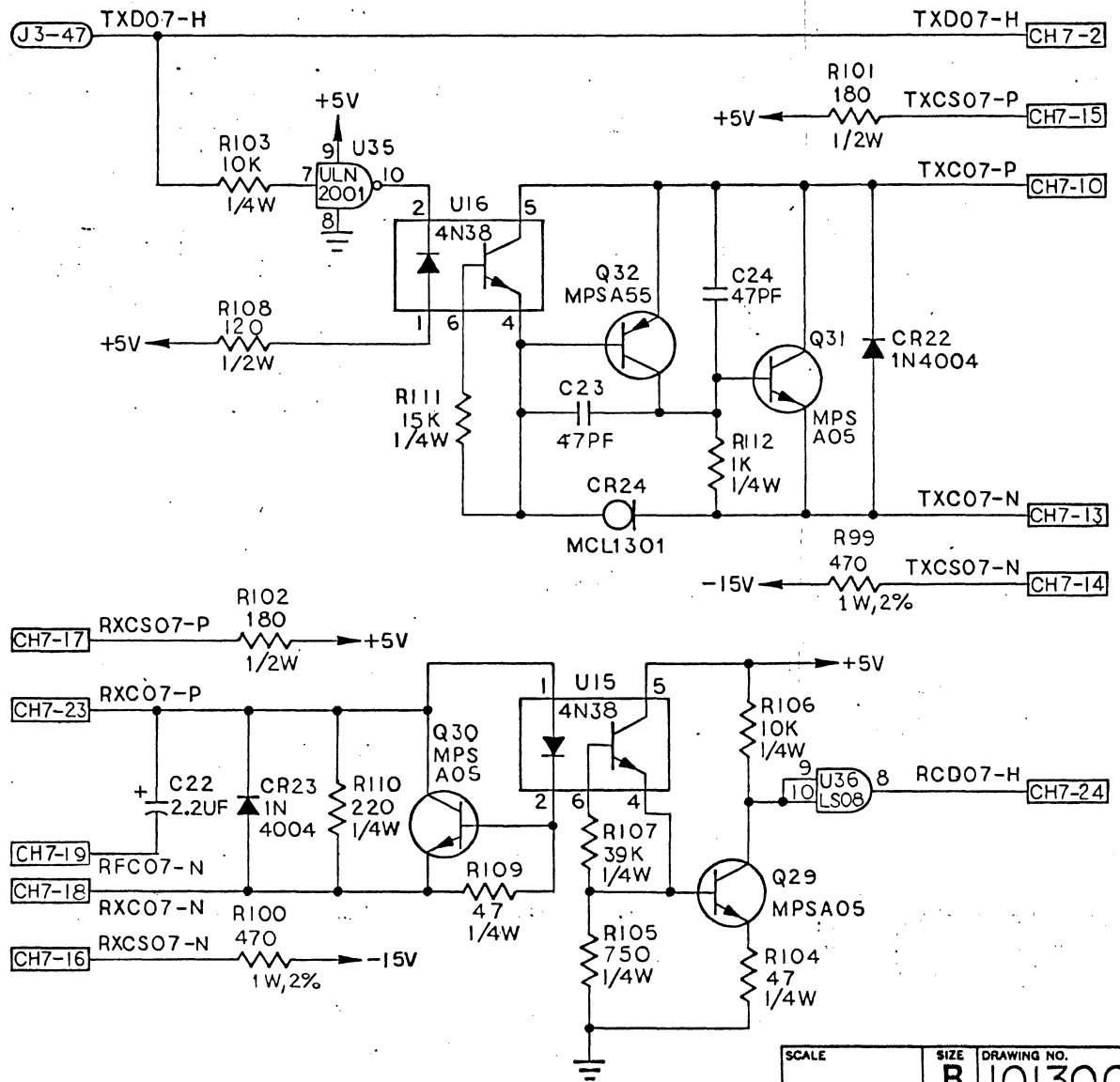
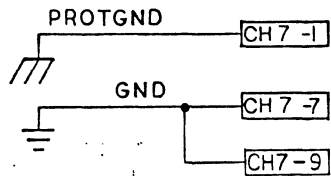
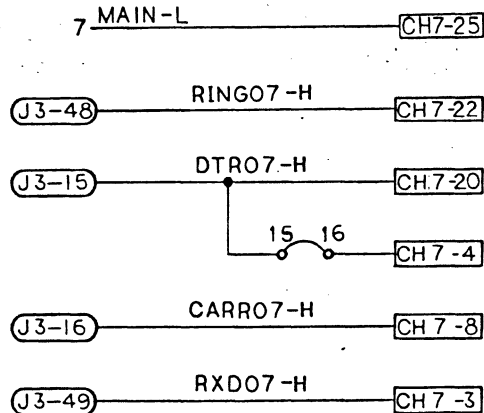
SCALE	SIZE	DRAWING NO.
	B	10130003
DO NOT SCALE DRAWING		SHEET 12 OF 24

THIS DRAWING IS THE PROPERTY OF...  
 ALL RIGHTS RESERVED...  
 NO PART OF THIS DRAWING...  
 IS TO BE REPRODUCED...  
 WITHOUT THE WRITTEN...  
 PERMISSION OF...  
 THE DRAWING...  
 IS TO BE...  
 KEPT...  
 IN...  
 THE...  
 OFFICE...  
 OF...  
 THE...  
 DRAWING...  
 IS TO BE...  
 KEPT...  
 IN...  
 THE...  
 OFFICE...  
 OF...  
 THE...  
 DRAWING...  
 IS TO BE...  
 KEPT...  
 IN...  
 THE...  
 OFFICE...  
 OF...  
 THE...  
 DRAWING...  
 IS TO BE...  
 KEPT...  
 IN...  
 THE...  
 OFFICE...  
 OF...  
 THE...



THIS DRAWING IS THE PROPERTY OF  
 ANS COMPUTER TECHNOLOGY, INC. TRANSMITTAL, RECEIPT  
 OR FURTHER DISSEMINATION OF THIS DRAWING  
 WITHOUT THE WRITTEN AUTHORIZATION OF ANS COMPUTER  
 TECHNOLOGY, INC. IS PROHIBITED. THIS DRAWING IS TO BE  
 USED ONLY FOR THE PROJECT AND NO PARTS OF THIS DRAWING  
 ARE TO BE REPRODUCED OR TRANSMITTED IN ANY FORM OR  
 BY ANY MEANS, ELECTRONIC OR MECHANICAL, INCLUDING  
 PHOTOCOPYING, RECORDING, OR BY ANY INFORMATION  
 STORAGE AND RETRIEVAL SYSTEM.

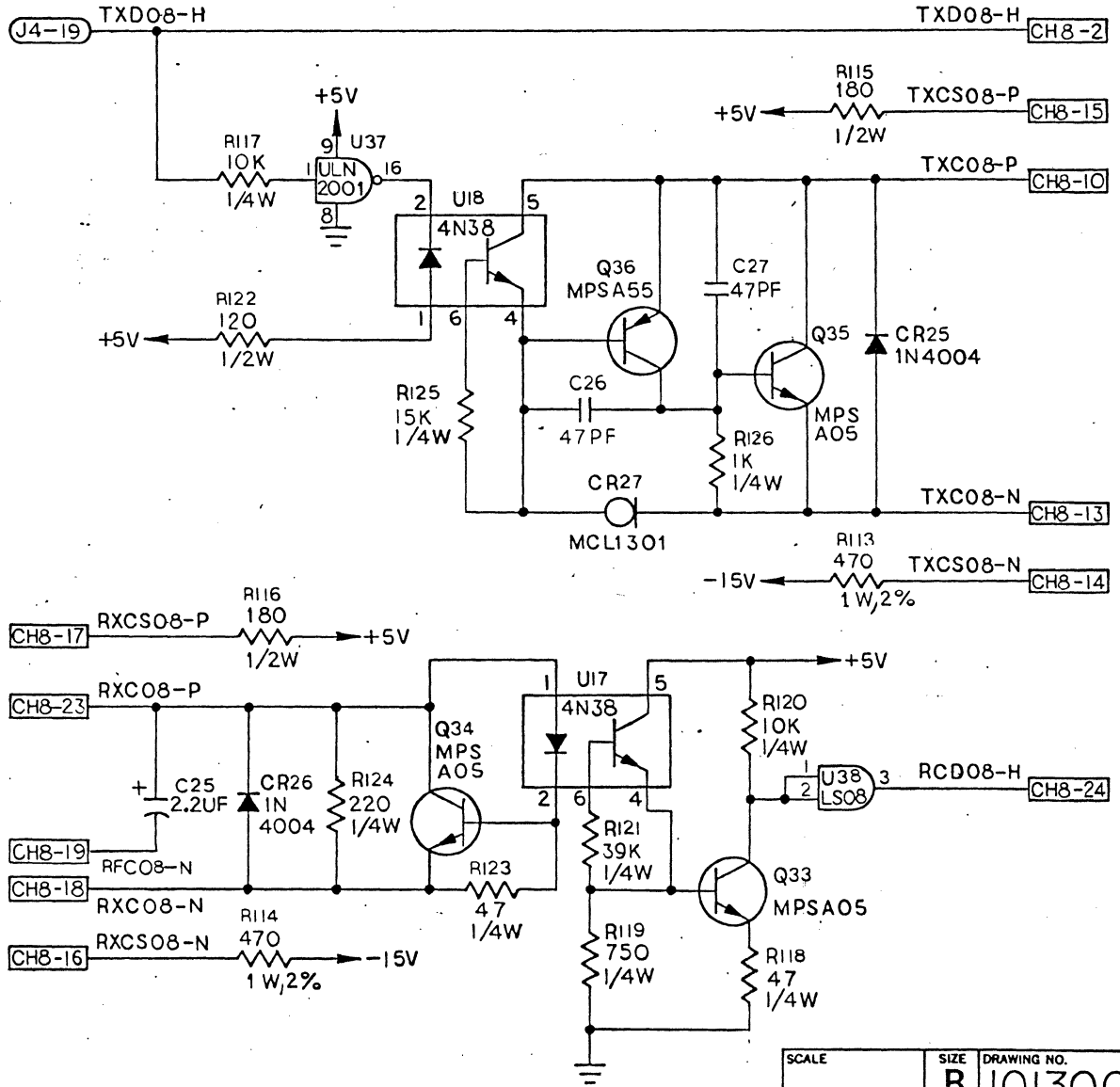
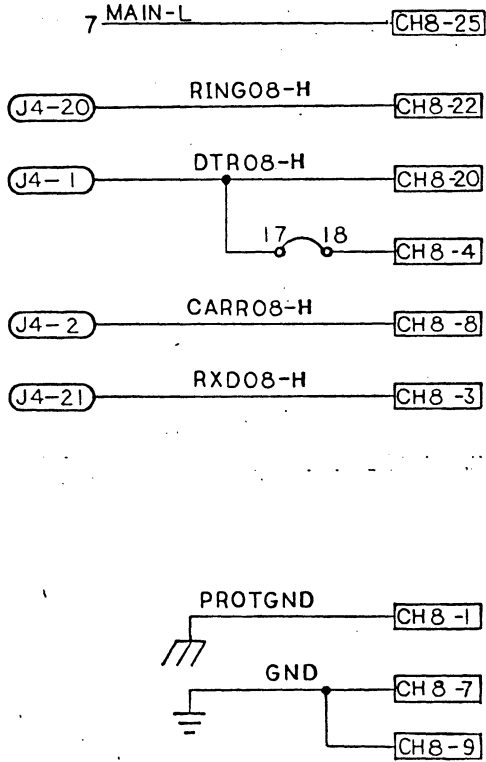
# CH-7



SCALE	SIZE	DRAWING NO.
	B	10130003
DO NOT SCALE DRAWING		SHEET 4 OF 24

THIS INFORMATION CONTAINS NEITHER RECOMMENDATIONS NOR WARRANTIES OF THE QUALITY OF THE INFORMATION HEREON. IT IS THE PROPERTY OF BISHOP ELECTRONICS TECHNOLOGY, INC. TRANSMISSION, REPRODUCTION OR STORAGE OF THIS INFORMATION FOR ANY PURPOSE WITHOUT THE WRITTEN PERMISSION OF BISHOP ELECTRONICS TECHNOLOGY, INC. IS PROHIBITED. THE REPRODUCTION OF THIS INFORMATION IN ANY MANNER WITHOUT THE WRITTEN PERMISSION OF BISHOP ELECTRONICS TECHNOLOGY, INC. IS PROHIBITED. THE REPRODUCTION OF THIS INFORMATION IN ANY MANNER WITHOUT THE WRITTEN PERMISSION OF BISHOP ELECTRONICS TECHNOLOGY, INC. IS PROHIBITED.

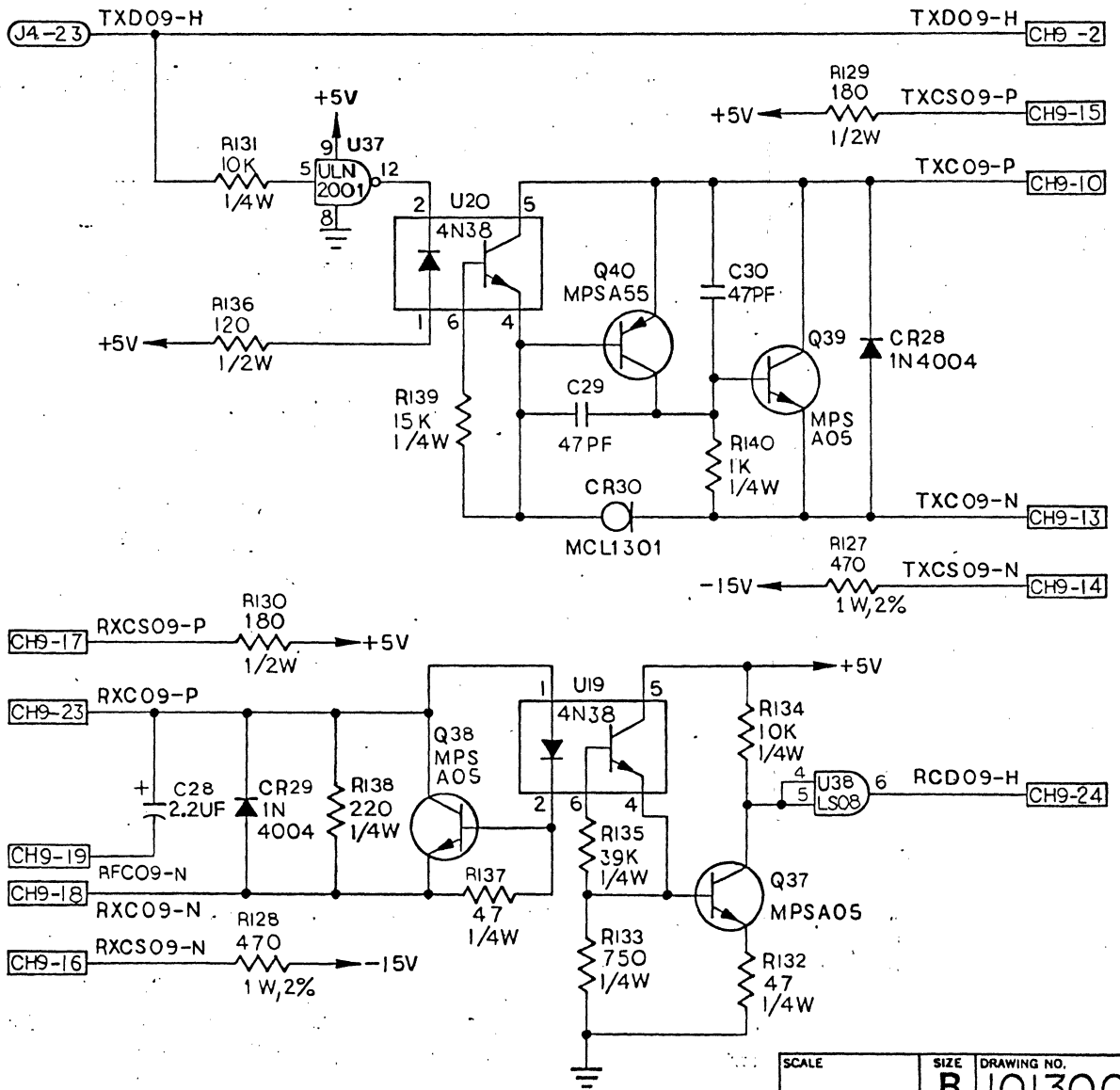
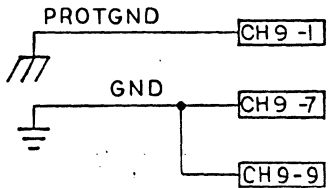
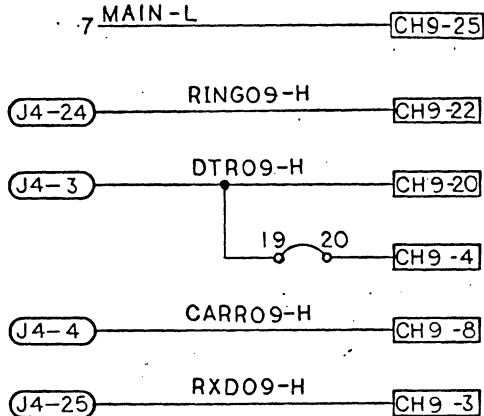
# CH-8



SCALE	SIZE	DRAWING NO.
	<b>B</b>	<b>10130003</b>
DO NOT SCALE DRAWING		SHEET 15 OF 24

THE INFORMATION CONTAINED HEREIN IS THE PROPERTY OF  
 BISHOP GRAPHICS TECHNOLOGY, INC. AND IS LOANED TO YOU  
 ON THE CONDITION THAT YOU WILL NOT REPRODUCE OR  
 TRANSMIT IN ANY MANNER OR BY ANY MEANS, ELECTRONIC,  
 MECHANICAL, OR BY ANY INFORMATION STORAGE AND  
 RETRIEVAL SYSTEM, WITHOUT THE WRITTEN PERMISSION  
 OF BISHOP GRAPHICS TECHNOLOGY, INC.

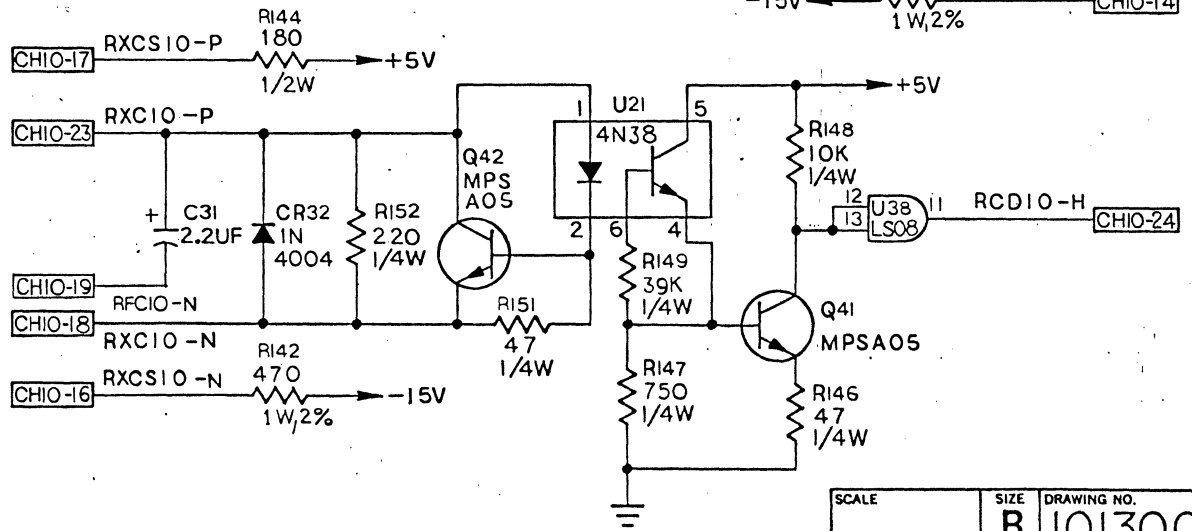
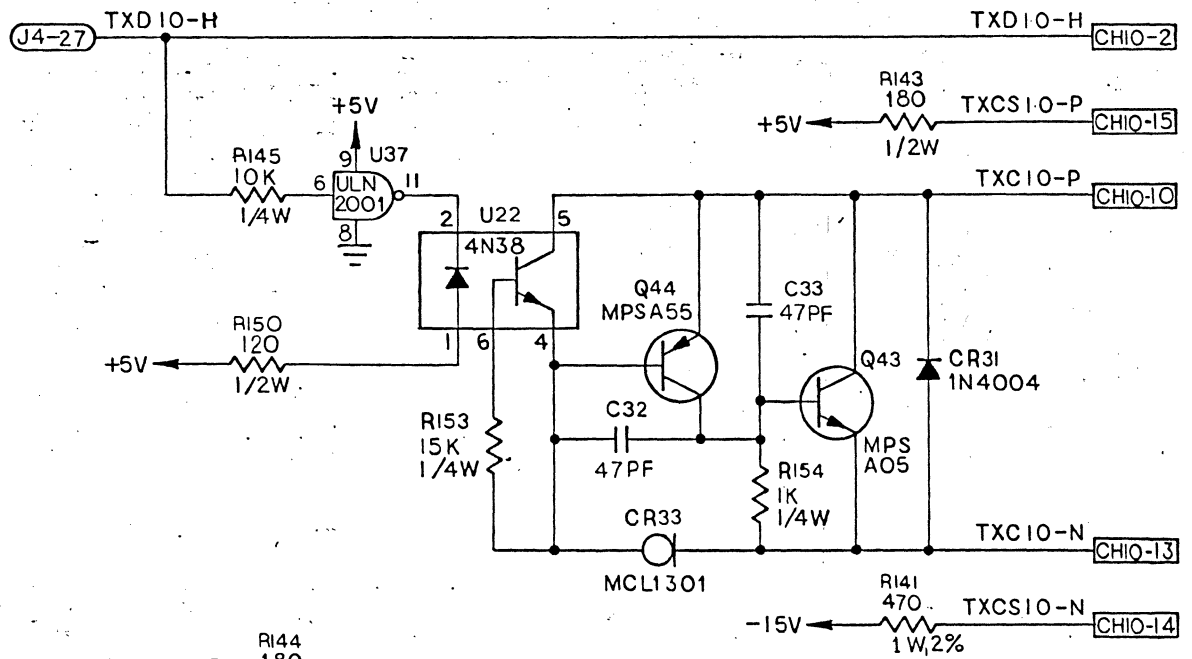
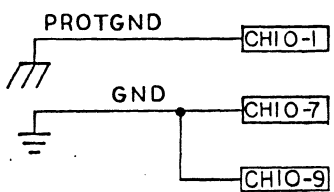
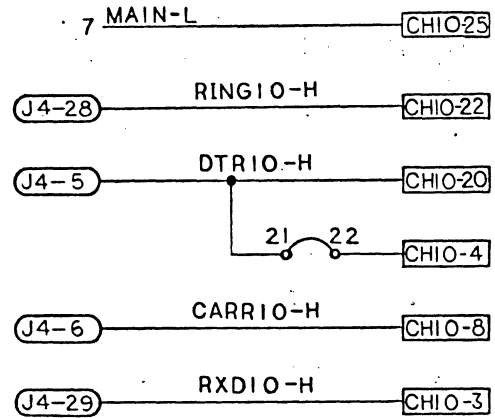
# CH-9



SCALE	SIZE	DRAWING NO.
	<b>B</b>	<b>10130003</b>
DO NOT SCALE DRAWING		SHEET 16 OF 24

THE INFORMATION CONTAINED HEREIN IS THE PROPERTY OF  
 BISHOP GRAPHICS TECHNOLOGY, INC. TRANSMITTAL, REPRODUCTION,  
 OR PUBLICATION OF THE INFORMATION HEREIN IS EXPRESSLY  
 FORN FROM THIS INFORMATION AND NO REPRODUCTION OR  
 PUBLICATION OF IT, IN WHOLE OR IN PART, SHALL BE MADE  
 WITHOUT THE WRITTEN AUTHORIZATION FROM AN OFFICER OF  
 THE ABOVE FIRM.

# CH-10



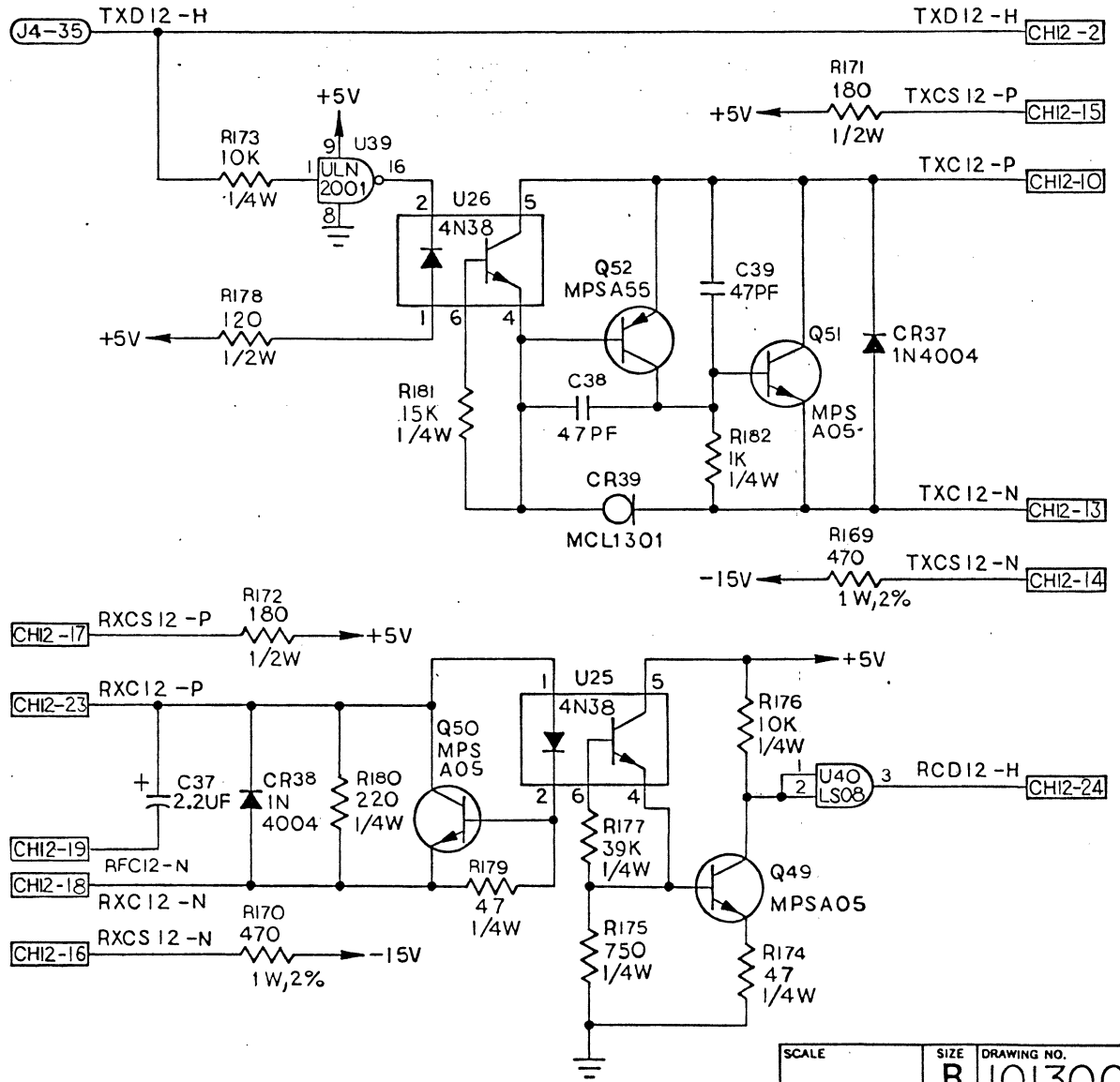
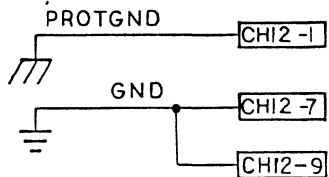
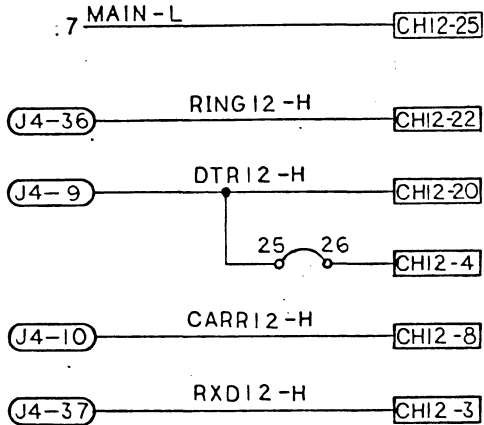
SCALE	SIZE	DRAWING NO.
	B	10130003
DO NOT SCALE DRAWING		SHEET 17 OF 24





THE INFORMATION CONTAINED HEREIN IS THE PROPERTY OF  
 AN I CORP. AND IS LOANED TO YOU BY THE COMPANY. IT IS  
 TO BE USED ONLY FOR THE PURPOSES FOR WHICH IT IS  
 LOANED. IT IS NOT TO BE REPRODUCED OR TRANSMITTED  
 IN ANY FORM OR BY ANY MEANS, ELECTRONIC OR MECHANICAL,  
 INCLUDING PHOTOCOPYING, RECORDING, OR BY ANY INFORMATION  
 STORAGE AND RETRIEVAL SYSTEM. WITHOUT EXPRESS  
 PERMISSION OF THE COMPANY, THIS INFORMATION IS TO BE  
 KEPT CONFIDENTIAL AND NOT TO BE DISCLOSED TO ANY  
 OTHER PERSON OR ENTITY.

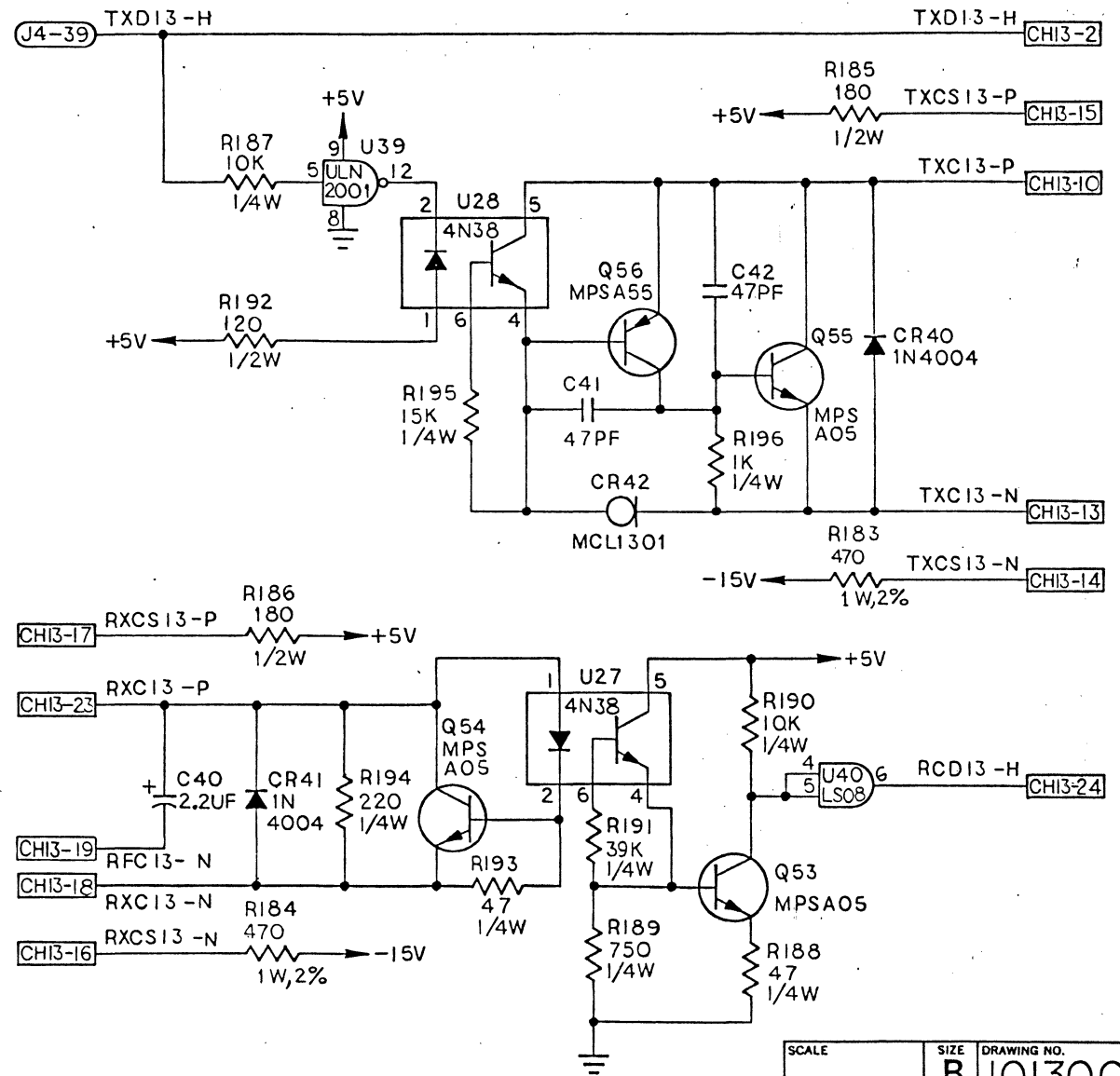
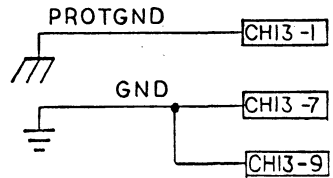
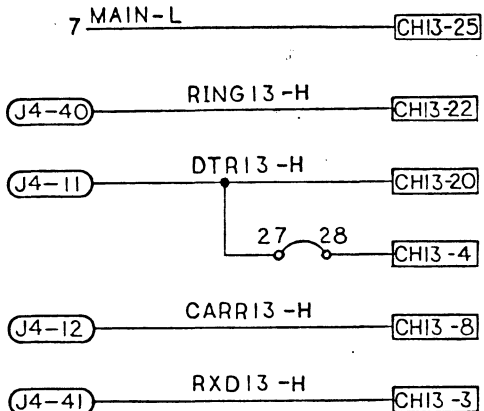
# CH-12



SCALE	SIZE	DRAWING NO.
	B	10130003
DO NOT SCALE DRAWING		SHEET 19 OF 24

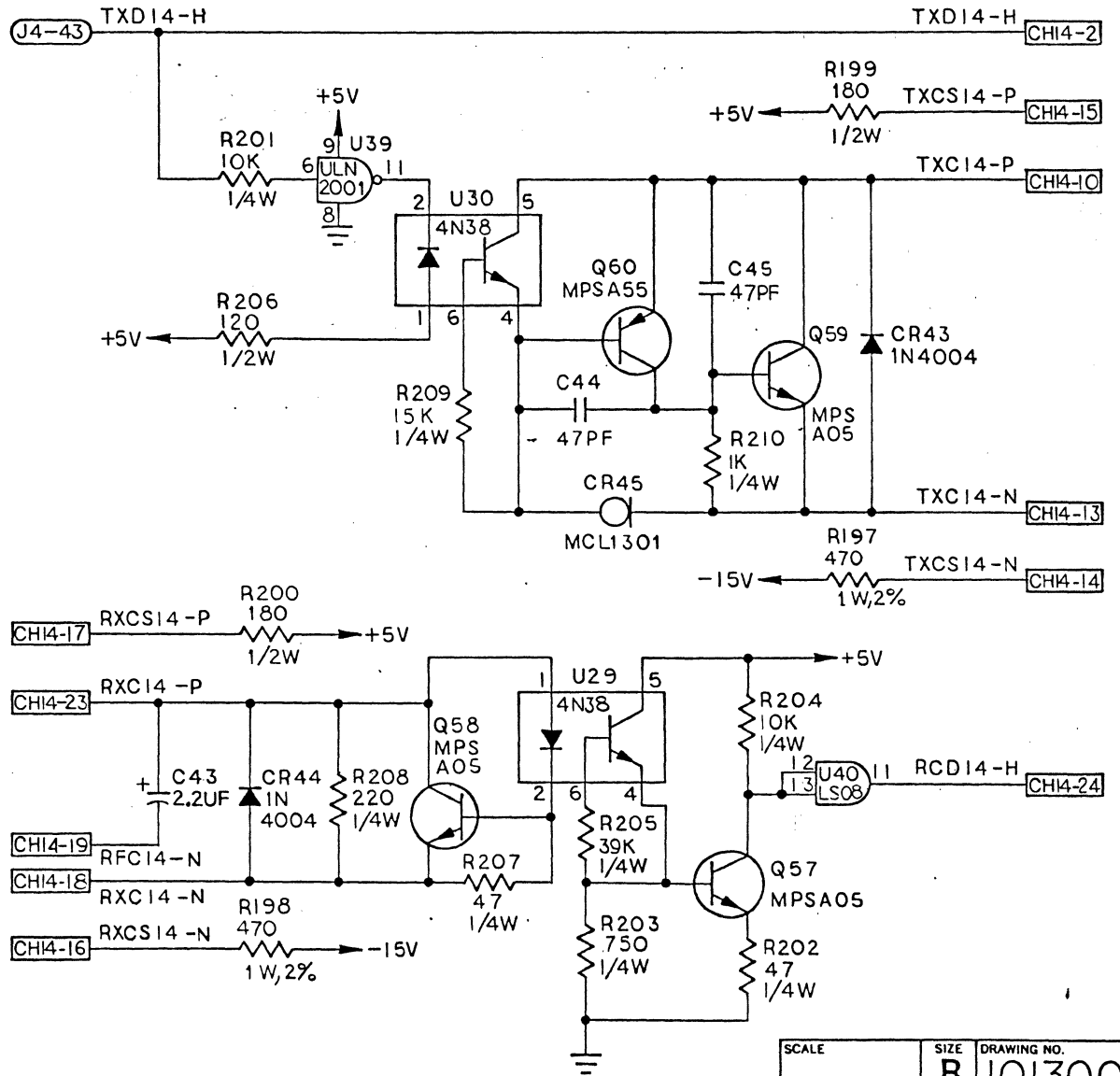
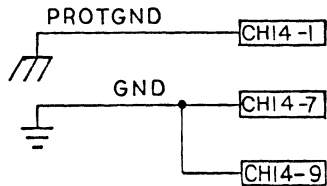
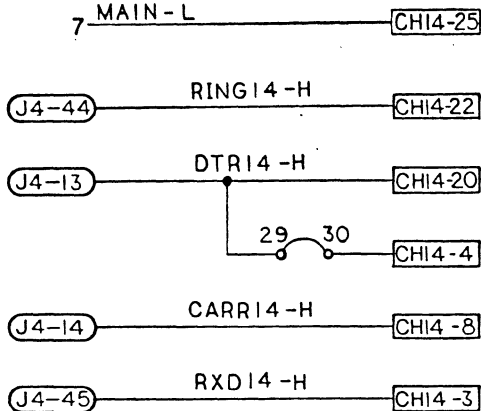
THE INFORMATION CONTAINED HEREIN IS THE PROPERTY OF  
 ARCADIS CONSULTING TECHNOLOGIES, INC. TRANSMITTING, REPRODUCING  
 OR DISSEMINATION OF THE INFORMATION CONTAINED HEREIN WITHOUT  
 LICENSE OR WRITTEN AUTHORIZATION IS STRICTLY PROHIBITED. ANY  
 UNAUTHORIZED DISSEMINATION OF THIS INFORMATION IS A VIOLATION OF  
 FEDERAL LAWS AND IS SUBJECT TO PROSECUTION. THIS DOCUMENT IS  
 UNCLASSIFIED AND IS AVAILABLE TO THE PUBLIC. IT SHOULD BE KEPT  
 UNCLASSIFIED UNLESS AUTHORIZED OTHERWISE BY AN OFFICER OF  
 THE ARCADIS FIRM.

# CH-13



SCALE	SIZE	DRAWING NO.
	B	10130003
DO NOT SCALE DRAWING		SHEET 2 OF 24

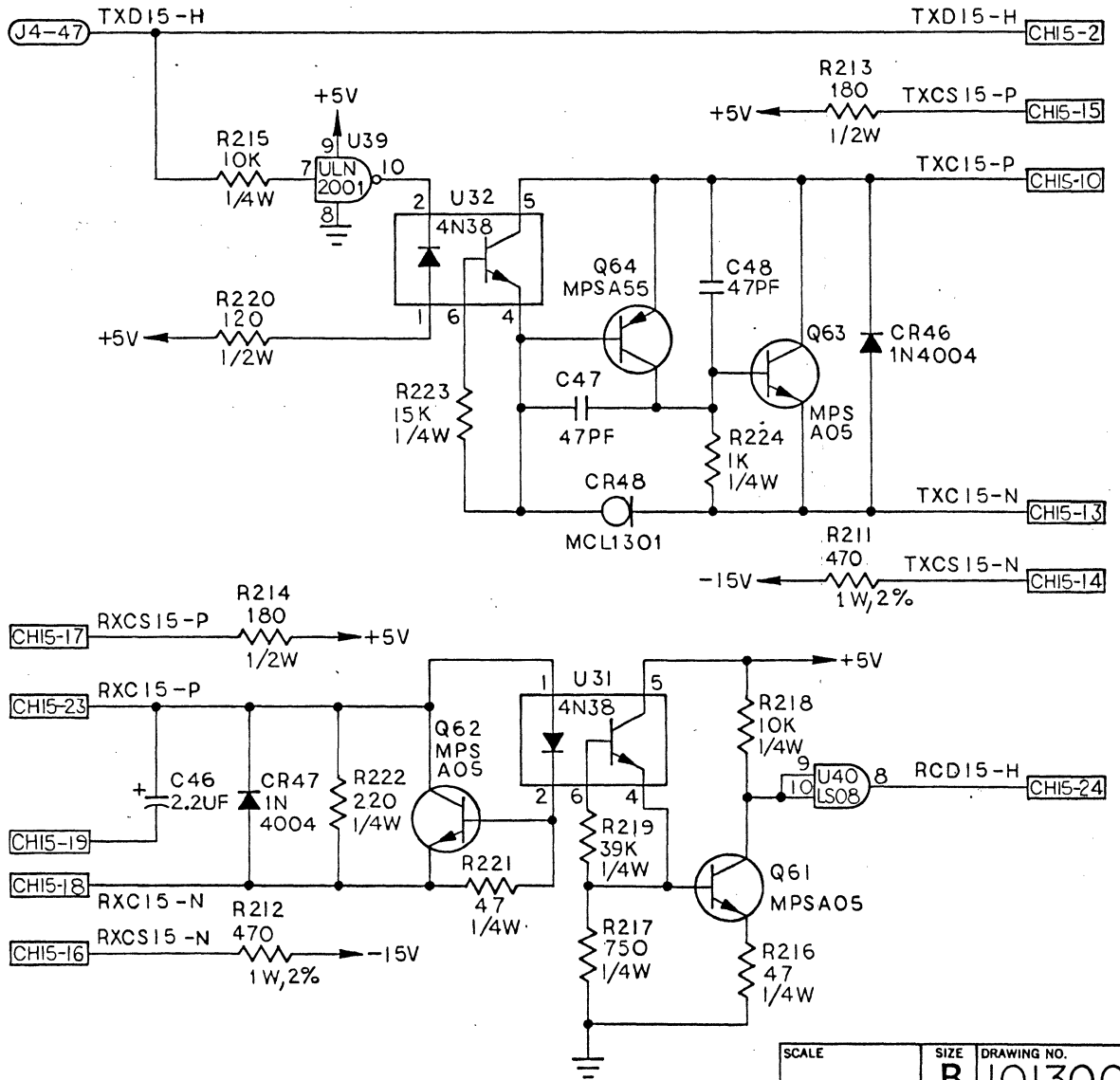
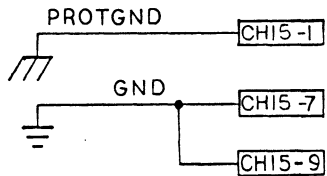
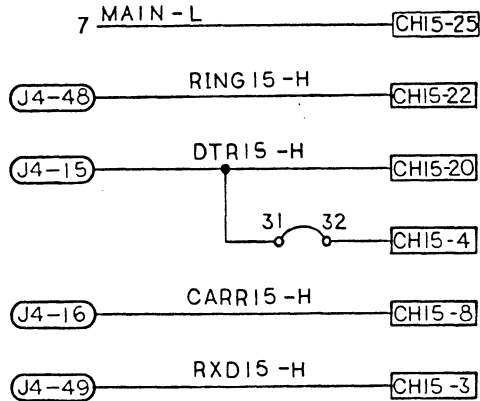
# CH-14



SCALE	SIZE	DRAWING NO.
	B	10130003
DO NOT SCALE DRAWING		SHEET 2.1 OF 24

THE INFORMATION CONTAINED HEREIN IS THE PROPERTY OF  
 ALL COMPUTER TECHNOLOGY, INC. TRANSMITTAL, REPRODUCTION,  
 OR DISSEMINATION OF THIS INFORMATION IS STRICTLY PROHIBITED.  
 NO PART OF THIS INFORMATION IS TO BE REPRODUCED OR TRANSMITTED  
 IN ANY FORM OR BY ANY MEANS, ELECTRONIC OR MECHANICAL, INCLUDING  
 PHOTOCOPYING, RECORDING, OR BY ANY INFORMATION STORAGE AND RETRIEVAL  
 SYSTEM, WITHOUT WRITTEN AUTHORIZATION FROM AN OFFICER OF  
 THE ABOVE FIRM.

# CH-15



SCALE	SIZE	DRAWING NO.
	B	10130003
DO NOT SCALE DRAWING		SHEET 22 OF 24

THIS DRAWING AND ANY INFORMATION CONTAINED HEREIN IS THE PROPERTY OF  
 AN ENGINEERING FIRM, INC. REPRODUCING, COPYING,  
 OR FORNEATING BY THE DRAWING FOR ANY OTHER  
 FIRM, OR ANY PART THEREOF, IS STRICTLY PROHIBITED.  
 FROM THIS DRAWING FOR ANY REPRODUCTION OR  
 FOR ANY OTHER PURPOSE, IN WHOLE OR IN PART, SHALL BE HELD  
 UNLESS WRITTEN AUTHORIZATION FROM AN OFFICER OF  
 THE ABOVE FIRM.

- J7-1 DTROO-H
- J7-2 CARROO-H
- J7-20 RINGOO-H
- J7-3 DTRO1-H
- J7-4 CARRO1-H
- J7-24 RINGO1-H
- J7-5 DTRO2-H
- J7-6 CARRO2-H
- J7-28 RINGO2-H
- J7-7 DTRO3-H
- J7-8 CARRO3-H
- J7-32 RINGO3-H
- J7-9 DTRO4-H
- J7-10 CARRO4-H
- J7-36 RINGO4-H
- J7-11 DTRO5-H
- J7-12 CARRO5-H
- J7-40 RINGO5-H
- J7-13 DTRO6-H
- J7-14 CARRO6-H
- J7-44 RINGO6-H
- J7-15 DTRO7-H
- J7-16 CARRO7-H
- J7-48 RINGO7-H

- J7-19 TXDOO-H
- J7-21 RXDOO-H
- J7-23 TXDO1-H
- J7-25 RXDO1-H
- J7-27 TXDO2-H
- J7-29 RXDO2-H
- J7-31 TXDO3-H
- J7-33 RXDO3-H
- J7-35 TXDO4-H
- J7-37 RXDO4-H
- J7-39 TXDO5-H
- J7-41 RXDO5-H
- J7-43 TXDO6-H
- J7-45 RXDO6-H
- J7-47 TXDO7-H
- J7-49 RXDO7-H

- J8-1 DTRQ8-H
- J8-2 CARRO8-H
- J8-20 RINGO8-H
- J8-3 DTRO9-H
- J8-4 CARRO9-H
- J8-24 RINGO9-H
- J8-5 DTR10-H
- J8-6 CARRIO-H
- J8-28 RINGIO-H
- J8-7 DTR11-H
- J8-8 CARR11-H
- J8-32 RING11-H
- J8-9 DTR12-H
- J8-10 CARR12-H
- J8-36 RING12-H
- J8-11 DTR13-H
- J8-12 CARR13-H
- J8-40 RING13-H
- J8-13 DTR14-H
- J8-14 CARR14-H
- J8-44 RING14-H
- J8-15 DTR15-H
- J8-16 CARR15-H
- J8-48 RING15-H

- J8-19 TXDO8-H
- J8-21 RXDO8-H
- J8-23 TXDO9-H
- J8-25 RXDO9-H
- J8-27 TXD10-H
- J8-29 RXD10-H
- J8-31 TXD11-H
- J8-33 RXD11-H
- J8-35 TXD12-H
- J8-37 RXD12-H
- J8-39 TXD13-H
- J8-41 RXD13-H
- J8-43 TXD14-H
- J8-45 RXD14-H
- J8-47 TXD15-H
- J8-49 RXD15-H

## CHO-15 MAINTENANCE

SCALE	SIZE	DRAWING NO.
	<b>B</b>	<b>10130003</b>
DO NOT SCALE DRAWING		SHEET 23 OF 24

THE INFORMATION CONTAINED HEREIN IS THE PROPERTY OF  
 JDL COMPUTER TECHNOLOGY, INC. TRANSMITTAL, RECEIPT  
 OR POSSESSION OF THIS INFORMATION DOES NOT CONSTITUTE  
 A LICENSE, OR ANY OTHER RIGHT TO USE, COPY, OR REPRODUCE  
 THIS FROM THE INFORMATION AND NO REPRODUCTION OR  
 PUBLICATION OF IT, IN WHOLE OR IN PART, SHALL BE MADE  
 WITHOUT WRITTEN AUTHORIZATION FROM AN OFFICER OF  
 THE ARMY PMA.

- J5-1 DTROO-H
- J5-4 CARRO1-H
- J5-24 RINGO1-H
- J5-3 DTRO1-H
- J5-2 CARROO-H
- J5-20 RINGOO-H
- J5-5 DTRO2-H
- J5-8 CARRO3-H
- J5-32 RINGO3-H
- J5-7 DTRO3-H
- J5-6 CARRO2-H
- J5-28 RINGO2-H
- J5-9 DTRO4-H
- J5-12 CARRO5-H
- J5-40 RINGO5-H
- J5-11 DTRO5-H
- J5-10 CARRO4-H
- J5-36 RINGO4-H
- J5-13 DTRO6-H
- J5-16 CARRO7-H
- J5-48 RINGO7-H
- J5-15 DTRO7-H
- J5-14 CARRO6-H
- J5-44 RINGO6-H

- J5-19 TXD00-H
- J5-25 RXD01-H
- J5-23 TXD01-H
- J5-21 RXD00-H
- J5-27 TXD02-H
- J5-33 RXD03-H
- J5-31 TXD03-H
- J5-29 RXD02-H
- J5-35 TXD04-H
- J5-41 RXD05-H
- J5-39 TXD05-H
- J5-37 RXD04-H
- J5-43 TXD06-H
- J5-49 RXD07-H
- J5-47 TXD07-H
- J5-45 RXD06-H

- J6-1 DTRO8-H
- J6-4 CARRO9-H
- J6-24 RINGO9-H
- J6-3 DTRO9-H
- J6-2 CARRO8-H
- J6-20 RINGO8-H
- J6-5 DTR10-H
- J6-8 CARR11-H
- J6-32 RING11-H
- J6-7 DTR11-H
- J6-6 CARR10-H
- J6-28 RING10-H
- J6-9 DTR12-H
- J6-12 CARR13-H
- J6-40 RING13-H
- J6-11 DTR13-H
- J6-10 CARR12-H
- J6-36 RING12-H
- J6-13 DTR14-H
- J6-16 CARR15-H
- J6-48 RING15-H
- J6-15 DTR15-H
- J6-14 CARR14-H
- J6-44 RING14-H

- J6-19 TXD08-H
- J6-25 RXD09-H
- J6-23 TXD09-H
- J6-21 RXD08-H
- J6-27 TXD10-H
- J6-33 RXD11-H
- J6-31 TXD11-H
- J6-29 RXD10-H
- J6-35 TXD12-H
- J6-41 RXD13-H
- J6-39 TXD13-H
- J6-37 RXD12-H
- J6-43 TXD14-H
- J6-49 RXD15-H
- J6-47 TXD15-H
- J6-45 RXD14-H

## CHO-15 STAGGERED MAINTENANCE

SCALE	SIZE	DRAWING NO.
	<b>B</b>	<b>10130003</b>
DO NOT SCALE DRAWING		SHEET 24OF24