



TECHNICAL MANUAL

**AM-600/T**

**MAGNETIC TAPE  
FORMATTER INTERFACE**

DWM-00607-00  
REV. A00

**alpha micro**

## FIRST EDITION

May 1984 E.N. 01700

| REVISIONS INCORPORATED |      |
|------------------------|------|
| REVISION               | DATE |

©1984 ALPHA MICROSYSTEMS

THE INFORMATION CONTAINED IN THIS MANUAL IS BELIEVED TO BE ACCURATE AND RELIABLE. HOWEVER, NO RESPONSIBILITY FOR THE ACCURACY, COMPLETENESS OR USE OF THIS INFORMATION IS ASSUMED BY ALPHA MICRO.

This document may contain references to products covered under the following U.S. Patent Number(s): 4,530,048

### PROPRIETARY NOTICE

This document and the information herein disclosed is the confidential information and proprietary property of ALPHA MICRO, 3501 Sunflower, Santa Ana, California 92799. Any person or entity to whom this document is furnished or having possession thereof, by acceptance, assumes custody thereof and agrees that the document is given in confidence and will not be copied or reproduced in whole or in part, nor used or revealed to any person in any manner except to meet the purposes for which it was delivered. Additional rights and obligations regarding this document and its contents may be defined by a separate written agreement with ALPHA MICROSYSTEMS, and if so, such separate written agreement shall be controlling.

ALPHA MICROSYSTEMS  
3501 Sunflower  
P.O. Box 25059  
Santa Ana, Ca 92799

## Table of Contents

|           |                                  |                                    |                               |
|-----------|----------------------------------|------------------------------------|-------------------------------|
| CHAPTER 1 |                                  | GENERAL DESCRIPTION                |                               |
| 1.1       | INTRODUCTION                     | .....                              | 1-1                           |
| 1.2       | CIRCUIT BOARD DESCRIPTION        | .....                              | 1-1                           |
| 1.3       | APPLICATION                      | .....                              | 1-5                           |
| CHAPTER 2 |                                  | OPERATING DATA                     |                               |
| 2.1       | INTRODUCTION                     | .....                              | 2-1                           |
| 2.2       | CAPABILITIES AND SPECIFICATIONS  | .....                              | 2-1                           |
| 2.3       | INTERFACE DESCRIPTION AND WIRING | .....                              | 2-3                           |
|           | 2.3.1                            | Alpha Micro Bus Interface          | 2-3                           |
|           | 2.3.2                            | Tape Transport Formatter Interface | 2-10                          |
|           | 2.3.3                            | Wiring and Connections             | 2-12                          |
|           | 2.3.4                            | User Options                       | 2-16                          |
|           |                                  | 2.3.4.1                            | Addressing                    |
|           |                                  |                                    | 2-16                          |
|           | 2.3.5                            | Interrupts                         | 2-18                          |
|           | 2.3.6                            | DMA Options                        | 2-18                          |
|           | 2.3.7                            | CPU Compatibility                  | 2-18                          |
|           |                                  | 2.3.7.1                            | AM-100 CPU Compatibility      |
|           |                                  |                                    | 2-19                          |
|           |                                  | 2.3.7.2                            | AM-100/T CPU Compatibility    |
|           |                                  |                                    | 2-19                          |
|           |                                  | 2.3.7.3                            | AM-100/L CPU Compatibility    |
|           |                                  |                                    | 2-20                          |
| CHAPTER 3 |                                  | PROGRAMMING                        |                               |
| 3.1       | INTRODUCTION                     | .....                              | 3-1                           |
| 3.2       | I/O PORTS                        | .....                              | 3-1                           |
| 3.3       | DMA DATA TRANSFER                | .....                              | 3-12                          |
| 3.4       | INTERRUPT OPERATION              | .....                              | 3-13                          |
| CHAPTER 4 |                                  | FUNCTIONAL THEORY OF OPERATIONS    |                               |
| 4.1       | INTRODUCTION                     | .....                              | 4-1                           |
| 4.2       | CIRCUIT BOARD OPERATION          | .....                              | 4-2                           |
|           | 4.2.1                            | Alpha Micro Bus Interface          | 4-23                          |
|           |                                  | 4.2.1.1                            | I/O Port Decoding and Command |
|           |                                  |                                    | Generation                    |
|           |                                  |                                    | 4-23                          |
|           |                                  | 4.2.1.2                            | Datain Bus Interface          |
|           |                                  |                                    | 4-23                          |
|           |                                  | 4.2.1.3                            | DATAOUT Bus Interface         |
|           |                                  |                                    | 4-24                          |
|           | 4.2.2                            | Magnetic Tape Formatter Interface  | 4-25                          |
|           |                                  | 4.2.2.1                            | Data Request Logic            |
|           |                                  |                                    | 4-25                          |
|           |                                  | 4.2.2.2                            | Interrupt Logic               |
|           |                                  |                                    | 4-26                          |
|           |                                  | 4.2.2.3                            | Lost Data Detector            |
|           |                                  |                                    | 4-26                          |
|           |                                  | 4.2.2.4                            | Miscellaneous Latches         |
|           |                                  |                                    | 4-27                          |
|           | 4.2.3                            | DMA Sequence Control               | 4-27                          |
|           |                                  | 4.2.3.1                            | Standard Alpha Micro bus      |
|           |                                  |                                    | Exchange Timing (AM-100/T,    |
|           |                                  |                                    | AM-100/L Systems)             |
|           |                                  |                                    | 4-27                          |

|            |                                 |  |      |
|------------|---------------------------------|--|------|
|            | 4.2.3.2                         | AM-100 Compatible Bus Exchange<br>Timing .....                             | 4-30 |
|            | 4.2.3.3                         | Data Transfer Sequence .....   | 4-32 |
|            | 4.2.3.4                         | Processor Ready Detect Logic ...   | 4-33 |
|            | 4.2.4                           | DMA Address Generator/Byte Count Circuitry ..                              | 4-33 |
|            | 4.2.5                           | Test Jumper Blocks and Test Points .....                                   | 4-34 |
| 4.3        |                                 | CIRCUIT MODULE DESCRIPTION .....   | 4-35 |
|            | 4.3.1                           | DMA Address Generator .....  | 4-35 |
|            | 4.3.1.1                         | Architecture .....   | 4-38 |
|            | 4.3.1.2                         | Control Modes .....  | 4-41 |
|            | 4.3.1.3                         | Instructions .....   | 4-42 |
|            | 4.3.2                           | Dual D Positive-Edge-Triggered Flip-Flops<br>with Preset and Clear .....   | 4-45 |
|            | 4.3.3                           | Dual J-K Negative-Edge-Triggered Flip-Flops<br>with Preset and Clear ..... | 4-45 |
|            | 4.3.4                           | Decoder .....  | 4-46 |
|            | 4.3.5                           | Inverting Octal Bus Driver .....   | 4-47 |
|            | 4.3.6                           | Noninverting Octal Bus Driver .....  | 4-48 |
|            | 4.3.7                           | Octal D Register With Reset .....  | 4-49 |
|            | 4.3.8                           | Set-Reset Latches .....  | 4-50 |
|            | 4.3.9                           | Bipolar PROM .....   | 4-50 |
|            | 4.3.10                          | Tri-State D Flip-Flops .....   | 4-51 |
|            | 4.3.11                          | Bus Comparator .....   | 4-52 |
|            | 4.3.12                          | Four-Phase Clock Generator .....   | 4-54 |
|            |                                 |  |      |
| CHAPTER 5  | MAINTENANCE AND TROUBLESHOOTING |  |      |
|            | 5.1                             | INTRODUCTION .....   | 5-1  |
|            | 5.2                             | CIRCUIT BOARD CHECKOUT .....   | 5-1  |
|            | 5.3                             | WARRANTY PROCEDURES .....  | 5-2  |
|            |                                 |  |      |
| CHAPTER 6  | COMPONENT CROSS REFERENCE LIST  |  |      |
|            |                                 |  |      |
| APPENDIX A | PARTS LIST                      |  |      |
|            |                                 |  |      |
| APPENDIX B | SCHEMATICS                      |  |      |
|            |                                 |  |      |
| INDEX      |                                 |  |      |

## LIST OF ILLUSTRATIONS

| Figure |   | Page |
|--------|---|------|
| 1-1    | AM-600/T Simplified Block Diagram .....                 | 1-3  |
| 2-1    | Adapter for 100 Pin Edge Connector to Flat Cables ..... | 2-13 |
| 2-2    | Jumper Options .....                                    | 2-17 |
| 4-1    | AM-600/T Functional Block Diagram .....                 | 4-3  |
| 4-2    | Standard Alpha Micro Bus DMA Timing .....               | 4-28 |
| 4-3    | AM-100 Compatible Control DMA Timing .....              | 4-30 |
| 4-4    | DMA Address Generator Connections .....                 | 4-36 |
| 4-5    | DMA Address Generator Block Diagram .....               | 4-39 |
| 4-6    | Control Register Format .....                           | 4-39 |
| 4-7    | Dual D Flip-Flop Connections .....                      | 4-45 |
| 4-8    | J-K Flip-Flop Connections .....                         | 4-46 |
| 4-9    | Decoder Connections .....                               | 4-47 |
| 4-10   | Inverting Bus Driver Connections .....                  | 4-48 |
| 4-11   | Non-Inverting Bus Driver Connections .....              | 4-48 |
| 4-12   | Octal D Register Connections .....                      | 4-49 |
| 4-13   | Octal D Register Connections .....                      | 4-50 |
| 4-14   | Bipolar PROM Connections .....                          | 4-51 |
| 4-15   | Tri-State D Flip-Flop Connections .....                 | 4-52 |
| 4-16   | Bus Comparator Connections .....                        | 4-53 |
| 4-17   | Four-Phase Clock Logic and Connections .....            | 4-55 |



## LIST OF TABLES

| Table |  | Page |
|-------|--|------|
| 2-1   | AM-600/T Specifications .....                              | 2-2  |
| 2-2   | Alpha Micro Bus Interface Signals (Sheet 1 of 6) .....     | 2-4  |
| 2-3   | Tape Transport Formatter Interface Signals .....           | 2-11 |
| 2-4   | Adapter Wire List (sheet 1 of 2) .....                     | 2-14 |
| 3-1   | I/O Port Definitions .....                                 | 3-3  |
| 3-2   | External Control Register (Output Function) .....          | 3-4  |
| 3-3   | Transport Status Register (Input Function) .....           | 3-5  |
| 3-4   | Formatter Command Register (Output Function) .....         | 3-6  |
| 3-5   | Formatter Status Register (Input Function) .....           | 3-7  |
| 3-6   | Internal Control Register (Output Function) .....          | 3-8  |
| 3-7   | DMA Register Instructions .....                            | 3-9  |
| 3-8   | Formatter Command Summary .....                            | 3-11 |
| 4-1   | AM-600/T Signal List (sheet 1 of 9) .....                  | 4-5  |
| 4-2   | AM-600/T Magnetic Tape Interface Signals (sheet 1 of 7) .. | 4-15 |
| 4-3   | DMA Register Instructions .....                            | 4-43 |





## CHAPTER 1

### GENERAL DESCRIPTION

#### 1.1 INTRODUCTION

This manual provides operating and maintenance instructions for the AM-600/T Magnetic Tape Transport Formatter Interface circuit board manufactured by Alpha Microsystems located in Irvine, California. Circuit board description, operating and usage instructions, programming, theory of operation, and maintenance instructions are included to provide the user with the information necessary to use this circuit board to its full capability.

#### 1.2 CIRCUIT BOARD DESCRIPTION

The AM-600/T circuit board provides a general purpose, single board interface capability between the Alpha Micro bus and the industry standard 1/2 inch magnetic tape formatter. The main features of the AM-600/T are as follows:

- \* Fully compatible with all Alpha Micro CPU boards (except AM-1000)
- \* Full DMA data transfer capability
- \* Interrupt capability provided
- \* Interfaces up to two formatters (eight transports total)
- \* Controls both seven and nine track tape transports
- \* Controls transports with densities of up to 3200 bytes per inch and tape velocities up to 37.5 ips
- \* Easy cabling interface via two 50-conductor flat ribbon cables
- \* Software control over virtually all standard formatter modes and operation

A simplified block diagram of the AM-600/T is shown in Figure 1-1. For a complete detailed description of circuit board operation, see Chapter 4 of this manual.

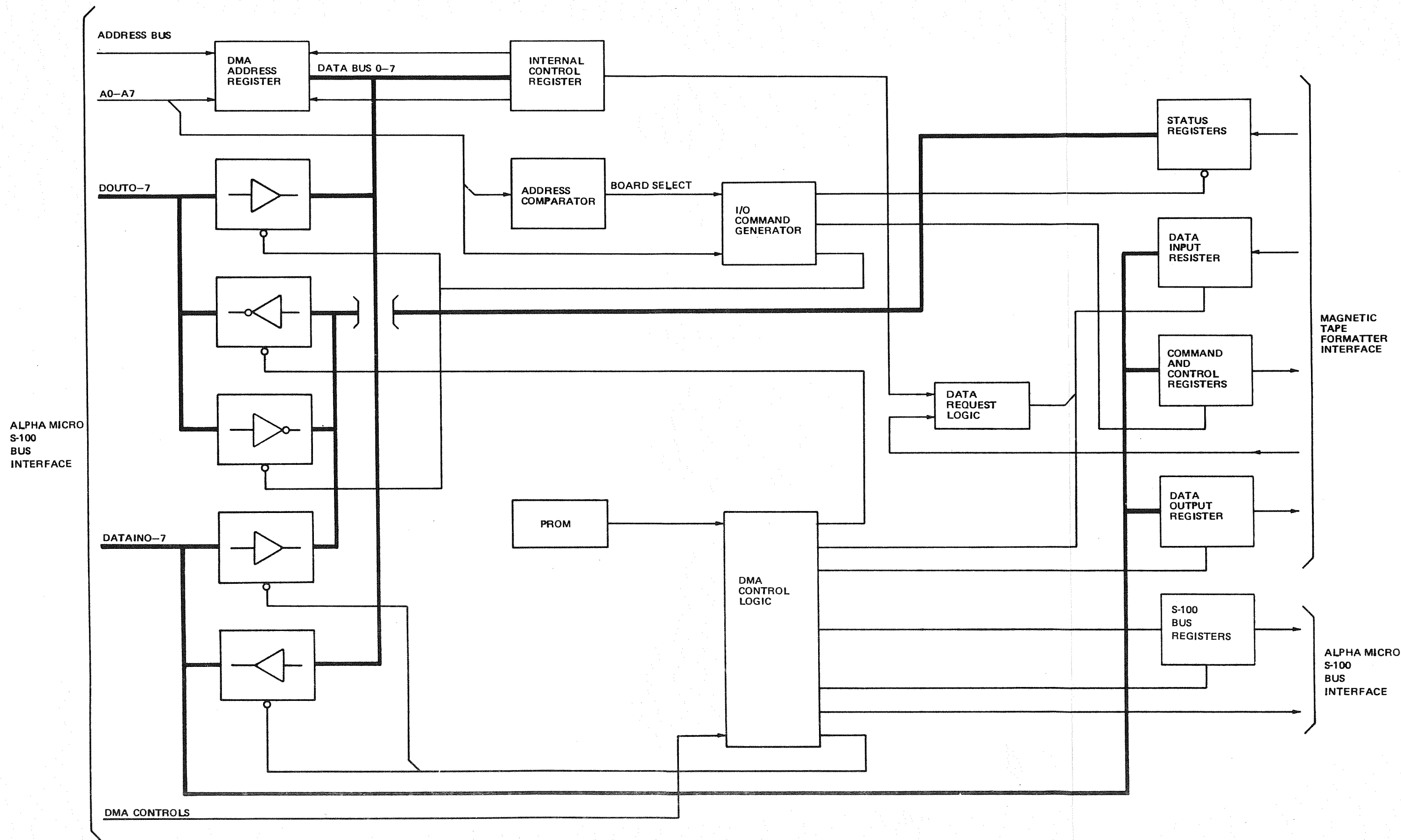


FIGURE 1-1.

AM-600/T Simplified Block Diagram



### 1.3 APPLICATION

The AM-600/T is fully compatible with the standard Alpha Micro bus-based systems. Jumpers on the circuit board that provide for user selection are described in Chapter 2. The AM-600/T formatter interface directly controls both seven and nine track tape transports with 1/2 inch tape.



## CHAPTER 2

### OPERATING DATA

#### 2.1 INTRODUCTION

This chapter contains information on the use of the AM-600/T Magnetic Tape Transport Formatter Interface circuit board. Capabilities, specifications, interface wiring, and user option descriptions are provided for the successful integration of the board into the user's system.

#### 2.2 CAPABILITIES AND SPECIFICATIONS

The AM-600/T circuit board provides general purpose, single board interface capability between the Alpha Micro bus and the industry standard 1/2 inch magnetic tape formatter. A maximum of two formatters can be used with each AM-600/T for a total of eight tape transports. Specifications for the AM-600/T circuit board are contained in Table 2-1.

TABLE 2-1. AM-600/T Specifications

| PARAMETER     | SPECIFICATION  |
|---------------|--|
| Interface     | Alpha Micro bus for CPU, a maximum of eight tape transports through two formatter units. |
| Interrupts    | Multiple level interrupt capability, user selected.                                      |
| Tape Format   | Controls both 7 and 9 track tape formats.  |
| Tape Density  | Controls transports with densities of up to 1600 bytes/inch.                             |
| Tape Speed    | Controls transports with tape velocities up to 37.5 inches/sec.                          |
| Data Transfer | Full DMA data transfer capability of data blocks up to 65K bytes.                        |
| Board Control | Software control over virtually all standard formatter modes and operations.             |
| Cables        | Two 50-conductor flat ribbon cables interface with formatter unit.                       |
| Circuit Board | Standard 9" x 10" with 100 pin connector to interface with CPU bus system.               |
| Power         | +8 V @ 2.1 Amps  |
| Environmental | Temperature 10 to 30 degrees (Centigrade)<br>Humidity 10% - 80% (non-condensing)         |



## 2.3 INTERFACE DESCRIPTION AND WIRING

The AM-600/T circuit board provides interface capability between the standard Alpha Micro bus and magnetic tape transport formatter units.

### 2.3.1 Alpha Micro Bus Interface

The AM-600/T circuit board is fully compatible with all Alpha Micro bus-oriented systems. The board and its associated tape transports are addressed through the address lines, and data is transferred through the standard data in and data out lines. The board is compatible with both the 8-bit bus configuration and also the 16-bit CPU configuration. See Paragraph 2.3.4 for selection of the various available user options.

Only DMA data transfers are accommodated for maximum data transfer rates. The Alpha Micro bus connections are made via the bottom edge connector and are listed in Table 2-2. See Chapter 4 for complete descriptions of all interface signals.

TABLE 2-2. Alpha Micro Bus Interface Signals (Sheet 1 of 6)

| SIGNAL                      | NAME   | J1<br>PIN NO. |
|-----------------------------|--|---------------|
| +8                          | 8 Volts  | 1             |
| $\overline{\text{VI0}}$     | Vectored Interrupt 0   | 4             |
| $\overline{\text{VI1}}$     | Vectored Interrupt 1   | 5             |
| $\overline{\text{VI2}}$     | Vectored Interrupt 2   | 6             |
| $\overline{\text{VI3}}$     | Vectored Interrupt 3   | 7             |
| $\overline{\text{VI4}}$     | Vectored Interrupt 4   | 8             |
| $\overline{\text{VI5}}$     | Vectored Interrupt 5   | 9             |
| $\overline{\text{VI6}}$     | Vectored Interrupt 6   | 10            |
| $\overline{\text{VI7}}$     | Vectored Interrupt 7   | 11            |
| A18                         | Address 18   | 15            |
| A16                         | Address 16   | 16            |
| A17                         | Address 17   | 17            |
| $\overline{\text{STATDSB}}$ | Status Bus Disable. A low indicates a 16-bit transfer; a high indicates an Address bus transfer. | 18            |
| $\overline{\text{C/CDSB}}$  | Command/Control Bus Disable  | 19            |

Table 2-2. Alpha Micro Bus Interface Signals (Sheet 2 of 6)

| SIGNAL                    | NAME                 | J1<br>PIN NO. |
|---------------------------|----------------------|---------------|
| GND                       | Ground               | 20            |
| $\overline{\text{ADDSB}}$ | Address Bus Disable  | 22            |
| $\overline{\text{DODSB}}$ | Data Bus Disable     | 23            |
| O2                        | Phase 2 Clock        | 24            |
| $\overline{\text{STVAL}}$ | Status Valid         | 25            |
| PHLDA                     | DMA Acknowledge Line | 26            |
| PWAIT                     | CPU Wait             | 27            |
| A5                        | Address 5            | 29            |
| A4                        | Address 4            | 30            |
| A3                        | Address 3            | 31            |
| A15                       | Address 15           | 32            |
| A12                       | Address 12           | 33            |
| A9                        | Address 9            | 34            |
| D01                       | Bits 0-7             | 35            |
| D00                       | Data Out Bus         | 36            |
| A10                       | Address 10           | 37            |

Table 2-2. Alpha Micro Bus Interface Signals (Sheet 3 of 6)

| SIGNAL                    | NAME                     | J1<br>PIN NO. |
|---------------------------|--------------------------|---------------|
| D04                       | Data Out Bus             | 38            |
| D05                       | Data Out Bus             | 39            |
| D06                       | Data Out Bus             | 40            |
| DATAIN2                   | Data In Bus              | 41            |
| DATAIN3                   | Data In Bus              | 42            |
| DATAIN7                   | Data In Bus              | 43            |
| $\overline{\text{SMT}}$   | Bus Master OP Code Fetch | 44            |
| SOUT                      | I/O Output Cycle         | 45            |
| SINP                      | I/O Input Cycle          | 46            |
| SMEMR                     | Memory Read Cycle        | 47            |
| $\overline{\text{SWLTA}}$ | Halt Acknowledge         | 48            |
| GND                       | Ground                   | 50            |
| +8                        | +8 Volts                 | 51            |
| $\overline{\text{DMA0}}$  | Direct Memory Access     | 55            |
| $\overline{\text{DMA1}}$  | Direct Memory Access     | 56            |

Table 2-2. Alpha Micro Bus Interface Signals (Sheet 4 of 6)

| SIGNAL                      | NAME  | J1<br>PIN NO. |
|-----------------------------|---|---------------|
| $\overline{\text{DMA2}}$    | Direct Memory Access  | 57            |
| $\overline{\text{SXTRQ}}$   | 16-bit Request  | 58            |
| A19                         | Address 19  | 59            |
| A20                         | Address 20  | 61            |
| A21                         | Address 21  | 62            |
| A22                         | Address 22  | 63            |
| A23                         | Address 23  | 64            |
| $\overline{\text{ADVAL}}$   | Optional signal which indicates that the upper byte address information is on the data bus. | 65            |
| $\overline{\text{WRDIS}}$   | Prevents write execution  | 66            |
| $\overline{\text{DMARCVD}}$ | DMA Received  | 69            |
| GND                         | Ground  | 70            |
| PRDY                        | Ready   | 72            |
| $\overline{\text{PHOLD}}$   | DMA Request Line  | 74            |

Table 2-2. Alpha Micro Bus Interface Signals (Sheet 5 of 6)

| SIGNAL                  | NAME                                   | J1<br>PIN NO. |
|-------------------------|--|---------------|
| PSYNC                   | Processor Sync, Start of<br>Bus Cycle. | 76            |
| $\overline{\text{PWR}}$ | Write Strobe                           | 77            |
| PDBIN                   | Data Bus Input Command                 | 78            |
| A0                      | Address 0                              | 79            |
| A1                      | Address 1                              | 80            |
| A2                      | Address 2                              | 81            |
| A6                      | Address 6                              | 82            |
| A7                      | Address 7                              | 83            |
| A8                      | Address 8                              | 84            |
| A13                     | Address 13                             | 85            |
| A14                     | Address 14                             | 86            |
| A11                     | Address 11                             | 87            |
| D02                     | Data Out Bus                           | 88            |

Table 2-2. Alpha Micro Bus Interface Signals (Sheet 6 of 6)

| SIGNAL                    | NAME                    | J1<br>PIN NO. |
|---------------------------|-------------------------|---------------|
| DC3                       | Data Out Bus            | 89            |
| D07                       | Data Out Bus            | 90            |
| DATAIN4                   | Data In Bus             | 91            |
| DATAIN5                   | Data In Bus             | 92            |
| DATAIN6                   | Data In Bus             | 93            |
| DATAIN1                   | Data In Bus             | 94            |
| DATAIN0                   | Data In Bus             | 95            |
| $\overline{\text{SINTA}}$ | Interrupt Acknowledge   | 96            |
| $\overline{\text{SWO}}$   | Bus Master Output Cycle | 97            |
| GND                       | Ground                  | 100           |

### 2.3.2 Tape Transport Formatter Interface

The tape transport formatter circuit board interfaces with a maximum of eight tape transports through two formatter units. Interface signal connections are made through J2 and J3 on the top edge of the circuit board and are listed in Table 2-3. See Chapter 4 for a complete description of interface signals.



TABLE 2-3. Tape Transport Formatter Interface Signals

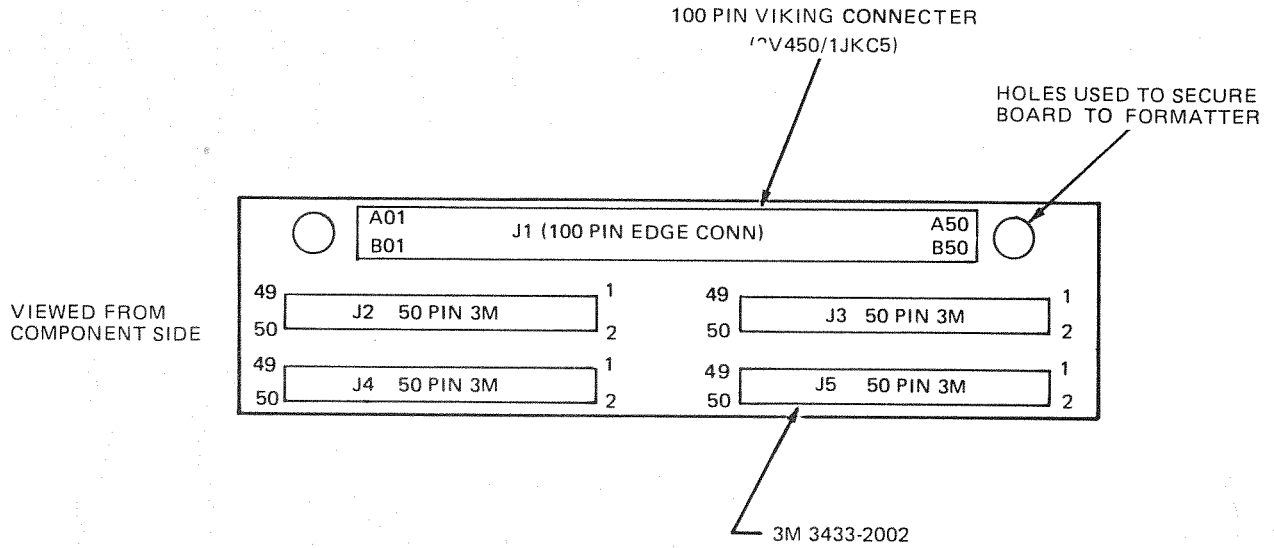
| J2  |                  |     |                    | J3  |                  |     |                    |
|-----|------------------|-----|--------------------|-----|------------------|-----|--------------------|
| PIN | NAME             | PIN | NAME               | PIN | NAME             | PIN | NAME               |
| 1   | G                | 26  | $\overline{W3}$    | 1   | RP               | 26  | $\overline{NRZI}$  |
| 2   | $\overline{FBY}$ | 27  | G                  | 2   | $\overline{R0}$  | 27  | G                  |
| 3   | G                | 28  | $\overline{W6}$    | 3   | $\overline{R1}$  | 28  | $\overline{RDY}$   |
| 4   | $\overline{LWD}$ | 29  | G                  | 4   | $\overline{LP}$  | 29  | G                  |
| 5   | G                | 30  | $\overline{W2}$    | 5   | G                | 30  | $\overline{RWD}$   |
| 6   | $\overline{W4}$  | 31  | G                  | 6   | $\overline{R4}$  | 31  | G                  |
| 7   | G                | 32  | $\overline{W5}$    | 7   | G                | 32  | $\overline{FPT}$   |
| 8   | $\overline{G0}$  | 33  | G                  | 8   | $\overline{R7}$  | 33  | G                  |
| 9   | G                | 34  | $\overline{WRT}$   | 9   | G                | 34  | $\overline{RSTR}$  |
| 10  | $\overline{W0}$  | 35  |                    | 10  | $\overline{R6}$  | 35  | G                  |
| 11  | G                | 36  |                    | 11  | G                | 36  | $\overline{WSTR}$  |
| 12  | $\overline{WT}$  | 37  | G                  | 12  | $\overline{HER}$ | 37  | G                  |
| 13  |                  | 38  | $\overline{EDIT}$  | 13  | G                | 38  | $\overline{DBY}$   |
| 14  | $\overline{SGL}$ | 39  | G                  | 14  | $\overline{FMK}$ | 39  |                    |
| 15  |                  | 40  | $\overline{ERASE}$ | 15  | G                | 40  | $\overline{SPEED}$ |
| 16  |                  | 41  | G                  | 16  | $\overline{CCG}$ | 41  |                    |
| 17  | G                | 42  | $\overline{WFM}$   | 17  | G                | 42  | $\overline{CER}$   |
| 18  | $\overline{REV}$ | 43  |                    | 18  | $\overline{FEN}$ | 43  | G                  |
| 19  | G                | 44  |                    | 19  | G                | 44  | $\overline{ONL}$   |
| 20  | $\overline{REW}$ | 45  | $\overline{PAR}$   | 20  | $\overline{R5}$  | 45  |                    |
| 21  |                  | 46  |                    | 21  | G                | 46  | $\overline{TAD}$   |
| 22  | $\overline{WP}$  | 47  | G                  | 22  | $\overline{EOT}$ | 47  |                    |
| 23  | G                | 48  | $\overline{RZ}$    | 23  | G                | 48  | $\overline{FAD}$   |
| 24  | $\overline{W7}$  | 49  | G                  | 24  | $\overline{OFL}$ | 49  |                    |
| 25  | G                | 50  | $\overline{R3}$    | 25  | $\overline{7TK}$ | 50  | $\overline{DEN}$   |

G = Ground

### 2.3.3 Wiring and Connections

For formatters with flat cable interface, the connections are straight forward since no pin translations are required. The maximum overall cable length is 20 feet. If two formatters are daisy-chained together, terminating resistors should be left only in the formatter at the end of the chain.

Formatters with a 100 pin PC edge connection require an adapter board (DWB-00601-00) to connect the flat cable to the edge connector. One adapter board is required for each formatter unit, and the formatters can be daisy-chained as described in the previous paragraph. The adapter board is shown in Figure 2-1, and the wire list is given in Table 2-4.



J2, J4: ALL ODD PINS EXCEPT 1, 3, 45 ARE TIED TO GROUND.  
 J3, J5: ALL ODD PINS ARE TIED TO GROUND EXCEPT PIN 25  
 J1: THE FOLLOWING PINS ARE TIED TO GROUND:  
 A02, B02, A05, B05, A09, B09, A11, B11, A14, B14, A17, B17, A20, B20, A23, B23  
 A26, B26, A29, B29, A32, A35, A39, B38, A41, B41

FIGURE 2-1. Adapter for 100 Pin Edge Connector to Flat Cables

TABLE 2-4. Adapter Wire List (sheet 1 of 2)

| SIGNAL<br>NAME     | FROM   | TO    | TO    |
|--------------------|--------|-------|-------|
| $\overline{TADO}$  | J1-A01 | J2-46 | J4-46 |
| $\overline{FAD}$   | J1-B01 | J3-48 | J5-48 |
| $\overline{GO}$    | J1-A03 | J2-8  | J4-8  |
| $\overline{TADT}$  | J1-B03 | J3-46 | J5-46 |
| $\overline{WRT}$   | J1-A04 | J2-34 | J4-34 |
| $\overline{REV}$   | J1-B04 | J2-18 | J4-18 |
| $\overline{EDIT}$  | J1-A06 | J2-38 | J4-38 |
| $\overline{WFM}$   | J1-B06 | J2-42 | J4-42 |
| $\overline{THRT}$  | J1-A07 | J2-44 | J4-44 |
| $\overline{ERASE}$ | J1-B07 | J2-40 | J4-40 |
| $\overline{DEN}$   | J1-A09 | J3-50 | J5-50 |
| $\overline{THR2}$  | J1-B09 | J2-36 | J4-36 |
| N/C                | J1-A10 | N/C   | N/C   |
| $\overline{PAR}$   | J1-B10 | J2-45 | J4-45 |
| $\overline{OFL}$   | J1-A12 | J3-24 | J5-24 |
| $\overline{REW}$   | J1-B12 | J2-20 | J4-20 |
| $\overline{FEN}$   | J1-A13 | J3-18 | J5-18 |
| $\overline{LWD}$   | J1-B13 | J2-4  | J4-4  |
| $\overline{WP}$    | J1-A15 | J2-22 | J4-22 |
| N/C                | J1-B15 | N/C   | N/C   |
| $\overline{WT}$    | J1-A16 | J2-12 | J4-12 |
| $\overline{WO}$    | J1-B16 | J2-10 | J4-10 |
| $\overline{W3}$    | J1-A18 | J2-26 | J4-26 |
| $\overline{W2}$    | J1-B18 | J2-30 | J4-30 |
| $\overline{W3}$    | J1-A18 | J2-26 | J4-26 |
| $\overline{W4}$    | J1-B19 | J2-6  | J4-6  |
| $\overline{W7}$    | J1-A21 | J2-24 | J4-24 |
| $\overline{W6}$    | J1-B21 | J2-28 | J4-28 |
| $\overline{DBY}$   | J1-A22 | J3-38 | J5-38 |

Table 2-4. Adapter Wire List (Sheet 2 of 2)

| SIGNAL<br>NAME            | FROM   | T0    | T0    |
|---------------------------|--------|-------|-------|
| $\overline{\text{FBY}}$   | J1-B22 | J2-2  | J4-2  |
| $\overline{\text{HER}}$   | J1-A24 | J3-12 | J5-12 |
| $\overline{\text{CCG}}$   | J1-B24 | J3-16 | J5-16 |
| $\overline{\text{FMK}}$   | J1-A25 | J3-14 | J5-14 |
| $\overline{\text{CER}}$   | J1-B25 | J3-42 | J5-42 |
| $\overline{\text{ONL}}$   | J1-A27 | J3-44 | J5-44 |
| $\overline{\text{RDY}}$   | J1-B27 | J3-28 | J5-28 |
| $\overline{\text{FPT}}$   | J1-A28 | J3-32 | J5-32 |
| $\overline{\text{RWD}}$   | J1-B28 | J3-30 | J5-30 |
| $\overline{\text{EOT}}$   | J1-A30 | J3-22 | J5-22 |
| $\overline{\text{LP}}$    | J1-B30 | J3-4  | J5-4  |
| $\overline{\text{NRZI}}$  | J1-A31 | J3-26 | J5-26 |
| N/C                       | J1-B31 | N/C   | N/C   |
| $\overline{\text{SGL}}$   | J1-A33 | J2-14 | J4-14 |
| $\overline{\text{7TK}}$   | J1-B33 | J3-25 | J5-25 |
| $\overline{\text{WSTR}}$  | J1-A34 | J3-36 | J5-36 |
| $\overline{\text{SPEED}}$ | J1-B34 | J3-40 | J5-40 |
| $\overline{\text{RP}}$    | J1-A36 | J3-1  | J5-1  |
| $\overline{\text{RSTR}}$  | J1-B36 | J3-34 | J5-34 |
| $\overline{\text{R1}}$    | J1-A37 | J3-3  | J5-3  |
| $\overline{\text{R0}}$    | J1-B37 | J3-2  | J5-2  |
| $\overline{\text{R3}}$    | J1-A39 | J2-50 | J4-50 |
| $\overline{\text{R2}}$    | J1-B39 | J2-48 | J4-48 |
| $\overline{\text{R5}}$    | J1-A40 | J3-20 | J5-20 |
| $\overline{\text{R4}}$    | J1-B40 | J3-6  | J5-6  |
| $\overline{\text{R7}}$    | J1-A42 | J3-8  | J5-8  |
| $\overline{\text{R6}}$    | J1-B42 | J3-10 | J5-10 |
| $\overline{\text{L0L}}$   | N/C    | J2-16 | J4-16 |

### 2.3.4 User Options

The AM-600/T circuit board accommodates several options that are selected by the user for specific requirements. These options are for addressing, interrupts, DMA selections, CPU type, memory addressing, and tape formatter options. The following sections describe these jumper options in detail.

#### 2.3.4.1 Addressing

The standard I/O address block for the AM-600/T is A3 through A7 and is etched on the printed circuit board. If a different address block is desired, cut the appropriate etch on the component side of the board and jumper the board for the desired address (see Figure 2-2).

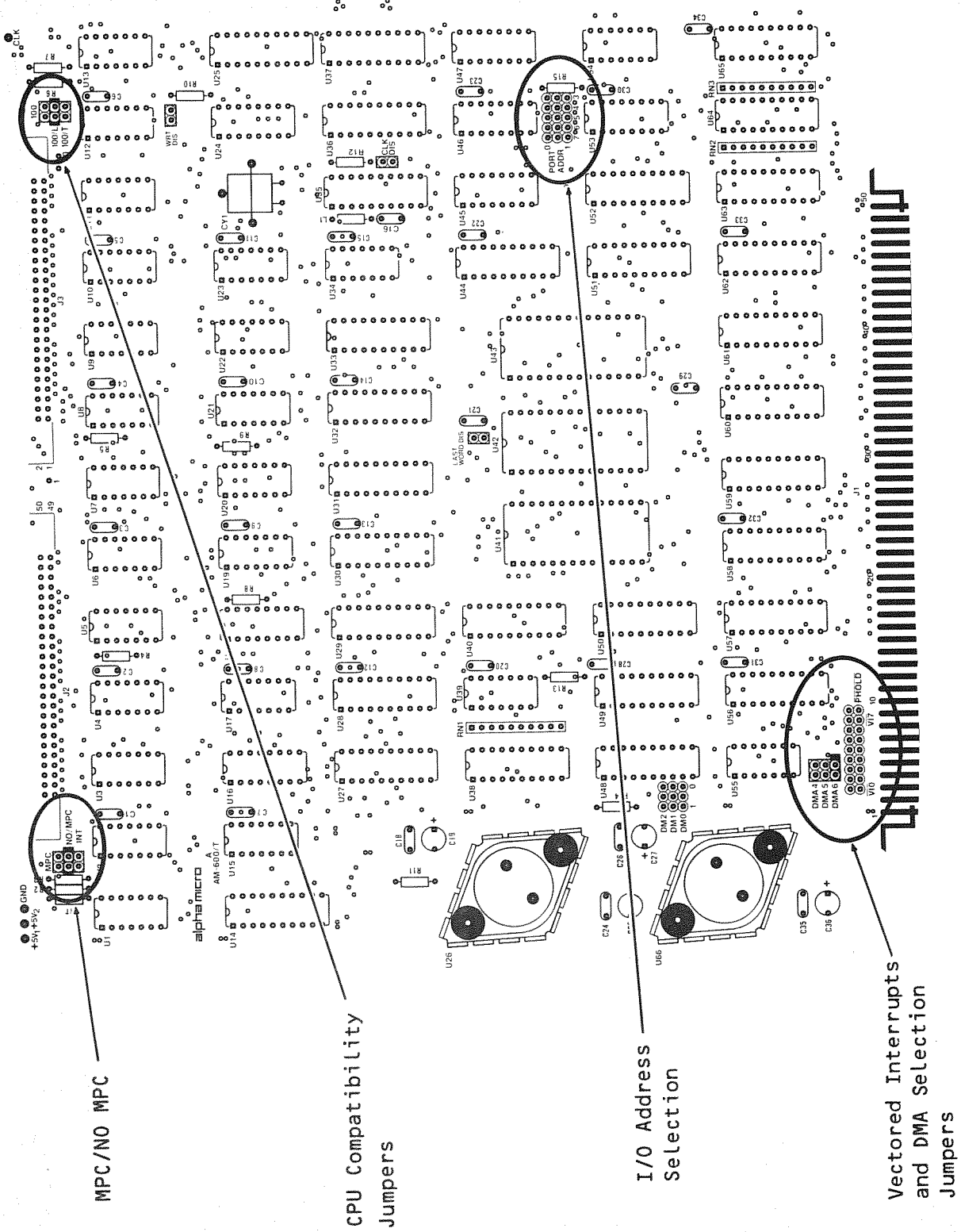


FIGURE 2-2. Jumper Options

### 2.3.5 Interrupts

The interrupt signal from the AM-600/T ( $\overline{\text{INTR}}$ ) can be jumpered to any of the vectored interrupt lines  $\overline{\text{VI0}}$ -  $\overline{\text{VI7}}$ . The standard configuration is with no jumpers connected. If required, the jumpers are located in the lower left section of the board as shown in Figure 2-2.

### 2.3.6 DMA Options

Two modes of DMA operation are possible with the AM-600/T. The first mode releases the bus to the CPU after every read or write cycle. With this mode of operation, the AM-600/T must re-acquire control of the bus as each byte of data is ready for transmission. This is the recommended mode for magnetic tape drives.

The second mode of operation retains control of the bus until the entire command has been completed. Therefore, if a large block of data were to be read from memory and stored on the tape, all the data would be transferred without the CPU regaining control of the bus. This mode should only be used when the data transfer speed is high enough such that re-acquiring the bus in between data byte transfers results in insufficient data transfer rates. This mode of operation can be selected under software control. See Chapter 3.

### 2.3.7 CPU Compatibility

The AM-600/T is compatible with the Alpha Micro AM-100 CPU, Alpha Micro AM-100/T and AM-100/L 16-bit CPUs. Some of these boards may require jumper modifications or etch cuts for purposes of compatibility. The following paragraphs describes these modifications on a board by board basis.



### 2.3.7.1 AM-100 CPU Compatibility

To provide AM-600/T compatibility with the Alpha Micro AM-100 CPU, jumpers must be installed in both the AM-600/T and the AM-100 board No. 2.

On the AM-600/T board install the following jumpers as required. (Refer to Figure 2-2.)

Set DMA level 5. This may be accomplished by cutting the etch at DMA 6 (used for AM-100/T and AM-100/L systems) then jumpering the board for DMA 5.

N0/MPC is the standard setting and should not require modification.

CPU jumper should be set for AM-100.

The following jumpers are required on the AM-100 Circuit Board No. 2 for system compatibility. Refer to the AM-100 Technical Manual, DWM-00100-00, for further information.

- a. DMAGRANT5 jumper.
- b. DMA Request 5 jumper (VI5).

### 2.3.7.2 AM-100/T CPU Compatibility.

Verify the following jumper settings. (Refer to Figure 2-2.)

DMA level 6 has been assigned to the AM-600/T interface. The board is etch strapped for this assignment and should require no modification.

NO/MPC is the standard setting and should require no modification. However, if your system should contain an AM-700 board in combination with the AM-100/T, this jumper should be set to the MPC position. For further jumper information regarding the AM-700 board refer to the AM-700 Installation Instructions, PDI-00700-00.

Set the CPU selection jumper to AM-100/T.

### 2.3.7.3 AM-100/L CPU Compatibility

No AM-600/T jumper modifications are required with the AM-100/L CPU, although you may wish to verify these settings. (Refer to Figure 2-2.)

DMA Level 6. This is the standard setting as it comes from Alpha Micro.

NO/MPC is the standard setting.

CPU jumper should be configured for the AM-100/L.

## CHAPTER 3

### PROGRAMMING

#### 3.1 INTRODUCTION

This chapter describes the programming requirements for the AM-600/T circuit board. I/O ports and data transfer and controls are described for integration into the user's system.

#### 3.2 I/O PORTS

Eight I/O ports are required by the AM-600/T circuit board as shown in Table 3-1 through 3-7. The I/O port address is jumper selectable by a series of jumpers as described in Chapter 2 of this manual. The standard I/O address range is: A3-A7. Table 3-1 summarizes the functions of each I/O port.

The function of each of the I/O registers is as follows:

1. External Control Register. Selects address and controls for selected tape transport. See Table 3-2 for a description of control bits.
2. Transport Status Register. Indicates mode and status of selected tape transport. See Table 3-3 for a description of status bits.
3. Formatter Command Register. Selects tape mode and motion to the selected transport. See Table 3-4 for a description of control bits.
4. Formatter Status Register. Indicates status of formatter. See Table 3-5 for a description of status bits.
5. Internal Control Register. Contains enables and DMA register instructions. See Table 3-6 for a description of control bits.
6. Formatter Command Summary. See Table 3-8 for a description of various legal commands.
7. DMA Address Register/Word Count Register. A 24 bit DMA controller is contained in the DMA logic and may be programmed as outlined in the following paragraph.

The command for all 8-bit bytes may be set up by loading bits 5-7 of the internal control register. After the command has been set up, the appropriate byte may be clocked by an output to either I/O port A4 (low byte), A5 (middle byte), or A6 (high byte). After all parameters of the DMA controller have been set up, the DMA controller must be enabled (command = 111) before performing any DMA operation (READ or WRITE from mag tape). After completing a READ block command, the DMA Word Count Registers may be read to determine the data block size. See Table 3-7 for a summary of DMA controller instructions. See Chapter 4 for detailed specifications of the DMA address generator circuit.

TABLE 3-1. I/O Port Definitions

| I/O PORT* | INPUT                                | OUTPUT                               | COMMENTS            |
|-----------|--------------------------------------|--------------------------------------|---------------------|
| X0        | Transport Status                     | EXT Control Register                 | See Tables 3-2, 3-3 |
| X1        | Formatter Status                     | Formatter Command Register           | See Tables 3-4, 3-5 |
| X2        | --                                   | --                                   | Not used            |
| X3        | Not Used                             | INT Control Register                 | See Table 3-6       |
| X4        | DMA Register Low Byte<br>(A0-A7)     | DMA Register Low Byte<br>(A0-A7)     | See Chapter 4       |
| X5        | DMA Register Middle Byte<br>(A8-A15) | DMA Register Middle Byte<br>(A8-A15) | See Chapter 4       |
| X6        | DMA Register High Byte<br>(A16-A23)  | Data Register High Byte<br>(A16-A23) | See Chapter 4       |
| X7        | --                                   | --                                   | Not used.           |

\* I/O port address is jumper selectable to any even block of I/O addresses.  
:A0-:A7 is the standard I/O address range.

TABLE 3-2. External Control Register (Output Function)

| BIT | FUNCTION            | COMMENTS   |
|-----|---------------------|--|
| 0   | Transport Address 0 | Binary address for up to four transports.  |
| 1   | Transport Address 1 |  |
| 2   | Formatter Address 1 | Selects one of two formatters.   |
| 3   | Read Threshold 1    | Specifies high threshold for read after write operation.                           |
| 4   | Read Threshold 2    | Specifies an extra low threshold level for the real electronics in the tape drive. |
| 5   | Low Density Select  | Selects lower data transfer packing density.                                       |
| 6   | Not Used            |  |
| 7   | Not Used            |  |

TABLE 3-3. Transport Status Register (Input Function)

| BIT | FUNCTION     | COMMENTS   |
|-----|--------------|--|
| 0   | 7 Track      | Indicates transport is in 7 track mode.                              |
| 1   | NRZI Mode    | Indicates transport is in NRZI mode.                                 |
| 2   | End of Tape  | Indicates end of tape has been detected during the previous command. |
| 3   | Load Point   | Indicates load point on tape.  |
| 4   | File Protect | Indicates file protect status.                                       |
| 5   | Rewinding    | Indicates transport is rewinding.                                    |
| 6   | On-Line      | Indicates transport is on line.                                      |
| 7   | Ready        | Indicates transport ready status.                                    |

TABLE 3-4. Formatter Command Register (Output Function)

| BIT | FUNCTION        | COMMENTS  |
|-----|-----------------|---|
| 0   | Reverse         | Determines direction of tape motion.  |
| 1   | Write           | Specifies write mode when asserted.   |
| 2   | Write File Mark | File mark written on tape, or in read mode, this bit is set to skip to the next block.  |
| 3   | Edit            | Edit mode of operation.   |
| 4   | Erase           | Selects erase mode.   |
| 5   | Rewind Pulse    | Setting and then resetting this bit causes the selected transport to rewind to load point.  |
| 6   | Off-Line Pulse  | Setting and then resetting this bit causes the selected transport to go off-line and into local mode.   |
| 7   | Go Pulse        | Setting and then resetting this bit, while holding the other bits stable, will initiate a command to the formatter. See Command Summary in Table 3-8. |



TABLE 3-5. Formatter Status Register (Input Function)

| BIT | FUNCTION       | COMMENTS   |
|-----|----------------|--|
| 0   | Done           | Indicates that the pre-programmed byte count has been satisfied by the appropriate command.                                |
| 1   | Hard Error     | Indicates detection of uncorrectable read error. This bit must be ignored if filemark is detected (bit 2).                 |
| 2   | Filemark       | Indicates detection of a tape filemark.  |
| 3   | PE Tape        | Indicates the presence of a phase encoded tape, if transport is in phase encoded mode. (Not latched on interface).         |
| 4   | Data Request   | Indicates interface is ready for additional READ or WRITE byte operations.   |
| 5   | Lost Data      | Indicates data lost during either a READ or WRITE command.   |
| 6   | Interrupt      | Indicates that an interrupt has been generated by the AM-600/T. This bit is only valid after a GO command has been issued. |
| 7   | Formatter Busy | Indicates that formatter is processing a command.  |

TABLE 3-6. Internal Control Register (Output Function)

| BIT         | FUNCTION             | COMMENTS  |
|-------------|----------------------|---|
| 0           | Not Used             |   |
| 1           | HOG                  | This bit is used to select the DMA mode of operation. See Chapter 3.3.  |
| 2           | Internal MPC Control | If the MPC shorting block is positioned to internal, this bit allows software control of the MPC jumpers. 0 = No MPC 1 = MPC  |
| 3           | Interface Enable     | Enables interface logic and formatter logic.  |
| 4           | Interrupt Enable     | Enables interrupt logic.  |
| 5<br>6<br>7 | I0<br>I1<br>I2       | DMA Register instructions. See detailed description of command codes contained in Table 3-7. Before issuing any READ or WRITE command to the formatter, the DMA registers must be enabled (111 code). See paragraph 4.3.1.2 for control mode description. |

TABLE 3-7. DMA Register Instructions

| I <sub>2</sub> | I <sub>1</sub> | I <sub>0</sub> | Octal Code | Function               | Mnemonic | Control Mode | Word Reg. | Word Counter | Address Reg. | Address Counter | Control Register                   | Data D <sub>0</sub> -D <sub>7</sub>           |
|----------------|----------------|----------------|------------|------------------------|----------|--------------|-----------|--------------|--------------|-----------------|------------------------------------|---|
| L              | L              | L              | 0          | WRITE CONTROL REGISTER | WRCR     | 0, 1, 2, 3   | HOLD      | HOLD         | HOLD         | HOLD            | D <sub>0</sub> -D <sub>2</sub> →CR | INPUT   |
| L              | L              | H              | 1          | READ CONTROL REGISTER  | RDCR     | 0, 1, 2, 3   | HOLD      | HOLD         | HOLD         | HOLD            | HOLD                               | CR→D <sub>0</sub> -D <sub>2</sub><br>(Note 1) |
| L              | H              | L              | 2          | READ WORD COUNTER      | RDWC     | 0, 1, 2, 3   | HOLD      | HOLD         | HOLD         | HOLD            | HOLD                               | WC→D  |
| L              | H              | H              | 3          | READ ADDRESS COUNTER   | RDAC     | 0, 1, 2, 3   | HOLD      | HOLD         | HOLD         | HOLD            | HOLD                               | AC→D  |
| H              | L              | L              | 4          | REINITIALIZE COUNTERS  | REIN     | 0, 2, 3      | HOLD      | WCR→WC       | HOLD         | AR→AC           | HOLD                               | Z   |
|                |                |                |            |                        |          | 1            | HOLD      | ZERO→WC      | HOLD         | AR→AC           | HOLD                               | Z   |
| H              | L              | H              | 5          | LOAD ADDRESS           | LDAD     | 0, 1, 2, 3   | HOLD      | HOLD         | D→AR         | D→AC            | HOLD                               | INPUT   |
| H              | H              | L              | 6          | LOAD WORD COUNT        | LDWC     | 0, 2, 3      | D→WR      | D→WC         | HOLD         | HOLD            | HOLD                               | INPUT   |
|                |                |                |            |                        |          | 1            | D→WR      | ZERO→WC      | HOLD         | HOLD            | HOLD                               | INPUT   |
| H              | H              | H              | 7          | ENABLE COUNTERS        | ENCT     | 0, 1, 3      | HOLD      | ENABLE COUNT | HOLD         | ENABLE COUNT    | HOLD                               | Z   |
|                |                |                |            |                        |          | 2            | HOLD      | HOLD         | HOLD         | ENABLE COUNT    | HOLD                               | Z   |

CR = Control Reg.      WCR = Word Count Reg.      L = LOW  
 AR = Address Reg.      WC = Word Counter      H = HIGH  
 AC = Address Counter      D = Data      Z = High Impedance

Note 1:  
 Data Bits D<sub>3</sub>-D<sub>7</sub> are high during this instruction.

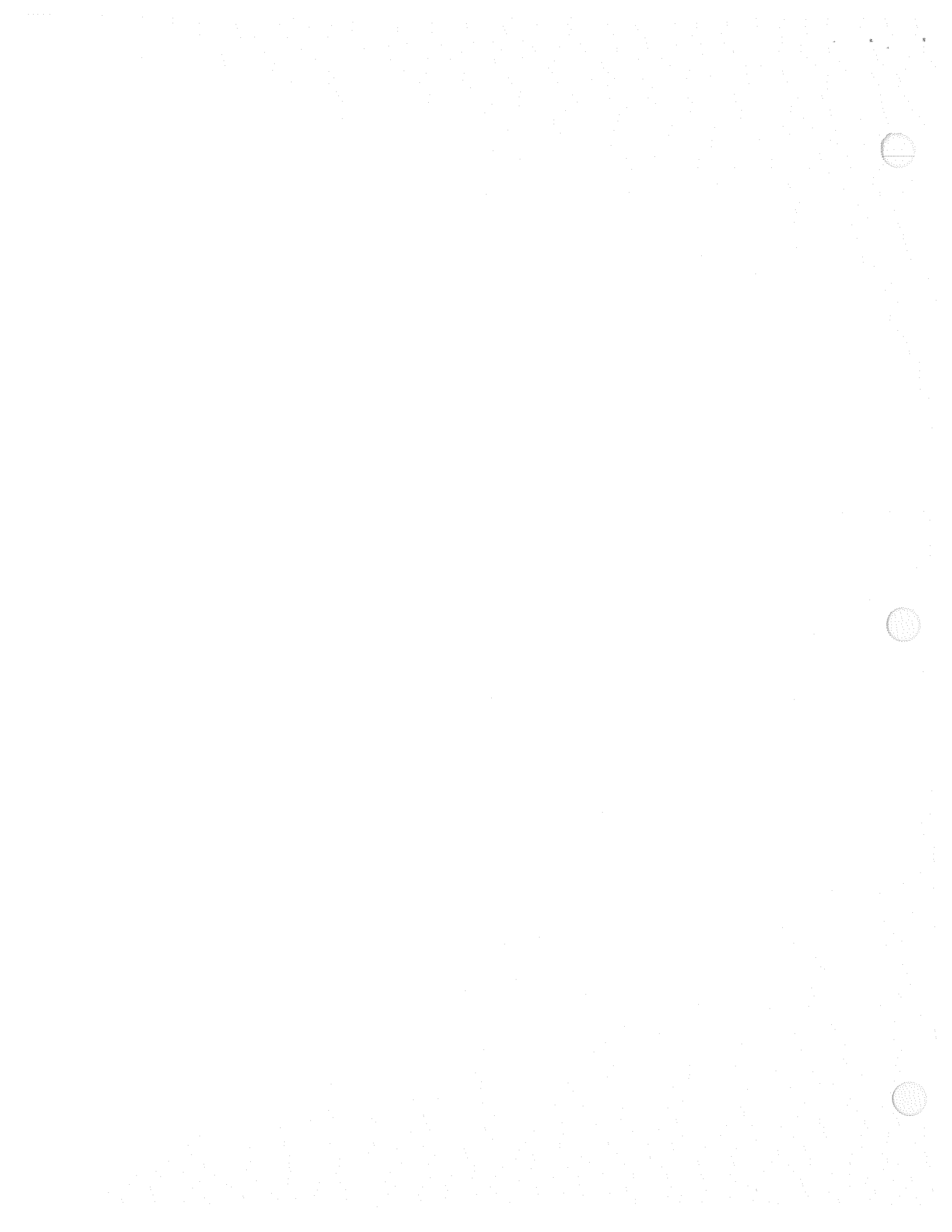


TABLE 3-8. Formatter Command Summary

| COMMAND TYPE* | DESCRIPTION      | COMMAND BITS |       |     |      |       |   | COMMENTS |
|---------------|------------------|--------------|-------|-----|------|-------|---|----------|
|               |                  | REV          | WRITE | WFM | EDIT | ERASE |   |          |
| Write         | Write Data Block | 0            | 1     | 0   | X    | 0     | Length of data block programmed in DMA registers.   |          |
| Write         | Write Filemark   | 0            | 1     | 1   | 0    | 0     | Write filemark on tape.   |          |
| Write         | Erase 3.75"      | 0            | 1     | 1   | 0    | 1     | Length of erase function programmed in DMA registers.   |          |
| Write         | Erase Programmed | 0            | 1     | 0   | 0    | 1     | Data block size may be determined by reading the byte count registers within the DMA controller. To control the maximum size block to be read, the Word Count Register should be programmed with the maximum number of bytes to be transferred plus one. Writing to Memory will cease when the WCR=WCH+1. The total block size will be contained in the WC. A software timer function should be provided to guard against attempting to read blank tapes. |          |
| Read          | Read Data Block  | X            | 0     | 0   | X    | 0     |   |          |
| Skip          | Skip Data Block  | X            | 0     | 0   | 1    | 1     |   |          |
| Skip          | Skip File        | X            | 0     | 1   | 0    | 0     | These commands do not cause formatter to go busy.   |          |
| Misc.         | Formatter Reset  |              |       |     |      |       |   |          |
| Misc.         | Rewind           |              |       |     |      |       |   |          |
| Misc.         | Off Line         |              |       |     |      |       |   |          |

\*Read and Write commands are initiated by pulsing the GO bit (see Table 3-4).



### 3.3 DMA DATA TRANSFER

DMA data transfer is initiated by signal (DRQ) from the control logic indicating that it is ready for more data, or has received data from the drive. If no other DMA controller in the system has control of the bus, a DMA service request is generated by the controller and transmitted to the CPU via one of the prioritized DMA request lines. The DMA controller will then wait until the DMA arbitration signals are received from the CPU indicating bus mastership for the controller.

Upon receiving the DMA arbitration signals, the DMA controller places the DMA address register contents on the system address bus and begins either a READ or WRITE sequence to the mag tape drive, depending upon Bit 1 of the Formatter Command Register.

Two modes of DMA operation are possible with the AM-600/T. The first mode releases the bus to the CPU after every read or write cycle. With this mode of operation, the AM-600/T must re-acquire control of the bus as each byte of data is ready for transmission and is the recommended mode for magnetic tape drives.

The second mode of operation retains control of the bus until the entire command has been completed. Therefore, if a large block of data were to be read from memory and stored on the tape, all the data would be transferred without the CPU regaining control of the bus. This mode should only be used when the data transfer speed is high enough such that re-acquiring the bus in between data byte transfers results in insufficient data transfer rates. This mode of operation is selected by Bit 1 of the Internal Control Register. See Table 3-6.

### 3.4 INTERRUPT OPERATION

Interrupt operation is enabled by Bit 4 of the Internal Control Register. If enabled, an interrupt will be generated after completion of a READ or WRITE command when the tape begins to decelerate. The interrupt flip-flop will be reset by a GO command to the formatter.



## CHAPTER 4

### FUNCTIONAL THEORY OF OPERATIONS

#### 4.1 INTRODUCTION

The AM-600/T Magnetic Tape Transport Formatter Interface circuit board contains the integrated circuit elements necessary for the data processing functions described in Chapters 1, 2, and 3 of this manual. This Chapter describes the functional theory of operation of the circuit board and also provides information for each of the integrated circuit elements.

#### 4.2 CIRCUIT BOARD OPERATION

This circuit board provides control and interface capability between the Alpha Micro S-100 bus and an industry standard 1/2" Magnetic Tape Transport Formatter. The functional block diagram of the circuit board is shown in Figure 4-1, and the circuit board schematic is contained in Appendix B of this manual. Table 4-1 contains a list of the signals used in this circuit board with descriptions of their functions. Reference Table 2-2 for a List of bus interface signals. For formatter interface signals see Table 4-2.





TABLE 4-1. AM-600/T Signal List (sheet 1 of 9)

| SIGNAL                     | NAME                               | FUNCTION   |
|----------------------------|------------------------------------|--|
| $\overline{\text{ADRON}}$  | Address Register Output Enable     | Places address data from DMA address register onto Data Bus  |
| $\overline{\text{ARHCLK}}$ | Address Register High Byte Clock   | Clock input to the counters and registers in the DMA address registers for the upper eight bits of address data. |
| $\overline{\text{ARMCLK}}$ | Address Register Middle Byte Clock | Clock input to the counters and registers in the DMA address register for the middle eight bits of address data. |
| $\overline{\text{ARLCLK}}$ | Address Register Low Byte Clock    | Clock input to the counters and registers in the DMA address register for the lower eight bits of address data.  |
| $\overline{\text{BDSEL}}$  | Board Select                       | Output of board address comparator. Asserted when Alpha Micro I/O address matches I/O address wired in jumpers.  |
| $\overline{\text{BDSOUT}}$ | Board Select Output Cycle          | Asserted when AM-600/T is addressed and an output cycle is selected (BDSEL SOUT).                                |

TABLE 4-1. AM-600/T Signal List (sheet 2 of 9)

| SIGNAL                                 | NAME                   | FUNCTION   |
|--|------------------------|--|
| B02                                    | Buffered Phase 2 CLock | Buffered phase 2 clock from phase 2 on Alpha Micro Bus.  |
| $\overline{CCG}$                       | Check Character Gate   | Input from formatter set true when the read information being transmitted to the AM-600/T is a CRC character or a longitudinal redundancy check character. |
| $\overline{C/CI}$<br>$\overline{C/CI}$ | Controller Command     | Disables the processor address and data bus drivers while enabling the DMA controller command drivers. Sets D/A at 02 leading edge.                        |
| $\overline{D/A}$<br>$\overline{D/A}$   | DMA Address Enable     | Places address data from DMA address register onto Data Bus (optional for 8-bit format).   |
| $\overline{DBY}$                       | Data Busy              | Input from formatter when the transport tape is up to speed.   |
| DAWE                                   | DMA Write Enable       | Generated during a write cycle to gate data onto the data bus and ensure its validity before, during, and after PWR.                                       |
| DONE                                   | Done                   | Asserted when the DMA register reaches its terminal count.   |

TABLE 4-1. AM-600/T Signal List (sheet 3 of 9)

| SIGNAL   | NAME                | FUNCTION   |
|--|---------------------|--|
| DONECLK  | Done Clock          | Clock input to combine with DONE to set DONEFF.                                |
| $\overline{\text{DONEFF}}$<br>$\overline{\text{DONEFF}}$ | Done Signal         | Signifies the completion of the DMA data transfer.                             |
| $\overline{\text{DRQ}}$<br>$\overline{\text{DRQ}}$       | Data Request        | Initiates a DMA cycle indicating that the controller requires DMA service.     |
| $\overline{\text{DRQCLK}}$                               | Data Request Clock  | Clocks the Data Request flip-flop.   |
| $\overline{\text{DRQFF}}$<br>$\overline{\text{DRQFF}}$   | Data Request Signal | Generated from DRQ to directly generate PHOLD.                                 |
| DRQON  | Data Request On     | Generated from DRQ to enable tape read logic.                                  |
| END<br>$\overline{\text{END}}$                           | End                 | Generated by the sequencer to terminate the entire DMA cycle.                  |
| $\overline{\text{ERASE}}$                                | Erase               | Output to formatter. When asserted with WRT, executes a write command no data. |

TABLE 4-1. AM-600/T Signal List (sheet 4 of 9)

| SIGNAL                  | NAME                           | FUNCTION   |
|-------------------------|--------------------------------|--|
| $\overline{\text{FEN}}$ | Formatter Enable               | Output to tape transport generated from RUN. Enables formatters. When false, causes formatters to revert to quiescent state. |
| $\overline{\text{GO}}$  | Initiate Command               | Output to formatter to initiate any command specified by the command lines.  |
| INIT                    | Initialize                     | Circuit board reset signal generated by PRESET from Alpha Micro bus.   |
| INTEN                   | Interrupt Enable               | Enables the INTR flip-flop.  |
| INTR                    | Interrupt                      | Provides jumper output to vectored interrupt lines VI0-VI7 (not used).   |
| I0, I1, I2              | Instruction Codes              | Instruction code inputs to the DMA Address Register.   |
| L                       | AM-100/L                       | Activated when the AM-100/L CPU is selected.   |
| LDARH                   | Load DMA Register High Byte    | Generates a clock to load data bits 16-24 into the high byte of DMA Address Register.  |
| LDARM                   | Load DMA Register Middle Byte. | Generates a clock to load data bits 8-15 into the middle byte of DMA Address Register.                                       |



TABLE 4-1. AM-600/T Signal List (sheet 5 of 9)

| SIGNAL                      | NAME                           | FUNCTION   |
|-----------------------------|--------------------------------|--|
| LDARL                       | Load DMA Register<br>Low Byte. | Generates a clock to load data bits 0-7 into the low byte DMA address generator.   |
| <u>LOSTDATA</u><br>LOSTDATA | Lost Data Error                | Set when a Read data request is generated with DRQ still set or if a Write data request is generated with prior DMA cycle still in progress. |
| <u>LWD</u>                  | Last Word of Data              | Output to Tape Transport generated from DONEFF.  |
| MBUS                        | My Bus                         | Enables the AM-600/T to take control of system busses.   |
| MPC                         | Memory Partition<br>Controller | Indicates presence of a Memory Partition Controller  |
| <u>NRZI</u>                 | NRZI                           | Input from formatter indicating transport configuration.   |
| OBO2                        | On-board two-phase<br>clock    | Select for the two phase on-board clock  |
| <u>PDBINI</u><br>PDBINI     | Data Bus In                    | Used to generate PDBIN output to Alpha Micro Bus when gated by the Bus Control Register.   |

TABLE 4-1. AM-600/T Signal List (sheet 6 of 9)

| SIGNAL                  | NAME                                 | FUNCTION   |
|-------------------------|--------------------------------------|--|
| PSYNCI<br><u>PSYNCI</u> | Processor Sync                       | Used to generate PSYNC output to Alpha Micro Bus when gated by the Bus Control Register.                       |
| PWRI                    | Write Strobe                         | Used to generate PWR on Alpha Micro Bus when gated by WRDIS and Bus Control Register.                          |
| <u>RDARH</u>            | Read DMA Address Register High Byte. | Provides instruction input (I2) to upper byte DMA address register.  |
| <u>RDARL</u>            | Read DMA Address Register Low Byte.  | Provides instruction input (I2) to lower byte DMA address register.  |
| <u>RDFS</u>             | Read Formatter Status                | Gates the contents of the Formatter Status Register onto the DATINO-7 bus.                                     |
| <u>RDSTR</u>            | Tape Read Strobe                     | Enabled by DRQON to clock tape read  |
| <u>RDTs</u>             | Read Transport Status                | Gates the contents of the Transport Status Register onto the DATINO-7 bus.                                     |
| RDYCLK                  | Ready Clock                          | Clock signal jumpered to B02 for standard S-100 bus or B02 for Alpha Micro bus.                                |
| <u>RDARL</u>            | Read Address Register Low Byte       | Read input to the counters and registers in the DMA address register for the upper eight bits of address data. |

TABLE 4-1. AM-600/T Signal List (sheet 7 of 9)

| SIGNAL                       | NAME                                   | FUNCTION   |
|------------------------------|--|--|
| RDARM                        | Read Address Register<br>Middle Byte 3 | Read input to the counters and registers in the DMA address register for the middle eight bits of address data.  |
| RDARH                        | Read Address Register<br>High Byte     | Read input to the counters and registers in the DMA address register for the lower eight bits of address data.   |
| $\overline{\text{READDMAR}}$ | Read DMA Address<br>Register           | Generated by RDARH or RDARL to gate DATABUS0-7 to DATAIN0-7.   |
| ROMCLK                       | ROM Clock                              | Clocks the data from the ROM into the ROM output data register.  |
| RSTR                         | Read Strobe                            | Input from formatter to sample data lines, one pulse for each character of read information.   |
| RUN                          | Run                                    | Output of internal control register from DATABUS bit 3 to generate Formatter Enable (FE) output and enable external control register and formatter command register. |
| S<br>SR                      | AM-100 CPU Select                      | Used to select the AM-100 CPU  |

TABLE 4-1. AM-600/T Signal List (sheet 8 of 9)

| SIGNAL                                    | NAME                  | FUNCTION  |
|---|-----------------------|---|
| $\overline{\text{SOUT}}$                  | Activate Output Cycle | Bus input to indicate that the current bus cycle is a bus master output to an I/O address.                  |
| $\overline{\text{STAT}}$<br>$\text{STAT}$ | Status                | Controls processor status drivers and DMA controller status drivers.  |
| WAIT                                      | Wait                  | Suppresses update clocks to the sequencer to halt operation.  |
| $\overline{\text{WFM}}$                   | Write File Mark       | Formatter output to write a filemark on the tape.   |
| $\overline{\text{WRT}}$                   | Write to Formatter    | Controls data transfer between AM-600/T and Formatter. WRT=0 Read From Formatter, WRT=1 Write To Formatter. |
| WRTB                                      | Write to Bus          | Enables the ROM and generates SMEMR and SWO to the Alpha Micro bus when gated by the Bus Control Register.  |

TABLE 4-1. AM-600/T Signal List (sheet 9 of 9)

| SIGNAL                     | NAME                                   | FUNCTION  |
|----------------------------|--|---|
| $\overline{\text{WRTCMD}}$ | Write to Formatter<br>Command Register | Clock signal from I/O Command Register<br>to load data from DATAIN bus to For-<br>matter Command Register.        |
| $\overline{\text{WRTECR}}$ | Write to External<br>Control Register  | Clock signal from I/O Command Register<br>to load data from DATAIN bus to For-<br>matter Command Register.        |
| $\overline{\text{WRTICR}}$ | Write to Internal<br>Control           | Clock signal from the I/O command<br>generator to load data from the DATABUS<br>to the Internal Control Register. |
| WSTR                       | Write Strobe                           | Input from formatter. Pulses each time<br>a data character is written onto tape.                                  |
| $\overline{\text{XEND}}$   | Extra End Pulse                        | Generated from END or from DMA control<br>logic to clock the Data Input Register<br>and DMA Address Register.     |



TABLE 4-2. AM-600/T Magnetic Tape Interface Signals (sheet 1 of 7)

| MNEMONIC                 | NAME  | AM-600<br>IN/OUT | LEVEL<br>or<br>PULSE | CONNECTOR<br>PIN | FUNCTION   |
|--------------------------|---|------------------|----------------------|------------------|--|
| $\overline{\text{CCG}}$  | Check character Gate<br>(NRZI Mode Only)<br>Only) | In<br>Gnd        | Level<br>J3-15       | J3-16            | Set true by the NRZI formatter when the read information being transmitted to the AM-600 is a cyclic redundancy check character (CRCC) or a longitudinal redundancy check character (LRCC). CCG= false for data characters.                              |
| $\overline{\text{CER}}$  | Corrected Error<br>(PE Mode Only)                 | In               | Pulse<br>Gnd         | J3-42<br>J3-43   | When true indicates that a single track dropout has been detected and the formatter is performing an error correction.   |
| $\overline{\text{DBY}}$  | Data Busy   | In               | Level<br>Gnd         | J3-38<br>J3-37   | True when tape is up to speed, has traversed the BBG, and the formatter is about to write data or look for a read signal on the tape. Remains true until data transfer and the post record delay is completed. Goes false when tape starts deceleration. |
| $\overline{\text{DEN}}$  | Density Select<br>(7 track NRZI only)             | Out              | Level<br>Gnd         | J3-50<br>J3-49   | Selects the lower of two possible data packing densities.  |
| $\overline{\text{EDIT}}$ | Edit  | Out              | Level<br>Gnd         | J2-38<br>J2-37   | When asserted with WRT, the selected transport operates in the Edit mode.  |

TABLE 4-2. AM-600/T Magnetic Tape Interface Signals (sheet 2 of 7)

| MNEMONIC                  | NAME              | AM-600<br>IN/OUT | LEVEL<br>or<br>PULSE | CONNECTOR<br>PIN | FUNCTION   |
|---------------------------|-------------------|------------------|----------------------|------------------|--|
| $\overline{\text{EOT}}$   | End of Tape       | In               | Level<br>Gnd         | J3-22<br>J3-21   | Status signal asserted when EOT marker is detected in the forward direction and remains until EOT marker is detected in the reverse direction. |
| $\overline{\text{ERASE}}$ | Erase             | Out              | Level<br>Gnd         | J2-40<br>J2-39   | When asserted with WRT, executes a write command with no data. A length of tape specified by LWD is erased.                                    |
| $\overline{\text{FAD}}$   | Formatter Address | Out              | Level<br>Gnd         | J3-48<br>J3-47   |  |
| $\overline{\text{FBY}}$   | Formatter Busy    | In               | Level<br>Gnd         | J2-2<br>J2-1     | When asserted, inhibits further commands to the formatter.   |
| $\overline{\text{FEN}}$   | Formatter Enable  | Out              | Level<br>J3-17       | J3-18            | Enables formatters. When false, causes formatters to revert to a quiescent state.  |
| $\overline{\text{FMK}}$   | File Mark         | In               | Pulse<br>Gnd         | J3-14<br>J3-13   | Pulsed when a filemark is detected on the tape during a read operation or during a write file mark operation in a read after write transport.  |
| $\overline{\text{FPT}}$   | File Protect      | In               | Level<br>Gnd         | J3-32<br>J3-31   | Status signal asserted when a reel of tape without a write-enable ring is mounted on the transport supply reel.                                |



TABLE 4-2. AM-600/T Magnetic Tape Interface Signals (sheet 3 of 7)

| MNEMONIC       | NAME             | AM-600<br>IN/OUT | LEVEL<br>or<br>PULSE | CONNECTOR<br>PIN | FUNCTION   |
|----------------|------------------|------------------|----------------------|------------------|--|
| <u>GO</u>      | Initiate Command | Out              | Pulse<br>Gnd         | J2-8<br>J2-7     | Initiates any command specified by the command lines.  |
| <u>HER</u>     | Hard Error       | In               | Pulse<br>Gnd         | J3-12<br>J3-11   | Indicates a read error.  |
| <u>LP</u>      | Load Point       | In               | Level<br>Gnd         | J3-4             | Status signal asserted when the load point marker is under the photosensor and the transport is not rewinding.   |
| <u>LWD</u>     | Last Word        | Out              | Level<br>Gnd         | J2-4<br>J2-3     | When asserted during a write or erase command, indicates that the next character to be strobed into the formatter is the last character of the record. |
| <u>NRZI/PE</u> | NRZI/PE          | In               | Level<br>Gnd         | J3-26            | Indicates configuration of transport.  |
| <u>OFL</u>     | Offline Command  | Out              | Pulse<br>Gnd         | J3-24<br>J3-23   | Commands the selected transport to go off line without causing the formatter to go busy.   |
| <u>OML</u>     | Online           | In               | Level<br>Gnd         | J3-44<br>J3-43   | Status signal asserted when tape transport is on line (transport under remote control).  |

TABLE 4-2. AM-600/T Magnetic Tape Interface Signals (sheet 4 of 7)

| MNEMONIC                 | NAME             | AM-600<br>IN/OUT | LEVEL<br>or<br>PULSE | CONNECTOR<br>PIN | FUNCTION   |
|--------------------------|------------------|------------------|----------------------|------------------|--|
| $\overline{\text{PAR}}$  | Parity Select    | Out              | Level<br>Gnd         | J2-45            | Controls parity mode for write or read data transfer. True=even (BCD) parity mode, false=odd (binary) parity mode. |
| $\overline{\text{RDY}}$  | Ready            | In               | Level<br>Gnd         | J3-28<br>J3-27   | Status signal indicating that the transport is ready to receive a remote command.                                  |
| $\overline{\text{REV}}$  | Reverse/Forward  | Out              | Level<br>Gnd         | J2-18<br>J2-17   | When asserted, initiates reverse tape motion, false initiates forward tape motion.                                 |
| $\overline{\text{REW}}$  | Rewind           | Out              | Pulse<br>Gnd         | J2-20<br>J2-19   | Causes the selected on line transport to rewind to load point.   |
| $\overline{\text{RP}}$   | Read Data Parity | In               | Level<br>Gnd         | J3-1             | Parity line for Read Data. Parity is either even or odd as selected by PAR signal.                                 |
| $\overline{\text{RSTR}}$ | Read Strobe      | In               | Pulse<br>Gnd         | J3-34<br>J3-33   | Samples Read Data lines. One pulse for each character of read information (R0-R7, RP).                             |
| $\overline{\text{RWD}}$  | Rewinding        | In               | Level                | J3-30<br>J3-29   | Indicates rewinding status of selected transport.  |

TABLE 4-2. AM-600/T Magnetic Tape Interface Signals (Sheet 5 of 7)

| MNEMONIC        | NAME            | AM-600<br>IN/OUT | LEVEL<br>or<br>PULSE | CONNECTOR<br>PIN | FUNCTION  |
|-----------------|-----------------|------------------|----------------------|------------------|---|
| $\overline{R0}$ | Read Data Lines | In               | Level                | J3-2             | Transmits read data from tape trans-<br>port formatter. |
| $\overline{R1}$ |                 |                  | Gnd                  |                  |   |
| $\overline{R2}$ |                 |                  | Level                | J2-48            |   |
| $\overline{R3}$ |                 |                  | Gnd                  | J2-47            |   |
| $\overline{R4}$ |                 |                  | Level                | J2-50            |   |
| $\overline{R5}$ |                 |                  | Gnd                  | J2-49            |   |
| $\overline{R6}$ |                 |                  | Level                | J3-6             |   |
| $\overline{R7}$ |                 |                  | Gnd                  | J3-5             |   |
|                 |                 |                  | Level                | J3-20            |   |
|                 |                 |                  | Gnd                  | J3-19            |   |
|                 |                 |                  | Level                | J3-10            |   |
|                 |                 |                  | Gnd                  | J3-9             |   |
|                 |                 |                  | Level                | J3-8             |   |
|                 |                 |                  | Gnd                  | J3-7             |   |
| <u>SGL</u>      |                 |                  |                      | J2-14            |   |

TABLE 4-2. AM-600/T Magnetic Tape Interface Signals (sheet 6 of 7)

| MNEMONIC                               | NAME               | AM-600<br>IN/OUT | LEVEL<br>or<br>PULSE | CONNECTOR<br>PIN | FUNCTION  |
|--|--------------------|------------------|----------------------|------------------|---|
| $\overline{TAD0}$<br>$\overline{TAD1}$ | Transport Address  | Out              | Level                |                  | Determines which of four transports are selected by the formatter.                  |
| $\overline{WFM}$                       | Write File Mark    | Out              | Level<br>Gnd         | J2-42<br>J2-41   | When asserted, writes a filemark on the tape.                                       |
| $\overline{WP}$                        | Write Data Parity  |                  |                      | J2-22            | Parity line for write data. Parity is either even or odd as selected by PAR signal. |
| $\overline{WRT}$                       | Write/Read Command | Out              | Level<br>Gnd         | J2-34<br>J2-33   | True commands write action, false commands read action.                             |
| $\overline{WSTR}$                      | Write Strobe       | In               | Pulse<br>Gnd         | J3-36<br>J3-35   | Pulses each time a data character is written onto tape.                             |

TABLE 4-2. AM-600/T Magnetic Tape Interface Signals (sheet 7 of 7)

| MNEMONIC         | NAME             | AM-600<br>IN/OUT | LEVEL<br>or<br>PULSE | CONNECTOR<br>PIN | FUNCTION   |       |  |
|------------------|------------------|------------------|----------------------|------------------|--|-------|--|
| $\overline{W0}$  | Write Data Lines | Out              | Level<br>Gnd         | J2-10            | Transmits write data to the tape<br>transport formatter. |       |  |
| $\overline{W1}$  |                  | Out              | Level<br>Gnd         | J2-12            |  |       |  |
| $\overline{W2}$  |                  | Out              | Level<br>Gnd         | J2-30            |  |       |  |
| $\overline{W3}$  |                  | Out              | Level<br>Gnd         | J2-26            |  |       |  |
| $\overline{W4}$  |                  | Out              | Level<br>Gnd         | J2-25            |  |       |  |
| $\overline{W5}$  |                  | Out              | Level<br>Gnd         | J2-6             |  |       |  |
| $\overline{W6}$  |                  | Out              | Level<br>Gnd         | J2-32            |  |       |  |
| $\overline{W7}$  |                  | Out              | Level<br>Gnd         | J2-30            |  |       |  |
|                  |                  | Out              | Level<br>Gnd         | J2-28            |  |       |  |
|                  |                  | Out              | Level<br>Gnd         | J2-27            |  |       |  |
|                  |                  | Out              | Level<br>Gnd         | J2-24            |  |       |  |
|                  |                  | Out              | Level<br>Gnd         | J2-23            |  |       |  |
| $\overline{7TK}$ |                  | 7 Track/9 Track  | In                   | Level            |  | J3-25 |  |



#### 4.2.1 Alpha Micro Bus Interface

The AM-600/T circuit board interfaces with the Alpha Micro S-100 bus for programmed I/O operations between the AM-600/T and CPU. The Alpha Micro S-100 bus interface consists of I/O port decoding and command generation, DATAIN bus interface, and DATAOUT bus interface.

##### 4.2.1.1 I/O Port Decoding and Command Generation

This circuitry consists of a 6-bit address comparator and two of 1 of 8 decoders to generate the load commands and read commands to the various ports contained on the board. These ports were defined in detail in Chapter 3 of this manual.

I/O address "A0" is etched into the PC board as the standard base I/O address for the board.

##### 4.2.1.2 Datain Bus Interface

The DATAIN bus serves three basic functions:

1. It provides an output path for data to be read under program control from each input port on the board. The transport and formatter status registers attach directly to the bus and are enabled by read commands from the I/O port decoder. The DMA address registers operate through a tri-state buffer in a similar manner.

2. It provides an input path for data from memory to be written into the DATA Output Register under DMA control. This is accomplished by enabling the DATAIN0-7 receivers with  $\overline{\text{PDBINI}}$  and using the trailing edge of the same signal to strobe the incoming data into the output data register.
3. It provides a path for address information for use with the optional memory partition controller (AM-700). This is accomplished by optionally gating the middle byte DMA address controller chip onto the DATAIN bus. The address information from the chip is gated onto the DATAIN bus by a signal  $\overline{\text{ADRON}}$  from the DMA sequence controller circuitry. This signal occurs one bus cycle before PSYNCI is generated.

#### 4.2.1.3 DATAOUT Bus Interface

The DATAOUT bus serves three basic functions:

1. It provides an input path for data to be written under program control to each output port on the board. Non-inverting receivers transmit the data to both DMA address registers and the Internal Control Register. Inverting receivers transmit the data to the External Control Register and Formatter Command Register. Load pulses from the I/O port decoder store the data into the selected register.
2. It provides an output path for data to memory from the Input Data Register. Data is transferred under DMA control with the DATAOUT bus drivers being enabled by  $\overline{\text{DMAWE}}$  from the DMA sequence controller. New input data is strobed into the Input Data Register under two conditions:



- a. At the end of the DMA transfer cycle.
  - b. Upon receipt of an  $\overline{\text{RSTR}}$  pulse from the formatter if no DMA cycle is in progress.
3. It provides a path for address information when used with the optional memory partition controller (AM-700). This is accomplished by optionally gating the upper byte DMA address controller chips onto the DATAOUT bus. The address information from the chip is gated onto the DATAOUT bus in the same manner as the middle byte described in the previous section.

#### 4.2.2 Magnetic Tape Formatter Interface

The AM-600/T connects to the magnetic tape formatter through two 50-pin flat cables as described in Chapter 2. Data, commands, and status signals pass through the registers shown on the right side at Figure 4-1. The data exchange and timing is described in the following paragraphs.

##### 4.2.2.1 Data Request Logic

Data Request logic (DRQ) is basically a request for a DMA cycle to begin. This happens whenever data is to be read from the formatter or supplied to the formatter.

1. Read from formatter ( $\overline{\text{WRT}}=0$ ).

Data transmitted from the formatter is strobed into the Input Data Register by RDSTR (trailing edge). If WFM and ERASE are both false, RDSTR trailing edge also generates DRQ which initiates a DMA request cycle. After the DMA cycle is in progress, DRQ is reset by PSYNCI and is then ready for more data.

2. Write to formatter ( $\overline{WRT}=1$ ).

After a Write Data command, the first byte of data must be loaded into the Output Data Register. This is accomplished by setting DRQ on the trailing edge of the Write Data Command (GO-WRT). As each byte is read by the formatter,  $\overline{WSTR}$  is sent back, acknowledging the receipt of the data. The trailing edge of  $\overline{WSTR}$  is then used to generate subsequent DRQs. This continues until the last byte to be sent to the formatter is in the Output Data Register, at which time DONEFF prevents any more DRQs from being generated and transmits  $\overline{LWD}$  (last word of data) to the formatter. As with the READ cycle, after the DMA cycle is in progress, DRQ is reset by PSYNCI in anticipation of the next cycle.

#### 4.2.2.2 Interrupt Logic

Interrupt is generated under only one condition. Interrupt Enable must be set. When INTEN is set an interrupt will be generated when the tape begins to decelerate after a tape movement command. The interrupt is reset by reading the formatter status register. Interrupts are not normally used by the CPU in the present AM-600/T configuration.

#### 4.2.2.3 Lost Data Detector

Depending upon formatter data rates and CPU DMA handshaking overhead, it is possible that data requests by the formatter may not be serviced in time. The lost data detector attempts to detect this fault condition. The conditions detected are as follows:

1. READ

If a data request is generated by the formatter with DRQ still set from a prior request, the LOST DATA bit will be set.

## 2. WRITE

If a data request is generated by the formatter with a prior DMA cycle still in progress, the LOST DATA bit will be set.

The LOST DATA bit is reset upon issuing any command to the formatter.

### 4.2.2.4 Miscellaneous Latches

Three signals from the formatter are latched by the interface and processed after the present command has been executed. These signals are:

1. End of Tape Mark Detected.
2. Hard Error Detected.
3. File Mark Detected.

These latches are all reset upon issuing any command to the formatter.

### 4.2.3 DMA Sequence Control

The DMA control circuitry provides compatibility with all standard Alpha Micro CPU boards as summarized below.

#### 4.2.3.1 Standard Alpha Micro bus Exchange Timing (AM-100/T, AM-100/L Systems)

Timing and sequence of the exchange cycle between the AM-600/T and the Alpha Micro bus is shown in Figure 4-2 and described in the following paragraphs.

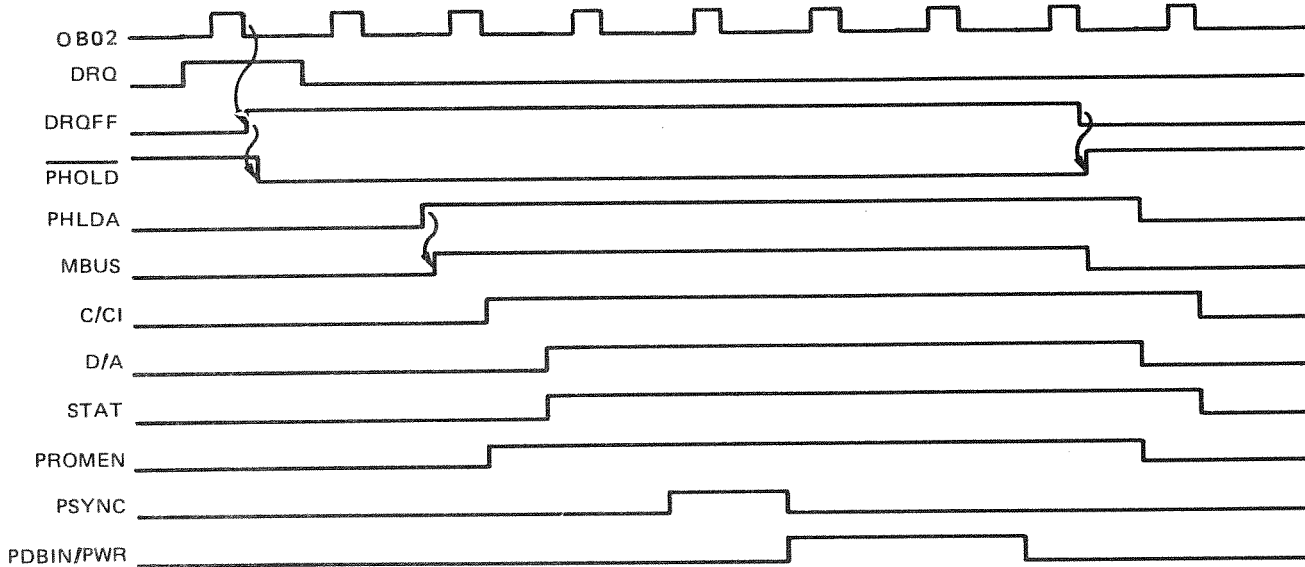


FIGURE 4-2. Standard Alpha Micro Bus DMA Timing

A DMA cycle is initiated by DRQ indicating that the controller requires DMA service. This signal is strobed by the trailing edge of an on-board free-running 3 MHz clock (OB02) to generate DRQFF which directly generates  $\overline{\text{PHOLD}}$ . Note that DRQ is gated through only when  $\overline{\text{PHOLD}}$  is not asserted to prevent any race conflicts in the bus arbitration logic.

$\overline{\text{PHOLD}}$  signals the processor that a potential bus master desires control of the bus. The processor responds to  $\overline{\text{PHOLD}}$  by issuing PHLDA indicating that the processor is relinquishing control of the bus.

The time interval between  $\overline{\text{PHOLD}}$  and PHLDA assertions is the arbitration time for DMA controllers to establish which one will gain control of the bus. During this time, each requestor tries to put his assigned priority on the bus (DMA0-2) and checks to see if a higher priority is present. If so, interfering lower order assertions are removed. At PHLDA leading edge time, the mbus flip-flop is strobed, with the highest priority DMA requester's MBUS flip-flop being set to indicate bus control.

The priority of each DMA controller is set by three jumpers on each board. These jumpers represent the octal code for the DMA priority assigned to each board.

If MBUS is set, the DMA controller begins its takeover of the system busses. Signal C/CI is set at OB02 trailing edge and is used to disable the processor address and data bus drivers while enabling the DMA controller command drivers. C/CI also sets D/A at OB02 leading edge time. Signal D/A is used to disable the processor command drivers and also  $\overline{\text{STAT}}$  at OB02 leading edge time.  $\overline{\text{STAT}}$  is used to disable the processor status drivers while enabling the DMA controller status drivers.

After the DMA controller has transferred the required data, it will relinquish control of the bus as follows:

1. DRQFF is reset by END on OB02 trailing edge time. This indicates that the last data transfer for this DMA cycle has just taken place.
2.  $\overline{\text{PHOLD}}$  is released, signaling the processor that the DMA cycle is complete.
3. D/A is reset by  $\overline{\text{PHOLD}}$  at OB02 leading edge time, thereby enabling the processor command drivers and disabling the sequencer.

4.  $\overline{C/CI}$  and  $\overline{STAT}$  are reset at  $\overline{O2}$  trailing edge time. This effectively disables the remaining DMA controller drivers and enables all remaining processor drivers.
5. As soon as  $\overline{PHLDA}$  is dropped by the processor, the bus exchange is complete.

#### 4.2.3.2 AM-100 Compatible Bus Exchange Timing

Timing and sequence of the exchange between the AM-600/T and the Alpha Micro AM-100 8-bit bus is shown in Figure 4-3 and described in the following paragraphs.

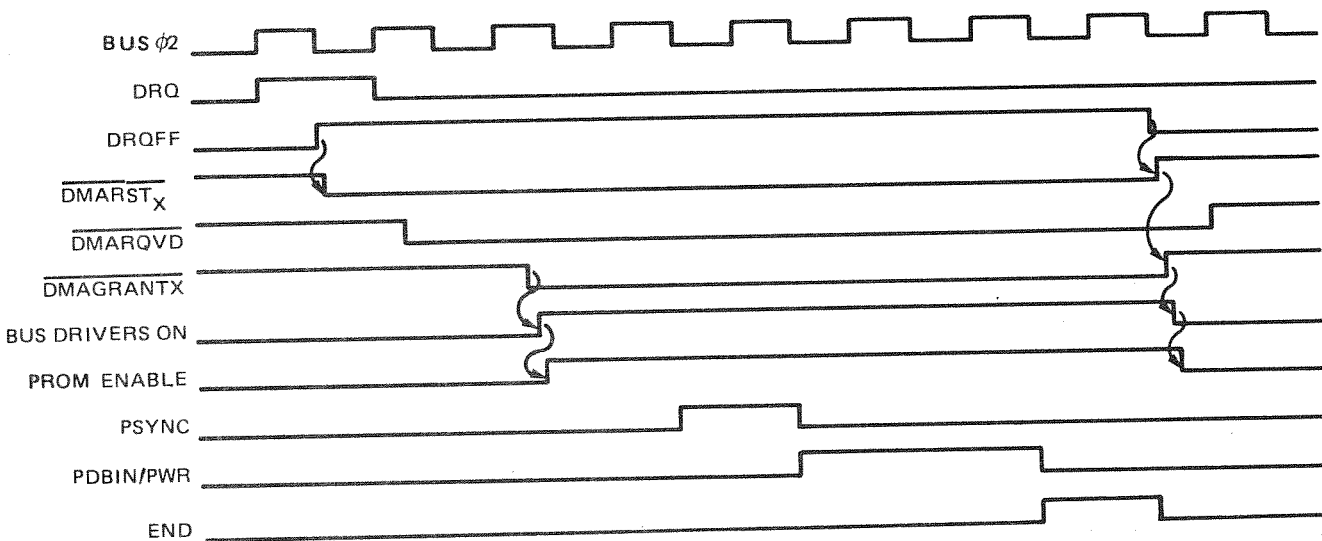


FIGURE 4-3. AM-100 Compatible Control DMA Timing

A DMA cycle is initiated by DRQ indicating that the controller requires DMA service. This signal is strobed by bus O2 trailing edge to generate DRQFF

which is used to signal the processor for service. The DMA request is routed to one of eight DMA priority lines (VI0-7) via a jumper on the board. This determines the priority for each DMA controller. Once the processor receives a DMA request, it issues DMARCVD indicating that no DMA controller may subsequently generate another DMA request. The standard DMA level for the AM-600/T is VI6. This can be changed by an etch cut and jumper on the board. See Figure 2-2.

One cycle after DMARCVD, a corresponding DMAGRANTx signal will be issued by the processor. This signal must be received by the DMA controller via a jumper on the board. This jumper must correspond to the jumper described in the above paragraph. See Figure 2-2.

DMAGRANTx tristates the processor bus drivers and is used by the DMA controller to force C/CI, D/A and STAT to enable all DMA controller bus drivers and enable the PROM driven sequencer.

After the DMA controller has transferred the required data, it will relinquish control of the bus as follows:

1. DRQFF is reset by END at O2 trailing edge time. This indicates that the last data transfer for this DMA cycle has just taken place.
2. The DMA request to the processor (VI0-7) is removed. Upon receiving this, the processor immediately removes DMAGRANTx and regains control of the bus.

#### 4.2.3.3 Data Transfer Sequence

The data transfer timing is primarily controlled by a PROM driven sequencer. After the DMA controller has become bus master, the sequencer is enabled by D/A. The sequencer will thus start at address :00 for a READ cycle or address :10 for a WRITE cycle.

The PROM address is incremented by the stored data in the PROM itself. Therefore, every time the register is clocked, new data is clocked out of the PROM and the PROM address is incremented to get the data ready for the next cycle. The register is clocked by the trailing edge of the clock (either 0B02 or bus 02, depending upon which processor the AM-600/T is to accommodate).

PSYNC is generated at address :01 or :11. The next clock pulse results in either PDBIN or  $\overline{\text{PWR}}$  being generated. Subsequent clock pulses may be inhibited by the PRDY detect logic, thereby allowing slower data transfer to take place under control of PRDY.

After the data transfer has taken place, END is generated by the sequencer and is used to terminate the entire DMA cycle.

DMAWE is generated by sequencer during a WRITE cycle and is used to gate data onto the data bus to insure its validity before, during, and after PWR.

$\overline{\text{ADRON}}$  is also generated by the sequencer during a Read or Write cycle and is used in an optional configuration to multiplex the upper address bytes onto the data bus for use with the AM-700 Memory Partition Controller.



#### 4.2.3.4 Processor Ready Detect Logic

PRDY is strobed at by the trailing edge of STVAL and latched. At this time, WAIT is set which suppresses the next update clock to the sequencer, thus introducing a WAIT state into the data transfer. As long as PRDY is false, the sequencer will not be clocked, thereby remaining in its original state.

#### 4.2.4 DMA Address Generator/Byte Count Circuitry

The heart of the DMA address generator/byte counter is the AMD 2940 integrated circuit. A complete description of this IC is contained in Paragraph 4.3.1.

Three of these circuits are used in cascade to form a 24-bit address register and 24-bit byte counter. Under normal operation, the internal address, and the byte counter is loaded with the number of bytes to be transferred.

During each DMA write cycle, the address register drivers are enabled by signal D/A from the DMA sequence controller. At the end of each DMA transfer, the address register is incremented by END and the byte counter is decremented.

When the byte counter reaches zero, the DONEFF is set which signifies the completion of the transfer.

For a DMA read cycle, the address register operation is identical. However, the byte counter is set to zero initially and incremented each time the address register is incremented. Therefore, upon completion of the read command, the contents of the byte counter represent the block size of the data just read from tape.

Optionally, the upper address byte drivers can be multiplexed onto the DATA bus and used with the AM-700 Memory Partition Controller. In this configuration, ADRON from the DMA sequence controller enables the drivers just prior to the DMA sequence controller issuing a PSYNCI. This option is enabled by the MPC jumper on the AM-600/T. It must be used only in an AM-100/T based system with an AM-700 present.

#### 4.2.5 Test Jumper Blocks and Test Points

Three test shorting block jumpers are provided on the board to facilitate initial testing and debug:

1. Clock Disable: Inserting this shorting block disables the on-board 3 MHz clock. This is useful for initial testing in manufacturing using IN-CIRCUIT testing techniques.
2. Write Disable: Inserting this jumper prevents the AM-600/T from issuing any write strobes to memory during DMA transfers. This jumper is useful when debugging boards which malfunction by erroneously overwriting portions of the operating system.
3. Last Word Disable: Inserting this jumper suppresses the DONE signal, thereby allowing DMA transfers of infinite size, making it easier to examine DMA related timing signals.

In addition, test points are provided at the top of the board.

#### 1. + 5 V

Two +5 volt test points are provided to enable easy checks of the on-board regulators.

## 2. CLK

A clock test point is provided to allow easy examination of the on-board clock. If the CPU select jumper is set to "100", a 2 MHz bus clock signal should be present. If the CPU select jumper is set to "100T" or "100L" a 3 MHz clock signal should be present.

## 4.3 CIRCUIT MODULE DESCRIPTION

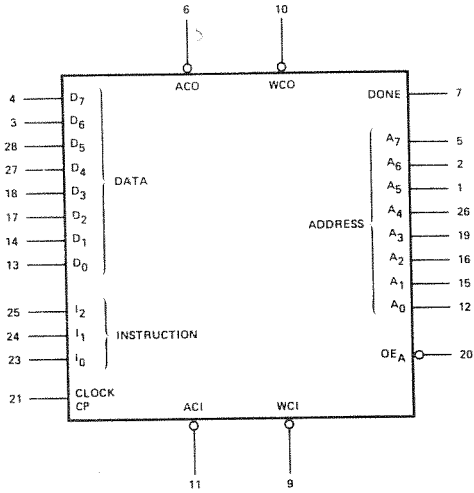
This section describes the operation of the individual circuit modules contained on the AM-600/T circuit board. Description of the control logic and interface modules are accompanied by logic and connection diagrams.

### 4.3.1 DMA Address Generator

(U41, U42, U43)

This device is a high-speed, eight-bit wide direct memory access address generator slice that can be cascaded to form larger addresses. Device connections are shown in Figure 4-4.

Logic Symbol



Connection Diagram

Top View

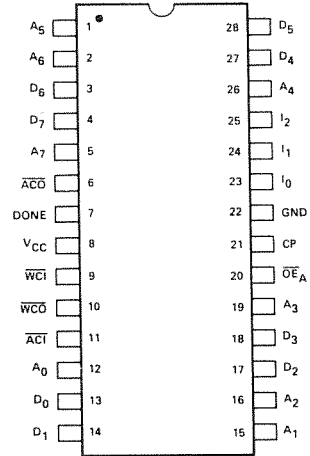


FIGURE 4-4. DMA Address Generator Connections

The primary function of the device is to generate sequential memory addresses for use in the sequential transfer of data to or from a memory. It also maintains a data word count and generates a DONE signal when a programmable terminal count has been reached. The device is designed for use in peripheral controllers with DMA capability or in any other system which transfers data to or from sequential memory locations.

The device can be programmed to increment or decrement the memory address in any of four control modes and executes eight different instructions. The initial address and word count are saved internally so that they can be restored later in order to repeat the data transfer operation.

#### 4.3.1.1 Architecture

As shown in Figure 4-5, the device consists of the following:

- A three-bit Control Register.
- An eight-bit Address Counter with input multiplexer.
- An eight-bit Address Register.
- An eight-bit Word Counter with input multiplexer.
- Transfer complete circuitry.
- An eight-bit wide data multiplexer with three-state output buffers.
- Three-state address output buffers with external output enable control.
- An instruction decoder.

Control Register. Under instruction control, the Control Register can be loaded from the bidirectional DATA lines D0-D7. Control Register bits 0 and 1 determine the Control Mode, and bit 2 determines whether the Address Counter increments or decrements. Figure 4-5 defines the Control Register format and Figure 4-6 provides Control Register Format definitions.

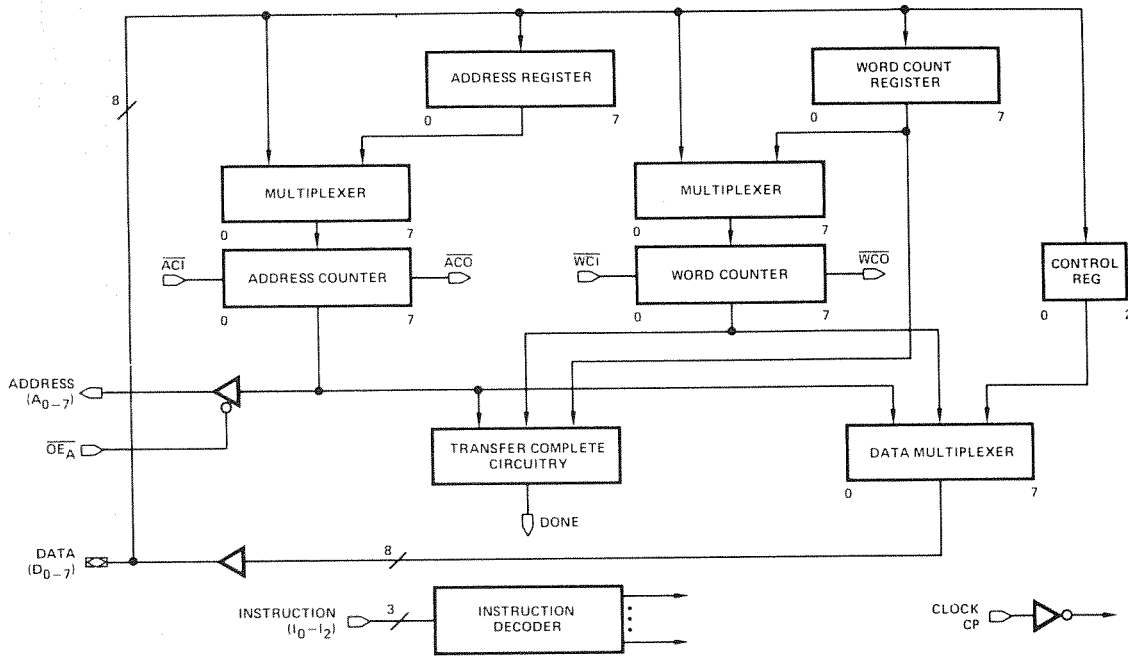


FIGURE 4-5. DMA Address Generator Block Diagram

Control Register

|                 |                 |                 |
|-----------------|-----------------|-----------------|
| CR <sub>2</sub> | CR <sub>1</sub> | CR <sub>0</sub> |
|-----------------|-----------------|-----------------|

| CR <sub>1</sub> | CR <sub>0</sub> | Control Mode Number | Control Mode Type      | Word Counter | DONE Output Signal                           |  |
|-----------------|-----------------|---------------------|------------------------|--------------|--|--|
|                 |                 |                     |                        |              | WCI = LOW                                    | WCI = HIGH                               |
| L               | L               | 0                   | Word Count Equals Zero | Decrement    | HIGH when Word Counter = 1                   | HIGH when Word Counter = 0               |
| L               | H               | 1                   | Word Count Compare     | Increment    | HIGH when Word Counter + 1 = Word Count Reg. | HIGH when Word Counter = Word Count Reg. |
| H               | L               | 2                   | Address Compare        | Hold         | HIGH when Word Counter = Address Counter     |  |
| H               | H               | 3                   | Word Counter Carry Out | Increment    | Always LOW                                   |  |

H = HIGH  
L = LOW

| CR <sub>2</sub> | Address Counter |
|-----------------|-----------------|
| L               | Increment       |
| H               | Decrement       |

FIGURE 4-6. Control Register Format

Address Counter. The Address Counter, which provides the current memory address, is an eight-bit, binary, up/down counter with full look-ahead carry generation. The Address Carry input ( $\overline{ACI}$ ) and Address Carry Output ( $\overline{ACO}$ ) allow cascading to accommodate larger addresses. Under instruction control, the Address Counter can be enabled, disabled, and loaded from DATA inputs, D0-D7, or the Address Register. When enabled and the  $\overline{ACI}$  input is LOW, the Address Counter increments/decrements on the LOW to HIGH transition of the CLOCK input, CP. The Address Counter output can be enabled onto the three-state ADDRESS outputs A0-A7 under control of the Output Enable input, OEA.

Address Register. The eight-bit Address Register saves the initial address so that it can be restored later in order to repeat a transfer operation. When the LOAD ADDRESS instruction is executed, the Address Register and Address Counter are simultaneously loaded from the DATA inputs, D0-D7.

Word Counter and Word Count Register. The Word Counter and Word Count Register, which maintain and save a word count, are similar in structure and operation to the Address Counter and Address Register, with the exception that the Word Counter increments in Control Modes 1 and 3, decrements in Control Mode 0, and is disabled in Control Mode 2. The LOAD WORD COUNT instruction simultaneously loads the Word Counter and Word Count Register.

Transfer Complete Circuitry. The Transfer Complete Circuitry is a combinational logic network which detects the completion of the data transfer operation in three Control Modes and generates the DONE output signal. The DONE signal is an open-collector output.

Data Multiplexer. The Data Multiplexer is an eight-bit wide, 3-input multiplexer which allows the Address Counter, Word Counter, and Control Register to be read at the DATA lines, D0-D7. The Data Multiplexer and three-state Data output buffers are instruction controlled.



Address Output Buffers. The three-state Address Output Buffers allows the Address Counter output to be enabled onto the ADDRESS Lines, A0-A7, under external control. When the Output Enable input,  $\overline{OEA}$ , is LOW, the Address output buffers are enabled; when OEA is high, the ADDRESS Lines are in the sink 24mA output current over the commercial operating range.

Instruction Decoder. The Instruction Decoder generates required internal control signals as a function of the INSTRUCTION inputs, I0-I2 and Control Register bits 0 and 1.

Clock. The CLOCK input, CP is used to clock the Address Register, Address Counter, Word Count Register, Word Counter, and Control Register, all on the LOW to HIGH transition of the CP signal.

#### 4.3.1.2 Control Modes

Control Mode 0 - Word Count Equals One Mode. In this mode, the number of data words to be transferred is initially loaded into the Word Counter and Word Count Register. When the Word Counter is enabled and the Word Counter Carry-in, WCI, is LOW, the Word Counter decrements on the LOW to HIGH transition of the CLOCK input, CP. The DONE signal is generated during the last word transfer; i.e., when the Word Counter equals one.

Control Mode 1 - Word Count Compare Mode. Initially, the number of data words to be transferred is loaded into the Word Count Register and the Word Counter is cleared. When the Word Counter is enabled and the WCI input is LOW, the Word Counter increments on the LOW to HIGH transition of the CLOCK input, CP. In this mode, the Word Counter always indicates the number of data words that have been transferred. The Transfer Complete Circuitry compares the Word Counter with the Word Count Register and generates the DONE signal during the last word transfer; i.e., when the Word Counter plus one equals the Word Count Register.

Control Mode 2 - Address Compare Mode. In this mode, only an initial and final memory address need to be specified. The initial Memory Address is loaded into the Address Register and Address Counter and the final memory address is loaded into the Word Count Register and Word Counter. The Word Counter is always disabled in this mode and serves as a holding register for the final memory address. When the Address Counter is enabled and the ACI input is LOW, the Address Counter increments or decrements (depending on Control Register bit 2) on the LOW to HIGH transition of the CLOCK input, CP. The Transfer Complete Circuitry compares the Address Counter with the Word Counter and generates the DONE signal during the last word transfer; i.e., when the Address Counter equals the Word Counter.

Control Mode 3 - Word Counter Carry Out Mode. For this mode of operation, the user can load the Word Count Register and Word Counter with the two's complement of the number of data words to be transferred. When the Word Counter is enabled and the  $\overline{WCI}$  input is LOW, the Word Counter increments on the LOW to HIGH transition of the CLOCK input, CP. A Word Counter Carry Out signal,  $\overline{WCO}$ , indicates the last data word is being transferred. The DONE signal is not required in this mode and, therefore, is always LOW.

#### 4.3.1.3 Instructions

The instruction set consists of eight instructions. Six instructions load and read the Address Counter, Word Counter and Control Register; one instruction enables the Address and Word counters; and one instruction reinitializes the Address and Word Counters. The function of the REINITIALIZE COUNTERS, LOAD WORD COUNT, and ENABLE COUNTERS instructions varies with the Control Mode being utilized. Table 4-3 defines the instructions as a function of instruction inputs I0-I2 and the four Control Modes.

TABLE 4-3. DMA Register Instructions

| I <sub>2</sub> | I <sub>1</sub> | I <sub>0</sub> | Octal Code | Function               | Mnemonic | Control Mode | Word Reg. | Word Counter | Address Reg. | Address Counter | Control Register                   | Data D <sub>0</sub> -D <sub>7</sub>           |
|----------------|----------------|----------------|------------|------------------------|----------|--------------|-----------|--------------|--------------|-----------------|------------------------------------|---|
| L              | L              | L              | 0          | WRITE CONTROL REGISTER | WRCR     | 0, 1, 2, 3   | HOLD      | HOLD         | HOLD         | HOLD            | D <sub>0</sub> -D <sub>2</sub> →CR | INPUT   |
| L              | L              | H              | 1          | READ CONTROL REGISTER  | RD CR    | 0, 1, 2, 3   | HOLD      | HOLD         | HOLD         | HOLD            | HOLD                               | CR→D <sub>0</sub> -D <sub>2</sub><br>(Note 1) |
| L              | H              | L              | 2          | READ WORD COUNTER      | RDWC     | 0, 1, 2, 3   | HOLD      | HOLD         | HOLD         | HOLD            | HOLD                               | WC→D  |
| L              | H              | H              | 3          | READ ADDRESS COUNTER   | RDAC     | 0, 1, 2, 3   | HOLD      | HOLD         | HOLD         | HOLD            | HOLD                               | AC→D  |
| H              | L              | L              | 4          | REINITIALIZE COUNTERS  | REIN     | 0, 2, 3      | HOLD      | WCR→WC       | HOLD         | AR→AC           | HOLD                               | Z   |
|                |                |                |            |                        |          | 1            | HOLD      | ZERO→WC      | HOLD         | AR→AC           | HOLD                               | Z   |
| H              | L              | H              | 5          | LOAD ADDRESS           | LDAD     | 0, 1, 2, 3   | HOLD      | HOLD         | D→AR         | D→AC            | HOLD                               | INPUT   |
| H              | H              | L              | 6          | LOAD WORD COUNT        | LDWC     | 0, 2, 3      | D→WR      | D→WC         | HOLD         | HOLD            | HOLD                               | INPUT   |
|                |                |                |            |                        |          | 1            | D→WR      | ZERO→WC      | HOLD         | HOLD            | HOLD                               | INPUT   |
| H              | H              | H              | 7          | ENABLE COUNTERS        | ENCT     | 0, 1, 3      | HOLD      | ENABLE COUNT | HOLD         | ENABLE COUNT    | HOLD                               | Z   |
|                |                |                |            |                        |          | 2            | HOLD      | HOLD         | HOLD         | ENABLE COUNT    | HOLD                               | Z   |

CR = Control Reg.      WCR = Word Count Reg.      L = LOW  
 AR = Address Reg.      WC = Word Counter      H = HIGH  
 AC = Address Counter      D = Data      Z = High Impedance

Note 1:  
 Data Bits D<sub>3</sub>-D<sub>7</sub> are high during this instruction.

WRITE CONTROL REGISTER. The WRITE CONTROL REGISTER instruction writes DATA input D<sub>0</sub>-D<sub>2</sub> into the Control Register; DATA inputs D<sub>3</sub>-D<sub>7</sub> are "don't care" inputs for this instruction. The READ CONTROL REGISTER instruction gates the Control Register outputs to DATA Lines, D<sub>0</sub>-D<sub>2</sub>. DATA Lines D<sub>3</sub>-D<sub>7</sub> are in the HIGH state during this instruction.

WORD COUNTER. The Word Counter can be read using the READ WORD COUNTER instruction, which gates the Word Counter outputs to DATA lines D0-D7. The LOAD WORD COUNT instruction is Control Mode dependent. In Control Modes 0, 2, and 3, DATA inputs D0-D7 are written into both the Word Count Register and Word Counter. In Control Mode 1, DATA inputs D0-D7 are written into the Word Count Register and the Word Counter is cleared.

READ ADDRESS COUNTER. The READ ADDRESS COUNTER instruction gates the Address Counter outputs to DATA lines D0-D7, and the LOAD ADDRESS instruction writes DATA inputs D0-D7 into both the Address Register and Address Counter.

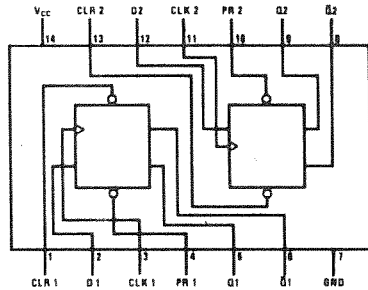
In Control Modes 0, 1, and 3, the ENABLE COUNTERS instruction enables both the Address and Word Counters; in Control Mode 2, the Address Counter is enabled and the Word Counter holds its contents. When enabled and the carry input is active, the counters increment on the LOW to HIGH transition of the CLOCK input, CP. Thus, with this instruction applied, counting can be controlled by the carry inputs.

REINITIALIZE COUNTERS. The REINITIALIZE COUNTERS instruction also is Control Mode dependent. In Control Modes 0, 2, and 3, the contents of the Address Register and Word Count Register are transferred to the respective Address Counter and Word Counter; in Control Mode 1, the content of the Address Register is transferred to the Address Counter and the Word Counter is cleared. The REINITIALIZE COUNTERS instruction allows a data transfer operation to be repeated without reloading the address and word count from the DATA lines.

4.3.2 Dual D Positive-Edge-Triggered Flip-Flops with Preset and Clear

(U1, U5, U8, U13)

For logic and connections, see Figure 4-7.



TRUTH TABLE

| INPUTS |     |     |   | OUTPUTS |            |
|--------|-----|-----|---|---------|------------|
| PR     | CLR | CLK | D | Q       | $\bar{Q}$  |
| L      | H   | X   | X | H       | L          |
| H      | L   | X   | X | L       | H          |
| L      | L   | X   | X | H*      | H*         |
| H      | H   | ↑   | H | H       | L          |
| H      | H   | ↑   | L | L       | H          |
| H      | H   | L   | X | Q0      | $\bar{Q}0$ |

Notes.  $\square$  = high-level pulse; data inputs should be held constant while clock is high; data is transferred to output on the falling edge of the pulse.

Q0 = the level of Q before the indicated input conditions were established.

TOGGLE Each output changes to the complement of its previous level on each active transition (pulse) of the clock.

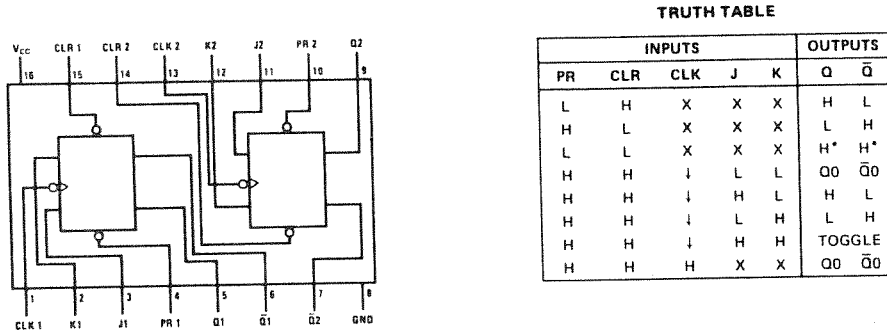
\*This configuration is nonstable, that is, it will not persist when preset and clear inputs return to their inactive (high) level.

FIGURE 4-7. Dual D Flip-Flop Connections

4.3.3 Dual J-K Negative-Edge-Triggered Flip-Flops with Preset and Clear

(U16, U18)

For device logic and connections, see Figure 4-8.



Notes: Q0 = the level of Q before the indicated input conditions were established.  
 TOGGLE: Each output changes to the complement of its previous level on each active transition of the clock.  
 \*This configuration is nonstable; that is, it will not persist when preset and clear inputs return to their inactive (high) level.

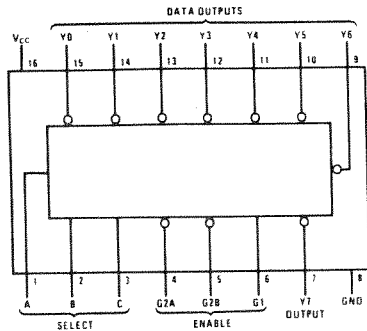
FIGURE 4-8. J-K Flip-Flop Connections

4.3.4 Decoder

(U46,U47)

These are Schottky-clamped circuits designed for memory-decoding or data-routing applications requiring very short propagation delay times. This DIP decodes one of eight lines based on the conditions at the three binary select inputs and the three enable inputs. For logic and connections, see Figure 4-9.

Connection Diagram



Truth Table

| ENABLE |     | SELECT |   |   | OUTPUTS |    |    |    |    |    |    |    |
|--------|-----|--------|---|---|---------|----|----|----|----|----|----|----|
| G1     | G2* | C      | B | A | Y0      | Y1 | Y2 | Y3 | Y4 | Y5 | Y6 | Y7 |
| X      | H   | X      | X | X | H       | H  | H  | H  | H  | H  | H  | H  |
| L      | X   | X      | X | X | H       | H  | H  | H  | H  | H  | H  | H  |
| H      | L   | L      | L | L | L       | H  | H  | H  | H  | H  | H  | H  |
| H      | L   | L      | L | H | H       | L  | H  | H  | H  | H  | H  | H  |
| H      | L   | L      | H | L | H       | H  | L  | H  | H  | H  | H  | H  |
| H      | L   | L      | H | H | H       | H  | H  | L  | H  | H  | H  | H  |
| H      | L   | H      | L | L | H       | H  | H  | H  | L  | H  | H  | H  |
| H      | L   | H      | L | H | H       | H  | H  | H  | H  | L  | H  | H  |
| H      | L   | H      | H | L | H       | H  | H  | H  | H  | H  | L  | H  |
| H      | L   | H      | H | H | H       | H  | H  | H  | H  | H  | H  | L  |

Logic Diagram

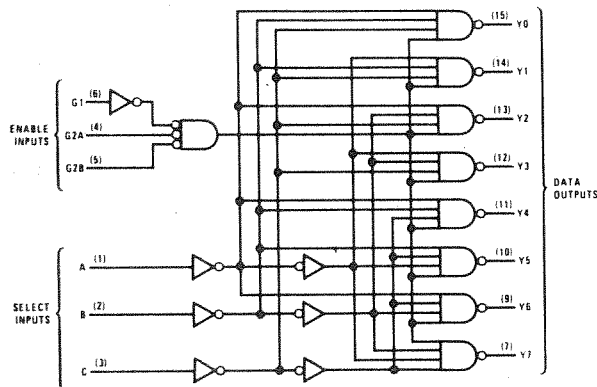


FIGURE 4-9. Decoder Connections

4.3.5 Inverting Octal Bus Driver

(U14, U29, U37, U44, U49, U50, U51, U52, U64)

These buffers provide the drive capability for tri-state bus requirements and are inverting. For logic and connections, see Figure 4-10.

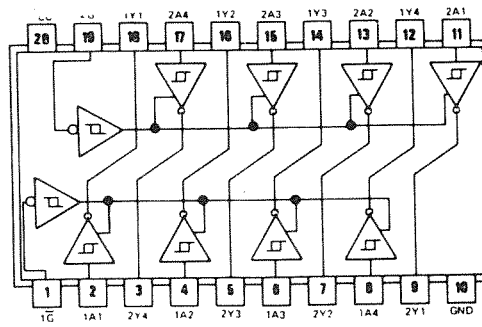


FIGURE 4-10. Inverting Bus Driver Connections

4.3.6 Noninverting Octal Bus Driver

(U25, U27, U28, U56, U57, U58, U59, U60, U61, U62, U63, U65)

These buffers provide the drive capability for tri-state bus requirements and are noninverting. For logic and connections, see Figure 4-11.

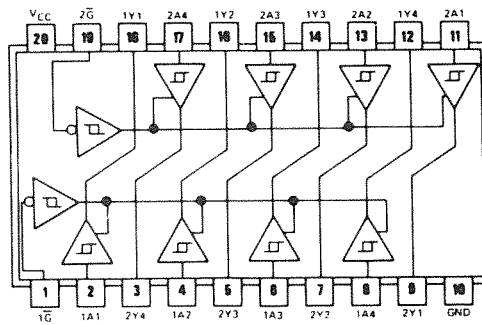


FIGURE 4-11. Non-Inverting Bus Driver Connections

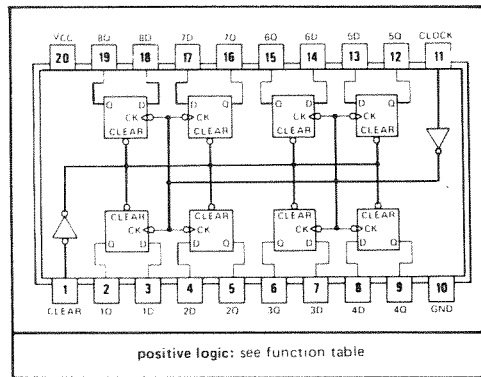


4.3.7 Octal D Register With Reset

(U40, U36)

This register consists of positive-edge-triggered D-type flip-flops with a direct clear input. Information at the D inputs is transferred to the Q outputs on the positive-going edge of the clock pulse. Clock triggering occurs at a particular voltage level and is not directly related to the transition time of the positive-going pulse. When the clock input is at either the high or low level, the D input signal has no effect at the output. For device connections and logic, see Figure 4-12.

Connection Diagram



FUNCTION TABLE  
(EACH FLIP-FLOP)

| INPUTS |       |   | OUTPUT         |
|--------|-------|---|----------------|
| CLEAR  | CLOCK | D | Q              |
| L      | X     | X | L              |
| H      | ↑     | H | H              |
| H      | ↑     | L | L              |
| H      | L     | X | Q <sub>0</sub> |

Logic Diagram

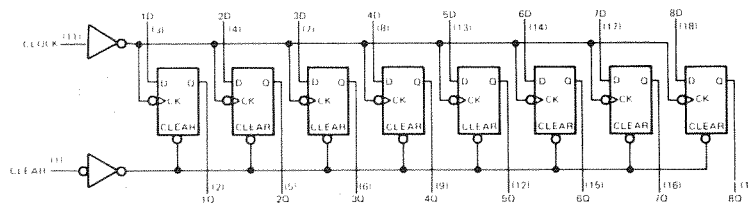


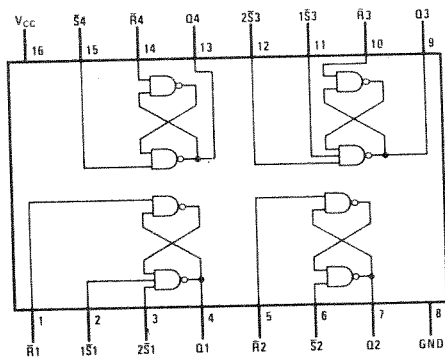
FIGURE 4-12. Octal D Register Connections

4.3.8 Set-Reset Latches

(U45)

These latches provide temporary storage of binary information between processing components. When either one of the data inputs is at a low logic level, the output follows the level of the R input. When both data inputs are high, the output remains latched in its previous state. When both inputs are low, the output goes high. However, this high level may not persist when either one of the data inputs returns to the high state. For logic connections, see Figure 4-13.

Logic and Connections



Truth Table

| INPUTS |           | OUTPUT         |
|--------|-----------|----------------|
| S      | $\bar{R}$ | Q              |
| H      | H         | Q <sub>0</sub> |
| L      | H         | H              |
| H      | L         | L              |
| L      | L         | H*             |

H = High Level  
 L = Low Level  
 Q<sub>0</sub> = The level of Q before the indicated input conditions were established.  
 \* This output level is pseudo stable: that is, it may not persist when the  $\bar{S}$  and  $\bar{R}$  inputs return to their inactive (high) level.  
 † For latches with double  $\bar{S}$  inputs:  
 H = both  $\bar{S}$  inputs high  
 L = one or both  $\bar{S}$  inputs low

FIGURE 4-13. Octal D Register Connections

4.3.9 Bipolar PROM

(U24)

This PROM is organized in the 32 word by eight bit configuration. A memory enable input is provided to control the output states. When the enable input is in the low state, the outputs present the contents of the selected word. If the enable input is raised to a high level, all eight outputs go to the OFF level or high impedance state. This device produces tri-state outputs. For logic and connections, see Figure 4-14.

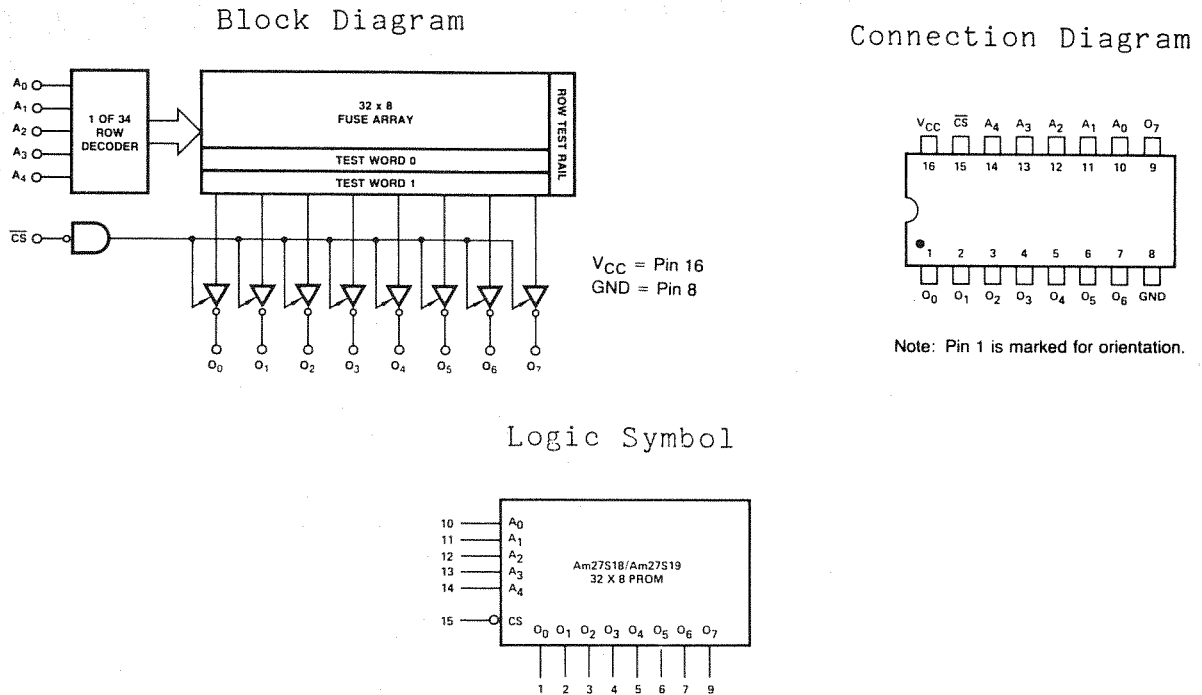


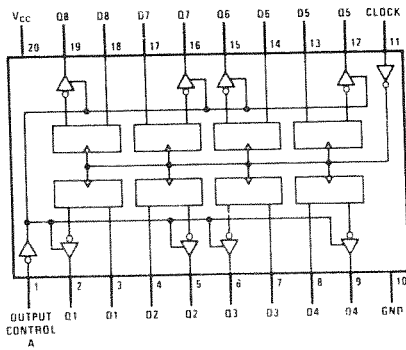
FIGURE 4-14. Bipolar PROM Connections

### 4.3.10 Tri-State D Flip-Flops

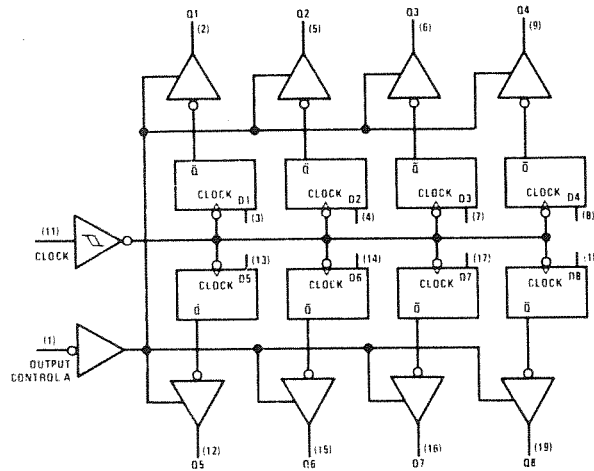
(U31, U32, U33,)

These 8-bit registers contain D-Type flip-flops with totem-pole tri-state outputs capable of driving highly capacitive or low impedance loads. When the output control is taken to a high logic level, the outputs go into the high impedance state. When a low logic level is applied to the output control, data at the D inputs are loaded into their respective flip-flops on the next positive-going transition of the clock. For logic and connections, see Figure 4-15.

Connection Diagram



Logic Diagram



Truth Table

| OUTPUT CONTROL | CLOCK | D | OUTPUT |
|----------------|-------|---|--------|
| L              | ↑     | H | H      |
| L              | ↑     | L | L      |
| L              | L     | X | 00     |
| H              | X     | X | Z      |

FIGURE 4-15. Tri-State D Flip-Flop Connections

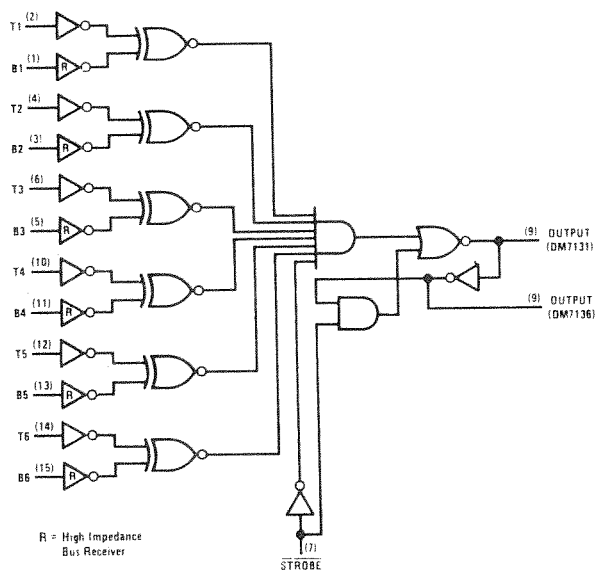
4.3.11 Bus Comparator

(U53)

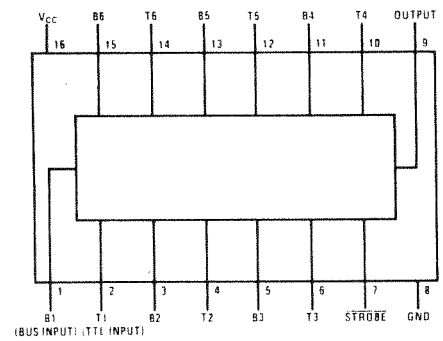
This device compares two binary words of two to six bits in length and indicates matching (bit-for-bit) of the two words. Inputs for one word are TTL inputs, whereas inputs of the second word are high impedance receivers driven by a terminated data bus. The output has a latch that is strobe controlled. The transfer of information to the output occurs when the

STROBE input goes from a logical 1 to a logical 0 state. Inputs may be changed while the STROBE is at the logical 1 level, without affecting the state of the output. Logic and connections are shown in Figure 4-16.

Logic Diagram



Connection Diagram



Truth Table

| CONDITION    | STROBE | OUTPUT      |             |
|--------------|--------|-------------|-------------|
|              |        | DM71/8131   | DM71/8136   |
| T = B, T ≠ B | H      | $Q_{N+1}^*$ | $Q_{N+1}^*$ |
| T = B        | L      | L           | H           |
| T ≠ B        | L      | H           | L           |

\* Latched in previous state

FIGURE 4-16. Bus Comparator Connections

## 4.3.12 Four-Phase Clock Generator

(U35)

This device consists of an oscillator, divide-by-four counter, a second divide-by-four counter with gating to generate four clock pulses, high level (12-volt) output drivers, low level (5-volt) complementary output drivers, and a D-type flip-flop controlled by an external signal and the 03 clock. For logic and connections, reference Figure 4-17.

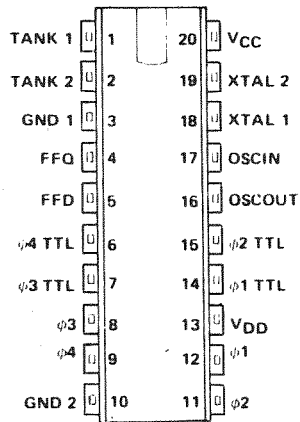
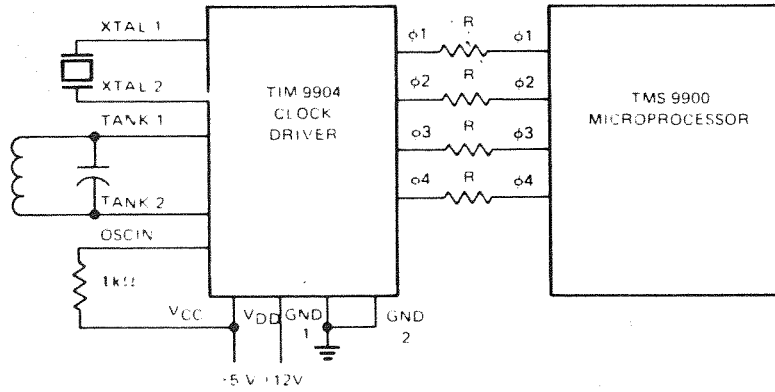


FIGURE 4-17. Four-Phase Clock Logic and Connections





## CHAPTER 5

### MAINTENANCE AND TROUBLESHOOTING

#### 5.1 INTRODUCTION

The AM-600/T circuit board performs to full capability with a minimum of maintenance. This chapter describes maintenance and troubleshooting procedures and the procedure for handling warranty returns.

#### 5.2 CIRCUIT BOARD CHECKOUT

The AM-600/T circuit board was fully tested before it left Alpha Microsystems and will operate satisfactorily in the system if the hardware and software requirements of Chapters Two and Three of this manual are met. Should a problem arise after the circuit card has been in operation, use the following procedures to identify and locate the fault:

1. Check all cabling for proper seating of connectors.
2. Check the circuit board for proper seating in the slot.
3. Check jumper options to ensure correctness of application.
4. Check all power connections for proper seating in the slot.
5. Verify that the fault is in the AM-600/T and not either in the system or in the peripherals. This can best be accomplished with substitution of a known good circuit board.
6. Contact the Alpha Micro Technical Services Group for information on diagnostic test availability.

### 5.3 WARRANTY PROCEDURES

This circuit board is covered by warranty issued by Alpha Microsystems Inc., Irvine, California. Complete details of the warranty are included with the circuit board. Should a problem arise with this circuit board, call your dealer or the Alpha Micro Technical Services Group for information.

CHAPTER 6

COMPONENT CROSS REFERENCE LIST

Component Cross Reference List (sheet 1 of 2)

| REF.<br>DESIG. | MFR.<br>TYPE NO. | PAR.<br>NO. | REF.<br>DESIG. | MFR.<br>TYPE NO. | PAR.<br>NO. |
|----------------|------------------|-------------|----------------|------------------|-------------|
| U1             | 74LS74           | 4.3.2       | U13            | 74LS74           | 4.3.2       |
| U2             | 74LS00           |             | U14            | 74LS240          | 4.3.5       |
| U3             | 74LS32           |             | U15            | 74LS08           |             |
| U4             | 74LS08           |             | U16            | 74LS112          | 4.3.3       |
| U5             | 74KS740          | 4.3.2       | U17            | 7438             |             |
| U6             | 74LS10           |             | U18            | 74LS112          | 4.3.3       |
| U7             | SPARE            |             | U19            | 74LS32           |             |
| U8             | 74LS74           | 4.3.2       | U20            | 74LS08           |             |
| U9             | 4LS00            |             | U21            | 74LS32           |             |
| U10            | 74LS32           |             | U22            | 314E221331       |             |
| U11            | 74LS08           |             | U23            | 314E221331       |             |
| U12            | 4LS00            |             | U24            | DWB0060202       | 4.3.9       |

## Component Cross Reference List (sheet 2 of 2)

| REF.<br>DESIG. | MFR.<br>TYPE NO. | PAR.<br>NO. | REF.<br>DESIG. | MFR.<br>TYPE NO. | PAR.<br>NO. |
|----------------|------------------|-------------|----------------|------------------|-------------|
| U25            | 74LS244          | 4.3.6       | U51            | 74LS240          | 4.3.5       |
| U26            |                  |             | U52            | 74LS240          | 4.3.5       |
| U27            | 74LS244          | 4.3.6       | U53            | 8131N/A+         | 4.3.11      |
| U28            | 74LS244          | 4.3.6       | U54            | 74LS10           |             |
| U29            | 74LS240          | 4.3.5       | U55            | 7416             |             |
| U30            | 74LS373          |             | U56            | 74LS32           | 4.3.6       |
| U31            | 74LS374          | 4.3.10      | U57            | 74LS244          | 4.3.6       |
| U32            | 74LS374          | 4.3.10      | U58            | 74LS244          | 4.3.6       |
| U33            | 74LS374          | 4.3.10      | U59            | 74LS244          | 4.3.6       |
| U34            | 74LS02           |             | U60            | 74LS244          | 4.3.6       |
| U35            | 9904ANL          | 4.3.12      | U61            | 74LS244          | 4.3.6       |
| U36            | 74LS273          | 4.3.7       | U62            | 74LS24           | 4.3.6       |
| U37            | 74LS240          | 4.3.5       | U63            | 74LS24           | 4.3.6       |
| U38            | SPARE            |             | U64            | 74LS240          | 4.3.5       |
| U39            | 74LS32           |             | U65            | 74LS24           | 4.3.6       |
| U40            | 74L273           | 4.3.7       |                |                  |             |
| U41            | 2940             | 4.3.1       |                |                  |             |
| U42            | 2940             | 4.3.1       |                |                  |             |
| U43            | 2940             | 4.3.1       |                |                  |             |
| U44            | 74LS240          | 4.3.5       |                |                  |             |
| U45            | 74LS279          | 4.3.8       |                |                  |             |
| U46            | 74LS138          |             |                |                  |             |
| U47            | 74LS138          |             |                |                  |             |
| U48            | DWB0060501       |             |                |                  |             |
| U49            | 74LS240          | 4.3.5       |                |                  |             |
| U50            | 74LS240          | 4.3.5       |                |                  |             |

APPENDIX A

PARTS LIST



| .....ASSEMBLY..... |                                  | .....COMPONENT..... |        | ASSY.                                  |               |
|--------------------|----------------------------------|---------------------|--------|--|---------------|
| NUMBER             | DESCRIPTION                      | REC#                | NUMBER | DESCRIPTION                            | BIN# QUANTITY |
| DWB0060700         | ASSY MAG TAPE INTERFACE AM-600/T | A04                 | 01274  |  |               |
| 00001              | DWF0060700                       |                     |        | PCB DETAIL AM-600/T                    | 1.000         |
| 00002              | CNF0000211                       |                     |        | HEADER, MALE, 50PIN, R/A, 4 WALL, BOX  | 2.000         |
| 00003              | CNS0001600                       |                     |        | SOCKET 16 PIN DIP                      | 1.000         |
| 00004              | CNS0002000                       |                     |        | SOCKET 20 PIN DIP                      | 2.000         |
| 00005              | CNS0002800                       |                     |        | SOCKET 28 PIN DIP                      | 3.000         |
| 00006              | CPN0047001                       |                     |        | CAPACITOR, 47PF, 10%, 200V, CERAMIC    | 1.000         |
| 00007              | CPN0047401                       |                     |        | CAPACITOR, .47UF, 20%, 50V, CERAMIC    | 30.000        |
| 00008              | CPP0015601                       |                     |        | CAPACITOR 15 UF 20V                    | 4.000         |
| 00009              | DWB0001102                       |                     |        | CAP/RES NET 100 PF, 220 OHM, 10 PIN    | 3.000         |
| 00010              | DWB0060202                       |                     |        | CONTROL PROM, 16 BIT COMP AM-600       | 1.000         |
| 00011              | DWB0060501                       |                     |        | ASSY DMA BUS ARBITRATOR S-100 BUS      | 1.000         |
| 00012              | CRY0000600                       |                     |        | CRYSTAL, 12 MHZ                        | 1.000         |
| 00013              | CNF0003800                       |                     |        | HEADER MALE, 6PIN, DBL ROW, STR, .1"C. | 3.000         |
| 00014              | CNF0003302                       |                     |        | HEADER MALE, 2PIN, SGL ROW, STR, .1"C. | 3.000         |
| 00015              | CNA0000600                       |                     |        | CONN RECEPTACLE SHORTING 2CONT BLK     | 3.000         |
| 00016              | HDH0001200                       |                     |        | THERMAL GREASE                         | F/S 0.000     |
| 00017              | HDH0002100                       |                     |        | HEAT SINK 1.4 WI .5 HT 1.880L          | 2.000         |
| 00018              | HDS5000106                       |                     |        | SCREW, 6-32 X .375 TRUSS HD, PHIL, SS  | F/S 4.000     |
| 00019              | HDN1000006                       |                     |        | NUT HEX 6-32 KEP INT/EXT CAD STL       | F/S 4.000     |
| 00020              | HDW1000406                       |                     |        | NYLON SHOULDER WASHER #6               | F/S 4.000     |
| 00021              | ICL0032300                       |                     |        | IC REGULATOR +5V TO-3                  | 2.000         |
| 00022              | IC17413801                       |                     |        | IC DECODER 3 TO 8 LINE                 | 2.000         |
| 00023              | IC17424401                       |                     |        | IC OCTAL BUS DRIVER NONINVERT          | 12.000        |
| 00024              | IC17424001                       |                     |        | IC OCTAL BUS DRIVER INVERTING          | 9.000         |
| 00025              | IC10813100                       |                     |        | IC COMPARATOR 6 BIT                    | 1.000         |
| 00026              | IC10747401                       |                     |        | IC DUAL D FLIPFLOP                     | 4.000         |
| 00027              | IC10740801                       |                     |        | IC QUAD 2 INPUT AND GATE               | 5.000         |
| 00028              | IC10743201                       |                     |        | IC QUAD 2 INPUT OR GATE                | 4.000         |
| 00029              | IC17437401                       |                     |        | IC OCTAL D FLIPFLOP, TRI-STATE         | 3.000         |
| 00030              | IC17427301                       |                     |        | IC OCTAL D REGISTER W/RESET            | 2.000         |
| 00031              | IC10740001                       |                     |        | IC QUAD 2 INPUT NAND GATE              | 3.000         |
| 00032              | IC10741001                       |                     |        | IC TRIPLE 3 INPUT NAND GATE            | 2.000         |
| 00033              | IC17411201                       |                     |        | IC DUAL J-K NEGATIVE FLIPFLOP          | 2.000         |
| 00034              | IC17427901                       |                     |        | IC QUAD S-R LATCHES                    | 1.000         |
| 00035              | IC10741600                       |                     |        | IC HEX INVERTER /DRIVER OC             | 1.000         |
| 00036              | IC17437301                       |                     |        | IC OCTAL D FLIPFLOP, TRI-STATE         | 1.000         |
| 00037              | IC10743800                       |                     |        | IC QUAD 2 INPUT NAND DRIVER OC         | 1.000         |
| 00038              | ICS0294000                       |                     |        | IC DMA ADDRESS GENERATOR               | 3.000         |
| 00039              | ICS0990400                       |                     |        | IC, CLOCK GEN, 4 PHASE                 | 1.000         |
| 00040              | RS20010300                       |                     |        | RESISTOR 10 K 1/4W 5% CAR              | 10.000        |
| 00041              | RS20010200                       |                     |        | RESISTOR 1 K 1/4W 5% CAR               | 3.000         |
| 00042              | RS20047100                       |                     |        | RESISTOR 470 OHM 1/4W 5% CAR           | 2.000         |
| 00043              | RSN0000300                       |                     |        | RES.NETWK, 14PIN, DIP, 24RES, 220/330  | 2.000         |
| 00044              | IND0000600                       |                     |        | INDUCTOR, 3.3 UH                       | 1.000         |
| 00045              | CBW0002420                       |                     |        | WIRE, BUS, 24AWG, SINGLE STRAND, TYP.S | 0.000         |
| 00046              | IC10740201                       |                     |        | IC QUAD 2 INPUT NOR GATE               | 1.000         |
| 00047              | DWL0060700                       |                     |        | SCHEMATIC MAG TAPE I/F AM-600/T        | 0.000         |
| 00048              | LBL0001828                       |                     |        | LABEL, PCB SERIAL I.D. AM-600/T        | 1.000         |





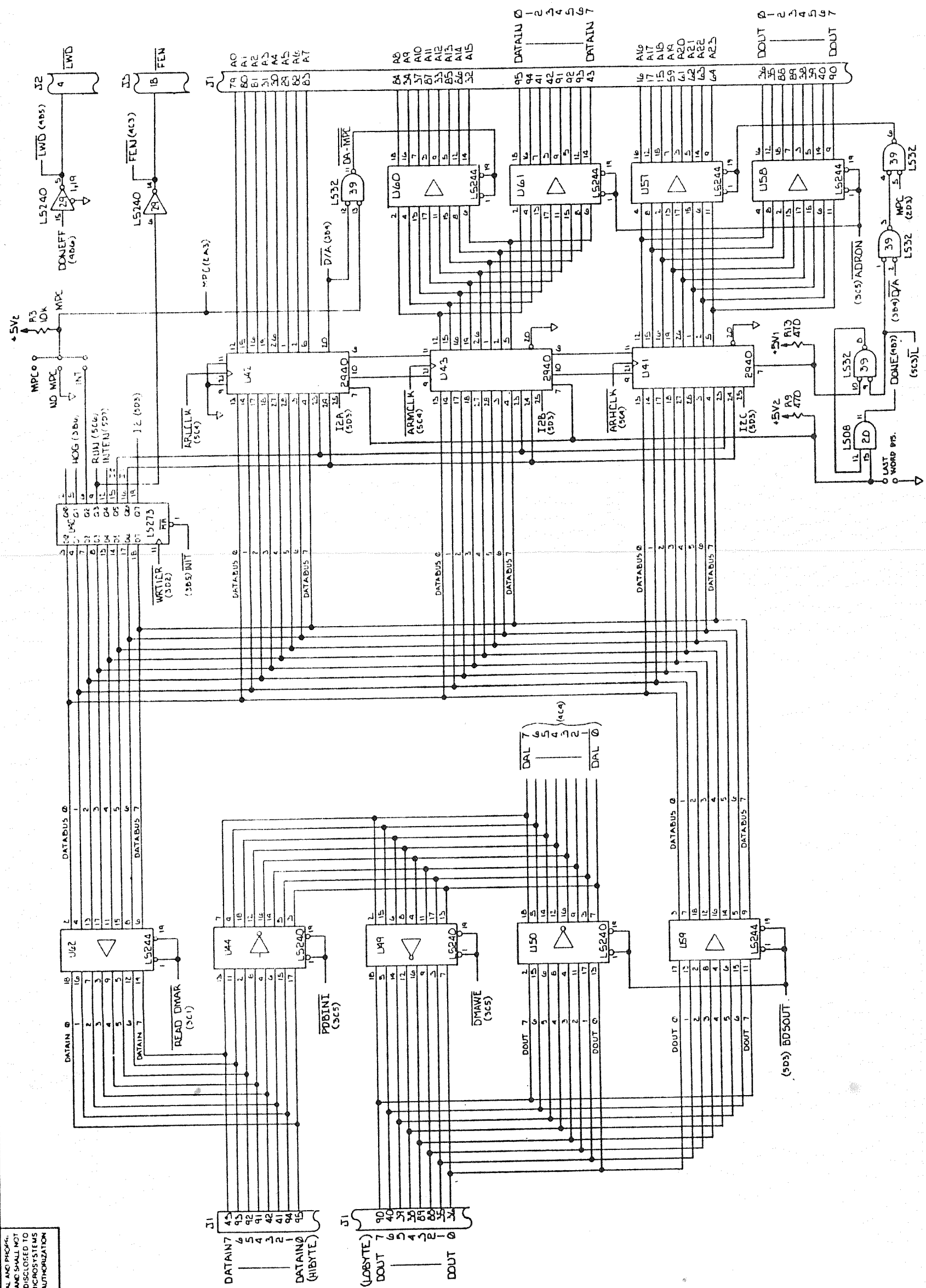
APPENDIX B

SCHEMATICS





THIS INFORMATION IS CONFIDENTIAL AND PROPRIETARY TO ALPHA MICROSYSTEMS AND SHALL NOT BE REPRODUCED OR FURTHER DISCLOSED TO ANYONE OTHER THAN ALPHA MICROSYSTEMS EMPLOYEES WITHOUT WRITTEN AUTHORIZATION FROM ALPHA MICROSYSTEMS













## Index

|                                     |                    |
|-------------------------------------|--------------------|
| ADDRESS . . . . .                   | 4-40               |
| Address buffers . . . . .           | 4-40               |
| Address counter . . . . .           | 4-40               |
| Address register . . . . .          | 4-40               |
| Addressing . . . . .                | 2-16               |
| ADRON . . . . .                     | 4-32, 4-34         |
| Alpha Micro bus interface . . . . . | 4-23               |
| AM-100 CPU . . . . .                | 2-18               |
| AM-100/T CPU . . . . .              | 2-19               |
| Application . . . . .               | 1-5                |
| <br>                                |                    |
| Bipolar PROM . . . . .              | 4-50               |
| Bus . . . . .                       | 2-3                |
| Bus comaprator . . . . .            | 4-52               |
| Bus Interface . . . . .             | 2-3, 4-24          |
| Byte Count . . . . .                | 4-33               |
| <br>                                |                    |
| C/CI . . . . .                      | 4-29 to 4-30       |
| Cabling . . . . .                   | 2-12               |
| Capabilities . . . . .              | 2-1                |
| Circuit Module . . . . .            | 4-35               |
| CLK . . . . .                       | 4-35               |
| Clock . . . . .                     | 4-35, 4-41 to 4-42 |
| Clock disable . . . . .             | 4-34               |
| Clock generator . . . . .           | 4-54               |
| Command generation . . . . .        | 4-23               |

|                                     |  |
|-------------------------------------|--|
| Comptability . . . . .              | 2-18   |
| Connections . . . . .               | 2-12   |
| Control mode 1 . . . . .            | 4-41   |
| Control mode 2 . . . . .            | 4-42   |
| Control mode 3 . . . . .            | 4-42   |
| Control register . . . . .          | 4-38   |
| CP . . . . .                        | 4-41   |
| <br>                                |  |
| D/A . . . . .                       | 4-29, 4-31 to 4-32   |
| D/DI . . . . .                      | 4-31   |
| Data multiplexer . . . . .          | 4-40   |
| Data request . . . . .              | 4-25   |
| DATAIN . . . . .                    | 4-23 to 4-24   |
| DATAOUT . . . . .                   | 4-23 to 4-25   |
| Decoder . . . . .                   | 4-46   |
| Decoding . . . . .                  | 4-23   |
| DMA . . . . .                       | 2-3, 2-18 to 2-19, 3--8, 3-13,<br>4-23 to 4-30, 4-32 to 4-34 |
| Data transfer . . . . .             | 3-13   |
| DMA address generator . . . . .     | 4-33, 4-35   |
| DMA address register . . . . .      | 3-2  |
| DMAGRANT . . . . .                  | 4-31   |
| DMARCVD . . . . .                   | 4-31   |
| DMAWE . . . . .                     | 4-24, 4-32   |
| DONE . . . . .                      | 4-34, 4-37, 4-40 to 4-42                                     |
| DONEFF . . . . .                    | 4-26, 4-33   |
| DRQ . . . . .                       | 3-13, 4-25 to 4-26, 4-28, 4-30                               |
| DRQFF . . . . .                     | 4-28 to 4-29, 4-31   |
| Dual D Flip-Flop . . . . .          | 4-45   |
| Dual J-K Flip-Flop . . . . .        | 4-45   |
| <br>                                |  |
| END . . . . .                       | 4-29, 4-31 to 4-33   |
| ERASE . . . . .                     | 4-25   |
| External control register . . . . . | 3-2, 4-24  |

|   |           |
|---|-----------|
| Features . . . . .                      | 1-1       |
| Formatter command register . . . . .    | 3-2       |
| Formatter interface . . . . .           | 2-10      |
| Formatter status register . . . . .     | 3-2       |
| <br>                                    |           |
| GO-WRT . . . . .                        | 4-26      |
| <br>                                    |           |
| I/O Port . . . . .                      | 4-23      |
| I/O ports . . . . .                     | 3-1       |
| INSTRUCTION . . . . .                   | 4-41      |
| Instruction Decoder . . . . .           | 4-41      |
| INTEN . . . . .                         | 4-26      |
| Interface . . . . .                     | 2-10      |
| Interface wiring . . . . .              | 2-3       |
| Internal control register . . . . .     | 3-2, 4-24 |
| Interrupt jumper . . . . .              | 2-18      |
| Interrupt logic . . . . .               | 4-26      |
| Interrupts . . . . .                    | 2-18      |
| Inverting octal bus driver . . . . .    | 4-47      |
| <br>                                    |           |
| Jumpers . . . . .                       | 2-16      |
| <br>                                    |           |
| Last word disable . . . . .             | 4-34      |
| LOAD ADDRESS . . . . .                  | 4-40      |
| LOAD WORD COUNT . . . . .               | 4-40      |
| Lost Data Detector . . . . .            | 4-26      |
| LWD . . . . .                           | 4-26      |
| <br>                                    |           |
| Maintenance . . . . .                   | 5-1       |
| MBUS . . . . .                          | 4-29      |
| MPC . . . . .                           | 3-8       |
| <br>                                    |           |
| Noninverting octal bus driver . . . . . | 4-48      |
| <br>                                    |           |
| OB02 . . . . .                          | 4-32      |
| Octal D register . . . . .              | 4-49      |

|                                     |                            |
|-------------------------------------|----------------------------|
| OEA . . . . .                       | 4-40                       |
| Options . . . . .                   | 2-16                       |
| Output data . . . . .               | 4-26                       |
| <br>                                |                            |
| PDBIN . . . . .                     | 4-32                       |
| PDBINI . . . . .                    | 4-24                       |
| PHLDA . . . . .                     | 4-28 to 4-29               |
| PHOLD . . . . .                     | 4-28 to 4-29               |
| Port decoding . . . . .             | 4-23                       |
| Ports . . . . .                     | 3-1                        |
| PRDY . . . . .                      | 4-32 to 4-33               |
| Processor ready . . . . .           | 4-33                       |
| Programming . . . . .               | 3-1                        |
| PSYNC . . . . .                     | 4-32                       |
| PSYNCI . . . . .                    | 4-25 to 4-26               |
| PWR . . . . .                       | 4-32                       |
| <br>                                |                            |
| RDSTR . . . . .                     | 4-25                       |
| READ . . . . .                      | 3-2, 3-7, 3-14, 4-26, 4-32 |
| Read address counter . . . . .      | 4-44                       |
| Reinitialize counters . . . . .     | 4-44                       |
| RSTR . . . . .                      | 4-25                       |
| <br>                                |                            |
| Set-reset latches . . . . .         | 4-50                       |
| Specifications . . . . .            | 2-1                        |
| STAT . . . . .                      | 4-29 to 4-31               |
| STVAL . . . . .                     | 4-33                       |
| <br>                                |                            |
| Test jumper blocks . . . . .        | 4-34                       |
| Test points . . . . .               | 4-34                       |
| Timing . . . . .                    | 4-30                       |
| Transport status register . . . . . | 3-2                        |
| Tri-state D Flip-Flop . . . . .     | 4-51                       |
| Troubleshooting . . . . .           | 5-1                        |

|                                  |                      |
|----------------------------------|----------------------|
| WAIT . . . . .                   | 4-33                 |
| Warranty . . . . .               | 5-2                  |
| WCI . . . . .                    | 4-41 to 4-42         |
| WCO . . . . .                    | 4-42                 |
| WFM . . . . .                    | 4-25                 |
| Wiring . . . . .                 | 2-3                  |
| Wiring and connections . . . . . | 2-12                 |
| Word count register . . . . .    | 4-40                 |
| Word counter . . . . .           | 4-40, 4-44           |
| WRITE . . . . .                  | 3-2, 3-7, 3-14, 4-32 |
| Write control register . . . . . | 4-43                 |
| Write data . . . . .             | 4-26                 |
| Write disable . . . . .          | 4-34                 |
| WSTR . . . . .                   | 4-26                 |



### TECHNICAL PUBLICATIONS READERS COMMENTS

We appreciate your help in evaluating our documentation efforts. Please feel free to attach additional comments.  
If you require a written response, check here:

NOTE: This form is for comments on documentation only. To submit reports on software problems, use Software Performance Reports (SPRs), available from Alpha Micro.

Please comment on the usefulness, organization, and clarity of this manual:

---

---

---

---

---

---

---

---

Did you find errors in this manual? If so, please specify the error and the number of the page on which it occurred.

---

---

---

---

---

---

---

---

What kinds of manuals would you like to see in the future?

---

---

---

---

---

---

---

---

Please indicate the type of reader that you represent (check all that apply):

- Alpha Micro Dealer or OEM
- Non-programmer, using Alpha Micro computer for:
  - Business applications
  - Education applications
  - Scientific applications
  - Other (please specify): \_\_\_\_\_
- Programmer:
  - Assembly language
  - Higher-level language
  - Experienced programmer
  - Little programming experience
  - Student
  - Other (please specify): \_\_\_\_\_

NAME: \_\_\_\_\_ DATE: \_\_\_\_\_

TITLE: \_\_\_\_\_ PHONE NUMBER: \_\_\_\_\_

ORGANIZATION: \_\_\_\_\_

ADDRESS: \_\_\_\_\_

CITY: \_\_\_\_\_ STATE: \_\_\_\_\_ ZIP OR COUNTRY: \_\_\_\_\_

STAPLE

FOLD

PLACE  
STAMP  
HERE

CUT ALONG LINE

---

**alpha micro**

---

3501 Sunflower  
P.O. Box 25059  
Santa Ana, CA 92799

**ATTN: TECHNICAL PUBLICATIONS**

FOLD





