

amdahl®

**AMDAHL V/5, V/6
Computing Systems
Illustrated Parts Catalog**

Publication Number: F1062.0-01A

Part Number: 319588-600

November 1980

REVISION NOTICE

This is the first edition.

ABSTRACT

This manual provides the illustrations and part number listings for selected assemblies and subassemblies that comprise the AMDAHL 470 V/5, V/6 Computing Systems. The information provided includes assemblies that are field replaceable units (FRU) as well as those that show mechanical breakdowns that would aid in quicker FRU removal and replacement.

READER COMMENT FORM

A reader comment form is provided at the end of this manual. If this form is not available, comments and suggestions may be sent to Amdahl Corporation, Technical Publications Department, Mail Stop 323, P.O. Box 470, Sunnyvale, CA 94086. All comments and suggestions become the property of Amdahl Corporation.

DISCLAIMER

This manual does not guarantee that all part numbers listed are current or available. Parts may be revised or replaced without notification.

amdaahl, **amdaahl 470** and **amdac** are registered trademarks of Amdahl Corporation.

© 1980 Amdahl Corporation.
All rights reserved. Printed in U.S.A.

CONTENTS

CHAPTER 1 -- EXTERNAL APPEARANCE 1-1
 CHAPTER 2 -- CONSOLE 2-1
 CHAPTER 3 -- CPU 3-1
 CHAPTER 4 -- C-UNIT 4-1
 CHAPTER 5 -- CHANNEL/CABLE ENTRY 5-1
 CHAPTER 6 -- PDU MOD-1 6-1
 CHAPTER 7 -- PDU MOD-2/3/4 7-1
 CHAPTER 8 -- MSU MOD-2 8-1
 CHAPTER 9 -- MSU MOD-3 9-1
 CHAPTER 10 -- MSU MOD-6 10-1
 CHAPTER 11 -- EUP 11-1

ILLUSTRATIONS

Figure 1-1. Console 1-1
 Figure 1-2. Main Frame (Channel/Cable Entry, C-Unit, CPU & EUP) 1-3
 Figure 1-3. Door Assembly, Type II 1-5
 Figure 1-4. Door Assembly, Type III 1-7
 Figure 1-5. Door Assembly, Type IV 1-9
 Figure 1-6. Door Assembly, Type V 1-11
 Figure 1-7. PDU MOD 1 1-14
 Figure 1-8. PDU MOD 3 1-16
 Figure 1-9. PDU MOD 3 1-18
 Figure 1-10. MSU MOD 2 1-20
 Figure 1-11. MSU MOD 3 1-22
 Figure 1-12. MSU MOD 6 1-24
 Figure 2-1. Console Photo 1, Overall view 2-1
 Figure 2-2. Console Photo 2, Major Sub-assemblies 2-2
 Figure 2-3. Operators Console, Mechanical Breakdown (1 of 2) 2-3
 Figure 2-4. Operators Console, Mechanical Breakdown (2 of 2) 2-4
 Figure 2-5. Operators Console, E/M Assembly 2-6
 Figure 2-6. Control Panel 2-8
 Figure 2-7. F.E. Panel 2-10
 Figure 3-1. CPU Photo 1, Side 1 3-1
 Figure 3-2. CPU Photo 2, Side 2 3-2
 Figure 3-3. CPU E/M Breakdown (1 of 2) 3-3
 Figure 3-4. CPU E/M Breakdown (2 of 2) 3-4
 Figure 3-5. MCC Card Cover Assembly 3-6
 Figure 3-6. Shipping Break Assembly 3-6
 Figure 3-7. Bus Plate, Detail 3-7
 Figure 4-1. C-Unit Photo 1, Side 1 4-1
 Figure 4-2. C-Unit Photo 2, Side 2 4-2
 Figure 4-3. C-Unit Internal Appearance 4-3

Figure 4-4. C-Unit E/M Breakdown 4-5
 Figure 5-1. Channel/Cable Entry Photo 1, Side 1 5-1
 Figure 5-2. Channel/Cable Entry Photo 2, Side 2 5-2
 Figure 5-3. Channel/Cable Entry E/M Breakdown, 2 Bus Configuration (1 of 3) 5-3
 Figure 5-4. Channel/Cable Entry E/M Breakdown, 2 Bus Configuration (2 of 3) 5-4
 Figure 5-5. Channel/Cable Entry E/M Breakdown, 2 Bus Configuration (3 of 3) 5-5
 Figure 5-6. Channel/Cable Entry E/M Breakdown, 3 Bus Configuration 5-7
 Figure 5-7. Channel Mechanical Frame Breakdown 5-9
 Figure 5-8. Channel Lower Cooling Assembly, 3 Fan Configuration 5-11
 Figure 5-9. Channel Lower Cooling Assembly, Blower Configuration 5-13
 Figure 6-1. PDU MOD-1 Photo 1, Front and Left Side 6-1
 Figure 6-2. PDU MOD-1 Photo 2, Left Side 6-2
 Figure 6-3. PDU MOD-1 Photo 3, Right Side 6-3
 Figure 6-4. PDU MOD-1 CE Panel Assembly (1 of 2) 6-4
 Figure 6-5. PDU MOD-1 CE Panel Assembly (2 of 2) 6-5
 Figure 6-6. PDU MOD-1 400 Hz Safety Enclosure Assembly 6-7
 Figure 6-7. PDU MOD-1 400 Hz Enclosure Assembly 6-9
 Figure 6-8. PDU MOD-1 Load Center Breakdown 6-11
 Figure 6-9. PDU MOD-1 60 Hz Enclosure Assembly 6-13
 Figure 7-1. PDU MOD-3 Photo 1, Front & Right Side 7-1
 Figure 7-2. PDU MOD-3 Photo 2, Right Side 7-2
 Figure 7-3. PDU MOD-3 Photo 3, Left Side 7-3
 Figure 7-4. PDU MOD-3 E/M Breakdown (1 of 2) 7-4
 Figure 7-5. PDU MOD-3 E/M Breakdown (2 of 2) 7-5
 Figure 7-6. PDU MOD-3 CE Panel Assembly (1 of 2) 7-6
 Figure 7-7. PDU MOD-3 CE Panel Assembly (2 of 2) 7-7
 Figure 7-8. PDU MOD-3 60 Hz Enclosure Assembly (1 of 2) 7-9
 Figure 7-9. PDU MOD-3 60 Hz Enclosure Assembly (2 of 2) 7-10
 Figure 7-10. PDU MOD-3 UPC Connector Panel Assembly 7-12
 Figure 7-11. PDU MOD-3 Cooling Assembly, Logic Section 7-14
 Figure 7-12. PDU MOD-3 Connector Panel Assembly Logic Section 7-16
 Figure 7-13. PDU MOD-3 Connector Panel Assembly Line Control 7-17
 Figure 7-14. PDU MOD-3 Connector Panel Assembly Expansion 7-19
 Figure 7-15. PDU MOD-3 400 Hz Panel Assembly (1 of 3) 7-20
 Figure 7-16. PDU MOD-3 400 Hz Panel Assembly (2 of 3) 7-21
 Figure 7-17. PDU MOD-3 400 Hz Panel Assembly (3 of 3) 7-22
 Figure 7-18. PDU MOD-3 Panel Assembly Load Center (1 of 2) 7-24
 Figure 7-19. PDU MOD-3 Panel Assembly Load Center (2 of 2) 7-25
 Figure 8-1. MSU MOD-2 Photo 1, Front and Right Side 8-1
 Figure 8-2. MSU MOD-2 Photo 2, Front and Left Side 8-2
 Figure 8-3. MSU MOD-2 E/M Breakdown (1 of 2) 8-3
 Figure 8-4. MSU MOD-2 E/M Breakdown (2 of 2) 8-4
 Figure 8-5. MSU MOD-2 Mainstore Power Supply Assembly 8-6
 Figure 9-1. MSU MOD-3 Photo 1, Left Side 9-1
 Figure 9-2. MSU MOD-3 Photo 2, Right Side 9-2
 Figure 9-3. MSU MOD-3 E/M Assembly (1 of 3) 9-3

Figure 9-4. MSU MOD-3 E/M Assembly (2 of 3)	9-4
Figure 9-5. MSU MOD-3 E/M Assembly (3 of 3)	9-5
Figure 9-6. MSU MOD-3 Mainstore Power Supply Assembly	9-8
Figure 10-1. MSU MOD-6 Photo 1, Left Side	10-1
Figure 10-2. MSU MOD-6 Photo 2, Front	10-2
Figure 10-3. MSU MOD-6 E/M Assembly (1 of 4)	10-3
Figure 10-4. MSU MOD-6 E/M Assembly (2 of 4)	10-4
Figure 10-5. MSU MOD-6 E/M Assembly (3 of 4)	10-5
Figure 10-6. MSU MOD-6 E/M Assembly (4 of 4)	10-6
Figure 11-1. EUP Photo 1 (Side 1)	11-1
Figure 11-2. EUP Photo 2 (Side 2)	11-2
Figure 11-3. EUP E/M Assembly (1 of 2)	11-3
Figure 11-4. EUP E/M Assembly (2 of 2)	11-4

PREFACE

INTENDED AUDIENCE

The Amdahl 470V/5, V/6 Illustrated Parts Catalog (IPC) was produced for, and is intended to be used by Product Support and Services personnel. The IPC is to be used as a reference when ordering replacement parts and also to provide visual aids for the disassembly and reassembly of the 470 System.

Special note should be made that all assemblies and subassemblies in the IPC are not to be considered Field Replaceable Units (FRUS). When ordering replacement parts, as much descriptive information as possible must be supplied, such as:

- a) The page number of the IPC the part is on.
- b) The item number of the part.
- c) Whenever possible, the part number on the part which is being replaced.

The above information will provide Field Order Administration, or the individual taking the part order, a more comprehensive view of the situation.

Due to Engineering Changes (ECs) that may have occurred since publication, and will occur in the future, the information in the IPC is as accurate as possible at the time of publication. Whenever possible, check the part number on the system to guarantee that you are ordering the correct EC level.

RELATED PUBLICATIONS

For assembly and subassembly information that is unavailable in the IPC, refer to site available technical publications such as:

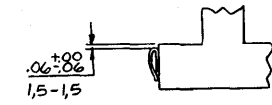
Field Engineering Reference Manual (F1027.0)
Power Distribution System Manual (F1002.0)
Console Manual (F1018.0)
470V/7, V/8 Systems Installation Manual (F1043.0)
470V/7, V/8 Memory System Manual (F1020.0)

IPC ORGANIZATION

This IPC is organized as follows:

Chapter 1 – EXTERNAL APPEARANCE
Chapter 2 – CONSOLE
Chapter 3 – CPU
Chapter 4 – C-UNIT
Chapter 5 – CHANNEL/CABLE ENTRY
Chapter 6 – PDU MOD-1
Chapter 7 – PDU MOD-2/3/4
Chapter 8 – MSU MOD-2
Chapter 9 – MSU MOD-3
Chapter 10 – MSU MOD-6
Chapter 11 – EUP

Index tab dividers are provided for easy access to the chapters. The illustrations are appropriately identified in the Table of Contents under the heading of ILLUSTRATIONS.



VIEW A-A (TYP)

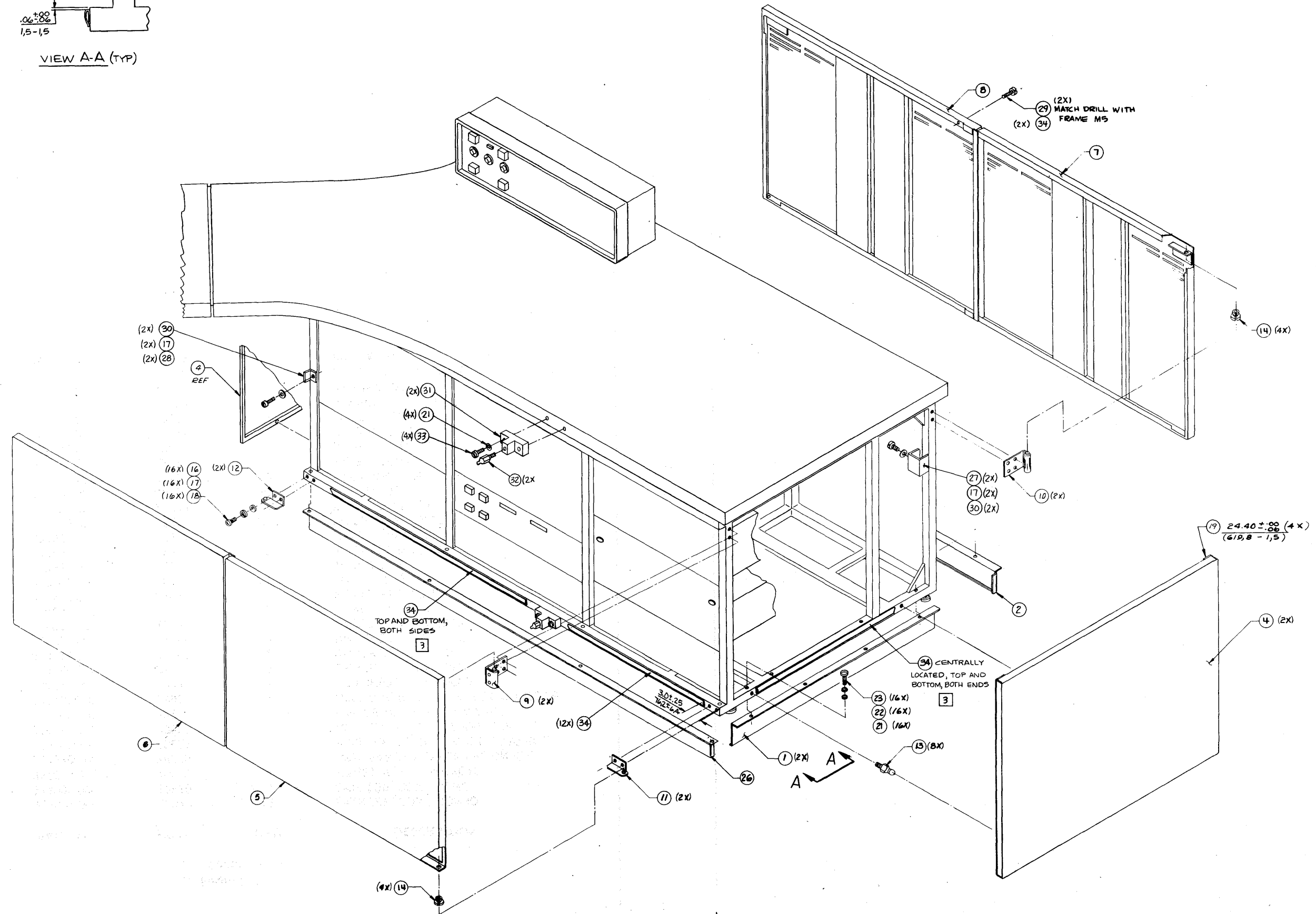
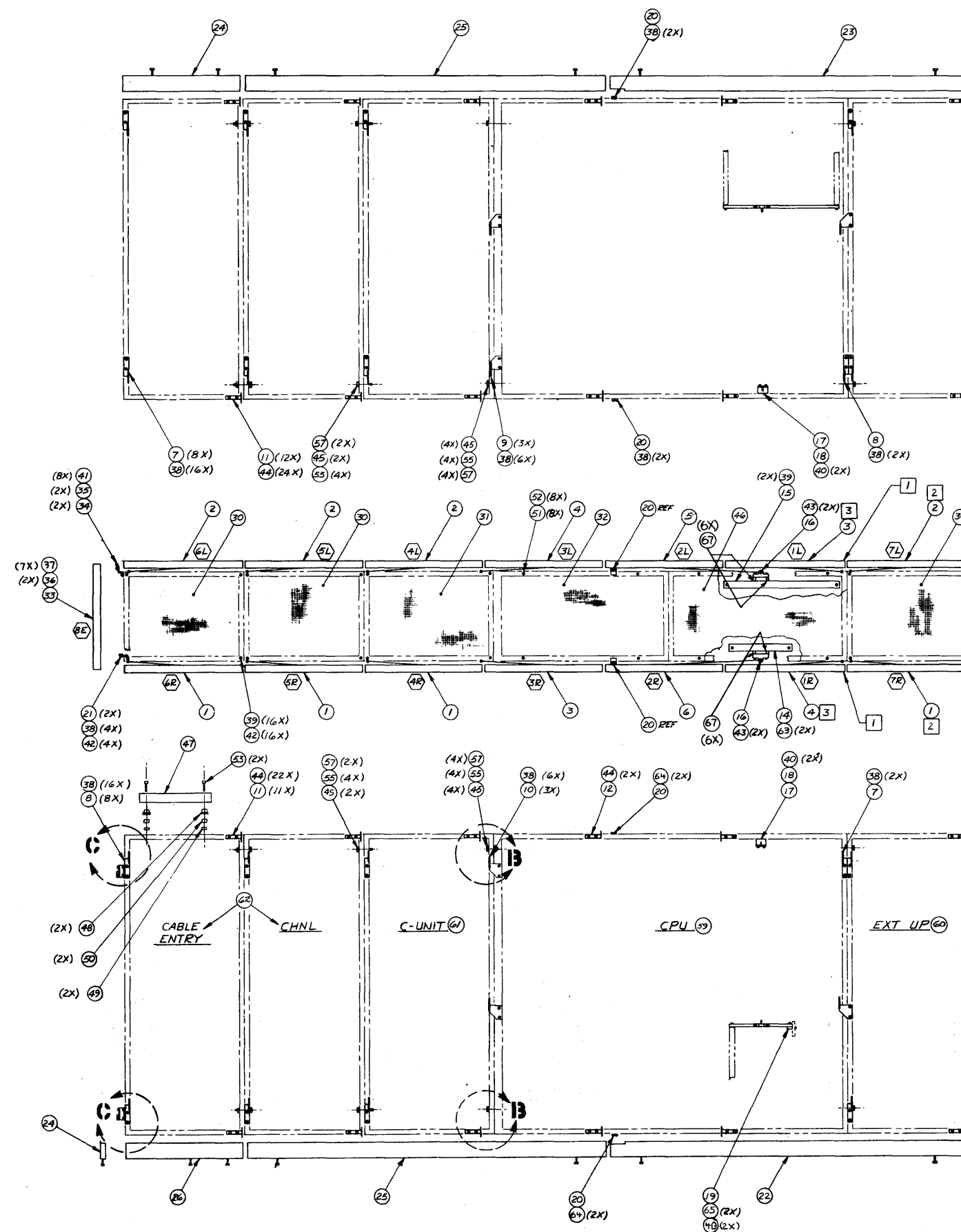


Figure 1-1
Console
314105-100

Figure 1-1
Console

ITEM	PART NO.	E/C NO.	QTY	DESCRIPTION
1	314001-000	22870	2	SKIRTER, CONT.CONSO
2	314002-000	22870	1	SKIRTER, CONT.CONSO
3	314003-000	16171	1	TRNSTRP, LEG SUPPORT
4	314290-200	34969	2	ASM, PANEL SIDE CNTRL CNSOL
5	314292-200	33927	1	ASM, R.H. FRONT PANEL CONTROL
6	314289-200	33927	1	ASM, L.H. FRONT PANEL CONTRL
7	314291-200	33927	1	L.H. REAR PANEL CONTROL
8	314288-200	33927	1	ASM, R.H. REAR CONTROL CONSOLE
9	314024-000	23935	3	BRACKET, HINGE MTG
10	314025-000	23835	2	BRACKET, HINGE MTG
11	314026-000	31155	2	BRACKET, PANEL SUP
12	314027-000	11155	2	BRACKET, PANEL SUP
13	314031-000	16171	8	FASTENR, BALL STUD
14	314037-000	16171	6	PANEL, BUSHING
15	314153-000	33928	1	PLATE, SHIELDING
16	317603-012	30122	16	SCRFLHD, M5X08
17	317950-003	21274	16	WASHER, FLT M5
18	317951-003	21274	2	WASHER, SP LK M5
20	000062-000	16171	2	TAPE, TRANSFER
21	317950-002	21274	20	WASHER, FLT,METRIC
22	317951-002	21274	16	WASHER, SPLT.LK.HD
23	317602-035	30122	16	SCREW, M4
25	314015-100	35657	0	PACKAGE, APER CONSL
26	314120-000	22870	1	SKIRT, FRAME
27	314144-000	20854	2	BRACKET, HOLD
28	314145-000	32595	2	BRACKET, HOLD
29	317603-035	30122	2	SCRFLHD, M5X08
30	317603-008	30122	4	SCREW, FLHD M5X18
31	314148-000	21234	2	APP.PKG, FAST.PLATE
32	314165-000	21214	2	CONSOLE, BALL STUD
33	317602-006	30122	4	SCREW, M4



NOTES

- 1 DOORS TO BE INSTALLED STARTING FROM THIS LOCATION, ALL DOORS TO BE LABELED ON THE INSIDE WITH THEIR APPROPRIATE DOOR NUMBER AND FRAME NUMBER. DOOR NUMBERS AND SEQUENCE SHOWN BY THIS SYMBOL \odot .
- 2 DOOR TO BE FLUSH WITH FRAME ON CPU SIDE.
- 3 DOOR TO BE .190 (4,83) FROM EDGE OF FRAME.
- 4 OMIT FINGER STOCK, ITEM 37, ON SIDE OF DOOR \odot & \odot .
- 5 INSTALL FINGER STOCK, ITEM 37, ON BOTH SIDES OF DOOR \odot , \odot , \odot & \odot .
- 6 GAP BETWEEN DOORS TO BE .190 (4,83).
- 7 TO BE INSTALLED BY FIELD ENGINEERING. SURFACES MUST BE CLEANED PRIOR TO ASSEMBLY OF FINGER STOCK ITEM 37. FINGER STOCK TO BE ASSEMBLED ONE TIME ONLY. ADHESIVE WILL NOT HOLD SUFFICIENTLY IF ONCE PULLED OFF.
- 8 FINGER STOCK ITEM 37 MUST MAKE CONTACT IN ALL PLACES WITH MATING SURFACES AND COMPRESS A MIN OF .06.
- 9 "FINGER-STOCK", ITEM 37 TO BE INSTALLED PER AMDAHL SPEC 800074-600.

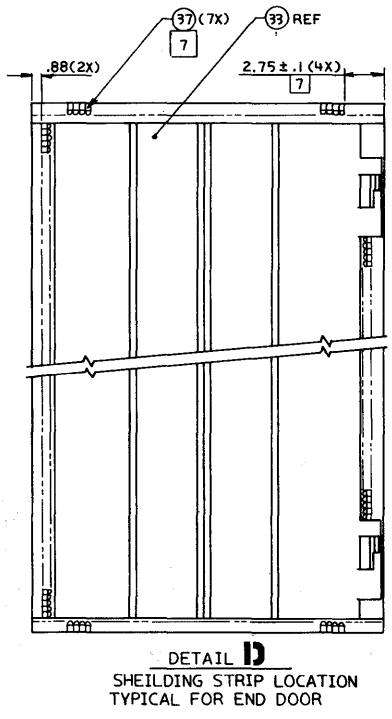
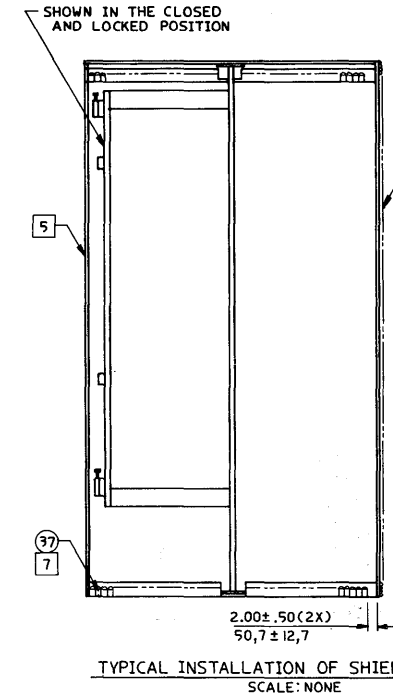
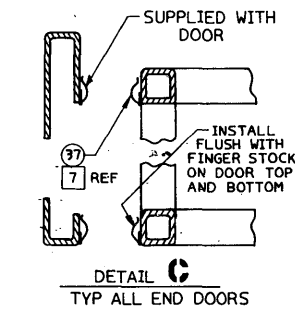
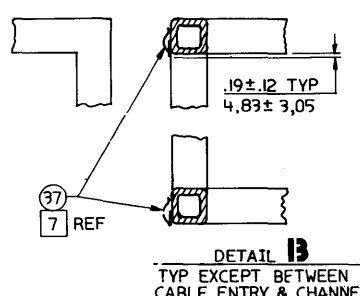
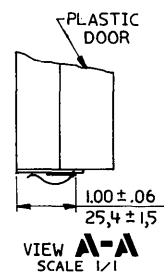


Figure 1-2
Main Frame (Channel/Cable Entry,
C-Unit, CPU & EUP)
319238-100

Figure 1-2
Main Frame (Channel/Cable Entry, C-Unit, CPU & EUP)

ITEM	PART NO.	E/C NO.	QTY	DESCRIPTION
1	319197-200	22372	4	DOOR, ASM TYPE 1
2	319198-200	22370	4	DOOR, ASM TYPE 2
3	319199-200	31510	2	DOOR, ASM TYPE 3
4	319200-200	31510	2	DOOR, ASM TYPE 4
5	319201-200	31510	1	DOOR, ASM TYPE 5
6	319218-200	31510	1	DOOR, TYPE VI
7	319136-000	22181	9	HINGE, PLATE
8	319136-001	22181	9	HINGE, PLATE
9	319137-000	21131	3	HINGE, PLATE
10	319137-001	21131	3	HINGE, PLATE
11	319205-000	32140	23	PLATE, LOCKING
12	319205-001	32140	1	PLATE, LOCKING
14	319150-000	21131	1	TAB, BTM
15	319144-000	22693	1	BLOCK
16	319148-000	21169	2	PLATE
17	319160-000	23089	2	BLOCK
18	319162-000	21131	2	PLATE
19	319149-000	21131	1	TAB, TOP
20	319173-000	21131	4	CATCH, UPPER
21	319210-200	31130	2	MAGNET, ASM
22	319222-200	22306	1	GUARD, KICK
23	319222-201	22306	1	GUARD, KICK
24	319222-202	22306	2	GUARD, KICK
25	319222-203	22306	2	GUARD, KICK
26	319222-204	22306	1	KICK, GUARD
27	319034-001	30384	3	GRILL, EXHAUST
31	319034-005	23086	1	GRILL, EXHAUST
32	319034-011	23086	1	GRILL
33	319206-000	30168	1	DOOR, END
34	319013-000	23248	2	BRKT, HINGE
35	319008-000	23388	2	PLATE, CATCH
36	319087-000	REV-A	2	PIN, HINGE
37	207271-000	23897	85	STRIP, CI CONTACT
38	317603-014	21274	56	SCREW, FLHD M5X18
39	317603-020	21274	18	SCREW, FLHD M5X18
40	307604-028	21274	6	SCR1032, BINDING HD
41	317603-010	21274	8	SCREW, FIL HC M5
42	317950-003	21274	20	WASHER, FLT M5
43	307685-040	21274	4	SCREW, CAP HC.HEX
44	317642-010	21274	48	SCREW, FLAT HD
45	317675-040	21274	12	SCREW, HEX HD
46	319034-012	23086	1	GRILL, CPU
47	319190-000	23216	1	PLATE
48	319189-000	21131	2	POST, MCD 2
49	319195-000	21131	2	WASHER
50	319193-000	21131	2	BLOCK
51	307602-012	21274	8	SCRW632, BINDING HD
52	307950-002	21274	8	WASHER, SIZE 6
53	307684-032	21274	2	SCREW, CAP HD.HEX
55	317950-005	21274	12	WASHER, FLT.METRIC
57	317951-005	21274	12	WAHSER, SPLT.LK.ME
58	319238-100	32817	0	SUB ASM, INSTALL
59	310021-200	31132	1	E/M ASM, CPU/BUFFER
60	311504-200	31766	1	MAIN FR, UP
61	312001-2031	23591	1	E/M, LSI CHANN

ITEM	PART NO.	E/C NO.	QTY	DESCRIPTION
62	312594-201	31764	1	CHANNEL, MAINFRAME
63	307604-016	21274	4	SCR1032, BINDING HD
64	307604-008	21274	4	SCR1032, BINDING HD
65	307400-064	16389	2	NUTS, HEX
66	800076-600	32568	0	470 V/6, COMPUTER
67	307950-005	21274	12	WASHER, SIZE .250

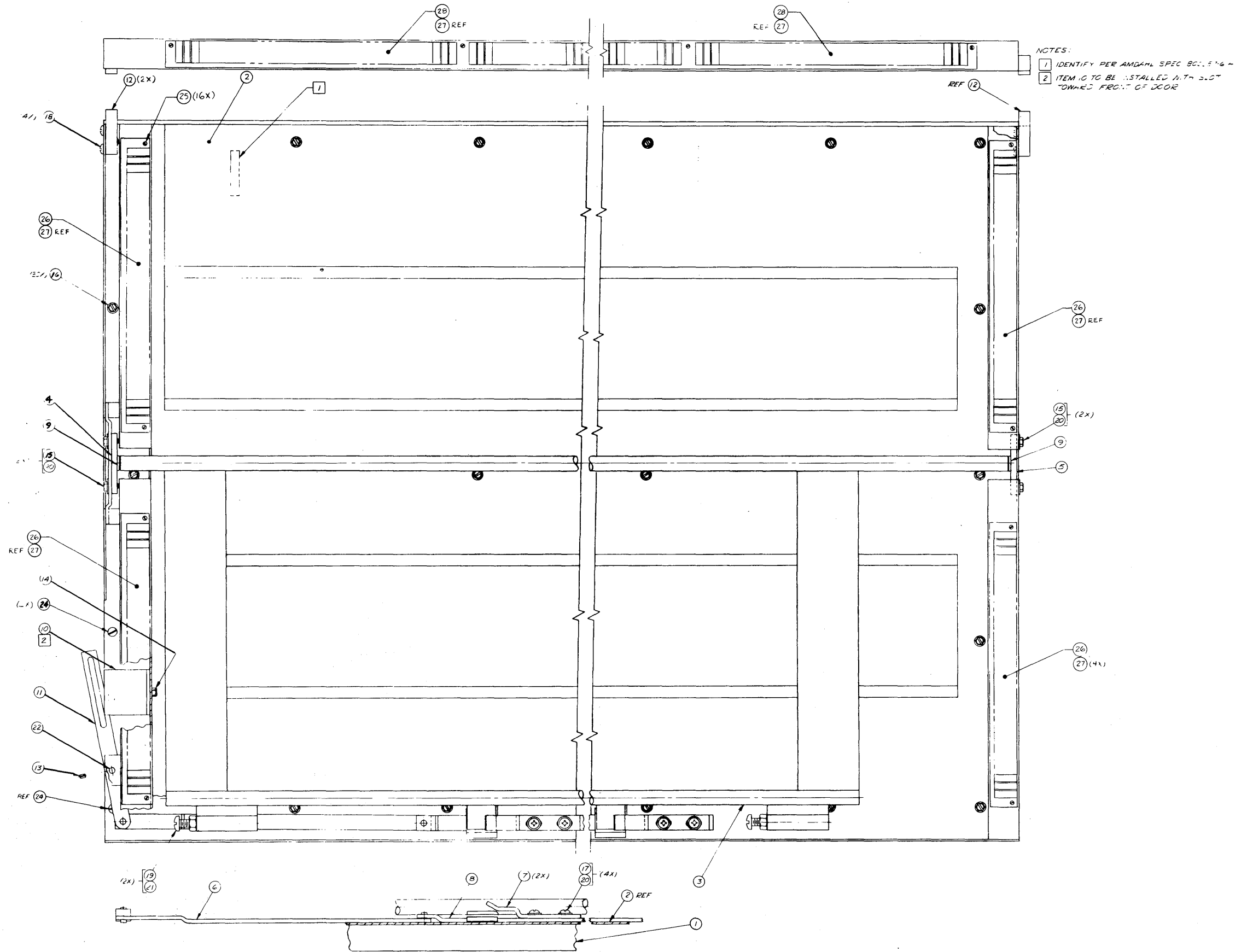


Figure 1-3
Door Assembly, Type II
319198-100

Figure 1-3
Door Assembly, Type II

ITEM	PART NO.	E/C NO.	QTY	DESCRIPTION
1	319112-002	21558	1	DOOR, SYSTEM
2	319121-000	35176	1	DOOR, SOLID
3	319123-001	23929	1	HINGE, SOLID DR
4	319124-000	21918	1	PIVOT, SOLID DR
5	319125-000	21919	1	PIVOT, SOLID DR
6	319132-000	30619	1	LINK, ICCR
7	319133-000	23154	2	GUIDE, ICCR
8	319135-000	31154	1	BAR, LOCK
9	319157-000	33790	2	WASHER
10	319183-000	21993	1	BLOCK, GUIDE
11	319187-200	21131	1	HANDLE, DOOR LOCK
12	319188-000	21131	2	BLOCK, ICCFIG
13	307791-003	21274	2	SCREW, SET.SCC.DB
14	307683-006	21274	1	SCREW, CAP HD.HEX
15	307673-006	33224	4	SCREW, HED HEAD
16	307733-008	22480	30	SCREW, HXWFD STE
17	307603-004	21274	4	SCRW832, BINDING HD
18	307603-006	21274	4	SCRW832, BINDING HD
19	307605-024	21274	8	SCREW, 1/4-2CE.B.
20	307950-003	21274	8	WASHER, SIZE 8
21	307400-006	16389	2	NUTS, HEX
22	319152-000	33007	1	PIN,
23	319198-100	35173	0	DOOR, ASE TYPE 2
24	307703-008	33435	2	SCREWS, SELF TAP
25	307701-004	23836	16	SCREWS, SELF TAP
26	319394-008	35168	4	HOUSING, BPI/FFI SHIELDING
27	207271-000	23897	4	STRIP, CONTACT
28	319394-001	31625	2	HOUSING, EFI SHIELDING

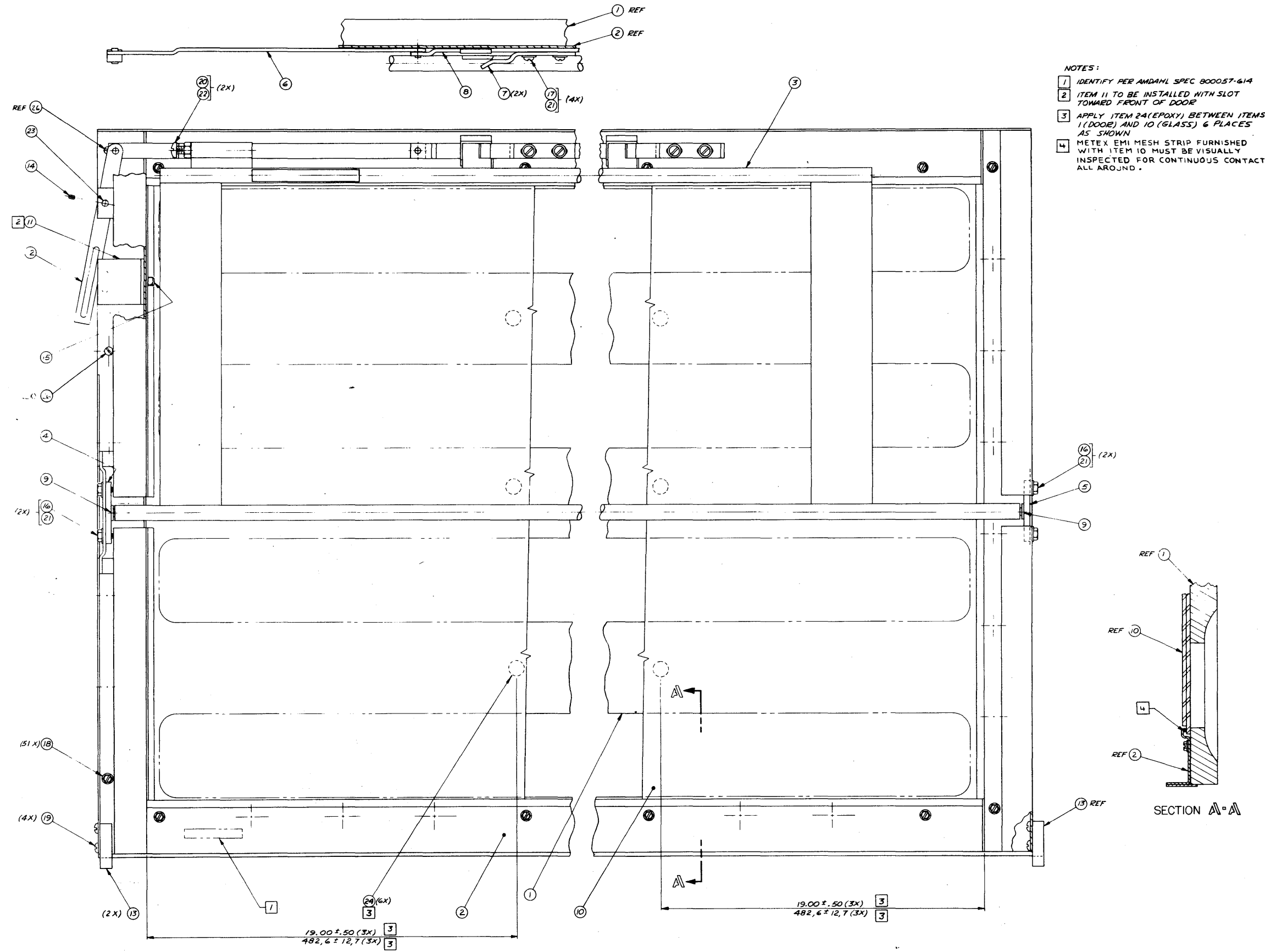


Figure 1-4
Door Assembly, Type III
319199-100

Figure 1-4
Door Assembly, Type III

ITEM	PART NO.	E/C NO.	QTY	DESCRIPTION
1	319112-001	21558	1	DOOR, SYSTEM O
2	319118-001	31402	1	SUPPORT, GLASS DR S
3	319119-002	23928	1	HINGE, SYST DOORS
4	319124-000	21918	1	PIVCT, SOLID DR
5	319125-000	21919	1	PIVOT, SOLID DR
6	319132-000	30619	1	LINK, LOCK
7	319133-000	23154	2	GUIDE, LOCK
8	319135-000	31154	1	BAR, LOCK
9	319157-000	21703	2	WASHER
10	319164-000	31344	1	WINDOW, DOOR
11	315183-000	21993	1	BLOCK, GUIDE
12	319186-200	21131	1	HANDLE, DOOR LOCK
13	319188-000	21131	2	BLOCK, LOCKING
14	307791-003	21274	1	SCREW, SET.SOC.DR
15	307683-006	21274	1	SCREW, CAP HD.HEX
16	307673-006	21390	4	SCREW, HEX HEAD
17	307603-005	21274	4	SCREW 832, BINDING HD
18	307733-008	22480	51	SCREW, HXWHD ST8
19	307603-006	21274	4	SCREW 832, BINDING HD
20	307605-024	21274	2	SCREW, 1/4-20B.H.
21	307950-003	21274	8	WASHER, SIZE 8
22	307400-006	16389	2	NUTS, HEX
23	319152-000	21131	1	PIN
24	307005-003	22150	0	EPOXI, ADHESIVE
25	319199-100	31510	0	DOOR, ASM TYPE 3
26	307703-008	23836	2	SCREWS, SELF TAP

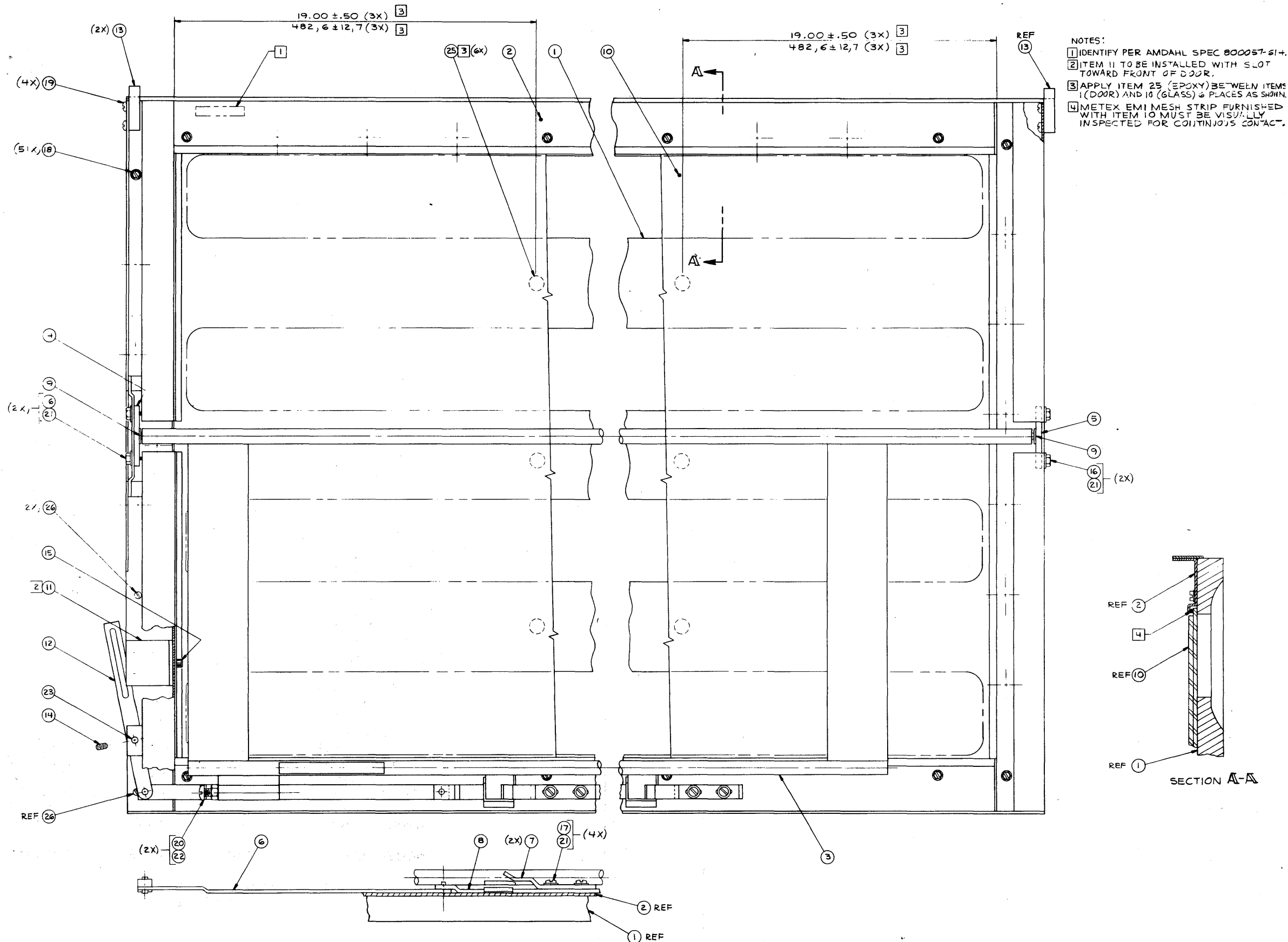
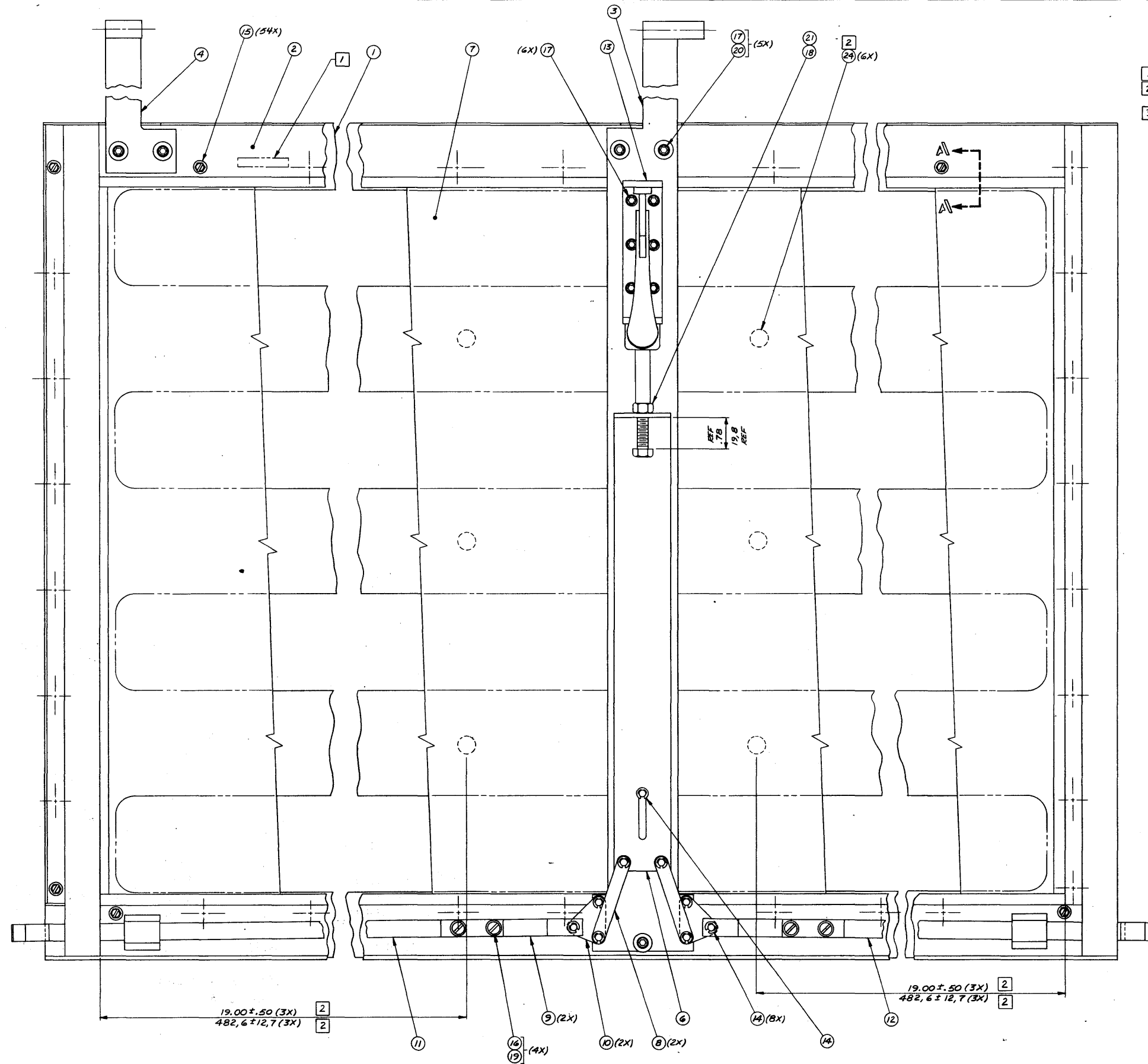


Figure 1-5
 Door Assembly, Type IV
 319200-100

Figure 1-5
Door Assembly, Type IV

ITEM	PART NO.	E/C NO.	QTY	DESCRIPTION
1	319112-001	21558	1	DOOR, SYSTEM O
2	319118-000	31402	1	SUPPORT, NUMBERING
3	319119-003	23928	1	HINGE, SYST DOORS
4	319124-000	21918	1	PIVOT, SOLID DR
5	319125-000	21919	1	PIVOT, SOLID DR
6	319132-000	30619	1	LINK, LOCK
7	319133-000	23154	2	GUIDE, LOCK
8	319135-000	31154	1	BAR, LOCK
9	319157-000	21703	2	WASHER
10	319164-000	31344	1	WINDOW, DOOR
11	319183-000	21993	1	BLOCK, GUIDE
12	319187-200	21131	1	HANDLE, DOOR LOCK
13	319188-000	21131	2	BLOCK, LOCKING
14	307791-003	21274	1	SCREW, SET.SOC.DR
15	307683-006	21274	1	SCREW, CAP HD.HEX
16	307673-006	21390	4	SCREW, HEX HEAD
17	307603-005	21274	4	SCREW 832, BINDING HD
18	307733-008	22480	51	SCREW, HXWHD ST8
19	307603-006	21274	4	SCREW 832, BINDING HD
20	307605-024	21274	2	SCREW, 1/4-20B.H.
21	307950-003	21274	8	WASHER, SIZE 8
22	307400-006	16389	2	NUTS, HEX
23	319152-000	21131	1	PIN
24	319200-100	31510	0	DOOR, ASM TYPE 4
25	307005-003	22150	0	EPOXI, ADHESIVE
26	307703-008	23836	2	SCREWS, SELF TAP



- NOTES:
- 1 IDENTIFY PER AMDAHL SPEC 800057-614
 - 2 APPLY ITEM 24 (EPOXY) BETWEEN ITEMS 1 (DOOR) AND 7 (GLASS) & PLACES AS SHOWN
 - 3 METEX EMI MESH STRIP FURNISHED WITH ITEM 7 MUST BE VISUALLY INSPECTED FOR CONTINUOUS CONTACT ALL AROUND.

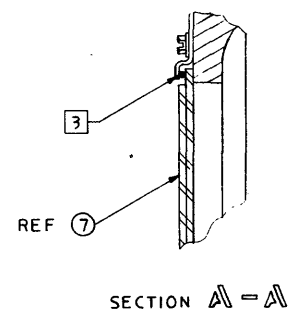


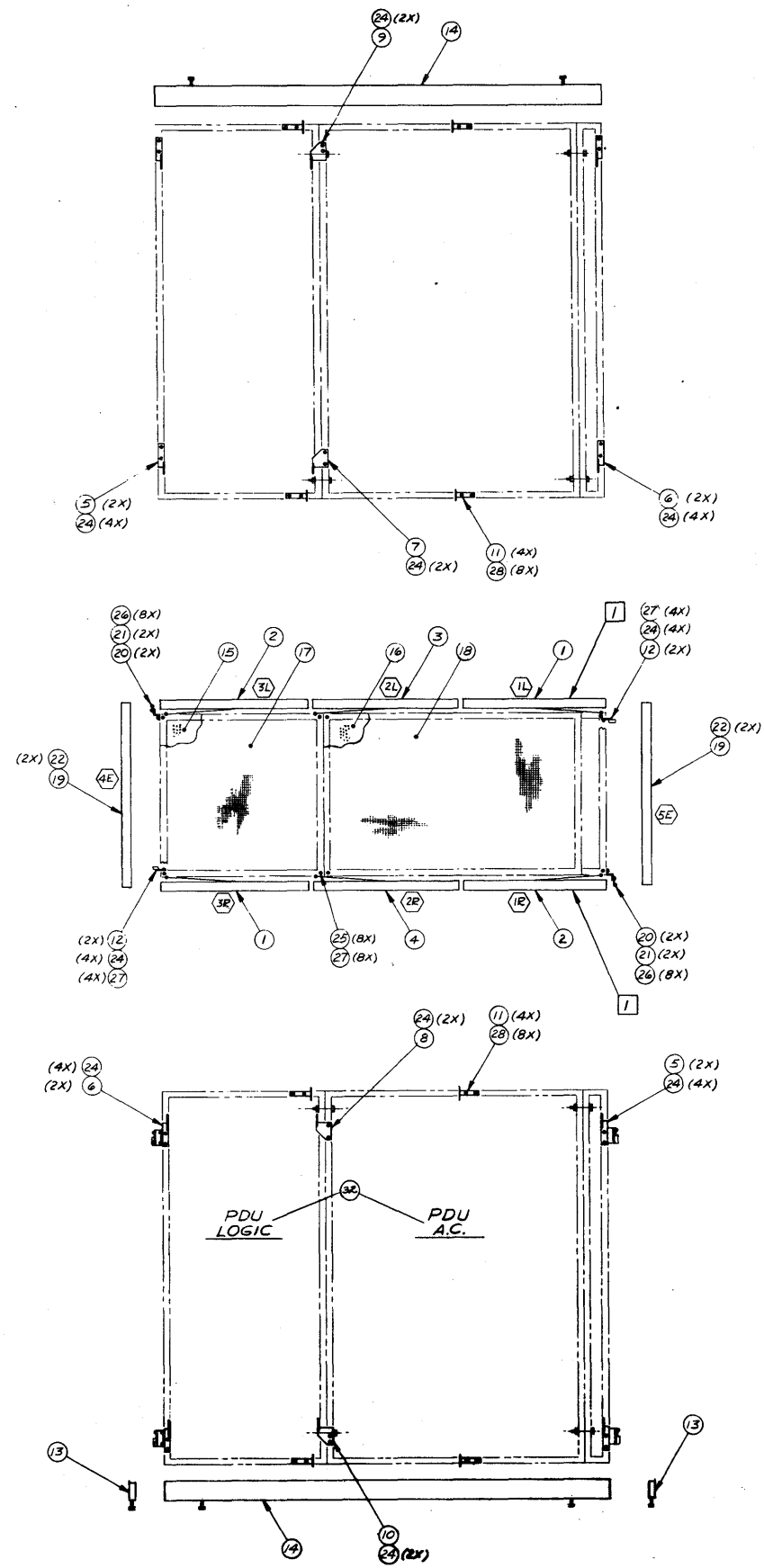
Figure 1-6
Door Assembly, Type V
319201-100

Figure 1-6
Door Assembly, Type V

ITEM	PART NO.	E/C NO.	QTY	DESCRIPTION
1	319112-001	21557	1	DOOR, SYSTEM D
2	319117-002	31344	1	SUPPORT, GLASS DR M
3	319120-000	21316	1	HINGE, PLAIN BTM
4	319155-000	21131	1	RAIL
6	319163-000	21594	1	ANGLE
7	319164-000	31344	1	WINDOW, DOOR
8	319166-000	21131	2	LINK, GLASS DR
9	319167-000	21131	2	LINK, MG, SENS LN
10	319168-000	22047	2	PLATE, LINK
11	319171-000	21131	1	ROD, UPPER
12	319171-001	21131	1	ROD,
13	307380-000	21177	1	CLAMP, TOGGLE
14	307166-002	REV-A	9	RING, E, .188
15	307733-008	22480	54	SCREW, HXWHD ST8
16	307603-004	21274	4	SCREW 832, BINDING HD
17	307684-006	21274	11	SCREW, CAP HD.HEX
18	307676-032	21390	1	SCREW, HEX HEAD
19	307950-003	21274	4	WASHER, SIZE 8
20	307950-004	21274	5	WASHER, SIZE 10
21	307400-007	16389	1	NUTS, HEX
23	319201-100	31510	0	DOOR, ASM TYPE 5
24	307005-003	22150	0	EPOXI, ADHESIVE

System Door Matrix

PART NO.	DESCRIPTION	QTY/SYSTEM	SOLID DOORS					DOORS WITH CUTOUT					QTY/DOOR TYPE
			319197-200	319214-200	319216-200	319198-200	319215-200	319199-200	319200-200	319201-200	319218-200	319338-200	
1	319112-002 Door W/O Cutout	20	1	1	1	1	1						1
2	319112-001 Door W/ Cutout	6						1	1	1	1		
3	319121-001 Door Frame	12	1	1	1								
4	319121-000 Door Frame	12				1	1						1
5	319117-001 Door Frame (Middle CPU)	1											1
6	319117-002 Door Frame (Middle CPU)	1								1			
7	319118-000 Door Frame (Side CPU)	1							1				
8	319118-001 Door Frame (Side CPU)	1						1					
9	319123-000 Hinge	9	1	1									
10	319123-001 Hinge	9				1							1
11	319123-002 Hinge	1			1								
12	319123-003 Hinge	1					1						
13	319119-002 Hinge	2						1					
14	319119-003 Hinge	2							1				
15	319186-200 Handle ASM	12	1	1	1			1					
16	319187-200 Handle ASM	12				1	1		1				1
17	207271-000 Contact Strip												
18	319124-000 Pivot Top	24	1	1	1	1	1	1	1	1			
19	319125-000 Pivot Bottom	24	1	1	1	1	1	1	1	1			
20	319132-000 Lock Link	24	1	1	1	1	1	1	1	1			
21	319133-000 Lock Guide	48	2	2	2	2	2	2	2	2			
22	319135-000 Lock Bar	24	1	1	1	1	1	1	1	1			
23	319152-000 Pin	24	1	1	1	1	1	1	1	1			
24	319157-000 Washer	48	2	2	2	2	2	2	2	2			
25	319183-000 Block Guide	24	1	1	1	1	1	1	1	1			
26													
27													
28													
30	319188-000 Block Locking	32	2			2							
31	319211-000 Block Locking	4		1	1		1						1
32	319211-001 Block Locking	4		1	1		1						1
33	319164-000 Panel-Window	6						1	1	1	1		
34	319120-001 Hinge	1											1
35	319120-000 Hinge	1									1		
36	319155-000 Rail	2								1	1		
37	319163-000 Angle	2								1	1		
38	319166-000 Link	4								2	2		
39	319167-000 Link	4								2	2		
40	319171-000 Rod	2								1	1		
41	319171-001 Rod	2								1	1		
42	307380-000 Toggle Clamp	2								1	1		
43	319168-000 Plate Link	4								2	2		
44													
45													
46	319791-003 Screw Cup Pt.	36	1	1	1	1	1	1	1				
47	307683-006 Screw Cap Socket	36	1	1	1	1	1	1	1				
48	307684-006 Screw Cap Socket	22									11	11	
49	307673-006 Screw Hex	96	4	4	4	4	4	4	4				
50	307733-008 Screw Self Tap	383	31	31	31	31	31	53	53	61	61		
51	307603-004 Screw B.H. 8-32	104	4	4	4	4	4	4	4	4	4		
52	307603-006 Screw B.H. 8-32	96	4	4	4	4	4	4	4				
53	307605-024 Screw BH. 1/4-20	48	2	2	2	2	2	2	2				
54	307950-003 Washer #8	192	8	8	8	8	8	8	8	4	4		
55	307950-004 Washer #10	10								5	5		
56	307400-006 Nut #8	52	2	2	2	2	2	2	2				
57	307400-007 Nut #10	2								1	1		
58	307643-006 Screw F.H.	8		2	2		2						2
59	307676-032 Screw Hex Hd	2								1	1		
60	307166-002 E-Ring	18								9	9		
61	307703-008 Screw Self Tap	24	1	1	1	1	1	1	1				
62	307400-063 Kep-Nut #8-32			2	2		2						2
63													
64													
65													



- NOTES:
- 1 DOORS TO BE INSTALLED STARTING FROM THIS LOCATION. ALL DOORS TO BE LABELED ON THE INSIDE WITH THEIR APPROPRIATE DOOR NUMBER AND FRAME NUMBER. DOOR NUMBERS AND SEQUENCE SHOWN BY THIS SYMBOL \square .
 - 2 OMIT FINGER STOCK, ITEM 23, ON SIDE OF DOOR (1L) AND (1R).
 - 3. GAP BETWEEN DOORS TO BE .190.
 - 4 "FINGER-STOCK", ITEM 23 TO BE INSTALLED PER AMDAHL SPEC 800074-600

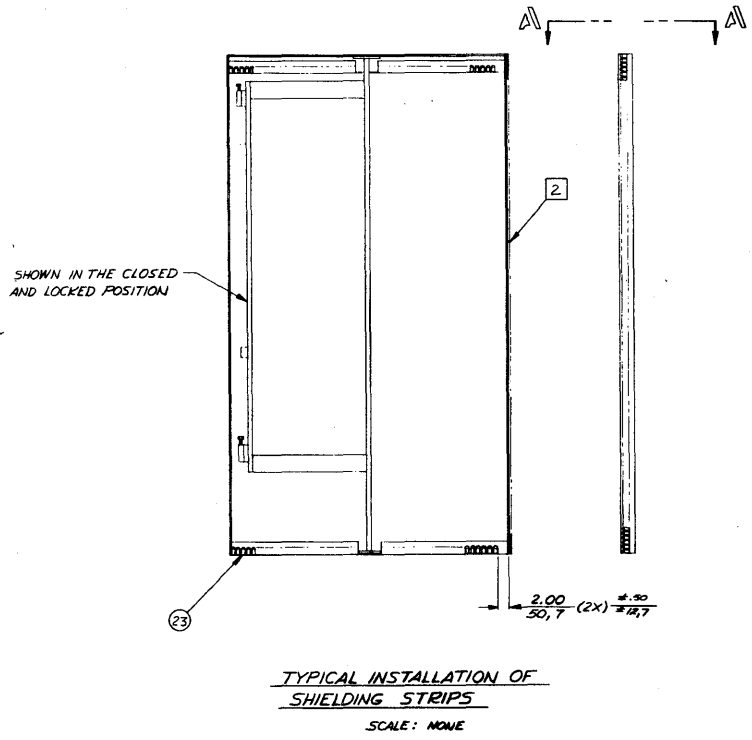
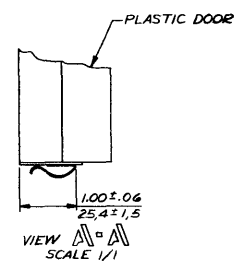
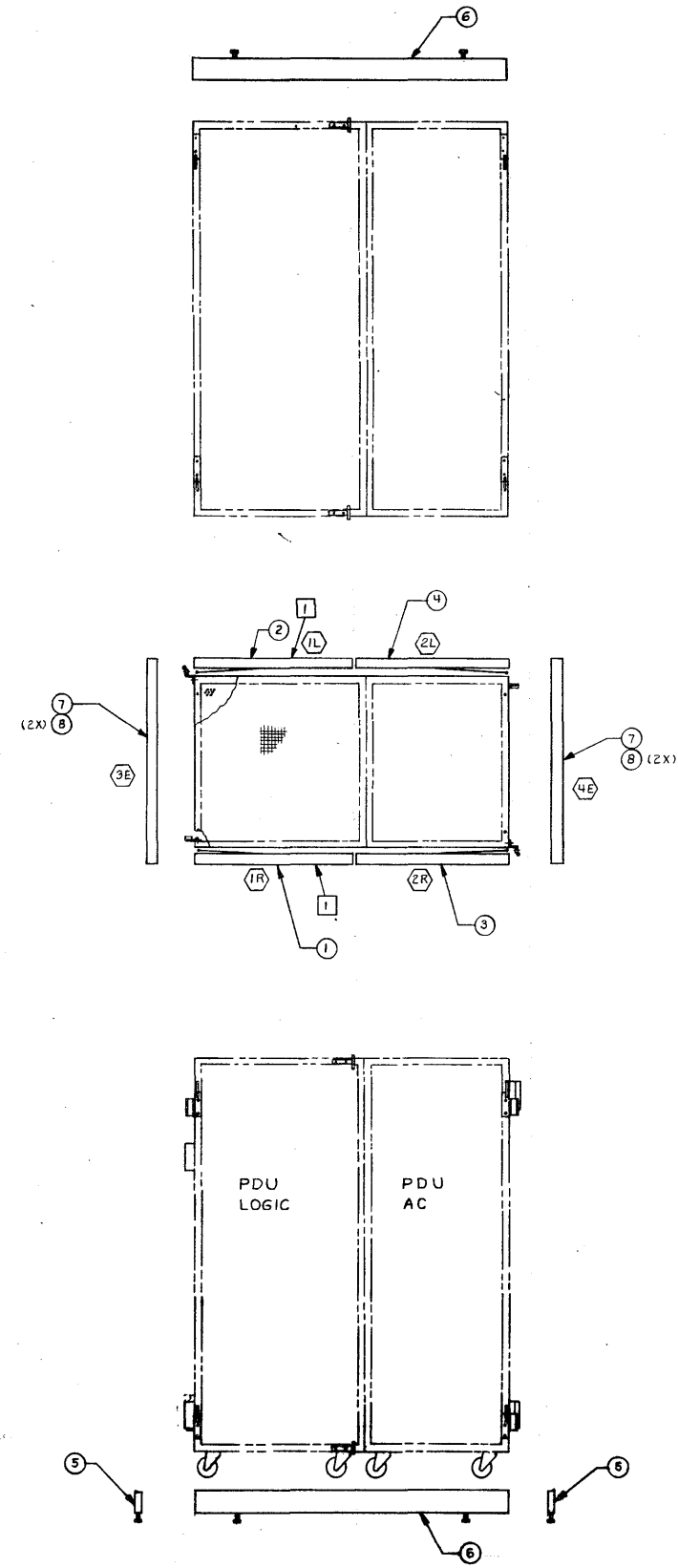


Figure 1-7
PDU MOD 1
319237-1XX

Figure 1-7
PDU MOD 1

ITEM	PART NO.	E/C NO.	QTY	DESCRIPTION
1	319197-200	22372	2	DOOR, ASM TYPE 1
2	319198-200	22370	2	DOOR, ASM TYPE 2
3	319215-200	22368	1	DOOR, TYPE IIA
4	319216-200	22366	1	DOOR
5	319136-000	22181	4	HINGE, PLATE
6	319136-001	22181	4	HINGE, PLATE
7	319137-000	21131	1	HINGE, PLATE
8	319137-001	21131	1	HINGE, PLATE
9	319137-002	21131	1	HINGE, SYSTEM DRS
10	319137-003	21131	1	HINGE, SYSTEM DRS
11	319205-000	21265	8	PLATE, LOCKING
12	319210-200	31130	4	MAGNET, ASM
13	319222-202	22306	2	GUARD, KICK
14	319222-203	22306	2	GUARD, KICK
15	319033-005	21122	1	PANEL, PERFORATED
16	319033-009	21122	1	PANEL, PERFORATED
17	319034-005	23086	1	GRILL, EXHAUST
18	319034-009	23086	1	GRILL, EXHAUST
19	319207-200	31499	2	DOOR, ASM END
20	319013-000	23248	4	BRKT, HINGE
21	319008-000	23388	4	PLATE, CATCH
22	319087-000	REV-A	4	PIN, HINGE
23	207271-000	23897	22	STRIP, CONTACT
24	317603-014	21274	32	SCREW, FLHD M5X18
25	317603-020	21274	8	SCREW, FLHD M5X18
26	317603-010	21274	16	SCREW, FIL HD M5
27	317950-003	21274	16	WASHER, FLT
28	317642-010	21274	16	SCREW, FLAT HD
32	315221-201	21966	1	E/M, PDU 1-EXP
33	319237-100	31499	0	APPEAR, PDU



NOTES:
1 DOORS TO BE INSTALLED STARTING FROM THIS LOCATION. ALL DOORS TO BE LABELED ON THE INSIDE WITH THEIR APPROPRIATE DOOR NUMBER AND FRAME NUMBER. DOOR NUMBER AND SEQUENCE SHOWN BY THIS SYMBOL (1).
2. GAP BETWEEN DOORS TO BE .190.

Figure 1-8
PDU MOD 3
319284-100

Figure 1-8
PDU MOD 3

ITEM	PART NO.	E/C NO.	QTY	DESCRIPTION
1	319197-200	35170	1	DOOR, ASF TYPE 1
2	319198-200	35173	1	DOOR, ASM TYPE 2
3	319215-200	35174	1	DOOR, TYPE IIA
4	319216-200	35172	1	DOOR
5	319222-202	22306	2	GUARD, KICK
6	319268-200	23016	2	GUARD, KICK ASP
7	319206-200	35169	2	END DOOR, ASSEMBLY
8	819087-000	REV-A	4	PIN, HINGE
11	319284-100	35171	0	DOOR, KIT PDU

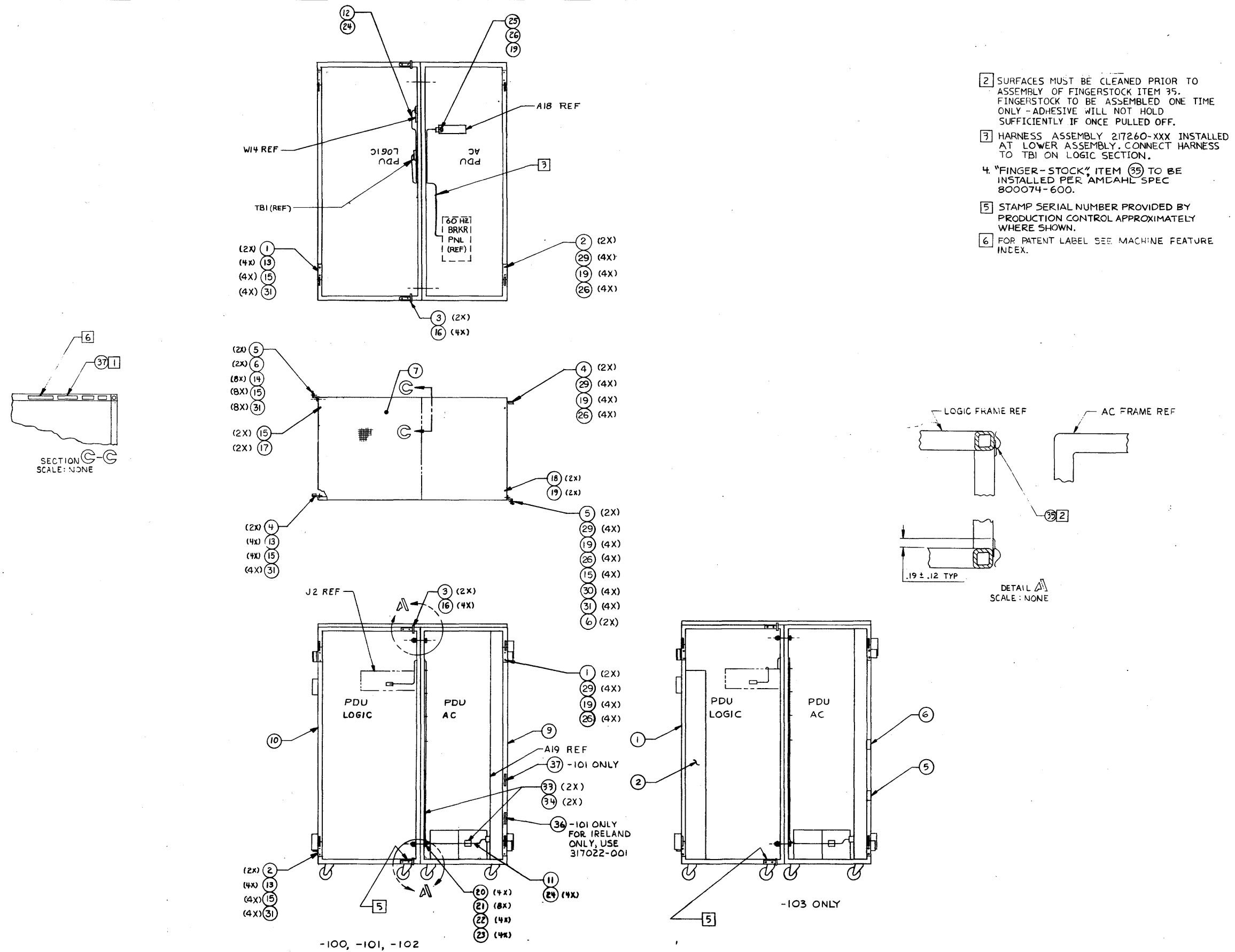
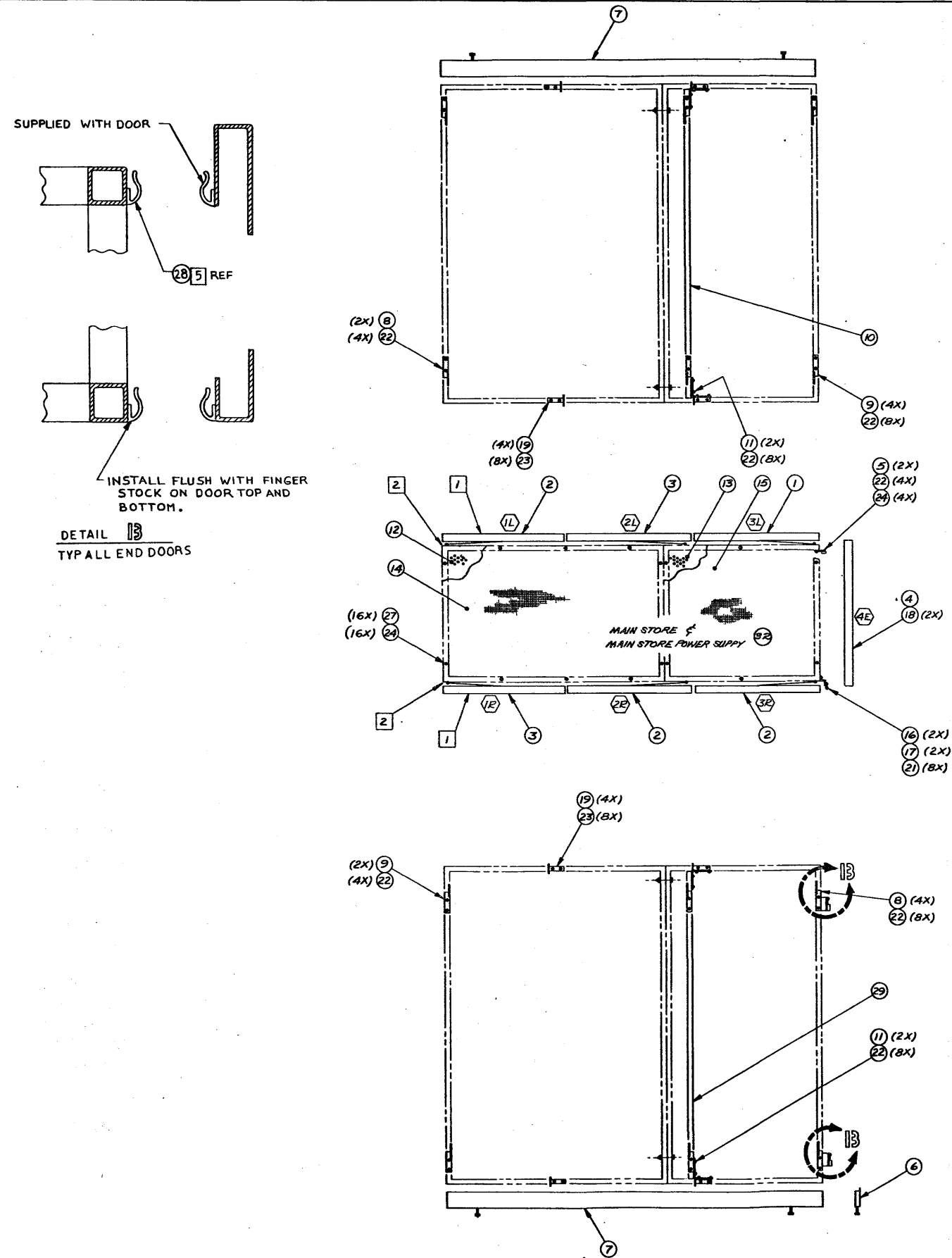


Figure 1-9
PDU MOD 3
315452-1XX

Figure 1-9
PDU MOD 3

ITEM	PART NO.	E/C NO.	QTY	DESCRIPTION
1	319136-000	22181	4	HINGE, PLATE
2	319136-001	22181	4	HINGE, PLATE
3	319205-000	32140	4	PLATE, LOCKING
4	319210-200	35190	4	MAGNET, ASM
5	319013-000	23248	4	BRKT, HINGE
6	319008-000	23388	4	PLATE, CATCH
7	319267-000	23010	1	GRILLE, EXHAUST
9	315450-201	31514	1	TOP ASM, PDU AC
10	315455-200	31526	1	E/M, ASM EXPAN
11	217265-200	33533	1	PDU, AC CABLE ASM
12	217280-200	22788	1	PDU, AC CABLE ASM
13	317603-014	30122	12	SCREW, FLHD M5X18
14	317603-010	30122	8	SCREW, FIL HD M5
15	317950-003	21274	26	WASHER, FLT M5
16	317642-010	21274	28	SCREW, FLAT HD
17	317603-020	30122	22	SCREW, FLHD M5X18
18	307604-012	33122	22	SCR1032, BINDING HD
19	307950-004	21274	19	WASHER, SIZE 10
20	307676-040	33221	4	SCREW, HEX HEAD
21	307950-006	21274	8	WASHER, SIZE .312
22	307951-006	21274	4	WASHER, SPLIT LOCK
23	307400-007	16389	4	NUTS, HEX
24	307979-000	23050	5	MT TIE, INT PUSH
25	307714-006	22112	1	SCREW, PAN HEAD
26	307951-004	21274	17	WASHER, SPLIT LOCK
27	315452-102	35691	0	E/M ASM, PDU 50/60 HZ
28	315452-360	35459	0	SCREW, PDU 1-SNB
29	307604-008	33122	16	SCR1032, BINDING HD
30	317603-006	30122	4	SCREW, M5
31	317951-003	21274	24	WASHER, SP LK M5
32	315455-201	35147	1	CARD, INSTAL
33	307975-001	35557	2	CBL, TIE LOCKING
34	307975-050	35557	2	CBLE, TIE MTG DEVICE
35	207271-000	23897	2	STRIP, CONTACT



NOTES:

- 1 DOORS TO BE INSTALLED STARTING FROM THIS LOCATION. ALL DOORS TO BE LABELED ON THE INSIDE WITH THEIR APPROPRIATE DOOR NUMBER AND FRAME NUMBER. DOOR NUMBERS AND SEQUENCE SHOWN BY THIS SYMBOL ○.
- 2 DOOR TO BE FLUSH WITH EDGE OF FRAME.
- 3 OMIT FINGER STOCK, ITEM 28, FROM SIDE OF DOOR 28 AND 21.
- 4 GAP BETWEEN DOORS TO BE .190".
- 5 TO BE INSTALLED BY FIELD ENGINEERING. SURFACES MUST BE CLEANED PRIOR TO ASSEMBLY OF FINGER STOCK ITEM 28. FINGER STOCK TO BE ASSEMBLED ONE TIME ONLY. ADHESIVE WILL NOT HOLD SUFFICIENTLY IF ONCE PULLED OFF.
- 6 FINGER STOCK ITEM 28 MUST MAKE CONTACT IN ALL PLACES WITH MATING SURFACES AND COMPRESS AMIN OF .06.
- 7 FINGERSTOCK ITEM 28 ON BOTH SIDES OF ITEM 28R AND 28L.
- 8 "FINGER-STOCK", ITEM 28 TO BE INSTALLED PER AMDAHL SPEC 800074-600.

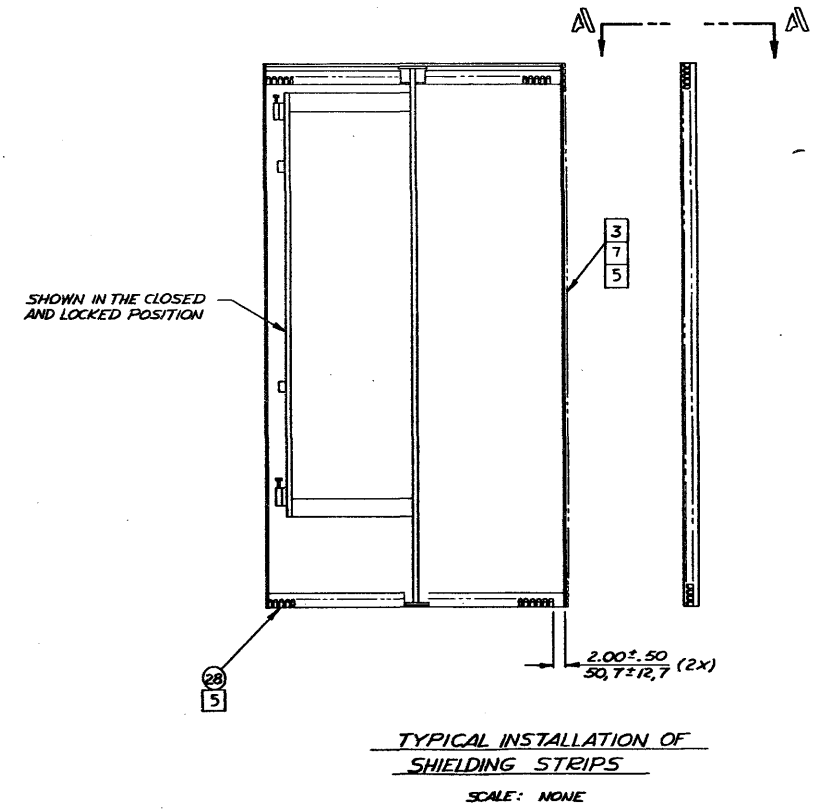


Figure 1-10
MSU MOD 2
319236-1XX

Figure 1-10
MSU MOD 2

ITEM	PART NO.	E/C NO.	QTY	DESCRIPTION
1	319197-200	22372	1	DOOR, ASM TYPE 1
2	319198-200	22370	3	DOOR, ASM TYPE 2
3	319214-200	22365	2	DOOR, TYPE 1A
4	319207-200	31499	1	DOOR, ASM END
5	319210-200	31130	2	MAGNET, ASM
6	319222-202	22306	1	GUARD, KICK
7	319223-203	22306	2	GUARD, KICK
8	319136-000	22181	6	HINGE, PLATE
9	319136-001	22181	6	HINGE, PLATE
10	319156-000	21570	1	BAR
11	319146-000	21131	4	BRKT
12	319033-007	21122	1	PANEL, PERFORATED
13	319033-008	21122	1	PANEL, PERFORATED
14	319034-007	23086	1	GRILL, EXHAUST
15	319034-008	23086	1	GRILL, EXHAUST
16	319013-000	23248	2	BRKT, HINGE
17	319008	23388	2	PLATE, CATCH
18	319087-000	REV-A	2	PIN, HINGE
19	219205-000	21265	8	PLATE, LOCKING
21	317603-010	21274	8	SCREW, FIL HD M5
22	317603-014	21274	44	SCREW, FLHD M5X18
23	317642-010	21274	16	SCREW, FLAT HD
24	317950-003	21274	20	WASHER, FLT M5
27	317603-020	21274	16	SCREW, FLHD M5X18
28	207271-000	23997	31	STRIP, CONTACT
29	319156-001	21570	1	BAR, MSPS
31	319236-101	31499	0	MSU TP, ASM 1 MGBT
32	313081-201	21665	1	ISB, MS/MSPS

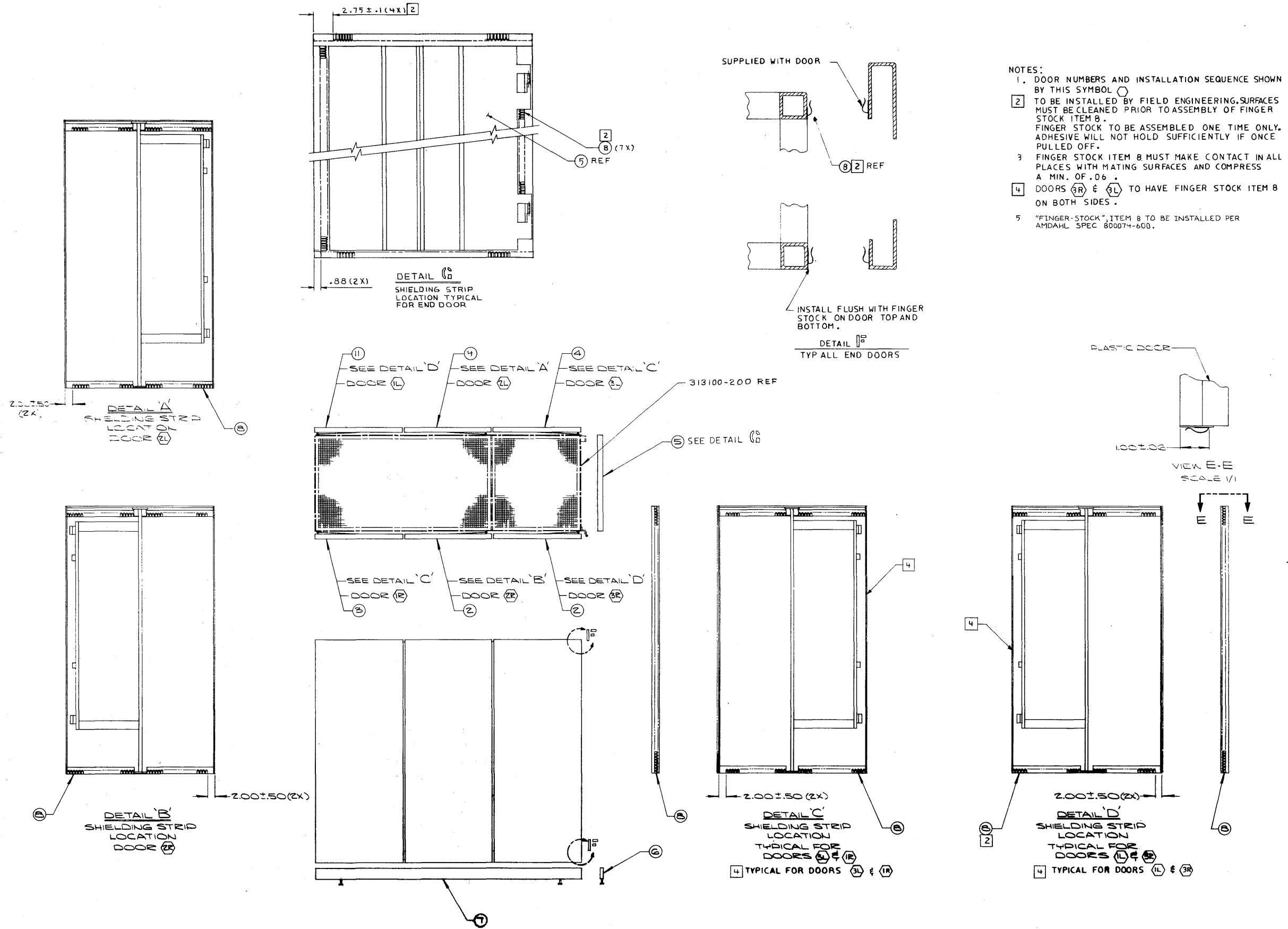
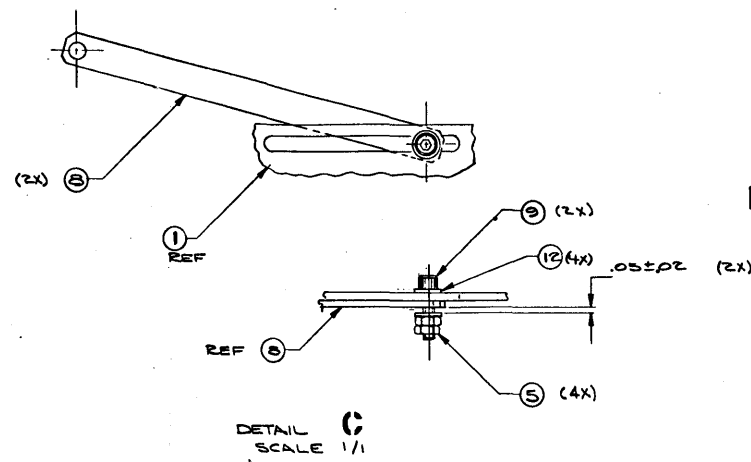
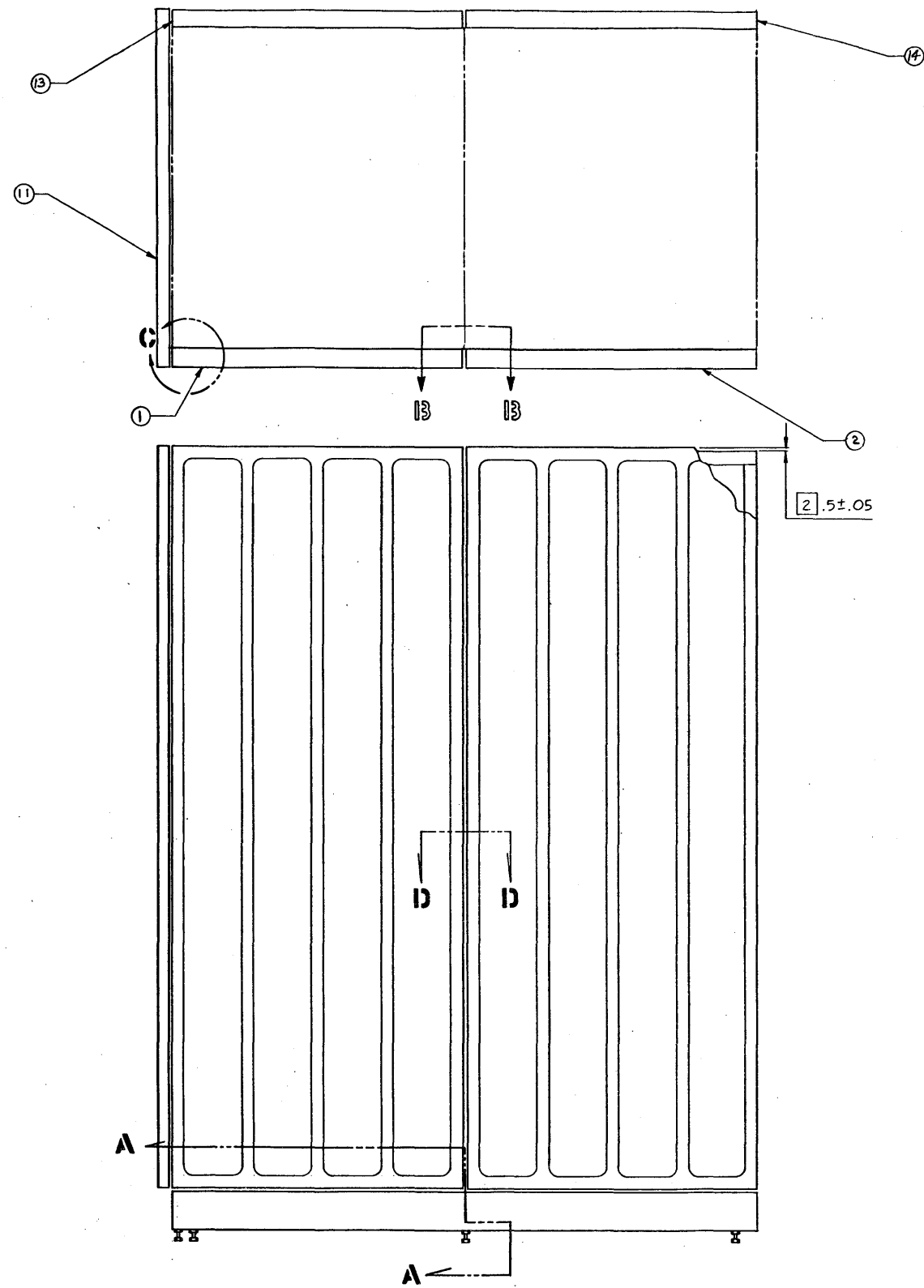


Figure 1-11
MSU MOD 3
319278-100

*Figure 1-11
MSU MOD 3

ITEM	PART NO.	E/C NO.	QTY.	DESCRIPTION
2	219196-200	22370	2	DOOR, ASM TYPE 2
3	319214-200	22365	1	DOOR, TYPE IA
4	319197-200	22372	2	DOOR, ASM TYPE 1
5	319206-000	31068	1	DOOR, END
6	319222-202	22306	1	GUARD, KICK
7	319222-203	22306	2	GUARD, KICK
8	207271-000	23897	38	STRIP, CONTACT
10	319278-100	31499	0	MNSTR, APPEARANCE
11	319338-200	30555	1	DOOR, ASM TYPEII

*Also see MSU Mod III E/M Assembly P.N. 313102-100



NOTES:
 1 IDENTIFY PER AMDAHL SPEC 80057-612.
 2 INSTALL AND ADJUST ALL DOORS .5 ± .05 ABOVE FRAME.

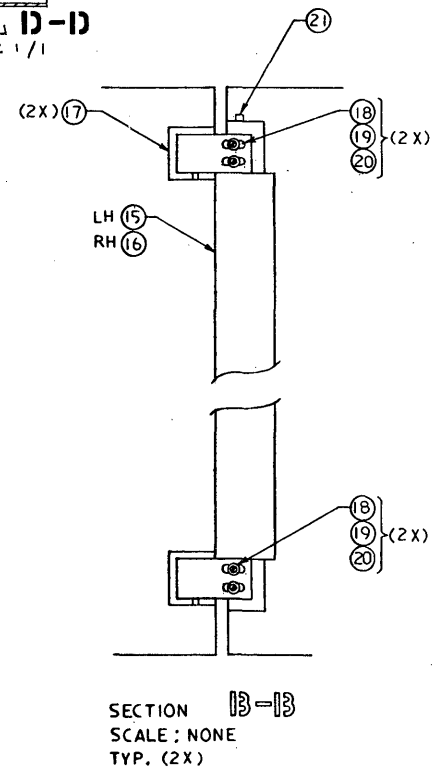
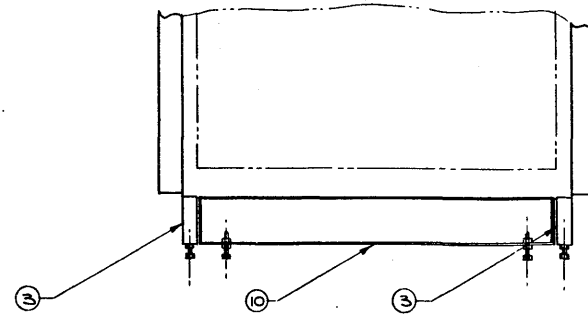
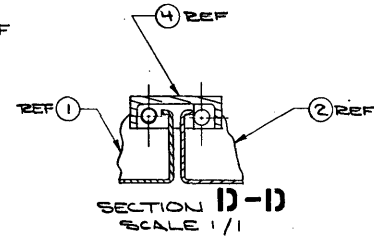
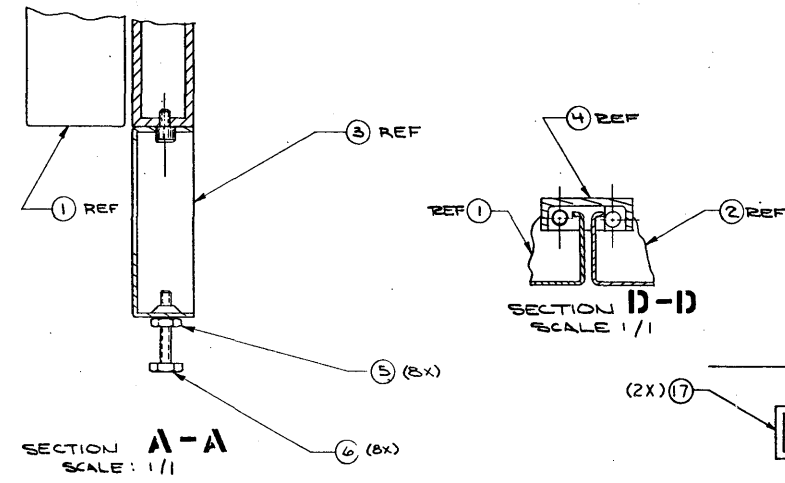


Figure 1-12
 MSU MOD 6
 313726-1XX

Figure 1-12
MSU MOD 6

ITEM	PART NO.	E/C NO.	QTY	DESCRIPTION
1	319352-201	34906	1	DOOR ASM, PRIMARY L.H.
2	319354-201	34948	1	DOOR ASSEMBLY, SECONDARY
3	319392-002	34329	2	48 INCH KICKGUARD
5	307400-005	16389	12	NUTS, HEX
6	397674-024	33223	8	SCREW, HEX HEAD
7	313726-100	35367	0	470V7, DOOR KIT
8	319376-000	31380	2	ARM, RETAINING
9	307684-010	21274	2	SCREW, CAP HD.HEX
10	319392-001	34329	1	24 INCH KICKGUARD
11	319356-201	34312	1	END DOOR ASM, RED
12	307950-004	21274	4	WASHER, SIZE 10
13	319353-201	34906	1	DOOR ASM, PRIMARY R.H.
14	319355-203	35386	1	DOOR ASSEMBLY, SECONDARY
15	319435-001	34348	1	HINGE ASM, DOOR
16	319435-002	34348	1	HINGE ASM, DOOR
17	319436-000	34332	4	BRACKET, HINGE ASM
18	307602-008	21274	8	SCRW632, BINDING HD
19	307950-002	21274	8	WASHER, SIZE 6
20	307951-002	21274	8	WASHER, SPLIT LOCK
21	307774-001	31513	2	SCREW, SET 10-32x3/8 SELF-LOK
22	313726-101	35384	0	DOOR & KICKGUARDS



Figure 2-1
Console Photo 1, Overall view

Figure 2-1
Console Photo 1, Overall view

ITEM	PART NO.	E/C NO.	QTY	DESCRIPTION
1	See Table A for CRT replacement information.			
2	314393-200	32163	1	KIT, BEZEL
3	304038-203		1	KEYBOARD
4	314199-000	23725	1	TRAY, FLOPPY DISK STORAGE
5	314078-203	23398	1	EMERGENCY POWER OFF SWITCH ASSEMBLY

TABLE A
(Preferred Part Number First)

ITEM	PART NO.	DESCRIPTION
1	304424-200	CRT, 15" CONRAC
2	304002-20X	CRT, 15" BALL BROTHERS
3	304003-200	CRT, 15" BALL BROTHERS
4	304096-200	CRT, 21" CONRAC

NOTE: If a 21" CRT is replaced with a 15" CRT, Bezel Kit, P/N 314393-200, is also required.

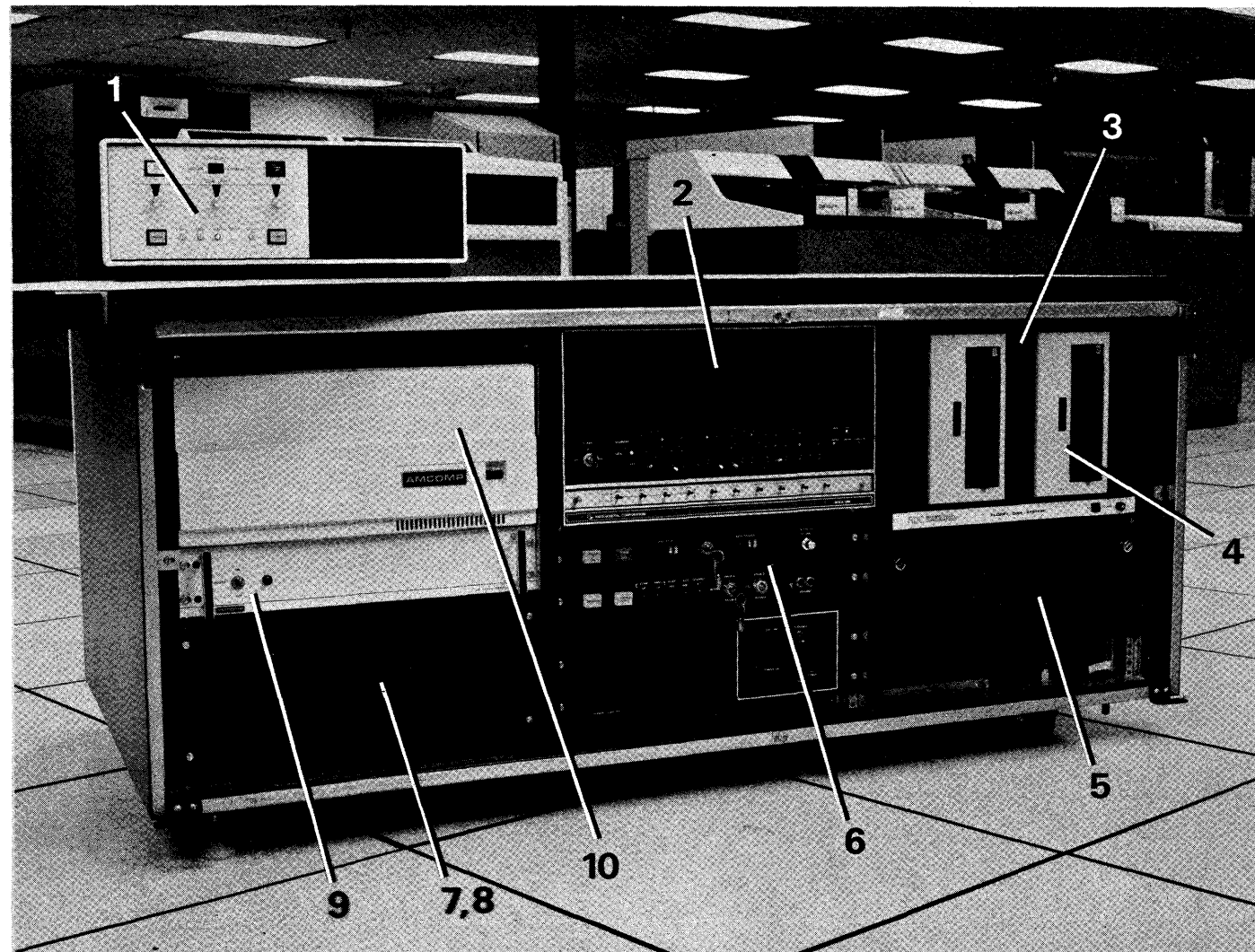


Figure 2-2
Console Photo 2, Major Sub-assemblies

Figure 2-2
Console Photo 2, Major Sub-assemblies

ITEM	PART NO.	E/C NO.	QTY	DESCRIPTION
1	313414-200	34967	1	PANEL, OPS, CONSOLE
2	See Table B for Console CPU Replacement.			
3	802063-200	30290	1	FLOPPY DISK SYSTEM (60HZ)
4	802069-2XX	30290	2	FLOPPY DISK DRIVE (60HZ)
5	802068-200	30290	1	PWR. SUPPLY, FLOPPY DISK (60HZ)
6	314415-203	35634	1	PANEL, F.E.
7	314101-200	33576	1	FAN ASSEMBLY - CONSOLE
8	207047-000	23384	3	FAN, 220 VOLT - CONSOLE
9	802060-200	31070	1	POWER SUPPLY - DATA POINT
10	See Table C for Disk Drive			1 DISK DRIVE ASSEMBLY, FIXED HEAD

TABLE B

ITEM	PART NO.	DESCRIPTION
1	314270-200	CPU, NOVA - 2 CRT - 4025
2	314270-201	CPU, NOVA - 2 CRT - 2013
3	314271-200	CPU, NOVA - 2 CRT - 4025 (NO PCB's)
4	314370-200	CPU, NOVA - 2 CRT - 2013 (NO PCB's)
5	314372-200	CPU, NOVA - 1 CRT - 2013 (NO PCB's)
6	314373-200	CPU, NOVA - 1 CRT - 2013
7	314374-200	CPU, KERONIX - 1 CRT - 2013 (NO PCB's)
8	314375-200	CPU, KERONIX - 1 CRT - 2013
9	802035-20X	POWER SUPPLY, NOVA - UPPER
10	802036-20X	POWER SUPPLY, NOVA - LOWER
11	802080-200	POWER SUPPLY, KERONIX

TABLE C

ITEM	PART NO.	DESCRIPTION
1	802062-200	256K DISK SYSTEM (60HZ)
2	802062-201	512K DISK SYSTEM (60HZ)
3	802062-210	256K DISK SYSTEM (50HZ)
4	802062-220	512K DISK SYSTEM (50HZ)

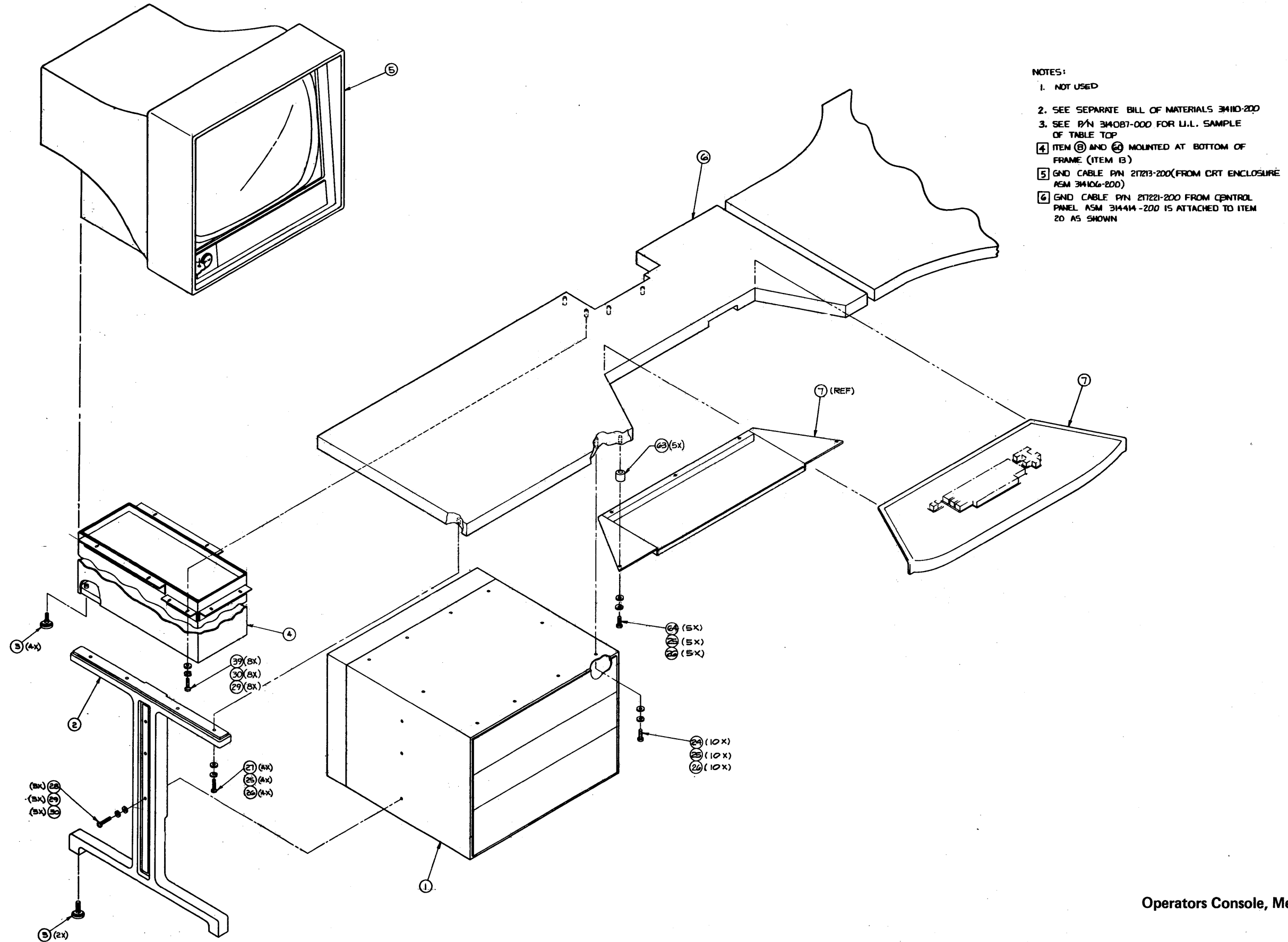


Figure 2-3
Operators Console, Mechanical Breakdown (1 of 2)
314110-100

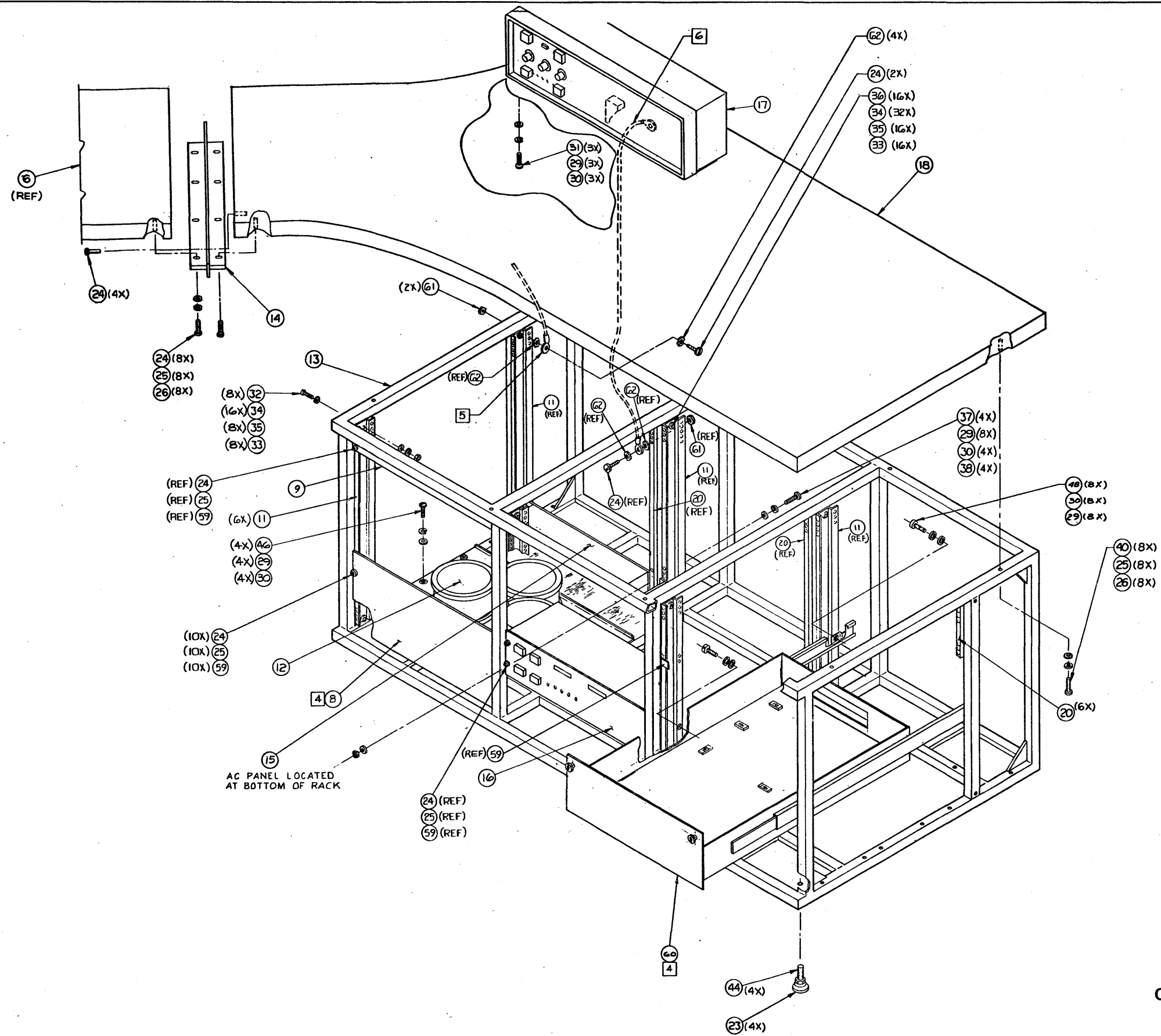


Figure 2-4
Operators Console, Mechanical Breakdown (2 of 2)
314110-100

Figure 2-3/2-4
Operators Console, Mechanical Breakdown

ITEM	PART NO.	E/C NO.	QTY.	DESCRIPTION
1	314096-201	31152	1	OP CONS, DRAWER CAB
2	314012-000	21565	1	LEG, CONTROL CO
3	314005-000	16170	6	LEVELFT, LEGCONTCON
4	314057-000	23551	1	FRAME, PEDESTAL
5	314175-200	33634	1	ASM, CRT ENCLOSURE
6	314237-200	31343	1	TABLE, CONSOLE
7	314176-200	33642	1	KEYED ASM
8	314040-000	22066	1	DWG, FAB BLANK PANEL 3.75 BLK
9	314028-000	16170	1	DWG, FAB BLANK PANEL 1.75 BLK
10	314179-000	33641	1	COVER, PANEL CONS TOP
12	314101-000	33576	1	FAN, MOUNTING
13	314013-000	33438	1	FRAME, CONTROL CO
14	314015-000	21452	1	SUPPORT, TABLE TOP
15	314094-200	33495	1	PANEL, AC PWR INL
16	314415-203	33664	1	PANEL, FIELD ENGR
17	314414-200	33575	1	P/M, ASM CONSOLE CONTROL PNL
18	314016-000	30850	1	TOP, CNTRL CONS
20	314104-001	33424	12	CONTROL, CONSL SUPPORT RAIL
23	307625-001	23901	4	LVF, FT
24	307604-008	33122	52	SCR1032, BINDING HD
25	307950-004	21274	55	WASHER, SIZE 10
26	307951-004	21274	43	WASHER, SPLIT LOCK
28	317603-040	21274	3	SCREW, FLHD M5X16
29	317950	21274	14	WASHER, FLT M5
30	317951-003	21274	14	WASHER, SP LK M5
31	317603-025	21274	7	SCRFLHD, M5X08
32	317604-016	21274	8	SCREW, FILMD M6
33	317400-004	32629	24	NUTS, HEX, METRIC
34	317950-004	21274	48	WASHER, FLT.METRIC
35	317951-004	21274	24	WASHER, SPLT.LK.ME
36	317604-040	21274	16	SCREW, FILMD M6
37	317693-014	21274	8	SCREW, M5
40	307604-024	33122	8	SCR1032, BINDING HD
44	300427-000	30322	4	STUD, LVL POST
46	317603-008	21274	4	SCREW, FLHD M5X18
48	317603-010	21274	4	SCREW, FIL HD M5
59	310450-000	21573	14	NUT, CLIP FLOAT
60	314128-200	23307	1	ASM PNL, COMM DRAWR
61	307400-064	16389	2	NUTS, HEX
62	307802-004	21274	4	WASHER, EXTER LOCK
65	314106-110	33072	0	DWG ASM, 15 IN. CRT MONITOR
66	314110-110	33633	0	OPERATOR CONSOLE
67	307604-020	33122	4	SCR1032, BINDING HD
68	307400-009	16389	4	NUTS, HEX. 50

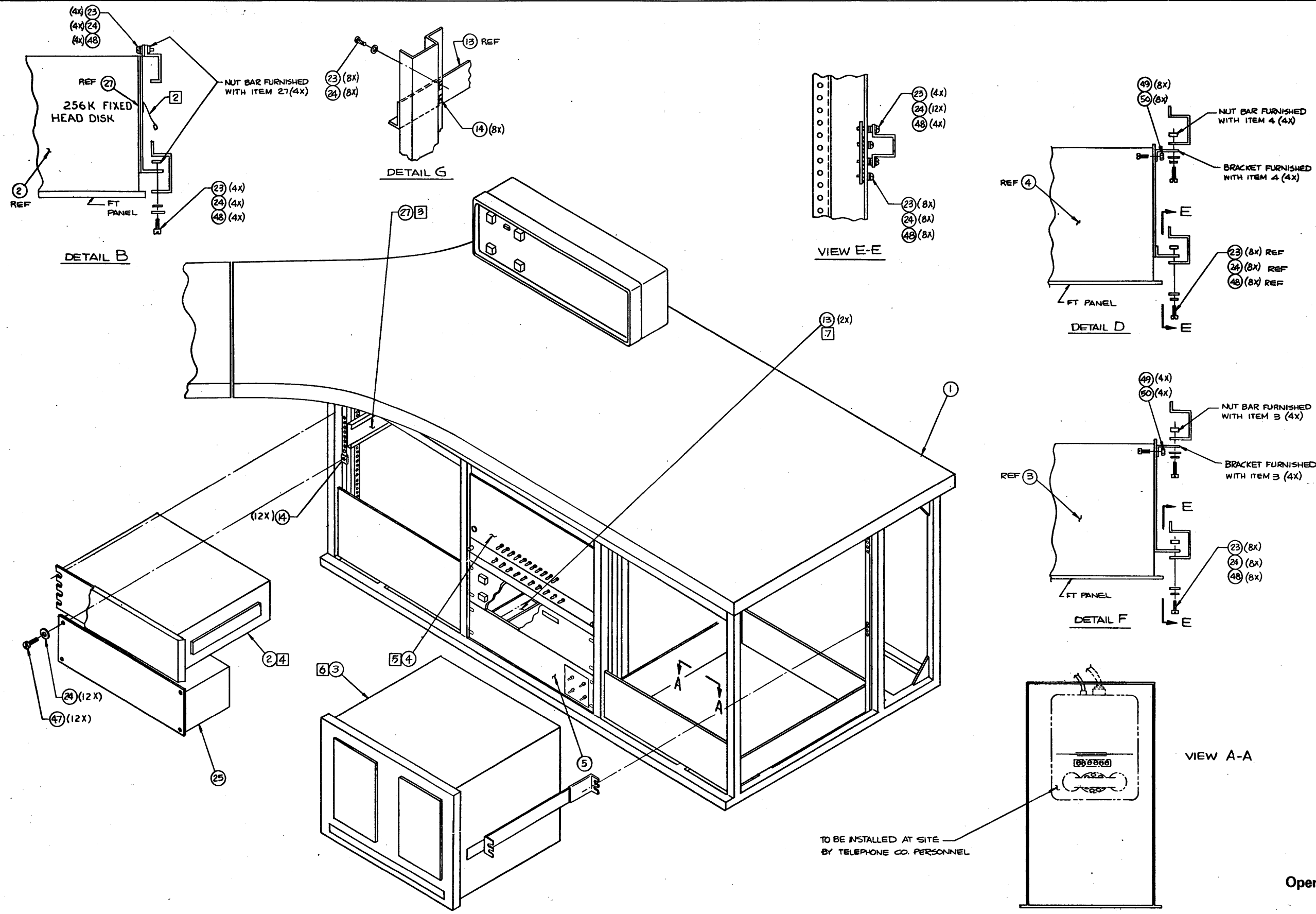


Figure 2-5
Operators Console, E/M Assembly
314380-100

Figure 2-5
Operators Console, E/M Assembly

ITEM	PART NO.	E/C NO.	QTY	DESCRIPTION
1	314110-201	33497	1	ASB, CONSOLE MECH
2	802062-200	33855	1	ASM, 256K DISK SYS 60 HZ
3	802063-200	30290	1	ASM, FLEX DISK SYS 60 HZ
4	314270-201	33109	1	ASM, NOVA PROCESSOR FRAME
5	314220-202	33294	1	CHANNEL, ADAPTER INTRFC BOX
6	314060-600	20357	0	CONSOLE, HOW TO USE
7	314060-601	21086	0	CONSOLE, NOVA 1200
9	314360-610	23795	0	OPN, MAN DISKETTE SYSTEM
10	314360-622	23355	0	CPM, MAN DISK MEMORY SYSTEM
11	804662-600	903362	0	SPC, MAN 2013 CHANNEL IF
13	314042-000	16171	2	GUIDE, CHASSIS
14	307450-000	21573	20	NUT, CLIP FLOAT
15	314380-260	32657	1	CP, CONS CABLING
20	314380-100	33294	0	CP, CONS E/B ASM
23	307604-008	33122	44	SCR1032, BINDING HD
24	307950-004	21274	76	WASHER, SIZE 10
25	802060-200	22579	1	B/M, ASM FIXED HEAD DISK P/S
27	802059-200	30677	1	B/M, ASM SLIDE PAIR FIXED DSK
28	314260-621	23102	0	CONSOLE, USER'S MAN
29	314060-640	31403	0	SPC, MAN CONSOLE UNIT TEST
30	800061-600	22003	0	CONSOLE, INTRO
31	900061-610	22003	0	SPC, OPN CPU/CONSOLE IF
32	800061-612	23325	0	CONSOLE, S-UNIT SEQ
33	800061-614	30374	0	CONSOLE, I-UNIT SEQ
34	800061-606	30771	0	CONSOLE, C-UNIT SEQ
35	800061-618	20085	0	SPC, OPN CONSOLE OP RESETS
36	800061-620	20598	0	SPC, OPN CONSOLE OP DISPLAY
37	800061-630	20454	0	SPC, OPN CONSOLE CP KEYBOARD
38	800061-640	31069	0	CONSOLE, CHAN INTFC
39	800061-650	20599	0	SPC, OPN CONSOLE CP DISK IF
40	800061-661	23015	0	SPC, OPN CONSOLE OP FLOP IF
41	800061-670	32659	0	SPC, OPN CONSOLE OP OPER IF
42	800061-680	11755	0	SPC, OPN CONSOLE OP PDU IF
43	800061-690	11755	0	SPC, OPN CONSOLE CP DATA COMM
44	314360-611	21744	0	OPN, MAN DISK CONTROLLER
45	314105-200	33925	1	PACKGE, APPR CONSL
46	314380-250	31070	1	OP, CONS LABEL INST
47	307604-010	33122	12	SCR1032, BINDING HD
48	307951-004	21274	36	WASHER, SPLIT LOCK
49	307603-006	21274	12	SCRW832, BINDING HD
50	307400-063	16389	12	NUTS, HEX
51	314360-613	22814	0	SPC, MAN 4025 IF JUMPERS
52	314360-614	32350	0	PERIPHERALS, MANUAL
53	314360-615	32360	0	INTERFACE, DESIGNERS MANUAL
54	314360-616	32350	0	PROGRAMMERS, REFERENCE MANUAL

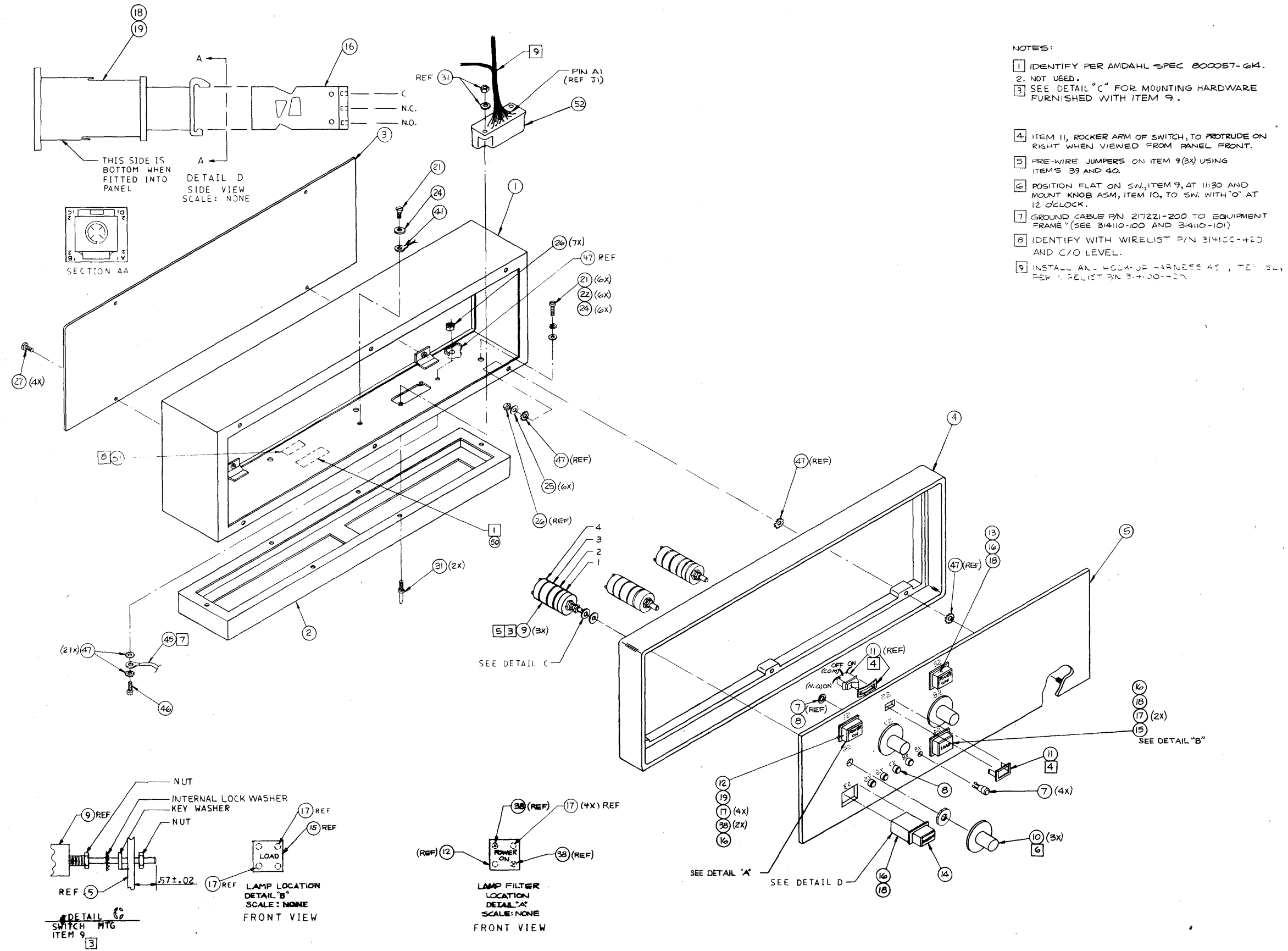


Figure 2-6
Control Panel
314414-100

Figure 2-6
Control Panel

ITEM	PART NO.	E/C NO.	QTY	DESCRIPTION
1	314152-000	31035	1	COVER
2	314035-000	20088	1	BASE, CNTRL CONS
3	314034-000	16170	1	PANEL, REAR CITRC
4	314018-000	34716	1	BEZEL, CNTRL CONS
5	314032-000	34144	1	PANEL, FRONT,
7	207121-000	14696	4	LIGHT, INDICATOR
8	207120-000	14696	1	LIGHT, INDICATOR
9	207079-000	34788	3	SWITCH
10	304081-200	20682	3	KNOB, CCNTRCL
11	207315-000	20170	1	SWITCH, RCKER SPOT
12	304141-000	22075	1	DISPLAY, PWR ON
13	304140-000	22073	1	DISPLAY, PWR OFF
14	304143-000	22074	1	DISPLAY, INTEPT
15	304142-000	22076	1	DISPLAY, LOAD
16	207077-000	31302	4	SWITCH, PUSHBUTTON
17	207080-000	32749	6	LAMP, 1 3/4
18	207077-001	34584	3	SWITCH, OAMP HSNG2
19	207077-002	23584	1	SWITCH, LAMP BSNG4
21	317602-010	30122	7	SCREW, M4
22	317951-002	21274	6	WASHER, SPLT.LK.HD
24	317950-002	21274	7	WASHER, FLT, METRIC
25	317950-003	21274	6	WASHER, FLT M5
26	317400-003	33629	7	NUTS, HEX, METRIC
27	317642-010	21274	4	SCREW, FLAT HD
28	314414-100	34967	0	DWG ASM, CCBSCIB CONTROL PNL
29	207330-000	20587	1	CONNEC, HDD, BECET
30	314100-420	20782	0	CONTRO, PANEL CONS
31	000000-000	14976	2	GUIDE, CONN
32	207331-000	34878	43	CONTAC, 20-24 AWG 0
33	207093-001	31662	86	WIRE, 24 GA BLK
34	314100-300	20782	0	CONSOLE, CTL PNL
38	207077-005	31302	2	SWITCH, FILTR RED
39	207134-001	23186	2	TUBING, 24 AWG
40	207346-003	20929	2	WIRE, SOLIC 26
41	207272-002	16071	1	RING, STUD & LUG
45	217221-200	21860	1	GND CBL, CTL PNL
46	317603-012	30122	1	SCRFLHD H5X08
47	317952-003	21274	21	WASHER, EXTER LOCK
48	314415-600	23054	0	TESTER, PE/CTL REL
50	000056-000	22764	1	DWG, FAB P/N LABEL SQUARE
51	317038-000	21736	1	LABEL, WIRE LIST

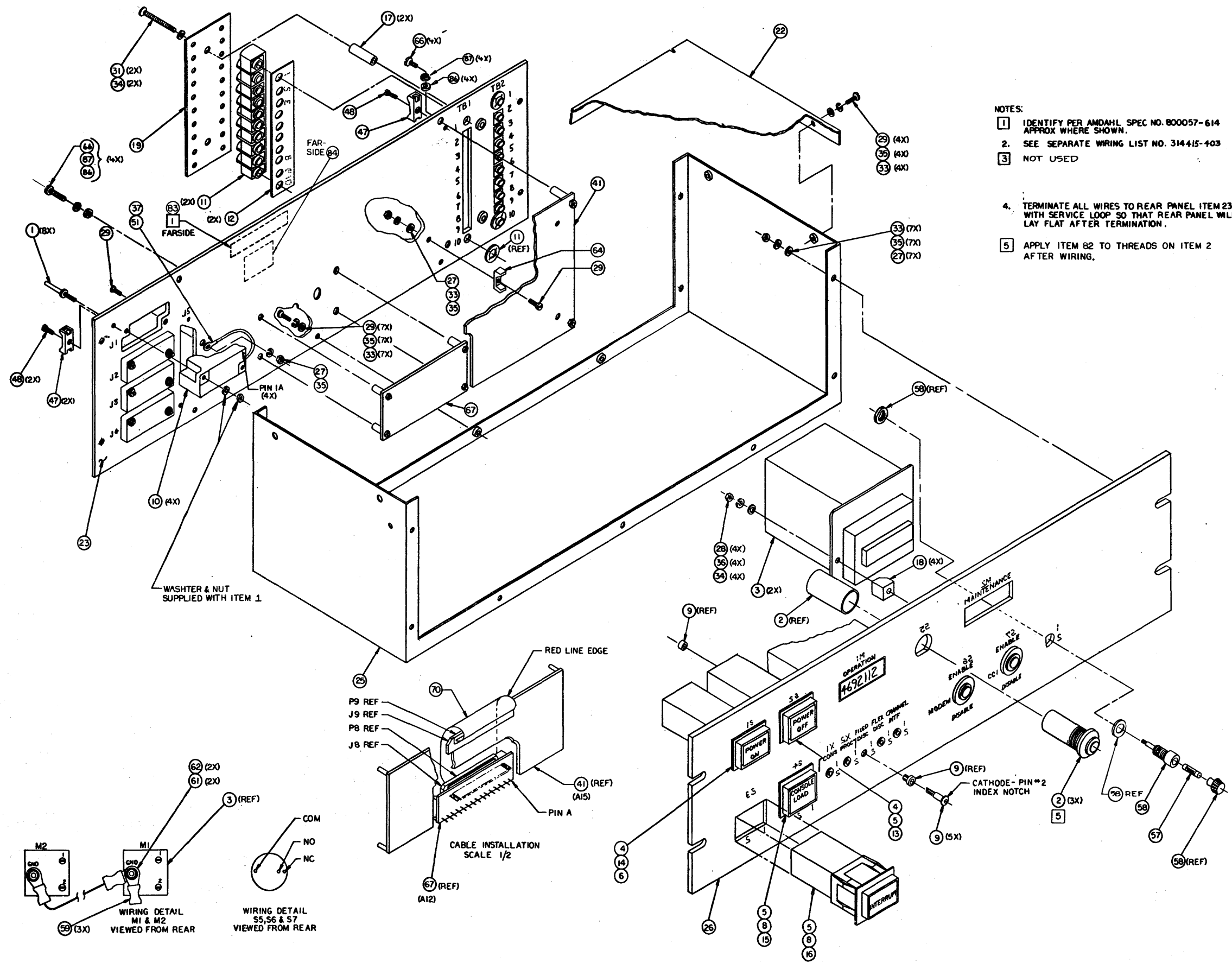


Figure 2-7
F.E. Panel
314415-103

Figure 2-7
F.E. Panel

ITEM	PART NO.	E/C NO.	QTY	DESCRIPTION
1	000008-000	14976	9	GUIDE, CCNN
2	207075-000	21658	3	SWITCH, KEY OPEN
3	207076-000	32108	2	METER, ELAPSETIME
4	207077-000	31302	2	SWITCH, PUSHBUTTON
5	207077-001	34584	3	SWITCH, LAMP SHWG2
6	207077-002	34584	1	SWITCH, LAMP HSN4
8	207077-006	31302	2	SWITCH, 2 PCLP
9	207024-000	20666	5	DIODB, LED
10	207192-000	15819	4	CCWW, 54 POS
11	207264-000	33682	2	TERMINAL BLCK, PCB, SINGLE ROW
12	207265-000	32831	2	STRIP, MARK 10POS
13	304140-000	22073	1	DISPLAY, PWR OFF
14	304141-000	22075	1	DISPLAY, PWR ON
15	314115-000	22072	1	DISPLAY, CCWSL LOAD
16	304143-000	22074	1	DISPLAY, INTRPT
17	307925-004	31537	2	SPACER, FIBER
18	314041-000	16171	4	SPACER, PE PANEL
19	314045-000	30388	1	COVER, INSULATOR
22	314119-000	21962	1	COVER, CHASSIS
23	314118-000	30689	1	PANEL, REAR
25	314051-000	23068	1	CHASSIS, PANFL PP
26	314412-000	32652	1	PANEL, OP.CONSOLE
27	317400-001	33629	9	NUTS, HEX, METRIC
28	317400-002	33629	4	NUTS, HEX, METRIC
29	317601-008	30122	13	SCREW, FIL HD M3
31	317602-040	30122	2	SCREW, M4
33	317950-001	21274	19	WASHER, FLT M3
34	317960-002	21274	6	WASHER, FLT,METRIC
35	317951-001	21274	20	WASHER, SP LK M3
36	317951-002	21274	4	WASHER, SPLT.LK.ME
37	207156-000	33582	63	WIRE, 26 AWG RED
39	207093-050	21079	60	WIRE, 16 GA GPW
40	314415-403	32659	0	PANEL, FIELD ENGR
41	513014-200	33367	1	CONSOLE, RELAY/ALARM PCB S/M
45	314416-103	35634	0	PANEL, FIELD ENGR
47	000053-005	14987	2	MOUNT, TIE SRAP
48	317602-006	30122	2	SCREW, M4
51	207272-000	16071	1	RING, STUD 4 LUG
57	207318-000	20258	1	FUSE, 1A, GLASS
58	207319-000	20258	1	HOLDER, FUSE PNLMT
59	207208-005	33809	3	LUG, STUD 8
61	307950-003	21274	2	WASHER, SIZE 8
62	307400-004	16389	2	NUTS, HEX
63	314415-303	32659	0	PANEL, FIELD ENGR
64	000053-003	14987	1	MOUNT, TIE WRAP
66	307603-008	21274	8	SCRW832, BINDING HD
67	513015-200	18153	1	B/M ASM, PCP FF PNL INTFRC
70	219004-200	21735	1	PLT CBL, F. F. PANEL
77	314415-304	32505	0	TST FIX FE PANEL
78	314415-603	32505	0	PANEL, FIELD ENGR
82	000074-000	30562	0	COMPOND 49

ITEM	PART NO.	E/C NO.	QTY	DESCRIPTION
83	000056-000	22764	1	DWG, FAB P/N LABEL SQUARE
84	317038-000	21736	1	LABEL, WIRE LIST
85	307975-002	35557	16	CBL, TIE LOCKING
86	307950-003	21274	8	WASHER, SIZE 8
87	307951-003	21274	8	WASHER, SPLIT LOCK

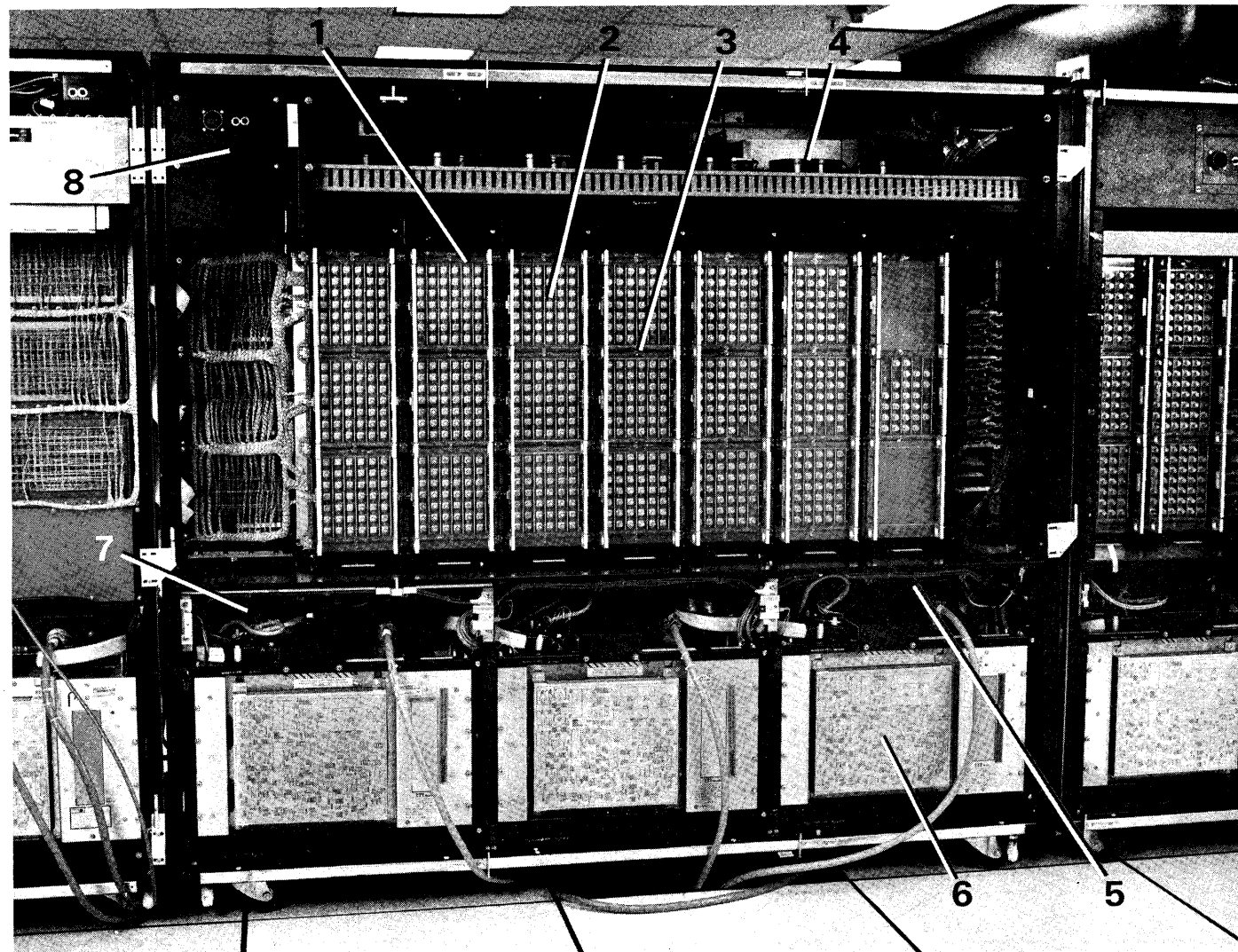


Figure 3-1
CPU Photo 1, Side 1

Figure 3-1
CPU Photo 1, Side 1

ITEM	PART NO.	E/C NO.	QTY	DESCRIPTION
1	310279-200	31510	14	COVER, MCC TRANSITION
2	310097-200	30925	42	COVER, MCC CARD
3	310150-200	31510	42	COVER, MCC TRANSITION
*4	207067-002	14859	7	FAN, TARZAN, 230 VAC 50/60 HZ
	312542-200	23709	7	FAN PAMOTOR
5	207067-002	35394	14	FAN, TARZAN, 230 VAC 50/60 HZ
6	207045-200	31921	6	POWER SUPPLY, TYPE I
7	207067-002	35529	2	TARZAN FAN, 32K LOWER BUFFER COOLING
8	207067-002	35529	1	TARZAN FAN, UPPER BUFFER COOLING

*Note: CPU UPPER COOLING FANS

Early model CPU's were equipped with fan, Part No. 312542-200 (round). Later model CPU's were equipped with fan, Part No. 207067-002 (square).

Note which fan your CPU is equipped with before ordering replacement fans as these two (2) fan types are not interchangeable.

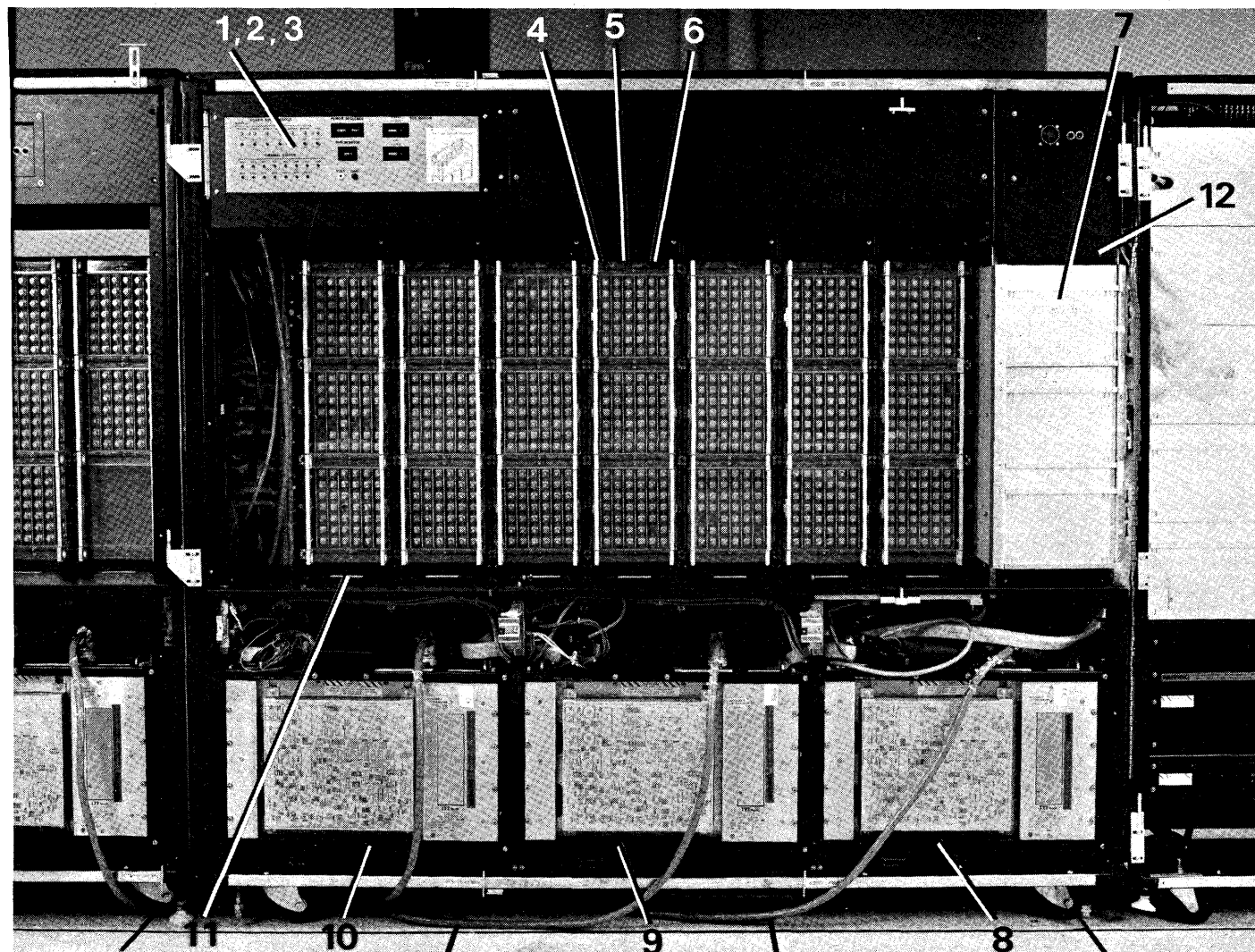


Figure 3-2
CPU Photo 2, Side 2

Figure 3-2
CPU Photo 2, Side 2

ITEM	PART NO.	E/C NO.	QTY	DESCRIPTION
1	310271-200	22707	1	UPC ASM, CPU
2	513016-201	18346	1	UPC, LED BOARD
3	513031-201	30172	1	BUS MARGIN ASSY, CPU/BUFFER
4	310762-200	33343	14	AIR AND THERMAL SENSOR ASM, COMBINED
5	312072-200	33343	14	SENSOR, THERMAL
6	513013-201	35767	14	AIR SENSOR ASSEMBLY
7	311013-200	22915	3	DOOR ASM, BUFFER
8	300201-019	30361	1	FILTER, AIR
9	300201-013	30361	1	FILTER, AIR
10	300201-012	30361	1	FILTER, AIR
11	300522-100	13690	14	XITION, AIR COLUMN
12	312574-200	21481	1	THERMAL SENSOR

Figure 3-3/3-4
CPU E/M Breakdown

ITEM	PART NO.	E/C NO.	QTY	DESCRIPTION
1	300201-012	30361	1	FILTER, AIR
2	300201-013	30361	1	FILTER, AIR
3	310266-030	22411	1	SUPPORT, TUPP
4	300372-000	30322	2	BRKT, GATE SUPT.
5	312019-001	31729	1	FRAME
6	317677-040	21274	12	SCREW, HEX HD
7	310011-201	33130	1	WIRING, 32K BUFFER
8	300413-000	22552	12	HINGE, SWINGFRAME
9	300415-001	15793	6	RETAINR, SWINGFRAME
10	300415-002	15793	6	RETAINR, SWINGFRAME
11	300426-000	11314	6	GUIDE, FILTER
12	300427-000	30322	4	STUD, LVL POST
13	300428-000	22718	4	COVER, FILTER ACC
14	300429-000	22719	2	COVER, FILTER ACC
15	300446-000	30385	14	SPACER, LWR COOLING
17	310036-201	31728	7	MECH, ASM LOWER COOLING
18	310384-000	31730	1	BRKT, WELDMNT CPU
19	310025-000	22721	2	BRACKET, PANEL SPRT
20	100453-200	31764	6	MECH, PWR SUPPLY
21	310406-200	33127	5	MECH, ASM UPPER COOLING
22	300201-019	30361	1	FILTER, AIR
23	310395-200	32248	1	COOLING ASSY, 32K BUFFER
24	307180-001	REV-E	2	FOAM, .25,.38
25	310390-201	33480	1	POWER, DIST ECN CPU LSI/CHAN
29	300512-000	22549	12	PIN, DOWEL
30	307325-001	23901	4	LVF FT
31	317400-007	33629	12	NUTS, HEX, METRIC
32	317950-002	21274	60	WASHER, FLT, METRIC
33	317950-001	21274	233	WASHER, FLT M5
34	317950-004	21274	24	WASHER, FLT, METRIC
35	317951-002	21274	60	WASHER, SPLIT, LK, ME
36	317951-003	21274	233	WASHER, SP LK M5
37	317951-004	21274	24	WASHER, SPLIT, LK, ME
38	317632-010	30122	18	SCREW, METRC 10MM
39	317603-012	30122	155	SCRFLHD M5X08
40	317603-016	30122	18	SCREW, FLHD M5X18
41	317603-025	30122	32	SCRFLHD, M5X08
42	317603-040	30122	37	SCREW, FLHD M4X18
43	317684-020	21274	24	SCREW, CAP HD
44	317950-005	21274	12	WASHER, FLT, METRIC
45	317675-020	21274	12	SCREW, HED HD
46	317400-005	33629	12	NUTS, HEX, METRIC
47	300382-200	16101	5	HARNESS, PWR SPLY
48	300382-201	16101	5	HARNESS, PWR SPLY
49	317633-070	30122	8	SCREW, MACHINE HD
50	310018-000	22681	1	EAR, MTG, APS GT
53	300522-200	13690	14	XITION, AIR COLUMN
54	300425-000	30385	28	FILLER, AIR COLUMN
55	312072-200	33343	14	THERMAL, SENSOR
56	300522-201	13690	14	ASM, TRANSITION
69	300596-003	22983	18	FASTENR, TINNEMAN
70	300569-001	22394	1	BRACKET, MTG DOOR

ITEM	PART NO.	E/C NO.	QTY	DESCRIPTION
71	300569-002	22394	3	BRACKET, MTG DOOR
74	300583-000	22720	2	BRKT, PNL SPRT
75	300584-000	22733	4	BRKT, PNL SPRT
76	307300-007	REV-B	12	INSUL, LG. 1/4
77	319085-001	33942	42	SCREW, MCC MTG
78	317640-010	21274	28	SCREW, MACH FLTHD
80	307951-001	21274	28	WASHER, SPLIT LOCK
81	307400-002	16389	28	NUTS, HEX
82	307400-009	16389	4	NUTS, HEX, 50
84	307604-024	33122	2	SCR1032, BINDING HD
85	307694-010	21274	4	SCREW, CAP HD, HEX
86	310026-000	22395	2	BRACKET, MTG DOOR
88	310022-101	34091	0	COOLING, BUFFER 32K
90	317950-001	21274	32	WASHER, FLT M3
94	317400-003	33629	4	NUTS, HEX, METRIC
95	307925-001	31537	28	SPACER, FIBER
96	307975-010	23328	75	CBL, TIE LOCKING
98	310246-000	22399	1	PLATE, PANEL MTG
99	310398-000	31730	1	BRKT, PANEL MTG
100	310245-000	22402	1	BRACKET, PANEL MTG
101	310202-000	22403	1	SUPPORT, PANEL
102	310260-000	22385	1	CHANNEL, CARRIER CA
103	315146-000	22400	1	BRACKET, CONNECTOR
104	315145-000	30361	1	BRACKET, CONNECTOR
105	310261-000	22401	1	BAR, TIE
106	310273-205	31730	1	ASM, CONVENIENCE OUTLET, AC,
107	307925-051	20596	1	SPACER, METAL 1IN.
110	307950-000	21274	24	WASHER, SIZE .500
111	307951-009	21274	12	WASHER, SPLIT LOCK
112	217186-200	20432	1	CABLE, BUS SENSE
113	310263-001	20605	12	WASHER, PWR CABLE
114	310406-201	33127	2	MECH, ASM UPPER COOLING
116	310273-206	31730	1	ASM, CONVENIENCE OUTLET, AC,
117	300660-200	32991	14	SENSOR, ASM
118	310281-001	21098	1	TROUGH, COVER
119	307951-006	21274	12	WASHER, SPLIT LOCK
120	317601-006	30122	1	SCREW, FL HD
121	207190-000	12885	1	TAB, MALE
128	307950-004	21274	2	WASHER, SIZE 1C
132	000056-000	22764	1	DWG, FAB P/N LABEL SQUARE
133	310064-000	31730	1	BRACKET, PANEL MTG SUPPORT
134	310102-000	33487	1	SUPPORT, CABLE, UPPER
135	310103-000	33487	1	SUPPORT, CABL, LOWER
136	317603-020	30122	2	SCREW, BIND M5 X 18

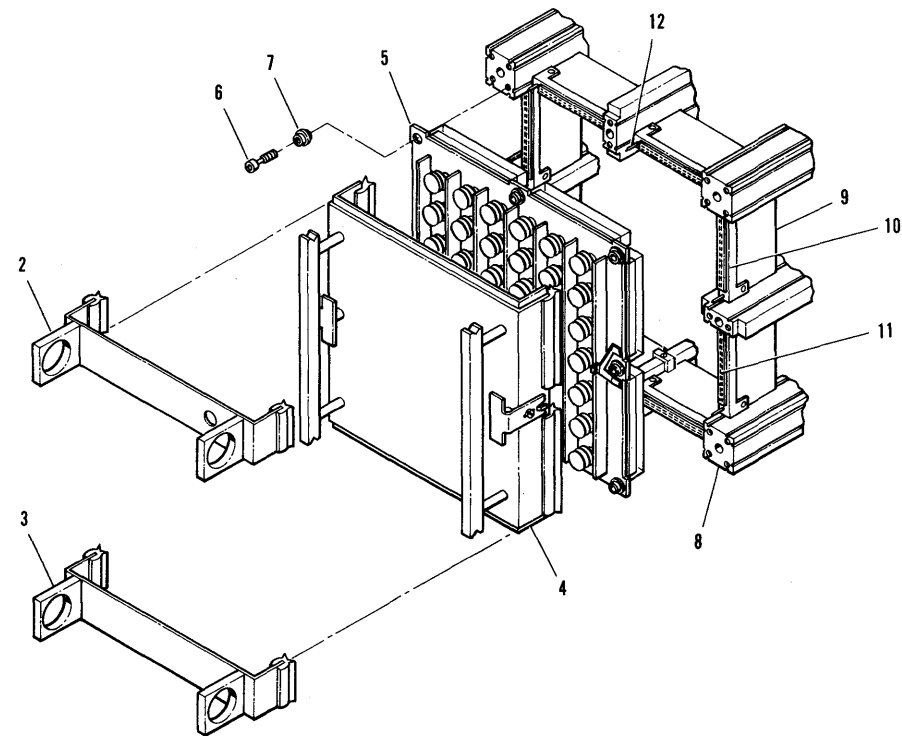


Figure 3-5
MCC Card Cover Assembly

IPB-014

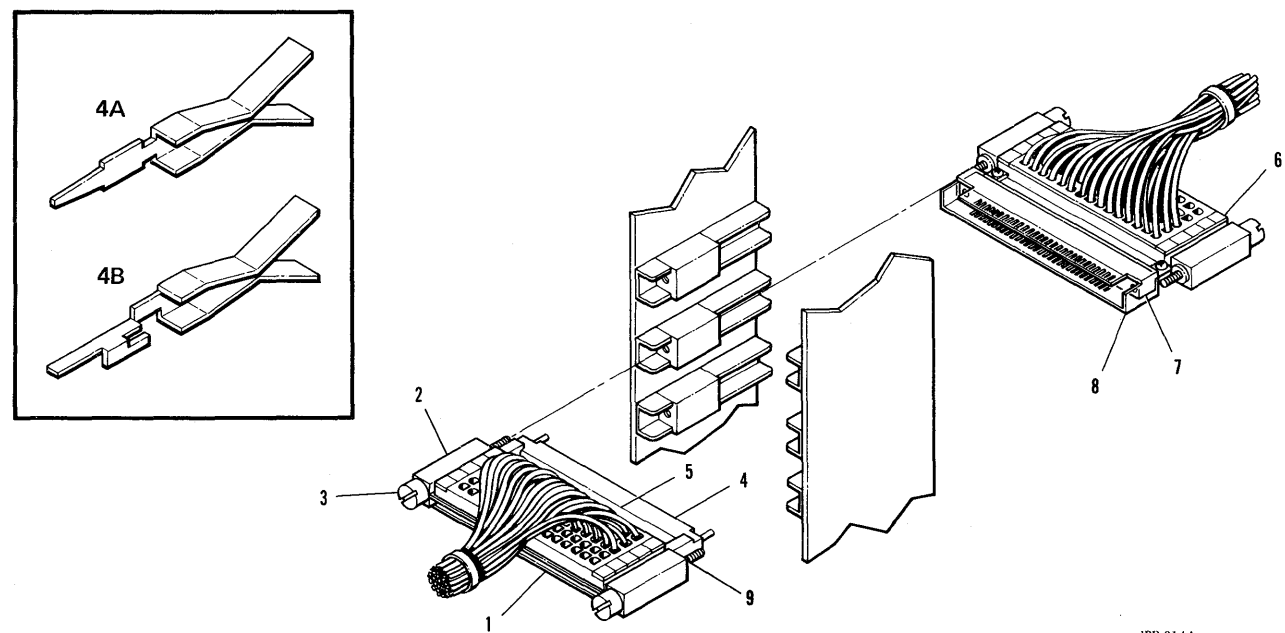


Figure 3-6
Shipping Break Assembly

IPB-014A

Figure 3-5
MCC Card Cover Assembly

ITEM	PART NO.	E/C NO.	QTY	DESCRIPTION
2	310279-200	31510	14	TRANS COVER WITH ACCESS, MCC
3	310150-200	31510	42	TRANSCOVER, MCC
4	310097-200	30925	42	COVER, MCC CARD
5	REFERENCE			CARD, MCC
6	319085-000	23859	8	SCREW, MCC MOUNTING
7	319086-000	21916	8	WASHER, CAPTIVE
8				POST, BUS PLATE SEE FIGURE 3-7
9	310152-200	30589	336	CTC CARD
10	300434-000	31323	1	SOCKET CONNECTOR, FEMALE
*11A	310142-000	31323	100	REPLACEMENT PINS, FEMALE SOCKET
*11B	251012-000	34160	100	REPLACEMENT PINS, FEMALE SOCKET
				CONNECTOR
12	310125-001	30087	2	PIN, CTC OPERATOR

Figure 3-6
Shipping Break Assembly

ITEM	PART NO.	E/C NO.	QTY	DESCRIPTION
1	319042-200			FEMALE I/O CARD, SHIPPING BREAK
2A	310167-000 RT	30493	2	GUIDE, PADDLE CARD
2B	310167-001 LFT	30493	2	GUIDE, PADDLE CARD
3	310165-000			SCREWHEAD, PADDLE CARD GUIDE
				CONNECTOR
* 4A	310142-000	31323	100	REPLACEMENT PINS, FEMALE SOCKET
* 4B	251012-000	34160	100	REPLACEMENT PINS, FEMALE SOCKET
5	300434-000	31323	1	FEMALE SOCKET CONNECTOR
6	319041-200	34313		MALE I/O CARD, SHIPPING BREAK
7	300437-000	31323	1	MALE SOCKET CONNECTOR
8	310101-000	35575	1	CONNECTOR SHROUD

* PINS ARE NOT INTERCHANGEABLE

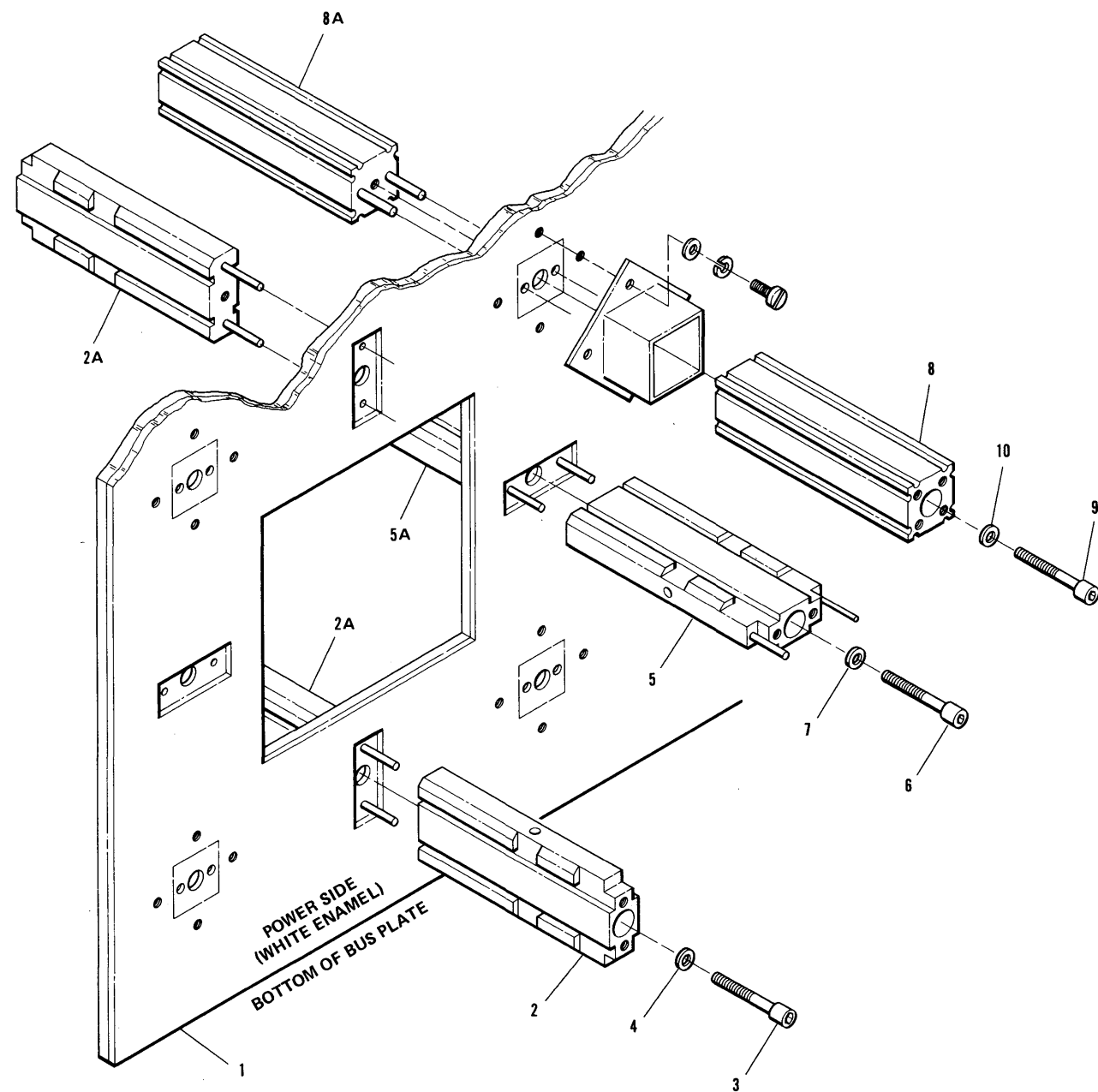


Figure 3-7
Bus Plate, Detail

Figure 3-7
Bus Plate, Detail

ITEM	PART NO.	E/C NO.	QTY	DESCRIPTION
1	312007-000	33003	1	PLATE, BUS
2	310336-200	30798	28	POST, VERTICAL, PWR SIDE (GND)
2A	310337-200	30788	28	POST, VERTICAL, GND. SIDE (GND)
3	317682-035	21274	28	SCREW, ALLEN HEAD
4	310803-001	30788	28	WASHER, FLAT
5	310329-200	30254	24	POST, HORIZONTAL, PWR. SIDE (GND)
5A	310328-200	30254	24	POST, HORIZONTAL, GND. SIDE (GND)
6	317682-035	21274	24	SCREW, ALLEN HEAD
7	310803-002	30788	24	WASHER, FLAT
8	310331-200	30254	32	POST, SQUARE, PWR. SIDE (-5.2V)
8A	310330-200	30254	32	POST, SQUARE, GND. SIDE (-5.2V)
9	317683-030	31081	32	SCREW, ALLEN HEAD
10	310803-002	30788	32	WASHER, FLAT

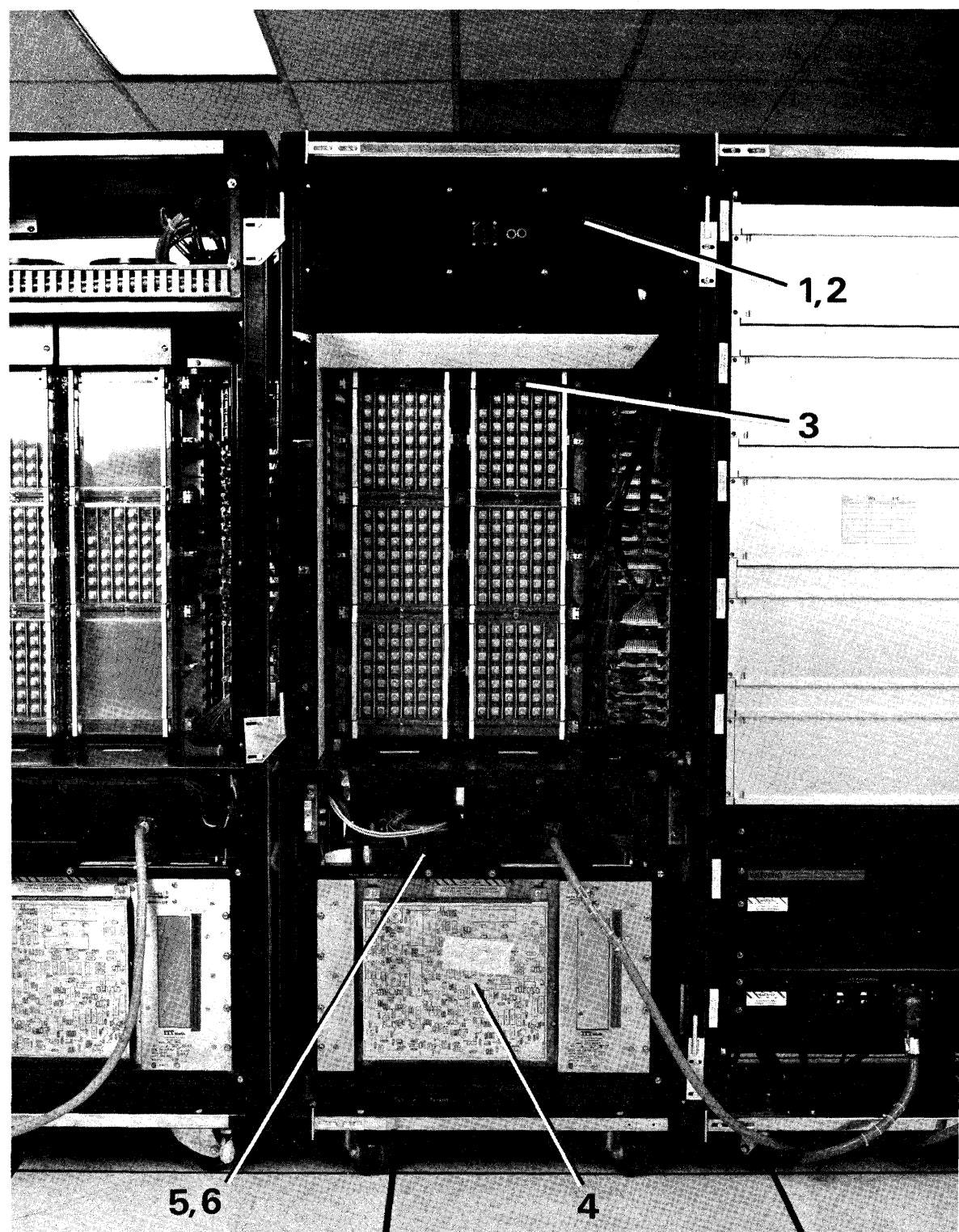


Figure 4-1
C-Unit Photo 1, Side 1

Figure 4-1
C-Unit Photo 1, Side 1

ITEM	PART NO.	E/C NO.	QTY	DESCRIPTION
1	310406-201	35863	1	FAN ASSEMBLY, UPPER
2	207067-002	35529	2	FAN, TARZAN, UPPER
3	SEE NOTE 1.	32991	4	SENSOR ASSEMBLY
4	207045-200	33874	2	POWER SUPPLY, TYPE-1
5	310036-201	31728	2	FAN ASSEMBLY, LOWER
6	207067-002	35529	4	FAN, TARZAN, LOWER

NOTE 1. 310762-200 SENSOR, AIR FLOW/THERMAL ASSEMBLY
 312072-200 SENSOR, THERMAL ASSEMBLY
 513013-201 SENSOR, AIR FLOW ASSEMBLY

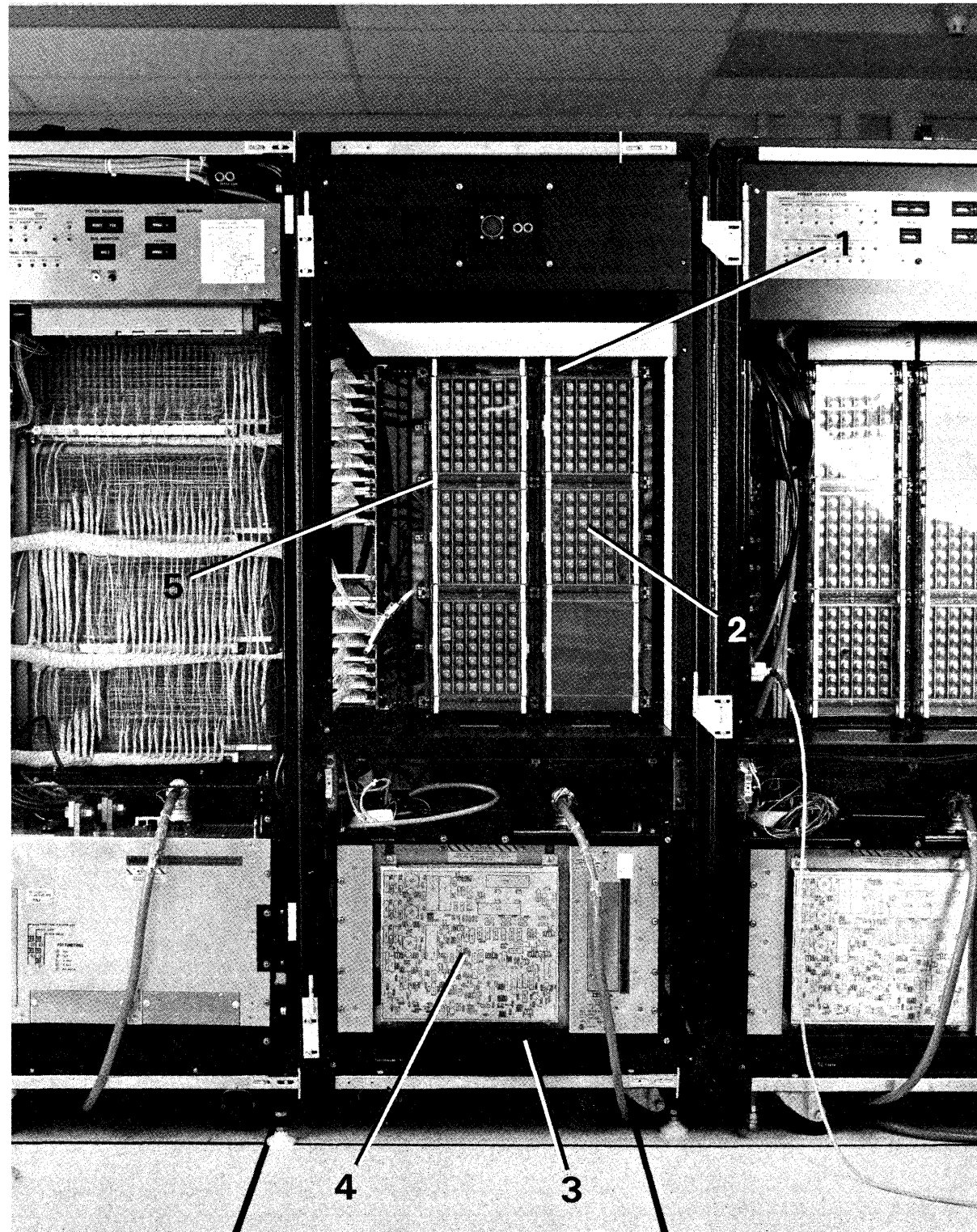
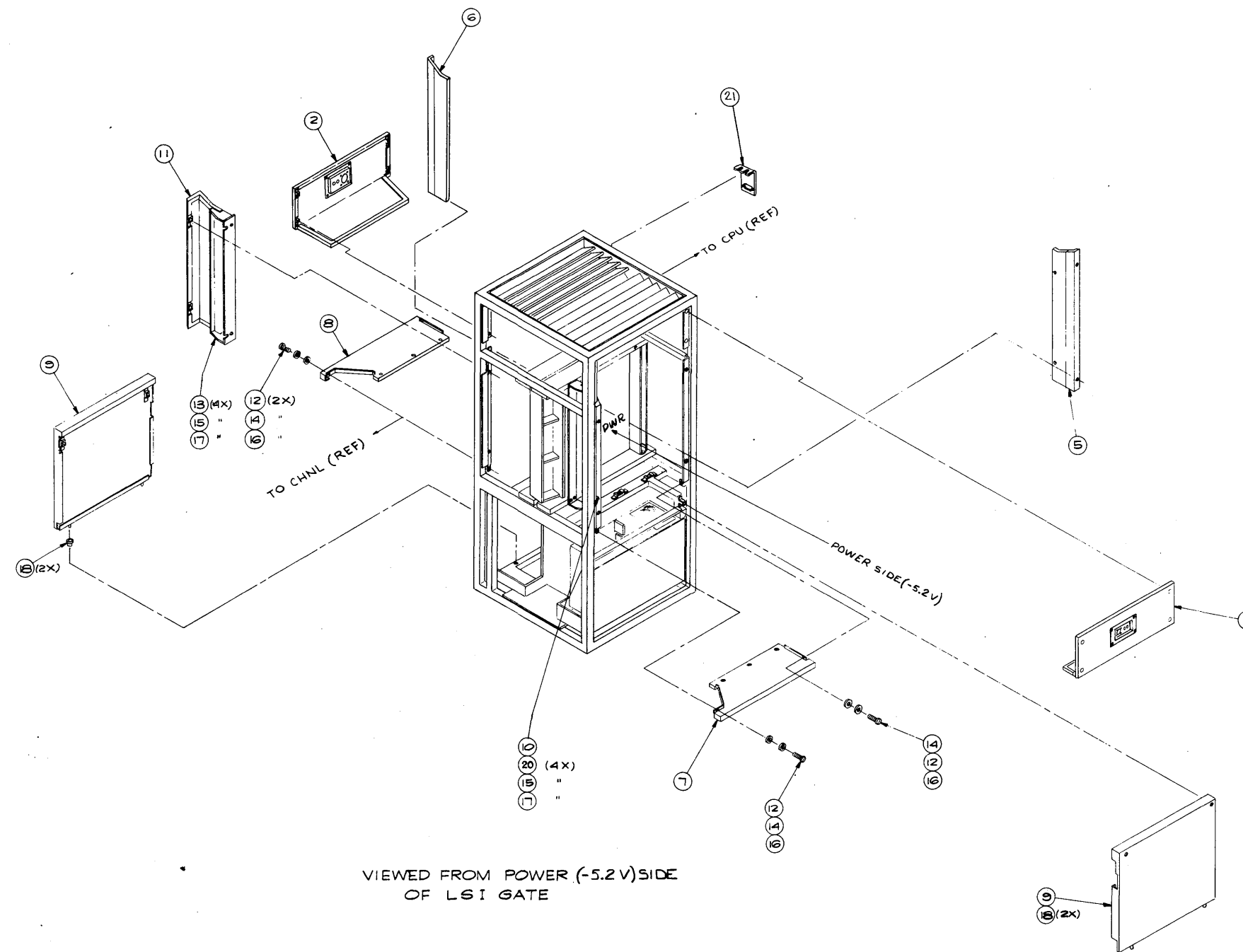


Figure 4-2
C-Unit Photo 2, Side 2

Figure 4-2
C-Unit Photo 2, Side 2

ITEM	PART NO.	E/C NO.	QTY	DESCRIPTION
1	310279-200	31510	4	TRANS, COVER-WITH ACCESS
2	310097-200	30925	12	COVER ASSEMBLY, MCC CARD
3	300201-001	30361	1	FILTER, AIR
4	207045-200	33874	2	POWER SUPPLY, TYPE-1
5	310150-200	31510	12	TRANS, COVER



NOTES:
 1. SEE SEPARATE B/M 312001-202
 2. IDENTIFY PER AMDAHL SPEC 800057-600

Figure 4-3
 C-Unit Internal Appearance
 312001-102

Figure 4-3
C-Unit Internal Appearance

ITEM	PART NO.	E/C NO.	QTY	DESCRIPTION
	312001-202	22587		CHANNEL, LSI E/M
1	312080-201	REV-A	1	ASM, UPPER PNL
2	312080-200	REV-A	1	ASM, UPPER PNL
5	312045-200	15389	1	ASM, PNL CPU SI
6	312045-201	20511	1	ASM, PNL CPU SI
7	312042-200	15389	1	ASM, P.S.COVER
8	312042-201	15389	1	ASM, P.S.COVER
9	312043-200	15108	2	ASM, P.S.PANEL
10	312046-200	15389	1	ASM, PNL CH SID
11	312046-201	15389	1	ASM, PNL CH SID
12	307603-004	21274	4	ACRW83, BINDING HD
13	307604-006	21274	4	SCR1032, BINDING HD
14	307950-003	21274	4	WASHER, SIZE 8
15	307950-004	21274	8	WASHER, SIZE 10
16	307951-003	21274	4	WASHER, SPLIT LOCK
17	307951-004	21274	8	WASHER, SPLIT LOCK
18	307300-008	REV-B	4	INSUL, LG. 3/8
19	312001-102	22587	REF	CHANNEL, LSI E/M
20	307684-008	21274	4	SCREW, CAP HD.HEX
21	315146-008	21274	1	BRACKET, CONNECTOR

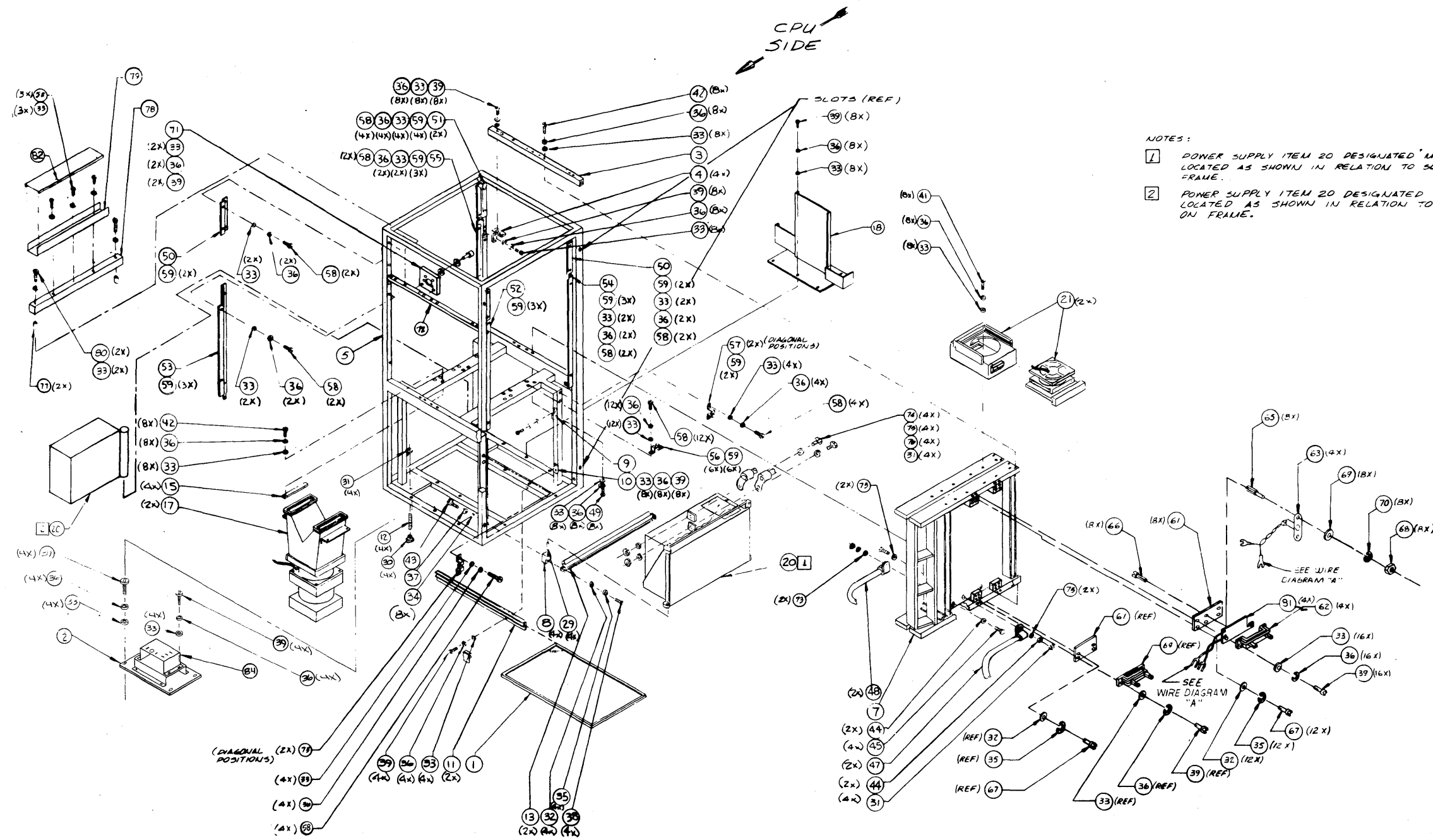


Figure 4-4
C-Unit E/M Breakdown
312002-101

Figure 4-4
C-Unit E/M Breakdown

ITEM	PART NO.	E/C NO.	QTY	DESCRIPTION
1	300201-001	30361	1	FILTER, AIR
2	310686-000	31728	1	BRKT, WELDMENT LSI CHAN
3	312096-000	22351	4	SUPPORT, TUBE
4	300372-000	30322	4	BRKT, GATE SUPT.
5	312005-001	31728	1	FRAME
7	312003-200	31208	1	B/M, CHAN GATE
8	300413-000	22552	4	HINGE, SWINGFRAME
9	300415-001	15793	2	RETAINER, SWINGFRAME
10	300415-002	15793	2	RETAINER, SWINGFRAME
11	300426-000	11314	2	GUIDE, FILTER
12	300427-000	30322	4	STUD, LVL POST
13	312018-000	12715	2	COVER, FILTER ACC
15	300446-000	30385	4	SPACER, LWR COOLING
17	310036-201	31728	2	MECH ASM, LOWER COOLING
18	312017-000	12715	1	SHIELD, AIR
20	300453-200	21764	2	MECH, PWR SUPPLY
21	310406-200	33127	2	MECH ASM, UPPER COOLING
23	312021-001	20744	2	BRACKET, PNL SUPT
29	300512-000	22549	4	PIN, DOWEL
30	307325-001	23901	4	LVF, PT
31	307400-009	16399	12	NUTS, HEX. 50
32	307950-002	21274	16	WASHER, SIZE 6
33	307950-004	21274	145	WASHER, SIZE 10
34	307950-005	21274	8	WASHER, SIZE .250
35	307951-002	21274	16	WASHER, SPLIT LOCK
36	307951-004	21274	140	WASHER, SPLIT LOCK
37	307951-005	21274	8	WASHER, SPLIT LOCK
38	307602-006	21274	4	SCRW632, BINDING HD
39	307604-008	33122	66	SCR1032, BINDING HD
40	307604-010	33122	6	SCR1032, BINDING HD
41	307604-016	33122	8	SCR1032, BINDING HD
42	307604-028	33122	8	SCR1032, BINDING HD
43	307605-024	21274	8	SCREW, 1/4-20B.H.
44	307950-006	21274	4	WASHER, SIZE .312
45	307676-012	33221	4	SCREW, HEX HEAD
47	300382-200	16101	2	HARNESS, PWR SPLY
48	300382-201	16101	2	HARNESS, PWR SPLY
49	307604-048	33122	8	SCR1032, BINDING HD
50	312022-001	22298	2	BRACKET, UP PNL MTG
51	313022-002	22298	2	BRACKET, UP PNL MTG
52	312025-001	22300	1	BRACKET, PNL MNTG
53	312025-002	22300	1	BRACKET, PNL MNTG
54	312026-001	22299	1	BRACKET, PNL MNTG
55	312026-002	22299	1	BRACKET, PNL MNTG
56	300562-000	12396	6	BRACKET, COVER SPRT
57	312021-000	20646	2	BRACKET, PANEL SUPP
58	307604-006	33122	39	SCR1032, BINDING HD
59	300596-003	22983	28	GASTENER, TINNERMAN
60	312002-100	21387	0	MECH, LSI CHANNEL
61	300425-000	30385	8	FILLER, AIR COLUMN
62	300522-201	13690	4	ASM, TRANSITION

ITEM	PART NO.	E/C NO.	QTY	DESCRIPTION
63	312072-200	33343	4	THERMAL, SENSOR
64	300522-200	13690	4	XITION, AIR COLUMN
65	307925-060	16356	8	SPACER, THREAD HEX
66	307641-006	13922	8	SCREW, FLAT HEAD
67	319085-000	23859	12	SCREW, M CC MTG
68	307400-002	16389	8	NUTS, HEX
69	307950-001	21274	8	WASHER, SIZE 4
70	307951-001	21274	8	WASHER, SPLIT LOCK
71	312071-000	22353	1	BRACKET, RECEPTACLE
72	312097-000	22554	1	LSIGATE, UP SUPPORT
73	310263-001	20605	4	WASHER, PWR CABLE
74	307659-024	33225	4	SCREW, HEX HD
75	307950-009	21274	4	WASHER, SIZE .500
76	307951-009	21274	4	WASHER, SPLIT LOCK
77	307925-051	20596	2	SPACER, METAL 1IN.
78	310275-000	20857	1	TUBE, SUPPORT
79	310274-000	21040	1	TROUGH, CABLE
80	307604-036	33122	2	SCR1032, BINDING HD
81	300660-200	32991	4	SENSOR, ASM
82	310281-002	21098	1	TROUGH, COVER
83	307951-006	21274	4	WASHER, SPLIT LOCK
84	310399-201	33480	1	POWER, DIST BOX CPU LSI/CHAN

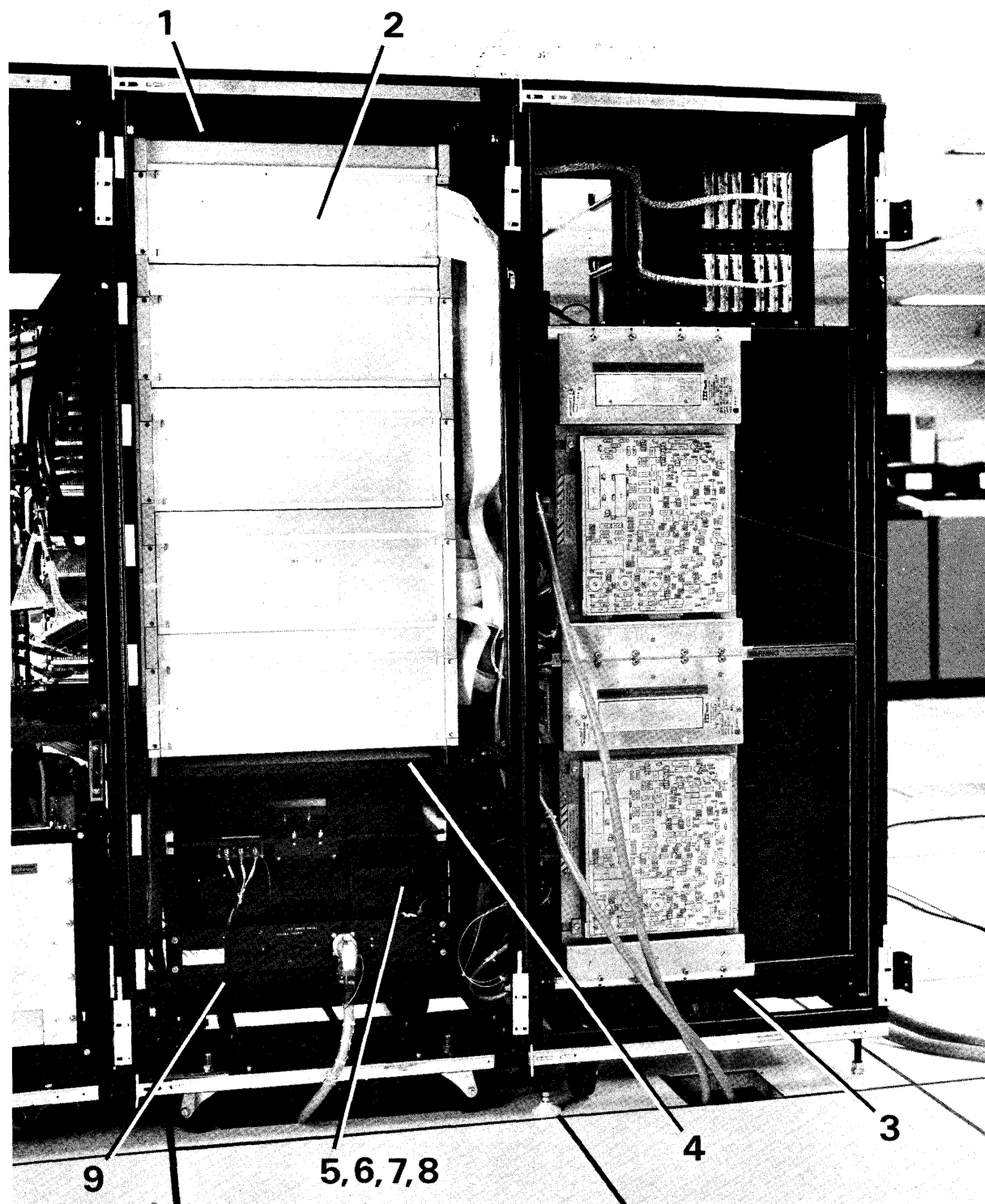


Figure 5-1
Channel/Cable Entry Photo 1, Side 1

Figure 5-1
Channel/Cable Entry Photo 1, Side 1

ITEM	PART NO.	E/C NO.	QTY	DESCRIPTION
1	309015-200	031014	3	SENSOR, THERMAL
2	312516-200	23114	5	ASSEMBLY, DOOR NON-LSI
3	300201-009	30361	1	FILTER, AIR
4	312527-000	016344	1	DIFFUSER, AIR
5	312611-200	30944	1	SEE CHANNEL COOLING ASM WITH BLOWER
6	312607-200	30654	1	ASSEMBLY, BLOWER
7	312503-201	20734	1	SEE CHANNEL COOLING ASM WITH FAN
8	312542-200	14859	3	FAN, PAMOTOR
9	300201-023	020172	1	FILTER, AIR

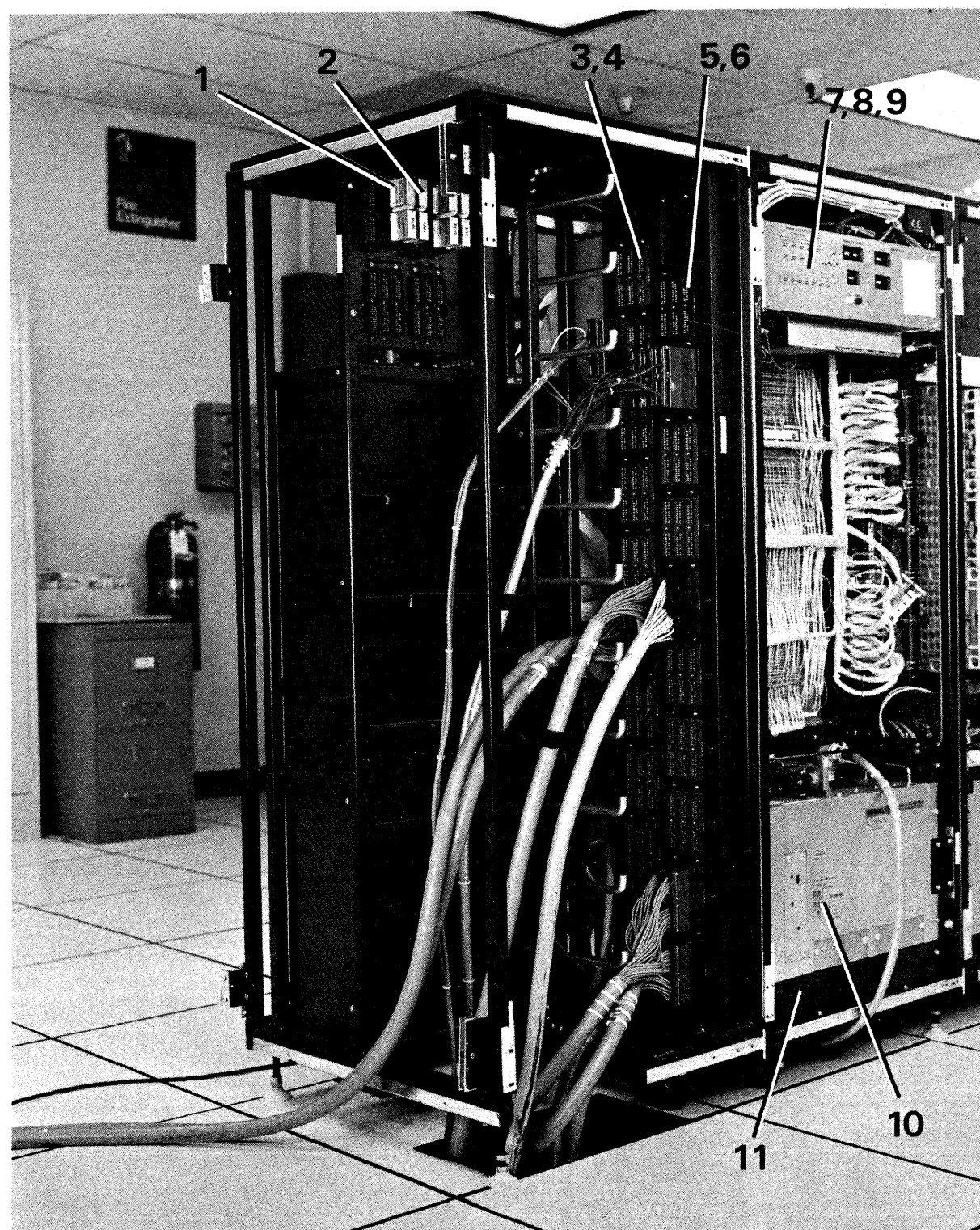


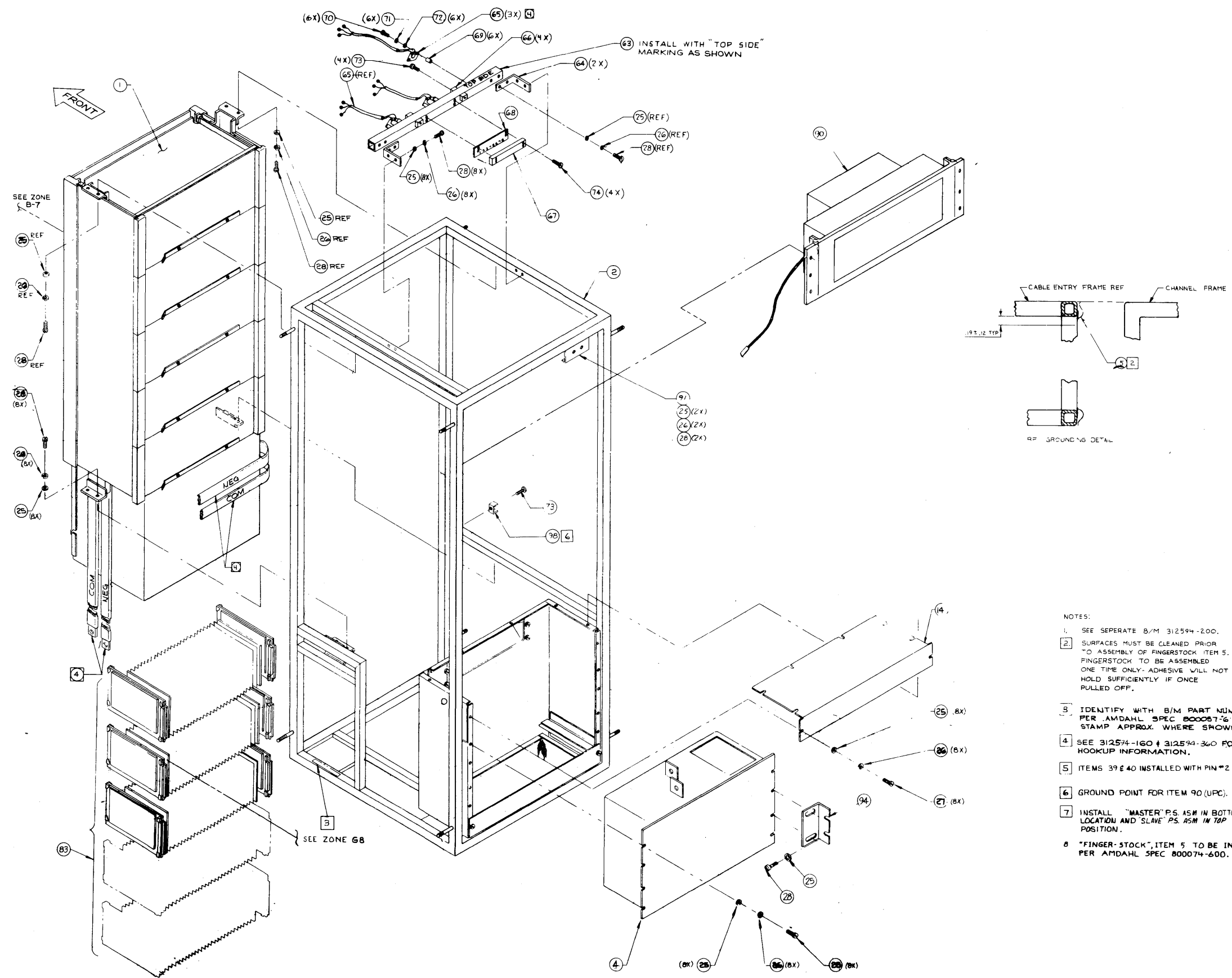
Figure 5-2
Channel/Cable Entry Photo 2, Side 2

Figure 5-2
Channel/Cable Entry Photo 2, Side 2

ITEM	PART NO.	E/C NO.	QTY	DESCRIPTION
1	312509-200	33525	1	BUS
2	312508-200	33525	1	TAG
*3	207398-001	33299	62	BERG CONNECTOR, L-GR
4	207132-007	31368	48	CONTACT PINS, AMPHENAL
	207401-003	31242	48	CONTACT PINS, BERG
*5	207398-002	33299	10	BERG CONNECTOR, D-GR
6	207132-007	31368	48	CONTACT PINS, AMPHENAL
	207401-003	31242	48	CONTACT PINS, BERG
*7	312590-201	31346	1	UPC/OHW E/M ASM
**7	312590-200	35992	1	UPC/CHAN E/M ASM
*8	513030-201	18912	1	PCB, L.E.D.
**8	513016-202	18346	1	PCB, L.E.D.
*9	513031-205	31124	1	PCB, BUS MARGIN
**9	513031-202	19354	1	PCB, BUS MARGIN
10	207045-200	31921	3	POWER SUPPLY, TYPE I
11	300201-209	30361	1	FILTER, AIR

Note:

- * 3 BUS CONFIGURATION (4 ROUND CABLES) SEE 312594-101
- ** 2 BUS CONFIGURATION (2 FLAT CABLES) SEE 312594-100



- NOTES:
1. SEE SEPERATE B/M 312594-200.
 2. SURFACES MUST BE CLEANED PRIOR TO ASSEMBLY OF FINGERSTOCK ITEM 5. FINGERSTOCK TO BE ASSEMBLED ONE TIME ONLY. ADHESIVE WILL NOT HOLD SUFFICIENTLY IF ONCE PULLED OFF.
 3. IDENTIFY WITH B/M PART NUMBER PER AMDAHL SPEC 800074-600. STAMP APPROX. WHERE SHOWN.
 4. SEE 312594-160 & 312594-360 FOR HOOKUP INFORMATION.
 5. ITEMS 39 & 40 INSTALLED WITH PIN #2 UP.
 6. GROUND POINT FOR ITEM 90 (UPC).
 7. INSTALL "MASTER" P.S. 15M IN BOTTOM LOCATION AND "SLAVE" P.S. 15M IN TOP POSITION.
 8. "FINGER-STOCK", ITEM 5 TO BE INSTALLED PER AMDAHL SPEC 800074-600.

Figure 5-3
 Channel/Cable Entry E/M Breakdown,
 2 Bus Configuration (1 of 3)
 312594-100

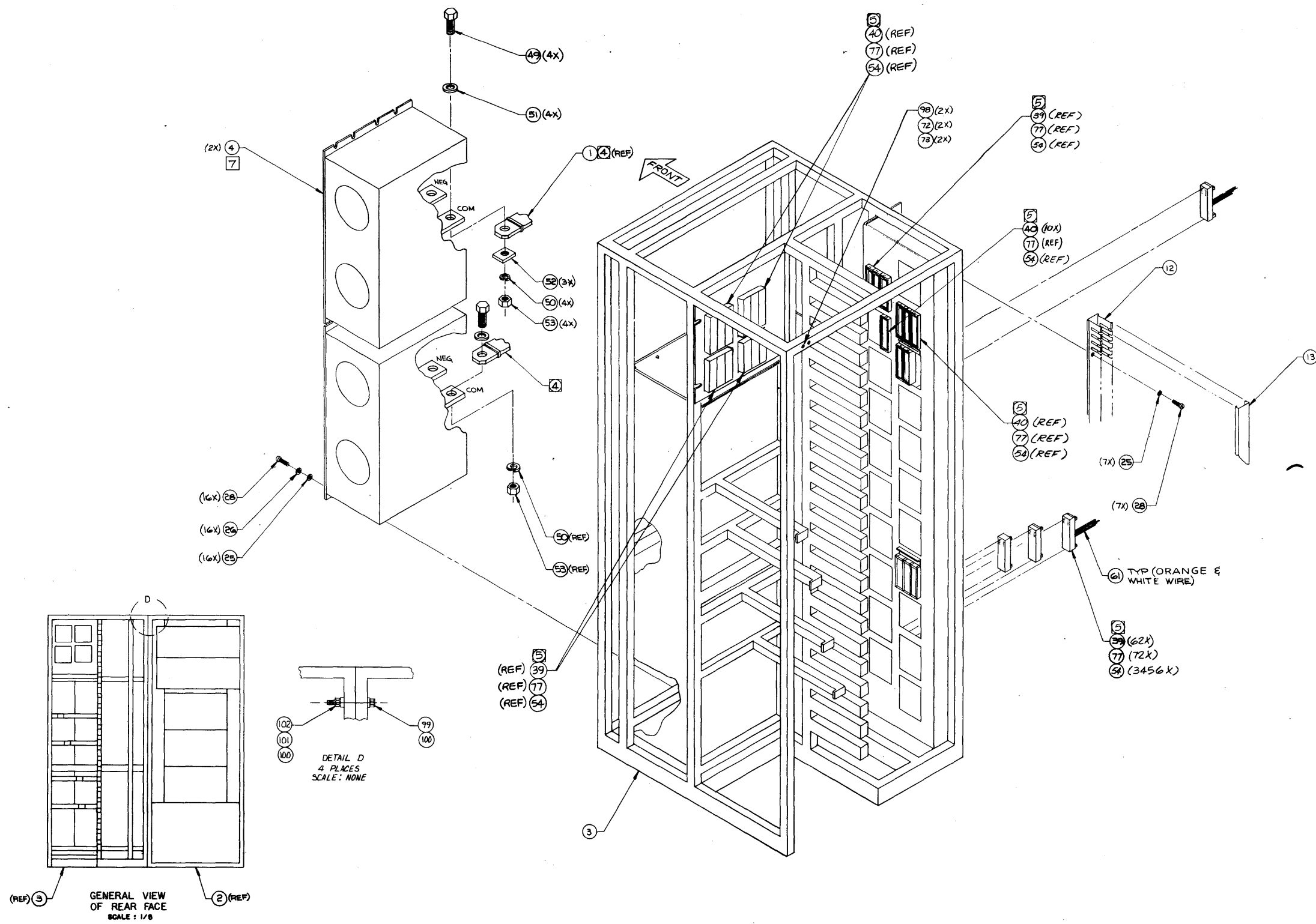


Figure 5-4
Channel/Cable Entry E/M Breakdown,
2 Bus Configuration (2 of 3)
312594-100

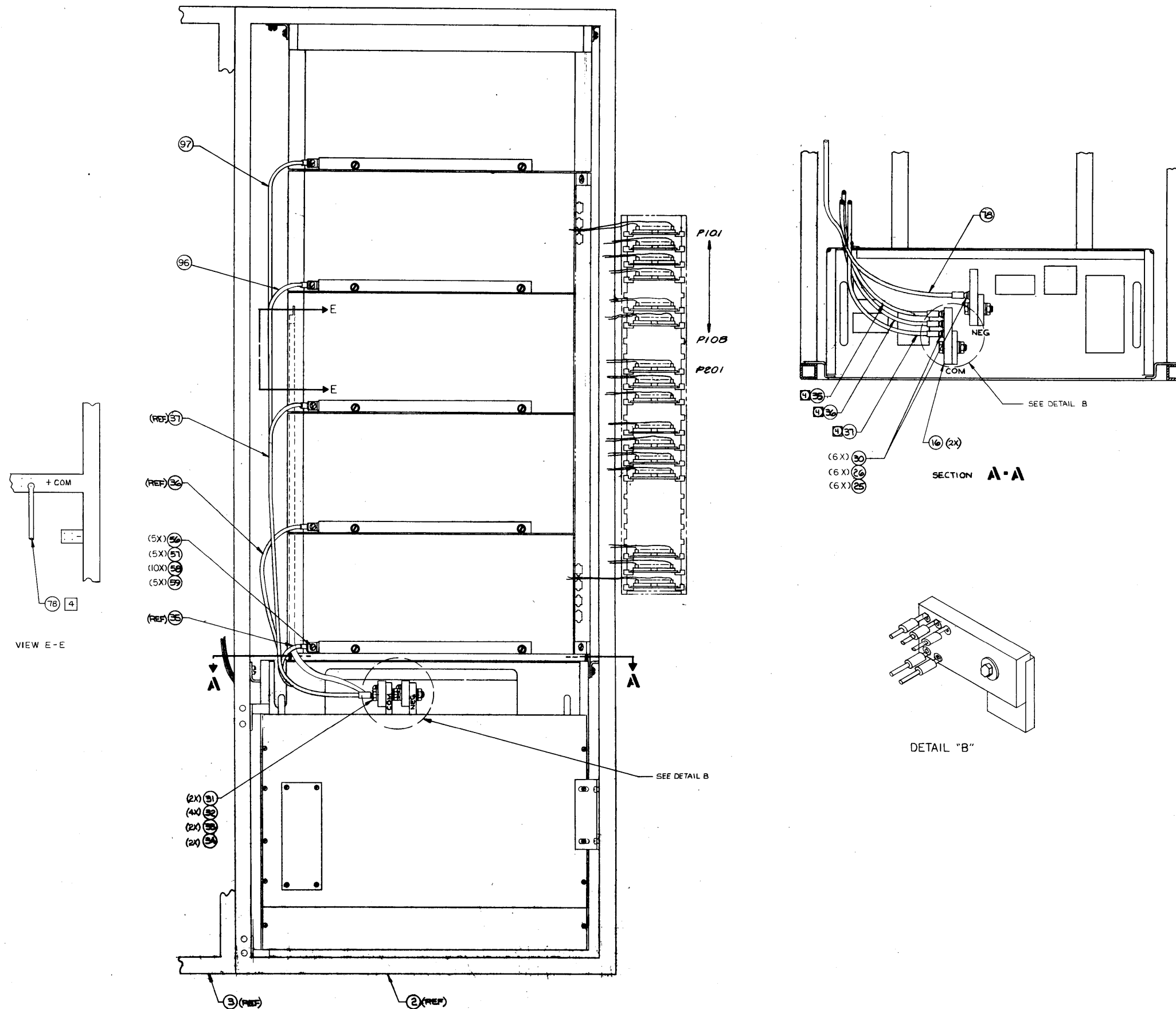
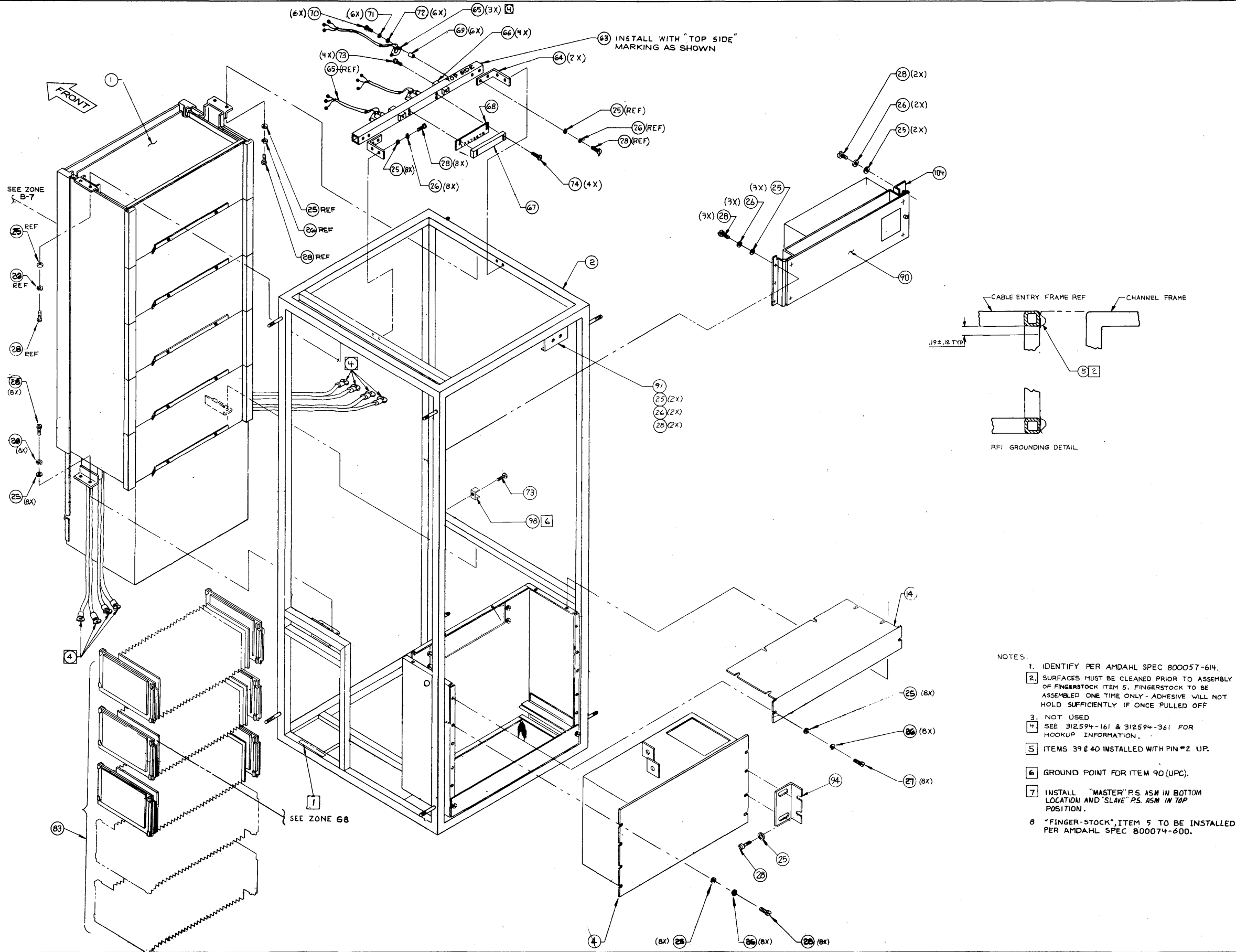


Figure 5-5
Channel/Cable Entry E/M Breakdown,
2 Bus Configuration (3 of 3)
312594-100

Figure 5-3/5-A/5-5
Channel/Cable Entry E/M Breakdown, 2 Bus Configuration

ITEM	PART NO.	E/C NO.	QTY	DESCRIPTION
1	312596-200	32110	1	CHASSIS, E/M CHAN
2	312551-200	22284	1	FRAME, NON LSI CH
3	312562-200	22995	1	CHANNEL, CABLE ENT
4	207045-200	31921	3	POWER SUPPLY, TYPE I
5	207271-000	23897	2	STRIP, CONTACT
12	307965-012	32481	4	WIRE, DUCT
13	307966-003	23901	4	COVER, WIRE DUCT
14	312578-000	30361	1	COVER, P/S
16	312565-000	21038	2	ADAPTER, P/S LUG
25	317950-003	21274	65	WASHER, FLT M5
26	317951-003	21274	56	WASHER, SP LK M5
27	317603-008	21274	8	SCREW, FLHD M5X18
28	317603-010	21274	51	SCREW, FIL HD M5
30	317603-014	21274	6	SCREW, FLHD M5X18
31	317676-035	21274	2	SCREW, HEX HD
32	317950-006	21274	4	WASHER, FLT.METRIC
33	317951-006	21274	2	WASHER, SPLT.LK.ME
34	317400-006	21274	2	NUTS, HEX,METRIC
35	302100-205	20755	1	CABLE, P/S 31.0
36	302100-206	20755	1	CABLE, P/S 38.5
37	302100-207	20755	1	CABLE, P/S 46.0
38	312594-100	32901	62	CHNL, MAINFRAME
39	207398-001	23771	62	CONN, 48PIN L-GR
40	207348-002	23771	10	CONN, 48PIN D-GR
43	312594-410	32166	0	CHANL, COM TECH
44	312594-411	32166	0	CHANL, COM TECH
45	312594-490	31159	0	CHANL, COM TECH
46	312594-360	22954	0	SCHEMAT, CHANL
48	312594-480	30230	0	CHAN, CCIP
49	307679-024	21390	4	SCREW, HEX HD
50	307951-009	21274	4	WASHER, SPLIT LOCK
51	307950-009	21274	4	WASHER, SIZE .500
52	302048-000	11898	3	PLATE, NUT, P/S
53	307400-009	16389	4	NUTS, HEX. 50
54	207132-007	21912	3456	LUG, LOOSE
56	317602-008	21274	3	SCREW, M4
57	317951-002	21274	3	WASHER, SPLT.LK.ME
58	317950-002	21274	6	WASHER, FLT,METRIC
59	317400-002	21274	3	NUTS, HEX,METRIC
61	207015-000	31917	3200	WIRE, 100 OHM
63	312570-000	22631	1	SUPPORT, SENSOR CHN
64	300372-000	30322	2	BRKT, GATE SUPT.
65	309015-200	31401	3	SENSOR, THERMAL
66	000053-004	13987	4	MOUNT, TIE WRAP
67	207204-000	15791	1	BLOCK, TERM
68	207240-000	22581	1	STRIP, MARKER
69	307925-002	31537	6	SPACER, FIBER
70	317601-014	21274	6	SCREW, FL HD M3
71	317950-001	21274	10	WASHER, SP LK M3
72	317950-001	21274	12	WASHER, FLT M3
73	317601-005	21274	6	SCREW, M3

ITEM	PART NO.	E/C NO.	QTY	DESCRIPTION
74	317602-014	21274	4	SCREW, M4
75	312594-260	22271	1	ROUTING, CHAN
76	312554-250	30447	1	LABEL, INSTALLATN
77	000003-002	15737	72	STN RLF, 48 PIN CON
78	302100-210	20755	1	CABLE, P/S 56.0
83	312572-200	32147	1	CHANNEL, CARD INST
84	312594-425	18469	0	CHANL, COM TECH
86	312594-700	32166	0	E/C, HISTORY
90	312590-200	23509	1	UPC/CHN, E/M ASM
91	315143-000	22924	1	BRACKET, CONNECTOR
92	312514-435	17290	1	BUS, CHANNEL FR
93	207156-000	15193	200	WIRE, SINGLE CON
94	312585-000	30529	1	BRACKET, LOCK
96	302100-208	20755	1	CABLE, P/S 53.5
97	302100-209	20755	1	CABLE, P/S 61.0
98	207190-000	12885	3	TAB, MALE
99	307676-040	21390	4	SCREW, HEX HEAD
100	307950-006	21274	8	WASHER, SIZE .312
101	307951-006	21274	4	WASHER, SPLIT LOCK
102	307400-007	16380	4	NUTS, HEX
103	312594-660	22892	0	CCI, PROCESSOR



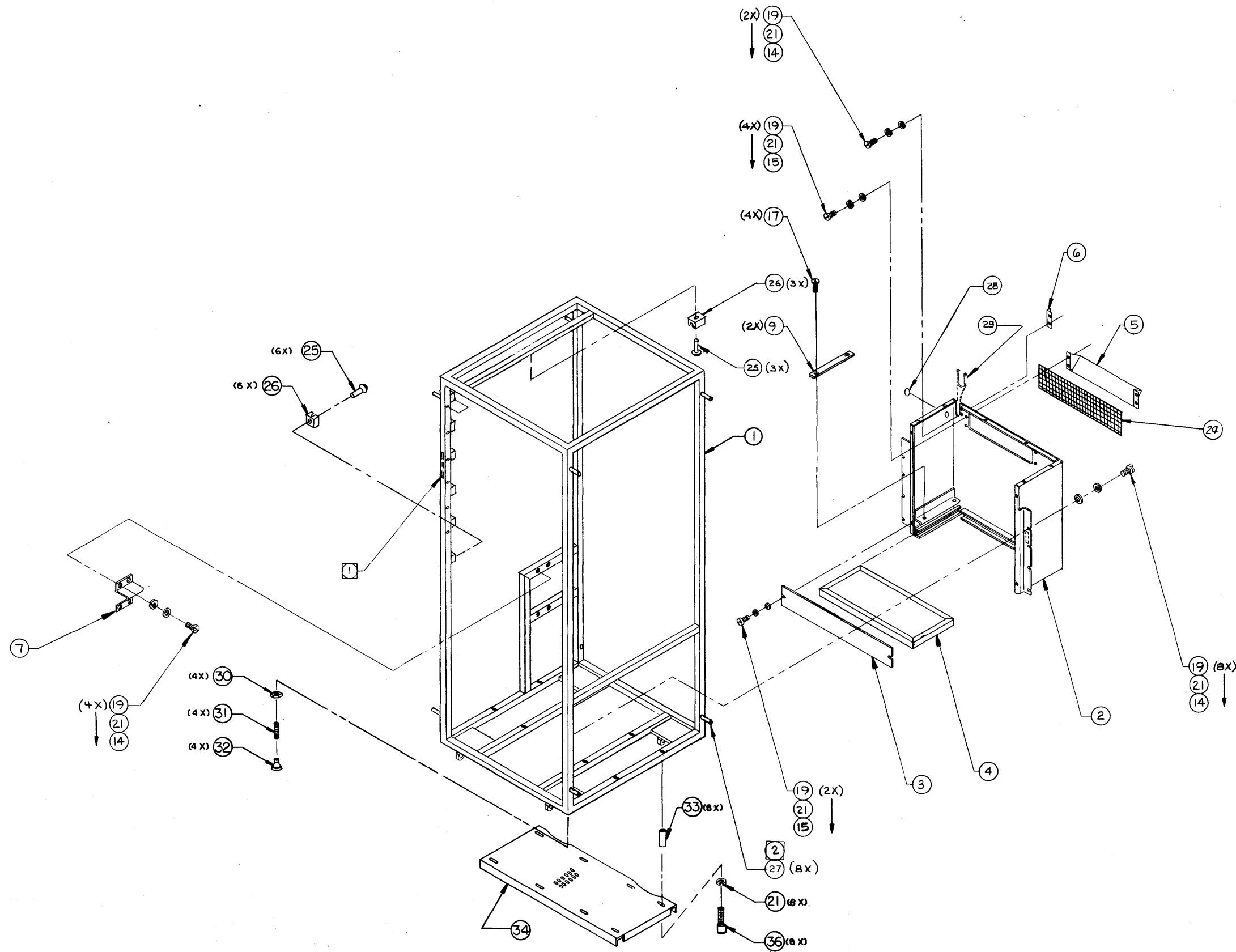
- NOTES:
1. IDENTIFY PER AMDAHL SPEC 800057-614.
 2. SURFACES MUST BE CLEANED PRIOR TO ASSEMBLY OF FINGERSTOCK ITEM 5. FINGERSTOCK TO BE ASSEMBLED ONE TIME ONLY - ADHESIVE WILL NOT HOLD SUFFICIENTLY IF ONCE PULLED OFF.
 3. NOT USED
 4. SEE 312594-161 & 312594-361 FOR HOOKUP INFORMATION.
 5. ITEMS 39 & 40 INSTALLED WITH PIN #2 UP.
 6. GROUND POINT FOR ITEM 90 (UPC).
 7. INSTALL "MASTER" P.S. ASM IN BOTTOM LOCATION AND "SLAVE" P.S. ASM IN TOP POSITION.
 8. "FINGER-STOCK", ITEM 5 TO BE INSTALLED PER AMDAHL SPEC 800074-600.

Figure 5-6
 Channel/Cable Entry-E/M Breakdown,
 3 Bus Configuration
 312594-101

Figure 5-6
Channel/Cable Entry E/M Breakdown, 3 Bus Configuration

ITEM	PART NO.	E/C NO.	QTY	DESCRIPTION
1	312596-201	31013	1	E/M, CHANNEL
2	312591-200	22284	1	FRAME, NON LSI CH
3	312562-200	22995	1	CHANNEL, CABLE ENT
4	207045-200	31921	3	POWER SUPPLY, TYPE I
5	207271-000	23897	2	STRIP, CONTACT
12	307965-012	32481	4	WIRE, DUCT
13	307066-003	23901	4	COVER, WIRE DUCT
14	312578-000	30361	1	COVER, P/S
16	312565-000	21038	2	ADAPTER, P/S LUG
25	317950-003	21274	70	WASHER, FLT M5
26	317951-003	21274	61	WASHER, SP LK M5
27	317603-008	21274	8	SCREW, FLHD M5X18
28	317603-010	21274	56	SCREW, FIL HD M5
30	317603-014	21274	6	SCREW, FLHD M5X18
31	317676-035	21274	2	SCREW, HEX HD
32	317950-006	21274	4	WASHER, FLT.METRIC
33	317951-006	21274	2	WASHER, SPLT.LK.M8
34	317400-006	21274	2	NUTS, HEX,METRIC
35	302100-205	20755	1	CABLE, P/S 31.0
36	302100-206	20755	1	CABLE, P/S 38.5
37	302100-207	20755	1	CABLE, P/S 46.0
38	312594-101	32901	0	CHANNEL, MAINFRAME
39	207398-001	23771	62	CONN, 48PIN L-GR
40	207398-002	23771	10	CONN, 48PIN D-GR
43	312594-410	32166	0	CHANL, COM TECH
44	312594-411	32166	0	CHANL, COM TECH
45	3125940490	31159	0	CHANL, COM TECH
46	312594-361	30218	0	SCHEM, CHANNEL
48	312594-480	30230	0	CHAN, CCIP
49	307679-024	21390	4	SCREW, HEX HD
50	307951-009	21274	4	WASHER, SPLIT LOCK
51	307950-009	21274	4	WASHER, SIZE .500
52	302048-000	11898	4	PLATE, NUT
53	307400-009	16389	4	NUTS, HEX. 50
54	207132-007	21912	3456	LUG, LOOSE
56	317602-008	21274	3	SCREW, M4
57	317951-002	21274	3	WASHER, SPLT.LK.ME
58	317950-002	21274	6	WASHER, FLT,METRIC
59	317400-002	21274	3	NUTS, HEX,METRIC
61	207015-000	31917	3200	WIRE, 100 OHM
63	312570-000	22631	1	SUPPORT, SENSOR CHN
64	300372-000	30322	2	BRKT, GATE SUPT.
65	309015-200	31401	3	SENSOR, THERMAL
66	000053-004	14987	4	MOUNT, TIE WRAP
67	207204-000	15791	1	BLOCK, TERM
68	207240-000	22581	1	STRIP, MARKER
69	307925-002	31537	6	SPACER, FIBER
70	317601-014	21274	6	SCREW, FL HD M3
71	317951-001	12274	10	WASHER, SP LK M3
72	317950-001	21274	12	WASHER, FLT M3
73	317601-005	21274	6	SCREW, M3

ITEM	PART NO.	E/C NO.	QTY	DESCRIPTION
74	317602-014	21274	4	SCREW, M4
75	312594-261	30805	1	ROUTING, CHANNEL
76	312594-250	30447	1	LABEL, INSTALLATN
77	000003-002	15737	72	STN, RLF 48 PIN CON
78	302100-210	20755	1	CABLE, P/S 56.0
83	312572-200	32147	1	CHANNEL, CARD INST
84	312594-425	18469	0	CHANL, COM TECH
86	312594-700	32166	0	E/C, HISTORY
90	312590-201	31346	1	UPC/CHN, E/M ASM
91	315143-000	22924	1	BRACKET, CONNECTOR
92	312514-435	17290	0	BUS, CHANNEL FR
93	207156-000	15193	200	WIRE, SINGLE CON
94	312585-000	30529	1	BRACKET, LOCK
96	302100-208	20755	1	CABLE, P/S 53.5
97	302100-209	20755	1	CABLE, P/S 61.0
98	207190-000	12885	3	TAB, MALE
99	307676-040	21390	8	WASHER, SIZE .312
100	307950-006	21274	4	WASHER, SPLIT LOCK
101	307951-006	21274	4	WASHER, SPLIT LOCK
102	307400-007	16389	4	NUTS, HEX
103	312594-660	22892	0	CCI, PROCESSOR
104	315182-000	23759	1	UPC, STOP BRKT



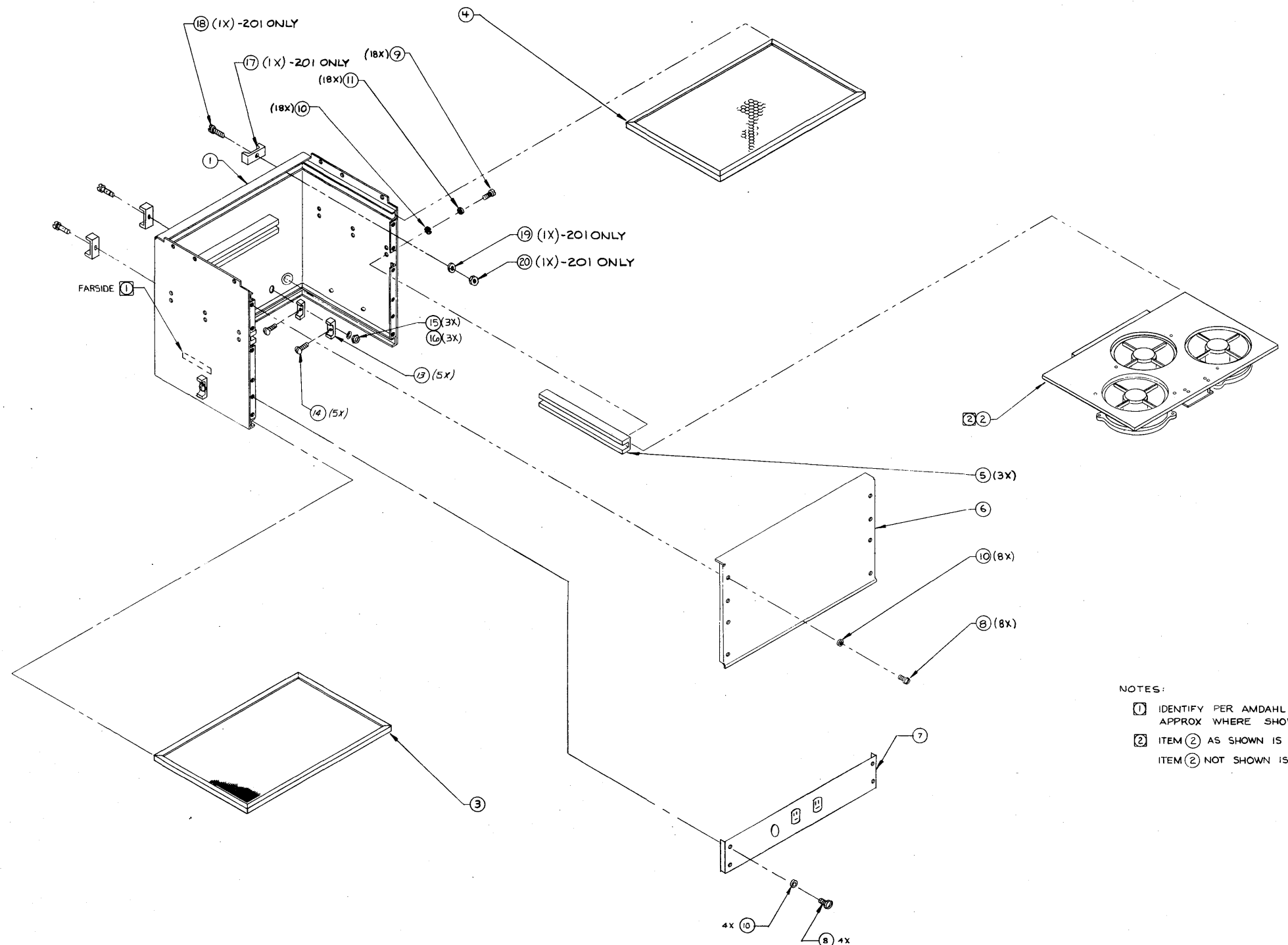
NOTES

- ① IDENTIFY PER AMDAHL SPEC 800057-614 APPROX WHERE SHOWN.
- ② INSTALL WITH HEAD ON INSIDE OF FRAME. TEMPORARILY RETAIN WITH TAPE UNTIL MATED WITH ADJACENT FRAME,

Figure 5-7
Channel Mechanical Frame Breakdown
312541-100

Figure 5-7
Channel Mechanical Frame Breakdown

ITEM	PART NO.	E/C NO.	QTY	DESCRIPTION
1	312532-000	31031	1	FRAME, BAS LOGIC
2	312531-000	30322	1	CHASSIS, POWR SUPLY
3	301077-000	30424	1	COVER' FILTER
4	300201-009	30361	1	FILTER, AIR
5	301076-001	30405	1	BAFFLE, AIR
6	301075-001	30527	1	BRACKET, STRAIN REL
7	312535-000	30420	1	BRACKET, CHASIS/MNT
9	301078-002	30901	2	SLIDE, PWR SUPPLY
14	317603-010	21274	14	SCREW, FIL HD M5
15	317603-008	21274	6	SCREW, FLHD M5X18
17	317643-006	23274	4	SCREW, FLAT HD
19	317950-003	21274	290	WASHER, FLT M5
21	317951-003	21274	33	WASHER, SP LK M5
23	312541-100	30901	REF	FRAME, MECH
24	312063-000	30424	1	SCREEN, SAFETY
25	317601-006	21274	9	SCREW, FL HD
26	000053-003	14987	9	MOUNT, TIE WRAP
27	307676-024	21390	8	SCREW, HEX HEAD
28	307075-006	23900	1	BUSHING, UNIVERSAL
29	307196-001	30371	7	GROMMET, CATPLR EXT
30	307400-009	16389	4	NUTS, HEX. 50
31	300427-001	30322	4	TAB, ON OFF
32	307325-001	23901	4	LVF FT
33	307925-051	20596	8	SPACER, METAL 1IN.
34	312087-000	21502	1	SCREEN, BOTTOM
36	317683-035	21274	8	SCREW, CAP HD

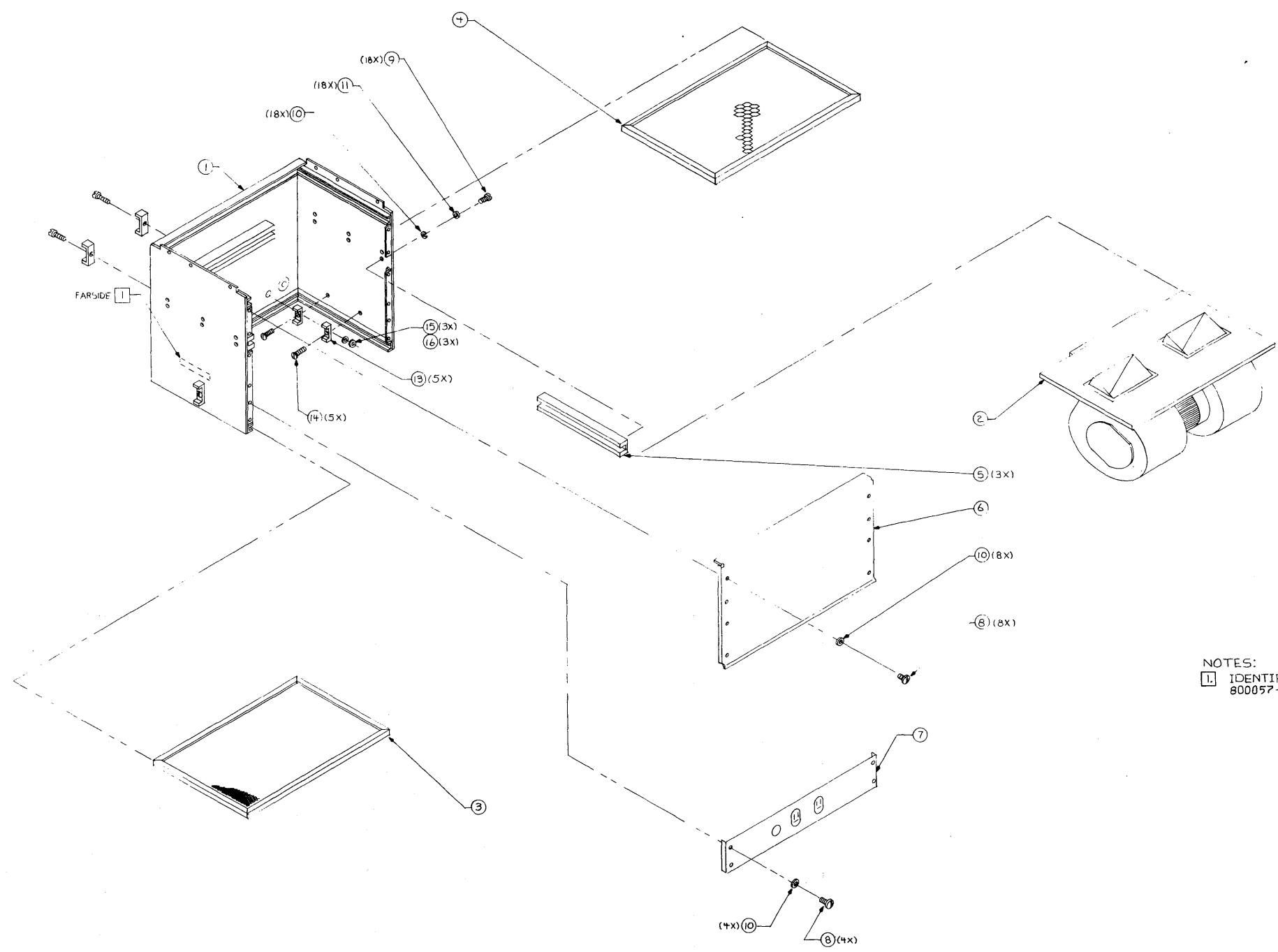


- NOTES:
- ① IDENTIFY PER AMDAHL SPEC 800057-600 APPROX WHERE SHOWN.
 - ② ITEM ② AS SHOWN IS -101 VERSION. ITEM ② NOT SHOWN IS -102 VERSION.

Figure 5-8
Channel Lower Cooling Assembly, 3 Fan Configuration
312503-1XX

Figure 5-8
Channel Lower Cooling Assembly, 3 Fan Configuration

ITEM	PART NO.	E/C NO.	QTY	DESCRIPTION
1	312529-000	20731	1	FAN, HOUSING
2	312539-200	74335	1	FAN, 3 POS
3	300201-023	20172	1	FILTER, AIR
4	312527-000	16344	1	DIFFUSR, AIR
5	312528-000	20222	3	SLIDE, FAN PLATE
6	312530-000	20181	1	COVER, UPPER
7	312068-200	20307	1	PWR PNL, LOWER
8	317602-008	16356	12	SCREW, M4
9	317602-010	16356	18	SCREW, M4
10	317950-002	REV-B	30	WASHER, FLT,METRIC
11	317951-002	REV-B	18	WASHER, SPLT.LK.ME
12	312503-101	20734	REF	COOLING, NON-LSI CH
13	000053-004	14987	5	MOUNT, TIE WRAP
14	317601-005	16356	5	SCREW, M3
15	317400-001	REV-C	3	NUTS, HEX,METRIC
16	317951-001	REV-B	3	WASHER, SPLT.LK.ME
17	000053-001	14987	1	TIE, MNT CABLE
18	317603-010	16356	1	SCRFLHD M5X05
19	317951-003	74235	1	WASHER, SPLT.LK.ME
20	317400-003	74267	1	NUTS, HEX,METRIC



NOTES:
 1. IDENTIFY PER AMDAHL SPECIFICATION 800057-614. APPROX. WHERE SHOWN.

Figure 5-9
 Channel Lower Cooling Assembly, Blower Configuration
 312611-100

Figure 5-9
Channel Lower Cooling Assembly, Blower Configuration

ITEM	PART NO.	E/C NO.	QTY	DESCRIPTION
1	312529-000	20731	1	FAN, HOUSING
2	312607-200	23660	1	COOLING, NON LSI
3	300201-023	20172	1	FILTER, AIR
4	312527-000	16344	1	DIFFUSR, AIR
5	312528-000	20222	3	SLIDE, FAN PLATE
6	312580-000	22619	1	COVER, UPPER
7	312068-200	20307	1	PWR, PNL LOWER
8	317602-008	21274	12	SCREW, M4
9	317602-010	21274	18	SCREW, M4
10	317950-002	21274	30	WASHER, FLT,METRIC
11	317951-002	21274	18	WASHER, SPLT.LK.ME
12	312611-100	23658	REF	COOLING, NON LSI
13	000053-004	14987	5	MOUNT, TIE WRAP
14	317601-005	21274	5	SCREW, M3
15	317400-001	21274	3	NUTS, HEX,METRIC
16	317951-001	21274	3	WASHER, SP LK M3
17	000053-001	14987	1	TIE, MNT CABLE
18	317603-010	21274	1	SCREW, FIL HD M5
19	317951-003	21274	1	WASHER, SP LK M5
20	317400-003	21274	1	NUTS, HEX,METRIC

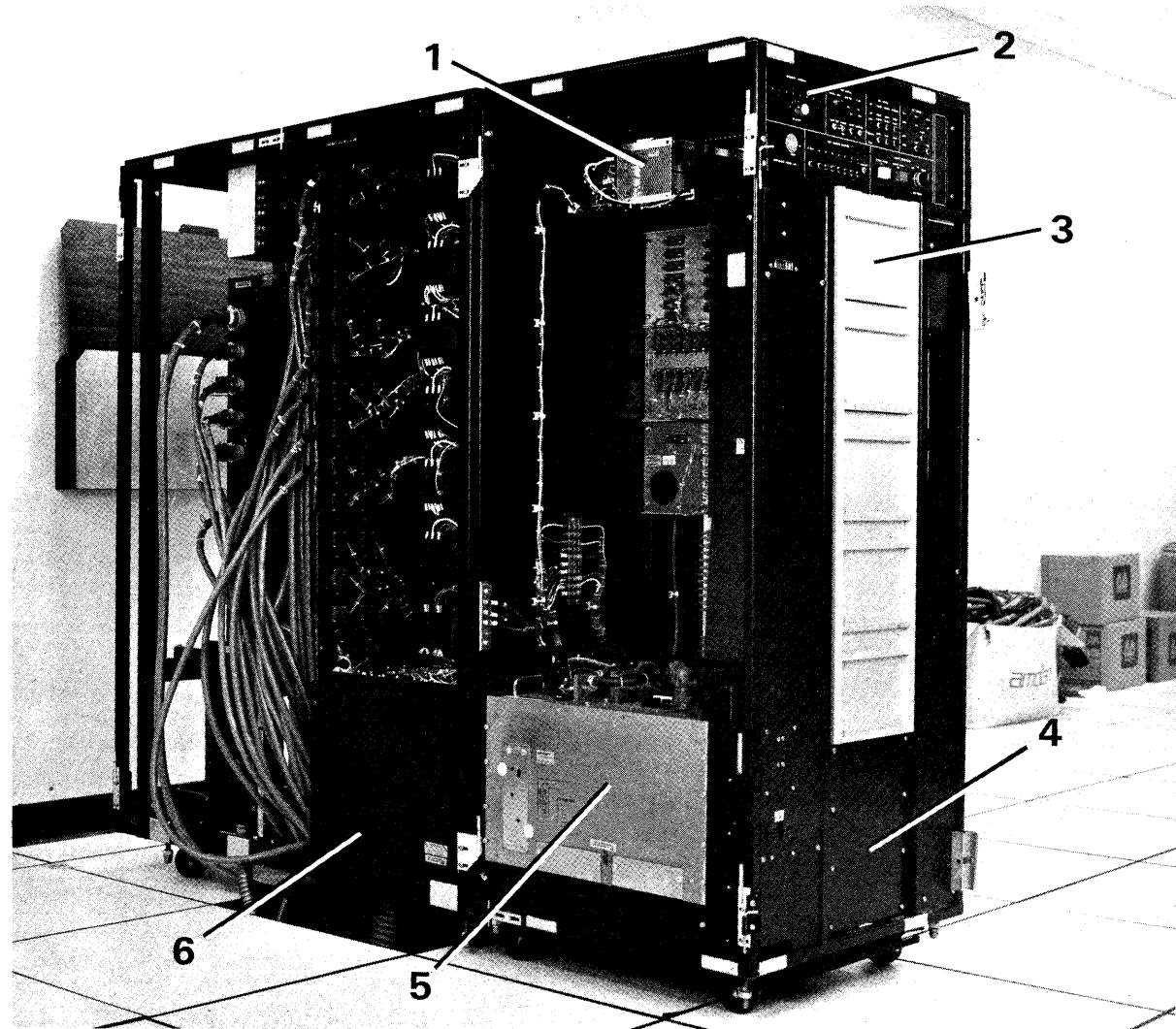


Figure 6-1
PDU MOD-1 Photo 1, Front and Left Side

Figure 6-1
PDU MOD-1 Photo 1, Front and Left Side

ITEM	PART NO.	E/C NO.	QTY	DESCRIPTION
1	207335-000	20783	1	POWER SUPPLY, 24V
2	315072-200	22797	1	SEE CE PANEL ASM, PDU LOGIC
3	311013-200	31058	5	ASM, DOOR PDU
*4	315108-200	22872	1	SEE ASM COOLING, LOGIC SECTION
5	207045-200	31921	1	POWER SUPPLY, TYPE I - 5.2V
6	315032-201	22865	1	SEE ENCLOSURE ASSEMBLY 400 HZ SAFETY

*See MOD 2, 3, 4

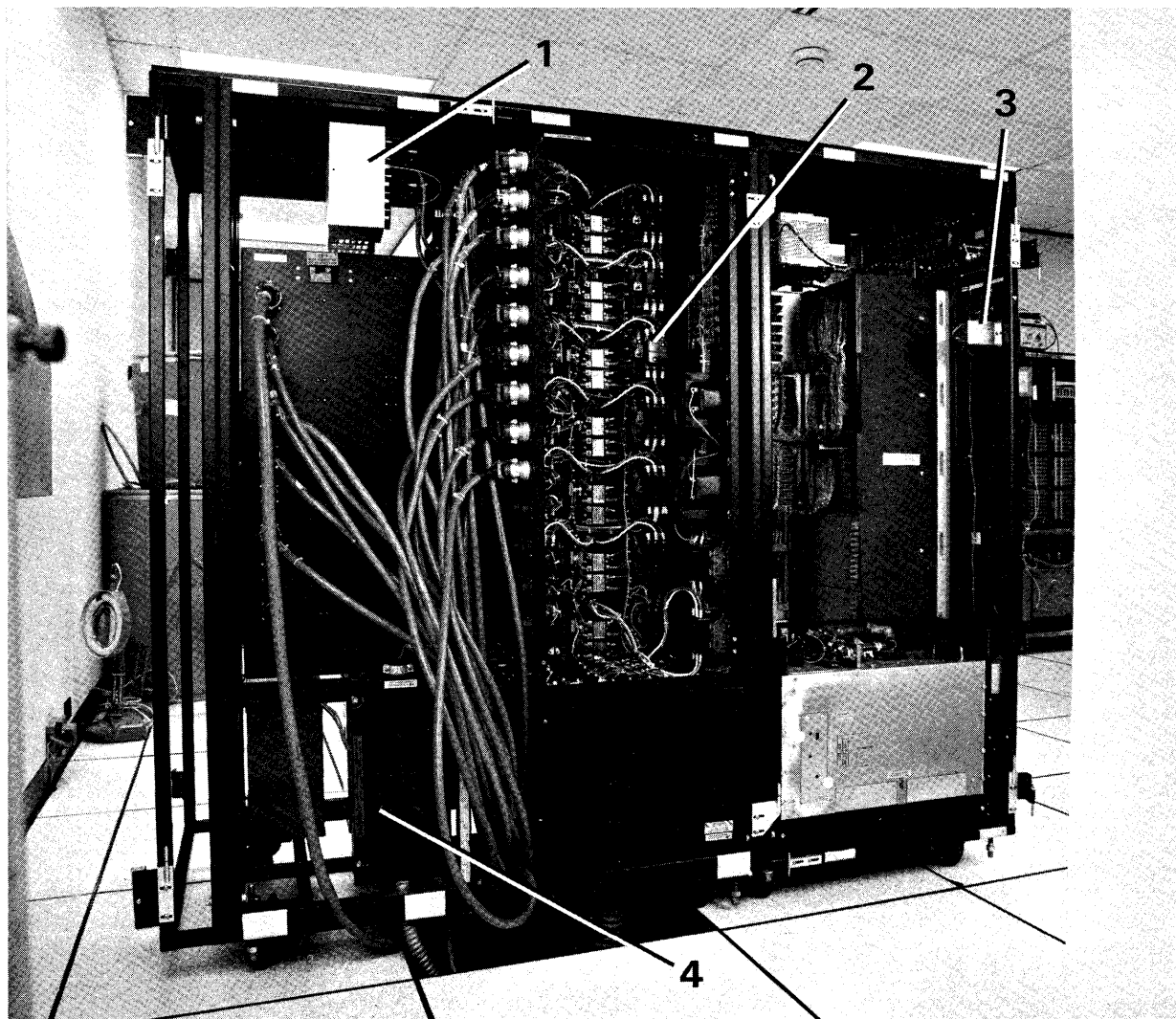


Figure 6-2
PDU MOD-1 Photo 2, Left Side

Figure 6-2
PDU MOD-1 Photo 2, Left Side

ITEM	PART NO.	E/C NO.	QTY	DESCRIPTION
1	315031-200	22211	1	E/M BOX ASM, PDU LOGIC
2	315224-200	22324	1	SEE ENCLOSURE ASM, 400 HZ
3	207076-000	14696	1	METER, ELAPSED TIME
4	305147-200	21237	1	LINE FILTER, PDU

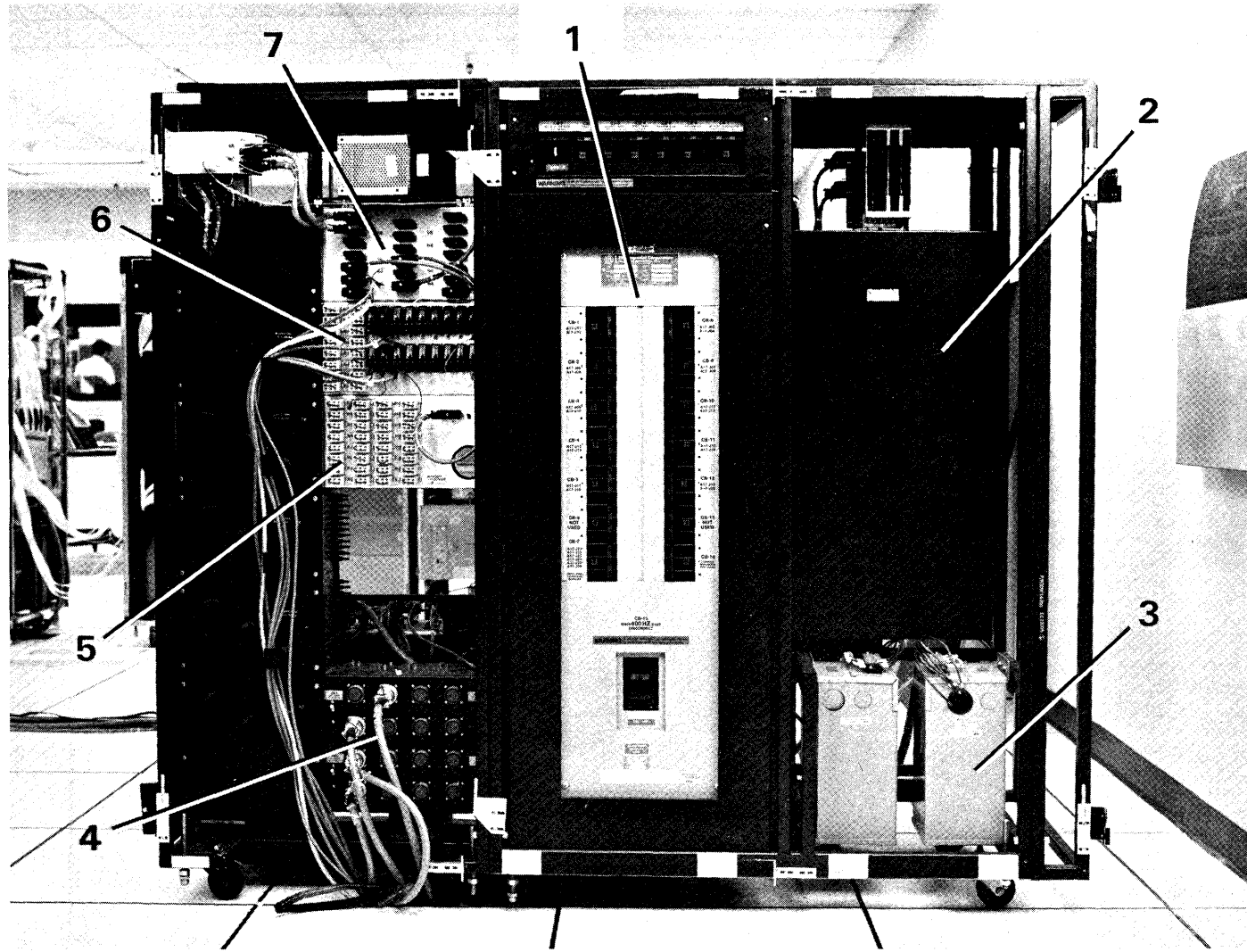
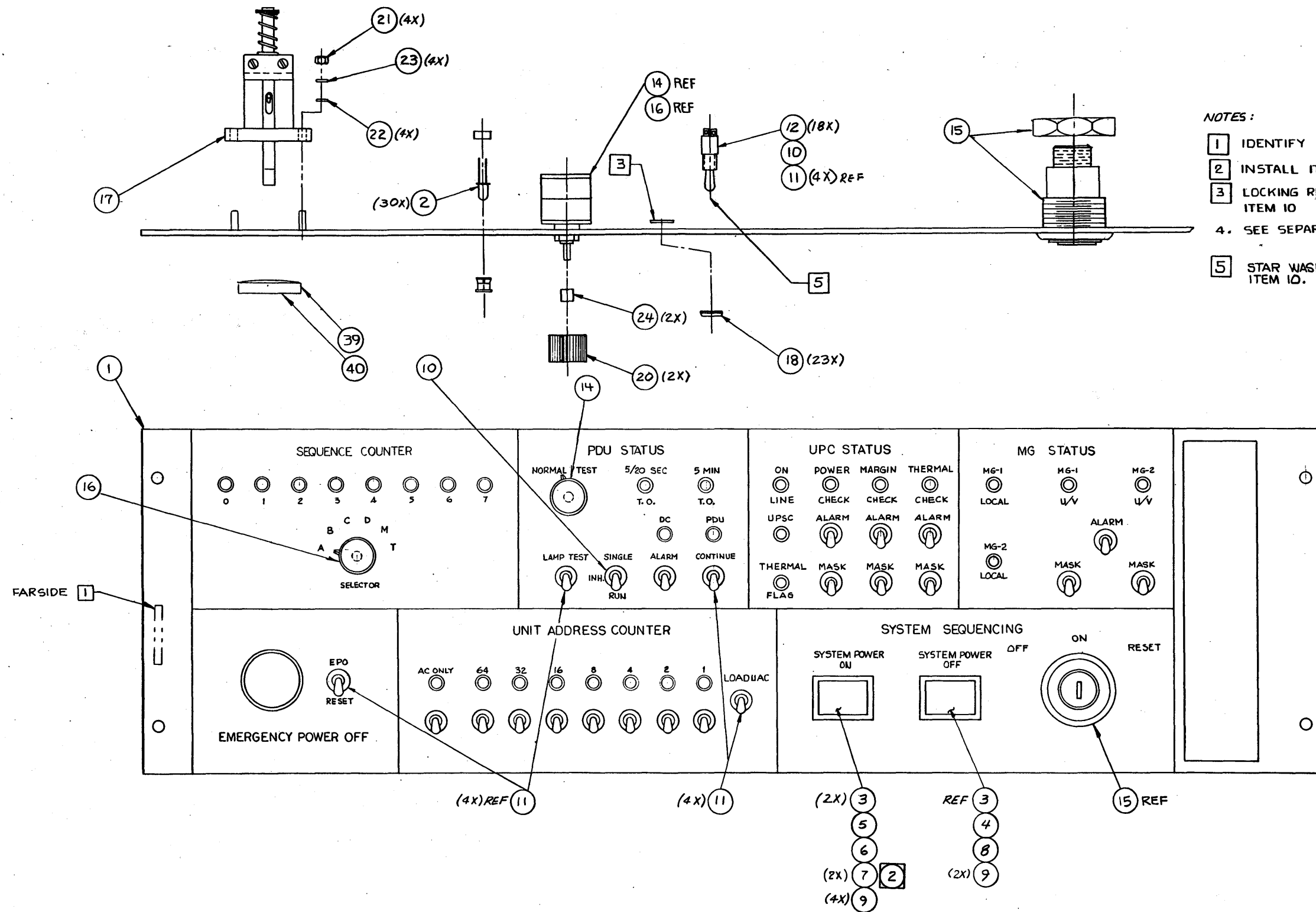


Figure 6-3
PDU MOD-1 Photo 3, Right Side

Figure 6-3
PDU MOD-1 Photo 3, Right Side

ITEM	PART NO.	E/C NO.	QTY	DESCRIPTION
1	315033-200	22167	1	SEE ENCLOSURE ASM, LOAD CENTER
2	315222-201	30832	1	SEE ENCLOSURE ASM, 60 HZ
3	305148-200	21593	2	TRANSFORMER ASM, 208V/60 HZ
*4	315226-200	22348	1	SEE PANEL ASM, UPC CONNECTOR
*5	315076-200	B	1	SEE CONNECTOR PANEL ASM, EXPANSION
*6	315075-200	21610	1	SEE CONNECTOR PANEL ASM, LINE CONTROL
*7	315074-200	22767	1	SEE CONNECTOR PANEL ASM, LOGIC SECTION

* See MOD 2, 3, 4



NOTES:

- 1 IDENTIFY PER AMDAHL SPEC 800057-614
- 2 INSTALL ITEM 7 ON TERMINALS A&C
- 3 LOCKING RING IS SUPPLIED WITH SWITCH, ITEM 10
4. SEE SEPARATE B/M 315072-200
- 5 STAR WASHER IS SUPPLIED WITH ITEM 10.

Figure 6-4
PDU MOD-1 CE Panel Assembly (1 of 2)
315072-100

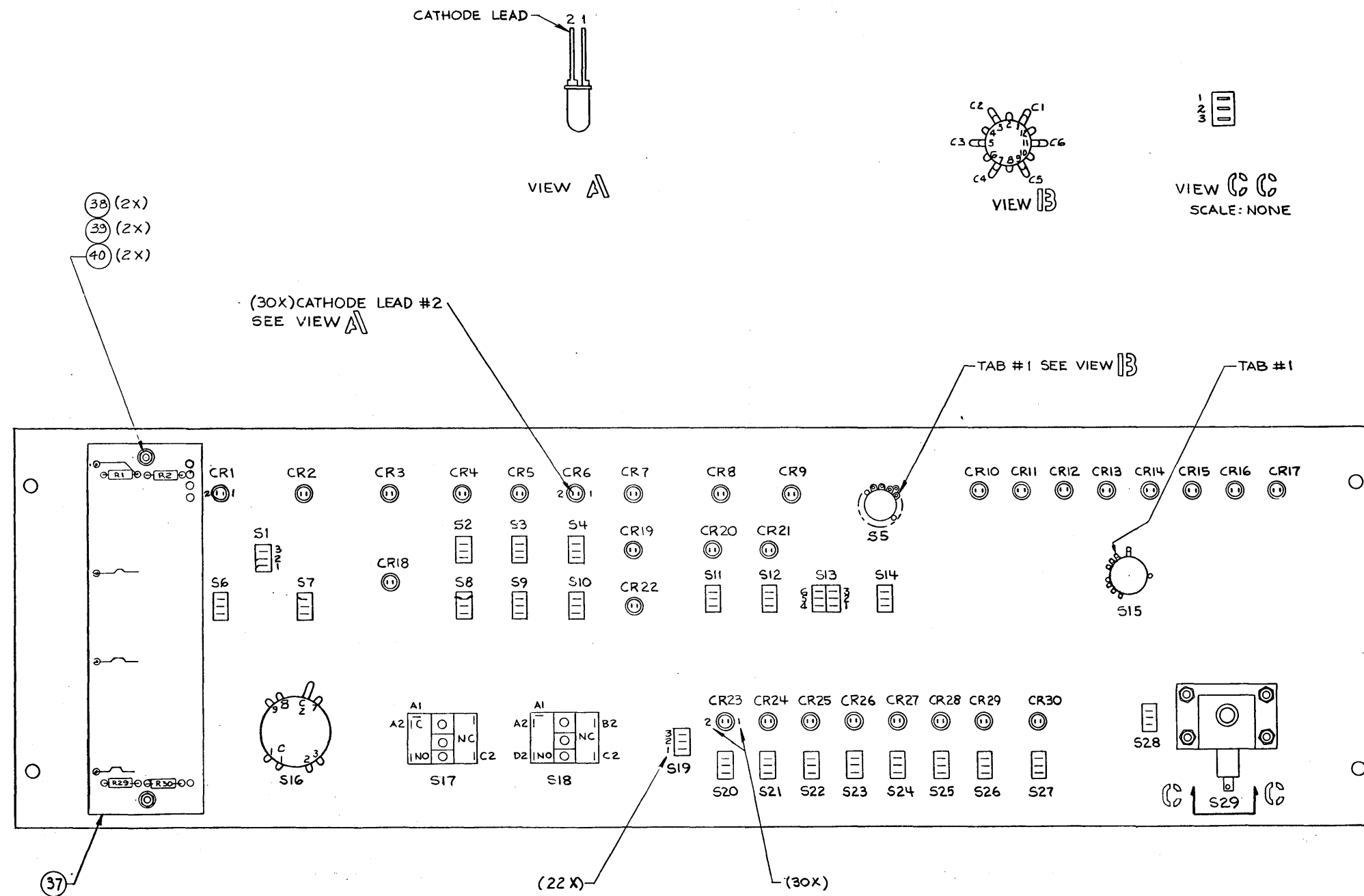


Figure 6-5
PDU MOD-1 CE Panel Assembly (2 of 2)
315072-100

Figure 6-4/6-5
PDU MOD-1 CE Panel Assembly

ITEM	PART NO.	E/C NO.	QTY	DESCRIPTION
1	315110-000	30386	1	CE, PNL PDU
2	207024-000	20666	30	DIODE, LED
3	207077-000	31302	2	SWITCH, PUSHBUTTON
4	207077-001	34584	1	SWITCH, LAMP HSN2
5	207077-002	34504	1	SWITCH, LAMP HSN4
6	207077-003	31302	1	SWITCH, MOD WHITE
7	207077-005	31302	2	SWITCH, FILTR RED
8	207077-004	31302	1	SWITCH, MOD RED
9	207080-000	32749	6	LAMP, 1 3/4
10	207242-001	35539	1	SWITCH, TOGGLE DPDT .342-.385
11	207084-001	35538	4	SWITCH, TOGGLE SPOT .342-.385
12	207187-001	35540	18	SWITCH, TOGGLE SPOT .342-.385
14	207183-000	33963	1	SWITCH, ROTARY
15	315112-000	22765	1	SWITCH, KEY LOCK
16	207185-000	14696	1	SWITCH, ROTARY
17	314078-202	23484	1	SWITCH, EPO
18	000029-000	12914	23	NUT, DRES
20	000038-000	12914	2	KNOB, POINTER
21	317400-001	33629	6	NUTS, HEX, METRIC
22	317950-001	21274	4	WASHER, FLT M3
23	317951-001	21274	6	WASHER, SP LK M3
24	000042-000	30485	2	ADAPTOR, SHAFT
28	307005-001	35350	0	ADHESIVE, STRUCTURAL, 2 PART
29	207191-001	14696	40	PIN, W/W DOUBLE ROW
34	315072-100	35990	0	CE, PANEL
37	513010-200	REV-A	1	PCB, CE PANEL
38	307925-003	31537	2	SPACER, FIBER
39	304058-000	12144	1	KNOB, EPO SWITCH
40	304062-000	22729	1	PLATE, LEGEND

NOTES:
1 IDENTIFY PER AMDAHL SPEC
300057-614.

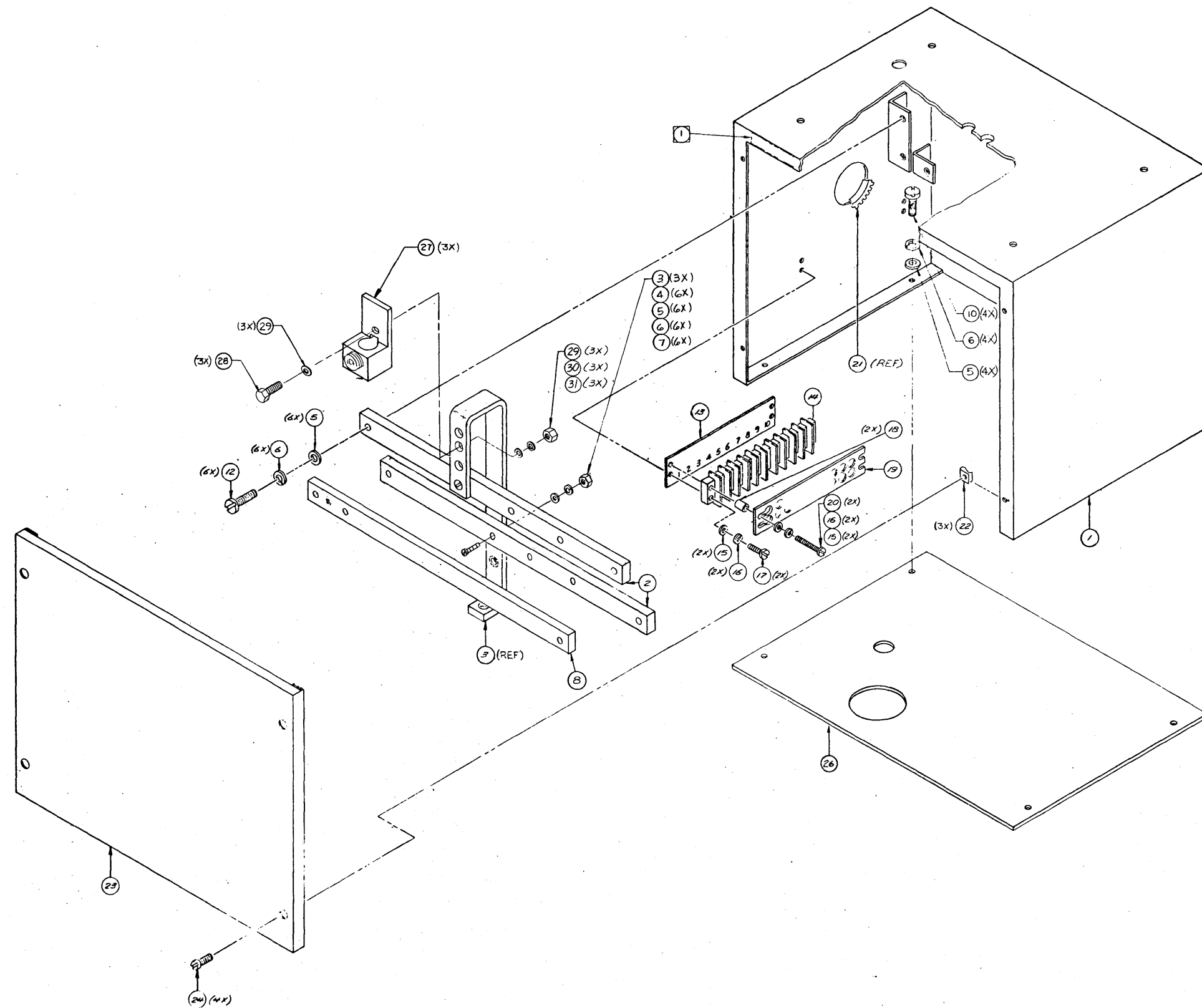
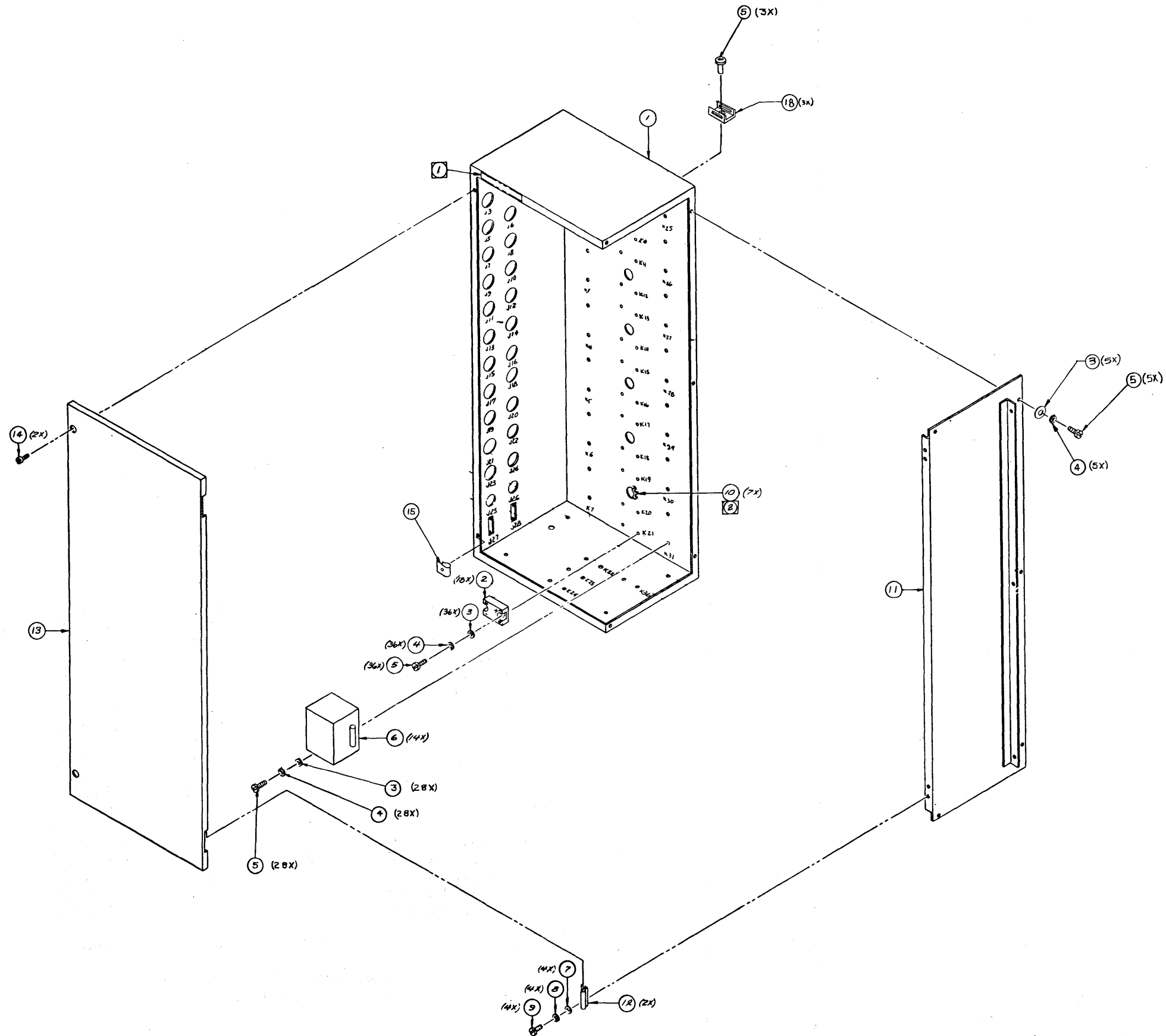


Figure 6-6
PDU MOD-1 400 Hz Safety Enclosure Assembly
315032-100

Figure 6-6
PDU MOD-1 400 Hz Safety Enclosure Assembly

ITEM	PART NO.	E/C NO.	QTY	DESCRIPTION
	315032-201	23156		ENCLOSER, 400 HZSAFET
1	315095-001	21663	1	SAFETY BOX, 400 HZ
2	315048-001	22833	2	BRACKET, POWER BUS
3	315053-000	22767	3	BUS, POWER
4	317643-025	21274	6	SCREW, FLAT HD
5	317950-003	21274	16	WASHER, FLT M5
6	317951-003	21274	16	WASHER, SP LK M5
7	317400-003	21274	6	NUTS, HEX,METRIC
8	315175-000	20668	1	BUS, GRND
10	317603-010	21274	4	SCREW, FIL HD M5
12	317603-020	21274	6	SCREW, FL HD M5X18
13	207174-000	22582	1	MARKER, STRP 10 POS
14	207168-000	15791	1	BLOCK, TRM 10 POS
15	317950-002	21274	4	WASHER, FLT, METRIC
16	317951-002	21274	4	WASHER, SPLT.LK.ME
17	317602-016	21274	2	SCREW, M4
18	307925-003	16356	2	SPACER, FIBER
19	305100-010	15933	1	SHIELD, TERM BLOCK
20	317602-035	21274	2	SCREW, M4
21	307196-001	REV-C	27	GROMMET, CATPLR EXT
22	300596-003	22983	3	FASTENR, TINNERMAN
23	315038-000	22755	1	COVER, SAFETY BOX
24	300563-008	12593	4	SCREW, CAPTIVE
25	315032-101	23156	REF	ENCLOSUR, 400HZSAFET
26	315057-000	22126	1	SHIELD, 400HZ SFTY
27	207337-000	22356	4	PRESSURE, WIRE PDU
28	317675-040	21274	4	SCREW, HEX HD
29	317950-005	21274	7	WASHER, FLT.METRIC
30	317951-005	21274	4	WASHER, SPLT.LK.ME
31	317400-005	21274	4	NUTS, NEX,METRIC

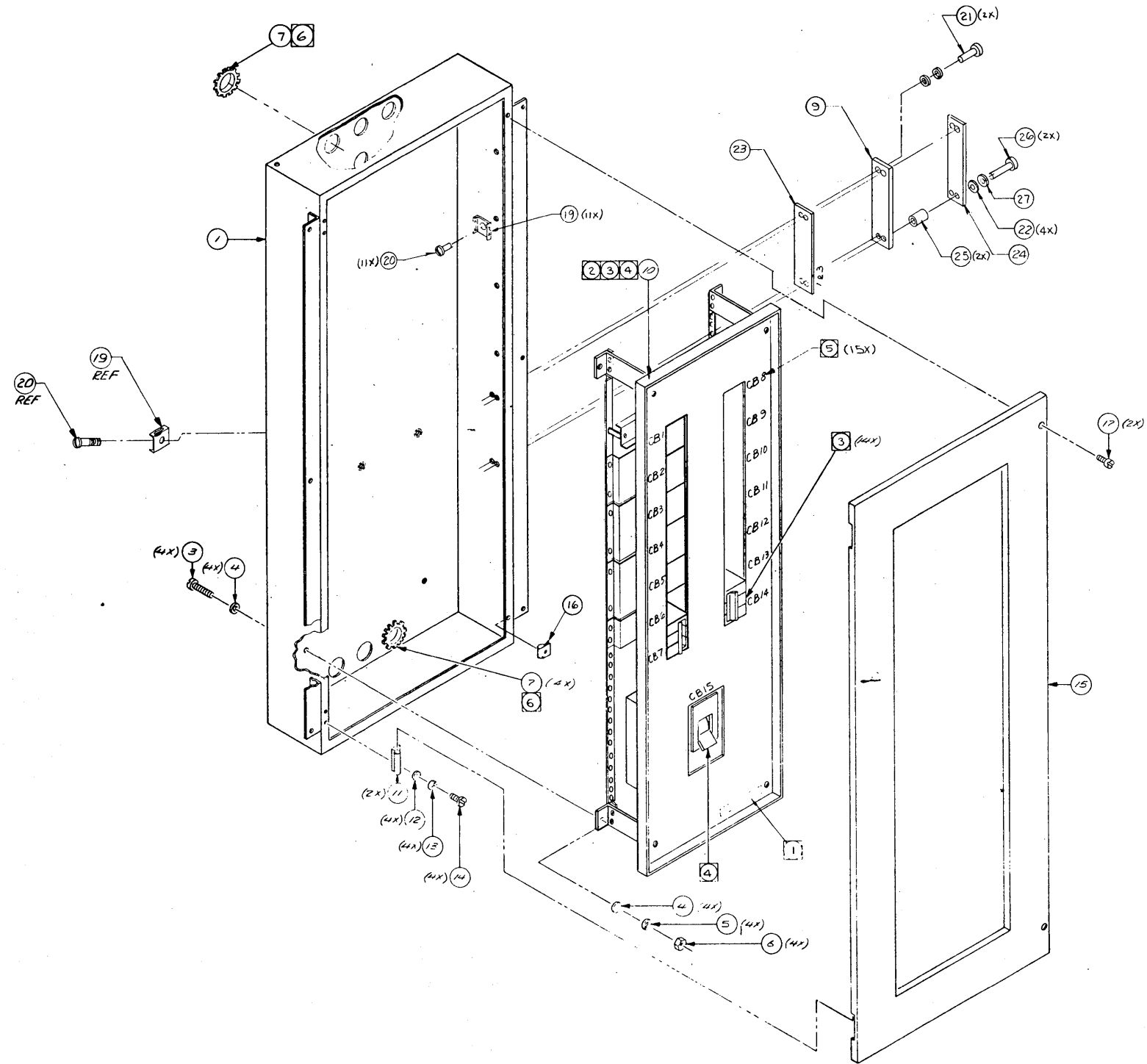


- ① IDENTIFY PER AMDAHL SPEC 800057614
- ② ITEM 10 TO BE $\frac{4.75}{120.7}$ LONG.

Figure 6-7
 PDU MOD-1 400 Hz Enclosure Assembly
 315224-100

Figure 6-7
PDU MOD-1 400 Hz Enclosure Assembly

ITEM	PART NO.	E/C NO.	QTY	DESCRIPTION
	315224-200			400 HZ, ENCL
1	315225-000	23055	1	400 HZ, ENCL
2	207146-000	30964	10	RELAY, PWR-PHOTO
3	317950-002	21274	69	WASHER, FLT,METRIC
4	317951-002	21274	69	WASHER, SPLT.LK.ME
5	317602-010	21274	72	SCREW, M4
6	207217-000	20523	14	CIBTACJm 30V ACCO1L
7	317950-003	21274	4	WASHER, FLT M5
8	317951-003	21274	4	WASHER' SP LK M5
9	317603-010	21274	4	SCREW, FIL HD M5
10	307196-001	30371	35	GROMMET, CATPLR EXT
11	315030-200	21355	1	PANEL, RT SIDE
12	315051-000	23332	2	BRACKET, HINGE
13	315039-000	22755	1	COVER, ENCLOSURE
14	300563-008	12593	2	SCREW, CAPTIVE
15	300596-003	22983	1	FASTENR, TINNERMAN
16	315224-100	30832	REF	400 HZ, ENCL
18	000053-005	14987	3	MOUNT, TIE WRAP
19	315224-250	21663	1	400 HZ, ROUTING



NOTES:

- 1 IDENTIFY PER AMDAHL SPEC 800057-614
- 2 ITEM 10, AMDAHL P/N 315209-200 MAY BE PURCHASED FROM ITE IMPERIAL CORPORATION AS A PRE-ASSEMBLY.
- 3 BRANCH CIRCUIT BREAKER MAY BE REPLACED WITH AMDAHL P/N 207215-000.
- 4 MAIN CIRCUIT BREAKER MAY BE REPLACED WITH AMDAHL P/N 207215-000.
- 5 STAMP WITH CONTRASTING COLORS APPROX .12 (3,1) HIGH (15X) CB 1 THRU CB 15, OR APPLY MARKING WITH KIT SUPPLIED WITH CKT BREAKER.
- 6 ITEM 7 TO BE $\frac{5.56}{14.2}$ LONG.

Figure 6-8
PDU MOD-1 Load Center Breakdown
315033-100

Figure 6-8
PDU MOD-1 Load Center Breakdown

ITEM	PART NO.	E/C NO.	QTY	DESCRIPTION
	315033-200			ENCLOSER, LOAD CENTER
1	315098-000	20889	1	BOX, LOAD CNTR
3	317674-020	21274	4	SCREW, HEX HD
4	317950-004	21274	8	WASHER, FLT.METRIC
5	317951-304	21274	4	WASJER, SPLT.LK.ME
6	317400-004	21274	4	NUTS, HEX,METRIC
7	307196-002	REV-C	42	GROMMET, CATPLR EXT
9	207168-000	15791	1	BLOCK, TRM 10 POS
10	315233-200	21663	1	LOAD, CENTER
11	315051-000	REV-A	2	BRACKET, HINGE
12	317950-003	21274	4	WASHER, FLT M5
13	317951-003	21274	4	WASHER, SP LK M5
14	317603-012	21274	4	SCRFLHD M5X08
15	315042-000	21164	1	COVER, LOAD CENTR
16	300956-003	21286	1	FASTENR, TINNERMAN
17	300563-010	12593	2	SCREW, CAPTIVE
18	315033-100	22167	REF	ENCLOSR, LOAD CENTR
19	000053-002	14987	11	TIE, MNT CABLE
20	317602-008	21274	11	SCREW, M4
21	317602-020	21274	2	SCREW, M4
23	317950-002	21274	4	WASHER, FLT,METRIC
24	305100-010	15930	1	SHIELD, TERM BLOCK
25	307925-003	16356	2	SPACER, FIBER
26	317602-035	21274	2	SCREW, M4

① IDENTIFY PER AMDAHL SPEC 800057-614.

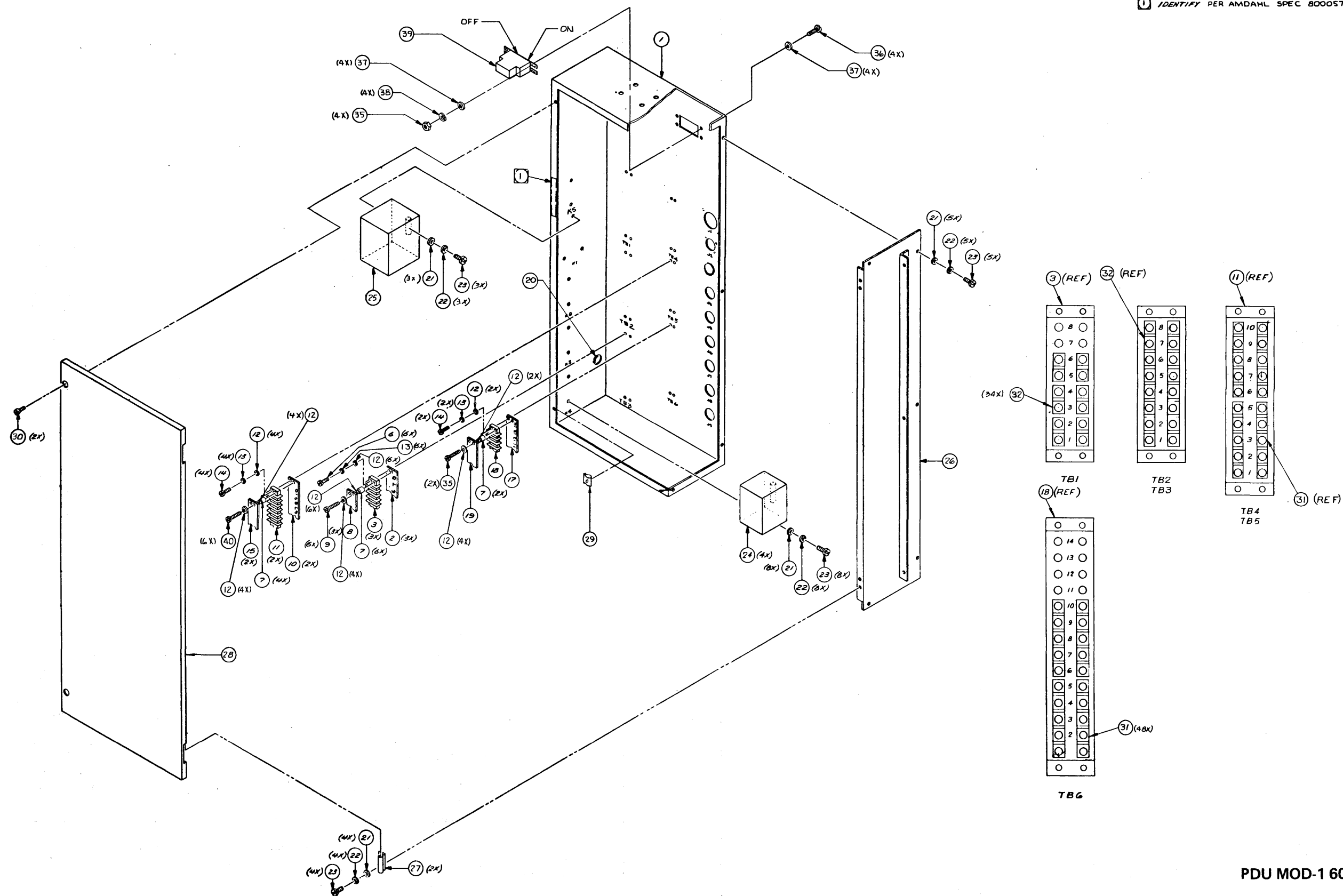


Figure 6-9
PDU MOD-1 60 Hz Enclosure Assembly
315222-101

Figure 6-9
PDU MOD-1 60 Hz Enclosure Assembly

ITEM	PART NO.	E/C NO.	QTY	DESCRIPTION
	315222-201	23056		ENCL, 60 HZ
1	315223-001	23056	1	BOX, 60 HZ
2	207170-000	12512	3	MARKER, STRP 8 POS
3	207167-000	15791	3	BLOCK, TERM 8 POS
6	317602-020	21274	6	SCREW, M4
7	307925-003	16310	12	SPACER, FIBER
8	305101-006	16009	3	SHIELD, TERM BLOCK
9	317602-035	21274	6	SCREW, M4
10	207174-000	22582	2	MARKER, STRP 10 POS
11	207168-000	15701	2	BLOCK, TRM 10 POS
12	317950-002	21274	36	WASHER, FLT,METRIC
13	317951-002	21274	12	WASHER, SPLT.LK.HE
14	317602-016	21274	6	SCREW, M4
15	305100-010	30385	2	SHIELD, TERM BLOCK
17	207171-000	22502	1	MARKER, STRP 16 POS
18	207166-000	15791	1	BLOCK, TRM 14 POS
19	305100-014	30385	1	SHIELD, TERM BLOCK
20	307196-001	30371	6	GROMMET, CATPLR EXT
21	317950-003	21274	10	WASHER, FLT M5
22	317951-003	21274	20	WASHER, SP LK M5
23	317603-010	21274	20	SCREW, FIL HD M5
24	207217-000	20529	4	CONTACR, 30V ACCOIL
25	207218-000	20500	1	CONTACR, 55V ACCOIL
26	315094-000	22706	1	PANEL, RISIDE6CH2
27	315051-000	23332	2	BRACKET, HINGE
28	315039-001	22755	1	COVER, ENCLOSURE
29	300596-003	22903	1	FASTENR, TINNERMAN
30	300563-006	12503	2	SCREW, CAPTIVE
31	207175-000	22514	48	JUMPER, TERM BD
32	207176-000	22584	34	JUMPER, TERM BD
33	315222-101	30832	REF	ENCL, 60 HZ
34	315222-261	21900	1	60 HZ, CBL RD016
35	317400-001	22174	4	NUTS, HEX,METRIC
36	317601-010	21214	4	SCRFLHD M3X05
37	317950-001	21274	8	WASHER, FLT M3
38	317951-001	21274	4	WASHER, SP LK M3
39	207362-001	23700	1	BREAKER, CRKT 15 AMP
40	317602-030	21274	6	SCREW, M4

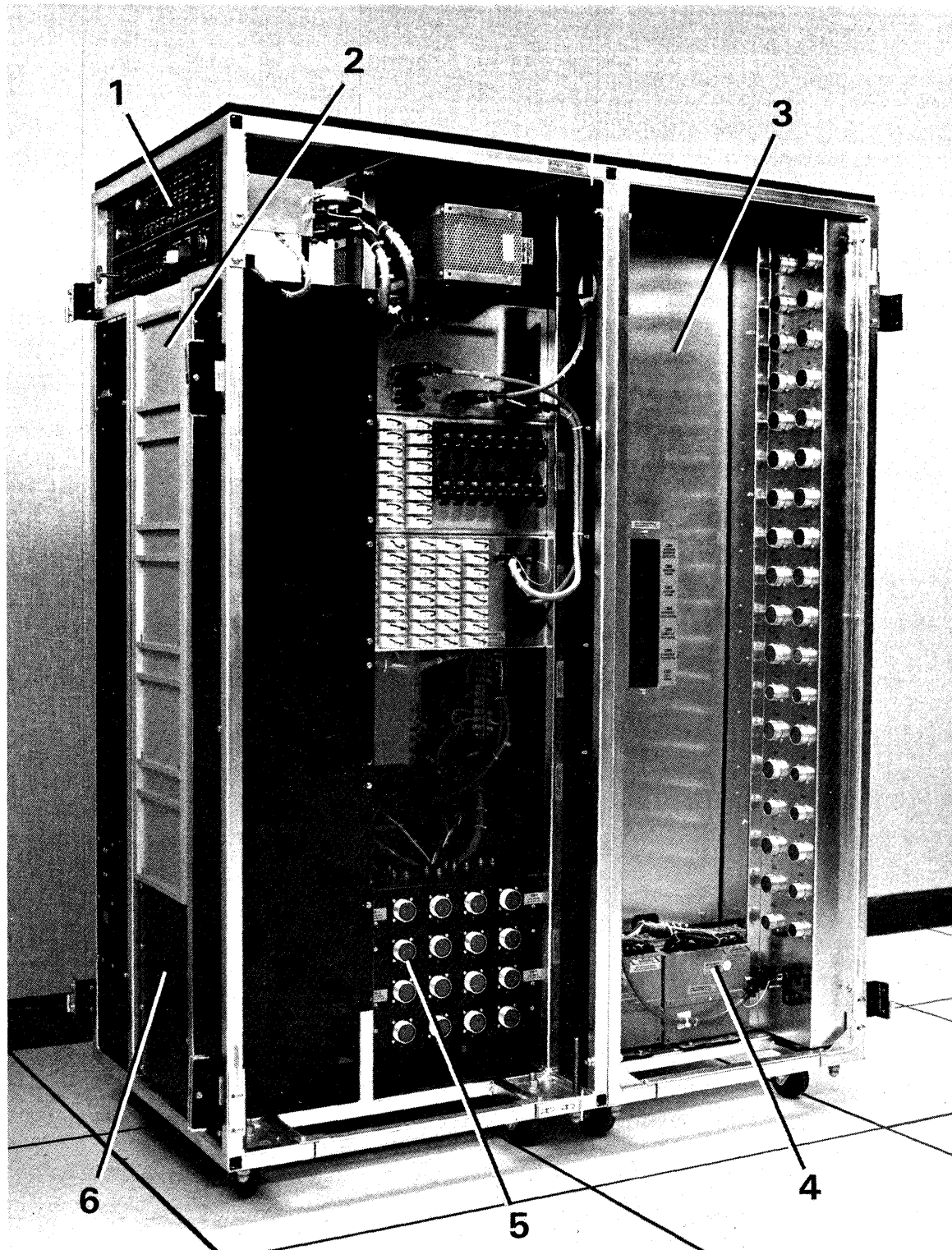


Figure 7-1
PDU MOD-3 Photo 1, Front & Right Side

Figure 7-1
PDU MOD-3 Photo 1, Front & Right Side

ITEM	PART NO.	E/C NO.	QTY	DESCRIPTION
1	315458-201	33982	1	SEE CE PANEL ASM,
2	311013-200	31058	5	DOOR ASM PDU
3	315440-100	23804	1	SEE PANEL ASM, 50/60 HZ
4	315439-201	34855	2	TRANSFORMER ASM 208/240V 3K VA
5	315226-200	33183	1	SEE PANEL ASM, UPC CONNECTOR
6	315108-200	23787	1	SEE ASM COOLING, LOGIC SECTION

NOTE: PDU MODEL DIFFERENCES

MOD II – MOD III DIFFERENCES:

1. Mod III added A19-CB1 circuit breaker which protects A17-T1 (24 vac) transformer when a short occurs on PDUC BLL or if a power surge occurs during installation caused by miswiring.
2. Mod III expanded 415 Hz power to A19-J16 through J-18 connectors for MSU interconnections.
3. Mod III added A17-CB7 circuit breaker which protects the 415 Hz power circuits if the CPU fan circuits overload.
4. Both Mod II and Mod III are for 60 Hz operation.

MOD-III – MOD IVA DIFFERENCES:

1. Same additions on Mod IVA as on Mod III.
2. Mod IVA has 50/60 Hz transformer and may be converted to 50 Hz operations.

MOD IVA – MOD IVB DIFFERENCES:

1. Same additions on Mod IVB as on Mod III.
2. Mod IVB is wired for 50 Hz operation.
3. On Mod IVB, the elapsed time meter has been changed from P/N 207076-000 to 207076-001.

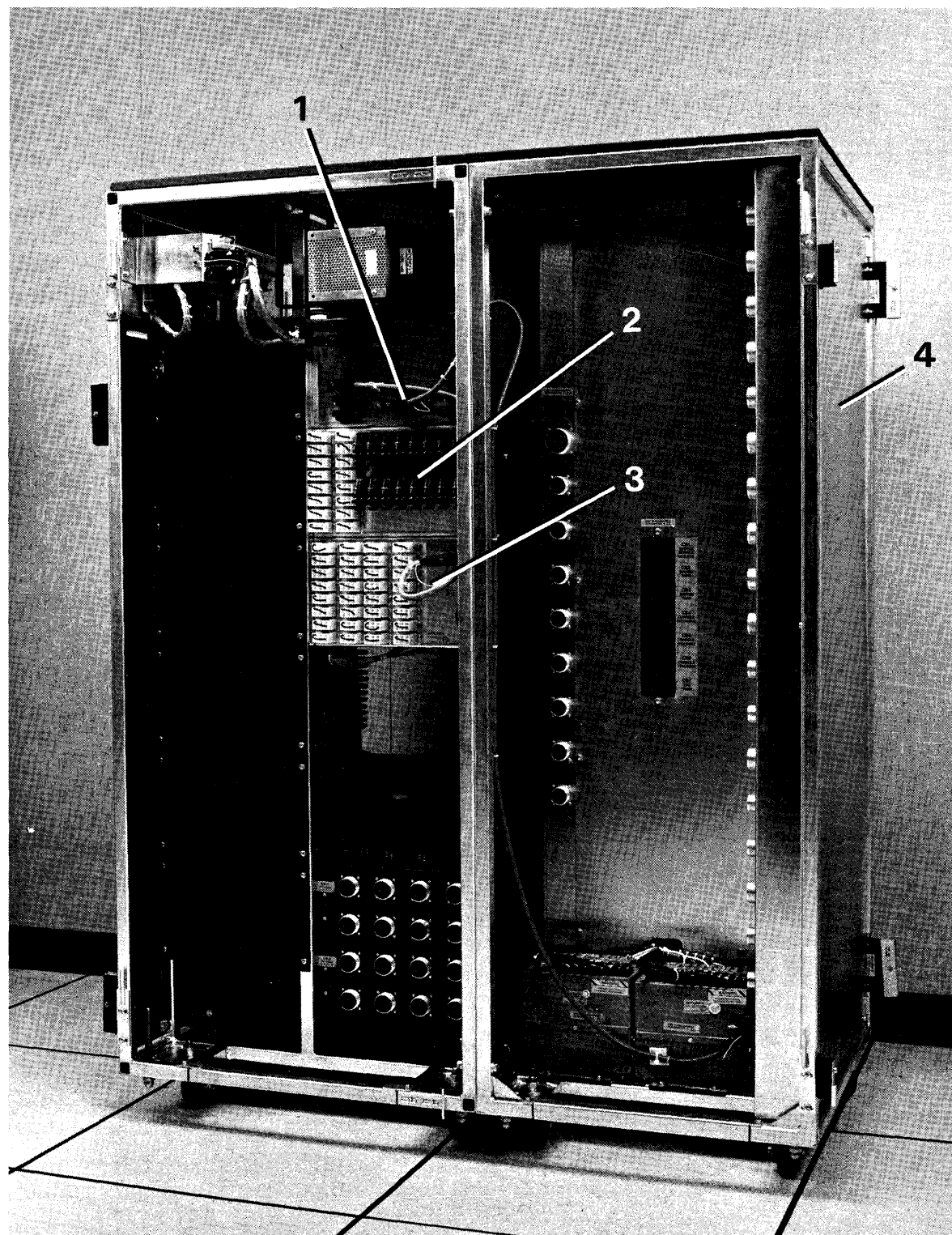


Figure 7-2
PDU MOD-3 Photo 2, Right Side

Figure 7-2
PDU MOD-3 Photo 2, Right Side

ITEM	PART NO.	E/C NO.	QTY	DESCRIPTION
1	315074-200	22767	1	SEE CONN. PANEL ASM, LOGIC SECTION
2	315075-200	21610	1	SEE CONN. PANEL ASM, LINE CONTROL
3	315076-200	B	1	SEE CONN. PANEL ASM, EXPANSION
4	315436-200	23933	1	SEE PANEL ASSY., 400 HZ

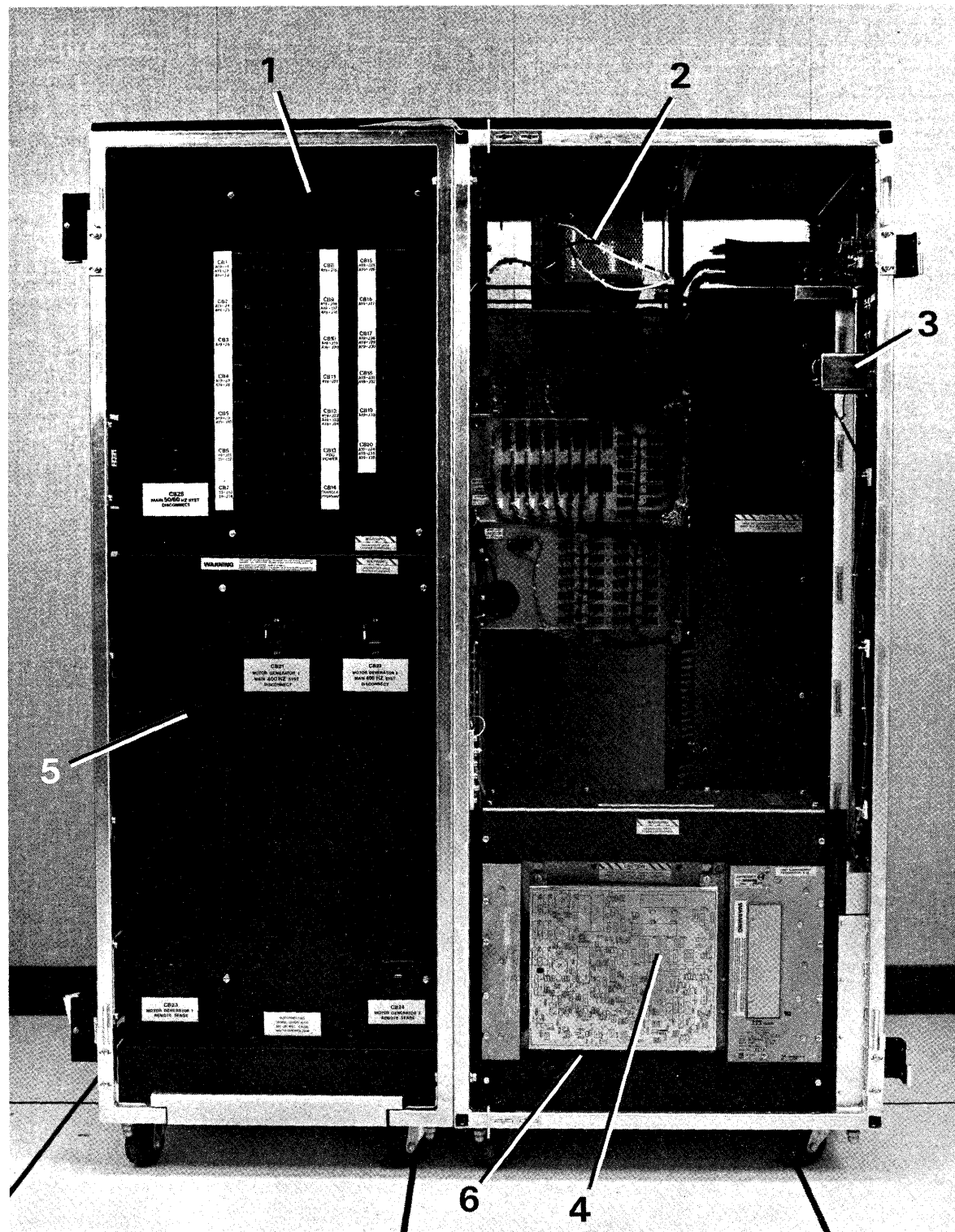
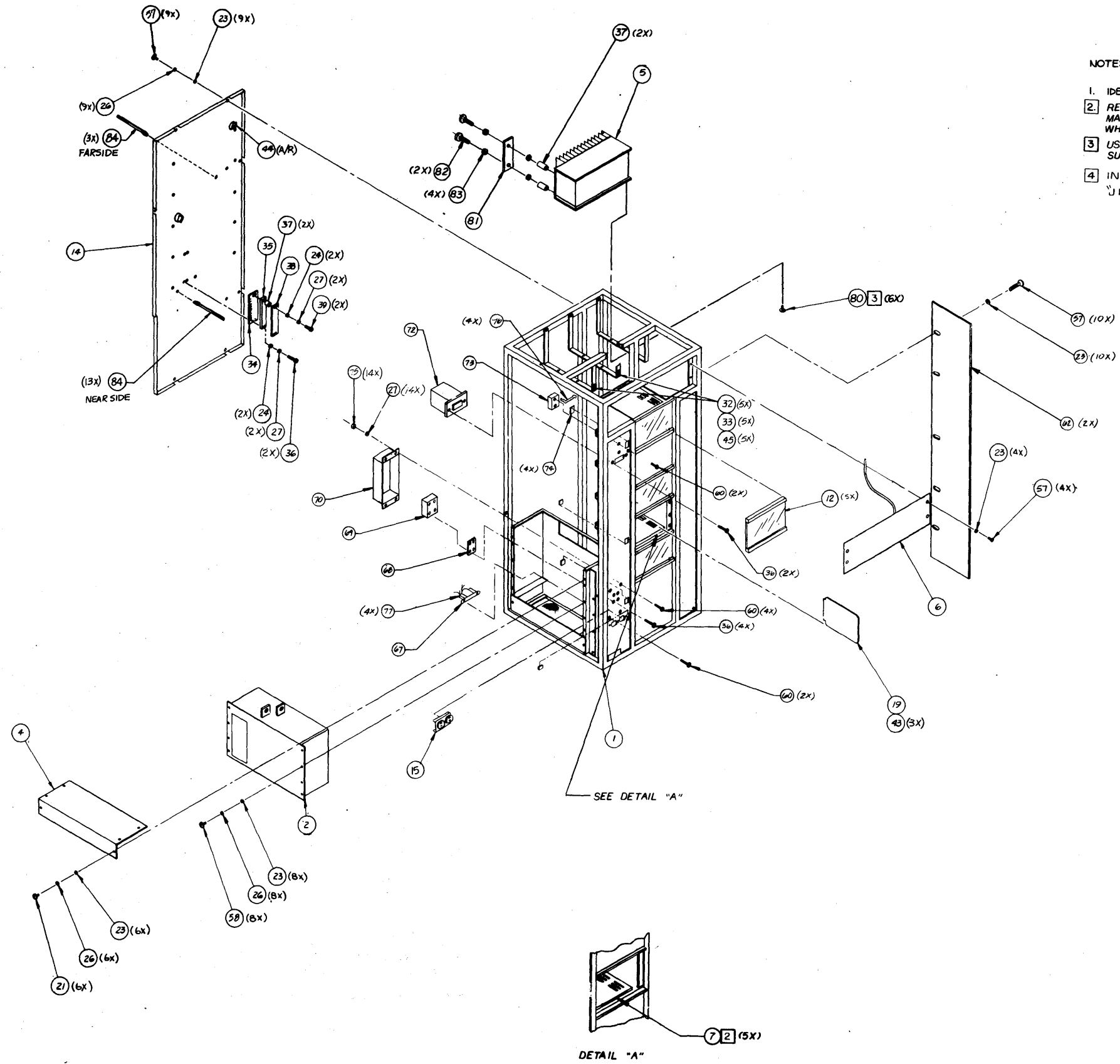


Figure 7-3
PDU MOD-3 Photo 3, Left Side

Figure 7-3
PDU MOD-3 Photo 3, Left Side

ITEM	PART NO.	E/C NO.	QTY	DESCRIPTION
1	315442-201	31398	1	SEE PANEL ASM, LOAD CENTER
2	207335-000	30785	1	POWER SUPPLY, 24V
3	207076-000	31660	1	METER, ELAPSED TIME
4	207045-201	31424	1	POWER SUPPLY, TYPE I
5	207223-001	34785	1	INTERFERENCE, FILTER, 3 x 35 AMP, 250 VAC 50/60 HZ
6	300201-009	30361	1	FILTER, AIR



- NOTES:
1. IDENTIFY PER AMDAHL SPEC 800057-614.
 2. REMOVE NUMBERS 16 THRU 34 FROM MARKER STRIP, ITEM 7, AND ATTACH WHERE SHOWN 5 PLACES.
 3. USE (5) PERFORATED COVER MTG SCREWS SUPPLIED WITH ITEM 5 TO INSTALL ITEM 5.
 4. INSTALL PLUG ITEM (79) ON CONN. "J1-1" CE PANEL ASM. ITEM (6).

Figure 7-4
 PDU MOD-3 E/M Breakdown (1 of 2)
 315455-100

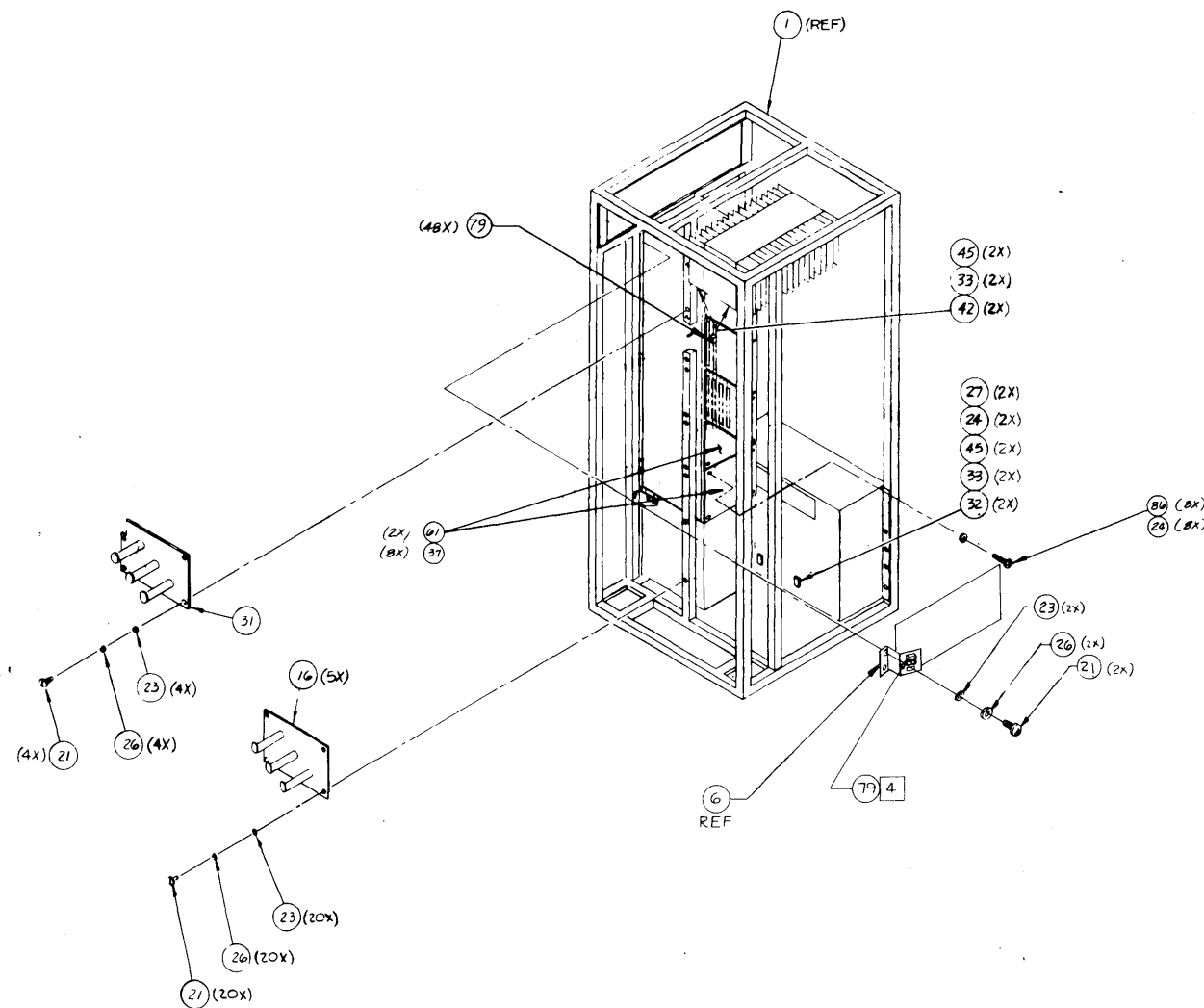
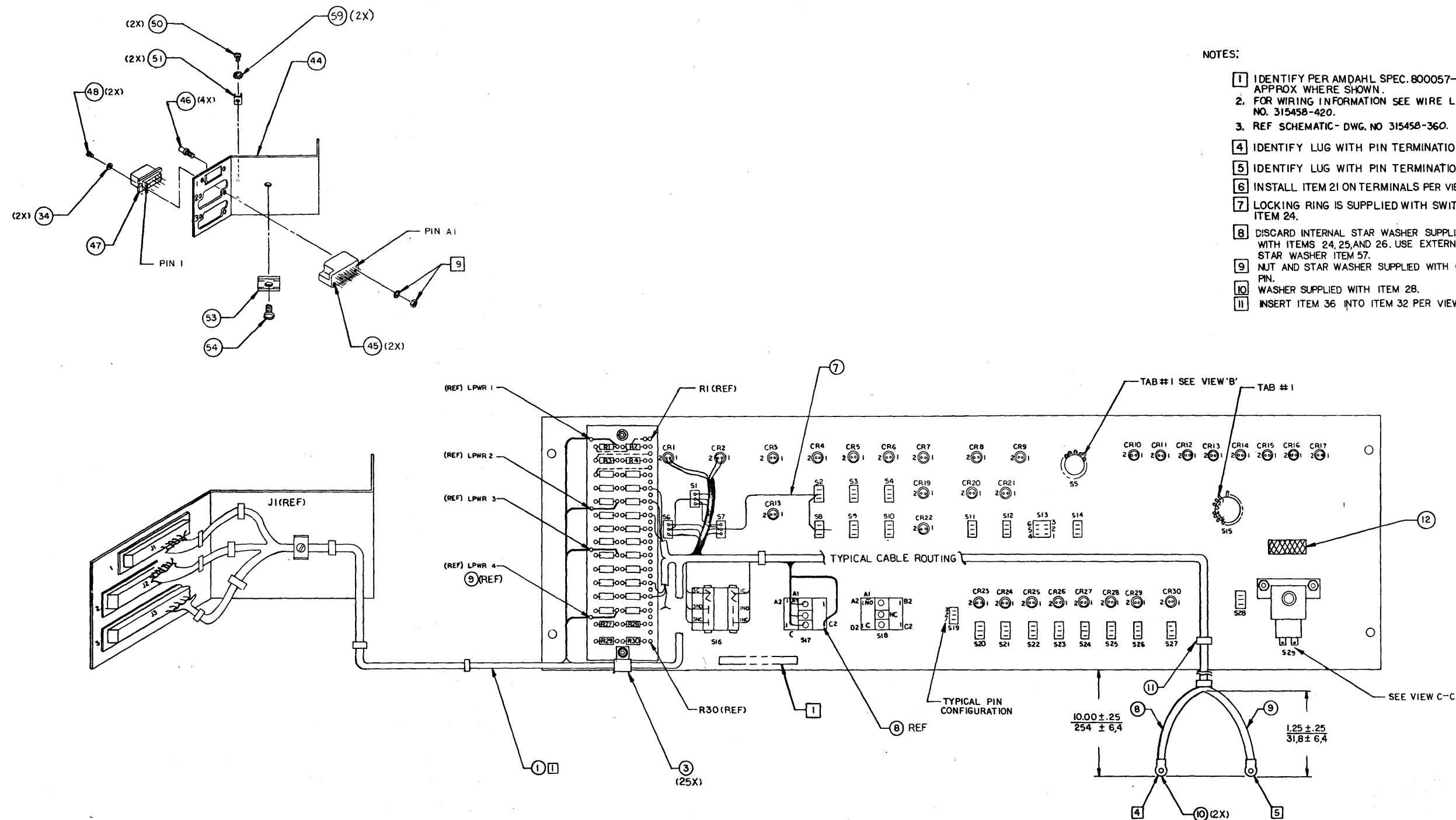


Figure 7-5
PDU MOD-3 E/M Breakdown (2 of 2)
315455-100

Figure 7-4/7-5
PDU MOD-3 E/M Breakdown

ITEM	PART NO.	E/C NO.	QTY	DESCRIPTION
1	315454-200	31010	1	MECH, AS M PDU
2	207045-201	31424	1	POWER SUPPLY, TYPE 1
4	315064-000	30384	1	COVER, PWR SUPPLY
5	207335-000	30785	1	POWER SUP, 24V, 10.6A
6	315458-201	31092	1	PANEL CE, ASM
7	301029-001	21375	5	MKR STP CARD
12	311013-200	31058	5	ASM, APS DOOR
14	315463-000	23381	1	PANEL, RFI SHIELD
15	207003-000	30264	1	CUTLET, 15AMP
16	315040-000	22049	5	PANEL, STR RELIEF
21	317603-006	21274	32	SCREW, M5
23	317950-003	21274	63	WASHER, FLT M5
24	317990-002	21274	14	WASHER, FLT, METRIC
26	317951-003	21274	49	WASHER, SP LK M5
27	317951-002	21274	20	WASHER, SPLT.LK.ME
31	315040-001	22049	1	PANEL, STR RELIEF
32	000053-002	14987	7	TIE MNT, CABLE
33	317602-006	21274	9	SCREW, M4
34	207174-000	22582	1	MARKER, STRP 10PCS
35	207168-000	15791	1	BLOCK, TRM 10 POS
36	317602-020	21274	8	SCREW, M4
37	307925-003	31537	8	SPACER, FIBER
38	305100-010	30385	1	SHIELD, TERM BLOCK
39	317602-035	21274	2	SCREW, M4
42	000053-005	14987	2	MOUNT, TIE WRAP
44	307196-001	30371	1	GROMMET, CATPLR EXT
45	307975-004	23328	9	CBL, TIE LOCKING
52	315455-100	31526	0	E/M, ASM EXPAN
53	315455-260	22942	1	CABLE, LOG ROOTNG
57	317603-010	21274	23	SCREW, FIL HC M5
58	317603-012	21274	8	SCRFLHD, M5XC8
60	317602-010	21274	8	SCREW, M4
61	315151-000	30384	2	BACKPNL, 15 P DUMMY
62	312522-000	30422	2	COVER, SIDE PANEL
67	312522-000	14696	1	XFMB, METERING
68	207317-000	22582	1	MARKER, STRP 2 POS
69	207316-000	20213	1	BLOCK, TERM 2 POS
70	315205-000	20799	1	COVER,
72	207076-000	31660	1	METER, ELAPSETIME
73	207146-000	31743	1	RELAY, PWR-PHOTO
74	307975-050	REV-B	4	CBL TIE, MTC DEVICE
75	317400-002	21274	14	NUTS, HEX, METRIC
76	307975-001	23328	4	CBL TIE, LOCKING
77	207208-005	16071	4	LUG, STUD 8
79	305134-201	23790	49	PLUG, EPO
80	307704-010	23836	6	SCREWS, SELF TAP
81	305100-006	30385	1	SHIELD, TERM BLOCK
82	307602-016	21274	2	SCRW632, BINDING HD
83	307950-002	21274	4	WASHER, SIZE 6
84	307979-000	23050	16	MT TIE, INT PUSH
85	315455-250	22935	1	LABEL, INSTAL LOG
86	317602-025	21274	8	SCREW, M4



NOTES:

- 1 IDENTIFY PER AMDAHL SPEC. 800057-614 APPROX WHERE SHOWN.
- 2. FOR WIRING INFORMATION SEE WIRE LIST NO. 315458-420.
- 3. REF SCHEMATIC- DWG. NO 315458-360.
- 4 IDENTIFY LUG WITH PIN TERMINATION NO."3"
- 5 IDENTIFY LUG WITH PIN TERMINATION NO."4"
- 6 INSTALL ITEM 21 ON TERMINALS PER VIEW 'D'.
- 7 LOCKING RING IS SUPPLIED WITH SWITCH ITEM 24.
- 8 DISCARD INTERNAL STAR WASHER SUPPLIED WITH ITEMS 24, 25, AND 26. USE EXTERNAL STAR WASHER ITEM 57.
- 9 NUT AND STAR WASHER SUPPLIED WITH GUIDE PIN.
- 10 WASHER SUPPLIED WITH ITEM 28.
- 11 INSERT ITEM 36 INTO ITEM 32 PER VIEW 'F-F'.

Figure 7-7
 PDU MOD-3 CE Panel Assembly (2 of 2)
 315458-100

Figure 7-6/7-7
PDU MOD-3 CE Panel Assembly

ITEM	PART NO.	E/C NO.	QTY	DESCRIPTION
1	315458-420	31854	0	CE, PANEL
2	315458-100	31354	0	CE, PNL ASM
3	307975-001	23328	25	CBL, TIE LOCKING
4	315458-360	23400	0	CE, PANEL
5	207156-000	15193	166	WIRE, SINGLE CON
6	207246-000	23051	166	WIRE, TW.AMG26
7	207093-010	31662	5	WIRE, 24 GA WHT
8	207093-003	31662	3	WIRE, 24 GA RED
9	207093-001	31662	3	WIRE, 24 GA BLK
10	207072-001	16071	2	STUD, 6 LUG
11	307975-050	REV-B	1	CRL, TIE MTG DEVICE
12	317038-000	21736	1	LABEL, WIRE LIST
15	315110-001	31509	1	CE, PNL PDU
16	207024-000	20666	30	DIDDE, LED
17	207077-000	31302	2	SWITCH, PUSHBUTTON
18	207077-001	31302	1	SWITCH, LAMP HSNG2
19	207077-002	31302	1	SWITCH, LAMP HSNG4
20	207077-003	31302	1	SWITCH, MOD WHITE
21	207077-005	31302	2	SWITCH, FILTR RED
22	207077-004	31302	1	SWITCH, MOD RED
23	207080-000	15791	4	LAMP, 1 3/4
24	207242-000	23447	1	SWITCH, TOGGLE
25	207084-000	23446	4	SWITCH, TOGGLE
26	207187-000	23445	18	SWITCH, TOGGLE SPOT
27	207183-000	14696	1	SWITCH, ROTARY
28	207359-000	21829	1	SWITCH, ROTARY
29	207185-000	14696	1	SWITCH, ROTARY
30	314078-203	23398	1	EPO
31	000039-000	12914	23	NUT, DRES
32	000038-000	12914	2	KNOB, POINTER
33	317400-001	21274	6	NUTS, HEX, METRIC
34	317950-001	21274	2	WASHER, FLT M3
35	317951-001	21274	2	WASHER' SP LK M3
36	000042-000	30483	2	ADAPTOR, SHAFT
37	307005-001	REV-A	0	GRN, 2-PART
38	207191-001	14696	40	PIN, W/W DOUBLE ROW
39	317400-002	21274	2	NUTS, HEX, METRIC
40	513010-200	REV-A	1	PCB, CE PANEL
41	307925-003	31537	2	SPACER, FIBER
42	304058-000	12144	1	KNOB, EPO SWITCH
43	304062-000	22729	1	LEGEND
44	315456-000	30685	1	BRKT, HDR
45	207192-000	215189	2	CONN, 54 POS
46	000008-000	14976	4	GUIDE, CONN
47	305106-200	13146	1	EPO, CONN
48	317601-010	21274	2	SCRWFLHD, M3X05
50	317601-005	21274	2	SCREW, M3
51	207190-000	12885	2	TAB, MALE
53	000053-002	14987	1	TIE, MNT CABLE
54	317602-005	21274	1	SCREW, FIL HD
55	317950-002	21274	2	WASHER, FLT, METRIC

ITEM	PART NO.	E/C NO.	QTY	DESCRIPTION
56	317951-002	21274	2	WASHER, SPLT.LK.ME
57	307802-005	21274	23	WASHER, EXTER LOCK
58	307977-001	21206	1	TIE, MNT CBL 8

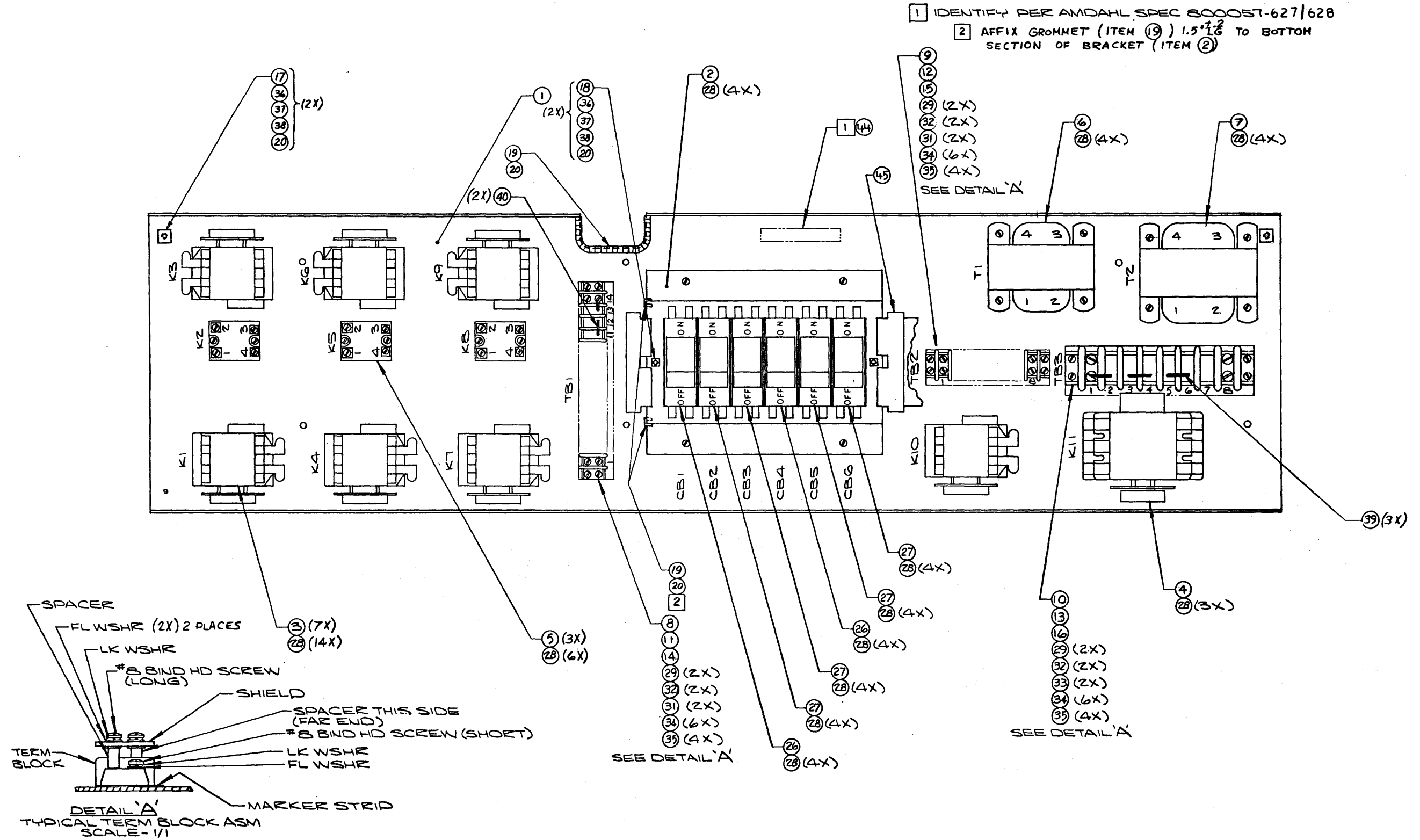


Figure 7-8
 PDU MOD-3 60 Hz Enclosure Assembly (1 of 2)
 315440-103

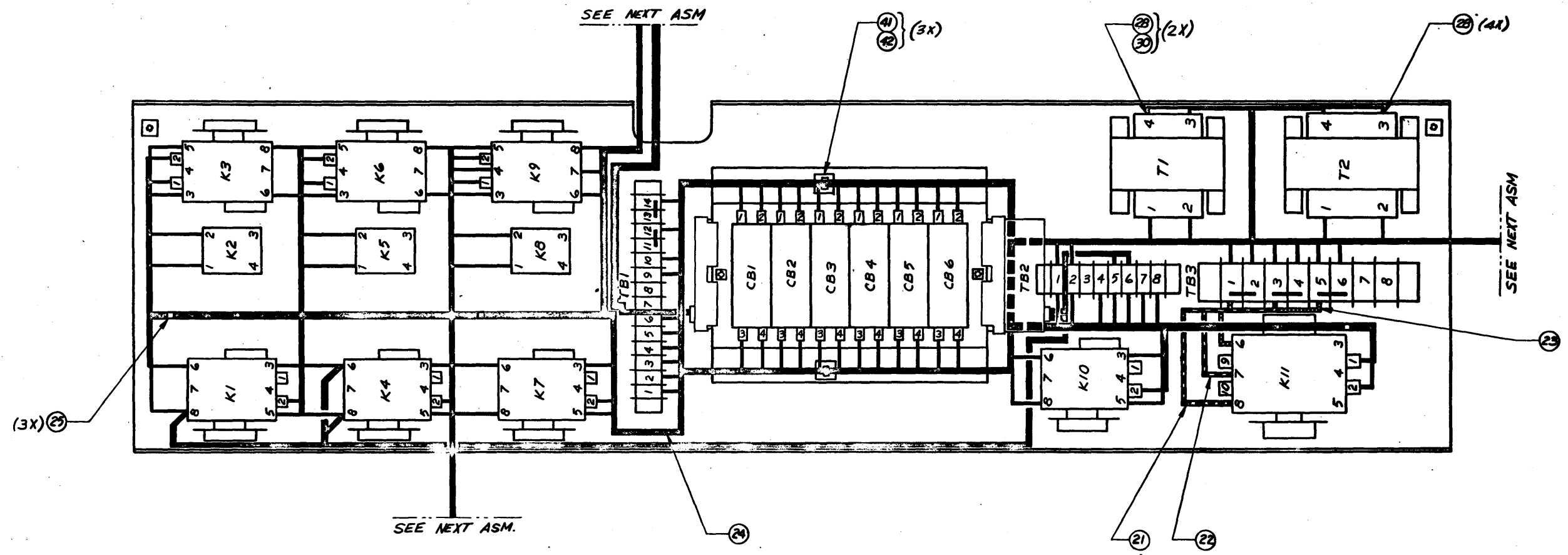
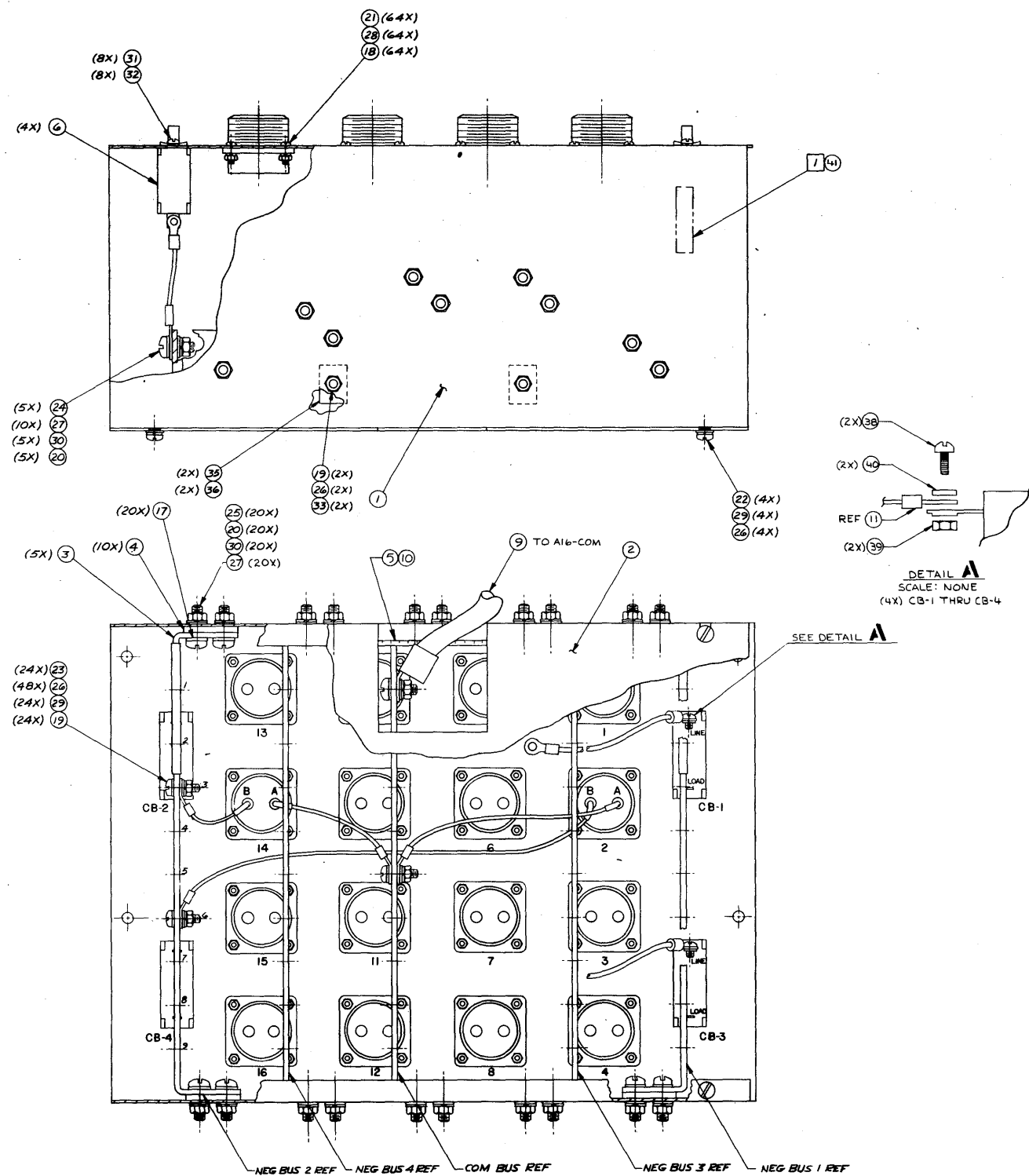


Figure 7-9
PDU MOD-3 60 Hz Enclosure Assembly (2 of 2)
315440-103

Figure 7-8/7-9
PDU MOD-3 60 Hz Enclosure Assembly

ITEM	PART NO.	E/C NO.	QTY	DESCRIPTION
1	315418-000	22788	1	PANEL, 60 HZ
2	315419-000	31523	2	BRKTL, 60 HZ CB
3	207217-000	33421	7	CONTACT, 30V ACCOIL
4	207218-000	33260	1	CONTACTOR, 75A TYPE b
5	207146-000	34600	3	RELAY, PWR-PHOTO
6	207221-000	30499	1	XFORMER, 208/24V
7	207219-000	33896	1	XFORMER, 208/120V
8	207166-000	15791	1	BLOCK, TRM 14 POS
9	207367-000	22696	1	DWG, FAB BLOCK TERM 8 POS
10	207167-000	35204	1	BLOCK, TERM 8 POS
11	207171-000	22582	1	MARKER, STRP 14POS
12	207366-000	22697	1	DWG, FAB MARKER STRP 8 PCS
13	207170-000	22582	1	MARKER, STRP 8 POS
14	305100-014	30385	1	SHIELD, TERM BLOCK
15	305100-008	30385	1	SHIELD, TERM BLOCK
16	305101-008	16069	1	SHIELD, TERM BLOCK
17	307928-001	22655	2	SPACER, 3/8 SQ
18	307929-038	31783	2	SPACER, 3/8 SQ
19	307196-002	30371	0	GROMMET, CATPLR EXT
20	307065-003	22150	0	EPOX1, ADHESIVE
21	217257-200	22788	1	CBL, ASM PDU AC
22	217258-200	22788	1	CBL, ASM PDU AC
23	217259-200	22788	1	CBL, ASM PDU AC
24	217260-200	23916	1	PDU-AC, CABLE ASM
25	307979-000	23050	3	MT, TIE INT PUSH
26	207362-001	33895	2	BREAKER, CRKT 15AMP
*27	207362-002	33895	4	BREAKER, CRKT 20 AMP
*28	307743-006	22772	65	SCR, TF HXWHD 8-32
29	307925-003	31537	6	SPACER, FIBER
30	307400-063	16389	0	NUT-WASHER ASM, LOCKING
31	307603-010	21274	4	SCRW832, BINDING HD
32	307603-024	21274	6	SCRW832, BINDING HD
33	307603-012	21274	2	SCRW832, BINDING HD
34	307950-003	21274	18	WASHER, SIZE 8
35	307951-003	21274	12	WASHER, SPLIT LOCK
36	307604-010	33122	4	SCR1032, BINDING HD
37	307950-004	21274	4	WASHER, SIZE 10
38	307951-004	21274	4	WASHER, SPLIT LOCK
39	207176-000	22584	3	JUMPER, TERM BD
40	207175-000	22584	2	JUMPER, TERM BD
41	307975-050	REV-B	3	CBL, TIE MTG DEVICE
42	307975-002	23328	3	CBL, TIE LOCKING
43	315440-103	35458	0	PANEL, 50 HZ
44	000056-000	22764	1	DWG, FAB P/N LABEL SQUARE
45	315005-200	34496	1	ASM, U.V. ALARM B/M

*Note: Use for 7th Circuit Breaker in Mod III



- NOTES:
- 1 IDENTIFY PER AMDAHL SPEC 800057-614
 - 2 THE "TO" END TO BE TERMINATED AT THE NEXT HIGHER ASSEMBLY, PART NO. 315071-201 WIRES TO BE ROUTED THRU TIE WRAP BASE ITEM NO. 35
 - 3 WIRE WITH WIRE KIT, ITEM 11.

3

WIRE LIST	
FROM	TO
J1-A	COM BUS-3
J1-B	NEG BUS 1-2
J2-A	COM BUS-5
J2-B	NEG BUS 2-6
J3-A	COM BUS-7
J3-B	NEG BUS 3-4
J4-A	COM BUS-9
J4-B	NEG BUS 4-B
J5-A	COM BUS-2
J5-B	NEG BUS 1-3
J6-A	COM BUS-4
J6-B	NEG BUS 2-5
J7-A	COM BUS-6
J7-B	NEG BUS 3-5
J8-A	COM BUS-B
J8-B	NEG BUS 4-7
J9-A	COM BUS-2
J9-B	NEG BUS 1-4
J10-A	COM BUS-4
J10-B	NEG BUS 2-4
J11-A	COM BUS-6
J11-B	NEG BUS 3-6
J12-A	COM BUS-B
J12-B	NEG BUS 4-6
J13-A	COM BUS-3
J13-B	NEG BUS 1-5
J14-A	COM BUS-5
J14-B	NEG BUS 2-3
J15-A	COM BUS-7
J15-B	NEG BUS 3-7
J16-A	COM BUS-9
J16-B	NEG BUS 4-5
1) CB-1 LOAD	NEG BUS 1-1
2) CB-1 LINE	A16-NEG
2) CB-2 LOAD	NEG BUS 2-1
2) CB-2 LINE	A16-NEG
2) CB-3 LOAD	NEG BUS 3-1
2) CB-3 LINE	A16-NEG
2) CB-4 LOAD	NEG BUS 4-1
2) CB-4 LINE	A16-NEG

Figure 7-10
PDU MOD-3 UPC Connector Panel Assembly
315226-100

Figure 7-10
PDU MOD-3 UPC Connector Panel Assembly

ITEM	PART NO.	E/C NO.	QTY	DESCRIPTION
1	315228-000	36229	1	PANEL, UPC CONN
2	315063-000	30372	1	COVER, CONN PANEL
3	315062-000	35354	5	BUS, DIST UPC
4	315047-000	22755	10	SPACER, KYDEX BUS
5	307196-003	30371	0	GROMMET CATPLR EXT
6	207354-000	33968	4	BREAKER CIRCUIT, 30A
9	217014-201	REV-B	1	CABLE, 2/O PWR
10	307005-014	23864	0	ADHESIVE/SEALANT
11	315018-200	36357	1	WIRING KIT, UPC CONN PNL ASM
17	307300-012	REV-B	20	INSUL, LG. 1/4
18	317400-001	33629	64	NUTS, HEX, METRIC
19	317400-003	33629	26	NUTS, HEX, METRIC
20	317400-004	33629	25	NUTS, HEX, METRIC
21	317601-012	30122	64	SCREW, FIL HD M3
22	317603-010	30122	4	SCREW, FIL HD M5
23	317603-016	30122	24	SCREW, FLHD M5X18
24	317604-016	30122	5	SCREW, FILHD M6
25	317604-020	30122	20	SCRFLHD M6X1
26	317950-003	21274	54	WASHER, FLT M5
27	317950-004	21274	30	WASHER, FLT, METRIC
28	317951-001	21274	64	WASHER, SP LK M3
29	317951-003	21274	28	WASHER, SP LK M5
30	317951-004	21274	25	WASHER, SPLT.LK.ME
31	307602-004	21274	8	SCRW632, BINDING HD
32	307951-002	21274	8	WASHER, SPLIT LOCK
33	317603-012	30122	2	SCRFLHD, M5X08
35	000053-001	14987	2	TIE MNT CABLE
36	307975-004	35557	2	CBL TIE LOCKING
37	315226-100	36358	0	CONN, PNL
38	307603-006	21274	8	SCRW832, BINDING HD
39	307400-004	16389	8	NUTS, HEX
40	307802-003	21274	8	WASHER, EXTER LOCK
41	000057-000	34275	1	DWG FAB P/N LABEL STRIP

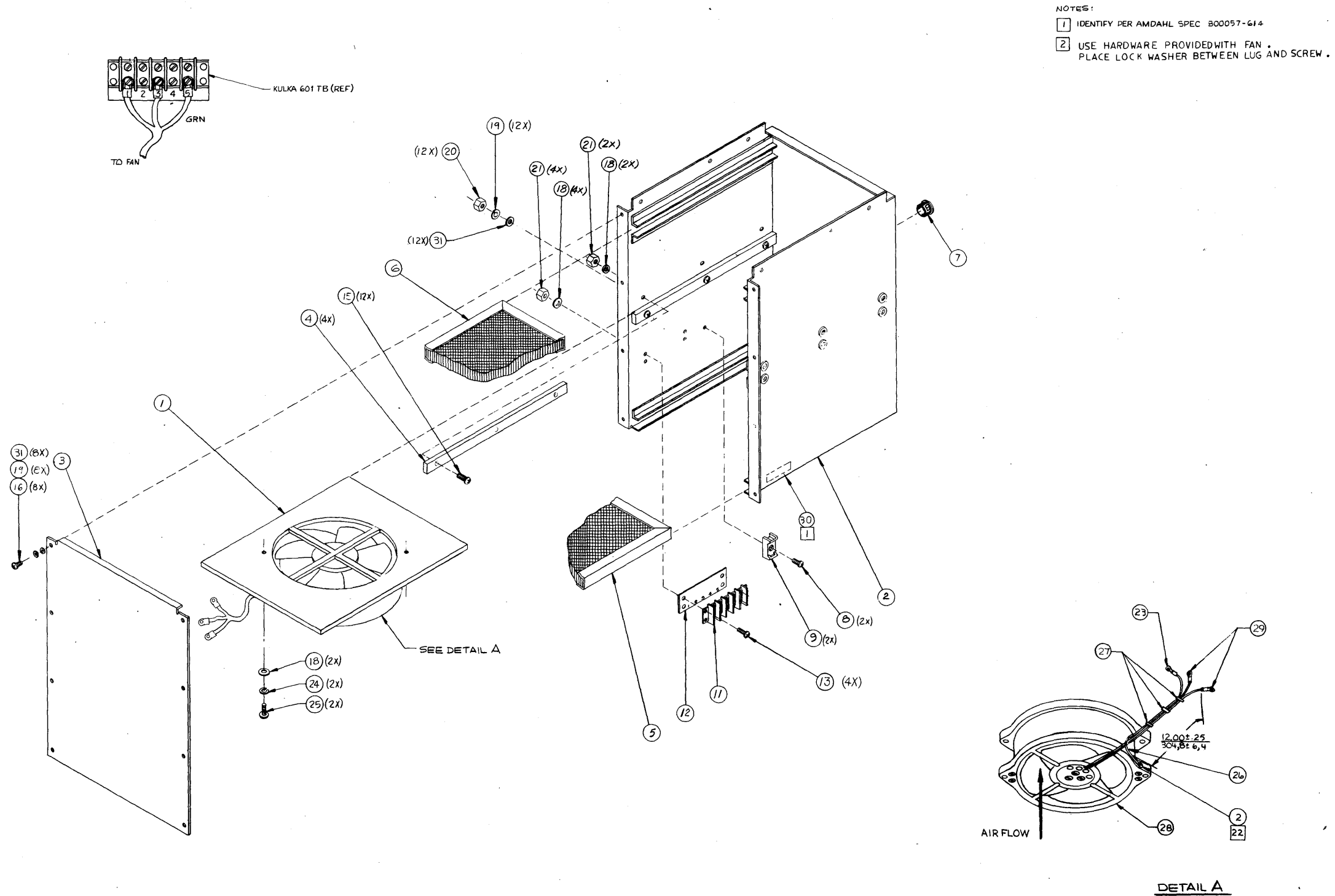


Figure 7-11
 PDU MOD-3 Cooling Assembly, Logic Section
 315108-100

Figure 7-11
PDU MOD-3 Cooling Assembly, Logic Section

ITEM	PART NO.	E/C NO.	QTY	DESCRIPTION
1	315104-000	22768	1	PLATE, FAN
2	315107-000	20472	1	HOUSING, COOLING PDU
3	315103-000	22768	1	COVER, COOLING
4	315102-000	22766	4	GUIDE, PN PLATE
5	300201-020	30361	1	FILTER, AIR
6	315105-000	32562	1	DIFFUSR, AIR
7	307075-005	REV-A	1	BUSHING, UNIVERSAL
8	317602-010	30122	2	SCREW, M4
9	000053-002	14987	2	TIE, MNT CABLE
11	207014-000	15791	1	TERM, BLOCK
12	207163-000	22581	1	STRIP, MARK 5 POS
13	317602-016	30122	4	SCREW, M4
14	315108-100	35403	0	COOLING, LOG SEC
15	317603-014	30122	12	SCREW, FLHD M5X18
16	317603-010	30122	8	SCREW, FIL HD M5
18	317950-002	21274	8	WASHER, FLT,METRIC
19	317951-003	21274	20	WASHER, SP LK M5
20	317400-003	33629	12	NUTS, HEX,METRIC
21	317400-002	33629	6	NUTS, HEX,METRIC
22	207129	33611	1	LUG, 6 STUD
23	207129-002	33611	1	LUG, 6 STUD
24	317951-002	21274	2	WASHER, SPLT.LK.ME
25	317602-014	30122	2	SCREW, M4
26	207233-022	21202	1	WIRE, 14GA GN/YL
27	307975-001	34777	3	CBL, TIE LOCKING
28	207247-000	34874	1	FAN, 220V
29	207208-004	33609	2	LUG, STUD 6
30	000056-000	22764	1	DWG, FAB P/N LABEL SQUARE
31	317950-003	21274	20	WASHER, FLT M5

NOTES:

- 1 IDENTIFY PER AMDAHL SPEC 800057-614 FAR SIDE.
2. SEE SEPARATE B/M 315074-201.

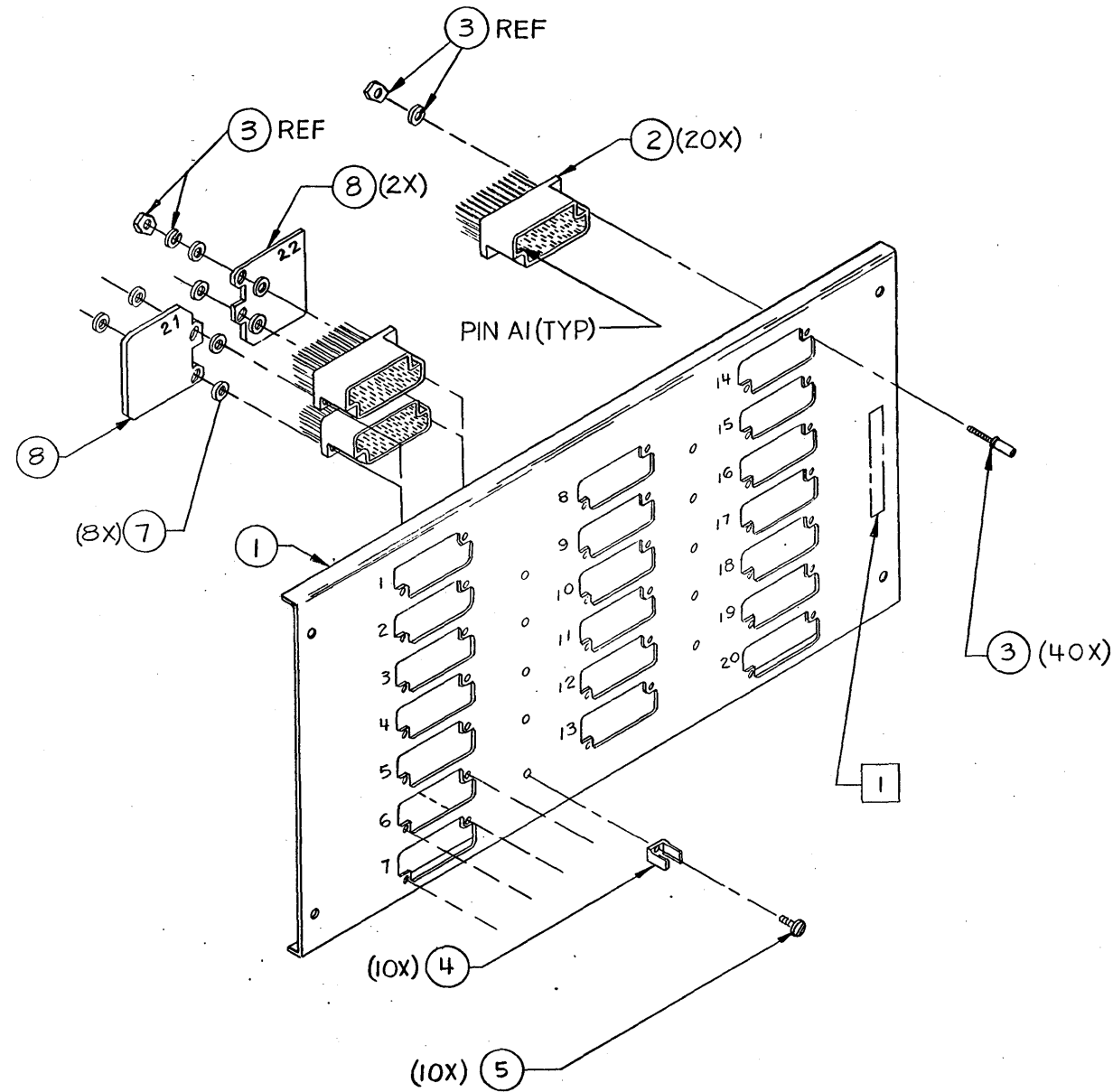
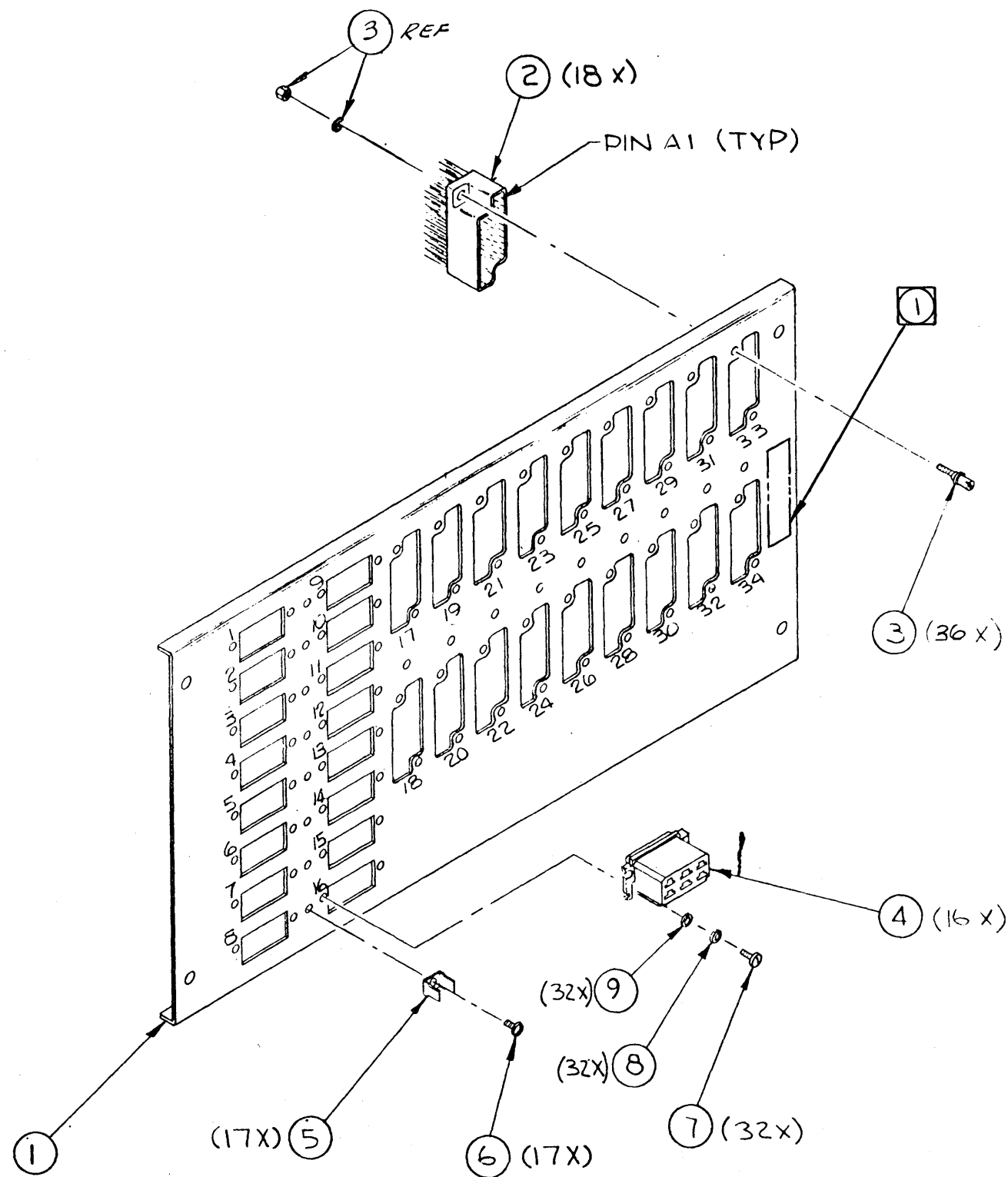


Figure 7-12
PDU MOD-3 Connector Panel Assembly Logic Section
315074-101

Figure 7-12
PDU MOD-3 Connector Panel Assembly Logic Section

ITEM	PART NO.	E/C NO.	QTY	DESCRIPTION
1	315069-000	22051	1	PANEL, CONN LOGIC
2	207192-000	15819	20	CONN, 54 POS
3	000008-000	14976	40	GUIDE, CONN
4	317601-005	21274	10	SCREW, M3
5	207190-000	12885	10	TAB, MALE
6	315074-101	32803	0	CONN, PANEL ASM LOG SECT
7	307950-001	21274	8	WASHER, SIZE 4
8	503061-200	31927	2	B/M, PCB NOISE RED BOARD



NOTES:

① IDENTIFY PER AMDAHL SPEC 800057-614.

Figure 7-13
 PDU MOD-3 Connector Panel Assembly Line Control
 315075-100

Figure 7-13
PDU MOD-3 Connector Panel Assembly Line Control

ITEM	PART NO.	E/C NO.	QTY	DESCRIPTION
1	315067-000	21459	1	PANEL, CONN LINE
2	207192-000	15819	16	CONN, 54 POS
3	000008-000	14976	36	GUIDE, CONN
4	305106-200	13146	16	EPO, CONN
5	207190-000	12885	17	TAB, MALE
6	317601-005	21274	17	SCREW, M3
7	317601-010	21274	32	SCRFLHD M3X05
8	317951-001	21274	32	WASHER, SP LK M3
9	317950-001	21274	32	WASHER, FLT M3
10	315075-100	21610	REF	LINE, CONTROL

NOTES:

① IDENTIFY PER AMDAHL SPEC
800057-614

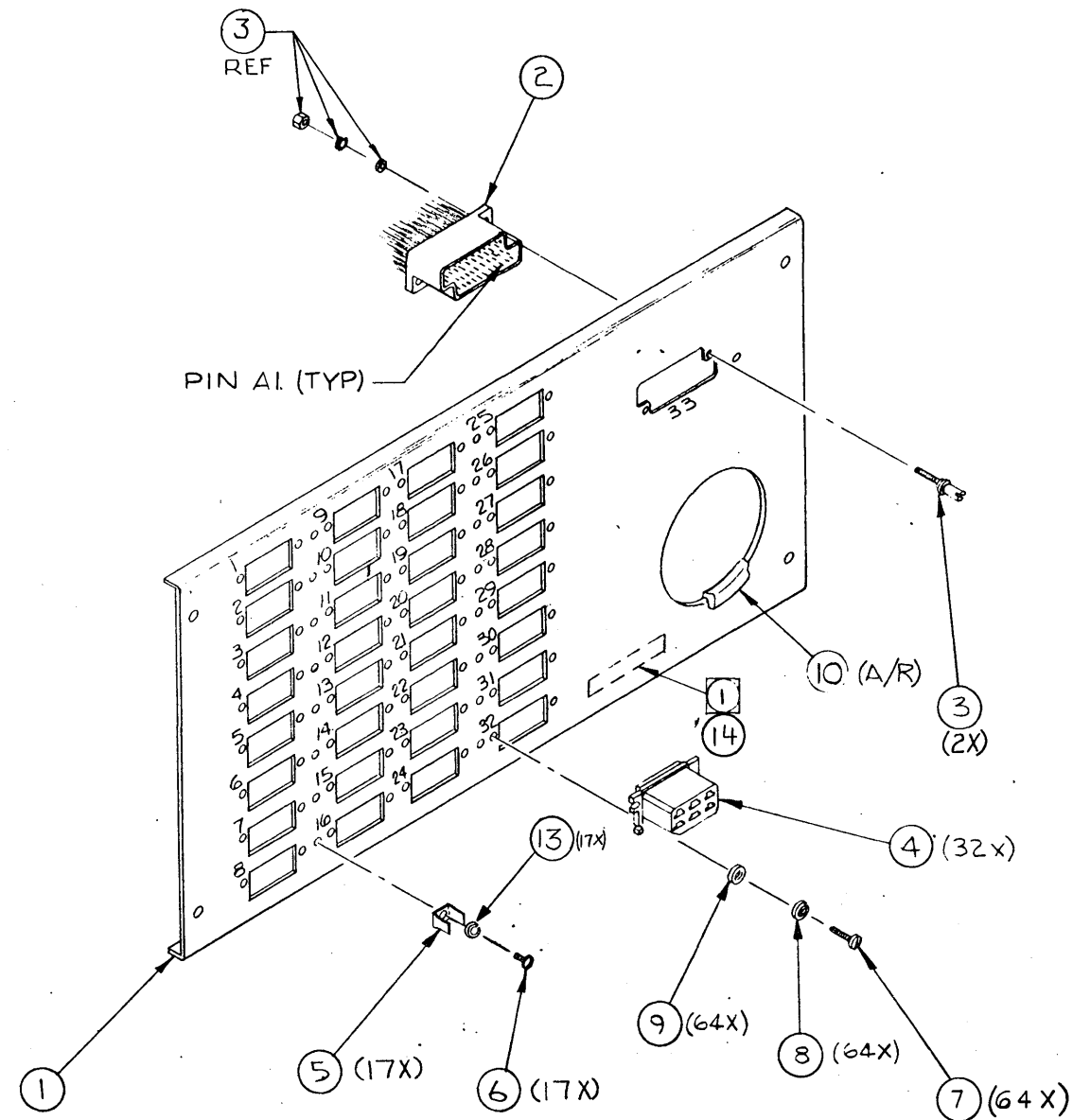


Figure 7-14
PDU MOD-3 Connector Panel Assembly Expansion
315076-100

Figure 7-14
PDU MOD-3 Connector Panel Assembly Expansion

ITEM	PART NO.	E/C NO.	QTY	DESCRIPTION
1	315093-000	REV-B	1	EXPNSN, LOGIC PANEL, CONN EXPN
2	207192-000	15819	1	CONN, 54 POS
3	000008-000	14976	2	GUIDE, CONN
4	305106-200	13146	32	EPO, CONN
5	207190-000	12885	17	TAB, MALE
6	317601-005	16356	17	SCREW, M3
7	317601-010	16356	64	SCRFLHD, M3X05
8	317951-001	REV-B	64	WASHER, SPLT.LK.ME
9	317950-001	REV-B	64	WASHER, FLT, METRIC
10	307196-003	REV-C	8	GROMMET, CATPLR EXT
11	315076-100	REV-B	REF	EXPNSN, LOGIC
12	315076-420	00000	REF	PANEL, CONTROL

- 1 IDENTIFY PER AMDAHL SPEC. 800057-614
- 2 ALLOW MAX. CLEARANCE POSSIBLE BETWEEN WIREWOUND CERAMIC RESISTORS ON ITEM 3
- 3 INSTALL ITEMS 43, 44, 45 (LOCK WASHERS) BETWEEN SCREW HEAD AND RING LUG ON CONTACTOR OR RELAY.

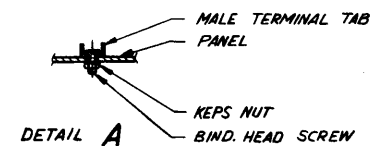
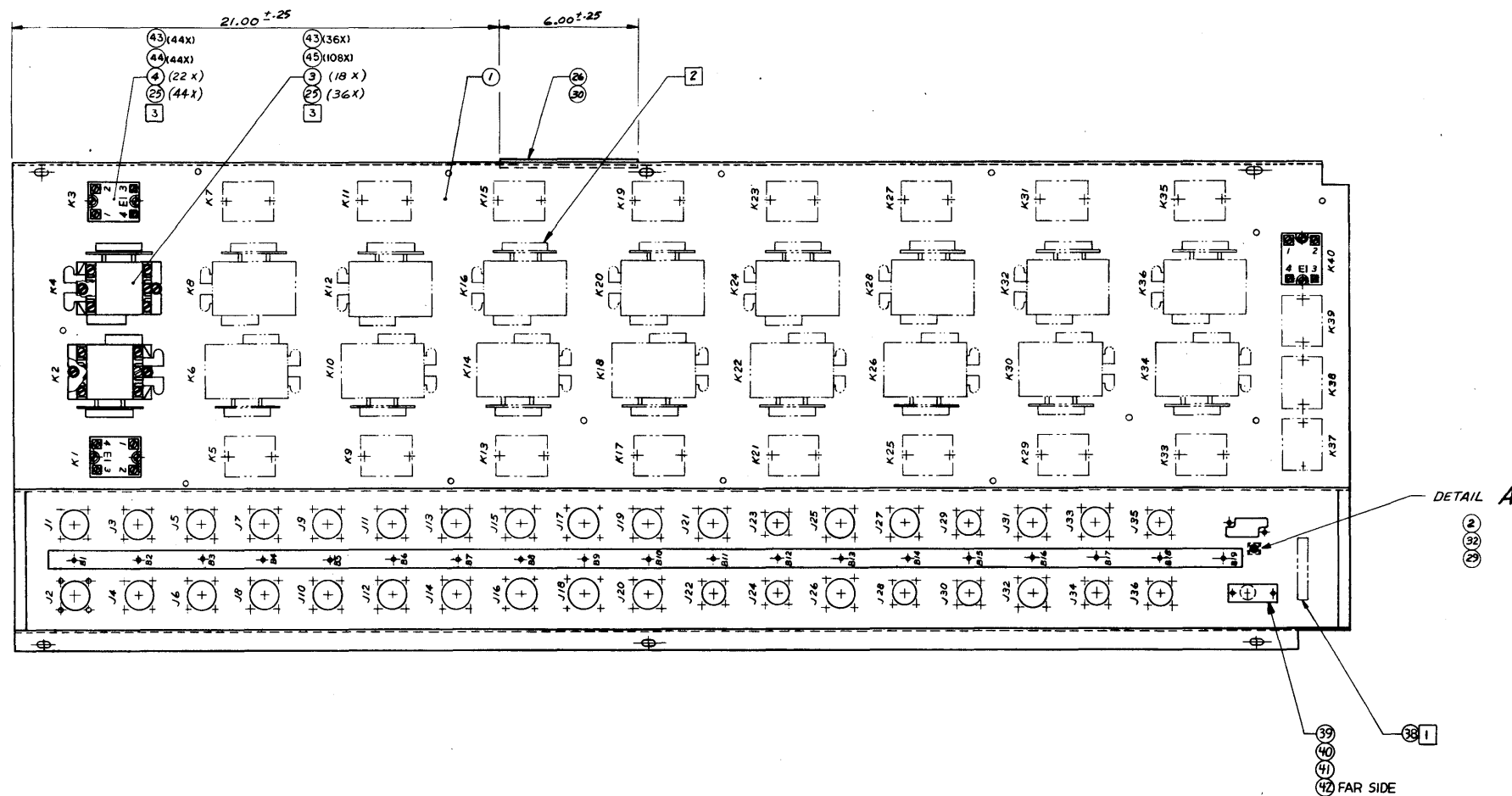


Figure 7-15
 PDU MOD-3 400 Hz Panel Assembly (1 of 3)
 315436-102

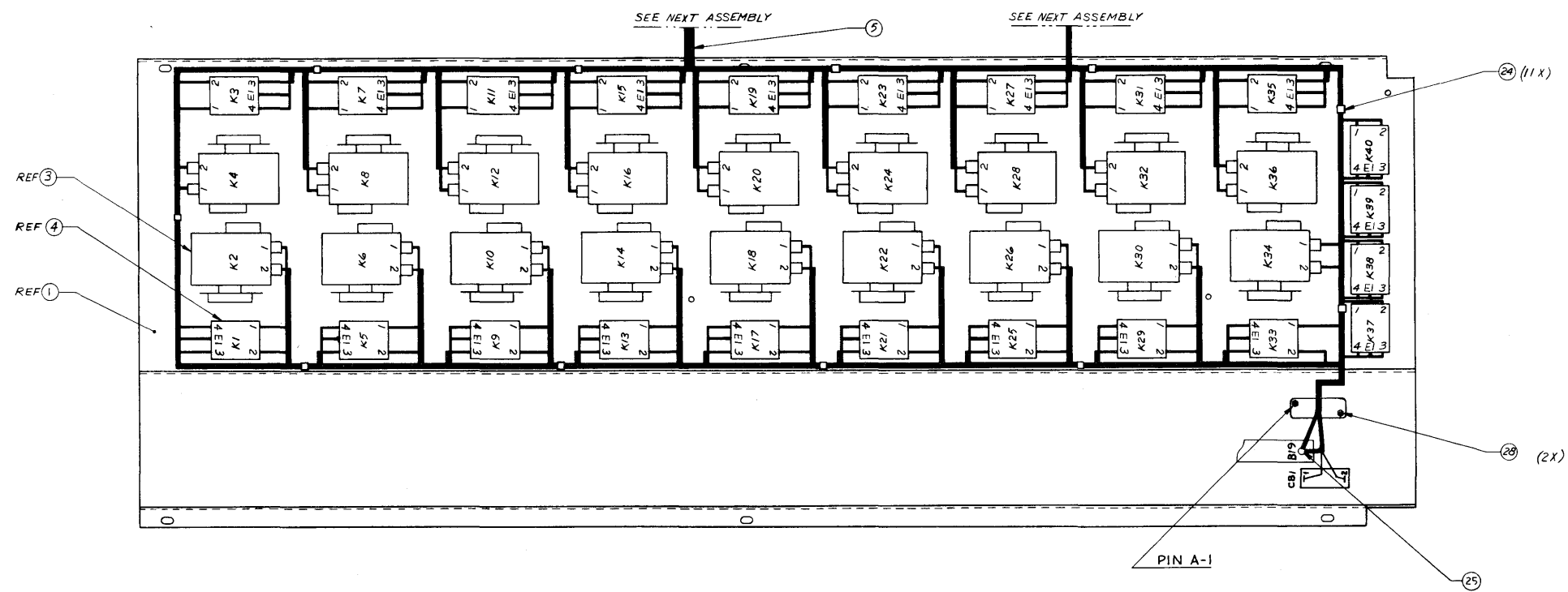


Figure 7-16
 PDU MOD-3 400 Hz Panel Assembly (2 of 3)
 315436-102

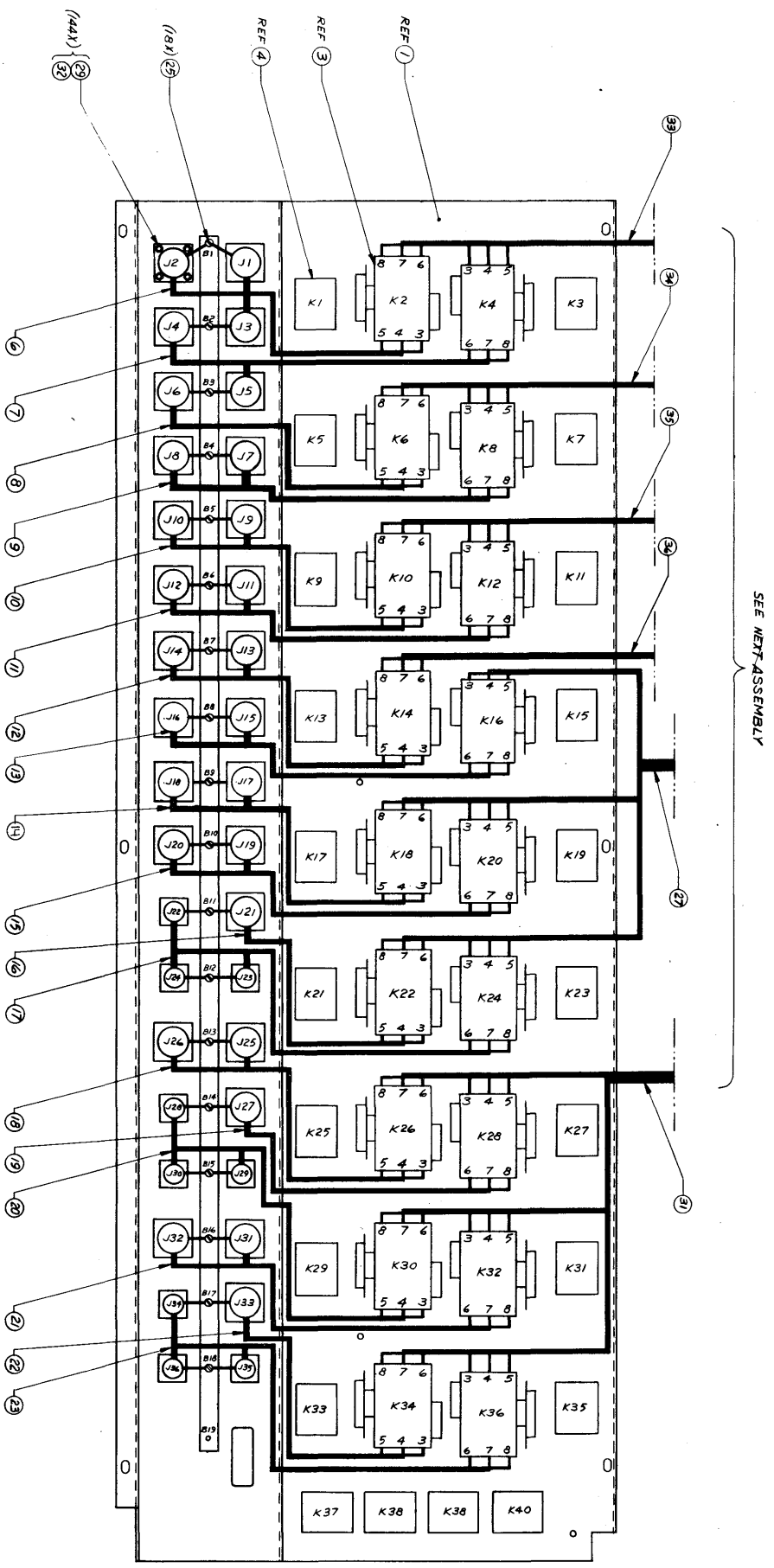


Figure 7-17
PDU MOD-3 400 Hz Panel Assembly (3 of 3)
315436-102

Figure 7-15/7-16/7-17
PDU MOD-3 400 Hz Panel Assembly

ITEM	PART NO.	E/C NO.	QTY	DESCRIPTION
1	315400-001	36099	1	PLATE, 400 HZ
2	207190-000	12885	1	TAB, MALE
3	207217-000	33421	18	CONTACT, 30V ACC01L
4	207146-000	34600	22	RELAY, PWR-PHOTO
5	217252-202	34516	1	CBL, ASM PDU AC
6	217232-200	35192	1	CBL, ASM PDU AC
7	217233-200	35981	1	CBL,J4-5 TO K4
8	217234-200	35192	1	CBL, ASM PDU AC
9	217235-200	35192	1	CBL, ASM PDU AC
10	217236-200	35192	1	CBL, ASM PDU AC
11	217237-200	35191	1	CBL, ASM PDU AC
12	217238-200	35191	1	CBL, ASM PDU AC
13	217408-200	35191	1	CBL, ASM PDU AC
14	217409-200	35191	1	CBL, ASM PDU AC
15	217421-200	35191	1	CBL, ASM PDU AC
16	217242-200	35191	1	CBL, ASM PDU AC
17	217243-200	35083	1	CBL, ASM PDU AC
18	217244-200	35191	1	CBL, ASM PDU AC
19	217245-200	35191	1	CBL, ASM PDU AC
20	217246-200	32827	1	CBL, ASM PDU AC
21	217247-200	35191	1	CBL, ASM PDU AC
22	217248-200	35191	1	CBL, ASM PDU AC
23	217249-200	33883	1	CBL, ASM PDU AC
24	307979-000	23050	11	MT TIE, INT PUSH
25	307743-006	22772	99	SCR, TF HSWHD 8-32
26	307005-003	22150	0	EPOXI, ADHESIVE
27	217230-200	35192	1	CBL, ASM PDU AC
28	000008-000	14976	2	GUIDE, CONN
29	307601-006	21274	145	SCRW440, BINDING HD
30	307196-002	30371	0	GROMMET, CATPLR EXT
31	217231-200	35192	1	CBL, ASM PDU AC
32	307400-061	16389	145	NUT-WASHER ASM, LOCKING
33	217226-200	35192	1	CBL, ASM PDU AC
34	217227-200	35192	1	CBL, ASM PDU AC
35	217228-200	35192	1	CBL, ASM PDU AC
36	217229-200	35192	1	CBL, ASM PDU AC
37	315436-102	36418	0	PANEL, ASM 400 HZ
38	000056-000	22764	1	DWG, FAB P/N LABEL SQUARE
39	207420-000	33318	1	CKT BKR, 1 POLE 3A
40	307602-005	21274	2	SCRW632, BINDING HD
41	307803-003	21274	2	WASHER, INTER LOCK
42	319399-000	31201	1	GUARD, CKT BREAKER
43	307951-002	21274	80	WASHER, SPLIT LOCK
44	307951-003	21274	44	WASHER, SPLIT LOCK
45	307951-004	21274	108	WASHER, SPLIT LOCK

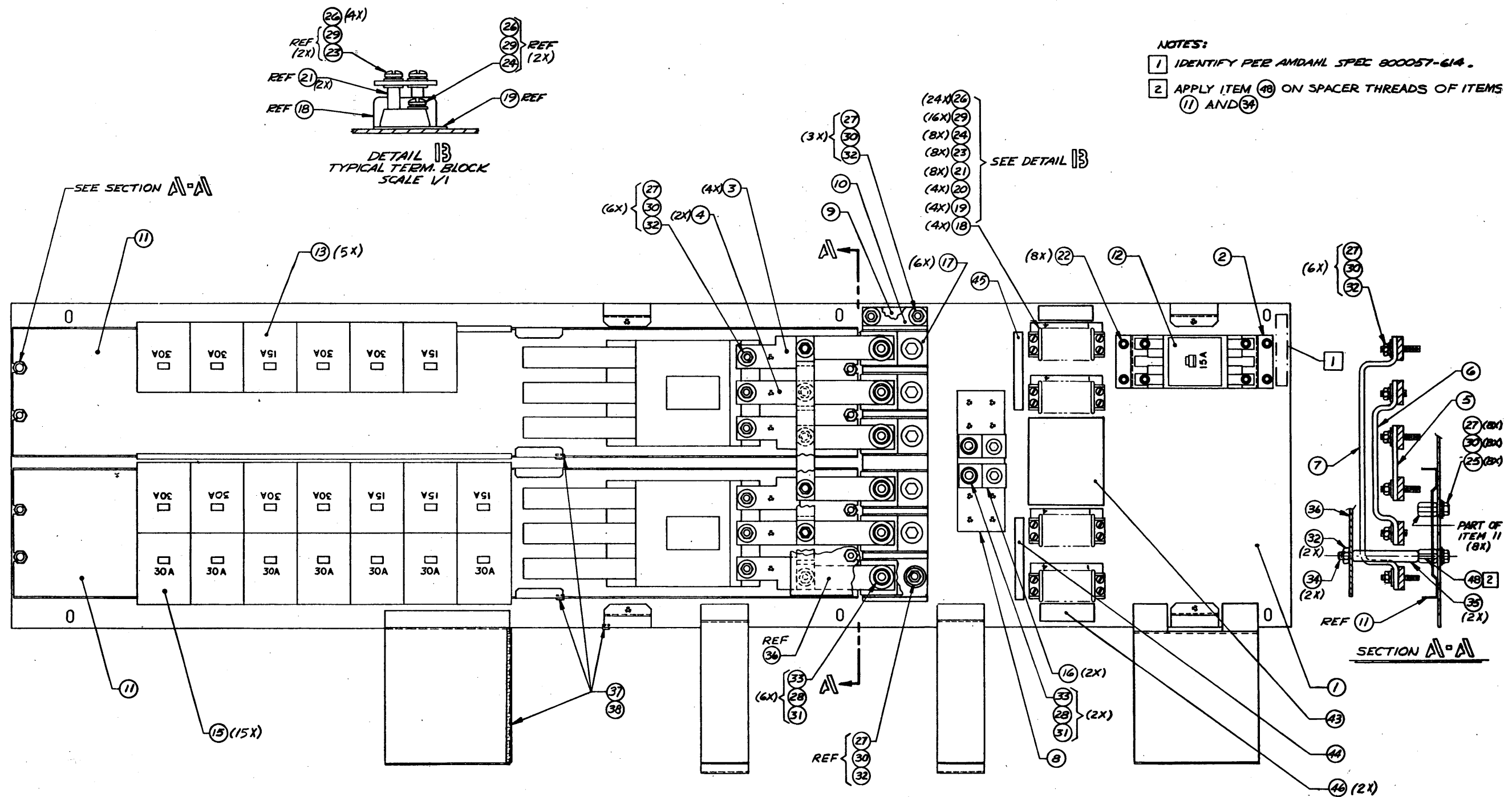


Figure 7-18
PDU MOD-3 Panel Assembly Load Center (1 of 2)
315442-101

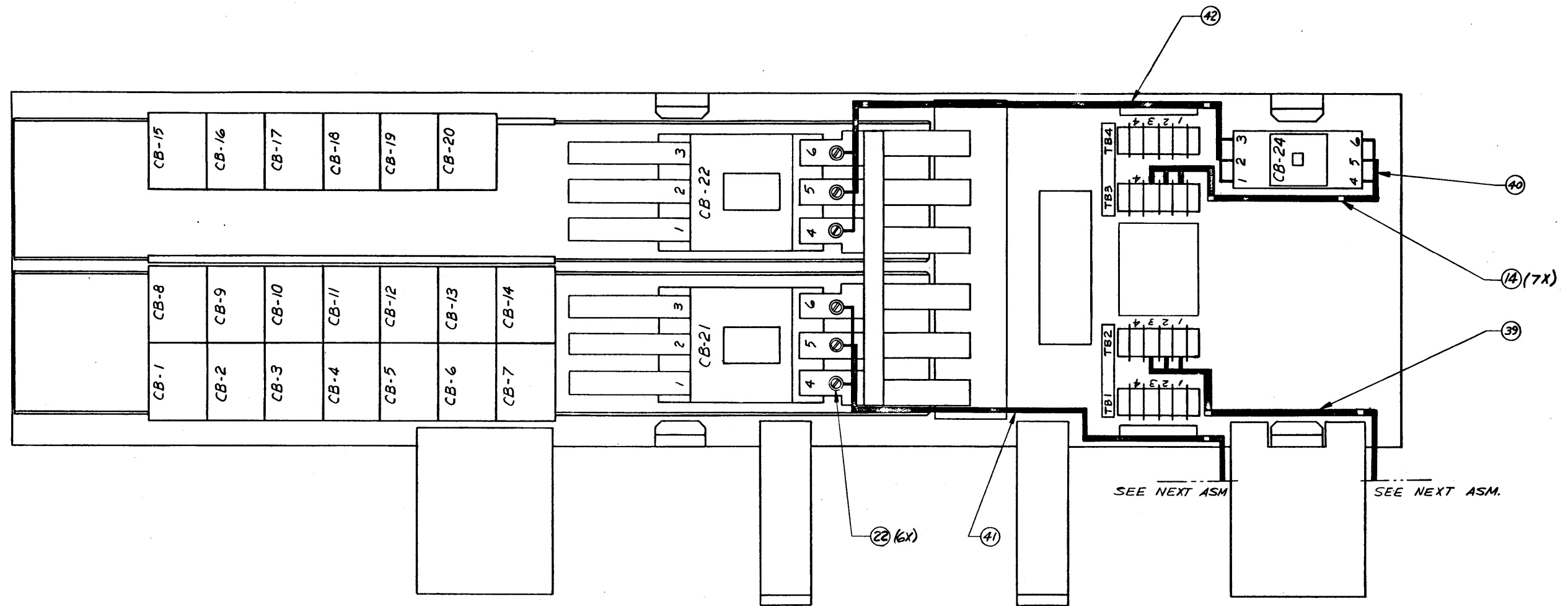


Figure 7-19
PDU MOD-3 Panel Assembly Load Center (2 of 2)
315442-101

Figure 7-18/7-19
PDU MOD-3 Panel Assembly Load Center

ITEM	PART NO.	E/C NO.	QTY	DESCRIPTION
1	315401-000	34885	1	PLATE, L C
2	315403-000	22768	1	BRKT, MG C8
3	315421-000	22788	4	BUS, BAR 240V 400 HZ
4	315422-000	30486	2	BUS, BAR 240V 400 HZ
5	315423-000	22788	1	JUMPER, 240V 400 HZ
6	315424-000	22788	1	JUMPER, 240V 400 HZ
7	315425-000	22788	1	JUMPER, 240V 400 HZ
8	315431-000	22788	1	BLK, GRD PDU AC
9	315435-000	30383	1	INSUL, LD CENTER
10	315443-200	30562	1	BARRIER, LD CENTER
11	315444-200	23719	2	PNL, BD LD CENTER
12	207364-001	21996	1	BREAKER, CRKT-3P15A
13	207363-001	21995	5	BREAKER, CRKT-3P15A
14	307979-000	23050	7	MT, TIE INT PUSH
15	207363-003	21995	15	BREAKER, CRKT-3P30A
16	207337-000	23538	2	PRESSURE, WIRE CONN
17	207337-002	22356	6	LUG, PRESSURE 1 HOLE
18	207258-000	15791	4	BLOCK, TERM 4 POS
19	207259-000	22581	4	STRIP, MARK 4 POS
20	305100-004	30385	4	SHIELD, TERM BLOCK
21	307925-003	31537	8	SPACER, FIBER
22	307743-006	22772	8	SCR, TF HXWHD 8-32
23	307603-024	21274	8	SCRW832, BINDING HD
24	307603-014	21274	8	SCRW832, BINDING HD
25	307675-012	33312	8	SCREW, HEX HEAD
26	307950-003	21274	24	WASHER, SIZE 8
27	307950-005	21274	23	WASHER, SIZE .250
28	307950-007	21274	8	WASHER, SIZE .375
29	307951-003	21274	16	WASHER, SPLIT LOCK
30	307951-003	21274	23	WASHER, SPLIT LOCK
31	307951-007	21274	8	WASHER, SPLIT LOCK
32	307400-006	16389	17	NUTS, HEX
33	307400-008	16389	8	NUTS, HEX
34	315448-000	22788	2	ROD, THREADED
35	315449-000	23153	2	SPACER, LOADCENTER
36	315446-000	30363	1	INSULAT, L.C. INPUT
37	307196-001	30371	1	GROMMET, CATPLR EXT
38	307005-003	22150	0	EPOXI, ADHESIVE
39	217253-200	33428	1	CBL, ASM PDU AC
40	217254-200	23902	1	CBL, ASM PDU AC
41	217255-200	30509	1	CBL, ASM PDU AC
42	217256-200	23665	1	CBL, ASM PDU A
43	317057-000	22788	1	PDU, AC LBL SNS LD
44	317055-000	22789	1	PDU, AC LBL SNS LD
45	317056-000	22788	1	PDU, AC LBL SNS LD
46	317054-000	22788	2	PDU, AC LBL SNS LD
47	315442-101	34882	0	PANEL, ASM LOAD CENTER
48	000019-000	12475	0	FSTNR, ADH LOCKIT

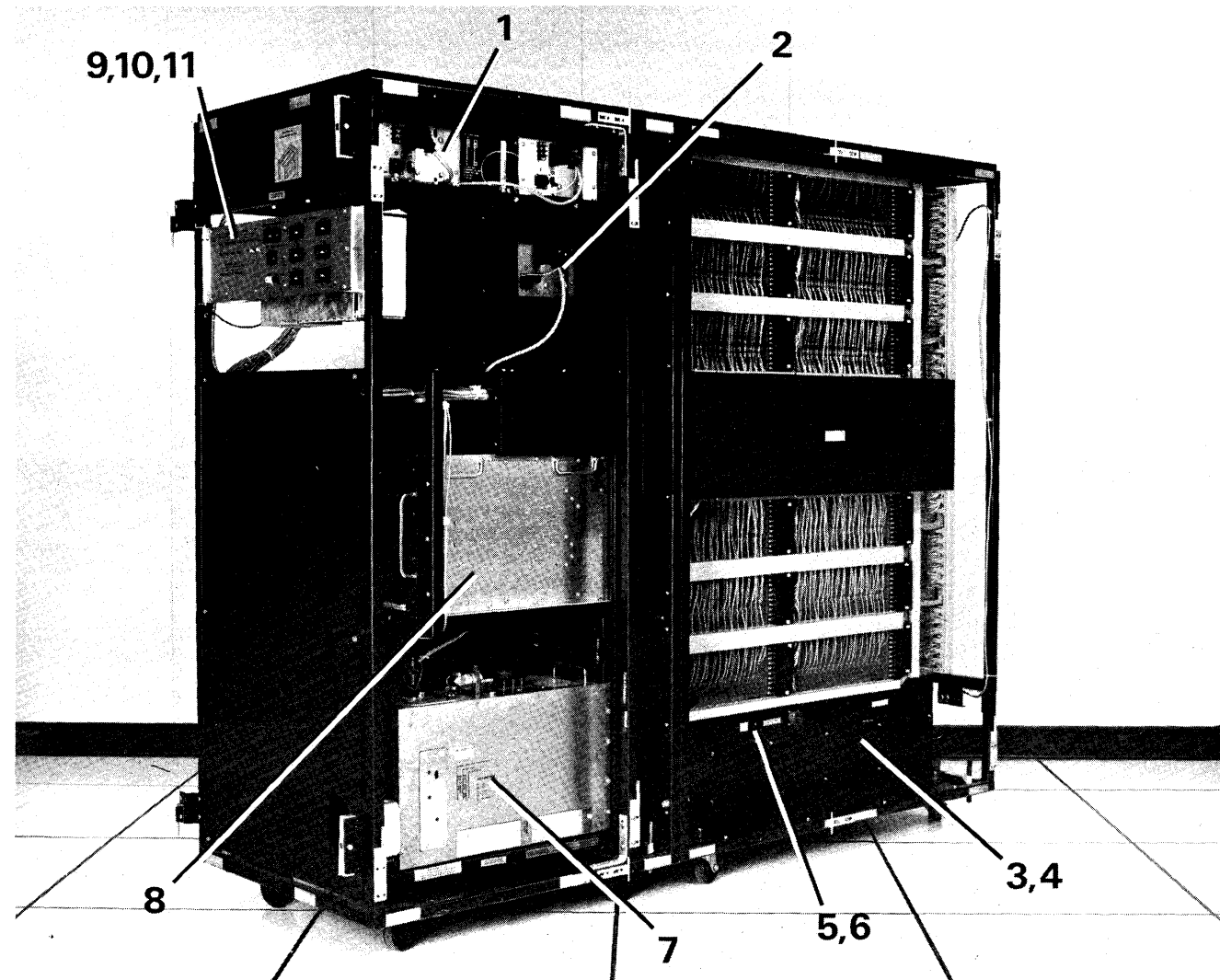


Figure 8-1
MSU MOD-2 Photo 1, Front and Right Side

Figure 8-1
MSU MOD-2 Photo 1, Front and Right Side

ITEM	PART NO.	E/C NO.	QTY	DESCRIPTION
1	207336-001	30785	2	POWER SUPPLY, TYPE-4B
2	207270-000	30571	1	POWER SUPPLY, 25A, 3V
3	300201-026	20172	1	FILTER, AIR
4	312542-200	14859	2	FAN, PAMOTOR
5	300201-025	20172	1	FILTER, AIR
6	312542-200	14859	2	FAN, PAMOTOR
7	207072-001	30571	1	POWER SUPPLY, TYPE-2
8	207045-200	31763	2	POWER SUPPLY, TYPE-1
9	316036-200	23643	1	UPC ASSEMBLY
10	513016-200	18346	1	PCB, L.E.D.
11	513031-200	31124	1	PCB, BUS MARGIN

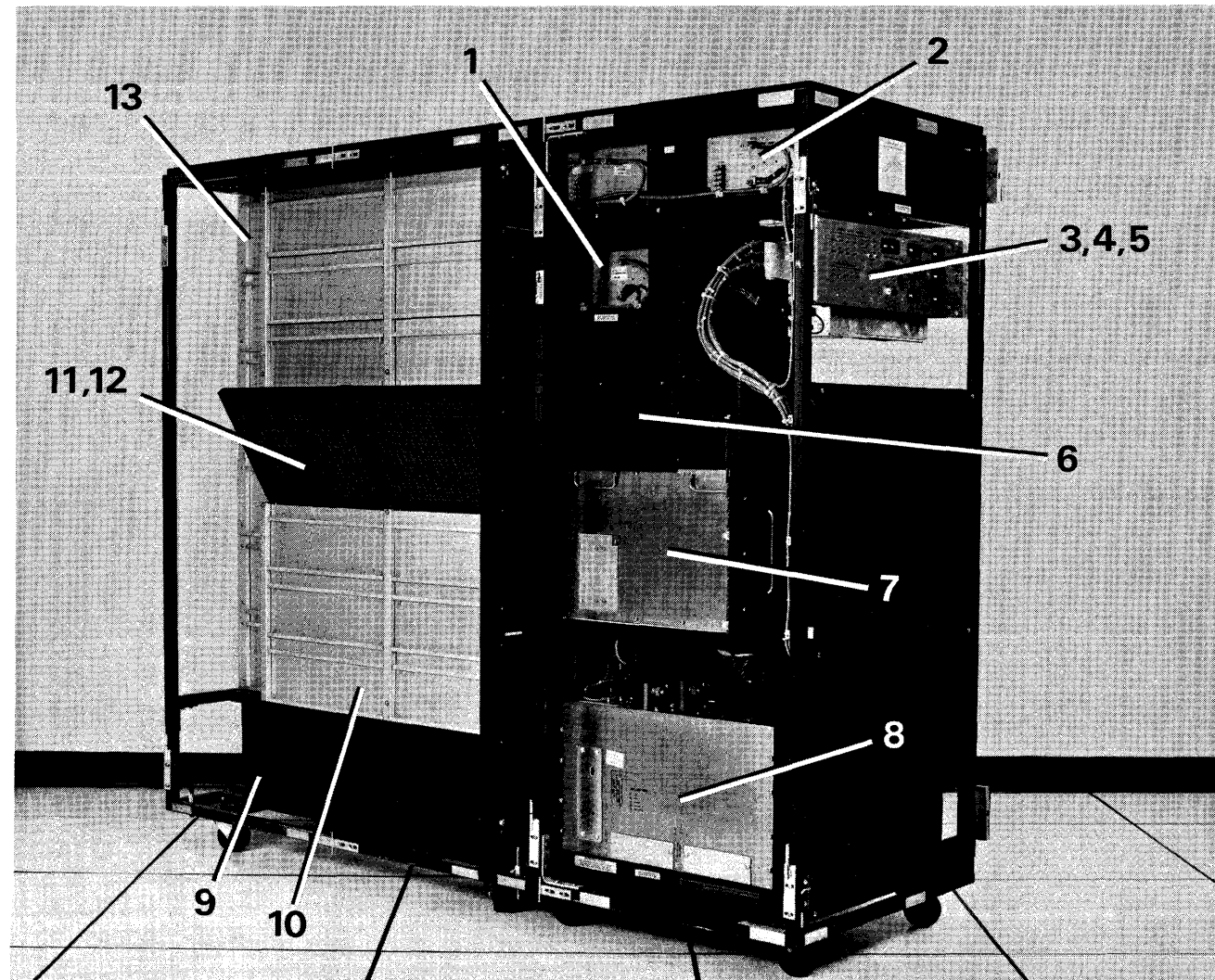


Figure 8-2
MSU MOD-2 Photo 2, Front and Left Side

Figure 8-2
MSU MOD-2 Photo 2, Front and Left Side

ITEM	PART NO.	E/C NO.	QTY	DESCRIPTION
1	207270-000	30571	1	POWER SUPPLY, 25A, 3V
2	207336-000	30785	2	POWER SUPPLY, TYPE-4B
3	316036-200	23643	1	UPC ASSEMBLY
4	513016-200	18346	1	PCB, L.E.D.
5	513031-200	31124	1	PCB, BUS MARGIN
6	207035-000	15677	2	FAN, 220 VOLT
7	207045-200	31763	2	POWER SUPPLY, TYPE-1
8	207072-001	30571	1	POWER SUPPLY, TYPE-2
9	313087-200	22644	1	BLOWER ASSEMBLY, BLC
10	313057-200	23457	12	DOOR ASSEMBLY, ARRAY
11	312542-200	20172	4	FAN, 220 VOLT
12	300201-018	20172	2	FILTER, AIR
13	313035-200	23661	6	DOOR ASSEMBLY, BLC

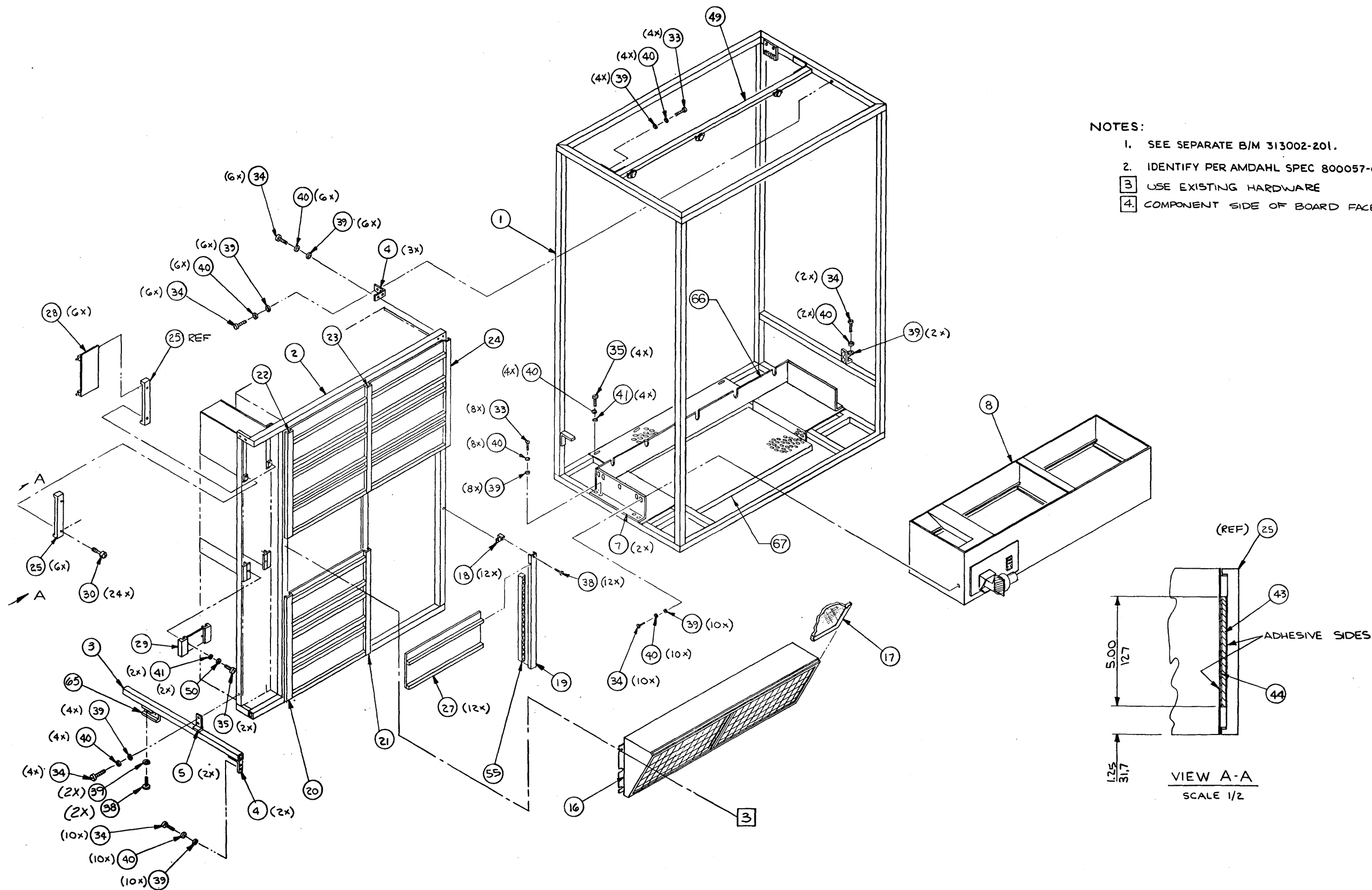


Figure 8-3
MSU MOD-2 E/M Breakdown (1 of 2)
313002-101

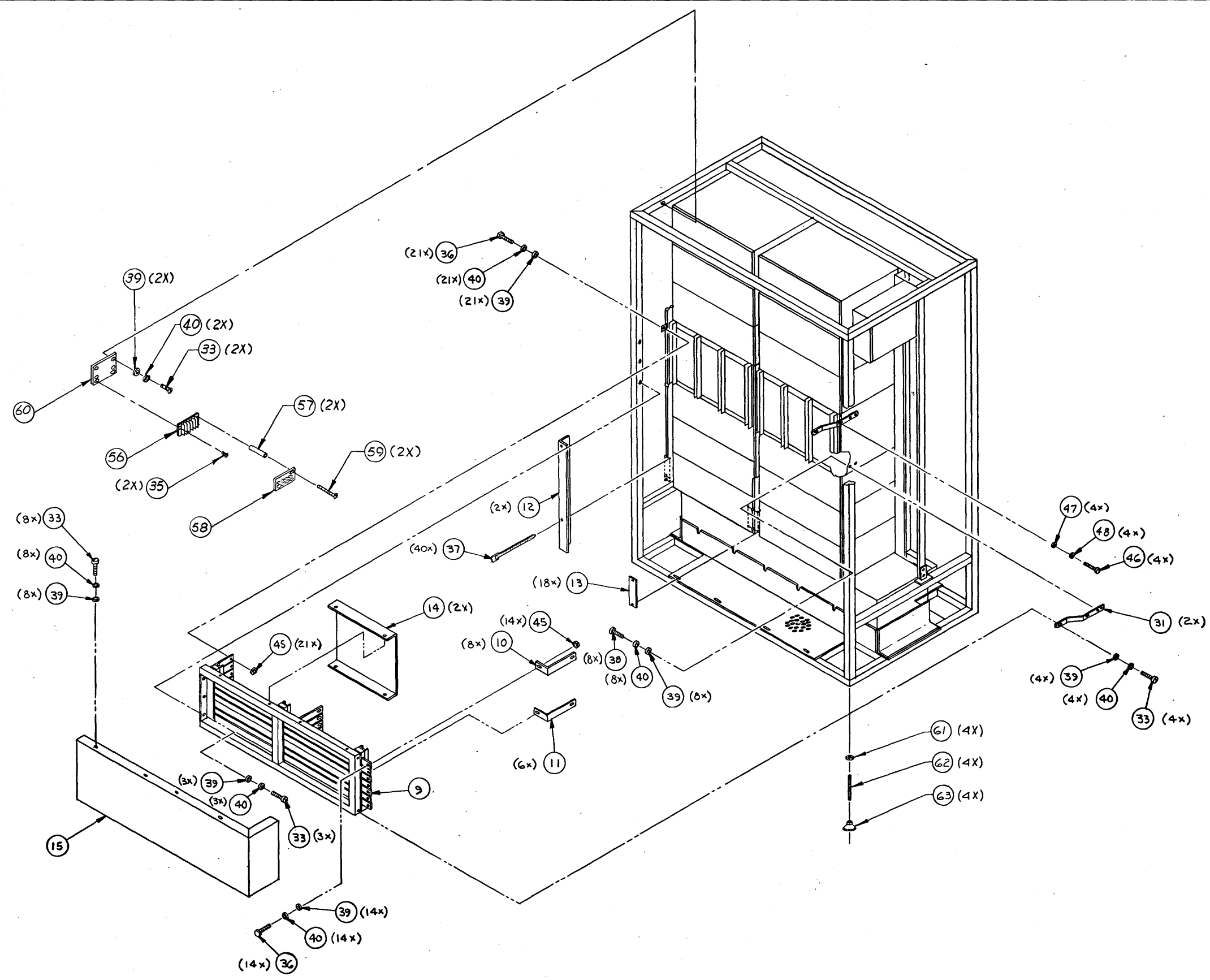


Figure 8-4
MSU MOD-2 E/M Breakdown (2 of 2)
313002-101

Figure 8-3/8-4
MSU MOD-2 E/M Breakdown

ITEM	PART NO.	E/C NO.	QTY	DESCRIPTION
		23692	1	MNST, E/M 1 MEG
1	313027-000	22853	1	FRAME, MAINST MD1
2	313001-201	21642	1	MNST, SUBFRAME
3	313028-000	22468	1	TUBE, SUPPORT
4	313019-000	23468	5	BRACKET, SUBFRAME
5	313074-000	22450	2	BRACKET, SUBFRAME
7	313021-000	22427	2	BRACKET, LOWER COOL
8	313034-206	22643	1	COOLING, LOWER
9	313058-200	23458	1	BUS, HORIZONTAL
10	313051-001	22830	8	JUMPER, BUS
11	313051-002	22830	6	JUMPER, BUS
12	303044-001	22429	2	COVER, LEFT HAND
13	303081-001	22452	8	COVER, BUS
14	313049-000	22431	2	COVER, INNER
15	213054-000	22442	1	COVER, OUTSIDE
16	303191-000	23490	1	HOUSING, FLTR,MNSTR
17	300201-018	20172	2	FILTER, AIR
18	303020-002	23480	12	BRKT, DOOR JAMB
19	303197-000	20225	1	JAMB, KR BTM RIGHT
20	303197-001	20225	1	DOORJAM, BOT RIGHT
21	303196-000	22438	1	JAMB, DR BTM CENTER
22	303194-001	14846	1	DOORJAMB, TO RIGHT
23	303193-000	22433	1	DOORJAM, TOP CENTER
24	303194-000	14846	1	JAMB, DR TOP RIGHT
25	313016-000	20175	12	BLOCK, DOOR JAMB
27	313057-000	23457	12	DOOR, CHASSIS
28	313035-200	23661	4	DOOR, LOGIC
29	313015-000	22436	1	COVER, FILLER
30	313030-000	23465	26	SCREW, CAPTIVE
31	313067-000	22448	2	BRACE, BUS MTG
33	317603-012	21274	29	SCRFLHD, M5X08
34	317603-014	21274	40	SCREW, FLHD M5X18
35	317602-019	21274	4	SCREW, M4
36	317673-030	21274	35	SCREW, HED HD
37	307975-004	23328	4	CBL, TIE LOCKING
38	307603-010	21274	22	SCRW832, BINDING HD
39	317950-003	21274	114	WASHER, FLT M5
40	317951-003	21274	108	WASHER, SP LK M5
41	317950-002	21274	2	WASHER, FLT, METRIC
44	307180-003	REV-B	60	FOAM, .38,.25
45	317400-003	21274	35	NUTS, HEX, METRIC
46	317601-030	21274	4	SCREW, M3
47	317950-001	21274	4	WASHER, FLT M3
48	317951-001	21274	1	WASHER, SP LK M3
49	313063-200	23459	1	BRACKET, SENSOR
51	313002-250	22688	1	MNST, LABEL INST
52	313002-260	22634	1	ROUTING, MNST CABLE
53	313002-101	23692	REF	MNST, E/M 1 MEG
54	313002-203	23576	1	INSTALL, MNST CARD
55	307180-000	REV-B	90	FOAM, .50,1.00
56	207204-000	15791	1	BLOCK, TERM

ITEM	PART NO.	E/C NO.	QTY	DESCRIPTION
57	307925-000	16356	2	SPACER, FIBER
58	305135-008	15622	1	SHIELD, TRMNAL BLK
59	317602-025	21274	2	SCREW, M4
60	313077-000	27445	1	PLATE, TB MTG
61	307400-009	16389	4	NUTS, NEX. 50
62	306427-000	22142	4	STUD, LVL POST
63	307325-001	REV-B	4	LVF FT
65	315143-000	22924	1	BRACKET, CONNECTOR
66	313083	23483	1	SCREEN, BOTTOM
67	315085-000	22639	1	FAN, MSU
68	313002-621	23691	REF	CLOCK, TUNING

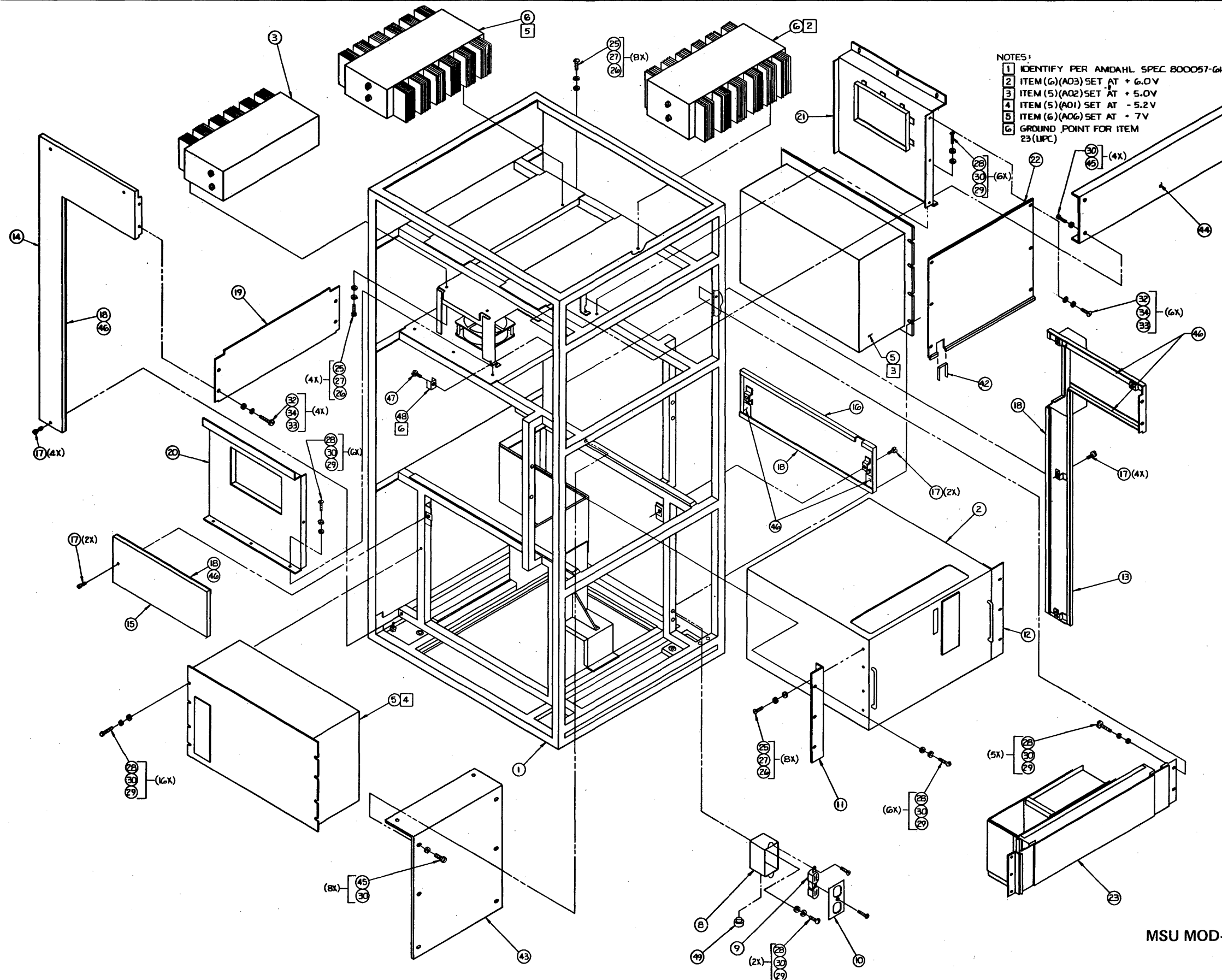


Figure 8-5
 MSU MOD-2 Mainstore Power Supply Assembly
 316013-100

Figure 8-5
MSU MOD-2 Mainstore Power Supply Assembly

ITEM	PART NO.	E/C NO.	QTY	DESCRIPTION
1	316011-200	30997	1	MNST, PWR SUPPLY
2	207072-001	30571	1	P S, PWR SUPPLY
3	207270-000	30785	1	PWR SUP, 25A, 3V
5	207045-200	31763	2	POWER SUPPLY, TYPE I
6	207336-000	30785	2	PWR SUP, TYPE 4B
8	000017-000	11424	1	ACK, OUTLET
9	207003-000	30264	1	OUTLET, 15 AMP
10	307085-001	REV-A	1	COVER, MTL DUPLEX
11	316024-001	22867	1	BRACKET, P.S. MTG
12	316024-002	22867	1	BRACKET, P.S. MTG
13	316009-000	21933	1	COVER, SIDE
14	316005-000	22770	1	COVER, SIDE
15	316025-000	22770	1	COVER, PS-A
16	316028-000	21609	1	COVER, PS-B
17	300563-001	12593	14	SCREW, CAPTIVE
18	307180-002	23900	18	FOAM, .25,.12
19	316002-000	23539	1	COVER, DUCT
20	316001-000	22153	1	COVER, SIDE
21	316006-000	22770	1	COVER, SIDE
22	316004-000	23927	1	COVER, DUCT
23	316036-200	23643	1	UPC/MSU, E/M ASM
25	307604-006	21274	20	SCR1032, BINDING HD
26	307950-004	21274	20	WASHER, SIZE 10
27	307951-004	21274	20	WASHER, APLIT LOCK
28	317603-012	21274	41	SCRFLHD, M5X08
29	317950-000	21274	41	WASHER, FLT M5
30	317951-003	21274	53	WASHER, SP LK M5
32	317602-014	21274	10	SCREW, M4
33	317950-002	21274	10	WASHER, FLT, METRIC
34	317951-002	21274	10	WASHER, SPLT.LK.ME
35	000053-001	14987	40	TIE, MAT CABLE
36	000053-002	14987	10	TIE, MNT CABLE
37	307975-007	23328	50	CBL, TIE LOCKING
38	316013-100	31765	0	MNST, PS E/M
39	316013-260	22100	1	ROUTING, MNST P.S.
40	316013-250	21890	1	LABEL, INSTALL
41	316013-360	22635	0	WIREING, MAINSTORE
42	307196-001	30371	0	GROMMET, CATPLR EXT
43	316037-000	20797	1	COVER, LARGE
44	316038-000	23711	1	COVER, SMALL
45	317603-006	21274	12	SCREW, M5
46	307180-004	REV-B	7	FOAM, .50,1.00
47	317601-006	21274	1	SCREW, FL HD
48	207190-000	12885	1	TAB, MALE
49	207245-000	14696	1	CLAMP, CONNECTOR
50	316013-650	23125	0	STR, POWER SYSTEM

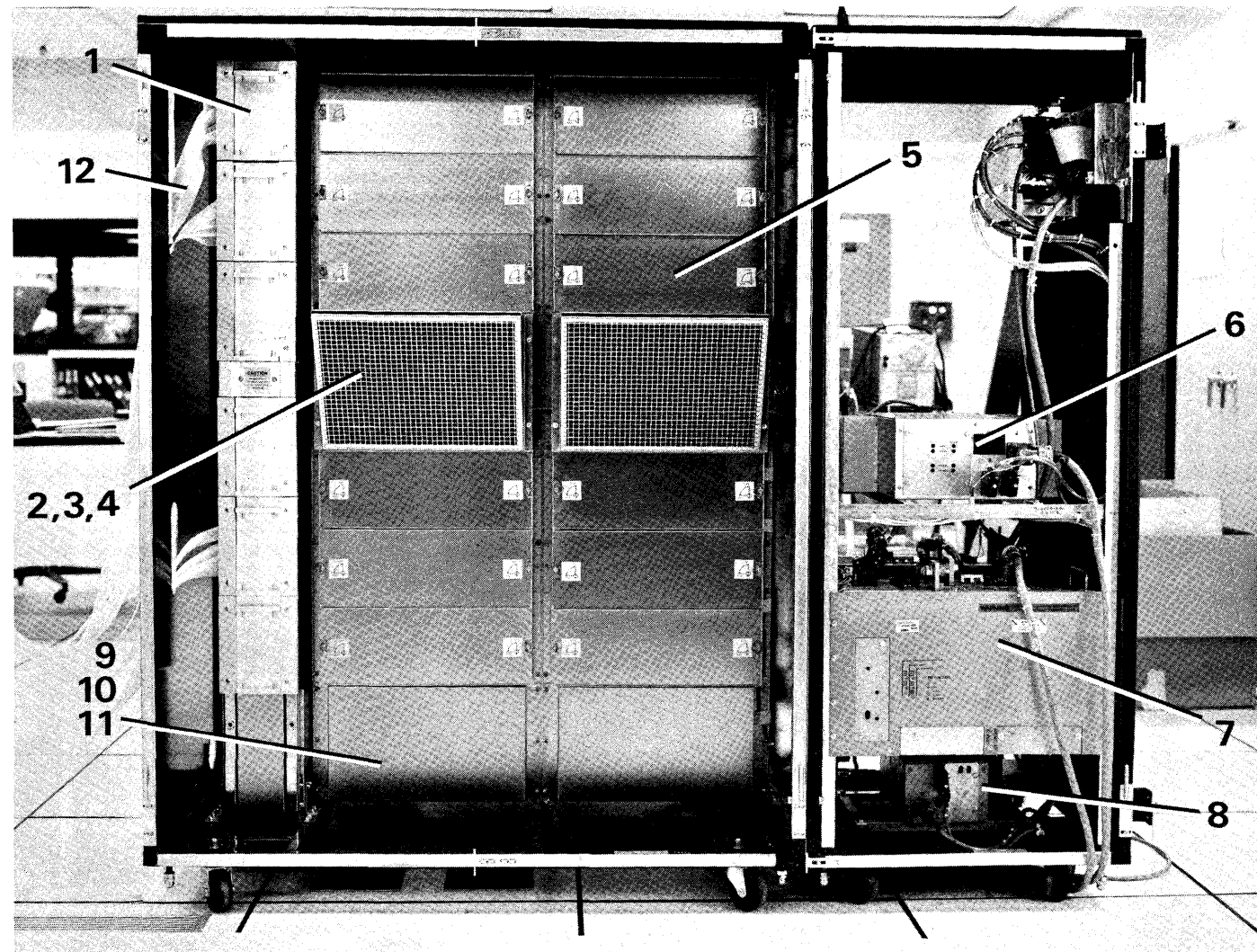


Figure 9-1
MSU MOD-3 Photo 1, Left Side

Figure 9-1
MSU MOD-3 Photo 1, Left Side

ITEM	PART NO.	E/C NO.	QTY	DESCRIPTION
1	313035-200	31508	6	DOOR ASSEMBLY, BLC
2	313108-200	31521	2	FAN HOUSING ASSEMBLY, UPPER
3	312542-200	14859	4	FAN PAMOTOR, UPPER
4	313124-000	22801	2	FILTER, AIR, UPPER
5	313106-200	30926	12	DOOR ASSEMBLY, ARRAY
6	207270-000	31765	1	POWER SUPPLY, 25A, 3 VOLT
7	207045-200	33874	2	POWER SUPPLY, TYPE-1
8	207380-001	31765	1	POWER SUPPLY, TYPE-7
9	313111-200	30818	2	FAN HOUSING ASSEMBLY, LOWER
10	312542-200	14859	2	FAN, PAMOTOR, LOWER
11	313158-001	22801	2	FILTER, AIR, LOWER
12	216141-201	31515	1	MSU TO EUP CABLE ASSEMBLY (74")

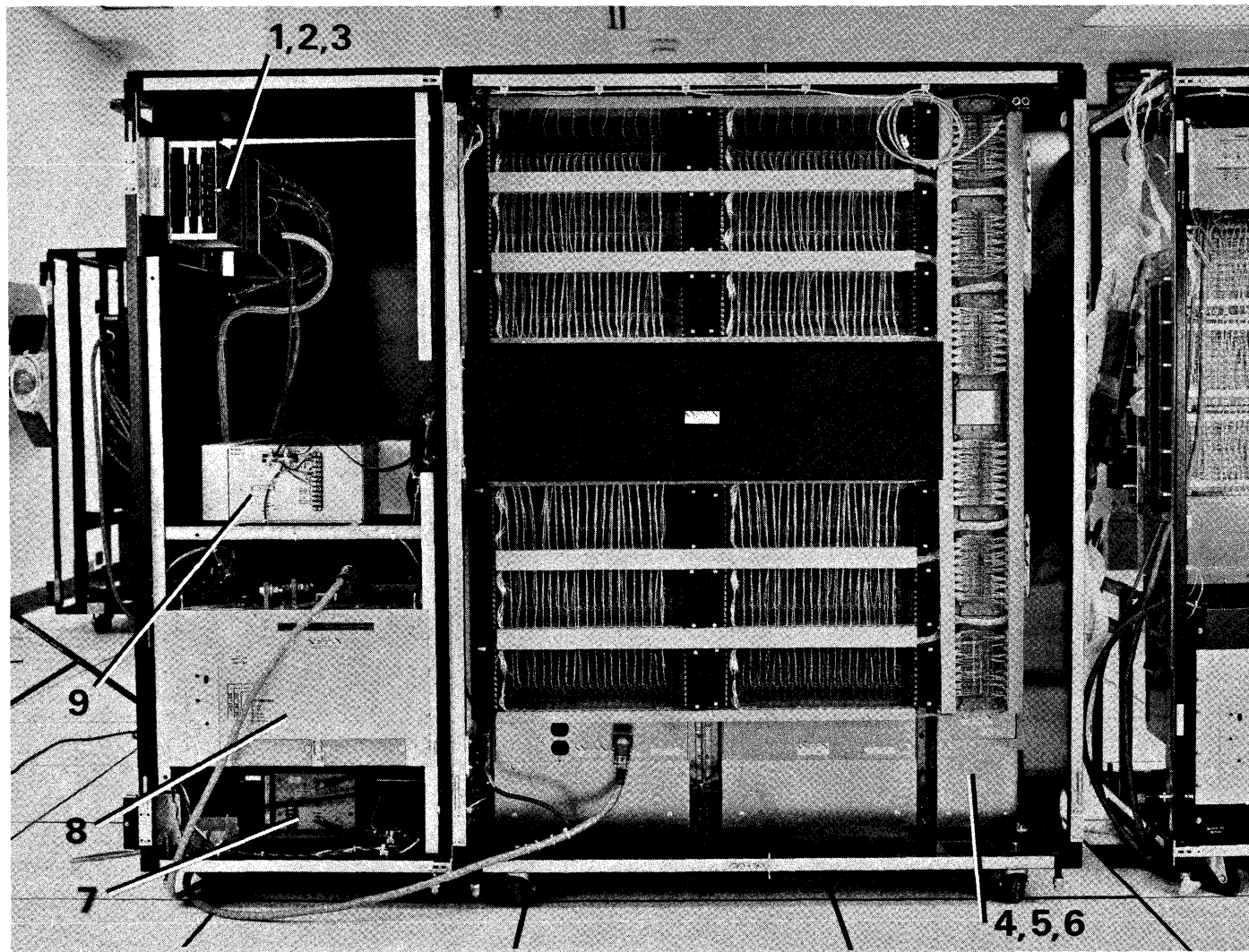
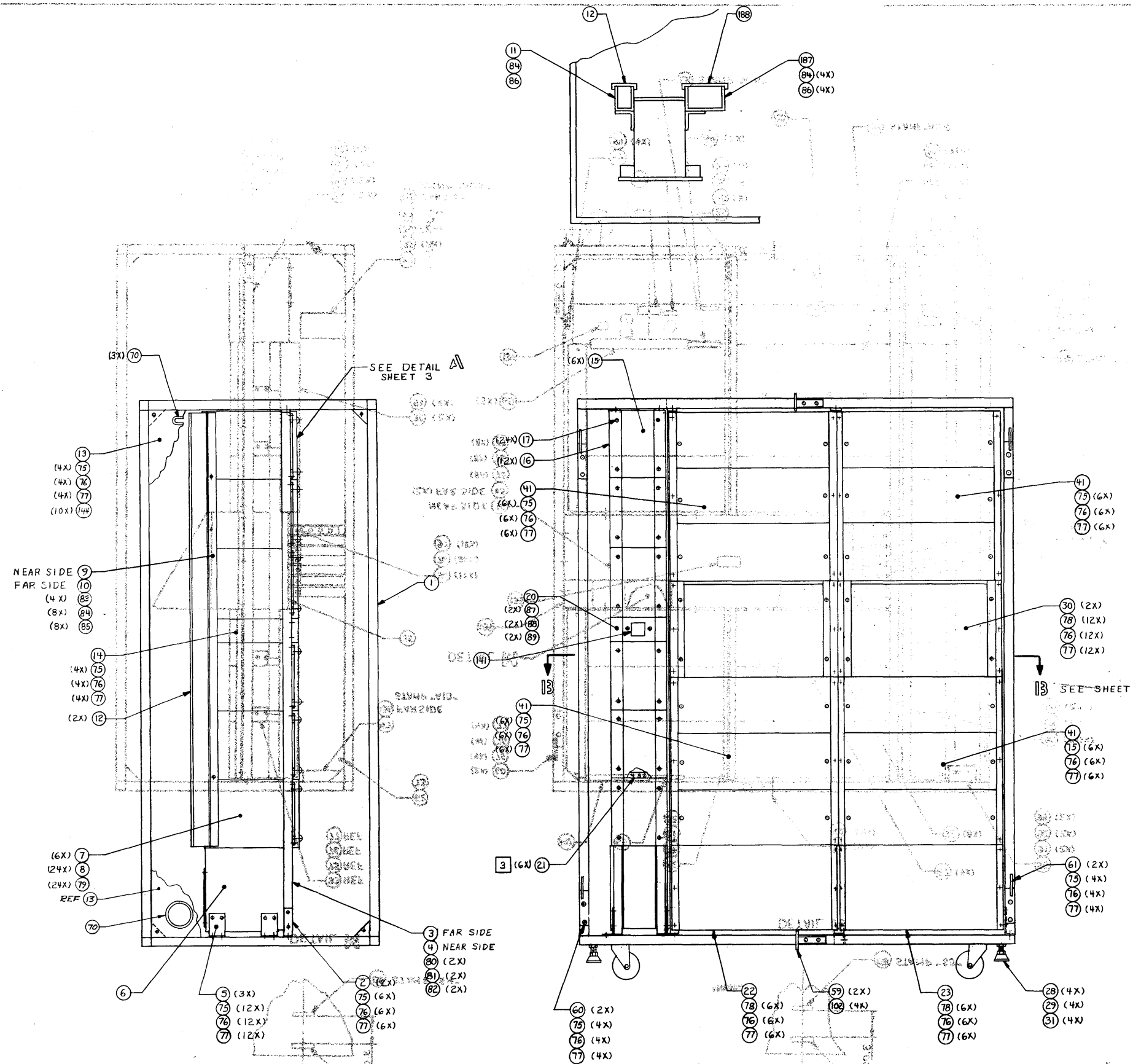


Figure 9-2
MSU MOD-3 Photo 2, Right Side

Figure 9-2
MSU MOD-3 Photo 2, Right Side

ITEM	PART NO.	E/C NO.	QTY	DESCRIPTION
1	313056-200	30562	1	UPC ASSEMBLY
2	513030-200	18488	1	PCB, L.E.D.
3	513031-204	31124	1	PCB, BUS MARGIN
4	313158-002	22801	1	FILTER, AIR - BLC
5	313114-200	23798	1	FAN ASSEMBLY - BLC
6	312542-200	14859	2	FAN, PAMOTOR
7	207270-000	31765	1	POWER SUPPLY, 25A, 3 VOLT
8	207045-200	33874	2	POWER SUPPLY, TYPE-1
9	207380-001	31765	1	POWER SUPPLY, TYPE-7

313102-100
 MSU MOD-3 E/M ASSEMBLY (1 OF 3)
 313102-100



- NOTES:
- 1. IDENTIFY PER AMDAHL SPEC 800057-614.
 - 2. NOT USED

- 3. REMOVE NUMBERS 6 THRU 34 AND ATTACH MARKER STRIP (ITEM 21) AS SHOWN.
- 4. MARK LABELS PER AMDAHL SPEC 800057-614.
- 5. MARK LABEL AS SHOWN BELOW. SPACES MARKED WITH * TO BE FILLED BY PRODUCTION CONTROL. SEE MACHINE FEATURE INDEX FOR LABEL P/N.

amdahl	PART	QTY	UNIT	DESCRIPTION
	15	*	SCREW	*
POWER TO FROM OTHER DATA				

- 6. IDENTIFY PER AMDAHL SPEC 800057-626 WITH A38 TBI.
- 7. IDENTIFY PER AMDAHL SPEC 800057-626 WITH A28 TBI.
- 8. IDENTIFY PER AMDAHL SPEC 800057-626 WITH A29 TBI.
- 9. IDENTIFY PER AMDAHL SPEC 800057-626 WITH A19 TBI.

Figure 9-3
 MSU MOD-3 E/M Assembly (1 of 3)
 313102-100

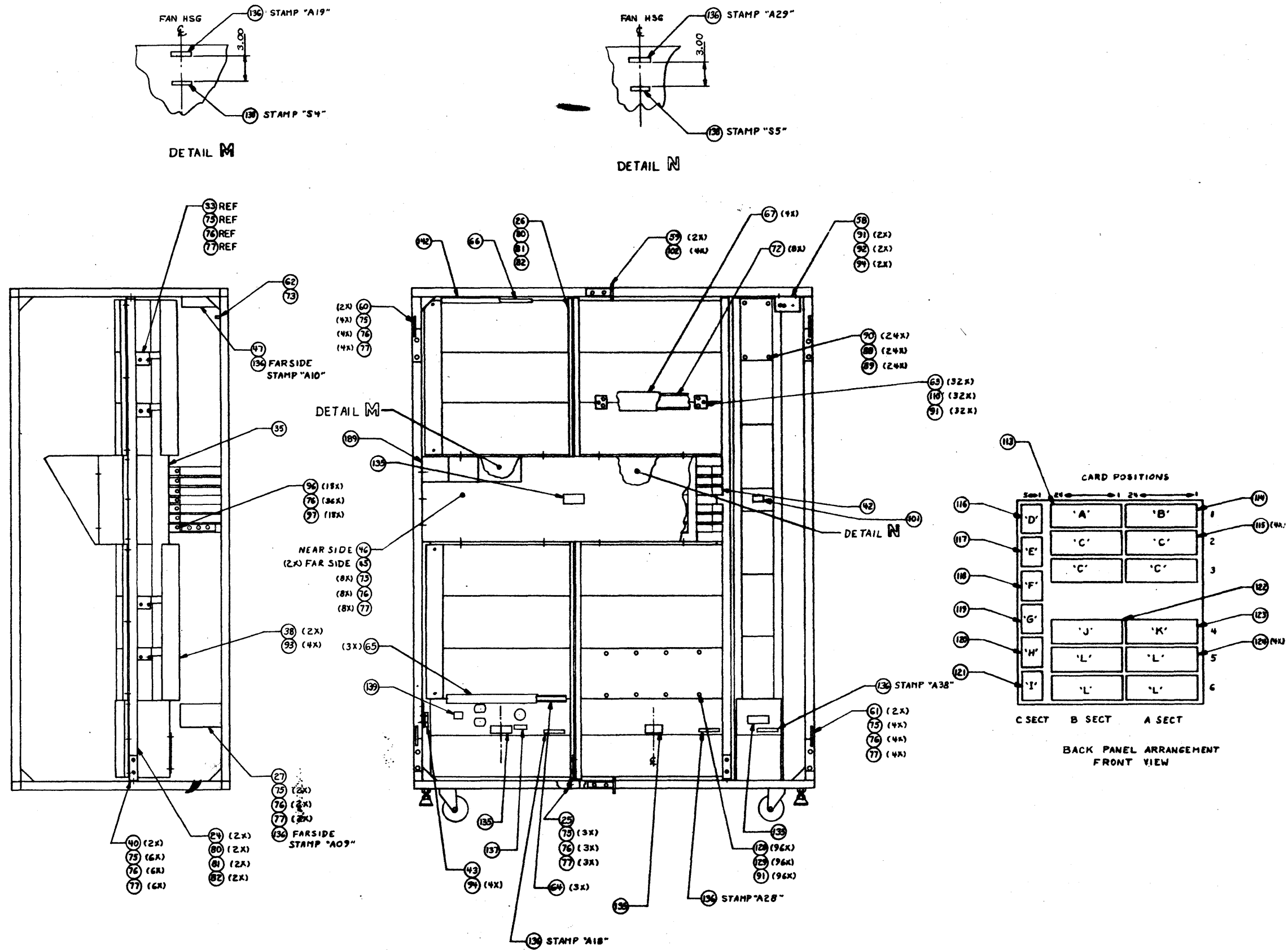


Figure 9-4
MSU MOD-3 E/M Assembly (2 of 3)
313102-100

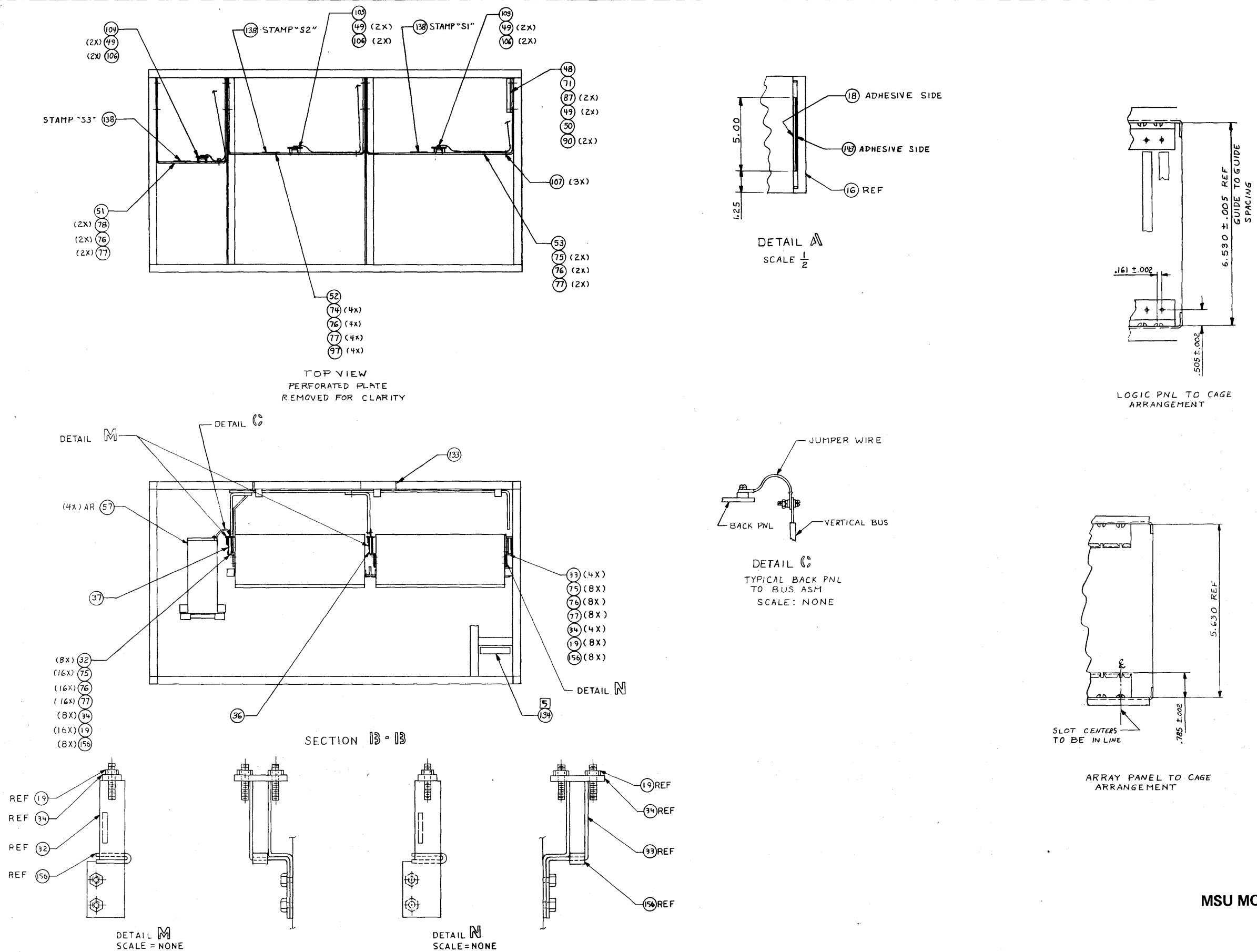


Figure 9-5
MSU MOD-3 E/M Assembly (3 of 3)
313102-100

Figure 9-3/9-4/9-5
MSU MOD-3 E/M Assembly

ITEM	PART NO.	E/C NO.	QTY	DESCRIPTION
1	313103-000	30670	1	MNSTR, FRAME
2	313136-001	22801	2	MNSTR, BRACKET
3	313149-000	22801	1	MNSTR, BAR VERT
4	313150-300	22801	1	MNSTR, BAR VERT
5	313157-000	22801	3	MNSTR, BRKT
6	313114-200	23798	1	MAINSTR, LO FAN HSG
7	313033-000	31009	6	CHASSIS, LOGIC
8	313010-000	23488	24	BRACKET, DOOR JAMB
9	313075-003	22454	2	CABLE, DUCT ANGLE
11	313166-000	22802	1	WIREWAY, VERTICAL
12	303128-000	22430	1	COVER, WIREWAY
13	313160-000	22801	1	MNST, SIDE PANEL
14	313017-000	30030	1	PANEL, FILLER
15	313035-200	31508	6	DOOR, LOGIC
16	313016-000	20175	12	BLOCK, DOOR JAMB
17	313030-000	23465	24	SCREW, CAPTIVE
18	307180-009	REV-B	5	FOAM, FOAM STRIP
19	307400-004	16389	24	NUTS, HEX
20	313015-000	22436	1	COVER, FILLER
21	301029-001	21375	6	MKR, STP CARD
22	313111-200	30818	1	MAINSTR, LO FAN HSG
23	313112-200	30878	1	MAINSTR, FAN PL ASM
24	313131-000	22801	2	MNSTR, BAR VERT
25	313135-000	22801	1	MNSTR, BRACKET
26	313132-000	21542	1	MNSTR, BAR VERT
27	313161-000	22801	1	MNST MOD III
28	300427-000	30322	4	STUD, LVL POST
29	307400-009	16389	4	NUTS, HEX. 50
30	313108-200	31521	2	MAINSTR, UP FAN HSG
31	307325-001	23901	4	LVF, FT
32	313098-001	31305	8	BRKT, BUS MTG
33	313098-002	31305	4	BRKT, BUS MTG
34	303000-000	23846	12	BRACKET, MOD3BUS
35	313120-202	23809	1	MAINSTR, VERT BUS
36	313120-201	23809	1	MAINSTR, VERT BUS
37	313120-200	23809	1	MAINSTR, VERT BUS
38	303044-001	30598	2	COVER, LEFT HAND
40	313136-000	22801	2	MNSTR, BRACKET
41	313105-200	23599	4	MAINSTR, CAGE STACK
42	313117-200	31882	1	MAINSTR, HOR BUS BR
43	207255-000	30125	1	BLOCK, TERM 4 POS
44	207095-000	15766	1	RCPT
45	313154-000	31384	2	MNSTR, INNER CUR
46	313155-000	30391	1	MNSTR, OUTER CUR
47	313077-000	22445	1	PLATE, TB MTG
48	207204-000	15791	1	BLOCK, TERM
49	307925-003	31537	8	SPACER, FIBER
50	315135-008	30598	1	SHIELD, TRMNAL BLK
51	313159-000	22802	1	MNST, BRKT, THERM
52	313159-001	22802	1	MNST, BRKT, THERM
53	313159-002	22802	1	MNST, BRKT, THERM
57	000020-000	12914	6	SEAL, AIR

ITEM	PART NO.	E/C NO.	QTY	DESCRIPTION
58	315143-000	22924	1	BRACKET, CONNECTOR
59	319205-000	21265	4	PLATE, LOCKING
60	319136-000	22181	4	HINGE, PLATE
61	319136-001	22181	4	HINGE, PLATE
62	207190-000	12885	1	TAB, MALE
63	313163-000	22802	32	PLATE, DUCT MTG
64	313164-000	22802	3	WIREWAY, .75 X 1.00
65	313169-000	22802	3	COVER, WIREWAY
66	313165-000	22802	1	WIREWAY, .75 X 1.00
67	313168-000	22802	4	COVER, WIREWAY
70	307106-001	30371	5	GROMMET, CATPLR EXT
71	207240-000	22581	1	STRIP, MARKET
72	313167-000	22802	8	WIREWAY, 1.50 X 1.50
73	307601-004	21274	1	SCRW440, BINDING HD
74	307604-010	21274	4	SCR1032, BINDING HD
75	307604-008	21274	111	SCR1032, BINDING HD
76	307950-004	21274	177	WASHER, SIZE 10
77	307951-004	21274	141	WASHER, SPLIT LOCK
78	307604-006	21274	26	SCR1032, BINDING HD
79	307664-008	13922	24	SCREW, FLAT HEAD
80	307675-010	21390	5	SCREW, HEX HEAD
81	307950-005	21274	5	WASHER, SIZE .250
82	307951-005	21274	5	WASHER, SPLIT LOCK
83	317601-012	21274	4	SCREW, FIL HD M3
84	317950-001	21274	16	WASHER, FLT M3
85	317951-001	21274	8	WASHER, SP LK M3
86	317601-006	21274	8	SCREW, FL HD
87	317602-010	21274	4	SCREW, M4
88	317950-002	21274	26	WASHER, FLT, METRIC
89	317951-002	21274	26	WASHER, SPLT. LK. ME
90	317602-025	21274	26	SCREW, M4
91	307950-003	21274	130	WASHER, SIZE 8
92	307400-063	16389	2	NUTS, HEX
93	307975-004	23328	4	CBL, TIE LOCKING
94	307603-010	21274	6	SCRW832, BINDING HD
96	307674-012	21390	18	SCREW, HEX HD
97	307400-064	16389	22	NUTS, HEX
101	317038-000	21736	1	WIRE LIST
102	307643-008	31785	8	SCREW, FLAT HEAD
103	309015-204	31401	1	SENSOR, THERMAL
104	309015-207	31401	1	SENSOR, THERMAL
105	309015-206	31401	1	SENSOR, THERMAL
106	307601-012	21274	6	SCRW440, BINDING HD
107	307979-000	23050	3	MT TIE, INT PUSH
108	000053-002	14987	5	TIE, MNT CABLE
109	307975-001	23328	5	CBL, TIE LOCKING
110	307603-006	21274	37	SCRW832, BINDING HEAD
113	514101-200	30765	1	BCK, PNL MNST A
114	514102-200	30765	4	BCK, PNL MNST B
115	514103-200	30765	4	BCK, PNL MNST C
116	516101-200	30765	1	BCK, PNL MNST D
117	516102-200	30765	1	BCK, PNL MNST E

(continued)

(continued)

Figure 9-3/9-4/9-5
MSU MOD-3 E/M Assembly

ITEM	PART NO.	E/C NO.	QTY	DESCRIPTION
118	516103-200	30765	1	BCK, PNL MNST F
119	516104-200	30672	1	BCK, PNL MNST G
120	516105-200	30672	1	BCK PNL MNST H
121	516106-200	30672	1	BCK, PNL MNST I
122	514104-200	30765	1	BCK, PNL MNST J
123	514105-200	30672	1	BCK, PNL MNST K
124	514106-200	30765	4	BCK, PNL MNST L
125	217287-202	31493	1	CABLE, FAN INCONN
126	217187-201	31493	1	CABLE, FAN INCONN
127	217293-200	23403	1	CABLE, GROUND
128	307603-016	21274	96	SCRW832, BINDING HD
129	307951-003	21274	95	WASHER, SPLIT LOCK
130	207129-002	16071	1	LUG, 6 STUD
131	207233-006	23202	0	WIRE, 16 GA GRN
132	217279-200	22839	1	CABLE, INTERCOM
133	317002-000	20248	1	LABEL, CAUTION
134	317013-000	23275	1	LABEL, SYST/UNIT
135	317005-000	20248	4	LABEL, WARNING
136	317006-000	15917	7	LABEL, DESIGNATION
137	317007-000	15917	1	LABEL, POWER
138	317008-000	20248	5	LABEL, SENSOR
139	317009-000	20248	1	LABEL, IDEN
149	313100-360	30603	0	MNST, SCHEMATIC
141	317027-000	30490	1	LABEL, CAUTION
142	313170-000	22802	1	COVER, WIREWAY
143	307185-000	22848	5	MNST, TAPE
144	307971-000	22711	10	CLAMP, CABLE
145	313109-201	30678	1	CARD, INSTALL
146	313102-100	32110	0	MAINSTR, MS E/M ASM
147	313301-410	30848	0	MNST, MOD 3
148	313301-411	30848	0	MNST, MOD 3
149	313301-430	30848	0	MNST, MOD 3
150	313301-480	19295	0	MNST, MOD 3
151	313301-490	19295	0	MNST, MOD 3
152	313301-700	30848	0	MNST, MOD 3
153	000073-000	20361	4	TIE, 49
154	107091-000	22584	1	JUMPER
155	216072-201	31367	6	CABLE, COAX
156	303001-000	23845	12	INSUL, MOD8BUS
157	207015-000	31917	0	WIRE, 100 OHM
158	313181-200	31397	1	CABLE KIT, COAX
186	217357-200	30748	1	CABLE, FAN INTER
187	313176-000	30748	1	WIREWAY, VERT MSU
188	303003-000	30748	1	COVER, WIREWAYMSU
189	317100-000	31190	1	LABEL, WIRE LIST

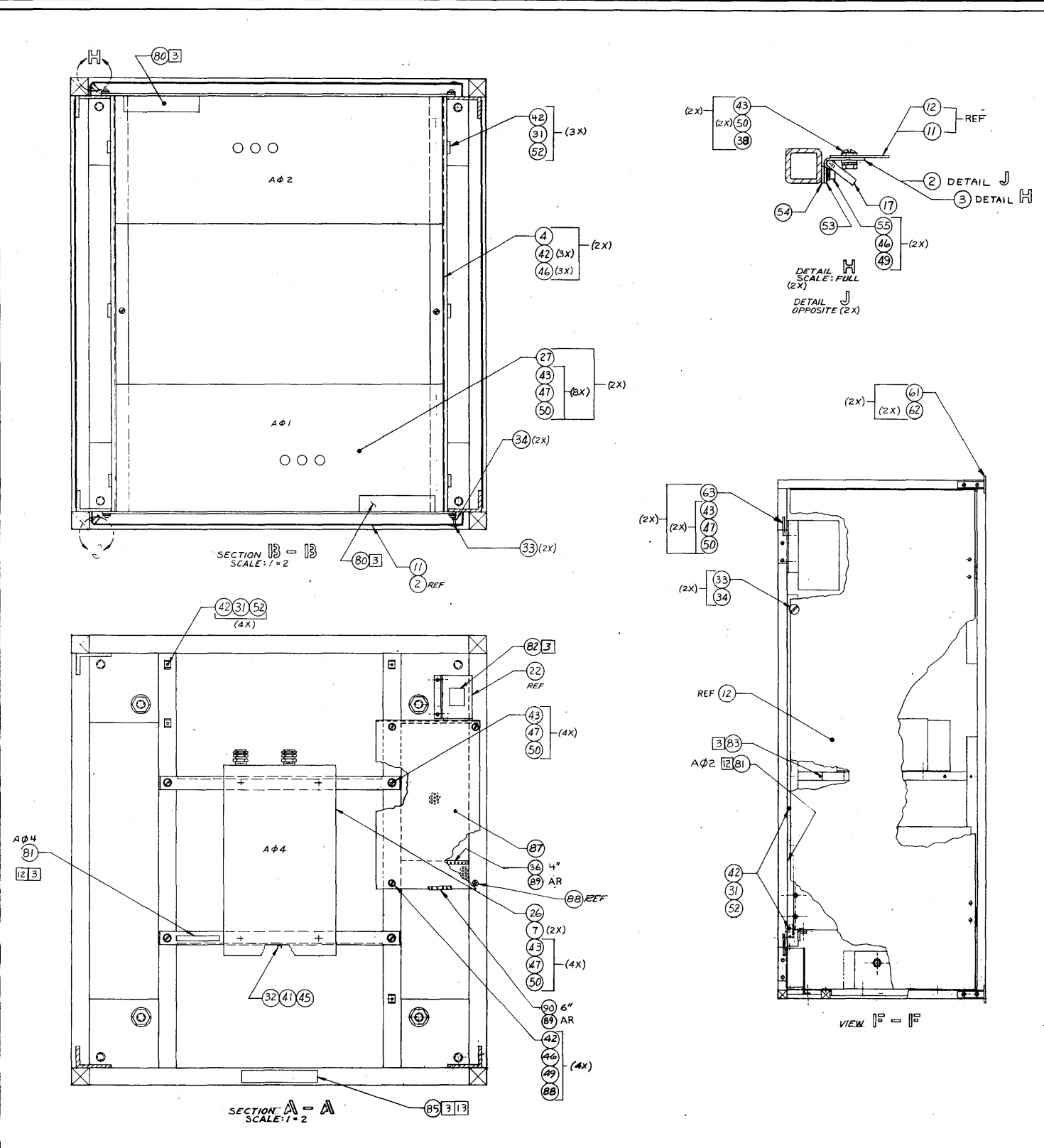


Figure 9-6
MSU MOD-3 Mainstore Power Supply Assembly
316101-100

Figure 9-6
MSU MOD-3 Mainstore Power Supply Assembly

ITEM	PART NO.	E/C NO.	QTY	DESCRIPTION
1	316065-000	30021	1	MNST, PS FRAME
2	319009-000	23388	4	PLATE, CATCH
3	319008-001	23388	2	PLATE, LATCH
4	316045-000	23721	2	MNST, PS SLIDE
5	316059-000	22802	1	MNST, PS BRKT AC
7	316061-000	22801	2	MNST, PS SUPPORT PS
8	319013-000	23248	2	BRKT, HINGE
9	316063-000	23838	1	MNST, PS PNL INTRF
10	316060-000	23758	2	MNST, PS ANGLE PS
11	316066-001	22801	1	MNST, PS DOOR INNER
12	216066-002	22801	1	MNST, PS DOOR OUTER
13	316059-001	22801	1	MNST, PS SUPPORT
14	316055-002	2280	1	MNST, PS SUPPORT
15	316064-000	23751	1	MNST, PS PNL END
16	316071-200	22803	1	MNST, PS BUS
17	319087-000	REV-A	6	PIN, HINGE
18	316101-100	31765	0	MAINSTR, PS E/M ASM
20	207245-000	14696	1	CLAMP, CONNECTOR
21	300427-000	30322	4	STUD, LVL POST
22	000017-000	11424	1	BOX, OUTLET
23	307085-001	REV-A	1	COVER, MTL DUPLEX
24	316056-200	23920	1	MSU, UPC ASM
25	207380-001	30785	1	TYPE 7, MSU MODIII
26	207270-000	30785	1	PWR SUP, 25A,3V
27	207045-200	31763	1	POWER SUPPLY, TYPE I
28	315182-000	23719	1	UPC, STOP BRKT
29	307978-000	22503	6	MT TIE, STD PUSH
31	000053-002	14987	21	TIE, MNT CABLE
32	207190-000	12885	4	TAB, MALE
33	207271-001	22846	4	MNST, PS STUD
34	307270-021	22847	4	MNST, PS STUD
35	207003-000	30264	1	OUTLET, 15AMP
36	307196-001	30371	4	GROMMET, CATPLR EXT
37	307400-009	16385	8	NUTS, HEX. 50
38	307400-064	16389	12	NUTS, HEX
39	307400-063	16389	4	NUTS, HEX
40	307679-024	21390	4	SCREW, HEX HD
41	307601-005	21274	4	SCRW440, BINDING HD
42	307603-006	21274	4	SCRW832, BINDING HD
43	307604-008	21274	35	SCR1032, BINDING HD
44	307604-006	21274	50	SCR1032, BINDING HD
45	307951-001	21274	27	SCR1032, BINDING HD
46	307951-003	21274	4	WASHER, SPLIT LOCK
47	307951-004	21274	4	WASHER, SPLIT LOCK
48	307951-009	21274	22	WASHER, SPLIT LOCK
49	307950-003	21274	71	WASHER, SPLIT LOCK
50	307950-004	21274	4	WASHER, SPLIT LOCK
51	307950-009	21274	4	WASHER, SIZE 8
52	307975-007	23328	24	WASHER, SIZE 10
53	316072-000	22802	84	WASHER, SIZE .500
54	316073-000	22802	8	WASHER, SIZE .500
55	307683-006	21274	21	CBL, TIE LOCKING
			4	MNST, PS HINGE
			4	MNST, PS SHIM.HINGE
			8	SCREW, CAP HD.HEX

(continued)

(continued)

Figure 9-6
MSU MOD-3 Mainstore Power Supply Assembly

ITEM	PART NO.	E/C NO.	QTY	DESCRIPTION
56	307325-001	23901	4	LVF FT
57	319210-200	31180	2	MAGNET, ASM
58	307604-012	21274	6	SCR1032, BINDING HD
59	307926-001	22926	2	SPACER, RD ST STL
60	3191960999	22181	2	HINGE, PLATE
61	319205-000	21265	4	PLATE, LOCKING
62	307643-005	31785	8	SCREW, FLAT HEAD
63	319136-001	22181	0	HINGE, PLATE
64	307802-004	21274	3	WASHER, EXTER LOCK
65	000073-000	20361	8	TIE, 49
68	217276-200	23923	1	CABLE, +12V CONT
69	217267-200	30531	1	CABLE, -5.7V OUT
70	217268-200	22839	1	CABLE, +3.0V OUT
71	212274-200	31306	1	CABLE, +5V CONT
72	217016-212	22858	2	CABLE, 2/0 PWR
73	217286-200	22830	1	MSTR, PS PS INTCNCT
74	217275-200	30259	1	CABLE, 7V CONT
75	217291-200	22839	2	CABLE, 2/0 PWR
76	217269-200	31251	1	CABLE, 5.2 SENSE
77	212277-200	31005	1	CABLE, MONITOR
78	212270-200	23625	1	CABLE, +5.0 SENSE
80	317004-000	15917	2	LABEL, WARNING
81	317006-000	15917	5	LABEL, DESIGNATION
82	317009-000	20248	2	LABEL, IDEN
83	317005-000	20248	4	LABEL, WARNING
84	317019-000	20986	2	LABEL, WARN,DSCNT
85	319332-000	30455	1	LABEL, SYSTEM UNT
86	313100-360	30603	0	MNST, SCHEMATIC
87	316074-000	23720	1	COVER, CABLE ENTRY
88	307913-032	22636	4	HEX, TAB ON OXX
89	307005-012	23864	0	ADHESIV, 1 PART
90	307196-003	30371	0	GROMMET, CATPLR EXT

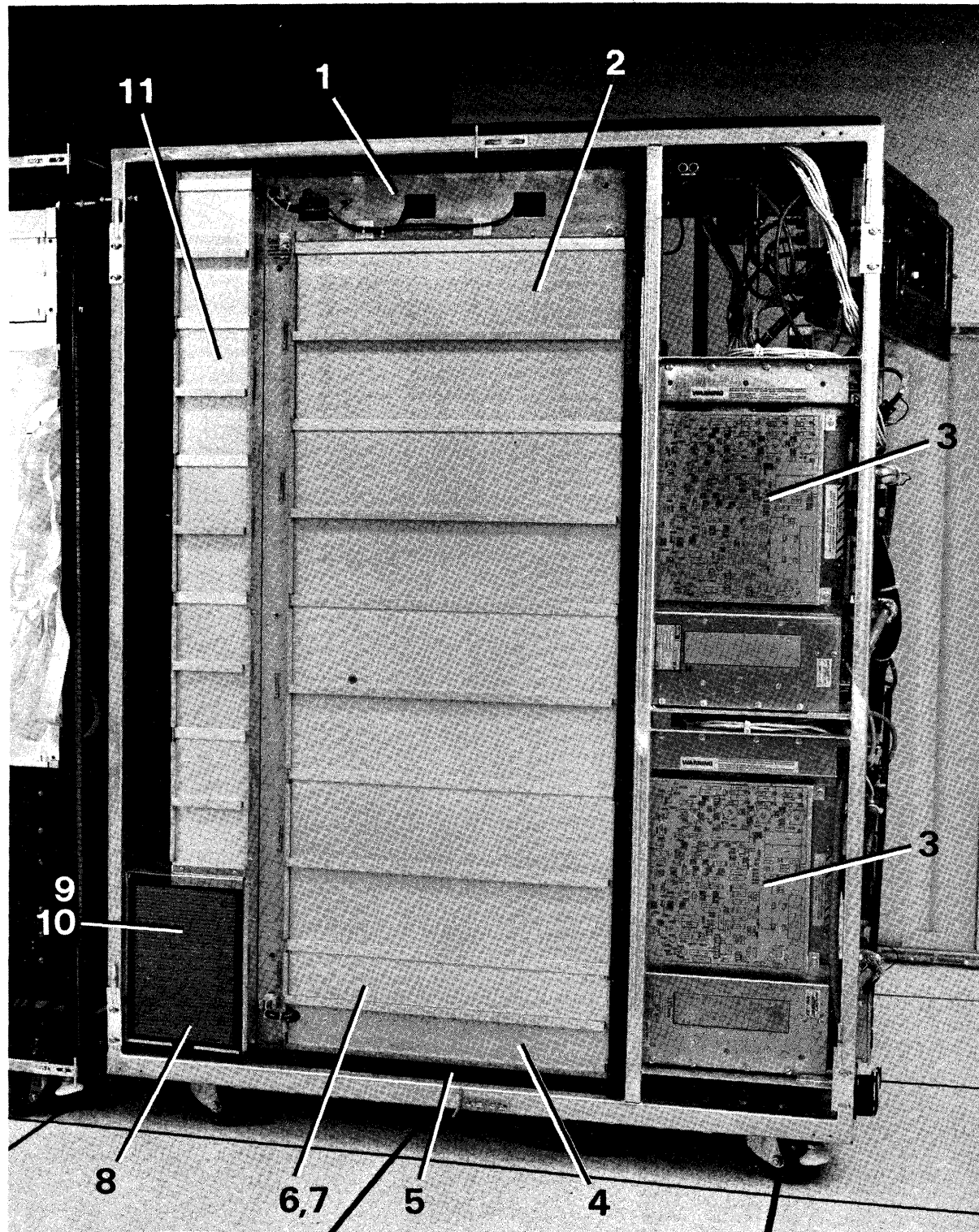


Figure 10-1
MSU MOD-6 Photo 1, Left Side

Figure 10-1
MSU MOD-6 Photo 1, Left Side

ITEM	PART NO.	E/C NO.	QTY	DESCRIPTION
1	207067-002	35528	3	FAN, TARZAN
2	313614-200	32784	4	DOOR ASSEMBLY, ARRAY
3	207045-200	31535	3	POWER SUPPLY, TYPE 1
4	313615-200	31497	1	DOOR ASSEMBLY, ARRAY FANS
5	313523-000	30509	1	FILTER, AIR-ARRAY
6	313508-200	30695	1	FAN ASSEMBLY, ARRAY
7	207067-002	35528	3	FAN, ARRAY CARD
8	313542-000	30509	1	FILTER, AIR-BLC
9	313626-200	32697	1	BLOWER ASSEMBLY, BLC
10	307120-000	32178	1	BLOWER, BLC
11	313616-200	31645	5	DOOR ASSEMBLY-BLC

12 Air Sensor 513013-201

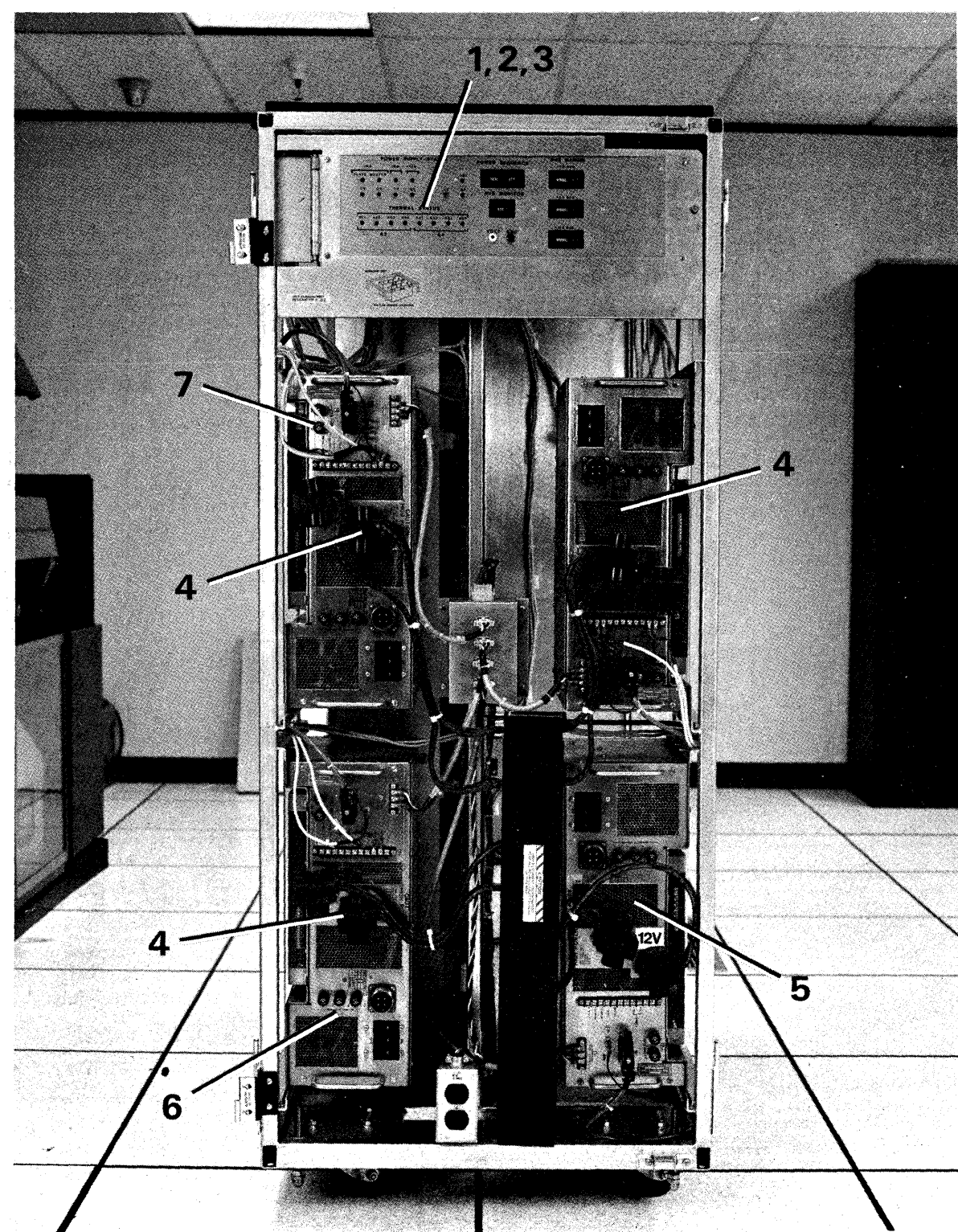


Figure 10-2
MSU MOD-6 Photo 2, Front

Figure 10-2
MSU MOD-6 Photo 2, Front

ITEM	PART NO.	E/C NO.	QTY	DESCRIPTION
1	313501-200	30882	1	UPC ASSEMBLY
2	513030-202	30711	1	PCB, L.E.D.
3	513031-206	31490	1	PCB, BUS MARGIN
4	207045-201	31535	3	POWER SUPPLY, TYPE-1
5	207404-001	32604	1	POWER SUPPLY, TYPE-8
6	105034-000	30129	12	FUSE, 1.5 AMP, 250 VOLT
7	105084-000	31206	8	FUSE, .5 AMP, (S.B.)

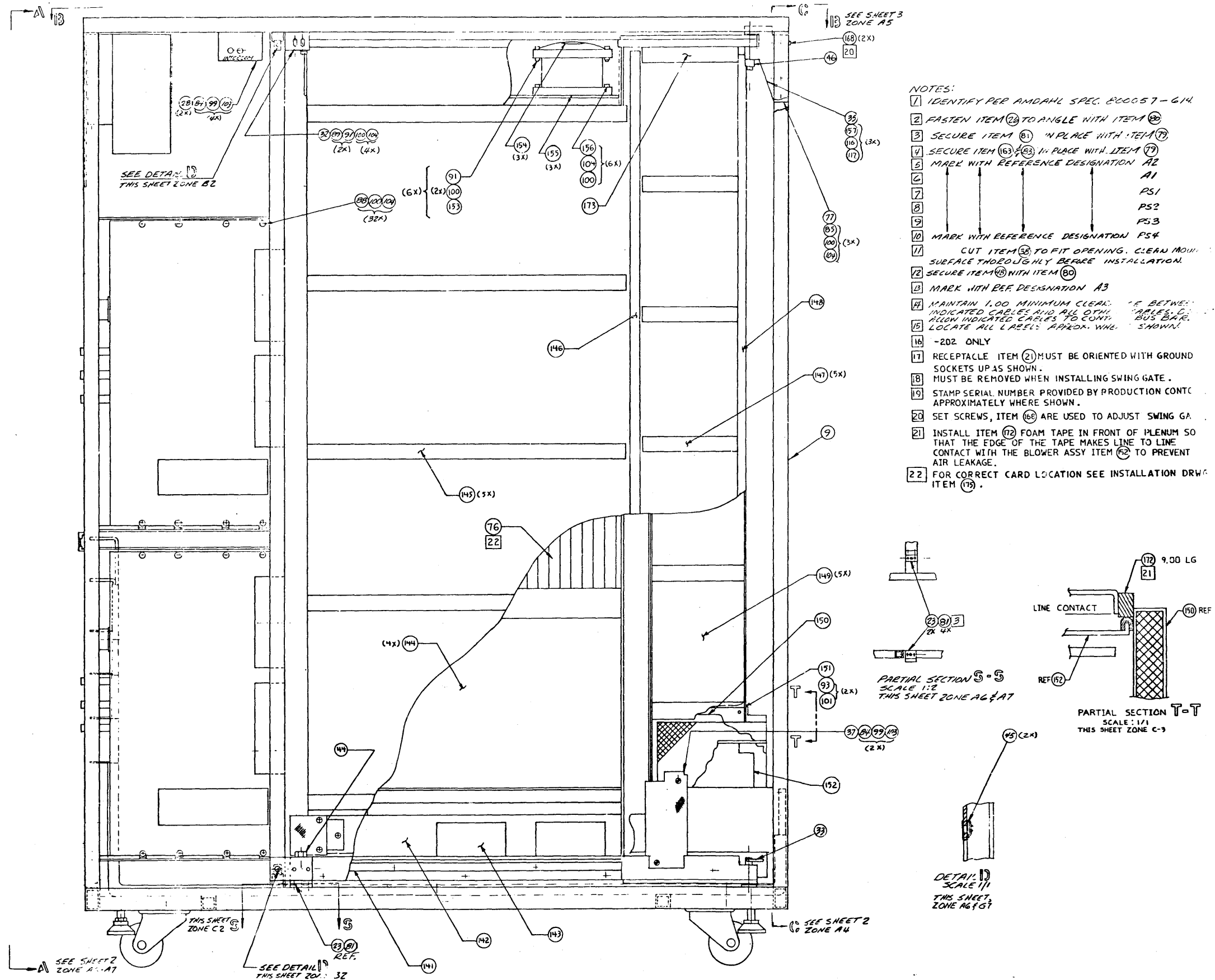
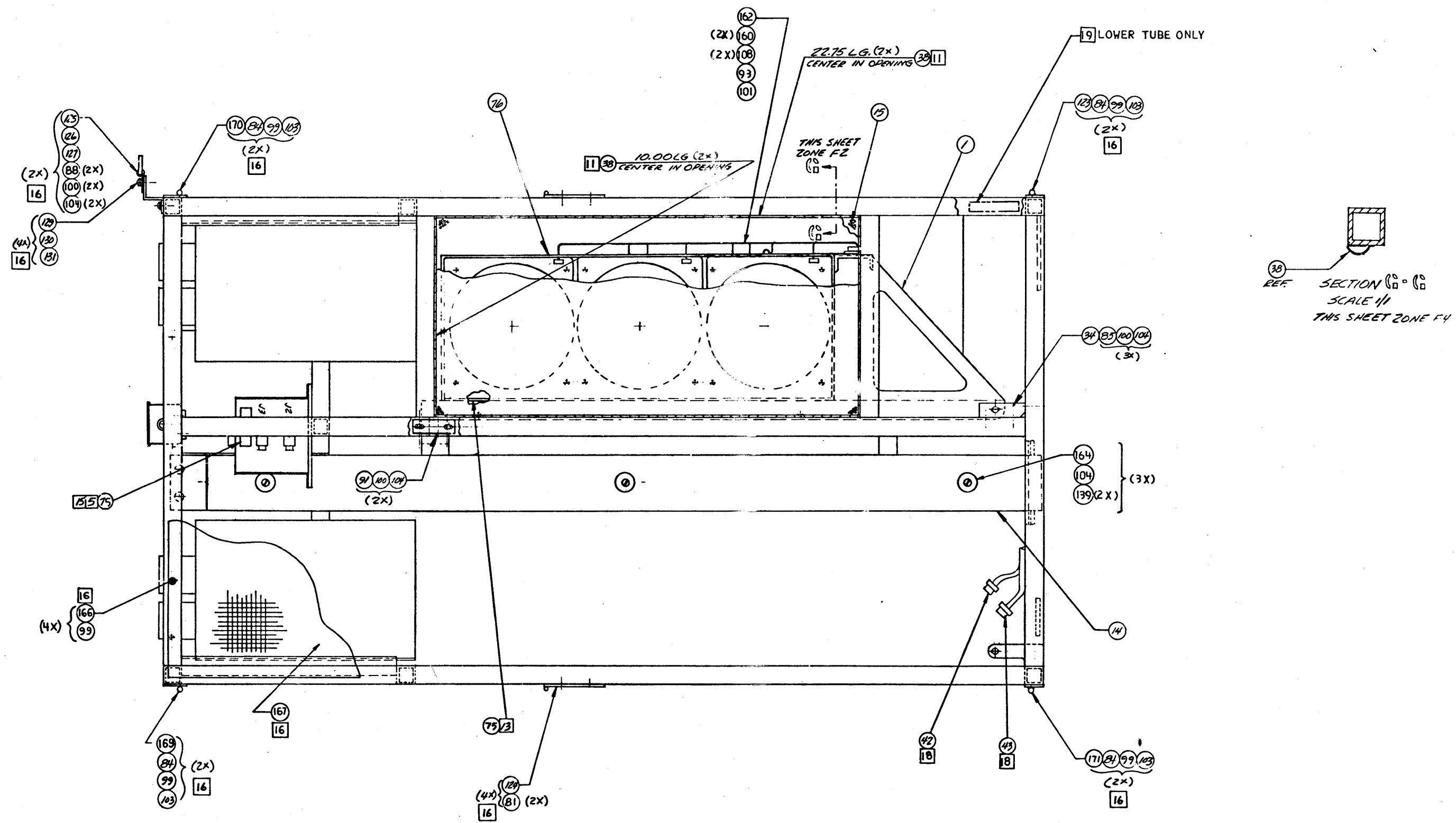


Figure 10-3
MSU MOD-6 E/M Assembly (1 of 4)
313500-100



VIEW 13-13 (WITH PERFORATED METAL REMOVED FOR CLARITY) SEE SHEET 1 ZONE H54H8

Figure 10-6
MSU MOD-6 E/M Assembly (4 of 4)
313500-1XX

Figure 10-3/10-4/10-5/10-6
MSU MOD-6 E/M Assembly

ITEM	E/C NO.	PART NO.	QTY	DESCRIPTION
1	313906-202	32441	1	GATEASM, MSU MOD6
2	313501-200	32180	1	UPC, B/7 MSU
3	207045-201	31921	3	POWER, SUPPLY TYPE 1
4	207404-001	32852	1	POWER, SUPPLY TYPE 8
6	313672-001	31829	1	COVER
8	313566-000	32519	1	PAR, REAR
9	313504-000	32557	1	FRAME, MSU
10	307922-001	30741	4	SPACER, HEX NYLON
11	313505-200	31831	1	DR ASM, AC PWR-MSU
12	313568-000	30509	1	INSUL, BUS BAR
13	313569-000	30509	1	INSUL, FLAT
14	313595-000	32679	1	MAIN, BUS BAR
15	313571-000	31595	1	COVER, SCREEN
16	313572-000	31556	1	SCREEN, CABLE ENT
17	315182-000	23759	1	UPC, STOP BRKT
18	313573-000	30509	1	PLATE, AC RECEPT
19	000017-000	11424	1	BOX, OUTLET
20	307085-001	REV-A	1	COVER, MTL DUPLEX
21	207003-000	30264	1	OUTLET, 15 AMP
22	207245-000	14696	1	CLAMP, CONNECTOR
23	313528-000	30509	2	TAPER, BLOCK
24	313521-000	31192	1	BUS BAR, NON FLEX
26	313577-000	30474	4	RUNNER, PWR SUP
27	207255-001	30125	1	BLOCK, TERM 1 POS
28	315143-001	30403	2	BRACKET, INTERCOM
32	313574-000	30509	1	FRKT, SIX GATE
33	307502-002	30258	1	PIN, RING
34	313576-000	30474	1	HINGE, FIXED
35	313596-001	32129	1	HINGE, UPPER V7 MNST
37	313606-000	30509	1	SHEILD, LWR BUS
38	207271-000	23897	3	STRIP, CONTACT
42	313542-200	32239	1	JUMPER, 3 POS CONN
43	313642-200	40695	1	JUMPER, 9 POS CONN
44	307675-040	21390	1	SCREW, HEX HEAD
45	307260-015	31408	2	RECEPTL, CLIP-ON
46	307060-001	30712	1	PIN, BALL LOCK
47	313674-000	30695	4	STUD, LEVELINGFT
48	307196-001	30371	9	GROMMET, CATPLR EXT
49	307325-001	23901	4	LVF, FT
50	207190-000	12885	2	TAB, MALE
51	207286-000	22584	3	JUMPER, TERM BD
52	313593-201	31835	1	B/M, ASM
53	313562-200	31383	1	HARNESS, AC-GT FANS
54	313582-200	32552	1	HARNESS, UPC/-5V PS
55	313583-200	32821	1	CBL, ASM UPC/12V PS
56	313584-200	32294	1	CBL ASM, UPC/+5V PS
57	313592-200	32726	1	HARNESS, SEN-PS/BUS
58	313663-200	32518	1	CBL ASM, INTERCOM
59	313594-200	30509	1	CBL ASM, GND STRAP
60	313587-001	31638	1	JUMPER, +5P53- BUS
61	313585-002	31638	1	JUMPER, P51 TO BUS

ITEM	PART NO.	E/C NO.	QTY	DESCRIPTION
62	313586-002	31638	1	JUMPER, -5.2V
63	313720-001	32645	1	JUMPER
65	313638-201	31638	1	CBL, ASM
66	313639-201	31638	1	CBL, ASM
67	313640-201	31638	1	CBL, ASM
68	313641-201	31638	1	CBL, ASM
69	317002-000	20248	1	LABEL, CAUTION
70	317004-000	15917	4	LABEL, WARNING
71	317005-000	20248	2	LABEL, WARNING
73	317009-000	32497	1	LABEL, IDEN
74	317019-000	20986	4	LABEL, WARN, DSCNT
75	319380-000	32812	7	LABEL, UNIT DESIG
76	313680-202	31936	1	CD KIT, 2/6MB MOD6
77	313667-001	32129	1	PLATE, UPPER HINGE
79	307005-014	23864	0	ADHESIVE / SEALANT
80	307005-012	23864	0	ADHESIVE, 1 PART
81	307643-006	31785	12	SCREW, FLAT HEAD
82	307642-012	13922	2	SCREW, FLAT HEAD
83	307641-014	13922	4	SCREW, FLAT HEAD
84	307603-006	21274	49	SCREW 832, BINDING HD
85	307684-008	21274	6	SCREW, CAP HD.HEX
88	307604-008	21274	41	SCREW1032, BINDING HD
89	307604-028	21274	2	SCREW1032, BINDING HD
91	307604-016	21274	10	SCREW1032, BINDING HD
92	307743-006	22772	2	SCREW TF, HXWHD 8-32
93	307601-006	21274	9	SCREW440, BINDING HD
95	307400-062	16389	2	NUTS, HEX
96	307400-014	16389	16	NUTS, HEX
97	307950-001	21274	4	WASHER, SIZE 4
98	307950-002	21274	4	WASHER, SIZE 6
99	307950-003	21274	33	WASHER, SIZE 8
100	307950-004	21274	79	WASHER, SIZE 10
101	307951-001	21274	5	WASHER, SPLIT LOCK
103	307951-003	21274	29	WASHER, SPLIT LOCK
104	307951-004	21274	70	WASHER, SPLIT LOCK
106	307604-012	21274	4	SCREW1032, BINDING HD
107	000053-005	14987	22	MOUNT, TIE WRAP
108	307975-002	23328	33	CBL, TIE LOCKING
110	307950-009	21274	24	WASHER, SIZE .500
111	307951-009	21274	12	WASHER, SPLIT LOCK
113	307675-020	21390	12	SCREW, HEX HD
114	307675-012	21390	4	SCREW, HEX HEAD
115	307400-006	16389	4	NUTS, HEX
116	307950-005	21274	11	WASHER, SIZE .250
117	307951-005	21274	7	WASHER, SPLIT LOCK
118	313500-102	32604	0	E/M ASM, MSU MOD6
119	313500-360	32518	0	MSU
120	319371-000	30799	2	PIN, DOWELL
121	310776-001	32651	2	BRACKET, DOOR LATCH
122	307086-001	32104	4	NUT, PUSH-ON
123	319136-001	22181	2	HINGE, PLATE

(continued)

(continued)

Figure 10-3/10-4/10-5/10-6
MSU MOD-6 E/M Assembly

ITEM	PART NO.	E/C NO.	QTY.	DESCRIPTION
124	319205-000	32140	4	PLATE, LOCKING
125	319013-000	23248	2	BRKT, HINGE
126	319008-000	23388	2	PLATE, CATCH
127	319087-000	REV-A	2	PIN, HINGE
129	307604-004	21274	4	SCREW1032, BINDING HD
130	317950-003	21274	4	WASHER, FLT M5
131	317951-003	21274	4	WASHER, SP LK M5
132	307070-003	30712	1	BUSHING, TELESLOPIC
133	313675-000	30883	8	BOOT, PWR SUPPLY
136	000056-000	22764	1	DWG FAB, P/N LABEL SQUARE
135	313587-002	31638	1	JUMPER, +5P53-BUS
136	313585-001	31638	1	JUMPER, P51 TO BUS
137	313586-001	31638	1	JUMPER, P52 TO BUS
138	307950-033	21274	3	WASHER, SIZE 8
139	311023-002	30600	6	WASHER, NYLON WHT
141	313523-000	30509	1	FILTER, AIR-ARRAY
142	313615-200	31497	1	DOORASM, ARRAY MSU
143	313508-200	30695	1	FAN ASM, LWR ARRAY
144	313614-200	32784	4	DOORASM, ARRAY MSU
145	313629-001	30580	5	COVER, WIRE DUCT
146	313629-002	32442	1	COVER, RACEWAY V7 MSU
147	313186-000	32441	5	COVER, RACEWAY V7 MSU
148	313629-003	32442	1	COVER, RACEWAY V7 MSU
149	313616-200	31645	5	DOORASM, MSU
150	313524-000	30509	1	FILTER, AIR-BLO
151	313617-000	30474	1	BRACKET, AIR FLTR
152	313626-200	32679	1	FAN, ASM BLO
153	307400-064	16389	6	NUTS, HEX
154	307107-000	30167	3	GUARD, FINGER
155	207067-000	31492	3	FAN, TARZAN
156	307634-016	22230	6	SCREW, FILLIS.HD
157	307675-020	21390	3	SCREW, HEX HEAD
160	307975-050	REV-B	8	CBL, TIE MTG DEVICE
161	307975-007	23328	7	CBL, TIE LOCKING
162	313561-200	31363	1	HARNESS, UPR FANS
163	313185-002	31638	1	RETAINER, BUS BAR STRAP
164	307603-022	21274	3	SCRW832, BINDING HD
165	313720-002	32645	1	JUMPER
166	307603-016	21274	4	SCRW832, BINDING HD
167	316267-000	23016	1	GRILLE, EXHAUST
168	307774-001	31513	2	SCREW, SET 10-32X3/8 SELF-LOK
169	313671-001	30835	2	HINGE, PLATE
170	313671-002	30835	2	HINGE, PLATE
171	319136-000	22181	2	HINGE, PLATE
172	307186-000	30373	0	TAPE, SILICONE
173	313629-000	30580	0	COVER, WIRE DUCT
174	307660-006	32425	4	SCREW, FL HD 8-32 UNDERCUT
175	313680-102	31936	0	CD KIT, 2/6MB MOD6

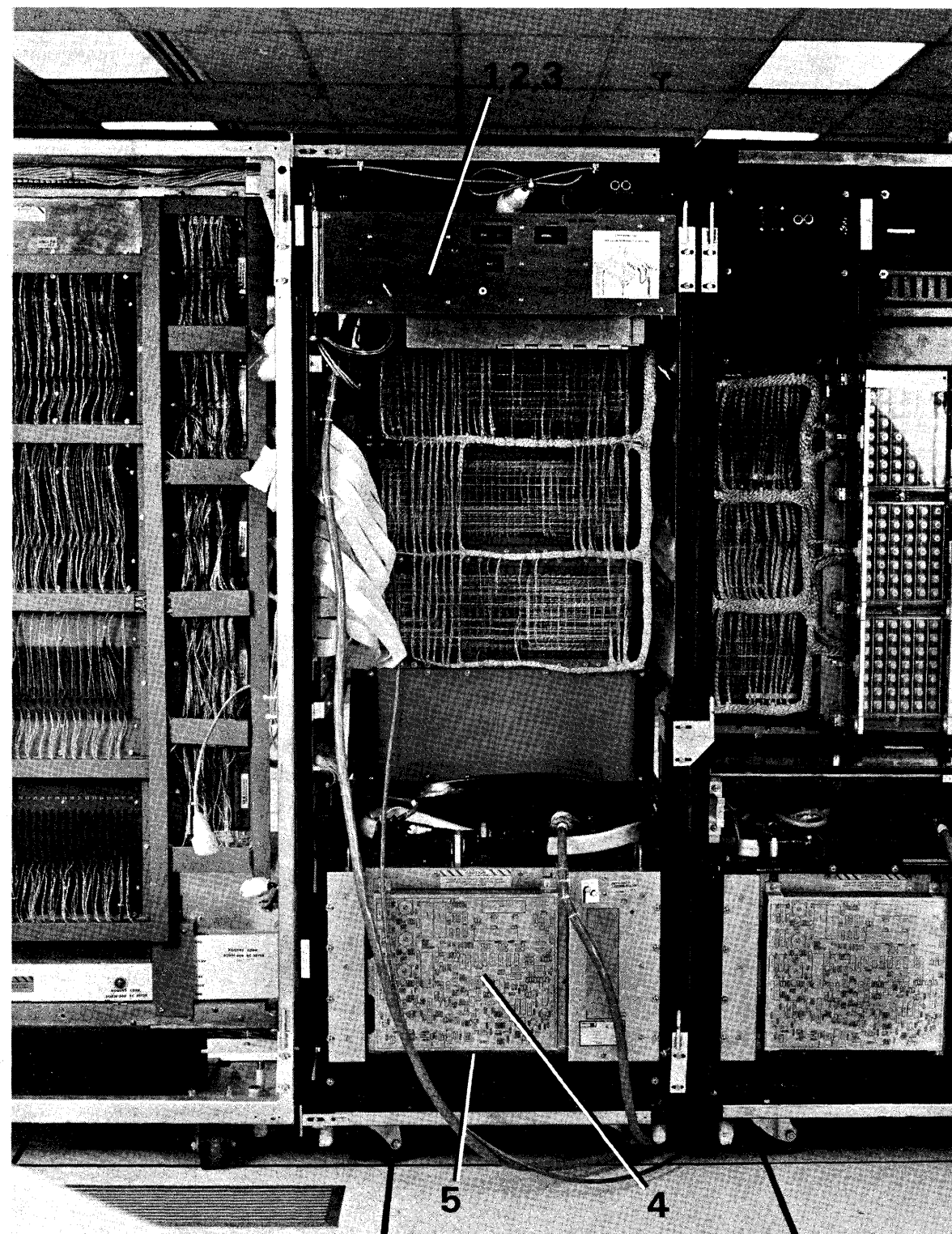


Figure 11-1
EUP E/M Photo 1 (Side 1)

Figure 11-1

ITEM	PART NO.	E/C NO.	QTY	DESCRIPTION
1	311508-200	22705	1	UPC ASSEMBLY
2	513016-203	18346	1	PCB, L. E. D.
3	513031-203	31124	1	PCB, Bus Margin
4	207045-200	31763	1	Power Supply, Type-1
5	300201-009	30361	1	Filter, Air-Below P/S

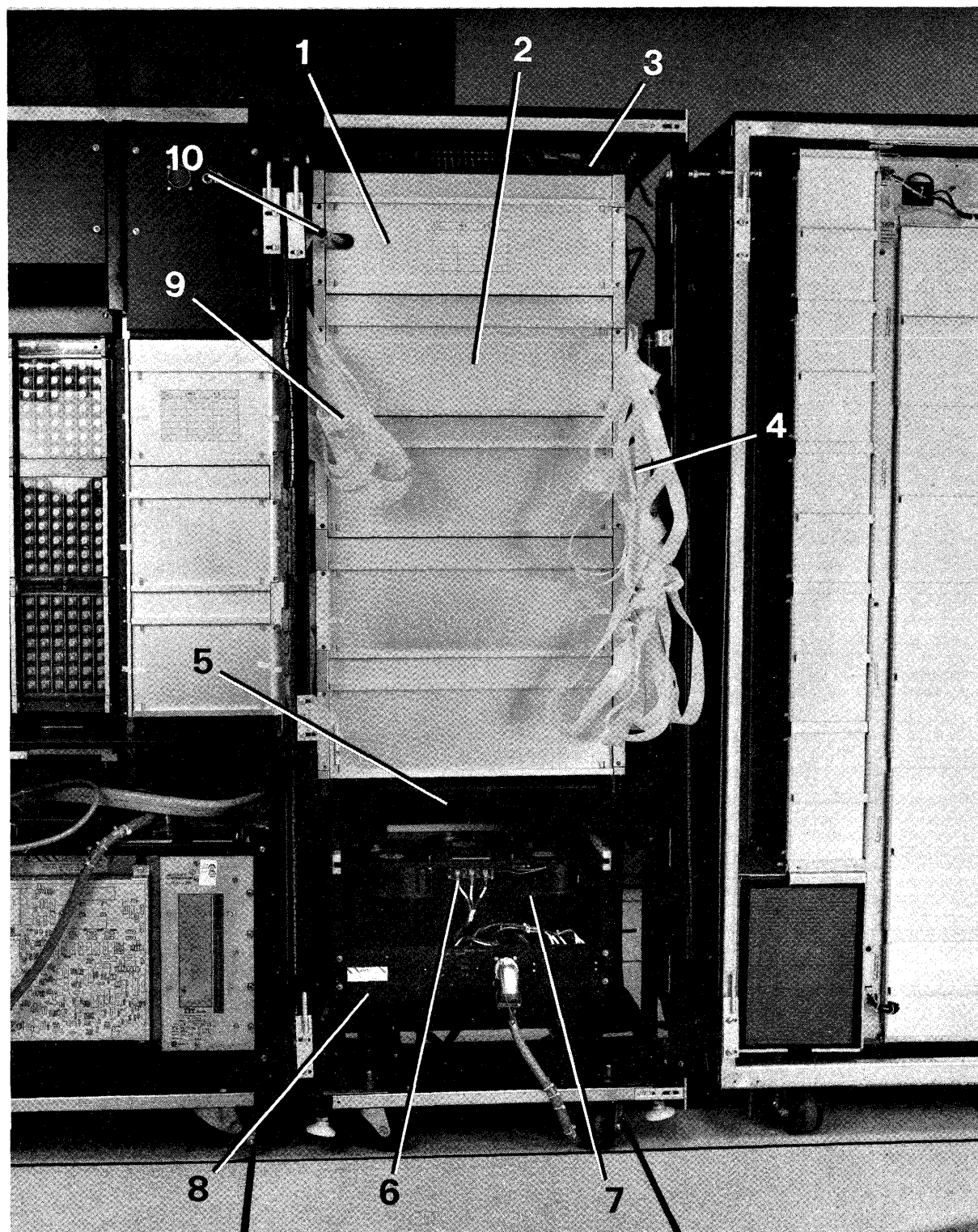
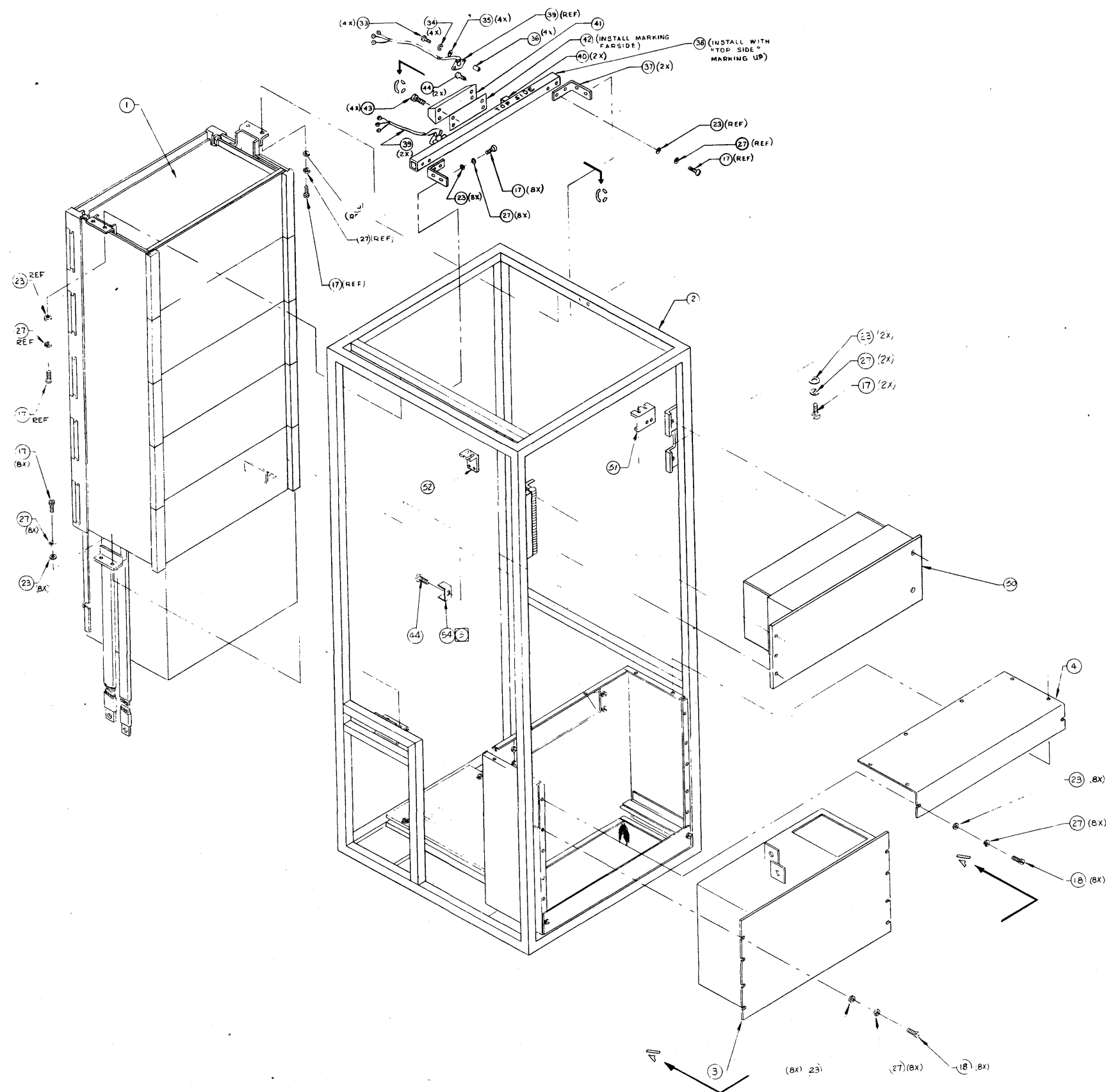


Figure 11-2
EUP Photo 2 (Side 2)

Figure 11-2
EUP Photo 2 (Side 2)

ITEM	PART NO.	E/C NO.	QTY	DESCRIPTION
1	312516-204	31275	1	Door Assembly, with cut-out
2	312516-203	31275	4	Door Assembly
3	309015-201	31401	2	Sensor, Air
4	313662-200	34314	1	EUP to MSU Cable Assembly
5	312527-000	16344	1	Diffuser, Air
6	312539-201	20227	1	Fan Assembly (3 Fans)
7	312542-200	14859	3	Fan, 220 Volt
8	300201-023	21072	1	Filter, Air - Bottom
9	216142-200	31515	1	EUP to Buffer Cable Assembly
10	216143-200	20792	2	EUP to Channel Cable Assembly



NOTES:
 1. SEE SEPARATE B/M 311504-200
 2. THIS ITEM PROVIDED WITH TEM 11
 3. GROUND POINT FOR TEM 50 (UPC)

Figure 11-3
 EUP E/M Assembly (1 of 2)
 311504-100

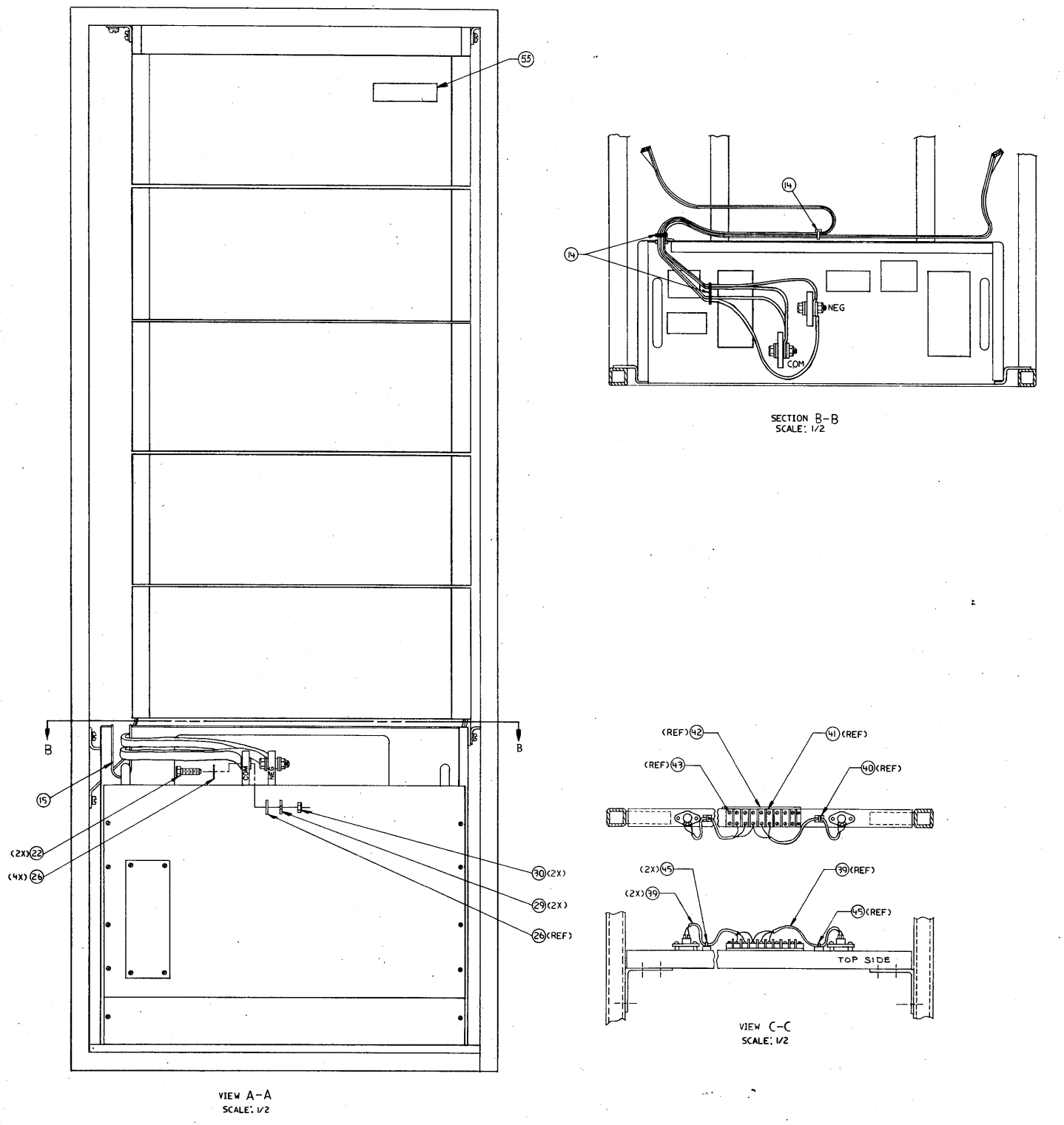


Figure 11-4
EUP E/M Assembly (2 of 2)
311504-100

Figure 11-3/11-4
EUP E/M Assembly

ITEM	PART NO.	E/C NO.	QTY	DESCRIPTION
		30932		MAIN FR, UP
1	311503-200	21738	1	CHASSIS, UP
2	312541-200	22144	1	FRAME, MECH
3	207045-001	30785	1	PS, PWR SUPPLY
4	301079-000	30385	1	COVER, PWR SPLY
14	307975-012	23328	3	CBL, TIE LOCKING
15	307196-002	30371	7	GROMMET, CATPLR EXT
17	317603-010	21274	20	SCREW, FIL HD M5
18	317603-008	21274	16	SCREW, FLHD M5X14
22	317676-030	21274	2	SCREW, M10
23	317950-003	21274	34	WASHER, FLT M5
26	317950-006	21274	4	WASHER, FLT.METRIC
27	317951-003	21274	34	WASHER, SP LK M5
29	317951-006	21274	2	WASHER, SPLT.LK.ME
30	317400-006	21274	2	NUTX, HEX, METRIC
31	311504-100	30932	REF	MAIN FR, UP
32	311504-260	20895	1	HARNES, ROUTING UP
33	317601-014	21274	4	SCREW, FL HD M3
34	317951-001	21274	4	WASHER, SP LK M3
35	317950-001	21274	4	WASHER, FLT M3
36	307925-001	16356	4	SPACER, FIBER
37	300372-000	30322	2	BRKT, GATE SUPT.
38	312070-000	22628	1	SUPPORT, SENSOR MT
39	309015-201	30169	2	SENSOR, THERMAL
40	000053-004	14987	2	MOUNT, TIE WRAP
41	207204-000	15971	1	BLOCK, TERM
42	207240-000	22581	1	STRIP, MARKER
43	317602-014	21274	4	SCREW, M4
44	317601-005	21274	3	SCREW, M3
45	307975-001	23328	2	CBL, TIE LOCKING
49	311504-250	30449	1	LABEL, INSTL U/P
50	311508-200	22705	1	UPC/EUP, E/M ASM
51	315143-000	22924	1	BRACKET, CONNECTOR
52	315145-000	30361	1	BRACKET, CONNECTOR
53	311504-650	21382	REF	SPC FUNCTNL FXT UP
54	207190-000	12885	1	TAB, MALE
55	317101-000	30935	1	LABEL, WIRE LIST

1 026 4103 0