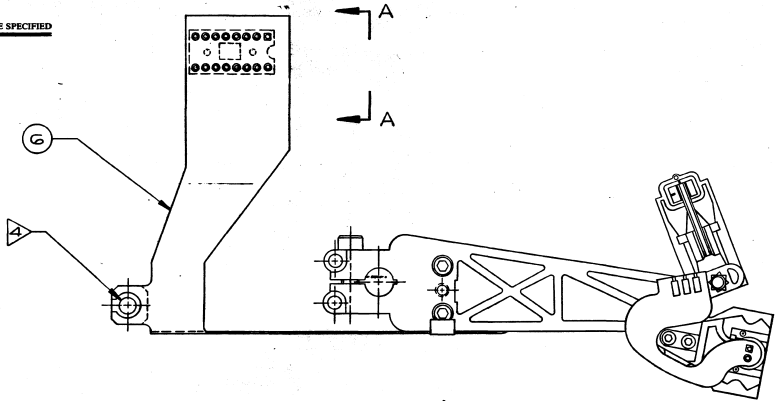
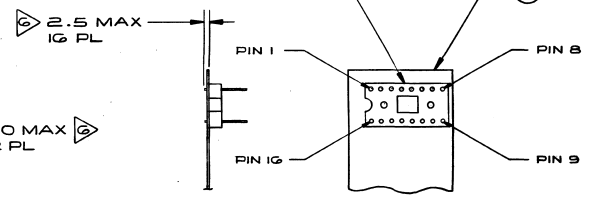


NOTE: UNLESS OTHERWISE SPECIFIED

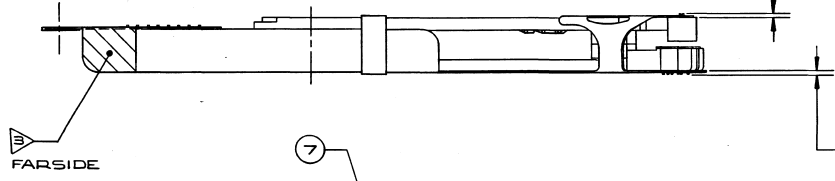
REV. ZONE	ECO #	REVISION	APPRO
		SEE SHEET 1	



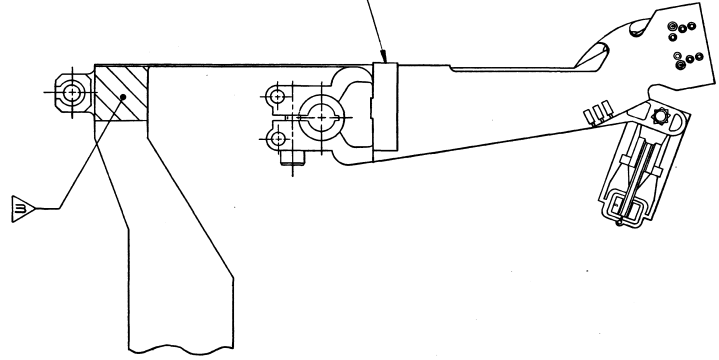
ADAPTER PLUG
BOTTOM VIEW
(PIN SIDE)
REF



VIEW A-A
SCALE: 2X



FARSIDE



METRIC <small>DESIGNED FOR CONFORMANCE WITH ISO 9000</small> <small>UNITS: MILLIMETERS</small> <small>ANGLES: DECIMAL DEGREES</small> <small>TOLERANCES: UNLESS OTHERWISE SPECIFIED</small>		apple computer inc. <small>NOTICE OF PROPRIETARY PROPERTY</small> <small>THE INFORMATION CONTAINED HEREIN IS THE PROPRIETARY PROPERTY OF APPLE COMPUTER, INC. AND IS TO REMAIN THE EXCLUSIVE PROPERTY OF APPLE COMPUTER, INC. AND IS NOT TO BE REPRODUCED OR TRANSMITTED IN ANY FORM OR BY ANY MEANS, ELECTRONIC OR MECHANICAL, INCLUDING PHOTOCOPYING, RECORDING, OR BY ANY INFORMATION STORAGE AND RETRIEVAL SYSTEM.</small>	
<small>PART NUMBER</small> <small>REV. NO.</small> <small>DATE</small> <small>DESIGNED BY</small> <small>CHECKED BY</small> <small>SCALE</small>	<small>TITLE</small> SUBASSY, ARM, WIDGET	<small>DATE</small> D	<small>QUANTITY</small> 677-5013-A

677-5013-A