

CONTROL DATA® FA705A MASS STORAGE CONTROLLER

GENERAL DESCRIPTION
OPERATION
INSTALLATION AND
CHECKOUT
THEORY OF OPERATION
DIAGRAMS
MAINTENANCE
MAINTENANCE AIDS
PARTS DATA
WIRE LISTS
EQUATION SUMMARY

REVISION RECORD

REVISION	DESCRIPTION
01 (2-19-70)	Preliminary edition.
02 (3-16-70)	Pages 5-3 and 5-47 revised.
A (9-15-70)	Manual released; equipment level FA705-A03.
B (5-5-71)	Manual revised; includes Engineering Change Order 26338. Pages 8-3 through 8-30 revised.
C (5-5-71)	Manual revised; includes Field Change Order 25999, equipment level FA705-A01 through A05. Pages 2-2, 2-5, 5-i, 5-ii, 5-iv, 5-v, 5-6, 5-7, 5-16, 5-17, 5-18, 5-19, 5-24, 5-29, 5-39, 5-40, 5-41, 5-43, 5-44, 5-45, 5-47, 7-1, 7-2, 7-3, 7-5, 9-7, 9-8, 9-9, 9-11, 9-16, 9-46, 9-47, 9-56, 9-59, 9-60, 9-69, 9-70, 9-71, 9-72, 9-75, 9-76, 9-77, 9-80, 9-82, 9-83, 9-87, 9-88, 9-96, 9-100, 9-107, 9-108, 9-109, 9-111, 9-112, 9-113, 10-5, 10-6, 10-7, 10-8, 10-21, 10-24, 10-29, 10-30, 10-34, 10-48, 10-51, 10-53, 10-59, 10-60, 10-61, 10-64, 10-67, 10-70, 10-73, 10-74, 10-75, 10-81, 10-83, 10-84, 10-88, 10-106, 10-117, 10-130, 10-133, 10-136, 10-137, and 10-141 revised.
D (5-5-71)	Manual revised; includes Engineering Change Order 26941. Page 8-3 revised.
E (5-5-71)	Manual revised; includes Field Change Order 26676, equipment level FA705-A01 through A06. Pages 5-iii, 5-8, 5-9, 9-63, 9-64, 9-76, 9-113, 10-36, 10-37, 10-38, 10-39, and 10-61 revised.
F (5-5-71)	Manual revised; includes Field Change Order 26574, equipment level FA705-A01 through A07. Page 5-49 revised.
G (1-20-72)	Manual revised, includes Field Change Order 27484. Pages 5-2, 5-3, 5-4, 5-5, 5-6, 5-7, 5-24, 5-25, 9-75, 9-79, 9-102, 9-103, 9-106, 9-112, 10-59, 10-67, 10-119, 10-122, 10-124, 10-125, 10-128, 10-129, and 10-133 revised. Correlation Sheet added.
H (1-20-72)	Manual revised; includes Engineering Change Order 27116. Page 8-8 revised.
J (11-3-72)	Manual revised; includes Field Change Order 28097. Page 5-49 is revised.
K (11-3-72)	Manual revised; includes Field Change Order 31495. Pages 5-44, 5-45, 9-108, 10-69, and 10-132 are revised.
L (11-3-72)	Manual revised; includes Engineering Change Order 32024. Page 5-49 is revised.
M (11-3-72)	Manual revised; includes Field Change Order 32301. Pages 5-6, 5-7, 9-78, 9-108, 9-111, and 10-143 are revised.
N (11-3-72)	Manual revised; includes Field Change Order 32524. Pages 5-26, 5-27, 5-28, 5-29, 9-72, 9-86, 9-113, 10-52, 10-53, 10-68, 10-80, and 10-83 are revised.
P	Manual revised; includes Engineering Change Order 32868, publications change only.
Publication No. 60290000	

REVISION LETTERS I, O, Q AND X ARE NOT USED

Address comments concerning this manual to:

Control Data Corporation
Publications and Graphics Division
4201 North Lexington Avenue
St. Paul, Minnesota 55112

or use Comment Sheet in the back of this manual.

© 1970, 1971, 1972, 1974, 1976
by Control Data Corporation

Printed in the United States of America

New features, as well as changes, deletions, and additions to information in this manual are indicated by bars in the margins or by a dot near the page number if the entire page is affected. A bar by the page number indicates pagination rather than content has changed.

MANUAL TO EQUIPMENT LEVEL CORRELATION SHEET

SHEET 1 OF 1

		EQUIPMENTS					
MANUAL REV	FCO OR ECO	FA705-A					
G	FCO27484	A09					
H	ECO27116	A09					
J	FCO28097	A10					
K	FCO31495	A11					
L	ECO32024	A11					
M	FCO32301	A12					
N	FCO32524	A13					
P	ECO32868	A13					
R	FCO35602	A14					
S	ECO37388	A14					

PREFACE

This manual is intended to be used by customer engineering in maintaining the CONTROL DATA® FA705 Mass Storage Controller and to serve as an aid in understanding the operation of the equipment.

It is assumed that the reader is familiar with the Control Data 3000 Series Computer Input/Output Specifications Manual and the Control Data 3553 and Mass Storage Controller Reference Manual.

The controller operates the following multiple disk drives (MDD) and disk files:

<u>Equipment No.</u>	<u>Product No.</u>
BM102 MDD (dual channel, two disk units)	841 MDD
BM104 MDD (dual channel, one disk unit)	841 MDD
BM101 MDD (single channel, two disk units)	841 MDD
BM103 MDD (single channel, one disk unit)	841 MDD
BH410 Disk File (dual channel, two disk units)	821-2 Disk File
BH408 Disk File (dual channel, one disk unit)	821-1 Disk File

CONTENTS

<p>1. GENERAL DESCRIPTION</p> <p>Functional Characteristics 1-1</p> <p>Physical Characteristics 1-1</p> <p style="padding-left: 20px;">Cabinet Dimensions and Data 1-3</p> <p>Power Requirements 1-3</p> <p>2. OPERATION</p> <p>Switches and Indicators 2-1</p> <p style="padding-left: 20px;">Control Panel (Key Switch) 2-1</p> <p style="padding-left: 20px;">Control A and Control B 2-1</p> <p style="padding-left: 20px;">Track 2-1</p> <p style="padding-left: 20px;">Cylinder 2-1</p> <p style="padding-left: 20px;">File 2-1</p> <p style="padding-left: 20px;">Repeat 2-3</p> <p style="padding-left: 20px;">Seek Address 2-3</p> <p style="padding-left: 20px;">Master Clear 2-3</p> <p style="padding-left: 20px;">Device Select 2-3</p> <p style="padding-left: 20px;">Register Select 2-3</p> <p style="padding-left: 20px;">Register Display Indicator Switches 2-3</p> <p style="padding-left: 20px;">Defective Track 2-4</p> <p style="padding-left: 20px;">Data 2-4</p> <p style="padding-left: 20px;">Header 2-4</p> <p style="padding-left: 20px;">Write Lockout 2-4</p> <p style="padding-left: 20px;">Repeat Seek 2-5</p> <p style="padding-left: 20px;">Repeat Seek Operate 2-5</p> <p>Manual Operation 2-5</p> <p style="padding-left: 20px;">Power 2-6</p> <p style="padding-left: 20px;">Loading and Unloading Procedures 2-7</p> <p style="padding-left: 20px;">Ready State 2-7</p> <p>Procedures for Writing Address Header 2-8</p> <p>Procedures for Writing Data 2-9</p> <p>3. INSTALLATION AND CHECKOUT</p> <p>Crating and Uncrating 3-1</p>		<p>Physical Dimensions 3-1</p> <p>Power Requirements 3-1</p> <p>Power Connections 3-1</p> <p>Cabling and Connectors 3-1</p> <p>Cooling Requirements 3-1</p> <p>Environmental Considerations 3-1</p> <p>4. THEORY OF OPERATION</p> <p>Signal Definitions 4-1</p> <p style="padding-left: 20px;">Data Channel Interface 4-1</p> <p style="padding-left: 20px;">Storage Unit Interface 4-1</p> <p>5. DIAGRAMS</p> <p>Symbol Index 5-i</p> <p>Key to Logic Symbols 5-ix</p> <p>Block Diagram 5-1</p> <p>Channel A Interface 5-3</p> <p>Channel B Interface 5-5</p> <p>Connect Control 5-7</p> <p>Function Translation, and MC 5-9</p> <p>Data Bus 5-11</p> <p>Signal Interface "OR" and Interrupt 5-13</p> <p>Main Timing 5-15</p> <p>Address Register 5-17</p> <p>Seek and Address Increment Chains 5-19</p> <p>Sector Verify and Time Out 5-21</p> <p>Write Sequence and Compare 5-23</p> <p>Read and Manual Sequences 5-25</p> <p>Busy, Positioner Ready, Address End of Operation, Address Error 5-27</p> <p>End of Operation/End of Record 5-29</p> <p>Buffer Register and Transmit Register 5-31</p> <p>Shift Register 5-33</p> <p>Cyclic Encoder 5-35</p>
---	--	--

Counter 1	5-37	Pulse Shaper, Converter	
Counter 2	5-39	Type 6AFH	- 7-15
Counters 1 and 2, Control and Translations	5-41	Power Loss Detector, Type 6AGH	7-17
Select Compare, Seek Interrupt	5-43	Increment Address	7-18
Address and Control Bus, and Interface	5-45	Load Address	7-19
Control Panel Interface (Switches)	5-47	Write Header	7-20
Power Wiring	5-49	Read Header	7-21
		Compare	7-22
6. MAINTENANCE		Compare Operation	7-23
Tools and Test Equipment Required for Maintenance	6-1	Write	7-24
Maintenance Panel	6-1	Seek	7-25
Controller Preventive Maintenance Index	6-1	Read, Read Checkword, Checkword Verify (Part 1)	7-26
		Read, Read Checkword, Checkword Verify (Part 2)	7-27
7. MAINTENANCE AIDS		8. PARTS DATA	
Chassis Map	7-1		
Special Cards	7-9	9. WIRE LISTS	
Discriminator, Type BDM	7-9		
Line Receiver, Type BGM	7-11	10. EQUATION SUMMARY	
Oscillator Shaper, Type BFM	7-13		

FIGURES

1-1 Subsystem Configurations	1-2	3-3 Typical System Signal Cabling - MDD	3-4
1-2 Chassis Layout, Rear View	1-4		
2-1 Maintenance Panel and Controls	2-1	3-4 Typical System Signal Cabling - Disk File	3-5
3-1 Power Connections	3-2		
3-2 Connector Panel	3-3	3-5 Typical Subsystem Signal Cabling - MDD and Disk File	3-6

TABLE

1-1 Input Power Requirements	1-3
------------------------------	-----

SECTION 1

GENERAL DESCRIPTION

GENERAL DESCRIPTION

FUNCTIONAL CHARACTERISTICS

The CONTROL DATA FA705 Mass Storage Controller is an electrical and logical interface between a 3000 Data Channel and the storage units.

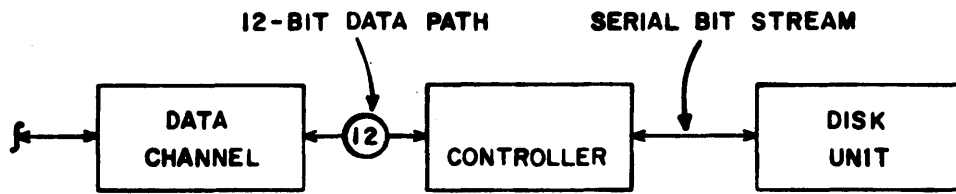
Figure 1-1 shows two subsystem configurations. Up to eight MDD or disk file units, in any combination, can be connected to the controller. Two controllers can be used as shown in Figure 1-1 (maximum subsystem) but only with dual channel disk units.

The main functions of the controller are:

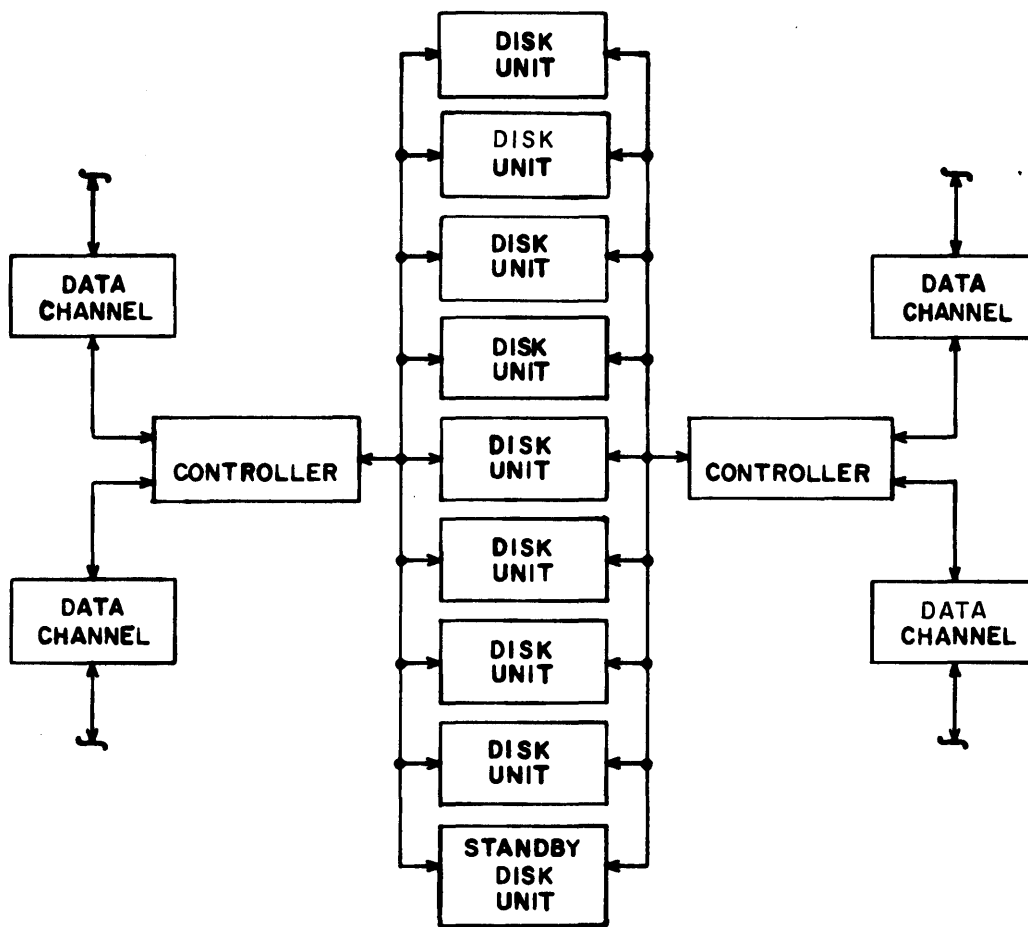
1. Assembly/Disassembly
 - a. Assembly of the serial bit stream from disk unit into 12-bit bytes during Read operations.
 - b. Disassembly of 12-bit bytes from the data channel into a serial format during Write operations.
2. Addressing - The controller stores a 24-bit address, sent from the data channel, and transmits portions of this address to a disk unit to select a cylinder, track, and sector. During Read and Write operations the controller automatically increments the address so that these operations progress sequentially through all sector addresses within a disk unit.
3. Unit Selection - The controller selects one of the eight possible disk units for an operation.
4. Error Detection - The controller provides parity checking for the data channel interface. It also contains a cyclic encoder for checking data read from the disk units.

PHYSICAL CHARACTERISTICS

Figure 1-2 shows the major components in the controller. Standard 3000 logic cards are used throughout.



MINIMUM SUBSYSTEM



MAXIMUM SUBSYSTEM

Figure 1-1. Subsystem Configurations

CABINET DIMENSIONS AND DATA

Height	76 inches
Width	50 inches
Depth	31 inches
Weight	950 lbs.
Heat Dissipation	6100 BTU/hr
Operating Temperature (Input)	50°F - 90°F
Shipping and Storage Temperature	-30°F - 125°F
Humidity During Operation	20% - 80% *
Humidity While Not Operating	5% - 95% *

POWER REQUIREMENTS

The 60-Hz power should be provided by a 2-wire system (hot and neutral) and a separate ground line. The 400-Hz power should be provided by a 4-wire system (three phases and neutral) and a separate ground line. Refer to Table 1-1.

TABLE 1-1. INPUT POWER REQUIREMENTS

Voltage	Frequency	Current	Use
120 single phase	60 Hz	6.7 amperes	Blowers
208	400 Hz	3.3 amperes	Logic Power Supply
40	DC		Terminator Power

*Providing that there is no condensation

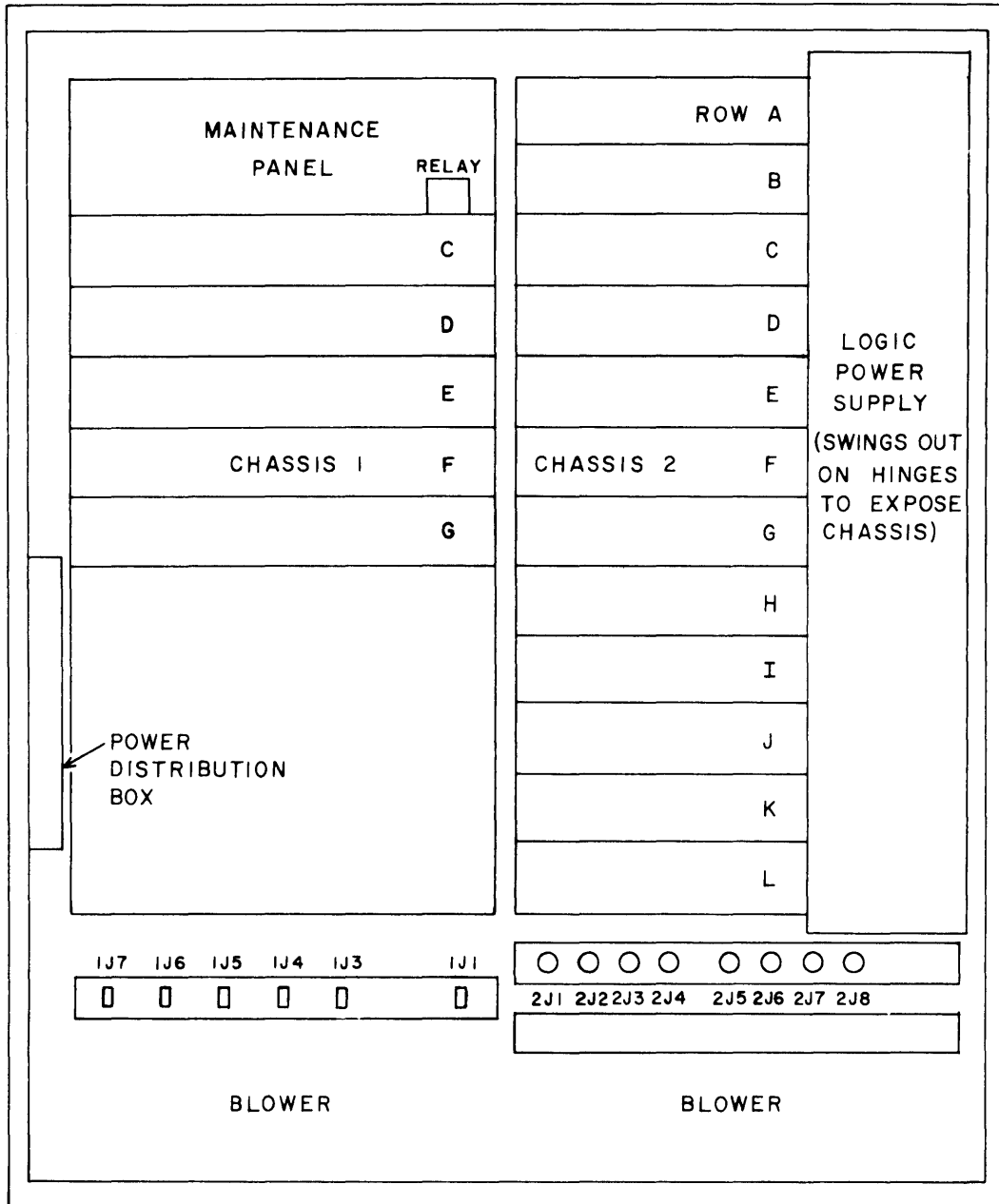


Figure 1-2. Chassis Layout, Rear View

SECTION 2

OPERATION

OPERATION

SWITCHES AND INDICATORS

This part lists the switches and indicators on the maintenance panel (Figure 2-1) and other portions of the controller.

CONTROL PANEL (KEY SWITCH)

For normal programmed operation, this switch should be OFF. This switch is used to activate other switches on the maintenance panel.

CONTROL A AND CONTROL B

CONTROL A and CONTROL B are two sets of switches and indicators which provide individual control for each data channel physically connected to the controller. Each set consists of a nine-position rotary switch which permits varying the equipment (controller) designation from 0-7 or STANDBY, and a CONNECTED, RESERVED, and PARITY ERROR indicator which lights when the associated condition exists in the controller.

TRACK

This switch/indicator selects Track mode wherein the remainder of the track designated by the content of the Address register is operated upon, starting at the address held in the Address register. Operation ceases at the end of the selected track.

CYLINDER

This switch/indicator selects Cylinder mode wherein the remainder of the cylinder designated by the content of the Address register is operated upon, starting at the address held in the Address register. Operation ceases at the end of the selected cylinder.

FILE

This switch/indicator selects File mode wherein the remainder of the file designated by the content of the Address register is operated upon, starting at the address held in the Address register. When using this switch, the REPEAT switch should be off since a file will not be repeated automatically.

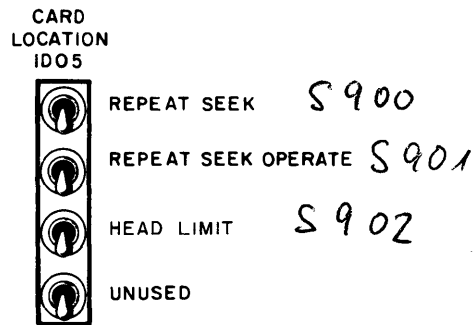
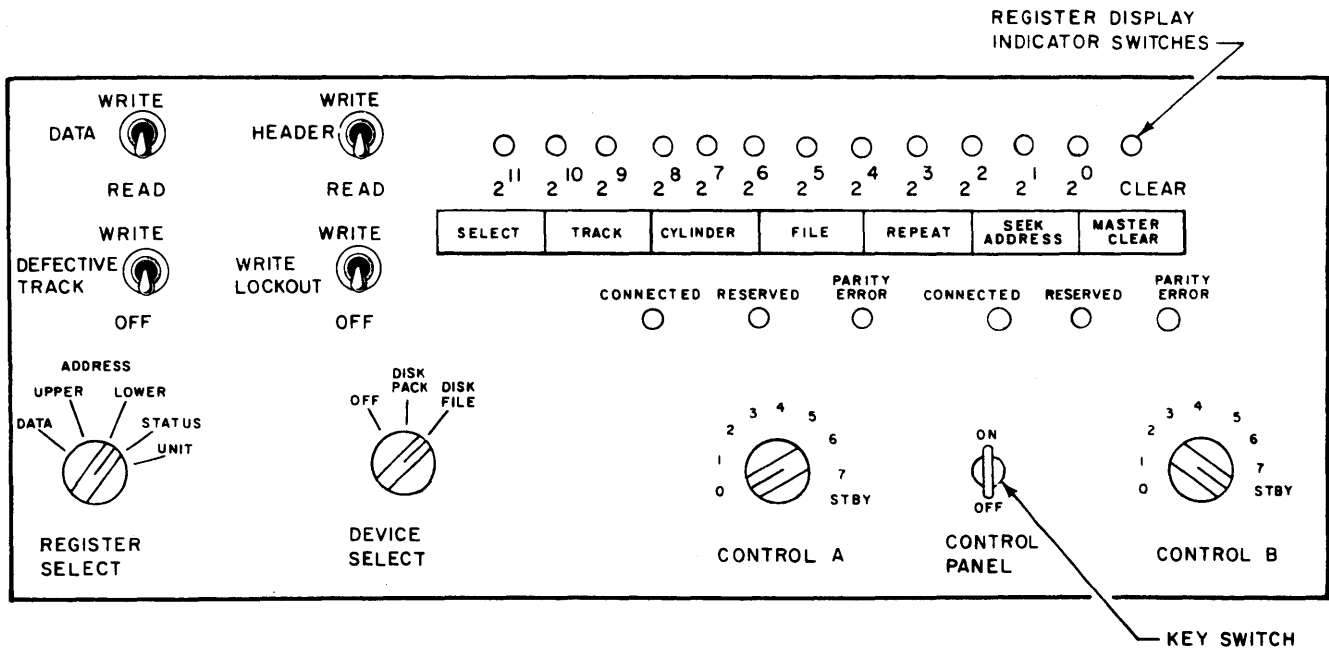


Figure 2-1. Maintenance Panel and Controls

REPEAT

This switch/indicator causes the selected mode of operation (Track Cylinder or File) to be continuously repeated. This switch should not be used by the programmer/operator. It is meant for maintenance purposes only. When this switch is used, the controller does not stop for any abnormal conditions unless it is unable to continue. When in File mode, this switch should be off. A File will not be repeated.

SEEK ADDRESS

This switch/indicator initiates a Seek operation on the selected unit to the address indicated by the content of the Address register. On completion of the Seek, the selected operation commences.

MASTER CLEAR

This switch/indicator causes a Master Clear in the controller. If a Master Clear is performed while a Write operation is in progress, operation ceases immediately. That sector now contains information which will generate a checkword error if a Read operation is attempted.

DEVICE SELECT

For normal programmed operation, this switch should be OFF. This rotary switch selects the device type (disk drive, disk file) from the maintenance panel.

REGISTER SELECT

This rotary switch provides the capability for displaying and entering information via the Register Display Indicator Switches to or from the register selected.

REGISTER DISPLAY INDICATOR SWITCHES

Thirteen indicator-type pushbutton switches (CLEAR and bits 0-11) provide for displaying and/or entering information to and from the register indicated by the setting of the REGISTER SELECT switch when the Key switch is on. The CLEAR switch clears only the selected register.

DEFECTIVE TRACK

For normal programmed operations this switch should be OFF. This toggle switch is used to write a Defective Track bit in each sector of the Address Headers (refer to Procedures for Writing Address Headers).

DATA

For normal programmed operations, this switch should be in the READ position. In the WRITE position this toggle switch provides for writing data from the panel via the Register Display Indicator switches. The same data byte is written in the entire storage area specified by the mode selection (TRACK, CYLINDER and FILE).

In the Read Position this switch provides for reading data from the selected storage area. The data read is not displayed in the Data register when operating from the panel; however, a checkword error and other errors are displayed in the Status register.

HEADER

For normal programmed operations this switch should be in the READ position. This toggle switch provides for writing or reading address headers in the storage area selected during a control panel operation according to the setting of the ending mode switches (refer to Procedures for Writing Address Headers).

WRITE LOCKOUT

This switch, in conjunction with the Key switch, determines the degree of data protection provided by the controller to the subsystem units as follows:

<u>WRITE LOCKOUT</u>	<u>KEY</u>	<u>DATA</u>
On/Off	Off	Data protected from computer Write if WLO bit present
On	On	Data protected from computer Write if WLO bit present
Off	On	Data not protected even if WLO bit present

CAUTION

Data is not protected during panel operations
if HEADER switch is in Write position.

NOTE

For programmed operation the mode (TRACK, CYLINDER, FILE), REPEAT, SEEK ADDRESS, and MASTER CLEAR switches should be off.

REPEAT SEEK

This switch, located at card location 1D05A, is for maintenance purposes only and causes the disk unit to seek alternately between cylinder 0 and the selected cylinder when:

1. It is on (up position),
2. Track or Cylinder mode is selected, and
3. The SEEK ADDRESS switch is pressed.

REPEAT SEEK OPERATE

This switch, located at card location 1D05B, is for maintenance purposes only and causes the disk unit to seek alternately between cylinder 0 and the selected cylinder and perform an operation when:

1. It is on (up position),
2. The REPEAT SEEK switch is on,
3. Track or Cylinder mode is selected, and
4. The SEEK ADDRESS switch is pressed.

The controller will stop for an error condition and the REPEAT switch will not override an error.

HEAD LIMIT

This switch, located at card location 1D05C is for maintenance purposes only and causes the unused indicator in the SEEK-SWITCH to light when:

1. A maintenance aid switch is left on.
2. The REPEAT-SEEK switch is on (up position).
3. The HEAD-LIMIT switch is on (up position).

MANUAL OPERATION

Operation of the disk storage subsystem is under program control from the computer through the use of the Connect and function codes. Initial manual starting procedures include turning the power on, selecting the various switch settings, and loading a disk pack into the associated unit (if none are presently loaded). Disk packs and files must have headers recorded before they can be used for programmed operations.

POWER

The following procedure turns on the power for the subsystem.

Disk Drive: Turn on the main power switch and terminator power switch (located on top of the power distribution box in the back of the cabinet).

The disk drive units automatically enter a Power On sequence. Each disk drive unit requires approximately 1 minute to come up to speed and land the read/write heads. In a multiple unit system each succeeding disk drive motor is automatically sequenced. The sequencing overlaps and a full complement of drive units should be up to speed in approximately 2 minutes. As soon as the disk drive units become operable (read/write heads landed) and the PHYSICAL UNIT NUMBER indicator lights, operation of the disk drives may begin; however, a 15-minute warm-up period is recommended when commencing from a cold start.

Disk File: Normally the disk file and associated hydraulic unit should have all switches in the proper position and only step 7 should be necessary to activate the units.

CAUTION

The blowers should remain on at all times to prevent dirt accumulation on the disk surfaces.

If the units must be started from a completely shut down position, the following steps should be performed:

1. Open front doors on the disk file and hydraulic unit and the right side door on the disk file.
2. Place all front panel circuit breakers of both units to the ON position.
3. Set both Positioner switches to the NORMAL position.
4. Set all Manual/Automatic switches to the AUTOMATIC position.
5. Set FILE OPERATION switch to the AUTOMATIC position.
6. Set main circuit breaker (located below power distribution panel) to the ON position.
7. Press START and observe START indicator light. The following indicators light temporarily: LOW FILE TEMP, STACK RPM 0, STACK RPM 1, and dc voltages.

The disk file requires approximately 3 minutes to come up to operating speed; the hydraulic unit requires approximately 15 minutes (on water cooled unit).

LOADING AND UNLOADING PROCEDURES

The storage medium of the disk file units cannot be changed. The following procedures should be performed to load or change the storage medium in the disk storage drive:

1. If the unit is operating, turn power OFF by pressing the START switch located on the front of the disk drive unit. Wait until the spindle stops rotating and the SPIN light turns OFF.
2. Pull the appropriate drawer forward as far as possible.
3. Load or unload the pack as follows:

Loading

Place the pack on the spindle and turn the cover handle clockwise to a full stop position. The pack should now be tight on the spindle and the protective cover should lift off easily.

Unloading

Engage the protective cover over the disk pack and rotate the cover three times in a counterclockwise direction. The pack releases from the spindle and can be lifted from the drive unit.

4. Close the disk drive unit drawer and press the START switch on the front of the drive unit. This causes the unit to perform an initial Seek operation which positions and loads the read/write heads and brings the unit to the Ready state.

READY STATE

The controller is always Ready when power is available; however, subsystem readiness (indicated by the Ready status bit) depends upon the state of the selected storage unit.

The requirements and time necessary to bring the subsystem components to the Ready state are:

Disk File

The disk file units are Ready only when all of the following are present:

1. Power is available to the disk and hydraulic units,
2. The hydraulic and air systems are operating,
3. Hydraulic temperature (100^oF) and pressure (1100 psi) are up to normal,
4. The disks are spinning and up to speed (1750 rpm), and
5. The positioner is in the landing area and the read/write heads are landed and in an operating position.

Disk Storage Drive

The disk drive units are Ready only when all of the following are present:

1. A pack is loaded,
2. The drawer is closed,
3. The disks are spinning and up to speed (2400 rpm), and
4. An initial seek has been performed to position the read/write heads.

PROCEDURES FOR WRITING ADDRESS HEADERS

Address Headers can be written only from the maintenance panel. In order to write the Header, Defective Track, and Write Lockout bits, the following procedure should be followed:

1. Turn the maintenance panel Key switch ON. Select the proper device type with the DEVICE SELECT Switch.
2. Set the REGISTER SELECT switch to the UNIT position, load the desired unit number into the Unit register and press the SELECT switch.
3. Select the desired ending mode by pressing the appropriate mode switch (TRACK, CYLINDER, etc.).
4. Enter the starting addresses into the upper and lower portions of the Address register. (Select the appropriate portion of the Address register via the REGISTER SELECT switch and enter the starting address by pressing the appropriate indicator/pushbutton switches.)

5. If there is no useable data in the sectors where new headers are to be written, it is recommended that both the HEADER and DATA switch be set to the WRITE position. If there is useful data in the sectors and it is desired that only headers be written, the HEADER switch must be set to the WRITE position and the DATA switch to the READ position.

NOTE

Do not use the REPEAT mode switch when writing headers. Ensure that the REPEAT switch is OFF.

6. If Write Lockout and/or Defective Track bits are to be written, these switches should be set to ON.
7. Press the SEEK ADDRESS switch.

Step 7 initiates the operation which will end when the address of the last sector of the selected storage area has been written or an abnormal condition will be displayed in the Status register.

On completion of the operation, select READ HEADERS and READ DATA and read (verify) the area just written. Error conditions will be displayed in the Status register.

NOTE

When in Read Data mode, the data read is not displayed in the Data register.

When completed, return all switches to their normal positions.

PROCEDURES FOR WRITING DATA

Data can be written from the maintenance panel. The procedure is to read headers and write data. The following procedures should be followed:

1. Turn the maintenance panel Key switch ON. Select the proper device type with the DEVICE SELECT switch.
2. Set the REGISTER SELECT switch to the UNIT position, load the desired unit number into the Unit register, and press the SELECT switch.
3. Select the desired storage mode by pressing the appropriate corporate switch (TRACK, CYLINDER, etc.).

4. Enter the data to be written into the Data register. Select the Data register via the REGISTER SELECT switch and enter the data by pressing the appropriate indicator/pushbutton switches.
5. Set the HEADER switch to READ and the DATA switch to WRITE.
6. The WRITE LOCKOUT and/or DEFECTIVE TRACK switches should be OFF.
7. Press the SEEK ADDRESS switch.

Step 7 initiates the operation which will end when the last sector of the selected storage area has been written or an abnormal condition occurs. Any abnormal condition will be displayed in the Status register.

On completion of the operation, select READ HEADERS and READ DATA and read (verify) the area just written. Error conditions will be displayed in the Status register.

NOTE

When in Read Data mode, the data read is not displayed in the Data register.

When complete, return all switches to their normal positions.

SECTION 3

INSTALLATION AND CHECKOUT

INSTALLATION AND CHECKOUT

CRATING

Should a requirement arise to crate this equipment in preparation for shipment to another destination, consult Procedure 8:504:00 in the Customer Engineering Field Procedures Manual. This should provide the latest information to aid in obtaining packaging materials and kits.

PHYSICAL DIMENSIONS

Physical dimensions of the cabinet are included in Section 1.

POWER REQUIREMENTS

Power requirements are included in Section 1.

POWER CONNECTIONS

Refer to Section 5 for the diagram showing power input terminals. Figure 1-1 shows the location of the power distribution box that houses the power terminals. Power connections should be made according to Figure 3-1, in accordance with local electrical codes.

CABLING AND CONNECTORS

The distance between each cable connector and the floor is shown in Figure 3-2. This information is required when determining the lengths of the cables between the controller and the disk units or data channels. Figure 3-3 shows how the signal cables are connected in a typical system. Figure 3-4 shows disk file cabling.

COOLING REQUIREMENTS

There are no special cooling requirements. Room air is used for cooling purposes.

ENVIRONMENTAL CONSIDERATIONS

Information concerning temperature and humidity is included in Section 1.

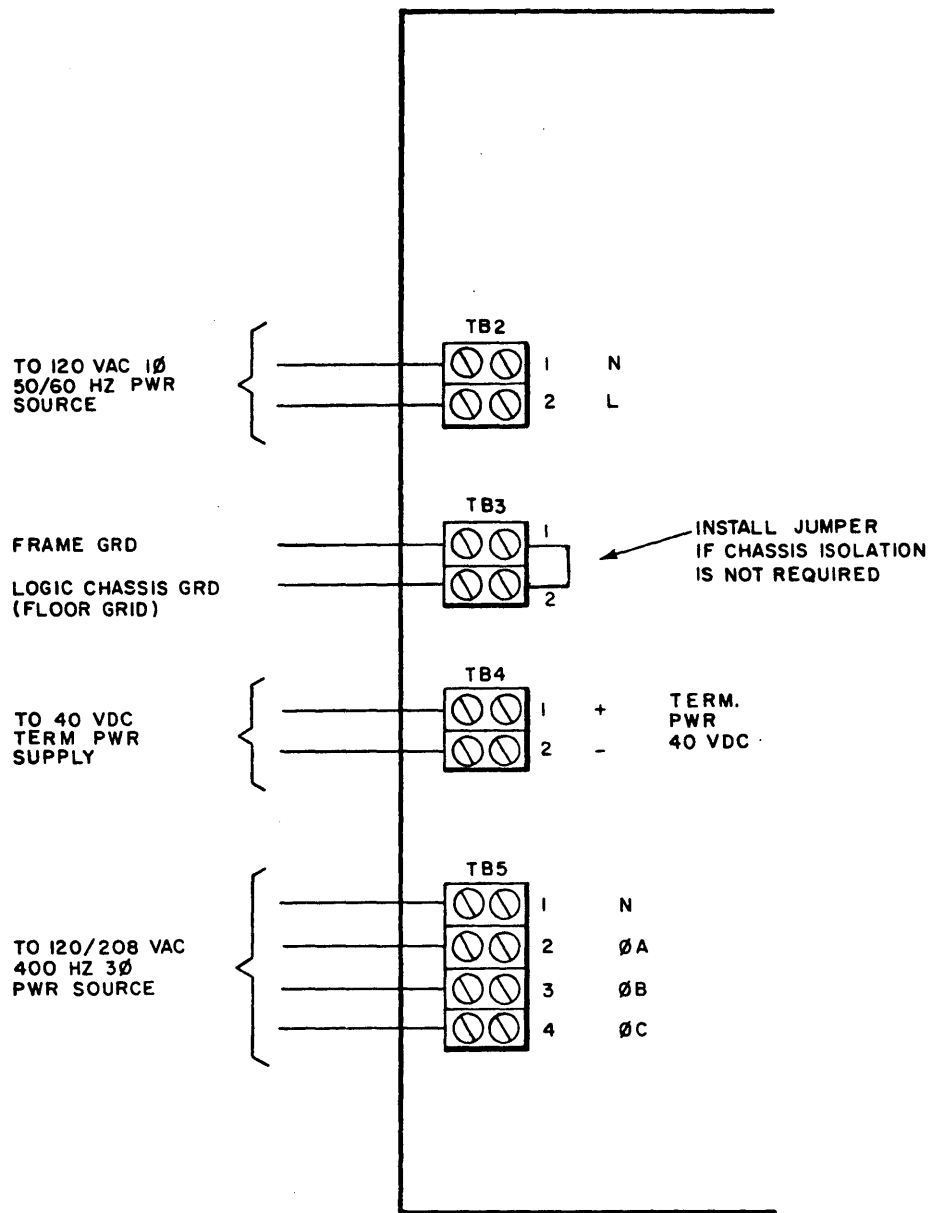


Figure 3-1. Power Connections

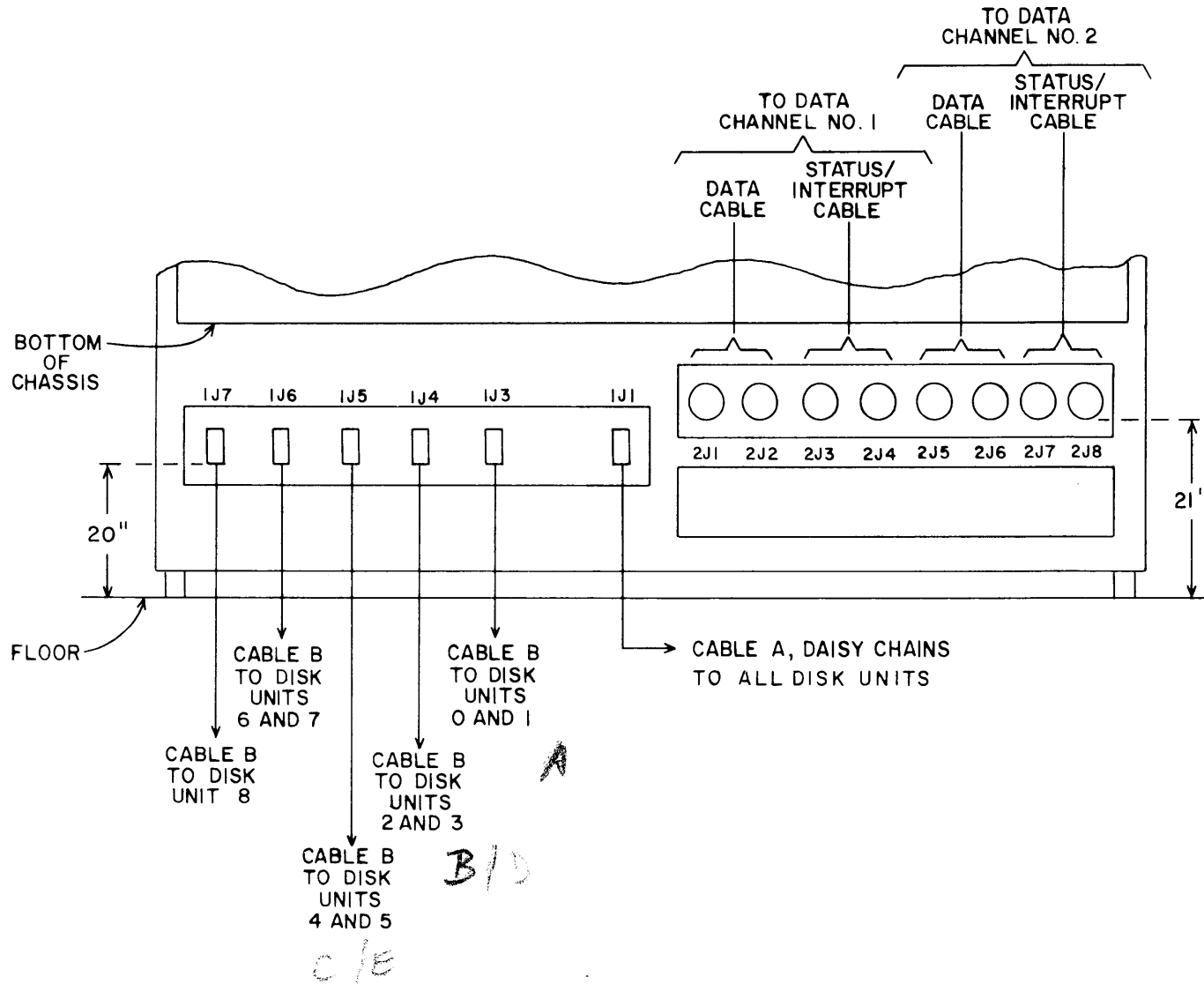


Figure 3-2. Connector Panel

NOTE:

IN SYSTEMS THAT CONTAIN LESS THAN 5 DISK UNIT CABINETS THE CABLE B CONNECTORS (IJ3 - IJ7) MUST BE USED AS FOLLOWS:

- 1 CABINET USE IJ3 FOR CABLE B
- 2 CABINETS USE IJ3 AND IJ4
- 3 CABINETS USE IJ3, IJ4, AND IJ5
- 4 CABINETS USE IJ3, IJ4, IJ5, AND IJ6

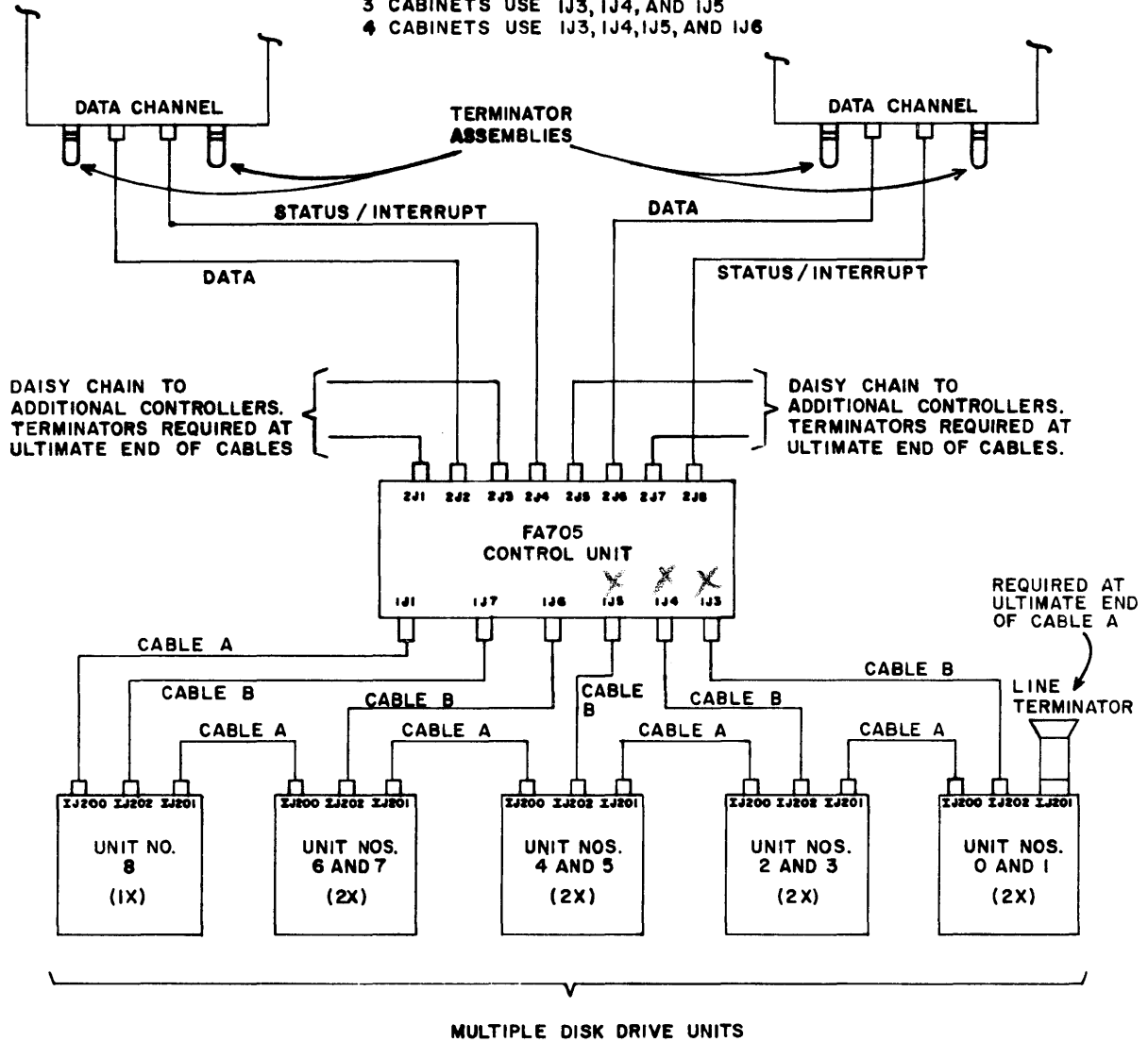


Figure 3-3. Typical System Signal Cabling - MDD

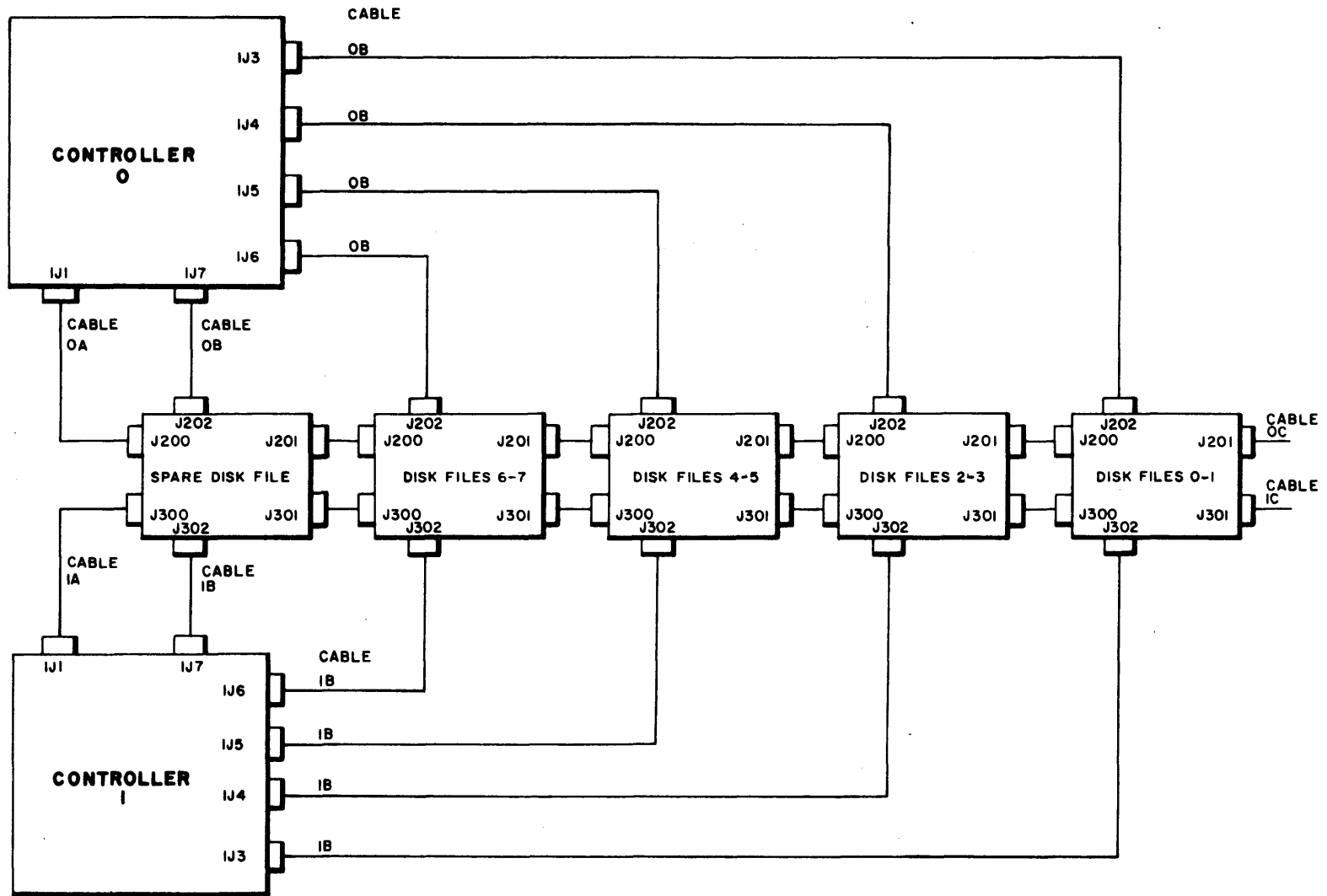
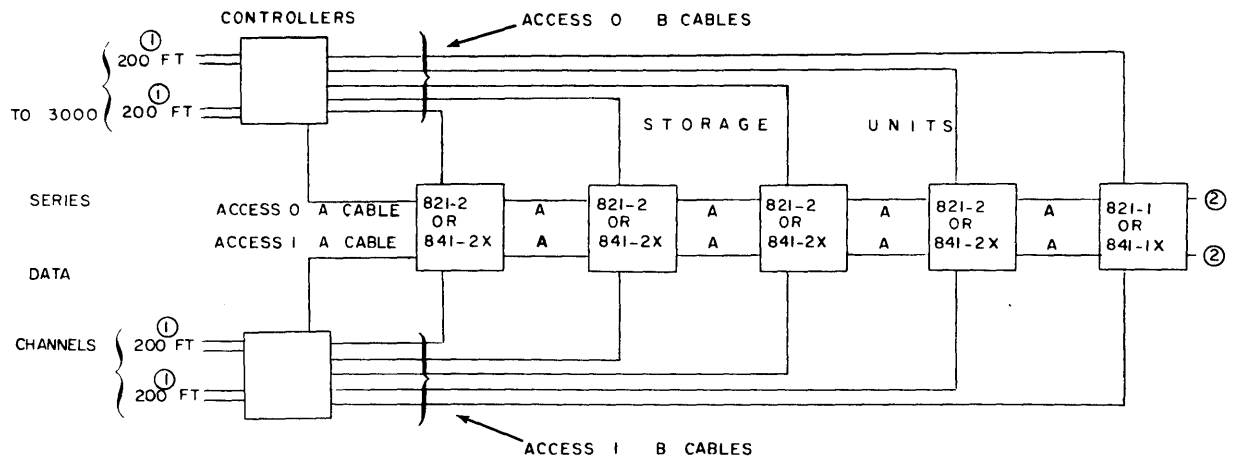


Figure 3-4. Typical System Signal Cabling - Disk File



Cabinets	Maximum Total A Cable Length (3)			Maximum B Cable Length	
	821	841	Mixed	821	841
1	150 feet	180 feet	150 feet	100 feet	180 feet
2	150 feet	155 feet	150 feet	100 feet	180 feet
3	150 feet	130 feet	130 feet	100 feet	180 feet
4	150 feet	105 feet	105 feet	100 feet	180 feet
5	150 feet	80 feet	80 feet	100 feet	180 feet

- (1) Total cable length on channel
- (2) Terminator assemblies
- (3) Includes inter-unit cabling

Figure 3-4. Typical Subsystem Signal Cabling (MDD and Disk File)

SECTION 4

THEORY OF OPERATION

THEORY OF OPERATION

SIGNAL DEFINITIONS

DATA CHANNEL INTERFACE

The connector pin numbers are included in the Cable Tabs portion of the Wire Lists, Section 9.

Refer to the 3000 Input/Output Specifications (Pub. No. 60048800) for a description of these signals.

STORAGE UNIT INTERFACE

The connector pin numbers are listed in the Cable Tabs portion of the Wire Lists, Section 9.

Address and Control Bus

These nine lines carry address and control information between the controller and selected storage units. The data on these lines is defined by one of the accompanying select lines.

Cylinder Select *upper address*

When this line is a "1", it indicates to the selected Storage Unit that the Address and Control Bus now contains positioning information. The positioning information is the controller's current cylinder address. The bit assignments are as follows:

<u>Address and Control Bus</u>	<u>Cylinder Number</u>
Bit 0	1
Bit 1	2
Bit 2	4
Bit 3	8
Bit 4	16
Bit 5	32
Bit 6	64
Bit 7	128
Bit 8	256
Bit 9	512

Head Select

When this line is a "1", it indicates to the selected storage unit that the Address and Control Bus now contains head select information. The bit assignments are as follows:

<u>Address and Control Bus</u>	<u>Head Number</u>	<i>lower address</i>
	Disk File	Disk Pack
Bit 0	1	1
Bit 1	2	2
Bit 2	4	4
Bit 3	8	8
Bit 4	16	16
Bit 5	32	Not Used
Bit 6	Not Used	Not Used
Bit 7	Not Used	Not Used
Bit 8	Not Used	Not Used

Difference Select

When this line is a "1", it indicates to the selected disk pack unit that the Address and Control Bus now contains positioning information. The positioning information is the difference between the disk unit's current cylinder and the controller's current cylinder. The bit assignments are as follows:

<u>Address and Control Bus</u>	<u>Cylinder Difference</u>
Bit 0	1
Bit 1	2
Bit 2	4
Bit 3	8
Bit 4	16
Bit 5	32
Bit 6	64
Bit 7	128
Bit 8	256
Bit 9	512

Control Select

When this line is a "1", it indicates to the selected storage unit that the Address and Control Bus now contain control information. Bit assignments are as follows:

<u>Address and Control Bus</u>	<u>Control Signals</u>
Bit 0	<u>Write Enable</u> Disk Units - When this line is a "1", it enables the write driver.
Bit 1	<u>Read Enable</u> Disk Units - When this line is a "1", it enables the read amplifiers.
Bit 2	<u>Seek Forward</u> Disk Units - When this line is a "1", it initiates the positioning sequence in a forward direction.
Bit 3	Not Used
Bit 4	<u>Erase Enable</u> Disk Units - This line follows the Write Enable and is used to erase the data prior to writing.
Bit 5	<u>Seek Backward</u> Disk Units - When this line is a "1", it initiates the positioning sequence in a backward direction.
Bit 6	<u>Restore</u> Disk Packs - When this line is a "1", it initiates positioning motion to position zero.
Bit 7	Not Used

Read Cylinder Select

When this line is a "1", it enables the Address and Control Bus transmitters in the selected disk unit. The information transmitted to the controller is the current cylinder address.

Bit assignments are as follows:

<u>Address and Control Bus</u>	<u>Cylinder</u>
Bit 0	1
Bit 1	2
Bit 2	4
Bit 3	8
Bit 4	16
Bit 5	32
Bit 6	64
Bit 7	128
Bit 8	256

Sector Select

When this line is a "1", it indicates to the selected disk unit that the Address and Control Bus now contains sector information. The bit assignment is as follows:

<u>Address and Control Bus</u>	<u>Sector</u>
Bit 0	1
Bit 1	2
Bit 2	4
Bit 3	8
Bit 4	16

Positioner Ready

When this line is a "1", it indicates that the selected storage unit is in position and is ready to read or write.

On Sector or Seek Error

When this line is a "1", it indicates that any storage unit which has been addressed has either completed a seek or is unable to complete a seek.

Sector Mark

This line is used to receive track reference marks from the selected storage unit.

Index

This line is used to receive a track reference mark from the selected storage unit. All other track reference marks must be measured in time from this point.

Seek Error

When this line is a "1", it indicates that the selected storage unit was unable to complete a Seek operation to the point of returning a Positioner Ready signal to the controller.

Unit Select

Initiates the select sequence in the unit whose logic number corresponds to the number on the four logic number lines.

Unit Selected

These nine lines are used to check which physical storage unit is selected.

Clear

This line goes to a "1", when a Master Clear, Channel Clear, Release, or Function Clear occurs. It will unreserve units on the clear channel without regard for status.

Pack Unsafe

This line indicates that the selected storage unit has one or more fault conditions. These conditions are:

1. More than one head selected.
2. Both write and read controls enabled.
3. Erase driver on and no write driver enabled.
4. Both write drivers enabled.
5. Read or write driver enabled and Not Ready status.

Unit Ready

This line indicates that the selected storage unit is ready to use.

Write Data

This line is used to transfer data to be written to the selected storage unit.

Read Data

This line is used to transfer data from the selected storage unit.

Release

This line clears the Compare Enable FF's in the selected drive unit.

Clock Source

This line carries the recorded clock to the controller.

Unit Busy

Indicates selected unit is reserved by the other channel. When a channel selects a unit which is reserved by another controller, it receives a Unit Busy signal.

SECTION 5

DIAGRAMS

DIAGRAMS

SYMBOL INDEX

The symbol index lists all logic terms in the controller and shows the logic diagram page number for each term.

SYMBOL INDEX

PAGE 01

A000	5-17	A146	5-17	A280	5-17	B113	5-31	C043	5-37
A001	5-17	A147	5-17	A281	5-17	B200	5-31	C044	5-37
A002	5-17	A148	5-17	A290	5-17	B201	5-31	C045	5-37
A003	5-17	A149	5-17	A291	5-17	B202	5-31	C046	5-37
A010	5-17	A150	5-17	A300	5-17	B203	5-31	C047	5-37
A011	5-17	A151	5-17	A301	5-17	B204	5-31	C048	5-37
A012	5-17	A152	5-17	A310	5-17	B205	5-31	C050	5-37
A013	5-17	A153	5-17	A311	5-17	B206	5-31	C051	5-37
A014	5-17	A154	5-17	B000	5-31	B207	5-31	C052	5-37
A020	5-17	A155	5-17	R001	5-31	B208	5-31	C053	5-37
A021	5-17	A156	5-17	R002	5-31	B209	5-31	C054	5-37
A022	5-17	A157	5-17	R003	5-31	B210	5-31	C055	5-37
A023	5-17	A158	5-17	R010	5-31	B211	5-31	C056	5-37
A030	5-17	A159	5-17	R011	5-31	B212	5-31	C057	5-37
A031	5-17	A160	5-17	R012	5-31	B213	5-31	C058	5-37
A032	5-17	A161	5-17	R013	5-31	C000	5-37	C059	5-37
A033	5-17	A162	5-17	R020	5-31	C001	5-37	C060	5-37
A040	5-17	A163	5-17	R021	5-31	C002	5-37	C061	5-37
A041	5-17	A164	5-17	R022	5-31	C003	5-37	C062	5-37
A042	5-17	A165	5-17	R023	5-31	C004	5-37	C063	5-37
A043	5-17	A166	5-17	R030	5-31	C005	5-37	C064	5-37
A050	5-17	A167	5-17	R031	5-31	C006	5-37	C065	5-37
A051	5-17	A168	5-17	R032	5-31	C007	5-37	C066	5-37
A052	5-17	A169	5-17	R033	5-31	C008	5-37	C067	5-37
A053	5-17	A170	5-27	R040	5-31	C010	5-37	C070	5-37
A060	5-17	A171	5-27	R041	5-31	C011	5-37	C071	5-37
A061	5-17	A172	5-27	R042	5-31	C012	5-37	C072	5-37
A062	5-17	A173	5-27	R043	5-31	C013	5-37	C073	5-37
A070	5-17	A175	5-27	R050	5-31	C014	5-37	C074	5-37
A071	5-17	A176	5-27	R051	5-31	C015	5-37	C075	5-39
A072	5-17	A177	5-27	R052	5-31	C016	5-37	C076	5-37
A080	5-17	A178	5-27	R053	5-31	C017	5-37	C077	5-39
A081	5-17	A179	5-27	R060	5-31	C018	5-37	C078	5-39
A082	5-17	A180	5-17	R061	5-31	C020	5-37	C079	5-37
A090	5-17	A181	5-17	R062	5-31	C021	5-37	C080	5-39
A091	5-17	A184	5-27	R063	5-31	C022	5-37	C081	5-39
A092	5-17	A185	5-27	R070	5-31	C023	5-37	C082	5-39
A100	5-17			R071	5-31	C024	5-37	C083	5-39
A101	5-17	A191	5-17	R072	5-31	C025	5-37	C084	5-39
A102	5-17	A200	5-17	R073	5-31	C026	5-37	C085	5-39
A110	5-17	A201	5-17	R080	5-31	C027	5-37	C086	5-39
A111	5-17	A210	5-17	R081	5-31	C028	5-37	C087	5-39
A112	5-17	A211	5-17	R082	5-31	C030	5-37	C090	5-39
A120	5-17	A220	5-17	R083	5-31	C031	5-37	C091	5-39
A121	5-17	A221	5-17	R090	5-31	C032	5-37	C092	5-39
A130	5-17	A230	5-17	R091	5-31	C033	5-37	C093	5-39
A131	5-17	A231	5-17	R092	5-31	C034	5-37	C094	5-39
A138	5-47	A240	5-17	R093	5-31	C035	5-37	C095	5-39
A139	5-47	A241	5-17	R100	5-31	C036	5-37	C096	5-39
A140	5-17	A250	5-17	R101	5-31	C037	5-37	C098	5-39
A141	5-17	A251	5-17	R102	5-31	C038	5-37	C100	5-39
A142	5-17	A260	5-17	R103	5-31	C039	5-37	C101	5-39
A143	5-17	A261	5-17	R110	5-31	C040	5-37	C102	5-39
A144	5-17	A270	5-17	R111	5-31	C041	5-37	C103	5-39
A145	5-17	A271	5-17	R112	5-31	C042	5-37	C104	5-39

C105	5-39	C196	5-25	C263	5-41	F004	5-9	F101	5-9
C106	5-39	C197	5-25	C264	5-41	F005	5-9	F102	5-9
C107	5-39	C200	5-41	C265	5-41	F006	5-9	F103	5-9
C110	5-39	C201	5-41	C266	5-41	F007	5-9	F104	5-9
C111	5-39	C202	5-41	C267	5-41	F008	5-9	F105	5-9
C112	5-39	C203	5-41	C268	5-41	F009	5-9	F110	5-9
C113	5-39	C204	5-41	C270	5-41	F010	5-9	F111	5-9
C114	5-39	C205	5-41	C271	5-41	F011	5-9	F112	5-9
C115	5-39	C206	5-41	C272	5-41	F012	5-9	F113	5-9
C116	5-39	C207	5-41	C273	5-41	F013	5-9	F120	5-13
C120	5-39	C208	5-41	C275	5-37	F014	5-9	F121	5-13
C121	5-39	C209	5-41	C276	5-41	F015	5-9	F122	5-13
C122	5-39	C210	5-41	C277	5-41	F016	5-9	F123	5-13
C123	5-39	C211	5-41	C278	5-41	F017	5-9	F124	5-13
C124	5-39	C212	5-41	C280	5-23	F018	5-9	F125	5-13
C125	5-39	C213	5-41	C281	5-23	F019	5-9	F126	5-13
C127	5-39	C214	5-37	C282	5-23	F020	5-9	F127	5-13
C128	5-39	C215	5-41	C283	5-41	F021	5-9	F128	5-13
C130	5-39	C216	5-41	C285	5-41	F022	5-9	F129	5-13
C131	5-39	C217	5-41	C300	5-15	F023	5-9	F130	5-13
C132	5-39	C218	5-41	C301	5-15	F024	5-9	F131	5-13
C133	5-39	C219	5-41	C302	5-15	F025	5-9	F140	5-9
C134	5-39	C221	5-15	C303	5-15	F026	5-9	F141	5-9
C135	5-39	C222	5-15	C304	5-15	F027	5-9	F142	5-9
C140	5-39	C223	5-15	C305	5-15	F028	5-9	F143	5-9
C141	5-39	C224	5-15	C306	5-15	F029	5-9	F144	5-9
C142	5-39	C226	5-15	C307	5-41	F030	5-9	F145	5-9
C143	5-39	C227	5-15	C308	5-41	F031	5-9	F146	5-9
C144	5-39	C228	5-15	C309	5-41	F032	5-9	F147	5-9
C150	5-39	C229	5-41	C310	5-37	F033	5-9	F148	5-9
C151	5-39	C230	5-15	C311	5-37	F034	5-9	F149	5-9
C152	5-39	C231	5-15	C312	5-37	F035	5-9	F150	5-9
C153	5-39	C232	5-15	C313	5-37	F036	5-9	F151	5-9
C160	5-15	C233	5-15	C314	5-37	F037	5-9	F152	5-9
C161	5-15	C235	5-41	C315	5-15	F038	5-13	F153	5-9
C164	5-15	C236	5-39	C318	5-41	F039	5-13	F156	5-9
C165	5-15	C237	5-39	C319	5-41	F040	5-13	F157	5-9
C166	5-15	C238	5-41	C320	5-41	F041	5-9	F158	5-9
C167	5-15	C239	5-17	C325	5-41	F042	5-9	F159	5-9
C170	5-15	C240	5-41	C329	5-15	F043	5-13	F159	5-9
C171	5-15	C241	5-41	C350	5-41	F044	5-9	I000	5-11
C172	5-15	C242	5-41	C351	5-41	F045	5-9	I001	5-11
C173	5-15	C243	5-41	C380	5-15	F046	5-9	I002	5-11
C174	5-15	C250	5-41	C381	5-15	F049	5-9	I003	5-11
C175	5-15	C251	5-41	C390	5-15	F050	5-27	I004	5-11
C176	5-15	C252	5-41	C391	5-15	F051	5-27	I005	5-11
C177	5-15	C254	5-41	C400	5-45	F052	5-9	I006	5-11
C180	5-15	C255	5-41	C401	5-45	F053	5-9	I007	5-11
C181	5-15	C256	5-41	C402	5-45	F054	5-9	I008	5-11
C182	5-15	C257	5-41	C403	5-45	F055	5-9	I009	5-11
C183	5-15	C258	5-41	F035	5-9	F056	5-9	I010	5-11
C190	5-15	C259	5-41	F000	5-9	F057	5-9	I011	5-11
C191	5-15	C260	5-41	F001	5-9	F058	5-9	I020	5-11
C194	5-25	C261	5-41	F002	5-9	F060	5-13	I021	5-11
C195	5-25	C262	5-41	F003	5-9	F061	5-13	I022	5-11
						F062	5-13	I023	5-11
						F063	5-13		
						F100	5-9		

SYMBOL INDEX

PAGE 03

I024	5-11	J003	5-21	J061	5-35	J114	5-25	J206	5-43
I025	5-11	J004	5-21	J062	5-35	J115	5-25	J207	5-43
I026	5-11	J005	5-21	J063	5-35	J116	5-25	J208	5-43
I027	5-11	J006	5-21	J064	5-35	J117	5-23	J209	5-43
I028	5-11	J007	5-21	J065	5-35	J118	5-23	J210	5-43
I029	5-11	J008	5-21	J066	5-35	J119	5-23	J211	5-43
I030	5-11	J009	5-21	J067	5-35	J120	5-25	J212	5-43
I031	5-11	J010	5-21	J068	5-23	J121	5-29	J213	5-43
I032	5-11	J011	5-21	J069	5-23	J122	5-25	J214	5-43
I040	5-11	J012	5-21	J070	5-29	J123	5-25	J215	5-43
I041	5-11	J015	5-29	J071	5-29	J125	5-25	J216	5-43
I042	5-11	J016	5-33	J072	5-27	J126	5-25	J217	5-43
I043	5-11	J017	5-33	J073	5-27	J127	5-25	J218	5-43
I044	5-11	J018	5-27	J074	5-29	J128	5-25	J219	5-43
I045	5-11	J019	5-27	J075	5-29	J129	5-25	J220	5-43
I046	5-11	J020	5-33	J076	5-29	J130	5-25	J221	5-43
I047	5-11	J021	5-33	J077	5-29	J131	5-25	J222	5-43
I048	5-11	J022	5-33	J078	5-29	J132	5-25	J223	5-43
I049	5-11	J023	5-19	J079	5-29	J133	5-25	J224	5-43
I050	5-11	J024	5-19	J080	5-29	J134	5-25	J225	5-43
I051	5-11	J025	5-33	J081	5-29	J135	5-25	J226	5-43
I052	5-11	J027	5-33	J082	5-29	J136	5-23	J227	5-43
I053	5-11	J028	5-33	J083	5-29	J137	5-23	J228	5-43
I054	5-11	J029	5-33	J084	5-29	J140	5-19	J229	5-43
I060	5-13	J030	5-33	J085	5-29			J230	5-43
I061	5-13	J031	5-33	J086	5-29	J142	5-29	J231	5-47
I062	5-13	J032	5-33	J087	5-29	J143	5-29	J232	5-45
I063	5-13	J033	5-33	J088	5-29	J145	5-23	J233	5-45
I064	5-13	J034	5-33	J089	5-29	J146	5-33	J234	5-45
I065	5-13	J035	5-33	J090	5-29	J147	5-33	J235	5-45
I066	5-13	J036	5-19	J091	5-29	J148	5-29	J236	5-45
I067	5-13	J037	5-21	J092	5-27	J149	5-29	J237	5-45
I068	5-13	J038	5-33	J093	5-29	J150	5-25	J238	5-45
I069	5-13	J039	5-29	J094	5-27	J151	5-29	J239	5-45
I070	5-13	J040	5-19	J095	5-27	J152	5-29	J240	5-45
I071	5-13	J041	5-19	J096	5-19	J160	5-19	J241	5-45
I100	5-9	J042	5-19	J097	5-19	J161	5-19	J242	5-45
I101	5-9	J043	5-19	J098	5-35	J162	5-19	J243	5-45
I102	5-9	J044	5-19	J099	5-29	J163	5-19	J244	5-45
I103	5-9	J045	5-19	J100	5-23	J164	5-19	J245	5-45
I104	5-9	J046	5-19	J101	5-23	J165	5-19	J246	5-45
I105	5-9	J047	5-19	J102	5-23	J166	5-19	J247	5-45
I106	5-9	J048	5-19	J103	5-23	J171	5-19	J248	5-19
I107	5-9	J049	5-19	J104	5-23	J172	5-29	J252	5-45
I108	5-13	J050	5-19	J105	5-25			J253	5-45
I109	5-9	J051	5-19	J106	5-23	J180	5-19	J254	5-45
I110	5-9	J052	5-19	J107	5-23	J181	5-29	J255	5-45
I111	5-9	J053	5-19	J108	5-23	J183	5-47	J256	5-45
I112	5-9	J054	5-19	J109	5-23	J184	5-47	J258	5-45
I113	5-9	J055	5-19	J110	5-23	J200	5-43	J259	5-47
I114	5-9	J056	5-19	J111	5-23	J201	5-43	J260	5-45
I115	5-9	J057	5-19	J112	5-23	J202	5-43	J261	5-45
J000	5-21	J058	5-19	J113	5-23	J203	5-43	J262	5-45
J001	5-21	J059	5-19	J113	5-25	J204	5-43	J263	5-45
J002	5-21	J060	5-35	J114	5-23	J205	5-43	J264	5-45

J265	5-45	K001	5-21	K064	5-19	K124	5-25	K190	5-19
J266	5-45	K002	5-21	K065	5-19	K125	5-23	K191	5-19
J267	5-45	K003	5-21	K066	5-19	K125	5-25	K900	5-25
J268	5-45	K004	5-21	K067	5-19	K126	5-23	K901	5-25
J269	5-47	K005	5-21	K068	5-19	K127	5-23	K902	5-25
J270	5-47	K006	5-21	K069	5-19	K128	5-23	K903	5-25
J271	5-47	K007	5-21	K070	5-19	K129	5-23	L000	5-17
J272	5-27	K008	5-21	K071	5-19	K130	5-25	L001	5-17
J273	5-47	K009	5-21	K072	5-19	K131	5-25	L002	5-17
J276	5-33	K010	5-21	K073	5-19	K132	5-25	L003	5-17
J277	5-33	K011	5-21	K074	5-19	K133	5-25	L004	5-17
J278	5-47	K012	5-21	K075	5-19	K134	5-25	L005	5-17
J280	5-47	K013	5-21	K080	5-27	K135	5-25	L006	5-17
J281	5-47	K014	5-21	K081	5-27	K136	5-25	L007	5-17
J282	5-27	K015	5-21	K082	5-29	K137	5-25	L008	5-17
J283	5-27	K016	5-21	K083	5-29	K138	5-25	L009	5-17
J284	5-27	K017	5-21	K086	5-29	K139	5-25	L010	5-17
J285	5-27	K018	5-21	K087	5-29	K140	5-25	L011	5-17
J286	5-27	K019	5-21	K088	5-29	K141	5-25	L012	5-17
J287	5-47	K020	5-21	K089	5-29	K142	5-25	L050	5-5
J288	5-27	K021	5-21	K090	5-29	K143	5-25	L051	5-7
J289	5-45	K022	5-21	K091	5-29	K146	5-25	L052	5-7
J290	5-27	K023	5-21	K100	5-23	K147	5-25	L150	5-3
J291	5-47	K030	5-19	K101	5-23	K148	5-25	L151	5-7
J293	5-27	K031	5-19	K102	5-23	K149	5-25	L152	5-7
J294	5-19	K032	5-19	K103	5-23	K150	5-29	M000	5-11
J295	5-47	K033	5-19	K104	5-23	K151	5-29	M001	5-11
J296	5-31	K034	5-19	K105	5-23	K152	5-29	M002	5-11
J296	5-47	K035	5-19	K106	5-23	K153	5-29	M003	5-11
J297	5-19	K036	5-19	K107	5-23	K154	5-29	M004	5-11
J298	5-27	K037	5-19	K108	5-25	K155	5-29	M005	5-11
J299	5-29	K038	5-19	K109	5-25	K156	5-29	M006	5-11
J400	5-45	K039	5-19	K110	5-23	K157	5-29	M007	5-11
J401	5-35	K040	5-19	K111	5-23	K158	5-29	M008	5-11
J402	5-21	K041	5-19	K112	5-23	K159	5-29	M009	5-11
J403	5-25	K042	5-19	K112	5-25	K160	5-29	M010	5-11
J404	5-25	K043	5-19	K113	5-23	K161	5-29	M011	5-11
J405	5-25	K044	5-19	K113	5-25	K162	5-29	M012	5-47
J406	5-23	K045	5-19	K114	5-23	K163	5-29	M013	5-47
J407	5-23	K046	5-19	K114	5-25	K164	5-29	M014	5-47
J408	5-23	K047	5-19	K115	5-23	K165	5-29	M015	5-47
J410	5-45	K048	5-19	K115	5-25	K166	5-43	M016	5-47
J411	5-45	K049	5-19	K116	5-23	K167	5-43	M017	5-47
J412	5-45	K052	5-19	K116	5-25	K168	5-29	M018	5-47
J413	5-45	K053	5-19	K117	5-23	K169	5-29	M019	5-47
J423	5-15	K054	5-19	K117	5-25	K170	5-23	M020	5-47
J424	5-15	K055	5-19	K118	5-23	K171	5-23	M021	5-47
J425	5-15	K056	5-19	K118	5-25	K172	5-43	M022	5-47
J900	5-25	K057	5-19	K119	5-23	K173	5-43	M023	5-47
J901	5-25	K058	5-19	K119	5-25	K180	5-25	M024	5-47
J902	5-47	K059	5-19	K120	5-23	K181	5-25	M025	5-47
J903	5-47	K060	5-19	K121	5-23	K182	5-21	M026	5-47
J904	5-37	K061	5-19	K122	5-23	K183	5-21	M027	5-47
J905	5-25	K062	5-19	K123	5-23	K184	5-23	M028	5-47
J906	K000	5-21	5-47	K124	5-23	K185	5-23	M029	5-47
J907	K000	5-21	5-47					M030	5-47

M031	5-47	R201	5-25	R342	5-43	S056	5-35	S127	5-35
M032	5-11	R202	5-25	R344	5-25	S057	5-35	S128	5-35
M032	5-47	R203	5-25	R346	5-15	S060	5-33	S129	5-35
M045	5-47	R204	5-25	S000	5-33	S061	5-33	S130	5-35
M046	5-47	R205	5-25	S001	5-33	S062	5-33	S131	5-35
M047	5-47	R206	5-25	S002	5-33	S063	5-33	T080	5-5
M048	5-47	R207	5-25	S003	5-33	S064	5-35	T001	5-5
P000	5-15	R209	5-15	S004	5-35	S065	5-35	T002	5-5
P007	5-25	R209	5-45	S005	5-35	S066	5-35	T003	5-5
P008	5-25	R210	5-45	S006	5-35	S067	5-35	T004	5-5
P009	5-25	R211	5-45	S007	5-35	S070	5-33	T005	5-5
P010	5-25	R212	5-45	S008	5-35	S071	5-33	T006	5-5
R000	5-5	R213	5-45	S009	5-35	S072	5-33	T007	5-5
R001	5-5	R214	5-45	S010	5-33	S073	5-33	T008	5-5
R002	5-5	R215	5-45	S011	5-33	S074	5-35	T009	5-5
R003	5-5	R216	5-45	S012	5-33	S075	5-35	T010	5-5
R004	5-5	R217	5-45	S013	5-33	S076	5-35	T011	5-5
R005	5-5	R218	5-45	S014	5-35	S077	5-35	T012	5-5
R006	5-5	R219	5-45	S015	5-35	S080	5-33	T013	5-5
R007	5-5	R220	5-25	S016	5-35	S081	5-33	T014	5-5
R008	5-5	R221	5-15	S017	5-35	S082	5-33	T015	5-5
R009	5-5	R221	5-45	S018	5-35	S083	5-33	T016	5-5
R010	5-5	R222	5-43	S019	5-35	S084	5-35	T017	5-5
R011	5-5	R225	5-27	S020	5-33	S085	5-35	T018	5-5
R012	5-5	R225	5-45	S021	5-33	S086	5-35	T020	5-5
R013	5-5	R227	5-27	S022	5-33	S087	5-35	T021	5-5
R014	5-5	R227	5-45	S023	5-33	S090	5-33	T022	5-5
R015	5-5	R228	5-29	S024	5-35	S091	5-33	T023	5-5
R016	5-5	R228	5-45	S025	5-35	S092	5-33	T024	5-5
R017	5-5	R230	5-45	S026	5-35	S093	5-33	T025	5-5
R018	5-5	R231	5-45	S027	5-35	S094	5-35	T026	5-5
R019	5-5	R302	5-43	S029	5-35	S095	5-35	T027	5-5
R020	5-5	P303	5-43	S030	5-33	S096	5-35	T028	5-5
R100	5-3	R304	5-25	S031	5-33	S097	5-35	T029	5-5
R101	5-3	R305	5-25	S032	5-33	S100	5-33	T030	5-5
R102	5-3	R306	5-15	S033	5-33	S101	5-33	T031	5-5
R103	5-3	R307	5-15	S034	5-35	S102	5-33	T100	5-3
R104	5-3	R312	5-43	S035	5-35	S103	5-33	T101	5-3
R105	5-3	R313	5-43	S036	5-35	S104	5-35	T102	5-3
R106	5-3	R314	5-25	S037	5-35	S105	5-35	T103	5-3
R107	5-3	R315	5-25	S039	5-35	S106	5-35	T104	5-3
R108	5-3	R316	5-15	S040	5-33	S107	5-35	T105	5-3
R109	5-3	R317	5-15	S041	5-33	S110	5-33	T106	5-3
R110	5-3	R322	5-43	S042	5-33	S111	5-33	T107	5-3
R111	5-3	R323	5-43	S043	5-33	S112	5-33	T108	5-3
R112	5-3	R324	5-25	S044	5-35	S113	5-33	T109	5-3
R113	5-3	R325	5-25	S045	5-35	S114	5-35	T110	5-3
R114	5-3	R326	5-15	S046	5-35	S115	5-35	T111	5-3
R115	5-3	R327	5-15	S047	5-35	S116	5-35	T112	5-3
R116	5-3	R332	5-43	S050	5-33	S117	5-35	T113	5-3
R117	5-3	R333	5-43	S051	5-33	S120	5-23	T114	5-3
R118	5-3	R334	5-25	S052	5-33	S121	5-23	T115	5-3
R119	5-3	R335	5-25	S053	5-33	S124	5-35	T116	5-3
R120	5-3	R336	5-15	S054	5-35	S125	5-35	T117	5-3
R208	5-25	R337	5-15	S055	5-35	S126	5-35	T118	5-3

T120	5-3	V119	5-41	W030	5-5	W101	5-3	W159	5-7
T121	5-3	V121	5-41	W031	5-5	W102	5-3	W160	5-13
T122	5-3	V123	5-33	W032	5-5	W103	5-3	W161	5-13
T123	5-3	V124	5-33	W033	5-5	W104	5-3	W174	5-7
T124	5-3	V125	5-33	W034	5-5	W105	5-3	W175	5-7
T125	5-3	V200	5-15	W035	5-5	W106	5-3	W180	5-7
T126	5-3	V201	5-15	W036	5-5	W107	5-3	W181	5-7
T127	5-3	V202	5-15	W037	5-5	W108	5-3	W182	5-7
T128	5-3	V203	5-15	W038	5-5	W109	5-3	W183	5-7
T129	5-3	V205	5-15	W039	5-5	W110	5-3	W184	5-7
T130	5-3	V209	5-41	W040	5-5	W111	5-3	W185	5-7
T131	5-3	V211	5-41	W041	5-5	W112	5-3	W190	5-3
T200	5-7	V213	5-41	W042	5-7	W113	5-3	W191	5-3
T201	5-7	V215	5-41	W043	5-7	W114	5-3	W200	5-7
T202	5-7	V216	5-35	W044	5-7	W115	5-3	W201	5-7
T203	5-7	V217	5-35	W047	5-7	W116	5-3	W202	5-7
T208	5-45	V218	5-35	W048	5-13	W117	5-3	W203	5-7
T209	5-45	V223	5-33	W049	5-13	W118	5-3	W204	5-7
T210	5-45	V224	5-33	W050	5-5	W119	5-3	W205	5-7
T211	5-45	V250	5-15	W051	5-5	W120	5-3	W206	5-7
T212	5-45	V300	5-15	W052	5-7	W121	5-3	W207	5-7
T213	5-45	V301	5-15	W053	5-7	W122	5-3	W208	5-7
T214	5-45	V303	5-15	W054	5-7	W123	5-3	W209	5-7
T215	5-45	V304	5-33	W055	5-7	W124	5-3	W210	5-7
T216	5-45	V305	5-15	W056	5-7	W125	5-3	W211	5-7
T217	5-45	W000	5-5	W057	5-7	W126	5-3	W212	5-45
T218	5-45	W001	5-5	W058	5-7	W127	5-3	W213	5-45
T219	5-45	W002	5-5	W059	5-7	W128	5-3	W214	5-45
T220	5-45	W003	5-5	W060	5-13	W129	5-3	W215	5-7
T221	5-45	W004	5-5	W061	5-13	W130	5-3	W218	5-7
T222	5-45	W005	5-5	W062	5-13	W131	5-3	W219	5-7
T223	5-45	W006	5-5	W063	5-13	W132	5-3	W220	5-7
T224	5-45	W007	5-5	W064	5-13	W133	5-3	W221	5-7
T225	5-45	W008	5-5	W065	5-13	W134	5-3	W224	5-7
T299	5-45	W009	5-5	W066	5-13	W135	5-3	W225	5-7
T308	5-23	W010	5-5	W067	5-13	W136	5-3	W226	5-7
T301	5-23	W011	5-5	W068	5-13	W137	5-3	W227	5-7
T310	5-23	W012	5-5	W069	5-13	W138	5-3	W228	5-7
T311	5-23	W013	5-5	W070	5-13	W139	5-3	W229	5-7
T320	5-23	W014	5-5	W071	5-13	W140	5-3	W230	5-7
T321	5-23	W015	5-5	W072	5-13	W141	5-3	W231	5-5
T330	5-23	W016	5-5	W073	5-13	W142	5-7	W232	5-5
T331	5-23	W017	5-5	W074	5-7	W143	5-7	W233	5-5
T340	5-23	W018	5-5	W075	5-7	W144	5-7	W234	5-5
V108	5-15	W019	5-5	W080	5-7	W147	5-7	W235	5-5
V101	5-15	W020	5-5	W081	5-7	W149	5-13	W236	5-5
V102	5-15	W021	5-5	W082	5-7	W150	5-3	W237	5-13
V103	5-15	W022	5-5	W083	5-7	W151	5-3	W239	5-7
V104	5-15	W023	5-5	W084	5-7	W152	5-7	W242	5-7
V105	5-15	W024	5-5	W085	5-7	W153	5-7	W243	5-7
V114	5-35	W025	5-5	W086	5-7	W154	5-7	W244	5-7
V115	5-41	W026	5-5	W087	5-7	W155	5-7	W246	5-13
V116	5-35	W027	5-5	W090	5-5	W156	5-7	W247	5-13
V117	5-41	W028	5-5	W091	5-5	W157	5-7	W248	5-7
V118	5-35	W029	5-5	W100	5-3	W158	5-7	W249	5-7

W250	5-7	Y008	5-7	Y066	5-27
W251	5-7	Y009	5-7	Y067	5-29
W252	5-7	Y010	5-9	Y068	5-27
W253	5-7	Y011	5-9	Y069	5-43
W254	5-7	Y012	5-9	Y070	5-43
W256	5-7	Y013	5-9	Y071	5-9
W257	5-3	Y014	5-9	Y072	5-43
W258	5-7	Y015	5-9	Y073	5-7
W259	5-15	Y016	5-5	Y074	5-7
W260	5-7	Y017	5-7	Y075	5-47
W261	5-7	Y018	5-3	Y076	5-15
W262	5-3	Y019	5-27	Y077	5-15
W266	5-7	Y020	5-3	Y078	5-15
W267	5-7	Y021	5-9	Y079	5-15
W269	5-7	Y022	5-23	Y080	5-15
W287	5-7	Y023	5-17	Y081	5-15
X000	5-11	Y024	5-17	Y082	5-15
X001	5-11	Y026	5-19	Y083	5-15
X002	5-11	Y027	5-19	Y084	5-15
X003	5-11	Y028	5-19	Y085	5-7
X004	5-11	Y029	5-19	Y086	5-45
X005	5-11	Y030	5-19	Y087	5-9
X006	5-11	Y031	5-19	Y088	5-9
X007	5-11	Y032	5-19	Y090	5-19
X008	5-11	Y033	5-19	Y091	5-19
X009	5-11	Y034	5-19	Y092	5-41
X010	5-11	Y035	5-19	Y093	5-41
X011	5-11	Y036	5-19	Y094	5-47
X012	5-47	Y037	5-19	Y095	5-27
X013	5-47	Y038	5-19	Y096	5-29
X014	5-47	Y040	5-19	Y097	5-19
X015	5-47	Y041	5-29	Y098	5-7
X016	5-47	Y042	5-21	Y099	5-19
X017	5-47	Y043	5-29	Y100	5-15
X019	5-47	Y045	5-21	Y101	5-23
X020	5-47	Y046	5-23	Y102	5-21
X021	5-47	Y047	5-23	Y107	5-23
X022	5-47	Y048	5-19	Y112	5-23
X023	5-47	Y049	5-23	Y185	5-7
X024	5-47	Y049	5-25	Y900	5-25
X025	5-47	Y090	5-23	Y901	5-25
X026	5-47	Y050	5-25	Y902	5-25
X027	5-47	Y051	5-25	Y903	5-25
X028	5-47	Y052	5-29	Y904	5-25
X029	5-47	Y053	5-25		
X032	5-11	Y054	5-29		
X032	5-47	Y055	5-39		
Y000	5-5	Y056	5-25		
Y001	5-3	Y058	5-41		
Y002	5-7	Y059	5-31		
Y003	5-7	Y061	5-29		
Y004	5-7	Y062	5-29		
Y005	5-7	Y063	5-29		
Y006	5-45	Y064	5-27		
Y007	5-7	Y065	5-27		

Logic diagrams represent a symbolic approach to electronic schematics. By using symbols to represent building block circuits, the diagram becomes easy to read if the reader understands the function of the symbols. In Control Data Corporation logic, two signals, a logical 0 ("0") and logical 1 ("1"), are the possible input or output conditions of a circuit. A circuit with an output of "1" is "up" and a circuit with an output of "0" is "down". Detailed descriptions of logic symbols and their associated building block circuit cards are contained in the appropriate printed circuit manual (1604 and 3600 Card Types). Refer to the Literature Distribution Center Catalog for the publication number and latest revision level.

STANDARD LOGIC SYMBOLS

Standard logic diagram symbols for Control Data equipment using 1604- or 3600-type cards are inverters, flip-flops, control delays, capacitive delays, inductive delays, and line drivers and receivers.

Inverters

An inverter is a logic element which provides an output that is an inversion of its input. When more than one input is provided to an inverter, "1's" take precedence over "0's" and drive the output of the inverter to "0". Because any "1" input of several inputs drives the output to a "0", an inverter may be considered an inverting OR (NOR) gate when more than one input is present.

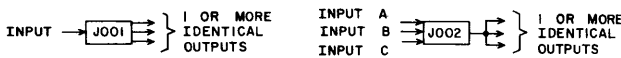


Figure 1. Inverter Symbols

Acceptable conventions for showing multiple OR inputs are given in Figure 2.



Figure 2. OR Circuit Conventions

An AND gate requires that all its inputs be "1's" in order that its output be a "1". If one or more of the inputs to an AND gate are "0", the output is a "0". Figure 3 illustrates conventions for showing AND gates feeding an inverter.



Figure 3. AND Circuit Conventions

Figure 4 illustrates a combination AND/OR input.

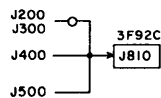


Figure 4. AND/OR Circuit Convention

KEY TO LOGIC SYMBOLS

(STANDARD 1604 OR 3600 CARD TYPES)

Flip-Flops (FF)

The flip-flop (FF) is a storage device with two stable states - designated as Set and Clear - and is composed of two or more inverters. The logic symbols (Figure 5) are formed by the combination of inverter symbols. By convention, Set inputs and outputs are shown in the upper part of the symbol and Clear inputs and outputs are shown in the lower part of the symbol.

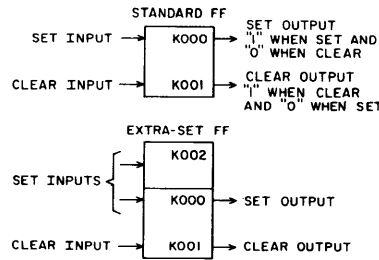


Figure 5. Flip-Flop Symbols

Figure 6 illustrates the interconnection of inverter symbols to form a flip-flop symbol. The term numbers assigned to each flip-flop are the term numbers of the internal inverters as seen by comparing the terms in Figure 5 with those in Figure 6. Notice that the Set output is the output of inverter K001, and the Clear output is the output of inverters K000 and K002.

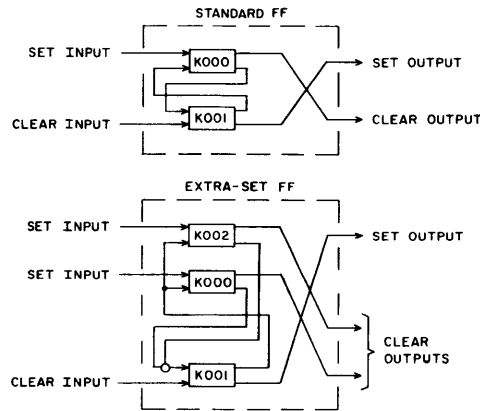


Figure 6. Internal Inverter Connections for a Flip-Flop

Control Delay

A control delay is a timing device consisting of an H term which receives the input and one or more V, Y, or N terms to provide the outputs. The H term is essentially a flip-flop with controlled feedback and occupies an entire printed circuit card. The output term(s) are inverter(s) located elsewhere on the logic chassis. The "1" outputs from a control delay are clocked pulses which are delayed one phase time from the "1" inputs. Clock inputs are not shown on the logic diagrams for any H, V, Y, or N terms; these terms, which control the start and duration of the delayed output pulses, may be found in the Equation Summary. Figure 7 illustrates two representative forms of the control delay symbol, with possible inputs and outputs labelled. Figure 8 shows the electrical connections for the two forms.

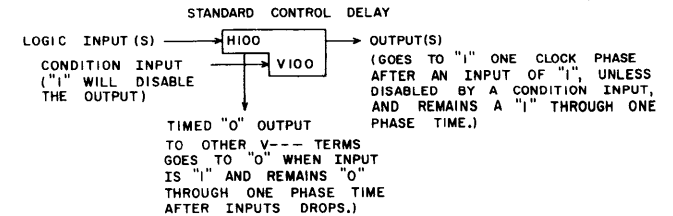


Figure 7. Control Delay Symbols

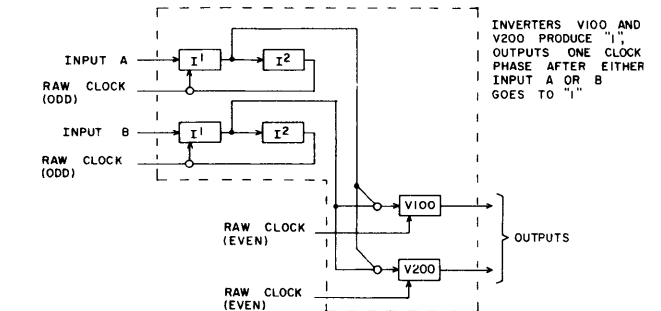
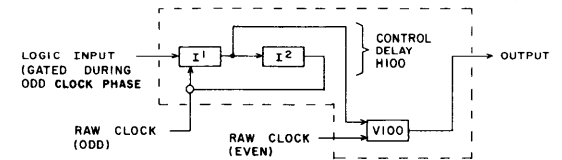


Figure 8. Electrical Connections for Control Delay

Control delays may have multiple inputs and/or multiple outputs. When a control delay has multiple output terms (i. e., more than one V, Y, or N term), each output term may have a separate conditioning input.

Capacitive Delays

A capacitive delay is used to delay the "1" input to a logic element. ("0" inputs are not affected by the delay.) Capacitive delays may be active or passive, depending upon whether or not transistors are used as part of the delaying circuit. Delay periods are checked by using a dual-trace scope connected to the input and output of the delay producing element. The actual connection points for the scope and probes vary for different cards and should be determined by referring to the Printed Circuit Manual.

Active delays may be recognized by the circuit letter always present as part of the card location. Pin numbers are also shown when external wiring is needed to connect the proper capacitance. In Figure 9, the pluggable delay uses this wiring to connect to capacitors on the same card. In the third example, this wiring connects to capacitors located on two separate capacitor cards.

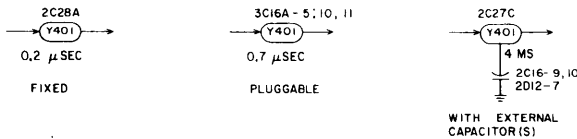


Figure 9. Active Capacitive Delays

All passive capacitive delays (Figure 10) are formed by wiring grounded capacitors, located on one or more capacitor cards, as an AND input to the affected logic element. For this reason, all passive delays show pin numbers to provide this external wiring data.



Figure 10. Passive Capacitive Delays

Capacitive delays may be adjustable or nonadjustable, depending on the card type and/or the external wiring connections on the card. When it is necessary to adjust the delay period in order to obtain specified circuit operation (usually done by varying a potentiometer in the RC network), a diagonal arrow is added to the delay symbol as shown in Figure 11.



Figure 11. Adjustable Capacitive Delays

Inductive Delays

An inductive delay is used to delay either the "1" or "0" input to a logic element or as a tapped delay line for timing of operations. The symbol for this delay is an elongated oval with a double vertical line just within the input end of the oval. When used as a tapped delay line, the inductive delay is terminated in its characteristic impedance. Inductive delays are identified

in the same manner as capacitive delays (except for the vertical lines) unless they are used as delay lines. On multi-section cards where no identifying circuit letters are present, pin numbers are shown adjacent to the input and output arrows. Figure 12 shows both kinds of inductive delays.

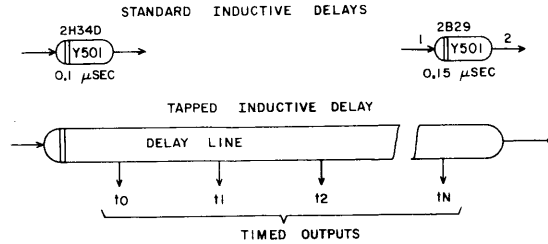


Figure 12. Inductive Delays

Line Drivers/Receivers

Voltage levels used to represent "1's" and "0's" on cables are different from those used for internal logic. The level shift to and from internal logic is made by line drivers and line receivers. These cards may be considered as inverting the signal electrically, but not logically. The letters commonly associated with these cards are L & M (1604) and R & T (3000 Series). A 3000 Series Receiver may also be used to perform a logical inversion by swapping the twisted pair wires. This usage is indicated by a circle on the input side of the symbol. In Figure 13, "1's" and "0's" have been added to clarify the logic states; they are not part of the symbol.

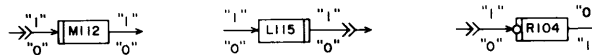


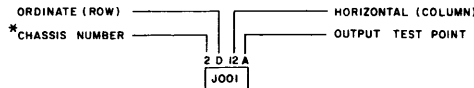
Figure 13. Typical Line Driver/Receiver Symbols

NON-LOGIC CONVENTION

The use of the double vertical bar, as shown in Figure 13, denotes a shift in signal voltage level from that used in internal logic. The double bar appears on the input or output side of the symbol, depending on which side connects to the non-logic-level signal. No particular voltage level is implied by the double bar - only that it is non-logic.

JACK ASSIGNMENTS

Each numbered term in the logic diagrams contains a jack assignment showing the physical location of that hardware element and the test point (circuit section) associated with it. For some card types, the test point letter is replaced by a pin number. For these cases, a card extender must be used in order to test that section of the card. Also, some symbols show no test point. This is because the entire card is used for one purpose (e.g. a single inverter, FF, or control delay). Figure 14 illustrates the inverter J001, with 2D12A representing its jack assignment.



*When most or all jack assignments are located on one chassis, the chassis numbers for that chassis are omitted. All multi-chassis devices include a chassis number as part of each jack assignment.

Figure 14. Jack Assignment Scheme

CABLE IDENTIFICATION

Cable connections are represented by the MIL-STD-15 symbol and identified as to connector location and pins used, as shown in Figure 15.

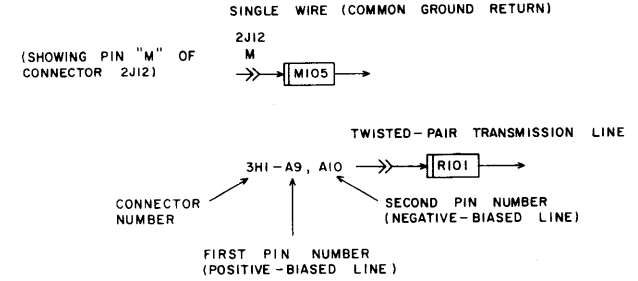


Figure 15. Cable Connections

SPECIAL LOGIC SYMBOLS

Nonstandard elements (special logic and/or non-logic elements) are represented by a special circuit symbol (generally a rectangle as shown in Figure 16). The special circuit symbol always shows the symbol designation, jack location, and the card type. Supplemental information may also be shown such as in the case of special delay cards which indicate the delay period. For detailed information refer to the specific card type in the appropriate Printed Circuit or Logic Module Manual.

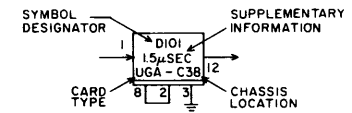


Figure 16. Symbol for Special Circuits

INPUT/OUTPUT DESIGNATIONS

Where several pages of logic are involved, a symbol index and term list (side cars) are incorporated within the manual. Also in certain instances such as special card types or on equipments for which no equation summary exists (as for peripheral devices) input and output pin numbers are indicated on each logic element as are the output destinations of the elements (Figure 17).

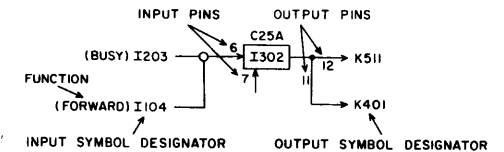
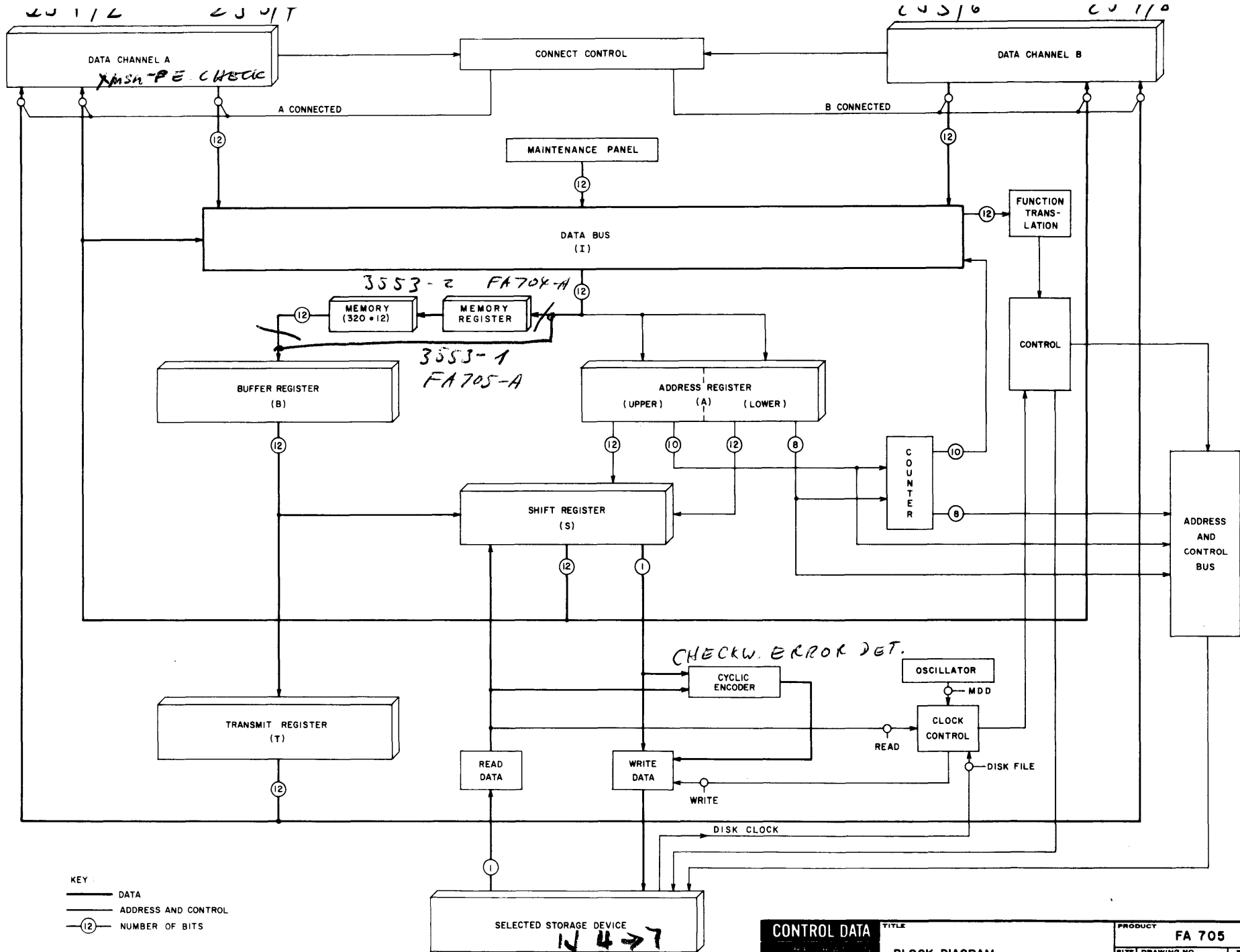


Figure 17. Input/Output Designations



CONTROL DATA		TITLE		PRODUCT	
DEVELOPMENT DIVISION		BLOCK DIAGRAM		FA 705	
SIZE	DRAWING NO.	REV.			
C	60290000	A			
SHEET	PAGE	5-1			

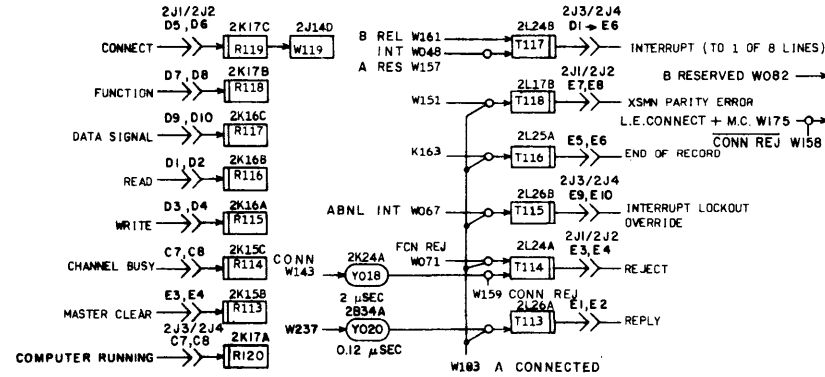
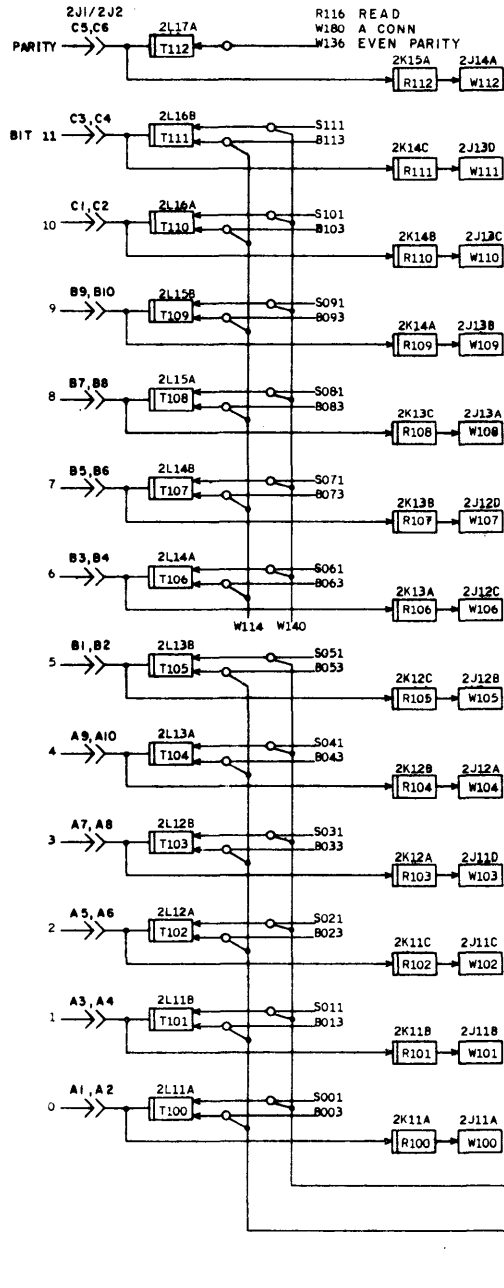
INPUT TERM LIST

FOR PAGE 5-3

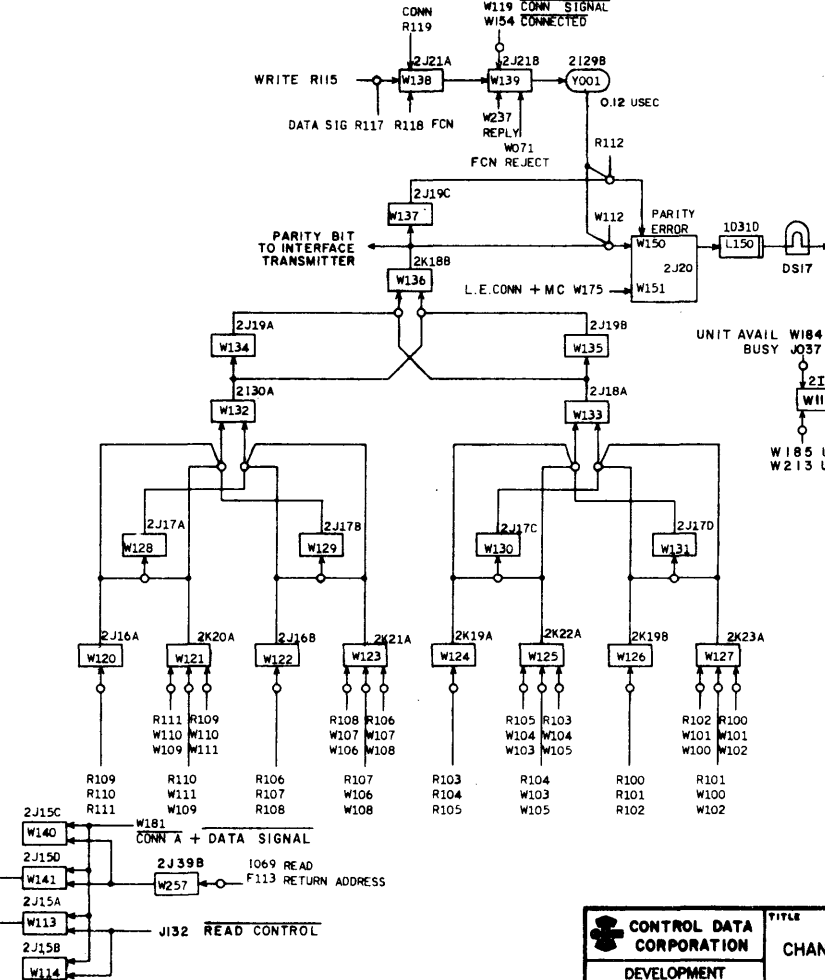
TERM LOCATION PAGE

A181	2D14D	5-17	W181	2I21B	5-7
B003	2H42D	5-31	W183	2K25B	5-7
B013	2H41D	5-31	W184	2I33C	5-7
B023	2H40D	5-31	W185	2I33D	5-7
B033	2H39D	5-31	W213	2E33B	5-45
B043	2H38D	5-31	W232	2J36A	5-5
B053	2H37D	5-31	W234	2J36B	5-5
B063	2H36D	5-31	W236	2J36C	5-5
B073	2H35D	5-31	W237	2E07B	5-13
B083	2H34D	5-31			
B093	2H33D	5-31			
B103	2H32D	5-31			
B113	2H31D	5-31			
F113	2E07D	5-9			
I069	2G21C	5-13			
J019	2G29C	5-27			
J073	2E19A	5-27			
J132	2B24C	5-25			
J151	2F09B	5-29			
K011	1C36D	5-21			
K091	2B40D	5-29			
K163	2A34D	5-29			
S001	2G42B	5-33			
S011	2G41B	5-33			
S021	2G40B	5-33			
S031	2G39B	5-33			
S041	2G38B	5-33			
S051	2G37B	5-33			
S061	2G36B	5-33			
S071	2G35B	5-33			
S081	2G34B	5-33			
S091	2G33B	5-33			
S101	2G32B	5-33			
S111	2G31B	5-33			
W048	2E20A	5-13			
W057	2I25B	5-7			
W065	2E23B	5-13			
W067	2E24B	5-13			
W069	2E25B	5-13			
W071	2E27B	5-13			
W082	2I31C	5-7			
W143	2J24B	5-7			
W152	2I24A	5-7			
W153	2I24B	5-7			
W154	2I23A	5-7			
W157	2I25D	5-7			
W158	2I22A	5-7			
W159	2I22B	5-7			
W161	2E26B	5-13			
W175	2I36B	5-7			
W180	2I21A	5-7			

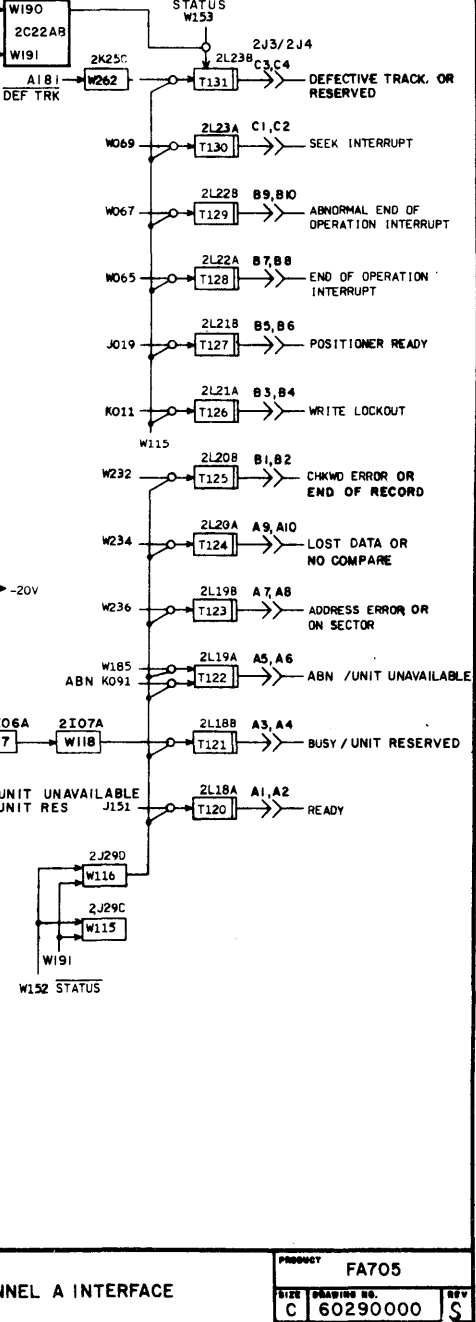
DATA LINES



TRANSMISSION PARITY CHECKER & GENERATOR



STATUS RESPONSE



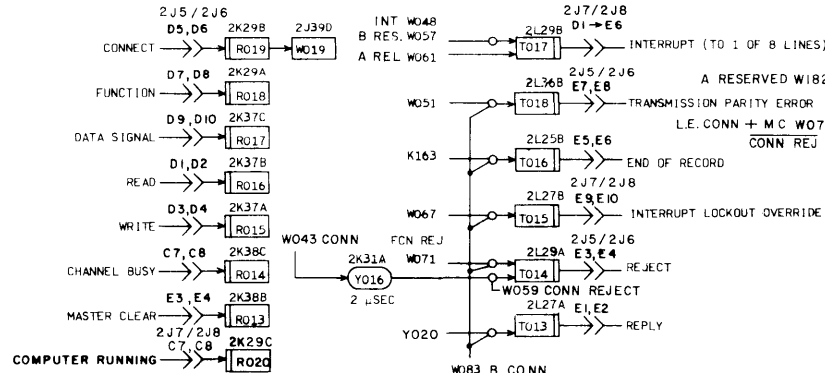
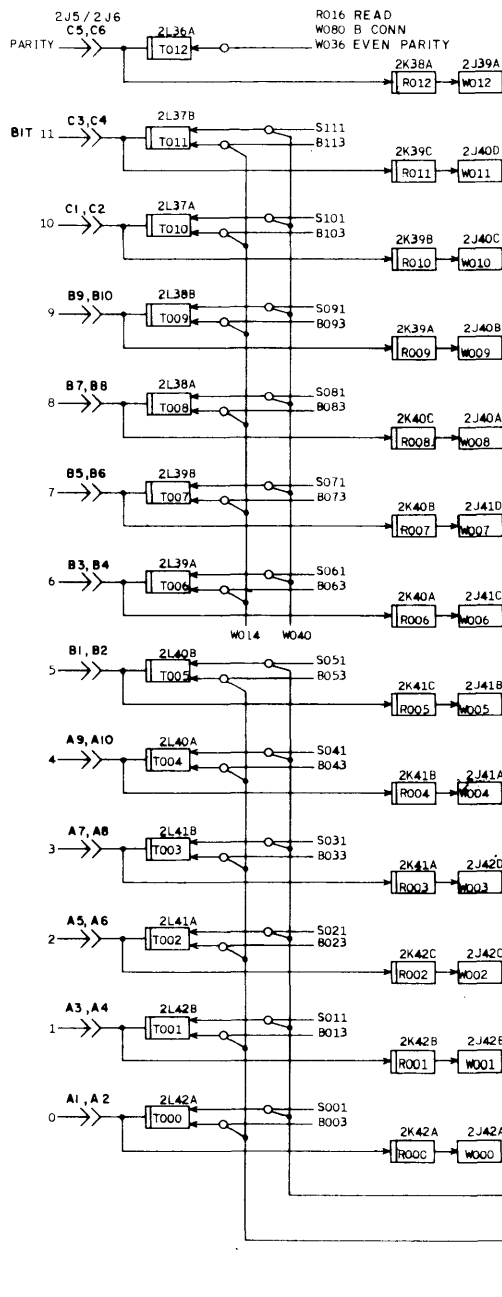
INPUT TERM LIST

FOR PAGE 5-5

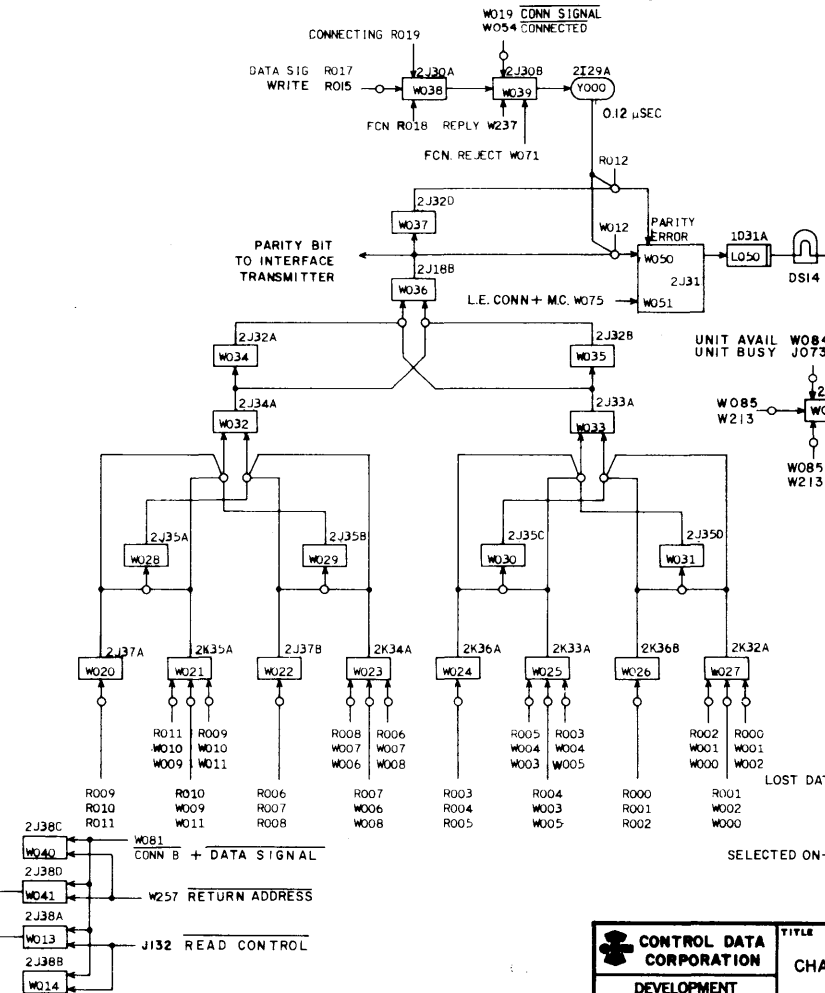
TERM LOCATION PAGE

B003	2H42D	5-31	W069	2E25B	5-13
B013	2H41D	5-31	W071	2E27B	5-13
B023	2H40D	5-31	W075	2I30A	5-7
B033	2H39D	5-31	W080	2I31A	5-7
B043	2H38D	5-31	W081	2I31B	5-7
B053	2H37D	5-31	W083	2K25A	5-7
B063	2H36D	5-31	W084	2I33A	5-7
B073	2H35D	5-31	W085	2I33B	5-7
B083	2H34D	5-31	W157	2I25D	5-7
B093	2H33D	5-31	W182	2I21C	5-7
B103	2H32D	5-31	W213	2E35B	5-45
B113	2H31D	5-31	W237	2E07B	5-13
J019	2G29C	5-27	W257	2J39B	5-3
J073	2E19A	5-27	W262	2K25C	5-3
J075	2B35D	5-29	Y020	2B34A	5-3
J132	2B24C	5-25			
J151	2F09B	5-29			
J224	1D17B	5-43			
J298	2F19A	5-27			
J299	2B21C	5-29			
K011	1C36D	5-21			
K087	2B38B	5-29			
K090	2B40C	5-29			
K091	2B40D	5-29			
K121	2D41D	5-23			
K159	2A24B	5-29			
K163	2A34D	5-29			
S001	2G42B	5-33			
S011	2G41B	5-33			
S021	2G40B	5-33			
S031	2G39B	5-33			
S041	2G38B	5-33			
S051	2G37B	5-33			
S061	2G36B	5-33			
S071	2G35B	5-33			
S081	2G34B	5-33			
S091	2G33B	5-33			
S101	2G32B	5-33			
S111	2G31B	5-33			
S127	1E07B	5-35			
W043	2J24A	5-7			
W048	2E20A	5-13			
W052	2I28A	5-7			
W053	2I28B	5-7			
W054	2I27A	5-7			
W057	2I25B	5-7			
W058	2I28A	5-7			
W059	2I26B	5-7			
W061	2E21B	5-13			
W065	2E23B	5-13			
W067	2E24B	5-13			

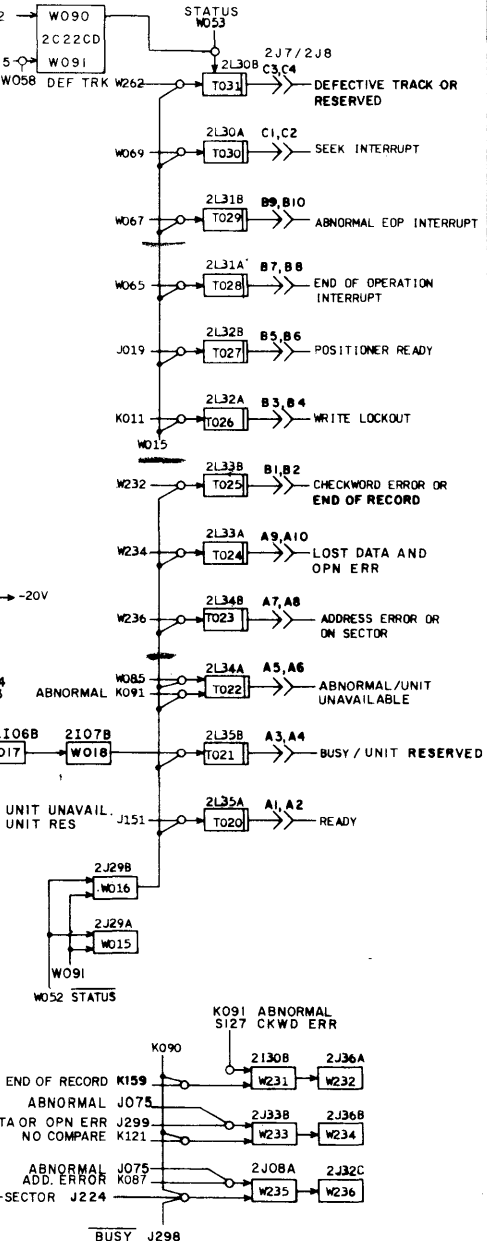
DATA LINES



TRANSMISSION PARITY CHECKER & GENERATOR



STATUS RESPONSE

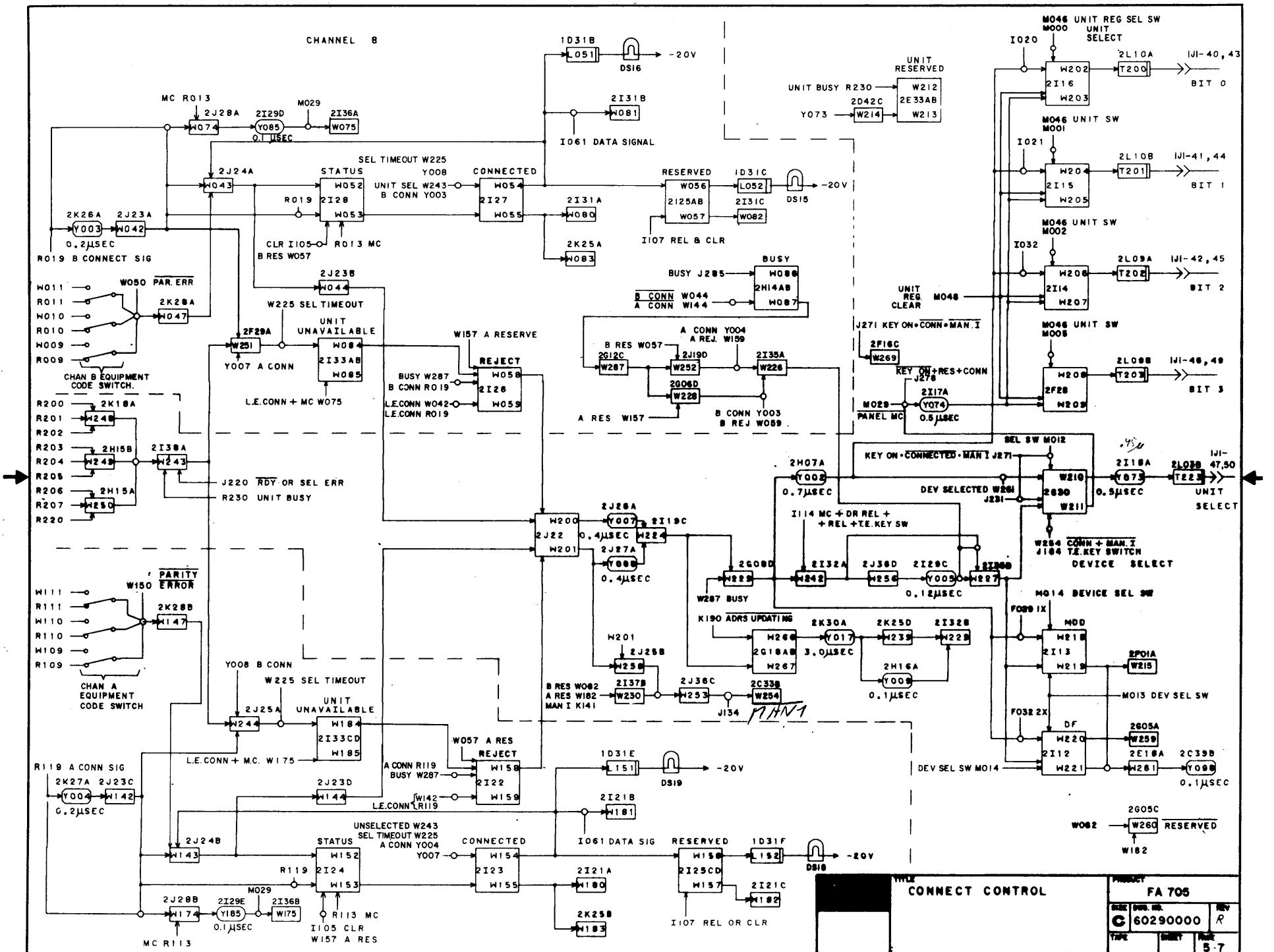


INPUT TERM LIST

FOR PAGE 5-7

TERM LOCATION PAGE

F029	2F15A	5-9
F032	1G41B	5-9
I020	2H28B	5-11
I021	2H27B	5-11
I032	2I36D	5-11
I061	2F31C	5-13
I105	2G07C	5-9
I107	2D09D	5-9
I114	2F01C	5-9
J134	2F29B	5-25
J184	2I19A	5-47
J220	1F22B	5-43
J231	2I20C	5-47
J271	1D07B	5-47
J278	2I20B	5-47
J285	2E39A	5-27
K141	2D39A	5-25
K190	2D41A	5-19
M000	1D14A	5-11
M001	1D14B	5-11
M002	1D14C	5-11
M005	1D13B	5-11
M012	2F16A	5-47
M013	1D09B	5-47
M014	1D09C	5-47
M029	1C05B	5-47
M046	1F35B	5-47
M048	1D15B	5-47
R013	2K38B	5-5
R019	2K29B	5-5
R113	2K15B	5-3
R119	2K17C	5-3
R200	2E01A	5-25
R201	2E01B	5-25
R202	2E01C	5-25
R203	2E02A	5-25
R204	2E02B	5-25
R205	2E02C	5-25
R206	2E03A	5-25
R207	2E03B	5-25
R220	2E03C	5-25
R230	2J02A	5-45
W050	2J31A	5-5
W150	2J20A	5-3



CONNECT CONTROL

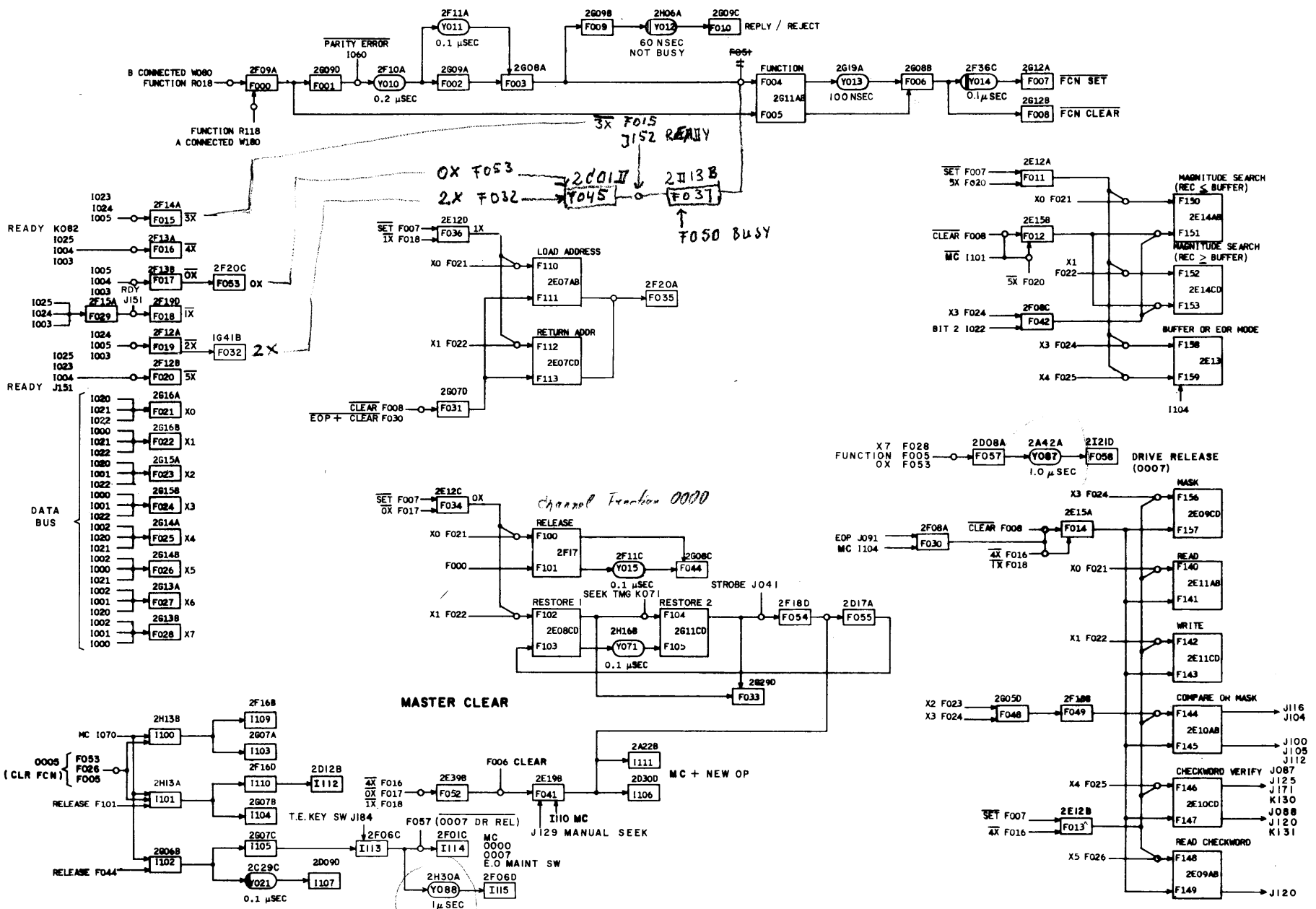
PRODUCT		
FA 705		
DATE	REV. NO.	REV.
C	60290000	R
TIME	SHEET	PAGE
		5-7

INPUT TERM LIST

FOR PAGE 5-9

TERM LOCATION PAGE

F050	2G17A	5-27
I000	2H28A	5-11
I001	2H27A	5-11
I002	2H26A	5-11
I003	2H25A	5-11
I004	2H24A	5-11
I005	2H23A	5-11
I020	2H28B	5-11
I021	2H27B	5-11
I022	2H26B	5-11
I023	2H25B	5-11
I024	2H24B	5-11
I025	2H23B	5-11
I060	2G29A	5-13
I070	2G26B	5-13
J041	1E34A	5-19
J091	2B32B	5-29
J129	1D22B	5-25
J151	2F00B	5-29
J152	2F18A	5-29
J184	2I19A	5-47
K071	1D32B	5-19
K082	1F20A	5-29
R018	2K29A	5-5
R118	2K17B	5-3
W080	2I31A	5-7
W180	2I21A	5-7

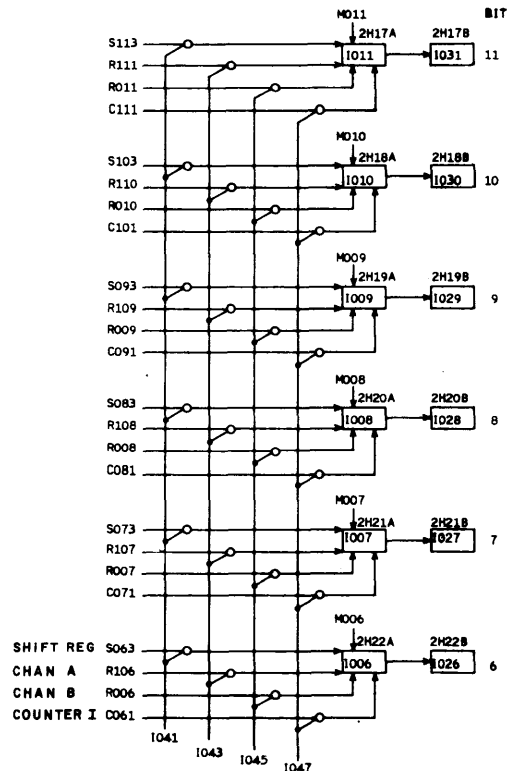


INPUT TERM LIST

FOR PAGE 5-11

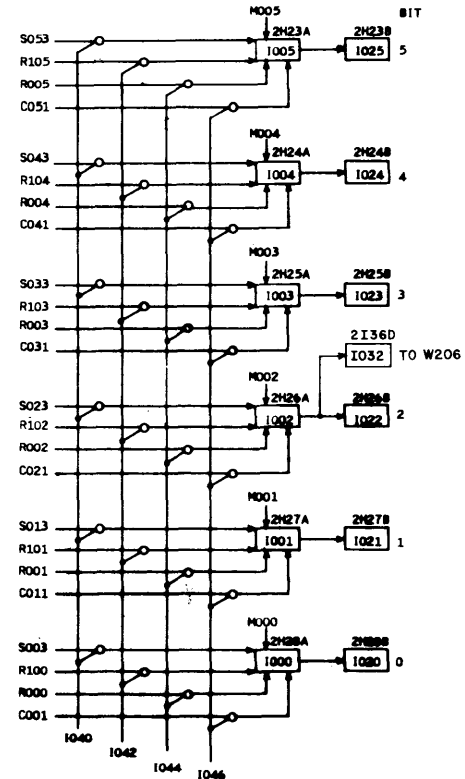
TERM LOCATION PAGE

C001	2B20B	5-37	S103	2F37B	5-33
C011	2B19B	5-37	S113	2F37D	5-33
C021	2B18B	5-37	W080	2I31A	5-7
C031	2B17B	5-37	W180	2I21A	5-7
C041	2B16B	5-37	W253	2J36C	5-7
C051	2B15B	5-37	Y007	2J20A	5-7
C061	2B14B	5-37	Y008	2J27A	5-7
C071	2B13B	5-37			
C081	2B10B	5-39			
C091	2B09B	5-39			
C101	2B08B	5-39			
C111	2B07B	5-39			
J281	1C08B	5-47			
K061	1E38B	5-19			
K067	1E39D	5-19			
K135	2E31D	5-25			
R000	2K42A	5-5			
R001	2K42B	5-5			
R002	2K42C	5-5			
R003	2K41A	5-5			
R004	2K41B	5-5			
R005	2K41C	5-5			
R006	2K40A	5-5			
R007	2K40B	5-5			
R008	2K40C	5-5			
R009	2K39A	5-5			
R010	2K39B	5-5			
R011	2K39C	5-5			
R100	2K11A	5-3			
R101	2K11B	5-3			
R102	2K11C	5-3			
R103	2K12A	5-3			
R104	2K12B	5-3			
R105	2K12C	5-3			
R106	2K13A	5-3			
R107	2K13B	5-3			
R108	2K13C	5-3			
R109	2K14A	5-3			
R110	2K14B	5-3			
R111	2K14C	5-3			
S003	2F42B	5-33			
S013	2F42D	5-33			
S023	2F41B	5-33			
S033	2F41D	5-33			
S043	2F40B	5-33			
S053	2F40D	5-33			
S063	2F39B	5-33			
S073	2F39D	5-33			
S083	2F38B	5-33			
S093	2F38D	5-33			

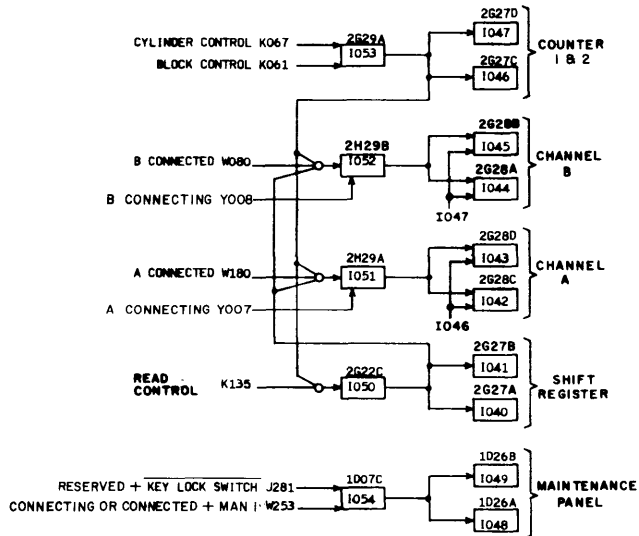


INPUTS:
 M000-M011 MAINTENANCE PANEL SWITCH TERMS
 S003-S113 SHIFT REGISTER
 R100-R111 CHAN A DATA RECEIVERS
 R000-R011 CHAN B DATA RECEIVERS
 C001-C111 COUNTER I TERMS

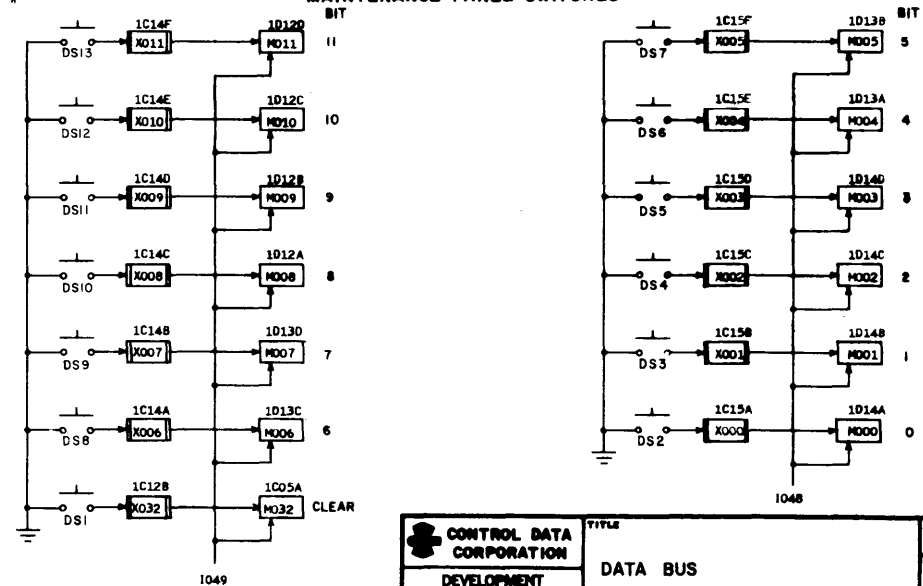
OUTPUTS:
 ADDRESS REGISTER
 UNIT REGISTER
 FUNCTION TRANSLATORS
 BUFFER REGISTER



DATA BUS ENABLES



MAINTENANCE PANEL SWITCHES



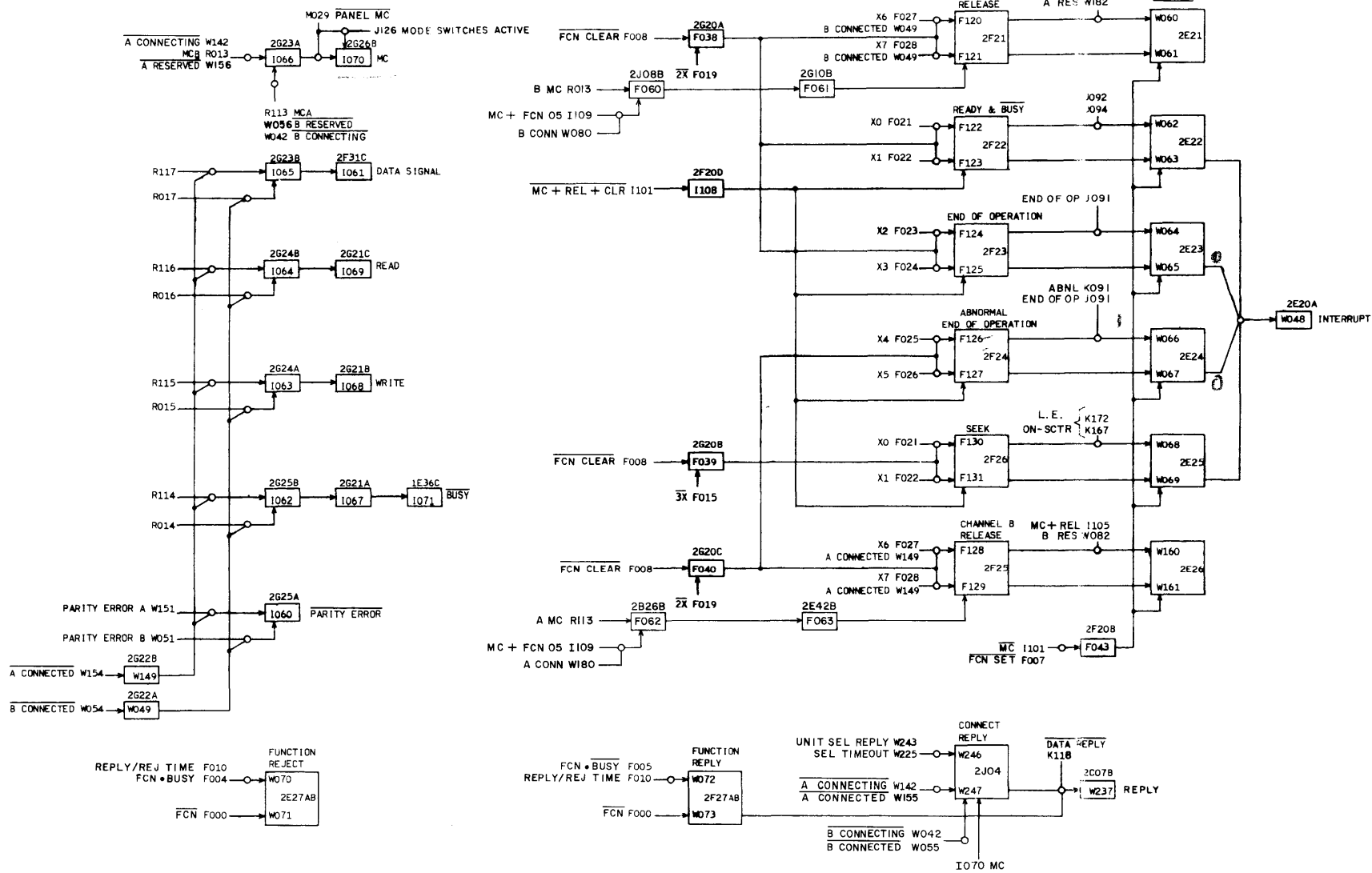
INPUT TERM LIST

FOR PAGE 5-13

TERM LOCATION PAGE

F000	2F09A	5-9	W180	2I21A	5-7
F004	2G11A	5-9	W182	2I21C	5-7
F005	2G11B	5-9	W225	2I32B	5-7
F007	2G12A	5-9	W243	2I38A	5-7
F008	2G12B	5-9			
F010	2G09C	5-9			
F015	2F14A	5-9			
F019	2F12A	5-9			
F021	2G16A	5-9			
F022	2G16B	5-9			
F023	2G15A	5-9			
F024	2G15B	5-9			
F025	2G14A	5-9			
F026	2G14B	5-9			
F027	2G13A	5-9			
F028	2G13B	5-9			
I101	2H13A	5-9			
I105	2G07C	5-9			
I109	2F16B	5-9			
J091	2B32B	5-29			
J092	2G06A	5-27			
J094	2F08D	5-27			
J126	1E22D	5-25			
K091	2B40D	5-29			
K118	2C36A	5-25			
K167	1F19B	5-43			
K172	1F18A	5-43			
M029	1C05B	5-47			
R013	2K38B	5-5			
R014	2K38C	5-5			
R015	2K37A	5-5			
R016	2K37B	5-5			
R017	2K37C	5-5			
R113	2K15B	5-3			
R114	2K15C	5-3			
R115	2K16A	5-3			
R116	2K16B	5-3			
R117	2K16C	5-3			
W042	2J23A	5-7			
W051	2J31B	5-5			
W054	2I27A	5-7			
W055	2I27B	5-7			
W056	2I25A	5-7			
W080	2I31A	5-7			
W082	2I31C	5-7			
W142	2J23C	5-7			
W151	2J20B	5-3			
W154	2I23A	5-7			
W155	2I23B	5-7			
W156	2I25C	5-7			

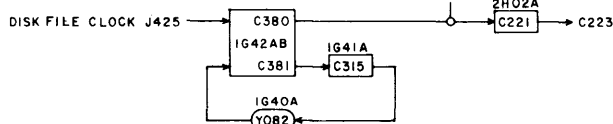
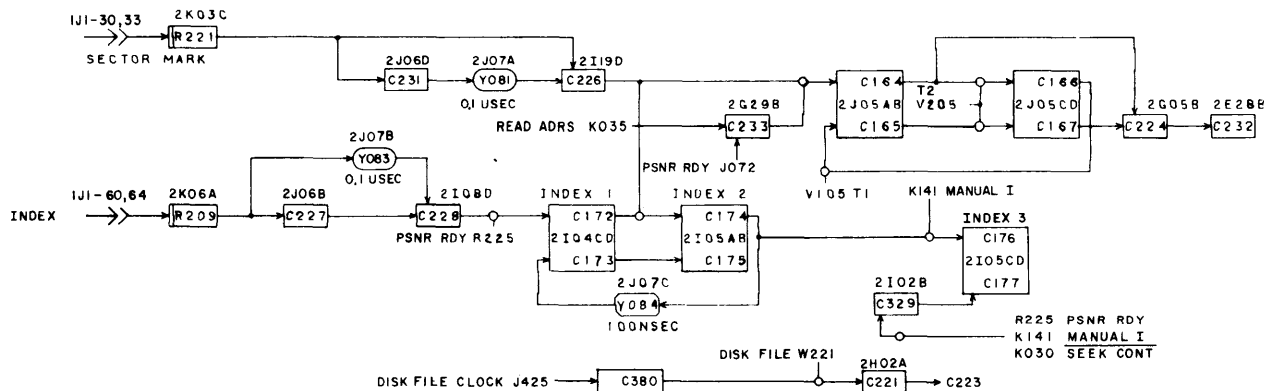
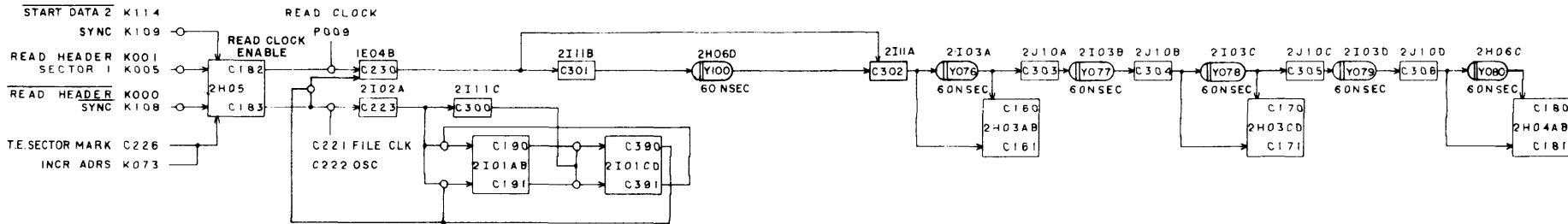
INTERRUPT



INPUT TERM LIST

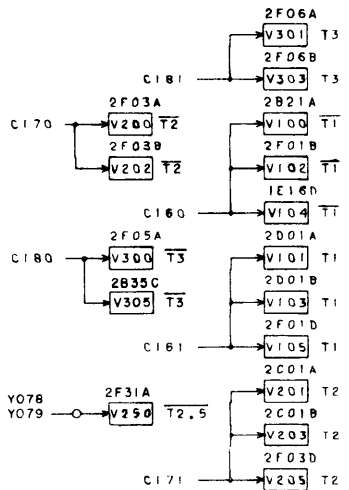
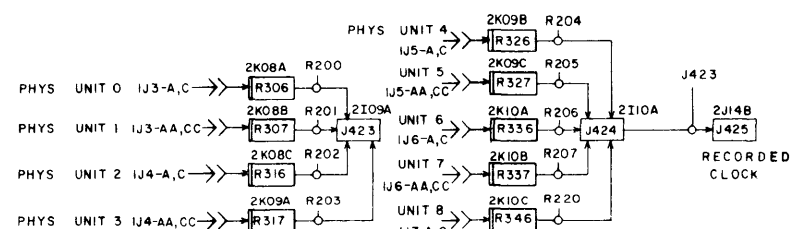
FOR PAGE 5-15

TERM	LOCATION	PAGE
J072	2J06A	5-27
K000	1D42A	5-21
K001	1D42B	5-21
K005	1C41B	5-21
K030	1E23A	5-19
K035	1E29B	5-19
K073	2G17D	5-19
K108	2E17A	5-25
K109	2E17B	5-25
K114	2E33C	5-25
K141	2D39A	5-25
P009	2H10A	5-25
R200	2E01A	5-25
R201	2E01B	5-25
R202	2E01C	5-25
R203	2E02A	5-25
R204	2E02B	5-25
R205	2E02C	5-25
R206	2E03A	5-25
R207	2E03B	5-25
R209	2K06A	5-45
R220	2E03C	5-25
R221	2K03C	5-45
R225	2J09A	5-45
W221	2I12B	5-7



ADJUST Y082 FOR A 100 NSEC POSITIVE PULSE AT J406 WHILE WRITING ON AN 821 DISK FILE

ADJUST P000 AT B TEST POINT FOR A 100 NSEC POSITIVE PULSE AT J406 WHILE WRITING ON AN 841 MDD.



CONTROL DATA		CODE IDENT	DWG NO	REV
DEVELOPMENT DIVISION		C	60290000	S
MAIN TIMING		SHEET	PAGE	
			5-15	

FA705

INPUT TERM LIST

FOR PAGE 5-17

TERM LOCATION PAGE

A139	1F42B	5-47	M023	1D08B	5-47
B000	2H42A	5-31	M028	1B07B	5-47
B010	2H41A	5-31	M032	1B05A	5-47
B020	2H40A	5-31	S902	1D05C	5-47
B030	2H39A	5-31	V203	2B01B	5-15
B040	2H38A	5-31	V301	2F00A	5-15
B050	2H37A	5-31	W064	2E23A	5-13
B060	2H36A	5-31	W066	2E24A	5-13
B070	2H35A	5-31	W068	2E22A	5-13
B080	2H34A	5-31	W202	2I16A	5-7
B090	2H33A	5-31	W204	2I15A	5-7
B100	2H32A	5-31	W206	2I14A	5-7
B110	2H31A	5-31	W208	2F20A	5-7
F003	2G08A	5-9	W213	2E33B	5-45
F035	2A42B	5-9	W218	2I13A	5-7
F103	2E08D	5-9	W231	2I30B	5-5
F113	2E07B	5-9	W233	2J33B	5-5
I020	2H28B	5-11	W235	2J08A	5-5
I021	2H27B	5-11	W259	2B05A	5-15
I022	2H26B	5-11	Y020	2B34A	5-3
I023	2H25B	5-11	Y094	1D09A	5-47
I024	2H24B	5-11			
I025	2H23B	5-11			
I026	2H22B	5-11			
I027	2H21B	5-11			
I028	2H20B	5-11			
I029	2H19B	5-11			
I030	2H18B	5-11			
I031	2H17B	5-11			
I061	2F31C	5-13			
I100	2H13B	5-9			
I103	2G07A	5-9			
J018	2G22D	5-27			
J024	2A28B	5-19			
J073	2E19A	5-27			
J129	1D22B	5-25			
J133	2C33D	5-25			
J140	1E22A	5-19			
J152	2F18A	5-29			
J282	2JU6C	5-27			
K010	1C36C	5-21			
K013	1C36B	5-21			
K061	1E38B	5-19			
K090	2B40C	5-29			
K091	2B40D	5-29			
M015	1C09A	5-47			
M016	1C09B	5-47			
M017	1C09C	5-47			
M019	1C09D	5-47			
M020	1D07D	5-47			

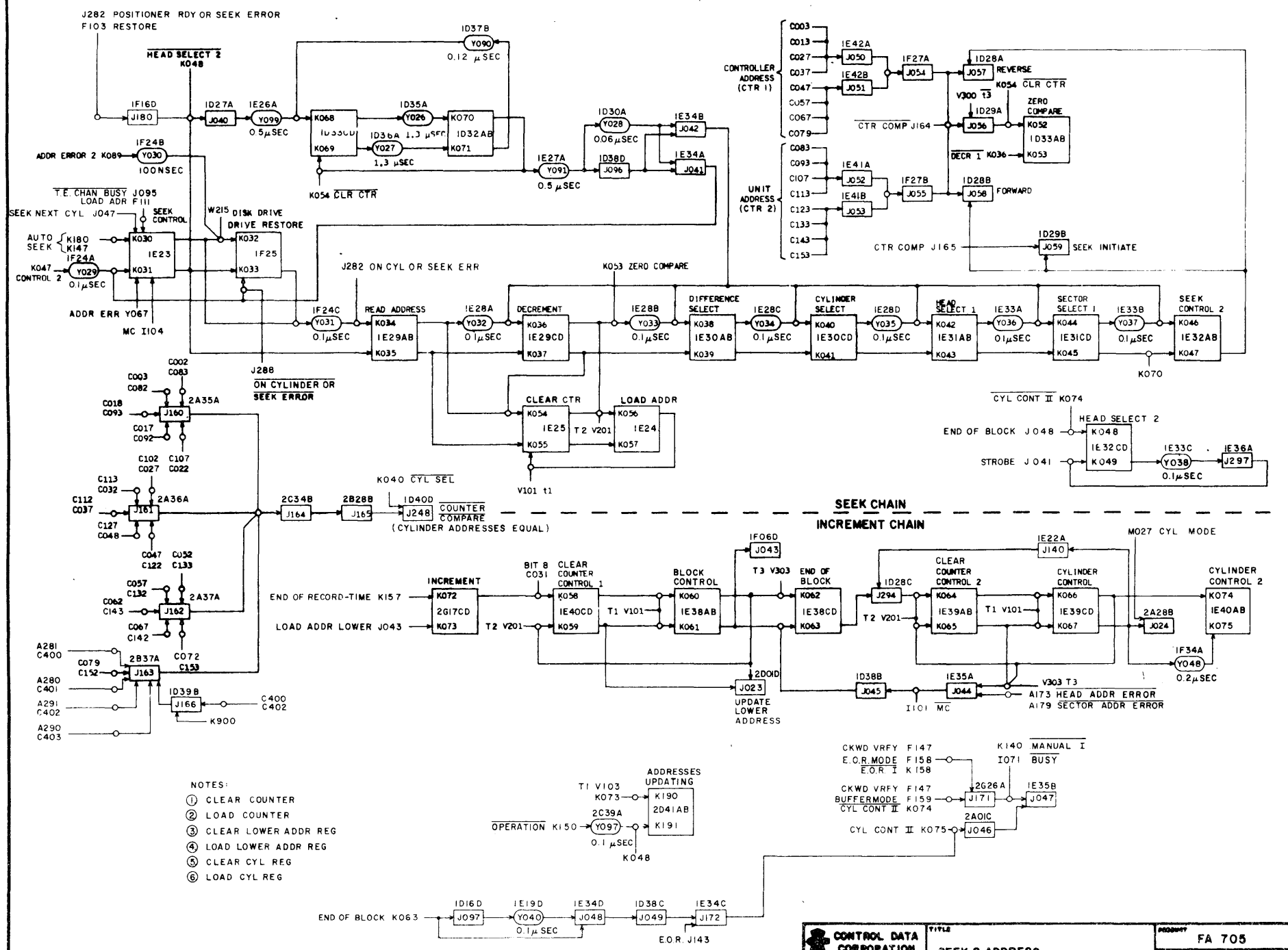
INPUT TERM LIST

FOR PAGE 5-19

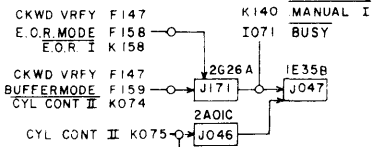
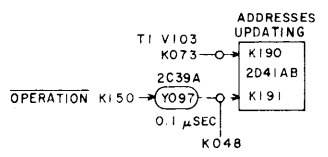
TERM LOCATION PAGE

A173 2A25D 5-27
 A179 2A25C 5-27
 A280 2D21C 5-17
 A281 2D21D 5-17
 A290 2D20C 5-17
 A291 2D20D 5-17
 C002 2A20A 5-37
 C003 2A20B 5-37
 C013 2A20D 5-37
 C017 2C04B 5-37
 C018 2D42A 5-37
 C022 2A19A 5-37
 C027 2A21C 5-37
 C031 2B17B 5-37
 C032 2A19C 5-37
 C037 2F05D 5-37
 C047 2B11A 5-37
 C048 2A12A 5-37
 C052 2A18C 5-37
 C057 2B11B 5-37
 C062 2A17A 5-37
 C067 2B11D 5-37
 C072 2A17C 5-37
 C079 2B22C 5-37
 C082 2A10A 5-39
 C083 2A10B 5-39
 C092 2A10C 5-39
 C093 2A10D 5-39
 C102 2A09A 5-39
 C107 2H02D 5-39
 C112 2A09C 5-39
 C113 2A09D 5-39
 C122 2A08A 5-39
 C123 2A08B 5-39
 C127 2B11C 5-39
 C132 2A08C 5-39
 C133 2A08D 5-39
 C142 2A07A 5-39
 C143 2A07B 5-39
 C152 2A07C 5-39
 C153 2A07D 5-39
 C400 2H04C 5-45
 C401 2H04D 5-45
 C402 2E08A 5-45
 C403 2E08B 5-45
 F103 2E08D 5-9
 F111 2E07B 5-9
 F147 2E10D 5-9
 F158 2E13A 5-9
 F159 2E13B 5-9
 I071 1E36C 5-13

I101 2H13A 5-9
 I104 2G07B 5-9
 J095 2F04B 5-27
 J173 2A01D 5-29
 J282 2J06C 5-27
 J288 2I07D 5-27
 K089 2H38D 5-29
 K140 2H24B 5-25
 K147 2C36D 5-25
 K150 2A3VA 5-29
 K157 2A33B 5-29
 K158 2A24A 5-29
 K180 2H4VA 5-25
 K900 1W01A 5-25
 M027 1E07A 5-47
 V101 2D01A 5-15
 V103 2D01B 5-15
 V201 2E01A 5-15
 V300 2F02A 5-15
 V303 2F00B 5-15
 W215 2F01A 5-7
 Y067 2H34E 5-29
 J143 2B27A 5-29



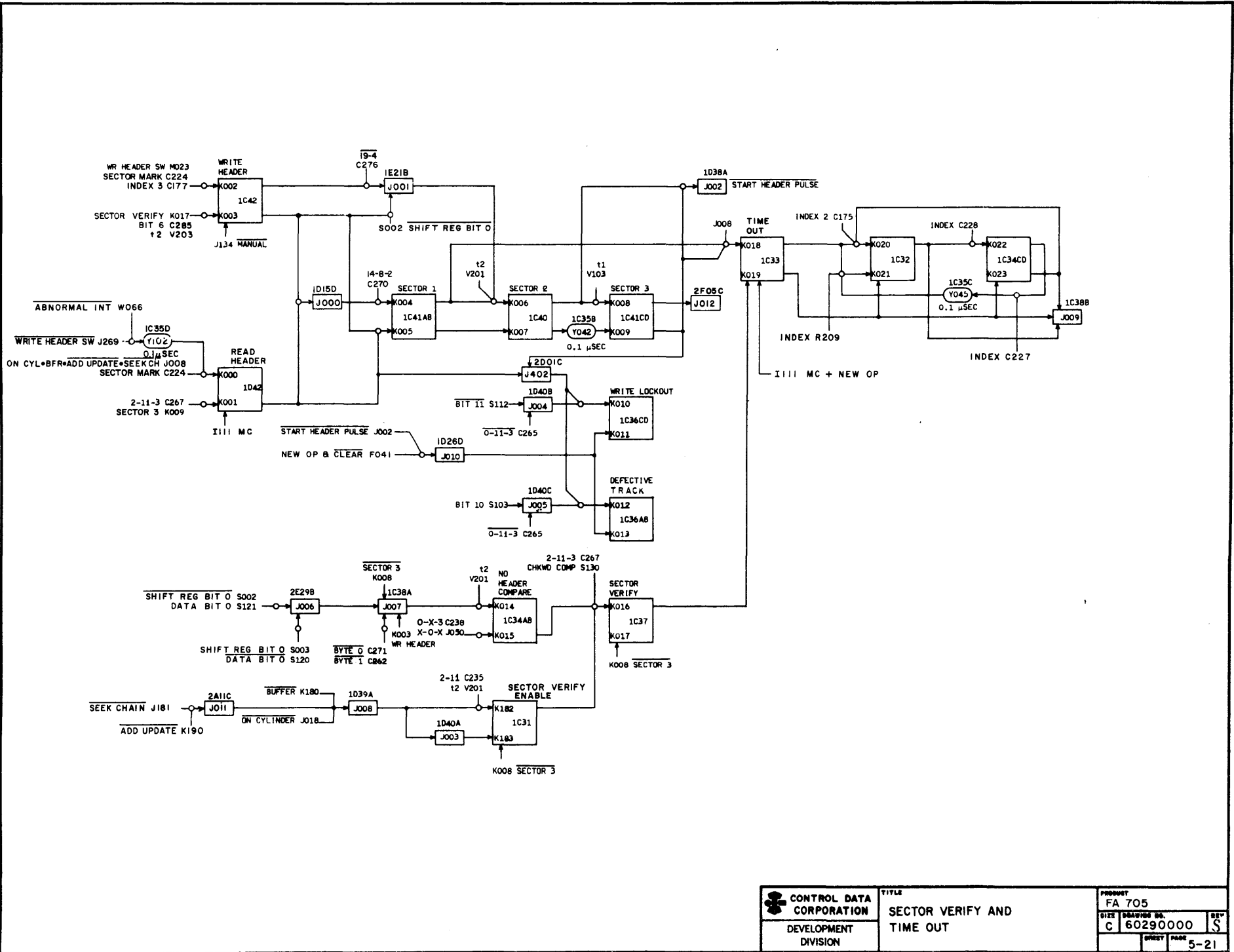
- NOTES:
- ① CLEAR COUNTER
 - ② LOAD COUNTER
 - ③ CLEAR LOWER ADDR REG
 - ④ LOAD LOWER ADDR REG
 - ⑤ CLEAR CYL REG
 - ⑥ LOAD CYL REG



INPUT TERM LIST

FOR PAGE 5-21

TERM	LOCATION	PAGE
C175	2I05B	5-15
C177	2I05D	5-15
C224	2G05B	5-15
C228	2I08D	5-15
C235	2C09B	5-41
C238	2D10C	5-41
C262	2C18A	5-41
C265	2D14A	5-41
C267	2C20C	5-41
C270	2C21D	5-41
C271	2C10D	5-41
C276	2D42B	5-41
C285	2C20D	5-41
F041	2E19B	5-9
I111	2A22B	5-9
J018	2G22D	5-27
J050	1E42A	5-19
J134	2F29B	5-25
J181	2B36C	5-29
J269	1D10D	5-47
K180	2B40A	5-25
K190	2D41A	5-19
M023	1D08B	5-47
R209	2K06A	5-45
S002	2F42A	5-33
S003	2F42B	5-33
S103	2F37B	5-33
S112	2F37C	5-33
S120	2H11A	5-23
S121	2H12A	5-23
S130	1F18C	5-35
V103	2D01B	5-15
V201	2C01A	5-15
V203	2C01B	5-15
W066	2E24A	5-13

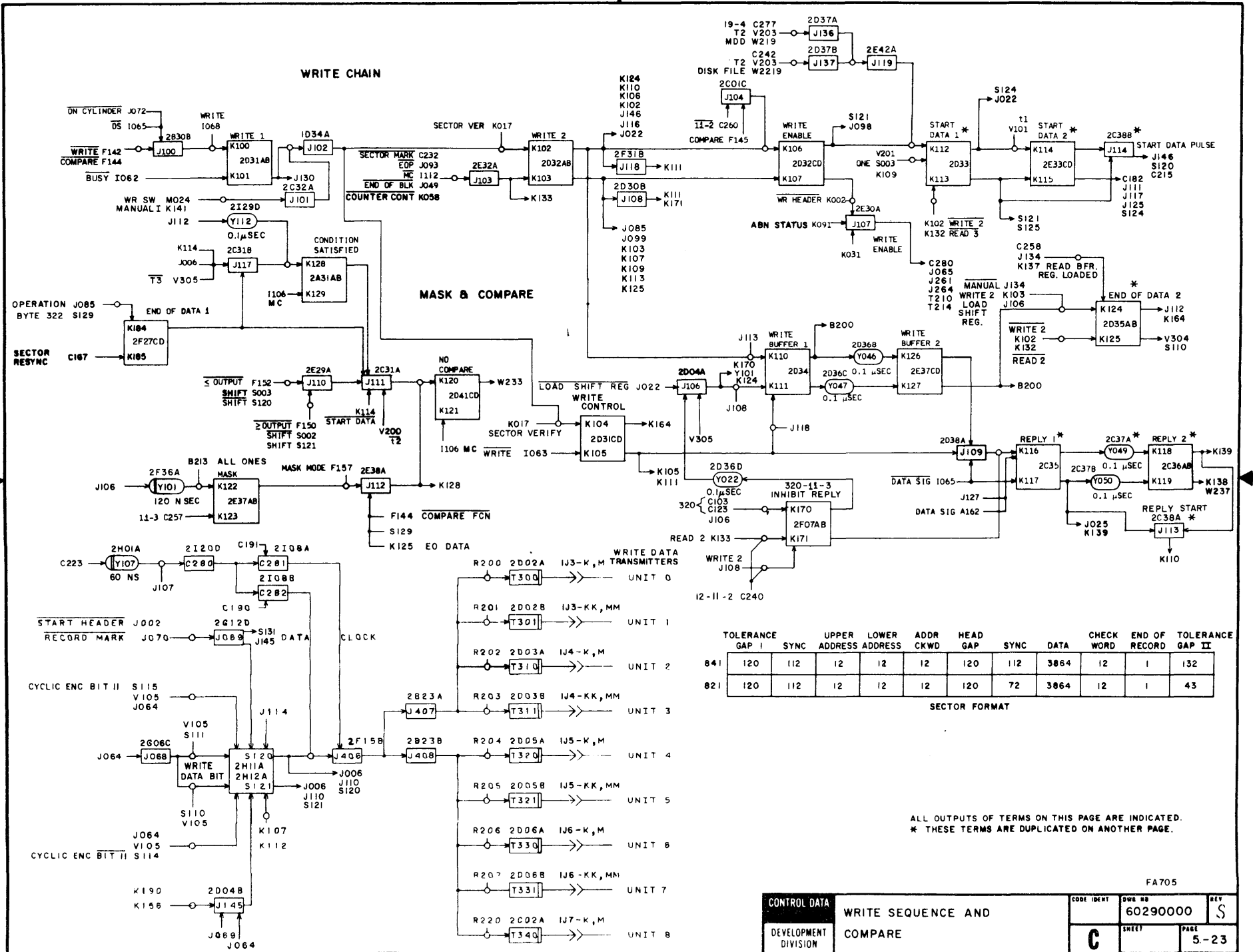


INPUT TERM LIST

FOR PAGE 5-23

TERM LOCATION PAGE

H213	2137A	5-31	R201	2E01B	5-25
C103	2A09B	5-39	R202	2E01C	5-25
C123	2A08B	5-39	R203	2E02A	5-25
C167	2J05D	5-15	R204	2E02B	5-25
C190	2I01A	5-15	R205	2E02C	5-25
C191	2I01B	5-15	R206	2E03A	5-25
C223	2I02A	5-15	R207	2E03B	5-25
C232	2E28B	5-15	R220	2E03C	5-25
C240	2C21B	5-41	S002	2F42A	5-33
C242	2C21C	5-41	S003	2F42B	5-33
C257	2D10A	5-41	S110	2E31A	5-33
C260	2D09C	5-41	S111	2E31B	5-33
C277	2B24D	5-41	S114	1F10C	5-35
F142	2E11C	5-9	S115	1F10D	5-35
F144	2E10A	5-9	S129	1E07D	5-35
F145	2E10B	5-9	V105	2F01D	5-15
F150	2E14A	5-9	V200	2F03A	5-15
F152	2E14C	5-9	V203	2E01B	5-15
F157	2E09D	5-9	V305	2E35C	5-15
I062	2G25B	5-13	W219	2113B	5-7
I063	2G24A	5-13	W221	2112B	5-7
I065	2G23B	5-13			
I068	2G21B	5-13			
I106	2D30D	5-9			
I112	2D12B	5-9			
J002	1D38A	5-21			
J006	2E29B	5-21			
J022	2F14B	5-33			
J049	1D38C	5-19			
J064	1F06A	5-35			
J070	2C34A	5-29			
J072	2J06A	5-27			
J085	2B32A	5-29			
J093	2B35B	5-29			
J113	2C38A	5-25			
J114	2C38B	5-25			
K002	1C42A	5-21			
K017	1C37B	5-21			
K031	1E23B	5-19			
K058	1E40C	5-19			
K091	2B40D	5-29			
K112	2D33A	5-25			
K114	2E33C	5-25			
K125	2D35B	5-25			
K133	2F31B	5-25			
K141	2D39A	5-25			
K156	2A33A	5-29			
K190	2D41A	5-19			
M024	1D08C	5-47			
R200	2E01A	5-25			



SECTOR FORMAT

TOLERANCE GAP I	SYNC	UPPER ADDRESS	LOWER ADDRESS	ADDR CKWD	HEAD GAP	SYNC	CHECK DATA	WORD	END OF RECORD	TOLERANCE GAP II
841	120	112	12	12	120	112	3864	12	1	132
821	120	112	12	12	120	72	3864	12	1	43

ALL OUTPUTS OF TERMS ON THIS PAGE ARE INDICATED.
 * THESE TERMS ARE DUPLICATED ON ANOTHER PAGE.

FA705

CONTROL DATA DEVELOPMENT DIVISION	WRITE SEQUENCE AND COMPARE	CODE IDENT	OWB NO	REV
		C	60290000	S
		SHEET	PAGE	
		C	5-23	

INPUT TERM LIST

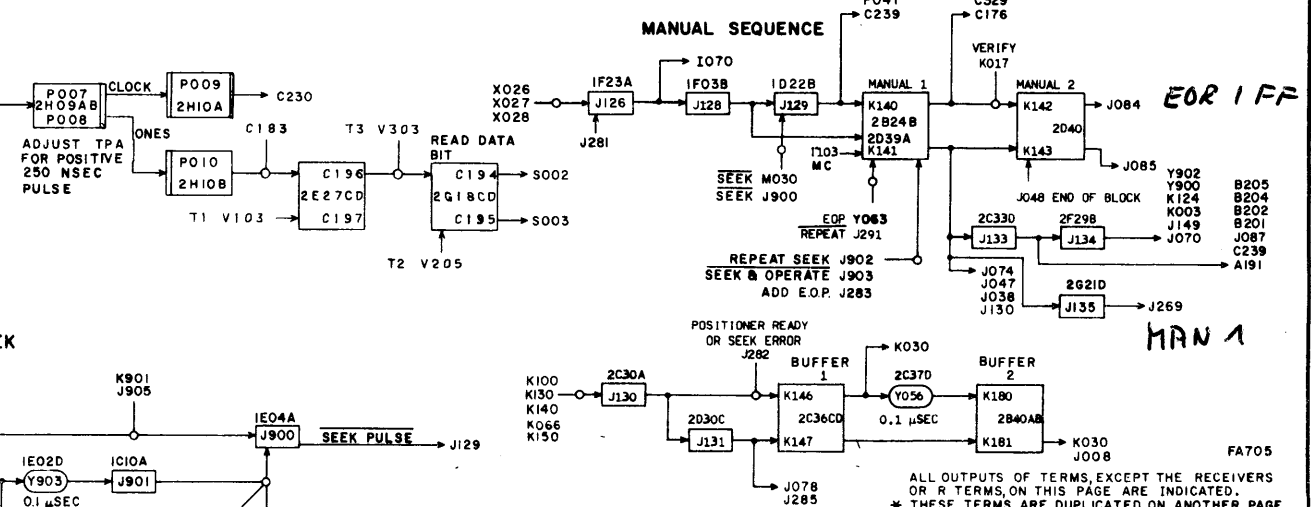
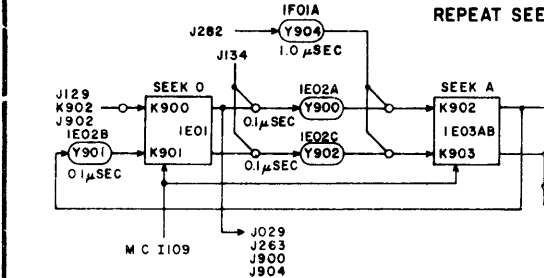
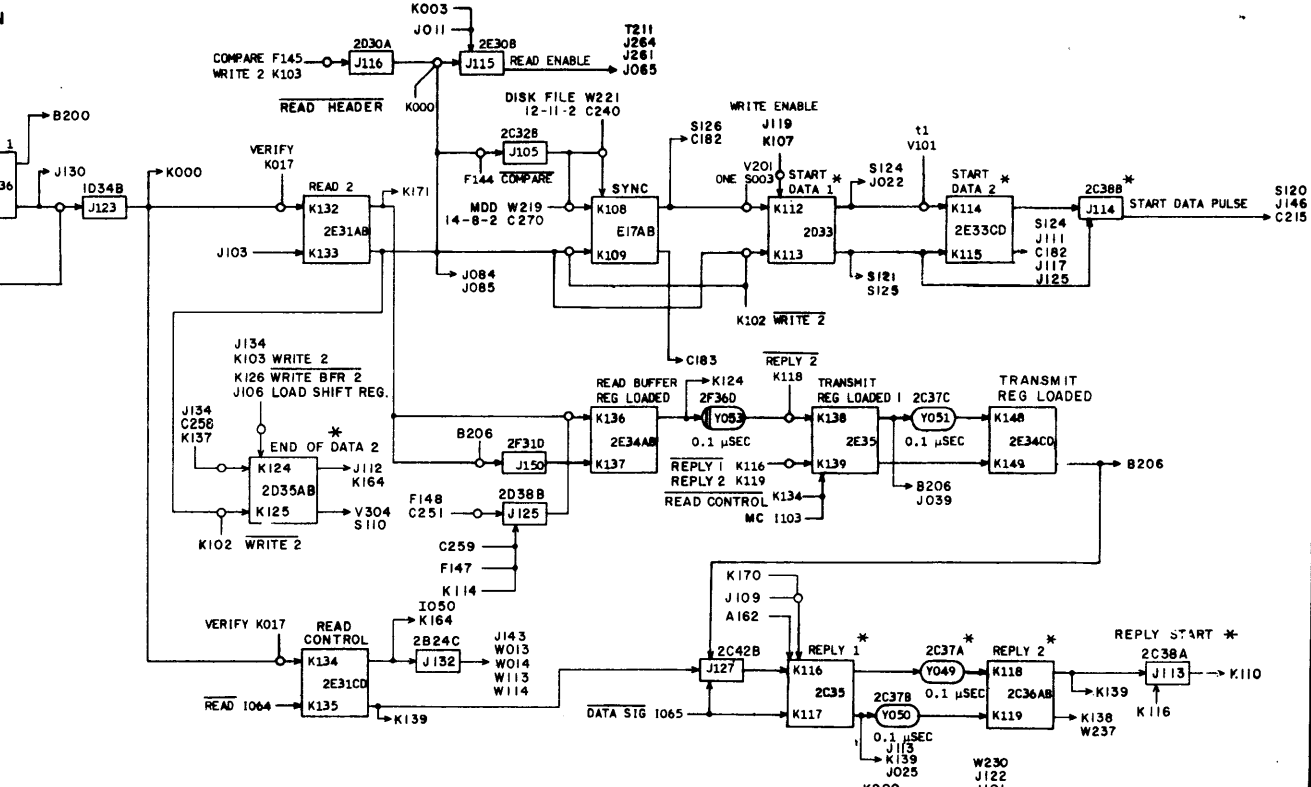
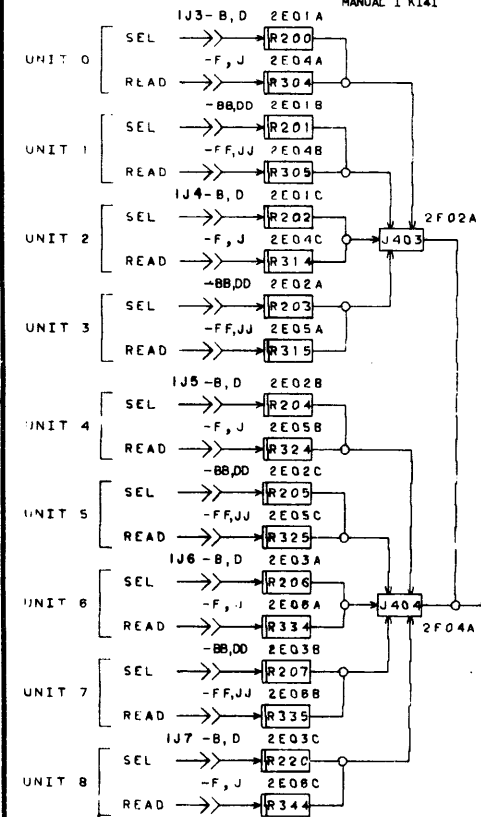
FOR PAGE 5-25

TERM LOCATION PAGE

A162	2C28A	5-17	V103	2D01B	5-15
B206	2141A	5-31	V201	2E01A	5-15
C183	2H09B	5-15	V205	2F03D	5-15
C240	2C21B	5-41	V303	2F00B	5-15
C251	2A26B	5-41	W219	2110B	5-7
C258	2D10B	5-41	W221	2112B	5-7
C259	2D09B	5-41	X026	1C11B	5-47
C270	2C21D	5-41	X027	1C11C	5-47
F140	2E11A	5-9	X028	1C11D	5-47
F144	2E10A	5-9	Y063	2F30B	5-29
F145	2E10B	5-9			
F146	2E10C	5-9			
F147	2E10D	5-9			
F148	2E09A	5-9			
I062	2G25B	5-13			
I064	2G24B	5-13			
I065	2G23B	5-13			
I069	2G21C	5-13			
I103	2G07A	5-9			
J011	2A11C	5-21			
J048	1E34D	5-19			
J072	2J06A	5-27			
J103	2E32A	5-23			
J106	2D04A	5-23			
J109	2D38A	5-23			
J119	2E42A	5-23			
J270	1D10A	5-47			
J281	1C08B	5-47			
J282	2J06C	5-27			
J283	1D28D	5-27			
J291	1D10B	5-47			
J902	1E17A	5-47			
J903	1D15C	5-47			
K000	1D42A	5-21			
K003	1C42B	5-21			
K017	1C37B	5-21			
K066	1E39C	5-19			
K091	2B40D	5-29			
K100	2D31A	5-23			
K102	2D32A	5-23			
K103	2D32B	5-23			
K107	2D32D	5-23			
K126	2E37C	5-23			
K150	2A30A	5-29			
K170	2F07A	5-23			
M030	1C08D	5-47			
S003	2F42B	5-33			
V101	2D01A	5-15			

READ CHAIN

UNIT SELECTED & READ DATA RECEIVERS



CONTROL DATA	READ AND MANUAL SEQUENCES		CODE IDENT	OWS NO	REV
	DEVELOPMENT DIVISION		C	60290000	S
			SHEET	PAGE	
				5-25	

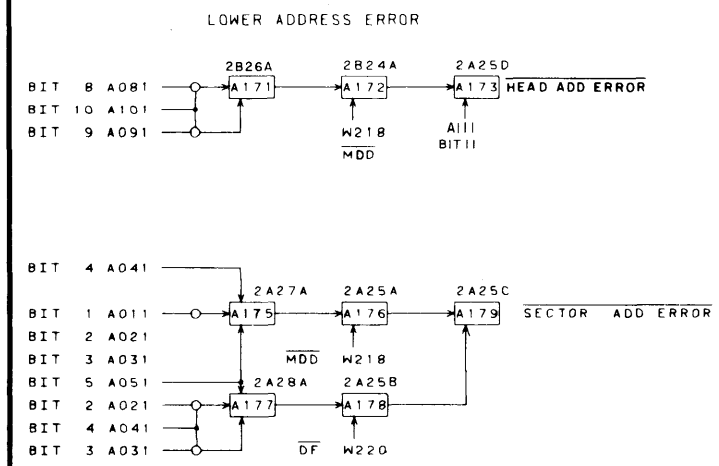
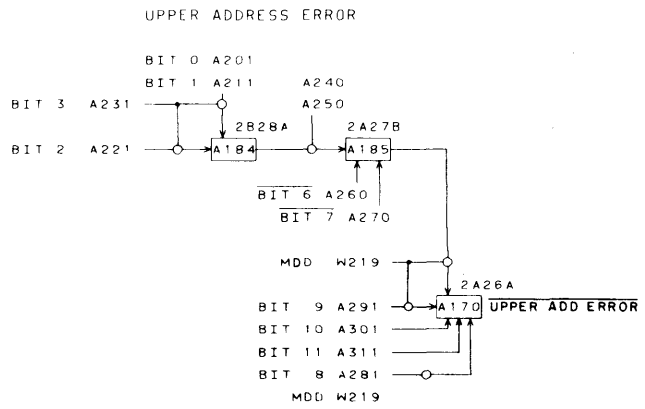
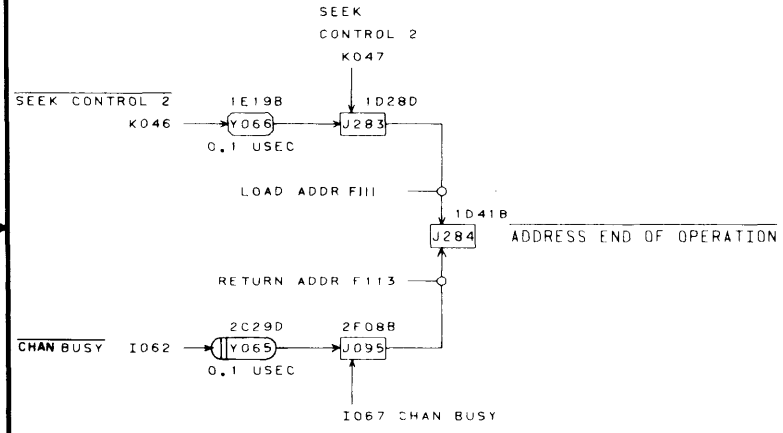
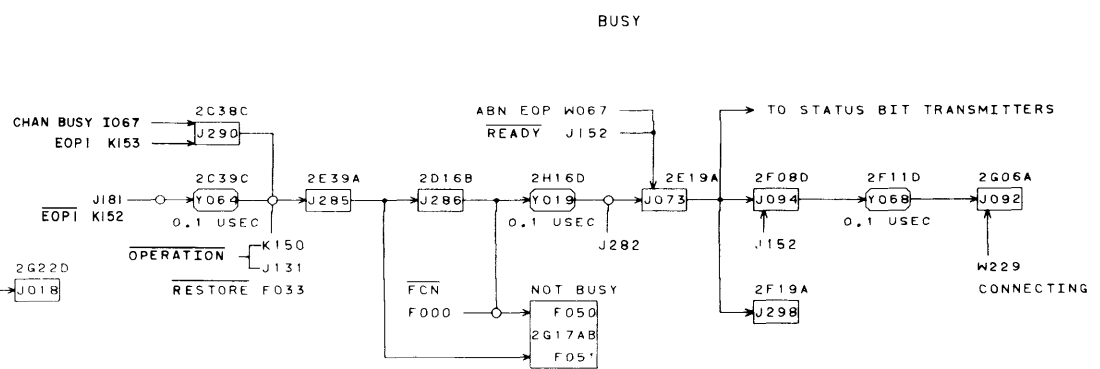
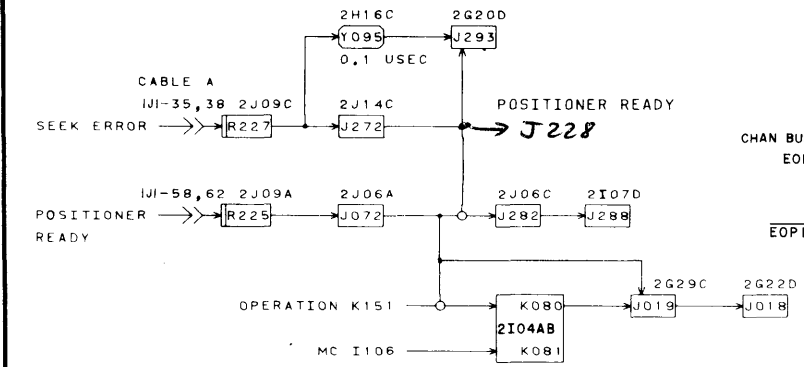
ALL OUTPUTS OF TERMS, EXCEPT THE RECEIVERS OR R TERMS, ON THIS PAGE ARE INDICATED. * THESE TERMS ARE DUPLICATED ON ANOTHER PAGE.

EOR 1 FF
MAN 1

INPUT TERM LIST

FOR PAGE 5-27

TERM	LOCATION	PAGE
A011	2D28B	5-17
A021	2D27B	5-17
A031	2D26B	5-17
A041	2D25B	5-17
A051	2D24B	5-17
A081	2D21B	5-17
A091	2D20B	5-17
A101	2D19B	5-17
A111	2D18B	5-17
A201	2D29D	5-17
A211	2D28D	5-17
A221	2D27D	5-17
A231	2D26D	5-17
A240	2D25C	5-17
A250	2D24C	5-17
A260	2D23C	5-17
A270	2D22C	5-17
A281	2D21D	5-17
A291	2D20D	5-17
A301	2D19D	5-17
A311	2D18D	5-17
F000	2F09A	5-9
F033	2G29D	5-9
F111	2E07B	5-9
F113	2E07D	5-9
I062	2G25B	5-13
I067	2G21A	5-13
I106	2D30D	5-9
J131	2D30C	5-25
J152	2F18A	5-29
J181	2B36C	5-29
K046	1E32A	5-19
K047	1E32B	5-19
K150	2A30A	5-29
K151	2A30B	5-29
K152	2B31A	5-29
K153	2B31B	5-29
R225	2J09A	5-45
R227	2J09C	5-45
W067	2E24B	5-13
W218	2113A	5-7
W219	2113B	5-7
W219	2113B	5-7
W219	2113B	5-7
W220	2112A	5-7
W229	2G08D	5-7



CONTROL DATA DEVELOPMENT DIVISION	BUSY, POSITIONER READY, ADDRESS END OF OPERATION, ADDRESS ERROR	CODE IDENT	60290000	REV	N
		C	SHEET	PAGE	5-27

INPUT TERM LIST

FOR PAGE 5-29

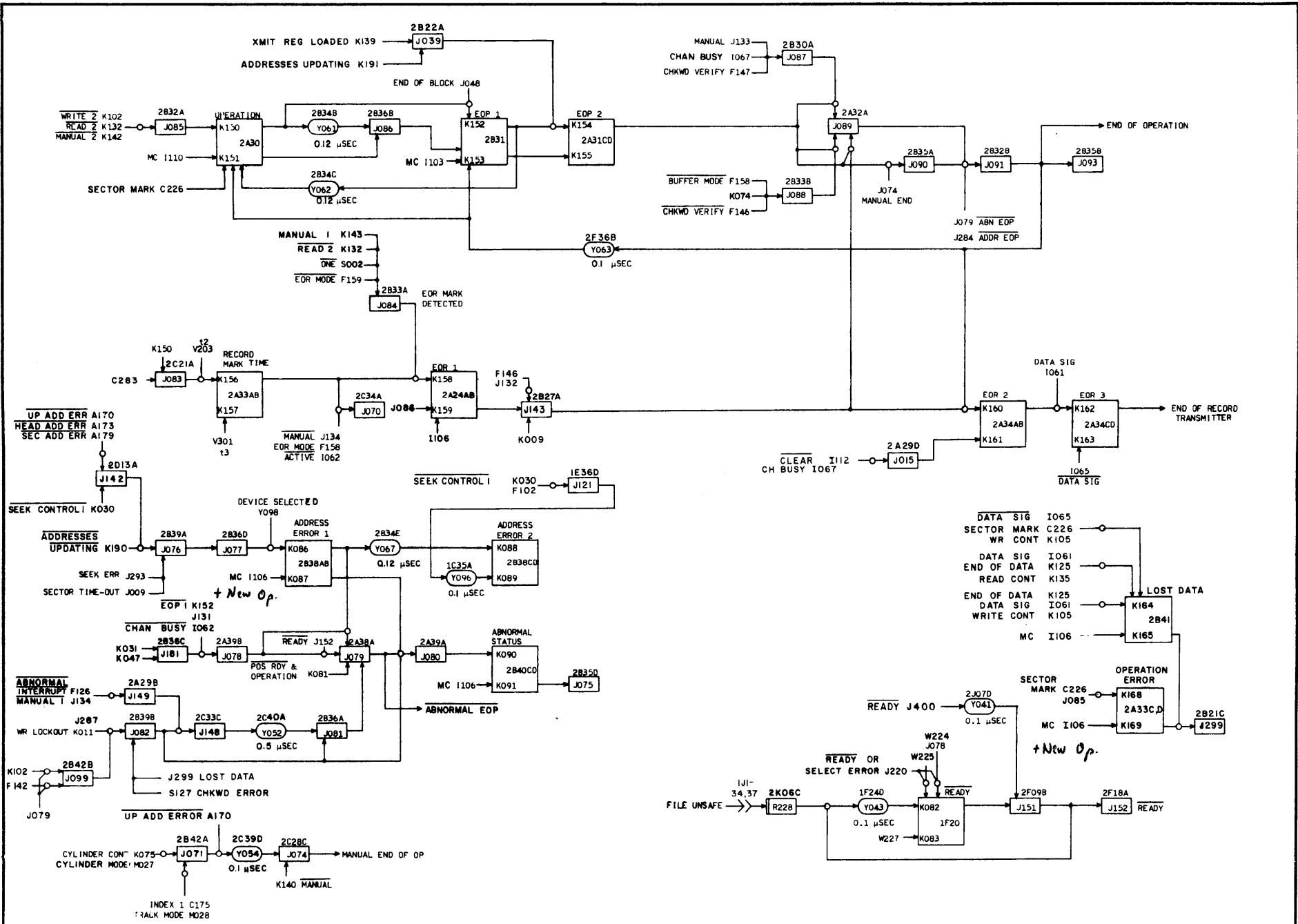
TERM LOCATION PAGE

A170 2A26A 5-27
 A173 2A25D 5-27
 A179 2A25C 5-27
 C175 2I05B 5-15
 C226 2I19D 5-15
 G283 2H23C 5-41
 F102 2E08C 5-9
 F126 2F24A 5-13
 F142 2E11C 5-9
 F146 2E10C 5-9
 F147 2E10D 5-9
 F158 2E13A 5-9
 F159 2E13B 5-9
 I061 2F31C 5-13
 I062 2G25B 5-13
 I065 2G23B 5-13
 I067 2G21A 5-13
 I103 2G07A 5-9
 I106 2D30D 5-9
 I110 2F16D 5-9
 I112 2D12B 5-9
 J009 1C38B 5-21
 J048 1E34D 5-19
 J131 2D30C 5-25
 J132 2B24C 5-25
 J133 2C33D 5-25
 J134 2F29B 5-25
 J220 1F22B 5-43
 J284 1D41B 5-27
 J287 2B21D 5-47
 J293 2G20D 5-27
 J400 2H02C 5-45
 K009 1C41D 5-21
 K011 1C36D 5-21
 K030 1E23A 5-19
 K031 1E23B 5-19
 K047 1E32B 5-19
 K074 1E40A 5-19
 K075 1E40B 5-19
 K081 2I04B 5-27
 K102 2D32A 5-23
 K105 2D31D 5-23
 K125 2D35B 5-25
 K132 2E31A 5-25
 K135 2E31D 5-25
 K139 2E35B 5-25
 K140 2B24B 5-25
 K142 2D40A 5-25
 K143 2D40B 5-25
 K190 2D41A 5-19
 K191 2D41B 5-19

M027 1G07A 5-47
 M028 1G07B 5-47
 R228 2K00C 5-45
 S002 2F42A 5-33
 S127 1W07B 5-35
 V203 2B01B 5-15
 V301 2F00A 5-15
 W224 2I19C 5-7
 W225 2I32B 5-7
 W227 2I32B 5-7
 Y098 2G39B 5-7

J173 2H00 5-69

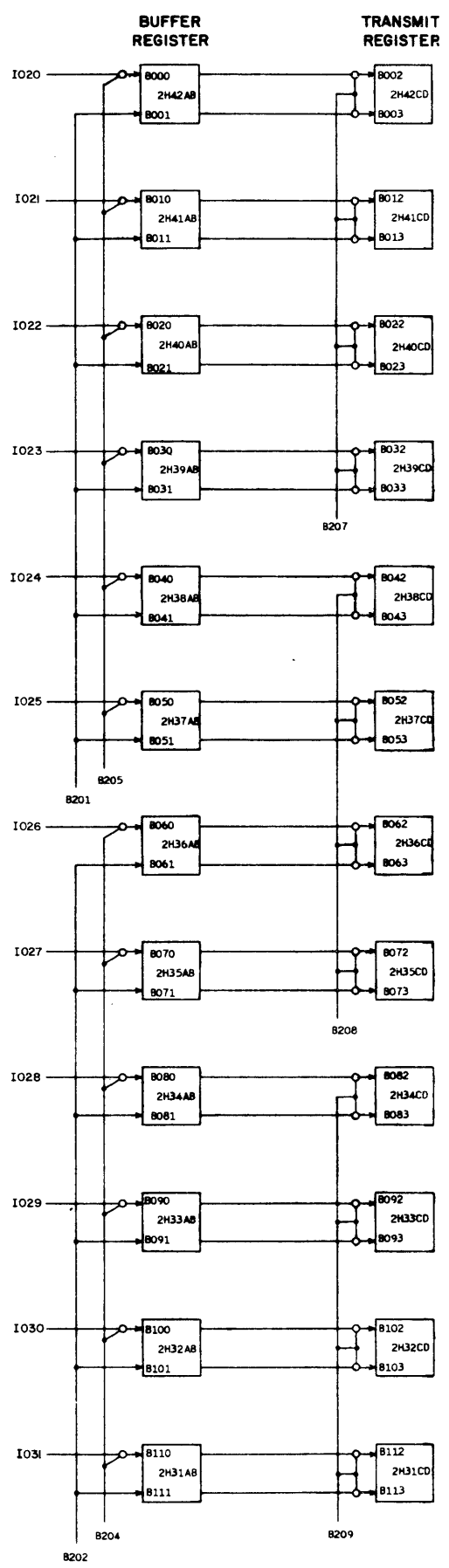
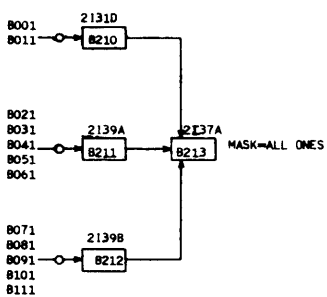
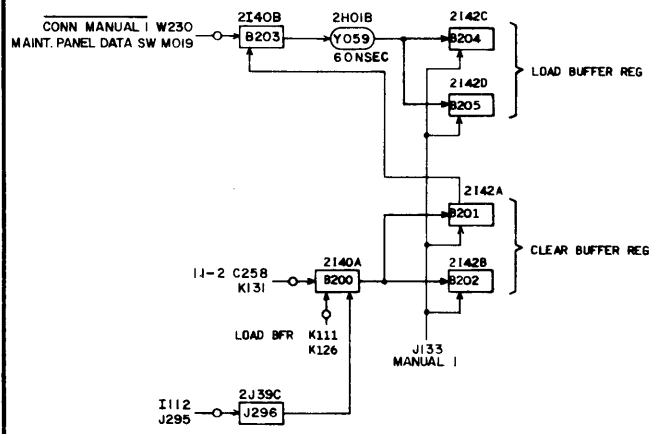
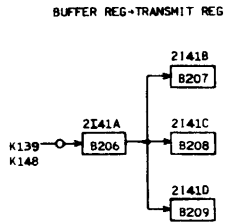
5-28



INPUT TERM LIST

FOR PAGE 5-31

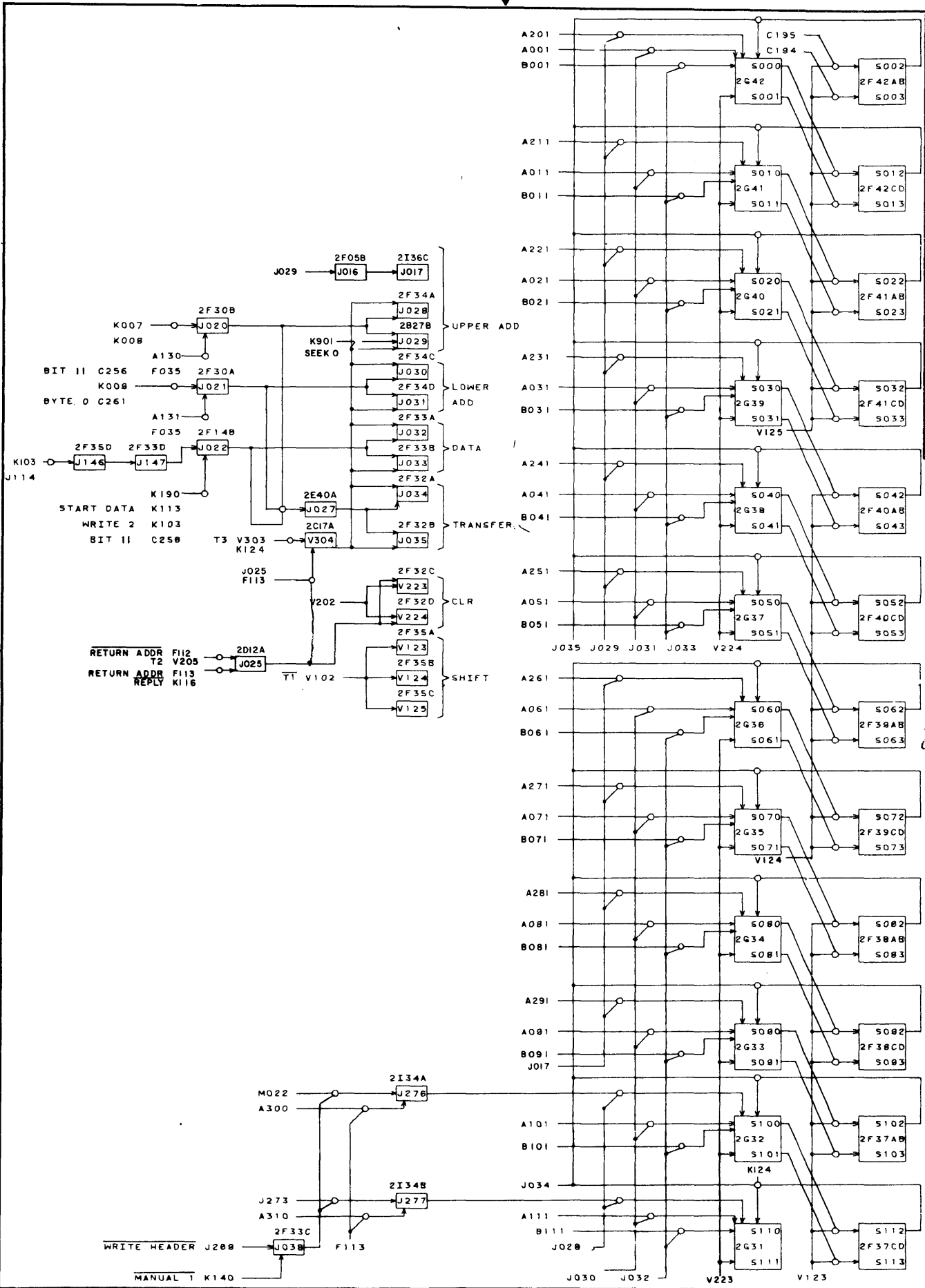
TERM	LOCATION	PAGE
Q258	2D10B	5-41
I020	2H28B	5-11
I021	2H27B	5-11
I022	2H26B	5-11
I023	2H25B	5-11
I024	2H24B	5-11
I025	2H23B	5-11
I026	2H22B	5-11
I027	2H21B	5-11
I028	2H20B	5-11
I029	2H19B	5-11
I030	2H18B	5-11
I031	2H17B	5-11
J133	2C33D	5-25
J295	2J39C	5-47
K111	2D34B	5-23
K126	2E37C	5-23
K131	2E36B	5-25
K139	2E35B	5-25
K148	2E34C	5-25
M019	1C09D	5-47
W230	2I37B	5-7



INPUT TERM LIST

FOR PAGE 5-33

TERM	LOCATION	PAGE			
A001	2D29B	5-17			
A011	2D28B	5-17	K103	2Q32B	5-23
A021	2D27B	5-17	K113	2Q33B	5-25
A031	2D26B	5-17	K116	2Q35A	5-25
A041	2D25B	5-17	K124	2Q35A	5-25
A051	2D24B	5-17	K140	2H24B	5-25
A061	2D23B	5-17	K190	2U41A	5-19
A071	2D22B	5-17	K901	1B01B	5-25
A081	2D21B	5-17	M022	1D08A	5-47
A091	2D20B	5-17	V102	2F01B	5-15
A101	2D19B	5-17	V202	2F03B	5-15
A111	2D18B	5-17	V205	2F03D	5-15
A130	2C26A	5-17	V303	2F06B	5-15
A131	2C26B	5-17			
A201	2D29D	5-17			
A211	2D28D	5-17			
A221	2D27D	5-17			
A231	2D26D	5-17			
A241	2D25D	5-17			
A251	2D24D	5-17			
A261	2D23D	5-17			
A271	2D22D	5-17			
A281	2D21D	5-17			
A291	2D20D	5-17			
A300	2D19C	5-17			
A310	2D18C	5-17			
B001	2H42B	5-31			
B011	2H41B	5-31			
B021	2H40B	5-31			
B031	2H39B	5-31			
B041	2H38B	5-31			
B051	2H37B	5-31			
B061	2H36B	5-31			
B071	2H35B	5-31			
B081	2H34B	5-31			
B091	2H33B	5-31			
B101	2H32B	5-31			
B111	2H31B	5-31			
C194	2G18C	5-25			
C195	2G18D	5-25			
C256	2C05A	5-41			
E261	2C42A	5-41			
F035	2A42B	5-9			
F112	2E07C	5-9			
F113	2E07D	5-9			
J114	2C38B	5-25			
J269	1D10D	5-47			
J273	1D10C	5-47			
K007	1C40B	5-21			
K008	1C41C	5-21			
K009	1C41D	5-21			



REV	S
SIZE DWR NO.	C 60290000
PROJECT	FA 705
SHEET	5-33

CONTROL DATA

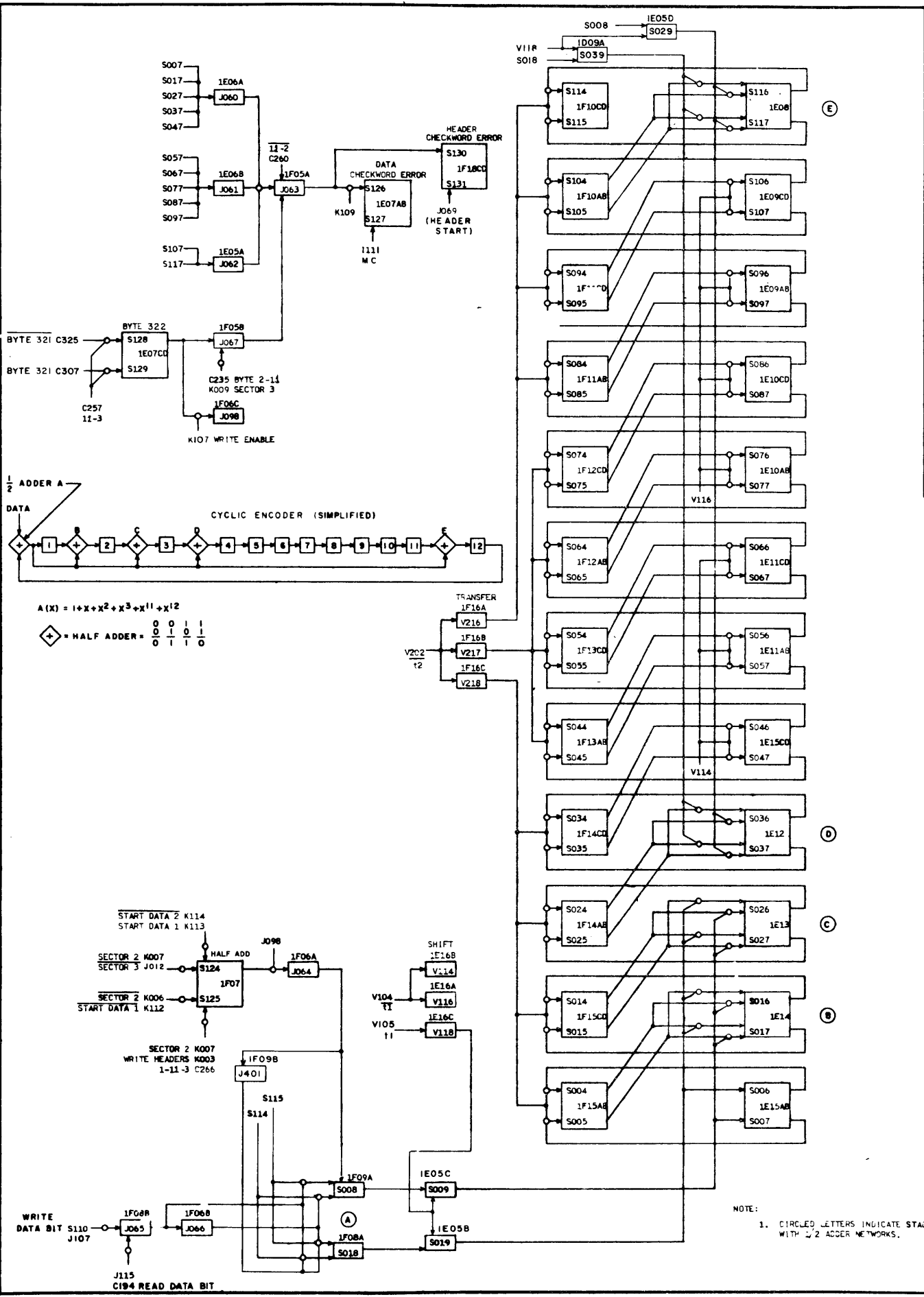
SHIFT REGISTER

Output to Data Ch's 7+8

INPUT TERM LIST

FOR PAGE 5-35

TERM	LOCATION	PAGE
C194	2G18C	5-25
C235	2C09B	5-41
C257	2D10A	5-41
C260	2D09C	5-41
C266	2C20B	5-41
C307	2D07A	5-41
C325	2D10D	5-41
I111	2A22B	5-9
J012	2F05C	5-21
J069	2G12D	5-23
J107	2E30A	5-23
J115	2E30B	5-25
K003	1C42B	5-21
K006	1C40A	5-21
K007	1C40B	5-21
K009	1C41D	5-21
K107	2D32D	5-23
K109	2E17B	5-25
K112	2D33A	5-25
K113	2D33B	5-25
K114	2E33C	5-25
S110	2G31A	5-33
V104	1E16D	5-15
V105	2F01D	5-15
V202	2F03B	5-15

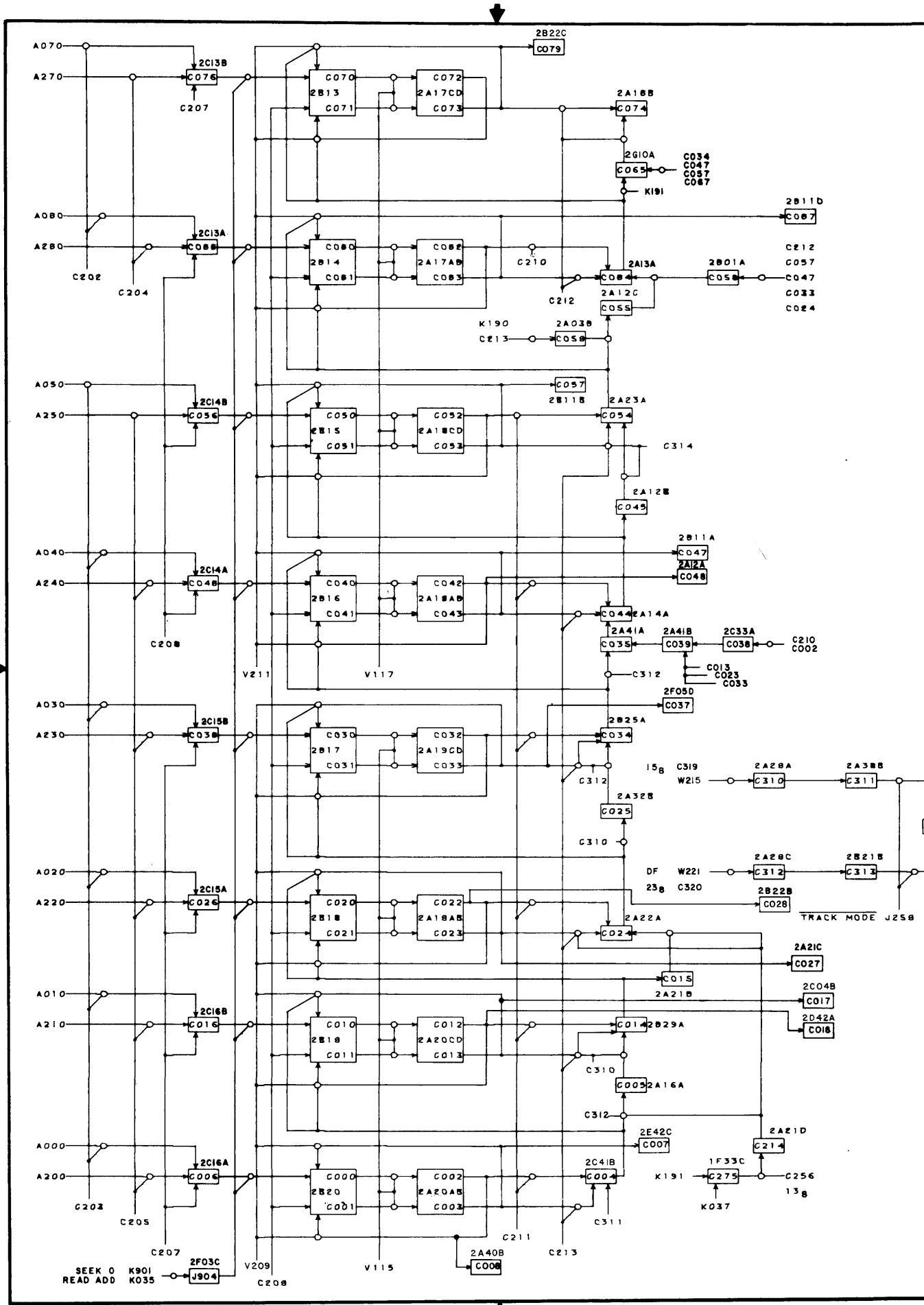


CONTROL DATA CORPORATION
 DEVELOPMENT DIVISION

INPUT TERM LIST

FOR PAGE 5-37

TERM	LOCATION	PAGE
A000	2D29A	5-17
A010	2D28A	5-17
A020	2D27A	5-17
A030	2D26A	5-17
A040	2D25A	5-17
A050	2D24A	5-17
A060	2D23A	5-17
A070	2D22A	5-17
A200	2D29C	5-17
A210	2D28C	5-17
A220	2D27C	5-17
A230	2D26C	5-17
A240	2D25C	5-17
A250	2D24C	5-17
A260	2D23C	5-17
A270	2D22C	5-17
C202	2C12A	5-41
C203	2C12B	5-41
C204	2C12C	5-41
C205	2C12D	5-41
C207	2C10C	5-41
C208	2C11B	5-41
C209	2C09A	5-41
C210	2B02A	5-41
C211	2B02B	5-41
C212	2B02C	5-41
C213	2B02D	5-41
C256	2C05A	5-41
C319	2C08D	5-41
C320	2C06A	5-41
J259	1D21A	5-47
K035	1E29B	5-19
K037	1E29D	5-19
K190	2D41A	5-19
K191	2D41B	5-19
K901	1E01B	5-25
V115	2B12A	5-41
V117	2B12B	5-41
V209	2C09C	5-41
V211	2C09D	5-41
W215	2F01A	5-7
W221	2I12B	5-7

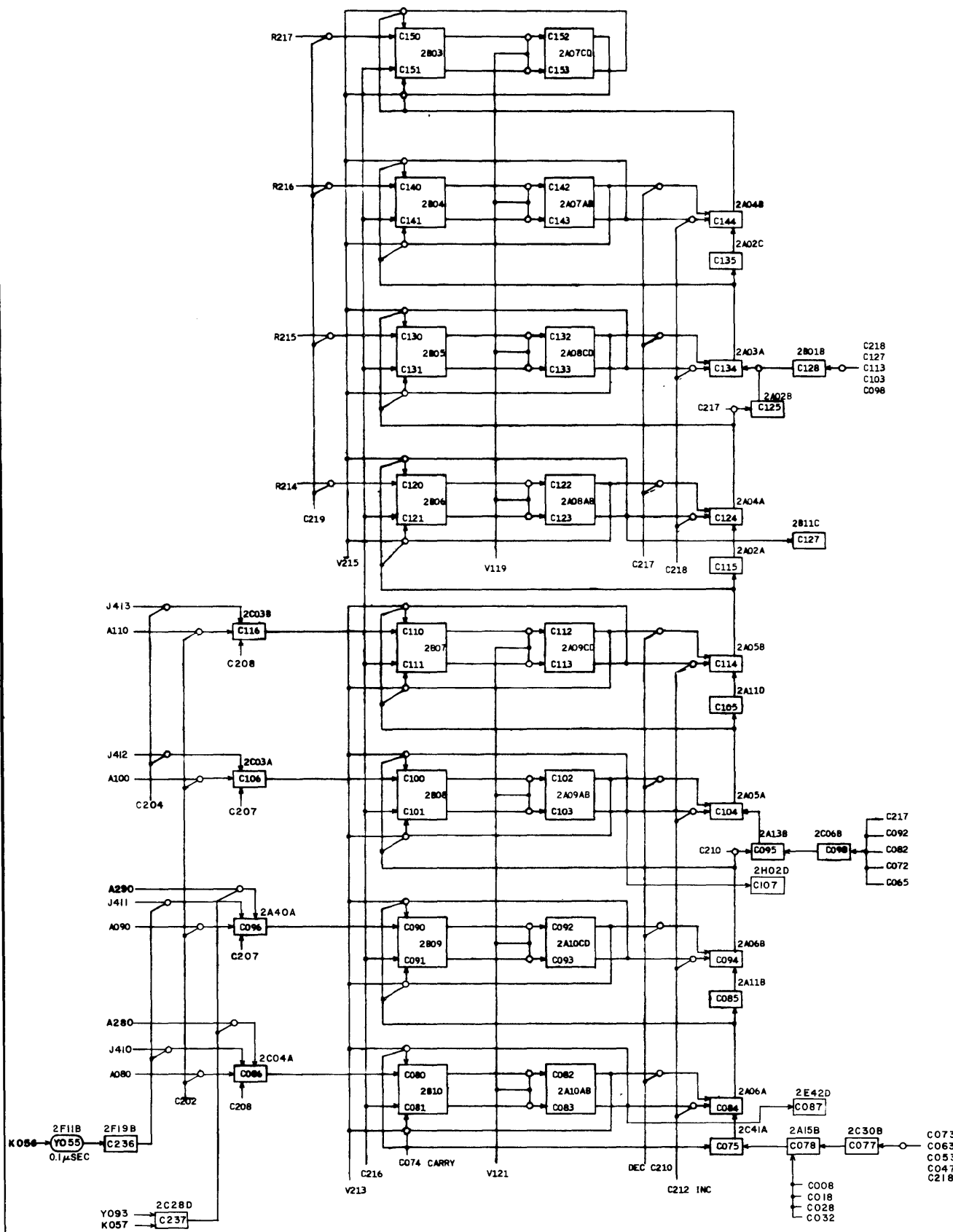


REV	A
60290000	
DATE	5-37
FORM REV	C
COUNTER I	
<i>Capitol Hill</i>	
DEVELOPMENT DIVISION	

INPUT TERM LIST

FOR PAGE 5-39

TERM	LOCATION	PAGE
A080	2D21A	5-17
A090	2D20A	5-17
A100	2D19A	5-17
A110	2D18A	5-17
A280	2D21C	5-17
A290	2D20C	5-17
C008	2A40B	5-37
C018	2D42A	5-37
C028	2B22B	5-37
C032	2A19C	5-37
C047	2B11A	5-37
C053	2A18D	5-37
C063	2A17B	5-37
C065	2G10A	5-37
C072	2A17C	5-37
C073	2A17D	5-37
C074	2A16B	5-37
C202	2C12A	5-41
C204	2C12C	5-41
C207	2C10C	5-41
C208	2C11B	5-41
C210	2B02A	5-41
C212	2B02C	5-41
C216	2C08A	5-41
C217	2A01B	5-41
C218	2A01A	5-41
C219	2D42D	5-41
J410	2K07A	5-45
J411	2K07B	5-45
J412	2K07C	5-45
J413	2K07D	5-45
K056	1E24A	5-19
K057	1E24B	5-19
R214	2K04B	5-45
R215	2K04C	5-45
R216	2K03A	5-45
R217	2K03B	5-45
V119	2B12C	5-41
V121	2B12D	5-41
V213	2C08C	5-41
V215	2C08B	5-41
Y093	1D37C	5-41



INPUT TERM LIST

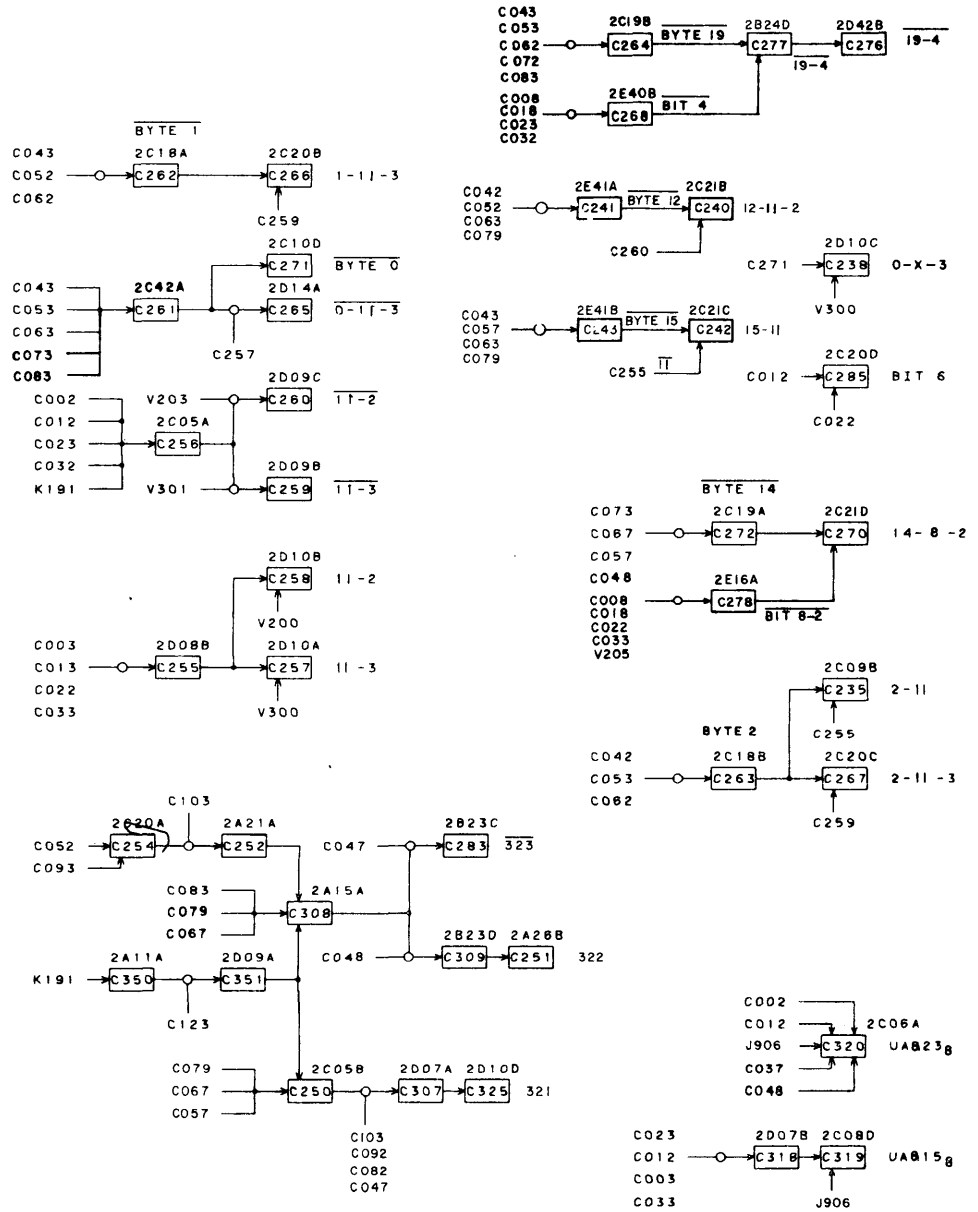
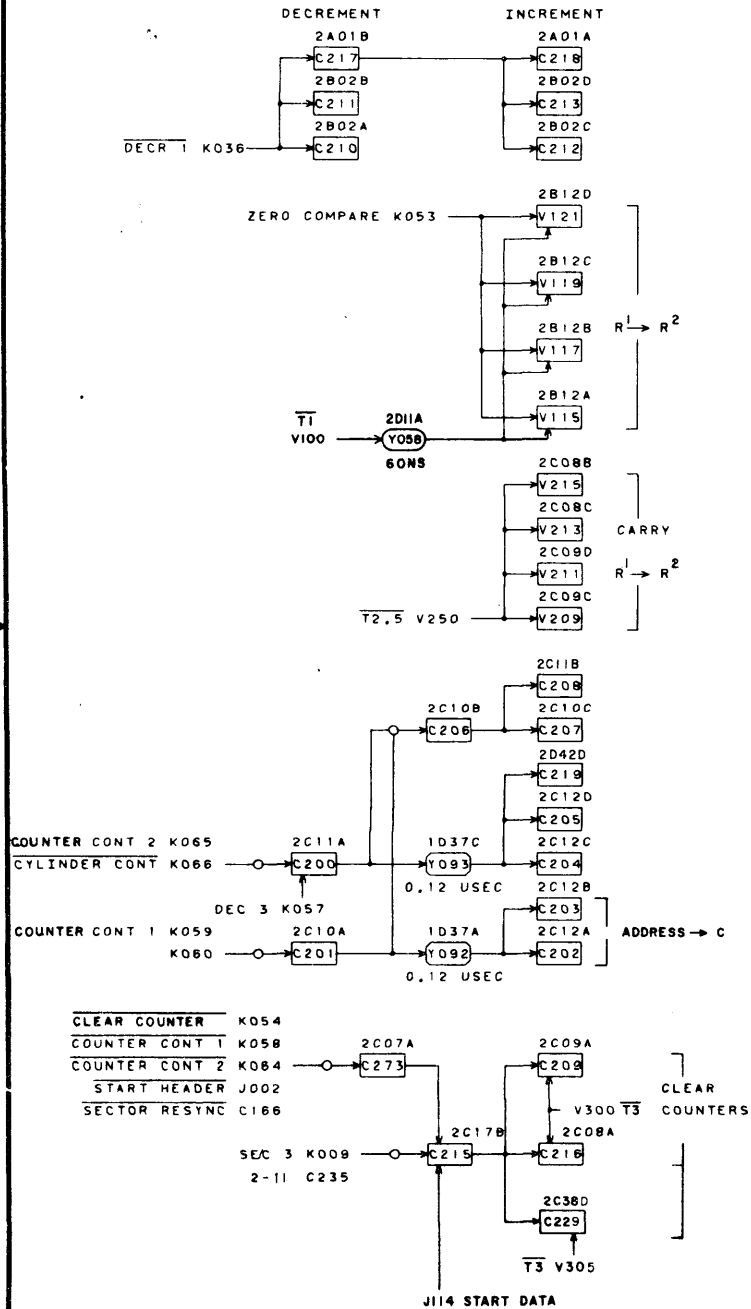
FOR PAGE 5-41

TERM LOCATION PAGE

C002	2A20A	5-37	V250	2F31A	5-15
C003	2A20B	5-37	V300	2F03A	5-15
C008	2A40B	5-37	V301	2P06A	5-15
C012	2A20C	5-37	V305	2B35C	5-15
C013	2A20D	5-37			
C018	2D42A	5-37			
C022	2A19A	5-37			
C023	2A19B	5-37			
C032	2A19C	5-37			
C033	2A19D	5-37			
C037	2F05D	5-37			
C042	2A18A	5-37			
C043	2A18B	5-37			
C047	2B11A	5-37			
C048	2A12A	5-37			
C052	2A18C	5-37			
C053	2A18D	5-37			
C057	2B11B	5-37			
C062	2A17A	5-37			
C063	2A17B	5-37			
C067	2B11D	5-37			
C072	2A17C	5-37			
C073	2A17D	5-37			
C079	2B22C	5-37			
C082	2A10A	5-39			
C083	2A10B	5-39			
C092	2A10C	5-39			
C093	2A10D	5-39			
C103	2A09B	5-39			
C123	2A08B	5-39			
C166	2J05C	5-15			
J002	1D38A	5-21			
J023	2D01D	5-19			
J114	2C38B	5-25			
J906	1D41A	5-47			
K009	1C41D	5-21			
K036	1E29C	5-19			
K053	1D33B	5-19			
K054	1E25A	5-19			
K057	1E24B	5-19			
K058	1E40C	5-19			
K059	1E40D	5-19			
K060	1E38A	5-19			
K064	1E39A	5-19			
K065	1E39B	5-19			
K066	1E39C	5-19			
K191	2D41B	5-19			
V100	2B21A	5-15			
V200	2F03A	5-15			
V203	2C01B	5-15			
V205	2F03D	5-15			

COUNTER CONTROL

COUNTER TRANSLATIONS



INPUT TERM LIST

FOR PAGE 5-43

TERM	LOCATION	PAGE
F131	2F26B	5-13
I103	2G07A	5-9
J091	2R32B	5-29
J272	2J14C	5-27
J286	2D16B	5-27
R200	2E01A	5-25
R201	2E01B	5-25
R202	2E01C	5-25
R203	2E02A	5-25
R204	2E02B	5-25
R205	2E02C	5-25
R206	2E03A	5-25
R207	2E03B	5-25
R220	2E03C	5-25
W215	2F01A	5-7
W218	2I13A	5-7
W220	2I12A	5-7
W221	2I12B	5-7

ON SECTOR OR SEEK ERROR

IJ3-E,H 2G02A

UNIT 0 → R302

IJ3-EE,HH 2G02B

UNIT 1 → R303

IJ4-E,H 2G02C

UNIT 2 → R312

IJ4-EE,HH 2G03A

UNIT 3 → R313

IJ5-E,H 2G03B

UNIT 4 → R322

IJ5-EE,HH 2G03C

UNIT 5 → R323

IJ6-E,H 2G04A

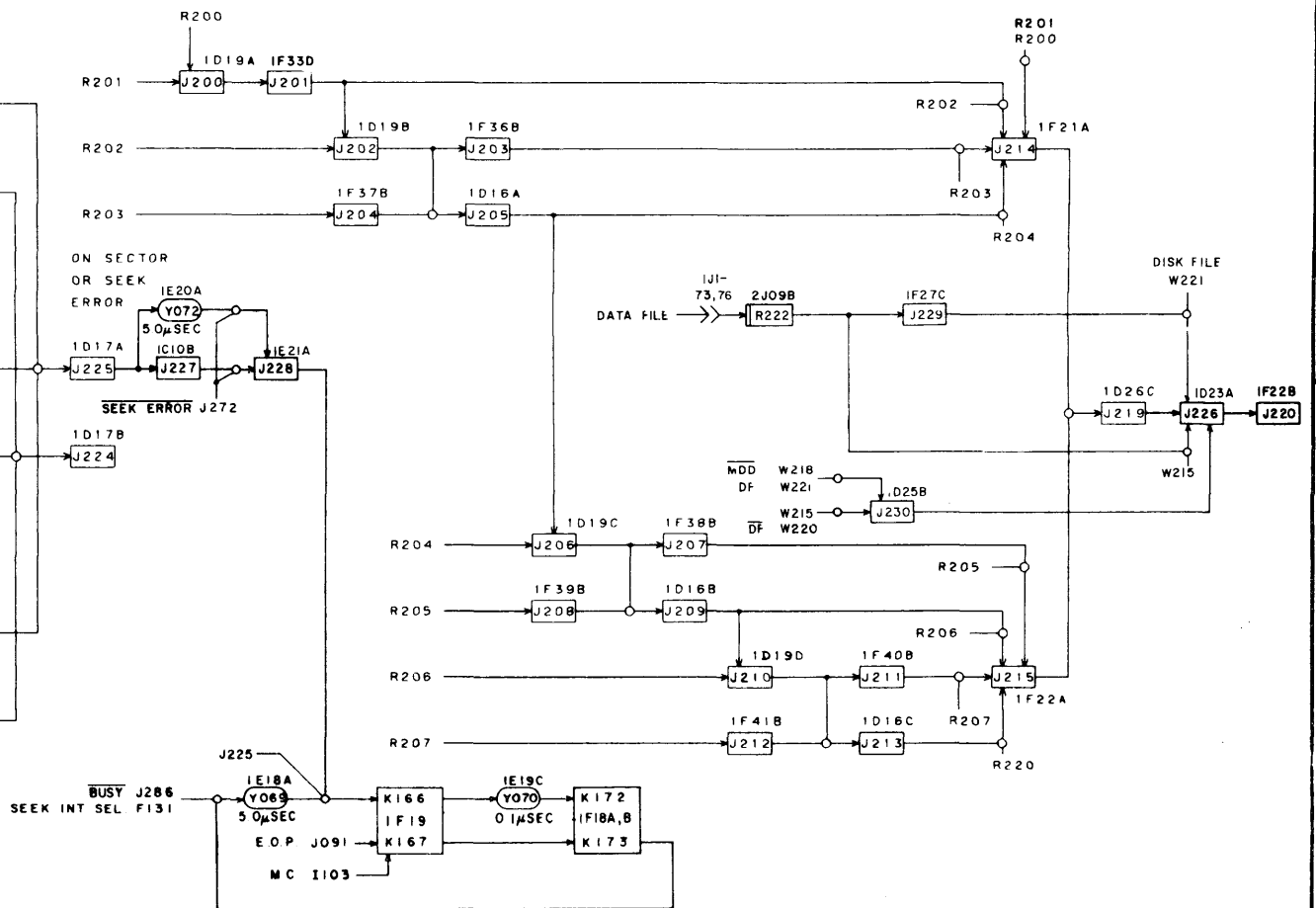
UNIT 6 → R332

IJ6-EE,HH 2G04B

UNIT 7 → R333

IJ7-E,H 2G04C

UNIT 8 → R342



CONTROL DATA

DEVELOPMENT DIVISION

SELECT COMPARE SEEK INTERRUPT

CODE IDENT

60290000

C

FORM NO

5-43

SHEET

PAGE 5-43

REV

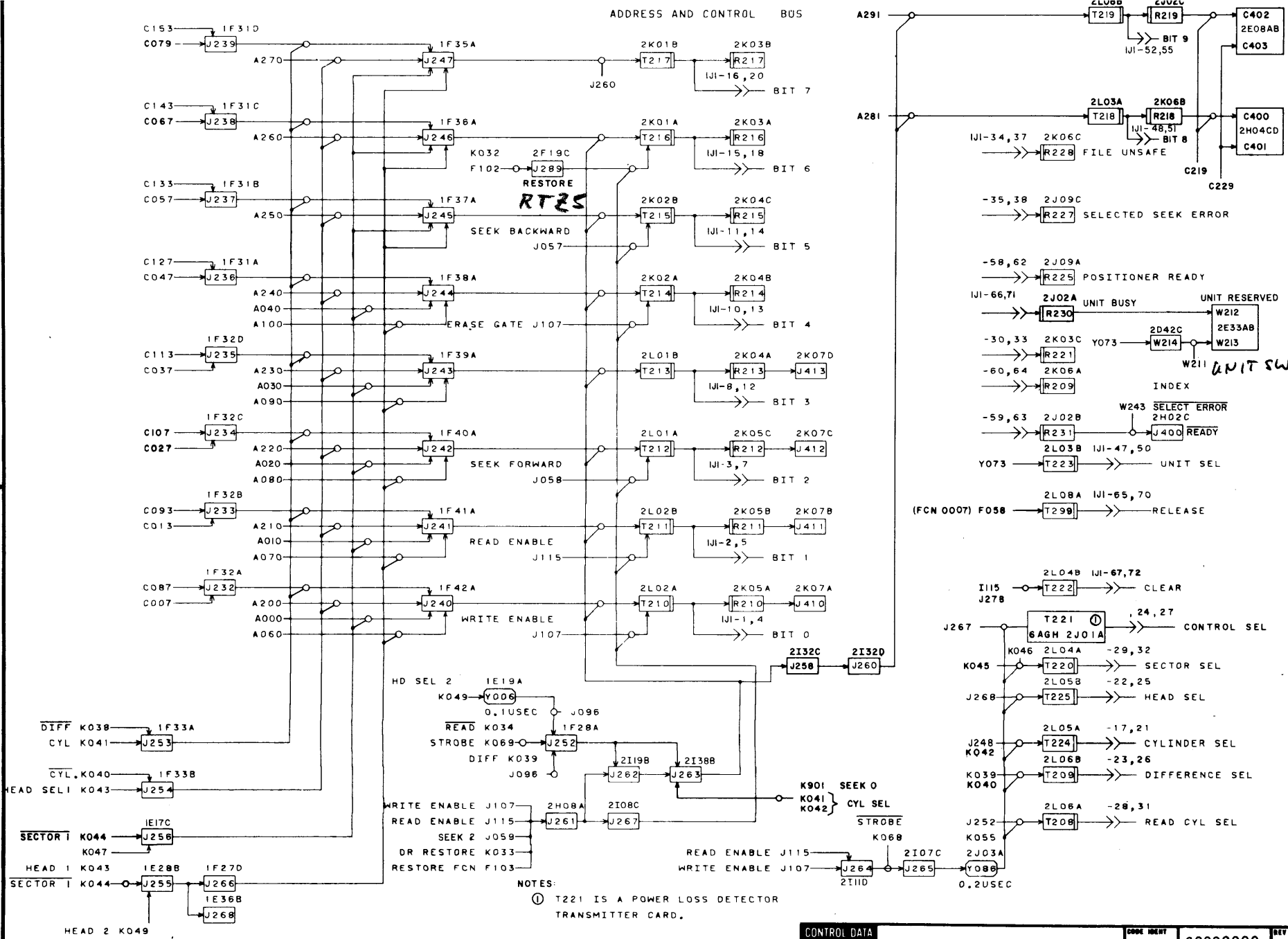
S

INPUT TERM LIST

FOR PAGE 5-45

TERM	LOCATION	PAGE			
A010	2D28A	5-17	K033	1F22B	5-19
A020	2D27A	5-17	K034	1E2YA	5-19
A030	2D26A	5-17	K038	1E30A	5-19
A040	2D25A	5-17	K039	1E30B	5-19
A060	2D23A	5-17	K040	1E30C	5-19
A070	2D22A	5-17	K041	1E30D	5-19
A080	2D21A	5-17	K042	1E31A	5-19
A090	2D20A	5-17	K043	1E31B	5-19
A100	2D19A	5-17	K044	1E31C	5-19
A200	2D29C	5-17	K045	1E31D	5-19
A210	2D28C	5-17	K046	1E32A	5-19
A220	2D27C	5-17	K047	1E32B	5-19
A230	2D26C	5-17	K049	1E32D	5-19
A240	2D25C	5-17	K055	1E25B	5-19
A250	2D24C	5-17	K068	1D33C	5-19
A260	2D23C	5-17	K069	1D33D	5-19
A270	2D22C	5-17	K901	1E01B	5-25
A281	2D21D	5-17	Y073	2116A	5-7
A291	2D20D	5-17	W211	2G30B	5-7
C007	2E42C	5-37	W243	2138A	5-7
C013	2A20D	5-37			
C027	2A21C	5-37			
C037	2F05D	5-37			
C047	2B11A	5-37			
C057	2B11B	5-37			
C067	2B11D	5-37			
C079	2B22C	5-37			
C087	2E42D	5-39			
C093	2A10D	5-39			
C107	2H02D	5-39			
C113	2A09D	5-39			
C127	2B11C	5-39			
C133	2A08D	5-39			
C143	2A07B	5-39			
C153	2A07D	5-39			
C219	2D42D	5-41			
C229	2C38D	5-41			
F058	2121D	5-9			
F102	2E08C	5-9			
F103	2E08D	5-9			
I115	2F06D	5-9			
J057	1D28A	5-19			
J058	1D28B	5-19			
J059	1D29B	5-19			
J096	1D38D	5-19			
J107	2E30A	5-23			
J115	2E30B	5-25			
J248	1D40D	5-19			
J278	2120B	5-47			
K032	1F25A	5-19			

ADDRESS AND CONTROL BUS



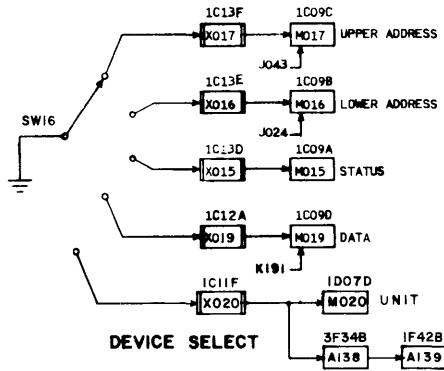
CONTROL DATA	ADDRESS AND CONTROL BUS, AND INTERFACE	CODE IDENT	60290000	REV	K
DEVELOPMENT DIVISION		SHEET	C	PAGE	5-45

INPUT TERM LIST

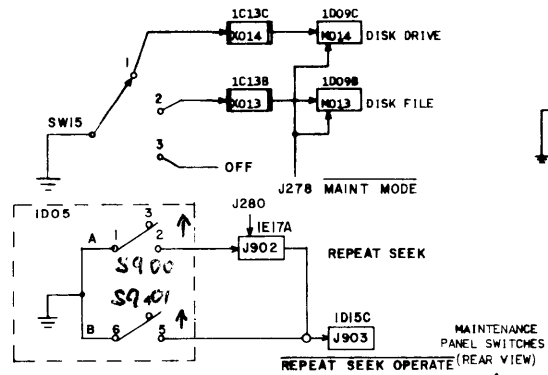
FOR PAGE 5-47

TERM	LOCATION	PAGE
I049	1D26B	5-11
I112	2D12B	5-9
J024	2A28B	5-19
J043	1F06D	5-19
J135	2G21D	5-25
K061	1E38B	5-19
K191	2D41B	5-19
W253	2J36C	5-7
W254	2C33B	5-7
W260	2G05C	5-7

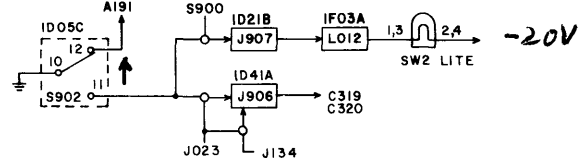
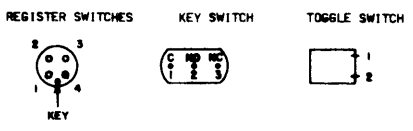
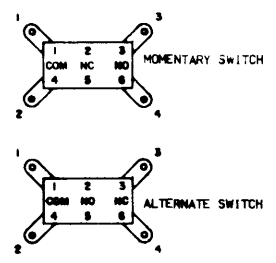
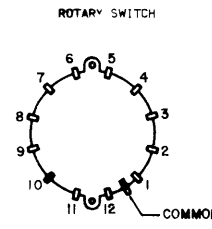
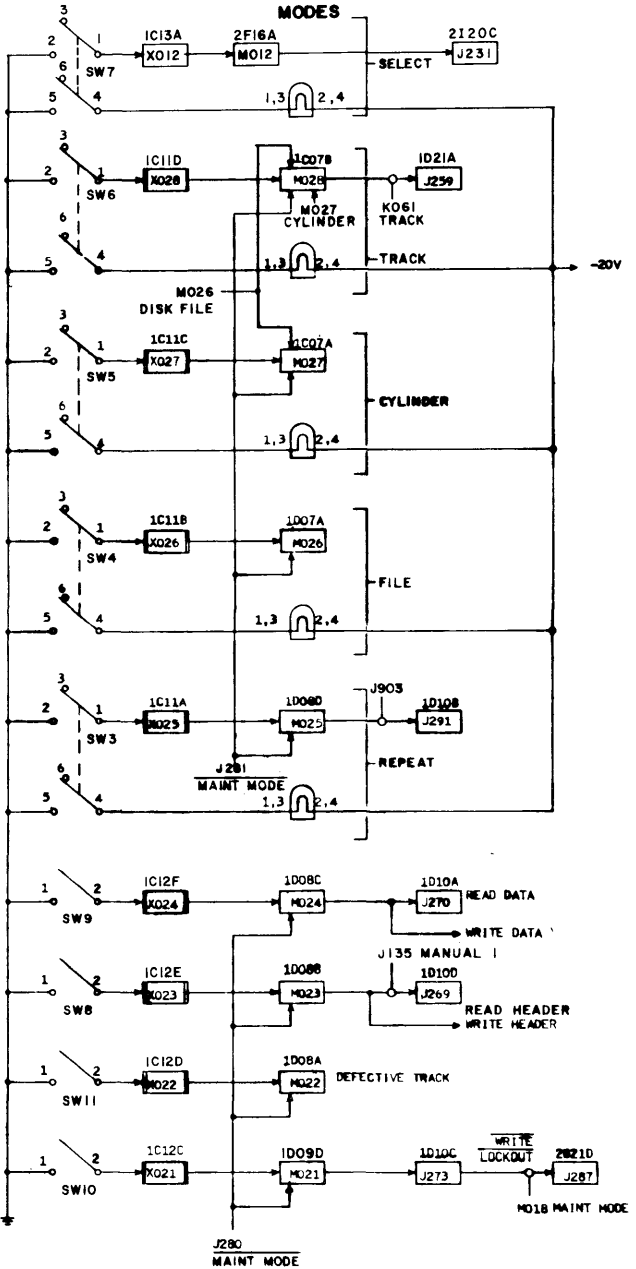
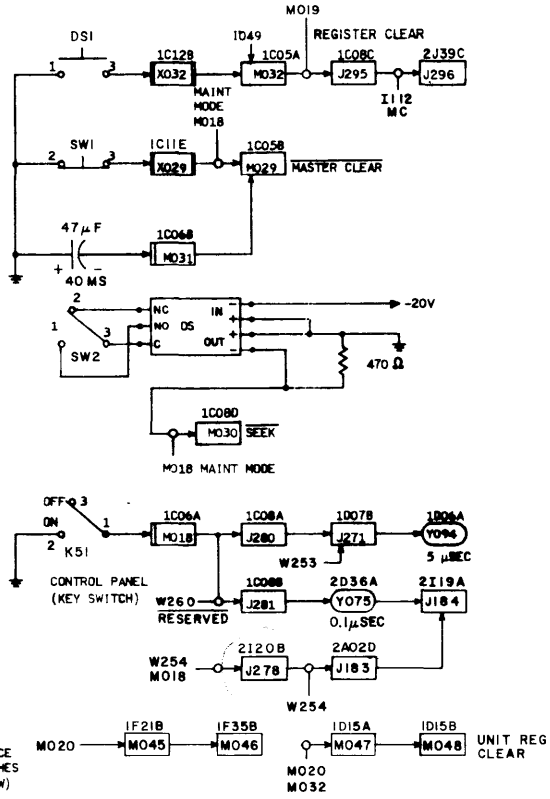
REGISTER SELECT



DEVICE SELECT



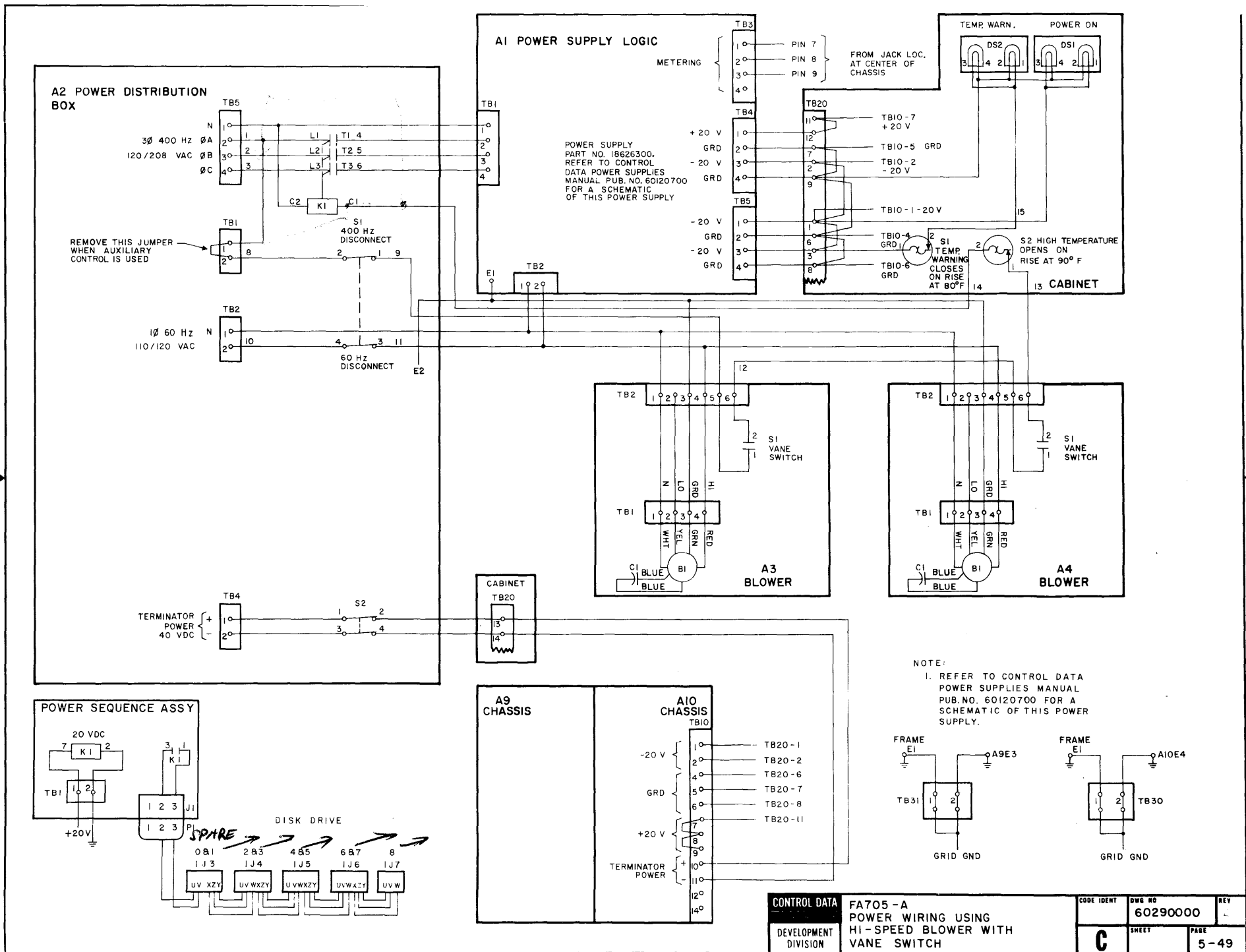
OPERATIONS



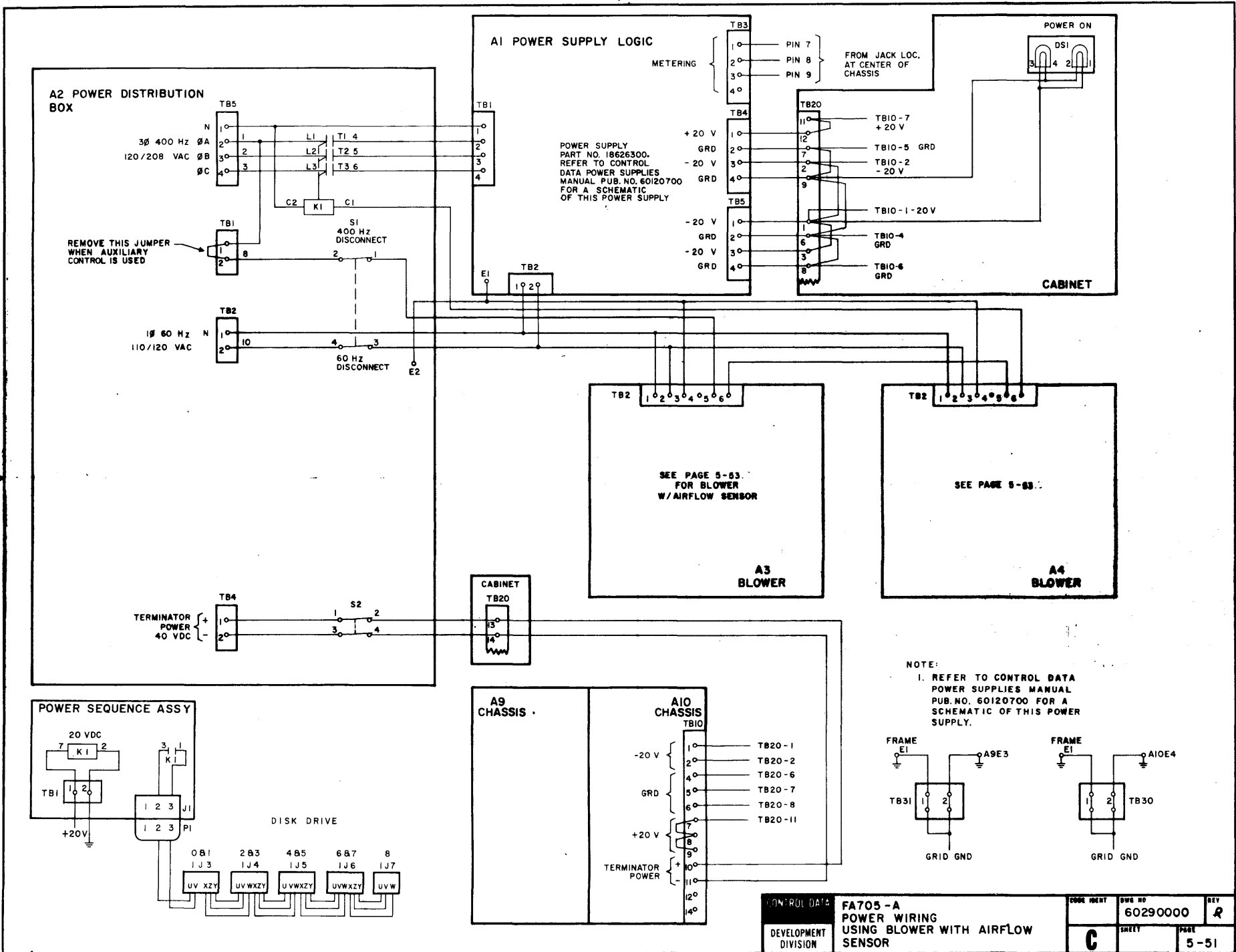
① LOCATED 1034, PIN 14

DC Power Supply

Power Supply Number 18626300 is used in the controller. Refer to the CONTROL DATA Power Supplies manual, Pub. No. 60120700, for a schematic of this power supply.



CONTROL DATA		FA705-A		CODE IDENT	DWG NO	REV
DEVELOPMENT DIVISION		POWER WIRING USING HI-SPEED BLOWER WITH VANE SWITCH		C	60290000	
				SHEET	PAGE	
						5-49



POWER SUPPLY
PART NO. 18626300.
REFER TO CONTROL
DATA POWER SUPPLIES
MANUAL PUB. NO. 60120700
FOR A SCHEMATIC
OF THIS POWER SUPPLY

NOTE:
1. REFER TO CONTROL DATA
POWER SUPPLIES MANUAL
PUB. NO. 60120700 FOR A
SCHEMATIC OF THIS POWER
SUPPLY.

CONTROL DATA DEVELOPMENT DIVISION	FA705 - A POWER WIRING USING BLOWER WITH AIRFLOW SENSOR	CODE IDENT	DWG NO 60290000	REV R
		C	SHEET	PAGE 5-51

4

3

2

1

D

D

C

C

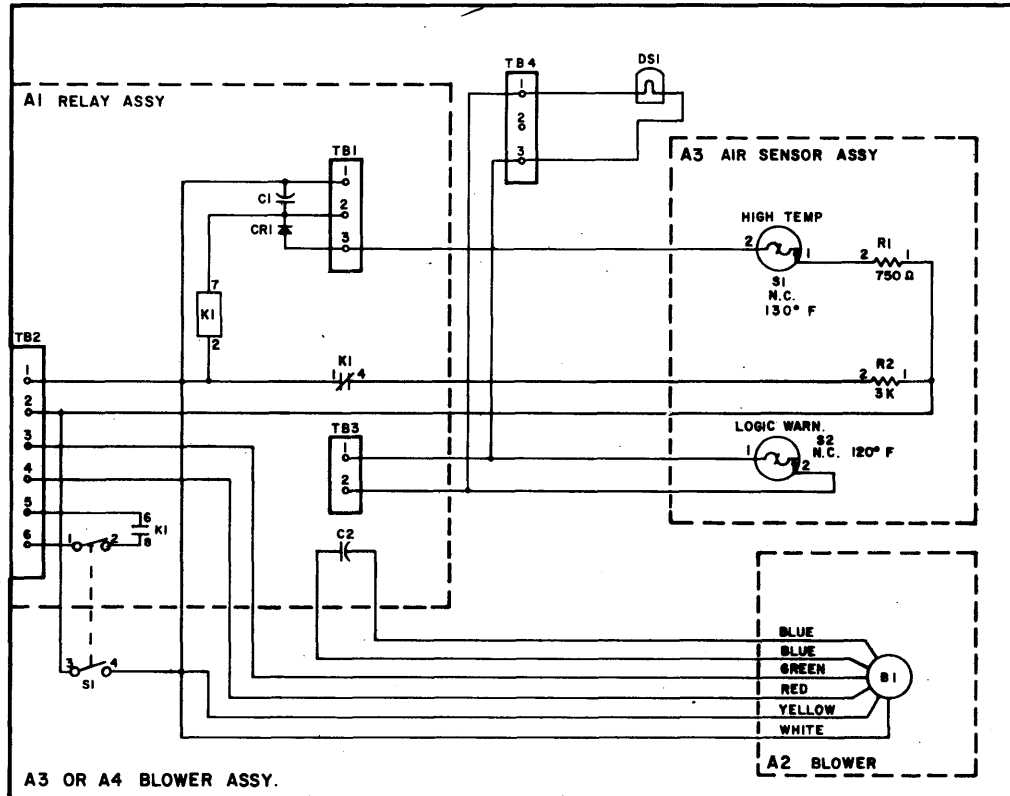
B

B

A

A

SEE PAGE 5-51



CONTROL DATA		A3 OR A4 BLOWER WITH AIR FLOW SENSOR ASSEMBLY	CODE IDENT 34010	DWG NO 60290000	REV R
DEVELOPMENT DIVISION			C	SHEET	PAGE 5-53

4

3

2

1

SECTION 6

MAINTENANCE

MAINTENANCE

TOOLS AND TEST EQUIPMENT REQUIRED FOR MAINTENANCE

Tektronix 545 oscilloscope or equivalent
Type CA Dual Track Plug-in unit for Tektronix 545
Taper Pin Removal and Insertion Tool
Card Extender for 3000 cards, Part No. 30093800
Jeweler's Screwdriver
Standard set of tools required for electronic maintenance

MAINTENANCE PANEL

The maintenance panel can be used to exercise the controller and disk units under manual control. It is also used to write headers on the disk units.

Refer to Section 2 of this manual for a description of the maintenance panel and manual operating procedures.

CONTROLLER PREVENTIVE MAINTENANCE INDEX

Level 1 Weekly or -----150 hours
Level 2 Monthly or ----- 500 hours
Level 3 Quarterly or ----- 1,500 hours
Level 4 Semi-Annual or ----- 3,000 hours

LEVEL	ITEM	PREVENTIVE MAINTENANCE
1	1.1	Check blower operation
1	1.2	Verify operational capability
1	1.3	Check power supply percentage meters
2	2.1	Clean cabinets
2	2.2	Clean air filters
3	3.1	Check power supply output
3	3.2	Check system performance with voltage margins applied
4	4.1	Perform shock test
4	4.2	Mechanical inspection

1.1

CHECK BLOWER OPERATION

CHECK/Conditions

Action

1. Blower power on.
2. Are the blowers in each cabinet providing air circulation?

Yes

No



1. Isolate problem.
2. If required, replace defective blower as follows:
 - a. Lower the back trim panel.
 - b. Remove four bolts that secure the blower housing to the frame.
 - c. Pull the blower housing out.
 - d. Unfasten the power cable at the rear of the blower housing.
 - e. Replace the defective blower.



Go to next item.

1.2

VERIFY OPERATIONAL CAPABILITY

CHECK/Conditions

Action

1. System power on.
2. DC chassis voltages
 - a. +19.6 volt
 - b. -19.6 volt

1. Load the SMM tape
2. Call in and execute the appropriate SMM diagnostic for the controller and peripheral device being tested. Reference the SMM Manual.

1.3

CHECK POWER SUPPLY PERCENTAGE METERS

CHECK/Conditions

Action

1. System power on.

2. Preventive maintenance time elapsed.

3. Are the percentage meters at 0%?

Yes

No



1. Zero the percentage meters.



4. Turn system over to customer.

2.1

CLEAN CABINETS

CHECK/Conditions

Action

1. System power on.

1. Thoroughly vacuum all dirt and dust from cabinets and immediate area.
2. Using water and a mild detergent solution, wipe down cabinets.

2.2

CLEAN AIR FILTERS

- The filter is:
1. Accessible by opening the front doors and lowering the bottom trim.
 2. Accessible by lifting up the floor board underneath the front trim.

CHECK/Conditions

Action

1. System power on.
2. Remove the filters.

1. Wash the filters using the following procedure:
 - a. Flush with warm water. Do not use a high pressure stream.
 - b. Shake out moisture and let dry thoroughly.
 - c. Spray intake side of filters with a light coat of Super Filter Coat adhesive, CDC Part No. 12210958.
 - d. Let adhesive dry before replaing filters.

CHECK/Conditions

Action

1. System power on.
2. Cover removed from power supply.
3. Oscilloscope settings as follows:
 - a. Time Base at 1 ms/cm
 - b. A probe only; 10X probe
 - c. Voltage setting at 0.2v/cm
 - d. Sync internal
4. Scope all diode block transformers (pin 11) while completing the following:

NOTE

Use Figure 6-1 as a guide while scoping the diode blocks. Figure 6-1 shows two waveforms. The top waveform is typical of the waveform seen (at pin 11) when the diode block has two open diodes. The bottom waveform is typical of a properly operating circuit.

CHECK: Is the waveform observed similar to the bottom waveform of Figure 6-1?

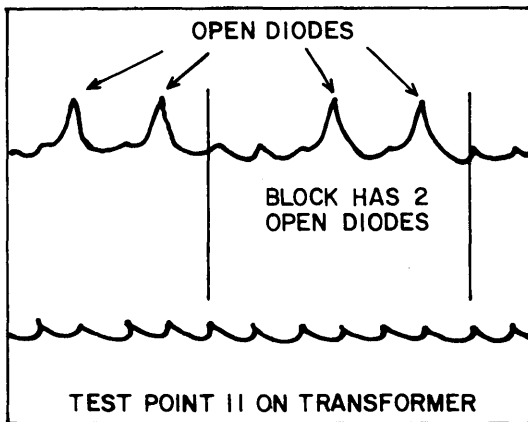


Figure 6-1.

3.1 (Continued)

CHECK/Conditions

Action

Yes

No



1. If the waveform observed is similar to the upper waveform of Figure 6-1, one or more diodes is defective.
2. Repeat CHECK.

5. Visually inspect the muffin fans in the power supply.

CHECK: Are they operating?

Yes

No



1. Check for 60-cycle, 115 volts at terminals.
2. Correct discrepancy.
3. Repeat CHECK.

6. Measure the voltages, using a precision dc voltmeter.

CHECK: Are the voltages set at ± 19.6 volts?

Yes

No



1. Adjust voltages to the desired levels.
2. Zero any percentage meter where an adjustment was required.
3. Repeat CHECK.

Go to next item.

3.2 CHECK SYSTEM PERFORMANCE WITH VOLTAGE MARGINS APPLIED

Use a precision dc voltmeter to set voltage margins.

On a rotational basis, run all operational tests under all conditions below so that all conditions are covered at least once a month.

CHECK/Conditions	Action
1. System power on. Set dc chassis voltages to (+7-1/2%, +21.1 volts), (+7-1/2%, -21.1 volts)	Run the appropriate SMM diagnostic for the controller and peripheral device being tested. Reference the SMM Manual. Correct any errors.
2. Set dc chassis voltages to (-7-1/2%, +18.1 volts), (-7-1/2%, -18.1 volts)	Run the appropriate SMM diagnostic for the controller and peripheral device being tested. Reference the SMM Manual. Correct any errors.
3. Set dc chassis voltages to (+2.5%, +20.1 volts), (-2.5%, -19.1 volts)	Run the appropriate SMM diagnostic for the controller and peripheral device being tested. Reference the SMM Manual. Correct any errors.
4. Set dc chassis voltages to (-2.5%, +19.1 volts), (+2.5%, -20.1 volts)	Run the appropriate SMM diagnostic for the controller and peripheral device being tested. Reference the SMM Manual. Correct any errors.
5. Return all voltages to normal.	

4.1

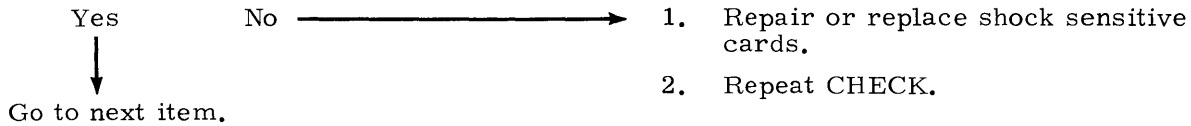
PERFORM SHOCK TEST

NOTE

Schedule shock testing on a rotational basis so that each controller is completed at least once each six months.

CHECK/Conditions	Action
1. System power on.	
2. Load and execute the appropriate SMM diagnostic for the controller and peripheral device being tested. Reference the SMM Manual.	
3. Using a plastic faced hammer, tap lightly in the center of each card in the controller, while monitoring test.	

CHECK: Is test still running?



4.2

MECHANICAL INSPECTION

CHECK/Conditions	Action	
1. Do all door assemblies open and close without binding on lower trim panel or top assembly?		
<p>Yes</p> <p>↓</p>	<p>No →</p>	<ol style="list-style-type: none"> 1. If door is binding on the top or bottom, correct by adjusting the external relief pins at either the top or bottom of the door. 2. Repeat CHECK.
2. Are the friction catches aligned correctly and free of foreign material?		
<p>Yes</p> <p>↓</p>	<p>No →</p>	<ol style="list-style-type: none"> 1. Clean and align the friction catches at the top and bottom of the door. 2. Repeat CHECK.
3. Ensure power supply covers are in place and secured.		

4.2 (Continued)

CHECK/Conditions

Action

4. Ensure that the cable cut out covers are in place and are fastened with the turnlock fasteners.
5. Ensure that the power distribution box covers are in place and secured.

SECTION 7

MAINTENANCE AIDS

FA705 CHASSIS MAP REV8

Chassis 1

20	19	18	17	16	15	14	13	12	11	10	09	08	07	06	05	04	03	02	01	
H05	H05	H20	H20	H20	H17	H17	H17	H17	H17	H47	H48	H47	K24	C75	K26					
A102	A112	L003	L007	L011	X000	X006	X012	X019	X025	J901	M015	J280	M027	M018	M032					
A155	A156	L002	L006	L010	X001	X007	X013	X032	X026	J227	M016	J281	M028	M031	M029					C
XXXX	XXXX	L001	L005	L009	X002	X008	X014	X021	X027	A053	M017	J295	XXXX	XXXX	XXXX					
XXXX	XXXX	L000	L004	L008	X003	X009	X015	X022	X028	A043	M019	M030	XXXX	XXXX	XXXX					
K25	H48	K22	K27	H47	H47	H48	H48	H48	H47	H47	H48	H48	H48	K68	C60					
J218	J200	J216	J225	J205	M047	M000	M004	M008	A033	J270	S039	M022	M026	Y094	S900					
	J202	J217	J224	J209	M048	M001	M005	M009	A023	J291	M013	M023	J271	XXXX	S901					D
XXXX	J206	XXXX	XXXX	J213	J903	M002	M006	M010	A013	J273	M014	M024	I054	XXXX	S902					
XXXX	J210	XXXX	XXXX	J097	J000	M003	M007	M011	A003	J269	M021	M025	M020	XXXX	* *					
K68	K71	K68	H48	H47	H46	K33	K33	K33	H46	H46	H46	K33	H46	K25	H48	K23	K33	K71	K33	
Y072	Y006	Y069	J902	V116	S006	S016	S026	S036	S056	S076	S096	S116	S126	J060	J062	J900	K902	Y900	K900	
XXXX	Y066	XXXX	A014	V114	S007	S017	S027	S037	S057	S077	S097	S117	S127	J061	S019	G230	K903	Y901	K901	E
XXXX	Y070	XXXX	J256	V118	S046	XXXX	XXXX	XXXX	S066	S086	S106	XXXX	S128	XXXX	S009	XXXX	* *	Y902	XXXX	
XXXX	Y040	XXXX	* *	V104	S047	XXXX	XXXX	XXXX	S067	S087	S107	XXXX	S129	XXXX	S029	XXXX	* *	Y903	XXXX	
K37	K33	H46		H47	H46	H46	H46	H46	H46	H46	M30	K23	K33	H47	K26		H10		K67	
K082	K166	K172		V216	S004	S024	S044	S064	S084	S104	S008	S018	S124	J064	J063		L012		Y904	
K083	K167	K173		V217	S005	S025	S045	S065	S085	S105	J401	J065	S125	J066	J067		J128		XXXX	F
XXXX	XXXX	S130		V218	S014	S034	S054	S074	S094	S114	XXXX	XXXX	XXXX	J098	XXXX				XXXX	
XXXX	XXXX	S131		J180	S015	S035	S055	S075	S095	S115	XXXX	XXXX	XXXX	J043	XXXX				XXXX	

20 19 18 17 16 15 14 13 12 11 10 09 08 07 06 05 04 03 02 01

FA705 CHASSIS MAP REV8

Chassis 1

	42	41	40	39	38	37	36	35	34	33	32	31	30	29	28	27	26	25	24	23	22	21	
	K33	H46	K31		K24	K31	H46	K71	H46	K33	K33	K33	H05	H05	H05	H05	H05	H05	H05	H05	H05	H05	
C	K002	K004	K006		J007	K016	K012	Y096	K014	K018	K020	K182	A002	A012	A022	A032	A042	A052	A062	A072	A082	A092	
	K003	K005	K007		J009	K017	K013	Y042	K015	K019	K021	K183	A140	A141	A142	A143	A144	A145	A166	A167	A168	A154	
	XXXX	K008	XXXX		XXXX	XXXX	K010	Y045	K022	XXXX	XXXX	XXXX	XXXX	XXXX	XXXX	XXXX	XXXX	XXXX	XXXX	XXXX	XXXX	XXXX	
	XXXX	K009	XXXX		XXXX	XXXX	K011	Y102	K023	XXXX	XXXX	XXXX	XXXX	XXXX	XXXX	XXXX	XXXX	XXXX	XXXX	XXXX	XXXX	XXXX	
	K33	C28	H48	K26	H47	C70	K67	K67	K22	H46	H46	H10	K67	K27	H48	C21	H47	C28	C55	H05	C28	H47	
D	K000	J906	J003	J008	J002	Y092	Y027	Y026	J102	K052	K070	L050	Y028	J056	J057	J040	I048	J221	J223	J226	J222	J259	
	K001	J284	J004	J166	J045	Y090	XXXX	XXXX	J123	K053	K071	L051	XXXX	J059	J058	* *	I049	J230	XXXX	* *	J129	J907	
	XXXX	XXXX	J005	XXXX	J049	Y093	XXXX	XXXX	XXXX	K068	* *	L052	XXXX	XXXX	J294	XXXX	J219	XXXX	XXXX	XXXX	XXXX	* *	
	XXXX	XXXX	J248	XXXX	J096	* *	XXXX	XXXX	XXXX	K069	* *	L150	XXXX	XXXX	J283	XXXX	J010	XXXX	XXXX	XXXX	XXXX	* *	
	K24	K24	H46	H46	H46		H47	C73	H48	K71	H46	H46	H46	H46	K71	K67	K67	K33	K31	K32	H47	K22	
E	J050	J052	K074	K064	K060		J297	J044	J041	Y036	K046	K042	K038	K034	Y032	Y091	Y099	K054	K056	K030	J140	J228	
	J051	J053	K075	K065	K061		J268	J047	J042	Y037	K047	K043	K039	K035	Y033	XXXX	XXXX	K055	K057	K031		J001	
	XXXX	XXXX	K058	K066	K062		I071	XXXX	J172	Y038	K048	K044	K040	K036	Y034	XXXX	XXXX	XXXX	XXXX	XXXX	J905	XXXX	
	XXXX	XXXX	K059	K067	K063		J121	XXXX	J048	* *	K049	K045	K041	K037	Y035	XXXX	XXXX	XXXX	XXXX	XXXX	XXXX	XXXX	
	H05	H05	H05	H05	H05	H05	H05	H05	K67	H48	H48	H48				C28	H47		K33	K71	K26	H05	H05
F	J240	J241	J242	J243	J244	J245	J246	J247	Y048	J253	J232	J236				J252	J054		K032	Y029	J126	J215	J214
	A139	J212	J211	J208	J207	J204	J203	M046	XXXX	J254	J233	J237				J255	J055		K033	Y030		J220	M045
	XXXX	XXXX	XXXX	XXXX	XXXX	XXXX	XXXX	XXXX	XXXX	C275	J234	J238				XXXX	J229		XXXX	Y031		XXXX	XXXX
	XXXX	XXXX	XXXX	XXXX	XXXX	XXXX	XXXX	XXXX	XXXX	J201	J235	J239				XXXX	J266		XXXX	Y043		XXXX	XXXX
	H46	H47	K67																				
G	C380	C315	Y082																				
	* *	* *	XXXX																				
	* *	* *	XXXX																				
	* *	* *	XXXX																				

FA705 CHASSIS MAP REV8

Chassis 2

	20	19	18	17	16	15	14	13	12	11	10	09	08	07	06	05	04	03	02	01	
H46	H46	H46	H46	K23	K25	K22	C28	H47	H47	H46	H46	H46	H46	K22	K22	K22	C28	H47	H47		
C002	C022	C042	C062	C005	C308	C044	C064	C048	C350	C082	C102	C122	C142	C084	C104	C124	C134	C115	C218		A
C003	C023	C043	C063	C074	C078	C314	C095	C045	C085	C083	C103	C123	C143	C094	C114	C144	C059	C125	C217		
C012	C032	C052	C072	XXXX	XXXX	XXXX	XXXX	C055	J011	C092	C112	C132	C152	XXXX	XXXX	XXXX	XXXX	C135	J046		
C013	C033	C053	C073	XXXX	XXXX	XXXX	XXXX	* *	C105	C093	C113	C133	C153	XXXX	XXXX	XXXX	XXXX	J183			
K33	K33	K33	K33	K33	K33	K33	K33	K33	H48	H47	K33	K33	K33	K33	K33	K33	K33	H47	C21		
C000	C010	C020	C030	C040	C050	C060	C070	V115	C047	C080	C090	C100	C110	C120	C130	C140	C150	C210	C058		B
C001	C011	C021	C031	C041	C051	C061	C071	V117	C057	C081	C091	C101	C111	C121	C131	C141	C151	C211	C128		
XXXX	XXXX	XXXX	XXXX	XXXX	XXXX	XXXX	XXXX	V119	C127	XXXX	XXXX	XXXX	XXXX	XXXX	XXXX	XXXX	XXXX	XXXX	XXXX	C212	XXXX
XXXX	XXXX	XXXX	XXXX	XXXX	XXXX	XXXX	XXXX	V121	C067	XXXX	XXXX	XXXX	XXXX	XXXX	XXXX	XXXX	XXXX	XXXX	C213	XXXX	
H48	C21	C21	K22	K22	K22	K22	K22	H47	K23	H47	H48	H48	C21	K25	K25	H05	K22	C62	H48		
C254	C272	C262	V304	C006	C026	C046	C066	C202	C200	C201	C209	C216	C273	C320	C256	C086	C106	T340	V201		C
C266	C264	C263	C215	C016	C036	C056	C076	C203	C208	C206	C235	V215	W237	C098	C250	C017	C116	* *	V203		
C267	XXXX	XXXX	XXXX	XXXX	XXXX	XXXX	XXXX	C204	XXXX	C207	V209	V213	XXXX	XXXX	XXXX	XXXX	XXXX	XXXX	XXXX	J104	
C285	XXXX	XXXX	XXXX	XXXX	XXXX	XXXX	XXXX	C205	XXXX	C271	V211	C319	XXXX	XXXX	XXXX	XXXX	XXXX	XXXX	XXXX	* *	
H46	H46	H46	H47	K29	H47	H47	K26	H30	K67	H48	H47	C21	C21	C62	C62	K22	C62	C62	H48		
A090	A100	A110	F055	A160	A150	C265	J142	J025	Y058	C257	C351	F057	C307	T330	T320	J106	T310	T300	V101		D
A091	A101	A111	A143	J286	A151	J023	* *	I112	XXXX	C258	C259	C255	C318	T331	T321	J145	T311	T301	V103		
A290	A300	A310	A169	XXXX	A152	A191	XXXX	XXXX	XXXX	C238	C260	XXXX	XXXX	XXXX	XXXX	XXXX	XXXX	XXXX	XXXX	J402	
A291	A301	A311	A180	XXXX	A153	A181	XXXX	XXXX	XXXX	C325	I107	XXXX	XXXX	XXXX	XXXX	XXXX	XXXX	XXXX	XXXX		
C21	K26	C21	K35	C21	K23	H46	K33	H48	H46	H46	H46	H46	H46	BGM	BGM	BGM	BGM	BGM	BGM	BGM	
W048	J073	W261	K108	C278	F014	F150	F158	F011	F140	F144	F148	C402	F110	R334	R315	R304	R206	R203	R200		E
A161	F041	C239	K109	* *	F012	F151	F159	F013	F141	F145	F149	C403	F111	R335	R324	R305	R207	R204	R201		
XXXX	XXXX	XXXX	XXXX	XXXX	XXXX	F152	XXXX	F034	F142	F146	F156	F102	F112	R344	R325	R314	R220	R205	R202		
XXXX	XXXX	XXXX	XXXX	XXXX	XXXX	F153	XXXX	F036	F143	F147	F157	F103	F113	XXXX	XXXX	XXXX	XXXX	XXXX	XXXX		
H47	H47	H47	K33	H47	K24	K27	C21	C21	K71	K67	K23	H48	K33	H48	H47	C15	H47	C15	H47		F
F035	J298	J152	F100	W012	F029	F015	F016	F019	Y011	Y010	F000	F030	K170	V301	V300	J404	V200	J403	W215		
F043	C236	F049	F101	I109	J406	J022	F017	F020	Y055	XXXX	J151	J095	K171	V303	J016	XXXX	W202	XXXX	V102		
F053	J289	* *	XXXX	W269	XXXX	XXXX	XXXX	XXXX	Y0±	XXXX	XXXX	F042	XXXX	I113	J012	XXXX	J904	XXXX	I114		
I108	F018	F054	XXXX	I110	XXXX	XXXX	XXXX	XXXX	Y068	XXXX	XXXX	J094	XXXX	I115	C037	XXXX	V205	XXXX	V105		
H48	K67	H46	H46	K22	K22	K22	K22	H47	H46	H30	H47	H48	H47	H48	H48	BGM	BGM	BGM	BEM		G
F038	Y013	W266	F050	F021	F023	F025	F027	F007	F004	C065	F002	F003	I103	J092	W259	R332	R313	R302	P000		
F039	XXXX	W267	F051	F022	F024	F026	F028	F008	F005	F061	F009	F006	I104	I102	C224	R333	R322	R303	XXXX		
F040	XXXX	C194	K072	XXXX	XXXX	XXXX	XXXX	W287	F104	XXXX	F010	F044	I105	J068	W260	R342	R323	R312	XXXX		
J293	XXXX	C195	K073	XXXX	XXXX	XXXX	XXXX	J069	F105	XXXX	F001	W229	F031	W228	F048	XXXX	XXXX	XXXX	XXXX		
K29	K29	K29	K29	K71	K22	H46	K26	K14	K14	AFH	BDW	K25	K67	H53	K32	H46	H46	H47	H53		H
I008	I009	I010	I011	Y009	W250	W086	I101	S121	S120	P009	P007	J261	Y002	Y012	C182	C180	C160	C221	Y107		
I028	I029	I030	I031	Y071	W249	W087	I100	XXXX	XXXX	P010	P008	* *	XXXX	* *	C183	C181	C161	C222	Y059		
XXXX	XXXX	XXXX	XXXX	Y095	XXXX	* *	XXXX	XXXX	XXXX	XXXX	XXXX	XXXX	XXXX	XXXX	Y080	XXXX	C400	C170	J400	* *	
XXXX	XXXX	XXXX	XXXX	Y019	XXXX	* *	XXXX	XXXX	XXXX	XXXX	XXXX	XXXX	XXXX	XXXX	Y100	XXXX	C401	C171	C107	* *	
H47	H48	K67	K67	K33	K33	K33	K33	K33	H48	C15	C15	H48	H47	K23	H46	H46	H53	C21	H46		I
J405	J184	Y073	Y074	W202	W204	W206	W218	W220	C302	J424	J423	C281	W118	W117	C174	K080	Y076	C223	C190		
J278	J262	XXXX	XXXX	W203	W205	W207	W219	W221	C301	XXXX	XXXX	C282	W018	W017	C175	K081	Y077	C329	C191		
J231	W224	XXXX	XXXX	XXXX	XXXX	XXXX	XXXX	XXXX	C300	XXXX	XXXX	J267	J265	XXXX	C176	C172	Y078	XXXX	C390		
C280	C226	XXXX	XXXX	XXXX	XXXX	XXXX	XXXX	XXXX	J264	XXXX	XXXX	C228	J288	XXXX	C177	C173	Y079	XXXX	C391		
K35	H48	K23	H47	C21	H48	H47	H47	H47	H47	H47	BGM	K23	K71	H47	H46	K32	K67	BGM	AGH		J
W150	W134	W133	W128	W120	W113	W112	W108	W104	W100	C303	R225	W235	Y081	J072	C164	W246	Y086	R230	T221		
W151	W135	W036	W129	W122	W114	J425	W109	W105	W101	C304	R222	F060	Y083	C227	C165	W247	XXXX	R231	XXXX		
XXXX	W137	XXXX	W130	XXXX	W140	J272	W110	W106	W102	C305	R227	XXXX	Y084	J282	C166	XXXX	XXXX	R219	XXXX		
XXXX	W252	XXXX	W131	XXXX	W141	W119	W111	W107	W103	C306	XXXX	XXXX	Y041	C231	C167	XXXX	XXXX	XXXX	XXXX		

C55	C21	C28	H11	H11	H11	H11	H11	H11	H11	H11	BGM	BGM	BGM	H47	BGM	BGM	BGM	BGM	H19	H19		
W121	W124	W248	R120	R115	R112	R109	R106	R103	R100	R336	R317	R306	J410	R209	R210	R213	R216	T214	T216			
XXXX	W126	W136	R118	R116	R113	R110	R107	R104	R101	R337	R326	R307	J411	R218	R211	R214	R217	T215	T217	K		
XXXX	XXXX	XXXX	R119	R117	R114	R111	R108	R105	R102	R346	R327	R316	J412	R228	R212	R215	R221	XXXX	XXXX			
XXXX	XXXX	XXXX	XXXX	XXXX	XXXX	XXXX	XXXX	XXXX	XXXX	XXXX	XXXX	XXXX	J413	XXXX	XXXX	XXXX	XXXX	XXXX	XXXX	XXXX		
C62	H19	C62	C62	H19	H19	H19	H19	H19	H19	C62	C62	H19		C62	C62	C62	H19	H19	H19			
T124	T122	T120	T112	T110	T108	T106	T104	T102	T100	T200	T202	T299		T208	T224	T220	T218	T210	T212			
T125	T123	T121	T118	T111	T109	T107	T105	T103	T101	T201	T203	T219		T209	T225	T222	T223	T211	T213	L		
XXXX	XXXX	XXXX	XXXX	XXXX	XXXX	XXXX	XXXX	XXXX	XXXX	XXXX	XXXX	XXXX		XXXX	XXXX	XXXX	XXXX	XXXX	XXXX			
XXXX	XXXX	XXXX	XXXX	XXXX	XXXX	XXXX	XXXX	XXXX	XXXX	XXXX	XXXX	XXXX		XXXX	XXXX	XXXX	XXXX	XXXX	XXXX			
20	19	18	17	16	15	14	13	12	11	10	09	08	07	06	05	04	03	02	01			

FA705 CHASSIS MAP REV8

Chassis 2

	42	41	40	39	38	37	36	35	34	33	32	31	30	29	28	27	26	25	24	23	22	21		
A	K67 Y087 XXXX XXXX	K24 C035 C039 XXXX	H05 C096 C008 XXXX	C21 J080 JU78 XXXX	H05 J079 C311 XXXX	K17 J162 XXXX XXXX	K17 J161 XXXX XXXX	K17 J160 XXXX XXXX	H46 K160 K157 K162	H46 K156 K157 K168	C28 J089 C025 XXXX	H46 K128 K129 K154	K34 K150 K151 XXXX	H47 C310 J149 J015	C28 A177 J024 XXXX	K26 A175 A185 XXXX	K29 A170 C251 XXXX	H48 A176 A178 A173	K33 K158 K159 XXXX	C55 C054 XXXX XXXX	H30 C024 I111 XXXX	H47 C252 C015 C027	H47 C214 XXXX XXXX	
B	K23 J071 J099 XXXX	K36 K164 K181 XXXX	H46 K180 K181 K090	K26 JU76 JU82 XXXX	H46 K086 K087 K088	K17 J163 XXXX XXXX	H46 J081 J086 J181	H47 J090 J093 Y062	C70 Y020 Y061 Y062	K24 J084 J088 XXXX	C21 J085 K152 K153	K32 J087 K153 J100	K22 C014 XXXX XXXX	C55 H30 K22 C014	H30 A184 J143 A171	K22 A171 C034 A172	C55 H48 A172 C034	H48 A172 J407 K140	H47 J407 J039 J132	H48 J039 C028 C079	H47 V100 C313 J299	H47 J287 XXXX XXXX		
C	K25 C261 J127 XXXX	K22 C075 C004 XXXX	K67 Y052 Y098 XXXX	K71 Y097 Y098 Y064	H48 J113 J114 J290	K71 Y049 Y050 Y051	H46 K118 K117 K146	K36 K116 K117 XXXX	C21 J070 J164 XXXX	H47 C038 J105 J117	H47 J111 J117 XXXX	K25 C21 H35 A162	C21 H35 A162 A120	H48 A162 A120 A130	K33 A120 A130 A159	K33 A130 A159 A158	K17 A159 A146 A147	C28 A157 A146 A147	H47 A146 W190 W191	H46 W190 W191 W090	H48 J083 C240 C242 C270	H48 J083 C240 C242 C270		
D	H47 C018 C276 W214 C219	H46 K190 K143 XXXX	K33 K142 K143 XXXX	K13 K141 XXXX XXXX	K24 J109 J125 XXXX	K26 J136 J137 Y047	K71 Y075 Y046 Y022	K35 K124 K125 XXXX	K33 K110 K111 XXXX	K33 K112 K113 XXXX	H46 K102 K103 K106	H46 K100 K101 K104	H47 J116 J108 J131	H46 A000 A001 A200	H46 A010 A020 A210	H46 A010 A020 A220	H46 A010 A020 A230	H46 A010 A020 A240	H46 A010 A020 A250	H46 A010 A020 A260	H46 A010 A020 A270	H46 A010 A020 A280	H46 A010 A020 A281	
E	H47 J119 F063 C007 C087	C21 J027 C243 XXXX	C21 J285 C268 XXXX	C21 J285 FU52 XXXX	K24 J112 * * XXXX	H46 K122 K130 K127	K33 K130 XXXX XXXX	K32 K138 K139 XXXX	H46 W216 W254 W216	H46 W212 W254 W216	C21 J103 K132 K133	H46 J107 K132 J115	K26 J107 K133 J115	H30 W291 J006 J006	H30 W208 W071 W161	H46 W072 W161 W069	K33 W160 W069 W067	K33 W066 W064 W065	K33 W066 W064 W065	K33 W066 W064 W065	K33 W066 W064 W065	K33 W066 W064 W065	K33 W066 W064 W065	
F	H46 S002 S003 S012 S013	H46 S022 S023 S032 S033	H46 S042 S043 S052 S053	H46 S062 S063 S072 S073	H46 S082 S083 S092 S093	H46 S102 S103 S112 S113	H46 Y101 Y063 Y014 Y053	H47 V123 V124 V125 J146	H48 J028 A138 J030 J031	H48 J032 J033 J033 J147	H48 J034 J035 V223 V224	H47 V250 J021 J118 J150	H47 J021 J118 XXXX	H30 W291 J006 XXXX	H30 W291 J006 XXXX	H30 W291 J006 XXXX	H30 W291 J006 XXXX	H30 W291 J006 XXXX	H30 W291 J006 XXXX	H30 W291 J006 XXXX	H30 W291 J006 XXXX	H30 W291 J006 XXXX	H30 W291 J006 XXXX	H30 W291 J006 XXXX
G	K37 S000 S001 XXXX	K37 S010 S011 XXXX	K37 S020 S021 XXXX	K37 S030 S031 XXXX	K37 S040 S041 XXXX	K37 S050 S061 XXXX	K37 S060 S071 XXXX	K37 S070 S081 XXXX	K37 S080 S081 XXXX	K37 S090 S101 XXXX	K37 S100 S111 XXXX	K32 W210 W211 XXXX	H48 I053 I044 I045	H48 I044 I045 I046	H47 J171 I070 XXXX	K23 I060 I062 XXXX	K23 I063 I062 XXXX	K23 I063 I062 XXXX	K23 I063 I062 XXXX	K23 I063 I062 XXXX	K23 I063 I062 XXXX	H47 I067 I068 I069	H47 I067 I068 I069	
H	H46 B000 B001 B002 B003	H46 B010 B011 B012 B013	H46 B020 B021 B022 B023	H46 B030 B031 B032 B033	H46 B040 B041 B042 B043	H46 B050 B051 B052 B053	H46 B060 B061 B062 B063	H46 B070 B071 B072 B073	H46 B080 B081 B082 B083	H46 B090 B091 B092 B093	H46 B100 B101 B102 B103	H46 B110 B111 XXXX	K67 Y088 XXXX XXXX	K27 I051 I052 XXXX	K29 I000 I020 XXXX	K29 I001 I021 XXXX	K29 I002 I022 XXXX	K29 I003 I023 XXXX	K29 I004 I024 XXXX	K29 I005 I025 XXXX	K29 I006 I026 XXXX	K29 I007 I027 XXXX	K29 I008 I028 XXXX	K29 I009 I029 XXXX
I	H48 B201 B202 B204 B205	H47 B206 B207 XXXX	K22 H200 H203 XXXX	C21 B211 B212 XXXX	K26 W243 J263 XXXX	K22 B213 W230 XXXX	H47 W075 W175 J017	K23 J276 J277 XXXX	H46 W084 W085 W184	H48 W242 W225 J258	H47 W080 W081 W082	K23 W132 W231 XXXX	C70 Y000 Y001 Y005	K32 W052 W053 XXXX	K31 W054 W055 XXXX	K32 W058 W059 XXXX	H46 W056 W057 W156	K32 W056 W057 W157	K31 W154 W155 XXXX	K32 W154 W155 XXXX	H47 W180 W181 W182	H47 W180 W181 W182	H47 W180 W181 W182	
J	H47 W000 W001 W002 W003	H47 W004 W005 W006 W007	H47 W008 W009 W010	H48 W012 W014 W019	H48 W013 W014 W041	C21 W020 W022 XXXX	H47 W032 W234 W253	H47 W032 W029 W030	K23 W032 * * XXXX	K23 W033 W233 XXXX	H47 W034 W035 W236	K35 W050 W039 XXXX	K24 W038 W016 W115	H48 W015 W174 XXXX	K23 W074 XXXX XXXX	K67 Y008 XXXX XXXX	K22 W244 W258 XXXX	K22 W244 W258 XXXX	H47 W043 W143 W142	H47 W042 W044 W142	K33 W200 W201 XXXX	K24 W138 W139 XXXX	K24 W138 W139 XXXX	

	H11	H11	H11	H11	H11	H11	C21	C55	C55	C55	C55	K67	K68	H11	C21	K67	K67	H47	K67	C55	C55	C55
	R000	R003	R006	R009	R012	R015	W024	W021	W023	W025	W027	Y016	Y017	R018	W047	Y004	Y003	W083	Y018	W127	W125	W123
K	R001	R004	R007	R010	R013	R016	W026	XXXX	XXXX	XXXX	XXXX	XXXX	XXXX	R019	W147	XXXX	XXXX	W183	XXXX	XXXX	XXXX	XXXX
	R002	R005	R008	R011	R014	R017	XXXX	XXXX	XXXX	XXXX	XXXX	XXXX	XXXX	R020	XXXX	XXXX	XXXX	W262	XXXX	XXXX	XXXX	XXXX
	XXXX	XXXX	XXXX	XXXX	XXXX	XXXX	XXXX	XXXX	XXXX	XXXX	XXXX	XXXX	XXXX	XXXX	XXXX	XXXX	XXXX	W239	XXXX	XXXX	XXXX	XXXX
	H19	H19	H19	H19	H19	H19	C62	C62	H19	C62	C62	C62	H19	H19		H19	H19	C62	H19	H19	C62	C62
L	T000	T002	T004	T006	T008	T010	T012	T020	T022	T024	T026	T028	T030	T014		T013	T113	T116	T114	T130	T128	T126
	T001	T003	T005	T007	T009	T011	T018	T021	T023	T025	T027	T029	T031	T017		T015	T115	T016	T117	T131	T129	T127
	XXXX	XXXX	XXXX	XXXX	XXXX	XXXX	XXXX	XXXX	XXXX	XXXX	XXXX	XXXX	XXXX	XXXX		XXXX	XXXX	XXXX	XXXX	XXXX	XXXX	XXXX
	XXXX	XXXX	XXXX	XXXX	XXXX	XXXX	XXXX	XXXX	XXXX	XXXX	XXXX	XXXX	XXXX	XXXX		XXXX	XXXX	XXXX	XXXX	XXXX	XXXX	XXXX
	42	41	40	39	38	37	36	35	34	33	32	31	30	29	28	27	26	25	24	23	22	21

FA705 CHASSIS MAP REV8

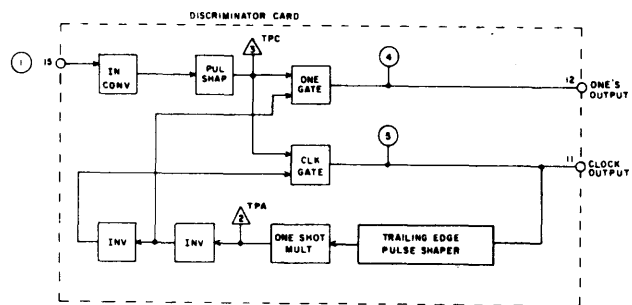
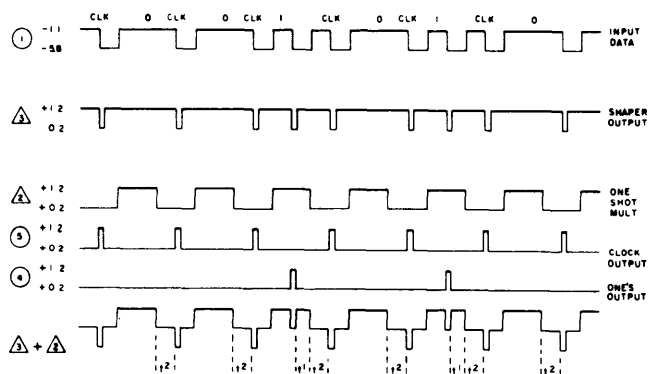
MAP LIST

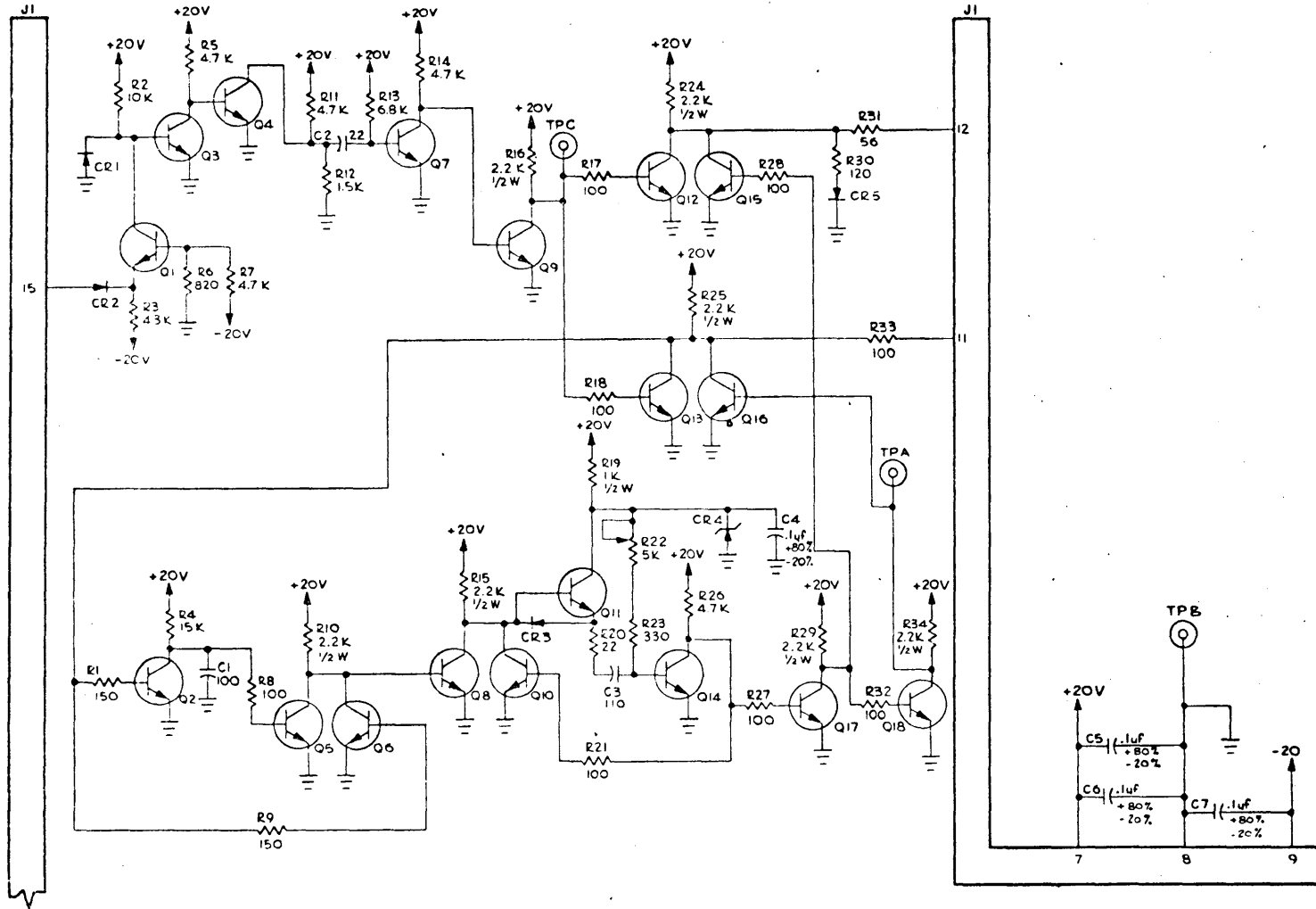
L151 1D031E H10
L152 1D031F H10
X004 1C015E H17
X005 1C015F H17
X010 1C014E H17
X011 1C014F H17
X016 1C013E H17
X017 1C013F H17
X020 1C011F H17
X023 1C012E H17
X024 1C012F H17
X029 1C011E H17
Y067 2B034E C70

This card list shows those logic terms which occupy card sections E or F. These terms do not appear on the standard map, which shows only card sections A, B, C, and D.

DISCRIMINATOR, TYPE BDM

This card discriminates between "1" and clock pulses coming off the disk. The diagram below shows the relationship between timing and data pulses sampled at various points. Because cell time is transient in nature and pattern sensitive, the discriminator must be adjusted for the pattern on both the inner and outer disk positions. Adjustment should be made at TPA 2 so that the signal is long enough to detect all "1's" but short enough to ignore any clocks. TPA 2 should be adjusted for a 250-nsec + pulse.





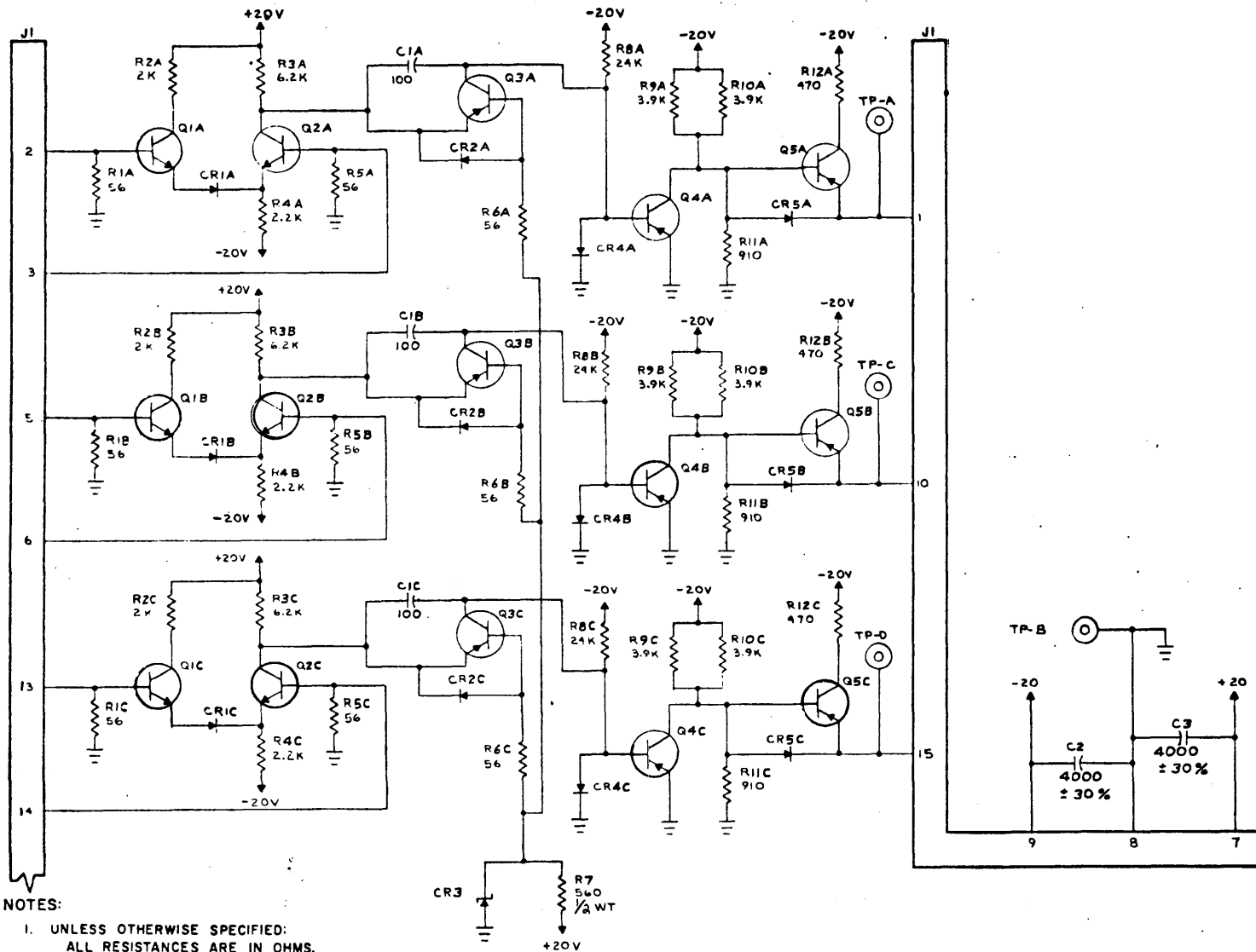
NOTES:

1. UNLESS OTHERWISE SPECIFIED:
 ALL RESISTANCES ARE IN OHMS.
 ALL CAPACITANCES ARE IN PF.
 ALL RESISTORS ARE 1/4 W, ± 5%.
 ALL CAPACITORS ARE ± 20%.
2. REFERENCE DRAWINGS:
 ASSEMBLY 52565201
 BOARD 23441600

Discriminator, Type BDM

LINE RECEIVER, TYPE BGM

This card contains three receiver circuits similar to 3000 type receivers. These circuits are self terminating and the input wires cannot be reversed to achieve a logical inversion. The circuits on this card are non-inverting and receive data and signals from the disk units.



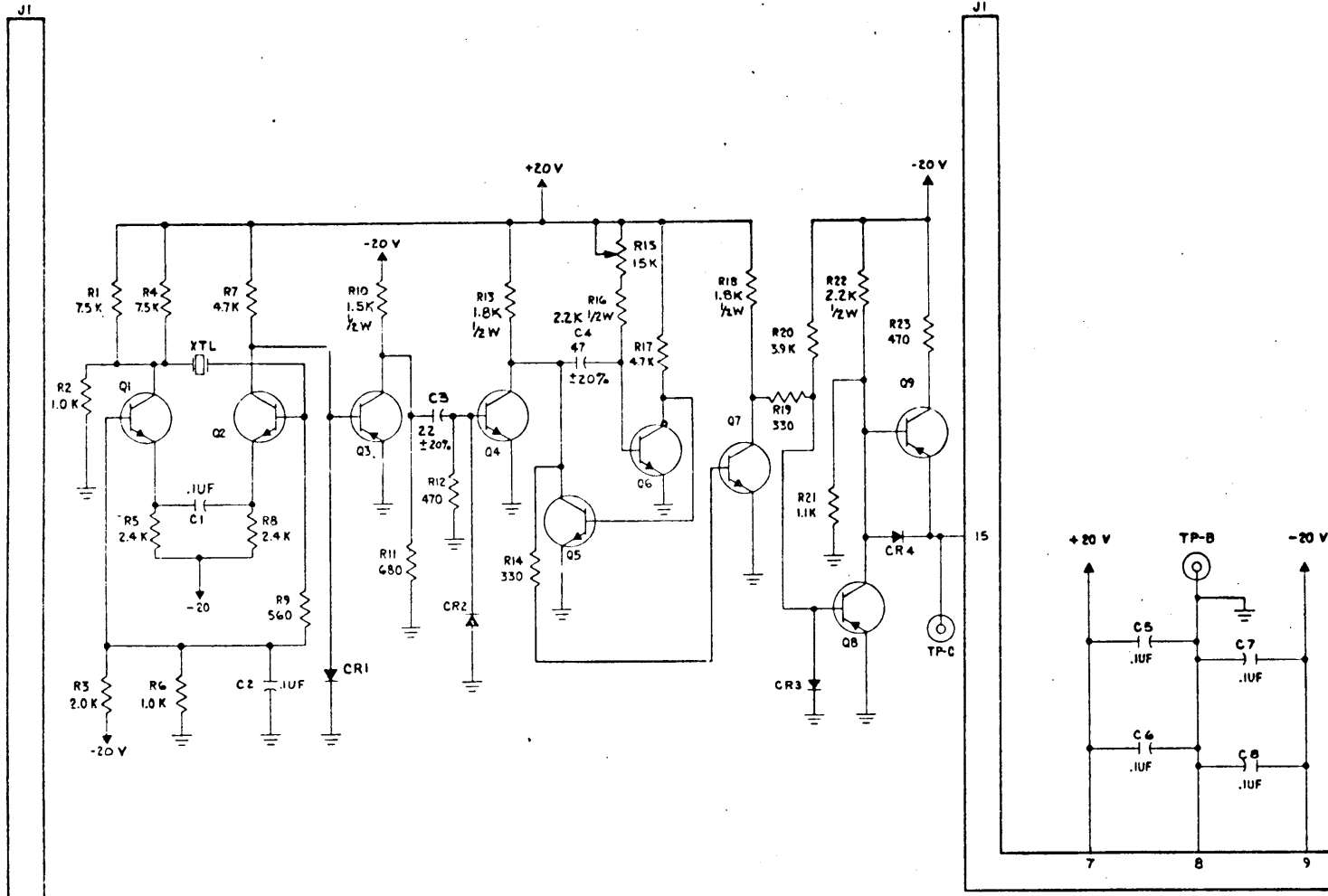
NOTES:

1. UNLESS OTHERWISE SPECIFIED:
 ALL RESISTANCES ARE IN OHMS.
 ALL CAPACITANCES ARE IN PF.
 ALL RESISTORS ARE 1/4 W, ± 5%.
 ALL CAPACITORS ARE ± 20%.
2. REFERENCE DRAWINGS:
 ASSEMBLY 52570300
 BOARD 52570100

Line Receiver, Type BGM

OSCILLATOR SHAPER, TYPE BFM

This circuit is a 5.06 MHz oscillator and shaper with a square-wave output. The negative pulses should be adjusted for 100 nsec.



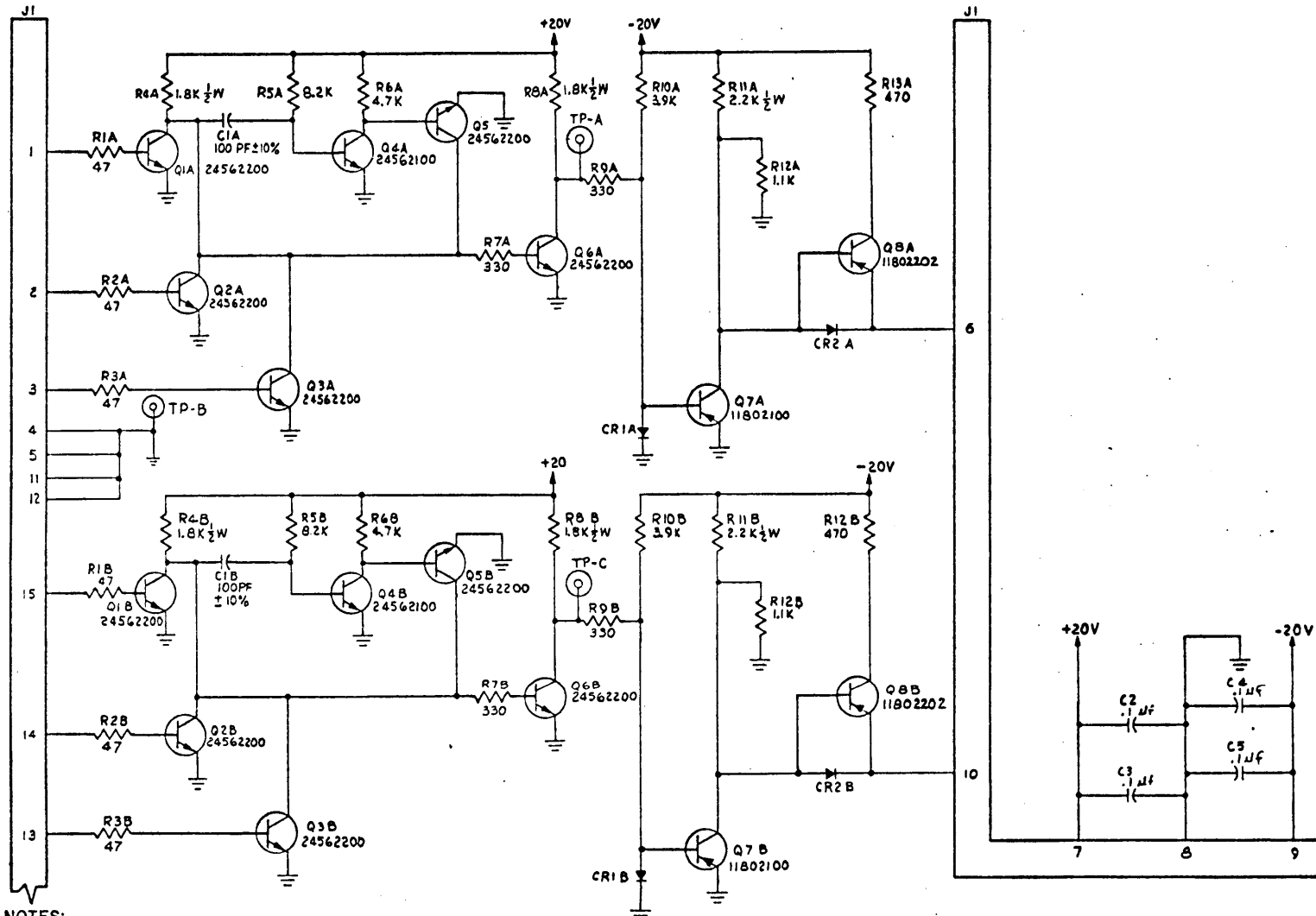
NOTES:

1. UNLESS OTHERWISE SPECIFIED:
 ALL RESISTANCES ARE IN OHMS.
 ALL CAPACITANCES ARE IN PF.
 - ALL RESISTORS ARE 1/4 W, ± 5%.
 ALL CAPACITORS ARE + 80% -20%
2. REFERENCE DRAWINGS:
 ASSEMBLY: 52564A00
 BOARD : 52565000

Oscillator Shaper, Type BFM

PULSE SHAPER, CONVERTER TYPE 6AFH

Each of the two circuits on this card converts an output of the discriminator to controller voltage levels.



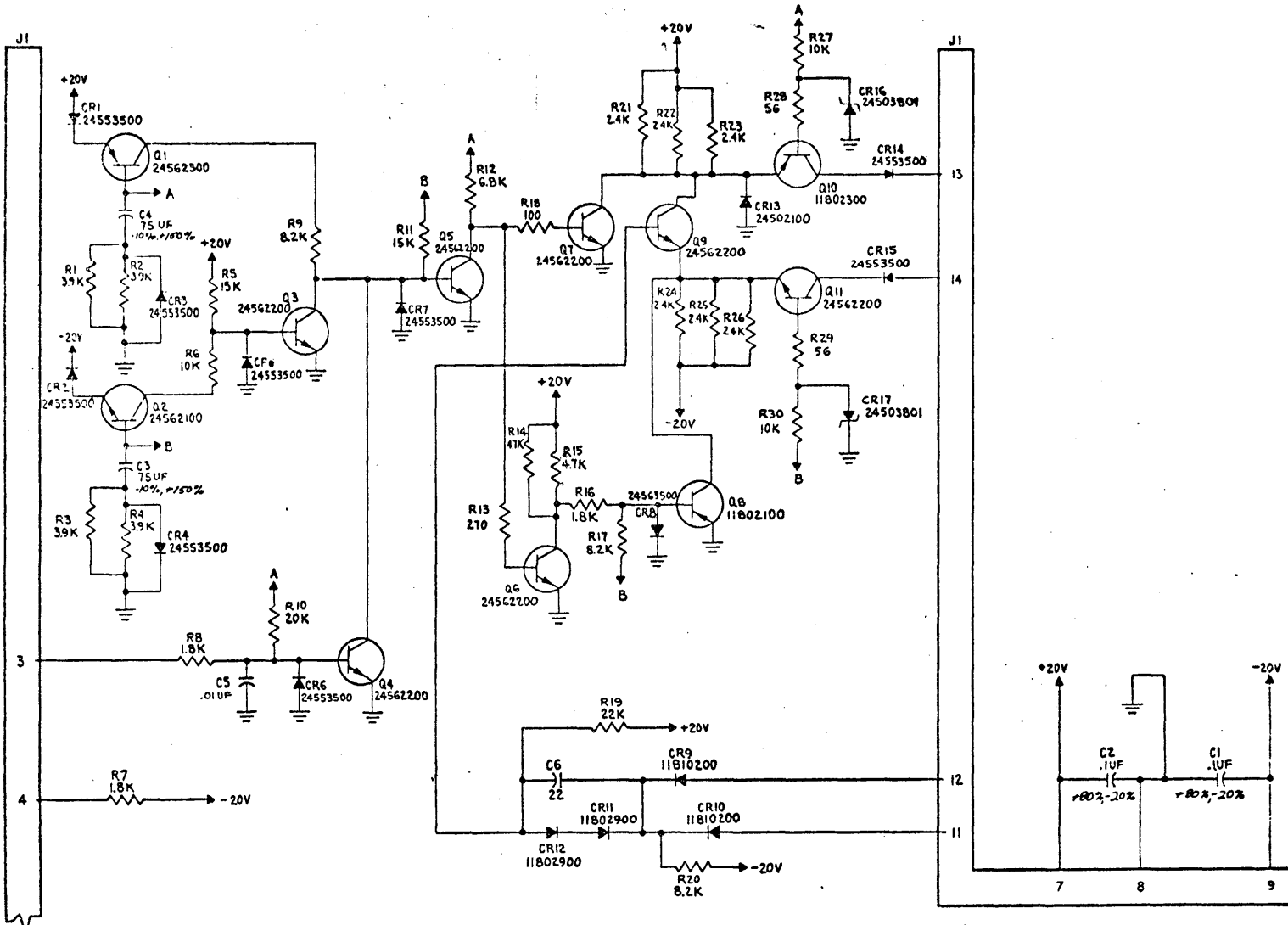
NOTES:

1. UNLESS OTHERWISE SPECIFIED:
 ALL RESISTANCES ARE IN OHMS.
 ALL CAPACITANCES ARE IN PF.
 ALL RESISTORS ARE 1/4 W, ± 5%.
 ALL CAPACITORS ARE +80% - 20%.
2. REFERENCE DRAWINGS:
 ASSEMBLY: 18225100.
 BOARD: 19209700.
3. UNLESS OTHERWISE SPECIFIED:
 ALL DIODES ARE CONTROL DATA
 DRAWING NUMBER 11802900
 POLARIZED

Pulse Shaper, Converter Type 6AFH

POWER LOSS DETECTOR, TYPE 6AGH

This card contains a transmitter identical to the type HA19 (transistors Q9, Q10 and Q11) and a power loss detector (transistors Q1 through Q8). Pins 3 and 4 must be connected together in order for the transmitter to operate. A voltage drop of approximately 2 volts in either the +20v or -20v power supplies will disable the transmitter.



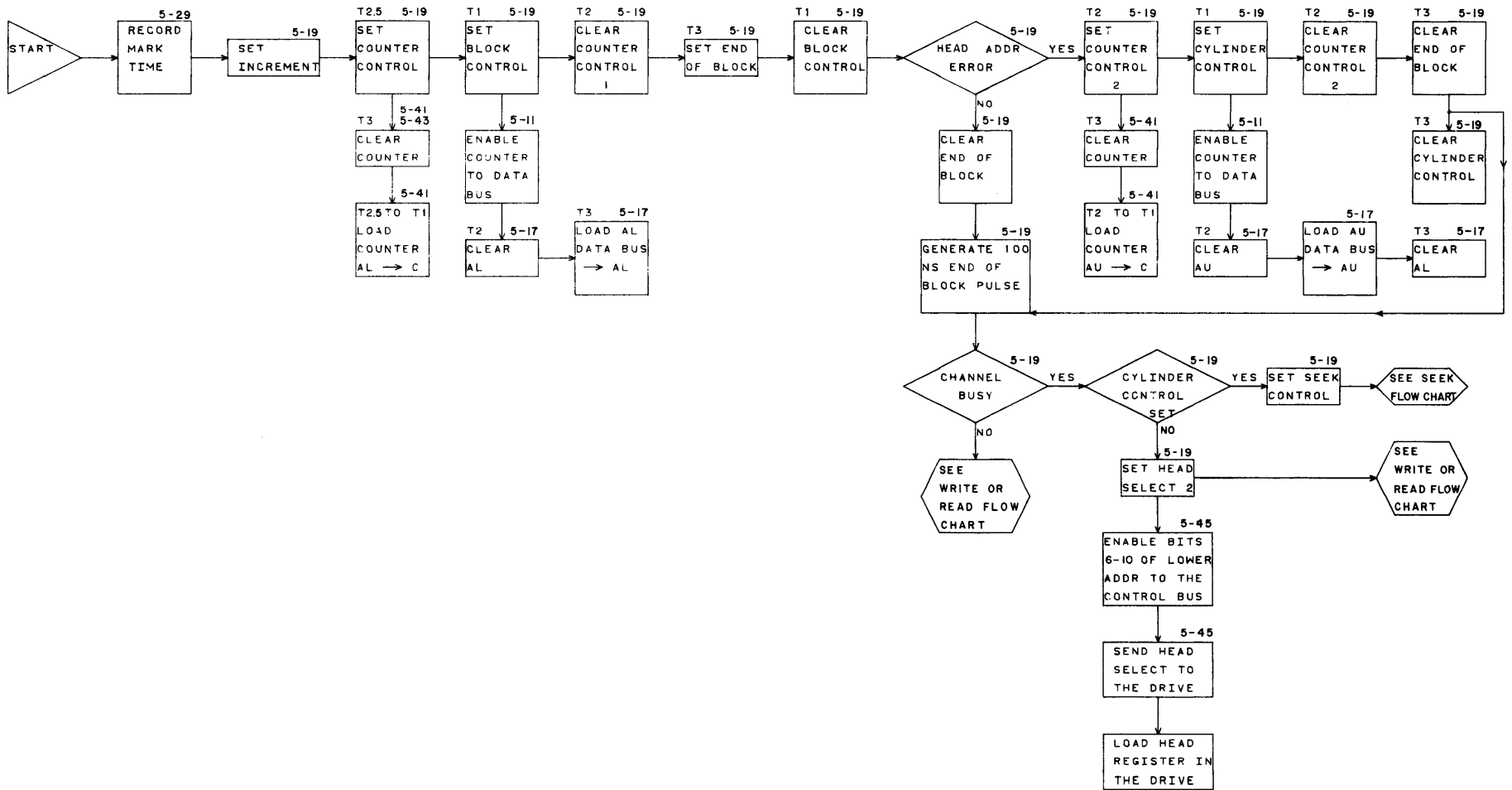
NOTES:

1. UNLESS OTHERWISE SPECIFIED:
 ALL RESISTANCES ARE IN OHMS.
 ALL CAPACITANCES ARE IN PF.
 ALL RESISTORS ARE 1/4 W, ± 5%.
 ALL CAPACITORS ARE ± 20%.
2. REFERENCE DRAWINGS:
 ASSEMBLY 18255800
 BOARD 18256000

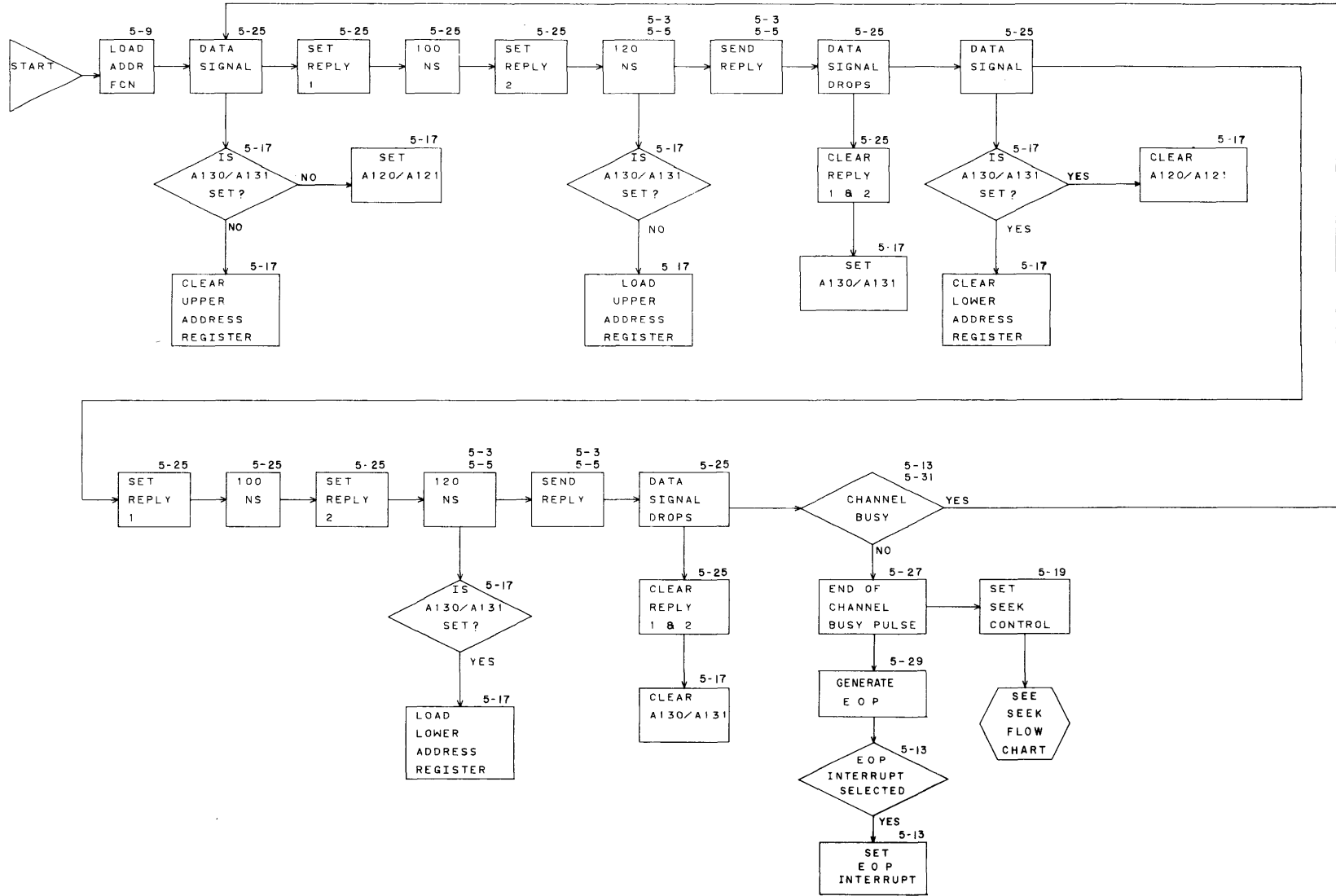
3. ASSEMBLY REQUIRES TWO
 CARD LOCATIONS.

Power Loss Detector, Type 6AGH

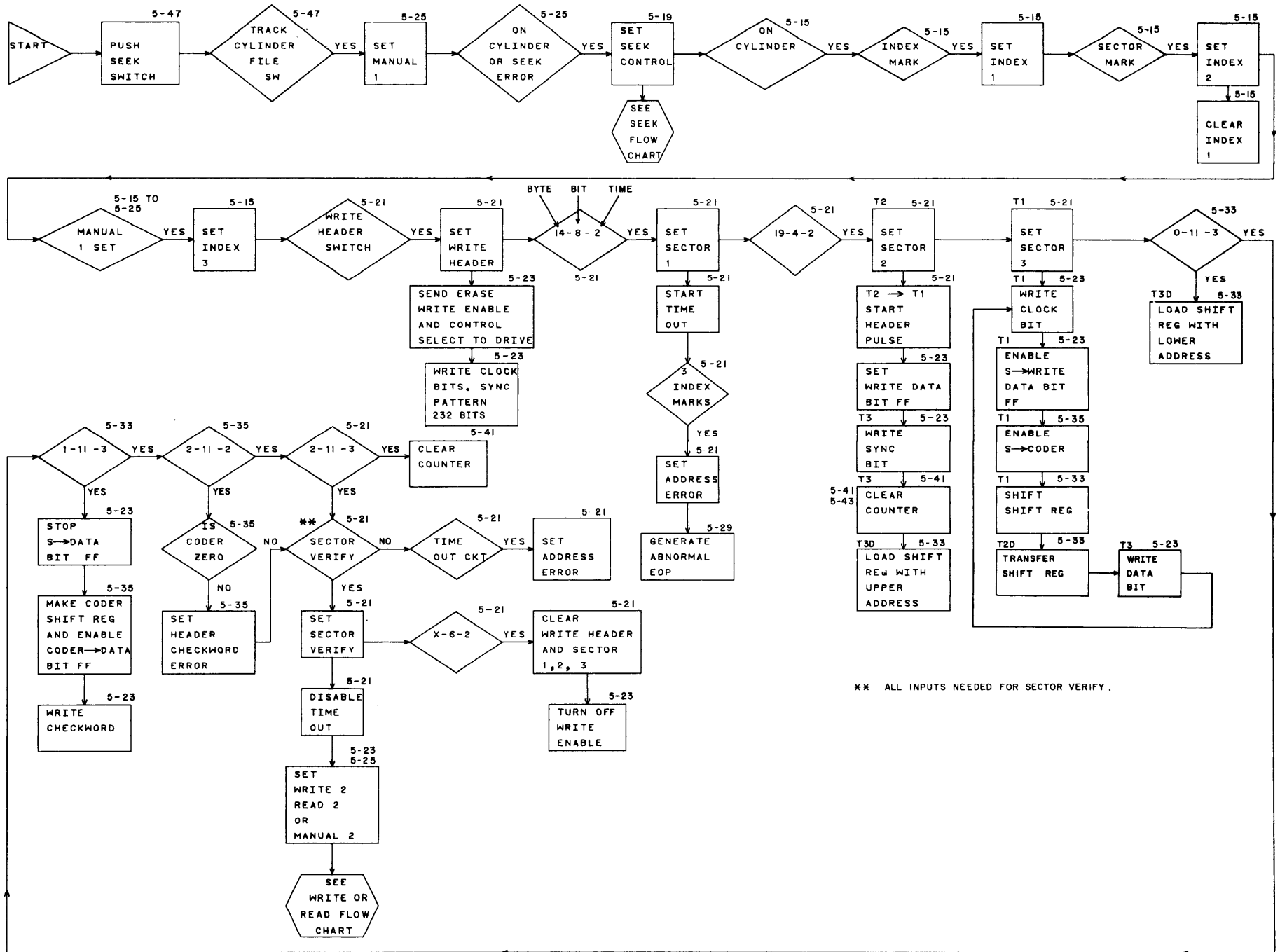
INCREMENT ADDRESS



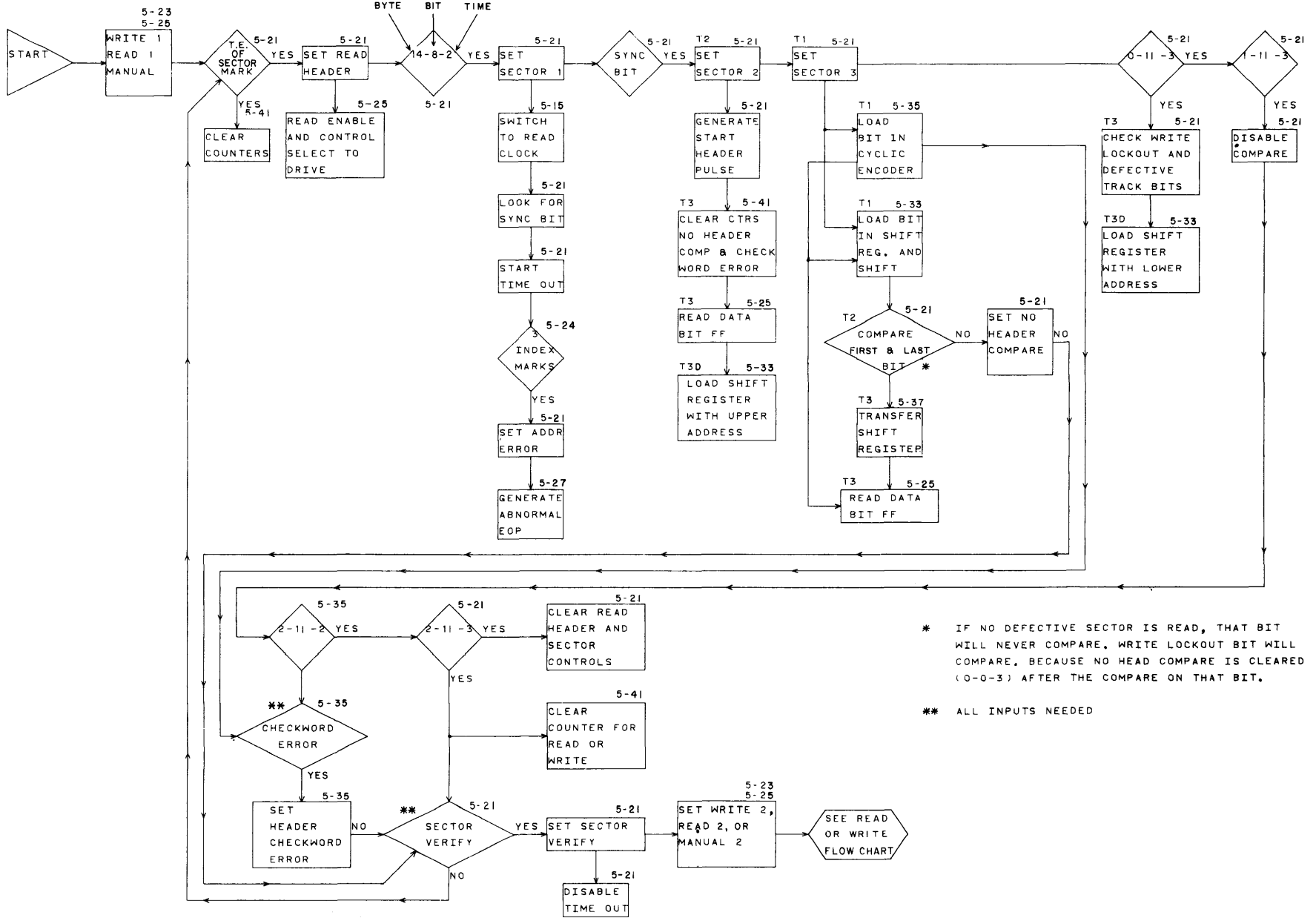
LOAD ADDRESS



WRITE HEADER

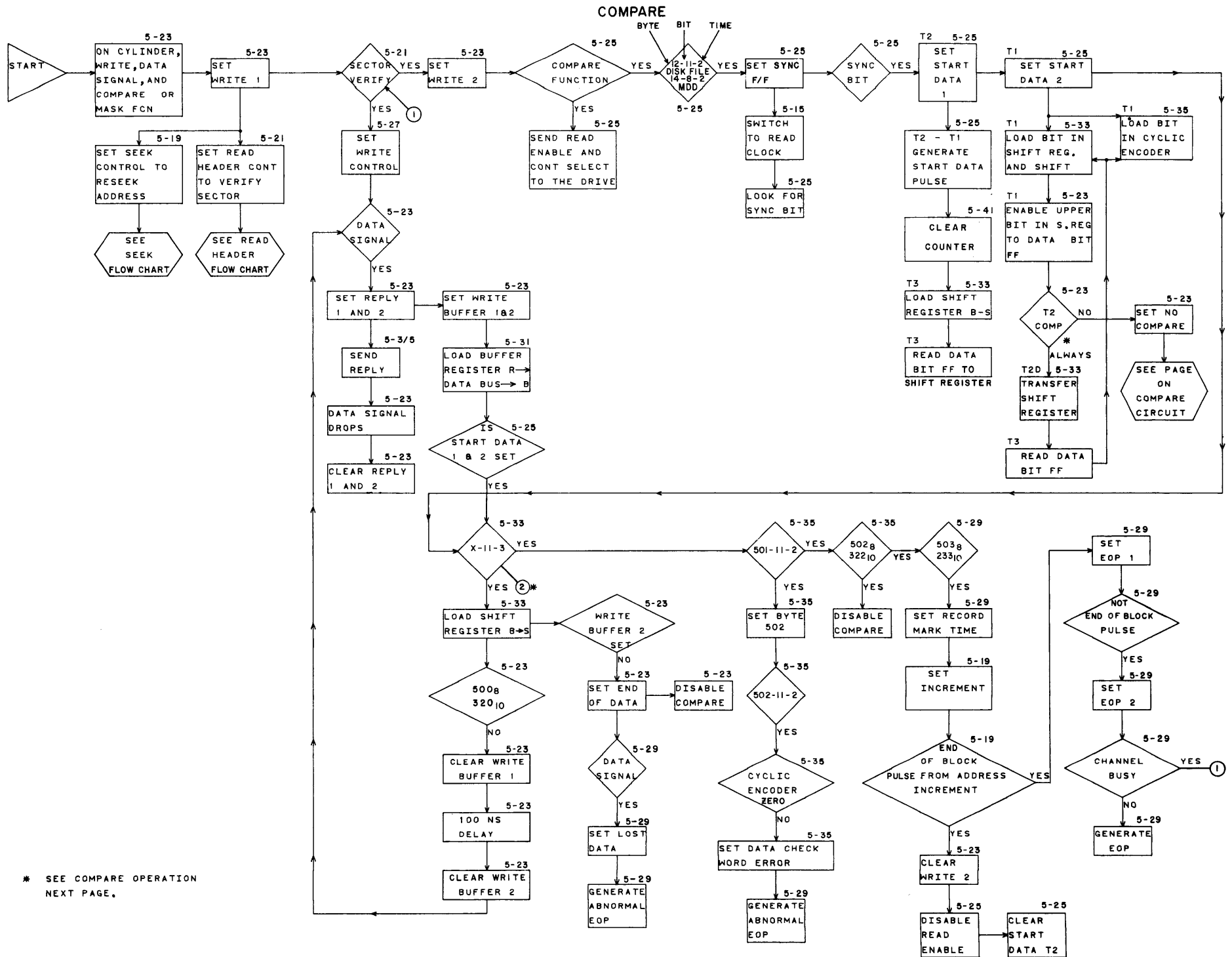


READ HEADER



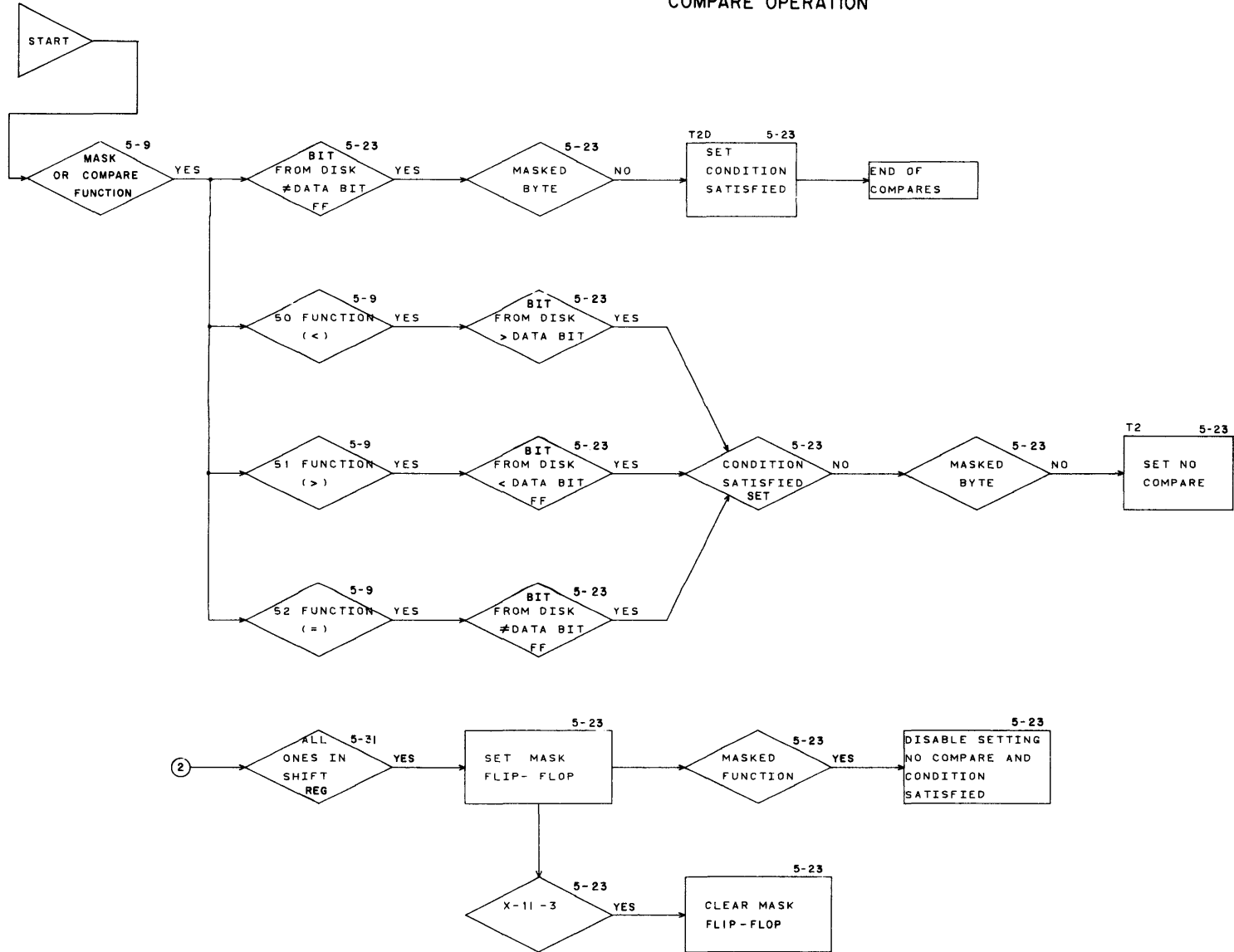
* IF NO DEFECTIVE SECTOR IS READ, THAT BIT WILL NEVER COMPARE. WRITE LOCKOUT BIT WILL COMPARE, BECAUSE NO HEAD COMPARE IS CLEARED (0-0-3) AFTER THE COMPARE ON THAT BIT.

** ALL INPUTS NEEDED

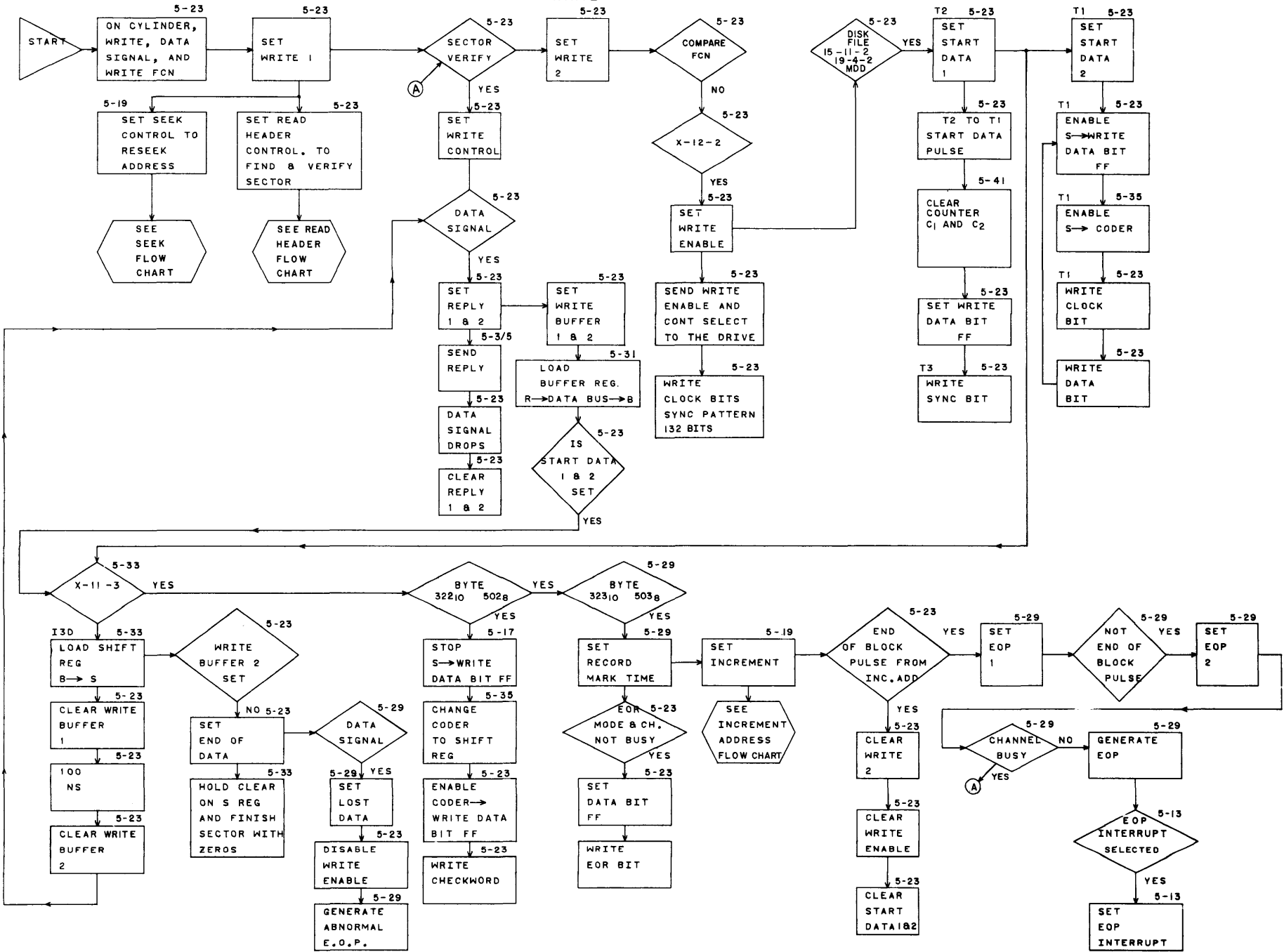


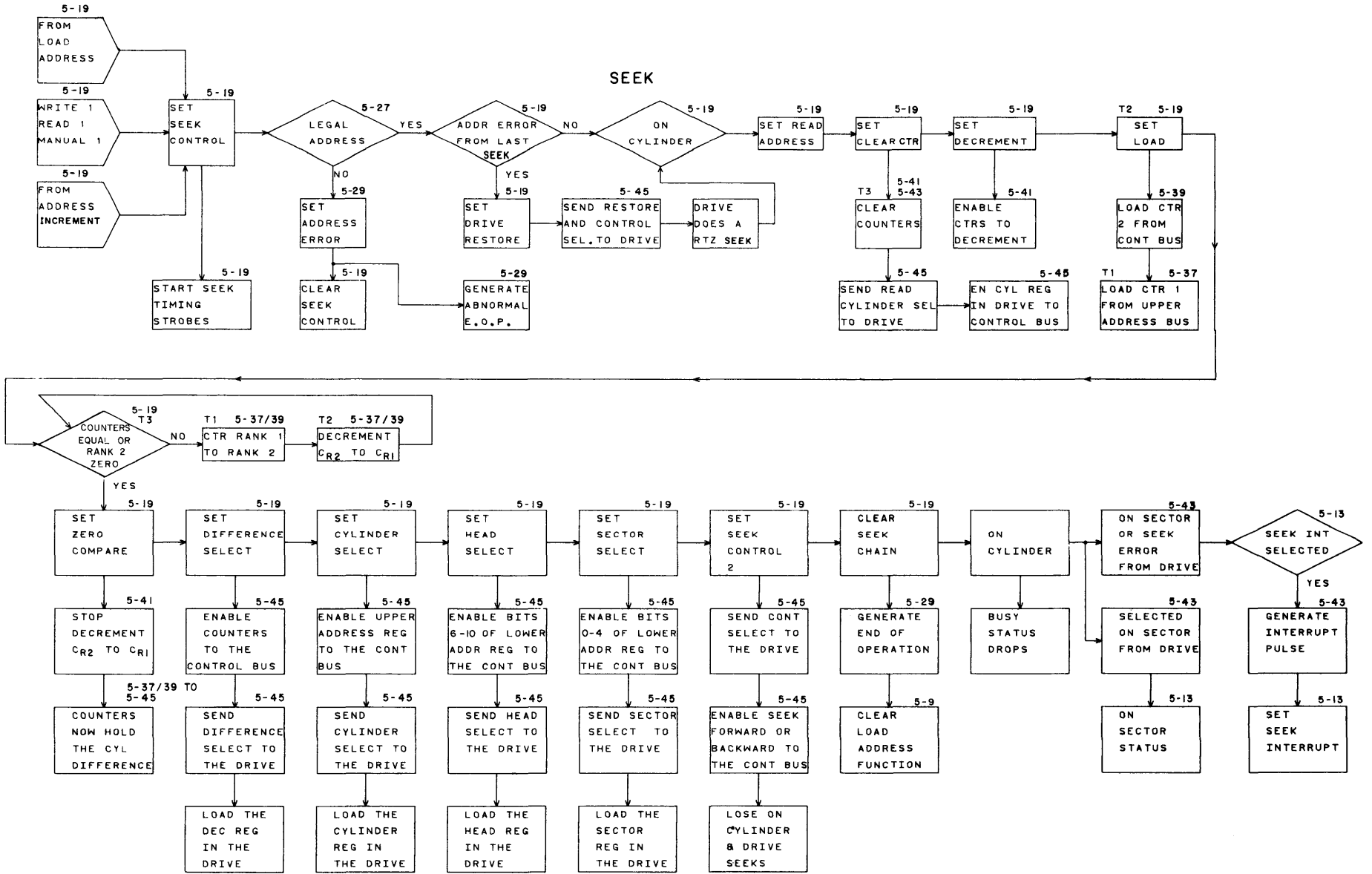
* SEE COMPARE OPERATION NEXT PAGE.

COMPARE OPERATION

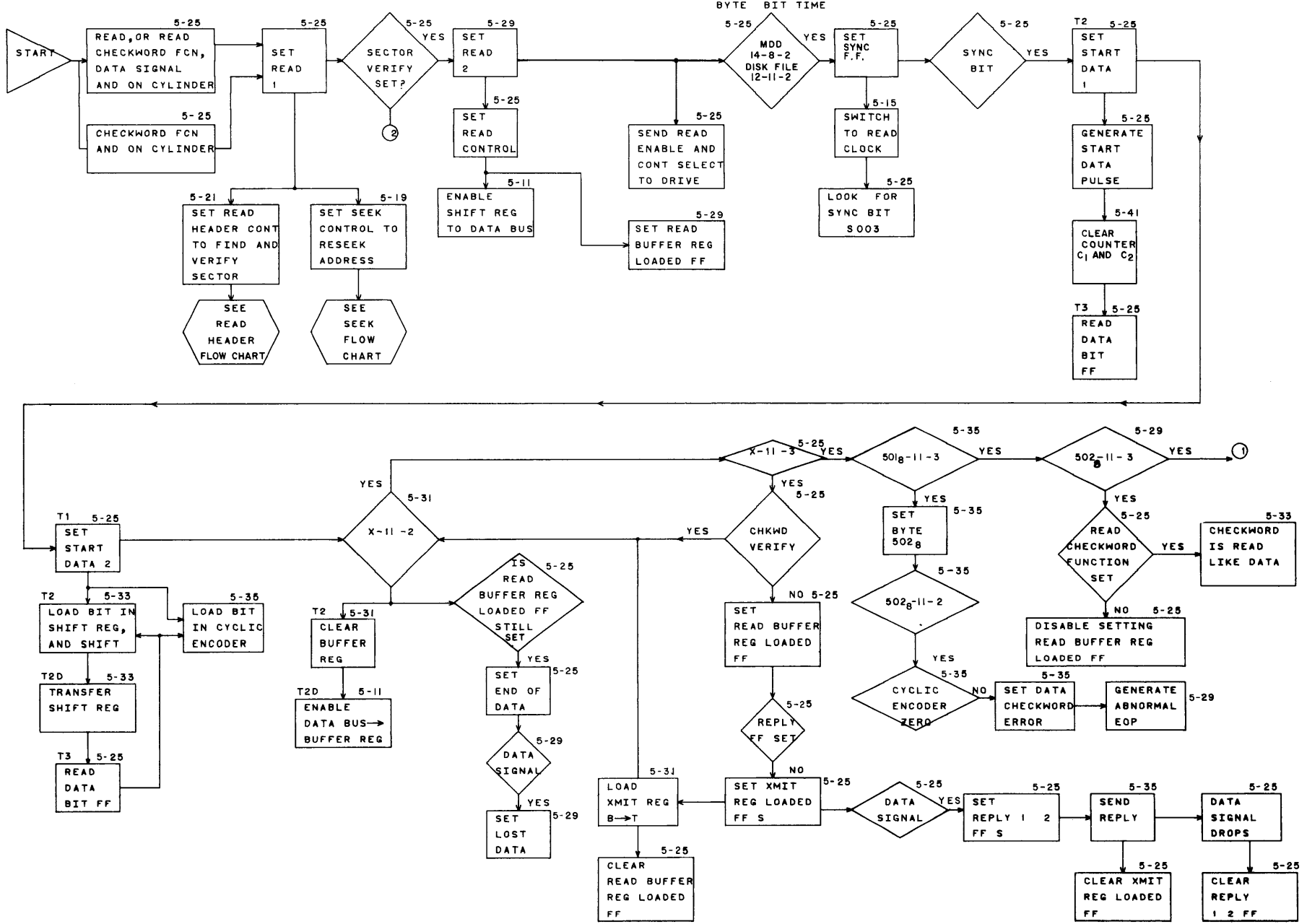


WRITE





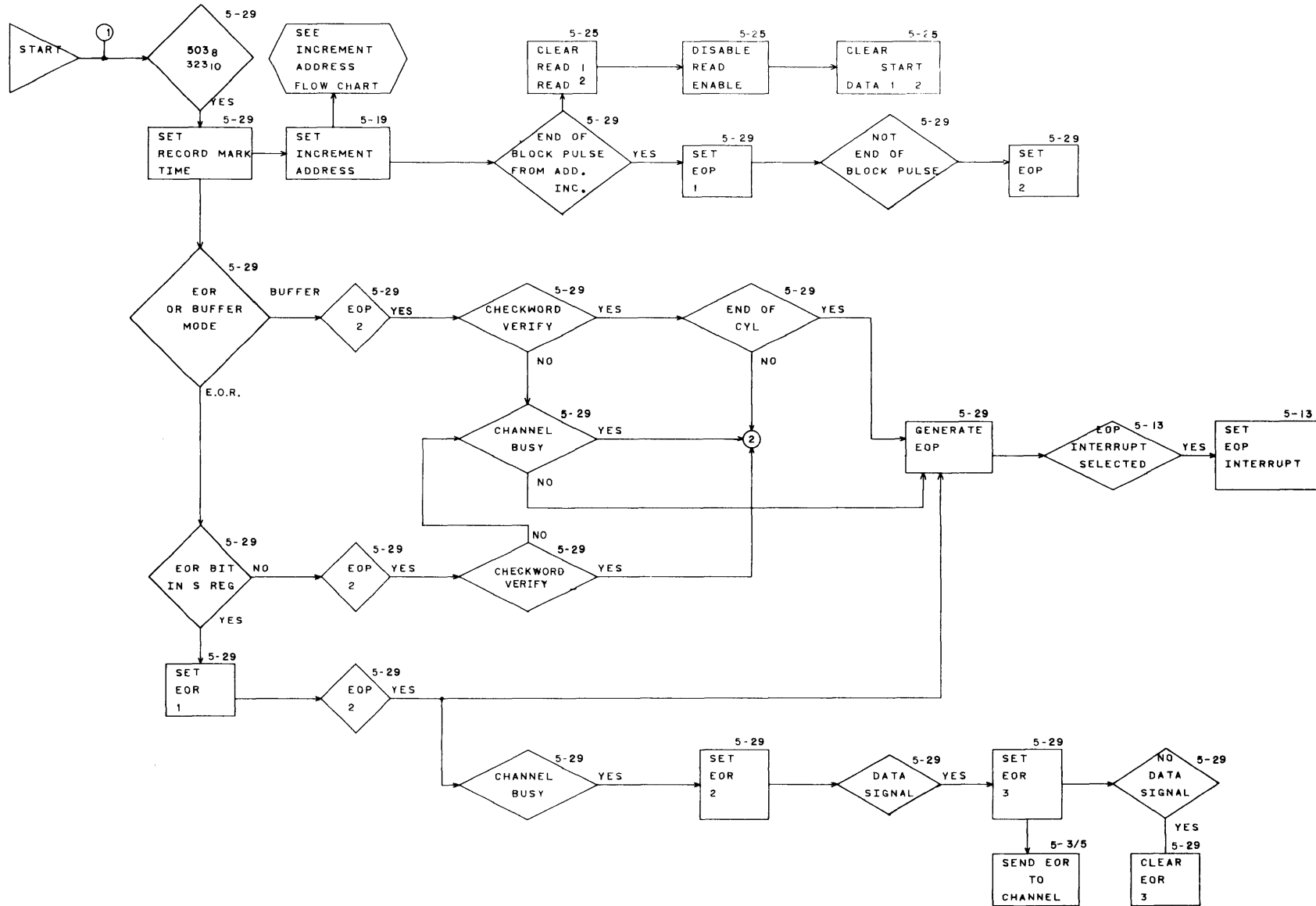
READ, READ CHECKWORD, CHECKWORD VERIFY - PART I



7-26

60290000 S

READ, READ CHECKWORD, CHECKWORD VERIFY - PART 2



SECTION 8

PARTS DATA

PARTS DATA

The parts list provides the identification and ordering data necessary for the replacement of electrical and hardware parts for this equipment. The equipment designation, final assembly number, and equipment name appear at the top of each page. The list is arranged in dis-assembly order, using levels of assembly to indicate the relationship of parts.

A typical parts list is shown below:

MAG14-C		18588000	D	MAG14C CENTRAL STORAGE MOD				
L	E	V	E	L*	PART NO.	REV	DESCRIPTION	ECO-NO** **
1					18515400	B	SYSTEM SUB-ASSY	
2					18074900	J	STOR MODULE ASSY WIRED	IN 064591
3					18074700	G	PL TOP STORAGE MODULE	
3					18074800	H	STACK AND DR DK ASSY WIRED	
4					18075000	G	STACK ASSY WIRED STOR MODULE	
	5				63130100	F	PLANE ASSY INNER STOR MODULE	IN 020152
		6			63702100	J	BOARD BLANK MEMORY PLANE IN	
3					18541302	00	00000000000000000000000000000000***	

Refer to the Literature Distribution Center Catalog for related manuals on printed circuit card assemblies, peripheral cabinets, power supplies, and vendor parts lists necessary to complete a total parts breakdown of the equipment.

* The level of assembly in relation to the final cabinet assembly (2 is the subassembly of level 1, 3 is the subassembly of level 2, etc).

**The ECO-NO on which the part is either added (IN) or deleted (OUT) in the equipment.

*** If the description column contains all zeros, this means the drawing is not released. Revisions will show corrections.

FA705A

20266800

M

3000 RESOB/DATA FILE SUB SYST

LEVEL	PART-NO	REV	DESCRIPTION	SPARE	ECO-NO
1	15000700	E	EQUIPMENT IDENTIFICATION PLATE		IN
1	52587600	G	ENCLOSURE KIT ASSY		IN 024183
2	09024306	A	SCR MACH HEX HD TRIMMED 1/4		IN 024183
2	10125301	C	HEXAGON NUTS		IN 024183
2	10125603	B	PLAIN WASHERS		IN 024183
2	10125605	B	PLAIN WASHERS		IN 024183
2	10125606	B	PLAIN WASHERS		IN 024183
2	10126106	C	INTERNAL TOOTH LOCK WASHERS		IN 024183
2	17780216	C	CABLE LOOP END		IN 025516
2	17901501	H	4-40 SCR THD ROLL PHL H PAN		IN 024183
2	17901508	H	6-32 SCR THD ROLL PHL H PAN		IN 024183
2	17901515	H	8-32 SCR THD ROLL PHL H PAN		IN 024183
2	52612700	A	KICK PLATE END L.H.		OUT 026941
3	52612701	A	KICK PLATE CRS 16 GA (.059)		IN
3	52612702	A	ANGLE CRS 16 GA (.059)		IN
3	52612703	A	ANGLE CRS 16 GA (.059)		IN
2	52655400	A	DOOR ASSY		IN
3	10125605	B	PLAIN WASHERS		IN
3	17901552	H	5-40 SCR THD ROLL PHL H PAN		IN
3	52565900	A	DOOR GASKET ASSY		IN
3	52568800	A	HANDLE DOOR		IN
4	52568801	A	HANDLE CRS 20 GA (.035)		IN
4	52568802	A	ANGLE CRS CRS 18 GA (.047)		IN
3	52568900	C	DOOR		IN
4	52568901	C	INNER PANEL CRS 20 GA (.035)		IN
4	52568902	C	ANGLE CRS 12 GA (.104)		IN
4	52568904	C	OUTER PANEL CRS 20 GA (.035)		IN
4	52569600	A	DISH STIFFENER		IN
3	52605000	D	RETAINER GASKET DOOR HORIZ		IN
3	52605100	D	RETAINER GASKET DOOR VERTICAL		IN
3	52665100	A	STRIKE LATCH		IN
2	52655500	C	END SKIN ASSY		OUT 026941
3	09024306	A	SCR MACH HEX HD TRIMMED 1/4		IN
3	10125301	C	HEXAGON NUTS		IN
3	10125605	B	PLAIN WASHERS		IN
3	10125608	B	PLAIN WASHERS		IN
3	10126106	C	INTERNAL TOOTH LOCK WASHERS		IN
3	17901552	H	5-40 SCR THD ROLL PHL H PAN		IN
3	52569000	A	END SKIN		IN
4	52569001	A	HOUSING CRS 18 GA (.047)		IN
4	52569002	A	PAN CRS 18 GA (.047)		IN
4	52569003	A	STIFFENER CRS 18 GA (.047)		IN
4	52569004	A	STIFFENER CRS 18 GA (.047)		IN
4	52569005	A	SUPPORT CRS 18 GA (.047)		IN
4	52569006	A	SUPPORT CRS 18 GA (.047)		IN
3	52569100	A	HINGE END SKIN L.H.		IN
4	52569101	A	HINGE CRS 12 GA (.104)		IN
4	52569102	A	ROD .50 DIA COLD FINISH ROUNDS		IN
3	52569200	A	HINGE END SKIN L.H.		IN
4	52569201	A	HINGE CRS 12 GA (.104)		IN
4	52569202	A	ROD .50 DIA COLD FINISH ROUNDS		IN
3	52604200	A	END SKIN GASKET ASSY		IN
3	52605300	D	RETAINER GASKET END SKIN TOP		IN

FA705A 20266800 M 3000 RESOB/DATA FILE SUB SYST

LEVEL	PART-NO	REV	DESCRIPTION	SPARE	ECO-NO
3	52605400	E	RETAINER GASKET END SKIN VERT		IN 023030
3	52663600	A	BRACKET - LATCH		IN
3	52664800	D	RETAINER GASKET END SKIN LOWER		IN
3	52670001	A	QUICK FASTENER 1/4 TURN		IN
3	52670002	A	QUICK FASTENER 1/4 TURN		IN
2	52655600	D	REAR BOTTOM PANEL ASSY		IN
3	10125105	C	HEXAGON MACHINE SCREW NUTS		IN
3	10125605	B	PLAIN WASHERS		IN
3	10126103	C	INTERNAL TOOTH LOCK WASHERS		IN
3	10127113	D	SCR MACH PAN PHL 6-32		IN
3	18642700	C	CATCH, FRICTION		IN
3	52568100	D	PANEL BOTTOM REAR		IN
4	52568101	D	RIGIDIZED METAL 18707101		IN
4	52568102	D	BRACKET CATCH CRS 20 GA (.035)		IN
4	52568103	D	SPACER CRS 18 GA (.047)		IN
3	52568300	B	KICK PLATE	OUT	026225
3	52579100	A	TRIM HORIZONTAL		IN
3	52664700	D	END CAP HORIZONTAL TRIM		IN 025748
2	52664700	D	END CAP HORIZONTAL TRIM		IN 025516
1	53093200	B	DATA FILE SYSTEM SUB-ASSEMBLY		IN 024741
2	18626300	M	PWR SUPPLY 3000 B CABINET		IN
3	00852001	J	FAN, MUFFIN		IN
3	00863800	E	KNOB CONTROL		IN 027082
3	00863900	A	TERMINAL, STRIP		IN 018506
3	09040204	A	WASHER-LOCK-DISH TYPE		IN
3	17620000	D	JACK TIP NYLON 5 AMP BLACK		IN
3	17817300	G	COVER POWER SUPPLY		IN
4	17817301	G	COVER CRS 16 GA (.059)		IN 020700
4	17817302	G	PERF. METAL 00868403		IN 020700
3	17901509	H	6-32 SCR THD ROLL PHL H PAN		IN
3	18113000	B	TRANSFORMER VARIABLE 2 GANG		IN
3	18263600	A	POWER SUPPLY IDENT PLATE		IN 018412
3	18435600	D	VM DC EXTERNAL MULTIPLIER		IN
3	18440704	P	CKT BKR, 4 POLE, AUX SWITCH		IN 018556
3	18574900	B	MULTIPLIER ASSY TERMINATOR		IN
4	18433000	C	MULTI BD/MA TERMINATOR 3504		IN
4	18435005	B	POT TRIMMER 1/2 W 10000 OHMS		IN
4	24524709	R	RES FXD CARBON .5W 18200 OHMS		IN
3	18602100	E	W/L PWR SUP 3000 PERIP CAB B		IN
4	17620300	F	STRAP CABLE ADJUSTABLE		IN
4	17973602	J	TERM CRIMP TYPE INSUL SUPPORT		IN 018506
4	18535801	D	TERMINAL SPADE FLANGED INS		IN
4	18535804	D	TERMINAL SPADE FLANGED INS		IN
4	24524808	S	TERMINAL, LUG CRIMP-INSULATED		IN 018506
4	24524810	S	TERMINAL LUG CRIMP-INS		IN 018506
4	24546501	D	TERMINAL, SPADE, FLARED		IN
4	24548303	K	WIRE ELEC STD INS. UL APPD		IN
4	24548307	K	WIRE ELEC STD INS. UL APPD		IN
4	93463000	D	WIRE ELECTRICAL 18 AWG -0		IN
4	93463222	D	WIRE ELECTRICAL 18 AWG -2		IN
4	93463444	D	WIRE ELECTRICAL 18 AWG -4		IN
4	93463666	D	WIRE ELECTRICAL 18 AWG -6		IN
4	93464444	C	WIRE ELECTRICAL 16 AWG -4		IN

FA705A 20266800 M 3000 RESOB/DATA FILE SUB SYST

LEVEL	PART-NO	REV	DESCRIPTION	SPARE	ECO-NO
4	93464999	C	WIRE ELECTRICAL 16 AWG -9		IN
4	93508000	B	WIRE ELECTRICAL 14 AWG -0		IN
4	93508222	B	WIRE ELECTRICAL 14 AWG -2		IN
4	93508666	B	WIRE ELECTRICAL 14 AWG -6		IN
3	18602300	N	FRAME POWER SUPPLY		IN
4	18602301	N	FRAME CRS 16 GA (.059)		IN 019273
4	18602302	N	BOX END TOP CRS 16 GA (.059)		IN 019273
4	18602303	N	BOX END BOT CRS 16 GA (.059)		IN 019273
4	18602304	N	PERF METAL 0080403		IN 019273
3	18698902	E	RELAY CURRENT 0.5AMP 50VDC		IN 018556
3	18700100	G	RECTIFIER,SILICON,10 AMPERE		IN
3	18700101	G	RECTIFIER SILICON 10 AMP		IN
3	18719900	A	BRACKET, RECTIFIER		IN
3	18766700	A	BOARD SPACER 3000 RECTIFIER		IN
3	20277400	A	PWR SUPPLY +-20VDC 370-350 HZ		IN 020726
3	24507148	D	RES FXD COMP 1W,3.9 OHMS		IN 019551
3	24518104	K	CONN FLEX. CND AND CABLE		IN 026471
3	24518105	K	CONN FLEX. CND AND CABLE		IN 026471
3	24547501	F	PLATE WARNING		IN 018412
3	24571900	D	SW TOGGLE 2 POS DPDT U/L		IN
3	25160900	B	STRIKE LATCH - PWR SUP		IN
3	30002000	E	TRANSFORMER VARTABLE-POWER		IN
3	30002100	F	REACTOR-TRANSFORMER-16V		IN
3	30093402	A	STRIP TERM-MARKED 2 CONT		IN
3	30093404	A	STRIP TERM-MARKED 4 CONT		IN
3	30093406	A	STRIP TERM-MARKED 6 CONT		IN
3	30108301	K	LEAF HINGE L.H.		IN
3	60120700	L	CONTROL DATA POWER SUPPLIES		IN
2	18862623	B	SCR THD ROLLING-HEX,WASH HD		IN
2	18862937	B	SCRW-THD ROLLING,PHL FLAT HD		IN
2	20266900	D	C/A D.C.PWR> PWR SUPPLY/T820		IN
3	17620300	F	STRAP CABLE ADJUSTABLE		IN
3	18535804	D	TERMINAL SPADE FLANGED INS		IN
3	24528039	K	INS SLEEVING, ELEC-BULK		IN 021040
3	24543801	A	JUMPER, TERMINAL STRIP		IN 023662
3	93508000	B	WIRE ELECTRICAL 14 AWG -0		IN
3	93508222	B	WIRE ELECTRICAL 14 AWG -2		IN
3	93508666	B	WIRE ELECTRICAL 14 AWG -6		IN
2	23255200	A	KIT INSIALATION CHASSIS POWER		IN
2	25151201	B	RIM LATCH-POWER SUPPLY		IN
3	00843515	E	RING, RETAINING		IN
3	00856000	A	KNOB		IN
3	00856810	A	BWG SLV-FLG NYLON .376		IN
3	00856913	A	SPG COMPR 1 1/2 L		IN
3	25161000	A	GUIDE LATCH BOLT		IN
3	30109000	A	BOLT LATCH		IN
2	30001201	J	RESISTOR, ASSEMBLY TERMINATOR		IN
3	17655610	F	WIRE TEFLON TYPE E TFE INSUL		IN 022985
3	17655611	F	WIRE TEFLON TYPE E TFE INSUL		IN 022985
3	17655612	F	WIRE TEFLON TYPE E TFE INSUL		IN 022985
3	17655613	F	WIRE TEFLON TYPE E TFE INSUL		IN 022985
3	17655614	F	WIRE TEFLON TYPE E TFE INSUL		IN 022985
3	17655615	F	WIRE TEFLON TYPE E TFE INSUL		IN 022985

FA705A

20266800 M 3000 RESOB/DATA FILE SUB SYST

LEVEL	PART-NO	REV	DESCRIPTION	SPARE	ECU-NO
3	17655616	F	WIRE TEFLON TYPE E TFE INSUL		IN 022985
3	17655617	F	WIRE TEFLON TYPE E TFE INSUL		IN 022985
3	17655618	F	WIRE TEFLON TYPE E TFE INSUL		IN 022985
3	17655619	F	WIRE TEFLON TYPE E TFE INSUL		IN 022985
3	24501806	D	WIRE ELECT SOLID COPPER 24 GA		IN 022779
3	24554901	F	ENCLOSURE TERMINATOR ASSY		IN 022779
4	00854100	A	KNOB, CABINET		IN 022515
4	09002006	C	SCR MACH RD PHL H NO. 8		IN 022515
4	09021701	A	NO. 4 SCR, SET CUPPED PT SCH		IN 022515
4	10126104	C	INTERNAL TOOTH LOCK WASHERS		IN 022515
4	30000403	K	CONNECTOR PLUG ELEC TERM		IN 025153
4	30001300	B	WASHER FLAT		IN 022515
4	30001400	B	PLATE MOUNTING RESISTOR ASSY		IN 022515
4	30001900	B	SHIELD ELECTRICAL CONNECTOR		IN 022515
4	30113701	D	SHIELD RESISTOR ASSY		IN 022515
3	30095400	E	TERMINATION STRIP		IN 022779
2	30108100	H	LEAF, HINGE, LEFT HAND		IN
3	30108101	H	CASTING ALUM 354-T6		IN 023525
3	30108102	H	PIN STAINLESS STEEL .312 DIA.		IN 023525
2	40020502	J	50#A CABLE		IN 024968
3	93642004	A	CONNECTOR (104 PIN)	N	IN 020024
3	93642005	A	CONNECTOR (104 PIN)	N	IN 020024
3	93642009	A	CONN-JACK FEMALE	N	IN 020024
3	93644003	G	CONTACT PIN SERIES .062	N	IN 020024
3	94281200	C	CONNECTOR (75 PIN)	N	IN 020024
3	94281204	C	CONNECTOR (75 PIN)	N	IN 020024
3	94345500	A	CABLE 38 TWISTED PAIR	N	IN 020024
2	40067202	D	I70 TERMINATOR ASSY (75 PIN)		IN 024968
3	40067100	A	SCREEN, COMMON TIEPOINT		IN 005485
3	92294020	C	WIRE BARE + TINNED		IN 005485
3	92318017	H	INSULATION FISH PAPER		IN 005485
3	92512151	AC	RES 1/4W 56 OHM		IN 005485
3	93642004	A	CONNECTOR (104 PIN)		IN 005485
3	93642005	A	CONNECTOR (104 PIN)		IN 005485
3	93642009	A	CONN-JACK FEMALE		IN 005485
3	93644002	G	CONTACT PIN SERIES .062		IN 005485
3	94281200	C	CONNECTOR (75 PIN)		IN 005485
3	94281204	C	CONNECTOR (75 PIN)		IN 005485
3	95024600	C	SOLDER		IN 022396
2	52623400	F	CARD PLACEMENT CHASSIS 1		IN
3					

FA705 20266800 G 3000 RESOB/DATA FILE SUB SYST

LEVEL	PART-NO	REV	DESCRIPTION	SPARE	ECO-NO
3	30908201	J	CARD ASSY CA 21 DOUBLE INVERT		IN 024447
3	30911001	J	CARD ASSY CA 28 DOUBLE INVERT		IN
3	30921801	J	CARD ASSY CA 55 SINGLE INVERT		IN
3	30923801	F	CARD ASSY CA 60A SWITCH		IN 022613
3	30927801	E	CARD ASSY CA70 CAP DELAY		IN
3	30929001	L	CARD ASSY CA 73 DOUBLE INVERT		IN 025999
3	30929801	C	CARD ASSY CA 75B MODIFIED M		IN
3	30942201	H	CARD ASSY HA 05 DOUBLE INVERT		IN 024447
3	30944201	C	CARD ASSY HA 10A CSL INTF		IN
3	30947001	A	CARD ASSY HA 17 FILTER		IN 024703
3	30948201	D	CARD ASSY HA 20 LTDR		IN
3	30952201	B	CARD ASSY HA 30 DOUBLE INVERT		IN
3	30957801	E	CARD ASSY HA 46A DBL-FF		IN 025999
3	30958201	F	QUADRUPLE INVERTER TYPE HA 47		IN 024703
3	30958601	J	CARD ASSY HA 48B OVAD INVER.		IN 022613
3	31702601	F	CARD ASSY K 22 DOUBLE INVERTER		IN 023333
3	31711801	A	CARD ASSY K 23 DOUBLE INVERTER		IN 022613
3	31703001	E	CARD ASSY K 24 DOUBLE INVERTER		IN
3	31703401	E	CARD ASSY K 25 DOUBLE INVERTER		IN
3	31703801	E	CARD ASSY K 26 DOUBLE INVERTER		IN
3	31704201	E	CARD ASSY K 27 DOUBLE INVERTER		IN
3	31709401	D	CARD ASSY K 31 FLIP FLOP		IN 025999
3	31705001	D	CARD ASSY K 32 FLIP FLOP		IN
3	31709801	D	CARD ASSY K 33 FLIP FLOP		IN 025999
3	31706201	D	CARD ASSY K 37 FLIP FLOP		IN
3	31708601	E	CARD ASSY K 67 CAP. DELAY		IN 024703
3	31709001	D	CARD ASSY K 71 DELAY 0-1 USEC		IN 022613
3	31710601	A	CARD ASSY K 68 CAP DELAY VAR		IN 023333

FA705

20266800 G 3000 RESOB/DATA FILE SUB SYST

LEVEL	PART-NO	REV	DESCRIPTION	SPARE	ECO-NO
2	52623500	E	CARD PLACEMENT CHASSIS 2		IN
3	18225100	A	PULSE SHAPER TYPE 6AFH ASSY		IN
3	18255800	E	PWR LOSS DET TYPE 6AGH ASSY		IN
3	30905801	A	CARD ASSY TYPE CA 15		IN
3	30908201	J	CARD ASSY CA 21 DOUBLE INVERT		IN 023854
3	30911001	J	CARD ASSY CA 28 DOUBLE INVERT		IN
3	30921801	J	CARD ASSY CA 55 SINGLE INVERT		IN
3	30924601	F	CARD ASSY CA 62B TRANSMITTER		IN
3	30927801	E	CARD ASSY CA 70 CAP DELAY		IN
3	30942201	H	CARD ASSY HA 05 DOUBLE INVERT		IN
3	30944601	A	CARD ASSY HA 11A RECEIVER		IN
3	30947801	B	CARD ASSY HA 19A TRANSMITTER		IN
3	30952201	B	CARD ASSY HA 30 DOUBLE INVERT		IN 023854
3	30954201	A	CARD ASSY HA 35 1 USEC DLY		IN
3	30957801	E	CARD ASSY HA 46A DBL-FF		IN 024447
3	30958201	F	QUADRUPLE INVERTER TYPE HA 47		IN 024447
3	30958601	J	CARD ASSY HA 48B OVAD INVER		IN 024703
3	30960201	A	CARD ASSY HA 53		IN 023333
3	31701001	E	CARD ASSY K 13 SINGLE INVER		IN 022613
3	31701401	E	CARD ASSY K 14 SINGLE INVER		IN
3	31702201	E	CARD ASSY K 17 SINGLE INVER		IN 022613
3	31702601	F	CARD ASSY K 22 DOUBLE INVER		IN 024703
3	31711801	A	CARD ASSY K 23 DOUBLE INVER		IN 023854
3	31703001	E	CARD ASSY K 24 DOUBLE INVER		IN
3	31703401	E	CARD ASSY K 25 DOUBLE INVER		IN
3	31703801	E	CARD ASSY K 26 DOUBLE INVER		IN
3	31704201	E	CARD ASSY K 27 DOUBLE INVER		IN
3	31704601	E	CARD ASSY K 29 DOUBLE INVER		IN 023854
3	31709401	D	CARD ASSY K 31 FLIP FLOP		IN
3	31705001	D	CARD ASSY K 32 FLIP FLOP		IN 024447
3	31709801	D	CARD ASSY K 33 FLIP FLOP		IN 024447
3	31705401	E	CARD ASSY K 34 FLIP FLOP		IN
3	31710201	D	CARD ASSY K 35 FLIP FLOP		IN
3	31705801	D	CARD ASSY K 36 FLIP FLOP		IN
3	31706201	D	CARD ASSY K 37 FLIP FLOP		IN
3	31708601	E	CARD ASSY K 67 CAP DELAY		IN 024703
3	31710601	A	CARD ASSY K 68 CAP DELAY VAR		IN 023333
3	31709001	D	CARD ASSY K 71 DELAY 0-1 USEC		IN
3	52564801	C	CARD ASSY OSC - SHAPER TYPE BFM		IN 023517
3	52565200	B	CARD ASSY DISCRIM TYPE BDM		IN
3	53713600	G	CARD ASSY LINE RECEIVE TYPE BGM		IN 027116

FA705A

20266800 M 3000 RESOB/DATA FILE SUB SYST

LEVEL	PART-NO	REV	DESCRIPTION	SPARE	ECO-NO
2	52692400	J	CABINET FINAL ASSY		IN
3	00859606	A	PLUG-SNAP IN		IN
3	00859607	A	PLUG-SNAP IN		IN
3	10125108	C	HEXAGON MACHINE SCREW NUTS		IN 024183
3	10125459	D	82 FH MACH SCR SLOT DR 8-32		IN
3	10125603	B	PLAIN WASHERS		IN
3	10125605	B	PLAIN WASHERS		IN 024183
3	10125606	B	PLAIN WASHERS		IN
3	10125607	B	PLAIN WASHERS		IN 024183
3	10126105	C	INTERNAL TOOTH LOCK WASHERS		IN 024717
3	10127142	D	SCR MACH PAN PHL 10-32		IN 024183
3	10127143	D	SCR MACH PAN PHL 10-32		IN
3	10127144	D	SCR MACH PAN PHL 10-32		IN 024183
3	15001000	O	CABINET IDENTIFICATION PLATE		IN
3	17901501	H	4-40SCR THD ROLL PHL H PAN		IN
3	17901508	H	6-32 SCR THD ROLL PHL H PAN		IN
3	17901509	H	6-32 SCR THD ROLL PHL H PAN		IN 024183
3	17901511	H	6-32 SCR THD ROLL PHL H PAN		IN 024183
3	17901515	H	8-32 SCR THD ROLL PHL H PAN		IN
3	17901516	H	8-32 SCR THD ROLL PHL H PAN		IN
3	17901519	H	8-32 SCR THD ROLL PHL H PAN		IN
3	17901523	H	10-32 SCR THD ROLL PHL H PAN		IN 024717
3	17981114	U	LENS INDICATOR CORPORATE SW		IN 023576
3	17981121	U	LENS, INDICATOR-		IN 023576
3	18862638	B	SCR THD ROLLING-HEX, WASH HD		IN 024183
3	18862929	B	SCREW-THD ROLLING, PHL FLAT HD		IN
3	23256600	D	C/A; 1X2 CHASSIS A10		IN 024375
4	17620300	F	STRAP CABLE ADJUSTABLE		IN
4	18535801	D	TERMINAL SPADE FLANGED INS		IN 022192
4	18535804	D	TERMINAL SPADE FLANGED INS		IN

FA705A 20266800 M 3000 RESOB/DATA FILE SUB SYST

LEVEL	PART-NO	REV	DESCRIPTION	SPACE	ECO-NO
4	24500702	L	PIN TAPER		IN 022192
4	24528613	K	INS SLEEVING, ELEC-BULK		IN 021040
4	24528617	K	INS SLEEVING, ELEC-BULK		IN 021040
4	24528639	K	INS SLEEVING, ELEC-BULK		IN 021040
4	24543801	A	JUMPER, TERMINAL STRIP		IN 022112
4	24552316	D	INS SLV, 5/8 LG 8 AWG BLK		IN 022192
4	93463000	D	WIRE ELECTRICAL 18 AWG -0		IN 022192
4	93463222	D	WIRE ELECTRICAL 18 AWG -2		IN 022192
4	93463666	D	WIRE ELECTRICAL 18 AWG -6		IN 022192
4	93508000	B	WIRE ELECTRICAL 14 AWG -0		IN
4	93508222	B	WIRE ELECTRICAL 14 AWG -2		IN
4	93508666	B	WIRE ELECTRICAL 14 AWG -6		IN
3	23293300	K	EMBLEM, PRODUCT IDENTIFICATION		IN 026338
3	24511601	E	LAMPHOLDER		IN 023576
3	24515806	A	LAMP, INCANDESCENT		IN 023576
3	24547501	F	PLATE WARNING		IN 025620
3	24547504	F	PLATE, WARNING		IN 025620
3	25162700	A	ANGLE, CHAS MTG PLATE-UPPER		IN
3	30092302	C	THERMOSTAT FL MT 90 DEG OPEN		IN 026338
3	30093414	A	STRIP TERM-MARKED 14 CONT		IN 023576
3	30093502	F	CLIP SPRING TENSION		IN 024183
3	30093614	B	COVER TERMINAL BOARD		IN 024183
3	30096106	C	THERMOSTAT FL MT 80 DEG CLOSE		IN 026338
3	52545000	B	CHANNEL HORIZONTAL		IN
3	52581400	B	TRIM VERTICAL		IN 026338
3	52581500	A	SUPPORT TRIM VERTICAL		IN 026338
3	52587700	G	BLOWER ASSEMBLY		OUT 026225
4	00815409	AY	FILTER WASHABLE		IN 026693
4	10125106	C	HEXAGON MACHINE SCREW NUTS		IN
4	10125605	B	PLAIN WASHERS		IN
4	10125606	B	PLAIN WASHERS		IN
4	10126104	C	INTERNAL TOOTH LOCK WASHERS		IN
4	10127123	D	SCR MACH PAN PHL 8-32		IN
4	17901509	H	6-32 SCR THD ROLL PHL H PAN		IN
4	52568400	B	SUPPORT, KICK PLATE		IN
4	52655700	L	BLOWER BOX ASSY		IN
5	00813500	A	GROMMET RUBBER 3/8 I.D.		IN
5	00839508	E	GROM RUB 1/8 GROOVE		IN
5	00861414	B	SPACER SLEEVE .750L X .150ID		IN 022574
5	00863702	A	CLAMP, CABLE ELECTRICAL		IN 022574
5	09024337	A	SCR MACH HEX HU TRIMMED 1/4		IN
5	10125105	C	HEXAGON MACHINE SCREW NUTS		IN 022574
5	10125605	B	PLAIN WASHERS		IN 022574
5	10126103	C	INTERNAL TOOTH LOCK WASHERS		IN 022574
5	10127111	D	SCR MACH PAN PHL 6-32		IN 022574
5	10127118	D	SCR MACH PAN PHL 6-32		IN 022574
5	17901505	H	4-4USCR THD ROLL PHL H PAN		IN 022574
5	17901509	H	6-32 SCR THD ROLL PHL H PAN		IN 022574
5	17901530	H	1/4-20 SCR THD ROLL PHL H PAN		IN 022574
5	18055404	D	STANDOFF 3/8 HEX ST STL		IN 022574
5	20246901	H	BLOWER-2 SPEED		IN 023148
6	00839507	E	GROM RUB 1/8 GROOVE 1/4 DIA		IN 023148
6	00860102	A	NUT SELF-LOCKING PLATE		IN 023148

FA705A 20266800 M 3000 RESOB/DATA FILE SUB SYST

LEVEL	PART-NO	REV.	DESCRIPTION	SPARE	ECO-NO
6	00863707	A	CLAMP, CABLE ELECTRICAL		IN 025894
6	10125608	B	PLAIN WASHERS		IN 023148
6	10126406	C	EXTERNAL TOOTH LOCK WASHERS		IN 025894
6	17901509	H	6-32 SCR THD ROLL PHL H PAN		IN 025894
6	17901511	H	6-32 SCR THD ROLL PHL H PAN		IN 023148
6	17901533	H	1/4-20 SCR THD ROLL PHL H PAN		IN 023148
6	17973609	J	TERM CRIMP TYPE INSUL SUPPORT		IN 023148
6	18535804	D	TERMINAL SPADE FLANGED INS		IN 023148
6	18661400	C	CAP MOTOR RUN 370 V.A.C.		IN 023148
6	18661401	C	TERMINAL SAFETY BOOT		IN 023148
6	18661500	A	BRACKET CAP MTG		IN 023148
6	X 20221500	D	BLOWER HOUSING		IN 023148
6	X 20224600	B	MOTOR MOUNT		IN 023148
7	20224601	B	PLATE 10 GA. (.134) CRS		IN
7	20224602	B	SIRIP 10 GA. (.134) CRS		IN
7	20224603	B	SIRIP 10 GA. (.134) CRS		IN
6	20228100	C	MOTOR BLOWER CAPACITOR START		IN 023148
6	20229500	C	WHEEL BLOWER CENTRIFUGAL		IN 023148
6	24524804	S	TERMINAL, LUG CRIMP-INSULATED		IN 025894
6	24528638	K	INS SLEEVING, ELEC-BULK		IN 025894
6	30093404	A	SIRIP TERM-MARKED 4 CONT		IN 023148
6	30093502	F	CLIP SPRING TENSION		IN 025115
6	30093604	B	COVER TERMINAL BOARD		IN 025115
6	93508555	B	WIRE ELECTRICAL 14 AWG -5		IN 025894
5	X 20247101	E	VANE SWITCH ASSEMBLY		IN 026406
6	10125102	C	HEXAGON MACHINE SCREW NUTS		IN 022625
6	10125602	B	PLAIN WASHERS		IN 022625
6	10126100	C	INTERNAL TOOTH LOCK WASHERS		IN 022625
6	10127101	D	SCR MACH PAN PHL 4-40		IN
6	X 18979300	C	HOUSING VANE		IN
6	X 18979400	B	VANE		IN
6	18990600	A	PIVOT		IN
6	20236100	A	SWITCH MERCURY		IN
6	20247000	B	CLIP, COMPONENT		IN
6	24524817	S	TERMINAL, LUG CRIMP-INSULATED		IN
6	52630500	B	TERMINAL BLOCK		IN 022200
6	52630600	A	SIRIP, MARKER		IN 026389
6	52738500	A	TERMINAL LUG, SOLDER		IN 022200
5	24501506	D	STRIP TERMINAL		IN
5	52652900	D	W/L, BLOWER ASSEMBLY		IN 023837
6	17620300	F	SIRIP CABLE ADJUSTABLE		IN 023453
6	17973607	J	TERM CRIMP TYPE INSUL SUPPORT		IN
6	18535804	D	TERMINAL SPADE FLANGED INS		IN 023453
6	24524805	S	TERMINAL, LUG CRIMP-INSULATED		IN
6	24524817	S	TERMINAL, LUG CRIMP-INSULATED		IN 025516
6	24528615	K	INS SLEEVING, ELEC-BULK		IN 021040
6	24552320	D	INS SLV, 5/8 LG 4 AWG BLK		IN 023453
6	93463444	D	WIRE ELECTRICAL 18 AWG -4		IN
6	93508444	B	WIRE ELECTRICAL 14 AWG -4		IN 023453
6	93508555	B	WIRE ELECTRICAL 14 AWG -5		IN
6	93508999	B	WIRE ELECTRICAL 14 AWG -9		IN
5	52655300	A	COVER		IN
5	X 52655900	C	BLOWER BOX		IN

FA705A 20266800 M 3000 RESOB/DATA FILE SUB SYST

L E V E L	PART-NO	REV.	DESCRIPTION	SPARE	ECO-NO
6	52655901	C	BOX, BLOWER, CRS 18 GA (.047)		IN
6	52655902	C	BAFFLE, CRS 20 GA (.035)		IN
6	52655903	C	BAFFLE, CRS 20 GA (.035)		IN
6	52655904	C	SUPPORT, CRS 20 GA (.035)		IN
6	52655905	C	BAFFLE, CRS 18 GA (.047)		IN
6	52655906	C	SPACER CRS 14 GA (.074)		IN
6	52655907	C	BRACKET, CRS 18 GA (.047)		IN
5	52656000	C	BLOWER BOX COVER		IN
5	52656200	A	BRACKET BLOWER MOUNT RH		IN
6	00855206	B	NUT PLAIN PLATE-SELF ALIGNING		IN
6	09030407	A	RIVET TUBULAR		IN
6	52656201	A	BRACKET CRS 14 GA. (.074)		IN
5	52656300	B	BRACKET BLOWER MOUNT LH		IN
6	00855206	B	NUT PLAIN PLATE-SELF ALIGNING		IN
6	09030407	A	RIVET TUBULAR		IN
6	52656301	B	BRACKET CRS 14 GA. (.074)		IN
5	52656400	A	BRACKET BLOWER MOUNT TOP		IN
6	00855206	B	NUT PLAIN PLATE-SELF ALIGNING		IN
6	09030407	A	RIVET TUBULAR		IN
6	52656401	A	BRACKET CRS 14 GA. (.074)		IN
5	52794900	A	SIDE BAFFLE RH		IN 022574
5	52795000	A	SIDE BAFFLE LH		IN 022574
5	52795100	A	SIDE L.H.		IN 022574
5	52795200	A	SIDE R.H.		IN 022574
5	52795300	A	BACK BAFFLE		IN 022574
5	52795400	A	TOP BAFFLE		IN 022574
5	52795500	A	BOTTOM BACK		IN 022574
5	52795600	A	BOTTOM SIDE		IN 022574
5	52795700	A	BOTTOM FRONT		IN 022574
5	52795800	A	COVER LINER		IN 022574
5	52815600	A	WASHER SPL		IN 022574
5	52818500	A	COVER, LINER SPACER		IN 022574
5	52823400	B	COVER TERMINAL STRIP		IN 022574
5	53385600	A	BRACKET, VANE SWITCH		IN 025886
5	93840001	C	GROMMET		IN
4	52655800	A	FRONT PLATE FULL		IN
5	52655801	A	PLATE CRS 14 GA (.074)		IN
5	52655802	A	SUPPORT CRS 14 GA (.074)		IN
5	52655803	A	FOAM TAPE, GRAY 18648302		IN
4	52656100	A	FILIER CLIP		IN 026693
3	52605800	K	FRAME ASSEMBLY		IN
4	00838203	K	NUT U TYPE NO. 6-32NC		IN 023209
4	00845501	D	GROMMET, CATERPILLAR		IN 021040
4	00854020	A	NUT SPEED PUSH-ON		IN 024183
4	09024304	A	SCR MACH HEX HD TRIMMED 1/4		IN 024183
4	09024306	A	SCR MACH HEX HD TRIMMED 1/4		IN
4	10125105	C	HEXAGON MACHINE SCREW NUTS		IN 025748
4	10125106	C	HEXAGON MACHINE SCREW NUTS		IN 024717
4	10125301	C	HEXAGON NUTS		IN 024183
4	10125605	B	PLAIN WASHERS		IN 025077
4	10125606	B	PLAIN WASHERS		IN 024183
4	10125715	C	82 DEG FH MACH SCR PHL 6-32		IN 025748
4	10125724	C	82 DEG FH MACH SCR PHL 8-32		IN 024717

FA705A 20266800 M 3000 RESORB/DATA FILE SUB SYST

LEVEL	PART-NO	REV	DESCRIPTION	SPARE	ECO-NO
4	10126103	C	INTERNAL TOOTH LOCK WASHERS	IN	025077
4	10126104	C	INTERNAL TOOTH LOCK WASHERS	IN	024717
4	10126106	C	INTERNAL TOOTH LOCK WASHERS	IN	024183
4	10127122	D	SCR MACH PAN PHL 8-32	IN	024183
4	15000600	C	EMBLEM ASSY PRODUCT IDENT	IN	024183
4	17901509	H	6-32 SCR THD RULL PHL H PAN	IN	024183
4	17901515	H	8-32 SCR THD RULL PHL H PAN	IN	024183
4	17901516	H	8-32 SCR THD RULL PHL H PAN	IN	024717
4	18642702	C	CATCH FRICTION	IN	
4	18910501	C	SCREW SQUARE HEAD SET	IN	023134
4	24511601	E	LAMPHOLDER	IN	024183
4	24515806	A	LAMP, INCANDESCENT	IN	024183
4	52557300	E	FRAME CABINET	IN	
5	10125305	C	HEXAGON NUTS	IN	
5	52557301	E	BASE CRS 12 GA (.104)	IN	
5	52557302	E	STIFFENER CRS 14 GA (.074)	IN	
5	52557303	E	ANGLE CRS 12 GA (.104)	IN	
5	52557304	E	PLATE CRS 12 GA (.104)	IN	
5	52557305	E	PLATE CRS 12 GA (.104)	IN	
5	52557306	E	PLATE CRS 12 GA (.104)	IN	
5	52557307	E	SUPPORT CRS 12 GA (.104)	IN	
5	52557308	E	SUPPORT CRS 12 GA (.104)	IN	
5	52557309	E	SUPPORT CRS 12 GA (.104)	IN	
5	52557310	E	SUPPORT CRS 12 GA (.104)	IN	
5	52557311	E	ANGLE CRS 12 GA (.104)	IN	
5	52557312	E	PLATE CRS 12 GA (.104)	IN	
5	52557313	E	PLATE CRS 12 GA (.104)	IN	
5	52557314	E	CHANNEL CRS 12 GA (.104)	IN	
5	52557315	E	CHANNEL CRS 12 GA (.104)	IN	
5	52557316	E	ANGLE CRS 12 GA (.104)	IN	
5	52557317	E	ANGLE CRS 12 GA (.104)	IN	
5	52557318	E	CHANNEL CRS 12 GA (.104)	IN	
5	52557319	E	PLATE CRS 12 GA (.104)	IN	
5	52557320	E	ROD CRS .25 X .38	IN	
4	52568400	D	PANEL BOTTOM FRONT	IN	
4	52568500	A	PANEL FILLER BOTTOM FRONT	IN	
4	52568600	C	PANEL TOP FRONT	IN	
5	52568601	C	PANEL 18707101 (RIGIDIZED MET)	IN	
5	52568602	C	ANGLE CRS 16 GA (.059)	IN	
5	52568603	C	ANGLE CRS 16 GA (.059)	IN	
4	52569400	A	HINGE END SKIN FRAME R.H.	IN	025748
4	52569400	A	HINGE END SKIN R.H.	IN	025748
4	52578900	C	PANEL TOP REAR	IN	
5	52578901	C	PNL RIGIDIZED METAL 18707101	IN	
5	52578902	C	BRACKET CRS 16 GA (.059)	IN	
4	52579000	A	BRACKET, TRIM TOP	IN	
4	52579100	A	TRIM HORIZONTAL	IN	025748
4	52579200	A	PANEL TOP INSIDE	IN	
5	52579201	A	PANEL CRS 18 GA (.047)	IN	
5	52579202	A	ANGLE CRS 16 GA (.059)	IN	
4	52579700	E	PANEL TOP	IN	
5	52579701	E	PANEL CRS 16 GA (.059)	IN	
5	52579702	E	SHELF CRS 18 GA (.047)	IN	

FA705A 20266800 M 3000 RESOB/DATA FILE SUB SYST

LEVEL	PART-NO	REV	DESCRIPTION	SPARE	ECU-NO
5	52579703	E	SCREEN 18406800		IN
4	52654800	B	HINGE ASSY LH		IN
5	00843513	E	RING, RETAINING		IN 025261
5	00859227	A	SPG COMPR .360 OD 1 1/2L		IN
5	52557400	A	PIN HINGE		IN
5	52557500	C	HINGE DOOR LH		IN
6	52557501	C	HINGE BRKT CRS 12 GA (.104)		IN
6	52557502	C	.50 DIA TUBING CD SMLS STEEL		IN
4	52654900	B	HINGE ASSY RH		IN
5	00843513	E	RING, RETAINING		IN 025261
5	00859227	A	SPG COMPR .360 OD 1 1/2L		IN
5	52557400	A	PIN HINGE		IN
5	52557600	C	HINGE DOOR RH		IN
6	52557601	C	HINGE BRKT CRS 12 GA (.104)		IN
6	52557602	C	.50 DIA TUBING CD SMLS STEEL		IN
4	52655000	A	DOOR CATCH ASSY		IN
5	10126103	C	INTERNAL TOOTH LOCK WASHERS		IN
5	10127115	D	SCR MACH PAN PHL 6-32		IN
5	52716400	C	BRACKET 3 IN MAGNET		IN
6	00830312	C	NUT CAPTIVE		IN 022646
6	52716201	C	BRACKET 3 INCH MAGNET		IN 022646
5	52716400	A	COVER 3 IN MAGNET		IN
5	52723601	A	CATCH, MAGNETIC		IN
4	52659500	A	PLATE TOP FRONT		IN
4	52664700	D	END CAP HORIZONTAL TRIM		IN 025748
4	52670000	A	QUICK FASTENER, 1/4 TURN		IN
4	52716600	A	SUPPORT, MAGNET BRACKET		IN 023209
4	52796400	A	LINER, SPLITTER - FULL		IN 022900
4	52796400	A	LINER, TOP INSIDE - FULL		IN 022900
4	52796600	A	LINER, TOP INSIDE FULL		IN 022900
4	52796800	A	LINER, SIDE		IN 022574
4	52797000	A	LINER, FRONT - FULL		IN 022900
4	52797100	A	LINER, TOP - HALF		IN 022900
4	52879600	A	BAR LEVELING		IN 023134
3	52656500	A	TRANSITION BLOWER BOX		IN 026338
4	52656501	A	SIDE CRS 18 GA (.047)		IN
4	52656502	A	SIDE CRS 18 GA (.047)		IN
4	52656503	A	DEFLECTOR CRS 18 GA (.047)		IN
4	52656504	A	ANGLE CRS 18 GA (.047)		IN
4	52656505	A	TAPE POLYURETHANE 18648326		IN
3	52664000	B	CENTER MEMBER		IN 026338
4	09028002	B	WELD NUT TYPE SN		IN
4	52664001	B	CHANNEL CRS 14 GA (.074)		IN
4	52664002	B	CHANNEL CRS 14 GA (.074)		IN
4	52664003	B	ANGLE CRS 14 GA (.074)		IN
3	52697400	D	PWR DISTRIBUTION BOX ASSY		IN 023576
4	10125106	C	HEXAGON MACHINE SCREW NUTS		IN 024183
4	10125605	B	PLAIN WASHERS		IN 024717
4	10125606	B	PLAIN WASHERS		IN 024717
4	10126104	C	INTERNAL TOOTH LOCK WASHERS		IN 024717
4	10127123	D	SCR MACH PAN PHL 8-32		IN 024717
4	17901508	H	6-32 SCR THD ROLL PHL H PAN		IN 024183
4	17901516	H	8-32 SCR THD ROLL PHL H PAN		IN 024183

FA705A 20266800 M 3000 RESOB/DATA FILE SUB SYST

LEVEL	PART-NO	KEY	DESCRIPTION	SPARE	ECO-NO
4	18565200	B	RELAY, 25AMP (3P SINGLE THROW)		IN
4	18750000	B	BLK, TERM-HVY DUTY, 2 CONTACTS		IN
4	24501601	H	BLOCK, TERMINAL		IN
4	24501603	H	BLOCK, TERMINAL		IN
4	24518105	K	CONN FLEX. CND AND CABLE		IN 025035
4	24550900	A	SW IGL DPST 2POS 15A-120VAC		IN
4	30093402	A	SIRIP TERM-MARKED 2 CONT		IN
4	52833400	E	BOX, POWER DISTRIBUTION		IN
5	09028004	B	WELD NUT TYPE SN		IN
5	52833401	E	BOX, CRS 16 GA (.059)		IN
4	52833500	B	COVER, POWER DISTRIBUTION BOX		IN
4	52922800	A	PWR WIRING CABINET, FINAL ASSY		IN 024183
3	52819400	A	PLENUM		IN
4	52819401	A	PANEL, CRS 18 GA (.047)		IN
4	52819402	A	PANEL, CRS 18 GA (.047)		IN
4	52819403	A	SIDE, CRS 18 GA (.047)		IN
4	52819404	A	SIDE, CRS 18 GA (.047)		IN
4	52819405	A	SCREEN, 18406800		IN
3	52825800	A	CHANNEL, CHASSIS MTG-HORIZONTAL		IN
3	52825900	D	SUPPORT, VERTICAL		IN 024183
3	52826000	B	ANGLE, CHASSIS MTG-LOWER		IN
3	52950400	A	CHASSIS 1 AND 2 FINAL ASSY		IN 024183
4	00856604	C	THUMBSCREW		IN
4	00857102	B	BRG SLV-FLG NYLON 1/4		IN
4	10125105	C	HEXAGON MACHINE SCREW NUTS		IN
4	10125106	C	HEXAGON MACHINE SCREW NUTS		IN
4	10125301	C	HEXAGON NUTS		IN
4	10125607	B	PLAIN WASHERS		IN
4	10126103	C	INTERNAL TOOTH LOCK WASHERS		IN
4	10126104	C	INTERNAL TOOTH LOCK WASHERS		IN
4	10126105	C	INTERNAL TOOTH LOCK WASHERS		IN
4	10126106	C	INTERNAL TOOTH LOCK WASHERS		IN
4	10126504	A	PLAIN HEX HD CAP SCR 1/4-20		IN
4	10127114	D	SCR MACH PAN PH 6-32		IN
4	10127122	D	SCR MACH PAN PH 8-32		IN
4	10127143	D	SCR MACH PAN PH 10-32		IN
4	25159700	A	LATCH, CONNECTOR PANEL		IN
4	30103900	C	STUD, EXTENSION		IN
4	30104600	D	SUPPORT CONN, ASSY		IN
4	30104800	J	HINGE, I/O CONNECTOR PANEL		IN
4	52510400	B	CONNECTOR PLATE		IN
5	09028002	B	WELD NUT TYPE SN		IN
5	52510401	B	PANEL CRS 16 GA (.059)		IN
4	52532200	E	CONNECTOR ASSY 75 PIN		IN
5	17605900	J	WIRE ELEC TWISDFD PAIR		IN 023346
5	17605901	J	WIRE ELEC. TW. PR. 1 IN LAY		IN 023346
5	17605902	J	WIRE ELEC. TW. PR. 1 IN LAY		IN 023346
5	17605903	J	WIRE ELEC. TW. PR. 1 IN LAY		IN 023346
5	17605904	J	WIRE ELEC. TW. PR. 1 IN LAY		IN 023346
5	17605905	J	WIRE ELEC TWISDFD PAIR		IN 023346
5	17605906	J	WIRE ELEC TWISDFD PAIR		IN 023346
5	17605907	J	WIRE ELEC TWISDFD PAIR		IN 023346
5	17605908	J	WIRE ELEC TWISDFD PAIR		IN 023346

FA705A

2026000 M 3000 RESOB/DATA FILE SUB SYST

LEVEL	PART-NO	KEY	DESCRIPTION	SPACE	ECO-NO
5	17605909	J	WIRE ELEC TWISTED PAIR		IN 023346
5	17605910	J	WIRE ELEC TWISTED PAIR		IN 023346
5	17605911	J	WIRE ELEC TWISTED PAIR		IN 023346
5	17605912	J	WIRE ELEC TWISTED PAIR		IN 023346
5	17605913	J	WIRE ELEC TWISTED PAIR		IN 023346
5	17605914	J	WIRE ELEC TWISTED PAIR		IN 023346
5	17605915	J	WIRE ELEC TWISTED PAIR		IN 023346
5	17605916	J	WIRE ELEC TWISTED PAIR		IN 023346
5	17605917	J	WIRE ELEC TWISTED PAIR		IN 023346
5	17605918	J	WIRE ELEC TWISTED PAIR		IN 023346
5	17605919	J	WIRE ELEC TWISTED PAIR		IN 023346
5	17605920	J	WIRE ELEC TWISTED PAIR		IN 023346
5	17605921	J	WIRE ELEC TWISTED PAIR		IN 023346
5	17605922	J	WIRE ELEC TWISTED PAIR		IN 023346
5	17605923	J	WIRE ELEC TWISTED PAIR		IN 023346
5	17605924	J	WIRE ELEC TWISTED PAIR		IN 023346
5	17605925	J	WIRE ELEC TWISTED PAIR		IN 023346
5	17605926	J	WIRE ELEC TWISTED PAIR		IN 023346
5	17605927	J	WIRE ELEC TWISTED PAIR		IN 023346
5	17605928	J	WIRE ELEC TWISTED PAIR		IN 023346
5	17605929	J	WIRE ELEC TWISTED PAIR		IN 023346
5	17605930	J	WIRE ELEC TWISTED PAIR		IN 024395
5	24500707	L	PIN TAPER		IN 024395
5	24500810	J	INSULATION SLEEVING ELECT		IN 024395
5	24551602	E	CONN RECP 104 SOC		IN 024395
5	93642004	A	CONNECTOR (104 PIN)		IN 023346
5	93642005	A	CONNECTOR (104 PIN)		IN 023346
5	93642006	A	CONNECTOR (104 PIN)		IN 023346
5	94281201	C	CONNECTOR (75 PIN)		IN 022988
4	52623800	G	W/L LOGIC, CH 1 TO CH 2		IN
5	24511407	M	LEAD, ELECTRICAL, 7 INCH.		IN 023854
6	24500707	L	PIN TAPER		IN 024206
6	24500802	J	INSULATION SLEEVING ELECT		IN 024206
6	24548318	K	WIRE ELEC STRD INS. UL APPD		IN 024206
5	24511410	M	LEAD, ELECTRICAL, 10 INCH.		IN
6	24500707	L	PIN TAPER		IN 024206
6	24500802	J	INSULATION SLEEVING ELECT		IN 024206
6	24548320	K	WIRE ELEC STRD INS. UL APPD		IN 024206
5	24511411	M	LEAD, ELECTRICAL, 11 INCH.		IN 023854
6	24500707	L	PIN TAPER		IN 024206
6	24500802	J	INSULATION SLEEVING ELECT		IN 024206
6	24548321	K	WIRE ELEC STRD INS. UL APPD		IN 024206
5	24511412	M	LEAD, ELECTRICAL, 12 INCH.		IN 025999
6	24500707	L	PIN TAPER		IN 024206
6	24500802	J	INSULATION SLEEVING ELECT		IN 024206
6	24548322	K	WIRE ELEC STRD INS. UL APPD		IN 024206
5	24511413	M	LEAD, ELECTRICAL, 13 INCH.		IN 025999
6	24500707	L	PIN TAPER		IN 024206
6	24500802	J	INSULATION SLEEVING ELECT		IN 024206
6	24548323	K	WIRE ELEC STRD INS. UL APPD		IN 024206
5	24511414	M	LEAD, ELECTRICAL, 14 INCH.		IN 025999
6	24500707	L	PIN TAPER		IN 024206
6	24500802	J	INSULATION SLEEVING ELECT		IN 024206

FA705A 20266800 M 3000 RESOB/DATA FILE SUB SYST

LEVEL	PART-NO	REV	DESCRIPTION	SPARE	ECU-NO
6	24548324	K	WIRE ELEC STRD INS. UL APPD		IN 024206
5	24511415	M	LEAD,ELECTRICAL,15 INCH.		IN 025999
6	24500707	L	PIN TAPER		IN 024206
6	24500802	J	INSULATION SLEEVING ELECT		IN 024206
6	24548325	K	WIRE ELEC STRD INS. UL APPD		IN 024206
5	24511416	M	LEAD,ELECTRICAL,16 INCH.		IN 024447
6	24500707	L	PIN TAPER		IN 024206
6	24500802	J	INSULATION SLEEVING ELECT		IN 024206
6	24548326	K	WIRE ELEC STRD INS. UL APPD		IN 024206
5	24511417	M	LEAD,ELECTRICAL,17 INCH.		IN 024032
6	24500707	L	PIN TAPER		IN 024206
6	24500802	J	INSULATION SLEEVING ELECT		IN 024206
6	24548327	K	WIRE ELEC STRD INS. UL APPD		IN 024206
5	24511418	M	LEAD,ELECTRICAL,18 INCH.		IN 025999
6	24500707	L	PIN TAPER		IN 024206
6	24500802	J	INSULATION SLEEVING ELECT		IN 024206
6	24548328	K	WIRE ELEC STRD INS. UL APPD		IN 024206
5	24511419	M	LEAD,ELECTRICAL,19 INCH.		IN 026676
6	24500707	L	PIN TAPER		IN 024206
6	24500802	J	INSULATION SLEEVING ELECT		IN 024206
6	24548300	K	WIRE, ELECT, 24 AWG INSUL,U/L		IN 024206
5	24511420	M	LEAD,ELECTRICAL,20 INCH.		IN 024703
6	24500707	L	PIN TAPER		IN 024206
6	24500802	J	INSULATION SLEEVING ELECT		IN 024206
6	24548311	K	WIRE ELEC STRD INS. UL APPD		IN 024206
5	24511421	M	LEAD,ELECTRICAL,21 INCH.		IN 025999
6	24500707	L	PIN TAPER		IN 024206
6	24500802	J	INSULATION SLEEVING ELECT		IN 024206
6	24548312	K	WIRE ELEC STRD INS. UL APPD		IN 024206
5	24511422	M	LEAD,ELECTRICAL,22 INCH.		IN 024703
6	24500707	L	PIN TAPER		IN 024206
6	24500802	J	INSULATION SLEEVING ELECT		IN 024206
6	24548313	K	WIRE ELEC STRD INS. UL APPD		IN 024206
5	24511423	M	LEAD,ELECTRICAL,23 INCH.		IN 025999
6	24500707	L	PIN TAPER		IN 024206
6	24500802	J	INSULATION SLEEVING ELECT		IN 024206
6	24548314	K	WIRE ELEC STRD INS. UL APPD		IN 024206
5	24511424	M	LEAD,ELECTRICAL,24 INCH.		IN 025999
6	24500707	L	PIN TAPER		IN 024206
6	24500802	J	INSULATION SLEEVING ELECT		IN 024206
6	24548315	K	WIRE ELEC STRD INS. UL APPD		IN 024206
5	24511425	M	LEAD,ELECTRICAL,25 INCH.		IN 025999
6	24500707	L	PIN TAPER		IN 024206
6	24500802	J	INSULATION SLEEVING ELECT		IN 024206
6	24548316	K	WIRE ELEC STRD INS. UL APPD		IN 024206
5	24511426	M	LEAD,ELECTRICAL,26 INCH.		IN 025999
6	24500707	L	PIN TAPER		IN 024206
6	24500802	J	INSULATION SLEEVING ELECT		IN 024206
6	24548317	K	WIRE ELEC STRD INS. UL APPD		IN 024206
5	24511427	M	LEAD,ELECTRICAL,27 INCH.		IN 025999
6	24500707	L	PIN TAPER		IN 024206
6	24500802	J	INSULATION SLEEVING ELECT		IN 024206
6	24548318	K	WIRE ELEC STRD INS. UL APPD		IN 024206

FA705A 20266800 M 3000 RESOB/DATA FILE SUB SYST

LEVEL	PART-NO	REV	DESCRIPTION	SPACE	ECU-NO
5	24511428	M	LEAD,ELECTRICAL,28 INCH.		IN 023854
6	24500707	L	PIN TAPER		IN 024206
6	24500802	J	INSULATION SLEEVING ELECT		IN 024206
6	24548319	K	WIRE ELEC STRD INS. UL APMD		IN 024206
5	24511429	M	LEAD,ELECTRICAL,29 INCH.		IN 024703
6	24500707	L	PIN TAPER		IN 024206
6	24500802	J	INSULATION SLEEVING ELECT		IN 024206
6	24548310	K	WIRE ELEC STRD INS. UL APMD		IN 024206
5	24511430	M	LEAD,ELECTRICAL,30 INCH.		IN 023854
6	24500707	L	PIN TAPER		IN 024206
6	24500802	J	INSULATION SLEEVING ELECT		IN 024206
6	24548320	K	WIRE ELEC STRD INS. UL APMD		IN 024206
5	24511431	M	LEAD,ELECTRICAL,31 INCH.		IN 025999
6	24500707	L	PIN TAPER		IN 024206
6	24500802	J	INSULATION SLEEVING ELECT		IN 024206
6	24548321	K	WIRE ELEC STRD INS. UL APMD		IN 024206
5	24511432	M	LEAD,ELECTRICAL,32 INCH.		IN 025999
6	24500707	L	PIN TAPER		IN 024206
6	24500802	J	INSULATION SLEEVING ELECT		IN 024206
6	24548322	K	WIRE ELEC STRD INS. UL APMD		IN 024206
5	24511433	M	LEAD,ELECTRICAL,33 INCH.		IN 025999
6	24500707	L	PIN TAPER		IN 024206
6	24500802	J	INSULATION SLEEVING ELECT		IN 024206
6	24548323	K	WIRE ELEC STRD INS. UL APMD		IN 024206
5	24511434	M	LEAD,ELECTRICAL,34 INCH.		IN 025999
6	24500707	L	PIN TAPER		IN 024206
6	24500802	J	INSULATION SLEEVING ELECT		IN 024206
6	24548324	K	WIRE ELEC STRD INS. UL APMD		IN 024206
5	24511435	M	LEAD,ELECTRICAL,35 INCH.		IN 025999
6	24500707	L	PIN TAPER		IN 024206
6	24500802	J	INSULATION SLEEVING ELECT		IN 024206
6	24548325	K	WIRE ELEC STRD INS. UL APMD		IN 024206
5	24511436	M	LEAD,ELECTRICAL,36 INCH.		IN 025999
6	24500707	L	PIN TAPER		IN 024206
6	24500802	J	INSULATION SLEEVING ELECT		IN 024206
6	24548326	K	WIRE ELEC STRD INS. UL APMD		IN 024206
5	24511437	M	LEAD,ELECTRICAL,37 INCH.		IN 025999
6	24500707	L	PIN TAPER		IN 024206
6	24500802	J	INSULATION SLEEVING ELECT		IN 024206
6	24548327	K	WIRE ELEC STRD INS. UL APMD		IN 024206
5	24511438	M	LEAD,ELECTRICAL,38 INCH.		IN 025999
6	24500707	L	PIN TAPER		IN 024206
6	24500802	J	INSULATION SLEEVING ELECT		IN 024206
6	24548328	K	WIRE ELEC STRD INS. UL APMD		IN 024206
5	24511439	M	LEAD,ELECTRICAL,39 INCH.		IN 024447
6	24500707	L	PIN TAPER		IN 024206
6	24500802	J	INSULATION SLEEVING ELECT		IN 024206
6	24548300	K	WIRE, ELECT, 24 AWG INSUL,U/L		IN 024206
5	24511446	M	LEAD,ELECTRICAL,40 INCH.		IN 025999
6	24500707	L	PIN TAPER		IN 024206
6	24500802	J	INSULATION SLEEVING ELECT		IN 024206
6	24548311	K	WIRE ELEC STRD INS. UL APMD		IN 024206
5	24511447	M	LEAD,ELECTRICAL,41 INCH.		IN

FA705A 20266800 M 3000 RESOB/DATA FILE SUB SYST

LEVEL	PART-NO	REV	DESCRIPTION	SPARE	ECO-NO
6	24500707	L	PIN TAPER		IN 024206
6	24500802	J	INSULATION SLEEVING ELECT		IN 024206
6	24548312	K	WIRE ELEC STRD INS. UL APPD		IN 024206
5	24511452	M	LEAD, ELECTRICAL, .46 INCH.		IN
6	24500707	L	PIN TAPER		IN 024206
6	24500802	J	INSULATION SLEEVING ELECT		IN 024206
6	24548317	K	WIRE ELEC STRD INS. UL APPD		IN 024206
4	52623900	C	WIRE LIST CONTROL PANEL		IN
4	52692500	D	CHASSIS 1 FINAL ASSY		IN
5	09005306	A	SCR MACH FH SLOT 1/4		IN
5	09018301	A	SCR MACH PAN HU PHL NO. 5		IN
5	09018302	A	SCR MACH PAN HU PHL NO. 5		IN
5	09018304	A	SCR MACH PAN HU PHL NO. 5		IN
5	10001802	V	CONN. RECEP. SOCKET CONTACT		IN 024717
5	10125106	C	HEXAGON MACHINE SCREW NUTS		IN
5	10125301	C	HEXAGON NUTS		IN
5	10125604	B	PLAIN WASHERS		IN
5	10126102	C	INTERNAL TOOTH LOCK WASHERS		IN
5	10126104	C	INTERNAL TOOTH LOCK WASHERS		IN
5	10126105	C	INTERNAL TOOTH LOCK WASHERS		IN
5	10126106	C	INTERNAL TOOTH LOCK WASHERS		IN
5	10127121	D	SCR MACH PAN PHL 8-32		IN
5	10127124	D	SCR MACH PAN PHL 8-32		IN
5	10127144	D	SCR MACH PAN PHL 10-32		IN 024717
5	11412600	B	STRIP, MARKER (01-21)		IN 024717
5	11412700	B	STRIP, MARKER (22-42)		IN 024717
5	11819100	D	CHASSIS PWR AND GROUND WIRING		IN 023576
5	17743002	P	LEAD ELECT 18 GA 5 IN RED		IN 023576
6	24500706	L	PIN TAPER		IN 024206
6	24552337	D	INS SLV. 5/8 LG 9 AWG CLR		IN 024206
6	93463222	D	WIRE ELECTRICAL 18 AWG -2		IN 024206
5	17743003	P	LEAD ELECT 18 GA 5 IN BLUE		IN 023576
6	24500706	L	PIN TAPER		IN 024206
6	24552337	D	INS SLV. 5/8 LG 9 AWG CLR		IN 024206
6	93463666	D	WIRE ELECTRICAL 18 AWG -6		IN 024206
5	17743005	P	LEAD ELECT 18 GA 7 IN RED		IN 023576
6	24500706	L	PIN TAPER		IN 024206
6	24552337	D	INS SLV. 5/8 LG 9 AWG CLR		IN 024206
6	93463222	D	WIRE ELECTRICAL 18 AWG -2		IN 024206
5	17743006	P	LEAD ELECT 18 GA 7 IN BLUE		IN 023576
6	24500706	L	PIN TAPER		IN 024206
6	24552337	D	INS SLV. 5/8 LG 9 AWG CLR		IN 024206
6	93463666	D	WIRE ELECTRICAL 18 AWG -6		IN 024206
5	17901552	H	5-40 SCR THD ROLL PHL H PAN		IN 024183
5	17901553	H	5-40 SCR THD ROLL PHL H PAN		IN
5	17901555	H	5-40 SCR THD ROLL PHL H PAN		IN
5	24504386	E	CAP FIXED SOLID TANTALUM		IN 022761
5	24511440	M	LEAD ELECT 2.25 IN. SOLID BLK		IN 023576
6	24500707	L	PIN TAPER		IN 024206
6	24548301	K	WIRE ELECT 24 AWG - 0		IN 024206
5	24511441	M	LEAD ELECT 2.25 IN. SOLID RED		IN 023576
6	24500707	L	PIN TAPER		IN 024206
6	24500802	J	INSULATION SLEEVING ELECT		IN 024206

FA705A 20266800 M 3000 RESOB/DATA FILE SUB SYST

LEVEL	PART-NO	REV	DESCRIPTION	SPARE	ECU-NO
6	24548303	K	WIRE ELEC STRD INS. UL APMD		IN 024206
5	24511442	M	LEAD ELECTR 2.25 IN. SOLID BLU		IN 023576
6	24500707	L	PIN TAPER		IN 024206
6	24500802	J	INSULATION SLEEVING ELECT		IN 024206
6	24548307	K	WIRE ELEC STRD INS. UL APMD		IN 024206
5	24543801	A	JUMPER, TERMINAL STRIP		IN
5	25153100	A	STRIP MARKER NARROW (01-21)		IN
6	10057600	A	EXTRUSION NARROW MARKER STRIP		IN
5	25153200	A	STRIP MARKER NARROW (22-42)		IN
6	10057600	A	EXTRUSION NARROW MARKER STRIP		IN
5	25160300	D	MEMBER FR CHASSIS LEFT SIDE		IN
6	30004000	E	AL ALY SPECIAL SHAPED SECTION		IN
5	25160400	D	MEMBER FR CHAS RIGHT SIDE		IN
6	30004000	E	AL ALY SPECIAL SHAPED SECTION		IN
5	25161800	E	BAR MTG CONN-MIDDLE (01-42)		IN 024717
6	18673300	B	ALUM ALLOY BAR EXTRUDED		IN 017378
5	25161900	D	SPACER MODULE MIDDLE (01-42)		IN 024717
6	18683500	B	ALUMINUM ALLOY BAR EXTRUDED		IN 017098
5	25162001	C	MEMBER FR CHAS TOP AND BOI		IN
5	25162002	C	MEMBER FR CHAS TOP AND BOI		IN
5	30002201	L	CAP FXD ELECTROLYTIC		IN 024717
5	30008700	C	BKT ANGLE CHASSIS FRAME		IN
5	30013802	C	SPACER		IN
5	52623600	F	W/L LOGIC, CHASSIS 1		IN
6	24511402	M	LEAD, ELECTRICAL, 2 INCH.		IN 024703
7	24500707	L	PIN TAPER		IN 024206
7	24500802	J	INSULATION SLEEVING ELECT		IN 024206
7	24548313	K	WIRE ELEC STRD INS. UL APMD		IN 024206
6	24511403	M	LEAD, ELECTRICAL, 3 INCH.		IN 024703
7	24500707	L	PIN TAPER		IN 024206
7	24500802	J	INSULATION SLEEVING ELECT		IN 024206
7	24548314	K	WIRE ELEC STRD INS. UL APMD		IN 024206
6	24511404	M	LEAD, ELECTRICAL, 4 INCH.		IN 025999
7	24500707	L	PIN TAPER		IN 024206
7	24500802	J	INSULATION SLEEVING ELECT		IN 024206
7	24548315	K	WIRE ELEC STRD INS. UL APMD		IN 024206
6	24511405	M	LEAD, ELECTRICAL, 5 INCH.		IN 025999
7	24500707	L	PIN TAPER		IN 024206
7	24500802	J	INSULATION SLEEVING ELECT		IN 024206
7	24548316	K	WIRE ELEC STRD INS. UL APMD		IN 024206
6	24511406	M	LEAD, ELECTRICAL, 6 INCH.		IN 025999
7	24500707	L	PIN TAPER		IN 024206
7	24500802	J	INSULATION SLEEVING ELECT		IN 024206
7	24548317	K	WIRE ELEC STRD INS. UL APMD		IN 024206
6	24511407	M	LEAD, ELECTRICAL, 7 INCH.		IN 025999
7	24500707	L	PIN TAPER		IN 024206
7	24500802	J	INSULATION SLEEVING ELECT		IN 024206
7	24548318	K	WIRE ELEC STRD INS. UL APMD		IN 024206
6	24511408	M	LEAD, ELECTRICAL, 8 INCH.		IN 025999
7	24500707	L	PIN TAPER		IN 024206
7	24500802	J	INSULATION SLEEVING ELECT		IN 024206
7	24548319	K	WIRE ELEC STRD INS. UL APMD		IN 024206
6	24511409	M	LEAD, ELECTRICAL, 9 INCH.		IN 025999

FA705A 20266800 M 3000 RESORB/DATA FILE SUB SYST

LEVEL	PART-NO	REV	DESCRIPTION	SPARE	ECO-NO
7	24500707	L	PIN TAPER		IN 024206
7	24500802	J	INSULATION SLEEVING ELECT		IN 024206
7	24548310	K	WIRE ELEC STRD INS. UL APPD		IN 024206
6	24511410	M	LEAD, ELECTRICAL, 10 INCH.		IN 025999
7	24500707	L	PIN TAPER		IN 024206
7	24500802	J	INSULATION SLEEVING ELECT		IN 024206
7	24548320	K	WIRE ELEC STRD INS. UL APPD		IN 024206
6	24511411	M	LEAD, ELECTRICAL, 11 INCH.		IN 023854
7	24500707	L	PIN TAPER		IN 024206
7	24500802	J	INSULATION SLEEVING ELECT		IN 024206
7	24548321	K	WIRE ELEC STRD INS. UL APPD		IN 024206
6	24511412	M	LEAD, ELECTRICAL, 12 INCH.		IN 025999
7	24500707	L	PIN TAPER		IN 024206
7	24500802	J	INSULATION SLEEVING ELECT		IN 024206
7	24548322	K	WIRE ELEC STRD INS. UL APPD		IN 024206
6	24511413	M	LEAD, ELECTRICAL, 13 INCH.		IN 024703
7	24500707	L	PIN TAPER		IN 024206
7	24500802	J	INSULATION SLEEVING ELECT		IN 024206
7	24548323	K	WIRE ELEC STRD INS. UL APPD		IN 024206
6	24511414	M	LEAD, ELECTRICAL, 14 INCH.		IN 025999
7	24500707	L	PIN TAPER		IN 024206
7	24500802	J	INSULATION SLEEVING ELECT		IN 024206
7	24548324	K	WIRE ELEC STRD INS. UL APPD		IN 024206
6	24511415	M	LEAD, ELECTRICAL, 15 INCH.		IN 025999
7	24500707	L	PIN TAPER		IN 024206
7	24500802	J	INSULATION SLEEVING ELECT		IN 024206
7	24548325	K	WIRE ELEC STRD INS. UL APPD		IN 024206
6	24511416	M	LEAD, ELECTRICAL, 16 INCH.		IN 024703
7	24500707	L	PIN TAPER		IN 024206
7	24500802	J	INSULATION SLEEVING ELECT		IN 024206
7	24548326	K	WIRE ELEC STRD INS. UL APPD		IN 024206
6	24511417	M	LEAD, ELECTRICAL, 17 INCH.		IN 025999
7	24500707	L	PIN TAPER		IN 024206
7	24500802	J	INSULATION SLEEVING ELECT		IN 024206
7	24548327	K	WIRE ELEC STRD INS. UL APPD		IN 024206
6	24511418	M	LEAD, ELECTRICAL, 18 INCH.		IN 025999
7	24500707	L	PIN TAPER		IN 024206
7	24500802	J	INSULATION SLEEVING ELECT		IN 024206
7	24548328	K	WIRE ELEC STRD INS. UL APPD		IN 024206
6	24511419	M	LEAD, ELECTRICAL, 19 INCH.		IN 024703
7	24500707	L	PIN TAPER		IN 024206
7	24500802	J	INSULATION SLEEVING ELECT		IN 024206
7	24548300	K	WIRE, ELECT, 24 AWG INSUL, U/L		IN 024206
6	24511420	M	LEAD, ELECTRICAL, 20 INCH.		IN 024447
7	24500707	L	PIN TAPER		IN 024206
7	24500802	J	INSULATION SLEEVING ELECT		IN 024206
7	24548311	K	WIRE ELEC STRD INS. UL APPD		IN 024206
6	24511421	M	LEAD, ELECTRICAL, 21 INCH.		IN 025999
7	24500707	L	PIN TAPER		IN 024206
7	24500802	J	INSULATION SLEEVING ELECT		IN 024206
7	24548312	K	WIRE ELEC STRD INS. UL APPD		IN 024206
6	24511422	M	LEAD, ELECTRICAL, 22 INCH.		IN 022613
7	24500707	L	PIN TAPER		IN 024206

FA705A 20266800 M 3000 RESORB/DATA FILE SUB SYST

LEVEL	PART-NO	REV	DESCRIPTION	SPARE	ECO-NO
7	24500802	J	INSULATION SLEEVING ELECT		IN 024206
7	24548313	K	WIRE ELEC STRD INS. UL APPD		IN 024206
5	52626700	D	WIRE LIST-PWR RESISTOR-CHAS 1		IN 022988
6	17706021	B	CAP FIXED SOLID TANTALUM		IN 025884
6	24500706	L	PIN TAPER		IN 025884
6	24500707	L	PIN TAPER		IN 025884
6	24500810	J	INSULATION SLEEVING ELECT		IN 023694
6	24507163	U	RES FXD COMP 1W,1000 OHMS		IN
6	24528628	K	INS, SLV, ELEC WULK		IN 025884
6	24548301	K	WIRE ELECT 24 AWG - 0		IN
6	24552338	D	INS SLV, 5/8 LG 8 AWG CLR		IN 025884
5	52692600	B	CONTROL PANEL ASSY		IN
6	00815800	A	KNOB BAR TYPE		IN 024183
6	17981117	U	LENS INDICATOR CORPORATE SW		IN
6	17981160	U	LENS, INDICATOR-CORP SWITCH		IN 022761
6	17981161	U	LENS, INDICATOR-CORP SWITCH		IN 022761
6	24500055	U	RES FXD .25W 470 OHMS		IN
6	24508904	E	PULSE CRT ASSY ENCAPSULATED		IN
6	24509000	B	SWITCH PUSH-MOMENTARY 2 PUT		IN
6	24511501	E	LAMP HOLDER PUSH-BUT.		IN 022761
6	24512301	L	LAMP, INCANDESCENT		IN
6	24515806	A	LAMP, INCANDESCENT		IN 024183
6	24515900	B	SWITCH-TOGGLE SPDT		IN
6	24521300	F	SWITCH PUSH -ALTERNATE, 2 PUT		IN 024183
6	24533102	E	INDICATOR, LIGHT SWITCH		IN
6	24533105	E	INDICATOR, LIGHT SWITCH		IN
6	24538100	F	SWITCH ROTARY 1 POLE		IN
6	24542700	C	INDICATOR LAMPHOLDER		IN
6	24547601	B	SWITCH, KEY-OPERATED		IN
6	24559702	F	SWITCH ROTARY 1 POLE 2 SEL		IN
6	52623900	C	WIRE LIST CONTROL PANEL		IN
7	17620300	F	STRAP CABLE ADJUSTABLE		IN
7	24500707	L	PIN TAPER		IN 025999
7	24500810	J	INSULATION SLEEVING ELECT		IN 025999
7	24548301	K	WIRE ELECT 24 AWG - 0		IN 025999
7	24548302	K	WIRE ELECT 24 AWG INSULATED		IN
7	24548304	K	WIRE ELEC STRD INS. UL APPD		IN
7	24548305	K	WIRE ELEC STRD INS. UL APPD		IN 024968
7	24548306	K	WIRE ELEC STRD INS. UL APPD		IN 024968
7	24548307	K	WIRE ELEC STRD INS. UL APPD		IN 025999
7	24548308	K	WIRE ELEC STRD INS. UL APPD		IN 024968
7	24548309	K	WIRE ELEC STRD INS. UL APPD		IN 024968
7	24548310	K	WIRE ELEC STRD INS. UL APPD		IN 024968
7	24548311	K	WIRE ELEC STRD INS. UL APPD		IN 025999
7	24548312	K	WIRE ELEC STRD INS. UL APPD		IN
7	24548313	K	WIRE ELEC STRD INS. UL APPD		IN
7	24548314	K	WIRE ELEC STRD INS. UL APPD		IN
7	24548315	K	WIRE ELEC STRD INS. UL APPD		IN
7	24548316	K	WIRE ELEC STRD INS. UL APPD		IN
7	24548317	K	WIRE ELEC STRD INS. UL APPD		IN
7	24548318	K	WIRE ELEC STRD INS. UL APPD		IN
7	24548319	K	WIRE ELEC STRD INS. UL APPD		IN 024968
7	24548320	K	WIRE ELEC STRD INS. UL APPD		IN 024968

FA705A 20266800 M 3000 RESOB/DATA FILE SUB SYST

LEVEL	PART-NO	REV	DESCRIPTION	SPARE	ECO-NO
7	24548321	K	WIRE ELEC STRD INS. UL APPD		IN 024968
7	24548322	K	WIRE ELEC STRD INS. UL APPD		IN 024968
7	24548323	K	WIRE ELEC STRD INS. UL APPD		IN 024968
7	24548324	K	WIRE ELEC STRD INS. UL APPD		IN 024968
7	24548325	K	WIRE ELEC STRD INS. UL APPD		IN 024968
7	24548326	K	WIRE ELEC STRD INS. UL APPD		IN 024968
7	24548327	K	WIRE ELEC STRD INS. UL APPD		IN
7	24548328	K	WIRE ELEC STRD INS. UL APPD		IN
7	31000016	B	WIRE, 24GA TWIST, PR. YE-W/H		IN 024968
7	31000017	B	WIRE, 24GA TWIST, PR. YE-W/YE		IN 024968
7	31000018	B	WIRE, 24GA TWIST, PR. YE-W/BL		IN 024968
7	31000019	B	WIRE, 24GA TWIST, PR. YE-W/GY		IN 024968
7	31000020	B	WIRE, 24GA TWIST, PR. YE-W/BL		IN 024968
7	31000021	B	WIRE, 24GA TWIST, PR. GR-W/HD		IN 024968
7	31000022	B	WIRE, 24GA TWIST, PR. GR-W/YE		IN 024968
7	31000023	B	WIRE, 24GA TWIST, PR. GR-W/BL		IN 024968
6	52860100	B	PANEL CONTROL		IN 024183
6	94015023	V	LENS, ENGRAVED		IN 026011
6	94015103	V	LENS, ENGRAVED		IN 026011
6	94015186	V	LENS, ENGRAVED		IN 026011
6	94015193	V	LENS, ENGRAVED		IN 026011
5	52827400	B	PANEL, FILLER-CHASSIS		IN
5	52849100	A	RELAY ASSY, POWER SEQUENCE		IN 022988
6	09002006	C	SCR MACH RD PHL H NO. 8		IN
6	10125105	C	HEXAGON MACHINE SCREW NUTS		IN
6	10125106	C	HEXAGON MACHINE SCREW NUTS		IN
6	10126103	C	INTERNAL TOOTH LOCK WASHERS		IN
6	10126104	C	INTERNAL TOOTH LOCK WASHERS		IN
6	10127112	D	SCR MACH PAN PHL 6-32		IN
6	17915800	D	BRACKET RELAY		IN
6	18186800	A	ANGLE MOUNTING RELAY BRACKET		IN
6	18535811	D	TERMINAL SPADE FLANGED INS		IN
6	24500709	L	PIN, TAPER		IN
6	24501502	D	STRIP TERMINAL		IN
6	24528616	K	INS SLEEVING, ELEC-BULK		IN 021040
6	24547900	B	SOCKET, TUBE 8 CONTACT, OCTAL		IN
6	24550802	J	RELAY, OCTAL SOCKET		IN
6	24552338	D	INS SLV, 5/8 LG 8 AWG CLR		IN
6	24552342	D	INS SLV, 5/8 LG 4 AWG CLR		IN
6	93463000	D	WIRE ELECTRICAL 18 AWG -0		IN
6	93463222	D	WIRE ELECTRICAL 18 AWG -2		IN
6	93464000	C	WIRE ELECTRICAL 16 AWG -0		IN
6	93464111	C	WIRE ELECTRICAL 16 AWG -1		IN
6	93464222	C	WIRE ELECTRICAL 16 AWG -2		IN
6	93464333	C	WIRE ELECTRICAL 16 AWG -3		IN
6	93943001	E	CONTACT, SOCKET, SERIES .090		IN
6	93947003	B	CONNECTOR (SOCKET HOUSING)		IN
4	52727500	C	CHASSIS 2 FINAL ASSEMBLY		IN
5	00856604	C	THUMBSCREW		IN
5	00857102	B	BRG SLV-FLG NYLON 1/4		IN 024717
5	09005306	A	SCR MACH FH SLUT 1/4		IN 024717
5	09018302	A	SCR MACH PAN HU PHL NO. 5		IN 024717
5	10001802	V	CONN, RECP, SOCKET CONTACT		IN

FA705A 2026600 M 3000 RESOB/DATA FILE SUB SYST

LEVEL	PART-NO	REV	DESCRIPTION	SPACE	ECO-NO
5	10125103	C	HEXAGON MACHINE SCREW NUTS		IN 024717
5	10125105	C	HEXAGON MACHINE SCREW NUTS		IN 024717
5	10125106	C	HEXAGON MACHINE SCREW NUTS		IN 024717
5	10125301	C	HEXAGON NUTS		IN 024717
5	10125460	D	82 FH MACH SCR SLOT DR 8-32		IN 024717
5	10125605	B	PLAIN WASHERS		IN 024717
5	10125607	B	PLAIN WASHERS		IN 024717
5	10126101	C	INTERNAL TOOTH LOCK WASHERS		IN 024717
5	10126102	C	INTERNAL TOOTH LOCK WASHERS		IN 024717
5	10126103	C	INTERNAL TOOTH LOCK WASHERS		IN 024717
5	10126104	C	INTERNAL TOOTH LOCK WASHERS		IN 024717
5	10126105	C	INTERNAL TOOTH LOCK WASHERS		IN 024717
5	10126106	C	INTERNAL TOOTH LOCK WASHERS		IN 024717
5	10127104	D	SCR MACH PAN PHL 4-40		IN 024717
5	10127114	D	SCR MACH PAN PHL 6-32		IN 024717
5	10127115	D	SCR MACH PAN PHL 6-32		IN 024717
5	10127124	D	SCR MACH PAN PHL 8-32		IN 024717
5	10127142	D	SCR MACH PAN PHL 10-32		IN 024717
5	10127144	D	SCR MACH PAN PHL 10-32		IN 024717
5	10127145	D	SCR MACH PAN PHL 10-32		IN 024717
5	11412600	B	STRIP, MARKER (01-21)		IN
5	11412700	B	STRIP, MARKER (22-42)		IN
5	11819100	D	CHASSIS PWR AND GROUND WIMING		IN 023576
5	17743002	P	LEAD ELECT 18 GA 5 IN RED		IN 023576
6	24500706	L	PIN TAPER		IN 024206
6	24552337	U	INS SLV, 5/8 LG 9 AWG CLR		IN 024206
6	93463222	D	WIRE ELECTRICAL 18 AWG -2		IN 024206
5	17743003	P	LEAD ELECT 18 GA 5 IN BLUE		IN 023576
6	24500706	L	PIN TAPER		IN 024206
6	24552337	U	INS SLV, 5/8 LG 9 AWG CLR		IN 024206
6	93463666	D	WIRE ELECTRICAL 18 AWG -6		IN 024206
5	17743005	P	LEAD ELECT 18 GA 7 IN RED		IN 023576
6	24500706	L	PIN TAPER		IN 024206
6	24552337	U	INS SLV, 5/8 LG 9 AWG CLR		IN 024206
6	93463222	D	WIRE ELECTRICAL 18 AWG -2		IN 024206
5	17743006	P	LEAD ELECT 18 GA 7 IN BLUE		IN 023576
6	24500706	L	PIN TAPER		IN 024206
6	24552337	U	INS SLV, 5/8 LG 9 AWG CLR		IN 024206
6	93463666	D	WIRE ELECTRICAL 18 AWG -6		IN 024206
5	17901555	H	5-40 SCR THD ROLL PHL H PAN		IN 024717
5	18801100	A	FILIER CAPACITOR ASSEMBLY		IN 024183
6	18786200	A	CAPACITOR, FIXED CERAMIC MISC		IN
6	24500707	L	PIN TAPER		IN
6	24528602	K	INS SLEEVING, ELEC-BULK		IN 021040
5	24511440	M	LEAD ELECT 2.25 IN. SOLID BLK		IN 023576
6	24500707	L	PIN TAPER		IN 024206
6	24548301	K	WIRE ELECT 24 AWG - 0		IN 024206
5	24511441	M	LEAD ELECT 2.25 IN. SOLID RED		IN 023576
6	24500707	L	PIN TAPER		IN 024206
6	24500802	J	INSULATION SLEEVING ELECT		IN 024206
6	24548303	K	WIRE ELEC STD INS. UL APPD		IN 024206
5	24511442	M	LEAD ELECT 2.25 IN. SOLID BLU		IN 023576
6	24500707	L	PIN TAPER		IN 024206

FA705A 20266800 M 3000 RESOB/DATA FILE SUB SYST

LEVEL	PART-NO	REV	DESCRIPTION	SPACE	ECU-NO
6	24500802	J	INSULATION SLEEVING ELECT		IN 024206
6	24548307	K	WIRE ELEC STD INS. UL APPD		IN 024206
5	25153100	A	STRIP MARKER NARROW (01-21)		IN
6	10057600	A	EXTRUSION NARROW MARKER STRIP		IN
5	25153200	A	STRIP MARKER NARROW (22-42)		IN
6	10057600	A	EXTRUSION NARROW MARKER STRIP		IN
5	25156700	C	PLATE, RETAINING, ELEC. CONN.-		IN
6	09028002	B	WELD NUT TYPE SN		IN 019827
6	25156701	C	PLATE CRS 16 GA (.059)		IN 019827
5	25156801	C	PL RETAINING ELEC. CONN		IN
5	25159700	A	LATCH, CONNECTOR PANEL		IN
5	25160300	D	MEMBER FR CHASSIS LEFT SIDE		IN
6	30004000	E	AL ALY SPECIAL SHAPED SECTION		IN
5	25160400	D	MEMBER FR CHAS RIGHT SIDE		IN
6	30004000	E	AL ALY SPECIAL SHAPED SECTION		IN
5	25161800	E	BAR MTG CONN=MIDDLE (01-42)		IN
6	18673300	B	ALUM ALLOY BAR EXTRUDED		IN 017378
5	25161900	D	SPACER MODULE MIDDLE (01-42)		IN
6	18683500	B	ALUMINUM ALLOY BAR EXTRUDED		IN 017098
5	25162001	C	MEMBER FR CHAS TOP AND BUI		IN
5	25162002	C	MEMBER FR CHAS TOP AND BUI		IN
5	25164401	A	MARKER ROW CHAS FULL CHAS		IN
5	25166215	J	SHIELD, CONN, RECP. -LETTERED		IN
6	30116500	A	SHIELD CONN RECP ELEC-LONG		IN
5	25184100	A	BRACKET TERMINAL STRIP		IN
5	30002201	L	CAP FXD ELECTROLYTIC		IN
5	30008700	C	BRK ANGLE CHASSIS FRAME		IN
5	30013802	C	SPACER		IN
5	30092702	F	TERM BLK 20 CAV RED		IN
5	30092706	F	TERM BLK 20 CAV BLUE		IN
5	30092710	F	TERM BLK 20 CAV BLACK		IN
5	30093414	A	STRIP TERM-MARKED 14 CONT		IN 023576
5	30093502	F	CLIP SPRING TENSION		IN 024183
5	30093614	B	COVER TERMINAL BOARD		IN 024183
5	30103800	B	PLATE, RETAINING, CABLE		IN
5	30103900	C	STUD, EXTENSION		IN
5	30104600	D	SUPPORT CONN, ASSY		IN
5	30104800	J	HINGE, I/O CONNECTOR PANEL		IN
5	30116600	B	BRACKET MOUNTING SHIELD		IN
5	52623700	G	W/L LOGIC, CHASSIS 2		IN
6	24511402	M	LEAD, ELECTRICAL, 2 INCH.		IN 026676
7	24500707	L	PIN TAPER		IN 024206
7	24500802	J	INSULATION SLEEVING ELECT		IN 024206
7	24548313	K	WIRE ELEC STD INS. UL APPD		IN 024206
6	24511403	M	LEAD, ELECTRICAL, 3 INCH.		IN 025999
7	24500707	L	PIN TAPER		IN 024206
7	24500802	J	INSULATION SLEEVING ELECT		IN 024206
7	24548314	K	WIRE ELEC STD INS. UL APPD		IN 024206
6	24511404	M	LEAD, ELECTRICAL, 4 INCH.		IN 024447
7	24500707	L	PIN TAPER		IN 024206
7	24500802	J	INSULATION SLEEVING ELECT		IN 024206
7	24548315	K	WIRE ELEC STD INS. UL APPD		IN 024206
6	24511405	M	LEAD, ELECTRICAL, 5 INCH.		IN 025999

FA705A 20260800 M 3000 RESOB/DATA FILE SUB SYST

L E V E L	PART-NO	REV	DESCRIPTION	SPARE	ECO-NO
7	24500707	L	PIN TAPER		IN 024206
7	24500802	J	INSULATION SLEEVING ELECT		IN 024206
7	24548316	K	WIRE ELEC STRD INS. UL APPD		IN 024206
6	24511406	M	LEAD, ELECTRICAL, 6 INCH.		IN 026676
7	24500707	L	PIN TAPER		IN 024206
7	24500802	J	INSULATION SLEEVING ELECT		IN 024206
7	24548317	K	WIRE ELEC STRD INS. UL APPD		IN 024206
6	24511407	M	LEAD, ELECTRICAL, 7 INCH.		IN 025999
7	24500707	L	PIN TAPER		IN 024206
7	24500802	J	INSULATION SLEEVING ELECT		IN 024206
7	24548318	K	WIRE ELEC STRD INS. UL APPD		IN 024206
6	24511408	M	LEAD, ELECTRICAL, 8 INCH.		IN 026676
7	24500707	L	PIN TAPER		IN 024206
7	24500802	J	INSULATION SLEEVING ELECT		IN 024206
7	24548319	K	WIRE ELEC STRD INS. UL APPD		IN 024206
6	24511409	M	LEAD, ELECTRICAL, 9 INCH.		IN 026676
7	24500707	L	PIN TAPER		IN 024206
7	24500802	J	INSULATION SLEEVING ELECT		IN 024206
7	24548310	K	WIRE ELEC STRD INS. UL APPD		IN 024206
6	24511410	M	LEAD, ELECTRICAL, 10 INCH.		IN 026676
7	24500707	L	PIN TAPER		IN 024206
7	24500802	J	INSULATION SLEEVING ELECT		IN 024206
7	24548320	K	WIRE ELEC STRD INS. UL APPD		IN 024206
6	24511411	M	LEAD, ELECTRICAL, 11 INCH.		IN 026676
7	24500707	L	PIN TAPER		IN 024206
7	24500802	J	INSULATION SLEEVING ELECT		IN 024206
7	24548321	K	WIRE ELEC STRD INS. UL APPD		IN 024206
6	24511412	M	LEAD, ELECTRICAL, 12 INCH.		IN 024703
7	24500707	L	PIN TAPER		IN 024206
7	24500802	J	INSULATION SLEEVING ELECT		IN 024206
7	24548322	K	WIRE ELEC STRD INS. UL APPD		IN 024206
6	24511413	M	LEAD, ELECTRICAL, 13 INCH.		IN 024703
7	24500707	L	PIN TAPER		IN 024206
7	24500802	J	INSULATION SLEEVING ELECT		IN 024206
7	24548323	K	WIRE ELEC STRD INS. UL APPD		IN 024206
6	24511414	M	LEAD, ELECTRICAL, 14 INCH.		IN 025999
7	24500707	L	PIN TAPER		IN 024206
7	24500802	J	INSULATION SLEEVING ELECT		IN 024206
7	24548324	K	WIRE ELEC STRD INS. UL APPD		IN 024206
6	24511415	M	LEAD, ELECTRICAL, 15 INCH.		IN 026676
7	24500707	L	PIN TAPER		IN 024206
7	24500802	J	INSULATION SLEEVING ELECT		IN 024206
7	24548325	K	WIRE ELEC STRD INS. UL APPD		IN 024206
6	24511416	M	LEAD, ELECTRICAL, 16 INCH.		IN 025999
7	24500707	L	PIN TAPER		IN 024206
7	24500802	J	INSULATION SLEEVING ELECT		IN 024206
7	24548326	K	WIRE ELEC STRD INS. UL APPD		IN 024206
6	24511417	M	LEAD, ELECTRICAL, 17 INCH.		IN 025999
7	24500707	L	PIN TAPER		IN 024206
7	24500802	J	INSULATION SLEEVING ELECT		IN 024206
7	24548327	K	WIRE ELEC STRD INS. UL APPD		IN 024206
6	24511418	M	LEAD, ELECTRICAL, 18 INCH.		IN 024703
7	24500707	L	PIN TAPER		IN 024206

FA705A 20260800 M 3000 RESOB/DATA FILE SUB SYST

LEVEL	PART-NO	REV	DESCRIPTION	SPARE	ECO-NO
7	24500802	J	INSULATION SLEEVING ELECT		IN 024206
7	24548328	K	WIRE ELEC STRD INS. UL APPD		IN 024206
6	24511419	M	LEAD,ELECTRICAL,19 INCH.		IN 025999
7	24500707	L	PIN TAPER		IN 024206
7	24500802	J	INSULATION SLEEVING ELECT		IN 024206
7	24548300	K	WIRE, ELECT, 24 AWG INSUL,U/L		IN 024206
6	24511420	M	LEAD,ELECTRICAL,20 INCH.		IN 023854
7	24500707	L	PIN TAPER		IN 024206
7	24500802	J	INSULATION SLEEVING ELECT		IN 024206
7	24548311	K	WIRE ELEC STRD INS. UL APPD		IN 024206
6	24511421	M	LEAD,ELECTRICAL,21 INCH.		IN 026676
7	24500707	L	PIN TAPER		IN 024206
7	24500802	J	INSULATION SLEEVING ELECT		IN 024206
7	24548312	K	WIRE ELEC STRD INS. UL APPD		IN 024206
6	24511422	M	LEAD,ELECTRICAL,22 INCH.		IN 024703
7	24500707	L	PIN TAPER		IN 024206
7	24500802	J	INSULATION SLEEVING ELECT		IN 024206
7	24548313	K	WIRE ELEC STRD INS. UL APPD		IN 024206
6	24511423	M	LEAD,ELECTRICAL,23 INCH.		IN 024447
7	24500707	L	PIN TAPER		IN 024206
7	24500802	J	INSULATION SLEEVING ELECT		IN 024206
7	24548314	K	WIRE ELEC STRD INS. UL APPD		IN 024206
6	24511424	M	LEAD,ELECTRICAL,24 INCH.		IN 024447
7	24500707	L	PIN TAPER		IN 024206
7	24500802	J	INSULATION SLEEVING ELECT		IN 024206
7	24548315	K	WIRE ELEC STRD INS. UL APPD		IN 024206
6	24511425	M	LEAD,ELECTRICAL,25 INCH.		IN 024703
7	24500707	L	PIN TAPER		IN 024206
7	24500802	J	INSULATION SLEEVING ELECT		IN 024206
7	24548316	K	WIRE ELEC STRD INS. UL APPD		IN 024206
6	24511426	M	LEAD,ELECTRICAL,26 INCH.		IN 024703
7	24500707	L	PIN TAPER		IN 024206
7	24500802	J	INSULATION SLEEVING ELECT		IN 024206
7	24548317	K	WIRE ELEC STRD INS. UL APPD		IN 024206
6	24511427	M	LEAD,ELECTRICAL,27 INCH.		IN 023854
7	24500707	L	PIN TAPER		IN 024206
7	24500802	J	INSULATION SLEEVING ELECT		IN 024206
7	24548318	K	WIRE ELEC STRD INS. UL APPD		IN 024206
6	24511428	M	LEAD,ELECTRICAL,28 INCH.		IN 025999
7	24500707	L	PIN TAPER		IN 024206
7	24500802	J	INSULATION SLEEVING ELECT		IN 024206
7	24548319	K	WIRE ELEC STRD INS. UL APPD		IN 024206
6	24511429	M	LEAD,ELECTRICAL,29 INCH.		IN 023854
7	24500707	L	PIN TAPER		IN 024206
7	24500802	J	INSULATION SLEEVING ELECT		IN 024206
7	24548310	K	WIRE ELEC STRD INS. UL APPD		IN 024206
6	24511430	M	LEAD,ELECTRICAL,30 INCH.		IN 023854
7	24500707	L	PIN TAPER		IN 024206
7	24500802	J	INSULATION SLEEVING ELECT		IN 024206
7	24548320	K	WIRE ELEC STRD INS. UL APPD		IN 024206
6	24511431	M	LEAD,ELECTRICAL,31 INCH.		IN
7	24500707	L	PIN TAPER		IN 024206
7	24500802	J	INSULATION SLEEVING ELECT		IN 024206

FA705A 20266800 M 3000 RESOB/DATA FILE SUB SYST

L E V E L	PART-NO	REV	DESCRIPTION	SPARE	ECO-NO
7	24548321	K	WIRE ELEC STD INS. UL APPD		IN 024206
6	24511432	M	LEAD, ELECTRICAL, .32 INCH.		IN 023854
7	24500707	L	PIN TAPER		IN 024206
7	24500802	J	INSULATION SLEEVING ELECT		IN 024206
7	24548322	K	WIRE ELEC STD INS. UL APPD		IN 024206
6	24511434	M	LEAD, ELECTRICAL, .34 INCH.		IN 023854
7	24500707	L	PIN TAPER		IN 024206
7	24500802	J	INSULATION SLEEVING ELECT		IN 024206
7	24548324	K	WIRE ELEC STD INS. UL APPD		IN 024206
6	24511435	M	LEAD, ELECTRICAL, .35 INCH.		IN 024703
7	24500707	L	PIN TAPER		IN 024206
7	24500802	J	INSULATION SLEEVING ELECT		IN 024206
7	24548325	K	WIRE ELEC STD INS. UL APPD		IN 024206
6	24511439	M	LEAD, ELECTRICAL, .39 INCH.		IN 023333
7	24500707	L	PIN TAPER		IN 024206
7	24500802	J	INSULATION SLEEVING ELECT		IN 024206
7	24548300	K	WIRE, ELECT, 24 AWG INSUL U/L		IN 024206
5	52826500	B	WIRE LIST TH10 TO CHASSIS		IN 023576
6	17620300	F	STRAP CABLE ADJUSTABLE		IN
6	24500702	L	PIN TAPER		IN
6	24524804	S	TERMINAL, LUG CRIMP-INSULATED		IN
6	24524843	S	TERM. LUG CRIMP INSULATED		IN 025253
6	24552316	D	INS SLV, 5/8 LG 8 AWG BLK		IN
6	93464000	C	WIRE ELECTRICAL 16 AWG -0		IN
6	93464222	C	WIRE ELECTRICAL 16 AWG -2		IN
6	93464666	C	WIRE ELECTRICAL 16 AWG -6		IN
5	52931500	B	CABLE ASSEMBLIES-61 PIN		IN 024183
6	00865004	K	GRM STR REL 0.468 IU		IN 023649
6	24500707	L	PIN TAPER		IN 023649
6	24500810	J	INSULATION SLEEVING ELECT		IN 023649
6	24548301	K	WIRE ELECT 24 AWG - 0		IN 023649
6	24548303	K	WIRE ELEC STD INS. UL APPD		IN 023649
6	24548307	K	WIRE ELEC STD INS. UL APPD		IN 023649
6	30000901	Z	CONN. RECP ELEC 61 PIN CONT		IN 023649
6	30000902	Z	FEMALE CONTACT		IN 023649
6	31000001	B	WIRE, 24GA TWIST, PR. BR-W/RD		IN 023649
6	31000002	B	WIRE, 24GA TWIST, PR. BR-W/YE		IN 023649
6	31000003	B	WIRE, 24GA TWIST, PR. BR-W/BL		IN 023649
6	31000004	B	WIRE, 24GA TWIST, PR. BR-W/GY		IN 023649
6	31000005	B	WIRE, 24GA TWIST, PR. BR-W/BL		IN 023649
6	31000006	B	WIRE, 24GA TWIST, PR. RD-W/RD		IN 023649
6	31000007	B	WIRE, 24GA TWIST, PR. RD-W/YE		IN 023649
6	31000008	B	WIRE, 24GA TWIST, PR. RD-W/BL		IN 023649
6	31000009	B	WIRE, 24GA TWIST, PR. RD-W/GY		IN 023649
6	31000010	B	WIRE, 24GA TWIST, PR. RD-W/BL		IN 023649
6	31000011	B	WIRE, 24GA TWIST, PR. OR-W/RD		IN 023649
6	31000012	B	WIRE, 24GA TWIST, PR. OR-W/YE		IN 023649
6	31000013	B	WIRE, 24GA TWIST, PR. OR-W/BL		IN 023649
6	31000014	B	WIRE, 24GA TWIST, PR. OR-W/GY		IN 023649
6	31000015	B	WIRE, 24GA TWIST, PR. OR-W/BL		IN 023649
6	31000016	B	WIRE, 24GA TWIST, PR. YE-W/R		IN 023649
6	31000017	B	WIRE, 24GA TWIST, PR. YE-W/YE		IN 023649
6	31000018	B	WIRE, 24GA TWIST, PR. YE-W/BL		IN 023649

FA705A 20266800 M 3000 RESOB/DATA FILE SUB SYST

LEVEL	PART-NO	REV	DESCRIPTION	SPACE	ECO-NO
6	31000019	B	WIRE, 24GA TWIST, PR. YE-W/GY		IN 023649
6	31000020	B	WIRE, 24GA TWIST, PR. YE-W/BL		IN 023649
6	31000021	B	WIRE, 24GA TWIST, PR. GR-W/HD		IN 023649
6	31000022	B	WIRE, 24GA TWIST, PR. GR-W/YE		IN 023649
6	31000023	B	WIRE, 24GA TWIST, PR. GR-W/BL		IN 023649
6	31000024	B	WIRE, 24GA TWIST, PR. GR-W/GY		IN 023649
6	31000025	B	WIRE, 24GA TWIST, PR. GR-W/BL		IN 023649
6	31000026	B	WIRE, 24GA TWIST, PR. BLU-W/R		IN 023649
6	31000027	B	WIRE, 24GA TWIST, PR. BLU-W/Y		IN 023649
6	31000028	B	WIRE, 24GA TWIST, PR. BLU-W/B		IN 023649
6	31000029	B	WIRE, 24GA TWIST, PR. BLU-W/B		IN 023649
6	52531400	A	W/L 2J1,61 PIN CONNECTOR		IN 023649
6	52531500	C	W/L 2J2,61 PIN CONNECTOR		IN 023649
6	52531600	B	W/L 2J3,61 PIN CONNECTOR		IN 023649
6	52531700	B	W/L 2J4,61 PIN CONNECTOR		IN 023649
6	52531800	A	W/L 2J5,61 PIN CONNECTOR		IN 023649
6	52531900	A	W/L 2J6,61 PIN CONNECTOR		IN 023649
6	52532000	B	W/L 2J7,61 PIN CONNECTOR		IN 023649
6	52532100	B	W/L 2J8,61 PIN CONNECTOR		IN 023649
4	52825700	A	SUPPORT, CHASSIS-CENTER		IN
4	52931400	F	CABLE ASSEMBLIES-34 PIN		IN
5	17605900	J	WIRE ELEC TWISTED PAIR		IN 023649
5	17605901	J	WIRE ELEC. TW. PR. 1 IN LAY		IN 023649
5	17605902	J	WIRE ELEC. TW. PR. 1 IN LAY		IN 023649
5	17605903	J	WIRE ELEC. TW. PR. 1 IN LAY		IN 023649
5	17605904	J	WIRE ELEC. TW. PR. 1 IN LAY		IN 023649
5	17605905	J	WIRE ELEC TWISTED PAIR		IN 023649
5	17605906	J	WIRE ELEC TWISTED PAIR		IN 023649
5	17605907	J	WIRE ELEC TWISTED PAIR		IN 023649
5	17605910	J	WIRE ELEC TWISTED PAIR		IN 023649
5	17605911	J	WIRE ELEC TWISTED PAIR		IN 023649
5	24500707	L	PIN TAPER		IN 025016
5	24500810	J	INSULATION SLEEVING ELECT		IN 025016
5	24548301	K	WIRE ELEC 24 AWG - 0		IN 025016
5	24548320	K	WIRE ELEC STRD INS. UL APPD		IN 023649
5	24548321	K	WIRE ELEC STRD INS. UL APPD		IN 023649
5	24548323	K	WIRE ELEC STRD INS. UL APPD		IN 023649
5	24548324	K	WIRE ELEC STRD INS. UL APPD		IN 023649
5	24548325	K	WIRE ELEC STRD INS. UL APPD		IN 023649
5	24551502	F	CUNN PLUG 104 PIN HOOD		IN 025016
5	52532400	F	CONNECTOR ASSY 1J3		IN 023649
5	52532500	F	CONNECTOR ASSY 1J4		IN 023649
5	52532600	F	CONNECTOR ASSY 1J5		IN 023649
5	52532700	F	CONNECTOR ASSY 1J6		IN 023649
5	52532800	E	CONNECTOR ASSY 1J7		IN 023649
5	93643004	G	CONNECTOR (34 PIN)		IN 023649
5	93643005	G	CONNECTOR (34 PIN)		IN 023649
5	93643007	G	CONNECTOR (34 PIN)		IN 025016
5	93643015	G	CONNECTOR (34 PIN)		IN 023649
5	93942001	F	CONTACT PIN SERIES .090		IN 023649
5	93948003	H	CONNECTOR (PIN HOUSING)		IN 026719
4	52937400	A	W/L CHASSIS POWER A9 TO A10		IN
5	17743008	P	LEAD ELECT 18 GA 9 1/2 IN RED		IN

FA705A 20266800 M 3000 RESOB/DATA FILE SUB SYST

LEVEL	PART-NO	REV	DESCRIPTION	SPARE	ECO-NO
6	24500706	L	PIN TAPER		IN 024206
6	24552337	D	INS SLV, 5/8 LG 9 AWG CLR		IN 024206
6	93463222	D	WIRE ELECTRICAL 18 AWG -2		IN 024206
5	17743009	P	LEAD ELECT 18 GA 9 1/2 IN BLU		IN
6	24500706	L	PIN TAPER		IN 024206
6	24552337	D	INS SLV, 5/8 LG 9 AWG CLR		IN 024206
6	93463666	D	WIRE ELECTRICAL 18 AWG -6		IN 024206
2	52922800	A	PWR WIRING CABINET; FINAL ASSY		IN
3	18535801	D	TERMINAL SPADE FLANGED INS		IN
3	18535804	D	TERMINAL SPADE FLANGED INS		IN
3	18535807	D	TERMINAL SPADE FLANGED INS		IN
3	24524802	S	TERMINAL, LUG CRIMP-INSULATED		IN
3	24524804	S	TERMINAL, LUG CRIMP-INSULATED		IN
3	24524805	S	TERMINAL, LUG CRIMP-INSULATED		IN
3	24524816	S	TERM, LUG CRIMP-INS		IN
3	24528613	K	INS SLEEVING, ELEC-BULK		IN 021040
3	24528615	K	INS SLEEVING, ELEC-BULK		IN 021040
3	24528617	K	INS SLEEVING, ELEC-BULK		IN 021040
3	24528636	K	INS SLEEVING, ELEC-BULK		IN 021040
3	24528637	K	INS SLEEVING, ELEC-BULK		IN 021040
3	24528638	K	INS SLEEVING, ELEC-BULK		IN 021040
3	24534811	A	SHIELD ELECT BRAIDED-BULK		IN
3	24543801	A	JUMPER, TERMINAL STRIP		IN
3	24552316	D	INS SLV, 5/8 LG 8 AWG BLK		IN
3	24552320	D	INS SLV, 5/8 LG 4 AWG BLK		IN
3	93463000	D	WIRE ELECTRICAL 18 AWG -0		IN
3	93463222	D	WIRE ELECTRICAL 18 AWG -2		IN
3	93463444	D	WIRE ELECTRICAL 18 AWG -4		IN
3	93463666	D	WIRE ELECTRICAL 18 AWG -6		IN
3	93464444	C	WIRE ELECTRICAL 16 AWG -4		IN
3	93464999	C	WIRE ELECTRICAL 16 AWG -9		IN
3	93508444	B	WIRE ELECTRICAL 14 AWG -4		IN
3	93508999	B	WIRE ELECTRICAL 14 AWG -9		IN
3	93509555	B	WIRE ELECTRICAL 12 AWG -5		IN

SECTION 9

WIRE LISTS

WIRE LISTS

Control Panel Wire Lists	52623900
61-pin connector 2J1	52531400
61-pin connector 2J2	52531500
61-pin connector 2J3	52531600
61-pin connector 2J4	52531700
61-pin connector 2J5	52531800
61-pin connector 2J6	52531900
61-pin connector 2J7	52532000
61-pin connector 2J8	52532100
75-pin connector 1J1	52532200
34-pin connector 1J3	52532400
34-pin connector 1J4	52532500
34-pin connector 1J5	52532600
34-pin connector 1J6	52532700
34-pin connector 1J7	52532800
Logic Chassis	52623600
	52623700
	52623800

60290000 A

9-3

CONDUCTOR DATA		CONTROL PANEL				CODE IDENT		SHEET 2			WL	DOCUMENT NO.	REV.
CONDUCTOR IDENT.	FIND NO.	GAUGE (REF.)	COLOR (REF.)	LENGTH (APPROX)	ORIGIN		ACCESS FIND NO.	DESTINATION		ACCESS FIND NO.	REMARKS		
	1	24	0	15	A5 DS1	1		A9 1G24	8	28,29	GND		
	↑	↑	↑	3	↑ DS1	1		↑ A5 DS2	1		↑		
	↑	↑	↑	↑	↑ DS2	1		↑ DS3	1		↑		
	↑	↑	↑	↑	↑ DS3	1		↑ DS4	1		↑		
	↑	↑	↑	↑	↑ DS4	1		↑ DS5	1		↑		
	↑	↑	↑	↑	↑ DS5	1		↑ DS6	1		↑		
	↑	↑	↑	↑	↑ DS6	1		↑ DS7	1		↑		
	↑	↑	↑	↑	↑ DS7	1		↑ DS8	1		↑		
	↑	↑	↑	↑	↑ DS8	1		↑ DS9	1		↑		
	↑	↑	↑	↑	↑ DS9	1		↑ DS10	1		↑		
	↑	↑	↑	↑	↑ DS10	1		↑ DS11	1		↑		
	↑	↑	↑	↑	↑ DS11	1		↑ DS12	1		↑		
	↓	↓	↓	↓	↓ DS12	1		↓ A5 DS13	1		↓ GND		
	6	24	6	12	A5 DS2	4		A9 1G24	9	28,29	-20VDC		
	↑	↑	↑	3	↑ DS2	4		↑ A5 DS3	4		↑		
	↑	↑	↑	↑	↑ DS3	4		↑ DS4	4		↑		
	↑	↑	↑	↑	↑ DS4	4		↑ DS5	4		↑		
	↑	↑	↑	↑	↑ DS5	4		↑ DS6	4		↑		
	↓	↓	↓	↓	↓ A5 DS6	4		↓ A5 DS7	4		↓ -20VDC		

CONTROL DATA					CODE IDENT		SHEET 3		WL		DOCUMENT NO. 52623900		REV. B
CONDUCTOR IDENT.	FIND NO.	GAUGE (REF.)	COLOR (REF.)	LENGTH (APPROX)	ORIGIN		ACCESS FIND NO.	DESTINATION		ACCESS FIND NO.	REMARKS		
	6	24	6	3	A5 DS7	4		A5 DS8	4		-20VDC		
	↑	↑	↑	↑	↑ DS8	4		↑ DS9	4		↑		
					DS9	4		DS10	4				
					DS10	4		DS11	4				
					DS11	4		DS12	4				
	6	24	6	3	A5 DS12	4		A5 DS13	4		-20VDC		
	11	24	91	11	A5 DS1	3		A9 IC12	4	28,29	CLEAR		
	12	↑	92	12	↑ DS2	3		↑ IC15	2	↑	BIT 0		
	13		93	14	DS3	3		IC15	4		↑ 1		
	14		94	15	DS4	3		IC15	6		↑ 2		
	15		95	17	DS5	3		IC15	10		↑ 3		
	16		96	18	DS6	3		IC15	12		↑ 4		
	17		97	18	DS7	3		IC15	14		↑ 5		
	18		98	17	DS8	3		IC14	2		↑ 6		
	20		910	19	DS9	3		IC14	4		↑ 7		
	21		920	19	DS10	3		IC14	6		↑ 8		
	22		930	20	DS11	3		IC14	10		↑ 9		
	23		940	21	↓ DS12	3		↓ IC14	12		↓ 10		
	24	24	950	23	A5 DS13	3		A9 IC14	14	28,29	BIT 11		

60290000 A

CONTROL DATA					CODE IDENT		SHEET 4		WL		DOCUMENT NO. 52623900		REV. B
CONDUCTOR IDENT.	FIND NO.	GAUGE (REF.)	COLOR (REF.)	LENGTH (APPROX)	ORIGIN		ACCESS FIND NO.	DESTINATION		ACCESS FIND NO.	REMARKS		
	2	24	1	13	A5	DS2	2	A9	IC18	15	28,29	BIT 0	
	3	↑	3	14	↑	DS3	2	↑	IC18	12	↑	↑	
	4	↑	4	15	↑	DS4	2	↑	IC18	4	↑	2	
	5	↑	5	17	↑	DS5	2	↑	IC18	1	↑	3	
	7	↑	7	17	↑	DS6	2	↑	IC17	15	↑	4	
	8	↑	8	18	↑	DS7	2	↑	IC17	12	↑	5	
	9	↑	9	17	↑	DS8	2	↑	IC17	4	↑	6	
	10	↑	90	19	↑	DS9	2	↑	IC17	1	↑	7	
	25	↑	960	19	↑	DS10	2	↑	IC16	15	↑	8	
	26	↑	970	21	↑	DS11	2	↑	IC16	12	↑	9	
	27	↑	980	22	↑	DS12	2	↑	IC16	4	↑	10	
	19	↓	900	23	↓	A5	DS13	2	↓	A9	IC16	1	28,29 BIT 11
	1	24	0	24	A5	SW10	1	A9	IC16	8	28,29	GND	
	1	24	0	3	A5	SW10	1	A5	SW8	1		↑	
	1	24	0	3	A5	SW8	1	A5	SW9	1		↓	
	1	24	0	3	A5	SW9	1	A5	SW11	1		GND	

9-5

CONTROL DATA					CODE IDENT		SHEET 5			WL	DOCUMENT NO.	REV.
CONDUCTOR IDENT.	FIND NO.	GAUGE (REF.)	COLOR (REF.)	LENGTH (APPROX)	ORIGIN		ACCESS FIND NO.	DESTINATION		ACCESS FIND NO.	REMARKS	
	10	24	90	24	A5 SW11	2		A9 1C12	10	28,29	DEF. SECTOR	
	11	24	91	22	A5 SW10	2		A9 1C12	6	↑	WRITE LOCKOUT	
	8	24	8	26	A5 SW9	2		A9 1C12	14	↓	DATA	
	9	24	9	26	A5 SW8	2		A9 1C12	12	28,29	HEADER	
	6	24	6	15	A5 DS14	3		A9 1C22	9	28,29	-20VDC	
	↑	↑	↑	3	DS14	1		A5 DS15	3		↑	
				3	DS15	1		↑	DS16	3		
				3	DS16	1		↓	DS17	3		
				3	DS17	1		↓	DS18	3		
	6	24	6	3	A5 DS18	1		A5 DS19	3		-20VDC	
	12	24	92	25	A5 DS19	2		A9 1D31	13	28,29	CONN A	
	13	↑	93	27	↑	DS18	2	↑	1D31	15	↑	RES A
	14		94	23		DS17	2		1D31	11		P.E. A
	15		95	23		DS16	2		1D31	3		CONN B
	16		96	19		DS15	2		1D31	5		RES B
	18	24	97	17	A5 DS14	2		A9 1D31	1	28,29	P.E. B	

60290000 C

CONTROL DATA					CODE IDENT	SHEET 6	WL	DOCUMENT NO.	REV.
CONDUCTOR IDENT.	FIND NO.	GAUGE (REF.)	COLOR (REF.)	LENGTH (APPROX)	ORIGIN	ACCESS FIND NO.	DESTINATION	ACCESS FIND NO.	REMARKS
	6	24	6	24	A5 SW7 LITE 4		A9 IC31 9	28,29	-20 VDC
	↑	↑	↑	2	A5 SW7 LITE 4		A5 SW7 LITE 2		↑
				3	↑ SW7 LITE 2		↑ SW6 LITE 4		
				2	SW6 LITE 4		SW6 LITE 2		
				3	SW6 LITE 2		SW5 LITE 4		
				2	SW5 LITE 4		SW5 LITE 2		
				3	SW5 LITE 2		SW4 LITE 4		
				2	SW4 LITE 4		SW4 LITE 2		
				3	SW4 LITE 2		SW3 LITE 4		
				2	A5 SW3 LITE 4		SW3 LITE 2		
	6	24	6	24	A9 IC30 9	28,29	A5 SW2 7		
	6	24	6	24	A5 SW2 LITE 4		A9 IC34 9	28,29	-20 VDC
	6	24	6	24	A5 SW2 LITE 4		A5 SW2 LITE 2		-20 VDC

9-7

CONTROL DATA					CODE IDENT	SHEET 7	WL	DOCUMENT NO.	REV.
CONDUCTOR IDENT.	FIND NO.	GAUGE (REF.)	COLOR (REF.)	LENGTH (APPROX)	ORIGIN	ACCESS FIND NO.	DESTINATION	ACCESS FIND NO.	REMARKS
	9	24	9	2	A5 SW3 LITE 1		A5 SW3 LITE 3		
	↑	↑	↑	↑	↑ SW3 LITE 3		↑ SW3 3		
					SW4 LITE 1		SW4 LITE 3		
					SW4 LITE 3		SW4 3		
					SW5 LITE 1		SW5 LITE 3		
					SW5 LITE 3		SW5 3		
					SW6 LITE 1		SW6 LITE 3		
					SW6 LITE 3		SW6 3		
					SW7 LITE 1		SW7 LITE 3		
	9	24	9	2	A5 SW7 LITE 3		A5 SW7 3		
	10	24	90	2	A5 SW2 LITE 1		A5 SW2 LITE 3		
	10	24	90	48	A5 SW2 LITE 3		A9 1F03 1	28,29	

60290000 2

CONTROL DATA				CODE IDENT			SHEET 8		WL	DOCUMENT NO.	REV.	
									52623900	B		
CONDUCTOR IDENT.	FIND NO.	GAUGE (REF.)	COLOR (REF.)	LENGTH (APPROX)	ORIGIN		ACCESS FIND NO.	DESTINATION		ACCESS FIND NO.	REMARKS	
	1	24	0	24	A5	SW7	5	A9	IC31	8	28,29	GND
	↑	↑	↑	1	↑	SW7	5	A5	SW7	2		↑
				3		SW7	2		SW6	2		
				1		SW6	2		SW6	5		
				3		SW6	5		SW5	5		
				1		SW5	5		SW5	2		
				3		SW5	2		SW4	2		
				1		SW4	2		SW4	5		
				3	Y	SW4	5		SW3	5		
				1	A5	SW3	5		SW3	2		GND
				24	A9	IC30	8	28,29	SW2	6		GND IN + SEEK ONE SHOT
				1	A5	SW2	6		SW2	5		GND OUT + SEEK ONE SHOT
	1	24	0	6	A5	SW3	2		SW1	2		GND
	30	-	-	-	A5	SW2	5		A5	SW2	4	470Ω RESISTOR

9-9

CONTROL DATA					CODE IDENT	SHEET 9				WL	DOCUMENT NO. 52623900	REV. B
CONDUCTOR IDENT.	FIND NO.	GAUGE (REF.)	COLOR (REF.)	LENGTH (APPROX)	ORIGIN		ACCESS FIND NO.	DESTINATION		ACCESS FIND NO.	REMARKS	
	2	24	1	13	A5 SW1	3		A9 1C11	12	28,29	MC	
	27	↑	980	19	↑ SW2	4		↑ 1C08	14	↑	SIGNAL OUT-SEEK ONE SHOT	
	3	↑	3	15	↑ SW3	6		↑ 1C11	2	↑	REPEAT	
	4	↑	4	15	↑ SW4	6		↑ 1C11	4	↑	FILE	
	5	↑	5	18	↑ SW5	6		↑ 1C11	6	↑	CYLINDER	
	7	↑	7	20	↓ SW6	6		↓ 1C11	10	↑	TRACK	
	8	↑	8	20	↓ A5 SW7	6		↓ A9 1C13	2	↑	SELECT	
	1	↓	0	10	A5 SK1	C		A9 1C15	8	↓	GND	
	12	24	92	10	A5 SK1	NO		A9 1C06	6	28,29	CONTROL PANEL SW	

60290000 C

CONTROL DATA					CODE IDENT		SHEET 10			WL	DOCUMENT NO.	REV.
CONDUCTOR IDENT.	FIND NO.	GAUGE (REF.)	COLOR (REF.)	LENGTH (APPROX)	ORIGIN		ACCESS FIND NO.	DESTINATION		ACCESS FIND NO.	REMARKS	
	1	24	0	24	A5 SW14	C		A9 IC13	8	28,29	GND	
	2	24	1	24	A5 SW14	1		A9 IC13	6	28,29	DISK PACK	
	3	24	3	23	A5 SW14	2		A9 IC13	4	28,29	DISK FILE	
	1	24	0	23	A5 SW15	C		A9 IC12	8	28,29	GND	
	9	↑	9	23	↑ SW15	12		↑ IC12	2		DATA	
	8	↑	8	25	↑ SW15	1		↑ IC13	14		WP ADD	
	7	↑	7	24	↑ SW15	2		↑ IC13	12		LOW ADD	
	5	↑	5	23	↑ SW15	3		↓ IC13	10		STATUS	
	10	24	90	25	A5 SW15	4		A9 IC11	14	28,29	UNIT	
	1	24	0	8	A5 SW12A	9		A9 IC19	8	28,29	GND	
	1	↑	0	2	↑ SW12A	9		A5 SW12B	9		GND	
	1	↑	0	2	↑ SW12B	9		A5 SW12C	9		GND	
	10	↑	90	48	↑ SW12A	1		A10 2K35	6	28,29	W009	
	4	↑	4	2	↑ SW12A	1		A5 SW12A	3		↑	
	4	↓	4	2	↓ SW12A	3		A5 SW12A	5		↓	
	4	24	4	2	A5 SW12A	5		A5 SW12A	7		W009	

9-11

9-12

CONTROL DATA					CODE IDENT		SHEET 11		WL	DOCUMENT NO.	REV.
CONDUCTOR IDENT.	FIND NO.	GAUGE (REF.)	COLOR (REF.)	LENGTH (APPROX)	ORIGIN		ACCESS FIND NO.	DESTINATION		ACCESS FIND NO.	REMARKS
	11	24	91	37	A5 SW12A	2		A10 2H19	11	28,29	R009
	4	↑	4	2		2		A5 SW12A	4		↑
	4		4	2		4		↑	6		↑
	4		4	2	A5 SW12A	6		A5 SW12A	8		R009
	12		92	42	A5 SW12B	1		A10 2K35	13	28,29	W010
	4		4	1		1		A5 SW12B	2		↑
	4		4	2		2		↑	5		↑
	4		4	1	A5 SW12B	5		A5 SW12B	6		W010
	13		93	34	A5 SW12B	3		A10 2H18	11	28,29	R010
	4		4	1		3		A5 SW12B	4		↑
	4		4	2		4		↑	7		↑
	4		4	1	A5 SW12B	7		A5 SW12B	8		R010
	14		94	44	A5 SW12C	1		A10 2K35	14	28,29	W011
	4		4	1		1		A05 SW12C	2		↑
	4	↓	4	1		2		↑	3		↑
	4	24	4	1	A5 SW12C	3		A05 SW12C	4		W011

60290000 A

60290000 A

CONTROL DATA					CODE IDENT		SHEET 12			WL	DOCUMENT NO.	REV.
CONDUCTOR IDENT.	FIND NO.	GAUGE (REF.)	COLOR (REF.)	LENGTH (APPROX)	ORIGIN		ACCESS FIND NO.	DESTINATION		ACCESS FIND NO.	REMARKS	
	15	24	95	32	A5	SW12C	5	A10	2H17	11	28,29	Roll
	4	↑	4	1	↑		5	A05	SW12C	6		↑
	4		4	1			6	↑		7		↓
	4		4	1	↓	A5	SW12C	7	A05	SW12C	8	Roll
	16		96	42	A5	SW12A	0	A10	2K28	5	28,29	
	17		97	41	↑	SW12B	0	↑	2K28	3	↑	
	18		98	42		SW12C	0	↓	2K28	4	↓	
	20	↓	910	45	↓	SW12E	0	↓	2L29	15	↓	INT B
	21	24	920	45	A5	SW12F	0	A10	2L29	10	28,29	INT B

9-13

9-14

CONTROL DATA					CODE IDENT		SHEET 13		WL	DOCUMENT NO.	REV.
CONDUCTOR IDENT.	FIND NO.	GAUGE (REF.)	COLOR (REF.)	LENGTH (APPROX)	ORIGIN		ACCESS FIND NO.	DESTINATION		ACCESS FIND NO.	REMARKS
		24	4	63	A5 SW12E	1		2J7, 2J8	D1		TWISTED INTLINE PAIRS INTLINE 0 0 1 1 2 2 3 3 4 4 5 5 6 6 7 7 TWISTED PAIRS INTLINE 7 7
		↑	92	↑	↑	F 1		↑	D2		
			4			E 2			D3		
			94			F 2			D4		
			4			E 3			D5		
			96			F 3			D6		
			4			E 4			D7		
			98			F 4			D8		
			4			E 5			D9		
			90			F 5			D10		
			5			E 6			E1		
			72			F 6			E2		
			5			E 7			E3		
			94			F 7			E4		
			5			E 8			E5		
		24	96	63	A5 SW12F	8		2J7, 2J8	E6		

60290000 A

60290000 A

CONTROL DATA					CODE IDENT	SHEET 14	WL	DOCUMENT NO.	REV.	
CONDUCTOR IDENT.	FIND NO.	GAUGE (REF.)	COLOR (REF.)	LENGTH (APPROX)	ORIGIN	ACCESS FIND NO.	DESTINATION	ACCESS FIND NO.	REMARKS	
	1	24	0	10	A5 SW13A	9	A9 1C36	8	28,29	GND
	1	↑	0	2	A5 SW13A	9	A5 SW13B	9		↑
	1		0	2	A5 SW13B	9	A5 SW13C	9		↓
										GND
	10		90	35	A5 SW13A	1	A10 2K20	10	28,29	W109
	4		4	2	↑	1	A05 SW13A	3		↑
	4		4	2	↓	3	↑	5		↓
	4		4	2	A5 SW13A	5	A05 SW13A	7		W109
	11		91	27	A05 SW13A	2	A10 2H19	6	28,29	R109
	4		4	2	↑	2	A05 SW13A	4		↑
	4		4	2	↓	4	↑	6		↓
	4		4	2	A05 SW13A	6	A05 SW13A	8		R109
	12		92	35	A5 SW13B	1	A10 2K20	13	28,29	W110
	4		4	1	↑	1	A5 SW13B	2		↑
	4		4	2	↓	2	↑	5		↓
	4	24	4	1	A5 SW13B	5	A5 SW13B	6		W110

9-15

9-16

CONTROL DATA					CODE IDENT	SHEET 15	WL	DOCUMENT NO.	REV.	
CONDUCTOR IDENT.	FIND NO.	GAUGE (REF.)	COLOR (REF.)	LENGTH (APPROX)	ORIGIN	ACCESS FIND NO.	DESTINATION	ACCESS FIND NO.	REMARKS	
	13	24	93	26	A5 SW13B	3	A10 2H18	6	28,29	R110
	4	↑	4	1	↑	3	A5 SW13B	4		↑
	4		4	2	↓	4	↑	↑	7	
	4		4	1	A5 SW13B	7	A5 SW13B	8		R110
	14		94	35	A5 SW13C	1	A10 2K20	14	28,29	W111
	4		4	1	↑	1	A5 SW13C	2		↑
	4		4	1	↓	2	↑	↑	3	
	4		4	1	A5 SW13C	3	A5 SW13C	4		W111
	15		95	26	A5 SW13C	5	A10 2H17	6	28,29	R111
	4		4	1	↑	5	A5 SW13C	6		↑
	4		4	1	↓	6	↑	↑	7	
	4		4	1	A5 SW13C	7	A5 SW13C	8		R111
	16		96	41	A5 SW13A	0	A10 2K28	11	28,29	
	17		97	41	↑ B	0	↑	2K28	12	↑
	18		98	41	↓ C	0	↓	2K28	13	
	20	↓	910	48	↓ E	0	↓	2L24	15	INT. A
	21	24	920	48	A5 SW13F	0	A10 2L24	10	28,29	INT. A

AA3183

PRINTED IN U.S.A.

60290000 C

60290000 A

CONTROL DATA				CODE IDENT		SHEET 16		WL		DOCUMENT NO.		REV.	
CONDUCTOR IDENT.	FIND NO.	GAUGE (REF.)	COLOR (REF.)	LENGTH (APPROX)	ORIGIN		ACCESS FIND NO.	DESTINATION		ACCESS FIND NO.	REMARKS		
		24	4	59	A5 SW13E	1		2J3, 2J4	D1		} TWISTED IN-LINE PAIRS		0
		↑	92	↑	↑	F 1		↑	D2				0
			4			E 2			D3				1
			94			F 2			D4				1
			4			E 3			D5				2
			96			F 3			D6				2
			4			E 4			D7				3
			98			F 4			D8				3
			4			E 5			D9				4
			90			F 5			D10				4
			5			E 6			E1				5
			92			F 6			E2				5
			5			E 7			E3				6
			94			F 7			E4				6
			5			E 8			E5				7
		24	96	59	A5 SW13F	8		2J3, 2J4	E6		} TWISTED PAIRS	INT. LINE	7

9-17

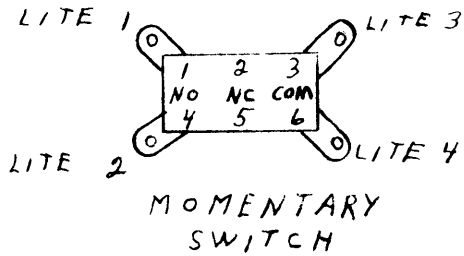
GENERAL SUPPLEMENT SHEET

9-18

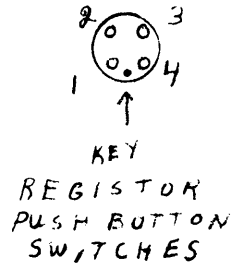
CONTROL DATA
CORPORATION
COMPUTER DIVISION

DOCUMENT NO.	REV.
52623700	B
SHEET 17 OF 17	

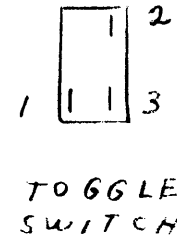
24509000



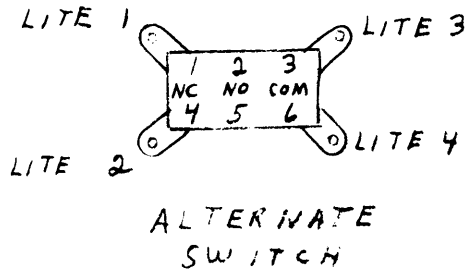
24533102



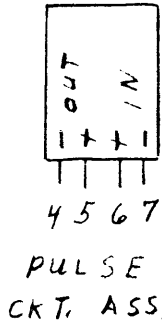
24515900



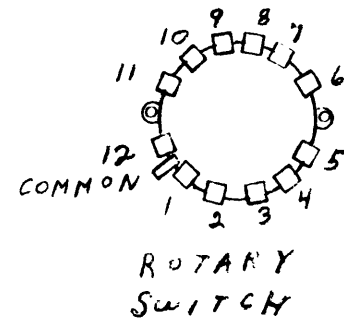
24521300



24508904



24538100



602900000 A

FORM 587

BY	DATE	CHKD.	DATE	APPD.	DATE
----	------	-------	------	-------	------

60290000 A

FIND NO.	COLOR (REF.)	LNPTH	CONN PIN NO.	ACCESS. FIND NO.	DESTINATION	ACCESS. FIND NO.	FUNCTION
1	1	13	A1	34	2L11 1	36-37	BIT
	92	13	A2	↑	2L11 6	↑	DATA 0
2	1	13	A3	↑	2L11 15	↑	1
	94	13	A4	↑	2L11 10	↑	
3	1	13	A5	↑	2L12 1	↑	2
	96	13	A6	↑	2L12 6	↑	
4	1	13	A7	↑	2L12 15	↑	3
	98	13	A8	↑	2L12 10	↑	
5	1	13	A9	↑	2L13 1	↑	4
	90	13	A10	↑	2L13 6	↑	
6	2	13	B1	↑	2L13 15	↑	5
	92	13	B2	↑	2L13 10	↑	
7	2	12	B3	↑	2L14 1	↑	6
	94	12	B4	↑	2L14 6	↑	
8	2	12	B5	↑	2L14 15	↑	7
	96	12	B6	↑	2L14 10	↑	
9	2	12	B7	↑	2L15 1	↑	8
	98	12	B8	↑	2L15 6	↑	
10	2	12	B9	↑	2L15 15	↑	9
	90	12	B10	↑	2L15 10	↑	
11	3	11	C1	↓	2L15 1	↓	10
	92	11	C2	↓	2L16 6	↓	
12	3	11	C3	↓	2L16 15	↓	DATA 11
	94	11	C4	↓	2L16 10	↓	
13	3	11	C5	↓	2L17 1	↓	T112 PARITY
	96	11	C6	↓	2L17 6	↓	
14	3	16	C7	↓	2K15 13	↓	R114 CH. BUS
	98	16	C8	↓	2K15 14	36-37	
15	3	8	C9	↓	J2 C9	34	
	90	8	C10	↓	J2 C10	34	

FIND NO.	COLOR (REF.)	LNPTH	CONN PIN NO.	ACCESS. FIND NO.	DESTINATION	ACCESS. FIND NO.	FUNCTION
16	4	15	D1	34	2K16 5	36-37	R116
	92	15	D2	↑	2K16 6	↑	READ
17	4	15	D3	↑	2K16 2	↑	R115 WRITE
	94	15	D4	↑	2K16 3	↑	
18	4	14	D5	↑	2K17 13	↑	R119 CONNECT
	96	14	D6	↑	2K17 14	↑	
19	4	13	D7	↑	2K17 5	↑	R118 FUNCTION
	98	13	D8	↑	2K17 6	↑	
20	4	15	D9	↑	2K16 13	↑	R117 DATA SIGNAL
	90	15	D10	↑	2K16 14	↑	
21	5	14	E1	↓	2L26 1	↓	T113 REPLY
	92	14	E2	↓	2L26 6	↓	
22	5	15	E3	↓	2L24 1	↓	T114 REJECT
	94	15	E4	↓	2L24 6	↓	
23	5	15	E5	↓	2L25 1	↓	T116 E.O.R.
	96	15	E6	↓	2L25 6	↓	
24	5	17	E7	↓	2L17 15	↓	T119 PARITY ERROR
	98	17	E8	↓	2L17 10	36-37	
25	5	2	E9	↓	J2 E9	34	
	90	2	E10	↓	J2 E10	34	
26	6	8	F1	↓	J2 F1	34	
	92	8	F2	↓	J2 F2	34	
27	6	16	F3	↓	2K15 5	36-37	R113 MASTER CLEAR
	94	16	F4	↓	2K15 6	36-37	
28	6	8	F5	↓	J2 F5	34	
	96	8	F6	↓	J2 F6	34	
29	6	8	F7	↓	J2 F7	34	
	98	8	F8	↓	J2 F8	34	
30	2	18	F9	↓	TB RED	36-37	+20
31	6	21	F10	↓	TB BLUE	36-37	-20
32	0	17	G1	34	TB BLACK	36-37	GRD

UNLESS OTHERWISE SPECIFIED
ALL WIRES TO BE 24 GAUGE

<h1>CONTROL DATA</h1> <p>CORPORATION</p>	TITLE		PRODUCT	
	61-PIN CONNECTOR CABLE ASSEMBLY			
	J1			
		SIZE	DRAWING NO.	REV
		A	52531400	A
		SHEET	PAGE	
		2		

9-19

FIND NO.	COLOR (REF)	LN'GTH	CONN PIN NO.	ACCESS FIND NO.	DESTINATION	ACCESS FIND NO.	FUNCTION
1	1	18	A1	34	2K11 2	36-37	DATA BIT 0
	92	18	A2	↑	2K11 3	↑	
2	1	18	A3	↑	2K11 5	↑	1
	94	18	A4	↑	2K11 6	↑	
3	1	18	A5	↑	2K11 13	↑	2
	96	18	A6	↑	2K11 14	↑	
4	1	18	A7	↑	2K12 2	↑	3
	98	18	A8	↑	2K12 3	↑	
5	1	18	A9	↑	2K12 5	↑	4
	90	18	A10	↑	2K12 6	↑	
6	2	18	B1	↑	2K12 13	↑	5
	92	18	B2	↑	2K12 14	↑	
7	2	17	B3	↑	2K13 2	↑	6
	94	17	B4	↑	2K13 3	↑	
8	2	17	B5	↑	2K13 5	↑	7
	96	17	B6	↑	2K13 6	↑	
9	2	17	B7	↑	2K13 13	↑	8
	98	17	B8	↑	2K13 14	↑	
10	2	17	B9	↑	2K14 2	↑	9
	90	17	B10	↑	2K14 3	↑	
11	3	17	C1	↑	2K14 5	↑	10
	92	17	C2	↑	2K14 6	↑	
12	3	17	C3	↑	2K14 13	↑	DATA II
	94	17	C4	↑	2K14 14	↑	
13	3	16	C5	↑	2K15 2	↑	R112 PARITY
	96	16	C6	↑	2K15 3	↑	
14	3	16	C7	↑	2K15 13	↑	R114 CH. BUSY
	98	16	C8	34	2K15 14	36-37	
	3		C9		J1 C9		REF.
	90		C10		J1 C10		REF.

FIND NO.	COLOR (REF)	LN'GTH	CONN PIN NO.	ACCESS FIND NO.	DESTINATION	ACCESS FIND NO.	FUNCTION
16	4	15	D1	34	2K16 5	36-37	R116
	92	15	D2	↑	2K16 6	↑	READ
17	4	15	D3	↑	2K16 2	↑	R115
	94	15	D4	↑	2K16 3	↑	WRITE
18	4	19	D5	↑	2K17 13	↑	R119
	96	19	D6	↑	2K17 14	↑	CONNECT
19	4	13	D7	↑	2K17 5	↑	R118
	98	13	D8	↑	2K17 6	↑	FUNCTION
20	4	15	D9	↑	2K16 13	↑	R117
	90	15	D10	↑	2K16 14	↑	DATA SIGNAL
21	5	14	E1	↑	2L26 1	↑	T113
	92	14	E2	↑	2L26 6	↑	REPLY
22	5	15	E3	↑	2L24 1	↑	T114
	94	15	E4	↑	2L24 6	↑	REJECT
23	5	15	E5	↑	2L25 1	↑	T116
	96	15	E6	↑	2L25 6	↑	E.O.R.
24	5	17	E7	↓	2L17 15	↓	T118
	98	17	E8	34	2L17 10	36-37	PARITY ERROR
	5		E9		J1 E9		REF.
	90		E10		J1 E10		REF.
	6		F1		J1 F1		REF.
	92		F2		J1 F2		REF.
27	6	16	F3	↑	2K15 5	36-37	R113
	94	16	F4	↑	2K15 6	36-37	MASTER CLEAR
	6		F5		J1 F5		REF.
	96		F6		J1 F6		REF.
	6		F7		J1 F7		REF.
	98		F8		J1 F8		REF.
30	2	21	F9	↓	TBRED	36-37	+20
31	6	24	F10	↓	TBBLUE	36-37	-20
32	0	20	G1	34	TBBLACK	36-37	GRD

UNLESS OTHERWISE SPECIFIED
ALL WIRES TO BE 24 GAUGE

CONTROL DATA

CORPORATION

TITLE

61-PIN CONNECTOR CABLE ASSEMBLY

J 2

PRODUCT

SIZE	DRAWING NO.	REV
A	52531500	A
SHEET		PAGE
2		

60290000 A

FIND NO.	COLOR (REF)	LNTH	CONN PIN NO.	ACCESS. FIND NO.	DESTINATION	ACCESS. FIND NO.	FUNCTION
1	1	16	A1	33	2L18	34,35	T120
	92		A2		2L18		6
2	1	16	A3	33	2L18	34,35	T121
	94		A4		2L18		10
3	1	16	A5	33	2L19	34,35	T122
	96		A6		2L19		6
4	1	16	A7	33	2L19	34,35	T123
	98		A8		2L19		10
5	1	16	A9	33	2L20	34,35	T124
	90		A10		2L20		6
6	2	15	B1	33	2L20	34,35	T125
	92		B2		2L20		10
7	2	15	B3	33	2L21	34,35	T126
	94		B4		2L21		6
8	2	15	B5	33	2L21	34,35	T127
	96		B6		2L21		10
9	2	15	B7	33	2L22	34,35	T128
	98		B8		2L22		6
10	2	15	B9	33	2L22	34,35	T129
	90		B10		2L22		10
11	3	14	C1	33	2L23	34,35	T130
	92		C2		2L23		6
12	3	14	C3	33	2L23	34,35	T131
	94		C4		2L23		10
13	3	19	C5	33	2K17	34,35	COMPUTER
	96		C6		2K17		3
14	3	8	C7	33	J4	33	
	98		C8		J4		6
15	3	8	C9	33	J4	33	
	90		C10		J4		10

FIND NO.	COLOR (REF)	LNTH	CONN PIN NO.	ACCESS. FIND NO.	DESTINATION	ACCESS. FIND NO.	FUNCTION			
	4	59	D1	33	A5S13E	33	REF			
	92		D2		A5S13F			1		
	4		D3		A5S13E			2		
	94		D4		A5S13F			2		
	4		D5		A5S13E			3		
	96		D6		A5S13F			3		
	4		D7		A5S13E			4		
	98		D8		A5S13F			4		
	4		D9		A5S13E			5		
	90		D10		A5S13F			5		
	5	59	E1	33	A5S13E	33	REF			
	92		E2		A5S13F			6		
	5		E3		A5S13E			7		
	94		E4		A5S13F			7		
	5		E5		A5S13E			8		
	96		E6		A5S13F			8		
	5		E7		J4			E7	33	
	98		E8		J4			E8	33	
	5		E9		2L26			15	34,35	T115
	90		E10		2L26			10	34,35	INT LO. OVER RIDE
	6	8	F1	33	J4	33				
	92		F2		J4			F2		
	6		F3		J4			F3		
	94		F4		J4			F4		
	6		F5		J4			F5		
	96		F6		J4			F6		
	6		F7		J4			F7		
	98		F8		J4			F8	33	
	5		F9		TBRED			34,35	+20	
	31		F10		TBBLUE			34,35	-20	
32	0	19	G1	33	TBBLK	34,35	GRD			

UNLESS OTHERWISE SPECIFIED
ALL WIRES TO BE 24 GAUGE

CONTROL DATA
CORPORATION

TITLE
61-PIN CONNECTOR CABLE ASSEMBLY
J 3

PRODUCT
SIZE DRAWING NO. REV
A 52531600 B
SHEET PAGE
2

9-21

FIND NO.	COLOR (REF)	LNTH	CONN PIN NO.	ACCESS. FIND NO.	DESTINATION	ACCESS. FIND NO.	FUNCTION
1	1	16	A1	33	2L18	1	T120
	92	↑	A2	↑	2L18	6	READY
2	1		A3		2L18	15	T121
	94		A4		2L18	10	BUSY
3	1		A5		2L19	1	T122
	96		A6		2L19	6	ABNORM STAT
4	1		A7		2L19	15	T123
	98		A8		2L19	10	SECTADD ERROR
5	1	↓	A9		2L20	1	T124
	90	16	A10		2L20	6	NO COMP
6	2	15	B1		2L20	15	T125
	92	↑	B2		2L20	10	CHK WDFERROR
7	2		B3		2L21	1	T126
	94		B4		2L21	6	WRITE LOCKOUT
8	2		B5		2L21	15	T127
	96		B6		2L21	10	POS READY
9	2		B7		2L22	1	T128
	98		B8		2L22	6	E.O.O. INT
10	2	↓	B9		2L22	15	T129
	90	15	B10		2L22	10	AB E.O.O. INT
11	3	14	C1		2L23	1	T130
	92	14	C2		2L23	6	SEEK INT
12	3	14	C3		2L23	15	T131
	94	14	C4		2L23	10	RESERVED
13	3	19	C5	↓	2K17	2	34-35 COMPUTER
	96	19	C6	33	2K17	3	34-35 RUNNING
	3		C7		J3	C7	REF
	98		C8		J3	C8	REF
	3		C9		J3	C9	REF
	90		C10		J3	C10	REF

FIND NO.	COLOR (REF)	LNTH	CONN PIN NO.	ACCESS. FIND NO.	DESTINATION	ACCESS. FIND NO.	FUNCTION	
	4	59	D1		A5S13E	1	REF	
	92	↑	D2		A5S13F	1		
	4		D3		A5S13E	2		
	94		D4		A5S13F	2		
	4		D5		A5S13E	3		
	96		D6		A5S13F	3		
	4		D7		A5S13E	4		
	98		D8		A5S13F	4		
	4		D9		A5S13E	5		
	90		D10		A5S13F	5		
	5		E1		A5S13E	6	REF	
	92		E2		A5S13F	6		
	5		E3		A5S13E	7		
	94		E4		A5S13F	7		
	5		E5		A5S13E	8		
	96	59	E6		A5S13F	8		
	5		E7		J3	E7		
	98		E8		J3	E8		
25	5	13	E9	33	2L26	15		34-35 T115
	90	13	E10	33	2L26	10		34-35 INTLOCKOUT/TOYCE
	6		F1		J3	F1	REF	
	92		F2		J3	F2		
	6		F3		J3	F3		
	94		F4		J3	F4		
	6		F5		J3	F5		
	96		F6		J3	F6		
	6		F7		J3	F7		
	98		F8		J3	F8		
30	2	20	F9	33	TBRED	34-35	+20	
31	6	26	F10	33	TBBLUE	34-35	-20	
32	0	22	G1	33	TBBLK	34-35	GRD	

UNLESS OTHERWISE SPECIFIED
ALL WIRES TO BE 24 GAUGE

CONTROL DATA

CORPORATION

TITLE

61-PIN CONNECTOR CABLE ASSEMBLY

J 4

PRODUCT

SIZE DRAWING NO.

A 52531700

REV

B

SHEET PAGE

2

60290000 A

FIND NO.	COLOR (REF.)	LN'GTH	CONN PIN NO.	ACCESS. FIND NO.	DESTINATION	ACCESS. FIND NO.	FUNCTION
1	1	10	A1	34	2L42 1	36-37	DATA BIT 0
	92	10	A2	▲	2L42 6	▲	
2	1	10	A3		2L42 15		▲
	94	10	A4		2L42 10		
3	1	10	A5		2L41 1		2
	96	10	A6		2L41 6		
4	1	10	A7		2L41 15		3
	98	10	A8		2L41 10		
5	1	10	A9		2L40 1		4
	90	10	A10		2L40 6		
6	2	10	B1		2L40 15		5
	92	10	B2		2L40 10		
7	2	9	B3		2L39 1		6
	94	9	B4		2L39 6		
8	2	9	B5		2L39 15		7
	96	9	B6		2L39 10		
9	2	9	B7		2L38 1		8
	98	9	B8		2L38 6		
10	2	9	B9		2L38 15		9
	90	9	B10		2L38 10		
11	3	9	C1		2L37 1		10
	92	9	C2		2L37 6		
12	3	9	C3		2L37 15		DATA BIT 11
	94	9	C4		2L37 10		
13	3	9	C5		2L36 1		TO12 PARITY
	96	9	C6		2L36 6		
14	3	10	C7		2K38 13		RO14 CH. BUSY
	98	10	C8		2K38 14	36-37	
15	3	8	C9	▼	J6 C9	34	
	90	8	C10	34	J6 C10	34	

UNLESS OTHERWISE SPECIFIED
ALL WIRES TO BE 24 GAUGE

FIND NO.	COLOR (REF.)	LN'GTH	CONN PIN NO.	ACCESS. FIND NO.	DESTINATION	ACCESS. FIND NO.	FUNCTION
16	4	11	D1	34	2K37 5	36-37	RO16
	92	11	D2	▲	2K37 6	▲	READ
17	4	11	D3		2K37 2		RO15
	94	11	D4		2K37 3		WRITE
18	4	12	D5		2K29 5		RO19
	96	12	D6		2K29 6		CONNECT
19	4	12	D7		2K29 2		RO18
	98	12	D8		2K29 3		FUNCT.
20	4	10	D9		2K37 13		RO17
	90	10	D10		2K37 14		DATA SIGNAL
21	5	12	E1		2L27 1		TO13
	92	12	E2		2L27 6		REPLY
22	5	11	E3		2L29 1		TO14
	94	11	E4		2L29 6		REJECT
23	5	13	E5		2L25 15		TO16
	96	13	E6		2L25 10	▼	E.O.R.
24	5	8	E7		2L36 15		TO18
	98	8	E8		2L36 10	36-37	PARITY ERROR
25	5	8	E9		J6 E9	34	
	90	8	E10		J6 E10	34	
26	6	8	F1		J6 F1	34	
	92	8	F2		J6 F2	34	
27	6	11	F3		2K38 5	36-37	RO13
	94	11	F4		2K38 6	36-37	MASTER CLEAR
28	6	8	F5		J6 F5	34	
	96	8	F6		J6 F6	34	
29	6	8	F7		J6 F7	34	
	98	8	F8		J6 F8	34	
30	2	17	F9		TBRED	36-37	+20
31	6	25	F10	▼	TBBLUE	36-37	-20
32	0	21	G1	34	TBBLK	36-37	GRD

CONTROL DATA

CORPORATION

TITLE
61-PIN CONNECTOR CABLE ASSEMBLY

J 5

PRODUCT

SIZE	DRAWING NO.	REV
A	52531800	A
SHEET		PAGE
Z		

9-24

FIND NO.	COLOR (REF.)	LNPTH	CONN PIN NO.	ACCESS FIND NO.	DESTINATION	ACCESS FIND NO.	FUNCTION
1	1	13	A1	34	2K42	2	DATA BIT 0
	92	13	A2	↑	2K42	3	
2	1	13	A3	↑	2K42	5	↑
	94	13	A4	↑	2K42	6	
3	1	12	A5	↑	2K42	13	↑
	96	12	A6	↑	2K42	14	
4	1	13	A7	↑	2K41	2	↑
	98	13	A8	↑	2K41	3	
5	1	13	A9	↑	2K41	5	↑
	90	13	A10	↑	2K41	6	
6	2	13	B1	↑	2K41	13	↑
	92	13	B2	↑	2K41	14	
7	2	13	B3	↑	2K40	2	↑
	94	13	B4	↑	2K40	3	
8	2	13	B5	↑	2K40	5	↑
	96	13	B6	↑	2K40	6	
9	2	13	B7	↑	2K40	13	↑
	98	13	B8	↑	2K40	14	
10	2	13	B9	↑	2K39	2	↑
	90	13	B10	↑	2K39	3	
11	3	13	C1	↑	2K39	5	↓
	92	13	C2	↑	2K39	6	
12	3	13	C3	↑	2K39	13	DATA BIT 11
	94	13	C4	↑	2K39	14	
13	3	13	C5	↑	2K38	2	R012 PARITY
	96	13	C6	↓	2K38	3	
14	3	10	C7	↑	2K38	13	R014 CH. BUSY
	98	10	C8	34	2K38	14	
/	3	/	C9	/	J5	C9	REF
	90	/	C10	/	J5	C10	

FIND NO.	COLOR (REF.)	LNPTH	CONN PIN NO.	ACCESS FIND NO.	DESTINATION	ACCESS FIND NO.	FUNCTION
16	4	14	D1	34	2K37	5	R016 READ
	92	14	D2	↑	2K37	6	
17	4	14	D3	↑	2K37	2	R015 WRITE
	94	14	D4	↑	2K37	3	
18	4	15	D5	↑	2K29	5	R019 CONNECT
	96	15	D6	↑	2K29	6	
19	4	15	D7	↑	2K29	2	R018 FUNCT.
	98	15	D8	↑	2K29	3	
20	4	12	D9	↑	2K37	13	R017 DATA SIG.
	90	12	D10	↑	2K37	14	
21	5	14	E1	↑	2L27	1	T013 REPLY
	92	14	E2	↑	2L27	6	
22	5	14	E3	↑	2L29	1	T014 REJECT
	94	14	E4	↑	2L29	6	
23	5	15	E5	↓	2L25	15	T016 E.O.R.
	96	15	E6	↓	2L25	10	
24	5	10	E7	↓	2L36	15	T018 PARITY ERR.
	98	10	E8	34	2L36	10	
/	5	/	E9	/	J5	E9	REF
	90	/	E10	/	J5	E10	
/	6	/	F1	/	J5	F1	REF
	92	/	F2	/	J5	F2	
27	6	14	F3	34	2K38	5	R013 MASTER CLR
	94	14	F4	34	2K38	6	
/	6	/	F5	/	J5	F5	REF
	96	/	F6	/	J5	F6	
/	6	/	F7	/	J5	F7	REF
	98	/	F8	/	J5	F8	
30	2	20	F9	34	TBRED	36-37	+20
31	6	28	F10	34	TBBLUE	36-37	-20
32	0	24	G1	34	TBBLK	36-37	GRD

UNLESS OTHERWISE SPECIFIED
ALL WIRES TO BE 24 GAUGE

CONTROL DATA

CORPORATION

TITLE
61-PIN CONNECTOR CABLE ASSEMBLY

J 6

PRODUCT		
SIZE A	DRAWING NO. 52531900	REV A
SHEET 2		PAGE

AA 2086

PRINTED IN U.S.A.

60290000 A

60290000 A

FIND NO.	COLOR (REF)	LNTH	CONN PIN NO.	ACCESS FIND NO.	DESTINATION	ACCESS FIND NO.	FUNCTION
1	1	11	A1	34	2L35	1	TO 20
	92	11	A2	↑	2L35	6	READY
2	1	11	A3	↑	2L35	15	TO 21
	94	11	A4	↑	2L35	10	BUSY
3	1	11	A5	↑	2L34	1	TO 22
	96	11	A6	↑	2L34	6	ABNORM. STAT.
4	1	11	A7	↑	2L34	15	TO 23
	98	11	A8	↑	2L34	10	ADD. ERROR
5	1	11	A9	↑	2L33	1	TO 24
	90	11	A10	↑	2L33	6	LOST DATA
6	2	11	B1	↑	2L33	15	TO 25
	92	11	B2	↑	2L33	10	CHK. WD. ERR
7	2	12	B3	↑	2L32	1	TO 26
	94	12	B4	↑	2L32	6	WRITE LOCKOUT
8	2	12	B5	↑	2L32	15	TO 27
	96	12	B6	↑	2L32	10	POS. READY
9	2	12	B7	↑	2L31	1	TO 28
	98	12	B8	↑	2L31	6	E.O.D. INT.
10	2	12	B9	↑	2L31	15	TO 29
	90	12	B10	↑	2L31	10	ABNORM. ERR
11	3	13	C1	↑	2L30	1	TO 30
	92	13	C2	↑	2L30	6	SEEK INT.
12	3	13	C3	↑	2L30	15	TO 31
	94	13	C4	↑	2L30	10	RESERVED
13	3	23	C5	↑	2K29	13	36-37 COMPUTER
	96	23	C6	↑	2K29	14	36-37 RUNNING ROZO
14	3	8	C7	↓	J8	C7	34
	98	8	C8	↓	J8	C8	34
15	3	8	C9	↓	J8	C9	34
	90	8	C10	↓	J8	C10	34

FIND NO.	COLOR (REF)	LNTH	CONN PIN NO.	ACCESS FIND NO.	DESTINATION	ACCESS FIND NO.	FUNCTION	
4	63		D1	↑	A5 SIZE	1	REF	
92	↑		D2	↑	A5 SIZE	1		
4	↑		D3	↑	A5 SIZE	2		
94	↑		D4	↑	A5 SIZE	2		
4	↑		D5	↑	A5 SIZE	3		
96	↑		D6	↑	A5 SIZE	3		
4	↑		D7	↑	A5 SIZE	4		
98	↑		D8	↑	A5 SIZE	4		
4	↑		D9	↑	A5 SIZE	5		
90	↑		D10	↑	A5 SIZE	5		
5	↑		E1	↑	A5 SIZE	6	REF	
92	↑		E2	↑	A5 SIZE	6		
5	↑		E3	↑	A5 SIZE	7		
94	↑		E4	↑	A5 SIZE	7		
5	↑		E5	↑	A5 SIZE	8		
96	63		E6	↑	A5 SIZE	8		
24	5	8	E7	34	J8	E7		34
98	8	8	E8	↑	J8	E8		34
25	5	14	E9	↑	2L27	15		36-37 TO ISL
90	14	14	E10	↑	2L27	10		36-37 INT. OVERLAP
26	6	8	F1	↑	J8	F1	34	
92	8	8	F2	↑		F2	↑	
6	8	8	F3	↑		F3	↑	
27	94	8	F4	↑		F4	↑	
6	8	8	F5	↑		F5	↑	
28	96	8	F6	↑		F6	↑	
6	8	8	F7	↑		F7	↑	
29	98	8	F8	↑	J8	F8	34	
32	2	18	F9	↓	TB RED		36-37 +20	
31	6	26	F10	↓	TB BLUE		36-37 -20	
32	0	22	G1	↓	TB BLK		36-37 GRD	

UNLESS OTHERWISE SPECIFIED
ALL WIRES TO BE 24 GAUGE

CONTROL DATA

TITLE
61-PIN CONNECTOR CABLE ASSEMBLY

PRODUCT

J 7

SIZE	DRAWING NO.	REV
A	52532000	B
SHEET		PAGE
2		

9-25

9-26

FIND NO.	COLOR (REF.)	LNTH	CONN PIN NO.	ACCESS. FIND NO.	DESTINATION	ACCESS. FIND NO.	FUNCTION
1	1	12	A1	34	2L35	1	TO 20
	92	12	A2		2L35	6	READY
2	1	12	A3		2L35	15	TO 21
	94	12	A4		2L35	16	BUSY
3	1	12	A5		2L34	1	TO 22
	96	12	A6		2L34	6	ABNORM. STAL
4	1	12	A7		2L34	15	TO 23
	98	12	A8		2L34	10	ADD ERROR
5	1	12	A9		2L34	1	TO 24
	90	12	A10		2L33	6	LOST DATA
6	2	12	B1		2L33	15	TO 25
	92	12	B2		2L33	10	CHK WD. ERR.
7	2	13	B3		2L32	1	TO 26
	94	13	B4		2L32	6	WRITE LOCKOUT
8	2	13	B5		2L32	15	TO 27
	96	13	B6		2L32	10	PRG. READY
9	2	13	B7		2L31	1	TO 28
	98	13	B8		2L31	6	EQ. INT.
10	2	13	B9		2L31	15	TO 29
	90	13	B10		2L31	10	ABNORM. E.O. INT.
11	3	14	C1		2L30	1	TO 30
	92	14	C2		2L30	6	SEEK INT.
12	3	14	C3		2L30	15	TO 31
	94	14	C4		2L30	10	RECALL
13	3	23	C5		2K29	13	COMPUTER
	96	23	C6	34	2K29	14	RUNNING ROZO
	3		C7		J7	17	REF
	98		C8		J7	18	REF
	3		C9		J7	19	REF
	90		C10		J7	20	REF

FIND NO.	COLOR (REF.)	LNTH	CONN PIN NO.	ACCESS. FIND NO.	DESTINATION	ACCESS. FIND NO.	FUNCTION	
4		63	D1		A5S12F	1	REF	
92			D2		A5S12F	1		
4			D3		A5S12F	2		
94			D4		A5S12F	2		
4			D5		A5S12F	3		
96			D6		A5S12F	3		
4			D7		A5S12F	4		
98			D8		A5S12F	4		
4			D9		A5S12F	5		
90			D10		A5S12F	5		
5			E1		A5S12F	6	REF	
92			E2		A5S12F	6		
5			E3		A5S12F	7		
94			E4		A5S12F	7		
5			E5		A5S12F	8		
96		63	E6		A5S12F	8		
5			E7		J7	E7		
98			E8		J7	E8		
25	5	13	E9	34	2L27	15		TO 15 10 11 12 13 14 15 16 17 18 19 20 21 22 23 24 25 26 27 28 29 30 31 32 33 34 35 36 37 38 39 40 41 42 43 44 45 46 47 48 49 50 51 52 53 54 55 56 57 58 59 60 61 62 63 64 65 66 67 68 69 70 71 72 73 74 75 76 77 78 79 80 81 82 83 84 85 86 87 88 89 90 91 92 93 94 95 96 97 98 99 100
90			E10	34	2L27	10		
6			F1		J7	F1	REF	
92			F2		J7	F2		
6			F3		J7	F3		
94			F4		J7	F4		
6			F5		J7	F5		
96			F6		J7	F6		
6			F7		J7	F7		
98			F8		J7	F8		
30	2	21	F9	34	TB KIL	36-37		+20
31	6	29	F10	34	TB BLUE	36-37		-20
32	0	25	G1	34	TB BLK	36-37	GRD	

UNLESS OTHERWISE SPECIFIED
ALL WIRES TO BE 24 GAUGE

60290000 A

CONTROL DATA CORPORATION	TITLE	61-PIN CONNECTOR CABLE ASSEMBLY	PRODUCT	
		J 8	SIZE	A
			DRAWING NO.	52532100
			REV	B
			SHEET	2
			PAGE	

60290000 A

CONTROL DATA					CODE IDENT		SHEET 2		WL	DOCUMENT NO.	REV.
CONDUCTOR IDENT.	FIND NO.	GAUGE (REF.)	COLOR (REF.)	LENGTH (APPROX)	ORIGIN		ACCESS FIND NO.	DESTINATION		ACCESS FIND NO.	REMARKS
	8	24	0	20	1J1	1	5	2L002	1	6,7	T.P. Add. & Cont. Bit 0
	/	↑	2	↑	↑	4	↑	2L002	6	↑	
	9		0			2		2L002	15		T.P. Add. & Cont. Bit 1
	/		3			5		2L002	10		
	10		0			3		2L001	1		T.P. Add. & Cont. Bit 2
	/		4			7		2L001	6		
	11		0			8		2L001	15		T.P. Add. & Cont. Bit 3
	/		5			12		2L001	10		
	12		0			10		2K002	1		T.P. Add. & Cont. Bit 4
	/		6			13		2K002	6		
	13		1			11		2K002	15		T.P. Add & Cont. Bit 5
	/		92			14		2K002	10		
	14		1			15		2K001	1		T.P. Add. & Cont. Bit 6
	/		94			18		2K001	6		
	15		1			16		2K001	15		T.P. Add. & Cont. Bit 7
	/		96			20		2K001	10		
	17		1			17		2L005	1		T.P. Cyl. Sel.
	/		90			21		2L005	6		
	18		2	↓	↓	22		2L005	15		T.P. Head Sel.
	/	↓	92	20	1J1	25	5	2L005	10	6,7	

CONTROL DATA					CODE IDENT		SHEET 3		WL	DOCUMENT NO. 52532200	REV. B
CONDUCTOR IDENT.	FIND NO.	GAUGE (REF.)	COLOR (REF.)	LENGTH (APPROX)	ORIGIN		ACCESS FIND NO.	DESTINATION		ACCESS FIND NO.	REMARKS
	19	24	2	20	1J1	23	5	2L006	15	6,7	T.P. Diff. Sel.
	/	↑	94	20	↑	26	↑	2L006	10	↑	
	20		2	25		24		2J001	14		T.P. Cont. Sel.
	/		96	25		27		2J001	13		
	21		2	20		28		2L006	1		T.P. Read Cyl. Sel.
	/		98	↑		31		2L006	6		
	22		2			29		2L004	1		T.P. Sector Sel.
	/		90			32		2L004	6		
	23		3	↓		30		2K003	14		T.P. Sector Mark
	/		92	20		33		2K003	13		
	24		3	25		34		2K006	14		T.P. Pack Unsafe
	/		94	↑		37		2K006	13		
	25		3			35		2J009	14		T.P. Seek Error
	/		96			38		2J009	13		
	26		3	↓		40		2L010	1		T.P. Unit Code Bit 0
	/		98	25		43		2L010	6		
	27		3	25		41		2L010	15		T.P. Unit Code Bit 1
	/		90	↑		44		2L010	10		
	28		4	↓		42	↓	2L009	1	↓	T.P. Unit Code Bit 2
	/	24	92	25	1J1	45	5	2L009	6	6,7	

60290000 A

CONTROL DATA					CODE IDENT		SHEET 4		WL	DOCUMENT NO. 52532200	REV. B
CONDUCTOR IDENT.	FIND NO.	GAUGE (REF.)	COLOR (REF.)	LENGTH (APPROX)	ORIGIN		ACCESS FIND NO.	DESTINATION		ACCESS FIND NO.	REMARKS
	29	24	4	25	1J1	46	5	2L009	15	6,7	T.P. Unit Code Bit 3
	/	↑	94	25	↑	49	↑	2L009	10	↑	
	30		4	20		47		2L003	15		T.P. Unit Select
	/		96	↕		50		2L003	10		
	36		5	↓		48		2L003	1		T.P. Add. & Cont. Bit 8
	/		98	20		51		2L003	6		
	31		4	25		58		2J009	3		TP Sel. Pos. Rdy. Or
	/		98	↕		62		2J009	2		On Cyl
	32		4	↓		59		2J002	6		T.P. Sel. Unit Rdy.
	/		90	25		63		2J002	5		
	33		5	20		60		2K006	3		T.P. Sel. Index
	/		92	↕		64		2K006	2		
	34		5	↕		65		2L008	1		T.P. Release
	/		94	20		70		2L008	6		
	35		5	25		66		2J002	3		T.P. Unit Busy
	/		96	25		71		2J002	2		
	16		1	20		67		2L004	15		T.P. Clear
	/		98	20		72		2L004	10		
	37	↓	5	25	↓	52	↓	2J002	14	↓	T.P. ADD. AND CONT
	/	24	90	25	1J1	55	5	2J002	13	6,7	BIT 9

60290000 A

CONTROL DATA		1 J3			CODE IDENT		SHEET 2			WL	DOCUMENT NO. 52532400	REV. D
CONDUCTOR IDENT.	FIND NO.	GAUGE (REF.)	COLOR (REF.)	LENGTH (APPROX)	ORIGIN		ACCESS FIND NO.	DESTINATION		ACCESS FIND NO.	REMARKS	
	8	24	0	40	1J3	B	5	2E01	3	6,7	} TP UNIT SELECTED	
	/	↑	2	/	↑	D	↑	2E01	2	↑		
	9		0	35		E		2G02	3		} TP ON SECTOR OR SEEK	
	/		3	/		H		2G02	2			
	10		0	40		F		2E04	3		} TP READ DATA	
	/		4	/		J		2E04	2			
	11	↓	0	45	↓	K	↓	2D02	1	↓	} TP WRITE DATA	
	/	24	5	/	1J3	M	5	2D02	6	6,7		
	12	24	0	40	1J3	BB	5	2E01	6	6,7	} TP UNIT SELECTED	
	/	↑	6	/	↑	DD	↑	2E01	5	↑		
	13		1	35		EE		2G02	6		} TP ON SECTOR OR SEEK ERROR	
	/		72	/		HH		2G02	5			
	14		1	40		FF		2E04	6		} TP READ DATA	
	/		94	/		JJ		2E04	5			
	15	↓	1	45	↓	KK	↓	2D02	15	↓	} TP WRITE DATA	
	/	24	96	/	1J3	MM	5	2D02	10	6,7		

9-32

CONTROL DATA		1J3				CODE IDENT		SHEET 3		WL		DOCUMENT NO. 52532400		REV. E
CONDUCTOR IDENT.	FIND NO.	GAUGE (REF.)	COLOR (REF.)	LENGTH (APPROX)	ORIGIN		ACCESS FIND NO.	DESTINATION		ACCESS FIND NO.	REMARKS			
	18	24	900	40	1J3	U	5	A7A P01	2	24,25				
	19	24	910	40	1J3	V	5	A7A P01	3	24,25				
					1J3	W								
	21	24	930	6	1J3	X	5	1J 4	U	5				
	22	24	940	6	1J3	Y	5	1J 4	W	5				
	23	24	950	6	1J3	Z	5	1J 4	V	5				
	16	24	2	40	1J3	A	5	2K08	3	6,7	} T.P. CLOCK			
	/	↑	92	/	1J3	C	5	2K08	2	6,7				
	17	24	2	40	1J3	AA	5	2K08	6	6,7	} T.P. CLOCK			
	/	↓	94	/	1J3	CC	5	2K08	5	6,7				
	26	24	0	40	1J3	R	5	1G24	8	6,7	TERMINATOR GND			

60290000 A

60290000 A

CONDUCTOR DATA		1 J 4				CODE IDENT		SHEET 2			WL		DOCUMENT NO.	REV.
CONDUCTOR IDENT.	FIND NO.	GAUGE (REF.)	COLOR (REF.)	LENGTH (APPROX)	ORIGIN		ACCESS FIND NO.	DESTINATION		ACCESS FIND NO.	REMARKS			
	8	24	0	40	1 J 4	B	5	2E01	14	6,7	TP UNIT SELECTED			
	/	↑	2	40	↑	D	↑	2E01	13	↑				
	9		0	35		E		2G02	14		TP ON SECTOR OR			
	/		3	35		H		2G02	13		SEEK ERROR			
	10		0	40		F		2E04	14		TP READ DATA			
	/		4	40		J		2E04	13					
	11	↓	0	45	↓	K	↓	2D03	1	↓	TP WRITE DATA			
	/	24	5	45	1 J 4	M	5	2D03	6	6,7				
	12	24	0	40	1 J 4	BB	5	2E02	3	6,7	TP UNIT SELECTED			
	/	↑	6	40	↑	DD	↑	2E02	2	↑				
	13		1	35		EE		2G03	3		TP ON SECTOR OR			
	/		92	35		HH		2G03	2		SEEK ERROR			
	14		1	40		FF		2E05	3		TP READ DATA			
	/		94	40		JJ		2E05	2					
	15	↓	1	45	↓	KK	↓	2D03	15	↓	TP WRITE DATA			
	/	24	96	45	1 J 4	MM	5	2D03	10	6,7				

9-34

CONTROL DATA		1J4				CODE IDENT		SHEET 3		WL	DOCUMENT NO. 52532500		REV. E
CONDUCTOR IDENT.	FIND NO.	GAUGE (REF.)	COLOR (REF.)	LENGTH (APPROX)	ORIGIN		ACCESS FIND NO.	DESTINATION		ACCESS FIND NO.	REMARKS		
/		24	930	6	1J4	U		1J3	X		JUMPER		
/		24	940	6	1J4	W		1J3	Y		JUMPER		
/		24	950	6	1J4	V		1J3	Z		JUMPER	REFERENCE	
/		24	900	6	1J4	X		1J5	U		JUMPER	52532600	
/		24	910	6	1J4	Z		1J5	V		JUMPER		
/		24	920	6	1J4	Y		1J5	W		JUMPER		
16		24	2	40	1J4	A	5	2K08	14	6,7	} T.P. CLOCK		
/		24	92	/	1J4	C	5	2K08	13	6,7	}		
17		24	2	40	1J4	AA	5	2K09	3	6,7	} T.P. CLOCK		
/		24	94	/	1J4	CC	5	2K09	2	6,7	}		
18		24	0	40	1J4	R	5	1G28	8	6,7	TERMINATOR GND		

60290000 A

60290000 A

1J5					CODE IDENT		SHEET 2			WL	DOCUMENT NO. 52532600	REV. D
CONDUCTOR IDENT.	FIND NO.	GAUGE (REF.)	COLOR (REF.)	LENGTH (APPROX)	ORIGIN		ACCESS FIND NO.	DESTINATION		ACCESS FIND NO.	REMARKS	
	8	24	0	40	1J5	B	5	2 E02	6	6,7	} TP UNIT SELECTED	
	/	↑	2	40	↑	D	↑	2 E02	5	↑		
	9		0	35		E		2 G03	6		} TP ON SECTOR OR SEEK ERROR	
	/		3	35		H		2 G03	5			
	10		0	40		F		2 E05	6		} TP READ DATA	
	/		4	40		J		2 E05	5			
	11	Y	0	45	Y	K	Y	2 D05	1	Y	} TP WRITE DATA	
	/	24	5	45	1J5	M	5	2 D05	6	6,7		
	12	24	0	40	1J5	BB	5	2 E02	14	6,7	} TP UNIT SELECTED	
	/	↑	6	40	↑	DD	↑	2 E02	13	↑		
	13		1	35		EE		2 G03	14		} TP ON SECTOR OR SEEK ERROR	
	/		92	35		HH		2 G03	13			
	14		1	40		FF		2 E05	14		} TP READ DATA	
	/		94	40		JJ		2 E05	13			
	15	Y	1	45	Y	KK	Y	2 D05	15	Y	} TP WRITE DATA	
	/	24	96	45	1J5	MM	5	2 D05	10	6,7		

9-36

CONTROL DATA		1J5			CODE IDENT	SHEET 3		WL	DOCUMENT NO. 52532600	REV. E	
CONDUCTOR IDENT.	FIND NO.	GAUGE (REF.)	COLOR (REF.)	LENGTH (APPROX)	ORIGIN		ACCESS FIND NO.	DESTINATION		ACCESS FIND NO.	REMARKS
	18	24	900	6	1J5	U	5	1J4	X	5	POWER SEQUENCE
	19	24	910	6	1J5	V	5	1J4	Z	5	
	20	24	920	6	1J5	W	5	1J4	Y	5	
	21	24	930	6	1J5	X	5	1J6	U	5	
	22	24	940	6	1J5	Y	5	1J6	W	5	
	23	24	950	6	1J5	Z	5	1J6	V	5	
	16	24	2	40	1J5	A	5	2K09	6	67	T.P. CLOCK
	/	24	92	/	1J5	C	5	2K09	5	67	
	17	24	2	40	1J5	AA	5	2K09	14	67	T.P. CLOCK
	/	24	94	/	1J5	CC	5	2K09	13	67	
	24	24	40	0	1J5	R	5	1G32	8	67	TERMINATOR GND

AA3183

PRINTED IN U.S.A.

60290000 A

60290000 A

CONTROL DATA					1J6		CODE IDENT		SHEET 2		WL		DOCUMENT NO.		REV.	
CONDUCTOR IDENT.	FIND NO.	GAUGE (REF.)	COLOR (REF.)	LENGTH (APPROX)	ORIGIN		ACCESS FIND NO.	DESTINATION		ACCESS FIND NO.	REMARKS					
	8	24	0	40	1J6	B	5	2E03	3	6,7	TP UNIT SELECTED					
	/	↑	2	40	↑	D	↑	2E03	2	↑						
	9		0	35		E		2G04	3		TP ON SECTOR OR					
	/		3	35		H		2G04	2		SEEK ERROR					
	10		0	40		F		2E06	3		TP READ DATA					
	/		4	40		J		2E06	2							
	11	↓	0	45	↓	K	↓	2D06	1	↓	TP WRITE DATA					
	/	24	5	45	1J6	M	5	2D06	6	6,7						
	12	24	0	40	1J6	BB	5	2E03	6	6,7	TP UNIT SELECTED					
	/	↑	6	40	↑	DD	↑	2E03	5	↑						
	13		1	35		EE		2G04	6		TP ON SECTOR OR					
	/		92	35		HH		2G04	5		SEEK ERROR					
	14		1	40		FF		2E06	6		TP READ DATA					
	/		94	40		JJ		2E06	5							
	15	↓	1	45	↓	KK	↓	2D06	15	↓	TP WRITE DATA					
	/	24	96	45	1J6	MM	5	2D06	10	6,7						

9-37

9-38

CONTROL DATA		1J6			CODE IDENT		SHEET 3		WL		DOCUMENT NO. 52532700		REV. E.
CONDUCTOR IDENT.	FIND NO.	GAUGE (REF.)	COLOR (REF.)	LENGTH (APPROX)	ORIGIN		ACCESS FIND NO.	DESTINATION		ACCESS FIND NO.	REMARKS		
/		24	930	6	1J6	U		1J5	X		JUMPER		
/		24	940	6	1J6	W		1J5	Y		JUMPER		
/		24	950	6	1J6	V		1J5	Z		JUMPER REFERENCE		
/		24	900	6	1J6	X		1J7	U		JUMPER 52532600		
/		24	910	6	1J6	Z		1J7	V		JUMPER 52532800		
/		24	920	6	1J6	Y		1J7	W		JUMPER		
16	24	2	40	1J6	A	5	2K10	3	6.7	} T.P. CLOCK			
/		24	92	/	1J6	C	5	2K10	2	6.7	} '		
17	24	2	40	1J6	AA	5	2K10	6	6.7	} T.P. CLOCK			
/		24	94	/	1J6	CC	5	2K10	5	6.7	}		
18	24	0	40	1J6	R	5	1G36	8	6.7	TERMINATOR GND			

60290000 A

9-40

CONTROL DATA		1J7			CODE IDENT		SHEET 3		WL		DOCUMENT NO. 52532800		REV. D
CONDUCTOR IDENT.	FIND NO.	GAUGE (REF.)	COLOR (REF.)	LENGTH (APPROX)	ORIGIN		ACCESS FIND NO.	DESTINATION		ACCESS FIND NO.	REMARKS		
	18	24	900	6	1J7	U	5	1J6	X	5	}	POWER SEQUENCE	
	19	24	910	6	1J7	V	5	1J6	Z	5			
	20	24	920	6	1J7	W	5	1J6	Y	5			
	16	24	2	40	1J7	A	5	2K10	14	6,7	}	T.P. CLOCK	
	/	24	92	/	1J7	C	5	2K10	13	6,7			
	21	24	0	40	1J7	R	5	1G40	8	6,7	TERMINATOR GND		

60290000 A

2000	5	2L042- 1	2K042- 2	20238100	32348
2001	6	2L042-15	2K042- 5	20238100	32348
2002	3	2L041- 1	2K042-13	20238100	32348
2003	7	2L041-15	2K041- 2	20238100	32348
2004	4	2L040- 1	2K041- 5	20238100	32348
2005	5	2L040-15	2K041-13	20238100	32348
2006	5	2L039- 1	2K040- 2	20238100	32348
2007	7	2L039-15	2K040- 5	20238100	32348
2008	3	2L038- 1	2K040-13	20238100	32348
2009	7	2L038-15	2K039- 2	20238100	32348
2010	4	2L037- 1	2K039- 5	20238100	32348
2011	6	2L037-15	2K039-13	20238100	32348
2012	5	2L036- 1	2K038- 2	20238100	32348
2100	5	2L011- 1	2K011- 2	20238100	32348
2101	7	2L011-15	2K011- 5	20238100	32348
2102	3	2L012- 1	2K011-13	20238100	32348
2103	7	2L012-15	2K012- 2	20238100	32348
2104	4	2L013- 1	2K012- 5	20238100	32348
2105	5	2L013-15	2K012-13	20238100	32348
2106	5	2L014- 1	2K013- 2	20238100	32348
2107	6	2L014-15	2K013- 5	20238100	32348
2108	3	2L015- 1	2K013-13	20238100	32348
2109	7	2L015-15	2K014- 2	20238100	32348
2110	5	2L016- 1	2K014- 5	20238100	32348
2111	6	2L016-15	2K014-13	20238100	32348
2112	5	2L017- 1	2K015- 2	20238100	32348
2210	5	2L002- 1	2K005- 3	20238100	32348
2211	7	2L002-15	2K005- 6	20238100	32348
2212	4	2L001- 1	2K005-14	20238100	32348
2213	7	2L001-15	2K004- 3	20238100	32348
2214	3	2K002- 1	2K004- 6		
2215	3	2K002-15	2K004-14		
2216	3	2K001- 1	2K003- 3		
2217	3	2K001-15	2K003- 6		
2218	6	2L003- 6	2K006- 5		
2219	3	2L008-10	2J002-13		
3000	6	2L042- 6	2K042- 3	20238100	32348
3001	6	2L042-10	2K042- 6	20238100	32348
3002	4	2L041- 6	2K042-14	20238100	32348
3003	6	2L041-10	2K041- 3	20238100	32348
3004	5	2L040- 6	2K041- 6	20238100	32348
3005	4	2L040-10	2K041-14	20238100	32348
3006	6	2L039- 6	2K040- 3	20238100	32348
3007	6	2L039-10	2K040- 6	20238100	32348
3008	4	2L038- 6	2K040-14	20238100	32348
3009	6	2L038-10	2K039- 3	20238100	32348
3010	5	2L037- 6	2K039- 6	20238100	32348
3011	5	2L037-10	2K039-14	20238100	32348
3012	6	2L036- 6	2K038- 3	20238100	32348
3100	6	2L011- 6	2K011- 3	20238100	32348
3101	6	2L011-10	2K011- 6	20238100	32348
3102	4	2L012- 6	2K011-14	20238100	32348
3103	6	2L012-10	2K012- 3	20238100	32348
3104	5	2L013- 6	2K012- 6	20238100	32348
3105	4	2L013-10	2K012-14	20238100	32348
3106	6	2L014- 6	2K013- 3	20238100	32348
3107	6	2L014-10	2K013- 6	20238100	32348
3108	4	2L015- 6	2K013-14	20238100	32348
3109	6	2L015-10	2K014- 3	20238100	32348
3110	5	2L016- 6	2K014- 6	20238100	32348
3111	5	2L016-10	2K014-14	20238100	32348
3112	6	2L017- 6	2K015- 3	20238100	32348
3210	6	2L002- 6	2K005- 2	20238100	32348

A
A
A
A
A

3211	6	2L002-10	2K005- 5	20238100	32348			
3212	5	2L001- 6	2K005-13	20238100	32348			
3213	7	2L001-10	2K004- 2	20238100	32348			
3214	3	2K002- 6	2K004- 5					A
3215	3	2K002-10	2K004-13					A
3216	3	2K001- 6	2K003- 2					A
3217	3	2K001-10	2K003- 5					A
3218	6	2L003- 1	2K006- 6					A
3219	8	2L008-15	2J002-14					A
5002	3	2H007- 5	2H007-11	20238100	32348			
5003	3	2K026- 5	2K026-10	20238100	32348			
5004	3	2K027- 5	2K027-10	20238100	32348			
5007	3	2J026- 5	2J026-11	20238100	32348			
5008	3	2J027- 5	2J027-11	20238100	32348			
5010	3	2F010- 5	2F010-10	20238100	32348			
5013	2	2G019- 5	2G019- 6	20238100	32348			
5016	3	2K031- 5	2K031-13	20238100	32348			
5017	3	2K030- 5	2K030- 6	20238100	32348			
5018	3	2K024- 5	2K024-13	20238100	32348			
5026	3	1D035- 5	1D035-13					A
5027	3	1D036- 5	1D036-13					A
5028	3	1D030- 5	1D030- 6	20238000	32348			
5048	3	1F034- 5	1F034-10					A
5052	3	2C040- 5	2C040-11	20238100	32348			
5058	3	2D011- 5	2D011- 6					A
5069	3	1E018- 5	1E018- 6					A
5072	3	1E020- 5	1E020- 6					A
5073	3	2I018- 5	2I018-11					A
5074	3	2I017- 5	2I017-11					A
5082	3	1G040- 5	1G040- 6	20266800	FA705	CONTR0LR	08	A
5086	3	2J003- 5	2J003-10	20238100	32348			
5087	3	2A042- 5	2A042-12	20266800	FA705	CONTR0LR	08	A
5088	3	2H030- 5	2H030-12	20266800	FA705	CONTR0LR	08	A
5091	3	1E027- 5	1E027-11	20238000	32348			
5094	3	1D006- 5	1D006-10	20238000	32348			
5099	3	1E026- 5	1E026-11	20238000	32348			
5221	2	2J001- 3	2J001- 4	20266800	FA705	CONTR0LR	08	A
5904	3	1F001- 5	1F001-12					A
6000	9	1C018-15	1D004-15					A
6001	9	1C018-12	1D004-13					A
6002	9	1C018- 4	1D004-11					A
6003	9	1C018- 1	1D004- 5					A
6004	7	1C017-15	1D004- 3					A
6005	7	1C017-12	1D004- 1					A
6006	7	1C017- 4	1C004-15					A
6007	7	1C017- 1	1C004-13					A
6008	7	1C016-15	1C004-11					A
6009	7	1C016-12	1C004- 5					A
6010	6	1C016- 4	1C004- 3					A
6011	6	1C016- 1	1C004- 1					A
A000	8	2C016- 6	2D029- 1*	20238100	32348			
A000	20	1F042- 6	2C016- 6	20266800	FA705	CONTR0LR	01	A
A000	12	1C030-13	1F042- 6	20266800	FA705	CONTR0LR	01	A
A001	14	2G029- 6*	2G042-10	20238100	32348			
A002	8	1C018-13	1C030- 1*	20238000	32348			
A003	7	1C018-14	1D011-15*	20238000	32348			
A010	7	2C016-14	2D028- 1*	20238100	32348			

A010	20	1F041-6	2C016-14	20266800	FA705	CONTROLR	01	A
A010	12	1C029-13	1F041-6	20266800	FA705	CONTROLR	01	A
A011	12	2A027-4	2D028-6*	20266800	FA705	CONTROLR	01	A
A011	24	2A027-4	2G041-10	20266800	FA705	CONTROLR	01	A
A012	7	1C018-10	1C029-1*	20238000	3234B			
A013	6	1C018-11	1D011-10*	20238000	3234B			
A014	10	1C029-6	1E017-6*	20266800	FA705	CONTROLR	01	A
A020	8	2C015-6	2D027-1*	20266800	FA705	CONTROLR	01	A
A020	20	1F040-6	2C015-6	20266800	FA705	CONTROLR	01	A
A020	12	1C028-13	1F040-6	20266800	FA705	CONTROLR	01	A
A021	11	2A027-5	2D027-6*	20266800	FA705	CONTROLR	01	A
A021	3	2A027-5	2A028-2	20266800	FA705	CONTROLR	01	A
A021	24	2A028-2	2G040-10	20266800	FA705	CONTROLR	01	A
A022	6	1C018-5	1C028-1*	20238000	3234B			
A023	6	1C018-6	1D011-6*	20238000	3234B			
A030	7	2C015-14	2D026-1*	20266800	FA705	CONTROLR	01	A
A030	20	1F039-6	2C015-14	20266800	FA705	CONTROLR	01	A
A030	12	1C027-13	1F039-6	20266800	FA705	CONTROLR	01	A
A031	11	2A027-6	2D026-6*	20266800	FA705	CONTROLR	01	A
A031	3	2A027-6	2A028-4	20266800	FA705	CONTROLR	01	A
A031	23	2A028-4	2G039-10	20266800	FA705	CONTROLR	01	A
A032	6	1C018-2	1C027-1*	20238000	3234B			
A033	6	1C018-3	1D011-1*	20238000	3234B			
A040	8	2C014-6	2D025-1*	20266800	FA705	CONTROLR	01	A
A040	21	1F038-6	2C014-6	20266800	FA705	CONTROLR	01	A
A040	12	1C026-13	1F038-6	20266800	FA705	CONTROLR	01	A
A041	12	2A027-2	2D025-6*	20266800	FA705	CONTROLR	01	A
A041	2	2A027-2	2A028-3	20266800	FA705	CONTROLR	01	A
A041	2	2A028-3	2A028-5	20266800	FA705	CONTROLR	01	A
A041	23	2A028-5	2G038-10	20266800	FA705	CONTROLR	01	A
A042	7	1C017-13	1C026-1*	20238000	3234B			
A043	5	1C010-15*	1C017-14	20238000	3234B			
A050	7	2C014-14	2D024-1*	20238100	3234B			
A050	22	1C025-13	2C014-14	20266800	FA705	CONTROLR	01	A
A051	12	2A027-3	2D024-6*	20266800	FA705	CONTROLR	01	A
A051	3	2A027-3	2A028-6	20266800	FA705	CONTROLR	01	A
A051	22	2A028-6	2G037-10	20266800	FA705	CONTROLR	01	A
A052	6	1C017-10	1C025-1*	20238000	3234B			
A053	5	1C010-10*	1C017-11	20238000	3234B			
A060	7	2C013-6	2D023-1*	20238100	3234B			
A060	19	1F042-4	2C013-6	20266800	FA705	CONTROLR	01	A
A060	13	1C024-13	1F042-4	20266800	FA705	CONTROLR	01	A
A061	14	2D023-6*	2G036-10	20266800	FA705	CONTROLR	01	A
A062	5	1C017-5	1C024-1*	20238000	3234B			
A070	6	2C013-14	2D022-1*	20238100	3234B			
A070	18	1F041-4	2C013-14	20266800	FA705	CONTROLR	01	A
A070	13	1C023-13	1F041-4	20266800	FA705	CONTROLR	01	A
A071	14	2D022-6*	2G035-10	20266800	FA705	CONTROLR	01	A
A072	5	1C017-2	1C023-1*	20238000	3234B			
A080	10	2C004-4	2D021-1*	20266800	FA705	CONTROLR	01	A
A080	16	1F040-4	2C004-4	20266800	FA705	CONTROLR	01	A
A080	13	1C022-13	1F040-4	20266800	FA705	CONTROLR	01	A
A081	9	2B026-3	2D021-6*	20266800	FA705	CONTROLR	01	A
A081	20	2B026-3	2G034-10	20266800	FA705	CONTROLR	01	A
A082	5	1C016-13	1C022-1*	20238000	3234B			
A090	13	1C021-13	1F039-4	20266800	FA705	CONTROLR	01	A
A090	15	2A040-4	2D020-1*	20266800	FA705	CONTROLR	01	A
A090	34	1F039-4	2A040-4	20266800	FA705	CONTROLR	01	A
A091	9	2B026-6	2D020-6*	20266800	FA705	CONTROLR	01	A
A091	19	2B026-6	2G033-10	20266800	FA705	CONTROLR	01	A
A092	5	1C016-10	1C021-1*	20238000	3234B			
A100	10	2C003-4	2D019-1*	20266800	FA705	CONTROLR	01	A

A100	16	1F038- 4	2C003- 4	20266800	FA705	CONTROLR	01	A
A100	13	1C020-13	1F038- 4	20266800	FA705	CONTROLR	01	A
A101	10	2B026- 4	2D019- 6*	20266800	FA705	CONTROLR	01	A
A101	2	2B026- 4	2B026- 5	20266800	FA705	CONTROLR	01	A
A101	19	2B026- 5	2G032-10	20266800	FA705	CONTROLR	01	A
A102	4	1C016- 5	1C020- 1*	20238000	32348			
A110	9	2C003-12	2D018- 1*	20266800	FA705	CONTROLR	01	A
A110	20	1C019-13	2C003-12	20266800	FA705	CONTROLR	01	A
A111	11	2A025-14	2D018- 6*	20266800	FA705	CONTROLR	01	A
A111	21	2A025-14	2G031-10	20266800	FA705	CONTROLR	01	A
A112	3	1C016- 2	1C019- 1*	20238000	32348			
A120	4	2C026-13	2C027- 1*	20238100	32348			

A121	4	2C026- 5	2C027-15*	20238100	32348			
A130	3	2C026- 1*	2C027- 5*	20238100	32348			
A130	4	2C024-11	2C027- 5	20238100	32348			
A130	6	2C024-11	2D016- 3	20238100	32348			
A130	12	2D016- 3	2F030-13	20238100	32348			
A131	4	2C025- 5	2C026-15*	20238100	32348			
A131	3	2C024- 2	2C025- 5	20238100	32348			
A131	4	2C024- 2	2C027-13	20238100	32348			
A131	10	2C027-13	2F030- 5	20238100	32348			
A138	23	1F042-14	2F034- 6*	20266800	FA705	CONTROLR	01	A
A139	2	1C016-11	1C016-14	20238000	32348			
A139	3	1C016- 6	1C016-11	20238000	32348			
A139	2	1C016- 6	1C017- 6	20266800	FA705	CONTROLR	01	A
A139	2	1C017- 3	1C017- 6	20266800	FA705	CONTROLR	01	A
A139	2	1C016- 3	1C017- 3	20266800	FA705	CONTROLR	01	A
A139	17	1C016-14	1F042-15*	20266800	FA705	CONTROLR	01	A
A140	4	1C030- 5	1C030-15*	20238000	32348			
A140	2	1C029- 5	1C030- 5	20238000	32348			
A140	2	1C028- 5	1C029- 5	20238000	32348			
A140	2	1C027- 5	1C028- 5	20238000	32348			
A140	2	1C026- 5	1C027- 5	20238000	32348			
A140	2	1C025- 5	1C026- 5	20238000	32348			
A141	5	1C024- 5	1C029-15*	20238000	32348			
A141	2	1C023- 5	1C024- 5	20238000	32348			
A141	2	1C022- 5	1C023- 5	20238000	32348			
A141	2	1C021- 5	1C022- 5	20238000	32348			
A141	2	1C020- 5	1C021- 5	20266800	FA705	CONTROLR	01	A
A141	2	1C019- 5	1C020- 5	20266800	FA705	CONTROLR	01	A
A142	3	1C028-15*	1C030-12	20238000	32348			
A142	2	1C029-12	1C030-12	20238000	32348			
A142	2	1C028-12	1C029-12	20238000	32348			
A142	2	1C027-12	1C028-12	20238000	32348			
A142	2	1C026-12	1C027-12	20238000	32348			
A142	2	1C025-12	1C026-12	20238000	32348			
A143	3	1C024-12	1C027-15*	20238000	32348			
A143	2	1C023-12	1C024-12	20238000	32348			
A143	2	1C022-12	1C023-12	20238000	32348			
A143	2	1C021-12	1C022-12	20238000	32348			
A143	2	1C020-12	1C021-12	20266800	FA705	CONTROLR	01	A

A143	2	1C019-12	1C020-12	20266800	FA705	CONTROLR	01	A
A144	2	1C025-10	1C026-10	20238000	32348			
A144	2	1C026-10	1C027-10	20238000	32348			
A144	2	1C027-10	1C028-10	20238000	32348			
A144	2	1C028-10	1C029-10	20238000	32348			
A144	2	1C029-10	1C030-10	20238000	32348			
A144	3	1C025-10	1C026-15*	20266800	FA705	CONTROLR	01	A
A145	3	1C024-10	1C025-15*	20238000	32348			
A145	2	1C023-10	1C024-10	20238000	32348			
A145	2	1C022-10	1C023-10	20238000	32348			
A145	2	1C021-10	1C022-10	20238000	32348			
A145	2	1C020-10	1C021-10	20266800	FA705	CONTROLR	01	A
A145	2	1C019-10	1C020-10	20266800	FA705	CONTROLR	01	A
A146	5	2C023-1*	2D024-2	20238100	32348			
A146	2	2D024-2	2D025-2	20238100	32348			
A146	2	2D025-2	2D026-2	20238100	32348			
A146	2	2D026-2	2D027-2	20238100	32348			
A146	2	2D027-2	2D028-2	20238100	32348			
A146	2	2D028-2	2D029-2	20238100	32348			
A147	4	2C023-6*	2D023-2	20238100	32348			
A147	2	2D022-2	2D023-2	20238100	32348			
A147	2	2D021-2	2D022-2	20238100	32348			
A147	2	2D020-2	2D021-2	20238100	32348			
A147	2	2D019-2	2D020-2	20238100	32348			
A147	2	2D018-2	2D019-2	20238100	32348			
A148	5	2C023-10*	2D022-11	20238100	32348			
A148	2	2D022-11	2D023-11	20238100	32348			
A148	2	2D023-11	2D024-11	20238100	32348			
A148	2	2D024-11	2D025-11	20238100	32348			
A148	2	2D025-11	2D026-11	20238100	32348			
A148	2	2D026-11	2D027-11	20238100	32348			
A148	2	2D027-11	2D028-11	20238100	32348			
A148	2	2D028-11	2D029-11	20238100	32348			
A149	5	2C023-15*	2D021-11	20238100	32348			
A149	2	2D020-11	2D021-11	20238100	32348			
A149	2	2D019-11	2D020-11	20238100	32348			
A149	2	2D018-11	2D019-11	20238100	32348			
A150	2	2D025-4	2D026-4	20238100	32348			
A150	2	2D026-4	2D027-4	20238100	32348			
A150	2	2D027-4	2D028-4	20238100	32348			
A150	2	2D028-4	2D029-4	20238100	32348			
A150	6	2D015-1*	2D025-4	20238100	32348			
A151	3	2D015-6*	2D018-4	20238100	32348			
A151	2	2D018-4	2D019-4	20238100	32348			
A151	2	2D019-4	2D020-4	20238100	32348			
A151	2	2D020-4	2D021-4	20238100	32348			
A151	2	2D021-4	2D022-4	20238100	32348			
A151	2	2D022-4	2D023-4	20238100	32348			
A151	2	2D023-4	2D024-4	20238100	32348			
A152	5	2D015-10*	2D022-13	20238100	32348			
A152	2	2D022-13	2D023-13	20238100	32348			
A152	2	2D023-13	2D024-13	20238100	32348			
A152	2	2D024-13	2D025-13	20238100	32348			
A152	2	2D025-13	2D026-13	20238100	32348			
A152	2	2D026-13	2D027-13	20238100	32348			
A152	2	2D027-13	2D028-13	20238100	32348			
A152	2	2D028-13	2D029-13	20238100	32348			
A153	3	2D015-15*	2D018-13	20238100	32348			
A153	2	2D018-13	2D019-13	20238100	32348			
A153	2	2D019-13	2D020-13	20238100	32348			
A153	2	2D020-13	2D021-13	20238100	32348			
A154	5	1C021-15*	1C029-14	20238000	32348			

A154	2	1C029-14	1C030-14	20238000	32348			
A155	5	1C020-15*	1C027-14	20238000	32348			
A155	2	1C027-14	1C028-14	20238000	32348			
A156	5	1C019-15*	1C025-14	20238000	32348			
A156	2	1C025-14	1C026-14	20238000	32348			
A157	2	2C023- 2	2C024- 1*	20238100	32348			
A157	2	2C023- 2	2C023- 4	20238100	32348			
A158	3	2C023-13	2C024-15*	20238100	32348			
A158	2	2C023-12	2C023-13	20238100	32348			
A159	8	2C025- 1*	2D015- 2	20238100	32348			
A159	2	2D015- 2	2D015- 4	20238100	32348			
A160	4	2D015-11	2D016- 1*	20238100	32348			
A160	2	2D015-11	2D015-13	20238100	32348			
A161	3	2C026- 4	2C026-12	20238100	32348			
A161	3	2C026- 4	2C029- 2	20238100	32348			
A161	10	2C026-12	2E020-15*	20238100	32348			
A162	7	2C027-12	2D017- 4	20238100	32348			
A162	3	2C027- 4	2C028- 1*	20266800	FA705	CONTROLR	01	A
A162	6	2C027- 4	2C035-11	20266800	FA705	CONTROLR	01	A
A162	5	2C027-12	2C035-11	20266800	FA705	CONTROLR	01	A
A163	9	2C029- 4	2D017- 6*	20238100	32348			
A163	4	2C029- 4	2C032-11	20238100	32348			
A164	4	2C024- 3	2C028- 6*	20238100	32348			
A164	3	2C024- 3	2C024-12	20238100	32348			
A165	7	2C025- 6	2D016- 4	20238100	32348			
A165	5	2C025- 6	2C032-10*	20238100	32348			
A166	2	1C025- 3	1C026- 3	20238000	32348			
A166	2	1C026- 3	1C027- 3	20238000	32348			
A166	2	1C027- 3	1C028- 3	20238000	32348			
A166	2	1C028- 3	1C029- 3	20238000	32348			
A166	2	1C029- 3	1C030- 3	20238000	32348			
A166	4	1C024-15*	1C025- 3	20266800	FA705	CONTROLR	01	A
A167	4	1C023-15*	1C024- 3	20238000	32348			
A167	2	1C023- 3	1C024- 3	20238000	32348			
A167	2	1C022- 3	1C023- 3	20238000	32348			
A167	2	1C021- 3	1C022- 3	20238000	32348			
A167	2	1C020- 3	1C021- 3	20266800	FA705	CONTROLR	01	A
A167	2	1C019- 3	1C020- 3	20266800	FA705	CONTROLR	01	A
A168	2	1C022-15*	1C023-14	20238000	32348			
A168	2	1C023-14	1C024-14	20238000	32348			
A169	3	2D015-12	2D017-10*	20238100	32348			
A169	2	2D015-12	2D015-14	20266800	FA705	CONTROLR	01	A
A170	13	2A026- 1*	2C039-14	20266800	FA705	CONTROLR	01	A
A170	13	2C039-14	2D013- 4	20266800	FA705	CONTROLR	01	A
A171	3	2B024- 2	2B026- 1*	20266800	FA705	CONTROLR	01	A
A172	3	2A025-13	2B024- 1*	20266800	FA705	CONTROLR	01	A
A173	12	2A025-15*	2D013- 5	20266800	FA705	CONTROLR	01	A
A173	18	1E035- 3	2D013- 5	20266800	FA705	CONTROLR	01	A
A175	3	2A025- 3	2A027- 1*	20266800	FA705	CONTROLR	01	A
A176	4	2A025- 1*	2A025-11	20266800	FA705	CONTROLR	01	A
A177	3	2A025- 4	2A028- 1*	20266800	FA705	CONTROLR	01	A
A178	3	2A025- 6*	2A025-12	20266800	FA705	CONTROLR	01	A
A179	13	2A025-10*	2D013- 4	20266800	FA705	CONTROLR	01	A
A179	18	1E035- 2	2D013- 6	20266800	FA705	CONTROLR	09	A
A180	6	2C023-14	2D017-15*	20266800	FA705	CONTROLR	01	A
A180	2	2C023-11	2C023-14	20266800	FA705	CONTROLR	01	A
A181	39	1C019- 6	2K025-11	20238200	32348			
A181	23	1C019- 6	2D014-15*	20238200	32348			
A184	3	2A027-14	2B028- 1*	20238100	32348			
A185	3	2A026-12	2A027-15*	20266800	FA705	CONTROLR	01	A

A191	4	2D014-10*	2D018- 5	20238100	32348				
A191	2	2D018- 5	2D019- 5	20238100	32348				
A191	2	2D019- 5	2D020- 5	20238100	32348				
A191	2	2D020- 5	2D021- 5	20238100	32348				
A191	2	2D021- 5	2D022- 5	20238100	32348				
A191	2	2D022- 5	2D023- 5	20238100	32348				
A200	9	2C016- 4	2D029-10*	20238100	32348				
A200	20	1F042-11	2C016- 4	20266800	FA705	CONTROLR	01		A
A200	13	1C030-11	1F042-11	20266800	FA705	CONTROLR	01		A
A201	10	2B028- 6	2D029-15*	20266800	FA705	CONTROLR	01		A
A201	19	2B028- 6	2G042- 3	20266800	FA705	CONTROLR	01		A
A210	8	2C016-12	2D028-10*	20238100	32348				
A210	20	1F041-11	2C016-12	20266800	FA705	CONTROLR	01		A
A210	13	1C029-11	1F041-11	20266800	FA705	CONTROLR	01		A
A211	10	2B028- 5	2D028-15*	20266800	FA705	CONTROLR	01		A
A211	19	2B028- 5	2G041- 3	20266800	FA705	CONTROLR	01		A
A220	9	2C015- 4	2D027-10*	20266800	FA705	CONTROLR	01		A
A220	21	1F040-11	2C015- 4	20266800	FA705	CONTROLR	01		A
A220	13	1C028-11	1F040-11	20266800	FA705	CONTROLR	01		A
A221	10	2B028- 2	2D027-15*	20266800	FA705	CONTROLR	01		A
A221	20	2B028- 2	2G040- 3	20266800	FA705	CONTROLR	01		A
A230	8	2C015-12	2D026-10*	20266800	FA705	CONTROLR	01		A
A230	21	1F039-11	2C015-12	20266800	FA705	CONTROLR	01		A
A230	13	1C027-11	1F039-11	20266800	FA705	CONTROLR	01		A
A231	2	2B028- 3	2B028- 4	20238100	32348				
A231	10	2B028- 4	2D026-15*	20266800	FA705	CONTROLR	01		A
A231	19	2B028- 3	2G039- 3	20266800	FA705	CONTROLR	01		A
A240	11	2A027-12	2D025-10*	20238100	32348				
A240	10	2A027-12	2C014- 4	20266800	FA705	CONTROLR	01		A
A240	21	1F038-11	2C014- 4	20266800	FA705	CONTROLR	01		A
A240	13	1C026-11	1F038-11	20266800	FA705	CONTROLR	01		A
A241	12	2D025-15*	2G038- 3	20238100	32348				
A250	11	2A027-13	2D024-10*	20238100	32348				
A250	10	2A027-13	2C014-12	20238100	32348				
A250	21	1F037-11	2C014-12	20266800	FA705	CONTROLR	01		A
A250	13	1C025-11	1F037-11	20266800	FA705	CONTROLR	01		A
A251	12	2D024-15*	2G037- 3	20266800	FA705	CONTROLR	01		A
A260	12	2A027-11	2D023-10*	20238100	32348				
A260	10	2A027-11	2C013- 4	20238100	32348				
A260	22	1F036-11	2C013- 4	20266800	FA705	CONTROLR	01		A
A260	13	1C024-11	1F036-11	20266800	FA705	CONTROLR	01		A
A261	12	2D023-15*	2G036- 3	20266800	FA705	CONTROLR	01		A
A270	12	2A027-10	2D022-10*	20238100	32348				
A270	11	2A027-10	2C013-12	20238100	32348				
A270	21	1F035-11	2C013-12	20266800	FA705	CONTROLR	01		A
A270	13	1C023-11	1F035-11	20266800	FA705	CONTROLR	01		A
A271	12	2D022-15*	2G035- 3	20238100	32348				
A280	11	2B037-11	2D021-10*	20266800	FA705	CONTROLR	01		A
A280	17	2B037-11	2C004-11	20266800	FA705	CONTROLR	01		A
A280	19	1C022-11	2C004-11	20266800	FA705	CONTROLR	01		A
A281	13	2A026-10	2D021-15*	20266800	FA705	CONTROLR	01		A
A281	8	2A026-10	2B037- 6	20266800	FA705	CONTROLR	01		A
A281	17	2B037- 6	2G034- 3	20266800	FA705	CONTROLR	01		A
A281	23	2G034- 3	2L003- 3	20266800	FA705	CONTROLR	01		A
A290	12	2B037-15	2D020-10*	20266800	FA705	CONTROLR	01		A
A290	6	2A040-11	2B037-15	20266800	FA705	CONTROLR	01		A
A290	37	1C021-11	2A040-11	20266800	FA705	CONTROLR	01		A
A291	14	2A026- 3	2D020-15*	20266800	FA705	CONTROLR	01		A
A291	9	2A026- 3	2B037-13	20266800	FA705	CONTROLR	01		A
A291	16	2B037-13	2G033- 3	20266800	FA705	CONTROLR	01		A
A291	23	2G033- 3	2L008-12	20266800	FA705	CONTROLR	01		A

A300	19	2D019-10*	2I034- 3	20238100	3234B			
A300	40	1C020-11	2I034- 3	20266800	FA705	CONTR0LR	01	A
A301	14	2A026- 2	2D019-15*	20266800	FA705	CONTR0LR	01	A
A310	38	1C019-11	2I034-12	20238200	3234B			
A310	21	2D018-10*	2I034-12	20266800	FA705	CONTR0LR	01	A
A311	14	2A026- 5	2D018-15*	20266800	FA705	CONTR0LR	01	A
B000	4	2H042- 1*	2H042-14	20238100	3234B			
B000	36	1C030- 4	2H042-14	20238200	3234B			
B001	5	2G042-12	2H042-12	20238100	3234B			
B001	4	2G042-12	2H042- 6*	20238100	3234B			
B001	8	2H042-12	2I031-13	20238100	3234B			

B003	12	2H042-15*	2L042- 5	20238100	3234B			
------	----	-----------	----------	----------	-------	--	--	--

B003	15	2L011- 5	2L042- 5	20238100	3234B			
B010	4	2H041- 1*	2H041-14	20238100	3234B			
B010	36	1C029- 4	2H041-14	20238200	3234B			
B011	5	2G041-12	2H041-12	20238100	3234B			
B011	4	2G041-12	2H041- 6*	20238100	3234B			
B011	8	2H041-12	2I031-14	20238100	3234B			
B013	14	2H041-15*	2L042-14	20238100	3234B			
B013	15	2L011-14	2L042-14	20238100	3234B			
B020	4	2H040- 1*	2H040-14	20238100	3234B			
B020	36	1C028- 4	2H040-14	20238200	3234B			
B021	5	2G040-12	2H040-12	20238100	3234B			
B021	4	2G040-12	2H040- 6*	20238100	3234B			
B021	4	2H040-12	2I039- 2	20238100	3234B			
B023	13	2H040-15*	2L041- 5	20238100	3234B			
B023	14	2L012- 5	2L041- 5	20238100	3234B			
B030	4	2H039- 1*	2H039-14	20238100	3234B			
B030	36	1C027- 4	2H039-14	20238200	3234B			
B031	5	2G039-12	2H039-12	20238100	3234B			
B031	4	2G039-12	2H039- 6*	20238100	3234B			
B031	4	2H039-12	2I039- 3	20238100	3234B			
B033	14	2H039-15*	2L041-14	20238100	3234B			
B033	14	2L012-14	2L041-14	20238100	3234B			
B040	4	2H038- 1*	2H038-14	20238100	3234B			
B040	36	1C026- 4	2H038-14	20238200	3234B			
B041	5	2G038-12	2H038-12	20238100	3234B			
B041	4	2G038-12	2H038- 6*	20238100	3234B			
B041	4	2H038-12	2I039- 4	20238100	3234B			
B043	13	2H038-15*	2L040- 5	20238100	3234B			
B043	13	2L013- 5	2L040- 5	20238100	3234B			
B050	4	2H037- 1*	2H037-14	20238100	3234B			
B050	36	1C025- 4	2H037-14	20238200	3234B			
B051	5	2G037-12	2H037-12	20238100	3234B			
B051	4	2G037-12	2H037- 6*	20238100	3234B			
B051	4	2H037-12	2I039- 5	20238100	3234B			
B053	14	2H037-15*	2L040-14	20238100	3234B			
B053	13	2L013-14	2L040-14	20238100	3234B			
B060	4	2H036- 1*	2H036-14	20238100	3234B			
B060	36	1C024- 4	2H036-14	20238200	3234B			
B061	5	2G036-12	2H036-12	20238100	3234B			

B061	4	2G036-12	2H036- 6*	20238100	3234B			
B061	5	2H036-12	2I039- 6	20238100	3234B			
B063	13	2H036-15*	2L039- 5	20238100	3234B			
B063	12	2L014- 5	2L039- 5	20238100	3234B			
B070	4	2H035- 1*	2H035-14	20238100	3234B			
B070	36	1C023- 4	2H035-14	20238200	3234B			
B071	5	2G035-12	2H035-12	20238100	3234B			
B071	4	2G035-12	2H035- 6*	20238100	3234B			
B071	6	2H035-12	2I039-10	20238100	3234B			
B073	15	2H035-15*	2L039-14	20238100	3234B			
B073	12	2L014-14	2L039-14	20238100	3234B			
B080	4	2H034- 1*	2H034-14	20238100	3234B			
B080	36	1C022- 4	2H034-14	20238200	3234B			
B081	5	2G034-12	2H034-12	20238100	3234B			
B081	4	2G034-12	2H034- 6*	20238100	3234B			
B081	6	2H034-12	2I039-11	20238100	3234B			
B083	13	2H034-15*	2L038- 5	20238100	3234B			
B083	11	2L015- 5	2L038- 5	20238100	3234B			
B090	4	2H033- 1*	2H033-14	20238100	3234B			
B090	36	1C021- 4	2H033-14	20238200	3234B			
B091	5	2G033-12	2H033-12	20238100	3234B			
B091	4	2G033-12	2H033- 6*	20238100	3234B			
B091	6	2H033-12	2I039-12	20238100	3234B			
B093	15	2H033-15*	2L038-14	20238100	3234B			
B093	11	2L015-14	2L038-14	20238100	3234B			
B100	4	2H032- 1*	2H032-14	20238100	3234B			
B100	39	1C020- 4	2H032-14	20266800	FA705	CONTROLR	01	A
B101	5	2G032-12	2H032-12	20238100	3234B			
B101	4	2G032-12	2H032- 6*	20238100	3234B			
B101	7	2H032-12	2I039-13	20238100	3234B			
B103	13	2H032-15*	2L037- 5	20238100	3234B			
B103	11	2L016- 5	2L037- 5	20238100	3234B			
B110	36	1C019- 4	2H031-14	20238200	3234B			
B110	4	2H031- 1*	2H031-14	20238100	3234B			
B111	7	2H031-12	2I039-14	20238100	3234B			
B111	5	2G031- 5	2H031- 6*	20266800	FA705	CONTROLR	01	A
B111	6	2G031- 5	2H031-12	20266800	FA705	CONTROLR	01	A
B113	15	2H031-15*	2L037-14	20238100	3234B			
B113	11	2L016-14	2L037-14	20238100	3234B			
B200	3	2I040- 1*	2I042- 3	20238100	3234B			
B200	2	2I042- 3	2I042- 5	20238100	3234B			
B201	2	2H041- 4	2H042- 4	20238100	3234B			
B201	2	2H040- 4	2H041- 4	20238100	3234B			
B201	2	2H039- 4	2H040- 4	20238100	3234B			
B201	2	2H038- 4	2H039- 4	20238100	3234B			
B201	2	2H037- 4	2H038- 4	20238100	3234B			
B201	4	2I040-11	2I042- 1*	20266800	FA705	CONTROLR	01	A
B201	7	2H042- 4	2I040-11	20266800	FA705	CONTROLR	01	A
B202	7	2H036- 4	2I042- 6*	20238100	3234B			
B202	2	2H035- 4	2H036- 4	20238100	3234B			
B202	2	2H034- 4	2H035- 4	20238100	3234B			
B202	2	2H033- 4	2H034- 4	20238100	3234B			
B202	2	2H032- 4	2H033- 4	20238100	3234B			
B202	2	2H031- 4	2H032- 4	20238100	3234B			
B203	20	2H001- 4	2I040-15*	20266800	FA705	CONTROLR	01	A
B204	7	2H036- 2	2I042-10*	20238100	3234B			
B204	2	2H035- 2	2H036- 2	20238100	3234B			
B204	2	2H034- 2	2H035- 2	20238100	3234B			
B204	2	2H033- 2	2H034- 2	20238100	3234B			
B204	2	2H032- 2	2H033- 2	20238100	3234B			
B204	2	2H031- 2	2H032- 2	20238100	3234B			
B205	7	2H042- 2	2I042-15*	20238100	3234B			

B205	2	2H041- 2	2H042- 2	20238100	32348			
B205	2	2H040- 2	2H041- 2	20238100	32348			
B205	2	2H039- 2	2H040- 2	20238100	32348			
B205	2	2H038- 2	2H039- 2	20238100	32348			
B205	2	2H037- 2	2H038- 2	20238100	32348			
B206	3	2I041- 4	2I041-11	20238100	32348			
B206	2	2I041-11	2I041-13	20238100	32348			
B206	4	2I041- 1*	2I041-13	20238100	32348			
B206	11	2F031-14	2I041- 4	20238100	32348			
B207	4	2H042-11	2I041- 6*	20238100	32348			
B207	2	2H042-11	2H042-13	20238100	32348			
B207	2	2H041-13	2H042-13	20238100	32348			
B207	2	2H041-11	2H041-13	20238100	32348			
B207	2	2H040-11	2H041-11	20238100	32348			
B207	2	2H040-11	2H040-13	20238100	32348			
B207	2	2H039-13	2H040-13	20238100	32348			
B207	2	2H039-11	2H039-13	20238100	32348			
B208	5	2H038-11	2I041-10*	20238100	32348			
B208	2	2H038-11	2H038-13	20238100	32348			
B208	2	2H037-13	2H038-13	20238100	32348			
B208	2	2H037-11	2H037-13	20238100	32348			
B208	2	2H036-11	2H037-11	20238100	32348			
B208	2	2H036-11	2H036-13	20238100	32348			
B208	2	2H035-13	2H036-13	20238100	32348			
B208	2	2H035-11	2H035-13	20238100	32348			
B209	7	2H034-11	2I041-15*	20238100	32348			
B209	2	2H034-11	2H034-13	20238100	32348			
B209	2	2H033-13	2H034-13	20238100	32348			
B209	2	2H033-11	2H033-13	20238100	32348			
B209	2	2H032-11	2H033-11	20238100	32348			
B209	2	2H032-11	2H032-13	20238100	32348			
B209	2	2H031-13	2H032-13	20238100	32348			
B209	2	2H031-11	2H031-13	20238100	32348			
B210	5	2I031-15*	2I037- 2	20238100	32348			
B211	3	2I037- 3	2I039- 1*	20238100	32348			
B212	4	2I037- 5	2I039-15*	20238100	32348			
B213	14	2E037- 2	2I037- 1*	20238100	32348			
C000	4	2A020- 5	2B020- 1*	20238100	32348			
C001	7	2A020- 3	2B020-15*	20238100	32348			
C001	26	2A020- 3	2H028-13	20238100	32348			
C002	10	2A035- 3	2B020- 5	20238100	32348			
C002	11	2A020- 1*	2C005- 3	20266800	FA705	CONTROLR	01	A
C002	2	2C005- 3	2C006- 2	20266800	FA705	CONTROLR	01	A
C002	8	2A035- 3	2C033- 3	20266800	FA705	CONTROLR	01	A
C002	6	2C033- 3	2C041-14	20266800	FA705	CONTROLR	01	A
C002	8	2C041-14	2E042-11	20266800	FA705	CONTROLR	01	A
C002	9	2B020- 5	2C006- 2	20266800	FA705	CONTROLR	07	A
C003	10	2B020-13	2D008-10	20238100	32348			
C003	14	2A020- 6*	2C041-12	20266800	FA705	CONTROLR	01	A
C003	10	2A035- 5	2B020-13	20266800	FA705	CONTROLR	01	A
C003	2	2D007-10	2D008-10	20266800	FA705	CONTROLR	01	A
C003	13	1E042- 3	2D007-10	20266800	FA705	CONTROLR	01	A
C003	8	2A040-14	2C041-12	20266800	FA705	CONTROLR	01	A
C003	5	2A035- 5	2A040-14	20266800	FA705	CONTROLR	01	A
C004	3	2B019- 6	2B019-14	20238100	32348			
C004	13	2B019-14	2C041-15*	20266800	FA705	CONTROLR	01	A
C004	6	2A016- 3	2B019- 6	20266800	FA705	CONTROLR	01	A
C005	9	2A016- 1*	2B029- 3	20266800	FA705	CONTROLR	01	A

C006	6	2B020- 2	2C016- 1*	20238100	3234B			
C007	31	1F032- 3	2E042-10*	20266800	FA705	CONTR0LR	01	A
C008	12	2E016- 2	2E040-10	20266800	FA705	CONTR0LR	01	A
C008	12	2A015-14	2A040-15*	20266800	FA705	CONTR0LR	07	A
C008	12	2A015-14	2E016- 2	20266800	FA705	CONTR0LR	07	A
C010	3	2A020-14	2B019- 1*	20238100	3234B			
C011	6	2A020-12	2B019-15*	20238100	3234B			
C011	25	2A020-12	2H027-13	20238100	3234B			
C012	6	2B019- 5	2B029-10	20266800	FA705	CONTR0LR	01	A
C012	2	2C005- 4	2C006- 3	20266800	FA705	CONTR0LR	01	A
C012	4	2A020-10*	2B019- 5	20266800	FA705	CONTR0LR	01	A
C012	7	2B029-10	2C020-13	20266800	FA705	CONTR0LR	01	A
C012	8	2C006- 3	2C020-13	20266800	FA705	CONTR0LR	01	A
C012	4	2C004-14	2C005- 4	20266800	FA705	CONTR0LR	01	A
C012	5	2C004-14	2D007-11	20266800	FA705	CONTR0LR	01	A
C013	10	1E042- 4	2D008-11	20238200	3234B			
C013	8	1E042- 4	1F032- 5	20238000	3234B			
C013	6	2B019-13	2B029-13	20266800	FA705	CONTR0LR	01	A
C013	5	2A020-15*	2B019-13	20266800	FA705	CONTR0LR	01	A
C013	9	2A041-10	2B029-13	20266800	FA705	CONTR0LR	01	A
C013	10	2A041-10	2D042- 2	20266800	FA705	CONTR0LR	01	A
C013	17	2D008-11	2D042- 2	20266800	FA705	CONTR0LR	01	A
C014	6	2A021- 4	2B018- 6	20238100	3234B			
C014	3	2B018- 6	2B018-14	20238100	3234B			
C014	7	2A021- 4	2B029- 1*	20266800	FA705	CONTR0LR	01	A
C015	3	2A021- 6*	2A022- 2	20238100	3234B			
C016	8	2B019- 2	2C016-15*	20238100	3234B			
C017	18	2A035-12	2C004-15*	20266800	FA705	CONTR0LR	01	A
C018	7	2D042- 1*	2E040-11	20266800	FA705	CONTR0LR	01	A
C018	12	2E016- 3	2E040-11	20266800	FA705	CONTR0LR	01	A
C018	13	2A015-13	2E016- 3	20266800	FA705	CONTR0LR	01	A
C018	10	2A015-13	2A035-10	20266800	FA705	CONTR0LR	01	A
C020	5	2A019- 5	2B018- 1*	20238100	3234B			
C021	7	2A019- 3	2B018-15*	20238100	3234B			
C021	26	2A019- 3	2H026-13	20238100	3234B			
C022	7	2A022-12	2A035-14	20238100	3234B			
C022	7	2B018- 5	2C020-14	20238100	3234B			
C022	8	2C020-14	2D008-12	20238100	3234B			
C022	10	2A019- 1*	2A035-14	20266800	FA705	CONTR0LR	01	A
C022	2	2A021-11	2A022-12	20266800	FA705	CONTR0LR	01	A
C022	5	2A021-11	2B018- 5	20266800	FA705	CONTR0LR	01	A
C022	6	2D008-12	2E016- 4	20266800	FA705	CONTR0LR	01	A
C023	8	2B018-13	2C005- 5	20238100	3234B			
C023	3	2A019- 6*	2A022- 5	20266800	FA705	CONTR0LR	01	A
C023	7	2C005- 5	2D007-12	20266800	FA705	CONTR0LR	01	A
C023	17	2D007-12	2E040-12	20266800	FA705	CONTR0LR	01	A
C023	14	2A041-11	2E040-12	20266800	FA705	CONTR0LR	01	A
C023	5	2A022- 5	2B022- 4	20266800	FA705	CONTR0LR	01	A
C023	4	2B018-13	2B022- 4	20266800	FA705	CONTR0LR	01	A
C024	3	2B017- 6	2B017-14	20238100	3234B			
C024	7	2A022- 1*	2A032-11	20238100	3234B			
C024	10	2A032-11	2B017-14	20266800	FA705	CONTR0LR	01	A
C024	9	2B001- 5	2B017- 6	20266800	FA705	CONTR0LR	01	A
C025	5	2A032-15*	2B025- 2	20266800	FA705	CONTR0LR	01	A
C026	5	2B018- 2	2C015- 1*	20238100	3234B			
C027	9	2A021-10*	2A036- 3	20266800	FA705	CONTR0LR	01	A
C027	30	1E042- 5	2A036- 3	20266800	FA705	CONTR0LR	01	A
C027	8	1E042- 5	1F032-12	20266800	FA705	CONTR0LR	01	A
C028	6	2A015-12	2B022- 6*	20266800	FA705	CONTR0LR	01	A
C030	3	2A019-14	2B017- 1*	20238100	3234B			
C031	6	2A019-12	2B017-15*	20238100	3234B			
C031	23	1E040-11	2A019-12	20266800	FA705	CONTR0LR	01	A

C031	25	1E040-11	2H025-13	20266800	FA705	CONTR0LR	01	A
C032	9	2A036- 5	2B025-12	20266800	FA705	CONTR0LR	01	A
C032	6	2B017- 5	2B025-12	20266800	FA705	CONTR0LR	01	A
C032	12	2C005- 6	2F005-13	20266800	FA705	CONTR0LR	01	A
C032	16	2A036- 5	2E040-13	20266800	FA705	CONTR0LR	01	A
C032	18	2E040-13	2F005-13	20266800	FA705	CONTR0LR	01	A
C032	4	2A015-11	2A019-10*	20266800	FA705	CONTR0LR	01	A
C032	4	2A015-11	2B017- 5	20266800	FA705	CONTR0LR	01	A
C033	5	2A019-15*	2B017-13	20266800	FA705	CONTR0LR	01	A
C033	6	2B017-13	2B025- 5	20266800	FA705	CONTR0LR	01	A
C033	9	2A041-12	2B025- 5	20266800	FA705	CONTR0LR	01	A

C033	11	2B001- 4	2D007-13	20266800	FA705	CONTR0LR	01	A
C033	2	2D007-13	2D008-13	20266800	FA705	CONTR0LR	01	A
C033	18	2A041-12	2E016- 5	20266800	FA705	CONTR0LR	01	A
C033	6	2D008-13	2E016- 5	20266800	FA705	CONTR0LR	01	A
C034	3	2B016- 6	2B016-14	20238100	3234B			
C034	14	2A041- 6	2B016- 6	20266800	FA705	CONTR0LR	01	A
C034	10	2A041- 6	2B025- 1*	20266800	FA705	CONTR0LR	01	A
C034	18	2B016-14	2G010-10	20266800	FA705	CONTR0LR	01	A
C035	13	2A014- 2	2A041- 1*	20266800	FA705	CONTR0LR	01	A
C036	7	2B017- 2	2C015-15*	20238100	3234B			
C037	15	1F032-14	2F005-15*	20266800	FA705	CONTR0LR	01	A
C037	9	1E042- 2	1F032-14	20266800	FA705	CONTR0LR	01	A
C037	14	1E042- 2	2C006- 5	20266800	FA705	CONTR0LR	01	A
C037	17	2A036-10	2C006- 5	20266800	FA705	CONTR0LR	01	A
C038	8	2A041-13	2C033- 1*	20266800	FA705	CONTR0LR	01	A
C039	4	2A041- 4	2A041-15*	20266800	FA705	CONTR0LR	01	A
C040	5	2A018- 5	2B016- 1*	20238100	3234B			
C041	7	2A018- 3	2B016-15*	20238100	3234B			
C041	26	2A018- 3	2H024-13	20266800	FA705	CONTR0LR	01	A
C042	5	2A014- 4	2B011- 2	20238100	3234B			
C042	4	2B011- 2	2B016- 5	20238100	3234B			
C042	4	2A014- 4	2A018- 1*	20266800	FA705	CONTR0LR	01	A
C042	6	2B016- 5	2C018-10	20266800	FA705	CONTR0LR	01	A
C042	14	2C018-10	2E041- 2	20266800	FA705	CONTR0LR	01	A
C043	4	2A014- 6	2A018- 6*	20238100	3234B			
C043	3	2C018- 2	2C019-10	20238100	3234B			
C043	3	2A012- 2	2A014- 6	20266800	FA705	CONTR0LR	01	A
C043	8	2A012- 2	2B016-13	20266800	FA705	CONTR0LR	01	A
C043	4	2B016-13	2C018- 2	20266800	FA705	CONTR0LR	01	A
C043	12	2C019-10	2C042- 2	20266800	FA705	CONTR0LR	01	A
C043	9	2C042- 2	2E041-10	20266800	FA705	CONTR0LR	01	A
C044	3	2A012- 4	2A014- 1*	20238100	3234B			
C044	6	2A012- 4	2B015- 6	20238100	3234B			
C044	3	2B015- 6	2B015-14	20238100	3234B			
C045	7	2A012- 6*	2A023- 3	20266800	FA705	CONTR0LR	01	A
C046	5	2B016- 2	2C014- 1*	20238100	3234B			
C047	6	2B001- 3	2B011- 1*	20266800	FA705	CONTR0LR	01	A
C047	10	2B001- 3	2D007- 6	20266800	FA705	CONTR0LR	01	A
C047	11	2B023-12	2D007- 6	20266800	FA705	CONTR0LR	01	A

C047	7	1E042-11	1F031- 3	20266800	FA705	CONTROLR	01	A
C047	25	2A036-14	2G010-11	20266800	FA705	CONTROLR	01	A
C047	16	1E042-11	2G010-11	20266800	FA705	CONTROLR	01	A
C047	7	2B023-12	2C030-13	20266800	FA705	CONTROLR	01	A
C047	9	2A036-14	2C030-13	20266800	FA705	CONTROLR	01	A
C048	10	2A012- 1*	2C006- 6	20266800	FA705	CONTROLR	01	A
C048	7	2C006- 6	2C019- 5	20266800	FA705	CONTROLR	01	A
C048	4	2B023-14	2C019- 5	20266800	FA705	CONTROLR	01	A
C048	9	2A036-12	2B023-14	20266800	FA705	CONTROLR	01	A
C050	4	2A018-14	2B015- 1*	20238100	3234B			
C051	6	2A018-12	2B015-15*	20238100	3234B			
C051	24	2A018-12	2H023-13	20266800	FA705	CONTROLR	01	A
C052	4	2B011- 4	2B015- 5	20238100	3234B			
C052	3	2C018- 3	2C020- 2	20266800	FA705	CONTROLR	01	A
C052	6	2B011- 4	2C018- 3	20266800	FA705	CONTROLR	01	A
C052	6	2A023-10	2B015- 5	20266800	FA705	CONTROLR	01	A
C052	4	2A018-10*	2A023-10	20266800	FA705	CONTROLR	01	A
C052	12	2A037- 3	2C020- 2	20266800	FA705	CONTROLR	01	A
C052	15	2A037- 3	2E041- 3	20266800	FA705	CONTROLR	01	A
C053	2	2C018-11	2C019-11	20238100	3234B			
C053	4	2A018-15*	2A023-12	20266800	FA705	CONTROLR	01	A
C053	7	2A023-12	2B015-13	20266800	FA705	CONTROLR	01	A
C053	5	2B015-13	2C018-11	20266800	FA705	CONTROLR	01	A
C053	7	2C019-11	2C030-12	20266800	FA705	CONTROLR	01	A
C053	8	2C030-12	2C042- 3	20266800	FA705	CONTROLR	01	A
C054	3	2B014- 6	2B014-14	20238100	3234B			
C054	7	2A012-12	2A023- 1*	20266800	FA705	CONTROLR	01	A
C054	4	2A012-12	2B014- 6	20266800	FA705	CONTROLR	01	A
C055	3	2A012-10*	2A013- 2	20238100	3234B			
C056	7	2B015- 2	2C014-15*	20238100	3234B			
C057	6	2B001- 2	2B011- 6*	20266800	FA705	CONTROLR	01	A
C057	8	2B001- 2	2C005-13	20266800	FA705	CONTROLR	01	A
C057	8	2C005-13	2C019- 4	20266800	FA705	CONTROLR	01	A
C057	12	2A037- 5	2C019- 4	20266800	FA705	CONTROLR	01	A
C057	7	1E042-12	1F031- 5	20266800	FA705	CONTROLR	01	A
C057	16	2A037- 5	2E041-11	20266800	FA705	CONTROLR	01	A
C057	18	2E041-11	2G010-12	20266800	FA705	CONTROLR	01	A
C057	16	1E042-12	2G010-12	20266800	FA705	CONTROLR	01	A
C058	8	2A013- 3	2B001- 1*	20238100	3234B			
C059	6	2A003-15*	2A012-11	20266800	FA705	CONTROLR	01	A
C060	5	2A017- 5	2B014- 1*	20238100	3234B			
C061	7	2A017- 3	2B014-15*	20238100	3234B			
C061	26	2A017- 3	2H022-13	20238100	3234B			
C062	4	2A013- 4	2A017- 1*	20238100	3234B			
C062	5	2A013- 4	2B014- 5	20238100	3234B			
C062	3	2C018- 4	2C018-12	20238100	3234B			
C062	4	2B011-13	2B014- 5	20238100	3234B			
C062	6	2B011-13	2C018- 4	20238100	3234B			
C062	2	2C018-12	2C019-12	20266800	FA705	CONTROLR	01	A
C062	12	2A037-10	2C019-12	20266800	FA705	CONTROLR	01	A
C063	4	2A013- 6	2A017- 6*	20238100	3234B			
C063	6	2A013- 6	2B014-13	20238100	3234B			
C063	7	2C030-11	2C042- 4	20266800	FA705	CONTROLR	01	A
C063	10	2B014-13	2C030-11	20266800	FA705	CONTROLR	01	A
C063	8	2C042- 4	2E041- 4	20266800	FA705	CONTROLR	01	A
C063	3	2E041- 4	2E041-12	20266800	FA705	CONTROLR	01	A
C064	3	2B013- 6	2B013-14	20238100	3234B			
C064	6	2A013- 1*	2B013- 6	20266800	FA705	CONTROLR	01	A
C064	16	2B013-14	2G010- 2	20266800	FA705	CONTROLR	01	A
C065	11	2A016-11	2C006-14	20238100	3234B			
C065	13	2C006-14	2G010- 1*	20266800	FA705	CONTROLR	01	A

C066	5	2B014- 2	2C013- 1*	20238100	3234B			
C067	11	2A015- 6	2A037-12	20266800	FA705	CONTR0LR	01	A
C067	8	2A015- 6	2C019- 3	20266800	FA705	CONTR0LR	01	A
C067	8	2C005-12	2C019- 3	20266800	FA705	CONTR0LR	01	A
C067	8	1E042-13	1F031-12	20266800	FA705	CONTR0LR	01	A
C067	6	2B011-15*	2C005-12	20266800	FA705	CONTR0LR	01	A
C067	26	2A037-12	2G010-13	20266800	FA705	CONTR0LR	01	A
C067	16	1E042-13	2G010-13	20266800	FA705	CONTR0LR	01	A
C070	4	2A017-14	2B013- 1*	20238100	3234B			
C071	6	2A017-12	2B013-15*	20238100	3234B			
C071	24	2A017-12	2H021-13	20266800	FA705	CONTR0LR	01	A
C072	4	2A016-13	2B013- 5	20238100	3234B			
C072	7	2C006-13	2C019-13	20266800	FA705	CONTR0LR	01	A
C072	3	2A016-13	2A017-10*	20266800	FA705	CONTR0LR	07	A
C072	6	2B013- 5	2B022-12	20266800	FA705	CONTR0LR	07	A
C072	6	2B022-12	2C019-13	20266800	FA705	CONTR0LR	07	A
C072	18	2A037-14	2C006-13	20266800	FA705	CONTR0LR	07	A
C073	6	2A017-15*	2B013-13	20266800	FA705	CONTR0LR	01	A
C073	5	2B013-13	2C019- 2	20266800	FA705	CONTR0LR	01	A
C073	7	2C030-10	2C042- 5	20266800	FA705	CONTR0LR	01	A
C073	7	2C019- 2	2C030-10	20266800	FA705	CONTR0LR	01	A
C074	3	2B010- 5	2B010-13	20238100	3234B			
C074	5	2A016-15*	2B010- 5	20266800	FA705	CONTR0LR	01	A
C074	15	2B010-13	2C041- 3	20266800	FA705	CONTR0LR	01	A
C075	19	2A006- 2	2C041- 1*	20266800	FA705	CONTR0LR	01	A
C076	7	2B013- 2	2C013-15*	20238100	3234B			
C077	12	2A015-10	2C030-15*	20266800	FA705	CONTR0LR	01	A
C078	15	2A015-15*	2C041- 2	20266800	FA705	CONTR0LR	01	A
C079	8	1E042-10	1F031-14	20266800	FA705	CONTR0LR	01	A
C079	14	1E042-10	2C005-11	20266800	FA705	CONTR0LR	01	A
C079	11	2A015- 5	2C005-11	20266800	FA705	CONTR0LR	01	A
C079	12	2A015- 5	2B037- 3	20266800	FA705	CONTR0LR	01	A
C079	3	2E041- 5	2E041-13	20266800	FA705	CONTR0LR	01	A
C079	12	2B037- 3	2E041- 5	20266800	FA705	CONTR0LR	01	A
C079	15	2B022-10*	2E041-13	20266800	FA705	CONTR0LR	07	A
C080	4	2A010- 5	2B010- 1*	20238100	3234B			
C081	7	2A010- 3	2B010-15*	20238100	3234B			
C081	27	2A010- 3	2H020-13	20266800	FA705	CONTR0LR	01	A
C082	4	2A006- 4	2A010- 1*	20238100	3234B			
C082	6	2A006- 4	2B010- 6	20238100	3234B			
C082	7	2B010- 6	2C006-12	20238100	3234B			
C082	4	2C006-12	2D007- 5	20266800	FA705	CONTR0LR	01	A
C082	18	2A035- 6	2D007- 5	20266800	FA705	CONTR0LR	01	A
C082	17	2A035- 6	2E042-13	20266800	FA705	CONTR0LR	01	A
C083	7	2A006- 6	2B010-14	20238100	3234B			
C083	10	2A035- 4	2C042- 6	20266800	FA705	CONTR0LR	01	A
C083	10	2A015- 4	2A035- 4	20266800	FA705	CONTR0LR	01	A
C083	6	2A006- 6	2A015- 4	20266800	FA705	CONTR0LR	01	A
C083	17	1E041- 2	2B010-14	20266800	FA705	CONTR0LR	01	A
C083	11	2A010- 6*	2C019-14	20266800	FA705	CONTR0LR	01	A
C083	12	2C019-14	2C042- 6	20266800	FA705	CONTR0LR	01	A
C084	4	2A006- 1*	2A011- 4	20238100	3234B			
C084	6	2A011- 4	2B009- 5	20238100	3234B			
C084	3	2B009- 5	2B009-13	20238100	3234B			
C085	4	2A006-10	2A011- 6*	20238100	3234B			
C086	6	2B010- 2	2C004- 1*	20238100	3234B			
C087	31	1F032- 2	2E042-15*	20266800	FA705	CONTR0LR	01	A

C090	3	2A010-14	2B009- 1*	20238100	3234B			
C091	6	2A010-12	2B009-15*	20238100	3234B			
C091	25	2A010-12	2H019-13	20238100	3234B			
C092	4	2A006-12	2A010-10*	20238100	3234B			
C092	6	2B009- 6	2C006-11	20238100	3234B			
C092	5	2A006-12	2B009- 6	20266800	FA705	CONTROLR	01	A
C092	4	2C006-11	2D007- 4	20266800	FA705	CONTROLR	01	A
C092	17	2A035-13	2D007- 4	20266800	FA705	CONTROLR	01	A
C093	7	1E041- 3	1F032- 4	20238000	3234B			
C093	12	2A010-15*	2A035-11	20238100	3234B			
C093	6	2A006-14	2B009-14	20238100	3234B			
C093	10	2A035-11	2C020- 3	20266800	FA705	CONTROLR	01	A
C093	10	2A006-14	2C020- 3	20266800	FA705	CONTROLR	01	A
C093	17	1E041- 3	2B009-14	20266800	FA705	CONTROLR	01	A
C094	3	2B008- 5	2B008-13	20238100	3234B			
C094	4	2A006-15*	2B008- 5	20238100	3234B			
C094	6	2A013-13	2B008-13	20238100	3234B			
C095	6	2A005- 2	2A013-15*	20238100	3234B			
C096	16	2A040- 1*	2B009- 2	20266800	FA705	CONTROLR	01	A
C098	6	2B001-14	2C006-15*	20238100	3234B			
C098	9	2A013-11	2B001-14	20238100	3234B			
C100	5	2A009- 5	2B008- 1*	20238100	3234B			
C101	7	2A009- 3	2B008-15*	20238100	3234B			
C101	26	2A009- 3	2H018-13	20238100	3234B			
C102	4	2A005- 4	2A009- 1*	20238100	3234B			
C102	15	2A036- 4	2B008- 6	20238100	3234B			
C102	15	2A005- 4	2A036- 4	20266800	FA705	CONTROLR	01	A
C102	22	2B008- 6	2H002-13	20266800	FA705	CONTROLR	01	A
C103	5	2B001-13	2B008-14	20238100	3234B			
C103	7	2A009- 6*	2A021- 3	20266800	FA705	CONTROLR	01	A
C103	9	2A005- 6	2A021- 3	20266800	FA705	CONTROLR	01	A
C103	7	2A005- 6	2B001-13	20266800	FA705	CONTROLR	01	A
C103	6	2B008-14	2D007- 3	20266800	FA705	CONTROLR	01	A
C103	8	2D007- 3	2F007- 4	20266800	FA705	CONTROLR	01	A
C104	5	2A005- 1*	2A011-13	20238100	3234B			
C104	5	2A011-13	2B007- 5	20238100	3234B			
C104	3	2B007- 5	2B007-13	20238100	3234B			
C105	5	2A005-10	2A011-15*	20238100	3234B			
C106	6	2B008- 2	2C003- 1*	20238100	3234B			
C107	17	1F032-11	2H002-15*	20266800	FA705	CONTROLR	01	A
C107	8	1E041- 4	1F032-11	20266800	FA705	CONTROLR	01	A
C107	29	1E041- 4	2A035-15	20266800	FA705	CONTROLR	01	A
C110	3	2A009-14	2B007- 1*	20238100	3234B			
C111	6	2A009-12	2B007-15*	20238100	3234B			
C111	25	2A009-12	2H017-13	20238100	3234B			
C112	4	2A005-12	2A009-10*	20238100	3234B			
C112	4	2A005-12	2B007- 6	20238100	3234B			
C112	15	2A036-11	2B007- 6	20238100	3234B			
C113	8	1E041- 5	1F032-13	20238000	3234B			
C113	5	2B001-12	2B007-14	20238100	3234B			
C113	14	2A009-15*	2A036- 6	20238100	3234B			
C113	15	2A005-14	2A036- 6	20238100	3234B			
C113	5	2A005-14	2B007-14	20266800	FA705	CONTROLR	01	A
C113	14	1E041- 5	2B001-12	20266800	FA705	CONTROLR	01	A
C114	5	2A002- 2	2A005-15*	20238100	3234B			
C114	6	2A002- 2	2B006- 5	20238100	3234B			
C114	3	2B006- 5	2B006-13	20238100	3234B			
C115	3	2A002- 1*	2A004- 2	20238100	3234B			
C116	8	2B007- 2	2C003-15*	20238100	3234B			
C120	5	2A008- 5	2B006- 1*	20238100	3234B			
C121	7	2A008- 3	2B006-15*	20238100	3234B			
C122	4	2A004- 4	2A008- 1*	20238100	3234B			

C122	6	2A004- 4	2B006- 6	20238100	3234B			
C122	13	2A036-15	2B011-11	20238100	3234B			
C122	4	2B006- 6	2B011-11	20266800	FA705	CONTROLR	01	A
C123	4	2A004- 6	2A008- 6*	20238100	3234B			
C123	7	2A004- 6	2B006-14	20238100	3234B			
C123	7	2B006-14	2D009- 3	20266800	FA705	CONTROLR	01	A
C123	9	2D009- 3	2F007- 5	20266800	FA705	CONTROLR	01	A
C123	13	1E041-10	2F007- 5	20266800	FA705	CONTROLR	01	A
C124	3	2A002- 4	2A004- 1*	20238100	3234B			
C124	6	2A002- 4	2B005- 5	20238100	3234B			
C124	3	2B005- 5	2B005-13	20238100	3234B			

C125	3	2A002- 6*	2A003-10	20238100	3234B			
C127	17	1F031- 2	2B001-11	20238200	3234B			
C127	13	2A036-13	2B011-10*	20238100	3234B			
C127	18	2A036-13	2B001-11	20238100	3234B			
C128	7	2A003- 6	2B001-15*	20238100	3234B			
C130	4	2A008-14	2B005- 1*	20238100	3234B			
C131	6	2A008-12	2B005-15*	20238100	3234B			
C132	6	2A003- 2	2B005- 6	20238100	3234B			
C132	5	2A008-10*	2B005- 6	20266800	FA705	CONTROLR	01	A
C132	16	2A003- 2	2A037- 6	20266800	FA705	CONTROLR	01	A
C133	7	1E041-11	1F031- 4	20238000	3234B			
C133	7	2A003- 4	2B005-14	20238100	3234B			
C133	15	2A008-15*	2A037- 4	20238100	3234B			
C133	16	2A003- 4	2A037- 4	20238100	3234B			
C133	16	1E041-11	2B005-14	20266800	FA705	CONTROLR	01	A
C134	4	2A002-11	2B004- 5	20238100	3234B			
C134	3	2B004- 5	2B004-13	20238100	3234B			
C134	4	2A002-11	2A003- 1*	20238100	3234B			
C135	3	2A002-10*	2A004-10	20238100	3234B			
C140	5	2A007- 5	2B004- 1*	20238100	3234B			
C141	7	2A007- 3	2B004-15*	20238100	3234B			
C142	4	2A004-12	2A007- 1*	20238100	3234B			
C142	4	2A004-12	2B004- 6	20238100	3234B			
C142	16	2A037-13	2B004- 6	20266800	FA705	CONTROLR	01	A
C143	7	1E041-12	1F031-11	20238000	3234B			
C143	5	2A004-14	2B004-14	20238100	3234B			
C143	15	2A007- 6*	2A037-11	20238100	3234B			
C143	16	2A004-14	2A037-11	20238100	3234B			
C143	15	1E041-12	2B004-14	20266800	FA705	CONTROLR	01	A
C144	3	2B003- 5	2B003-13	20238100	3234B			
C144	4	2A004-15*	2B003- 5	20238100	3234B			
C150	4	2A007-14	2B003- 1*	20238100	3234B			
C151	6	2A007-12	2B003-15*	20238100	3234B			
C152	5	2A007-10*	2B003- 6	20238100	3234B			
C152	16	2B003- 6	2B037- 4	20266800	FA705	CONTROLR	01	A
C153	14	1E041-13	2B003-14	20238200	3234B			
C153	8	1E041-13	1F031-13	20238000	3234B			
C153	14	2A007-15*	2A037-15	20238100	3234B			

C153	17	2A037-15	2R003-14	20238100	3234B				
C160	8	2F001-4	2H003-1*	20266800	FA705	CONTROLR	01		A
C160	18	2B021-2	2F001-4	20266800	FA705	CONTROLR	01		A
C160	33	1E016-13	2B021-2	20266800	FA705	CONTROLR	01		A
C161	7	2F001-13	2H003-6*	20266800	FA705	CONTROLR	01		A
C161	9	2D001-4	2F001-13	20266800	FA705	CONTROLR	01		A
C161	2	2D001-2	2D001-4	20266800	FA705	CONTROLR	01		A
C164	4	2J005-1*	2J005-13	20238100	3234B				
C165	3	2J005-6*	2J005-11	20238100	3234B				
C165	12	2G005-5	2J005-11	20238100	3234B				
C166	12	2G005-4	2J005-10*	20238100	3234B				
C166	15	2C007-2	2G005-4	20238100	3234B				
C167	4	2J005-4	2J005-15*	20238100	3234B				
C167	17	2F027-13	2J005-4	20266800	FA705	CONTROLR	01		A
C170	9	2F003-4	2H003-10*	20266800	FA705	CONTROLR	01		A
C170	2	2F003-2	2F003-4	20266800	FA705	CONTROLR	01		A
C171	8	2F003-13	2H003-15*	20266800	FA705	CONTROLR	01		A
C171	13	2C001-4	2F003-13	20266800	FA705	CONTROLR	01		A
C171	2	2C001-2	2C001-4	20266800	FA705	CONTROLR	01		A
C172	3	2I004-10*	2I005-4	20238100	3234B				
C173	4	2I004-15*	2I005-2	20238100	3234B				
C175	31	1C032-4	2J007-11	20266800	FA705	CONTROLR	01		A
C175	31	1C032-4	2B042-5	20266800	FA705	CONTROLR	01		A
C175	3	2I005-6*	2I005-12	20266800	FA705	CONTROLR	01		A
C175	5	2I005-12	2J007-11	20266800	FA705	CONTROLR	01		A
C177	26	1C042-6	2I005-15*	20266800	FA705	CONTROLR	01		A
C180	8	2F005-2	2H004-1*	20266800	FA705	CONTROLR	01		A
C180	19	2B035-11	2F005-2	20266800	FA705	CONTROLR	01		A
C181	9	2F006-4	2H004-6*	20266800	FA705	CONTROLR	01		A
C181	2	2F006-2	2F006-4	20266800	FA705	CONTROLR	01		A
C182	6	2H005-1*	2I002-2	20266800	FA705	CONTROLR	01		A
C182	30	1E004-13	2I002-2	20266800	FA705	CONTROLR	01		A
C183	16	2E027-11	2H005-15*	20266800	FA705	CONTROLR	01		A
C183	35	1E004-11	2E027-11	20266800	FA705	CONTROLR	01		A
C190	4	2I001-1*	2I001-13	20266800	FA705	CONTROLR	01		A
C190	6	2I001-13	2I008-4	20266800	FA705	CONTROLR	01		A
C191	3	2I001-6*	2I001-11	20266800	FA705	CONTROLR	01		A
C191	6	2I001-11	2I008-2	20266800	FA705	CONTROLR	01		A
C194	14	2F042-5	2G018-10*	20238100	3234B				
C194	37	1F008-12	2F042-5	20238200	3234B				
C195	14	2F042-3	2G018-15*	20238100	3234B				
C197	9	2E027-15*	2G018-12	20266800	FA705	CONTROLR	01		A
C200	3	2C010-4	2C011-1*	20238100	3234B				
C200	14	1D037-5	2C010-4	20238200	3234B				
C201	3	2C010-1*	2C010-5	20238100	3234B				
C201	13	1D037-1	2C010-5	20238200	3234B				
C202	3	2C013-5	2C013-13	20238100	3234B				
C202	3	2C003-3	2C003-11	20238100	3234B				
C202	2	2C003-3	2C004-3	20238100	3234B				
C202	5	2C004-3	2C012-1*	20266800	FA705	CONTROLR	01		A
C202	6	2C003-11	2C013-13	20266800	FA705	CONTROLR	01		A
C202	16	2A040-3	2C013-5	20266800	FA705	CONTROLR	01		A
C203	3	2C012-6*	2C014-5	20238100	3234B				
C203	2	2C014-5	2C015-5	20238100	3234B				
C203	2	2C015-5	2C016-5	20238100	3234B				
C203	3	2C016-5	2C016-13	20238100	3234B				
C203	2	2C015-13	2C016-13	20238100	3234B				
C203	2	2C014-13	2C015-13	20238100	3234B				
C204	2	2C012-10*	2C013-11	20238100	3234B				
C204	3	2C013-3	2C013-11	20238100	3234B				
C204	3	2C003-5	2C003-13	20238100	3234B				
C204	6	2C003-5	2C013-3	20266800	FA705	CONTROLR	01		A

C205	3	2C012-15*	2C014-11	20238100	3234B				
C205	2	2C014-11	2C015-11	20238100	3234B				
C205	2	2C015-11	2C016-11	20238100	3234B				
C205	3	2C016- 3	2C016-11	20238100	3234B				
C205	2	2C015- 3	2C016- 3	20238100	3234B				
C205	2	2C014- 3	2C015- 3	20238100	3234B				
C206	2	2C010-11	2C011-11	20238100	3234B				
C206	3	2C010- 6*	2C010-11	20266800	FA705	CONTROLR	01		A
C207	2	2C015-10	2C016-10	20238100	3234B				
C207	2	2C015- 2	2C016- 2	20238100	3234B				
C207	5	2C003- 2	2C010-10*	20266800	FA705	CONTROLR	01		A
C207	7	2C003- 2	2C013-10	20266800	FA705	CONTROLR	01		A
C207	3	2C013-10	2C016-10	20266800	FA705	CONTROLR	01		A
C207	3	2C015- 2	2C015-10	20266800	FA705	CONTROLR	01		A
C207	14	2A040-12	2C016- 2	20266800	FA705	CONTROLR	01		A
C208	4	2C011-15*	2C014-10	20238100	3234B				
C208	3	2C014- 2	2C014-10	20238100	3234B				
C208	2	2C013- 2	2C014- 2	20238100	3234B				

C208	6	2C004-12	2C013- 2	20266800	FA705	CONTROLR	01		A
C208	3	2C003-10	2C004-12	20266800	FA705	CONTROLR	01		A
C209	4	2B013-10	2C009- 1*	20238100	3234B				
C209	2	2B013-10	2B014-10	20238100	3234B				
C209	2	2B014-10	2B015-10	20238100	3234B				
C209	2	2B015-10	2B016-10	20238100	3234B				
C209	2	2B016-10	2B017-10	20238100	3234B				
C209	2	2B017-10	2B018-10	20238100	3234B				
C209	2	2B018-10	2B019-10	20238100	3234B				
C209	2	2B019-10	2B020-10	20238100	3234B				
C210	2	2A005-13	2A006-13	20238100	3234B				
C210	2	2A005- 5	2A006- 5	20238100	3234B				
C210	3	2A013-10	2A013-14	20238100	3234B				
C210	5	2A006- 5	2B002- 1*	20266800	FA705	CONTROLR	01		A
C210	3	2A005- 5	2A005-13	20266800	FA705	CONTROLR	01		A
C210	5	2A006-13	2A013-10	20266800	FA705	CONTROLR	01		A
C210	12	2A013-14	2C033- 2	20266800	FA705	CONTROLR	01		A
C211	8	2A014- 5	2B002- 6*	20266800	FA705	CONTROLR	01		A
C211	5	2A014- 5	2A022- 4	20266800	FA705	CONTROLR	01		A
C211	4	2A022- 4	2A023-13	20266800	FA705	CONTROLR	01		A
C211	4	2A023-13	2B025- 6	20266800	FA705	CONTROLR	01		A
C211	4	2B025- 6	2B029-12	20266800	FA705	CONTROLR	01		A
C211	8	2B029-12	2C041-11	20266800	FA705	CONTROLR	01		A
C212	2	2A005-11	2A006-11	20238100	3234B				
C212	2	2A005- 3	2A006- 3	20238100	3234B				
C212	2	2A016-12	2A016-14	20238100	3234B				
C212	3	2B001- 6	2B002-10*	20266800	FA705	CONTROLR	01		A
C212	5	2A006-11	2B001- 6	20266800	FA705	CONTROLR	01		A
C212	3	2A005- 3	2A005-11	20266800	FA705	CONTROLR	01		A
C212	5	2A006- 3	2A013- 5	20266800	FA705	CONTROLR	01		A
C212	4	2A013- 5	2A016-14	20266800	FA705	CONTROLR	01		A
C213	6	2A003-11	2B002-15*	20266800	FA705	CONTROLR	01		A
C213	7	2A003-11	2A014- 3	20266800	FA705	CONTROLR	01		A
C213	6	2A014- 3	2A023- 6	20266800	FA705	CONTROLR	01		A
C213	3	2A022-11	2A023- 6	20266800	FA705	CONTROLR	01		A
C213	6	2A022-11	2B025-13	20266800	FA705	CONTROLR	01		A
C213	4	2B025-13	2B029- 6	20266800	FA705	CONTROLR	01		A
C213	9	2B029- 6	2C041-13	20266800	FA705	CONTROLR	01		A
C214	3	2A021-15*	2A022-10	20238100	3234B				

C214	3	2A022-	3	2A022-10	20238100	32348				
C214	5	2A016-	2	2A022-	3	20266800	FA705	CONTROLR	01	A
C215	2	2C00A-	3	2C009-	2	20238100	32348			
C215	7	2C00A-	3	2C017-15*		20266800	FA705	CONTROLR	01	A
C215	15	2C009-	2	2C038-14		20266800	FA705	CONTROLR	01	A
C216	4	2R010-	10	2C008-	1*	20238100	32348			
C216	2	2R009-	10	2R010-	10	20238100	32348			
C216	2	2R00A-	10	2R009-	10	20238100	32348			
C216	2	2R007-	10	2R008-	10	20238100	32348			
C216	2	2R006-	10	2R007-	10	20238100	32348			
C216	2	2R005-	10	2R006-	10	20238100	32348			
C216	2	2R004-	10	2R005-	10	20238100	32348			
C216	2	2R003-	10	2R004-	10	20238100	32348			
C217	5	2A004-	13	2R002-11		20238100	32348			
C217	2	2R002-	11	2R002-13		20238100	32348			
C217	3	2A001-	2	2A002-	5	20238100	32348			
C217	2	2A002-	5	2A003-	5	20238100	32348			
C217	5	2R002-	13	2C006-10		20238100	32348			
C217	3	2A001-	2	2A001-	6*	20238100	32348			
C217	2	2A003-	5	2A004-	5	20238100	32348			
C217	3	2A004-	5	2A004-13		20238100	32348			
C21A	3	2A001-	1*	2A003-	3	20238100	32348			
C21A	2	2A003-	3	2A004-	3	20238100	32348			
C21A	3	2A004-	3	2A004-11		20238100	32348			
C21A	5	2A004-	11	2R001-10		20238100	32348			
C21A	16	2R001-	10	2C030-14		20266800	FA705	CONTROLR	09	A
C219	2	2R003-	2	2R004-	2	20238100	32348			
C219	2	2R004-	2	2R005-	2	20238100	32348			
C219	2	2R005-	2	2R006-	2	20238100	32348			
C219	12	2R006-	2	2E008-	3	20266800	FA705	CONTROLR	01	A
C219	22	2R003-	2	2D042-15*		20266800	FA705	CONTROLR	01	A
C219	13	2E00A-	3	2H004-12		20266800	FA705	CONTROLR	01	A
C221	5	2H002-	1*	2I002-	3	20266800	FA705	CONTROLR	01	A
C222	5	2H002-	6*	2I002-	4	20266800	FA705	CONTROLR	01	A
C223	2	2I001-	3	2I001-	5	20266800	FA705	CONTROLR	01	A
C223	3	2I001-	5	2I002-	1*	20266800	FA705	CONTROLR	01	A
C223	5	2H001-	2	2I001-	3	20266800	FA705	CONTROLR	01	A
C223	8	2H001-	2	2I011-11		20266800	FA705	CONTROLR	01	A
C224	14	2E02A-	14	2G005-	6*	20238100	32348			
C224	20	1D042-	5	2E028-14		20238200	32348			
C224	5	1C042-	5	1D042-	5	20266800	FA705	CONTROLR	01	A
C226	8	2I019-15*		2J005-	2	20238100	32348			
C226	5	2I005-	3	2J005-	2	20238100	32348			
C226	4	2H005-	10	2I005-	3	20238100	32348			
C226	27	2R041-	12	2H005-	10	20238100	32348			
C226	7	2A033-	11	2R041-	12	20238100	32348			
C226	3	2A030-	13	2A033-	11	20238100	32348			
C227	4	2I008-	14	2J006-	6*	20266800	FA705	CONTROLR	01	A
C227	27	1C035-	12	2I008-	14	20266800	FA705	CONTROLR	09	A
C22A	24	1C034-	12	2I004-11		20238200	32348			
C22A	4	2I004-	11	2I008-15*		20266800	FA705	CONTROLR	01	A
C229	16	2C03A-	15*	2E008-	4	20266800	FA705	CONTROLR	01	A
C229	13	2E00A-	4	2H004-13		20266800	FA705	CONTROLR	01	A
C230	34	1F004-	15*	2I011-	2	20266800	FA705	CONTROLR	01	A
C230	2	2I011-	2	2I011-	4	20266800	FA705	CONTROLR	01	A
C231	4	2J006-	15*	2J007-	2	20238100	32348			
C232	5	2E02A-	15*	2E032-	2	20266800	FA705	CONTROLR	07	A
C233	16	2G029-	6*	2J005-	3	20238100	32348			
C235	6	2C009-	6*	2C017-13		20238100	32348			
C235	18	1C031-	4	2C017-13		20238200	32348			
C235	18	1C031-	4	1F005-12		20238000	32348			
C236	20	2A040-	5	2C004-	5	20266800	FA705	CONTROLR	01	A
C236	14	2C004-	5	2F019-	6*	20266800	FA705	CONTROLR	01	A
C237	20	2A040-	10	2C004-	10	20266800	FA705	CONTROLR	01	A

C237	11	2A040-10	2C028-15*	20266800	FA705	CONTROLR	01	A
C238	15	1C034- 5	2D010-10*	20238200	3234B			
C239	7	2D015- 3	2E018-15*	20266800	FA705	CONTROLR	09	A
C240	9	2C021- 6*	2E017- 5	20266800	FA705	CONTROLR	01	A
C240	8	2E017- 5	2F007-10	20266800	FA705	CONTROLR	01	A
C240	2	2F007-10	2F007-12	20266800	FA705	CONTROLR	01	A
C241	13	2C021- 4	2E041- 1*	20266800	FA705	CONTROLR	01	A
C242	10	2C021-10*	2D037-12	20266800	FA705	CONTROLR	01	A
C243	13	2C021-11	2E041-15*	20266800	FA705	CONTROLR	01	A
C250	3	2C005-15*	2D007- 2	20266800	FA705	CONTROLR	01	A
C251	13	2A026-15*	2D038-14	20266800	FA705	CONTROLR	01	A

C252	5	2A015- 2	2A021- 1*	20266800	FA705	CONTROLR	01	A
C254	8	2A021- 2	2C020- 1*	20266800	FA705	CONTROLR	01	A
C255	4	2D008-15*	2D010- 4	20238100	3234B			
C255	2	2D010- 2	2D010- 4	20238100	3234B			
C255	5	2C009- 4	2D010- 2	20238100	3234B			
C255	8	2C009- 4	2C021-12	20266800	FA705	CONTROLR	01	A
C256	11	2A021-13	2C005- 1*	20238100	3234B			
C256	12	2A021-13	2D009- 4	20238100	3234B			
C256	3	2D009- 4	2D009-11	20238100	3234B			
C256	9	2D009-11	2F014-12	20238100	3234B			
C256	9	2F014-12	2F030- 4	20238100	3234B			
C257	13	2D014- 3	2E037- 4	20238100	3234B			
C257	4	2D010- 1*	2D014- 3	20266800	FA705	CONTROLR	01	A
C257	2	1E007-11	1E007-13	20266800	FA705	CONTROLR	01	A
C257	39	1E007-11	2E037- 4	20266800	FA705	CONTROLR	01	A
C258	18	2D035- 4	2T040- 5	20238100	3234B			
C258	12	2D010- 6*	2D035- 4	20238100	3234B			
C259	3	2C020- 5	2C020-12	20238100	3234B			
C259	8	2C020- 5	2D009- 6*	20238100	3234B			
C259	11	2C020-12	2D038-10	20238100	3234B			
C260	9	2C021- 5	2D009-10*	20266800	FA705	CONTROLR	01	A
C260	11	2C001-12	2C021- 5	20266800	FA705	CONTROLR	01	A
C260	28	1F005- 2	2C001-12	20266800	FA705	CONTROLR	01	A
C261	4	2C010-13	2D014- 2	20238100	3234B			
C261	12	2D014- 2	2F030- 3	20238100	3234B			
C261	14	2C042- 1*	2F030- 3	20266800	FA705	CONTROLR	01	A
C262	3	2C018- 1*	2C020- 4	20238100	3234B			
C262	16	1C038- 6	2C020- 4	20238200	3234B			
C263	3	2C018-15*	2C020-11	20238100	3234B			
C263	7	2C009- 5	2C020-11	20238100	3234B			
C264	6	2B024-13	2C019-15*	20266800	FA705	CONTROLR	01	A
C265	3	1D040- 5	1D040-12	20238000	3234B			
C265	13	1D040- 5	2D014- 1*	20238200	3234B			
C266	33	1F007-14	2C020- 6*	20238200	3234B			
C267	7	1C037- 3	1D042-12	20238000	3234B			
C267	19	1D042-12	2C020-10*	20266800	FA705	CONTROLR	01	A
C268	14	2B024-14	2E040-15*	20266800	FA705	CONTROLR	01	A
C270	7	2C021-15*	2E017- 2	20266800	FA705	CONTROLR	01	A
C270	19	1C041- 2	2E017- 2	20266800	FA705	CONTROLR	01	A

C271	4	2C010-15*	2D010-11	20238100	3234B			
C271	14	1C038- 5	2D010-11	20238200	3234B			
C272	4	2C019- 1*	2C021-14	20266800	FA705	CONTROLR	01	A
C273	7	2C007- 1*	2C017-11	20238100	3234B			
C275	28	1F033-10*	2A021-14	20266800	FA705	CONTROLR	01	A
C276	37	1E021-13	2D042- 6*	20266800	FA705	CONTROLR	01	A
C277	9	2B024-15*	2D037- 4	20266800	FA705	CONTROLR	01	A
C277	4	2D037- 4	2D042- 4	20266800	FA705	CONTROLR	01	A
C278	7	2C021-13	2E016- 1*	20266800	FA705	CONTROLR	01	A
C280	8	2I008- 5	2I020-15*	20266800	FA705	CONTROLR	01	A
C280	2	2I008- 3	2I008- 5	20266800	FA705	CONTROLR	01	A
C281	11	2F015-10	2I008- 1*	20266800	FA705	CONTROLR	01	A
C282	11	2F015-13	2I008- 6*	20266800	FA705	CONTROLR	01	A
C283	4	2B023-10*	2C021- 3	20266800	FA705	CONTROLR	01	A
C285	17	1C042-14	2C020-15*	20266800	FA705	CONTROLR	01	A
C300	6	2I001-12	2I011-10*	20266800	FA705	CONTROLR	01	A
C300	2	2I001-12	2I001-14	20266800	FA705	CONTROLR	01	A
C301	5	2H006-13	2I011- 6*	20266800	FA705	CONTROLR	01	A
C302	5	2I003- 2	2I011- 1*	20266800	FA705	CONTROLR	01	A
C302	5	2H003- 4	2I003- 2	20266800	FA705	CONTROLR	01	A
C303	6	2I003- 4	2J010- 1*	20266800	FA705	CONTROLR	01	A
C304	6	2I003-11	2J010- 6*	20266800	FA705	CONTROLR	01	A
C304	5	2H003-13	2I003-11	20266800	FA705	CONTROLR	01	A
C305	6	2I003-13	2J010-10*	20266800	FA705	CONTROLR	01	A
C306	9	2H006-11	2J010-15*	20266800	FA705	CONTROLR	01	A
C306	4	2H004- 4	2H006-11	20266800	FA705	CONTROLR	01	A
C307	4	2D007- 1*	2D010-13	20266800	FA705	CONTROLR	01	A
C307	29	1E007-14	2D010-13	20266800	FA705	CONTROLR	01	A
C308	8	2A015- 1*	2B023-11	20266800	FA705	CONTROLR	01	A
C308	2	2B023-11	2B023-13	20266800	FA705	CONTROLR	01	A
C309	6	2A026-14	2B023-15*	20266800	FA705	CONTROLR	01	A
C310	6	2A029- 1*	2B029- 5	20266800	FA705	CONTROLR	01	A
C310	2	2B029- 2	2B029- 5	20266800	FA705	CONTROLR	01	A
C310	4	2A032-12	2B029- 2	20266800	FA705	CONTROLR	01	A
C310	5	2A032-12	2A038-14	20266800	FA705	CONTROLR	01	A
C311	8	2A038-15*	2C041-10	20266800	FA705	CONTROLR	01	A
C311	16	2A014-12	2C041-10	20266800	FA705	CONTROLR	01	A
C312	5	2A029-10*	2B025- 3	20266800	FA705	CONTROLR	01	A
C312	4	2B021- 4	2B025-14	20266800	FA705	CONTROLR	01	A
C312	4	2B025- 3	2B025-14	20266800	FA705	CONTROLR	01	A
C312	6	2A016- 4	2B021- 4	20266800	FA705	CONTROLR	01	A
C312	12	2A016- 4	2A041- 5	20266800	FA705	CONTROLR	01	A
C313	6	2A014-14	2B021- 6*	20266800	FA705	CONTROLR	01	A
C314	6	2A014-15*	2A023- 5	20266800	FA705	CONTROLR	01	A
C314	2	2A023- 2	2A023- 5	20266800	FA705	CONTROLR	01	A
C315	3	1G041- 1*	1G040- 2	20266800	FA705	CONTROLR	08	24703 A
C318	5	2C008-14	2D007-15*	20266800	FA705	CONTROLR	01	A
C319	14	2A029- 3	2C008-15*	20266800	FA705	CONTROLR	01	A
C320	13	2A029-12	2C006- 1*	20266800	FA705	CONTROLR	01	A
C325	28	1E007-12	2D010-15*	20266800	FA705	CONTROLR	01	A
C329	3	2I002-15*	2I005-13	20266800	FA705	CONTROLR	01	A
C350	12	2A011- 1*	2D009- 2	20266800	FA705	CONTROLR	01	A
C351	4	2C005-10	2D009- 1*	20266800	FA705	CONTROLR	01	A
C351	11	2A015- 3	2C005-10	20266800	FA705	CONTROLR	01	A
C380	3	1G042- 1*	1G041- 2	20266800	FA705	CONTROLR	08	24703 A
C381	15	1G042- 6*	2H002- 3	20266800	FA705	CONTROLR	08	24703 A
C390	3	2I001- 2	2I001-10*	20266800	FA705	CONTROLR	01	A
C391	4	2I001- 4	2I001-15*	20266800	FA705	CONTROLR	01	A
C391	30	1E004-14	2I001- 4	20266800	FA705	CONTROLR	01	A
C400	29	2B037- 5	1D039-12	20266800	FA705	CONTROLR	08	24703 A
C400	27	2B037- 5	2H004-10*	20266800	FA705	CONTROLR	01	A
C401	27	2B037-10	2H004-15*	20266800	FA705	CONTROLR	01	A

C402	28	2B037-12	1D039-13	20266800	FA705	CONTROLR	08	24703	A
C402	17	2B037-12	2E008- 1*	20266800	FA703	CONTROLR	01		A
C403	18	2B037-14	2E008- 6*	20266800	FA705	CONTROLR	01		A
F000	4	2G009-13	2G011- 4	20238100	3234B				
F000	5	2E027- 4	2F027- 4	20238100	3234B				
F000	5	2G011- 4	2G017- 3	20238100	3234B				
F000	7	2F009- 1*	2G009-13	20266800	FA705	CONTROLR	01		A
F000	4	2F017-10	2G017- 3	20266800	FA705	CONTROLR	01		A
F000	7	2F017-10	2F027- 4	20266800	FA705	CONTROLR	01		A
F001	7	2F010- 2	2G009-15*	20238100	3234B				
F002	2	2G008- 2	2G009- 1*	20238100	3234B				
F003	3	2G008- 1*	2G009- 4	20238100	3234B				
F003	3	2G009- 4	2G011- 2	20238100	3234B				
F003	16	2C026-10	2G011- 2	20238100	3234B				
F003	2	2C026-10	2C027-10	20238100	3234B				
F004	4	2G008- 5	2G011- 1*	20238100	3234B				
F004	13	2E027- 3	2G008- 5	20238100	3234B				
F005	3	2H013- 4	2H013-12	20238100	3234B				
F005	7	2F027- 2	2G019- 2	20238100	3234B				
F005	6	2G011- 6*	2H013-12	20266800	FA705	CONTROLR	01		A
F005	7	2G019- 2	2H013- 4	20266800	FA705	CONTROLR	01		A
F005	13	2D008- 4	2F027- 2	20266800	FA705	CONTROLR	01		A
F006	8	2E019-12	2G012- 4	20238100	3234B				
F006	4	2G008- 6*	2G012- 4	20266800	FA705	CONTROLR	01		A
F006	10	2E019-12	2F036-11	20266800	FA705	CONTROLR	01		A
F007	2	2E012-11	2E012-13	20238100	3234B				
F007	3	2E012- 4	2E012-11	20238100	3234B				
F007	2	2E012- 2	2E012- 4	20238100	3234B				
F007	6	2F020- 5	2G012- 1*	20238100	3234B				
F007	6	2E012-13	2F020- 5	20238100	3234B				
F008	5	2G007-13	2G012- 6*	20238100	3234B				
F008	7	2G007-13	2G020-11	20238100	3234B				
F008	3	2G020- 4	2G020-11	20238100	3234B				
F008	2	2G020- 2	2G020- 4	20238100	3234B				
F008	8	2E015-11	2G020- 2	20238100	3234B				
F008	3	2E015- 2	2E015-11	20238100	3234B				
F009	5	2G009- 6*	2H006- 2	20238100	3234B				
F010	11	2F027- 3	2G009-10*	20238100	3234B				
F010	5	2E027- 2	2F027- 3	20238100	3234B				
F011	3	2E012- 1*	2E013- 3	20238100	3234B				
F011	2	2E013- 3	2E014- 2	20238100	3234B				
F011	3	2E014- 2	2E014-11	20238100	3234B				
F011	2	2E013-11	2E014-11	20238100	3234B				
F012	3	2E014-13	2E015-15*	20238100	3234B				
F012	3	2E014- 4	2E014-13	20238100	3234B				
F013	3	2E011- 2	2E012- 6*	20238100	3234B				
F013	2	2E010- 2	2E011- 2	20238100	3234B				
F013	2	2E009- 2	2E010- 2	20238100	3234B				
F013	3	2E009- 2	2E009-11	20238100	3234B				
F013	2	2E009-11	2E010-11	20238100	3234B				
F013	2	2E010-11	2E011-11	20238100	3234B				
F014	4	2E011- 4	2E015- 1*	20238100	3234B				
F014	2	2E010- 4	2E011- 4	20238100	3234B				
F014	2	2E009- 4	2E010- 4	20238100	3234B				
F014	3	2E009- 4	2E009-13	20238100	3234B				
F014	2	2E009-13	2E010-13	20238100	3234B				

F014	2	2F010-13	2F011-13	20238100	32348				
F015	6	2D013-13	2F014- 1*	20266800	3553-1	FA705	010		A
F015	11	2D013-13	2G020- 5	20266800	3553-1	FA705	010		A
F016	3	2E012- 5	2E015- 6	20238100	32348				
F016	12	2F015- 6	2F039-10	20238100	32348				
F016	5	2F012- 5	2F013- 1*	20266800	FA705	CONTROLR	01		A
F017	6	2F012-12	2F013-15*	20266800	FA705	CONTROLR	07		A
F017	7	2F012-12	2F020-11	20266800	FA705	CONTROLR	07		A
F017	11	2F039-11	2F020-11	20266800	FA705	CONTROLR	07		A
F018	4	2F012-14	2F015-10	20238100	32348				
F018	12	2F015-10	2F039-12	20238100	32348				
F018	7	2F012-14	2F019-15*	20266800	FA705	CONTROLR	01		A
F019	18	2G020-12	1G041- 4	20266800	FA705	CONTROLR	08	24703	A
F019	3	2G020- 3	2G020-12	20238100	32348				
F019	7	2F012- 1*	2G020- 3	20266800	FA705	CONTROLR	01		A
F020	4	2F012- 3	2F015-13	20238100	32348				
F020	6	2F015-13	2F012-15*	20266800	FA705	CONTROLR	01		A
F021	4	2F022- 5	2F026- 5	20238100	32348				
F021	3	2E011- 3	2E014- 3	20238100	32348				
F021	7	2F026- 5	2G016- 1*	20266800	FA705	CONTROLR	01		A
F021	4	2F017- 3	2F022- 5	20266800	FA705	CONTROLR	01		A
F021	6	2F014- 3	2F017- 3	20266800	FA705	CONTROLR	01		A
F021	4	2F007- 3	2E011- 3	20266800	FA705	CONTROLR	01		A
F022	4	2F022-13	2F026-13	20238100	32348				
F022	7	2E014-12	2F022-13	20238100	32348				
F022	3	2F011-12	2F014-12	20238100	32348				
F022	3	2E008-12	2F011-12	20238100	32348				
F022	2	2F007-12	2F008-12	20238100	32348				
F022	8	2F026-13	2G016-15*	20266800	FA705	CONTROLR	01		A
F023	6	2F023- 5	2G015- 1*	20238100	32348				
F023	11	2F023- 5	2G005-13	20238100	32348				
F024	5	2F009-12	2F008-11	20238100	32348				
F024	4	2E009-12	2E013- 2	20238100	32348				
F024	6	2F008-11	2G005-14	20238100	32348				
F024	9	2F013- 2	2F023-13	20238100	32348				
F024	6	2G005-14	2G015-15*	20266800	FA705	CONTROLR	01		A
F025	7	2F010-12	2G014- 1*	20238100	32348				
F025	3	2F010-12	2F013-10	20238100	32348				
F025	8	2F013-10	2F024- 5	20238100	32348				
F026	10	2F009- 3	2F024-13	20238100	32348				
F026	3	2H013- 5	2H013-13	20238100	32348				
F026	4	2G014-15*	2H013- 5	20266800	FA705	CONTROLR	01		A
F026	10	2F024-13	2H013-13	20266800	FA705	CONTROLR	01		A
F027	6	2F021- 5	2G013- 1*	20238100	32348				
F027	4	2F021- 5	2F025- 5	20238100	32348				
F028	4	2F021-13	2F025-13	20238100	32348				
F028	7	2F021-13	2G013-15*	20266800	FA705	CONTROLR	01		A
F028	13	2D008- 2	2F025-13	20266800	FA705	CONTROLR	01		A
F029	11	2F019-13	2I013- 5	20266800	FA705	CONTROLR	08	24703	A
F029	5	2F015- 1*	2F019-13	20238100	32348				
F030	6	2F015- 3	2F008- 1*	20238100	32348				
F030	2	2F015- 3	2E015- 5	20238100	32348				
F030	11	2E015- 5	2G007-14	20238100	32348				
F031	8	2E007-13	2G007-15*	20238100	32348				
F031	3	2E007- 4	2F007-13	20238100	32348				
F032	17	1G041- 6*	2C001-13	20266800	3553-1	FA705	010		A
F032	21	2C001-13	2I012- 5	20266800	3553-1	FA705	010		A
F033	11	2F039- 6	2G029-15*	20238100	32348				
F034	4	2F008-11	2F012-10*	20238100	32348				
F034	6	2E008-11	2F017- 2	20266800	FA705	CONTROLR	01		A
F035	3	2F030- 6	2F030-14	20238100	32348				
F035	3	2F020-11	2F020- 1*	20238100	32348				

F035	7	2E020-11	2F030- 6	20266800	FA705	CONTROLR	01	A
F036	3	2F007- 2	2E007-11	20238100	32348			
F036	4	2F007-11	2F012-15*	20238100	32348			
F037	10	2D013-15*	2G011- 3	20266800	3553-1	FA705	010	A
F038	3	2F021-12	2G020- 1*	20238100	32348			
F038	2	2F021-12	2F022-12	20238100	32348			
F038	2	2F022-12	2F023-12	20238100	32348			
F038	3	2F023- 4	2F023-12	20238100	32348			
F038	2	2F022- 4	2F023- 4	20238100	32348			
F038	2	2F021- 4	2F022- 4	20238100	32348			
F039	5	2F026-12	2G020- 6*	20238100	32348			
F039	3	2F026- 4	2F026-12	20238100	32348			
F040	6	2F024-12	2G020-10*	20238100	32348			
F040	2	2F024-12	2F025-12	20238100	32348			
F040	3	2F025- 4	2F025-12	20238100	32348			
F040	2	2F024- 4	2F025- 4	20238100	32348			
F041	8	2D030-13	2E019-15*	20238100	32348			
F041	12	2A022-14	2D030-13	20238100	32348			
F041	10	2A022-14	2D017- 3	20238100	32348			
F041	23	1D026-13	2D017- 3	20266800	FA705	CONTROLR	01	A
F042	6	2E014-14	2F008-10*	20238100	32348			
F042	3	2F014- 5	2F014-14	20238100	32348			
F043	4	2E021-12	2F020- 6*	20238100	32348			
F043	2	2F021-12	2F022-12	20238100	32348			
F043	2	2E022-12	2F023-12	20238100	32348			
F043	2	2F023-12	2F024-12	20238100	32348			
F043	2	2F024-12	2F025-12	20238100	32348			
F043	2	2F025-12	2F026-12	20238100	32348			
F044	3	2G006- 5	2G008-10*	20238100	32348			
F045	8	2C001-15*	2D013-14	20266800	3553-1	FA705	010	A
F048	10	2F018- 4	2G005-15*	20238100	32348			
F049	7	2F010- 3	2F018- 6*	20238100	32348			
F050	10	2D013-11	2G017- 1*	20266800	3553-1	FA705	010	A
F052	10	2E019-13	2F039-15*	20238100	32348			
F053	3	2H013- 6	2H013-14	20238100	32348			
F053	10	2F020-10*	2H013-14	20266800	3553-1	FA705	010	A
F053	15	2D008- 3	2H013- 6	20266800	3553-1	FA705	010	A
F053	5	2C001-14	2D008- 3	20266800	3553-1	FA705	010	A
F054	10	2D017- 2	2F018-15*	20238100	32348			
F055	9	2D017- 1*	2F008-13	20238100	32348			
F057	11	2D008- 1*	2F001-11	20266800	FA705	CONTROLR	01	A
F057	27	2A042- 2	2F001-11	20266800	FA705	CONTROLR	01	A
F058	12	2I021-15*	2L008- 2	20266800	FA705	CONTROLR	01	A
F060	12	2G010-14	2J008-15*	20266800	FA705	CONTROLR	01	A
F061	8	2F021-10	2G010-15*	20266800	FA705	CONTROLR	01	A
F062	13	2R026-15*	2E042- 4	20266800	FA705	CONTROLR	01	A
F063	11	2E042- 6*	2F025-10	20266800	FA705	CONTROLR	01	A
F100	5	2F011-11	2F017- 1*	20266800	FA705	CONTROLR	01	A
F101	5	2G008-12	2H013- 3	20238100	32348			
F101	7	2F017-15*	2G008-12	20266800	FA705	CONTROLR	01	A
F102	8	2E008-10*	2F019-11	20238100	32348			
F102	8	2F019-11	2H016- 4	20238100	32348			
F102	22	1F036-14	2H016- 4	20266800	FA705	CONTROLR	07	A
F103	10	2G011-11	2G029-14	20238100	32348			

F103	5	2G011-11	2H008- 6	20238100	32348			
F103	7	2D016-10	2E008-15*	20238100	32348			
F103	7	2C025-14	2D016-10	20238100	32348			
F103	15	2C025-14	2G029-14	20238100	32348			
F103	22	1F016-14	2H008- 6	20238200	32348			
F105	7	2F018-14	2G011-15*	20238100	32348			
F105	8	2F018-14	2G029-13	20238100	32348			
F110	9	2E007- 1*	2F020- 2	20238100	32348			
F111	8	2D017- 5	2E007- 6*	20238100	32348			
F111	17	1D041-13	2D017- 5	20266800	FA705	CONTROLR	01	A
F111	10	1D041-13	1E023- 4	20266800	FA705	CONTROLR	01	A
F112	7	2D012- 3	2E007-10*	20266800	FA705	CONTROLR	01	A
F112	10	2D012- 3	2F020- 3	20266800	FA705	CONTROLR	01	A
F113	6	2C017- 3	2D012- 4	20266800	FA705	CONTROLR	01	A
F113	21	2D012- 4	2I034- 2	20266800	FA705	CONTROLR	01	A
F113	3	2I034- 2	2I034-11	20266800	FA705	CONTROLR	01	A
F113	5	2I034-11	2J039- 4	20266800	FA705	CONTROLR	01	A
F113	14	1D041-11	2E007-15*	20266800	FA705	CONTROLR	01	A
F113	18	1D041-11	2C017- 3	20266800	FA705	CONTROLR	01	A
F120	4	2E021-10	2F021- 1*	20238100	32348			
F121	7	2E021- 4	2F021-15*	20238100	32348			
F122	4	2E022-10	2F022- 1*	20238100	32348			
F123	6	2E022- 6	2F022-15*	20238100	32348			
F124	4	2E023-10	2F023- 1*	20238100	32348			
F125	7	2E023- 4	2F023-15*	20238100	32348			
F126	4	2E024-10	2F024- 1*	20238100	32348			
F126	16	2A029- 4	2E024-10	20238100	32348			
F127	7	2E024- 4	2F024-15*	20238100	32348			
F128	4	2E026-10	2F025- 1*	20238100	32348			
F129	7	2E026- 5	2F025-15*	20238100	32348			
F130	4	2E025-10	2F026- 1*	20238100	32348			
F131	7	2E025- 4	2F026-15*	20238100	32348			
F131	26	1E018- 2	2E025- 4	20238200	32348			
F140	10	2E011- 1*	2E028-12	20238100	32348			
F142	14	2B030-13	2E011-10*	20238100	32348			
F142	7	2B030-13	2B042-14	20266800	FA705	CONTROLR	01	A
F144	14	2E010- 1*	2E038- 3	20238100	32348			
F144	9	2C032- 5	2E038- 3	20238100	32348			
F144	4	2B030-14	2C032- 5	20238100	32348			
F145	9	2C001-11	2E010- 6*	20266800	FA705	CONTROLR	01	A
F145	15	2C001-11	2D030- 2	20266800	FA705	CONTROLR	01	A
F146	3	2E028- 5	2E028-11	20238100	32348			
F146	5	2B027- 4	2B033-12	20238100	32348			
F146	10	2E010-10*	2E028- 5	20266800	FA705	CONTROLR	01	A
F146	5	2E028-11	2E036-11	20266800	FA705	CONTROLR	01	A
F146	11	2B033-12	2E036-11	20266800	FA705	CONTROLR	01	A
F147	4	2D038-11	2E036- 5	20238100	32348			
F147	2	2G026- 2	2G026- 5	20238100	32348			
F147	11	2E010-15*	2G026- 5	20266800	FA705	CONTROLR	01	A
F147	10	2E036- 5	2G026- 2	20266800	FA705	CONTROLR	01	A
F147	11	2B030- 2	2D038-11	20266800	FA705	CONTROLR	01	A
F148	10	2E009- 1*	2E028-10	20238100	32348			
F148	7	2D038-13	2E028-10	20238100	32348			
F150	8	2E014- 1*	2E029- 2	20238100	32348			
F152	8	2E014-10*	2E029-10	20238100	32348			
F157	14	2E009-15*	2E038- 6	20238100	32348			
F158	4	2B033-10	2C034- 4	20238100	32348			
F158	11	2E013- 1*	2G026- 3	20238100	32348			
F158	15	2C034- 4	2G026- 3	20238100	32348			
F159	10	2E013-15*	2G026- 6	20238100	32348			
F159	19	2B033- 3	2G026- 6	20238100	32348			
I000	4	2H028- 1*	2H028-14	20238100	32348			

I000	9	2G016-10	2H028-14	20238100	32348				
I000	2	2G015-10	2G016-10	20238100	32348				
I000	2	2G014-11	2G015-10	20238100	32348				
I000	3	2G013-13	2G014-11	20238100	32348				
I001	4	2H027- 1*	2H027-14	20238100	32348				
I001	9	2G015-11	2H027-14	20238100	32348				
I001	3	2G013-11	2G015-11	20238100	32348				
I001	3	2G013- 3	2G013-11	20238100	32348				
I001	3	2G013- 3	2G015- 3	20238100	32348				
I002	9	2G014-10	2H026-14	20238100	32348				
I002	2	2G013-10	2G014-10	20238100	32348				
I002	3	2G013- 2	2G013-10	20238100	32348				
I002	2	2G013- 2	2G014- 2	20238100	32348				
I002	8	2G014- 2	2H026- 1*	20266800	FA705	CONTR0LR	01		A
I002	7	2H026-14	2I036-13	20266800	FA705	CONTR0LR	01		A
I003	11	2H025-14	2F013-12	20266800	FA705	CONTR0LR	08	24703	A
I003	4	2H025- 1*	2H025-14	20238100	32348				
I003	2	2F012- 4	2F013- 4	20238100	32348				
I003	3	2F013- 4	2F013-12	20266800	FA705	CONTR0LR	01		A
I003	3	2F012- 4	2F015- 5	20266800	FA705	CONTR0LR	01		A
I004	11	2H024-14	2F012-12	20266800	FA705	CONTR0LR	08	24703	A
I004	4	2H024- 1*	2H024-14	20238100	32348				
I004	2	2F012-12	2F013-11	20238100	32348				
I004	3	2F013- 3	2F013-11	20238100	32348				
I005	4	2H023- 1*	2H023-14	20238100	32348				
I005	11	2F013-10	2H023-14	20238100	32348				
I005	3	2F013-10	2F014- 4	20238100	32348				
I005	3	2F012- 3	2F014- 4	20238100	32348				
I006	4	2H022- 1*	2H022-14	20238100	32348				
I007	4	2H021- 1*	2H021-14	20238100	32348				
I008	4	2H020- 1*	2H020-14	20238100	32348				
I009	4	2H019- 1*	2H019-14	20238100	32348				
I010	4	2H018- 1*	2H018-14	20238100	32348				
I011	4	2H017- 1*	2H017-14	20238100	32348				
I020	9	2H028-15*	2H042- 3	20238100	32348				
I020	2	2G015- 2	2G016- 2	20238100	32348				
I020	2	2G014- 3	2G015- 2	20238100	32348				
I020	3	2G013- 5	2G014- 3	20238100	32348				
I020	3	2D029- 3	2D029-12	20238100	32348				
I020	12	2D029-12	2G016- 2	20238100	32348				
I020	14	2H042- 3	2I016- 3	20266800	FA705	CONTR0LR	01		A
I020	8	2G013- 5	2I016- 3	20266800	FA705	CONTR0LR	01		A
I021	9	2H027-15*	2H041- 3	20238100	32348				
I021	3	2G014-13	2G016-11	20238100	32348				
I021	3	2G014- 5	2G014-13	20238100	32348				
I021	3	2G014- 5	2G016- 3	20238100	32348				
I021	12	2D028-12	2G016- 3	20238100	32348				
I021	3	2D028- 3	2D028-12	20238100	32348				
I021	14	2H041- 3	2I015- 3	20266800	FA705	CONTR0LR	01		A
I021	7	2G016-11	2I015- 3	20266800	FA705	CONTR0LR	01		A
I022	2	2G015-13	2G016-13	20238100	32348				
I022	2	2G015- 5	2G016- 5	20238100	32348				
I022	13	2D027-12	2F008-12	20238100	32348				
I022	3	2D027- 3	2D027-12	20238100	32348				
I022	17	2D027- 3	2H040- 3	20238100	32348				

I022	8	2G016-13	2H026-15*	20266800	FA705	CONTR0LR	01	A
I022	3	2G015-5	2G015-13	20266800	FA705	CONTR0LR	01	A
I022	6	2F008-12	2G016-5	20266800	FA705	CONTR0LR	01	A
I023	15	2H039-3	2F012-11	20266800	FA705	CONTR0LR	08	24703 A
I023	9	2H025-15*	2H039-3	20238100	32348			
I023	3	2D026-3	2D026-12	20238100	32348			
I023	3	2F012-11	2F014-5	20238100	32348			
I023	9	2D026-12	2F014-5	20238100	32348			
I024	16	2H038-3	2F012-2	20266800	FA705	CONTR0LR	08	24703 A
I024	9	2H024-15*	2H038-3	20238100	32348			
I024	3	2F014-3	2F015-3	20238100	32348			
I024	3	2F012-2	2F014-3	20238100	32348			
I024	3	2D025-3	2D025-12	20238100	32348			
I024	9	2D025-12	2F015-3	20266800	FA705	CONTR0LR	01	A
I025	9	2H023-15*	2H037-3	20238100	32348			
I025	3	2F012-10	2F013-2	20238100	32348			
I025	3	2F013-2	2F015-2	20238100	32348			
I025	3	2D024-3	2D024-12	20238100	32348			
I025	15	2F012-10	2H037-3	20266800	FA705	CONTR0LR	01	A
I025	8	2D024-12	2F015-2	20266800	FA705	CONTR0LR	01	A
I026	9	2H022-15*	2H036-3	20238100	32348			
I026	15	2D023-12	2H036-3	20238100	32348			
I026	3	2D023-3	2D023-12	20238100	32348			
I027	9	2H021-15*	2H035-3	20238100	32348			
I027	15	2D022-12	2H035-3	20238100	32348			
I027	3	2D022-3	2D022-12	20238100	32348			
I028	9	2H020-15*	2H034-3	20238100	32348			
I028	15	2D021-12	2H034-3	20238100	32348			
I028	3	2D021-3	2D021-12	20238100	32348			
I029	9	2H019-15*	2H033-3	20238100	32348			
I029	15	2D020-12	2H033-3	20238100	32348			
I029	3	2D020-3	2D020-12	20238100	32348			
I030	9	2H018-15*	2H032-3	20238100	32348			
I030	15	2D019-12	2H032-3	20238100	32348			
I030	3	2D019-3	2D019-12	20238100	32348			
I031	9	2H017-15*	2H031-3	20238100	32348			
I031	15	2D018-12	2H031-3	20238100	32348			
I031	3	2D018-3	2D018-12	20238100	32348			
I032	12	2I014-3	2I036-15*	20266800	FA705	CONTR0LR	01	A
I040	2	2H027-3	2H028-3	20238100	32348			
I040	2	2H026-3	2H027-3	20238100	32348			
I040	2	2H025-3	2H026-3	20238100	32348			
I040	2	2H024-3	2H025-3	20238100	32348			
I040	2	2H023-3	2H024-3	20238100	32348			
I040	6	2G027-1*	2H028-3	20238100	32348			
I041	2	2H021-3	2H022-3	20238100	32348			
I041	2	2H020-3	2H021-3	20238100	32348			
I041	2	2H019-3	2H020-3	20238100	32348			
I041	2	2H018-3	2H019-3	20238100	32348			
I041	2	2H017-3	2H018-3	20238100	32348			
I041	6	2G027-6*	2H022-3	20238100	32348			
I042	4	2G028-10*	2H028-5	20238100	32348			
I042	2	2H027-5	2H028-5	20238100	32348			
I042	2	2H026-5	2H027-5	20238100	32348			
I042	2	2H025-5	2H026-5	20238100	32348			
I042	2	2H024-5	2H025-5	20238100	32348			
I042	2	2H023-5	2H024-5	20238100	32348			
I043	5	2G028-15*	2H022-5	20238100	32348			
I043	2	2H021-5	2H022-5	20238100	32348			
I043	2	2H020-5	2H021-5	20238100	32348			
I043	2	2H019-5	2H020-5	20238100	32348			
I043	2	2H018-5	2H019-5	20238100	32348			

I043	2	2H017- 5	2H018- 5	20238100	32348
I044	2	2H027-10	2H028-10	20238100	32348
I044	2	2H026-10	2H027-10	20238100	32348
I044	2	2H025-10	2H026-10	20238100	32348
I044	2	2H024-10	2H025-10	20238100	32348
I044	2	2H023-10	2H024-10	20238100	32348
I044	6	2G028- 1*	2H028-10	20238100	32348
I045	2	2H021-10	2H022-10	20238100	32348
I045	2	2H020-10	2H021-10	20238100	32348
I045	2	2H019-10	2H020-10	20238100	32348
I045	2	2H018-10	2H019-10	20238100	32348
I045	2	2H017-10	2H018-10	20238100	32348
I045	7	2G028- 6*	2H022-10	20238100	32348

I046	2	2H027-12	2H028-12	20238100	32348
I046	2	2H026-12	2H027-12	20238100	32348
I046	2	2H025-12	2H026-12	20238100	32348
I046	2	2H024-12	2H025-12	20238100	32348
I046	2	2H023-12	2H024-12	20238100	32348
I046	3	2G027-10*	2G028-12	20238100	32348
I046	2	2G028-12	2G028-14	20238100	32348
I046	5	2G028-14	2H028-12	20238100	32348
I047	2	2H021-12	2H022-12	20238100	32348
I047	2	2H020-12	2H021-12	20238100	32348
I047	2	2H019-12	2H020-12	20238100	32348
I047	2	2H018-12	2H019-12	20238100	32348
I047	2	2H017-12	2H018-12	20238100	32348
I047	4	2G027-15*	2G028- 3	20238100	32348
I047	2	2G028- 3	2G028- 5	20238100	32348
I047	7	2G028- 5	2H022-12	20238100	32348
I048	8	1D013- 4	1D026- 1*	20238000	32348
I048	2	1D013- 2	1D013- 4	20238000	32348
I048	2	1D013- 2	1D014- 2	20238000	32348
I048	2	1D014- 2	1D014- 4	20238000	32348
I048	3	1D014- 4	1D014-11	20238000	32348
I048	2	1D014-11	1D014-13	20238000	32348
I049	8	1D013-11	1D026- 6*	20238000	32348
I049	2	1D013-11	1D013-13	20238000	32348
I049	2	1D012-13	1D013-13	20238000	32348
I049	2	1D012-11	1D012-13	20238000	32348
I049	3	1D012- 4	1D012-11	20238000	32348
I049	2	1D012- 2	1D012- 4	20238000	32348
I049	6	1C005- 3	1D012- 2	20238000	32348
I050	3	2H029- 4	2H029-13	20238100	32348
I050	5	2G022-10*	2G027- 2	20238100	32348
I050	2	2G027- 2	2G027- 4	20238100	32348
I050	5	2G027- 4	2H029- 4	20238100	32348
I051	3	2G028-13	2H029- 1*	20238100	32348
I051	2	2G028-11	2G028-13	20238100	32348
I052	7	2G028- 4	2H029-15*	20238100	32348
I052	2	2G028- 2	2G028- 4	20238100	32348
I053	6	2G022-11	2G029- 1*	20238100	32348
I053	4	2G022-11	2G027-11	20238100	32348

I053	2	2G027-11	2G027-13	20238100	32348				
I053	4	2G027-13	2H029- 3	20238100	32348				
I053	3	2H029- 3	2H029-12	20238100	32348				
I054	10	1D007-10*	1D026- 4	20238000	32348				
I054	2	1D026- 2	1D026- 4	20238000	32348				
I060	9	2F010- 3	2G025- 1*	20238100	32348				
I061	6	2A034-12	2B041- 4	20238100	32348				
I061	3	2B041- 4	2B041-10	20238100	32348				
I061	15	2B041-10	2E020-10	20238100	32348				
I061	10	2F031-10*	2I031- 5	20238100	32348				
I061	6	2I021- 5	2I031- 5	20238100	32348				
I061	13	2E020-10	2I021- 5	20238100	32348				
I062	5	2G021- 2	2G025-15*	20238100	32348				
I062	4	2C029-13	2D031- 4	20238100	32348				
I062	10	2E036-10	2G021- 2	20238100	32348				
I062	5	2C029-13	2C034- 3	20238100	32348				
I062	8	2A039-11	2C034- 3	20238100	32348				
I062	7	2D031- 4	2E036-10	20238100	32348				
I063	3	2G021- 4	2G024- 1*	20238100	32348				
I063	12	2D031-13	2G021- 4	20238100	32348				
I064	4	2G021-11	2G024-15*	20238100	32348				
I064	10	2E031-13	2G021-11	20238100	32348				
I065	4	2C035-14	2D038- 5	20238100	32348				
I065	7	2E028- 4	2F031-11	20238100	32348				
I065	6	2A034-13	2B030-11	20238100	32348				
I065	7	2F031-11	2G023-15*	20238100	32348				
I065	6	2A034-13	2B041-11	20238100	32348				
I065	7	2D038- 5	2E028- 4	20266800	FA705	CONTROLR	01		A
I065	5	2C035-14	2C042-12	20266800	FA705	CONTROLR	01		A
I065	5	2B041-11	2C042-12	20266800	FA705	CONTROLR	01		A
I066	4	2G023- 1*	2G026-11	20238100	32348				
I067	8	2F008- 5	2G021- 1*	20238100	32348				
I067	4	2A029-13	2B030- 3	20238100	32348				
I067	13	1E036-11	2F008- 5	20238200	32348				
I067	26	1E036-11	2A029-13	20238200	32348				
I067	8	2B030- 3	2C038-11	20238100	32348				
I068	14	2D031- 3	2G021- 6*	20238100	32348				
I069	12	2E036- 2	2G021-10*	20238100	32348				
I069	18	2E036- 2	2J039- 5	20238100	32348				
I070	8	2G026-15*	2H013-10	20238100	32348				
I070	3	2H013- 2	2H013-10	20238100	32348				
I070	6	2G006- 4	2H013- 2	20238100	32348				
I070	12	2G006- 4	2J004-10	20266800	FA705	CONTROLR	01		A
I071	3	1F035-12	1E036-10*	20266800	FA705	CONTROLR	01		A
I100	7	2F016- 4	2G007- 2	20238100	32348				
I100	8	2G007- 2	2H013-15*	20238100	32348				
I101	6	2F016-13	2G007- 4	20238100	32348				
I101	4	2F016-13	2F020-13	20238100	32348				
I101	3	2F020- 4	2F020-13	20238100	32348				
I101	5	2F015-14	2F020- 4	20238100	32348				
I101	2	2E015-12	2E015-14	20238100	32348				
I101	16	1D038- 5	2F015-12	20238200	32348				
I101	6	2G007- 4	2H013- 1*	20238100	32348				
I102	3	2G006- 6*	2G007-11	20238100	32348				
I102	18	2C029-11	2G007-11	20238100	32348				
I103	16	2E035-10	2G007- 1*	20238100	32348	CONT	014		A
I103	26	1F019-12	2D016- 2		32348	CONT	014		A
I103	7	2D039- 3	2E035-10	20266800	FA705	CONTROLR	01		A
I103	8	2A031-11	2D039- 3	20266800	FA705	CONTROLR	01		A
I103	5	2A031-11	2C025- 2	20266800	FA705	CONTROLR	09		A
I103	7	2C025- 2	2D016- 2	20266800	FA705	CONTROLR	09		A

I104	5	2E013-12	2F008- 3	20238100	32348				
I104	6	2F008- 3	2G007- 6*	20238100	32348				
I104	19	1F023-11	2E013-12	20238200	32348				
I105	4	2E021- 5	2E026- 4	20238100	32348				
I105	4	2I024-11	2I028-11	20238100	32348				
I105	5	2F006-11	2G007-10*	20266800	FA705	CONTROLR	01		A
I105	10	2F021- 5	2F006-11	20266800	FA705	CONTROLR	01		A
I105	16	2F026- 4	2I024-11	20266800	FA705	CONTROLR	01		A
I106	4	2R038- 4	2R040-13	20238100	32348				
I106	5	2A024-12	2A031- 4	20238100	32348				
I106	2	2R040-13	2R041-14	20238100	32348				
I106	8	2R041-14	2D041-13	20238100	32348				
I106	4	2A031- 4	2A033-13	20238100	32348				
I106	5	2A033-13	2R038- 4	20238100	32348				
I106	7	2D030-15*	2D041-13	20266800	FA705	CONTROLR	01		A
I106	29	2A024-12	2I004- 4	20266800	FA705	CONTROLR	01		A
I107	3	2I025- 4	2I025-13	20238100	32348				
I107	19	2D009-15*	2I025- 4	20238100	32348				
I108	3	2F020-15*	2F022-10	20238100	32348				
I108	2	2F022-10	2F023-10	20238100	32348				
I108	2	2F023-10	2F024-10	20238100	32348				
I108	3	2F024-10	2F026-10	20238100	32348				
I109	15	2R026-11	2F016- 6*	20266800	FA705	CONTROLR	01		A
I109	30	2R026-11	2J008-13	20266800	FA705	CONTROLR	01		A
I109	36	1E003-12	2J008-13	20266800	FA705	CONTROLR	09		A
I109	3	1F001-12	1E003-12	20266800	FA705	CONTROLR	09		A
I110	6	2E019-10	2F016-15*	20238100	32348				
I110	6	2D012-14	2E019-10	20238100	32348				
I110	15	2A030-11	2D012-14	20238100	32348				
I111	15	1C033-10	1E007- 4	20238000	32348				
I111	19	1D042-10	2A022-15*		32348	CONT	014		A
I111	7	1C033-10	1D042-10		32348	CONT	014		A
I112	15	2A029-14	2D012-15*	20238100	32348				
I112	13	2A029-14	2E032- 5	20238100	32348				
I112	19	2E032- 5	2J039-11	20266800	FA705	CONTROLR	07		A
I113	4	2F001-12	2F006-10*	20266800	FA705	CONTROLR	01		A
I113	16	2F001-12	2H030- 2	20266800	FA705	CONTROLR	01		A
I114	19	2F001-10*	2I032- 3	20266800	FA705	CONTROLR	01		A
I115	20	2F006-15*	2L004-11	20266800	FA705	CONTROLR	01		A
J000	15	1C041- 3	1D015-15*	20266800	FA705	CONTROLR	01		A
J001	14	1C040- 2	1E021-15*	20266800	FA705	CONTROLR	01		A
J002	16	2C007- 6	2G012-13	20238100	32348				
J002	8	1D026-14	1D038- 1*	20266800	FA705	CONTROLR	01		A
J002	20	1D026-14	2C007- 6	20266800	FA705	CONTROLR	01		A
J003	6	1C031-10	1D040- 1*	20238000	32348				
J004	5	1C036-11	1D040- 6*	20266800	FA705	CONTROLR	01		A
J005	7	1C036- 2	1D040-10*	20266800	FA705	CONTROLR	01		A
J006	9	2C031-11	2E029-15*	20238100	32348				
J006	21	1C038- 4	2C031-11	20238200	32348				
J007	4	1C034- 3	1C038- 1*	20238000	32348				
J008	6	1C033- 4	1D040- 3	20238000	32348				
J008	3	1C031- 6	1C033- 4	20238000	32348				
J008	4	1D039- 1*	1D042- 6	20238000	32348				
J008	3	1D040- 3	1D042- 6	20238000	32348				
J009	26	1C038-15*	2R039- 2	20238200	32348				
J010	3	1C036- 4	1C036-13	20238000	32348				
J010	8	1C036-13	1D026-15*	20266800	FA705	CONTROLR	01		A
J011	18	2A011-10*	2E030-11	20266800	FA705	CONTROLR	07		A

J011	24	1D039- 4	2E030-11	20266800	FA705	CONTROLR	07	A
J012	26	1F007- 4	2F005-10*	20266800	FA705	CONTROLR	01	A
J015	5	2A029-15*	2A034- 4	20238100	3234B			
J016	19	2F005- 6*	2I036-11	20266800	FA705	CONTROLR	01	A
J017	9	2G036- 2	2I036-10*	20266800	FA705	CONTROLR	01	A
J017	2	2G035- 2	2G036- 2	20266800	FA705	CONTROLR	01	A
J017	2	2G034- 2	2G035- 2	20266800	FA705	CONTROLR	01	A
J017	2	2G033- 2	2G034- 2	20266800	FA705	CONTROLR	01	A
J018	22	1D039- 3	2G022-15*	20238200	3234B			
J018	10	1C023- 6	1D039- 3	20238000	3234B			
J019	6	2L021-12	2L032-12	20238100	3234B			
J019	17	2G022-13	2L021-12	20238100	3234B			
J019	5	2G022-13	2G029-10*	20238100	3234B			
J020	5	2F030-15*	2F034- 3	20266800	FA705	CONTROLR	01	A
J020	6	2E040- 2	2F034- 3	20266800	FA705	CONTROLR	01	A
J020	12	2F027-11	2F040- 2	20266800	FA705	CONTROLR	01	A
J021	2	2F034-12	2F034-14	20238100	3234B			
J021	5	2F030- 1*	2F034-14	20266800	FA705	CONTROLR	01	A
J021	8	2E040- 3	2F034-12	20266800	FA705	CONTROLR	01	A
J022	2	2F033- 3	2F033- 5	20238100	3234B			
J022	11	2F014-15*	2F033- 5	20266800	FA705	CONTROLR	01	A
J022	6	2F040- 4	2F033- 3	20266800	FA705	CONTROLR	01	A
J022	18	2D004- 2	2E040- 4	20266800	FA705	CONTROLR	01	A
J023	15	1D041- 4	2D014- 6*	20266800	FA705	CONTROLR	09	A
J023	2	1D041- 2	1D041- 4	20266800	FA705	CONTROLR	09	A
J024	2	2D017-11	2D017-13	20238100	3234B			
J024	13	2A028-15*	2D017-11	20238100	3234B			
J024	28	1C009- 5	2D017-13	20238200	3234B			
J025	6	2C017- 4	2D012- 1*	20266800	FA705	CONTROLR	01	A
J025	15	2C017- 4	2F032-12	20266800	FA705	CONTROLR	01	A
J025	2	2F032-12	2F032-14	20266800	FA705	CONTROLR	01	A
J027	2	2F032- 3	2F032- 5	20266800	FA705	CONTROLR	01	A
J027	7	2E040- 1*	2F032- 3	20266800	FA705	CONTROLR	01	A
J028	2	2G031- 2	2G032- 2	20238100	3234B			
J028	6	2F034- 1*	2G032- 2	20266800	FA705	CONTROLR	01	A
J029	2	2G037- 2	2G038- 2	20238100	3234B			
J029	2	2G038- 2	2G039- 2	20238100	3234B			
J029	2	2G039- 2	2G040- 2	20238100	3234B			
J029	2	2G040- 2	2G041- 2	20238100	3234B			
J029	2	2G041- 2	2G042- 2	20238100	3234B			
J029	17	2F027-15*	2F005- 4	20266800	FA705	CONTROLR	01	A
J029	16	2F005- 4	2G037- 2	20266800	FA705	CONTROLR	01	A
J030	5	2F034-10*	2G036- 6	20238100	3234B			
J030	2	2G035- 6	2G036- 6	20238100	3234B			
J030	2	2G034- 6	2G035- 6	20238100	3234B			
J030	2	2G033- 6	2G034- 6	20238100	3234B			
J030	2	2G032- 6	2G033- 6	20238100	3234B			
J030	2	2G031- 6	2G032- 6	20238100	3234B			
J031	4	2F034-15*	2G037- 6	20238100	3234B			
J031	2	2G037- 6	2G038- 6	20238100	3234B			
J031	2	2G038- 6	2G039- 6	20238100	3234B			
J031	2	2G039- 6	2G040- 6	20238100	3234B			
J031	2	2G040- 6	2G041- 6	20238100	3234B			
J031	2	2G041- 6	2G042- 6	20238100	3234B			
J032	2	2G032-11	2G033-11	20238100	3234B			
J032	2	2G033-11	2G034-11	20238100	3234B			
J032	2	2G034-11	2G035-11	20238100	3234B			
J032	2	2G035-11	2G036-11	20238100	3234B			
J032	6	2F033- 1*	2G031- 4	20266800	FA705	CONTROLR	01	A
J032	3	2G031- 4	2G032-11	20266800	FA705	CONTROLR	01	A
J033	7	2F033- 6*	2G037-11	20238100	3234B			
J033	2	2G037-11	2G038-11	20238100	3234B			

J033	2	2G038-11	2G039-11	20238100	3234B			
J033	2	2G039-11	2G040-11	20238100	3234B			
J033	2	2G040-11	2G041-11	20238100	3234B			
J033	2	2G041-11	2G042-11	20238100	3234B			
J034	2	2G032-4	2G033-4	20238100	3234B			
J034	2	2G033-4	2G034-4	20238100	3234B			
J034	2	2G034-4	2G035-4	20238100	3234B			
J034	2	2G035-4	2G036-4	20238100	3234B			
J034	6	2F032-1*	2G036-4	20266800	FA705	CONTROLR	01	A
J034	3	2G031-11	2G032-4	20266800	FA705	CONTROLR	01	A
J035	6	2F032-6*	2G037-4	20238100	3234B			
J035	2	2G037-4	2G038-4	20238100	3234B			
J035	2	2G038-4	2G039-4	20238100	3234B			
J035	2	2G039-4	2G040-4	20238100	3234B			
J035	2	2G040-4	2G041-4	20238100	3234B			
J035	2	2G041-4	2G042-4	20238100	3234B			
J038	10	2F033-10*	2I034-5	20266800	FA705	CONTROLR	01	A
J038	3	2I034-5	2I034-13	20266800	FA705	CONTROLR	01	A
J039	6	2A031-11	2R022-1*	20266800	FA705	CONTROLR	01	A
J040	5	1D027-1*	1E026-2	20238000	3234B			
J041	5	1E023-14	1F025-12	20238000	3234B			
J041	6	1E023-14	1F032-13	20238000	3234B			
J041	20	1F025-12	2F018-13	20238200	3234B			
J041	4	1F032-13	1F034-1*	20266800	FA705	CONTROLR	01	A
J042	3	1E032-3	1E034-6*	20238000	3234B			
J042	3	1E030-3	1E032-3	20238000	3234B			
J042	2	1E030-3	1E031-3	20238000	3234B			
J042	3	1E031-3	1E031-12	20238000	3234B			
J042	2	1E030-12	1E031-12	20238000	3234B			
J042	2	1E029-12	1E030-12	20238000	3234B			
J043	12	1C009-12	1F006-15*	20238000	3234B			
J043	32	1C009-12	2G017-13	20238200	3234B			
J044	5	1D038-4	1E035-1*	20238000	3234B			
J045	6	1D038-6*	1E038-13	20238000	3234B			
J046	19	1E035-10	2A001-10*	20266800	FA705	CONTROLR	09	A
J047	8	1E023-2	1E035-15*	20238000	3234B			
J048	11	2R031-6	2D040-12	20238100	3234B			
J048	3	1E032-11	1E034-15*	20266800	FA705	CONTROLR	01	A
J048	6	1D038-11	1E032-11	20266800	FA705	CONTROLR	01	A
J048	27	1D038-11	2B031-6	20266800	FA705	CONTROLR	09	A
J049	6	1D038-10*	1E034-12	20266800	FA705	CONTROLR	09	A
J049	26	1E034-12	2E032-4	20266800	FA705	CONTROLR	09	A
J050	9	1C034-4	1E042-1*	20238000	3234B			
J050	12	1C034-4	1F027-2	20238000	3234B			
J051	9	1F042-15*	1F027-3	20238000	3234B			
J052	9	1E041-1*	1F027-4	20238000	3234B			
J053	8	1E041-15*	1F027-5	20238000	3234B			
J054	8	1D028-3	1F027-1*	20238000	3234B			
J054	2	1D028-3	1D029-3	20238000	3234B			
J055	9	1D028-4	1F027-6*	20238000	3234B			
J055	2	1D028-4	1D029-4	20238000	3234B			

J056	4	1D029- 1*	1D033- 3	20238000	3234B				
J057	30	1D028- 1*	2K002-14	20238200	3234B				
J058	31	1D028- 6*	2L001- 5	20238200	3234B				
J059	20	1D029-15*	2H008- 4	20238200	3234B				
J060	6	1E006- 1*	1F005- 4	20238000	3234B				
J061	4	1E006-15*	1F005- 5	20238000	3234B				
J062	6	1E005- 1*	1F005- 6	20238000	3234B				
J063	5	1E007- 2	1F005- 1*	20238000	3234B				
J063	9	1E007- 2	1F018-11	20238000	3234B				
J064	6	2G006-12	2H011-12	20238100	3234B				
J064	2	2H011-12	2H012-12	20238100	3234B				
J064	12	2D004-10	2G006-12	20238100	3234B				
J064	5	1F006- 1*	1F009-14	20266800	FA705	CONTROLR	01		A
J064	4	1F009- 2	1F009-14	20266800	FA705	CONTROLR	01		A
J064	26	1F009- 2	2D004-10	20266800	FA705	CONTROLR	01		A
J065	3	1F008-10	1F008-15*	20266800	FA705	CONTROLR	01		A
J065	3	1F008-10	1F009- 5	20266800	FA705	CONTROLR	01		A
J065	3	1F006- 4	1F009- 5	20266800	FA705	CONTROLR	01		A
J066	3	1F006- 6*	1F008- 2	20238000	3234B				
J066	3	1F008- 2	1F009-10	20266800	FA705	CONTROLR	01		A
J067	4	1F005- 3	1F005-15*	20238000	3234B				
J068	7	2G006-10*	2H011-15	20238100	3234B				
J068	2	2H011-15	2H012-15	20238100	3234B				
J069	4	2G012-15*	2H011- 5	20238100	3234B				
J069	14	2D004-11	2H011- 5	20238100	3234B				
J069	20	1F018-13	2D004-11	20238200	3234B				
J070	21	2C034- 1*	2G012-14	20238100	3234B				
J071	7	2B042- 1*	2C039-13	20266800	FA705	CONTROLR	01		A
J072	4	2J006- 1*	2J006-12	20238100	3234B				
J072	10	2B030-10	2E028- 2	20238100	3234B				
J072	3	2G029- 5	2G029-12	20238100	3234B				
J072	9	2E028- 2	2G029- 5	20238100	3234B				
J072	7	2I004- 2	2J006-12	20266800	FA705	CONTROLR	01		A
J072	14	2G029-12	2I004- 2	20266800	FA705	CONTROLR	01		A
J073	5	2E019- 1*	2F019- 2	20238100	3234B				
J073	7	2F008-14	2F019- 2	20238100	3234B				
J073	10	2F008-14	2I006- 5	20266800	FA705	CONTROLR	01		A
J073	3	2I006- 5	2I006-13	20266800	FA705	CONTROLR	01		A
J073	28	1E017- 4	2I006-13	20266800	FA705	CONTROLR	01		A
J074	8	2B035- 2	2C028-10*	20238100	3234B				
J075	26	2B035-15*	2J033-11	20266800	FA705	CONTROLR	01		A
J075	13	2J008- 2	2J033-11	20266800	FA705	CONTROLR	01		A
J076	5	2B036-14	2B039- 1*	20238100	3234B				
J077	4	2B036-15*	2B038- 2	20238100	3234B				
J078	2	2A038- 4	2A038- 6	20238100	3234B				
J078	4	2A038- 6	2A039-15*	20238100	3234B				
J078	38	1F020-12	2A038- 4	20238200	3234B				
J079	3	2A038- 1*	2A039- 3	20238100	3234B				
J079	7	2A039- 3	2B042-11	20266800	FA705	CONTROLR	01		A
J079	2	2B042-11	2B042-13	20266800	FA705	CONTROLR	01		A
J079	6	2B032-12	2B042-13	20266800	FA705	CONTROLR	01		A
J080	7	2A039- 1*	2B040-11	20238100	3234B				
J081	4	2A038-12	2B036- 1*	20238100	3234B				
J082	5	2A039- 4	2B036- 2	20238100	3234B				
J082	6	2B039-15*	2C033-11	20238100	3234B				
J082	7	2B036- 2	2C033-11	20238100	3234B				
J083	10	2A033- 3	2C021- 1*	20266800	FA705	CONTROLR	01		A
J084	7	2A024- 5	2B033- 1*	20238100	3234B				
J085	3	2A033-12	2B032- 1*	20238100	3234B				
J085	4	2A030- 2	2A033-12	20238100	3234B				
J085	19	2A030- 2	2F027-12	20266800	FA705	CONTROLR	01		A
J086	4	2B031-10	2B036- 6*	20238100	3234B				

J086	6	2A024-10	2B031-10	20238100	3234B			
J087	5	2A032- 2	2B030- 1*	20238100	3234B			
J088	7	2A032- 4	2B033-15*	20238100	3234B			
J089	7	2A032- 1*	2B032-11	20238100	3234B			
J090	4	2B032-10	2B035- 1*	20238100	3234B			
J091	7	2A034- 3	2B032-15*	20238100	3234B			
J091	5	2A034- 3	2B035- 4	20238100	3234B			
J091	2	2E023- 5	2E024- 6	20238100	3234B			
J091	9	2E023- 5	2F008- 2	20238100	3234B			
J091	19	1F019-10	2F008- 2	20238200	3234B			
J091	14	2B035- 4	2F036- 4	20266800	FA705	CONTR0LR	01	A
J091	8	2E024- 6	2F036- 4	20266800	FA705	CONTR0LR	01	A
J092	11	2E022- 5	2G006- 1*	20238100	3234B			
J093	11	2B035- 6*	2E032- 3	20238100	3234B			
J094	3	2F008-15*	2F011-13	20238100	3234B			
J094	9	2E022- 4	2F011-13	20238100	3234B			
J095	15	1D041-12	2F008- 6*	20266800	FA705	CONTR0LR	01	A
J095	10	1D041-12	1E023- 3	20266800	FA705	CONTR0LR	01	A
J096	2	1E034- 2	1E034- 4	20238000	3234B			
J096	4	1D038-15*	1E034- 2	20238000	3234B			
J096	6	1E034- 4	1F028- 3	20238000	3234B			
J096	2	1F028- 3	1F028- 5	20238000	3234B			
J097	5	1D016-15*	1E019-13	20238000	3234B			
J098	3	1F006- 2	1F006-10*	20238000	3234B			
J099	3	2B039-14	2B042-15*	20266800	FA705	CONTR0LR	01	A
J100	6	2B030-15*	2D031- 2	20238100	3234B			
J101	27	1D034- 4	2C032- 1*	20266800	FA705	CONTR0LR	01	A
J102	4	2D031-11	2D032- 2	20238100	3234B			
J102	25	1D034- 1*	2D032- 2	20266800	FA705	CONTR0LR	01	A
J103	3	2E031- 4	2E032- 1*	20266800	FA705	CONTR0LR	07	A
J103	5	2D032- 4	2E031- 4	20266800	FA705	CONTR0LR	07	A
J104	16	2C001-10*	2D032-11	20266800	FA705	CONTR0LR	01	A
J105	11	2C032- 6*	2E017- 3	20266800	FA705	CONTR0LR	01	A
J105	2	2E017- 3	2E017- 6	20266800	FA705	CONTR0LR	01	A
J106	3	2D034-12	2D035- 6	20266800	FA705	CONTR0LR	01	A
J106	7	2D034-12	2F036- 2	20266800	FA705	CONTR0LR	01	A
J106	9	2D004- 1*	2F007- 6	20266800	FA705	CONTR0LR	01	A
J106	14	2F007- 6	2F036- 2	20266800	FA705	CONTR0LR	01	A
J107	36	1F008-13	2L002- 5	20238200	3234B			
J107	16	2E030- 1*	2H008- 2	20238100	3234B			
J107	5	2K002- 5	2L002- 5	20238100	3234B			
J107	7	2H008- 2	2I011-14	20266800	FA705	CONTR0LR	01	A
J107	6	2I011-14	2I020-13	20266800	FA705	CONTR0LR	01	A
J107	12	2I020-13	2K002- 5	20266800	FA705	CONTR0LR	01	A
J108	4	2D030- 6*	2D034-13	20266800	FA705	CONTR0LR	07	A
J108	16	2D034-13	2F007-11	20266800	FA705	CONTR0LR	07	A
J109	5	2C035- 2	2D038- 1*	20266800	FA705	CONTR0LR	01	A
J110	8	2C031- 2	2E029- 1*	20238100	3234B			
J111	9	2C031- 1*	2D041-11	20238100	3234B			
J112	4	2D041-12	2E038- 1*	20238100	3234B			
J112	15	2A031- 2	2D041-12	20238100	3234B			
J113	6	2C038- 1*	2D034- 3	20238100	3234B			
J114	11	2C017-10	2C038- 6*	20238100	3234B			
J114	14	2F035-14	2H011- 3	20238100	3234B			
J114	15	2C017-10	2F035-14	20266800	FA705	CONTR0LR	01	A
J115	37	1F008-11	2L002-14	20238200	3234B			
J115	15	2E030-15*	2H008- 3	20238100	3234B			

J115	7	2H008- 3	2I011-13	20266800	FA705	CONTROLR	01	A
J115	13	2I011-13	2L002-14	20266800	FA705	CONTROLR	01	A
J116	7	2D030- 1*	2E030-14	20238100	3234B			
J117	10	2A031- 3	2C031-15*	20238100	3234B			
J118	8	2D034-10	2F031- 6*	20266800	FA705	CONTROLR	07	A
J119	7	2D033- 3	2E042- 1*	20266800	FA705	CONTROLR	01	A
J120	5	2E028- 1*	2E036- 3	20238100	3234B			
J120	2	2E036- 3	2E036- 4	20238100	3234B			
J121	10	1C035- 2	1E036-15*	20266800	FA705	CONTROLR	07	A
J122	26	1D034-12	2C032-15*	20266800	FA705	CONTROLR	01	A
J123	3	2E031- 3	2F031-11	20238100	3234B			
J123	25	1D034-15*	2E031- 3	20266800	FA705	CONTROLR	01	A
J125	4	2D038-15*	2E034- 2	20238100	3234B			
J126	10	1F003- 4	1F023- 1*	20266800	FA705	CONTROLR	09	A
J126	38	1F003- 4	2G026-13	20266800	FA705	CONTROLR	09	A
J127	6	2C035- 5	2C042-15*	20266800	FA705	CONTROLR	01	A
J128	12	1D022-11	1F003- 3*	20266800	FA705	CONTROLR	09	A
J128	33	1D022-11	2D039- 6	20266800	FA705	CONTROLR	09	A
J129	2	2E018-10	2E019-11	20238100	3234B			
J129	13	2R024- 5	2E019-11	20266800	FA705	CONTROLR	01	A
J129	11	1D022-15*	1E001- 6	20266800	FA705	CONTROLR	09	A
J129	33	1E001- 6	2E018-10	20266800	FA705	CONTROLR	09	A
J130	5	2C030- 1*	2C036-11	20238100	3234B			
J130	6	2C036-11	2D030-11	20238100	3234B			
J131	7	2D030-10*	2F039- 3	20238100	3234B			
J131	7	2C036-13	2E039- 3	20238100	3234B			
J131	9	2A039-13	2C036-13	20238100	3234B			
J132	4	2R024-10*	2R027- 3	20238100	3234B			
J132	28	2R027- 3	2J038- 3	20238100	3234B			
J132	2	2J038- 3	2J038- 5	20238100	3234B			
J132	11	2J015- 4	2J038- 5	20238100	3234B			
J132	2	2J015- 2	2J015- 4	20238100	3234B			
J133	2	2I042- 2	2I042- 4	20238100	3234B			
J133	3	2I042- 4	2I042-11	20238100	3234B			
J133	2	2I042-11	2I042-13	20238100	3234B			
J133	7	2R030- 5	2C033-15*	20238100	3234B			
J133	12	2F029-14	2I042- 2	20238100	3234B			
J133	8	2E018-12	2F029-14	20238100	3234B			
J133	6	2D014-11	2F018-12	20238100	3234B			
J133	12	2R030- 5	2D014-11	20238100	3234B			
J134	2	2C033-5	2C034-5					
J134	4	1C042-10	1D041-5				09	A
J134	19	1D041- 5	1E002-2				09	A
J134	10	2D035-11	2F029-15*	20238100	3234B			
J134	3	2D035- 3	2D035-11	20238100	3234B			
J134	5	2C034- 5	2D035- 3	20238100	3234B			
J134	9	2A029- 5	2C033- 5	20238100	3234B			
J134	21	1C042-10	2A029- 5	20238200	3234B			
J134	3	1F002- 2	1F002-11	20266800	FA705	CONTROLR	01	A
J135	35	1D010-14	2G021-15*				09	A
J136	6	2D037- 1*	2E042- 2	20266800	FA705	CONTROLR	01	A
J137	5	2D037-15*	2E042- 3	20266800	FA705	CONTROLR	01	A
J140	5	1D028-12	1E022- 1*	20266800	FA705	CONTROLR	09	A
J140	27	1D028-12	2C025- 3	20266800	FA705	CONTROLR	09	A
J142	15	2R039- 5	2D013- 1*	20266800	FA705	CONTROLR	01	A
J143	3	2A032- 6	2A034- 2	20238100	3234B			
J143	6	2A034- 2	2R027- 1*	20238100	3234B			
J143	32	1F034-11	2A032- 6	20266800	FA705	CONTROLR	09	A
J145	14	2D004-15*	2H012- 5	20238100	3234B			
J146	3	2F033-14	2F035-15*	20238100	3234B			
J147	10	2F014-10	2F033-15*	20238100	3234B			

J14R	5	2C033-10*	2C040- 2	20238100	32348
J149	10	2A029- 6*	2C033-12	20238100	32348
J150	7	2F034- 4	2F031-15*	20238100	32348
J151	4	2F018- 2	2F019-14	20238100	32348
J151	18	2F019-14	2L018- 2	20238100	32348
J151	9	2L018- 2	2L035- 2	20238100	32348
J151	17	1F024-14	2F009-15*	20238200	32348
J151	18	1F024-14	2F012-13	20238200	32348

J151	5	2F012-13	2F018- 2	20266800	FA705	CONTROLR	01	A
J152	9	2F019- 3	2F008-13	20238100	32348			
J152	29	1C030- 6	2A038- 5	20238200	32348			
J152	7	2F008-13	2F018- 1*	20266800	3553-1	FA705	010	A
J152	5	2D013-12	2F019- 3	20266800	3553-1	FA705	010	A
J152	17	2A038- 5	2D013-12	20266800	3553-1	FA705	010	A
J160	10	2A035- 1*	2C034-10	20238100	32348			
J161	10	2A036- 1*	2C034-11	20238100	32348			
J162	10	2A037- 1*	2C034-12	20238100	32348			
J163	7	2B037- 1*	2C034-13	20266800	FA705	CONTROLR	01	A
J164	6	2B028-14	2C034-15*	20238100	32348			
J164	25	1D029- 5	2B028-14	20238200	32348			
J165	24	1D040-14	2B028-15*	20266800	FA705	CONTROLR	01	A
J165	7	1D029-11	1D040-14	20266800	FA705	CONTROLR	01	A
J166	29	1D039-15*	2B037- 2	20266800	FA705	CONTROLR	08	24703 A
J171	21	1F035-14	2G026- 1*	20238200	32348			
J172	19	1F034-10*	2A001-12	20266800	FA705	CONTROLR	09	A
J180	12	1D027- 2	1F016-15*	20238000	32348			
J181	15	2A011-11	2C039-11	20266800	FA705	CONTROLR	08	24703 A
J181	6	2A039-10	2B036-10*	20238100	32348			
J181	13	2A011-11	2A039-10	20238100	32348			
J183	27	2A002-15*	2I019- 2	20266800	FA705	CONTROLR	01	A
J184	8	2G030-14	2I019- 1*	20266800	FA705	CONTROLR	07	A
J184	13	2F006-12	2G030-14	20266800	FA705	CONTROLR	07	A
J200	13	1D019- 1*	1F033-13	20266800	FA705	CONTROLR	01	A
J201	8	1F021- 5	1F033-15*	20266800	FA705	CONTROLR	01	A
J201	9	1D019- 4	1F021- 5	20266800	FA705	CONTROLR	01	A
J202	4	1D016- 2	1D019- 6*	20266800	FA705	CONTROLR	01	A
J203	14	1D016- 2	1F036-14	20266800	FA705	CONTROLR	01	A
J203	8	1F021-10	1F036-15*	20266800	FA705	CONTROLR	01	A
J204	14	1D016- 3	1F037-15*	20266800	FA705	CONTROLR	01	A
J205	4	1D016- 1*	1D019-12	20266800	FA705	CONTROLR	01	A
J205	8	1D019-12	1F021-12	20266800	FA705	CONTROLR	01	A
J206	4	1D016- 4	1D019-10*	20266800	FA705	CONTROLR	01	A
J206	15	1D016- 4	1F038-14	20266800	FA705	CONTROLR	01	A
J207	9	1F022- 3	1F038-15*	20266800	FA705	CONTROLR	01	A
J208	15	1D016- 5	1F039-15*	20266800	FA705	CONTROLR	01	A
J209	4	1D016- 6*	1D019-13	20266800	FA705	CONTROLR	01	A
J209	7	1D019-13	1F022- 5	20266800	FA705	CONTROLR	01	A
J210	4	1D016-11	1D019-15*	20266800	FA705	CONTROLR	01	A
J210	15	1D016-11	1F040-14	20266800	FA705	CONTROLR	01	A
J211	10	1F022-10	1F040-15*	20266800	FA705	CONTROLR	01	A
J212	15	1D016-12	1F041-15*	20266800	FA705	CONTROLR	01	A
J213	10	1D016-10*	1F022-12	20266800	FA705	CONTROLR	01	A
J214	7	1D026-11	1F021- 1*	20266800	FA705	CONTROLR	01	A
J215	7	1D026-12	1F022- 1*	20266800	FA705	CONTROLR	01	A

J216	3	1D017- 3	1D018- 1*	20266800	FA705	CONTROLR	01	A
J217	4	1D017- 4	1D018-15*	20266800	FA705	CONTROLR	01	A
J218	4	1D017- 5	1D020- 1*	20266800	FA705	CONTROLR	01	A
J219	3	1D023-10	1D026-10*	20266800	FA705	CONTROLR	07	A
J220	3	1F020- 6	1F020-11	20238000	3234B			
J220	3	1F020-11	1F022-15*	20266800	FA705	CONTROLR	01	A
J220	38	1F020- 6	2I038- 3	20266800	FA705	CONTROLR	01	A
J221	6	1D017-11	1D025- 1*	20266800	FA705	CONTROLR	01	A
J222	5	1D017-12	1D022- 1*	20266800	FA705	CONTROLR	01	A
J223	6	1D017-13	1D024- 1*	20266800	FA705	CONTROLR	01	A
J224	31	1D017-15*	2J008- 6	20266800	FA705	CONTROLR	01	A
J225	6	1D017- 1*	1E020- 2				09	A
J225	18	1C010- 4	1F019- 6				09	A
J225	10	1C010- 4	1E020- 2	20266800	FA705	CONTROLR	01	A
J226	10	1D023- 1*	1F022-14	20266800	FA705	CONTROLR	07	A
J227	10	1C010- 6*	1E021- 4	20266800	FA705	CONTROLR	01	A
J228	6	1E021- 1*	1F019- 5	20266800	FA705	CONTROLR	01	A
J229	10	1D023- 5	1F027-10*	20266800	FA705	CONTROLR	07	A
J230	3	1D023-12	1D025-15*	20266800	FA705	CONTROLR	07	A
J231	10	2G030-11	2I020-10*	20266800	FA705	CONTROLR	07	A
J232	7	1F032- 1*	1F042-13	20266800	FA705	CONTROLR	01	A
J233	6	1F032- 6*	1F041-13	20266800	FA705	CONTROLR	01	A
J234	5	1F032-10*	1F040-13	20266800	FA705	CONTROLR	01	A
J235	5	1F032-15*	1F039-13	20266800	FA705	CONTROLR	01	A
J236	6	1F031- 1*	1F038-13	20266800	FA705	CONTROLR	01	A
J237	5	1F031- 6*	1F037-13	20266800	FA705	CONTROLR	01	A
J238	4	1F031-10*	1F036-13	20266800	FA705	CONTROLR	01	A
J239	4	1F031-15*	1F035-13	20266800	FA705	CONTROLR	01	A
J240	23	1F042- 1*	2L002- 3	20238200	3234B			
J241	24	1F041- 1*	2L002-12	20238200	3234B			
J242	23	1F040- 1*	2L001- 3	20238200	3234B			
J243	24	1F039- 1*	2L001-11	20238200	3234B			
J244	21	1F038- 1*	2K002- 3	20238200	3234B			
J245	22	1F037- 1*	2K002-12	20238200	3234B			
J246	21	1F036- 1*	2K001- 3	20238200	3234B			
J247	25	1F035- 1*	2K001-12	20238200	3234B			
J248	29	1D040-15*	2L005- 3	20266800	FA705	CONTROLR	01	A
J252	28	1F028- 1*	2L006- 3	20266800	FA705	CONTROLR	01	A
J252	13	2I019- 5	2L006- 3	20266800	FA705	CONTROLR	01	A
J252	10	2I019- 5	2I038-11	20266800	FA705	CONTROLR	01	A
J253	4	1F033- 1*	1F035-12	20266800	FA705	CONTROLR	01	A
J253	2	1F035-12	1F036-12	20266800	FA705	CONTROLR	01	A
J253	2	1F036-12	1F037-12	20266800	FA705	CONTROLR	01	A
J253	2	1F037-12	1F038-12	20266800	FA705	CONTROLR	01	A
J253	2	1F038-12	1F039-12	20266800	FA705	CONTROLR	01	A
J253	2	1F039-12	1F040-12	20266800	FA705	CONTROLR	01	A
J253	2	1F040-12	1F041-12	20266800	FA705	CONTROLR	01	A
J253	2	1F041-12	1F042-12	20266800	FA705	CONTROLR	01	A
J254	3	1F033- 6*	1F035-10	20266800	FA705	CONTROLR	01	A
J254	2	1F035-10	1F036-10	20266800	FA705	CONTROLR	01	A
J254	2	1F036-10	1F037-10	20266800	FA705	CONTROLR	01	A
J254	2	1F037-10	1F038-10	20266800	FA705	CONTROLR	01	A
J254	2	1F038-10	1F039-10	20266800	FA705	CONTROLR	01	A
J254	2	1F039-10	1F040-10	20266800	FA705	CONTROLR	01	A
J254	2	1F040-10	1F041-10	20266800	FA705	CONTROLR	01	A
J254	2	1F041-10	1F042-10	20266800	FA705	CONTROLR	01	A
J255	3	1F027-13	1F028-15*	20238000	3234B			
J255	8	1E036- 4	1F027-13	20266800	FA705	CONTROLR	01	A
J256	2	1F035- 5	1F036- 5	20266800	FA705	CONTROLR	01	A
J256	2	1F036- 5	1F037- 5	20266800	FA705	CONTROLR	01	A
J256	2	1F037- 5	1F038- 5	20266800	FA705	CONTROLR	01	A
J256	2	1F038- 5	1F039- 5	20266800	FA705	CONTROLR	01	A
J256	2	1F039- 5	1F040- 5	20266800	FA705	CONTROLR	01	A

J256	2	1F040- 5	1F041- 5	20266800	FA705	CONTROLR	01	A
J256	2	1F041- 5	1F042- 5	20266800	FA705	CONTROLR	01	A
J256	10	1E017-10*	1F035- 5	20266800	FA705	CONTROLR	01	A
J258	2	2I032-10*	2I032-13	20266800	FA705	CONTROLR	01	A
J259	2	2A014-11	2A014-13	20266800	FA705	CONTROLR	01	A
J259	27	1D021- 1*	2A014-13	20266800	FA705	CONTROLR	01	A
J260	16	2I032-15*	2L008-11	20266800	FA705	CONTROLR	01	A
J260	5	2L003- 2	2L008-11	20266800	FA705	CONTROLR	01	A
J260	4	2K001-11	2L003- 2	20266800	FA705	CONTROLR	01	A
J261	7	2H008- 1*	2I008-11	20266800	FA705	CONTROLR	01	A
J261	7	2I008-11	2I019- 4	20266800	FA705	CONTROLR	01	A
J262	10	2I019- 6*	2I038-10	20266800	FA705	CONTROLR	01	A
J263	2	2K001- 2	2K002- 2	20238100	3234B			
J263	3	2K002- 2	2K002-11	20238100	3234B			
J263	2	2L001- 2	2L002- 2	20238100	3234B			
J263	3	2L002- 2	2L002-11	20238100	3234B			
J263	2	2L001-12	2L002-11	20238100	3234B			
J263	5	2I032-11	2I038-15*	20266800	FA705	CONTROLR	01	A
J263	17	2I032-11	2K001- 2	20266800	FA705	CONTROLR	01	A
J263	4	2K002-11	2L001- 2	20266800	FA705	CONTROLR	01	A
J264	4	2I007-11	2I011-15*	20266800	FA705	CONTROLR	01	A
J265	5	2I007-10*	2J003- 2	20238100	3234B			
J266	6	1F027-15*	1F035- 3	20266800	FA705	CONTROLR	01	A
J266	2	1F035- 3	1F036- 3	20266800	FA705	CONTROLR	01	A
J266	2	1F036- 3	1F037- 3	20266800	FA705	CONTROLR	01	A
J266	2	1F037- 3	1F038- 3	20266800	FA705	CONTROLR	01	A
J266	2	1F038- 3	1F039- 3	20266800	FA705	CONTROLR	01	A
J266	2	1F039- 3	1F040- 3	20266800	FA705	CONTROLR	01	A
J266	2	1F040- 3	1F041- 3	20266800	FA705	CONTROLR	01	A
J266	2	1F041- 3	1F042- 3	20266800	FA705	CONTROLR	01	A
J267	2	2K001- 4	2K002- 4	20238100	3234B			
J267	3	2K002- 4	2K002-13	20238100	3234B			
J267	4	2K002-13	2L001- 4	20238100	3234B			
J267	2	2L001- 4	2L002- 4	20238100	3234B			
J267	3	2L002- 4	2L002-13	20238100	3234B			
J267	4	2J001-12	2K001- 4	20238100	3234B			
J267	7	2I008-10*	2J001-12	20266800	FA705	CONTROLR	01	A
J268	28	1E036- 6*	2L005-11	20238200	3234B			
J269	14	1C035-13	1D010-15*	20266800	FA705	CONTROLR	01	A
J269	30	1C035-13	2F033-11	20266800	FA705	CONTROLR	01	A
J270	33	1D010- 1*	2C032-13	20238200	3234B			
J271	3	1D006- 2	1D007- 6*	20238000	3234B			
J271	34	1D006- 2	2F016-11	20266800	FA705	CONTROLR	07	A
J271	9	2F016-11	2G030- 4	20266800	FA705	CONTROLR	07	A
J271	3	2G030- 4	2G030-12	20266800	FA705	CONTROLR	07	A
J272	5	2J006-11	2J014-10*	20238100	3234B			
J272	13	2G020-14	2J006-11	20238100	3234B			
J272	29	1E021- 5	2G020-14	20266800	FA705	CONTROLR	01	A
J272	2	1E021- 3	1E021- 5	20266800	FA705	CONTROLR	01	A
J273	30	1D010-10*	2B021-14	20238200	3234B			
J273	26	2B021-14	2I034-14	20238100	3234B			
J276	8	2G032- 3	2I034- 1*	20238100	3234B			
J277	10	2G031- 3	2I034-15*	20238100	3234B			
J278	3	1D009- 5	1D009-12	20266800	FA705	CONTROLR	01	A
J278	35	2A002-13	2L004-12	20266800	FA705	CONTROLR	01	A
J278	27	1D009- 5	2A002-13	20266800	FA705	CONTROLR	01	A
J278	15	2I017-3	2L004-12	20266800	FA705	CONTROLR	07	A
J278	3	2I017-3	2I020-6	20238000	3234B			
J280	5	1C008- 1*	1D008- 3					

J2A0	2	1D007- 4	1D008- 5	2023A000	3234B				
J2A0	3	1D008-12	1D009-14	2023A000	3234B				
J2A0	2	1D008- 3	1D008- 5	20266A00	FA705	CONTROLR	01		A
J2A0	3	1D007- 4	1D008-12	20266A00	FA705	CONTROLR	01		A
J2A0	6	1D009-14	1E017- 2	20266800	FA705	CONTROLR	01		A
J2A1	3	1C007- 3	1C008- 6*	2023A000	3234B				
J2A1	3	1C007- 3	1C007-11	2023A000	3234B				
J2A1	4	1C007-11	1D007- 3	20266A00	FA705	CONTROLR	01		A
J2A1	10	1D008-14	1F023-2	20266A00	FA705	CONTROLR	01		A
J281	34	1F023-2	2D036-2						
J2A1	3	1D007- 3	1D007-11	20266A00	FA705	CONTROLR	01		A
J2A1	3	1D007-11	1D008-14	20266A00	FA705	CONTROLR	01		A
J2A2	3	2E019- 5	2E020-12	2023A100	3234B				
J2A2	11	2C036-12	2E019- 5	2023A100	3234B				
J2A2	28	1E029- 2	2C036-12	2023A200	3234B				
J2A2	9	1F001- 2	1F016-13	20266A00	FA705	CONTROLR	01		A
J2A2	5	2I007-13	2J006-10*	20266A00	FA705	CONTROLR	07		A
J2A2	17	2E020-12	2I007-13	20266A00	FA705	CONTROLR	07		A
J2A2	10	1E029- 2	1F016-13	20266800	FA705	CONTROLR	07		A
J2A3	7	1D028-15*	1D041-14	20266A00	FA705	CONTROLR	01		A
J2A3	25	1D041-14	2D039-14	20266A00	FA705	CONTROLR	01		A
J2A4	26	1D041-15*	2R032-13	20266A00	FA705	CONTROLR	01		A
J2A5	12	2D016-14	2E039- 1*	2023A100	3234B				
J2A5	10	2D016-14	2G017- 4	2023A100	3234B				
J2A5	5	2G017- 4	2H014- 2	20266A00	FA705	CONTROLR	07		A
J2A6	9	2D016-15*	2G017- 2	2023A100	3234B				
J2A6	7	2G017- 2	2H016-13	2023A100	3234B				
J2A6	30	1E018- 3	2H016-13	20266800	FA705	CONTROLR	01		A
J2A7	10	2R021-15*	2R039-12	2023A100	3234B				
J2A8	23	1F025-13	2I007-15*	20266A00	FA705	CONTROLR	07		A
J2A9	20	2F019-10*	2K001- 5	2023A100	3234B				
J290	7	2C038-10*	2E039- 5	2023A100	3234B				
J291	9	1D010- 6*	1E022-12	20266800	FA705	CONTROLR	01		A
J291	35	1E022-12	2D039- 4	20266A00	FA705	CONTROLR	01		A
J293	23	2G039- 3	2G020-15*	2023A100	3234B				
J294	7	1D028-10*	1E039- 3	2023A000	3234B				
J295	46	1C008-10*	2J039-12	2023A200	3234B				
J296	6	2I040- 2	2J039-10*	2023A100	3234B				
J297	5	1E032-14	1E036- 1*	20266800	FA705	CONTROLR	01		A
J298	18	2F019- 1*	2J008-10	20266A00	FA705	CONTROLR	01		A
J299	9	2R021-10*	2R039-10	2023A100	3234B				
J299	28	2R039-10	2J033-12	2023A100	3234B				
J400	9	2H002-10*	2J007-13	20266A00	FA705	CONTROLR	01		A
J401	4	1F008- 5	1F009-15*	20266A00	FA705	CONTROLR	01		A
J401	13	1F008- 4	1F008- 5	20266A00	FA705	CONTROLR	01		A
J402	13	1C036-12	2D001-10*	20266800	FA705	CONTROLR	01		A
J402	3	1C036- 3	1C006-12	20266A00	FA705	CONTROLR	01		A
J403	15	2F002- 1*	2I020- 2	20266A00	FA705	CONTROLR	01		A
J404	15	2F004- 1*	2I020- 3	20266A00	FA705	CONTROLR	01		A
J405	7	2H009-15	2I020- 1*	20266800	FA705	CONTROLR	01		A
J406	17	2R023- 4	2F015-15*	20266A00	FA705	CONTROLR	01		A
J406	2	2R023- 2	2R023- 4	20266A00	FA705	CONTROLR	01		A
J407	13	2R023- 1*	2D003- 2	20266A00	FA705	CONTROLR	01		A
J407	2	2D002- 2	2D003- 2	20266A00	FA705	CONTROLR	01		A
J407	3	2D002- 2	2D002-11	20266A00	FA705	CONTROLR	01		A
J407	2	2D002-11	2D003-11	20266A00	FA705	CONTROLR	01		A
J408	12	2R023- 6*	2C002- 2	20266800	FA705	CONTROLR	01		A
J408	6	2C002- 2	2D005- 2	20266A00	FA705	CONTROLR	01		A
J408	2	2D005- 2	2D006- 2	20266800	FA705	CONTROLR	01		A
J408	3	2D006- 2	2D006-11	20266A00	FA705	CONTROLR	01		A
J408	2	2D005-11	2D006-11	20266A00	FA705	CONTROLR	01		A
J410	26	2C004- 6	2K007- 1*	20266800	FA705	CONTROLR	01		A
J411	39	2A040- 6	2K007- 6*	20266A00	FA705	CONTROLR	01		A

J412	27	2C003- 6	2K007-10*	20266800	FA705	CONTROLR	01	A
J413	27	2C003-14	2K007-15*	20266800	FA705	CONTROLR	01	A
J423	6	2I009- 1*	2J014- 4	20266800	FA705	CONTROLR	01	A
J424	6	2I010- 1*	2J014- 5	20266800	FA705	CONTROLR	01	A
J425	15	2J014- 6*	1G042- 2	20266800	FA705	CONTROLR	08	24703 A
J900	10	1D022-14	1E004- 1*	20266800	FA705	CONTROLR	01	A
J901	9	1C010- 1*	1E004- 2	20266800	FA705	CONTROLR	01	A
J902	36	1D015-11	2D039-12	20266800	FA705	CONTROLR	01	A
J902	9	1E001- 5	1E017- 1*	20266800	FA705	CONTROLR	09	A
J902	9	1D015-11	1E001- 5	20266800	FA705	CONTROLR	09	A
J903	4	1D010- 5	1D015-10*	20266800	FA705	CONTROLR	01	A
J903	38	1D010- 5	2D039-13	20266800	FA705	CONTROLR	01	A
J904	17	2B013- 3	2F003-10*	20266800	FA705	CONTROLR	01	A
J904	2	2B013- 3	2B014- 3	20266800	FA705	CONTROLR	01	A
J904	2	2B014- 3	2B015- 3	20266800	FA705	CONTROLR	01	A
J904	2	2B015- 3	2B016- 3	20266800	FA705	CONTROLR	01	A
J904	2	2B016- 3	2B017- 3	20266800	FA705	CONTROLR	01	A
J904	2	2B017- 3	2B018- 3	20266800	FA705	CONTROLR	01	A
J904	2	2B018- 3	2B019- 3	20266800	FA705	CONTROLR	01	A

J904	2	2B019- 3	2B020- 3	20266800	FA705	CONTROLR	01	A
J905	9	1E004-10	1E022-10*	20266800	FA705	CONTROLR	01	A
J905	3	1E004- 4	1E004-10	20266800	FA705	CONTROLR	01	A
J906	13	1D041- 1*	2C006- 4	20266800	FA705	CONTROLR	09	A
J906	4	2C006- 4	2C008-13	20266800	FA705	CONTROLR	09	A
J907	12	1D021- 6*	1F003- 2	20266800	FA705	CONTROLR	09	A
K000	17	2E030-12	2H005-11	20238100	3234B			
K000	15	2D001-11	2H005-11	20266800	FA705	CONTROLR	01	A
K000	5	1C041- 5	1D042- 1*	20266800	FA705	CONTROLR	01	A
K000	15	1C041- 5	1D015-13	20266800	FA705	CONTROLR	01	A
K000	20	1D015-13	2D001-11	20266800	FA705	CONTROLR	01	A
K001	15	1D042-15*	2H005- 5	20238200	3234B			
K002	3	1C041- 4	1C042- 1*	20238000	3234B			
K002	15	1C041- 4	1D015-14	20266800	FA705	CONTROLR	01	A
K002	6	1D015-14	1E021-12	20266800	FA705	CONTROLR	01	A
K002	30	1E021-12	2E030- 5	20266800	FA705	CONTROLR	01	A
K003	35	2E030-10	1F007-13	20266800	FA705	CONTROLR	08	24703 A
K003	5	1C038- 3	1C042-15*	20266800	FA705	CONTROLR	01	A
K003	9	1E021-14	1F007-13	20266800	FA705	CONTROLR	01	A
K003	13	1C038- 3	1E021-14	20266800	FA705	CONTROLR	07	A
K004	4	1C040-10	1C041- 1*	20238000	3234B			
K005	3	1C040- 4	1C041- 6*	20238000	3234B			
K005	5	1C033- 6	1C040- 4	20238000	3234B			
K005	22	1C033- 6	2H005- 6	20238200	3234B			
K006	4	1C035- 4	1C040- 1*	20238000	3234B			
K006	18	1C035- 4	1F007-10	20238000	3234B			
K007	3	1C040-15*	1C041-12	20238000	3234B			
K007	4	1C041-12	1D038- 2	20238000	3234B			
K007	3	1F007- 5	1F007-12	20238000	3234B			
K007	32	1F007-12	2F030-12	20238200	3234B			
K007	18	1D038- 2	1F007- 5	20238000	3234B			
K008	4	1C031-12	1C033- 5	20238000	3234B			
K008	4	1C033- 5	1C038- 2	20238000	3234B			
K008	3	1C037-10	1C038- 2	20238000	3234B			
K008	6	1C031-12	1C041-10*	20266800	FA705	CONTROLR	01	A
K008	4	1C037-10	1D038- 3	20266800	FA705	CONTROLR	01	A

K008	12	1D038- 3	2D001-12	20266800	FA705	CONTROLR	01		A
K008	17	2D001-12	2F030-11	20266800	FA705	CONTROLR	01		A
K009	8	2B027- 5	2C017-14	20238100	32348				
K009	21	1C041-15*	1F005-13	20266800	FA705	CONTROLR	01		A
K009	20	1D042-13	1F005-13	20266800	FA705	CONTROLR	01		A
K009	14	1D042-13	2F005-11	20266800	FA705	CONTROLR	01		A
K009	19	2B027- 5	2F005-11	20266800	FA705	CONTROLR	01		A
K009	12	2C017-14	2F030- 2	20266800	FA705	CONTROLR	01		A
K010	7	1C024- 6	1C036-10*	20238000	32348				
K011	26	1C036-15*	2B039-13	20238200	32348				
K011	32	2B039-13	2L032- 3	20238100	32348				
K011	6	2L021- 3	2L032- 3	20238100	32348				
K013	16	1C036- 6*	2D014-13	20238200	32348				
K014	3	1C034- 1*	1C037- 2	20238000	32348				
K017	4	1C033-12	1C037-15*	20238000	32348				
K017	6	1C033-12	1C042-12	20238000	32348				
K017	22	1C042-12	2E031-12	20238200	32348				
K017	4	2D031-12	2D032- 3	20238100	32348				
K017	5	2D032- 3	2D040- 4	20238100	32348				
K017	4	2E031- 2	2E031-12	20238100	32348				
K017	3	2D031-12	2E031- 2	20238100	32348				
K018	4	1C032-10	1C033- 1*	20238000	32348				
K018	4	1C034-13	1C038-12	20238000	32348				
K018	3	1C032-10	1C034-13	20238000	32348				
K019	3	1C032-12	1C033-15*	20238000	32348				
K019	3	1C032- 5	1C032-12	20238000	32348				
K021	3	1C032-15*	1C034-11	20238000	32348				
K021	4	1C034-11	1C038-11	20238000	32348				
K022	3	1C032- 6	1C034-10*	20238000	32348				
K022	5	1C032- 6	1C038-13	20238000	32348				
K023	3	1C034-15*	1C035-11	20238000	32348				
K030	21	2D013- 3	2I002-12	20266800	FA705	CONTROLR	08	24703	A
K030	5	1E023- 1*	1E029- 4	20266800	FA705	CONTROLR	01		A
K030	10	1D027- 3	1F025-10	20266800	FA705	CONTROLR	01		A
K030	6	1E029- 4	1E036-13	20266800	FA705	CONTROLR	07		A
K030	8	1E036-13	1F025-10	20266800	FA705	CONTROLR	07		A
K030	20	1D027- 3	2D013- 3	20266800	FA705	CONTROLR	07		A
K031	5	1F023-15*	1F024-12	20238000	32348				
K031	3	1F024-12	1F025- 6	20238000	32348				
K031	11	2B036-11	2E030- 3	20238100	32348				
K031	30	1F025- 6	2E030- 3	20266800	FA705	CONTROLR	07		A
K032	4	1F024-11	1F025- 1*	20238000	32348				
K032	21	1F024-11	2F019-12	20238200	32348				
K033	18	1F025-15*	2H008- 5	20238200	32348				
K034	4	1E025-10	1E029- 1*	20238000	32348				
K034	4	1E025-10	1E029-13	20238000	32348				
K034	5	1E029-13	1F028-10	20238000	32348				
K035	3	1E025- 2	1E028- 2	20238000	32348				
K035	4	1E025- 2	1E029- 6*	20238000	32348				
K035	18	1F028- 2	2F003-12	20266800	FA705	CONTROLR	01		A
K035	13	2F003-12	2G029- 4	20266800	FA705	CONTROLR	01		A
K036	4	1E025- 3	1E029-10*	20238000	32348				
K036	4	1E025- 3	1E030- 4	20238000	32348				
K036	6	1D033- 4	1E030- 4	20238000	32348				
K036	13	1D033- 4	2B002- 4	20238200	32348				
K036	2	2B002- 2	2B002- 4	20238100	32348				
K036	5	2A001- 4	2B002- 2	20238100	32348				
K037	4	1E024- 3	1E028- 5	20238000	32348				
K037	4	1E028- 5	1E029-15*	20266800	FA705	CONTROLR	01		A
K037	8	1E024- 3	1F033-12	20266800	FA705	CONTROLR	01		A
K038	4	1E030- 1*	1E030-13	20238000	32348				
K038	4	1E030-13	1F033- 2	20238000	32348				

K039	32	1F028- 2	2L006-12	20238200	32348			
K039	3	1E028-11	1E030- 6*	20238000	32348			
K039	4	1F028-11	1F028- 2	20238000	32348			
K040	3	1E030-10*	1E031- 4	20238000	32348			
K040	28	1F033- 4	2L006-13	20266800	FA705	CONTROLR	01	A
K040	6	1D040-13	1E031- 4	20266800	FA705	CONTROLR	01	A
K040	8	1D040-13	1F033- 4	20266800	FA705	CONTROLR	01	A
K041	3	1E028-13	1E030-15*	20238000	32348			
K041	5	1F028-13	1F033- 3	20238000	32348			
K041	33	1F033- 3	2I038-13	20266800	FA705	CONTROLR	01	A
K042	4	1F031- 1*	1E031-13	20238000	32348			
K042	27	1E031-13	2L005- 4	20238200	32348			
K042	19	2I038-14	2L005- 4	20266800	FA705	CONTROLR	01	A
K043	3	1F031- 6*	1E033- 2	20238000	32348			
K043	5	1F028-11	1F033- 5	20238000	32348			
K043	5	1E033- 2	1F033- 5	20266800	FA705	CONTROLR	01	A
K044	3	1E031-10*	1E032- 4	20238000	32348			
K044	7	1F032- 4	1F028-12	20266800	FA705	CONTROLR	01	A
K044	8	1E017-11	1F028-12	20266800	FA705	CONTROLR	01	A
K045	4	1E031-15*	1E033- 4	20238000	32348			
K045	29	1E033- 4	2L004- 4	20266800	FA705	CONTROLR	01	A
K046	3	1D028- 5	1D029-10	20238000	32348			
K046	2	1D028- 2	1D028- 5	20238000	32348			
K046	4	1D029-10	1E032- 1*	20266800	FA705	CONTROLR	01	A
K046	7	1D028- 2	1E019- 4	20266800	FA705	CONTROLR	01	A
K046	32	1E019- 4	2L004- 3	20266800	FA705	CONTROLR	01	A
K047	6	1F032- 6*	1F024- 2	20238000	32348			
K047	29	1D028-13	2R036-12	20238200	32348			
K047	6	1E017-12	1F024- 2	20266800	FA705	CONTROLR	01	A
K047	8	1D028-13	1F017-12	20266800	FA705	CONTROLR	01	A
K048	2	1E032-10*	1E033-11	20266800	FA705	CONTROLR	01	A
K048	7	1D027- 4	1E033-11	20266800	FA705	CONTROLR	01	A
K048	32	1D027- 4	2D041- 5	20266800	FA705	CONTROLR	07	A
K049	9	1E019- 2	1F028-13	20238000	32348			
K049	6	1F032-15*	1F028-13	20266800	FA705	CONTROLR	01	A
K053	6	1D033- 6*	1F028- 4	20238000	32348			
K053	20	1E028- 4	2R012-14	20238200	32348			
K053	2	2R012-12	2R012-14	20238100	32348			
K053	3	2R012- 5	2R012-12	20238100	32348			
K053	2	2R012- 3	2R012- 5	20238100	32348			
K054	4	1E024-10	1E025- 1*	20238000	32348			
K054	7	1D033-14	1E024-10	20238000	32348			
K054	4	1D033- 2	1D033-14	20238000	32348			
K054	14	1D033- 2	2C007- 3	20238200	32348			
K055	4	1F024- 2	1E025-15*	20238000	32348			
K055	30	1E024- 2	2L006- 4	20238200	32348			
K056	22	1E024- 1*	2F011- 4	20266800	FA705	CONTROLR	01	A
K057	3	1E024-15*	1E025-13	20238000	32348			
K057	21	1E025-13	2C011- 2	20238200	32348			
K057	10	2C011- 2	2C028-14	20266800	FA705	CONTROLR	01	A
K058	15	2C007- 4	2E032- 4				09	A
K058	13	1F038- 5	2C007- 4	20238200	32348			
K058	3	1E038- 5	1E040-10*	20266800	FA705	CONTROLR	01	A
K058	11	2D014- 4	2E032- 4	20266800	FA705	CONTROLR	09	A
K059	4	1E038- 3	1E040-15*	20266800	FA705	CONTROLR	01	A
K059	18	1E038- 3	2C010- 2	20266800	FA705	CONTROLR	09	A
K060	15	1F038-14	2C010- 3				09	A
K060	6	2C010- 3	2B014- 5					

K060	16	1E03A-14	1F006-13	20238000	3234B				
K060	17	1E03A- 1*	1F006-13	20266800	FA705	CONTROLR	01		A
K060	6	2C010- 3	2D014- 5	20266800	FA705	CONTROLR	09		A
K061	3	2C024- 4	2C025-10	20266800	FA705	CONTROLR	01		A
K061	11	1D021- 3	1E038- 6*	20266800	FA705	CONTROLR	01		A
K061	11	1D021- 3	1E038-12	20266800	FA705	CONTROLR	01		A
K061	3	1E03A-12	1E040-13	20266800	FA705	CONTROLR	01		A
K061	14	2C025-10	2G029- 3	20266800	FA705	CONTROLR	01		A
K061	23	1E040-13	2C024- 4	20266800	FA705	CONTROLR	09		A
K062	7	1D02A-11	1E038-10*	20238000	3234B				
K063	4	1E034-14	1E038-15*	20238000	3234B				
K063	11	1D016-13	1E034-14	20266800	FA705	CONTROLR	01		A
K064	4	1E035- 4	1E039- 1*	20238000	3234B				
K064	4	1E035- 4	1E039-14	20238000	3234B				
K064	14	1E039-14	2C007- 5	20238200	3234B				
K065	3	1E039- 6*	1E039-12	20238000	3234B				
K065	18	1F039-12	2C011- 5	20266800	FA705	CONTROLR	01		A
K066	21	1E022- 2	2C011- 6	20238200	3234B				
K066	10	2C011- 6	2C030- 5	20238100	3234B				
K066	5	1E039-10*	1F034- 2	20266800	FA705	CONTROLR	01		A
K066	8	1F022- 2	1F034- 2	20266800	FA705	CONTROLR	01		A
K066	7	2A02A-11	2C030- 5	20266800	FA705	CONTROLR	01		A
K067	4	1E035- 5	1E039- 5	20238000	3234B				
K067	4	1F035- 5	1E039-15*	20266800	FA705	CONTROLR	01		A
K067	3	1E039- 5	1E040- 2	20266800	FA705	CONTROLR	01		A
K067	25	1F040- 2	2G029- 2	20266800	FA705	CONTROLR	01		A
K068	4	1D033-10*	1D036- 2	20238000	3234B				
K068	23	1D036- 2	2I007-12	20238200	3234B				
K069	4	1D033-15*	1D035- 2	20266800	FA705	CONTROLR	01		A
K069	10	1D035- 2	1F028- 6	20266800	FA705	CONTROLR	01		A
K070	4	1D032- 1*	1D037- 3	20238000	3234B				
K070	6	1D037- 3	1E032- 5	20266800	FA705	CONTROLR	09		A
K071	5	1D033-13	1E027- 2	20238000	3234B				
K071	20	1E027- 2	2G011-12	20238200	3234B				
K071	3	1D032- 6*	1D033-13	20266800	FA705	CONTROLR	07		A
K073	8	2G017-15*	2H005-13	20238100	3234B				
K073	16	1E040-12	2H005-13	20266800	FA705	CONTROLR	01		A
K073	29	1E040-12	2D041- 2	20266800	FA705	CONTROLR	01		A
K074	6	1E032-12	1E040- 1*	20266800	FA705	CONTROLR	01		A
K074	26	1E032-12	2G026-10	20266800	FA705	CONTROLR	01		A
K074	18	2B033-11	2G026-10	20266800	FA705	CONTROLR	01		A
K075	17	1E040- 6*	2A001-11	20266800	FA705	CONTROLR	09		A
K075	19	2A001-11	2B042- 2	20266800	FA705	CONTROLR	09		A
K081	22	2A03A-10	2G029-11	20238100	3234B				
K081	15	2G029-11	2I004- 6*	20266800	FA705	CONTROLR	01		A
K082	23	1F020- 1*	2F013- 5	20266800	FA705	CONTROLR	01		A
K083	19	1F020-15*	2F009-11	20238200	3234B				
K086	5	2A039- 2	2B038- 1*	20238100	3234B				
K087	5	2A03A- 3	2B038- 6*	20238100	3234B				
K087	7	2A03A- 3	2B034-13	20238100	3234B				
K087	30	2B034-13	2J008- 2	20266800	FA705	CONTROLR	01		A
K089	34	1F024- 4	2B038-15*	20238200	3234B				
K090	6	2I030-13	2J033-13	20238100	3234B				
K090	4	2B035-13	2B040-10*	20238100	3234B				
K090	24	2B035-13	2I030-13	20266800	FA705	CONTROLR	01		A
K090	13	2J00A- 5	2J033-13	20266800	FA705	CONTROLR	01		A
K090	31	1C02A- 6	2J00B- 5	20266800	FA705	CONTROLR	01		A
K091	5	2E024- 5	2E030- 2	20238100	3234B				
K091	8	2L019- 4	2L034- 4	20238100	3234B				
K091	7	2D014-14	2E024- 5	20266800	FA705	CONTROLR	01		A
K091	11	2B040-15*	2E030- 2	20266800	FA705	CONTROLR	01		A
K091	20	2D014-14	2I030-11	20266800	FA705	CONTROLR	01		A

K091	35	1E022-11	2L019- 4	20266800	FA705	CONTROLR	01	A
K091	11	2I030-11	2L034- 4	20266800	FA705	CONTROLR	01	A
K100	5	2C030- 4	2D031- 1*	20238100	3234B			
K100	26	1D034- 3	2C030- 4	20266800	FA705	CONTROLR	01	A
K102	2	2D032-13	2D033-12	20238100	3234B			
K102	7	2R032- 2	2R042-12	20266800	FA705	CONTROLR	01	A
K102	8	2B032- 2	2D032- 1*	20266800	FA705	CONTROLR	01	A
K102	9	2B042-12	2D035-12	20266800	FA705	CONTROLR	01	A
K102	4	2D030- 4	2D032-13	20266800	FA705	CONTROLR	01	A
K102	9	2D030- 4	2E017-12	20266800	FA705	CONTROLR	01	A
K102	3	2D033-12	2D035-12	20266800	FA705	CONTROLR	07	A

K103	3	2D034- 2	2D035- 5	20238100	3234B			
K103	4	2D030- 3	2D034- 2	20238100	3234B			
K103	3	2D030- 3	2D032- 6*	20266800	FA705	CONTROLR	01	A
K103	4	2D032-12	2D035- 5	20266800	FA705	CONTROLR	01	A
K103	9	2D032-12	2F035-13	20266800	FA705	CONTROLR	07	A
K103	4	2F031- 4	2F035-13	20266800	FA705	CONTROLR	07	A
K103	10	2F014-14	2F031- 4	20266800	FA705	CONTROLR	07	A
K104	3	2D031-10*	2D034-11	20266800	FA705	CONTROLR	01	A
K104	4	2D034-11	2D038- 4	20266800	FA705	CONTROLR	01	A
K105	4	2B041- 2	2B041-13	20238100	3234B			
K105	10	2B041-13	2D031-15*	20266800	FA705	CONTROLR	01	A
K106	4	2D032-10*	2E030- 4	20238100	3234B			
K107	4	2D032-15*	2D033- 2	20238100	3234B			
K107	18	2D033- 2	2H012- 3	20238100	3234B			
K107	28	1F006-11	2H012- 3	20238200	3234B			
K108	15	2F017- 1*	2H005-12	20266800	FA705	CONTROLR	01	A
K109	20	2D033- 4	2H005- 3	20238100	3234B			
K109	27	1E007- 3	2H005- 3	20238200	3234B			
K109	11	2D033- 4	2E017-15*	20266800	FA705	CONTROLR	01	A
K110	4	2D034- 1*	2D036-11	20238100	3234B			
K111	18	2D036- 4	2I040- 3	20238100	3234B			
K111	4	2D034-15*	2D036- 4	20238100	3234B			
K112	5	2C038- 5	2D033- 1*	20238100	3234B			
K112	10	2C038- 5	2F033-13	20238100	3234B			
K112	14	2E033-13	2H012- 4	20238100	3234B			
K112	27	1F007-11	2H012- 4	20238200	3234B			
K113	4	2D033-15*	2E033-11	20238100	3234B			
K113	11	2E033-11	2F014-11	20238100	3234B			
K113	27	1F007- 2	2F014-11	20238200	3234B			
K114	6	2D038-12	2E033-10*	20238100	3234B			
K114	22	2C031- 5	2H005- 4	20238100	3234B			
K114	25	1F007- 3	2H005- 4	20238200	3234B			
K114	7	2C031-10	2D038-12	20238100	3234B			
K114	3	2C031- 5	2C031-10	20238100	3234B			
K115	11	2C038- 4	2E033-15*	20238100	3234B			
K116	3	2C035- 1*	2C038- 2	20238100	3234B			
K116	3	2C037- 4	2C038- 2	20238100	3234B			
K116	10	2C037- 4	2E035-12	20238100	3234B			
K116	13	2D012- 5	2E035-12	20266800	FA705	CONTROLR	01	A

K117	4	2C035-15*	2C037- 2	20238100	32348				
K118	9	2C036- 1*	2E035- 6	20238100	32348				
K118	16	2C007-12	2E035- 6	20238100	32348				
K119	3	2C036- 6*	2C038- 3	20238100	32348				
K119	10	2C038- 3	2E035-11	20238100	32348				
K121	21	2D041-15*	2J033-14	20238100	32348				
K123	2	2E037- 6*	2E038- 5	20238100	32348				
K124	11	2C017- 5	2D035- 1*	20266800	FA705	CONTROLR	01		A
K124	18	2C017- 5	2G031-13	20266800	FA705	CONTROLR	01		A
K125	2	2B041- 3	2B041- 6	20238100	32348				
K125	11	2B041- 6	2E038- 4	20238100	32348				
K125	4	2D035-15*	2E038- 4	20238100	32348				
K126	17	2D035-10	2I040- 4	20238100	32348				
K126	5	2D035-10	2E037-10*	20238100	32348				
K127	7	2D038- 3	2E037-15*	20238100	32348				
K129	8	2A031- 6*	2C031- 4	20238100	32348				
K130	9	2C030- 2	2E036- 1*	20266800	FA705	CONTROLR	01		A
K130	27	1D034-11	2C030- 2	20266800	FA705	CONTROLR	01		A
K131	13	2E036-15*	2I040- 6	20238100	32348				
K132	3	2B032- 3	2B033- 5	20238100	32348				
K132	9	2E017-13	2E031- 1*	20266800	FA705	CONTROLR	01		A
K132	7	2E017-13	2E030-13	20266800	FA705	CONTROLR	01		A
K132	6	2D035-13	2E030-13	20266800	FA705	CONTROLR	01		A
K132	3	2D033-13	2D035-13	20266800	FA705	CONTROLR	01		A
K132	7	2C032- 4	2D033-13	20266800	FA705	CONTROLR	01		A
K132	5	2B033- 5	2C032- 4	20266800	FA705	CONTROLR	01		A
K132	7	2E034- 3	2E031-13	20238100	32348				
K133	3	2E031- 6*	2E034- 3	20266800	FA705	CONTROLR	01		A
K133	12	2F007-13	2F031-13	20266800	FA705	CONTROLR	01		A
K134	4	2E031-10*	2E035-13	20238100	32348				
K134	10	2C042-11	2E035-13	20266800	FA705	CONTROLR	01		A
K135	9	2B024-12	2B041- 5	20238100	32348				
K135	9	2E031-15*	2G022-12	20238100	32348				
K135	17	2B024-12	2G022-12	20238100	32348				
K137	6	2D035- 2	2E034- 6*	20238100	32348				
K137	10	2D035- 2	2F036-13	20238100	32348				
K138	4	2E034-13	2E035- 1*	20238100	32348				
K139	19	2C037-11	2I041- 2	20266800	FA705	CONTROLR	01		A
K139	13	2E035-15*	2I041- 2	20266800	FA705	CONTROLR	01		A
K139	10	2B022- 3	2C037-11	20266800	FA705	CONTROLR	01		A
K140	4	2C028-12	2C033-13	20238100	32348				
K140	4	2C028-12	2C030- 3	20238100	32348				
K140	10	2D040-10	2F033-12	20238100	32348				
K140	8	2F033-12	2G021-13	20238100	32348				
K140	20	1E035-13	2G021-13	20238200	32348				
K140	6	2B024- 6*	2C030- 3	20266800	FA705	CONTROLR	01		A
K140	5	2C033-13	2D039- 2	20266800	FA705	CONTROLR	01		A
K140	3	2D039- 2	2D040-10	20266800	FA705	CONTROLR	01		A
K141	4	2C032- 3	2C032-14	20238100	32348				
K141	19	2D040- 5	2I037-13	20266800	FA705	CONTROLR	01		A
K141	6	2C032-14	2D040- 5	20266800	FA705	CONTROLR	01		A
K141	7	2B024- 4	2C032- 3	20266800	FA705	CONTROLR	01		A
K141	11	2B024- 4	2D039- 1*	20266800	FA705	CONTROLR	01		A
K141	15	2I005-11	2I037-13	20266800	FA705	CONTROLR	01		A
K141	3	2I002-11	2I005-11	20266800	FA705	CONTROLR	01		A
K142	9	2B032- 4	2D040- 1*	20266800	FA705	CONTROLR	01		A
K143	11	2B033- 4	2D040-15*	20238100	32348				
K146	7	2B040- 4	2C036-10*	20238100	32348				
K147	3	2C036-15*	2C037-13	20238100	32348				
K147	31	1E023- 6	2C037-13	20238200	32348				
K148	10	2C042-10	2E034-10*	20266800	FA705	CONTROLR	01		A
K148	19	2C042-10	2I041- 3	20266800	FA705	CONTROLR	01		A

K150	5	2B036- 5	2C039- 2	20238100	3234B			
K150	8	2C039- 2	2E039- 2	20238100	3234B			
K150	7	2A030- 1*	2B036- 5	20266800	FA705	CONTROLR	01	A
K150	9	2C030- 6	2E039- 2	20266800	FA705	CONTROLR	01	A
K150	6	2C021- 2	2C030- 6	20266800	FA705	CONTROLR	01	A
K151	3	2B031- 5	2B034- 3	20238100	3234B			
K151	4	2A030-15*	2B034- 3	20238100	3234B			
K151	28	2B031- 5	2I004- 3	20266800	FA705	CONTROLR	01	A
K152	8	2A039-12	2C039-12	20266800	FA705	CONTROLR	08	24703 A
K152	3	2A031-13	2B031- 1*	20238100	3234B			
K152	5	2A031-13	2A039-12	20238100	3234B			
K153	5	2A031-12	2B031-15					
K153	7	2B034-5	2C038-12					
K153	5	2A031-12	2B034- 5	20266800	FA705	CONTROLR	01	A
K155	4	2A031-15*	2A032- 5	20238100	3234B			
K155	2	2A032- 3	2A032- 5	20238100	3234B			
K155	3	2A032- 3	2A032-10	20238100	3234B			
K155	5	2A032-10	2B035- 3	20238100	3234B			
K156	19	2A033- 1*	2D004-14	20238100	3234B			
K157	19	2C034- 2	2G017-11	20238100	3234B			
K157	6	2A024- 4	2A033- 6*	20238100	3234B			
K157	10	2A024- 4	2C034- 2	20238100	3234B			
K158	6	2A024- 1*	2B027- 2	20238100	3234B			
K158	18	2B027- 2	2G026- 4	20238100	3234B			
K159	27	2A024-15*	2I030-14	20266800	FA705	CONTROLR	01	A
K161	3	2A034- 6*	2A034-11	20238100	3234B			
K163	35	2A034-15*	2L025- 2	20238100	3234B			
K163	3	2L025- 2	2L025-11	20238100	3234B			
K164	11	2B021-12	2B041- 1*	20238100	3234B			
K166	3	1F018- 4	1F019- 1*	20238000	3234B			
K167	6	1E019-11	1F019-15*	20238000	3234B			
K167	26	1E019-11	2F025- 6	20238200	3234B			
K168	8	2A033-10*	2B021-11	20238100	3234B			
K170	18	2C035- 3	2F007- 1*	20266800	FA705	CONTROLR	01	A
K171	17	2D036-13	2F007-15*	20266800	FA705	CONTROLR	01	A
K172	5	1E018- 4	1F018- 1*	20238000	3234B			
K172	26	1E018- 4	2E025- 5	20238200	3234B			
K180	26	1D039- 2	2B040- 1*	20238200	3234B			
K180	10	1D039- 2	1E023- 5	20238000	3234B			
K183	5	1C031-15*	1C037- 5	20238000	3234B			
K185	12	2C031-14	2F027-15*	20266800	FA705	CONTROLR	07	A
K185	3	2C031- 6	2C031-14	20266800	FA705	CONTROLR	07	A
K190	20	2A011-12	2G018- 2	20266800	FA705	CONTROLR	08	24703 A
K190	10	2D004-13	2F014-13	20238100	3234B			
K190	4	2F014-13	2G018- 2	20238100	3234B			
K190	18	2A003-12	2B039- 4	20266800	FA705	CONTROLR	01	A
K190	11	2A003-12	2D004-13	20266800	FA705	CONTROLR	01	A
K190	8	2B039- 4	2D041- 1*	20266800	FA705	CONTROLR	01	A
K191	13	2B022-2	2D041-6					
K191	8	2A011-2	2B022-2					
K191	9	2A011- 2	2C005- 2	20266800	FA705	CONTROLR	01	A
K191	16	1C009-14	1F033-11	20266800	FA705	CONTROLR	01	A
K191	15	2C005- 2	2G010- 3	20266800	FA705	CONTROLR	01	A
K191	18	1F033-11	2G010-3					
K900	19	1E002-12	1D039-11	20266800	FA705	CONTROLR	08	24703 A
K900	4	1E001- 1*	1E002-12	20266800	FA705	CONTROLR	01	A
K901	4	1E001-15*	1E002- 3	20266800	FA705	CONTROLR	01	A
K901	3	1E002- 3	1E004- 6	20266800	FA705	CONTROLR	01	A
K901	27	1E004- 6	2F003-11	20266800	FA705	CONTROLR	01	A

K901	19	2B027-13	2F003-11	20266800	FA705	CONTROLR	01	A
K901	25	2B027-13	2I038-12	20266800	FA705	CONTROLR	01	A
K902	3	1E003- 1*	1E004- 3	20266800	FA705	CONTROLR	01	A
K902	3	1F001- 4	1E004- 3	20266800	FA705	CONTROLR	01	A
K902	4	1F001- 4	1E002-13	20266800	FA705	CONTROLR	01	A
K903	3	1E002- 4	1E004- 5	20266800	FA705	CONTROLR	01	A
K903	4	1E003-15*	1E004- 5	20266800	FA705	CONTROLR	09	A
M000	35	1D014- 1*	2I016- 5	20266800	FA705	CONTROLR	01	A
M000	9	2H028- 2	2I016- 5	20266800	FA705	CONTROLR	01	A
M001	34	1D014- 6*	2I015- 5	20266800	FA705	CONTROLR	01	A
M001	9	2H027- 2	2I015- 5	20266800	FA705	CONTROLR	01	A
M002	33	1D014-10*	2I014- 5	20266800	FA705	CONTROLR	01	A
M002	9	2H026- 2	2I014- 5	20266800	FA705	CONTROLR	01	A
M003	32	1D014-15*	2H025- 2	20238200	3234B			
M004	34	1D013- 1*	2H024- 2	20238200	3234B			
M005	35	1D013- 6*	2F028- 5	20266800	FA705	CONTROLR	01	A
M005	9	2F028- 5	2H023- 2	20266800	FA705	CONTROLR	01	A
M006	32	1D013-10*	2H022- 2	20238200	3234B			
M007	31	1D013-15*	2H021- 2	20238200	3234B			
M008	32	1D012- 1*	2H020- 2	20238200	3234B			
M009	32	1D012- 6*	2H019- 2	20238200	3234B			
M010	31	1D012-10*	2H018- 2	20238200	3234B			
M011	30	1D012-15*	2H017- 2	20238200	3234B			
M012	9	2F016- 1*	2G030- 3	20266800	FA705	CONTROLR	07	A
M012	11	2G030- 3	2I020-11	20266800	FA705	CONTROLR	07	A
M013	31	1D009- 6*	2I012- 2	20238200	3234B			
M013	4	2I012- 2	2I013-12	20266800	FA705	CONTROLR	01	A
M014	32	1D009-10*	2I013- 2	20238200	3234B			
M014	4	2I012-12	2I013- 2	20266800	FA705	CONTROLR	01	A
M015	8	1C009- 1*	1C021-14	20238000	3234B			
M016	7	1C009- 6*	1C020-14	20238000	3234B			
M016	25	1C020-14	2C025-12	20238200	3234B			
M016	3	2C024- 6	2C025-12	20238100	3234B			
M017	6	1C009-10*	1C019-14	20238000	3234B			
M017	23	1C019-14	2D016- 5	20238200	3234B			
M017	6	2C024-13	2D016- 5	20238100	3234B			
M018	2	1C008- 2	1C008- 4	20238000	3234B			
M018	3	1C005-13	1C008-13	20238000	3234B			
M018	3	1C008- 4	1C008-13	20238000	3234B			
M018	4	1C005-13	1C006- 1*	20238000	3234B			
M018	29	1C008- 2	2B021-13	20238200	3234B			
M018	22	2B021-13	2I020- 5	20266800	FA705	CONTROLR	07	A
M019	3	1C009-15*	1C008-12	20266800	FA705	CONTROLR	08	24703 A
M019	8	1C008-12	1C022-14	20266800	FA705	CONTROLR	08	24703 A
M019	39	1C022-14	2I040-14	20238200	3234B			
M020	4	1D007-15*	1D011-13	20266800	FA705	CONTROLR	01	A
M020	2	1D011-11	1D011-13	20266800	FA705	CONTROLR	01	A
M020	3	1D011- 4	1D011-11	20266800	FA705	CONTROLR	01	A
M020	2	1D011- 2	1D011- 4	20266800	FA705	CONTROLR	01	A
M020	3	1C010-13	1D011- 2	20266800	FA705	CONTROLR	01	A
M020	2	1C010-11	1C010-13	20266800	FA705	CONTROLR	01	A
M020	5	1C010-11	1D015- 3	20266800	FA705	CONTROLR	01	A
M020	11	1D015- 3	1F021-14	20266800	FA705	CONTROLR	01	A
M021	3	1D009-15*	1D010-11	20238000	3234B			
M022	41	1D008- 1*	2I034- 6	20238200	3234B			
M023	4	1D008- 6*	1D010-13	20238000	3234B			
M023	17	1C042- 4	1D010-13	20266800	FA705	CONTROLR	01	A
M023	20	1C042- 4	2E018-11	20266800	FA705	CONTROLR	01	A
M024	4	1D008-10*	1D010- 2	20238000	3234B			
M024	33	1D010- 2	2C032- 2	20238200	3234B			
M025	4	1D008-15*	1D010- 4	20238000	3234B			
M026	3	1C007-12	1D007- 1*	20238000	3234B			

M026	3	1C007- 4	1C007-12	20238000	32348			
M027	4	1C007- 1*	1C007-13	20238000	32348			
M027	8	2A028-13	2B042- 3	20266800	FA705	CONTROLR	01	A
M027	38	1C007-13	2A028-13	20266800	FA705	CONTROLR	09	A
M028	8	1C007-15*	1D021- 2	20266800	FA705	CONTROLR	01	A
M028	37	1D021- 2	2B042- 6	20266800	FA705	CONTROLR	09	A
M029	2	2G026-12	2G026-14	20238100	32348			
M029	39	1C005-15*	2I017- 4	20266800	FA705	CONTROLR	07	A

M029	8	2G026-14	2I017- 4	20266800	FA705	CONTROLR	07	A
M029	9	2G026-12	2I036- 3	20266800	FA705	CONTROLR	07	A
M029	2	2I036- 3	2I036- 5	20266800	FA705	CONTROLR	07	A
M030	9	1C008-15*	1D022-13	20266800	FA705	CONTROLR	01	A
M031	3	1C005-11	1C006-15*	20238000	32348			
M032	7	2C025-13	2D016- 6	20238100	32348			
M032	4	1C005- 1*	1C008-11	20238000	32348			
M032	6	1C008-11	1D015- 2	20266800	FA705	CONTROLR	01	A
M032	27	1D015- 2	2D016- 6	20266800	FA705	CONTROLR	01	A
M045	8	1F021-15*	1F035-14	20266800	FA705	CONTROLR	01	A
M046	21	1F035-15*	2I014- 4	20266800	FA705	CONTROLR	01	A
M046	2	2I014- 4	2I015- 4	20266800	FA705	CONTROLR	01	A
M046	2	2I015- 4	2I016- 4	20266800	FA705	CONTROLR	01	A
M046	13	2F028- 4	2I016- 4	20266800	FA705	CONTROLR	01	A
M047	2	1D015- 1*	1D015- 4	20266800	FA705	CONTROLR	01	A
M048	2	2I014-10	2I015-10	20266800	FA705	CONTROLR	01	A
M048	2	2I015-10	2I016-10	20266800	FA705	CONTROLR	01	A
M048	13	2F028-10	2I016-10	20266800	FA705	CONTROLR	01	A
M048	33	1D015- 6*	2I014-10	20266800	FA705	CONTROLR	01	A
P000	4	2G001-15*	2H002- 5	20266800	FA705	CONTROLR	01	A
P007	2	2H009-12*	2H010-13	20266800	FA705	CONTROLR	01	A
P008	4	2H009-11*	2H010- 1	20266800	FA705	CONTROLR	01	A
P009	32	1E004-12	2H010- 6*	20266800	FA705	CONTROLR	01	A
P010	14	2E027-12	2H010-10*	20238100	32348			
R000	5	2K036-10	2K042- 1*	20238100	32348			
R000	4	2K032-12	2K036-10	20238100	32348			
R000	9	2J042- 2	2K032-12	20238100	32348			
R000	10	2H028-11	2J042- 2	20238100	32348			
R001	5	2K036-11	2K042-10*	20238100	32348			
R001	4	2K032- 5	2K036-11	20238100	32348			
R001	8	2J042- 4	2K032- 5	20238100	32348			
R001	11	2H027-11	2J042- 4	20238100	32348			
R002	6	2J042-11	2K042-15*	20238100	32348			
R002	6	2J042-11	2K036-12	20238100	32348			
R002	4	2K032- 2	2K036-12	20238100	32348			
R002	11	2H026-11	2K032- 2	20238100	32348			
R003	3	2J042-13	2K041- 1*	20238100	32348			
R003	5	2J042-13	2K036- 2	20238100	32348			
R003	4	2K033-12	2K036- 2	20238100	32348			

R003	13	2H025-11	2K033-12	2023A100	3234B			
R004	5	2K036-3	2K041-10*	2023B100	3234B			
R004	3	2K033-5	2K036-3	2023A100	3234B			
R004	7	2J041-2	2K033-5	2023A100	3234B			
R004	11	2H024-11	2J041-2	2023A100	3234B			
R005	5	2K036-4	2K041-15*	2023A100	3234B			
R005	3	2K033-2	2K036-4	2023A100	3234B			
R005	7	2J041-4	2K033-2	2023A100	3234B			
R005	12	2H023-11	2J041-4	2023A100	3234B			
R006	5	2K034-12	2K040-1*	2023A100	3234B			
R006	7	2J041-11	2K034-12	2023A100	3234B			
R006	4	2J037-10	2J041-11	2023A100	3234B			
R006	11	2H022-11	2J037-10	2023A100	3234B			
R007	5	2K034-5	2K040-10*	2023A100	3234B			
R007	6	2J041-13	2K034-5	2023A100	3234B			
R007	4	2J037-11	2J041-13	2023A100	3234B			
R007	12	2H021-11	2J037-11	2023A100	3234B			
R008	5	2K034-2	2K040-15*	2023A100	3234B			
R008	4	2J037-12	2K034-2	2023A100	3234B			
R008	4	2J037-12	2J040-2	2023A100	3234B			
R008	12	2H020-11	2J040-2	2023A100	3234B			
R009	5	2K035-12	2K039-1*	2023A100	3234B			
R009	7	2J040-4	2K035-12	2023A100	3234B			
R009	3	2J037-2	2J040-4	2023A100	3234B			
R009	12	2H019-11	2J037-2	2023A100	3234B			
R010	4	2K035-5	2K039-10*	2023A100	3234B			
R010	5	2J040-11	2K035-5	2023A100	3234B			
R010	4	2J037-3	2J040-11	2023A100	3234B			
R010	12	2H018-11	2J037-3	2023A100	3234B			
R011	5	2K035-2	2K039-15*	2023A100	3234B			
R011	5	2J040-13	2K035-2	2023A100	3234B			
R011	4	2J037-4	2J040-13	2023A100	3234B			
R011	13	2H017-11	2J037-4	2023A100	3234B			
R012	5	2J039-2	2K038-1*	2023A100	3234B			
R012	5	2J031-2	2J039-2	2023A100	3234B			
R013	8	2J028-2	2K038-10*	2023A100	3234B			
R013	4	2I028-10	2J028-2	2023A100	3234B			
R013	10	2G023-2	2I028-10	2023A100	3234B			
R013	15	2G023-2	2J008-11	20266A00	FA705	CONTROLR	01	A
R014	17	2G025-14	2K038-15*	2023A100	3234B			
R015	6	2J030-6	2K037-1*	20266A00	FA705	CONTROLR	01	A
R015	12	2G024-6	2J030-6	20266A00	FA705	CONTROLR	01	A
R016	4	2K037-10*	2L036-4	2023A100	3234B			
R016	18	2G024-14	2L036-4	2023A100	3234B			
R017	8	2J030-5	2K037-15*	2023A100	3234B			
R017	11	2G023-14	2J030-5	2023A100	3234B			
R018	5	2J030-4	2K029-1*	2023A100	3234B			
R018	18	2F009-3	2J030-4	2023A100	3234B			
R019	9	2I026-5	2J039-13	20266A00	FA705	CONTROLR	08	24703 A
R019	4	2K026-2	2K029-10*	2023A100	3234B			
R019	4	2I028-13	2J030-3	2023A100	3234B			
R019	5	2J028-5	2K026-2	2023A100	3234B			
R019	3	2J028-5	2J030-3	2023A100	3234B			
R019	3	2I026-13	2I028-13	20266A00	FA705	CONTROLR	07	A
R019	3	2I026-5	2I026-13	20266A00	FA705	CONTROLR	07	A
R100	5	2J011-2	2K011-1*	2023A100	3234B			
R100	8	2J011-2	2K019-10	2023A100	3234B			
R100	4	2K019-10	2K023-12	2023A100	3234B			
R100	13	2H028-6	2K023-12	2023A100	3234B			
R101	5	2K011-10*	2K019-11	2023A100	3234B			
R101	4	2K019-11	2K023-5	2023A100	3234B			
R101	8	2J011-4	2K023-5	2023A100	3234B			

R101	11	2H027- 6	2J011- 4	20238100	3234B		
R102	6	2J011-11	2K011-15*	20238100	3234B		
R102	7	2J011-11	2K019-12	20238100	3234B		
R102	4	2K019-12	2K023- 2	20238100	3234B		
R102	11	2H026- 6	2K023- 2	20238100	3234B		
R103	3	2J011-13	2K012- 1*	20238100	3234B		
R103	6	2J011-13	2K019- 2	20238100	3234B		
R103	4	2K019- 2	2K022-12	20238100	3234B		
R103	13	2H025- 6	2K022-12	20238100	3234B		
R104	6	2K012-10*	2K022- 5	20238100	3234B		
R104	3	2K019- 3	2K022- 5	20238100	3234B		
R104	7	2J012- 2	2K019- 3	20238100	3234B		
R104	10	2H024- 6	2J012- 2	20238100	3234B		
R105	6	2K012-15*	2K019- 4	20238100	3234B		
R105	3	2K019- 4	2K022- 2	20238100	3234B		
R105	7	2J012- 4	2K022- 2	20238100	3234B		
R105	10	2H023- 6	2J012- 4	20238100	3234B		
R106	4	2J012-11	2K013- 1*	20238100	3234B		
R106	4	2J012-11	2J016-10	20238100	3234B		
R106	6	2J016-10	2K021-12	20238100	3234B		
R106	12	2H022- 6	2K021-12	20238100	3234B		
R107	5	2J012-13	2K013-10*	20238100	3234B		
R107	4	2J012-13	2J016-11	20238100	3234B		
R107	5	2J016-11	2K021- 5	20238100	3234B		
R107	11	2H021- 6	2K021- 5	20238100	3234B		
R108	6	2K013-15*	2K021- 2	20238100	3234B		
R108	5	2J016-12	2K021- 2	20238100	3234B		
R108	4	2J013- 2	2J016-12	20238100	3234B		
R108	9	2H020- 6	2J013- 2	20238100	3234B		
R109	5	2K014- 1*	2K020-12	20238100	3234B		
R109	8	2J013- 4	2K020-12	20238100	3234B		
R109	3	2J013- 4	2J016- 2	20238100	3234B		
R109	8	2H019- 6	2J016- 2	20238100	3234B		
R110	5	2K014-10*	2K020- 5	20238100	3234B		
R110	6	2J013-11	2K020- 5	20238100	3234B		
R110	4	2J013-11	2J016- 3	20238100	3234B		
R110	8	2H018- 6	2J016- 3	20238100	3234B		
R111	5	2K014-15*	2K020- 2	20238100	3234B		
R111	5	2J013-13	2K020- 2	20238100	3234B		
R111	4	2J013-13	2J016- 4	20238100	3234B		
R111	8	2H017- 6	2J016- 4	20238100	3234B		
R112	5	2J014- 2	2K015- 1*	20238100	3234B		
R112	4	2J014- 2	2J020- 2	20238100	3234B		
R113	9	2J028-11	2K015-10*	20238100	3234B		
R113	6	2I024-10	2J028-11	20238100	3234B		
R113	9	2G023- 5	2I024-10	20238100	3234B		
R113	17	2B026-10	2G023- 5	20266800	FA705	CONTR0LR	01 A
R114	17	2G025-12	2K015-15*	20238100	3234B		
R115	5	2J021- 5	2K016- 1*	20266800	FA705	CONTR0LR	01 A
R115	12	2G024- 3	2J021- 5	20266800	FA705	CONTR0LR	01 A
R116	4	2K016-10*	2L017- 2	20238100	3234B		
R116	17	2G024-12	2L017- 2	20238100	3234B		
R117	7	2J021- 6	2K016-15*	20238100	3234B		
R117	10	2G023-12	2J021- 6	20238100	3234B		

R118	16	2F009- 6	2J021- 4	20238100	3234B			
R118	7	2J021- 4	2K017-10*	20266800	FA705	CONTROLR	01	A
R119	4	2I024-13	2J021- 3	20238100	3234B			
R119	8	2J014-13	2K027- 2	20238100	3234B			
R119	3	2J028-13	2K027- 2	20238100	3234B			
R119	6	2J021- 3	2J028-13	20238100	3234B			
R119	6	2J014-13	2K017-15*	20266800	FA705	CONTROLR	01	A
R119	3	2I022-13	2I024-13	20266800	FA705	CONTROLR	07	A
R119	3	2I022- 5	2I022-13	20266800	FA705	CONTROLR	07	A
R200	20	1F021- 3	2E001- 1*	20266800	FA705	CONTROLR	01	A
R200	9	1D019- 2	1F021- 3	20266800	FA705	CONTROLR	01	A
R200	5	1D019- 2	1D025- 3	20266800	FA705	CONTROLR	01	A
R200	17	1D025- 3	2D002- 3	20266800	FA705	CONTROLR	01	A
R200	8	2D002- 3	2F002- 2	20266800	FA705	CONTROLR	01	A
R200	12	2F002- 2	2I009- 2	20266800	FA705	CONTROLR	01	A
R200	10	2I009- 2	2K018- 2	20266800	FA705	CONTROLR	01	A
R201	19	1F021- 4	2E001-10*	20266800	FA705	CONTROLR	01	A
R201	9	1D019- 3	1F021- 4	20266800	FA705	CONTROLR	01	A
R201	5	1D019- 3	1D025- 5	20266800	FA705	CONTROLR	01	A
R201	17	1D025- 5	2D002-12	20266800	FA705	CONTROLR	01	A
R201	7	2D002-12	2F002- 4	20266800	FA705	CONTROLR	01	A
R201	12	2F002- 4	2I009- 4	20266800	FA705	CONTROLR	01	A
R201	10	2I009- 4	2K018- 4	20266800	FA705	CONTROLR	01	A
R202	4	2E001-15*	2F002- 6	20266800	FA705	CONTROLR	01	A
R202	9	2D003- 3	2F002- 6	20266800	FA705	CONTROLR	01	A
R202	18	1D025-10	2D003- 3	20266800	FA705	CONTROLR	01	A
R202	5	1D019- 5	1D025-10	20266800	FA705	CONTROLR	01	A
R202	9	1D019- 5	1F021- 6	20266800	FA705	CONTROLR	01	A
R202	26	1F021- 6	2I009- 6	20266800	FA705	CONTROLR	01	A
R202	10	2I009- 6	2K018- 6	20266800	FA705	CONTROLR	01	A
R203	3	2D003-12	2E002- 1*	20266800	FA705	CONTROLR	01	A
R203	8	2D003-12	2F002-11	20266800	FA705	CONTROLR	01	A
R203	19	1F037-14	2I009-11	20266800	FA705	CONTROLR	01	A
R203	9	1F021-11	1F037-14	20266800	FA705	CONTROLR	01	A
R203	8	1D022-10	1F021-11	20266800	FA705	CONTROLR	01	A
R203	11	2F002-11	2H015-11	20266800	FA705	CONTROLR	07	A
R203	6	2H015-11	2I009-11	20266800	FA705	CONTROLR	07	A
R204	4	2E002-10*	2F004- 2	20266800	FA705	CONTROLR	01	A
R204	8	2D005- 3	2F004- 2	20266800	FA705	CONTROLR	01	A
R204	25	1F021-13	2I010- 2	20266800	FA705	CONTROLR	01	A
R204	9	1D019-11	1F021-13	20266800	FA705	CONTROLR	01	A
R204	4	1D019-11	1D022- 5	20266800	FA705	CONTROLR	01	A
R204	18	2D005- 3	2H015-13	20266800	FA705	CONTROLR	07	A
R204	5	2H015-13	2I010- 2	20266800	FA705	CONTROLR	07	A
R205	14	2E002-15*	2I010- 4	20266800	FA705	CONTROLR	01	A
R205	7	2D005-12	2F004- 4	20266800	FA705	CONTROLR	01	A
R205	13	1F037-14	2F004- 4	20266800	FA705	CONTROLR	01	A
R205	10	1F022- 4	1F039-14	20266800	FA705	CONTROLR	01	A
R205	8	1D022- 3	1F022- 4	20266800	FA705	CONTROLR	01	A
R205	5	2H015-10	2I010- 4	20266800	FA705	CONTROLR	07	A
R205	16	2D005-12	2H015-10	20266800	FA705	CONTROLR	07	A
R206	5	2D006- 3	2E003- 1*	20266800	FA705	CONTROLR	01	A
R206	9	2D006- 3	2F004- 6	20266800	FA705	CONTROLR	01	A
R206	10	2F004- 6	2H015- 3	20266800	FA705	CONTROLR	01	A
R206	6	2H015- 3	2I010- 6	20266800	FA705	CONTROLR	01	A
R206	26	1F022- 6	2I010- 6	20266800	FA705	CONTROLR	01	A
R206	7	1D019-14	1F022- 6	20266800	FA705	CONTROLR	01	A
R206	5	1D019-14	1D024- 3	20266800	FA705	CONTROLR	01	A
R207	8	2D006-12	2F004-11	20266800	FA705	CONTROLR	01	A
R207	7	2H015- 5	2I010-11	20266800	FA705	CONTROLR	01	A
R207	18	1F041-14	2I010-11	20266800	FA705	CONTROLR	01	A
R207	10	1F022-11	1F041-14	20266800	FA705	CONTROLR	01	A

R207	9	1D024- 6	1F022-11	20266800	FA705	CONTR0LR	01	A
R207	5	2D006-12	2E003-10*	20266800	FA705	CONTR0LR	01	A
R207	9	2F004-11	2H015- 5	20266800	FA705	CONTR0LR	01	A
R209	5	2J007- 4	2K006- 1*	20266800	FA705	CONTR0LR	01	A
R209	2	2J006- 4	2J007- 4	20266800	FA705	CONTR0LR	01	A
R209	28	1C032-13	2J006- 4	20266800	FA705	CONTR0LR	01	A
R210	3	2K005- 1*	2K007- 2	20266800	FA705	CONTR0LR	01	A
R211	3	2K005-10*	2K007- 4	20266800	FA705	CONTR0LR	01	A
R212	3	2K005-15*	2K007-11	20266800	FA705	CONTR0LR	01	A
R213	4	2K004- 1*	2K007-13	20266800	FA705	CONTR0LR	01	A
R214	31	2B006- 3	2K004-10*	20238100	3234B			

R215	31	2B005- 3	2K004-15*	20238100	3234B			
R216	29	2B004- 3	2K003- 1*	20238100	3234B			
R217	30	2B003- 3	2K003-10*	20238100	3234B			
R218	11	2H004-11	2K006-10*	20266800	FA705	CONTR0LR	01	A
R219	20	2E008- 2	2J002-15*	20266800	FA705	CONTR0LR	01	A
R220	15	2E003-15*	2I010-13	20266800	FA705	CONTR0LR	01	A
R220	13	2C002- 3	2F004-13	20266800	FA705	CONTR0LR	01	A
R220	19	1D024-13	2C002- 3	20266800	FA705	CONTR0LR	01	A
R220	8	1D024-13	1F022-13	20266800	FA705	CONTR0LR	01	A
R220	8	2H015- 2	2I010-13	20266800	FA705	CONTR0LR	07	A
R220	9	2F004-13	2H015- 2	20266800	FA705	CONTR0LR	07	A
R221	6	2J006-13	2K003-15*	20266800	FA705	CONTR0LR	01	A
R221	9	2I019-14	2J006-13	20266800	FA705	CONTR0LR	01	A
R222	25	1F027-11	2J009-10*	20266800	FA705	CONTR0LR	01	A
R222	10	1D023- 3	1F027-11	20266800	FA705	CONTR0LR	07	A
R225	3	2J006- 2	2J009- 1*	20238100	3234B			
R225	4	2I004-12	2J006- 2	20238100	3234B			
R225	3	2I002-10	2I004-12	20266800	FA705	CONTR0LR	01	A
R227	4	2J009-15*	2J014-11	20238100	3234B			
R227	8	2H016-11	2J014-11	20238100	3234B			
R228	26	1F024-13	2K006-15*	20266800	FA705	CONTR0LR	01	A
R230	18	2I038- 2	2J002- 1*	20266800	FA705	CONTR0LR	01	A
R230	15	2E033- 2	2I038- 2	20266800	FA705	CONTR0LR	01	A
R231	8	2H002-11	2J002-10*	20266800	FA705	CONTR0LR	01	A
R302	21	1D025- 2	2G002- 1*	20266800	FA705	CONTR0LR	01	A
R302	5	1D018- 2	1D025- 2	20266800	FA705	CONTR0LR	01	A
R303	22	1D025- 4	2G002-10*	20266800	FA705	CONTR0LR	01	A
R303	5	1D018- 3	1D025- 4	20266800	FA705	CONTR0LR	01	A
R304	6	2E004- 1*	2F002- 3	20266800	FA705	CONTR0LR	01	A
R305	5	2E004-10*	2F002- 5	20266800	FA705	CONTR0LR	01	A
R306	8	2I009- 3	2K008- 1*	20266800	FA705	CONTR0LR	01	A
R307	9	2I009- 5	2K008-10*	20266800	FA705	CONTR0LR	01	A
R312	22	1D025- 6	2G002-15*	20266800	FA705	CONTR0LR	01	A
R312	5	1D018- 5	1D025- 6	20266800	FA705	CONTR0LR	01	A
R313	22	1D022- 6	2G003- 1*	20266800	FA705	CONTR0LR	01	A
R313	4	1D018-10	1D022- 6	20266800	FA705	CONTR0LR	01	A
R314	5	2E004-15*	2F002-10	20266800	FA705	CONTR0LR	01	A
R315	7	2E005- 1*	2F002-12	20266800	FA705	CONTR0LR	01	A
R316	9	2I009-10	2K008-15*	20266800	FA705	CONTR0LR	01	A

R317	6	2I009-12	2K009- 1*	20266800	FA705	CONTROLR	01	A
R322	23	1D022- 4	2G003-10*	20266800	FA705	CONTROLR	01	A
R322	4	1D018-11	1D022- 4	20266800	FA705	CONTROLR	01	A
R323	24	1D022- 2	2G003-15*	20266800	FA705	CONTROLR	01	A
R323	5	1D018-13	1D022- 2	20266800	FA705	CONTROLR	01	A
R324	4	2E005-10*	2F004- 3	20266800	FA705	CONTROLR	01	A
R325	4	2E005-15*	2F004- 5	20266800	FA705	CONTROLR	01	A
R326	9	2I010- 3	2K009-10*	20266800	FA705	CONTROLR	01	A
R327	10	2I010- 5	2K009-15*	20266800	FA705	CONTROLR	01	A
R332	22	1D024- 2	2G004- 1*	20266800	FA705	CONTROLR	01	A
R332	4	1D020- 2	1D024- 2	20266800	FA705	CONTROLR	01	A
R333	23	1D024- 5	2G004-10*	20266800	FA705	CONTROLR	01	A
R333	4	1D020- 3	1D024- 5	20266800	FA705	CONTROLR	01	A
R334	7	2E006- 1*	2F004-10	20266800	FA705	CONTROLR	01	A
R335	6	2E006-10*	2F004-12	20266800	FA705	CONTROLR	01	A
R336	7	2I010-10	2K010- 1*	20266800	FA705	CONTROLR	01	A
R337	8	2I010-12	2K010-10*	20266800	FA705	CONTROLR	01	A
R342	23	1D024-12	2G004-15*	20266800	FA705	CONTROLR	01	A
R342	4	1D020- 4	1D024-12	20266800	FA705	CONTROLR	01	A
R344	5	2E006-15*	2F004-14	20266800	FA705	CONTROLR	01	A
R346	8	2I010-14	2K010-15*	20266800	FA705	CONTROLR	01	A
S000	3	2F042-14	2G042- 1*	20238100	32348			
S001	5	2F042-12	2G042-15*	20238100	32348			
S001	19	2F042-12	2L042- 3	20238100	32348			
S001	15	2L011- 3	2L042- 3	20238100	32348			
S002	12	2B033- 2	2E029- 4	20238100	32348			
S002	8	2E029-11	2F042- 1*	20238100	32348			
S002	3	2E029- 4	2E029-11	20238100	32348			
S002	36	1E021-11	2B033- 2	20266800	FA705	CONTROLR	01	A
S003	6	2D033- 5	2E029- 6	20238100	32348			
S003	3	2E029- 6	2E029-13	20238100	32348			
S003	9	2G042- 5	2H028- 4	20238100	32348			
S003	5	2F042- 6*	2G042- 5	20238100	32348			
S003	10	2E029-13	2H028- 4	20238100	32348			
S004	3	1E014-13	1F015- 1*	20238000	32348			
S004	4	1E014- 3	1E014-13	20238000	32348			
S005	4	1E014-11	1F015- 6*	20238000	32348			
S005	3	1E014- 5	1E014-11	20238000	32348			
S006	6	1E015- 1*	1F015- 5	20238000	32348			
S007	5	1E015- 6*	1F015- 3	20238000	32348			
S007	7	1E006- 2	1F015- 3	20238000	32348			
S008	4	1E005-13	1F009- 1*	20266800	FA705	CONTROLR	01	A
S008	2	1E005-11	1F005-13	20266800	FA705	CONTROLR	01	A
S009	2	1E013- 4	1E014- 4	20238000	32348			
S009	2	1E014- 4	1E015- 4	20238000	32348			
S009	3	1E014-12	1E015- 4	20238000	32348			
S009	2	1E013-12	1F014-12	20238000	32348			
S009	5	1E005-10*	1E013-12	20266800	FA705	CONTROLR	01	A
S010	4	2F041- 5	2G041- 1*	20238100	32348			
S011	7	2F041- 3	2G041-15*	20238100	32348			
S011	22	2F041- 3	2L042-12	20238100	32348			
S011	15	2L011-12	2L042-12	20238100	32348			
S013	4	2F042-15*	2G041- 5	20238100	32348			
S013	9	2G041- 5	2H027- 4	20238100	32348			
S014	5	1E013-13	1F015-10*	20238000	32348			
S014	4	1E013- 3	1E013-13	20238000	32348			
S015	6	1E013-11	1F015-15*	20238000	32348			
S015	3	1E013- 5	1E013-11	20238000	32348			
S016	7	1E014- 1*	1F015-14	20238000	32348			
S017	5	1E014-15*	1F015-12	20238000	32348			
S017	8	1E006- 3	1F015-12	20238000	32348			
S018	5	1F005- 4	1F008- 1*	20238000	32348			

S018	6	1D009- 2	1E005- 4	20266800	FA705	CONTR0LR	01	A
S019	2	1E013-10	1E014-10	20238000	3234B			
S019	2	1E013- 2	1E014- 2	20238000	3234B			
S019	2	1E014- 2	1E015- 2	20238000	3234B			
S019	6	1E005- 6*	1E013- 2	20266800	FA705	CONTR0LR	01	A
S019	3	1E014-10	1E015- 2	20266800	FA705	CONTR0LR	01	A
S020	3	2F041-14	2G040- 1*	20238100	3234B			
S021	6	2F041-12	2G040-15*	20238100	3234B			
S021	19	2F041-12	2L041- 3	20238100	3234B			
S021	14	2L012- 3	2L041- 3	20238100	3234B			
S023	5	2F041- 6*	2G040- 5	20238100	3234B			
S023	9	2G040- 5	2H026- 4	20238100	3234B			
S024	4	1E012-13	1F014- 1*	20238000	3234B			
S024	4	1E012- 3	1E012-13	20238000	3234B			
S025	5	1E012-11	1F014- 6*	20238000	3234B			
S025	3	1E012- 5	1E012-11	20238000	3234B			
S026	6	1E013- 1*	1F014- 5	20238000	3234B			
S027	3	1E013-15*	1F014- 3	20238000	3234B			
S027	7	1E006- 4	1F014- 3	20238000	3234B			
S029	3	1E005-15*	1E008-12	20266800	FA705	CONTR0LR	01	A
S029	3	1E008- 4	1E008-12	20266800	FA705	CONTR0LR	01	A
S029	4	1E008- 4	1E012- 4	20266800	FA705	CONTR0LR	01	A
S029	3	1E012- 4	1E012-12	20266800	FA705	CONTR0LR	01	A
S030	5	2F040- 5	2G039- 1*	20238100	3234B			
S031	7	2F040- 3	2G039-15*	20238100	3234B			
S031	22	2F040- 3	2L041-12	20238100	3234B			
S031	14	2L012-12	2L041-12	20238100	3234B			
S033	4	2F041-15*	2G039- 5	20238100	3234B			
S033	9	2G039- 5	2H025- 4	20238100	3234B			
S034	5	1E015-14	1F014-10*	20238000	3234B			
S035	6	1E015-12	1F014-15*	20238000	3234B			
S036	7	1E012- 1*	1F014-14	20238000	3234B			
S037	5	1E012-15*	1F014-12	20238000	3234B			
S037	8	1E006- 5	1F014-12	20238000	3234B			
S039	5	1D009- 1*	1E008- 2	20266800	FA705	CONTR0LR	01	A
S039	3	1E008- 2	1E008-10	20266800	FA705	CONTR0LR	01	A
S039	4	1E008-10	1E012-10	20266800	FA705	CONTR0LR	01	A
S039	3	1E012- 2	1E012-10	20266800	FA705	CONTR0LR	01	A
S040	3	2F040-14	2G038- 1*	20238100	3234B			
S041	6	2F040-12	2G038-15*	20238100	3234B			
S041	19	2F040-12	2L040- 3	20238100	3234B			
S041	13	2L013- 3	2L040- 3	20238100	3234B			
S043	5	2F040- 6*	2G038- 5	20238100	3234B			
S043	9	2G038- 5	2H024- 4	20238100	3234B			
S044	5	1E011- 5	1F013- 1*	20238000	3234B			
S045	6	1F011- 3	1F013- 6*	20238000	3234B			
S046	5	1F015-10*	1F013- 5	20238000	3234B			
S047	4	1E015-15*	1F013- 3	20238000	3234B			
S047	6	1E006- 6	1F013- 3	20238000	3234B			
S050	5	2F039- 5	2G037- 1*	20238100	3234B			
S051	7	2F039- 3	2G037-15*	20238100	3234B			
S051	22	2F039- 3	2L040-12	20238100	3234B			
S051	13	2L013-12	2L040-12	20238100	3234B			
S053	4	2F040-15*	2G037- 5	20238100	3234B			
S053	9	2G037- 5	2H023- 4	20238100	3234B			
S054	5	1E011-14	1F013-10*	20238000	3234B			
S055	6	1E011-12	1F013-15*	20238000	3234B			
S056	7	1E011- 1*	1F013-14	20238000	3234B			

S057	4	1E006-10	1E011- 6*	20238000	3234B
S057	7	1E006-10	1F013-12	20238000	3234B
S060	4	2F039-14	2G036- 1*	20238100	3234B
S061	6	2F039-12	2G036-15*	20238100	3234B
S061	19	2F039-12	2L039- 3	20238100	3234B
S061	12	2L014- 3	2L039- 3	20238100	3234B
S063	5	2F039- 6*	2G036- 5	20238100	3234B
S063	9	2G036- 5	2H022- 4	20238100	3234B
S064	5	1E010- 5	1F012- 1*	20238000	3234B
S065	6	1E010- 3	1F012- 6*	20238000	3234B
S066	4	1E011-10*	1F012- 5	20238000	3234B
S067	3	1E011-15*	1F012- 3	20238000	3234B
S067	5	1E006-11	1F012- 3	20238000	3234B
S070	5	2F038- 5	2G035- 1*	20238100	3234B
S071	7	2F038- 3	2G035-15*	20238100	3234B
S071	22	2F038- 3	2L039-12	20238100	3234B
S071	12	2L014-12	2L039-12	20238100	3234B
S073	4	2F039-15*	2G035- 5	20238100	3234B
S073	9	2G035- 5	2H021- 4	20238100	3234B
S074	5	1E010-14	1F012-10*	20238000	3234B
S075	6	1E010-12	1F012-15*	20238000	3234B
S076	7	1F010- 1*	1F012-14	20238000	3234B
S077	4	1E006-12	1F010- 6*	20238000	3234B
S077	6	1E006-12	1F012-12	20238000	3234B
S080	4	2F038-14	2G034- 1*	20238100	3234B
S081	6	2F038-12	2G034-15*	20238100	3234B
S081	19	2F038-12	2L038- 3	20238100	3234B
S081	11	2L015- 3	2L038- 3	20238100	3234B
S083	6	2F038- 6*	2G034- 5	20238100	3234B
S083	9	2G034- 5	2H020- 4	20238100	3234B
S084	5	1E009- 5	1F011- 1*	20238000	3234B
S085	6	1E009- 3	1F011- 6*	20238000	3234B
S086	4	1E010-10*	1F011- 5	20238000	3234B
S087	3	1F010-15*	1F011- 3	20238000	3234B
S087	5	1E006-13	1F011- 3	20238000	3234B
S090	5	2F037- 5	2G033- 1*	20238100	3234B
S091	8	2F037- 3	2G033-15*	20238100	3234B
S091	22	2F037- 3	2L038-12	20238100	3234B
S091	11	2L015-12	2L038-12	20238100	3234B
S093	5	2F038-15*	2G033- 5	20238100	3234B
S093	9	2G033- 5	2H019- 4	20238100	3234B
S094	5	1E009-14	1F011-10*	20238000	3234B
S095	6	1E009-12	1F011-15*	20238000	3234B
S096	7	1E009- 1*	1F011-14	20238000	3234B
S097	4	1E006-14	1F009- 6*	20238000	3234B
S097	6	1E006-14	1F011-12	20238000	3234B
S100	5	2F037-14	2G032- 1*	20238100	3234B
S101	6	2F037-12	2G032-15*	20238100	3234B
S101	19	2F037-12	2L037- 3	20238100	3234B
S101	11	2L016- 3	2L037- 3	20238100	3234B
S103	6	2F037- 6*	2G032- 5	20238100	3234B
S103	20	1D040-11	2H018- 4	20238200	3234B
S103	9	2G032- 5	2H018- 4	20238100	3234B
S104	4	1E008-13	1F010- 1*	20238000	3234B
S104	4	1E008- 3	1F008-13	20238000	3234B
S105	5	1E008-11	1F010- 6*	20238000	3234B
S106	3	1E008- 5	1E008-11	20238000	3234B
S106	4	1E009-10*	1F010- 5	20238000	3234B
S107	3	1E009-15*	1F010- 3	20238000	3234B
S107	6	1F005- 2	1F010- 3	20238000	3234B
S110	28	1F008-14	2H012-13	20238200	3234B
S110	12	2G031- 1*	2H012-13	20238100	3234B

S111	11	2G031-15*	2H011-13	20238100	32348			
S111	15	2H011-13	2L016-12	20238100	32348			
S111	11	2L016-12	2L037-12	20238100	32348			
S112	25	1D040- 4	2F037-10*	20238200	32348			
S113	6	2F037-15*	2G031-12	20266800	FA705	CONTROLR	01	A
S113	9	2G031-12	2H017- 4	20266800	FA705	CONTROLR	01	A
S114	27	1F009-11	2H012-10	20238200	32348			
S114	3	1F008- 6	1F010-10*	20266800	FA705	CONTROLR	01	A
S114	3	1F008- 6	1F009-11	20266800	FA705	CONTROLR	01	A
S115	4	1F008- 3	1F010-15*	20266800	FA705	CONTROLR	01	A
S115	2	1F008- 3	1F009- 4	20266800	FA705	CONTROLR	01	A

S115	30	1F009- 4	2H011-10	20266800	FA705	CONTROLR	01	A
S116	7	1E008- 1*	1F010-14	20238000	32348			
S117	4	1E005- 3	1E008-15*	20238000	32348			
S117	7	1E005- 3	1F010-12	20238000	32348			
S120	2	2H011- 1*	2H012- 2	20238100	32348			
S120	13	2E029-14	2H012- 2	20238100	32348			
S120	3	2E029- 5	2E029-14	20238100	32348			
S121	3	2E029- 3	2E029-12	20238100	32348			
S121	2	2H011- 2	2H012- 1*	20266800	FA705	CONTROLR	01	A
S121	7	2F015-14	2H011- 2	20266800	FA705	CONTROLR	01	A
S121	9	2E029-12	2F015-14	20266800	FA705	CONTROLR	01	A
S125	4	1F006- 3	1F007-15*	20238000	32348			
S127	39	1E007- 6*	2I030-12	20238200	32348			
S127	25	2H039-11	2I030-12	20238100	32348			
S129	5	1F007-15*	1F005-11	20238000	32348			
S129	2	1F005-11	1F006-12	20238000	32348			
S129	35	1F006-12	2F027-11	20266800	FA705	CONTROLR	01	A
S129	9	2E038- 2	2F027-11	20266800	FA705	CONTROLR	01	A
S130	16	1C037- 4	1F018-10*	20238000	32348			
S900	8	1D005- 2	1D021- 5				09	A
S900	22	1D005- 2*	1E017- 3	20266800	FA705	CONTROLR	08	A
S901	18	1D005- 5*	1D015-12	20266800	FA705	CONTROLR	08	A
S902	8	1D005-11	1D021- 4				009	A
S902	17	1D005-11	1D041- 3				09	A
S902	31	1D005-12	2D014-12				09	A
V100	10	2R021- 1*	2D011- 2	20266800	FA705	CONTROLR	01	A
V101	10	1E038- 2	2D001- 1*	20238200	32348			
V101	2	1E038- 2	1E038- 4	20238000	32348			
V101	3	1E038- 4	1E039-11	20238000	32348			
V101	2	1E039-11	1E039-13	20238000	32348			
V101	8	1E025-12	1E039-13	20238000	32348			
V101	26	1E025-12	2E033-12	20238200	32348			
V102	3	2F035- 4	2F035-11	20238100	32348			
V102	2	2F035- 2	2F035- 4	20238100	32348			
V102	16	2F001- 6*	2F035- 2	20266800	FA705	CONTROLR	01	A
V103	11	1C041-11	2D001- 6*	20266800	FA705	CONTROLR	01	A
V103	23	1C041-11	2E027-13	20266800	FA705	CONTROLR	01	A
V103	10	2D041- 3	2E027-13	20266800	FA705	CONTROLR	01	A
V104	2	1E016- 2	1E016- 4	20238000	32348			
V104	4	1E016- 4	1E016-15*	20266800	FA705	CONTROLR	01	A
V105	9	2F001-15*	2H011-11	20238100	32348			
V105	2	2H011-11	2H012-11	20238100	32348			
V105	2	2H012-11	2H012-14	20238100	32348			

V105	2	2H011-14	2H012-14	20238100	3234B				
V105	8	2H011-14	2J005- 5	20238100	3234B				
V105	29	1E016-11	2J005- 5	20266800	FA705	CONTROLR	01		A
V114	3	1E015-13	1E016- 6*	20238000	3234B				
V114	2	1E015-11	1E015-13	20238000	3234B				
V114	4	1E011- 2	1E015-11	20238000	3234B				
V114	2	1E011_ 2	1E011_ 4	20238000	3234B				
V114	3	1E011- 4	1E011-11	20238000	3234B				
V114	2	1E011-11	1E011-13	20238000	3234B				
V115	2	2A020-11	2A020-13	20238100	3234B				
V115	2	2A019-11	2A020-11	20238100	3234B				
V115	2	2A019-11	2A019-13	20238100	3234B				
V115	2	2A019- 2	2A019- 4	20238100	3234B				
V115	2	2A019- 2	2A020- 2	20238100	3234B				
V115	2	2A020- 2	2A020- 4	20238100	3234B				
V115	5	2A019-13	2B012- 1*	20238100	3234B				
V115	3	2A020- 4	2A020-13	20238100	3234B				
V116	5	1E009- 4	1E016- 1*	20238000	3234B				
V116	2	1E009_ 2	1E009_ 4	20238000	3234B				
V116	2	1E009- 2	1E010- 2	20238000	3234B				
V116	2	1E010- 2	1E010- 4	20238000	3234B				
V116	3	1E010- 4	1E010-13	20238000	3234B				
V116	2	1E010-11	1E010-13	20238000	3234B				
V116	2	1E009-11	1E010-11	20238000	3234B				
V116	2	1E009-11	1E009-13	20238000	3234B				
V117	2	2A017-11	2A017-13	20238100	3234B				
V117	2	2A018-11	2A018-13	20238100	3234B				
V117	2	2A018- 2	2A018- 4	20238100	3234B				
V117	2	2A017- 2	2A017- 4	20238100	3234B				
V117	5	2A017-13	2B012- 6*	20238100	3234B				
V117	2	2A017-11	2A018-11	20238100	3234B				
V117	3	2A018- 4	2A018-13	20238100	3234B				
V117	2	2A017_ 2	2A018_ 2	20238100	3234B				
V118	7	1E005-14	1E016-10*	20266800	FA705	CONTROLR	01		A
V118	2	1E005-12	1E005-14	20266800	FA705	CONTROLR	01		A
V118	3	1E005- 5	1E005-12	20266800	FA705	CONTROLR	01		A
V118	6	1D009- 3	1E005- 5	20266800	FA705	CONTROLR	01		A
V119	2	2A007-11	2A007-13	20238100	3234B				
V119	2	2A007-11	2A008-11	20238100	3234B				
V119	2	2A008-11	2A008-13	20238100	3234B				
V119	2	2A008- 2	2A008- 4	20238100	3234B				
V119	2	2A007- 2	2A008- 2	20238100	3234B				
V119	2	2A007- 2	2A007- 4	20238100	3234B				
V119	5	2A008-13	2B012-10*	20238100	3234B				
V119	3	2A007- 4	2A007-13	20238100	3234B				
V121	2	2A009-11	2A009-13	20238100	3234B				
V121	2	2A010_11	2A010_13	20238100	3234B				
V121	2	2A010- 2	2A010- 4	20238100	3234B				
V121	2	2A009- 2	2A009- 4	20238100	3234B				
V121	6	2A009-11	2B012-15*	20238100	3234B				
V121	3	2A009-13	2A010-13	20238100	3234B				
V121	3	2A010- 2	2A010-11	20238100	3234B				
V121	2	2A009_ 4	2A010_ 4	20238100	3234B				
V123	3	2F035- 1*	2F038- 4	20238100	3234B				
V123	2	2F038- 2	2F038- 4	20238100	3234B				
V123	2	2F037- 2	2F038- 2	20238100	3234B				
V123	2	2F037- 2	2F037- 4	20238100	3234B				
V123	3	2F037- 4	2F037-13	20238100	3234B				
V123	2	2F037-11	2F037-13	20238100	3234B				
V123	2	2F037-11	2F038-11	20238100	3234B				
V123	2	2F038-11	2F038-13	20238100	3234B				
V124	4	2F035- 6*	2F040- 4	20238100	3234B				

V124	2	2F040- 2	2F040- 4	20238100	3234B			
V124	2	2F039- 2	2F040- 2	20238100	3234B			
V124	2	2F039- 2	2F039- 4	20238100	3234B			
V124	3	2F039- 4	2F039-13	20238100	3234B			
V124	2	2F039-11	2F039-13	20238100	3234B			
V124	2	2F039-11	2F040-11	20238100	3234B			
V124	2	2F040-11	2F040-13	20238100	3234B			
V125	5	2F035-10*	2F042-11	20238100	3234B			
V125	2	2F042-11	2F042-13	20238100	3234B			
V125	2	2F041-13	2F042-13	20238100	3234B			
V125	2	2F041-11	2F041-13	20238100	3234B			
V125	3	2F041- 2	2F041-11	20238100	3234B			
V125	2	2F041- 2	2F041- 4	20238100	3234B			
V125	2	2F041- 4	2F042- 4	20238100	3234B			
V125	2	2F042- 2	2F042- 4	20238100	3234B			
V200	9	2D010- 5	2F003- 1*	20238100	3234B			
V200	12	2C031- 3	2D010- 5	20266800	FA705	CONTROLR	01	A
V201	7	1C040- 3	2C001- 1*	20238200	3234B			
V201	2	1E039- 2	1E039- 4	20238000	3234B			
V201	5	1C034- 2	1C040- 3	20238000	3234B			
V201	3	1C031- 5	1C034- 2	20238000	3234B			
V201	9	1C031- 5	1E039- 2	20266800	FA705	CONTROLR	01	A
V201	4	1E039- 4	1E040-14	20266800	FA705	CONTROLR	01	A
V201	9	1E024- 4	1E040-14	20266800	FA705	CONTROLR	01	A
V201	31	1E024- 4	2D033- 6	20266800	FA705	CONTROLR	01	A
V202	3	1F016- 4	1F016-11	20238000	3234B			
V202	2	1F016- 2	1F016- 4	20238000	3234B			
V202	2	2F032-11	2F032-13	20266800	FA705	CONTROLR	01	A
V202	14	2F003- 6*	2F032-11	20266800	FA705	CONTROLR	07	A
V202	33	1F016-11	2F032-13	20266800	FA705	CONTROLR	07	A
V203	5	2D009-12	2D017-12	20238100	3234B			
V203	7	2C025-11	2D017-12	20238100	3234B			
V203	8	2C001- 6*	2D009-12	20266800	FA705	CONTROLR	01	A
V203	8	2C025-11	2D037- 5	20266800	FA705	CONTROLR	01	A
V203	3	2D037- 5	2D037-13	20266800	FA705	CONTROLR	01	A
V203	14	2A033- 2	2D037-13	20266800	FA705	CONTROLR	01	A
V203	26	1C042-13	2A033- 2	20266800	FA705	CONTROLR	01	A
V205	10	2G018-13	2E016- 6	20266800	FA705	CONTROLR	08	24703 A
V205	2	2J005-12	2J005-14	20238100	3234B			
V205	6	2D012- 2	2E016- 6	20266800	FA705	CONTROLR	01	A
V205	9	2F003-15*	2G018-13	20266800	FA705	CONTROLR	07	A
V205	23	2D012- 2	2J005-12	20266800	FA705	CONTROLR	07	A
V209	7	2B017-12	2C009-10*	20238100	3234B			
V209	2	2B017-12	2B018-12	20238100	3234B			
V209	2	2B018-12	2B019-12	20238100	3234B			
V209	2	2B019-12	2B020-12	20238100	3234B			
V209	3	2B020- 4	2B020-12	20238100	3234B			
V209	2	2B019- 4	2B020- 4	20238100	3234B			
V209	2	2B018- 4	2B019- 4	20238100	3234B			
V209	2	2B017- 4	2B018- 4	20238100	3234B			
V211	6	2B013-12	2C009-15*	20238100	3234B			
V211	2	2B013-12	2B014-12	20238100	3234B			
V211	2	2B014-12	2B015-12	20238100	3234B			
V211	2	2B015-12	2B016-12	20238100	3234B			
V211	3	2B016- 4	2B016-12	20238100	3234B			
V211	2	2B015- 4	2B016- 4	20238100	3234B			
V211	2	2B014- 4	2B015- 4	20238100	3234B			

V211	2	2R013- 4	2R014- 4	20238100	32348				
V213	5	2R010-12	2C008-10*	20238100	32348				
V213	2	2R009-12	2R010-12	20238100	32348				
V213	2	2R008-12	2R009-12	20238100	32348				
V213	2	2R007-12	2R008-12	20238100	32348				
V213	3	2R007- 4	2R007-12	20238100	32348				
V213	2	2R007- 4	2R008- 4	20238100	32348				
V213	2	2R008- 4	2R009- 4	20238100	32348				
V213	2	2R009- 4	2R010- 4	20238100	32348				
V215	4	2R006-12	2C008- 6*	20238100	32348				
V215	2	2R005-12	2R006-12	20238100	32348				
V215	2	2R004-12	2R005-12	20238100	32348				
V215	2	2R003-12	2R004-12	20238100	32348				
V215	3	2R003- 4	2R003-12	20238100	32348				
V215	2	2R003- 4	2R004- 4	20238100	32348				
V215	2	2R004- 4	2R005- 4	20238100	32348				
V215	2	2R005- 4	2R006- 4	20238100	32348				
V216	4	1F011- 2	1F016- 1*	20238000	32348				
V216	2	1F011- 2	1F011- 4	20238000	32348				
V216	2	1F010- 4	1F011- 4	20238000	32348				
V216	2	1F010- 2	1F010- 4	20238000	32348				
V216	3	1F010- 2	1F010-11	20238000	32348				
V216	2	1F010-11	1F010-13	20238000	32348				
V216	2	1F010-13	1F011-13	20238000	32348				
V216	2	1F011-11	1F011-13	20238000	32348				
V217	3	1F013- 4	1F016- 6*	20238000	32348				
V217	2	1F013- 2	1F013- 4	20238000	32348				
V217	2	1F012- 2	1F013- 2	20238000	32348				
V217	2	1F012- 2	1F012- 4	20238000	32348				
V217	3	1F012- 4	1F012-11	20238000	32348				
V217	2	1F012-11	1F012-13	20238000	32348				
V217	2	1F012-13	1F013-13	20238000	32348				
V217	2	1F013-11	1F013-13	20238000	32348				
V218	2	1F015-11	1F016-10*	20238000	32348				
V218	2	1F015-11	1F015-13	20238000	32348				
V218	2	1F014-13	1F015-13	20238000	32348				
V218	2	1F014-11	1F014-13	20238000	32348				
V218	3	1F014- 4	1F014-11	20238000	32348				
V218	2	1F014- 2	1F014- 4	20238000	32348				
V218	2	1F014- 2	1F015- 2	20238000	32348				
V218	2	1F015- 2	1F015- 4	20238000	32348				
V223	5	2G036-14	2G031-14	20266800	FA705	CONTROLR	08	24703	A
V223	6	2F032-10*	2G032-14	20266800	FA705	CONTROLR	01		A
V223	2	2G032-14	2G033-14	20266800	FA705	CONTROLR	01		A
V223	2	2G033-14	2G034-14	20266800	FA705	CONTROLR	01		A
V223	2	2G034-14	2G035-14	20266800	FA705	CONTROLR	01		A
V223	2	2G035-14	2G036-14	20266800	FA705	CONTROLR	01		A
V224	6	2F032-15*	2G037-14	20266800	FA705	CONTROLR	01		A
V224	2	2G037-14	2G038-14	20266800	FA705	CONTROLR	01		A
V224	2	2G038-14	2G039-14	20266800	FA705	CONTROLR	01		A
V224	2	2G039-14	2G040-14	20266800	FA705	CONTROLR	01		A
V224	2	2G040-14	2G041-14	20266800	FA705	CONTROLR	01		A
V224	2	2G041-14	2G042-14	20266800	FA705	CONTROLR	01		A
V250	2	2C009-11	2C009-13	20266800	FA705	CONTROLR	01		A
V250	2	2C008-11	2C009-11	20266800	FA705	CONTROLR	01		A
V250	3	2C008- 4	2C008-11	20266800	FA705	CONTROLR	01		A
V250	15	2C009-13	2F031- 1*	20266800	FA705	CONTROLR	01		A
V300	3	2D010- 3	2D010-12	20238100	32348				
V300	2	2C008- 2	2C009- 3	20238100	32348				
V300	7	2D010-12	2F005- 1*	20266800	FA705	CONTROLR	01		A
V300	5	2C009- 3	2D010- 3	20266800	FA705	CONTROLR	01		A
V300	19	1D029- 2	2C008- 2	20266800	FA705	CONTROLR	01		A

V301	6	20009- 5	2D017-14	20238100	3234B				
V301	8	2C024- 5	2D017-14	20238100	3234B				
V301	10	2A033- 4	2C024- 5	20238100	3234B				
V301	8	2D009- 5	2F006- 1*	20266800	FA705	CONTROLR	09		A
V303	4	1E035- 6	1E038-11	20238000	3234B				
V303	9	2F006- 6*	2G018-11	20266800	FA705	CONTROLR	01		A
V303	15	2C017- 6	2G018-11	20266800	FA705	CONTROLR	01		A
V303	21	1E038-11	2C017- 6	20266800	FA705	CONTROLR	01		A
V304	2	2F032- 2	2F032- 4	20266800	FA705	CONTROLR	01		A
V304	2	2F032- 4	2F033- 4	20266800	FA705	CONTROLR	01		A
V304	2	2F033- 2	2F033- 4	20266800	FA705	CONTROLR	01		A

V304	2	2F033- 2	2F034- 2	20266800	FA705	CONTROLR	01		A
V304	2	2F034-11	2F034-13	20266800	FA705	CONTROLR	01		A
V304	7	2R027-10	2C017- 1*	20266800	FA705	CONTROLR	01		A
V304	14	2R027-10	2F032- 2	20266800	FA705	CONTROLR	01		A
V304	3	2F034- 2	2F034-11	20266800	FA705	CONTROLR	01		A
V305	6	2R035-10*	2C038-13	20266800	FA705	CONTROLR	07		A
V305	5	2C031-12	2C038-13	20266800	FA705	CONTROLR	07		A
V305	14	2C031-12	2D004- 5	20266800	FA705	CONTROLR	07		A
W000	8	2J042- 1*	2K032- 4	20238100	3234B				
W000	3	2K032- 4	2K032-10	20238100	3234B				
W001	7	2J042- 6*	2K032- 3	20238100	3234B				
W001	4	2K032- 3	2K032-13	20238100	3234B				
W002	7	2J042-10*	2K032- 6	20238100	3234B				
W002	3	2K032- 6	2K032-14	20238100	3234B				
W003	6	2J042-15*	2K033- 4	20238100	3234B				

W003	2	2K033- 4	2K033- 6	20238100	3234B				
W004	7	2J041- 1*	2K033- 3	20238100	3234B				
W004	4	2K033- 3	2K033-13	20238100	3234B				
W005	7	2J041- 6*	2K033-10	20238100	3234B				
W005	3	2K033-10	2K033-14	20238100	3234B				
W006	6	2J041-10*	2K034- 4	20238100	3234B				
W006	2	2K034- 4	2K034- 6	20238100	3234B				
W007	5	2J041-15*	2K034- 3	20238100	3234B				
W007	4	2K034- 3	2K034-13	20238100	3234B				
W008	8	2J040- 1*	2K034-10	20238100	3234B				
W008	3	2K034-10	2K034-14	20238100	3234B				
W009	6	2J040- 6*	2K035- 4	20238100	3234B				
W009	2	2K035- 4	2K035- 6	20238100	3234B				
W010	5	2J040-10*	2K035- 3	20238100	3234B				
W010	4	2K035- 3	2K035-13	20238100	3234B				
W011	5	2J040-15*	2K035-10	20238100	3234B				
W011	3	2K035-10	2K035-14	20238100	3234B				
W012	6	2J031- 5	2J039- 1*	20238100	3234B				
W013	9	2J038- 1*	2L042- 4	20238100	3234B				
W013	2	2L041- 4	2L042- 4	20238100	3234B				
W013	2	2L040- 4	2L041- 4	20238100	3234B				
W013	3	2L040- 4	2L040-13	20238100	3234B				
W013	2	2L040-13	2L041-13	20238100	3234B				

W013	2	2L041-13	2L042-13	20238100	32348
W014	8	2J038-6*	2L039-4	20238100	32348
W014	2	2L038-4	2L039-4	20238100	32348
W014	2	2L037-4	2L038-4	20238100	32348
W014	3	2L037-4	2L037-13	20238100	32348
W014	2	2L037-13	2L038-13	20238100	32348
W014	2	2L038-13	2L039-13	20238100	32348
W015	8	2J029-1*	2L030-2	20238100	32348
W015	2	2L031-2	2L032-2	20238100	32348
W015	3	2L030-13	2L031-11	20238100	32348
W015	2	2L030-2	2L031-2	20238100	32348
W015	3	2L032-2	2L032-11	20238100	32348
W015	2	2L031-11	2L032-11	20238100	32348
W016	8	2J029-6*	2L033-2	20238100	32348
W016	2	2L034-3	2L034-5	20238100	32348
W016	3	2L034-14	2L035-12	20238100	32348
W016	3	2L033-2	2L035-3	20238100	32348
W016	2	2L034-3	2L035-3	20238100	32348
W016	3	2L033-11	2L034-5	20238100	32348
W016	3	2L033-11	2L035-12	20238100	32348
W017	4	2I006-15*	2I007-4	20266800	FA705
W018	18	2I007-6*	2L035-11	20266800	FA705
W019	6	2J030-13	2J039-15*	20238100	32348
W020	3	2J035-2	2J037-1*	20238100	32348
W020	2	2J034-2	2J035-2	20238100	32348
W021	5	2J035-3	2K035-1*	20238100	32348
W021	2	2J034-3	2J035-3	20238100	32348
W022	4	2J034-6	2J037-15*	20238100	32348
W022	3	2J034-6	2J035-4	20238100	32348
W023	4	2J034-10	2K034-1*	20238100	32348
W023	3	2J034-10	2J035-5	20238100	32348
W024	4	2J035-11	2K036-1*	20238100	32348
W024	4	2J033-2	2J035-11	20238100	32348
W025	4	2J035-12	2K033-1*	20238100	32348
W025	4	2J033-3	2J035-12	20238100	32348
W026	6	2J035-13	2K036-15*	20238100	32348
W026	4	2J033-6	2J035-13	20238100	32348
W027	4	2J035-14	2K032-1*	20238100	32348
W027	3	2J033-10	2J035-14	20238100	32348
W028	3	2J034-5	2J035-1*	20238100	32348
W029	3	2J034-4	2J035-6*	20238100	32348
W030	3	2J033-5	2J035-10*	20238100	32348
W031	4	2J033-4	2J035-15*	20238100	32348
W032	3	2J032-2	2J034-1*	20238100	32348
W032	9	2J018-13	2J032-2	20238100	32348
W033	3	2J032-4	2J033-1*	20238100	32348
W033	8	2J018-12	2J032-4	20238100	32348
W034	8	2J018-11	2J032-1*	20238100	32348
W035	8	2J018-14	2J032-6*	20238100	32348
W036	8	2J018-15*	2J031-10	20238100	32348
W036	3	2J031-10	2J032-13	20238100	32348
W036	7	2J032-13	2L036-3	20238100	32348
W037	4	2J031-4	2J032-15*	20238100	32348
W038	3	2J030-1*	2J030-10	20238100	32348
W039	7	2I029-1	2J030-15*	20238100	32348
W040	7	2J038-10*	2L037-2	20238100	32348
W040	2	2L037-2	2L038-2	20238100	32348
W040	2	2L038-2	2L039-2	20238100	32348
W040	3	2L039-2	2L039-11	20238100	32348
W040	2	2L038-11	2L039-11	20238100	32348
W040	2	2L037-11	2L038-11	20238100	32348
W041	6	2J038-15*	2L040-2	20238100	32348

CONTROLR 01 A
CONTROLR 01 A

W041	2	2L040-2	2L041-2	20238100	32348			
W041	2	2L041-2	2L042-2	20238100	32348			
W041	3	2L042-2	2L042-11	20238100	32348			
W041	2	2L041-11	2L042-11	20238100	32348			
W041	2	2L040-11	2L041-11	20238100	32348			
W042	4	2J024-3	2J028-6	20238100	32348			
W042	4	2I028-14	2J028-6	20238100	32348			
W042	11	2J004-13	2J023-1*	20266800	FA705	CONTROLR	01	A
W042	11	2J004-13	2J024-3	20266800	FA705	CONTROLR	01	A
W042	7	2F029-2	2G023-10	20266800	FA705	CONTROLR	01	A
W042	3	2I026-14	2I028-14	20266800	FA705	CONTROLR	07	A
W042	9	2G023-10	2I026-14	20266800	FA705	CONTROLR	07	A
W043	3	2J023-4	2J024-1*	20238100	32348			
W043	6	2I028-2	2J023-4	20238100	32348			
W043	9	2I028-2	2K031-2	20238100	32348			
W044	3	2J022-4	2J023-6*	20238100	32348			
W044	10	2H014-4	2J022-4	20266800	FA705	CONTROLR	07	A
W047	6	2J024-2	2K028-1*	20238100	32348			
W048	26	2E020-1*	2L024-13	20238100	32348			
W048	4	2L024-13	2L029-11	20238100	32348			
W049	2	2G024-5	2G025-5	20238100	32348			
W049	2	2G024-13	2G025-13	20238100	32348			
W049	3	2F021-6	2F021-14	20238100	32348			
W049	4	2F021-6	2G022-1*	20238100	32348			
W049	4	2F021-14	2G025-5	20238100	32348			
W049	3	2G023-13	2G024-5	20238100	32348			
W049	2	2G023-13	2G024-13	20238100	32348			
W050	6	2J031-1*	2K028-2	20238100	32348			
W051	8	2J031-15*	2L036-11	20238100	32348			
W051	20	2G025-6	2L036-11	20238100	32348			
W051	25	1D031-2	2G025-6	20238200	32348			
W052	4	2I027-10	2I028-1*	20238100	32348			
W052	4	2I027-10	2J029-2	20238100	32348			
W052	2	2J029-2	2J029-4	20238100	32348			
W053	11	2I028-15*	2L030-12	20238100	32348			
W054	4	2I027-1*	2I031-2	20238100	32348			
W054	15	2G022-2	2K025-2	20238100	32348			
W054	7	2I031-2	2J030-14	20238100	32348			
W054	5	2J030-14	2K025-2	20238100	32348			
W055	5	2I025-2	2I031-4	20238100	32348			
W055	5	2I027-15*	2I031-4	20266800	FA705	CONTROLR	01	A
W055	6	2I025-2	2J024-5	20266800	FA705	CONTROLR	01	A
W055	11	2J004-14	2J024-5	20266800	FA705	CONTROLR	01	A
W055	28	1D031-4	2J004-14	20266800	FA705	CONTROLR	01	A
W056	5	2I025-1*	2I031-11	20266800	FA705	CONTROLR	07	A
W056	10	2G023-6	2I031-11	20266800	FA705	CONTROLR	07	A
W057	2	2J029-12	2J029-14	20238100	32348			
W057	7	2I028-12	2J019-14	20238100	32348			
W057	3	2I022-3	2I025-6*	20266800	FA705	CONTROLR	01	A
W057	10	2J019-14	2L029-12	20266800	FA705	CONTROLR	07	A
W057	5	2I022-3	2I028-12	20266800	FA705	CONTROLR	07	A
W058	19	2C022-14	2I026-1*					
W059	8	2I035-10	2J022-2	20266800	FA705	CONTROLR	01	A
W059	4	2I026-15*	2J022-2	20266800	FA705	CONTROLR	07	A
W059	11	2I035-10	2L029-2	20266800	FA705	CONTROLR	07	A
W061	24	2E021-15*	2L029-13	20238100	32348			
W062	3	2F020-2	2E022-1*	20238100	32348			

W064	3	2E020- 3	2E023- 1*	20238100	32348				
W064	25	1C022- 6	2E020- 3	20238200	32348				
W065	21	2F023-15*	2L022- 3	20238100	32348				
W065	6	2L022- 3	2L031- 3	20238100	32348				
W066	8	1C021- 6	1C035-14	20266800	FA705	CONTROLR	08	24703	A
W066	4	2E020- 4	2E024- 1*	20238100	32348				
W066	25	1C021- 6	2E020- 4	20238200	32348				
W067	5	2E019- 2	2E024-15*	20238100	32348				
W067	25	2E019- 2	2L022-12	20238100	32348				
W067	4	2L022-12	2L026-11	20238100	32348				
W067	2	2L026-11	2L027-11	20238100	32348				
W067	4	2L027-11	2L031-12	20238100	32348				
W068	4	2E020- 5	2E025- 1*	20238100	32348				
W068	29	1C020- 6	2E020- 5	20266800	FA705	CONTROLR	01		A
W069	22	2E025-15*	2L023- 3	20238100	32348				
W069	5	2L023- 3	2L030- 3	20238100	32348				
W071	19	2E027- 6*	2J030-12	20238100	32348				
W071	6	2J021-12	2J030-12	20238100	32348				
W071	7	2J021-12	2L024- 4	20238100	32348				
W071	4	2L024- 4	2L029- 4	20238100	32348				
W072	14	2C007-11	2F027- 1*	20238100	32348				
W074	4	2I029-11	2J028- 1*	20238100	32348				
W075	3	2I033- 4	2I036- 1*	20238100	32348				
W075	7	2I033- 4	2J031-12	20238100	32348				
W075	25	2C022-13	2J031-12	20266800	FA705	CONTROLR	01		A
W080	15	2H029-11	2L036- 2	20266800	FA705	CONTROLR	08	24703	A
W080	4	2H029-11	2I031- 1*	20266800	FA705	CONTROLR	01		A
W080	15	2J008-14	2L036- 2	20266800	FA705	CONTROLR	01		A
W080	16	2F009- 2	2J008-14	20266800	FA705	CONTROLR	01		A
W081	2	2J038- 2	2J038- 4	20238100	32348				
W081	3	2J038- 4	2J038-12	20238100	32348				
W081	2	2J038-12	2J038-14	20238100	32348				
W081	6	2I031- 6*	2J038- 2	20238100	32348				
W082	24	1D031- 6	2C022- 2	20266800	FA705	CONTROLR	08	24703	A
W082	9	2C022- 2	2E026- 6	20266800	FA705	CONTROLR	08	24703	A
W082	17	2I037-10	2E026- 6	20266800	FA705	CONTROLR	08	24703	A
W082	18	2G005-11	2I037-10	20266800	FA705	CONTROLR	08	24703	A
W082	15	2G005-11	2I031-10*	20238100	32348				
W083	7	2K025- 1*	2L025-12	20238100	32348				
W083	3	2L025-12	2L027-12	20238100	32348				
W083	3	2L027- 4	2L029- 5	20238100	32348				
W083	5	2L029- 5	2L036-12	20238100	32348				
W083	3	2L027- 4	2L027-12	20238100	32348				
W084	14	2I006-14	2I033- 1*	20266800	FA705	CONTROLR	07		A
W085	17	2I006-12	2L034- 2	20266800	FA705	CONTROLR	01		A
W085	5	2I026- 2	2I033- 6*	20266800	FA705	CONTROLR	07		A
W085	11	2I006-12	2I026- 2	20266800	FA705	CONTROLR	07		A
W086	4	2G012-11	2H014- 1*	20266800	FA705	CONTROLR	07		A
W091	23	2C022-15*	2J029-3	20266800	FA705	CONTROLR	01		A
W091	9	2J029-5	2L030-11						
W100	9	2J011- 1*	2K023- 4	20238100	32348				
W100	2	2K023- 4	2K023- 6	20238100	32348				
W101	8	2J011- 6*	2K023- 3	20238100	32348				
W101	4	2K023- 3	2K023-13	20238100	32348				
W102	8	2J011-10*	2K023-10	20238100	32348				
W102	3	2K023-10	2K023-14	20238100	32348				
W103	7	2J011-15*	2K022- 4	20238100	32348				
W103	2	2K022- 4	2K022- 6	20238100	32348				
W104	8	2J012- 1*	2K022- 3	20238100	32348				
W104	4	2K022- 3	2K022-13	20238100	32348				
W105	8	2J012- 6*	2K022-10	20238100	32348				
W105	3	2K022-10	2K022-14	20238100	32348				
W106	7	2J012-10*	2K021- 4	20238100	32348				

W106	2	2K021- 4	2K021- 6	20238100	3234B
W107	6	2J012-15*	2K021- 3	20238100	3234B
W107	4	2K021- 3	2K021-13	20238100	3234B
W108	8	2J013- 1*	2K021-10	20238100	3234B
W108	3	2K021-10	2K021-14	20238100	3234B
W109	6	2J013- 6*	2K020- 4	20238100	3234B
W109	3	2K020- 4	2K020-10	20238100	3234B
W110	6	2J013-10*	2K020- 3	20238100	3234B
W110	4	2K020- 3	2K020-13	20238100	3234B
W111	6	2J013-15*	2K020- 6	20238100	3234B

W111	3	2K020- 6	2K020-14	20238100	3234B
W112	5	2J014- 1*	2J020- 5	20238100	3234B
W113	9	2J015- 1*	2L011- 4	20238100	3234B
W113	2	2L011- 4	2L012- 4	20238100	3234B
W113	2	2L012- 4	2L013- 4	20238100	3234B
W113	3	2L013- 4	2L013-13	20238100	3234B
W113	2	2L012-13	2L013-13	20238100	3234B
W113	2	2L011-13	2L012-13	20238100	3234B
W114	8	2J015- 6*	2L016- 4	20238100	3234B
W114	2	2L015- 4	2L016- 4	20238100	3234B
W114	2	2L014- 4	2L015- 4	20238100	3234B
W114	3	2L014- 4	2L014-13	20238100	3234B
W114	2	2L014-13	2L015-13	20238100	3234B
W114	2	2L015-13	2L016-13	20238100	3234B
W115	8	2J029-10*	2L023- 2	20238100	3234B
W115	2	2L022- 2	2L023- 2	20238100	3234B
W115	2	2L021- 2	2L022- 2	20238100	3234B
W115	3	2L022-11	2L023-13	20238100	3234B
W115	3	2L021- 2	2L021-11	20238100	3234B
W115	2	2L021-11	2L022-11	20238100	3234B
W116	8	2J029-15*	2L020- 2	20238100	3234B
W116	2	2L019- 3	2L019- 5	20238100	3234B
W116	3	2L018-12	2L019-14	20238100	3234B
W116	3	2L018- 3	2L020- 2	20238100	3234B
W116	2	2L018- 3	2L019- 3	20238100	3234B
W116	3	2L019- 5	2L020-11	20238100	3234B
W116	3	2L018-12	2L020-11	20238100	3234B
W117	2	2I006- 1*	2I007- 2	20266800	FA705 CONTROLR 01 A
W118	15	2I007- 1*	2L018-11	20266800	FA705 CONTROLR 01 A
W119	5	2J014-15*	2J021-13	20238100	3234B
W120	2	2J016- 1*	2J017- 2	20238100	3234B
W120	9	2I030- 2	2J017- 2	20238100	3234B
W121	5	2J017- 3	2K020- 1*	20238100	3234B
W121	9	2I030- 3	2J017- 3	20238100	3234B
W122	4	2J016-15*	2J017- 4	20238100	3234B
W122	9	2I030- 6	2J017- 4	20238100	3234B
W123	5	2J017- 5	2K021- 1*	20238100	3234B
W123	8	2I030-10	2J017- 5	20238100	3234B
W124	4	2J017-11	2K019- 1*	20238100	3234B

W124	4	2J017-11	2J018- 2	2023A100	32348				
W125	5	2J017-12	2K022- 1*	2023A100	32348				
W125	4	2J017-12	2J018- 3	2023A100	32348				
W126	6	2J017-13	2K019-15*	2023A100	32348				
W126	3	2J017-13	2J018- 6	2023A100	32348				
W127	5	2J018-10	2K023- 1*	2023A100	32348				
W127	3	2J017-14	2J018-10	2023A100	32348				
W128	8	2I030- 5	2J017- 1*	2023A100	32348				
W129	9	2I030- 4	2J017- 6*	2023A100	32348				
W130	3	2J017-10*	2J018- 5	2023A100	32348				
W131	4	2J017-15*	2J018- 4	2023A100	32348				
W132	8	2I030- 1*	2J019- 3	20266800	FA705	CONTROLR	07		A
W132	7	2J019- 3	2K018-13	20266800	FA705	CONTROLR	07		A
W133	3	2J018- 1*	2J019- 5	20266800	FA705	CONTROLR	07		A
W133	6	2J019- 5	2K018-12	20266800	FA705	CONTROLR	07		A
W134	7	2J019- 1*	2K018-11	2023A100	32348				
W135	6	2J019- 6*	2K018-14	2023A100	32348				
W135	3	2K018-15*	2L017- 4	2023A100	32348				
W136	7	2J019-12	2L017- 4	20266800	FA705	CONTROLR	07		A
W136	3	2J019-12	2J020-10	20266800	FA705	CONTROLR	07		A
W137	3	2J019-10*	2J020- 4	2023A100	32348				
W138	3	2J021- 1*	2J021-10	2023A100	32348				
W139	9	2I029- 3	2J021-15*	2023A100	32348				
W140	7	2J015-10*	2L016- 2	2023A100	32348				
W140	2	2L015- 2	2L016- 2	2023A100	32348				
W140	2	2L014- 2	2L015- 2	2023A100	32348				
W140	3	2L014- 2	2L014-11	2023A100	32348				
W140	2	2L014-11	2L015-11	2023A100	32348				
W140	2	2L015-11	2L016-11	2023A100	32348				
W141	6	2J015-15*	2L013- 2	2023A100	32348				
W141	2	2L012- 2	2L013- 2	2023A100	32348				
W141	2	2L011- 2	2L012- 2	2023A100	32348				
W141	3	2L011- 2	2L011-11	2023A100	32348				
W141	2	2L011-11	2L012-11	2023A100	32348				
W141	2	2L012-11	2L013-11	2023A100	32348				
W142	4	2J024-11	2J028-14	2023A100	32348				
W142	3	2J024-11	2J025- 5	20266800	FA705	CONTROLR	01		A
W142	4	2I024-14	2J025- 5	20266800	FA705	CONTROLR	01		A
W142	10	2J004-11	2J023-10*	20266800	FA705	CONTROLR	01		A
W142	12	2J004-11	2J028-14	20266800	FA705	CONTROLR	01		A
W142	3	2I022-14	2I024-14	20266800	FA705	CONTROLR	07		A
W142	10	2G023- 4	2I022-14	20266800	FA705	CONTROLR	07		A
W143	3	2J024-15*	2K024- 2	2023A100	32348				
W143	3	2J023-13	2K024- 2	2023A100	32348				
W143	7	2I024- 2	2J023-13	2023A100	32348				
W144	3	2J022-10	2J023-15*	2023A100	32348				
W144	10	2H014- 5	2J022-10	20266800	FA705	CONTROLR	07		A
W147	7	2J024-10	2K028-15*	2023A100	32348				
W149	2	2G024-11	2G025-11	2023A100	32348				
W149	2	2G024- 2	2G025- 2	2023A100	32348				
W149	3	2F025- 6	2F025-14	2023A100	32348				
W149	3	2G022- 6*	2G023-11	2023A100	32348				
W149	2	2G023-11	2G024-11	2023A100	32348				
W149	3	2G025- 2	2G025-11	2023A100	32348				
W149	3	2F025-14	2G024- 2	2023A100	32348				
W150	8	2J020- 1*	2K028-10	2023A100	32348				
W151	8	2J020-15*	2L017-11	2023A100	32348				
W151	20	2G025- 3	2L017-11	2023A100	32348				
W151	25	1D031-10	2G025- 3	2023A200	32348				
W152	4	2I023-10	2I024- 1*	2023A100	32348				
W152	6	2I023-10	2J029-11	2023A100	32348				
W152	2	2J029-11	2J029-13	2023A100	32348				

W153	11	2I024-15*	2L023-12	20238100	32348				
W154	8	2G022- 4	2I023- 1*	20238100	32348				
W154	8	2G022- 4	2I021- 2	20238100	32348				
W154	7	2I021- 2	2J021-14	20238100	32348				
W154	4	2J021-14	2K025- 4	20238100	32348				
W155	6	2I025-11	2J024-13	20238100	32348				
W155	4	2I021- 4	2I025-11	20238100	32348				
W155	4	2I021- 4	2I023-15*	20266800	FA705	CONTROLR	01		A
W155	10	2J004-12	2J024-13	20266800	FA705	CONTROLR	01		A
W155	27	1D031-12	2J004-12	20266800	FA705	CONTROLR	01		A
W156	4	2I021-11	2I025-10*	20266800	FA705	CONTROLR	01		A
W156	10	2G023- 3	2I021-11	20266800	FA705	CONTROLR	07		A
W157	2	2J029- 3	2J029- 5	20238100	32348				
W157	11	2I024-12	2L024-14	20266800	FA705	CONTROLR	01		A
W157	11	2I025-15*	2L024-14	20266800	FA705	CONTROLR	01		A
W157	4	2I024-12	2I026- 3	20266800	FA705	CONTROLR	07		A
W157	12	2G006-14	2I026-3	20266800	FA705	CONTROLR	07		A
W158	19	2L022-5	2I022-1*						
W159	7	2J022-12	2L024- 2	20238100	32348				
W159	5	2I022-15*	2J022-12	20266800	FA705	CONTROLR	07		A
W159	13	2I035- 4	2L024- 2	20266800	FA705	CONTROLR	07		A
W161	23	2E026-15*	2L024-11	20238100	32348				
W174	6	2I029-13	2J028-15*	20238100	32348				
W175	4	2I033-13	2I036- 6*	20238100	32348				
W175	9	2I033-13	2J020-12	20238100	32348				
W175	25	2C022- 4	2J020-12	20266800	FA705	CONTROLR	01		A
W180	16	2H029- 5	2L017- 3	20266800	FA705	CONTROLR	08	24703	A
W180	13	2F009- 5	2H029- 5	20238100	32348				
W180	12	2I021- 1*	2L017- 3	20238100	32348				
W180	16	2B026-12	2F009- 5	20266800	FA705	CONTROLR	01		A
W181	2	2J015- 3	2J015- 5	20238100	32348				
W181	3	2J015- 5	2J015-11	20238100	32348				
W181	2	2J015-11	2J015-13	20238100	32348				
W181	6	2I021- 6*	2J015- 3	20238100	32348				
W182	7	2C022-11	2E021- 6	20266800	FA705	CONTROLR	08	24703	A
W182	24	1D031-14	2C022-11	20266800	FA705	CONTROLR	08	24703	A
W182	18	2G005-12	2I037-11	20266800	FA705	CONTROLR	08	24703	A
W182	19	2I037-11	2E021- 6	20266800	FA705	CONTROLR	08	24703	A
W182	11	2G005-12	2I021-10*	20238100	32348				
W183	3	2L026- 4	2L026-12	20238100	32348				
W183	3	2L024- 5	2L025- 3	20238100	32348				
W183	5	2K025- 6*	2L025- 3	20238100	32348				
W183	3	2L024- 5	2L026- 4	20238100	32348				
W183	6	2L017-12	2L026-12	20238100	32348				
W184	13	2I006- 6	2I033-10*	20266800	FA705	CONTROLR	07		A
W185	13	2I006- 3	2L019- 2	20266800	FA705	CONTROLR	01		A
W185	7	2I022- 2	2I033-15*	20266800	FA705	CONTROLR	07		A
W185	9	2I006- 3	2I022- 2	20266800	FA705	CONTROLR	07		A
W191	25	2C022- 6*	2J029-12	20266800	FA705	CONTROLR	01		A
W191	9	2J029-14	2L023-11						
W200	4	2J025-11	2J027- 2	20238100	32348				
W200	4	2J022- 1*	2J027- 2	20266800	FA705	CONTROLR	01		A
W201	3	2J022-15*	2J025-13	20238100	32348				
W201	4	2J025-13	2J026- 2	20238100	32348				
W202	35	1D011-14	2I016- 1*	20266800	FA705	CONTROLR	01		A
W203	10	2I016-15*	2L010- 2	20266800	FA705	CONTROLR	01		A
W204	34	1D011-12	2I015- 1*	20266800	FA705	CONTROLR	01		A
W205	11	2I015-15*	2L010-11	20266800	FA705	CONTROLR	01		A
W206	34	1D011- 5	2I014- 1*	20266800	FA705	CONTROLR	01		A

W207	10	2I014-15*	2L009- 2	20266800	FA705	CONTROLR	01	A
W208	37	1C010-12	2F028- 1*	20266800	FA705	CONTROLR	01	A
W209	23	2F028-15*	2L009-11	20266800	FA705	CONTROLR	01	A
W210	11	2G030- 1*	2I017- 2	20266800	FA705	CONTROLR	01	A
W211	9	2G030-15*	2I018- 2	20266800	FA705	CONTROLR	01	A
W211	17	2F033- 5	2I018- 2	20266800	FA705	CONTROLR	09	A
W213	19	2F033- 6*	2I006- 2	20266800	FA705	CONTROLR	01	A
W213	3	2I006- 2	2I006-11	20266800	FA705	CONTROLR	01	A
W213	28	1E017- 5	2I006-11	20266800	FA705	CONTROLR	01	A
W214	7	2D042-10*	2E033- 4	20266800	FA705	CONTROLR	01	A
W215	4	1D023- 4	1D025-12	20266800	FA705	CONTROLR	08	24703 A
W215	33	1D025-12	2A029- 2	20266800	FA705	CONTROLR	08	24703 A
W215	9	1F025- 5	1D023- 4	20266800	FA705	CONTROLR	08	24703 A
W215	17	1F025- 5	2F001- 1*	20266800	FA705	CONTROLR	01	A
W218	12	2B024- 3	2E018- 2	20266800	FA705	CONTROLR	01	A
W218	5	2A025- 2	2B024- 3	20266800	FA705	CONTROLR	01	A
W218	13	2F001- 2	2I013- 1*	20266800	FA705	CONTROLR	01	A
W218	10	2E018- 2	2F001- 2	20266800	FA705	CONTROLR	01	A
W218	31	1D025-14	2A025- 2	20266800	FA705	CONTROLR	07	A
W218	9	1D011- 3	1D025-14	20266800	FA705	CONTROLR	07	A
W219	2	2A026-11	2A026-13	20266800	FA705	CONTROLR	01	A
W219	3	2A026- 4	2A026-11	20266800	FA705	CONTROLR	01	A
W219	11	2D037- 6	2E017- 4	20266800	FA705	CONTROLR	01	A
W219	12	2A026-13	2D037- 6	20266800	FA705	CONTROLR	01	A
W219	17	2E017- 4	2I013-15*	20266800	FA705	CONTROLR	07	A
W220	15	2A025- 5	2E018- 3	20266800	FA705	CONTROLR	01	A
W220	15	2E018- 3	2I012- 1*	20266800	FA705	CONTROLR	01	A
W220	31	1D025-11	2A025- 5	20266800	FA705	CONTROLR	07	A
W221	6	2G005- 2	2H002- 2	20266800	FA705	CONTROLR	01	A
W221	9	2H002- 2	2I012-15*	20266800	FA705	CONTROLR	01	A
W221	9	2E017-10	2G005- 2	20266800	FA705	CONTROLR	01	A
W221	11	2D037-14	2E017-10	20266800	FA705	CONTROLR	01	A
W221	13	2A029-11	2D037-14	20266800	FA705	CONTROLR	01	A
W221	32	1D025-13	2A029-11	20266800	FA705	CONTROLR	07	A
W221	4	1D023- 6	1D025-13	20266800	FA705	CONTROLR	07	A
W224	7	2G008-13	2G018- 4	20238100	32348			
W224	9	2G018- 4	2I019-10*	20266800	FA705	CONTROLR	07	A
W224	23	1F020-13	2G008-13	20266800	FA705	CONTROLR	07	A
W225	3	2I032- 6*	2I033-12	20238100	32348			
W225	3	2I033- 3	2I033-12	20238100	32348			
W225	4	2I023- 5	2I027- 5	20238100	32348			
W225	5	2I027- 5	2I033- 3	20266800	FA705	CONTROLR	01	A
W225	11	2I023- 5	2J004- 3	20266800	FA705	CONTROLR	01	A
W225	25	1F020-10	2J004- 3	20266800	FA705	CONTROLR	01	A
W226	4	2I035- 1*	2I035-12	20266800	FA705	CONTROLR	01	A
W226	2	2I035-12	2I035-14	20266800	FA705	CONTROLR	01	A
W227	2	2I012-10	2I013-10	20238100	32348			
W227	12	2G030-10	2I013-10	20266800	FA705	CONTROLR	01	A
W227	10	2G030-10	2I035-15*	20266800	FA705	CONTROLR	01	A
W227	27	1F020-14	2I012-10	20266800	FA705	CONTROLR	01	A
W228	16	2G006-15*	2I035- 5	20266800	FA705	CONTROLR	07	A
W229	2	2I012- 4	2I013- 4	20238100	32348			
W229	10	2I013- 4	2I032- 2	20238100	32348			
W229	4	2G006- 3	2G008-15*	20238100	32348			
W229	5	2G006- 3	2H007- 2	20266800	FA705	CONTROLR	07	A
W229	6	2H007- 2	2I012- 4	20266800	FA705	CONTROLR	07	A
W230	3	2I037-15*	2I040-13	20238100	32348			
W230	6	2I040-13	2J036-11	20238100	32348			
W231	5	2I030-15*	2J036- 2	20238100	32348			
W231	38	1C025- 6	2J036- 2	20238200	32348			
W232	10	2J036- 1*	2L033-12	20238100	32348			
W232	7	2L020-12	2L033-12	20238100	32348			
W233	4	2J033-15*	2J036- 4	20238100	32348			

W233	37	1C026- 6	2J036- 4	20238200	3234B				
W234	8	2J036- 6*	2L033- 3	20238100	3234B				
W234	7	2L020- 3	2L033- 3	20238100	3234B				
W235	36	1C027- 6	2J032-11	20238200	3234B				
W235	13	2J008- 1*	2J032-11	20266800	FA705	CONTROLR	01		A
W236	9	2J032-10*	2L034-13	20238100	3234B				
W236	8	2L019-13	2L034-13	20238100	3234B				
W237	6	2J021-11	2J030-11	20238100	3234B				
W237	16	2B034- 1	2C007-15*	20238100	3234B				
W237	28	2B034- 1	2J030-11	20238100	3234B				
W230	11	2I032- 5	2K025-15*	20238100	3234B				

W242	4	2I032- 1*	2I035-13	20266800	FA705	CONTROLR	01		A
W242	5	2I035-13	2J036-13	20266800	FA705	CONTROLR	01		A
W243	7	2I027-2	2I083-1						
W243	4	2I023- 2	2I027- 2	20238100	3234B				
W243	6	2I023- 2	2J025- 3	20266800	FA705	CONTROLR	01		A
W243	7	2H002-12	2J004-4	20266800	FA705	CONTROLR	01		A
W243	17	2F029- 4	2H002-12	20266800	FA705	CONTROLR	01		A
W243	11	2J004- 4	2J025- 3	20266800	FA705	CONTROLR	01		A
W244	6	2I033-11	2J025- 1*	20266800	FA705	CONTROLR	01		A
W246	22	2C007-10	2J004- 1*	20266800	FA705	CONTROLR	01		A
W248	13	2I038- 4	2K018- 1*	20266800	FA705	CONTROLR	01		A
W249	12	2H015-15*	2I038- 5	20266800	FA705	CONTROLR	07		A
W250	13	2H015- 1*	2I038- 6	20266800	FA705	CONTROLR	01		A
W251	12	2F029- 1*	2I033- 2	20266800	FA705	CONTROLR	01		A
W252	11	2I035- 2	2J019-15*	20266800	FA705	CONTROLR	07		A
W253	3	1D007- 5	1D007-12	20238000	3234B				
W253	25	2C033- 4	2J036-10*	20266800	FA705	CONTROLR	01		A
W253	38	1D007- 5	2C033- 4	20266800	FA705	CONTROLR	01		A
W254	16	2C033- 6*	2G030-13				09		A
W254	28	2A002-14	2I020- 4				09		A
W254	26	2A002-14	2G030-13	20266800	FA705	CONTROLR	07		A
W256	8	2I029- 5	2J036-15*	20238100	3234B				
W257	3	2J038-11	2J039- 6*	20238100	3234B				
W257	2	2J038-11	2J038-13	20238100	3234B				
W257	11	2J015-14	2J038-13	20238100	3234B				
W257	2	2J015-12	2J015-14	20238100	3234B				
W258	7	2J025-15*	2J036-12	20266800	FA705	CONTROLR	07		A
W259	6	2G005- 1*	2H002- 4	20266800	FA705	CONTROLR	01		A
W259	29	1C010-14	2H002- 4	20266800	FA705	CONTROLR	01		A
W260	31	1C008- 5	2G005-10*	20266800	FA705	CONTROLR	09		A
W261	16	2C039- 4	2G030- 6	20266800	FA705	CONTROLR	08	24703	A
W261	13	2C039- 4	2E018- 1*	20238100	3234B				
W262	6	2K025-10*	2L023-14	20238100	3234B				
W262	5	2L023-14	2L030-14	20238100	3234B				
W267	16	2G018- 6*	2K030- 2	20238100	3234B				
W287	5	2G006-13	2G012-10*	20266800	FA705	CONTROLR	07		A
W287	3	2G006-13	2G008-14	20266800	FA705	CONTROLR	07		A
W287	10	2G008-14	2I022- 6	20266800	FA705	CONTROLR	07		A
W287	4	2I022- 6	2I026- 6	20266800	FA705	CONTROLR	07		A

W287	8	2I026- 6	2J019-13	20266800	FA705	CONTROLR	07	A
X000	6	1C015- 1*	1D014- 3	20238000	32348			
X001	6	1C015- 3*	1D014- 5	20238000	32348			
X002	6	1C015- 5*	1D014-12	20238000	32348			
X003	6	1C015-11*	1D014-14	20238000	32348			
X004	4	1C015-13*	1D013- 3	20238000	32348			
X005	4	1C015-15*	1D013- 5	20238000	32348			
X006	7	1C014- 1*	1D013-12	20238000	32348			
X007	7	1C014- 3*	1D013-14	20238000	32348			
X008	5	1C014- 5*	1D012- 3	20238000	32348			
X009	4	1C014-11*	1D012- 5	20238000	32348			
X010	5	1C014-13*	1D012-12	20238000	32348			
X011	5	1C014-15*	1D012-14	20238000	32348			
X012	32	1C013- 1*	2F016- 2	20266800	FA705	CONTROLR	01	A
X013	6	1C013- 3*	1D009- 4	20238000	32348			
X014	7	1C013- 5*	1D009-11	20238000	32348			
X015	4	1C009- 2	1C013-11*	20238000	32348			
X016	4	1C009- 4	1C013-13*	20238000	32348			
X017	4	1C009-11	1C013-15*	20238000	32348			
X019	4	1C009-13	1C012- 1*	20238000	32348			
X020	6	1C011-15*	1D007-13	20238000	32348			
X020	39	1D007-13	2F034- 4	20266800	FA705	CONTROLR	01	A
X021	7	1C012- 5*	1D009-13	20238000	32348			
X022	4	1C012-11*	1D008- 2	20238000	32348			
X023	4	1C012-13*	1D008- 4	20238000	32348			
X024	5	1C012-15*	1D008-11	20238000	32348			
X025	7	1C011- 1*	1D008-13	20238000	32348			
X026	6	1C011- 3*	1D007- 2	20238000	32348			
X026	12	1D007- 2	1F023- 4	20266800	FA705	CONTROLR	09	A
X027	4	1C007- 2	1C011- 5*	20238000	32348			
X027	15	1C007- 2	1F023- 5	20266800	FA705	CONTROLR	09	A
X028	4	1C007-10	1C011-11*	20238000	32348			
X028	14	1C007-10	1F023- 6	20266800	FA705	CONTROLR	09	A
X029	5	1C005-12	1C011-13*	20238000	32348			
X032	5	1C005- 4	1C012- 3*	20238000	32348			
Y000	6	2I029- 2*	2J031- 3	20238100	32348			
Y000	2	2J031- 3	2J031- 6	20238100	32348			
Y001	7	2I029- 4*	2J020- 3	20238100	32348			
Y001	2	2J020- 3	2J020- 6	20238100	32348			
Y002	11	2I016- 2	2G030- 5	20266800	FA705	CONTROLR	08	24703 A
Y002	7	2H007- 1*	2I014- 2	20238100	32348			
Y002	2	2I014- 2	2I015- 2	20238100	32348			
Y002	2	2I015- 2	2I016- 2	20238100	32348			
Y003	5	2I027- 4	2I035- 6	20266800	FA705	CONTROLR	08	24703 A
Y003	6	2J023- 2	2I027- 4	20266800	FA705	CONTROLR	08	24703 A
Y003	5	2J023- 2	2K026- 1*	20238100	32348			
Y004	7	2I023- 3	2I035- 3	20266800	FA705	CONTROLR	08	24703 A
Y004	6	2J023-11	2I023- 3	20266800	FA705	CONTROLR	08	24703 A
Y004	4	2J023-11	2K027- 1*	20238100	32348			
Y005	5	2I029- 6*	2I035-11	20266800	FA705	CONTROLR	01	A
Y006	7	1F019- 1*	1F028- 4	20238000	32348			
Y007	7	2H029- 2	2I023- 4	20238100	32348			
Y007	4	2I019-11	2I023- 4	20238100	32348			
Y007	6	2I019-11	2J026- 1*	20266800	FA705	CONTROLR	01	A
Y007	7	2F029-10	2H029- 2	20266800	FA705	CONTROLR	01	A
Y008	6	2I019-12	2I027- 3	20238100	32348			
Y008	4	2H029-10	2I027- 3	20238100	32348			
Y008	3	2J025- 2	2J027- 1*	20266800	FA705	CONTROLR	01	A
Y008	5	2I019-12	2J025- 2	20266800	FA705	CONTROLR	01	A
Y009	10	2H016- 1*	2I032- 4	20238100	32348			
Y010	2	2F010- 1*	2F011- 2	20238100	32348			
Y010	5	2F011- 2	2G009- 2	20238100	32348			
Y011	6	2F011- 1*	2G008- 3	20238100	32348			
Y012	4	2G009-11	2H006- 1*	20238100	32348			

Y013	7	2G008- 4	2G019- 1*	20238100	32348			
Y014	13	2F036-10*	2G012- 2	20266800	FA705	CONTR0LR	01	A
Y015	6	2F011-10*	2G008-11	20238100	32348			
Y016	6	2K031- 1*	2L029- 3	20238100	32348			
Y017	5	2K025-13	2K030- 1*	20238100	32348			
Y017	15	2H016- 2	2K025-13	20238100	32348			
Y018	5	2K024- 1*	2L024- 3	20238100	32348			
Y019	13	2E019- 4	2H016-15*	20238100	32348			
Y020	6	2R034- 2*	2C028- 3	20238100	32348			
Y020	30	2C028- 3	2L027- 5	20238100	32348			
Y020	2	2L026- 5	2L027- 5	20238100	32348			
Y021	12	2C029-10*	2D009-13	20238100	32348			
Y022	16	2D004- 3	2D036-15*	20266800	FA705	CONTR0LR	01	A
Y023	2	2C028- 2	2C029- 1*	20238100	32348			
Y024	2	2C028- 5	2C029- 6*	20238100	32348			
Y026	3	1D032- 2	1D035- 1*	20266800	FA705	CONTR0LR	01	A
Y027	4	1D032- 4	1D036- 1*	20266800	FA705	CONTR0LR	07	A
Y028	2	1F034- 3	1E034- 5	20238000	32348			
Y028	6	1D030- 1*	1E034- 3	20238000	32348			
Y029	3	1E023-13	1F024- 1*	20238000	32348			
Y030	3	1F024- 6*	1F025- 4	20238000	32348			
Y031	7	1F029- 3	1F024-10*	20238000	32348			
Y032	4	1E028- 1*	1E029-11	20238000	32348			
Y033	3	1E028- 6*	1E030- 2	20238000	32348			
Y034	3	1F028-10*	1F030-11	20238000	32348			
Y035	5	1E028-15*	1E031- 2	20238000	32348			
Y036	4	1E031-11	1E033- 1*	20238000	32348			
Y037	3	1E032- 2	1E033- 6*	20238000	32348			
Y038	4	1E033-10*	1E036- 2	20266800	FA705	CONTR0LR	01	A
Y040	8	1E019-15*	1E034-13	20238000	32348			
Y041	15	2F009-13	2J007-15*	20238100	32348			
Y042	5	1C035- 6*	1C041-13	20238000	32348			
Y043	5	1F020- 2	1F024-15*	20238000	32348			
Y045	4	1C032-14	1C035-10*	20238000	32348			
Y046	6	2D036- 6*	2E037-11	20238100	32348			
Y047	6	2D036-10*	2E037-13	20238100	32348			
Y048	6	1E040- 4	1F034- 1*	20266800	FA705	CONTR0LR	01	A
Y049	2	2C036- 2	2C037- 1*	20238100	32348			
Y050	3	2C036- 4	2C037- 6*	20238100	32348			
Y051	9	2C037-10*	2E034-11	20238100	32348			
Y052	6	2B036- 3	2C040- 1*	20238100	32348			
Y053	7	2E035- 5	2F036-15*	20238100	32348			
Y054	7	2C028-11	2C039-15*	20238100	32348			
Y055	5	2F011- 6*	2F019- 4	20266800	FA705	CONTR0LR	01	A
Y056	8	2R040- 2	2C037-15*	20238100	32348			
Y058	6	2R012-13	2D011- 1*	20266800	FA705	CONTR0LR	01	A
Y058	2	2R012-11	2R012-13	20266800	FA705	CONTR0LR	01	A
Y058	3	2R012- 4	2R012-11	20266800	FA705	CONTR0LR	01	A
Y058	2	2R012- 2	2R012- 4	20266800	FA705	CONTR0LR	01	A
Y059	2	2I042-12	2I042-14	20266800	FA705	CONTR0LR	01	A
Y059	21	2H001- 6*	2I042-12	20266800	FA705	CONTR0LR	01	A
Y061	3	2R034- 4*	2R036- 4	20238100	32348			
Y062	5	2A030-10	2R034- 6*	20238100	32348			
Y063	5	2A030-12	2R031-13	20238100	32348			
Y063	8	2R031-13	2D039- 5	20266800	FA705	CONTR0LR	01	A
Y063	9	2D039- 5	2F036- 6*	20266800	FA705	CONTR0LR	01	A
Y064	7	2C039-10*	2E039- 4	20238100	32348			

Y065	14	2C029-15*	2F008- 4	20238100	32348				
Y066	7	1D028-14	1E019- 6*	20238000	32348				
Y067	4	2B034-12*	2B038-11	20238100	32348				
Y067	34	1E023-10	2B038-11	20238200	32348				
Y068	5	2F011-15*	2G006- 2	20238100	32348				
Y069	6	1E018- 1*	1F019- 4	20266800	FA705	CONTROLR	01		A
Y070	4	1E019-10*	1F018- 2	20238000	32348				
Y071	5	2G011-13	2H016- 6*	20238100	32348				
Y072	3	1E020- 1*	1E021- 6	20266800	FA705	CONTROLR	01		A
Y073	16	2I018- 1*	2L003-11	20266800	FA705	CONTROLR	01		A
Y073	34	2D042-11	2L003-11	20266800	FA705	CONTROLR	01		A
Y074	4	2I014-12	2I016-12						
Y074	2	2I014-12	2I015-12	20266800	FA705	CONTROLR	01		A
Y074	2	2I015-12	2I016-12	20266800	FA705	CONTROLR	01		A
Y074	14	2F028-12	2I014-12						
Y075	21	2D036- 1*	2I019- 3	20266800	FA705	CONTROLR	01		A
Y076	5	2H003- 2	2I003- 1*	20266800	FA705	CONTROLR	01		A
Y076	9	2H003- 2	2J010- 2	20266800	FA705	CONTROLR	01		A
Y077	6	2I003- 6*	2J010- 4	20266800	FA705	CONTROLR	01		A
Y078	7	2I003-10*	2J010-11	20266800	FA705	CONTROLR	01		A
Y078	9	2H003-11	2J010-11	20266800	FA705	CONTROLR	01		A
Y078	17	2F031- 2	2H003-11	20266800	FA705	CONTROLR	01		A
Y079	6	2I003-15*	2J010-13	20266800	FA705	CONTROLR	01		A
Y079	20	2F031- 3	2J010-13	20266800	FA705	CONTROLR	01		A
Y080	4	2H004- 2	2H006-10*	20266800	FA705	CONTROLR	01		A
Y081	7	2I019-13	2J007- 1*	20238100	32348				
Y082	4	1G040- 1*	1G042- 4	20266800	FA705	CONTROLR	08	24703	A
Y083	4	2I008-13	2J007- 6*	20238100	32348				
Y084	5	2I004-13	2J007-10*	20238100	32348				
Y085	5	2I029-10*	2I036- 2						
Y086	2	2L004- 2	2L005- 2	20238100	32348				
Y086	2	2L005- 2	2L006- 2	20238100	32348				
Y086	3	2L006- 2	2L006-11	20238100	32348				
Y086	2	2L005-12	2L006-11	20238100	32348				
Y086	4	2J001-11	2J003- 1*	20238100	32348				
Y086	7	2J001-11	2L004- 2	20238100	32348				
Y087	32	2A042- 1*	2I021-13	20266800	FA705	CONTROLR	01		A
Y088	14	2F006-14	2H030- 1*	20266800	FA705	CONTROLR	01		A
Y090	4	1D033-12	1D037- 4*	20238000	32348				
Y091	5	1D030- 2	1E027- 1*	20238000	32348				
Y091	6	1D030- 2	1D038-13	20238000	32348				
Y092	14	1D037- 2*	2C012- 4	20238200	32348				
Y092	2	2C012- 2	2C012- 4	20238100	32348				
Y093	2	2C012-11	2C012-13	20238100	32348				
Y093	14	1D037- 6*	2C012-13	20238200	32348				
Y093	9	2C012-11	2C028-13	20266800	FA705	CONTROLR	01		A
Y093	9	2C028-13	2D042-13	20266800	FA705	CONTROLR	01		A
Y094	3	2C024-10	2C024-14	20238100	32348				
Y094	34	1D006- 1*	2C024-14	20266800	FA705	CONTROLR	01		A
Y095	5	2G020-13	2H016-10*	20238100	32348				
Y096	25	1C035- 1*	2B038-13	20238200	32348				
Y097	6	2C039- 1*	2D041- 4	20238100	32348				
Y098	6	2B038- 3	2C039- 6*	20238100	32348				
Y099	6	1D033-11	1E026- 1*	20238000	32348				
Y100	5	2H006-15*	2I011- 3	20266800	FA705	CONTROLR	01		A
Y101	5	2E037- 3	2F036- 1*	20266800	FA705	CONTROLR	01		A
Y102	5	1C035-15*	1D042- 4	20266800	FA705	CONTROLR	01		A
Y107	12	2H001- 1*	2I020-14	20266800	FA705	CONTROLR	01		A
Y185	5	2I029-12*	2I036- 4						
Y900	2	1E002- 1*	1E003- 2	20266800	FA705	CONTROLR	01		A
Y901	3	1E001-10	1E002- 6*	20266800	FA705	CONTROLR	01		A
Y902	2	1E002-10*	1E003-10	20266800	FA705	CONTROLR	09		A
Y903	12	1C010- 2	1E002-15*	20266800	FA705	CONTROLR	01		A
Y904	4	1E003-11	1F001- 1*	20266800	FA705	CONTROLR	09		A
Y904	3	1E003- 3	1E003-11	20266800	FA705	CONTROLR	09		A

GND	2	1C005- 8*	1C005-10	20238000	32348				
GND	3	1C005- 2	1C005-10	20238000	32348				
GND	2	1C007- 5	1C007- 8*	20238000	32348				
GND	3	1C009- 3	1C009- 8*	20238000	32348				
GND	3	1C031- 2	1C031- 8*	20238000	32348				
GND	3	1C032- 2	1C032- 8*	20238000	32348				
GND	3	1C033- 2	1C033- 8*	20238000	32348				
GND	2	1C038- 8*	1C038-10	20238000	32348				
GND	3	1C042- 2	1C042- 8*	20238000	32348				
GND	2	1D005- 8*	1D005-10					09	A
GND	3	1D005- 6	1D005- 1	20266800	FA705	CONTROLR		08	A
GND	3	1D005-10	1D005- 6						A
GND	3	1D007- 8*	1D007-14	20238000	32348				
GND	2	1D017- 8*	1D017-10	20266800	FA705	CONTROLR		01	A
GND	3	1D017- 2	1D017-10	20266800	FA705	CONTROLR		01	A
GND	2	1D020- 5	1D020- 8*					09	A
GND	2	1D020- 5	1D020- 6	20266800	FA705	CONTROLR		01	A
GND	3	1D034- 8*	1D034-13	20266800	FA705	CONTROLR		01	A
GND	2	1D034-10	1D034-13	20266800	FA705	CONTROLR		01	A
GND	3	1D034- 5	1D034-10	20266800	FA705	CONTROLR		01	A
GND	2	1D034- 2	1D034- 5	20266800	FA705	CONTROLR		01	A
GND	3	1D040- 2	1D040- 8*	20238000	32348				
GND	2	1D041- 6	1D041- 8*	20266800	FA705	CONTROLR		09	A
GND	3	1D042- 2	1D042- 8*	20238000	32348				
GND	3	1E001- 2	1E001- 8*	20266800	FA705	CONTROLR		09	A
GND	3	1E003- 4	1E003- 8*	20266800	FA705	CONTROLR		09	A
GND	2	1E021- 8*	1E021-10	20266800	FA705	CONTROLR		01	A
GND	3	1E021- 2	1E021-10	20266800	FA705	CONTROLR		01	A
GND	3	1E025- 4	1E025- 8*	20238000	32348				
GND	2	1F005- 8*	1F005-10	20238000	32348				
GND	3	1F019- 2	1F019- 8*	20238000	32348				
GND	3	1F020- 4	1F020- 8*	20238000	32348				
GND	3	1F023- 3	1F023- 8*	20266800	FA705	CONTROLR		09	A
GND	3	1F025- 2	1F025- 8*	20238000	32348				
GND	3	1F033- 8*	1F033-14	20266800	FA705	CONTROLR		01	A
GND	3	2A003- 8*	2A003-13	20266800	FA705	CONTROLR		01	A
GND	2	2A014- 8*	2A014-10	20266800	FA705	CONTROLR		01	A
GND	2	2A016- 5	2A016- 8*	20266800	FA705	CONTROLR		01	A
GND	3	2A024- 2	2A024- 8*	20238100	32348				
GND	2	2A030- 5	2A030- 8*	20238100	32348				
GND	2	2A030- 4	2A030- 5	20238100	32348				
GND	2	2A030- 3	2A030- 4	20238100	32348				
GND	3	2A032- 8*	2A032-13	20266800	FA705	CONTROLR		01	A
GND	3	2A035- 2	2A035- 8*	20238100	32348				
GND	3	2A036- 2	2A036- 8*	20238100	32348				
GND	3	2A037- 2	2A037- 8*	20238100	32348				
GND	2	2A041- 2	2A041- 3	20266800	FA705	CONTROLR		01	A
GND	3	2A041- 3	2A041- 8*	20266800	FA705	CONTROLR		01	A
GND	2	2B022- 8*	2B022-11	20266800	FA705	CONTROLR		07	A

GND	3	2B022-	5	2B022-11	20266800	FA705	CONTROLR	07	A
GND	2	2B024-	8*	2B024-11	20238100	32348			
GND	3	2B026-	8*	2B026-13	20266800	FA705	CONTROLR	01	A
GND	4	2B026-	2	2B026-13	20266800	FA705	CONTROLR	01	A
GND	2	2B028-	8*	2B028-10	20266800	FA705	CONTROLR	01	A
GND	3	2B031-	3	2B031- 8*	20238100	32348			
GND	2	2B031-	2	2B031- 3	20238100	32348			
GND	3	2B033-	8*	2B033-13	20238100	32348			
GND	3	2B036-	8*	2B036-13	20238100	32348			
GND	2	2C001-	3	2C001- 5	20266800	FA705	CONTROLR	01	A
GND	2	2C001-	5	2C001- 8*	20266800	FA705	CONTROLR	01	A
GND	3	2C005-	8*	2C005-14	20266800	FA705	CONTROLR	01	A
GND	2	2C008-	5	2C008- 8*	20266800	FA705	CONTROLR	01	A
GND	3	2C008-	5	2C008-12	20266800	FA705	CONTROLR	01	A
GND	3	2C009-	8*	2C009-12	20238100	32348			
GND	2	2C009-	12	2C009-14	20238100	32348			
GND	3	2C011-	8*	2C011-13	20266800	FA705	CONTROLR	01	A
GND	3	2C017-	2	2C017- 8*	20266800	FA705	CONTROLR	01	A
GND	3	2C026-	2	2C026- 8*	20238100	32348			
GND	3	2C027-	2	2C027- 8*	20238100	32348			
GND	3	2C028-	4	2C028- 8*	20238100	32348			
GND	3	2C031-	8*	2C031-13	20238100	32348			
GND	2	2C041-	5	2C041- 8*	20266800	FA705	CONTROLR	01	A
GND	3	2C042-	8*	2C042-13	20266800	FA705	CONTROLR	01	A
GND	2	2C042-	13	2C042-14	20266800	FA705	CONTROLR	01	A
GND	2	2D001-	5	2D001- 8*	20266800	FA705	CONTROLR	01	A
GND	2	2D001-	3	2D001- 5	20266800	FA705	CONTROLR	01	A
GND	3	2D010-	8*	2D010-14	20238100	32348			
GND	2	2D012-	8*	2D012-10	20266800	FA705	CONTROLR	01	A
GND	2	2D013-	8*	2D013-10	20266800	3553-1	FA705	010	A
GND	3	2D013-	2	2D013-10	20266800	3553-1	FA705	010	A
GND	3	2D016-	8*	2D016-12	20238100	32348			
GND	2	2D033-	8*	2D033-10	20238100	32348			
GND	3	2D034-	4	2D034- 8*	20238100	32348			
GND	2	2D037-	8*	2D037-11	20266800	FA705	CONTROLR	01	A
GND	2	2D037-	10	2D037-11	20266800	FA705	CONTROLR	01	A
GND	3	2D037-	3	2D037-10	20266800	FA705	CONTROLR	01	A
GND	2	2D037-	2	2D037- 3	20266800	FA705	CONTROLR	01	A
GND	3	2D038-	2	2D038- 8*	20238100	32348			
GND	3	2D040-	2	2D040- 8*	20238100	32348			
GND	3	2E013-	4	2E013- 8*	20238100	32348			
GND	3	2E021-	2	2E021- 8*	20238100	32348			
GND	3	2E022-	2	2E022- 8*	20238100	32348			
GND	3	2E023-	2	2E023- 8*	20238100	32348			
GND	3	2E024-	2	2E024- 8*	20238100	32348			
GND	3	2E025-	2	2E025- 8*	20238100	32348			
GND	3	2E026-	2	2E026- 8*	20238100	32348			
GND	3	2E035-	3	2E035- 8*	20238100	32348			
GND	3	2E035-	2	2E035- 3	20238100	32348			
GND	3	2E036-	8*	2E036-12	20238100	32348			
GND	3	2F002-	8*	2F002-13	20266800	FA705	CONTROLR	01	A
GND	3	2F006-	3	2F006- 5	20266800	FA705	CONTROLR	01	A
GND	3	2F006-	8*	2F006-13	20266800	FA705	CONTROLR	01	A
GND	3	2F006-	5	2F006-13	20266800	FA705	CONTROLR	01	A
GND	3	2F007-	2	2F007- 8*	20266800	FA705	CONTROLR	01	A
GND	3	2F014-	2	2F014- 8*	20238100	32348			
GND	3	2F015-	8*	2F015-12	20266800	FA705	CONTROLR	01	A
GND	2	2F015-	11	2F015-12	20266800	FA705	CONTROLR	01	A
GND	3	2F015-	4	2F015-11	20266800	FA705	CONTROLR	01	A
GND	3	2F017-	4	2F017- 8*	20266800	FA705	CONTROLR	01	A
GND	3	2F017-	4	2F017-12	20266800	FA705	CONTROLR	01	A

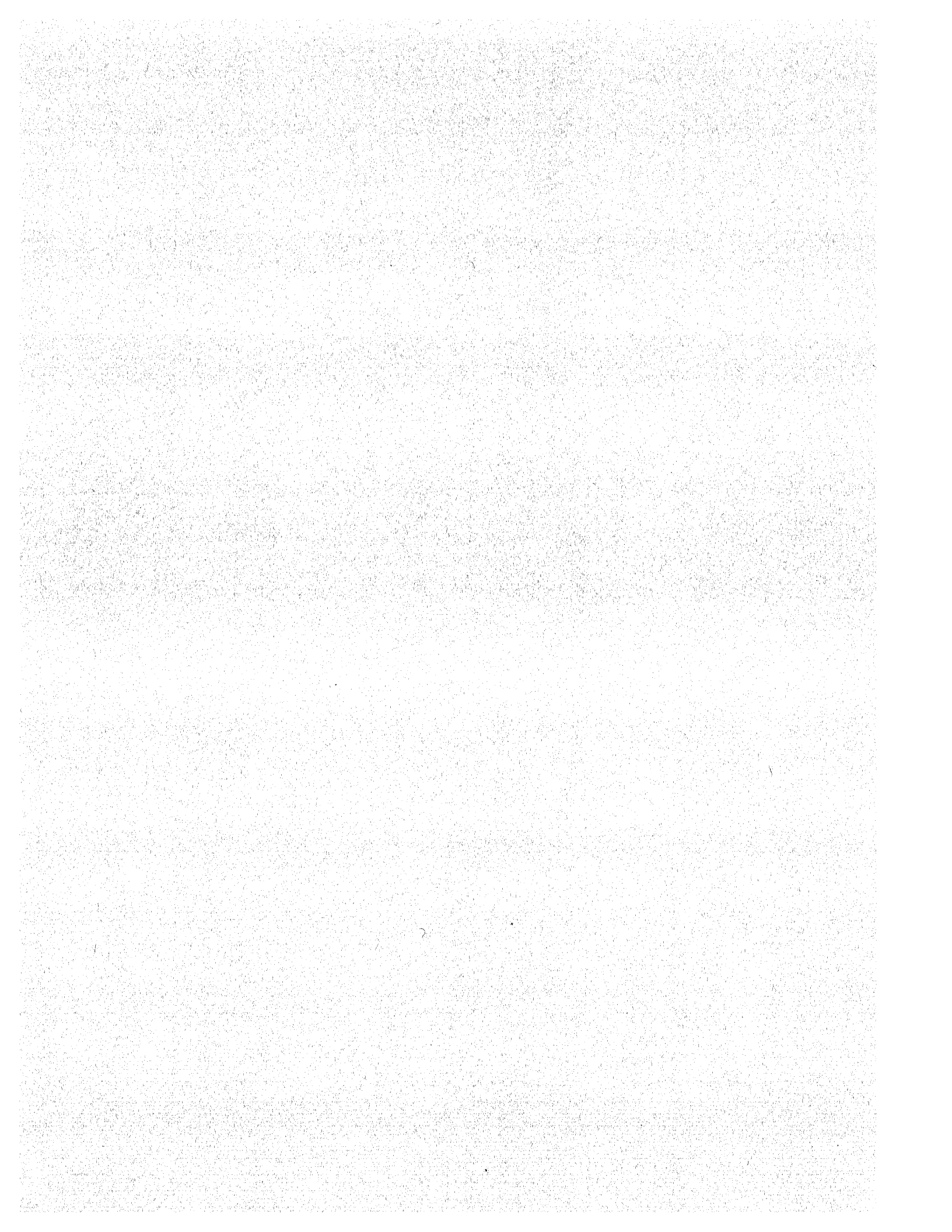
GND	3	2F021- 2	2F021- 8*	20238100	32348				
GND	3	2F022- 2	2F022- 8*	20238100	32348				
GND	3	2F023- 2	2F023- 8*	20238100	32348				
GND	3	2F024- 2	2F024- 8*	20266800	FA705	CONTROLR	01		A
GND	3	2F025- 2	2F025- 8*	20238100	32348				
GND	3	2F026- 2	2F026- 8*	20238100	32348				
GND	3	2F028- 2	2F028- 8*	20266800	FA705	CONTROLR	01		A
GND	3	2F033- 8*	2F033-13	20238100	32348				
GND	2	2F034- 5	2F034- 8*	20266800	FA705	CONTROLR	01		A
GND	3	2G005- 3	2G005- 8*	20266800	FA705	CONTROLR	01		A
GND	2	2G006- 8*	2G006-11	20238100	32348				
GND	3	2G010- 4	2G010- 8*	20266800	FA705	CONTROLR	01		A
GND	3	10039- 8*	10039-10	20266800	FA705	CONTROLR	08	24703	A
GND	3	2G030- 8*	2G030- 2	20266800	FA705	CONTROLR	08	24703	A
GND	3	2H005- 2	2H005- 8*	20238100	32348				
GND	3	2H013- 8*	2H013-11	20238100	32348				
GND	3	2I008- 8*	2I008-12	20266800	FA705	CONTROLR	01		A
GND	3	2I009- 8*	2I009-13	20266800	FA705	CONTROLR	01		A
GND	2	2I011- 5	2I011- 8*	20266800	FA705	CONTROLR	01		A
GND	3	2I011- 5	2I011-12	20266800	FA705	CONTROLR	01		A
GND	2	2I022- 8*	2I022-10	20266800	FA705	CONTROLR	07		A
GND	2	2I022-10	2I022-11	20266800	FA705	CONTROLR	07		A
GND	2	2I024- 5	2I024- 8*	20238100	32348				
GND	2	2I024- 3	2I024- 5	20238100	32348				
GND	2	2I026- 8*	2I026-10	20266800	FA705	CONTROLR	07		A
GND	2	2I026-10	2I026-11	20266800	FA705	CONTROLR	07		A
GND	2	2I028- 5	2I028- 8*	20238100	32348				
GND	2	2I028- 3	2I028- 5	20238100	32348				
GND	3	2I032- 8*	2I032-12	20266800	FA705	CONTROLR	01		A
GND	2	2I032-12	2I032-14	20266800	FA705	CONTROLR	01		A
GND	2	2I040- 8*	2I040-10	20238100	32348				
GND	2	2J004- 5	2J004- 8*	20266800	FA705	CONTROLR	01		A
GND	2	2J004- 2	2J004- 5	20266800	FA705	CONTROLR	01		A
GND	2	2J019- 8*	2J019-11	20266800	FA705	CONTROLR	07		A
GND	3	2J019- 4	2J019-11	20266800	FA705	CONTROLR	07		A
GND	2	2J019- 2	2J019- 4	20266800	FA705	CONTROLR	07		A
GND	3	2J021- 2	2J021- 8*	20238100	32348				
GND	2	2J025- 8*	2J025-10	20238100	32348				
GND	3	2J030- 2	2J030- 8*	20238100	32348				
GND	3	2K001- 8*	2K001-13	20238100	32348				
GND	3	2L001- 8*	2L001-13	20238100	32348				
GND	3	2L003- 4	2L003- 8*	20266800	FA705	CONTROLR	01		A
GND	3	2L003- 4	2L003-13	20266800	FA705	CONTROLR	01		A
GND	3	2L008- 4	2L008- 8*	20266800	FA705	CONTROLR	01		A
GND	3	2L008- 4	2L008-13	20266800	FA705	CONTROLR	01		A
GND	2	2L019- 8*	2L019-11	20238100	32348				
GND	3	2L023- 4	2L023- 8*	20238100	32348				
GND	3	2L026- 8*	2L026-13	20238100	32348				
GND	4	2L026- 2	2L026-13	20238100	32348				
GND	3	2L027- 8*	2L027-13	20238100	32348				
GND	4	2L027- 2	2L027-13	20238100	32348				
GND	3	2L030- 4	2L030- 8*	20238100	32348				
GND	2	2L034- 8*	2L034-11	20238100	32348				

END FILE

4279 WIRETAP RECORDS

SECTION 10

EQUATION SUMMARY



PAGE 1

A000=A001+A146 I020.
1 / I / 2 3
2D029A H46 A001 A002 C006 J240

A001=A000+A150.
6 / I / 4 5
2D029B H46 A000 S000

003 A002=A166 B000+A140 J152+A144 A200+A142 A000.
1 / 3 4 / 5 6 / 10 11 / 12 13
1C030A H05 L000

A003=M020 W202.
15 / 13 14
011 1D011D H47 L000

A010=A011+A146 I021.
1 / I / 2 3
2D028A H46 A011 A012 C016 J241

A011=A010+A150.
6 / I / 4 5
2D028B H46 A010 A175 S010

A012=A166 B010+A140 A014+A144 A210+A142 A010.
1 / 3 4 / 5 6 / 10 11 / 12 13
1C029A H05 L001

A013=M020 W204.
10 / 11 12
011 1D011C H47 L001

A014=J073+W213.
6 / 4 / 5
1E017B H48 A012

A020=A021+A146 I022.
1 / I / 2 3
2D027A H46 A021 A022 C026 J242

A021=A020+A150.
6 / I / 4 5
2D027B H46 A020 A175 A177 S020

A022=A166 B020+A140 K090+A144 A220+A142 A020.
1 / 3 4 / 5 6 / 10 11 / 12 13
1C028A H05 L002

A023=M020 W206.
6 / 4 5
011 1D011B H47 L002

A030=A031+A146 I023.

1 / I / 2 3
2D026A H46 A031 A032 C036 J243

A031=A030+A150.

6 / I / 4 5
2D026B H46 A030 A175 A177 S030

A032=A166 B030+A140 W235+A144 A230+A142 A030.

1 / 3 4 / 5 6 / 10 11 / 12 13
1C027A H05 L003

A033=M020 W218.

1 / 2 3
011 1D011A H47 L003

A040=A041+A146 I024.

1 / I / 2 3
2D025A H46 A041 A042 C046 J244

A041=A040+A150.

6 / I / 4 5
2D025B H46 A040 A175 A177 A177 S040

A042=A166 B040+A140 W233+A144 A240+A142 A040.

1 / 3 4 / 5 6 / 10 11 / 12 13
1C026A H05 L004

A043=M020 W259.

15 / 13 14
011 1C010D H47 L004

A050=A051+A146 I025.

1 / I / 2 3
2D024A H46 A051 A052 C056

A051=A050+A151.

6 / I / 4 5
2D024B H46 A050 A175 A177 S050

A052=A166 B050+A140 W231+A144 A250+A142 A050.

1 / 3 4 / 5 6 / 10 11 / 12 13
1C025A H05 L005

A053=M020 W208.

10 / 11 12
011 1C010C H47 L005

A060=A061+A147 I026.

1 / I / 2 3
2D023A H46 A061 A062 C066 J240

002 A061=A060+A151 A191.
6 / I / 4 5
2D023B H46 A060 S060

A062=A167 B060+A141 K010+A145 A260+A143 A060.
1 / 3 4 / 5 6 / 10 11 / 12 13
1C024A H05 L006

A070=A071+A147 I027.
1 / I / 2 3
2D022A H46 A071 A072 C076 J241

002 A071=A070+A151 A191.
6 / I / 4 5
2D022B H46 A070 S070

001 A072=A167 B070+A141 J018+A145 A270+A143 A070.
1 / 3 4 / 5 6 / 10 11 / 12 13
1C023A H05 L007

A080=A081+A147 I028.
1 / I / 2 3
2D021A H46 A081 A082 C086 J242

002 A081=A080+A151 A191.
6 / I / 4 5
2D021B H46 A080 A171 S080

A082=A167 B080+A141 W064+A145 A280+A143 A080.
1 / 3 4 / 5 6 / 10 11 / 12 13
1C022A H05 L008

A090=A091+A147 I029.
1 / I / 2 3
2D020A H46 A091 A092 C096 J243

002 A091=A090+A151 A191.
6 / I / 4 5
2D020B H46 A090 A171 S090

A092=A167 B090+A141 W066+A145 A290+A143 A090.
1 / 3 4 / 5 6 / 10 11 / 12 13
1C021A H05 L009

002 A100=A101+A147 I030.
1 / I / 2 3
2D019A H46 A101 A102 C106 J244

002 A101=A100+A151 A191.
6 / I / 4 5
2D019B H46 A100 A171 A171 S100

A102=A167 B100+A141 W068+A145 A300+A143 A100.
1 / 3 4 / 5 6 / 10 11 / 12 13
1C020A H05 L010

002 A110=A111+A147 I031.
1 / I / 2 3
2D018A H46 A111 A112 C116

002 A111=A110+A151 A191.
6 / I / 4 5
2D018B H46 A110 A173 S110

A112=A167 B110+A141 A181+A145 A310+A143 A110.
1 / 3 4 / 5 6 / 10 11 / 12 13
1C019A H05 L011

A120=A121+GND +A162 A130.
1 / I / 2 3 / 4 5 6
2C027A K33 A121 A131

A121=A120+F003 +A162 A131.
15 / I / 10 11 / 12 13 14
2C027B K33 A120 A130

A130=A131+GND +A161 A121.
1 / I / 2 3 / 4 5 6
2C026A K33 A120 A131 A158 A160 J020

A131=A130+F003 +A161 A120.
15 / I / 10 11 / 12 13 14
2C026B K33 A121 A130 A157 A159 J021

011 A138=X020+GND .
6 / 4 / 5
2F034B H48 A139

A139=A138.
15 / 14
1F042B H05 L006 L007 L008 L009 L010 L011

A140=A154.
15 / 14
1C030B H05 A002 A012 A022 A032 A042 A052

A141=A154.
15 / 14
1C029B H05 A062 A072 A082 A092 A102 A112

A142=A155.
15 / 14
1C028B H05 A002 A012 A022 A032 A042 A052

A143=A155.
 15 / 14
 1C027B H05 A062 A072 A082 A092 A102 A112

A144=A156.
 15 / 14
 1C026B H05 A002 A012 A022 A032 A042 A052

A145=A156.
 15 / 14
 1C025B H05 A062 A072 A082 A092 A102 A112

A146=A157.
 1 / 2 3
 2C023A H47 A000 A010 A020 A030 A040 A050

A147=A157.
 6 / 4 5
 2C023B H47 A060 A070 A080 A090 A100 A110

001 A148=A180 A158.
 10 / 11 12
 2C023C H47 A200 A210 A220 A230 A240 A250 A260 A270

A149=A158 A180.
 15 / 13 14
 2C023D H47 A280 A290 A300 A310

009 A150=A159 C239.
 1 / 2 3
 2D015A H47 A001 A011 A021 A031 A041

009 A151=A159.
 6 / 4 5
 2D015B H47 A051 A061 A071 A081 A091 A101 A111

A152=A160 A169.
 10 / 11 12
 2D015C H47 A201 A211 A221 A231 A241 A251 A261 A271

A153=A160 A169.
 15 / 13 14
 2D015D H47 A281 A291 A301 A311

A154=M015.
 15 / 14
 1C021B H05 A140 A141

A155=M016.
 15 / 14
 1C020B H05 A142 A143

A156=M017.
 15 / 14
 1C019B H05 A144 A145

A157=A131 A164+K061 V301+M016 Y094.
 1 / 2 3 / 4 5 / 6 10
 2C024A C2A A146 A147

002 A158=A130 A164+M017 Y094.
 15 / 11 12 / 13 14
 2C024B C2A A148 A149

009 A159=I103+J140 +A131 A165+K061 V203+M016 M032+F103.
 1 / 2 / 3 4 / 5 6 / 10 11 / 12 13 / 14 15
 003 2C025A K17 A150 A151

002 A160=I103+A130 A165+M017 M032+F103 +GND
 1 / 2 / 3 4 / 5 6 / 10 11 / 12 13
 001 2D016A K29 A152 A153

002 A161=I061 F035 J2A2.
 15 / 10 11 12 13 14
 002 2E020B C21 A130 A131 Y023

A162=Y023+Y020.
 1 / 2 / 3
 2C028A H4A A120 A121 A163 K116

A163=A162 F111.
 6 / 4 5
 2D017B H47 A165 Y024

A164= Y024.
 6 / 4 / 5
 2C028B H4A A157 A158

A165=A163.
 10 / 11 12
 002 2C032C H47 A159 A160

A166=A16A.
 15 / 14
 1C024B H05 A002 A012 A022 A032 A042 A052

A167=A16A.
 15 / 14
 1C023B H05 A062 A072 A082 A092 A102 A112

A16A=M019.
 15 / 14
 1C022B H05 A166 A167

A169=J024 V203.

10 / 11 12
2D017C H47 A152 A153

A170=A301+A291 w219+A311 +A281 w219+A185 w219.

001 1 / 2 / 3 4 / 5 6 / 10 11 / 12 13
2A026A K29 J142 Y054

A171=GND +A081 A101+A101 A091.

1 / 2 / 3 4 / 5 6
2B026A K29 A172

A172=A171+w218.

1 / 2 / 3
2B024A H48 A173

A173=A172+A111.

15 / 13 / 14
2A025D H48 J044 J142

A175=A041+A051+A011 A021 A031.

1 / 2 / 3 / 4 5 6
2A027A K26 A176

A176=w218+A175.

1 / 2 / 3
2A025A H48 A179

A177=A021 A041+A031 A041+A051.

1 / 2 3 / 4 5 / 6 10
2A028A C28 A178

A178=A177+w220.

6 / 4 / 5
2A025B H48 A179

A179=A176+A178.

10 / 11 / 12
2A025C H48 J044 J142

A180=J024 V301.

15 / 13 14
2D017D H47 A148 A149

A181=K013 K091.

002 15 / 13 14
2D014D H47 A112 W262

A184=A221 A231+A231 A211 A201+GND .

001 1 / 2 3 / 4 5 6 / 10 11 12 13
2B028A H30 A185

001 A185=A270+A260+A240 A250 A184.
15 / 10 / 11 / 12 13 14
001 2A027B K26 A170

009 A191=J133 OPEN.
10 / 11 12
002 2D014C H47 A061 A071 A081 A091 A101 A111

A200=A201+A148 I020.
10 / I / 11 12
2D029C H46 A002 A201 C006 J240

A201=A200+A152.
15 / I / 13 14
2D029D H46 A184 A200 S000

A210=A211+A148 I021.
10 / I / 11 12
2D028C H46 A012 A211 C016 J241

A211=A210+A152.
15 / I / 13 14
2D028D H46 A184 A210 S010

A220=A221+A148 I022.
10 / I / 11 12
2D027C H46 A022 A221 C026 J242

A221=A220+A152.
15 / I / 13 14
2D027D H46 A184 A220 S020

A230=A231+A148 I023.
10 / I / 11 12
2D026C H46 A032 A231 C036 J243

A231=A230+A152.
15 / I / 13 14
2D026D H46 A184 A184 A230 S030

A240=A241+A148 I024.
10 / I / 11 12
2D025C H46 A042 A185 A241 C046 J244

A241=A240+A152.
15 / I / 13 14
2D025D H46 A240 S040

A250=A251+A148 I025.
 10 / I / 11 12
 2D024C H46 A052 A185 A251 C056 J245

A251=A250+A152.
 15 / I / 13 14
 2D024D H46 A250 S050

A260=A261+A148 I026.
 10 / I / 11 12
 2D023C H46 A062 A185 A261 C066 J246

A261=A260+A152.
 15 / I / 13 14
 2D023D H46 A260 S060

A270=A271+A148 I027.
 10 / I / 11 12
 2D022C H46 A072 A185 A271 C076 J247

A271=A270+A152.
 15 / I / 13 14
 2D022D H46 A270 S070

A280=A281+A149 I028.
 10 / I / 11 12
 2D021C H46 A082 A281 C086 J163

A281=A280+A153.
 15 / I / 13 14
 2D021D H46 A170 A280 J163 S080 T218

A290=A291+A149 I029.
 10 / I / 11 12
 2D020C H46 A092 A291 C096 J163

A291=A290+A153.
 15 / I / 13 14
 2D020D H46 A170 A290 J163 S090 T219

A300=A301+A149 I030.
 10 / I / 11 12
 2D019C H46 A102 A301 J276

A301=A300+A153.
 15 / I / 13 14
 2D019D H46 A170 A300

A310=A311+A149 I031.
 10 / I / 11 12
 2D018C H46 A112 A311 J277

PAGE 10

A311=A310+A153.

15 / I / 13 14
200180 H46 A170 A310

B000=B001+B205 I020.
 1 / I / 2 3
 2H042A H46 A002 B001 R003

B001=B000+B201.
 6 / I / 4 5
 2H042B H46 B000 B002 R210 S000

B002=B003+B207 R001.
 10 / I / 11 12
 2H042C H46 B003

B003=B002+B207 B000.
 15 / I / 13 14
 2H042D H46 B002 T000 T100

B010=B011+B205 I021.
 1 / I / 2 3
 2H041A H46 A012 B011 R013

B011=B010+B201.
 6 / I / 4 5
 2H041B H46 R010 B012 R210 S010

B012=B013+B207 B011.
 10 / I / 11 12
 2H041C H46 B013

B013=B012+B207 B010.
 15 / I / 13 14
 2H041D H46 B012 T001 T101

B020=B021+B205 I022.
 1 / I / 2 3
 2H040A H46 A022 B021 R023

B021=B020+B201.
 6 / I / 4 5
 2H040B H46 B020 B022 R211 S020

B022=B023+B207 R021.
 10 / I / 11 12
 2H040C H46 B023

B023=B022+B207 B020.
 15 / I / 13 14
 2H040D H46 B022 T002 T102

B030=B031+B205 I023.
 1 / I / 2 3
 2H039A H46 A032 B031 R033

B031=B030+B201.
 6 / I / 4 5
 2H039B H46 B030 B032 B211 S030

B032=B033+B207 B031.
 10 / I / 11 12
 2H039C H46 B033

B033=B032+B207 B030.
 15 / I / 13 14
 2H039D H46 B032 T003 T103

B040=B041+B205 I024.
 1 / I / 2 3
 2H038A H46 A042 B041 B043

B041=B040+B201.
 6 / I / 4 5
 2H038B H46 B040 B042 B211 S040

B042=B043+B208 B041.
 10 / I / 11 12
 2H038C H46 B043

B043=B042+B208 B040.
 15 / I / 13 14
 2H038D H46 B042 T004 T104

B050=B051+B205 I025.
 1 / I / 2 3
 2H037A H46 A052 B051 B053

B051=B050+B201.
 6 / I / 4 5
 2H037B H46 B050 B052 B211 S050

B052=B053+B208 B051.
 10 / I / 11 12
 2H037C H46 B053

B053=B052+B208 B050.
 15 / I / 13 14
 2H037D H46 B052 T005 T105

B060=B061+B204 I026.
 1 / I / 2 3
 2H036A H46 A062 B061 B063

B061=B060+B202.
 6 / I / 4 5
 2H036B H46 B060 B062 B211 S060

B062=B063+B208 B061.
 10 / I / 11 12
 2H036C H46 R063

B063=B062+B208 B060.
 15 / I / 13 14
 2H036D H46 R062 T006 T106

B070=B071+B204 I027.
 1 / I / 2 3
 2H035A H46 A072 B071 B073

B071=B070+B202.
 6 / I / 4 5
 2H035B H46 R070 B072 B212 S070

B072=B073+B208 B071.
 10 / I / 11 12
 2H035C H46 B073

B073=B072+B208 B070.
 15 / I / 13 14
 2H035D H46 R072 T007 T107

B080=B081+B204 I028.
 1 / I / 2 3
 2H034A H46 A082 B081 B083

B081=B080+B202.
 6 / I / 4 5
 2H034B H46 R080 B082 B212 S080

B082=B083+B209 B081.
 10 / I / 11 12
 2H034C H46 R083

B083=B082+B209 B080.
 15 / I / 13 14
 2H034D H46 R082 T008 T108

B090=B091+B204 I029.
 1 / I / 2 3
 2H033A H46 A092 B091 B093

B091=B090+B202.
 6 / I / 4 5
 2H033B H46 R090 B092 B212 S090

B092=B093+B209 B091.
 10 / I / 11 12
 2H033C H46 B093

B093=B092+B209 B090.
 15 / I / 13 14
 2H033D H46 B092 T009 T109

B100=B101+B204 I030.
 1 / I / 2 3
 2H032A H46 A102 B101 B103

B101=B100+B202.
 6 / I / 4 5
 2H032B H46 R100 B102 B212 S100

B102=B103+B209 B101.
 10 / I / 11 12
 2H032C H46 B103

B103=B102+B209 B100.
 15 / I / 13 14
 2H032D H46 B102 T010 T110

B110=B111+B204 I031.
 1 / I / 2 3
 2H031A H46 A112 B111 B113

B111=B110+B202.
 6 / I / 4 5
 2H031B H46 B110 B112 B212 S110

B112=B113+B209 B111.
 10 / I / 11 12
 2H031C H46 B113

B113=B112+B209 B110.
 15 / I / 13 14
 2H031D H46 B112 T011 T111

002 B200=J296+K111 K126+C258 K131.
 1 / 2 / 3 4 / 5 6
 2I040A K22 B201 B202

B201=J133+B200.
 1 / 2 / 3
 2I042A H4A R001 B011 B021 B031 B041 B051 B203

B202=J133+B200.
 6 / 4 / 5
 2I042B H4A B061 B071 B081 B091 B101 B111

B203=GND +B201 +w230 M019.
 15 / 10 / 11 12 / 13 14
 2I040B K22 Y059

B204=J133+Y059.
10 / 11 / 12
2I042C H4A B060 B070 B080 B090 B100 B110

B205=J133+Y059.
15 / 13 / 14
2I042D H4A B000 B010 B020 B030 B040 B050

B206=K139 K148.
1 / 2 / 3
2I041A H47 B207 B208 B209 J150

B207=B206.
6 / 4 / 5
2I041B H47 B002 B003 B012 B013 B022 B023 B032 B033

B208=B206.
10 / 11 / 12
2I041C H47 B042 B043 B052 B053 B062 B063 B072 B073

B209=B206.
15 / 13 / 14
2I041D H47 B082 B083 B092 B093 B102 B103 B112 B113

001 B210=B001 B011.
15 / 13 / 14
2I031D H47 B213

001 B211=B021 B031 B041 B051 B061.
1 / 2 / 3 / 4 / 5 / 6
2I039A C21 B213

001 B212=B071 B081 B091 B101 B111.
15 / 10 / 11 / 12 / 13 / 14
2I039B C21 B213

B213=B210+B211 +B212.
1 / 2 / 3 / 4 / 5 / 6
2I037A K22 K122

C000=C001+C006 J904+V209 C002.
 1 / I / 2 3 / 4 5 6
 2B020A K33 C001 C003

C001=C000+C209 +V209 C003.
 15 / I / 10 11 / 12 13 14
 2B020B K33 C000 C002 I000

C002=C003+V115 C001.
 1 / I / 2 3
 2A020A H46 C000 C003 C004 C007 C038 C256 C320 J160

C003=C002+V115 C000.
 6 / I / 4 5
 2A020B H46 C001 C002 C004 C008 C255 C318 J050 J160

C004=C311+C211 C003+C213 C002.
 15 / 10 / 11 12 / 13 14
 2C041B K22 C005 C010 C011

C005=C214 C004 C312+GND .
 1 / 2 3 4 / 5 6 10
 2A016A K23 C014

C006=C207+C205 A200+C203 A000.
 1 / 2 / 3 4 / 5 6
 2C016A K22 C000

C007=C002.
 10 / 11 12
 2E042C H47 J232

C008=C003.
 15 / 14
 2A040B H05 C078 C268 C278

C010=C011+C016 J904+V209 C012 C004.
 1 / I / 2 3 / 4 5 6
 2B019A K33 C011 C013

C011=C010+C209 +V209 C013 C004.
 15 / I / 10 11 / 12 13 14
 2B019B K33 C010 C012 I001

C012=C013+V115 C011.
 10 / I / 11 12
 2A020C H46 C010 C013 C014 C017 C256 C285 C318 C320

C013=C012+V115 C010.
 15 / I / 13 14
 2A020D H46 C011 C012 C014 C018 C039 C255 J050 J233

C014=C310 C005 +C310 C213 C012 +C211 C013.
 1 / 2 3 4 / 5 6 10 11 / 12 13 14 15
 2B029A C55 C015 C020 C021

C015=C014.
 6 / 4 5
 2A021B H47 C024

C016=C207+C205 A210+C203 A010.
 15 / 10 / 11 12 / 13 14
 2C016B K22 C010

C017=C012.
 15 / 14
 2C004B H05 J160

C018=C013.
 1 / 2 3
 2D042A H47 C078 C268 C278 J160

C020=C021+C026 J904+V209 C022 C014.
 1 / 1 / 2 3 / 4 5 6
 2B018A K33 C021 C023

C021=C020+C209 +V209 C023 C014.
 15 / 1 / 10 11 / 12 13 14
 2B018B K33 C020 C022 I002

C022=C023+V115 C021.
 1 / 1 / 2 3
 2A019A H46 C020 C023 C024 C027 C255 C278 C285 J160

C023=C022+V115 C020.
 6 / 1 / 4 5
 2A019B H46 C021 C022 C024 C028 C039 C256 C268 C31A

C024=C015 C214+C211 C023 +C214 C213 C022.
 1 / 2 3 / 4 5 6 / 10 11 12 13
 2A022A H30 C025 C030 C031 C058

004 C025=C024 C310+GND .
 15 / 11 12 / 13 14
 2A032B C2R C034

C026=C207+C205 A220+C203 A020.
 1 / 2 / 3 4 / 5 6
 2C015A K22 C020

C027=C022.
 10 / 11 12
 2A021C H47 J050 J161 J234

C028=C023+GND .

6 / 4 / 5
2B022B H4R C078

C030=C031+C036 J904+V209 C032 C024.

1 / 1 / 2 3 / 4 5 6
2B017A K33 C031 C033

C031=C030+C209 +V209 C033 C024.

15 / 1 / 10 11 / 12 13 14
2B017B K33 C030 C032 I003 K058

C032=C033+V115 C031.

10 / 1 / 11 12
2A019C H46 C030 C033 C034 C037 C078 C256 C268 J161

C033=C032+V115 C030.

15 / 1 / 13 14
2A019D H46 C031 C032 C034 C039 C058 C255 C278 C37A

C034=C025 C312 +C033 C211 +C032 C213 C312.

1 / 2 3 4 / 5 6 10 11 / 12 13 14 15
2B025A C55 C035 C040 C041 C065

C035=GND +GND +C039+C312 C034.

1 / 2 / 3 / 4 / 5 6
2A041A K24 C044

C036=C207+C205 A230+C203 A030.

15 / 10 / 11 12 / 13 14
2C015B K22 C030

C037=C032.

15 / 13 14
2F005D H47 C320 J050 J161 J235

C038=C210 C002.

1 / 2 3
2C033A H47 C039

C039=C013+C023+C033+C038.

15 / 10 / 11 / 12 / 13 14
2A041B K24 C035

C040=C041+C046 J904+V211 C042 C034.

1 / 1 / 2 3 / 4 5 6
2B016A K33 C041 C043

C041=C040+C209 +V211 C043 C034.

15 / 1 / 10 11 / 12 13 14
2B016B K33 C040 C042 I004

C042=C043+V117 C041.
 1 / I / 2 3
 2A018A H46 C040 C043 C044 C047 C241 C263

C043=C042+V117 C040.
 6 / I / 4 5
 2A018B H46 C041 C042 C044 C048 C243 C261 C262 C264

C044=C035+C213 C042+C211 C043.
 1 / 2 / 3 4 / 5 6
 2A014A K22 C045 C050 C051

C045=C044.
 6 / 4 5
 2A012B H47 C054

C046=C208+C205 A240+C203 A040.
 1 / 2 / 3 4 / 5 6
 2C014A K22 C040

C047=C042.
 1 / 2 3
 2B011A H47 C058 C065 C077 C283 C307 J051 J161 J236

C048=C043.
 1 / 2 3
 2A012A H47 C272 C309 C320 J161

C050=C051+C056 J904+V211 C052 C044.
 1 / I / 2 3 / 4 5 6
 2B015A K33 C051 C053

C051=C050+C209 +V211 C053 C044.
 15 / I / 10 11 / 12 13 14
 2B015B K33 C050 C052 J005

C052=C053+V117 C051.
 10 / I / 11 12
 2A018C H46 C050 C053 C054 C057 C241 C254 C262 J162

C053=C052+V117 C050.
 15 / I / 13 14
 2A018D H46 C051 C052 C054 C077 C261 C263 C264

C054=C314 C045 +C314 C213 C052 +C053 C211.
 1 / 2 3 4 / 5 6 10 11 / 12 13 14 15
 2A023A C55 C055 C060 C061

C055=C059 C054.
 10 / 11 12
 2A012C H47 C064

C056=C208+C205 A250+C203 A050.
15 / 10 / 11 12 / 13 14
2C014R K22 C050

C057=C052.
6 / 4 5
2B011B H47 C058 C065 C243 C250 C272 J051 J162 J237

C058=C057 C047 C033 C024 C212.
1 / 2 3 4 5 6
002 2B001A C21 C064

C059=C213 K190+GND .
15 / 11 12 / 13 14
002 2A003B C2R C055

C060=C061+C066 J904+V211 C062 C054.
1 / 1 / 2 3 / 4 5 6
2B014A K33 C061 C063

C061=C060+C209 +V211 C063 C054.
15 / 1 / 10 11 / 12 13 14
2B014B K33 C060 C062 1006

C062=C063+V117 C061.
1 / 1 / 2 3
2A017A H46 C060 C063 C064 C067 C262 C263 C264 J162

C063=C062+V117 C060.
6 / 1 / 4 5
2A017B H46 C061 C062 C064 C077 C241 C243 C261

002 C064=C055 C058+C062 C212+C063 C210.
1 / 2 3 / 4 5 / 6 10
002 2A013A C2R C065 C070 C071

C065=C064 K191+GND +C034 C047 C057 C067.
1 / 2 3 / 4 5 6 / 10 11 12 13
2G010A H30 C074 C098

C066=C208+C204 A260+C202 A060.
1 / 2 / 3 4 / 5 6
2C013A K22 C060

002 C067=C062.
15 / 13 14
002 2B011D H47 C065 C250 C272 C308 J051 J162 J238

C070=C071+C076 J904+V211 C072 C064.
1 / 1 / 2 3 / 4 5 6
2B013A K33 C071 C073

C071=C070+C209 +V211 C073 C064.
15 / I / 10 11 / 12 13 14
2A013B K33 C070 C072 I007

C072=C073+V117 C071.
10 / I / 11 12
2A017C H46 C070 C073 C074 C079 C098 C264 J162

C073=C072+V117 C070.
15 / I / 13 14
2A017D H46 C071 C072 C077 C261 C272

C074=C065 C212+C072 C212.
15 / 11 12 / 13 14
2A016B K23 C075 C080 C081

C075=C078+C074 +GND .
1 / 2 / 3 4 / 5 6
2C041A K22 C084

C076=C207+C204 A270+C202 A070.
15 / 10 / 11 12 / 13 14
2C017B K22 C070

009 C077=C073 C063 C053 C047 C218.
15 / 10 11 12 13 14
2C030B C21 C078

C078=C077+C032+C028+C018+C008.
15 / 10 / 11 / 12 / 13 / 14
2A015B K25 C075

C079= C072.
10 / 11 / 12
2B022C H48 C241 C243 C250 C308 J051 J163 J239

C080=C081+C086 +V213 C074 C082.
1 / I / 2 3 / 4 5 6
2A010A K33 C081 C083

C081=C080+C216 +V213 C074 C083.
15 / I / 10 11 / 12 13 14
2B010B K33 C080 C082 I008

C082=C083+V121 C081.
1 / I / 2 3
2A010A H46 C080 C083 C084 C087 C098 C307 J160

C083=C082+V121 C080.
6 / I / 4 5
2A010B H46 C081 C082 C084 C261 C264 C308 J052 J160

C084=C075+C212 C082+C210 C083.
1 / 2 / 3 4 / 5 6
2A006A K22 C085 C090 C091

C085=C084.
6 / 4 5
2A011B H47 C094

C086=C202 A080+C236 J410+C237 A280+C208.
1 / 3 4 / 5 6 / 10 11 / 12 13
2C004A H05 C080

C087=C082.
15 / 13 14
2E042D H47 J232

C090=C091+C096 +V213 C084 C092.
1 / 1 / 2 3 / 4 5 6
2B009A K33 C091 C093

C091=C090+C216 +V213 C084 C093.
15 / 1 / 10 11 / 12 13 14
2B009B K33 C090 C092 I009

C092=C093+V121 C091.
10 / 1 / 11 12
2A010C H46 C090 C093 C094 C098 C307 J160

C093=C092+V121 C090.
15 / 1 / 13 14
2A010D H46 C091 C092 C094 C254 J052 J160 J233

C094=C085+C212 C092+C210 C093.
15 / 10 / 11 12 / 13 14
2A006B K22 C095 C100 C101

002 C095=C098 +C094 C210.
15 / 11 12 / 13 14
002 2A013B C28 C104

C096=C202 A090+C236 J411+C237 A290+C207.
1 / 3 4 / 5 6 / 10 11 / 12 13
2A040A H05 C090

002 C098=C217+C092+C082+C072+C065.
15 / 10 / 11 / 12 / 13 / 14
002 2C006B K25 C095 C128

C100=C101+C106 +V213 C094 C102.
1 / 1 / 2 3 / 4 5 6
2B008A K33 C101 C103

C101=C100+C216 +v213 C094 C103.
 15 / 1 / 10 11 / 12 13 14
 2R009B K33 C100 C102 J010

C102=C103+v121 C101.
 1 / 1 / 2 3
 2A009A H46 C100 C103 C104 C107 J161

C103=C102+v121 C100.
 6 / 1 / 4 5
 2A009B H46 C101 C102 C104 C128 C252 C307 K170

C104=C095+C212 C102+C210 C103.
 1 / 2 / 3 4 / 5 6
 2A005A K22 C105 C110 C111

C105=C104.
 15 / 13 14
 2A0110 H47 C114

C106=C207+C202 A100+C204 J412.
 1 / 2 / 3 4 / 5 6
 2C003A K22 C100

C107=C102.
 15 / 13 14
 2H002D H47 J052 J160 J234

C110=C111+C116 +v213 C104 C112.
 1 / 1 / 2 3 / 4 5 6
 2R007A K33 C111 C113

C111=C110+C216 +v213 C104 C113.
 15 / 1 / 10 11 / 12 13 14
 2B007B K33 C110 C112 J011

C112=C113+v121 C111.
 10 / 1 / 11 12
 2A009C H46 C110 C113 C114 J161

C113=C112+v121 C110.
 15 / 1 / 13 14
 2A009D H46 C111 C112 C114 C128 J052 J161 J235

C114=C105+C212 C112+C210 C113.
 15 / 10 / 11 12 / 13 14
 2A005B K22 C115 C120 C121

C115=C114.
 1 / 2 3
 2A002A H47 C124

C116=C208+C202 A110+C204 J413.
 15 / 10 / 11 12 / 13 14
 2C003B K22 C110

004 C120=C121+C219 R214+V215 C114 C122.
 1 / 1 / 2 3 / 4 5 6
 2B006A K33 C121 C123

C121=C120+C216 +V215 C114 C123.
 15 / 1 / 10 11 / 12 13 14
 2B006B K33 C120 C122

C122=C123+V119 C121.
 1 / 1 / 2 3
 2A008A H46 C120 C123 C124 C127 J161

C123=C122+V119 C120.
 6 / 1 / 4 5
 2A008B H46 C121 C122 C124 C351 J053 K170

C124=C115+C218 C122+C217 C123.
 1 / 2 / 3 4 / 5 6
 2A004A K22 C125 C130 C131

002 C125=C124 C217.
 6 / 4 5
 2A002B H47 C134

C127=C122.
 10 / 11 12
 2R011C H47 C128 J161 J236

002 C128=C218 C127 C113 C103 C09A.
 15 / 10 11 12 13 14
 2B001B C21 C134

004 C130=C131+C219 R215+V215 C124 C132.
 1 / 1 / 2 3 / 4 5 6
 2R005A K33 C131 C133

C131=C130+C216 +V215 C124 C133.
 15 / 1 / 10 11 / 12 13 14
 2B005B K33 C130 C132

C132=C133+V119 C131.
 10 / 1 / 11 12
 2A008C H46 C130 C133 C134 J162

C133=C132+V119 C130.
 15 / 1 / 13 14
 2A008D H46 C131 C132 C134 J053 J162 J237

002 C134=C132 C218+C133 C217+C128 C125.
 1 / 2 3 / 4 5 / 6 10
 002 2A003A C28 C135 C140 C141

C135=C134.
 10 / 11 12
 2A002C H47 C144

004 C140=C141+C219 R216+V215 C134 C142.
 1 / I / 2 3 / 4 5 6
 2B004A K33 C141 C143

C141=C140+C216 +V215 C134 C143.
 15 / I / 10 11 / 12 13 14
 2B004B K33 C140 C142

C142=C143+V119 C141.
 1 / I / 2 3
 2A007A H46 C140 C143 C144 J162

C143=C142+V119 C140.
 6 / I / 4 5
 2A007B H46 C141 C142 C144 J053 J162 J238

C144=C135+C218 C142+C217 C143.
 15 / 10 / 11 12 / 13 14
 002 2A004B K22 C150 C151

004 C150=C151+C219 R217+V215 C144 C152.
 1 / I / 2 3 / 4 5 6
 2B003A K33 C151 C153

C151=C150+C216 +V215 C144 C153.
 15 / I / 10 11 / 12 13 14
 2B003B K33 C150 C152

C152=C153+V119 C151.
 10 / I / 11 12
 2A007C H46 C150 C153 J163

C153=C152+V119 C150.
 15 / I / 13 14
 2A007D H46 C151 C152 J053 J162 J239

C160=C161+V076.
 1 / I / 2 3
 2H003A H46 C161 V100 V102 V104

C161=C160+C302.
 6 / I / 4 5
 2H003B H46 C160 V101 V103 V105

003 C164=C165+C226 C233.
 1 / I / 2 3
 2J005A H46 C165 C167

C165=C164+C167 V105.
 6 / I / 4 5
 2J005B H46 C164 C166 C224

C166=C167+C165 V205.
 10 / I / 11 12
 2J005C H46 C167 C224 C273

002 C167=C166+C164 V205.
 15 / I / 13 14
 2J005D H46 C165 C166 K185

C170=C171+Y078.
 10 / I / 11 12
 2H003C H46 C171 V200 V202

C171=C170+C304.
 15 / I / 13 14
 2H003D H46 C170 V201 V203 V205

002 C172=C173+C228 R225.
 10 / I / 11 12
 2I004C H46 C173 C175

C173=C172+Y084.
 15 / I / 13 14
 2I004D H46 C172 C174

003 C174=C175+C173 C226.
 1 / I / 2 3
 2I005A H46 C175

C175=C174+C172.
 6 / I / 4 5
 2I005B H46 C174 C176 J071 K020 Y084

C176=C177+K141 C175.
 10 / I / 11 12
 2I005C H46 C177

C177=C176+C329.
 15 / I / 13 14
 2I005D H46 C176 K002

C180=C181+Y080.
 1 / I / 2 3
 2H004A H46 C181 V300 V305

C181=C180+C306.
 6 / I / 4 5
 2H004B H46 C180 V301 V303

002 C182=C183+GND +K109 K114+K001 K005.
 1 / I / 2 / 3 4 / 5 6
 2H005A K32 C183 C223 C230

005 C183=C182+C226+K000 K108+K073.
 15 / I / 10 / 11 12 / 13 14
 2H005B K32 C182 C196 C230

C190=C191+C390 C223.
 1 / I / 2 3
 2I001A H46 C191 C282 C391

C191=C190+C391 C223.
 6 / I / 4 5
 2I001B H46 C190 C281 C390

C194=C195+V303 C197.
 10 / I / 11 12
 006 2G018C H46 C195 J065 S003

006 C195=C194+V205.
 15 / I / 13 14
 006 2G018D H46 C194 S002

002 C196=C197+C183 P010.
 10 / I / 11 12
 2E027C H46 C197

C197=C196+V103.
 15 / I / 13 14
 2E027D H46 C194 C196

C200=K057 +K065 K066.
 1 / 2 3 4 / 5 6 10
 2C011A K23 C206 Y093

C201=K059 K060.
 1 / 2 3
 2C010A H47 C206 Y092

002 C202=Y092.
 1 / 2 3
 2C012A H47 C066 C076 C086 C096 C106 C116

002 C203=Y092.
 6 / 4 5
 2C012B H47 C006 C016 C026 C036 C046 C056

002 C204=Y093.
 10 / 11 12
 2C012C H47 C066 C076 C106 C116

002 C205=Y093.
 15 / 13 14
 2C012D H47 C006 C016 C026 C036 C046 C056

C206=C200 C201.
 6 / 4 5
 2C010B H47 C207 C208

C207=C206.
 10 / 11 12
 2C010C H47 C006 C016 C026 C036 C076 C096 C106

C208=C206 +GND .
 15 / 11 12 / 13 14
 2C011B K23 C046 C056 C066 C086 C116

C209=C215+V300.
 1 / 2 / 3
 2C009A H4R C001 C011 C021 C031 C041 C051 C061 C071

C210=K036.
 1 / 2 3
 2B002A H47 C038 C064 C084 C094 C095 C104 C114

C211=K036.
 6 / 4 5
 2B002B H47 C004 C014 C024 C034 C044 C054

C212=C217.
 10 / 11 12
 2B002C H47 C058 C064 C074 C074 C084 C094 C104 C114

C213=C217.
 15 / 13 14
 2B002D H47 C004 C014 C024 C034 C044 C054 C059

C214=C256 C275.
 15 / 13 14
 2A021D H47 C005 C024 C024

C215=J114+C273 +C235 K009.
 15 / 10 / 11 12 / 13 14
 2C017B K22 C209 C216 C229

C216=V300+C215.
 1 / 2 / 3
 2C009A H4R C081 C091 C101 C111 C121 C131 C141 C151

C217=K036.

6 / 4 5
2A001B H47 C098 C124 C125 C134 C144 C212 C213 C218

C218=C217.

1 / 2 3
2A001A H47 C077 C124 C128 C134 C144

C219=Y093.

15 / 13 14
2D042D H47 C120 C130 C140 C150 C400 C402

00A C221=W221 C381.

1 / 2 3
2H002A H47 C223

004 C222=W259 P000.

6 / 4 5
2H002B H47 C223

C223=C182 C221 C222.

1 / 2 3 4 5 6
2I002A C21 C190 C191 C300 Y107

002 C224=C166+C165.

6 / 4 / 5
2G005B H48 C232 K000 K002

C226=Y081+R221.

15 / 13 / 14
2I019D H48 C164 C174 C183 K151 K164 K168

C227=R209.

6 / 4 5
2J006B H47 C228 Y045

C228=Y083+C227.

15 / 13 / 14
2I008D H48 C172 K022

C229=V305+C215.

15 / 13 / 14
2C038D H48 C401 C403

C230=C183 P009+C182 C391.

15 / 11 12 / 13 14
1E004B K23 C301 C302

C231=R221.

15 / 13 14
2J006D H47 Y081

007 C232=C224.
15 / 14
002 2E028B H30 J103

003 C233=K035+J072.
6 / 4 / 5
003 2G029B H4R C164

C235=C255+C263.
6 / 4 / 5
2C009B H4R C215 J067 K182

C236=Y055.
6 / 4 5
2F019B H47 C086 C096

C237=Y093+K057.
15 / 13 / 14
2C028D H4R C086 C096

C238=C271+V300.
10 / 11 / 12
2D010C H4R K015

C239=J129 M023 J133.
15 / 10 11 12 13 14
002 2E018B C21 A150

C240=C241+C260.
6 / 4 / 5
2C021B H4R K108 K171 K171

C241=C042 C052 C063 C079.
1 / 2 3 4 5 6
2E041A C21 C240

C242=C243+C255.
10 / 11 / 12
2C021C H4R J137

C243=C043 C057 C063 C079.
15 / 10 11 12 13 14
2E041B C21 C242

C250=C351+C079+C067+C057+GND .
15 / 10 / 11 / 12 / 13 / 14
2C005B K25 C307

C251=C309.
15 / 14
2A026B K29 J125

C252=C254 C103.
1 / 2 3
2A021A H47 C308

C254=C052+C093.
1 / 2 / 3
2C020A H48 C252

C255=C003 C013 C022 C033.
15 / 10 11 12 13 14
2D008B C21 C235 C242 C257 C258

003 C256=K191+C002+C012+C023+C032.
1 / 2 / 3 / 4 / 5 / 6
2C005A K25 C214 C259 C260 J021 J022

C257=C255+V300.
1 / 2 / 3
2D010A H48 C265 K123 S128 S129

C258=C255+V200.
6 / 4 / 5
2D010B H48 R200 K124

C259=C256 V301.
6 / 4 5
2D009B H47 C266 C267 J125

C260=C256 V203.
10 / 11 12
2D009C H47 C240 J063 J104

C261=C043+C053+C063+C073+C083.
1 / 2 / 3 / 4 / 5 / 6
2C042A K25 C265 C271 J021

C262=C043 C052 C062.
1 / 2 3 4 5 6
2C018A C21 C266 J007

C263=C042 C053 C062.
15 / 10 11 12 13 14
2C018B C21 C235 C267

C264=C043 C053 C062 C072 C083.
15 / 10 11 12 13 14
2C019B C21 C277

002 C265=C261 C257.
1 / 2 3
002 2D014A H47 J004 J005

PAGE 34

0R C310=W215 C319.
1 / 2 3
2A029A H47 C014 C014 C025 C311

C311=C310.
15 / 14
2A038B H05 C004 C314

C312=W221 C320.
10 / 11 12
2A029C H47 C005 C034 C034 C035 C313

C313=C312.
6 / 4 5
2B021B H47 C314

C314=GND +J259 C311+J259 C313.
15 / 10 / 11 12 / 13 14
2A014B K22 C054 C054

0R C315=C380.
1 / 2 3
0R 1G041A H47 Y082

C318=C003 C012 C023 C033.
15 / 10 11 12 13 14
2D007B C21 C319

009 C319=J906+C318.
15 / 13 / 14
2C008D H48 C310

009 C320=C002+C012+J906+C037+C048.
1 / 2 / 3 / 4 / 5 / 6
2C006A K25 C312

C325=C307+GND .
15 / 13 / 14
2D010D H48 S128

C329=R225 K141 K030.
15 / 10 11 12 13 14
2I002B C21 C177

C350=K191.
1 / 2 3
2A011A H47 C351

C351=C350 C123.
1 / 2 3
2D009A H47 C250 C308

NR C380=C381+J425.
 1 / I / 2 3
 NR 1G042A H46 C315 C381

 NR C381=C380+Y0R2.
 6 / I / 4 5
 NR 1G042B H46 C221 C380

 C390=C391+C191 C300.
 10 / I / 11 12
 2I001C H46 C190 C391

 C391=C390+C190 C300.
 15 / I / 13 14
 2I001D H46 C191 C230 C390

 C400=C401+R218 C219.
 10 / I / 11 12
 2H004C H46 C401 J163 J166

 C401=C400+C229.
 15 / I / 13 14
 2H004D H46 C400 J163

 C402=C403+R219 C219.
 1 / I / 2 3
 2E008A H46 C403 J163 J166

 C403=C402+C229.
 6 / I / 4 5
 2E008B H46 C402 J163

F000=W080 R018 +W180 R118.
 1 / 2 3 4 / 5 6 10
 2F009A K23 F001 F005 F050 F101 W071 W073

F001=F000.
 15 / 13 14
 2G009D H47 Y010

F002=Y010.
 1 / 2 3
 2G009A H47 F003

F003=F002+Y011.
 1 / 2 / 3
 2G008A H48 A121 A131 F004 F009

010 F004=F005+F003 F037.
 1 / 1 / 2 3
 2G011A H46 F005 F006 W070

F005=F004+F000.
 6 / 1 / 4 5
 2G011B H46 F004 F057 I100 I101 W072 Y013

F006=Y013+F004.
 6 / 4 / 5
 2G008B H48 F008 F041 Y014

F007=Y014.
 1 / 2 3
 2G012A H47 F011 F013 F034 F036 F043

F008=F006.
 6 / 4 5
 2G012B H47 F012 F014 F031 F038 F039 F040

F009=F003.
 6 / 4 5
 2G009B H47 Y012

F010=Y012.
 10 / 11 12
 2G009C H47 W070 W072

F011=F007+F020.
 1 / 2 / 3
 2E012A H48 F150 F152 F158 F159

002 F012=F008 I101+F020 I101.
 15 / 11 12 / 13 14
 2E015B K23 F151 F153

F013=F007+F016.
 6 / 4 / 5
 2E012B H4A F140 F142 F144 F146 F148 F156

F014=F00R F030 +F030 F016 F018.
 1 / 2 3 4 / 5 6 10
 2E015A K23 F141 F143 F145 F147 F149 F157

003 F015=GND +I024 I005 I023.
 1 / 2 / 3 4 5 6
 003 2F014A K27 F037 F039

F016=I025 I004 I003 K082.
 1 / 2 3 4 5 6
 2F013A C21 F013 F014 F052

F017=I005 I004 I003.
 15 / 10 11 12 13 14
 2F013B C21 F034 F052 F053

003 F018=F029 J151.
 15 / 13 14
 002 2F019D H47 F014 F036 F052

F019=I024 I005 I003.
 1 / 2 3 4 5 6
 2F012A C21 F032 F038 F040

003 F020=I025 I023 I004 J151.
 15 / 10 11 12 13 14
 2F012B C21 F011 F012

F021=I020+I021 +I022.
 1 / 2 / 3 4 / 5 6
 2G016A K22 F100 F110 F122 F130 F140 F150

F022=I000+I021 +I022.
 15 / 10 / 11 12 / 13 14
 2G016B K22 F102 F112 F123 F131 F142 F152

F023=I020+I001 +I022.
 1 / 2 / 3 4 / 5 6
 2G015A K22 F048 F124

F024=I000+I001 +I022.
 15 / 10 / 11 12 / 13 14
 2G015B K22 F042 F048 F125 F156 F158

F025=I002+I020 +I021.
 1 / 2 / 3 4 / 5 6
 2G014A K22 F126 F146 F159

F026=I002+I006 +I021.
 15 / 10 / 11 12 / 13 14
 2G014R K22 F127 F148 I100 I101

F027=I002+I007 +I020.
 1 / 2 / 3 4 / 5 6
 2G013A K22 F120 F128

F028=I002+I007 +I000.
 15 / 10 / 11 12 / 13 14
 2G013B K22 F057 F121 F129

003 F029=I025+I024+GND +I003.
 1 / 2 / 3 / 4 / 5 6
 001 2F015A K24 F018 W21A

F030=J091+I104.
 1 / 2 / 3
 2F008A H48 F014 F014 F031

F031=F008 F030.
 15 / 13 14
 2G007D H47 F111 F113

08 F032=F019.
 6 / 4 5
 08 1G041R H47 F045 W22D

002 F033=F105+F103.
 15 / 13 / 14
 001 2G029D H48 J285

F034=F007+F017.
 10 / 11 / 12
 2E012C H48 F100 F102

F035=F110 F112.
 1 / 2 3
 2F020A H47 A161 J020 J021

F036=F007+F018.
 15 / 13 / 14
 2E012D H48 F110 F112

010 F037= F050+J152 F015 F045.
 15 / 10 / 11 / 12 13 14
 010 2D013R K26 F004

F038=F008+F019.
 1 / 2 / 3
 2G020A H48 F120 F121 F122 F123 F124 F125

F039=F008+F015.
 6 / 4 / 5
 2G020R H48 F130 F131

F040=F008+F019.
 10 / 11 / 12
 2G020C H4R F126 F127 F128 F129

003 F041=I110+J129+F006 F052.
 15 / 10 / 11 / 12 13 14
 002 2E019R K26 F055 I106 I111 J010

F042=F024+I022.
 10 / 11 / 12
 2F00AC H4R F151 F153

002 F043=I101 F007.
 6 / 4 5
 2F020B H47 W061 W063 W065 W067 W069 W161

F044=Y015+F101.
 10 / 11 / 12
 2G00AC H4R I102

010 F045=F032+F053.
 15 / 13 / 14
 010 2C0010 H48 F037

003 F048=F023+F024.
 15 / 13 / 14
 003 2G0050 H48 F049

003 F049=F04A.
 6 / 4 5
 003 2F018R H47 F144

003 F050=F051+J286 F000.
 1 / 1 / 2 3
 010 2G017A H46 F037 F051

003 F051=F050+J286.
 6 / 1 / 4 5
 2G017R H46 F050

003 F052=F016 F017 F018.
 15 / 10 11 12 13 14
 003 2E039R C21 F041

005 F053=F017.
 10 / 11 12
 2F020C H47 F045 F057 I100 I101

007 F054=J041 F105.
 15 / 13 14
 007 2F018D H47 F055

007 F055=F054 F041.
 1 / 2 3
 007 2D017A H47 F103

F057=F028 F053 F005.
 1 / 2 3 4 5 6
 2D008A C21 I114 Y087

F058=Y087.
 15 / 13 14
 2I021D H47 T299

F060=R013 +I109 W080.
 15 / 11 12 / 13 14
 2J008B K23 F061

F061=F060.
 15 / 14
 2G010B H30 F121

F062=R113+I109 W1R0+GND .
 15 / 10 / 11 12 / 13 14
 2B026B K22 F063

F063=F062.
 6 / 4 5
 2E042B H47 F129

F100=F101+F034 F021+GND .
 1 / I / 2 3 / 4 5 6
 2F017A K33 F101 Y015

F101=F100+F000 +GND .
 15 / I / 10 11 / 12 13 14
 2F017B K33 F044 F100 I101

F102=F103+F034 F022.
 10 / I / 11 12
 2E008C H46 F103 J121 J289 Y071

007 F103=F102+F055.
 15 / I / 13 14
 2E008D H46 A159 A160 F033 F102 F104 J1R0 J261

001 F104=F105+F103 K071.
 10 / I / 11 12
 001 2G011C H46 F105

001 F105=F104+Y071.
 15 / I / 13 14
 001 2G011D H46 F033 F054 F104

F110=F111+F036 F021.
 1 / I / 2 3
 2E007A H46 F035 F111

F111=F110+F031.
 6 / I / 4 5
 2E007B H46 A163 F110 J284 K030

F112=F113+F036 F022.
 10 / I / 11 12
 2E007C H46 F035 F113 J025

F113=F112+F031.
 15 / I / 13 14
 2E007D H46 F112 J025 J276 J277 J284 V304 W257

F120=F121+GND +F038 F027 W049.
 1 / I / 2 3 / 4 5 6
 2F021A K33 F121 W061

F121=F120+F061 +F038 F028 W049.
 15 / I / 10 11 / 12 13 14
 2F021B K33 F120 W060

F122=F123+GND +F038 F021.
 1 / I / 2 3 / 4 5 6
 2F022A K33 F123 W063

F123=F122+I108 +F038 F022.
 15 / I / 10 11 / 12 13 14
 2F022B K33 F122 W062

F124=F125+GND +F038 F023.
 1 / I / 2 3 / 4 5 6
 2F023A K33 F125 W065

F125=F124+I108 +F038 F024.
 15 / I / 10 11 / 12 13 14
 2F023B K33 F124 W064

F126=F127+GND +F040 F025.
 1 / I / 2 3 / 4 5 6
 2F024A K33 F127 J149 W067

F127=F126+I108 +F040 F026.
 15 / I / 10 11 / 12 13 14
 2F024B K33 F126 W066

F128=F129+GND +F040 F027 W149.
 1 / I / 2 3 / 4 5 6
 2F025A K33 F129 W161

F129=F128+F063 +F040 F028 W149.
 15 / I / 10 11 / 12 13 14
 2F025B K33 F128 W160

F130=F131+GND +F039 F021.
 1 / I / 2 3 / 4 5 6
 2F026A K33 F131 W069

F131=F130+I108 +F039 F022.
 15 / I / 10 11 / 12 13 14
 2F026B K33 F130 W068 Y069

F140=F141+F013 F021.
 1 / I / 2 3
 2E011A H46 F141 J120

F141=F140+F014.
 6 / I / 4 5
 2E011B H46 F140

F142=F143+F013 F022.
 10 / I / 11 12
 2E011C H46 F143 J099 J100

F143=F142+F014.
 15 / I / 13 14
 2E011D H46 F142

003 F144=F145+F013 F049.
 1 / I / 2 3
 2E010A H46 F145 J100 J105 J112

F145=F144+F014.
 6 / I / 4 5
 2E010B H46 F144 J104 J116

F146=F147+F013 F025.
 10 / I / 11 12
 2E010C H46 F147 J088 J120 J120 J143 K131

F147=F146+F014.
 15 / I / 13 14
 2E010D H46 F146 J087 J125 J171 J171 K130

F148=F149+F013 F026.
 1 / I / 2 3
 2E009A H46 F149 J120 J125

F149=F148+F014.
 6 / I / 4 5
 2E009B H46 F148

F150=F151+F011 F021.
 1 / I / 2 3
 2E014A H46 F151 J110

F151=F150+F012 F042.
6 / I / 4 5
2E014B H46 F150

F152=F153+F011 F022.
10 / I / 11 12
2E014C H46 F153 J110

F153=F152+F012 F042.
15 / I / 13 14
2E014D H46 F152

F156=F157+F013 F024.
10 / I / 11 12
2E009C H46 F157

F157=F156+F014.
15 / I / 13 14
2E009D H46 F156 J112

F158=F159+F024 F011+GND .
1 / I / 2 3 / 4 5 6
2E013A K33 F159 J070 J088 J171

F159=F158+F025 F011+I104.
15 / I / 10 11 / 12 13 14
2E013B K33 F158 J084 J171

I000=M000+I040 S003+I042 R100+I044 R000+I046 C001.
 1 / 2 / 3 4 / 5 6 / 10 11 / 12 13
 2H028A K29 F022 F024 F026 F028 I020

I001=M001+I040 S013+I042 R101+I044 R001+I046 C011.
 1 / 2 / 3 4 / 5 6 / 10 11 / 12 13
 2H027A K29 F023 F024 F027 F028 I021

I002=M002+I040 S023+I042 R102+I044 R002+I046 C021.
 1 / 2 / 3 4 / 5 6 / 10 11 / 12 13
 2H026A K29 F025 F026 F027 F028 I022 I032

I003=M003+I040 S033+I042 R103+I044 R003+I046 C031.
 1 / 2 / 3 4 / 5 6 / 10 11 / 12 13
 2H025A K29 F016 F017 F019 F029 I023

I004=M004+I040 S043+I042 R104+I044 R004+I046 C041.
 1 / 2 / 3 4 / 5 6 / 10 11 / 12 13
 2H024A K29 F016 F017 F020 I024

I005=M005+I040 S053+I042 R105+I044 R005+I046 C051.
 1 / 2 / 3 4 / 5 6 / 10 11 / 12 13
 2H023A K29 F015 F017 F019 I025

I006=M006+I041 S063+I043 R106+I045 R006+I047 C061.
 1 / 2 / 3 4 / 5 6 / 10 11 / 12 13
 2H022A K29 I026

I007=M007+I041 S073+I043 R107+I045 R007+I047 C071.
 1 / 2 / 3 4 / 5 6 / 10 11 / 12 13
 2H021A K29 I027

I008=M008+I041 S083+I043 R108+I045 R008+I047 C081.
 1 / 2 / 3 4 / 5 6 / 10 11 / 12 13
 2H020A K29 I028

I009=M009+I041 S093+I043 R109+I045 R009+I047 C091.
 1 / 2 / 3 4 / 5 6 / 10 11 / 12 13
 2H019A K29 I029

I010=M010+I041 S103+I043 R110+I045 R010+I047 C101.
 1 / 2 / 3 4 / 5 6 / 10 11 / 12 13
 2H018A K29 I030

I011=M011+I041 S113+I043 R111+I045 R011+I047 C111.
 1 / 2 / 3 4 / 5 6 / 10 11 / 12 13
 2H017A K29 I031

I020=I000.
 15 / 14
 2H028B K29 A000 A200 B000 F021 F023 F025 F027 W202

I021=I001.
15 / 14

2H027B K29 A010 A210 R010 F021 F022 F025 F026 W204

I022=I002.
15 / 14

2H026B K29 A020 A220 R020 F021 F022 F023 F024 F042

I023=I003.
15 / 14

2H025B K29 A030 A230 R030 F015 F020

I024=I004.
15 / 14

2H024B K29 A040 A240 R040 F015 F019 F029

I025=I005.
15 / 14

2H023B K29 A050 A250 R050 F016 F020 F029

I026=I006.
15 / 14

2H022B K29 A060 A260 R060

I027=I007.
15 / 14

2H021B K29 A070 A270 R070

I028=I008.
15 / 14

2H020B K29 A080 A280 R080

I029=I009.
15 / 14

2H019B K29 A090 A290 R090

I030=I010.
15 / 14

2H018B K29 A100 A300 R100

I031=I011.
15 / 14

2H017B K29 A110 A310 R110

I032=I002.
15 / 13 14

2I036D H47 W206

I040=I050.
1 / 2 3

006 2G027A H47 I000 I001 I002 I003 I004 I005

I041=I050.
 6 / 4 5
 006 2G027B H47 I006 I007 I008 I009 I010 I011

I042=I051+I046.
 10 / 11 / 12
 006 2G028C H4A I000 I001 I002 I003 I004 I005

I043=I051+I046.
 15 / 13 / 14
 006 2G028D H4A I006 I007 I008 I009 I010 I011

I044=I052+I047.
 1 / 2 / 3
 006 2G028A H4A I000 I001 I002 I003 I004 I005

I045=I052+I047.
 6 / 4 / 5
 006 2G028B H4A I006 I007 I008 I009 I010 I011

I046=I053.
 10 / 11 12
 2G027C H47 I000 I001 I002 I003 I004 I005 I042 I043

I047=I053.
 15 / 13 14
 2G027D H47 I006 I007 I008 I009 I010 I011 I044 I045

I048=I054.
 1 / 2 3
 1D026A H47 M000 M001 M002 M003 M004 M005

I049=I054.
 6 / 4 5
 1D026B H47 M006 M007 M008 M009 M010 M011 M032

006 I050=I053 K135.
 10 / 11 12
 2G022C H47 I040 I041 I051 I052

I051=Y007+I053 I050 W180.
 1 / 2 / 3 4 5 6
 2H029A K27 I042 I043

002 I052=Y008+W080 I053 I050.
 15 / 10 / 11 12 13 14
 2H029B K27 I044 I045

I053=K067+K061.
 1 / 2 / 3
 2G029A H4A I046 I047 I050 I051 I052

I054=J281+W253.

10 / 11 / 12
1D007C H4R I048 I049

I060=W149 W151 +W049 W051.

1 / 2 3 4 / 5 6 10
2G025A K23 Y010

I061=I065.

10 / 11 12
2F031C H47 A161 K162 K164 K164 W081 W1R1

I062=W149 R114+W049 R014.

15 / 11 12 / 13 14
2G025B K23 I067 J070 J078 K101 K131 Y0A5

I063=W149 R115 +W049 R015.

1 / 2 3 4 / 5 6 10
2G024A K23 I068 K105

I064=W149 R116+W049 R016.

15 / 11 12 / 13 14
2G024B K23 I069 K135

I065=W149 R117+W049 R017.

15 / 11 12 / 13 14
003 2G023B K23 I061 J100 J109 J120 J127 K117 K163 K164

I066=R013 W156 W142+R113 W056 W042.

1 / 2 3 4 / 5 6 10
003 2G023A K23 I070

I067=I062.

1 / 2 3
2G021A H47 I071 J015 J087 J095 J290

I068=I063.

6 / 4 5
2G021B H47 K100

I069=I064.

10 / 11 12
2G021C H47 K130 W257

I070=I066 M029+J126 M029.

15 / 11 12 / 13 14
004 2G026B K23 I100 I101 I102 W247

I071=I067.

10 / 11 12
003 1E036C H47 J047

005 I100=I07n+GND +F005 F026 F053.
 15 / 10 / 11 / 12 13 14
 005 2H013R K26 I103 I109

005 I101=I07n+F101+F005 F026 F053.
 1 / 2 / 3 / 4 5 6
 005 2H013A K26 F012 F012 F043 I104 I108 I110 J045

I102=I07n+F044.
 6 / 4 / 5
 2G006R H48 I105 Y021

I103=I10n.
 1 / 2 3
 2G007A H47 A159 A160 K139 K141 K153 K167

I104=I101.
 6 / 4 5
 2G007B H47 F030 F159 K031

I105=I102.
 10 / 11 12
 2G007C H47 I113 W053 W060 W153 W160

003 I106=F041.
 15 / 13 14
 2D030D H47 K081 K087 K091 K121 K129 K159 K165 K169

I107=Y021.
 15 / 13 14
 2D009D H47 W057 W157

I108=I101.
 15 / 13 14
 2F020D H47 F123 F125 F127 F131

I109=I10n.
 6 / 4 5
 002 2F016R H47 F060 F062 K901 K903

I110=I101.
 15 / 13 14
 2F016D H47 F041 I112 K151

003 I111=F041.
 15 / 14
 003 2A022B H30 K001 K019 S127

005 I112=I110.
 15 / 14
 005 2D012B H30 J015 J103 J296

I113=I105+J1A4.
10 / 11 / 12
2F006C H4A I114 Y088

I114=F057 I113.
10 / 11 12
2F001C H47 W242

I115= Y088.
15 / 13 / 14
2F006D H4A T222

J000=K000 K002.
 15 / 13 14
 1D015D H47 K004

J001=GND +S002 K002+C276 K003.
 15 / 10 / 11 12 / 13 14
 1E021B K22 K006

J002=K007 K008.
 1 / 2 3
 1D038A H47 C273 J010 J069

J003= J008.
 1 / 2 / 3
 1D040A H4R K183

J004=S112+C265.
 6 / 4 / 5
 1D040B H4R K010

J005=S103+C265.
 10 / 11 / 12
 1D040C H4R K012

002 J006=S002 S121+S003 S120.
 15 / 11 12 / 13 14
 2E029B K23 J007 J117

J007=K008+K003+J006+C271 C262.
 1 / 2 / 3 / 4 / 5 6
 1C038A K24 K014

009 J008=K180+J018+J011.
 1 / 2 / 3 / 4 5 6
 002 1D039A K26 J003 K000 K018 K182

J009= K021+K018+K022.
 15 / 10 / 11 / 12 / 13 14
 1C038B K24 J076

J010=F041 J002.
 15 / 13 14
 1D026D H47 K011 K013

0R J011=J181 K190.
 10 / 11 12
 009 2A011C H47 J008 J115

J012=K009.
 10 / 11 12
 2F005C H47 S124

005 J015=I067 I112.
 15 / 13 14

002 2A029D H47 K161

J016=J029.
 6 / 4 5
 2F005R H47 J017

J017=J016.
 10 / 11 12
 2I036C H47 S060 S070 S080 S090

001 J018=J019.
 15 / 13 14

001 2G022D H47 A072 J008

001 J019=K081+J072.
 10 / 11 / 12

001 2G029C H4R J018 T027 T127

001 J020=K008 K007+A130 F035.
 15 / 11 12 / 13 14

2F030R K23 J027 J028 J029

005 J021=K009 C261 C256+A131 F035.
 1 / 2 3 4 / 5 6 10

2F030A K23 J027 J030 J031

003 J022=J147+K113 C256 K190 K103.
 15 / 10 / 11 12 13 14

003 2F014R K27 J027 J032 J033 J106

009 J023=K05R K060.
 6 / 4 5

009 2D014R H47 J906 J906

002 J024=K066 +M027.
 15 / 11 12 / 13 14

002 2A028B C2R A169 A180 M016

J025=V205 F112+F113 K116 +GND .
 1 / 2 3 / 4 5 6 / 10 11 12 13

2D012A H30 V223 V224 V304

J027=J020 J021 J022.
 1 / 2 3 4 5 6

2E040A C21 J034 J035

J028=V304+J020.
 1 / 2 / 3

2F034A H4R S100 S110

J029=V304+J020 +K901.
 15 / 10 / 11 12 / 13 14
 2R027B K22 J016 S000 S010 S020 S030 S040 S050

J030=V304+J021.
 10 / 11 / 12
 2F034C H4R S060 S070 S080 S090 S100 S110

J031=V304+J021.
 15 / 13 / 14
 2F034D H4R S000 S010 S020 S030 S040 S050

J032=V304+J022.
 1 / 2 / 3
 2F033A H4R S060 S070 S080 S090 S100 S110

J033=V304+J022.
 6 / 4 / 5
 2F033B H4R S000 S010 S020 S030 S040 S050

J034=V304+J027.
 1 / 2 / 3
 002 2F032A H4R S060 S070 S080 S090 S100 S110

J035=V304+J027.
 6 / 4 / 5
 002 2F032B H4R S000 S010 S020 S030 S040 S050

J038=J269+K140.
 10 / 11 / 12
 2F033C H4R J276 J277

J039=K191+K139.
 1 / 2 / 3
 2R022A H4R K154

J040=J180 K030 K048.
 1 / 2 3 4 5 6
 1D027A C21 Y099

J041=J096+Y028.
 1 / 2 / 3
 1E034A H4R F054 K031 K033 K049

J042=J096+Y028.
 6 / 4 / 5
 1E034B H4R K036 K038 K040 K042 K044 K046

J043=K060.
 15 / 13 14
 003 1F006D H47 K073 M017

009 J044=A170 A173+K064 K067 V303.
 1 / 2 3 / 4 5 6

009 1E035A C73 J045

J045=J044 I101.

6 / 4 5
 1D038R H47 K063

009 J046=K075 J172.

10 / 11 12

009 2A001C H47 J047

009 J047=J046 +I071 K140 J171.

15 / 10 11 / 12 13 14

009 1E035B C73 K030

J048=Y040+K063.

15 / 13 / 14

1E034D H48 J049 K048 K143 K152

J049=J048.

10 / 11 12

1D038C H47 J103 J177

J050=C037+C003+C013+C027.

1 / 2 / 3 / 4 / 5 6

1E042A K24 J054 K015

J051=C079+C047+C057+C067.

15 / 10 / 11 / 12 / 13 14

1E042B K24 J054

J052=C083+C093+C107+C113.

1 / 2 / 3 / 4 / 5 6

1E041A K24 J055

J053=C123+C133+C143+C153.

15 / 10 / 11 / 12 / 13 14

1E041B K24 J055

J054=J050 J051.

1 / 2 3

1F027A H47 J056 J057

J055=J052 J053.

6 / 4 5

1F027B H47 J056 J058

004 J056=V300+J054 J055 J164.

1 / 2 / 3 4 5 6

1D029A K27 K052

J057=K046+J054.
 1 / 2 / 3
 1D028A H4R T215

J058=J055+K046.
 6 / 4 / 5
 1D028B H4R T212

J059=K046+J165.
 15 / 10 / 11 12 13 14
 1D029B K27 J261

J060=S007+S017+S027+S037+S047.
 1 / 2 / 3 / 4 / 5 / 6
 1E006A K25 J063

J061=S057+S067+S077+S087+S097.
 15 / 10 / 11 / 12 / 13 / 14
 1E006B K25 J063

J062=S107+S117.
 1 / 2 / 3
 1E005A H4R J063

J063=C260+J067+J060 J061 J062.
 1 / 2 / 3 / 4 5 6
 1F005A K26 S126 S130

J064=J098 S125.
 1 / 2 3
 1F006A H47 J068 J145 J401 S008 S120 S121

007 J065=J115 C194+J107 S110.
 15 / 11 12 / 13 14
 1F008B K27 J066 S008 S018

J066=J065.
 6 / 4 5
 1F006B H47 S008 S018

J067=GND +S129+C235 K009.
 15 / 10 / 11 / 12 13 14
 1F005B K26 J063

J068= J064.
 10 / 11 / 12
 2G006C H4R S120 S121

J069=J002 J070.
 15 / 13 14
 2G012D H47 J145 S120 S131

002 J070=K157 I062 F158 J134.
 1 / 2 3 4 5 6
 002 2C034A C27 J069

J071=K075 M027 +C175 M028.
 1 / 2 3 4 / 5 6 10
 2B042A K23 Y054

J072=R225.
 1 / 2 3
 2J006A H47 C233 J019 J100 J120 J282 K080

J073=W067+J152+Y019 J282.
 1 / 2 / 3 / 4 5 6
 2E019A K26 A014 J094 J298 W017 W117

007 J074=Y054+K140.
 10 / 11 / 12
 2C028C H48 J090

003 J075=K090.
 15 / 13 14
 003 2B035D H47 W233 W235

004 J076=J009+J293+K190 J142.
 1 / 2 / 3 / 4 5 6
 004 2B039A K26 J077

002 J077=GND +J076.
 15 / 13 / 14
 2B036D H48 K086

006 J078=J181 I062 K152 J131.
 15 / 10 11 12 13 14
 2A039B C27 J079 J079 K082

003 J079=K087 J078+J152 J078+K081 +J081.
 1 / 3 4 / 5 6 / 10 11 / 12 13
 2A039A H05 J080 J091 J099 J099

J080=K086 J079 J082.
 1 / 2 3 4 5 6
 2A039A C27 K090

004 J081=J082+Y052.
 1 / 2 / 3
 2B036A H48 J079

J082=J299+S127+J287 K011 J099.
 15 / 10 / 11 / 12 13 14
 004 2B039B K26 J080 J081 J148

J083=K150+C283.
1 / 2 / 3
2C021A H48 K156

006 J084=S002+F159+K143+K132.
1 / 2 / 3 / 4 / 5 6
004 2B033A K24 K158

J085=K102 K132 K142.
1 / 2 3 4 5 6
2B032A C21 K150 K168 K184

J086=Y061+K150.
6 / 4 / 5
2B036B H48 K153 K159

002 J087=F147+I067 +J133.
1 / 2 / 3 4 / 5 6
002 2B030A K22 J089

J088=F158+K074+F146+GND .
15 / 10 / 11 / 12 / 13 14
004 2B033B K24 J089

006 J089=J087 K155+J088 K155+J143 K155.
1 / 2 3 / 4 5 / 6 10
2A032A C28 J091

J090=J074 K155.
1 / 2 3
2B035A H47 J091

002 J091=J090 J089 J079 J284.
15 / 10 11 12 13 14
2B032B C21 F030 J093 K160 K167 W064 W066 Y063

006 J092=Y068+W229.
1 / 2 / 3
006 2G006A H48 W062

J093=J091.
6 / 4 5
001 2B035B H47 J103

003 J094=J152+J073.
15 / 13 / 14
2F008D H48 W062 Y068

J095=Y065+I067.
6 / 4 / 5
2F008B H48 J284 K030

001 J096=Y091.
 15 / 13 14
 1D03RD H47 J041 J042 J252 J252

 J097=K063.
 15 / 13 14
 1D016D H47 Y040

 J098=K107 S129.
 10 / 11 12
 1F006C H47 J064

 J099=J079 K102+J079 F142.
 15 / 11 12 / 13 14
 2B042B K23 J082

 002 J100=J072+I065 +F142 F144.
 15 / 10 / 11 12 / 13 14
 002 2B030B K22 K100

 J101=V024 K141.
 1 / 2 3
 2C032A H47 J102

 J102=GND +K100 J101+GND .
 1 / 2 / 3 4 / 5 6
 1D034A K22 K102 K104

 007 J103=C232 J093 J049 I112 K058.
 1 / 2 3 4 5 6
 002 2E032A C21 K103 K133

 J104=F145+C260.
 10 / 11 / 12
 2C001C H4A K106

 J105=K132 F144.
 6 / 4 5
 2C032B H47 K108 K108

 J106=J022+Y022 +V305.
 1 / 2 / 3 4 / 5 6
 005 2D004A K22 K111 K124 K170 Y101

 002 J107=K091+K031+K106 K002.
 1 / 2 / 3 / 4 5 6
 002 2E030A K26 C280 J065 J261 J264 T210 T214

 J108=K102.
 6 / 4 5
 2D030B H47 K111 K171

J109= K127+K104+I065.
1 / 2 / 3 / 4 / 5 6
2D03AA K24 K116

003 J110=F150 S121 S002+S120 S003 F152.
1 / 2 3 4 / 5 6 10
2E029A K23 J111

005 J111=J110+V200+K129+K114+K185.
1 / 2 / 3 / 4 / 5 / 6
005 2C031A K25 K120

J112=S129+F144+K125+K123 F157.
1 / 2 / 3 / 4 / 5 6
2E038A K24 K120 K128

J113=K116+K119.
1 / 2 / 3
2C03AA H48 K110

J114=K115+K112.
6 / 4 / 5
2C03BB H48 C215 J146 S120

008 J115=K003+J011+K000 K132 J116.
15 / 10 / 11 / 12 13 14
002 2E030B K26 J065 J261 J264 Y211

002 J116=F145 K103.
1 / 2 3
002 2D030A H47 J115

J117=K114+J006+V305+GND +K185.
15 / 10 / 11 / 12 / 13 / 14
005 2C031B K25 K128

J118=K103.
6 / 4 5
2F031B H47 K111

J119=J136 J137.
1 / 2 3
2E042A H47 K112

002 J120=J072 +I065 F146 +F148 F146 F140.
1 / 2 3 / 4 5 6 / 10 11 12 13
002 2E028A H30 K130 K130

J121=K030 F102.
15 / 13 14
1E036D H47 Y096

J122=J270 K141.
15 / 13 14
2C032D H47 J123

J123=GND +K130 J122+GND .
15 / 10 / 11 12 / 13 14
1D034B K22 K132 K134

002 J125=C259+F147+K114+F148 C251.
15 / 10 / 11 / 12 / 13 14
2D03AB K24 K136

009 J126=J281+GND +X026 X027 X02A.
1 / 2 / 3 / 4 5 6
009 1F023A K26 1070 J128

J127=K14A+K134+I065+GND +GND .
15 / 10 / 11 / 12 / 13 / 14
2C042B K25 K116

009 J128=J126.
3 / 4
009 1F003B H10 J129 K141

J129=J12A +M030 J900.
15 / 11 12 / 13 14
1D022B C28 C239 F041 K140 K900

006 J130=K130 K140 K100 K066 K150.
1 / 2 3 4 5 6
2C030A C21 J131 K146

J131=J130.
10 / 11 12
2D030C H47 J078 J2A5 K147

003 J132=GND +K135.
10 / 11 / 12
003 2B024C H48 J143 W013 W014 W113 W114

J133=K140.
15 / 13 14
2C033B H47 A191 B201 B202 B204 B205 C239 J087 J134

002 J134=J133.
15 / 14
002 2F029A H30 J070 J149 J906 K003 K124 K124 Y900 Y902 W254

004 J135=K140.
15 / 13 14
004 2G021D H47 J269

J136=GND +GND +C277 V203 W219.
1 / 2 / 3 / 4 5 6
2D037A K26 J119

J137=GND +GND +C242 V203 W221.
15 / 10 / 11 / 12 13 14
2D037B K26 J119

002 J140=K06A.
1 / 2 3
002 1E022A H47 A159 J294

J142=GND +K030+A170 A173 A179.
1 / 2 / 3 / 4 5 6
2D013A K26 J076

006 J143=K158+J132 F146+K009.
1 / 2 / 3 4 / 5 6
006 2B027A K22 J089 J172 K160

006 J145=J064+J069 +K190 K156.
15 / 10 / 11 12 / 13 14
006 2D004B K22 S121

J146=K103 J114.
15 / 13 14
003 2F035D H47 J147

003 J147= J146.
15 / 13 / 14
003 2F033D H4A J022

006 J148=J082 J149.
10 / 11 12
004 2C033C H47 Y052

006 J149=F126 J134.
6 / 4 5
006 2A029B H47 J148

002 J150=K133 B206.
15 / 13 14
003 2F031D H47 K137

003 J151=K083 +Y041.
15 / 11 12 / 13 14
003 2F009B K23 F018 F020 J152 T020 T120 Y043

003 J152=J151.
 1 / 2 3

003 2F018A H47 A002 F037 J073 J079 J094

J160= C002 C003+C003 C082+C018 C093+C017 C092+C022 C107.
 1 / 2 / 3 4 / 5 6 / 10 11 / 12 13 / 14 15

003 2A035A K17 J164

J161= C027 C102+C032 C113+C037 C112+C048 C127+C047 C122.
 1 / 2 / 3 4 / 5 6 / 10 11 / 12 13 / 14 15

003 2A036A K17 J164

003 J162= C052 C133+C057 C132+C062 C143+C067 C142+C072 C153.
 1 / 2 / 3 4 / 5 6 / 10 11 / 12 13 / 14 15

003 2A037A K17 J164

003 J163=J166+C079 C152+C400 A281+C401 A280+C402 A291+C403 A290.
 1 / 2 / 3 4 / 5 6 / 10 11 / 12 13 / 14 15

2B037A K17 J164

003 J164=J160 J161 J162 J163.
 15 / 10 11 12 13 14

003 2C034B C21 J056 J165

003 J165=J164.
 15 / 14

003 2B028B H30 J059 J248

003 J166=GND +K900+C400 C402.
 15 / 10 / 11 / 12 13 14

003 1D039B K26 J163

J171=F147 F158 K158+F147 F159 K074.
 1 / 2 3 4 / 5 6 10

005 2G026A K23 J047

009 J172=J143+J049.
 10 / 11 / 12

009 1E034C H48 J046

006 J180=J287 F103.
 15 / 13 14

006 1F016n H47 J040

006 J181=K031+K047.
 10 / 11 / 12

006 2B036C H48 J011 J078 Y064

J183=J278 W254.
 15 / 13 14
 2A002D H47 J184

J184=J183+Y075.
 1 / 2 / 3
 2I019A H4R I113 W211

J200=R200+R201.
 1 / 2 / 3
 1D019A H4R J201

J201=J200+GND .
 15 / 13 / 14
 1F033D H4R J202 J214

J202=J201+R202.
 6 / 4 / 5
 1D019B H4R J203 J205

J203=J202.
 15 / 14
 1F036B H05 J214

J204=R203.
 15 / 14
 1F037B H05 J205

J205=J202 J204.
 1 / 2 3
 1D016A H47 J206 J214

J206=R204+J205.
 10 / 11 / 12
 1D019C H4R J207 J209

J207=J206.
 15 / 14
 1F038B H05 J215

J208=R205.
 15 / 14
 1F039B H05 J209

J209=J206 J208.
 6 / 4 5
 1D016B H47 J210 J215

J210=J209+R206.
 15 / 13 / 14
 1D019D H4R J211 J213

J211=J210.
 15 / 14
 1F040B H05 J215

J212=R207.
 15 / 14
 1F041B H05 J213

J213=J210 J212.
 10 / 11 12
 10016C H47 J215

J214=R200 R201+J201 R202+J203 R203+J205 R204.
 1 / 3 4 / 5 6 / 10 11 / 12 13
 1F021A H05 J219

J215=J207 R205+J209 R206+J211 R207+J213 R220.
 1 / 3 4 / 5 6 / 10 11 / 12 13
 1F022A H05 J219

J216=R302+R303 +R312.
 1 / 2 / 3 4 / 5 6
 10018A K22 J225

J217=R313+R322 +R323.
 15 / 10 / 11 12 / 13 14
 10018B K22 J225

J218=R332+R333+R342+GND +GND .
 1 / 2 / 3 / 4 / 5 / 6
 10020A K25 J225

J219=J214 J215.
 10 / 11 12
 10026C H47 J226

J220=J226.
 15 / 14
 1F022B H05 K082 K082 W243

J221=R302 R200+R303 R201+R312 R202.
 1 / 2 3 / 4 5 / 6 10
 10025A C28 J224

J222=R323 R205+R322 R204+R313 R203.
 1 / 2 3 / 4 5 / 6 10
 10022A C28 J224

J223=R332 R206 +R333 R207 +R342 R220.
 1 / 2 3 4 / 5 6 10 11 / 12 13 14 15
 10024A C55 J224

J224=GND +J221 J222 J223.
 15 / 10 / 11 12 13 14
 1D017B K27 W235

J225=GND +J216 J217 J218.
 1 / 2 / 3 4 5 6
 1D017A K27 J227 K166 Y072

OR J226=R222 W215+J229 W221+J219 +J230.
 1 / 3 / 4 / 5 6 / 10 11 / 12 13
 1D023A H05 J220

J227=J225.
 6 / 4 5
 1C010B H47 J228

J228=GND +J272 J227+J272 Y072.
 1 / 2 / 3 4 / 5 6
 1E021A K22 K166

J229=R222.
 10 / 11 12
 1F027C H47 J226

OR J230=W220 W215+W221 W218.
 15 / 11 12 / 13 14
 1D025B C2A J226

J231=W012.
 10 / 11 12
 2I020C H47 W211

J232=C087+C007.
 1 / 2 / 3
 1F032A H4A J240

J233=C093+C013.
 6 / 4 / 5
 1F032B H4A J241

J234=C107+C027.
 10 / 11 / 12
 1F032C H4A J242

J235=C113+C037.
 15 / 13 / 14
 1F032D H4A J243

J236=C127+C047.
 1 / 2 / 3
 1F031A H4A J244

J237=C133+C057.
6 / 4 / 5

1F031B H4R J245

J238=C143+C067.
10 / 11 / 12

1F031C H4R J246

J239=C153+C079.
15 / 13 / 14

1F031D H4R J247

J240=J266 A060+J256 A000+J254 A200+J253 J232.
1 / 3 4 / 5 6 / 10 11 / 12 13

1F042A H05 T210

J241=J266 A070+J256 A010+J254 A210+J253 J233.
1 / 3 4 / 5 6 / 10 11 / 12 13

1F041A H05 T211

J242=J266 A080+J256 A020+J254 A220+J253 J234.
1 / 3 4 / 5 6 / 10 11 / 12 13

1F040A H05 T212

J243=J266 A090+J256 A030+J254 A230+J253 J235.
1 / 3 4 / 5 6 / 10 11 / 12 13

1F039A H05 T213

J244=J266 A100+J256 A040+J254 A240+J253 J236.
1 / 3 4 / 5 6 / 10 11 / 12 13

1F038A H05 T214

J245=J266 +J256 +J254 A250+J253 J237.
1 / 3 4 / 5 6 / 10 11 / 12 13

1F037A H05 T215

J246=J266 +J256 +J254 A260+J253 J238.
1 / 3 4 / 5 6 / 10 11 / 12 13

1F036A H05 T216

J247=J266 +J256 +J254 A270+J253 J239.
1 / 3 4 / 5 6 / 10 11 / 12 13

1F035A H05 T217

J248=K040+J165.
15 / 13 / 14

1D040D H4R T224

004 J252=K039 J096+Y006 J096+K069 K034.
1 / 2 3 / 4 5 / 6 10

002 1F028A C2R J262 J263 T208

J253=K038+K041.
 1 / 2 / 3
 1F033A H4A J240 J241 J242 J243 J244 J245 J246 J247

J254=K040+K043.
 6 / 4 / 5
 1F033B H4A J240 J241 J242 J243 J244 J245 J246 J247

J255=K043 K044+K049.
 15 / 11 12 / 13 14
 002 1F028B C2A J266 J268

J256=K044+K047.
 10 / 11 / 12
 1E017C H4A J240 J241 J242 J243 J244 J245 J246 J247

J258=J263+GND .
 10 / 11 / 12
 2I032C H4A J260

002 J259=V028 K061.
 1 / 2 3
 1D021A H47 C314 C314

J260=J258+GND .
 15 / 13 / 14
 2I032D H4A T217 T218 T219

002 J261=J107+J115+J059+K033+F103.
 1 / 2 / 3 / 4 / 5 / 6
 2H008A K25 J262 J267

J262=J261+J252.
 6 / 4 / 5
 2I019B H4A J263

J263=J262+J252+K901 K041 K042.
 15 / 10 / 11 / 12 13 14
 2I038B K26 J258 T210 T211 T212 T213 T214 T215 T216

002 J264=J115+J107.
 15 / 13 / 14
 2I011D H4A J265

J265=J264 K068.
 10 / 11 12
 2I007C H47 Y086

J266=J255.
 15 / 13 14
 1F027D H47 J240 J241 J242 J243 J244 J245 J246 J247

002 J267=J261+GN0 .
 10 / 11 / 12
 2I00AC H4R T210 T211 T212 T214 T215 T216 T221

J268=J255.
 6 / 4 5
 1E036B H47 T225

004 J269=M023 J135.
 15 / 13 14
 1D010D H47 J038 Y102

J270=M024.
 1 / 2 3
 1D010A H47 J122

J271=J280+W253.
 6 / 4 / 5
 1D007B H4R W210 W211 W269 Y094

001 J272=R227.
 10 / 11 12
 001 2J014C H47 J228 J228 J282 J293

J273=M021.
 10 / 11 12
 1D010C H47 J277 J287

J276=F113 A300 +J038 M022.
 1 / 2 3 4 / 5 6 10
 2I034A K23 S100

J277=F113 A310+J038 J273.
 15 / 11 12 / 13 14
 2I034B K23 S110

009 J278=W254 M01A.
 6 / 4 5
 2I020B H47 J183 M013 M014 T222

J280=M01B.
 1 / 2 3
 1C00BA H47 J271 J902 M021 M022 M023 M024

006 J281=M01B W260.
 6 / 4 5
 1C00BB H47 I054 M025 M026 M027 M028 Y075 J126

001 J282=J272 J072.
 10 / 11 12
 001 2J006C H47 A161 J073 J180 J288 K034 K146 Y904

002 J283=K047+Y066.
 15 / 13 / 14

002 1D028D H48 J284 K141

J284=F113 J095+F111 J283.
 15 / 11 12 / 13 14
 1D041B C28 J091

006 J285=K150 J131 Y064 J290 F033.
 1 / 2 3 4 5 6

001 2E039A C21 F051 J286 W086

002 J286=J285.
 15 / 14

002 2D016B K29 F050 Y019 Y069

004 J287=M018 J273.
 15 / 13 14

004 2R021D H47 J082

J288=J282.
 15 / 13 14
 2I007D H47 K033

002 J289=F102 K032.
 10 / 11 12

002 2F019C H47 T216

J290=I067+ K153
 10 / 11 / 12

006 2C038C H48 J285

J291=M025 J903.
 6 / 4 5

002 1D010B H47 J905 K141

002 J293=Y095+J272.
 15 / 13 / 14

002 2G020D H48 J076

002 J294=K062+J140.
 10 / 11 / 12

002 1D028C H48 K064

J295=M032 M019.
 10 / 11 12

002 1C008C H47 J296

005 J296=I112 J295.
 10 / 11 12

002 2J039C H47 B200

J297=Y038.
1 / 2 3
1E036A H47 K049

006 J298=J073.
1 / 2 3
006 2F019A H47 W235

007 J299=K168 K164.
10 / 11 12
007 2B021C H47 J082 W233

J400=R231. W243
10 / 11 12
2H002C H47 Y041

J401=J064.
15 / 14
1F009B H30 S018 S018

J402=K000+K008.
10 / 11 / 12
2D001C H4A K010 K012

J403=R200 R304+R201 R305+R202 R314+R203 R315+GND .
1 / 2 3 / 4 5 / 6 10 / 11 12 / 13 14 15
2F002A C15 J405

J404=R204 R324+R205 R325+R206 R334+R207 R335+R220 R344.
1 / 2 3 / 4 5 / 6 10 / 11 12 / 13 14 15
2F004A C15 J405

J405=J403 J404.
1 / 2 3
2I020A H47 P007

J406=C281+GND +GND +C282 S121.
15 / 10 / 11 / 12 / 13 14
2F015B K24 J407 J408

J407=J406.
1 / 2 3
2B023A H47 T300 T301 T310 T311

J408=J406.
6 / 4 5
2B023B H47 T320 T321 T330 T331 T340

J410=R210.
1 / 2 3
2K007A H47 C086

J411=R211.

6 / 4 5
2K007B H47 C096

J412=R212.

10 / 11 12
2K007C H47 C106

J413=R213.

15 / 13 14
2K007D H47 C116

J423=R200 R306+R201 R307+R202 R316+R203 R317+GND . 14 15
1 / 2 3 / 4 5 / 6 10 / 11 12 / 13

2I009A C15 J425

J424=R204 R326+R205 R327+R206 R336+R207 R337+R220 R346.
1 / 2 3 / 4 5 / 6 10 / 11 12 / 13 14 15

2I010A C15 J425

J425=J423 J424.

6 / 4 5
2J014B H47 C380

J900=J901 K902 J905+K903 K901 J905.

1 / 2 3 4 / 5 6 10
1E004A K23 J129

J901=Y903.

1 / 2 3
1C010A H47 J900

J902=J280+OPEN.

1 / 2 / 3
1E017A H48 J903 K141 K900

J903=J902 OPEN.

10 / 11 12
1D015C H47 J291 K141

J904=K901 K035.

10 / 11 12
2F003C H47 C000 C010 C020 C030 C040 C050 C060 C070

J905=K091 J291.

10 / 11 12
1E022C H47 J900 J900

009 J906=J023 OPEN+J023 J134+GND .

1 / 2 3 / 4 5 / 6 10
009 1D041A C28 C319 C320

009 J907=OPEN OPEN.

6 / 4 5
009 1D021B H47 L012

J297=Y038.
 1 / 2 3
 1E036A H47 K049

006 J298=J073.
 1 / 2 3
 006 2F019A H47 W235

007 J299=K16A K164.
 10 / 11 12
 007 2R021C H47 J082 W233

J400=R231.
 10 / 11 12
 2H002C H47 Y041

J401=J064.
 15 / 14
 1F009B H30 S018 S018

J402=K000+K008.
 10 / 11 / 12
 2D001C H4A K010 K012

J403=R200 R304+R201 R305+R202 R314+R203 R315+GND .
 1 / 2 3 / 4 5 / 6 10 / 11 12 / 13 14 15
 2F002A C15 J405

J404=R204 R324+R205 R325+R206 R334+R207 R335+R220 R344.
 1 / 2 3 / 4 5 / 6 10 / 11 12 / 13 14 15
 2F004A C15 J405

J405=J403 J404.
 1 / 2 3
 2I020A H47 P007

J406=C281+GND +GND +C282 S121.
 15 / 10 / 11 / 12 / 13 14
 2F015B K24 J407 J408

J407=J406.
 1 / 2 3
 2B023A H47 T300 T301 T310 T311

J408=J406.
 6 / 4 5
 2B023B H47 T320 T321 T330 T331 T340

J410=R210.
 1 / 2 3
 2K007A H47 C086

J411=R211.
6 / 4 5
2K007B H47 C096

J412=R212.
10 / 11 12
2K007C H47 C106

J413=R213.
15 / 13 14
2K007D H47 C116

J423=R200 R306+R201 R307+R202 R316+R203 R317+GND . 14 15
1 / 2 3 / 4 5 / 6 10 / 11 12 / 13
2I009A C15 J425

J424=R204 R326+R205 R327+R206 R336+R207 R337+R220 R346.
1 / 2 3 / 4 5 / 6 10 / 11 12 / 13 14 15
2I010A C15 J425

J425=J423 J424.
6 / 4 5
2J014B H47 C380

J900=J901 K902 J905+K903 K901 J905.
1 / 2 3 4 / 5 6 10
1E004A K23 J129

J901=Y903.
1 / 2 3
1C010A H47 J900

J902=J280+OPEN.
1 / 2 / 3
1E017A H48 J903 K141 K900

J903=J902 OPEN.
10 / 11 12
1D015C H47 J291 K141

J904=K901 K035.
10 / 11 12
2F003C H47 C000 C010 C020 C030 C040 C050 C060 C070

J905=K091 J291.
10 / 11 12
1E022C H47 J900 J900

009 J906=J023 OPEN+J023 J134+GND .
1 / 2 3 / 4 5 / 6 10
009 1D041A C28 C319 C320

009 J907=OPEN OPEN.
6 / 4 5
009 1D021B H47 L012

K000=K001+GND +Y102 C224 J008.
 1 / I / 2 3 / 4 5 6
 1D042A K33 C183 J000 J115 J402 K001 K005

014 K001=K000+I111 +C267 K009.
 15 / I / 10 11 / 12 13 14
 1D042B K33 C182 K000

K002=K003+GND +M023 C224 C177.
 1 / I / 2 3 / 4 5 6
 1C042A K33 J000 J001 J107 K003 K005

00A K003=K002+J134 +K017 V203 C285.
 15 / I / 10 11 / 12 13 14
 1C042B K33 J001 J007 J115 K002 S125

K004=K005+C270 J000.
 1 / I / 2 3
 1C041A H46 K005 K007

K005=K004+K002 K000.
 6 / I / 4 5
 1C041B H46 C182 K004 K006 K018

K006=K007+J001 V201 K005.
 1 / I / 2 3 4 5 6
 1C040A K31 K007 S125 Y042

K007=K006+K004.
 15 / I / 10 11 12 13 14
 1C040B K31 J002 J020 K006 K008 S124 S125

K008=K009+V103 K007.
 10 / I / 11 12
 1C041C H46 J002 J007 J020 J402 K009 K017 K018 K183

K009=K008+Y042.
 15 / I / 13 14
 1C041D H46 C215 J012 J021 J067 J143 K001 K008

K010=K011+J004 J402.
 10 / I / 11 12
 1C036C H46 A062 K011

004 K011=K010+J010.
 15 / I / 13 14
 1C036D H46 J082 K010 T026 T126

K012=K013+J005 J402.
 1 / I / 2 3
 001 1C036A H46 K013

004 K013=K012+J010.
6 / I / 4 5
1C036B H46 A181 K012

002 K014=K015+V201 J007.
1 / I / 2 3
1C034A H46 K015 K016

K015=K014+J050 C238.
6 / I / 4 5
1C034B H46 K014

002 K016=K017+K014 C267 S130 K183.
1 / I / 2 3 4 5 6
1C037A K31 K017

K017=K016+K008.
15 / I / 10 11 12 13 14
1C037B K31 K003 K016 K019 K102 K104 K132 K134 K142

001 K018=K019+GND +J008 K008 K005.
1 / I / 2 3 / 4 5 6
1C033A K33 J009 K019 K021 K023

003 K019=K018+I111 +K017.
15 / I / 10 11 / 12 13 14
1C033B K33 K018 K020 K021

002 K020=K021+GND +C175 K019 K022.
1 / I / 2 3 / 4 5 6

004 1C032A K33 K021

002 K021=K020+K018 +K019 R209 Y045.
15 / I / 10 11 / 12 13 14
1C032B K33 J009 K020 K022

K022=K023+K021 C228.
10 / I / 11 12
1C034C H46 J009 K020 K023

K023=K022+K018.
15 / I / 13 14
1C034D H46 K022 Y045

K030=K031+J047+J095 F111+K180 K147.
1 / I / 2 / 3 4 / 5 6
1E023A K32 C329 J040 J121 J142 K031 K033 K035

008 K031=K030+Y067+I104 +Y029 J041.
15 / I / 10 / 11 12 / 13 14
1E023B K32 J107 J181 K030 K032 Y031

K032=K033+GND +Y030 W215 K031.
 1 / I / 2 3 / 4 5 6
 1F025A K33 J289 K033 Y031

K033=K032+K030 +J041 J288.
 15 / I / 10 11 / 12 13 14
 1F025B K33 J261 K032

001 K034=K035+J282 Y031.
 1 / I / 2 3
 1E029A H46 J252 K035 K037 K055

009 K035=K034+K030.
 6 / I / 4 5
 1E029B H46 C233 J904 K034 K054 Y032

K036=K037+Y032 J042.
 10 / I / 11 12
 1E029C H46 C210 C211 C217 K037 K039 K053 K054

K037=K036+K034.
 15 / I / 13 14
 1E029D H46 C275 K036 K056 Y033

K038=K039+Y033 J042.
 1 / I / 2 3
 1E030A H46 J253 K039 K041

K039=K038+K036.
 6 / I / 4 5
 1E030B H46 J252 K038 T209 Y034

K040=K041+Y034 J042.
 10 / I / 11 12
 1E030C H46 J248 J254 K041 K043 T209

K041=K040+K038.
 15 / I / 13 14
 1E030D H46 J253 J263 K040 Y035

K042=K043+Y035 J042.
 1 / I / 2 3
 1E031A H46 J263 K043 K045 T224

K043=K042+K040.
 6 / I / 4 5
 1E031B H46 J254 J255 K042 Y036

K044=K045+Y036 J042.
 10 / I / 11 12
 1E031C H46 J255 J256 K045 K047

K045=K044+K042.
 15 / I / 13 14
 1E0310 H46 K044 T220 Y037

K046=K047+Y037 J042.
 1 / I / 2 3
 1E032A H46 J057 J058 J059 K047 T220 Y066

009 K047=K046+K044 K070.
 6 / I / 4 5
 1E032B H46 J181 J256 J283 K046 Y029

K048=K049+J048 K074.
 10 / I / 11 12
 1E032C H46 J040 K049 K191 Y038

K049=K048+J041 J297.
 15 / I / 13 14
 1E032D H46 J255 K048 Y006

K052=K053+K054 J056.
 1 / I / 2 3
 1D033A H46 K053

K053=K052+K036.
 6 / I / 4 5
 1D033B H46 K052 V115 V117 V119 V121 Y033

K054=K055+K035 K036+AND .
 1 / I / 2 3 / 4 5 6
 1E025A K33 C273 K052 K055 K057 K069

K055=K054+K034 +V101 K057.
 15 / I / 10 11 / 12 13 14
 1E025B K33 K054 K056 T208

K056=K057+K055 K037 V201.
 1 / I / 2 3 4 5 6
 1E024A K31 K057 Y055

K057=K056+K054.
 15 / I / 10 11 12 13 14
 1E024B K31 C200 C237 K055 K056

004 K058=K059+C031 K073.
 10 / I / 11 12
 1E040C H46 C273 J103 K059 K061

K059=K058+K061 V201.
 15 / I / 13 14
 1E040D H46 C201 J023 K058 K060

K060=K061+V101 K059.
 1 / I / 2 3
 1E038A H46 C201 J043 K061 K063

K061=K060+V101 K058.
 6 / I / 4 5
 1E038B H46 A157 A159 T053 J023 J259 K059 K060 K062

K062=K063+V303 K061.
 10 / I / 11 12
 002 1E038C H46 J294 K063

K063=K062+J045 K060.
 15 / I / 13 14
 1E038D H46 J048 J097 K062

002 K064=K065+V201 J294.
 1 / I / 2 3
 1E039A H46 C273 J044 K065 K067

K065=K064+V201 K067.
 6 / I / 4 5
 1E039B H46 C200 K064 K066

K066=K067+V101 K065.
 10 / I / 11 12
 1E039C H46 C200 J024 J130 J140 K067 Y048

K067=K066+V101 K064.
 15 / I / 13 14
 1E039D H46 T053 J044 K065 K066 K074

002 K068=K069+Y099 Y090.
 10 / I / 11 12
 1D033C H46 J265 K069 Y027

001 K069=K068+K071 K054.
 15 / I / 13 14
 1D033D H46 J252 K068 Y026

K070=K071+Y026.
 1 / I / 2 3
 1D032A H46 K047 K071 Y090

K071=K070+Y027.
 6 / I / 4 5
 1D032B H46 F104 K069 K070 Y091

004 K072=K073+K157.
 10 / I / 11 12
 004 2G017C H46 K073

004 K073=K072+J043.
 15 / I / 13 14
 004 2G017D H46 C183 K058 K072 K190

K074=K075+K067.
 1 / I / 2 3
 1E040A H46 J088 J171 K048 K075

K075=K074+Y048.
 6 / I / 4 5
 1E040B H46 J046 J071 K074

001 K080=K081+J072 K151.
 1 / I / 2 3
 2I004A H46 K081

001 K081=K080+I106.
 6 / I / 4 5
 2I004B H46 J019 J079 K080

003 K082=K083+Y043 +GND +J220 W225+J220 J078 W224.
 1 / I / 2 3 / 4 5 / 6 10 / 11 12 13
 1F020A K37 F016 K083

001 K083=K082+W227.
 15 / I / 14
 001 1F020B K37 J151 K082

002 K086=K087+J077 Y098.
 1 / I / 2 3
 2B039A H46 J080 K087

K087=K086+I106.
 6 / I / 4 5
 2B039B H46 J079 K086 W235 Y067

K088=K089+Y067.
 10 / I / 11 12
 2B039C H46 K089

003 K089=K088+Y096.
 15 / I / 13 14
 2B039D H46 K088 Y030

K090=K091+J080.
 10 / I / 11 12
 2B040C H46 A022 J075 K091 W231 W233 W235

K091=K090+I106.
 15 / I / 13 14
 2B040D H46 A181 J107 J905 K090 T022 T122 W066 W231

K100=K101+J100 I068.
 1 / I / 2 3
 2D031A H46 J102 J130 K101

K101=K100+I062.
 6 / I / 4 5
 2D031B H46 K100

K102=K103+J102 K017.
 1 / I / 2 3
 2D032A H46 J085 J099 J108 K103 K107 K109 K113 K125

K103=K102+J103.
 6 / I / 4 5
 2D032B H46 J022 J116 J118 J146 K102 K106 K110 K124

K104=K105+J102 K017.
 10 / I / 11 12
 2D031C H46 J109 K105 K111

K105=K104+I063.
 15 / I / 13 14
 2D031D H46 K104 K164 K164

K106=K107+J104 K103.
 10 / I / 11 12
 2D032C H46 J107 K107

K107=K106+K102.
 15 / I / 13 14
 2D032D H46 J098 K106 K112 S121

K108=K109+C270 J105 W219+C240 J105 W221.
 1 / I / 2 3 4 / 5 6 10 11
 2E017A K35 C183 K109

K109=K108+K102 K132.
 15 / I / 12 13 14
 2E017B K35 C182 K108 K112 S126

002 K110=K111+K103 J113+GND .
 1 / I / 2 3 / 4 5 6
 002 2D034A K33 K111 Y047

K111=K110+J118 K104+J106 J108.
 15 / I / 10 11 / 12 13 14
 002 2D034B K33 R200 K110 Y046

005 K112=K113+K107 J119+K109 S003 V201.
 1 / I / 2 3 / 4 5 6
 2D033A K33 J114 K113 K115 S121 S125

K113=K112+GND +K102 K132.
15 / I / 10 11 / 12 13 14
2D033B K33 J022 K112 K114 S124

002 K114=K115+K113 V101.
10 / I / 11 12
2E033C H46 C182 J111 J117 J125 K115 S124

K115=K114+K112.
15 / I / 13 14
2E033D H46 J114 K114

K116=K117+J109 K170 +J127 +A162.
1 / I / 2 3 4 / 5 6 10 / 11 12 13
2C035A K36 J025 J113 K117 K139 Y050

K117=K116+I065.
15 / I / 14
2C035B K36 K116 Y049

K118=K119+Y049.
1 / I / 2 3
2C036A H46 K119 K138 W237

K119=K118+Y050.
6 / I / 4 5
2C036B H46 J113 K118 K139

K120=K121+J111 J112.
10 / I / 11 12
2D041C H46 K121

K121=K120+I106.
15 / I / 13 14
2D041D H46 K120 W233

K122=K123+R213 Y101.
1 / I / 2 3
2E037A H46 K123

003 K123=K122+C257.
6 / I / 4 5
2E037B H46 J112 K122

006 K124=K125+K137 J134 C258+K103 J106 K126 J134.
1 / I / 2 3 4 / 5 6 10 11
003 2D035A K35 K125 S110 V304

K125=K124+K102 K132.
15 / I / 12 13 14
2D035B K35 J112 K124 K164 K164

K126=K127+Y046.
 10 / I / 11 12
 002 2E037C H46 R200 K124 K127

K127=K126+Y047.
 15 / I / 13 14
 002 2E037D H46 J109 K126

K128=K129+J112 J117.
 1 / I / 2 3
 003 2A031A H46 K129

K129=K128+I106.
 6 / I / 4 5
 003 2A031B H46 J111 K128

K130=K131+I069 J120+J120 F147.
 1 / I / 2 3 / 4 5 6
 002 2E036A K33 J123 J130 K131

K131=K130+I062 F146+GND .
 15 / I / 10 11 / 12 13 14
 002 2E036B K33 R200 K130

K132=K133+K017 J123.
 1 / I / 2 3
 002 2E031A H46 J084 J085 J105 J115 K109 K113 K125 K133

K133=K132+J103.
 6 / I / 4 5
 002 2E031B H46 J150 K132 K136 K171

K134=K135+J123 K017.
 10 / I / 11 12
 2E031C H46 J127 K135 K139

K135=K134+I064.
 15 / I / 13 14
 2E031D H46 I050 J132 K134 K164

K136=K137+J125 K133.
 1 / I / 2 3
 2E034A H46 K137

K137=K136+J150.
 6 / I / 4 5
 2E034B H46 K124 K136 Y053

K138=K139+ GND +Y053 K118.
 1 / I / 2 / 3 4 / 5 6
 002 2E035A K33 K139 K149

002 K139=K138+I103+K119 K116+K134.
 15 / I / 10 / 11 12 / 13 14
 002 2E035B K32 R206 J039 K138 Y051

K140=K141+J129.
 6 / 4 / 5
 2B024B H4R J038 J047 J074 J130 J133 J135 K141 K143

K141=K140+I103+J291 Y063+J12R +J902 J903 J2R3.
 1 / 2 / 3 / 4 5 / 6 10 11 / 12 13 14 15
 2D039A K17 C176 C329 J101 J122 K140 K142 W230

K142=K143+GND +K017 K141.
 1 / 1 / 2 3 / 4 5 6
 2D040A K33 J085 K143

K143=K142+K140 +J048.
 15 / I / 10 11 / 12 13 14
 004 2D040B K33 J084 K142

001 K146=K147+J170 J2R2.
 10 / I / 11 12
 2C036C H46 K147 K181

K147=K146+J131.
 15 / I / 13 14
 2C036D H46 K030 K146 Y056

K148=K149+Y051.
 10 / I / 11 12
 2E034C H46 R206 J127 K149

K149=K148+K138.
 15 / I / 13 14
 2E034D H46 K148

002 K150=K151+J0R5+GND +GND +GND .
 1 / I / 2 / 3 / 4 / 5 6
 002 2A030A K34 J083 J0R6 J130 J2R5 K151 Y097

002 K151=K150+Y062+I110+Y063+C226.
 15 / I / 10 / 11 / 12 / 13 14
 002 2A030B K34 K080 K150 K152 Y061

K152=K153+GND +GND +K151 J048.
 1 / I / 2 / 3 4 / 5 6
 2B031A K32 J078 K153 K155 Y064

K153=K152+J0R6+I103 +Y063.
 15 / I / 10 / 11 12 / 13 14
 2B031B K32 K152 K154 Y062 J290

K154=K155+J039 K153.
 10 / I / 11 12
 2A031C H46 K155

K155=K154+K152.
 15 / I / 13 14
 2A031D H46 J089 J089 J089 J090 K154

K156=K157+V203 J083.
 1 / I / 2 3
 006 2A033A H46 J145 K157

K157=K156+V301.
 6 / I / 4 5
 2A033B H46 J070 K072 K156 K158

006 K158=K159+GND +K157 J084.
 1 / I / 2 3 / 4 5 6
 006 2A024A K33 J143 J171 K159

006 K159=K158+J086 +I106.
 15 / I / 10 11 / 12 13 14
 006 2A024B K33 K158 W231

002 K160=K161+J143 J091.
 1 / I / 2 3
 2A034A H46 K161

002 K161=K160+J015.
 6 / I / 4 5
 2A034B H46 K160 K162

K162=K163+K161 I061.
 10 / I / 11 12
 2A034C H46 K163

002 K163=K162+I065.
 15 / I / 13 14
 2A034D H46 K162 T016 T116

006 K164=K165+K105 K125 I061+K135 K125 I061+I065 C226 K105.
 1 / I / 2 3 4 / 5 6 10 / 11 12 13
 007 2B041A K36 J299 K165

K165=K164+I106.
 15 / I / 14
 006 2B041B K36 K164

009 K166=K167+GND +Y069 J228 J225.
 1 / I / 2 3 / 4 5 6
 1F019A K33 K167 K173

K167=K166+J091 +I103.
 15 / I / 10 11 / 12 13 14
 1F019B K33 K166 W068 Y070

007 K168=K169+C226 J085.
 10 / I / 11 12
 007 2A033C H46 J299 K169

007 K169=K168+I106.
 15 / I / 13 14
 007 2A033D H46 K168

K170=K171+GND +C103 C123 J106.
 1 / I / 2 3 / 4 5 6
 2F007A K33 K116 K171

K171=K170+C240 J108+C240 K133.
 15 / I / 10 11 / 12 13 14
 2F007B K33 K170 Y022

K172=K173+Y070.
 1 / I / 2 3
 1F018A H46 K173 W068 Y069

K173=K172+K166.
 6 / I / 4 5
 1F018B H46 K172

K180=K181+Y056.
 1 / I / 2 3
 2R040A H46 J008 K030 K181

K181=K180+K146.
 6 / I / 4 5
 2R040B H46 K180

K182=K183+GND +C235 V201 J008.
 1 / I / 2 3 / 4 5 6
 1C031A K33 K183

K183=K182+J003 +K008.
 15 / I / 10 11 / 12 13 14
 1C031B K33 K016 K182

K184=K185+S129 J085.
 10 / I / 11 12
 2F027C H46 K185

K185=K184+C167.
 15 / I / 13 14
 2F027D H46 J111 J117 K184

005 K190=K191+K073 V103.
 1 / I / 2 3
 002 2D041A H46 C059 J011 J022 J076 J145 K191 W266

 K191=K190+Y097 K048.
 6 / I / 4 5
 002 2D041B H46 C065 C256 C275 C350 K190 M019 J039

 009 K900=K901+GND +K902 J902 J129.
 1 / I / 2 3 / 4 5 6
 009 1E001A K33 J166 K901 Y902

 009 K901=K900+Y901 +1109.
 15 / I / 10 11 / 12 13 14
 009 1E001B K33 J029 J263 J900 J904 K900 Y900

 009 K902=K903+Y900 Y904+GND .
 1 / I / 2 3 / 4 5 6
 009 1E003A K33 J900 K900 K903 Y903

 009 K903=K902+Y902 Y904+1109.
 15 / I / 10 11 / 12 13 14
 009 1E003B K33 J900 K902 Y901

011 L000=A002 A003.
15 / 13 14
011 1C01AD H20

011 L001=A012 A013.
12 / 10 11
011 1C01AC H20

011 L002=A022 A023.
4 / 5 6
011 1C01AB H20

011 L003=A032 A033.
1 / 2 3
011 1C01AA H20

011 L004=A042 A043.
15 / 13 14
011 1C017D H20

011 L005=A052 A053.
12 / 10 11
011 1C017C H20

L006=A062 A139.
4 / 5 6
011 1C017B H20

L007=A072 A139.
1 / 2 3
011 1C017A H20

011 L008=A082 A139.
15 / 13 14
011 1C016D H20

011 L009=A092 A139.
12 / 10 11
011 1C016C H20

011 L010=A102 A139.
4 / 5 6
011 1C016B H20

011 L011=A112 A139.
1 / 2 3
011 1C016A H20

009 L012=J907.
1 / 2
009 1F003A H10

L050=W051.
1 / 2
1D031A H10

PAGE 85

L051=W055.

3 / 4

1D031B H10

OR L052=W082.

5 / 6

1D031C H10

L150=W151.

11 / 10

1D031D H10

L151=W155.

13 / 12

1D031E H10

OR L152=W182.

15 / 14

1D031F H10

M000=I048+x000.
1 / 2 / 3
1D014A H4R I000 W202

M001=I048+x001.
6 / 4 / 5
1D014B H4R I001 W204

M002=I048+x002.
10 / 11 / 12
1D014C H4R I002 W206

M003=I048+x003.
15 / 13 / 14
1D014D H4R I003

M004=I048+x004.
1 / 2 / 3
1D013A H4R I004

M005=I048+x005.
6 / 4 / 5
1D013B H4R I005 W208

M006=I049+x006.
10 / 11 / 12
1D013C H4R I006

M007=I049+x007.
15 / 13 / 14
1D013D H4R I007

M008=I049+x008.
1 / 2 / 3
1D012A H4R I008

M009=I049+x009.
6 / 4 / 5
1D012B H4R I009

M010=I049+x010.
10 / 11 / 12
1D012C H4R I010

M011=I049+x011.
15 / 13 / 14
1D012D H4R I011

M012=x012.
1 / 2 3
2F016A H47 J231 W210

M013=x013+J278.
 6 / 4 / 5
 1D009B H4R W219 W220

M014=x014+J278.
 10 / 11 / 12
 1D009C H4R W218 W221

002 M015=x015+GND .
 1 / 2 / 3
 002 1C009A H4R A154

002 M016=x016+J024.
 6 / 4 / 5
 002 1C009B H4R A155 A157 A159

003 M017=x017+J043.
 10 / 11 / 12
 002 1C009C H4R A156 A158 A160

M018=OPEN.
 1 / 6
 1C006A C75 J278 J280 J281 J287 M029 M030

006 M019=x019+K191.
 15 / 13 / 14
 002 1C009D H4R A168 B203 J295

011 M020=x020+GND .
 15 / 13 / 14
 011 1D007D H4R A003 A013 A023 A033 A043 A053 M045 M047

M021=x021+J280.
 15 / 13 / 14
 1D009D H4R J273

M022=x022+J280.
 1 / 2 / 3
 1D009A H4R J276

M023=x023+J280.
 6 / 4 / 5
 1D009B H4R C239 J269 K002

M024=x024+J280.
 10 / 11 / 12
 1D009C H4R J101 J270

M025=x025+J281.
 15 / 13 / 14
 1D009D H4R J291

M026=X026+J281.
 1 / 2 / 3
 1D007A H48 M027 M028

M027=X027+J281+M026+GND .
 1 / 2 / 3 / 4 / 5 6
 1C007A K24 J024 J071 M028

M028=X028+J281+M026+M027.
 15 / 10 / 11 / 12 / 13 14
 1C007A K24 J071 J259

M029=GND +M031+X029 M018.
 15 / 10 / 11 / 12 13 14
 1C005B K26 I070 I070 W075 W175 Y074

M030=M018.
 15 / 13 14
 1C008D H47 J129

M031=OPEN.
 15 / 14
 1C006B C75 M029

M032= I049+X032.
 1 / 2 / 3 / 4 5 6
 1C005A K26 A159 A160 J295 M047

M045=M020.
 15 / 14
 1F021B H05 M046

M046=M045.
 15 / 14
 1F035B H05 W202 W204 W206 W208

M047=M032 M020.
 1 / 2 3
 1D015A H47 M048

M048=M047.
 6 / 4 5
 1D015B H47 W203 W205 W207 W209

004 P000=OPEN.

18240600 0

2G001A BEM C222

P007=P008+J405.

2H009A BDM P008 P010

P008=P007+OPEN.

2H009B BDM P007 P009

P009=P008.

004 6 / 1 2 3
2H010A AFH C230

P010=P007.

004 10 / 13 14 15
2H010B AFH C196

R000=OPEN.
 1 / 2 3
 2K042A H11 I000 W000 W026 W027

R001=OPEN.
 10 / 5 6
 2K042B H11 I001 W001 W026 W027

R002=OPEN.
 15 / 13 14
 2K042C H11 I002 W002 W026 W027

R003=OPEN.
 1 / 2 3
 2K041A H11 I003 W003 W024 W025

R004=OPEN.
 10 / 5 6
 2K041B H11 I004 W004 W024 W025

R005=OPEN.
 15 / 13 14
 2K041C H11 I005 W005 W024 W025

R006=OPEN.
 1 / 2 3
 2K040A H11 I006 W006 W022 W023

R007=OPEN.
 10 / 5 6
 2K040B H11 I007 W007 W022 W023

R008=OPEN.
 15 / 13 14
 2K040C H11 I008 W008 W022 W023

R009=OPEN.
 1 / 2 3
 2K039A H11 I009 W009 W020 W021

R010=OPEN.
 10 / 5 6
 2K039B H11 I010 W010 W020 W021

R011=OPEN.
 15 / 13 14
 2K039C H11 I011 W011 W020 W021

R012=OPEN.
 1 / 2 3
 2K038A H11 W012 W050

R013=OPEN.
 10 / 5 6
 2K038B H11 F060 I066 W053 W074

R014=OPEN.
 15 / 13 14
 2K038C H11 I062

R015=OPEN.
 1 / 2 3
 2K037A H11 I063 W038

R016=OPEN.
 10 / 5 6
 2K037B H11 I064 T012

R017=OPEN.
 15 / 13 14
 2K037C H11 I065 W038

R018=OPEN.
 1 / 2 3
 2K029A H11 F000 W038

R019=OPEN.
 10 / 5 6
 2K029B H11 W019 W038 W053 W058 W059 W074 Y003

006 R020=OPEN.
 15 / 13 14
 2K029C H11

R100=OPEN.
 1 / 2 3
 2K011A H11 I000 W100 W126 W127

R101=OPEN.
 10 / 5 6
 2K011B H11 I001 W101 W126 W127

R102=OPEN.
 15 / 13 14
 2K011C H11 I002 W102 W126 W127

R103=OPEN.
 1 / 2 3
 2K012A H11 I003 W103 W124 W125

R104=OPEN.
 10 / 5 6
 2K012B H11 I004 W104 W124 W125

R105=OPEN.
 15 / 13 14
 2K012C H11 I005 W105 W124 W125

R106=OPEN.
 1 / 2 3
 2K013A H11 I006 W106 W122 W123

R107=OPEN.
 10 / 5 6
 2K013B H11 I007 W107 W122 W123

R108=OPEN.
 15 / 13 14
 2K013C H11 I008 W108 W122 W123

R109=OPEN.
 1 / 2 3
 2K014A H11 I009 W109 W120 W121

R110=OPEN.
 10 / 5 6
 2K014B H11 I010 W110 W120 W121

R111=OPEN.
 15 / 13 14
 2K014C H11 I011 W111 W120 W121

R112=OPEN.
 1 / 2 3
 2K015A H11 W112 W150

R113=OPEN.
 10 / 5 6
 2K015B H11 F062 I066 W153 W174

R114=OPEN.
 15 / 13 14
 2K015C H11 I062

R115=OPEN.
 1 / 2 3
 2K016A H11 I063 W138

R116=OPEN.
 10 / 5 6
 2K016B H11 I064 T112

R117=OPEN.
 15 / 13 14
 2K016C H11 I065 W138

R118=OPEN.
 10 / 5 6
 2K017B H11 F000 W138

R119=OPEN.
 15 / 13 14
 2K017C H11 W119 W138 W153 W158 W159 W174 Y004

006 R120=OPEN.
 1 / 2 3
 006 2K017A H11

R200=OPEN. 18240600
 2E001A BGM J200 J214 J221 J403 J423 T300 W248

R201=OPEN. 18240600
 2E001B BGM J200 J214 J221 J403 J423 T301 W248

R202=OPEN. 18240600
 2E001C BGM J202 J214 J221 J403 J423 T310 W248

R203=OPEN. 18240600
 2E002A BGM J204 J214 J222 J403 J423 T311 W249

R204=OPEN. 18240600
 2E002B BGM J206 J214 J222 J404 J424 T320 W249

R205=OPEN. 18240600
 2E002C BGM J208 J215 J222 J404 J424 T321 W249

R206=OPEN. 18240600
 2E003A BGM J210 J215 J223 J404 J424 T330 W250

R207=OPEN. 18240600
 2E003B BGM J212 J215 J223 J404 J424 T331 W250

R209=OPEN. 18240600
 2K006A BGM C227 K021 Y083

R210=OPEN. 18240600
 2K005A BGM J410

R211=OPEN. 18240600
2K005B BGM J411

R212=OPEN. 18240600
2K005C BGM J412

R213=OPEN. 18240600
2K004A BGM J413

R214=OPEN. 18240600
2K004B BGM C120

R215=OPEN. 18240600
2K004C BGM C130

R216=OPEN. 18240600
2K003A BGM C140

R217=OPEN. 18240600
2K003B BGM C150

R218=OPEN.
2K006B BGM C400

R219=OPEN.
2J002C BGM C402

R220=OPEN. 18240600
2E003C BGM J215 J223 J404 J424 T340 W250

R221=OPEN. 18240600
2K003C BGM C226 C231

R222=OPEN.
2J009B BGM J226 J229

R225=OPEN. 18240600
2J009A BGM C172 C329 J072

R227=OPEN. 18240600
2J009C BGM J272 Y095

R228=OPEN. 18240600
2K006C BGM Y043

R230=OPEN. 18240600
2J002A BGM W212 W243

R231=OPEN. 18240600
2J002R BGM J400

R302=OPEN.
2G002A BGM J216 J221

R303=OPEN.
2G002R BGM J216 J221

R304=OPEN.
2E004A BGM J403

R305=OPEN.
2E004R BGM J403

R306=OPEN.
2K00RA BGM J423

R307=OPEN.
2K00RR BGM J423

R312=OPEN.
2G002C BGM J216 J221

R313=OPEN.
2G003A BGM J217 J222

R314=OPEN.
2E004C BGM J403

R315=OPEN. ✓
2E005A BGM J403

R316=OPEN. ✓
2K00AC BGM J423

R317=OPEN. ✓
2K009A BGM J423

R322=OPEN. ✓
2G003B BGM J217 J222

R323=OPEN. ✓
2G003C BGM J217 J222

R324=OPEN. ✓
2E005B BGM J404

R325=OPEN. ✓
2E005C BGM J404

R326=OPEN. ✓
2K009B BGM J424

R327=OPEN. ✓
2K009C BGM J424

R332=OPEN. ✓
2G004A BGM J218 J223

R333=OPEN. ✓
2G004B BGM J218 J223

R334=OPEN. ✓
2E006A BGM J404

R335=OPEN. ✓
2E006B BGM J404

R336=OPEN. ✓

2K010A BGM J424

R337=OPEN. ✓

2K010B BGM J424

R342=OPEN.

2G004C BGM J218 J223

R344=OPEN. ✓

2E006C BGM J404

R346=OPEN. ✓

2K010C BGM J424

S000=S001+J029 A201+J035 S003+J031 A001+J033 B001.
1 / I / 2 3 / 4 5 / 6 10 / 11 12 13
2G042A K37 S001 S013

S001=S000+v224.
15 / I / 14
2G042B K37 S000 S012 T000 T100

006 S002=S003+v125 C195.
1 / I / 2 3
2F042A H46 J001 J006 J084 J110 S003

006 S003=S002+v125 C194.
6 / I / 4 5
2F042B H46 I000 J006 J110 K112 S000 S002

S004=S005+v218 S007.
1 / I / 2 3
1F015A H46 S005 S016 S017

S005=S004+v218 S006.
6 / I / 4 5
1F015B H46 S004 S016 S017

S006=S007+S019.
1 / I / 2 3
1E015A H46 S005 S007

S007=S006+S009.
6 / I / 4 5
1E015B H46 J060 S004 S006

S008=J064 +S115 J065 +J066 S114.
1 / 2 3 / 4 5 6 / 10 11 12 13
1F009A H30 S009 S029

S009=S008+v118.
10 / 11 / 12
1E005C H48 S007 S016 S017 S026 S027

S010=S011+J029 A211+J035 S013+J031 A011+J033 B011.
1 / I / 2 3 / 4 5 / 6 10 / 11 12 13
2G041A K37 S011 S023

S011=S010+v224.
15 / I / 14
2G041B K37 S010 S022 T001 T101

S012=S013+v125 S001.
10 / I / 11 12
2F042C H46 S013

S013=S012+V125 S000.
 15 / I / 13 14
 2F042D H46 T001 S010 S012

S014=S015+V218 S017.
 10 / I / 11 12
 1F015C H46 S015 S026 S027

S015=S014+V218 S016.
 15 / I / 13 14
 1F015D H46 S014 S026 S027

S016=S017+S019 S004+S009 S005.
 1 / I / 2 3 / 4 5 6
 1E014A K33 S015 S017

S017=S016+S019 S005+S009 S004.
 15 / I / 10 11 / 12 13 14
 1E014B K33 J060 S014 S016

S018=J066 S115 J401+J401 S114 J065.
 1 / 2 3 4 / 5 6 10
 1F00AA K23 S019 S039

S019=S018+V118.
 6 / 4 / 5
 1E005B H4A S006 S016 S017 S026 S027

S020=S021+J029 A221+J035 S023+J031 A021+J033 B021.
 1 / I / 2 3 / 4 5 / 6 10 / 11 12 13
 2G040A K37 S021 S033

S021=S020+V224.
 15 / I / 14
 2G040B K37 S020 S032 T002 T102

S022=S023+V125 S011.
 1 / I / 2 3
 2F041A H46 S023

S023=S022+V125 S010.
 6 / I / 4 5
 2F041B H46 T002 S020 S022

S024=S025+V218 S027.
 1 / I / 2 3
 1F014A H46 S025 S036 S037

S025=S024+V218 S026.
 6 / I / 4 5
 1F014B H46 S024 S036 S037

S026=S027+S019 S014+S009 S015.
 1 / 1 / 2 3 / 4 5 6
 1E013A K33 S025 S027

S027=S026+S019 S015+S009 S014.
 15 / 1 / 10 11 / 12 13 14
 1E013B K33 J060 S024 S026

S029=S008+V118.
 15 / 13 / 14
 1E005D H4R S036 S037 S116 S117

S030=S031+J029 A231+J035 S033+J031 A031+J033 B031.
 1 / 1 / 2 3 / 4 5 / 6 10 / 11 12 13
 2G039A K37 S031 S043

S031=S030+V224.
 15 / 1 / 14
 2G039B K37 S030 S042 T003 T103

S032=S033+V125 S021.
 10 / 1 / 11 12
 2F041C H46 S033

S033=S032+V125 S020.
 15 / 1 / 13 14
 2F041D H46 T003 S030 S032

S034=S035+V218 S037.
 10 / 1 / 11 12
 1F014C H46 S035 S047

S035=S034+V218 S036.
 15 / 1 / 13 14
 1F014D H46 S034 S046

S036=S037+S039 S024+S029 S025.
 1 / 1 / 2 3 / 4 5 6
 1E012A K33 S035 S037

S037=S036+S039 S025+S029 S024.
 15 / 1 / 10 11 / 12 13 14
 1E012B K33 J060 S034 S036

S039=S018+V118.
 1 / 2 / 3
 1D009A H4R S036 S037 S116 S117

S040=S041+J029 A241+J035 S043+J031 A041+J033 B041.
 1 / 1 / 2 3 / 4 5 / 6 10 / 11 12 13
 2G038A K37 S041 S053

S041=S040+v224.
 15 / I / 14
 2G038B K37 S040 S052 T004 T104

S042=S043+v124 S031.
 1 / I / 2 3
 2F040A H46 S043

S043=S042+v124 S030.
 6 / I / 4 5
 2F040B H46 T004 S040 S042

002 S044=S045+v217 S047.
 1 / I / 2 3
 1F013A H46 S045 S057

S045=S044+v217 S046.
 6 / I / 4 5
 1F013B H46 S044 S056

S046=S047+v114 S035.
 10 / I / 11 12
 1E015C H46 S045 S047

S047=S046+v114 S034.
 15 / I / 13 14
 1E015D H46 J060 S044 S046

S050=S051+J029 A251+J035 S053+J031 A051+J033 B051.
 1 / I / 2 3 / 4 5 / 6 10 / 11 12 13
 2G037A K37 S051 S063

S051=S050+v224.
 15 / I / 14
 2G037B K37 S050 S062 T005 T105

S052=S053+v124 S041.
 10 / I / 11 12
 2F040C H46 S053

S053=S052+v124 S040.
 15 / I / 13 14
 2F040D H46 T005 S050 S052

002 S054=S055+v217 S057.
 10 / I / 11 12
 1F013C H46 S055 S067

S055=S054+v217 S056.
 15 / I / 13 14
 1F013D H46 S054 S066

S056=S057+v114 S045.
1 / I / 2 3
1E011A H46 S055 S057

002 S057=S056+v114 S044.
6 / I / 4 5
1E011B H46 J061 S054 S056

S060=S061+J017 A261+J034 S063+J030 A061+J032 B061.
1 / I / 2 3 / 4 5 / 6 10 / 11 12 13
2G036A K37 S061 S073

S061=S060+v223.
15 / I / 14
2G036B K37 S060 S072 T006 T106

S062=S063+v124 S051.
1 / I / 2 3
2F039A H46 S063

S063=S062+v124 S050.
6 / I / 4 5
2F039B H46 T006 S060 S062

S064=S065+v217 S067.
1 / I / 2 3
1F012A H46 S065 S077

S065=S064+v217 S066.
6 / I / 4 5
1F012B H46 S064 S076

S066=S067+v114 S055.
10 / I / 11 12
1E011C H46 S065 S067

002 S067=S066+v114 S054.
15 / I / 13 14
1E011D H46 J061 S064 S066

S070=S071+J017 A271+J034 S073+J030 A071+J032 B071.
1 / I / 2 3 / 4 5 / 6 10 / 11 12 13
2G035A K37 S071 S083

S071=S070+v223.
15 / I / 14
2G035B K37 S070 S082 T007 T107

S072=S073+v124 S061.
10 / I / 11 12
2F039C H46 S073

S073=S072+V124 S060.
15 / I / 13 14
2F039D H46 I007 S070 S072

S074=S075+V217 S077.
10 / I / 11 12
1F012C H46 S075 S087

S075=S074+V217 S076.
15 / I / 13 14
1F012D H46 S074 S086

S076=S077+V116 S065.
1 / I / 2 3
1E010A H46 S075 S077

S077=S076+V116 S064.
6 / I / 4 5
1E010B H46 J061 S074 S076

S080=S081+J017 A2R1+J034 S083+J030 A081+J032 B081.
1 / I / 2 3 / 4 5 / 6 10 / 11 12 13
2G034A K37 S081 S093

S081=S080+V223.
15 / I / 14
2G034B K37 S080 S092 T008 T108

S082=S083+V123 S071.
1 / I / 2 3
2F038A H46 S083

S083=S082+V123 S070.
6 / I / 4 5
2F038B H46 I008 S080 S082

S084=S085+V216 S087.
1 / I / 2 3
1F011A H46 S085 S097

S085=S084+V216 S086.
6 / I / 4 5
1F011B H46 S084 S096

S086=S087+V116 S075.
10 / I / 11 12
1E010C H46 S085 S087

S087=S086+V116 S074.
15 / I / 13 14
1E010D H46 J061 S084 S086

S090=S091+J017 A291+J034 S093+J030 A091+J032 B091.
 1 / I / 2 3 / 4 5 / 6 10 / 11 12 13
 2G033A K37 S091 S103

S091=S090+v223.
 15 / I / 14
 2G033B K37 S090 S102 T009 T109

S092=S093+v123 S081.
 10 / I / 11 12
 2F03AC H46 S093

S093=S092+v123 S080.
 15 / I / 13 14
 2F03AD H46 I009 S090 S092

S094=S095+v216 S097.
 10 / I / 11 12
 1F011C H46 S095 S107

S095=S094+v216 S096.
 15 / I / 13 14
 1F011D H46 S094 S106

S096=S097+v116 S085.
 1 / I / 2 3
 1E009A H46 S095 S097

S097=S096+v116 S084.
 6 / I / 4 5
 1E009B H46 J061 S094 S096

S100=S100+J028 J276+J034 S103+J030 A101+J032 B101.
 1 / I / 2 3 / 4 5 / 6 10 / 11 12 13
 2G032A K37 S100 S101 S113

S101=S100+v223.
 15 / I / 14
 2G032B K37 S112 T010 T110

S102=S103+v123 S091.
 1 / I / 2 3
 2F037A H46 S103

S103=S102+v123 S090.
 6 / I / 4 5
 2F037B H46 I010 J005 S100 S102

S104=S105+v216 S107.
 1 / I / 2 3
 1F010A H46 S105 S116 S117

S105=S104+v216 S106.
 6 / I / 4 5
 1F010B H46 S104 S116 S117

S106=S107+v116 S095.
 10 / I / 11 12
 1E009C H46 S105 S107

S107=S106+v116 S094.
 15 / I / 13 14
 1E009D H46 J062 S104 S106

S110=S111+J028 J277+J032 B111+J030 A111+J034 S113 K124.
 1 / I / 2 3 / 4 5 / 6 10 / 11 12 13
 2G031A K37 J065 S111 S121

S111=S110+v223.
 15 / I / 14
 2G031B K37 S110 S120 T011 T111

S112=S113+v123 S101.
 10 / I / 11 12
 2F037C H46 J004 S113

S113=S112+v123 S100.
 15 / I / 13 14
 2F037D H46 I011 S110 S112

S114=S115+v216 S117.
 10 / I / 11 12
 1F010C H46 S008 S018 S115 S121

S115=S114+v216 S116.
 15 / I / 13 14
 1F010D H46 S008 S018 S114 S120

S116=S117+S039 S104+S029 S105.
 1 / I / 2 3 / 4 5 6
 1E008A K33 S115 S117

S117=S116+S039 S105+S029 S104.
 15 / I / 10 11 / 12 13 14
 1E008B K33 J062 S114 S116

S120=S121+J114 +J069 +S115 v105 J064+S111 v105 J068.
 1 / 2 / 3 4 / 5 6 / 10 11 12 / 13 14 15
 2H011A K14 J006 J110 S121

006 S121=S120+K107 K112+J145 +S114 v105 J064+S110 v105 J068.
 1 / 2 / 3 4 / 5 6 / 10 11 12 / 13 14 15
 2H012A K14 J006 J110 J406 S120

S124=S125+K113 K114+J012 K007.
1 / I / 2 3 / 4 5 6
1F007A K33 S125

002 S125=S124+K006 K112+K007 K003 C266.
15 / I / 10 11 / 12 13 14
1F007B K33 J064 S124

002 S126=S127+J063 K109.
1 / I / 2 3
1E007A H46 S127

003 S127=S126+I111.
6 / I / 4 5
1E007B H46 J082 S126 W231

S128=S129+C257 C325.
10 / I / 11 12
1E007C H46 S129

S129=S128+C257 C307.
15 / I / 13 14
1E007D H46 J067 J098 J112 K184 S128

002 S130=S131+J063.
10 / I / 11 12
002 1F018C H46 K016 S131

002 S131=S130+J069.
15 / I / 13 14
002 1F018D H46 S130

S900
1
1D005A C60

S901
6
1D005B C60

S902
10
009 1D005C C60

003 T000=w041 S001+w013 B003.
1 / 2 3 / 4 5
2L042A H19

003 T001=w041 S011+w013 B013.
15 / 11 12 / 13 14
2L042B H19

003 T002=w041 S021+w013 B023.
1 / 2 3 / 4 5
2L041A H19

003 T003=w041 S031+w013 B033.
15 / 11 12 / 13 14
2L041B H19

003 T004=w041 S041+w013 B043.
1 / 2 3 / 4 5
2L040A H19

003 T005=w041 S051+w013 B053.
15 / 11 12 / 13 14
2L040B H19

003 T006=w040 S061+w014 B063.
1 / 2 3 / 4 5
2L039A H19

003 T007=w040 S071+w014 B073.
15 / 11 12 / 13 14
2L039B H19

003 T008=w040 S081+w014 B083.
1 / 2 3 / 4 5
2L038A H19

003 T009=w040 S091+w014 B093.
15 / 11 12 / 13 14
2L038B H19

003 T010=w040 S101+w014 B103.
1 / 2 3 / 4 5
2L037A H19

003 T011=w040 S111+w014 B113.
15 / 11 12 / 13 14
2L037B H19

T012=w080 W036 R016.
1 / 2 3 4
2L036A C62

005 T013=GND +W083 Y020.
1 / 2 3 / 4 5
2L027A H19

T014=W059 Y016+W071 W083.
1 / 2 3 / 4 5
2L029A H19

T015=W067 W083+GND .
15 / 11 12 / 13 14
2L027B H19

T016=K163 W083.
15 / 11 12 13
2L025B C62

002 T017=W048 W057+W061.
15 / 11 12 / 13 14
2L029B H19

T018=W051 W083.
15 / 11 12 / 13
2L036B C62

003 T020=J151 W016.
1 / 2 3 4
2L035A C62

T021=W018 W016.
15 / 11 12 13
2L035B C62

T022=W085 W016+K091 W016.
1 / 2 3 / 4 5
2L034A H19

T023=GND +W236 W016.
15 / 11 12 / 13 14
2L034B H19

T024=W016 W234.
1 / 2 3 4
2L033A C62

T025=W016 W232.
15 / 11 12 13
2L033B C62

T026=W015 K011.
1 / 2 3 4
2L032A C62

003 T027=W015 J019.
15 / 11 12 13
2L032B C62

T028=W015 W065.
1 / 2 3 4
2L031A C62

T029=W015 W067.
15 / 11 12 13
2L031B C62

001 T030=W015 W069+GND .
1 / 2 3 / 4 5
001 2L030A H19

T031=W091 W053+W015 W262.
15 / 11 12 / 13 14
001 2L030B H19

003 T100=W141 S001+W113 R003.
1 / 2 3 / 4 5
2L011A H19

003 T101=W141 S011+W113 R013.
15 / 11 12 / 13 14
2L011B H19

003 T102=W141 S021+W113 R023.
1 / 2 3 / 4 5
2L012A H19

003 T103=W141 S031+W113 R033.
15 / 11 12 / 13 14
2L012B H19

003 T104=W141 S041+W113 R043.
1 / 2 3 / 4 5
2L013A H19

003 T105=W141 S051+W113 R053.
15 / 11 12 / 13 14
2L013B H19

003 T106=W140 S061+W114 R063.
1 / 2 3 / 4 5
2L014A H19

003 T107=W140 S071+W114 R073.
15 / 11 12 / 13 14
2L014B H19

003 T108=W140 S081+W114 B083.
1 / 2 3 / 4 5
2L015A H19

003 T109=W140 S091+W114 B093.
15 / 11 12 / 13 14
2L015B H19

003 T110=W140 S101+W114 B103.
1 / 2 3 / 4 5
2L016A H19

003 T111=W140 S111+W114 B113.
15 / 11 12 / 13 14
2L016B H19

T112=R116 W180 W136.
1 / 2 3 4
2L017A C62

005 T113=GND +W183 Y020.
1 / 2 3 / 4 5
2L026A H19

T114=W159 Y018+W071 W183.
1 / 2 3 / 4 5
2L024A H19

T115=W067 W183+GND .
15 / 11 12 / 13 14
2L026B H19

T116=K163 W183.
1 / 2 3 4
2L025A C62

002 T117=W161 +W048 W157.
15 / 11 12 / 13 14
2L024B H19

T118=W151 W183.
15 / 11 12 13
2L017B C62

003 T120=J151 W116.
1 / 2 3 4
2L018A C62

T121=W118 W116.
15 / 11 12 13
2L018B C62

T122=w185 w116+k091 w116.
1 / 2 3 / 4 5
2L019A H19

T123=GND +w236 w116.
15 / 11 12 / 13 14
2L019B H19

T124=w116 w234.
1 / 2 3 4
2L020A C62

T125=w116 w232.
15 / 11 12 13
2L020B C62

T126=w115 K011.
1 / 2 3 4
2L021A C62

003 T127=w115 J019.
15 / 11 12 13
2L021B C62

T128=w115 w065.
1 / 2 3 4
2L022A C62

T129=w115 w067.
15 / 11 12 13
2L022B C62

001 T130=w115 w069+GND .
1 / 2 3 / 4 5
001 2L023A H19

T131=w191 w153+w115 w262.
15 / 11 12 / 13 14
001 2L023B H19

T200=w203.
1 / 2 3 4
2L010A C62

T201=w205.
15 / 11 12 13
2L010B C62

T202=w207.
1 / 2 3 4
2L009A C62

T203=W209.
15 / 11 12 13
2L009B C62

002 T208=Y086 J252 K055.
1 / 2 3 4
2L006A C62

T209=Y086 K039 K040.
15 / 11 12 13
2L006B C62

002 T210=J263 J240+J267 J107.
1 / 2 3 / 4 5
2L002A H19

T211=J263 J241+J267 J115.
15 / 11 12 / 13 14
2L002B H19

T212=J263 J242+J267 J058.
1 / 2 3 / 4 5
2L001A H19

T213=J243 J263+GNN .
15 / 11 12 / 13 14
2L001B H19

002 T214=J263 J244+J267 J107.
1 / 2 3 / 4 5
2K002A H19

T215=J263 J245+J267 J057.
15 / 11 12 / 13 14
2K002B H19

003 T216=J263 J246+J267 J289.
1 / 2 3 / 4 5
2K001A H19

T217=J260 J247+GNN .
15 / 11 12 / 13 14
2K001B H19

T218=J260 A281+GNN .
1 / 2 3 / 4 5
2L003A H19

T219=J260 A291+GNN .
15 / 11 12 / 13 14
2L008B H19

T220=Y086 K046 K045.
1 / 2 3 4
2L004A C62

002 T221=Y086 J267.
13 / 11 12

004 2J001A AGH

T222=I115 J278.
15 / 11 12 13
006 2L004B C62

T223=Y073 +GND .
15 / 11 12 / 13 14
2L003B H19

T224=Y086 J248 K042.
1 / 2 3 4
2L005A C62

T225=J268 Y086.
15 / 11 12 13
2L005B C62

T299=F058 +GND .
1 / 2 3 / 4 5
2L008A H19

T300=J407 R200.
1 / 2 3 4
2D002A C62

T301=J407 R201.
15 / 11 12 13
2D002B C62

T310=J407 R202.
1 / 2 3 4
2D003A C62

T311=J407 R203.
15 / 11 12 13
2D003B C62

T320=J408 R204.
1 / 2 3 4
2D005A C62

T321=J408 R205.
15 / 11 12 13
2D005B C62

PAGE 114

T330=J408 R206. -
1 / 2 3 4
2D006A C62

T331=J408 R207. -
15 / 11 12 13
2D006B C62

T340=J408 R220. -
1 / 2 3 4
2C002A C62

V100=C160.
 1 / 2 3
 004 2B021A H47 Y058

V101=C161+GND .
 1 / 2 / 3
 2D001A H48 K055 K060 K061 K066 K067 K114

V102=C160.
 6 / 4 5
 2F001B H47 V123 V124 V125

V103=C161+GND .
 6 / 4 / 5
 2D001B H48 C197 K008 K190

V104=C160.
 15 / 13 14
 1E016D H47 V114 V116

V105=C161.
 15 / 13 14
 2F001D H47 C165 S120 S120 S121 S121 V118

V114=V104.
 6 / 4 5
 1E016B H47 S046 S047 S056 S057 S066 S067

V115=Y058+K053.
 1 / 2 / 3
 002 2B012A H48 C002 C003 C012 C013 C022 C023 C032 C033

V116=V104.
 1 / 2 3
 1E016A H47 S076 S077 S086 S087 S096 S097 S106 S107

V117=Y058+K053.
 6 / 4 / 5
 002 2B012B H48 C042 C043 C052 C053 C062 C063 C072 C073

V118=V105.
 10 / 11 12
 1E016C H47 S009 S019 S029 S039

V119=Y058+K053.
 10 / 11 / 12
 002 2B012C H48 C122 C123 C132 C133 C142 C143 C152 C153

V121=Y058+K053.
 15 / 13 / 14
 002 2B012D H48 C082 C083 C092 C093 C102 C103 C112 C113

V123=V102.
 1 / 2 3
 2F035A H47 S082 S083 S092 S093 S102 S103 S112 S113

V124=V102.
 6 / 4 5
 2F035B H47 S042 S043 S052 S053 S062 S063 S072 S073

V125=V102.
 10 / 11 12
 2F035C H47 S002 S003 S012 S013 S022 S023 S032 S033

V200=C170.
 1 / 2 3
 2F003A H47 C258 J111

V201=C171+GND .
 1 / 2 / 3
 2C001A H4R K006 K014 K056 K059 K064 K065 K112 K185

V202=C170.
 6 / 4 5
 2F003B H47 V216 V217 V218 V223 V224

V203=C171+GND .
 6 / 4 / 5
 2C001B H4R A159 A169 C260 J136 J137 K063 K156

V205=C171.
 15 / 13 14
 2F003D H47 C166 C167 C195 C278 J025

V209=V250+GND .
 10 / 11 / 12
 2C009C H4R C000 C001 C010 C011 C020 C021 C030 C037

V211=V250+GND .
 15 / 13 / 14
 2C009D H4R C040 C041 C050 C051 C060 C061 C070 C077

V213=V250+GND .
 10 / 11 / 12
 2C009C H4R C080 C081 C090 C091 C100 C101 C110 C117

V215=V250+GND .
 6 / 4 / 5
 2C009B H4R C120 C121 C130 C131 C140 C141 C150 C157

V216=V202.
 1 / 2 3
 1F016A H47 S084 S085 S094 S095 S104 S105 S114 S115

V217=V202.
 6 / 4 5
 1F016B H47 S044 S045 S054 S055 S064 S065 S074 S075

V218=V202.
 10 / 11 12
 1F016C H47 S004 S005 S014 S015 S024 S025 S034 S035

V223=V202+J025.
 10 / 11 / 12
 2F032C H4R S061 S071 S081 S091 S101 S111

V224=V202+J025.
 15 / 13 / 14
 2F032D H4R S001 S011 S021 S031 S041 S051

V250=Y078 Y079.
 1 / 2 3
 2F031A H47 V209 V211 V213 V215

V300=C180.
 1 / 2 3
 2F005A H47 C209 C216 C238 C257 J056

V301=C181+GND .
 1 / 2 / 3
 2F006A H48 A157 A180 C259 K157

V303=C181+GND .
 6 / 4 / 5
 2F006B H4R C194 J044 K062 V304

V304=GND +F113 J025+K124 V303.
 1 / 2 / 3 4 / 5 6
 2C017A K22 J028 J029 J030 J031 J032 J033 J034 J035

V305=C180.
 10 / 11 12
 2B035C H47 C229 J106 J117

W000=R000.
1 / 2 3
2J042A H47 W027 W027

W001=R001.
6 / 4 5
2J042B H47 W027 W027

W002=R002.
10 / 11 12
2J042C H47 W027 W027

W003=R003.
15 / 13 14
2J042D H47 W025 W025

W004=R004.
1 / 2 3
2J041A H47 W025 W025

W005=R005.
6 / 4 5
2J041B H47 W025 W025

W006=R006.
10 / 11 12
2J041C H47 W023 W023

W007=R007.
15 / 13 14
2J041D H47 W023 W023

W008=R008.
1 / 2 3
2J040A H47 W023 W023

W009=R009.
6 / 4 5
2J040B H47 W021 W021

W010=R010.
10 / 11 12
2J040C H47 W021 W021

W011=R011.
15 / 13 14
2J040D H47 W021 W021

W012=R012.
1 / 2 3
2J039A H47 W050

006 W013=W081+J132.
 1 / 2 / 3
 2J038A H4R T000 T001 T002 T003 T004 T005

006 W014=W081+J132.
 6 / 4 / 5
 2J038B H4R T006 T007 T008 T009 T010 T011

003 W015=W052+W091
 1 / 2 / 3
 2J029A H4R T026 T027 T028 T029 T030 T031

003 W016=W052+W091
 6 / 4 / 5
 2J029B H4R T020 T021 T022 T022 T023 T024 T025

W017=W213 W0R5+J073 W0R4.
 15 / 11 12 / 13 14
 2I006B K23 W018

W018=W017.
 6 / 4 5
 2I007B H47 T021

W019=R019.
 15 / 13 14
 2J039D H47 W039

W020=R009 R010 R011.
 1 / 2 3 4 5 6
 2J037A C21 W028 W032

W021=R011 W010 W009+R010 W009 W011
 1 / 2 3 4 / 5 6 10 11 +R009 W010 W011.
 12 13 14 15
 2K035A C55 W028 W032

W022=R006 R007 R008.
 15 / 10 11 12 13 14
 2J037B C21 W029 W032

W023=R008 W007 W006+R007 W006 W008
 1 / 2 3 4 / 5 6 10 11 +R006 W007 W008.
 12 13 14 15
 2K034A C55 W029 W032

W024=R003 R004 R005.
 1 / 2 3 4 5 6
 2K036A C21 W030 W033

W025=R005 W004 W003+R004 W003 W005
 1 / 2 3 4 / 5 6 10 11 +R003 W004 W005.
 12 13 14 15
 2K033A C55 W030 W033

W026=R000 R001 R002.

15 / 10 11 12 13 14
2K036B C21 W031 W033

W027=R002 W001 W000+R001 W002 W000 +R000 W001 W002.
1 / 2 3 4 / 5 6 10 11 / 12 13 14 15
2K032A C55 W031 W033

W028=W020 W021.

1 / 2 3
2J035A H47 W032

W029=W022 W023.

6 / 4 5
2J035B H47 W032

W030=W024 W025.

10 / 11 12
2J035C H47 W033

W031=W026 W027.

15 / 13 14
2J035D H47 W033

W032=W020 W021 W029+W028 W022 W023.

1 / 2 3 4 / 5 6 10
2J034A K23 W034 W036

W033=W024 W025 W031+W030 W026 W027.

1 / 2 3 4 / 5 6 10
2J033A K23 W035 W036

W034=W032.

1 / 2 3
2J032A H47 W036

W035=W033.

6 / 4 5
2J032B H47 W036

W036=W034 W033+W032 W035.

15 / 11 12 / 13 14
2J01AB K23 T012 W037 W050

W037=W036.

15 / 13 14
2J032D H47 W050

W038= R019+R018+R017 R015.

1 / 2 / 3 / 4 / 5 6
2J030A K24 W039

006 W039=W038+W237+W071+W019 W054.
15 / 10 / 11 / 12 / 13 14
2J030B K24 Y000

002 W040=W257+W0A1.
10 / 11 / 12
2J03AC H4R T006 T007 T008 T009 T010 T011

002 W041=W257+W0A1.
15 / 13 / 14
2J03BD H4R T000 T001 T002 T003 T004 T005

W042=Y003.
1 / 2 3
2J023A H47 I066 W043 W053 W059 W074 W247 W251

W043=W047+W042 +W055.
1 / 2 / 3 4 / 5 6
2J024A K22 W044 W052 Y016

W044=W043.
6 / 4 5
2J023B H47 W087 W200

W047=W050.
1 / 2 3 4 5 6
2K028A C21 W043

W048=W062 W064 W066 W068.
1 / 2 3 4 5 6
2E020A C21 T017 T117

W049=W054.
1 / 2 3
2G022A H47 F120 F121 I060 I062 I063 I064 I065

W050=W051+R012 Y000 W037+W012 Y000 W036.
1 / 1 / 2 3 4 / 5 6 10 11
2J031A K35 W047 W051

003 W051=W050+W075.
15 / 1 / 12 13 14
2J031B K35 I060 L050 T018 W050

W052=W053+W043+GND +GND .
1 / 1 / 2 / 3 4 / 5 6
2I028A K32 W015 W016 W053 W055

005 W053=W052+R013+I105 W057+R019 W042.
15 / 1 / 10 / 11 12 / 13 14
002 2I028B K32 T031 W052

08 W054=W055+W243 Y008 Y003 W225.
 1 / I / 2 3 4 5 6
 2I027A K31 W039 W049 W055 W080 W083

 W055=W054+W052.
 15 / I / 10 11 12 13 14
 2I027B K31 L051 W043 W054 W056 W081 W247

 W056=W057+W055.
 1 / I / 2 3
 2I025A H46 I066 W057 W082

 W057=W056+I107.
 6 / I / 4 5
 2I025B H46 T017 W053 W056 W115 W116 W158 W252

 W058=W059+W085+W157 +R019 W287.
 1 / I / 2 / 3 4 / 5 6
 2I026A K32 W059 W091

 W059=W058+GND +GND +R019 W042.
 15 / I / 10 / 11 12 / 13 14
 2I026B K32 T014 W058 W200 W226

 08 W060=W061+GND +F121 I105 W182.
 1 / I / 2 3 / 4 5 6
 2E021A K33 W061

 W061=W060+F120 +F043.
 15 / I / 10 11 / 12 13 14
 2E021B K33 T017 W060

 003 W062=W063+GND +J094 J092 F123.
 1 / I / 2 3 / 4 5 6
 2E022A K33 W048 W063

 W063=W062+F122 +F043.
 15 / I / 10 11 / 12 13 14
 2E022B K33 W062

 W064=W065+GND +F125 J091.
 1 / I / 2 3 / 4 5 6
 2E023A K33 A092 W048 W065

 W065=W064+F124 +F043.
 15 / I / 10 11 / 12 13 14
 2E023B K33 T028 T128 W064

 W066=W067+GND +F127 K091 J091.
 1 / I / 2 3 / 4 5 6
 2E024A K33 A092 W048 W067 Y102

W067=W066+F126 +F043.
 15 / I / 10 11 / 12 13 14
 2E024B K33 J073 T015 T029 T115 T129 W066

003 W068=W069+GND +F131 K172 K167.
 1 / I / 2 3 / 4 5 6
 2E025A K33 A102 W048 W069

W069=W068+F130 +F043.
 15 / I / 10 11 / 12 13 14
 2E025B K33 T030 T130 W068

W070=W071+F010 F004.
 1 / I / 2 3
 2E027A H46 W071

W071=W070+F000.
 6 / I / 4 5
 2E027B H46 T014 T114 W039 W070 W139

W072=W073+F005 F010.
 1 / I / 2 3
 2F027A H46 W073 W237

W073=W072+F000.
 6 / I / 4 5
 2F027B H46 W072

003 W074=R013 +R019 W042.
 1 / 2 3 4 / 5 6 10
 003 2J028A K23 W075

W075=Y085 M029.
 1 / 2 3
 003 2I036A H47 W051 W085 W091

W080=W054.
 1 / 2 3
 2I031A H47 F000 F060 I052 T012

006 W081=W055 I061.
 6 / 4 5
 2I031B H47 W013 W014 W040 W041

006 W082=W056.
 10 / 11 12
 2I031C H47 L052 W160 W190 W230 W260

W083=W054.
 1 / 2 3
 2K025A H47 T013 T014 T015 T016 T018

W084=W085+W251 W225.
1 / I / 2 3
2I033A H46 W017 W085

003 W085=W084+W075.
6 / I / 4 5
2I033B H46 T022 W017 W058 W084

002 W086=W087+J2R5.
1 / I / 2 3
2H014A H46 W087 W287

W087=W086+W044 W144.
6 / I / 4 5
2H014B H46 W086

009 W090=W091+W182.
10 / I / 11 12
2C022C H46 W091

W091=W090+W075 W058
15 / I / 13 14
2C022D H46 T031 W090 W015 W016

W100=R100.
1 / 2 3
2J011A H47 W127 W127

W101=R101.
6 / 4 5
2J011B H47 W127 W127

W102=R102.
10 / 11 12
2J011C H47 W127 W127

W103=R103.
15 / 13 14
2J011D H47 W125 W125

W104=R104.
1 / 2 3
2J012A H47 W125 W125

W105=R105.
6 / 4 5
2J012B H47 W125 W125

W106=R106.
10 / 11 12
2J012C H47 W123 W123

W107=R107.
15 / 13 14
2J012D H47 W123 W123

W108=R108.
1 / 2 3
2J013A H47 W123 W123

W109=R109.
6 / 4 5
2J013B H47 W121 W121

W110=R110.
10 / 11 12
2J013C H47 W121 W121

W111=R111.
15 / 13 14
2J013D H47 W121 W121

W112=R112.
1 / 2 3
2J014A H47 W150

006 W113=J132+W1A1.
1 / 2 / 3
2J015A H4A T100 T101 T102 T103 T104 T105

006 W114=J132+W1A1.
6 / 4 / 5
2J015B H4A T106 T107 T108 T109 T110 T111

W115=W152+W191
10 / 11 / 12
2J029C H4A T126 T127 T128 T129 T130 T131

W116=W152+W191
15 / 13 / 14
2J029D H4A T120 T121 T122 T122 T123 T124 T125

W117=W213 W185 +J073 W184.
1 / 2 3 4 / 5 6 10
2I006A K23 W118

W118=W117.
1 / 2 3
2I007A H47 T121

W119=R119.
15 / 13 14
2J014D H47 W139

W120=R109 R110 R111.
 1 / 2 3 4 5 6
 2J016A C21 W128 W132

W121=R111 W110 W109+R110 W111 W109 +R109 W110 W111.
 1 / 2 3 4 / 5 6 10 11 / 12 13 14 15
 2K020A C55 W128 W132

W122=R106 R107 R108.
 15 / 10 11 12 13 14
 2J016B C21 W129 W132

W123=R108 W107 W106+R107 W106 W108 +R106 W107 W108.
 1 / 2 3 4 / 5 6 10 11 / 12 13 14 15
 2K021A C55 W129 W132

W124=R103 R104 R105.
 1 / 2 3 4 5 6
 2K019A C21 W130 W133

W125=R105 W104 W103+R104 W103 W105 +R103 W104 W105.
 1 / 2 3 4 / 5 6 10 11 / 12 13 14 15
 2K022A C55 W130 W133

W126=R100 R101 R102.
 15 / 10 11 12 13 14
 2K019B C21 W131 W133

W127=R102 W101 W100+R101 W100 W102 +R100 W101 W102.
 1 / 2 3 4 / 5 6 10 11 / 12 13 14 15
 2K023A C55 W131 W133

W128=W120 W121.
 1 / 2 3
 2J017A H47 W132

W129=W122 W123.
 6 / 4 5
 2J017B H47 W132

W130=W124 W125.
 10 / 11 12
 2J017C H47 W133

W131=W126 W127.
 15 / 13 14
 2J017D H47 W133

W132=W120 W121 W129+W128 W122 W123.
 1 / 2 3 4 / 5 6 10
 2I030A K23 W134 W136

W133=W124 W125 W131+W130 W126 W127.
1 / 2 3 4 / 5 6 10
2J018A K23 W135 W136

W134= W132.
1 / 2 / 3
2J019A H4R W136

W135= W133.
6 / 4 / 5
2J019B H4R W136

W136=W134 W133+W132 W135.
15 / 11 12 / 13 14
2K018B C2R T112 W137 W150

W137= W136.
10 / 11 / 12
2J019C H4R W150

W138= R119+R118+R115 R117.
1 / 2 / 3 / 4 / 5 6
2J021A K24 W139

006 W139=W138+W237+W071+W119 W154.
15 / 10 / 11 / 12 / 13 14
2J021B K24 Y001

002 W140=W181+W257.
10 / 11 / 12
2J015C H4R T106 T107 T108 T109 T110 T111

002 W141=W181+W257.
15 / 13 / 14
2J015D H4R T100 T101 T102 T103 T104 T105

W142=Y004.
10 / 11 12
2J023C H47 I066 W143 W153 W159 W174 W244 W247

W143=W147+W142 +W155.
15 / 10 / 11 12 / 13 14
2J024B K22 W144 W152 Y018

W144=W143.
15 / 13 14
2J023D H47 W087 W201

W147=W150.
15 / 10 11 12 13 14
2K028B C21 W143

W149=W154.

6 / 4 5
2G022B H47 F128 F129 I060 I062 I063 I064 I065

W150=W151+R112 Y001 W137+W112 Y001 W136.
1 / I / 2 3 4 / 5 6 10 11
2J020A K35 W147 W151

003 W151=W150+W175.
15 / I / 12 13 14
2J020B K35 I060 L150 T118 W150

W152=W153+W143+GND +GND .
1 / I / 2 / 3 4 / 5 6
2I024A K32 W115 W116 W153 W155

005 W153=W152+R113+I105 W157+R119 W142.
15 / I / 10 / 11 12 / 13 14

002 2I024B K32 T131 W152

0A W154=W155+W243 Y004 Y007 W225.
1 / I / 2 3 4 5 6
2I023A K31 W139 W149 W155 W180 W183

W155=W154+W152.
15 / I / 10 11 12 13 14
2I023B K31 L151 W143 W154 W156 W181 W247

W156=W157+W155.
10 / I / 11 12
2I025C H46 I066 W157 W182

W157=W156+I107.
15 / I / 13 14
2I025D H46 T117 W058 W153 W156 W228

W158=W159+W185+W057 +R119 W287.
1 / I / 2 / 3 4 / 5 6
2I022A K32 W159 W191

W159=W158+GND +GND +R119 W142.
15 / I / 10 / 11 12 / 13 14
2I022B K32 T114 W158 W201 W226

0A W160=W161+GND +I105 F129 W082.
1 / I / 2 3 / 4 5 6
2E026A K33 W161

W161=W160+F128 +F043.
15 / I / 10 11 / 12 13 14
2E026B K33 T117 W160

003 W174=R113 +R119 W142.
 15 / 11 12 / 13 14
 003 2J028B K23 W175

 W175=Y185 M029.
 6 / 4 5
 003 2I036B H47 W151 W185 W191

 W180=W154.
 1 / 2 3
 2I021A H47 F000 F062 I051 T112

 006 W181=W155 I061.
 6 / 4 5
 2I021B H47 W113 W114 W140 W141

 006 W182=W156.
 10 / 11 12
 2I021C H47 L152 W060 W090 W230 W260

 W183=W154.
 6 / 4 5
 2K025B H47 T113 T114 T115 T116 T118

 W184=W185+W244 W225.
 10 / I / 11 12
 2I033C H46 W117 W185

 003 W185=W184+W175.
 15 / I / 13 14
 2I033D H46 T122 W117 W158 W184

 08 W190=W191+W082.
 1 / I / 2 3
 2C022A H46 W191

 W191=W190+W175 W158
 6 / I / 4 5
 2C022B H46 T131 W190 W115 W116

 W200=W201+W059 +W044.
 1 / I / 2 3 / 4 5 6
 2J022A K33 W201 W258 Y008

 W201=W200+W144 +W159.
 15 / I / 10 11 / 12 13 14
 2J022B K33 W200 W258 Y007

 W202=W203+Y002 I020+M046 M000.
 1 / I / 2 3 / 4 5 6
 2I016A K33 A003 W203

W203=W202+M048 +Y074.
 15 / I / 10 11 / 12 13 14
 2I016B K33 T200 W202

W204=W205+Y002 I021+M046 M001.
 1 / I / 2 3 / 4 5 6
 2I015A K33 A013 W205

W205=W204+M048 +Y074.
 15 / I / 10 11 / 12 13 14
 2I015B K33 T201 W204

W206=W207+Y002 I032+M046 M002.
 1 / I / 2 3 / 4 5 6
 2I014A K33 A023 W207

W207=W206+M048 +Y074.
 15 / I / 10 11 / 12 13 14
 2I014B K33 T202 W206

W208=W209+GND +M046 M005.
 1 / I / 2 3 / 4 5 6
 2F028A K33 A053 W209

W209=W208+M048 +Y074.
 15 / I / 10 11 / 12 13 14
 2F028B K33 T203 W208

08 W210=W211+GND +M012 J271+Y002 W261.
 1 / I / 2 / 3 4 / 5 6
 2G030A K32 W211 Y074

W211=W210+W227+J231 J271+W254 J184.
 15 / I / 10 / 11 12 / 13 14
 2G030B K32 W210 W213 Y073

W212=W213+R230.
 1 / I / 2 3
 2E033A H46 W213

009 W213=W212+W214 W211.
 6 / I / 4 5
 2E033B H46 A014 W017 W117 W212

W214=Y073.
 10 / 11 12
 2D042C H47 W213

W215=W218.
 1 / 2 3
 2F001A H47 C310 J226 J230 K032

NR W218=W219+M014 +W229 F029.
 1 / I / 2 3 / 4 5 6
 2I013A K33 A033 A172 A176 J230 W215 W219 W261

 W219=W218+W227 +M013.
 15 / I / 10 11 / 12 13 14
 2I013B K33 A170 A170 A170 J136 K108 W218

 NR W220=W221+M013 +W229 F032.
 1 / I / 2 3 / 4 5 6
 2I012A K33 A178 J230 W221 W261

 W221=W220+W227 +M014.
 15 / I / 10 11 / 12 13 14
 2I012B K33 C221 C312 J137 J226 J230 K108 W220 W259

 W224=Y007+Y008.
 10 / 11 / 12
 2I019C H4R K082 W229 W267

 W225=Y009+W239.
 6 / 4 / 5
 2I032B H4R K082 W054 W084 W154 W184 W246

 NR W226=W252 Y004 W159+W228 Y003 W059.
 1 / 2 3 4 / 5 6 10
 2I035A K23 W227 W227

 W227=Y005 W226+W242 W226.
 15 / 11 12 / 13 14
 2I035B K23 K083 W211 W219 W221

 W228=W287+W157.
 15 / 13 / 14
 2G006D H4R W226

 W229=W224+W287.
 15 / 13 / 14
 2G008D H4R J092 W218 W220 W242 Y002

 NR W230=W082+W182 +K141.
 15 / 10 / 11 12 / 13 14
 2I037B K22 R203 W253

 NR W231=K091 S127+K090 K159.
 15 / 11 12 / 13 14
 2I030B K23 A052 W232

 W232=W231.
 1 / 2 3
 2J036A H47 T025 T125

W233=J075 J299+K090 K121.
15 / 11 12 / 13 14
2J033B K23 A042 W234

W234=W233.
6 / 4 5
2J036B H47 T024 T124

W235=J075 K087 +K090 J224 J298.
1 / 2 3 4 / 5 6 10
2J008A K23 A032 W236

W236=W235.
10 / 11 12
2J032C H47 T023 T123

005 W237=W246 W072 K118.
15 / 10 11 12 13 14
002 2C007B C21 W039 W139 Y020

W239=Y017.
15 / 13 14
2K025D H47 W225

W242=W229+I114.
1 / 2 / 3
2I032A H48 W227 W256

W243=R230+J220+W248 W249 W250.
1 / 2 / 3 / 4 5 6
2I038A K26 W054 W154 W244 W246 W251 J400

W244=Y008+W243 +W142.
1 / 2 / 3 4 / 5 6
2J025A K22 W184

W246=W247+GND +W225 W243+GND .
1 / 1 / 2 / 3 4 / 5 6
2J004A K32 W237 W247

W247=W246+I070+W142 W155+W042 W055.
15 / 1 / 10 / 11 12 / 13 14
2J004B K32 W246

W248=R200 +R201 +R202.
1 / 2 3 / 4 5 / 6 10
2K018A C2R W243

W249=R205+R203 +R204.
15 / 10 / 11 12 / 13 14
2H015B K22 W243

W250=R220+R206 +R207.
1 / 2 / 3 4 / 5 6
2H015A K22 W243

W251=W042 +W243 +Y007.
1 / 2 3 / 4 5 6 / 10 11 12 13
2F029A H30 W084

W252=W287+W057.
15 / 13 / 14
2J019D H4R W226

003 W253=W230 W258.
10 / 11 12
2J036C H47 I054 J271 W254

009 W254=W257 J134
6 / 4 5
2C033R H47 J183 J27R W211

002 W256=W247.
15 / 13 14
002 2J036D H47 Y005

002 W257=F113 I069.
6 / 4 5
002 2J039R H47 W040 W041 W140 W141

002 W258= W200 +W201.
15 / 10 / 11 12 / 13 14
002 2J025R K22 W253

W259=W221+GND .
1 / 2 / 3
002 2G005A H48 A043 C222

006 W260=W087+W182.
10 / 11 / 12
006 2G005C H48 J281

W261=W218 W220.
1 / 2 3 4 5 6
002 2E018A C21 W210 Y09R

003 W262=A181.
10 / 11 12
003 2K025C H47 T031 T131

006 W266=W267+K190.
1 / I / 2 3
006 2G018A H46 W267

PAGE 134

006 W267=W266+W224.

6 / I / 4 5
006 2G018B H46 W266 Y017

W269=J271.

10 / 11 12
2F016C H47 Y074

W287=W086.

10 / 11 12
2G012C H47 W058 W158 W228 W229 W252

X000=OPEN.
1 / 2
1C015A H17 M000

X001=OPEN.
3 / 4
1C015B H17 M001

X002=OPEN.
5 / 6
1C015C H17 M002

X003=OPEN.
11 / 10
1C015D H17 M003

X004=OPEN.
13 / 12
1C015E H17 M004

X005=OPEN.
15 / 14
1C015F H17 M005

X006=OPEN.
1 / 2
1C014A H17 M006

X007=OPEN.
3 / 4
1C014B H17 M007

X008=OPEN.
5 / 6
1C014C H17 M008

X009=OPEN.
11 / 10
1C014D H17 M009

X010=OPEN.
13 / 12
1C014E H17 M010

X011=OPEN.
15 / 14
1C014F H17 M011

X012=OPEN.
1 / 2
1C013A H17 M012

x013=OPEN.
3 / 4
1C013B H17 M013

x014=OPEN.
5 / 6
1C013C H17 M014

x015=OPEN.
11 / 10
1C013D H17 M015

x016=OPEN.
13 / 12
1C013E H17 M016

x017=OPEN.
15 / 14
1C013F H17 M017

x019=OPEN.
1 / 2
1C012A H17 M019

011 x020=OPEN.
15 / 14
011 1C011F H17 A138 M020

x021=OPEN.
5 / 6
1C012C H17 M021

x022=OPEN.
11 / 10
1C012D H17 M022

x023=OPEN.
13 / 12
1C012E H17 M023

x024=OPEN.
15 / 14
1C012F H17 M024

x025=OPEN.
1 / 2
1C011A H17 M025

x026=OPEN.
3 / 4
1C011B H17 J126 M026

X027=OPEN.
5 / 6

1C011C H17 J126 M027

X028=OPEN.
11 / 10

1C011D H17 J126 M028

X029=OPEN.
13 / 12

1C011E H17 M029

X032=OPEN.
3 / 4

1C012B H17 M032

Y000=W039.

2 / 1

2I029A C70 W050 W050

Y001=W139.

4 / 3

2I029B C70 W150 W150

Y002=W229.

1 / 2 3 4

004 2H007A K67 W202 W204 W206 W210

Y003=R019.

1 / 2 3 4

2K026A K67 W042 W054 W226

Y004=R119.

1 / 2 3 4

2K027A K67 W142 W154 W226

002 Y005=W256.

6 / 5

2I029C C70 W227

004 Y006=K049.

1 / 2 3

004 1E019A K71 J252

Y007=W201.

1 / 2 3 4

2J026A K67 I051 W154 W224 W251

Y008=W200.

1 / 2 3 4

2J027A K67 I052 W054 W224 W244

Y009=Y017.

1 / 2 3

2H016A K71 W225

Y010=F001 I060.

1 / 2 3 4

2F010A K67 F002 Y011

Y011=Y010.

1 / 2 3

2F011A K71 F003

Y012=F009.

1 / 2

2H006A H53 F010

Y013=F005.
 1 / 2 3 4
 009 2G019A K67 F006

Y014=F006.
 10 / 11
 2F036C H35 F007

Y015=F100.
 10 / 11 12
 2F011C K71 F044

Y016=W043.
 1 / 2 3 4
 2K031A K67 T014

006 Y017=W267.
 1 / 2 3 4
 004 2K030A K68 W239 Y009

Y018=W143.
 1 / 2 3 4
 2K024A K67 T114

003 Y019=J286.
 15 / 13 14
 002 2H016D K71 J073

005 Y020=W237.
 2 / 1
 2R034A C70 A162 T013 T113

Y021=I102.
 10 / 11
 2C029C H35 I107

Y022=K171.
 15 / 13 14
 2D036D K71 J106

Y023=A161.
 1 / 2
 2C029A H35 A162

Y024=A163.
 6 / 4
 2C029B H35 A164

Y026=K069.
 1 / 2 3 4
 1D035A K67 K070

Y027=K068.
1 / 2 3 4
1D036A K67 K071

001 Y028=Y091.
1 / 2 3 4
002 1D030A K67 J041 J042

Y029=K047.
1 / 2 3
1F024A K71 K031

Y030=K089.
6 / 4 5
1F024B K71 K032

Y031=K032 K031.
10 / 11 12
1F024C K71 K034

Y032=K035.
1 / 2 3
1E028A K71 K036

Y033=K053 K037.
6 / 4 5
1E028B K71 K038

Y034=K039.
10 / 11 12
1E028C K71 K040

Y035=K041.
15 / 13 14
1E028D K71 K042

Y036=K043.
1 / 2 3
1E033A K71 K044

Y037=K045.
6 / 4 5
1E033B K71 K046

Y038=K048.
10 / 11 12
1E033C K71 J297

Y040=J097.
15 / 13 14
1E019D K71 J048

Y041=J400.
15 / 13 14
003 2J007D K71 J151

Y042=K006.
6 / 4 5
1C035B K71 K009

004 Y043=R228 J151.
15 / 13 14
003 1F024D K71 K082

009 Y045=K023 C227.
10 / 11 12
1C035C K71 K021

Y046=K111.
6 / 4 5
2D036B K71 K126

Y047=K110.
10 / 11 12
2D036C K71 K127

Y048=K066.
1 / 2 3 4
1F034A K67 K075

Y049=K117.
1 / 2 3
2C037A K71 K118

Y050=K116.
6 / 4 5
2C037B K71 K119

Y051=K139.
10 / 11 12
2C037C K71 K148

004 Y052=J148.
1 / 2 3 4
2C040A K67 J081

Y053=K137.
15 / 13
2F036D H35 K138

Y054=J071 A170.
15 / 13 14
007 2C039D K71 J074

Y055=K056.

6 / 4 5
2F011B K71 C236

Y056=K147.

15 / 13 14
2C037D K71 K180

Y058=V100.

1 / 2 3 4
2D011A K67 V115 V117 V119 V121

Y059=B203.

6 / 4
2H001B H53 B204 B205

Y061=K151.

4 / 3
2B034B C70 J086

Y062=K153.

6 / 5
2R034C C70 K151

Y063=J091.

6 / 4
2F036B H35 K141 K151 K153

008 Y064=J181 K152.

10 / 11 12
003 2C039C K71 J285

Y065=I062.

15 / 13
2C029D H35 J095

001 Y066=K046.

6 / 4 5
1E019B K71 J283

Y067=K087.

12 / 13
2R034E C70 K031 K088

003 Y068=J094.

15 / 13 14
2F011D K71 J092

Y069=F131 J286 K172.

1 / 2 3 4
1E018A K68 K166

DAGF 143

Y070=K167.
10 / 11 12
1E019C K71 K172

001 Y071=F102.
6 / 4 5
001 2H016B K71 F105

Y072=J225.
1 / 2 3 4
1E020A K6A J228

Y073=W211.
1 / 2 3 4
2I018A K67 T223 W214

Y074=W210 J278 M029.
1 / 2 3 4
2I017A K67 W203 W205 W207 W209

Y075=J281.
1 / 2 3
2D036A K71 J184

Y076=C302.
1 / 2
2I003A H53 C160 C303

Y077=C303.
6 / 4
003 2I003B H53 C304

Y078=C304.
10 / 11
003 2I003C H53 C170 C305 V250

Y079=C305.
15 / 13
2I003D H53 C306 V250

Y080=C306.
10 / 11
2H006C H53 C180

Y081=C231.
1 / 2 3
2J007A K71 C226

0A Y082=C315.
1 / 2 3 4
0A 1G040A K67 C381

Y083=R209.
6 / 4 5
2J007B K71 C228

Y084=C175.
10 / 11 12
2J007C K71 C173

Y085=W074

2I029D C70 W075

Y086=J265.
1 / 2 3 4
2J003A K67 T208 T209 T220 T221 T224 T225

Y087=F057.
1 / 2 3 4
2A042A K67 F058

Y088=I113.
1 / 2 3 4
2H030A K67 I115

003 Y090=K070.
4 / 3
1D037B C70 K068

001 Y091=K071.
1 / 2 3 4
001 1E027A K67 J096 Y028

002 Y092=C201.
2 / 1
002 1D037A C70 C202 C203

002 Y093=C200.
6 / 5
002 1D037C C70 C204 C205 C219 C237

002 Y094=J271.
1 / 2 3 4
002 1D006A K68 A157 A158

002 Y095=R227.
10 / 11 12
002 2H016C K71 J293

Y096=J121.
1 / 2 3
003 1C035A K71 K089

002 Y097=K150.
1 / 2 3
002 2C039A K71 K191

014 Y098=W261.
6 / 4 5
002 2C039B K71 K086
Y099=J040.
1 / 2 3 4
002 1E026A K67 K068
Y100=C301.
15 / 13
2H006D H53 C302
Y101=J106.
1 / 2
2F036A H35 K122
00 Y102=J269 W066.
15 / 13 14
1C035D K71 K000
Y107=C223.
1 / 2
2H001A H53 C280
Y185=W174
2I029E C70 W175
Y900=J134 K901.
1 / 2 3
1E002A K71 K902
Y901=K903.
6 / 4 5
1E002B K71 K901
Y902=J134 K900.
10 / 11 12
1E002C K71 K903
Y903=K902.
15 / 13 14
1E002D K71 J901
Y904=J282.
1 / 2 3 4
1F001A K67 K902 K903

CARD TYPE INVENTORY

A 0 -	2
C15 -	4
C21 -	27
C28 -	9
C55 -	12
C60 -	1
C62 -	21
C70 -	3
C75 -	1
H05 -	26
H10 -	1
H11 -	14
H17 -	5
H19 -	26
H20 -	3
H30 -	7
H35 -	2
H46 -	98
H47 -	78
H48 -	51
H53 -	3
K13 -	1
K14 -	2
K17 -	5
K22 -	27
K23 -	22
K24 -	11
K25 -	8
K26 -	12
K27 -	4
K29 -	14
K31 -	6
K32 -	10
K33 -	58
K34 -	1
K35 -	4
K36 -	2
K37 -	13
K67 -	24
K68 -	4
K71 -	12
634	TOTAL CARDS

1776 EQUATIONS
 2 EXTENSIONS
 1778 SUBJECTS
 4575 OUTPUTS
 1778 JACKS

1J20-17	1J20- X
1J20- 9	1J20- X
1J25- 7	1J25- X
1J25- 8	1J25- X
1J26- 5	1J26- X

COMMENT SHEET

MANUAL TITLE CDC FA705A Mass Storage Controller

Customer Engineering Manual

PUBLICATION NO. 60290000 REVISION S

FROM: NAME: _____
BUSINESS
ADDRESS: _____

STAPLE

STAPLE

FOLD

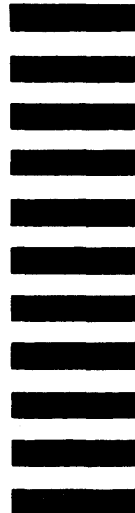
FOLD

FIRST CLASS
PERMIT NO. 8241

MINNEAPOLIS, MINN.

BUSINESS REPLY MAIL
NO POSTAGE STAMP NECESSARY IF MAILED IN U.S.A.

POSTAGE WILL BE PAID BY
CONTROL DATA CORPORATION
Publications and Graphics Division
ARH219
4201 North Lexington Avenue
Saint Paul, Minnesota 55112



FOLD

FOLD

CONTROL DATA

3/4 1/2
1-1/4

>>> CUT OUT FOR USE AS LOOSE-LEAF BINDER TITLE TAB

CONTROL DATA

CORPORATION

8100 34th AVE. SO., MINNEAPOLIS, MINN. 55440

LITHO IN U.S.A.