
**CONTROL DATA®
DISK STORAGE UNIT
BR3C2**

PARTS DATA

Volume 2 of 2

HARDWARE MAINTENANCE MANUAL

PREFACE

This manual has been prepared for customer engineers and other technical Personnel directly involved with maintaining the disk storage unit (drive).

Manuals applicable to the CONTROL DATA® Disk Storage Unit, (equipment number BR3C2A/B) are as follows:

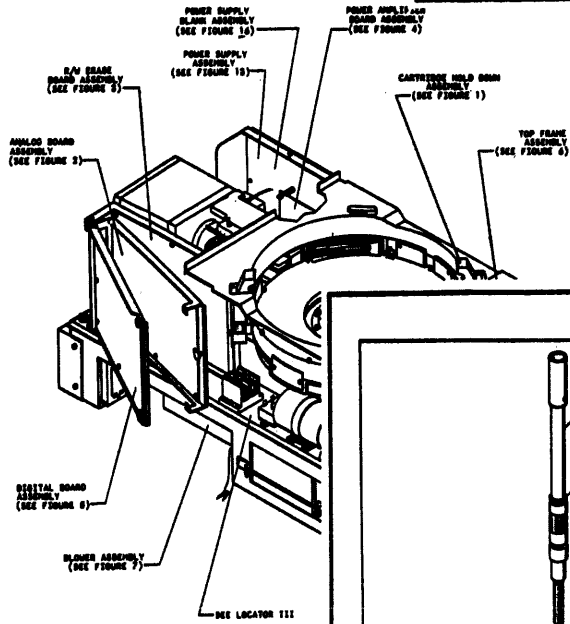
Publication No.	Title
83306700	Maintenance
83306800	Reference
83306900	Parts Data
70629100	Logic Cards

INTRODUCTION

LOCATOR II

CARTRIDGE DRUM DRIVE

1 **LOCATOR**
SELECT ASSEMBLY, LOCATE
FIGURE NUMBER TO FIND
ILLUSTRATION AND PARTS
LIST.



LOCATOR I

2 **ILLUSTRATION**

LOCATE PART AND ITS CORRESPONDING
INDEX NUMBER. ILLUSTRATIONS ARE
REPRESENTATIVE OF THE ITEMS THEY
DEPICT.

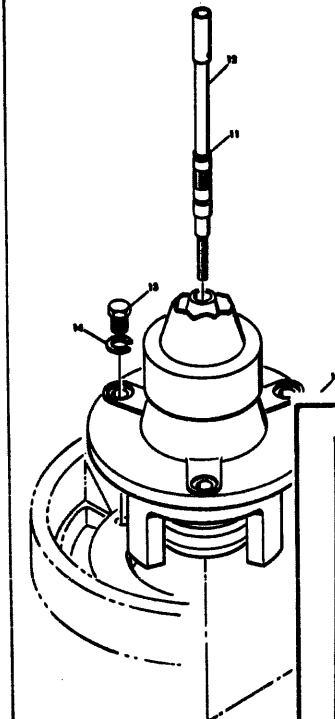
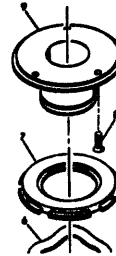


FIGURE 6. SPINDLE ASSEMBLY



3 **PARTS LIST**

LOCATE INDEX NUMBER
FOR PART NUMBER, ITEM
DESCRIPTION, ETC.

ITEM NO.	PART NUMBER	DESCRIPTION
	7074000	SPINDLE AND LOCKSHAFT ASSEMBLY
	7074001	SPINDLE AND LOCKSHAFT ASSEMBLY
1	7074000	SPINDLE AND LOCKSHAFT ASSEMBLY
2	7074000	SLEEVE, SPINDLE GROUND
3	7010000	WASHER, LOCK, SPINDLE, 1/4"
4	7000000	LOWER LOCKSHAFT ASSEMBLY
5	8000007	W/T, RETAINING, 10-32
6	7200300	LOCKSHAFT
7	8000006	WASHER, RETAINING
8	8000006	WASHER, RETAINING
9	7001000	WASHER, SPINDLE, MODIFIED
10	7001000	WASHER, SPINDLE, MODIFIED
11	7001000	PLATE, FRICTION, SPINDLE LOCK
12	1010000	SCREW, MACHINE, FLAT HEAD, PHILLIPS, 10-32 x 1"
13	7001000	FRICTION PLATE HUB ASSEMBLY
14	7210000	PLATE, FRICTION
	7000000	HUB
15	7000000	SPINDLE ASSEMBLY
16	7000000	SPINDLE ASSEMBLY
17	8000011	WASHER, RETAINING
18	7074000	LOCKSHAFT ASSEMBLY
19	1010000	SCREW, MACHINE, HEXAGON CAP HEAD, 8/32 x 1"
20	1010000	WASHER, 1/2" x 1/2", 8-PHNO. 3/8"

80 00 AND ABOVE

SEE 7074001, OR
7074000

8000A

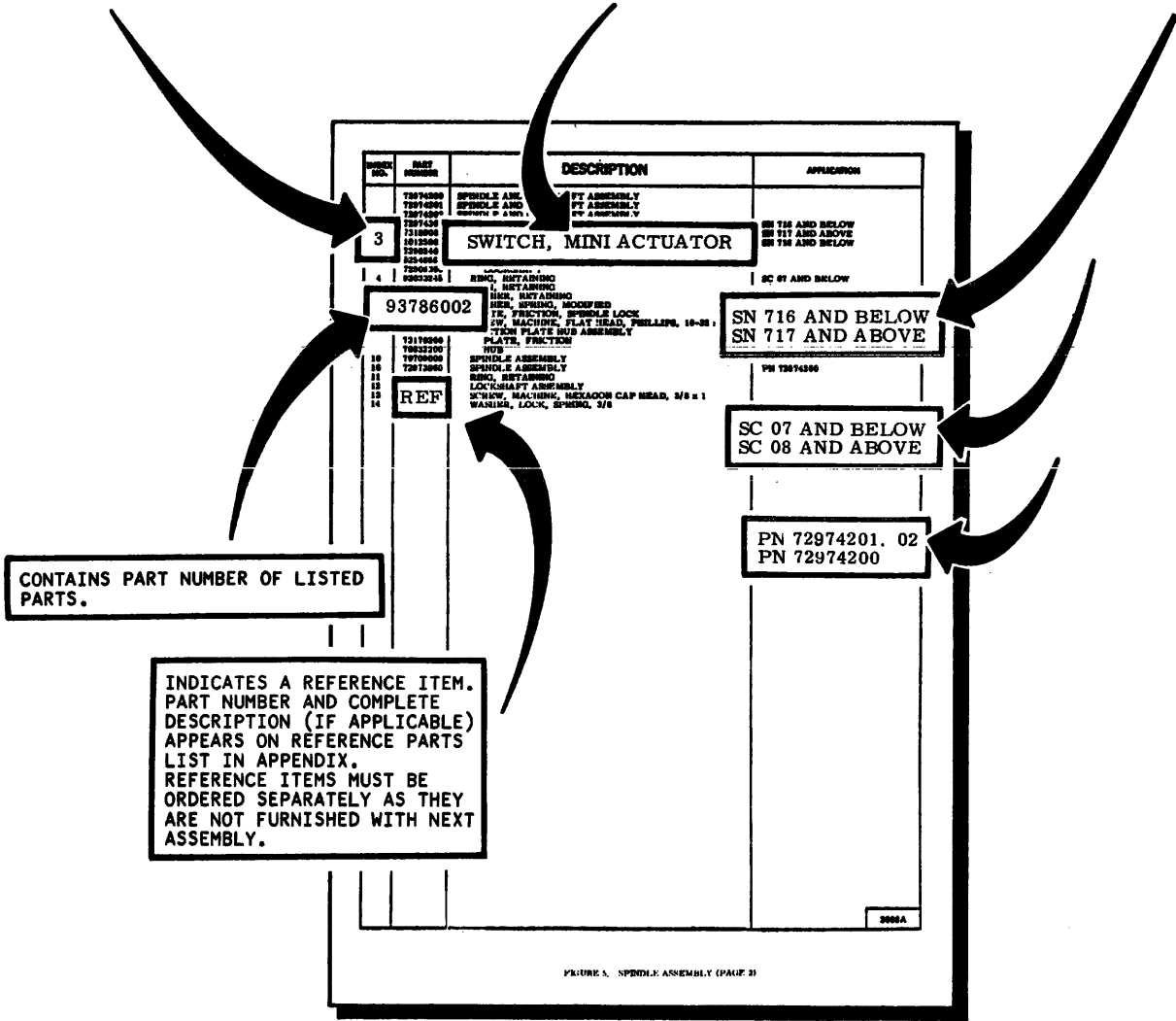
FIGURE 6. SPINDLE ASSEMBLY (PAGE 2)

INTRODUCTION

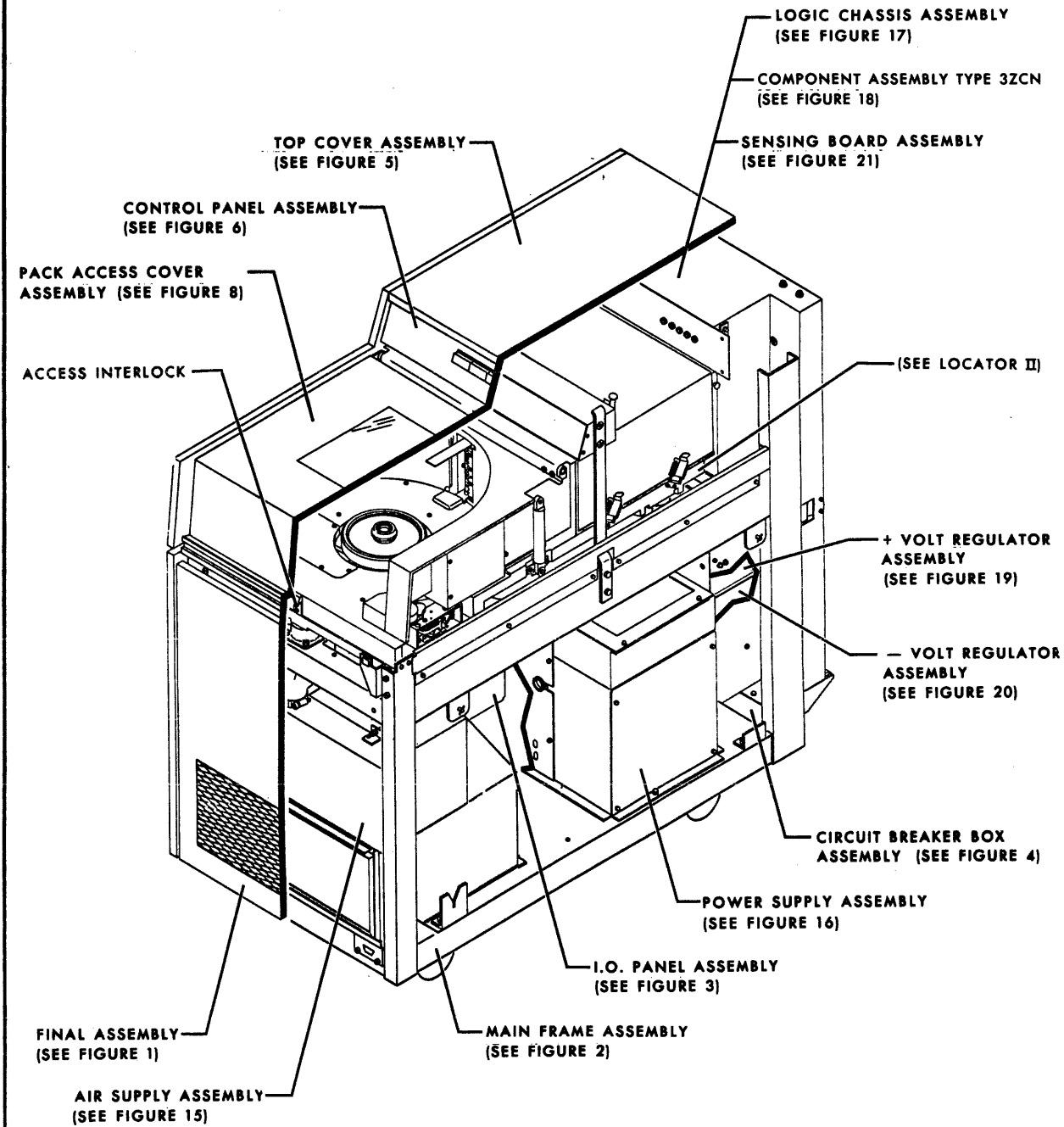
PROVIDES CROSS REFERENCE BETWEEN THE PARTS LISTS AND THE ASSOCIATED FIGURE.

CONTAINS NOMENCLATURE OF PARTS. IT ALSO SHOWS THE RELATIONSHIP OF PARTS TO ASSEMBLIES BY MEANS OF INDENTATION. AN INDENTED ITEM IS PART OF THE FIRST PREVIOUS ASSEMBLY WHICH IS INDENTED TO A LESSER DEGREE.

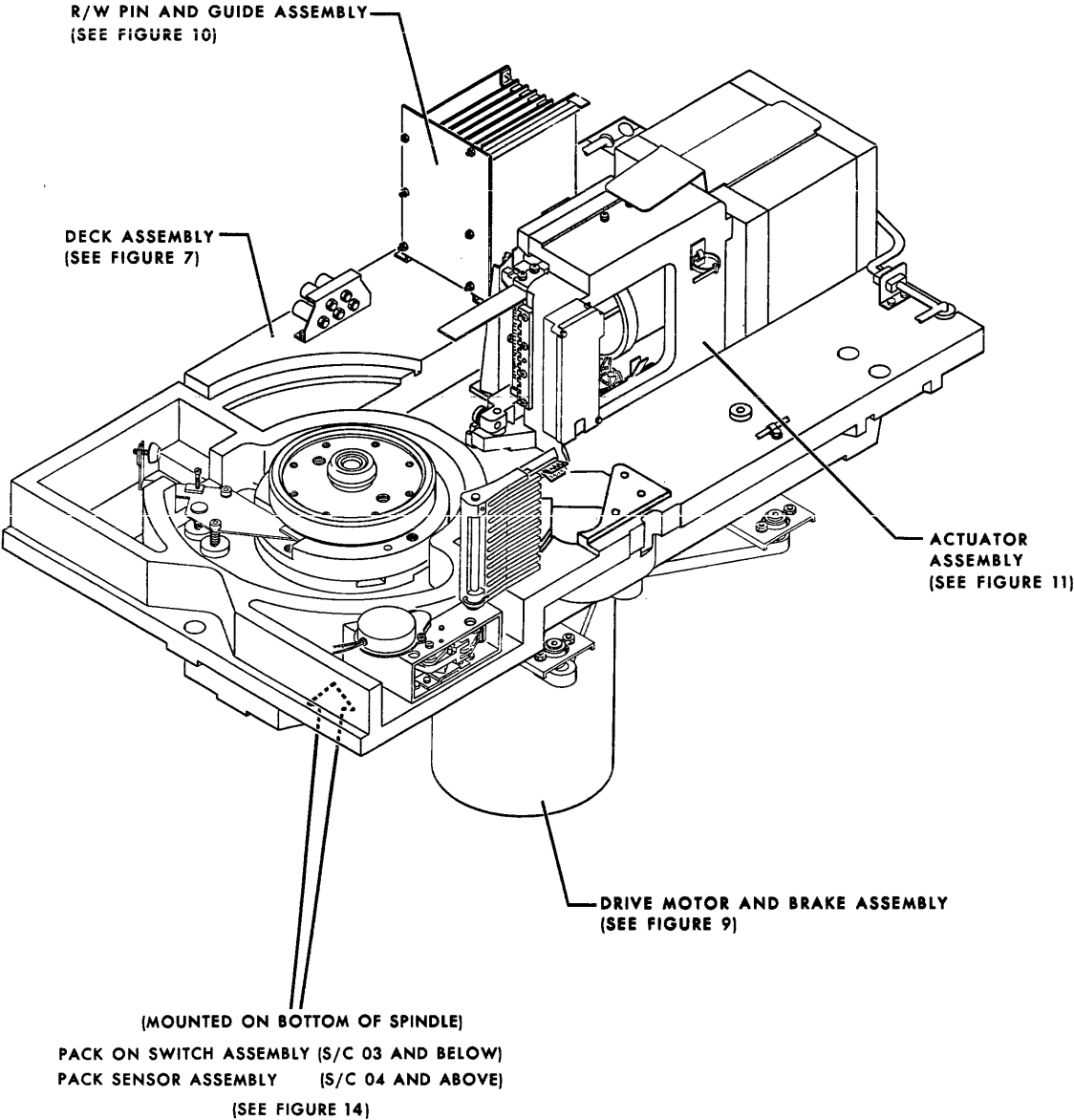
THE APPLICATION OF AN ASSEMBLY OR PIECE PART IS REFLECTED IN THIS COLUMN. SC=SERIES CODE. SN=SERIAL NUMBER. PN=PART NUMBER.



LOCATOR I



LOCATOR II



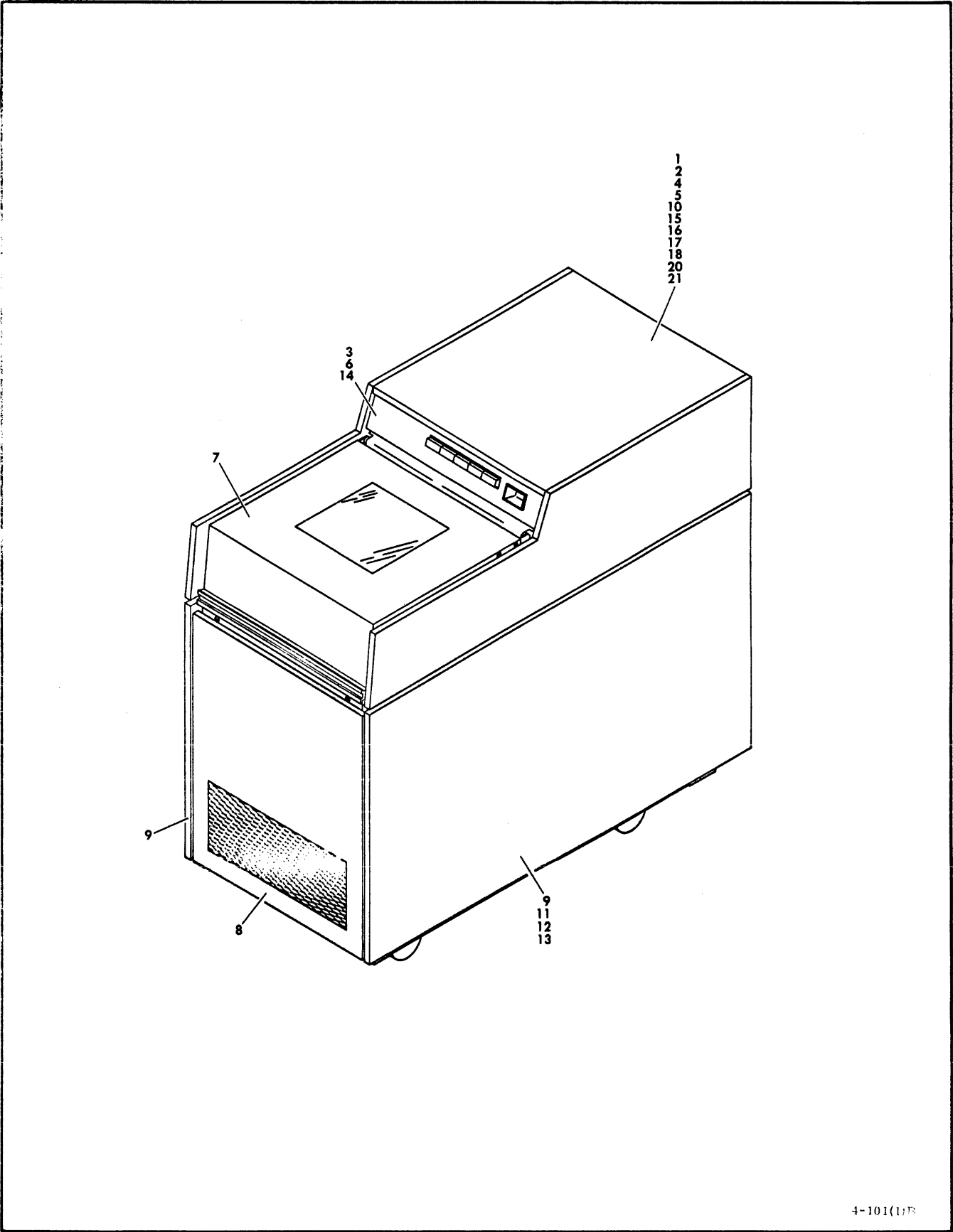
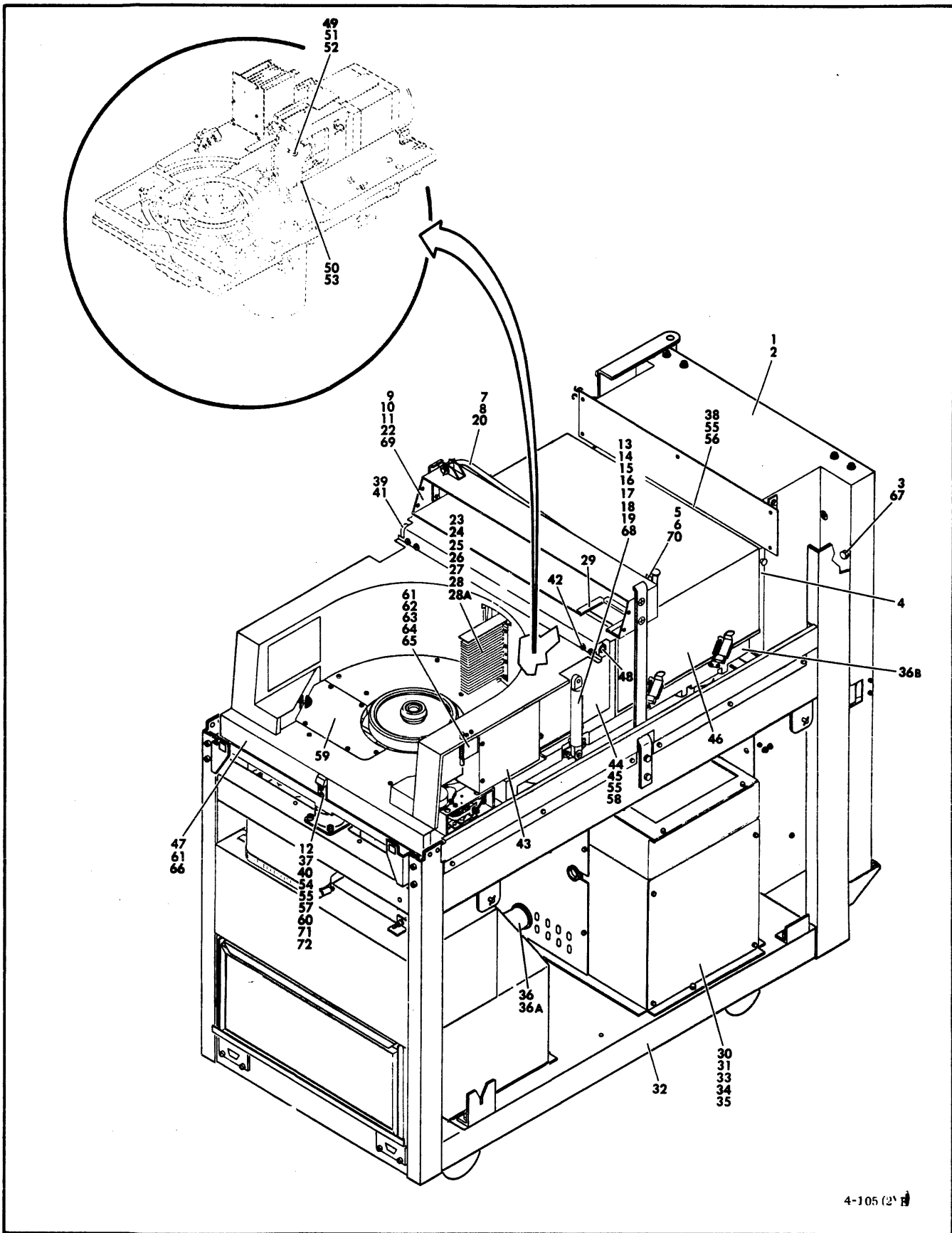


FIGURE 1. FINAL ASSEMBLY (PAGE 1 OF 6)

4-101(1)R

INDEX NO.	PART NUMBER	PART DESCRIPTION	NOTES
	763760xx	FINAL ASSEMBLY	
1		TOP COVER ASSEMBLY (SEE FIGURE 5)	
2	10125607	WASHER, FLAT, 10	
3	10126403	WASHER, LOCK, EXTERNAL TOOTH, 10	
4	10125108	NUT, HEX, 10-32	
5	10127144	SCREW, MACHINE, PAN HEAD, PHILLIPS, 10-32 x 5/8	
6	10127141	SCREW, MACHINE, PAN HEAD, PHILLIPS, 10-32 x 5/16	
7		PACK ACCESS COVER ASSEMBLY (SEE FIGURE 8)	
8	76371006	FRONT PANEL ASSEMBLY	S/C 05 & ABV
	75029933	PANEL, FRONT	
	92628323	TAPE, FOAM	S/C 05 & ABV
	75045200	HOOK, PANEL	
	93592458	SCREW, TPG, HEX HEAD, 10-24 x 3/8	
	93573006	STUD, ASSEMBLY	
	93572001	RING, SNAP	
	93571003	GROMMET	
	75031900	PANEL, ACOUSTICAL	
	94276002	TAPE, FOAM	
	10126403	WASHER, LOCK, EXTERNAL TOOTH, 10	
	94281405	CABLE, GROUND	
9	75003605	SIDE PANEL ASSEMBLY	
	75007532	PANEL, SIDE	
	75040409	PANEL, ACOUSTICAL	
	40029800	BRACKET, RECEPTACLE	
	94303500	CLIP-IN RECEPTACLE	
	75194500	BRACKET, SUPPORT	
	75194501	BRACKET, SUPPORT	
	75040408	PANEL, ACOUSTICAL	
	94276602	TAPE, FOAM	
	10127120	SCREW, MACHINE, PAN HEAD, PHILLIPS, 8-32 x 1/4	
	10126403	WASHER, LOCK, EXTERNAL TOOTH, 10	
	94281432	CABLE, GROUND	
10	75040511	PANEL, FOAM, ACOUSTICAL	
11	10126500	SCREW, MACHINE, HEX HEAD, PLAIN, 1/4-20 x 1/2	
12	10126404	WASHER, LOCK, EXTERNAL TOOTH, 1/4	
13	10125301	NUT, HEXAGON, 1/4-20	
14		CONTROL PANEL ASSEMBLY (SEE FIGURE 6)	
	94353400	TAG, INSTRUCTION, SHIPPING	
	94353200	CAPS AND PLUGS, PLASTIC	
	94060003	TRIM, SAFETY, BLACK	
	75047500	BRACKET, SHIPPING, RIGHT HAND	
	75047501	BRACKET, SHIPPING, LEFT HAND	
	94060004	CHANNEL, RUBBER	
15	17901516	SCREW, MACHINE, HEX HEAD, PLAIN, STP, 8-32 x 3/8	
16	72959300	LABEL, FIELD CHANGE ORDER	
17	73229610	LABEL, COMMON TEST POINT	
18	24547508	PLATE, WARNING	
	93187314	SCREW, MACHINE, BUTTON HEAD, HEX SOCKET, 10-32 x 3/8	
19	94193202	EXTRUSION, RUBBER	
20	94060004	CHANNEL, RUBBER	
21	75040510	PANEL, FOAM, ACOUSTICAL	

FIGURE 1. FINAL ASSEMBLY (PAGE 2)



4-105 (2) B

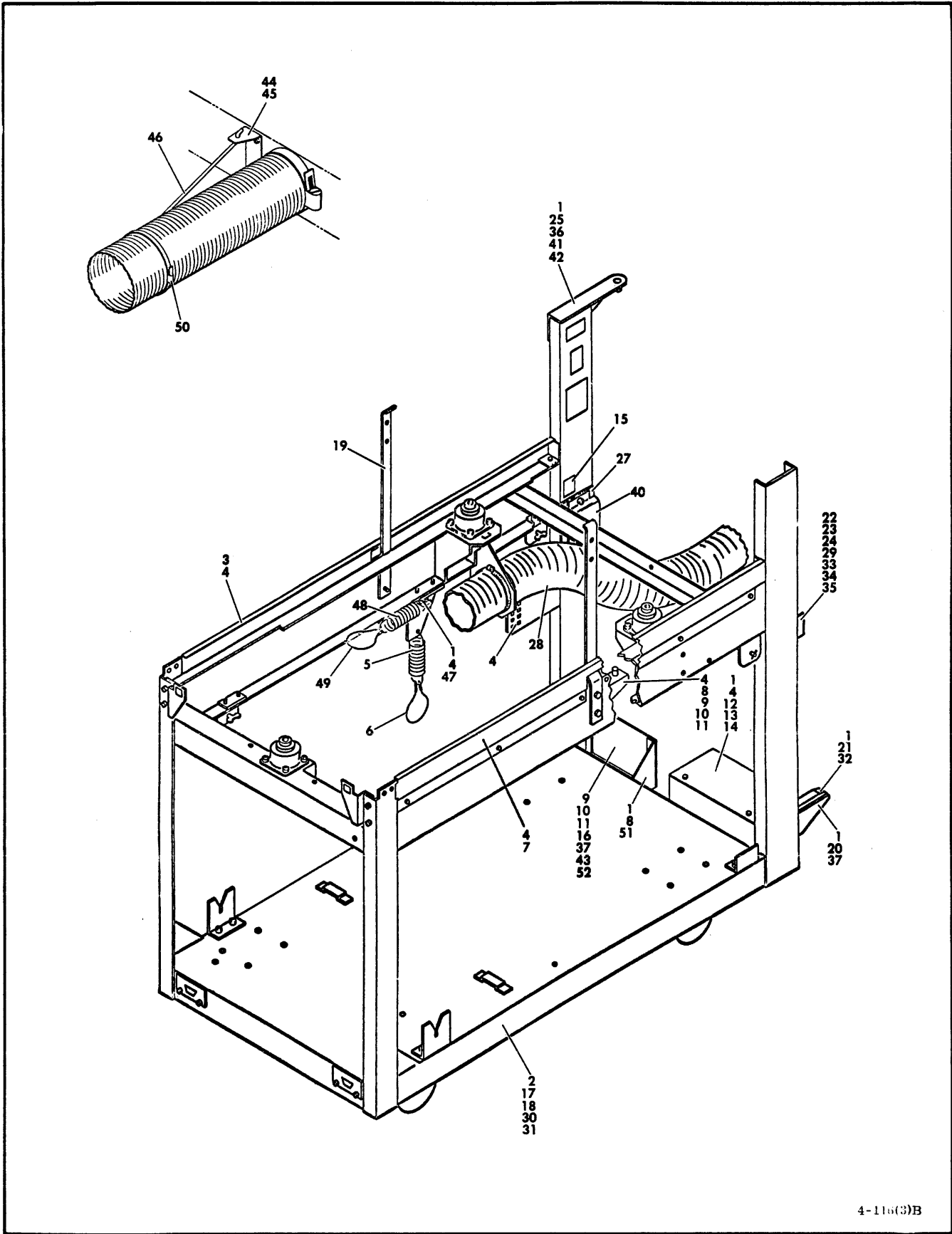
FIGURE 1. FINAL ASSEMBLY (PAGE 3)

INDEX NO.	PART NUMBER	PART DESCRIPTION	NOTES
1		FINAL ASSEMBLY	
2	75003507	LOGIC CHASSIS ASSEMBLY (SEE FIGURE 17)	
	75026233	LOGIC CHASSIS REAR COVER ASSEMBLY	
	94281432	COVER, REAR, LOGIC CHASSIS	
	94263305	CABLE, GROUND	
	94355601	BUMPER, RUBBER	
	94355600	FASTENER, QUARTER TURN	
	10127120	FASTENER, QUARTER TURN	
		SCREW, MACHINE, PAN HEAD, PHILLIPS, 8-32 x 1/4	
	10126402	WASHER, LOCK, EXTERNAL TOOTH, 8	
3	10125108	NUT, HEXAGON, 10-32	
4	75032801	CARD COVER ASSEMBLY	
	75028300	COVER, CARD	
	93784102	FASTENER, PUSH-PULL, BLACK	
	94281473	CABLE, GROUND	
	10125804	WASHER, SPRING LOCK, 8	
	10125106	NUT, HEXAGON, 8-32	
	10127121	SCREW, MACHINE, PAN HEAD, PHILLIPS, 8-32 x 5/16	
	93783102	FASTENER, PUSH-PULL, BLACK	
5	75022600	CLIP, ROD	
6	93994000	RIVET, OPEN END, POP TYPE	
7	75030000	ROD, SUPPORT, TOP COVER	
8	92649009	PIN, COTTER, 1/16 x 1/2 x 6	
9	75094200	COVER, CONTROL PANEL	
10	75092500	PLATE, NUT, CONTROL PANEL	
11	92953329	SCREW, MACHINE, FLAT HEAD, PHILLIPS, 1/4-20 x 5/8	
12	10127363	SCREW, PAN HEAD, MACHINE, 10-24 x 3/8	S/C 12 W/35856C & ABV
13	94354901	SPRING, GAS	
14	92033221	RING, RETAINING	
15	73229002	STUD	
16	76374200	BRACKET, SPRING, BOTTOM	
17	10127346	SCREW, MACHINE, PAN HEAD, PHILLIPS, 8-32 x 5/16	
18	10126403	WASHER, LOCK, EXTERNAL TOOTH, 10	
19	10125108	NUT, HEXAGON, 10-32	
20	10125609	WASHER, FLAT, 5/16	
21	94275213	CLAMP, HOSE	
22	75043001	HARNES ASSEMBLY, W8	
	73572300	HEAD ARM COMPLEMENT	
23	73637000	HEAD ARM ASSEMBLY	3,7,9,13,17
24	73637001	HEAD ARM ASSEMBLY	1,5,11,15
25	73637002	HEAD ARM ASSEMBLY	2,6,14,18
26	73637003	HEAD ARM ASSEMBLY	0,4,8,12,16
27	73637004	HEAD ARM ASSEMBLY	SERVO
28	73637005	HEAD ARM ASSEMBLY	10
28A	72829000	PLATE, CLAMP, CABLE	S/C 06 & BLW
28A	76466200	PLATE, CLAMP, CABLE	S/C 07 & ABV
29	93840013	TRIM, SAFETY	
30	75096917	DECK, FRAME AND POWER SUPPLY ASSEMBLY	
31		POWER SUPPLY ASSEMBLY (SEE FIGURE 16)	
32		FRAME ASSEMBLY (SEE FIGURE 2)	
33	10126554	SCREW, HEX SOCKET, HEAD, CAP, 1/4-20 x 1/2	
34	10126404	WASHER, LOCK, EXTERNAL TOOTH, 1/4	

FIGURE 1. FINAL ASSEMBLY (PAGE 4)

INDEX NO.	PART NUMBER	PART DESCRIPTION	NOTES
35	10125608	WASHER, FLAT, 1/4	
36	94311619	HOSE, FLEXIBLE	S/C 07 W/35350A & ABV
36A	94279412	BUTTOM PLUG	S/C 07 W/35350A & ABV
36B		MAIN DECK ASSEMBLY (SEE FIGURE 7)	
37	76059900	SHEET, FRICTION	
38	75085100	PANEL, DECK, SEAL, REAR	
39	76539700	BLOCK, HINGE	
40	75080100	CATCH, COVER PACK	
41	93715024	BEARING, NEEDLE	
42	93187314	SCREW, MACHINE, HEX SOCKET, BUTTOM HEAD	
43	94276600	TAPE, FOAM	
44	73633301	PANEL, SHROUD, SIDE	S/N 3310 & BLW
44	76470701	PANEL, SHROUD, SIDE	S/N 3311 & ABV
45	73633300	PANEL, SHROUD, SIDE, OPPOSITE	S/N 3310 & BLW
45	76470700	PANEL, SHROUD, SIDE, OPPOSITE	S/N 3311 & ABV
46	73627702	DECK COVER ASSEMBLY	S/C 09 W/35603 & ABV
46	73627700	DECK COVER ASSEMBLY	S/C 09 W/O 35603 & BLW
	77418000	COVER	S/C 09 W/35603 & ABV
	73627200	COVER, DECK	S/C 09 W/O 35603 & BLW
	94356900	LATCH, SPRING	
	95037600	GASKET, RUBBER	
47	73679900	PACK SHROUD ASSEMBLY	S/C 12 W/O 35856C & BLW
47	77541400	PACK SHROUD ASSEMBLY	S/C 12 W/35856C & ABV
48	76539701	BLOCK, HINGE	S/C 08 & BLW
49		COMPONENT ASSEMBLY TRACK SERVO PREAMP (SEE CARD COMPLEMENT)	
50	73479900	COVER, PREAMPLIFIER	
51	73479800	HOUSING, PREAMPLIFIER	
52	93115247	SCREW, MACHINE, HEX SOCKET, CAP HEAD, 6-32 x 5/8	
53	93592484	SCREW, HEXAGON, WASHER, HEAD, 4-40 x 5/16	
54	10127153	SCREW, PAN HEAD, MACHINE, 1/4-20 x 1/2	S/C 12 W/35856C & ABV
55	10125606	WASHER, PLAIN, 6	
56	93590162	SCREW, TPG, PAN PHILLIPS, 6-32 x 3/8	
57	10126404	WASHER, EXTERNAL TOOTH, LOCK, 1/4	S/C 12 W/35856C & ABV
58	10127112	SCREW, MACHINE, PAN HEAD, 6-32 x 5/16	S/C 12 W/O 35856C & BLW
59	10127113	SCREW, MACHINE, PAN HEAD, PHILLIPS, 6-32 x 3/8	
60	10127114	SCREW, MACHINE, PAN HEAD, 6-32 x 1/2	
61	92723196	SCREW, BUTTOM HEAD, 6-32 x 1/2	
62	10126103	INTERNAL, LOCK WASHER, 6	
63	93560001	SWITCH, INTERLOCK	
64	93154109	TUBING, HEAT SHRINKABLE	
65	93342098	SCREW, NYLON, 4-40 x 3/8	
	73678700	LABEL	
66	10125803	WASHER, SPRING LOCK, 6	S/C 12 W/O 35856C & BLW
67	94193401	BUMPER, RUBBER	
68	93564043	WASHER, NYLON	
69	76381600	BRACKET, CONTROL PANEL, RIGHT HAND	S/C 07 & BLW
69	76538300	BRACKET, CONTROL PANEL, RIGHT HAND	S/C 08 & ABV
70	76391700	BRACKET, CONTROL PANEL, LEFT HAND	S/C 07 & BLW
71	10127113	SCREW, PAN HEAD, MACHINE, 6-32 x 3/8	S/C 12 W/35856C & ABV
72	94369514	CABLE, GROUND	S/C 12 W/35856C & ABV
73	10126404	WASHER, EXTERNAL TOOTH, LOCK, 1/4	S/C 12 W/35856C & ABV
74	10127153	SCREW, PAN HEAD, MACHINE, 1/4-20 x 1/2	S/C 12 W/35856C & ABV

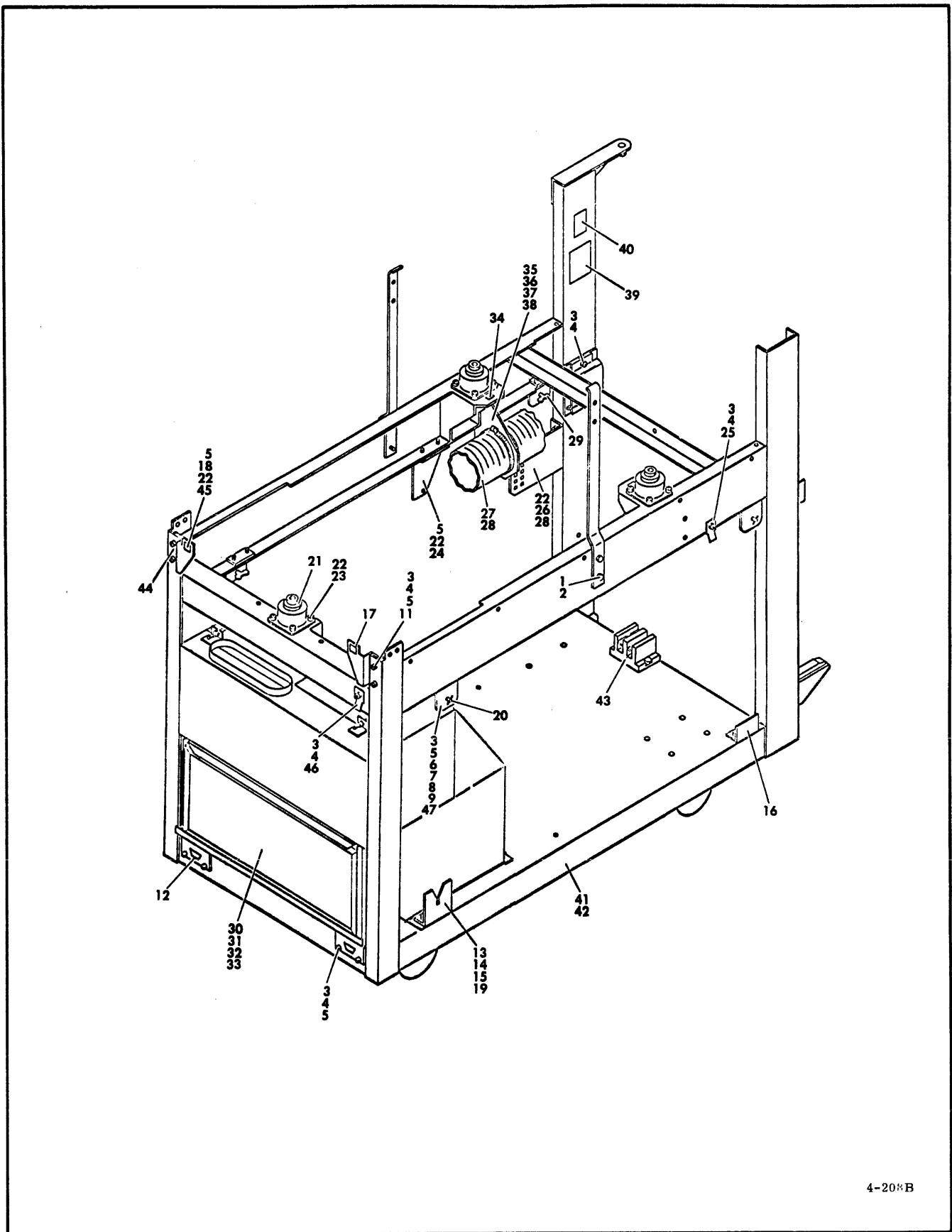
FIGURE 1. FINAL ASSEMBLY (PAGE 4 CONT'D)



4-116(3)B

FIGURE 1. FINAL ASSEMBLY (PAGE 5)

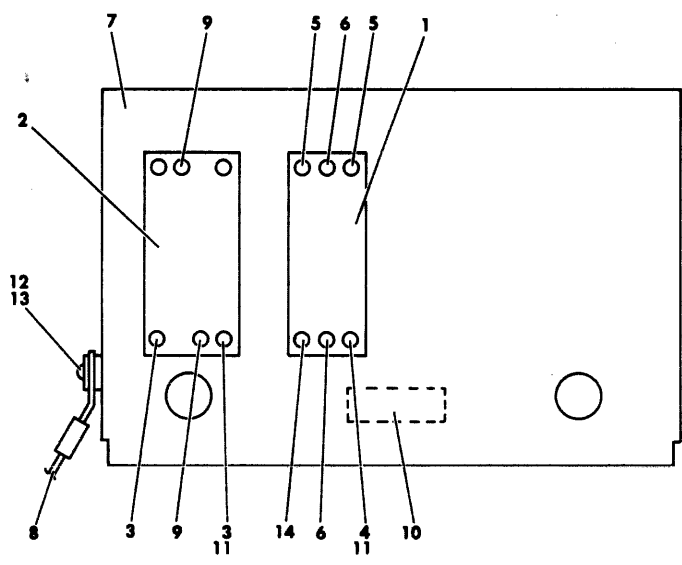
INDEX NO.	PART NUMBER	PART DESCRIPTION	NOTES
		FINAL ASSEMBLY	
1	10126403	WASHER, LOCK, EXTERNAL TOOTH, 10	
2	93697020	LEVELER	
3	76436500	BELTLINE, SIDE, LEFT	
4	10127142	SCREW, MACHINE, HEX HEAD, PLAIN, 10-32 x 3/8	
5	94204269	SPRING, EXTENSION	
6	73559905	CABLE, BRAKE ACTUATOR	
7	76436600	BELTLINE, SIDE, RIGHT	
8		I/O PANEL ASSEMBLY (SEE FIGURE 3)	
9	75198500	ISOLATOR, I/O PANEL	
10	92615005	WASHER, FIBRE	
11	10125607	WASHER, FLAT, 10	
12	40016107	WI CABLE ASSEMBLY	S/C 11 & BLW
12	40016122	WI CABLE ASSEMBLY	S/C 12 & ABV
	24515100	PLUG, 5 WIRE	S/C 11 & BLW
	17634303	PLUG, 5 WIRE	S/C 12 & ABV
	93541023	RING, TERMINAL	S/C 11 & BLW
	93541028	TERMINAL, RING TONGUE	S/C 12 & ABV
13		CIRCUIT BREAKER BOX ASSEMBLY (SEE FIGURE 4)	
14	10127141	SCREW, MACHINE, PAN HEAD, PHILLIPS, 10-32 x 5/16	
15	15002000	CSA LABEL	S/C 12 W/35981 & ABV
16	77415200	BRACKET, I/O	
17	73630300	BRACKET, SHIPPING, UPPER	
18	75028200	BRACKET, SHIPPING, LOWER	
19	76373000	BAR, MOUNTING, CONTROL PANEL	
20	75084600	SUPPORT, LOGIC FRAME	
21	72822800	BLOCK, SUPPORT	
22	76398400	PLATE, NUT, KEEPER	
23	76398300	CATCH, KEEPER	
24	75027500	KEEPER, BRACKET, MOUNTING	
25	75024900	HINGE, PIVOT, UPPER	
26	75024800	HINGE, PIVOT, LOWER	
27	75028100	PLATE, GUIDE, CABLE	
28	94311607	HOSE, FLEXIBLE	
29	10127111	SCREW, MACHINE, PAN HEAD, 6-32 x 1/4	
30	94323306	CABLE, NYLON	
31	94277503	BASE, MOUNTING	
32	10127130	SCREW, MACHINE, PAN HEAD, 10-24 x 5/16	
33	10125605	WASHER, FLAT, 6	
34	10126401	WASHER, LOCK, EXTERNAL TOOTH, 6	
35	10127113	SCREW, MACHINE, PAN HEAD, PHILLIPS, 6-32 x 3/8	
36	10125061	SCREW, MACHINE, HEX HEAD, 10-32 x 3/8	
37	10127142	SCREW, MACHINE, PAN HEAD, PHILLIPS, 10-32 x 3/8	
38	10126501	SCREW, MACHINE, HEX HEAD, PLAIN, 1/4-20 x 5/8	
39	10125806	WASHER, LOCK, SPRING, 1/4	
40	75028000	SHROUD, CABLE GUIDE	
41	10127120	SCREW, MACHINE, PAN HEAD, 8-32 x 1/4	
42	10126402	WASHER, LOCK, EXTERNAL TOOTH, 8	
43	94277406	STRAP, CABLE TIE	
44	76535000	BLOCK, HINGE, MOUNTING	
45	93590200	SCREW, MACHINE, PAN HEAD, 8-32 x 1.00	
46	76535100	HINGE, HOSE SUPPORT	
47	75033500	BRACKET, SPRING, MOTOR MOUNTING	S/C 07 W/035821B/35284 & BLW
48	94204269	SPRING, EXTENSION	S/C 07 W/035821B;35284 & BLW
49	73559903	CABLE, BRAKE ACTUATOR	S/C 07 W/035824B;35284 & BLW
50	94277418	STRAP, CABLE TIE	
51	93592234	SCREW, HEX WASHER HEAD, 10-24 x 1/4	



4-208B

FIGURE 2. MAIN FRAME ASSEMBLY (PAGE 1 OF 2)

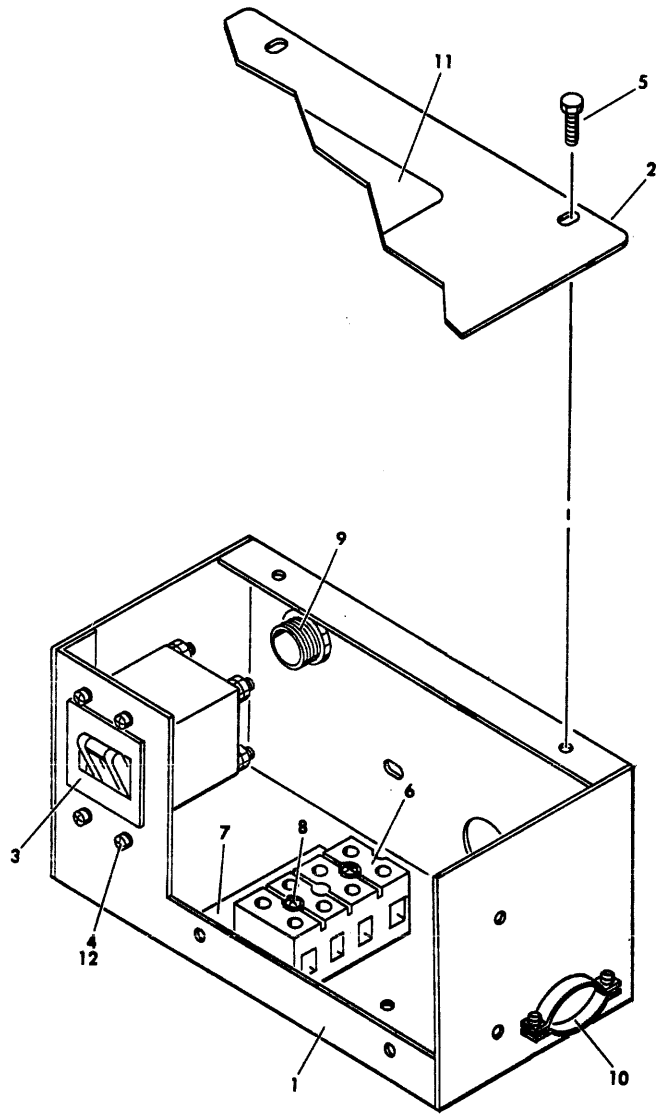
INDEX NO.	PART NUMBER	PART DESCRIPTION	NOTES
	750968xx	MAIN FRAME ASSEMBLY	
1	75029500	PLATE, NUT, CONTROL PANEL	
2	10126502	SCREW, MACHINE, HEX HEAD, PLAIN, 1/4-20 x 3/4	
3	10126403	WASHER, LOCK, EXTERNAL TOOTH, 10	
4	10127142	SCREW, MACHINE, PAN HEAD, PHILLIPS, 10-32 x 3/8	
5	10125607	WASHER, FLAT, 10	
6	40029500	BRACKET, STUD	
7	93571002	GROMMET	
8	93572001	RING, SNAP	
9	75031800	PLATE, NUT, SIDE PANEL	
10	10125062	SCREW, HEX HEAD, MACHINE, 10-32 x 1/2	
11	75030200	PLATE, NUT, FRONT PANEL	
12	76507400	PLATE, FRONT PANEL	
13	10126501	SCREW, MACHINE, HEX HEAD, PLAIN, 1/4-20 x 5/8	
14	10125608	WASHER, FLAT, 1/4	
15	10125806	WASHER, LOCK, SPRING, 1/4	
16	75007300	BRACKET, REAR PANEL	
17	75029301	BRACKET, FRONT PANEL	
18	94303500	RECEPTACLE, CLIP-IN	
19	75007400	BRACKET, SIDE PANEL	
20	93573004	STUD BRACKET	
21	94245302	ISOLATOR, VIBRATION	
22	10127143	SCREW, MACHINE, PAN HEAD, PHILLIPS, 10-32 x 1/2	
23	75040500	PLATE, NUT, FRAME	
24	75040600	BRACKET, MOUNTING, SPRING	S/C 09 W/O 35322B & BLW
25	94274140	TERMINAL, QUICK DISCONNECT	
26	75030500	ANGLE, CABLE CLAMP	
27	94359400	HOSE, AIR, FLEXIBLE	
28	94275213	CLAMP, HOSE	
29	93573007	STUD, ASSEMBLY	
30	75024205	AIR SUPPLY ASSEMBLY (SEE FIGURE 15)	
31	10126513	SCREW, MACHINE, HEX HEAD, PLAIN, 5/16-18 x 1/2	
32	10125609	WASHER, PLAIN, 5/16	
33	10126405	WASHER, LOCK, EXTERNAL TOOTH, 5/16	
34	93602322	NUT, HEX, 1/4-20	
35	75007000	SUPPORT, AIR HOSE	
36	10127123	SCREW, MACHINE, PAN HEAD, PHILLIPS, 8-32 x 1/2	
37	10125106	NUT, HEX, 8-32	
38	10126402	WASHER, LOCK, EXTERNAL TOOTH, 8	
39	15001200	PLATE, IDENTIFICATION, CABINET	
40	15000700	PLATE, IDENTIFICATION	
41	94312902	CLIP, CABLE	
42	760258xx	FRAME, MAIN	S/C 09 W/35322B & ABV
42	764013xx	FRAME, MAIN	S/C 09 W/O 35322B & BLW
43	75081601	FINAL GROUNDING ASSEMBLY	
	53714400	TERMINAL BLOCK, GROUNDING	
	94297004	CABLE, GROUND	
	94297000	CABLE, GROUND	
	94297009	CABLE, GROUND	
	94297001	CABLE, GROUND	
	93267009	SHIELDING, ELECTRICAL	
	93592202	SCREW, MACHINE, HEX HEAD, 8-32 x 1/2	
44	75029300	BRACKET, FRONT PANEL	
45	10126105	WASHER, LOCK, INTERNAL TOOTH, 10	



4-323A

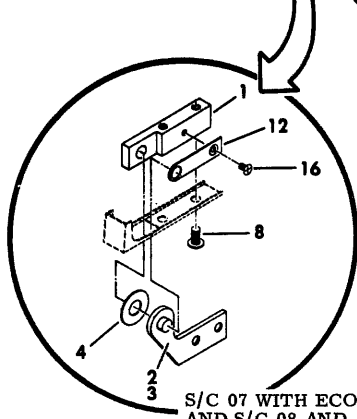
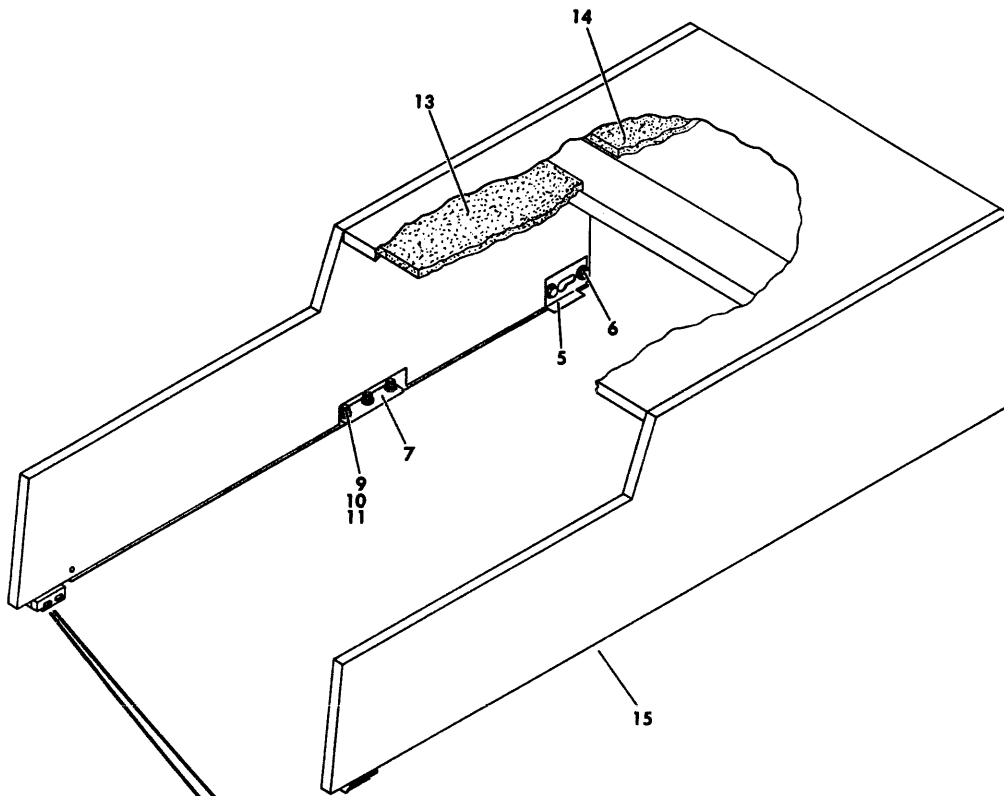
FIGURE 3. I/O PANEL ASSEMBLY (PAGE 1 OF 2)

INDEX NO.	PART NUMBER	DESCRIPTION	APPLICATION
	75199311	I/O PANEL ASSEMBLY	
1		NOT APPLICABLE	
2	94281201	CONNECTOR (75 PIN)	
3	93642004	CONN-CORNER GUIDE PIN	
4	94288110	SOCKET ASSY., CORNER GUIDE	
5	93643004	CONN, CORNER GUIDE PIN	
6	93643007	CONN, JACKSCREW, FEMALE	
7	77415300	PANEL, I/O	
8	94297000	CABLE, GROUND, FLAT	
9	93643006	CONN, JACKSCREW, MALE	
10	94208500	LABEL	
11	94281207	SHORT STRAIN RELIEF CLAMP	
12	10126403	WASHERS, EXT. TOOTH, LOCK, 10	
13	10127142	SCREW, PAN HEAD, 10-32 x 3/8	
14	93643005	CONN, CORNER GUIDE SOCKET	

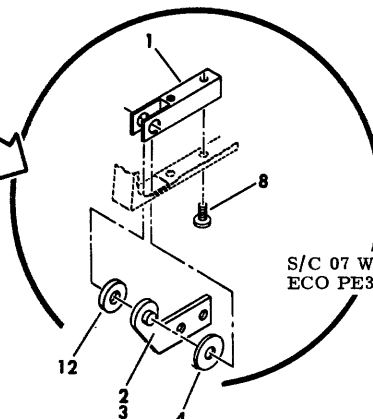


4-403A

INDEX NO.	PART NUMBER	DESCRIPTION	APPLICATION
	75032904	CIRCUIT BREAKER BOX ASSEMBLY	
1	73594801	BOX, CIRCUIT BREAKER	
2	73594903	COVER, BOX, CIRCUIT BREAKER	
3	94245211	CIRCUIT BREAKER, LONG DELAY	
4	10127111	SCREW, MACHINE, PAN HEAD, PHILLIPS, 6-32 x 1/4	
5	93592196	SCREW, MACHINE, HEX HEAD, STP, 8-32 x 1/4	
6	18946007	TERMINAL BLOCK	
7	75032100	PLATE, TERMINAL MARKING	
8	94208666	SCREW, MACHINE, PAN HEAD, PHILLIPS, 8-32 x 1-1/4	
9	92801001	CLAMP, CABLE	
10	92801002	CLAMP, CABLE	
11	46068603	PLATE, WARNING	
12	10126103	WASHER, LOCK, INTERNAL TOOTH, 6	



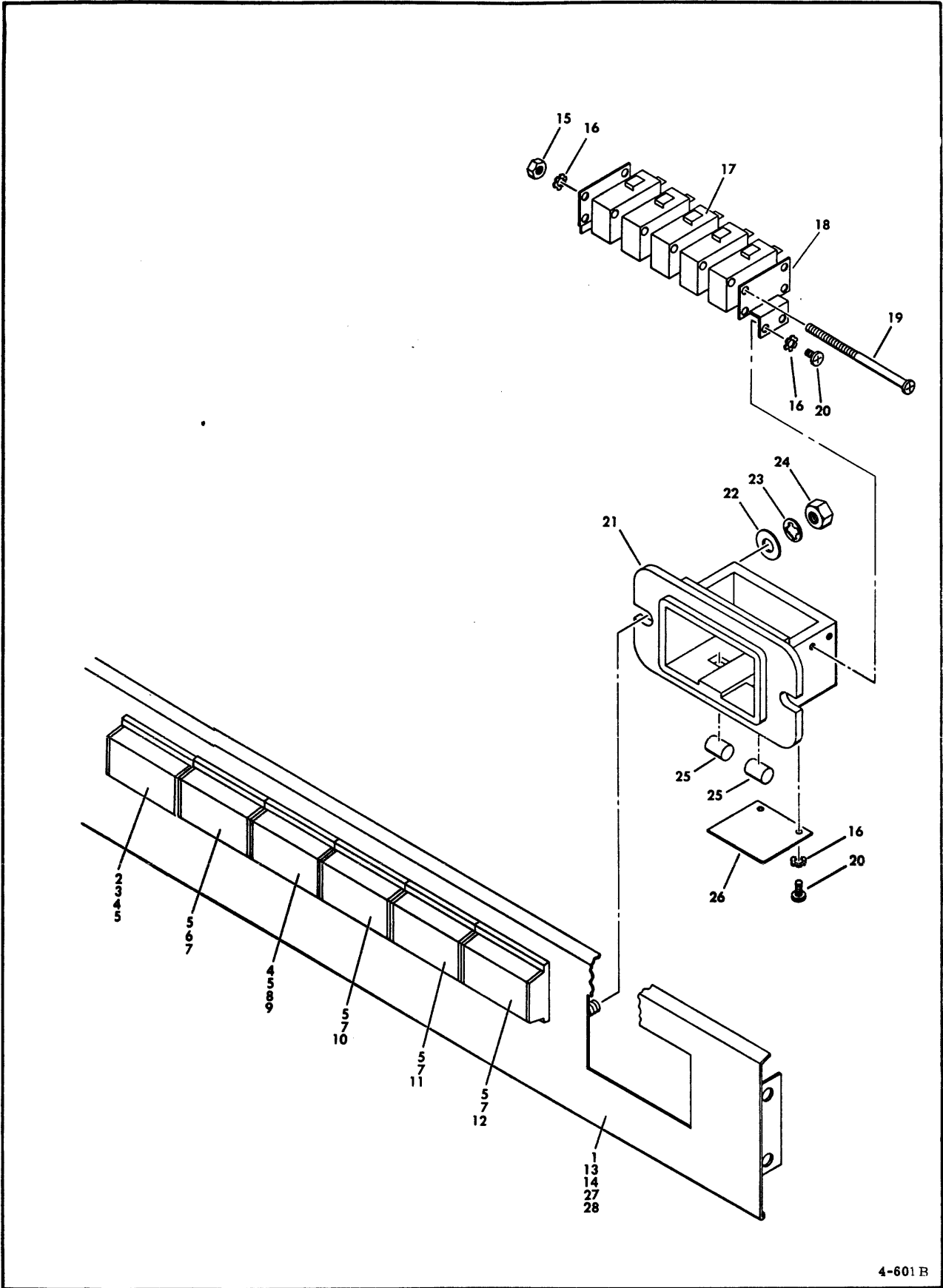
S/C 07 WITH ECO PE35254
AND S/C 08 AND ABOVE



S/C 07 WITHOUT
ECO PE35254 AND BELOW

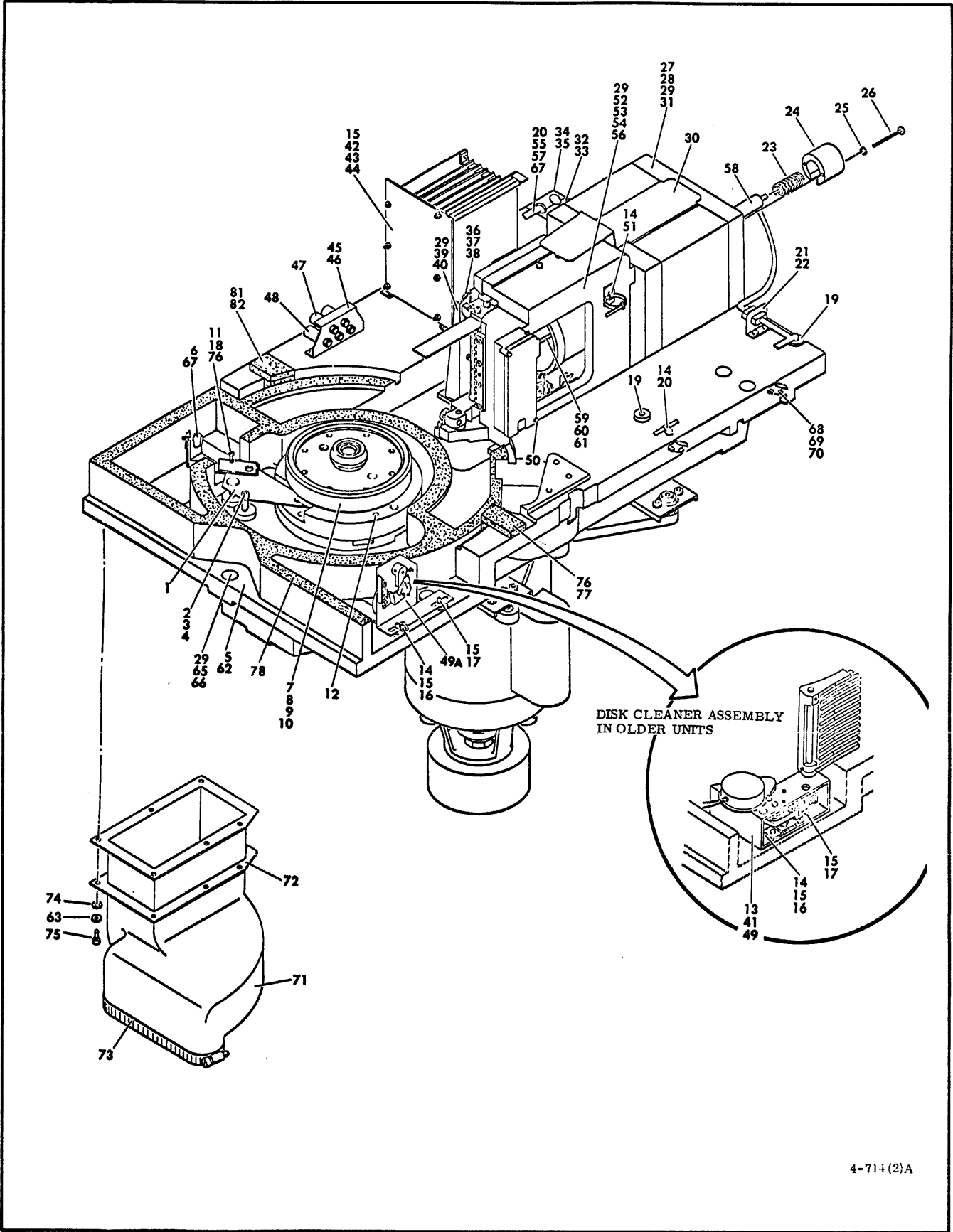
4-500C

INDEX NO.	PART NUMBER	DESCRIPTION	APPLICATION
	750032xx	TOP COVER ASSEMBLY	
1	76533100	BASE, HINGE, TOP COVER	NOTE 2
1	75023300	BASE, HINGE, TOP COVER	NOTE 1
2	76372900	SHAFT, HINGE BEARING	
3	75193700	HINGE, TOP COVER	NOTE 1
3	76533400	HINGE, TOP COVER	NOTE 2
4	93564028	WASHER, NYLON	
5	73628300	PLATE, SUPPORT ROD	
6	93592458	SCREW, MACHINE, HEX WASHER HEAD, 10-24 x 3/8	
7	75026900	GUIDE, TOP COVER	
8	93187314	SCREW, MACHINE, FLAT HEAD, HEX SOCKET, 10-32 x 1/2	
9	10125108	NUT, HEXAGON, 10-32	
10	10125607	WASHER, FLAT, 10	
11	10125403	WASHER, LOCK, EXTERNAL TOOTH, 10	
12	75193500	SPACER, HINGE	NOTE 1
12	76533300	PLATE, WEAR	NOTE 2
13	75040412	PANEL, ACOUSTICAL	
14	75040413	PANEL, ACOUSTICAL	
15	75008732	COVER, TOP	
	94281431	CABLE, GROUND	
16	10125711	SCREW, FLAT HEAD, PHILLIPS, 6-32 x 3/16	NOTE 2
NOTES:			
1. S/C 07 WITHOUT PE35254C; S/C 06 & BELOW.			
2. S/C 07 WITH PE35254C; S/C 08 & ABOVE.			



4-601 B

INDEX NO.	PART NUMBER	PART DESCRIPTION	NOTES
	75086304	CONTROL PANEL ASSEMBLY	
1	76382033	PANEL-CONTROL	
2	92335011	SWITCH, SUBMINIATURE	
3	93562048	LENS, START	
4	44440101	ACTUATOR/INDICATOR ASSEMBLY	
5	92629003	LAMP, INDICATOR	
6	93562012	LENS, LETTERED, READY	
7	44440102	ACTUATOR/INDICATOR ASSEMBLY	
8	93562112	LENS, LETTERED	
9	92335003	SWITCH, SUBMINIATURE	
10	93562131	LENS, MAINTENANCE	
11	93562285	LENS, LETTERED	
12	93600001	LENS, STANDARD	
13	94208500	LABEL	
14	94277406	STRAP, CABLE TIE	
15	10125103	SCREW, NUT-HEXAGON, MACHINE, 4-40	
16	10126400	WASHER, EXTERNAL TOOTH, LOCK, 4	
17	93984000	SWITCH, MINIATURE	
18	73228700	BRACKET, SWITCH MOUNTING	
19	92742106	SCREW, MACHINE, PAN HEAD, PHILLIPS, 4-40 x 2-1/4	
20	10127101	SCREW, MACHINE, PAN HEAD, 4-40 x 3/16	
21	73584600	SOCKET, LOGIC	
22	10125607	WASHER, PLAIN, 10	
23	10126105	WASHER, INTERNAL TOOTH, LOCK, 10	
24	10125108	NUT, HEXAGON, MACHINE, 10-32	
25	73228400	ROLLER, DETENT	
26	73228300	SPRING, DETENT	
27	94277503	BASE, MOUNTING	
28	94277416	STRAP, CABLE TIE	



DISK CLEANER ASSEMBLY
IN OLDER UNITS

4-714 (2)A

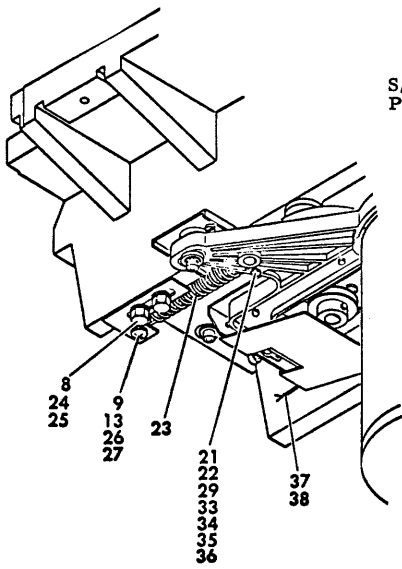
FIGURE 7. MAIN DECK ASSEMBLY (PAGE 1 OF 4)

INDEX NO.	PART NUMBER	PART DESCRIPTION	NOTES
	750951xx	MAIN DECK ASSEMBLY	
1	75006500	PLATE, BRAKE	S/N 3151 & BLW
1	76405000	PLATE, BRAKE	S/N 3152 & ABV
2	93707004	SCREW, MACHINE, HEX SOCKET, 1/4 x 3/4	
3	94205793	SPRING, COMPRESSION	
4	92373005	NYLINER, SNAP-IN	
5	75086000	DECK	S/C 07 W/O34821B;35284 & BLW
5	76404800	DECK	S/C 07 W/34821B;35284 & ABV
6	75006600	BUTTON, BRAKE	
7	73586001	SPINDLE ASSEMBLY	
	76372300	LOCKSHAFT SPINDLE	
	92033301	RING, RETAINING	
8	10126533	SCREW, MACHINE, PLAIN, HEX HEAD, 3/8-16 x 1-3/4	
9	10125808	WASHER, LOCK, SPRING, 3/8	
10	10125610	WASHER, FLAT, 3/8	
11	10127339	SCREW, MACHINE, PAN HEAD, SLOTTED, 6-32 x 1	S/N 3151 & BLW
11	93073250	SCREW, SET, SOCKET HEAD, 6-32 x 1/2	S/N 3152 & ABV
12	93530424	PIN, ROLL	
13	92731316	SCREW, MACHINE, HEX SOCKET, BUTTON HEAD, 10-32 x 1/2	
14	94277406	STRAP, CABLE TIE	
15	10125607	WASHER, FLAT, 10	
16	10126245	SCREW, MACHINE, HEX SOCKET, CAP HEAD, 10-32 x 5/8	
17	10126244	SCREW, MACHINE, HEX SOCKET, CAP HEAD, 10-32 x 1/2	
18	73604600	BRACKET, BRAKE ADJUSTMENT	S/N 3152 & ABV
19	72837700	BUSHING, INSULATOR	
20	93592202	SCREW, MACHINE, PLAIN, HEX HEAD, STP, 8-32 x 1/2	
21	72823900	BRACKET, CONNECTOR, 3 PIN	
22	93592196	SCREW, MACHINE, PLAIN, HEX HEAD, STP, 8-32 x 1/4	
23	94206431	SPRING, COMPRESSION	
24	70726001	CAP, END, TRANSDUCER	
25	10125804	WASHER, SPRING LOCK, 8	
26	10127353	SCREW, MACHINE, PAN HEAD, PHILLIPS, 8-32 x 1-1/4	
27	76470600	MAGNET ASSEMBLY	S/C 08 & ABV
27	72824300	MAGNET ASSEMBLY	S/C 07 & BLW
28	93115374	SCREW, MACHINE, HEX SOCKET, CAP HEAD, 2-20 x 1/4	
29	10125608	WASHER, FLAT, 1/4	
30	46484000	COVER, MAGNET	
31	95027403	TAPE, FOAM	
32	93532207	PIN, ROLL	
33	72826001	BLOCK, CLAMP, HARNESS, RIGHT	
34	72825900	BLOCK, CLAMP, HARNESS, LEFT	
35	17901508	SCREW, MACHINE, PAN HEAD, PHILLIPS, STP, 6-32 x 1/4	
36	10126213	SCREW, MACHINE, HEX SOCKET, CAP HEAD, 4-40 x 3/8	
37	10125801	WASHER, SPRING LOCK, 4	
38	73566400	CLAMP, CABLE, HEAD	
39	10126253	SCREW, MACHINE, HEX SOCKET, CAP HEAD, 1/4-20 x 3/8	

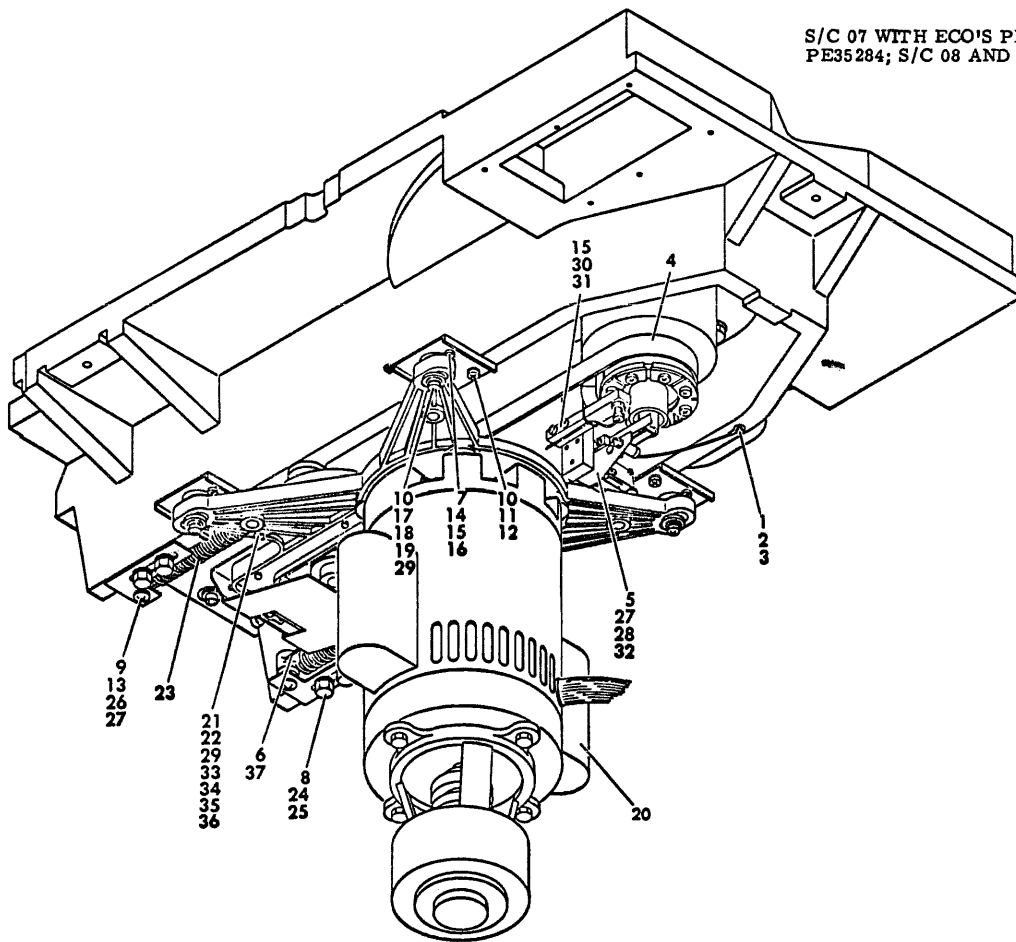
FIGURE 7. MAIN DECK ASSEMBLY (PAGE 2)

INDEX NO.	PART NUMBER	PART DESCRIPTION	NOTES
40	93530081	PIN, ROLL	
41	76382100	FOAM, ACOUSTIC	
42	10127142	SCREW, MACHINE, PAN HEAD, PHILLIPS, 10-32 x 3/8	
43	10126105	WASHER, LOCK, INTERNAL TOOTH, 10	
44		R/W PIN AND GUIDE ASSEMBLY (SEE FIGURE 10)	
45	10126243	SCREW, MACHINE, HEX SOCKET, CAP HEAD, 10-32 x 3/8	
46	73837500	BRACKET, MOUNTING, CAPACITOR	
47	94348300	FILTER, R.F.	
48	94348203	CAPACITOR, FEED-THRU	
49	72849904	DISK CLEANER ASSEMBLY	60 HZ, S/C 09 W/O35634C & BLW
49	72849905	DISK CLEANER ASSEMBLY	50 HZ, S/C 09 W/O35634C & BLW
49A	76043100	TIMING MOTOR ASSEMBLY	60 HZ, S/C 09 W/35634C & ABV
49A	76043101	TIMING MOTOR ASSEMBLY	50 HZ, S/C 09 W/35634C & ABV
	73488504	BRUSH MOTOR ASSEMBLY	
	36159808	SWITCH, PIVOT LEVER, INTEGRAL	
50	93592484	SCREW, MACHINE, HEXAGON, WASHER HEAD, 4-40 x 5/16	
51	94277503	BASE, MOUNTING	
52		ACTUATOR ASSEMBLY (SEE FIGURE 11)	
53	94047033	WASHER, SPECIAL	
54	10126256	SCREW, MACHINE, HEX SOCKET, CAP HEAD, 1/4-20 x 3/4	
55	93592200	SCREW, TPG, HEX HEAD, 8-32 x 3/8	
56	10126260	SCREW, MACHINE, HEX SOCKET, CAP HEAD, 1/4-20 x 1-1/2	
57	77383400	DECK HARNESS ASSEMBLY	
58	73618900	TRANSDUCER AND CONNECTOR ASSEMBLY	
	76501000	TRANSDUCER ROD ASSEMBLY	
59	70729304	ROD, EXTENSION	
60	72835800	STOP, SHIM	
61	94047048	WASHER, SPECIAL	
62	94208500	LABEL	
63	10126103	WASHER, LOCK, INTERNAL TOOTH, 6	
64	10126247	SCREW, MACHINE, CAP HEAD, HEX SOCKET, 10-32 x 7/8	
65	10126504	SCREW, MACHINE, HEX HEAD, 1/4-20 x 1	
66	10125806	WASHER, SPRING LOCK, 1/4	
67	10125105	NUT, HEX, MACHINE, 6-32	
68	94356902	CATCH, SPRING	
69	10127112	SCREW, MACHINE, PAN HEAD, PHILLIPS, 6-32 x 5/16	
70	94047047	WASHER, SPECIAL, 4	
71	73676800	BOOT, AIR INLET	
72	75023500	PLATE, BOOT SUPPORT	
73	94275221	CLAMP, HOSE	
74	10125605	WASHER, FLAT, 6	
75	10126218	SCREW, MACHINE, HEX SOCKET, CAP HEAD, 6-32 x 3/8	
76	94001126	FOAM, TAPE	
77	94001149	FOAM, TAPE	
78	94001102	FOAM, TAPE	S/C 12 W/35856C & ABV

FIGURE 7. MAIN DECK ASSEMBLY (PAGE 2 CONT'D)



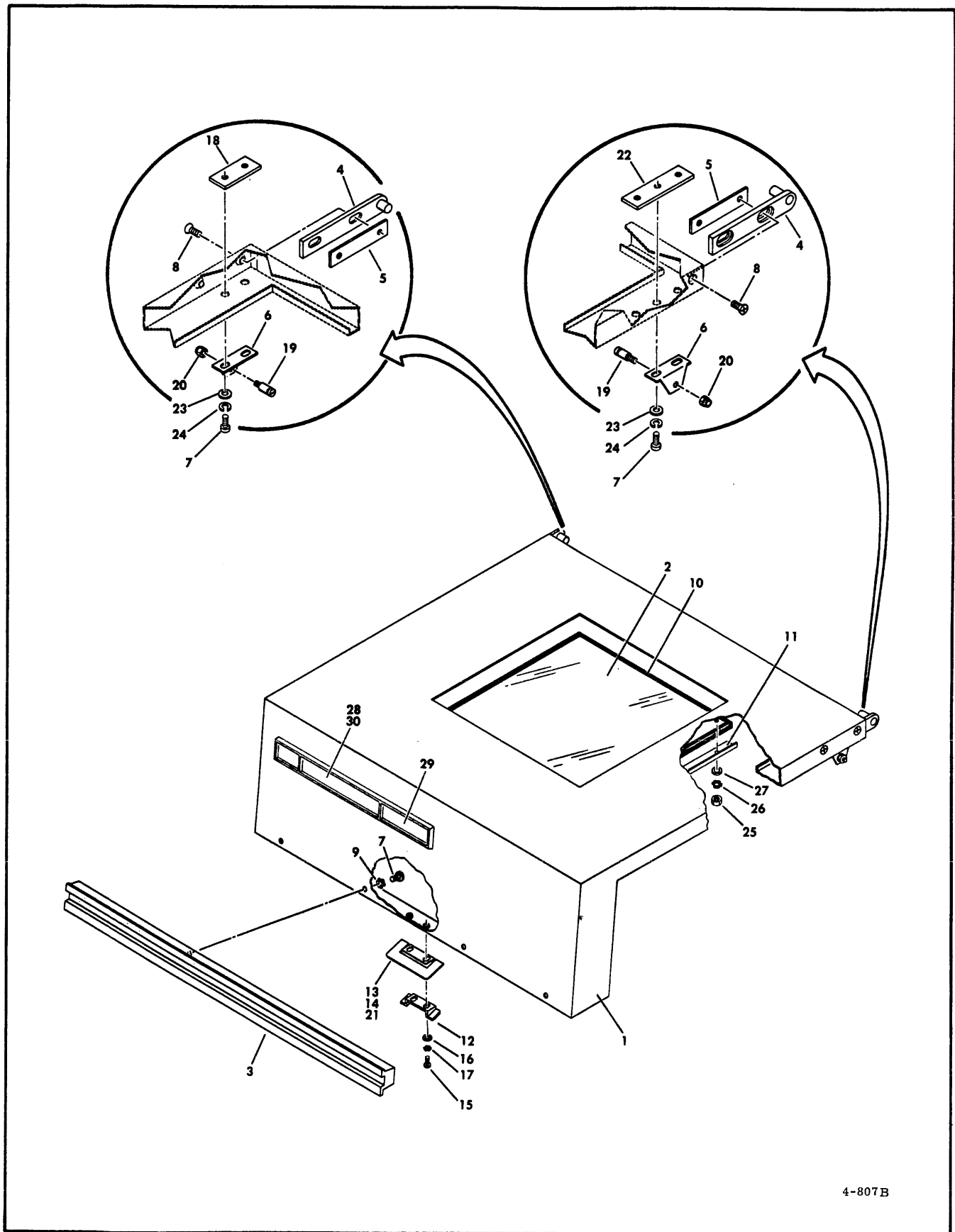
S/C 07 WITHOUT ECO'S PE34821,
PE35284; S/C 06 AND BELOW.



S/C 07 WITH ECO'S PE34821,
PE35284; S/C 08 AND ABOVE.

4-7 (3)A

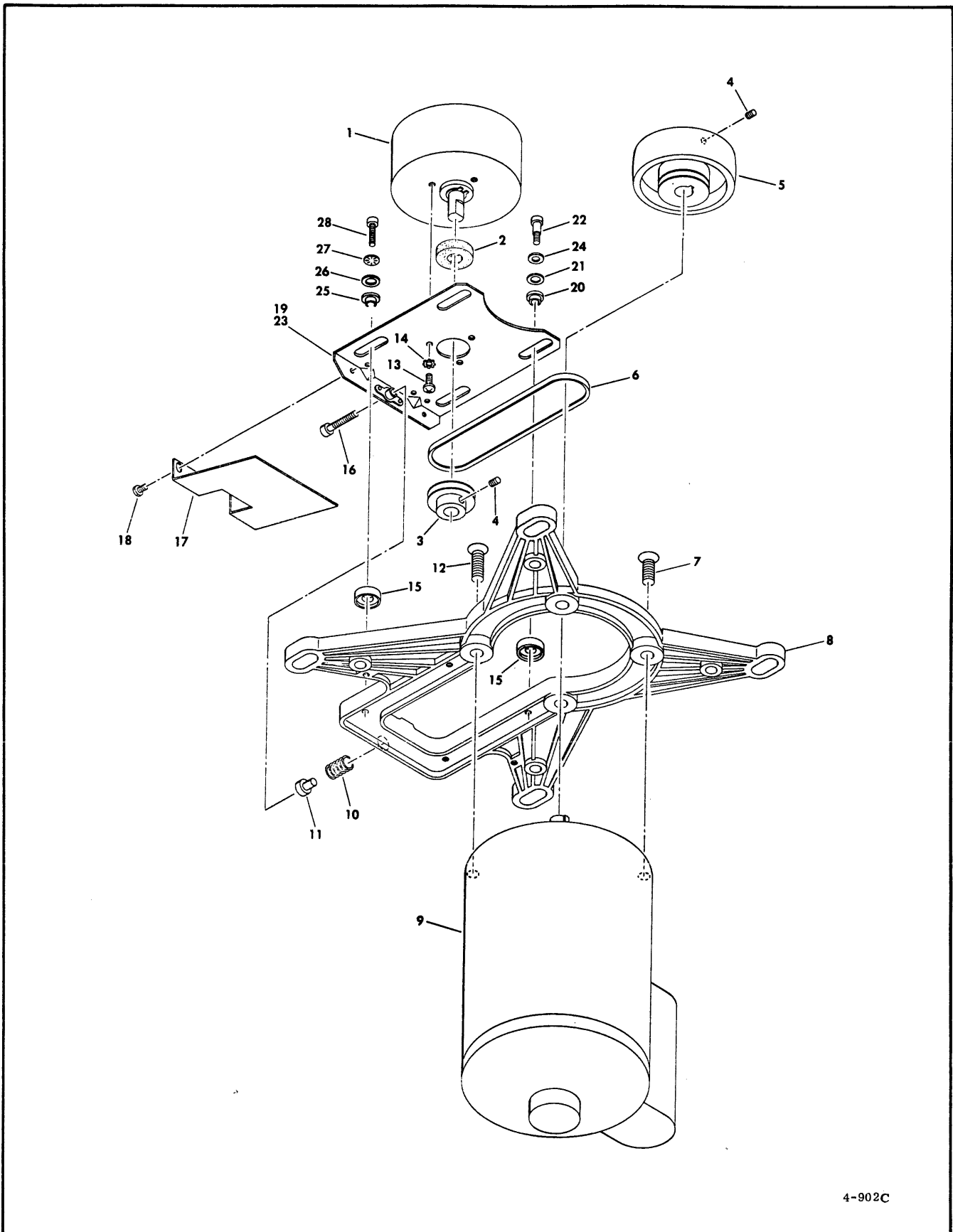
INDEX NO.	PART NUMBER	PART DESCRIPTION	NOTES
		MAIN DECK ASSEMBLY	
1	94281419	CABLE, GROUND	
2	93592196	SCREW, MACHINE, HEX HEAD, PLAIN, STP, 8-32 x 1/4	
3	10126104	WASHER, LOCK, INTERNAL TOOTH, 8	
4	92314087	BELT, DRIVE, FLAT	
5		PACK SENSOR ASSEMBLY (SEE FIGURE 14)	
6	94369513	CABLE, GROUND	
7	10127348	SCREW, MACHINE, PAN HEAD, SLOTTED, 8-32 x 1/2	
8	10125608	WASHER, FLAT, 1/4	
9	72806502	STAND-OFF SPRING	
10	10125805	WASHER, SPRING LOCK, 10	
11	10127380	SCREW, MACHINE, PAN HEAD, PHILLIPS, 10-32 x 1/2	
12	76376200	BRACKET, SHOCK MOUNT	
13	10127158	SCREW, MACHINE, PAN HEAD, PHILLIPS, 1/4-20 x 1-1/4	
14	10125106	NUT, HEXAGON, 8-32	
15	10126402	WASHER, LOCK, EXTERNAL TOOTH, 8	
16	94243003	MOUNT, SHOCK	
17	73671300	INSULATOR, MOTOR MOUNTING	
18	10125066	SCREW, MACHINE, HEX HEAD, 10-32 x 1	
19	75174300	WASHER, BACKING	
20		DRIVE MOTOR AND BRAKE ASSEMBLY (SEE FIG. 9)	
21	72806500	SPRING, STANDOFF	
22	10127142	SCREW, MACHINE, PAN HEAD, PHILLIPS, 10-32 x 3/8	
23	40024201	SPRING, IDLER	S/C 10 W/O 35745B & BLW
23	77530000	SPRING, IDLER	S/C 10 W/35745B & ABV
24	75093400	BRACKET, MOUNTING, SPRING	
25	10126500	SCREW, MACHINE, HEX HEAD, PLAIN, 1/4-20 x 1/2	
26	92071004	NUT, HEX, 1/4-20	
27	10125806	WASHER, SPRING LOCK, 1/4	
28	76395500	SPEED SENSOR ASSEMBLY	
	93552001	HEAD, MAGNETIC PICKUP	
	73586800	BRACKET, MOUNTING, SENSOR	
	94277400	STRAP, CABLE TIE	
29	75174200	WASHER, SLIDE	
	94224671	LABEL, INFORMATION	
30	10125606	WASHER, PLAIN, 8	
31	10126229	SCREW, HEXAGON, SOCKET HEAD, CAP, 8-32 x 7/8	
32	10126258	SCREW, MACHINE, SOCKET HEAD, 1/4-32 x 7/8	
33	10125607	WASHER, FLAT, 10	
34	10127386	SCREW, MACHINE, PAN HEAD, 10-32 x 1-1/2	
35	10125108	NUT, HEXAGON, 10-32	
36	10126403	WASHER, LOCK, EXTERNAL TOOTH, 10	
37	93592198	SCREW, TPG, HEX, 8-32 x 5/16	



4-807B

FIGURE 8. PACK ACCESS COVER ASSEMBLY (PAGE 1 OF 2)

INDEX NO.	PART NUMBER	PART DESCRIPTION	NOTES
	750033xx	PACK ACCESS COVER ASSEMBLY	S/C 07 & ABV
	770033xx	PACK ACCESS COVER ASSEMBLY	S/C 06 & BLW
1	76471633	COVER, PACK ACCESS	S/C 08 W/35227A;S/C 09;S/C 10; S/C 11 W/O 35814
1	73633233	COVER, PACK ACCESS	S/C 08 W/35227A & BLW
1	77383833	COVER, PACK ACCESS	S/C 11 W/35814 & ABV
2	94260012	GLASS, TRANSPARENT, LIGHT BLUE	
3	75029447	HANDLE, COVER, PACK ACCESS	S/C 08 W/O 35361A & BLW
3	75029433	HANDLE, COVER, PACK ACCESS	S/C 08 W/35361A & ABV
4	76536000	HINGE, PACK COVER	
5	75030100	PLATE, NUT LOCKING	
6	76400200	BRACKET, GAS SPRING	
7	10127143	SCREW, MACHINE, PAN HEAD, 10-32 x 1/2	
8	10126023	SCREW, HEX SOCKET, FLAT HEAD, 10-32 x 1/2	
9	10126403	WASHER, LOCK, EXTERNAL TOOTH, 10	
10	94073000	EXTRUSION, RUBBER	
11	75025600	CLAMP, WINDOW	S/C 08 W/O 35227A & BLW
11	76470900	CLAMP, WINDOW	S/C 08 W/35227A & ABV
12	76375400	PLATE, LATCH	
13	92032020	RIVET, OPEN END, POP TYPE	
14	46948200	LATCH, PACK ACCESS COVER	
15	10127113	SCREW, MACHINE, PAN HEAD, 6-32 x 3/8	
16	10126505	WASHER, FLAT, 6	
17	10126401	WASHER, LOCK, EXTERNAL TOOTH, 6	
18	75023200	PLATE, NUT, PACK ACCESS	
19	73229004	STUD	
20	92171005	NUT, STP, HEX STC CAT, .032	
21	73631500	SPRING, COVER, LATCH	
22	75052300	PLATE, NUT, PACK ACCESS	
23	93210009	WASHER, FLAT, 10	
24	10125805	WASHER, SPRING LOCK, 10	
25	10125106	NUT, 8-32	S/C 08 W/35227A & ABV
25	10125105	NUT, HEXAGON, 6-32	S/C 08 W/O 35227A & BLW
26	10126402	WASHER, LOCK, EXTERNAL TOOTH, 8	
27	10125606	WASHER, FLAT, 8	
28	15000600	EMBLEM, PRODUCT ID	S/C 08 W/35227A & ABV
29	94314000	EMBLEM, EXTERIOR ID	
30	94043000	NUT, SELF THREADING	
	76533902	STRIP, DECORATIVE	S/C 08 W/35361A; S/C 09; S/C 10; S/C 11 W/O 35814
	75030700	GASKET, EXTRUSION	

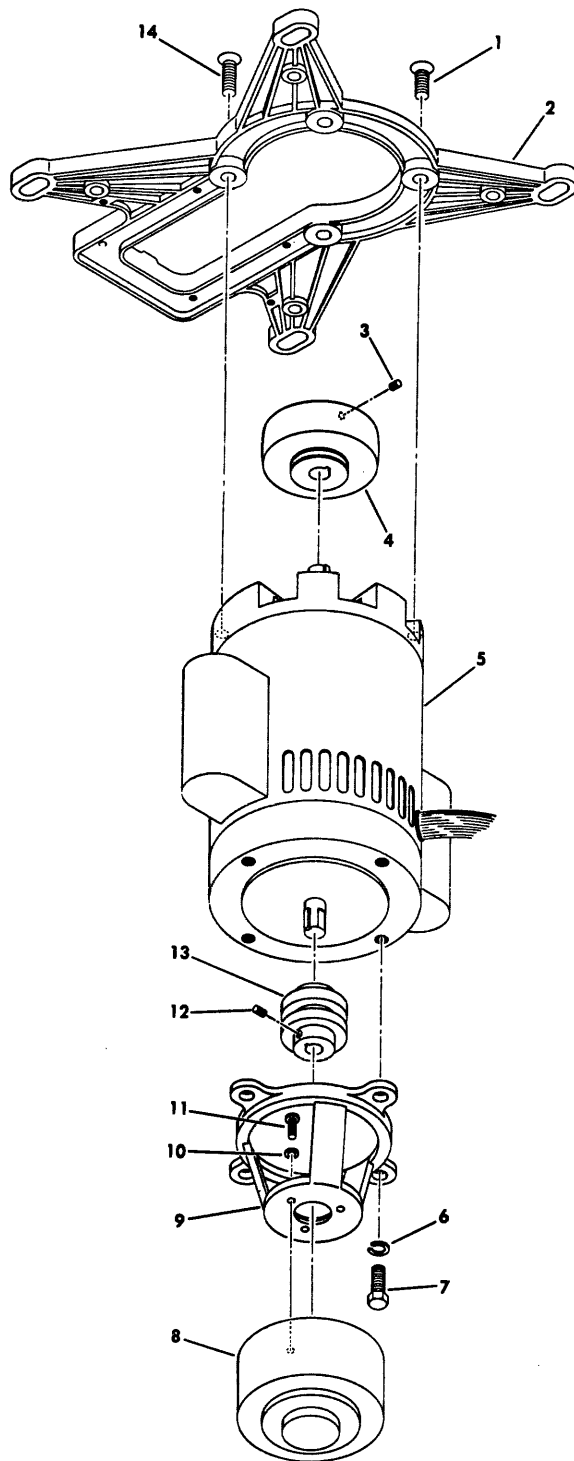


4-902C

FIGURE 9. DRIVE MOTOR & BRAKE ASSEMBLY (PAGE 1 OF 4)
S/C 11 & BELOW

INDEX NO.	PART NUMBER	PART DESCRIPTION	NOTES
1	774634xx 75094800 94259401 93948004 93942005	DRIVE MOTOR AND BRAKE ASSEMBLY BRAKE ASSEMBLY BRAKE, HYSTERESIS CONNECTOR, PLUG, 2 PIN CONTACT, PIN	
2	76521500	WASHER, FELT	
3	94311120	PULLEY, V-BELT	
4	94363660	SCREW, SET, SELF-LOCKING, 1/4-20 x 3/8	
5	75087600	PULLEY, DRIVE MOTOR	60 HZ, S/C 07 W/O 35394, 35408
5	76050804	PULLEY, DRIVE MOTOR	60 HZ, S/C 07 W/35408; S/C 08 W/O 35479
5	72806903	PULLEY, DRIVE MOTOR	60 HZ, S/C 08 W/35479 & ABV
5	72806904	PULLEY, DRIVE MOTOR	50 HZ, S/C 08 W/35479 & ABV
5	75087603	PULLEY, DRIVE MOTOR	50 HZ, S/C 07 W/O 35479 & 35408
5	75087604	PULLEY, DRIVE MOTOR	50 HZ, S/C 07 W/35394; W/O 35479
5	76050805	PULLEY, DRIVE MOTOR	50 HZ, S/C 07 W/34821B
5	72806901	PULLEY, DRIVE MOTOR	50 HZ, S/C 09 W/35632B & ABV
6	94311008	BELT, V, SPECIAL	
7	10126058	SCREW, MACHINE, HEX SOCKET, FLAT HEAD, 3/8-16 x 1-1/4	
8	73671500	BRACKET, MOTOR MOUNTING	S/C 07 W/O 34821B & BLW
8	76404500	BRACKET, MOTOR MOUNTING	S/C 07 W/34821B & ABV
9	72801103	DRIVE MOTOR ASSEMBLY	60 HZ
9	72801104	DRIVE MOTOR ASSEMBLY	50 HZ
	75094600	MOTOR, DRIVE	50 HZ
	73228800	MOTOR, DRIVE	60 HZ
	93541018	RING, TERMINAL	
	93948001	CONNECTOR, PIN HOUSING	
	93942006	PIN, CONTACT	
	93592158	SCREW, MACHINE, HEX HEAD, PLAIN, STP, 6-32 x 1/4	
	92801001	CLAMP, CABLE	
	94277400	STRAP, CABLE TIE	
10	93297007	SPRING, COMPRESSION	
11	76052400	SLEEVE, COMPRESSION SPRING	
12	10126503	SCREW, HEX, SOCKET HEAD, 1-1/43 x 8-16	
13	10127143	SCREW, PAN HEAD, MACHINE, 10-32 x 1/2	
14	10126403	WASHER, LOCK, EXTERNAL TOOTH, 10	
15	76052800	WASHER, CAP FRICTION	
16	92805326	SCREW, MACHINE, HEX SOCKET, CAP HEAD, 1/4-28 x 1-1/4	
17	75198700	COVER, PULLEY	
18	93592196	SCREW, HEX HEAD, STP, 8-32 x 1/4	
19	76052500	PLATE - MOUNTING, BRAKE	
20	76052900	STANDOFF - FRICTION	
21	94047061	WASHER, SPECIAL	
22	92541062	SCREW, SHOULDER	
23	94368700	LABEL	
24	95311502	WASHER, CURVED	
25	77423900	WASHER, SHOULDER	
26	10125607	WASHER, FLAT	
27	10126105	WASHER, INTERNAL LOCK, 10	
28	10126246	SCREW, SOCKET HEAD, 1/4-20 x .75	

FIGURE 9. DRIVE MOTOR AND BRAKE ASSEMBLY (PAGE 2)
S/C 11 & BELOW

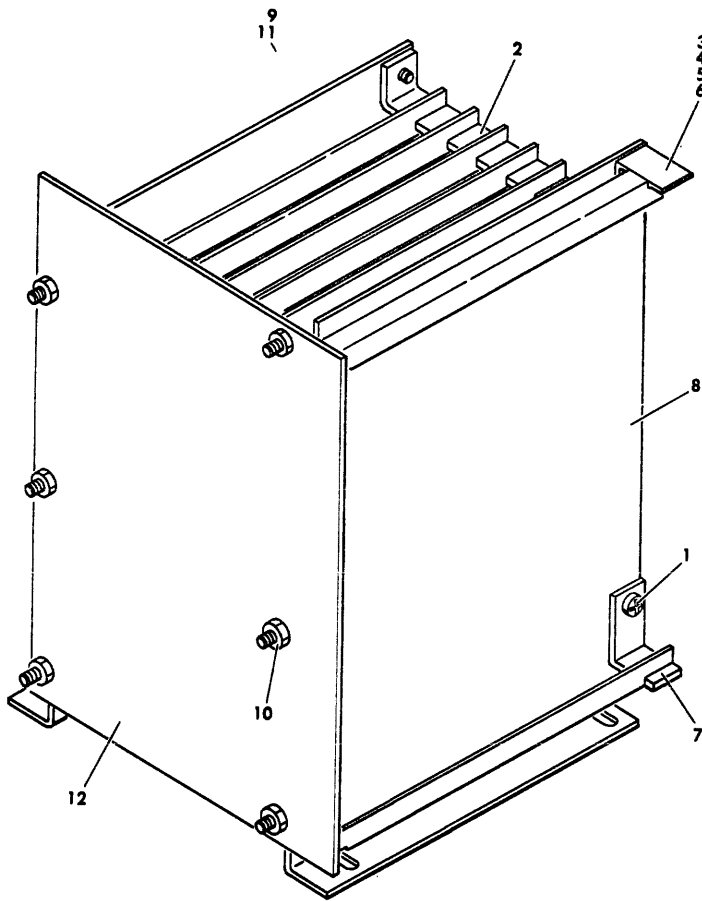


4-904A

FIGURE 9. DRIVE MOTOR AND BRAKE ASSEMBLY (PAGE 3)
S/C 12 & ABOVE

INDEX NO.	PART NUMBER	PART DESCRIPTION	NOTES
	77431600	DRIVE MOTOR & BRAKE ASSEMBLY	60 HZ
	77431601	DRIVE MOTOR & BRAKE ASSEMBLY	50 HZ
1	10126052	SCREW, HEX, SOCKET, FLAT HEAD, 3/8-16 x 1	
2	76404500	BRACKET, MOTOR MOUNTING	
3	94363660	SCREW, SET-SOCKET HEAD, SELF LOCKING, 1/4-20 x 3/8	
4	72806903	PULLEY, DRIVE MOTOR	60 HZ
4	72806904	PULLEY, DRIVE MOTOR	50 HZ
5	77431500	DRIVE MOTOR ASSEMBLY	60 HZ
5	77431501	DRIVE MOTOR ASSEMBLY	50 HZ
	77430700	MOTOR, DOUBLE END	60 HZ
	77430800	MOTOR, DOUBLE END	50 HZ
	93942006	CONTACT PIN	
6	10125808	WASHER, SPRING LOCK, 3/8	
7	10126530	SCREW, PLAIN HEX HEAD, 3/8-16 x 1	
8	75094800	BRAKE ASSEMBLY	
	94259401	BRAKE, HYSTERESIS	
	93948004	CONNECTOR, PIN, HOUSING	
	93942009	CONTACT, PIN	
	94277409	STRAP, CABLE TIE	
9	77420000	MOUNT, MOTOR BRAKE	
10	10125805	WASHER, SPRING LOCK, 10	
11	10127144	SCREW, PAN HEAD, MACHINE, 10-32 x 5/8	
12	94363646	SCREW, SET-SOCKET HEAD, 10-24 x 3/8	
13	77424100	COUPLING, FLEXIBLE	
14	10126053	SCREW, HEX, SOCKET, FLAT HEAD, 3/8-16 x 1	

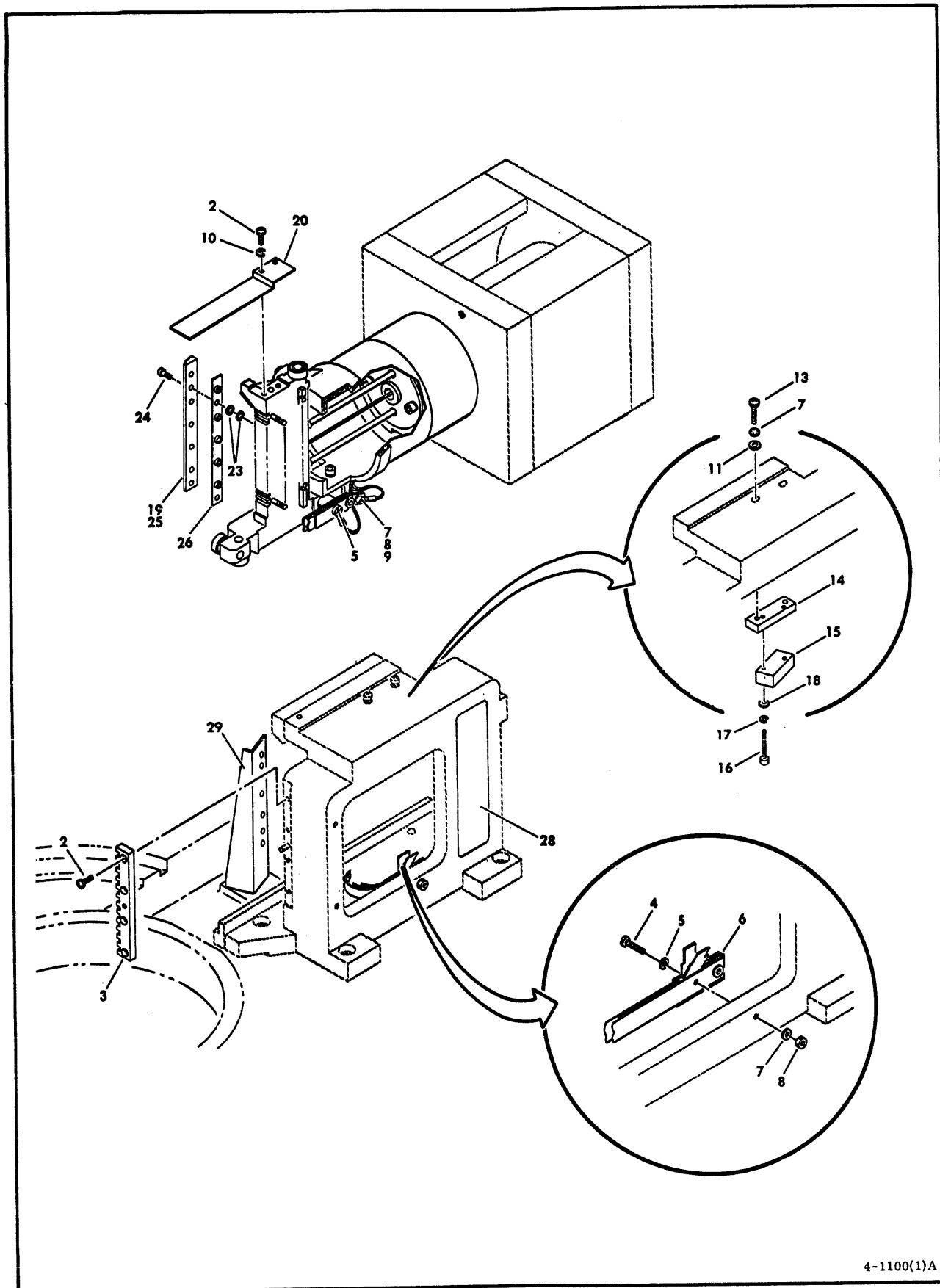
FIGURE 9. DRIVE MOTOR AND BRAKE ASSEMBLY (PAGE 4)
S/C 12 & ABOVE



4-1000A

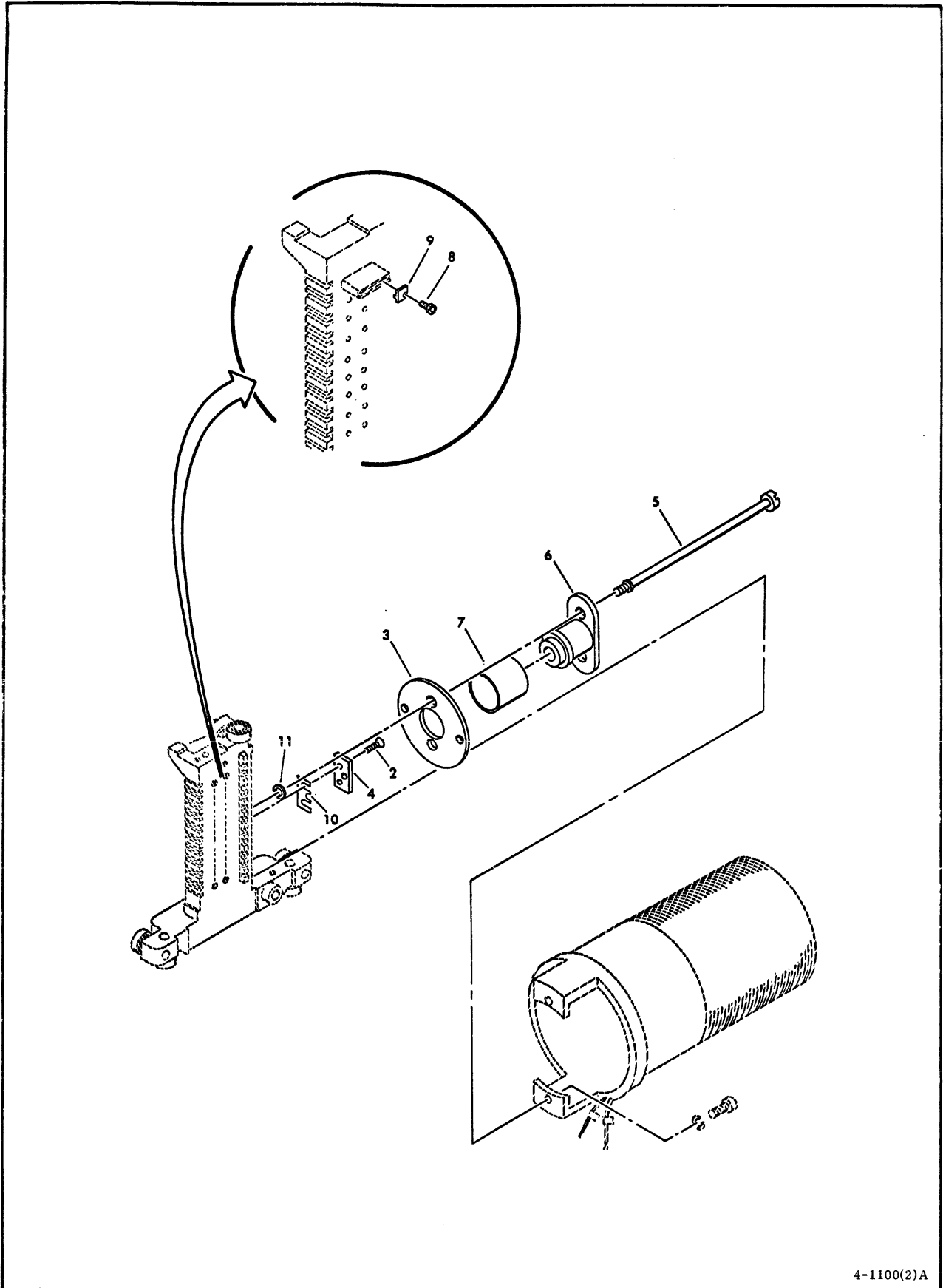
FIGURE 10. R/W PIN AND GUIDE ASSEMBLY (PAGE 1 OF 2)

INDEX NO.	PART NUMBER	DESCRIPTION	APPLICATION
	75095703	READ/WRITE PIN AND GUIDE ASSEMBLY	
1	17901508	SCREW, MACHINE, PAN HEAD, PHILLIPS, 6-32 x 1/4	
2	72807400	GUIDE, CARD	
3	10127111	SCREW, MACHINE, PAN HEAD, PHILLIPS, 6-32 x 1/4	
4	10126401	WASHER, LOCK, EXTERNAL TOOTH, 6	
5	10125105	NUT, HEXAGON, 6-32	
6	72807701	RAIL, GUIDE	
7	72807700	RAIL, GUIDE	
8	72807500	BRACKET, CARD GUIDE, LEFT	
9	72807600	BRACKET, CARD GUIDE, RIGHT	
10	92071005	NUT, HEXAGON, 6-32	
11	10125605	WASHER, FLAT, 6	
12	72828405	WIRE WRAP PANEL ASSEMBLY	



4-1100(1)A

INDEX NO.	PART NUMBER	DESCRIPTION	APPLICATION
1	73475202*	ACTUATOR ASSEMBLY	
2	10126218	SCREW, MACHINE, CAP HEAD, HEX SOCKET, 6-32 x 3/8	
3	72842700	CAM, HEAD	
4	94350501	SCREW, INSULATED	
5	93564032	WASHER, NYLON	
6	72847100	CONDUCTOR, FLEXIBLE	
7	10126103	WASHER, LOCK, INTERNAL TOOTH, 6	
8		NOT APPLICABLE	
9	10127332	SCREW, MACHINE, PAN HEAD, SLOTTED, 6-32 x 1/4	
10	10125803	WASHER, LOCK, SPRING, 6	
11	10125605	WASHER, FLAT, 6	
12		NOT APPLICABLE	
13	10127113	SCREW, MACHINE, PAN HEAD, PHILLIPS, 6-32 x 3/8	
14	73489400	BRACKET, SWITCH	
15	93786005	SWITCH, MINIACTUATOR	
16	10126215	SCREW, MACHINE, CAP HEAD, HEX SOCKET, 4-40 x 5/8	
17	10125801	WASHER, LOCK, SPRING, 4	
18	10125603	WASHER, FLAT, 4	
19	72829000	CLAMP, PLATE, CABLE	
20	73240901	SHIELD, HEAD	
21		NOT APPLICABLE	
22		NOT APPLICABLE	
23	10125603	WASHER, FLAT, 4	
24	10126213	SCREW, MACHINE, CAP HEAD, HEX SOCKET, 4-40 x 3/8	
25		NOT APPLICABLE	
26		NOT APPLICABLE	
27		NOT APPLICABLE	
28	94224664	LABEL, HEAD LOCATION INFORMATION	
29	73632100	BRACKET, MOUNTING, HEAD CLAMP	
		NOTE: ONLY THOSE PARTS LISTED ARE FIELD REPLACEABLE. IF IT BECOMES NECESSARY TO REPLACE PARTS OTHER THAN THOSE LISTED, REPLACEMENT OF THE ENTIRE ACTUATOR ASSEMBLY IS REQUIRED.	
		*WHEN ORDERING AN ACTUATOR ASSEMBLY FOR REPLACEMENT ALSO ORDER ONE SHIM ASSORTMENT P/N 75039400, FOR EACH ACTUATOR ASSEMBLY BEING REPLACED.	



4-1100(2)A

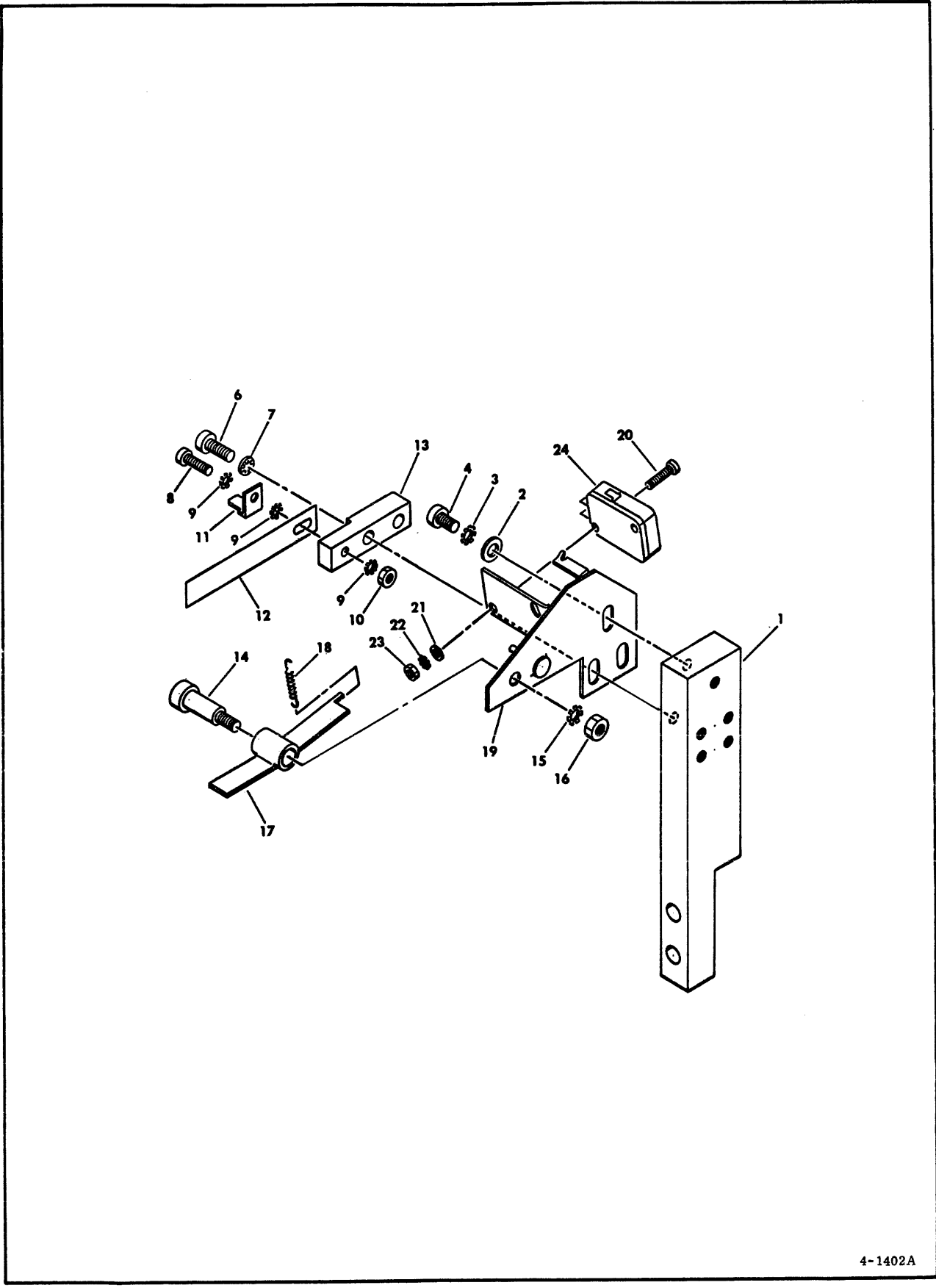
INDEX NO.	PART NUMBER	DESCRIPTION	APPLICATION
1		ACTUATOR ASSEMBLY	
2	10126006	NOT APPLICABLE	
3	70725900	SCREW, MACHINE, FLAT HEAD, HEX SOCKET, 6-32 x 3/8	
4	72835800	PLATE, STOP	
5	70728903	SHIM, STOP, CARRIAGE	
6	70728903	ROD, STOP	
7	72835400	STOP, CARRIAGE	
8	72815100	SPACER, STOP, CARRIAGE	
9	10126213	SCREW, MACHINE, CAP HEAD, HEX SOCKET, 4-40 x 3/8	
10	73228200	PLATE, ARM CLAMP	
11	72835800	SHIM, STOP	
	94047048	WASHER, SPECIAL SHIM	
		NOTE: ONLY THOSE PARTS LISTED ARE FIELD REPLACEABLE. IF IT BECOMES NECESSARY TO REPLACE PARTS OTHER THAN THOSE LISTED, REPLACEMENT OF THE ENTIRE ACTUATOR ASSEMBLY IS REQUIRED.	

FIGURE 12

NOT APPLICABLE

FIGURE 13

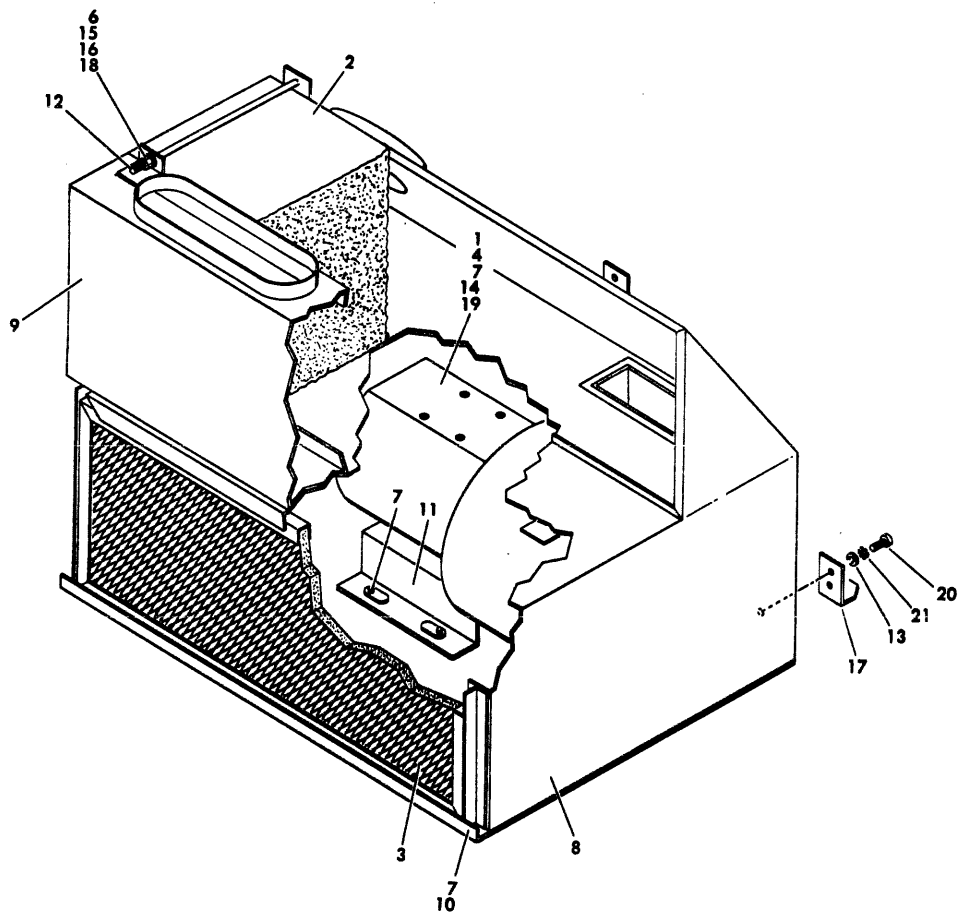
NOT APPLICABLE



4-1402A

INDEX NO.	PART NUMBER	PART DESCRIPTION	NOTES
	73586100	PACK SENSOR ASSEMBLY	
1	73586600	MOUNT-SWITCH	
2	10125606	WASHER, PLAIN, 8	
3	10126402	WASHER, LOCK, EXTERNAL TOOTH, 8	
4	10127122	SCREW, MACHINE, PAN HEAD, 8-32 x 3/8	
5		NOT APPLICABLE	
6	10127124	SCREW, MACHINE, PAN HEAD, 8-32 x 5/8	
7	10126104	WASHER, LOCK, INTERNAL TOOTH, 8	
8	10127336	SCREW, MACHINE, PAN HEAD, 6-32 x 5/8	
9	10126401	WASHER, LOCK, EXTERNAL TOOTH, 6	
10	10125105	NUT, MACHINE, HEXAGON, 6-32	
11	94274107	TERMINAL, QUICK CONNECT	
12	40054700	SPRING, STATIC GROUND	
13	73478500	BRACKET, MOUNTING, CONTACT	
14	93707002	SCREW, SOCKET HEAD, 1/4-20 x 1/2	
15	10126403	WASHER, LOCK, EXTERNAL TOOTH, 10	
16	10125107	NUT, MACHINE, HEXAGON, 10-24	
17	73587200	ARM-ACTUATOR	
18	73225300	SPRING-EXTENSION	
19	73587300	PLATE, MOUNTING	
20	10127106	SCREW, MACHINE, PAN HEAD, 4-40 x 5/8	
21	10125603	WASHER, PLAIN, 4	
22	10126400	WASHER, LOCK, EXTERNAL TOOTH, 4	
23	10125103	NUT, MACHINE, HEXAGON, 4-40	
24	93786012	SWITCH, MINI-INTEGRAL ACTUATOR	

FIGURE 14. PACK SENSOR ASSEMBLY (PAGE 2)

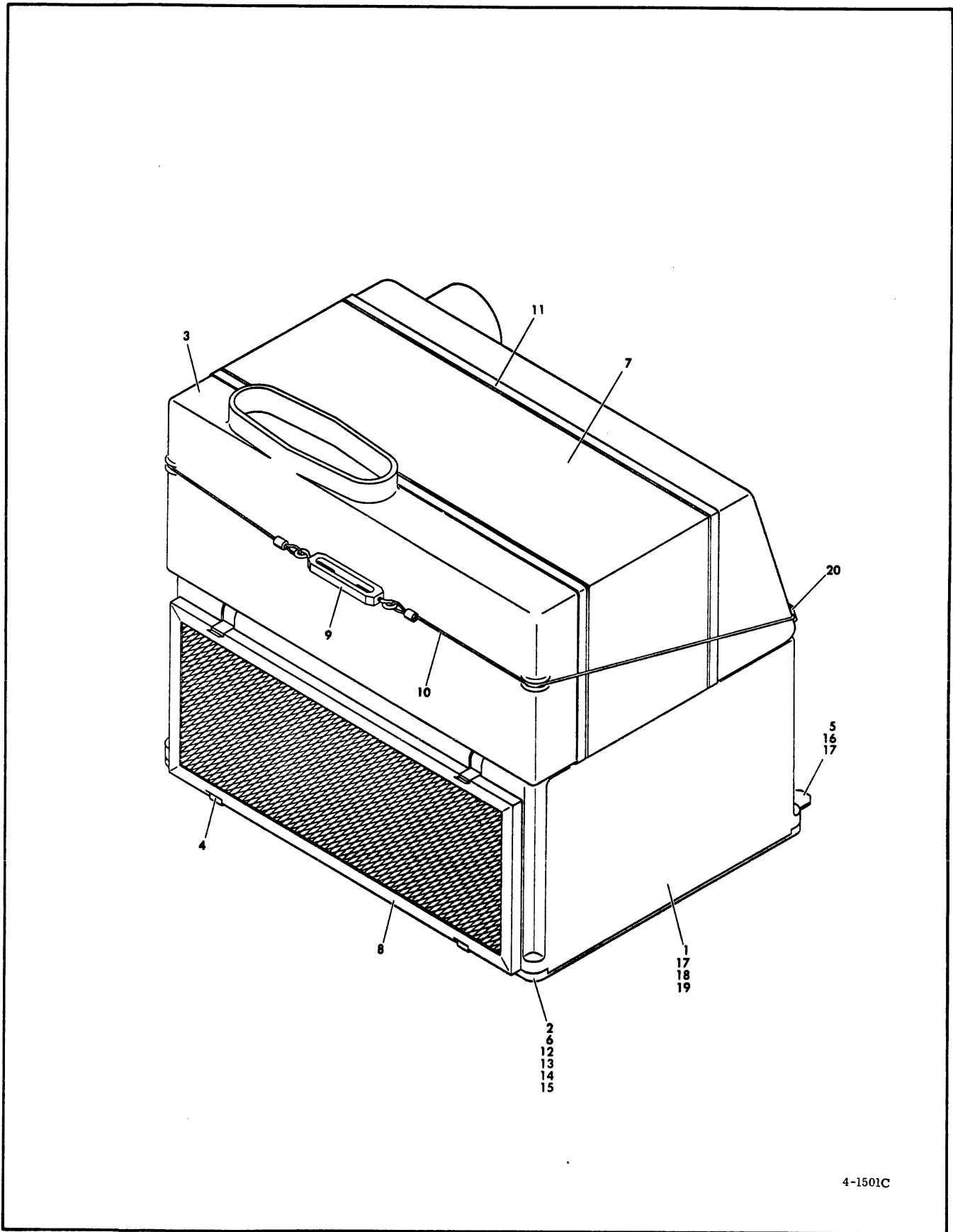


4-1500C

FIGURE 15. AIR SUPPLY ASSEMBLY (PAGE 1 OF 4)
S/C 09 WITHOUT 34866A & BELOW

INDEX NO.	PART NUMBER	PART DESCRIPTION	NOTES
	75024205	AIR SUPPLY ASSEMBLY	S/C 07 W/O 35350A & BLW
	75024206	AIR SUPPLY ASSEMBLY	S/C 07 W/35350A & ABV
1	75025200	BLOWER MOTOR ASSEMBLY	
2	94358000	FILTER	
3	00815447	FILTER, ALUMINUM	
4	92541002	SCREW, MACHINE, SHOULDER, 1/4-20	
5	10125713	SCREW, MACHINE, FLAT HEAD, PHILLIPS, 6-32 x 5/16	
6	10125107	NUT, HEXAGON, 10-24	
7	10125609	WASHER, FLAT, 5/16	
8	75094900	PLENUM, BLOWER	S/C 07 W/O 35350A & ABV
8	76026600	PLENUM, BLOWER	S/C 07 W/35350A & ABV
9	75086900	PLENUM, OUTPUT	
10	76377400	COVER, BLOWER	
11	76377500	BRACKET, BLOWER	
12	40091800	ROD, CLAMP	
13	10125606	WASHER, FLAT, 8	
14	94359600	MOUNT, SHOCK, RUBBER	
15	10125805	WASHER, SPRING LOCK, 10	
16	10125608	WASHER, FLAT, 1/4	
17	75007100	BRACKET, PLENUM	
18	10125107	NUT, HEXAGON, 10-24	
19	94359601	MOUNT, SHOCK, RUBBER	
20	10127122	SCREW, MACHINE, PAN HEAD, PHILLIPS, 8-32 x 3/8	
21	10126402	WASHER, LOCK, EXTERNAL TOOTH, 8	

FIGURE 15. AIR SUPPLY ASSEMBLY (PAGE 2)
S/C 09 WITHOUT 34866A & BELOW

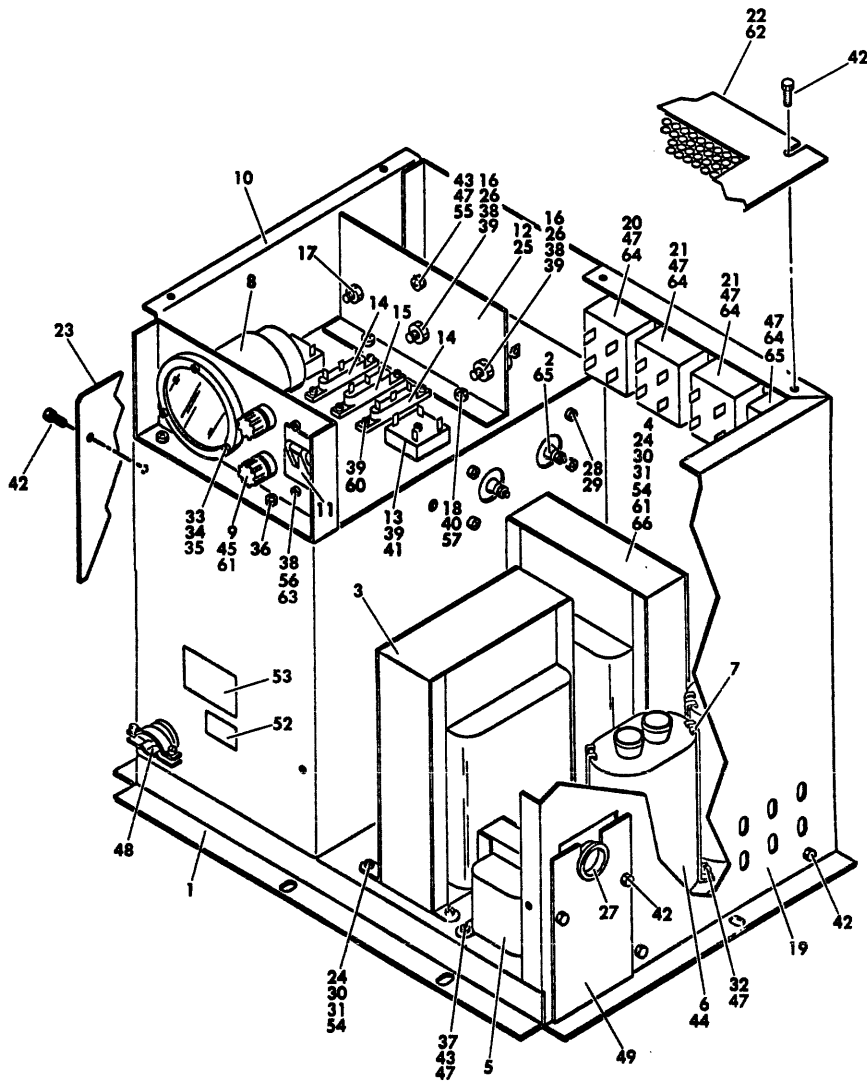


4-1501C

FIGURE 15. AIR SUPPLY ASSEMBLY (PAGE 3)
S/C 09 WITH 34866A & ABOVE

INDEX NO.	PART NUMBER	PART DESCRIPTION	NOTES
	76461300	AIR SUPPLY ASSEMBLY	
1	76380900	PLENUM, BLOWER	
2	76381000	BASE, BLOWER	
3	76381100	PLENUM, OUTPUT, DECK	
4	76462400	CLIP, SPRING	
5	76462000	BRACKET, PLENUM	
6	75025200	BLOWER MOTOR ASSEMBLY	
	94357900	BLOWER, CENTRIFUGAL	
	51837253	CONNECTOR, PLUG	
	94320402	CONTACT, PIN, TERMINAL (MALE)	
7	94358000	FILTER, AIR	
8	00815447	FILTER, ALUMINUM, WASHABLE	
9	73224400	TURNBUCKLE	
10	94323305	CABLE, NYLON	
11	94276600	TAPE, FOAM	
12	94359600	MOUNT, SHOCK-BUSHING, RUBBER	
13	94359601	MOUNT, SHOCK-BUSHING, RUBBER	
14	92541021	SCREW, SHOULDER	
15	10125609	WASHER, FLAT, 5/16	
16	92071007	NUT, HEXAGON, STP, 10-24	
17	10125607	WASHER, FLAT, 10	
18	10126403	WASHER, LOCK, EXTERNAL TOOTH, 10	
19	10127132	SCREW, MACHINE, PAN HEAD, PHILLIPS, 10-24 x 1/2	
20	77826900	KEEPER, CABLE	

FIGURE 15. AIR SUPPLY ASSEMBLY (PAGE 4)
S/C 09 WITH 34866A & ABOVE



4-1604C

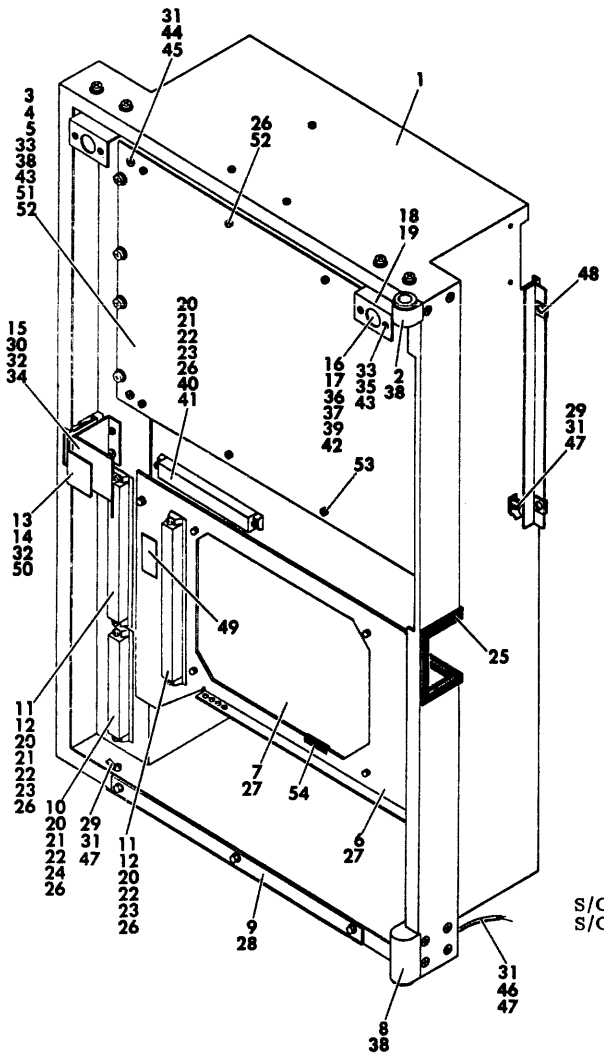
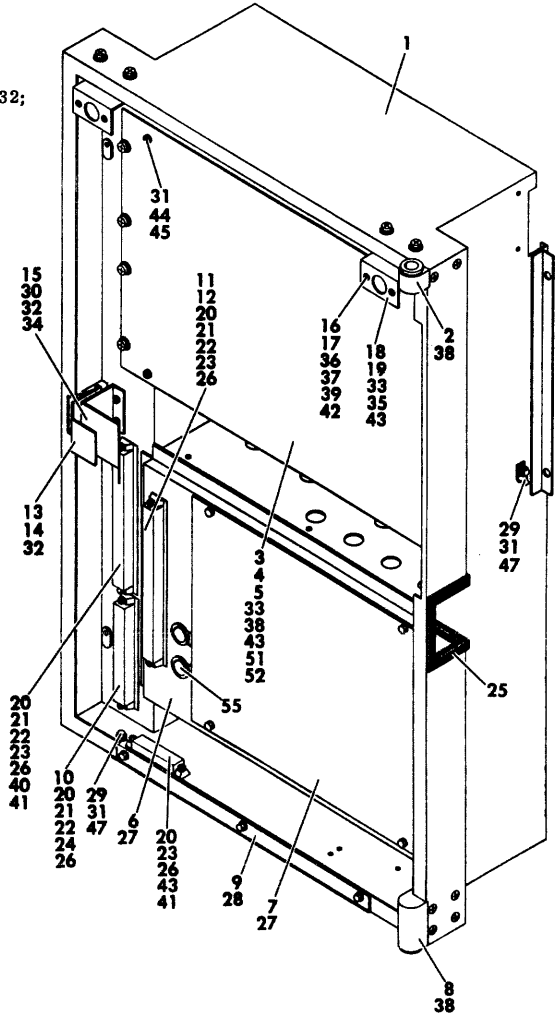
FIGURE 16. POWER SUPPLY ASSEMBLY (PAGE 1 OF 2)

INDEX NO.	PART NUMBER	PART DESCRIPTION	NOTES
	77385007	POWER SUPPLY ASSEMBLY	50 HZ
	73595014	POWER SUPPLY ASSEMBLY	60 HZ
1	73670000	BASE, POWER SUPPLY	
2	94246000	FILTER, RFI	
3	47376500	TRANSFORMER, FERRO	50 HZ
3	47376400	TRANSFORMER, FERRO	60 HZ
4	47396200	TRANSFORMER, FERRO	50 HZ
4	47396100	TRANSFORMER	60 HZ
5	47317900	TRANSFORMER ASSEMBLY	
6	95599101	CAPACITOR, 660 VAC	S/C 11 & BLW
6	95686701	CAPACITOR, 660 VAC	S/C 12 & ABV
7	95641708	CLAMP, CAPACITOR	
8	94313809	METER, HOUR, AC	50 HZ
8	94313808	METER, HOUR, AC	60 HZ
9	94310102	EXTRACTOR, FUSE	
10	75092500	COVER, COMPONENT MOUNTING	
11	94245209	CIRCUIT BREAKER, LONG DELAY	S/C 08 W/O 35281B & BLW
11	94245215	CIRCUIT BREAKER, LONG DELAY	S/C 08 W/35281B & ABV
12	73628200	BRACKET, RECTIFIER	
13	95582001	RECTIFIER BRIDGE	
14	95583504	RECTIFIER BLOCK	
15	95583505	RECTIFIER BLOCK	
16	95654205	RECTIFIER, SILICON, 40 AMP	
17	95642602	RECTIFIER, SILICON, 12 AMP	
18	95655200	NUT, PUSH-IN	
19	73595400	PANEL, SIDE, POWER SUPPLY	S/C 07 W/O 35350A & BLW
19	76026500	PANEL, SIDE, POWER SUPPLY	S/C 07 W/35350A & ABV
20	94304405	SWITCH, SOLID STATE, 15 AMPS	S/C 08 & BLW
20	94371301	SWITCH, SOLID STATE, 15 AMP	S/C 09 & ABV
21	94304409	SWITCH, SOLID STATE, 30 AMPS	S/C 08 & BLW
21	94371302	SWITCH, SOLID STATE, 30 AMPS	S/C 09 & ABV
22	75026600	COVER, POWER SUPPLY	
23	75041400	COVER, FILTER BOX	
24	10125608	WASHER, FLAT, 1/4	
25	75026400	INSULATOR BRACKET	
26	10125105	NUT, HEXAGON, 6-32	
27	94305530	BUSHING, SNAP	
28	10127132	SCREW, MACHINE, PAN HEAD, 10-24 x 1/2	
29	10126403	WASHER, LOCK, EXTERNAL TOOTH, 10	
30	10127155	SCREW, MACHINE, PAN HEAD, PHILLIPS, 1/4-20 x 3/4	
31	10125806	WASHER, SPRING LOCK, 1/4	
32	10127127	SCREW, MACHINE, PAN HEAD, PHILLIPS, 8-32 x 1	
33	10127105	SCREW, MACHINE, PAN HEAD, PHILLIPS, 4-40 x 1/2	
34	10126101	WASHER, LOCK, INTERNAL TOOTH, 4	
35	10125103	NUT, HEXAGON, 4-40	
36	17901516	SCREW, MACHINE, PAN HEAD, PHILLIPS, 8-32 x 3/8	
37	10125606	WASHER, FLAT, 8	
38	10127112	SCREW, MACHINE, PAN HEAD, PHILLIPS, 6-32 x 5/16	
39	10126401	WASHER, LOCK, EXTERNAL TOOTH, 6	
40	95655543	SCREW, MACHINE, PAN HEAD, PHILLIPS, 10-16 x 1/2	
41	10127512	SCREW, MACHINE, PAN HEAD, PHILLIPS, 6-32 x 3/4	
42	93592158	SCREW, MACHINE, HEX HEAD, PLAIN, 6-32 x 1/4	
43	10127124	SCREW, MACHINE, PAN HEAD, PHILLIPS, 8-32 x 5/8	
44	95582501	BOOT, DOUBLE ENTRANCE	
45	93419314	FUSE, SLOW-BLOW, 3/8 AMP, 250 VOLT	
46	75090000	A.C. HARNESS ASSEMBLY	S/C 07 & BLW
46	76477500	A.C. HARNESS ASSEMBLY	S/C 08 & ABV

FIGURE 16. POWER SUPPLY ASSEMBLY (PAGE 2)

INDEX NO.	PART NUMBER	DESCRIPTION	APPLICATION
47	10126402	WASHER, LOCK, EXTERNAL TOOTH, 8	
48	92801001	CLAMP, CABLE	
49	75032200	COVER, CABLE	
50	94277406	STRAP, CABLE TIE	
51	17901524	SCREW, MACHINE, PAN HEAD, PHILLIPS, STP, 10-32 x 1/2	
52	94208500	LABEL	
53	46068603	PLATE, WARNING	
54	93602321	NUT, SELF-MOUNTING, 1/4-20	
55	10125106	NUT, HEXAGON, 8-32	
56	10126105	WASHER, LOCK, INTERNAL TOOTH, 10	
57	94347101	WASHER, SHOULDER	
58		NOT APPLICABLE	
59		NOT APPLICABLE	
60	17901509	SCREW, TPG, 6-32 x 3/8	
61	94208301	CAP, SCREW	
62	93592196	SCREW, TPG, HEX PNL, 8-32 x 1/4	
63	10126103	WASHER, INTERNAL TOOTH, LOCK, 6	
64	10127123	SCREW, PAN HEAD, MACHINE, 8-32 x 1/2	
65	94376500	SWITCH, SOLID STATE	
66	10125605	WASHER, PLAIN, 6	

S/C 07 WITHOUT PE34832;
S/C 06 AND BELOW



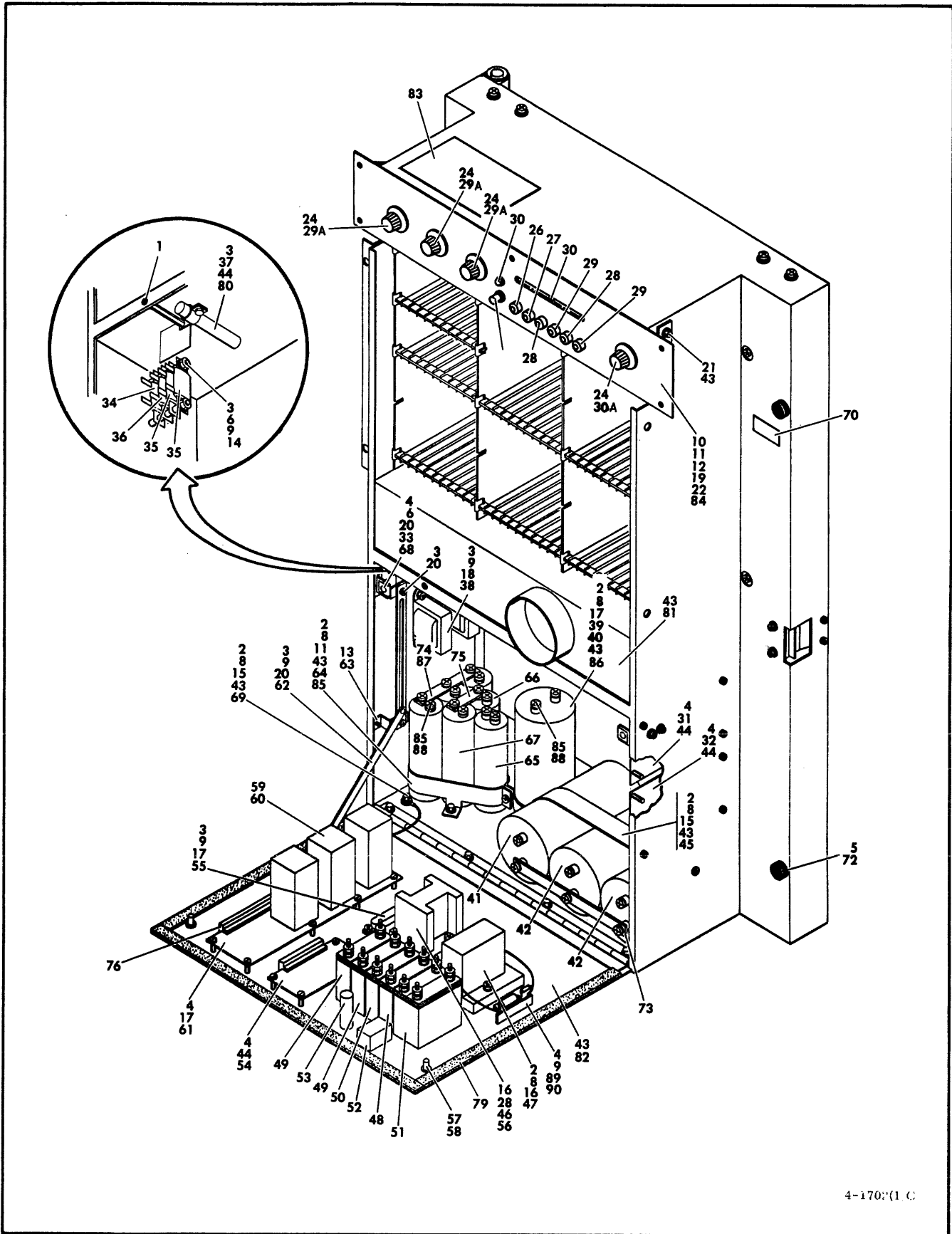
S/C 07 WITH ECO PE34832;
S/C 08 AND ABOVE

4-1710(2)A

INDEX NO.	PART NUMBER	PART DESCRIPTION	NOTES
	763999xx	LOGIC CHASSIS ASSEMBLY	S/C 11 W/O 35871 & BLW
	774730xx	LOGIC CHASSIS ASSEMBLY	S/C 11 W/35871 & ABV
1	77382400	FRAME, LOGIC CHASSIS	S/N 3577 & ABV
2	73671500	FRAME, LOGIC CHASSIS	S/N 3576 & BLW
2	75024600	HINGE, LOGIC CHASSIS	
3	736305xx	PANEL AND GUIDE ASSEMBLY	
4	75028901	INSULATOR, BACK PANEL	
5	75028900	INSULATOR, BACK PANEL	
6	76396300	PANEL, D.C. BACK	S/N 3576 & BLW
6	76465100	PANEL, D.C. BACK	S/N 3577 & ABV
7		COMPONENT ASSEMBLY, TYPE 3ZCN (SEE FIG. 18)	
8	75024700	HINGE, LOGIC CHASSIS, LOWER	
9	75025900	CATCH, BOTTOM	
10	94274440	MARKER, STRIP	
11	94272341	BLOCK, TERMINAL, SINGLE SCREW	
12	94274446	MARKER, STRIP	
13	75032700	LATCH AND SPRING ASSEMBLY	
	73674300	CATCH, LATCH	
	76411800	SPRING, LATCH, FLAT	
	93994003	RIVET, POP	
14	75027400	BLOCK, PIVOT, LATCH	
15	75027600	PLATE, BACKUP	
16	94355603	FASTENER, QUARTER TURN	
17	94355602	FASTENER, QUARTER TURN	
18	75026100	PLATE, NUT	
19	75026000	BRACKET, FASTENER, MOUNTING	
20	94274116	TERMINAL, QUICK CONNECT	
21	94274110	TERMINAL, QUICK CONNECT	
22	94274113	TERMINAL, QUICK CONNECT	
23	93047002	JUMPER, BARRIER STRIP	
24	94272335	BLOCK, TERMINAL, SINGLE SCREW	
25	94237705	TRIM, SAFETY, BLACK	
26	17901517	SCREW, THD ROLL, PAN HEAD, PHILLIPS, 8-32 x 5/8	
27	93592196	SCREW, HEX WASHER HEAD, SELF TAPPING, 8-32 x 1/4	
28	93592158	SCREW, HEX WASHER HEAD, SELF TAPPING, 6-32 x 1/4	
29	94274105	TERMINAL, QUICK CONNECT	
30	10127111	SCREW, MACHINE, PAN HEAD, PHILLIPS, 6-32 x 1/4	
31	10126402	WASHER, LOCK, EXTERNAL TOOTH, 8	
32	10126103	WASHER, LOCK, INTERNAL TOOTH, 6	
33	10126403	WASHER, LOCK, EXTERNAL TOOTH, 10	
34	10125605	WASHER, FLAT, 6	
35	10127143	SCREW, MACHINE, PAN HEAD, PHILLIPS, 10-32 x 1/2	
36	10125903	SCREW, MACHINE, FLAT HEAD, PHILLIPS, 4-40 x 3/8	
37	10126400	WASHER, LOCK, EXTERNAL TOOTH, 4	
38	10127142	SCREW, MACHINE, PAN HEAD, PHILLIPS, 10-32 x 3/8	
39	10125103	NUT, HEXAGON, 4-40	
40	94272336	BLOCK, TERMINAL, SINGLE SCREW	
41	94274441	MARKER, STRIP	
42	10125603	WASHER, FLAT, 4	
43	10125607	WASHER, FLAT, 10	
44	10127123	SCREW, MACHINE, PAN HEAD, PHILLIPS, 8-32 x 1/2	
45	10125106	NUT, HEXAGON, 8-32	

FIGURE 17. LOGIC CHASSIS ASSEMBLY (PAGE 2)

INDEX NO.	PART NUMBER	PART DESCRIPTION	NOTES
46	94281435	CABLE, GROUND	
47	10127122	SCREW, MACHINE, PAN HEAD, PHILLIPS, 8-32 x 3/8	
48	94317800	RECEPTACLE, CLIP-ON	
49	46068600	PLATE, WARNING	
50	10127112	SCREW, MACHINE, PAN HEAD, PHILLIPS, 6-32 x 5/16	
51	10127144	SCREW, MACHINE, PAN HEAD, PHILLIPS, 10-32 x 5/8	
52	94277406	STRAP, CABLE TIE	
53	17901516	SCREW, THD ROLL, PAN HEAD, PHILLIPS, 8-32 x 3/8	
54	94060003	CHANNEL, RUBBER	
55	94305530	BUSHING, SNAP	

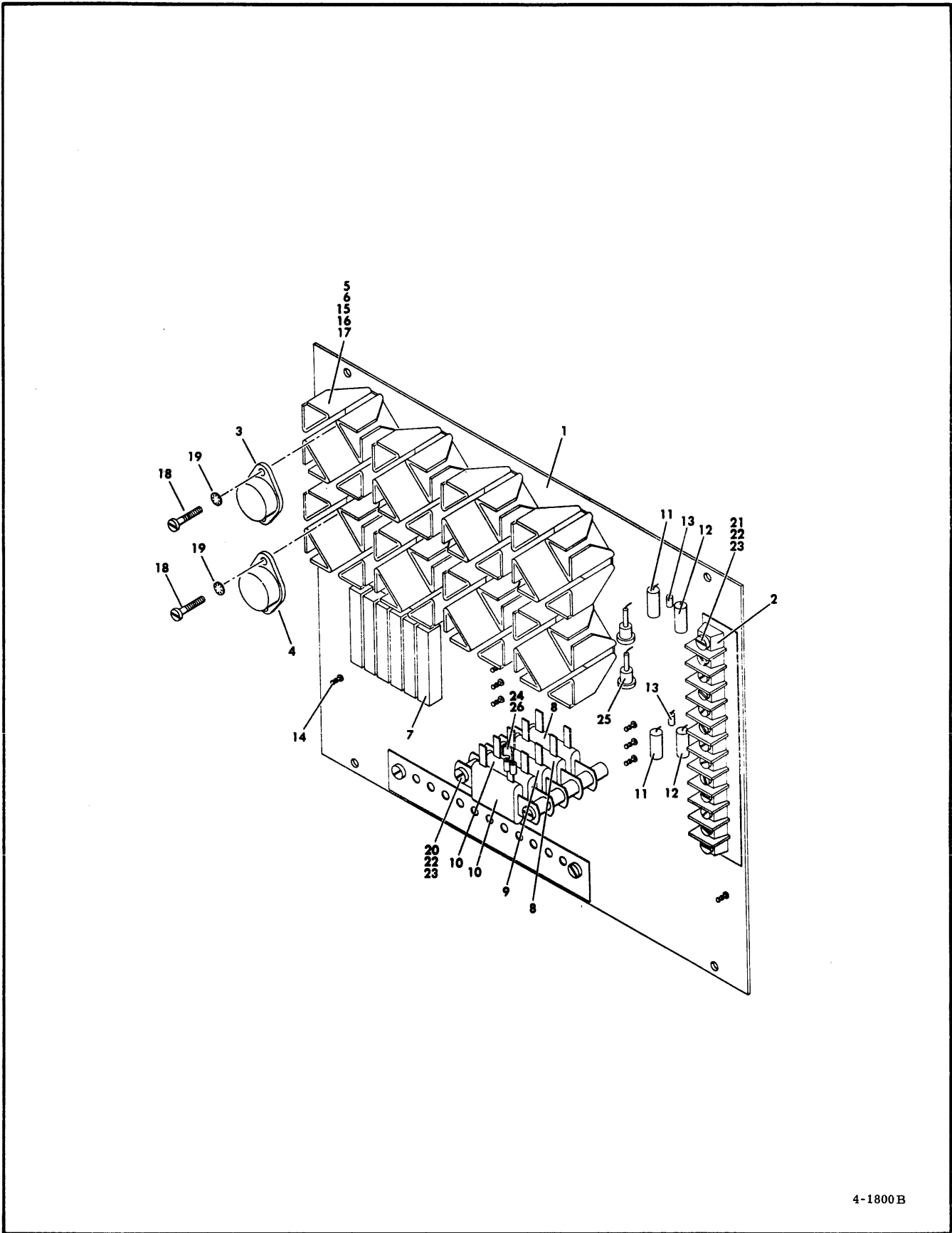


4-170(1 C)

INDEX NO.	PART NUMBER	DESCRIPTION	APPLICATION
		LOGIC CHASSIS ASSEMBLY	
1	10125711	SCREW, MACHINE, FLAT HEAD, PHILLIPS, 6-32 x 3/16	
2	10126402	WASHER, LOCK, EXTERNAL TOOTH, 8	
3	10126401	WASHER, LOCK, EXTERNAL TOOTH, 6	
4	10126103	WASHER, LOCK, INTERNAL TOOTH, 6	
5	10125108	NUT, HEXAGON, 10-32	
6	10125605	WASHER, FLAT, 6	
7	10125603	WASHER, FLAT, 4	
8	10125106	NUT, HEXAGON, 8-32	
9	10125105	NUT, HEXAGON, 6-32	
10	10125103	NUT, HEXAGON, 4-40	
11	10127122	SCREW, MACHINE, PAN HEAD, PHILLIPS, 8-32 x 3/8	
12	10126400	WASHER, LOCK, EXTERNAL TOOTH, 4	
13	10125711	SCREW, MACHINE, FLAT HEAD, PHILLIPS, 6-32 x 3/16	
14	95662251	SCREW, MACHINE, ROUND HEAD, SLOTTED, 10-32 x 2-14	
15	10127121	SCREW, MACHINE, PAN HEAD, PHILLIPS, 6-32 x 5/16	
16	10127125	SCREW, MACHINE, PAN HEAD, PHILLIPS, 6-32 x 3/4	
17	10127113	SCREW, MACHINE, PAN HEAD, PHILLIPS, 6-32 x 3/8	
18	10125713	SCREW, MACHINE, FLAT HEAD, PHILLIPS, 6-32 x 5/16	
19	10125703	SCREW, MACHINE, FLAT HEAD, PHILLIPS, 4-40 x 5/16	
20	10127112	SCREW, MACHINE, PAN HEAD, PHILLIPS, 6-32 x 5/16	
21	75029200	BRACKET, PANEL	
22	73519602	MAINTENANCE PANEL ASSEMBLY	
23	73504600	PANEL, MAINTENANCE	
24	93152001	KNOB, SKIRTED	
25	93126310	SWITCH, BUTTON, BLACK	
26	94264102	JACK, INSULATED	
27	94264101	JACK, INSULATED	
28	94264100	JACK, INSULATED	
29	94264103	JACK, INSULATED	
29A	94259300	SWITCH, ROTARY	
30	94256300	DIODE, LIGHT EMITTING	
30A	94259301	SWITCH, ROTARY	
31		COMPONENT ASSEMBLY, VOLTAGE REGULATOR (+) (SEE FIGURE 18)	
32		COMPONENT ASSEMBLY, VOLTAGE REGULATOR (-) (SEE FIGURE 19)	
33	75025100	BRACKET, RECEPTACLE MOUNTING	
34	95667412	RESISTOR, POWER, 30W, 50 OHM	
35	95667415	RESISTOR, POWER, 30W, 150 OHM	
36	95667417	RESISTOR, POWER, 30W, 250 OHM	
37	94248601	SWITCH, AIR FLOW	
38	47120500	INDUCTOR, 1 AMP, 6 M.H.	
39	95661312	CAPACITOR, 15 VOLT	
40	92691011	CLAMP, CAPACITOR MOUNTING	
41	95642415	CAPACITOR, 25 VOLT	
42	95578105	CAPACITOR, 50 VOLT	
43	93592196	SCREW, MACHINE, HEX HEAD, STP, 8-32 x 1/4	
44	10127111	SCREW, MACHINE, PAN HEAD, PHILLIPS, 6-32 x 1/4	
45	75027900	CLAMP, CAPACITOR	
46	36099501	RELAY, POWER	
47	94260900	RELAY, POWER	
48	92696041	CIRCUIT BREAKER, 2 AMP, 50 VOLT	
49	92696047	CIRCUIT BREAKER, 7 AMP, 50 VOLT	
50	92696021	CIRCUIT BREAKER, 15 AMP, 50 VOLT	
51	94268303	CIRCUIT BREAKER, 2 AMP, 50 VOLT	
52	92509013	SWITCH, TOGGLE	
53	94039102	LIGHT, INDICATOR, 24 VOLT	
54	73515600	SENSING BOARD ASSEMBLY (SEE FIGURE 20)	
55	95583503	BLOCK, RECTIFIER, 15 AMP	
56	45595601	RECTIFIER, SILICON	
57	94317708	FASTENER, OVAL, FLUSH STUD	
58	94317900	RETAINER, SPLIT RING	
59	94294106	RELAY, TELEPHONE	
60	94294104	RELAY, TELEPHONE	
61	73484800	COMPONENT ASSEMBLY, RELAY	
	73484900	BOARD, RELAY, BLANK	
	93114214	STANDOFF, TAPPED POST	
	94245801	SOCKET, RELAY, TELEPHONE	
	93935000	RECTIFIER, SILICON	
	92512150	RESISTOR, FIXED, 1/4W, 47 OHM	
	92496239	CAPACITOR, 100 VOLT, 0.01 UF	
	10127333	SCREW, MACHINE, PAN HEAD, SLOTTED, 6-32 x 5/16	
62	94309900	SUPPORT, FALL	
63	75025000	BRACKET, FALL STOP MOUNTING	
64	75025300	CLAMP, CAPACITOR	
65	95645600	CAPACITOR, 40 VOLT, 55 UF	
66	95661308	CAPACITOR, 15 VOLT	
67	95642401	CAPACITOR, 25 VOLT	
68	94317800	RECEPTACLE, CLIP-ON	

INDEX NO.	PART NUMBER	PART DESCRIPTION	NOTES
		LOGIC CHASSIS ASSEMBLY (CONT'D)	
69	94281474	CABLE, GROUND	
70	94208500	LABEL	
71	94281435	CABLE, GROUND	
72		NOT APPLICABLE	
73	47316301	BAR, BUS, 3 TERM	
74	47316501	BAR, BUS, 3 TERM	
75	75041700	BAR, BUS, 2 TERM	
	93109240	SPACER, STANDOFF, ROUND	
	10127146	SCREW, PAN HEAD, MACHINE, 10-32 x 7/8	
76	76505700	LOGIC HARNESS ASSEMBLY	
	93541012	TERMINAL, RING	
	93541023	TERMINAL, RING	
	95643216	CONNECTOR, QUICK CONNECT	
	95643217	CONNECTOR, QUICK CONNECT	
	95643212	CONNECTOR, QUICK CONNECT	
	93747020	RECEPTACLE, SLIDE-ON	
	94374200	CLIP, LOW FORCE	
	95643203	CONNECTOR, QUICK CONNECT	
	94261807	BODY, CABLE CONNECTOR	
	53227403	CLIP, LOW FORCE	
77	93592158	SCREW, MACHINE, HEX HEAD, STP, 6-32 x 1/4	
78	93592196	SCREW, MACHINE, HEX HEAD, STP, 8-32 x 1/4	
79	94001000	TAPE, FOAM	
80	93114328	STANDOFF, TAPPED POST, HEXAGON	
81	73673000	PLENUM, AIR, LOGIC	
82	75026800	PANEL, D.C.	S/C 11 & BLW
82	75089500	PANEL, D.C.	S/C 12 & ABV
83	73678700	LABEL, STATUS FUNCTION	
84	72804402	MAINTENANCE PANEL CABLE ASSEMBLY	
85	10127141	SCREW, MACHINE, PAN HEAD, PHILLIPS, 10-32 x 1/4	
86	10127142	SCREW, MACHINE, PAN HEAD, PHILLIPS, 10-32 x 3/8	
87	10127144	SCREW, MACHINE, PAN HEAD, PHILLIPS, 10-32 x 5/8	
88	93109238	SPACER, STANDOFF	
89	93590162	SCREW, TPG, PAN PHILLIPS, 6-32 x 3/8	S/C 12 & ABV
90	77539300	ARC SUPPRESSION ASSEMBLY	S/C 12 & ABV
	93301015	TERMINAL STRIP	
	92496095	CAPACITOR, .47 MFD, 100 VOLTS	
	24500320	RESISTOR, FIXED, 1/2 W, 100 OHMS	
	93541004	TERMINAL, RING	
	24547501	PLATE, WARNING (DANGER HIGH VOLTAGE)	
	46068600	PLATE, WARNING (DANGER HIGH VOLTAGE)	

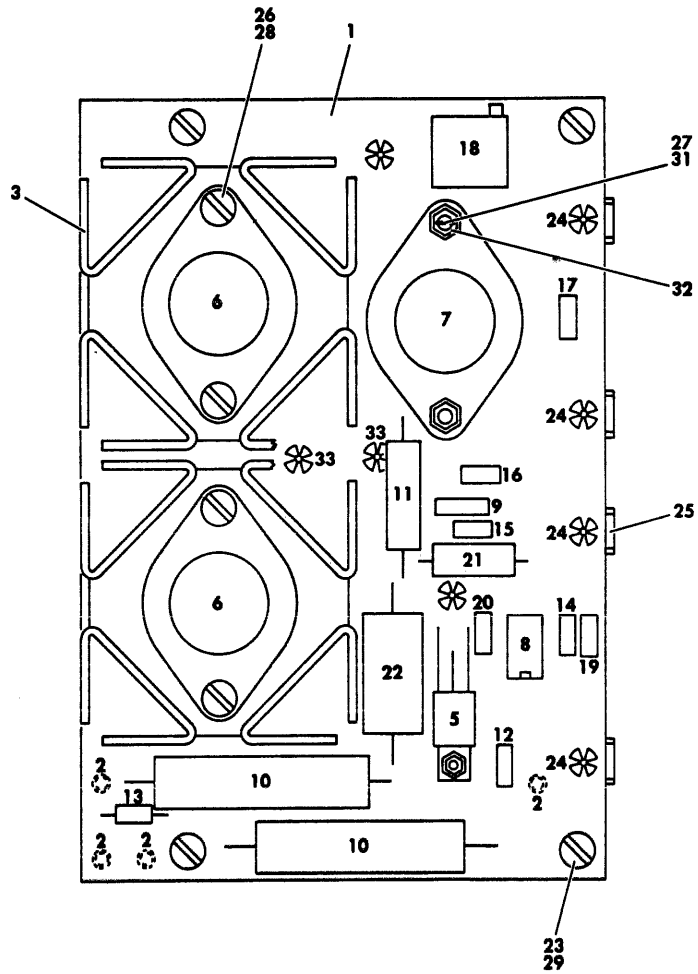
FIGURE 17. LOGIC CHASSIS ASSEMBLY (PAGE 4 CONT'D)



4-1800B

FIGURE 18. COMPONENT ASSEMBLY TYPE 3ZCN (PAGE 1 OF 2)

INDEX NO.	PART NUMBER	DESCRIPTION	APPLICATION
	75184800	COMPONENT ASSEMBLY, TYPE 3ZCN	
	75183600	COMPONENT ASSEMBLY, TYPE 3ZCN	
1	75183500	BOARD, POST WIRE WRAP	
2	95591206	TERMINAL STRIP, QUICK CONNECT	
3	50221600	TRANSISTOR, POWER	
4	50221701	TRANSISTOR, POWER	
5	94261000	HEAT SINK, TRANSISTOR	
6	94346300	SOCKET, POWER TRANSISTOR	
7	95594100	RESISTOR, FIXED	
8	94237013	RESISTOR, POWER, 30 W, 5 OHM	
9	94237019	RESISTOR, POWER, 30 W, 250 OHM	
10	94237011	RESISTOR, POWER, 30 W, 0.5 OHM	
11	92512867	RESISTOR, FIXED, 2W, 100 OHM	
12	92512879	RESISTOR, FIXED, 2 W, 470 OHM	
13	92115037	DIODE, ZENER	
14	92498004	TERMINAL, SWAGER	
15	10127314	SCREW, MACHINE, PAN HEAD, SLOTTED, 2-56 x 1/2	
16	10125102	NUT, HEXAGON, 2-56	
17	10126100	WASHER, LOCK, INTERNAL TOOTH, 2	
18	10127337	SCREW, MACHINE, PAN HEAD, PHILLIPS, 6-32 x 3/4	
19	10126103	WASHER, LOCK, INTERNAL TOOTH, 6	
20	10127358	SCREW, MACHINE, PAN HEAD, SLOTTED, 8-32 x 2-1/2	
21	10127350	SCREW, MACHINE, PAN HEAD, SLOTTED, 8-32 x 3/4	
22	10125106	NUT, HEXAGON, 8-32	
23	10126104	WASHER, LOCK, INTERNAL TOOTH, 8	
24	95643227	CONNECTOR, QUICK CONNECT	
25	93542001	RECTIFIER, GERMANIUM	
26	95643226	CONNECTOR, QUICK CONNECT	
	76051200	INSULATOR, TEFLON	



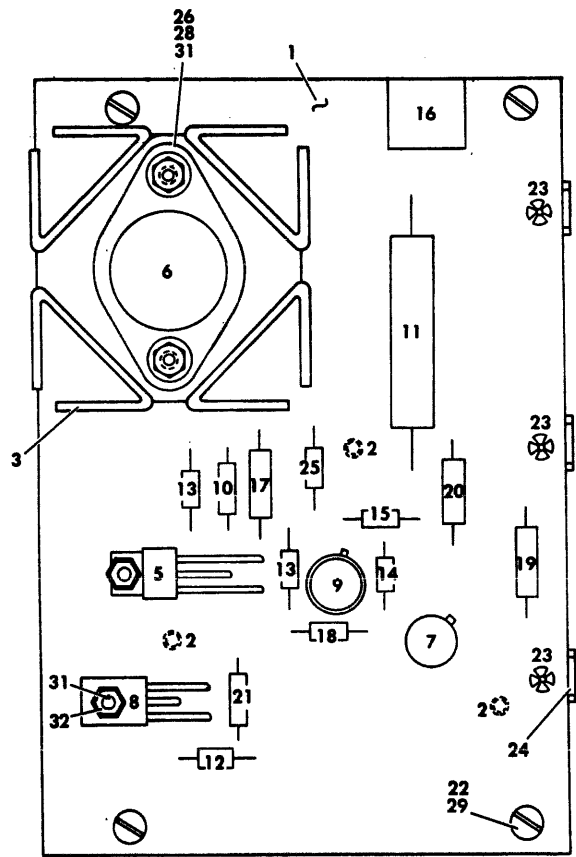
4-1900D

INDEX NO.	PART NUMBER	DESCRIPTION	APPLICATION
	75179800	VOLTAGE REGULATOR ASSEMBLY (+)	
1	93483700	BOARD, BLANK	
2	92498021	TERMINAL, SWAGER	
3	94261000	HEAT SINK, TRANSISTOR	
4		NOT APPLICABLE	
5	94262016	TRIAC, BI-DIRECTIONAL	
6	50221301	TRANSISTOR, SILICON	
7	50221401	TRANSISTOR, SILICON	
8	95596100	VOLTAGE REGULATOR, INTEGRATED CIRCUIT	
9	50240107	DIODE, ZENER, .4W, 5.6 VOLT	
10	92825001	RESISTOR, FIXED, 7W, .1 OHM	
11	92512913	RESISTOR, FIXED, 2W, 33 OHM	
12	92512151	RESISTOR, FIXED, 1/4W, 56 OHM	
13	92512248	RESISTOR, FIXED, 1/4W, 68 OHM	
14	92512157	RESISTOR, FIXED, 1/4W, 470 OHM	
15	92512160	RESISTOR, FIXED, 1/4W, 2.2K OHM	
16	92512256	RESISTOR, FIXED, 1/4W, 1.8K OHM	
17	92512259	RESISTOR, FIXED, 1/4W, 5.6K OHM	
18	92617031	POTENTIOMETER, 2K OHM	
19	92496143	CAPACITOR, 560 UF, 200 VOLT	
20	92496147	CAPACITOR, 1200 UF, 200 VOLT	
21	92427039	CAPACITOR, 68 UF, 35 VOLT	
22	92427133	CAPACITOR, 100 UF, 15 VOLT	
23	93114269	STANDOFF, TAPPED POST	
24	93903017	EYELET, ROLLED FLANGE	
24	93903018	EYELET, ROLLED FLANGE	
25	94274143	TERMINAL, QUICK CONNECT	
26	95510026	NUT, HEXAGON	
27	10125605	WASHER, FLAT, 6	
28	10126103	INTERNAL TOOTH, 6	
29	10127332	SCREW, MACHINE, PAN HEAD, SLOTTED, 6-32 x 1/4	
30	10127337	SCREW, MACHINE, PAN HEAD, SLOTTED, 6-32 x 3/4	
31		NOT APPLICABLE	
32	92583002	NUT, LOCK	
33	92030013	EYELET	

NOTE 1
NOTE 2

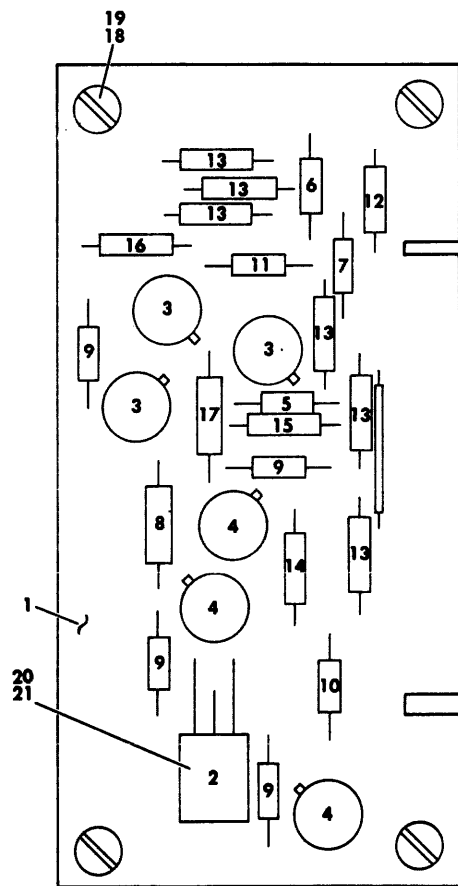
NOTES:

1. S/C 07 WITHOUT PE23955A; S/C 06 & BELOW.
2. S/C 07 WITH PE23955A; S/C 08 & ABOVE.



4-2000C

INDEX NO.	PART NUMBER	DESCRIPTION	APPLICATION
1	75184100	VOLTAGE REGULATOR ASSEMBLY (-)	
2	75184000	BOARD, BLANK	
3	92498021	TERMINAL, SWAGER	
4	94261000	HEAT SINK, TRANSISTOR	
5		NOT APPLICABLE	
6	94262016	TRIAC, BI-DIRECTIONAL	
7	50221301	TRANSISTOR, SILICON	
8	50210610	TRANSISTOR, SILICON	
9	50221001	TRANSISTOR, SILICON	
10	95592050	VOLTAGE REGULATOR, INTEGRATED CIRCUIT	
11	50240107	DIODE, ZENER, .4W, 5.6 VOLT	
12	95334004	RESISTOR, FIXED, 7W, 10 OHM	
13	92512248	RESISTOR, FIXED, 1/4W, 68 OHM	
14	92512160	RESISTOR, FIXED, 1/4W, 2.2K OHM	
15	92512256	RESISTOR, FIXED, 1/4W, 1.8K OHM	
16	92512259	RESISTOR, FIXED, 1/4W, 5.6K OHM	
17	92617031	POTENTIOMETER, 2K OHM	
18	94227039	CAPACITOR, 68 UF, 35 VOLT	
19	92512245	RESISTOR, FIXED, 1/4W, 27 OHM	
20	92427087	CAPACITOR, 4.7 UF, 50 VOLT	
21	92427089	CAPACITOR, 22 UF, 15 VOLT	
22	24505225	CAPACITOR	
23	93114269	STANDOFF, TAPPED POST	
24	93903018	EYELET, ROLLED FLANGE	
25	94274107	TERMINAL, QUICK CONNECT	
26	92512255	RESISTOR, FIXED, 1/4W, 1.5K OHM	
27		NOT APPLICABLE	
28		NOT APPLICABLE	
29	10127332	SCREW, MACHINE, PAN HEAD, SLOTTED, 6-32 x 1/4	
30	10127335	SCREW, MACHINE, PAN HEAD, SLOTTED, 6-32 x 1/2	
31	93640012	STUD, SELF CLINCHING	
32	92583002	NUT, LOCK	



4-2100A

INDEX NO.	PART NUMBER	DESCRIPTION	APPLICATION
	73515600	SENSING BOARD ASSEMBLY	
1	73489600	BOARD, WIRE WRAP	
2	50221001	TRANSISTOR, 60V	
3	50210811	TRANSISTOR, 40V	
4	50210610	TRANSISTOR, 25V	
5	92512156	RESISTOR, FIXED, 270 OHM, 1/4W	
6	92512249	RESISTOR, FIXED, 180 OHM, 1/4W	
7	92512165	RESISTOR, FIXED, 22K OHM, 1/4W	
8	92512831	RESISTOR, FIXED, 1.8K OHM, 1/4W	
9	92512253	RESISTOR, FIXED, 680 OHM, 1/4W	
10	92512160	RESISTOR, FIXED, 2.2K OHM, 1/4W	
11	92512261	RESISTOR, FIXED, 15K OHM, 1/4W	
12	50240117	DIODE, SILICON, 16 OHM, 15 VOLT	
13	92115021	DIODE, SILICON, 10 OHM, 30 VOLT	
14	93935000	RECTIFIER, SILICON	
15	50240110	DIODE, SILICON, ZENER	
16	50240102	DIODE, SILICON, 24 OHM, 3.6 VOLT	
17	92512829	RESISTOR, FIXED, 1.5K OHM, 1/2W	
18	93114214	STANDOFF, TAPPED POST	
19	10127332	SCREW, MACHINE, PAN HEAD, SLOTTED, 6-32 x 1/4	
20	92583002	NUT, LOCK	
21	93640011	STUD, SELF-CLINCHING	

CARD COMPLEMENT

LOCA-TION	LOGIC CARD TYPE	PART NUMBER	NOTES	LOCA-TION	LOGIC CARD TYPE	PART NUMBER	NOTES
A1	CSAV	54150104	S/C 10 & ABV	C9	LWBV	54190501	
A1	BSAV	54150102	S/C 09 & BLW	C10	ITCV	54160901	
A2	BSAV	54150102	S/C 09 & BLW	C11	IRCV	54140901	
A2	CSAV	54150104	S/C 10 & ABV	C12	ITCV	54160901	
A4				C13	ITCV	54160901	
A5	1PBV	54120500		C14	IRCV	54140901	
A6	1PBV	54120500		C15	ITCV	54160901	
A7				C16	IRCV	54140901	
A8	1UCV	54170900		C17	ITCV	54160901	
A9				C18	IRCV	54140901	
A10				C19	AAV	54092102	S/C 07 & BLW
A11				C20	AAV	54092102	S/C 08 & ABV
A12				C21	2FMV	54224501	
A13	OWDV	53191300		C22	AFJV	54223302	
A14				C23			
A15	1WMV	54194500		C24	AHPV	73482300	
A16	OWAV	54190100		C25	AHNV	73482300	S/C 12 W/O 35926 & BLW
A17	AAHV	54092901					S/C 12 W/35926 & ABV, matched set
A18	AWMV	54194501		C25	AHNV/ EHN	54244906	
A19	1MWV	54194500					
A20							
A21	2JYV	54158900		C26	4FUV	54227306	
A22	1FWV	54228100		C27			
A23	BWZV	54199304		C28			
A24	AQZV	54139301		C29	CFRV	54226107	
A25	2FV	54227701		C30	ECGV	54112507	
A26	2FZV	54229301		D1	LWBV	54190501	
A27	3CSV	54116502		D2	1WMV	54194500	
A28	2CTV	54116906		D3	1WMV	54194500	
A29	CCUV	54117306		D4	LWBV	54190501	
A30	1CVV	54117701		D5	1WMV	54194500	
B1				D6	LWBV	54190501	
B2				D7	AWMV	54194501	
B3				D8			
B4				D9	1WMV	54194500	
B5				D10			
B6				D11			
B7				D12			
B8				D13			
B9				D14			
B10				D15			
B11	1ALV	54094100		D16			
B12	OWCV	54190900		D17			
B13				D18			
B14				D19			
B15	LWBV	54190501		D20			
B16	LWBV	54190501		E0	HEAD CONN	72829606	
B17	LWBV	54190501		E0	HEAD CONN	72829612	
B18	LWBV	54190501		E1	DFPV	54225305	
B19	OWAV	54190100		E2			
B20	3EJV	54213301		E3	LATV	54096900	
C1	LWBV	54190501		E4	1FLV	54224100	
C2				E5	2FNV	54224901	
C3				E6			
C4					TRACK	73485301	
C5					SERVO		
C6					PRE-AMP		
C7	LWBV	54190501					
C8	IRCV	54140901					

COMMENT SHEET

PLEASE COMPLETE ITEMS 1 THRU 11

From

(1) NAME
(2) DEPARTMENT OR ATTENTION OF
(3) STREET ADDRESS
(4) CITY AND STATE

Manual Information (From Revision Record)

(5) MANUAL TITLE	
(6) PUBLICATION NO.	(7) REVISION
(8) FCO'S INCORPORATED INTO MANUAL	

Equipment Information (From Equipment Nameplate & FCO Log)

(9) EQUIPMENT NO. AND DESCRIPTION
(10) SERIES CODE
(11) FCO'S INCORPORATED INTO EQUIPMENT

Comments

This form is not intended to be used as an order blank. Your evaluation of this manual will be welcomed by Control Data Corporation. Any errors, suggested additions or deletions, or general comments may be made above. Please include references to figure number, assembly number and design configuration level.

CUT ALONG LINE

NR 0602 PRINTED IN U.S.A.

NO POSTAGE STAMP NECESSARY IF MAILED IN U. S. A.

FOLD ON DOTTED LINES AND STAPLE

STAPLE

STAPLE

FOLD

FOLD

BUSINESS REPLY MAIL
NO POSTAGE STAMP NECESSARY IF MAILED IN U.S.A.

FIRST CLASS
PERMIT NO. 8241
MINNEAPOLIS, MINN.



CUT ALONG LINE

POSTAGE WILL BE PAID BY
CONTROL DATA CORPORATION
Technical Publications Department
7801 Computer Avenue
Minneapolis MN 55435

FOLD

FOLD



CONTROL DATA CORPORATION