

CONTROL DATA[®]
DISK STORAGE UNIT

BR2A5

PARTS DATA

CONTROL DATA
CORPORATION

CUSTOMER ENGINEERING MANUAL

REVISION RECORD

REVISION	DESCRIPTION
A (7-2-71)	Manual released. This edition incorporates Engineering Change Orders released through May 1, 1971.
B (8-23-71)	Engineering Change Order PE29632 incorporating the following: Engineering Change Orders PE 29000, PE29033, PE29034A, PE29054, PE29055, PE29126A, PE29127, PE29207, PE29215, PE29219, PE29249, PE29340, PE29347, PE29381, PE29392, PE29400, PE29440, PE29442, PE29473, PE29491, PE29634. Field Change Order PE29475. Technical and editorial changes. This edition obsoletes previous editions.
C (10/1/71)	This revision incorporates ECO PE29476/FCO PE29479 affecting pages 8-19, 8-20, 8-21, 8-23, 8-28, 8-29.
D (12-15-71)	This revision incorporates ECO 29495/FCO 29501 affecting pages 8-30, 8-31.
E (12-30-71)	This Revision Incorporates Engineering Change Orders: PE29034C, PE29213A, PE29308, PE29383A, PE29409, PE29412, PE29414, PE29435, PE29436, PE29439, PE29450, PE29490B, PE29490C, PE29492A, PE29497, PE29518, PE29519, PE29521, PE29527, PE29566, PE29567, PE29571, PE29572A, PE29636, PE29678, PE29687, PE29688, PE29689, PE29698, PE29714, PE29721A, PE29726, PE29754, PE29756 affecting pages ii, iii, v, vii, 8-7, 8-8, 8-9, 8-11, 8-12, 8-13, 8-14, 8-15, 8-17, 8-18, 8-19, 8-21, 8-23, 8-24, 8-25, 8-30, 8-31, 8-32, 8-33, 8-34, 8-35, 8-40, 8-41/8-42, 8-43, 8-44, 8-45/8-46, 8-47, 8-48, 8-48.1, 8-48.2, 8-49, 8-50, 8-51, 8-52, 8-53, 8-54, 8-55, 8-56, 8-57/8-58, 8-59, 8-64, 8-67, comment sheet.
F (1-7-72)	This revision incorporates Field Change Order PE29503 affecting pages 8-48, 8-48.1/8-48.2.
G (2-18-72)	This revision incorporates Engineering Change Orders PE29545, PE29407, PE29796, PE29837, PE29519A, PE29530, PE29499B, PE29556, PE29566A, PE29567, PE29586, Field Change Order PE29567, technical and editorial changes affecting pages ii, iii, 8-7, 8-11, 8-12, 8-13, 8-14, 8-14.1, 8-14.2, 8-14.3, 8-14.4, 8-15, 8-19, 8-20, 8-33, 8-35, 8-39, 8-43, 8-48.1, 8-55. Comment Sheet.
H (2-25-72)	Incorporates Field Change Order PE29502, Engineering Change Order PE29872, technical changes affecting pages ii, iii, 8-13, 8-14.1, 8-14.3, 8-54, 8-55, Comment Sheet.
J (3-1-72)	Incorporates Field Change Order PE29890 affecting pages ii, iii, 8-35, Comment Sheet.
Publication no 70614800	

Address comments concerning this manual to:

Control Data Corporation
Technical Publications Department
7801 Computer Avenue
Minneapolis, Minnesota 55435

or use Comment Sheet in the back of this manual.

© 1971, 1972, 1973
by Control Data Corporation
Printed in the United States of America

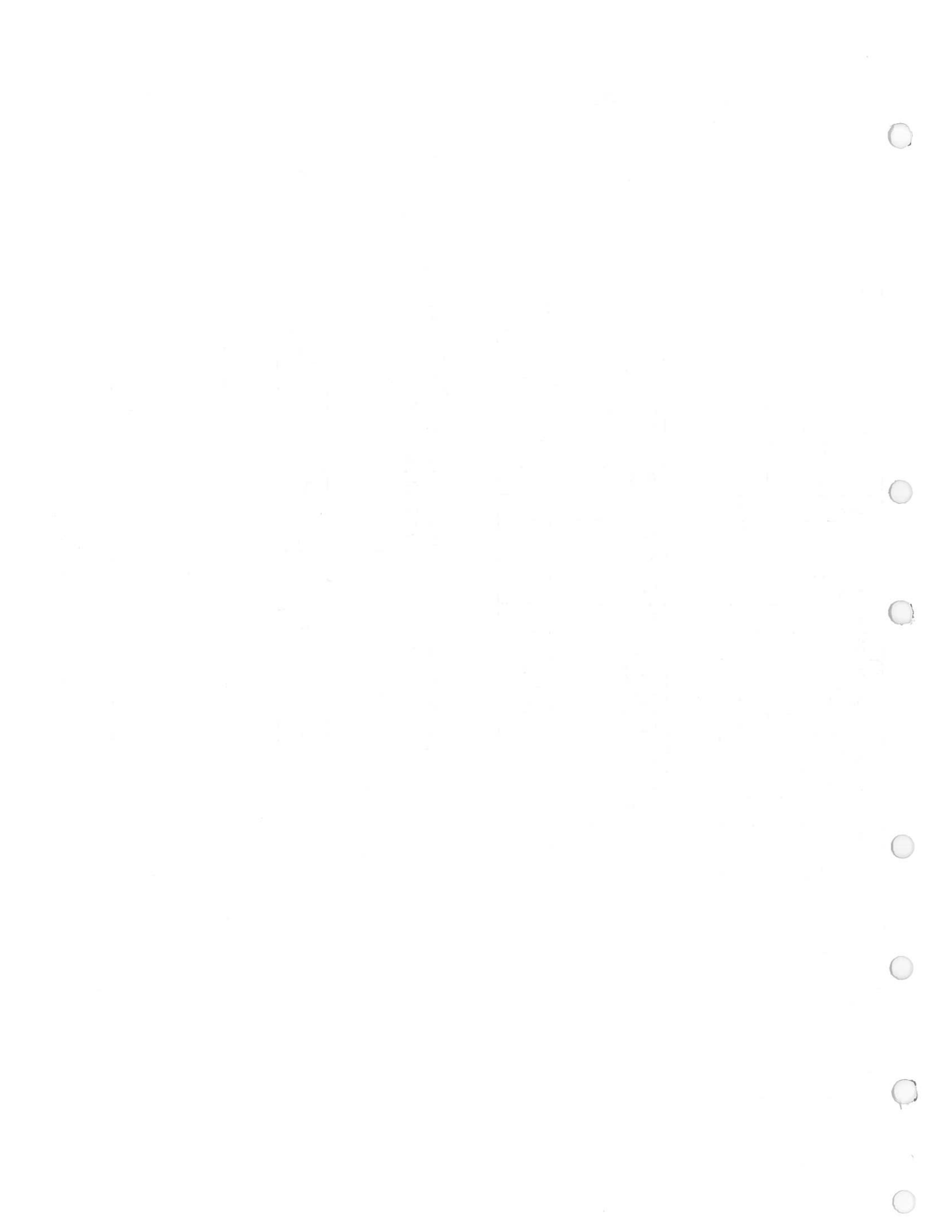


REVISION RECORD (CONT'D)

REVISION	DESCRIPTION
K (3-10-72)	Incorporates Engineering Change Orders PE29888, PE29546, PE29532, PE29549, PE29558, and Field Change Order PE29546 affecting pages iii, iv, 8-7, 8-11, 8-14.2, 8-14.3, 8-21, 8-28, 8-29, 8-35, 8-41, 8-67, Comment Sheet.
L (4-14-72)	Incorporates Engineering Change Orders PE29557, PE29573, PE29874, PE29906, PE29907, PE29912, PE29927, PE29939, PE29941, PE29965, PE29982, PE29996, PE29999, Field Change Order PE29573, and Editorial Changes affecting pages iii, iv, vii, 8-5, 8-7, 8-8, 8-9, 8-10, 8-11, 8-13, 8-14.2, 8-14.3, 8-14.4, 8-15, 8-17, 8-18, 8-24, 8-25, 8-28, 8-29, 8-33, 8-39, 8-44, 8-45, 8-47, 8-48, 8-48.1, 8-56, 8-57, 8-59, 8-61, 8-63, 8-64, 8-65.
M (5-10-72)	Incorporates Field Change Order PE29899 and Engineering Change Order PE29901 affecting pages iii, iv, 8-23.
N (6-6-72)	Incorporates Engineering Change Orders PE29841, PE29876, PE29377, PE29921, PE29922, PE29934, PE29935, and Field Change Order PE29922 affecting pages iii, iv, 8-13, 8-14.3, 8-14.4, 8-15, 8-17, 8-21, 8-34, 8-41, 8-45, 8-55, 8-57, 8-67.
P (7-14-72)	Incorporates Engineering Change Orders PE31014, PE31029, PE31046, PE31049, PE31059, PE31077, PE31090 affecting pages iii, iv, 8-11, 8-14.2, 8-14.3, 8-41, 8-43, 8-44, 8-45, 8-48, 8-48.1, 8-48.3, 8-48.4, 8-48.5, 8-49, 8-50, 8-50.1, 8-50.2, 8-51, 8-52, 8-53, 8-54, 8-55, 8-56, 8-57, 8-59.
R (8-2-72)	Incorporates Engineering Change Orders PE31036, PE31084, PE31100, PE31103, PE31104 affecting pages iii, iv, 8-7, 8-8, 8-9, 8-10.1, 8-10.2, 8-11, 8-19, 8-20, 8-21, 8-24, 8-25, 8-28, 8-29, 8-35.
S (9-7-72)	Incorporates Engineering Change Order PE31156 and Field Change Order PE31157 affecting pages iii, iv, 8-32, 8-33.
T (10-13-72)	Incorporates Engineering Change Orders PE31029A, PE31049A, PE31072, PE31110, PE31127, PE31140, PE31185 affecting pages iii, iv, 8-14.3, 8-41, 8-48.1, 8-48.3, 8-50.1, 8-55.
U (12-21-72)	Incorporates Engineering Change Order PE31283 and Field Change Order PE31297 affecting pages iii, iv, 8-33.
V (2-12-73)	Incorporates Engineering Change Orders PE31072A, PE31188, PE31203, PE31224, PE31229, PE31246, PE31257, PE31272, PE31277, PE31280, PE31286, PE31289, PE31290, PE31296, PE31301, PE31307, PE31308, PE31312, PE31317, PE31224 affecting pages iii, iv, 8-3, 8-7, 8-9, 8-11, 8-14.3, 8-16, 8-17, 8-18, 8-19, 8-21, 8-25, 8-27, 8-28, 8-29, 8-33, 8-34, 8-35, 8-41, 8-48.1, 8-48.3, 8-50.1, 8-52, 8-53, 8-56, 8-57, 8-59, 8-67.
W (5-30-73)	Incorporates Engineering Change Orders PE31272A, PE31308A, PE31335, PE31352, PE31356, PE31375 affecting pages iii, iv, 8-7, 8-9, 8-14.2, 8-14.3, 8-14.4, 8-15, 8-16, 8-17, 8-50, 8-50.1.
X (7-11-73)	Incorporates Engineering Change Order PE31395 affecting pages iii, iv, 8-55.
Y (7-17-73)	Incorporates Engineering Change Orders PE31344, PE31407A, PE31411, PE31417 affecting pages iii, iv, 8-9, 8-33, 8-48.1, 8-55, 8-57, 8-59.
Z (8-17-73)	Incorporates Engineering Change Order/Field Change Order PE31472 and Technical Corrections affecting pages iii, iv, 8-7, 8-21.
AA (8-23-73)	Incorporates Engineering Change Orders PE31344C, PE31439, PE31460, PE31471, PE31497 affecting pages iii, iv, 8-9, 8-16, 8-17, 8-33, 8-48.1, 8-50.1, 8-55, 8-56, 8-56.1, 8-56.2.
AB (11-12-73)	Incorporates Engineering Change Orders PE31401, PE31426, PE31525, PE31526, PE31527, PE31372 affecting pages iii, iv, 8-7, 8-48.1, 8-50, 8-50.1, 8-53, 8-54, 8-54.1, 8-54.2.
AC (12-12-73)	Incorporates Engineering Change Orders PE31499A, PE31513, PE31518, PE31529, PE31537, PE31582, and Field Change Order PE31519 affecting pages iii, iv, 8-19, 8-30, 8-31, 8-35, 8-39, 8-48.1, 8-50, 8-50.1, 8-56, 8-56.1.

Publication No.
70614800

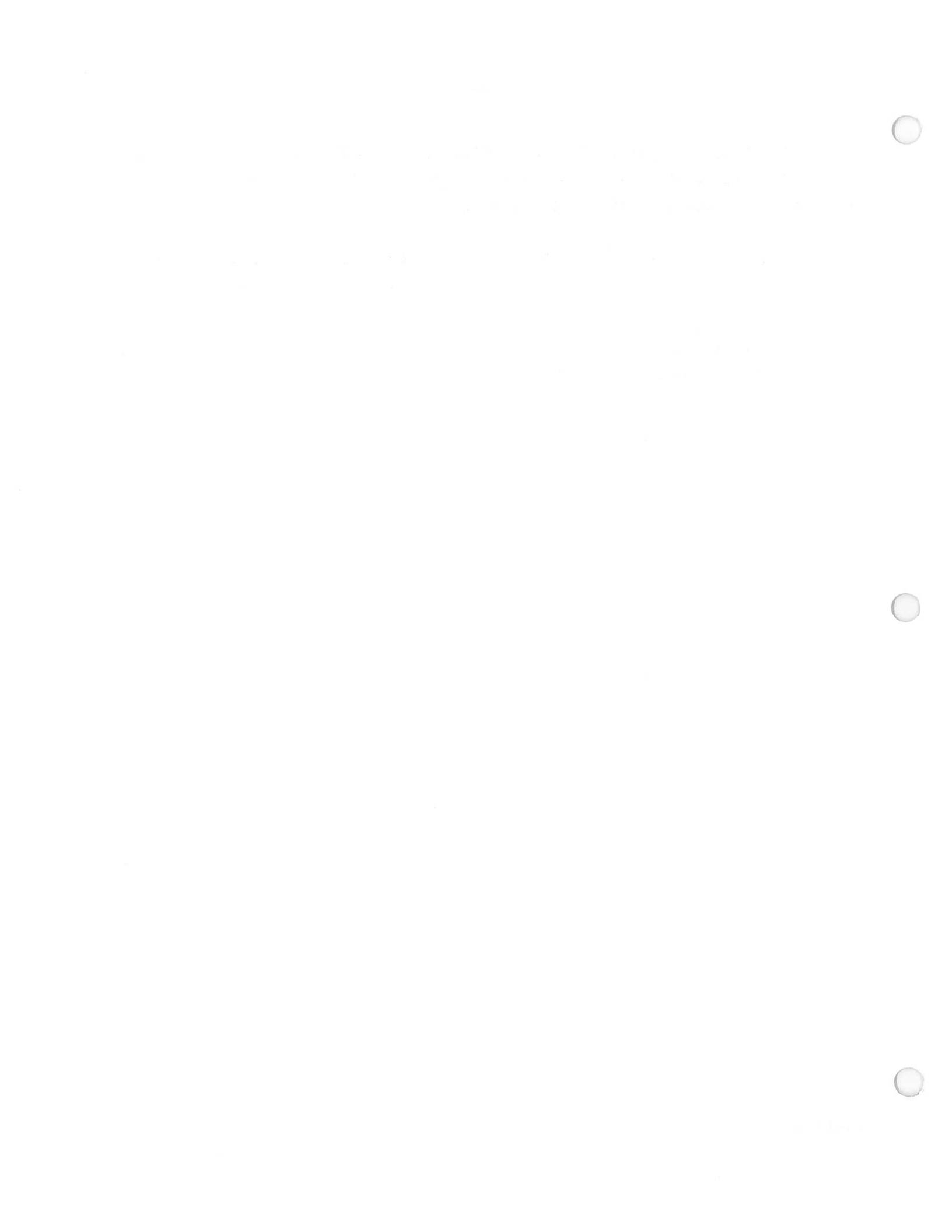




PREFACE

Customer engineering material for the CONTROL DATA® Disk Storage Unit (equipment number BR2A5) is contained in three separate manuals and provides all information needed to install, operate, and maintain the unit:

Publication No.	70614600	General Description, Operation, Installation and Checkout, Theory of Operation, Maintenance
Publication No.	70614700	Diagrams, Wire Lists, Maintenance Aids
Publication No.	70614800	Illustrated Parts List



CONTENTS

INTRODUCTION	8-2
LOCATOR	8-5
Disk Storage Unit Final Assembly	8-7
Logic Cards	8-7
Top Cover Assembly	8-13
Control Panel Assembly	8-17
Deck Assembly	8-19
Spindle and Lockshaft Assembly	8-23
Sector Sensor Positioner Assembly	8-25
Disk Cleaner Assembly	8-27
Ratchet Brake Assembly	8-29
Pre-Amp Chassis Assembly	8-31
Motor and Brake Assembly	8-33
Actuator Assembly	8-35
Magnet Assembly	8-37
Carriage Assembly	8-39
Logic Chassis Assembly	8-41
Power Supply Assembly	8-45
Power Supply Cabinet Assembly	8-48.1
Left/Right Front Panel Assembly	8-57
Transformer Assembly	8-61
Blower Housing Assembly	8-65
Cable Assemblies	8-67



Information for these sections is included in BR2A5
Disk Storage Unit, Pub. No. 70614600.

SECTION 1

GENERAL DESCRIPTION

SECTION 2

OPERATION

SECTION 3

INSTALLATION AND CHECKOUT

SECTION 4

THEORY OF OPERATION



SECTION 5

DIAGRAMS

Information for this section is included in BR2A5
Disk Storage Unit, Publication No. 70614700.

SECTION 6

MAINTENANCE

Information for this section is included in BR2A5
Disk Storage Unit, Publication No. 70614600.

SECTION 7

MAINTENANCE AIDS

Information for this section is included in BR2A5
Disk Storage Unit, Publication No. 70614700.



SECTION 8

PARTS DATA

INTRODUCTION

A

THE MODEL LEVEL COLUMN REFERENCES THE QUANTITY OF EACH ITEM USED IN AN ASSEMBLY TO A PARTICULAR MODEL. MODEL B IS 50 HERTZ BR2A5B AND 60 HERTZ BR2A5A.

B

THE INDEX NUMBER COLUMN PROVIDES A CROSS REFERENCE BETWEEN THE PARTS LIST AND THE ASSOCIATED FIGURE. THE NUMBER BEFORE THE HYPEN IS THE FIGURE NUMBER TO WHICH IT APPLIES. THE NUMBER AFTER THE HYPEN IS THE CALLOUT NUMBER ON THE FIGURE.

C

THE Δ NUMBER REQUIRED Δ COLUMNS PROVIDE THE QUANTITY OF EACH ITEM USED IN THAT ASSEMBLY. AR=AS REQUIRED.

D

IF AN ASSEMBLY IS NOT BROKEN DOWN IMMEDIATELY AFTER BEING LISTED, A FIGURE NUMBER WILL REFERENCE THE LOCATION WHERE THE BREAKDOWN IS MADE.

E

THE RELATIONSHIP OF AN ITEM TO ITS NEXT HIGHER ASSEMBLY IS INDICATED IN THE Δ ASSEMBLY LEVEL Δ COLUMN. THE Δ B Δ LEVEL IS PART OF THE FIRST PRECEDING Δ A Δ LEVEL. THE Δ C Δ LEVEL IS PART OF THE FIRST PRECEDING Δ B Δ LEVEL, ETC..

F

IN SOME CASES RELATED ITEMS APPEAR ON CERTAIN FIGURES FOR IDENTIFICATION PURPOSES ALTHOUGH THEY ARE NOT PART OF THE ASSEMBLY. THESE ITEMS MUST BE ORDERED AS INDIVIDUAL PIECES OR WITH THEIR RESPECTIVE ASSEMBLY.

CONFIDENTIAL

The following information is being provided to you for your information only. It is not intended to be used for any other purpose. This information is confidential and should be kept confidential.

The information contained in this document is confidential and should be kept confidential. It is not intended to be used for any other purpose. This information is confidential and should be kept confidential.

The information contained in this document is confidential and should be kept confidential. It is not intended to be used for any other purpose. This information is confidential and should be kept confidential.

The information contained in this document is confidential and should be kept confidential. It is not intended to be used for any other purpose. This information is confidential and should be kept confidential.

The information contained in this document is confidential and should be kept confidential. It is not intended to be used for any other purpose. This information is confidential and should be kept confidential.

The information contained in this document is confidential and should be kept confidential. It is not intended to be used for any other purpose. This information is confidential and should be kept confidential.

The information contained in this document is confidential and should be kept confidential. It is not intended to be used for any other purpose. This information is confidential and should be kept confidential.

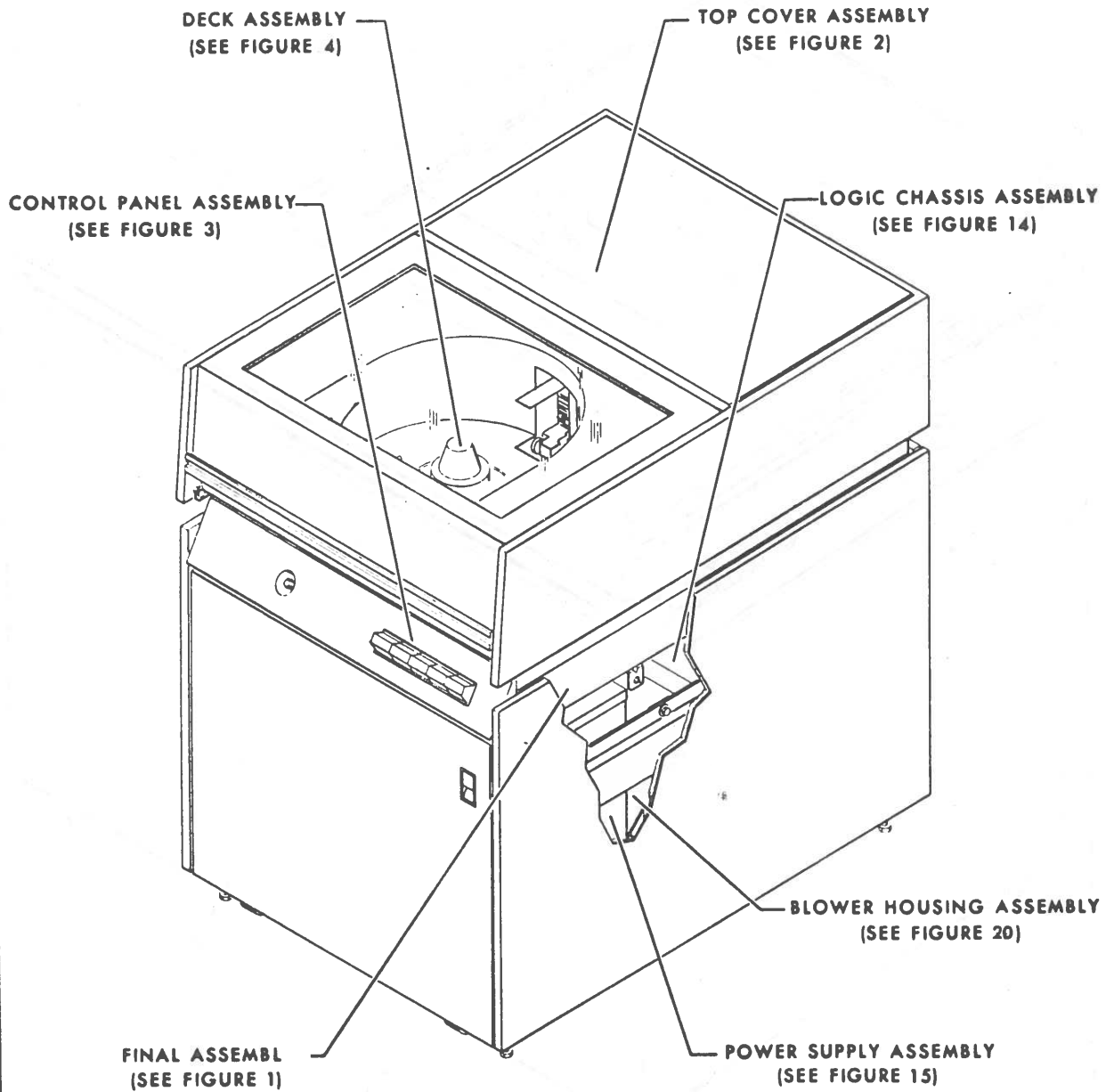
The information contained in this document is confidential and should be kept confidential. It is not intended to be used for any other purpose. This information is confidential and should be kept confidential.

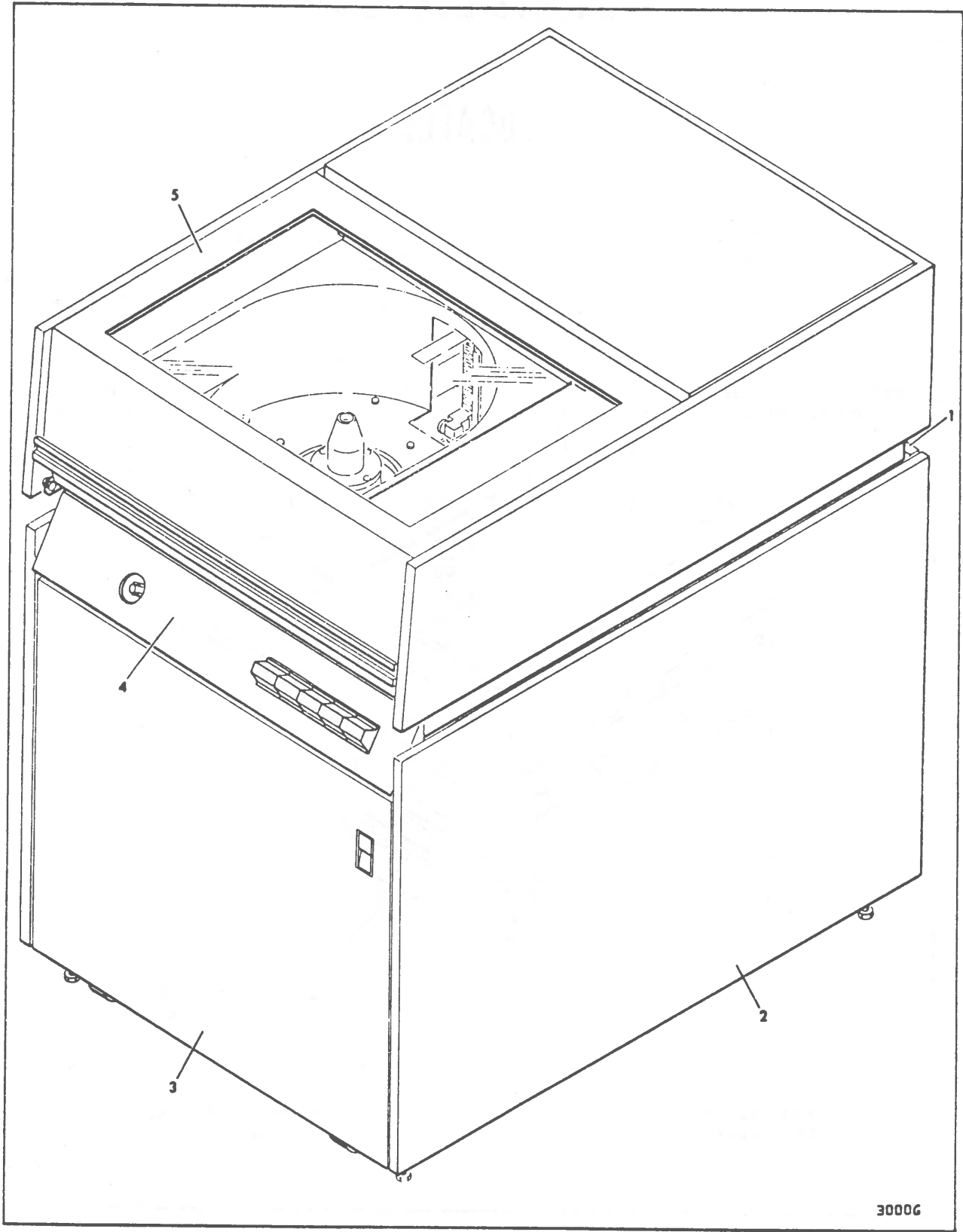
The information contained in this document is confidential and should be kept confidential. It is not intended to be used for any other purpose. This information is confidential and should be kept confidential.

The information contained in this document is confidential and should be kept confidential. It is not intended to be used for any other purpose. This information is confidential and should be kept confidential.

DISK STORAGE UNIT

LOCATOR





30006

FIGURE 1. DSU FINAL ASSEMBLY (SHEET 1 OF 3)

ASSY LEVEL	INDEX NO.	EQUIPMENT PART NUMBER	ITEM DESCRIPTION	MOD. LEVEL				
				B				
				NO. REQUIRED				
A	1-	75001012	FINAL ASSEMBLY, 60 HZ (SHEET 1 OF 3)	1				
A	1-	75001001	FINAL ASSEMBLY, 50 HZ	1				
B	-1	70731003	REAR DOOR ASSEMBLY	1				
C	-	70738638	DOOR, REAR	1				
C	-	94221400	LATCH, FLUSH	1				
C	-	94224907	SPACER, SLAM LATCH	1				
C	-	92633015	BUMPER, GROMMET TYPE	2				
C	-	92373003	NYLINER, SNAP IN	3				
C	-	40080226	PANEL, ACOUSTICAL	2				
C	-	70948500	PIN, HINGE	1				
C	-	40080213	PANEL, ACOUSTICAL	1				
C	-	40080214	PANEL, ACOUSTICAL	1				
B	-2	70731203	SIDE PANEL ASSEMBLY	2				
C	-	70727538	PANEL, SIDE	1				
C	-	40029900	BRACKET, SUPPORT	1				
C	-	40029901	BRACKET, SUPPORT	1				
C	-	40029800	BRACKET, RECEPTACLE	2				
C	-	93592238	SCREW, MACHINE, HEXAGON WASHER HEAD, SELF TAPPING, 10-24 x 3/8	8				
C	-	40080218	PANEL, ACOUSTICAL	2				
C	-	40080219	PANEL, ACOUSTICAL	1				
C	-	94303500	RECEPTACLE, CLIP IN	2				
C	-	93623000	BUMPER, RUBBER	2				
C	-	92633003	BUMPER, GROMMET TYPE	4				
B	-3	70731103	FRONT DOOR ASSEMBLY	1				
C	-	70738738	DOOR, FRONT	1				
C	-	94221400	LATCH, FLUSH	1				
C	-	94224906	SPACER, LATCH	1				
C	-	92633015	BUMPER, GROMMET TYPE	2				
C	-	92373003	NYLINER, SNAP IN	3				
C	-	40080225	PANEL ACOUSTICAL	2				
C	-	70948500	PIN, HINGE	1				
C	-	40080216	PANEL, ACOUSTICAL	1				
C	-	40080217	PANEL, ACOUSTICAL	1				
B	-4		CONTROL PANEL ASSEMBLY (SEE FIGURE 3)	1				
B	-5		TOP COVER ASSEMBLY (SEE FIGURE 2)	1				
B	-	73567200	LOGIC CARD COMPLIMENT COMPONENT ASSEMBLIES:	1				
C	-	50185700	9FQN	1				
C	-	54181105	DCWV	1				
C	-	54191704	CWEV	1				
C	-	40108907	1AYN	1				
C	-	54112101	ACFV	1				
C	-	54161302	ATDV	1				
C	-	54171300	1UDV	1				
C	-	54199302	1WZV	1				
C	-	50102104	0AFN	2				
C	-	54098102	4AWV	1				
C	-	54110100	0CAV	1				
C	-	54112502	ACGV	1				
C	-	54115300	0CPV	1				
C	-	54116501	0CSV	1				
C	-	54116901	0CTV	1				
C	-	54117304	BCUV	1				
C	-	54117700	0CVV	1				
C	-	54118901	0CYV	1				
C	-	50189300	0FZN (SERIES CODE 09 AND BELOW)	1				
C	-	50189301	1FZN (SERIES CODE 10 AND ABOVE)	1				
C	-	54120100	0PAV	1				
C	-	54143700	1RKV	3				
C	-	54150100	0SAV	2				
C	-	54150500	0SBV	1				
C	-	54190101	1WAV	1				
C	-	54163700	0TKV	1				
C	-	54191300	0WDV	4				
C	-	54198900	0WYV	4				
C	-	54210101	1EAV	1				
C	-	54210500	0EBV	1				
C	-	54210900	0ECV	1				
C	-	54218501	AEXV	1				
C	-	54218901	1EYV (S/N 8876 AND BELOW)	1				
C	-	54218903	3EYV (S/N 8877 AND ABOVE)	1				
C	-	54219302	2EZV	1				

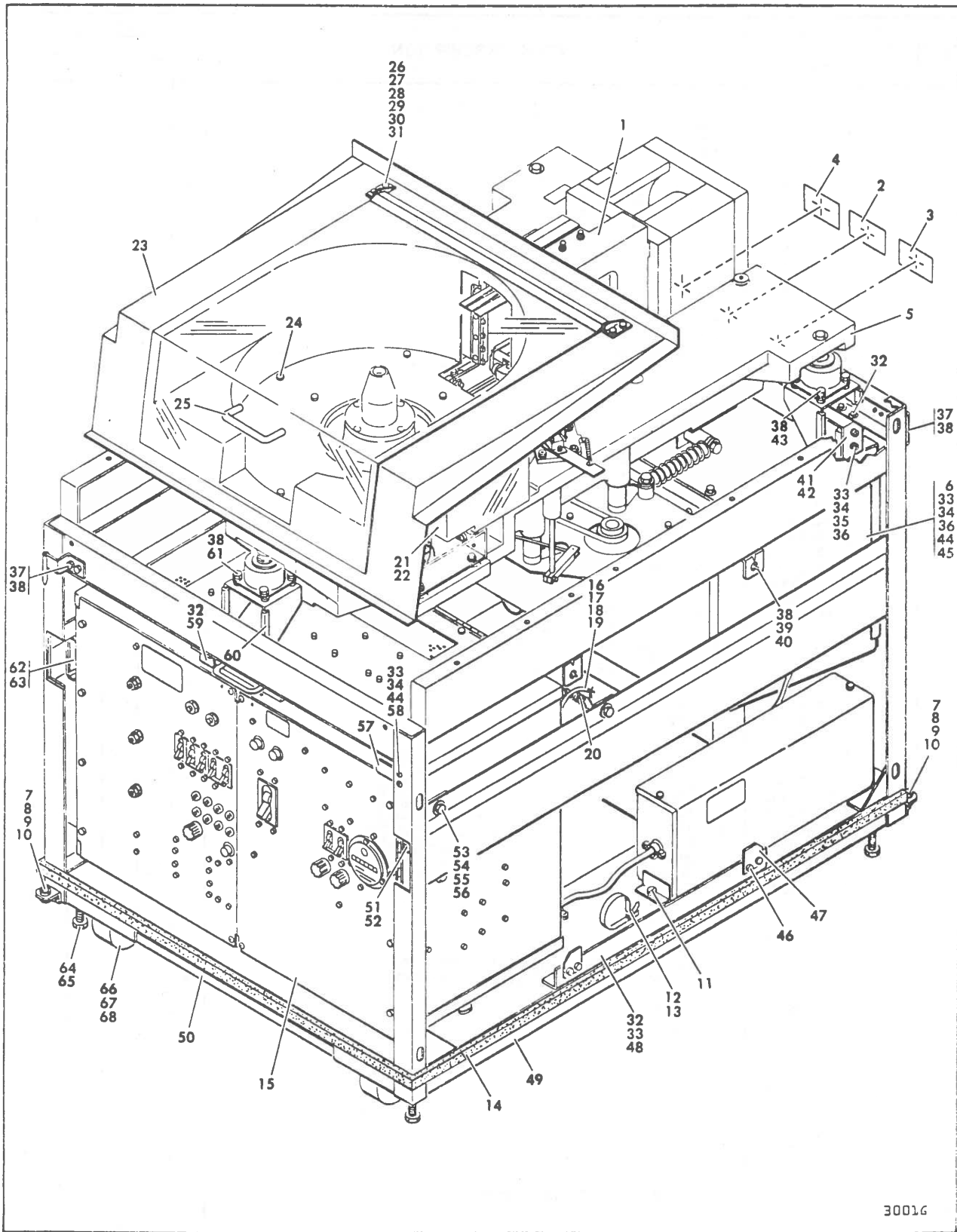


FIGURE 1. DSU FINAL ASSEMBLY (SHEET 2 OF 3)

ASSY LEVEL	INDEX NO.	EQUIPMENT PART NUMBER	ITEM DESCRIPTION	MOD. LEVEL				
				B				
				NO. REQUIRED				
A	1-		FINAL ASSEMBLY (SHEET 2 OF 3)	1				
B	-1		ACTUATOR ASSEMBLY (SEE FIGURE 11)	1				
B	-2	15000700	PLATE, IDENTIFICATION, EQUIPMENT	1				
B	-3	15001201	PLATE, IDENTIFICATION, CABINET	1				
B	-4	94224651	LABEL, INFORMATION	1				
B	-5		DECK ASSEMBLY (SEE FIGURE 4)	1				
B	-6		LOGIC CHASSIS ASSEMBLY (SEE FIGURE 14)	1				
B	-7	10127142	SCREW, MACHINE, PAN HEAD, PHILLIPS, 10-32 x 3/8	4				
B	-8	10126105	WASHER, LOCK, INTERNAL TOOTH, 10	4				
B	-9	70948720	HINGE, DOOR	2				
B	-10	92373004	NYLINER, SNAP IN	2				
B	-11	93592240	SCREW, MACHINE, HEXAGON WASHER HEAD, SELF-TAPPING, 10-24 x 1/2	2				
B	-12	93592238	SCREW, MACHINE, HEXAGON WASHER HEAD, SELF-TAPPING, 10-24 x 3/8	1				
B	-13	94277406	STRAP, CABLE TIE	1				
B	-14	94001126	TAPE, FOAM	AR				
B	-15		POWER SUPPLY ASSEMBLY (SEE FIGURE 15)	1				
B	-16	10125106	NUT, HEXAGON, 8-32	1				
B	-17	10126402	WASHER, LOCK, EXTERNAL TOOTH, 8	2				
B	-18	94281402	CABLE, GROUND	2				
B	-19	94277401	STRAP, CABLE TIE	5				
B	-20	70737100	SPRING, CABLE	1				
B	-21	17901523	SCREW, MACHINE, THREAD ROLL, PHILLIPS, 10-32 x 3/8	1				
B	-22	46492800	COVER, BRUSH (S/N 7374 AND BELOW)	1				
B	-22	75091200	COVER, BRUSH (S/N 7375 AND ABOVE)	1				
B	-23	46488900	SHROUD, PACK (S/N 7374 AND BELOW)	1				
B	-23	75091100	SHROUD, PACK (S/N 7375 AND ABOVE)	1				
B	-24	10127113	SCREW, MACHINE, PAN HEAD, PHILLIPS, 6-32 x 3/8	11				
B	-25	73102900	SHROUD COVER ASSEMBLY (S/N 6571 AND BELOW)	1				
B	-25	75080700	SHROUD COVER ASSEMBLY (S/N 6572 AND ABOVE)	1				
C	-	46487400	COVER, SHROUD	1				
C	-	46483000	RETAINER	1				
C	-	10125713	SCREW, MACHINE, FLAT HEAD, PHILLIPS, 6-32 x 5/16	7				
C	-	93972014	HANDLE, INNER COVER (S/N 6571 AND BELOW)	1				
C	-	75051000	HANDLE, INNER COVER (S/N 6572 AND ABOVE)	1				
C	-	10125714	SCREW, MACHINE, FLAT HEAD, PHILLIPS, 6-32 x 3/8	2				
C	-	10126103	WASHER, LOCK, INTERNAL TOOTH, 6 (S/N 6572 AND ABOVE)	2				
C	-	10125105	NUT, HEXAGON, 6-32 (S/N 6572 AND ABOVE)	2				
B	-26	10127123	SCREW, MACHINE, PAN HEAD, PHILLIPS, 8-32 x 1/2	4				
B	-27	10125606	WASHER, FLAT, 8	4				
B	-28	10125804	WASHER, LOCK, SPRING, 8	4				
B	-29	41274002	BEARING	2				
B	-30	46492700	HINGE, RETAINER	1				
B	-	46492701	HINGE, RETAINER	1				
B	-31	10125106	NUT, HEXAGON, 8-32	4				
B	-	73598600	FRAME ASSEMBLY	1				
C	-32	93592238	SCREW, MACHINE, HEXAGON WASHER HEAD, SELF-TAPPING, 10-24 x 3/8	8				
C	-33	10125607	WASHER, FLAT, 10	16				
C	-34	10125108	NUT, HEXAGON, 10-32	12				
C	-35	10127146	SCREW, MACHINE, PAN HEAD, PHILLIPS, 10-32 x 7/8	2				
C	-36	10126105	WASHER, LOCK, INTERNAL TOOTH, 10	9				
C	-37	70948800	HINGE, TOP, REAR COVER	2				
C	-38	93592240	SCREW, MACHINE, HEXAGON WASHER HEAD, SELF-TAPPING, 10-24 x 1/2	24				
C	-39	40011900	BRACKET STUD ASSEMBLY	4				
C	-40	45720600	PLATE, BACKING	4				
C	-41	72989000	BRACKET, STOP	1				
C	-42	70741800	LATCH, STOP	1				
C	-43	94245300	ISOLATOR, VIBRATION	2				
C	-44	10125748	SCREW, MACHINE, FLAT HEAD, PHILLIPS, CROSS RECESSED, 10-32 x 5/8	10				
C	-45	70740700	BRACKET, HINGE	2				
C	-46	93592200	SCREW, MACHINE, HEXAGON WASHER HEAD, SELF-TAPPING, 8-32 x 3/8	8				
C	-47	40029600	SLIDE, SIDE PANEL	4				
C	-48	40029700	HANGER, SIDE PANEL	2				
C	-49	76414620	FRAME	1				
C	-50	92682017	FILTER, AIR	1				



ASSY LEVEL	INDEX NO.	EQUIPMENT PART NUMBER	ITEM DESCRIPTION	MOD. LEVEL				
				B				
				NO. REQUIRED				
A	1-		FINAL ASSEMBLY (SHEET 2 OF 3) CONT'D	1				
C	-51	94243502	SLIDE ASSEMBLY, RIGHT STATIONARY	1				
C	-52	94222904	CHANNEL, RIGHT HAND	1				
C	-53	10126502	SCREW, MACHINE, HEXAGON HEAD, 1/4-20 x 3/4	8				
C	-54	10125608	WASHER, FLAT, 1/4	8				
C	-55	10126106	WASHER, LOCK, INTERNAL TOOTH, 1/4	8				
C	-56	10125301	NUT, HEXAGON, 1/4-20	8				
C	-57	70728200	CATCH, DOOR	2				
C	-58	10125805	WASHER, LOCK, SPRING, 10	4				
C	-59	73127600	BRACKET, CATCH	1				
C	-60	94237703	TRIM, SAFETY, BLACK	AR				
C	-61	94245301	ISOLATOR, VIBRATION	1				
C	-62	94243503	SLIDE ASSEMBLY, LEFT STATIONARY	1				
C	-63	94222905	CHANNEL, LEFT HAND	1				
C	-64	93006035	NUT, JAM, HEXAGON, 1/2-13	4				
C	-65	93697014	LEVELER	4				
C	-66	10126513	SCREW, MACHINE, HEXAGON HEAD, 5/16-18 x 1/2	16				
C	-67	10125807	WASHER, LOCK, SPRING, 5/16	16				
C	-68	92703013	CASTER	4				

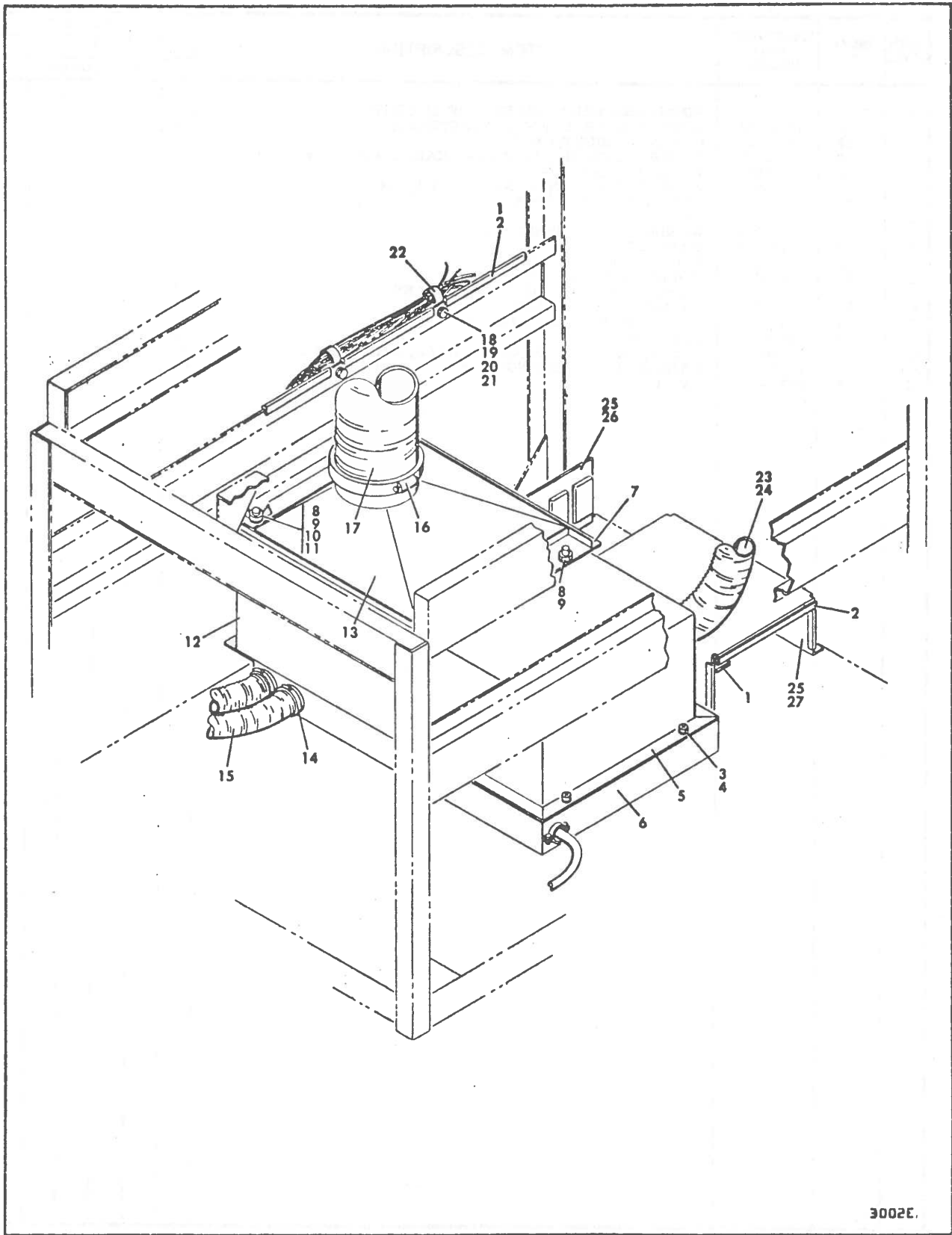
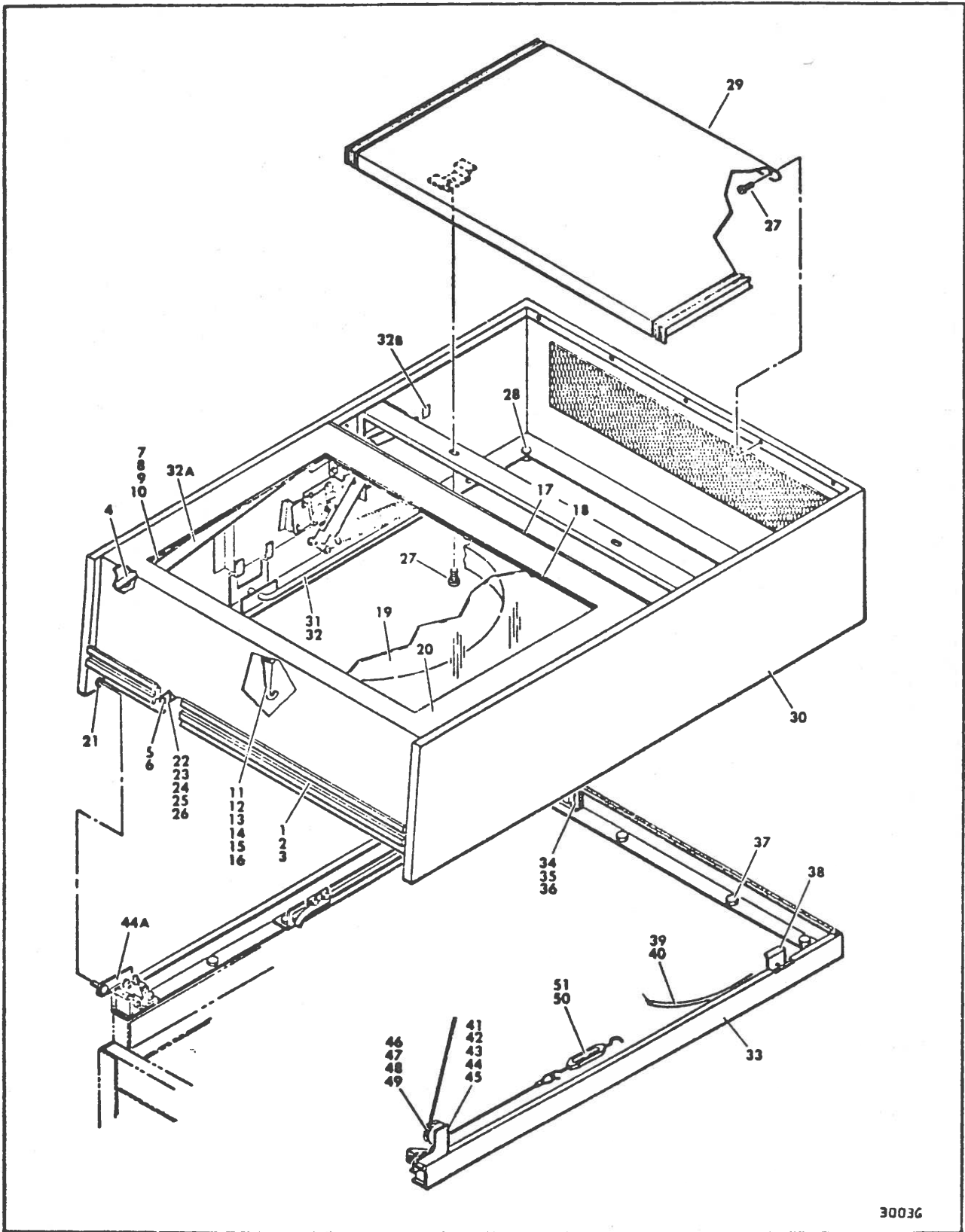


FIGURE 1. DSU FINAL ASSEMBLY (SHEET 3 OF 3)

ASSY LEVEL	INDEX NO.	EQUIPMENT PART NUMBER	ITEM DESCRIPTION	MOD. LEVEL					
				B					
				NO. REQUIRED					
A	1-		FINAL ASSEMBLY (SHEET 3 OF 3)	1					
C	-1	41282100	CLIP, SAFETY TRIM	1					
C	-2	94237703	TRIM, SAFETY, BLACK	AR					
C	-3	10127123	SCREW, MACHINE, PAN HEAD, PHILLIPS, 8-32 x 1/2	4					
C	-4	10126104	WASHER, LOCK, INTERNAL TOOTH, 8	4					
C	-5	76437400	COVER, BLOWER	1					
C	-	76437300	ENCLOSURE, BLOWER	1					
C	-	93592200	SCREW, MACHINE, HEX WASHER HEAD, STP, 8-32 x 3/8	4					
C	-6		BLOWER HOUSING ASSEMBLY (SEE FIGURE 20)	1					
C	-7	70727100	CLAMP, COVER	1					
C	-8	10125107	NUT, HEXAGON, 10-24	4					
C	-9	10126105	WASHER, LOCK, INTERNAL TOOTH, 10	4					
C	-10	73539700	ROD, THREADED	2					
C	-11	93041011	WINGNUT	2					
C	-12	94301100	FILTER, AIR	1					
C	-13	70726800	COVER, FILTER, BLOWER	1					
B	-14	94275230	CLAMP, HOSE	4					
B	-15	94311618	HOSE, FLEXIBLE	2					
B	-16	94275216	CLAMP, HOSE	2					
	-17		NOT USED						
B	-18	10127123	SCREW, MACHINE, PAN HEAD, PHILLIPS, 8-32 x 1/2	2					
B	-19	10126104	WASHER, LOCK, INTERNAL TOOTH, 8	2					
B	-20	10125606	WASHER, FLAT, 8	2					
B	-21	10125106	NUT, HEXAGON, 8-32	2					
B	-22	92602013	CLAMP, CABLE, NYLON	2					
B	-23	94275207	CLAMP, HOSE	2					
B	-24	94311619	HOSE, FLEXIBLE	1					
B	-25	93592240	SCREW, MACHINE, HEXAGON WASHER HEAD, SELF TAPPING, 10-32 x 5/8	6					
B	-26	72934300	CONNECTOR CHASSIS ASSEMBLY	1					
C	-	64288110	SOCKET, GUIDE, CORNER, CONNECTOR	2					
C	-	63642006	JACKSCREW, MALE	1					
C	-	93642004	PIN, GUIDE	2					
C	-	93642007	JACKSCREW, FEMALE	1					
C	-	72934500	CABLE ASSEMBLY, I.O., W7 (SEE FIGURE 21)	1					
C	-	72934500	CHASSIS, CONNECTOR	1					
C	-	94208500	LABEL	1					
B	-27	70727800	COVER, CABLE	1					

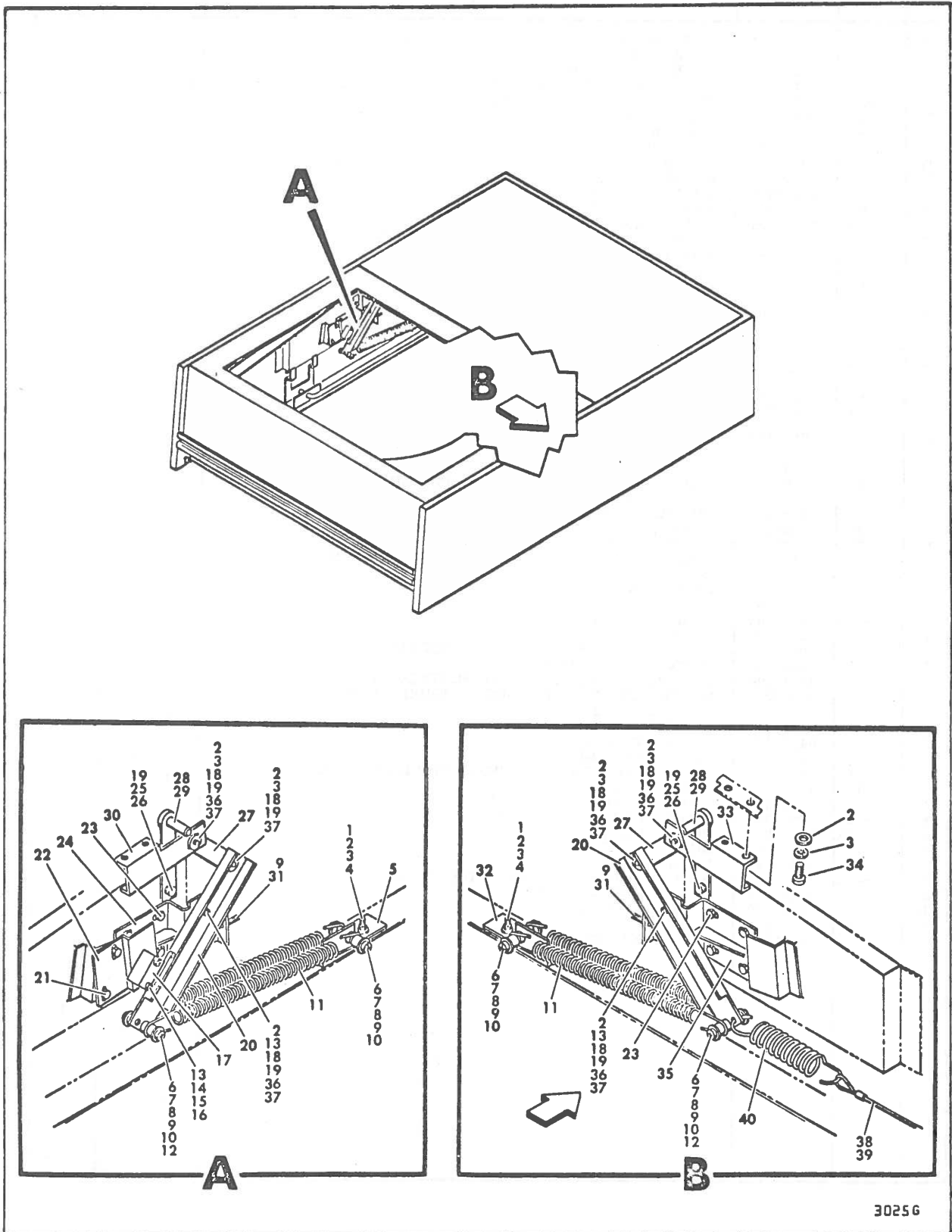
AA 2315



30036

FIGURE 2. TOP COVER ASSEMBLY (SHEET 1 OF 4)

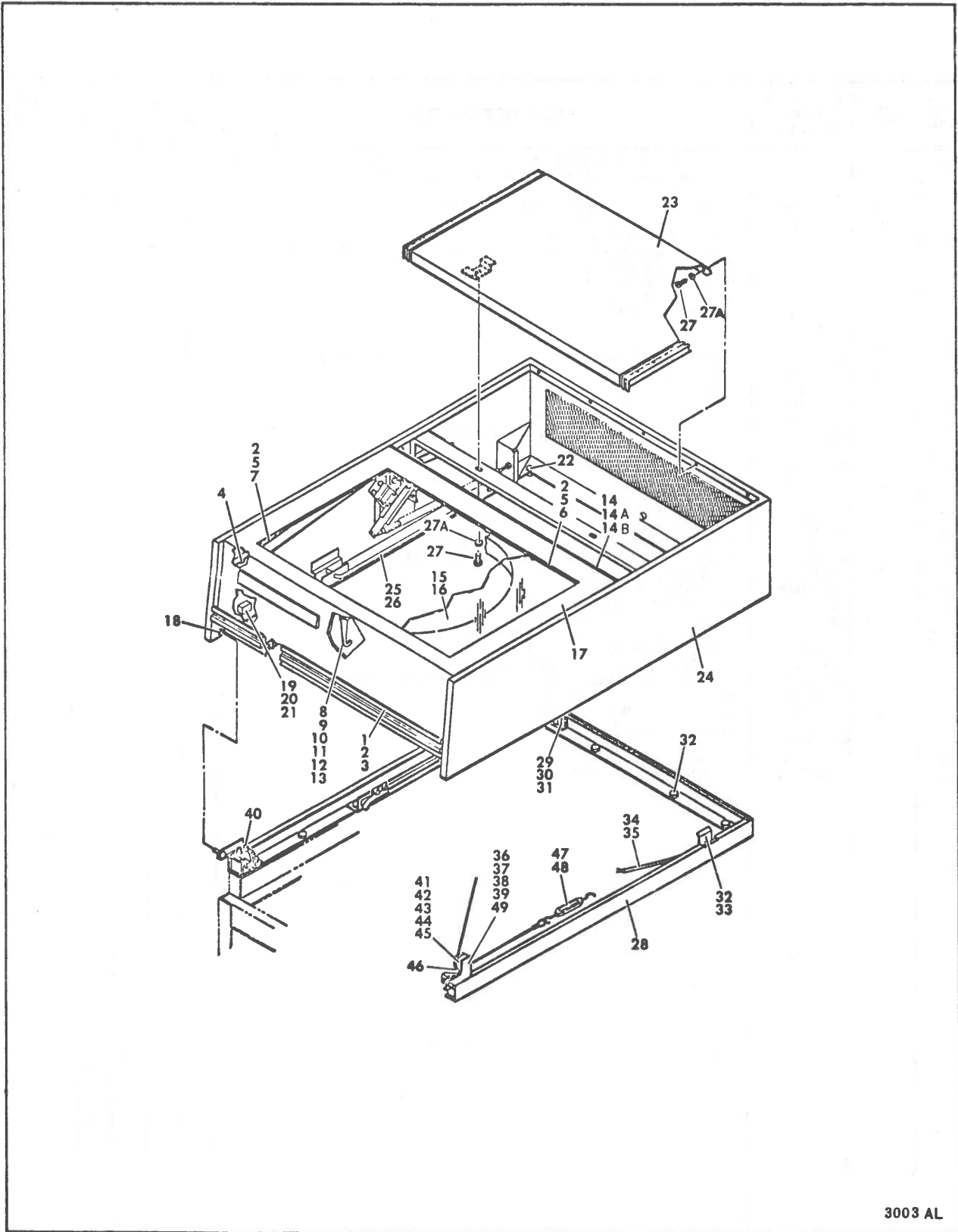
ASSY LEVEL	INDEX NO.	EQUIPMENT PART NUMBER	ITEM DESCRIPTION	MOD. LEVEL				
				B				
				NO. REQUIRED				
B	2-	73240703	TOP COVER ASSEMBLY (SHEET 1 OF 4) (SERIES CODE 10 AND BELOW)	1				
C	-	73240502	PACK ACCESS COVER ASSEMBLY	1				
D	-1	10127111	SCREW, MACHINE, PAN HEAD, PHILLIPS, 6-32 x 1/4	14				
D	-2	10126103	WASHER, LOCK, INTERNAL TOOTH, 6	14				
D	-3	70743500	HANDLE, ACCESS COVER	1				
D	-4		NOT USED					
D	-5	70743400	STRIKER, MAGNETIC	2				
D	-6	10125910	SCREW, MACHINE, FLAT HEAD, SLOTTED, 6-32 x 3/8	2				
D	-7	72943737	RETAINER, GLASS	2				
D	-8	94060008	CHANNEL, RUBBER	AR				
D	-9	10125803	WASHER, LOCK, SPRING, 6	18				
D	-10	10125105	NUT, HEXAGON, 6-32	18				
D	-11	10127122	SCREW, MACHINE, PAN HEAD, PHILLIPS, 8-32 x 3/8	1				
D	-12	10125606	WASHER, FLAT, 8	1				
D	-13	10125804	WASHER, SPRING LOCK, 8	1				
D	-14	73102200	BRACKET, LATCH	1				
D	-15	46489800	SLEEVE, LATCH	1				
D	-16	46492600	LATCH	1				
D	-17	70949100	HINGE, VARIABLE	1				
D	-18	72943837	RETAINER, GLASS	2				
D	-19	40079406	WINDOW, FRONT COVER	1				
D	-20	73213037	COVER, PACK ACCESS	1				
C	-21	92373005	NYLINER, SNAP IN	1				
C	-22	10125717	SCREW, MACHINE, FLAT HEAD, CROSS RECESS, 6-32 x 3/4	8				
C	-23	10125605	WASHER, FLAT, 6	8				
C	-24	10126103	WASHER, LOCK, INTERNAL TOOTH, 6	12				
C	-25	10125105	NUT, HEXAGON	12				
C	-26	92637001	CATCH, MAGNETIC	2				
C	-27	93590238	SCREW, MACHINE, PAN HEAD, PHILLIPS, SELF TAPPING, 10-24 x 3/8	7				
C	-28	92633015	BUMPER, GROMMET TYPE	2				
C	-29	73201237	COVER, REAR	1				
C	-30	73199937	COVER, TOP	1				
C	-31	10127113	SCREW, MACHINE, PAN HEAD, PHILLIPS, 6-32 x 3/8	1				
C	-32	41276800	ROD, RETAINING	1				
C	-32A	73238837	TRIM, LEFT	1				
C	-	73238937	TRIM, RIGHT	1				
C	-32B	94277503	BASE, MOUNTING	4				
B	-33	73189204	BELTLINE	1				
B	-34	10127331	SCREW, MACHINE, PAN HEAD, SLOTTED, 6-32 x 3/16	2				
B	-35	93560001	SWITCH, INTERLOCK	1				
B	-36	93342096	SCREW, NYLON, PAN HEAD, SLOTTED, 4-40 x 1/4	1				
B	-37	93592240	SCREW, MACHINE, HEXAGON WASHER HEAD, SELF TAPPING, 10-24 x 1/2	14				
B	-38	70943300	BRACKET, GUIDE	2				
B	-39	94277400	CLAMP, CABLE, NYLON	2				
B	-40	94281402	CABLE, GROUND	1				
B	-41	92866131	SCREW, MACHINE, PAN HEAD, PHILLIPS, 10-32 x 3/4	4				
B	-42	10125607	WASHER, FLAT, 10	4				
B	-43	10125805	WASHER, LOCK, SPRING, 10	4				
B	-44	72943300	HINGE, TOP COVER, RIGHT	1				
B	-44A	73108000	HINGE, TOP COVER, LEFT	1				
B	-45	10125107	NUT, HEXAGON, 10-24	2				
B	-46	94047042	WASHER, SPECIAL	2				
B	-47	10126105	WASHER, LOCK, INTERNAL TOOTH, 10	1				
B	-48	72819200	PULLEY, GUIDE CABLE	1				
B	-49	72943600	SLEEVE, PULLEY	1				
E	-50	73224400	TURNBUCKLE	1				
B	-51	10125106	NUT, HEXAGON, 8-32	1				



30256

FIGURE 2. TOP COVER ASSEMBLY (SHEET 2 OF 4)

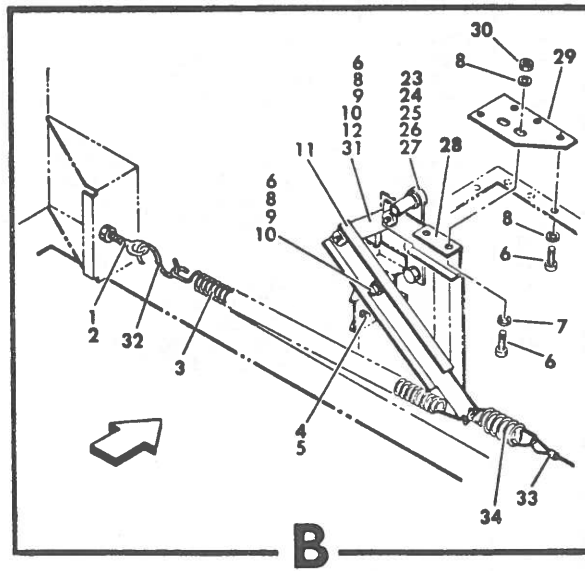
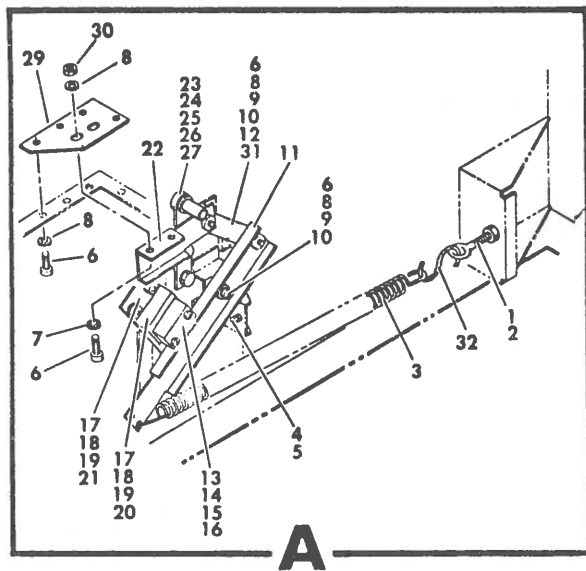
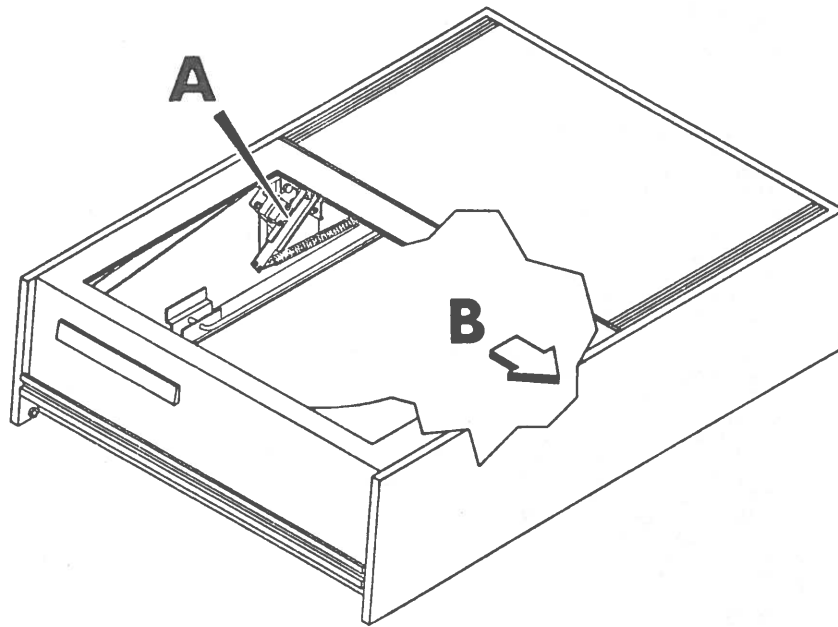
ASSY LEVEL	INDEX NO.	EQUIPMENT PART NUMBER	ITEM DESCRIPTION	MOD. LEVEL					
				B					
				NO. REQUIRED					
B	2-		TOP COVER ASSY (SHEET 2 OF 4) (SERIES CODE 10 AND BELOW)	1					
C	-1	10125725	SCREW, MACHINE, FLAT HEAD, 8-32 x 1/2	4					
C	-2	10125606	WASHER, FLAT, 8	14					
C	-3	10126104	WASHER, LOCK, INTERNAL TOOTH, 8	14					
C	-4	10125106	NUT, HEXAGON 8-32	4					
C	-5	72942900	BRACKET, SPRING, LEFT	4					
C	-6	10127149	SCREW, MACHINE, PAN HEAD, PHILLIPS, 10-32 x 1 1/2	4					
C	-7	10125805	WASHER, LOCK, SPRING, 10	4					
C	-8	10125607	WASHER, FLAT, 10	8					
C	-9	10125108	NUT, HEXAGON, 10-32	6					
C	-10	40077800	SPOOL, SPRING	6					
C	-11	41275400	SPRING, EXTENSION	4					
C	-12	41274800	SPOOL, SPRING	2					
C	-13	10127106	SCREW, MACHINE, PAN HEAD, PHILLIPS, 4-40 x 5/8	2					
C	-14	10125603	WASHER, FLAT, 4	6					
C	-15	10126101	WASHER, LOCK, INTERNAL TOOTH, 4	6					
C	-16	10125103	NUT, HEXAGON, 4-40	6					
C	-17	93786005	SWITCH, MINI ACTUATOR	1					
C	-18	10127123	SCREW, MACHINE, PAN HEAD, PHILLIPS, 8-32 x 1/2	6					
C	-19	93564002	WASHER, NYLON	6					
C	-20	72942300	ARM, SPRING PIVOT	2					
C	-21	93592158	SCREW, MACHINE, HEXAGON, 6-32 x 1/4	2					
C	-22	73215402	BRACKET, SWITCH	1					
C	-23	93592240	SCREW, MACHINE, HEXAGON, 10-24 x 1/2	8					
C	-24	72942501	BRACKET, PIVOT STOP	1					
C	-25	10126500	SCREW, MACHINE, HEXAGON 1/4-20 x 1/2	4					
C	-26	10126106	WASHER, LOCK, INTERNAL TOOTH, 1/4	4					
C	-27	72942200	LINKAGE, SPRING, ARM	2					
C	-28	41274000	BEARING, FLANGED	2					
C	-29	41273900	PIN-HINGE, FRONT COVER	2					
C	-30	72942100	BRACKET, PACK ACCESS, LEFT	1					
C	-31	93078330	SCREW, SET, HEXAGON, 10-32 x 1/2	2					
C	-32	72942800	BRACKET SPRING, RIGHT	1					
C	-33	72942000	BRACKET, PACK ACCESS, RIGHT	1					
C	-34	10127127	SCREW, MACHINE, PAN HEAD, PHILLIPS, 8-32 x 1	4					
C	-35	72942601	BRACKET, PIVOT STOP	1					
C	-36	93529031	WASHER, SPRING WAVE	6					
C	-37	93564001	WASHER, NYLON	6					
B	-38	00867102	SLEEVE, CABLE	2					
B	-39	93839003	CABLE	2					
B	-40	40024200	SPRING, EXTENSION	1					



3003 AL

FIGURE 2. TOP COVER ASSEMBLY (SHEET 3 OF 4)

ASSY LEVEL	INDEX NO.	EQUIPMENT PART NUMBER	ITEM DESCRIPTION	MOD. LEVEL			
				NO. REQUIRED			
B	2-	75001201	TOP COVER ASSEMBLY (SERIES CODE 11 AND ABOVE) SHEET 3 OF 4	1			
C	-	72943909	PACK ACCESS COVER ASSEMBLY (S/N 6972 AND BELOW)	1			
C	-	73634907	PACK ACCESS COVER ASSEMBLY (S/N 6973 AND ABOVE)	1			
	-1		NOT USED				
D	-2	10126103	WASHER, LOCK, INTERNAL TOOTH, 6	12			
	-3		NOT USED				
D	-4	92633021	BUMPER, GROMMET	2			
D	-5	10125105	NUT, HEXAGON, 6-32	12			
D	-	10125605	WASHER, FLAT, 6	1			
D	-6	72943837	RETAINER, GLASS	2			
D	-7	72943737	RETAINER, GLASS	2			
D	-8	10127122	SCREW, MACHINE, PAN HEAD, PHILLIPS, 8-32 x 3/8	1			
D	-9	10125606	WASHER, FLAT, 8	1			
D	-10	10125804	WASHER, LOCK, SPRING, 8	1			
D	-11	73563700	BRACKET, LATCH	1			
D	-12	46489800	SLEEVE, LATCH	1			
D	-13	46492600	LATCH	1			
D	-14	92815159	SCREW, MACHINE, SOCKET HEAD, 6-32 x 3/8	8			
D	-14A	10125803	WASHER, LOCK, SPRING, 6	8			
D	-14B	70949100	HINGE, VARIABLE	1			
D	-15	94060008	CHANNEL, RUBBER	AR			
D	-16	40079406	WINDOW, FRONT COVER	1			
D	-17	73528537	COVER, PACK ACCESS (S/N 6972 AND BELOW)	1			
D	-17	73634637	COVER, PACK ACCESS (S/N 6973 AND ABOVE)	1			
C	-18	92373005	NYLINER, SNAP-IN	2			
C	-19	10126103	WASHER, LOCK, INTERNAL TOOTH, 6	1			
C	-20	10125105	NUT, HEXAGON, 6-32	2			
C	-21	94277503	BASE, MOUNTING	1			
C	-22	92633015	BUMPER, GROMMET	2			
C	-23	73605437	COVER, REAR	1			
C	-24	72942437	COVER, TOP	1			
C	-25	10127113	SCREW, MACHINE, PAN HEAD, PHILLIPS, 6-32 x 3/8	1			
C	-26	41276800	ROD, RETAINING	1			
C	-27	93590238	SCREW, MACHINE, PAN HEAD, PHILLIPS, SELF-TAPPING, 10-24 x 3/8	7			
C	-27A	10125607	WASHER, FLAT, 10	7			
B	-28	73189204	BELTLINE	1			
B	-29	10127331	SCREW, MACHINE, PAN HEAD, SLOTTED, 6-32 x 3/16	2			
B	-30	93560001	SWITCH, INTERLOCK	1			
B	-31	93342096	SCREW, NYLON, PAN HEAD, SLOTTED, 4-40 x 1/4	1			
B	-32	93592240	SCREW, MACHINE, HEXAGON WASHER HEAD, SELF-TAPPING, 10-24 x 1/2	20			
B	-33	70943300	BRACKET, GUIDE	2			
B	-34	94277400	CLAMP, CABLE, NYLON	2			
B	-35	94281402	CABLE, GROUND				
B	-36	92866131	SCREW, MACHINE, HEXAGON HEAD, 10-32 x 3/4	4			
B	-37	93210009	WASHER, SST, 10	4			
B	-38	10125805	WASHER, LOCK, SPRING, 10	4			
B	-39	72943300	HINGE, TOP COVER, RIGHT	1			
B	-40	73108000	HINGE, TOP COVER, LEFT	1			
B	-41	10125107	NUT, HEXAGON, 10-24	2			
B	-42	94047042	WASHER, SPECIAL	2			
B	-43	10126105	WASHER, LOCK, INTERNAL TOOTH, 10	1			
B	-44	72819200	PULLEY, GUIDE CABLE	1			
B	-45	72943600	SLEEVE, PULLEY	1			
B	-46	73223900	CLAMP, CABLE	1			
B	-47	73224400	TURNBUCKLE	1			
B	-48	10125106	NUT, HEXAGON, 8-32	1			
B	-49	93564002	WASHER, SPECIAL	2			



3025 T

FIGURE 2. TOP COVER ASSEMBLY (SHEET 4 OF 4)

ASSY LEVEL	INDEX NO.	EQUIPMENT PART NUMBER	ITEM DESCRIPTION	MOD. LEVEL								
				B								
				NO. REQUIRED								
B	2-		TOP COVER ASSEMBLY (SERIES CODE 11 AND ABOVE) SHEET 4 OF 4					1				
C	-1	94338804	BOLT, EYE					2				
C	-2	10125107	NUT, HEXAGON, 10-24					4				
C	-3	72943400	SPRING, EXTENSION					2				
C	-4	93078330	SCREW, MACHINE, SET, HEXAGON, 10-32 x 1/2					2				
C	-5	10125108	NUT, HEXAGON, 10-32					2				
C	-6	10126227	SCREW, MACHINE, HEXAGON SOCKET HEAD, 8-32 x 5/8					18				
C	-7	10126104	WASHER, LOCK, INTERNAL TOOTH, 8					4				
C	-8	10125606	WASHER, FLAT, 8					18				
C	-9	93529031	WASHER, SPRING WAVE, 8					6				
C	-10	93564002	WASHER, NYLON, 8					6				
C	-11	72942300	ARM, SPRING, PIVOT					2				
C	-12	72942200	LINKAGE, SPRING, ARM					2				
C	-13	10127106	SCREW, MACHINE, PAN HEAD, PHILLIPS, 4-40 x 5/8					2				
C	-14	10126400	WASHER, LOCK, EXTERNAL TOOTH, 4					2				
C	-15	10125103	NUT, HEXAGON, 4-40					2				
C	-16	93786005	SWITCH, MINIACTUATOR					1				
C	-17	10127141	SCREW, MACHINE, PAN HEAD, PHILLIPS, 10-32 x 5/16					4				
C	-18	10125607	WASHER, FLAT, 10					4				
C	-19	10126105	WASHER, LOCK, INTERNAL TOOTH, 10					4				
C	-20	72944600	BRACKET, SWITCH, ADJUSTMENT					1				
C	-21	72944700	BRACKET, SWITCH, MOUNTING					1				
C	-22	72942100	BRACKET, PACK ACCESS, LEFT (S/N 6972 AND BELOW)					1				
C	-22	73634801	BRACKET, PACK ACCESS, LEFT (S/N 6973 AND ABOVE)					1				
C	-23	10126500	SCREW, MACHINE, HEXAGON HEAD, 1/4-20 x 1/2					4				
C	-24	10126106	WASHER, LOCK, INTERNAL TOOTH, 1/4					4				
C	-25	41273900	PIN, HINGE, FRONT COVER					2				
C	-26	41274000	BEARING, FLANGED					2				
C	-27	73570500	PAD, FRICTION					2				
C	-28	72942000	BRACKET, PACK ACCESS, RIGHT (S/N 6972 AND BELOW)					1				
C	-28	73634800	BRACKET, PACK ACCESS, RIGHT (S/N 6973 AND ABOVE)					1				
C	-29	75055600	PLATE, HINGE (S/N 6973 AND ABOVE)					2				
C	-30	10125106	NUT, HEXAGON, 8-32 (S/N 6973 AND ABOVE)					4				
C	-31	94217702	NUT, SELF-LOCKING, 8-32					4				
	-32		NOT APPLICABLE									
B	-33	93839003	CABLE					AR				
B	-	00867102	SLEEVE, CABLE					2				
B	-34	40024200	SPRING, IDLER					1				

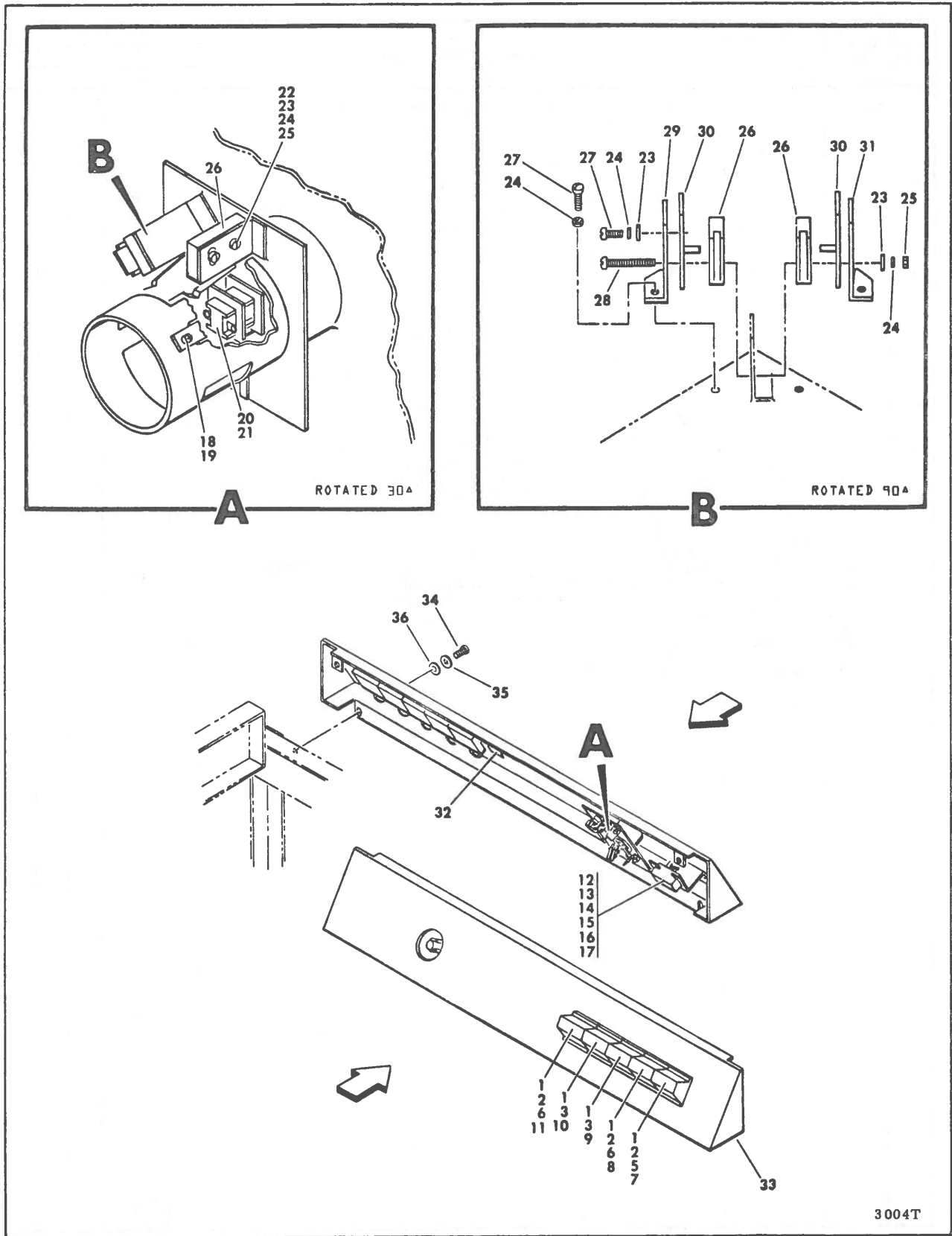


FIGURE 3. CONTROL PANEL ASSEMBLY

ASSY LEVEL	INDEX NO.	EQUIPMENT PART NUMBER	ITEM DESCRIPTION	MOD. LEVEL				
				B				
				NO. REQUIRED				
B	3-	73528401	CONTROL PANEL ASSEMBLY	1				
C	-1	92629003	LAMP, INDICATOR	11				
C	-2	93561001	SWITCH, ACTUATOR	3				
C	-3	93561002	SWITCH, INDICATOR	2				
	-4		NOT USED					
C	-5	92335003	SWITCH, SUBMINIATURE, MOMENTARY	1				
C	-6	92335005	SWITCH, SUBMINIATURE, MOMENTARY	2				
C	-7	93562252	LENS, FEHLER	1				
C	-8	93562251	LENS, SCHREIBEN GESPERRT	1				
C	-9	93562250	LENS, WARTUNG	1				
C	-10	93562249	LENS, BEREIT	1				
C	-11	93562048	LENS, START	1				
C	-12	93960015	CONNECTOR, BLOCK	1				
C	-13	93960021	CONNECTOR, BLOCK	2				
C	-14	93960005	SOCKET, CENTER GUIDE, CONNECTOR	1				
C	-15	93960004	PIN, CENTER GUIDE, CONNECTOR	1				
C	-16	93644002	PIN, CONTACT	7				
C	-17	93644003	PIN, CONTACT	13				
C	-18	93590082	SCREW, MACHINE, PAN HEAD, PHILLIPS, SELF TAPPING, 4-40 x 1/4	2				
C	-19	72936900	PLUG, KEEPER, LOGIC	2				
C	-20	47364300	SOCKET	1				
C	-21	44440400	TERMINAL	2				
C	-22	10127315	SCREW, MACHINE, PAN HEAD, SLOTTED, 2-56 x 5/8	2				
C	-23	10125602	WASHER, FLAT, 2	6				
C	-24	10126100	WASHER, LOCK, INTERNAL TOOTH, 2	12				
C	-25	10125102	NUT, HEXAGON, 2-56	4				
C	-26	94141014	SWITCH, SUBMINIATURE	5				
C	-27	10127310	SCREW, MACHINE, PAN HEAD, SLOTTED, 2-56 x 3/16	8				
C	-28	10127317	SCREW, MACHINE, PAN HEAD, SLOTTED, 2-56 x 7/8	2				
C	-29	72937000	BRACKET, SWITCH	2				
C	-30	72937100	PLATE, MOUNTING, SWITCH	4				
C	-31	72937001	BRACKET, SWITCH	2				
C	-32	94208500	LABEL	1				
C	-33	72935304	PANEL, CONTROL	1				
B	-34	10127123	SCREW, MACHINE, PAN HEAD, PHILLIPS, 8-32 x 1/2	2				
B	-35	10126104	WASHER, LOCK, INTERNAL TOOTH, 8	2				
B	-36	10125606	WASHER, FLAT, 8	2				

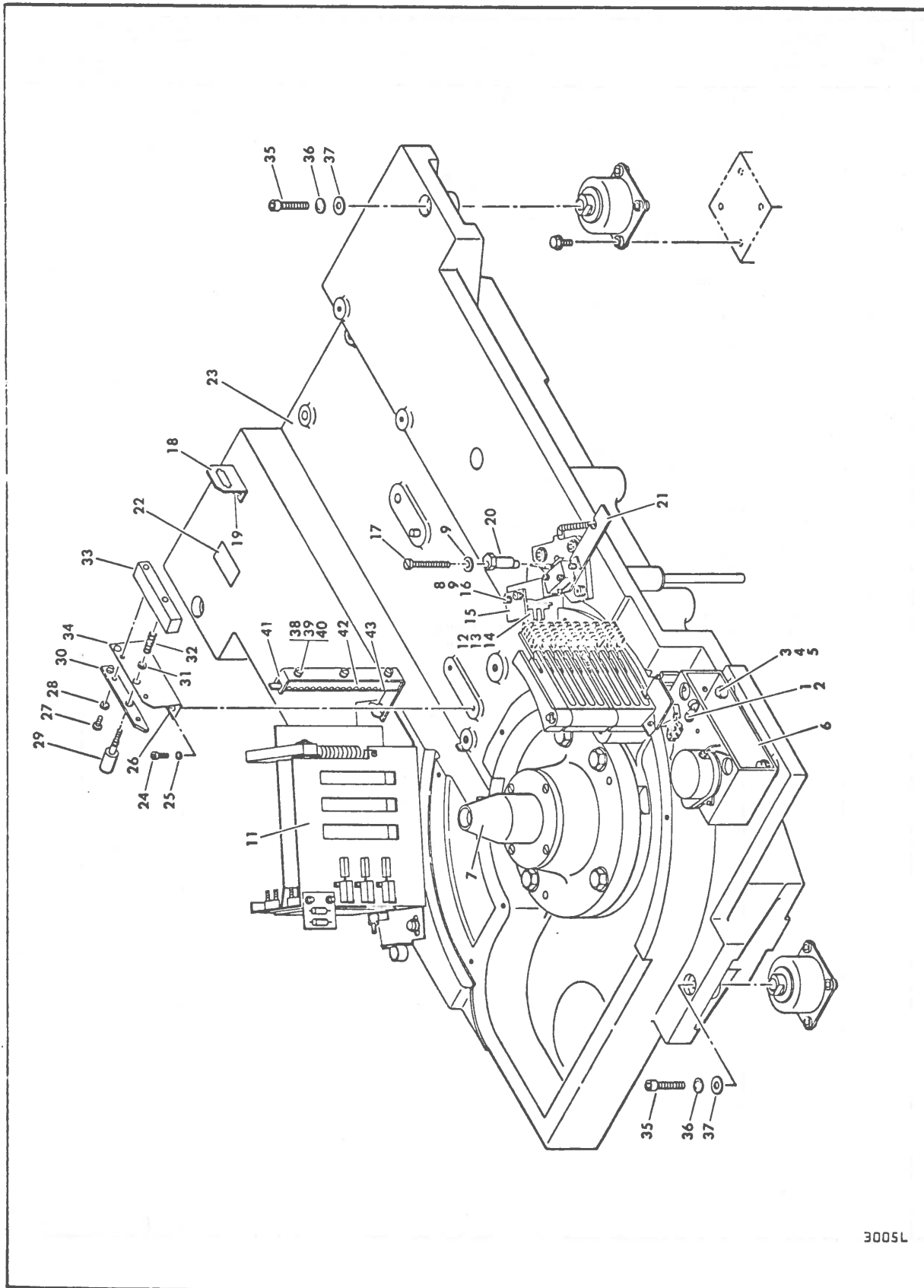


FIGURE 4. DECK ASSEMBLY (Sheet 1 of 2)

3005L

ASSY LEVEL	INDEX NO.	EQUIPMENT PART NUMBER	ITEM DESCRIPTION	MOD. LEVEL				
				B				
				NO. REQUIRED				
B	4-	75001308	DECK ASSEMBLY, 60 HZ (SHEET 1 OF 2)	1				
B	4-	75001301	DECK ASSEMBLY, 50 HZ	1				
C	-1	10127122	SCREW, MACHINE, PAN HEAD, PHILLIPS, 8-32 x 3/8	1				
C	-2	94277406	STRAP, CABLE TIE	2				
C	-3	10127132	SCREW, MACHINE, PAN HEAD, PHILLIPS, 10-24 x 1/2	3				
C	-4	10125607	WASHER, FLAT, 10	3				
C	-5	10126105	WASHER, LOCK, INTERNAL TOOTH, 10	3				
C	-6		DISK CLEANER ASSEMBLY (SEE FIGURE 7)	1				
C	-7		SPINDLE AND LOCKSHAFT ASSEMBLY (SEE FIGURE 5)	1				
	-8		NOT USED					
	-9		NOT USED					
	-10		NOT USED					
C	-11	73629303	W4 HARNESS AND PREAMP ASSY (W4-SEE FIGURE 21; PREAMP-SEE FIGURE 9)	1				
C	-	73106700	SECTOR BLOCK ASSY (SERIES CODE 06 AND BELOW)	1				
C	-	73245300	SECTOR BLOCK ASSY (SERIES CODE 07 AND ABOVE)	1				
D	-12	10127103	SCREW, MACHINE, PAN HEAD, PHILLIPS, 4-40 x 5/16	4				
D	-12A	93342097	SCREW, MACHINE, PAN HEAD, PHILLIPS, NYLON, 4-40 x 5/16	2				
D	-13	10126101	WASHER, LOCK, INTERNAL TOOTH, 4	4				
D	-14	94259000	SENSOR, SECTOR	1				
D	-15	73106600	MOUNT, SENSOR (SERIES CODE 06 AND BELOW)	1				
D	-15	73245400	MOUNT, SENSOR (SERIES CODE 07 AND ABOVE)	1				
D	-	92707001	TERMINAL, INSULATED	4				
D	-	93948008	CONNECTOR, RECEPTACLE	1				
C	-	93942008	CONTACT, PIN, 22-18 WIRE RANGE	4				
C	-16	10125605	WASHER, FLAT, 6	2				
C	-17	10127342	SCREW, MACHINE, PAN HEAD, SLOTTED, 6-32 x 1-3/4	1				
C	-18	72823901	BRACKET, CONNECTOR, 3 PIN	1				
C	-19	93592202	SCREW, MACHINE, HEXAGON HEAD, 8-32 x 1/2	2				
C	-20	46494300	CAM, ADJUSTMENT	1				
C	-21		SECTOR SENSOR POSITIONER ASSEMBLY (SEE FIGURE 6)	1				
C	-22	94208500	LABEL	1				
C	-23	73519200	DECK, MACHINING	1				
B	-24	10126219	SCREW, MACHINE, HEXAGON SOCKET HEAD, CAP, 6-32 x 1/2	2				
B	-25	10126103	WASHER, LOCK, INTERNAL TOOTH, 6	2				
B	-26	73108400	CLAMP, LOWER	1				
B	-	73109800	CARRIAGE LOCK ASSEMBLY	1				
C	-27	10127334	SCREW, MACHINE, PAN HEAD, SLOTTED, 6-32 x 3/8	2				
C	-28	10126113	WASHER, LOCK, INTERNAL TOOTH, 6	2				
C	-29	73108600	SCREW, LOCKING	2				
C	-30	73108700	CLAMP, UPPER	1				
C	-31	92033037	RING, RETAINING	2				
C	-32	94205355	SPRING, COMPRESSION	2				
C	-33	73108300	HOUSING, LOCK	1				
C	-34	73108500	LOCK, SPRING	1				
B	-35	10126259	SCREW, MACHINE, HEXAGON SOCKET HEAD, CAP, 1/4-20 x 1-1/4	4				
B	-36	10126106	WASHER, LOCK, INTERNAL TOOTH, 1/4	4				
B	-37	10125608	WASHER, FLAT, 1/4	4				
B	-	46493100	HEAD CABLE CLAMP ASSEMBLY	1				
C	-38	10127320	SCREW, MACHINE, PAN HEAD, SLOTTED, 4-40 x 1/4	4				
C	-39	10126101	WASHER, LOCK, INTERNAL TOOTH, 4	5				
C	-40	10126212	SCREW, MACHINE, HEXAGON SOCKET HEAD, 4-40 x 1/4	1				
C	-41	73223600	BRACKET, SPACER	1				
C	-42	73223700	SPACER, CABLE	1				
C	-43	73223500	CLAMP, COVER	1				
B	-		V-C POWER CABLE ASSEMBLY, W3 (SEE FIGURE 21)	1				

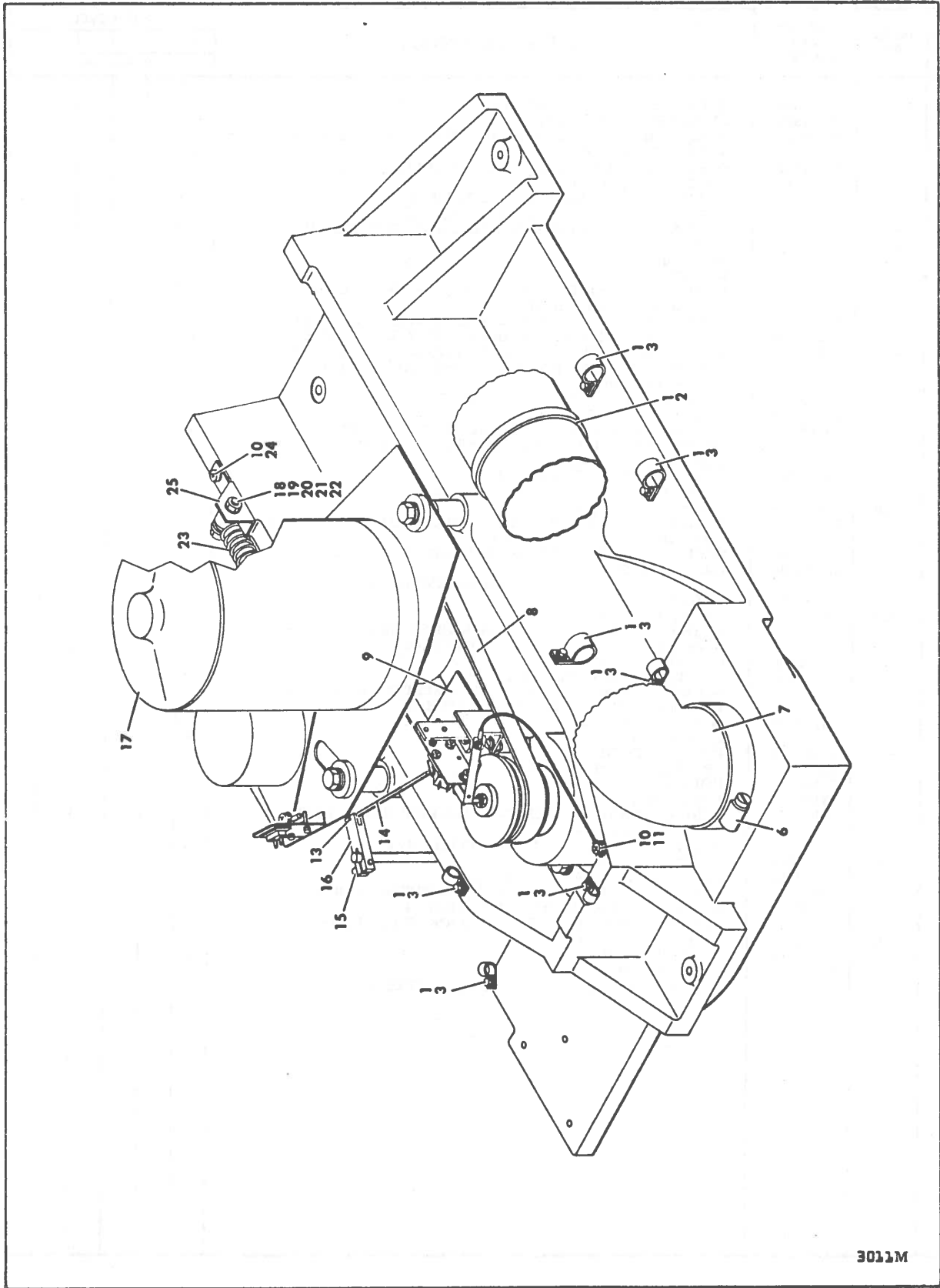
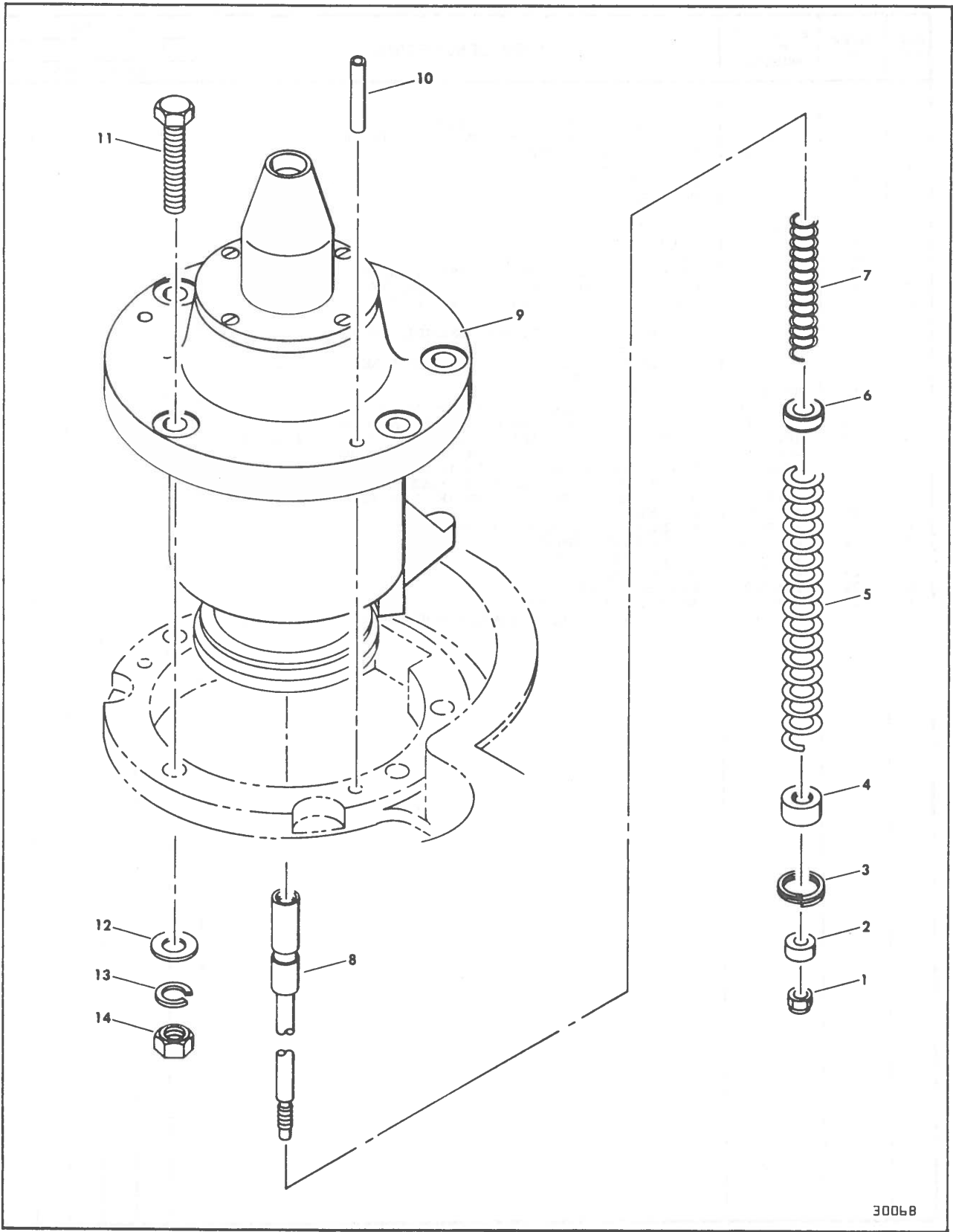


FIGURE 4. DECK ASSEMBLY (SHEET 2 OF 2)

3011M

ASSY LEVEL	INDEX NO.	EQUIPMENT PART NUMBER	ITEM DESCRIPTION	MOD. LEVEL					
				B					
				NO. REQUIRED					
B	4-		DECK ASSEMBLY (SHEET 2 OF 2)	1					
C	-1	93592200	SCREW, MACHINE, HEXAGON HEAD, TPG, 8-32 x 3/8	11					
C	-2	94277419	STRAP, HOSE CLAMP	1					
C	-3	94277406	STRAP, CABLE TIE	10					
	-4		NOT USED						
	-5		NOT USED						
C	-6	94275216	CLAMP, HOSE	1					
C	-7	94311621	HOSE, FLEXIBLE	1					
C	-8	92314075	BELT, DRIVE, FLAT, 60 HZ	1					
C	-8	92314077	BELT, DRIVE, FLAT, 50 HZ	1					
C	-9		RATCHET BRAKE ASSEMBLY (SEE FIGURE 8)	1					
C	-10	10127131	SCREW, MACHINE, PAN HEAD, PHILLIPS, 10-24 x 3/8	3					
C	-11	10126402	WASHER, LOCK, EXTERNAL TOOTH, 8	1					
	-12		NOT USED						
C	-	73104700	RATCHET BRAKE LINKAGE ASSEMBLY (SERIES CODE 12 AND BELOW)	1					
C	-	73537600	RATCHET BRAKE LINKAGE ASSEMBLY (SERIES CODE 13 AND ABOVE)	1					
D	-13	93530015	PIN, ROLL	1					
D	-14	46493200	ROD, CONNECTING, (SERIES CODE 12 AND BELOW)	1					
D	-14	73537700	ROD, CONNECTING, (SERIES CODE 13 AND ABOVE)	1					
D	-15	10126235	SCREW, MACHINE, HEX SOCKET HEAD, CAP, 10-24 x 5/8	1					
D	-16	46494100	ARM, LINKAGE (SERIES CODE 12 AND BELOW)	1					
D	-16	73226700	ARM, LINKAGE (SERIES CODE 13 AND ABOVE)	1					
C	-17		MOTOR AND BRAKE ASSEMBLY (SEE FIGURE 10)	1					
C	-18	10126506	SCREW, MACHINE, HEXAGON HEAD, PLAIN, 1/4-20 x 1-1/2	1					
C	-19	10125608	WASHER, FLAT, 1/4	1					
C	-20	10126106	WASHER, LOCK, INTERNAL TOOTH, 1/4	1					
C	-21	40023600	POST, IDLER SPRING	1					
C	-22	10125301	NUT, HEXAGON, 1/4-20	1					
C	-23	40024201	SPRING, IDLER	1					
C	-24	10125607	WASHER, FLAT, 10	2					
C	-25	46494400	BRACKET, MOUNTING	1					
C	-	93592240	SCREW, MACHINE, HEX WASHER HEAD, STP, 10-24 x 1/2	1					



3006B

FIGURE 5. SPINDLE AND LOCKSHAFT ASSEMBLY

ASSY LEVEL	INDEX NO.	EQUIPMENT PART NUMBER	ITEM DESCRIPTION	MOD LEVEL					
				13					
				NO. REQUIRED					
C	5-	73238700	SPINDLE AND LOCKSHAFT ASSEMBLY (SERIES CODE 13 AND BELOW WITHOUT FCO PE29899 INSTALLED)	1					
C	5-	73544400	SPINDLE AND LOCKSHAFT ASSEMBLY (SERIES CODE 14 AND ABOVE AND UNITS WITH FCO PE29899 INSTALLED)	1					
D	-1	94339806	NUT, OPEN CAP	1					
D	-2	72808700	WASHER, STOP	1					
D	-3	93271013	RING, RETAINING	1					
D	-4	72808600	RETAINER, STOP	1					
D	-5	72806300	SPRING, COMPRESSION	1					
D	-6	72808800	RETAINER, SPRING	1					
D	-7	72808900	SPRING, COMPRESSION	1					
D	-8	73245800*	LOCKSHAFT SPINDLE ASSEMBLY (SERIES CODE 13 AND BELOW WITHOUT FCO PE29 899 INSTALLED)	1					
D	-8	73544300*	LOCKSHAFT SPINDLE ASSEMBLY (SERIES CODE 14 AND ABOVE, AND UNITS WITH FCO PE29899 INSTALLED)	1					
D	-9	72804500*	SPINDLE ASSEMBLY (GRINDING)	1					
C	-10	93530424	PIN, ROLL	2					
C	-11	10126534	SCREW, MACHINE, HEXAGON HEAD, PLAIN, 3/8-16 x 2	5					
C	-12	10125610	WASHER, FLAT, 3/8	5					
C	-13	10125808	WASHER, LOCK, SPRING, 3/8	5					
C	-14	10125303	NUT, HEXAGON, 3/8-16	5					
	-	73223200	SLEEVE, SPINDLE GROUND (ONLY ON UNITS WITH FCO PE29479 INSTALLED)	1					

*REPLACE EACH OF THESE ITEMS AS UNITS.

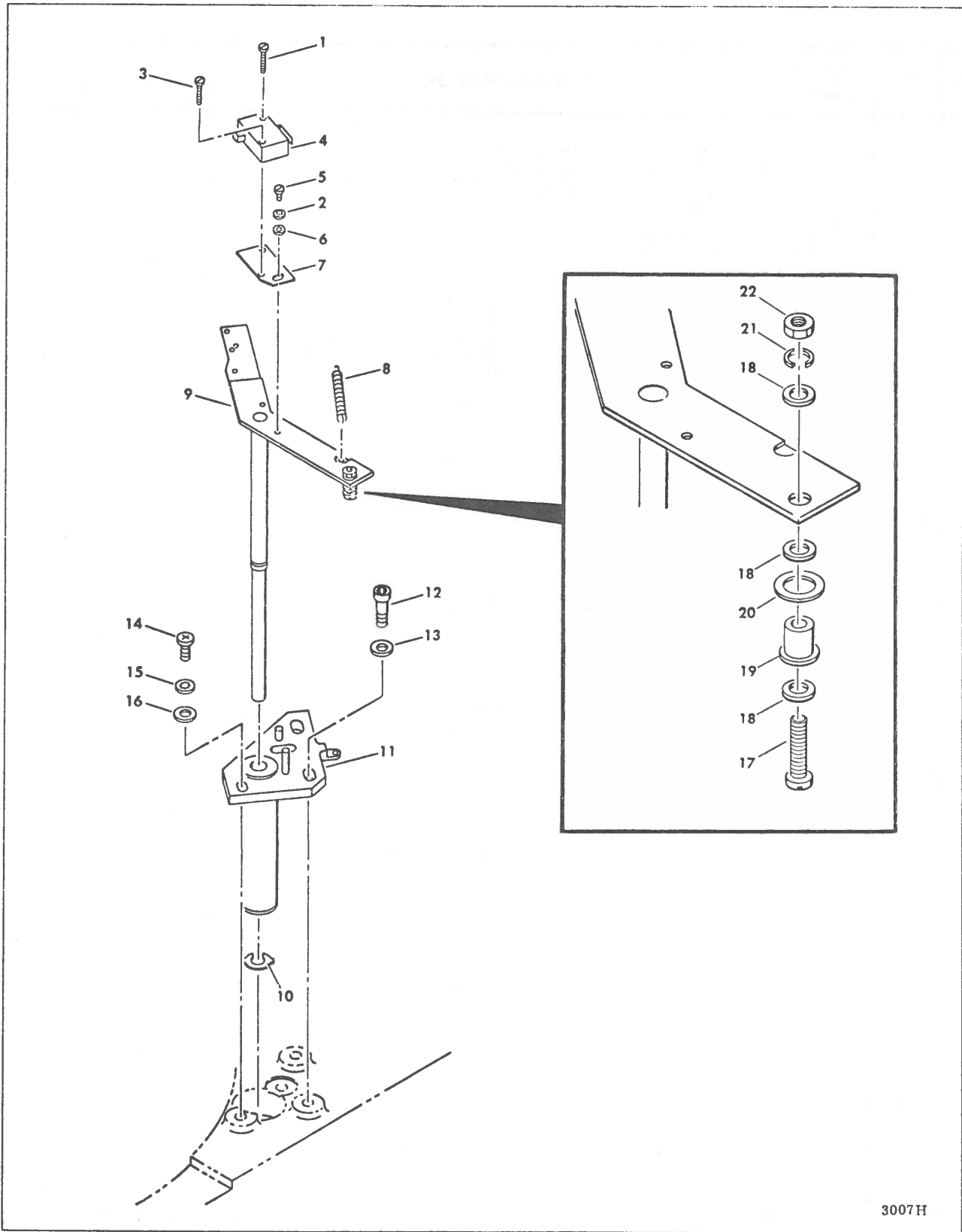


FIGURE 6. SECTOR SENSOR POSITIONER ASSEMBLY

ASSY LEVEL	INDEX NO.	EQUIPMENT PART NUMBER	ITEM DESCRIPTION	MOD. LEVEL					
				B					
				NO. REQUIRED					
C	6-	73213500	SECTOR SENSOR POSITIONER ASSEMBLY (SERIES CODE 06 AND BELOW)	1					
C	6-	73245200	SECTOR SENSOR POSITIONER ASSEMBLY (SERIES CODE 07 AND ABOVE)	1					
C	-1	10127324	SCREW, MACHINE, PAN HEAD, SLOTTED, 4-40 x 5/8	1					
D	-2	10126101	WASHER, LOCK, INTERNAL TOOTH, 4	1					
D	-3	10127323	SCREW, MACHINE, PAN HEAD, SLOTTED, 4-40 x 1/2	1					
D	-4	93786002	SWITCH, MINI ACTUATOR	1					
D	-5	10127321	SCREW, MACHINE, PAN HEAD, SLOTTED, 4-40 x 3/16	1					
D	-6	10125603	WASHER, FLAT, 4	1					
D	-7	73220200	BRACKET, SWITCH, MOUNTING	1					
D	-8	73224100	SPRING, EXTENSION	1					
D	-9	73213600	ARM, POSITIONING (SERIES CODE 06 AND BELOW)	1					
C	-9	73245100	ARM, POSITIONING (SERIES CODE 07 AND ABOVE)	1					
D	-10	92033277	RING, RETAINING	1					
D	-11	46486700	PLATE, MOUNTING	1					
C	-12	93707001	SCREW, MACHINE, HEXAGON SOCKET HEAD, CAP, 10-24 x 3/8	2					
C	-13	92009035	WASHER, FLAT, 10	2					
C	-14	10127132	SCREW, MACHINE, PAN HEAD, PHILLIPS, 10-24 x 1/2	1					
C	-15	10126105	WASHER, LOCK, INTERNAL TOOTH, 10	1					
C	-16	10125607	WASHER, FLAT, 10	1					
B	-17	10127117	SCREW, MACHINE, PAN HEAD, PHILLIPS, 6-32 x 7/8	1					
B	-18	10125605	WASHER, FLAT, 6	3					
B	-19	70738900	SPACER, NYLON	1					
B	-20	93564002	WASHER, NYLON	1					
B	-21	10125803	WASHER, LOCK, INTERNAL TOOTH, 6	1					
B	-22	10125105	NUT, HEXAGON, 6-32	1					

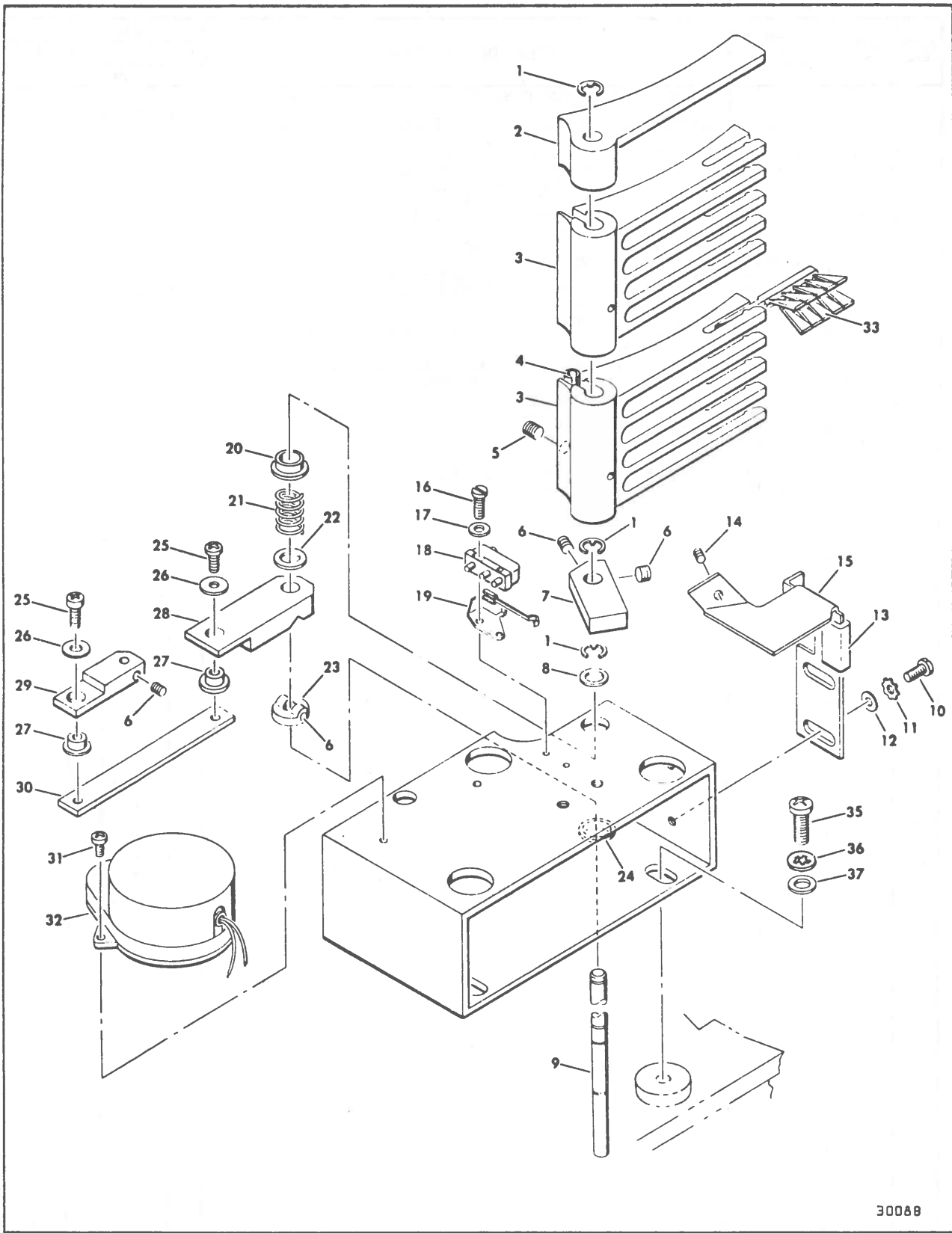


FIGURE 7. DISK CLEANER ASSEMBLY

ASSY LEVEL	INDEX NO.	EQUIPMENT PART NUMBER	ITEM DESCRIPTION	MOD. LEVEL				
				B				
				NO. REQUIRED				
C	6-	72963106	DISK CLEANER ASSEMBLY, 60 HZ	1				
C	6-	72963107	DISK CLEANER ASSEMBLY, 50 HZ	1				
D	-1	92033038	RING, RETAINING	3				
D	-2	45497200	ARM, BRUSH	1				
D	-3	45497300	HOLDER, BRUSH	2				
D	-4	93530242	PIN, ROLL	1				
D	-5	93099329	SCREW, SET, SOCKET HEAD, CUP POINT, 10-32 x 1/2	2				
D	-6	93071245	SCREW, SET, SOCKET HEAD, CUP POINT, 6-32 x 3/16	6				
D	-7	40023200	STOP, BRUSH POSITIONING	1				
D	-8	10125608	WASHER, PLAIN, 1/4	1				
D	-9	72962900	SHAFT, DISK CLEANER	1				
D	-10	10127122	SCREW, MACHINE, PAN HEAD, PHILLIPS, 8-32 x 3/8	2				
D	-11	10126402	WASHER, LOCK, EXTERNAL TOOTH, 8	2				
D	-12	10125606	WASHER, PLAIN, 8	2				
D	-13	92413000	CHANNEL RUBBER	AR				
D	-14	93848290	SCREW, SET, SOCKET HEAD, CUP POINT, 8-32 x 1/2	1				
D	-15	40067800	STOP, BRUSH HOLDER	1				
D	-16	10126314	SCREW, MACHINE, PAN HEAD, SLOTTED, 2-56 x 1/2	2				
D	-17	19125602	WASHER, PLAIN, 2	2				
D	-18	36159804	SWITCH, SPDT	1				
	-19		NOT USED					
D	-20	40023000	BEARING, FLANGED	1				
D	-21	94205791	SPRING, COMPRESSION	1				
D	-22	93564002	WASHER, NYLON	1				
D	-23	72957100	CAM, BRUSH LINK	1				
D	-24	92373006	NYLINER, DOUBLE FLANGED, NYLON	1				
D	-	72963000	LINKAGE ASSEMBLY	1				
E	-25	10127113	SCREW, MACHINE, PAN HEAD, PHILLIPS, 6-32 x 3/8	2				
E	-26	10125605	WASHER, PLAIN, 6	2				
E	-27	41274005	BEARING, FLANGED	2				
E	-28	72962800	LINK, BRUSH SHAFT	1				
E	-29	40022700	LINK, BRUSH MOTOR	1				
E	-30	40022900	LINK, INTERCONNECTING	1				
D	-31	10127102	SCREW, MACHINE, PAN HEAD, PHILLIPS, 4-40 x 1/4	2				
D	-32	40013506	MOTOR AND CONNECTOR ASSEMBLY, 60 HZ	1				
D	-32	40013507	MOTOR AND CONNECTOR ASSEMBLY, 50 HZ	1				
E	-	94296303	MOTOR, AC TIMING, 24 VAC, 60 HZ	1				
E	-	94296304	MOTOR, TIMING, 50 HZ	1				
E	-	93948003	CONNECTOR, PLUG, 3 PIN	1				
E	-	93942005	CONTACT, PIN, 22-18 WIRE RANGE	2				
D	-33	40024500	BRUSH, DISK	10				
D	-34	45083900	BASE, DISK CLEANER	1				
C	-35	10127123	SCREW, MACHINE, PAN HEAD, PHILLIPS, 8-32 x 1/2	3				
C	-36	10126104	WASHER, LOCK, INTERNAL TOOTH, 8	3				
C	-37	10125606	WASHER, FLAT, 8	3				

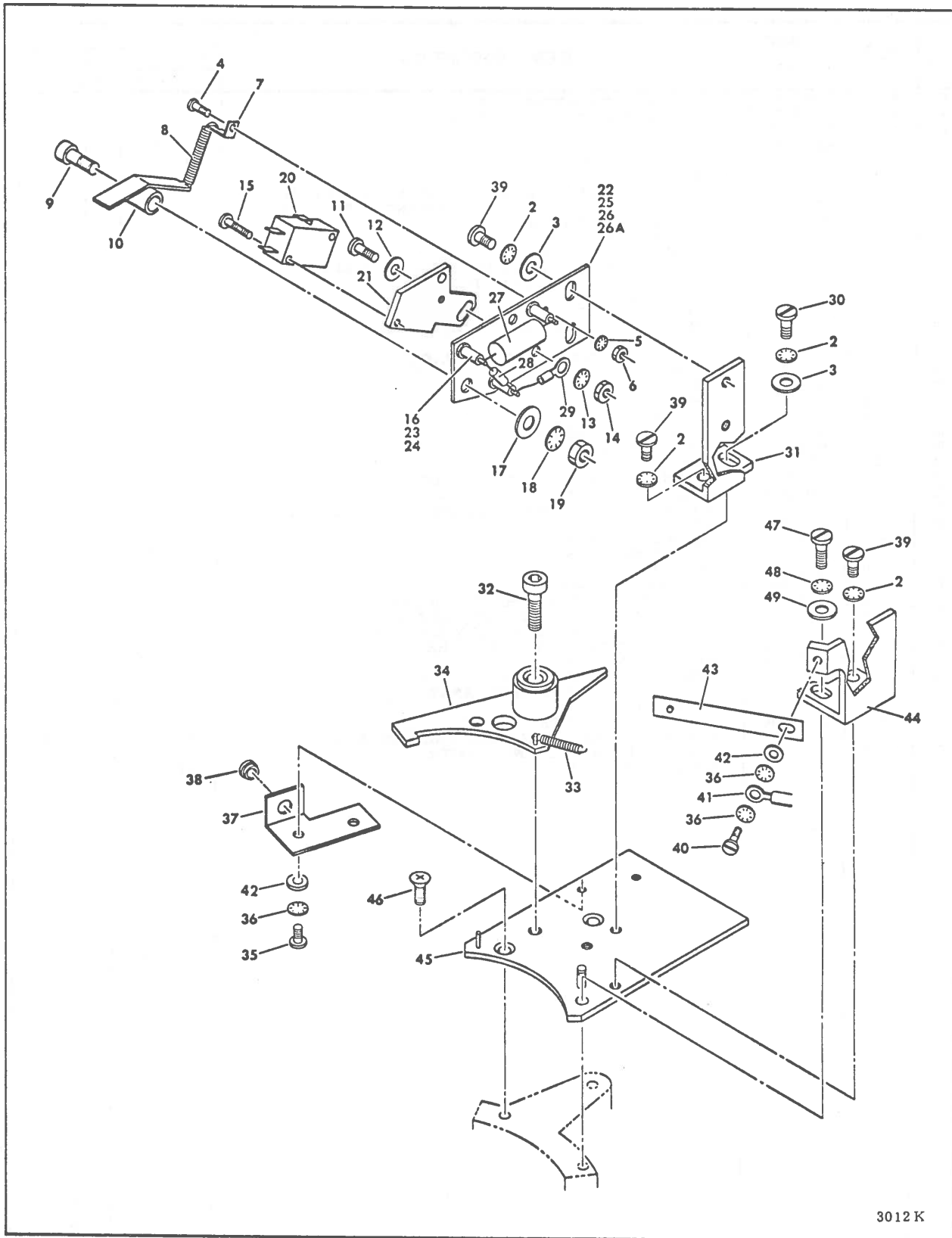
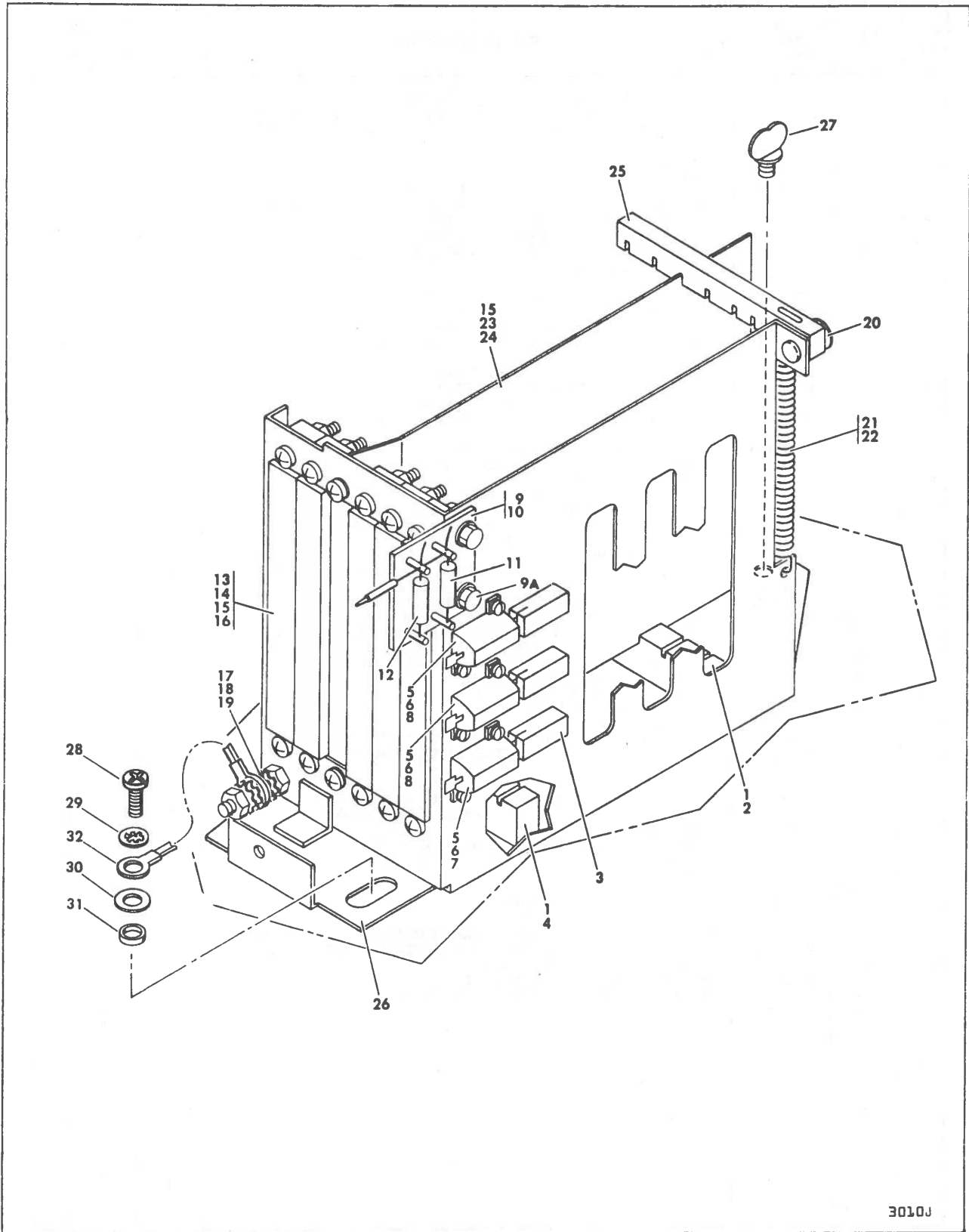


FIGURE 8. RATCHET BRAKE ASSEMBLY

ASS'Y LEVEL	INDEX NO.	EQUIPMENT PART NUMBER	ITEM DESCRIPTION	MOD. LEVEL					
				B					
				NO. REQUIRED					
C	8-	73529400	RATCHET BRAKE ASSEMBLY (SERIES CODE 12)	1					
C	8-	73236900	RATCHET BRAKE ASSEMBLY (SERIES CODE 11 & BELOW)	1					
D	8-	73537500	RATCHET BRAKE ASSEMBLY (SERIES CODE 13 & ABOVE)	1					
	-1		NOT USED						
D	-2	10126104	WASHER, LOCK, INTERNAL TOOTH, 8	7					
D	-3	10125606	WASHER, PLAIN, 8	4					
D	-	73225100	PACK-ON SWITCH ASSEMBLY (SERIES CODE 11 & BELOW)	1					
D	-	73529200	PACK-ON SWITCH ASSEMBLY (SERIES CODE 12 & ABOVE)	1					
E	-4	10127311	SCREW, MACHINE, PAN HEAD, 2-56 x 1/4	1					
E	-5	10126100	WASHER, LOCK, INTERNAL TOOTH, 2	1					
E	-6	10125102	SCREW NUT, MACHINE, HEXAGON, 2-56	1					
E	-7	73224700	BRACKET, SPRING	1					
E	-8	73225300	SPRING, EXTENSION	1					
E	-9	93707002	SCREW, SOCKET HEAD, 1/4-20 x 1/2	1					
E	-10	73224800	ACTUATOR ARM	1					
E	-11	10127335	SCREW, MACHINE, PAN HEAD, 6-32 x 1/2	1					
E	-	10127334	SCREW, MACHINE, PAN HEAD, 6-32 x 3/8	1					
E	-12	10125605	WASHER, PLAIN, 6	1					
E	-13	10126103	WASHER, LOCK, INTERNAL TOOTH, 6	2					
E	-14	10125105	SCREW NUT, MACHINE, HEXAGON, 6-32	2					
E	-15	10127323	SCREW, MACHINE, PAN HEAD, 4-40 x 1/2	2					
E	-16	10126101	WASHER, LOCK, INTERNAL TOOTH, 4	3					
E	-17	10125607	WASHER, PLAIN, 10	1					
E	-18	10126105	WASHER, LOCK, INTERNAL TOOTH, 10	1					
E	-19	10125107	SCREW NUT, MACHINE, HEXAGON, 10-24	1					
E	-20	93786012	SWITCH, MINIATURE	1					
E	-21	73224500	BRACKET, ADJUSTING, SWITCH	1					
E	-22	73224600	PLATE, MOUNTING (SERIES CODE 11 AND BELOW)	1					
E	-22	73529100	PLATE, MOUNTING (SERIES CODE 12 AND ABOVE)	1					
E	-23	10127101	SCREW, MACHINE, PAN HEAD, 4-40 x 3/16 (SERIES CODE 12 AND ABOVE)	3					
E	-24	92707001	TERMINAL, INSULATED (SERIES CODE 12 AND ABOVE)	3					
E	-25	93947005	CONNECTOR, 2 PIN (SERIES CODE 12 AND ABOVE)	1					
E	-26	93943005	CONTACT, SOCKET (SERIES CODE 12 AND ABOVE)	1					
E	-26A	93943007	CONTACT, SOCKET (SERIES CODE 12 AND ABOVE)	1					
E	-27	92427024	CAPACITOR, 25V, 50 UF (SERIES CODE 12 AND ABOVE)	1					
E	-28	92512246	RESISTOR, 1/4W, 33 OHM (SERIES CODE 12 AND ABOVE)	1					
E	-29	93541007	RING, TERMINAL (SERIES CODE 12 AND ABOVE)	1					
D	-30	10127347	SCREW, MACHINE, PAN HEAD, 8-32 x 3/8	1					
D	-31	73224900	BRACKET, MOUNTING, SWITCH	1					
D	-32	93707004	SCREW, SOCKET HEAD, 1/4 x 3/4	1					
D	-33	72804300	SPRING, EXTENSION	1					
D	-34	72802900	PAWL, BRAKE (SERIES CODE 12 AND BELOW)	1					
D	-34	73226900	PAWL, BRAKE (SERIES CODE 13 AND ABOVE)	1					
D	-35	10127332	SCREW, MACHINE, PAN HEAD, 6-32 x 1/4	2					
D	-36	10126103	WASHER, LOCK, INTERNAL TOOTH, 6	4					
D	-37	46493900	BRACKET, GUIDE (SERIES CODE 12 AND BELOW)	1					
D	-37	73227100	BRACKET, GUIDE (SERIES CODE 13 AND ABOVE)	1					
D	-38	92373003	NYLINER, SNAP-IN	1					
D	-39	10127346	SCREW, MACHINE, PAN HEAD, 8-32 x 5/16	5					
D	-40	10127333	SCREW, MACHINE, PAN HEAD, 6-32 x 5/16	1					
D	-41	94281400	CABLE, GROUND	1					
D	-42	10125605	WASHER, PLAIN, 6	3					
D	-43	40054700	SPRING, STATIC, GROUND	1					
D	-44	73225000	MOUNT, GROUND SPRING	1					
D	-45	73232200	PLATE, PAWL MOUNTING (SERIES CODE 12 AND BELOW)	1					
D	-45	73537800	PLATE, PAWL MOUNTING (SERIES CODE 13 AND ABOVE)	1					
C	-46	10125723	SCREW, FLAT HEAD, 8-32 x 5/16	2					
C	-47	10127348	SCREW, PAN HEAD, 8-32 x 1/2	1					
C	-48	10126104	WASHER, LOCK, INTERNAL TOOTH, 8	1					
C	-49	10125606	WASHER, PLAIN, 8	1					



3010J

FIGURE 9. PRE-AMP CHASSIS ASSEMBLY

TITLE LOGIC WIRE LISTS					WL	SHEET NO. 4	DOCUMENT NO. VCD-7359	REV G
WIRE IDENTIFICATION	COMMENT	ORIGIN	DESTINATION	Z LEVEL	REMARKS			
I1206		C0716A	D1713B	1				
I1223		C0704A	D0811B	1				
I1225		A1808B	C0706B	1				
I1226		A1807B	C0707B	1				
I1227		A1002A	C0708B	1				
I1228		A1204B	C0709B	1				
I1228		A1204B	D1712B	2				
I1231		B0506B	C0713B	1				
I1231		B0506B	D1809B	1				
I1232		D1610A	D2006A	1				
I1232		B0510B	D1610A	2				
I1232		B0510B	C0713A	1				
I1235		D0904A	D0703A	1				
I1236		B1803B	C0709A	1				
I124		A0409A	A0607A	1				
I124		A0607A	B0413A	2				
I125		A0410A	B0403B	1				
I1253		B2010B	D0713A	1				
I1254		B2011A	D0710A	2				
I126		A0411B	B0403A	1				
I127		A0412B	B0402B	1				
I128		A0413B	B0402A	1				
I230		A1205A	D0808A	2				
I230		A1205A	B1301A	1				
I231		C0913B	C0916B	2				
I231		B1304B	C0913B	1				
I232		A2007A	C0703A	2				
I232		A1312A	A2007A	1				
I233		A1416B	B1309A	1				
I233		D0811A	D2004A	1				
I233		A1416B	D2004A	2				
I233		C0714A	D0811A	2				
I240		A1003A	B1004B	1				
I240		A1003A	B1306B	2				
I240		B1004B	C0706A	2				
I241		B1305B	D2005B	1				
I241		D1002B	D2005B	2				
I241		C0704B	D1002B	1				
I242		A1311A	D0807B	1				
I242		D0705B	D0807B	2				
I243		B1311B	D0805A	1				
I244		B1312A	D0813A	1				
I245		B1301B	B1302B	1				
I246		G1603B	D1001B	2				

TITLE LOGIC WIRE LISTS				WL	SHEET NO. 5	DOCUMENT NO. VCD-7359	REV B
WIRE IDENTIFICATION	COMMENT	ORIGIN	DESTINATION	Z LEVEL	REMARKS		
I246		A1307A	C1603B	1			
I247		A1308B	A1311B	1			
I247		A1308B	C1013B	2			
I248		A1310A	C1017B	2			
I248		A1303A	A1310A	1			
I249		A1302A	A1313A	1			
I262		A1206B	A1412A	1			
I267		A1205B	A1410B	1			
I268		A1404A	B1410B	1			
I268		B1410B	C2103B	2			
I272		A1411A	B1806B	1			
I273		D1610A	D1805A	2			
I273		C0711A	D1805A	2			
I273		C0711A	D1610A	1			
I273		C0711A	D2006A	2			
I273		B1411B	D1805A	1			
I274		C0712A	D1809B	2			
I274		B1412A	D1809B	1			
I274		B1412A	C0712A	1			
I275		B0506A	B1401B	1			
I275		B0506A	D1807A	2			
I277		A1002B	C0717A	2			
I277		A1002B	A1411B	1			
I278		A1403A	D1808B	1			
I294		A1006A	B1009B	1			
I308		A1004B	B1010B	1			
I309		A1006B	B1011B	1			
I310		A1008A	B1012B	1			
I311		B1003B	C0806A	1			
I360		B1209B	JA8201B	1			
I361		B1210B	JA8201A	1			
I362		B1208B	JA8202B	1			
I363		B1209A	JA8202A	1			
I364		B1207B	JA8203B	1			
I365		B1208A	JA8203A	1			
I366		B1203B	JA8204B	1			
I367		B1204B	JA8204A	1			
I368		B1206B	JA8205B	1			
I369		B1207A	JA8205A	1			
I370		B1205B	JA8206B	1			
I371		B1206A	JA8206A	1			

TITLE LOGIC WIRE LISTS					WL	SHEET NO. 6	DOCUMENT NO. VCD-7359	REV B
WIRE IDENTIFICATION	COMMENT	ORIGIN	DESTINATION	Z LEVEL	REMARKS			
I372		B1202B	JA8207B	1				
I373		B1203A	JA8207A	1				
I374		A1215B	JA8208B	1				
I375		A1216A	JA8208A	1				
I376		B1201B	JA8209B	1				
I377		B1202A	JA8209A	1				
I378		A1216B	JA8210B	1				
I379		A1217A	JA8210A	1				
I383		A1214B	C0717B	1				
I401		B0102B	B0106A	2				
I401		B0102B	B0105A	1				
I401		B0112B	B0504B	1				
I401		B0111A	B0112B	2				
I401		B0106A	B0111A	1				
I412		B0511A	JA8212A	1				
I414		B0507A	JA8211A	1				
I415		A1607B	B0505B	1				
I417		B0508B	JA8212B	1				
I420		B0104A	B0513A	1				
I423		B0103B	B0505A	1				
I432		B0110B	JA0003B	1				
I435		B0109B	B2009B	1				
I436		B0106B	JA0001A	1				
I438		B0102A	JA0002A	1				
I440		B0105B	JA0007A	1				
I501		B1808A	C3012B	1				
I507		A1802A	C0714B	1				
I507		A1802A	B1912B	2				
I507		B0503A	C0714B	2				
I508		A1809A	D0706B	1				
I509		A1804A	A2811B	1				
I509		A2811B	C0804A	2				
I511		A1806A	A2117A	1				
I512		A1806B	A2116A	1				
I513		A1813A	B2708B	1				
I514		A1805A	B2706B	1				
I515		A1913A	A1914B	2				
I515		A1815B	A1913A	1				
I516		A1815A	A2011A	1				
I516		A2011A	A2717B	2				
I516		C0703B	D0709A	2				

TITLE LOGIC WIRE LISTS				WL	SHEET NO. 7	DOCUMENT NO. VCD-7359	REV B
WIRE IDENTIFICATION	COMMENT	ORIGIN	DESTINATION	Z LEVEL	REMARKS		
I516		A2717B	C0703B	1			
I518		A2009B	B1811B	1			
I518		A2009B	D2111A	2			
I526		D1606A	D2007A	2			
I526		A1812A	D1606A	1			
I527		B1805A	D0803B	1			
I528		B1808B	C0815B	1			
I530		B1901A	C0914B	1			
I531		B1904B	C0913A	1			
I540		B1906B	B2002B	1			
I541		B1905B	B2002A	1			
I542		A1911A	B2001A	1			
I543		B1911B	B2003B	1			
I544		A2015B	B1912A	1			
I545		A2015A	B1901B	1			
I546		A1907A	A2014A	1			
I547		A1911B	A2016B	1			
I548		A1903A	A2013A	1			
I549		A1902A	B1811A	1			
I570		A2712B	B2004B	1			
I573		A2806B	B2005A	1			
I574		B2004A	B2709B	2			
I574		A2715B	B2709B	1			
I575		A1810B	B2006B	1			
I576		A1804B	D1604A	2			
I576		A1804B	A2010A	1			
I577		A2006A	D0705A	1			
I584		A2010B	A2716B	1			
I591		A2111B	C2110B	2			
I591		A2003B	A2111B	1			
I613		A0610A	A0611B	1			
I613		A0610A	B1005A	2			
I631		B0513B	D0712B	1			
I631		A1810A	B0513B	2			
I631		A1207B	B0513B	1			
I631		A1207B	A1810A	2			
I631		A1810A	B2805B	1			
I631		B0513B	D0712B	2			
I632		C2313B	D1711A	2			
I632		D1603A	D1711A	1			
I632		B1801A	D1603A	2			

TITLE					WL	SHEET NO.	DOCUMENT NO.	REV
LOGIC WIRE LISTS						8	VCD-7359	J
WIRE IDENTIFICATION	COMMENT	ORIGIN	DESTINATION	Z LEVEL	REMARKS			
I632		C2313B	D1810B	1				
I632		B1801A	B2804B	1				
I634		A1207B	A2114B	1				
I634		A2812B	D2103B	1				
I634		A2114B	D2103B	2				
I635		A2714B	A2810B	1				
I637		C3012A	D0712A	1				
I668		A2809B	B2101B	2				
I672		A2110B	D2104A	1				
I674		A2011B	C2110A	2				
I674		A2011B	A2113B	1				
I737		A1613B	C1603A	1				
I737		C1603A	D2306B	2				
I900		A0510A	D0812B	1				
I901		A0509A	D0703B	1				
I902		A0408A	A1916B	1				
I902		A1313B	A1916B	2				
I902		A0408A	JA8106A	2				
I902		A1313B	C1604B	1				
I903		A2111A	C0810B	2				
I903		A2111A	B2905B	1				
I903		C0810B	D0707B	1				
I903		A2713B	B1802A	1				
I903		A0511B	B1802A	2				
I903		A2713B	B2905B	2				
I905		A0512B	D0810B	2				
I905		A0206B	A0512B	1				
I906		A0508A	C0712B	1				
K300		A1003B	B1211B	1				
K300		B1211B	C2308A	2				
K300		C2102B	C2308A	1				
K301		A1210B	B1212A	2				
K301		A1005B	A1210B	1				
K301		B1212A	C2306B	1				
K302		A1005A	A1208A	1				
K302		A1208A	B1213A	2				
K302		B1213A	C2305B	1				
K303		A1007B	A1213B	1				
K303		A1213B	B1211A	2				
K303		B1211A	C2304B	1				

TITLE LOGIC WIRE LISTS				WL	SHEET NO. 9	DOCUMENT NO. VCD-7359	REV E
WIRE IDENTIFICATION	COMMENT	ORIGIN	DESTINATION	Z LEVEL	REMARKS		
K304		B1212B	C2303B	2			
K304		A1008B	A1208B	1			
K304		A1209B	B1212B	1			
K304		A1208B	A1209B	2			
K400		A1414B	B0502A	1			
K400		A1414B	D1608B	2			
K400		A1316B	D0702A	1			
K400		D0702A	B0502A	2			
K401		A0604A	B0509A	1			
K401		A0605B	A0608B	1			
K401		B0509A	JA8213B	2			
K401		A0604A	A0605B	2			
K403		B0110A	C0715A	2			
K403		B0110A	B0511B	1			
K501		A1803A	A2006B	1			
K501		A2006B	D0711A	2			
K501		D0707A	D0711A	1			
K507		A1903B	B1801B	1			
K507		B1904A	B1911A	1			
K507		A1903B	B1904A	2			
K507		B1911A	D2113B	2			
K560		A2017A	A2610B	1			
K561		A2017B	A2611B	1			
K562		A2612B	B2001B	1			
K563		A2613B	B2003A	1			
K564		A2012A	A2609B	1			
K564		A2609B	D2110B	2			
K565		A2012B	A2608B	1			
K565		A2608B	D2109A	2			
K566		A2013B	B2007A	1			
K567		A2016A	B2006A	1			
K568		A2007B	D2108B	1			
K570		B2013A	C2115B	1			
K570		C2115B	D0708A	2			
K572		B2012A	C2116A	1			
K572		C2116A	D0709B	2			
K660		A2117B	C2104A	1			
K660		A2117B	B1809A	2			
K662		A2113A	B1803A	2			
K662		A2113A	C2106A	1			
K905		B2010A	C3009B	1			

TITLE LOGIC WIRE LISTS					WL	SHEET NO. 10	DOCUMENT NO. VCD-7359	REV E
WIRE IDENTIFICATION	COMMENT	ORIGIN	DESTINATION	Z LEVEL	REMARKS			
K906		B2009A	C3009A	1				
L600		A0603B	JA8108B	1				
L601		A0603A	JA8101B	1				
L602		A0602B	JA0005A	1				
L603		A0602A	JA8101A	1				
L604		A0613B	JA0005B	1				
L605		A0612A	A0612B	1				
L606		A0612A	JA8109B	2				
M100		A0409B	C0808A	1				
M900		A0510B	B0503B	1				
M901		A0509B	B0504A	1				
M902		A1207A	B2011B	1				
M902		A1304B	C0808B	1				
M902		A1913B	B2011B	2				
M902		A0408B	A1913B	1				
M902		A1207A	C0808B	2				
M903		A0511A	A1813B	1				
M903		A1813B	D1609B	2				
M903		C3015A	D1609B	1				
M904		A0513A	A1814A	1				
M904		B1806A	D0802B	1				
M904		A1814A	B1806A	2				
M904		A1814A	D0802B	2				
M904		B1306A	D0802B	2				
M905		A0512A	C0805B	2				
M905		A0512A	A1814B	1				
M906		A0508B	D1804A	1				
N104		C1604A	C2314B	1				
N108		A1416A	D2311B	1				
N108		A1413A	D2312B	1				
N108		B1409B	D2309B	1				
N108		B1407A	D2310B	1				
N136		B1411A	C2310B	1				
N908		A1805B	D3002B	1				
N909		A1807A	D3002A	1				
N920		B1902B	C3016A	1				
N921		B1903A	C3016B	1				
N922		A1914A	C3017A	1				
N923		B1909B	D3005A	1				
N924		B1907A	D3005B	1				
N925		A1916A	D3006A	1				
N926		A1908B	D3006B	1				

TITLE					WL	SHEET NO.	DOCUMENT NO.	REV
LOGIC WIRE LISTS						11	VCD-7359	E
WIRE IDENTIFICATION	COMMENT	ORIGIN	DESTINATION	Z LEVEL	REMARKS			
N927		A1910A	D3007A	1				
N928		A1904B	D3007B	1				
R000		A1004A	B1408A	1				
R000		B1408A	B1902A	2				
R000		B1006B	C1104B	1				
R000		A1004A	B1006B	2				
R000		B1902A	D0704B	1				
R001		C0705A	C1111B	1				
R001		B1008B	C0705A	2				
R001		A1405A	B1008B	1				
R001		A1405A	B1903B	2				
R001		B1903B	D0704A	1				
R002		A1415A	A1915B	1				
R002		B1007B	C1112B	1				
R002		A1415A	B1007B	2				
R003		A1409B	B1908A	1				
R003		A1409B	B1007A	2				
R003		B1007A	C1204B	1				
R004		B1008A	C1211B	1				
R004		B1008A	B1408B	2				
R004		B1408B	B1908B	1				
R005		A1915A	C1212B	1				
R005		C1212B	B1313A	2				
R006		A1415B	A1909A	1				
R006		A1415B	C1304B	2				
R007		C0705B	C1311B	2				
R007		A1909B	C0705B	1				
R008		A1905A	C1312B	1				
R009		B1309B	C1110B	1				
R010		A1314A	C1111A	1				
R011		A1315A	C1210B	1				
R012		B1303A	C1211A	1				
R013		B1312B	C0811A	1				
R013		C0811A	D0711B	2				
T012		C1303A	C1608A	2				
T0121		C1303B	C1608B	2				
T013		C1609A	JD0012A	1				
T0131		C1609B	JD0012B	1				
Y1108		C0806B	D1610B	1				
Y1109		B2012B	C0803A	1				
Y1200		C0711B	D1803A	1				

TITLE LOGIC WIRE LISTS				WL	SHEET NO. 12	DOCUMENT NO. VCD-7359	REV E
WIRE IDENTIFICATION	COMMENT	ORIGIN	DESTINATION	Z LEVEL	REMARKS		
Y1201		C0711B	D1803A	1			
Y500		A1809B	A2002A	1			
Y503		A2008B	B1802B	1			
Y592		A2005A	C2105B	1			
Y601		A0303B	D2303B	2			
Y601		A0208B	A0303B	1			
Y6010		A0208A	C0710B	1			
Y6010		C0710B	D2003A	2			
Y603		A0309B	JA8108A	1			
Y604		B0107A	B0512A	2			
Y604		A0108B	B0512A	1			
Y702		B0502B	JA8213A	1			
Y900		A1412B	C3003A	1			
Y903		A2008A	D3009B	1			
Y904		A1808A	D3009A	1			
10000	GND	A0201A	A0203A	1			
10001	GND	A0203A	A0204A	2			
10002	GND	A0204A	A0206A	1			
10003	GND	A1001A	A1007A	1			
10004		A1212B	C2102A	1			
10005	GND	B0101A	B0108A	1			
10006	GND	C0701A	C0715A	1			
10007	GND	C0701A	C0716B	2			
10008	GND	C0716B	D0701B	1			
10009	GND	D0701B	D0702B	2			
10010	GND	B2301B	B2314A	2			
10011	GND	A2317B	B2301B	1			
10012	GND	B2103B	B2114A	1			
10013	GND	B2102B	B2103B	2			
10014	GND	B2102A	B2102B	1			
10016	GND	D2001A	D2008B	1			
10017	GND	D2008B	D2012B	2			
10018	GND	D2011B	D2012B	1			
10019	GND	C1601A	C1605A	1			
10020	GND	C1605A	C1606A	2			
10022	SGND	D2105A	D2114A	1			
10023	SGND	D2105B	B0509B	2			
10024	GND	A2312A	C2111B	2			
10025	GND	A2312A	A2912B	1			
10026	GND	A1601A	A1610B	1			
10027	GND	A1610B	B1608B	2			
10028	P5V	B2809B	B2814B	1			
10029	RWT	D2311A	JA8107A	1			

TITLE LOGIC WIRE LISTS					WL	SHEET NO. 13	DOCUMENT NO. VCD-7359	REV G
WIRE IDENTIFICATION	COMMENT	ORIGIN	DESTINATION	Z LEVEL	REMARKS			
10030	GND	A1301A	A1306A	1				
10031	GND	C0901A	D0902A	1				
10032	GND	D0813A	D0906B	2				
10033	GND	D0903A	D0914A	1				
10034	GND	D0903A	D0903B	2				
10036	GND	D1601A	D1607A	1				
10037	GND	D1607A	D1612B	2				
10038	GND	D1612B	D1812B	1				
10047	GND	A1401A	A1404B	2				
10046	P5V	B0509B	B0510A	1				
10048	GND	A1404B	A1410A	1				
10049	GND	A1410A	A1414A	2				
10051	GND	A1413B	A1414A	1				
10053	GND	A1905B	A1906A	2				
10054	GND	A1901A	A1906A	1				
10056	GND	A2305A	A2710B	1				
10057		A2306A	A2711A	1				
10059		A2301A	A2307A	1				
10060T	P200	A0114B	JA0006B	1				
10061T	P201	A0101B	JA0006A	1				
10062T	P204	A0112B	JA0008B	1				
10063T	P205	A0103B	JA0008A	1				
10064T	P206	A0113A	JA0009B	1				
10065S	204	A0404A	JA0004B	1				
10066	S200	A0606B	JA0003A	1				
10067S	201	A0503A	JA0004A	1				
10068S	300	A0503B	JA8106B	1				
10069S	301	A0502B	JA8105A	1				
10070S	503	A0504B	JA8102B	1				
10071T	NTP	A0502A	JA8105B	1				
10073	GND	A2301A	A2308A	2				
10076		A2109B	A2309A	1				
10078		A0404B	B0413B	2				
10079		A0504A	JA0013A	1				
10080		A0404B	JA8104A	1				
10081		A0403A	JA8102A	1				
10082		A0403B	JA8103B	1				
10083		A0402A	JA8103A	1				
10084		A0402B	JA8104B	1				
10085		B0413B	JA8110B	1				
10086	A703	A1605B	JA8214A	1				
10087	A703	A1604B	JA8214B	1				
10088	GND	A1401A	JA8211B	1				
10095	MEP	A0302B	C1003B	1				

TITLE					WL	SHEET NO.	DOCUMENT NO.	REV
LOGIC WIRE LISTS						14	VCD-7359	E
WIRE IDENTIFICATION	COMMENT	ORIGIN	DESTINATION	Z LEVEL	REMARKS			
10096	P20V	B2313A	B2313B	1				
10097	M20V	A2302A	A2302B	1				
10098	AT	B0109A	C3004A	1				
10099	I387	A1203A	D2312A	1				
10100		C1103A	D0713B	1				
10101		C1101A	C1103B	1				
10102		C1203A	JC0012A	1				
10103		C1203B	JC0012B	1				
10110	GND	A1301A	A1305B	2				
10111	GND	A1305A	A1305B	1				
10112	GND	A1305A	A1309A	2				
10113	GND	A1309B	A1309A	1				
10114	GND	A1309B	A1314B	2				
10115	GND	A1315B	A1314B	1				
10116	GND	A1315B	A1316A	2				
10117	GND	B1302A	A1316A	1				
10118	GND	B1302A	B1303B	2				
10119	GND	B1308A	B1303B	1				
10120	GND	B1308A	B1308B	2				
10121	GND	B1307A	B1308B	1				
10200	BUS	A2602B	A2604B	1				
10201	BUS	B2611B	B2613B	1				
10202	BUS	A2702B	A2704B	1				
10203	BUS	B2711B	B2713B	1				
10204	BUS	A2802B	A2804B	1				
10205	BUS	B2811B	B2813B	1				
10206	BUS	A2902B	A2904B	1				
10207	BUS	B2911B	B2913B	1				
10300		A2614B	D2108A	1				
10301		B2704B	D2107B	1				
10302		B2005B	D2110A	1				
10303		B2007B	D2109B	1				
10304		B1906A	D2112A	1				
10305		B1910B	D2111B	1				
10306		B1910A	D2113A	1				
10307		B1905A	B1910A	2				
10308		A1907B	B1905A	1				
10309		B1913A	D2112B	2				
10310		A1912B	B1913A	1				
10400		B1006A	C2103A	1				
10401		B1809B	C2105A	1				

Pages 9-19, 9-20, 9-21, 9-22 deleted

TITLE CONTROL PANEL						WL	SHEET NO. 1	DOCUMENT NO. VCD-7354	REV F
IDENTIFIER	WIRE SIZE	COLOR CODE	WIRE LENGTH	ORIGIN		DESTINATION		REMARKS	
				LOCATION	PIN NO.	LOCATION	PIN NO.		
1	24	0	23	J600	A	S505B	NO		
2	24	0	25	J600	B	S503A	NC		
3	20	2	2	J600	C	J600	E		
4	24	4	23	J600	D	XDS503	3		
5	24	0	21	J600	F	XDS500	4		
6	24	0	2	XDS500	4	XDS500	3		
7	20	6	18	J600	H	S501A	C		
8	20	6	2	S501A	C	S501B	C		
9	20	6	18	J600	L	S501A	NC		
10	24	2	7	J600	P	XDS502	2		
11	24	2	16	XDS502	2	XDS504	2		
12	24	2	2	XDS504	2	XDS504	1		
13	24	2	2	XDS504	1	XDS500	2		
14	24	2	2	XDS500	2	XDS500	1		
15	24	2	2	XDS500	1	XDS505	2		
16	24	2	2	XDS505	2	XDS505	1		
17	24	2	2	XDS505	1	XDS503	2		
18	24	2	2	XDS503	2	XDS503	1		
19	20	6	18	J600	R	S501A	NC		
20	20	6	18	J600	S	S501A	NO		
21	20	0	25	J600	T	S503A	C		
22	20	0	2	S503A	C	S505B	C		
23	20	0	2	S505B	C	S505A	C		
24	20	0	12	S505A	C	XDS501	1		
25	20	0	2	XDS501	1	XDS501	2		
26	24	0	17	XDS501	2	S514	C		
27	24	0	14	J600	U	S514	NO		
28	24	0	12	J600	V	S510	NO		
29	24	0	12	J600	W	S511	NO		
30	24	0	10	J600	X	S512	NO		
31	24	0	10	J600	Y	S513	NO		
32	24	4	23	J600	Z	XDS503	4		
33	24	4	19	J600	\bar{c}	XDS504	4		
34	24	4	2	XDS504	4	XDS504	3		
35	24	4	7	J600	\bar{b}	XDS502	1		
36	24	0	5	S514	C	S510	C		

TITLE MAINTENANCE PANEL								WL	SHEET NO. 1	DOCUMENT NO. VCD-7342	REV C
IDENTIFIER	WIRE SIZE	COLOR CODE	WIRE LENGTH	ORIGIN		DESTINATION		REMARKS			
				LOCATION	PIN NO.	LOCATION	PIN NO.				
1	24	4	10	PA00	1A	S200A	4				
2	24	4	1	S200A	4	S200B	4				
3	24	4	1	S200B	4	S200C	4				
4	24	4	10	PA00	2A	S200A	2				
5	24	4	1	S200A	2	S200B	2				
6	24	4	1	S200B	2	S200C	2				
7	24	4	9	PA00	3A	S203	2A				
8	24	4	2	S203	2A	TP208					
9	24	4	9	PA00	4A	S201	4				
10	24	4	8	PA00	5A	XDS200	B				
11	24	6	8	PA00	6A	TP201					
12	24	4	10	PA00	7A	S200A	3				
13	24	4	1	S200A	3	S200B	3				
14	24	4	1	S200B	3	S200C	3				
15	24	6	8	PA00	8A	TP205					
16	20	6	11	PA00	10A	S202	3A	SERIES CODE 09 AND BELOW ONLY			
16	20	6	11	PA00	10A	TB1	11	SERIES CODE 10 AND ABOVE ONLY			
17	20	2	11	PA00	11A	S202	3B	SERIES CODE 09 AND BELOW ONLY			
17	20	2	11	PA00	11A	TB1	7	SERIES CODE 10 AND ABOVE ONLY			
18	20	6	11	PA00	12A	S202	2A	SERIES CODE 09 AND BELOW ONLY			
18	20	6	11	PA00	12A	S202	13	SERIES CODE 10 AND ABOVE ONLY			
19	20	0	11	PA00	14A	TP207					
20	20	0	2	TP207		S204	2A				
21	20	0	2	S204	2A	S202	2C				
22	24	0	5	S202	2C	S201	2	SERIES CODE 09 AND BELOW ONLY			
22	24	0	5	S202	2C	TB1	3	SERIES CODE 10 AND ABOVE ONLY			
23	24	6	7	PA00	2B	TP203					
24	20	0	9	PA00	4B	S204	3A				
25	24	4	8	PA00	5B	XDS202	B				
26	24	2	6	PA00	6B	TP200					
27	20	0	10	PA00	7B	S202	1C	SERIES CODE 09 AND BELOW ONLY			
27	20	0	10	PA00	7B	TB1	2	SERIES CODE 10 AND ABOVE ONLY			
28	20	0	2	S202	1C	S204	1A				
29	24	2	7	PA00	8B	TP204					
30	24	2	8	PA00	9B	TP206					
31	20	2	10	PA00	10B	S202	2B	SERIES CODE 09 AND BELOW ONLY			
31	20	2	10	PA00	10B	TB1	9	SERIES CODE 10 AND ABOVE ONLY			
32	20	2	7	S202	2B	XDS202	T	SERIES CODE 09 AND BELOW ONLY			
32	20	2	7	TB1	9	XDS202	T	SERIES CODE 09 AND BELOW ONLY			
33	20	2	9	XDS201	T	PA00	11B				
34	24	4	9	PA00	12B	XDS201	B				
35	24	2	8	PA00	13B	TP202					
36	20	2	2	XDS200	T	XDS202	T				
37	20	2	2	XDS201	T	XDS200	T				
38	20	6	9	PA00	14B	S202	1A	SERIES CODE 09 AND BELOW ONLY			
38	20	6	9	PA00	14B	TB1	15	SERIES CODE 10 AND ABOVE ONLY			
39	24	4	21	PD20	3B	S200A	12				
40	24	4	21	PD20	12A	S200A	11				
41	24	4	21	PD20	7B	S200A	10				

TITLE MAINTENANCE PANEL						WL	SHEET NO. 2	DOCUMENT NO. VCD-7342	REV C
IDENTIFIER	WIRE SIZE	COLOR CODE	WIRE LENGTH	ORIGIN		DESTINATION		REMARKS	
				LOCATION	PIN NO.	LOCATION	PIN NO.		
42	24	4	21	PD20	6B	S200A	9		
43	▲	▲	▲	PD20	11A	S200A	8		
44				PD20	9A	S200A	7		
45				PD20	4B	S200A	6		
46				PD20	8A	S200A	5		
47				PD19	5B	S200C	12		
48				PD19	2A	S200C	11		
49				PD19	6B	S200C	10		
50				PD19	8B	S200C	9		
51				PD19	10B	S200C	8		
52				PD19	12A	S200C	7		
53				PD17	5B	S200B	6		
54				PD17	2A	S200B	5		
55				PD17	6B	S200B	6		
56				PD17	8B	S200C	5		
57				PD15	5B	S200B	12		
58				PD15	2A	S200B	11		
59				PD15	6B	S200B	10		
60				PD15	8B	S200B	9		
61				PD15	10B	S200B	8		
62				PD15	12A	S200B	7		
63				S200A	C	S203	3B		
64				S200B	C	S203	1B		
65			▼	S200C	C	S203	1A		
66			21	S203	2B	S203	3A		
67			10	PA00	3B	S200A	1		
68	▼	▼	1	S200A	1	S200B	1		
69	24	4	1	S200B	1	S200C	1		
70	20	6		TB1	16	S202	2A	SERIES CODE 10 AND ABOVE ONLY	
71	20	6		TB1	15	S202	1A	SERIES CODE 10 AND ABOVE ONLY	
72	20	6		TB1	11	S202	3A	SERIES CODE 10 AND ABOVE ONLY	
73	20	2		TB1	10	S202	2B	SERIES CODE 10 AND ABOVE ONLY	
74	20	2		TB1	7	S202	3B	SERIES CODE 10 AND ABOVE ONLY	
75	24	0		TB1	5	S201	2	SERIES CODE 10 AND ABOVE ONLY	
76	20	0		TB1	1	S202	1C	SERIES CODE 10 AND ABOVE ONLY	

TITLE W4 HARNESS ASSY							WL	SHEET NO. 1	DOCUMENT NO. VCD-7289	REV A
IDENTIFIER	WIRE SIZE	COLOR CODE	WIRE LENGTH	ORIGIN		DESTINATION		REMARKS		
				LOCATION	PIN NO.	LOCATION	PIN NO.			
1	20	2		P4	1	+5 BUSS				
2	20	2		P4	2	+5 BUSS				
3	20	6		P4	3	-5 BUSS				
4	20	6		P4	4	-5 BUSS				
5	20	0		P4	5	GND BUSS				
6	20	0		P4	7	GND BUSS				
7	20	2		P4	10	PC00 B	13B	+20 T/R CH I		
8	20	6		P4	11	PC00 B	2B	-20 T/R CH I		
9	20	0		P4	12	PC00 B	14A			
10	20	0		P4	13	PA00 B	14A			
11	20	0		P4	14	E5	50			
12	20	0		P4	15	P600	T			
13	20	2		P4	16	PB23	13B			
14	20	2		P4	17	PA00 B	13B			
15	20	2		P4	18	P600	E			
16	20	2		P4	20	PD00 B	13B	+20 T/R CH II		
17	20	6		P4	21	PD00 B	2B	-20 T/R CH II		
18	20	4		P4	22	PA81	5B			
19	20	4		P4	23	PA81	8A			
20	20	6		P4	24	PA23	2B			
21	20	6		P4	25	PA00 B	2B			
22	20	6		P4	26	E5	6			
23	20	2		P4	27	E5	48			
24	20	6		P4	28	P600	H			
25	20	2		P4	29	P600	P			
26	20	6		P4	30	S303	NO			
27	20			P4						
27A		2		P4	31	PB23	12A			
27B		0		P4	32	PB23	11A			
27C	SHIELD			P4	33	1				
28	20	6		P4	35	PA00 B	11B			
29	20	2		P4	36	PA00 B	10B			
30	20	6		P4	38	PA00 B	11A			
31	20	2		P4	41	P600	J			
32	20	2		P4	42	P600	N			
33	20	2		P4	43	P600	M			
34	20	2		P4	45	PA00 B	8B			
35	20	6		P4	46	PA00 B	8A			
36	20	2		P4	48	PC00 B	1A			
37	20	2		P4	49	PC00 B	1B			
38	20	2		P4	50	PC00 B	2A			

TITLE W4 HARNESS ASSY						WL	SHEET NO. 2	DOCUMENT NO. VCD-7289	REV A
IDENTIFIER	WIRE SIZE	COLOR CODE	WIRE LENGTH	ORIGIN		DESTINATION		REMARKS	
				LOCATION	PIN NO.	LOCATION	PIN NO.		
39	20	2		P4	51	PA00 B	9A		
40	20	0		P4	52	S300 B	NC		
41	20			P4					
41A		0		P4	53	PA23	13A		
41B		2		P4	54	PA23	12A		
41C	SHIELD			P4	55	1			
42	20			P4					
42A		2		P4	56	J305	1		
42B		0		P4	57	J305	2		
42C	SHIELD			P4	58	1			
43	20	2		P4	64	PC00 B	4B		
44	20	2		P4	65	PC00 B	3A		
45	20	2		P4	66	PC00 B	3B		
46	20	0		P4	72	S301	NO		
47	20	0		P4	74	S300 A	C		
48	20	0		P4	77	J306	2		
49	20								
49A	SHIELD			P4	79	1			
49B		0		P4	80	E4	22		
49C		2		P4	82	E4	46		
50	24	6		P600	A	PA00 B	13A		
51	24	0		P600	B	PA81	2B		
52	20	2		P600	C	PA00 B	12B		
53	24	4		P600	D	PA81	1B		
54	24	0		P600	F	PA00 B	7B		
55	20	6		P600	L	S600	NC		
56	20	6		P600	R	J306	1		
57	20	6		P600	S	PA00 B	12A		
58	24	4		P600	U	PA81	4A		
59	24	4		P600	V	PA81	2A		
60	24	4		P600	W	PA81	3B		
61	24	4		P600	X	PA81	3A		
62	24	4		P600	Y	PA81	4B		
63	24	4		P600	Z	PA81	8B		
64	24	0		P600	ā	S300 B	NC		
65	24	4		P600	б	PA81	1A		
66	20								
66A		2		E3	28	PA23	11B		
66B		0		E3	25	PA23	10B		
66C	SHIELD			E3	26	PA23	9B		

TITLE								WL	SHEET NO.	DOCUMENT NO.	REV
W4 HARNESS ASSY									3	VCD-7289	F
IDENTIFIER	WIRE SIZE	COLOR CODE	WIRE LENGTH	ORIGIN		DESTINATION		REMARKS			
				LOCATION	PIN NO.	LOCATION	PIN NO.				
76	24										
76A		4		J303	1	PA02	7B				
76B		0		J303	2	PA02	14A				
77	24										
77A		0		J303	3	PA02	10B				
77B		0		J303	4	PA02	9B				
77C		SHLD		FLOATING		PA02	11A				
78	24										
78A		9		J304	2	PA23	5A				
78B		0		J304	1	PA23	6A				
78C		SHLD		FLOATING		PA23	7A				
79	20	6		PA00 B	10A	S600	C				
80	20	2		PA00 B	9B	E4	46				
81	20	6		PA00 B	14B	S601	NC				
82	20	0		PA81	5A	S301	NO				
83	24	4		PA81	6A	E4	5				
84	24	4		PA81	7A	E4	17				
85	24	4		PA81	9A	E4	30				
86	20	0		PA81	6B	S300 A	NO				
88	24	4		PA82	1A	E2	10				
89	24	4		PA82	2A	E2	9				
90	24	4		PA82	3A	E2	12				
91	24	4		PA82	4A	E2	14				
92	24	4		PA82	5A	E2	44				
93	24	4		PA82	6A	E2	37				
94	24	4		PA82	7A	E2	38				
95	24	4		PA82	8A	E2	40				
96	24	4		PA82	9A	E2	42				
97	24	4		PA82	10A	E2	13				
98	24	4		PA82	11A	E4	41				
99	24	4		PA82	12A	E4	24				
100	24	4		PA82	13A	E4	9				
101	24	4		PA82	1B	E1	44				
102	24	4		PA82	2B	E1	42				
103	24	4		PA82	3B	E1	40				
104	24	4		PA82	4B	E1	38				
105	24	4		PA82	5B	E1	37				
106	24	4		PA82	6B	E1	13				
107	24	4		PA82	7B	E1	14				
108	24	4		PA82	8B	E1	12				
109	24	4		PA82	9B	E1	9				

CONTROL DATA		TITLE						WL	SHEET NO.	DOCUMENT NO.	REV
CORPORATION		W7 CABLE ASSEMBLY							1	VCD-7344	A
IDENTIFIER	WIRE SIZE	COLOR CODE	WIRE LENGTH	ORIGIN		DESTINATION		REMARKS			
				LOCATION	PIN NO.	LOCATION	PIN NO.				
1			37								
1A	24	4		PB4	4B	J200	41				
1B	24	0		PB4	4A	J200	44				
2			37								
2A	24	4		PB4	5B	J200	35				
2B	24	0		PB4	5A	J200	38				
3			37								
3A	24	4		PB4	6B	J200	42				
3B	24	0		PB4	6A	J200	45				
4			37								
4A	24	4		PB4	7B	J200	40				
4B	24	0		PB4	7A	J200	43				
5			37								
5A	24	4		PB4	8B	J200	34				
5B	24	0		PB4	8A	J200	37				
6			37								
6A	24	4		PB4	9B	J200	66				
6B	24	0		PB4	9A	J200	71				
7			37								
7A	24	4		PB4	10B	J200	60				
7B	24	0		PB4	10A	J200	64				
8			37								
8A	24	4		PB4	11B	J200	17				
8B	24	0		PB4	11A	J200	21				
9			37								
9A	24	4		PB4	12B	J200	10				
9B	24	0		PB4	12A	J200	13				
10			37								
10A	24	4		PC10	5B	J200	55				
10B	24	0		PC10	5A	J200	52				
11			37								
11A	24	4		PC10	6B	J200	76				
11B	24	0		PC10	6A	J200	73				
12			37								
12A	24	4		PC10	7B	J200	26				
12B	24	0		PC10	7A	J200	23				
13			37								
13A	24	4		PC10	8B	J200	39				
13B	24	0		PC10	8A	J200	36				

CONTROL DATA		TITLE						WL	SHEET NO.	
CORPORATION		W7 CABLE ASSEMBLY							2	
IDENTIFIER	WIRE SIZE	COLOR CODE	WIRE LENGTH	ORIGIN		DESTINATION		REMARKS		
				LOCATION	PIN NO.	LOCATION	PIN NO.			
14			37							
14A	24	4		PC10	9B	J200	12			
14B	24	0		PC10	9A	J200	8			
15			37							
15A	24	4		PC10	10B	J200	4			
15B	24	0		PC10	10A	J200	1			
16			37							
16A	24	4		PD10	5B	J200	31			
16B	24	0		PD10	5A	J200	28			
17			37							
17A	24	4		PD10	6B	J200	18			
17B	24	0		PD10	6A	J200				
18			37							
18A	24	4		PD10	8B	J200	62			
18B	24	0		PD10	8A	J200	58			
19			37							
19A	24	4		PD10	9B	J200	63			
19B	24	0		PD10	9A	J200	59			
20			37							
20A	24	4		PD10	10B	J200	25			
20B	24	0		PD10	10A	J200	22			
21			37							
21A	24	4		PC10	4B	J200	16	MEP		
21B	24	0		PC10	4A	J200				
22			38							
22A	24	4		PC11	3B	J200	56			
22B	24	0		PC11	3A	J200	53			
23			38							
23A	24	4		PC13	3B	J200	32	READ DATA		
23B	24	0		PC13	3A	J200	29	READ DATA		
24			38							
24A	24	4		PC12	3B	J200	50			
24B	24	0		PC12	3A	J200	47			
25			38							
25A	24	4		PC11	7B	J200	70			
25B	24	0		PC11	7A	J200	65			
26			38							
26A	24	4		PC11	8B	J200	77			
26B	24	0		PC11	8A	J200	74			

TITLE						WL	SHEET NO.	DOCUMENT NO.	REV
POWER SUPPLY							1	VCD-7266	H
IDENTIFIER	WIRE SIZE	COLOR CODE	WIRE LENGTH	ORIGIN		DESTINATION		REMARKS	
				LOCATION	PIN NO.	LOCATION	PIN NO.		
1	12	0		FL1	1	TB7	1	APPLIES TO 60 HZ UNITS ONLY.	
1	12	0		T9	1	TB7	1	APPLIES TO 50 HZ UNITS ONLY.	
2									
3									
4	12	3		FL1	4	TB7	3	APPLIES TO 60 HZ UNITS ONLY.	
4	12	3		T9	4	TB7	3	APPLIES TO 50 HZ UNITS ONLY.	
5	12	5		FILTER CHASSIS MOUNT, XFMR	GND	TB5	10F	APPLIES TO 60 HZ UNITS ONLY.	
5	12	5		MOUNT, XFMR	GND	TB5	10F	APPLIES TO 50 HZ UNITS ONLY.	
6	SHIELD			COND IDENT 7		FLOATING		APPLIES TO 50 HZ UNITS ONLY.	
7	20	5		SHIELD		FILTER CHASSIS	GND	APPLIES TO 60 HZ UNITS ONLY.	
7	20	5		MOUNT, XFMR	GND	COND IDENT 6		APPLIES TO 50 HZ UNITS ONLY.	
8									
9									
10									
11	14	3		TB7	4	SSW2	1		
12	14	0		TB7	2	SSW1	1		
13	20	0		SSW1	2	B3	B		
14	20	3		SSW2	2	B3	T		
15	20	3		B3	T	TB3	5		
16	20	0		B3	B	TB3	11		
17	18	0		TB7	2	T1	2		
18	20	0		TB3	7	TB7	1		
19	18	3		TB7	4	T1	1		
20	18	0		T6	2	TB7	2		
21	20	3		TB3	1	TB7	3		
22									
23									
24	18	4		T6	4	C8	1		
25	18	4		T6	5	C8	2		
26	14	4		T6	6	CR8	AC1		
27	14	4		T6	8	CR8	AC2		
28									
29	14	2		CB4B	LOAD	TB6	2	APPLIES TO UNITS SERIES CODE 07 AND BELOW ONLY.	
29	14	2		CB4B	LOAD	TB1B	2	APPLIES TO UNITS SERIES CODE 08 AND ABOVE ONLY.	
30	14	2		CR7	DC	C5	POS		
31	20	6		C4	NEG	R18	R		
32	14	4		K2	1B	K4	4C		
33	14	6		CB4A	LOAD	TB6	10	APPLIES TO UNITS SERIES CODE 07 AND BELOW ONLY.	
33	14	6		CB4A	LOAD	TB1B	10	APPLIES TO UNITS SERIES CODE 08 AND ABOVE ONLY.	
34	14	4		T6	6	CR7	AC1		
35	14	4		T6	8	CR7	AC2		

TITLE							WL	SHEET NO.	DOCUMENT NO.	REV
POWER SUPPLY								2	VCD-7266	M
IDENTIFIER	WIRE SIZE	COLOR CODE	WIRE LENGTH	ORIGIN		DESTINATION		REMARKS		
				LOCATION	PIN NO.	LOCATION	PIN NO.			
35	14	4		T6	8	CR7	AC2			
36	14	4		K4	4A	TB6	5	APPLIES TO UNITS SERIES CODE 07 AND BELOW ONLY.		
36	14	4		K4	4A	TB1B	5	APPLIES TO UNITS SERIES CODE 08 AND ABOVE ONLY.		
37	20	0		J4	77	TB5	8			
38	20	2		C5	POS	R18	L			
39	14	0		T6	7	C4	POS			
40	14	0		C4	POS	C5	NEG			
41	14	0		C5	NEG	TB5	4C			
42										
43	20	0		SSW1	3	SSW2	3			
44	20	0		SSW2	3	TB5	4			
45										
46										
47										
48	20	0		J5	2	TB5	4			
49										
50										
51										
52										
53	18	0		J5	1	TB7	1			
54	18	3		J5	3	TB7	3			
55	14	3		J2	7	SSW2	2			
56	14	5		J2	6	TB5	9			
57	14	0		J2	5	SSW1	2			
58	20	5		J2	8	TB5	9			
59	20	2		J5	5	TB5	5			
60	20	2		J5	6	J4	18			
61	18	3		T6	1	TB7	4			
62	20	6		SSW1	4	SSW2	4			
63	16	5		J5	4	TB5	9			
64	18	4		T1	7	C1	1			
65	20	4		C1	1	CR4	AC1			
66	20	4		T1	8	T2	3			
67	20	4		T2	4	CR4	AC2			
68	20	0		CR4	NEG	C2	NEG			
69	20	0		C2	NEG	C3	NEG			
70	20	0		C3	NEG	TB5	1			
71	20	0		TB5	3	R1	R			
72	20	2		CR4	POS	C2	POS			
73	20	2		C2	POS	C3	POS			
74	20	2		C3	POS	CB5	LINE			

TITLE							WL	SHEET NO.	DOCUMENT NO.	REV
POWER SUPPLY								3	VCD-7266	M
IDENTIFIER	WIRE SIZE	COLOR CODE	WIRE LENGTH	ORIGIN		DESTINATION		REMARKS		
				LOCATION	PIN NO.	LOCATION	PIN NO.			
75	20	2		CB5	LINE	R1	L			
76	20	4		T1	5	T2	2			
77	18	4		T1	4	C1	2			
78	20	4		C1	2	T5	1			
79	20	4		T5	1	T4	1			
80	20	4		T4	1	T3	1			
81	20	4		T1	6	T5	4			
82	20	4		T5	4	T4	4			
83	20	4		T4	4	T3	4			
84	20	4		T2	1	T3	3			
85	14	2		CR1	POS	C17	POS			
86	20	0		C17	NEG	R2	L			
87	14	0		T1	10	C17	NEG			
88	20	4		T1	5	T7	2			
89	20	2		CB6A	LINE	R2	R			
90	20	4		T7	2	T8	2			
91	20	4		T4	3	T7	1			
92	14	4		T1	14	CR3	AC			
93	14	4		T7	5	CR3	NEG			
94	14	4		T8	5	CR3	POS			
95	14	4		T7	3	CR6	NEG			
96	14	4		T7	4	C15	NEG			
97	14			C15	NEG	L3	1			
98	14			L3	2	C16	NEG			
99	14	6		C16	NEG	CB7B	LINE			
100	20	6		CB7B	LINE	R9	T			
101	14	4		T5	3	T8	1			
102	14	4		CR6B	POS	T8	3			
103	14	2		T8	4	C13	POS			
104	14	4		T1	12	CR6	AC			
105	14			C13	POS	L2	1			
106	14			L2	2	C14	POS			
107	14	2		C14	POS	CB7A	LINE			
108	20	2		CB7A	LINE	R9	B			
109	14	6		CB7B	LOAD	TB7	1	APPLIES TO SERIES CODES 09 AND BELOW ONLY.		
109	16	6		CB7B	LOAD	TB9	10	APPLIES TO SERIES CODES 10 AND ABOVE ONLY.		
110	14	6		TB8	1	TB5	7A	APPLIES TO SERIES CODES 09 AND BELOW ONLY.		
110	16	6		TB9	9	TB5	7	APPLIES TO SERIES CODES 10 AND ABOVE ONLY.		
111	14	2		CB7A	LOAD	TB7	2	APPLIES TO SERIES CODES 09 AND BELOW ONLY.		
111	16	2		CB7A	LOAD	TB9	12	APPLIES TO SERIES CODES 10 AND ABOVE ONLY.		
112	14	0		T1	13	C15	POS			

TITLE								WL	SHEET NO.	DOCUMENT NO.	REV
POWER SUPPLY									4	VCD-7266	M
IDENTIFIER	WIRE SIZE	COLOR CODE	WIRE LENGTH	ORIGIN		DESTINATION		REMARKS			
				LOCATION	PIN NO.	LOCATION	PIN NO.				
113	14	0		T1	13	C13	NEG				
114	14	0		C15	POS	C16	POS				
115	14	0		C16	POS	TB5	3				
116	14	0		C13	NEG	C14	NEG				
117	14	0		C14	NEG	TB5	2				
118	20	4		T1	12	F3	T				
119	20	2		TB5	5	F1	B				
120	20	2		F1	T	C13	POS				
121	20	2		TB8	4	J4	67	APPLIES TO UNITS SERIES CODE 09 AND BELOW ONLY.			
121	20	2		TB9	17	J4	67	APPLIES TO UNITS SERIES CODE 10 AND ABOVE ONLY.			
122	20	0		DS4	L	TB5	2				
123	14	2		TB8	2	TB5	6A	APPLIES TO UNITS SERIES CODE 09 AND BELOW ONLY.			
123	16	2		TB9	11	TB5	6	APPLIES TO UNITS SERIES CODE 10 AND ABOVE ONLY.			
124	20	4		SSW4	1	F3	B				
125	20	6		K2	1A	CB4A	LINE				
126	16	0		C17	NEG	TB5	1				
127	20	2		J4	1	TB8	4	APPLIES TO UNITS SERIES CODE 09 AND BELOW ONLY.			
127	20	2		J4	1	TB9	17	APPLIES TO UNITS SERIES CODE 10 AND ABOVE ONLY.			
128	20	2		J4	2	TB8	4	APPLIES TO UNITS SERIES CODE 09 AND BELOW ONLY.			
128	20	2		J4	2	TB9	17	APPLIES TO UNITS SERIES CODE 10 AND ABOVE ONLY.			
129	20	6		J4	3	TB8	3	APPLIES TO UNITS SERIES CODE 09 AND BELOW ONLY.			
129	20	6		J4	3	TB9	13	APPLIES TO UNITS SERIES CODE 10 AND ABOVE ONLY.			
130	20	6		J4	4	TB8	3	APPLIES TO UNITS SERIES CODE 09 AND BELOW ONLY.			
130	20	6		J4	4	TB9	13	APPLIES TO UNITS SERIES CODE 10 AND ABOVE ONLY.			
131	20	0		J4	5	TB5	1				
132	20	0		J4	7	TB5	1				
133	20	2		J4	10	CB7A	LOAD				
134	20	6		J4	11	CB7B	LOAD				
135	20	0		J4	12	TB5	2				
136	20	0		J4	13	TB5	3				
137	20	0		J4	14	TB5	3				
138	20	0		J4	15	TB5	3				
139	20	2		J4	16	TB5	6				
140	20	2		J4	17	TB5	6				
141	20	6		J4	24	TB5	7				
142	20	6		J4	25	TB5	7C				
143	20	2		J4	29	TB5	5E				
144	20	2		J4	31	J12	16				
145	20	6		J4	32	TB6	11	APPLIES TO UNITS SERIES CODE 07 AND BELOW ONLY.			
145	20	6		J4	32	TB1B	11	APPLIES TO UNITS SERIES CODE 08 AND ABOVE ONLY.			
146	20	5		J4	33	TB5	10E				

TITLE								WL	SHEET NO.	DOCUMENT NO.	REV
POWER SUPPLY									5	VCD-7266	M
IDENTIFIER	WIRE SIZE	COLOR CODE	WIRE LENGTH	ORIGIN		DESTINATION		REMARKS			
				LOCATION	PIN NO.	LOCATION	PIN NO.				
147	20	2		J4	36	TB5	5				
148											
149	20	2		J4	45	TB6	2	APPLIES TO UNITS SERIES CODE 07 AND BELOW ONLY.			
149	20	2		J4	45	TB1B	2	APPLIES TO UNITS SERIES CODE 08 AND ABOVE ONLY.			
150	20	6		J4	46	TB6	10	APPLIES TO UNITS SERIES CODE 07 AND BELOW ONLY.			
150	20	6		J4	46	TB1B	10	APPLIES TO UNITS SERIES CODE 08 AND ABOVE ONLY.			
151	20	2		J4	48	TB5	5				
152	20	0		J4	53	TB6	7	APPLIES TO UNITS SERIES CODE 07 AND BELOW ONLY.			
152	20	0		J4	53	TB1B	7	APPLIES TO UNITS SERIES CODE 08 AND ABOVE ONLY.			
153	20	5		J4	54	TB6	6	APPLIES TO UNITS SERIES CODE 07 AND BELOW ONLY.			
153	20	5		J4	54	TB1B	6	APPLIES TO UNITS SERIES CODE 08 AND ABOVE ONLY.			
154	20	2		J4	56	SSW4	2				
155	20	0		J4	57	C13	NEG				
156	20	5		J4	58	TB5	9				
157	20	0		J4	74	TB5	3				
158	20	5		J4	79	TB5	10				
159	20	0		J4	80	C3	NEG				
160	20	0		J4	55	TB6	6				
161											
162											
163	16	4		J3	1	K2	1C				
164	16	4		J3	2	K2	1C				
165	16	5		J3	3	TB5B	10				
166	16	0		J3	4	TB6	7	APPLIES TO UNITS SERIES CODE 07 AND BELOW ONLY.			
166	16	0		J3	4	TB1B	7	APPLIES TO UNITS SERIES CODE 08 AND ABOVE ONLY.			
167	16	0		J3	5	TB6	7	APPLIES TO UNITS SERIES CODE 07 AND BELOW ONLY.			
167	16	0		J3	5	TB1B	7	APPLIES TO UNITS SERIES CODE 08 AND ABOVE ONLY.			
168	20	0		R4	3	H1		USED ON SERIES CODE 08 AND ABOVE ONLY.			
169	20	0		R17	3	H3		USED ON SERIES CODE 08 AND ABOVE ONLY.			
170	20	0		TB5	8	H2		USED ON SERIES CODE 08 AND ABOVE ONLY.			
171	20	2		TP1		CB5	LOAD				
172	20	2		TP2		TB1	2				
173	20	0		TP3		TB5	1				
174	20	6		TP4		CB7B	LOAD				
175	20	2		TP5		C5	POS				
176	20	6		TP6		C4	NEG				
177	20	2		TP7		CB7A	LOAD				
178	14	4		T1	11	CR1A	AC				
179	14	4		T1	11	CR2A	AC				
180	14	4		T1	9	CR2B	AC				
181	14	4		T1	9	CR1B	AC				

TITLE POWER SUPPLY							WL	SHEET NO. 6	DOCUMENT NO. VCD-7266	REV M
IDENTIFIER	WIRE SIZE	COLOR CODE	WIRE LENGTH	ORIGIN		DESTINATION		REMARKS		
				LOCATION	PIN NO.	LOCATION	PIN NO.			
182	14	6		CR2	NEG	C12	NEG			
183	14	6		C12	NEG	CB6B	LINE			
184	20	0		C12	POS	TB5	1			
185	20	6		R3	R	CB6B	LINE			
186	20	0		R3	L	C12	POS			
187	14	0		T1	10	C12	POS			
188	14	2		C17	POS	CB6A	LINE			
189	16	2		CB6A	LOAD	TB1	1			
190	20	6		CB6B	LOAD	TB1	5			
191	16	2		TB1	2	TB7	4	APPLIES TO UNITS SERIES CODE 09 AND BELOW ONLY.		
191	16	2		TB1	2	TB9	16	APPLIES TO UNITS SERIES CODE 10 AND ABOVE ONLY.		
192	20	6		TB1	4	TB7	3	APPLIES TO UNITS SERIES CODE 09 AND BELOW ONLY.		
192	20	6		TB1	4	TB9	14	APPLIES TO UNITS SERIES CODE 10 AND ABOVE ONLY.		
193	20	0		TB1	3	TB5	2			
194	20	6		SSW2	4	SSW4	4			
195	20	0		SSW4	3	J4	72			
196	20	0		R4	3	R17	3	APPLIES TO UNITS SERIES CODE 09 AND BELOW ONLY.		
196	20	0		TB5	2	TB9	6	APPLIES TO UNITS SERIES CODE 10 AND ABOVE ONLY.		
197	20	0		R17	3	TB5	8D	APPLIES TO UNITS SERIES CODE 09 AND BELOW ONLY.		
197	20	2		TB9	5	C24	POS	APPLIES TO UNITS SERIES CODE 10 AND ABOVE ONLY.		
198	20	2		DS4	R	CB6	5B			
199	20	2		CB6	5B	C24	POS	APPLIES TO UNITS SERIES CODE 09 AND BELOW ONLY.		
199	20	2		CB6	5B	TB9	4	APPLIES TO UNITS SERIES CODE 10 AND ABOVE ONLY.		
200	20	6		F2	T	C15	NEG			
201										
202	20	0		TB8	5	TB5	8F	APPLIES TO UNITS SERIES CODE 09 AND BELOW ONLY.		
202	20	0		K3	2	TB5	8	APPLIES TO UNITS SERIES CODE 10 AND ABOVE ONLY.		
203										
204	20	2		K4	2C	TB5	6			
205	20	2		CB5	3D	TB5	6			
206	20	6		TB9	1	J4	28	APPLIES TO UNITS SERIES CODE 10 AND ABOVE ONLY.		
207	20	6		F2	B	J4	28	APPLIES TO UNITS SERIES CODE 09 AND BELOW ONLY.		
207	20	6		F2	B	TB9	2	APPLIES TO UNITS SERIES CODE 10 AND ABOVE ONLY.		
208	20	2		J11	1	J4	35			
209	20	0		J11	2	J4	49			
210	20	0		J11	3	J4	64			
211	20	0		J11	4	J4	38			
212	20	0		J11	6	J4	41			
213	20	0		J4	7	J4	65			
214	20	0		J11	8	SSW4	4			
215	20	0		J11	5	TB5	8			
216	20	6		J11	9	J4	30			
217	20	0		J11	10	R4	01			
218	20	0		J11	11	J4	50			
219										

TITLE								WL	SHEET NO.	DOCUMENT NO.	REV
POWER SUPPLY									7	VCD-7266	M
IDENTIFIER	WIRE SIZE	COLOR CODE	WIRE LENGTH	ORIGIN		DESTINATION		REMARKS			
				LOCATION	PIN NO.	LOCATION	PIN NO.				
220	20	4		J11	13	T1	14				
221	20	2		J11	14	K4	2A				
222	20	2		J11	15	K4	L1				
223	20	4		J11	16	R4	2				
224	20	0		J11	17	TB8	5	APPLIES TO UNITS SERIES CODE 09 AND BELOW ONLY.			
224	20	0		J11	17	K3	4	APPLIES TO UNITS SERIES CODE 10 THRU 13.			
224	20	0		J11	17	TB5	2	APPLIES TO UNITS SERIES CODE 14 AND ABOVE ONLY.			
225	20	4		J11	18	T1	12				
226	20	2		J11	19	TB7	5	APPLIES TO UNITS SERIES CODE 09 AND BELOW ONLY.			
226	20	2		J11	19	TB5	2	APPLIES TO UNITS SERIES CODE 10 AND ABOVE ONLY.			
227	20	0		J11	20	K4	L2				
228	20	2		C24	POS	K4	L1				
229											
230	20	4		J12	1	R17	2				
231	20	0		J12	2	R17	1				
232	20	6		J12	3	J4	22				
233	20	0		J12	4	TB5	8				
234	20	2		J12	5	C5	POS				
235	20	0		J12	6	K2	L2				
236	20	0		J12	7	K4	3B				
237											
238	20	0		J12	9	SSW4	03				
239	20	2		J12	10	K2	L1				
240	20	6		J12	11	SSW1	4				
241	20	0		J12	12	J4	66				
242	20	0		J12	13	J4	42				
243	20	0		J12	14	J4	43				
244	20	2		J12	15	J4	82	SERIES CODE 09 AND BELOW ONLY			
245	20	2		J12	19	TB6	1	APPLIES TO UNITS SERIES CODE 07 AND BELOW ONLY.			
245	20	2		J12	19	TB1B	1	APPLIES TO UNITS SERIES CODE 08 AND ABOVE ONLY.			
246	20	2		J12	17	CB5	LOAD	SERIES CODE 09 AND BELOW ONLY			
247	20	6		J12	18	J4	51				
248	20	0		J12	21	R25	BOT				
249	20	0		R25	BOT	K4	L2				
250	20	0		C24	NEG	R25	TOP				
251	20	0		J12	22	J4	23				
252	20	0		TB5	4	TB5	9				
253	20	2		K3	4A	J4	59	APPLIES TO UNITS SERIES CODE 08 AND BELOW ONLY.			
253	20	2		TB8	4	J4	59	APPLIES TO UNITS SERIES CODE 09 ONLY.			
253	20	2		TB9	15	J4	59	APPLIES TO UNITS SERIES CODE 10 AND ABOVE ONLY.			
254	20	6		TP8		TB1	04				
255	20	2		TB8	4	J4	60	APPLIES TO UNITS SERIES CODE 09 ONLY.			
255	20	2		TB9	15	J4	60	APPLIES TO UNITS SERIES CODE 10 AND ABOVE ONLY.			
255	20	2		K3	4A	J4	60	APPLIES TO UNITS SERIES CODE 08 AND BELOW ONLY.			

TITLE POWER SUPPLY							WL	SHEET NO. 8	DOCUMENT NO. VCD-7266	REV M
IDENTIFIER	WIRE SIZE	COLOR CODE	WIRE LENGTH	ORIGIN		DESTINATION		REMARKS		
				LOCATION	PIN NO.	LOCATION	PIN NO.			
256	20	2		CB7A	LOAD	J4	20			
257	20	2		TB5	6	J4	27			
258	20	6		CB7B	LOAD	J4	21			
259	20	6		TB5	7	J4	26			
260	20	0		TB5	4	TB5	8			
261										
262	14	6		CB4A	LINE	C4	LINE			
263	14	0		TB6	6	TB5	4D	APPLIES TO UNITS SERIES CODE 07 AND BELOW ONLY.		
263	14	0		TB1B	6	TB5	4	APPLIES TO UNITS SERIES CODE 08 AND ABOVE ONLY.		
264	14	2		CB4B	LINE	C5	POS			
265	20	0		K4	36	J4	52			
266	14	2		CR9A	POS	C5	POS			
267	14	6		CR9B	NEG	C4	NEG			
268	14	6		CR9	AC	K2	1C			
269										
270										
271	14	6		CR8	DC	K2	2C			
272	14	6		K2	2B	C4	NEG			
273										
274										
275										
276	12	0		TB4	5	CB1A	LINE			
277	12	3		TB4	6	CB1B	LINE			
278	12	0		CB1A	LOAD	FL1	1			
279	12	3		CB1B	LOAD	FL2	1			
280	12	5		TB4	4	FILTER CHASSIS	GND			
281	18	0		TB4	1	J6	1			
282	18	3		TB4	2	J6	2			
283	18	5		TB4	3	J6	GND			
284										
285										
286										
287										
288										
289										
290	12	0		FL1	2	T9	1	APPLIES TO 50 HZ UNITS ONLY.		
291	12	3		FL2	2	T9	2			
292	12	5		FILTER CHASSIS	GND	XFORMER MOUNT	GND			
293	SHIELD			COND IDENT 294		FLOATING				
294	20	5		FILTER CHASSIS	GND	COND IDENT 293		APPLIES TO 50 HZ UNITS ONLY.		
295	20	5		TB6	11	R2	E8	USED ON UNITS SERIES CODE 07 AND BELOW ONLY.		

TITLE							WL	SHEET NO.	DOCUMENT NO.	REV
POWER SUPPLY								9	VCD-7266	I
IDENTIFIER	WIRE SIZE	COLOR CODE	WIRE LENGTH	ORIGIN		DESTINATION		REMARKS		
				LOCATION	PIN NO.	LOCATION	PIN NO.			
296	14	2		TB6	10	R9	3	USED ON UNITS SERIES CODE 07 AND BELOW ONLY.		
297	16	4		TB6	6	R19	2			
298	16	4		R19	2	R18	2			
299	20	5		R18	2	R5	2			
300	16	4		TB6	7	R19	1	USED ON UNITS SERIES CODE 07 AND BELOW ONLY.		
301	16	4		R19	10	R18	1	USED ON UNITS SERIES CODE 07 AND BELOW ONLY.		
301	20	6		TB9	10	K3	R5	USED ON UNITS SERIES CODE 10 AND ABOVE ONLY.		
302	20	5		TB6	10	R7	2	USED ON UNITS SERIES CODE 07 AND BELOW ONLY.		
302	18	2		TB9	12	K3	R2	USED ON UNITS SERIES CODE 10 AND ABOVE ONLY.		
303	20	5		TB6	10	R4	E11	USED ON UNITS SERIES CODE 07 AND BELOW ONLY.		
303	20	6		TB9	14	K3	L5	USED ON UNITS SERIES CODE 10 AND ABOVE ONLY.		
304	20	5		TB6	2	R6	2	USED ON UNITS SERIES CODE 07 AND BELOW ONLY.		
304	18	2		TB9	16	K3	L2	USED ON UNITS SERIES CODE 10 AND ABOVE ONLY.		
305	20	5		TB6	2	R3	E7	USED ON UNITS SERIES CODE 07 AND BELOW ONLY.		
306	14	2		TB6	2	R8	3	USED ON UNITS SERIES CODE 07 AND BELOW ONLY.		
306	20	6		K3	R6	TB9	9	USED ON UNITS SERIES CODE 10 AND ABOVE ONLY.		
307	20	5		TB6	1	R1	E4	USED ON UNITS SERIES CODE 07 AND BELOW ONLY.		
307	18	2		K3	R3	TB9	11	USED ON UNITS SERIES CODE 10 AND ABOVE ONLY.		
308	16	4		TB6	5	R10	1	USED ON UNITS SERIES CODE 07 AND BELOW ONLY.		
308	20	6		K3	L6	TB9	13	USED ON UNITS SERIES CODE 10 AND ABOVE ONLY.		
309	20	5		R10	1	R11	1	USED ON UNITS SERIES CODE 07 AND BELOW ONLY.		
309	18	2		K3	L3	TB9	15	USED ON UNITS SERIES CODE 10 AND ABOVE ONLY.		
310	20	5		R11	1	R12	1	USED ON UNITS SERIES CODE 07 AND BELOW ONLY.		
311	20	5		R12	1	R13	1			
312	16	4		R13	1	R17	1			
313	20	5		R17	1	R16	1			
314	20	5		R16	1	R15	1			
315	20	5		R15	1	R14	1			
316	20	5		Q1	E14	Q2	E15			
317	20	5		Q2	E15	Q3	E18			
318	20	5		Q3	E18	Q4	E21			
319	20	5		Q4	E21	Q5	E24			
320	20	5		Q6	E29	Q7	E30			
321	20	5		Q7	E30	Q8	E33			
322	20	5		Q8	E33	Q9	E36			
323	20	5		Q9	E36	Q10	E39			
324	16	4		Q2	E17	Q3	E20			
325	16	4		Q3	E20	Q4	E23			
326	16	4		Q4	E23	Q5	E26			
327	16	4		Q7	E32	Q8	E35			
328	16	4		Q8	E35	Q9	E38			
329	16	4		Q9	E38	Q10	E41			
330	20	5		R2, CR2	E9	Q6	E27			
331	20	5		R1, CR1	E5	Q1	E12			
332	20	5		CR3, CR4	E2	R5	1			
333	20	5		Q6	E28	R7	1			
334	20	5		Q1	E13	R6	1			
335	20	5		Q1, Q2	E14	CR4	E3			
336	20	5		Q6, Q7	E29	CR3	E1	USED ON UNITS SERIES CODE 07 AND BELOW ONLY.		

TITLE POWER SUPPLY							WL	SHEET NO. 10	DOCUMENT NO. VCD-7266	REV H
IDENTIFIER	WIRE SIZE	COLOR CODE	WIRE LENGTH	ORIGIN		DESTINATION		REMARKS		
				LOCATION	PIN NO.	LOCATION	PIN NO.			
337	20	5		Q2	E16	R10	2	USED ON UNITS SERIES CODE 07 AND BELOW ONLY.		
338	20	5		Q7	E31	R11	2			
339	20	5		Q3	E19	R12	2			
340	20	5		Q8	E34	R13	2			
341	20	5		Q4	E22	R14	2			
342	20	5		Q9	E37	R15	2			
343	20	5		Q5	E25	R16	2			
344	20	5		Q10	E40	R17	2			
345	14	2		Q5	E26	TB6	3			
346	14	2		Q10	E41	TB6	9			
347	14	2		R8	3	R8	2			
348	14	2		R9	3	R9	2			
349	14	2		R8	1	TB6	3			
350	14	2		R9	1	TB6	9			
351										
352										
353										
354										
355										
356	20	4		Q1	COL	Q2	COL			
357	20	4		Q2	COL	B				
358	20	4		Q4	COL	Q5	COL			
359	20	4		Q5	COL	J				
360	20	4		Q2	EM	C				
361	20	4		C		TB1	2			
362	20	4		CR5	TOP	TB1	2			
363	20	4		TB1	1	B				
364	20	4		TB1	5	J				
365	20	4		Q1	BASE	A				
366	20	4		Q1	EM	Q2	BASE			
367	20	4		Q2	BASE	D				
368	20	4		Q5	EM	Q4	BASE			
369	20	4		Q4	BASE	I				
370	20	4		Q4	EM	H				
371	20	4		H		TB1	4			
372	20	4		G		Q5	BASE			
373	20	4		F		TB1	3			
374	20	4		E		TB1	3			
375	20	4		CR13	TOP	TB1	4			
376										
377										

TITLE					WL	SHEET NO.	DOCUMENT NO.	REV
POWER SUPPLY						11	VCD-7266	H
IDENTIFIER	WIRE SIZE	COLOR CODE	WIRE LENGTH	ORIGIN		DESTINATION		REMARKS
				LOCATION	PIN NO.	LOCATION	PIN NO.	
378								
379								
380	20			Q1	B		E12	USED ON UNITS SERIES CODE 07 AND BELOW ONLY.
381				Q1	E		E13	
382				Q1	C		E14	
383				Q2	B		E15	
384				Q2	E		E16	
385				Q2	C		E17	
386				Q3	B		E18	
387				Q3	E		E19	
388				Q3	C		E20	
389				Q4	B		E21	
390				Q4	E		E22	
391				Q4	C		E23	
392				Q5	B		E24	
393				Q5	E		E25	
394				Q5	C		E26	
395				Q6	B		E27	
396				Q6	E		E28	
397				Q6	C		E29	
398				Q7	B		E30	
399				Q7	E		E31	
400				Q7	C		E32	
401				Q8	B		E33	
402				Q8	E		E34	
403				Q8	C		E35	
404				Q9	B		E36	
405				Q9	E		E37	
406				Q9	C		E38	
407				Q10	B		E39	
408				Q10	E		E40	
409	20			Q10	C		E41	USED ON UNITS SERIES CODE 07 AND BELOW ONLY.
410								
411								
412								
413								
414	20	0		TB7	1	DS1	L	
415	20	3		TB7	1	DS1	R	
416								
417	20	4	4	TB3	2	TB3	8	
418								

TITLE POWER SUPPLY (SERIES CODE 14 AND ABOVE)						WL	SHEET NO. 1	DOCUMENT NO. VCD-7713	REV A
IDENTIFIER	WIRE SIZE	COLOR CODE	WIRE LENGTH	ORIGIN		DESTINATION		REMARKS	
				LOCATION	PIN NO.	LOCATION	PIN NO.		
1	14	3		TB7	4	SSW2	1		
2	14	0		TB7	2	SSW1	1		
3	20	0		SSW1	2	TB3	11		
4	20	3		SSW2	2	TB3	5		
5	20	3		B3	T	SSW2	2		
6	20	0		B3	B	SSW1	2		
7	18	0		TB7	2	T1	2		
8	20	0		TB3	7	TB7	1		
9	18	3		TB7	4	T1	1		
10	18	0		T6	2	TB7	2		
11	20	3		TB3	1	TB7	3		
12	18	4		T6	4	C8	1		
13	18	4		T6	5	C8	2		
14	16	4		T6	6	CR8	AC1		
15	16	4		T6	8	CR8	AC2		
16	14	2		CB4B	LOAD	TB1B	2		
17	14	2		CR7	DC	C5	POS		
18	20	6		C4	NEG	R18	R		
19	14	4		K2	1B	K4	4C		
20	14	6		CB4A	LOAD	TB1B	10		
21	16	4		T6	6	CR7	AC1		
22	16	4		T6	8	CR7	AC2		
23	14	4		K4	4A	TB1B	5		
24	20	0		J4	77	TB5	8		
25	20	2		C5	POS	R18	L		
26	14	0		T6	7	C4	POS		
27	14	0		C4	POS	C5	NEG		
28	14	0		C5	NEG	TB5	4		
29	20	0		SSW1	3	SSW2	3		
30	20	0		SSW2	3	TB5	4		
31	20	0		J5	2	TB5	4		
32	18	0		J5	1	TB7	1		
33	18	3		J5	3	TB7	3		
34	16	3		J2	7	SSW2	2		
35	14	5		J2	6	TB5	9		
36	16	0		J2	5	SSW1	2		
37	20	5		J2	8	TB5	9		
38	20	2		J5	5	TB5	5		
39	20	2		J5	6	J4	18		
40	18	3		T6	1	TB7	4		

TITLE POWER SUPPLY (SERIES CODE 14 AND ABOVE)						WL	SHEET NO. 2	DOCUMENT NO. VCD-7713	REV A
IDENTIFIER	WIRE SIZE	COLOR CODE	WIRE LENGTH	ORIGIN		DESTINATION		REMARKS	
				LOCATION	PIN NO.	LOCATION	PIN NO.		
41	20	6		SSW1	4	SSW2	4		
42	16	5		J5	4	TB5	9		
43	18	4		T1	7	C1	1		
44	20	4		C1	1	CR4	AC1		
45	20	4		T1	8	T2	3		
46	20	4		T2	4	CR4	AC2		
47	20	0		CR4	NEG	C2	NEG		
48	20	0		C2	NEG	C3	NEG		
49	20	0		C3	NEG	TB5	1		
50	20	0		TB5	3	R1	R		
51	20	2		CR4	POS	C2	POS		
52	20	2		C2	POS	C3	POS		
53	20	2		C3	POS	CB5	LINE		
54	20	2		CB5	LINE	R1	L		
55	20	4		T1	5	T2	2		
56	18	4		T1	4	C1	2		
57	20	4		C1	2	T5	1		
58	20	4		T5	1	T4	1		
59	20	4		T4	1	T3	1		
60	20	4		T1	6	T5	4		
61	20	4		T5	4	T4	4		
62	20	4		T4	4	T3	4		
63	20	4		T2	1	T3	3		
64	14	2		CR1	POS	C17	POS		
65	20	0		C17	NEG	R2	L		
66	14	0		T1	10	C17	NEG		
67	20	4		T1	5	T7	2		
68	20	2		CB6A	LINE	R2	R		
69	20	4		T7	2	T8	2		
70	20	4		T4	3	T7	1		
71	14	4		T1	14	CR3	AC		
72	14	4		T7	5	CR3	NEG		
73	14	4		T8	5	CR3	POS		
74	14	4		T7	3	CR6	NEG		
75	14	4		T7	4	C15	NEG		
76	14			C15	NEG	L3	1		
77	14			L3	2	C16	NEG		
78	14	6		C16	NEG	CB7B	LINE		
79	20	6		CB7B	LINE	R9	T		
80	14	4		T5	3	T8	1		

TITLE POWER SUPPLY (SERIES CODE 14 AND ABOVE)								WL	SHEET NO. 3	DOCUMENT NO. VCD-7713	REV A
IDENTIFIER	WIRE SIZE	COLOR CODE	WIRE LENGTH	ORIGIN		DESTINATION		REMARKS			
				LOCATION	PIN NO.	LOCATION	PIN NO.				
81	14	4		CR6	POS	T8	3				
82	14	2		T8	4	C13	POS				
83	14	4		T1	12	CR6	AC				
84	14			C13	POS	L2	1				
85	14			L2	2	C14	POS				
86	14	2		C14	POS	CB7A	LINE				
87	20	2		CB7A	LINE	R9	B				
88	16	6		CB7B	LOAD	TB9	10				
89	16	6		TB9	9	TB5	7				
90	16	2		CB7A	LOAD	TB9	12				
91	14	0		T1	13	C15	POS				
92	14	0		T1	13	C13	NEG				
93	14	0		C15	POS	C16	POS				
94	14	0		C16	POS	TB5	3				
95	14	0		C13	NEG	C14	NEG				
96	14	0		C14	NEG	TB5	2				
97	20	4		T1	12	F3	T				
98	20	2		TB5	5	F1	B				
99	20	2		F1	T	C13	POS				
100	20	2		TB9	17	J4	67				
101	20	0		DS4	L	TB5	2				
102	16	2		TB9	11	TB5	6				
103	20	4		SSW4	1	F3	B				
104	20	6		K2	1A	CB4A	LINE				
105	16	0		C17	NEG	TB5	1				
106	20	2		J4	1	TB9	17				
107	20	2		J4	2	TB9	17				
108	20	6		J4	3	TB9	13				
109	20	6		J4	4	TB9	13				
110	20	0		J4	5	TB5	1				
111	20	0		J4	7	TB5	1				
112	20	2		J4	10	CB7A	LOAD				
113	20	6		J4	11	CB7B	LOAD				
114	20	0		J4	12	TB5	2				
115	20	0		J4	13	TB5	3				
116	20	0		J4	14	TB5	3				
117	20	0		J4	15	TB5	3				
118	20	2		J4	16	TB5	6				
119	20	2		J4	17	TB5	6				
120	20	6		J4	24	TB5	7				

TITLE POWER SUPPLY (SERIES CODE 14 AND ABOVE)					WL	SHEET NO. 4	DOCUMENT NO. VCD-7713	REV E
IDENTIFIER	WIRE SIZE	COLOR CODE	WIRE LENGTH	ORIGIN		DESTINATION		REMARKS
				LOCATION	PIN NO.	LOCATION	PIN NO.	
121	20	6		J4	25	TB5	7	
122	20	2		J4	29	TB5	5	
123	20	2		J4	31	J12	16	
124	20	6		J4	32	TB1B	11	
125	20	5		J4	33	TB5	10	
126	20	2		J4	36	TB5	11	
127	20	0		J4	70	TB5	4	
128	20	2		J4	45	TB1B	2	
129	20	6		J4	46	TB1B	10	
130	20	2		J4	48	TB5	5	
131	20	0		J4	53	TB1B	7	
132	20	5		J4	54	TB1B	6	
133	20	2		J4	56	SSW4	2	
134	20	0		J4	57	C13	NEG	
135	20	5		J4	58	TB5	9	
136	20	0		J4	74	TB5	3	
137	20	5		J4	79	TB5	10	
138	20	0		J4	80	C3	NEG	
139	20	0		J4	55	TB1B	6	
140	16	4		J3	1	K2	1C	
141	16	4		J3	2	K2	1C	
142	16	5		J3	3	TB5	10	
143	16	0		J3	4	TB1B	7	
144	16	0		J3	5	TB1B	7	
145	20	0		R4	3	H1	1	SERIES CODE 16 AND BELOW SERIES CODE 17 AND ABOVE
145	20	0		R4	3	R17	1	
146	20	0		R17	3	H3	2	SERIES CODE 16 AND BELOW SERIES CODE 17 AND ABOVE
146	20	0		R17	3	R17	2	
147	20	0		TB5	8	H2	3	SERIES CODE 16 AND BELOW SERIES CODE 17 AND ABOVE
147	20	0		TB5	8	R4	3	
148	20	2		TP1		CB5	LOAD	
149	20	2		TP2		TB1	2	
150	20	0		TP3		TB5	1	
151	20	6		TP4		CB7B	LOAD	
152	20	2		TP5		C5	POS	
153	20	6		TP6		C4	NEG	
154	20	2		TP7		CB7A	LOAD	
155	14	4		T1	11	CR1A	AC	
156	14	4		T1	11	CR2A	AC	
157	14	4		T1	9	CR2B	AC	
158	14	4		T1	9	CR1B	AC	
159	14	6		CR2	NEG	C12	NEG	
160	14	6		C12	NEG	CB6B	LINE	

TITLE					WL	SHEET NO.	DOCUMENT NO.	REV
POWER SUPPLY (SERIES CODE 14 AND ABOVE)						5	VCD-7713	G
IDENTIFIER	WIRE SIZE	COLOR CODE	WIRE LENGTH	ORIGIN		DESTINATION		REMARKS
				LOCATION	PIN NO.	LOCATION	PIN NO.	
161	20	0		C12	POS	TB5	1	
162	20	6		R3	R	CB6B	LINE	
163	20	0		R3	L	C12	POS	
164	14	0		T1	10	C12	POS	
165	14	2		C17	POS	CB6A	LINE	
166	16	2		CB6A	LOAD	TB1	1	
167	20	6		CB6B	LOAD	TB1	5	
168	16	2		TB1	2	TB9	16	
169	20	6		TB1	4	TB9	14	
170	14	0		TB1	3	TB5	2	
171	20	6		SSW2	4	SSW4	4	
172	20	0		SSW4	3	J4	72	
173	20	0		TB5	2	TB9	6	
174	20	2		TB9	5	C24	POS	
175	20	2		DS4	R	CB6	5B	
176	20	2		CB6	5B	TB9	4	
177	20	6		F2	T	C15	NEG	
178	20	0		K3R	2	TB5	8	
179	20	2		K4	2C	TB5	6	
180	20	2		CB5	3D	TB5	6	
181	20	6		TB9	1	J4	28	
182	20	6		F2	B	TB9	2	
183	20	2		J11	1	J4	35	
184	20	0		J11	2	J4	49	
185	20	0		J11	3	J4	64	
186	20	0		J11	4	J4	38	
187	20	0		J11	6	J4	41	
188	20	0		J11	7	J4	65	
189	20	0		J11	8	SSW4	4	
190	20	0		J11	5	TB5	8	
191	20	6		J11	9	J4	30	
192	20	0		J11	10	J4	30	SERIES CODE 16 AND BELOW SERIES CODE 17 AND ABOVE
192	20	0		R4	2	J4	30	
193	20	0		J11	11	J4	50	
194	20	4		J11	13	T1	14	
195	20	2		J11	14	K4	2A	
196	20	2		J11	15	K4	L1	
197	20	4		J11	16	R4	2	
198	20	0		J11	17	TB5	2	
199	20	4		J11	18	T1	12	
200	20	2		J11	19	K3L	1	

TITLE POWER SUPPLY (SERIES CODE 14 AND ABOVE)							WL	SHEET NO. 6	DOCUMENT NO. VCD-7713	REV E
IDENTIFIER	WIRE SIZE	COLOR CODE	WIRE LENGTH	ORIGIN		DESTINATION		REMARKS		
				LOCATION	PIN NO.	LOCATION	PIN NO.			
201	20	0		J11	20	K4	L2			
202	20	2		C24	POS	K4	L1			
203	20	4		J12	1	R17	2			
204	20	0		J12	2	R17	1	SERIES CODE 16 AND BELOW		
205	20	6		J12	3	J4	22			
206	20	0		J12	4	TB5	8			
207	20	2		J12	5	C5	POS			
208	20	0		J12	6	K2	L2			
209	20	0		J12	7	K4	3B			
210	20	0		J12	9	SSW4	3			
211	20	2		J12	10	K2	L1			
212	20	6		J12	11	SSW1	4			
213	20	0		J12	12	J4	66			
214	20	0		J12	13	J4	42			
215	20	0		J12	14	J4	43			
216	20	2		J12	19	TB1B	1			
217	20	6		J12	18	J4	51			
218	20	0		J12	21	R25	BOT			
219	20	0		R25	BOT	K4	L2			
220	20	0		C24	NEG	R25	TOP			
221	20	0		J12	22	J4	23			
222	20	0		TB5	4	TB5	9			
223	20	2		TB9	15	J4	59			
224	20	6		TP8		TB1	4			
225	20	2		TB9	15	J4	60			
226	20	2		CB7A	LOAD	J4	20			
227	20	2		TB5	6	J4	27			
228	20	6		CB7B	LOAD	J4	21			
229	20	6		TB5	7	J4	26			
230	20	0		TB5	4	TB5	8			
231	14	6		CB4A	LINE	C4	NEG			
232	14	0		TB1B	6	TB5	4			
233	14	2		CB4B	LINE	C5	POS			
234	20	0		K4	3C	J4	52			
235	14	2		CR9A	POS	C5	POS			
236	14	6		CR9B	NEG	C4	NEG			
237	14	6		CR9	AC	K2	1C			
238	14	6		CR8	DC	K2	2C			
239	14	6		K2	2B	C4	NEG			
240	20	6		TB9	10	K3	R5			

TITLE								WL	SHEET NO.	DOCUMENT NO.	REV
POWER SUPPLY (SERIES CODE 14 AND ABOVE)									7	VCD-7713	L
IDENTIFIER	WIRE SIZE	COLOR CODE	WIRE LENGTH	ORIGIN		DESTINATION		REMARKS			
				LOCATION	PIN NO.	LOCATION	PIN NO.				
241	18	2		TB9	12	K3	R2				
242	20	6		TB9	14	K3	L5				
243	18	2		TB9	16	K3	L2				
244	20	6		K3	R6	TB9	9				
245	18	2		K3	R3	TB9	11				
246	20	6		K3	L6	TB9	13				
247	18	2		K3	L3	TB9	15				
248	20	2		J12	17	TB9	8				
249	20	2		TB9	8	CB5	LOAD				
250	20	2		J12	15	TB9	7				
251	20	2		TB9	7	J4	82				
252											
253											
254											
255	16	6		SSW1	4	J2	4				
256	20	0		TB7	1	DS1	L				
257	20	3		TB7	3	DS1	R				
258	20	4	4	TB3	2	TB3	8				
259	20	4	4	TB3	6	TB3	12				
260	20	2		CB5	5B	CB6	3D				
261	20	4		Q1	COL	Q2	COL	SERIES CODE 16 AND BELOW			
262	20	4		Q2	COL	B					
263	20	4		Q4	COL	Q5	COL				
264	20	4		Q5	COL	K					
265	20	4		Q2	EM	C					
	20	4		C		TB1	2				
	20	4		CR5	TOP	TB1	2				
	20	4		TB1	1	B					
	20	4		TB1	5	K					
	20	4		Q1	BASE	A					
	20	4		Q1	EM	Q2	BASE	SERIES CODE 16 AND BELOW			
266	16	4		SSW3	2	J2	2	USED IN 50 HZ UNITS ONLY			
267	16	4		SSW3	1	J2	1				
268	16	0		SSW3	3	START SW	OUT				
269	20	6		SSW3	4	START SW	-20				
270	20	6		START SW	OV	SSW1	3	USED IN 50 HZ UNITS ONLY			
271	20	6		SSW1	4	SSW3	4				
272	20	4		Q2	BASE	D		SERIES CODE 16 AND BELOW			
273	20	4		Q5	EM	Q4	BASE				
274	20	4		Q4	BASE	J					
275	20	4		Q4	EM	H					
276	20	4		H		TB1	4				
277	20	4		G		Q5	BASE				
278	20	4		F		TB1	3				
279	20	4		E		TB1	3				
280	20	4		CR13	TOP	TB1	4	SERIES CODE 16 AND BELOW			

TITLE					WL	SHEET NO.	DOCUMENT NO.	REV
PRE-AMP CHASSIS						1	VCD-4873	A
IDENTIFIER	WIRE SIZE	COLOR CODE	WIRE LENGTH	ORIGIN		DESTINATION		REMARKS
				LOCATION	PIN NO.	LOCATION	PIN NO.	
1	24	94	4	E5	12	E1	21	
2	24	94	4	E1	24	E5	13	
3	24	94	4	E2	36	E1	36	
4	24	94	4	E1	33	E5	9	
5	24	94	4	E2	41	E4	12	
6	24	93	3	E2	32	E1	32	
7	24	94	4	E1	41	E4	14	
8	24	94	4	E2	24	E5	8	
9	24	94	4	E2	21	E5	5	
10	24	95	5	E2	33	E5	1	
11	24	93	3	E2	16	E1	16	
12	24	93	3	E2	18	E1	18	
13	24	4	6	E4	40	R300	2	
14	24	4	6	E4	32	R303	2	
15	24	4	6	E4	28	R302	2	
16	24	4	4	E1	16	R302	1	
17	24	4	4	E1	18	R303	1	
18	24	4	4	E1	36	R300	1	
19	24	4	6	E4	37	TB301	4	
20	24	4	6	E4	25	TB301	2	
21	24	4	6	E4	36	TB301	1	
22	24		1	TB301	1	TB301	3	
23	20	0	3	E1	2	GND*		*Ground lug located beneath buggies.
24	20	0	6	E1	50	GND*		
25	20	0	6	E2	2	GND*		
26	20	0	3	E2	50	GND*		
27	20	0	6	E3	2	GND*		
28	20	0	3	E3	50	GND*		
29	20	0	6	E4	2	GND*		
30	20	0	3	E4	50	GND*		
31	20	0	6	E5	2	GND*		
32	20	0	3	E5	50	GND*		
33	20	2	5	E1	48	E2	48	
34	20	2	2	E2	48	E3	46	
35	20	2	2	E3	46	E4	48	
36	20	2	2	E4	48	E5	48	
37	20	6	5	E1	6	E2	6	
38	20	6	2	E2	6	E3	6	
39	20	6	2	E3	6	E4	6	
40	20	6	2	E4	6	E5	6	
41	24	93	3	E4	42	E4	37	

Page deleted

SECTION 10

EQUATION SUMMARY

(Not Applicable)

COMMENT SHEET

MANUAL TITLE CONTROL DATA® BR2A5 DISK STORAGE UNIT
Diagrams/Wire Lists Manual

PUBLICATION NO. 70614700 REVISION _____

FROM: NAME: _____
BUSINESS ADDRESS: _____

COMMENTS:

This form is not intended to be used as an order blank. Your evaluation of this manual will be welcomed by Control Data Corporation. Any errors, suggested additions or deletions, or general comments may be made below. Please include page number references and fill in publication revision level as shown by the last entry on the Record of Revision page at the front of the manual. Customer engineers are urged to use the TAR.

CUT ALONG LINE

PRINTED IN U.S.A.

AA3419 REV. 11/69

NO POSTAGE STAMP NECESSARY IF MAILED IN U. S. A.

FOLD ON DOTTED LINES AND STAPLE

STAPLE

STAPLE

FOLD

FOLD

BUSINESS REPLY MAIL
 NO POSTAGE STAMP NECESSARY IF MAILED IN U.S.A.

FIRST CLASS
 PERMIT NO. 8241
 MINNEAPOLIS, MINN.



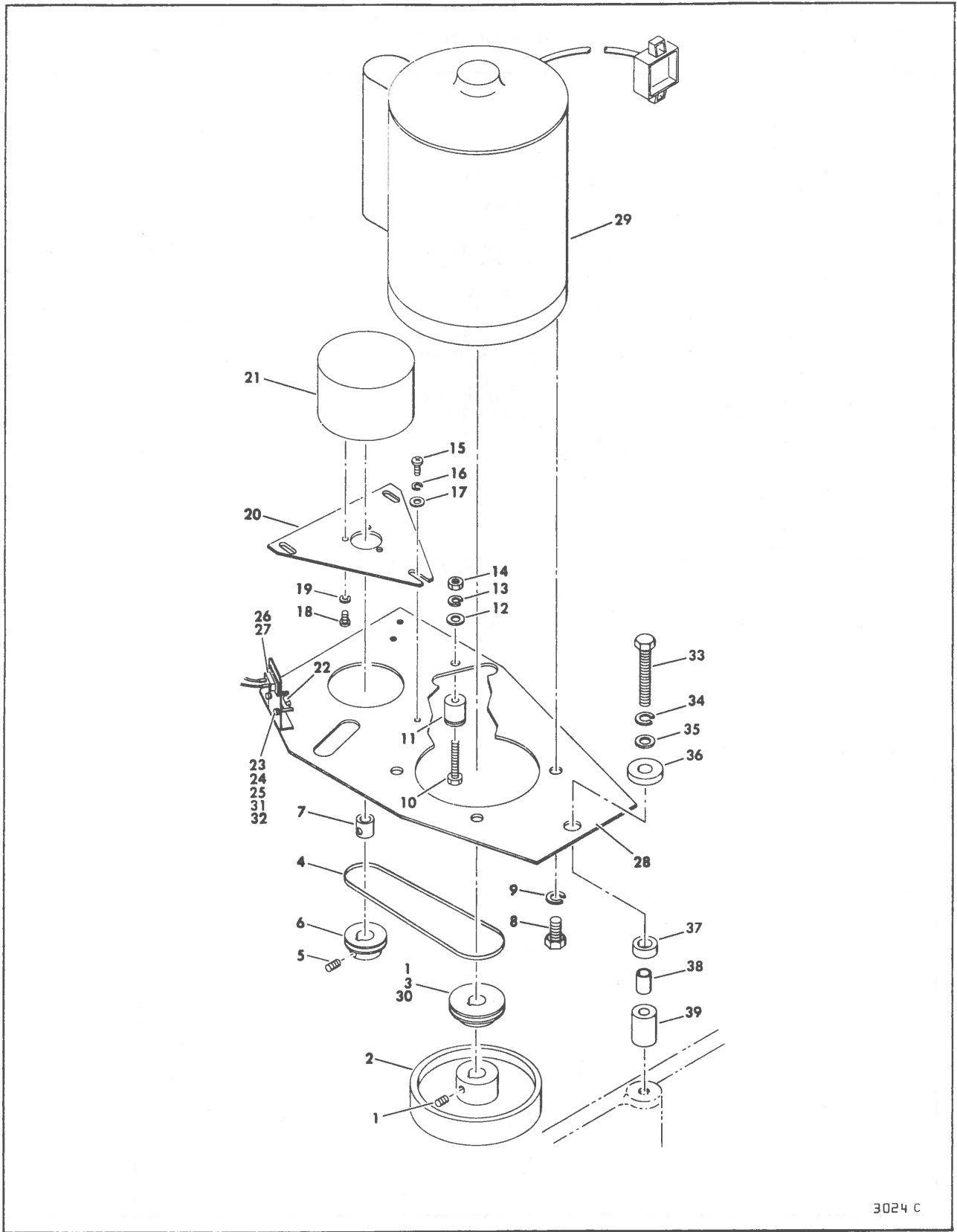
POSTAGE WILL BE PAID BY
CONTROL DATA CORPORATION
 Technical Publications Department
 7801 Computer Avenue
 Minneapolis, Minnesota 55435

CUT ALONG LINE

FOLD

FOLD

ASSY LEVEL	INDEX NO.	EQUIPMENT PART NUMBER	ITEM DESCRIPTION	MOD. LEVEL				
				B				
				NO. REQUIRED				
D	9-	46485000	PREAMP CHASSIS ASSEMBLY	1				
E	-1	10125704	SCREW, MACHINE, FLAT HEAD, PHILLIPS, 4-40 x 3/8	6				
E	-2	46433000	SPACER, CARD, BOTTOM, REAR	1				
E	-3	94309801	PAD, TERMINAL, INSULATING	3				
E	-4	46483600	SPACER, CARD, BOTTOM FRONT	1				
E	-5	10127311	SCREW, MACHINE, PAN HEAD, SLOTTED, 2-56 x 1/4	6				
E	-6	10125800	WASHER, LOCK, SPRING, 2	6				
E	-7	94267101	RESISTOR, 400 OHM, 10W	1				
E	-8	94267111	RESISTOR, POWER, WIRE WOUND, 1200 OHMS	2				
E	-9	93592158	SCREW, MACHINE, HEXAGON HEAD, PLAIN, TPG, 6-32 x 1/4	1				
E	-9A	93592160	SCREW, MACHINE, HEXAGON HEAD, PLAIN, TPG, 6-32 x 5/16	1				
E	-	92602001	CLAMP, CABLE	1				
E	-10	40081100	TERMINAL BOARD ASSEMBLY	1				
E	-11	92586206	RESISTOR, 1W, 115 OHM	1				
E	-12	92586246	RESISTOR, 1W, 301 OHM	1				
E	-13	10127116	SCREW, MACHINE, PAN HEAD, PHILLIPS, 6-32 x 3/4	10				
E	-14	10126103	WASHER, LOCK, INTERNAL TOOTH, 6	12				
E	-15	10125105	NUT, HEXAGON, 6-32	10				
E	-16	94320100	CONNECTOR, RECEPTACLE	5				
E	-17	10127127	SCREW, MACHINE, PAN HEAD, PHILLIPS, 8-32 x 1	1				
E	-18	10126402	WASHER, LOCK, EXTERNAL TOOTH, 8	5				
E	-19	10125106	NUT, HEXAGON, 8-32	2				
E	-20	92627001	FASTENER, PUSH ON	1				
E	-21	40062400	SPRING, EXTENSION	1				
E	-22	09035002	PIN, ROLL	1				
E	-23	46483700	SHIELD, CARD	1				
E	-24	10127111	SCREW, MACHINE, PAN HEAD, 6-32 x 1/4	2				
E	-25	46494500	SPACER, CARD, TOP	1				
E	-26	46483800	CHASSIS, PRE-AMP	1				
C	-27	94000000	SCREW, THUMB	2				
C	-28	10127131	SCREW, MACHINE, PAN HEAD, PHILLIPS, 10-24 x 3/8	1				
C	-29	10126105	WASHER, LOCK, INTERNAL TOOTH, 10	1				
C	-30	10125607	WASHER, FLAT, 10	1				
C	-31	73103000	SLEEVE, CHASSIS	1				
C	-32	94281415	CABLE, GROUND (SERIES CODE 04 AND ABOVE)	1				



3024 C

FIGURE 10. MOTOR AND BRAKE ASSEMBLY

ASSY LEVEL	INDEX NO.	EQUIPMENT PART NUMBER	ITEM DESCRIPTION	MOD. LEVEL				
				B				
				NO. REQUIRED				
C	10-	75003005	MOTOR AND BRAKE ASSEMBLY, 60 HZ	1				
C	10-	75003006	MOTOR AND BRAKE ASSEMBLY, 50 HZ	1				
D	-1	94090168	SCREW, SET, HEXAGON SOCKET HEAD, 1/4-20 x 3/8 (SERIES CODE 05 AND BELOW)	1				
D	-1	94363660	SCREW, SET, HEXAGON SOCKET HEAD, 1/4-20 x 3/8 (SERIES CODE 06 AND ABOVE)	3				
D	-2	73622607	PULLEY, DRIVE MOTOR, 60 HZ	1				
D	-2	70956708	PULLEY, DRIVE MOTOR, 50 HZ (SERIES CODE 05 AND BELOW)	1				
D	-2	73622608	PULLEY, DRIVE MOTOR, 50 HZ (SERIES CODE 06 AND ABOVE)	1				
D	-3	94311102	PULLEY, V-BELT (SERIES CODE 05 AND BELOW)	1				
D	-3	94311119	PULLEY, V-BELT (SERIES CODE 06 AND ABOVE)	1				
D	-4	94311003	BELT, SPECIAL	1				
D	-5	94363662	SCREW, SET, HEXAGON SOCKET HEAD, 1/4-20 x 1/2	1				
D	-6	94311104	PULLEY, V-BELT (SERIES CODE 12 AND BELOW)	1				
D	-6	94311117	PULLEY, V-BELT (SERIES CODE 13 AND ABOVE)	1				
D	-7	40093301	SLEEVE, MOTOR SHAFT	1				
D	-8	10126528	SCREW, MACHINE, HEXAGON HEAD, PLAIN, 3/8-16 x 3/4	4				
D	-9	10125808	WASHER, LOCK, SPRING, 3/8	4				
D	-10	10126506	SCREW, MACHINE, HEXAGON HEAD, PLAIN, 1/4-20 x 1-1/2	1				
D	-11	40023600	POST, IDLER SPRING	1				
D	-12	10125608	WASHER, FLAT, 1/4	1				
D	-13	10125806	WASHER, LOCK, SPRING, 1/4	1				
D	-14	10125301	NUT, HEXAGON, 1/4	1				
D	-15	10127143	SCREW, MACHINE, PAN HEAD, PHILLIPS, 10-32 x 1/2	3				
D	-16	10125805	WASHER, LOCK, SPRING, 10	3				
D	-17	10125607	WASHER, FLAT, 10	3				
D	-18	10127347	SCREW, MACHINE, PAN HEAD, SLOTTED, 8-32 x 3/8	3				
D	-19	10126104	WASHER, LOCK, INTERNAL TOOTH, 8	1				
D	-20	70740200	PLATE, MOUNTING PLATE	1				
D	-21	94246101	BRAKE, HYSTERESIS	1				
D	-22	93935000	RECTIFIER, SILICON	1				
D	-23	10127101	SCREW, MACHINE, PAN HEAD, PHILLIPS, 4-40 x 3/16	4				
D	-24	10126101	WASHER, LOCK, INTERNAL TOOTH, 4	4				
D	-25	92707001	TERMINAL, INSULATED	4				
D	-26	93948003	CONNECTOR, PIN HOUSING	1				
D	-27	93942009	PIN, CONTACT	2				
D	-28	72988600	PLATE, MOUNTING, MOTOR (SERIES CODE 09 & BELOW)	1				
D	-28	73246900	PLATE, MOUNTING, MOTOR (SERIES CODE 10 & ABOVE)	1				
D	-29	73184610	DRIVE MOTOR AND CABLE ASSEMBLY, 60 HZ	1				
D	-29	73184611	DRIVE MOTOR AND CABLE ASSEMBLY, 50 HZ	1				
E	-	10126103	WASHER, LOCK, INTERNAL TOOTH, 6	1				
E	-	10126104	WASHER, LOCK, INTERNAL TOOTH, 8	2				
E	-		CABLE ASSEMBLY, W2 (SEE FIGURE 21)	1				
E	-	94359900	MOTOR, ELECTRIC, END MOUNTED, 60 HZ	1				
E	-	94359901	MOTOR, ELECTRIC, END MOUNTED, 50 HZ	1				
D	-30	94363658	SCREW, SET, HEXAGON SOCKET HEAD, 1/4-20 x 1/4 (SERIES CODE 06 AND ABOVE)	1				
D	-31	92512424	RESISTOR, 15 OHM, 2W (SERIES CODE 10 AND ABOVE)	1				
D	-32	92496227	CAPACITOR, NONELECTROLYTIC, 100V (SERIES CODE 10 AND ABOVE)	1				
C	-33	10126536	SCREW, MACHINE, HEXAGON HEAD, PLAIN, 3/8-16 x 2-1/2	3				
C	-34	10125808	WASHER, LOCK, SPRING, 3/8	3				
C	-35	10125610	WASHER, FLAT, 3/8	3				
C	-36	46489200	SPACER, MOTOR MOUNT	3				
C	-37	70738300	INSULATOR, MOTOR MOUNT	3				
C	-38	70738301	INSULATOR, MOTOR MOUNT	3				
C	-39	70739500	SPACER, MOUNT, MOTOR	3				
*	-	73217700	BRACKET, CAPACITOR	1				
*	-	94275225	RING, MOUNTING	1				
*	-	94255103	CAPACITOR, MOTOR (S/N 1204 AND BELOW)	1				
*	-	94255102	CAPACITOR, MOTOR (S/N 1205 AND ABOVE)	1				
*	-	94260508	END, CAPACITOR	1				
*APPLICABLE ONLY TO UNITS WITH FCO PE29475 INSTALL INSTALLED.								

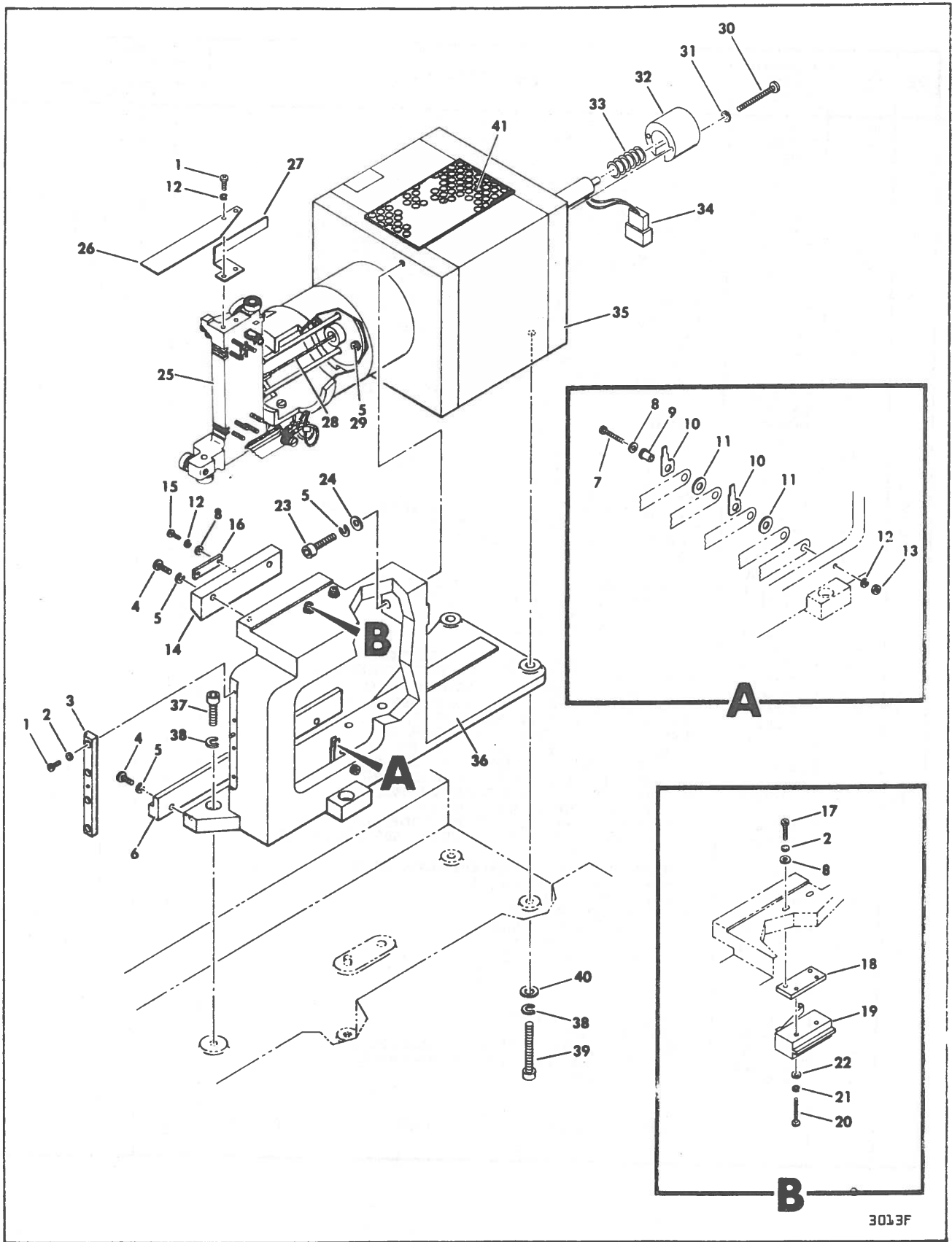


FIGURE 11. ACTUATOR ASSEMBLY

ASSY LEVEL	INDEX NO.	EQUIPMENT PART NUMBER	ITEM DESCRIPTION	MOD. LEVEL				
				B				
				NO. REQUIRED				
B	11-	73102500	ACTUATOR ASSEMBLY	1				
C	-1	10127113	SCREW, MACHINE, PAN HEAD, PHILLIPS, 6-32 x 3/8	6				
C	-2	10126103	WASHER, LOCK, INTERNAL TOOTH, 6	2				
C	-3	73560400	CAM, HEAD	1				
C	-4	10127364	SCREW, MACHINE, PAN HEAD, SLOTTED, 10-24 x 1/2	5				
C	-5	10125805	WASHER, LOCK, SPRING, 10	8				
C	-6	73102300	RAIL, LOWER	1				
C	-7	10127340	SCREW, MACHINE, PAN HEAD, SLOTTED, 6-32 x 1-1/4	1				
C	-8	10125605	WASHER, FLAT, 6	5				
C	-9	70738900	SPACER	2				
C	-10	70740500	BASE, TERMINAL	1				
C	-11	93564002	WASHER, NYLON, 6	2				
C	-12	10125803	WASHER, LOCK, SPRING, 6	3				
C	-13	10125105	NUT, HEXAGON, 6-32	1				
C	-14	73102100	RAIL, UPPER	1				
C	-15	10127332	SCREW, MACHINE, PAN HEAD, SLOTTED, 6-32 x 1/4	2				
C	-16	73105200	INDICATOR, TRACK, FIXED (SERIES CODE 10 AND BELOW)	1				
C	-16	73242100	INDICATOR, TRACK, FIXED (SERIES CODE 11 AND ABOVE)	1				
C	-17	10127116	SCREW, MACHINE, PAN HEAD, PHILLIPS, 6-32 x 3/4	2				
C	-18	73103100	BRACKET, SWITCH	1				
C	-19	94261300	SWITCH, ROLLER, LEVER	1				
C	-20	10127327	SCREW, MACHINE, PAN HEAD, SLOTTED, 4-40 x 1	2				
C	-21	10125801	WASHER, LOCK, SPRING, 4	4				
C	-22	10125603	WASHER, FLAT, 4	2				
C	-23	10126238	SCREW, MACHINE, HEXAGON SOCKET HEAD, CAP, 10-24 x 1	1				
C	-24	10125607	WASHER, FLAT, 10	1				
C	-25		CARRIAGE ASSEMBLY (SEE FIGURE 13)	1				
C	-26	73615600	SHIELD, HEAD	1				
C	-27	73105100	INDICATOR, TRACK, MOVING (SERIES CODE 10 AND BELOW)	1				
C	-27	73242000	INDICATOR, TRACK, MOVING (SERIES CODE 11 AND ABOVE)	1				
C	-28	70729305	ROD, EXTENSION	1				
C	-29	10127133	SCREW, MACHINE, PAN HEAD, PHILLIPS, 10-24 x 5/8	2				
C	-30	10127354	SCREW, MACHINE, PAN HEAD, SLOTTED, 8-32 x 1-1/2	2				
C	-31	10125804	WASHER, LOCK, SPRING, 8	2				
C	-32	70726001	CAP, END, TRANSDUCER	1				
C	-33	94206431	SPRING, COMPRESSION	1				
C	-34	72824701	TRANSDUCER AND CONNECTOR ASSEMBLY	1				
D	-	94262800	TRANSDUCER, VELOCITY	1				
D	-	93948003	CONNECTOR, PIN HOUSING	1				
D	-	93942009	CONTACT, PIN	2				
C	-35		MAGNET ASSEMBLY (SEE FIGURE 12)	2				
C	-36	73101500	HOUSING, ACTUATOR	1				
B	-37	10126258	SCREW, MACHINE, HEXAGON SOCKET HEAD, CAP, 1/4-20 x 1	2				
B	-38	10125806	WASHER, LOCK, SPRING, 1/4	5				
B	-39	10126262	SCREW, MACHINE, HEXAGON SOCKET HEAD, CAP, 1/4-20 x 2	3				
B	-40	10125608	WASHER, FLAT, 1/4	5				
B	-41	73220100	COVER, MAGNET (SERIES CODE 10 AND BELOW)	1				
B	-41	46484000	COVER, MAGNET (SERIES CODE 11 AND ABOVE)	1				

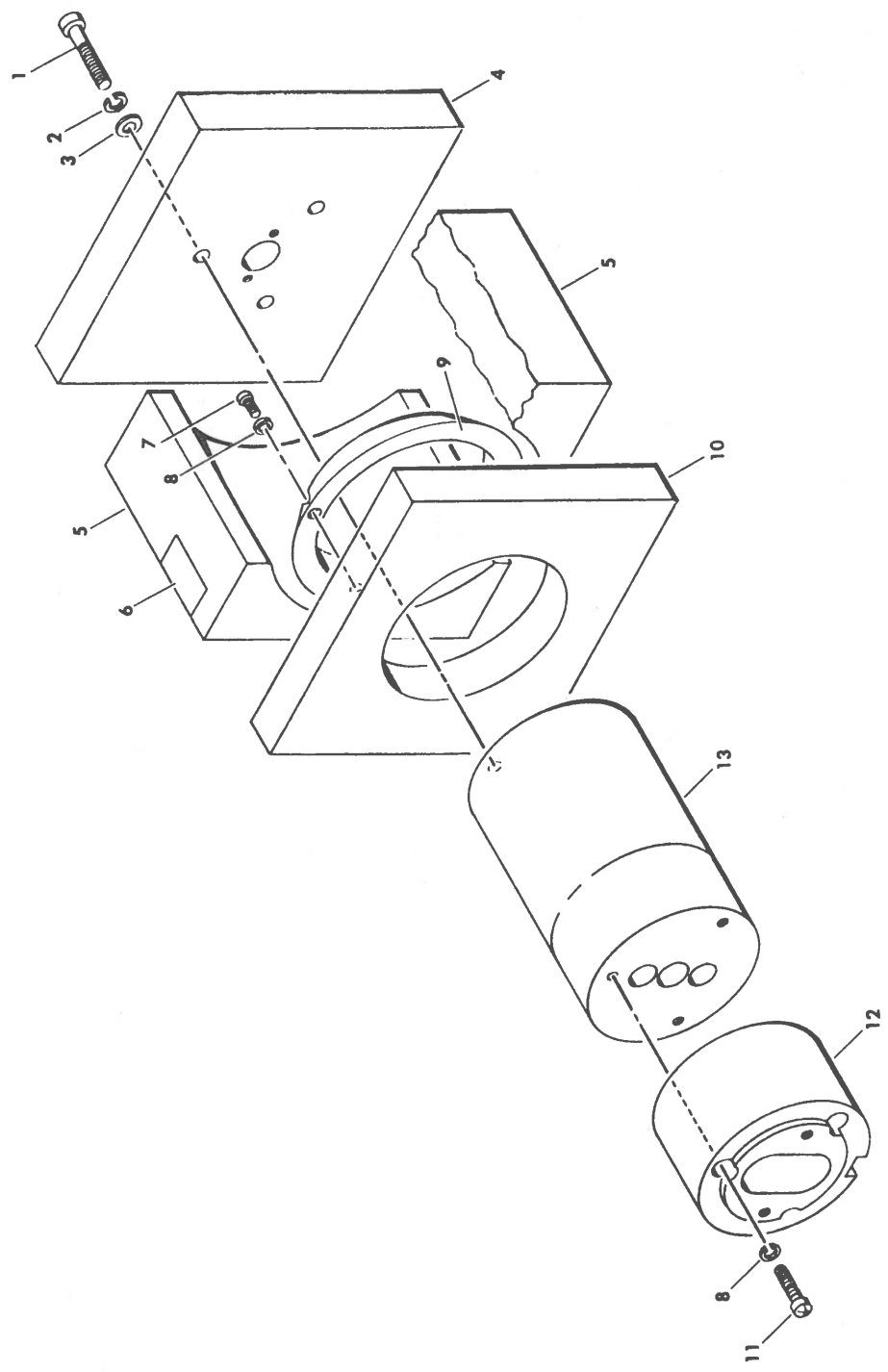


FIGURE 12. MAGNET ASSEMBLY

ASSY LEVEL	INDEX NO.	EQUIPMENT PART NUMBER	ITEM DESCRIPTION	MOD. LEVEL				
				B				
				NO. REQUIRED				
C	12-	73104300	MAGNET ASSEMBLY	1				
D	-1	10126260	SCREW, MACHINE, HEXAGON SOCKET HEAD, CAP, 1/4-20 x 1-1/2	3				
D	-2	10125806	WASHER, LOCK, SPRING, 1/4	3				
D	-3	10125608	WASHER, FLAT, 1/4	3				
D	-4	46496000	POLE, REAR	1				
D	-5	70725800	MAGNET	2				
D	-6	24547509	LABEL, WARNING, MAGNETIC FIELD	1				
D	-7	10126233	SCREW, MACHINE, HEXAGON SOCKET HEAD, CAP, 10-24 x 3/8	2				
D	-8	10125805	WASHER, LOCK, SPRING, 10	2				
D	-9	73101400	EXTENSION, POLE	1				
D	-10	46496100	POLE, FRONT	1				
D	-11	10127136	SCREW, MACHINE, PAN HEAD, PHILLIPS, 10-24 x 1	3				
D	-12	70727901	MOUNT, STOP	1				
D	-13	70727701	CORE, MAGNETIC	1				

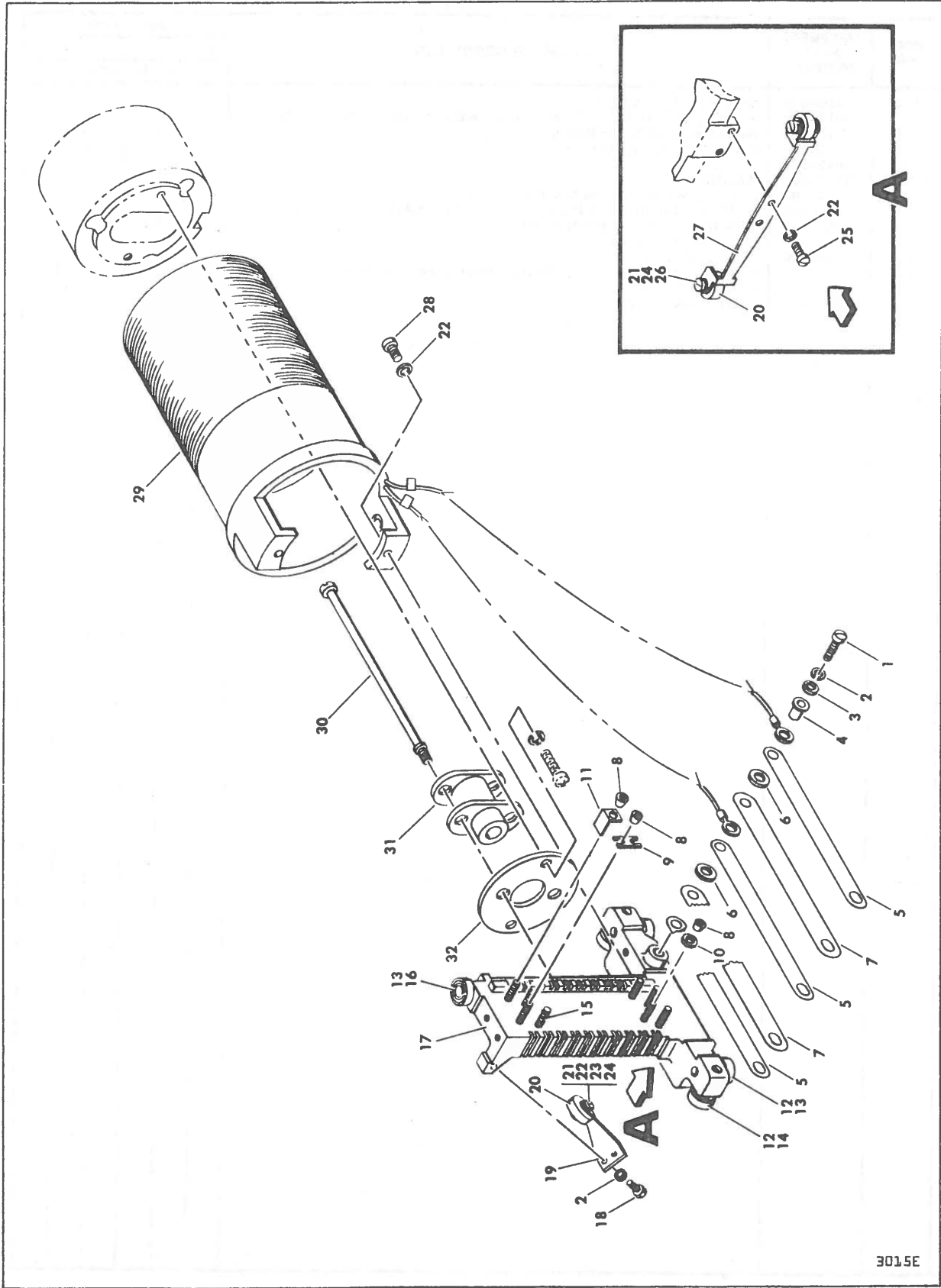


FIGURE 13. CARRIAGE ASSEMBLY

3015E

ASSY LEVEL	INDEX NO.	EQUIPMENT PART NUMBER	ITEM DESCRIPTION	MOD. LEVEL				
				B				
				NO. REQUIRED				
C	13-	73104400	CARRIAGE ASSEMBLY (SERIES CODE 08 AND BELOW)	1				
C	13-	73230600	CARRIAGE ASSEMBLY (SERIES CODE 09 AND ABOVE)	1				
D	-1	10127336	SCREW, MACHINE, PAN HEAD, SLOTTED, 6-32 x 5/8	1				
D	-2	10125803	WASHER, LOCK, SPRING, 6	3				
D	-3	10125805	WASHER, FLAT, 6	1				
D	-4	70738900	SPACER	1				
D	-5	70738801	LEAD, FLEXIBLE (SERIES CODE 08 AND BELOW)	3				
D	-5	70738802	LEAD, FLEXIBLE (SERIES CODE 09 AND ABOVE)	3				
D	-6	93564002	WASHER, FLAT, NYLON, 6	2				
D	-7	70739001	INSULATOR, LEAD (SERIES CODE 08 AND BELOW)	2				
D	-7	70739002	INSULATOR, LEAD (SERIES CODE 09 AND ABOVE)	2				
D	-8	93290002	NUT, INTERNAL WRENCHING	40				
D	-9	73109901	CLAMP, HEAD ARM	10				
D	-10	94047047	WASHER, SPECIAL	18				
D	-11	73223800	SPACER, CLAMP, HEAD	2				
D	-	73222100	CARRIAGE AND BEARING ASSEMBLY	1				
E	-12	92021039	PIN, DOWEL	4				
E	-13	92054069	BEARING, BALL	3				
E	-14	94292602	BEARING, BALL	2				
E	-15	45481602	STUD, DOUBLE THREADED	40				
E	-16	73103200	PIN, STEP, BEARING	1				
E	-17	46485700	CARRIAGE, MACHINING	1				
D	-18	10125016	SCREW, MACHINE, HEXAGON HEAD, 6-32 x 3/8	2				
D	-19	73102700	SPRING, BEARING, UPPER	1				
D	-20	92054069	BEARING, BALL	3				
D	-21	10127344	SCREW, MACHINE, PAN HEAD, SLOTTED, 8-32 x 3/16	6				
D	-22	10125804	WASHER, LOCK, SPRING, 8	6				
D	-23	73101900	PIN, BEARING	1				
D	-24	73102000	SPACER, BEARING	6				
D	-25	10127345	SCREW, MACHINE, PAN HEAD, SLOTTED, 8-32 x 1/4	2				
D	-26	73101901	PIN, BEARING	2				
D	-27	73102800	SPRING, BEARING, LOWER	1				
D	-28	10126226	SCREW, MACHINE, HEXAGON SOCKET HEAD, CAP, 8-32 x 1/2	3				
D	-29	73104501*	COIL ASSEMBLY	1				
D	-30	70728901	ROD, STOP	2				
D	-31	72981700	STOP	1				
D	-32	70725900	PLATE, STOP	1				
B	-	70590200	HEAD ARM ASSEMBLY, POSITIONS	10				
B	-	70590201	HEAD ARM ASSEMBLY, POSITIONS	9				
B	-	70590101	HEAD ARM ASSEMBLY, POSITIONS	1				

*REPLACE AS A UNIT

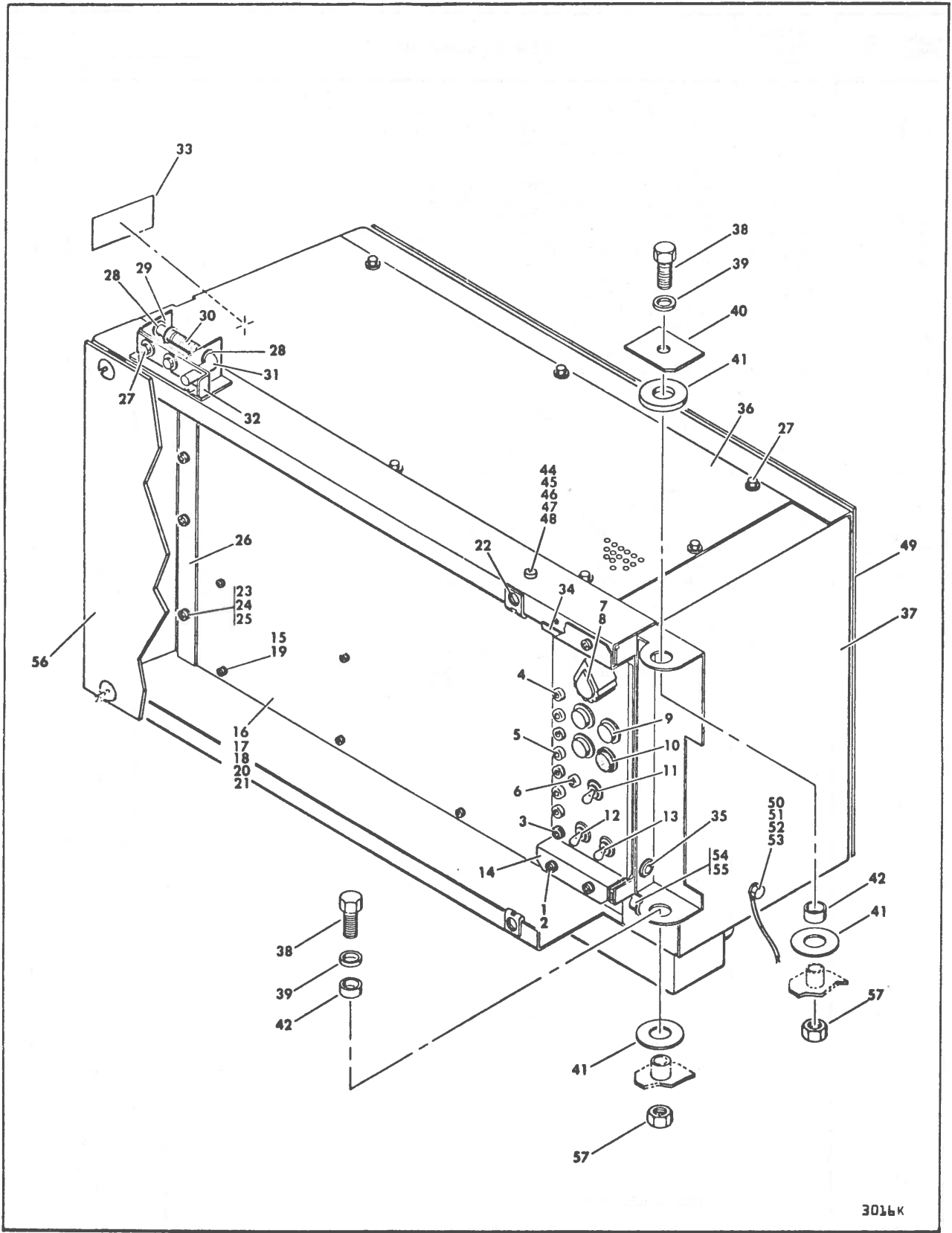


FIGURE 14. LOGIC CHASSIS ASSEMBLY

ASSY LEVEL	INDEX NO.	EQUIP PART NUMBER	ITEM DESCRIPTION	MOD. LEVEL				
				B				
				NO. REQUIRED				
B	14-	70730205	LOGIC CHASSIS ASSEMBLY	1				
C	-1	10127122	SCREW, MACHINE, PAN HEAD, PHILLIPS, 8-32 x 3/8	4				
C	-2	10126104	WASHER, LOCK, INTERNAL TOOTH, 8	4				
C	-	73515900	MAINTENANCE PANEL ASSEMBLY (SERIAL NO. 4555 & BELOW)	1				
C	-	73606900	MAINTENANCE PANEL ASSEMBLY (SERIAL NO. 45556 & ABOVE)	1				
D	-3	93672001	JACK, BANANA, BLACK (SERIAL NO. 4555 AND BELOW)	1				
D	-3	95644001	JACK, BANANA, BLACK (SERIAL NO. 45556 AND ABOVE)	1				
D	-4	93672003	JACK, BANANA, RED (SERIAL NO. 4555 AND BELOW)	4				
D	-4	95644000	JACK, BANANA, RED (SERIAL NO. 45556 AND ABOVE)	4				
D	-5	93672005	JACK, BANANA, BLUE (SERIAL NO. 4555 AND BELOW)	3				
D	-5	95644003	JACK, BANANA, BLUE (SERIAL NO. 45556 AND ABOVE)	3				
D	-6	93672007	JACK, BANANA, YELLOW (SERIAL NO. 4555 AND BELOW)	1				
D	-6	95644005	JACK, BANANA, YELLOW (SERIAL NO. 45556 AND ABOVE)	1				
D	-7	93395002	KNOB	1				
D	-8	92655005	SWITCH, SELECTOR	1				
D	-9	94039102	LIGHT, INDICATOR, 24V	3				
D	-10	93126312	SWITCH, PUSH BUTTON, RED	1				
D	-11	92509051	SWITCH, TOGGLE	1				
D	-12	92509047	SWITCH, TOGGLE	2				
D	-13	92509045	SWITCH, TOGGLE	1				
D	-14	72934100	PANEL, MAINTENANCE	1				
D	-	73496400	TERMINAL BOARD, TB01 (SERIAL NO. 4555 AND BELOW)	1				
D	-	73606800	TERMINAL BOARD, TB01 (SERIAL NO. 45556 AND ABOVE)	1				
D	-	73496000	MOUNT, MAINTENANCE PANEL	1				
D	-	92512371	RESISTOR, 4.7 OHM, 1W	3				
D	-	92427023	CAPACITOR, 1 UF, 35V	3				
D	-	92496187	CAPACITOR, 200V	2				
D	-	73496200	BOARD, BLANK (SERIAL NO. 4555 AND BELOW)	1				
D	-	73606400	BOARD, BLANK (SERIAL NO. 45556 AND ABOVE)	1				
D	-	17901508	SCREW, MACHINE, THREAD ROLL, PHILLIPS, 6-32 x 1/4	1				
D	-	73607603	MAINTENANCE PANEL HARNESS ASSEMBLY	1				
E	-	94261810	CONNECTOR, RECEPTACLE, 28 SOCKET	5				
E	-	94245614	CONTACT-CRIMP, INSERT, SOCKET	9				
C	-	72935604	PANEL AND GUIDE ASSEMBLY	1				
D	-15	46491100	PANEL, PERPENDICULAR, (5 POS)	4				
D	-16	46490202	RAIL, GUIDE	3				
D	-17	46490200	RAIL, GUIDE	2				
D	-18	46498000	LABEL, MARKER	1				
D	-19	17901515	SCREW, MACHINE, THREAD ROLL, PHILLIPS, 8-32 x 1/4	15				
D	-20	94309003	CLIP, U TYPE	16				
D	-21	72935704	PANEL, WIRE WRAP ASSEMBLY	1				
D	-	17901516	SCREW, MACHINE, THREAD ROLL, PHILLIPS, 8-32 x 3/8	1				
D	-	92602006	CLAMP, CABLE, NYLON	1				
C	-22	94317800	RECEPTACLE, NUT, CLIP ON	8				
C	-23	10127143	SCREW, MACHINE, PAN HEAD, PHILLIPS, 10-32 x 1/2	8				
C	-24	10126105	WASHER, LOCK, INTERNAL TOOTH, 10	8				
C	-25	10125607	WASHER, FLAT, 10	8				
C	-26	73106300	INSULATOR, PANEL BACK	2				
C	-27	93592162	SCREW, MACHINE, HEXAGON WASHER HEAD, 6-32 x 3/8	9				
C	-28	93273005	NYLINER, SNAP-IN	2				
C	-29	92033038	RING, RETAINING	1				
C	-30	45229900	SPRING, COMPRESSION	1				
C	-31	40032300	LATCH	1				
C	-32	70741700	GUIDE, LATCH	1				
C	-33	94208500	LABEL	1				
C	-34	94237703	TRIM, SAFETY, BLACK	1				
C	-35	92633003	BUMPER, GROMMET TYPE	1				
C	-36	73177300	COVER, LOGIC CHASSIS	1				
C	-	45148105	BAR, CARD SPACER	2				
C	-	17936500	EXTRUSION, WINDOW	AR				
C	-37	72986400	CHASSIS, LOGIC	1				
B	-38	10126530	SCREW, MACHINE, HEXAGON HEAD, 3/8-16 x 1	1				
B	-39	10125610	WASHER, FLAT, 3/8	2				
B	-40	40033000	PLATE, FRICTION	2				
B	-41	45718501	SPACER	2				
B	-42	70742900	BEARING	2				
B	-43	45718500	SPACER	2				
B	-44	10127123	SCREW, MACHINE, PAN HEAD, PHILLIPS, 8-32 x 1/2	1				
B	-45	10126104	WASHER, LOCK, INTERNAL TOOTH, 8	1				
B	-46	92602011	CLAMP, CABLE, NYLON	1				
B	-47	10125606	WASHER, FLAT, 8	1				
B	-48	10125106	NUT, HEXAGON, 8-32	1				
B	-49	73113600	REAR COVER ASSEMBLY	1				
C	-	73113500	COVER, REAR	1				
C	-	94317701	FASTENER, OVAL FLUSH HEAD, STUD TYPE	4				
C	-	94317900	RETAINER, SPLIT	4				



ASSY LEVEL	INDEX NO.	EQUIPMENT PART NUMBER	ITEM DESCRIPTION	MOD. LEVEL					
				B					
				NO. REQUIRED					
B	14-		LOGIC CHASSIS ASSEMBLY (CONT'D)	1					
B	-50	10127122	SCREW, MACHINE, PAN HEAD, PHILLIPS, 8-32 x 3/8	1					
B	-51	10126104	WASHER, LOCK, INTERNAL TOOTH, 8	1					
B	-52	94281429	CABLE, GROUND	1					
B	-53	10125106	NUT, HEXAGON, 8-32	1					
B	-54	93592240	SCREW, MACHINE, HEXAGON WASHER HEAD, SELF TAPPING, 10-24 x 1/2	2					
B	-55	92602013	CLAMP, CABLE	1					
B	-56	70735700	FRONT COVER ASSEMBLY	1					
C	-	70725100	COVER, FRONT	1					
C	-	94317701	FASTENER, OVAL FLUSH HEAD, STUD TYPE	4					
C	-	94317900	RETAINER, SPLIT	4					
B	-57	93006033	NUT, HEXAGON, JAM, 3/8-16	2					

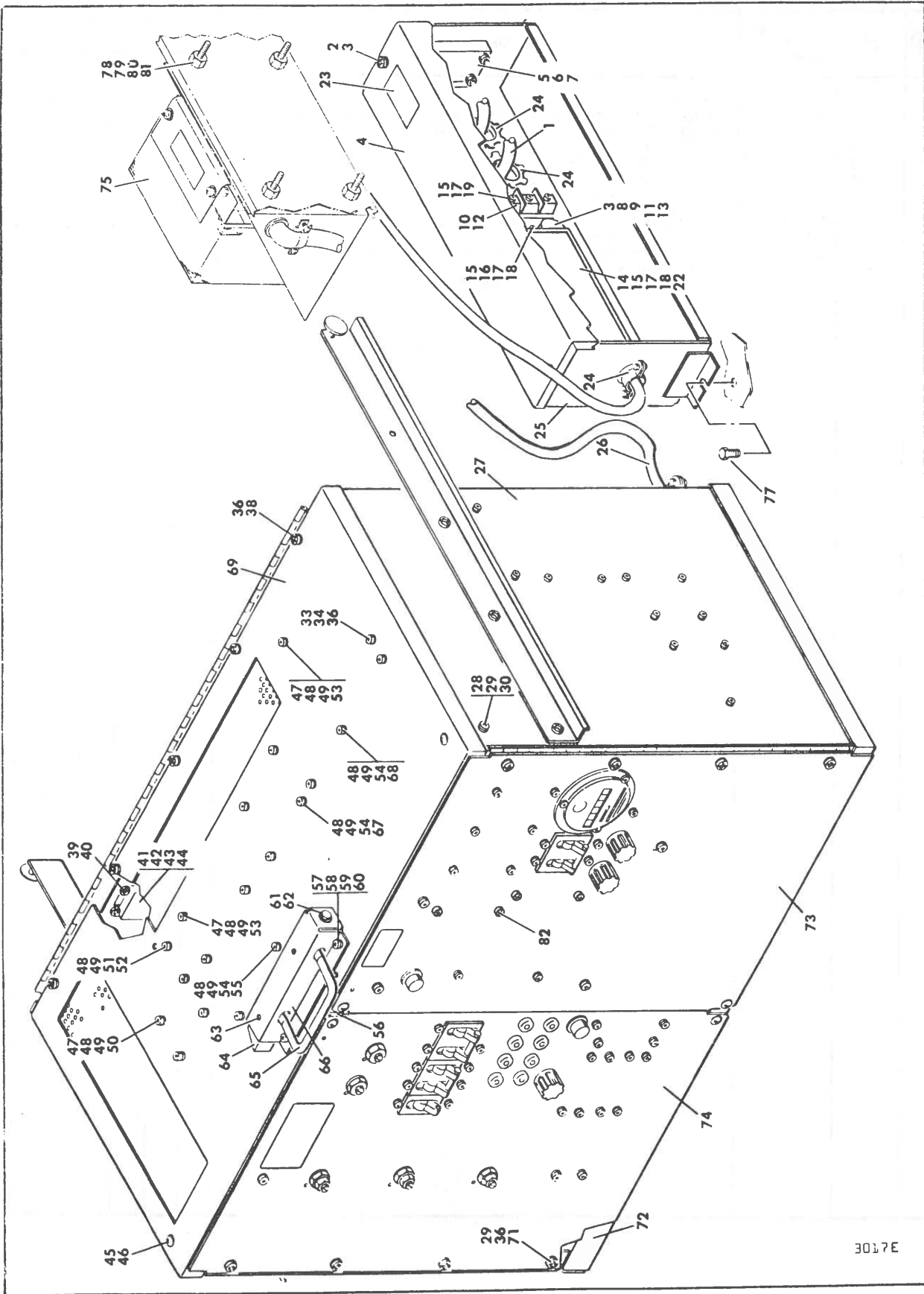


FIGURE 15. POWER SUPPLY ASSEMBLY (SHEET 1 OF 2)

3017E

ASSY LEVEL	INDEX NO.	EQUIPMENT PART NUMBER	ITEM DESCRIPTION	MOD. LEVEL					
				B					
				NO. REQUIRED					
B	15-	46346004	(SHEET 1 OF 2)	1					
B	15-	73560605	POWER SUPPLY ASSEMBLY (SERIES CODE 12 & BELOW)	1					
	-1		POWER SUPPLY ASSEMBLY (SERIES CODE 13)						
	-1		NOT APPLICABLE						
C	-	72935000	FILTER CHASSIS ASSEMBLY	1					
D	-2	10127120	SCREW, MACHINE, PAN HEAD, PHILLIPS, 8-32 x 1/4	2					
D	-3	10126104	WASHER, LOCK, INTERNAL TOOTH, 8	4					
D	-4	70728400	COVER, FILTER	1					
D	-5	94245207	CIRCUIT BREAKER	1					
D	-6	10126103	WASHER, LOCK, INTERNAL TOOTH, 6	4					
D	-7	10127111	SCREW, MACHINE, PAN HEAD, PHILLIPS, 6-32 x 1/4	4					
D	-8	94260200	OUTLET	1					
D	-9	15012410	BUSHING, SNAP IN	1					
D	-10	94274536	MARKER, STRIP	1					
D	-11	10127125	SCREW, MACHINE, PAN HEAD, PHILLIPS, 8-32 x 3/4	2					
D	-12	93041206	BLOCK, TERMINAL, SINGLE SCREW	1					
D	-13	10125106	NUT, HEXAGON, 8-32	2					
D	-14	10127131	SCREW, MACHINE, PAN HEAD, PHILLIPS, 10-24 x 3/8	4					
D	-15	10126105	WASHER, LOCK, INTERNAL TOOTH, 10	7					
D	-16	10125607	WASHER, FLAT, 10	2					
D	-17	10125107	NUT, HEXAGON, 10-24	4					
D	-18	10127132	SCREW, MACHINE, PAN HEAD, PHILLIPS, 10-24 x 1/2	4					
D	-19	10127134	SCREW, MACHINE, PAN HEAD, PHILLIPS, 10-24 x 3/4	2					
D	-20	70728800	BRACKET, FILTER	1					
	-21		NOT USED						
D	-22	94246000	FILTER-RFI	1					
D	-23	24547504	PLATE, WARNING	1					
D	-24	92801001	CLAMP, CABLE	1					
D	-25	72935100	CHASSIS, FILTER	1					
	-26		CABLE ASSEMBLY, W6 (SEE FIGURE 21)						
C	-27		POWER SUPPLY CABINET ASSEMBLY (SEE FIGURE 16)						
C	-28	10127131	SCREW, MACHINE, PAN HEAD, PHILLIPS, 10-24 x 3/8	2					
C	-29	10126105	WASHER, LOCK, INTERNAL TOOTH, 10	3					
C	-30	46485800	SUPPORT	1					
C	-	10125106	SCREW NUT, MACHINE, HEXAGON, 8-32	1					
C	-	10126104	WASHER, LOCK, INTERNAL, 8	1					
C	-	95634806	SPEED NUT, 10	9					
C	-	95634801	SPEED NUT, 6	2					
	-32		NOT USED						
C	-33	93872004	SUPPORT, LID	1					
C	-34	70744000	SPRING-FALL, SUPPORT	1					
	-35		NOT USED						
C	-36	95655543	SCREW, MACHINE, PAN HEAD, PHILLIPS, 10-16 x 1/2	21					
C	-37	95655516	WASHER, FLAT, 10	2					
C	-38	95634804	SPEED NUT, 10	12					
C	-39	10125103	NUT, HEXAGON, 4-40	4					
C	-40	10126101	WASHER, LOCK, INTERNAL TOOTH, 4	4					
C	-41	73187000	HARNESS ASSEMBLY (SERIES CODE 08 AND BELOW)	1					
C	-41	73217900	HARNESS ASSEMBLY (SERIES CODE 09)	1					
C	-41	73514700	HARNESS ASSEMBLY (SERIES CODE 10 THRU 13)	1					
	-	94281201	CONNECTOR, RECEPTACLE, 75 PIN	1					
D	-	93947000	HOUSING, SOCKET, CONNECTOR	2					
D	-	93947001	HOUSING, SOCKET, CONNECTOR	1					
D	-	93943000	CONTACT, SOCKET	3					
D	-	94219808	CONNECTOR, DUO-TYNE FLAG	2					
D	-	93943001	CONTACT, SOCKET	8					
D	-	93343004	CONTACT, SOCKET	3					
D	-	93645003	CONTACT, SOCKET	5					
D	-	93645005	CONTACT, SOCKET	60					
	-	93943002	CONTACT, SOCKET	8					
D	-	94219903	CONTACT, DUO-TYNE FLAG	40					
D	-	93943007	CONTACT, SOCKET	1					
D	-42	93642005	GUIDE, SOCKET CONNECTOR CORNER	2					
D	-43	93642004	PIN, GUIDE, CONNECTOR CORNER	2					
C	-44	93960007	JACKSCREW, FEMALE	2					
C	-	70732400	TOP PANEL ASSEMBLY	1					
D	-45	94317701	FASTENER, OVAL, RUSH, STUD TYPE	2					
D	-46	94317900	RETAINER, SPLIT RING	2					
D	-47	10127123	SCREW, MACHINE, PAN HEAD, PHILLIPS, 8-32 x 1/2	6					



ASSY LEVEL	INDEX NO.	EQUIPMENT PART NUMBER	ITEM DESCRIPTION	MOD. LEVEL					
				A					
				NO. REQUIRED					
B	15-		POWER SUPPLY ASSEMBLY (CONT'D)						
D	-48	10126104	WASHER, LOCK, INTERNAL TOOTH, 8	17					
D	-49	10125106	NUT, HEXAGON, 8-32	17					
D	-50	95583503	RECTIFIER BLOCK, 15A	2					
D	-51	10127125	SCREW, MACHINE, PAN HEAD, PHILLIPS, 8-32 x 3/4	1					
D	-52	95582901	BRIDGE, RECTIFIER	1					
D	-53	94277406	STRAP, CABLE TIE	2					
D	-54	10127122	SCREW, MACHINE, PAN HEAD, PHILLIPS, 8-32 x 3/8	10					
D	-55	47100200	TRANSFORMER, CONTROL	2					
D	-56	94317800	RECEPTACLE, CLIP ON	2					
D	-57	10127142	SCREW, MACHINE, PAN HEAD, PHILLIPS, 10-32 x 3/8	2					
D	-58	10126105	WASHER, LOCK, INTERNAL TOOTH, 10	2					
D	-59	10125607	WASHER, FLAT, 10	2					
D	-60	10125108	NUT, HEXAGON, 10-32	2					
D	-	45521901	LOGIC LATCH ASSEMBLY	1					
E	-61	93592162	SCREW, MACHINE, HEXAGON WASHER HEAD, SELF TAPPING, 6-32 x 3/8	1					
E	-62	94206109	SPRING, COMPRESSION	1					
E	-63	93532089	PIN, ROLL	2					
E	-64	45171200	LATCH, BOLT	1					
E	-65	45514500	HANDLE, LATCH	1					
E	-66	45514700	HOUSING, LATCH	1					
D	-67	47052600	TRANSFORMER, CONTROL	1					
D	-68	47061900	INDUCTOR ASSEMBLY	1					
D	-69	70739900	PANEL, TOP	1					
	-70		NOT USED						
C	-71	92650003	NUT, ACORN	1					
C	-72	94237703	TRIM, SAFETY, BLOCK	1					
C	-73		RIGHT FRONT PANEL ASSEMBLY (SEE FIGURE 17)	1					
C	-74		LEFT FRONT PANEL ASSEMBLY (SEE FIGURE 17)	1					
C	-75		TRANSFORMER ASSEMBLY (SEE FIGURE 18)	1					
	-76		NOT USED						
C	-	15012410	GROMMET (SERIES CODE 13 AND ABOVE)	1					
B	-77	93592240	SCREW, MACHINE, HEXAGON WASHER HEAD, SELF TAPPING, 10-24 x 1/2	2					
B	-78	93109370	STANDOFF, SPACER	4					
B	-79	10125608	WASHER, FLAT, 1/4	4					
B	-80	10126106	WASHER, LOCK, INTERNAL TOOTH, 1/4	4					
B	-81	10125301	NUT, HEXAGON, 1/4-20	4					
B	-82	73647200	NOT USED	1					

AA 2315

PRINTED IN U.S.

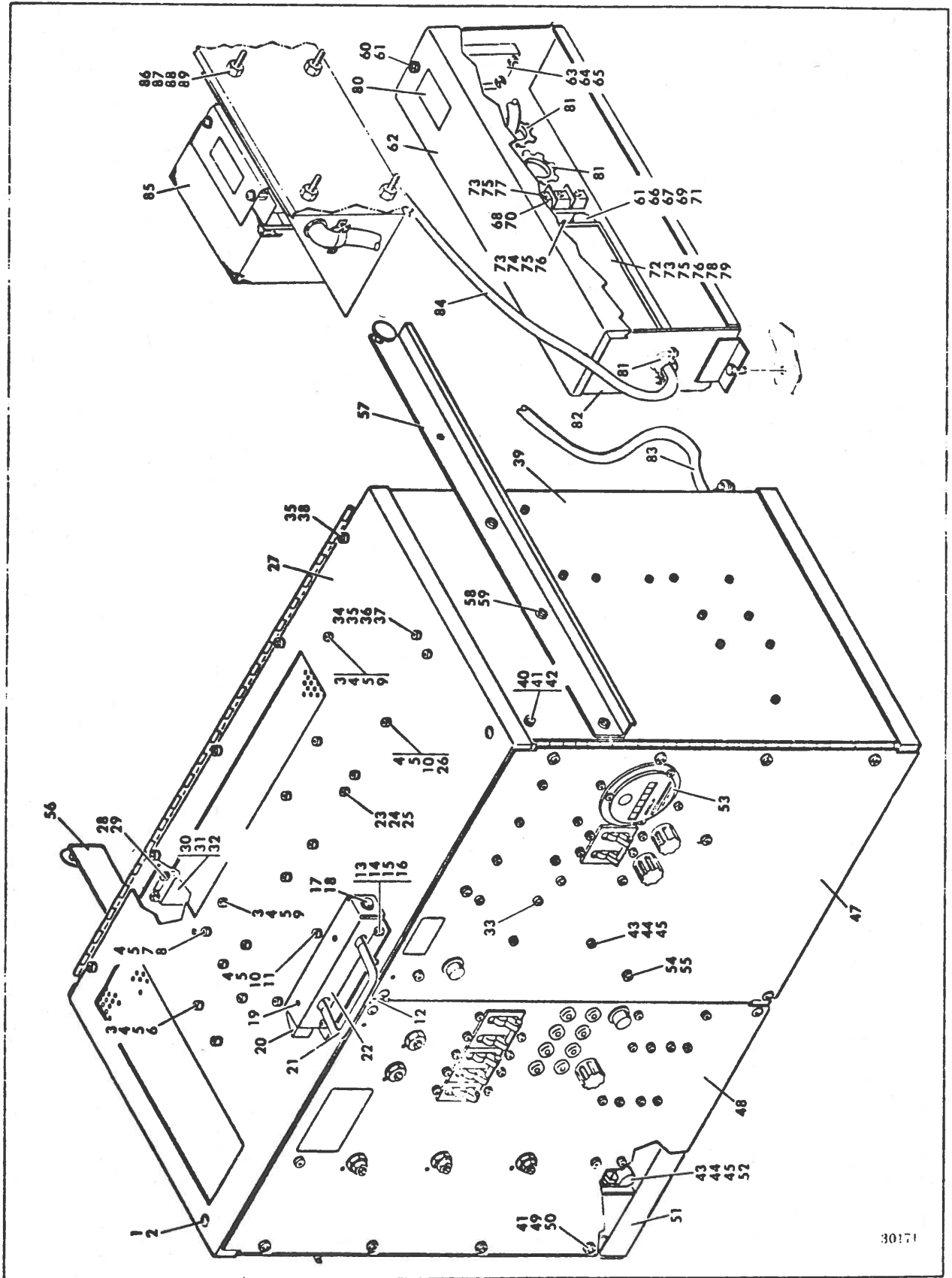


FIGURE 15. POWER SUPPLY ASSEMBLY (SHEET 2 OF 2)

ASSY LEVEL	INDEX NO.	EQUIPMENT PART NUMBER	ITEM DESCRIPTION	MOD. LEVEL				
				B				
				NO. REQUIRED				
B	15-	75099016	POWER SUPPLY ASSEMBLY, 60 HZ (SERIES CODE 14 & ABOVE)	1				
B	15-	75099024	POWER SUPPLY ASSEMBLY, 50 HZ (SERIES CODE 14 & ABOVE)	1				
C	-	70732400	TOP PANEL ASSEMBLY	1				
D	-1	94317701	FASTENER, OVAL, FLUSH, STUD TYPE	2				
D	-2	94317900	RETAINER, SPLIT RING	2				
D	-3	10127123	SCREW, MACHINE, PAN HEAD, PHILLIPS, 8-32 x 1/3	6				
D	-4	10126104	WASHER, LOCK, INTERNAL TOOTH, 8	11				
D	-5	10125106	NUT, HEXAGON, 8-32	11				
D	-6	95583503	RECTIFIER BLOCK, 15A	2				
D	-7	10127125	SCREW, MACHINE, PAN HEAD, PHILLIPS, 8-32 x 3/4	1				
D	-8	95582001	BRIDGE, RECTIFIER	1				
D	-9	94277406	STRAP, CABLE TIE	2				
D	-10	10127122	SCREW, MACHINE, PAN HEAD, PHILLIPS, 8-32 x 3/8	4				
D	-11	47100200	TRANSFORMER, CONTROL	2				
D	-12	94317800	RECEPTACLE, CLIP ON	2				
D	-13	10127142	SCREW, MACHINE, PAN HEAD, PHILLIPS, 10-32 x 3/8	2				
D	-14	10126105	WASHER, LOCK, INTERNAL TOOTH, 10	2				
D	-15	10125607	WASHER, FLAT, 10	2				
D	-16	10125108	NUT, HEXAGON, 10-32	2				
D	-	45521901	LOGIC LATCH ASSEMBLY	1				
E	-17	93592162	SCREW, MACHINE, HEXAGON WASHER HEAD, SELF TAPPING, 6-32 x 3/8	1				
E	-18	94206109	SPRING, COMPRESSION	1				
E	-19	93532089	PIN, ROLL	2				
E	-20	45171200	LATCH, BOLT	1				
E	-21	45514500	HANDLE, LATCH	1				
E	-22	45514700	HOUSING, LATCH	1				
D	-23	47052600	TRANSFORMER, CONTROL	1				
D	-24	95655543	SCREW, SHEET METAL, 10-16 x 1/2	6				
D	-25	95634806	NUT, SPEED, 10-16	6				
D	-26	47061900	INDUCTOR ASSEMBLY	1				
D	-27	70739900	PANEL, TOP	1				
C	-28	10125103	NUT, HEXAGON, 4-40	4				
C	-29	10126101	WASHER, LOCK, INTERNAL TOOTH, 4	4				
C	-30	93642005	GUIDE, SOCKET, CONNECTOR CORNER	2				
C	-31	93642004	PIN, GUIDE, CONNECTOR CORNER	2				
C	-32	75082100	HARNESS ASSEMBLY, 60 HZ	1				
C	-32	75082107	HARNESS ASSEMBLY, 50 HZ	1				
D	-	94281201	CONNECTOR, RECEPTACLE, 75 PIN	1				
D	-	93947000	HOUSING, SOCKET, CONNECTOR	2				
D	-	93947001	HOUSING, SOCKET, CONNECTOR	1				
D	-	93943001	CONTACT, SOCKET	4				
D	-	93943000	CONTACT, SOCKET	6				
D	-	93943002	CONTACT, SOCKET	4				
D	-	93645002	CONTACT, SOCKET	61				
D	-	94219808	CONNECTOR, DUO-TYNE FLAG	2				
D	-	94219903	CONTACT, DUO-TYNE FLAG	39				
D	-	93960007	JACKSCREW, FEMALE	2				
	-33		NOT USED					

ASSY LEVEL	INDEX NO.	EQUIPMENT PART NUMBER	ITEM DESCRIPTION	MOD. LEVEL			
				B			
				NO. REQUIRED			
B	15-		POWER SUPPLY ASSEMBLY (CONT'D)	1			
C	-34	93872004	SUPPORT, LID	1			
C	-35	95655543	SCREW, SHEET METAL, 10-16 x 1/2	10			
C	-36	95634806	NUT, SPEED, 10-16	5			
C	-37	70744000	SPRING-FALL, SUPPORT	1			
C	-38	95634805	NUT, SPEED, 10-16	5			
C	-39		POWER SUPPLY CABINET ASSEMBLY (SEE FIGURE 16)	1			
C	-40	10127131	SCREW, MACHINE, PAN HEAD, PHILLIPS, 10-24 x 3/8	2			
C	-41	10126105	WASHER, LOCK, INTERNAL TOOTH, 10	3			
C	-42	46485800	SUPPORT	1			
C	-43	10127123	SCREW, MACHINE, PAN HEAD, PHILLIPS, 8-32 x 1/2	3			
C	-44	10126104	WASHER, LOCK, INTERNAL TOOTH, 8	3			
C	-45	10125106	NUT, HEXAGON, 8-32	3			
C	-46		NOT USED				
C	-47		RIGHT FRONT PANEL ASSEMBLY (SEE FIGURE 17)	1			
C	-48		LEFT FRONT PANEL ASSEMBLY (SEE FIGURE 17)	1			
C	-49	10127130	SCREW, MACHINE, PAN HEAD, PHILLIPS, 10-24 x 5/16	1			
C	-50	92650003	NUT, ACORN	1			
C	-51	94237703	TRIM, SAFETY, BLACK	1			
C	-52	92602010	CLAMP, CABLE, NYLON	1			
C	-53	94313802	METER, HOUR, AC, 60 Hz	1			
C	-53	94313803	METER, HOUR, AC, 50 Hz	1			
B	-	73577700	POWER SUPPLY KIT ASSEMBLY	1			
C	-54	95655543	SCREW, SHEET METAL, 10-16 x 1/2	4			
C	-55	95634806	NUT, SPEED, 10-16	4			
C	-	70739600	COVER, SAFETY	1			
C	-	24547504	PLATE, WARNING	1			
	-56		NOT USED				
	-57		NOT USED				
	-58		NOT USED				
	-59		NOT USED				
B	-	73576709	POWER SUPPLY DISTRIBUTION ASSEMBLY, 60 HZ	1			
B	-	73576705	POWER SUPPLY DISTRIBUTION ASSEMBLY, 50 HZ	1			
C	-	72935000	FILTER CHASSIS ASSEMBLY	1			
D	-60	10127120	SCREW, MACHINE, PAN HEAD, PHILLIPS, 8-32 x 1/4	2			
D	-61	10126104	WASHER, LOCK, INTERNAL TOOTH, 8	4			
D	-62	70728400	COVER, FILTER	1			
D	-63	94245207	CIRCUIT BREAKER	1			
D	-64	10126103	WASHER, LOCK, INTERNAL TOOTH, 6	4			
D	-65	10127111	SCREW, MACHINE, PAN HEAD, PHILLIPS, 6-32 x 1/4	4			
D	-66	94260200	OUTLET	1			
D	-67	15012410	BUSHING, SNAP-IN	1			
D	-68	94274536	MARKER, STRIP	1			
D	-69	10127125	SCREW, MACHINE, PAN HEAD, PHILLIPS, 8-32 x 3/4	2			
D	-70	93041206	BLOCK, TERMINAL, SINGLE SCREW	1			
D	-71	10125106	NUT, HEXAGON, 8-32	2			
D	-72	10127131	SCREW, MACHINE, PAN HEAD, PHILLIPS, 10-24 x 3/8	4			
D	-73	10126105	WASHER, LOCK, INTERNAL TOOTH, 10	8			
D	-74	10125607	WASHER, FLAT, 10	2			
D	-75	10125107	NUT, HEXAGON, 10-24	4			
D	-76	10127112	SCREW, MACHINE, PAN HEAD, PHILLIPS, 10-24 x 1/2	4			
D	-77	10127134	SCREW, MACHINE, PAN HEAD, PHILLIPS, 10-24 x 3/4	2			
D	-78	70728800	BRACKET, FILTER	1			
D	-79	94246000	FILTER, RFI	1			
D	-80	24547504	PLATE, WARNING	1			
D	-81	92801001	CLAMP, CABLE	3			
D	-82	72935100	CHASSIS, FILTER	1			
C	-83		CABLE ASSEMBLY, W6 (SEE FIGURE 21)	1			
C	-84		CABLE, ASSEMBLY, W13, 50 HZ (SEE FIGURE 21)	1			
C	-85		TRANSFORMER ASSEMBLY, 50 HZ (SEE FIGURE 18)	1			
B	-86	93109370	STANDOFF, SPACER, 50 HZ	4			
B	-87	10125608	WASHER, FLAT, 1/4, 50 HZ	4			
B	-88	10126106	WASHER, LOCK, INTERNAL TOOTH, 1/4, 50 HZ	4			
B	-89	10125301	NUT, HEXAGON, 1/4-20, 50 HZ	4			

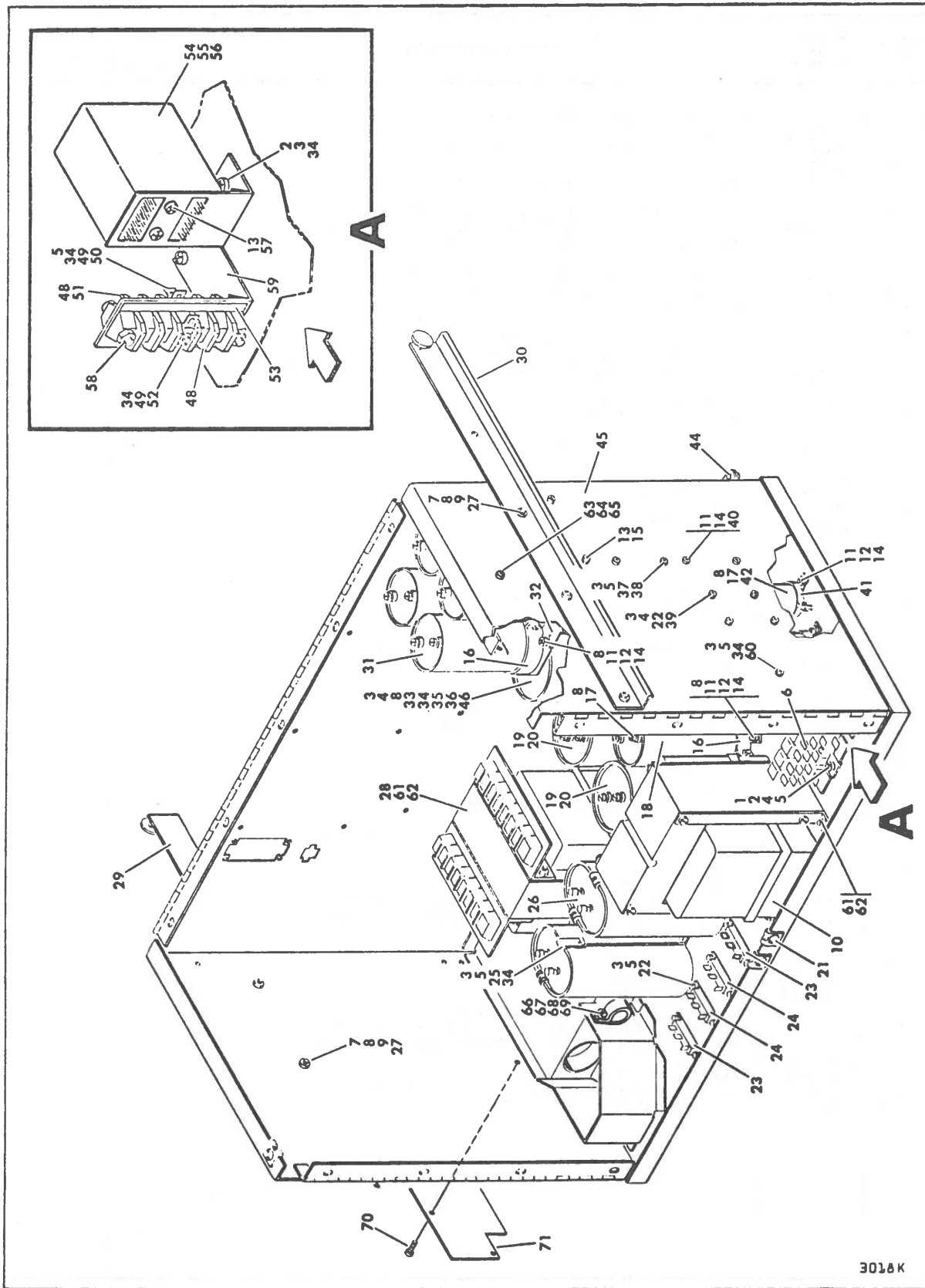


FIGURE 16. POWER SUPPLY CABINET ASSEMBLY (SHEET 1 OF 5)

3018K

ASSY LEVEL	INDEX NO.	EQUIPMENT PART NUMBER	ITEM DESCRIPTION	MOD. LEVEL						
				B						
				NO. REQUIRED						
C	16-		POWER SUPPLY CABINET ASSEMBLY (SHEET 1 OF 5)							
		73189701	(SERIES CODE 07 AND BELOW)	1						
		73193401	(SERIES CODE 08)	1						
		73219101	(SERIES CODE 09)	1						
		73511201	(SERIES CODE 10 THRU 12)	1						
		73559501	(SERIES CODE 13)	1						
C	-1	10127125	SCREW, MACHINE, PAN HEAD, PHILLIPS, 8-32 x 3/4	8						
D	-2	10125606	WASHER, FLAT, 8	9						
D	-3	10126104	WASHER, LOCK, INTERNAL TOOTH, 8	36						
D	-4	93840001	WASHER, RUBBER (SERIES CODE 08 AND BELOW)	9						
D	-5	10125106	NUT, HEXAGON, 8-32	28						
D	-6	92643005	RELAY, POWER	2						
D	-7	10125607	WASHER, FLAT, 10	6						
D	-8	10126105	WASHER, LOCK, INTERNAL TOOTH, 10	40						
D	-9	10125108	NUT, HEXAGON, 10-32	6						
D	-10	47274400	TRANSFORMER	1						
D	-11	95655517	SCREW, SHEET METAL, 6-20 x 1/2	11						
D	-12	95634801	NUT, SPEED, 6	29						
D	-13	95655543	SCREW, SHEET METAL, 10-16 x 1/2	4						
D	-14	95655516	SCREW, SHEET METAL, 6-20 x 3/8	18						
D	-15	95634805	NUT, SPEED, 10	4						
D	-16	92691009	BRACKET, CAPACITOR, MOUNTING	6						
D	-17	10127378	SCREW, MACHINE, PAN HEAD, PHILLIPS, 10-32 x 5/16	6						
D	-18	95578102	CAPACITOR, 50 VDC, ELECTROLYTIC	2						
D	-19	95663003	CAPACITOR, 10 VDC, ELECTROLYTIC	2						
D	-20	92691011	BRACKET, MOUNTING, CAPACITOR, 2 LEGS	2						
D	-21	94317800	RECEPTACLE, CLIP ON	4						
D	-22	10127122	SCREW, MACHINE, PAN HEAD, PHILLIPS, 8-32 x 3/8	10						
D	-23	95583505	BLOCK, RECTIFIER	2						
D	-24	95583504	BLOCK, RECTIFIER	2						
D	-25	95641703	CLAMP, CAPACITOR, HOLD DOWN	4						
D	-26	95642102	CAPACITOR, 370 VAC	2						
D	-27	10127142	SCREW, MACHINE, PAN HEAD, PHILLIPS, 10-32 x 3/8	6						
D	-28	47274500	TRANSFORMER, FERRO	1						
D	-29	94222902	TRACK, RIGHT HAND	1						
D	-30	94222903	TRACK, LEFT HAND	1						
D	-31	94542405	CAPACITOR, ELECTROLYTIC, 25 VDC	4						
D	-32	70740100	SHELF-POWER SUPPLY	1						
D	-33	10127380	SCREW, MACHINE, PAN HEAD, SLOTTED, 10-32 x 1/2	2						
D	-34	10127123	SCREW, MACHINE, PAN HEAD, PHILLIPS, 8-32 x 1/2	18						
D	-35	70740600	BRACKET, CAPACITOR	1						
D	-36	95578103	CAPACITOR, ELECTROLYTIC, 50 VDC	2						
	-37		NOT APPLICABLE							
D	-39	95583503	BLOCK, RECTIFIER	1						
D	-40	95659804	RESISTOR, FIXED, WIRE WOUND, 10W, 15 OHM	1						
D	-41	92691003	BRACKET, CAPACITOR	2						
D	-42		NOT USED							
D	-43	92632017	CAPACITOR, ELECTROLYTIC	1						
D	-44	92801001	CLAMP, CABLE	1						
D	-45	73189600	CABINET, POWER SUPPLY (SERIES CODE 09 AND BELOW)	1						
D	-45	73514500	CABINET, POWER SUPPLY (SERIES CODE 10 THRU 12)	1						
D	-45	73559000	CABINET, POWER SUPPLY (SERIES CODE 13)	1						
D	-46	10127379	SCREW, MACHINE, PAN HEAD, SLOTTED, 10-32 x 3/8	8						
D	-47	10127126	SCREW, MACHINE, PAN HEAD, PHILLIPS, 8-32 x 7/8	1						
	-48	94272330	BLOCK, TERMINAL	2						
D	-49	94274101	TERMINAL, QUICK CONNECT	10						
D	-50	94274107	TERMINAL, QUICK CONNECT	5						
D	-51	94274405	MARKER, STRIP	1						
D	-52	94274104	TERMINAL, QUICK CONNECT	5						
D	-53	94274435	MARKER, STRIP	1						
D	-54	94294102	SOCKET, RELAY	1						
D	-55	94294104	RELAY, TELEPHONE TYPE	1						
D	-56	94294106	COVER, RELAY	1						
D	-57	10127115	SCREW, MACHINE, PAN HEAD, PHILLIPS, 6-32 x 5/8	2						
D	-58	10127127	SCREW, MACHINE, PAN HEAD, PHILLIPS	2						
D	-59	73215900	BRACKET, RELAY	1						
D	-60	94277406	STRAP, CABLE TIE	1						
D	-61	95655557	SCREW, MACHINE, PAN HEAD, PHILLIPS, 1/4-14 x 5/8	8						

[Faint, illegible text, possibly bleed-through from the reverse side of the page]



ASSY LEVEL	INDEX NO.	EQUIPMENT PART NUMBER	ITEM DESCRIPTION	MOD. LEVEL				
				B				
				NO. REQUIRED				
C	16-		POWER SUPPLY CABINET ASSEMBLY (SHEET 1 OF 5) (CONT'D)	8				
D	-62	95634808	NUT, SPEED, 1/4	2				
D	-63	10127125	SCREW, MACHINE, PAN HEAD, PHILLIPS, 8-32 c 3/4	1				
D	-64	93109223	STANDOFF, SPACER	1				
D	-65	73496700	TERMINAL BOARD ASSEMBLY	1				
E	-	73496600	TERMINAL BOARD	1				
E	-	92512371	RESISTOR, 1W, 4.7 OHM	2				
E	-	92512244	RESISTOR, 1/rW, 22 OHM	5				
E	-	92427023	CAPACITOR, 1UF, 35V	2				
E	-	92496187	CAPACITOR, 100000 PF, 200V	1				
E	-	92496227	CAPACITOR, 100000 PF, 100V	4				
B	-66	10127123	SCREW, MACHINE, PAN HEAD PHILLIPS, 8-32 x 1/2	1				
B	-67	10126104	WASHER, LOCK, INTERNAL TOOTH, 8	1				
B	-68	10125106	NUT, HEXAGON, 8-32	1				
B	-69	92602011	CLAMP, CABLE	1				
B	-70	17901509	SCREW, MACHINE, PAN HEAD, PHILLIPS, 6-32 x 3/8	3				
B	-71	46486800	GUIDE, HOSE	1				

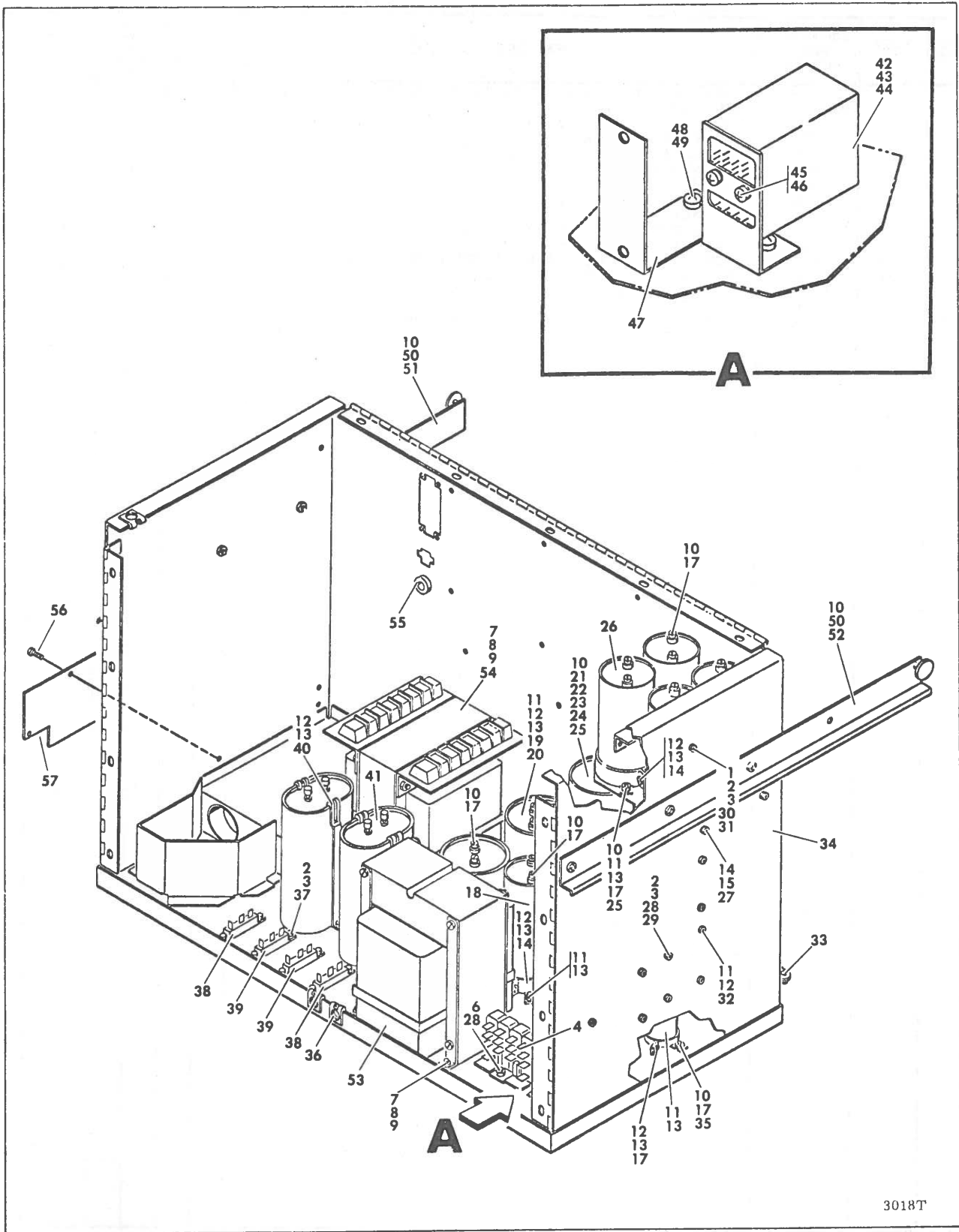
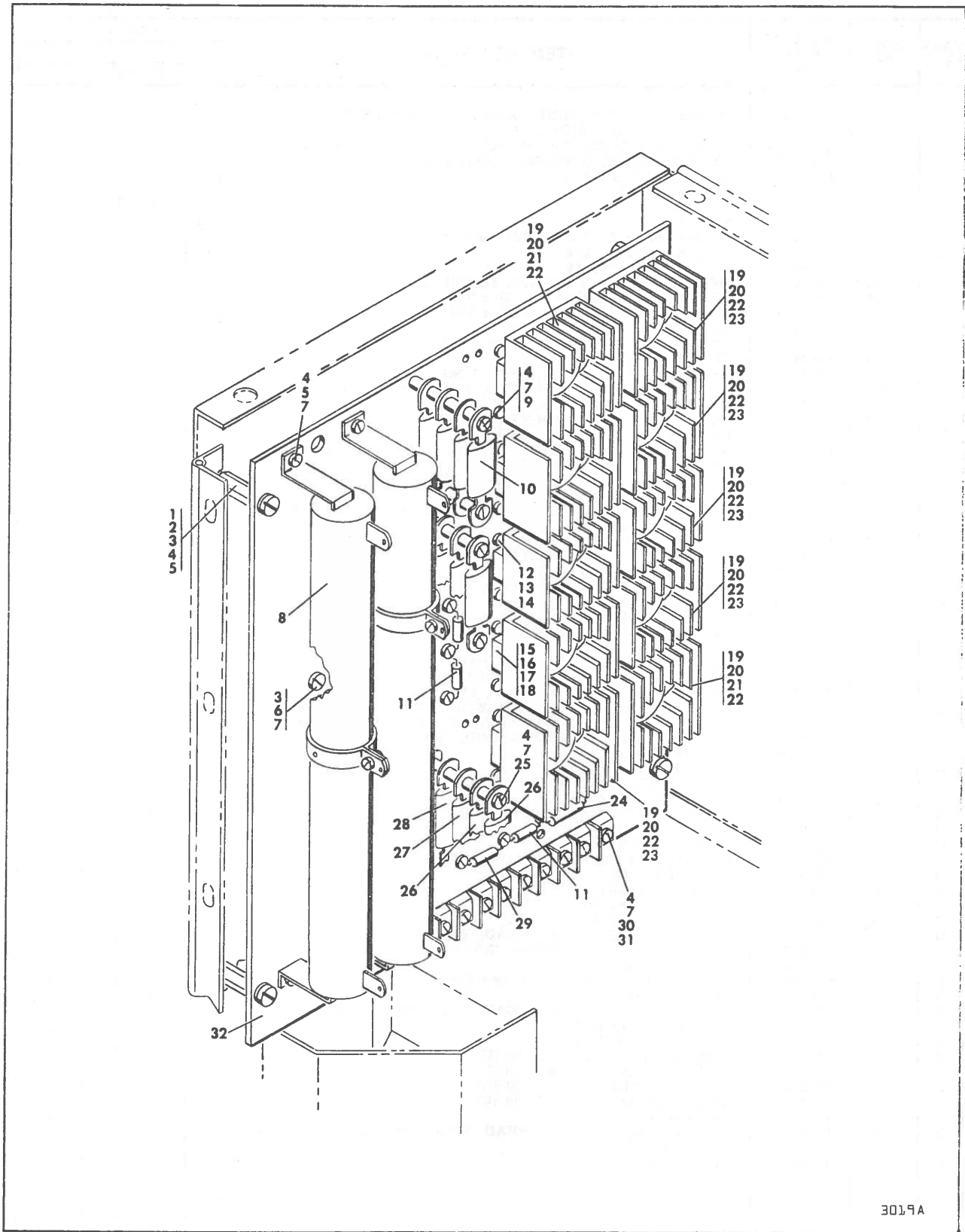


FIGURE 16. POWER SUPPLY CABINET ASSEMBLY (SHEET 2 OF 5)

ASSY LEVEL	INDEX NO.	EQUIPMENT PART NUMBER	ITEM DESCRIPTION	MOD. LEVEL					
				P					
				NO. REQUIRED					
C	16-	75098900	POWER SUPPLY CABINET ASSEMBLY (SERIES CODE 14 AND ABOVE) SHEET 2 OF 5	1					
D	-1	10127125	SCREW, MACHINE, PAN HEAD, PHILLIPS, 8-32 x 5/8	2					
D	-2	10126104	WASHER, LOCK, INTERNAL TOOTH, 8	20					
D	-3	10125106	NUT, HEXAGON, 8-32	16					
D	-4	92643005	RELAY, POWER	2					
	-5		NOT USED						
D	-6	95634813	NUT, SPEED	6					
D	-7	95655557	SCREW, SHEET METAL, 1/4-14 x 5/8	8					
D	-8	10125608	WASHER, FLAT, 1/4	8					
D	-9	95634808	NUT, SPEED, 1/4-14	8					
D	-10	10126105	WASHER, LOCK, INTERNAL TOOTH, 10	50					
D	-11	95655516	SCREW, SHEET METAL, 6-20 x 3/8	18					
D	-12	95655518	SCREW, SHEET METAL, 6-20 x 5/8	15					
D	-13	95634801	NUT, SPEED, 6-20	33					
D	-14	95655543	SCREW, SHEET METAL, 10-16 x 1/2	4					
D	-15	95634805	NUT, SPEED, 10-16	4					
D	-16	92691009	BRACKET, CAPACITOR, MOUNTING	6					
D	-17	10127478	SCREW, MACHINE, PAN HEAD, PHILLIPS, 10-32 x 5/16	16					
D	-18	95578102	CAPACITOR, ELECTROLYTIC, 50 VDC	2					
D	-19	95663003	CAPACITOR, ELECTROLYTIC, 10 VDC	2					
D	-20	92691011	BRACKET, CAPACITOR, MOUNTING	2					
D	-21	10127380	SCREW, MACHINE, PAN HEAD, SLOTTED, 10-32 x 1/2	2					
D	-22	70740600	BRACKET, CAPACITOR	1					
D	-23	95578103	CAPACITOR, ELECTROLYTIC, 50 VDC	1					
D	-	95578105	CAPACITOR, ELECTROLYTIC, 50 VDC	1					
D	-24	17901506	SCREW, MACHINE, PAN HEAD, PHILLIPS, SELF TAPPING, 8-32 x 3/8	3					
D	-25	10127379	SCREW, MACHINE, PAN HEAD, SLOTTED, 10-32 x 3/8	4					
D	-26	95642405	CAPACITOR, ELECTROLYTIC, 25 VDC	4					
D	-27	70734010	SHELF, POWER SUPPLY	1					
D	-28	10127123	SCREW, MACHINE, PAN HEAD, PHILLIPS, 8-32 x 1/2	9					
D	-29	95583503	BLOCK, RECTIFIER	1					
D	-30	93109223	STANDOFF, SPACER	2					
D	-31	73496700	TERMINAL BOARD ASSEMBLY	1					
E	-	73496600	BOARD, TERMINAL	1					
E	-	92512371	RESISTOR, FIXED, 1W, 4.7 OHM	2					
E	-	92512244	RESISTOR, FIXED, 1/4W, 22 OHM	5					
E	-	92427023	CAPACITOR, ELECTROLYTIC, 35V, 1UF	2					
E	-	92496187	CAPACITOR, NON-ELECTROLYTIC, 200V, 100,000 PF	1					
E	-	92496227	CAPACITOR, NON-ELECTROLYTIC, 100V, 200,000 PF	4					
D	-32	95659804	RESISTOR, FIXED, WIRE WOUND, 10W, 15 OHM	1					
D	-33	92801001	CLAMP, CABLE	1					
D	-34	75098800	CABINET, POWER SUPPLY	1					
D	-35	92632017	CAPACITOR, ELECTROLYTIC	1					
D	-36	94317800	RECEPTACLE, CLIP-ON	4					
D	-37	10127122	SCREW, MACHINE, PAN HEAD, PHILLIPS, 8-32 x 3/8	15					
D	-38	95583505	BLOCK, RECTIFIER	2					
D	-39	95583504	BLOCK, RECTIFIER	2					
D	-40	95641703	CLAMP, CAPACITOR, HOLD-DOWN	4					
D	-41	95642102	CAPACITOR, 370 VAC	2					
D	-42	94294102	SOCKET, RELAY	1					
D	-43	94294104	RELAY, TELEPHONE TYPE	1					
D	-44	94294106	RELAY, TELEPHONE TYPE	1					
D	-45	10127115	SCREW, MACHINE, PAN HEAD, PHILLIPS, 6-32 x 5/8	2					
D	-46	10126103	WASHER, LOCK, INTERNAL TOOTH, 6	2					
D	-47	73215900	BRACKET, RELAY	1					
D	-48	95655531	SCREW, SHEET METAL, 8-18 x 5/8	2					
D	-49	95634815	NUT, SPEED, 8-18	2					
D	-50	10127142	SCREW, MACHINE, PAN HEAD, PHILLIPS, 10-32 x 3/8	6					
D	-51	94222902	TRACK, RIGHT HAND	1					
D	-52	94222903	TRACK, LEFT HAND	1					
C	-53	47261700	TRANSFORMER, FERRO, 60 HZ	1					
C	-53	47274400	TRANSFORMER, FERRO, 50 HZ	1					
C	-54	73523700	TRANSFORMER, FERRO, 60 HZ	1					
C	-54	73523600	TRANSFORMER, FERRO, 50 HZ	1					
C	-55	10512410	GROMMET	1					
B	-56	17901509	SCREW, MACHINE, PAN HEAD, PHILLIPS, SELF TAPPING, 6-32 x 3/8	3					
B	-57	46486800	GUIDE, HOSE	1					



3019A

FIGURE 16. POWER SUPPLY CABINET ASSEMBLY (SHEET 2 OF 5)

ASSY LEVEL	INDEX NO.	EQUIPMENT PART NUMBER	ITEM DESCRIPTION	MOD. LEVEL				
				B				
				NO. REQUIRED				
C	16-		POWER SUPPLY CABINET ASSEMBLY (SHEET 3 OF 5)	1				
D	-1	10127122	SCREW, MACHINE, PAN HEAD, PHILLIPS, 8-32 x 3/8	4				
D	-2	10126104	WASHER, LOCK, INTERNAL TOOTH, 8	4				
D	-	70737900	CIRCUIT ASSEMBLY, POWER AMPLIFIER (SERIES CODE 07 AND BELOW)	1				
E	-3	10127348	SCREW, MACHINE, PAN HEAD, SLOTTED, 8-32 x 1/2	9				
E	-4	10126104	WASHER, LOCK, INTERNAL TOOTH, 8	16				
E	-5	93114334	STANDOFF, HEXAGON, TAPPED POST	4				
E	-6	92602005	CLAMP, CABLE, NYLON	1				
E	-7	10125106	NUT, HEXAGON, 8-32	13				
E	-8	92778002	RESISTOR	2				
E	-9	10127357	SCREW, MACHINE, PAN HEAD, SLOTTED, 8-32 x 2-1/4	4				
E	-10	94237000	RESISTOR, 30W, 100 OHM	4				
E	-11	93935000	RECTIFIER, SILICON	4				
E	-12	10127320	SCREW, MACHINE, PAN HEAD, SLOTTED, 4-40 x 1/4	41				
E	-13	10126101	WASHER, LOCK, INTERNAL TOOTH, 4	41				
E	-14	92707001	TERMINAL, INSULATED	41				
E	-15	10127314	SCREW, MACHINE, PAN HEAD, SLOTTED, 2-56 x 1/2	20				
E	-16	10126100	WASHER, LOCK, INTERNAL TOOTH, 2	20				
E	-17	94346300	SOCKET, POWER TRANSISTOR	10				
E	-18	10125102	NUT, HEXAGON, 2-56	20				
E	-19	10127337	SCREW, MACHINE, PAN HEAD, SLOTTED, 6-32 x 3/4	20				
E	-20	10126103	WASHER, LOCK, INTERNAL TOOTH, 6	20				
E	-21	50221401	TRANSISTOR, PNP, SILICON POWER	5				
E	-22	94346200	DISSIPATOR, HEAT	10				
E	-23	50221301	TRANSISTOR, NPN, SILICON POWER	5				
E	-24	92512877	RESISTOR, 1W, 330 OHM	2				
E	-25	10127359	SCREW, MACHINE, PAN HEAD, SLOTTED, 8-32 x 2-3/4	2				
E	-26	94237014	RESISTOR, POWER THIN, 30W, 10 OHMS	2				
E	-27	94237017	RESISTOR, POWER THIN, 30W, 100 OHMS	1				
E	-28	94237011	RESISTOR, POWER THIN, 30W, 0.5 OHMS	2				
E	-29	92512867	RESISTOR, 1 W, 100 OHM	2				
E	-30	10127350	SCREW, MACHINE, PAN HEAD, SLOTTED, 8-32 x 3/4	2				
E	-31	94272336	BLOCK, TERMINAL	1				
E	-32	70737800	CARD BLANK, POWER AMPLIFIER	1				

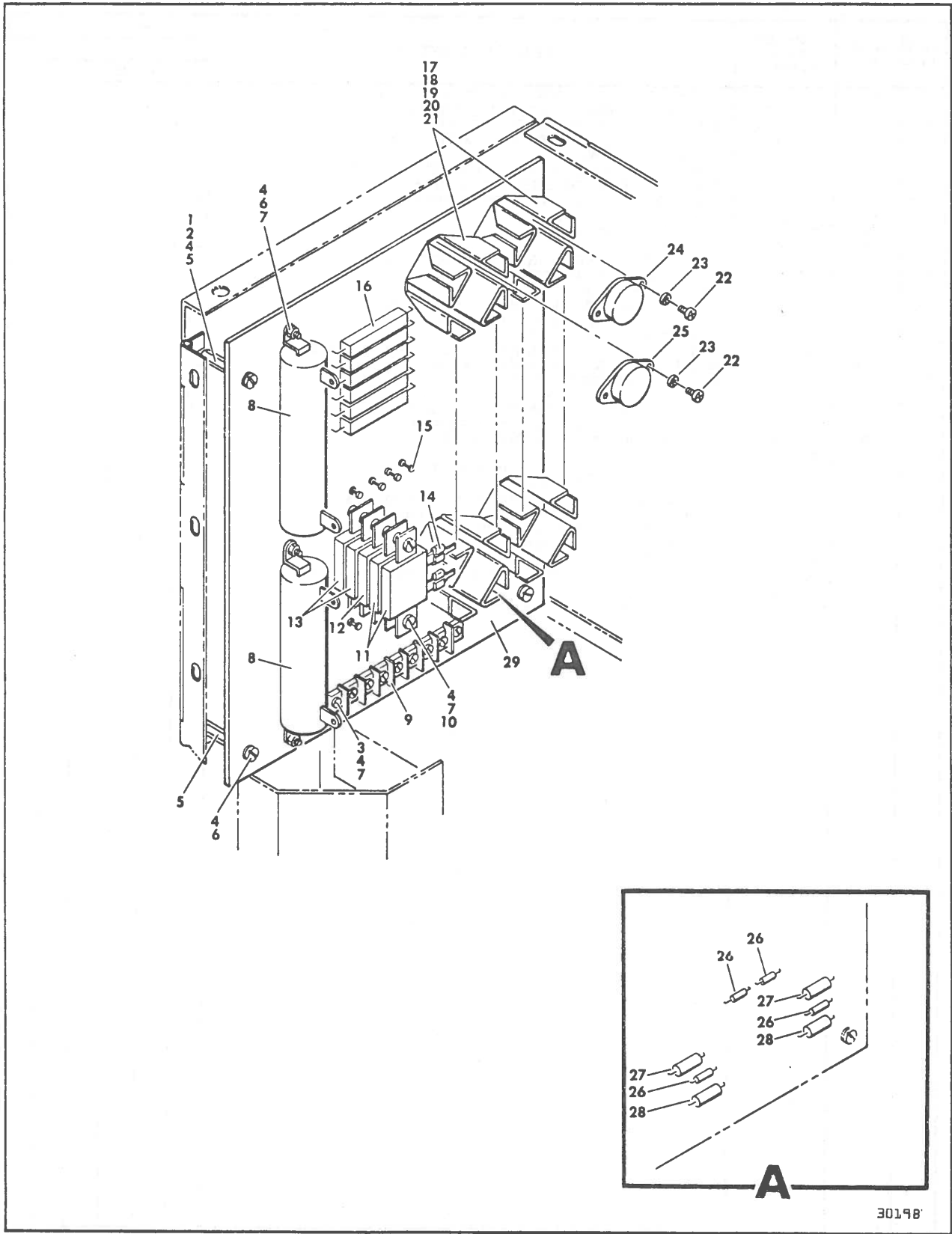


FIGURE 16 . POWER SUPPLY CABINET ASSEMBLY (SHEET 4 OF 5)

ASSY LEVEL	INDEX NO.	EQUIPMENT PART NUMBER	ITEM DESCRIPTION	MOD. LEVEL				
				B				
				NO. REQUIRED				
C	16-		POWER SUPPLY CABINET ASSEMBLY (S/N 1200 THRU 9271) (SHEET 4 OF 5)					1
D	-1	10127122	SCREW, MACHINE, PAN HEAD, PHILLIPS, 8-32 x 3/8					4
D	-2	10126104	WASHER, LOCK, INTERNAL TOOTH, 8					4
D	-	72832801	CIRCUIT ASSEMBLY, POWER AMPLIFIER (S/N 1200 THRU 9271)					1
E	-3	10127350	SCREW, MACHINE, PAN HEAD, SLOTTED, 8-32 x 5/8					2
E	-4	10126104	WASHER, LOCK, INTERNAL TOOTH, 8					12
E	-5	93114334	STANDOFF, HEXAGON, TAPPED POST					4
E	-6	10127347	SCREW, MACHINE, PAN HEAD, SLOTTED, 8-32 x 3/8					8
E	-7	10125106	NUT, HEXAGON, 8-32					8
E	-8	92762002	RESISTOR, FIXED POWER, R8, R9					2
E	-9	95591206	TERMINAL, STRIP, QUICK CONNECT					1
E	-10	10127359	SCREW, MACHINE, PAN HEAD, SLOTTED, 8-32 x 3/4					2
E	-11	94237011	RESISTOR, POWER, THIN, 30W, 0.5 OHMS, R16, R17					2
E	-12	94237017	RESISTOR, POWER, THIN, 30W, 100 OHMS, R5					1
E	-13	94237014	RESISTOR, POWER, THIN, 30W, 10 OHMS, R6, R7					2
E	-14	95643227	CONNECTOR, QUICK-CONNECT					7
E	-	95643226	CONNECTOR, QUICK-CONNECT					3
E	-15	92498004	TERMINAL, SWAGGER					35
E	-16	92825007	RESISTOR, 10W, 1 OHM, R10 THRU R15					6
E	-17	10127314	SCREW, MACHINE, PAN HEAD, SLOTTED, 2-56 x 1/2					16
E	-18	10126100	WASHER, LOCK, INTERNAL TOOTH, 2					16
E	-19	94261000	SINK, HEAT, TRANSISTOR					3
E	-20	94346300	SOCKET, POWER, TRANSISTOR					3
E	-21	10125102	NUT, HEXAGON, 2-56					16
E	-22	10127337	SCREW, MACHINE, PAN HEAD, SLOTTED, 8-32 x 3/4					16
E	-23	10126103	WASHER, LOCK, INTERNAL TOOTH, 6					16
E	-24	50221301	TRANSISTOR, SILICON, POWER, 100V, Q2, Q3, Q4, Q5					4
E	-25	50221401	TRANSISTOR, SILICON, POWER, 80V, Q1, Q6, Q7, Q8					4
E	-26	92115037	DIODE, SILICON, ZENER, CR1, CR3, CR4					4
E	-27	92512867	RESISTOR, 1W, 100 OHMS, R3, R4					2
E	-28	92512877	RESISTOR, 1W, 330 OHMS, R1, R2					2
E	-29	72832700	BOARD, PRINTED CIRCUIT, POWER AMP					1

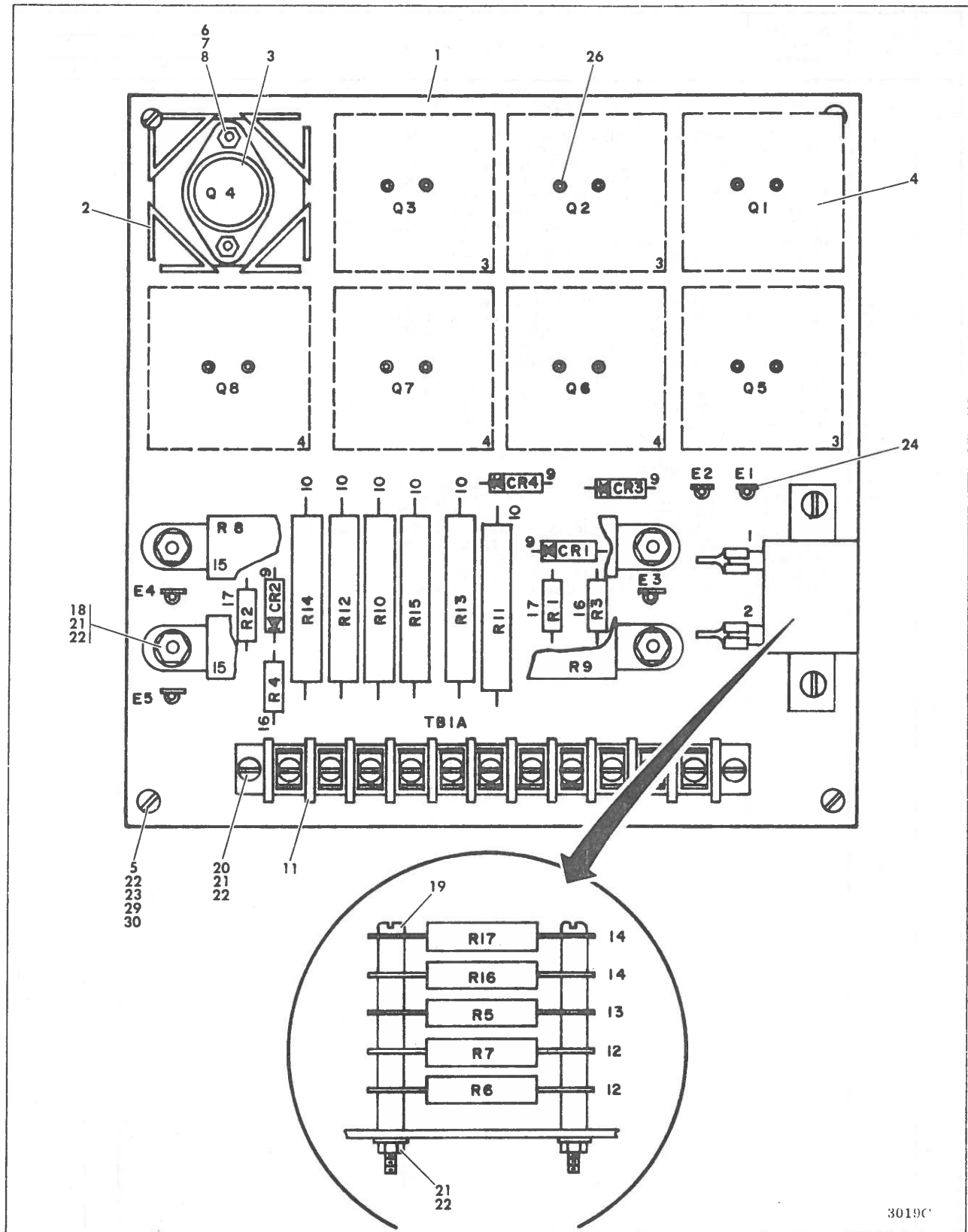


FIGURE 16. POWER SUPPLY CABINET ASSEMBLY (SHEET 4A OF 5)

ASSY LEVEL	INDEX NO.	EQUIPMENT PART NUMBER	ITEM DESCRIPTION	MOD. LEVEL			
				B			
				NO. REQUIRED			
C	16-		POWER SUPPLY CABINET ASSEMBLY (S/N 9272 AND ABOVE) SHEET 2 OF 3				
D	-	75052700	CIRCUIT ASSEMBLY, POWER AMPLIFIER	1			
E	-1	75052600	BOARD, PRINTED CIRCUIT, POWER AMP	1			
E	-2	94261000	SINK, HEAT, TRANSISTOR	8			
E	-3	50221301	TRANSISTOR, NPN, SILICON, POWER, 100V	4			
E	-4	50221401	TRANSISTOR, PNP, SILICON, POWER, 80V	4			
E	-5	10127346	SCREW, MACHINE, PAN HEAD, SLOTTED, 8-32 x 1/4	4			
E	-6	93640024	STUD, SELF-CLINCHING	16			
E	-7	95510026	NUT, HEXAGON	16			
E	-8	10126103	WASHER, LOCK, INTERNAL TOOTH, 8	16			
E	-9	92115037	DIODE, SILICON, ZENER	4			
E	-10	92825007	RESISTOR, 10W, 1 OHM	6			
E	-11	95591206	TERMINAL STRIP, QUICK-CONNECT	1			
E	-12	94237014	RESISTOR, POWER, THIN, 30W, 10 OHMS	2			
E	-13	94237017	RESISTOR, POWER, THIN, 30W, 100 OHMS	1			
E	-14	94237011	RESISTOR, POWER, THIN, 30W, 0.5 OHMS	2			
E	-15	92762002	RESISTOR, FIXED, POWER	2			
E	-16	92512867	RESISTOR, 1W, 100 OHMS	2			
E	-17	92512877	RESISTOR, 1W, 330 OHMS	2			
E	-18	10127347	SCREW, MACHINE, PAN HEAD, SLOTTED, 8-32 x 3/8	4			
E	-19	10127358	SCREW, MACHINE, PAN HEAD, SLOTTED, 8-32 x 2-1/2	2			
E	-20	10127350	SCREW, MACHINE, PAN HEAD, SLOTTED, 8-32 x 3/4	2			
E	-21	10125106	NUT, HEXAGON, 8-32	8			
E	-22	10126104	WASHER, LOCK, INTERNAL TOOTH, 8	12			
E	-23	93114331	STANDOFF, HEXAGON, TAPPED POST	4			
E	-24	95594500	TERMINAL, QUICK-CONNECT	5			
E	-25	95643216	CONNECTOR, QUICK-CONNECT	2			
E	-26	95593201	RECEPTACLE, PRINTED CIRCUIT	16			
E	-27	95643227	CONNECTOR, QUICK-CONNECT	10			
E	-28	95643212	CONNECTOR, QUICK-CONNECT	7			
D	-29	10127122	SCREW, MACHINE, PAN HEAD, PHILLIPS, 8-32 x 3/8	4			
D	-30	10126104	WASHER, LOCK, INTERNAL TOOTH, 8	4			

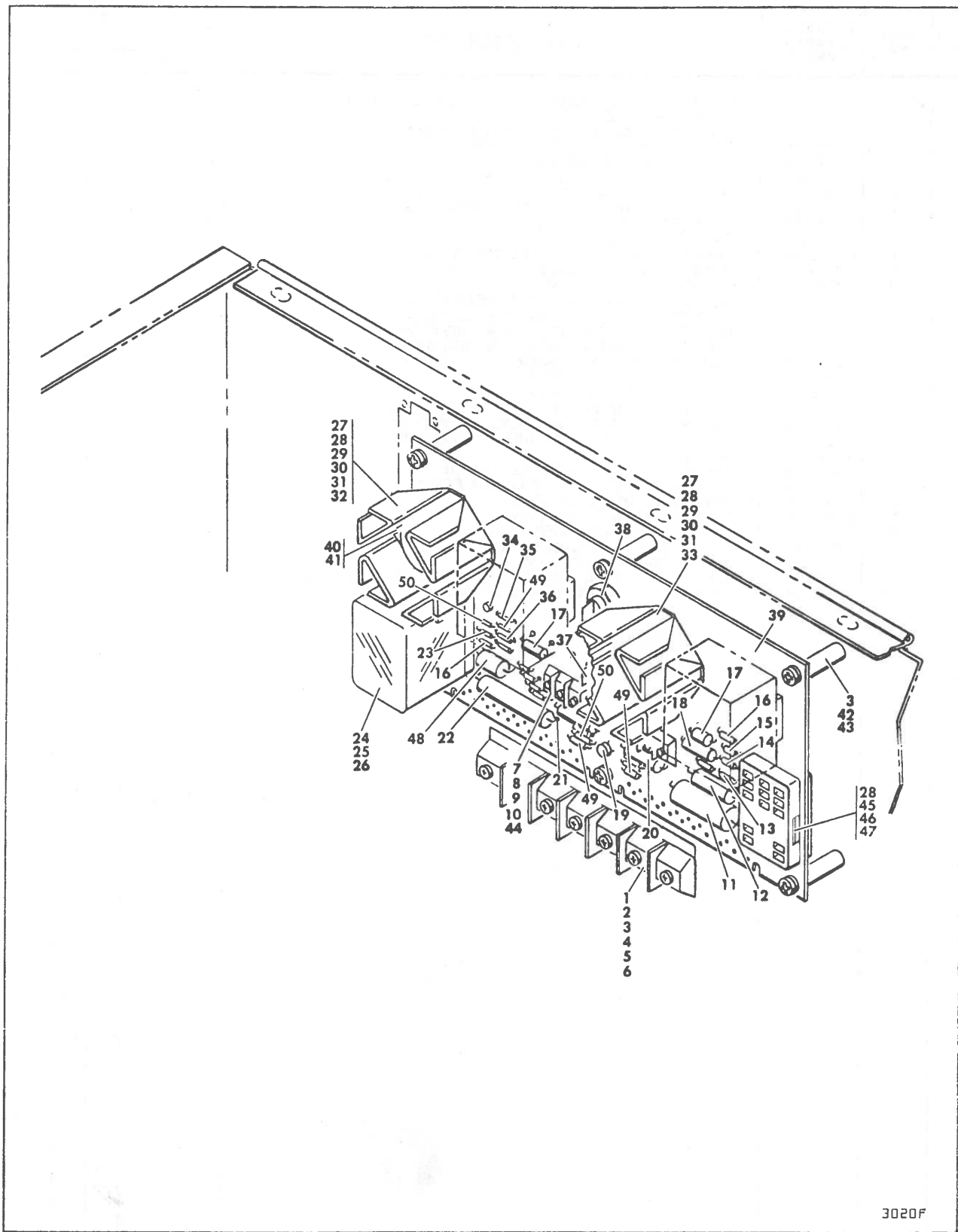


FIGURE 16. POWER SUPPLY CABINET ASSEMBLY (SHEET 5 OF 5)

ASSY LEVEL	INDEX NO.	EQUIPMENT PART NUMBER	ITEM DESCRIPTION	MOD. LEVEL				
				B				
				NO. REQUIRED				
C	16-		POWER SUPPLY CABINET ASSEMBLY SHEET 5 OF 5	1				
D	-1	10127124	SCREW, MACHINE, PAN HEAD, PHILLIPS, 8-32 x 5/8	8				
D	-2	10127126	SCREW, MACHINE, PAN HEAD, PHILLIPS, 8-32 x 7/8	1				
D	-3	10126104	WASHER, LOCK, INTERNAL TOOTH, 8	9				
D	-4	70731300	TERMINAL BLOCK ASSEMBLY	1				
E	-	94274116	TERMINAL, QUICK CONNECT	10				
E	-	94274113	TERMINAL, QUICK CONNECT	10				
E	-	94274110	TERMINAL, QUICK CONNECT (SERIES CODE 13 AND BELOW)	10				
E	-	94272335	BLOCK, TERMINAL SINGLE SCREW	1				
D	-5	94274440	MARKER, STRIP	1				
D	-6	10125106	NUT, HEXAGON, 8-32	1				
D	-	73191600	COMPONENT ASSEMBLY, RELAY BOARD (SERIES CODE 07 AND BELOW)	1				
D	-	73191602	COMPONENT ASSEMBLY, RELAY BOARD (SERIES CODE 08, 09)	1				
D	-	73510901	COMPONENT ASSEMBLY, RELAY BOARD (SERIES CODE 10-16)	1				
E	-7	10127349	SCREW, MACHINE, PAN HEAD, SLOTTED, 8-32 x 5/8	2				
E	-8	10126104	WASHER, LOCK, INTERNAL TOOTH, 8	8				
E	-9	10125106	NUT, HEXAGON, 8-32	2				
E	-10	70731400	TERMINAL BLOCK ASSEMBLY	1				
F	-	94274113	TERMINAL, QUICK CONNECT	5				
F	-	94274116	TERMINAL, QUICK CONNECT	5				
F	-	94272330	BLOCK, TERMINAL, SINGLE SCREW	1				
E	-11	92412330	RESISTOR, 5W	1				
E	-12	92512993	RESISTOR, 5W, 75 OHM	1				
E	-13	50240117	DIODE, SILICON, 15 V, 160HM	1				
E	-14	92512157	RESISTOR, 1/4W, 470 OHM (SERIES CODE 09 AND BELOW)	3				
E	-14	92512157	RESISTOR, 1/4W, 470 OHM (SERIES CODE 10 AND ABOVE)	1				
E	-15	92512245	RESISTOR, 1/4W, 27 OHM	2				
E	-16	93935000	RECTIFIER, SILICON (SERIES CODE 09 AND BELOW)	17				
E	-16	93935000	RECTIFIER, SILICON (SERIES CODE 10 AND ABOVE)	13				
E	-17	92512291	RESISTOR, 1W, 220 OHM	2				
E	-18	92496087	CAPACITOR, NON ELECTRO, 1MFD, 100V	1				
E	-19	50210400	TRANSISTOR, 12V	1				
E	-20	92427127	CAPACITOR, ELECTROLYTIC (C6, C7)	2				
E	-21	92498016	TERMINAL	16				
E	-22	92512438	RESISTOR, 2W, 220 OHM	1				
E	-23	92412240	RESISTOR, 1/4W, 10 OHM (SERIES CODE 07 AND BELOW)	2				
E	-23	92512152	RESISTOR, 1/4W, 82 OHM (SERIES CODE 08 THRU 09)	2				
E	-23	92512246	RESISTOR, 1/4W, 33 OHM (SERIES CODE 10 AND ABOVE)	1				
E	-24	94294107	RELAY, TELEPHONE TYPE	2				
E	-25	94294105	RELAY, TELEPHONE TYPE (COVER)	2				
E	-26	94245800	SOCKET, RELAY, 28 SOCKET	2				
E	-27	10127314	SCREW, MACHINE, PAN HEAD, SLOTTED, 2-56 x 1/2	8				
E	-28	10126100	WASHER, LOCK, INTERNAL TOOTH, 2	12				
E	-29	10125102	NUT, HEXAGON, 2-56	8				
E	-30	94346200	DISSIPATOR, HEAT (SERIES CODE 07 AND BELOW)	4				
E	-30	94261000	DISSIPATOR, HEAT (SERIES CODE 08 AND ABOVE)	4				
E	-31	94346300	SOCKET, POWER TRANSISTOR	4				
E	-32	50221301	TRANSISTOR	2				
E	-33	50331401	TRANSISTOR	2				
E	-34	50210700	TRANSISTOR, 25V	1				
E	-35	92427023	CAPACITOR, 1 UF, 35V	2				
E	-36	92512158	RESISTOR, 1/4W, 1K OHM	2				
E	-37	50241201	DIODE, ZENER, 50W (SERIES CODE 09 AND BELOW)	1				
E	-37	50241203	DIODE, ZENER, 50W (SERIES CODE 10 AND ABOVE)	1				
E	-38	50241202	DIODE, ZENER, 50W (SERIES CODE 09 AND BELOW)	1				
E	-38	50241204	DIODE, ZENER, 50W (SERIES CODE 10 AND ABOVE)	1				
E	-39	73191500	BOARD, RELAY	1				
E	-40	10127337	SCREW, MACHINE, PAN HEAD, SLOTTED, 6-32 x 3/4	8				
E	-41	10126103	WASHER, LOCK, INTERNAL TOOTH, 6	8				
E	-42	10127122	SCREW, MACHINE, PAN HEAD, PHILLIPS, 8-32 x 3/8	6				
E	-43	93114335	STANDOFF, TAPPED POST	6				
E	-44	94274435	MARKER, STRIP	1				
E	-45	10125702	SCREW, MACHINE, FLAT HEAD PHILLIPS, 4-40 x 1/4 (SERIES CODE 09 THRU 09)	2				
E	-45	10125703	SCREW, MACHINE, FLAT HEAD, PHILLIPS, 4-40 x 3/8 (SERIES CODE 10 AND ABOVE)	2				
E	-46	10127315	SCREW, MACHINE, PAN HEAD, SLOTTED, 2-56 x 5/8	4				
E	-47	73215100	PLATE, MOUNTING RELAY	2				
E	-48	92427139	CAPACITOR (C18)	1				
E	-49	92512153	RESISTOR 1/4W, 100 OHM (SERIES CODE 10 AND ABOVE)	2				
E	-50	94256300	DIODE, L. E. D. (SERIES CODE 10 AND ABOVE)	2				

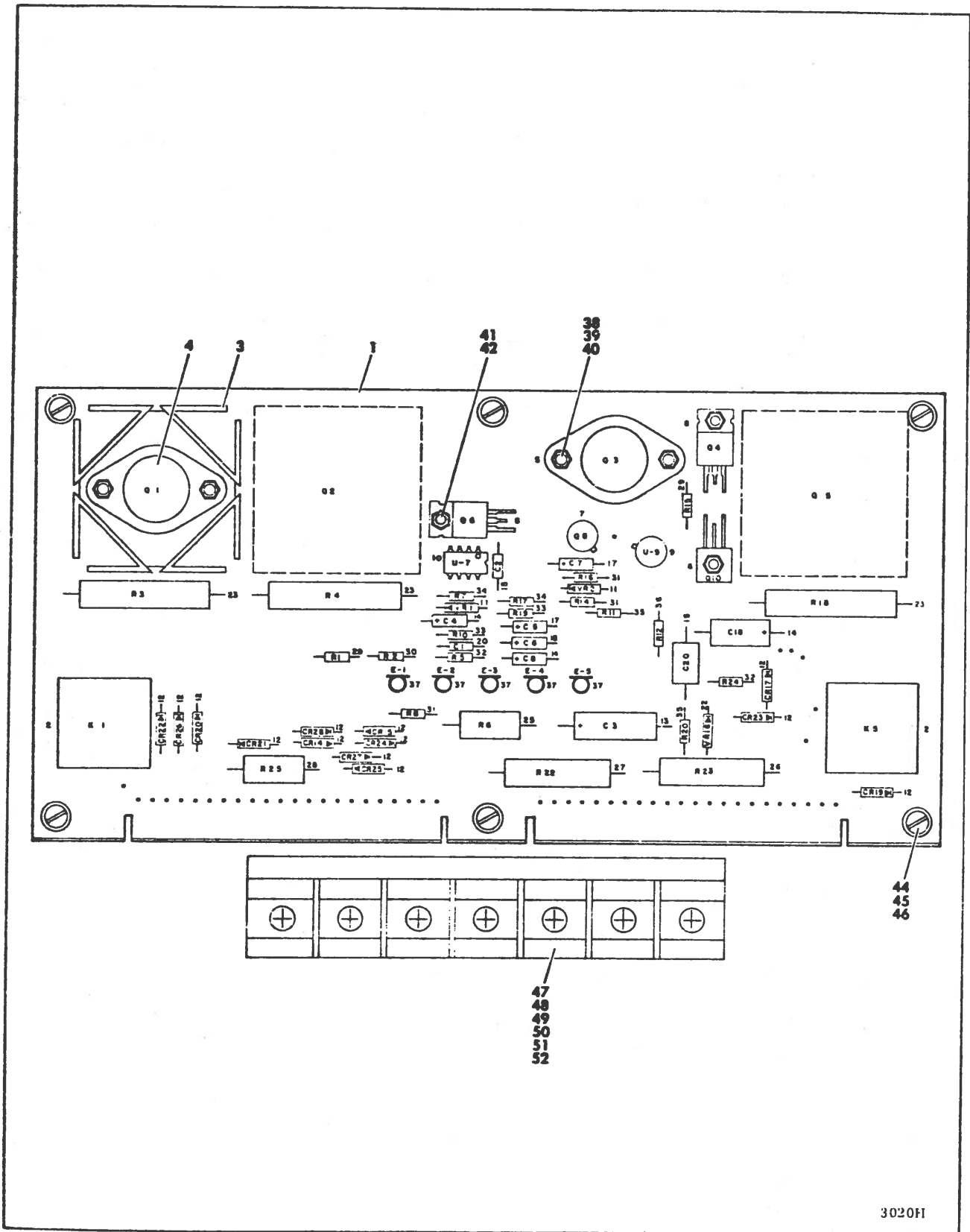


FIGURE 16. POWER SUPPLY CABINET ASSEMBLY (SHEET 5A OF 5)

ASSY LEVEL	INDEX NO.	EQUIPMENT PART NUMBER	ITEM DESCRIPTION	MOD. LEVEL				
				B				
				NO. REQUIRED				
C	16-		POWER SUPPLY CABINET ASSEMBLY (SERIES CODE 17 AND ABOVE) SHEET 5A OF 5	1				
D	-	73676302	COMPONENT ASSEMBLY, RELAY REGULATOR	1				
E	-1	75053600	BOARD, RELAY REGULATOR	1				
E	-2	94361900	RELAY, MINIATURE, TELEPHONE TYPE	2				
E	-3	94261000	DISSIPATOR, HEAT	3				
E	-4	50221301	TRANSISTOR, NPN, SILICON	3				
E	-5	50221401	TRANSISTOR, PNP, SILICON	1				
E	-6	50221001	TRANSISTOR, 60V	1				
E	-7	50210610	TRANSISTOR, 25V	1				
E	-8	94262016	TRIAC, BI-DIRECTIONAL	2				
E	-9	95592500	INTEGRATED CIRCUIT, VOLTAGE REGULATOR, NEGATIVE	1				
E	-10	95596100	INTEGRATED CIRCUIT, VOLTAGE REGULATOR	1				
E	-11	50240108	DIODE, ZENER, 0.4W, 5.6V	2				
E	-12	93935000	RECTIFIER, SILICON	13				
E	-13	92427133	CAPACITOR, ELECTROLYTIC, 100 UF, 15V	1				
E	-14	92427139	CAPACITOR, ELECTROLYTIC, 45 UF, 30V	3				
E	-15	92496233	CAPACITOR, NON-ELECTROLYTIC, 0.1UF, 100V	2				
	-16		NOT USED					
E	-17	92427087	CAPACITOR, ELECTROLYTIC, 4.7 UF, 50V	2				
E	-18	92427089	CAPACITOR, ELECTROLYTIC, 22 UF, 15V	1				
	-19		NOT USED					
E	-20	92496143	CAPACITOR, NON-ELECTROLYTIC, 560 PF, 200V	1				
	-21		NOT USED					
E	-22	50240117	DIODE, SILICON, 15V, 16 OHM	1				
E	-23	92825001	RESISTOR, FIXED, WIRE WOUND, 7W, 0.1 OHM	3				
	-24		NOT USED					
E	-25	92512913	RESISTOR, 2W, 33 OHM	1				
E	-26	92512330	RESISTOR, 5W, 150 OHM	1				
E	-27	92512993	RESISTOR, 5W, 75 OHM	1				
E	-28	92512571	RESISTOR, 2W, 220 OHM	1				
E	-29	92512248	RESISTOR, 1/4W, 88 OHM	2				
E	-30	92512151	RESISTOR, 1/4W, 56 OHM	1				
E	-31	92512256	RESISTOR, 1/4W, 1.8K OHM	3				
E	-32	92512157	RESISTOR, 1/4W, 470 OHM	2				
E	-33	92512160	RESISTOR, 1/4W, 2.2K OHM	2				
E	-34	92512259	RESISTOR, 1/4W, 5.6K OHM	2				
E	-35	92512245	RESISTOR, 1/4W, 27 OHM	2				
E	-36	94360322	RESISTOR, 1/4W, 1.69K OHM	1				
E	-37	95594500	TERMINAL, QUICK-CONNECT	5				
E	-38	93640024	STUD, SELF-CLINCHING	8				
E	-39	95510026	NUT, HEXAGON	8				
E	-40	10126103	WASHER, LOCK, INTERNAL TOOTH, 6	8				
E	-41	93640012	STUD, SELF-CLINCHING	3				
E	-42	92583002	NUT, LOCK	3				
	-43		NOT USED					
E	-44	10127122	SCREW, MACHINE, PAN HEAD, PHILLIPS, 8-32 x 3/8	6				
E	-45	10126104	WASHER, LOCK, INTERNAL TOOTH, 8	6				
E	-46	93114335	STANDOFF, TAPPED POST	6				
D	-47	10127124	SCREW, MACHINE, PAN HEAD, PHILLIPS, 8-32 x 5/8	1				
D	-48	10127126	SCREW, MACHINE, PAN HEAD, PHILLIPS, 8-32 x 7/8	1				
D	-49	10126104	WASHER, LOCK, INTERNAL TOOTH, 8	9				
D	-50	70731300	TERMINAL BLOCK ASSEMBLY	1				
E	-	94274116	TERMINAL, QUICK-CONNECT	10				
E	-	94274113	TERMINAL, QUICK-CONNECT	10				
E	-	94272335	BLOCK, TERMINAL, SINGLE SCREW	1				
D	-51	94274444	MARKER, STRIP	1				
D	-52	10125108	NUT, HEXAGON, 8-32	1				

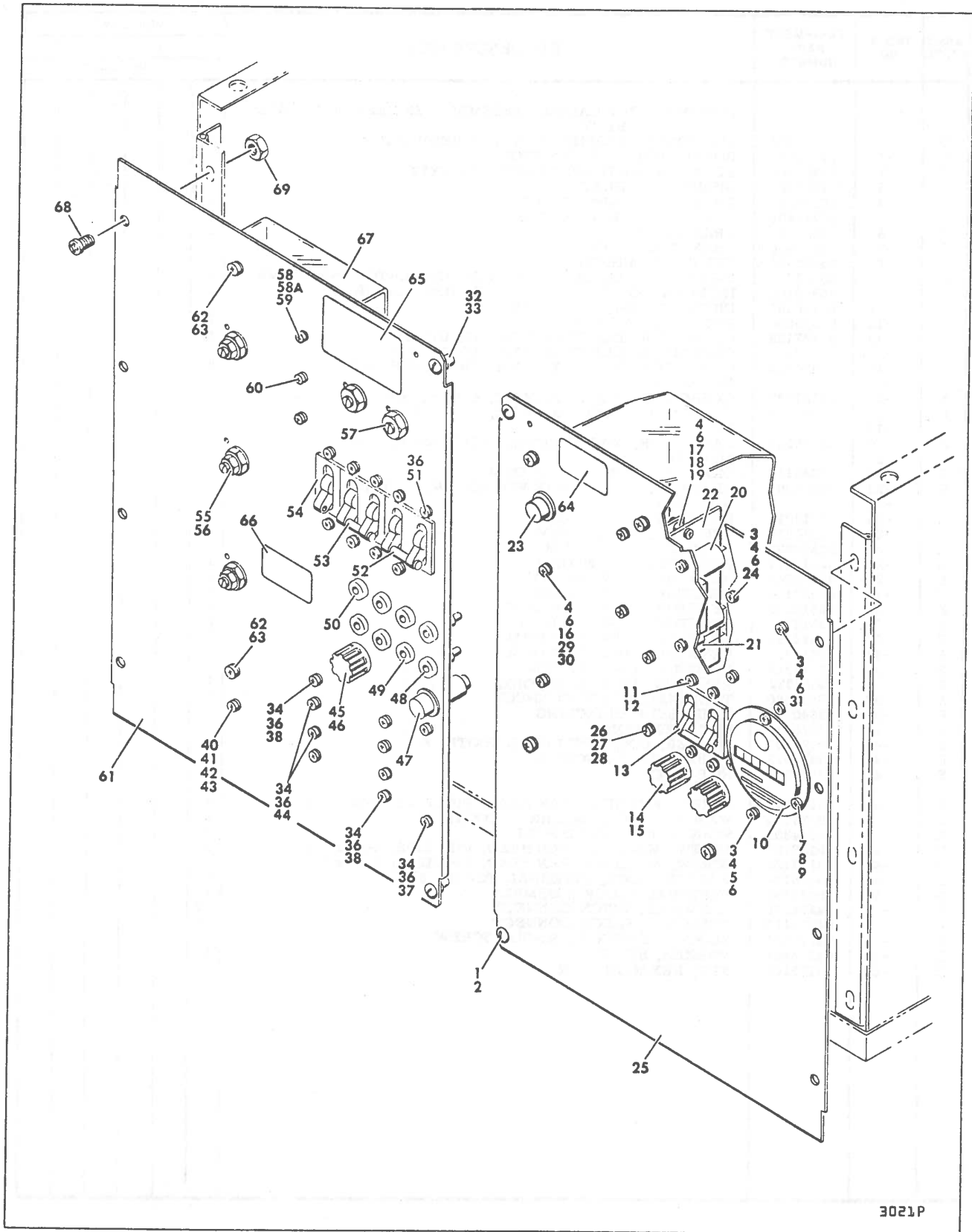
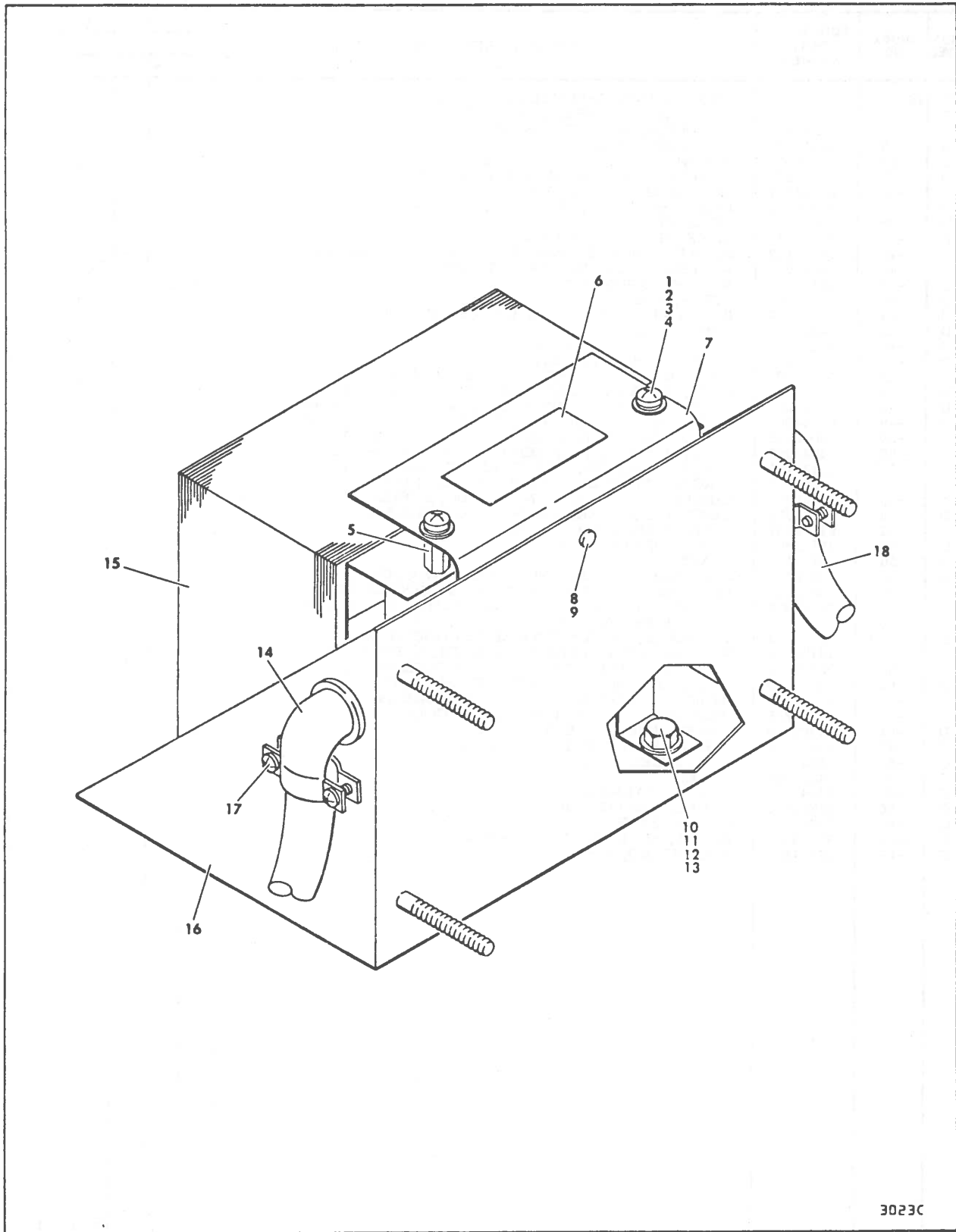


FIGURE 17. LEFT/RIGHT FRONT PANEL ASSEMBLIES

ASSY LEVEL	INDEX NO.	EQUIPMENT PART NUMBER	ITEM DESCRIPTION	MOD. LEVEL				
				B				
				NO. REQUIRED				
C	16-	73571004	RIGHT FRONT PANEL ASSEMBLY, 60 HZ	1				
C	16-	73571005	RIGHT FRONT PANEL ASSEMBLY, 50 HZ	1				
D	-1	94317701	FASTENER, OVAL FLUSH HEAD, STUD TYPE	2				
D	-2	94317900	RETAINER, SPLIT RING	2				
D	-3	10127123	SCREW, MACHINE, PAN HEAD, PHILLIPS, 8-32 x 1/2	7				
D	-4	10126104	WASHER, LOCK, INTERNAL TOOTH, 8	11				
D	-5	94277406	STRAP, CABLE TIE	1				
D	-6	10125106	NUT, HEXAGON, 6-32	11				
D	-7	10127105	SCREW, MACHINE, PAN HEAD, PHILLIPS, 4-40 x 1/2	3				
D	-8	10126101	WASHER, LOCK, INTERNAL TOOTH, 4	3				
D	-9	10125103	NUT, HEXAGON, 4-40	3				
D	-10	94313802	METER, HOUR, AC, 60 HZ	1				
D	-10	94313803	METER, HOUR, AC, 50 HZ	1				
D	-11	10127111	SCREW, MACHINE, PAN HEAD, PHILLIPS, 6-32 x 1/4	4				
D	-12	10126103	WASHER, LOCK, INTERNAL TOOTH, 6	4				
D	-13	94268308	CIRCUIT BREAKER, 7 AMP, 50 VDC	1				
D	-14	94310162	POST, EXTRACTOR, FUSE	2				
D	-15	93418122	FUSE, 1/4 x 1-1/4 GLASS	2				
D	-16	10127124	SCREW, MACHINE, PAN HEAD, PHILLIPS, 8-32 x 5/8	2				
D	-17	10127125	SCREW, MACHINE, PAN HEAD, PHILLIPS, 8-32 x 3/4	2				
D	-18	10125606	WASHER, FLAT, 8	2				
D	-19	93109222	STANDOFF, SPACER ROUND	2				
D	-20	92496433	CAPACITOR	2				
D	-21	92512434	RESISTOR, 2W, 100 OHM	2				
D	-22	40063600	BOARD, TERMINAL, TB03	1				
D	-23	94039104	LIGHT, INDICATOR, 250V	1				
D	-24	94304405	SWITCH, SOLID STATE, A.C., 15 AMP	3				
D	-25	73546700	PANEL, FRONT, RIGHT, 60 HZ	1				
D	-25	76508600	PANEL, FRONT, RIGHT, 50 HZ	1				
D	-26	10127332	SCREW, MACHINE, PAN HEAD, SLOTTED, 6-32 x 1/4	4				
D	-27	10126103	WASHER, LOCK, INTERNAL TOOTH, 6	4				
D	-28	93114214	STANDOFF, TAPPED POST	2				
D	-29	41283200	TERMINAL BLOCK ASSEMBLY	1				
D	-30	94274404	MARKER, STRIP	1				
D	-31	94304404	SWITCH, SOLID STATE, AC, 4 AMP	1				
D	-	73647201	BOARD AND SWITCH ASSEMBLY	1				
E	-	76435200	3ZSN TIMING BOARD	1				
E	-	93114214	STANDOFF 1/2" TAPPED	2				
E	-	10127332	SCREW, 6-32 x 1/4"	4				
E	-	10126103	LOCKWASHER, INTERNAL #6	4				
E	-	95643212	CONNECTOR, SLIDE-ON	3				
E	-	94130000	CONNECTOR, SLIDE-ON, PIGGY BACK	4				



ASSY LEVEL	INDEX NO.	EQUIPMENT PART NUMBER	ITEM DESCRIPTION	MOD. LEVEL					
				B					
				NO. REQUIRED					
C	16-		FRONT PANEL ASSEMBLY (CONT'D)						
C	-	75082400	LEFT FRONT PANEL ASSEMBLY						1
D	-32	94317701	FASTENER, OVAL FLUSH HEAD, STUD TYPE						2
D	-33	94317900	RETAINER, SPLIT RING						2
D	-34	95655516	SCREW, SHEETMETAL, 6-32 x 3/8						10
D	-35	10126103	WASHER, LOCK, INTERNAL TOOTH, 6						10
D	-36	95654711	NUT, SPEED, FLAT, 6-20						10
D	-37	95659702	RESISTOR, FIXED, WIRE WOUND, 25W						1
D	-38	95649801	RESISTOR, 10W						1
D	-39	95659706	RESISTOR, 25W, 500 OHM						1
D	-40	10127123	SCREW, MACHINE, PAN HEAD, PHILLIPS, 8-32 x 1/2						1
D	-41	10126104	WASHER, LOCK, INTERNAL TOOTH, 8						1
D	-42	10125106	NUT, HEXAGON, 6-32						1
D	-43	94277406	STRAP, CABLE TIE						1
D	-44	95659804	RESISTOR, FIXED, WIRE WOUND, 10W, 150 OHM						2
D	-45	94310102	POST, EXTRACTOR, FUSE						1
D	-46	93418330	FUSE, 1/4 x 1-1/4, GLASS						1
D	-47	94039102	LIGHT, INDICATOR, 24V						1
D	-48	93672001	JACK, BANANA, BLACK (SERIES CODE 13 & BELOW)						1
D	-48	95644001	JACK, BANANA, BLACK (SERIES CODE 14 & ABOVE)						1
D	-49	93672005	JACK, BANANA, LIGHT BLUE (SERIES CODE 13 & BELOW)						3
D	-49	95644003	JACK, BANANA, LIGHT BLUE (SERIES CODE 14 & ABOVE)						3
D	-50	93672003	JACK, BANANA, RED (SERIES CODE 13 & BELOW)						4
D	-50	95644000	JACK, BANANA, RED (SERIES CODE 14 & ABOVE)						4
D	-51	10127111	SCREW, MACHINE, PAN HEAD, PHILLIPS, 6-32 x 1/4						10
D	-52	94268300	CIRCUIT BREAKER, 5 AMP, 50 VDC, 2 POLE						1
D	-53	94268301	CIRCUIT BREAKER, 5 AMP, 50 VDC, (SERIES CODE 16 & BELOW)						1
D	-53	94268309	CIRCUIT BREAKER, 7 AMP, 50 VDC (SERIES CODE 17 & ABOVE)						1
D	-54	92696037	CIRCUIT BREAKER, 0.5 AMP, 50 VDC						1
D	-55	95642501	TRANSFORMER, VARIABLE						3
D	-56	95663100	SHAFT, LOCK						3
D	-57	93246015	RESISTOR, VAR, 2W, 50 OHM (SERIES CODE 16 & BELOW)						2
D	-57	93246011	RESISTOR, VAR, 2.5K OHM, 2W (SERIES CODE 17 & ABOVE)						1
D	-58	10127320	SCREW, MACHINE, PAN HEAD, SLOTTED, 4-40 x 1/4 (SERIES CODE 08-16)						3
D	-58A	92707001	TERMINAL, INSULATED (SERIES CODE 08-16)						3
D	-59	10126101	WASHER, LOCK, INTERNAL TOOTH, 4 (SERIES CODE 08-16)						3
D	-60	92512150	RESISTOR, 1/4W, 47 OHM (SERIES CODE 08 AND 09)						2
D	-60	93935000	RECTIFIER, SILICON (SERIES CODE 10-12)						2
D	-60	92512150	RESISTOR, 47 OHM, 1/4W (SERIES CODE 13-16)						1
D	-	92512248	RESISTOR, 68 OHM, 1/4W (SERIES CODE 13-16)						1
D	-61	75082500	PANEL, FRONT, LEFT						1
C	-62	95655516	SCREW, SHEET METAL, 6-20 x 3/8						2
C	-63	95654711	NUT, SPEED, 6-20						2
C	-64	94208500	LABEL						2
C	-65	24547504	PLATE, WARNING						1
C	-66	94224661	LABEL, INFORMATION						1
C	-67	70743900	COVER, SAFETY						1
C	-68	95655543	SCREW, SHEET METAL, 10-16 x 1/2						7
C	-69	95634805	NUT, SPEED, 10-16						7



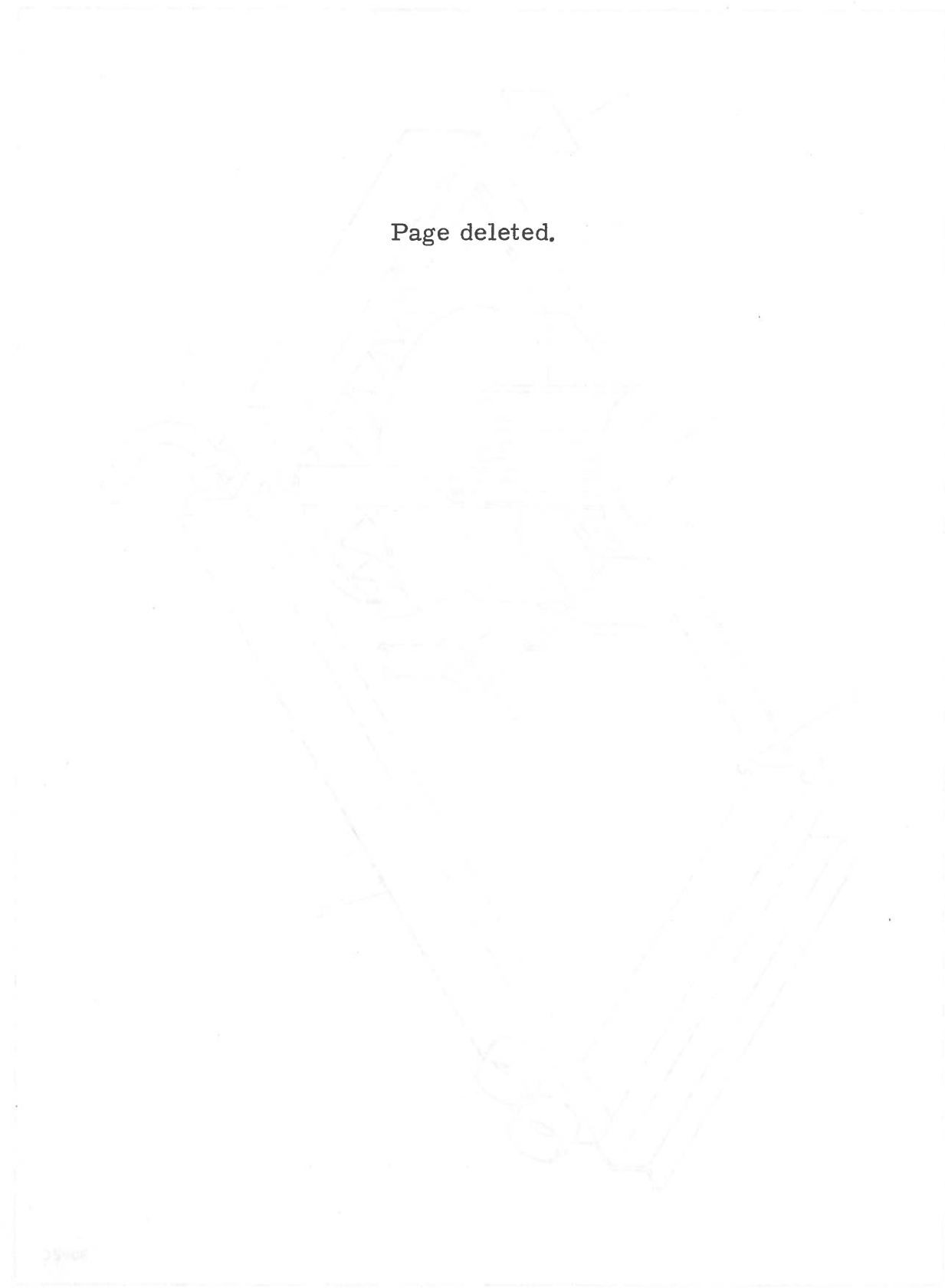
3023C

FIGURE 18. TRANSFORMER ASSEMBLY

ASSY LEVEL	INDEX NO.	EQUIPMENT PART NUMBER	ITEM DESCRIPTION	MOD. LEVEL				
				B				
				NO. REQUIRED				
C	-18	46347002	TRANSFORMER ASSEMBLY	1				
D	-1	10127142	SCREW, MACHINE, PAN HEAD, PHILLIPS, 10-32 x 3/8	4				
D	-2	10125607	WASHER, FLAT, 10	2				
D	-3	10126105	WASHER, LOCK, INTERNAL TOOTH, 10	2				
D	-4	10125805	WASHER, LOCK, SPRING LOCK, 10	2				
D	-5	93114349	STANDOFF, TAPPED POST, HEXAGON	2				
D	-6	24547504	PLATE, WARNING	1				
D	-7	46348300	COVER, TRANSFORMER	1				
D	-8	10125105	NUT, HEXAGON, 6-32	1				
D	-9	10126401	WASHER, LOCK, EXTERNAL TOOTH, 6	2				
D	-10	95655557	SCREW, SHEET METAL, 1/4-14 x 5/8	4				
D	-11		NOT USED					
D	-12		NOT USED					
D	-13	95634808	NUT, SPEED, 1/4	4				
D	-14	93299002	CONNECTOR, 90° ANGLE	2				
D	-15	94257700	TRANSFORMER, AUTO	1				
D	-16	46343800	MOUNT, TRANSFORMER	1				
D	-17	10127122	SCREW, MACHINE, PAN HEAD, PHILLIPS, 8-32 x 3/8	4				
C	-18	46347300	CABLE ASSEMBLY (W13) (50 HZ) (SEE FIGURE 21)	1				

Page deleted.

SECRET



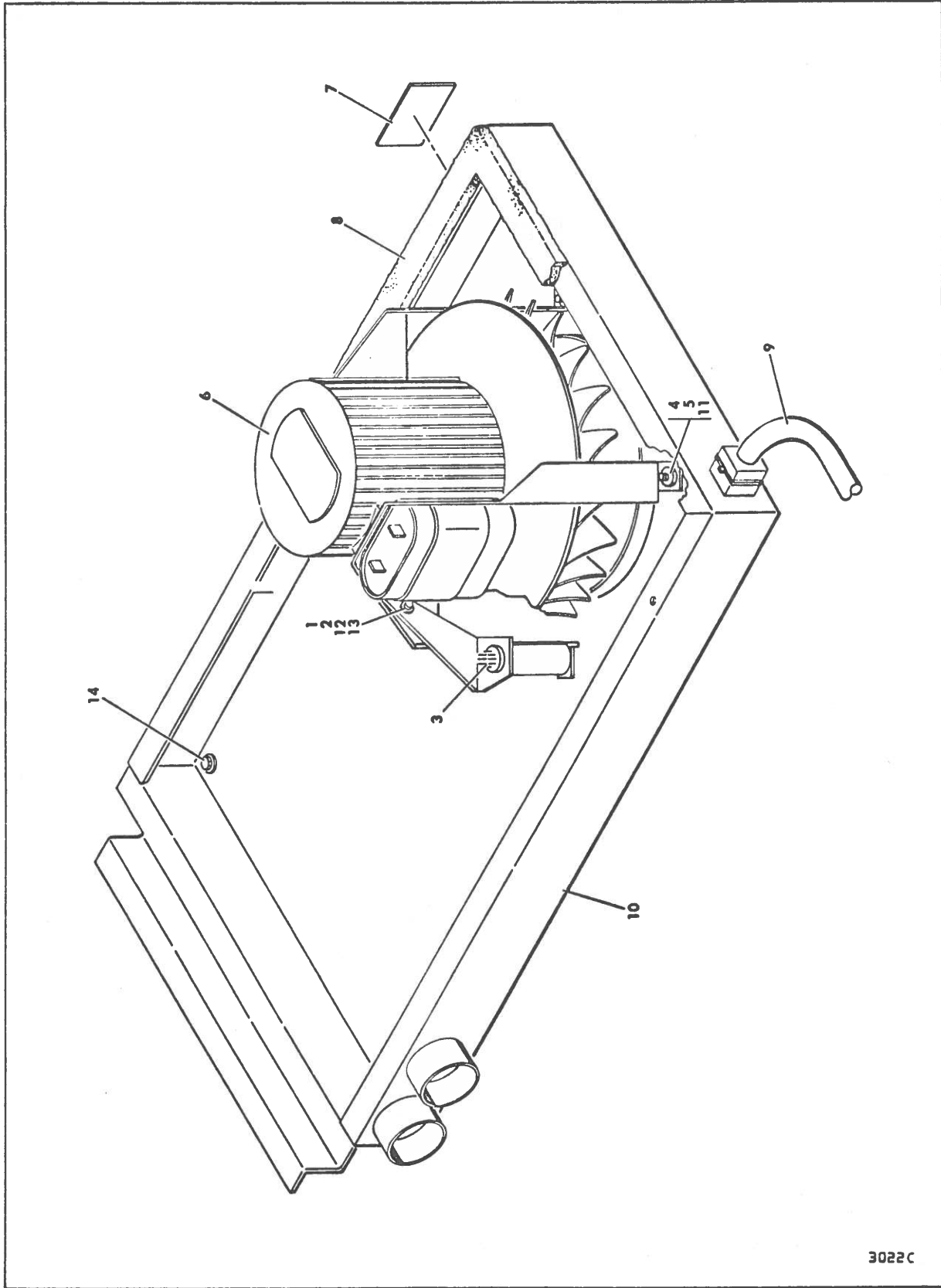


FIGURE 20. BLOWER HOUSING ASSEMBLY

3022C

ASSY LEVEL	INDEX NO.	EQUIPMENT PART NUMBER	ITEM DESCRIPTION	MOD. LEVEL				
				B				
				NO. REQUIRED				
B	20-	73111000	BLOWER HOUSING ASSEMBLY (S/N 7431 AND BELOW)	1				
B	20-	75090200	BLOWER HOUSING ASSEMBLY (S/N 7432 AND ABOVE)	1				
C	-1	10127104	SCREW, MACHINE, PAN HEAD, PHILLIPS, 4-40 x 3/8	2				
C	-2	10126101	WASHER, LOCK, INTERNAL TOOTH, 6	2				
C	-3	94248603	SWITCH, AIR FLOW (S/N 7431 AND BELOW)	1				
C	-3	94248604	SWITCH, AIR FLOW (S/N 7432 AND ABOVE)	1				
C	-4	10125108	NUT, HEXAGON, 10-32	4				
C	-5	10126105	WASHER, LOCK, INTERNAL TOOTH, 10	4				
C	-6	94247201	BLOWER (SERIES CODE 04 AND BELOW)	1				
C	-6	94351101	BLOWER (S/N 825 THRU 7431)	1				
C	-6	94351102	BLOWER (S/N 7432 AND ABOVE)	1				
C	-7	94208500	LABEL	1				
C	-8	94001100	TAPE, FOAM, 1/8 x 1/2	AR				
C	-9		CABLE ASSEMBLY, W5 (SEE FIGURE 21)	1				
C	-10	46481000	HOUSING, BLOWER	1				
C	-	93948007	CONNECTOR, RECEPTACLE	1				
C	-	93942001	CONTACT, PIN (22-18 WIRE RANGE)	5				
C	-11	94335000	WASHER, RUBBER	4				
C	-12	10125103	NUT, HEXAGON, 4-40	2				
C	-13	10125603	WASHER, FLAT, 4	2				
B	-14	93592238	SCREW, MACHINE, HEXAGON WASHER HEAD, 10-24 x 3/8	4				
B	-	95642107	CAPACITOR, 370 VAC, 8.0 MF	1				

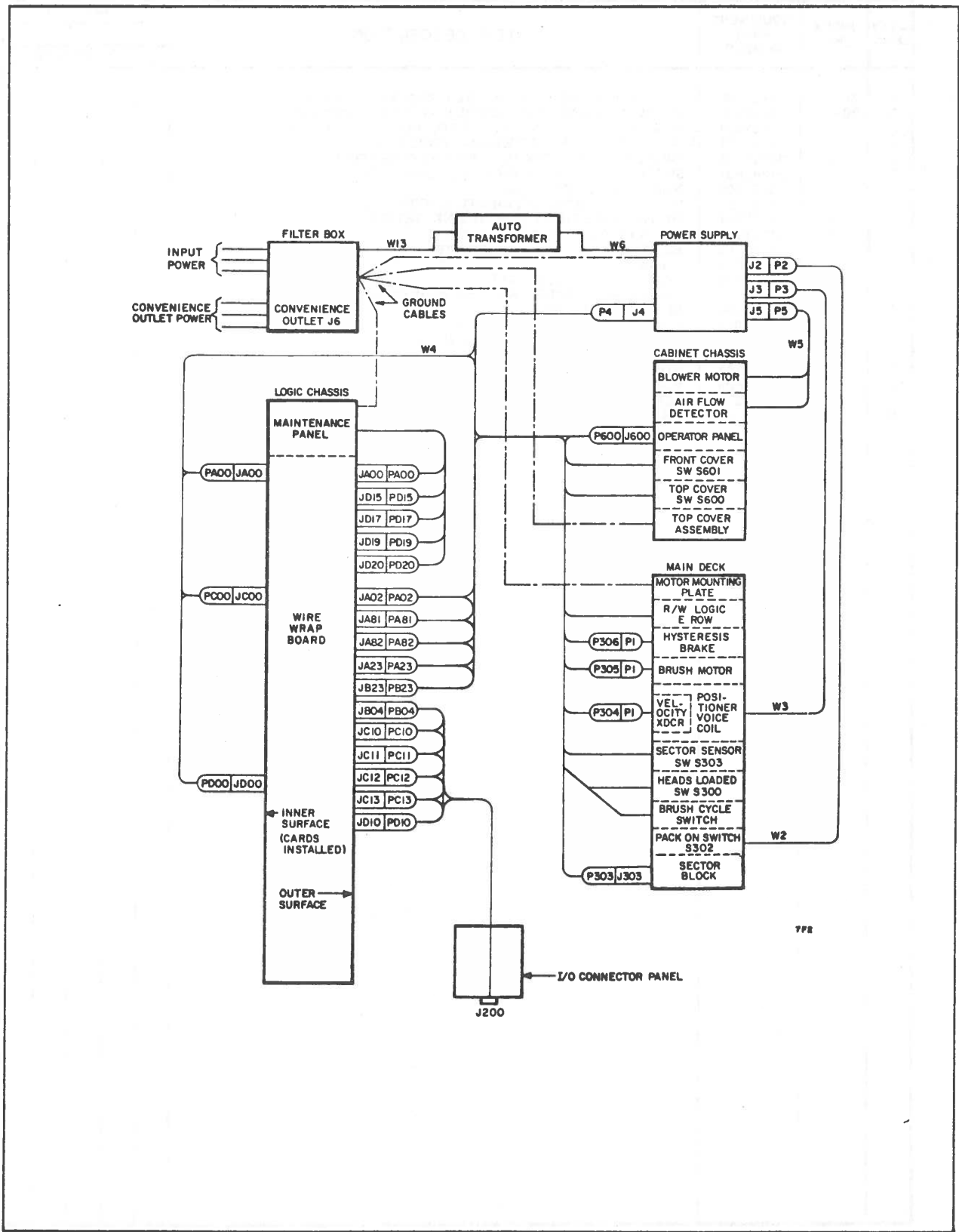


FIGURE 21. CABLE ASSEMBLIES

ASSY LEVEL	INDEX NO.	EQUIPMENT PART NUMBER	ITEM DESCRIPTION	MOD. LEVEL					
				B					
				NO. REQUIRED					
	21-		CABLE ASSEMBLIES						
C	-W2	73110700	CABLE ASSEMBLY, W2, 60 HZ	1					
C	-W2	73110702	CABLE ASSEMBLY, W2, 50 HZ	1					
D	-	93948001	CONNECTOR, PLUG, 9 PIN	1					
D	-	93942006	CONTACT, PIN	4					
C	-W3	70733801	CABLE ASSEMBLY	1					
D	-	93948000	CONNECTOR, PLUG, 5 PIN	1					
D	-	93942007	CONTACT, PIN	5					
C	-W4	73528600	CABLE ASSEMBLY, W4	1					
D	-	94281200	CONNECTOR, PLUG, 75 PIN	1					
D	-	93960016	CONNECTOR, BLOCK	1					
D	-	93947004	CONNECTOR, PLUG, 3 SOCKET	1					
D	-	93947005	CONNECTOR, PLUG	1					
D	-	94261810	BLOCK, CONNECTOR, 28 SOCKET	9					
D	-	94281207	CLAMP, SHORT, STRAIN RELIEF	1					
D	-	93642004	PIN, GUIDE, CORNER, CONNECTOR	2					
D	-	93642005	SOCKET, GUIDE CORNER, CONNECTOR	2					
D	-	93960004	PIN, GUIDE, CORNER, CONNECTOR	1					
D	-	93960005	SOCKET, GUIDE, CORNER, CONNECTOR	1					
D	-	93643008	JACKSCREW, TURNABLE, MALE	2					
D	-	93960022	SPRING, CONNECTOR	2					
D	-	93644002	CONTACT, PIN, 22-20 WIRE RANGE	63					
D	-	93645002	CONTACT, SOCKET, 22-20 WIRE RANGE	10					
D	-	93645003	CONTACT, SOCKET, 26-24 WIRE RANGE	14					
D	-	93943005	CONTACT, SOCKET	10					
D	-	93947003	CONNECTOR, PLUG	2					
D	-	93948004	CONNECTOR	1					
D	-	93942001	CONTACT	2					
C	-W5	73129900	CABLE ASSEMBLY, W5	1					
D	-	93948000	CONNECTOR, PLUG, 6 PIN	1					
D	-	93942001	CONTACT, PIN	6					
C	-W6	73186800	CABLE ASSEMBLY, W6, 60 HZ	1					
C	-W6	73186900	CABLE ASSEMBLY, W6, 50 HZ	1					
C	-W7	72934500	CABLE ASSEMBLY, W7	1					
D	-	94281200	CONNECTOR, PLUG, 75 PIN	1					
D	-	93644003	CONTACT, SOCKET, 26-24 WIRE RANGE	74					
D	-	94261810	CONNECTOR, PLUG, 28 PIN	6					
C	-W13	46347300	CABLE ASSEMBLY, W13, 50 HZ	1					

SECTION 9

WIRE LISTS

Information for this section is included in BR2A5
Disk Storage Unit, Publication No. 70614700.

SECTION 10

EQUATION SUMMARY

(Not Applicable)



COMMENT SHEET

MANUAL TITLE CONTROL DATA BR2A5 DISK STORAGE UNIT
Parts Data Manual

PUBLICATION NO. 70614800 REVISION _____

FROM: NAME: _____
BUSINESS ADDRESS: _____

COMMENTS:

This form is not intended to be used as an order blank. Your evaluation of this manual will be welcomed by Control Data Corporation. Any errors, suggested additions or deletions, or general comments may be made below. Please include page number references and fill in publication revision level as shown by the last entry on the Record of Revision page at the front of the manual. Customer engineers are urged to use the TAR.

CUT ALONG LINE

PRINTED IN U.S.A.

AA3419 REV. 11/69

NO POSTAGE STAMP NECESSARY IF MAILED IN U. S. A.

FOLD ON DOTTED LINES AND STAPLE

STAPLE

STAPLE

CONTROL DATA CORPORATION

TECHNICAL PUBLICATIONS DEPARTMENT

MINNEAPOLIS, MINN.

FOLD

FOLD

FIRST CLASS
 PERMIT NO. 8241
 MINNEAPOLIS, MINN.

BUSINESS REPLY MAIL
 NO POSTAGE STAMP NECESSARY IF MAILED IN U.S.A.

POSTAGE WILL BE PAID BY

CONTROL DATA CORPORATION
 Technical Publications Department
 7801 Computer Avenue
 Minneapolis, Minnesota 55435



CUT ALONG LINE

FOLD

FOLD

NO POSTAGE STAMP NECESSARY IF MAILED IN U.S.A.
 CONTROL DATA CORPORATION