

 CONTROL DATA

**CDC® STORAGE MODULE DRIVE
BK5XX**

**DIAGRAMS
WIRE LISTS**

Volume 2 of 2

HARDWARE MAINTENANCE MANUAL

REVISION RECORD

REVISION	DESCRIPTION
01 (09-15-76)	Preliminary manual released.
02 (09-26-76)	Incorporate I/O changes in diagrams.
03 (10-19-76)	Added diagrams applicable to 60 pin I/O and Sector and Index signals on B cable. Also corrected errors.
A (12-15-76)	Manual released including Engineering Change Orders 48092, 48151, 48240B, 48256.
B (05-11-77)	Manual revised including Engineering Change Orders 48437, 48560; Field Change Order 48518. Technical and editorial changes.
C (08-02-77)	Manual revised including Engineering Change Order 48477; Field Change Orders 48477 and 48560. Technical and editorial changes.
D (10-14-77)	Manual revised to include Engineering Change Order 48716. Technical and editorial changes.
E (01-30-78)	Manual revised to include Engineering Change Orders 48941, 48567. Technical and editorial changes.
F (03-28-78)	Technical and editorial changes.
G (06-09-78)	Manual updated to include 55807 (Release BK5A1D), 55112 and 55157. Update also includes technical and editorial changes.
H (10-05-78)	Manual updated with ECOs 55122, 55280, 55248A, and 55325A. Update includes technical and editorial changes.
J (02-02-79)	Manual updated with ECO 55229, 55492A, FCO 55492 plus additional technical and editorial changes.
K (05-23-79)	Manual updated with ECOs 55438, 55663, 55476A, 55682, 55697A, 55743, 55742, 55633A, 55728, 55658, FCO 55422 plus additional technical and editorial changes.

REVISION LETTERS I, O, Q
AND X ARE NOT USED.

©1976, 77, 78, 79, 80, 81, 82, 83
84, 85

By Control Data Corporation
Printed in the United States
of America

Address comments concerning this
manual to:

Control Data Corporation
Twin Cities Disk Division
Customer Documentation Dept.
5950 Clearwater Drive
Minnetonka, Mn. 55343

or use Comment Sheet in the back
of this manual.

REVISION RECORD (Contd)

REVISION	DESCRIPTION
L (08-01-79)	Manual updated with ECOs 55785, 55804, 55821, 55810, plus additional technical and editorial changes.
M (09-19-79)	Manual updated with ECOs 55835, 55854 plus additional technical and editorial changes.
N (11-20-79)	Manual updated with ECOs 55923, 55909, 55839, 55898 plus additional technical and editorial changes.
P (02-06-80)	Manual updated with ECOs 55992, 55956, 55844B, 60031, 60032, plus additional technical and editorial changes.
R (05-20-80)	Manual updated with ECOs 60136, 60137, 60115A plus additional technical and editorial changes.
S (07-09-80)	Manual updated with ECOs 60171, 60169, 60204, 55952A, plus additional technical and editorial changes.
T (12-11-80)	Manual updated with ECOs 60240, 60246, plus additional technical and editorial changes.
U (09-14-81)	Manual updated with ECOs 60448, 60450, 60467, 60453, 60499, DJ00007, DJ00022, DJ00023, DJ00026, FCO 60448, plus additional technical and editorial changes.
V (12-22-81)	Manual updated with ECOs DJ00021, DJ00030, DJ00046, DJ00075, DJ00085, DJ00099, DJ00180, plus additional technical and editorial changes.
W (05-05-82)	Manual updated with ECOs DJ00201, DJ00207, DJ00219, DJ00275, FCO DJ00201, plus additional technical and editorial changes.
Y (06-02-83)	Manual updated with ECOs DJ00436, DJ00228, plus additional technical and editorial changes.
Z (07-25-84)	Manual updated with ECO DJ00399A, plus additional technical and editorial changes.
AA (02-08-85)	Manual update with ECO DJ00771 (class II ECOs DJ00666, 708A, 728A, 734, 735, 761, 785, 788). Technical and editorial changes.

LIST OF EFFECTIVE PAGES

Sheet 1 of 6

New features, as well as changes, deletions, and additions to information in this manual are indicated by bars in the margins or by a dot near the page number if the entire page is affected. A bar by the page number indicates pagination rather than content has changed.

<u>PAGE</u>	<u>REV</u>	<u>PAGE</u>	<u>REV</u>
Cover	-	1-6	P
Blank	-	1-7	P
Title P	-	1-8	P
ii	AA	1-9	G
iii	AA	1-10	J
Blank	-	LD-Div	-
v	AA	Blank	-
vi	AA	1-11	M
vii	AA	1-12	M
viii	Z	1-13	M
ix	Z	Blank	-
x	Z	1-14.1	W
xi	Z	1-14.2	W
xii	Z	1-14.3	W
xiii	AA	Blank	-
xiv	Y	1-15	K
xv	AA	1-16	E
Blank	-	1-17	Z
xvii	AA	1-18	E
xviii	AA	1-19	T
xix	AA	1-20	T
xx	AA	1-20.1	Z
xxi	AA	1-20.2	Z
xxii	AA	1-20.3	Z
xxiii	AA	1-20.4	Z
Blank	-	1-20.5	Z
xxv	AA	Blank	-
xxvi	AA	1-20.7	Z
S-1 Div	-	1-20.8	Z
Blank	-	1-20.9	Z
1-1	H	1-20.10	Z
1-2	A	1-21	K
1-3	G	1-22	Z
1-4	A	1-23	Z
1-5	S	1-24	Z

LIST OF EFFECTIVE PAGES (Contd)

Sheet 2 of 6

<u>PAGE</u>	<u>REV</u>	<u>PAGE</u>	<u>REV</u>
1-25	Y	1-48.1	Z
1-26	A	1-48.2	Z
1-27	H	1-48.3	Z
Blank	-	Blank	-
1-28.1	Y	1-48.5	Z
1-28.2	Y	1-48.6	Z
1-28.3	Y	1-48.7	Z
Blank	-	Blank	-
1-28.5	AA	1-49	U
1-28.6	G	1-50	T
1-28.7	AA	1-51	T
Blank	-	1-52	T
1-29	Y	1-52.1	Z
1-30	Y	1-52.2	Z
1-31	Y	1-52.3	Z
1-32	Y	1-52.4	Z
1-33	Y	1-52.5	AA
Blank	-	1-52.6	AA
1-35	Z	1-52.7	Z
1-36	Y	1-52.8	AA
1-37	Y	1-52.9	AA
Blank	-	Blank	-
1-38.1	AA	1-52.11	Z
1-38.2	Z	1-52.12	Z
1-38.3	AA	1-52.13	Z
Blank	-	1-52.14	Z
1-39	Y	1-52.15	Z
1-40	C	1-52.16	Z
1-41	T	1-52.17	Z
1-42	A	1-52.18	Z
1-43	C	1-53	U
Blank	-	1-54	T
1-44.1	Y	1-55	T
1-44.2	Y	1-56	T
1-44.3	Y	1-56.1	T
1-44.4	Y	Blank	-
1-44.5	Y	1-56.3	Z
Blank	-	1-56.4	Z
1-45	Z	1-56.5	Z
1-46	T	1-56.6	Z
1-47	T	Blank	-
Blank	-	1-57	W

LIST OF EFFECTIVE PAGES (Contd)

Sheet 3 of 6

<u>PAGE</u>	<u>REV</u>	<u>PAGE</u>	<u>REV</u>
1-58	W	1-97	Z
1-59	T	1-98	Z
Blank	-	1-99	Z
1-61	W	1-100	Z
1-62	W	1-100.1	Z
1-63	A	1-100.2	Z
Blank	-	1-100.3	Z
1-65	W	1-100.4	Z
1-66	W	1-101	Z
1-67	A	1-102	Z
Blank	-	1-103	Z
1-69	Z	1-104	Z
1-70	A	1-105	Z
1-71	A	1-106	T
1-72	Z	1-107	A
1-73	K	1-108	T
1-74	A	1-109	Z
1-75	A	1-110	Z
1-76	A	1-111	AA
1-77	Z	1-112	U
1-78	W	1-113	AA
1-79	Z	1-114	AA
Blank	-	1-114.1	V
1-81	W	1-114.2	P
1-82	W	1-114.3	P
1-83	T	1-114.4	P
Blank	-	1-114.5	AA
1-85	Y	1-114.6	AA
1-86	Y	1-114.7	AA
1-87	A	1-114.8	AA
Blank	-	1-115	AA
1-89	Z	1-116	AA
1-90	A	1-117	Y
1-91	A	1-118	AA
1-92	Z	1-119	Y
1-93	K	Blank	-
1-94	A	1-121	AA
1-95	A	1-122	AA
1-96	A	1-123	U
1-96.1	Z	1-124	U
1-96.2	Z	1-125	U
1-96.3	Z	1-126	U
1-96.4	Z		

LIST OF EFFECTIVE PAGES (Contd)

Sheet 4 of 6

<u>PAGE</u>	<u>REV</u>	<u>PAGE</u>	<u>REV</u>
1-127	U	1-163	A
Blank	-	Blank	-
1-128.1	Z	1-165	K
1-128.2	Z	1-166	A
1-128.3	Z	1-167	A
1-128.4	Z	Blank	-
1-129	K	1-168.1	P
1-130	G	1-168.2	P
1-131	G	1-168.3	P
Blank	-	Blank	-
1-133	P	1-169	Y
1-134	P	1-170	Y
1-135	K	1-170.1	Z
1-136	A	1-170.2	Z
1-137	K	1-171	Y
1-138	A	1-172	A
1-139	P	1-173	C
1-140	P	Blank	-
1-141	K	1-174.1	AA
1-142	A	1-174.2	Y
1-143	K	1-174.3	AA
1-144	A	Blank	-
1-145	K	1-175	S
1-146	A	1-176	S
1-147	A	1-177	S
Blank	-	Blank	-
1-149	K	1-179	Y
1-150	A	1-180	L
1-151	A	1-180.1	Y
Blank	-	Blank	-
1-153	K	1-181	AA
1-154	A	1-182	AA
1-155	A	1-183	Y
Blank	-	1-184	S
1-156.1	P	1-184.1	V
1-156.2	P	Blank	-
1-156.3	P	1-184.3	Z
Blank	-	1-184.4	Z
1-157	K	1-185	K
1-158	A	1-186	K
1-159	A	1-186.1	Z
Blank	-	1-186.2	Z
1-161	K	1-187	Z
1-162	A		

LIST OF EFFECTIVE PAGES (Contd)

Sheet 5 of 6

<u>PAGE</u>	<u>REV</u>	<u>PAGE</u>	<u>REV</u>
1-188	J	2-15	C
1-188.1	Y	2-16	A
1-188.2	Y	2-17	A
1-188.3	Y	2-18	M
Blank	-	2-19	M
1-188.5	Z	2-20	C
1-188.6	Y	2-21	A
1-188.7	Y	2-22	A
Blank	-	2-23	A
1-189	Z	2-24	M
1-190	J	2-25	A
1-191	J	2-26	A
Blank	-	2-27	A
1-193	L	2-28	A
1-194	J	50 P-Div	-
1-194.1	J	Blank	-
Blank	-	2-29	W
1-195	S	2-30	A
1-196	C	2-31	A
1-196.1	Z	2-32	A
1-196.2	Z	2-33	A
1-196.3	Z	2-34	W
1-196.4	Z	2-35	A
S-2 Div	-	2-36	A
Blank	-	2-37	A
2-1	A	2-38	A
2-2	S	2-39	C
60 P-Div	-	2-40	A
Blank	-	2-41	A
2-3	W	2-42	A
2-4	A	2-43	A
2-5	A	2-44	C
2-6	A	2-45	A
2-7	M	2-46	A
2-8	A	2-47	A
2-9	W	2-48	A
2-10	A	IS-Div	-
2-11	A	Blank	-
2-12	A	2-49	W
2-13	A	2-50	A
2-14	A	2-51	A

LIST OF EFFECTIVE PAGES (Contd)

Sheet 6 of 6

<u>PAGE</u>	<u>REV</u>	<u>PAGE</u>	<u>REV</u>
2-52	A	2-73	Z
2-53	A	2-74	W
2-54	W	2-75	P
2-55	A	2-76	P
2-56	A	2-77	P
2-57	A	2-78	P
2-58	A	2-79	P
2-59	C	2-80	P
2-60	A	2-81	P
2-61	A	2-82	P
2-62	A	2-83	P
2-63	A	2-84	Z
2-64	C	2-85	Z
2-65	A	2-86	P
2-66	A	2-87	P
2-67	A	2-88	P
2-68	A	2-89	P
S&IOABC-Div	-	Blank	-
Blank	-	Cmt Sht	-
2-69	Z	Rtn Env	-
2-70	P	Blank	-
2-71	P	Cover	-
2-72	P		

PREFACE

This manual contains maintenance information applicable to the BK5XX Storage Module Drives (SMDs) listed in the configuration charts (found following the table of content). The configuration charts define each of the equipments covered by this manual in terms of cabinet mounting styles, cabinet colors, and the various electronic features provided. Since this manual covers all of the various configurations available on the SMD, it is necessary to understand exactly which configuration you have in order to know which procedures in this manual are applicable to your drive.

This manual provides the logic and wiring information relating to the SMDs. The manual assumes that the reader is already trained in the use of normal mechanical and electric repair equipment. In addition, the manual assumes that the reader has a working knowledge of the use and interpretation of logic.

Information in this manual is divided into two sections:

Section 1 - Diagrams

Section 2 - Wire Lists

Other manuals, also applicable to the SMDs covered in this manual, are as follows, and are available from Control Data Literature Distribution Services, 308 North Dale Street, St. Paul MN 55103.

Publication No.	Title
83322150*	Hardware Maintenance Manual Volume 1 - Installation and Checkout, Maintenance, Parts Data.
83322200*	Hardware Reference Manual - General Description, Operation, Theory of Operation, Discrete Component Circuits.

Publication No.	Title
83322440	CDC Microcircuits Volume I, Functional Descriptions of Integrated Circuits.
83324440	CDC Microcircuits Volume II, Functional Descriptions of Integrated Circuits.
83323770	A Guide for the Disk Drive Operator
*Note: The following manuals are unique to the BK5A9J:	
83322960	Hardware Maintenance Manual Volume I - Installation and Checkout, Maintenance, Parts Data.
83322980	Hardware Reference Manual - General Description, Operation, Theory of Operation, Discrete Components Circuits.

CONTENTS

Important Safety Information and Precautions	xv
Configuration Chart	xvii
Abbreviations	xxv
1. DIAGRAMS	
Introduction	1-1
Diagram Conventions	1-1
Symbology	1-1
Qualifying Symbol	1-1
Element Identifier	1-2
Physical Location Code	1-2
Abbreviations	1-2
Logic Levels	1-2
Signal Names	1-2
Intersheet References	1-2
Diagram Cover Sheets	1-4
Physical Description	1-5
Logic Diagram Sets	1-11
2. WIRE LISTS	
Introduction	1-2
Reading Wire Lists	2-1
Signal Name or Number Identification	2-1
Origin/Destination	2-1
Z Level	2-2
Notes	2-2
60 Pin I/O Wire List	2-3
50 Pin I/O Wire List	2-29
Index and Sector in B Cable Wire List	2-49

FIGURES

1-1	Electronic Component Assembly	1-1
1-2	Intersheet Referencing	1-3
1-3	Physical Location Codes	1-8
1-4	Backpanel Layout	1-9
1-5	Chassis Map	1-10
2-1	Example of Logic Wirewrap List	2-1
2-2	Z Levels	2-2

TABLES

1-1	Logic Voltage Levels	1-2
1-2	Physical Location Codes	1-6

IMPORTANT SAFETY INFORMATION AND PRECAUTIONS

Proper safety and repair is important to the safe, reliable operation of this unit. Service should be done by qualified personnel only. This maintenance manual describes procedures recommended by the manufacturer as effective methods of servicing the unit. Some of these procedures require the use of specially designed tools. For proper maintenance and safety, these specially designed tools should be used as recommended.

The procedures in this maintenance manual and labels on the unit contain warnings and cautions which must be carefully read and observed in order to minimize or eliminate the risk of personal injury. The warnings point out conditions or practices that are potentially hazardous to maintenance personnel. The cautions point out practices which, if disregarded, could damage the unit and make it unsafe for use.

For the safety of maintenance and operating personnel, the following precautions must be observed:

- Perform all maintenance in accordance with the procedures given in this manual.
- Read and observe all cautions and warnings provided in the procedures and labeled on the unit.
- Use the special tools called out in the maintenance procedure.
- Observe sound safety practices when performing maintenance.
- Use caution when troubleshooting a unit that has voltages present. Remove power from unit before servicing or replacing components.
- Wear safety glasses when servicing units.
- Wear safety shoes when removing or replacing heavy components.

It is also important to understand that these warnings and cautions are not exhaustive. The manufacturer could not possibly know, evaluate and advise maintenance personnel of all conceivable ways in which maintenance might be performed or the possible risk of each maintenance technique. Consequently, the manufacturer has not completed any such broad evaluation. Thus, any persons who use any non-approved maintenance procedure or tool must first satisfy themselves that neither their safety nor the unit performance will be jeopardized by the maintenance techniques they select.

CONFIGURATION CHART

EQUIP	TLA	POWER		DATA CAP (MB)	CH	A CABLE CONFIG	CLR ⁴ CODE	CAB MTG STYLE
		V	HZ					
BK5A1A	47173002	120	60	80	S	60-pin ¹	A	30-in rk
BK5A1B	47173003	220/ 240	50	80	S	60-pin ¹	A	30-in rk
BK5A1D	47173085	220/ 240	50	80	S	60-pin	AH	30-in rk
BK5A1E	47292521	120	60	80	S	S&IOBC	AX	30-in rk
BK5A1F	47292522	220/ 240	50	80	S	S&IOBC	AX	30-in rk
BK5A1G	47292542	120	60	80	S	60-pin ¹	BG	uni cab
BK5A1H	47292543	220	50	80	S	60-pin ¹	BG	uni cab
BK5A1J	47292597	120	60	80	S	S&IOBC	CE	30-in rk
BK5A1K	47292551	240	50	80	S	60-pin	BB	30-in rk
BK5A1L	47292598	220	50	80	S	S&IOBC	CE	30-in rk
BK5A1M	47292573	220	50	80	S	60-pin ¹	A	30-in rk
BK5A1N	82398035	220	50	80	S	S&IOABC	CY	30-in rk
BK5A1P	82398041	220	50	80	S	S&IOABC	DG	30-in rk
BK5A2A	47173004	120	60	80	D	60-pin ¹	A	30-in rk
BK5A2B	47173005	220/ 240	50	80	D	60-pin ¹	A	30-in rk
BK5A3A	47173006	120	60	80	S	60-pin ¹	B	30-in rk
BK5A3B	47173007	220/ 240	50	80	S	60-pin ¹	B	30-in rk
BK5A3C	47292519	120	60	80	S	60-pin	AR	36-in rk
BK5A3D	47292520	220/ 240	50	80	S	60-pin	AR	36-in rk
BK5A3E	82398023	120	60	80	S	S&IOABC	CT	36-in rk
BK5A3F	48292544	220	50	80	S	60-pin	B	36-in rk
BK5A3G	82398026	220	50	80	S	S&IOABC	CT	36-in rk
BK5A3H	47292561	220	50	80	S	60-pin ¹	B	36-in rk
BK5A3J	82398042	220	50	80	S	S&IOABC	DH	36-in rk
BK5A3K	47292579	220	50	80	S	60-pin	BP	36-in rk
BK5A3M	47292593	220	50	80	S	S&IOABC	CA	36-in rk
BK5A3N	82398045	120	60	80	S	S&IOABC	DL	36-in rk
BK5A3P	82398046	220	50	80	S	S&IOABC	DL	36-in rk
BK5A4A	47173008	120	60	80	D	60-pin ¹	B	36-in rk
BK5A4B	47173009	220/ 240	50	80	D	60-pin ¹	B	36-in rk

Table Continued on Next Page

CONFIGURATION CHART (Contd)

EQUIP	TLA	POWER		DATA CAP (MB)	CH	A CABLE CONFIG	CLR ⁴ CODE	CAB MTG STYLE
		V	HZ					
BK5A5A	47173016	120	60	80	S	60-pin ¹	C	ped cab
BK5A5B	47173017	220/ 240	50	80	S	60-pin ¹	C	ped cab
BK5A5C	47173048	120	60	80	S	60-pin	J	ped cab
BK5A5D	47173049	220	50	80	S	60-pin	J	ped cab
BK5A5E	47173068	120	60	80	S	60-pin	AE	ped cab
BK5A5F	47173074	120	60	80	S	60-pin	V	ped cab
BK5A5G	47173075	220/ 240	50	80	S	60-pin	V	ped cab
BK5A5H	47173076	120	60	80	S	S&IOBC	W	ped cab
BK5A5J	47173088	120	60	80	S	60-pin	AJ	ped cab
BK5A5K	47173089	220/ 240	50	80	S	60-pin	AJ	ped cab
BK5A5L	47173090	120	60	80	S	75-pin	DA ³	ped cab
BK5A5M	47173091	220/ 240	50	80	S	75-pin	DA ³	ped cab
BK5A5N	47292504	120	60	80	S	S&IOBC	AK	ped cab
BK5A5P	47292505	220/ 240	50	80	S	S&IOBC	AK	ped cab
BK5A5R	47292536	120	60	80	S	60-pin	AW	ped cab
BK5A5S	47292537	220/ 240	50	80	S	60-pin	AW	ped cab
BK5A5T	47292538	120	60	80	S	60-pin	DA ³	ped cab
BK5A5U	47292539	220	50	80	S	60-pin	DA ³	ped cab
BK5A5V	47292540	120	60	80	S	60-pin	AY	ped cab
BK5A5W	47292541	220	50	80	S	60-pin	AY	ped cab
BK5A5Y	47292545	120	60	80	S	60-pin	AZ	ped cab
BK5A5Z	47292552	220	50	80	S	60-pin	BC	ped cab
BK5A6A	47173018	120	60	80	D	60-pin ¹	C	ped cab
BK5A6B	47173019	220/ 240	50	80	D	60-pin ¹	C	ped cab
BK5A6E	47292547	120	60	80	D	S&IOBC	BA	ped cab
BK5A6F	47292548	220	50	80	D	S&IOBC	BA	ped cab

Table Continued on Next Page

CONFIGURATION CHART (Contd)

EQUIP	TLA	POWER		DATA CAP (MB)	CH	A CABLE CONFIG	CLR ⁴ CODE	CAB MTG STYLE
		V	HZ					
BK5A6G	47292555	120	60	80	D	S&IOABC	CV ³	ped cab
BK5A6H	47292556	220	50	80	D	S&IOABC	CV ³	ped cab
BK5A7A	47173020	120	60	80	S	60-pin ¹	D	acst drw
BK5A7B	47173021	220/ 240	50	80	S	60-pin ¹	E	acst drw
BK5A7G	47173080	120	60	80	S	60-pin	AC	acst drw
BK5A7H	47173078	220/ 240	50	80	S	60-pin	AA	acst drw
BK5A7J	47292513	120	60	80	S	60-pin	BS ³	acst drw
BK5A7K	47292514	220/ 240	50	80	S	60-pin	BS ³	acst drw
BK5A7L	47292525	120	60	80	S	60-pin	AU	acst drw
BK5A7M	47292526	220/ 240	50	80	S	60-pin	AV	acst drw
BK5A7N	47292529	120	60	80	S	60-pin	BS ³	acst drw
BK5A7P	47292530	220/ 240	50	80	S	60-pin	BS ³	acst drw
BK5A7R	47292557	120	60	80	S	S&IOBC	BD	acst drw
BK5A7S	47292558	220	50	80	S	S&IOBC	BD	acst drw
BK5A7T	47292594	220	50	80	S	S&IOABC	CB	acst drw
BK5A7U	47292562	220	50	80	S	60-pin ¹	E	acst drw
BK5A7V	47292565	120	60	80	S	S&IOABC	BK	acst drw
BK5A7W	47292566	240	50	80	S	S&IOABC	BL	acst drw
BK5A7Y	47292574	120	60	80	S	60-pin	BK ³	acst drw
BK5A7Z	47292575	220	50	80	S	60-pin	BL ³	acst drw
BK5A8A	47173022	120	60	80	D	60-pin ¹	D	acst drw
BK5A8B	47173023	220/ 240	50	80	D	60-pin ¹	E	acst drw
BK5A8H	82398005	220	50	80	D	S&IOABC	CJ ³	acst drw
BK5A9A	47173024	120	60	80	S	60-pin ¹	F	acst cab
BK5A9B	47173025	220/ 240	50	80	S	60-pin ¹	G	acst cab

Table Continued on Next Page

CONFIGURATION CHART (Contd)

EQUIP	TLA	POWER		DATA CAP (MB)	CH	A CABLE CONFIG	CLR ⁴ CODE	CAB MTG STYLE
		V	HZ					
BK5A9G	47173066	120	60	80	S	60-pin	X	acst cab
BK5A9H	47173067	220/ 240	50	80	S	60-pin	Y	acst cab
BK5A9J	47173069	220/ 240	50	80	S	60-pin	³	acst cab
BK5A9K	47173077	220/ 240	50	80	S	60-pin	AB	acst cab
BK5A9L	47173081	120	60	80	S	60-pin	AD	acst cab
BK5A9M	47292516	220/ 240	50	80	S	60-pin	BU ³	acst cab
BK5A9N	47292510	120	60	80	S	60-pin	AL	acst cab
BK5A9P	47292515	120	60	80	S	60-pin	BT ³	acst cab
BK5A9R	47292517	120	60	80	S	60-pin	AN	acst cab
BK5A9S	47292518	220/ 240	50	80	S	60-pin	AP	acst cab
BK5A9T	47292523	120	60	80	S	60-pin	AS	acst cab
BK5A9U	47292524	220/ 240	50	80	S	60-pin	AT	acst cab
BK5A9V	47292527	120	60	80	A	60-pin	BT ³	acst cab
BK5A9W	47292528	220/ 240	50	80	S	60-pin	BU ³	acst cab
BK5A9Z	47292564	220	50	80	S	60-pin ¹	G	acst cab
BK5B1A	47173026	120	60	80	D	60-pin ¹	F	acst cab
BK5B1B	47173027	220/ 240	50	80	D	60-pin ¹	G	acst cab
BK5B1G	82398027	220	50	80	D	S&IOABC	CW	acst cab
BK5B1H	82398004	220	50	80	D	S&IOBC	CK ³	acst cab
BK5B5J	47173082	120	60	80	S	60-pin	AF	acst cab
BK5B5K	47173083	220/ 240	50	80	S	60-pin	AG	acst cab
BK5B5L	47292549	120	60	80	S	S&IOBC	BA	ped cab
BK5B5M	47292550	220	50	80	S	S&IOBC	BA	ped cab
BK5B5N	47292553	120	60	80	S	S&IOABC	CV ³	ped cab
BK5B5P	47292554	220	50	80	S	S&IOABC	CV ³	ped cab
BK5B5R	82398034	220	50	80	S	S&IOABC	CZ	ped cab
BK5B5S	47292563	220	50	80	S	60-pin ¹	C	ped cab

Table Continued on Next Page

CONFIGURATION CHART (Contd)

EQUIP	TLA	POWER		DATA CAP (MB)	CH	A CABLE CONFIG	CLR ⁴ CODE	CAB MTG STYLE
		V	HZ					
BK5B5T	47292572	100	60	80	S	S&IOBC	AK	ped cab
BK5B5U	47292571	100	50	80	S	S&IOBC	AK	ped cab
BK5B5W	47292581	220	50	80	S	60-pin	C	ped cab
BK5B5Y	47292591	120	60	80	S	60-pin ¹	CD	ped cab
BK5B5Z	47292592	220/ 240	50	80	S	60-pin ¹	CD	ped cab
BK5B6A	47173036	120	60	80	D	S&IOBC	H	ped cab
BK5B6B	47173037	220/ 240	50	80	D	S&IOBC	H	ped cab
BK5B6C	47173038	120	60	80	S	S&IOBC	H	ped cab
BK5B6D	47173039	220/ 240	50	80	S	S&IOBC	H	ped cab
BK5B7A	47173040	120	60	80	D	50-pin	C	ped cab
BK5B7B	47173041	220/ 240	50	80	D	50-pin	C	ped cab
BK5B7C	47173042	120	60	80	S	50-pin	C	ped cab
BK5B7D	47173043	220/ 240	50	80	S	50-pin	C	ped cab
BK5B8C	47173046	120	60	80	S	S&IOBC	K	ped cab
BK5B8D	47173047	220/ 240	50	80	S	S&IOBC	K	ped cab
BK5B9A	47173010	120	60	80	S	60-pin	L	ped cab
BK5B9B	47173011	220/ 240	50	80	S	60-pin	L	ped cab
BK5B9C	47173012	120	60	80	S	60-pin	M	acst cab
BK5B9D	47173013	220/ 240	50	80	S	60-pin	M	acst cab
BK5B9E	47173014	120	60	80	S	60-pin	N	acst drw
BK5B9F	47173015	220/ 240	50	80	S	60-pin	R	acst drw
BK5B9G	82398008	100	60	80	S	60-pin	C	ped cab
BK5B9H	82398009	100	50	80	S	60-pin	C	ped cab
BK5B9J	47173070	120	60	80	S	60-pin	S	acst cab
BK5B9K	47173071	220/ 240	50	80	S	60-pin	Z	acst cab
BK5B9L	47173072	120	60	80	S	60-pin	T	acst drw
BK5B9M	47173073	220/ 240	50	80	S	60-pin	U	acst drw

Table Continued on Next Page

CONFIGURATION CHART (Contd)

EQUIP	TLA	POWER		DATA CAP (MB)	CH	A CABLE CONFIG	CLR ⁴ CODE	CAB MTG STYLE
		V	HZ					
BK5B9N	82398006	120	60	80	S	60-pin	CG	ped cab
BK5B9P	82398036	120	60	80	S	S&IOAC	DF	ped cab
BK5B9R	82398019	120	60	80	S	S&IOABC	CL	ped cab
BK5B9S	82398020	220	50	80	S	S&IOABC	CL	ped cab
BK5B9T	82398017	120	60	80	S	S&IOABC	CM	ped cab
BK5B9U	82398018	220	50	80	S	S&IOABC	CM	ped cab
BK5B9V	82398021	120	60	80	S	S&IOABC	CS	ped cab
BK5B9W	82398022	220	50	80	S	S&IOABC	CS	ped cab
BK5B9Y	82398024	120	60	80	S	S&IOABC	CU	ped cab
BK5B9Z	82398025	220	50	80	S	S&IOABC	CU	ped cab
BK5C1E	47173092	120	60	80	S	60-pin	-	basic
BK5C1F	47173093	220/ 240	50	80	S	60-pin	-	basic
BK5C1G	47292535	120	60	80	S	60-pin	-	basic
BK5C1H	47292599	220	50	80	S	60-pin	CF	Nude
BK5C1J	47292585	100	50	80	S	60-pin	-	basic
BK5C1K	47292586	100	60	80	S	60-pin	-	basic
BK5C2A	47173050	120	60	80	S	60-pin	P	nude
BK5C2B	47173051	220/ 240	50	80	S	60-pin	P	nude
BK5C3A	47292511	120	60	80	S	60-pin ¹	AM	desk
BK5C3B	47292512	220/ 240	50	80	S	60-pin ¹	AM	desk
BK5C4A	47292559	120	60	80	S	S&IOBC	BE	acst cab
BK5C4B	47292560	220	50	80	S	S&IOBC	BF	acst cab
BK5C4C	47292567	120	60	80	S	S&IOABC	BH	acst cab
BK5C4D	47292568	220	50	80	S	S&IOABC	BJ	acst cab
BK5C4E	47292569	120	60	80	S	60-pin	BM	acst cab
BK5C4F	47292570	220	50	80	S	60-pin	BN	acst cab
BK5C4G	47292576	120	60	80	S	60-pin	BH ³	acst cab
BK5C4H	47292577	220	50	80	S	60-pin	BJ ³	acst cab
BK5C4K	47292578	220	50	80	S	60-pin	BR	acst cab
BK5C4M	47292580	220	50	80	S	60-pin	BV	acst cab
BK5C4N	82398037	220	50	80	S	S&IOABC	DC	acst cab
BK5C4P	47292582	220	50	80	S	60-pin	BW	acst cab
BK5C4R	47292583	120	60	80	S	S&IOBC	BX	acst cab
BK5C4S	47292584	220	50	80	S	S&IOABC	BY	acst cab

Table Continued on Next Page

CONFIGURATION CHART (Contd)

EQUIP	TLA	POWER		DATA CAP (MB)	CH	A CABLE CONFIG	CLR ⁴ CODE	CAB MTG STYLE
		V	HZ					
BK5C4T	82398044	220	50	80	S	S&IOABC	DJ	acst cab
BK5C4U	82398002	220	50	80	S	S&IOABC	CK ³	acst cab
BK5C4W	82398007	120	60	80	S	60-pin	CH	acst cab
BK5C4Y	82398010	100	60	80	S	60-pin	F	acst cab
BK5C4Z	82398011	100	50	80	S	60-pin	G	acst cab
BK5C5A	47292595	120	60	80	S	60-pin ¹	CC	acst drw
BK5C5B	47292596	220	50	80	S	60-pin	CC	acst drw
BK5C5D	82398003	220	50	80	S	S&IOABC	CJ ³	acst drw
BK5C5F	82398043	220	50	80	S	S&IOABC	DK	acst drw
BK5C6A	82398012	120	60	80	S	S&IOABC	CN	acst cab
BK5C6B	82398013	220	50	80	S	S&IOABC	CP	acst cab
BK5C6C	82398016	120	60	80	S	S&IOABC	CR	acst cab
⁵ BK5C6D	81528302	220	50	80	S	S&IOABC	DN	acst cab
BK5C6E	82398038	220	50	80	S	S&IOABC	DD	acst drw
BK5C7A	82398039	120	60	80	S	S&IOAC	DE	ped cab
BK5C7B	82398040	220	50	80	S	S&IOAC	DB	ped cab
BK5C7C	82398047	120	60	80	S	S&IOAC	DM	acst cab
BK5C7D	82398048	220	50	80	S	S&IOAC	DM	acst cab

¹ Units built after S/C 34 have Index and Sector on A and B Cables.

² Units built after S/C 24 have Pack Interlocks.

³ Units have Special Supplement.

⁴ SEE TABLE 3-1 COLOR CODE CHART in HM, Vol 1

⁵ VDE Unit

ABBREVIATIONS

ABR	Absolute Reserve	FIG	Figure
ABV	Above	FLT	Fault
ADDR	Address	FREQ	Frequency
ADRS	Address	FTU	Field Test Unit
AGC	Automatic Gain Control	FWD	Forward
AM	Address Mark	GND	Ground
AMPL	Amplifier	HD	Head
BLK	Black	I/O	Input-Output
BLW	Below	INTLK	Interlock
CAR	Cylinder Address Register	LD	Load
CH	Channel	MAINT	Maintenance
CHAN	Channel	MAX	Maximum
CNTLGL	Centrifugal	MB	Megabyte
CNTR	Counter	MFM	Modified Frequency Modulation
COMP	Compensation	MK	Mark
CONFIG	Configuration	MUTL	Multiple
CONT	Continued	NC	No Connection
CR REF	Cross Reference	NFR	Not Field Replaceable
CYL	Cylinder	NEG	Negative
D/A	Digital To Analog	NO	Number
DCCR	Decoder	NOM	Nominal
DIFF	Difference	NORM	Normal
DLY	Delay	NRM	Normal
DRVR	Driver	NRZ	Nonreturn To Zero
DSBL	Disable	PC PT	Piece Part
ECL	Emitter Coupled Logic	PLO	Phase Lock Oscillator
ECO	Engineering Change Order	PN	Part Number
EMER	Emergency	POS	Positive
EN	Enable	PWR	Power
EOT	End Of Travel	RCVRS	Receivers
EQUIP	Equipment	RD	Read
EQUIV	Equivalent	RDY	Ready
FCO	Field Change Order	REC	Receiver
FF	Flip Flop	REF	Reference
		REG	Register

ABBREVIATIONS (Contd)

REV	Reverse	TBS	To Be Supplied
RGTR	Register	TLA	Top Level Assembly
RTM	Reserve Timer	TP	Test Point
RTZ	Return To Zero	TRK	Track
S&IOABC	Sector and Index On A & B Cable	TTL	Transistor Transistor Logic
S&IOBC	Sector and Index On B Cable	UNREG	Unregulated
S/C	Series Code	VCO	Voltage Controlled Oscillataor
SEC	Second	W+R	Write Or Read
SEL	Select	W·R	Write and Read
SEQ	Sequence	W/	With
SER	Servo	W/O	Without
SH	Sheet	WRT	Write
SOL	Solenoid	WT	White
SR	Servo	XDUCER	Transducer
SW	Switch	XMTR	Transmitter
T	Track		

SECTION 1

DIAGRAMS

DIAGRAMS

INTRODUCTION

Section 1 is divided into three discussions: diagram conventions, physical descriptions, and diagrams. The discussion on diagram conventions describes the elements included in the logic, and how to use the logic. The discussion on physical description identifies the functional elements on the drive, and references them to the appropriate diagrams. The logic diagrams show how the drive functions.

DIAGRAM CONVENTIONS

The conventions used in the logic diagrams are:

- Symbology
- Abbreviations
- Logic Levels
- Signal Names

- Intersheet References
- Diagram Cover Sheets

An explanation of each of the above is included in the following paragraphs.

SYMBOLOLOGY

The diagrams contain standard schematic symbology and logic symbology. Logic symbology, as identified in this manual, refers to integrated circuits and discrete circuits. Typically, all logic symbols contain two or three lines of information (see figure 1-1). All logic symbols have a qualifying symbol and an element identifier. Only integrated circuits have a physical location symbol.

QUALIFYING SYMBOL

The first line of any logic symbol will contain a qualifying symbol. The qualifying

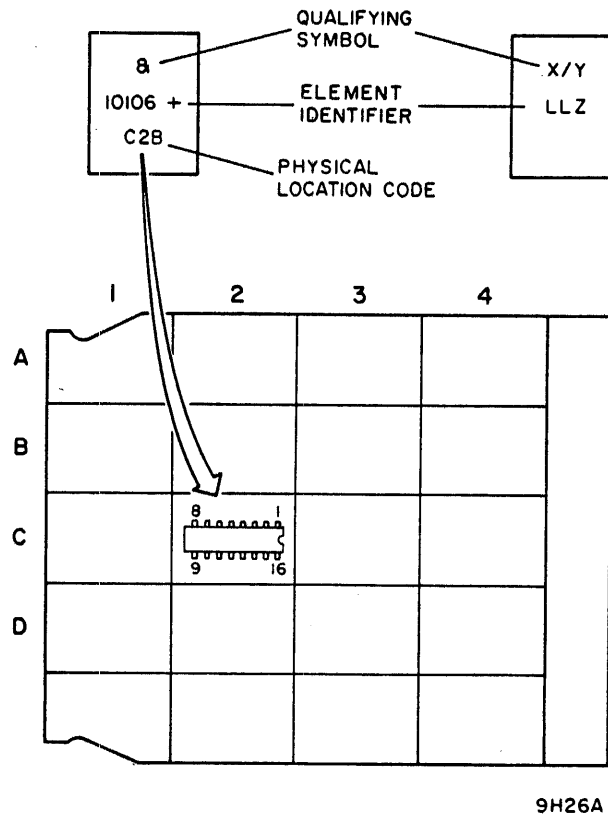


Figure 1-1. Electronic Component Assembly Layout

symbol determines the function of the circuit. Refer to Key To Logic in the reference manual for a detailed list, and explanation of the qualifying symbols used in the diagrams.

Element Identifier

The second line of any logic symbol contains the element identifier. The element Identifier defines the type of circuit involved. Integrated circuits are identified by a series of numbers (example: 175). This series of numbers may have a letter or series of letters following (example: 175H). A detailed description of all integrated circuits used can be found in the microcircuits manual. Discrete circuits are identified by three letters in a series (example: LZJ). Refer to the reference manual for a detailed explanation of particular discrete circuits.

Physical Location Code

The third line, which pertains only to integrated circuits, contains the physical location code. The physical location code is in the form of either a two digit code or a three digit code. The first two digits indicate the location of the chip in relation to its position on the card. The location of the chip can be found as follows: with the component side of the card up and the card connector to the right, form an imaginary grid on the card. Divide the card into five equal rows (using horizontal lines), and four equal columns (using vertical lines). Label the five rows A through E on the left hand side of the card, and number the columns 1 through 4 on the top of the card. To find a chip location, intersect the rows and the columns. For example, to find A1 on a card, locate the imaginary row on the left side of the card, and go across to the right on the card until row A intersects with column 1. Chip A1 is at the point of intersection. If one additional character exists (example: A1B), that character represents the section of the chip used. The B on the end of the example given represents section B of the chip at location A1. To find out where section B is on the chip, refer to the chip description in the microcircuits manual.

ABBREVIATIONS

Abbreviations are used in the logic diagrams when it is impractical or impossible to use complete nomenclature on logic diagrams. Standard abbreviations from ANSI Y1.1 were used when possible. Refer to the list of abbreviations included in the front matter for definitions of all abbreviations used in the manual.

LOGIC LEVELS

Two types of logic are used in the drives covered by this manual: TTL logic, and ECL logic. Logic voltage levels for both types are given in the table 1-1. Different circuit configurations, temperatures, and so on may result in legitimate readings that fall outside of the typical range. Such readings, however, should be suspect only in the event of trouble.

SIGNAL NAMES

All input-output signals are labeled to reflect their particular function. If an output signal has no connection, and therefore no function, it will be labeled "NC" to indicate no connection. The polarity of a signal is identified by a plus or minus sign before the signal name. A plus sign before a signal name indicates that the signal is active when the logic level is high, or in a logical 1's state. A minus sign before a signal name indicates that the signal is active when the logic level is low, or in a logical 0's state. Refer to the discussion on logic levels.

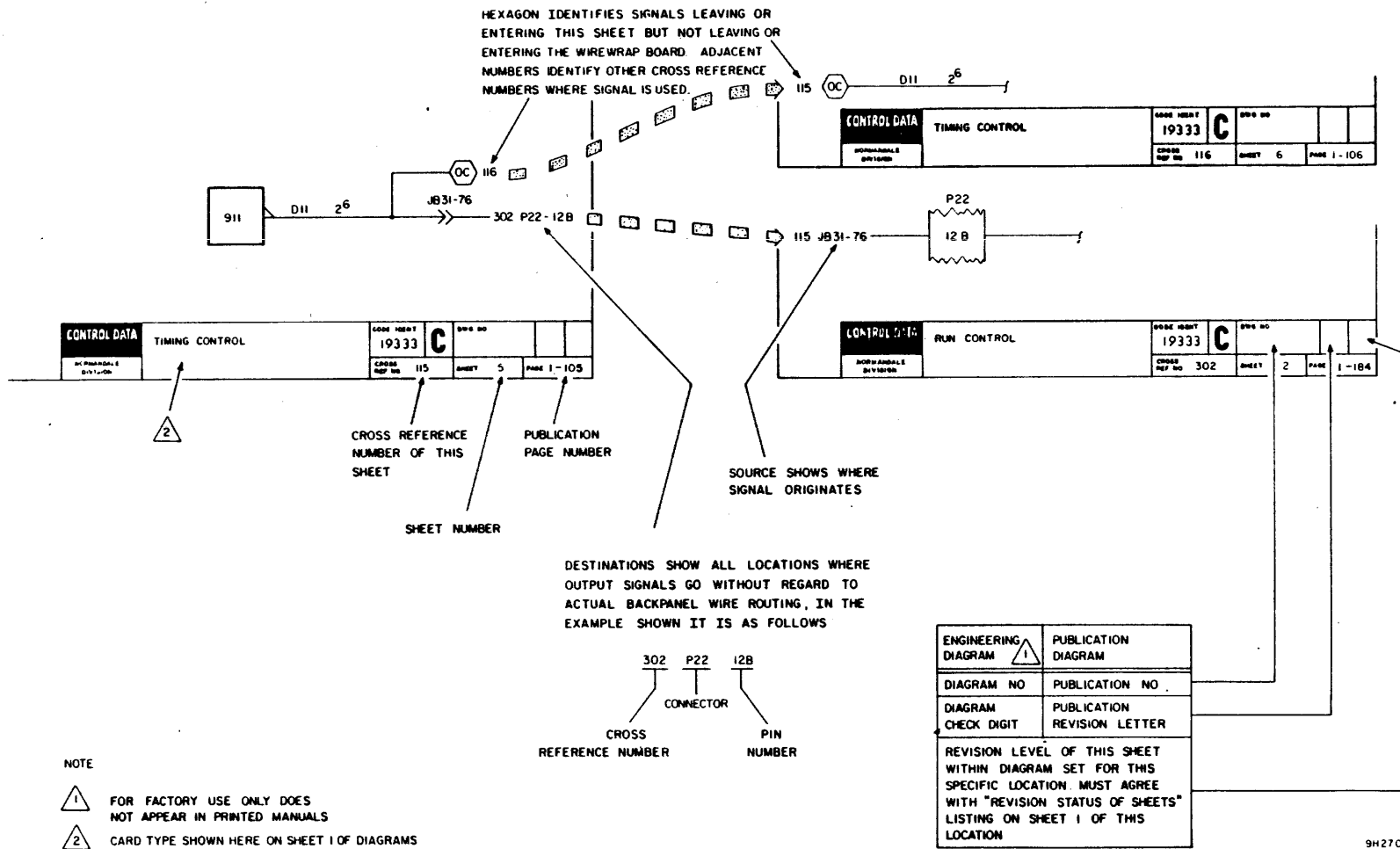
INTERSHEET REFERENCES

There are 34 sets of logic in the diagrams. The key to understanding how each set relates to another is in identifying three basic components. Each set contains cross-reference numbers, physical location codes, and pin numbers (see figure 1-2). The cross-reference number is a three digit, two part number. The first part (first two digits) indicates which set is being referenced. The second part (third digit) indicates which page of the set is being referenced. For example, in reference number 131, the first two digits indicate that set 13 is

TABLE 1-1. LOGIC VOLTAGE LEVELS

Logical State	Nominal Voltage	Typical Range
TTL "1"	+3 V	+2.5 V to +4.0 V *
TTL "0"	0 V	0 V to +0.9 V
ECL "1"	-0.9 V	-0.61 V to -0.97 V
ECL "0"	-1.8 V	-1.52 V to -2.38 V

* Measuring a TTL open collector voltage may result in a reading that is close to the actual power supply voltage.



9H27C

Figure 1-2. Intersheet Referencing

being referenced. The third digit indicates that page 1 of set 13 is being referenced. Since the logic is used with more than one drive configuration (example: 50 pin or 60 pin I/O), it is possible to have identical cross-reference numbers on two or more logic sets. In cases where a reference number is used on more than one logic set, each sheet of each applicable logic set will be labeled with the appropriate drive configuration. Cross-reference numbers are also used within the logic, so that logic can be traced from one logic set to another. A cross-reference number on the output of a logic signal indicates that the logical sequence continues in the logic set identified by the cross-reference number. Typically, other identifying information, such as the physical location code, or the pin number will follow the cross-reference number on the logic. A cross-reference number on the input of a signal indicates the origin of the signal. Where a logic signal does not leave the logic, but is continued on some other sheet of the same set, the cross-reference number of the destination sheet will be shown. In such cases, the cross-reference number will be preceded by a hexagon. The hexagon will be identified with a letter to indicate a specific location on the destination sheet. Where a logical sequence cannot be shown in series and it does not leave the logic sheet, "line of sight" arrows are used to indicate the origin and destination of the sequence. The end of a logical sequence will be shown with a line of sight arrow pointing away from a small circle identified with a letter. A second circle, identified with the same letter, will have a line of sight arrow pointing in the same direction as the first. The second arrow indicates where the logical sequence continues.

The physical location code is an alphanumeric code, such as A2A05, that identifies the relationship between the logic sets and their location on the drive. All physical location codes are represented in the logic. However, several miscellaneous codes that do not warrant their own logic set are shown in a related logic set. For example, A3L2 (shown on cross-reference sheet 072) is not shown in the A3 logic set. A3L2 is shown with A2 logic, since A2 is more closely related. Refer to the table and figure on physical location codes to locate particular physical location codes.

The pin numbers used in the logic are for identifying logic signals at their respective input-output locations. Pin numbers are identified by a three character number, such as 14A. The tagging information on all input-output signals should reflect a reference number, a physical location code, and a pin number, respectively.

Logic set 34X contains the cabling information for all inter-chassis logic signals on logic sets 01X through 33X. Inter-chassis connections are designated by a small square identified with a location code, such as A3. An inter-chassis designator used at the output of a logic signal indicates that the signal leaves the assembly shown, and continues on the assembly indicated by the indicator. An inter-chassis designator at the input of the logic signal indicates that the signal originated on the assembly shown by the designator. When it becomes necessary to view the cabling in its entirety, refer to logic set 34X. Logic set 34X shows only the various cables and connectors as used in the drive. All logic chassis backpanel wiring is shown in the wirelist.

DIAGRAM COVER SHEETS

The diagram cover sheet is the first sheet of a logic set. Power and ground connections, revision status, card type information, and a list of unused circuit elements are found on the cover sheet. Power enters the drive from the Drive Power Plug (P1 on reference sheet 302), is rectified (refer to reference sheets 31X, 32X, and 33X), and then distributed to the backpanel fastons. The backpanel then distributes power to the logic cards. The cover sheets show which pins receive that power. All power connections show the point of origin for the power source except those that are most common. The most common power connections are:

- -20V faston, which feeds pin 2B on cards A01-A09
- +20V faston, which feeds pin 33B on cards A01-A09
- -5V faston, which feeds pin 1B on all cards
- +5V faston, which feeds pin 34B on all cards
- GND faston, which feeds pins 1A and 34A on all cards

The revision of each logic sheet within the logic set is shown in the upper left-hand corner of the cover sheet. The upper right-hand corner of the sheet contains a record of the changes made to the logic set. The latest revision letter shown in the revision record should always match the letter of the cover sheet.

The cover sheet also shows the card type which appears in the title block below the card name. Refer to figure 1-2 for an explanation of all pertinent information shown in the title block.

PHYSICAL DESCRIPTION

The physical arrangement of the drive is described on figures 1-3 through 1-5, and table 1-2. Figure 1-3 separates the drive into three sections. Each section and its assemblies and components have been assigned a physical location code. All physical location codes shown on figure 1-3 are listed in

table 1-2. Table 1-2 identifies the physical location code by title, and refers to the logic set in which the code is shown. The drive backpanel is shown on figure 1-4. The view shown is the wired side of the backpanel. The relative position of the backpanel, and all other card assemblies in the drive, is shown on the chassis (see figure 1-5).

TABLE 1-2. PHYSICAL LOCATION CODES

PHYSICAL LOCATION CODE	TITLE	CROSS REFERENCE NUMBERS
A1	Base Assembly (AC Power System)	302
A1A01	Plus and Minus 42V Supply and Emergency Retract	31X
A1A02	Plus and Minus, Plus and Minus 12V Supplies	32X
A1A03	Plus and Minus 5V Supply	33X
A1BM1	Blower Motor	302
A1C1	Servo Capacitor (+)	312
A1C2	Servo Capacitor (-)	312
A1C5	Blower Motor Start Capacitor	302
A1C8	Transformer Tuning Capacitor	302
A1CB1	AC Power Circuit Breaker	302
A1CB2	Power Supply Circuit Breaker	302
A1FL1	Line Filter	302
A1K1	Run Triac	302
A1K2	Emergency Retract Relay	312
A1M1	Elapsed Time Meter	302
A1S4	Deck Interlock Switch	302
A1T1	AC Power Transformer	302
A1TB1	Terminal Board	302
A1TB2	Terminal Board (50 Hz S/C 31 & abv) (60 Hz S/C 34 & abv)	302
A1J1A	Power Supply Connector	31X-33X
A1J1B	Power Supply Connector	31X-33X
A1J100	Power Supply Connector	31X-33X
A1J400	Fan Connector (Acoustic Top Mount Only)	302
A1P1	AC Power Connector	302
A2	Logic Chassis	--

Table continued on next page

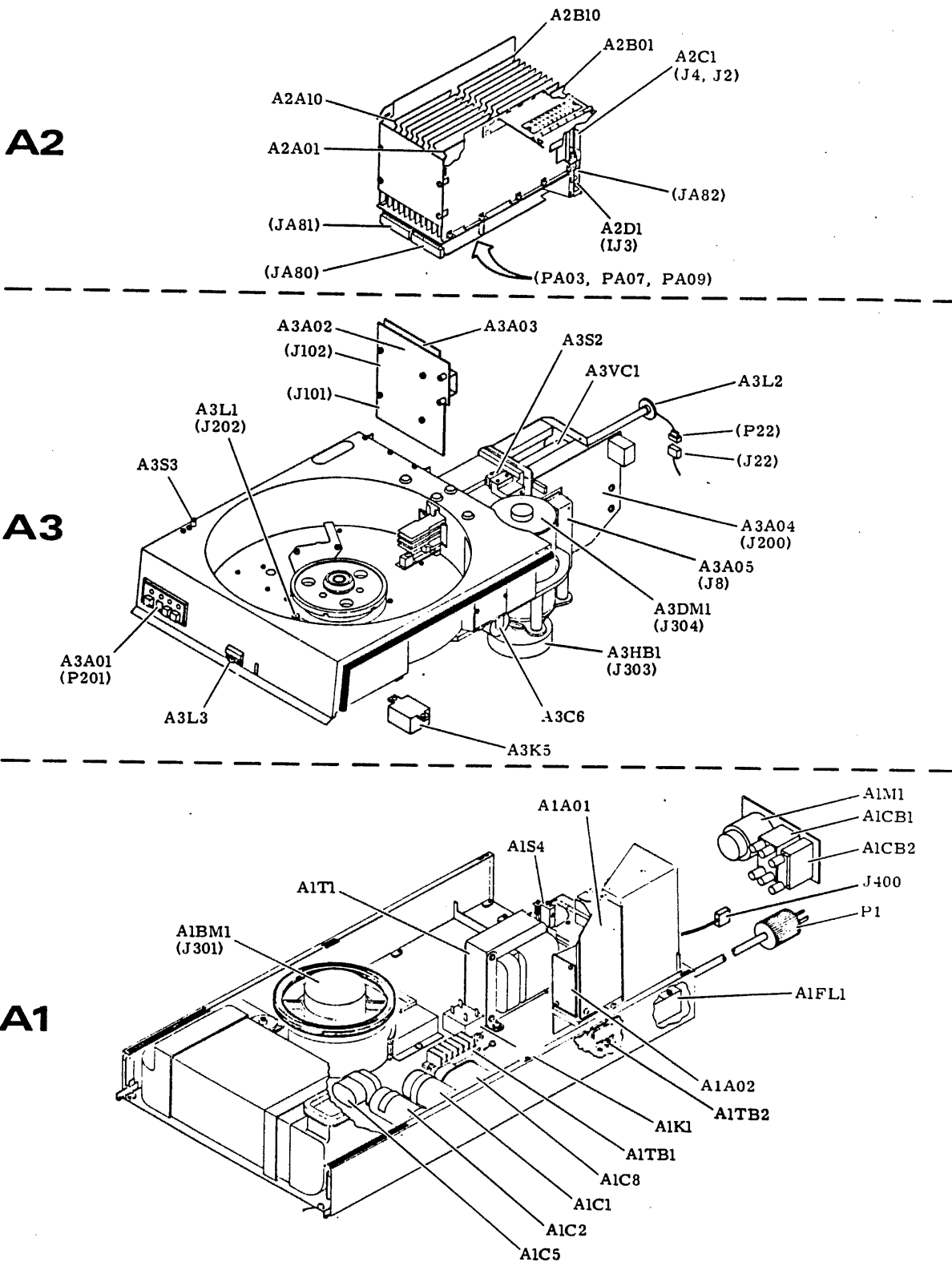
TABLE 1-2. PHYSICAL LOCATION CODES (Contd)

PHYSICAL LOCATION CODE	TITLE	CROSS REFERENCE NUMBERS
A2A01	Write Clock (806 KHZ)	01X
A2A02	FTU/Head Alignment Card Slot	02X
A2A03	Fine Servo Decoder	03X
A2A04	Fault Card	04X
A2A05	Data Latch	05X
A2A06	Read PLO	06X
A2A07	D/A Function Generator	07X
A2A08	Access Control NO 2	08X
A2A09	Switching Mode Enable	09X
A2A10	Interlocks and Speed Controls	10X
A2B01	Channel I Transmitters and Receivers Head Address Register	11X
A2B02	Channel I Receivers	12X
A2B03	Channel II Transmitters and Receivers	13X
A2B04	Channel II Receivers	14X
A2B05	Dual Channel Steering	15X
A2B06	Difference Generator and Controls	16X
A2B07	NRZ to Compensated MFM	17X
A2B08	Access Control and Index/Sector Decode	18X
A2B09	Access Control NO 1	19X
A2B10	Dual Channel Interrupt and Channel I	20X
A2C1	Channel I Terminator	21X
A2C2	Channel II Terminator	22X
A2D1	Channel I I/O	23X
A2D2	Channel II I/O	24X
A3	Deck Assembly	--
A3A01	Control Panel	25X
A3A02	Head Select and Read Amplifier	26X
A3A03	Writer	27X

Table continued on next page

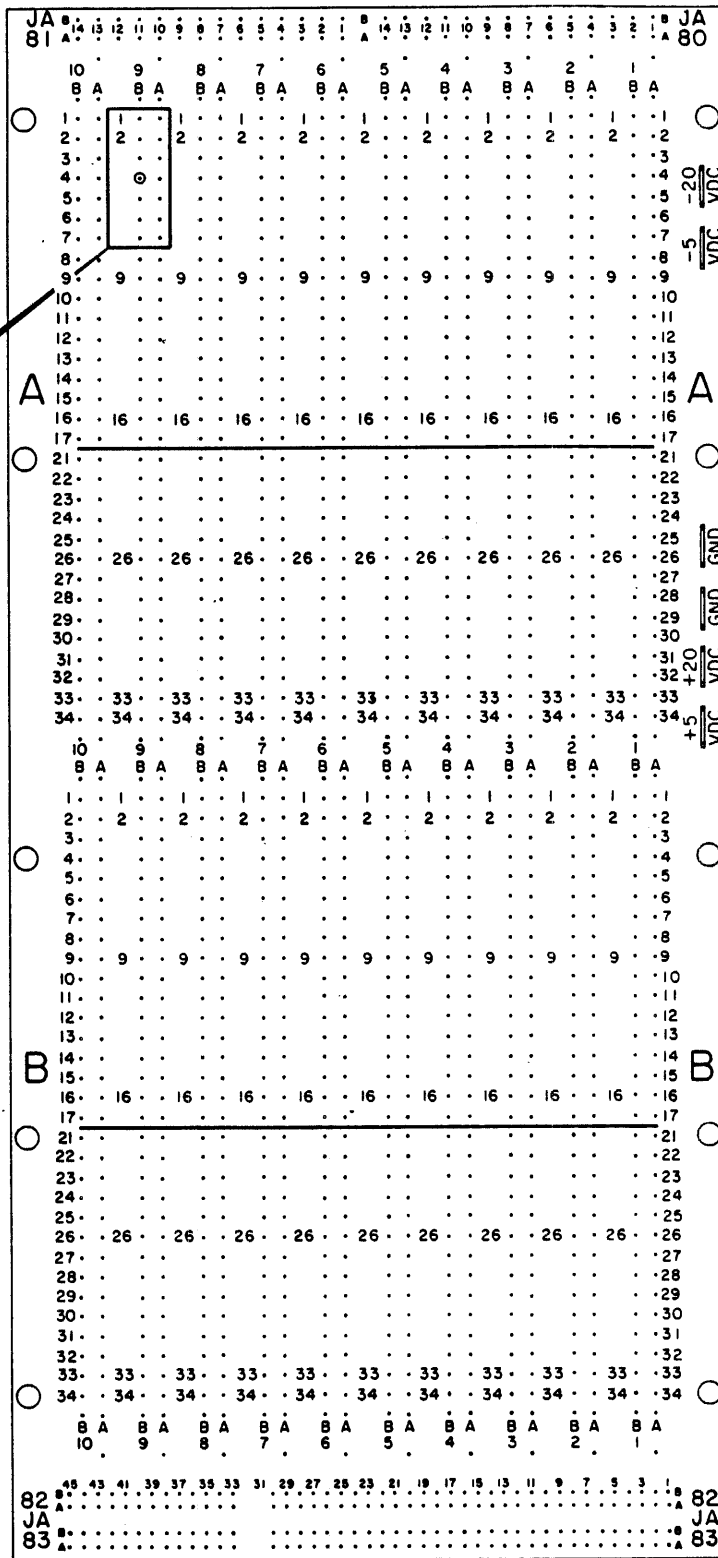
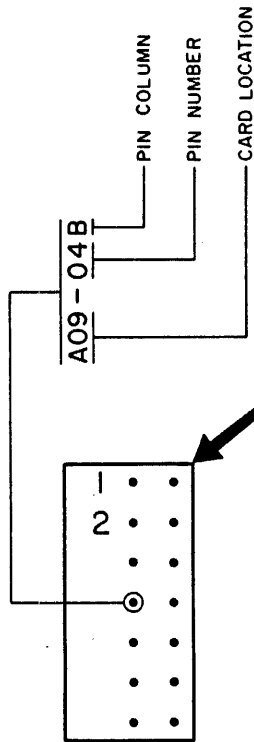
TABLE 1-2. PHYSICAL LOCATION CODES (Contd)

PHYSICAL LOCATION CODE	TITLE	CROSS REFERENCE NUMBERS
A3A04	Power Amplifier	28X
A3A05	Track Servo Preamplifier	29X
A3C6	Drive Motor Capacitor	302
A3DM1	Drive Motor	302
A3HB1	Hysteresis Brake	302
A3K5	Start Triac	302
A3L1	Speed Transducer	103
A3L2	Velocity Transducer	072
A3L3	Pack Cover Solenoid (Optional)	102
A3S2	Heads Loaded Switch	302
A3S3	Pack Cover Switch	252
A3VC1	Voice Coil	312



9H14E

Figure 1-3. Physical Location Codes



9H294
VIEWED FROM WIREWRAP SIDE

Figure 1-4. Backpanel Layout

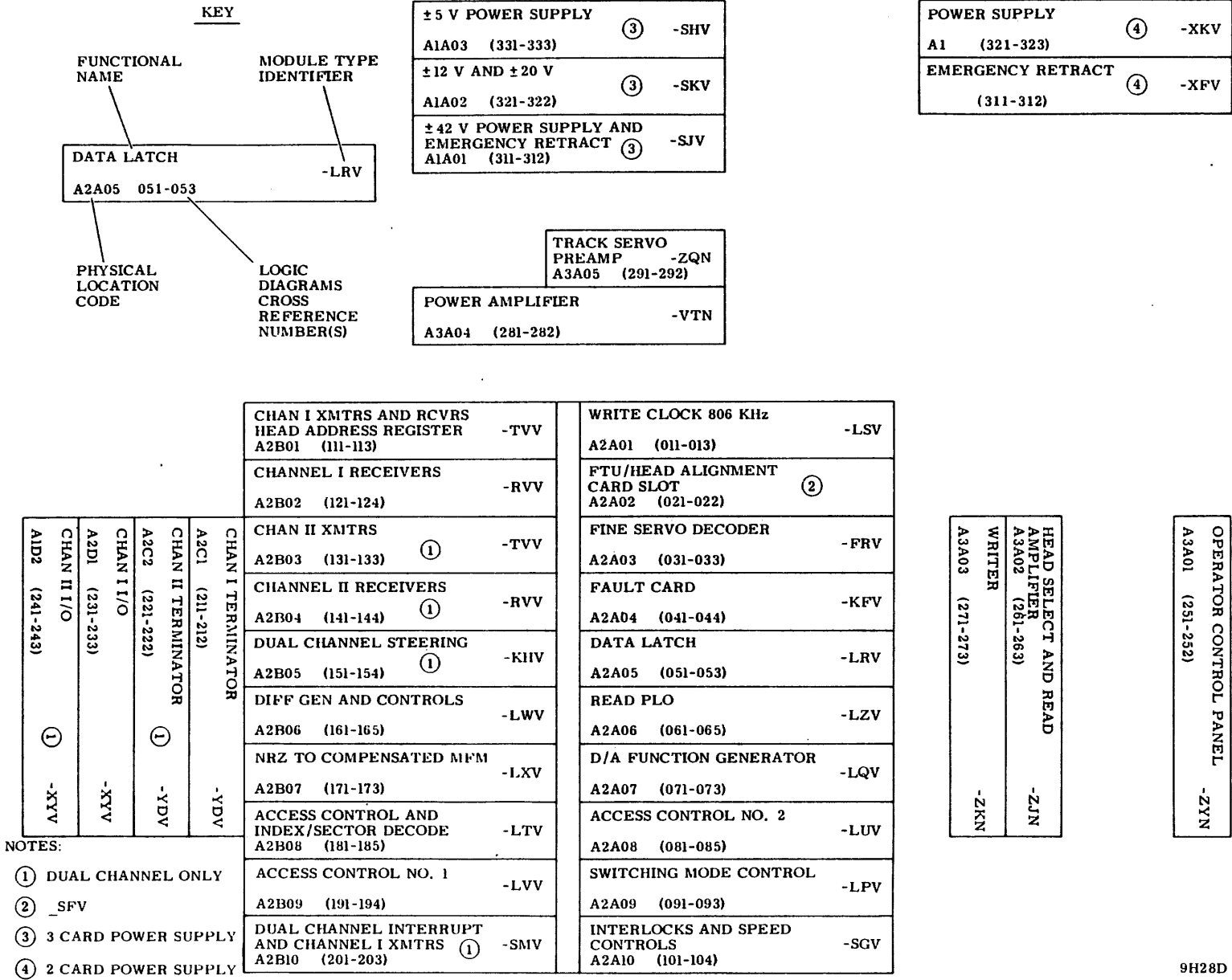


Figure 1-5. Chassis Map

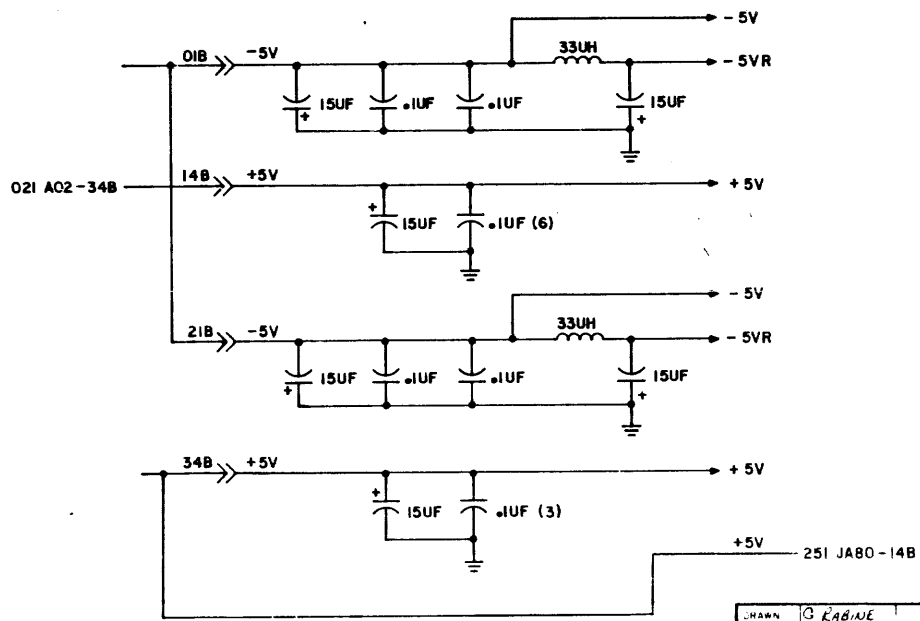
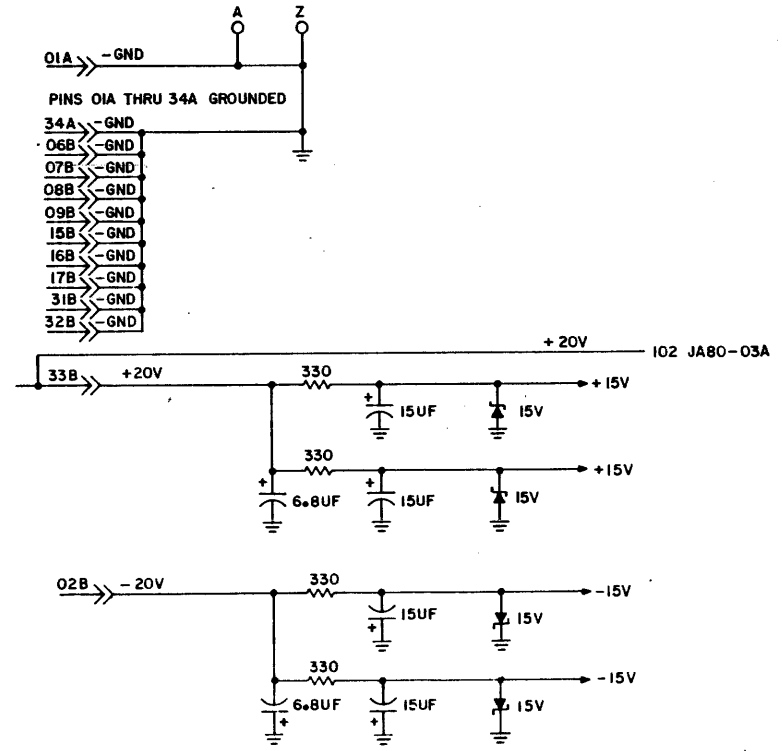
9H28D

LOGIC DIAGRAM SETS

REVISION STATUS OF SHEETS																				
	1	2	3	4	5	6	7	8	9	10	11	12	13	14	15	16	17	18	19	20
A	A	A																		
B	B	B																		
C	C	B																		
D	C	D																		
E	E	D																		
F	E	F																		
G	G	F																		

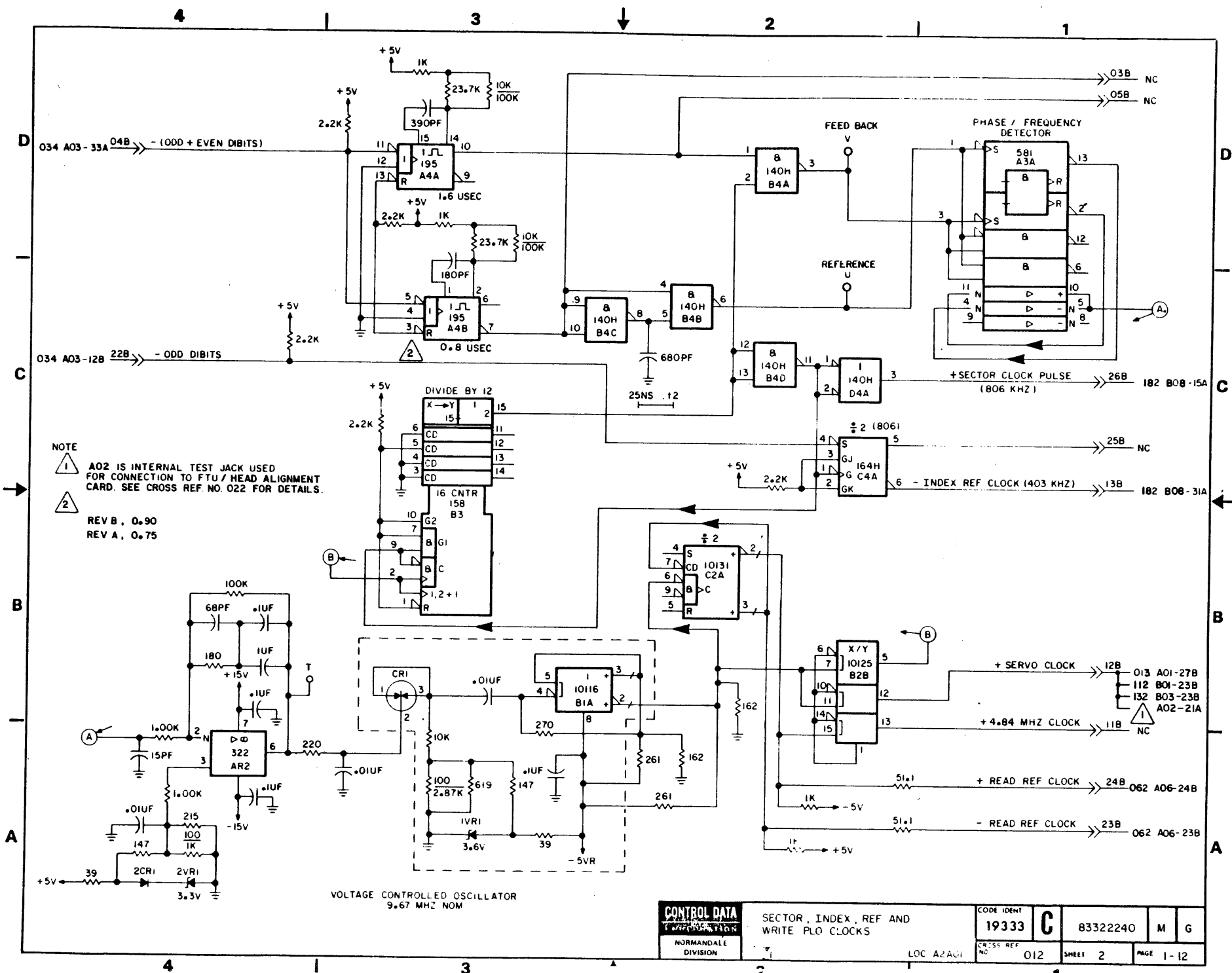
UNUSED LOGIC ELEMENTS		
TYPE	LOCATION	OUTPUT PIN (S)
10131	C2	14, 15
10131	D2	14, 15
10116	B1	6, 7, 14, 15
10116	D1	2, 3, 6, 7
10125	D3	4, 13
10125	B2	4
140H	D4	6

REVISIONS					
REV	ECO	DESCRIPTION	DRFT	DATE	CHK'D
A	PE239X	RE PHASED	MLA		
B	PE48402	CORRECT DIAGRAMS	WEB	12-16-76	
C	PE4846	IMPROVE TIMING MARGIN	GR	5-10-77	
D	PE48523	ERROR CORRECTION	GR	5-10-77	
E	PE48555	IMPROVE TIMING MARGIN	GR	5-10-77	
F	PE48675	IMPROVE CLSV CARD	DM	1-25-78	
G		LABEL TEST POINTS	A.A.O	6-14-78	



USED ON REV C AND BELOW

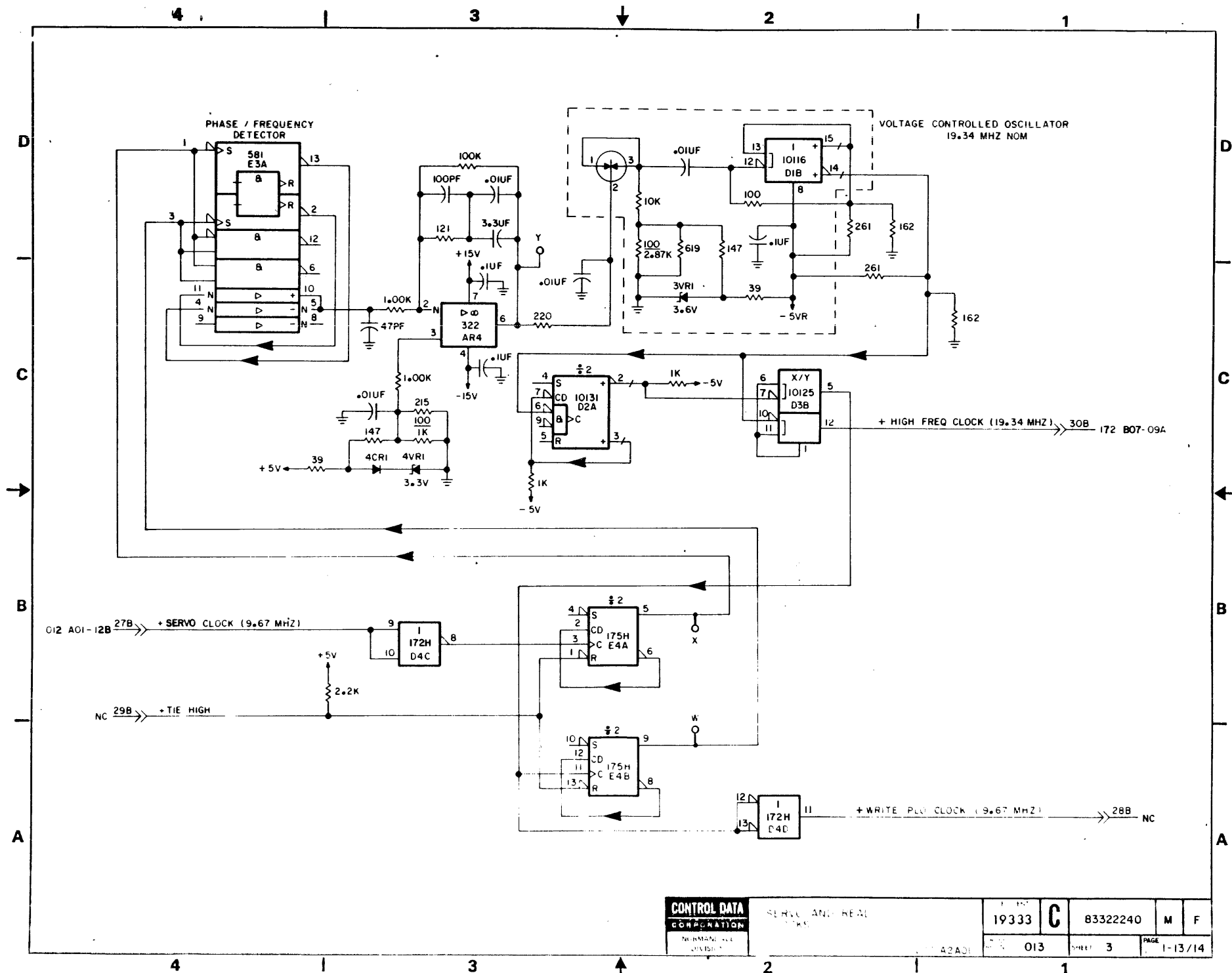
DRAWN	G. RABINE	CONTROL DATA CORPORATION	WRITE CLOCK 806 KHZ TO 9.67 MHZ DIAGRAMS	CODE IDENT	19333	C	83322240	M	G
CHECKED				DATE	011				
ENGINEER		NORRISDALE DIVISION	TYPE CLSV.						



NOTE
 1 AO2 IS INTERNAL TEST JACK USED FOR CONNECTION TO FTU / HEAD ALIGNMENT CARD. SEE CROSS REF NO. 022 FOR DETAILS.
 2
 REV B, 0.90
 REV A, 0.75

VOLTAGE CONTROLLED OSCILLATOR
 9.67 MHz NOM

CONTROL DATA CORPORATION NORMANVILLE DIVISION	SECTOR, INDEX, REF AND WRITE PLO CLOCKS	CODE IDENT 19333	C	83322240	M	G
	LOC A2A01	CROSS REF NO 012	SHEET 2	PAGE 1-12		



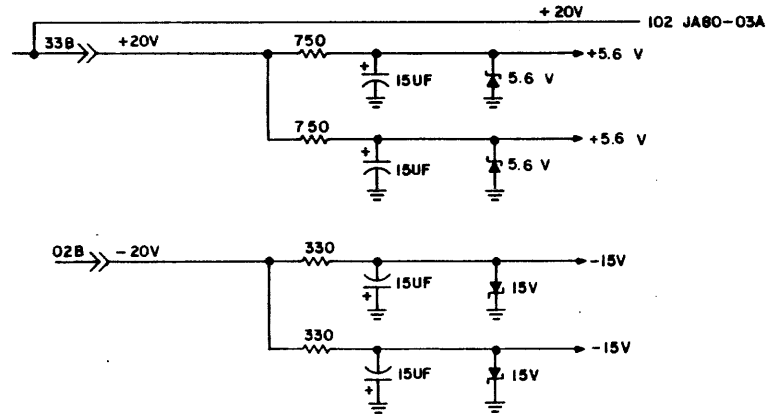
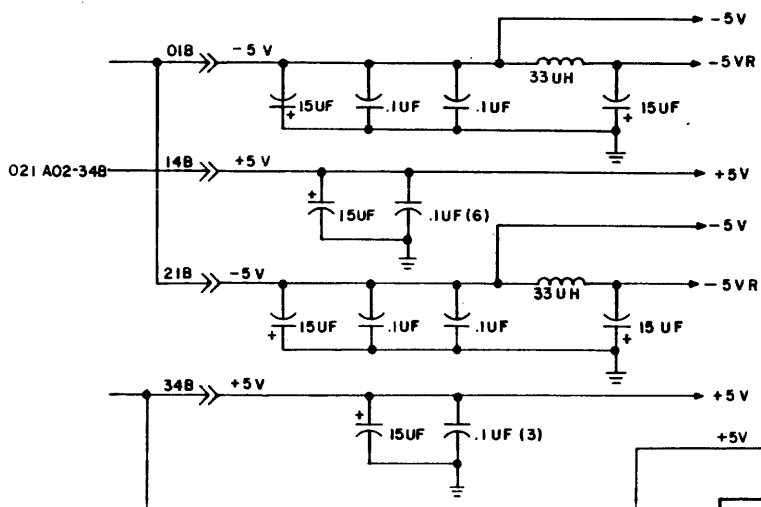
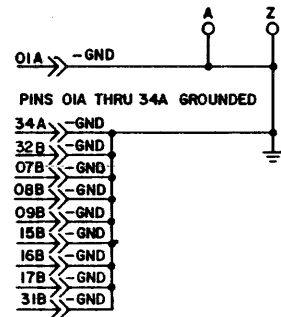
CONTROL DATA CORPORATION	SERVO AND REM CLOCK	PRINT	C	83322240	M	F
		19333				
NEWARK, N.J. 07102		013	SHEET	3	PAGE	1-13/14

REVISION STATUS OF SHEETS																				
	1	2	3	4	5	6	7	8	9	10	11	12	13	14	15	16	17	18	19	20
A	A	A																		
B	B	B																		
C	C	B																		
D	D	D																		
E	E	E																		
F	F	F																		
G	G	G																		
H	H	G																		
J	H	J																		
K	K	K																		
L	L	L																		
M	M	M																		
N	M	M																		
P	M	M																		
R	R	R																		
S	S	R																		
T	T	T																		
U	T	U																		
V	V	U																		
W	V	W																		

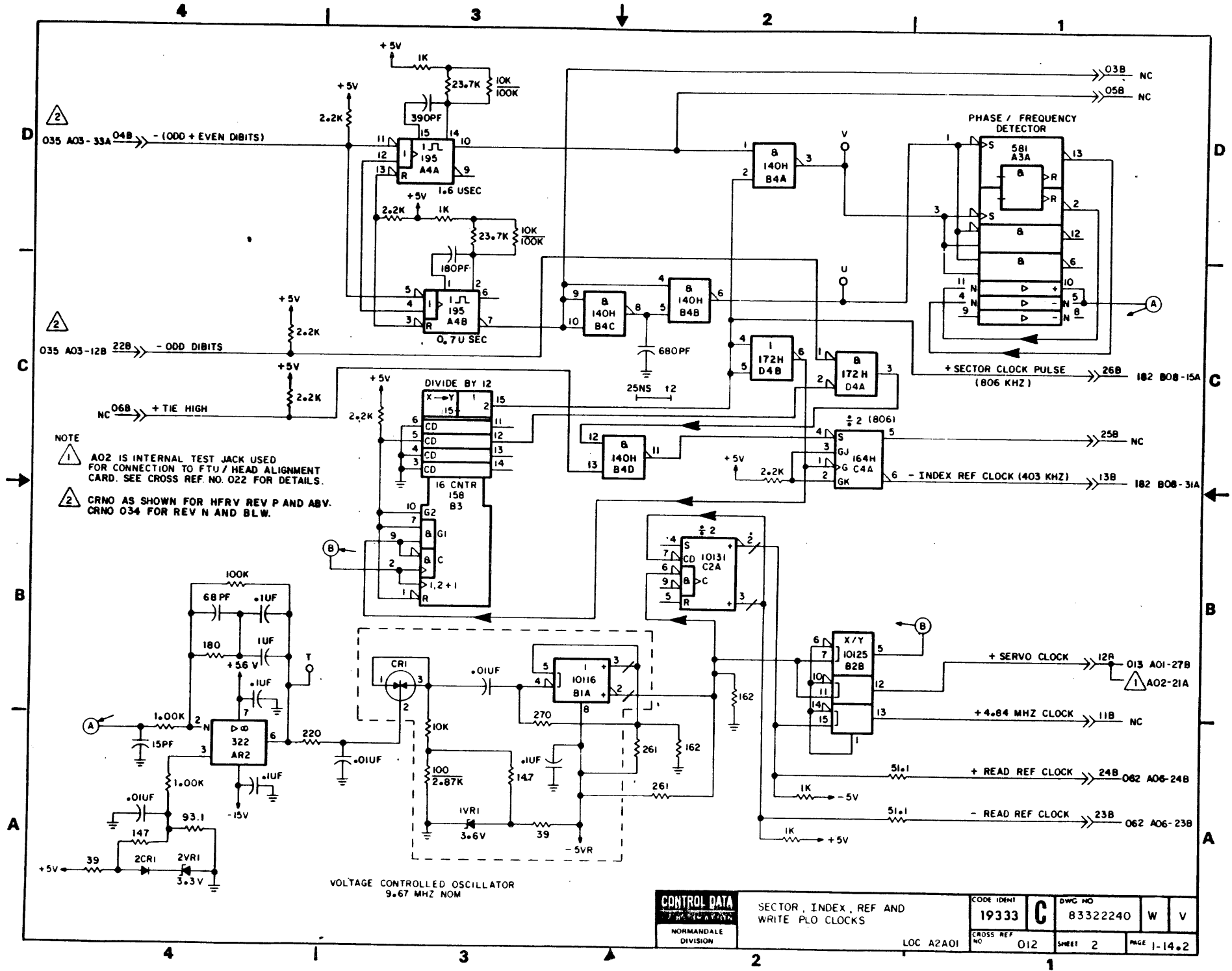
UNUSED LOGIC ELEMENTS

TYPE	LOCATION	OUTPUT PIN (S)
10131	C2	14,15
10131	D2	14,15
10116	B1	6,7,14,15
10116	D1	2,3,6,7
10125	D3	4,13
10125	B2	4

REVISIONS					
REV	ECO	DESCRIPTION	DRFT	DATE	CHK'D
A	PE4334	RE. EASEC	MLA	2-7-76	REV
B	PE48402	ERROR CORRECTIONS	VB	4-3-77	REV
C	PE48461	IMPROVE TIMING MARGIN	SB	2-28-77	REV
D	PE48523	ERROR CORRECTION	SB	4-6-77	REV
E	PE48555	MISSING IM	MA	4-9-77	REV
F	PE48650	CLSV CARD CHANGE	MA	7-6-77	REV
G	PE48675	ERROR CORRECTION	MA	7-7-77	REV
H	PE55185	CHANGE DELAY	MA	4-4-78	REV
J	PE55370	ERROR CORRECTION	A.A.O	8-10-78	REV
K	PE55754	IMPROVE BIAS RANGE	MA	4-10-79	REV
L	PE55724	OSC BIAS CMTS IMP	MA	4-12-79	REV
M	PE55885	RETURN CONFIG	TH	8-13-79	REV
N	PE57276	ADL WIRE INFO TO LOGIC	MF	11-4-80	REV
P	PE60081	DELETE CAPACITORS	MF	11-4-80	REV
R	PE60090	CHG RES AND DIODES	MF	11-4-80	REV
S	PE60290	REDESIGN HFRV	MF	11-4-80	REV
T	PE60332	CHG TEST RESISTORS	MJ	11-11-82	REV
U	DJ00067	ADD NOTE TO CIR	MJ	5-12-82	REV
V	DJ00201	PLO CLOCK ERROR	MJ	5-12-82	REV
W	DJ00213	CHG CLSV CTR	MJ	5-12-82	REV



DRAWN <i>G. RABINE</i> CHECKED ENGINEER <i>E. J. ...</i> APPROVED	CONTROL DATA WRITE CLOCK 806 KHZ TO 9.67 MHZ DIAGRAMS TYPE CLSV LOC 42A01	CODE IDENT 19333 DWG NO 83322240 SHEET 1 OF 3 PAGE 1-14-1	W W SMD 83214801
--	---	--	---------------------

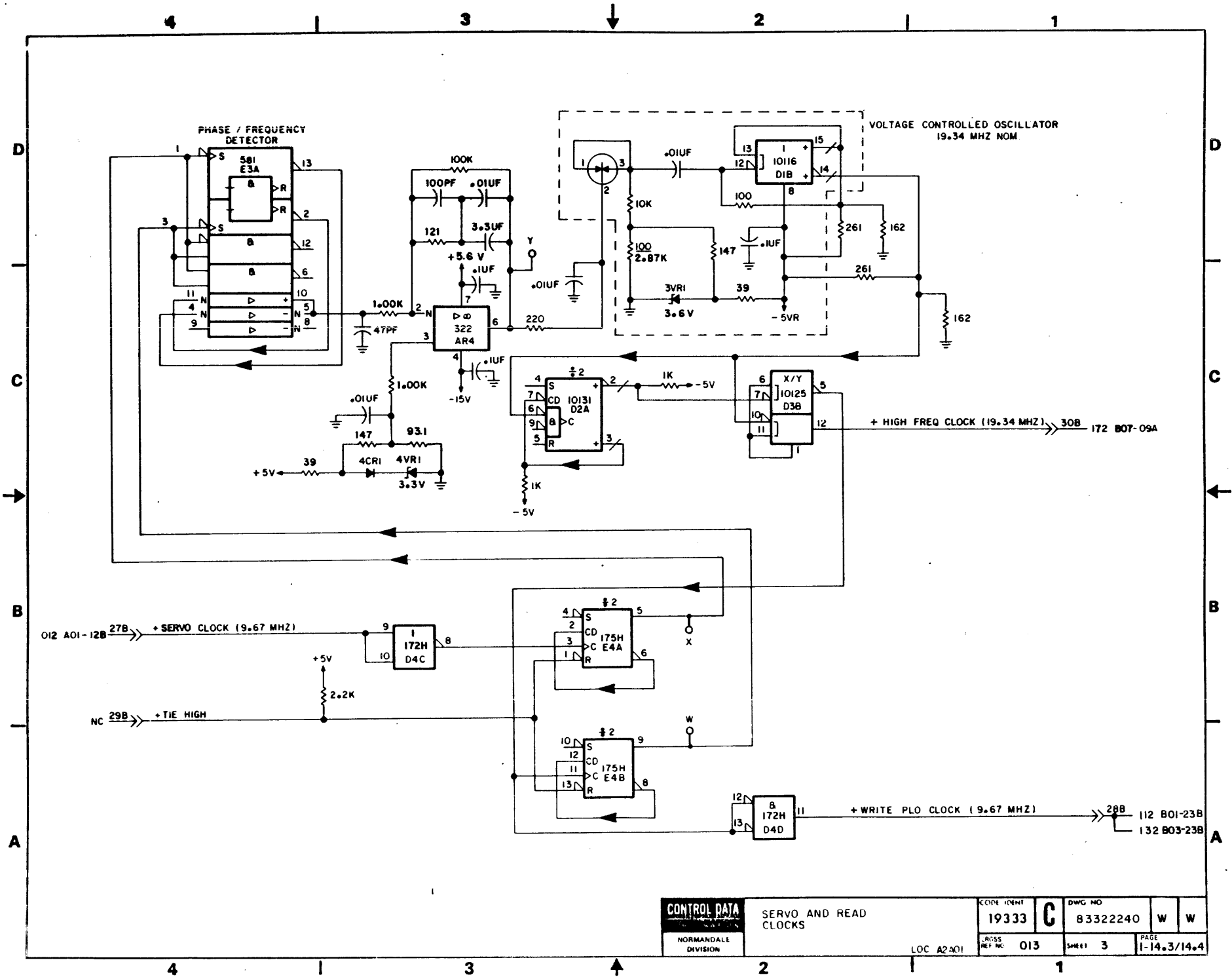


CONTROL DATA
NORMANDALE DIVISION

SECTOR, INDEX, REF AND WRITE PLO CLOCKS

CODE IDENT	DWG NO	W	V
19333	C 83322240		
CROSS REF NO	SHEET	PAGE	
012	2	1-14-2	

LOC A2A01



CONTROL DATA
NORMANDALE DIVISION

SERVO AND READ CLOCKS

CODE IDENT	19333	DWG NO	83322240	W	W
CROSS REF NO	013	SHEET	3	PAGE 1-14.3/14.4	

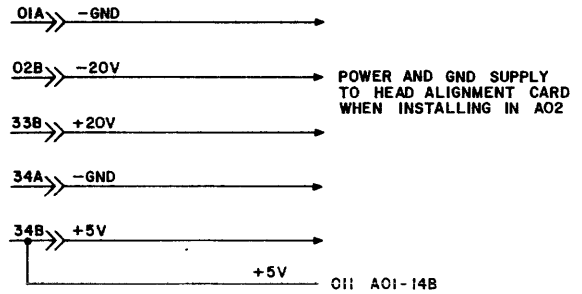
LOC A2A01

REVISION STATUS OF SHEETS

1	2	3	4	5	6	7	8	9	10	11	12	13	14	15	16	17	18	19	20	
A	A																			
B	B																			
C	C																			
D	D																			

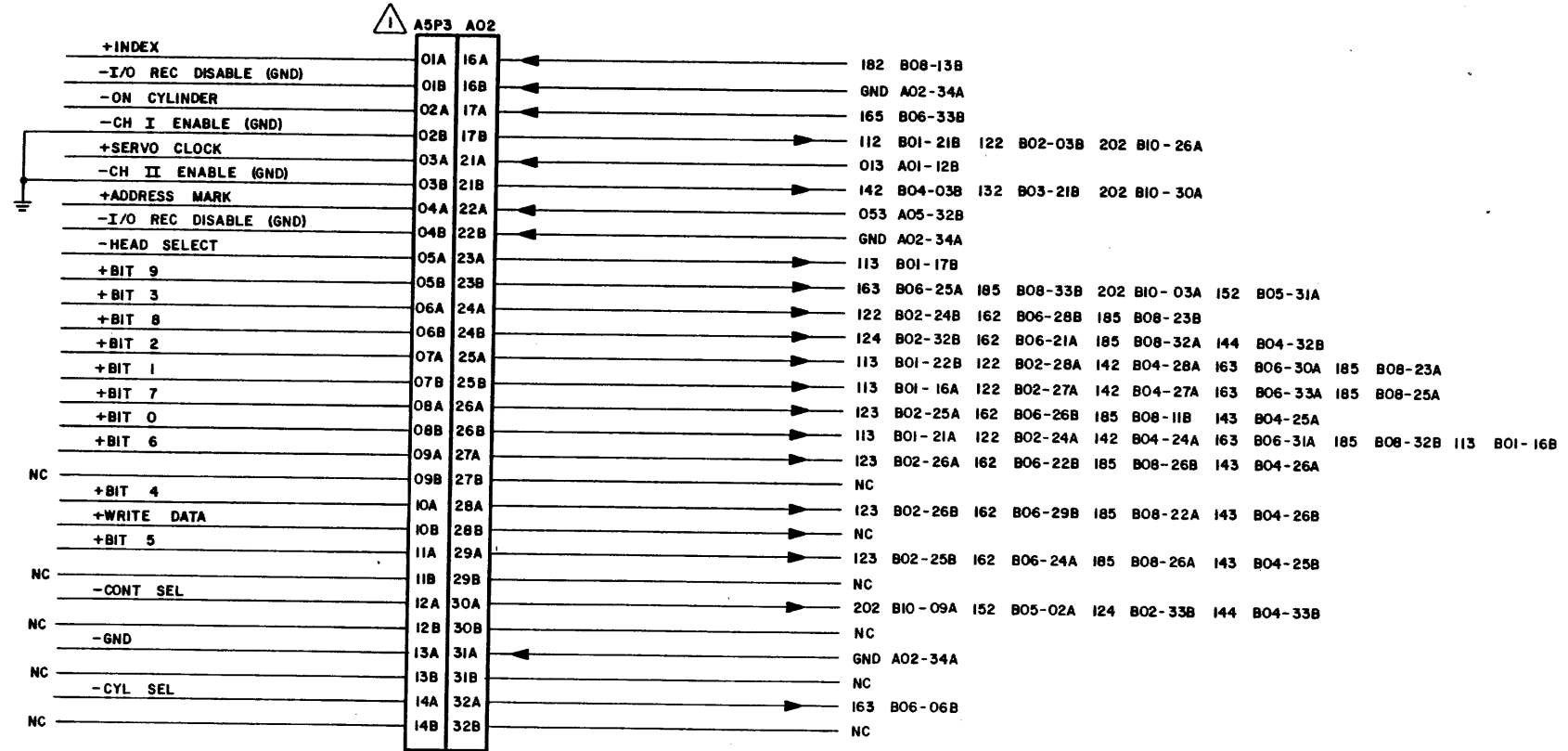
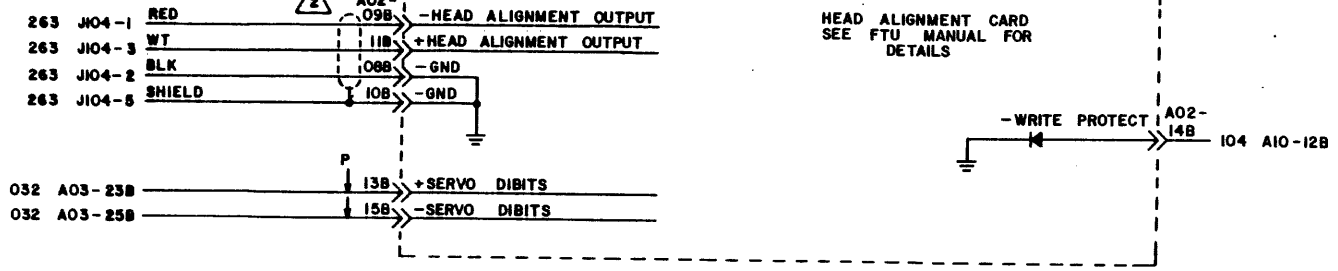
REVISIONS

REV	ECO	DESCRIPTION	DWFT	DATE	CHK'D
A	PE 23000	RELEASED			
B	PE 48402	ERR CORR			
C	PE 48568	ERR CORR	DM	7-26-77	
D	PE 48675	ERR CORR	DM	1-25-78	



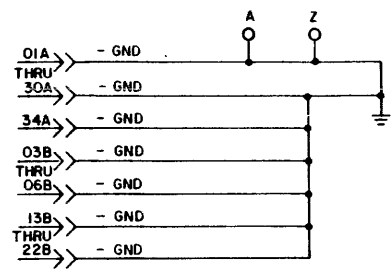
APPLICABLE TO BK5XX = 9762

DRAWN	C. J. [unclear]	8-25-76	CONTROL DATA CORPORATION NORMANDEALE DIVISION	FTU/HEAD ALIGNMENT CARD SLOT WIRING DIAGRAMS	CODE IDENT	19333	SHEET 1 of 2 PAGE 1-15
CHECKED					REF 8322240 K D		
ENGINEER						REF 8322240	
APPROVED						LOC A2A02	



- NOTES:
- ① ASP3 IS I/O BYPASS CABLE FROM FTU.
 - ② THIS CABLE IS USED FOR HEAD ALIGNMENT PURPOSES WITH THE HEAD ALIGNMENT CARD INSTALLED IN LOC A02.
 - 3. CROSS REF NUMBERS LEAD READER TO LOGIC SHEET WHICH SHOWS CONNECTOR PIN IN FUNCTIONAL RELATIONSHIP TO REMAINDER OF DRIVE.

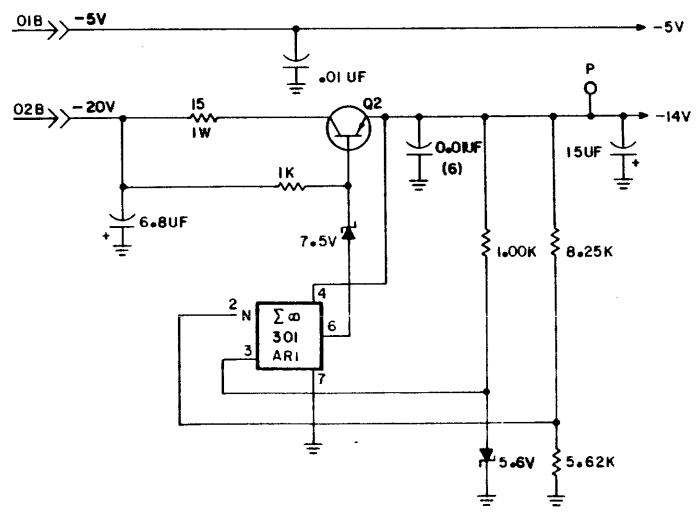
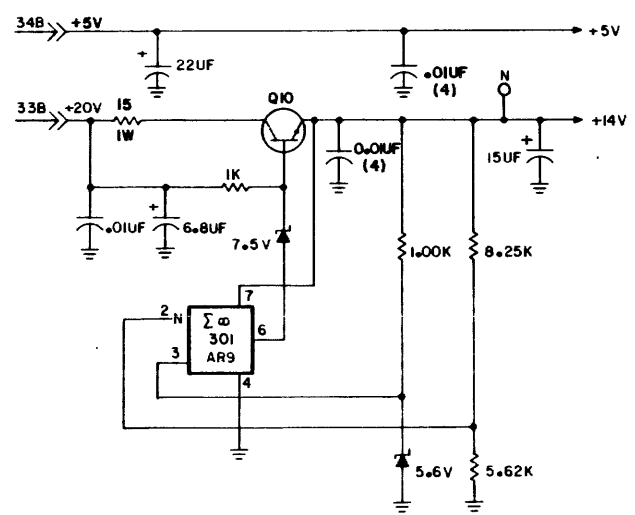
REVISION STATUS OF SHEETS																			
1	2	3	4	5	6	7	8	9	10	11	12	13	14	15	16	17	18	19	20
A	A	A	A																
B	B	A	A																
C	C	C	C																
D	C	D	D																
E	E	D	D																
F	E	F	D																
G	E	F	G																
H	E	F	H																



UNUSED LOGIC ELEMENTS

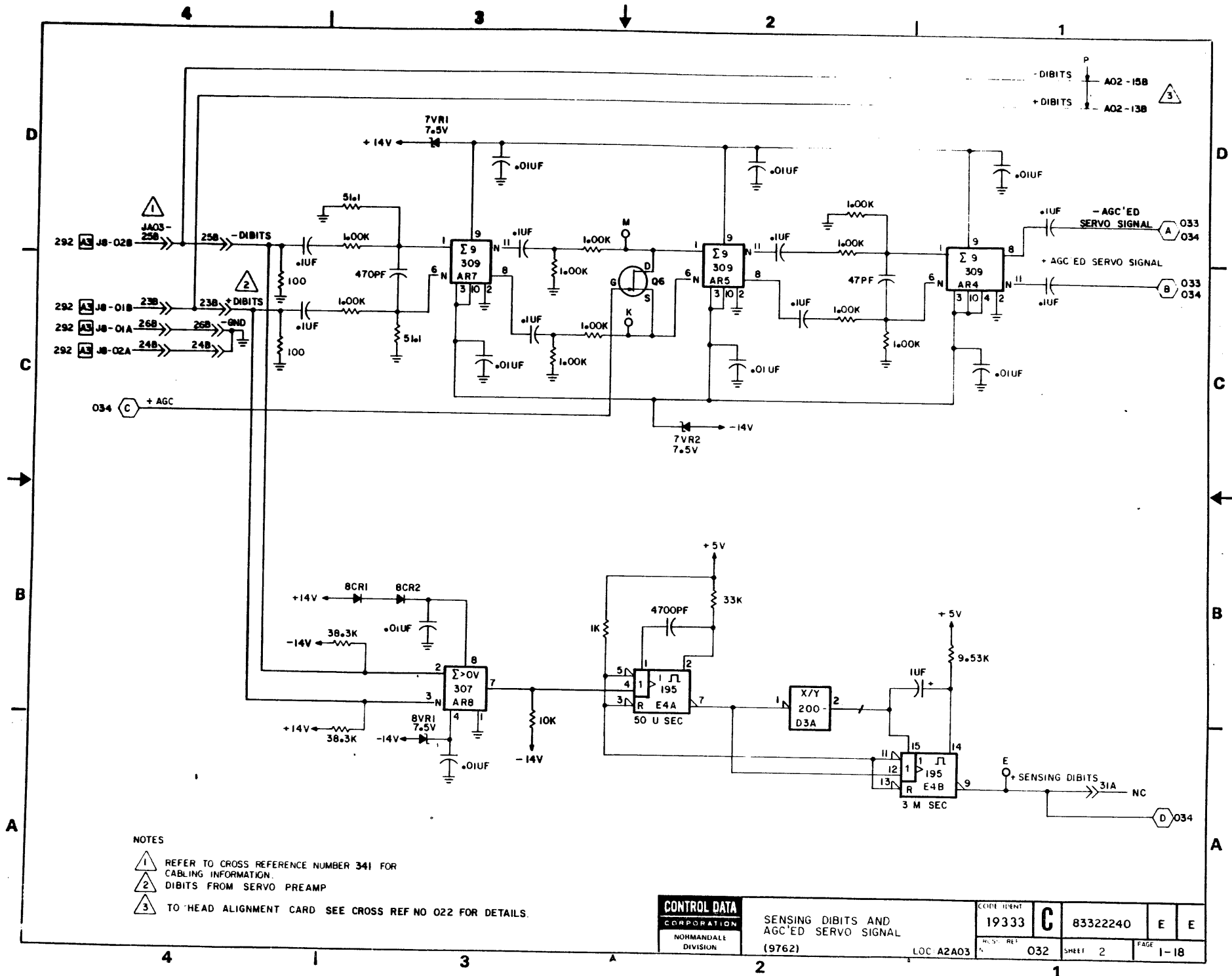
TYPE	LOCATION	OUTPUT PIN(S)
200	D3	4,6

REVISIONS					
REV	EGG	DESCRIPTION	DMFT	DATE	CHK'D
A	PE 48276	CORRECT DIAGRAMS	WEB	11-1-78	
B	PE 48402	FRM CHG			
C	PE 48523	ERR CORR	DM	7-26-77	
D	PE 48675	ERR CORR	DM	1-25-78	
E	PE 55591	3215 TO 370	MF	7-15-80	
F	PE 55944	CHG IC FAMILIES	MF	7-15-80	
G	PE 55986	CHG RES VALUES	MF	11-4-80	



THIS SET USED FOR HFRV REV N & BELOW (BK5XX=9762)

DRAWN: M ANDERSON	DATE: 7/7	CONTROL DATA	CODE IDENT: 19333	C	83322240	Z	H
CHECKED:							
ENGINEER: S. L...		NORMANDEALE DIVISION	FINE SERVO DECODER DIAGRAMS				
APPROVED:			TYPE HFRV	LOC A2A03	CROSS REF N: 031	SHEET 1 OF 4	PAGE 1-17



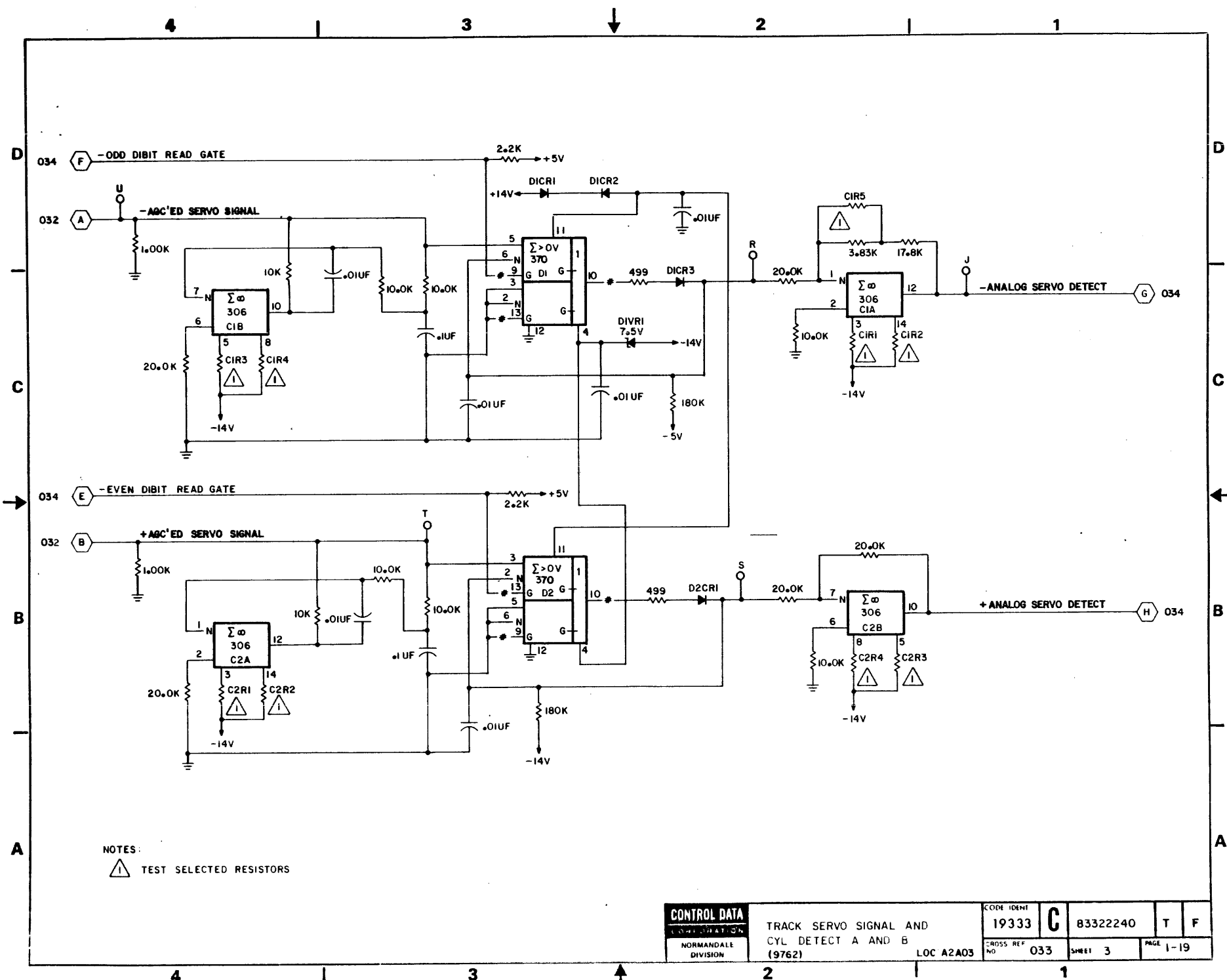
NOTES

- 1 REFER TO CROSS REFERENCE NUMBER 341 FOR CABLING INFORMATION.
- 2 DIBITS FROM SERVO PREAMP
- 3 TO HEAD ALIGNMENT CARD SEE CROSS REF NO 022 FOR DETAILS.

CONTROL DATA
CORPORATION
NORMANDALE
DIVISION

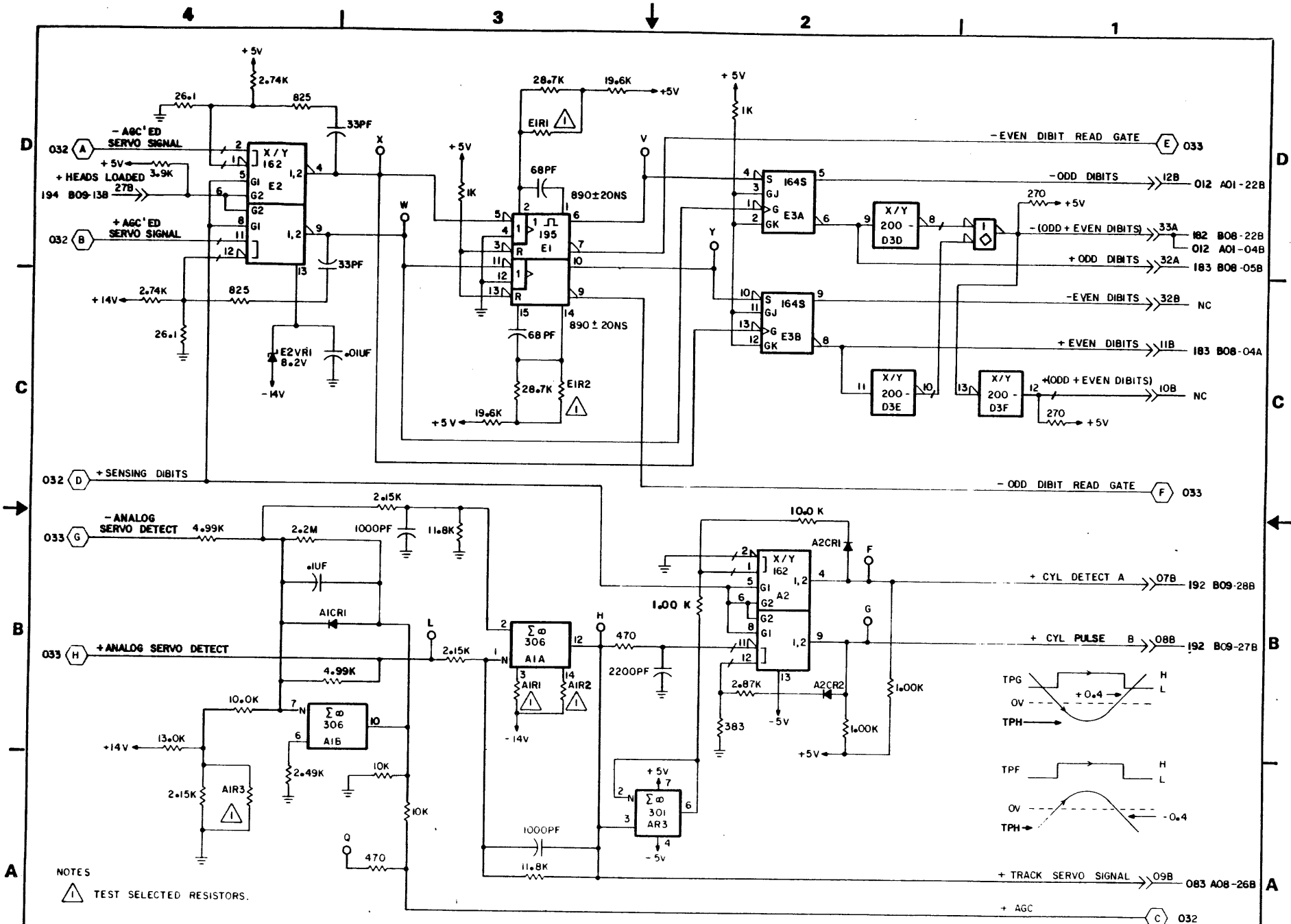
SENSING DIBITS AND
AGC'ED SERVO SIGNAL
(9762)

CODE IDENT	19333	C	83322240	E	E
LOC	A2A03	032	SHEET 2	PAGE 1-18	



NOTES:
 ⚠ TEST SELECTED RESISTORS

CONTROL DATA CORPORATION NORMANDALE DIVISION	TRACK SERVO SIGNAL AND CYL DETECT A AND B (9762)		CODE IDENT 19333	C	83322240	T	F
	LOC A2A03		CROSS REF NO 033	SHEET 3	PAGE 1-19		



CONTROL DATA
CORPORATION
NORMANDALL
DIVISION

TRACK SERVO SIGNAL AND
CYL DETECT A AND B
(9762)

CODE IDENT 19333	C	8332240	T	H
IN. NO. REF. 034	SHEET 4	PAGE 1-20		

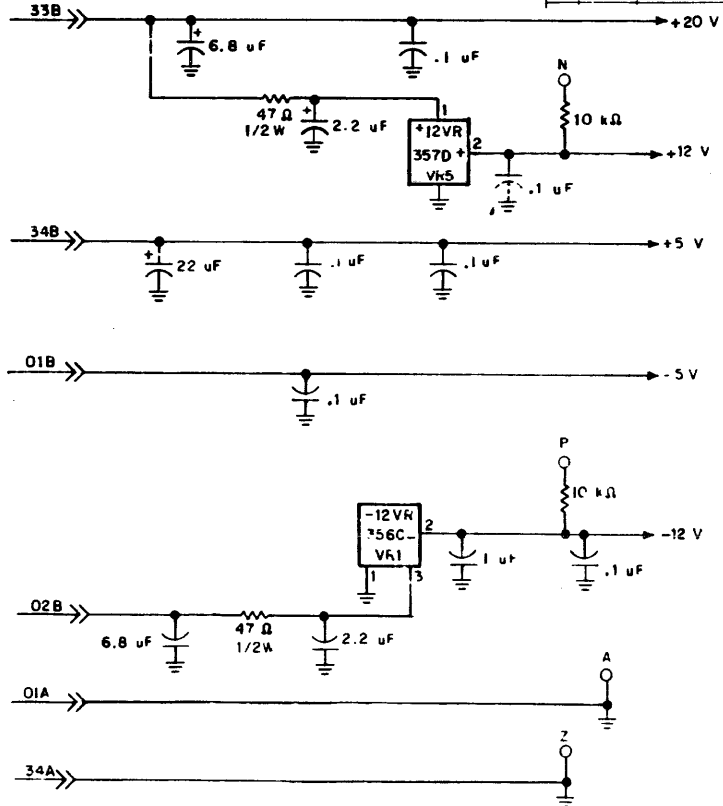
LOC: A2A03

REVISION STATUS OF SHEETS																				
1	2	3	4	5	6	7	8	9	10	11	12	13	14	15	16	17	18	19	20	
A	A	A	A																	
B	B	A	A																	
C	C	C	C																	
D	C	D	D																	
E	E	D	D																	
F	E	F	D																	
G	E	F	G																	
H	E	F	H																	
J	J	J	J	J																
K		K																		

UNUSED LOGIC ELEMENTS		
ELEMENTS	LOCATION	OUTPUT PINS (S)
324	D2	1
339	D5	7

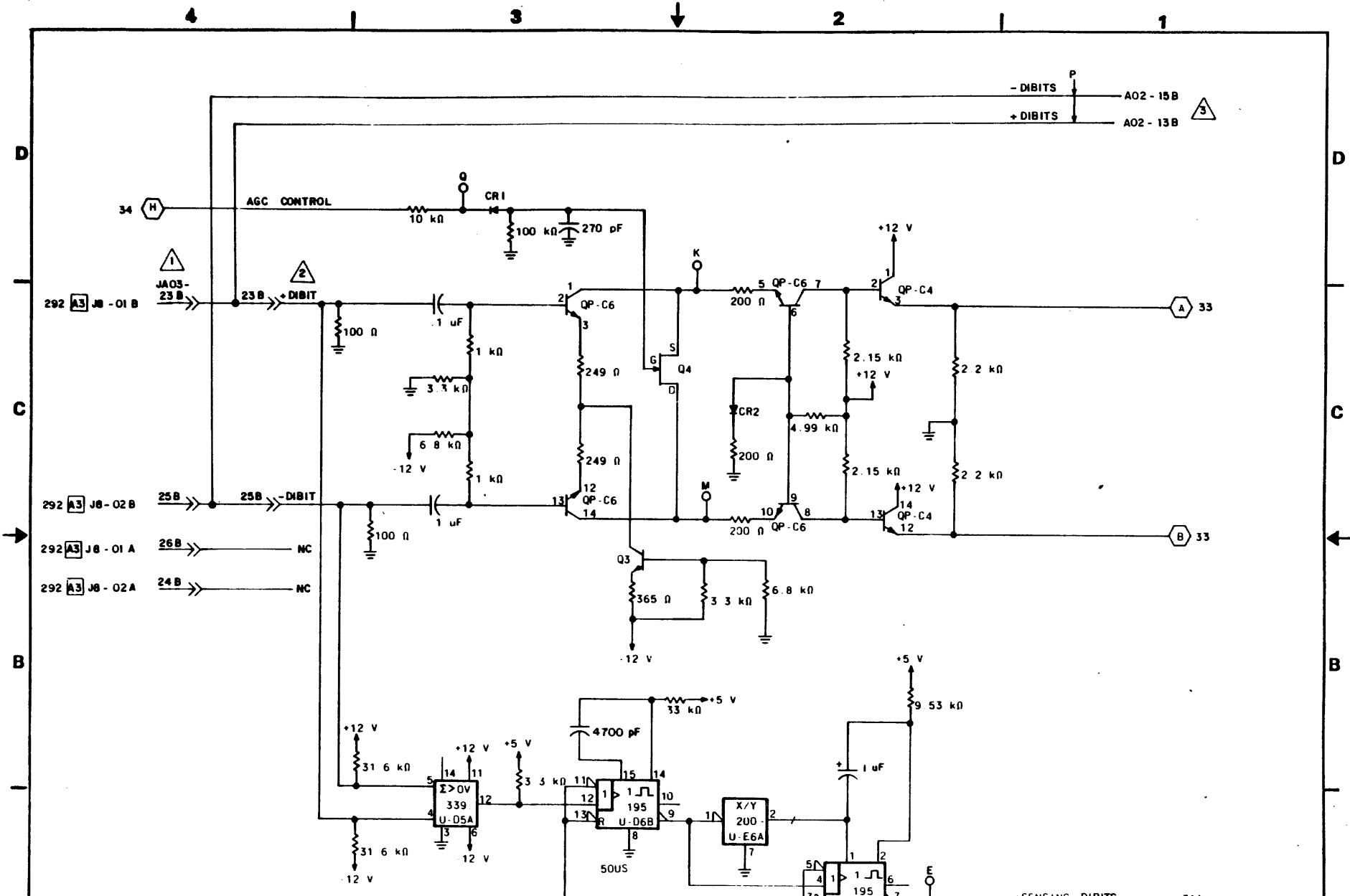
UNUSED DIODE PACKS	
LOCATION	PINS
B3	5,6,7,8,9,10,11,12

REVISIONS					
REV	EGG	DESCRIPTION	DRFT	DATE	CHK'D
A	PE48296	RE LEASE			
B	PE48296	ERR CORR	MA	11-17-76	
C	PE48402	ERROR CORRECTIONS	VG	1-4-77	
D	PE48523	ERROR CORRECTION	SB	4-6-77	
E	PE48675	ERROR CORRECTION	DM	7-7-77	
F	PE55593	3215 TO 370	MA	2-13-79	
G	PE55944	CHG IC FAMILIES	CB	10-17-79	
H	PE55986	CHG RES VALUES	TH	11-4-79	WJ
J	PERM	HFVV COST REDUCTION	CB	5-15-80	
K	0J00280	CHG CAP ON HFV V	MJ	5-24-83	

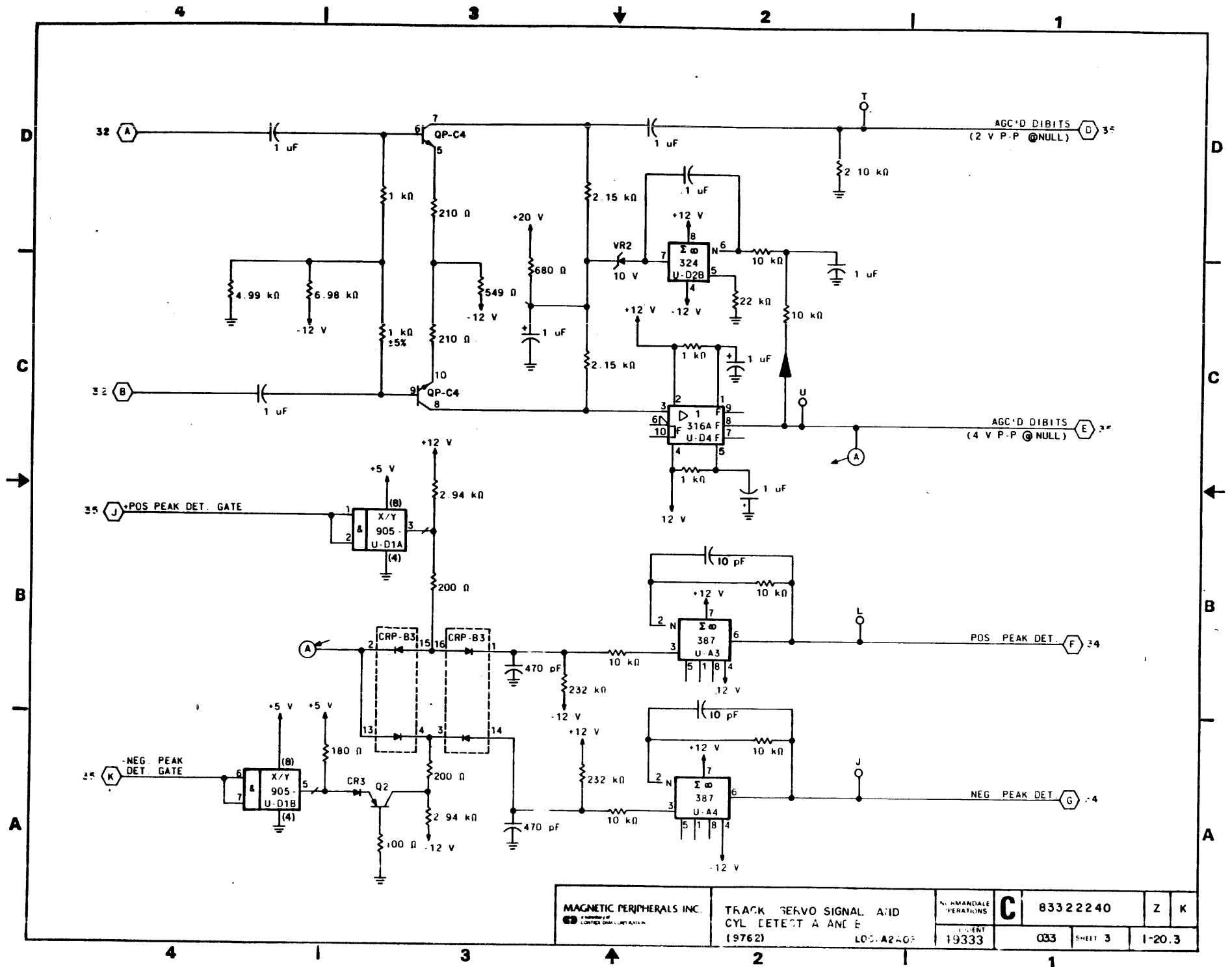


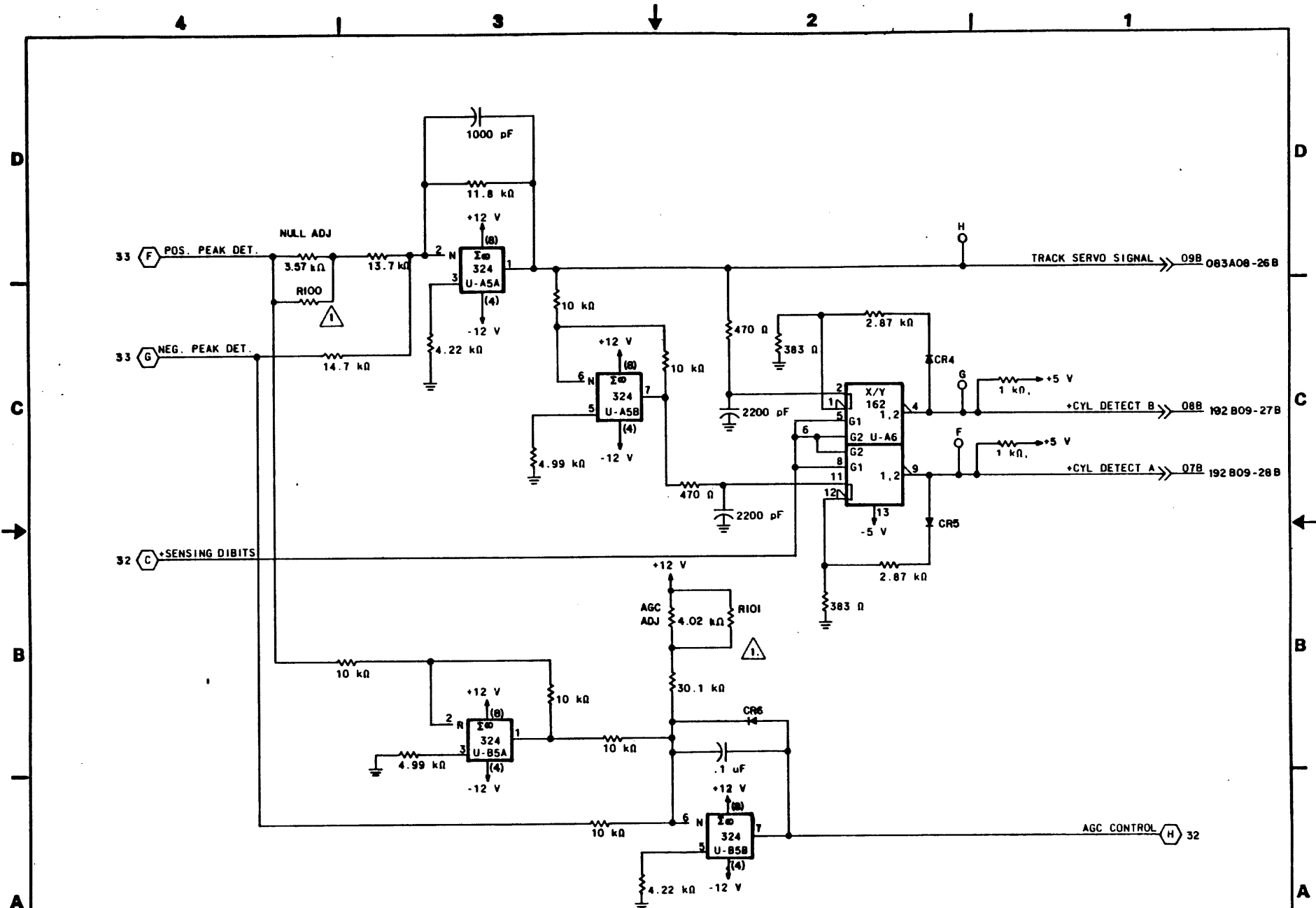
THIS SET USED FOR HFV REV P & ABOVE (BK5XX=9762)

DESIGNER: M ANDERSON	DATE: 12/77	CONTROL DATA	CODE IDENT: 19333	C	83322240	Z	K
ENGR: J. J. J.	DATE: 12/77	NORMANDALE DIVISION	TYPE: HFV V	LOC: A2AG3	SHEET: 5	PAGE: 20	REF: 83214 803



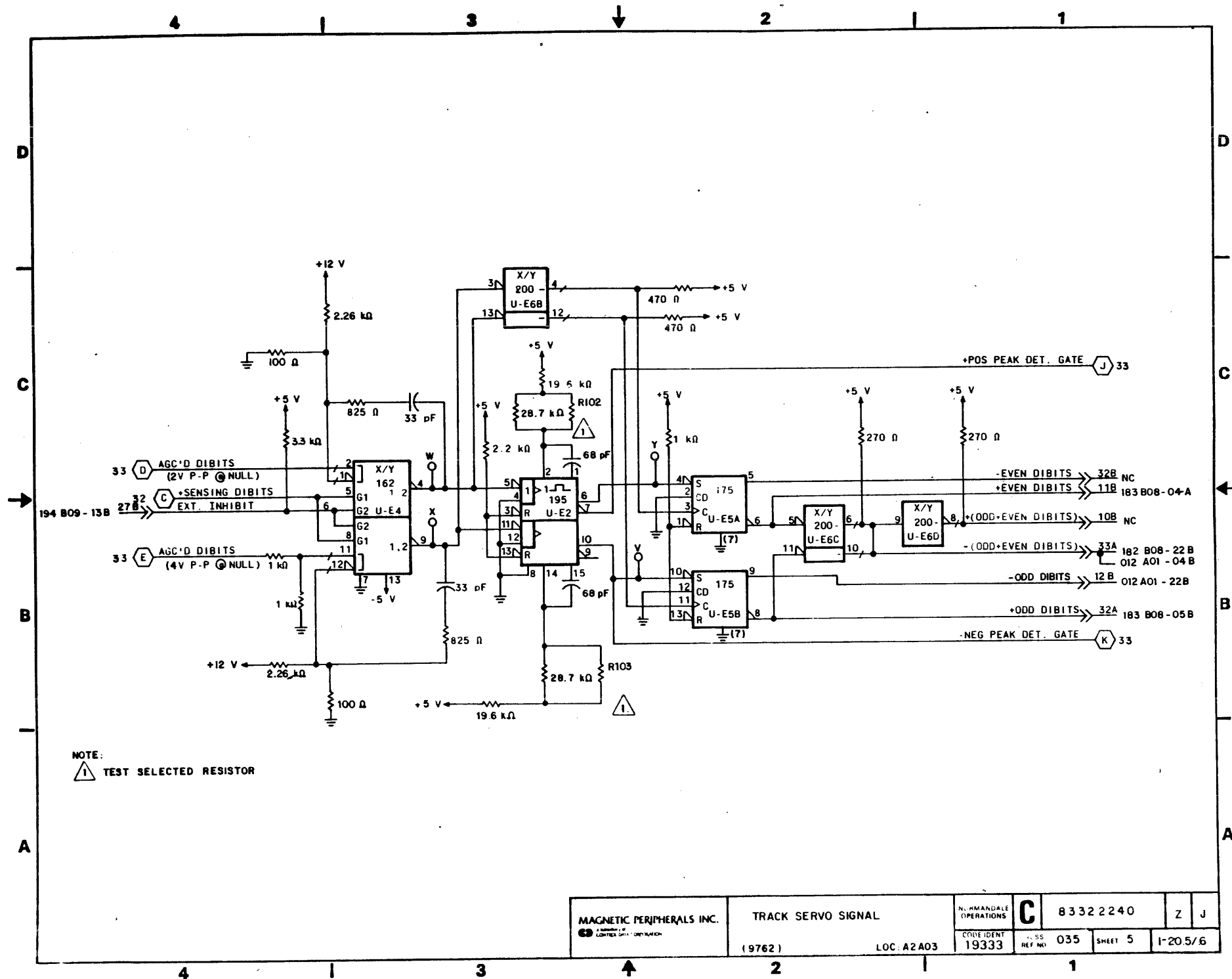
- NOTES:
- ① REFER TO CROSS REFERENCE NUMBER 341 FOR CABLING INFORMATION.
 - ② DIBITS FROM SERVO PREAMP
 - ③ TO HEAD ALIGNMENT CARD. SEE CROSS REF NO 022 FOR DETAILS





NOTE:
 TEST SELECTED RESISTORS

MAGNETIC PERIPHERALS INC. <small>A subsidiary of General Electric Company</small>	CYL DETECT A AND B (9762)		NORMANDALE OPERATIONS C	83322240	Z J
	LOC. A2 A03	CODE IDENT 19333	CROSS REF. NO. 034	SHEET 4	I-20.4



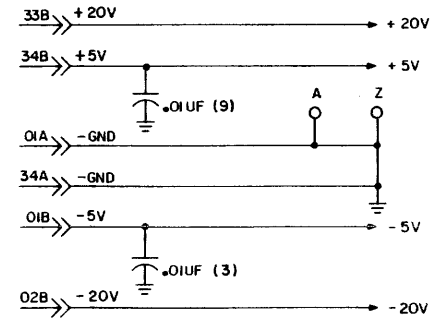
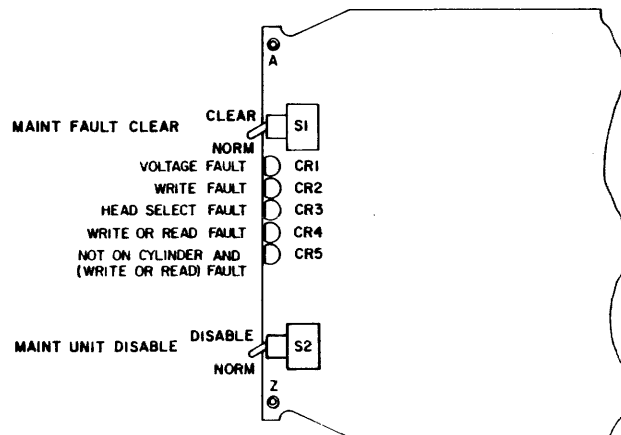
NOTE:
 ⚠ TEST SELECTED RESISTOR

MAGNETIC PERIPHERALS INC. <small>A DIVISION OF CONTROL DATA CORPORATION</small>	TRACK SERVO SIGNAL		NUMERICAL OPERATIONS	C	8 3 3 2 2 2 4 0	Z	J
	(9762)	LOC: A2A03	CODE IDENT	19333	REF NO	035	SHEET 5

REVISION STATUS OF SHEETS																				
	1	2	3	4	5	6	7	8	9	10	11	12	13	14	15	16	17	18	19	20
A	A	A	A																	
B	A	B	A																	
C	C	C	C																	
D	D	D	D																	
E	D	E	E																	
F	D	E	F																	
G	D	G	F																	
G	D	H	F																	

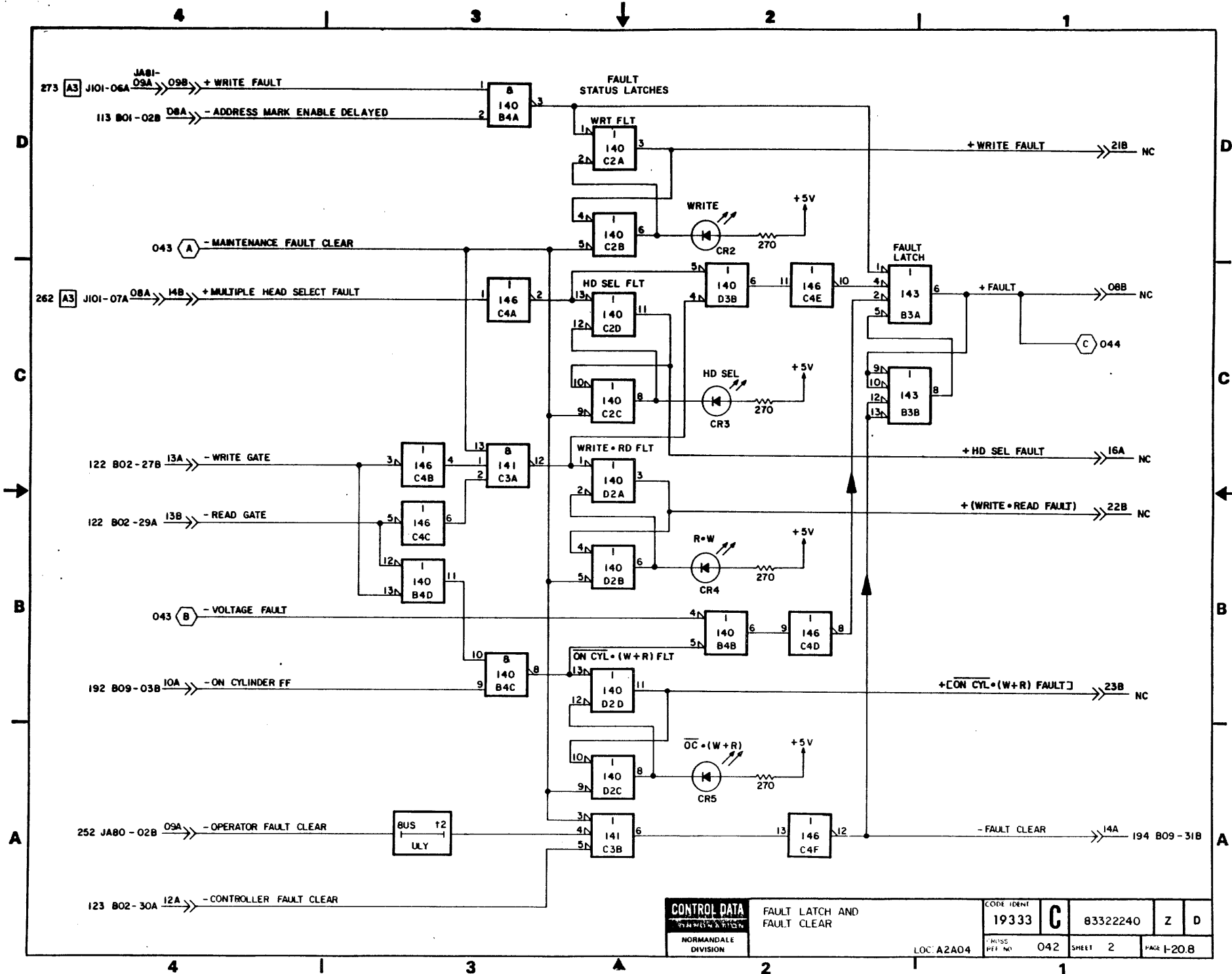
REVISIONS					
REV	ECO	DESCRIPTION	DRFT	DATE	CHK'D
A	PE2300C	RELEASED	MLA		
B	PE48296	CORRECT DIAGRAMS	WEB	11-1-76	
C	PE48402	ERR CORR			
D	PE48523	ERR CORR	DM	7-26-77	
E	PE48675	ERR CORR	DM	1-25-78	
F	PE55370	ERR CORR	A.A.O.	6-15-78	
G	PE57173	CHANGE IC FAMILIES	M.F.	11-4-80	
H	PE57473A	CHG RESISTORS	M.J.	11-1-82	

MAINTENANCE SWITCHES AND FAULT INDICATORS ON CARD EDGE

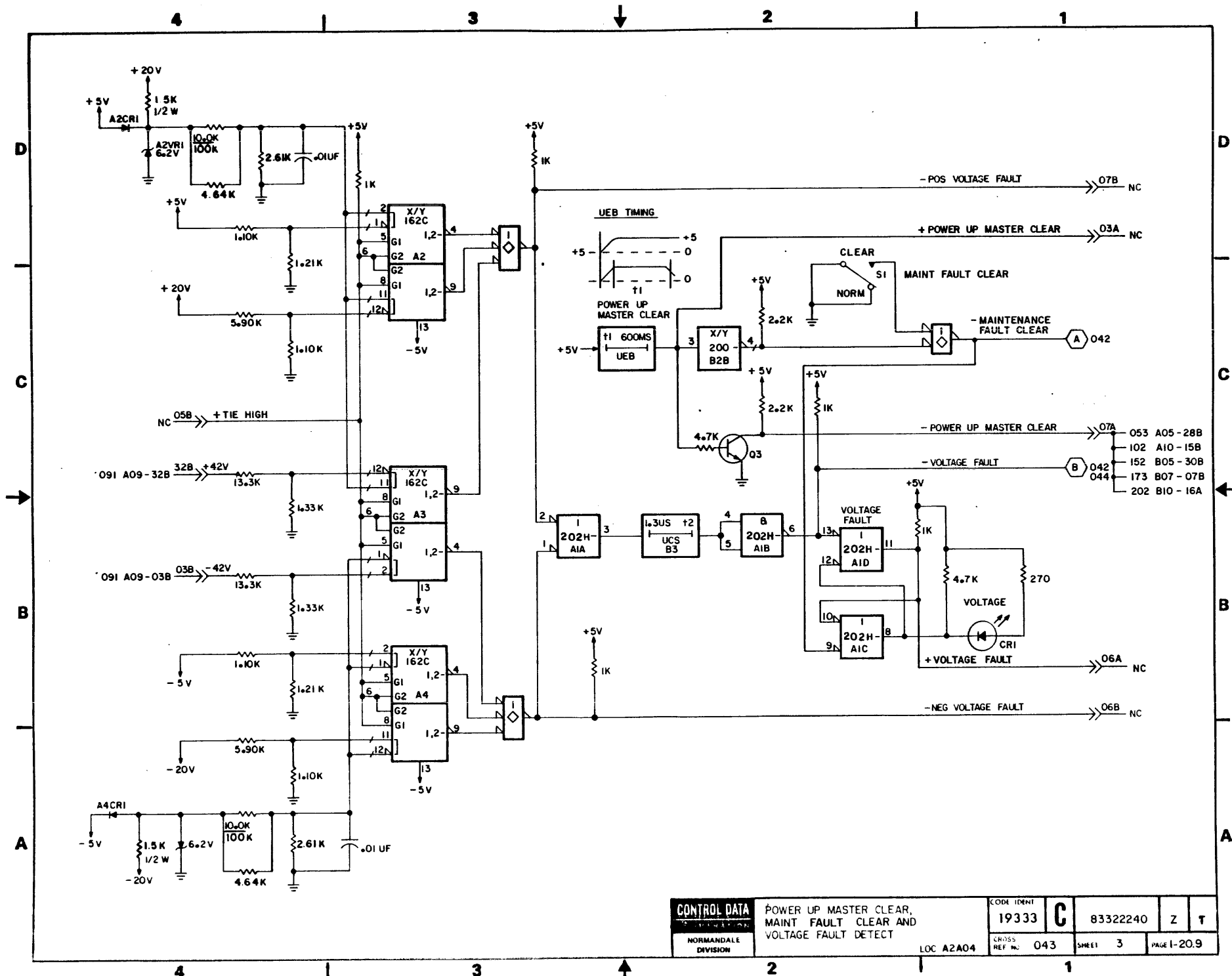


APPLICABLE TO ALL BK5XX UNITS EXCEPT BK5CI-E/F/J/K.

DESIGN: <i>G. Rabine</i>	CONTROL DATA CORPORATION	FAULT CARD DIAGRAMS	CODE IDENT: 19333	83322240	Z	H
CHECKED:			ENGINEER: <i>[Signature]</i>	LOC A2A04	SHEET 1 of 4	PAGE 1-207
APPROVED:	NORMANDEALE DIVISION	TYPE DKFV	CHG'S REF: 041			



CONTROL DATA NORMANVILLE DIVISION	FAULT LATCH AND FAULT CLEAR	CODE IDENT 19333	C	83322240	Z	D
	LOC: A2A04	CROSS REF NO 042				



CONTROL DATA
NORMAN DALE
DIVISION

POWER UP MASTER CLEAR,
MAINT FAULT CLEAR AND
VOLTAGE FAULT DETECT

CODE IDENT

19333

C

83322240

Z

T

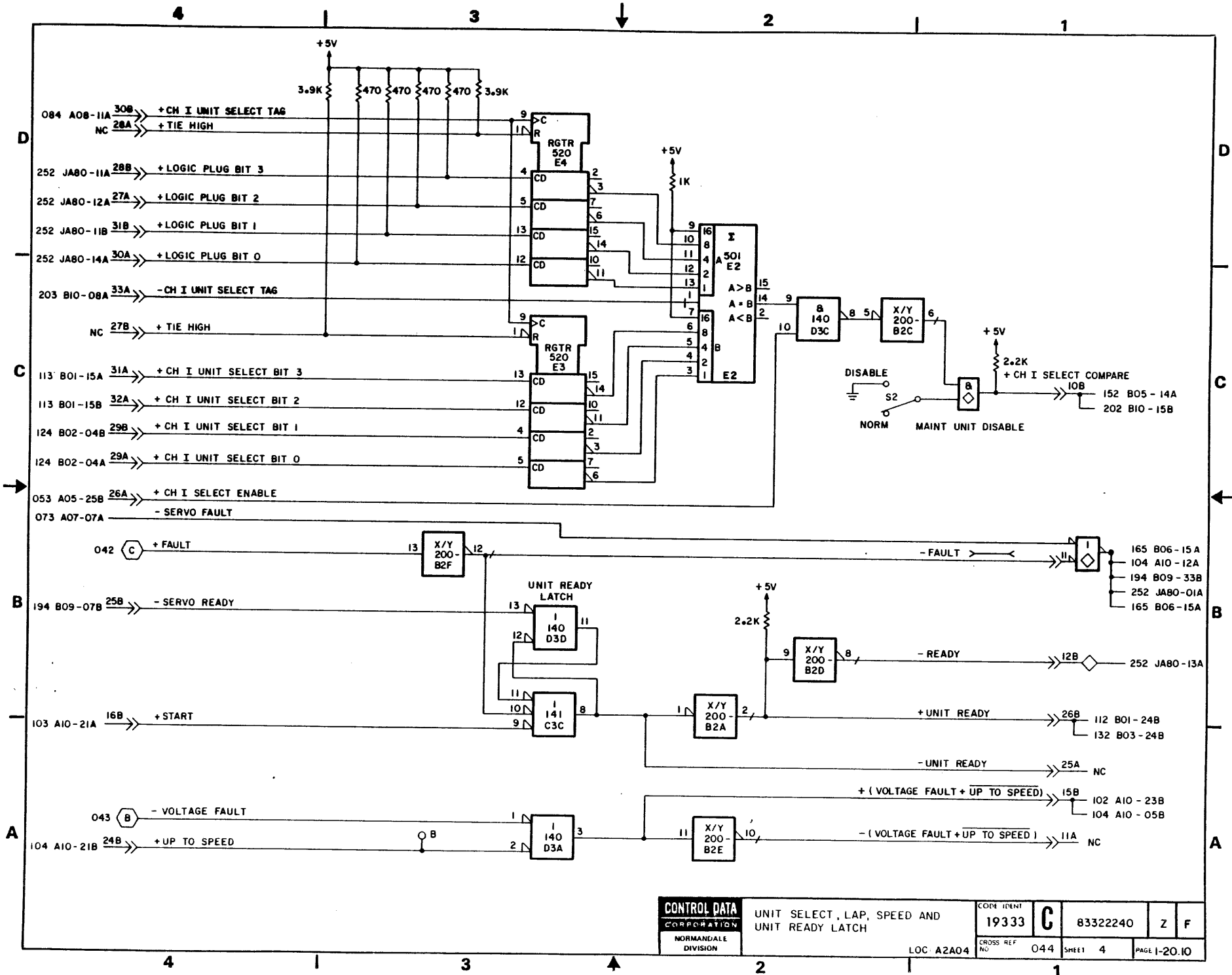
CROSS REF NO

043

SHEET 3

PAGE 1-20.9

LOC A2A04

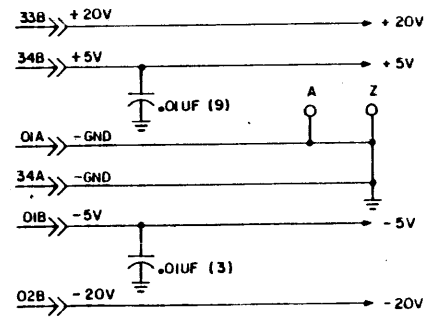
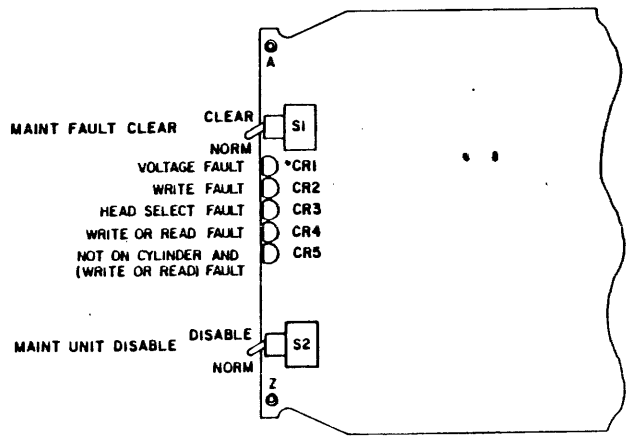


CONTROL DATA CORPORATION NORMANDEALE DIVISION	UNIT SELECT, LAP, SPEED AND UNIT READY LATCH	CODE IDENT 19333	C	83322240	Z	F
	LOC A2A04	CROSS REF NO 044		SHEET 4	PAGE 1-20.10	

REVISION STATUS OF SHEETS																			
1	2	3	4	5	6	7	8	9	10	11	12	13	14	15	16	17	18	19	20
A	A	A	A																

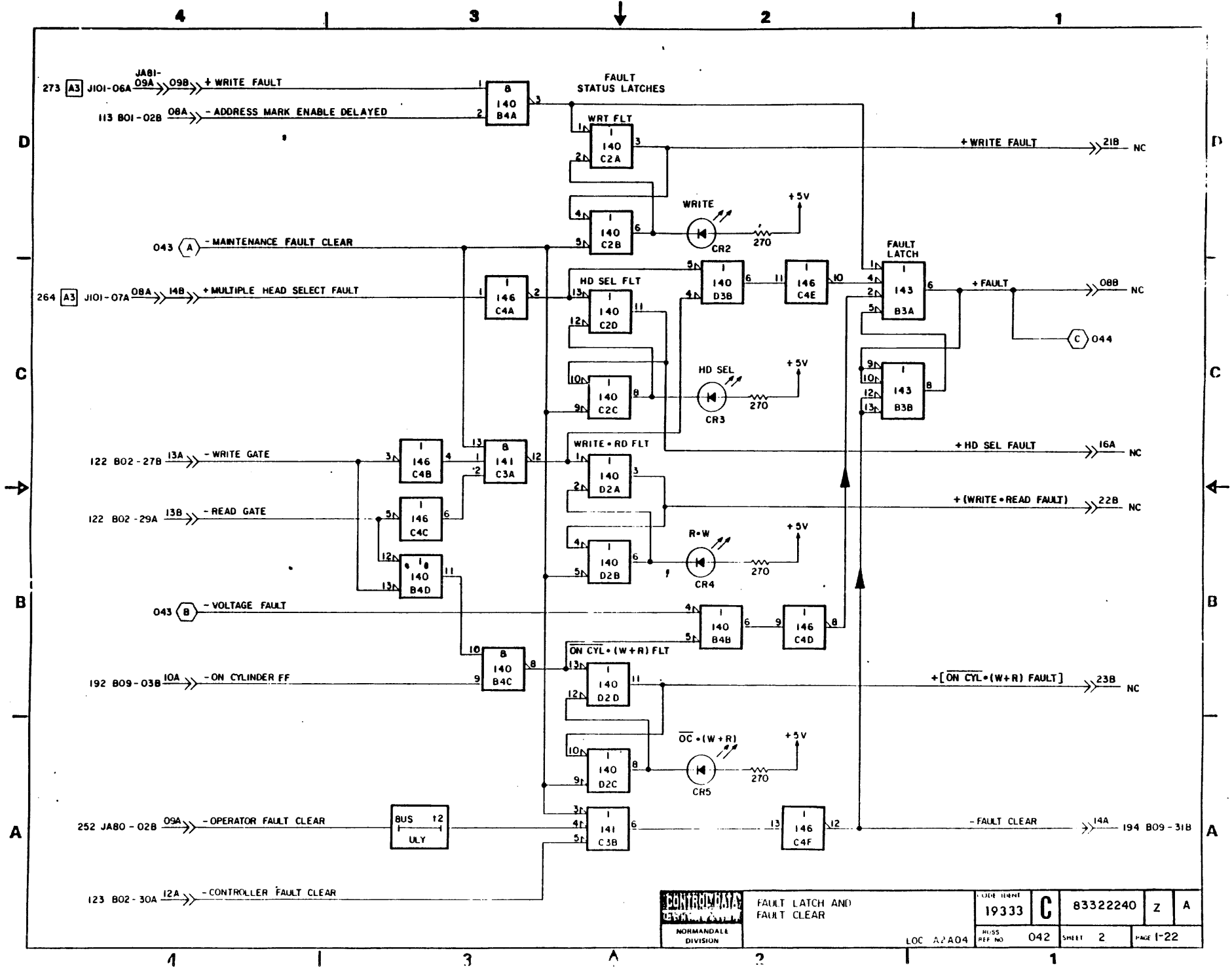
REVISIONS						
REV	ECO	DESCRIPTION	DRFT	DATE	CHK'D	
A	PE23000	RELEASED				
	PE6044B	ADD FET TO -KFV	MF	4-8-84		

MAINTENANCE SWITCHES AND FAULT INDICATORS ON CARD EDGE



APPLICABLE TO BK5CI-E/F/J/K ONLY.

DRAWN	G. Radins	8/21/73	CONTROL DATA PERIPHERALS DIVISION	Fault Card Diagrams	CODE IDENT 19333	C	83322240	K	A
CHECKED				TYPE: RKFV	LOC: A2A04		CROSS REF NO: 041	SHEET 1 of 4	PAGE 1-21
ENGINEER			NORMANDEALE DIVISION						
APPROVED									

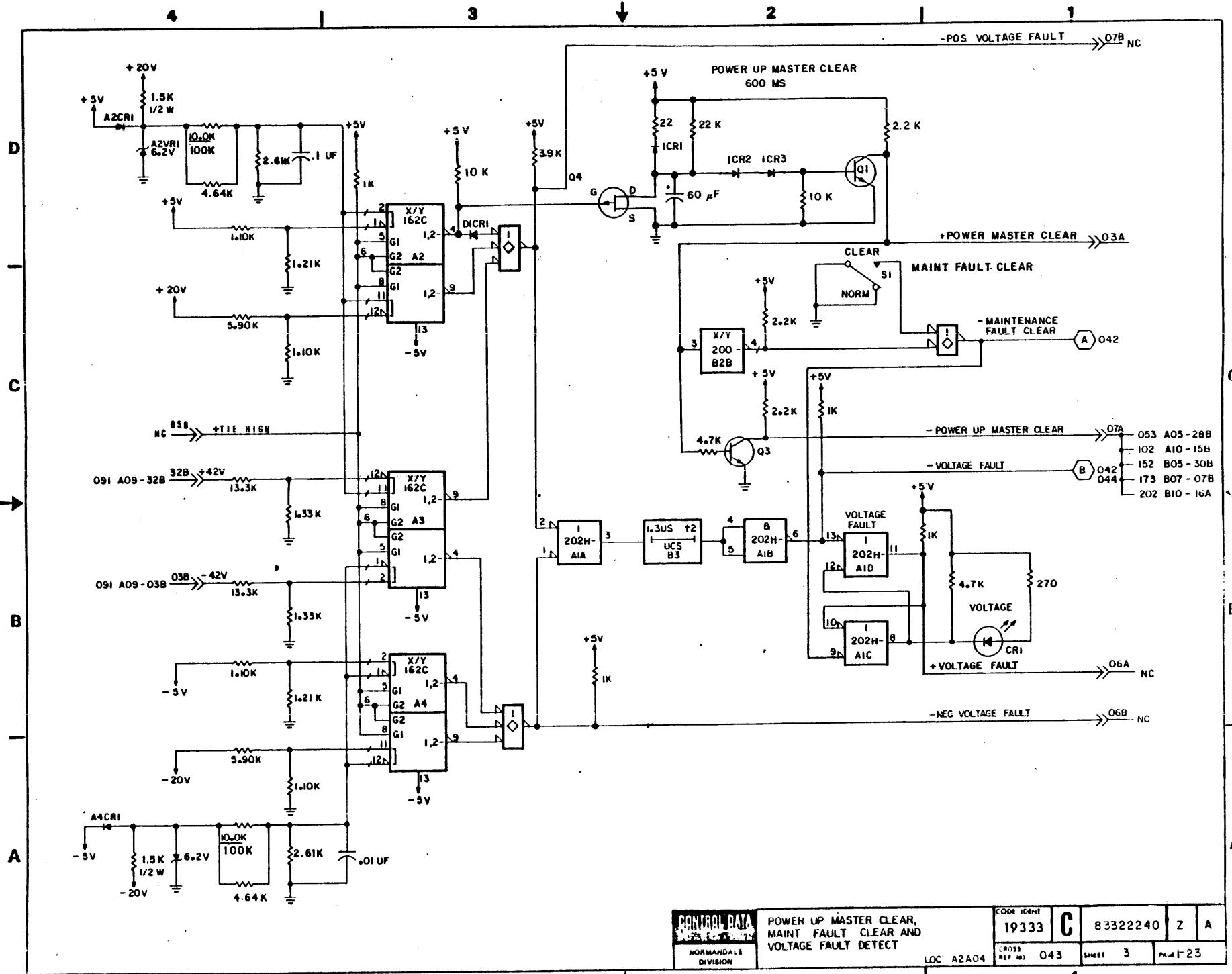


CONTROL SYSTEMS
NORMANVILLE DIVISION

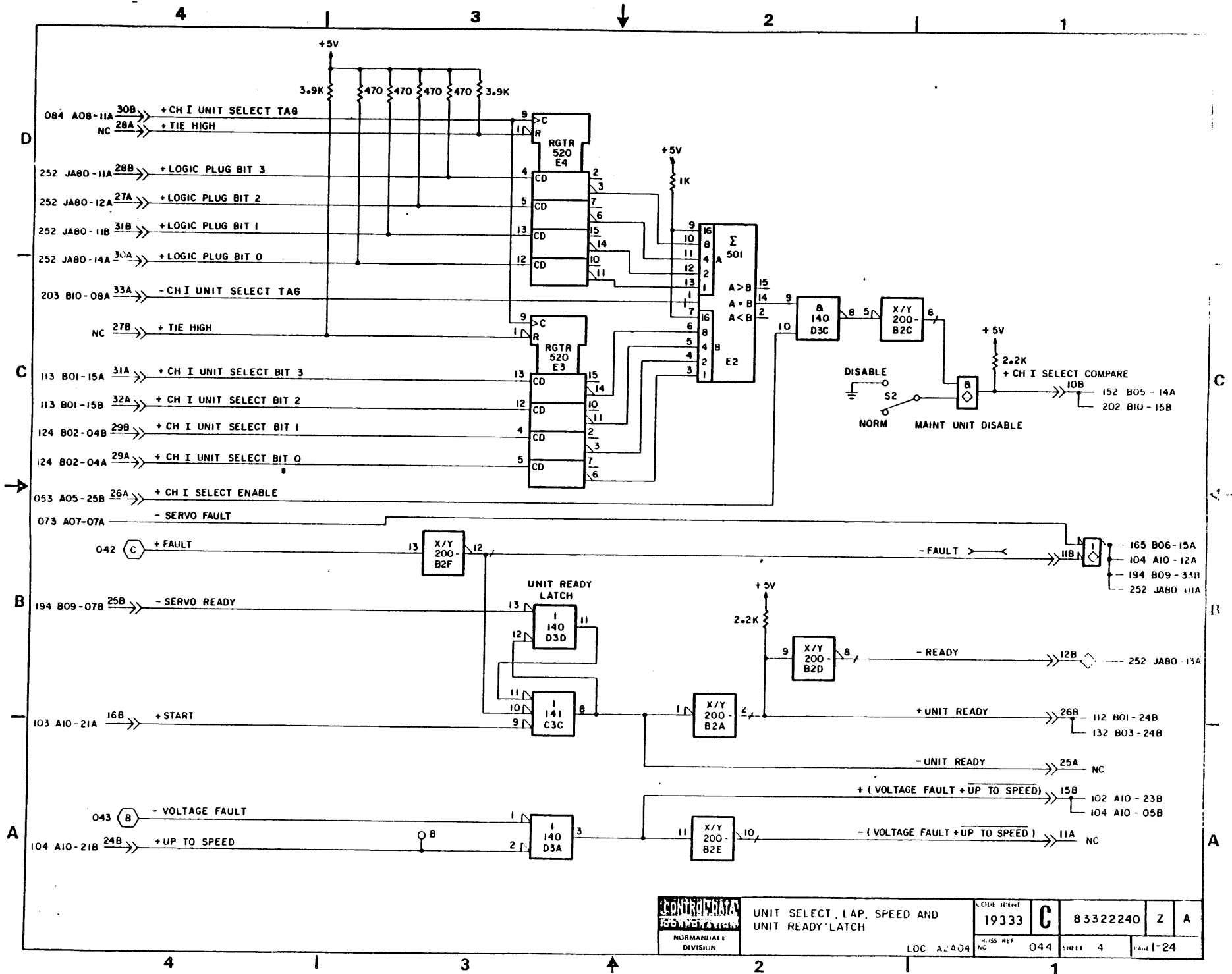
FAULT LATCH AND FAULT CLEAR

DATE	1933	REV	C	NO.	83322240	BY	Z	CHKD	A
RUSS REF NO	042	SHEET	2	PAGE 1-22					

LOC A2A04



CONTROL DATA NORMANDALE DIVISION	POWER UP MASTER CLEAR, MAINT FAULT CLEAR AND VOLTAGE FAULT DETECT	CODE IDENT 19333	C	8332240	Z	A
	LOC: A2A04	CROSS REF NO: 043				



UNIT SELECT, L.A.P. SPEED AND
UNIT READY LATCH

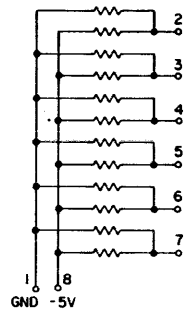
CODE IDENT	19333	C	83322240	Z	A
ISS REF NO	044	SHEET	4	PAGE 1-24	

LOC ALA04

REVISION STATUS OF SHEETS																			
1	2	3	4	5	6	7	8	9	10	11	12	13	14	15	16	17	18	19	20
A	A	A																	
B	B	B																	
C	B	C																	

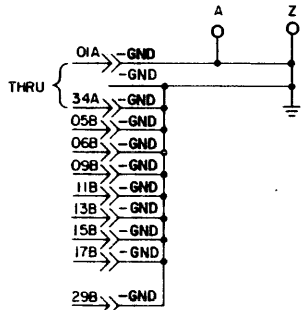
REVISIONS					
REV.	ECO.	DESCRIPTION	DRFT	DATE	CHK'D
A	PE23000	RELEASED	MLA		
B	PE48402	CORRECT DIAGRAMS	WEB	12-16-78	
C		CORRECT SIGNAL NAME	MA	10-7-78	

NOTES:
 1. TYPICAL CONFIGURATION FOR TERMINATORS AT-C2A, AT-C2B AND AT-B4A AS FOLLOWS:



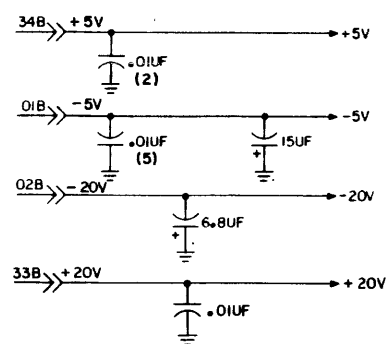
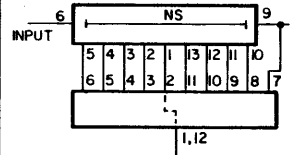
UNUSED LOGIC ELEMENTS

TYPE	LOCATION	OUTPUT PIN(S)
140	C1	3,6
164S	D2	8,9
10104	A3	2
10102	B2	9,15,14
10125	D3	12,13
10131	B3	14,15



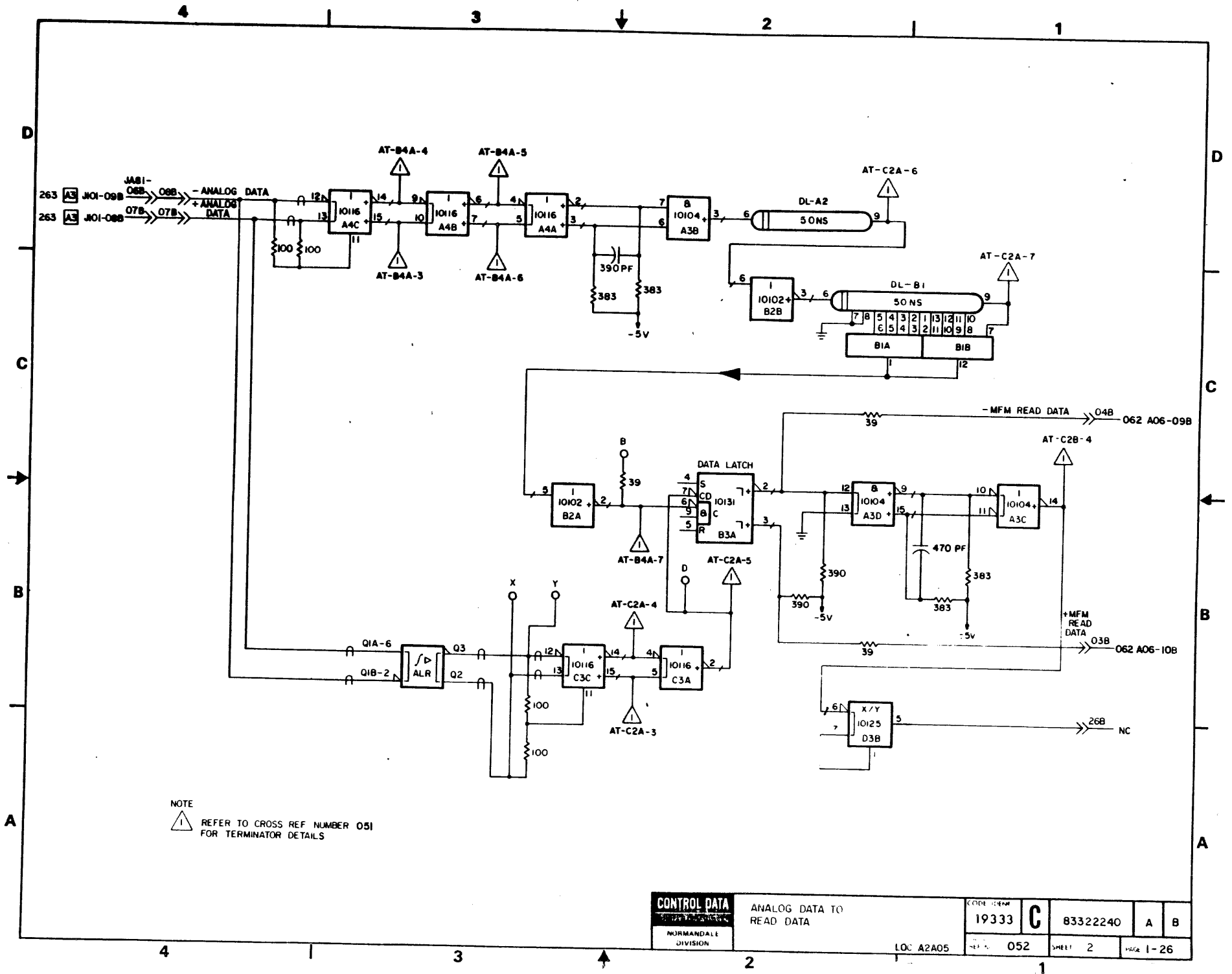
2. DELAY LINES ARE CONNECTED TO JUMPER BLOCK AS SHOWN IN DIAGRAM BELOW. ACTUAL DELAYS ARE SELECTED DURING MANUFACTURING. THIS DIAGRAM SHOWS TYPICAL CONNECTIONS. DELAY TIME FOR EACH DELAY LINE PIN RELATIVE TO PIN 6 INPUT IS SHOWN IN CHART BELOW.

PIN	DELAY TIMES (NS)	
	B1	A2
5	5	10
4	10	20
3	15	30
2	20	40
1	25	50
13	30	60
12	35	70
11	40	80
10	45	90
9	50	100



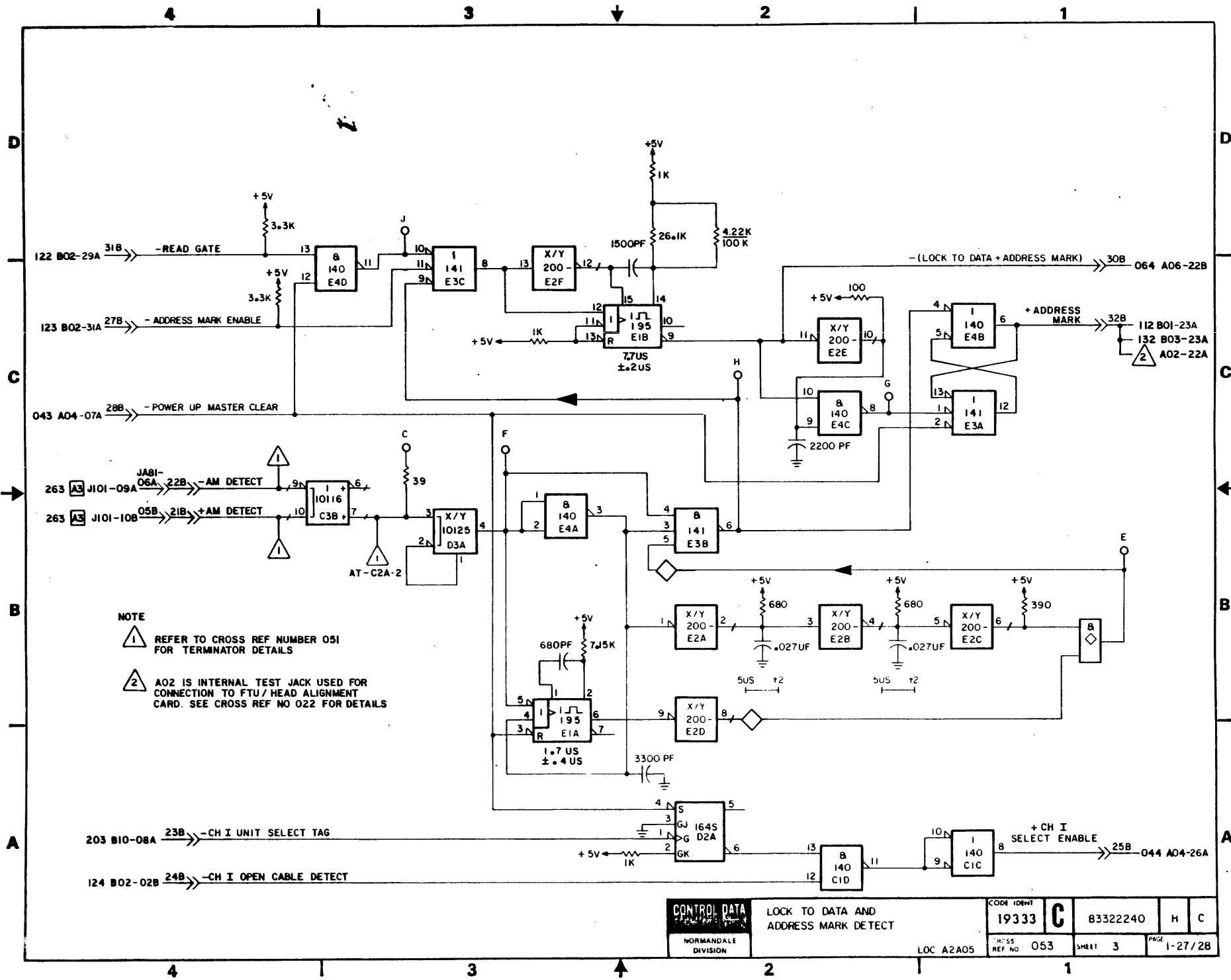
HLRV REV B AND BELOW.

DRAWN: MANDERSON	CONTROL DATA	DATA LATCH DIAGRAMS	CODE IDENT	19333	C	83322240	Y	G
CHECKED:		NORMANDEALE DIVISION	TYPE HLRV-REV B	CROSS REF NO	051	SHEET 1 of 3	PAGE 1-25	
ENGINEER:			LOC	A2A05				
APPROVED:								



NOTE
 ⚠ REFER TO CROSS REF NUMBER 051
 FOR TERMINATOR DETAILS

CONTROL DATA	ANALOG DATA TO READ DATA	CODE NAME	19333	C	83322240	A	B
		NORMANDEALE DIVISION	LOC A2A05	052	SHEET 2	PAGE 1-26	



NOTE

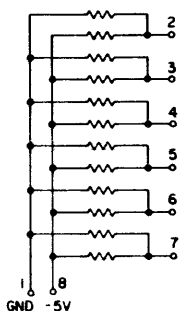
1 REFER TO CROSS REF NUMBER 051 FOR TERMINATOR DETAILS

2 A02 IS INTERNAL TEST JACK USED FOR CONNECTION TO FTU / HEAD ALIGNMENT CARD. SEE CROSS REF NO 022 FOR DETAILS

REVISION STATUS OF SHEETS																			
1	2	3	4	5	6	7	8	9	10	11	12	13	14	15	16	17	18	19	20
C	C	C																	
D	C	D																	
E	C	E																	
F		F																	
G	G																		

REVISIONS					
REV	ECO	DESCRIPTION	DRFT	DATE	CHK'D
C	PE48543	HLRV IMPROVEMENT	MLA	1-31-78	MLA
D	PE48673	ERR CORR	MLA	1-31-78	MLA
E	PE48918	CHG DELAY	MLA	1-31-78	MLA
F	PE22971	CORRECT SCHEMATICS	MJ	5-24-82	MJ
G	DJ00159	CHG HEADER PINS	MJ	5-24-82	MJ

NOTES
 △ TYPICAL CONFIGURATION FOR TERMINATORS AT-C2A, AT-C2B AND AT-B4A AS FOLLOWS

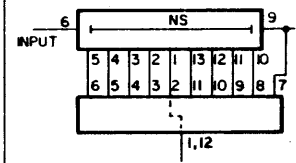


UNUSED LOGIC ELEMENTS

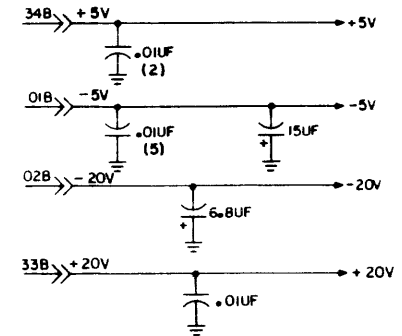
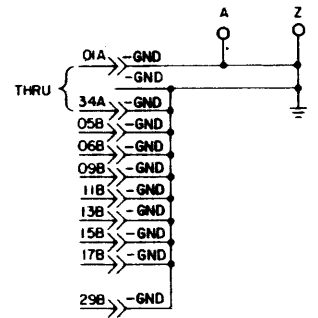
TYPE	LOCATION	OUTPUT PIN(S)
195	A1	9, 10
1645	D2	8, 9
10104	A3	2
10102	B2	9, 15, 14
10125	D3	12, 13
10131	B3	14, 15
200	E2	2, 4, 6, 8

2 DELAY LINES ARE CONNECTED TO JUMPER BLOCK AS SHOWN IN DIAGRAM BELOW. ACTUAL DELAYS ARE SELECTED DURING MANUFACTURING. THIS DIAGRAM SHOWS TYPICAL CONNECTIONS. DELAY TIME FOR EACH DELAY LINE PIN RELATIVE TO PIN 6 INPUT IS SHOWN IN CHART BELOW.

PIN	DELAY TIMES (NS)	
	B1	A2
5	5	10
4	10	20
3	15	30
2	20	40
13	30	60
12	35	70
11	40	80
10	45	90
9	50	100

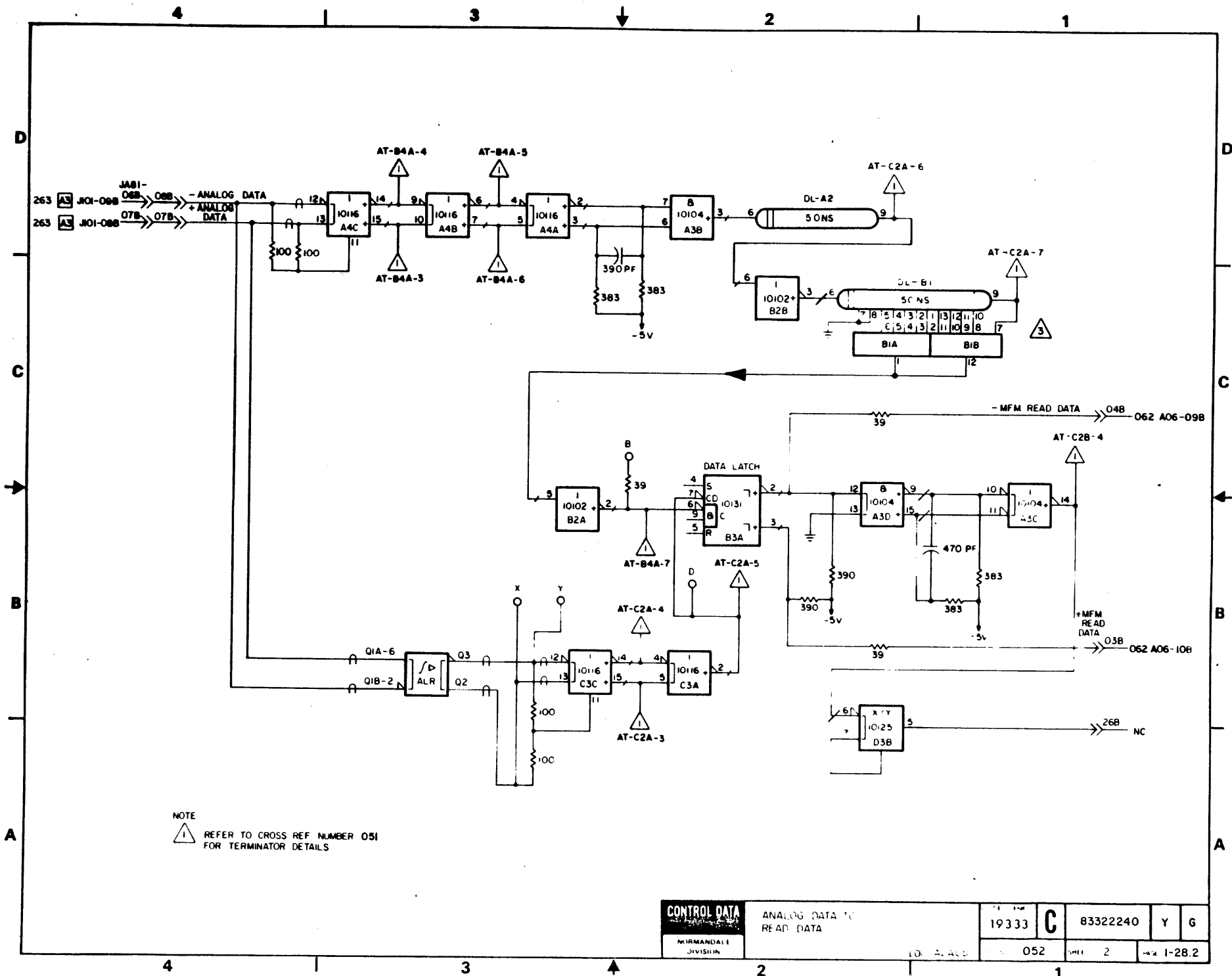


3 △ PINS 4, 5, 6 OF B1A AND PINS 7, 8, 9 OF B1B ARE ONLY INSTALLED WHEN REQUIRED.



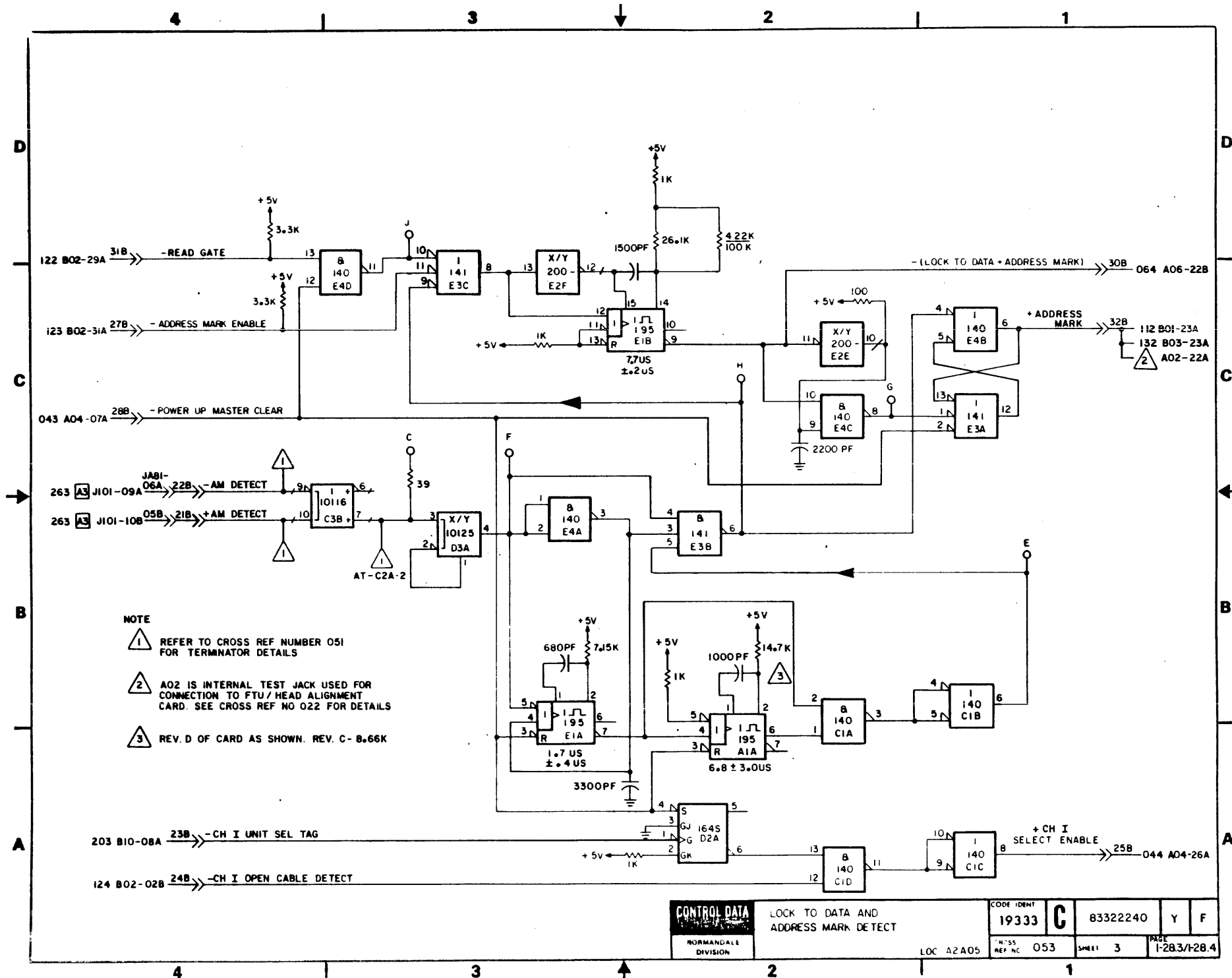
HLRV REV C AND ABOVE.

DRAWN	MANDERSON	CONTROL DATA	DATA LATCH DIAGRAMS	CODE IDENT	19333	C	83322240	Y	G
CHECKED				CROSS REF NO	051		SHEET 1 OF 3		PAGE 1-28.1
ENGINEER		NORMAN DALE DIVISION	TYPE HLRV-REV C	LOC	A2A05				
APPROVED				REF:	83214805				



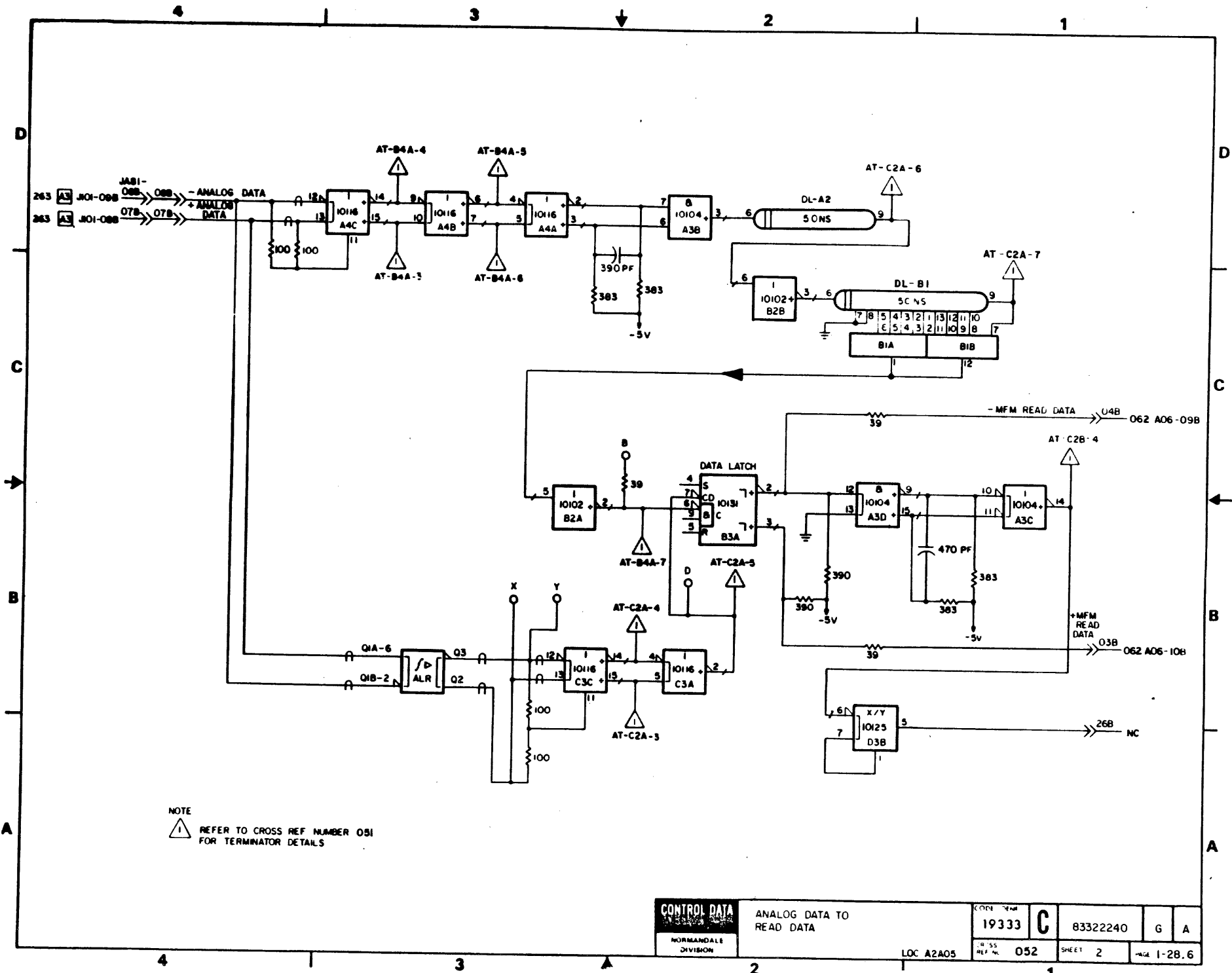
NOTE
 REFER TO CROSS REF NUMBER 051 FOR TERMINATOR DETAILS

CONTROL DATA MORMANDALE DIVISION	ANALOG DATA TO READ DATA	19333	C	83322240	Y	G
		052	2	1-28.2		



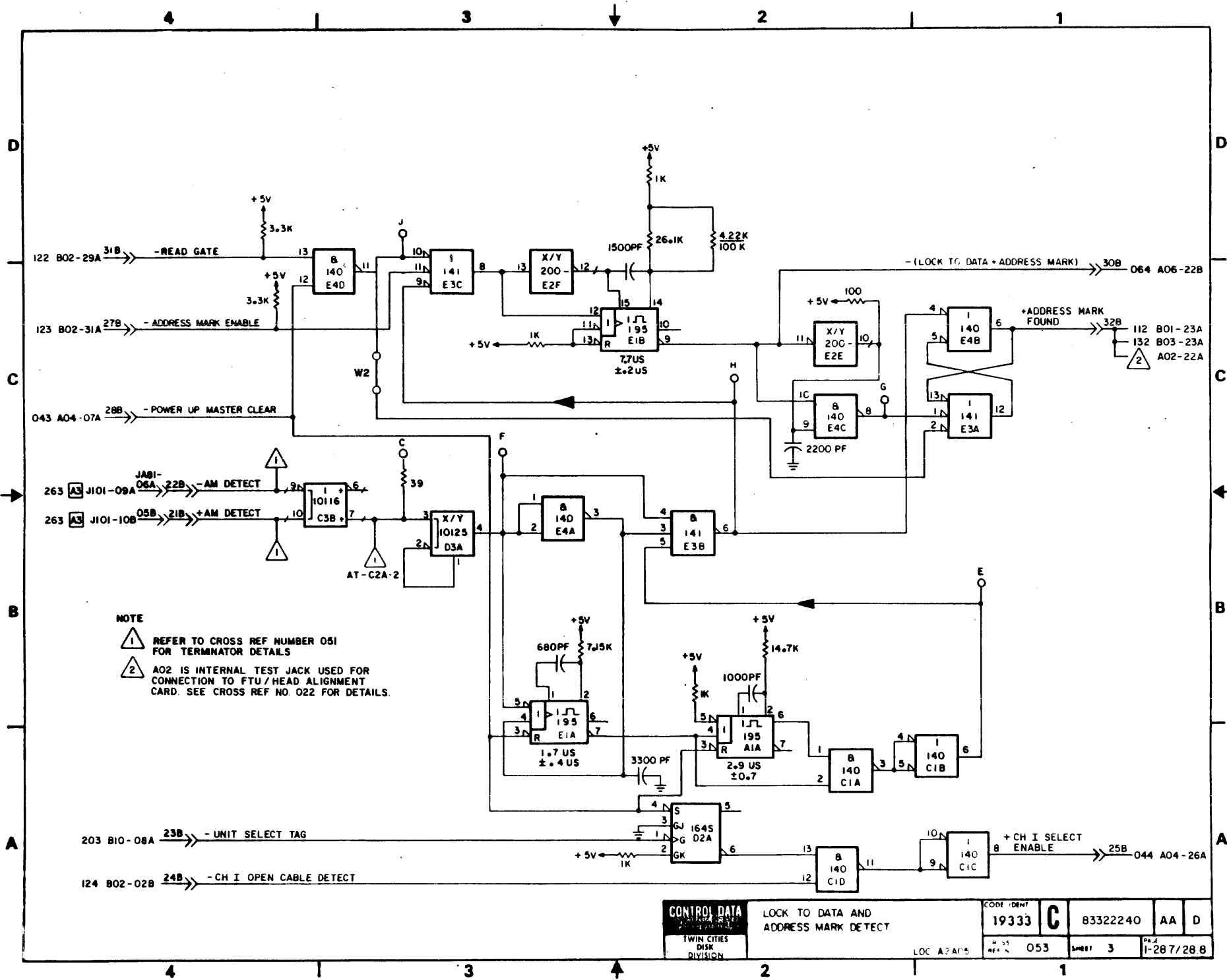
- NOTE**
- 1 REFER TO CROSS REF NUMBER 051 FOR TERMINATOR DETAILS
 - 2 A02 IS INTERNAL TEST JACK USED FOR CONNECTION TO FTU / HEAD ALIGNMENT CARD. SEE CROSS REF NO 022 FOR DETAILS
 - 3 REV. D OF CARD AS SHOWN. REV. C - 8.66K

CONTROL DATA NORMANDALE DIVISION	LOCK TO DATA AND ADDRESS MARK DETECT	CODE IDENT 19333	C	83322240	Y	F
	LOC A2A05	REV. NC 053	SHEET 3	DATE 1-28.3/78.4		



NOTE
 ⚠ REFER TO CROSS REF NUMBER 031
 FOR TERMINATOR DETAILS

CONTROL DATA NORMANDALE DIVISION	ANALOG DATA TO READ DATA		CODE 19333	C	83322240	G	A
	LOC A2A05	052	SHEET 2	1-28.6			



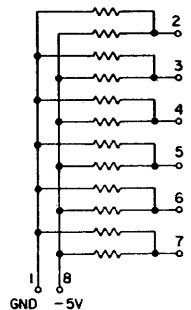
NOTE
 1 REFER TO CROSS REF NUMBER 051 FOR TERMINATOR DETAILS
 2 A02 IS INTERNAL TEST JACK USED FOR CONNECTION TO FTU / HEAD ALIGNMENT CARD. SEE CROSS REF NO. 022 FOR DETAILS.

CONTROL DATA TWIN CITIES DISK DIVISION	LOCK TO DATA AND ADDRESS MARK DETECT	CODE IDENT 19333	C	83322240	AA	D
	LOC A2A05	REV 053	SHEET 3	DATE 1-28 7/28.8		

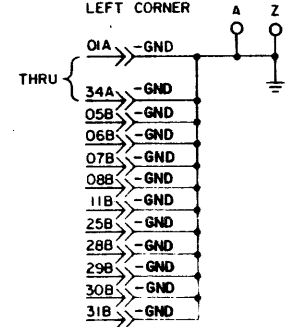
REVISION STATUS OF SHEETS																				
	1	2	3	4	5	6	7	8	9	10	11	12	13	14	15	16	17	18	19	20
A	A	A	A	A																
B	B	B	B	B																
C	C	B	B	B																
D	C	D	B	B																
E	C	E	B	B																
F	F		F																	
G	G		G																	
H	H	H	H	H																
J		J																		

REVISIONS					
REV	ECO	DESCRIPTION	DRFT	DATE	CHK'D
A	PE23000	RELEASED	MLA		
B	PE48402	CORRECT DIAGRAMS	GR	2-16-76	
C	PE55604	CORRECT DIAGRAM	TH	7-26-79	
D	PE55862	BIAS ADJUSTMENT	MF	7-13-81	
E	PE60250	IMPROVE YIELD	MF	7-13-81	
F	DJ00001	CORRECT DIA'S	MF	7-13-81	
B	DJ0000A	LOGIC DIA ERRORS	MJ	5-25-82	
H	DJ22000	XFER FROM PE	MJ	5-25-82	
J	DJ00439	BD BLANK CH8 BLZV	MJ	5-25-82	

NOTES:
 1 TYPICAL CONFIGURATION FOR TERMINATORS ATA3, ATB2, ATB3, ATB4, ATC3, ATD4, ATE2 AS FOLLOWS



NOTE
 2 SEE LOWER LEFT CORNER

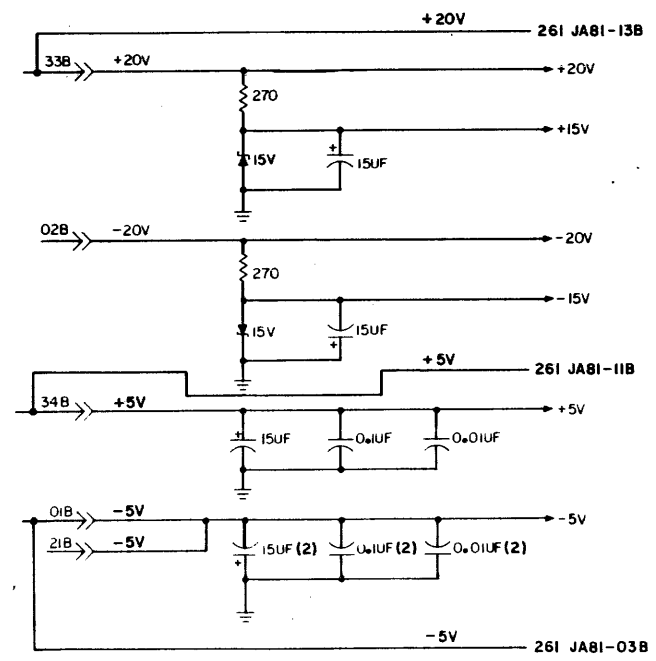
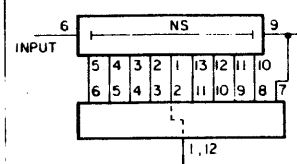


UNUSED LOGIC ELEMENTS

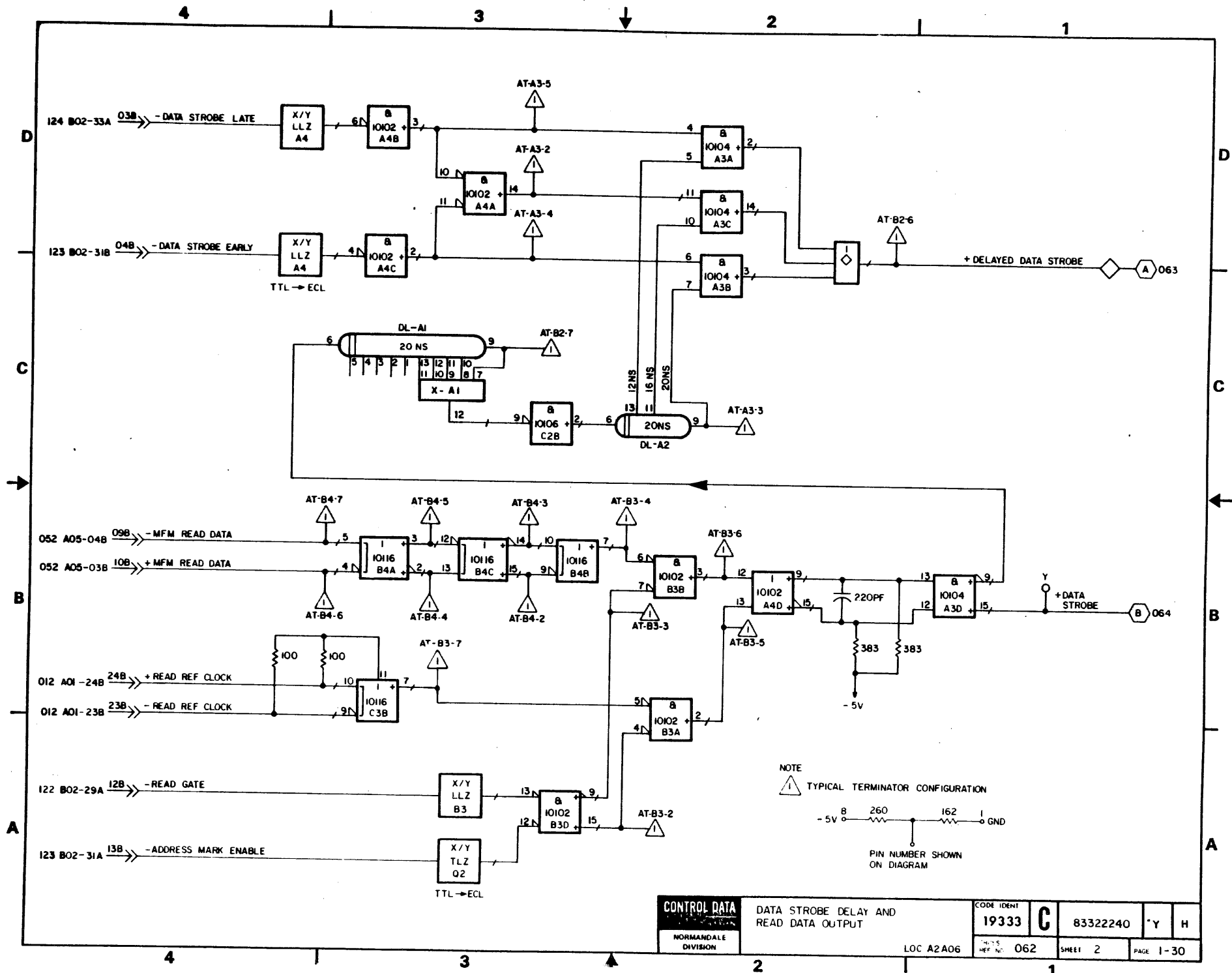
TYPE	LOCATION	OUTPUT PIN (S)
10131	E4	2,3
10116	E1	14,15
10116	C3	2,3,14,15
10125	D4	4,5

PIN	DELAY TIMES (NS)	
	B1	A2
5	5	10
4	10	20
3	15	30
2	20	40
1	25	50
13	30	60
12	35	70
11	40	80
10	45	90
9	50	100

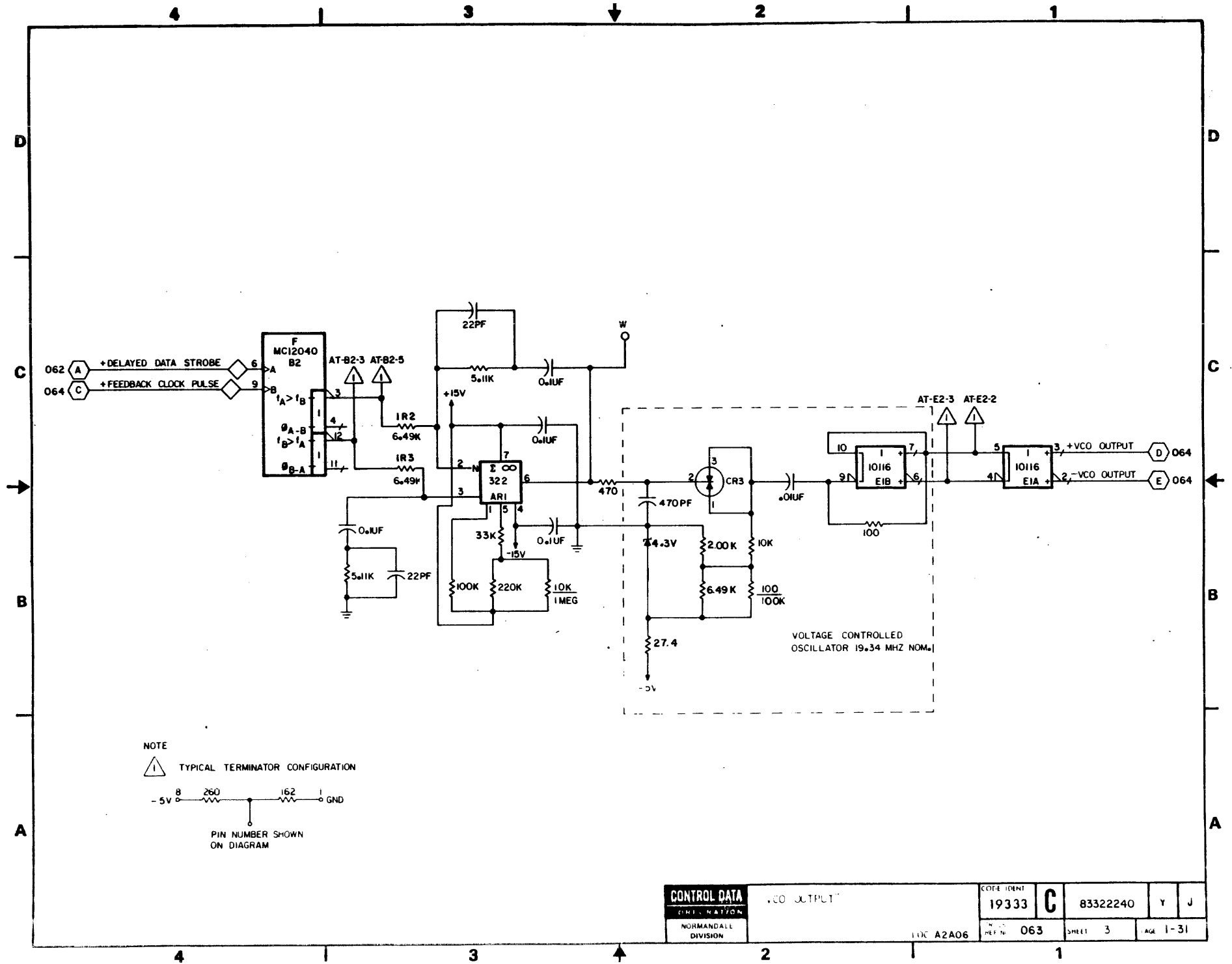
2 DELAY LINES ARE CONNECTED TO JUMPER BLOCK AS SHOWN IN DIAGRAM BELOW. ACTUAL DELAYS ARE SELECTED DURING MANUFACTURING. THIS DIAGRAM SHOWS TYPICAL CONNECTIONS. DELAY TIME FOR EACH DELAY LINE PIN RELATIVE TO PIN 6 INPUT IS SHOWN IN CHART BELOW.



DESIGN: MANDERSON	CONTROL DATA CORPORATION	READ PLV DIAGRAMS	CODE IDENT: 19333	C	83322240	Y	J
CHECKED:	NORMANDEALE DIVISION	TYPE BLZV	LOC: A2A06	061	1-5	1-29	



CONTROL DATA NORMANDEALE DIVISION	DATA STROBE DELAY AND READ DATA OUTPUT	CODE IDENT 19333	C	83322240	Y	H		
	LOC A2A06	REF NO: 062					SHEET 2	PAGE 1-30

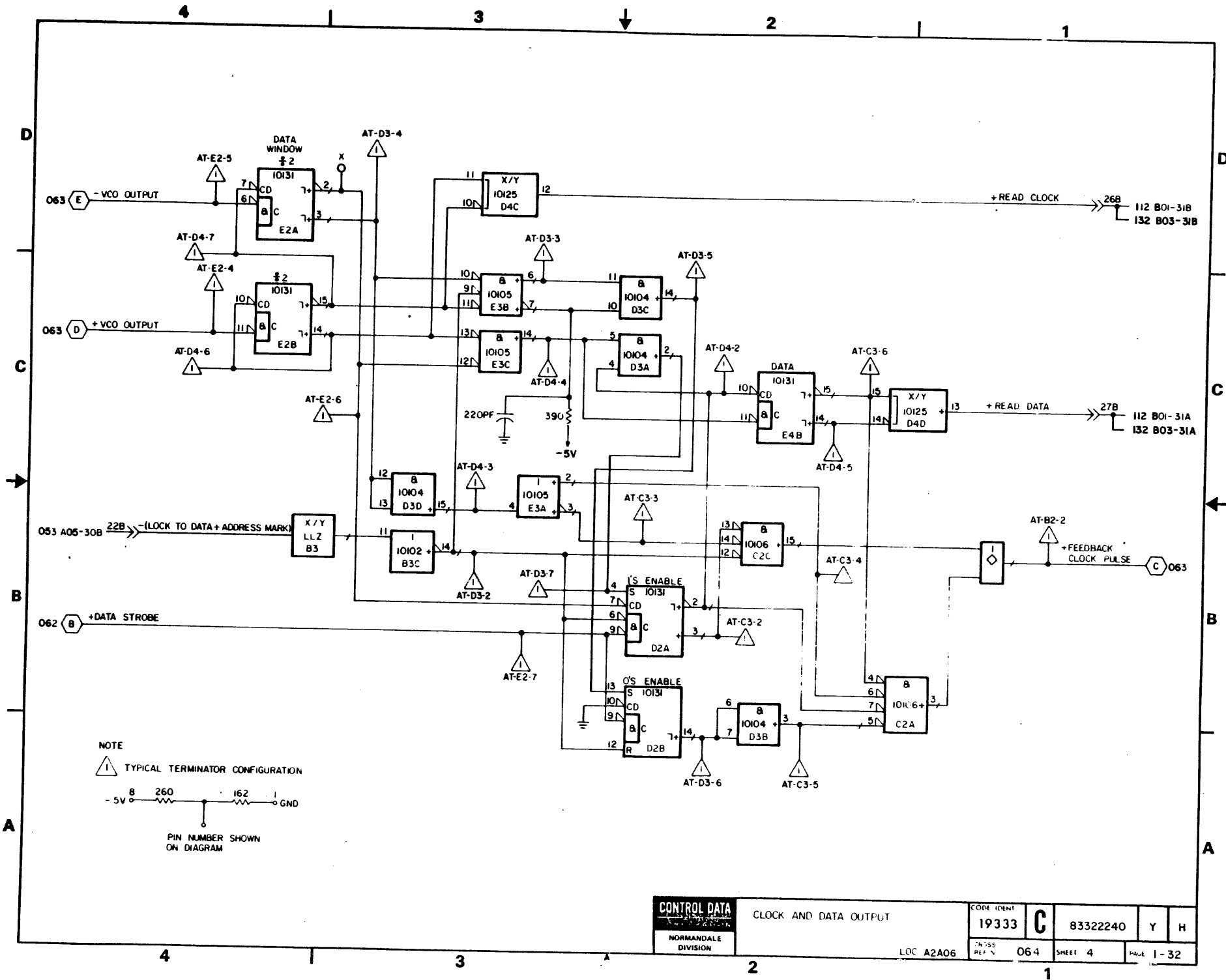


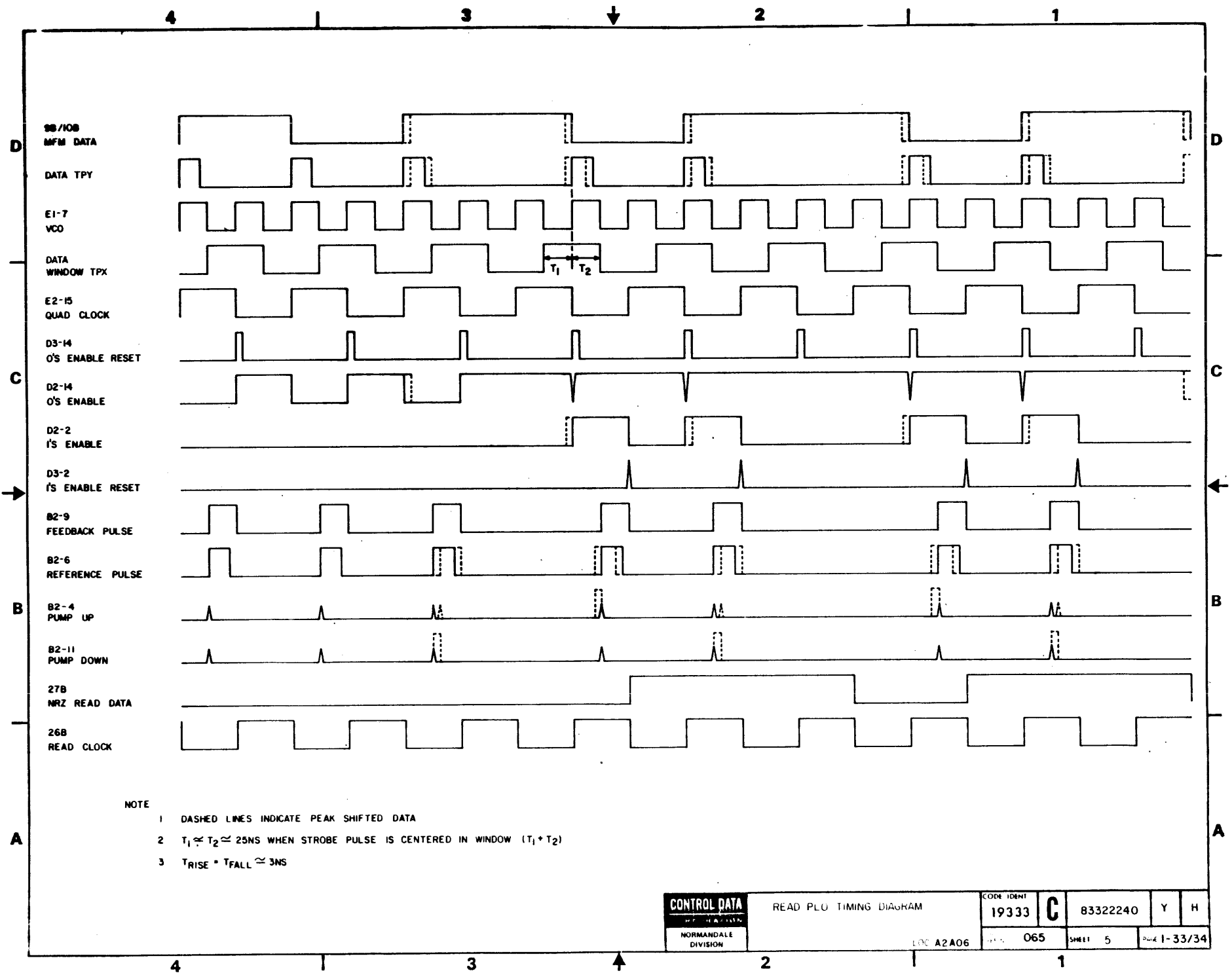
CONTROL DATA
 ORGANIZATION
 NORMANDALL
 DIVISION

VCO OUTPUT

CODE IDENT 19333	C	83322240	Y	J
REF NO 063	SHEET 3	PAGE 1-31		

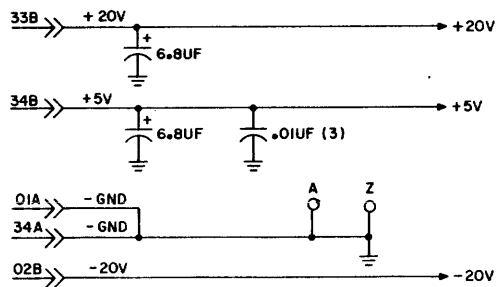
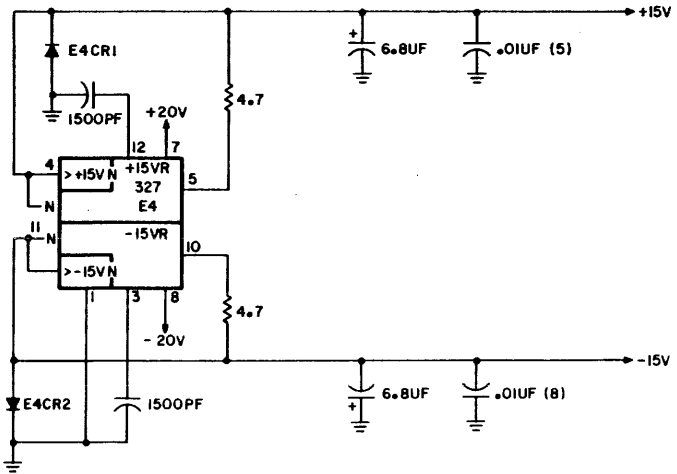
DOC A2A06





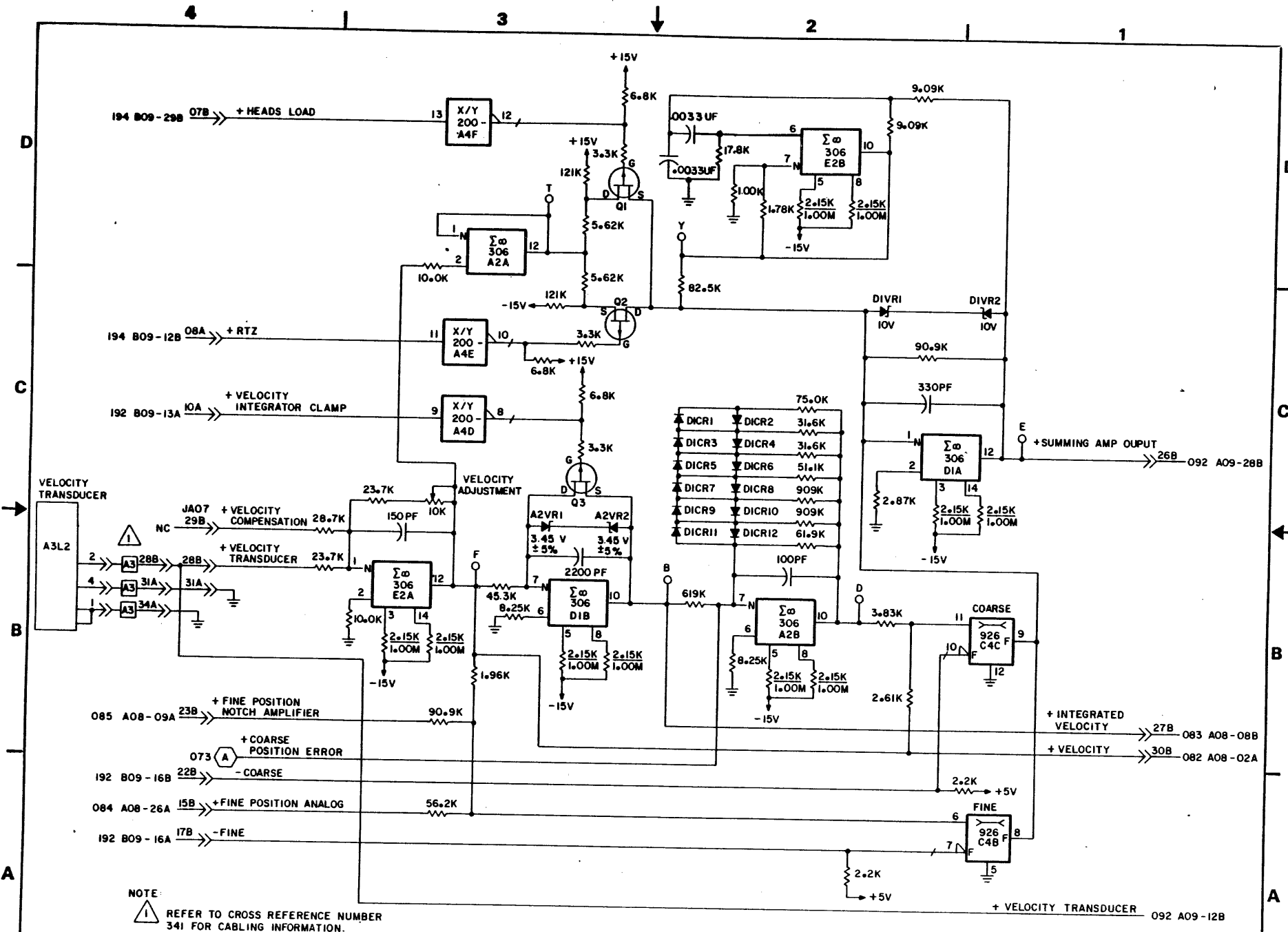
REVISION STATUS OF SHEETS																				
	1	2	3	4	5	6	7	8	9	10	11	12	13	14	15	16	17	18	19	20
A	A	A																		
B	A	B																		
C	C	C																		
D	D	D																		
E	D	E																		
F	F	E																		
G	G	E																		
H	H	E																		
J	J	E																		
K	K	H																		
L																				
M	M	M																		
N	N																			

REVISIONS					
REV.	ECO.	DESCRIPTION	DRFT.	DATE	CHK'D
A	PE23000	RELEASED	GR		
B	PE48296	CORRECT DIAGRAMS	WEB		
C	PE48402	CORR DIA			
D	PE48523	CORR DIA	DM	7-26-77	
E	PE48675	ERR CORR	DM	1-25-78	
F	PE55792	CLARIFY DIAGRAM	A A O	6-15-78	
G	PE60401	CHG DIODE	MF	7-13-81	
H	DJ00038	DELETE TEST POINTS	MJ	1-11-82 (1)	
J	DJ00076	CHG RESISTOR	MJ	1-11-82 (1)	
K	DJ00075	PREVENT RINGING SERVO	MJ	1-11-82 (1)	
L	DJ00075	FILTER FREQ CHG	MJ	5-25-82	
M	DJ23000	IFER FROM PE	MJ	5-25-82	
N	DJ00315A	NLQV YIELD CHG	MJ	5-25-83	



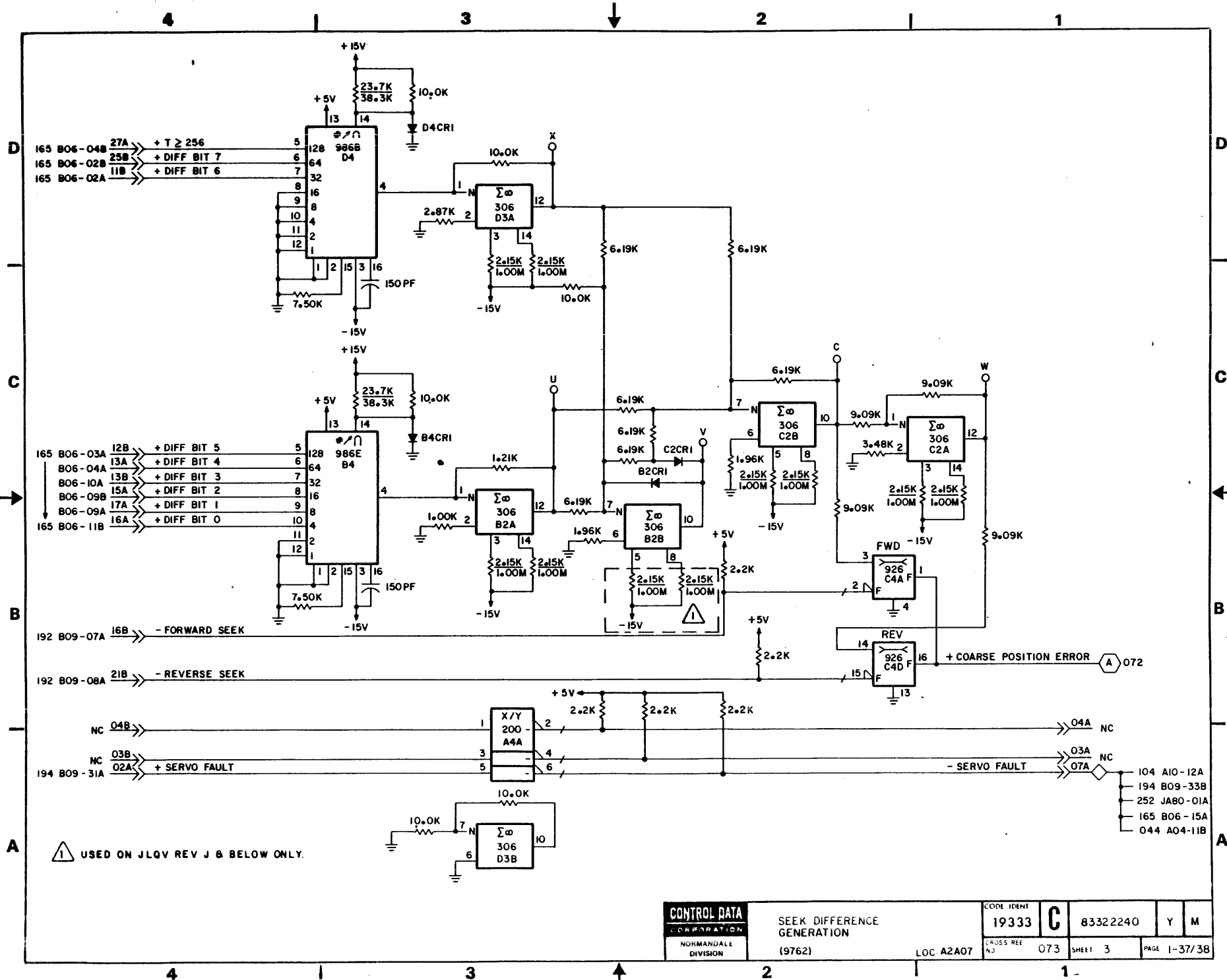
THIS SET USED FOR NLQV REV D & BELOW (BK5XX-9762)

DRAWN	G. LABINE	8/26/77	CONTROL DATA	D/A FUNCTION GENERATOR	CODE IDENT	19333	C	83322240	Z	N
CHECKED			ORIGINATOR	DIAGRAMS	CROSS REF NO	071				
ENGINEER	G. LABINE	8/23/77	NORMANDALE DIVISION	TYPE JLQV/NLQV	LOC A2407			SHEET 1 OF 3	PAGE 1-35	
APPROVED								REF 83214807		



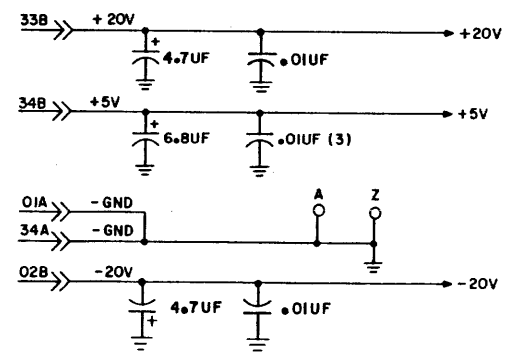
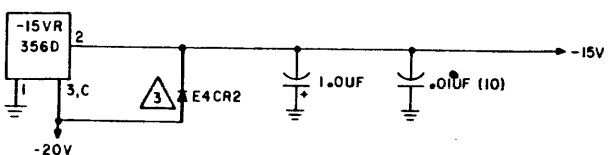
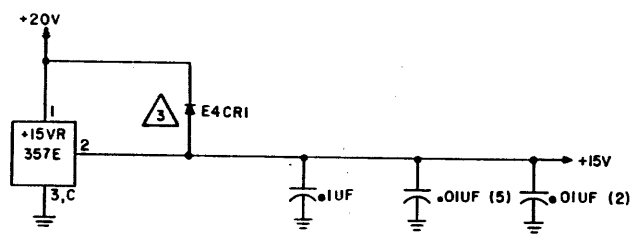
NOTE:
 ⚠ REFER TO CROSS REFERENCE NUMBER 341 FOR CABLING INFORMATION.

CONTROL DATA CORPORATION NORMANDEALE DIVISION	SUMMING AMP OUTPUT AND VELOCITY (9762)	CODE IDENT 19333 C	83322240	Y	N
	LOC: A2A07	CROSS REF NO 072	SHEET 2	PAGE 1-36	



CONTROL DATA CORPORATION NORMANVILLE DIVISION	SEEK DIFFERENCE GENERATION	CODE IDENT 19333	C	83322240	Y	M
	(9762)	LOC A2A07	CROSS REF NO 073	SHEET 3	PAGE 1-37/38	

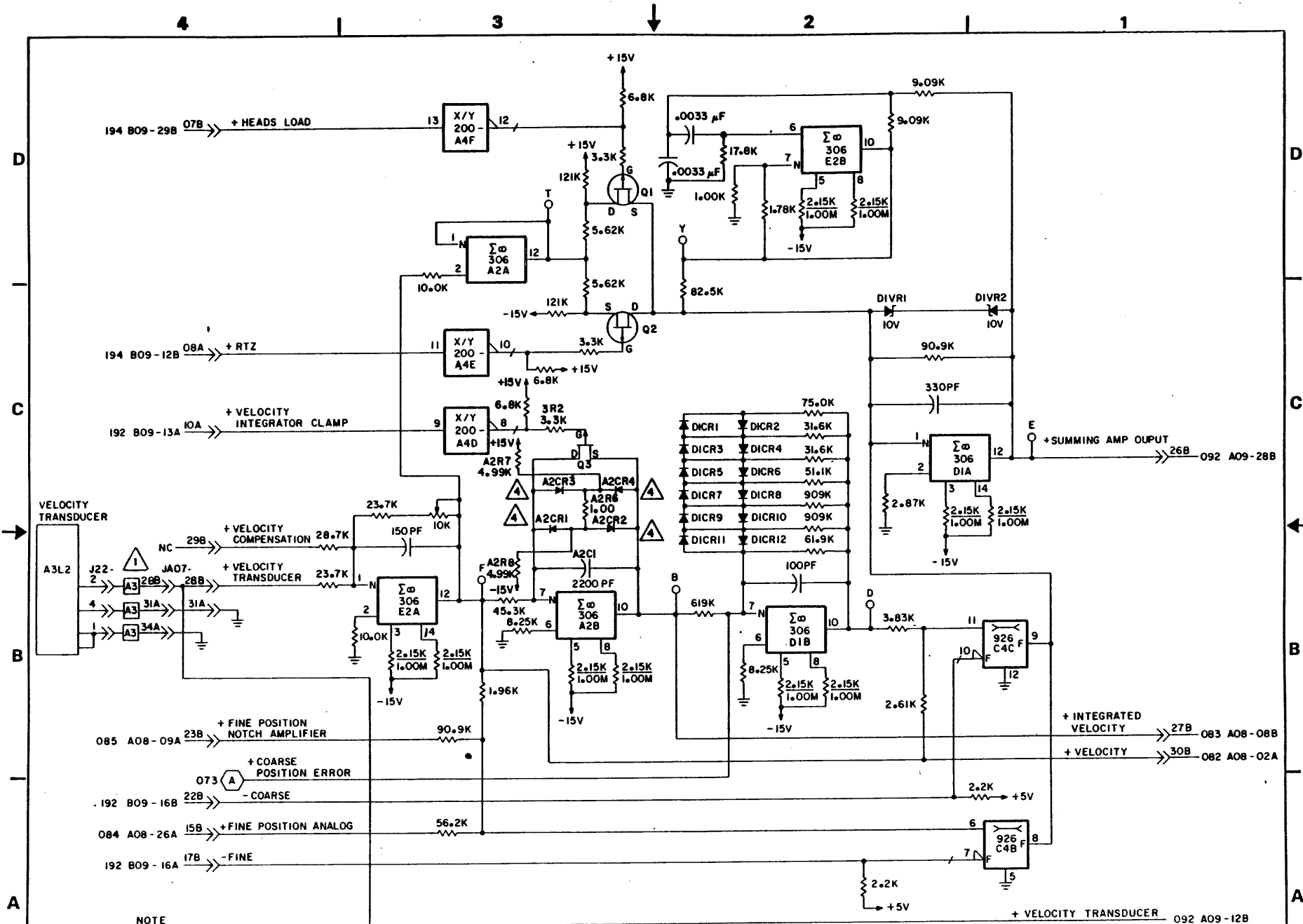
REVISIONS					
REV.	ECO.	DESCRIPTION	DRAFT	DATE	CHK'D
A	PE23000	RELEASED	GR	10/1/74	YC
B	PE48296	ERR. CORR.	MA	8-17-76	YC
C	PE48402	ERROR CORRECTIONS	VB	1-5-77	YC
D	PE48523	ERROR CORRECTION	SB	4-6-77	YC
E	PE48673	ERROR CORRECTION	DM	7-6-77	YC
F	PE55792	CORRECT DIAG'S	TH	7-9-79	NYL
G	PE60401	CHG DIODE ON SLOV	AE	1-18-80	NYL
H	DJ00038	DELETE TEST POSTS	MF	7-7-81	DGD
J	DJ00076	CHG RESISTOR NLQV	DLM	9-11-81	DGD
K	DJ00073	FILTER FREQ CHG	DLM	9-11-81	DGD
L	DJ00075A	TO ADD MIXDORF KIT PL, TO CORRECT PW'S, CHG RWK EFFECTIVITY, AND ADD LD'S.	DLM	9-11-81	DGD
M	DJ22000	XFER FROM PE	SL	7-18-82	NYL
N	DJ00315	NLQV YIELD CHG	MJ	7-23-82	DGD
P	DJ00420	IMPROVE YIELD	KKB	11-1-84	DGD
R	DJ00734	CHG NLQV COMP AT	MR	1-29-85	
	DJ72000A	FORMAT CHANGE	MR	1-29-85	



- 3 DIODE SILICON, 1N4001, 95637301.
- 4 DIODE SILICON, 24553500.

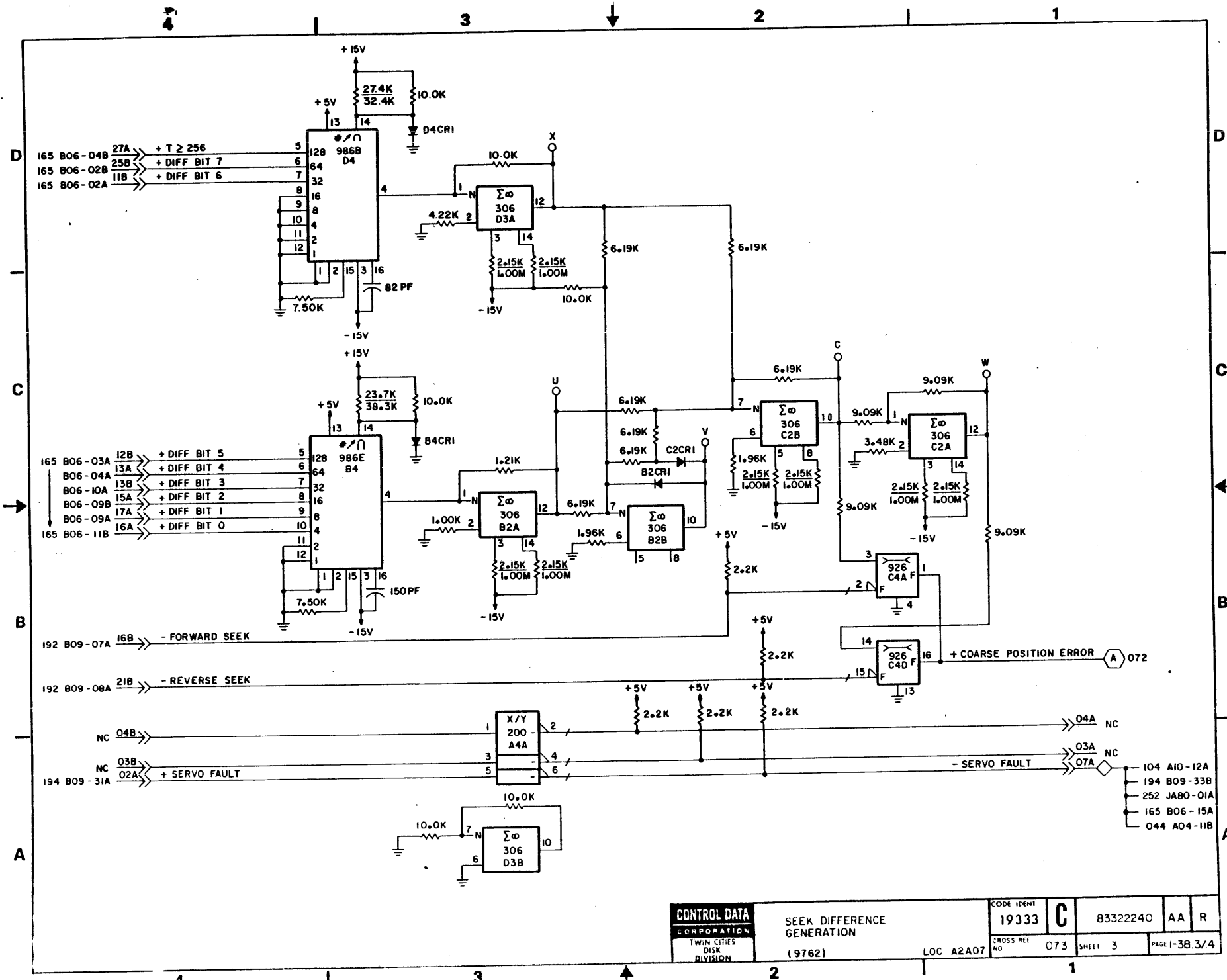
THIS SET USED FOR NLQV REV E & ABOVE BK5XX=9762-E

DRAWN	G. RABINE	DATE	1/22/74	CONTROL DATA	D/A FUNCTION GENERATOR DIAGRAMS	CODE IDENT	19333	C	83322240	AA	R
CHECKED				CORPORATE EN.							
ENGINEER				TWIN CITIES DISK DIVISION		CROSS REF NO	071		SHEET 1 of 3		PAGE 1-36.1
APPROVED					TYPE NLQV	LOC	A2A07				



NOTE
 1 REFER TO CROSS REFERENCE NUMBER
 341 FOR CABLING INFORMATION.

CONTROL DATA CORPORATION NORMANDELL DIVISION	SUMMING AMP OUTPUT AND VELOCITY (9762)	CODE IDENT	19333	C	83322240	Z	P
		CROSS REF NO	072		SHEET	2	PAGE
LOC: A2A07							



CONTROL DATA
CORPORATION
TWIN CITIES
DISK
DIVISION

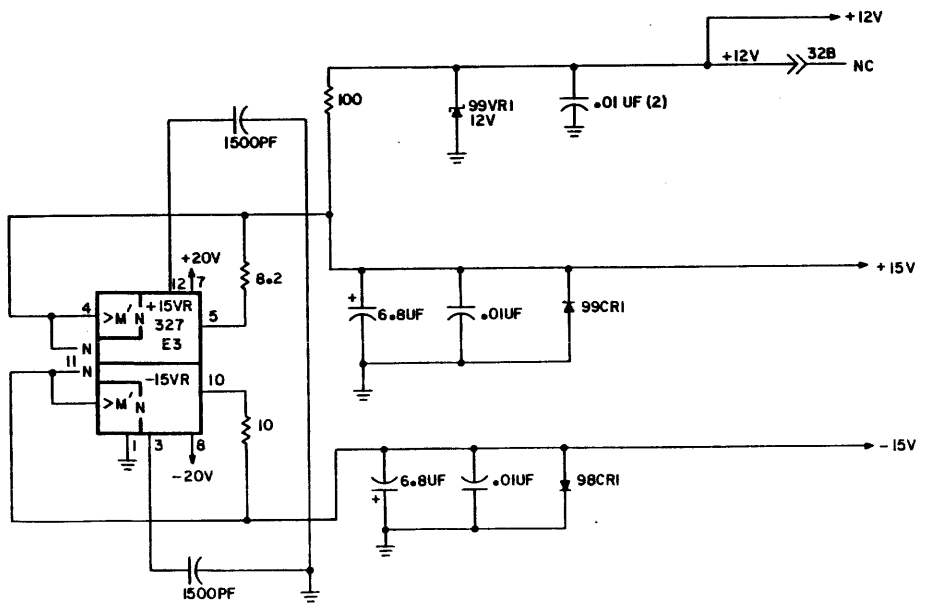
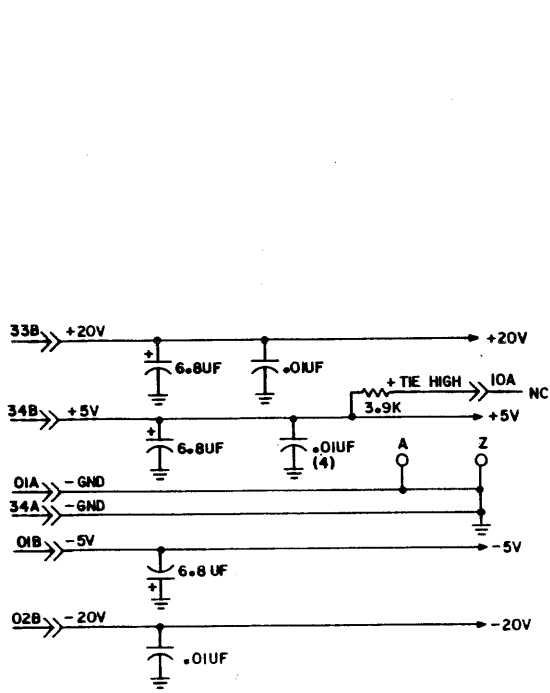
SEEK DIFFERENCE
GENERATION
(9762)

CODE IDENT	19333	C	8332240	AA	R
CROSS REF NO	073	SHEET 3	PAGE 1-38.3/4		
LOC A2A07					

REVISION STATUS OF SHEETS																			
1	2	3	4	5	6	7	8	9	10	11	12	13	14	15	16	17	18	19	20
A	A	A	A	A															
B	B	A	A	B															
C	C	C	C	C															
D	D	C	C	D															

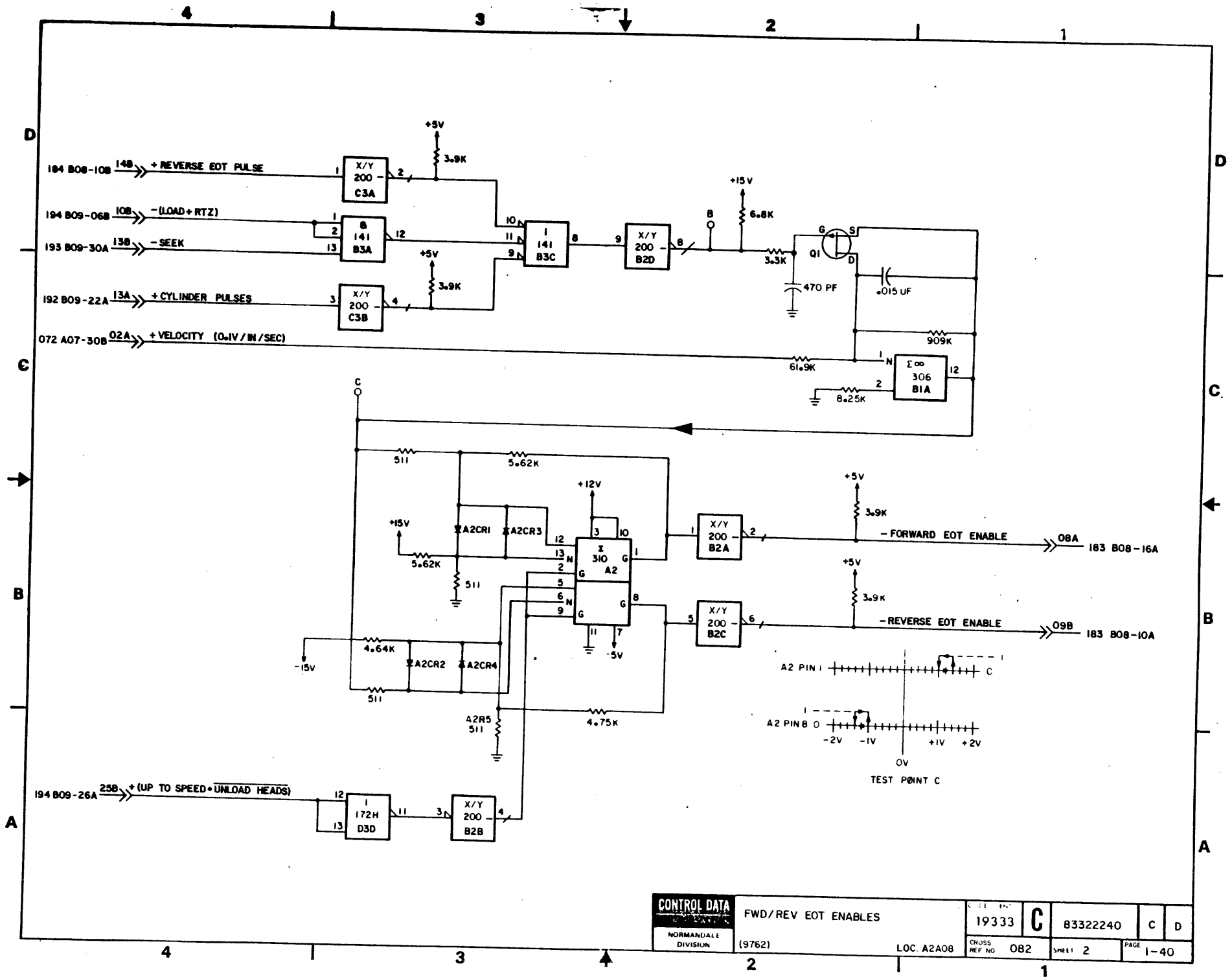
REVISIONS					
REV	ECO.	DESCRIPTION	DRFT.	DATE	CHK'D
A	PE23000	RELEASED	MLA	8-26-76	
B	PE 48296	CORRECT DIAGRAMS	WEB	11-1-76	
C	PE 48402	CORRECT DIAGRAMS	WEB	12-16-76	
D	PE48523	CORRECT DIAGRAMS	DM	7-26-77	

UNUSED LOGIC ELEMENT		
TYPE	LOCATION	OUTPUT PIN(S)
200	E1	2

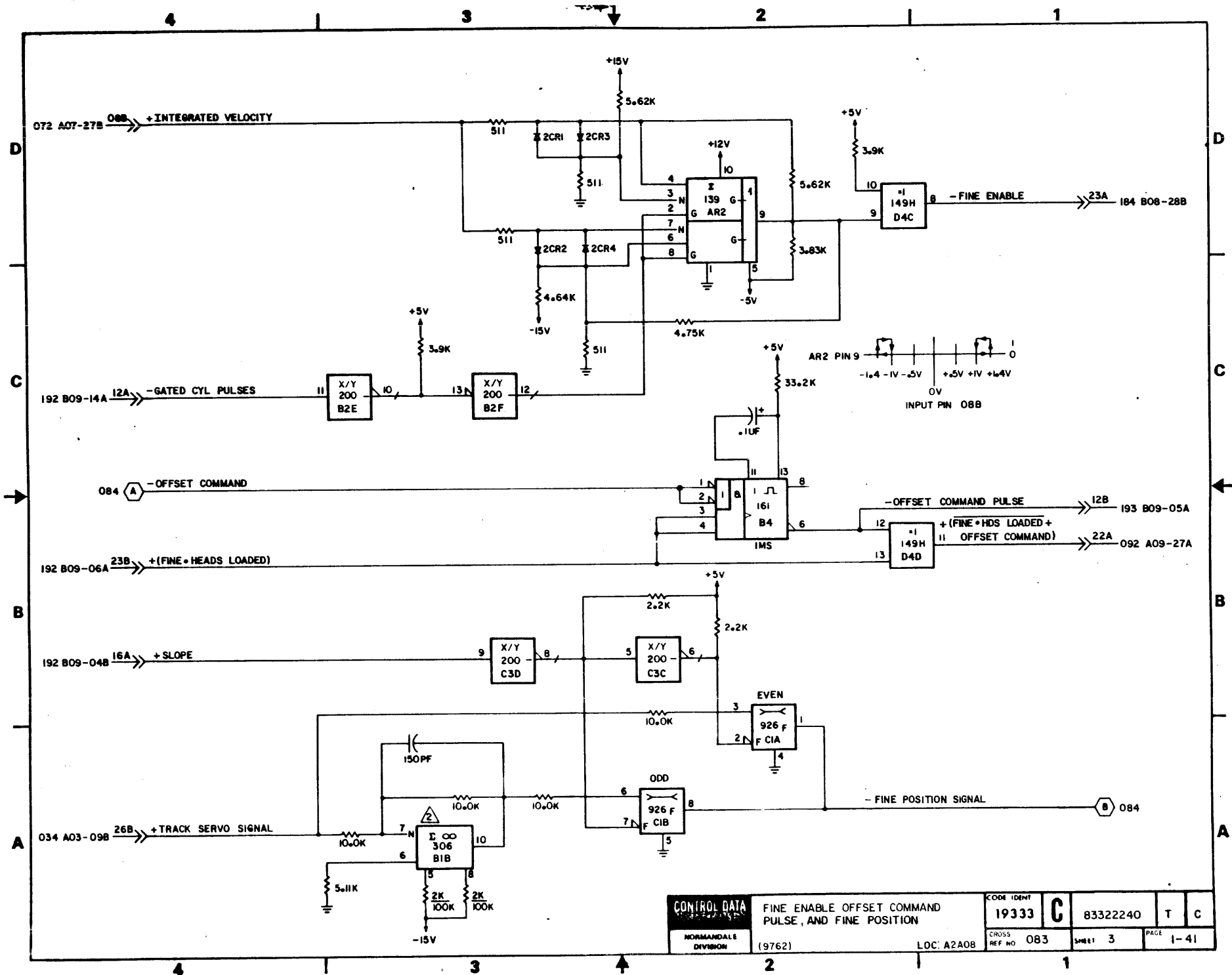


APPLICABLE TO BK5XX=9762. THIS SET USED FOR ELUV REV K & BELOW.

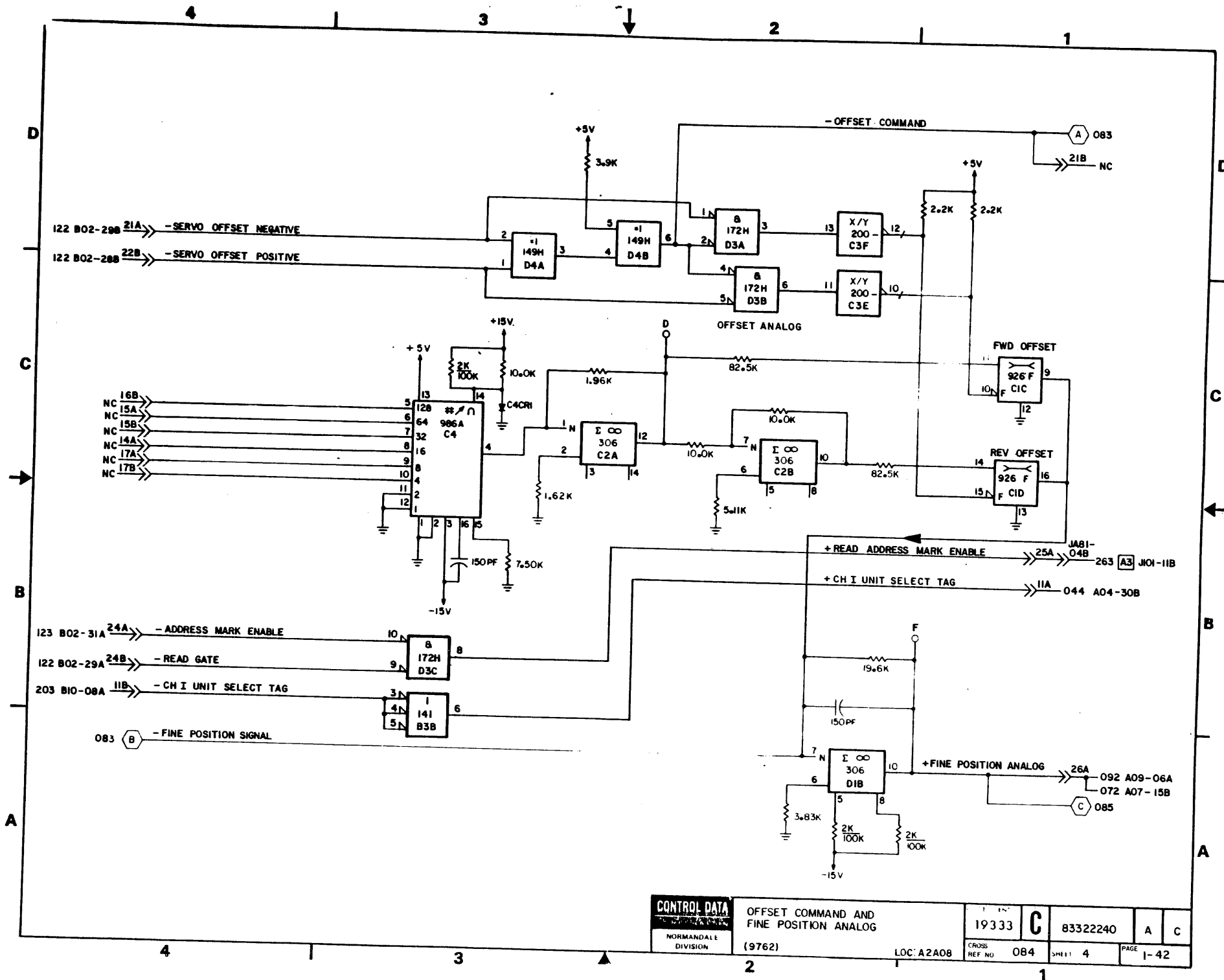
DRAWN	CHECKED	ENGINEER	APPROVED	CONTROL DATA CORPORATION	ACCESS CONTROL NO. 2 DIAGRAMS	CODE IDENT 19333 C	83322240	Y	D
TYPE ELUV						CROSS REF NO 081	SHEET 1 of 5	PAGE 1-39	REF 83214808



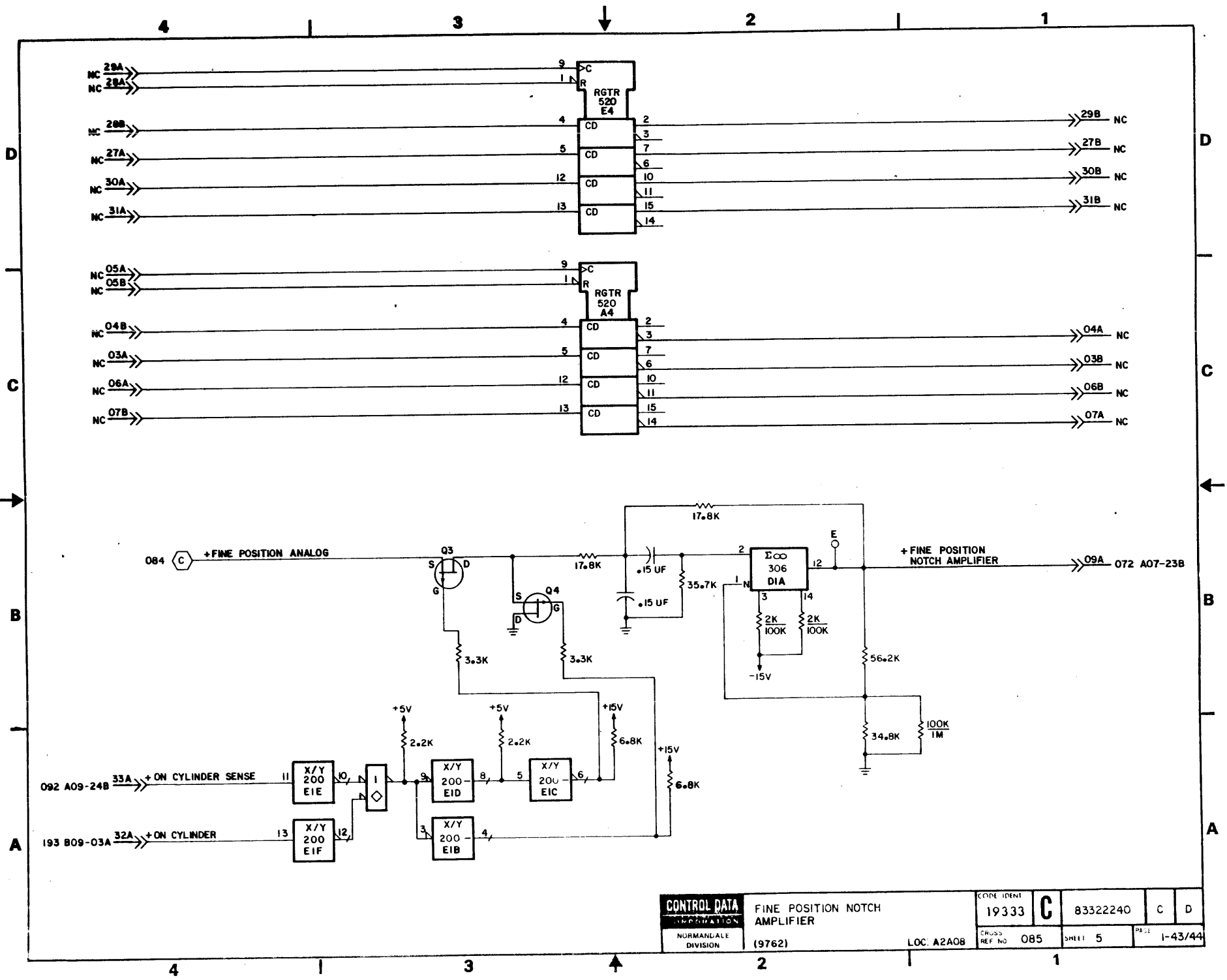
CONTROL DATA NORMANDALE DIVISION	FWD/REV EOT ENABLES (9762)	REV. NO.	19333	C	8332240	C	D
		CROSS REF NO	082				
LOC. A2A08							



CONTROL DATA	FINE ENABLE OFFSET COMMAND PULSE, AND FINE POSITION			CODE IDENT	C	83322240	T	C
	NORMANDEALE DIVISION	(9762)	LOC: A2A08	19333				
				CROSS REF NO	083	SHEET	3	PAGE
								1-41



CONTROL DATA NORMANDEALE DIVISION	OFFSET COMMAND AND FINE POSITION ANALOG	19333	C	83322240	A	C
	(9762)	LOC: A2A08	CROSS REF NO	O84	SHEET	4
			PAGE	1-42		

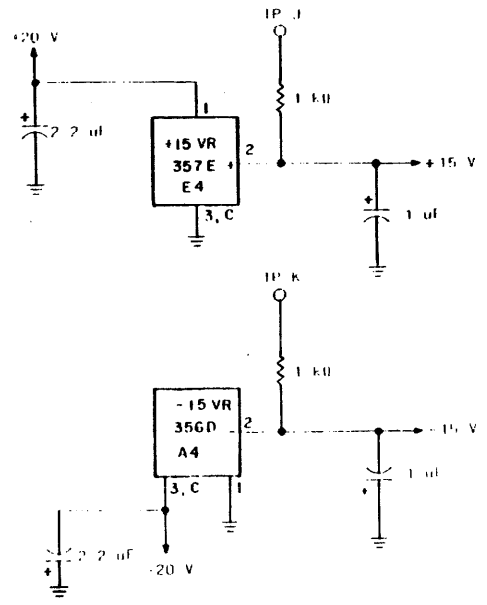
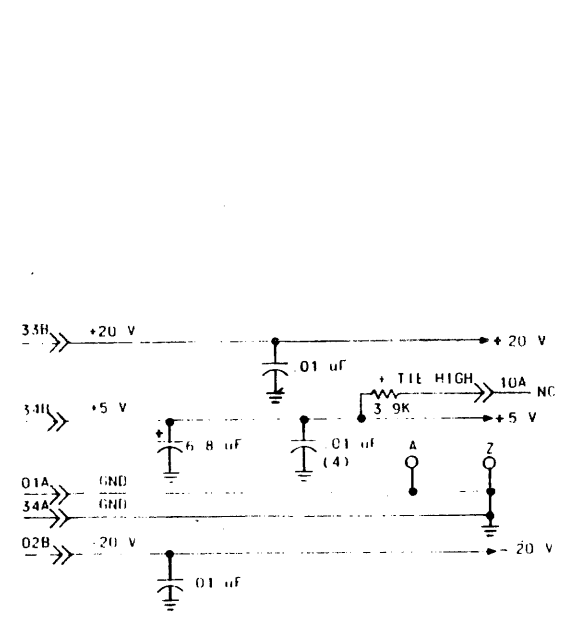


CONTROL DATA INFORMATION	FINE POSITION NOTCH AMPLIFIER		CODE IDENT 19333	C	83322240	C	D
	NORMANVILLE DIVISION		(9762)	CROSS REF NO 085	SHEET 5	PAGE 1-43/44	
			LOC. A2A08				

REVISION STATUS OF SHEETS																			
I	2	3	4	5	6	7	8	9	10	11	12	13	14	15	16	17	18	19	20
A	A	A	A	A															
B	B			B															
C	C	C	C	C															
D	D			D															
E	E	E	E	E															
F	F	F	F	F															
G	G																		
H		H	H																

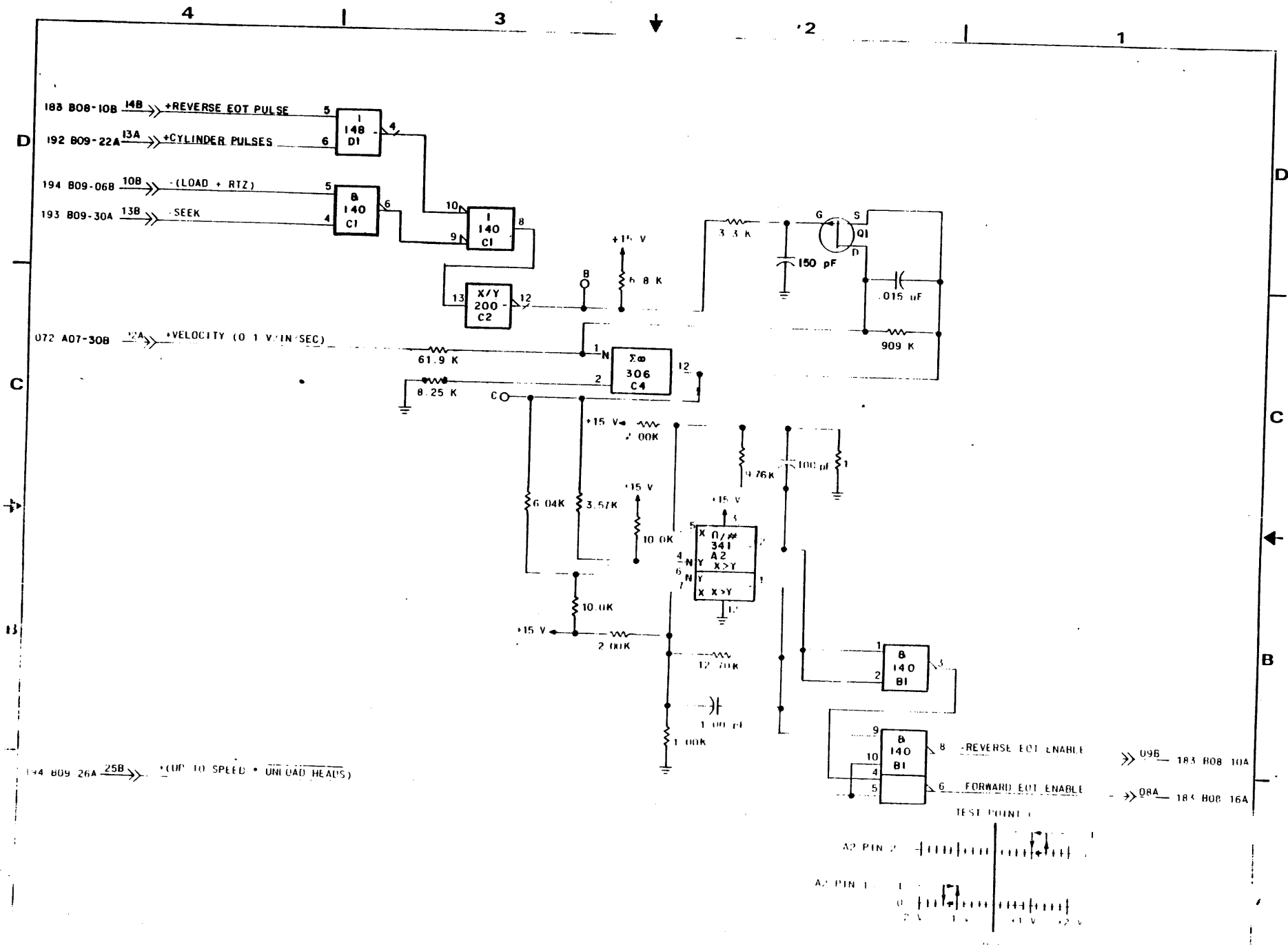
REVISIONS					
REV	ECO	DESCRIPTION	DFT	DATE	CHK'D
A	PE23000	RELEASED	MLA	10-1-76	
B	PE48296	ERR CORN	MA	11-17-76	
C	PE48402	ERROR CORRECTIONS	VG	1-5-77	
D	PE48523	ERROR CORRECTION	SB	4-6-77	
E	DJ00184	CHG ELUV	MJ	1-8-82	D-1
F	DJ28000	XFER FROM PE	SM9	7-20-82	
G	DJ00349	CORRECT ELUV DOC	MJ	7-23-82	D-1
H	DJ00456	CHG ELUV COMP AY	MJ	2-4-83	D-1

UNUSED LOGIC ELEMENTS		
TYPE	LOCATION	OUTPUT PIN(S)
200	E2	I2
149	D2	B



APPLICABLE TO BK5XX-9762. THIS SET USED FOR ELUV REV L & ABOVE.

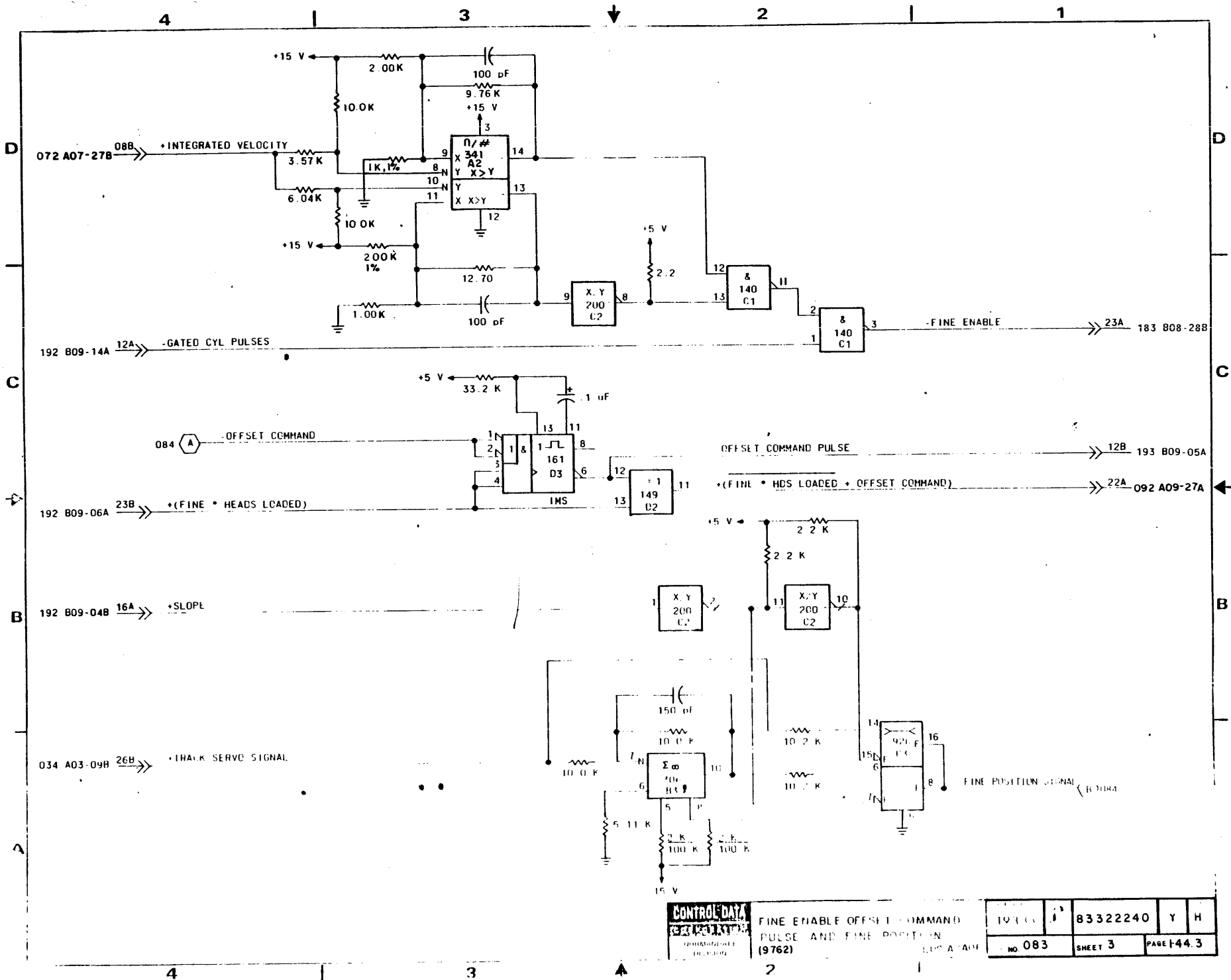
CONTROL DAY	ACCESS CONTROL NO.2 DIAGRAMS	19331	83322240	Y	H
NONMATERIAL DIVISION	TYPE ELUV	FORM 42A08	5	1-44-1	



CONTROL DATA
CORPORATION
NORMANVILLE DIVISION

FWD/REV EOT ENABLES
(9762)
DC A. 40-B

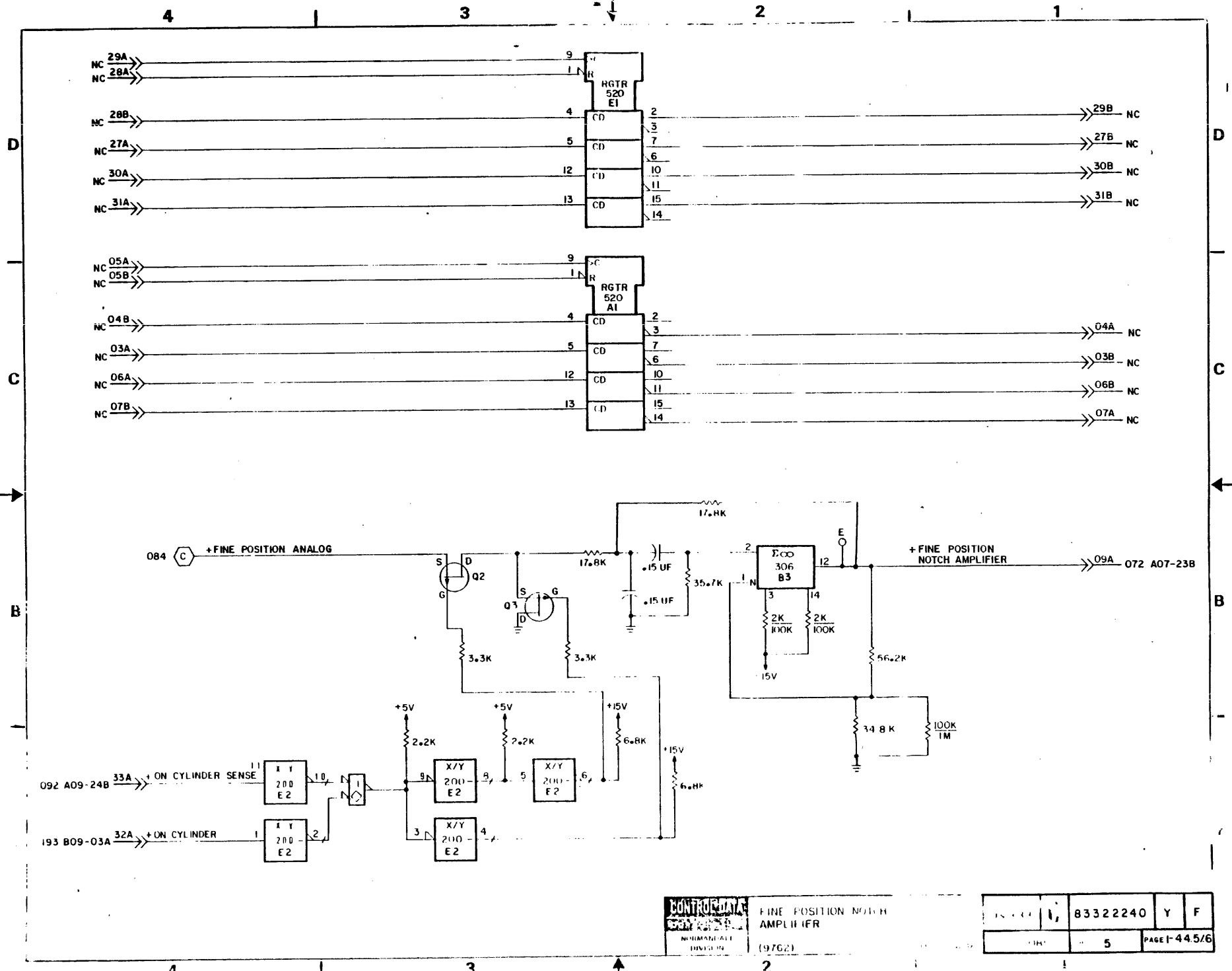
83322240	Y	G
SHEET	PAGE 1-44.2	



CONTROL DATA
CORPORATION
9762

FINE ENABLE OFFSET COMMAND
PULSE AND FINE POSITION
(9762)

1071	83322240	Y	H
NO 083	SHEET 3	PAGE 44.3	



CONTROL DATA
 FINE POSITION NOTCH AMPLIFIER
 (9762)

83322240	Y	F
5	PAGE 44.5/6	

REVISION STATUS OF SHEETS

	1	2	3	4	5	6	7	8	9	10	11	12	13	14	15	16	17	18	19	20
A	A	A	A																	
B	A	A	A																	
C	C	C	C																	
D	D	D	D																	
E	D	D																		
F	D	D																		
G	G	G	G																	
H																				

UNUSED LOGIC ELEMENTS

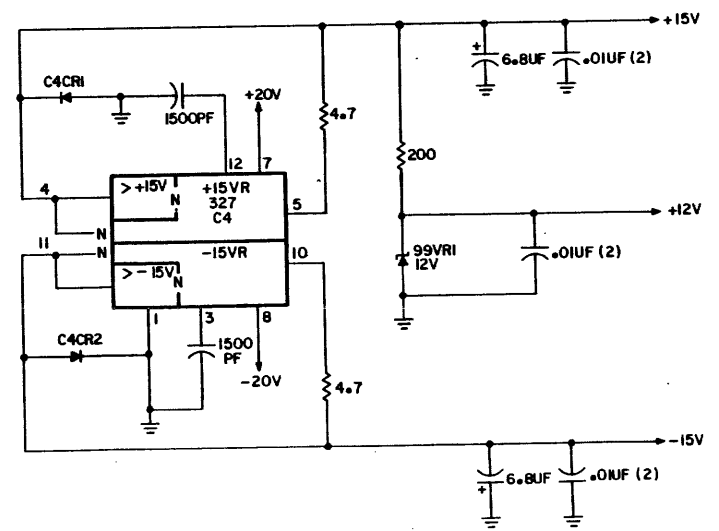
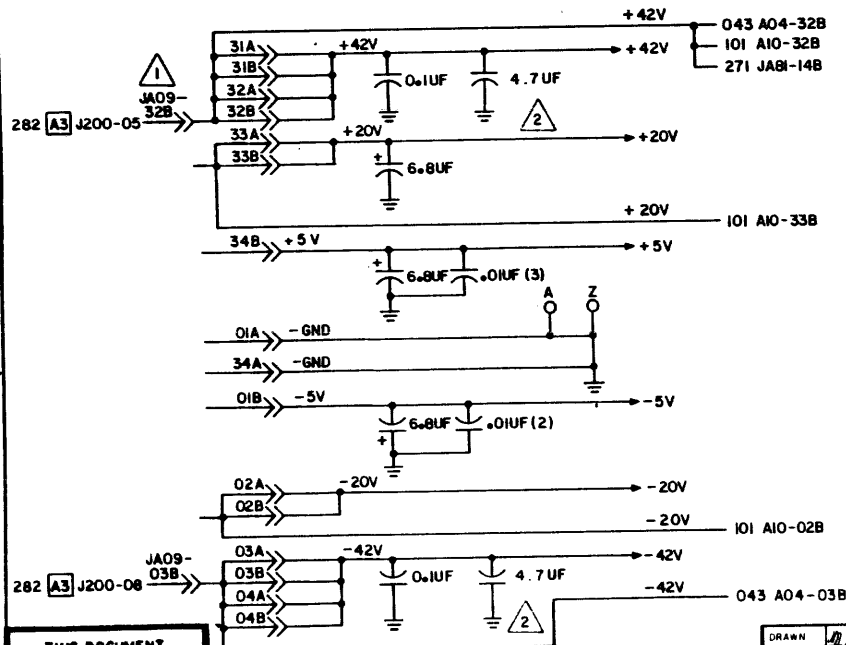
TYPE	LOCATION	OUTPUT PIN (S)
140	D2	3,6
200	E1	6,12
306	A1	12

REVISIONS

REV.	ECO	DESCRIPTION	DWFT.	DATE	CHK'D
A	PL2900	RELEASED	MLA	8-26-76	
B	PE48296	CORRECT DIAGRAMS	WEB	11-1-76	
C	PE48402	CORR DIA			
D	PE48523	CORR DIA	DM	7-26-77	
E	PE48706	ADD CAPACITORS	TH	7-26-79	
F	PE55370	ERROR CORRECTION			
G	PE55668	IMPROVE SERVO	MF	11-4-80	
H	DJ22000	XFR FRM PE	JG	7-23-84	
	DJ72000	FORMAT CHG			

NOTE:

- 1 REFER TO CROSS REFERENCE NUMBER 341 FOR CABLING INFORMATION
- 2 MOD D & ABV ONLY

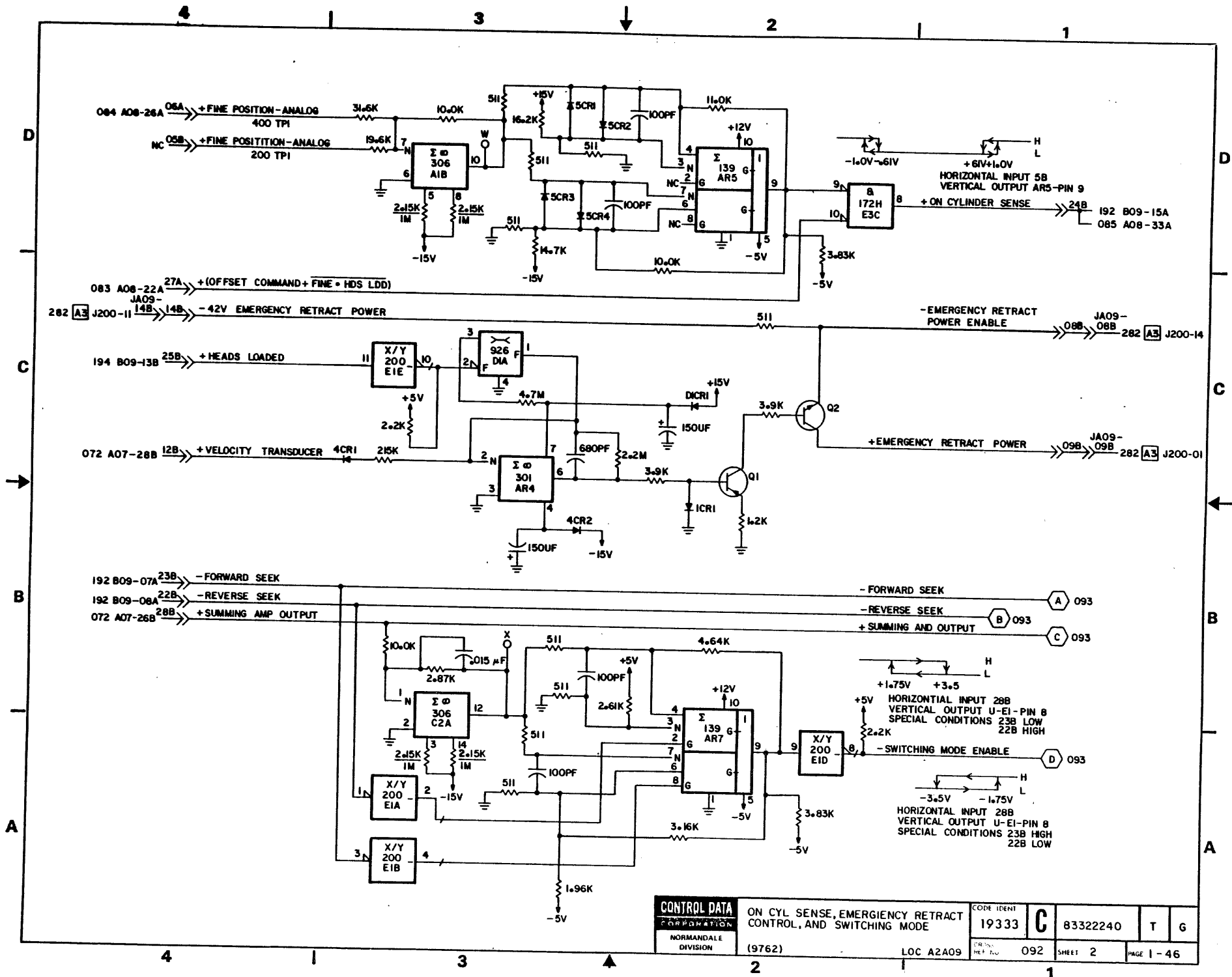


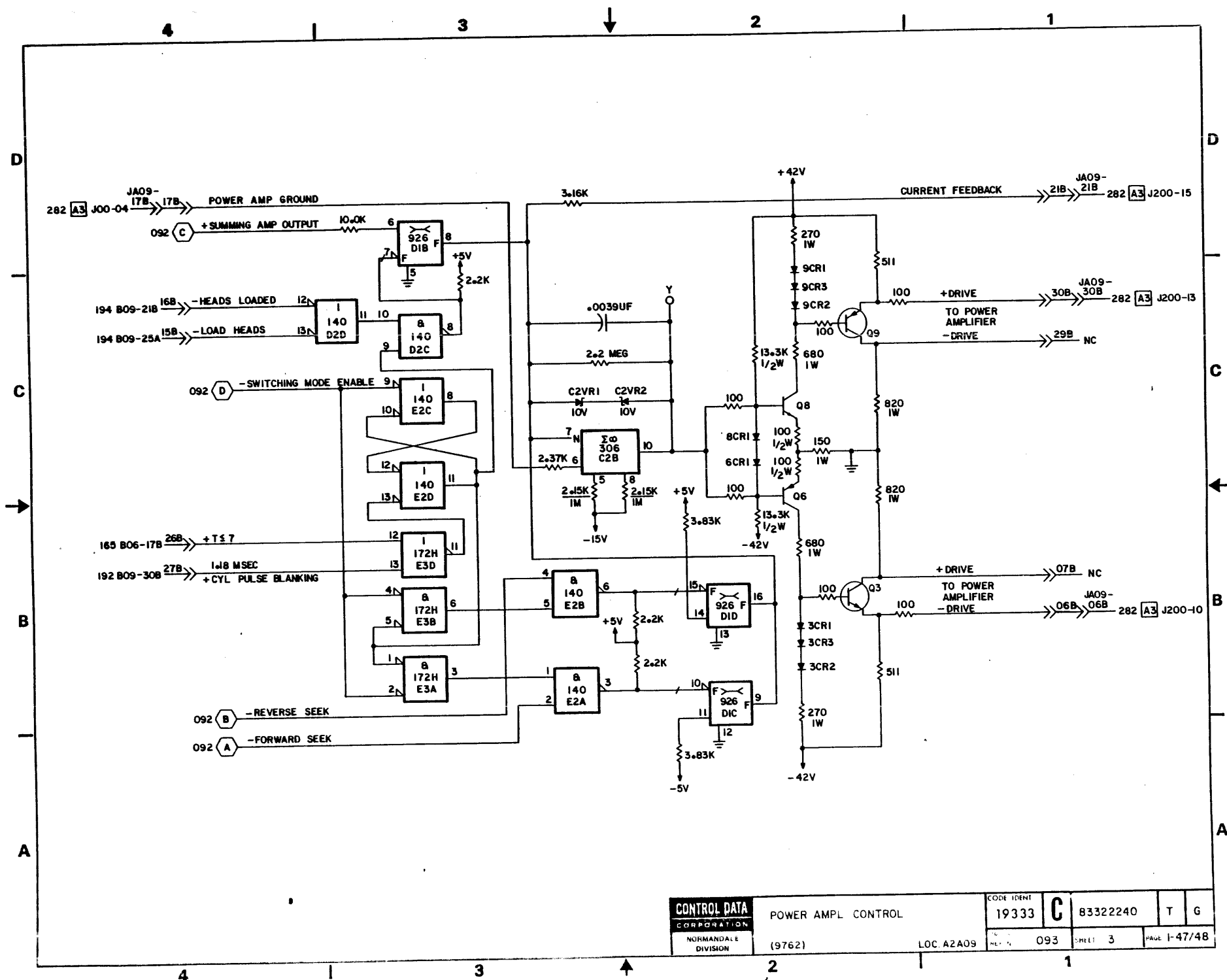
THIS DOCUMENT TRANSFERRED TO TCD DIVISION DATE 7/27/84

DRAWN	DATE	CONTROL DATA
CHECKED		CANNONIZATION
ENGINEER	DATE	TWIN CITY: DISK DIVISION
APPROVED		

THIS SET USED FOR FLVP REV W & BELOW (BK5XX = 9762)
 SWITCHING MODE CONTROL DIAGRAMS
 TYPE FLVP
 LOC A2A09

CODE IDENT	19333	C	83322240	Z	H
CROSS REF	091	SHEET	1 OF 3	PAGE	1-45
REF 83214809					





CONTROL DATA
CORPORATION
NORMANDEALE
DIVISION

POWER AMPL CONTROL
(9762)

CODE IDENT 19333	C	83322240	T	G
REV. 093	SHEET 3	PAUL I-47/48		

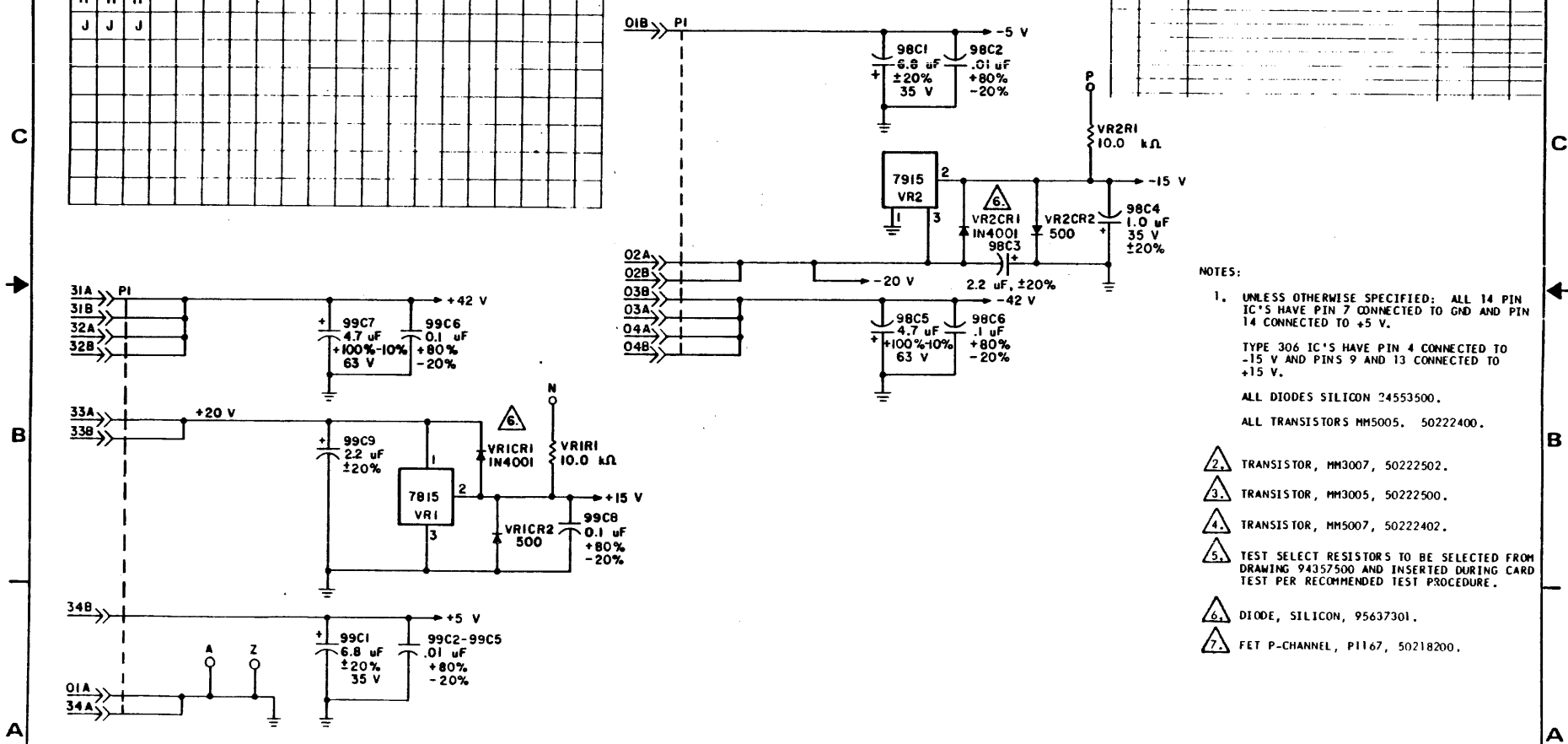
LOC. A2A09



REVISION STATUS OF SHEETS																				
1	2	3	4	5	6	7	8	9	10	11	12	13	14	15	16	17	18	19	20	
A	A	A																		
B	A	A																		
C	C	C																		
D	D	D																		
E	D	D																		
F	D	D																		
G	G	G																		
H	H	H																		
J	J	J																		

UNUSED LOGIC ELEMENTS		
ELEMENT	LOCATION	OUTPUT (PINS)
200	U-E3D	8

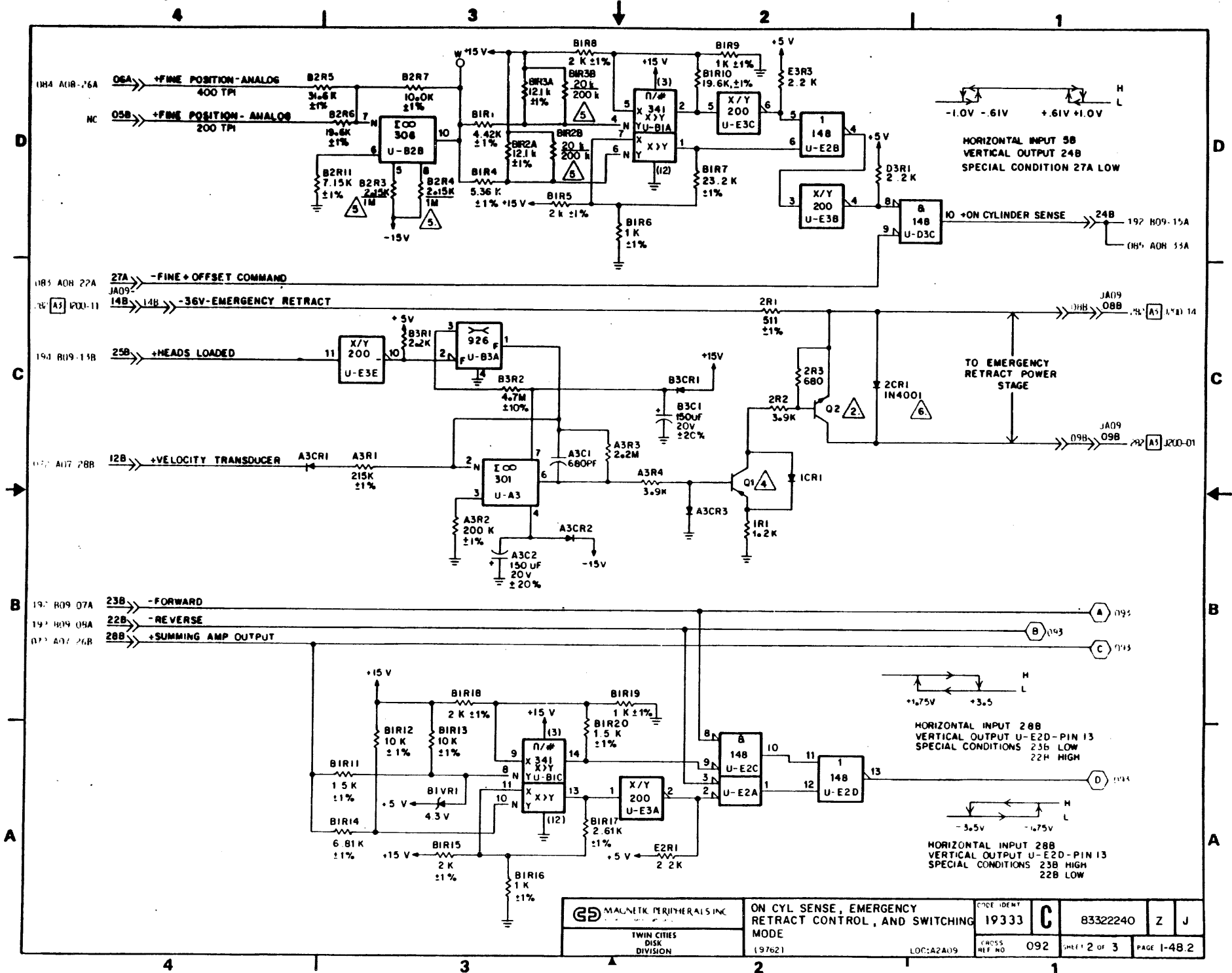
REVISIONS					
REV	ECO	DESCRIPTION	DRFT	DATE	CHK'D
J	DJ73000 D400999 DJ72000A	RELEASED REVISED & REDRAWN SEE M/F FOR REV HISTORY FORMAT CHG	N P	11-10-68	CR



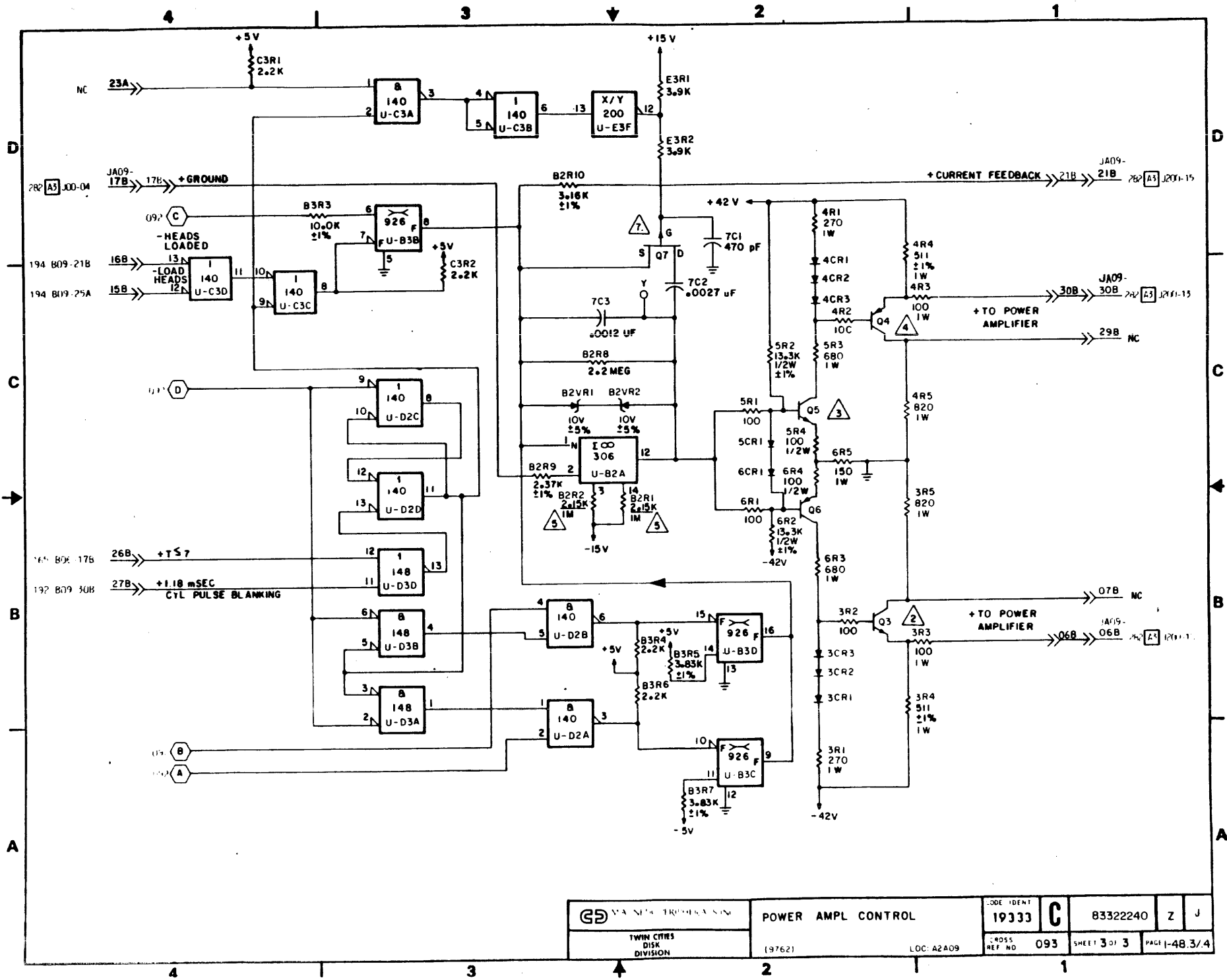
- NOTES:
- UNLESS OTHERWISE SPECIFIED: ALL 14 PIN IC'S HAVE PIN 7 CONNECTED TO GND AND PIN 14 CONNECTED TO +5 V.
TYPE 306 IC'S HAVE PIN 4 CONNECTED TO -15 V AND PINS 9 AND 13 CONNECTED TO +15 V.
ALL DIODES SILICON 24553500.
ALL TRANSISTORS MM5005. 50222400.
 - TRANSISTOR, MM3007, 50222502.
 - TRANSISTOR, MM3005, 50222500.
 - TRANSISTOR, MM5007, 50222402.
 - TEST SELECT RESISTORS TO BE SELECTED FROM DRAWING 94357500 AND INSERTED DURING CARD TEST PER RECOMMENDED TEST PROCEDURE.
 - DIODE, SILICON, 95637301.
 - FET P-CHANNEL, P1167, 50218200.

THIS SET USED FOR FLVP REV Y & ABV

DESIGNED BY K BARTSCH	MAGNETIC PERIPHERALS INC A DIVISION OF GE	SCHMATIC DIAGRAM SWITCHING MODE CONTROL	TWIN CITIES DISK DIVISION C	83322240	Z	J
DATE 19333	LOC 42A09	TYPE FLPV	19333	091	SHEET 1 of 3	1-481




MAGNETIC PERIPHERALS INC. TWIN CITIES DISK DIVISION	ON CYL SENSE, EMERGENCY RETRACT CONTROL, AND SWITCHING MODE (19762)	P/N IDENT 19333	83322240	Z	J
		CROSS REF NO 092			

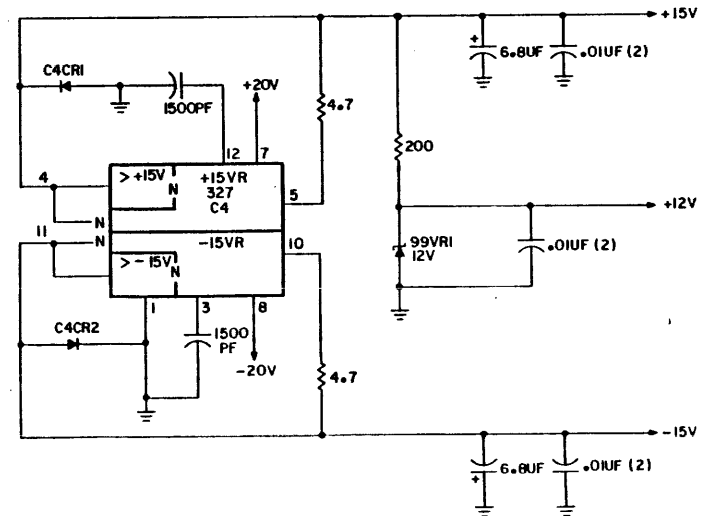
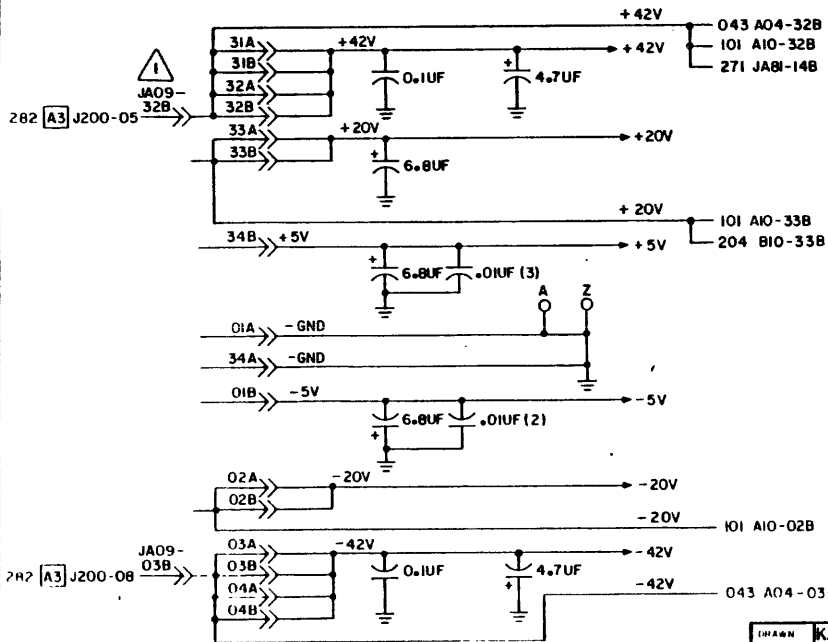


REVISION STATUS OF SHEETS																			
1	2	3	4	5	6	7	8	9	10	11	12	13	14	15	16	17	18	19	20
A	A	A																	

REVISIONS					
REV	ECO	DESCRIPTION	DRFT	DATE	CHK'D
A	DJ00399	VDE NEW CREATE	KKB	11-16-82	12/D

UNUSED LOGIC ELEMENTS		
TYPE	LOCATION	OUTPUT PIN (S)
140	D2	3,6
200	E1	6,12
306	A1	12

NOTE:
 REFER TO CROSS REFERENCE NUMBER 341 FOR CABLING INFORMATION



THIS SET USED FOR BK5C6D (BK5XX=9762)

DESIGN	K.BARTSCH	11-16-82
CHECKED		
ENGINEER		
APPROVED		

SMALL DISK DIVISION

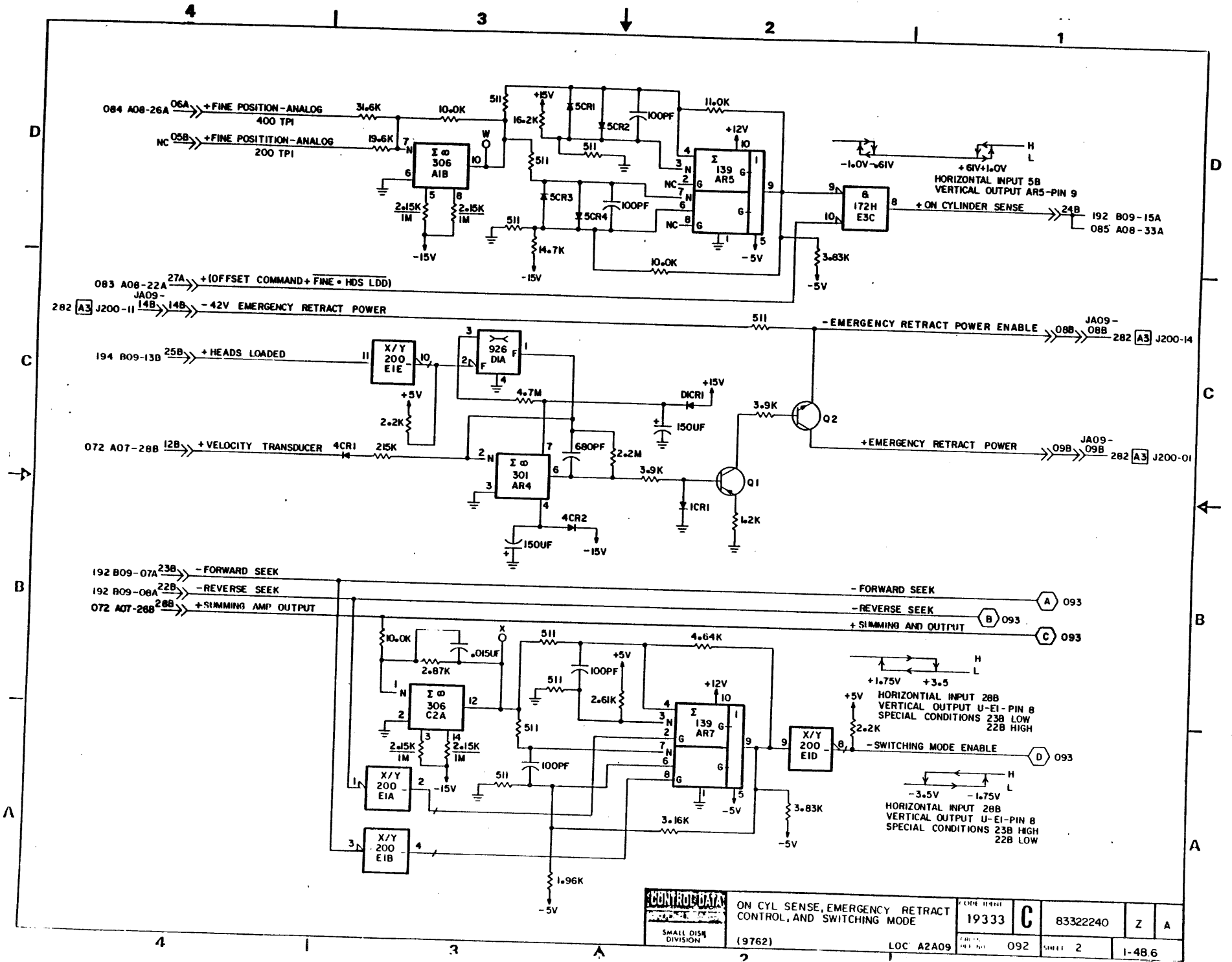
SWITCHING MODE CONTROL DIAGRAMS

TYPE FLPV

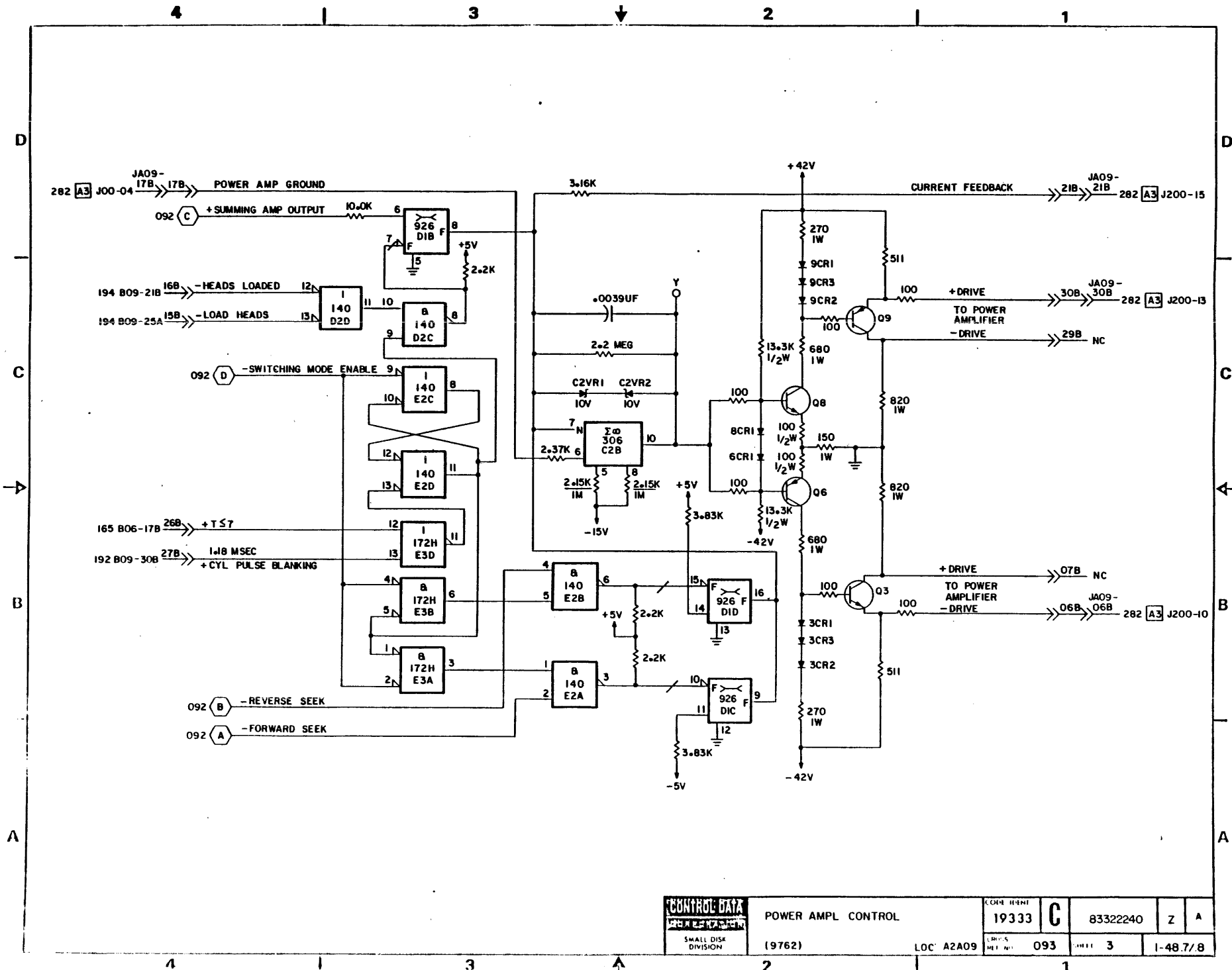
LOC A2A09

CODE IDENT	19333	C	83322240	Z	A
PROCESS REF	091	1 + 3	1-485		

REF 83214867



CONTROL DATA SMALL DISK DIVISION	ON CYL SENSE, EMERGENCY RETRACT CONTROL, AND SWITCHING MODE	CODE IDENT 19333	C	83322240	Z	A
	(9762)	LOC: A2A09				



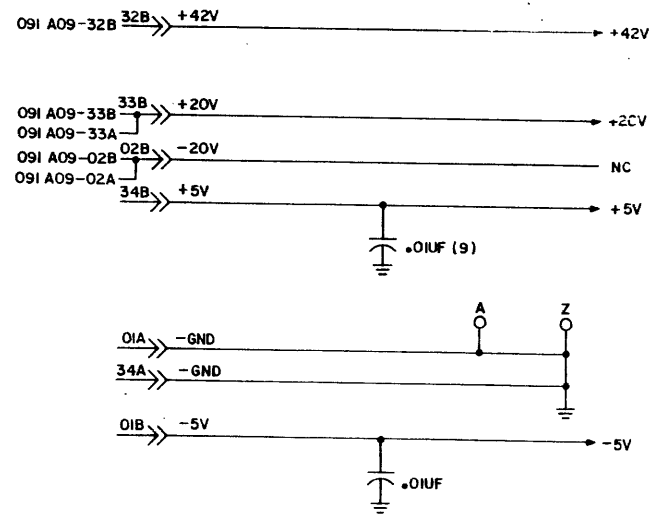
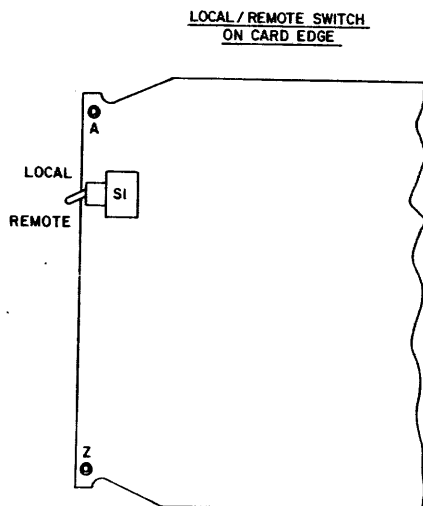
CONTROL DATA 20X 2-17-70 SMALL DISK DIVISION	POWER AMPL CONTROL	CODE IDENT 19333	C	83322240	Z	A
	(9762)	LOC A2A09	CRCS REL NO 093	SHEET 3	1-487/8	

REVISION STATUS OF SHEETS																				
	1	2	3	4	5	6	7	8	9	10	11	12	13	14	15	16	17	18	19	20
A	A	A	A																	
B	B	B	B																	
C	C	C	C																	
D	D	D	D																	
E	E	E	D																	
F	F	F	F																	
G	G	G	G																	
H	H	H	H																	
J	J	J	J																	
K	K	K	K																	
L	K	L	K																	
M	K	M	K																	
N	K	N	K																	
P	P	N	K																	

REVISIONS					
REV	ECO.	DESCRIPTION	DRFT	DATE	CHK'D
A	PE23000	RELEASED			
B	PE48296	CORRECT DIAGRAMS			
C	PE48402	CORRECT DIAGRAMS			
D	PE48445	IMPROVE CIRCUIT CARD			
E	PE48523	CORRECT DIAGRAMS			
F	PE48652	IMPROVE CARD YIELD			
G	PE48675	ERR CORR			
H	PE48932	ADD DIODE TO +20 PWR			
J	PE55377	IMPROVE CARD YIELD			
K	PE55370	ERROR CORRECTION			
L	PE55865	ERROR CORRECTION			
M	PE55854	DOWN GRADE 80 MB TO 40 MB			
N	PE55928	CHG RES VALUES	MF	11-4-80	
P	PE60016	ERRR CORR	MF	11-4-80	

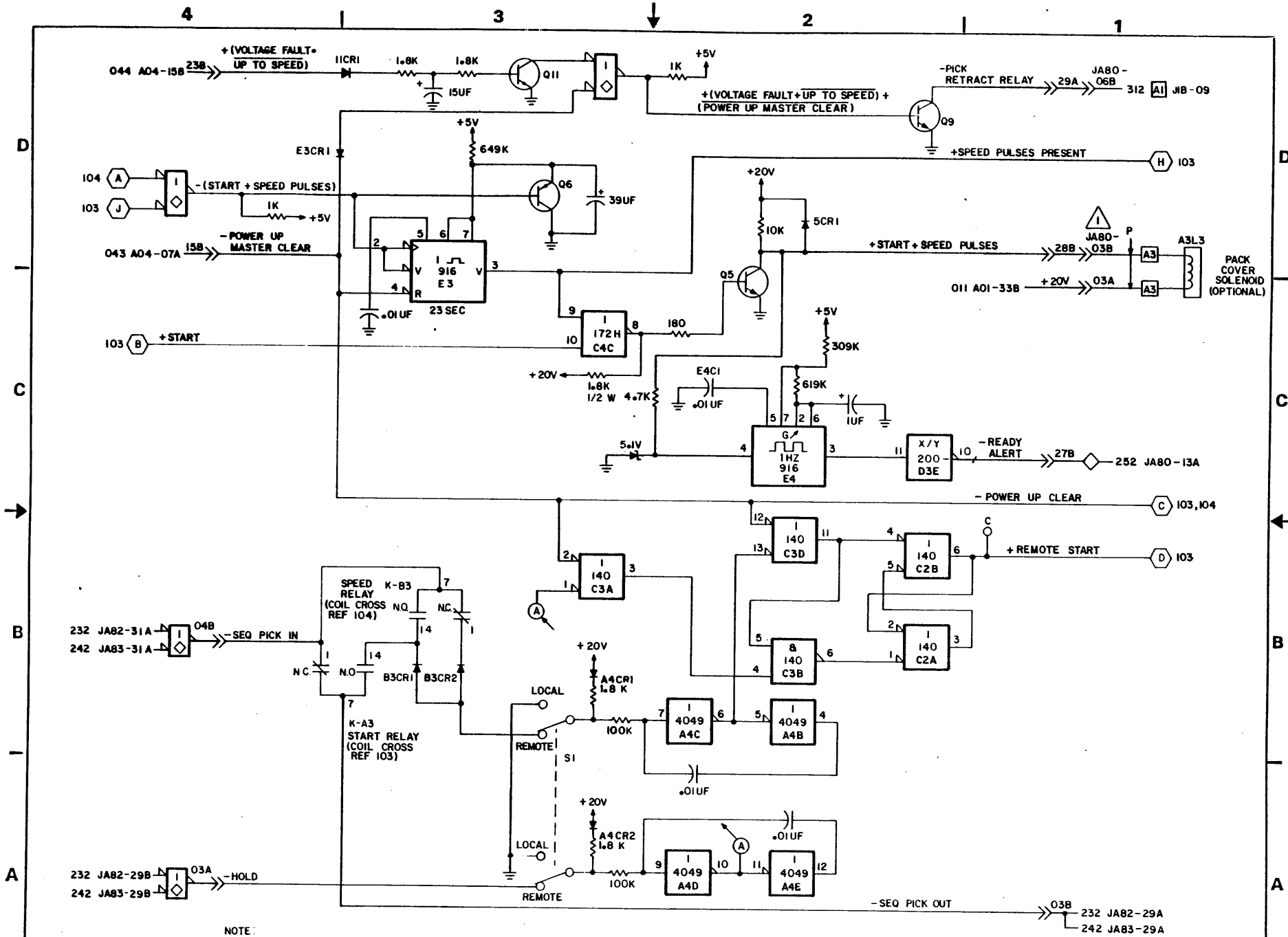
UNUSED LOGIC ELEMENTS

ELEMENT TYPE	LOCATION	OUTPUT PIN(S)
200	D3D	8



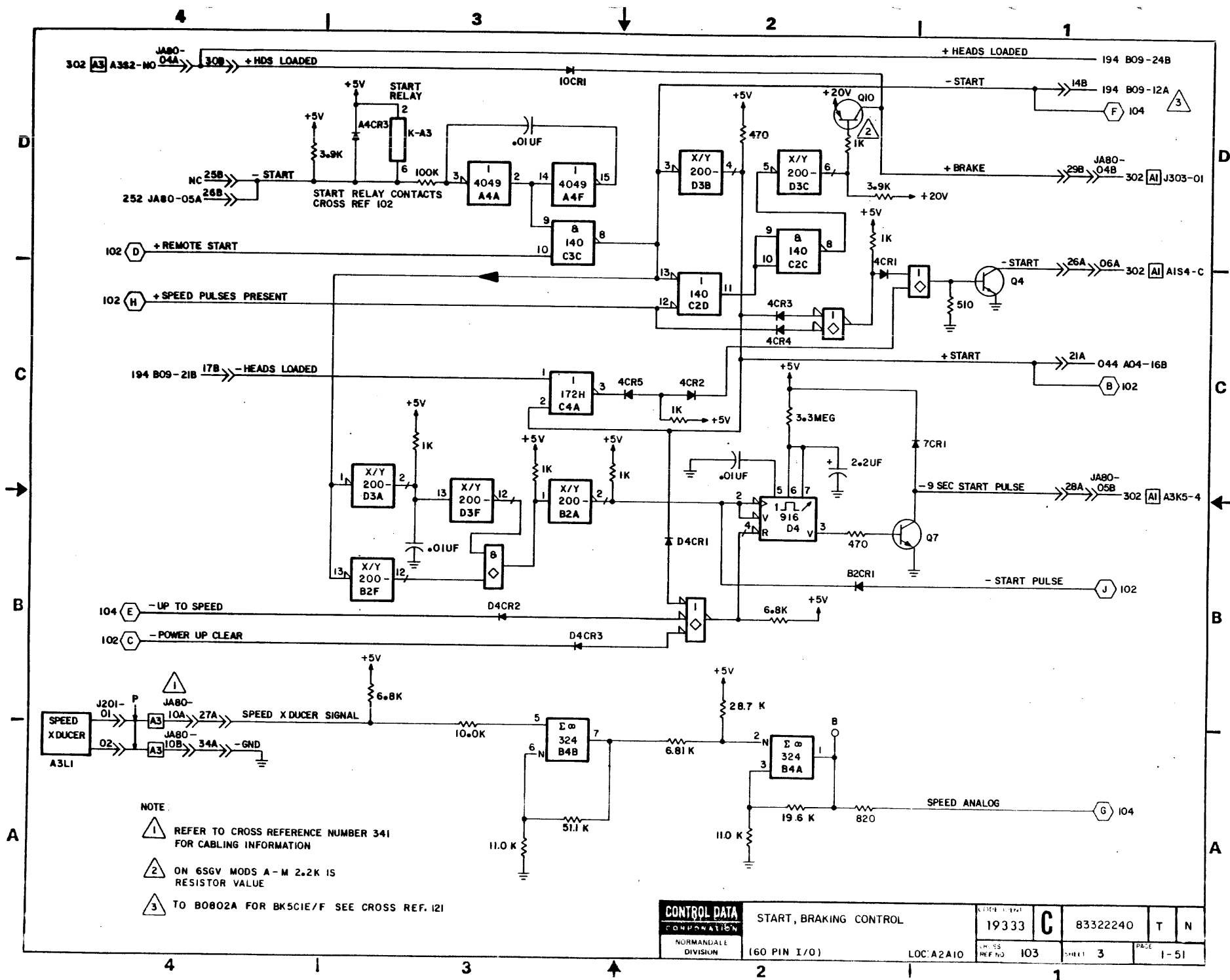
THIS SET USED FOR 6SGV REV U & BLW. APPLICABLE TO 60 PIN I/O.

<table border="1"> <tr><td>DRAWN</td><td></td></tr> <tr><td>CHECKED</td><td></td></tr> <tr><td>ENGINEER</td><td></td></tr> <tr><td>APPROVED</td><td></td></tr> </table>	DRAWN		CHECKED		ENGINEER		APPROVED		<table border="1"> <tr><td>CONTROL DATA</td></tr> <tr><td>CORPORATION</td></tr> <tr><td>NORMANDALE DIVISION</td></tr> </table>	CONTROL DATA	CORPORATION	NORMANDALE DIVISION	INTERLOCKS AND SPEED DETECTOR DIAGRAMS TYPE 6SGV 100 A2410	<table border="1"> <tr><td>CODE IDENT</td><td>19333</td><td>C</td></tr> <tr><td>DRAWING NO.</td><td>83322240</td><td>U P</td></tr> <tr><td>SHEET</td><td>1-4</td><td>PAGE 1-49</td></tr> </table>	CODE IDENT	19333	C	DRAWING NO.	83322240	U P	SHEET	1-4	PAGE 1-49
DRAWN																							
CHECKED																							
ENGINEER																							
APPROVED																							
CONTROL DATA																							
CORPORATION																							
NORMANDALE DIVISION																							
CODE IDENT	19333	C																					
DRAWING NO.	83322240	U P																					
SHEET	1-4	PAGE 1-49																					

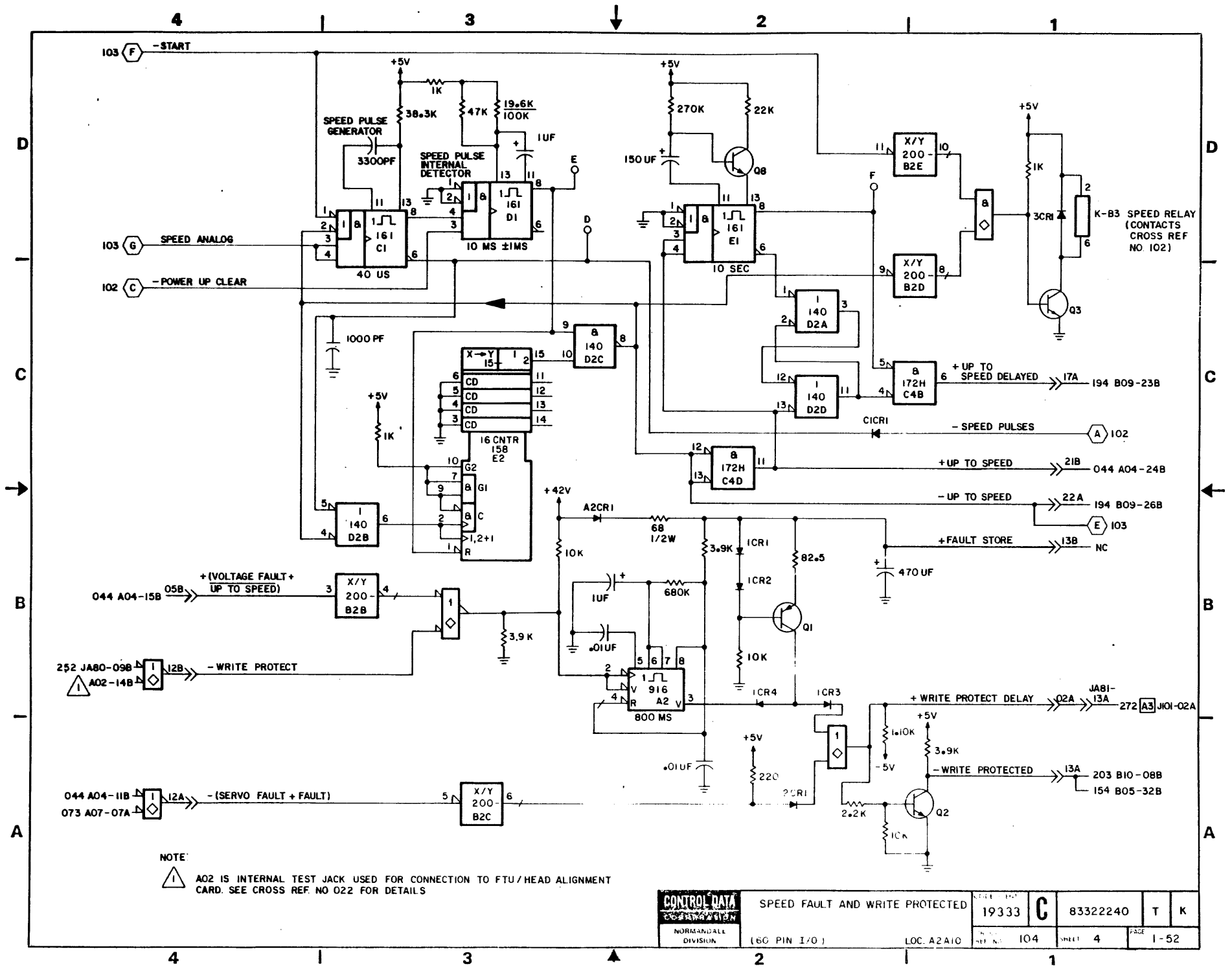


NOTE:
 REFER TO CROSS REFERENCE NUMBER 341 FOR CABLING INFORMATION

CONTROL DATA NORMANDEALE DIVISION	POWER SEQUENCING, READY ALERT, SPEED PULSES	CODE IDENT 19333	C	83322240	T	P
	(60 PIN I/O)	LOC. A2A10	CROSS REF. NO. 102	SHEET 2	PAGE	1-50



CONTROL DATA		START, BRAKING CONTROL		19333	C	83322240	T	N
NORMANDALE DIVISION		(160 PIN I/O)		LOC: A2A10	REF NO: 103	SHEET: 3	PAGE: 1-51	



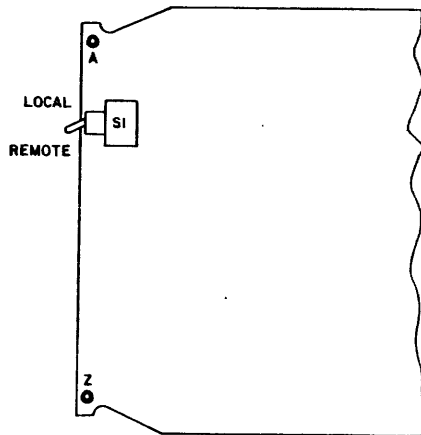
NOTE:
 ⚠️ A02 IS INTERNAL TEST JACK USED FOR CONNECTION TO FTU/HEAD ALIGNMENT CARD. SEE CROSS REF. NO 022 FOR DETAILS

CONTROL DATA <small>CONTRACTORS DIVISION</small> <small>NORMANDALE DIVISION</small>	SPEED FAULT AND WRITE PROTECTED		19333	C	83322240	T	K
	(60 PIN I/O)	LOC. A2A10	104	SHEET 4	PAGE	1-52	

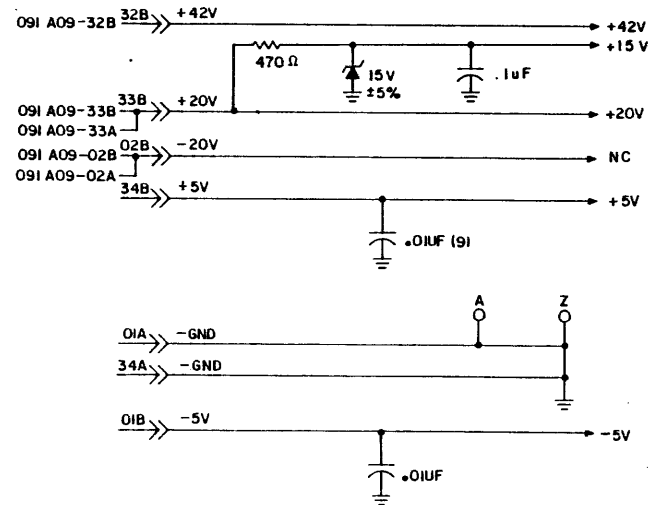
REVISION STATUS OF SHEETS

	1	2	3	4			1	2	3	4		
A	A	A	A				W	W	W	W		
B	B	B	B				Y	Y				
C	C	C	C				AA	AA				
D	D	D	D				AB	AB				
E	E	E	E				AC	AC				
F	F	F	F									
G	G	G	G									
H	H	H	H									
J	J	J	J									
K	K	K	K									
L	K	L	K									
M	K	M	K									
N	K	N	K									
P	P	N	K									
R	R	R	R									
S	S	S	S									
T	T	S	S									
U		U										
V	V	V										

LOCAL / REMOTE SWITCH
ON CARD EDGE

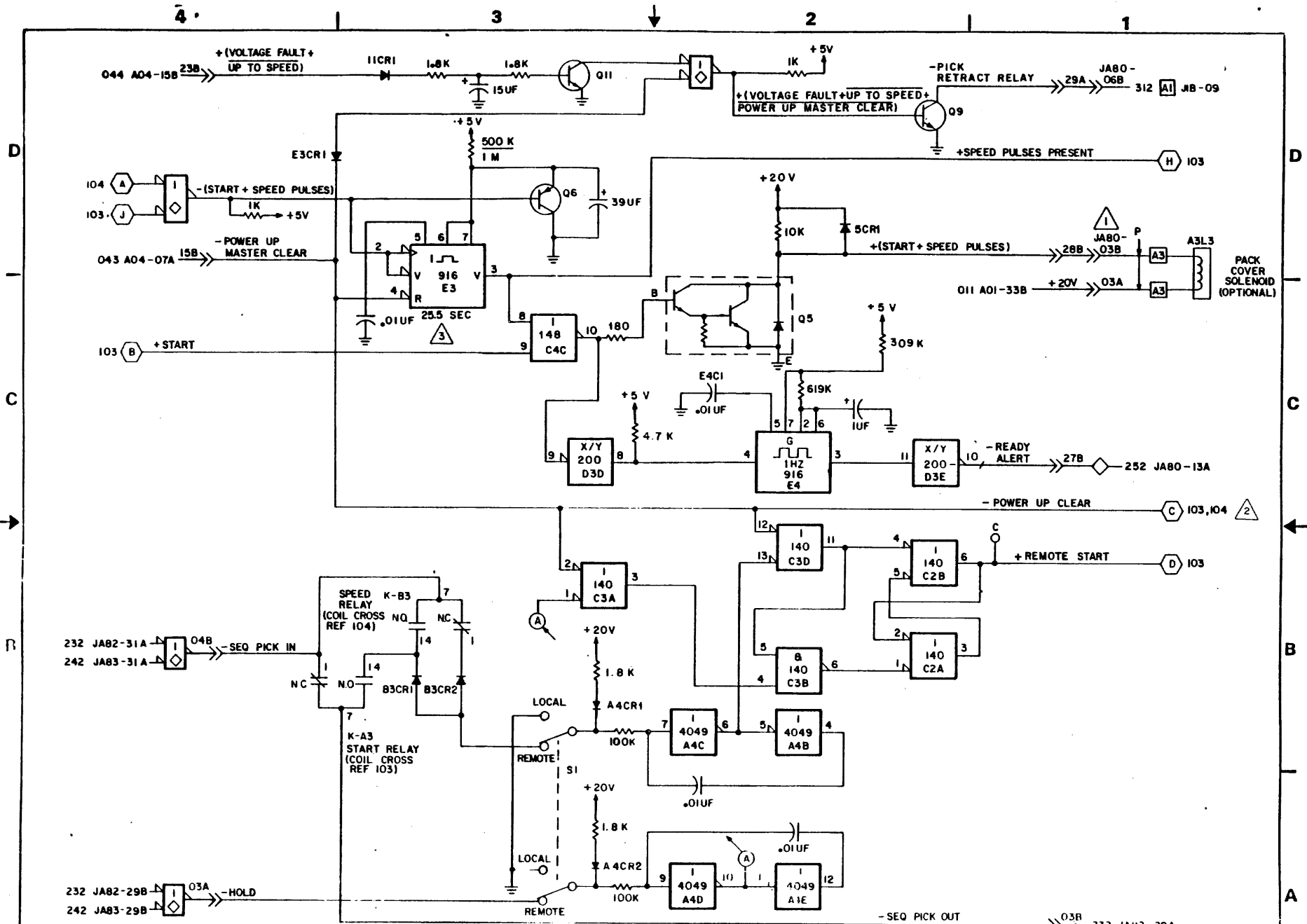


REVISIONS					
REV	ECO	DESCRIPTION	DRAFT	DATE	CHK'D
A	PE23000	RELEASED	MA	11-1-77	
B	PE48296	ERR CORR	MA	11-1-77	
C	PE48402	ERROR CORRECTIONS	VG	1-5-77	
D	PE48445	PREVENT IMPROPER HEAD LOADING	GH	5-7-77	
E	PE48523	ERROR CORRECTION	SB	4-10-77	
F	PE48652	DELETE E4R3, CHANGE Q5 TO NN3569	DM	5-14-77	
G	PE48675	ERROR CORRECTION	DM	7-7-77	
H	PE48932	ADD ISOLATION DIODE TO +20V POWER	DM	11-29-77	
J	PE55377	REV PC BOARD & COMPONENTS	AAO	8-14-78	
K	PE55370	ERROR CORRECTION	AAO	8-10-78	
L	PE55865	UPDATE SCHEMATICS	JS	7-20-79	
M	PE55854	DOWN GRADING OF BOMB TO 4GMB SMD	TH	8-23-79	
N	PE55928	INCREASE RES VALUE	CB	10-12-79	
P	PE60016	LOGIC DIA UP LATE	TH	1-10-80	
R	PE60142	IMPROVE 6SGV B B56V	TH	5-13-80	
S	PE60396	6SGV DES. IMPROV	WF	3-4-81	
T	PE60445	CHG RES ON B STOP TIME	WJ	3-10-81	
U	DJ00137	CHG SPEED	MJ	5-28-83	
V	DJ00293	CHG Q10	MJ	5-25-83	
W	D422000	TRANSFER FROM PE	MJ	5-25-83	
Y	DJ00361	CHG 658V B B58V	MJ	5-25-83	
AA	DJ00558	ADD RESISTOR	JG	7-24-84	
AB	DJ00639	CHG RESISTOR /SGV	JG	7-24-84	
AC	DJ00668	CHG RESISTOR /TSTR /SGV	JG	7-24-84	



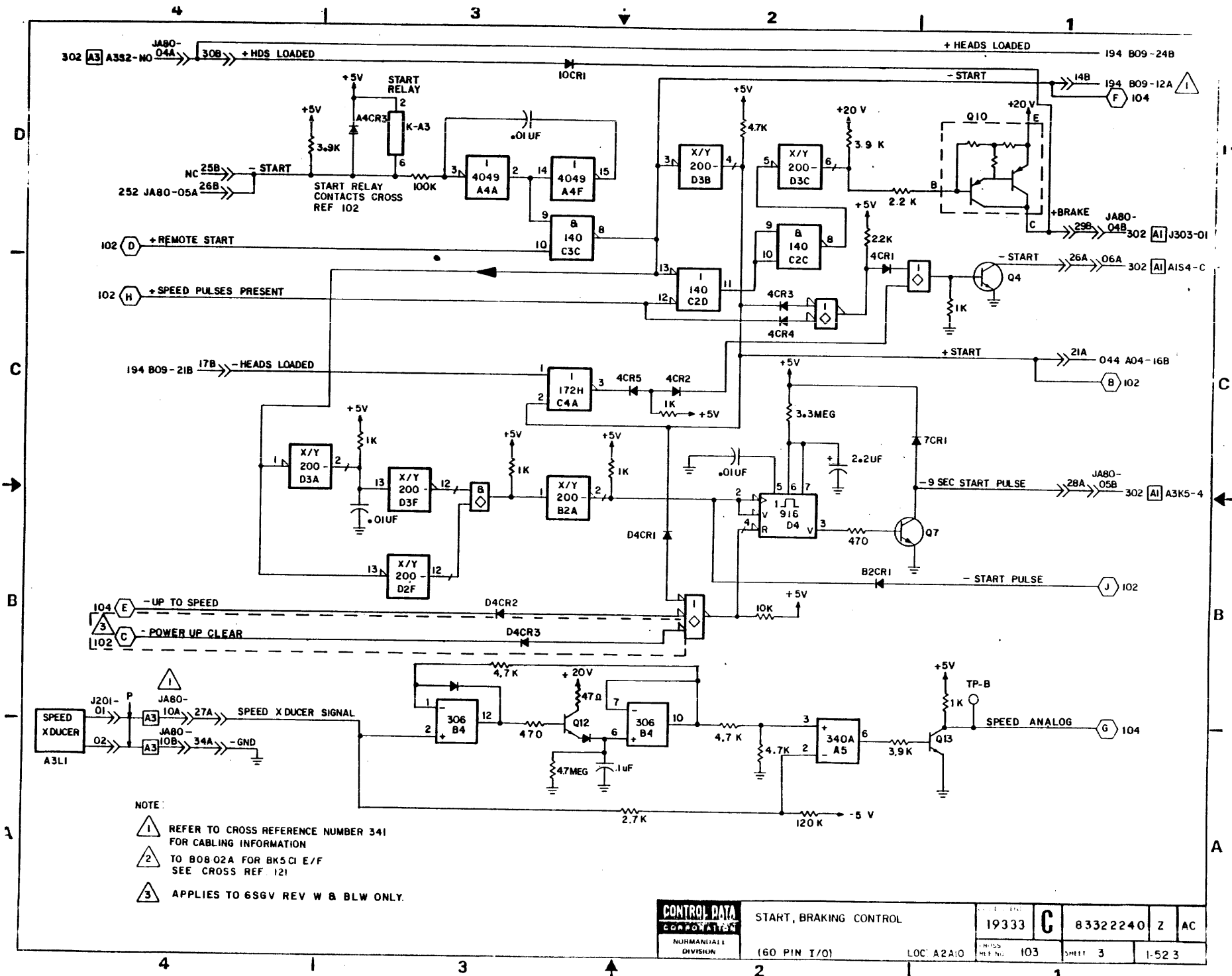
THIS SET USED FOR 6SGV REV V THRU AM (60 PIN I/O)

DRAWN: [Signature] CHECKED: [Signature] ENGINEER: [Signature] APPROVED: [Signature]	CONTROL DATA NORMANDALE DIVISION	INTERLOCKS AND SPEED DETECTOR DIAGRAMS TYPE 6SGV LOC A2A10	CODE IDENT: 19333	C	83322240	Z	AC
UNDES. REV. NO. 101			SHEET 1 of 4	REF: 83214810			



- NOTES:
- 1 REFER TO CROSS REFERENCE NUMBER 341 FOR CABLING INFORMATION
 - 2 INCLUDE CROSS REFERENCE NUMBER 103 FOR 6SGV REV W & BELOW
 - 3 23 SEC FOR 6SGV REV Y & BELOW. 40 SEC FOR 6SGV REV Z THRU AF.

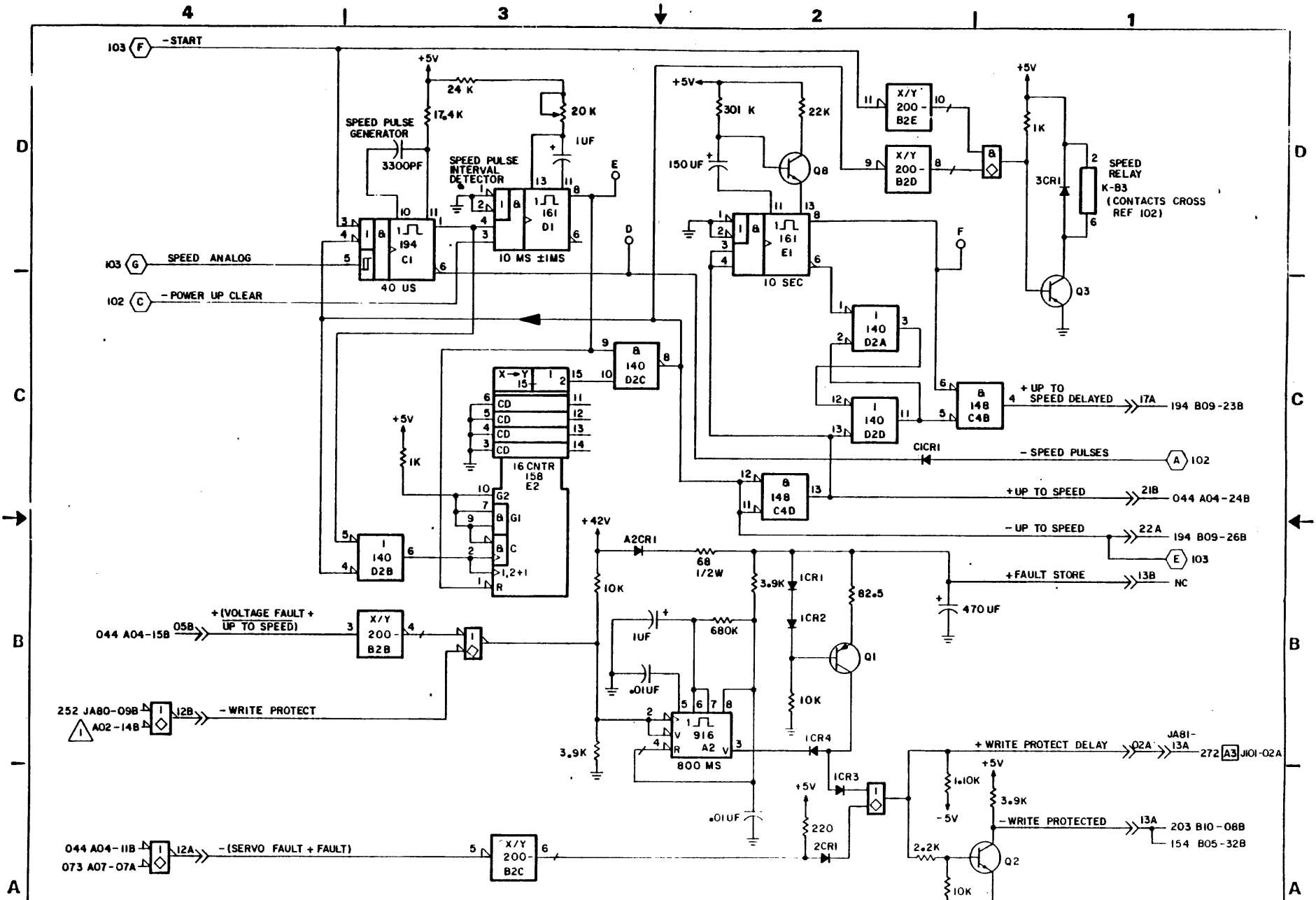
TWIN CITIES DIVISION	POWER SEQUENCING, READY ALERT, SPEED PULSES	19333	C	83322240	AA	Y
	(60 PIN I/O)	LOC A2A10	102	SHEET 2	1-52.2	



NOTE:

- 1 REFER TO CROSS REFERENCE NUMBER 341 FOR CABLING INFORMATION
- 2 TO B08 02A FOR BK5CI E/F SEE CROSS REF. 121
- 3 APPLIES TO 6SGV REV W & BLW ONLY.

CONTROL DATA CORPORATION NUMERICAL DIVISION	START, BRAKING CONTROL		19333	C	83322240	Z	AC
	(60 PIN I/O)		LOC A2A10	REV. 103	SHEET 3	1-523	

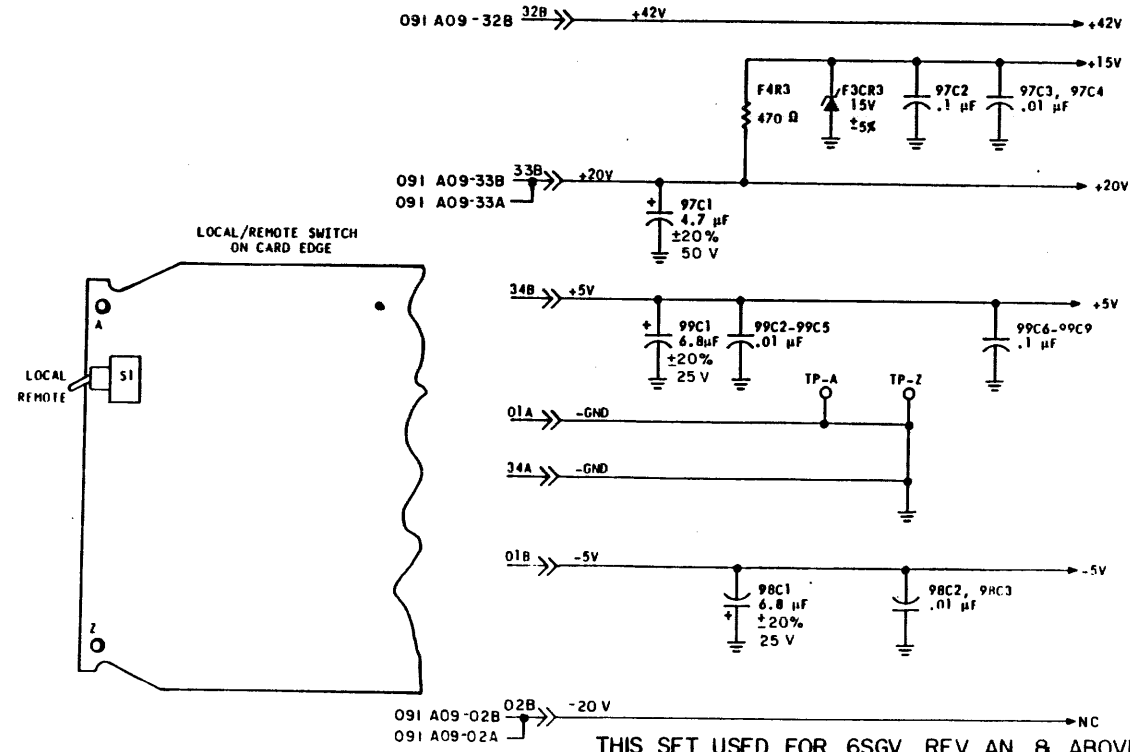


NOTE:
 ⚠ A02 IS INTERNAL TEST JACK USED FOR CONNECTION TO FTU/HEAD ALIGNMENT CARD. SEE CROSS REF. NO 022 FOR DETAILS

CONTROL DATA CORPORATION <small>NORMANVILLE DIVISION</small>	SPEED FAULT AND WRITE PROTECTED		CODE IDENT 19333	C	83322240	Z	W
	(60 PIN I/O)		LOC A2A10	SERIES REF. NO. 104	SHEET 4	I-524	

REVISIONS					
REV.	ECO.	DESCRIPTION	DRFT	DATE	CHR.
	DJ23000	SEE MF HST FOR REVS A THRU AC	JG	8-12-84	JL
AD	DJ00728	LOGIC DIAGRAM CHANGE 6SGV	JG	8-12-84	JL
AE	DJ00728A	LOGIC DIAGRAM CHANGE	JHM	2-14-86	

UNUSED LOGIC ELEMENTS		
ELEMENT TYPE	LOCATION	OUTPUT PIN(S)
203LS	C5A	2
MPQ 2222	QP-E4	C14, B13, E12

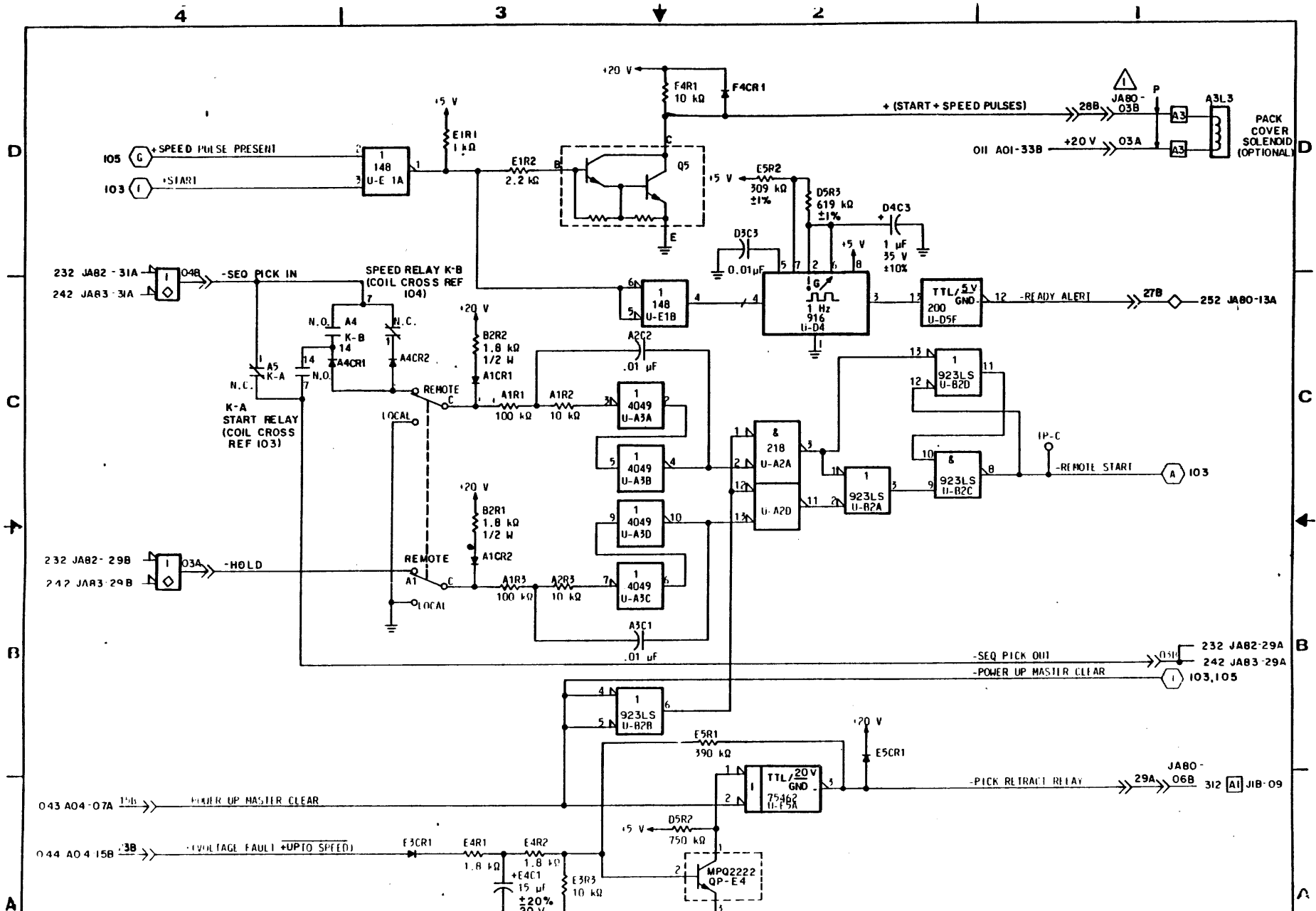


NOTES

⚠️ DWG'S WHERE TAB NUMBERS CREATE NEW COVER SHEET, TABS 00-99 ARE RESERVED

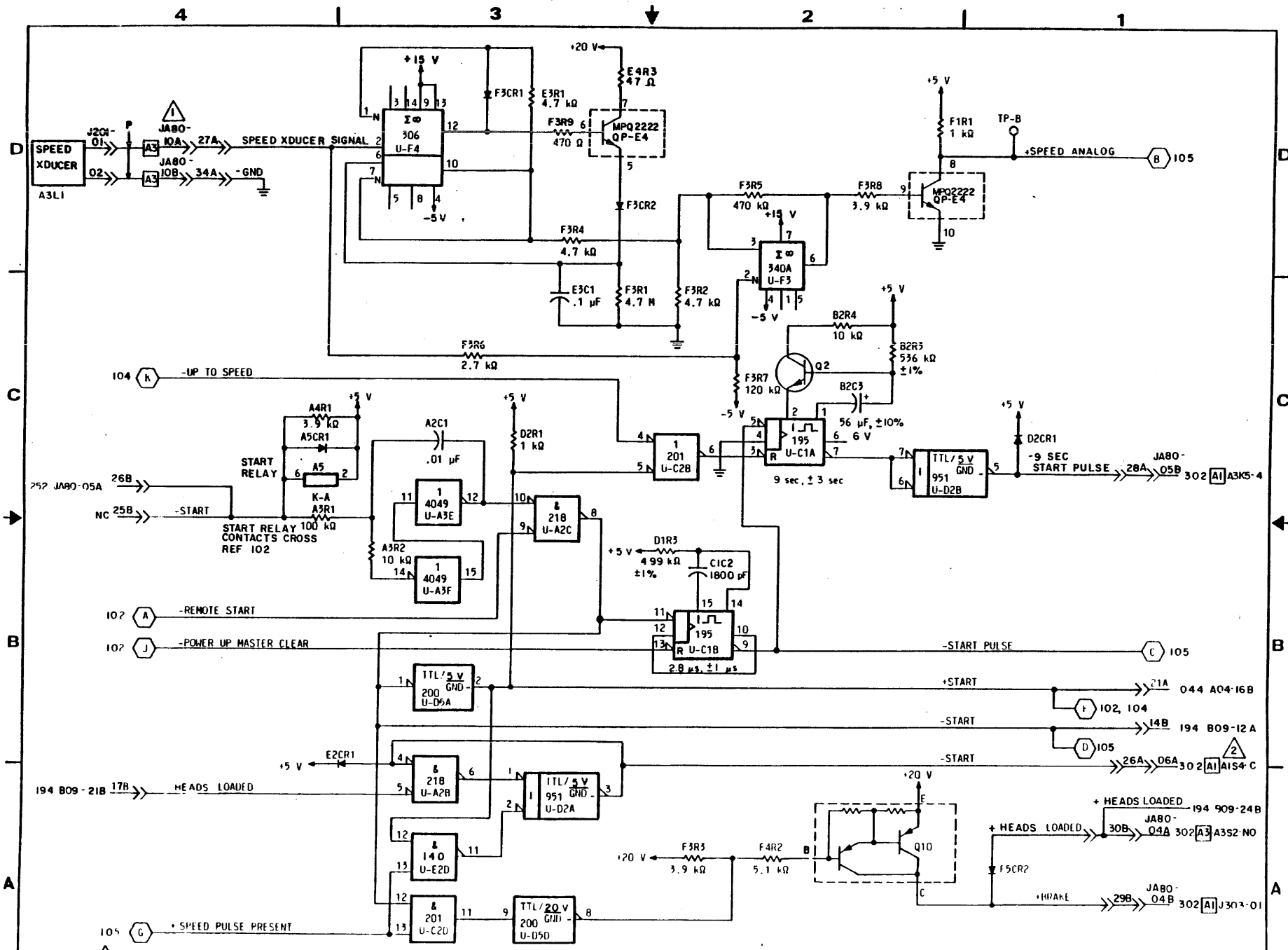
THIS SET USED FOR 6SGV REV AN 8 ABOVE

DRAWN	M A JAHN 02683	MAGNETIC PERIPHERALS INC.	INTERLOCKS AND SPEED DETECTOR DIAGRAMS	TWIN CITIES DISK DIVISION	C	83322240	AA	AE
CHECKED		A DIVISION OF						
ENGINEER	B WEIST 52384	CONTRACT CORPORATION	TYPE: 6 SGV (60 PIN I/O) LOC: A2A10	CODE FILE NO	WORKS REF NO	SHEET NO	OF 5	
APPROVED				19333	101	1		1-52.5



NOTE
REFER TO CROSS REFERENCE NUMBER 341 FOR CABLING INFORMATION

MAGNETIC PERIPHERALS INC 6200 W. 10TH AVE. DENVER, CO. 80202	POWER SEQUENCING, READY ALERT, SEQUENCE PULSES		TWIN CITIES DISK DIVISION	C	83322240	AA	AE
	TYPE 65GV (60 PIN I/O) LOC: A2A10		DATE: 11/19/73	CROSS REF NO: 102	SHEET 2	1-526	

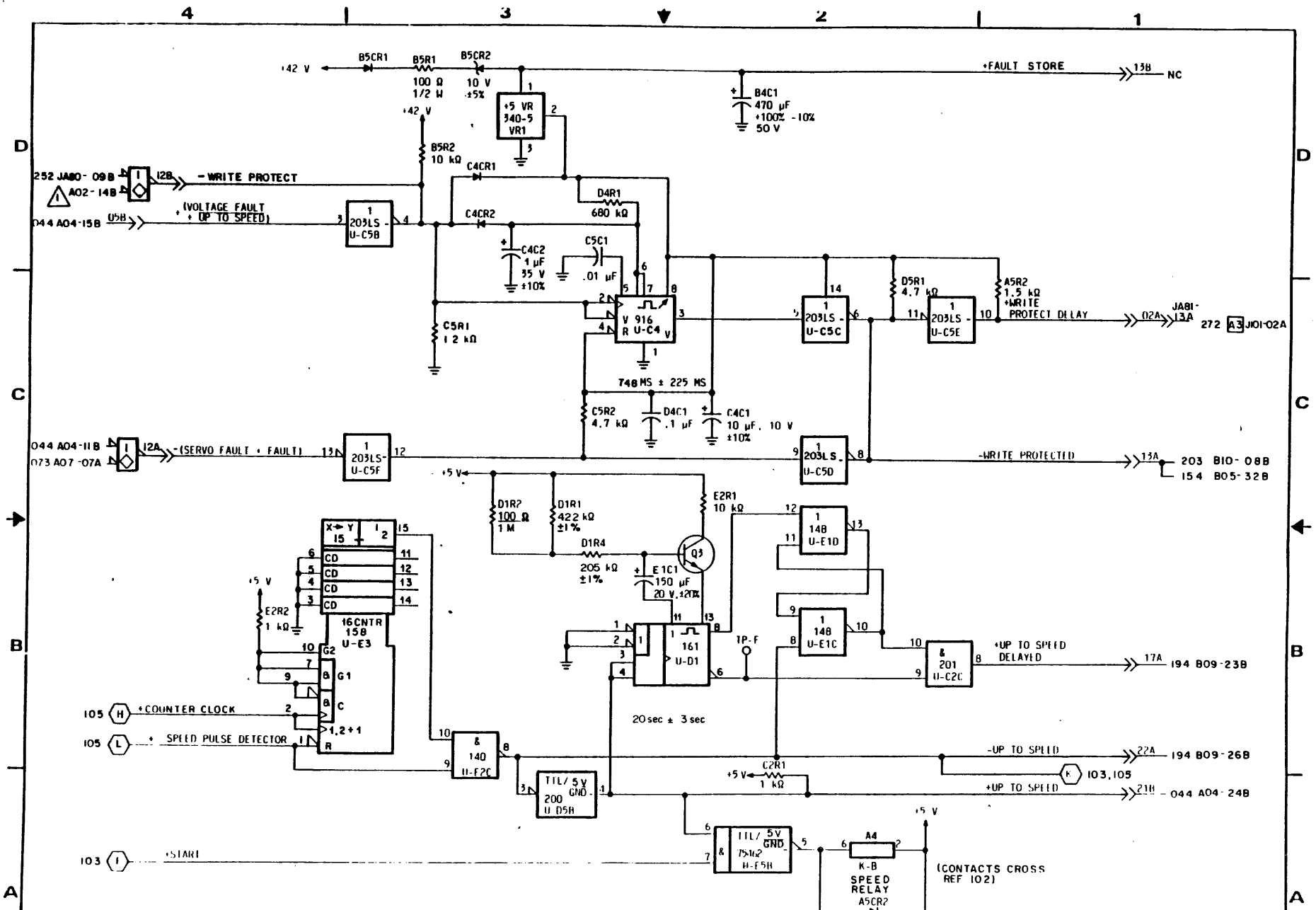


NOTE

1 REFER TO CROSS REFERENCE NUMBER 341 FOR CABLING INFORMATION

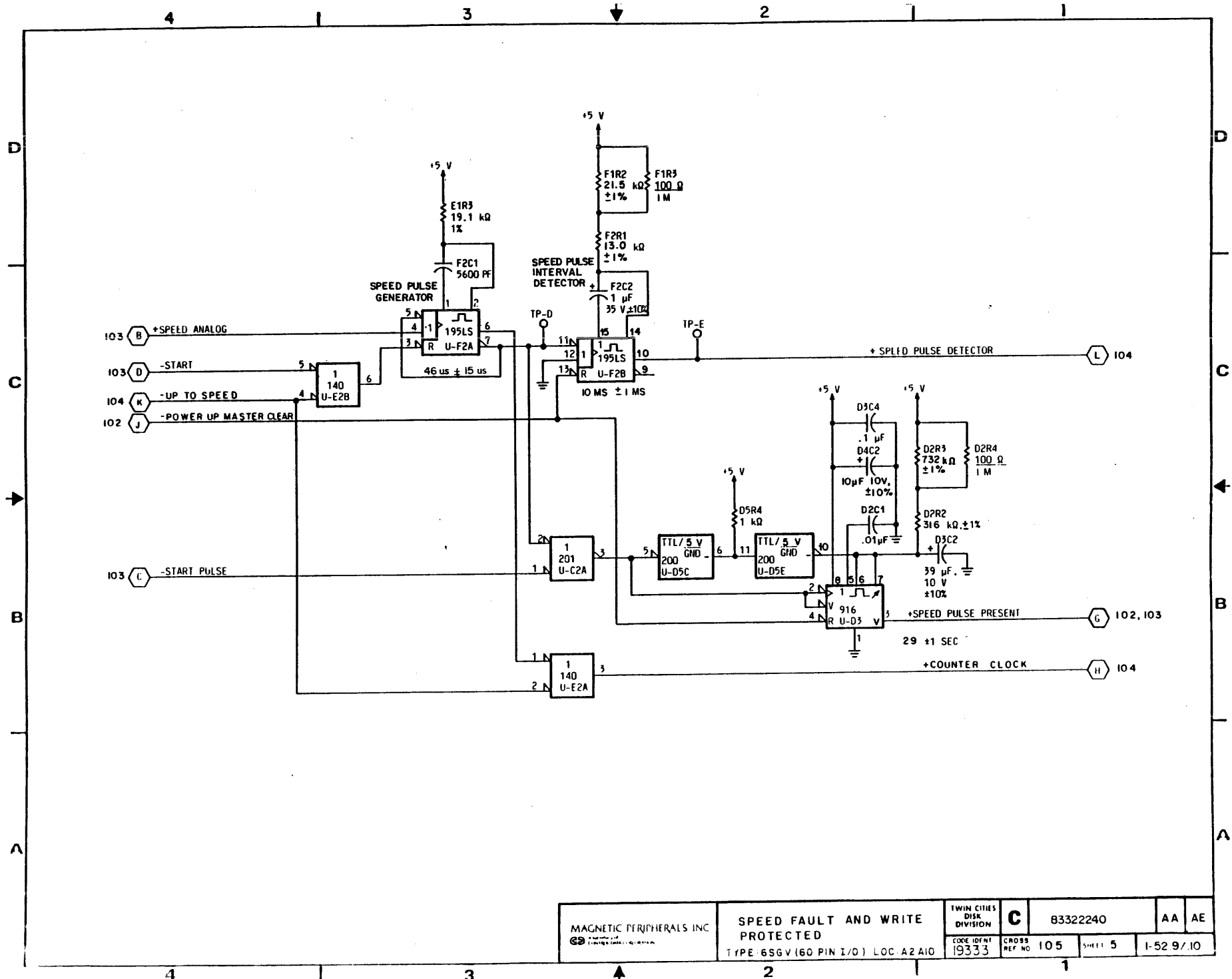
2 TO B08-02A FOR BK5C1 E/F SEE CROSS REF 121

MAGNETIC PERIPHERALS INC 6000 14th St. N.E. Bellevue, WA 98004	START, BRAKING CONTROL TYPE 6SGV (60 PIN I/O) LOC: A2A10	TWIN CITIES DISK DIVISION C	83322240	Z	AD
		CIRCUIT ID 19333	CROSS REF NO 103	3	1-527



NOTE
 ⚠ A02 IS INTERNAL TEST JACK USED FOR CONNECTION TO FTU/HEAD ALIGNMENT CARD. SEE CROSS REF NO 022 FOR DETAILS

MAGNETIC PERIPHERALS INC 80...	SPEED FAULT AND WRITE PROTECTED TYPE: 6SGV (60PIN I/O) LOC: A2A10	TWIN CITIES DISK DIVISION C	83322240	AA	AE
		CROSS REF NO 10 4	SHEET 4	I-52.8	



MAGNETIC PERIPHERALS INC 69	SPEED FAULT AND WRITE PROTECTED TYPE 6SGV (60 PIN I/O) LOC. A2 A10	TWIN CITIES DISK DIVISION	C	83322240	AA	AE
		CODE IDENT 19333			CROSS REF NO	105

REVISION STATUS OF SHEETS

1	2	3	4	5	6	7	8	9	10	11	12	13	14	15	16	17	18	19	20	
A	A	A	A																	

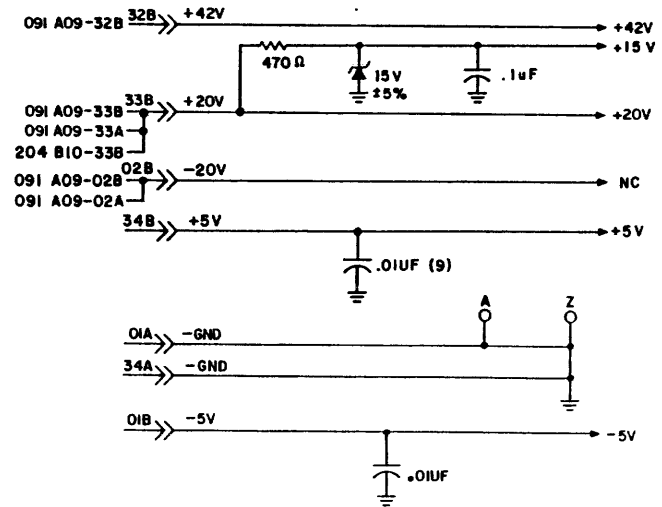
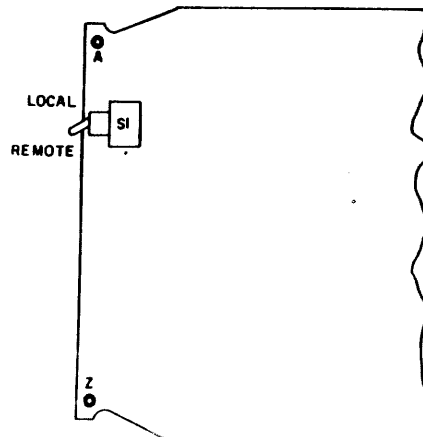
UNUSED LOGIC ELEMENT

ELEMENT TYPE	LOCATION	OUTPUT PIN(S)
200	D3D	8

REVISIONS

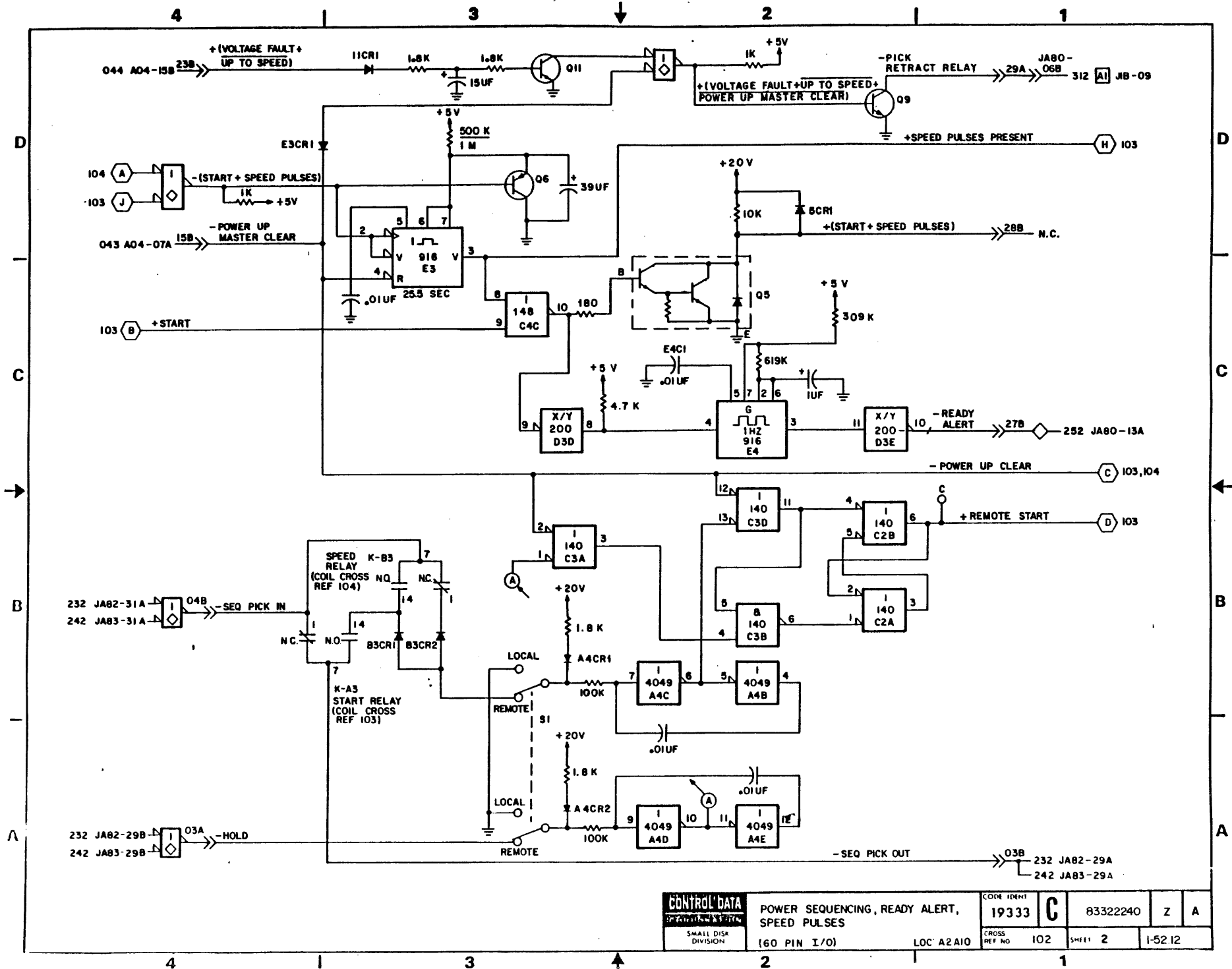
REV	ECO	DESCRIPTION	DRFT	DATE	CHK'D
A	DJ00399	VDE NEW CREATE	KKR	11-22-82	JK

LOCAL/REMOTE SWITCH
ON CARD EDGE



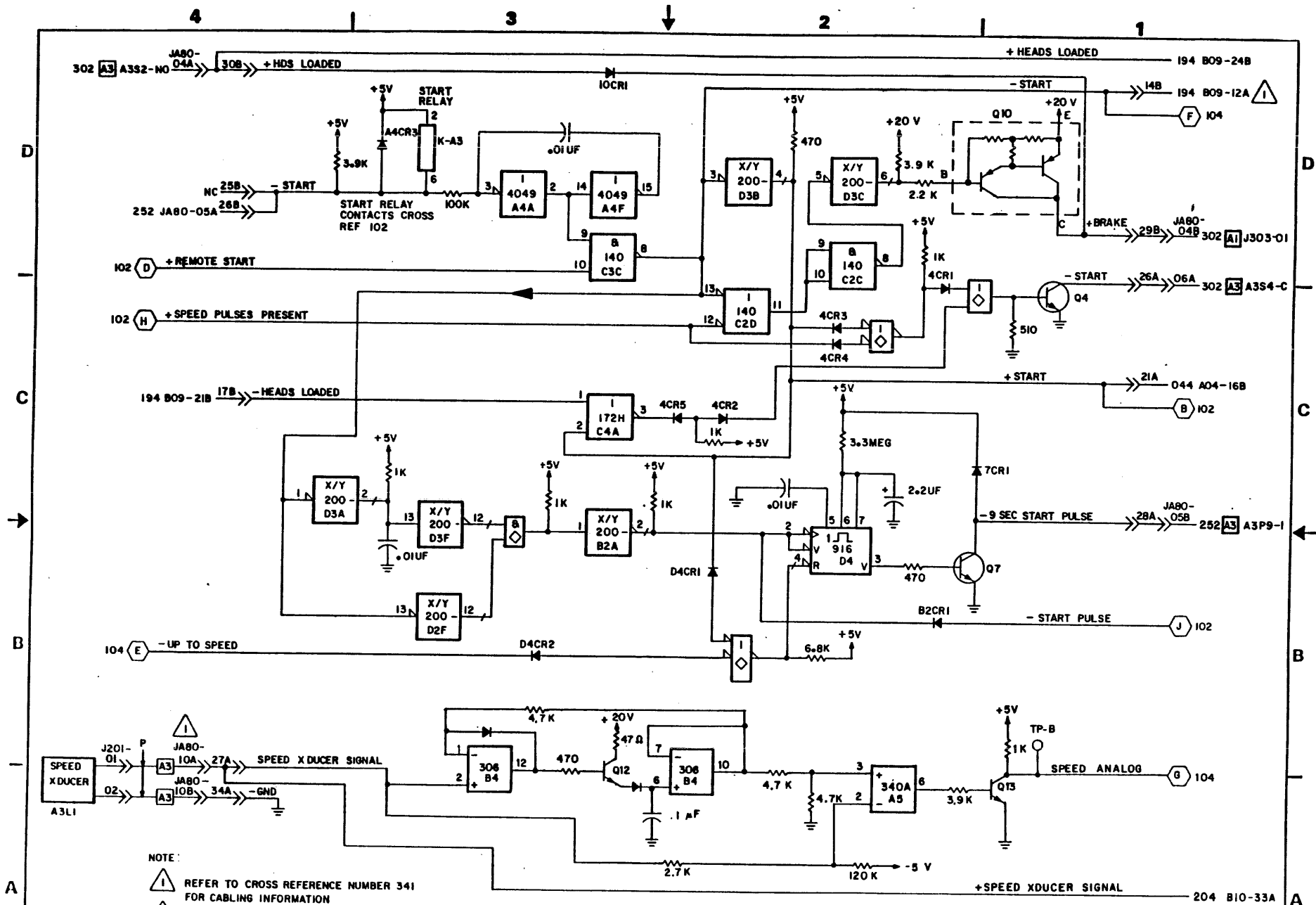
THIS SET USED FOR BK5C6D (60 PIN I/O)

DRAWN	K.BARTSCH	11-22-82	CONTROL DATA CORPORATION	INTERLOCKS AND SPEED DETECTOR DIAGRAMS	FORM NUMBER	19333	C	83322240	Z	A
CHECKED			SMALL DISK DIVISION	TYPE 6SGV	CRUCIAL FILE NO.	101	SHEET	1 OF 4	PAGE	1-52 11
ENGINEER					LOC	A2A10				
APPROVED										



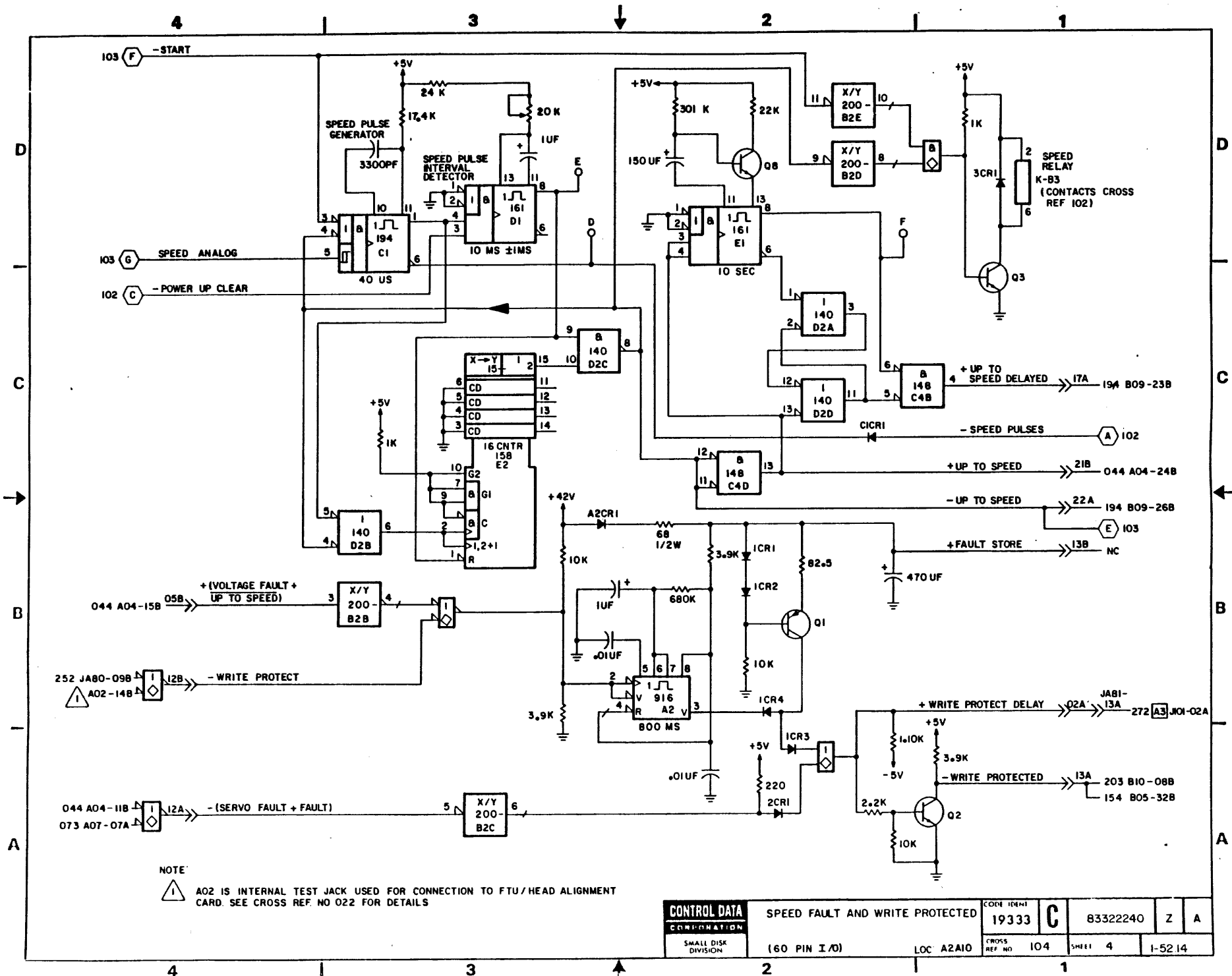
CONTROL DATA <small>SMALL DISK SYSTEM</small>	POWER SEQUENCING, READY ALERT, SPEED PULSES		CON. UNIT 19333	C	8332240	Z	A
	<small>SMALL DISK DIVISION</small> (60 PIN I/O)		CROSS REF NO 102	SHEET 2	I-52.12		

LOC A2A10



NOTE:
 1 REFER TO CROSS REFERENCE NUMBER 341 FOR CABLING INFORMATION
 2 TO B08-02A FOR BK5 CI E/F SEE CROSS REF. 121

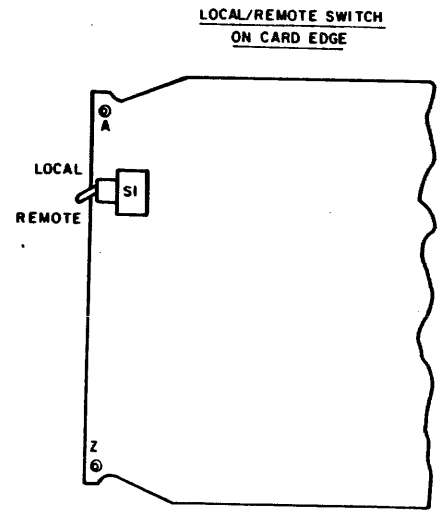
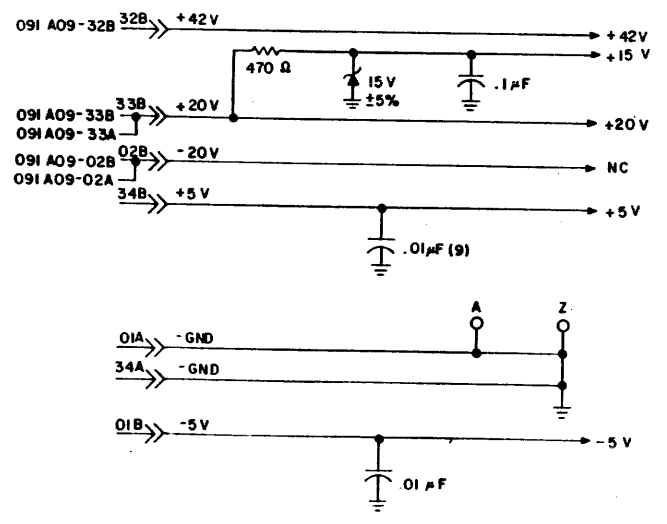
CONTROL DATA CORPORATION SMALL DISK DIVISION	START, BRAKING CONTROL		CONV 11491	19333	C	83322240	Z	A
	(60 PIN I/O)		LOC: A2A10	ROSS REF NO 103	SHEET 3	1-52 13		



CONTROL DATA CORPORATION	SPEED FAULT AND WRITE PROTECTED (60 PIN I/O)	CODE IDENT	19333	C	83322240	Z	A
		CROSS REF NO	104	SHEET	4	1-52.14	
SMALL DISK DIVISION	LOC	A2A10					

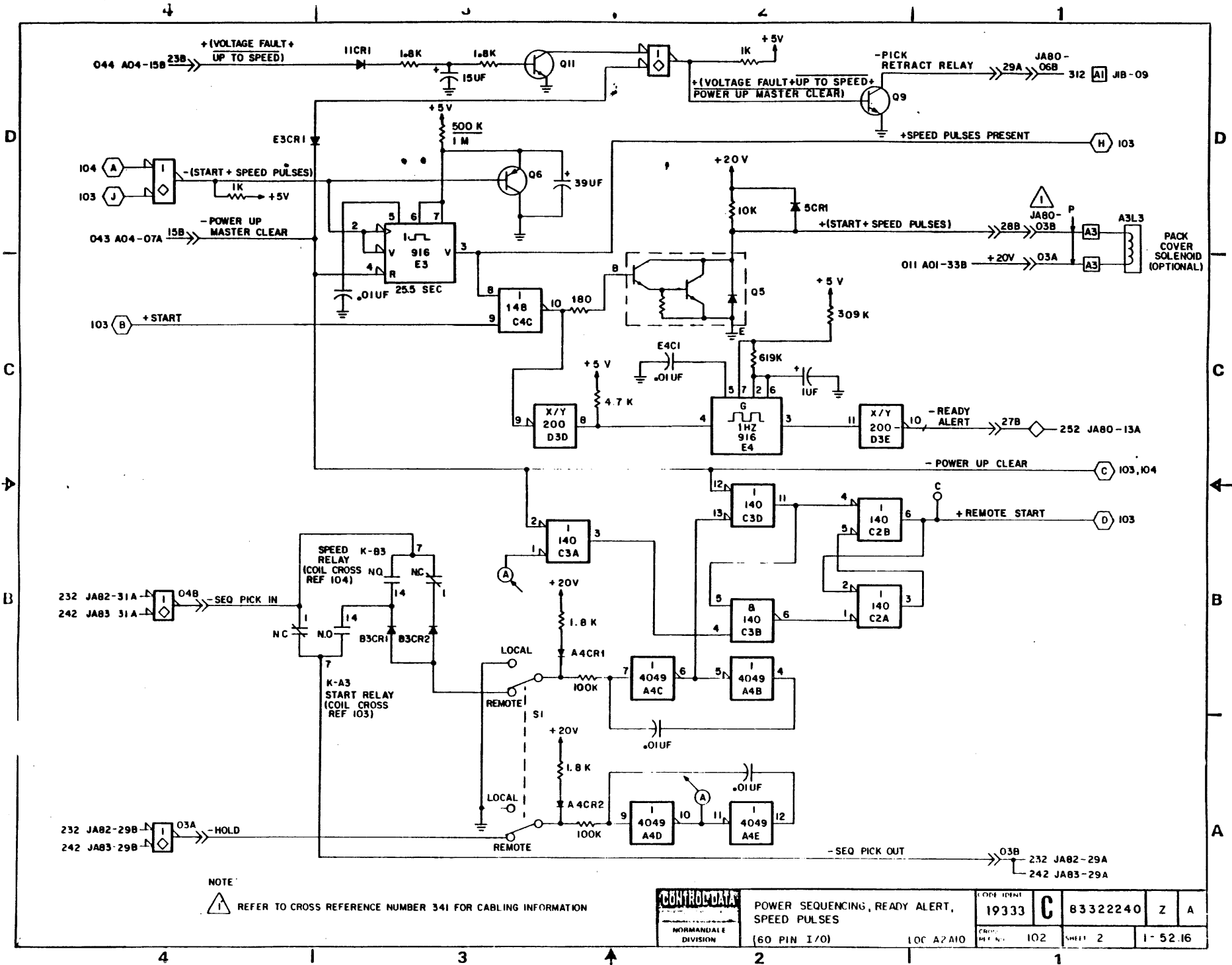
REVISION STATUS OF SHEETS																			
1	2	3	4	5	6	7	8	9	10	11	12	13	14	15	16	17	18	19	20
A	A	A	A																
B			B																
C		C																	
D		D																	

CREATED FROM 83214810.		REVISIONS			
REV	ECO	DESCRIPTION	DWFT	DATE	CHK'D
A	DJ00438	CREATE KSGV	MJ	2-10-83	
B	DJ00482	KSGV TEST SELECT	JG	72584	
C	DJ00639	CHG RESISTOR _SGV	JG	72584	
D	DJ00668	CHG RES/TSTR _SGV	JG	72584	



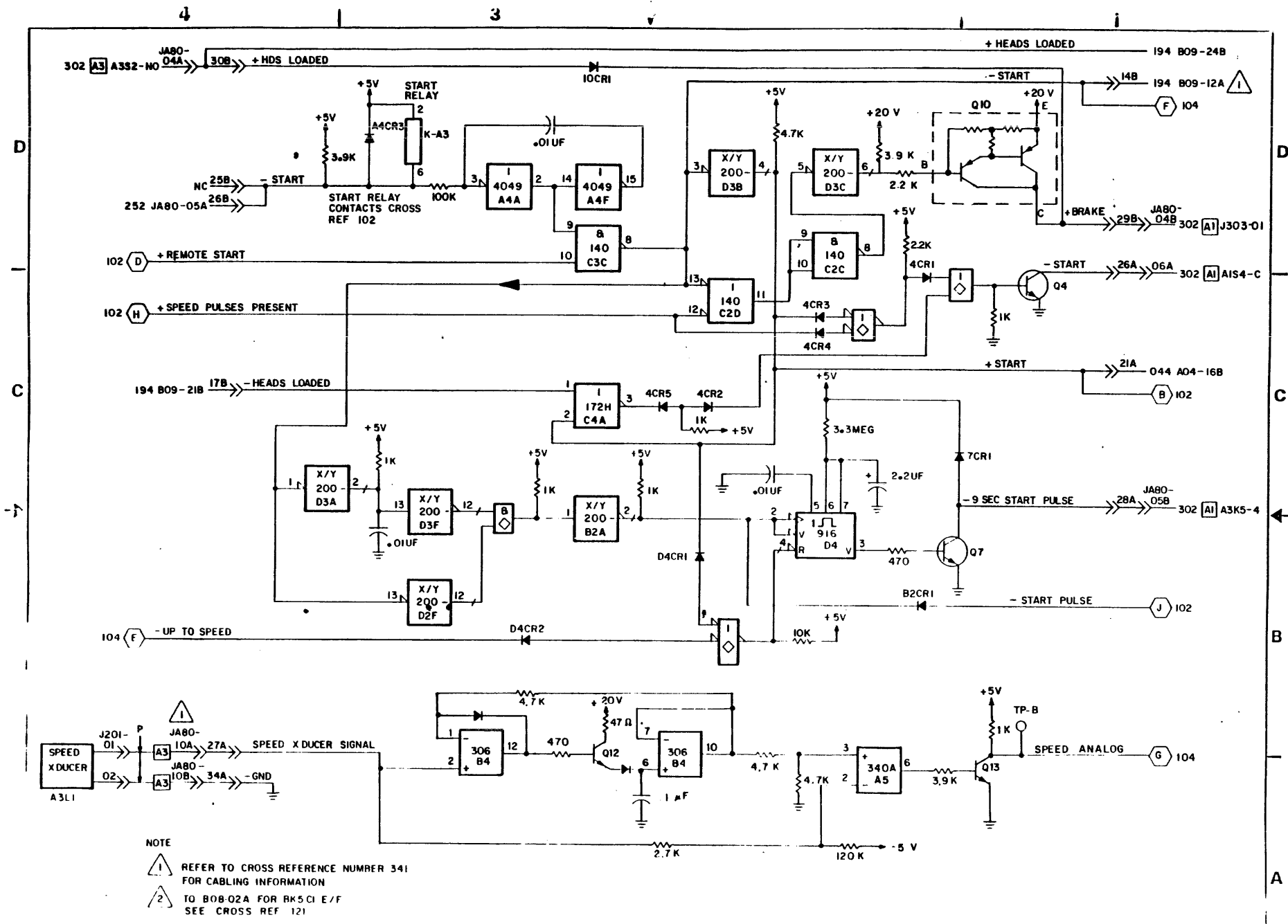
THIS SET USED FOR KSGV REV A & ABOVE BK5C4R/S (60 PIN I/O)

DESIGNER	M A JAHN	DATE	1983	MAGNETIC PERIPHERALS INC. A DIVISION OF CENTRE DATA COMPANY	INTERLOCKS AND SPEED DETECTOR DIAGRAMS	NORMANDALE OPERATIONS C	83322240	Z D					
APPROVED									TYPE: KSGV	LOC: A2A10	19333	1 of 4	1-52-15
DATE									19333	REV: N	101	1 of 4	1-52-15



NOTE:
 REFER TO CROSS REFERENCE NUMBER 341 FOR CABLING INFORMATION

 CONTROL DATA NORMANDALE DIVISION	POWER SEQUENCING, READY ALERT, SPEED PULSES (60 PIN I/O)		CODE IDENT 19333	C 83322240	Z A
	LOC A2A10	SHEET 2	1-52.16		

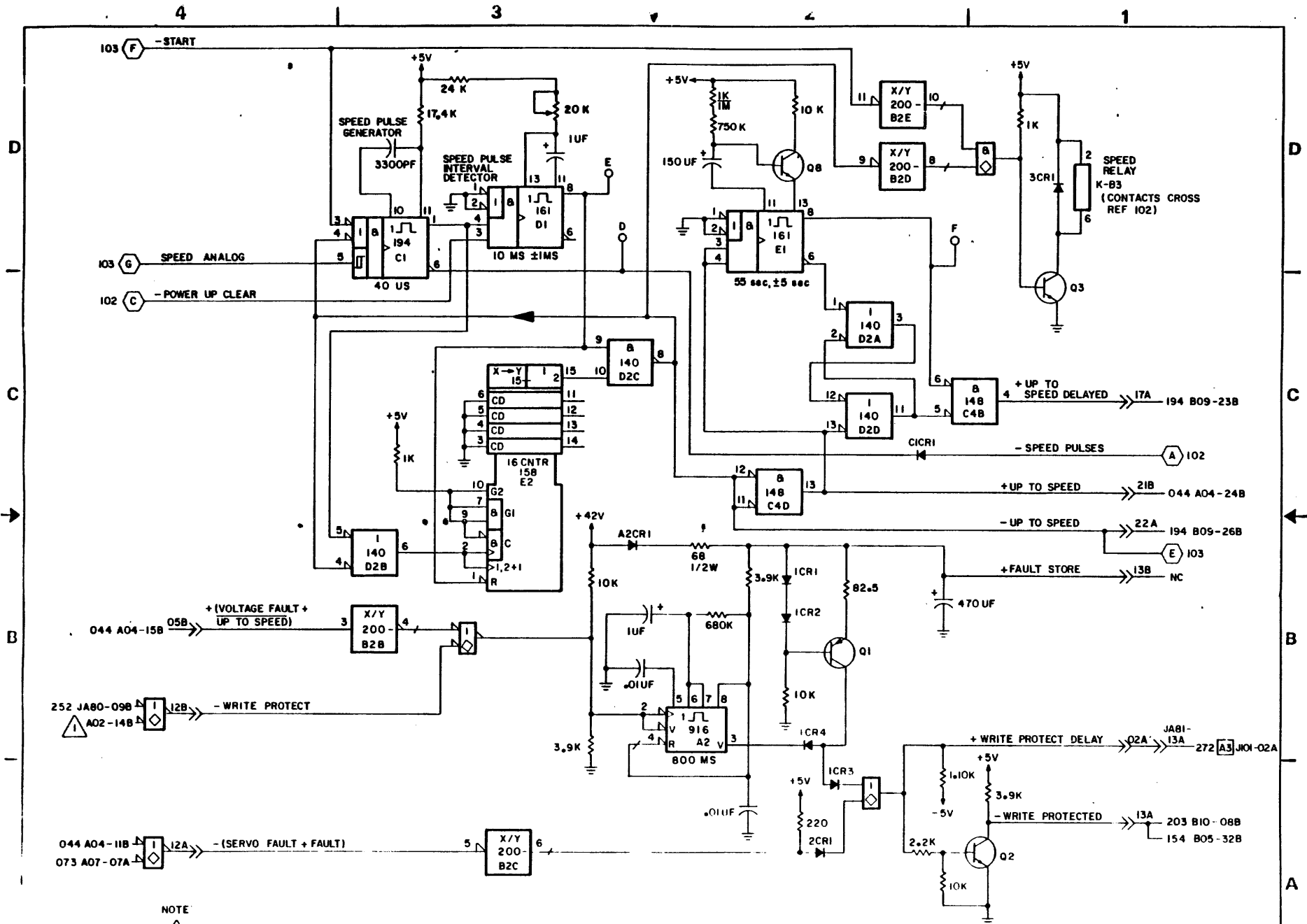


NOTE

1 REFER TO CROSS REFERENCE NUMBER 341 FOR CABLING INFORMATION

2 TO B08-02A FOR RK5CI E/F SEE CROSS REF 121

CONTROL DATA CORPORATION MILWAUKEE DIVISION	START, BRAKING CONTROL		REV. 19333	C	83322240	Z	D
	(60 PIN I/O)		LOC A2A10	REV. 103	SHEET 3	1-52.17	



NOTE
 1 A02 IS INTERNAL TEST JACK USED FOR CONNECTION TO FTU/HEAD ALIGNMENT
 CARD SEE CROSS REF NO 022 FOR DETAILS

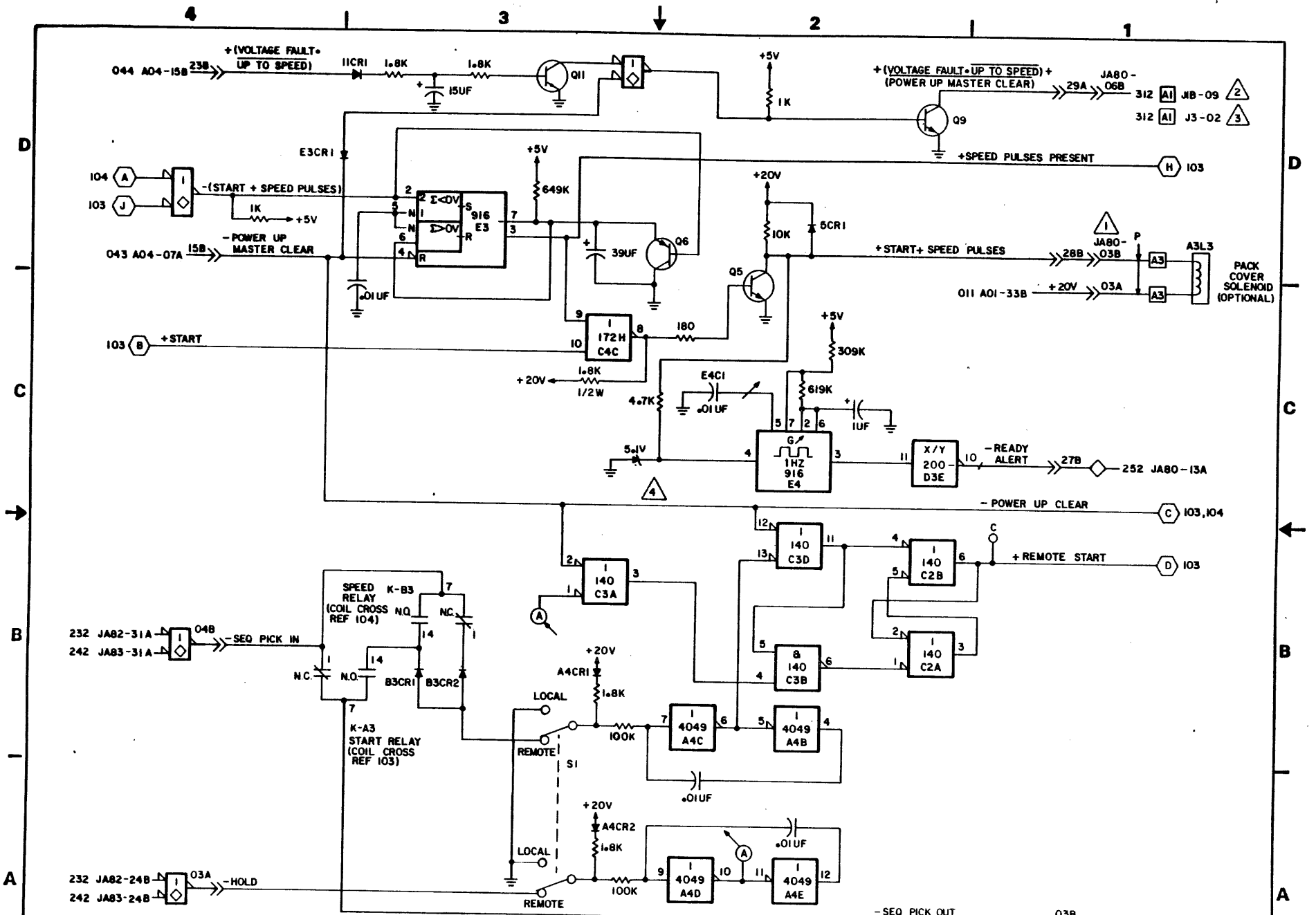
CONTROL DATA
 10000000000000000000
 NORMANDALE
 DIVISION

SPEED FAULT AND WRITE PROTECTED

CODE IDENT	19333	C	83322240	Z	B
P.C. REF. NO.	104	4	1-52.18		

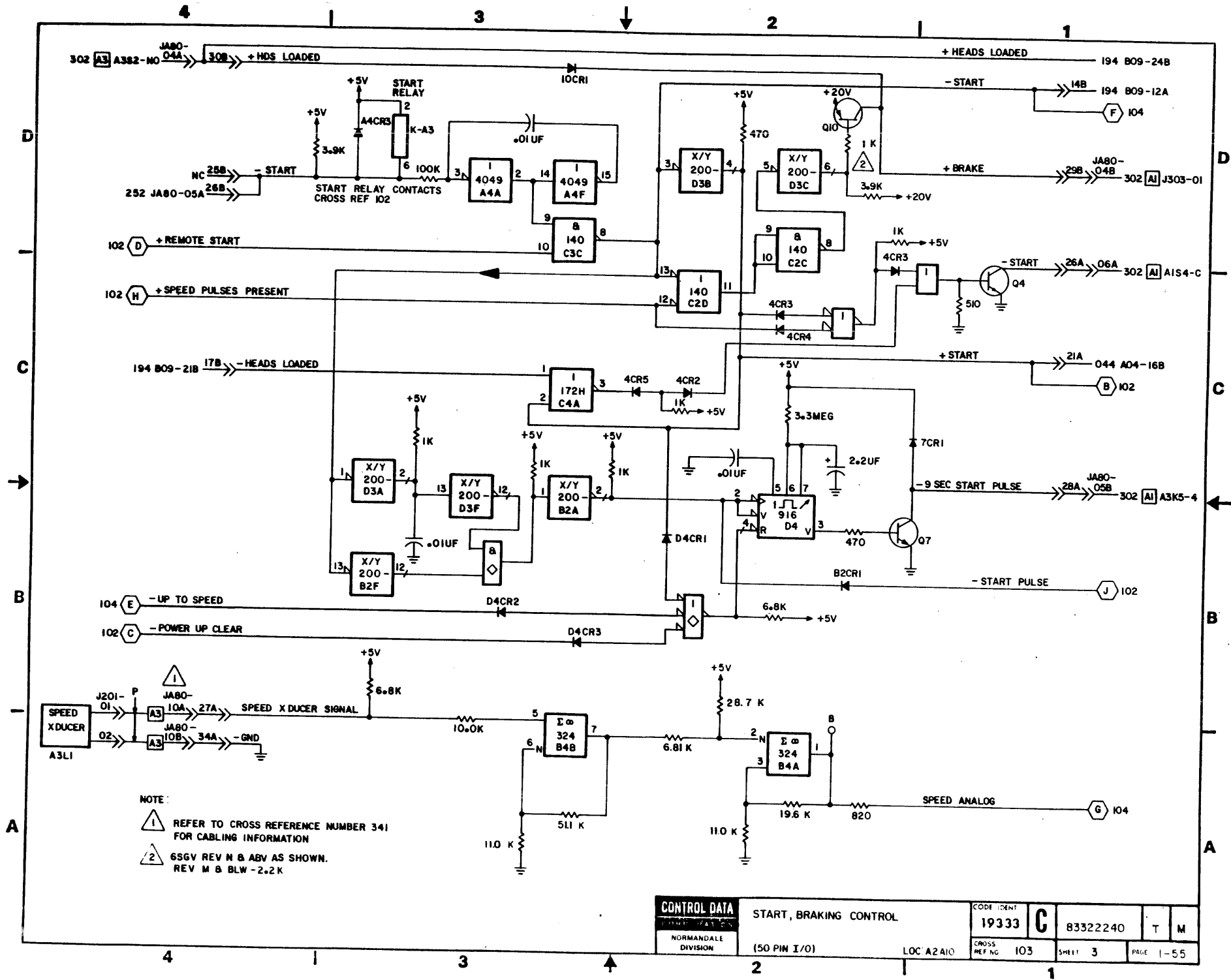
(60 PIN I/O)

LOC 22A10

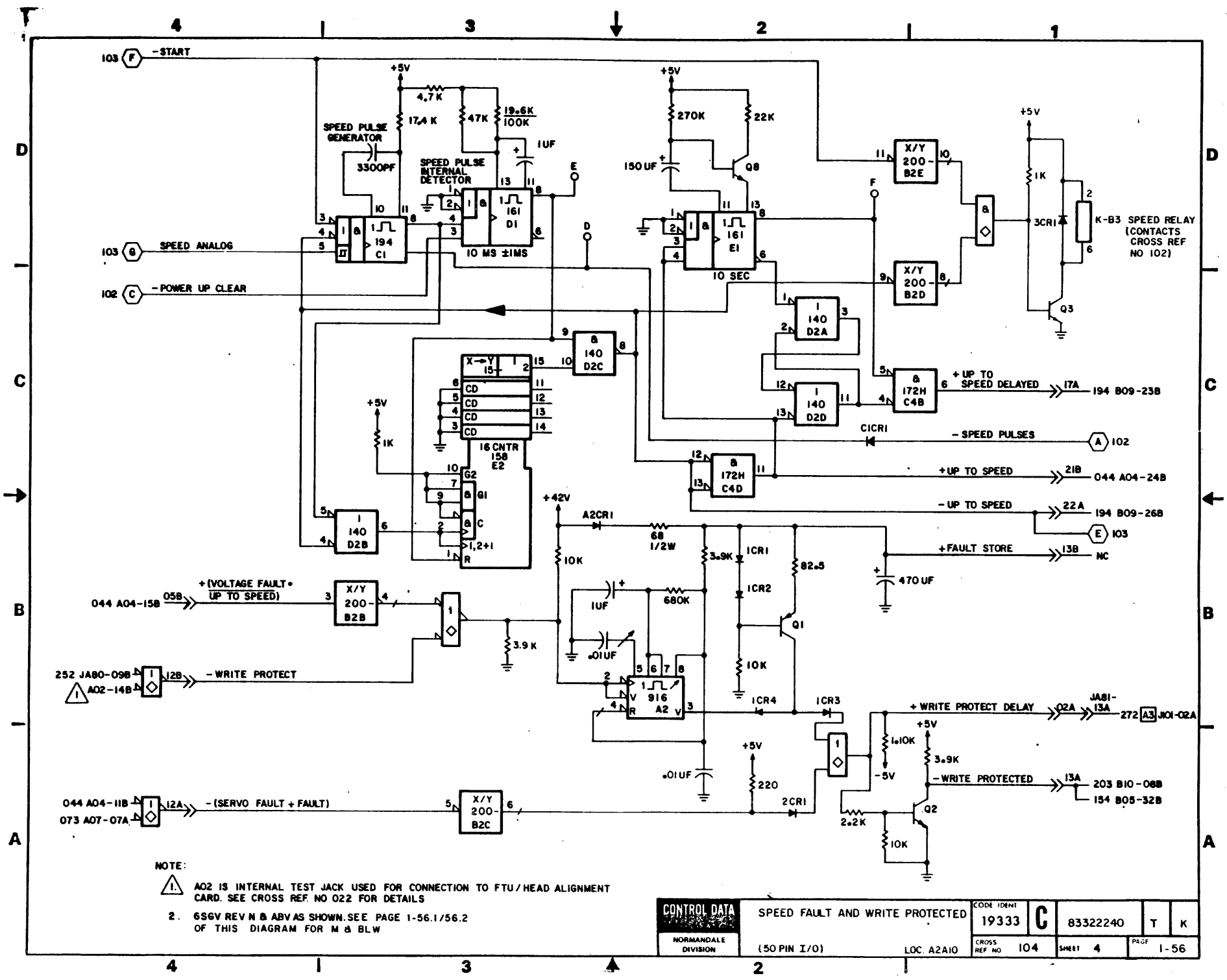


- 1 REFER TO CROSS REFERENCE NUMBER 341 FOR CABLING INFORMATION
- 2 USED FOR 3 CARD POWER SUPPLY
- 3 USED FOR 2 CARD POWER SUPPLY
- 4 65V REV N ABV ONLY.

CONTROL DATA <small>REGISTRATION</small>	POWER SEQUENCING, READY ALERT, SPEED PULSES			
	(50 PIN I/O)			
	LOC. A2A10			
NORMANDEALE DIVISION	CODE IDENT 19333	C	83322240	T N
	PRESS REF. N.	102	SHEET 2	PAGE 1-54

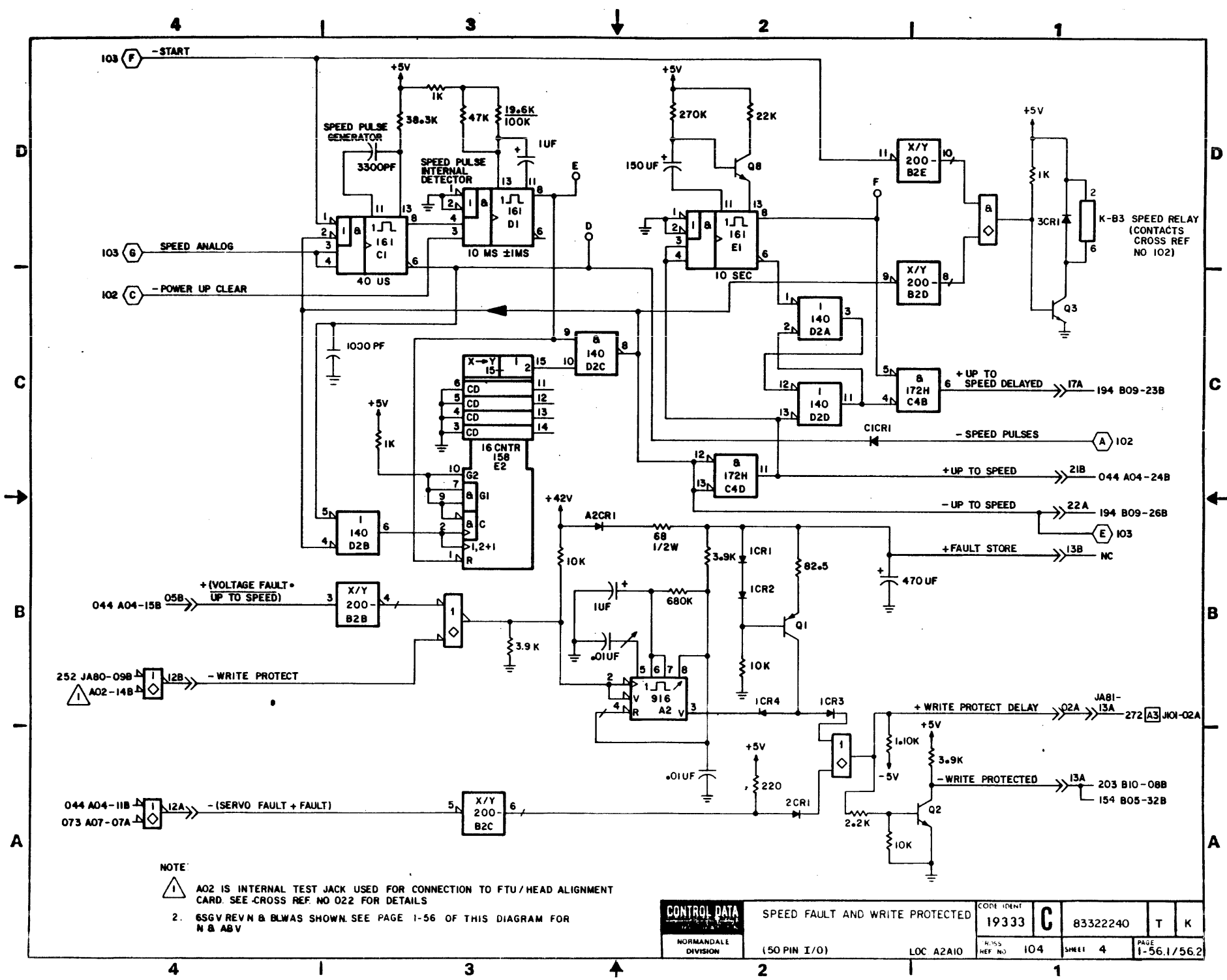


CONTROL DATA	START, BRAKING CONTROL		CODE IDENT	C	83322240	T	M
	NORMANDEALE DIVISION	(50 PIN I/O)	19333				



NOTE:
 1. A02 IS INTERNAL TEST JACK USED FOR CONNECTION TO FTU/HEAD ALIGNMENT CARD. SEE CROSS REF NO 022 FOR DETAILS
 2. 6S6V REV N & ABV AS SHOWN. SEE PAGE 1-56.1/56.2 OF THIS DIAGRAM FOR M & BLW

CONTROL DATA NORMANDALE DIVISION	SPEED FAULT AND WRITE PROTECTED (50 PIN I/O)	CODE IDENT 19333	C	83322240	T	K
	LOC. A2A10	CROSS REF NO 104				



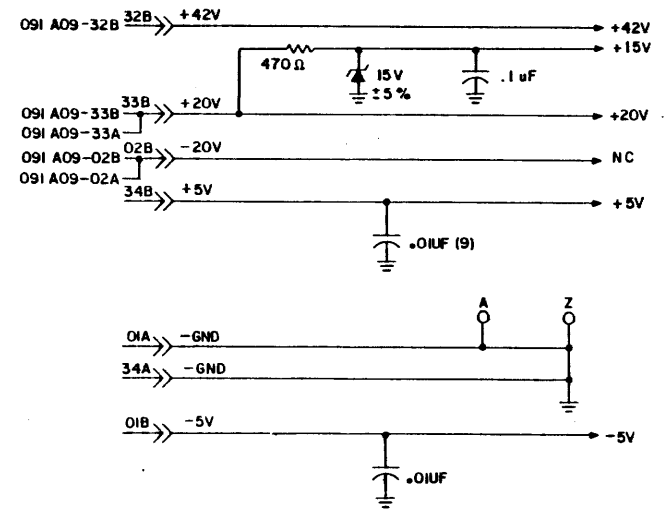
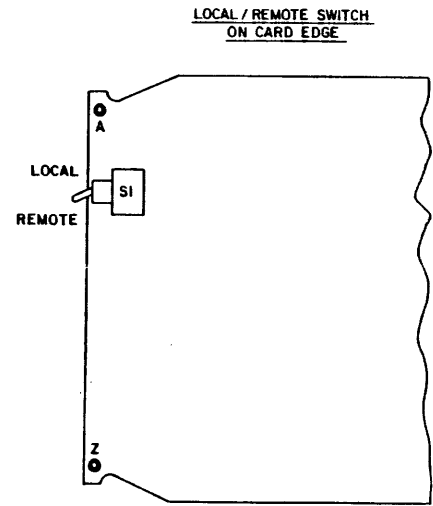
NOTE:
 1. A02 IS INTERNAL TEST JACK USED FOR CONNECTION TO FTU/HEAD ALIGNMENT CARD. SEE CROSS REF NO 022 FOR DETAILS
 2. EGGV REV N & BLWAS SHOWN. SEE PAGE 1-56 OF THIS DIAGRAM FOR N & ABV

CONTROL DATA NORMANDALE DIVISION	SPEED FAULT AND WRITE PROTECTED (50 PIN I/O)	LOC A2A10	CODE IDENT 19333	C	83322240	T	K
	REV NO 104	SHEET 4	PAGE 1-56.1/56.2				

REVISION STATUS OF SHEETS																			
1	2	3	4	5	6	7	8	9	10	11	12	13	14	15	16	17	18	19	20
A	A	A	A																
B	B	B	B																
C	C	C	C																
D	D	D	D																
E	E	E	E																
F	F	E	E																
G	G	E	E																
H	H	E	E																
J	J	J	J																
K	K	K	K																
L	K	L	K																
M	K	M	K																
N	N	M	K																
P	P	P	P																
R	R	P	P																

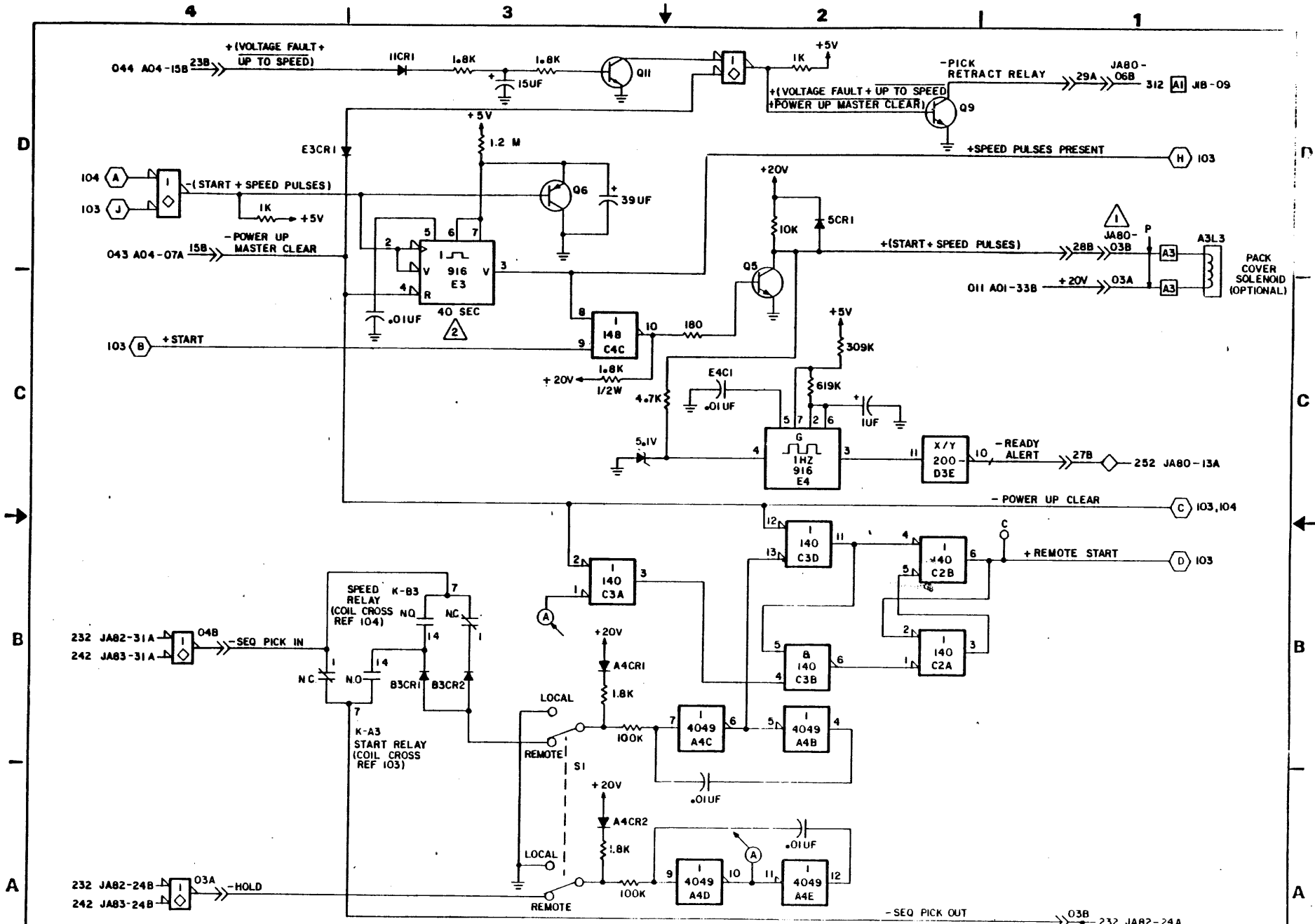
REVISIONS					
REV	ECO.	DESCRIPTION	DRFT	DATE	CHK'D
A	PE23000	RELEASED	MLA	11-11-77	
B	PE48296	ERR. CORR.	MA	11-29-78	
C	PE48402	ERROR CORRECTIONS	VC	1-11-77	
D	PE48445	PREVENT IMPROPER HEAD LOADING	GR	3-7-77	
E	PE48523	ERROR CORRECTION	SB	4-7-77	
F	PE48652	DELETE E4R3, CHANGE Q5 TO MN3569	DM	6-14-77	
G	PE48675	ERROR CORRECTION	DM	7-7-77	
H	PE48932	ADD ISOLATION DIODE TO +20V POWER	DM	11-29-77	
J	PE55377	REV. PC BOARD & COMPONENTS	AAO	8-14-78	
K	PE55370	ERROR CORRECTIONS	AAO	8-30-78	
L	PE55922	CHG COMP DESIG	TH	9-19-79	
M	PE55928	INCREAS. RES. VALUE	CB	10-1-79	
N	PE60016	LOGIC DIA UP DATE	TH	1-6-80	
P	PE60142	IMPROVE 6S6V & 8S6V	TH	3-11-80	
R	PE60445	CHG RES ON -5GV	MF	3-16-81	

UNUSED LOGIC ELEMENT		
ELEMENT TYPE	LOCATION	OUTPUT PIN(S)
200	D3D	8



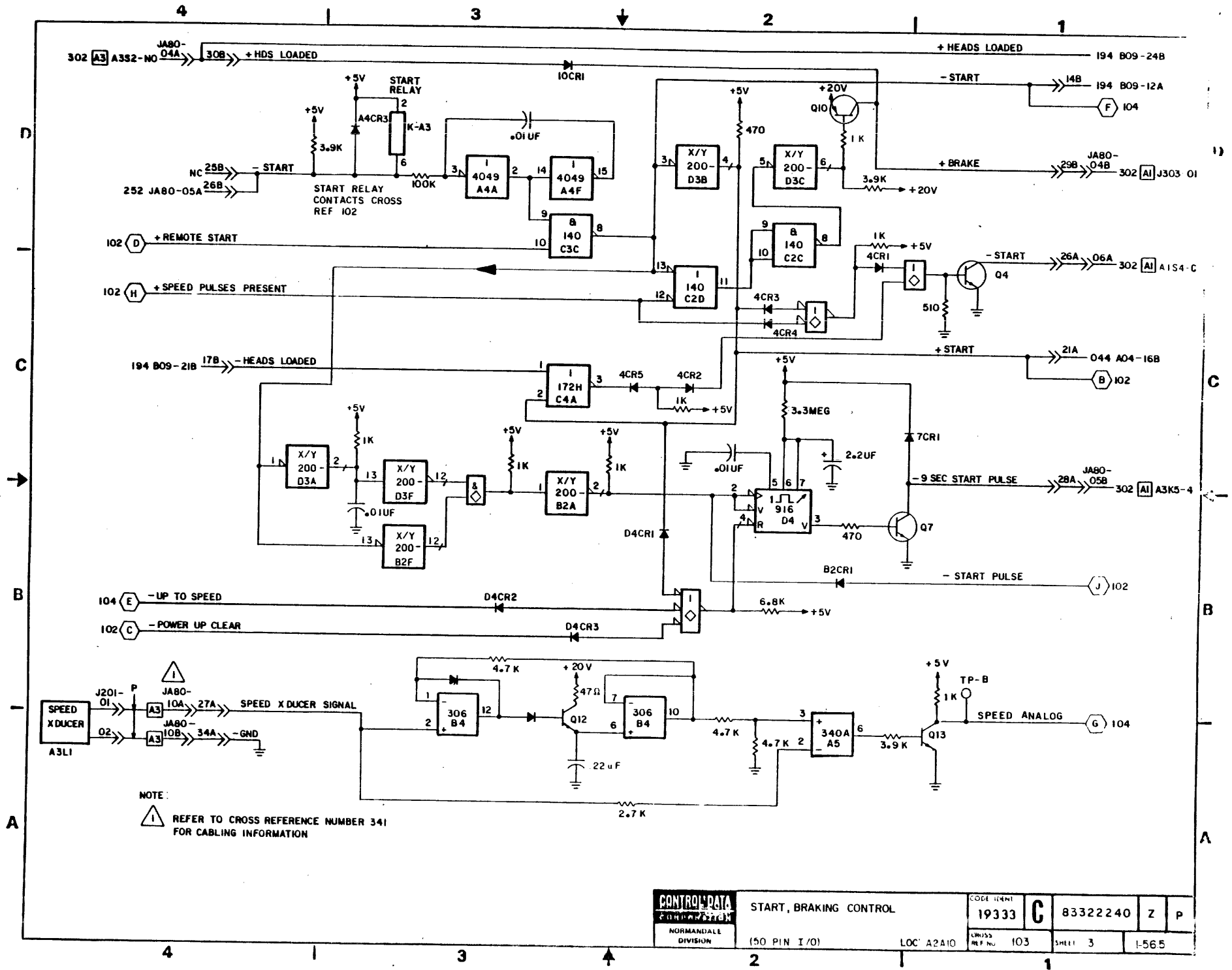
THIS SET USED FOR 6SGV, REV V & ABOVE (50 PIN I/O.)

DRAWN	M. Anderson	11-22-78	CONTROL DATA CORPORATION	INTERLOCKS AND SPEED DETECTOR DIAGRAMS	CODE IDENT	19333	C	83322240	Z	R
CHECKED					CROSS REF NO	101				
ENGINEER	H. C. ...				SHEET	1 OF 4				
APPROVED					PAGE	1-563				
			NORMAN DALE DIVISION	TYPE 6SGV	LOC A2A10					



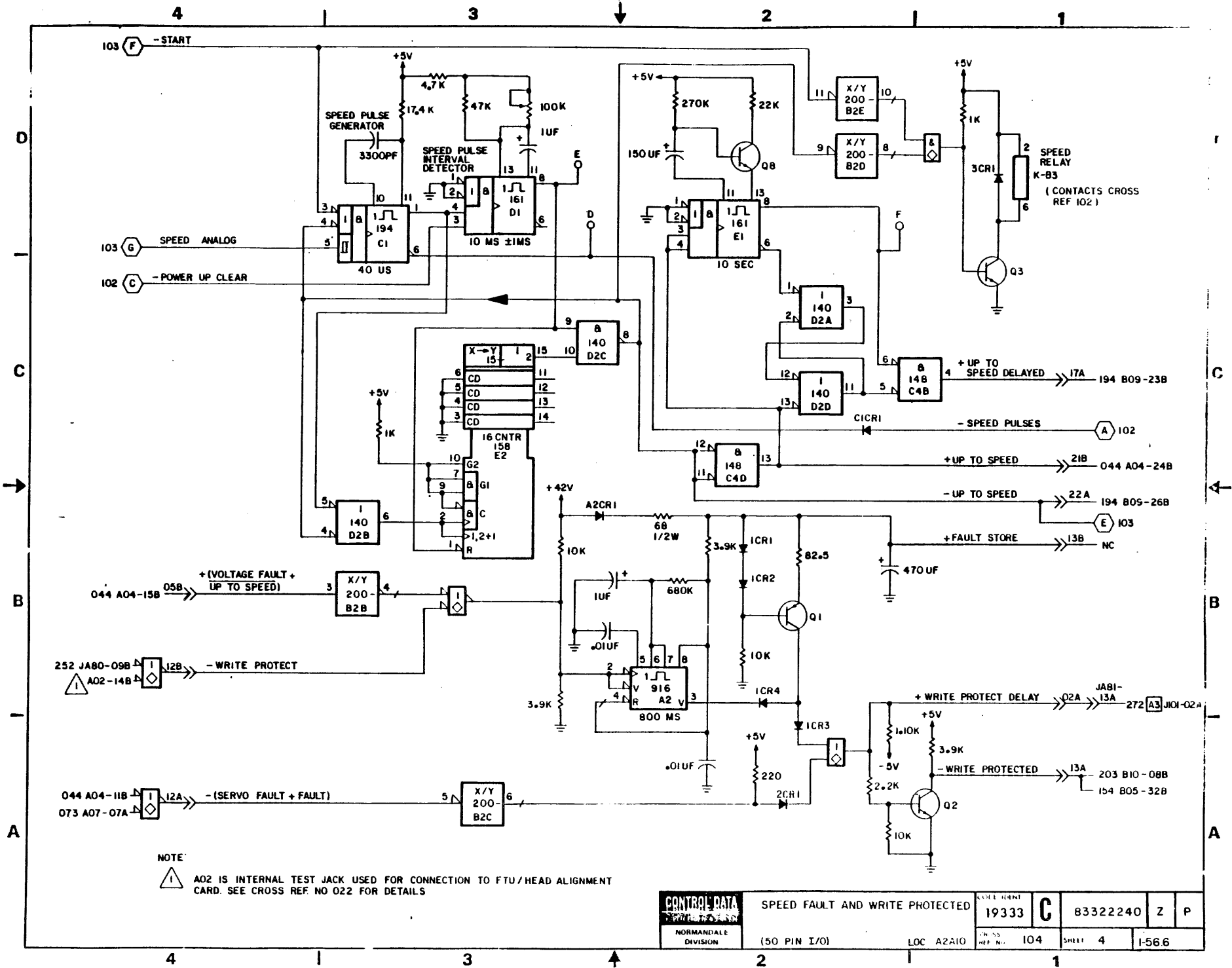
NOTE:
 ① REFER TO CROSS REFERENCE NUMBER 341 FOR CABLING INFORMATION
 ② 23 SEC FOR 6SGV REV Y & BLW.

CONTROL DATA NORMANDEALE DIVISION	POWER SEQUENCING, READY ALERT, SPEED PULSES (50 PIN I/O)	DATE IDENT 19333	C	83322240	Z	R
	LOC: A2A10	REV. REF. NO. 102	SHEET 2	I-56.4		



NOTE:
 ⚠ REFER TO CROSS REFERENCE NUMBER 341
 FOR CABLING INFORMATION

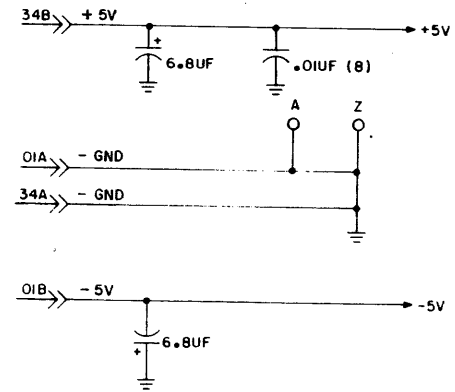
CONTROL DATA CORPORATION NORMANDALE DIVISION	START, BRAKING CONTROL		CODE (MM)	19333	C	83322240	Z	P
	(50 PIN I/O)		LOC A2A10	UNISS REF No.		103	SHEET 3	1-565



CONTROL DATA NORMANVILLE DIVISION	SPEED FAULT AND WRITE PROTECTED		REV. SHEET 19333	C	83322240	Z	P
	(50 PIN I/O)		LOC A2A10				

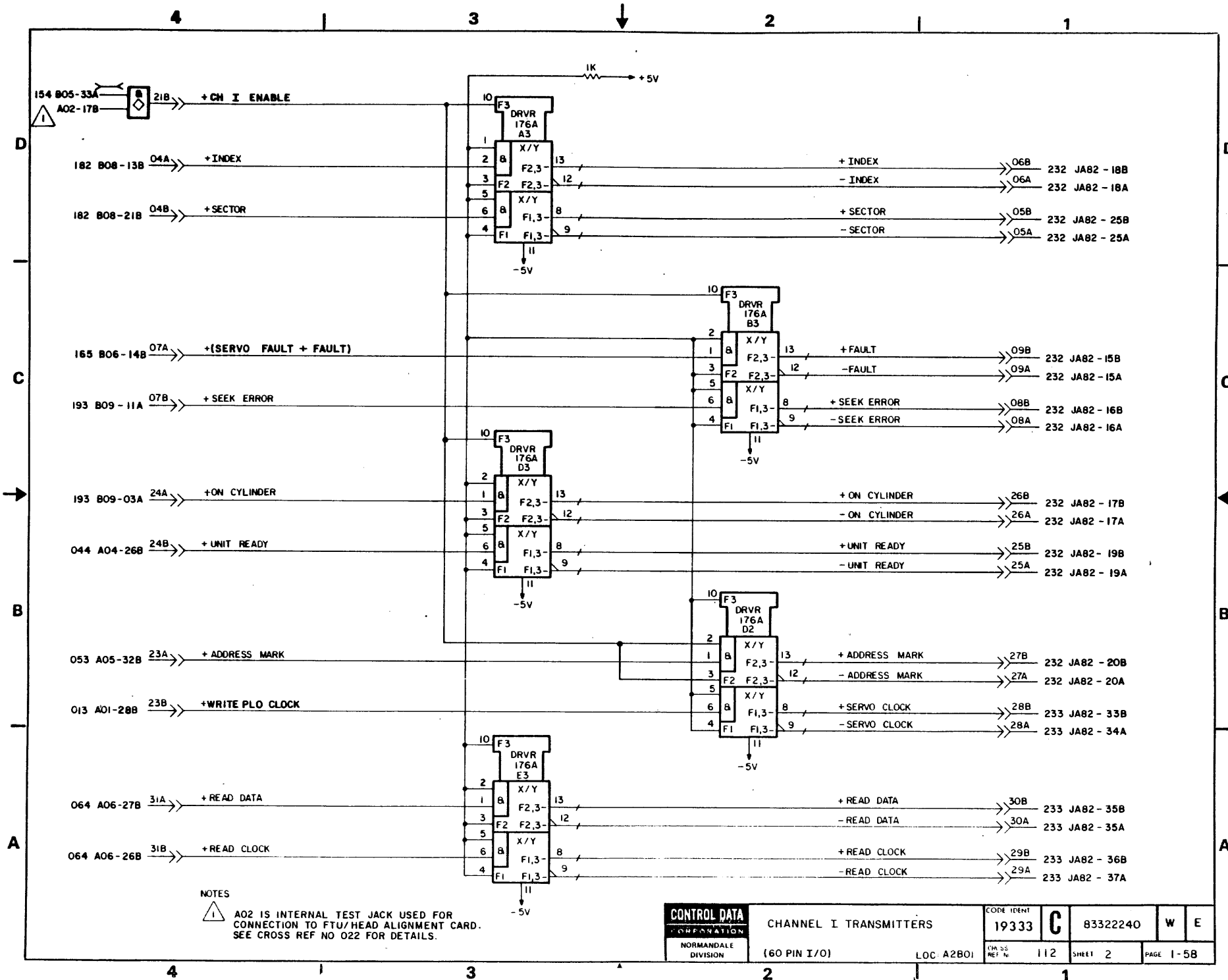
REVISION STATUS OF SHEETS																				
	1	2	3	4	5	6	7	8	9	10	11	12	13	14	15	16	17	18	19	20
A	A	A																		
B	B	B																		
C	C	B																		
D	C	D																		
E	E	D																		
F																				
G		G																		

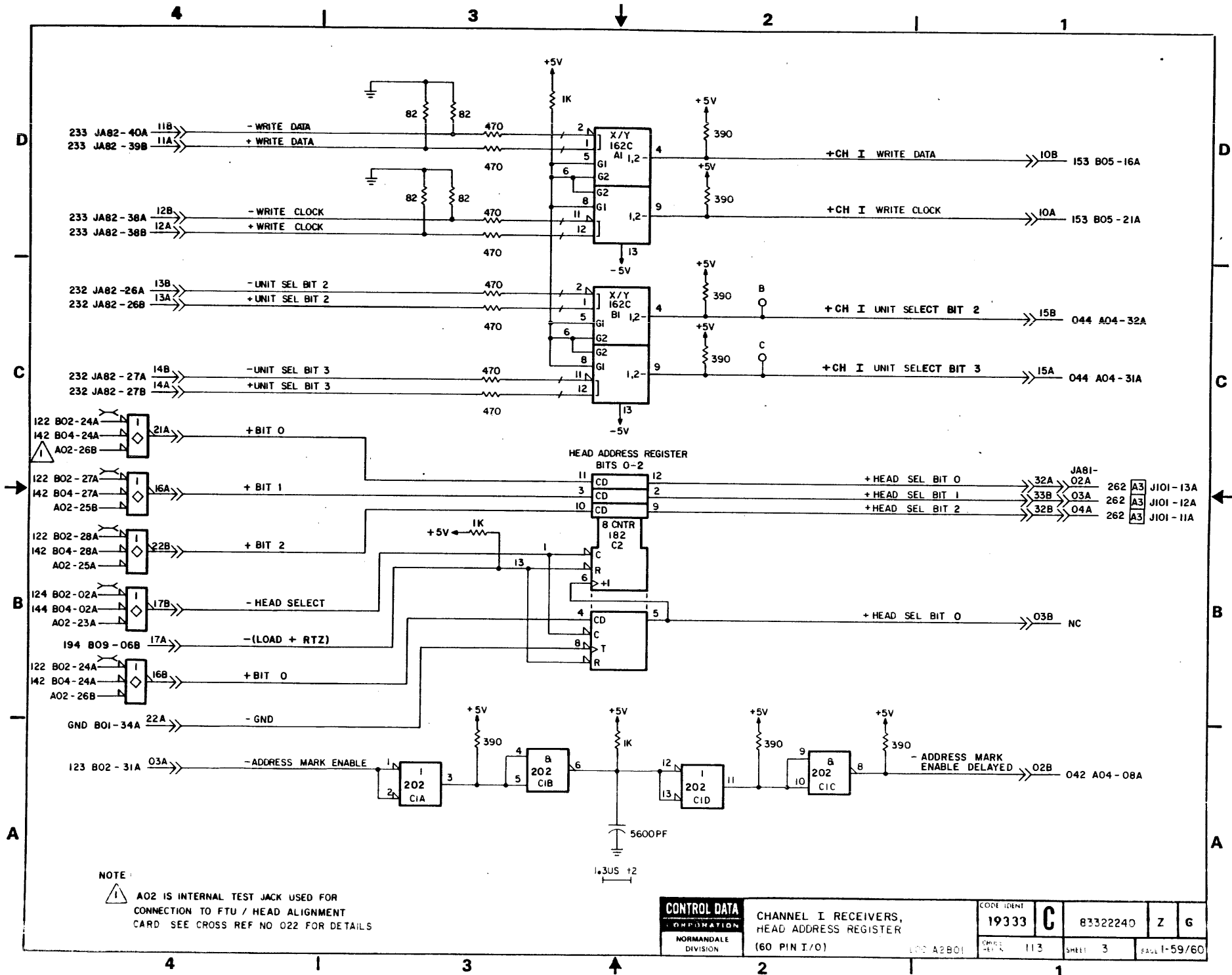
REVISIONS						
REV	ECO	DESCRIPTION	DRFT	DATE	CHK'D	
A	PE23500	MR. LABEL				
B	PE48402	CORRECT DIAGRAMS	WEB	12-16-76		
C	PE48568	ERR CORR	DM	7-25-77		
D	PE57173	CHG IC FAMILIES	M F	11-5-80		
E	DJ00201	PLD CLOCK ERROR	MJ	5-12-82		
F	DJ22000	XFR FRM PE	JG	7-25-82		(6)
G	DJ00669	CHG FTVV IC/CAPS	JG	7-25-84		
	DJ23008	FORMAT CHG				



THIS DOCUMENT
 TRANSFERRED TO
 ICD DIVISION
 DATE: 7/27/89

DRAWN	G. RAINE	8/19/76	CONTROL DATA <small>COMMUNICATIONS</small> TWIN CITIES DISK DIVISION	APPLICABLE TO 60 PIN I/O			CODE IDENT	C	83322240	Z	G
CHECKED				CHANNEL I TRANSMITTERS AND RECEIVERS - HEAD ADDRESS REGISTER DIAGRAMS	19333						
ENGINEER				TYPE FTVV	CROSS REF N° III	SHEET 1 OF 3	PAGE 1-57				
APPROVED				LOC A2801	REF 83214811						



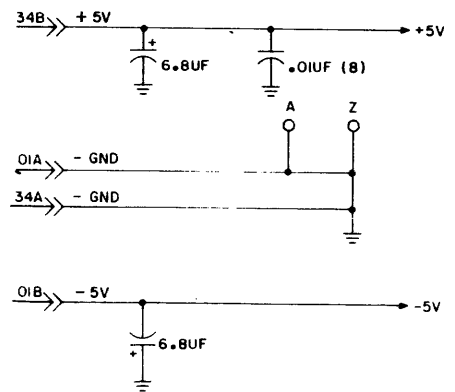


NOTE:
 ⚠️ AO2 IS INTERNAL TEST JACK USED FOR CONNECTION TO FTU / HEAD ALIGNMENT CARD. SEE CROSS REF NO 022 FOR DETAILS

CONTROL DATA CORPORATION NORMANVILLE DIVISION	CHANNEL I RECEIVERS, HEAD ADDRESS REGISTER (60 PIN I/O)	CODE IDENT 19333 C	83322240	Z	G
	000 A2B01	REV: 113	SHEET 3	PAGE 1-59/60	

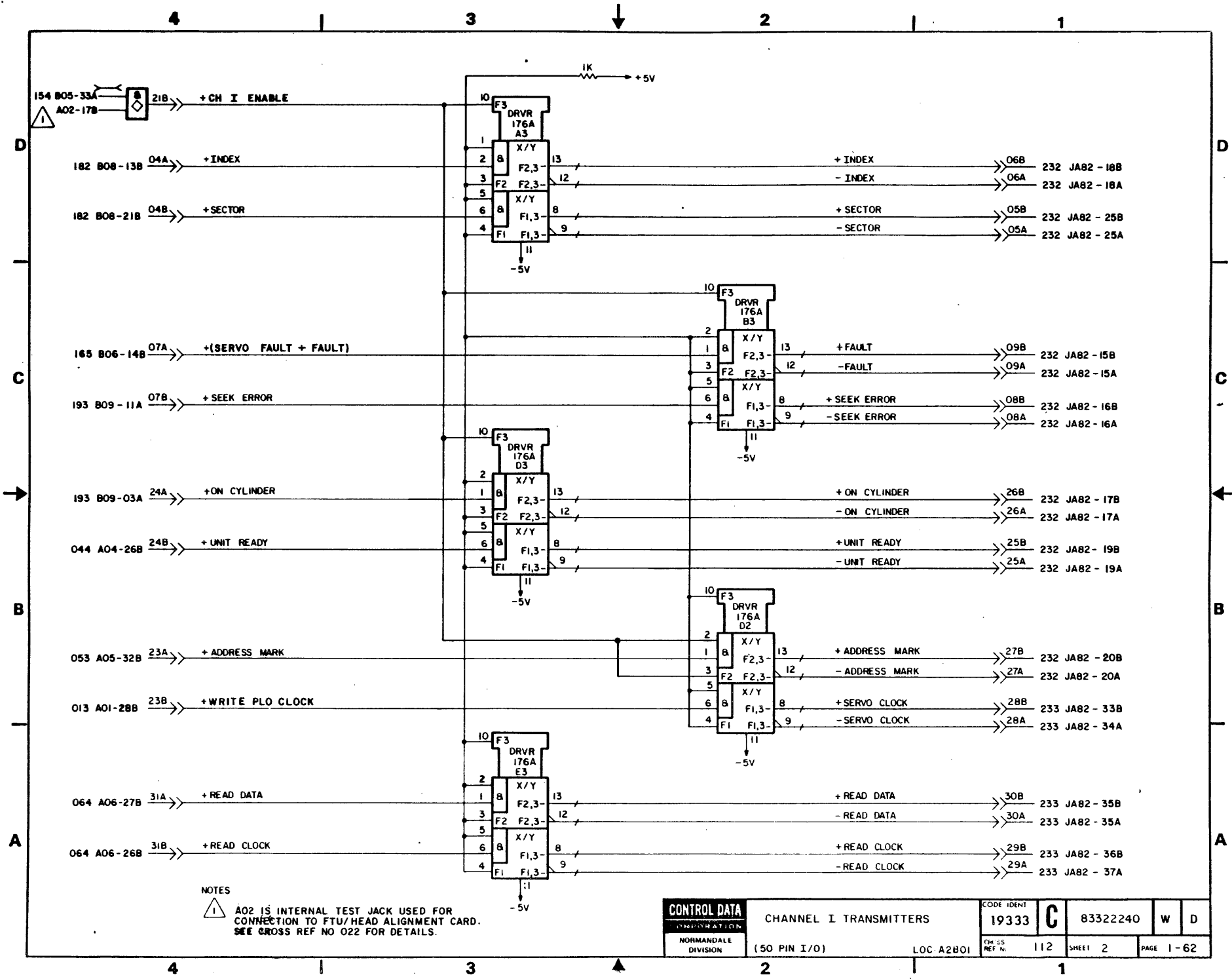
REVISION STATUS OF SHEETS																				
1	2	3	4	5	6	7	8	9	10	11	12	13	14	15	16	17	18	19	20	
A	A	A																		
B	B	B																		
C	C	B																		
D	D	B																		

REVISIONS					
REV	ECO	DESCRIPTION	DRFT	DATE	CHK'D
A	PE2344	RE-TRACE			
B	PE4840Z	CORRECT DIAGRAMS	GR	12-16-76	
C	PE4856B	CORR ERR	DM	7-25-77	
D	DJ00201	P1.0 CLOCK ERROR	MJ	5-15-82	



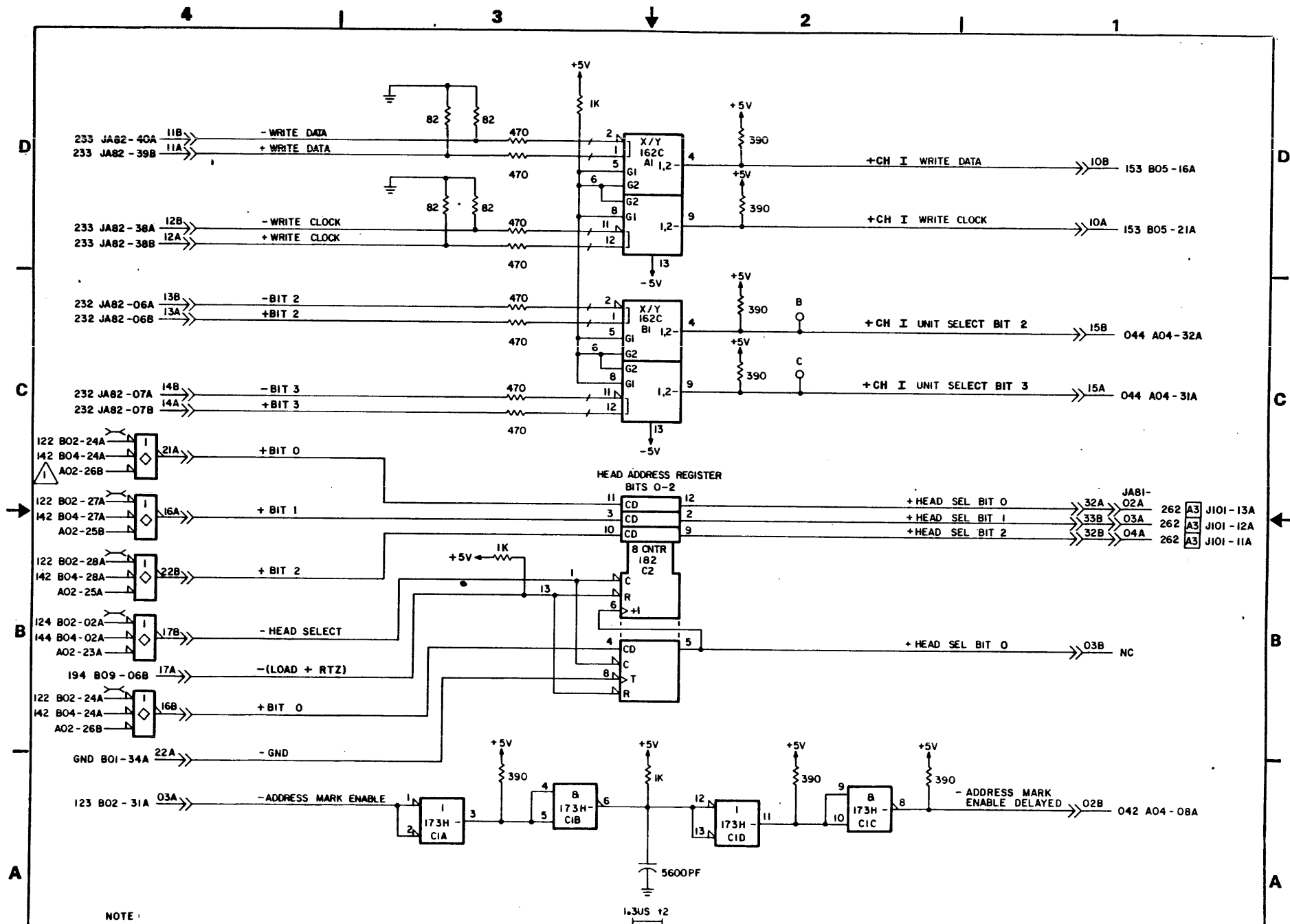
APPLICABLE TO 50 PIN I/O

DRAWN	CHECKED	ENGINEER	APPROVED	CONTROL DATA CORPORATION	CHANNEL I TRANSMITTERS AND RECEIVERS - HEAD ADDRESS REGISTER DIAGRAMS	CODE IDENT	C	83322240	W	D
						NORMANDALL DIVISION				
						LOC A2B01				REF 83214836



NOTES
 ⚠ A02 IS INTERNAL TEST JACK USED FOR CONNECTION TO FTU/HEAD ALIGNMENT CARD. SEE CROSS REF NO 022 FOR DETAILS.

CONTROL DATA OPERATION NORMANDEALE DIVISION	CHANNEL I TRANSMITTERS	CODE IDENT 19333	C	83322240	W	D
	(50 PIN I/O)	LOC: A2B01				

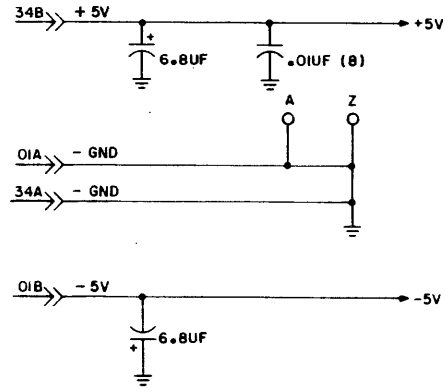


NOTE:
 ⚠ A02 IS INTERNAL TEST JACK USED FOR CONNECTION TO FTU / HEAD ALIGNMENT CARD. SEE CROSS REF. NO. 022 FOR DETAILS.

CONTROL DATA <small>COMMUNICATIONS</small> NORMANDEALE DIVISION	CHANNEL I RECEIVERS, HEAD ADDRESS REGISTER (50 PIN I/O)		CODE IDENT 19333	DWG NO 83322240	A	B
	LOC A2B01		CROSS REF NO 113	SHEET 3	PAGE 1-63/64	

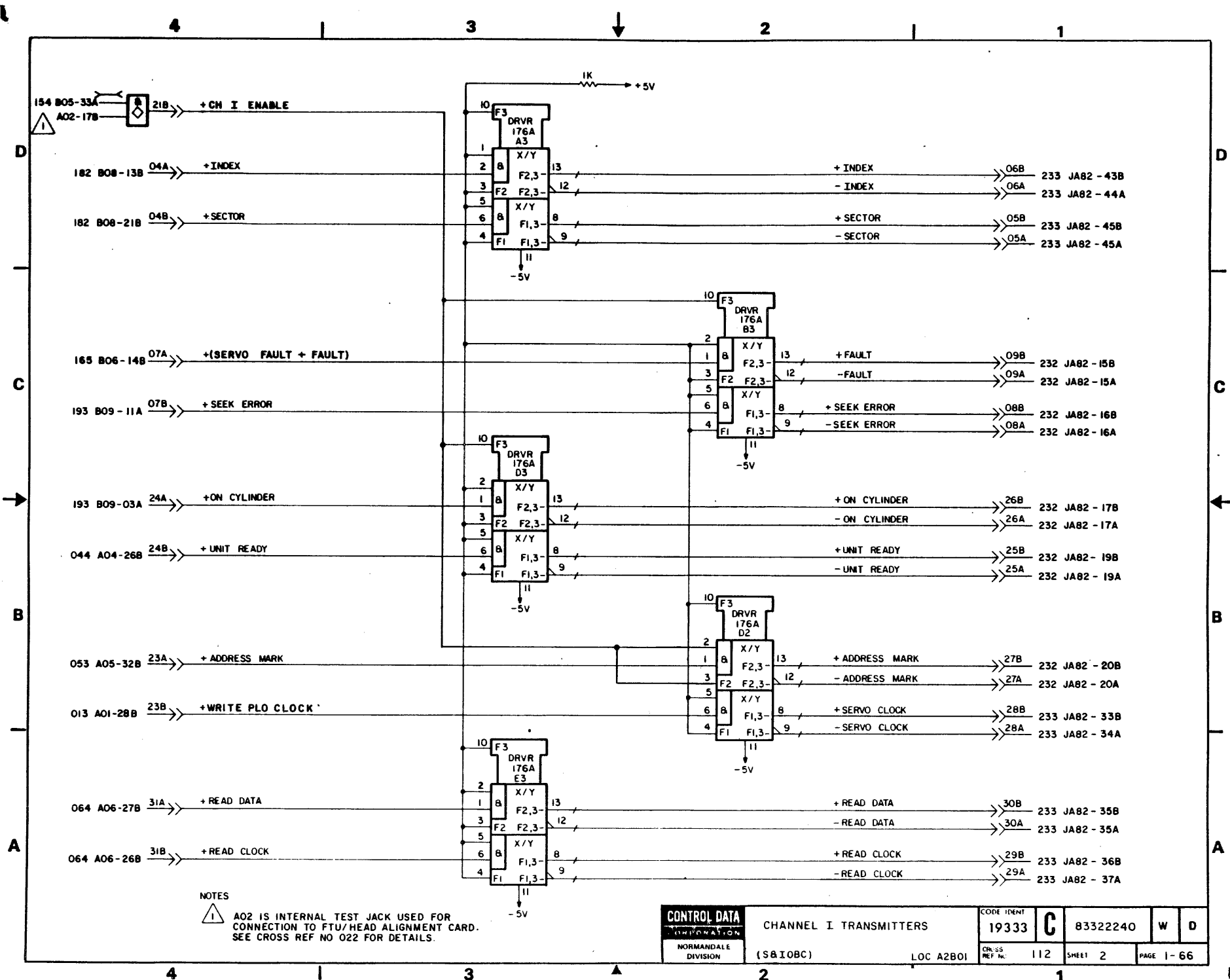
REVISION STATUS OF SHEETS																			
1	2	3	4	5	6	7	8	9	10	11	12	13	14	15	16	17	18	19	20
A	A	A																	
B	B	B																	
C	C	B																	
D	D	B																	

REVISIONS					
REV	ECO	DESCRIPTION	DRFT	DATE	CHK'D
A	PE2347	NEI CASEL			
B	PE48402	CORRECT DIAGRAMS	WEB	12-17-76	
C	PE48568	CORR ERR	DM	7-25-77	
D	DJ00201	PLO CLOCK ERROR	MJ	5-15-82	GD



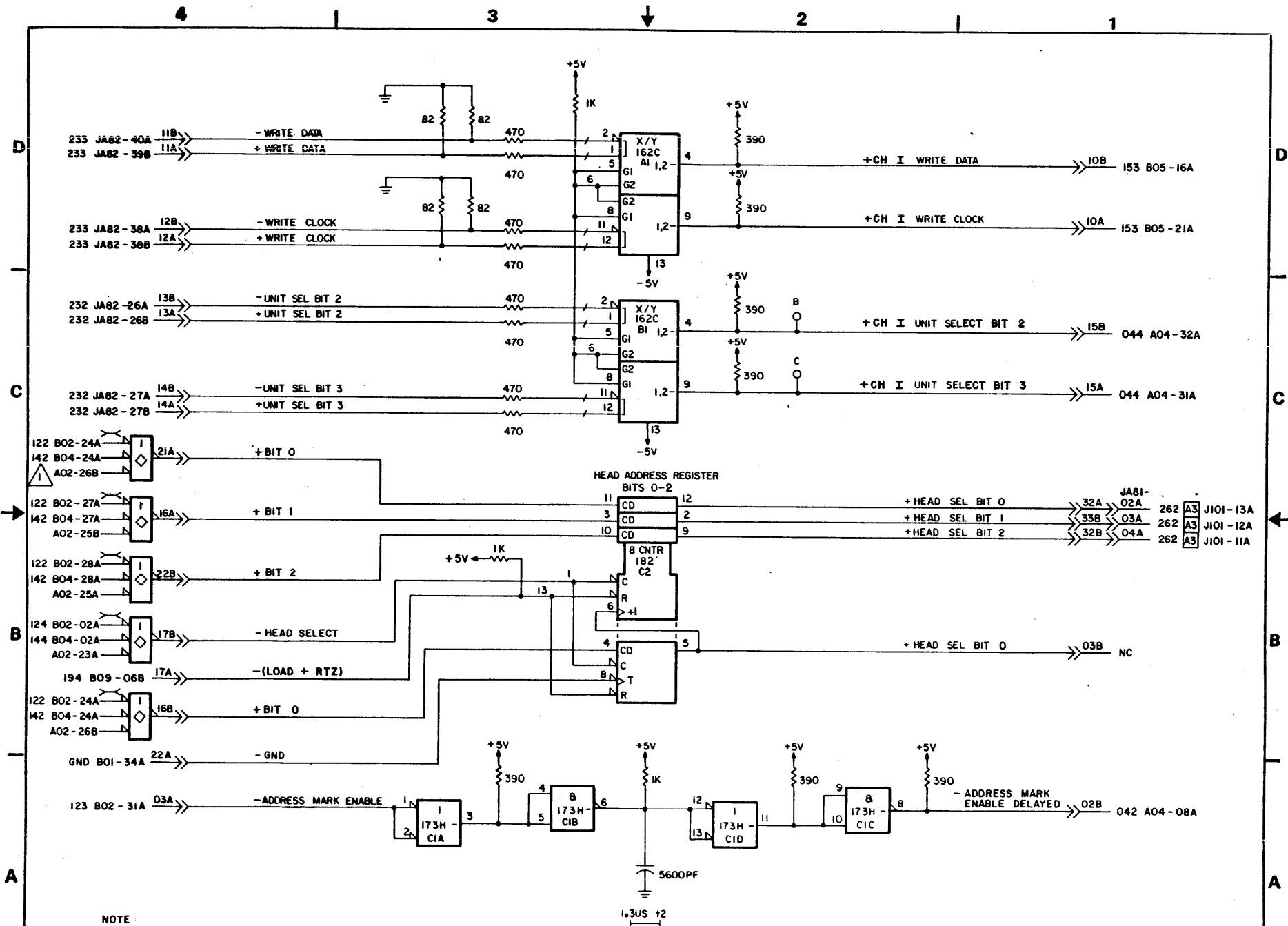
APPLICABLE TO INDEX AND SECTOR IN B CABLE

DRAWN <i>G. R...</i> 8/19/76	CONTROL DATA	CHANNEL I TRANSMITTERS AND RECEIVERS - HEAD ADDRESS REGISTER DIAGRAMS	CODE IDENT C	83322240	W	D
CHECKED			CROSS REF NO 111	SHEET 1 OF 3	PAGE 1-65	
ENGINEER	NORMANDALE DIVISION	TYPE GTVV	LOC A2 B01			
APPROVED						



NOTES
 1 A02 IS INTERNAL TEST JACK USED FOR CONNECTION TO FTU/HEAD ALIGNMENT CARD. SEE CROSS REF NO Q22 FOR DETAILS.

CONTROL DATA CORPORATION NORMANDALE DIVISION	CHANNEL I TRANSMITTERS		CODE IDENT 19333	C	83322240	W	D
	(S&IOBC)	LOC A2B01	CROSS REF. NO. 112	SHEET 2	PAGE 1-66		



NOTE:
 1 A02 IS INTERNAL TEST JACK USED FOR CONNECTION TO FTU / HEAD ALIGNMENT CARD. SEE CROSS REF NO 022 FOR DETAILS

CONTROL DATA CORPORATION NORMANDEALE DIVISION	CHANNEL I RECEIVERS, HEAD ADDRESS REGISTER (S&IOBC)	CODE IDENT 19333	C	83322240	A	B
	LOC A28J	CROSS REF. NO. 113	SHEET 3	PAGE 1-67/68		

REVISION STATUS OF SHEETS

	1	2	3	4	5	6	7	8	9	10	11	12	13	14	15	16	17	18	19	20
A	A	A	A	A																
B	A	A	A	B																
C	C	C	C	C																
D	C	C	C	D																
E	C	C	C	D																
F																				
G		G																		

REVISIONS

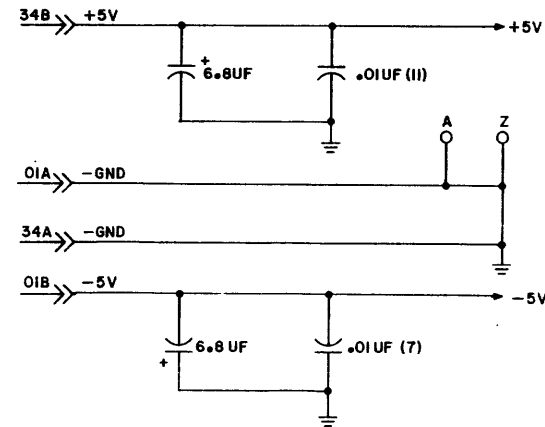
REV.	ECO.	DESCRIPTION	DRAFT	DATE	CHK'D
A	PE23000	RELEASED			
B	PE48296	CORRECT DIAGRAMS	BJE		
C	PE48402	CORR. DIA			
D	PE57173	CHG IC FAMILIES		11-5-80	
E	PE55854	DOWNGRADE 80MB TO 40MB		11-5-80	
F	DJ22000	XFR FRM PE	JG	72584	
G	DJ00627	CHG JRVV COMP AY	JG	72584	
	DJ2000A	FORMAT CHG			

UNUSED LOGIC ELEMENTS

ELEMENT TYPE	LOCATION	OUTPUT PIN(S)
173H	B1B	6
230LS	A1A	12

NOTES:

- 1 PINS 2A AND 2B MUST BE LEFT OPEN. RESERVED FOR THE BK5C1E/F UNITS. PINS ARE JUMPERED ON JUMPER PLUG SUPPLIED BY CUSTOMER.



APPLICABLE TO 60 PIN I/O, BK5XX = 9762

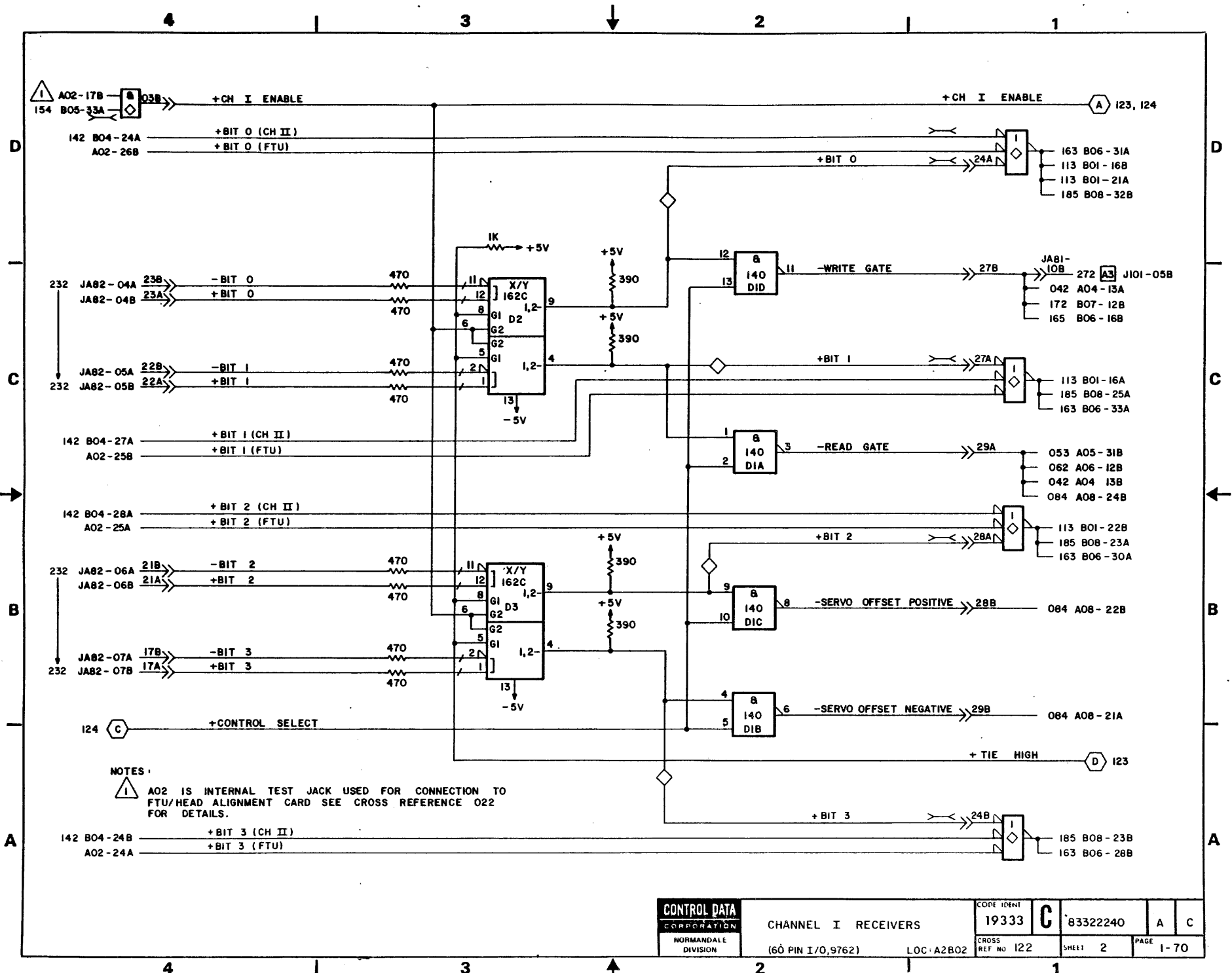
THIS DOCUMENT
TRANSFERRED TO
TCD DIVISION
DATE: 7/27/84

DRAWN	8-25-74
CHECKED	
ENGINEER	
APPROVED	

CONTROL DATA
CORPORATION
TWIN CITIES
DISK
DIVISION

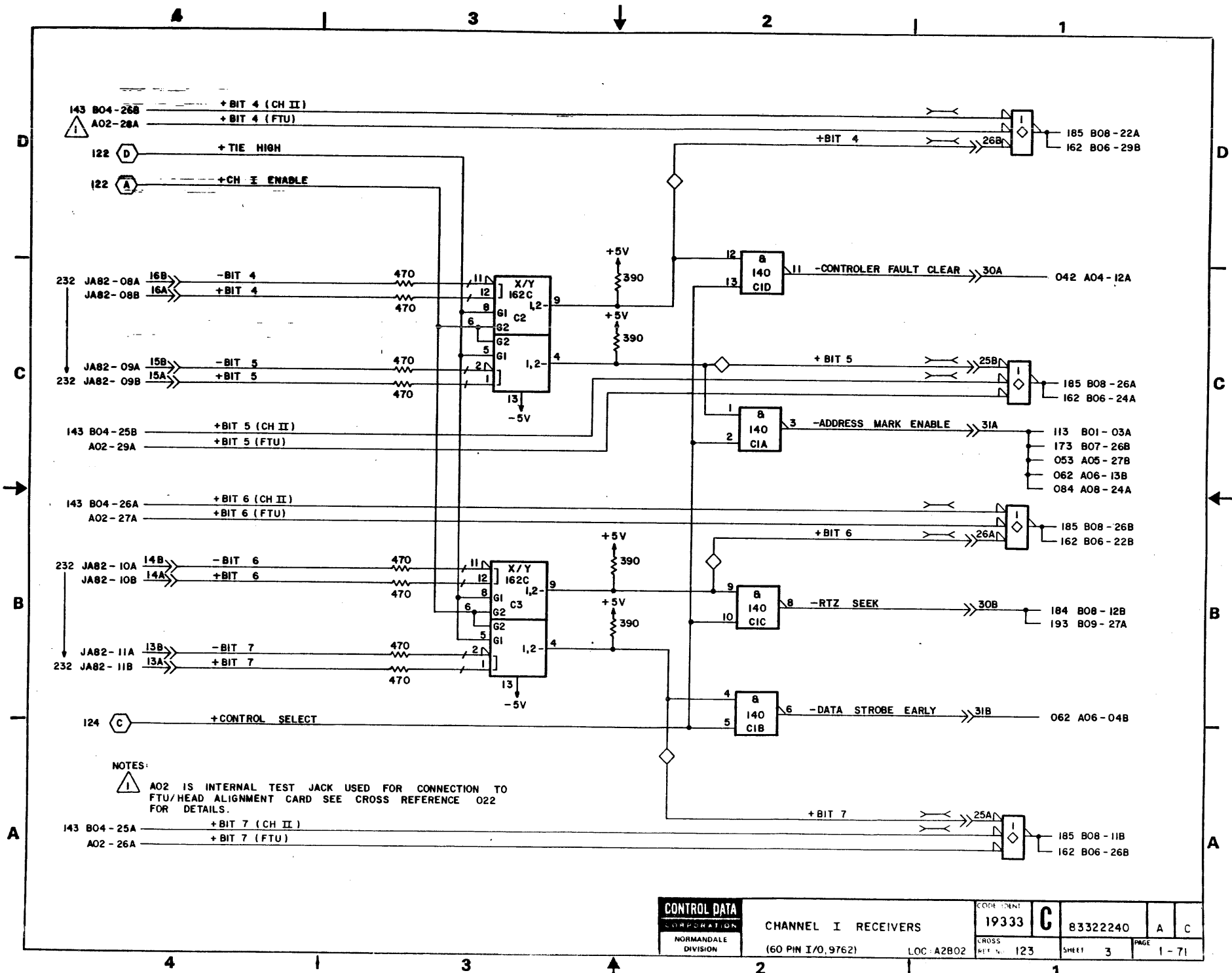
CHANNEL I
RECEIVERS DIAGRAMS
TYPE JRVV
LOC A2B02

CODE IDENT	19333	C	83322240	Z	G
CROSS REF	NO	121	SHEET	1 OF 4	PAGE
					1-69



NOTES:
 ⚠️ A02 IS INTERNAL TEST JACK USED FOR CONNECTION TO FTU/HEAD ALIGNMENT CARD SEE CROSS REFERENCE 022 FOR DETAILS.

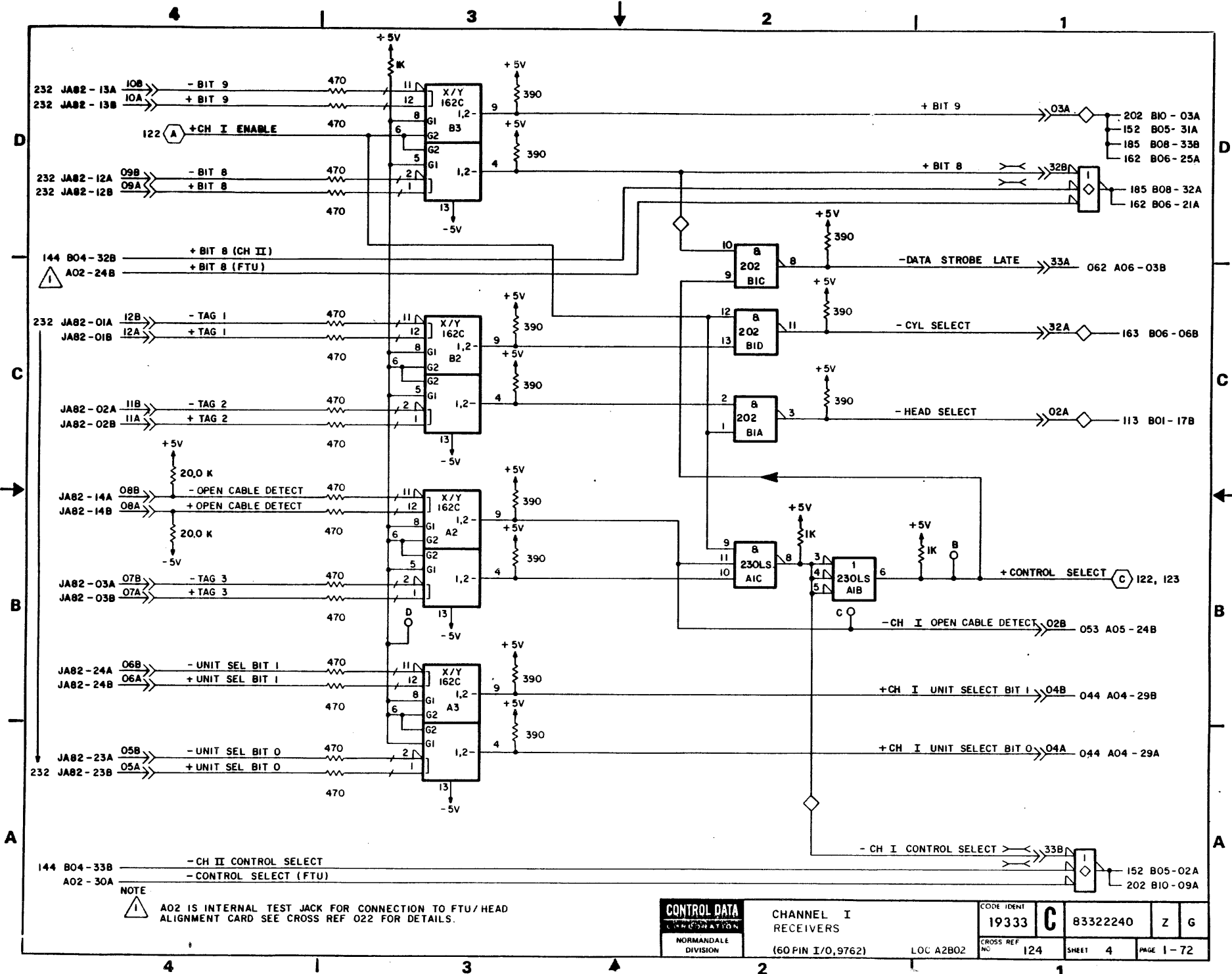
CONTROL DATA CORPORATION NORMANDEALE DIVISION	CHANNEL I RECEIVERS	CODE IDENT 19333	C	83322240	A	C
	(60 PIN I/O, 9762)	LOC: A2B02				



NOTES:

⚠ A02 IS INTERNAL TEST JACK USED FOR CONNECTION TO FTU/HEAD ALIGNMENT CARD SEE CROSS REFERENCE 022 FOR DETAILS.

143 B04 - 25A +BIT 7 (CH II)
 A02 - 26A +BIT 7 (FTU)



144 B04 - 33B - - CH II CONTROL SELECT
 A02 - 30A - - CONTROL SELECT (FTU)

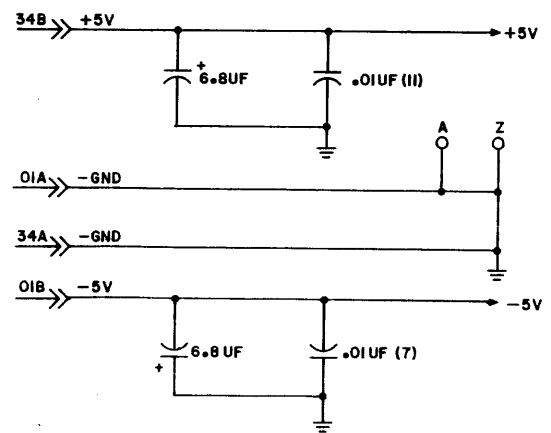
NOTE
 A02 IS INTERNAL TEST JACK FOR CONNECTION TO FTU/HEAD ALIGNMENT CARD SEE CROSS REF 022 FOR DETAILS.

CONTROL DATA CORPORATION NORMANDEALE DIVISION	CHANNEL I RECEIVERS (60 PIN I/O, 9762)		CODE IDENT 19333	C	83322240	Z	G
	LOC A2B02	CROSS REF NO 124	SHEET 4				

REVISION STATUS OF SHEETS																			
1	2	3	4	5	6	7	8	9	10	11	12	13	14	15	16	17	18	19	20
A	A	A	A																
B	B	B	B																

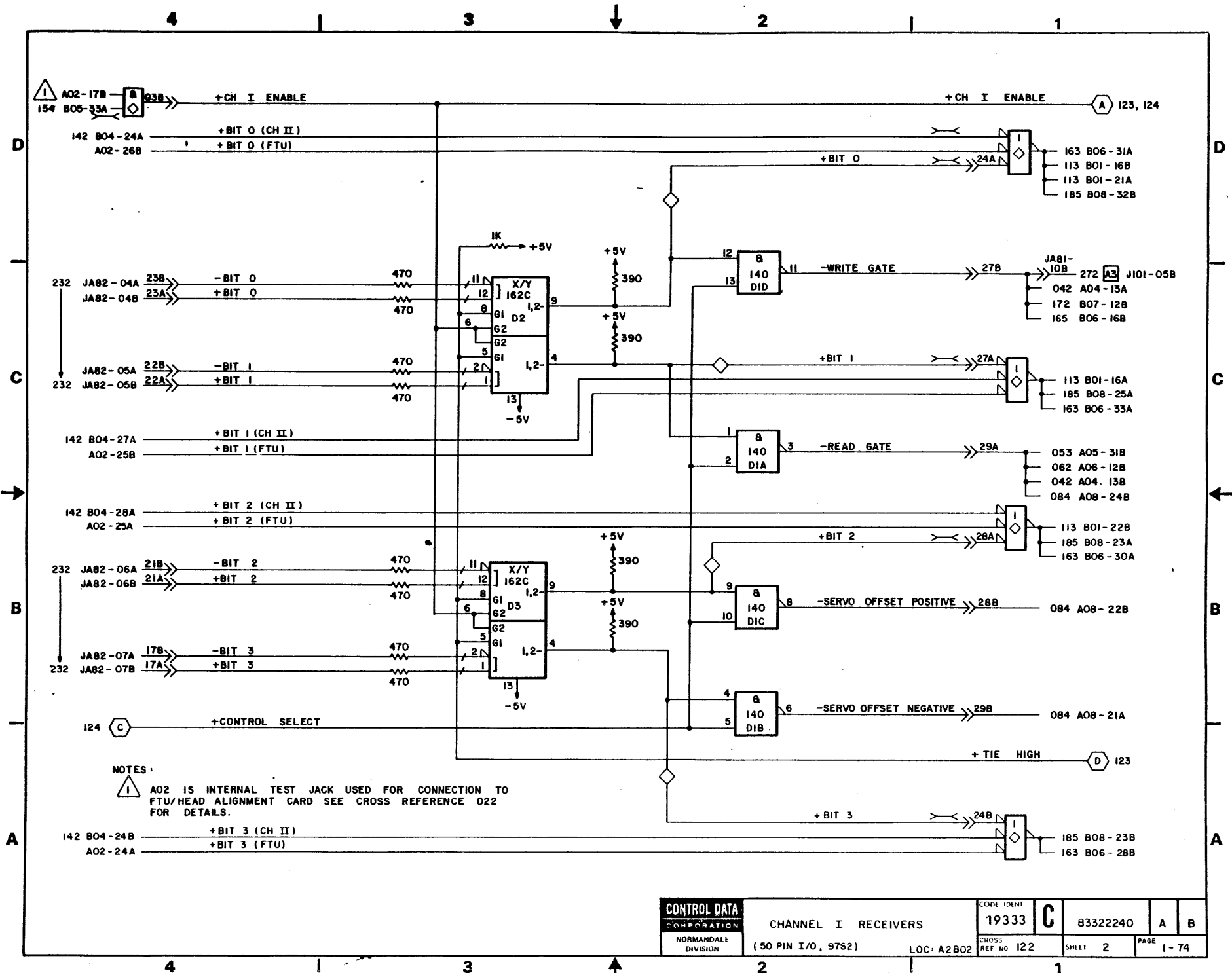
REVISIONS						
REV.	ECO.	DESCRIPTION	DRAFT	DATE	CHK'D	
A	PE23000	RELEASED				
B	PE48402	CORRECT DIAGRAMS	BJE GR	12-17-76		

UNUSED LOGIC ELEMENTS		
ELEMENT TYPE	LOCATION	OUTPUT PIN(S)
173H	B1B	6
230LS	A1A	12



APPLICABLE TO 50 PIN I/O, BK5XX = 9762

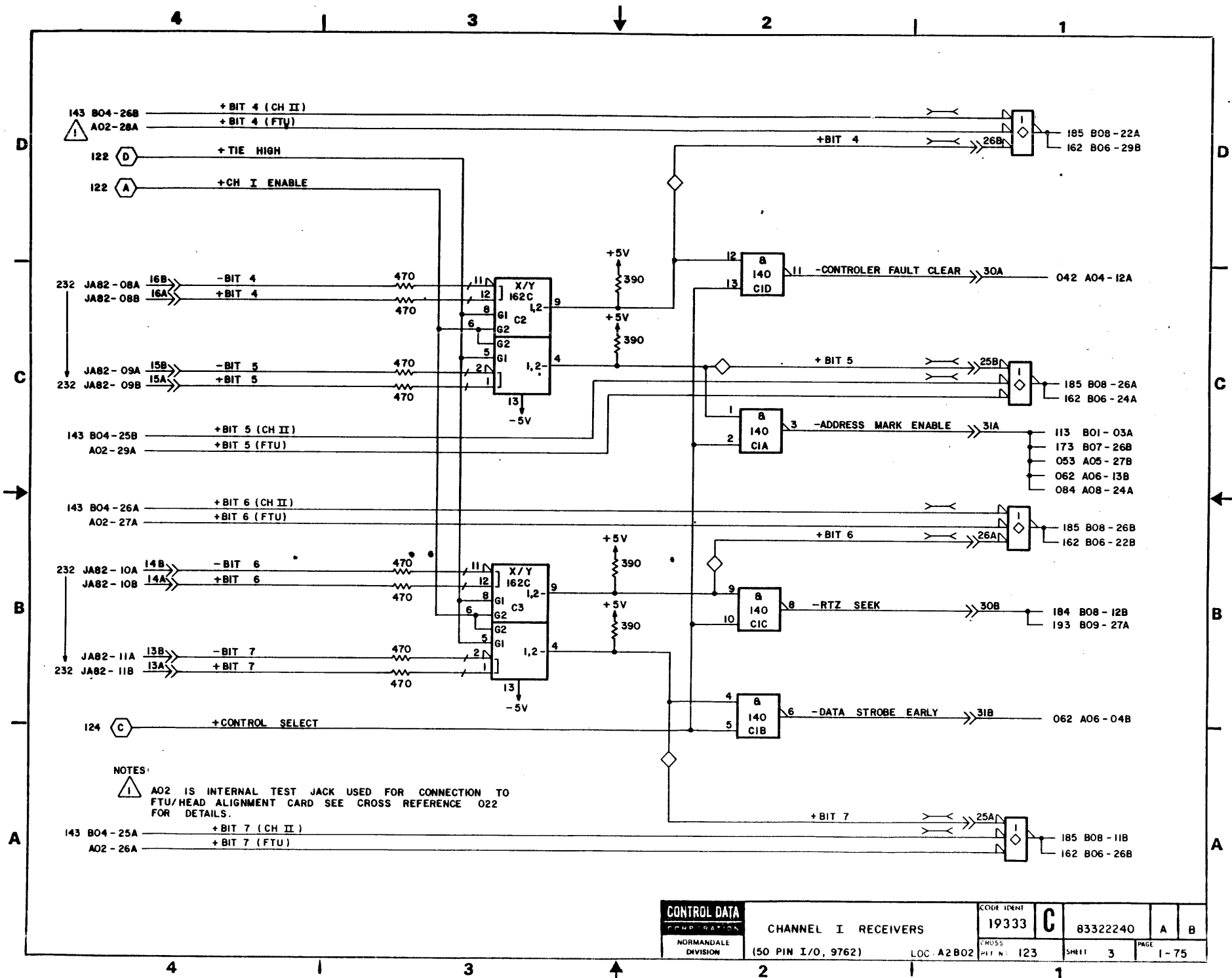
DRAWN	CONTROL DATA	CODE IDENT	19333	83322240	K	B
CHECKED	NORMAN DALE	DIVISION				
ENGINEER						
APPROVED						
CHANNEL I RECEIVERS DIAGRAMS		CROSS REF NO	121	SHEET	1 OF 4	PAGE
TYPE JRVV		LOC	A2B02			
REF 83214837						

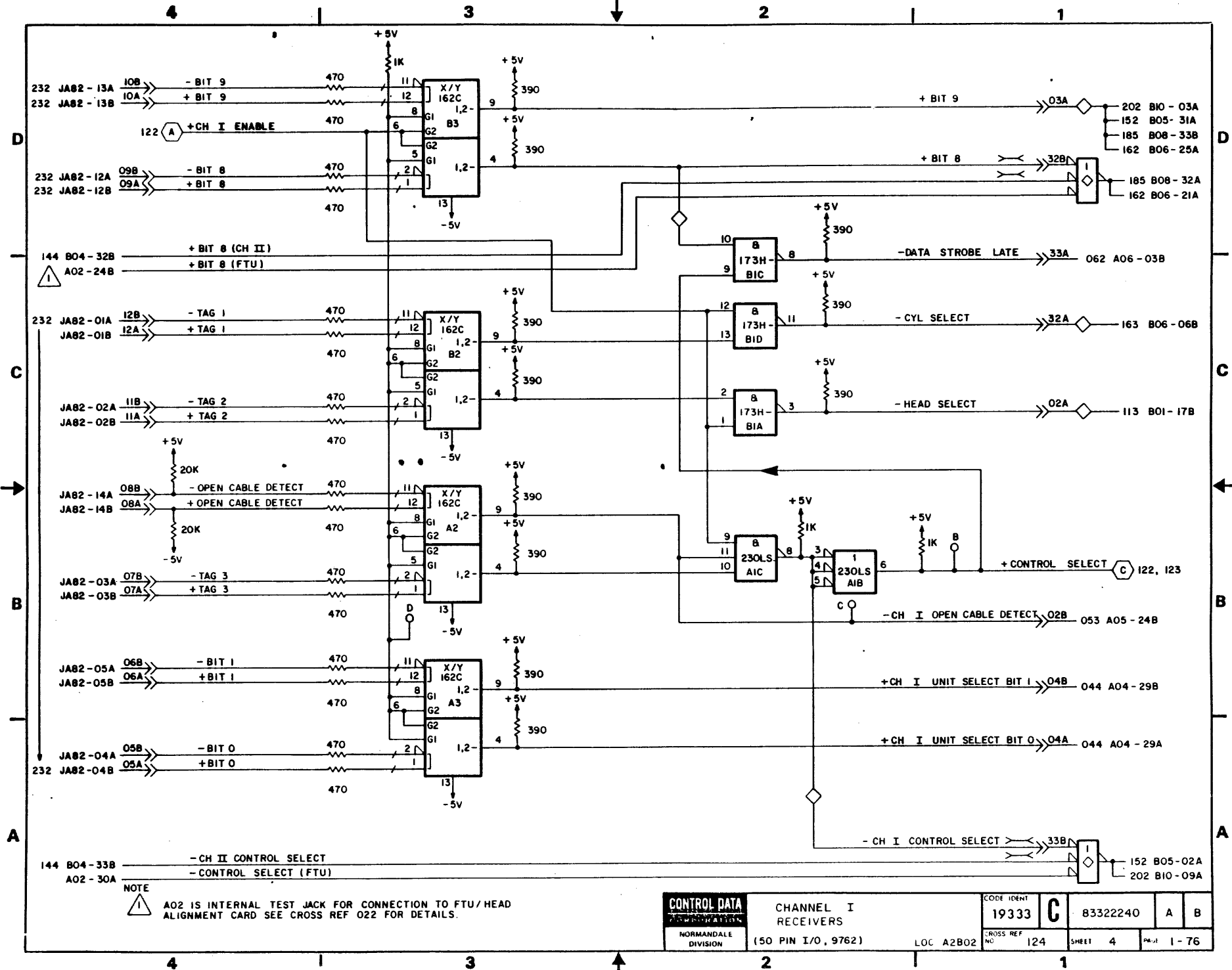


NOTES:
 ⚠ A02 IS INTERNAL TEST JACK USED FOR CONNECTION TO FTU/HEAD ALIGNMENT CARD SEE CROSS REFERENCE 022 FOR DETAILS.

142 B04-24B +BIT 3 (CH II)
 A02-24A +BIT 3 (FTU)

CONTROL DATA CORPORATION NORMANDALE DIVISION	CHANNEL I RECEIVERS (50 PIN I/O, 9752)	CODE IDENT	C	83322240	A	B
		19333				
LOC: A2802		CROSS REF NO 122	SHEET 2	PAGE 1-74		





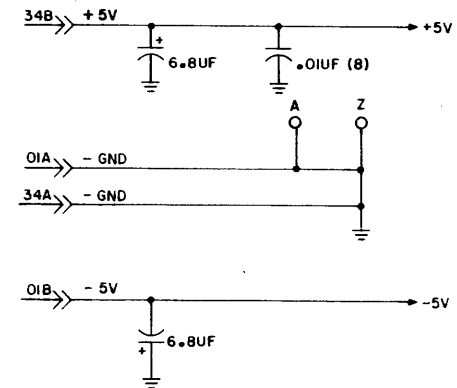
144 B04-33B -CH II CONTROL SELECT
 A02-30A -CONTROL SELECT (FTU)

NOTE
 A02 IS INTERNAL TEST JACK FOR CONNECTION TO FTU/HEAD ALIGNMENT CARD SEE CROSS REF 022 FOR DETAILS.

CONTROL DATA CORPORATION NORMANDEALE DIVISION	CHANNEL I RECEIVERS (50 PIN I/O, 9762)		CODE IDENT 19333	C	83322240	A	B
	LOC A2B02	CROSS REF NO 124	SHEET 4				

REVISION STATUS OF SHEETS																				
	1	2	3	4	5	6	7	8	9	10	11	12	13	14	15	16	17	18	19	20
A	A	A																		
B	B	B																		
C	C	B																		
D	C	D																		
E	C	E																		
F	F	E																		
G																				
H		H																		

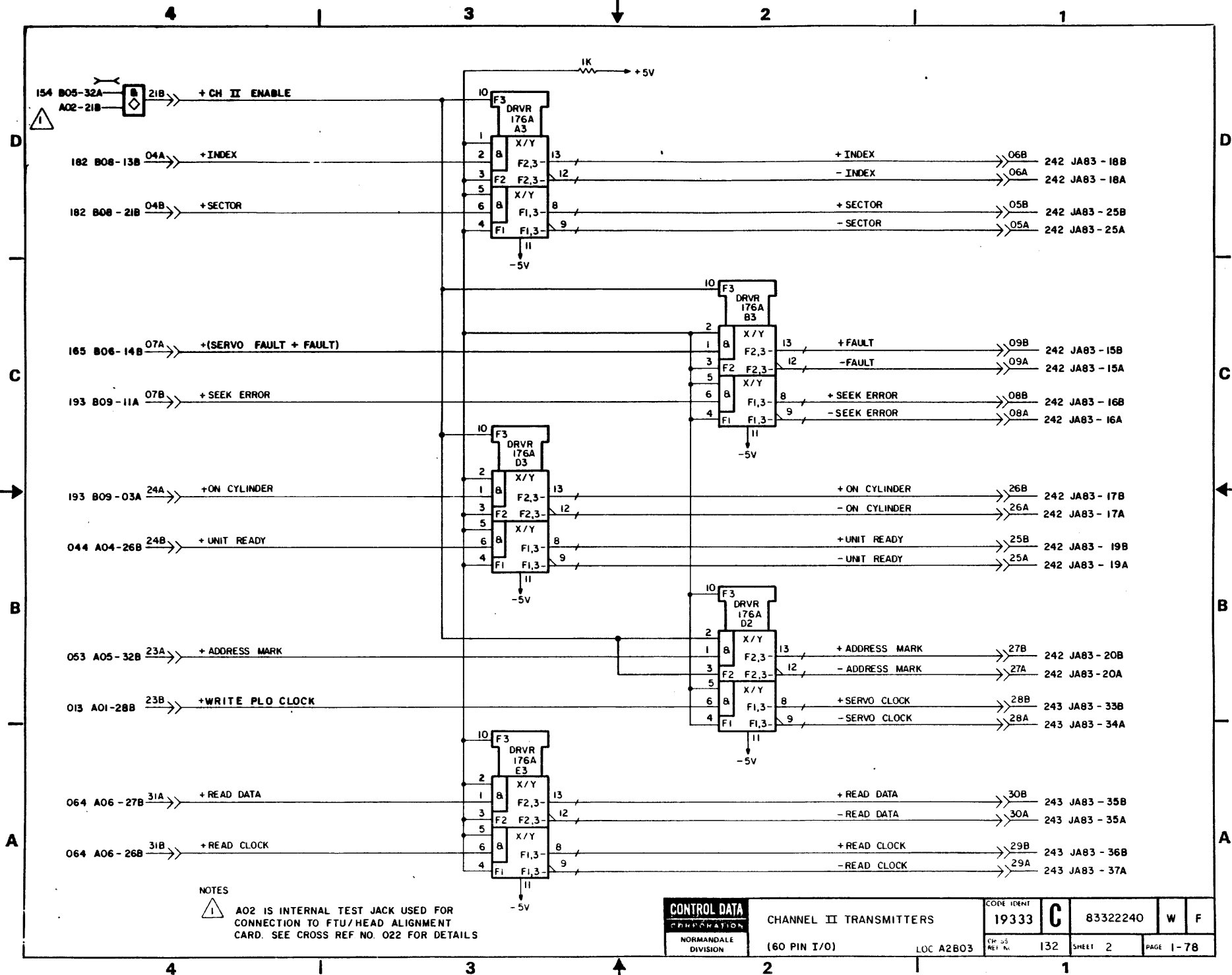
REVISIONS					
REV	ECO	DESCRIPTION	DRFT	DATE	CHK'D
A	PE23007	REL. LABEL			
B	PE48402	CORRECT DIAGRAMS	WEB	12-17-76	
C	PE48568	ERR CORR	DM	7-25-77	
D	PE57173	CHG IC FAMILIES	MF	11-5-80	
E	PE60148	CHG LDS	MF	11-5-80	
F	DJ00201	PLD CLCK ERROR	MJ	5-13-82	
G	DJ22000	XFR FRM PE	JG	7-25-84	
H	DJ00669	CHG FTVV IC/CAPS	JG		
	UJ2000A	FORMAT CHG			



THIS DOCUMENT
TRANSFERRED TO
TCD DIVISION
DATE, 7/27/84

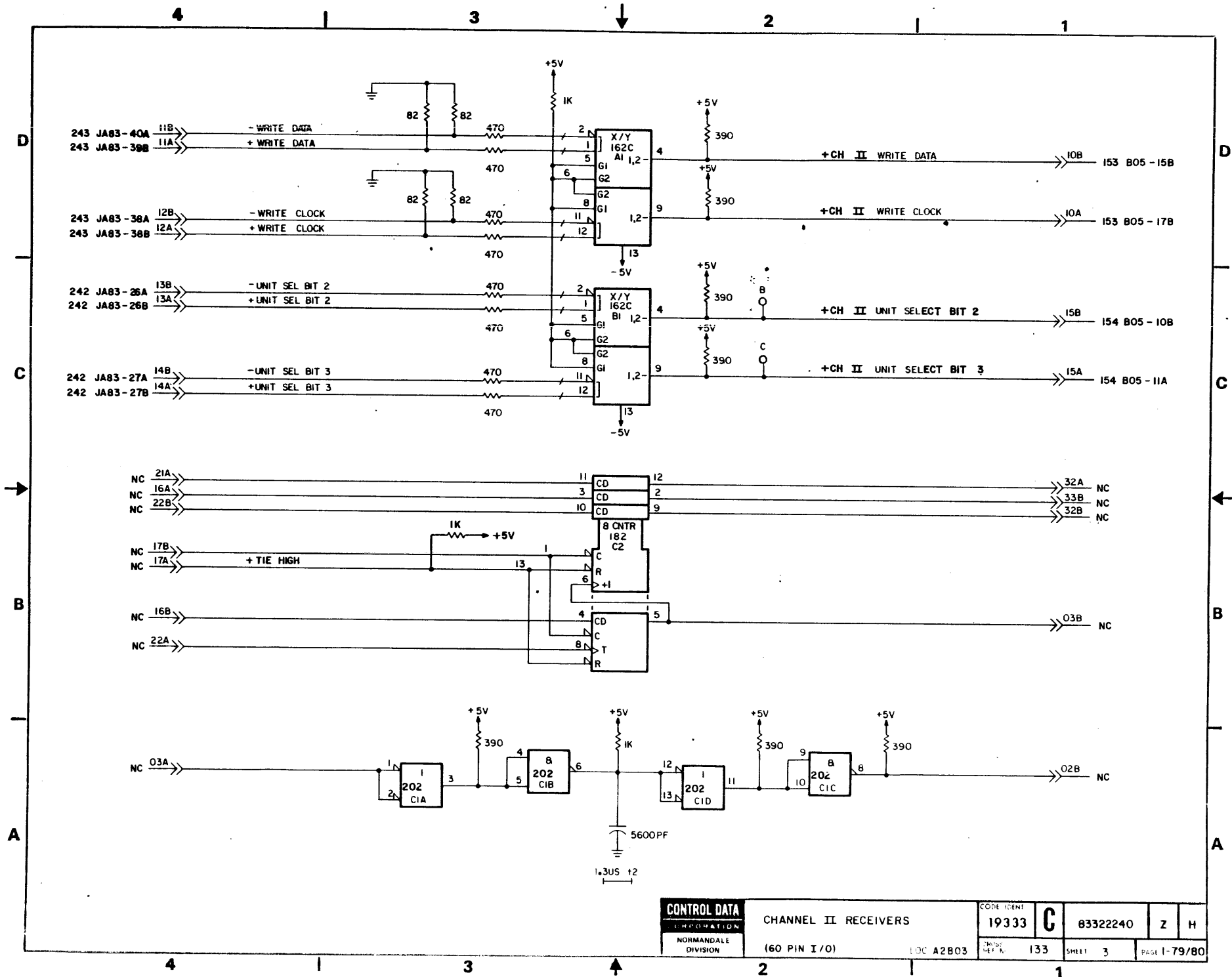
DRAWN	G. R. G. 8/19/76	CONTROL DATA TWIN CITIES DISK DIVISION	CHANNEL II TRANSMITTERS AND RECEIVERS DIAGRAMS		CODE IDENT	19333	C	83322240	Z	H
CHECKED			TYPE FTVV	LOC A2B03	CROSS REF NO	131	SHEET	1 OF 3	PAGE	1-77
ENGINEER										
APPROVED										

APPLICABLE TO 60 PIN I/O



NOTES
 1 A02 IS INTERNAL TEST JACK USED FOR CONNECTION TO FTU/HEAD ALIGNMENT CARD. SEE CROSS REF NO. 022 FOR DETAILS

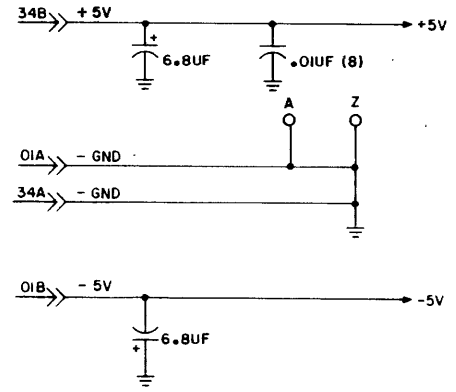
CONTROL DATA CORPORATION NORMANDALE DIVISION	CHANNEL II TRANSMITTERS	CODE IDENT 19333	C	83322240	W	F
	(60 PIN I/O)	LOC A2B03	132	SHEET 2	PAGE 1-78	



CONTROL DATA CORPORATION NORMANDEALE DIVISION	CHANNEL II RECEIVERS	CODE IDENT 19333	C	83322240	Z	H
	(60 PIN I/O)	LOC A2B03				

REVISION STATUS OF SHEETS																			
1	2	3	4	5	6	7	8	9	10	11	12	13	14	15	16	17	18	19	20
A	A	A																	
B	B	B																	
C	C	B																	
D	C	D																	
E	E	D																	

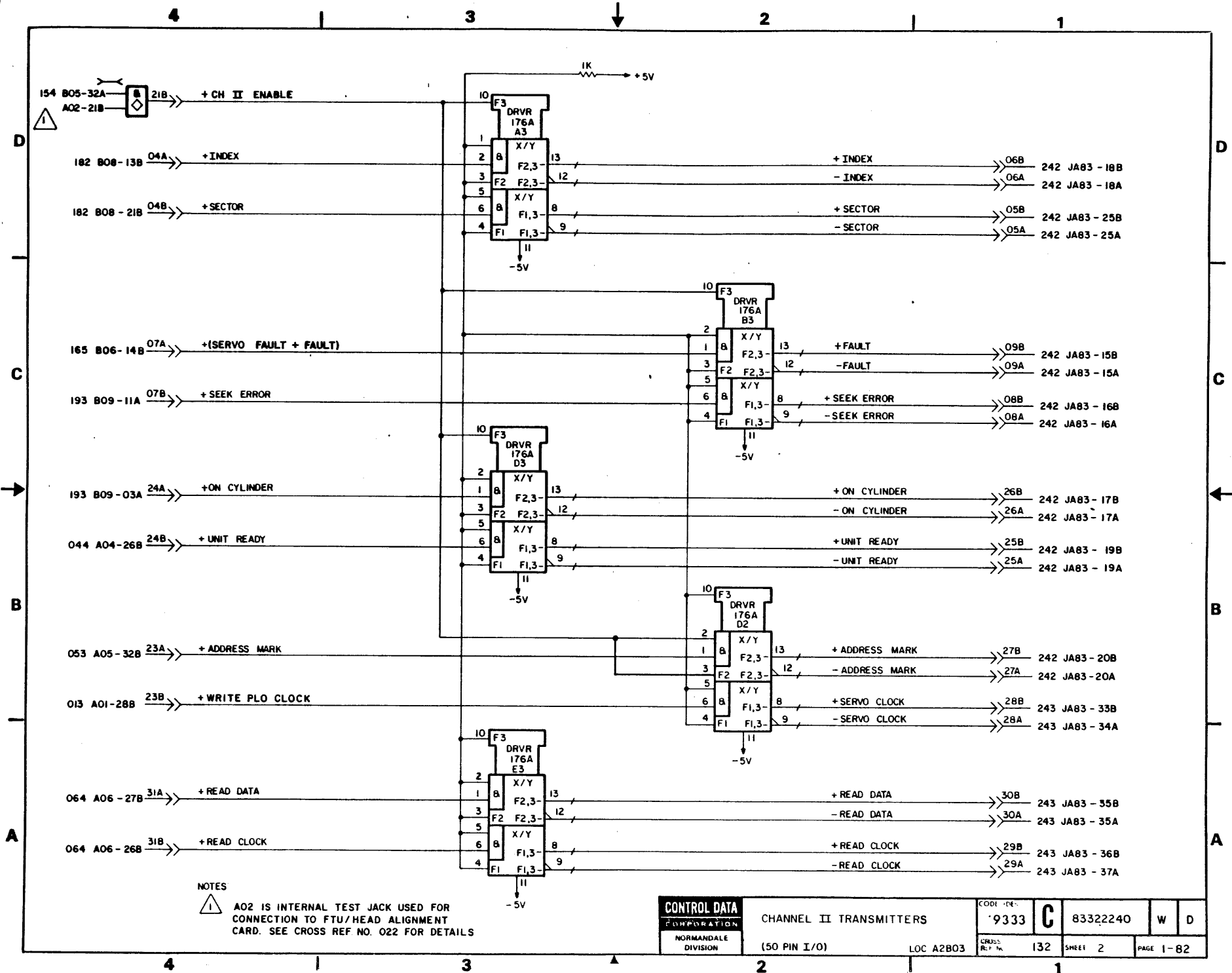
REVISIONS					
REV	ECO	DESCRIPTION	DRFT	DATE	CHK'D
A	PE23666	RELEASE			
B	PE48402	ERR. CORR.			
C	PE48568	ERR. CORR.	DM	7-25-77	
D	PE60148	CHG L.D.S	MF	11-5-80	
E	DJ00201	PLG CLOCK ERROR	MJ	5-13-82	DSD



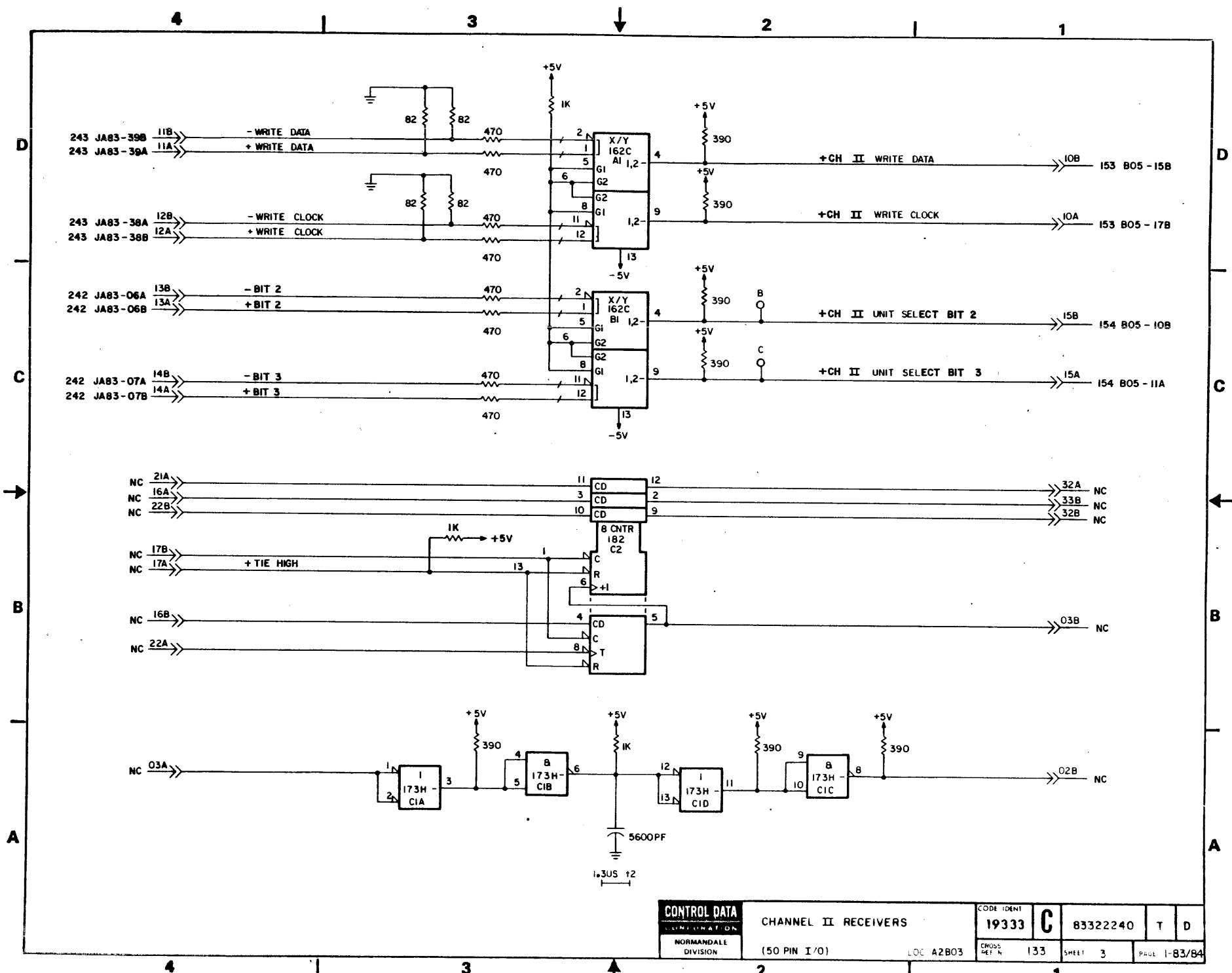
APPLICABLE TO 50 PIN I/O

DRAWN <i>G. R. G. ME 1/9/76</i>	CONTROL DATA	CHANNEL II TRANSMITTERS AND RECEIVERS DIAGRAMS	CODE IDENT 19333	C	83322240	W	E
CHECKED			CROSS REF NO	131	SHEET 1 OF 3	PAGE	1-81
ENGINEER		NORMAN DALE DIVISION	LOC A2B03				
APPROVED			TYPE JTVV				

REF 83214838



NOTES
 1 A02 IS INTERNAL TEST JACK USED FOR CONNECTION TO FTU/HEAD ALIGNMENT CARD. SEE CROSS REF NO. 022 FOR DETAILS



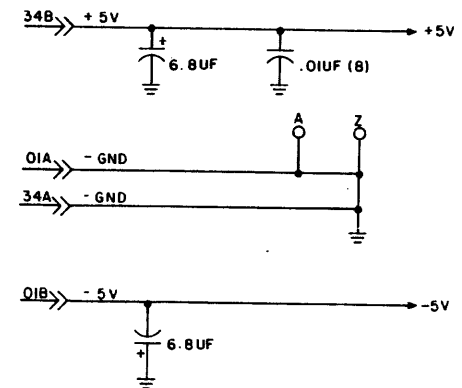
CONTROL DATA CORPORATION NORMANDEALE DIVISION	CHANNEL II RECEIVERS	CODE IDENT 19333	C	83322240	T	D
	(50 PIN I/O)	LOC A2B03	CROSS REF # 133	SHEET 3	PAGE 1-83/84	

REVISION STATUS OF SHEETS

	1	2	3	4	5	6	7	8	9	10	11	12	13	14	15	16	17	18	19	20
A	A	A																		
B	B	B																		
C	C	C	B																	
D	D																			

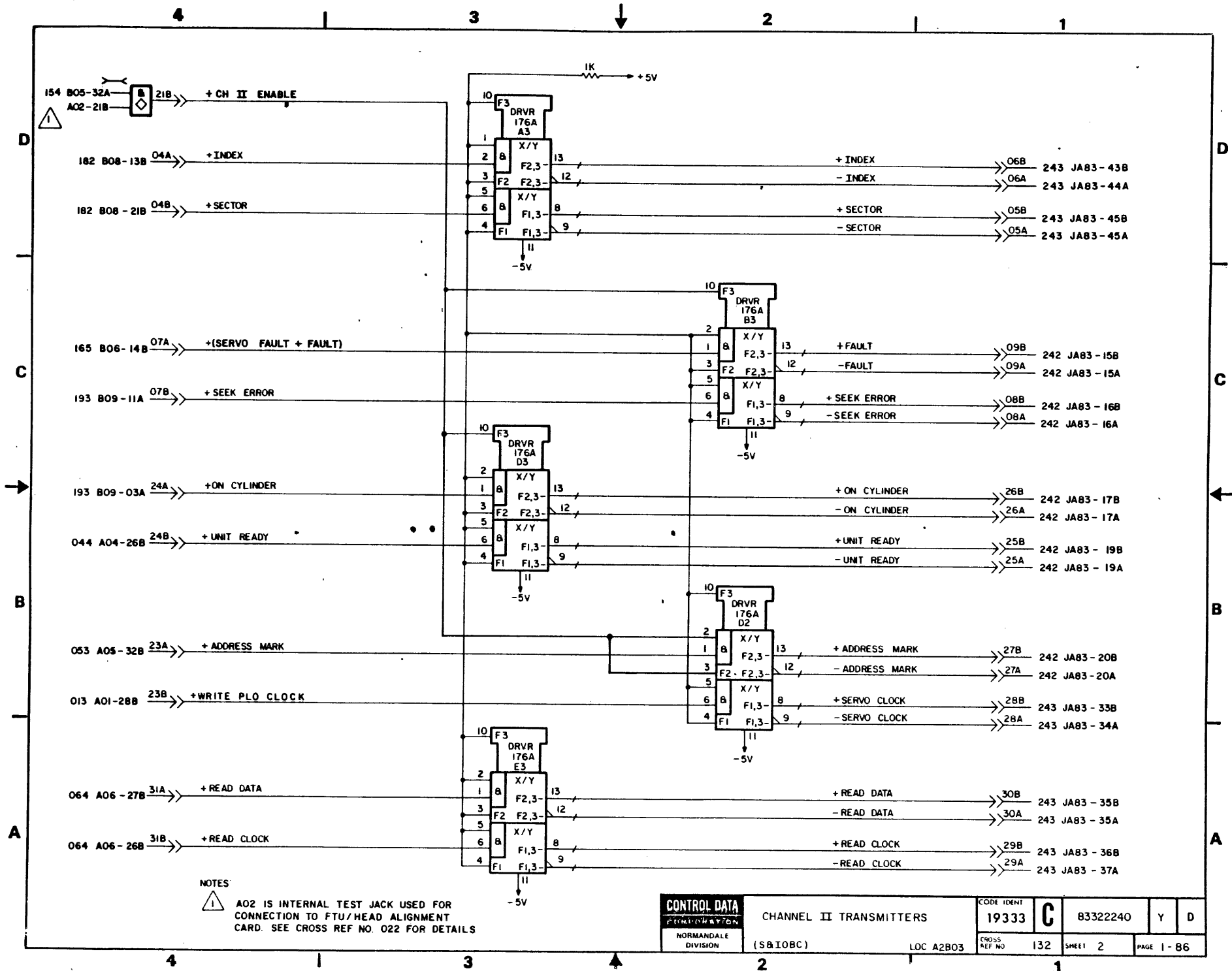
REVISIONS

REV	ECO	DESCRIPTION	DRFT	DATE	CHK'D
A	PE23000	RELEASED			
B	PE48402	CORRECT DIAGRAMS	GR	12-17-76	
C	PE48568	CORR. ERR	DM	7-25-77	
D	DJ00201	PLD CLOCK ERROR	MJ	5-25-82	



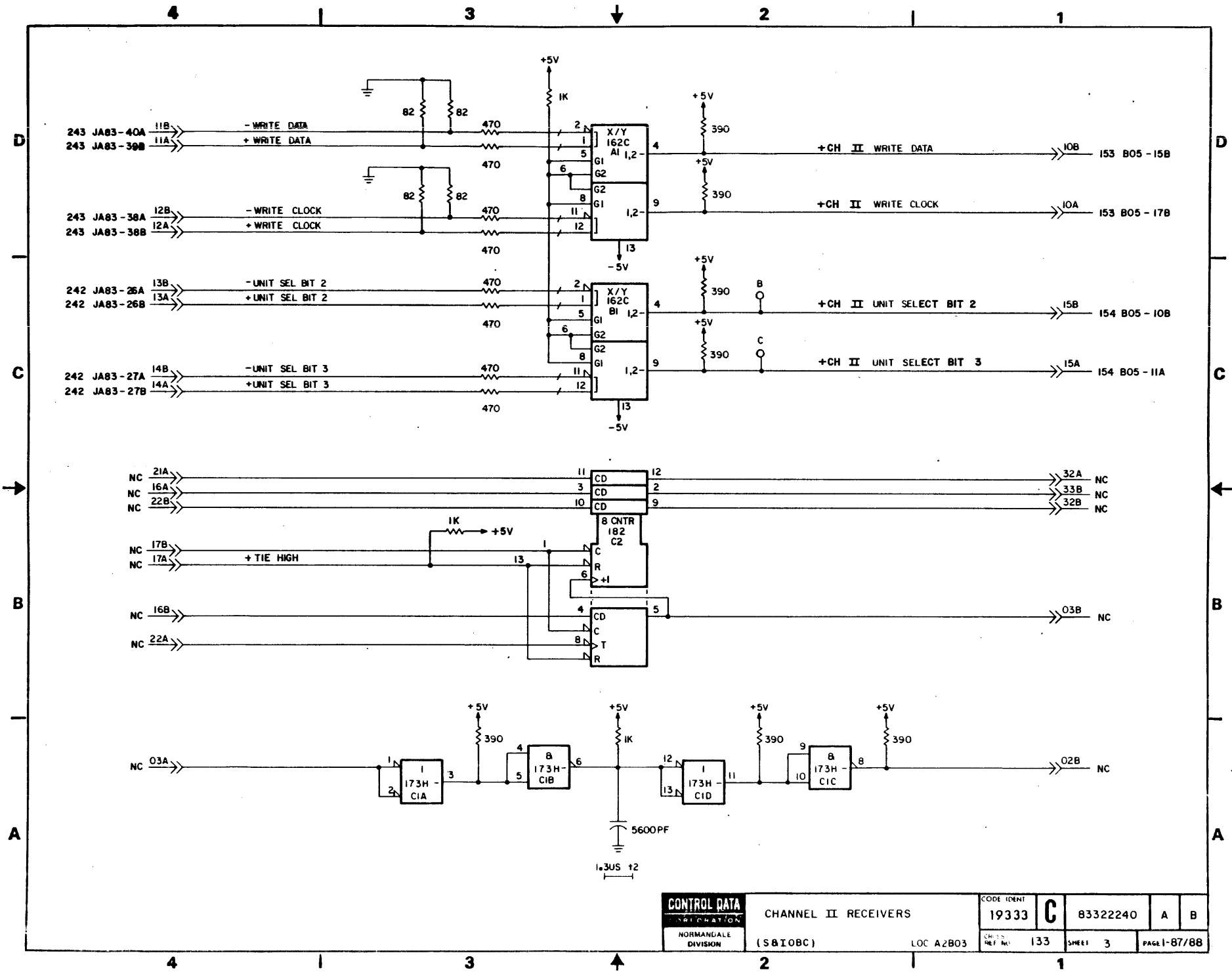
APPLICABLE TO INDEX AND SECTOR IN B CABLE.

DRAWN	CHECKED	ENGINEER	APPROVED	 MAGNETIC PERIPHERALS INC.	CHANNEL II TRANSMITTERS AND RECEIVERS DIAGRAMS	NUMMANDALE OPERATIONS C	DWG NO.	CD	REV		
							8 3322240	Y	D		
							CROSS REF NO 131	SHEET	1 OF 3	PAGE	1-85
							COUPLMENT 19333	REF: B3214847			



NOTES
 1 A02 IS INTERNAL TEST JACK USED FOR CONNECTION TO FTU/HEAD ALIGNMENT CARD. SEE CROSS REF NO. 022 FOR DETAILS

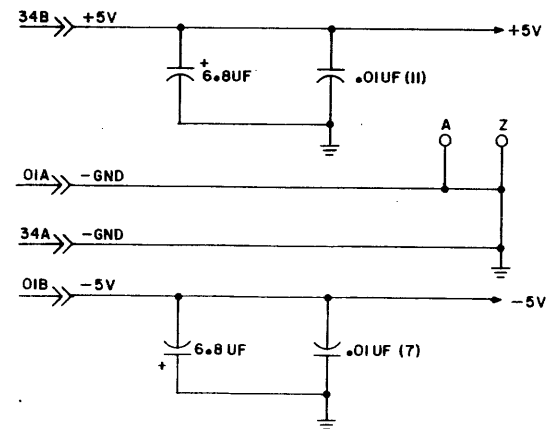
CONTROL DATA FUNDAMENTAL NORMANDALE DIVISION	CHANNEL II TRANSMITTERS		CODE IDENT 19333	C	83322240	Y	D
	(S&IOBC)	LOC A2B03	CROSS REF NO 132				



REVISION STATUS OF SHEETS																			
1	2	3	4	5	6	7	8	9	10	11	12	13	14	15	16	17	18	19	20
A	A	A	A																
B	B	A	B																
C	C	C	C																
D	C	C	D																
E																			
F			F																

REVISIONS					
REV	ECO	DESCRIPTION	DRFT	DATE	CHK'D
A	PE23000	RELEASED	BJE		
B	PE48296	CORRECT DIAGRAMS	SB	11-2-76	
C	PE48402	CORRECT DIAGRAMS	WEB	12-17-76	
D	PE57173	CHG IC FAMILIES	MF	11-5-80	
E	DJ22000	XFR FRM PE	JG	72584	
F	DJ00627 DJ72000A	CHG JRVV COMP AY FORMAT CHG	JG	72584	

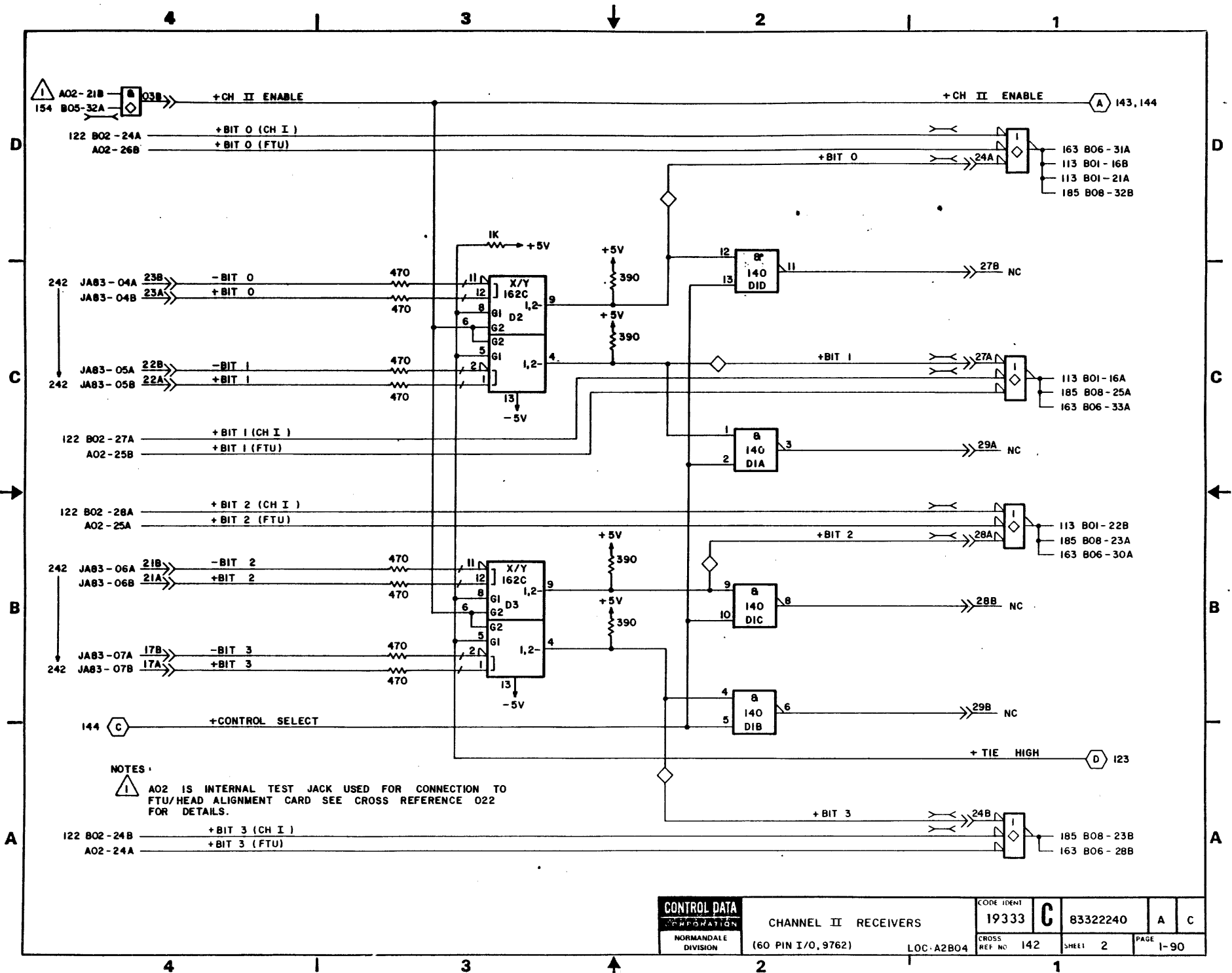
UNUSED LOGIC ELEMENTS		
ELEMENT TYPE	LOCATION	OUTPUT PIN(S)
173H	B1B	6
230LS	A1A	12



APPLICABLE TO 60 PIN I/O, BK5XX = 9762

THIS DOCUMENT
TRANSFERRED TO
TCD DIVISION
DATE: 7/27/84

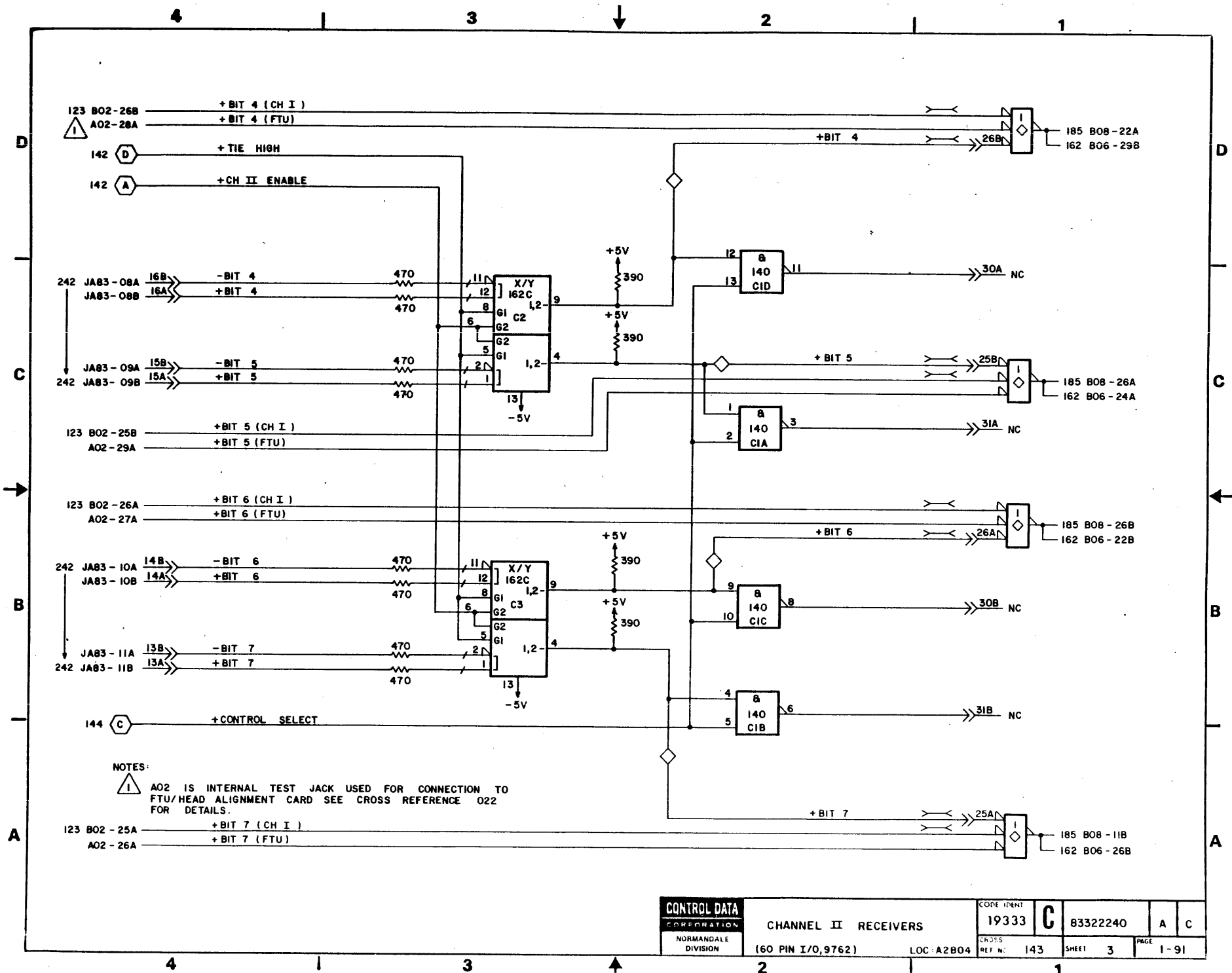
CONTROL DATA CORPORATION TWIN CITIES DISK DIVISION	CHANNEL II RECEIVERS DIAGRAMS TYPE JRVV LOC A2B04	CODE IDENT 19333 C	83322240	Z	F
		SHEET 141	SHEET 1 of 4	PAGE 1-89	



NOTES:

⚠ A02 IS INTERNAL TEST JACK USED FOR CONNECTION TO FTU/HEAD ALIGNMENT CARD SEE CROSS REFERENCE 022 FOR DETAILS.

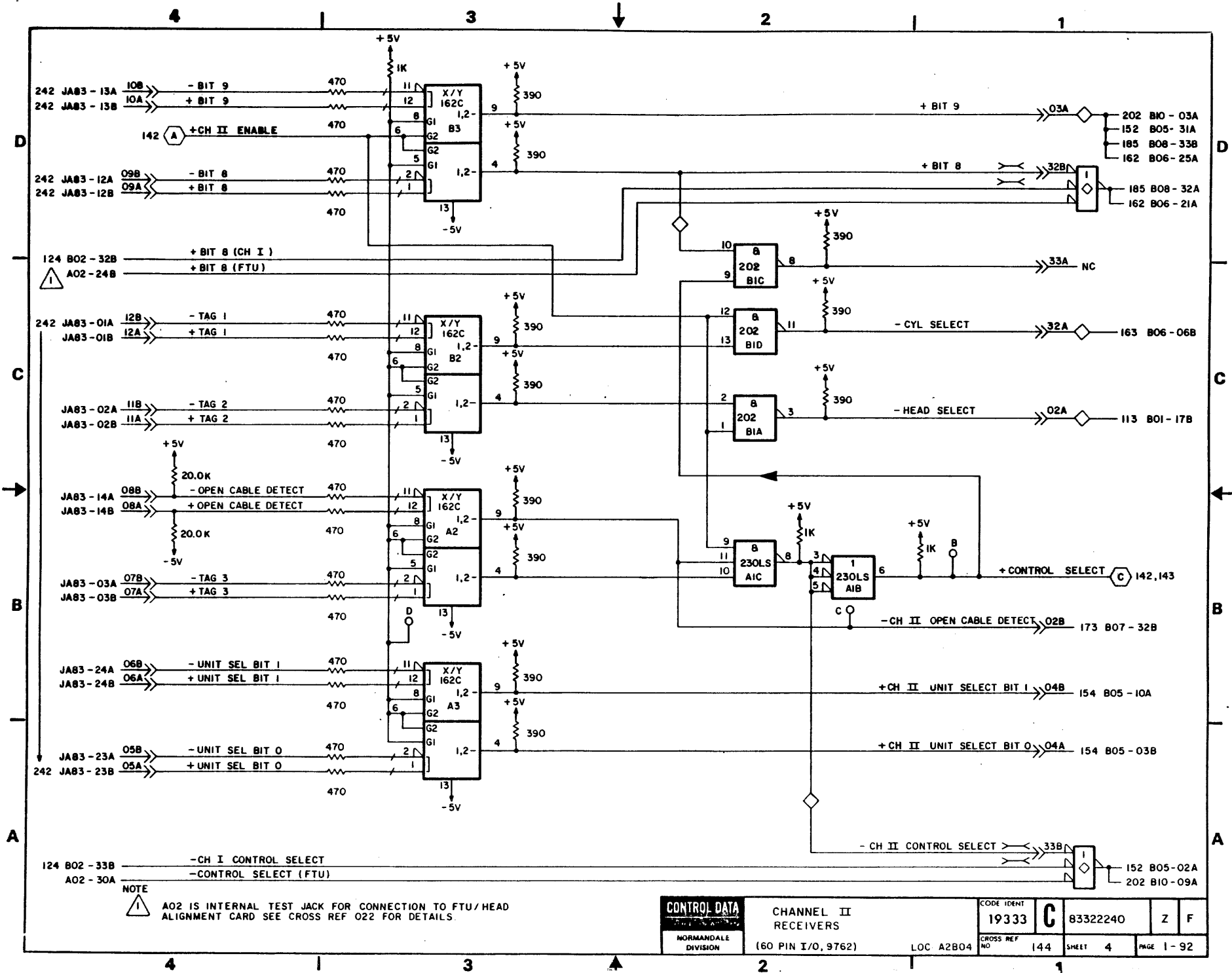
CONTROL DATA CORPORATION NORMANDEALE DIVISION	CHANNEL II RECEIVERS		CODE IDENT 19333	C	83322240	A	C
	(60 PIN I/O, 9762)	LOC A2B04	CROSS REF NO 142		SHEET 2	PAGE 1-90	



NOTES:

⚠ A02 IS INTERNAL TEST JACK USED FOR CONNECTION TO FTU/HEAD ALIGNMENT CARD SEE CROSS REFERENCE 022 FOR DETAILS.

123 B02 - 25A +BIT 7 (CH I)
 A02 - 26A +BIT 7 (FTU)



NOTE
 ⚠ A02 IS INTERNAL TEST JACK FOR CONNECTION TO FTU/HEAD ALIGNMENT CARD SEE CROSS REF 022 FOR DETAILS

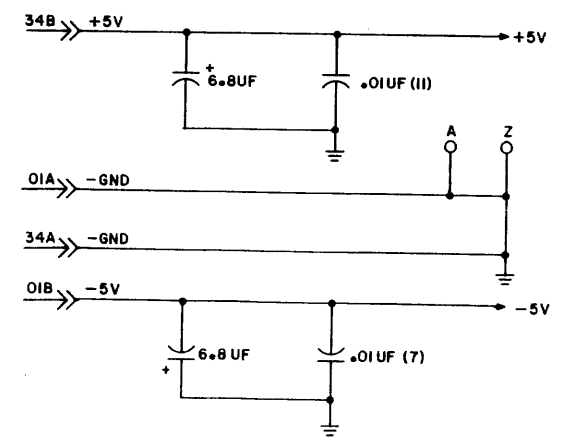
CONTROL DATA NORMANDEALE DIVISION	CHANNEL II RECEIVERS		CODE IDENT 19333	C	83322240	Z	F
	(60 PIN I/O, 9762)		CROSS REF NO 144				

LOC A2B04

REVISION STATUS OF SHEETS																			
1	2	3	4	5	6	7	8	9	10	11	12	13	14	15	16	17	18	19	20
A	A	A	A																
B	B	B	B																

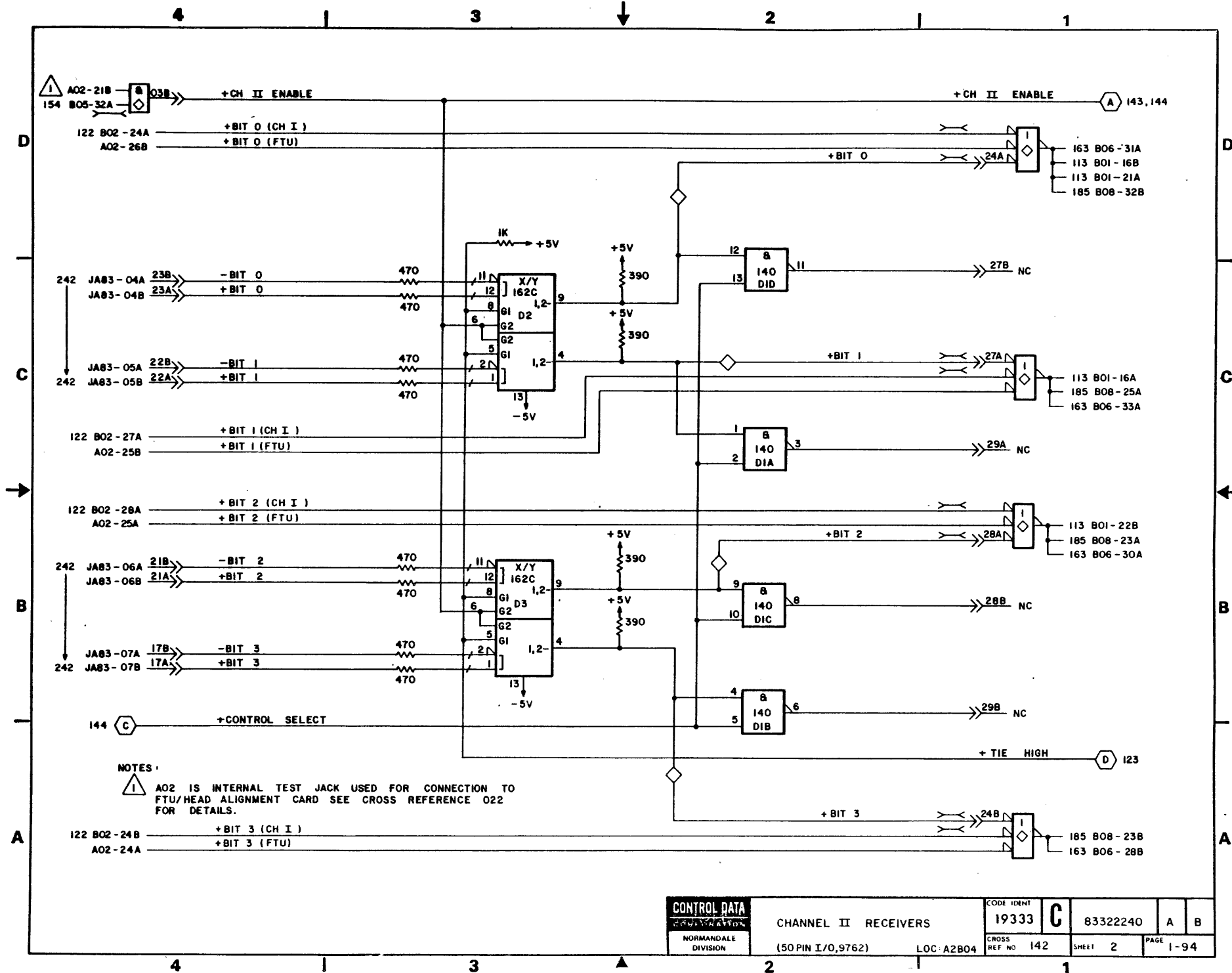
REVISIONS					
REV.	ECO.	DESCRIPTION	DWFT	DATE	CHK'D
A	RE23000	RELEASED	BJE		
B	PE48402	CORR. DIA			

UNUSED LOGIC ELEMENTS		
ELEMENT TYPE	LOCATION	OUTPUT PIN(S)
173H	B1B	6
230LS	A1A	12



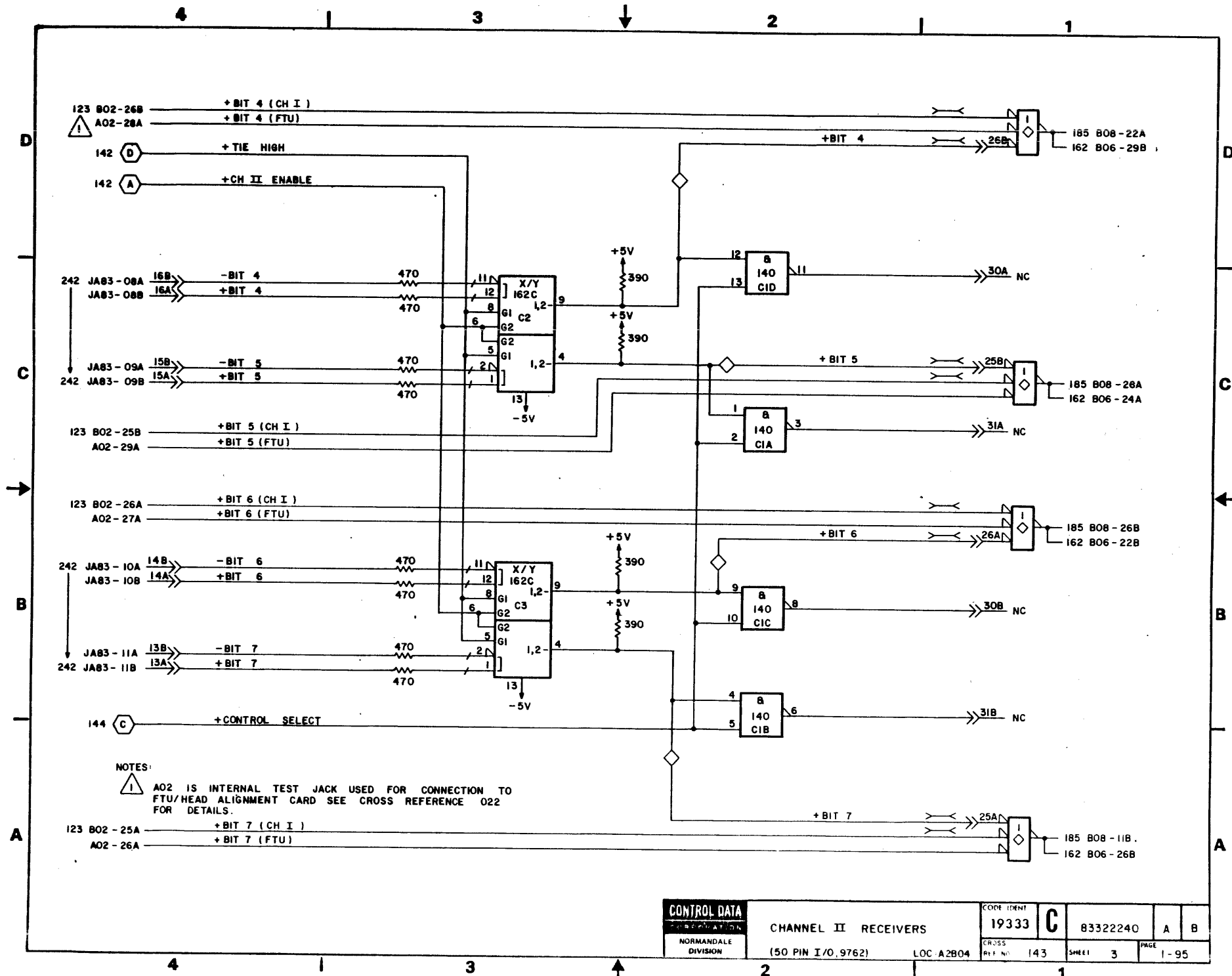
APPLICABLE TO 50 PIN I/O, BK5XX = 9762

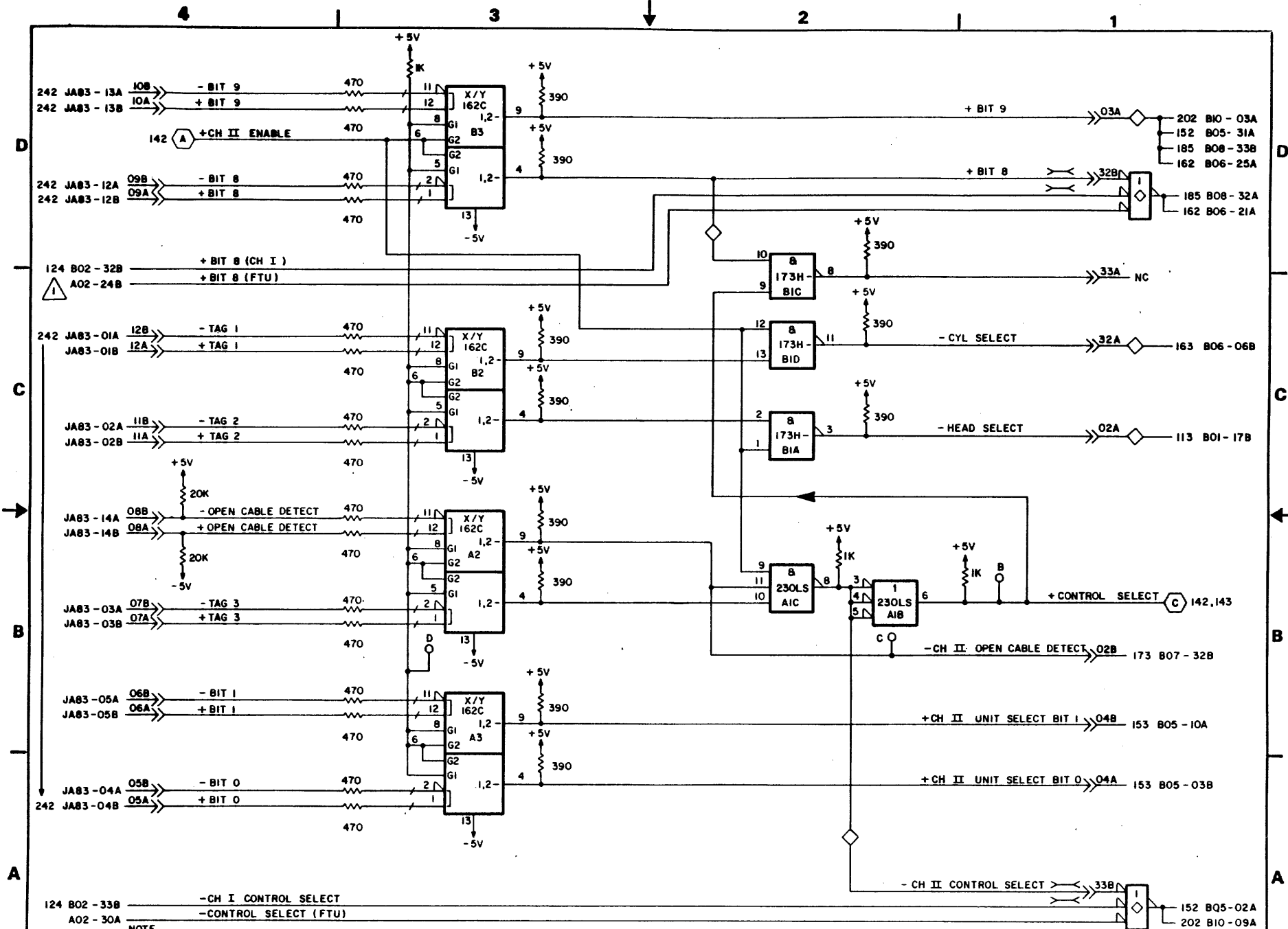
PLAN	CONTROL DATA CORPORATION	CODE IDENT.	19333	C	83322240	K	B
CHECKED	NORMANDALE DIVISION	CHANNEL II					
EXAMINED		RECEIVERS DIAGRAMS	141	1	4		1-93
APPROVED		TYPE JRVV	100 A2B04				



NOTES
 1 A02 IS INTERNAL TEST JACK USED FOR CONNECTION TO FTU/HEAD ALIGNMENT CARD SEE CROSS REFERENCE 022 FOR DETAILS.

CONTROL DATA NORMANVILLE DIVISION	CHANNEL II RECEIVERS	CODE IDENT 19333	C	83322240	A	B		
	(50 PIN I/O, 9762)	CROSS REF NO 142					SHEET 2	PAGE 1-94
	LOC: A2B04							





NOTE
 ⚠ A02 IS INTERNAL TEST JACK FOR CONNECTION TO FTU/HEAD ALIGNMENT CARD SEE CROSS REF 022 FOR DETAILS.

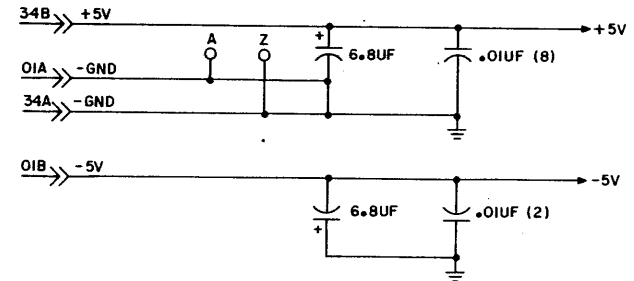
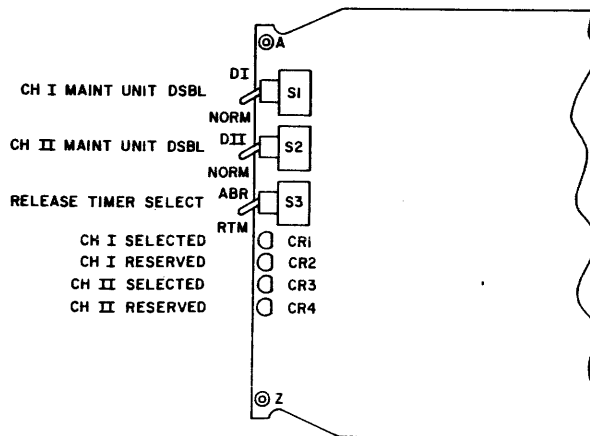
CONTROL DATA NORMANDALE DIVISION	CHANNEL II RECEIVERS	CODE IDENT 19333	C	83322240	A	B
	(50 PIN I/O, 9762)	LOC A2B04		CROSS REF NO 144	SHEET 4	PAGE 1-96

REVISION STATUS OF SHEETS																				
	1	2	3	4	5	6	7	8	9	10	11	12	13	14	15	16	17	18	19	20
A	A	A	A																	
B	A	A	B																	
C	C	C	C																	
D	C	C	D																	
E	E	E	E																	
F	E	E	F																	
G	G	E	F																	

REVISIONS					
REV	ECO	DESCRIPTION	DRFT	DATE	CHK'D
A	PE23000	RELEASED	GR		
B	PE48296	CORRECT DIAGRAMS	SB	11-2-76	
C	PE48402	CORRECT DIAGRAMS	GR	12-17-76	
D	PE48560	W/W CHANGE	GR	5-10-77	
E	PE48437	CHG AKHV TO BKHV	GR	5-10-77	
F	PE48568	CORR ERR	DM	7-25-77	
G	PE48716	CHG BKHV TO EKHV CARD	MA	10-20-77	

UNUSED LOGIC ELEMENTS		
ELEMENT TYPE	LOCATION	OUTPUT PIN(S)
905	B1A	3
201	C2	6,8
201	D3A	3
146	E2F	12

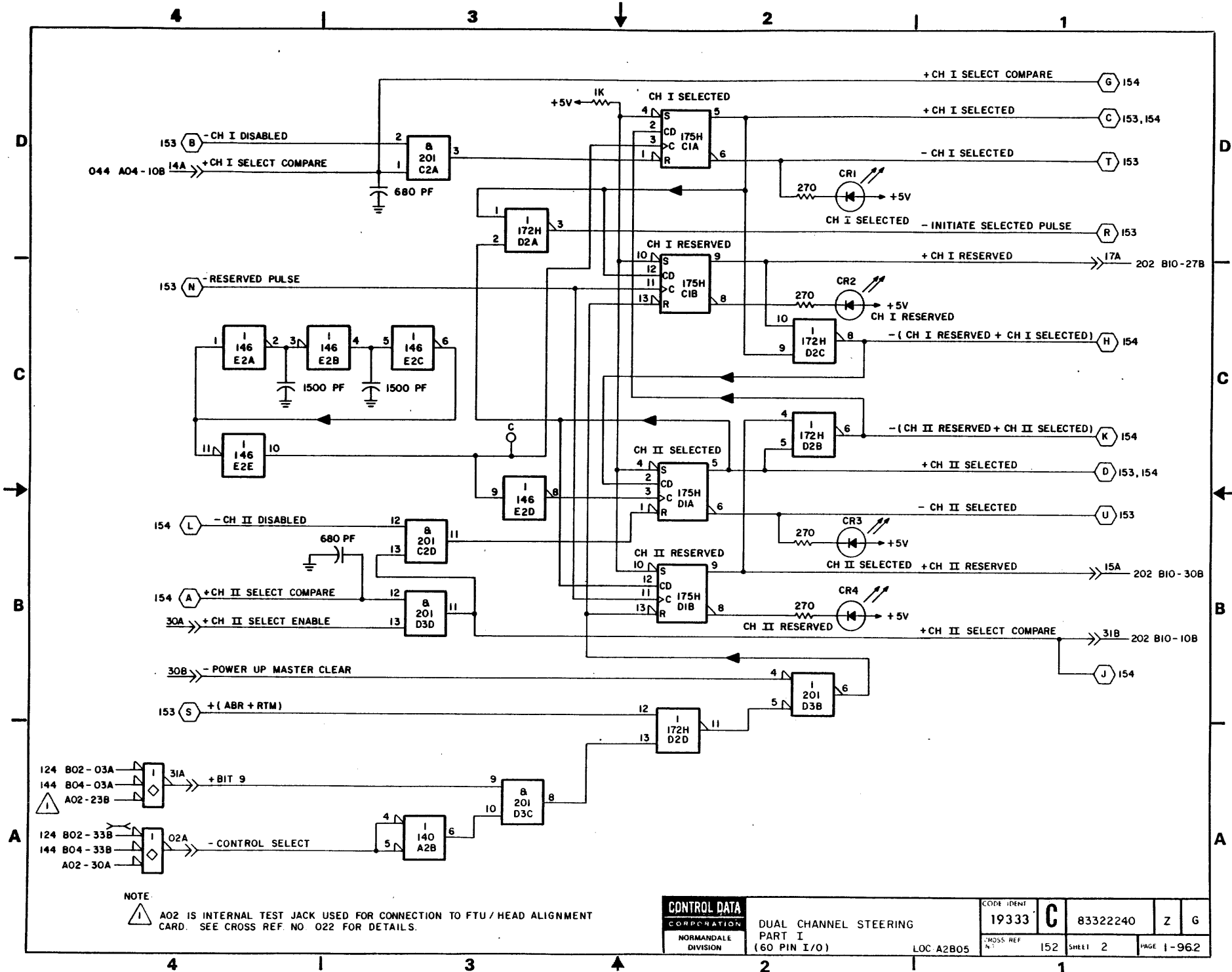
MAINTANCE SWITCHES AND STATUS INDICATORS ON CARD EDGE



- NOTE:
- ON SINGLE CHANNEL UNITS B05 IS A JUMPER PLUG
 - 152 B05 - 14A → 154 B05 - 33A
 - 153 B05 - 16A → 153 B05 - 16B
 - 153 B05 - 21A → 153 B05 - 22A
 - 154 B05 - 06A → 154 B05 - 06B
 - 154 B05 - 07A → 151 B05 - 01A

THIS SET USED ON EKHV REV A (60 PIN I/O)

DRAWN	G RABINE	3-27-76	CONTROL DATA CORPORATION	DUAL CHANNEL STEERING DIAGRAMS	CODE IDENT	19333	C	83322240	Z	G
CHECKED					CROSS REF NO	151				
ENGINEER			NORMANDEALE DIVISION	TYPE EKHV	LOC A2B05					
APPROVED										



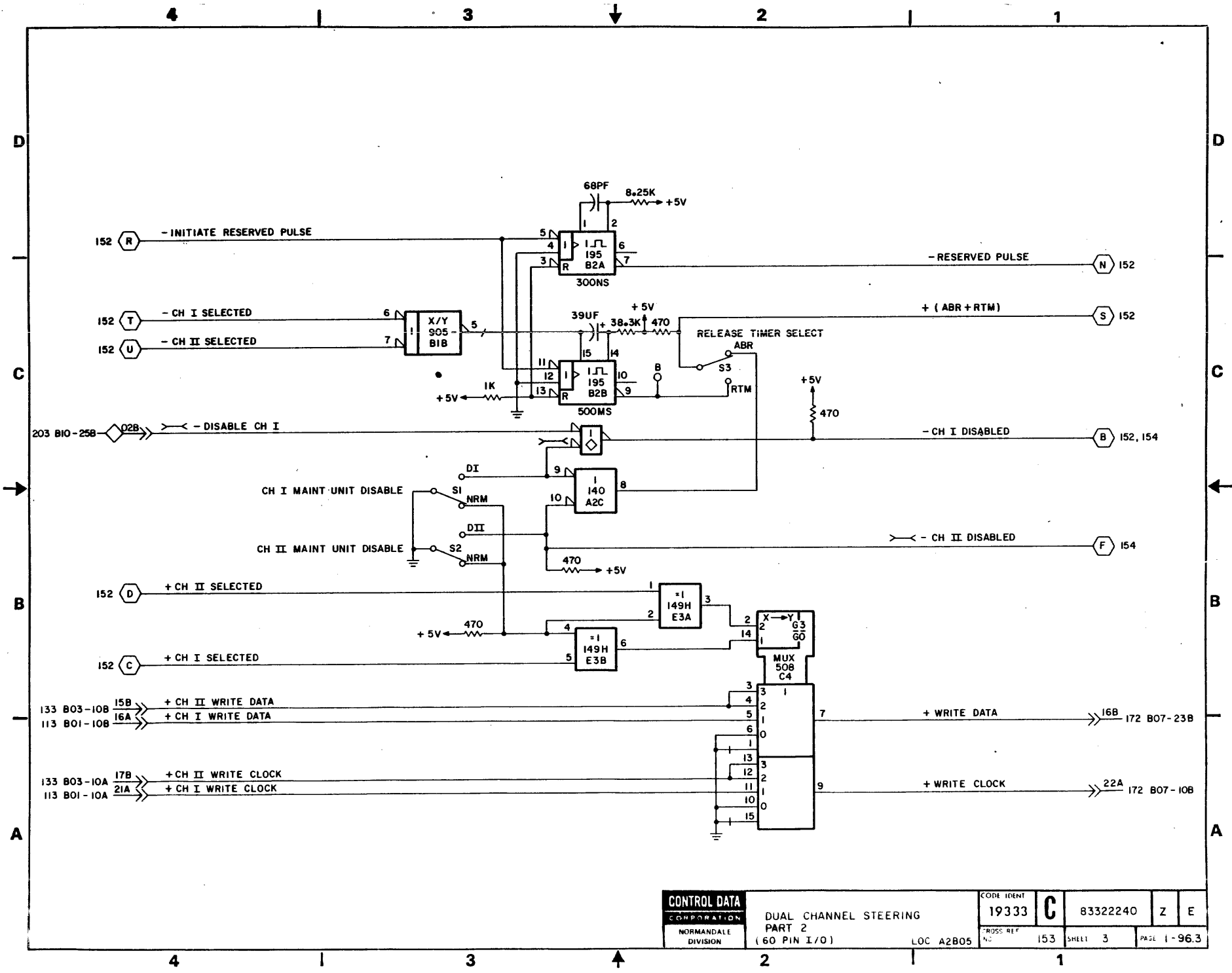
NOTE:
 ⚠ A02 IS INTERNAL TEST JACK USED FOR CONNECTION TO FTU / HEAD ALIGNMENT CARD. SEE CROSS REF. NO. 022 FOR DETAILS.

CONTROL DATA
 CORPORATION
 NORMANDEALE
 DIVISION

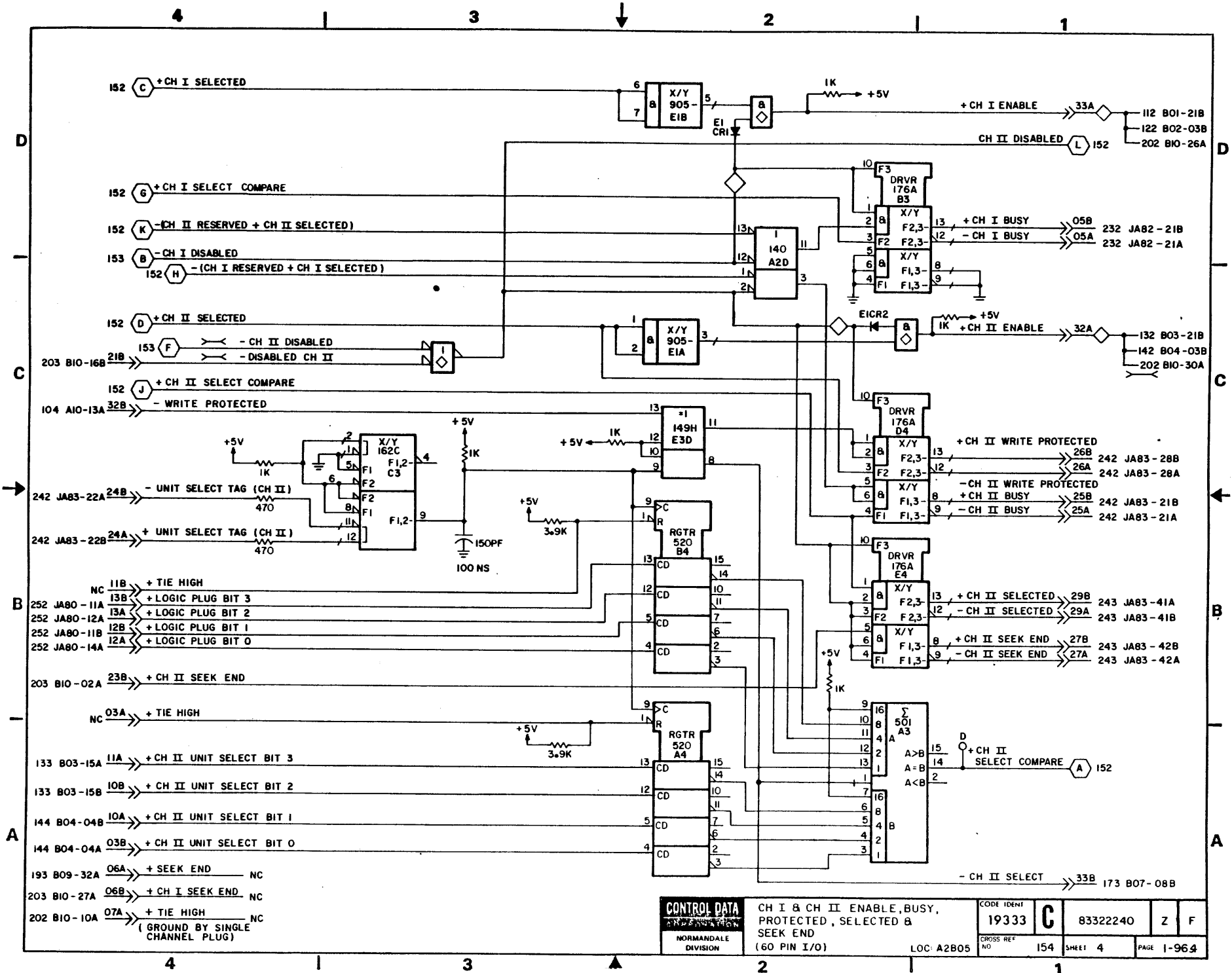
DUAL CHANNEL STEERING
 PART I
 (60 PIN I/O)

CODE IDENT	19333	C	83322240	Z	G
CROSS REF N°	152	SHEET 2	PAGE 1-962		

LOC A2B05



CONTROL DATA CORPORATION NORMANDEALE DIVISION	DUAL CHANNEL STEERING PART 2 (60 PIN I/O)		CODE IDENT 19333	C	83322240	Z	E
	LOC A2B05		CROSS REF NO	153	SHEET 3	PAGE 1-96.3	



CONTROL DATA CORPORATION
NORMANDEALE DIVISION

CH I & CH II ENABLE, BUSY, PROTECTED, SELECTED & SEEK END
(60 PIN I/O) LOC: A2B05

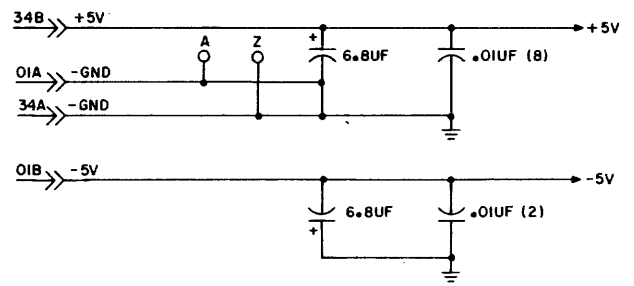
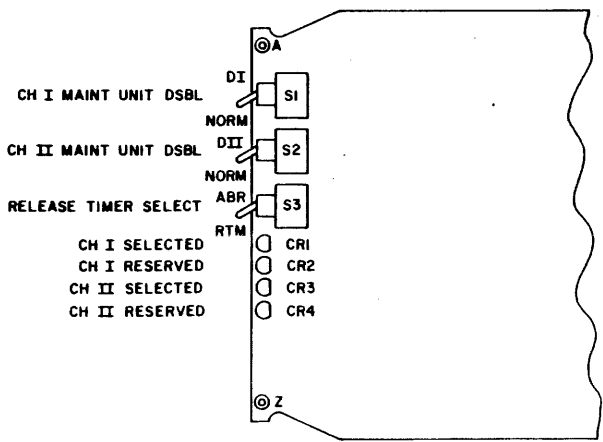
CODE IDENT	C	83322240	Z	F
CROSS REF NO	154	SHEET 4	PAGE 1-964	

REVISION STATUS OF SHEETS																				
	1	2	3	4	5	6	7	8	9	10	11	12	13	14	15	16	17	18	19	20
A	A	A	A																	
B	A	A	B																	
C	C	C	C																	
D	D	D	D																	
E	E	E	E																	
F	E	E	F																	
G	G	E	F																	
H	H	H	F																	
J	J	H	F																	
K	K	K	K																	

REVISIONS						
REV.	ECO.	DESCRIPTION	DWFT	DATE	CHK'D	
A	PE23000	RELEASED	GR	1-76		
B	PE48296	ERR CORR	MA	2/9/76		
C	PE48402	ERROR CORRECTIONS	VG	1-6-77		
D	PE48437	CARD CHANGE AKHV TO BKHV	SB	2-24-77		
E	PE48560	ADD GROUND TO INPUT PIN	SB	4-22-77		
F	PE48568	ENABLE/DISABLE ERROR CORRECTION	SB	4-26-77		
G	PE48716	BKHV TO EKHV	MA	3-9-78		
H	PE55608	EKHV M.V. CHANGE	MA	2-8-79		
J	PE57878	ADD WIRE INFO TO LOGIC	CB	2-15-80		
K	PE60242	CHG IC'S ON EKHV AT	MJ	5-28-80		

UNUSED LOGIC ELEMENTS		
ELEMENT TYPE	LOCATION	OUTPUT PIN(S)
201	C2	8
201	D3A	3

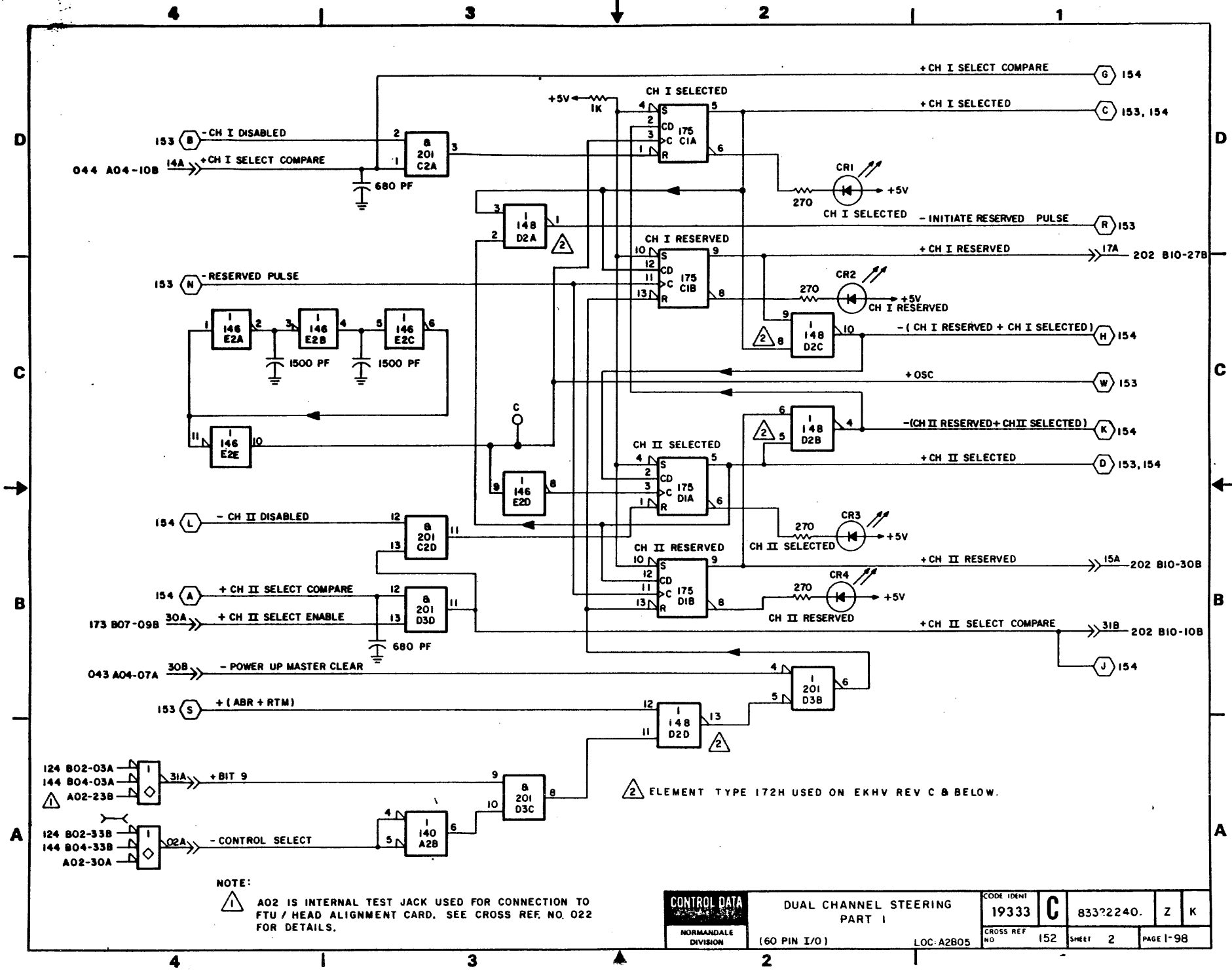
MAINTANCE SWITCHES AND STATUS INDICATORS ON CARD EDGE



- NOTE:
- 1. ON SINGLE CHANNEL UNITS B05 IS A JUMPER PLUG
 - 152 B05 - 14A → 154 B05 - 33A
 - 153 B05 - 16A → 153 B05 - 16B
 - 153 B05 - 21A → 153 B05 - 22A
 - 154 B05 - 06A → 154 B05 - 06B
 - 154 B05 - 07A → 151 B05 - 01A

THIS SET USED ON EKHV REV B & ABOVE (60 PIN I/O)

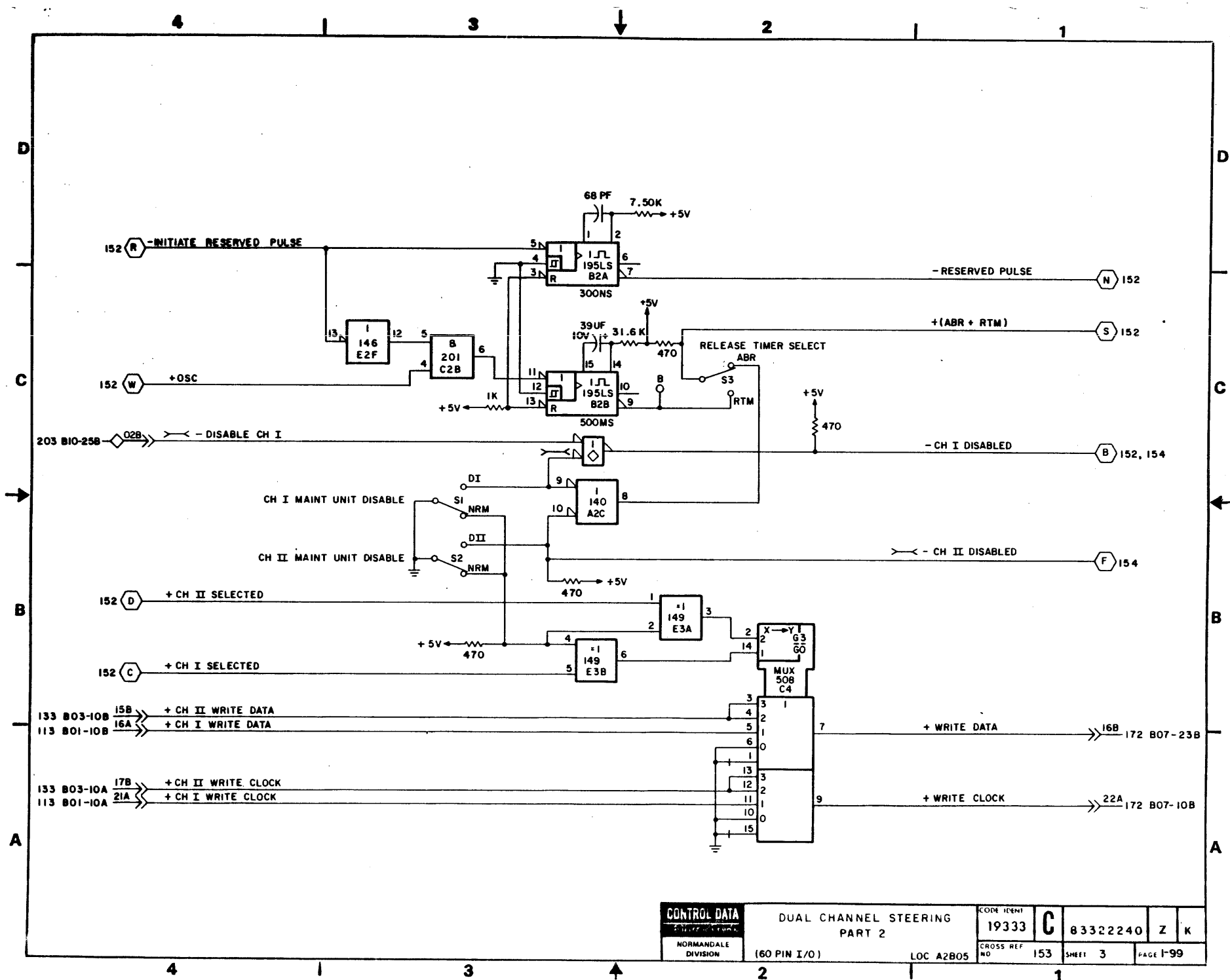
DESIGN	G. RABINE	9-77	CONTROL DATA	CODE IDENT	19333	DWG. NO.	83322240	CC	Z	REV	K
APP. REV.			NORMANVILLE DIVISION	TYPE EKHV	LOC A2B05	SHEET	1 OF 4	PAGE	1-97		

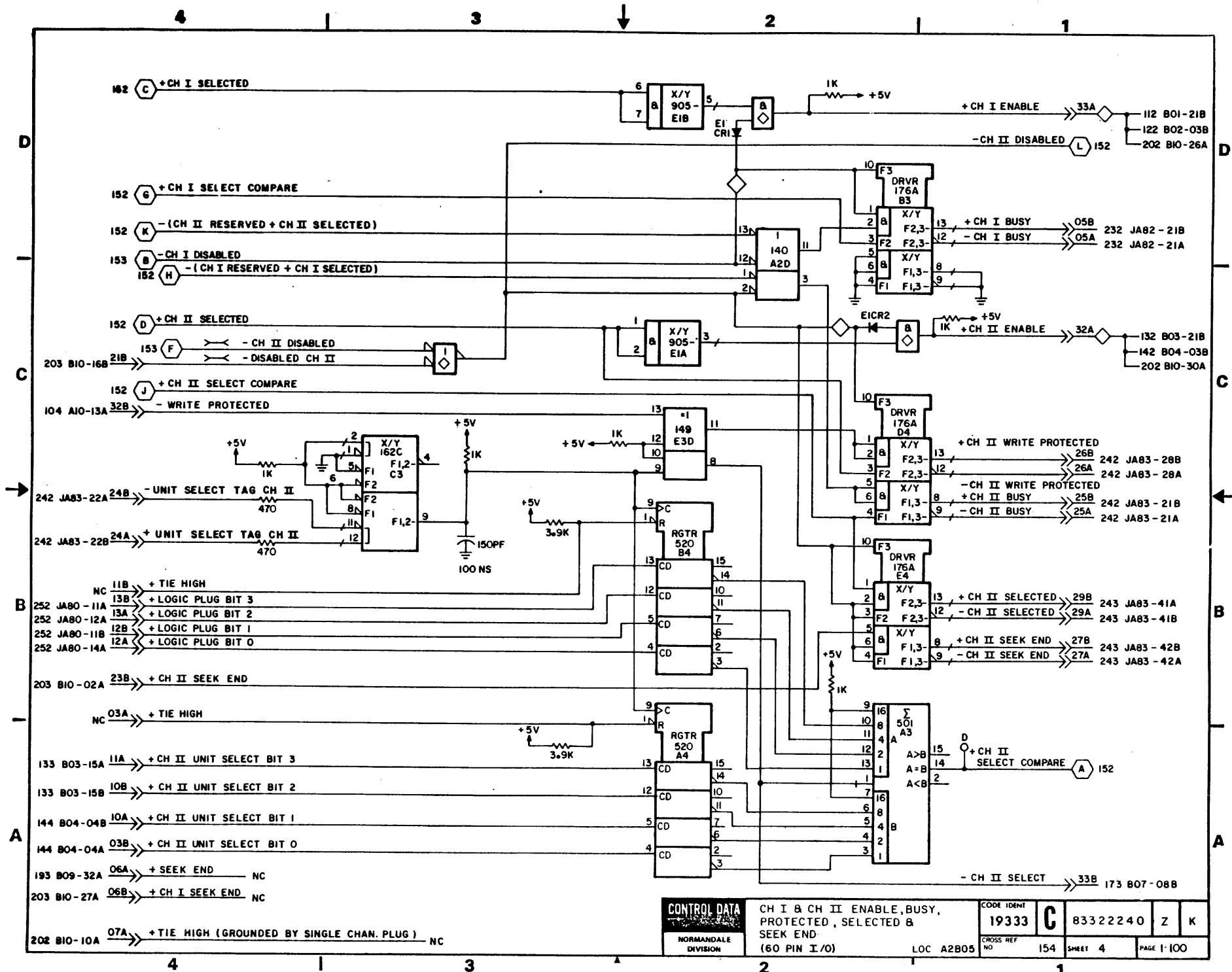


NOTE:
 A02 IS INTERNAL TEST JACK USED FOR CONNECTION TO FTU / HEAD ALIGNMENT CARD. SEE CROSS REF. NO. 022 FOR DETAILS.

ELEMENT TYPE 172H USED ON EKHV REV C & BELOW.

CONTROL DATA NORMANDALE DIVISION	DUAL CHANNEL STEERING PART I		CODE IDENT 19333	C	833?2240.	Z	K
	(60 PIN I/O)	LOC: A2B05	CROSS REF NO 152	SHEET 2	PAGE 1-98		





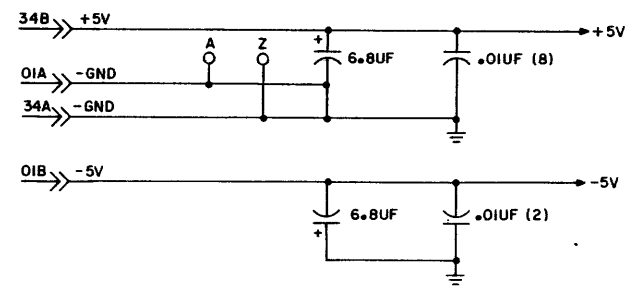
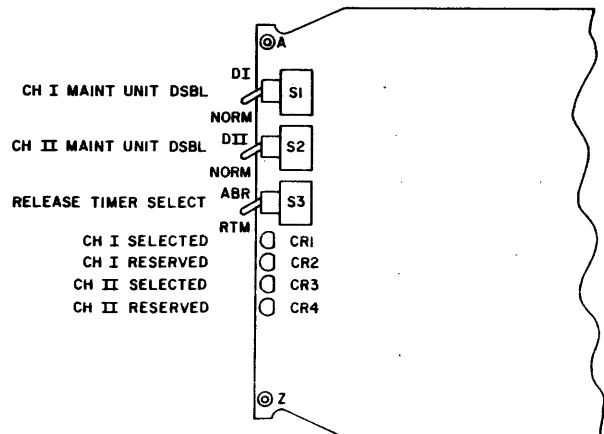
CONTROL DATA NORMANDEALE DIVISION	CH I & CH II ENABLE, BUSY, PROTECTED, SELECTED & SEEK END (60 PIN I/O)	CODE IDENT 19333	C	83322240	Z	K
	LOC A2B05	CROSS REF NO 154	SHEET 4	PAGE 1/100		

REVISION STATUS OF SHEETS																				
	1	2	3	4	5	6	7	8	9	10	11	12	13	14	15	16	17	18	19	20
A	A	A	A																	
B	B	B	B																	
C	B	B	C																	
D	D	D	D																	
E	D	D	E																	
F	F	D	E																	

REVISIONS					
REV.	ECO.	DESCRIPTION	DWFT.	DATE	CHK'D
A	PE23000	RELEASED	GR		
B	PE48402	CORR. DIA.			
C	PE48560	W/ W CHG	GR	5 10 77	
D	PE48437	CHANGE AKHV TO BKHV	GR	5 10 77	
E	PE48568	CORR. DIAG.	DM	7 25 77	
F	PE48716	CHG. BKHV TO EKHV	MA	10-20-77	

UNUSED LOGIC ELEMENTS		
ELEMENT TYPE	LOCATION	OUTPUT PIN(S)
905	B1A	3
201	C2	6,8
201	D3A	3
146	E2F	12

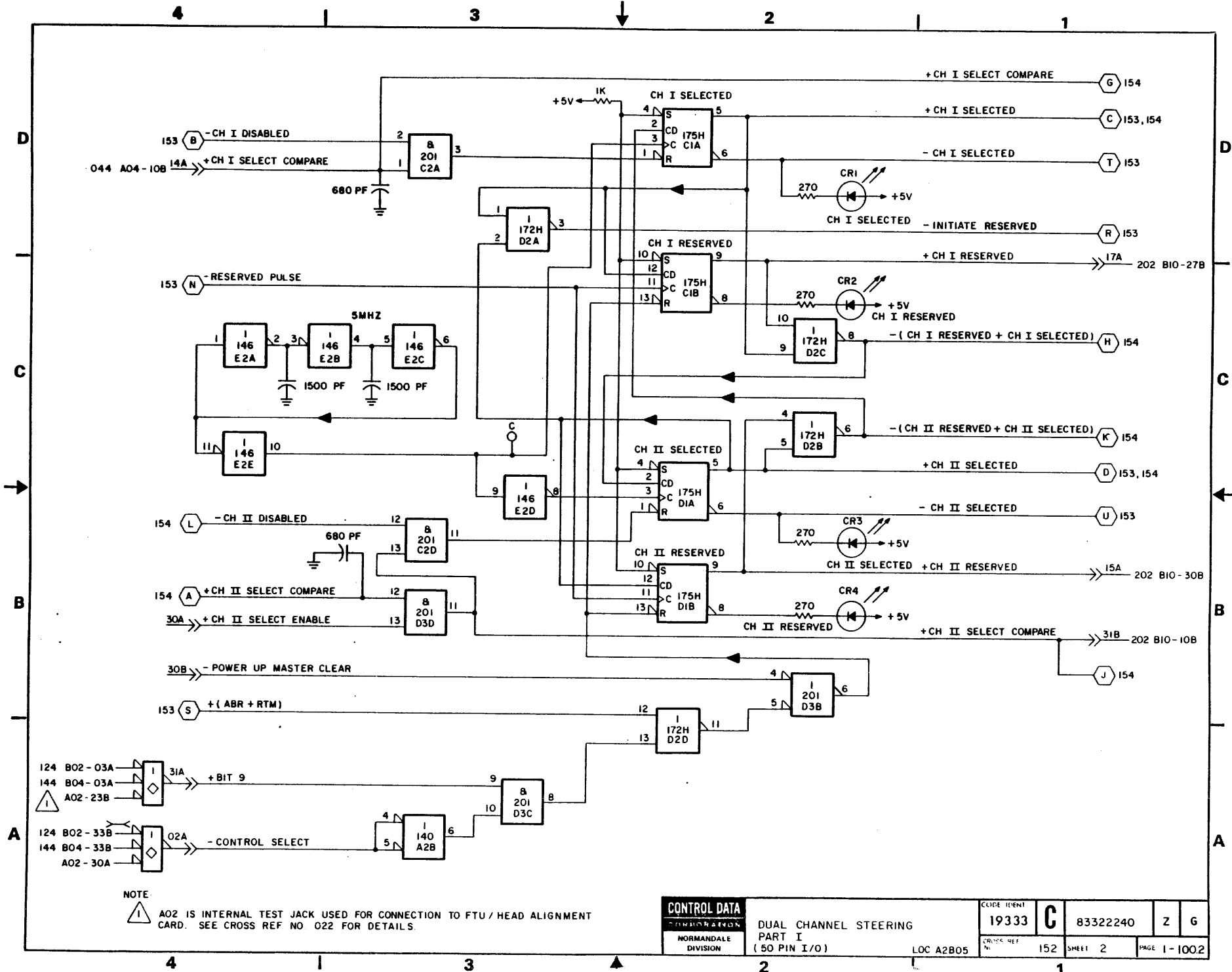
MAINTANCE SWITCHES AND STATUS INDICATORS ON CARD EDGE



NOTE:
 1. ON SINGLE CHANNEL UNITS B05 IS A JUMPER PLUG
 152 B05 - 14A → 154 B05 - 33A
 153 B05 - 16A → 153 B05 - 16B
 153 B05 - 21A → 153 B05 - 22A
 154 B05 - 06A → 154 B05 - 06B
 154 B05 - 07A → 151 B05 - 01A

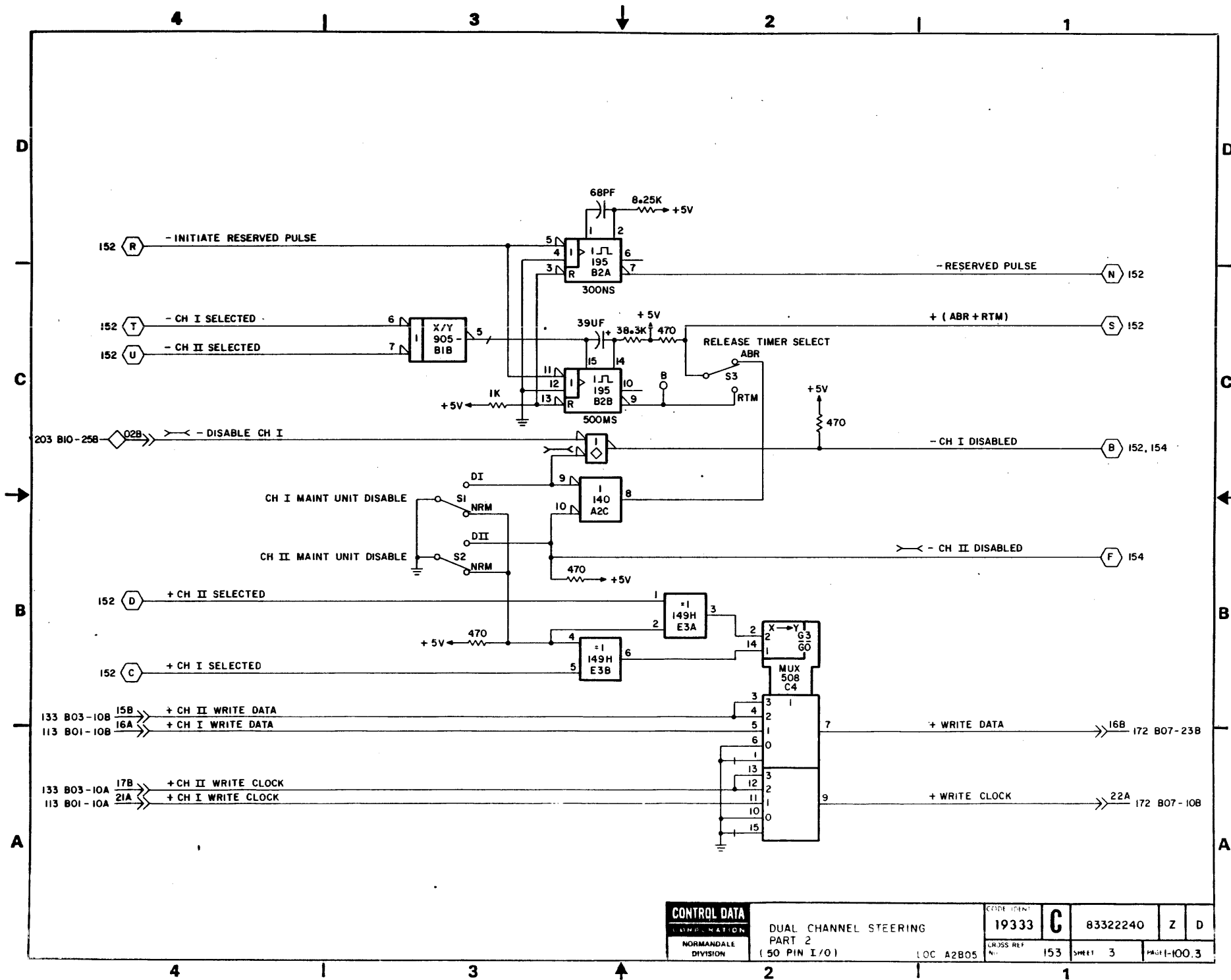
THIS SET USED ON EKHV REV A (50 PIN I/O)

DRAWN e. Bergstrom	CHECKED	ENGINEER	APPROVED	CONTROL DATA CORPORATION NORMANDALE DIVISION	DUAL CHANNEL STEERING DIAGRAMS TYPE:EKHV LOC A2B05	CODE IDENT 19333 C	CROSS REF. No. 151	SHEET 1 of 4	PAGE 1-100.1	Z	F
-----------------------	---------	----------	----------	--	--	--------------------------	-----------------------	-----------------	-----------------	---	---

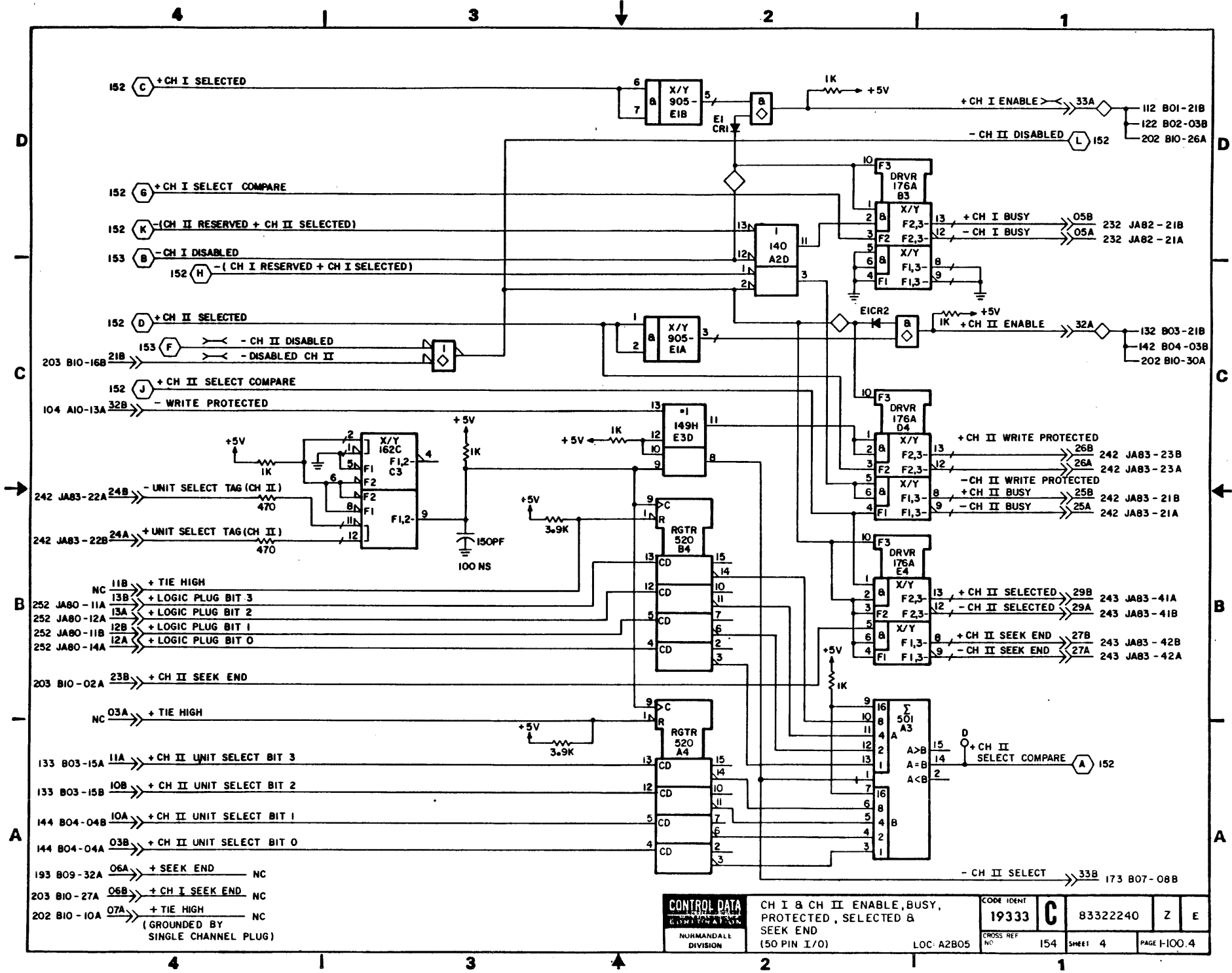


NOTE
 ⚠ A02 IS INTERNAL TEST JACK USED FOR CONNECTION TO FTU / HEAD ALIGNMENT CARD. SEE CROSS REF NO 022 FOR DETAILS.

CONTROL DATA		CODE IDENT	C	83322240	Z	G
NORMANDEALE DIVISION		19333				
DUAL CHANNEL STEERING		CR15 REF	152	SHEET 2	PAGE 1-1002	
PART I (50 PIN I/O)		LOC A2B05				



CONTRL DATA IDENTIFICATION NORMANDALE DIVISION	DUAL CHANNEL STEERING PART 2 (50 PIN I/O)		CODE IDENT 19333 C	83322240	Z	D
	LOC A2B05	DRSSS REF No. 153	SHEET 3	PAGE 1-100.3		



D

C

B

A

D

C

B

A

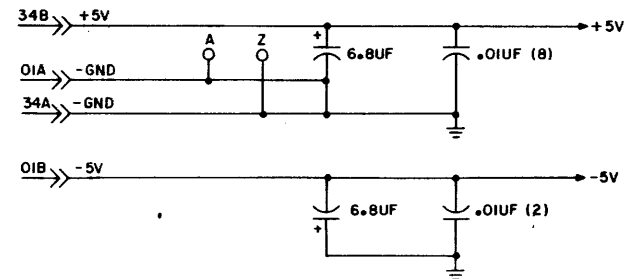
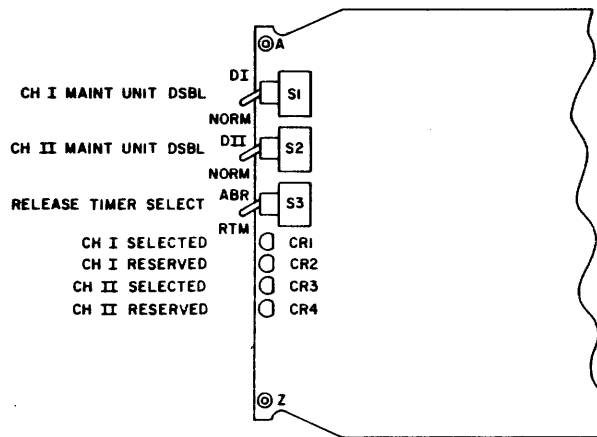
CONTROL DATA CORPORATION NORMANDALE DIVISION	CH I & CH II ENABLE, BUSY, PROTECTED, SELECTED & SEEK END (50 PIN I/O)		CODE IDENT 19333	C	83322240	Z	E
	LOC: A2B05	CROSS REF NO	154				

REVISION STATUS OF SHEETS																				
	1	2	3	4	5	6	7	8	9	10	11	12	13	14	15	16	17	18	19	20
A	A	A	A																	
B	B	B	B																	
C	C	C	C																	
D	D	D	D																	
E	D	D	E																	
F	F	D	E																	
G	G	G	E																	
H	H	G	E																	

REVISIONS					
REV.	ECO.	DESCRIPTION	DRFT	DATE	CHK'D
A	PE23000	RELEASED	GR	1-1-77	EC
B	PE48402	ERROR CORRECTIONS	VG	1-12-77	
C	PE48437	CARD CHANGE AKHV TO BKHV	SB	2-24-77	
D	PE48560	ADD GROUND TO INPUT PIN	SB	4-22-77	J
E	PE48568	ENABLE / DISABLE ERROR CORRECTION	SB	4-26-77	
F	PE48716	BKHV TO EKHV	MA	5-8-78	
G	PE55608	EKHV M.V. CHANGE	MA	2-8-79	
H	PE57278	ADD WIRE INFO. TO LOGIC	CB	2-15-80	MJ
J	PE60242	CHG I.C.'S ON EKHV AY.	MJ	5-30-83	

UNUSED LOGIC ELEMENTS		
ELEMENT TYPE	LOCATION	OUTPUT PIN(S)
201	C2	8
201	D3A	3

MAINTANCE SWITCHES AND STATUS INDICATORS ON CARD EDGE



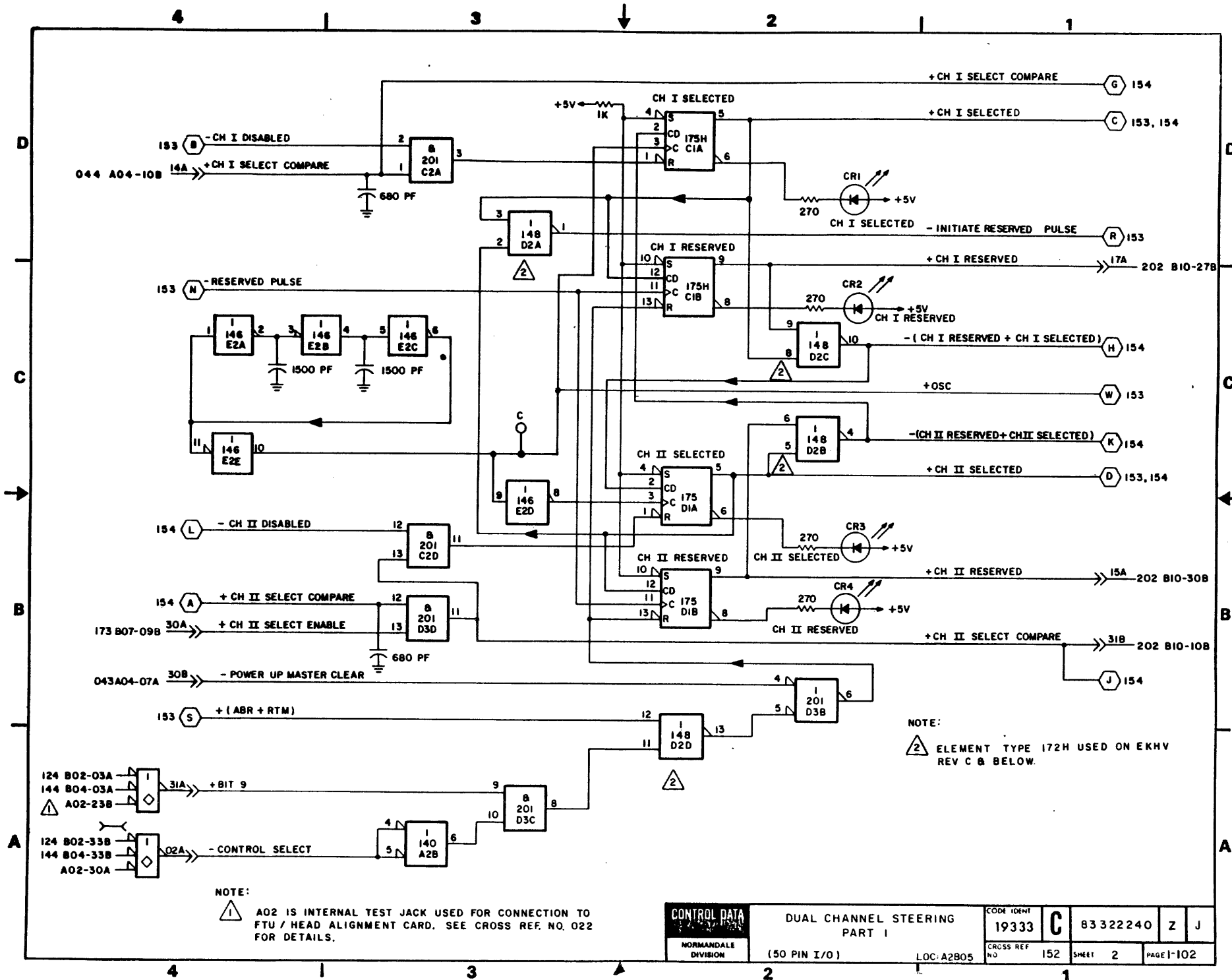
NOTE

1. ON SINGLE CHANNEL UNITS B05 IS A JUMPER PLUG

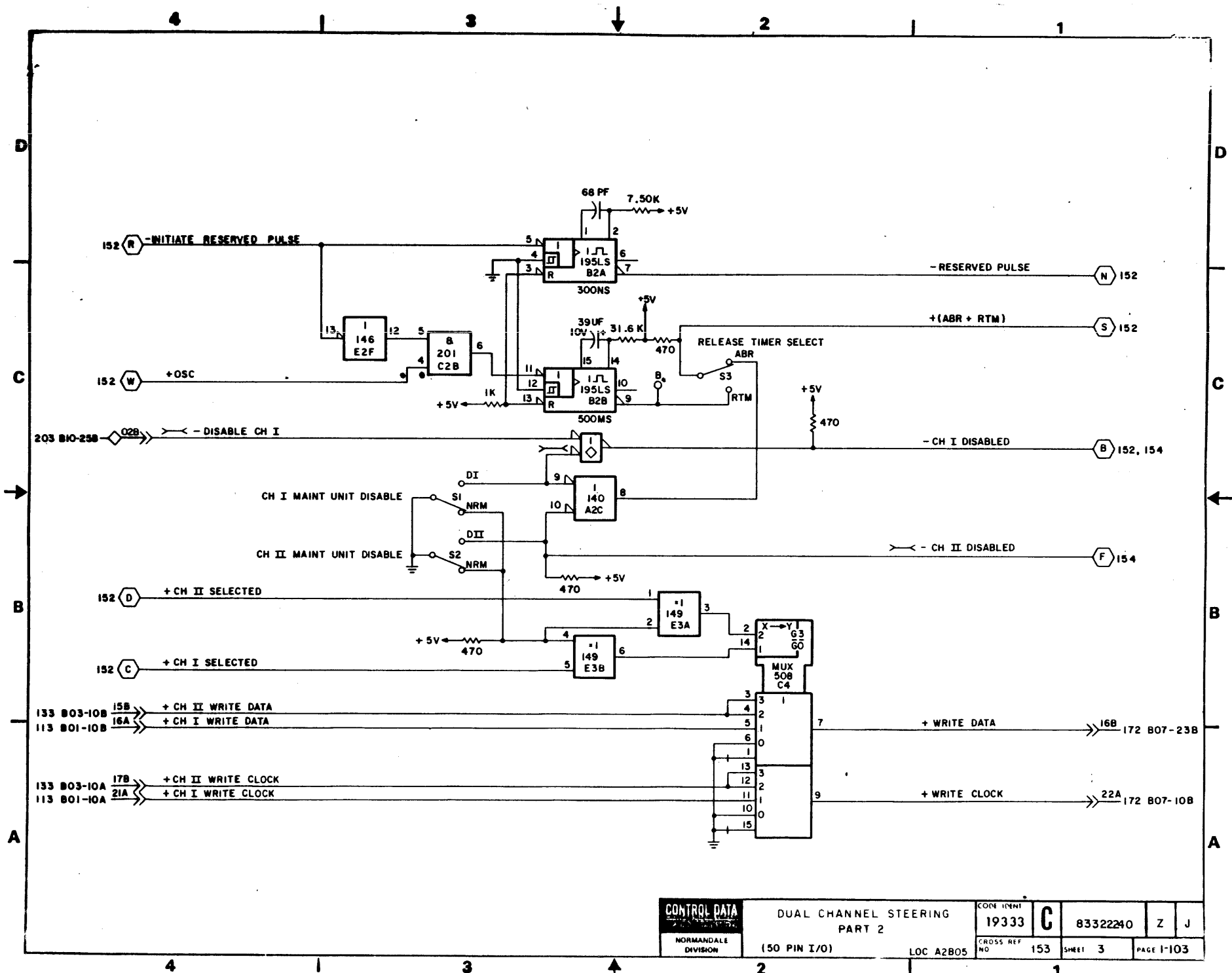
- 152 B05 - 14A → 154 B05 - 33A
- 153 B05 - 16A → 153 B05 - 16B
- 153 B05 - 21A → 153 B05 - 22A
- 154 B05 - 06A → 154 B05 - 06B
- 154 B05 - 07A → 151 B05 - 01A

THIS SET USED ON EKHV REV B & ABOVE (50 PIN I/O)

DRAWN 6/2/77	CHECKED 6/2/77	ENGINEER 6/2/77	APPROVED	CONTROL DATA CORPORATION NORMANVILLE DIVISION	DUAL CHANNEL STEERING DIAGRAMS TYPE EKHV	LOC A2B05	CODE IDENT 19333	C	83322240	Z	J
				SHEET 1 OF 4		PAGE 1-101					



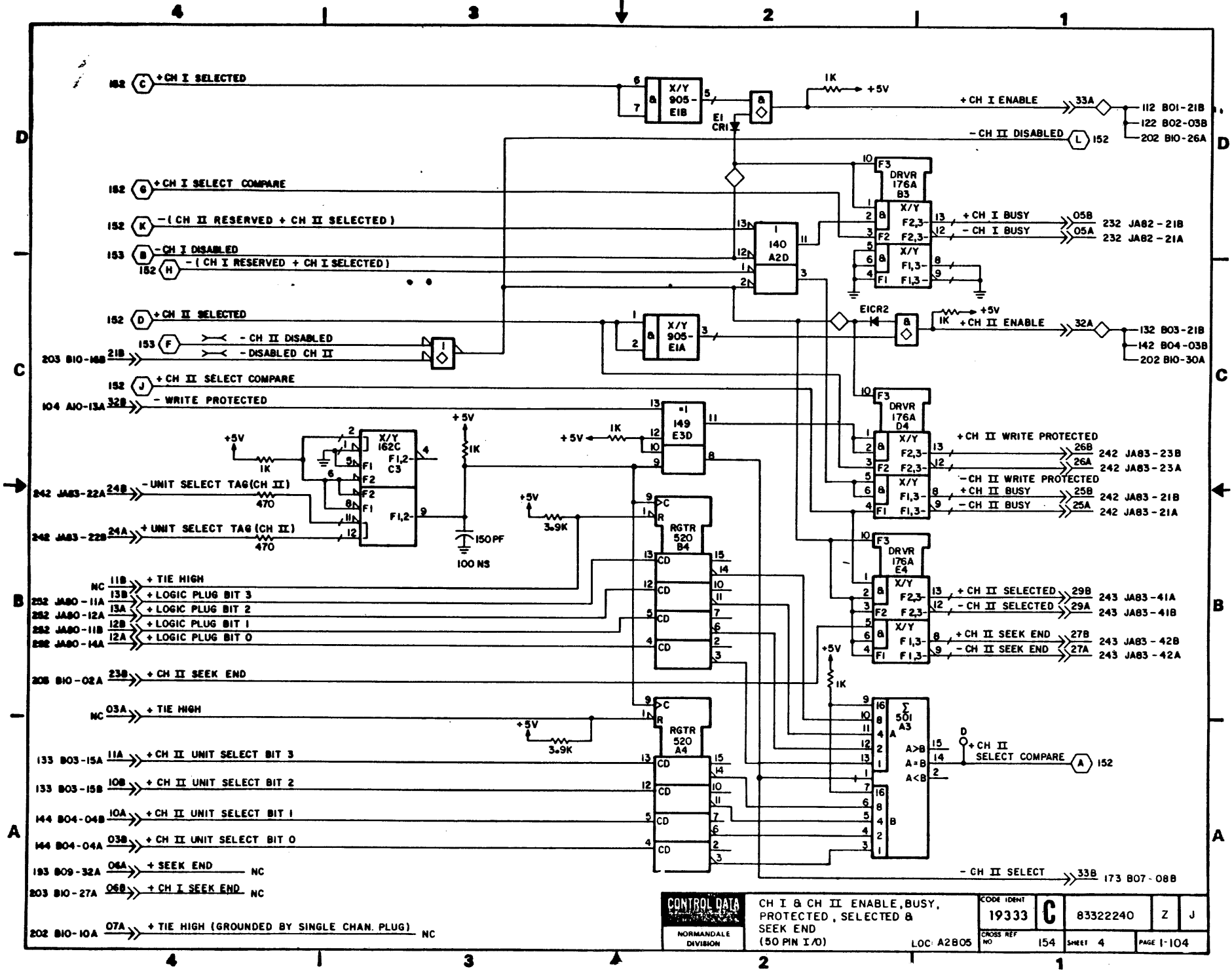
CONTROL DATA NORMANDEALE DIVISION	DUAL CHANNEL STEERING PART I		CODE IDENT 19333	C	83 322240	Z	J
	(50 PIN I/O)	LOC: A2B05	CROSS REF NO 152	SHEET 2	PAGE 1-102		



CONTROL DATA
NORMANDEALE
DIVISION

DUAL CHANNEL STEERING
PART 2
(50 PIN I/O)
LOC A2B05

CODE IDENT	19333	C	8332240	Z	J
CROSS REF NO	153	SHEET	3	PAGE 1-103	



D

C

B

A

D

C

B

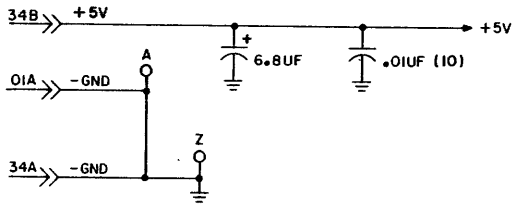
A

CONTROL DATA NORMANDALE DIVISION	CH I & CH II ENABLE, BUSY, PROTECTED, SELECTED & SEEK END (50 PIN I/O)	CODE IDENT 19333	C	83322240	Z	J
	LOC: A2B05	CROSS REF NO 154				

REVISION STATUS OF SHEETS																				
	1	2	3	4	5	6	7	8	9	10	11	12	13	14	15	16	17	18	19	20
A	A	A	A	A																
B	B	B	B	B																
C	B	B	B	C																
D	D	B	B	D																
E	D	B	E	E																
F																				
G					G															

REVISIONS					
REV	ECO.	DESCRIPTION	DRFT	DATE	CHK'D
A	PE23000	RELEASED			
B	PE48402	CORRECT DIAGRAMS	WEB	12-17-76	
C	PE48823	CORR DIA	DM	7-28-77	
D	PE55370	ERR CORR.	A A O	6-15-78	
E	PE57173	CHANGE IC FAMILIES	MF	11-5-80	
F	DJ22000	XFR FRM PE	JG	7-25-84	
G	DJ00652	ELIM IC 9015 FLWV	JG	7-25-84	
	DJ72000A	FORMAT CHG			

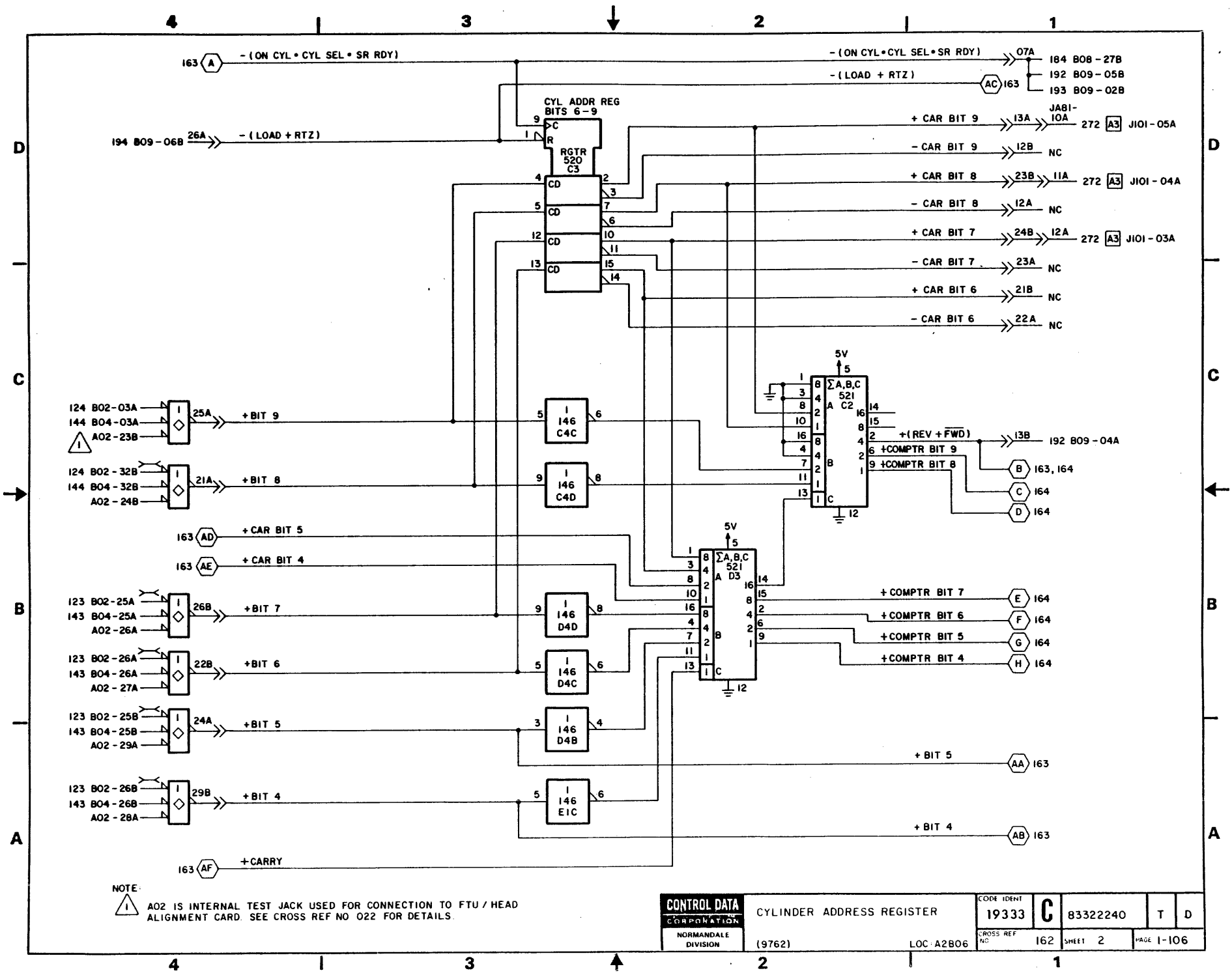
UNUSED LOGIC ELEMENTS		
ELEMENT TYPE	LOCATION	OUTPUT PIN(S)
200	A1	8,10



THIS DOCUMENT
TRANSFERRED TO
TCD DIVISION
DATE: 7/27/84

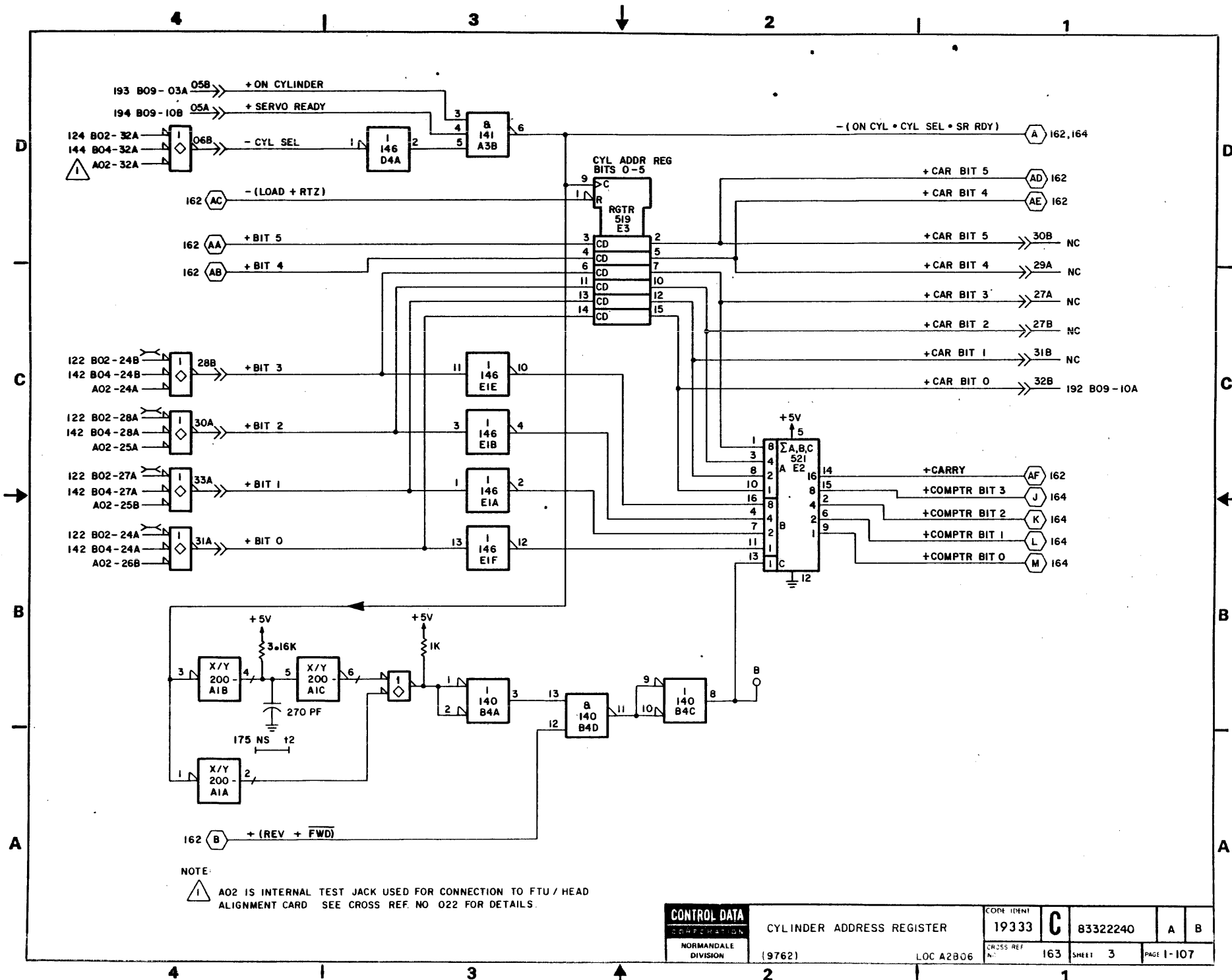
DRAWN	G. R. R. / J. E. B. / J. W.	CONTROL DATA	DIFFERENCE GENERATOR AND CONTROL DIAGRAMS	CODE IDENT	19333	C	83322240	Z	G
CHECKED		COMPUTATION		CROSS REF	161	SHEET	1 OF 5	PG#	1-105
ENGINEER		TWIN CITIES DISK DIVISION	TYPE FLWV	LOC	A2B06				
APPROVED									

APPLICABLE TO BK5XX=9762



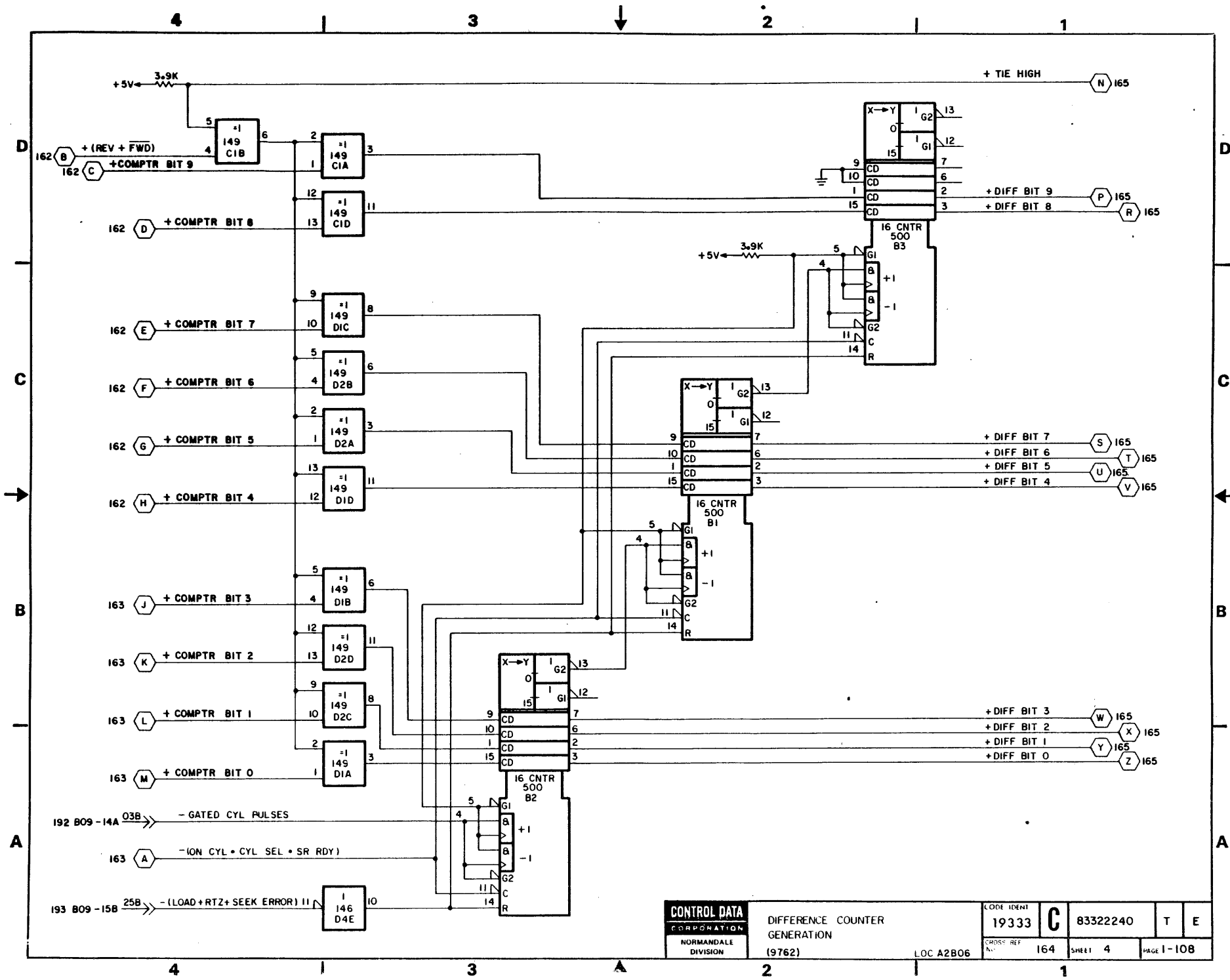
NOTE:
 A02 IS INTERNAL TEST JACK USED FOR CONNECTION TO FTU / HEAD ALIGNMENT CARD. SEE CROSS REF NO 022 FOR DETAILS.

CONTROL DATA CORPORATION NORMANDELE DIVISION	CYLINDER ADDRESS REGISTER		CODE IDENT 19333	C	83322240	T	D
	(9762)	LOC-A2B06	CROSS REF NO 162	SHEET 2	PAGE 1-106		



NOTE:
 ⚠ A02 IS INTERNAL TEST JACK USED FOR CONNECTION TO FTU / HEAD ALIGNMENT CARD SEE CROSS REF. NO 022 FOR DETAILS.

CONTROL DATA CORPORATION NORMANDEALE DIVISION	CYLINDER ADDRESS REGISTER		CODE IDENT 19333	C	8332240	A	B
	(9762)	LOC A2B06	CROSS REF NO: 163	SHEET 3	PAGE 1-107		



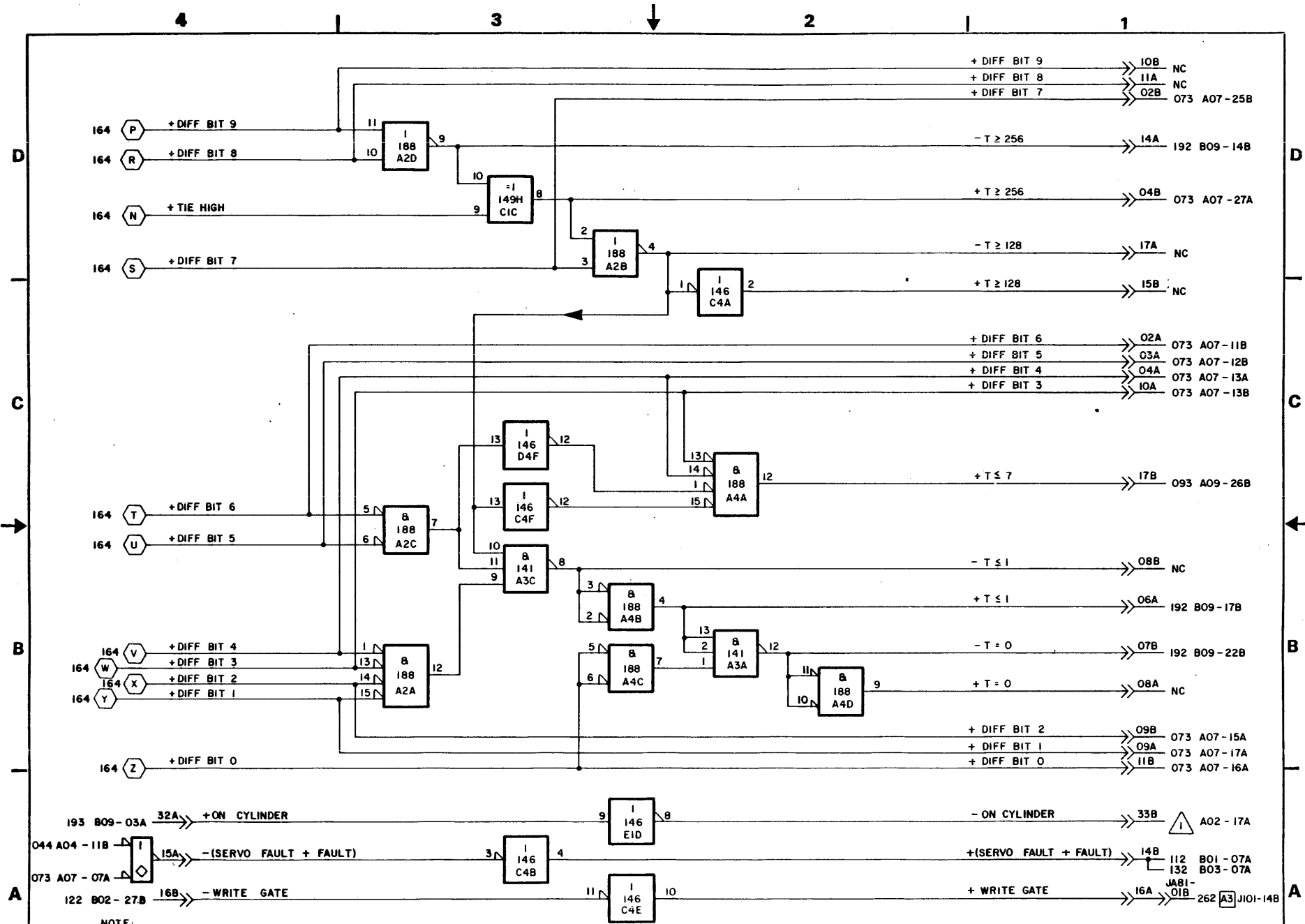
CONTROL DATA
CORPORATION
NORMANDEALE
DIVISION

DIFFERENCE COUNTER
GENERATION
(9762)

CODE IDENT
19333
CROSS REF
No. 164

C 8332240 T E
SHEET 4 PAGE 1-108

LOC A2B06

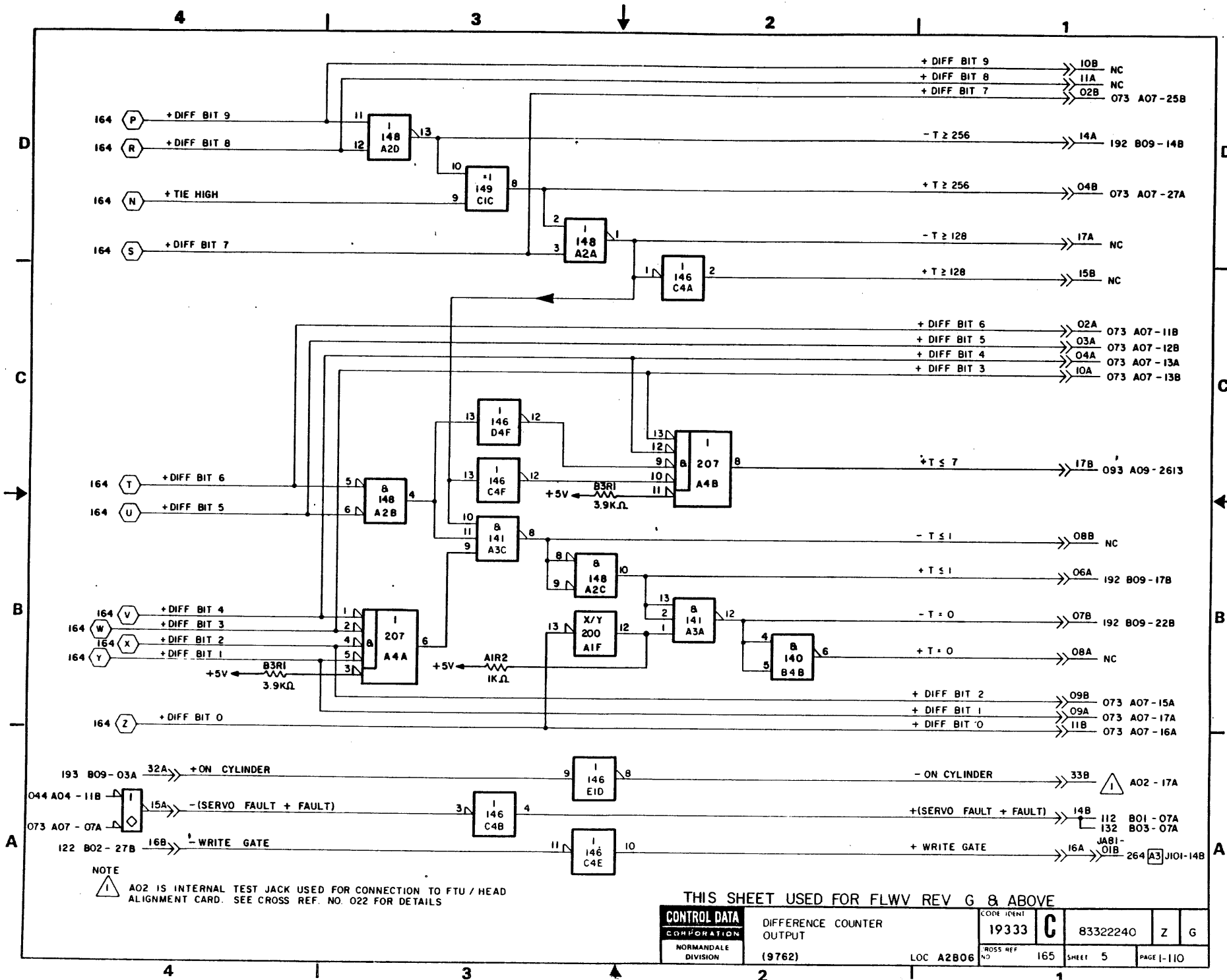


NOTE:
 ⚠ A02 IS INTERNAL TEST JACK USED FOR CONNECTION TO FTU / HEAD ALIGNMENT CARD. SEE CROSS REF. NO. 022 FOR DETAILS.

THIS SHEET USED FOR FLWV REV F & BELOW

CONTROL DATA CORPORATION NORMANVILLE DIVISION	DIFFERENCE COUNTER OUTPUT (9762)	CODE IDENT	19333	C	83322240	Z	E
		CROSS REF NO	165	SHEET	5	PAGE	1-109

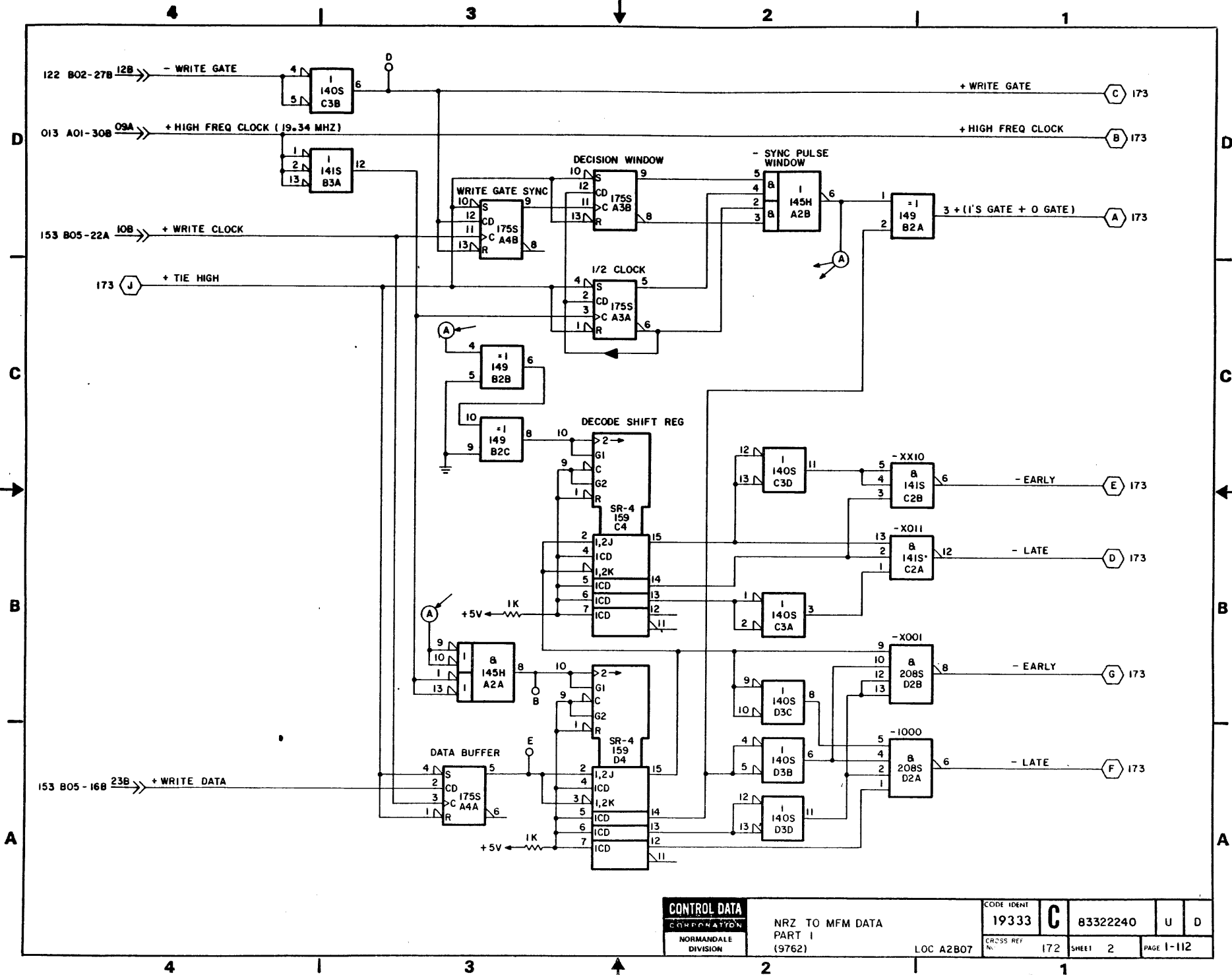
LOC A2B06



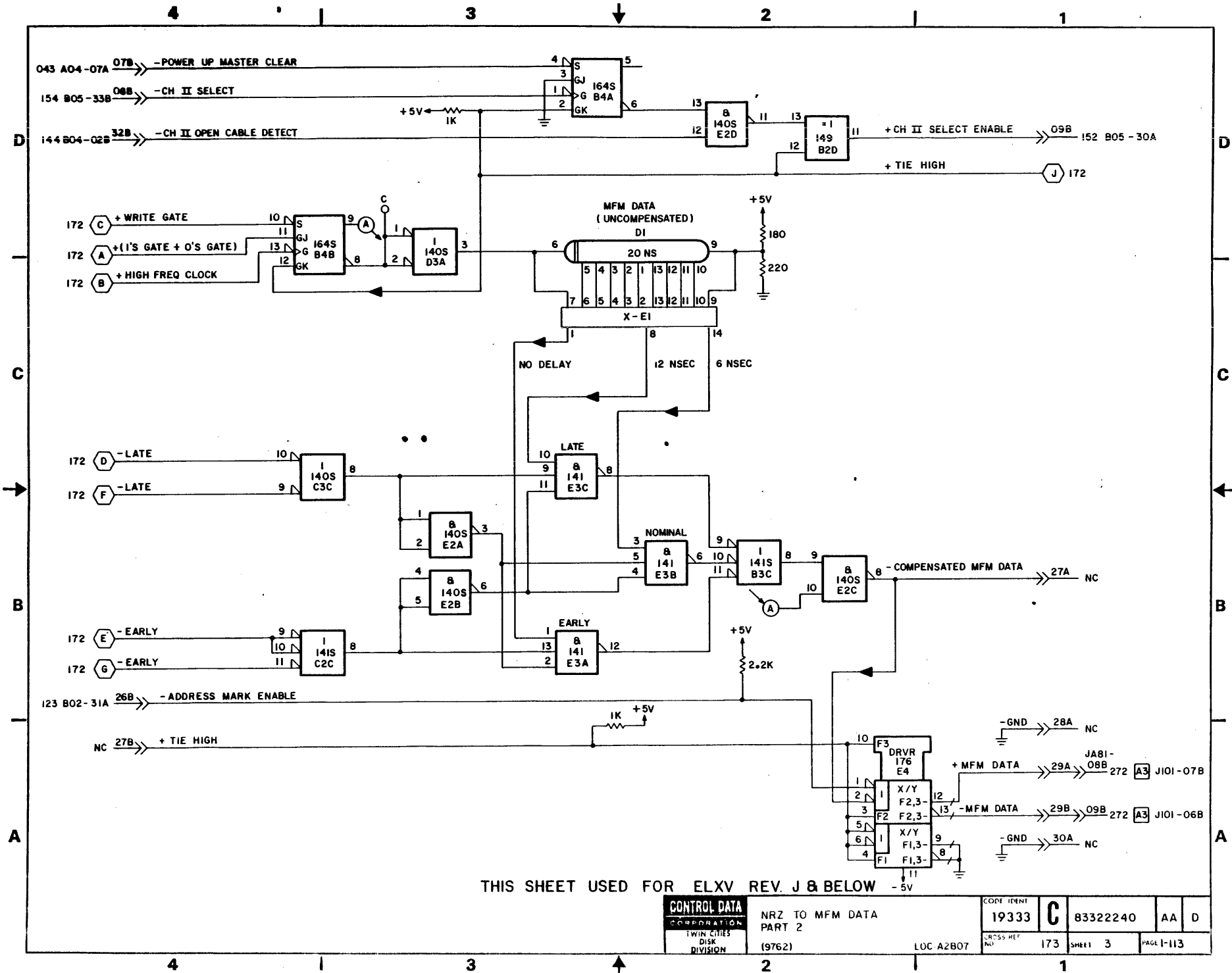
NOTE
 ⚠ A02 IS INTERNAL TEST JACK USED FOR CONNECTION TO FTU / HEAD ALIGNMENT CARD. SEE CROSS REF. NO. 022 FOR DETAILS

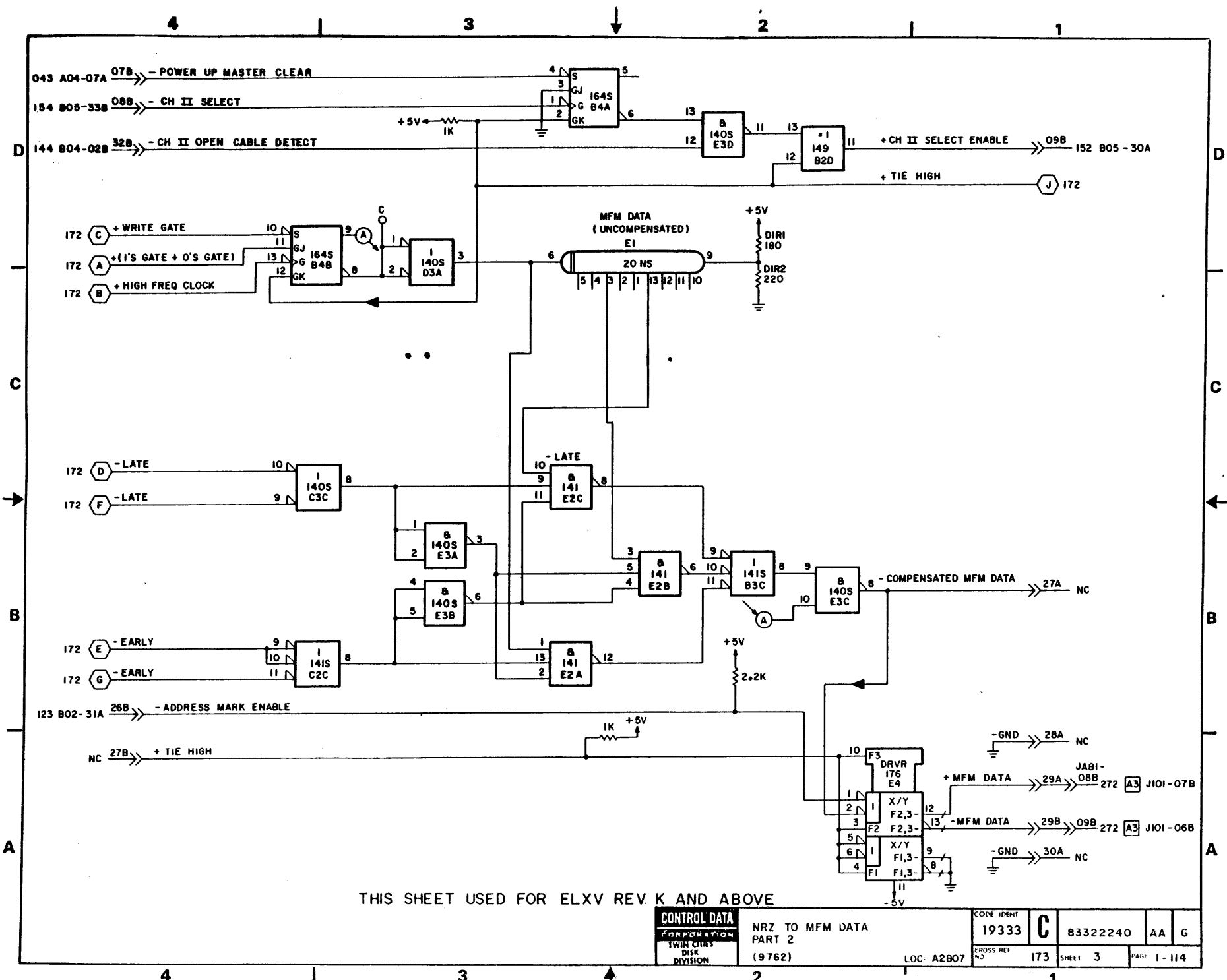
THIS SHEET USED FOR FLWV REV G & ABOVE

CONTROL DATA CORPORATION NORMANVILLE DIVISION	DIFFERENCE COUNTER OUTPUT	CODE IDENT 19333	C	83322240	Z	G
	(9762)	LOC A2B06			ROSS REF NO 165	SHEET 5
	SHEET 5 OF 5					



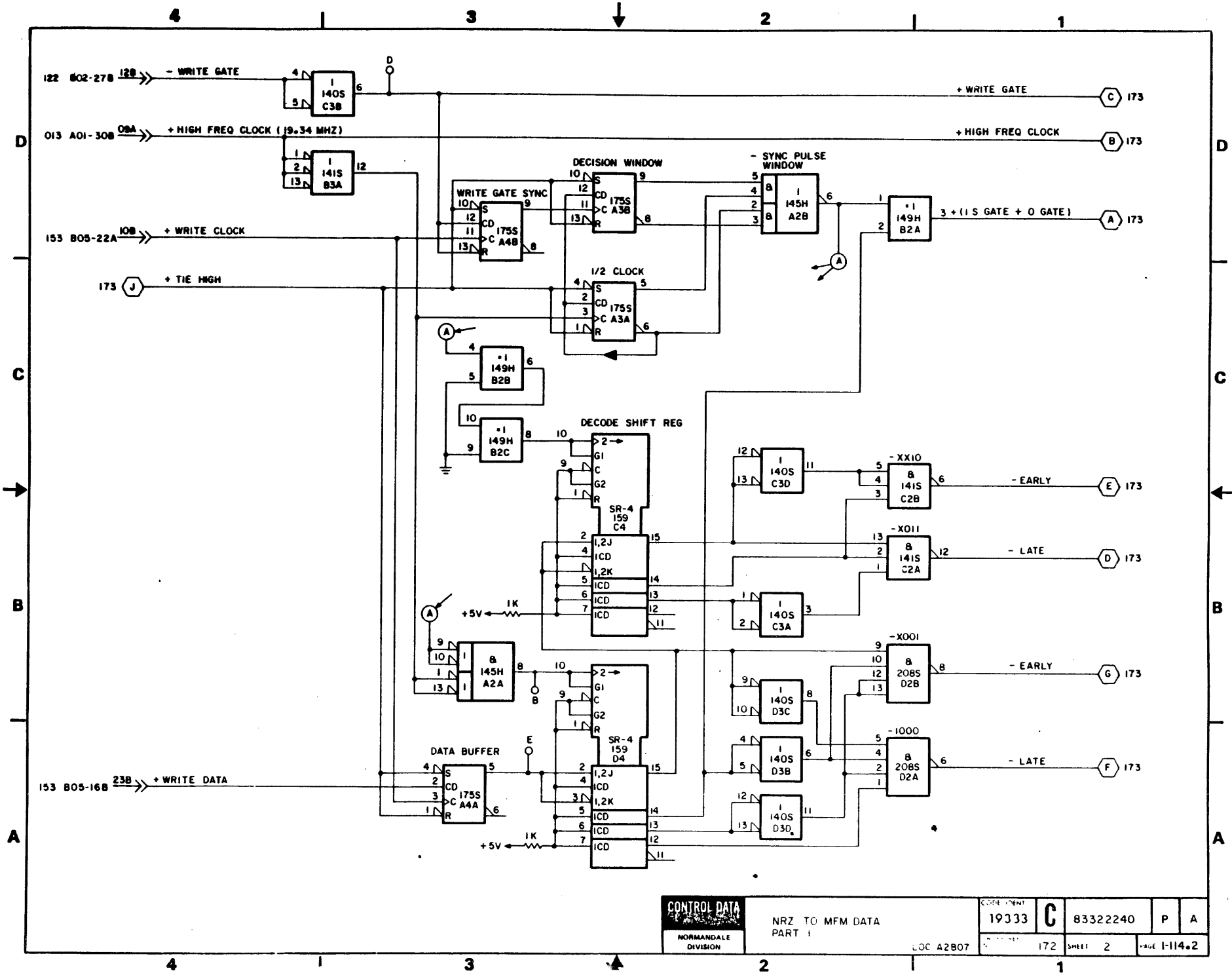
CONTROL DATA CORPORATION NORMANDEALE DIVISION	NRZ TO MFM DATA PART I (9762)	CODE IDENT 19333	C	83322240	U	D
	LOC A2B07	CROSS REF No. 172	SHEET 2	PAGE 1-112		





THIS SHEET USED FOR ELXV REV. K AND ABOVE

CONTROL DATA CORPORATION TWIN CITIES DISK DIVISION	NRZ TO MFM DATA	CODE IDENT	19333	C	83322240	AA	G
	PART 2	CROSS REF	173	SHEET	3	PAGE	1-114
	(9762)	LOC:	A2B07				

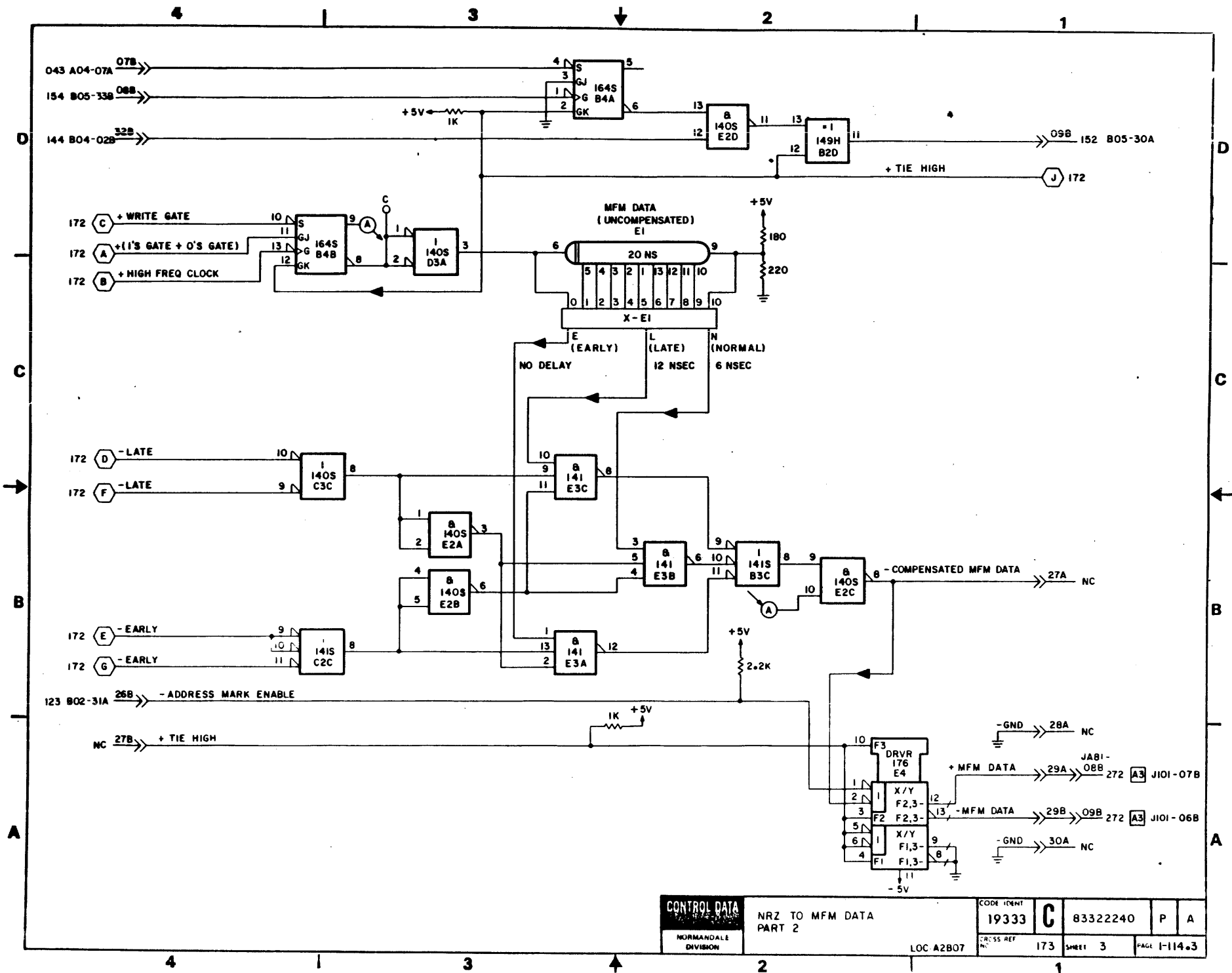


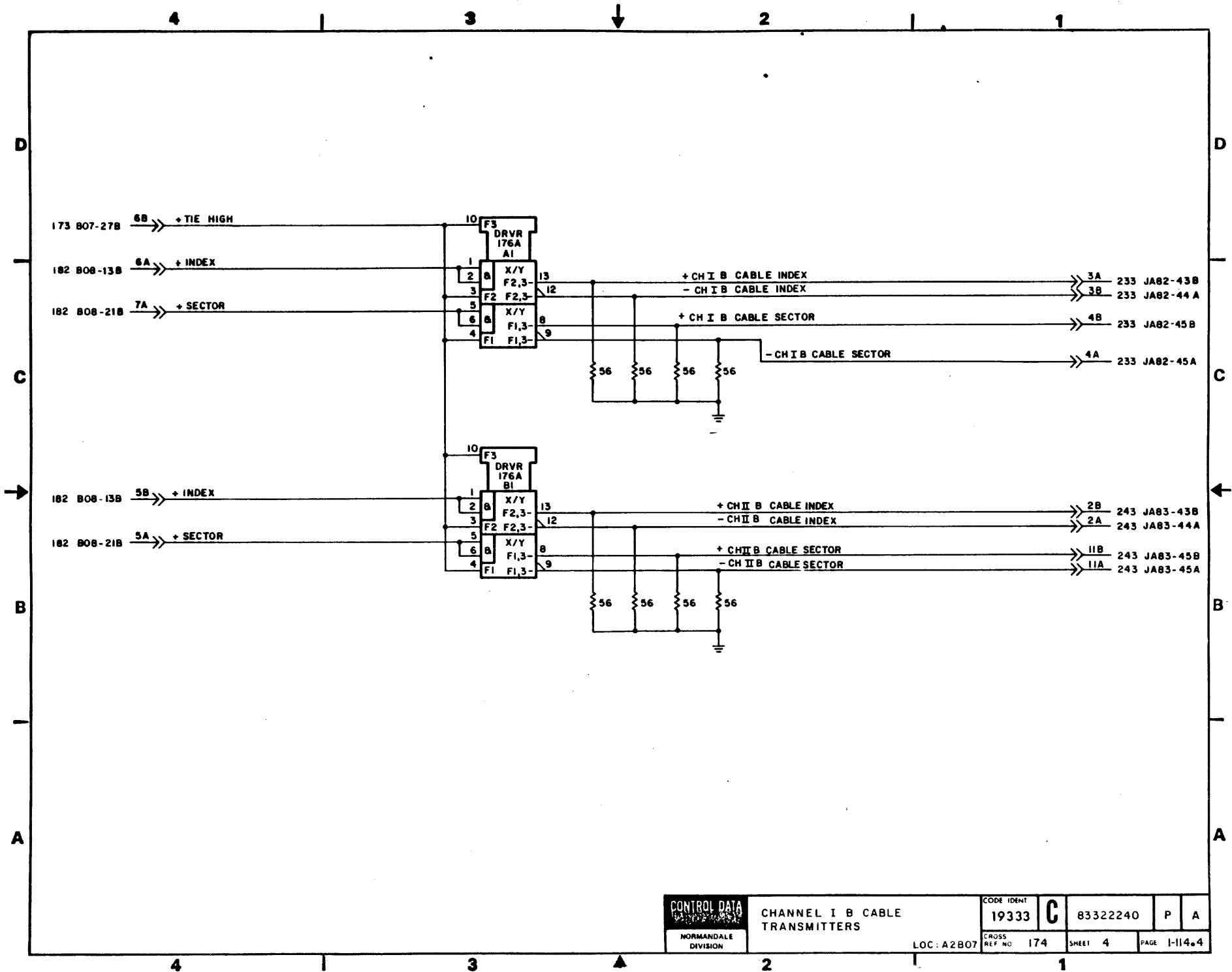
CONTROL DATA
NORMANDEALE
DIVISION

NRZ TO MFM DATA
PART 1

LOC A2807

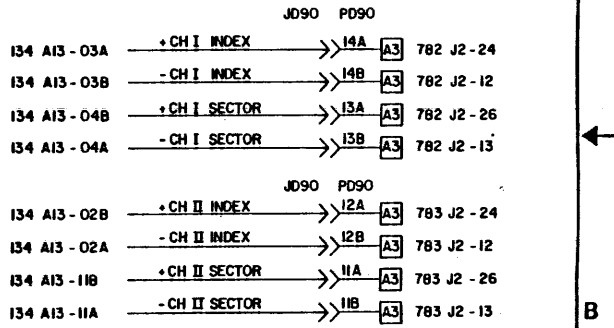
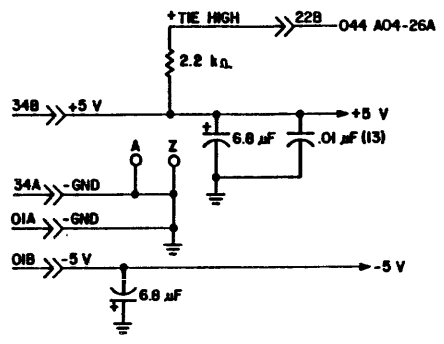
19333	C	83322240	P	A
172	SHEET 2	PAGE 1-114-2		





CONTROL DATA NORMANDEALE DIVISION	CHANNEL I B CABLE TRANSMITTERS		CODE IDENT 19333	C	83322240	P	A
	LOC: A2B07		CROSS REF NO 174	SHEET 4	PAGE 1-114.4		

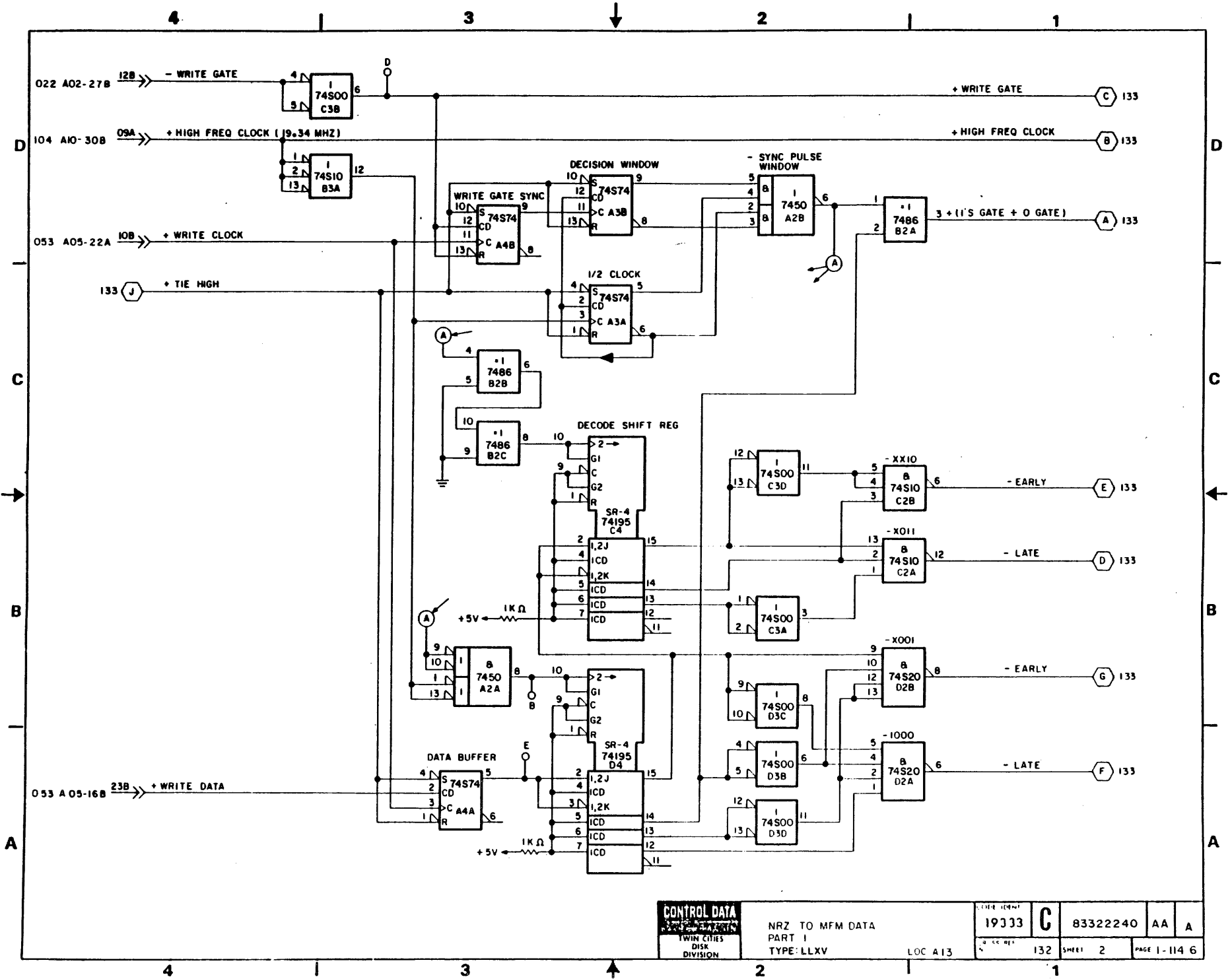
REVISIONS				
REV	ECO	DESCRIPTION	BY	DATE
A	DJ23000 DJ00771	CLASS A RELEASE INCPOR LL XV CARD	C.B.D.	11/15/76



NOTES:
 I. PD90 IS AN I/O CABLE CONNECTOR THAT IS PLUGGED ON TO THE PINS OF JD90 TO PLACE INDEX AND SECTOR SIGNALS ON THE B CABLE.

APPLICABLE TO BK5A3N/P AND BK5C7C/D

DRAWN	K. MONAMARA	NO 4 84	CONTROL DATA TWIN CITIES DISK DIVISION	NRZ TO COMPENSATED MFM DIAGRAMS	CODE IDENT	C	83322240	AA	A
CHECKED	<i>C. Rumb</i>	<i>11/15/76</i>			19333	SHEET		1	of 4
ENGINEER				TYPE • LLXV	LOC A13	CROSS REF NO	131		
APPROVED									

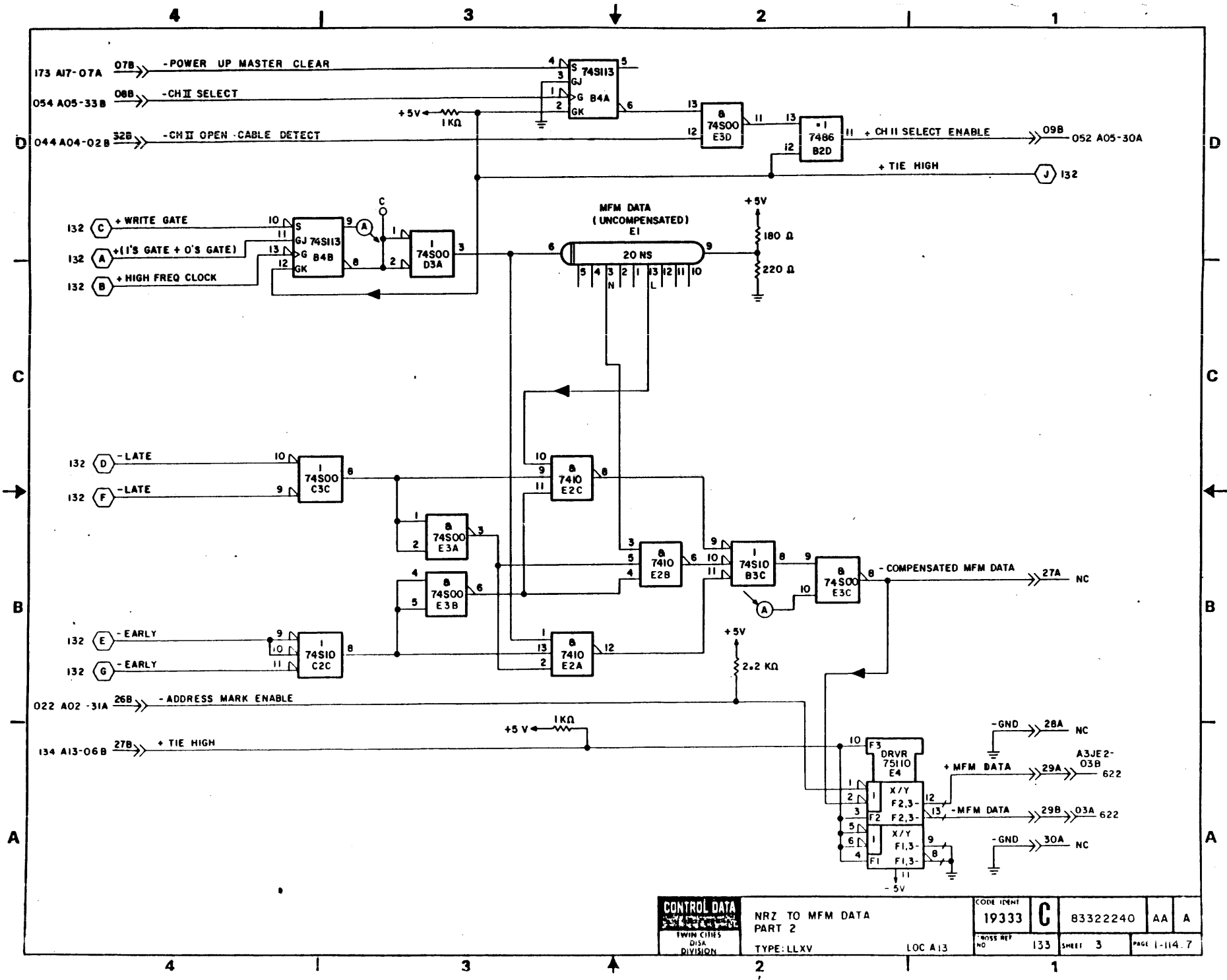


CONTROL DATA
TWIN CITIES DISK DIVISION

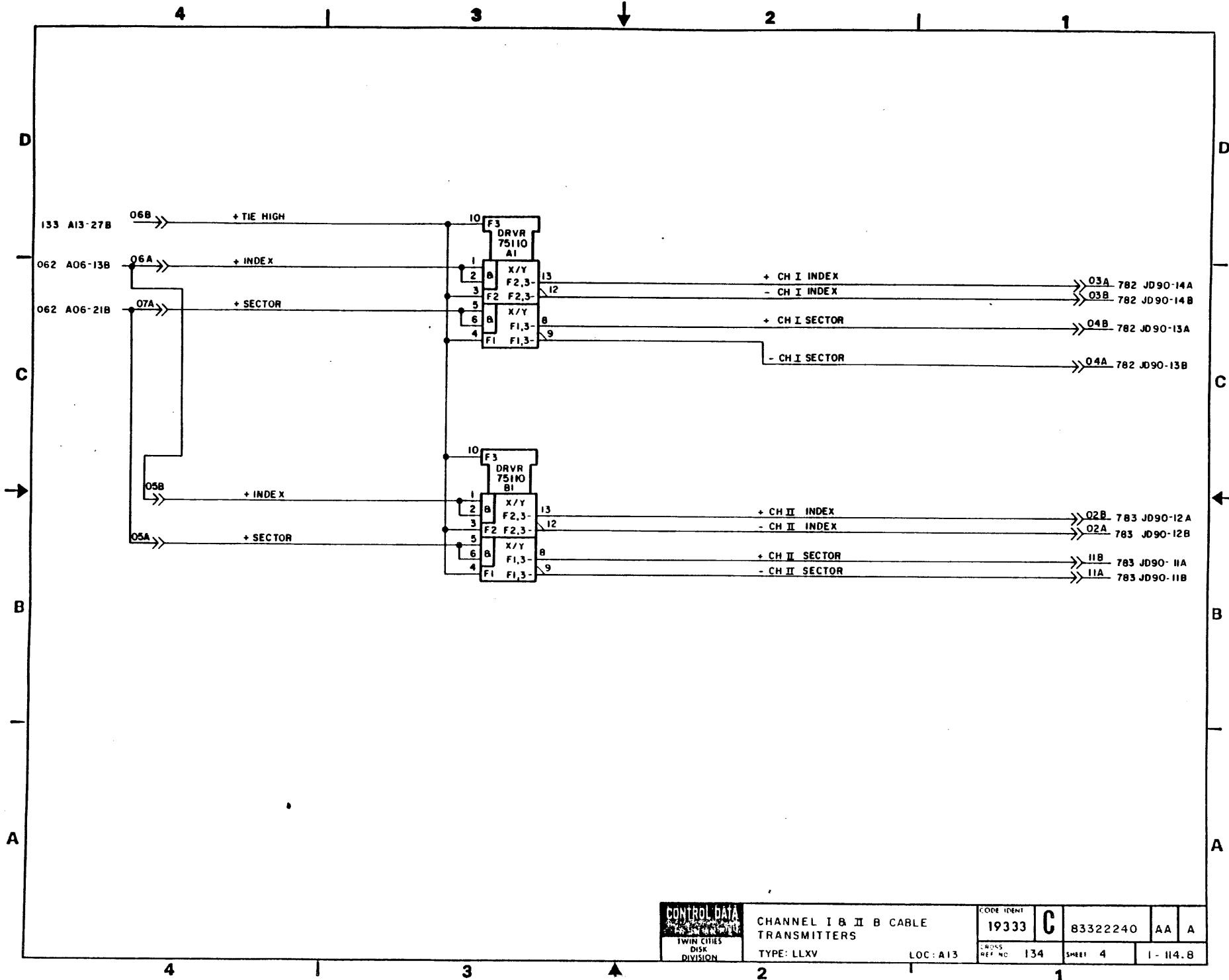
NRZ TO MFM DATA
PART 1
TYPE: LLXV

LOC A13

19333	C	83322240	AA	A
132	SHEET 2	PAGE 1-114 6		



CONTROL DATA TWIN CITIES DISK DIVISION	NRZ TO MFM DATA PART 2	CODE IDENT 19333	C	83322240	AA	A
	TYPE: LLXV	LOC A13	NO. 133	SHEET 3	PAGE 1-114.7	

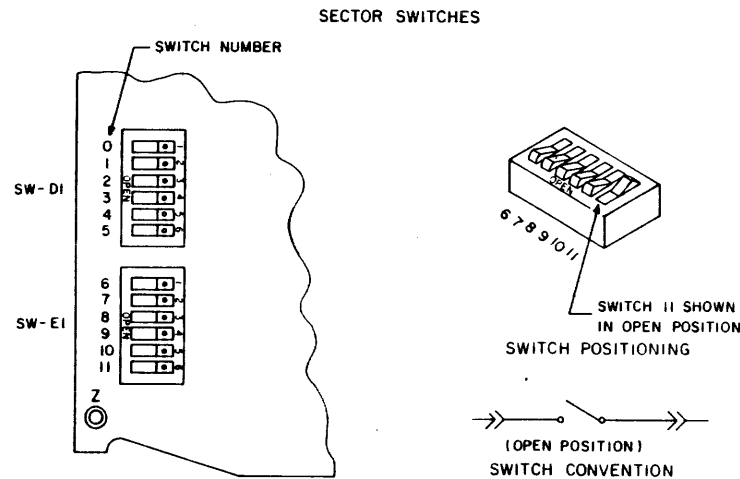


CONTROL DATA TWIN CITIES DISK DIVISION	CHANNEL I & II B CABLE TRANSMITTERS	CODE IDENT 19333	C	83322240	AA	A
	TYPE: LLXV	LOC: A13	CROSS REF NO 134	SHEET 4	1-114.8	

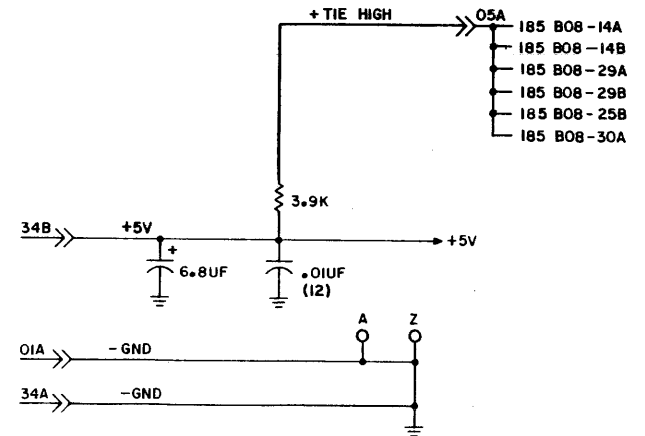
REVISIONS					
REV	ECD	DESCRIPTION	DRFT	DATE	CHK'D
A	PE23000	RELEASED	MLA		
B	PE48296	CORRECT DIAGRAMS	SB	11-2-76	
C	PE48432	CORR DIA			
D	PE48523	CORR DIA	DM	7-25-77	
E	PE48673	ERR CORR	DM	1-25-78	
F	PE55069	REPLACE CHIP	TH	7-27-79	
G	PE55654	DOWN GRADE BOMB TO 40MB	TH	9-15-79	
H	PE55992	ADD SECTOR AND INDEX ON A AND B CABLE	CB	2-6-80	
J	PE60120	REDESIGN HFRV	MF	1-5-80	
K	PE60309	CHG I.C. FAMILIES	MJ	6-1-83	
L	DJ22000	XFER FROM PE	MJ	6-1-83	
M	DJ00377	CMB RESISTOR VALUE	MJ	6-1-83	
N	DJ00761	CHANGE FLT V COMP AY	MR	1-30-85	

UNUSED LOGIC ELEMENT

TYPE	LOCATION	OUTPUT PIN (S)
146	B4	I2

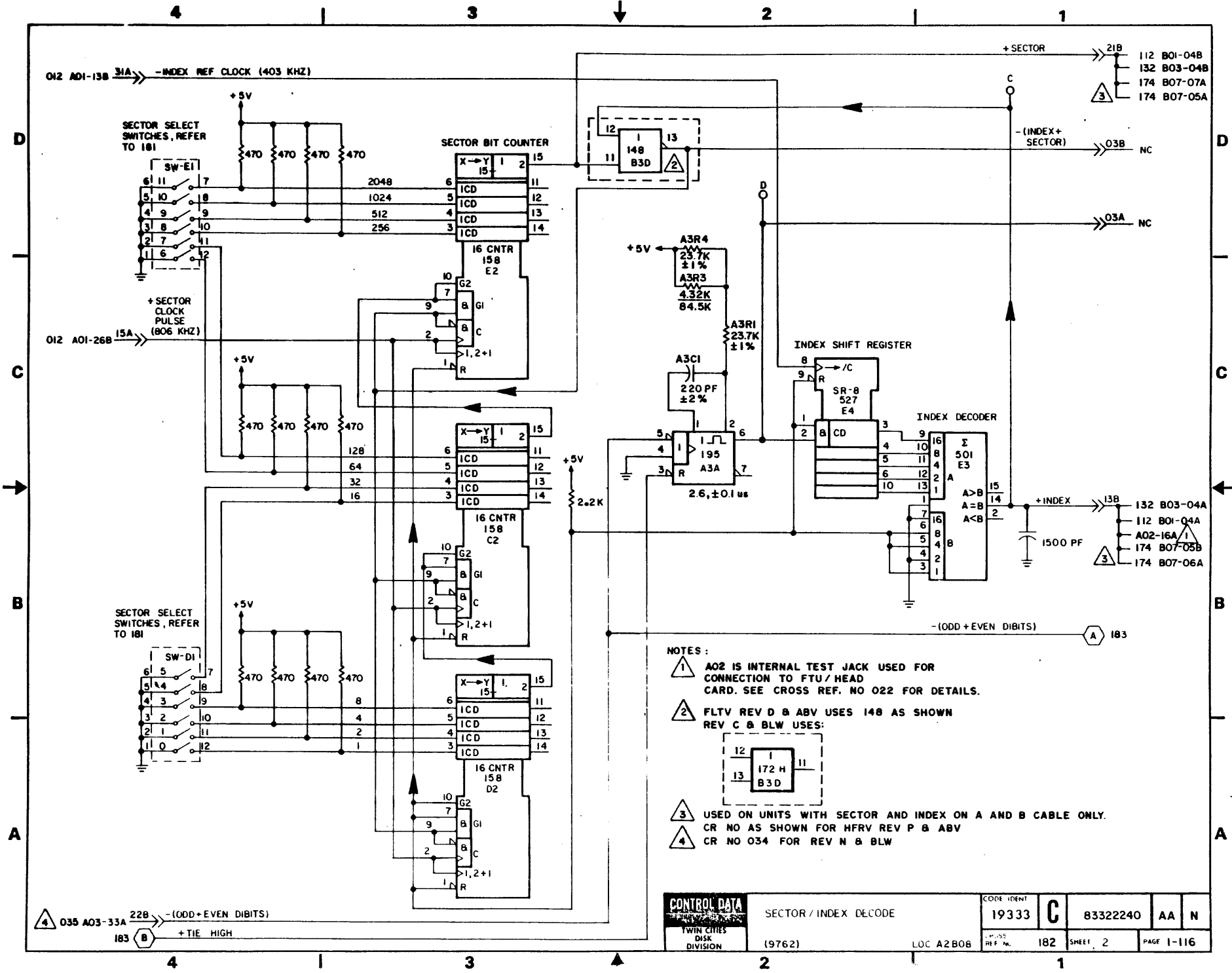


NOTE
1. REFER TO SECTION 1 OF MAINTENANCE MANUAL FOR INFORMATION ON HOW TO SELECT DIFFERENT SECTOR COUNTS.



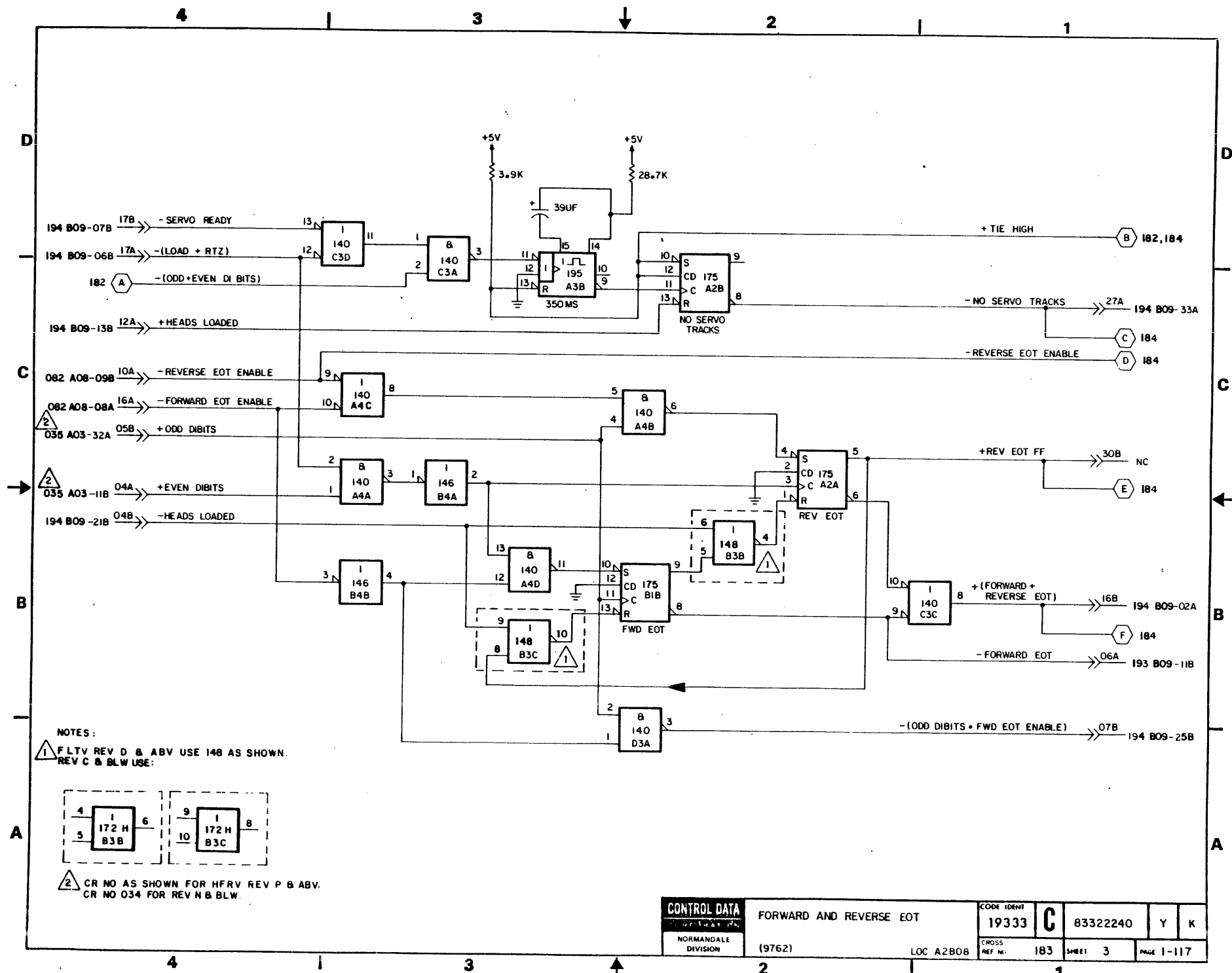
APPLICABLE TO BK5XX = 9762

DRAWN	<i>M. Jackson</i>	20-76	CONTROL DATA TWIN CITIES DISK DIVISION	ACCESS CONTROL AND INDEX / SECTOR DECODE DIAGRAMS	CODE IDENT	19333	C	83322240	AA	N	
CHECKED				TYPE: FLTV	LOC A2B06	CROSS REF NO	181	SHEET	1 of 5	PAGE	1-115
ENGINEER											
APPROVED											

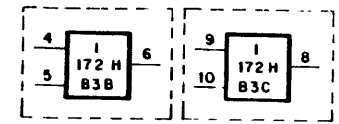


- NOTES:
- 1 A02 IS INTERNAL TEST JACK USED FOR CONNECTION TO FTU / HEAD CARD. SEE CROSS REF. NO 022 FOR DETAILS.
 - 2 FLTV REV D & ABV USES 148 AS SHOWN
REV C & BLW USES:
-
- 3 USED ON UNITS WITH SECTOR AND INDEX ON A AND B CABLE ONLY.
CR NO AS SHOWN FOR HFRV REV P & ABV
 - 4 CR NO 034 FOR REV N & BLW

CONTROL DATA TWIN CITIES DISK DIVISION	SECTOR / INDEX DECODE	CODE IDENT 19333	C	83322240	AA	N
	(9762)	LOC A2B08	PROCESS REF. NO. 182	SHEET 2	PAGE 1-116	

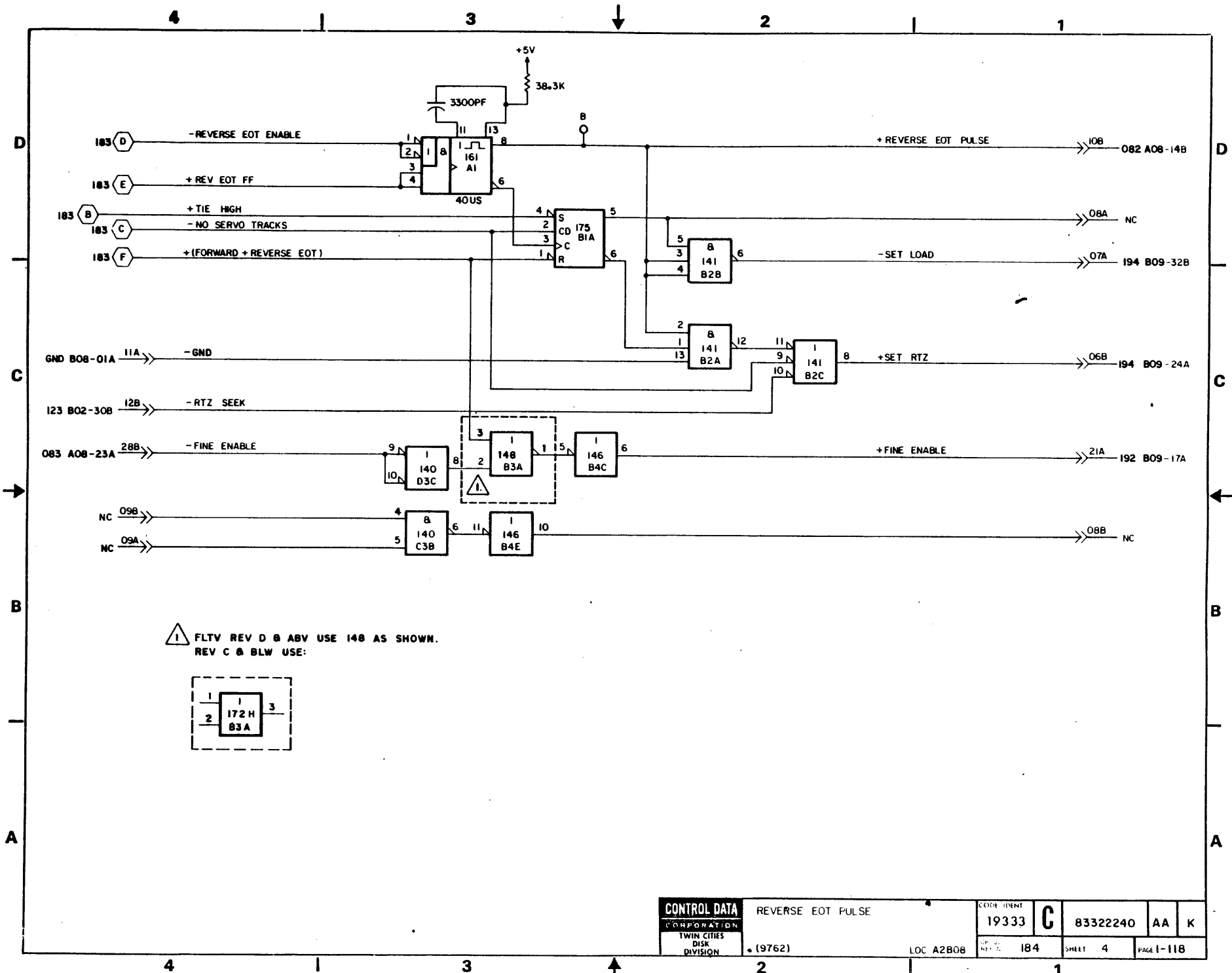


NOTES:
 1 FLTV REV D & ABV USE 148 AS SHOWN.
 REV C & BLW USE:

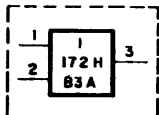


2 CR NO AS SHOWN FOR HFRV REV P & ABV.
 CR NO 034 FOR REV N & BLW.

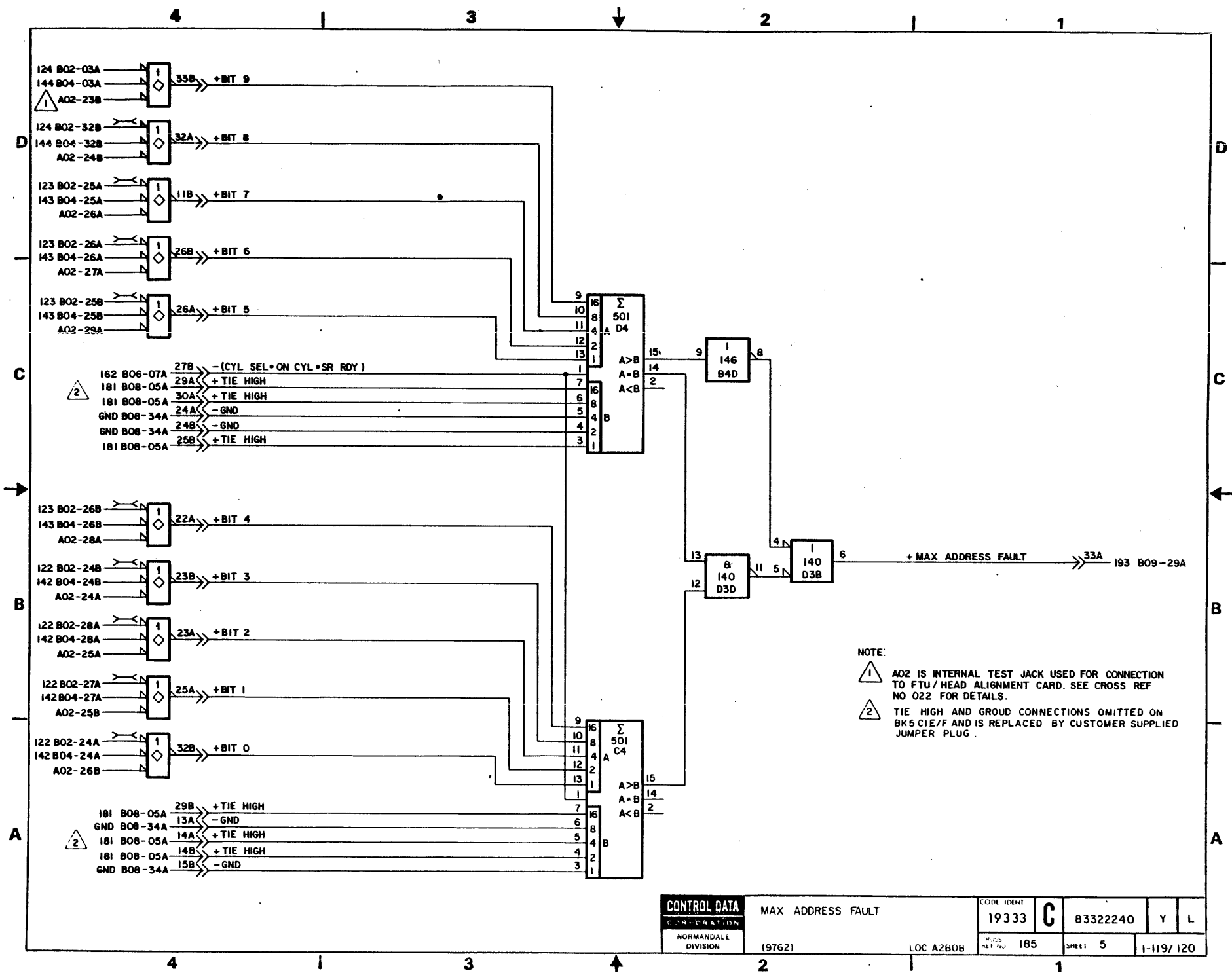
CONTROL DATA NORMANDALE DIVISION	FORWARD AND REVERSE EOT	CODE IDENT	19333	C	83322240	Y	K
	(9762)	LOC A2B08	CROSS REF NO:	183	SHEET 3	PAGE 1-117	



△ FLTV REV D & ABV USE 148 AS SHOWN.
REV C & BLW USE:



CONTROL DATA CORPORATION TWIN CITIES DISK DIVISION	REVERSE EOT PULSE	CODE IDENT 19333	C	83322240	AA	K
	(9762)	LOC A2B08				

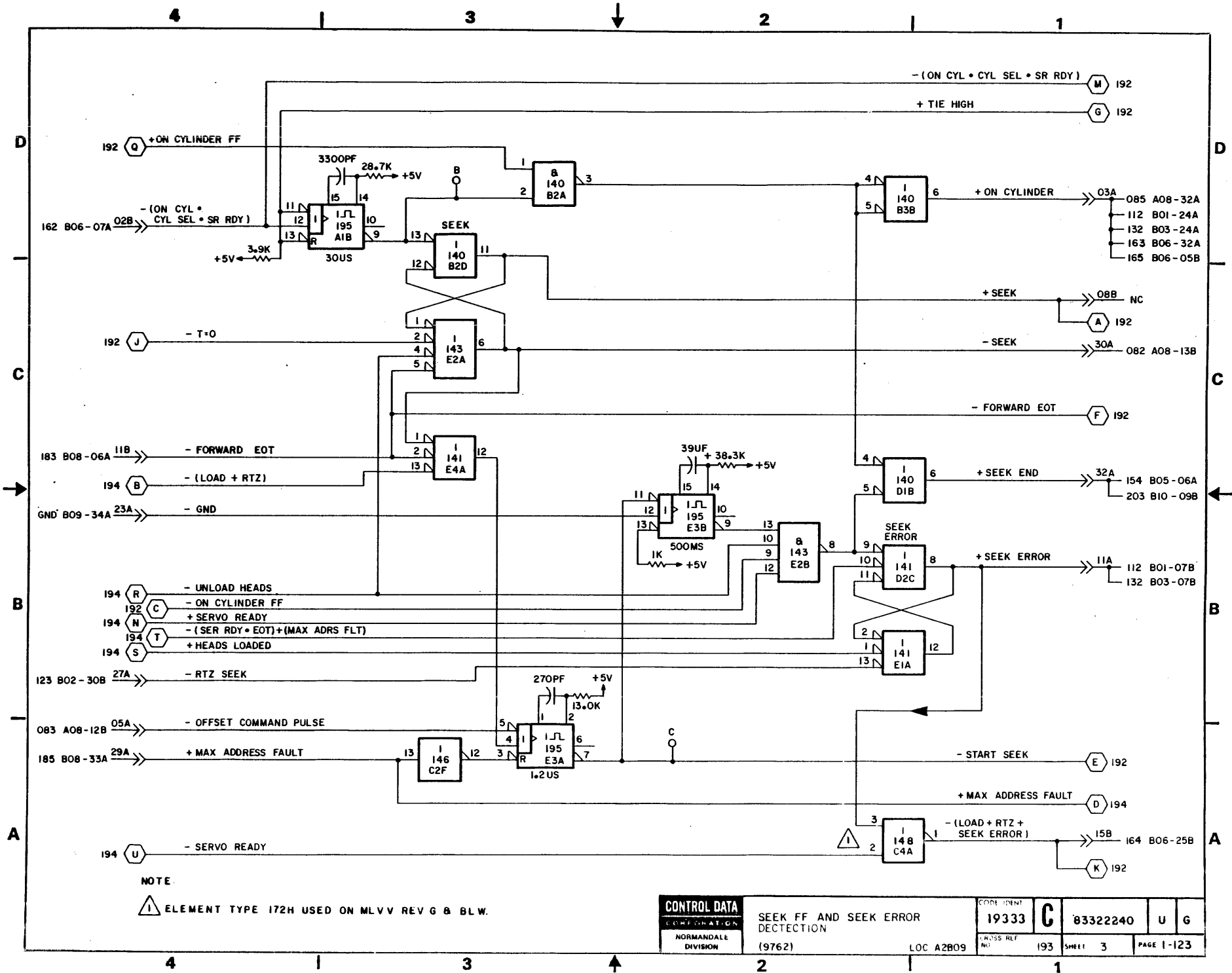


NOTE:

1 AO2 IS INTERNAL TEST JACK USED FOR CONNECTION TO FTU/HEAD ALIGNMENT CARD. SEE CROSS REF NO 022 FOR DETAILS.

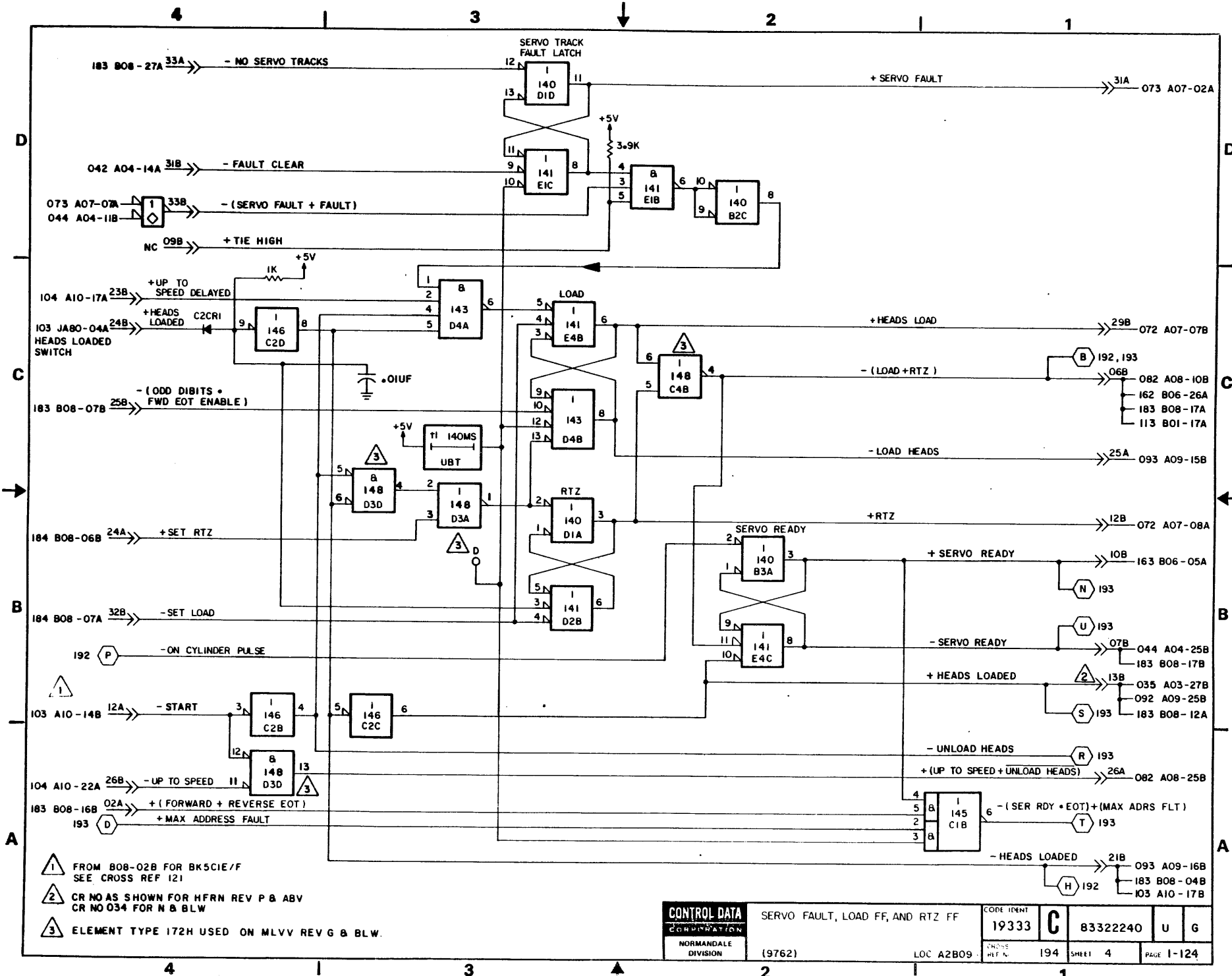
2 TIE HIGH AND GROUND CONNECTIONS OMITTED ON BK5 CIE/F AND IS REPLACED BY CUSTOMER SUPPLIED JUMPER PLUG.

CONTROL DATA CORPORATION NORMANVILLE DIVISION	MAX ADDRESS FAULT	CODE IDENT 19333	C	83322240	Y	L
	(9762)	LOC A2B08				



NOTE:
 ⚠ ELEMENT TYPE 172H USED ON MLVV REV G & BLW.

CONTROL DATA		CODE IDENT	19333	C	83322240	U	G
CORPORATION		SEEK FF AND SEEK ERROR DETECTION		NORMANDALE DIVISION		LOC A2B09	
(9762)		PLANS REF NO	193	SHEET	3	PAGE 1-123	



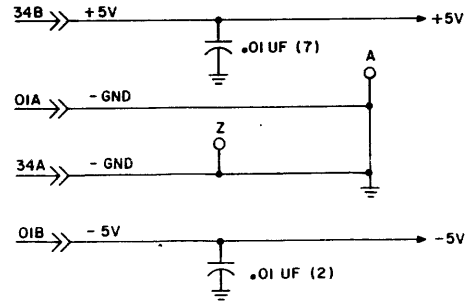
- 1 FROM B08-02B FOR BK5C1E/F SEE CROSS REF 121
- 2 CR NO AS SHOWN FOR HFRN REV P & ABV CR NO 034 FOR N & BLW
- 3 ELEMENT TYPE 172H USED ON MLVV REV G & BLW.

CONTROL DATA CORPORATION NORMANDEALE DIVISION	SERVO FAULT, LOAD FF, AND RTZ FF	CODE 194M 19333	C	83322240	U	G
	(9762)	LOC A2B09				

REVISION STATUS OF SHEETS																				
	1	2	3	4	5	6	7	8	9	10	11	12	13	14	15	16	17	18	19	20
A	A	A																		
B	B	B																		
C	C	C	B																	
D	D	C	D																	
E	E	E	E																	
F	F	F	F																	

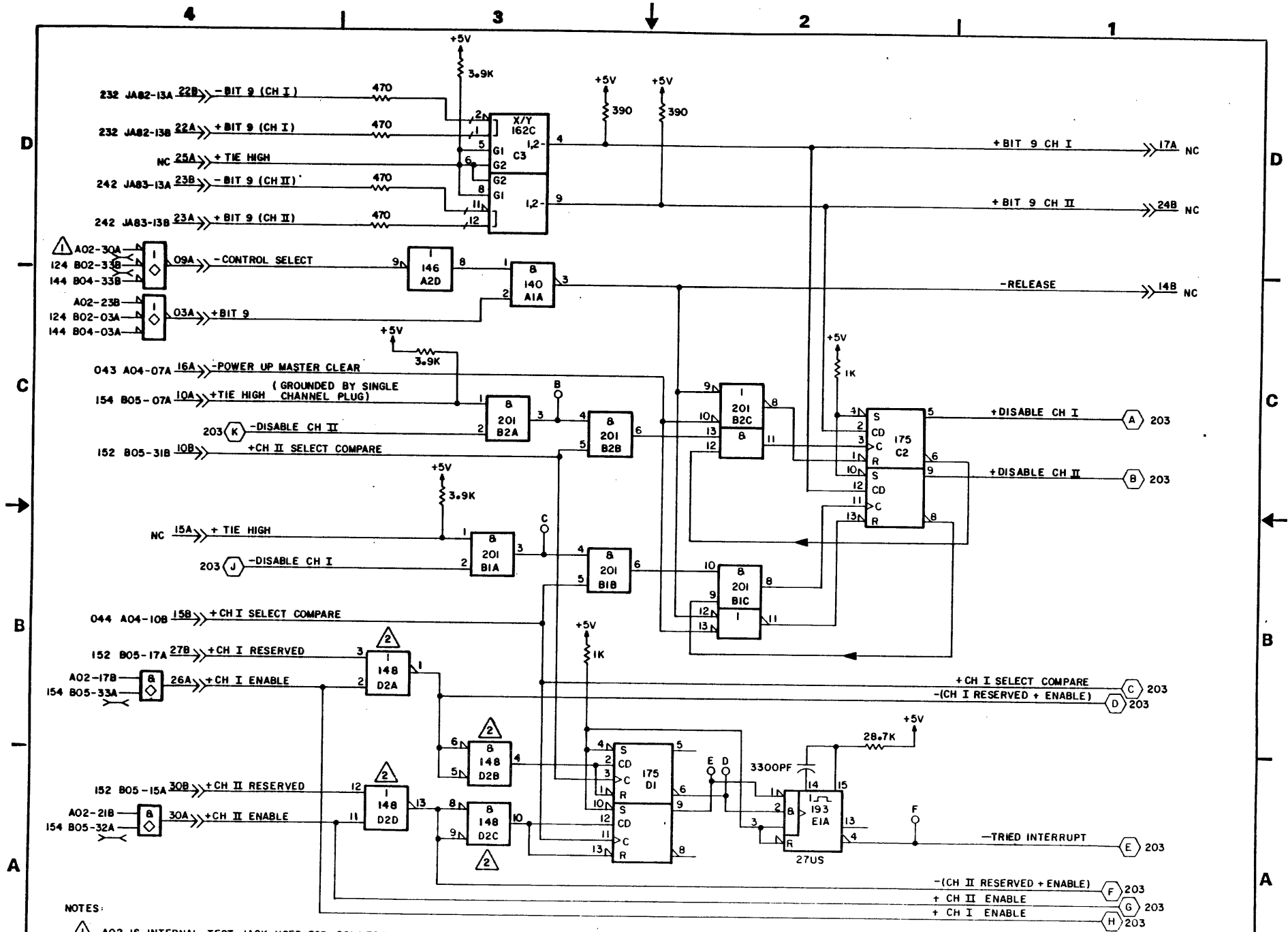
REVISIONS					
REV.	ECO.	DESCRIPTION	DRFT.	DATE	CHK'D
A	PE23000	RELEASED	GR		
B	PE48402	CORRECT DIAGRAMS	WEB	12-17-76	
C	PE48560	W/W CHG	GR	5-10-77	
D	PE48675	ERR CORR	DM	1-25-78	
E		CORRECT SIGNAL NAME	A A O	6-15-78	
F	PE60277	CHG IC FAMILIES	M F	7-13-81	

UNUSED LOGIC ELEMENT		
ELEMENT TYPE	LOCATION	OUTPUT PIN(S)
193	E1B	5,12



APPLICABLE TO 60 PIN I/O

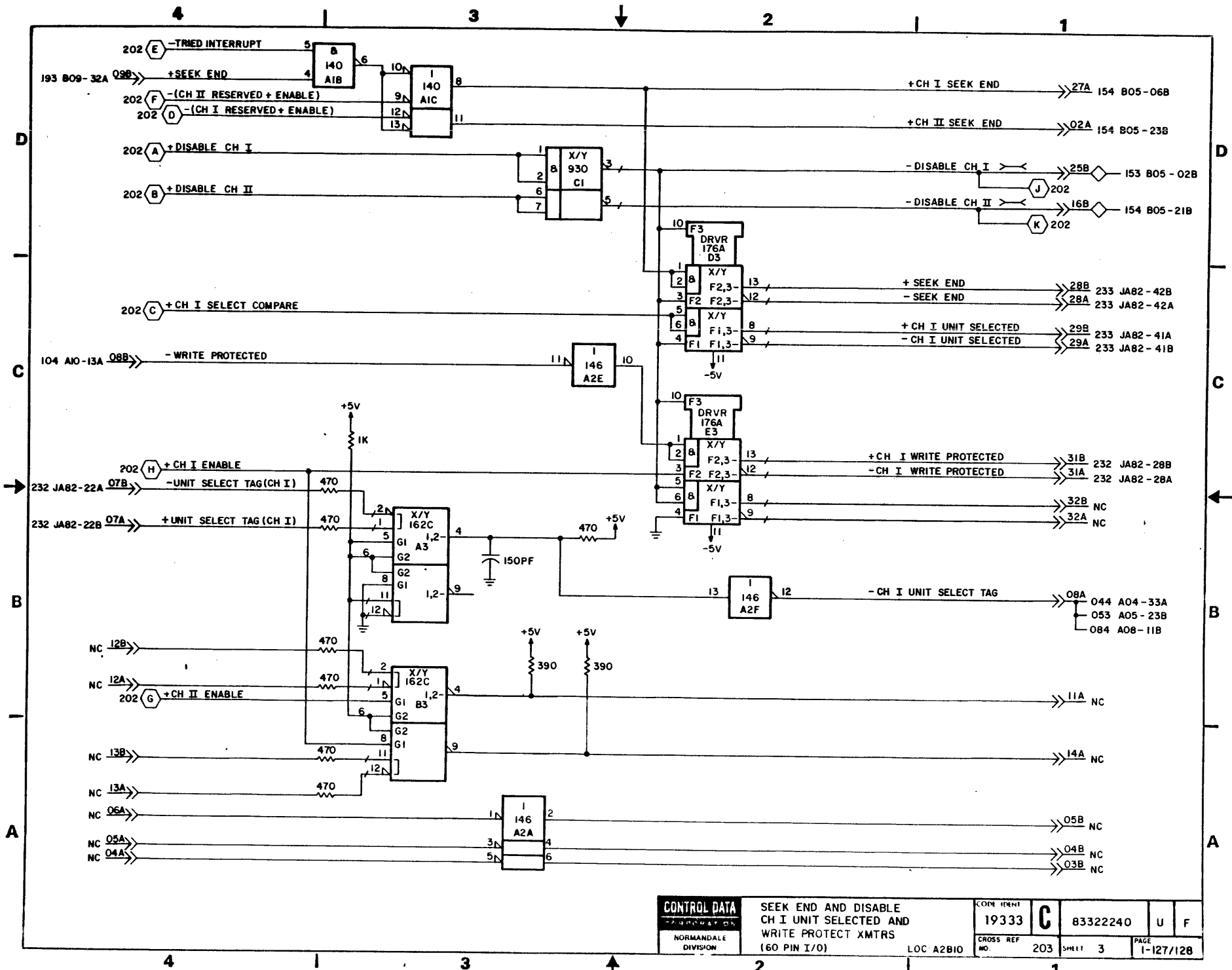
DRAWN	L. KLEIN	8/2/76	CONTROL DATA CORPORATION NORMANDEALE DIVISION	DUAL CHANNEL INTERRUPT AND CHI XMTRS DIAGRAMS	CODE IDENT	19333	C	83322240	U	F	
CHECKED					CROSS REF	201	SHEET	1 of 3	PAGE	1-125	
ENGINEER					TYPE	6SMV	LOC	A2B1C	REF 83214820		
APPROVED											



NOTES:

- ⚠ A02 IS INTERNAL TEST JACK USED FOR CONNECTION TO FTU/HEAD ALIGNMENT CARD. SEE CROSS REF. NO.022 FOR DETAILS.
- ② ELEMENT TYPE 172H USED ON 6SMV REV C & BLW.

CONTROL DATA <small>CORPORATION</small> NORMANDEALE DIVISION	DUAL CHANNEL INTERRUPTS		CODE IDENT	C	83322240	U	F
	(60 PIN I/O)		19333				
	LOC A2B10		CROSS REF NO.	202	SHEET	2	PAGE 1-126

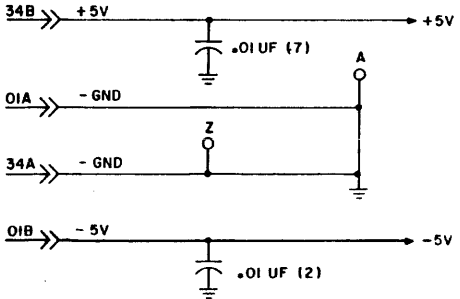


CONTROL DATA CORPORATION	SEEK END AND DISABLE CH I UNIT SELECTED AND WRITE PROTECT XMTRS (60 PIN I/O)		CODE IDENT 19333	C	83322240	U	F
	NORMANDEALE DIVISION	LOC A2B10	CROSS REF NO. 203				

REVISION STATUS OF SHEETS																			
1	2	3	4	5	6	7	8	9	10	11	12	13	14	15	16	17	18	19	20
A	A	A	A																

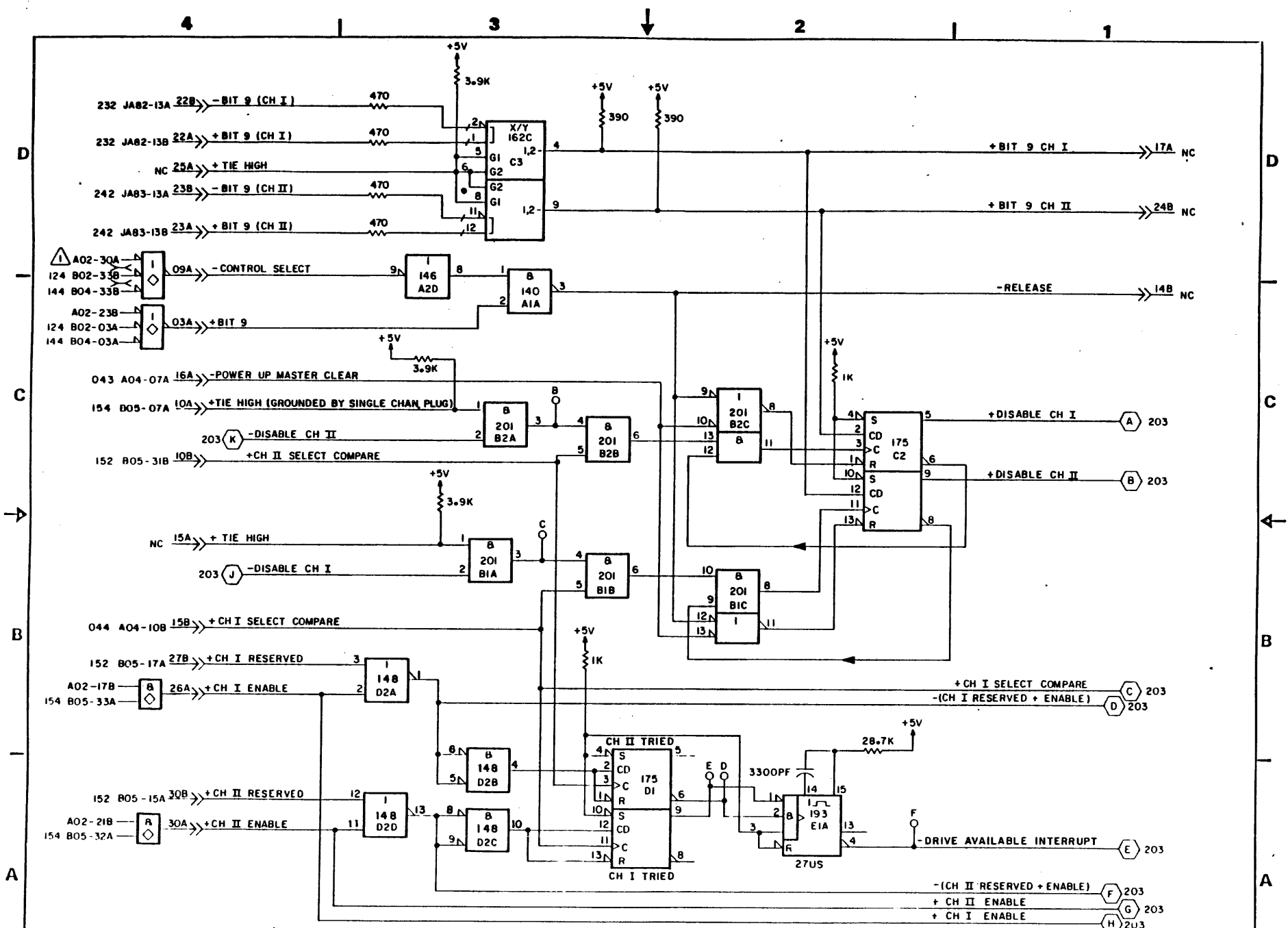
REVISIONS					
REV	ECO	DESCRIPTION	DRFT	DATE	CHK'D
A	DJ00399	VDE NEW CREATE	KKB	11-16-82	Y-3

UNUSED LOGIC ELEMENT		
ELEMENT TYPE	LOCATION	OUTPUT PIN(S)
193	E1B	5,12



THIS SET USED FOR BK5C6D (60 PIN I/O)

DRN	K.BARTSCH 11-16-82	CODE IDENT	19333	C	83322240	Z	A
CHECKED		SMALL DISK DIVISION	TYPE: ESMV	LOC: A2B10	NO. 201	1 of 4	1-128.1
ENGINEER							
APPROVED							

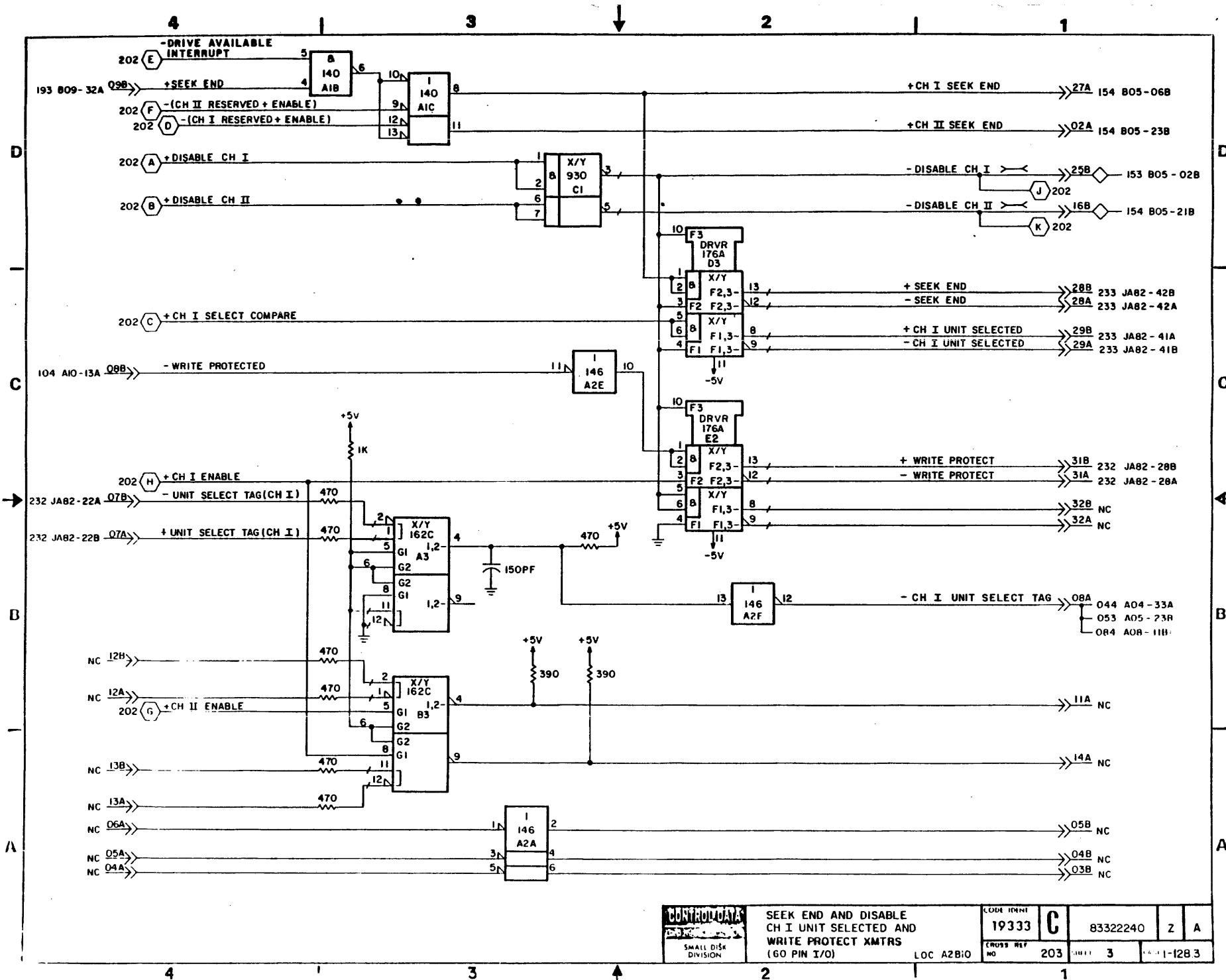


⚠ A02 IS INTERNAL TEST JACK USED FOR CONNECTION TO FTU/HEAD ALIGNMENT CARD. SEE CROSS REF. NO.022 FOR DETAILS.



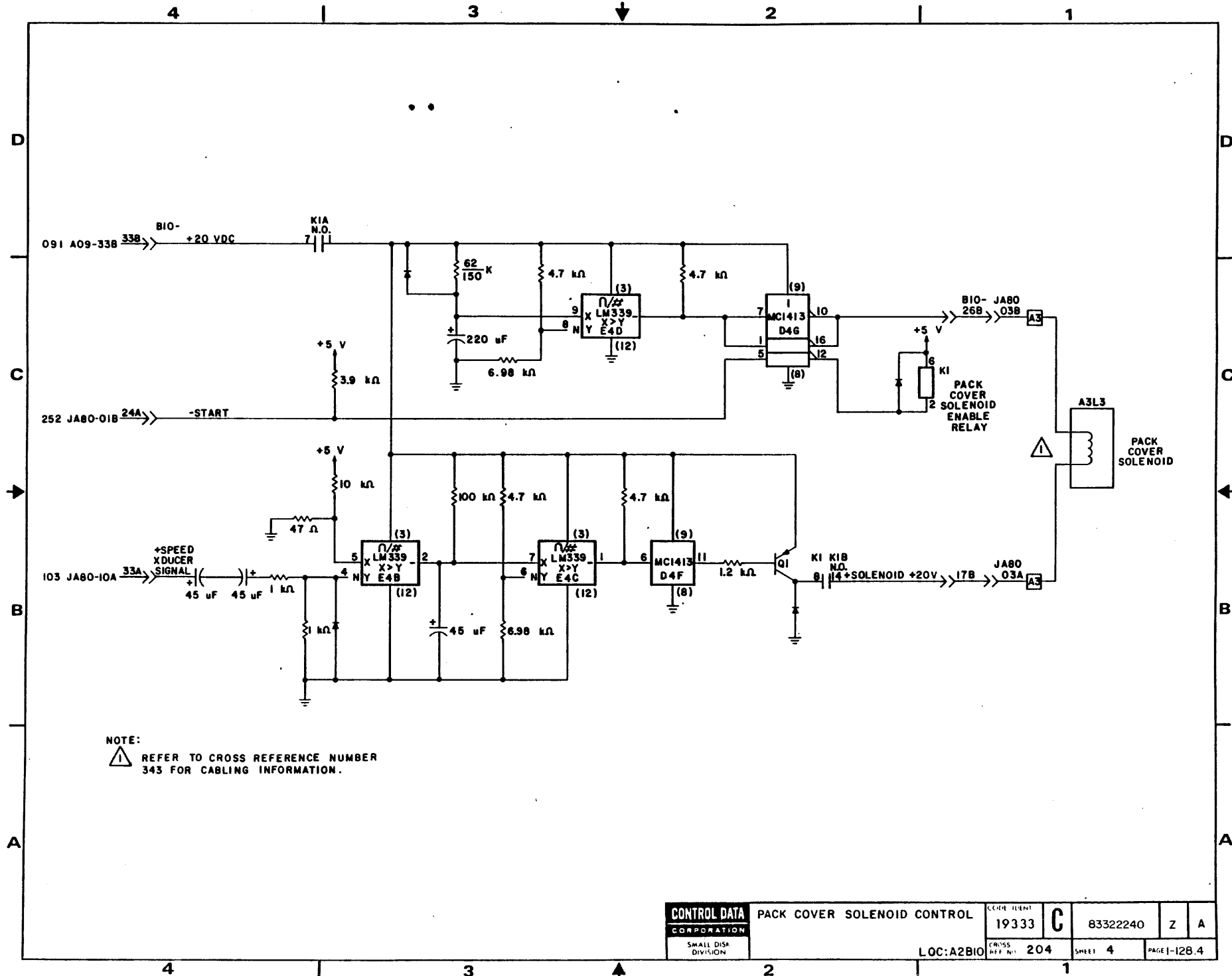
DUAL CHANNEL INTERRUPTS
(60 PIN I/O)

CURR. PART	19333	C	8332240	Z	A
CROSS REF. NO.	202	SHEET ?	PAGE 4282		



SEEK END AND DISABLE
CH I UNIT SELECTED AND
WRITE PROTECT XMTRS
(60 PIN I/O) LOC A2B10

CODE IDENT	19333	C	83322240	Z	A
CROSS REF NO	203	3	1-1283		

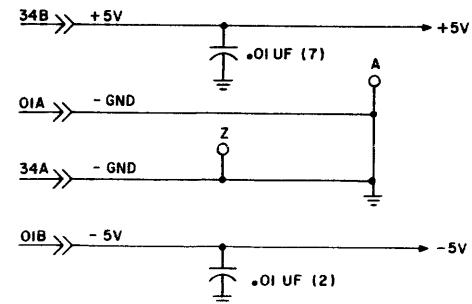


CONTROL DATA CORPORATION SMALL DISK DIVISION	PACK COVER SOLENOID CONTROL	CORP. IDENT. 19333	C	83322240	Z	A
	LOC: A2BIO	CROSS REF. NO. 204		SHEET 4	PAGE 1-12B.4	

REVISION STATUS OF SHEETS																				
	1	2	3	4	5	6	7	8	9	10	11	12	13	14	15	16	17	18	19	20
A	A	A	A																	
B	B	B	B																	
C	C	C	B																	
D	D	D	D																	
E	E	E	D																	
F	F	F	F																	

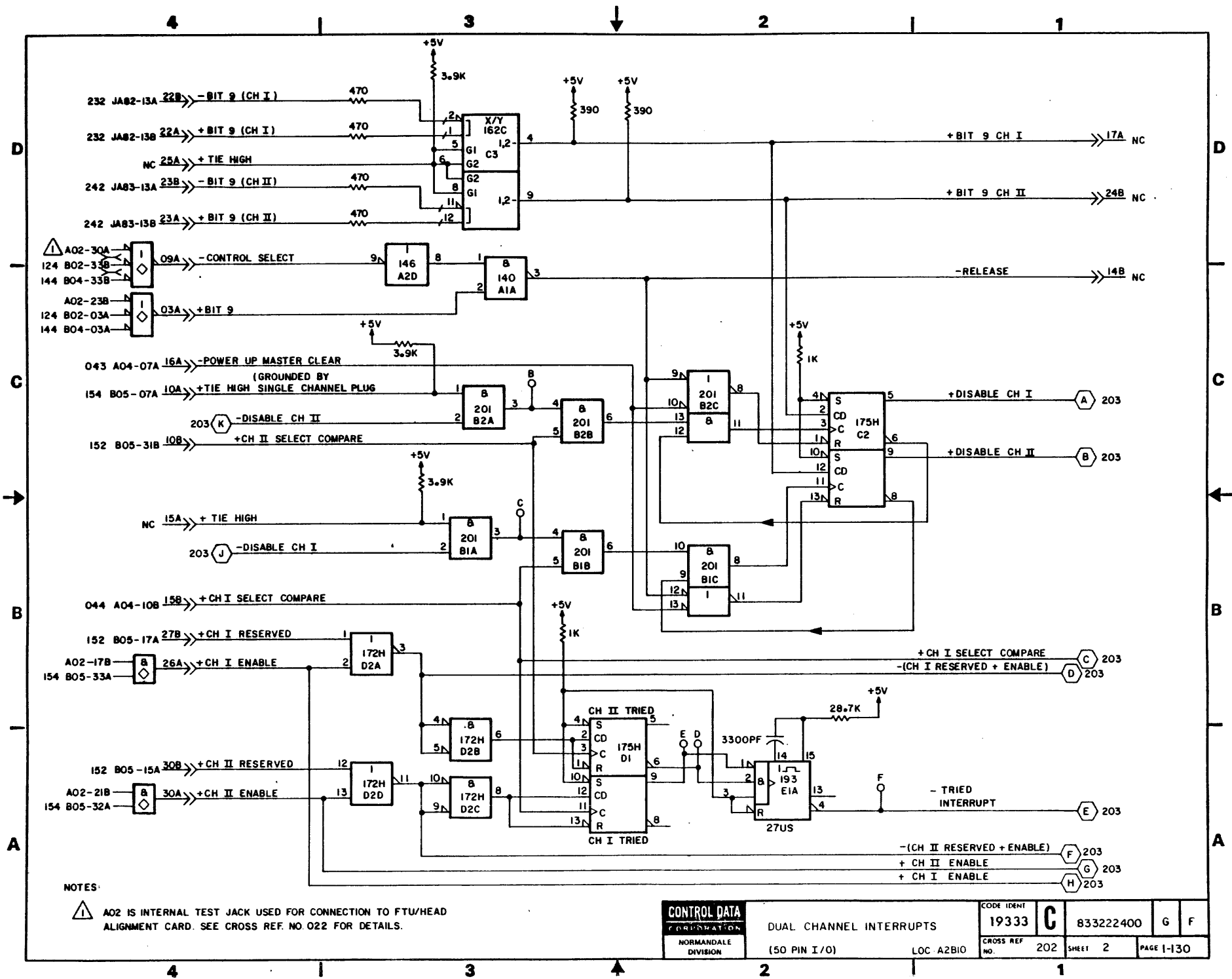
REVISIONS					
REV.	ECO.	DESCRIPTION	DW'T	DATE	CHK'D
A	PE23000	RELEASED	GR		
B	PE48402	CORR DIAG			
C	PE48560	W/W CHG	GR	5-10-77	
D	PE48523	CORR DIAG	DM	7-22-77	
E	PE48568	DIAG CORR	DM	7-22-77	
F		CORRECT SIGNAL NAME	A.A.O.	6-15-78	

UNUSED LOGIC ELEMENT		
ELEMENT TYPE	LOCATION	OUTPUT PIN(S)
193	E1B	5,12



APPLICABLE TO 50 PIN I/O

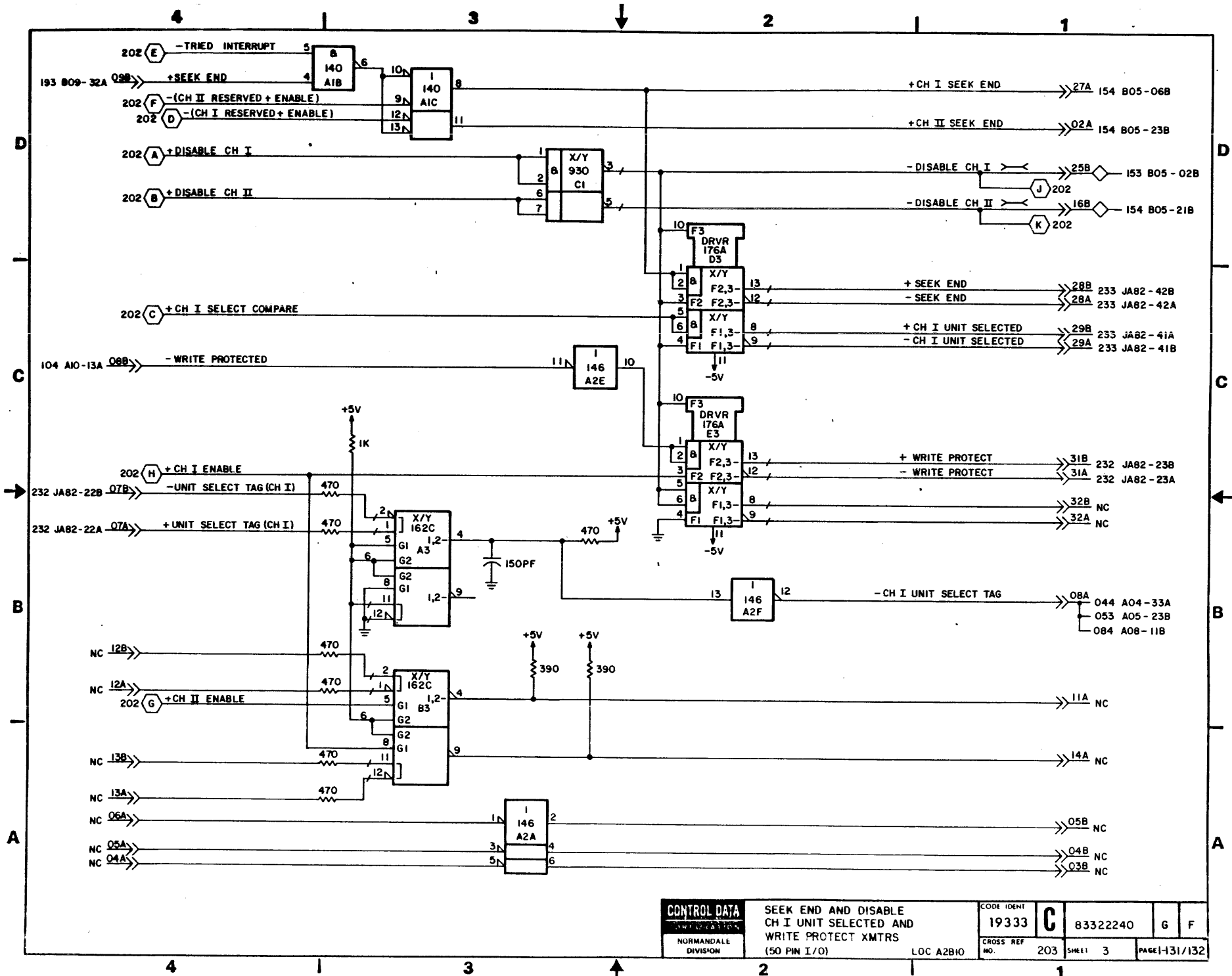
DRAWN: <i>R. KLEIN</i> CHECKED: ENGINEER: APPROVED:	CONTROL DATA CORPORATION NORMANDEALE DIVISION	DUAL CHANNEL INTERRUPT AND CH I XMTRS DIAGRAMS TYPE 6SMV LOC A2B10	CODE IDENT: 19333 C CROSS REF NO: 201	83322240 SHEET 1 of 3 PAGE 1-129	K F
--	---	---	---	--	-----



NOTES:

⚠ A02 IS INTERNAL TEST JACK USED FOR CONNECTION TO FTU/HEAD ALIGNMENT CARD. SEE CROSS REF. NO.022 FOR DETAILS.

CONTROL DATA CORPORATION NORMANDEALE DIVISION	DUAL CHANNEL INTERRUPTS		CODE IDENT 19333	C	833222400	G	F
	(50 PIN I/O)		LOC A2BIO				

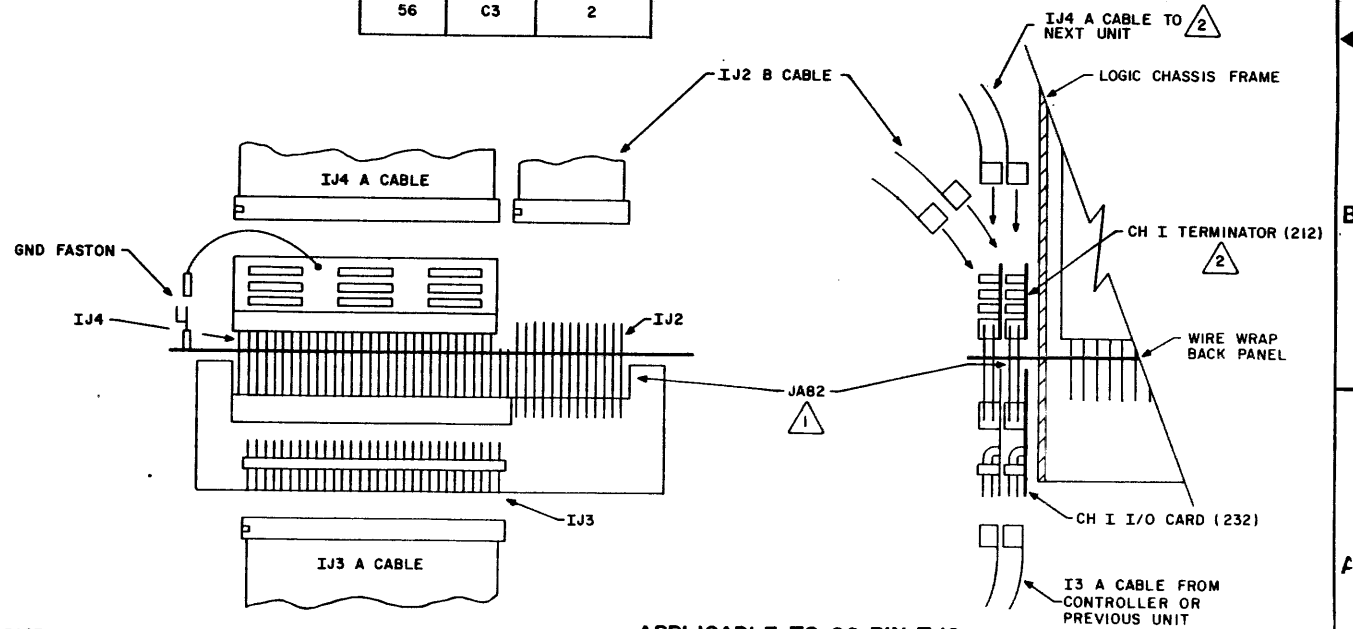


CONTROL DATA CORPORATION	SEEK END AND DISABLE CH I UNIT SELECTED AND WRITE PROTECT XMTRS (50 PIN I/O)	CODE IDENT 19333	C	83322240	G	F
	NORMANDEALE DIVISION	LOC A2B10				

REVISION STATUS OF SHEETS																				
1	2	3	4	5	6	7	8	9	10	11	12	13	14	15	16	17	18	19	20	
A	A																			
B	B																			
C	C																			

REVISIONS					
REV.	ECO.	DESCRIPTION	DRFT	DATE	CHK'D
A	PE23000	RELEASED			
B	PE48402	CORRECT DIAGRAMS	WEB	12-17-76	
C	PE55992	ADD GROUNDS	CB	2-6-80	

UNUSED RESISTORS		
VALVE	LOCATION	OUTPUT PIN(S)
56	A2	2,4,6
56	C2	3
56	C3	2

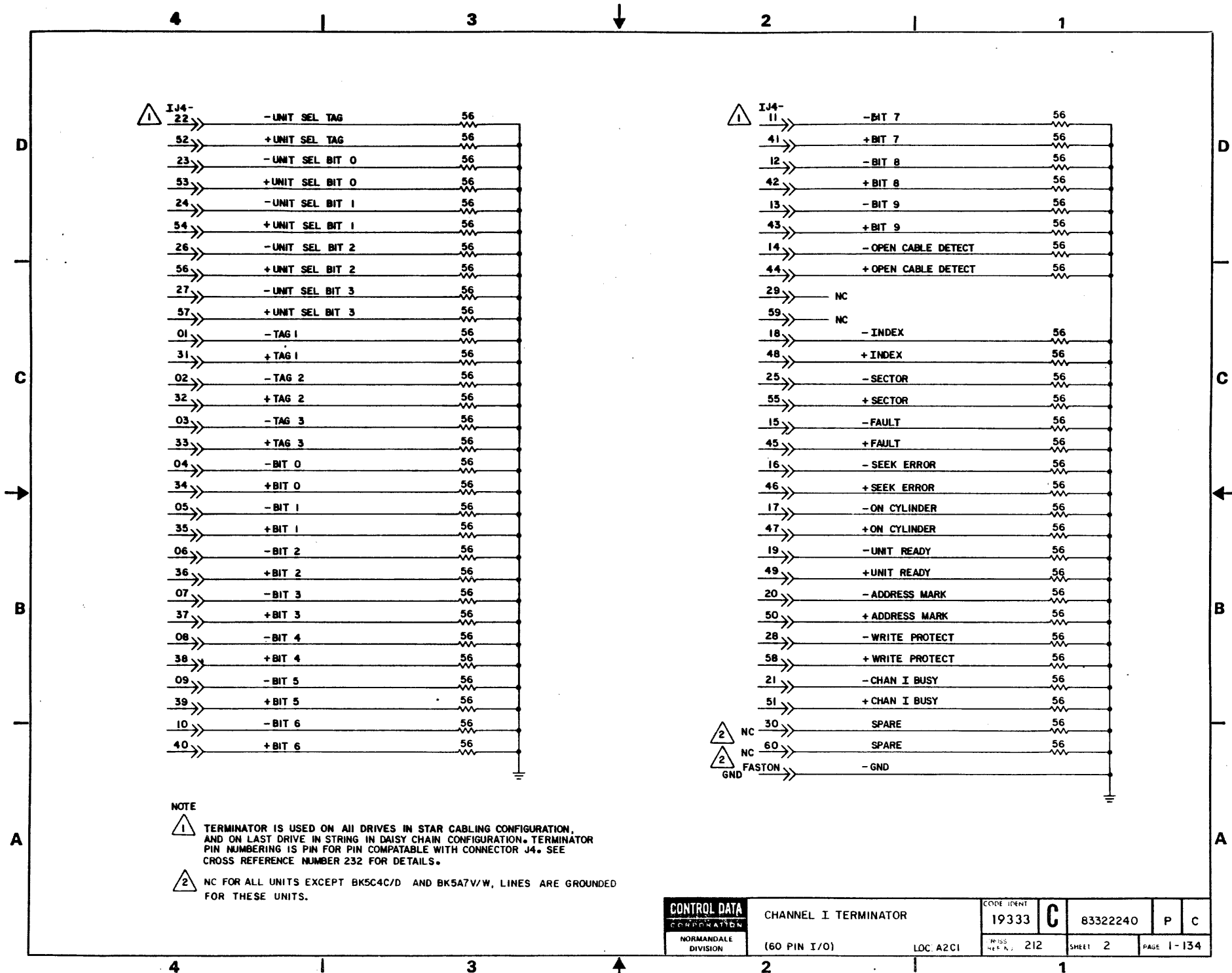


NOTE

⚠ FEED THROUGH W/W PINS MAKE CONTACT TO BOTH TERMINATOR AND I/O CARD

② TERMINATOR IS REQUIRED IN PLACE OF IJ4 A CABLE ON THE LAST UNIT IN A DAISY CHAIN CONFIGURATION AND ON ALL UNITS IN A STAR CONFIGURATION.

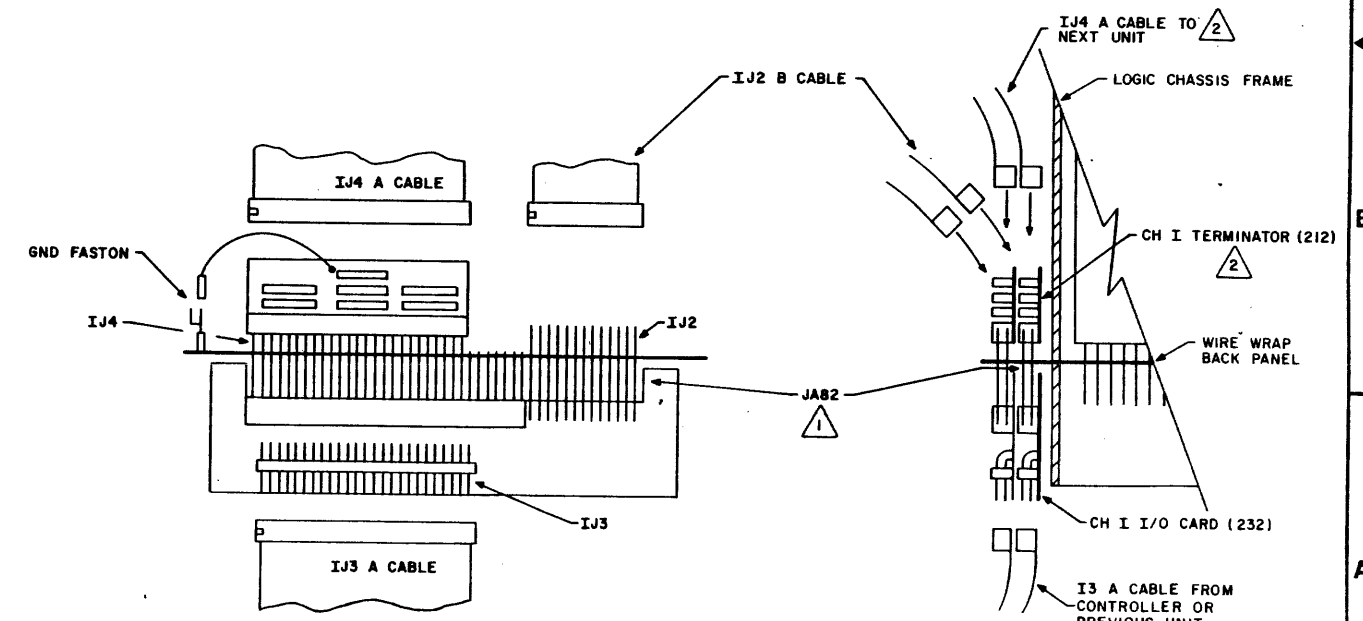
DRAWN	G. R. BOWEN	W. H. W.	CONTROL DATA CORPORATION NORMANDALE DIVISION	CHANNEL I TERMINATOR DIAGRAMS		CODE IDENT	19333	C	83322240	P	C
CHECKED				TYPE: AYDV	LOC A2C1	CROSS REF. NO.	211	SHEET	1 OF 2	PAGE	1-133
ENGINEER											
APPROVED											



REVISION STATUS OF SHEETS																				
1	2	3	4	5	6	7	8	9	10	11	12	13	14	15	16	17	18	19	20	
A	A																			
B	B																			

REVISIONS					
REV.	ECO.	DESCRIPTION	DRFT	DATE	CHK'D
A	PE23000	RELEASED			
B	PE48402	CORRECT DIAGRAMS		12-17-78	

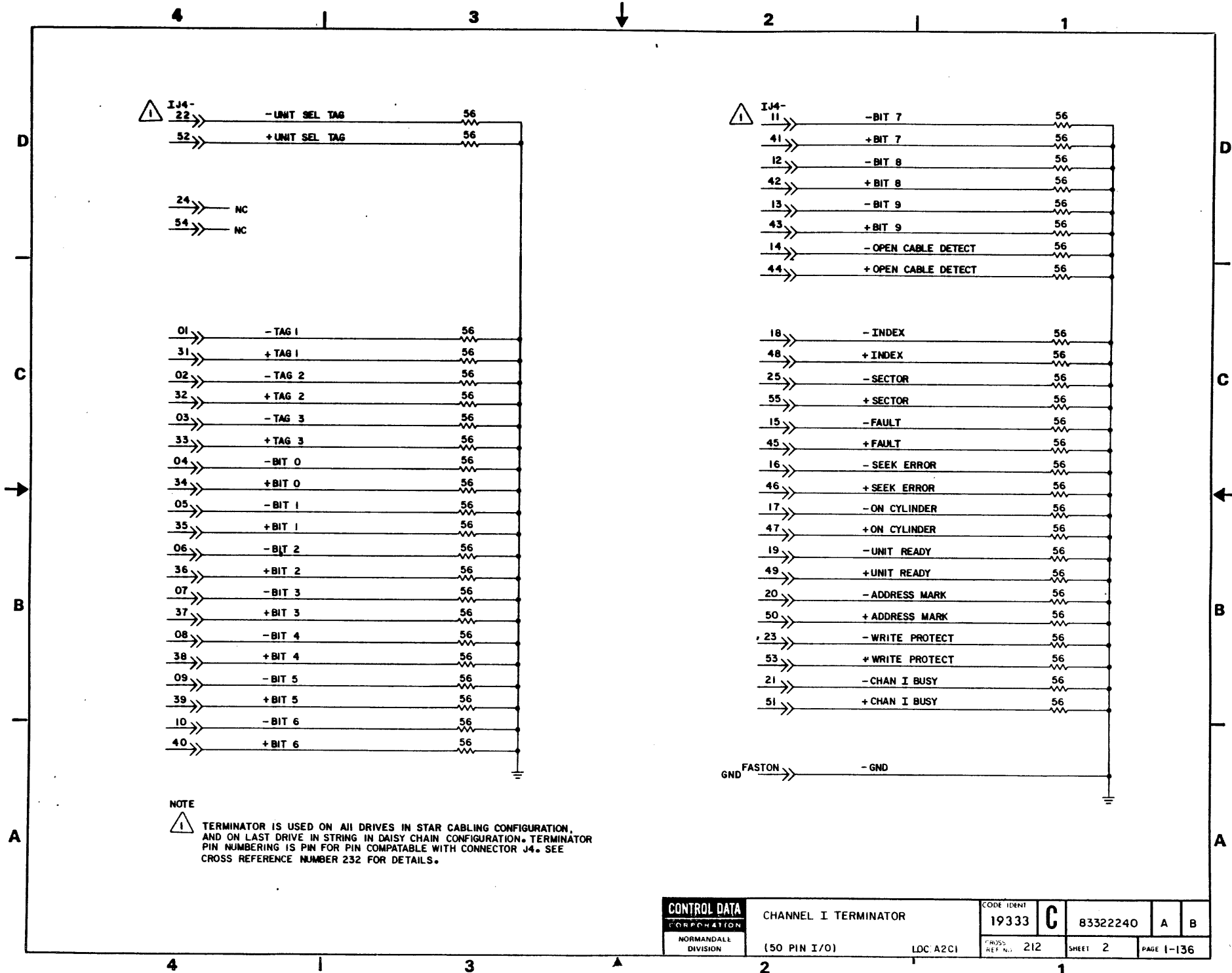
UNUSED RESISTORS		
VALVE	LOCATION	OUTPUT PIN(S)
56	B2	3



NOTE
 1 FEED THROUGH W/W PINS MAKE CONTACT TO BOTH, TERMINATOR AND I/O CARD
 2 TERMINATOR IS REQUIRED IN PLACE OF IJ4 A CABLE ON THE LAST UNIT IN A DAISY CHAIN CONFIGURATION AND ON ALL UNITS IN A STAR CONFIGURATION.

DRAWN	G. RIBBLE	W/M/L	CONTROL DATA CORPORATION NORMANDALE DIVISION
CHECKED			
ENGINEER			
APPROVED			

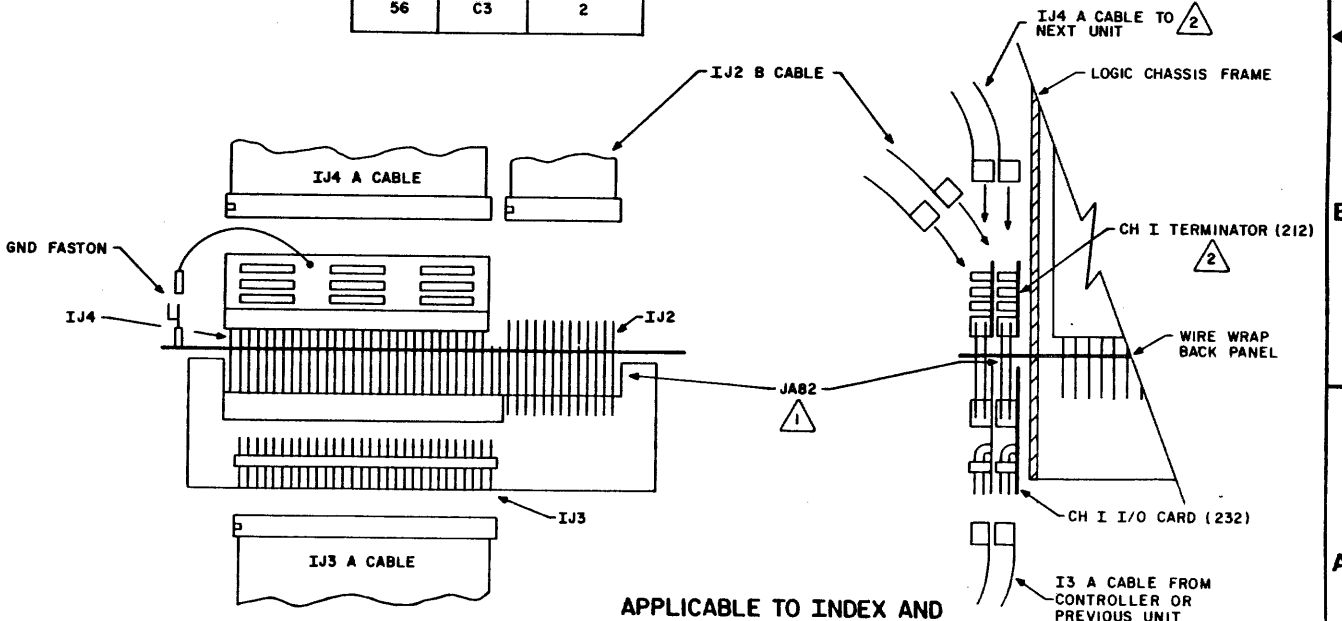
APPLICABLE TO 50 PIN I/O				CODE IDENT	C	83322240	K	B
CHANNEL I TERMINATOR DIAGRAMS	TYPE BYDV	LOC A2C1	TRANS REF	19333	211	SHEET 1 of 2	PAGE 1-135	
REF 83214842								



REVISION STATUS OF SHEETS																				
1	2	3	4	5	6	7	8	9	10	11	12	13	14	15	16	17	18	19	20	
A	A																			
B	B																			

REVISIONS					
REV.	ECO.	DESCRIPTION	DRFT	DATE	CHK'D
A	PE23000	RELEASED			
B	PE48402	CORR DIAG			

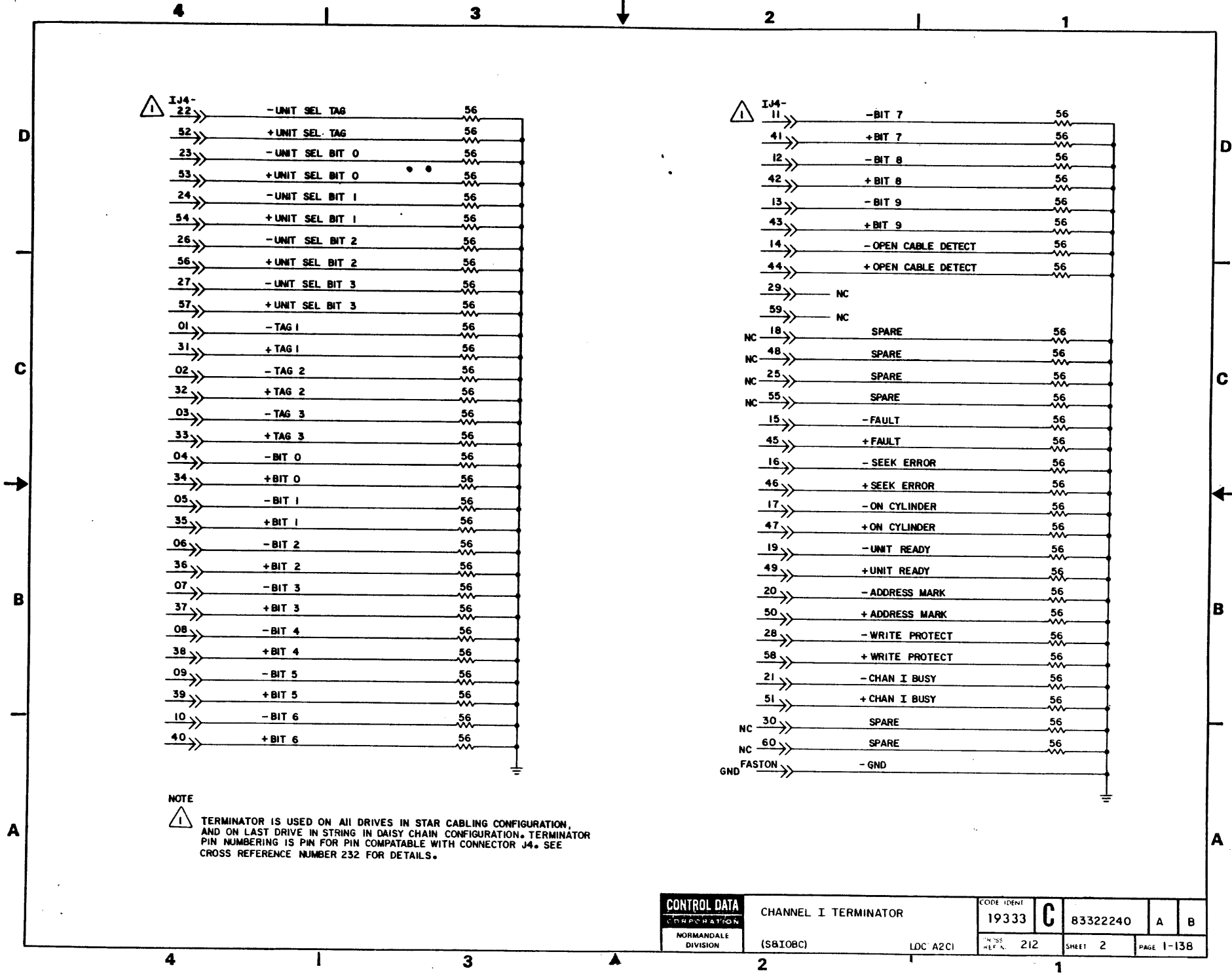
UNUSED RESISTORS		
VALVE	LOCATION	OUTPUT PIN(S)
56	A2	2,4,6
56	C2	3
56	C3	2



NOTE:
 1 FEED THROUGH W/W PINS MAKE CONTACT TO BOTH, TERMINATOR AND I/O CARD.
 2 TERMINATOR IS REQUIRED IN PLACE OF IJ4 A CABLE ON THE LAST UNIT IN A DAISY CHAIN CONFIGURATION AND ON ALL UNITS IN A STAR CONFIGURATION.

APPLICABLE TO INDEX AND SECTOR IN B CABLE

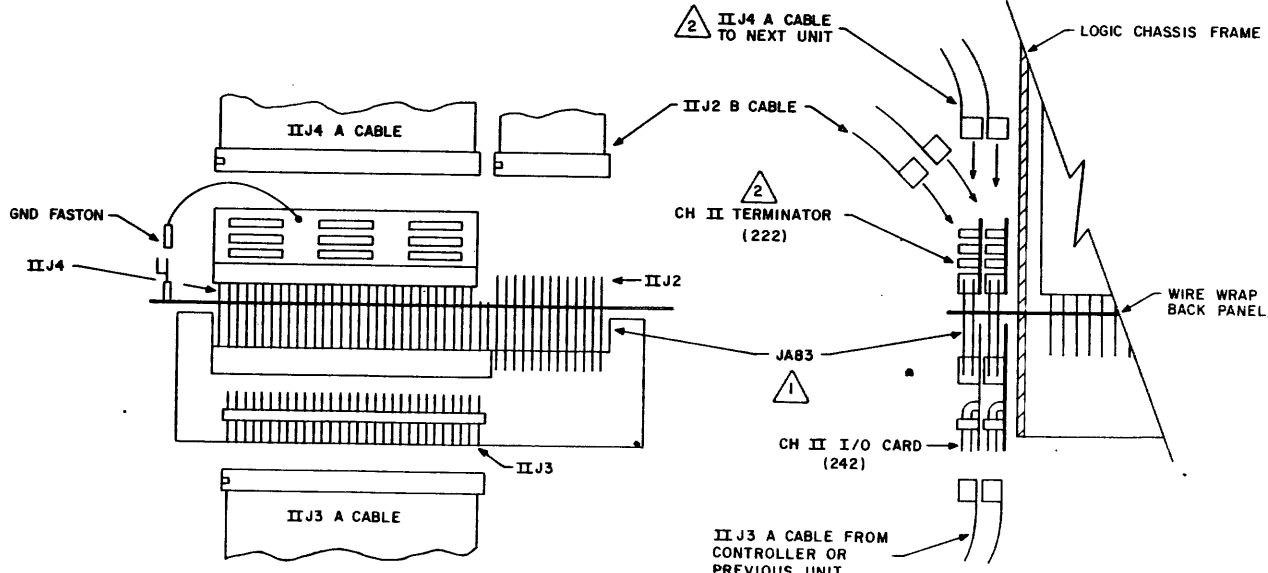
DRAWN	G. RYAN	9/27/74	CONTROL DATA CORPORATION NORMANDALE DIVISION	CHANNEL I TERMINATOR DIAGRAMS	CODE IDENT	19333	C	83322240	K	B
CHECKED				TYPE AYDV	CROSS REF NO	211	SHEET	1 of 2	PAGE	1-137
ENGINEER				LOC: A2C1						
APPROVED										



REVISION STATUS OF SHEETS																				
1	2	3	4	5	6	7	8	9	10	11	12	13	14	15	16	17	18	19	20	
A	A																			
B	B																			
C	C																			

REVISIONS					
REV.	ECO.	DESCRIPTION	DRFT	DATE	CHK'D
A	PE23000	RELEASE			
B	PE48402	CORRECT DIAGRAMS	WEB	12-17-76	
C	PE55992	ADD GROUNDS	CB	2-6-80	

UNUSED RESISTORS		
VALUE	LOCATION	OUTPUT PIN(S)
56	A2	2,4,6
56	C2	3
56	C3	2



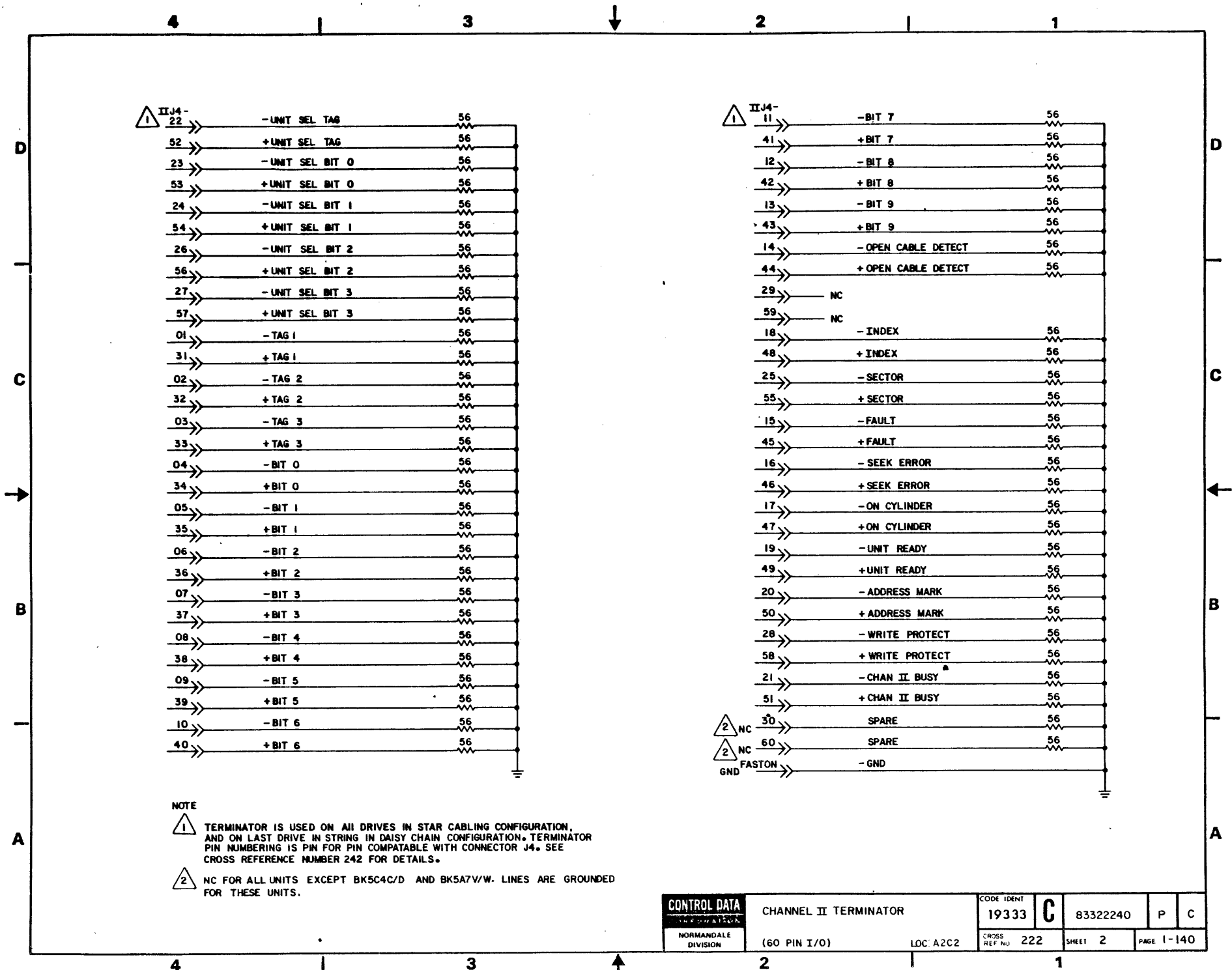
NOTE

1 FEED THROUGH W/W PINS MAKE CONTACT TO BOTH, TERMINATOR AND I/O CARD

2 TERMINATOR IS REQUIRED IN PLACE OF IIJ4 A CABLE ON THE LAST UNIT IN A DAISY CHAIN CONFIGURATION AND ON ALL UNITS IN A STAR CONFIGURATION.

APPLICABLE TO 60 PIN I/O

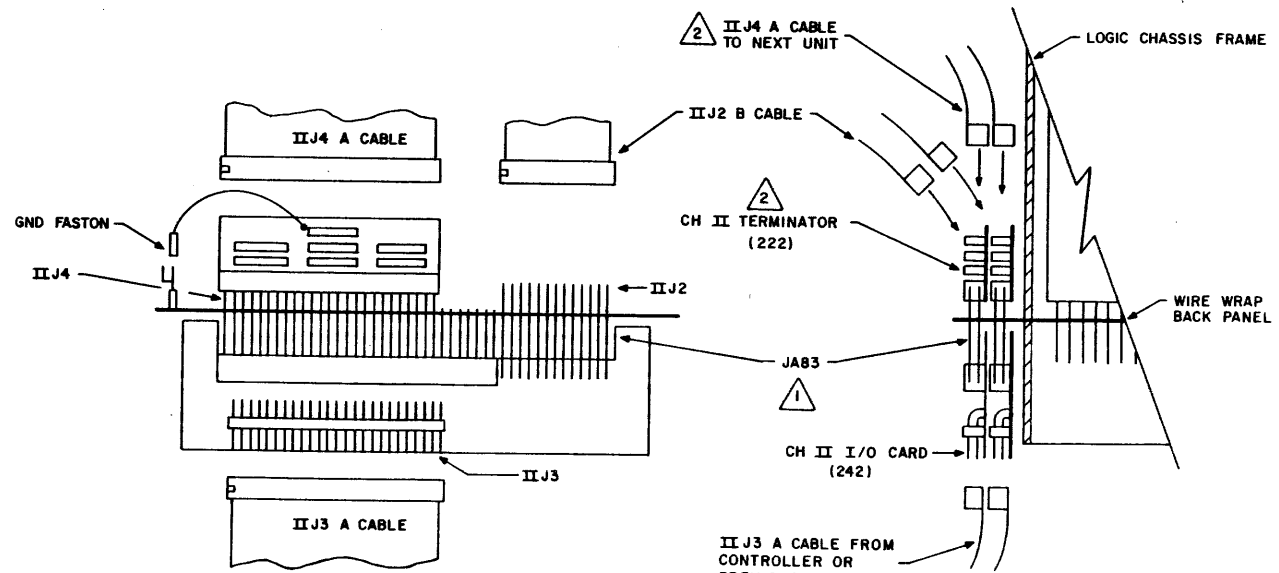
DRAWN G. RAGINE 9/20/76	CONTROL DATA CORPORATION	CHANNEL II TERMINATOR DIAGRAMS	CODE IDENT 19333 C	83322240	P	C
CHECKED	NORMANDE DIVISION	TYPE AYDV	LOC A2C2	SHEET 1 OF 2	PAGE 1-139	
ENGINEER				REF 83214822		
APPROVED						



REVISION STATUS OF SHEETS																				
1	2	3	4	5	6	7	8	9	10	11	12	13	14	15	16	17	18	19	20	
A	A																			
B	B																			

REVISIONS					
REV.	ECO.	DESCRIPTION	DRFT	DATE	CHK'D
A	PE23000	RELEASE			
B	PE48402	CORR DIAG			

UNUSED RESISTORS		
VALUE	LOCATION	OUTPUT PIN(S)
56	B2	3



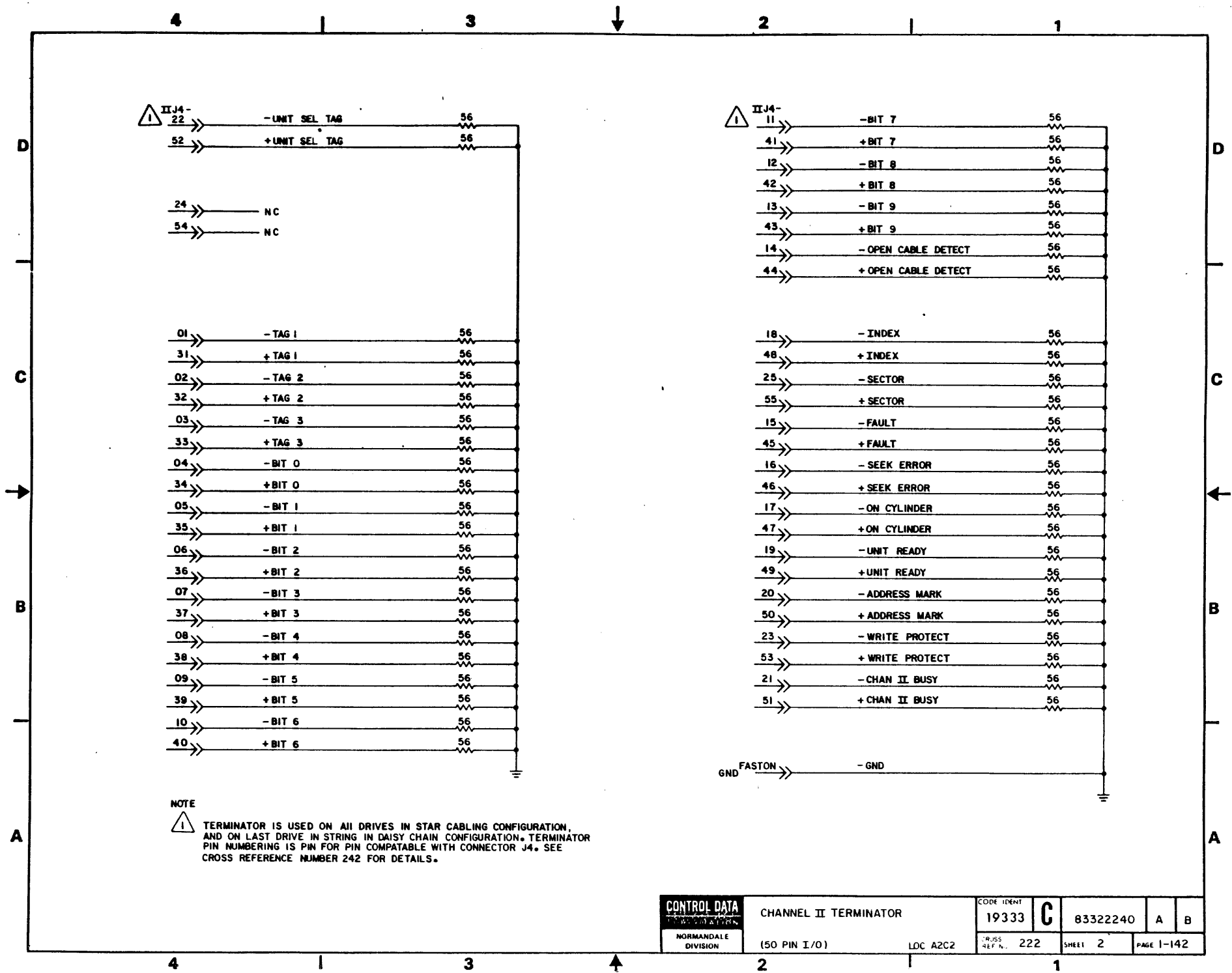
NOTE

1 FEED THROUGH W/W PINS MAKE CONTACT TO BOTH, TERMINATOR AND I/O CARD

2 TERMINATOR IS REQUIRED IN PLACE OF IIJ4 A CABLE ON THE LAST UNIT IN A DAISY CHAIN CONFIGURATION AND ON ALL UNITS IN A STAR CONFIGURATION.

APPLICABLE TO 50 PIN I/O

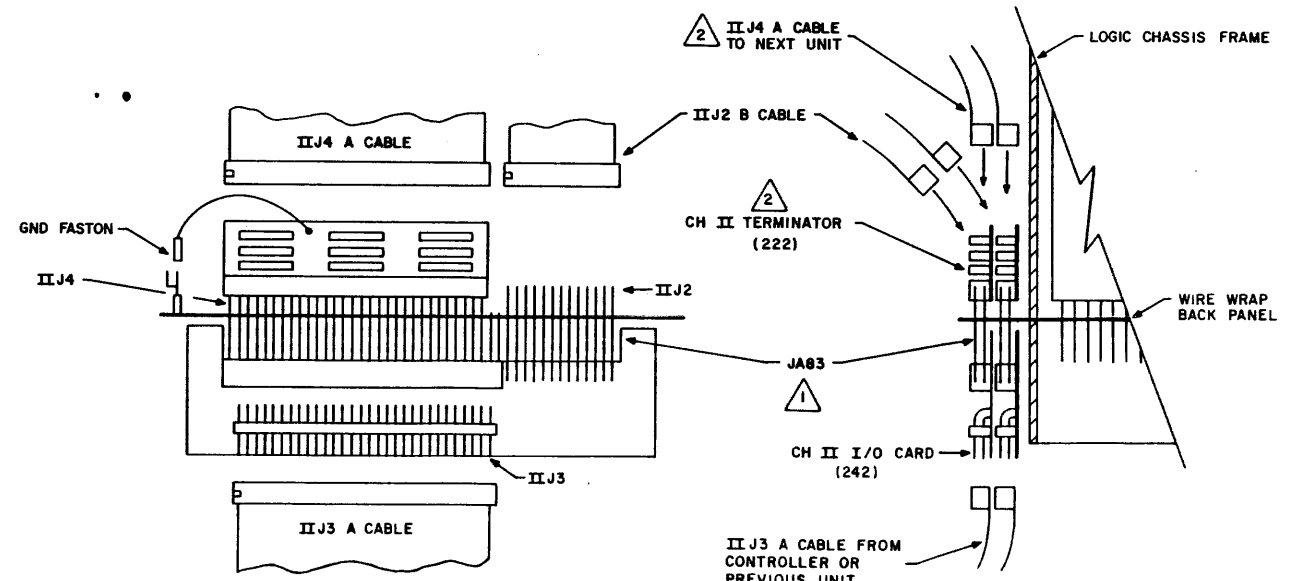
DRAWN	CHECKED	ENGINEER	APPROVED	CONTROL DATA CORPORATION NORMANVILLE DIVISION	CHANNEL II TERMINATOR DIAGRAMS TYPE BYDV	LOC A2C2	CODE IDENT 19333	C	83322240	K	B
							CROSS REF NO 221	SHEET 1 OF 2	PAGE 1-141		



REVISION STATUS OF SHEETS																				
1	2	3	4	5	6	7	8	9	10	11	12	13	14	15	16	17	18	19	20	
A	A																			
B	B																			

REVISIONS					
REV	ECO	DESCRIPTION	DRFT	DATE	CHK'D
A	PE23000	RELEASE			
B	PE48402	CORR. DIAG			

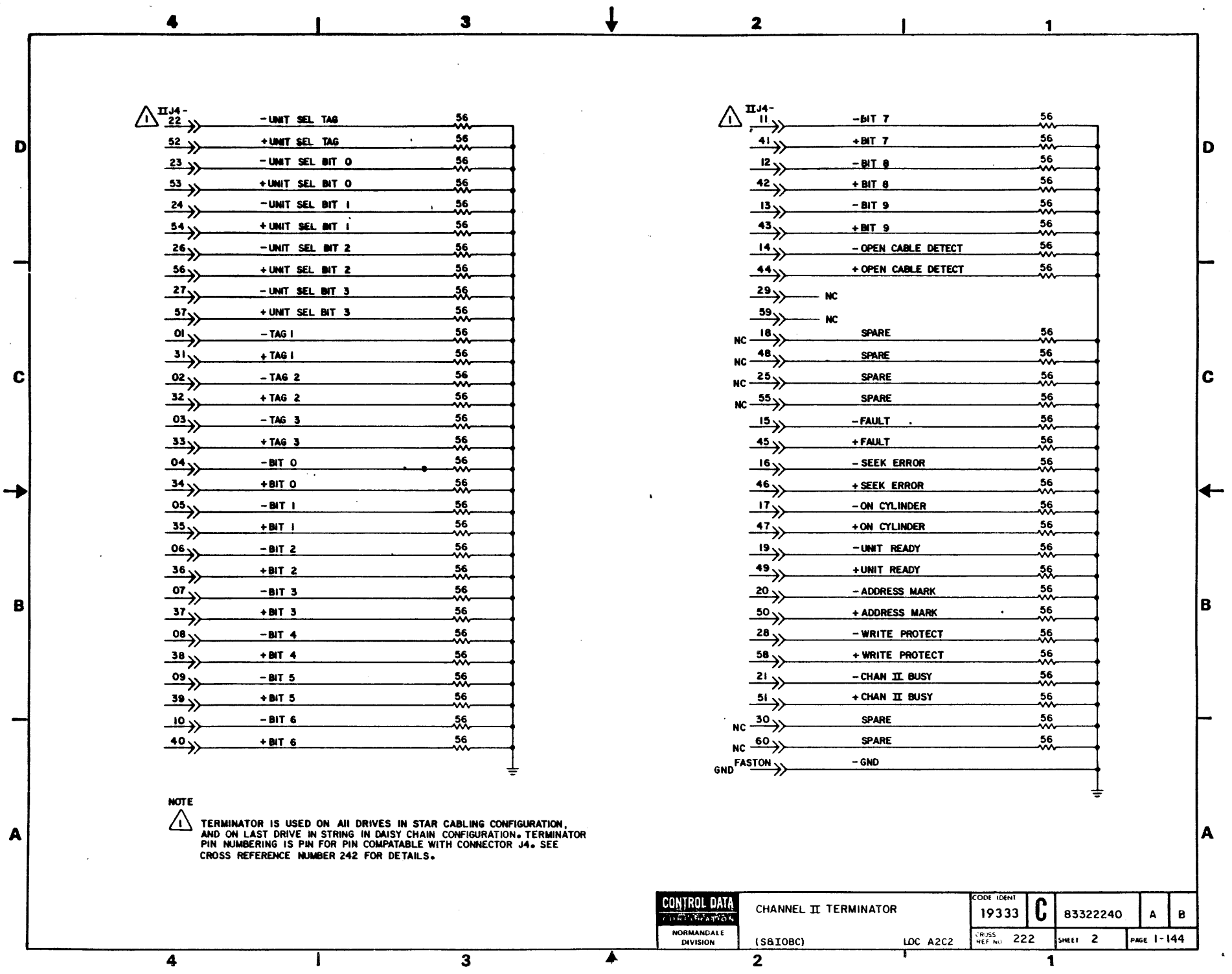
UNUSED RESISTORS		
VALUE	LOCATION	OUTPUT PIN(S)
56	A2	2,4,6
56	C2	3
56	C3	2



NOTE:
 1 FEED THROUGH W/W PINS MAKE CONTACT TO BOTH, TERMINATOR AND I/O CARD.
 2 TERMINATOR IS REQUIRED IN PLACE OF IIJ4 A CABLE ON THE LAST UNIT IN A DAISY CHAIN CONFIGURATION AND ON ALL UNITS IN A STAR CONFIGURATION.

APPLICABLE TO INDEX AND SECTOR IN B CABLE

DRAWN	<i>G. Rabine</i>	CONTROL DATA CORPORATION	CODE IDENT	19333	C	83322240	K	B
CHECKED			CROSS REF NO	221	SHEET	1 of 2	PAGE	1-143
ENGINEER		NORMANDEALE DIVISION	CHANNEL II TERMINATOR DIAGRAMS			REF 83214849		
APPROVED			TYPE AYDV			LOC A2C2		

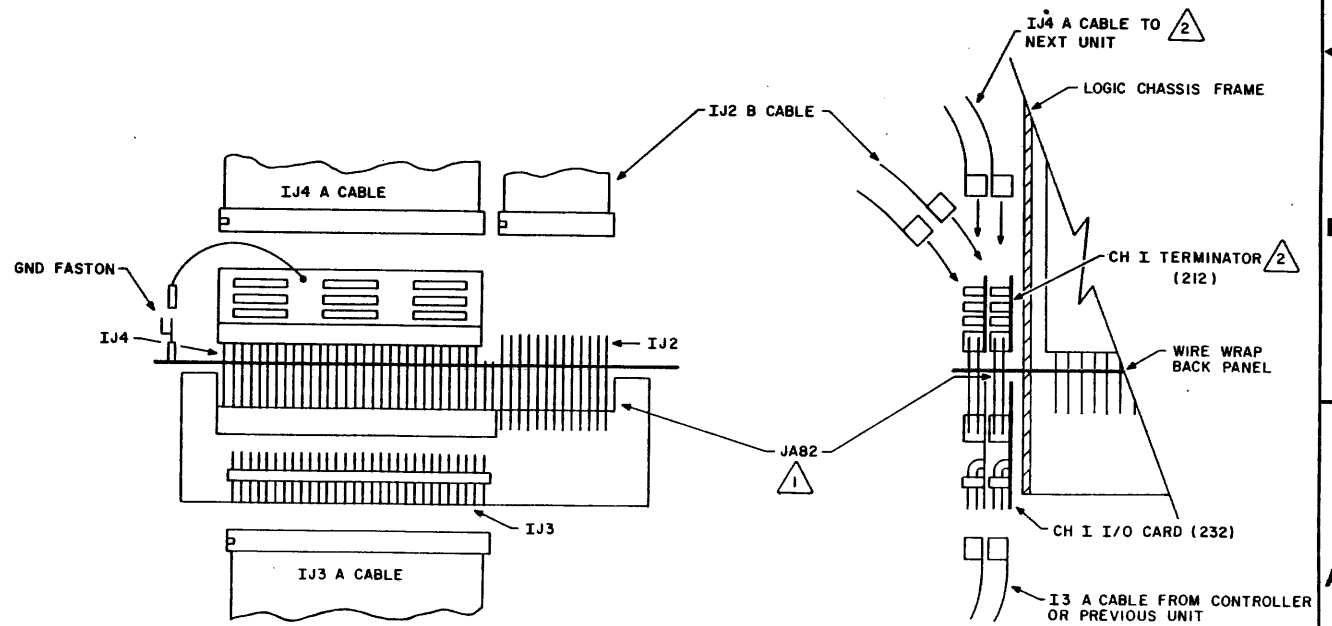
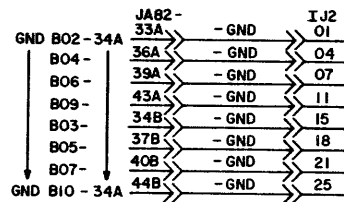


NOTE
 1 TERMINATOR IS USED ON ALL DRIVES IN STAR CABLING CONFIGURATION, AND ON LAST DRIVE IN STRING IN DAISY CHAIN CONFIGURATION. TERMINATOR PIN NUMBERING IS PIN FOR PIN COMPATIBLE WITH CONNECTOR J4. SEE CROSS REFERENCE NUMBER 242 FOR DETAILS.

CONTROL DATA CORPORATION NORMANDALE DIVISION	CHANNEL II TERMINATOR	CODE IDENT 19333	C	83322240	A	B
	(S&IOBC)	LDC A2C2	(R25 REF. NO) 222	SHEET 2	PAGE 1-144	

REVISION STATUS OF SHEETS																			
1	2	3	4	5	6	7	8	9	10	11	12	13	14	15	16	17	18	19	20
A	A	A																	
B	B	B																	

REVISIONS					
REV	ECO	DESCRIPTION	DRFT	DATE	CHK'D
A	PE23000	RELEASED			
B	PE48402	CORRECT DIAGRAMS	WEB	12-17-76	



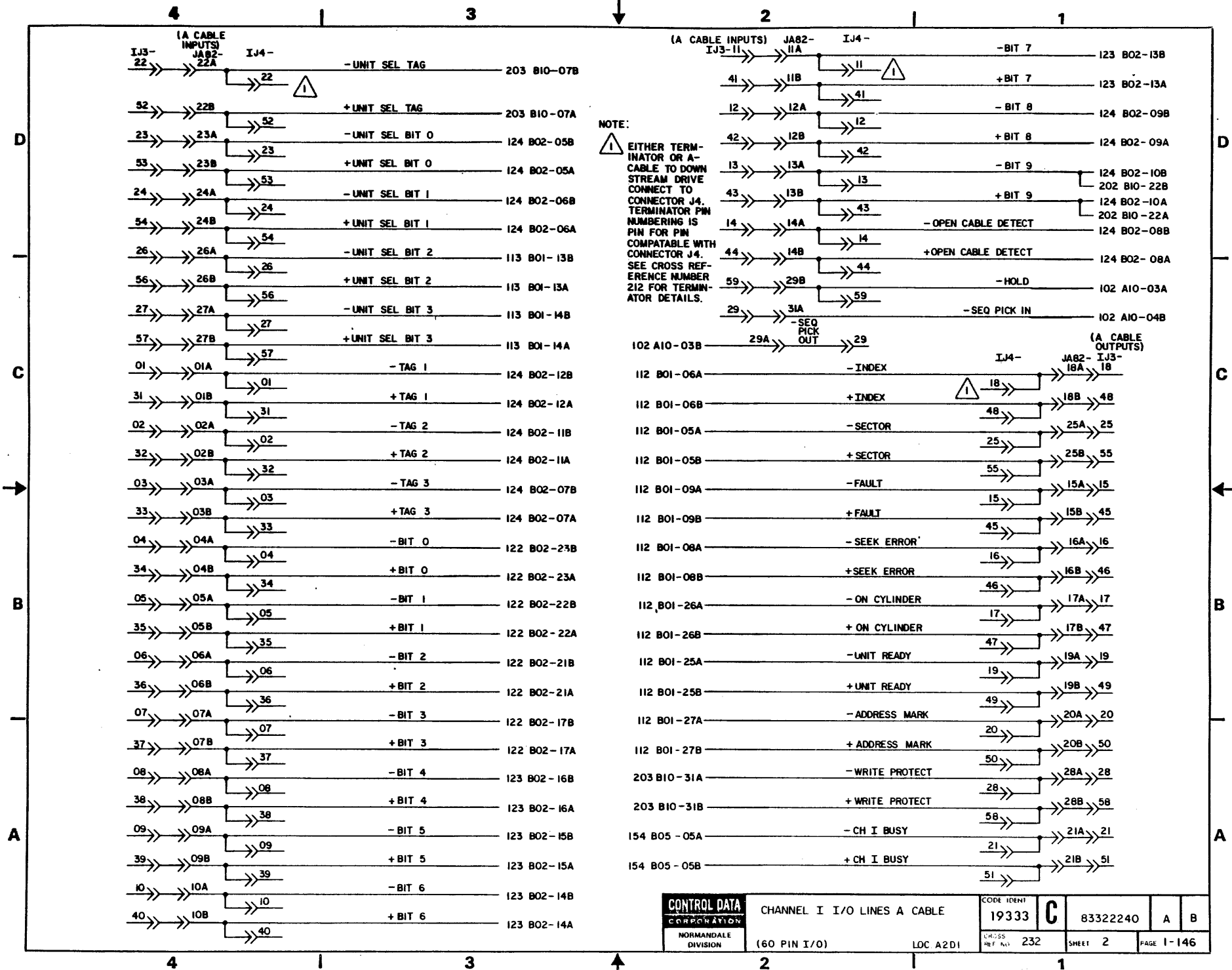
NOTE:

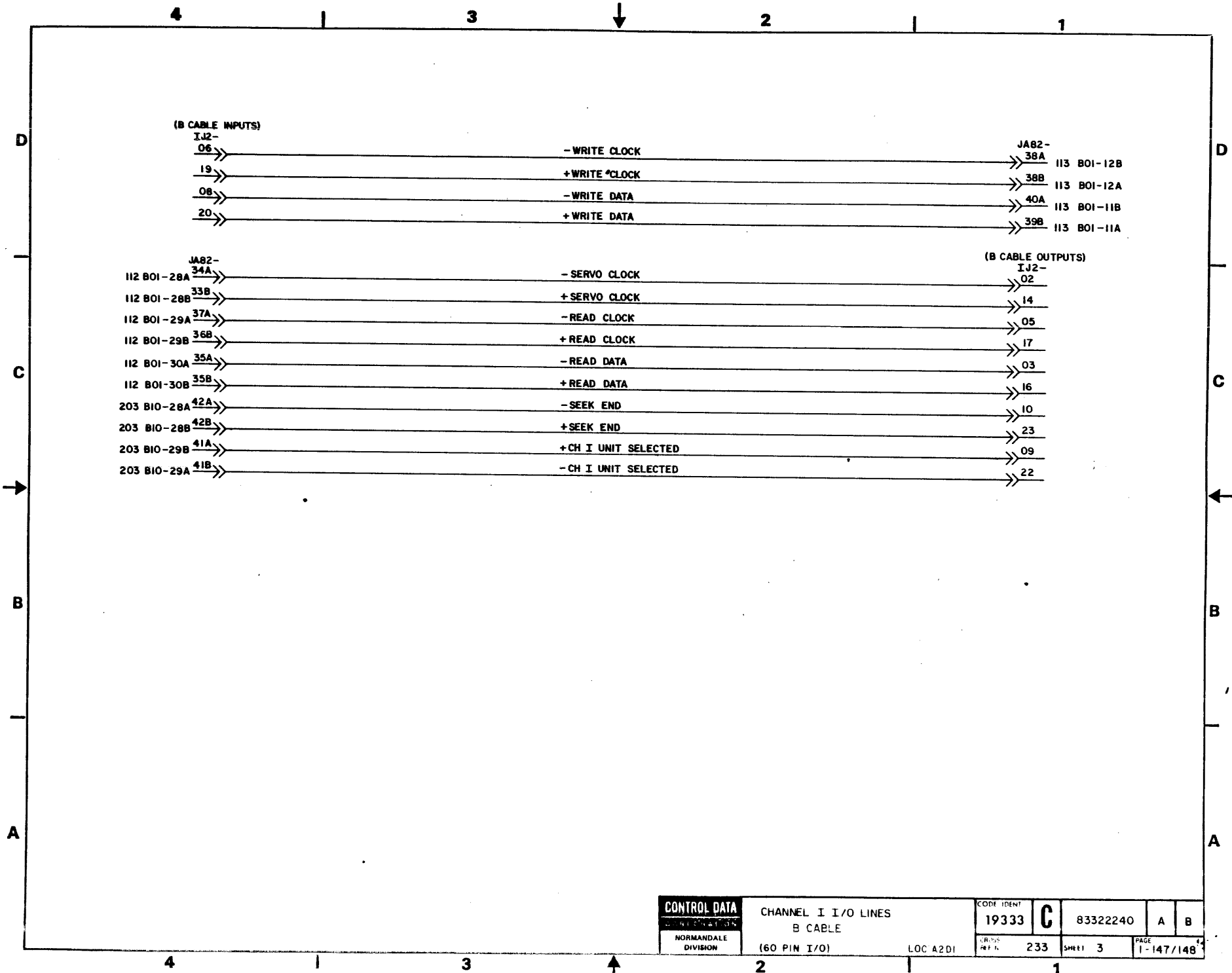
1 FEED THROUGH W/W PINS MAKE CONTACT TO BOTH, TERMINATOR AND I/O CARD.

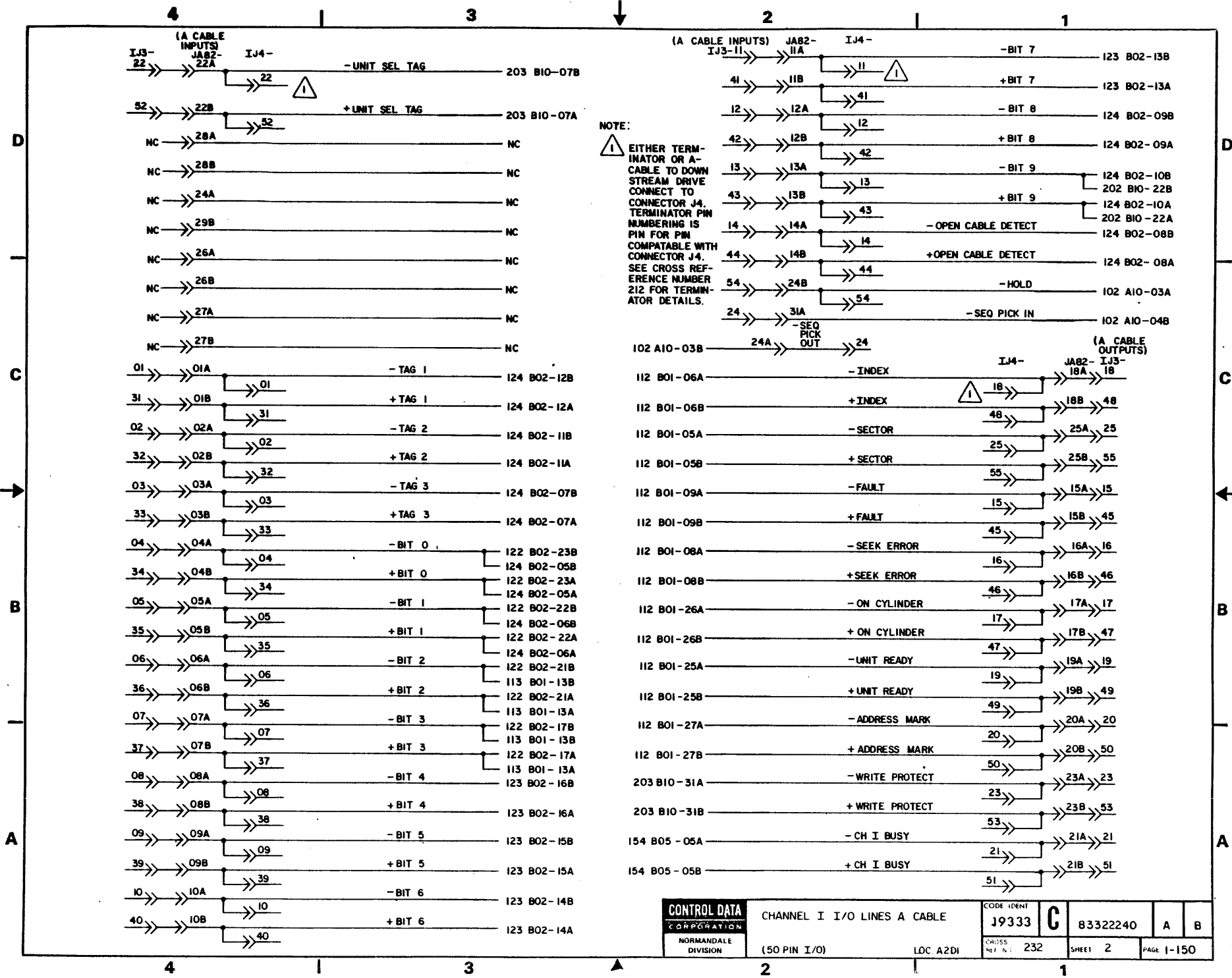
2 TERMINATOR IS REQUIRED IN PLACE OF IJ4 A CABLE ON THE LAST UNIT IN A DAISY CHAIN CONFIGURATION AND ON ALL UNITS IN A STAR CONFIGURATION.

APPLICABLE TO 60 PIN I/O

DRAWN	B. RAGINE	9/17/76	CONTROL DATA CORPORATION NORMAN DALE DIVISION	CHANNEL I I/O DIAGRAMS	CODE IDENT	19333	C	83322240	K	B		
CHECKED					TYPE: AXVY	LOC: A2D	CROSS REF NO	231	SHEET	1 of 3	PAGE	1-145
ENGINEER					1 REF	83214823						





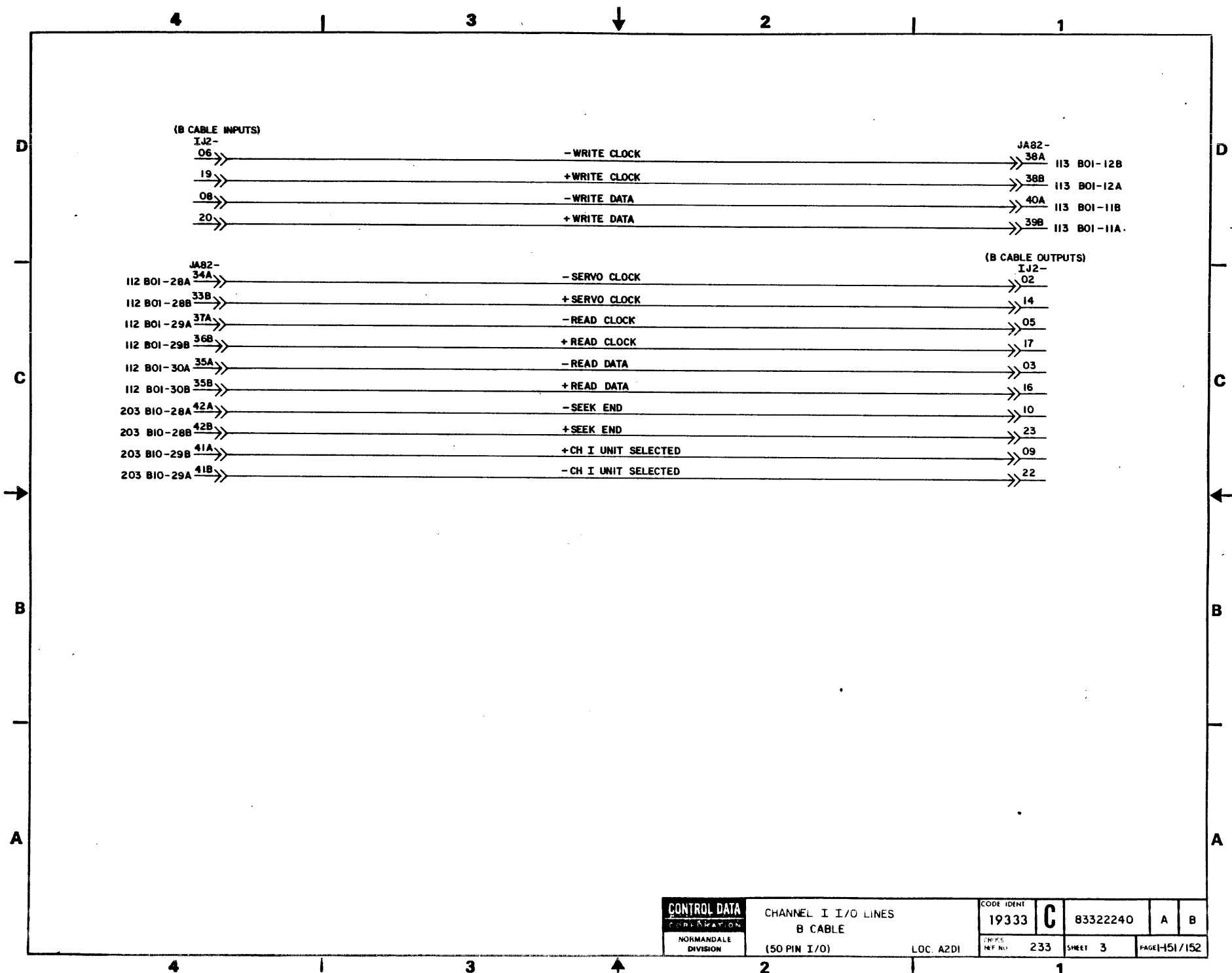


NOTE:



EITHER TERMINATOR OR A-CABLE TO DOWNSTREAM DRIVE CONNECT TO CONNECTOR J4. TERMINATOR PIN NUMBERING IS COMPATIBLE WITH CONNECTOR J4. SEE CROSS REFERENCE NUMBER 212 FOR TERMINATOR DETAILS.

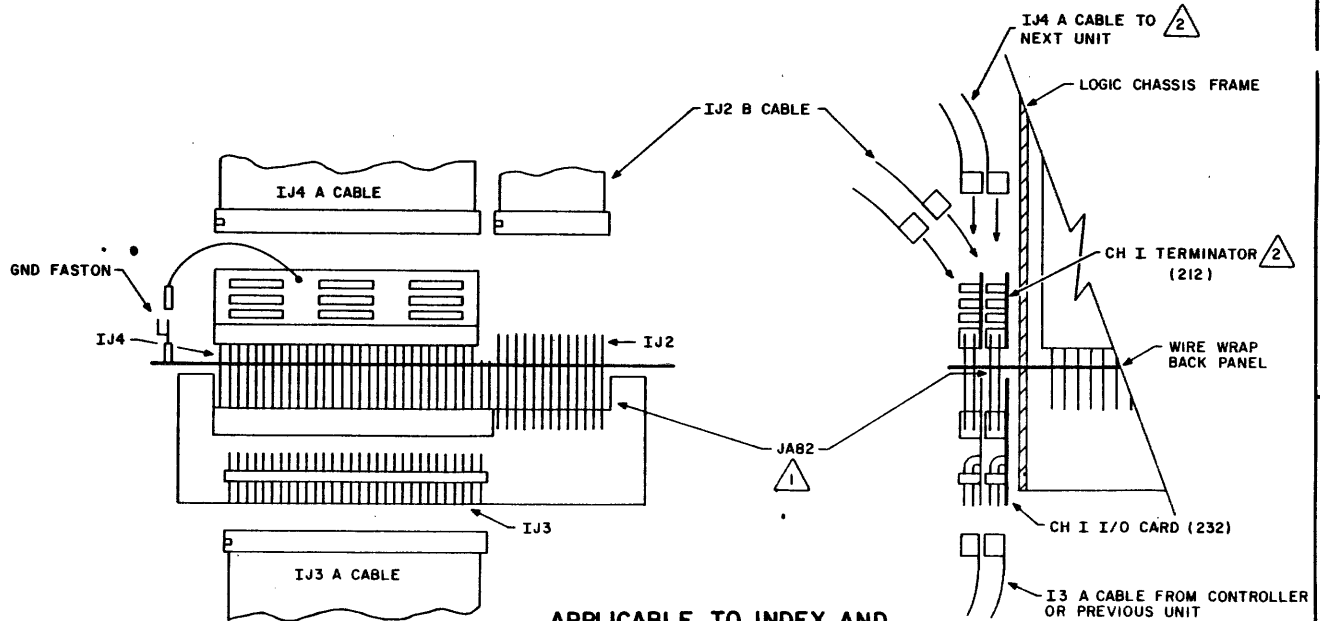
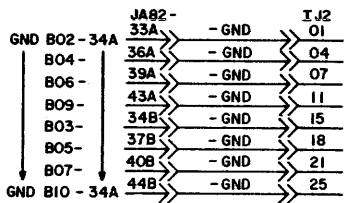
CONTROL DATA CORPORATION NORMANDALE DIVISION	CHANNEL I I/O LINES A CABLE	CODE IDENT	C	83322240	A	B
	(50 PIN I/O)	19333				
	LDC A2DI	CROSS REF. N. 232	SHEET 2	PAGE 1-150		



CONTROL DATA CORPORATION	CHANNEL I I/O LINES B CABLE (50 PIN I/O)	CODE IDENT	C	83322240	A	B
		19333				
NORMANDEALE DIVISION	LOC. A2DI	TRYS REF. NO.	233	SHEET	3	PAGE 151/152

REVISION STATUS OF SHEETS																			
1	2	3	4	5	6	7	8	9	10	11	12	13	14	15	16	17	18	19	20
A	A	A																	
B	B	B																	

REVISIONS					
REV	ECO	DESCRIPTION	DRFT	DATE	CHK'D
A	PE23000	RELEASED			
B	PE4B402	CORRECT DIAGRAMS	WEB	12-17-78	



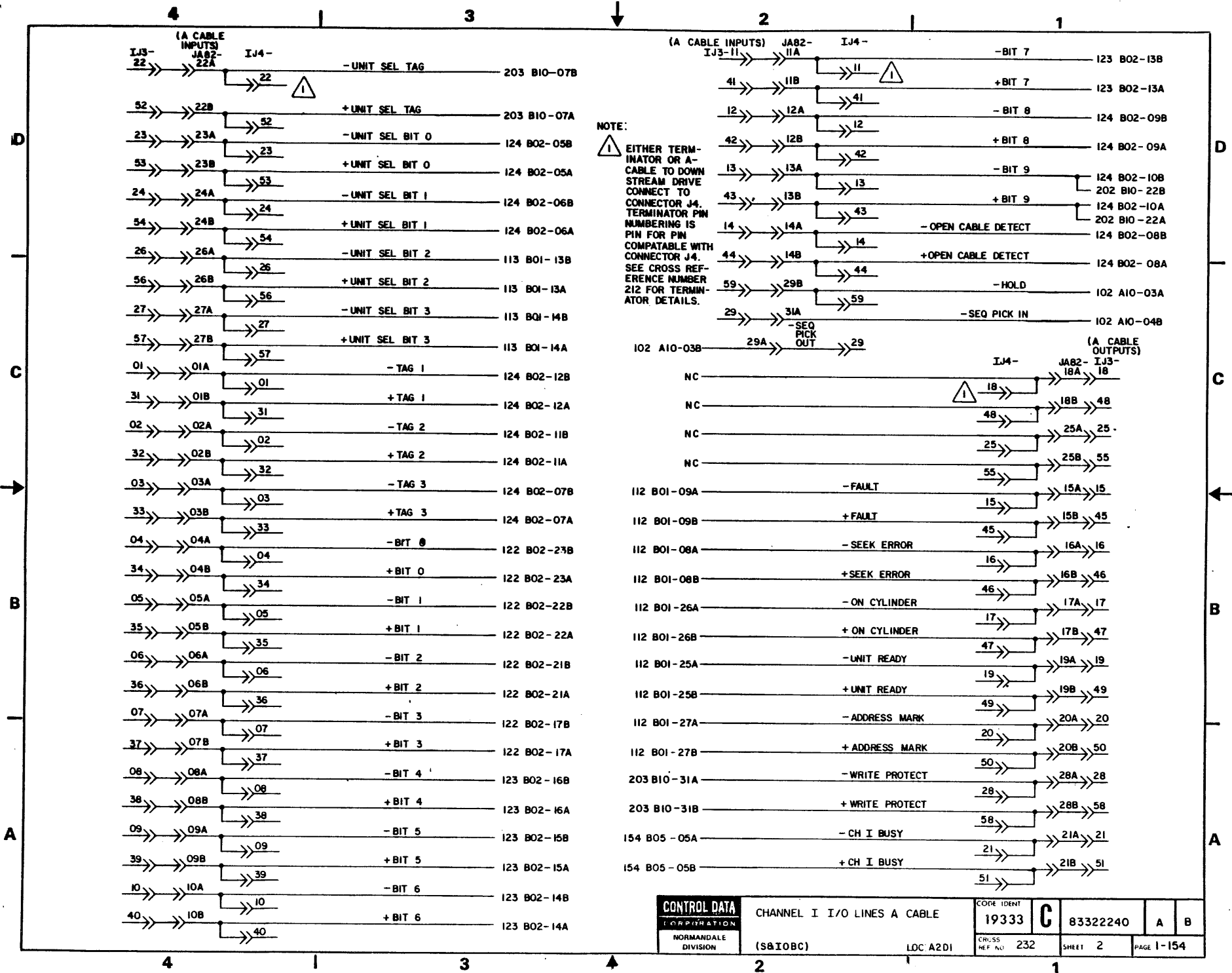
NOTE

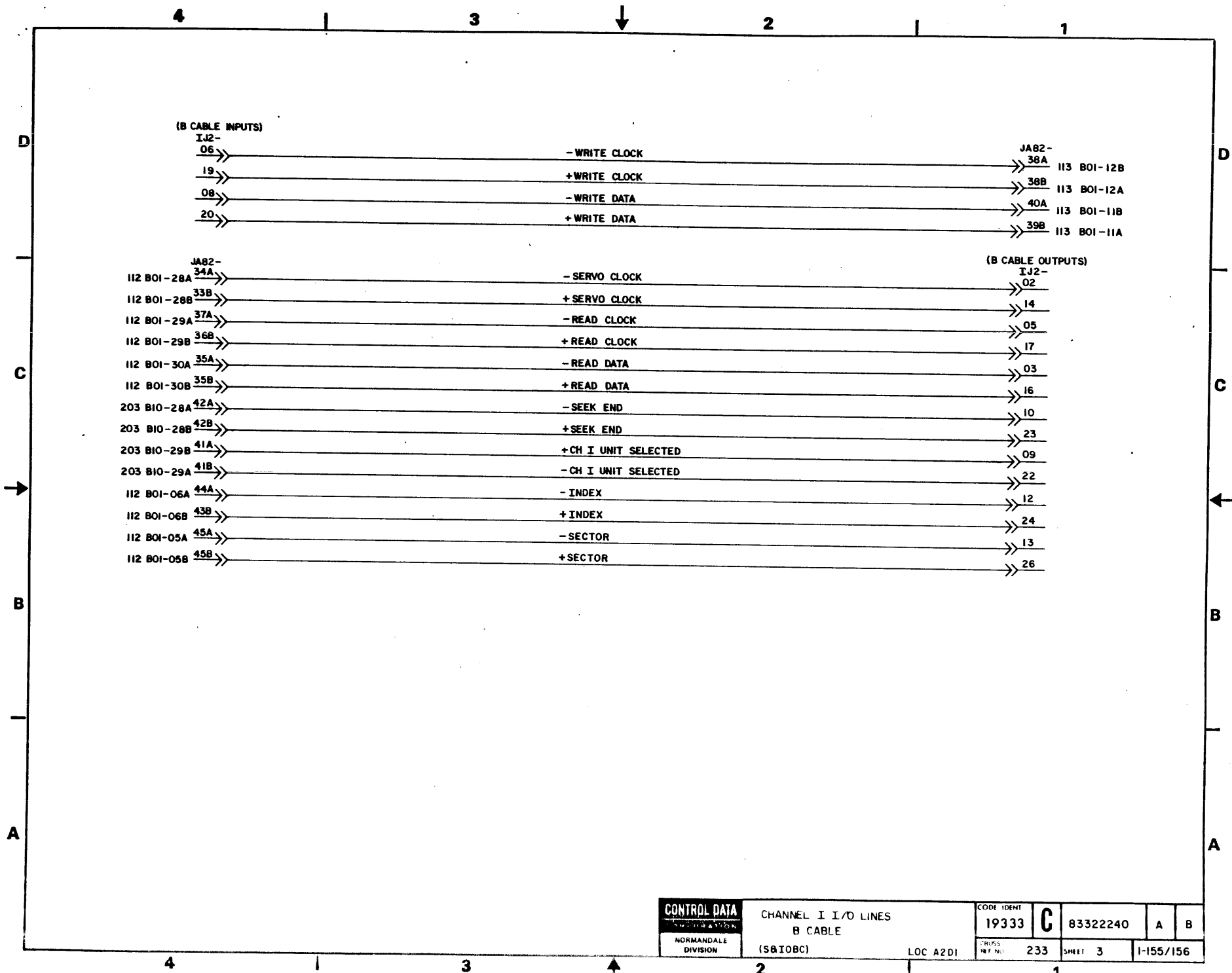
1 FEED THROUGH W/W PINS MAKE CONTACT TO BOTH, TERMINATOR AND I/O CARD.

2 TERMINATOR IS REQUIRED IN PLACE OF IJ4 A CABLE ON THE LAST UNIT IN A DAISY CHAIN CONFIGURATION AND ON ALL UNITS IN A STAR CONFIGURATION.

APPLICABLE TO INDEX AND SECTOR IN B CABLE

DRAWN	21-1-78	CONTROL DATA	CHANNEL I I/O DIAGRAMS	CODE IDENT	19333	C	83322240	K	B
CHECKED		NORMAN DALE DIVISION	TYPE: AXVY	LOC A2D1	231	SHEET	1 of 3	PAGE	1-153
ENGINEER									
APPROVED									

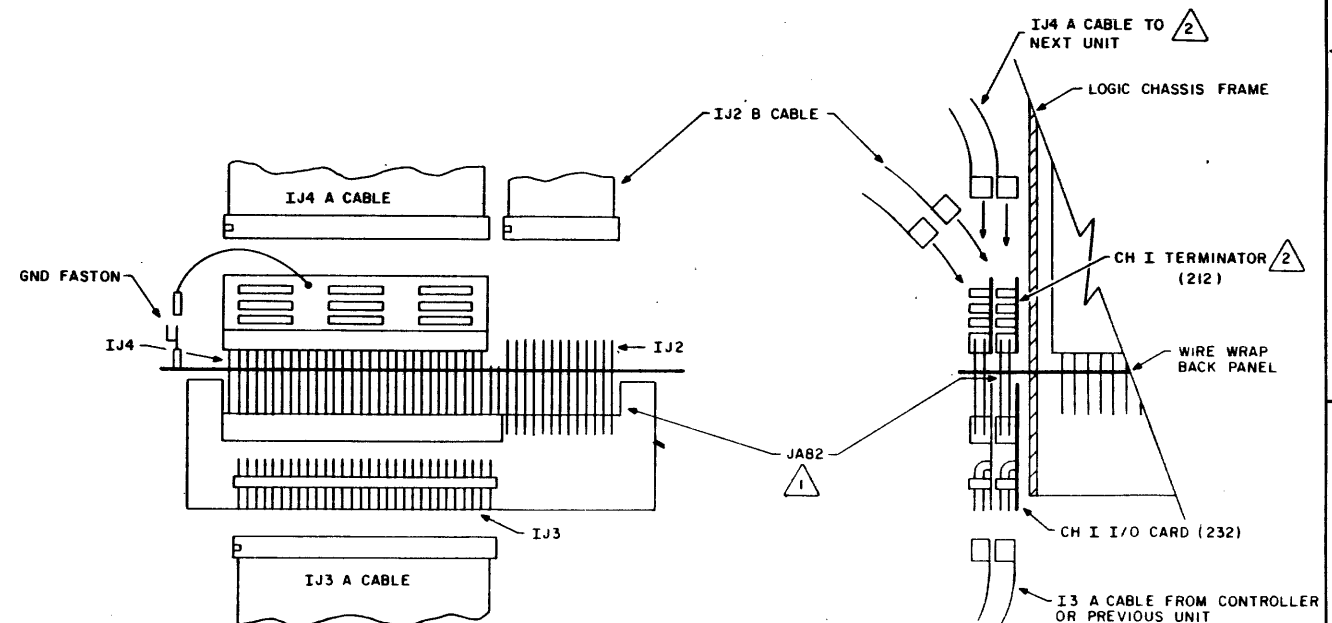
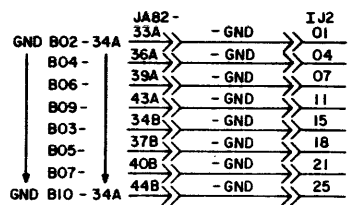




REVISION STATUS OF SHEETS

1	2	3	4	5	6	7	8	9	10	11	12	13	14	15	16	17	18	19	20	
A	A	A																		

REVISIONS					
REV	ECO	DESCRIPTION	DRFT	DATE	CHK'D
A	PE23000	RELEASED		11/19/78	P-2



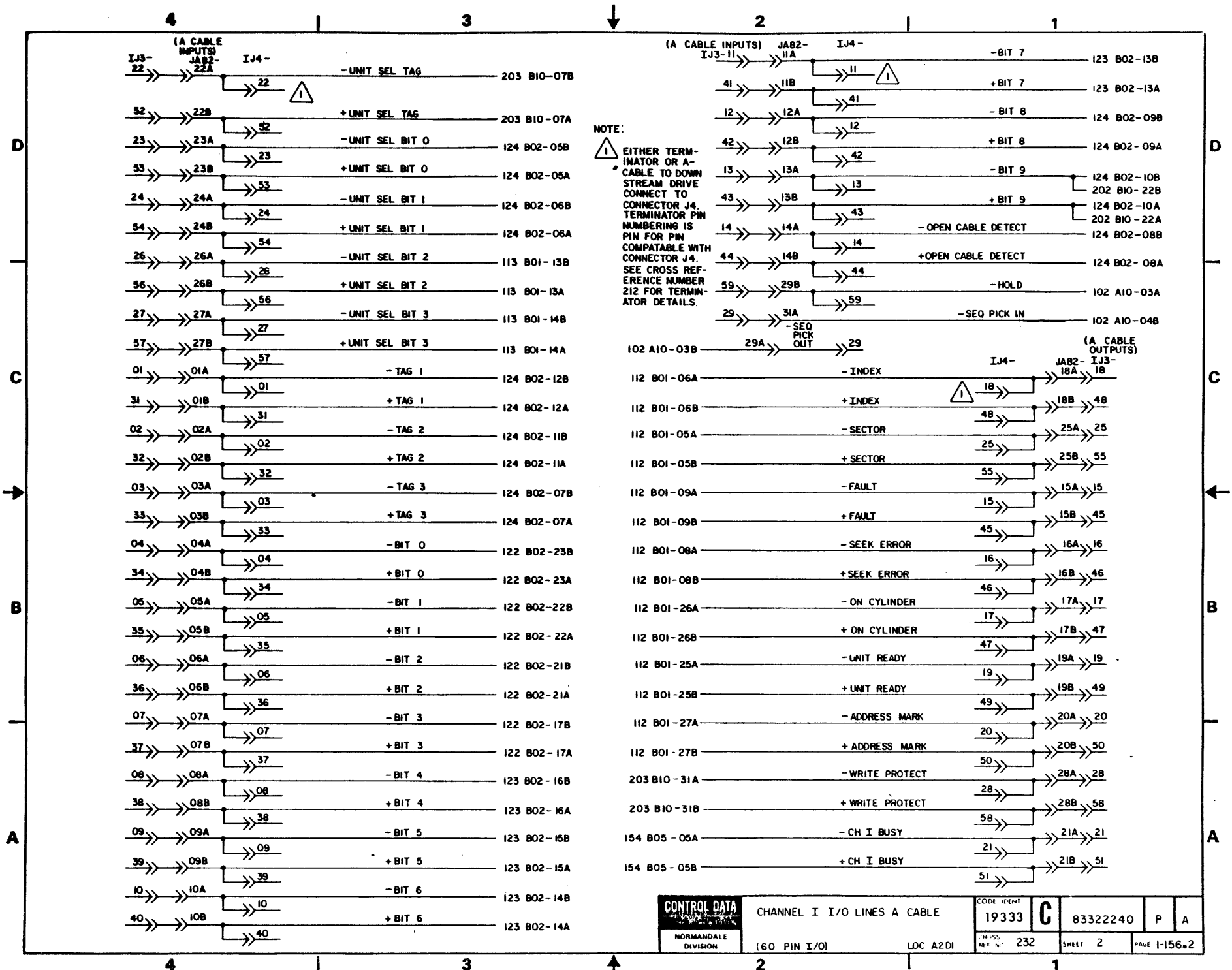
NOTE

1 FEED THROUGH W/W PINS MAKE CONTACT TO BOTH, TERMINATOR AND I/O CARD

2 TERMINATOR IS REQUIRED IN PLACE OF IJ4 A CABLE ON THE LAST UNIT IN A DAISY CHAIN CONFIGURATION AND ON ALL UNITS IN A STAR CONFIGURATION.

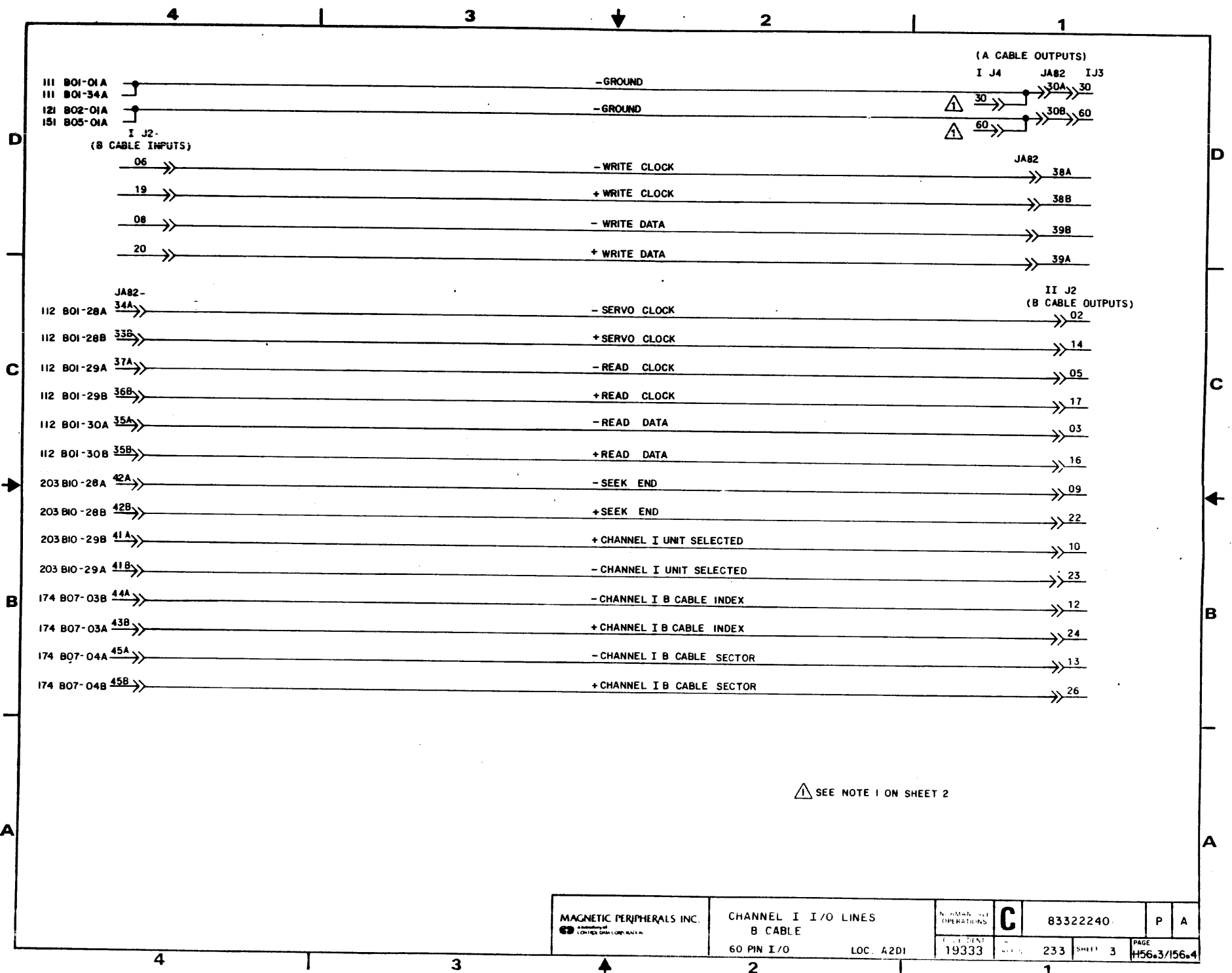
APPLICABLE TO BK5A7-V,W AND BK5C4-C,D ONLY

DRAWN CHECKED ENGINEER APPROVED	CONTROL DATA CORPORATION NORWANDA DIVISION	TYPE AXVY LOC A2DI	CODE IDENT 19333 C 83322240 P A	SHEET 1 of 3 PAGE 1-156e1
--	---	-----------------------	------------------------------------	------------------------------

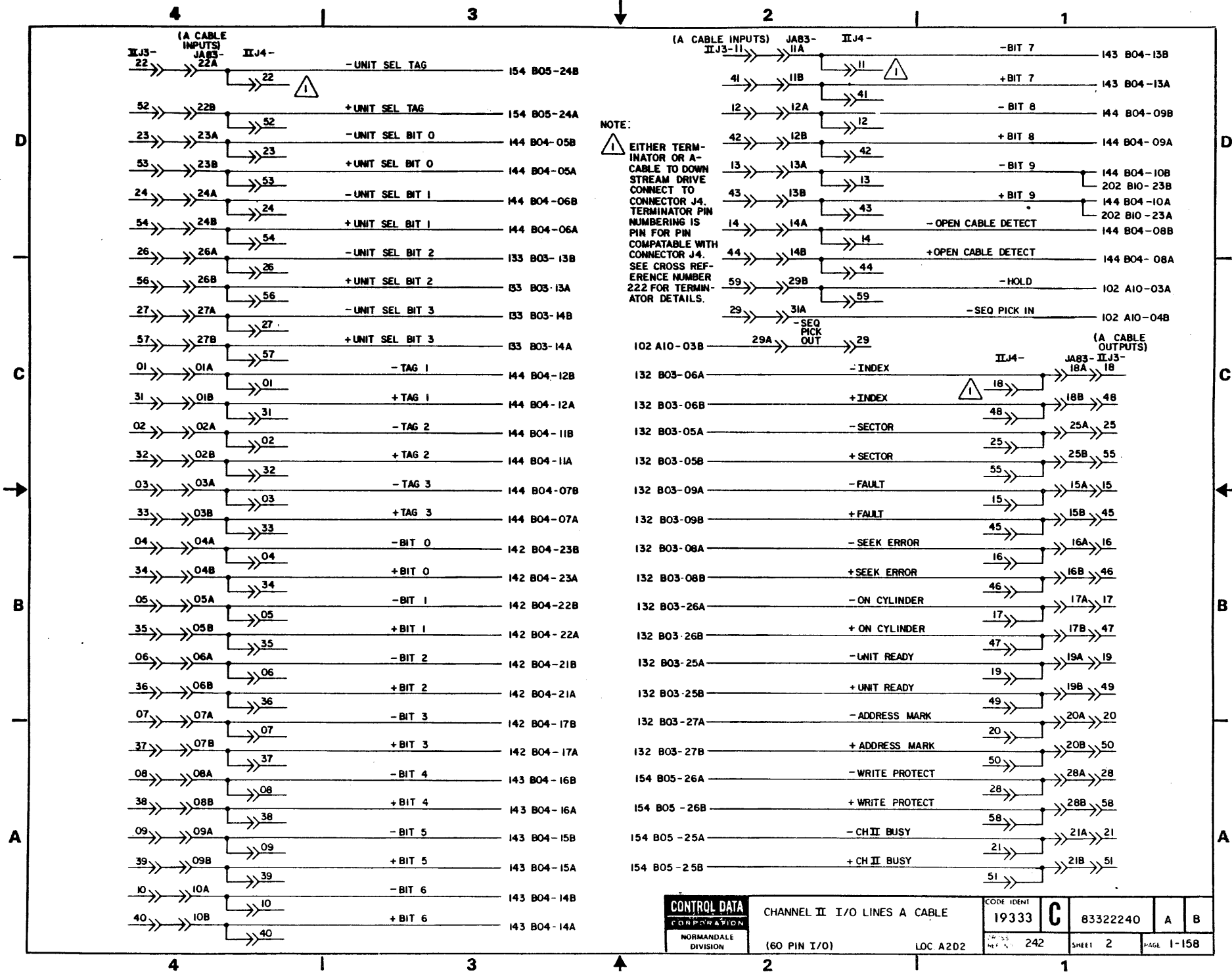


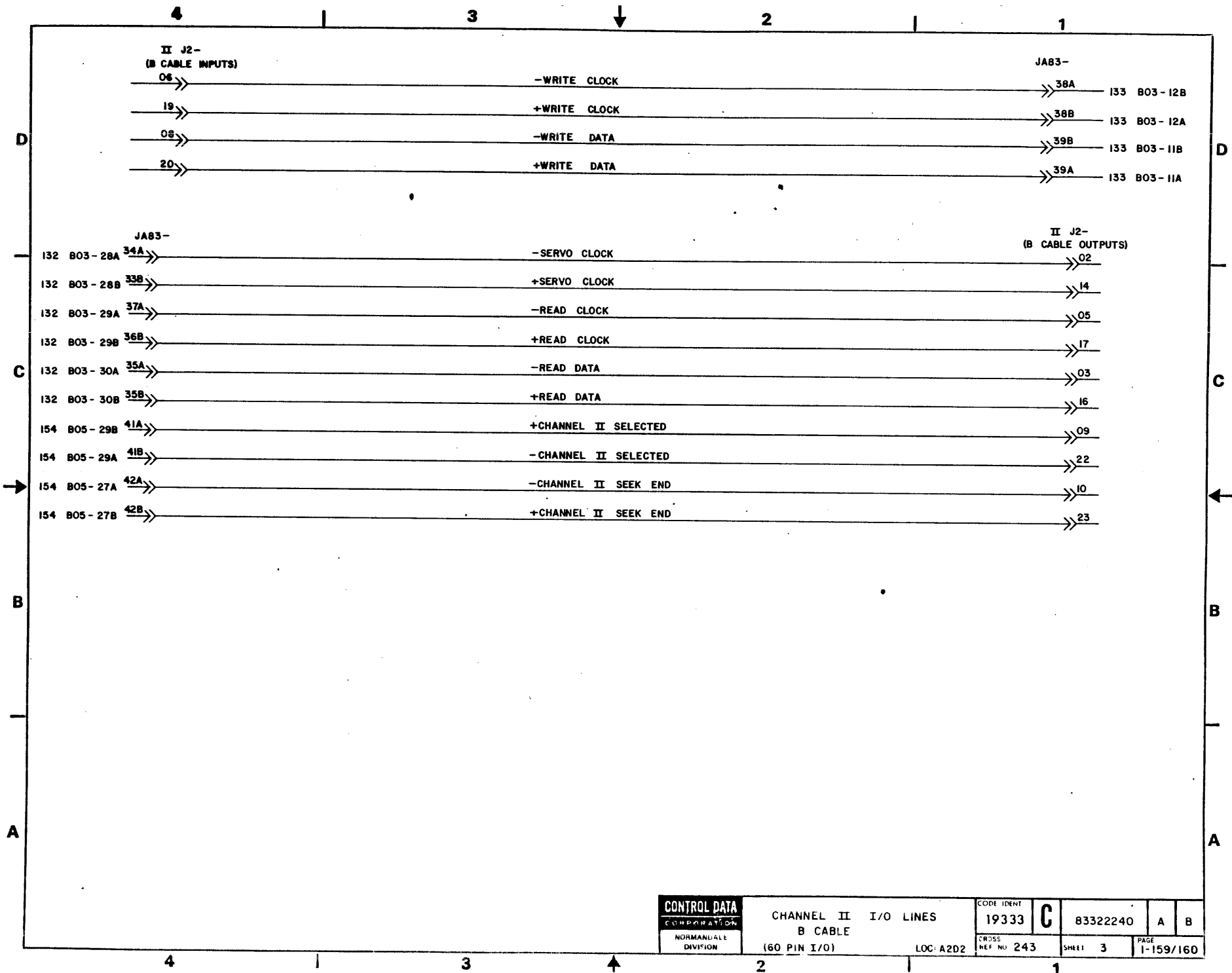
NOTE:
 EITHER TERMINATOR OR A-CABLE TO DOWNSTREAM DRIVE CONNECT TO CONNECTOR J4. TERMINATOR PIN NUMBERING IS COMPATIBLE WITH CONNECTOR J4. SEE CROSS REFERENCE NUMBER 212 FOR TERMINATOR DETAILS.

CONTROL DATA NORMANDEALE DIVISION	CHANNEL I I/O LINES A CABLE		CODE IDENT 19333	C	83322240	P	A
	(60 PIN I/O)	LDC A2DI	REV 155 REF N° 232				



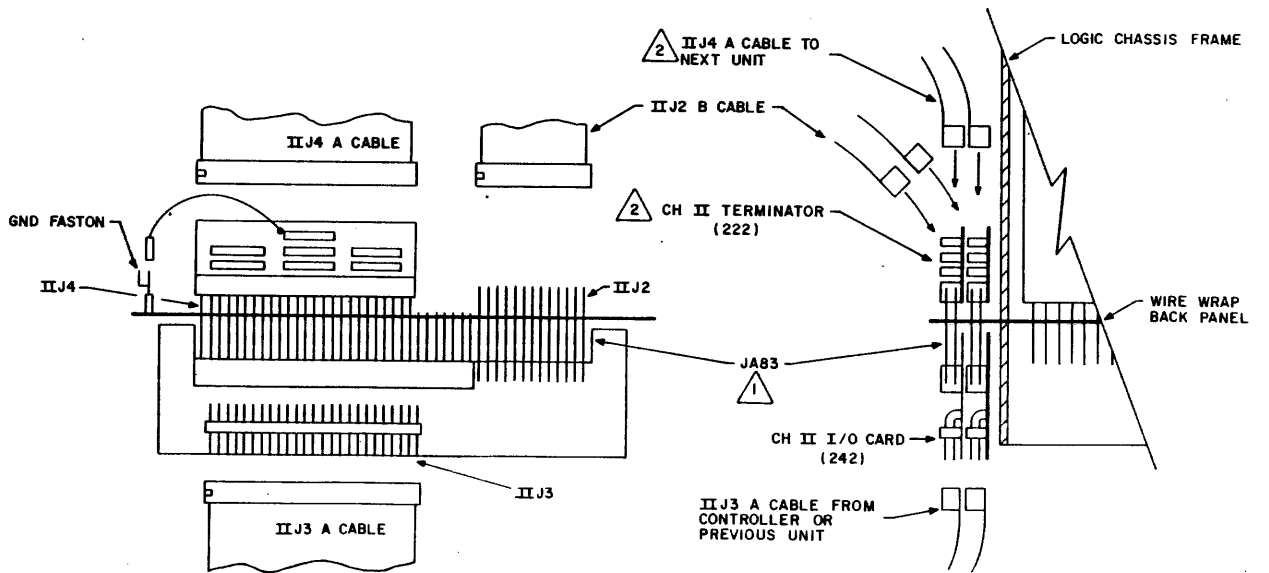
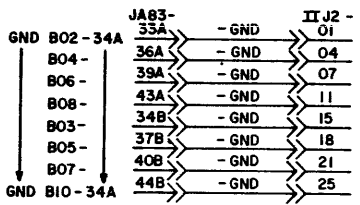
⚠ SEE NOTE 1 ON SHEET 2





REVISION STATUS OF SHEETS																			
1	2	3	4	5	6	7	8	9	10	11	12	13	14	15	16	17	18	19	20
A	A	A																	
B	B	B																	

REVISIONS					
REV	ECO	DESCRIPTION	DRFT	DATE	CHK'D
A	PE23000	RELEASED			
B	PE48402	CONR DIAG			



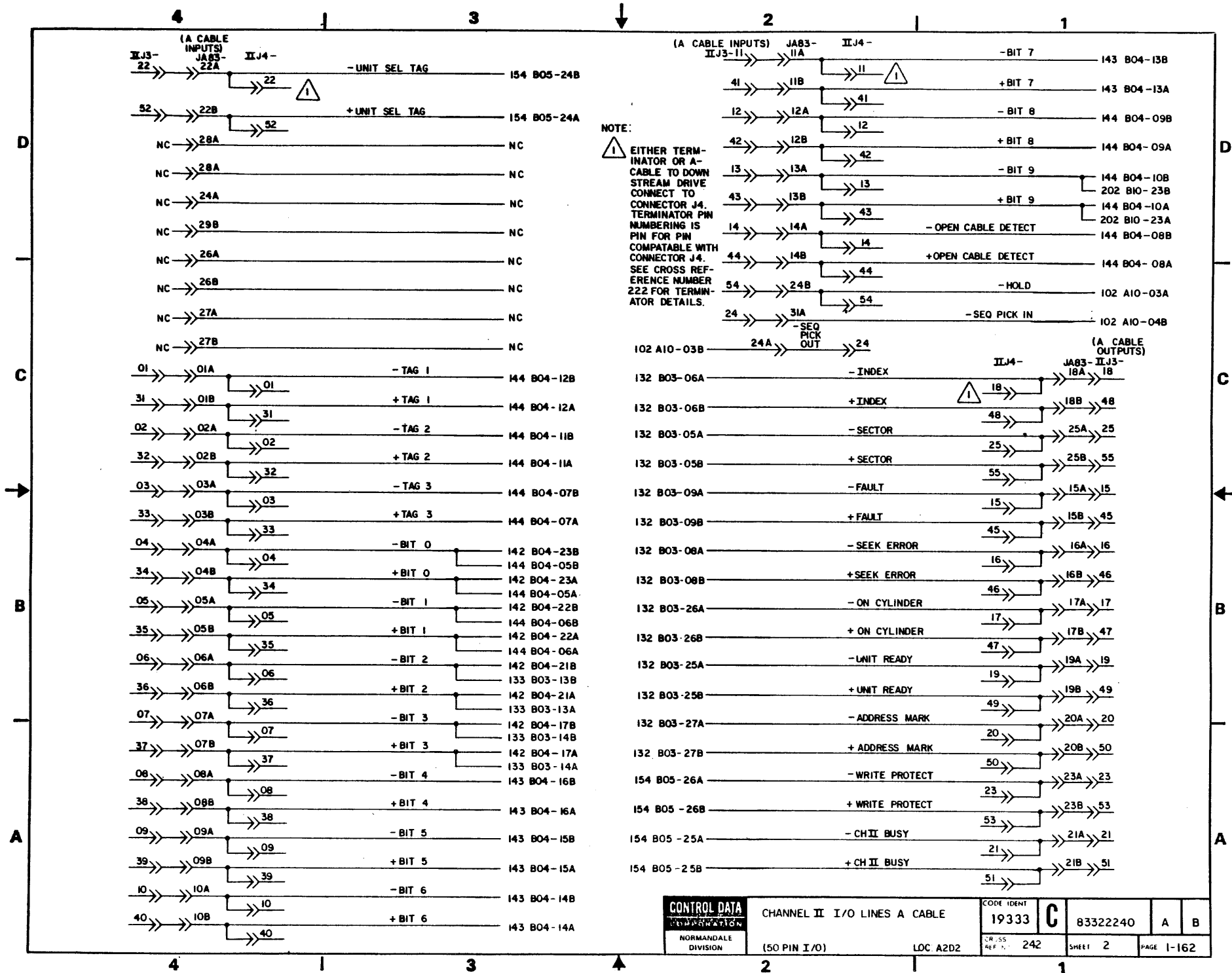
NOTE

1 FEED THROUGH W/W PINS MAKE CONTACT TO BOTH, TERMINATOR AND I/O CARD

2 TERMINATOR IS REQUIRED IN PLACE OF IIJ4 A CABLE ON THE LAST UNIT IN A DAISY CHAIN CONFIGURATION AND ON ALL UNITS IN A STAR CONFIGURATION

APPLICABLE TO 50 PIN I/O

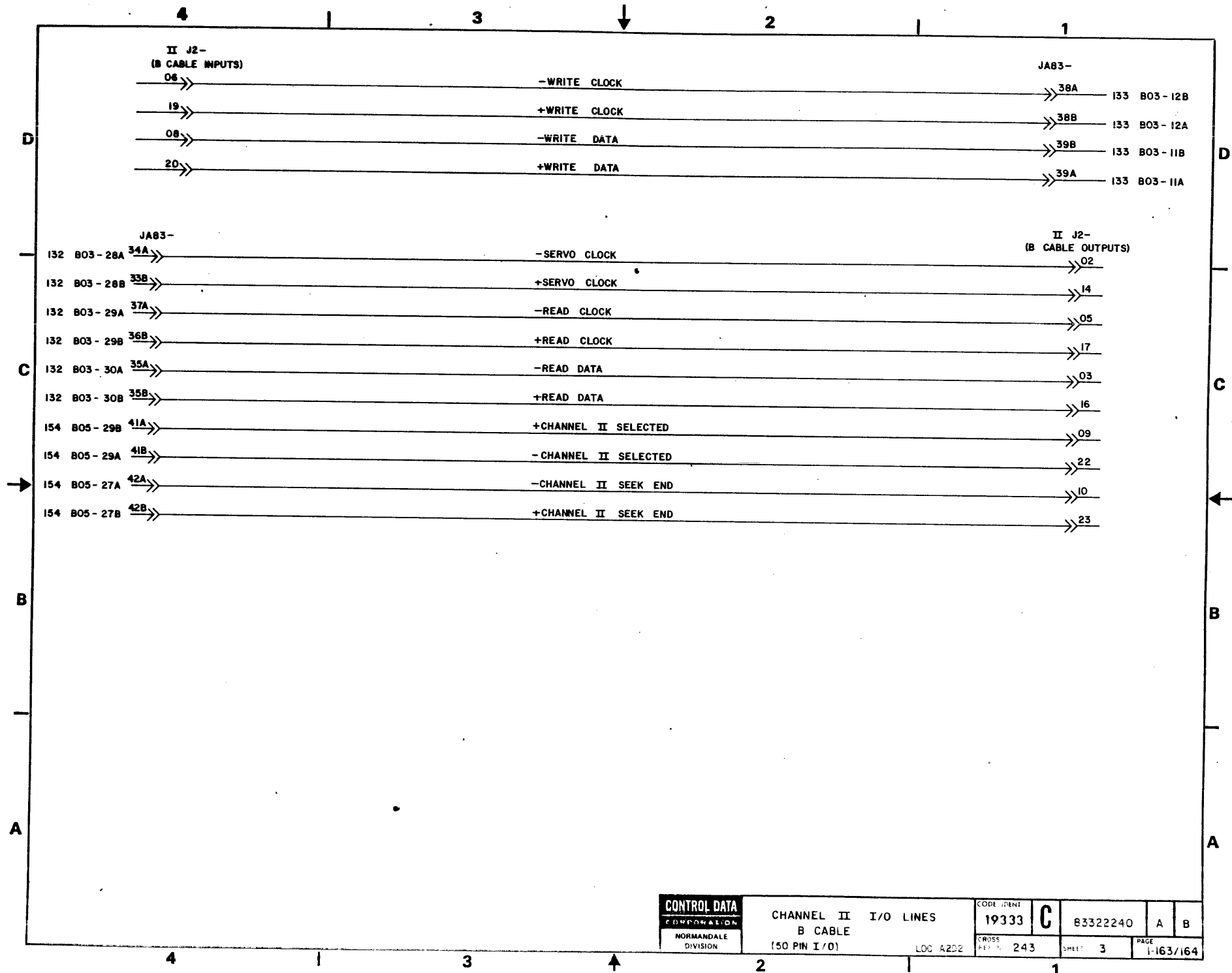
DRAWN	CONTROL DATA CORPORATION	CODE IDENT	19333	C	83322240	K	B
CHECKED		NO. 33-REL	241	SHEET	1 OF 3	PAGE	1-161
ENGINEER		NORMAN DALE DIVISION	LOC A2D2	REF 83214845			
APPROVED		TYPE DXYV					



CONTROL DATA CORPORATION
NORMANDEALE DIVISION

CHANNEL II I/O LINES A CABLE
(50 PIN I/O) LOC A2D2

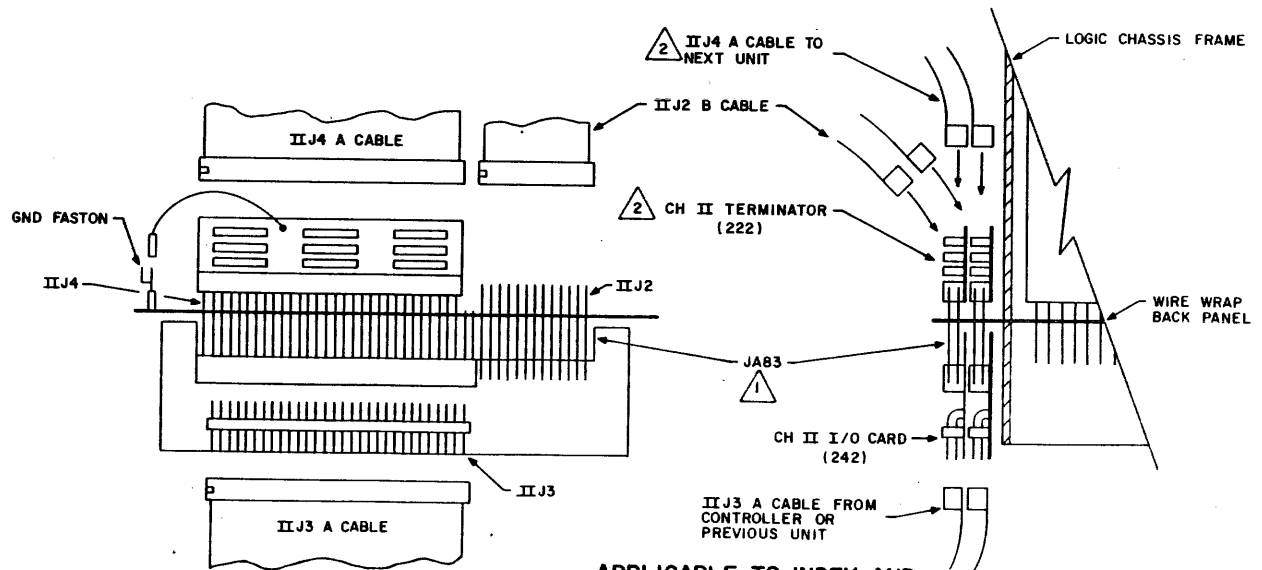
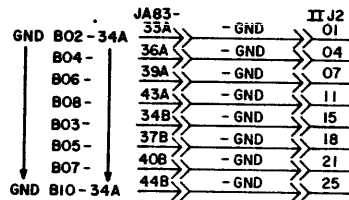
CODE IDENT	19333	C	83322240	A	B
CROSS REF. N.	242		SHEET 2	PAGE 1-162	



CONTROL DATA CORPORATION NORMANDEALE DIVISION	CHANNEL II I/O LINES B CABLE (50 PIN I/O)	CODE: 19333	C	83322240	A	B
	LOC: A222	CROSS REF: 243	SHEET: 3	PAGE: 1-163/164		

REVISION STATUS OF SHEETS																				
1	2	3	4	5	6	7	8	9	10	11	12	13	14	15	16	17	18	19	20	
A	A	A																		
B	B	B																		

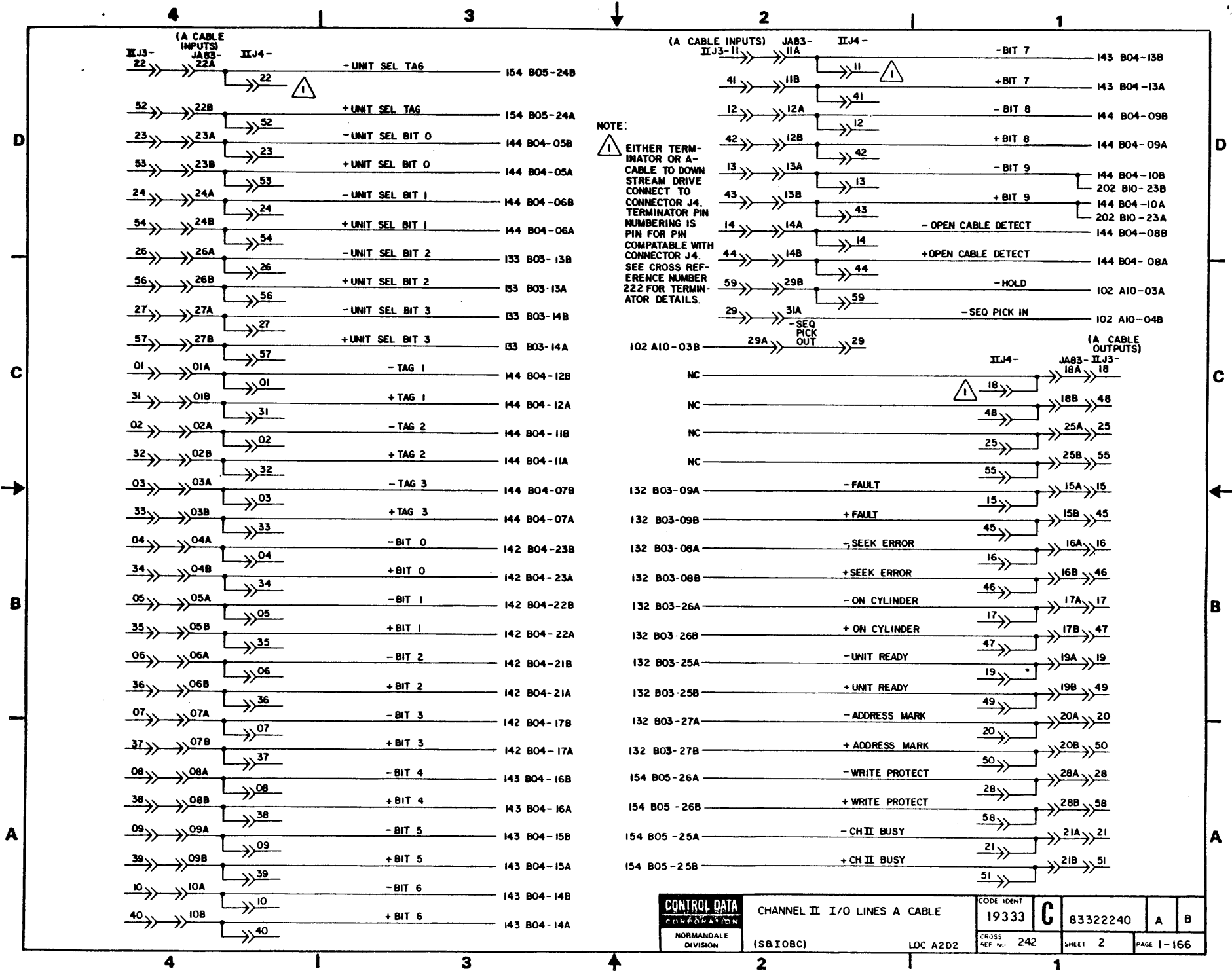
REVISIONS					
REV	ECO	DESCRIPTION	DFT	DATE	CHK'D
A	PE23000	RELEASED			
B	PE48402	CORRECT DIAGRAMS	WEB	12-17-76	



- NOTE:
- 1 FEED THROUGH W/W PINS MAKE CONTACT TO BOTH, TERMINATOR AND I/O CARD
 - 2 TERMINATOR IS REQUIRED IN PLACE OF IIJ4 A CABLE ON THE LAST UNIT IN A DAISY CHAIN CONFIGURATION AND ON ALL UNITS IN A STAR CONFIGURATION

APPLICABLE TO INDEX AND SECTOR IN B CABLE

DRAWN <i>G. Labick</i>	CHECKED	ENGINEER	APPROVED	CONTROL DATA CORPORATION NORMANDALL DIVISION	CHANNEL II I/O DIAGRAMS TYPE BXYV	CODE IDENT 19333	C	83322240	K	B
					LOC A202	CLASS REF No. 241	SHEET 1	OF 3	PAGE 1	OF 165



NOTE:

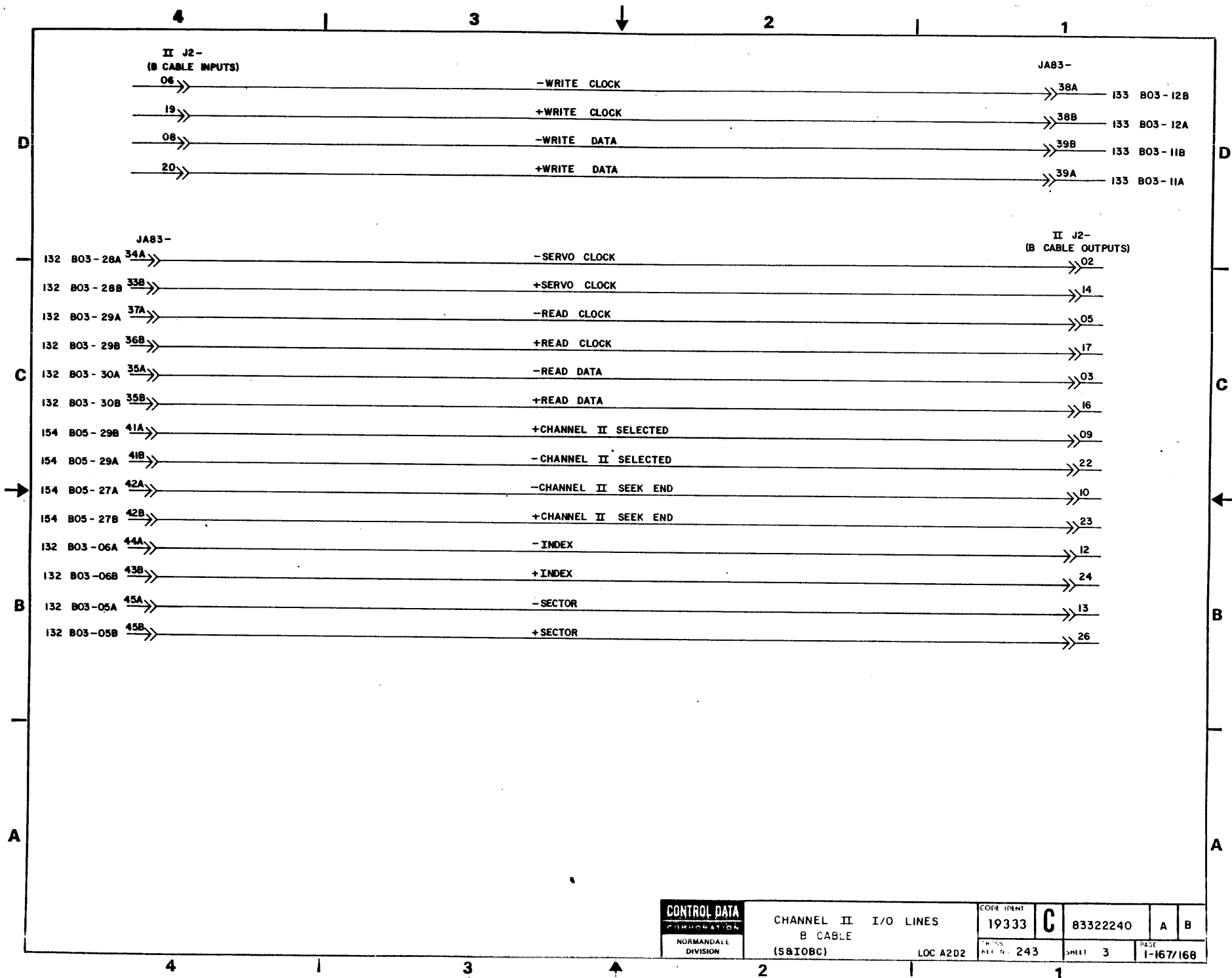


EITHER TERMINATOR OR A CABLE TO DOWN STREAM DRIVE CONNECT TO CONNECTOR J4. TERMINATOR PIN NUMBERING IS PIN FOR PIN COMPATIBLE WITH CONNECTOR J4. SEE CROSS REFERENCE NUMBER 222 FOR TERMINATOR DETAILS.

CONTROL DATA CORPORATION
NORMAN DALE DIVISION

CHANNEL II I/O LINES A CABLE
(S&IOBC) LOC A2D2

CODE IDENT 19333	C	83322240	A	B
CROSS REF No. 242	SHEET 2	PAGE 1-166		



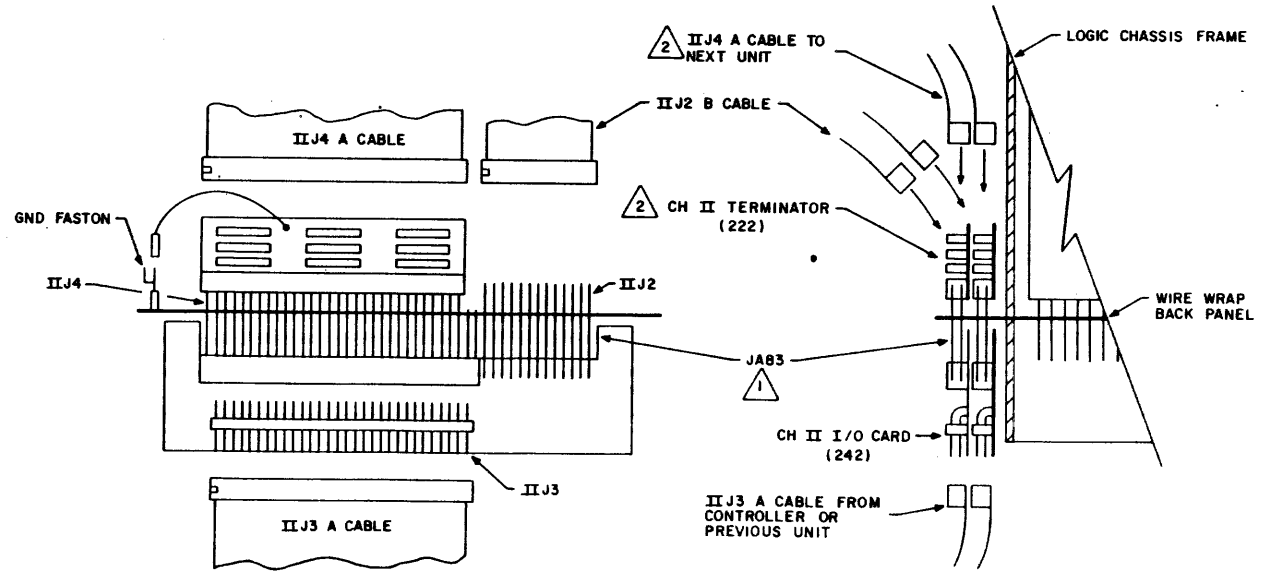
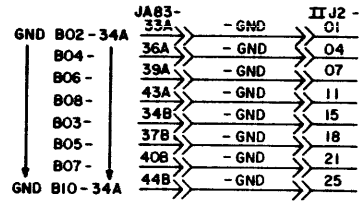
CONTROL DATA
CORPORATION
NORMANVILLE
DIVISION

CHANNEL II I/O LINES
B CABLE
(S&IOBC)
LOC A2D2

CODE IDENT 19333	C	83322240	A	B
TRANS REF. NO. 243	SHEET 3	PAGE 1-167/168		

REVISION STATUS OF SHEETS																				
1	2	3	4	5	6	7	8	9	10	11	12	13	14	15	16	17	18	19	20	
A	A	A																		

REVISIONS					
REV	ECO	DESCRIPTION	DNFT	DATE	CHK'D
A	PE23000	RELEASED		11/71	



NOTE

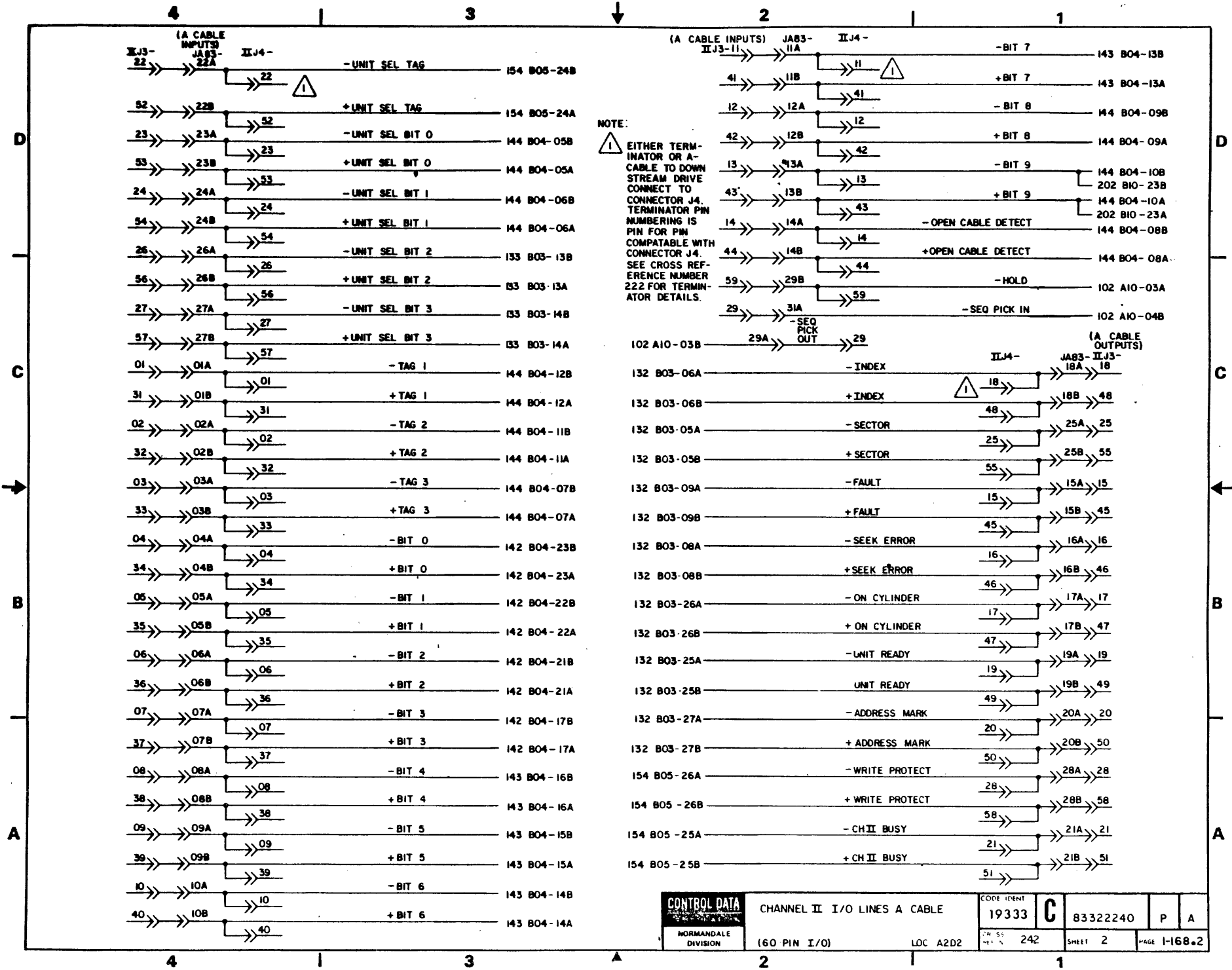
1 FEED THROUGH W/W PINS MAKE CONTACT TO BOTH, TERMINATOR AND I/O CARD

2 TERMINATOR IS REQUIRED IN PLACE OF IIJ4 A CABLE ON THE LAST UNIT IN A DAISY CHAIN CONFIGURATION AND ON ALL UNITS IN A STAR CONFIGURATION

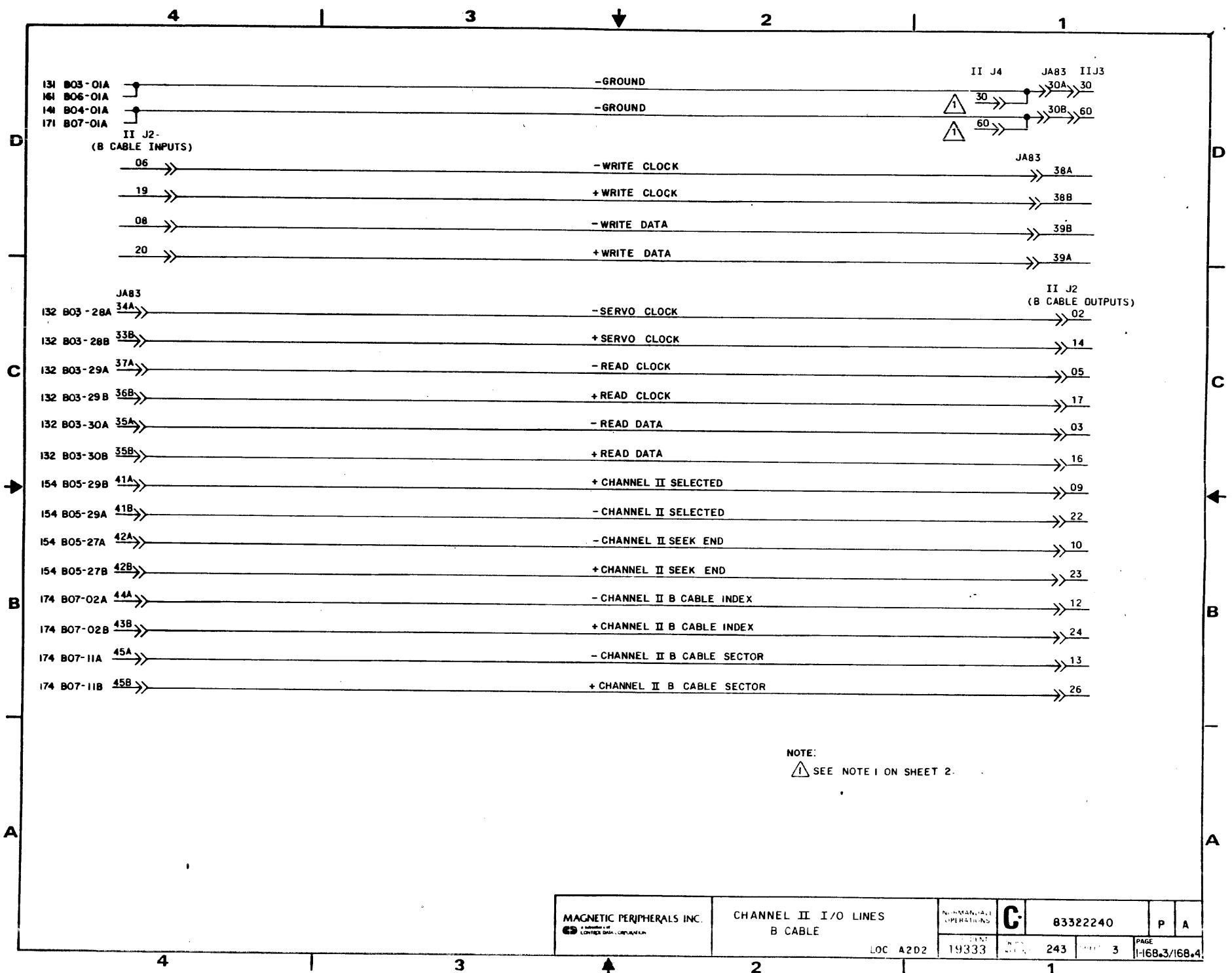
APPLICABLE TO BK5A7-V,W AND BK5C4-C,D ONLY

DRAWN	CHECKED	ENGINEER	APPROVED	CONTROL DATA	NORMAN DALE DIVISION	A AND B CABLE CHANNEL II I/O DIAGRAMS	TYPE BXYV	LOC A2D2	CODE IDENT 19333	C	83322240	P	A	CROSS REF NO 241	SHEET 1 OF 3	PAGE 1-168-1
-------	---------	----------	----------	--------------	----------------------	---------------------------------------	-----------	----------	---------------------	---	----------	---	---	---------------------	-----------------	-----------------

REF: 83214857



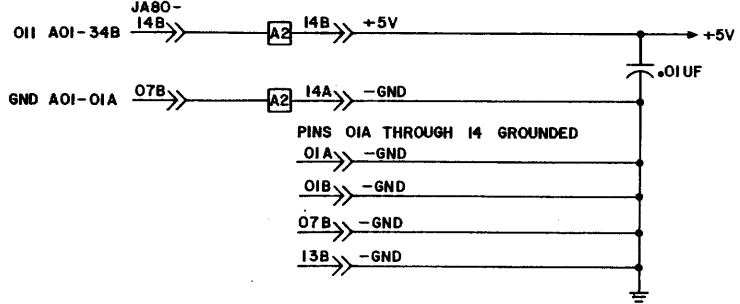
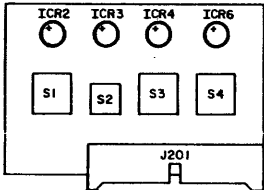
CONTROL DATA NORMANDEALE DIVISION	CHANNEL II I/O LINES A CABLE	CODE IDENT 19333	C	83322240	P	A
	(60 PIN I/O)	LOC A2D2				



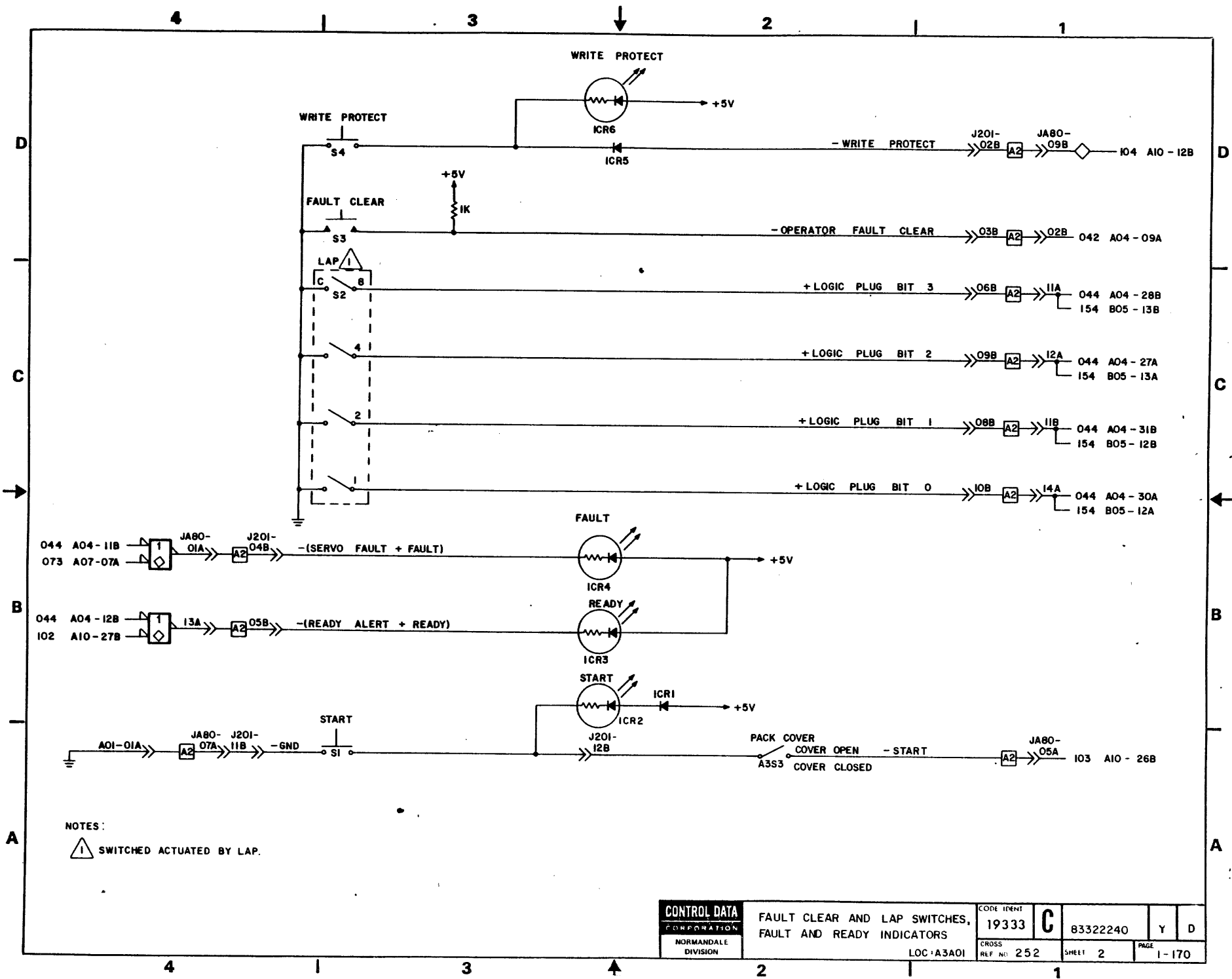
REVISION STATUS OF SHEETS																				
	1	2	3	4	5	6	7	8	9	10	11	12	13	14	15	16	17	18	19	20
A	A																			
B	B																			
C	C																			
D	D																			

REVISIONS					
REV.	ECO.	DESCRIPTION	DRFT	DATE	CHK'D
A	PE23000	RELEASED	BJE	8-27-76	
B	PE48296	CORRECT DIAGRAMS	SB	11-2-76	
C	PE48402	CORRECT DIAGRAMS	WEB	12-20-76	
D	PE22854	ERROR CORRECTIONS	MJ	5-29-83	

CONTROL PANEL
(COMPONENT LAYOUT)

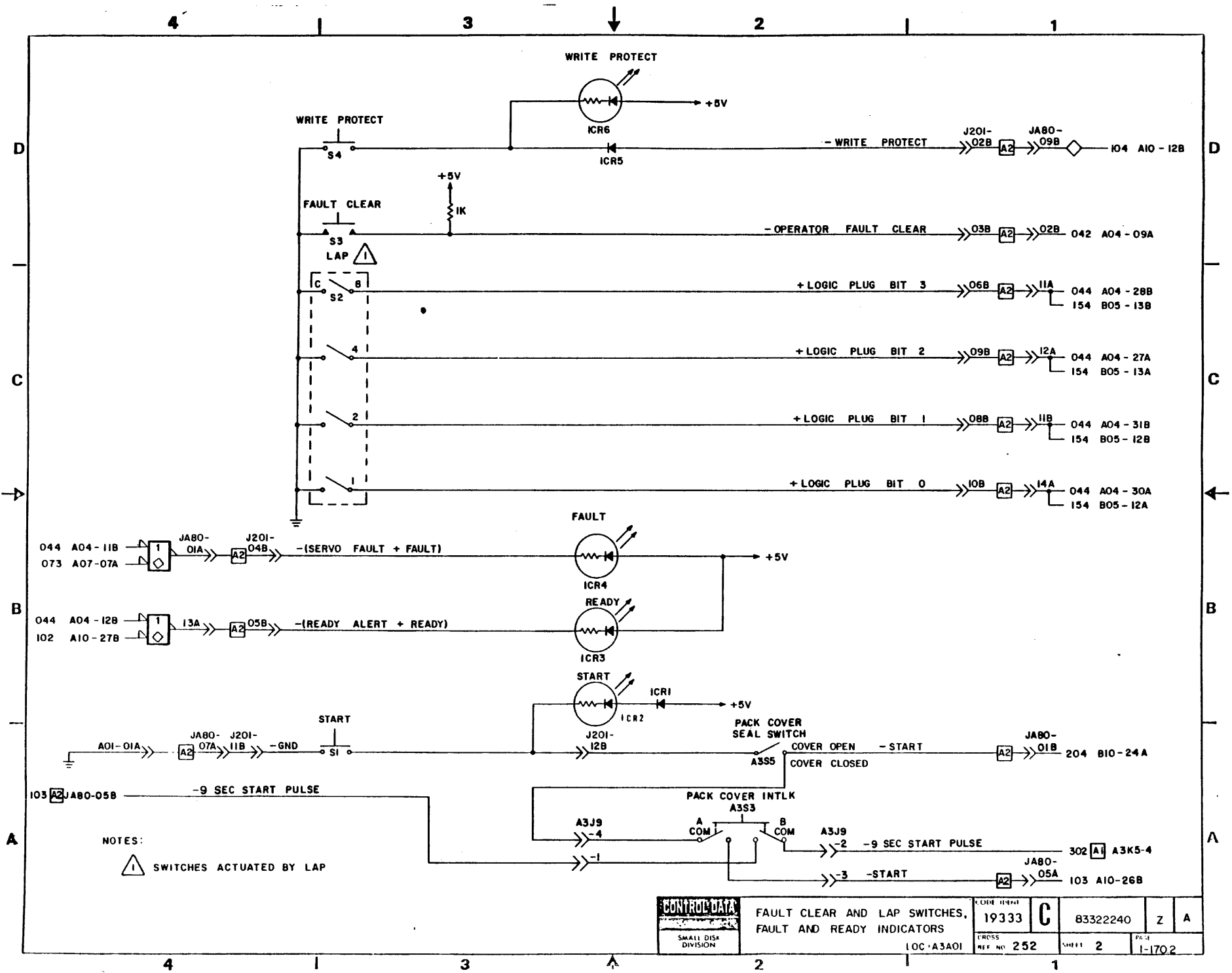


DRAWN	CHECKED	ENGINEER	APPROVED	CONTROL DATA CORPORATION	NORMANVILLE DIVISION	TYPE HZYN	LOC-A3AOI	CODE IDENT 19333 C	83322240	Y	D
CROSS REF NO	251	SHEET	1 of 2	PAGE	1-169	REF	83214825				



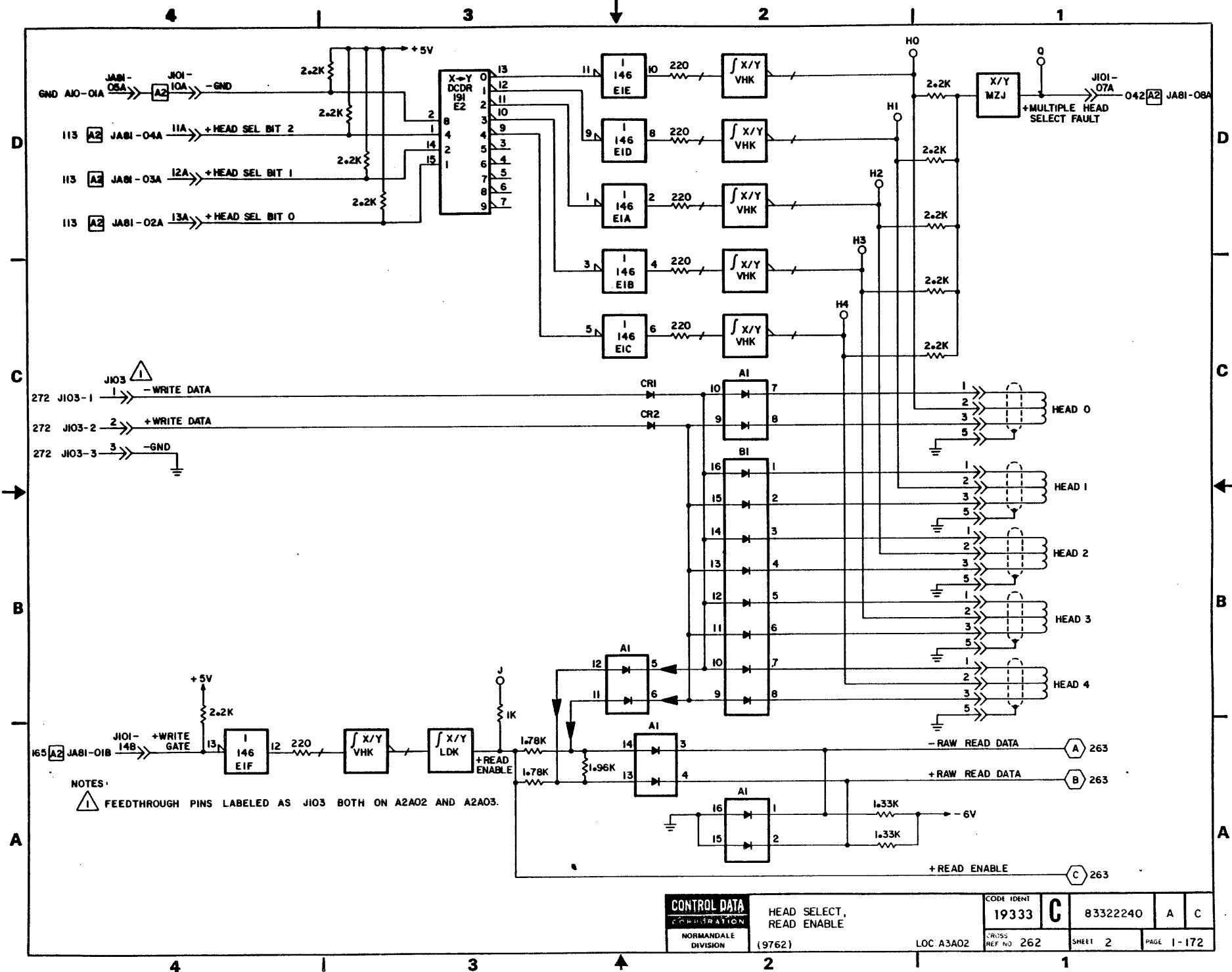
NOTES:
 △ SWITCHED ACTUATED BY LAP.

CONTROL DATA CORPORATION NORMANDALE DIVISION	FAULT CLEAR AND LAP SWITCHES, FAULT AND READY INDICATORS		CODE IDENT 19333	C	83322240	Y	D
	LOC A3A01	CROSS REF NO 252	SHEET 2				



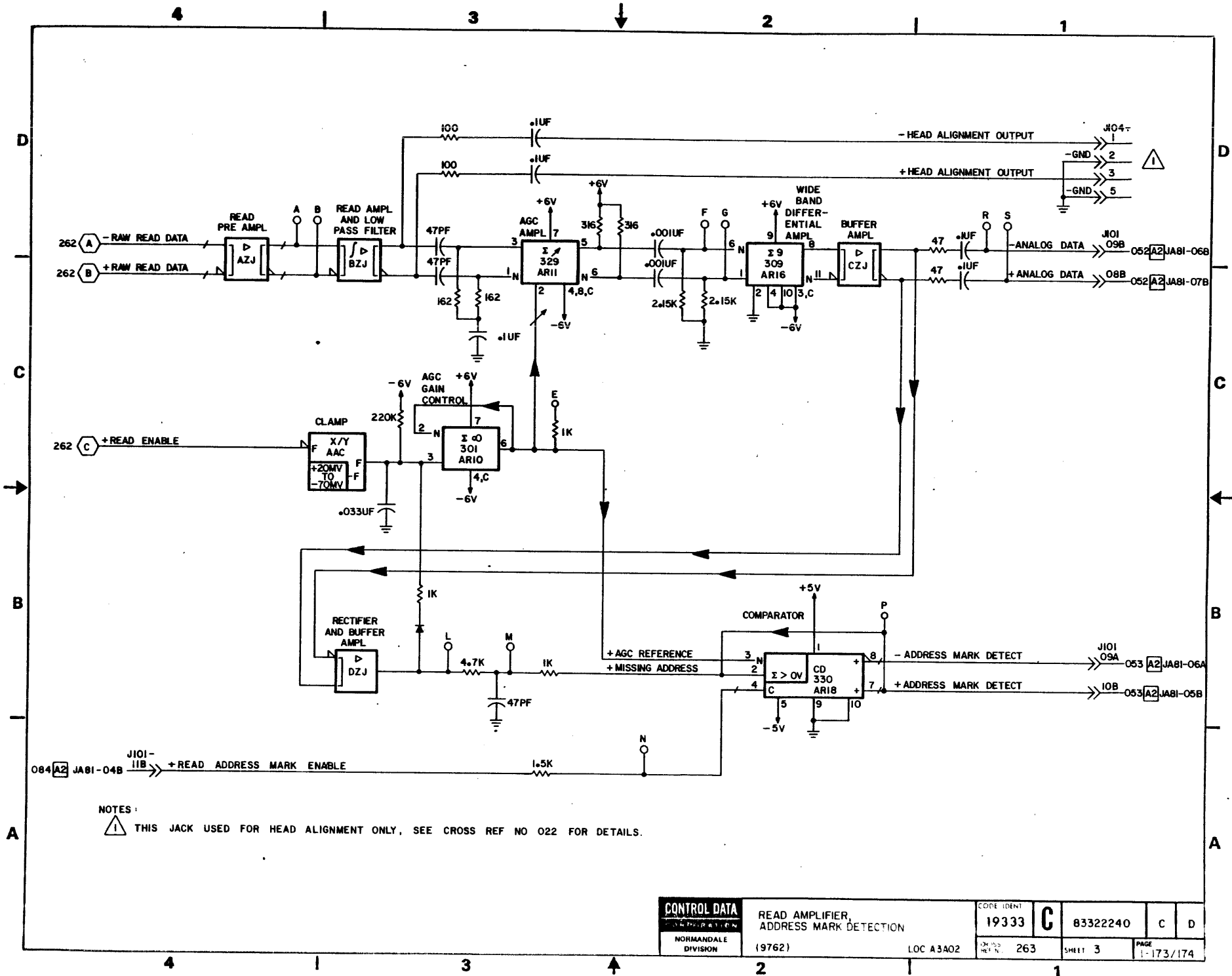
NOTES:
 1 SWITCHES ACTUATED BY LAP

CONTROL DATA SMALL DISK DIVISION	FAULT CLEAR AND LAP SWITCHES, FAULT AND READY INDICATORS		FORM NUMBER 19333	C	83322240	Z	A
	LOC A3A01	CROSS REF NO 252	SHEET 2				



NOTES:
 ⚠ FEEDTHROUGH PINS LABELED AS J103 BOTH ON A2A02 AND A2A03.

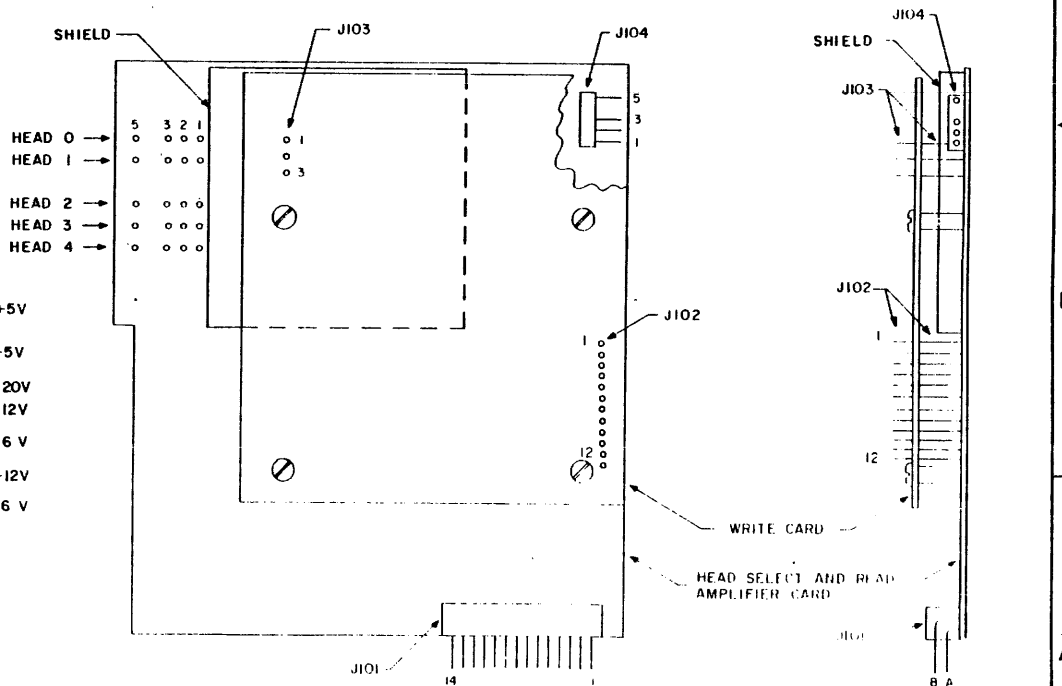
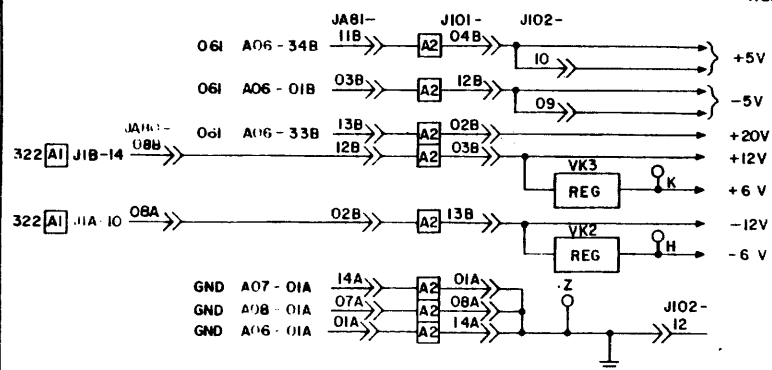
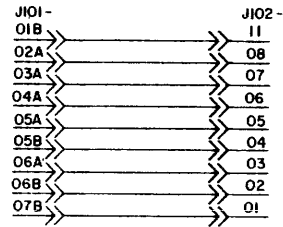
CONTROL DATA CORPORATION NORMANDEALE DIVISION	HEAD SELECT, READ ENABLE (9762)	CODE IDENT	83322240	A	C
		19333 C			
LOC. A3A02	CROSS REF. NO. 262	SHEET 2	PAGE 1-172		



NOTES:
 ⚠ THIS JACK USED FOR HEAD ALIGNMENT ONLY, SEE CROSS REF NO O22 FOR DETAILS.

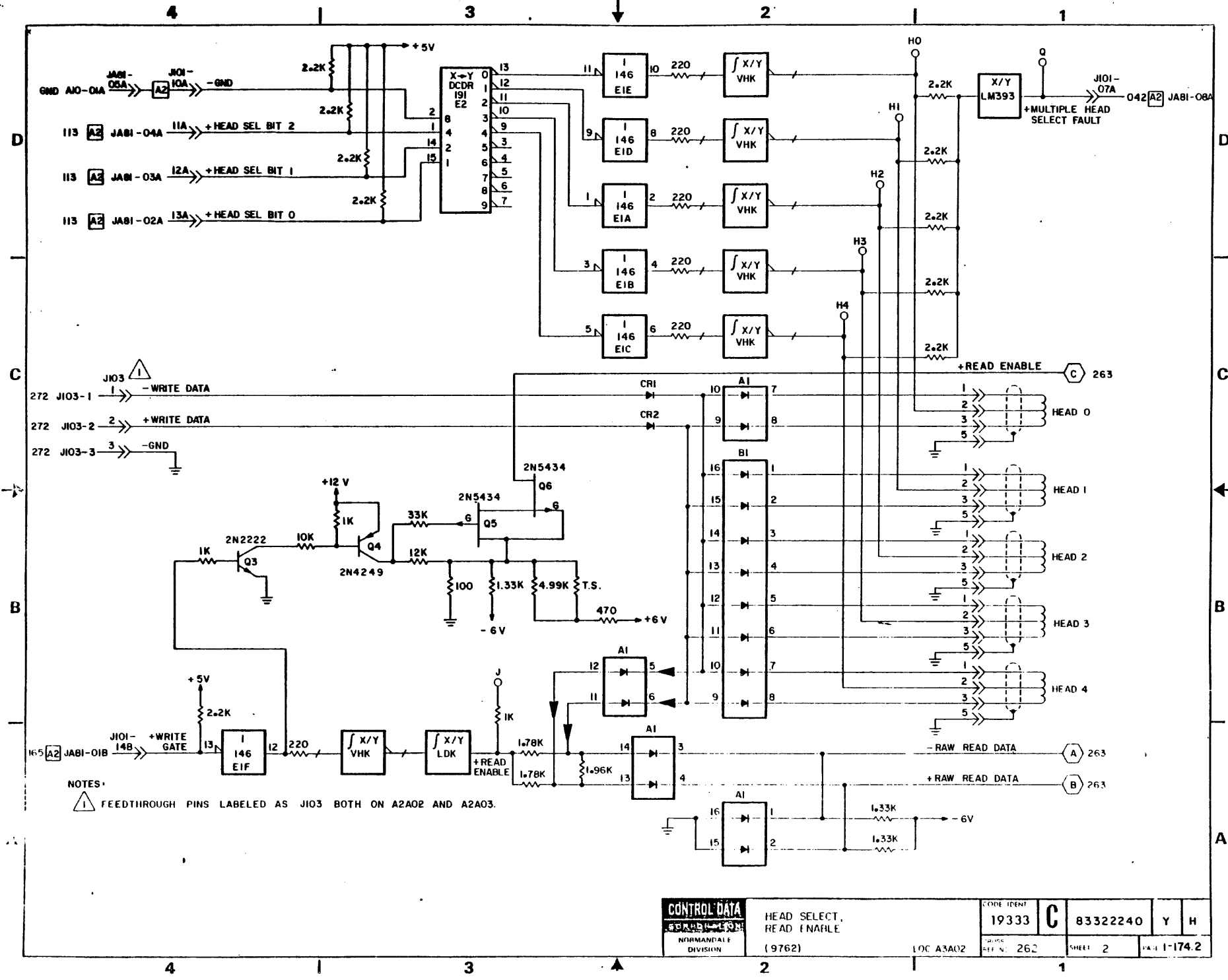
CONTROL DATA CORPORATION NORMANDEALE DIVISION	READ AMPLIFIER, ADDRESS MARK DETECTION	CODE IDENT 19333	C	83322240	C	D
	(19762)	LOC A3402				

REVISIONS						
REV	ECO	DESCRIPTION	DRFT	DATE	CHK'D	
A	PE 23000	RELEASED				
H	PE 48296	ERR. CORR.	MA	8-9-76		
C	PE 48402	ERROR CORRECTIONS	VC	1-10-77		
D	PE 48523	ERROR CORRECTION	SB	4-6-77		
E	DJ22000	TRANSFER FROM PE				
F	DJ00335	NZJN REDESIGN	SMS	4-28-82		
G	DJ00459	CHANGE LOGIC DIAGRAM - NZJN	JS	9-24-82		
H	DJ00488	CORRECT NZJN SCH	KKB	12-22-82		
J	DJ00521	CHG NZJN COMP AY	MJ	3-21-83		
K	DJ00785	RES CHG NZJN	JG	7-24-84		
			MR	2-4-85		



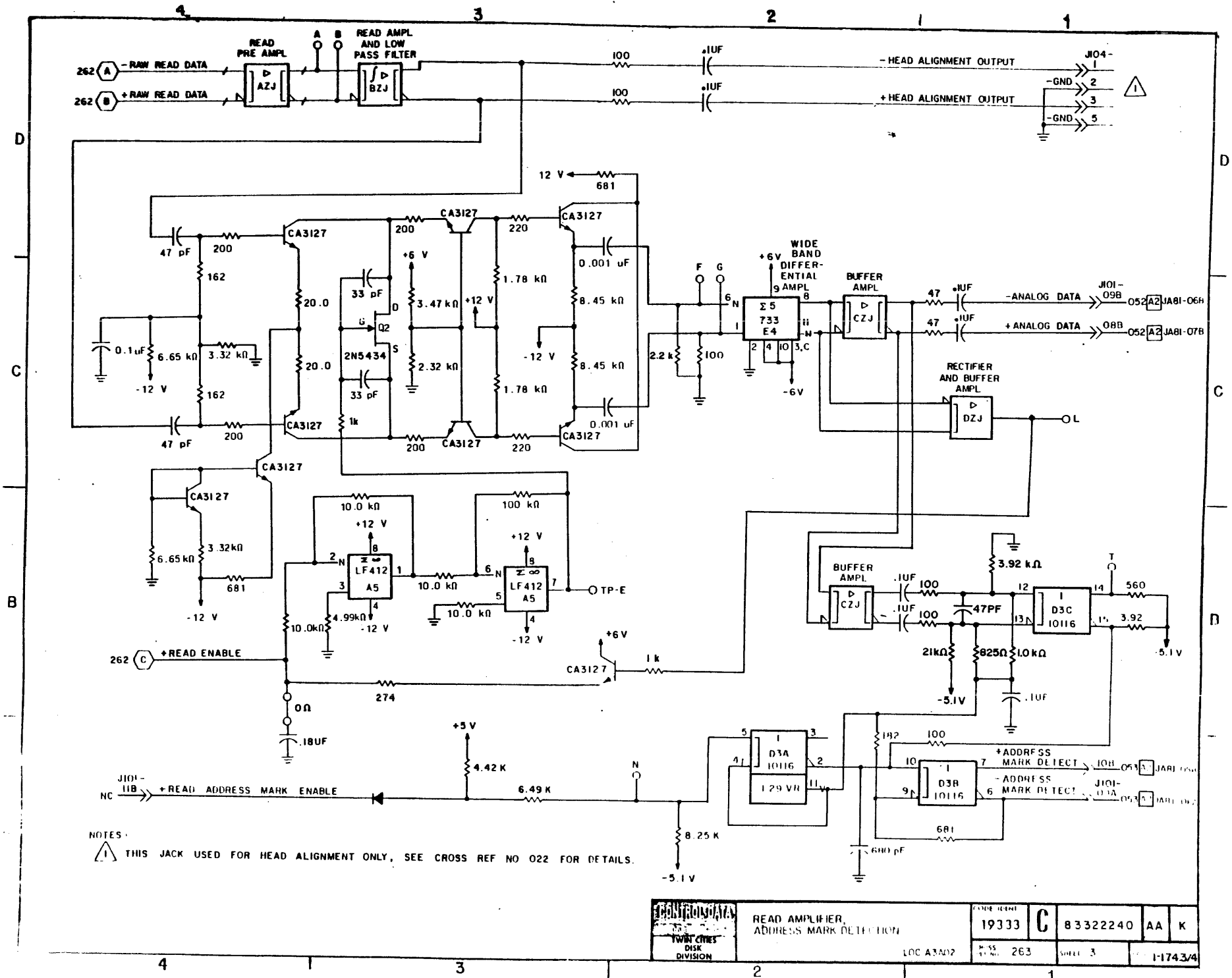
APPLICABLE TO BK5X X=9762, THIS SET USED FOR NZJN REV N & ABOVE.

DRAWN	2/2/76	CONTROL DATA	HEAD SELECT AND READ AMPLIFIER DIAGRAMS	FORM NO. 19333	C	83322240	AA	K
CHECKED		COMPONENTS						
ENTERED		TWIN CITIES						
APPROVED		DISK DIVISION	TYPE NZJN	LOC 33A07				1-174.1



NOTES:
 1 FEEDTHROUGH PINS LABELED AS JI03 BOTH ON A2A02 AND A2A03.

CONTROL DATA ELECTRONICS NORMANDALE DIVISION	HEAD SELECT, READ ENABLE	CODE IDENT 19333	C 83322240 SHEET 2 PART 1-174.2	Y H
	(9762)	LOC A3A02		



NOTES:
 ⚠ THIS JACK USED FOR HEAD ALIGNMENT ONLY, SEE CROSS REF NO 022 FOR DETAILS.

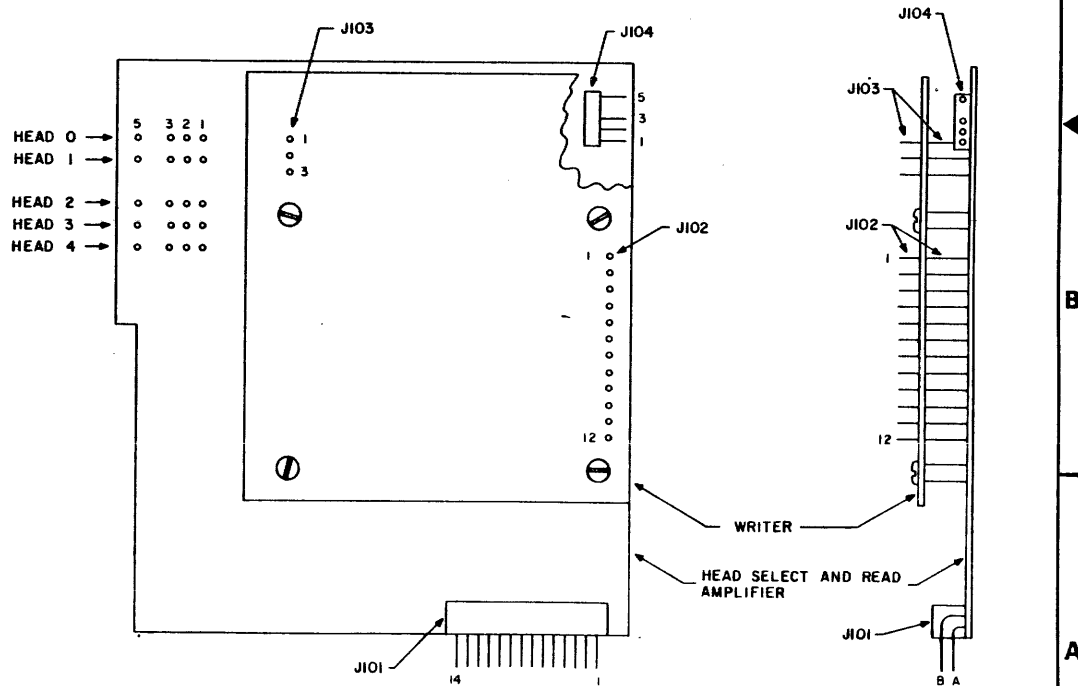
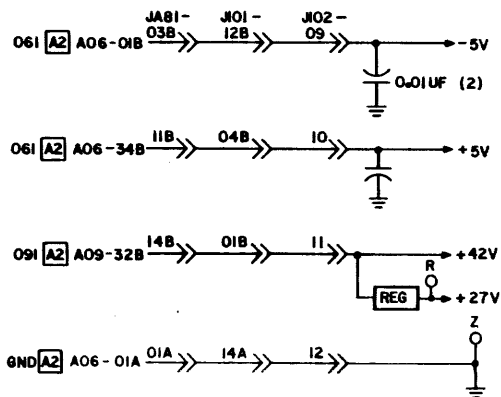
 TWENTY-NINES DIVISION	READ AMPLIFIER, ADDRESS MARK DETECTION		19333	C	83322240	AA	K
	LOC A3A02	263	3	1-1743/4			

REVISION STATUS OF SHEETS																				
1	2	3	4	5	6	7	8	9	10	11	12	13	14	15	16	17	18	19	20	
A	A	A																		
B	B	B																		
C	C	C																		
D	C	D																		
E	E	D																		

REVISIONS					
REV	ECO	DESCRIPTION	DRFT	DATE	CHK'D
A	PE23000	RELEASED	MLA	8-20-76	
B	PE48402	CORR DIAG			
C	PE48523	CORR DIAG	DM	7-22-77	
D	PE48675	ERR CORR	DM	1-23-78	
E	PE55933	CORRECT DIAGRAMS	MA	10-9-78	

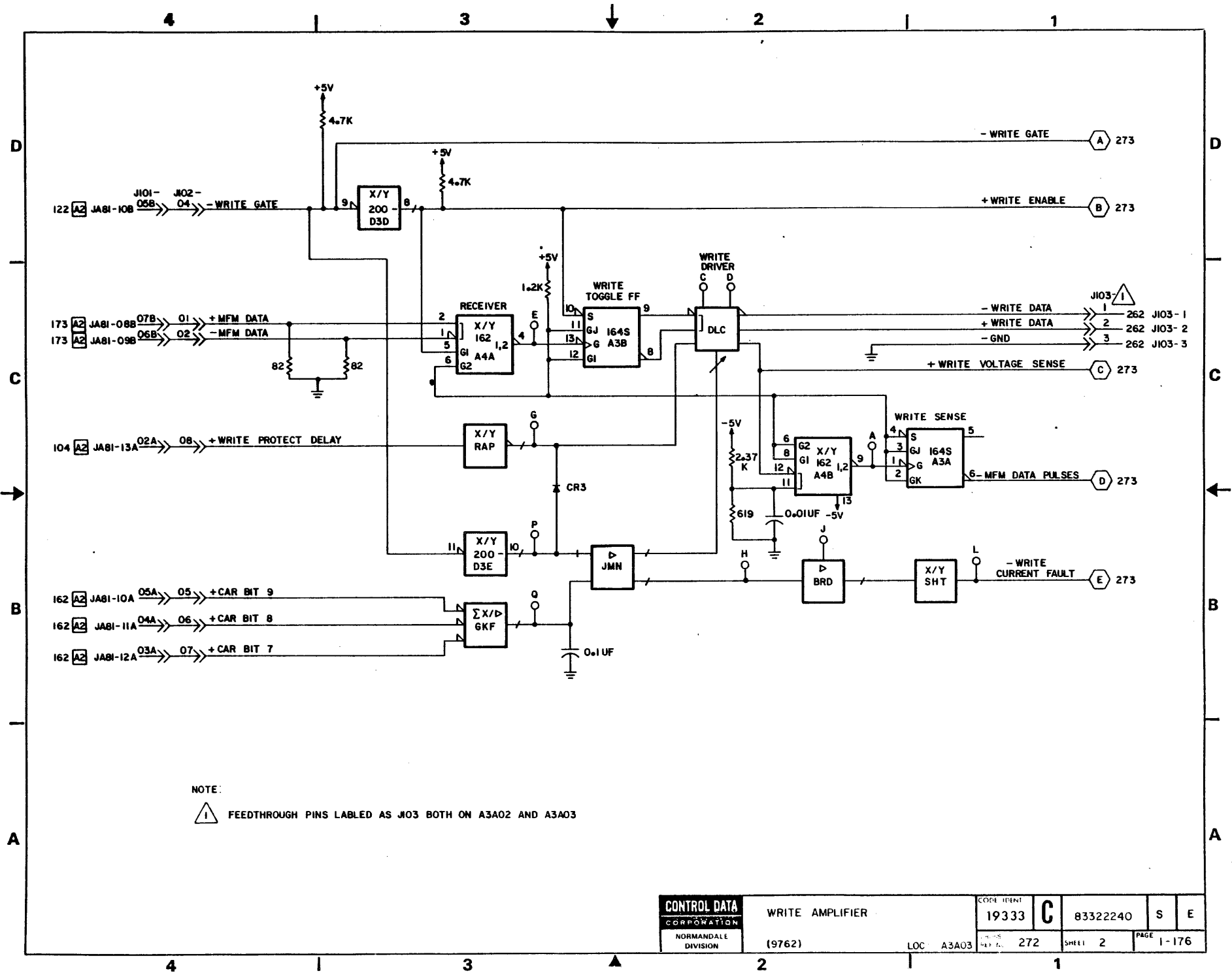
UNUSED LOGIC ELEMENTS

TYPE	LOCATION	OUTPUT PIN(S)
200	D3	12
140	C4	3



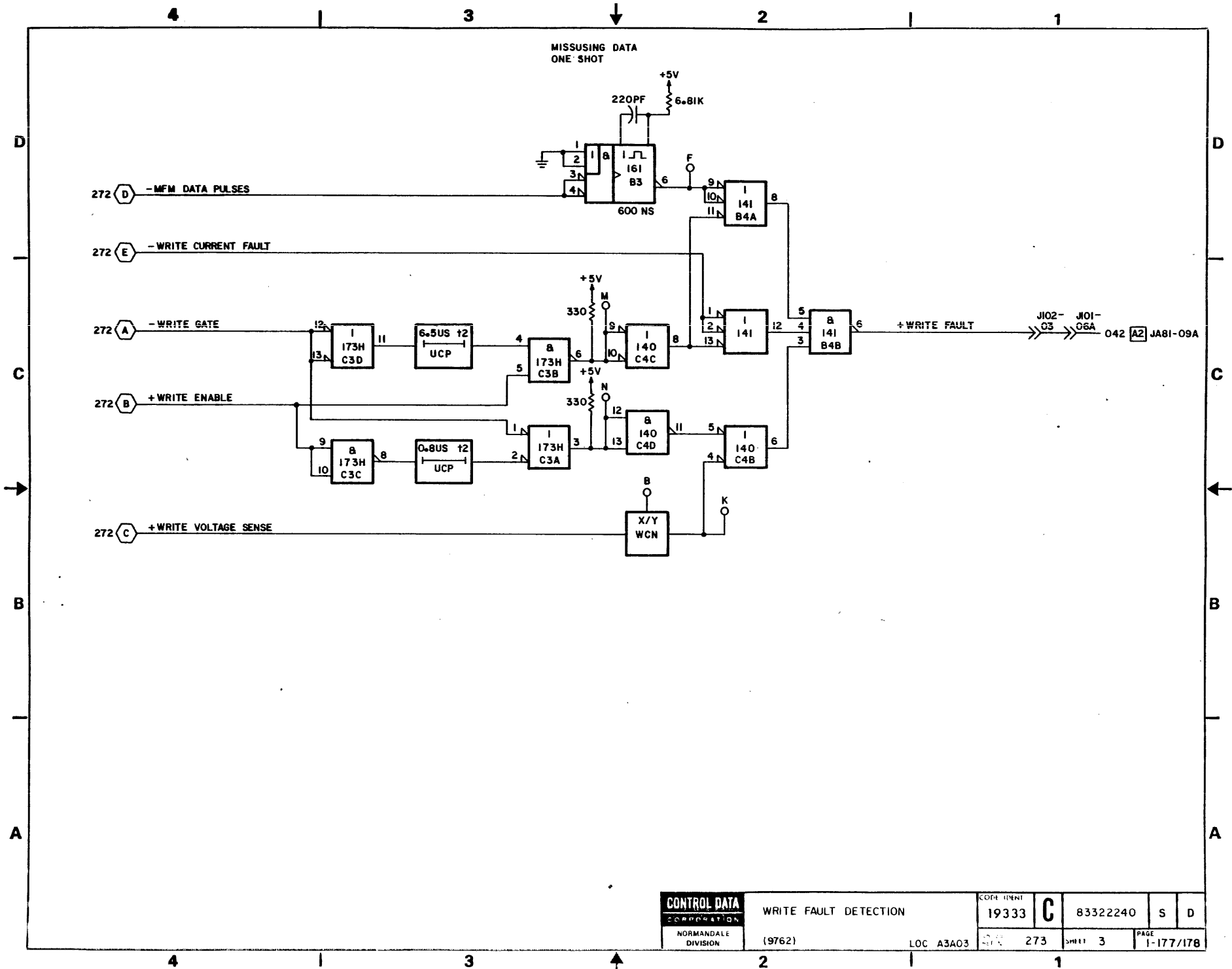
APPLICABLE TO BK5XX=9762

DRAWN	CONTROL DATA	WRITER DIAGRAMS	CODE IDENT	19333	C	83322240	S	E
CHECKED			NO					
ENGINEER								
APPROVED								
	NORMANDALE DIVISION	TYPE: EZKN	LOC A3A03	CROSS REF NO: 271	SHEET 1 of 3	PAGE 1-175		



NOTE:
 ⚠ FEEDTHROUGH PINS LABELED AS J03 BOTH ON A3A02 AND A3A03

CONTROL DATA CORPORATION NORMANDEALE DIVISION	WRITE AMPLIFIER		CODE IDENT	C 83322240	S	E
	(9762)	LOC A3A03	19333			
			SEP 68 272	SHEET 2	PAGE 1-176	



CONTROL DATA CORPORATION NORMANDEALE DIVISION	WRITE FAULT DETECTION	CODE 19333	C	83322240	S	D
	(9762)	LOC A3A03	273	SH11 3	PAGE 1-177/178	


REVISION STATUS OF SHEETS

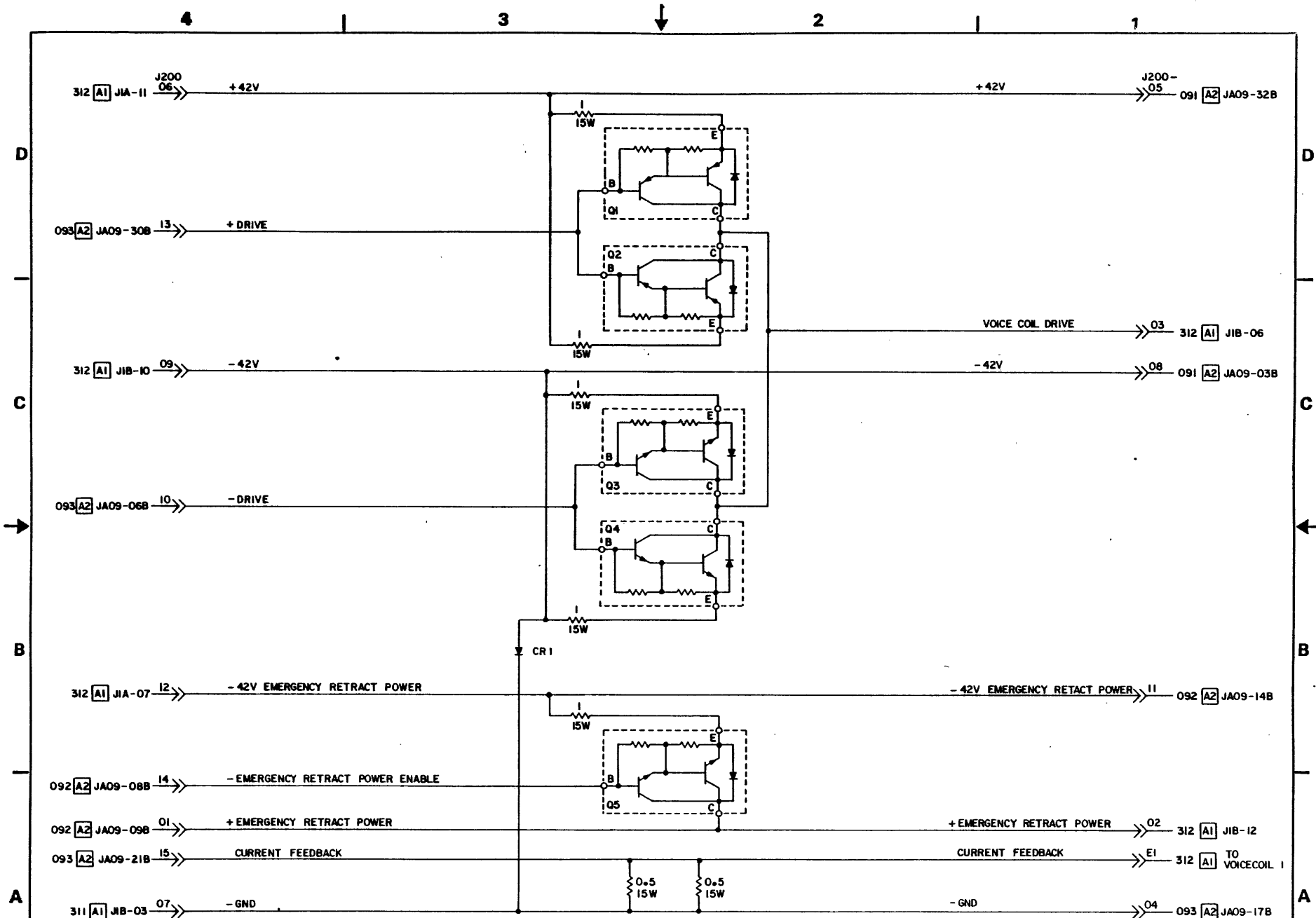
	1	2	3	4	5	6	7	8	9	10	11	12	13	14	15	16	17	18	19	20
A	A																			
B	A																			
C	C																			
D	D																			
E	E																			
F	F																			

REVISIONS

REV	ECO	DESCRIPTION	DWFT	DATE	CHK'D
A	PE23000	RELEASED	MLA	8-20-76	
B	PE48402	CORRECT DIAGRAMS	GR	1-20-76	
C	PE55229	ADD HYBRID PWR SUP	MA	1-19-79	
D	PE55272	ADD DIODE	TH	7-27-79	
E	PE60030A	CORRECT DIAGRAMS	MF	7-15-80	
F	0J00215	CHG VTN CARD ASSY	MJ	5-27-81	

NOTE:
 AVTN - USED ON BK5A1K, BK5A7M, BK5A9J, BK5A9U, BK5CIE/F

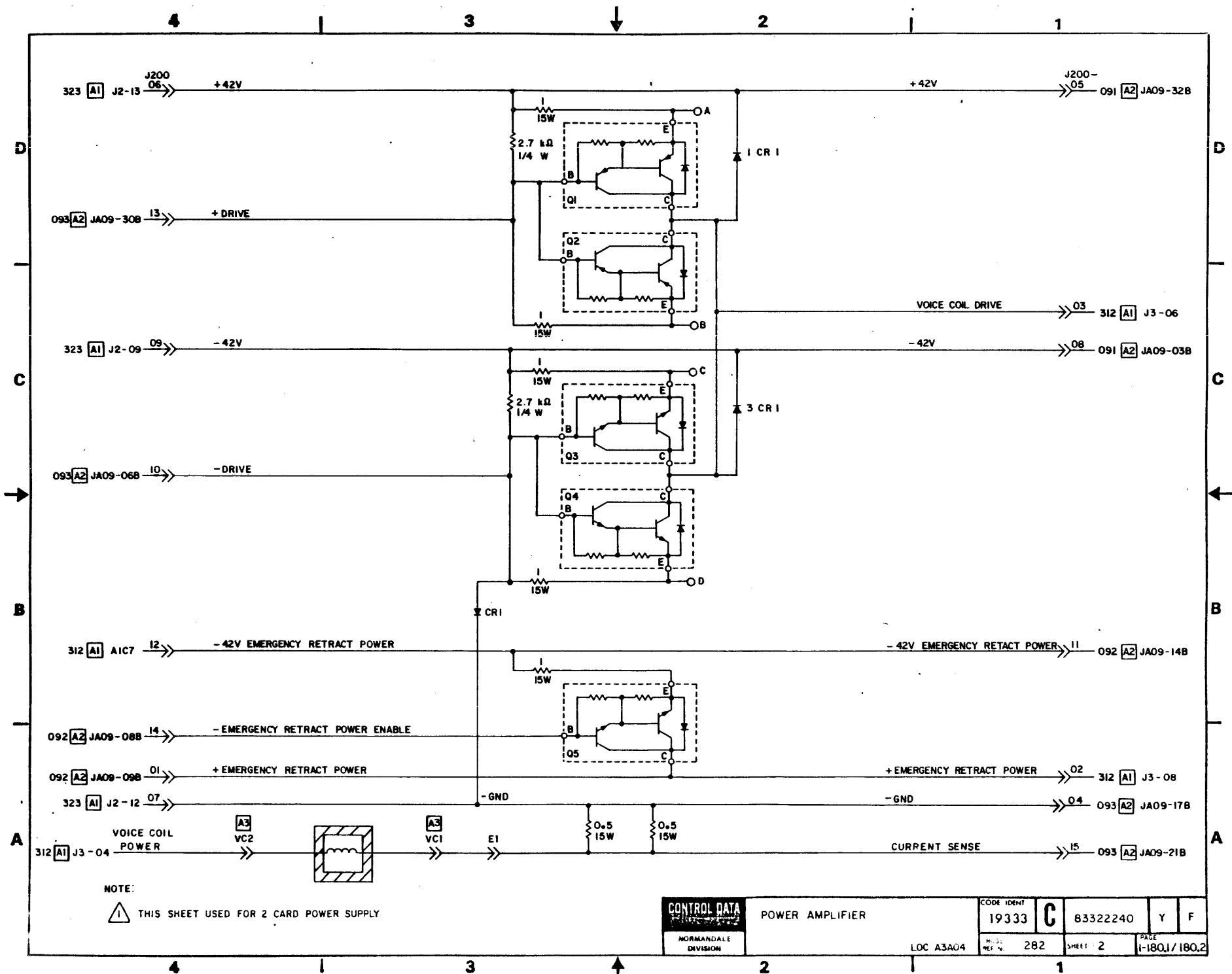
DRAWN		CONTROL DATA CORPORATION NORMANDALE DIVISION	POWER AMPLIFIER DIAGRAMS TYPE: 5VTN 	CODE IDENT	19333	C 83322240 Y F	REF	63214828
CHECKED				SHEET	1 OF 2			
ENGINEER	<i>[Signature]</i>			DATE	1-179			
APPROVED				LOC	A3A04			



NOTE

1. THIS SHEET USED FOR 3 CARD POWER SUPPLY

CONTROL DATA CORPORATION NORMANDEALE DIVISION	POWER AMPLIFIER		CODE IDENT	C	83322240	L	D
	19333	282	SHEET 2				
LOC A3A04							

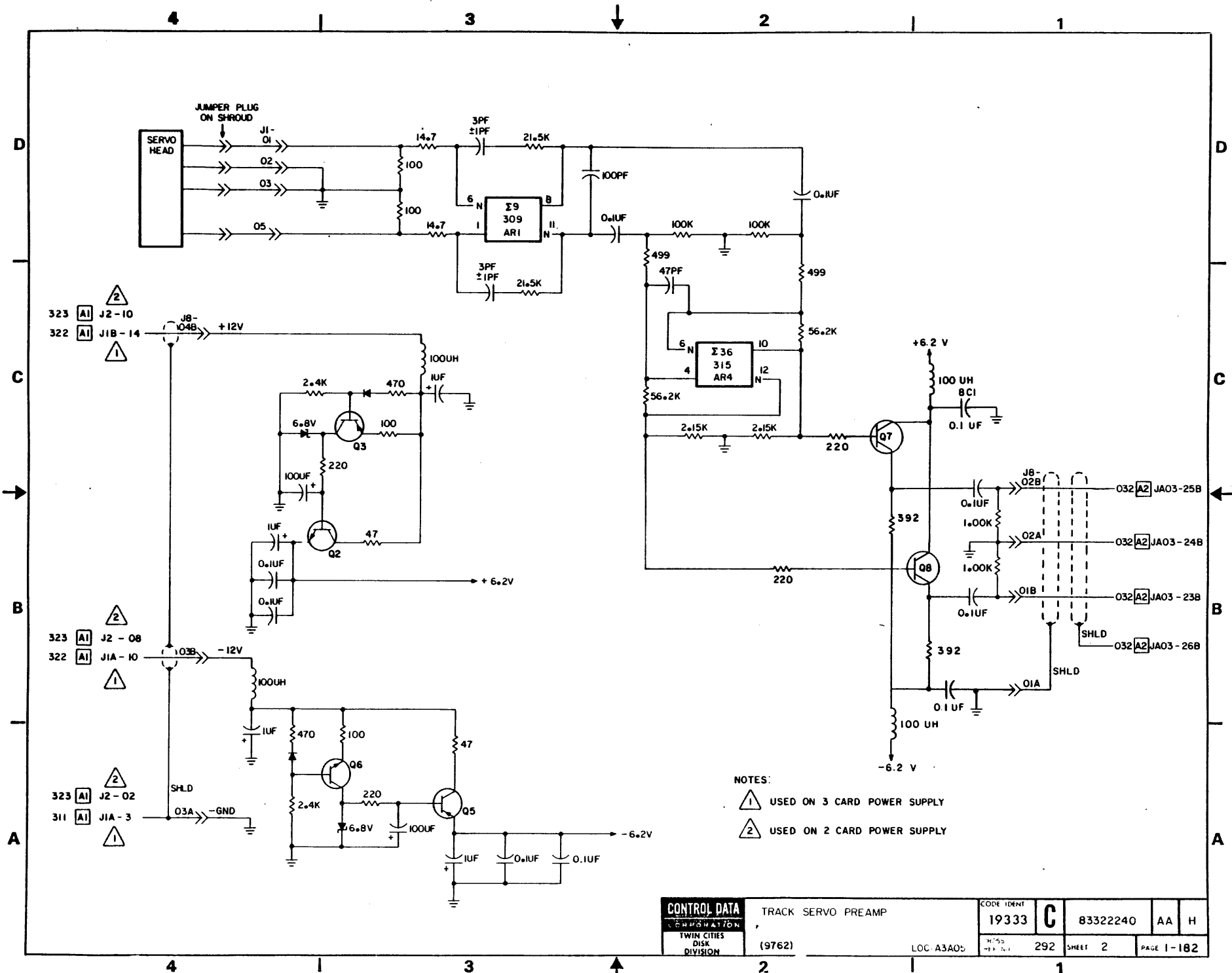


NOTE:
 ⚠ THIS SHEET USED FOR 2 CARD POWER SUPPLY

CONTROL DATA
 NORMANDEALE
 DIVISION

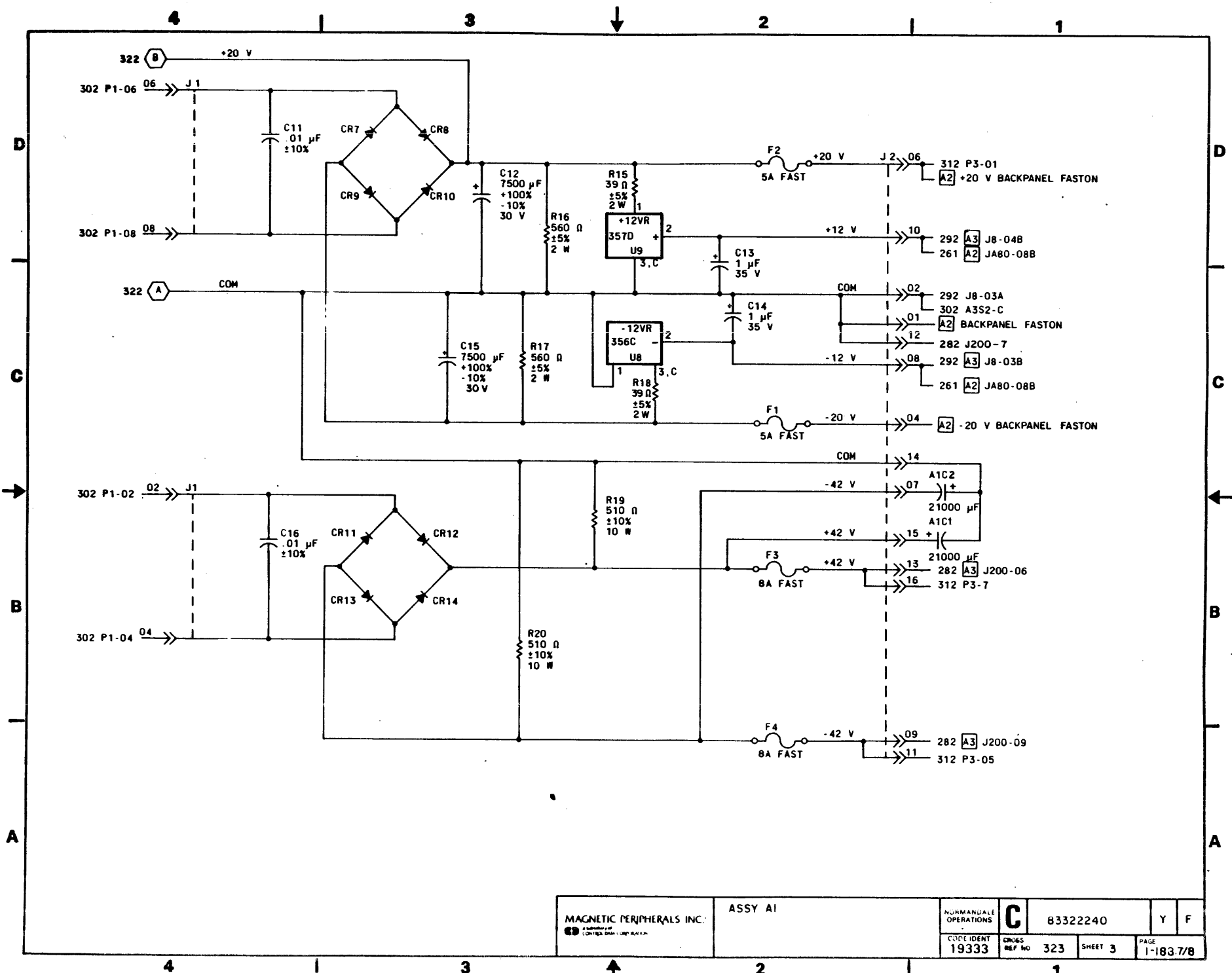
POWER AMPLIFIER

CODE IDENT	C	83322240	Y	F
19333				
LOC A3A04	282	SHEET 2	PAGE 1-180.1/180.2	



- NOTES:
- 1 USED ON 3 CARD POWER SUPPLY
 - 2 USED ON 2 CARD POWER SUPPLY

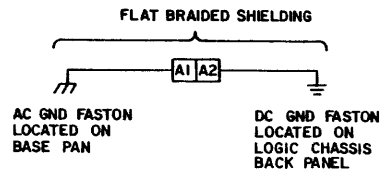
CONTROL DATA CORPORATION TWIN CITIES DISK DIVISION	TRACK SERVO PREAMP	CODE IDENT	19333	C	83322240	AA	H
	(9762)	LOC. A3A05	292	SHEET 2	PAGE 1-182		



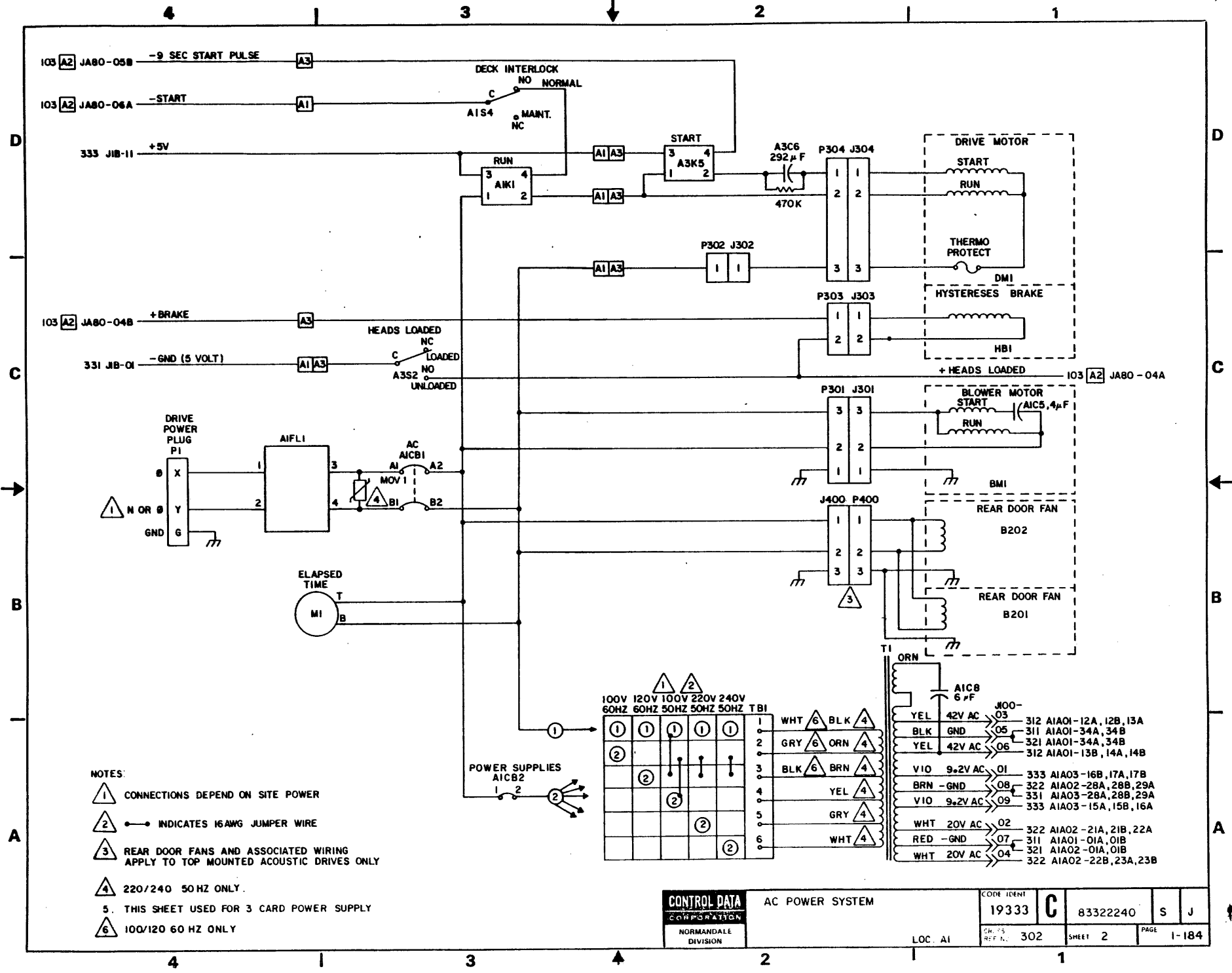
 MAGNETIC PERIPHERALS INC. <small>A DIVISION OF</small> <small>CONTROL DATA CORPORATION</small>	ASSY A1	NORMANDALE OPERATIONS	C	83322240	Y	F
		CODE IDENT 19333	CROSS REF NO 323	SHEET 3	PAGE 1-1837/8	

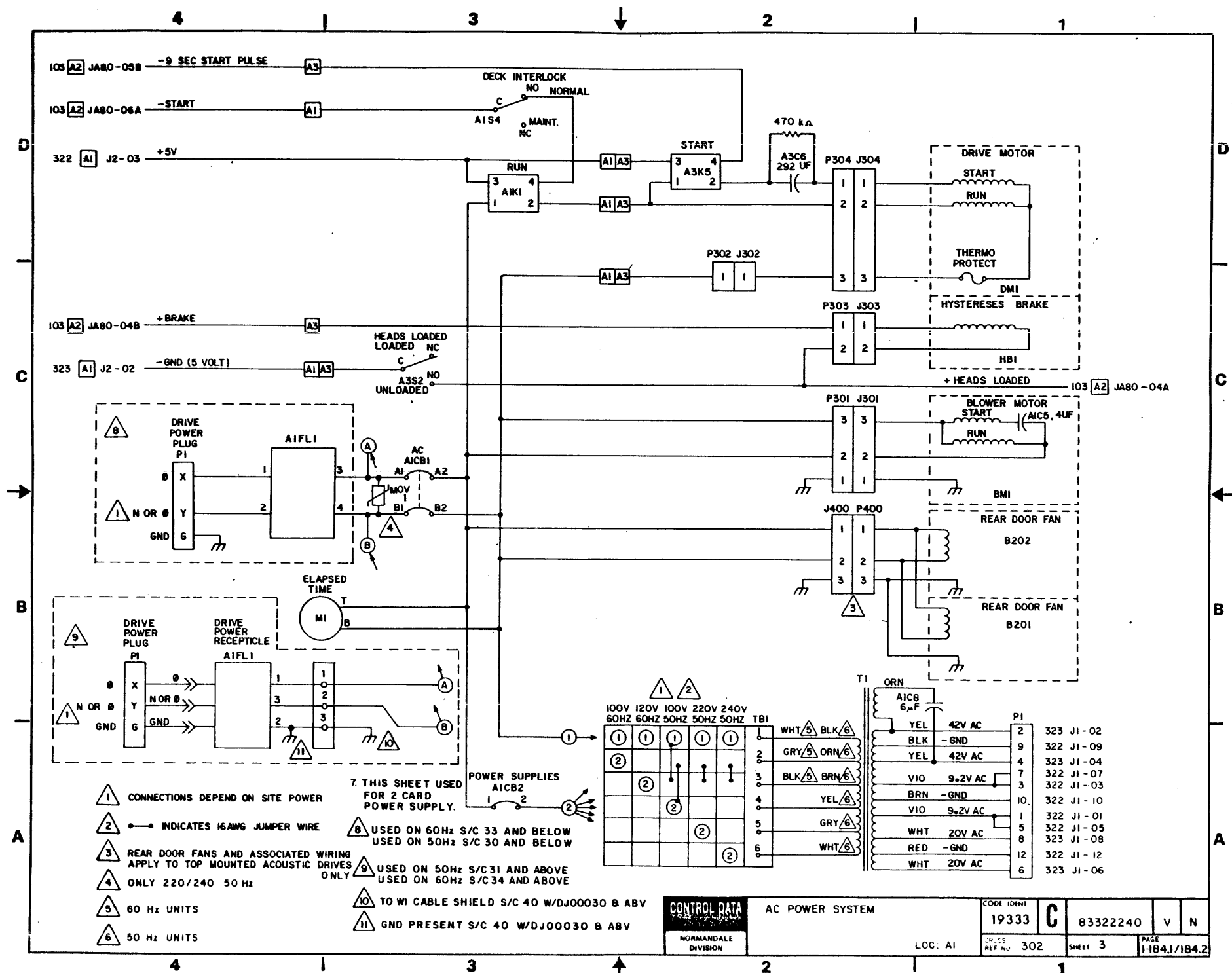
REVISION STATUS OF SHEETS																				
	1	2	3	4	5	6	7	8	9	10	11	12	13	14	15	16	17	18	19	20
A	A																			
B	B																			
C	C																			
D	D																			
E	E	E																		
F	F	F																		
G	G	G																		
H	H	H																		
J	J	J																		
K	K	K																		
L	K	L																		
M	K	L																		
N	K	N																		
P																				

REVISIONS					
REV.	ECO	DESCRIPTION	DRFT.	DATE	CHK'D
A	PE23000	RELEASED	MLA	8-20-76	
B	PE48296	CORRECT DIAGRAMS	SB	11-2-76	
C	PE48402	CORR. DIAG.			
D	PE48477	INC. VOLTAGE RATING OF MOTOR CONTROL TRIACS	DM	7-22-77	
E	PE55229	ADD HYBRID PWR SUP.	MA	1-17-79	
F	PE55844B	ADD REMOVABLE LINE FILTER AND POWER CORD	CB	2-6-80	
G	PE48610	ERROR CORRECTION	MF	7-16-80	
H	PE55493	ERROR CORRECTION	MF	7-16-80	
J	PE55776	ERROR CORRECTION	MF	7-16-80	
K	PE55982	REMOVABLE PWR CORD	MF	7-16-80	
L	PE24500	MADE SCHE. CHG.	MJ	1-11-82	DJ
M	PE56900	CHG. NOT INSTALLED, DIA. NOT AFFECTED	MJ	1-11-82	DJ
N	DJ00030	ADD GROUNDING STUD	MJ	1-11-82	DJ
P	DJ00243	CORR. DIA.	MJ	5-27-82	



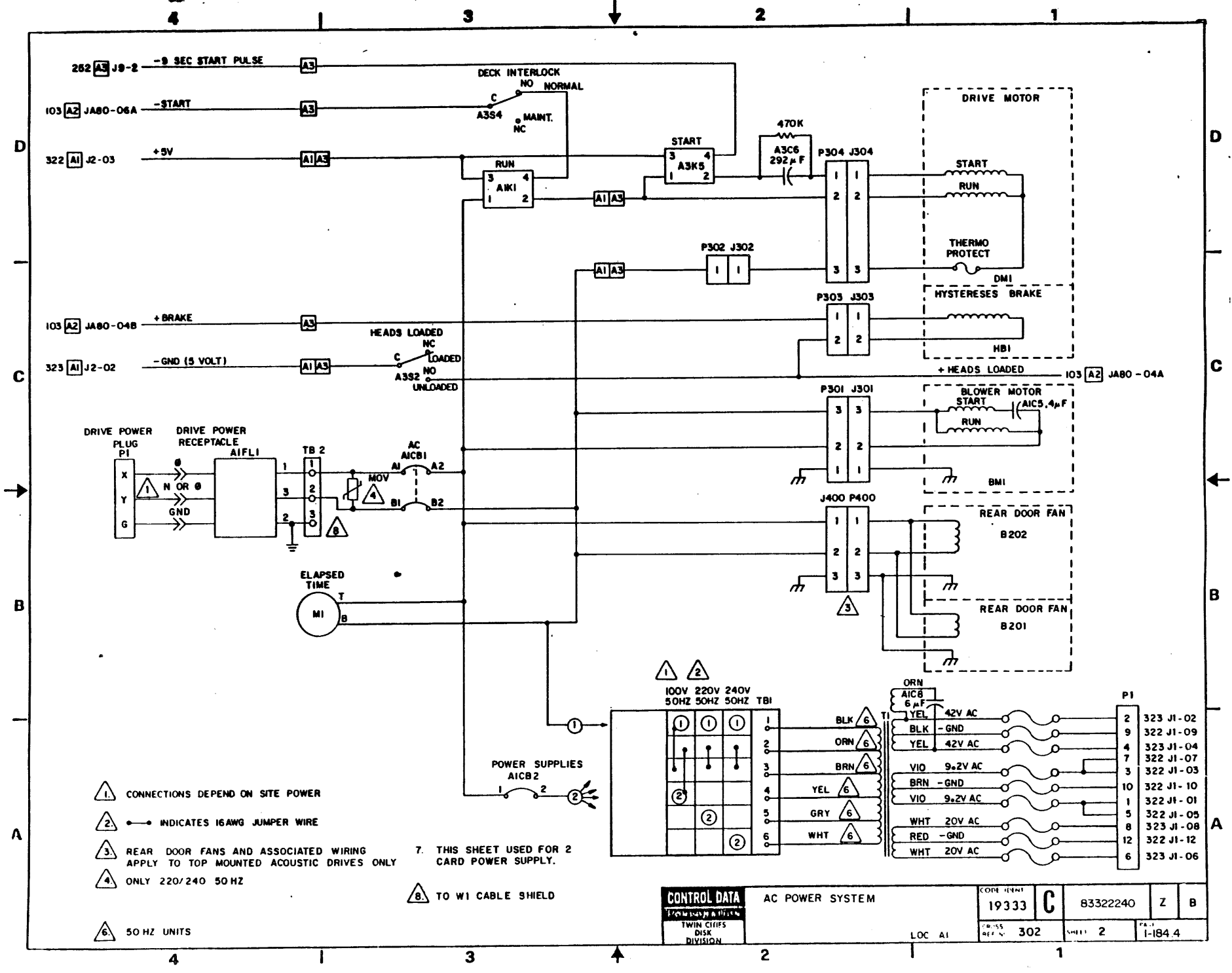
DRAWN		CONTROL DATA	AC POWER SYSTEM	CODE IDENT	19333	83322240	Y	P
CHECKED		CORPORATION	DIAGRAMS	CROSS REF	301	SHEET	1 of 3	PAGE
ENGINEER		NORMANDELL		NO.				1-183
APPROVED		DIVISION		LOC. A1				





- 1 CONNECTIONS DEPEND ON SITE POWER
- 2 INDICATES 16AWG JUMPER WIRE
- 3 REAR DOOR FANS AND ASSOCIATED WIRING APPLY TO TOP MOUNTED ACOUSTIC DRIVES
- 4 ONLY 220/240 50 Hz
- 5 60 Hz UNITS
- 6 50 Hz UNITS
- 7 THIS SHEET USED FOR 2 CARD POWER SUPPLY.
- 8 USED ON 60Hz S/C 33 AND BELOW USED ON 50Hz S/C 30 AND BELOW
- 9 USED ON 50Hz S/C 31 AND ABOVE ONLY USED ON 60Hz S/C 34 AND ABOVE
- 10 TO WI CABLE SHIELD S/C 40 W/DJ00030 & ABV
- 11 GND PRESENT S/C 40 W/DJ00030 & ABV

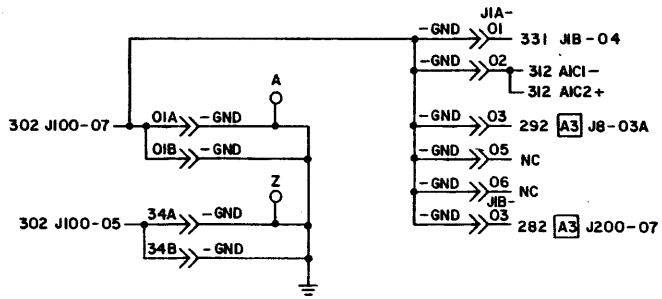
100V	120V	100V	220V	240V					
60HZ	60HZ	50HZ	50HZ	50HZ	1	2	3	4	5



CONTROL DATA TWIN CITIES DISK DIVISION	AC POWER SYSTEM	COMP. REV. 19333	C	83322240	Z	B
	LOC A1	302	2	1-184.4		

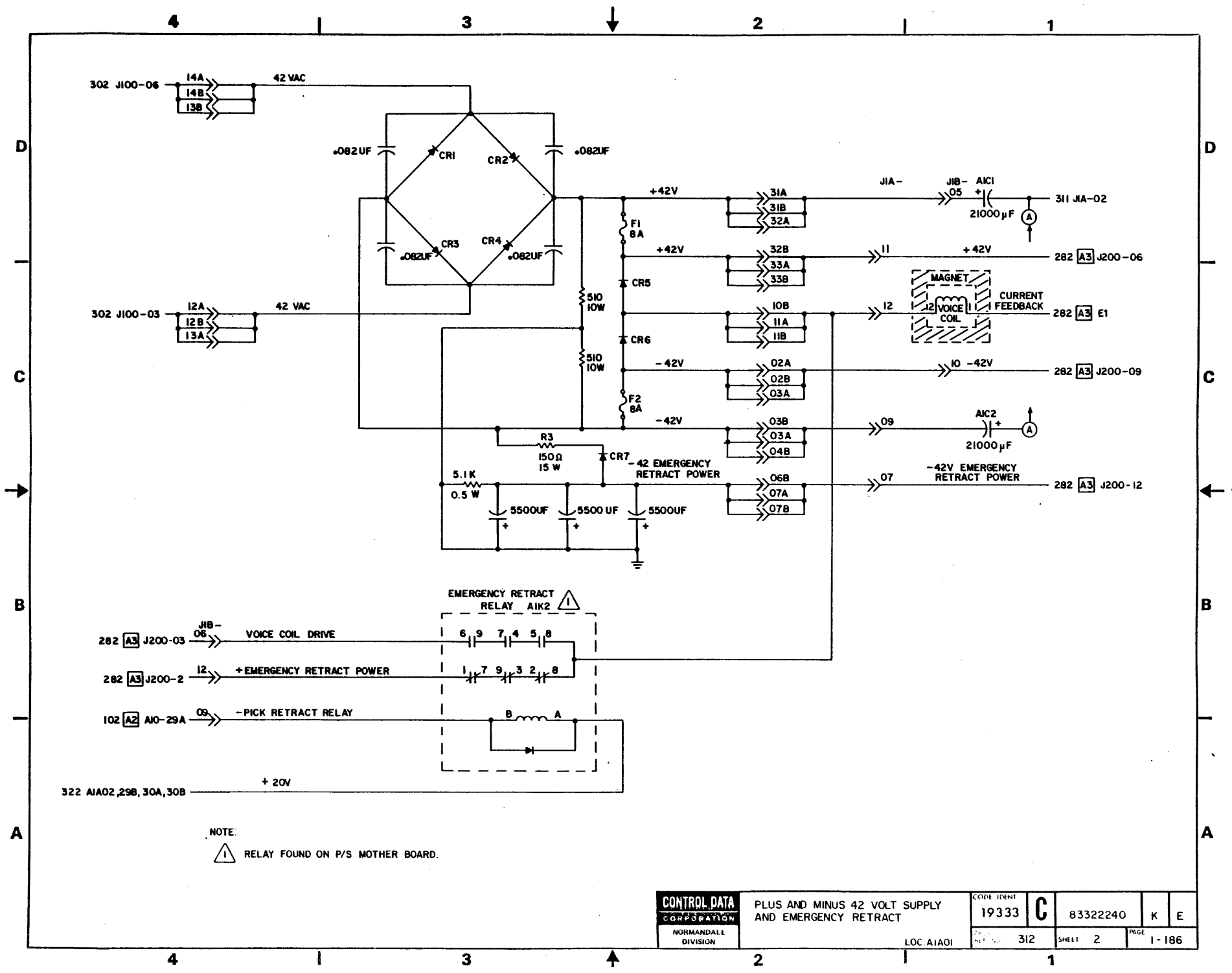
REVISION STATUS OF SHEETS																				
1	2	3	4	5	6	7	8	9	10	11	12	13	14	15	16	17	18	19	20	
A	A																			
B	B																			
C	C																			
D	D																			
E	E																			

REVISIONS					
REV	ECO	DESCRIPTION	DRFT	DATE	CHK'D
A	PE23000	RELEASED	MLA	8-23-76	
B	PE48402	CORRECT DIAGRAMS	GR	12-20-76	
C	PE48428	CORRECT DIAGRAMS	DM	7-22-77	
D	PE55229	ADD HYBRID PWR SUP	MA	1-17-79	
E	PE55422	CHANGE FUSE	TH	5-23-79	



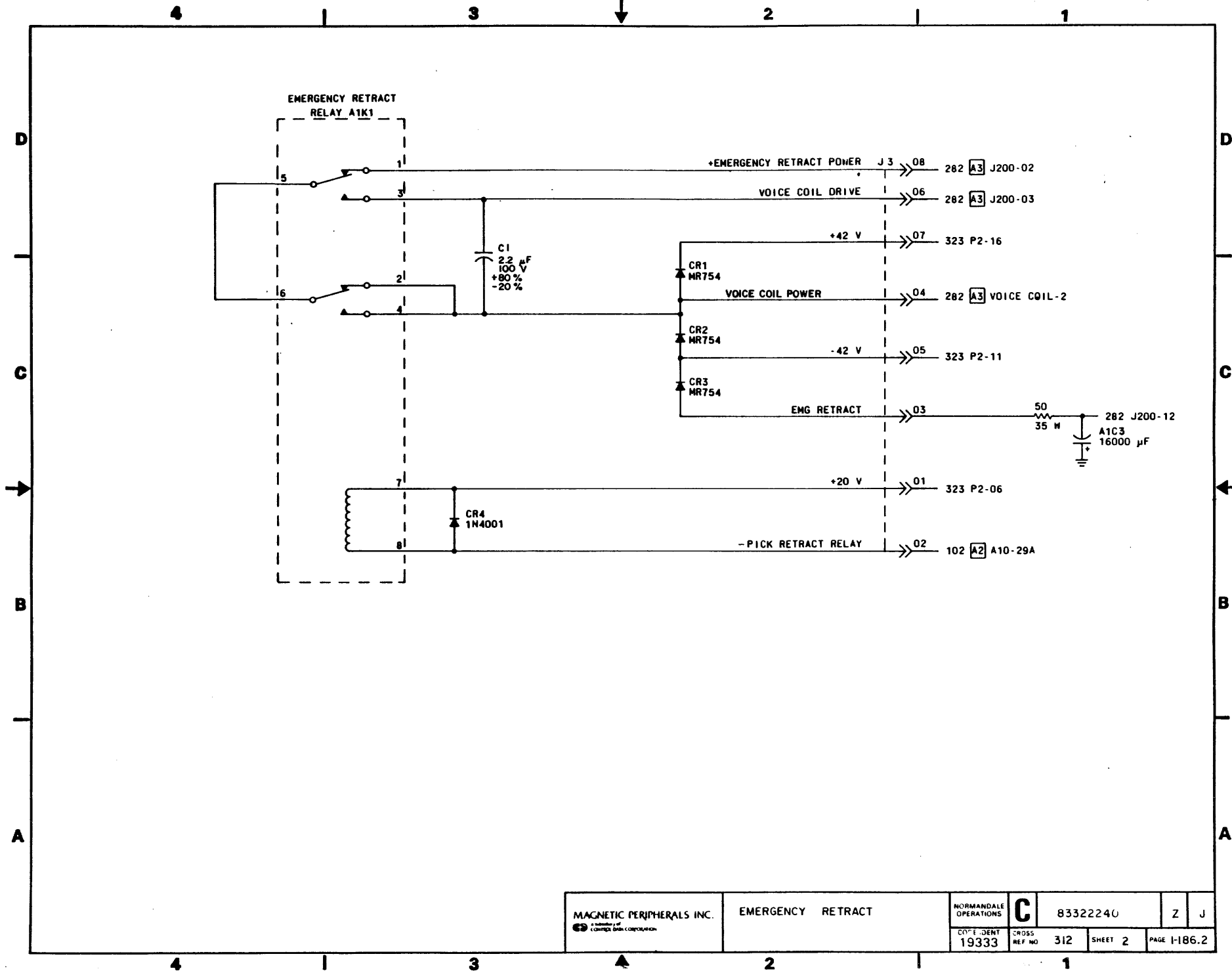
NOTE:
1. THIS SET USED FOR 3 CARD POWER SUPPLY

DRAWN	W	CONTROL DATA CORPORATION NORMANDEALE DIVISION	±42V POWER SUPPLY AND EMERGENCY RETRACT DIAGRAMS	CODE IDENT	19333	C 83322240 K E				
CHECKED				TYPE	5SJV		LOC	A1A01		
ENGINEER				NO. REV	311		SHEET	1 OF 2	PAGE	1-185
APPROVED				1 REF 83214831						



NOTE:
 RELAY FOUND ON P/S MOTHER BOARD.

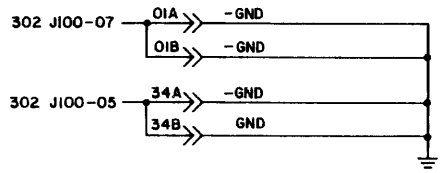
CONTROL DATA CORPORATION NORMANDELE DIVISION	PLUS AND MINUS 42 VOLT SUPPLY AND EMERGENCY RETRACT		CODE IDENT 19333	C	83322240	K	E
	LOC A1A01		312	SHEET 2	PAGE 1-186		



REVISION STATUS OF SHEETS

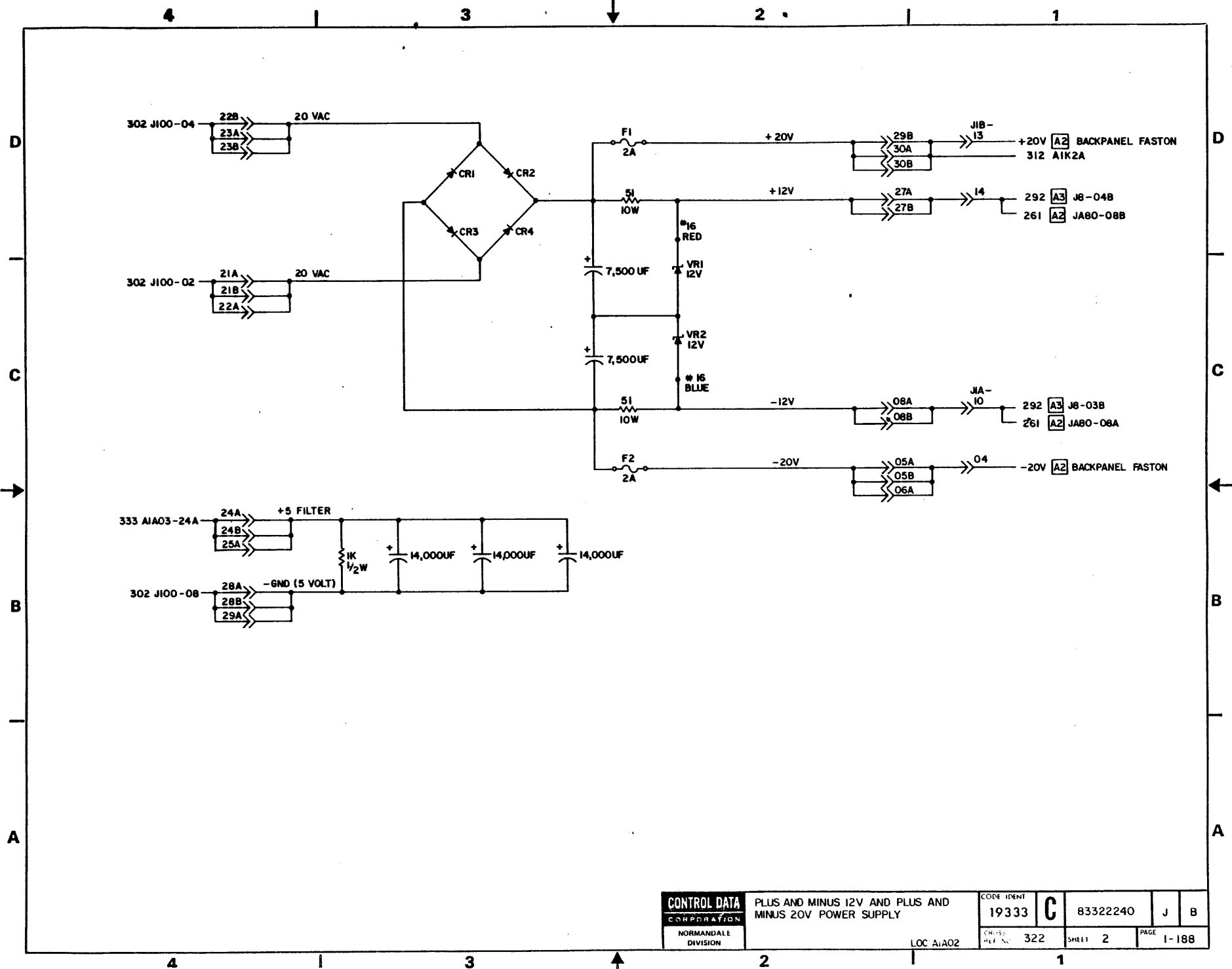
1	2	3	4	5	6	7	8	9	10	11	12	13	14	15	16	17	18	19	20
A	A																		
B	B																		

REVISIONS					
REV	ECO	DESCRIPTION	DRFT.	DATE	CHK'D
A	PE23000	RELEASED	MLA	8-24-76	
B	PE55229	ADD HYBRD PWR SUP	MA	1-19-79	



THIS SET USED FOR 3 CARD PWR SUP

DRAWN	JL	CONTROL DATA CORPORATION	PLUS AND MINUS 12V AND PLUS AND MINUS 20V DIAGRAMS	CODE IDENT	19333	83322240	Z	B
CHECKED								
ENGINEER		ROHM AND DALE DIVISION	TYPE 5SKV	CROSS REF NO.	321	SHEET 1 of 2	PAGE	1-187
APPROVED				LOC	AIA02			



CONTROL DATA
CORPORATION
NORMANDEALE
DIVISION

PLUS AND MINUS 12V AND PLUS AND MINUS 20V POWER SUPPLY

CODE IDENT
19333

C

83322240

J

B

DRWS: REF NO: 322

SHEET 2

PAGE 1-188

LOC AIA02

1

4

3

2

1


REVISION STATUS OF SHEETS

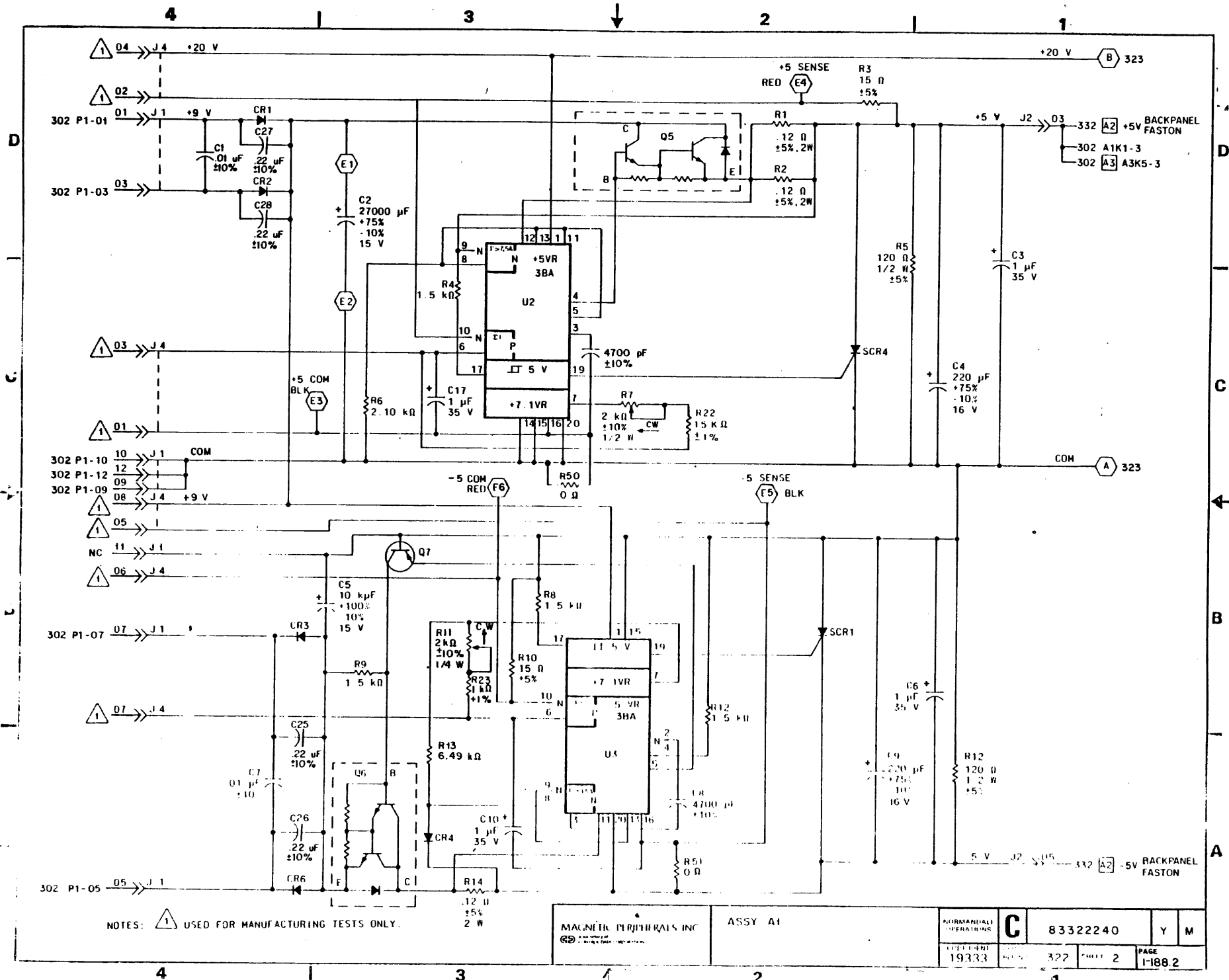
	1	2	3	4	5	6	7	8	9	10	11	12	13	14	15	16	17	18	19	20
A	A	A																		
B	B	B																		
C	C	C																		
D	D																			
E	E	E																		
F	F																			
G		G																		
H	H	H																		
J	J	J																		
K	K																			
L	L	L																		
M	M																			

REVISIONS

REV	ECO	DESCRIPTION	DFT	DATE	CHK'D
A	PE23100	RELEASED	GR	6/2/78	Y.C.
H	PE55223	HYBRID PWR SUP	GR	6/2/78	
I	PE55292	ADD CAP TO HYBRID CKT	GR	6/2/78	
J	PE55492	HYBRID PAR SUP FUSE CHANGE	MA	11-13-78	DL
E	PE55493	ERRR CORRECTION	MA	11-14-78	
F	PE55767	CHANGE HOIS B BD	TH	6-8-79	
G	PE55790	LOG DIA 1-P-DATA	TH	6-27-79	
H	DJ00228	PWR SUP CHG	MJ	2-11-82	US-1
J	DJ22000	TRANSFER FROM PE	SMS	4-28-82	B
K	DJ00325	DELETE AC/DC GND ISOL	FA	8/16/82	US-D
L	DJ00360	ADD CAPS	FA	8/16/82	US-B
M	DJ00426	NEW EXKV BD BLANK	MJ	1-13-83	SK-1

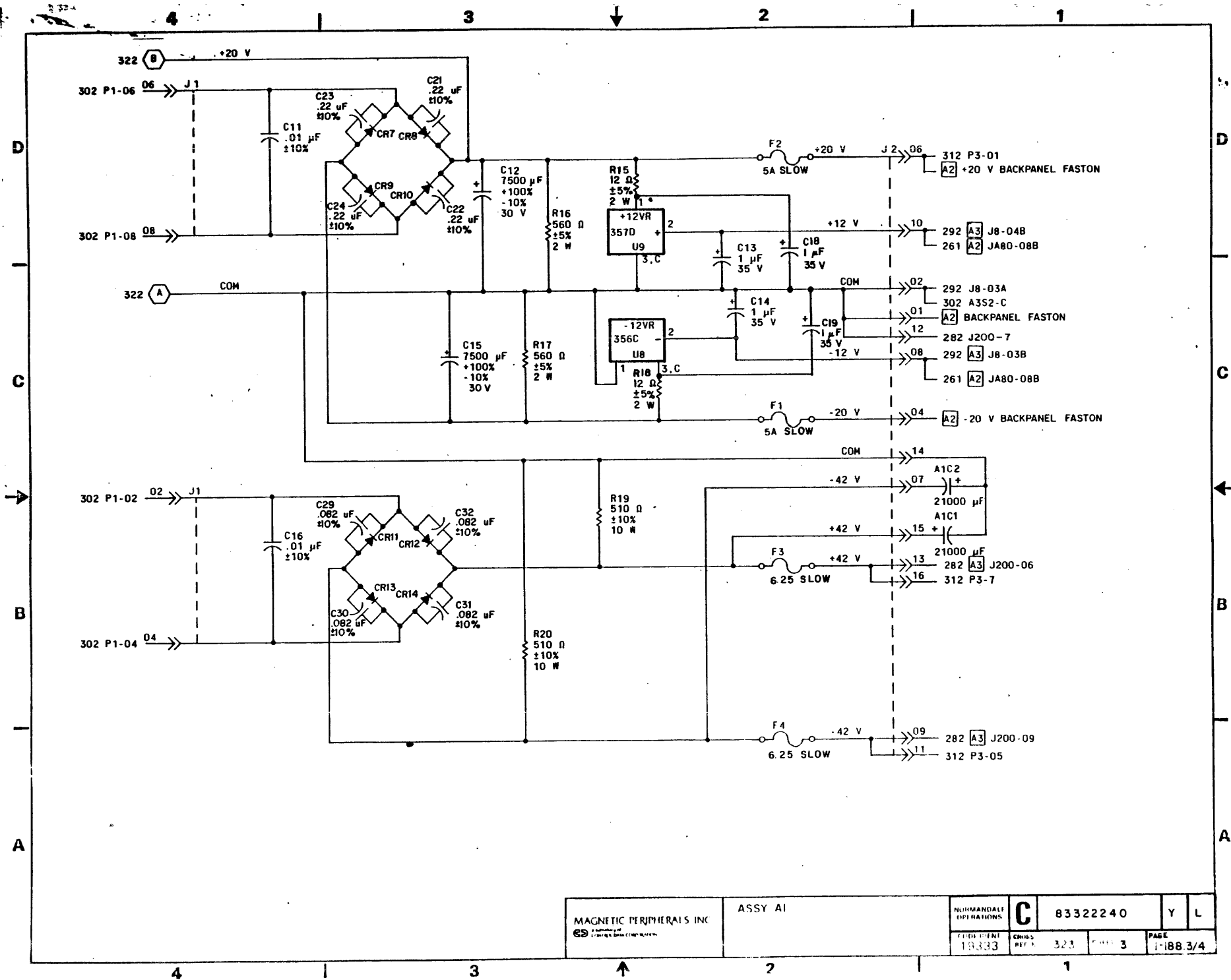
THIS SET USED FOR EXKV REV AF & ABV.

	ALL POWER SUPPLY DIAGRAMS TYPE EXKV	1933.1	83322240	Y	M
---	---	--------	----------	---	---



NOTES: USED FOR MANUFACTURING TESTS ONLY.

MAGNETIC PERIPHERALS INC 	ASSY A1		OPERATIONS	C	83322240	Y	M
	19333	322	2	PAGE	1-188.2		



REVISION STATUS OF SHEETS

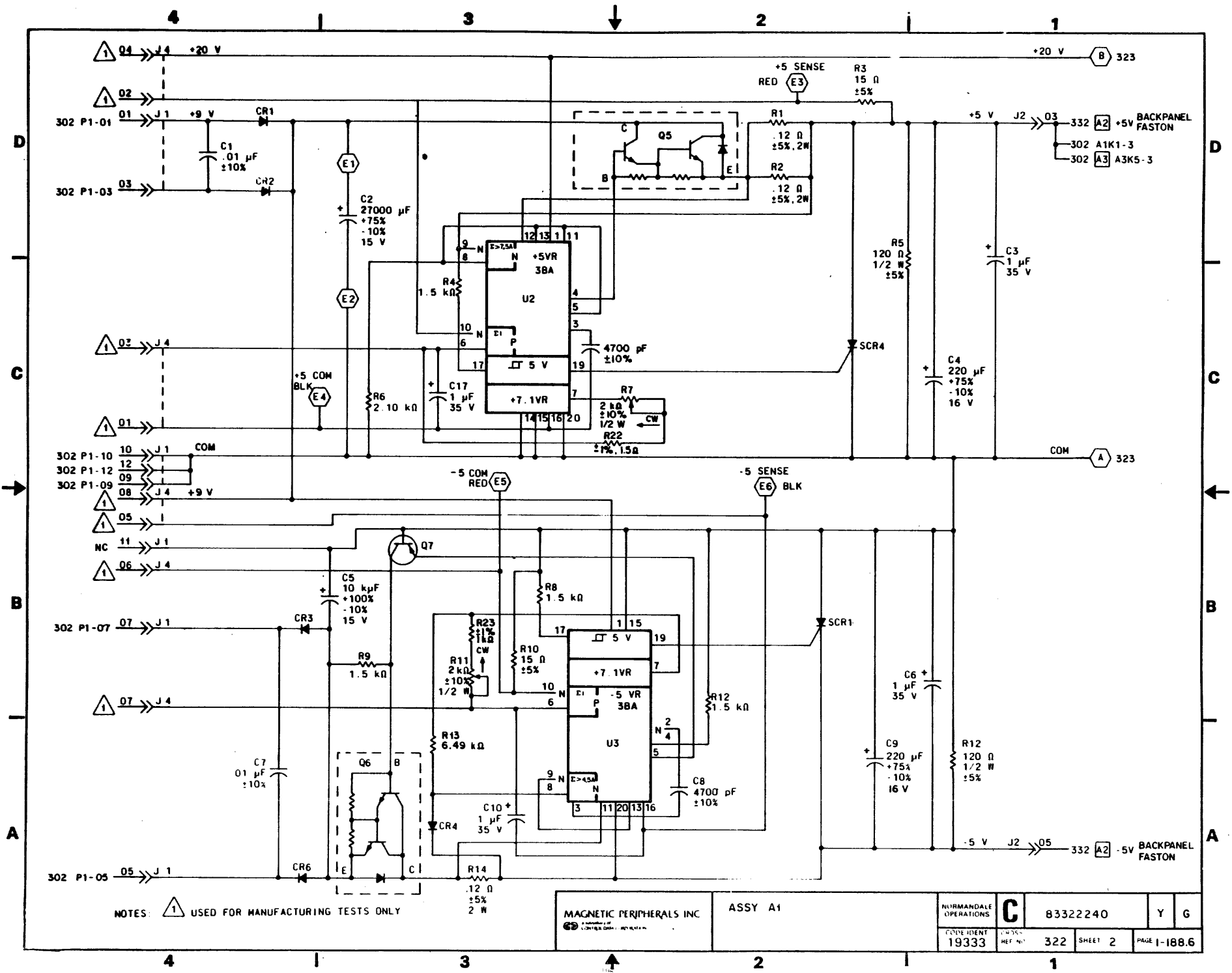
	1	2	3	4	5	6	7	8	9	10	11	12	13	14	15	16	17	18	19	20
A	A	A	A																	
B	B	B	B																	
C	C	C	C																	
D	C	D																		
E	E	E	E																	
F	E	F																		
G	G	F																		

REVISIONS

REV	ECO.	DESCRIPTION	DRAFT	DATE	CHK'D
A	PE23000	RELEASED	GR	10-11-77	KC
B	PE55229	HYBRID PWR SUP	GR	6-2-78	
C	PE55292	ADD CAP TO HYBRID CKT	GR	6-2-78	
D	PE55492	HYBRID PWR. SUP. FUSE CHANGE	MA	11-13-78	BE
E	PE55493	ERROR CORRECTION	MA	11-14-78	BE
F	PE55790	RES VALUE CHG	MF	7-16-80	
G	PE55767	CHG POTS AND BD	MF	7-16-80	

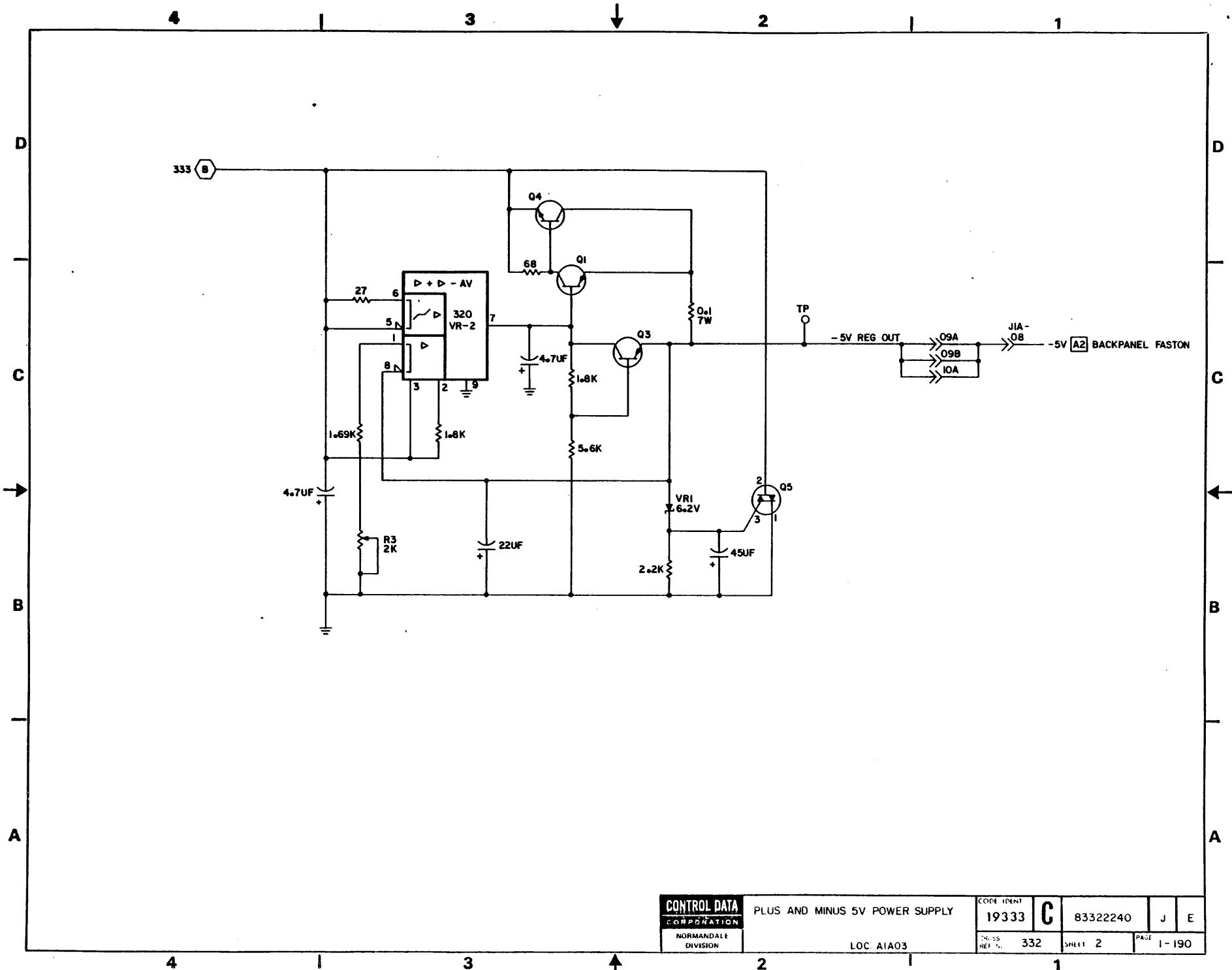
THIS SET USED FOR CXXKV REV AE & BELOW. (2 CARD PWR SUP)

DRAWN <i>W. Johnson</i> 1-15-77	CONTROL DATA NORMAN DALE DIVISION	AI POWER SUPPLY DIAGRAMS	CODE IDENT 19333	C	83322240	Z	G
CHECKED		TYPE: CXXKV	CROSS REF NO 321		SHEET 1 OF 3	PAGE 1-188.5	
ENGINEER <i>R. E. Quinn</i> 10-27-77							
APPROVED							

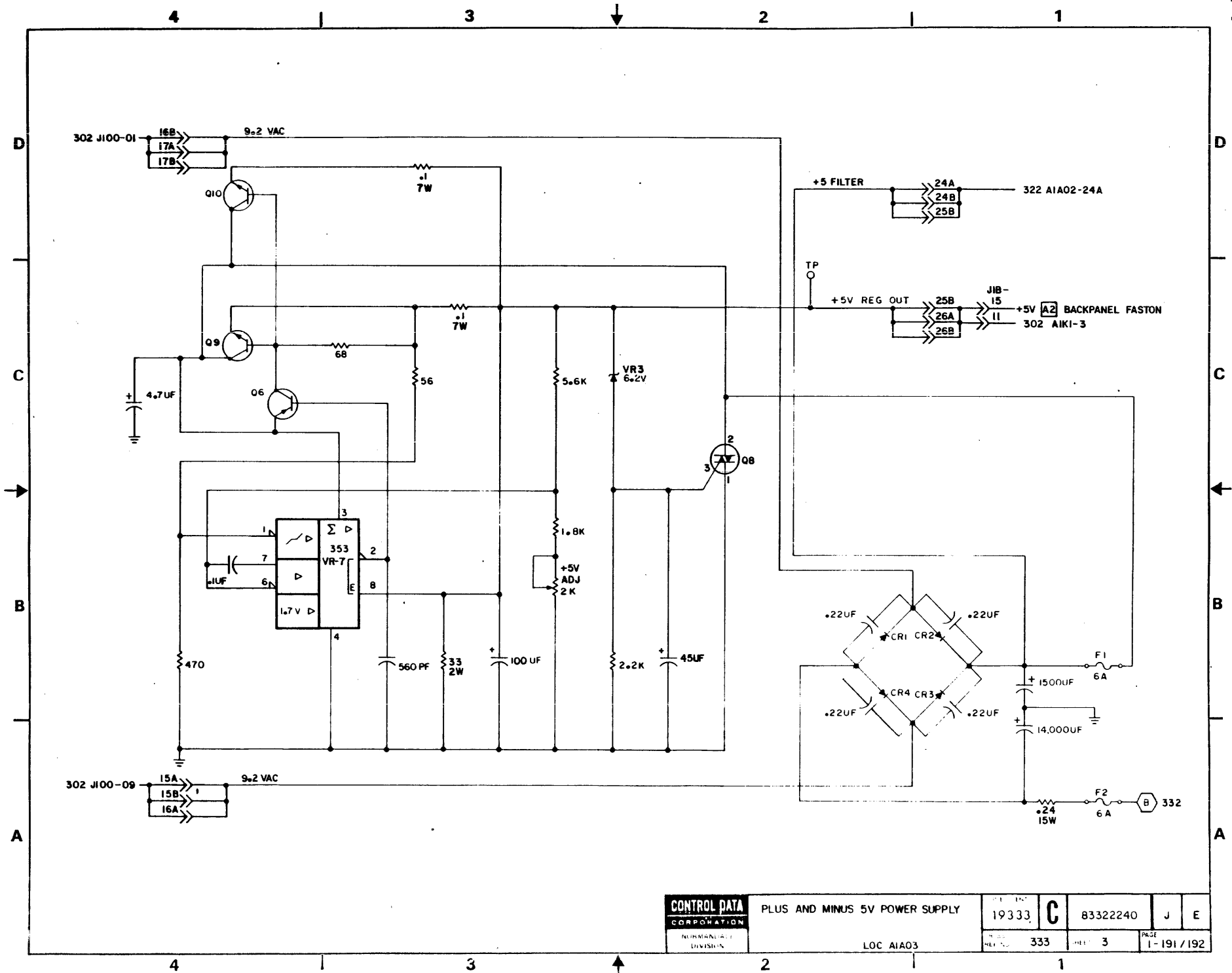


NOTES: USED FOR MANUFACTURING TESTS ONLY

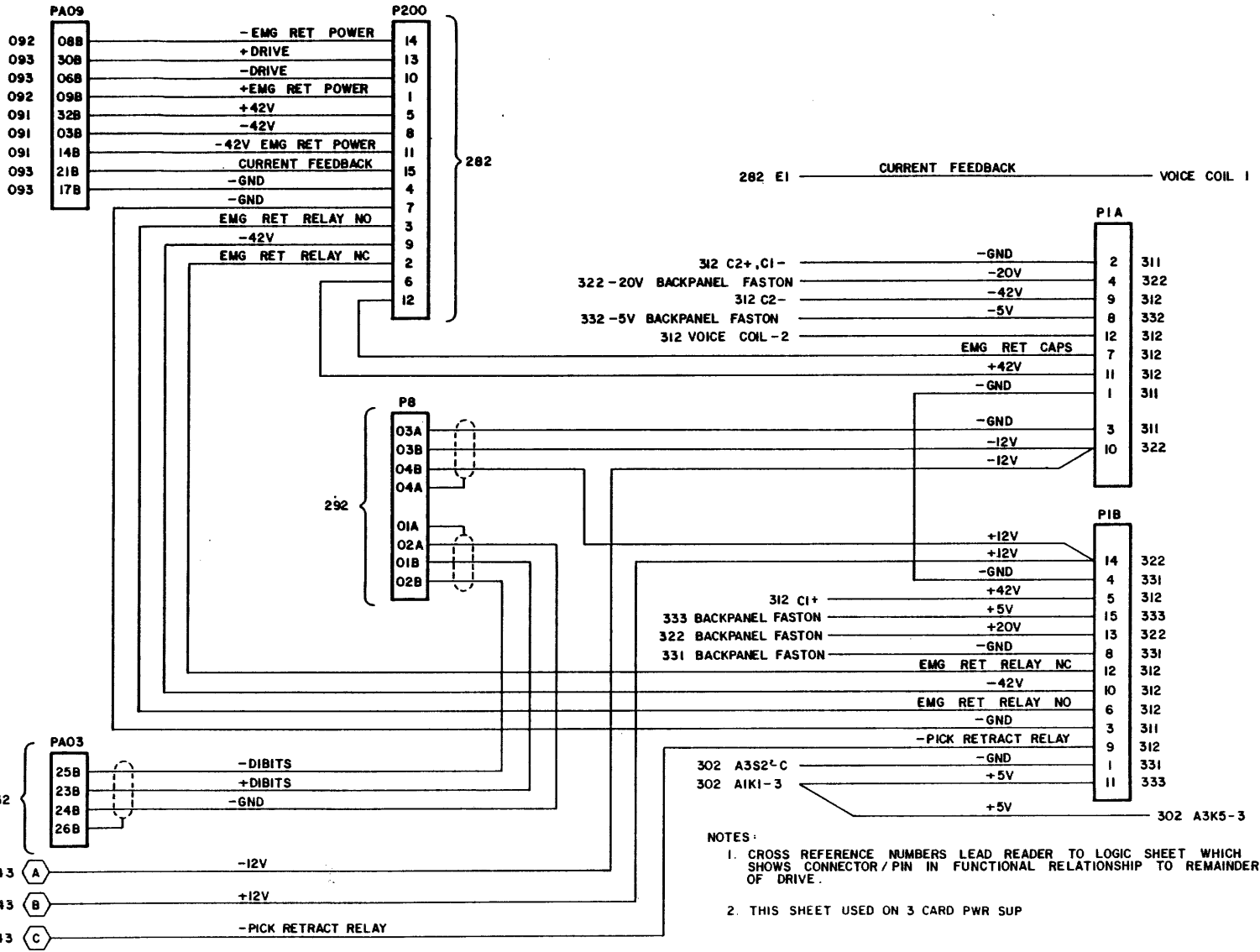
MAGNETIC PERIPHERALS INC <small>AN IRVING-CLOUD COMPANY</small>		ASSY A1		NORMANDALE OPERATIONS		C 83322240		Y G	
CODE IDENT 19333		REV. NO. 322		SHEET 2		PAGE 1-188.6			



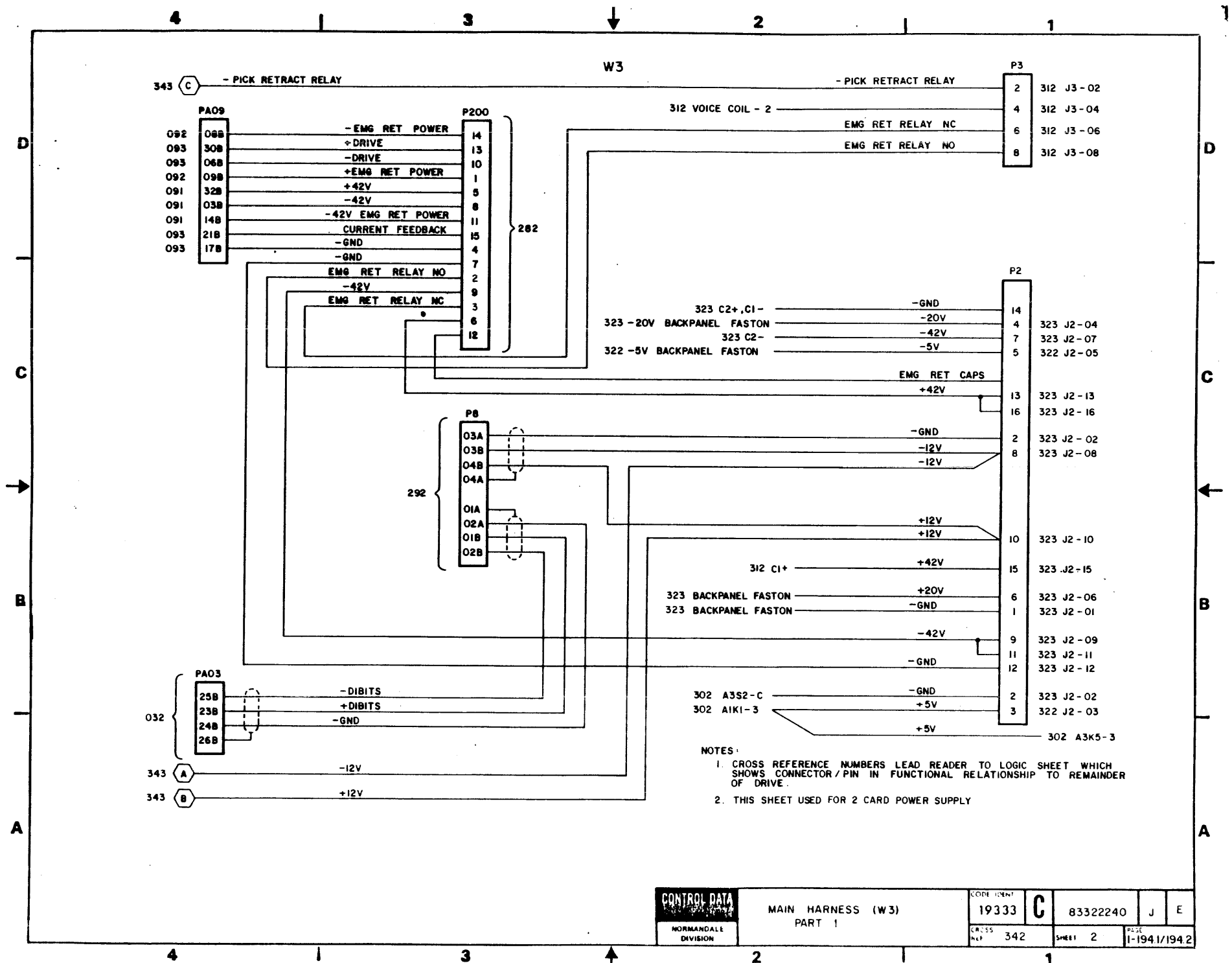
CONTROL DATA CORPORATION NORMANDEALE DIVISION	PLUS AND MINUS 5V POWER SUPPLY		CODE IDENT 19333	C	83322240	J	E
	LOC AIA03		DR. SS REF. N. 332	SHEET 2	PAGE 1-190		

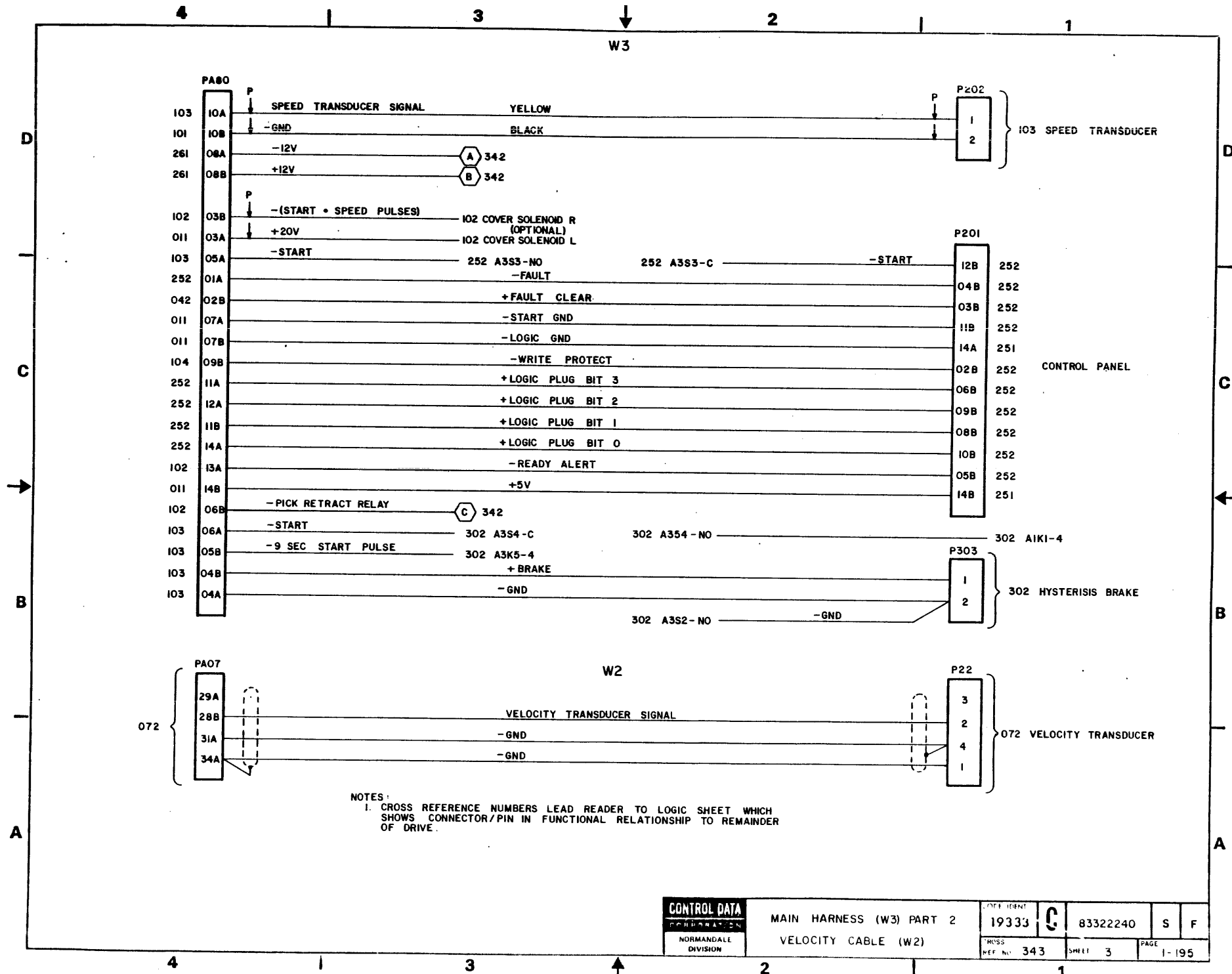


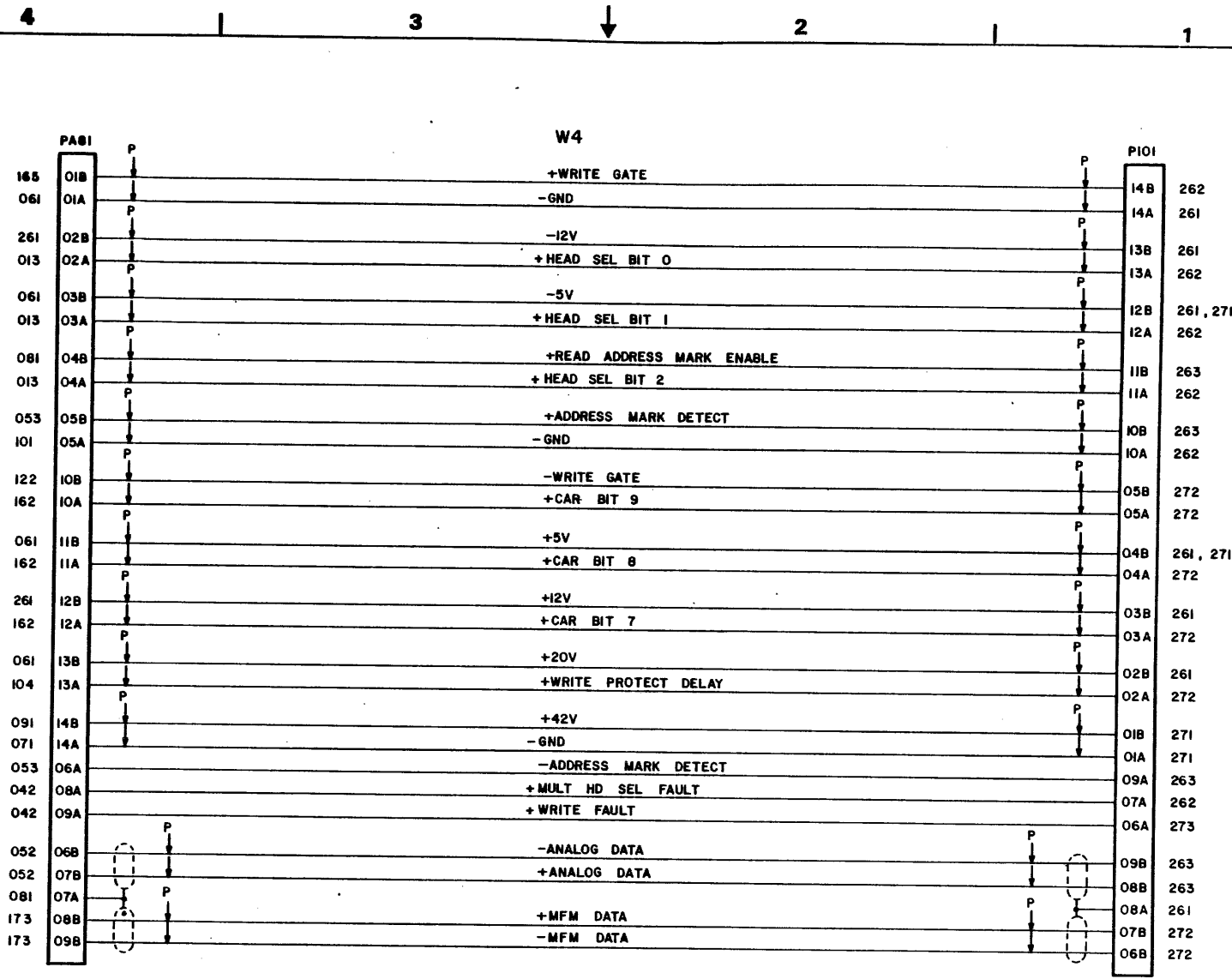
W3



NOTES:
 1. CROSS REFERENCE NUMBERS LEAD READER TO LOGIC SHEET WHICH SHOWS CONNECTOR/PIN IN FUNCTIONAL RELATIONSHIP TO REMAINDER OF DRIVE.
 2. THIS SHEET USED ON 3 CARD PWR SUP



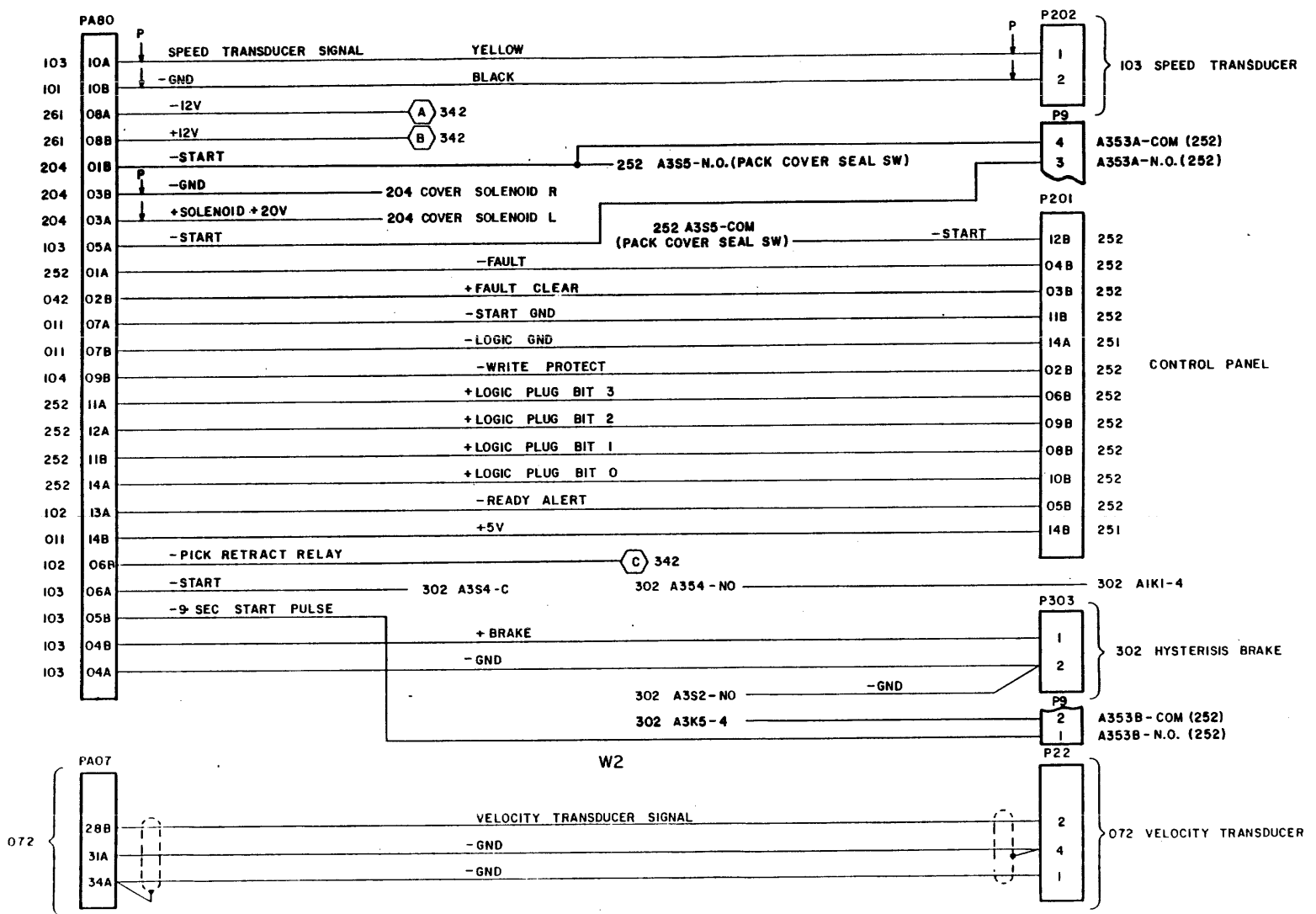




NOTES:
 1. CROSS REFERENCE NUMBERS LEAD READER TO LOGIC SHEET WHICH SHOWS CONNECTOR/PIN IN FUNCTIONAL RELATIONSHIP TO REMAINDER OF DRIVE.

4 3 2 1

W3



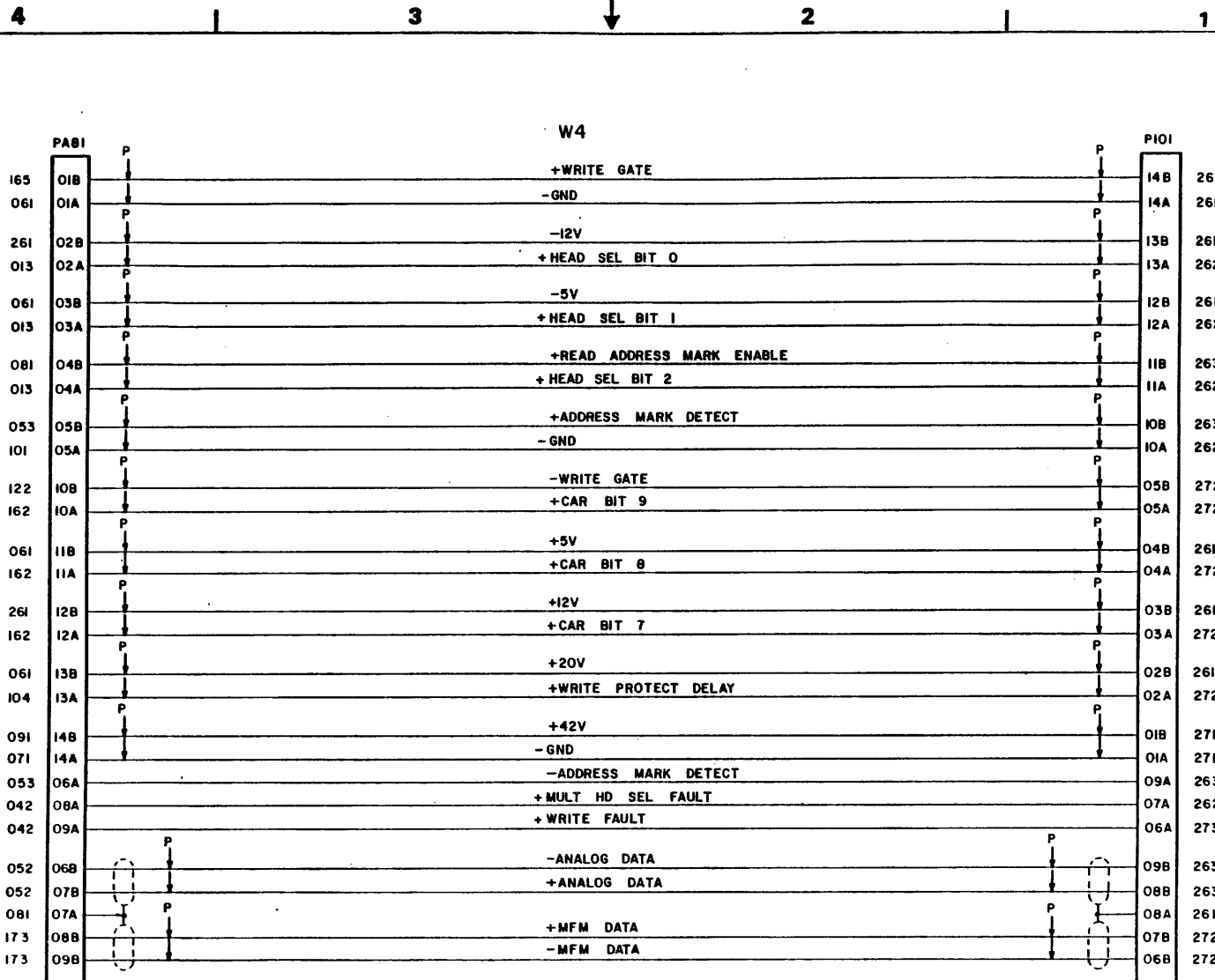
NOTES:
 1 CROSS REFERENCE NUMBERS LEAD READER TO LOGIC SHEET WHICH SHOWS CONNECTOR/PIN IN FUNCTIONAL RELATIONSHIP TO REMAINDER OF DRIVE



MAIN HARNESS (W3) PART 2
 VELOCITY CABLE (W2)

DATE	1933	C	83322240	Z	A
REV	343	3	1-1963		

4 3 2 1



NOTE:
CROSS REFERENCE NUMBERS LEAD READER TO LOGIC SHEET WHICH SHOWS CONNECTOR/PIN IN FUNCTIONAL RELATIONSHIP TO REMAINDER OF DRIVE.



READ WRITE CABLE (W4)

CODE IDENT	19333	C	83322240	Z	A
NO. N	344	4	1-1964		

SECTION 2

WIRE LISTS

INTRODUCTION

Section 2 contains the wiring for the backpanels used on the 60 Pin I/O, the 50 Pin I/O, and the 60 Pin I/O with Index and Sector in B Cable. The first part of section 2 explains how to use the list and identifies the columns shown on the lists. Only the wiring for the backpanel is shown on the wire lists. All other wiring is shown on the cabling diagrams.

READING WIRE LISTS

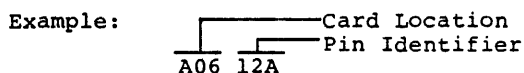
Wire lists show the origin, destination, and Z level of all wirewrap connections on the logic chassis backpanel. The wires are listed in order of card location and pin number. The lowest numbered card location and pin number are listed first and the highest numbered card location and pin number are listed last. The wire list is a double ended list. This means that all wires will be listed twice: first as the origin, then as the destination. Following is an explanation of all the columns used on the wire list (refer to figure 2-1).

SIGNAL NAME OR NUMBER IDENTIFICATION

The signal name or number identification column is the first column on the wire list. The number shown in this column is for factory use only.

ORIGIN/DESTINATION

The origin column identifies the card location and pin number on which the wire begins. The destination column identifies the opposite end of the wire. Both columns contain a six character number that identifies the exact location of the wire. The first three characters represent the card location. The second three characters represent the pin number on which the wire is attached. Following is a typical example of the number that appears in the Origin/Destination column.



TITLE		WL	DOCUMENT NO.	SHEET NO.	REV.
WIREWRAP LIST			LOGIC W/W	1 of 12	A
SIGNAL NAME OR NUMBER IDENTIFICATION	ORIGIN	DESTINATION	Z LEVEL	NOTES	
102111	A0101B	A0102A	1		
102111	A0102A	A0101B	1		
100108	A0102B	A1708A	1		
100211	A0103A	A0231A	1		
100206	A0230A	A1712A	1		
100205	A0230B	A0612B	1		
100203	A0231A	A1326B	2		
100211	A0231A	A0103A	1		

9E82

Figure 2-1. Example of Logic Wirewrap List

Z LEVEL

The Z level refers to the position of the wire located on the pin. There are two Z levels on all pins (refer to figure 2-1). Z level 1 identifies the wirewrap connection closer to the surface of the wirewrap panel. Z level 2 identifies the wirewrap connection farthest from the surface of the wirewrap panel. All pins may contain two wires. However, if the pin contains only one wire, that wire will be connected on Z level 1. The same Z level is maintained at both ends of all wirewrap connections.

NOTES

The notes column is the last column on the wire list. Signal names, history, or other pertinent information is shown in the notes column.

60 PIN I/O

TITLE		WL		DOCUMENT NO.	SHEET NO.	REV.
Logic Wirewrap - Applicable to 60 Pin I/O				77568123/48	1 of 26	Y/AS
SIGNAL NAME OR NUMBER IDENTIFICATION	ORIGIN	DESTI- NATION	Z LEVEL	NOTES		
100416	A0101A	JA8007A	1			
100416	A0101A	JA8007B	2			
300023	A0101B	A0121B	1			
100305	A0104B	A0333A	1			
100101	A0112B	A0127B	2			
100101	A0112B	A0221A	1			
100105	A0113B	B0831A	1			
300022	A0114B	A0234B	1			
300023	A0121B	A0101B	1			
100304	A0122B	A0312B	1			
100103	A0123B	A0623B	1			
100102	A0124B	A0624B	1			
100104	A0126B	B0815A	1			
100101	A0127B	A0112B	2			
100108	A0128B	B0123B	2			
100107	A0130B	B0709A	1			
101020	A0133B	JA8003A	1			
100417	A0134B	JA8014B	1			
100309	A0213B	A0323B	1			
100409	A0214B	A1012B	2			
100308	A0215B	A0325B	1			
200802	A0216A	B0104A	1			
300024	A0216B	A0231A	2			
200621	A0217A	B0633B	1			
200501	A0217B	B1026A	2			
200501	A0217B	B0121B	1			
100101	A0221A	A0112B	1			
200504	A0221B	B0532A	2			
100504	A0222A	A0532B	1			
100504	A0222A	B0123A	2			
300024	A0222B	A0234A	2			
200221	A0223A	B0117B	1			
200217	A0223B	B0203A	2			
200208	A0224A	B0224B	2			
200218	A0224B	B0232B	2			
200206	A0225A	B0122B	1			
200204	A0225B	B0116A	1			
200216	A0226A	B0225A	2			
200202	A0226B	B0121A	1			
200202	A0226B	B0116B	2			
200214	A0227A	B0226A	2			
200210	A0228A	B0226B	2			
200212	A0229A	B0225B	2			
200223	A0230A	B0233B	2			
300024	A0231A	A0216B	2			
300024	A0231A	A0234A	1			
200220	A0232A	B0232A	2			
300024	A0234A	A0222B	2			
300024	A0234A	A0231A	1			
300022	A0234B	A0114B	1			
100301	A0307B	B0928B	1			

TITLE Logic Wirewrap - Applicable to 60 Pin I/O	WL	DOCUMENT NO.	SHEET NO. 2	REV. J
--	----	--------------	----------------	-----------

SIGNAL NAME OR NUMBER IDENTIFICATION	ORIGIN	DESTI- NATION	Z LEVEL	NOTES
100302	A0308B	B0927B	1	
100303	A0309B	A0826B	1	
100307	A0311B	B0804A	1	
100304	A0312B	A0122B	1	
100309	A0323B	A0213B	1	
100308	A0325B	A0215B	1	
200926	A0327B	B0812A	2	
100306	A0332A	B0805B	1	
100305	A0333A	A0104B	1	
100305	A0333A	B0822B	2	
100418	A0403B	A0903B	1	
100403	A0407A	A1015B	2	
100403	A0407A	B0530B	1	
200108	A0408A	B0102B	1	
100410	A0409A	JAB002B	1	
300007	A0409B	JAB109A	1	
200904	A0410A	B0903B	1	
100411	A0410B	B1015B	2	
100411	A0410B	B0514A	1	
100404	A0411B	A0707A	1	
100404	A0411B	JAB001A	2	
200209	A0412A	B0230A	1	
100405	A0412B	JAB013A	1	
100405	A0412B	A1027B	2	
200201	A0413A	JAB110B	1	
200201	A0413A	B0227B	2	
200203	A0413B	A0531B	2	
200203	A0413B	B0229A	1	
100402	A0414A	B0931B	1	
300001	A0414B	JAB108A	1	
100407	A0415B	A1023B	1	
101010	A0416B	A1021A	1	
101002	A0424B	A1021B	1	
200919	A0425B	B0817B	2	
100505	A0426A	A0525B	1	
100406	A0426B	B0324B	1	
100413	A0427A	B0513A	2	
100413	A0427A	JAB012A	1	
100412	A0428B	JAB011A	1	
100412	A0428B	B0513B	2	
200225	A0429A	B0204A	1	
200224	A0429B	B0204B	1	
100415	A0430A	JAB014A	1	
100415	A0430A	B0512A	2	
100804	A0430B	A0811A	1	
200104	A0431A	B0115A	1	
100414	A0431B	B0512B	2	
100414	A0431B	JAB011B	1	
200103	A0432A	B0115B	1	
100417	A0432B	A0932B	1	
201004	A0433A	A0523B	1	
300008	A0433A	A0811B	2	

TITLE		WL		DOCUMENT NO.	SHEET NO.	REV.
Logic Wirewrap - Applicable to 60 Pin I/O					3	J
SIGNAL NAME OR NUMBER IDENTIFICATION	ORIGIN	DESTI- NATION	Z LEVEL	NOTES		
300008	A0433A	JA8232B	1			
100502	A0503B	A0610B	1			
100501	A0504B	A0609B	1			
300003	A0507B	JA8107B	1			
300002	A0508B	JA8106B	1			
300004	A0521B	JA8105B	1			
300005	A0522B	JA8106A	1			
300008	A0523B	A0811B	1			
201004	A0523B	A0433A	1			
201004	A0523B	A0811B	2			
200222	A0524B	B0202B	1			
100505	A0525B	A0426A	1			
200211	A0527B	A0824A	2			
100403	A0528B	B0707B	1			
100503	A0530B	A0622B	1			
200203	A0531B	A0612B	1			
200203	A0531B	A0413B	2			
100504	A0532B	A0222A	1			
300013	A0601A	JA8101A	1			
300019	A0601B	JA8103B	1			
200219	A0603B	B0233A	1			
200215	A0604B	B0231B	1			
100501	A0609B	A0504B	1			
100502	A0610B	A0503B	1			
200203	A0612B	A0824B	2			
200203	A0612B	A0531B	1			
200211	A0613B	A0824A	1			
200211	A0613B	B0231A	2			
100503	A0622B	A0530B	1			
100103	A0623B	A0123B	1			
100102	A0624B	A0124B	1			
100601	A0626B	B0331B	1			
100602	A0627B	B0331A	1			
300021	A0633B	JA8113B	1			
300020	A0634B	JA8111B	1			
300014	A0701A	JA8114A	1			
200918	A0702A	B0931A	1			
100404	A0707A	A0411B	1			
100404	A0707A	B0933B	2			
200922	A0707B	B0929B	1			
200923	A0708A	B0912B	1			
200911	A0710A	B0913A	1			
200610	A0711B	B0602A	1			
200612	A0712B	B0603A	1			
200613	A0713A	B0604A	1			
200616	A0713B	B0610A	1			
200617	A0715A	B0609B	1			
100809	A0715B	A0826A	2			
200619	A0716A	B0611B	1			
200902	A0716B	A0923B	2			
200618	A0717A	B0609A	1			
200907	A0717B	B0916A	1			

TITLE Logic Wirewrap - Applicable to 60 Pin I/O		WL	DOCUMENT NO.	SHEET NO. 4	REV. J
SIGNAL NAME OR NUMBER IDENTIFICATION	ORIGIN	DESTI- NATION	Z LEVEL	NOTES	
200901	A0721B	A0922B	2		
200905	A0722B	B0916B	1		
100A08	A0723B	A0809A	1		
200611	A0725B	B0602B	1		
100701	A0726B	A0926B	1		
200608	A0727A	B0604B	1		
100703	A0727B	A0808B	1		
100902	A0728B	A0912B	1		
100702	A0730B	A0802A	1		
300015	A0A01A	JAB107A	1		
100702	A0A02A	A0730B	1		
100801	A0808A	B0816A	1		
100703	A0A08B	A0727B	1		
100808	A0A09A	A0723B	1		
100802	A0A09B	B0810A	1		
200924	A0A10B	B0906B	2		
100804	A0A11A	A0430B	1		
300008	A0A11B	A0523B	1		
201004	A0A11B	B1008A	1		
201004	A0A11B	A0523B	2		
300008	A0A11B	A0433A	2		
200908	A0A12A	B0914A	2		
100807	A0A12B	B0905A	1		
200910	A0A13A	B0922A	1		
200913	A0A13B	B0930A	1		
200804	A0A14B	B0810B	1		
200903	A0A16A	B0904B	1		
200207	A0A21A	B0229B	1		
100A06	A0A22A	A0927A	1		
200205	A0A22B	B0228B	1		
100A05	A0A23A	B0A28B	1		
200906	A0A23B	B0906A	1		
200211	A0A24A	A0613B	1		
200211	A0A24A	A0527B	2		
200203	A0A24B	A0612B	2		
100A03	A0A25A	JAB104B	1		
200925	A0A25B	B0926A	1		
100A09	A0A26A	A0715B	2		
100A09	A0A26A	A0906A	1		
100303	A0A26B	A0309B	1		
200912	A0A32A	B0903A	2		
100901	A0A33A	A0924B	1		
101011	A0902A	A1002B	2		
101011	A0902B	A1002B	1		
100418	A0903A	A0903B	2		
100418	A0903A	A0904A	1		
100418	A0903B	A0403B	1		
100418	A0903B	A0903A	2		
100418	A0904A	A0904B	2		
100418	A0904A	A0903A	1		
100418	A0904B	A0904A	2		
100A09	A0906A	A0A26A	1		

TITLE		WL		DOCUMENT NO.	SHEET NO.	REV.
Logic Wirewrap - Applicable to 60 Pin I/O					5	J/AS
SIGNAL NAME OR NUMBER IDENTIFICATION	ORIGIN	DESTI- NATION	Z LEVEL	NOTES		
100902	A0912B	A0728B	1			
200922	A0915B	B0925A	1			
200921	A0916B	B0921B	2			
200901	A0922B	A0721B	2			
200901	A0922B	B0908A	1			
200902	A0923B	B0907A	1			
200902	A0923B	A0716B	?			
100901	A0924B	A0833A	1			
100901	A0924B	B0915A	2			
200926	A0925B	B0913B	2			
200609	A0926B	B0617B	1			
100806	A0927A	A0822A	1			
200909	A0927B	B0930B	1			
100701	A0928B	A0726B	1			
300018	A0931A	A0932A	1			
300018	A0931A	A0931B	2			
300018	A0931B	A0931A	2			
300018	A0932A	A1032B	?			
300018	A0932A	A0931A	1			
300018	A0932B	JA8114B	?			
100417	A0932B	A0432B	1			
101012	A0933A	A1033B	2			
101012	A0933B	A1033B	1			
300006	A1001A	JA8105A	1			
101005	A1002A	JA8113A	1			
101011	A1002B	A0902A	2			
101011	A1002B	A0902B	1			
101009	A1003A	JA8230B	1			
101009	A1003A	JA8229B	1			
101009	A1003A	JA8330B	2			
101009	A1003A	JA8329B	?			
101008	A1003B	JA8229A	1			
101008	A1003B	JA8301A	?			
101008	A1003B	JA8201A	1			
101008	A1003B	JA8329A	?			
101007	A1004B	JA8331A	2			
101007	A1004B	JA8231A	1			
101007	A1004B	JA8330A	?			
101007	A1004B	JA8230A	1			
100407	A1005B	A1023B	2			
	A1009A	JA8230A	1			Used on BK5C1E/F only
	A1009B	JA8230B	1			Used on BK5C1E/F only
100404	A1012A	JA8001A	1			
100409	A1012B	JA8009B	1			
100409	A1012B	A0214B	?			
101006	A1013A	B0532B	1			
101004	A1014B	B0912A	1			
	A1014B	B0802A	1			Not used on BK5C1E/F only
100403	A1015B	B1016A	1			Used on BK5C1E/F only
100403	A1015B	A0407A	2			
101003	A1017A	B0923B	1			
200921	A1017B	B0804B	2			
101010	A1021A	A0416B	1			
101002	A1021B	A0424B	1			
101001	A1022A	B0926B	1			

TITLE		WL		DOCUMENT NO.	SHEET NO.	REV.
Logic Wirewrap - Applicable to 60 Pin I/O					6	J
SIGNAL NAME OR NUMBER IDENTIFICATION	ORIGIN	DESTI- NATION	Z LEVEL	NOTES		
100407	A1023B	A1005R	2			
100407	A1023B	A0415B	1			
101015	A1026A	JA8006A	1			
100408	A1026B	JA8005A	1			
101018	A1027A	JA8010A	1			
100405	A1027B	A0412B	2			
101013	A1028A	JA8005B	1			
101017	A1028B	JA8003B	1			
101014	A1029A	JA8006B	1			
101016	A1029B	JA8004B	1			
200927	A1030B	JA8004A	2			
300018	A1032B	A0932A	2			
300018	A1032B	JA8114B	1			
101012	A1033B	A0933A	2			
101012	A1033B	A0933B	1			
101019	A1034A	JA8010B	1			
200108	B0102B	A0408A	1			
200211	B0103A	B0726B	2			
200211	B0103A	B0231A	1			
200802	B0104A	B0304A	2			
200802	B0104A	A0216A	1			
200801	B0104B	B0304B	2			
200114	B0105A	JA8226A	1			
200114	B0105A	JA8225A	1			
200113	B0105B	JA8225B	1			
200113	B0105B	JA8226B	1			
200112	B0106A	JA8218A	1			
200112	B0106A	JA8219A	1			
200111	B0106B	JA8219B	1			
200111	B0106B	JA8218B	1			
200622	B0107A	B0307A	2			
200915	B0107B	B0307B	2			
200118	B0108A	JA8216A	1			
200118	B0108A	JA8217A	1			
200117	B0108B	JA8217B	1			
200117	B0108B	JA8216B	1			
200116	B0109A	JA8215A	1			
200116	B0109A	JA8216A	1			
200115	B0109B	JA8216B	1			
200115	B0109B	JA8215B	1			
200102	B0110A	B0521A	1			
200101	B0110B	B0516A	1			
200132	B0111A	JA8239A	1			
200132	B0111A	JA8239B	1			
200131	B0111B	JA8239B	1			
200131	B0111B	JA8240A	1			
200134	B0112A	JA8238B	1			
200133	B0112B	JA8238A	1			
200136	B0113A	JA8227B	1			
200136	B0113A	JA8226B	1			
200135	B0113B	JA8226A	1			
200135	B0113B	JA8227A	1			

TITLE Logic Wirewrap - Applicable to 60 Pin I/O		WL	DOCUMENT NO.	SHEET NO. 7	REV. J
SIGNAL NAME OR NUMBER IDENTIFICATION	ORIGIN	DESTI- NATION	Z LEVEL	NOTES	
200138	B0114A	JA8228B	1		
200138	B0114A	JA8227B	1		
200137	B0114B	JA8228A	1		
200137	B0114B	JA8227A	1		
200104	B0115A	A0431A	1		
200103	B0115B	A0432A	1		
200204	B0116A	A0225B	1		
200204	B0116A	B0227A	2		
200202	B0116B	A0226B	2		
200924	B0117A	B0626A	1		
200221	B0117B	B0202A	2		
200221	B0117B	A0223A	1		
200202	B0121A	A0226B	1		
200202	B0121A	B0224A	2		
200501	B0121B	B0203B	2		
200501	B0121B	A0217B	1		
200110	B0122A	B0134A	1		
200206	B0122B	B0228A	2		
200206	B0122B	A0225A	1		
100504	B0123A	B0323A	1		
100504	B0123A	A0222A	2		
100108	B0123B	A0128B	2		
100101	B0123B	B0323B	1		
200912	B0124A	B0324A	1		
200912	B0124A	B0632A	2		
100406	B0124B	B0324B	2		
200122	B0125A	JA8219A	1		
200122	B0125A	JA8220A	1		
200121	B0125B	JA8219B	1		
200121	B0125B	JA8220B	1		
200120	B0126A	JA8217A	1		
200120	B0126A	JA8218A	1		
200119	B0126B	JA8219B	1		
200119	B0126B	JA8217B	1		
200124	B0127A	JA8220A	1		
200124	B0127A	JA8221A	1		
200123	B0127B	JA8220B	1		
200123	B0127B	JA8221B	1		
200126	B0128A	JA8234A	1		
200126	B0128A	JA8235B	1		
200125	B0128B	JA8233B	1		
200125	B0128B	JA8235A	1		
200130	B0129A	JA8237B	1		
200130	B0129A	JA8237A	1		
200129	B0129B	JA8237A	1		
200129	B0129B	JA8236B	1		
200128	B0130A	JA8235A	1		
200128	B0130A	JA8236A	1		
200127	B0130B	JA8235B	1		
200127	B0130B	JA8236B	1		
100602	B0131A	B0331A	2		
100601	B0131B	B0331B	2		

TITLE		WL	DOCUMENT NO.	SHEET NO.	REV.
Logic Wirewrap - Applicable to 60 Pin I/O				8	J
SIGNAL NAME OR NUMBER IDENTIFICATION	ORIGIN	DESTI- NATION	Z LEVEL	NOTES	
200105	R0132A	JA8102A	1		
200107	B0132B	JA8104A	1		
200106	R0133B	JA8103A	1		
300012	R0134A	JA8201B	?		
200110	R0134A	B0122A	1		
200221	R0202A	B0117B	?		
200221	R0202A	B0402A	1		
200222	B0202B	A0524R	1		
200217	R0203A	A0223B	?		
200217	R0203A	B0403A	1		
200501	R0203B	B0533A	1		
200501	R0203B	B0121B	?		
200225	R0204A	A0429A	1		
200224	R0204B	A0429H	1		
200257	R0205A	JA8224B	1		
200257	R0205A	JA8223B	1		
200256	R0205B	JA8223A	1		
200256	R0205B	JA8224A	1		
200255	R0206A	JA8225B	1		
200255	R0206A	JA8224B	1		
200254	R0206B	JA8224A	1		
200254	R0206B	JA8225A	1		
200253	R0207A	JA8204B	1		
200253	B0207A	JA8203B	1		
200252	B0207B	JA8203A	1		
200252	B0207B	JA8204A	1		
200251	B0208A	JA8214B	1		
200251	B0208A	JA8215B	1		
200250	R0208B	JA8214A	1		
200250	R0208B	JA8215A	1		
200245	R0209A	JA8213B	1		
200245	B0209A	JA8212B	1		
200244	R0209B	JA8213A	1		
200244	R0209B	JA8212A	1		
200243	R0210A	JA8214B	1		
200243	R0210A	JA8213B	1		
200243	B0210A	B1022A	?		
200242	B0210B	B1022B	?		
200242	B0210B	JA8213A	1		
200242	B0210B	JA8214A	1		
200249	R0211A	JA8202B	1		
200249	R0211A	JA8203B	1		
200248	R0211B	JA8202A	1		
200248	R0211B	JA8203A	1		
200247	R0212A	JA8201B	1		
200247	R0212A	JA8202B	1		
200246	B0212B	JA8201A	1		
200246	R0212B	JA8202A	1		
200241	R0213A	JA8211B	1		
200241	B0213A	JA8212B	1		
200240	R0213B	JA8212A	1		
200240	R0213B	JA8211A	1		

TITLE		WL		DOCUMENT NO.	SHEET NO.	REV.
Logic Wirewrap - Applicable to 60 Pin I/O					9	J
SIGNAL NAME OR NUMBER IDENTIFICATION	ORIGIN	DESTI- NATION	Z LEVEL	NOTES		
200239	R0214A	JAB210B	1			
200239	R0214A	JAB211B	1			
200238	R0214B	JAB211A	1			
200238	R0214B	JAB210A	1			
200237	R0215A	JAB210B	1			
200237	R0215A	JAB209B	1			
200236	R0215B	JAB209A	1			
200236	R0215B	JAB210A	1			
200235	R0216A	JAB208B	1			
200235	R0216A	JAB209B	1			
200234	R0216B	JAB209A	1			
200234	R0216B	JAB208A	1			
200233	R0217A	JAB207B	1			
200233	R0217A	JAB208B	1			
200232	R0217B	JAB207A	1			
200232	R0217B	JAB208A	1			
200231	R0221A	JAB206B	1			
200231	R0221A	JAB207B	1			
200230	R0221B	JAB207A	1			
200230	R0221B	JAB206A	1			
200229	R0222A	JAB206B	1			
200229	R0222A	JAB205B	1			
200228	R0222B	JAB206A	1			
200228	R0222B	JAB205A	1			
200227	R0223A	JAB205B	1			
200227	R0223A	JAB204B	1			
200226	R0223B	JAB204A	1			
200226	R0223B	JAB205A	1			
200202	R0224A	B0424A	1			
200202	R0224A	B0121A	2			
200208	R0224B	B0424B	1			
200208	R0224B	A0224A	2			
200216	R0225A	A0226A	2			
200216	R0225A	B0425A	1			
200212	R0225B	A0229A	2			
200212	R0225B	B0425B	1			
200214	R0226A	A0227A	2			
200214	R0226A	B0426A	1			
200210	R0226B	B0426B	1			
200210	R0226B	A0228A	2			
200204	R0227A	B0116A	2			
200204	R0227A	B0427A	1			
200201	R0227B	B0616B	1			
200201	R0227B	A0413A	2			
200206	R0228A	B0428A	1			
200206	R0228A	B0122B	2			
200205	R0228B	A0822B	1			
200203	R0229A	A0413B	1			
200207	R0229B	A0821A	1			
200209	R0230A	A0412A	1			
200213	R0230B	B0812B	1			
200211	R0231A	A0613B	2			

TITLE Logic Wirewrap - Applicable to 60 Pin I/O		WL	DOCUMENT NO.	SHEET NO. 10	REV. J
--	--	----	--------------	-----------------	-----------

SIGNAL NAME OR NUMBER IDENTIFICATION	ORIGIN	DESTI- NATION	Z LEVEL	NOTES
--	--------	------------------	------------	-------

200211	R0231A	B0103A	1	
200215	R0231B	A0604B	1	
200220	R0232A	A0232A	2	
200220	R0232A	B0432A	1	
200218	R0232B	A0224B	2	
200218	R0232B	B0432B	1	
200219	R0233A	A0603B	1	
200223	R0233B	B0433B	1	
200223	R0233B	A0230A	2	
300025	R0234A	JA8333A	2	
300025	R0234A	JA8233A	1	
200802	R0304A	B0813B	1	
200802	R0304A	B0104A	2	
200801	R0304B	B0104B	2	
200801	R0304B	B0821B	1	
200308	R0305A	JA8325A	1	
200308	R0305A	JA8326A	1	
200307	R0305B	JA8326B	1	
200307	R0305B	JA8325B	1	
200306	R0306A	JA8318A	1	
200306	R0306A	JA8319A	1	
200305	R0306B	JA8319B	1	
200305	R0306B	JA8318B	1	
200622	R0307A	B0107A	2	
200622	R0307A	B0614B	1	
200915	R0307B	B0107B	2	
200915	R0307B	B0911A	1	
200312	R0308A	JA8316A	1	
200312	R0308A	JA8317A	1	
200311	R0308B	JA8317B	1	
200311	R0308B	JA8316B	1	
200310	R0309A	JA8315A	1	
200310	R0309A	JA8316A	1	
200309	R0309B	JA8316B	1	
200309	R0309B	JA8315B	1	
200302	R0310A	B0517B	1	
200301	R0310B	B0515B	1	
200326	R0311A	JA8339B	1	
200326	R0311A	JA8339A	1	
200325	R0311B	JA8340A	1	
200325	R0311B	JA8339B	1	
200328	R0312A	JA8339B	1	
200327	R0312B	JA8338A	1	
200330	R0313A	JA8327B	1	
200330	R0313A	JA8326B	1	
200329	R0313B	JA8327A	1	
200329	R0313B	JA8326A	1	
200332	R0314A	JA8327B	1	
200332	R0314A	JA8328B	1	
200331	R0314B	JA8327A	1	
200331	R0314B	JA8328A	1	
200304	R0315A	B0511A	1	

TITLE		WL		DOCUMENT NO.	SHEET NO.	REV.
Logic Wirewrap - Applicable to 60 Pin I/O					11	J
SIGNAL NAME OR NUMBER IDENTIFICATION	ORIGIN	DESTI- NATION	Z LEVEL	NOTES		
200303	R0315B	B0510B	1			
200504	R0321B	B0403B	2			
200504	R0321B	B1030A	1			
100504	R0323A	B0123A	1			
100101	R0323B	B0123B	1			
200912	R0324A	B0605B	2			
200912	R0324A	B0124A	1			
100406	R0324B	B0124B	2			
100406	R0324B	A0426B	1			
200316	R0325A	JA8319A	1			
200316	R0325A	JA8320A	1			
200315	R0325B	JA8319B	1			
200315	R0325B	JA8320B	1			
200314	R0326A	JA8317A	1			
200314	R0326A	JA8318A	1			
200313	R0326B	JA8317B	1			
200313	R0326B	JA8318B	1			
200318	R0327A	JA8320A	1			
200318	R0327A	JA8321A	1			
200317	R0327B	JA8320B	1			
200317	R0327B	JA8321B	1			
200320	R0328A	JA8335B	1			
200320	R0328A	JA8334A	1			
200319	R0328B	JA8335A	1			
200319	R0328B	JA8333B	1			
200324	R0329A	JA8337B	1			
200324	R0329A	JA8337A	1			
200323	R0329B	JA8337A	1			
200323	R0329B	JA8336B	1			
200322	R0330A	JA8336A	1			
200322	R0330A	JA8335A	1			
200321	R0330B	JA8336B	1			
200321	R0330B	JA8335B	1			
100602	R0331A	B0131A	2			
100602	R0331A	A0627B	1			
100601	R0331B	B0131B	2			
100601	R0331B	A0626B	1			
300026	R0334A	JA8334B	2			
300026	R0334A	JA8234B	1			
200221	R0402A	B0202A	1			
200401	R0402B	B0732B	1			
200217	R0403A	B0203A	1			
200217	R0403A	B0531A	2			
200504	R0403B	B0321B	2			
200504	R0403B	B0532A	1			
200403	R0404A	B0503B	1			
200402	R0404B	B0510A	1			
200435	R0405A	JA8323B	1			
200435	R0405A	JA8324B	1			
200434	R0405B	JA8323A	1			
200434	R0405B	JA8324A	1			
200433	R0406A	JA8325B	1			

TITLE		WL		DOCUMENT NO.	SHEET NO.	REV.
Logic Wirewrap - Applicable to 60 Pin I/O					12	J
SIGNAL NAME OR NUMBER IDENTIFICATION	ORIGIN	DESTI- NATION	Z LEVEL	NOTES		
200433	R0406A	JA8324B	1			
200432	R0406B	JA8325A	1			
200432	R0406B	JA8324A	1			
200431	R0407A	JA8303B	1			
200431	R0407A	JA8304B	1			
200430	R0407B	JA8303A	1			
200430	R0407B	JA8304A	1			
200429	R0408A	JA8314B	1			
200429	R0408A	JA8315B	1			
200428	R0408B	JA8314A	1			
200428	R0408B	JA8315A	1			
200423	R0409A	JA8312B	1			
200423	R0409A	JA8313B	1			
200422	R0409B	JA8312A	1			
200422	R0409B	JA8313A	1			
200421	R0410A	JA8314B	1			
200421	R0410A	B1023A	2			
200421	R0410A	JA8313B	1			
200420	R0410B	B1023B	2			
200420	R0410B	JA8314A	1			
200420	R0410B	JA8313A	1			
200427	R0411A	JA8302B	1			
200427	R0411A	JA8303B	1			
200426	R0411B	JA8302A	1			
200426	R0411B	JA8303A	1			
200425	R0412A	JA8302B	1			
200425	R0412A	JA8301B	1			
200424	R0412B	JA8302A	1			
200424	R0412B	JA8301A	1			
200419	R0413A	JA8311B	1			
200419	R0413A	JA8312B	1			
200418	R0413B	JA8312A	1			
200418	R0413B	JA8311A	1			
200417	R0414A	JA8310B	1			
200417	R0414A	JA8311B	1			
200416	R0414B	JA8311A	1			
200416	R0414B	JA8310A	1			
200415	R0415A	JA8309B	1			
200415	R0415A	JA8310B	1			
200414	R0415B	JA8310A	1			
200414	R0415B	JA8309A	1			
200413	R0416A	JA8309B	1			
200413	R0416A	JA8308B	1			
200412	R0416B	JA8308A	1			
200412	R0416B	JA8309A	1			
200411	R0417A	JA8308B	1			
200411	R0417A	JA8307B	1			
200410	R0417B	JA8308A	1			
200410	R0417B	JA8307A	1			
200409	R0421A	JA8306B	1			
200409	R0421A	JA8307B	1			
200408	R0421B	JA8306A	1			

TITLE		WL		DOCUMENT NO.	SHEET NO.	REV.
Logic Wirewrap - Applicable to 60 Pin I/O					13	Y
SIGNAL NAME OR NUMBER IDENTIFICATION	ORIGIN	DESTI- NATION	Z LEVEL	NOTES		
200408	R0421B	JA8307A	1			
200407	R0422A	JA8306B	1			
200407	R0422A	JA8305B	1			
200406	R0422B	JA8305A	1			
200406	R0422B	JA8306A	1			
200405	R0423A	JA8305B	1			
200405	R0423A	JA8304B	1			
200404	R0423B	JA8304A	1			
200404	R0423B	JA8305A	1			
200202	R0424A	B0224A	1			
200202	R0424A	B0631A	2			
200208	R0424B	B0628B	2			
200208	R0424B	B0224B	1			
200216	R0425A	B0225A	1			
200216	R0425A	B0626B	2			
200212	R0425B	B0624A	2			
200212	R0425B	B0225B	1			
200214	R0426A	B0226A	1			
200214	R0426A	B0622B	2			
200210	R0426B	B0226B	1			
200210	R0426B	B0629B	2			
200204	R0427A	B0633A	2			
200204	R0427A	B0227A	1			
200206	R0428A	B0228A	1			
200206	R0428A	B0630A	2			
200220	R0432A	B0232A	1			
200220	R0432A	B0606B	2			
200218	R0432B	B0621A	2			
200218	R0432B	B0232B	1			
200223	R0433B	B0233B	1			
200223	R0433B	B0502A	2			
300027	R0434A	JA8336A	2			
300027	R0434A	JA8236A	1			
200223	R0502A	B1009A	1			
200223	R0502A	B0433B	2			
200519	R0502B	JA8234A	1			
200519	R0502B	B1025B	2			
200403	R0503B	B0404A	1			
200503	R0505A	JA8221A	1			
200503	R0505A	JA8222A	1			
200502	R0505B	JA8221B	1			
200502	R0505B	JA8222B	1			
200914	R0506A	B0932A	2			
201003	R0506B	B1027A	2			
201020	R0507A	B1010A	1			
200402	R0510A	B0404B	1			
200303	R0510B	B0315B	1			
200304	R0511A	B0315A	1			
100415	R0512A	A0430A	2			
100414	R0512B	A0431B	2			
100413	R0513A	A0427A	2			
100412	R0513B	A0428B	2			
100411	R0514A	A0410B	1			

TITLE		WL		DOCUMENT NO.	SHEET NO.	REV.
Logic Wirewrap - Applicable to 60 Pin I/O					14	J
SIGNAL NAME OR NUMBER IDENTIFICATION	ORIGIN	DESTI- NATION	Z LEVEL	NOTES		
100411	R0514A	JA8244B	2			
200523	R0515A	B1030B	1			
200301	R0515B	B0310B	1			
200101	R0516A	B0110B	1			
200515	R0516B	B0723B	1			
200522	R0517A	B1027B	1			
200302	R0517B	B0310A	1			
200102	R0521A	B0110A	1			
201001	R0521B	B1016B	1			
200516	R0522A	B0710B	1			
201002	R0523B	B1002A	1			
200514	R0524A	JA8323B	1			
200514	R0524A	JA8322B	1			
200513	R0524B	JA8323A	1			
200513	R0524B	JA8322A	1			
200508	R0525A	JA8322A	1			
200508	R0525A	JA8321A	1			
200507	R0525B	JA8321B	1			
200507	R0525B	JA8322B	1			
200506	R0526A	JA8328A	1			
200506	R0526A	JA8329A	1			
200505	R0526B	JA8328B	1			
200505	R0526B	JA8329B	1			
200512	R0527A	JA8342A	1			
200512	R0527A	JA8341A	1			
200511	R0527B	JA8341B	1			
200511	R0527B	JA8342B	1			
200510	R0529A	JA8340A	1			
200510	R0529A	JA8341B	1			
200509	R0529B	JA8340B	1			
200509	R0529B	JA8341A	1			
200703	R0530A	B0709B	1			
100403	R0530B	A0407A	1			
100403	R0530B	B0707B	2			
200217	R0531A	B0625A	1			
200217	R0531A	B0403A	2			
200521	R0531B	B1010B	1			
200504	R0532A	B0403B	1			
200504	R0532A	A0221B	2			
101006	R0532B	JA8234B	2			
101006	R0532B	B1008B	2			
101006	R0532B	A1013A	1			
200501	R0533A	B0203B	1			
200501	R0533A	JA8233B	2			
200520	R0533B	B0708B	1			
300028	R0534A	JA8337B	2			
300028	R0534A	JA8237B	1			
200610	R0602A	A0711B	1			
200611	R0602B	A0725B	1			
200612	R0603A	A0712B	1			
200908	R0603B	B0914A	1			
200613	R0604A	A0713A	1			

TITLE		WL	DOCUMENT NO.	SHEET NO.	REV.
Logic Wirewrap - Applicable to 60 Pin I/O				15	J
SIGNAL NAME OR NUMBER IDENTIFICATION	ORIGIN	DESTI- NATION	Z LEVEL	NOTES	
200608	B0604B	A0727A	1		
200920	B0605A	B0910B	1		
200912	B0605B	B0903A	1		
200912	B0605B	B0324A	2		
200614	B0606A	B0917B	1		
200220	B0606B	B0432A	2		
200606	B0607A	B0827B	1		
200615	B0607B	B0922B	1		
200618	B0609A	A0717A	1		
200617	B0609B	A0715A	1		
200616	B0610A	A0713B	1		
200619	B0611B	A0716A	1		
200601	B0613A	JA8110A	1		
200604	B0613B	B0904A	1		
200607	B0614A	B0914B	1		
200622	B0614B	B0307A	1		
100404	B0615A	B0933B	1		
200620	B0616A	JA8101B	1		
200201	B0616B	B0712B	2		
200201	B0616B	B0227B	1		
200609	B0617B	A0926B	1		
200218	B0621A	B0432B	2		
200218	B0621A	B0832A	1		
200214	B0622B	B0826B	1		
200214	B0622B	B0426A	2		
200602	B0623B	JA8111A	1		
200212	B0624A	B0826A	1		
200212	B0624A	B0425B	2		
200603	B0624B	JA8112A	1		
200217	B0625A	B0833B	2		
200217	B0625A	B0531A	1		
200916	B0625B	B0915B	1		
200924	B0626A	B0117A	1		
200924	B0626A	B0817A	2		
200216	B0626B	B0811B	1		
200216	B0626B	B0425A	2		
200208	B0628B	B0823B	1		
200208	B0628B	B0424B	2		
200210	B0629B	B0426B	2		
200210	B0629B	B0822A	1		
200206	B0630A	B0823A	1		
200206	B0630A	B0428A	2		
200202	B0631A	B0424A	2		
200202	B0631A	B0832B	1		
200912	B0632A	B0124A	2		
200605	B0632B	B0910A	1		
200204	B0633A	B0427A	2		
200204	B0633A	B0825A	1		
200621	B0633B	A0217A	1		
300029	B0634A	JA8339A	2		
300029	B0634A	JA8239A	1		
300010	B0701B	JA8232A	1		

TITLE		WL		DOCUMENT NO.	SHEET NO.	REV.
Logic Wirewrap - Applicable to 60 Pin I/O					16	J/AS
SIGNAL NAME OR NUMBER IDENTIFICATION	ORIGIN	DESTINATION	Z LEVEL	NOTES		
100403	R0707B	B0530B	2			
100403	R0707B	A0528B	1			
200520	B0708B	B0533B	1			
100107	R0709A	A0130B	1			
200703	R0709B	B0530A	1			
200516	R0710B	B0522A	1			
200201	B0712B	B0616B	2			
200515	R0723B	B0516B	1			
200211	R0726B	B0103A	2			
200701	R0729A	JA8108B	1			
200702	R0729B	JA8109B	1			
200401	R0732B	B0402B	1			
300030	R0734A	JA8340B	2			
300030	B0734A	JA8240B	1			
300009	R0734B	JA8233A	1			
200812	B0801A	B0811A	1			
	B0802A	A1014B	1			Used on BK5C1E/F only
100307	B0804A	A0311B	1			
	B0802B	B0912A	1			Used on BK5C1E/F only
200921	B0804B	B0921B	1			
200921	B0804B	A1017B	2			
200813	B0805A	B0814A	1			Not used on BK5C1E/F only
100306	B0805B	A0332A	1			
200807	B0806A	B0911B	1			
200808	B0806B	B0924A	1			
200805	B0807A	B0932B	1			
200810	B0807B	B0925B	1			
100802	B0810A	A0809B	1			
200804	B0810B	A0814B	1			
200812	B0811A	B0801A	1			
200216	B0811B	B0626B	1			
200926	B0812A	A0327B	2			
200926	B0812A	B0913B	1			
200213	B0812B	B0230B	1			
200213	B0812B	B0927A	2			
200814	B0813A	B0815B	2			Not used on BK5C1E/F only
200802	B0813B	B0304A	1			
200813	B0814A	B0814B	2			Not used on BK5C1E/F only
200813	B0814A	H0805A	1			Not used on BK5C1E/F only
200813	B0814B	H0A25B	1			Not used on BK5C1E/F only
200813	B0814B	B0814A	2			Not used on BK5C1E/F only
100104	B0815A	A0126B	1			
200814	B0815B	B0813A	2			Not used on BK5C1E/F only
200814	B0815B	B0824B	1			Not used on BK5C1E/F only
100801	B0816A	A0808A	1			
200806	B0816B	B0902A	1			
200924	B0817A	B0626A	2			
200924	B0817A	B0906B	1			
200919	B0817B	B0907B	1			
200919	B0817B	A0425B	2			
200809	B0821A	B0917A	1			
200801	B0821B	B0304B	1			
200210	B0822A	B0629B	1			
100305	B0822B	A0333A	2			

TITLE		WL		DOCUMENT NO.	SHEET NO.	REV.
Logic Wirewrap - Applicable to 60 Pin I/O					17	J/AS
SIGNAL NAME OR NUMBER IDENTIFICATION	ORIGIN	DESTI- NATION	Z LEVEL	NOTES		
200206	B0823A	B0630A	1			
200208	R0823B	B0628B	1			
200814	B0824A	B0824B	2		Not used on BK5C1E/F only	
200814	B0824A	B0834A	1		Not used on BK5C1E/F only	
200814	R0824B	B0824A	2		Not used on BK5C1E/F only	
200814	B0824B	B0815B	1		Not used on BK5C1E/F only	
200204	R0825A	B0633A	1			
200813	R0825B	B0829A	2		Not used on BK5C1E/F only	
200813	R0825B	B0814B	1		Not used on BK5C1E/F only	
200212	R0826A	B0624A	1			
200214	B0826B	B0622B	1			
200803	B0827A	B0933A	1			
200606	B0827B	B0607A	1			
200606	B0827B	B0902B	2			
100805	B0828B	A0823A	1			
200813	B0829A	B0825B	2		Not used on BK5C1E/F only	
200813	B0829A	B0829B	1		Not used on BK5C1E/F only	
200813	B0829B	B0830A	2		Not used on BK5C1E/F only	
200813	R0829B	B0829A	1		Not used on BK5C1E/F only	
200813	B0830A	B0829B	2		Not used on BK5C1E/F only	
100105	B0831A	A0113B	1			
200218	R0832A	B0621A	1			
200202	R0832B	B0631A	1			
200811	R0833A	B0929A	1			
200217	B0833B	B1003A	1			
200217	B0833B	B0625A	2			
200814	B0834A	JAB243A	2			
200814	R0834A	B0824A	1			
200806	R0902A	B0816B	1			
200606	R0902B	B0905B	1			
200606	B0902B	B0827B	2			
200912	R0903A	A0832A	2			
200912	R0903A	B0605B	1			
200904	R0903B	A0410A	1			
200604	R0904A	B0613B	1			
200903	R0904B	A0816A	1			
100807	R0905A	A0812B	1			
200606	B0905B	B0902B	1			
200906	R0906A	A0823B	1			
200924	R0906B	A0810B	2			
200924	R0906B	B0817A	1			
200902	R0907A	A0923B	1			
200919	R0907B	B0817B	1			
200901	R0908A	A0922B	1			
200907	R0909A	B0916A	2			
200605	R0910A	B0632B	1			
200920	R0910B	B0605A	1			
200915	R0911A	B0307R	1			
200807	R0911B	B0806A	1			
	B0912A	B0802B	1			
101004	R0912A	A1014B	1		Used on BK5C1E/F only	
200923	B0912B	A0708A	1		Not used on BK5C1E/F only	
200911	R0913A	A0710A	1			

TITLE	WL	DOCUMENT NO.	SHEET NO.	REV.
Logic Wirewrap - Applicable to 60 Pin I/O			18	Y

SIGNAL NAME OR NUMBER IDENTIFICATION	ORIGIN	DESTI- NATION	Z LEVEL	NOTES
200926	B0913B	A0925B	2	
200926	B0913B	B0812A	1	
200908	B0914A	B0603B	1	
200908	B0914A	A0812A	2	
200607	B0914B	B0614A	1	
100901	B0915A	A0924B	2	
200916	B0915B	B0625B	1	
200907	B0916A	B0909A	2	
200907	B0916A	A0717B	1	
200905	B0916B	A0722B	1	
200809	B0917A	B0821A	1	
200614	B0917B	B0606A	1	
200921	B0921B	A0916B	2	
200921	B0921B	B0804B	1	
200910	B0922A	A0813A	1	
200615	B0922B	B0607B	1	
200917	B0923A	B0934A	1	
101003	B0923B	A1017A	1	
200808	B0924A	B0806B	1	
200927	B0924B	JA8004A	1	
200922	B0925A	A0915B	1	
200810	B0925B	B0807B	1	
200925	B0926A	A0825B	1	
101001	B0926B	A1022A	1	
200213	B0927A	B0812B	2	
100302	B0927B	A0308B	1	
100301	B0928B	A0307B	1	
200811	B0929A	B0833A	1	
200922	B0929B	A0707B	1	
200913	B0930A	A0813B	1	
200909	B0930B	A0927B	1	
200918	B0931A	A0702A	1	
100402	B0931B	A0414A	1	
200914	B0932A	B1009B	1	
200914	B0932A	B0506A	2	
200805	B0932B	B0807A	1	
200803	B0933A	B0827A	1	
100404	B0933B	A0707A	2	
100404	B0933B	B0615A	1	
200917	B0934A	JA8343A	2	
200917	B0934A	B0923A	1	
201002	B1002A	B0523B	1	
200217	B1003A	B0833B	1	
201005	B1007A	JA8222B	1	
201006	B1007B	JA8222A	1	
201004	B1008A	A0811B	1	
101006	B1008B	B0532B	2	
200223	B1009A	B0502A	1	
200914	B1009B	B0932A	1	
201020	B1010A	B0507A	1	
200521	B1010B	B0531B	1	
100411	B1015B	A0410B	2	
100403	B1016A	A1015B	1	

TITLE		WL		DOCUMENT NO.	SHEET NO.	REV.
Logic Wirewrap - Applicable to 60 Pin I/O					19	J
SIGNAL NAME OR NUMBER IDENTIFICATION	ORIGIN	DESTI- NATION	Z LEVEL	NOTES		
201001	R1016B	B0521B	1			
200243	B1022A	B0210A	2			
200242	B1022B	B0210B	2			
200421	B1023A	B0410A	2			
200420	B1023B	B0410B	2			
200519	B1025B	B0502B	2			
200501	B1026A	A0217B	2			
201003	B1027A	B0506B	2			
201003	B1027A	JA8244A	1			
200522	B1027B	B0517A	1			
201008	B1028A	JA8242A	1			
201007	B1028B	JA8242B	1			
201010	B1029A	JA8241B	1			
201009	B1029B	JA8241A	1			
200504	B1030A	B0321B	1			
200523	B1030B	B0515A	1			
201012	B1031A	JA8228A	1			
201011	B1031B	JA8228B	1			
300031	B1034A	JA8244B	1			
300011	B1034A	JA8245B	1			
300031	B1034A	JA8344B	2			
100404	JA8001A	A1012A	1			
100404	JA8001A	A0411B	2			
100410	JA8002B	A0409A	1			
101020	JA8003A	A0133B	1			
101017	JA8003B	A1028B	1			
200927	JA8004A	A1030B	2			
200927	JA8004A	B0924B	1			
101016	JA8004B	A1029B	1			
100408	JA8005A	A1026B	1			
101013	JA8005B	A1028A	1			
101015	JA8006A	A1026A	1			
101014	JA8006B	A1029A	1			
100416	JA8007A	A0101A	1			
100416	JA8007B	A0101A	2			
300016	JA8008A	JA8102B	1			
300017	JA8008B	JA8112B	1			
100409	JA8009B	A1012B	1			
101018	JA8010A	A1027A	1			
101019	JA8010B	A1034A	1			
100412	JA8011A	A0428B	1			
100414	JA8011B	A0431B	1			
100413	JA8012A	A0427A	1			
100405	JA8013A	A0412B	1			
100415	JA8014A	A0430A	1			
100417	JA8014B	A0134B	1			
300013	JA8101A	A0601A	1			
200620	JA8101B	B0616A	1			
200105	JA8102A	B0132A	1			
300016	JA8102B	JA8008A	1			
200106	JA8103A	B0133B	1			
300019	JA8103B	A0601B	1			

TITLE		WL	DOCUMENT NO.	SHEET NO.	REV.
Logic Wirewrap - Applicable to 60 Pin I/O					20
SIGNAL NAME OR NUMBER IDENTIFICATION	ORIGIN	DESTI- NATION	Z LEVEL	NOTES	
200107	JA8104A	B0132B	1		
100803	JA8104B	A0825A	1		
300006	JA8105A	A1001A	1		
300004	JA8105B	A0521B	1		
300005	JA8106A	A0522B	1		
300002	JA8106B	A0508B	1		
300015	JA8107A	A0801A	1		
300003	JA8107B	A0507B	1		
300001	JA8108A	A0414B	1		
200701	JA8108B	B0729A	1		
300007	JA8109A	A0409B	1		
200702	JA8109B	B0729B	1		
200601	JA8110A	B0613A	1		
200201	JA8110B	A0413A	1		
200602	JA8111A	B0623B	1		
300020	JA8111B	A0634B	1		
200603	JA8112A	B0624B	1		
300017	JA8112B	JA8008B	1		
101005	JA8113A	A1002A	1		
300021	JA8113B	A0633B	1		
300014	JA8114A	A0701A	1		
300018	JA8114B	A1032B	1		
300018	JA8114B	A0932B	2		
101008	JA8201A	A1003B	1		
200246	JA8201A	B0212B	1		
200247	JA8201B	B0212A	1		
300012	JA8201B	B0134A	2		
200246	JA8202A	B0212B	1		
200248	JA8202A	B0211B	1		
200249	JA8202B	B0211A	1		
200247	JA8202B	B0212A	1		
200248	JA8203A	B0211B	1		
200252	JA8203A	B0207B	1		
200249	JA8203B	B0211A	1		
200253	JA8203B	B0207A	1		
200252	JA8204A	B0207B	1		
200226	JA8204A	B0223B	1		
200227	JA8204B	B0223A	1		
200253	JA8204B	B0207A	1		
200226	JA8205A	B0223B	1		
200228	JA8205A	B0222B	1		
200229	JA8205B	B0222A	1		
200227	JA8205B	B0223A	1		
200230	JA8206A	B0221B	1		
200228	JA8206A	B0222B	1		
200231	JA8206B	B0221A	1		
200229	JA8206B	B0222A	1		
200232	JA8207A	B0217B	1		
200230	JA8207A	B0221B	1		
200231	JA8207B	B0221A	1		
200233	JA8207B	B0217A	1		
200234	JA8208A	B0216B	1		

TITLE Logic Wirewrap - Applicable to 60 Pin I/O		WL	DOCUMENT NO.	SHEET NO. 21	REV. J
SIGNAL NAME OR NUMBER IDENTIFICATION	ORIGIN	DESTI- NATION	Z LEVEL	NOTES	
200232	JA8208A	B0217B	1		
200235	JA8208B	B0216A	1		
200233	JA8208B	B0217A	1		
200234	JA8209A	B0216B	1		
200236	JA8209A	B0215B	1		
200235	JA8209B	B0216A	1		
200237	JA8209B	B0215A	1		
200238	JA8210A	B0214B	1		
200236	JA8210A	B0215B	1		
200237	JA8210B	B0215A	1		
200239	JA8210B	B0214A	1		
200240	JA8211A	B0213B	1		
200238	JA8211A	B0214B	1		
200239	JA8211B	B0214A	1		
200241	JA8211B	B0213A	1		
200240	JA8212A	B0213B	1		
200244	JA8212A	B0209B	1		
200241	JA8212B	B0213A	1		
200245	JA8212B	B0209A	1		
200242	JA8213A	B0210B	1		
200244	JA8213A	B0209B	1		
200245	JA8213B	B0209A	1		
200243	JA8213B	B0210A	1		
200242	JA8214A	B0210B	1		
200250	JA8214A	B0208B	1		
200243	JA8214B	B0210A	1		
200251	JA8214B	B0208A	1		
200250	JA8215A	B0208B	1		
200116	JA8215A	B0109A	1		
200251	JA8215B	B0208A	1		
200115	JA8215B	B0109B	1		
200116	JA8216A	B0109A	1		
200118	JA8216A	B0108A	1		
200115	JA8216B	B0109B	1		
200117	JA8216B	B0108B	1		
200118	JA8217A	B0108A	1		
200120	JA8217A	B0126A	1		
200117	JA8217B	B0108B	1		
200119	JA8217B	B0126B	1		
200112	JA8218A	B0106A	1		
200120	JA8218A	B0126A	1		
200111	JA8218B	B0106B	1		
200119	JA8218B	B0126B	1		
200122	JA8219A	B0125A	1		
200112	JA8219A	B0106A	1		
200111	JA8219B	B0106B	1		
200121	JA8219B	B0125B	1		
200122	JA8220A	B0125A	1		
200124	JA8220A	B0127A	1		
200121	JA8220B	B0125B	1		
200123	JA8220B	B0127B	1		
200124	JA8221A	B0127A	1		

TITLE Logic Wirewrap - Applicable to 60 Pin I/O		WL	DOCUMENT NO.	SHEET NO. 22	REV. J/AS
SIGNAL NAME OR NUMBER IDENTIFICATION	ORIGIN	DESTI- NATION	Z LEVEL	NOTES	
200503	JA8221A	B0505A	1		
200123	JA8221B	B0127B	1		
200502	JA8221B	B0505B	1		
201006	JA8222A	B1007B	1		
200503	JA8222A	B0505A	1		
201005	JA8222B	B1007A	1		
200502	JA8222B	B0505B	1		
200256	JA8223A	B0205B	1		
200257	JA8223B	B0205A	1		
200256	JA8224A	B0205B	1		
200254	JA8224A	B0206B	1		
200255	JA8224B	B0206A	1		
200257	JA8224B	B0205A	1		
200254	JA8225A	B0206B	1		
200114	JA8225A	B0105A	1		
200113	JA8225B	B0105B	1		
200255	JA8225B	B0206A	1		
200114	JA8226A	B0105A	1		
200135	JA8226A	B0113B	1		
200136	JA8226B	B0113A	1		
200113	JA8226B	B0105B	1		
200135	JA8227A	B0113B	1		
200137	JA8227A	B0114B	1		
200136	JA8227B	B0113A	1		
200138	JA8227B	B0114A	1		
200137	JA8228A	B0114B	1		
201012	JA8228A	B1031A	1		
200138	JA8228B	B0114A	1		
201011	JA8228B	B1031B	1		
101008	JA8229A	A1003B	1		
101009	JA8229B	A1003A	1		
101007	JA8230A	A1004B	1		
101009	JA8230B	A1003A	1		
	JA8230A	A1009A	1		Used on BK5C1E/F only
	JA8230B	A1009B	1		Used on BK5C1E/F only
101007	JA8231A	A1004B	1		
300010	JA8232A	B0701B	1		
300008	JA8232B	A0433A	1		
300009	JA8233A	B0734B	1		
300025	JA8233A	B0234A	1		
200125	JA8233B	B0128B	1		
200501	JA8233B	B0533A	2		
200126	JA8234A	B0128A	1		
200519	JA8234A	B0502B	1		
101006	JA8234B	B0532B	2		
300026	JA8234B	B0334A	1		
200128	JA8235A	B0130A	1		
200125	JA8235A	B0128B	1		
200127	JA8235B	B0130B	1		
200126	JA8235B	B0128A	1		
200128	JA8236A	B0130A	1		
300027	JA8236A	B0434A	1		
200129	JA8236B	B0129B	1		
200127	JA8236B	B0130B	1		

TITLE		WL	DOCUMENT NO.	SHEET NO.	REV.
Logic Wirewrap - Applicable to 60 Pin I/O				23	J
SIGNAL NAME OR NUMBER IDENTIFICATION	ORIGIN	DESTI- NATION	Z LEVEL	NOTES	
200170	JA8237A	B0129A	1		
200129	JA8237A	B0129B	1		
200130	JA8237B	B0129A	1		
300028	JA8237B	B0534A	1		
200133	JA8238A	B0112B	1		
200134	JA8238B	B0112A	1		
200132	JA8239A	B0111A	1		
300029	JA8239A	B0634A	1		
200131	JA8239B	B0111B	1		
200132	JA8239B	B0111A	1		
200131	JA8240A	B0111B	1		
300030	JA8240B	B0734A	1		
201009	JA8241A	B1029B	1		
201010	JA8241B	B1029A	1		
201008	JA8242A	B1028A	1		
201007	JA8242B	B1028B	1		
200814	JA8243A	B0834A	2		
201003	JA8244A	B1027A	1		
100411	JA8244B	B0514A	2		
300031	JA8244B	B1034A	1		
300011	JA8245B	B1034A	1		
101008	JA8301A	A1003B	2		
200424	JA8301A	B0412B	1		
200425	JA8301B	B0412A	1		
200424	JA8302A	B0412B	1		
200426	JA8302A	B0411B	1		
200425	JA8302B	B0412A	1		
200427	JA8302B	B0411A	1		
200426	JA8303A	B0411B	1		
200430	JA8303A	B0407B	1		
200427	JA8303B	B0411A	1		
200431	JA8303B	B0407A	1		
200430	JA8304A	B0407B	1		
200404	JA8304A	B0423B	1		
200405	JA8304B	B0423A	1		
200431	JA8304B	B0407A	1		
200404	JA8305A	B0423B	1		
200406	JA8305A	B0422B	1		
200405	JA8305B	B0423A	1		
200407	JA8305B	B0422A	1		
200408	JA8306A	B0421B	1		
200406	JA8306A	B0422B	1		
200407	JA8306B	B0422A	1		
200409	JA8306B	B0421A	1		
200408	JA8307A	B0421B	1		
200410	JA8307A	B0417B	1		
200409	JA8307B	B0421A	1		
200411	JA8307B	B0417A	1		
200412	JA8308A	B0416B	1		
200410	JA8308A	B0417B	1		
200411	JA8308B	B0417A	1		
200413	JA8308B	B0416A	1		

TITLE	WL	DOCUMENT NO.	SHEET NO.	REV.
Logic Wirewrap - Applicable to 60 Pin I/O			24	J

SIGNAL NAME OR NUMBER IDENTIFICATION	ORIGIN	DESTI- NATION	Z LEVEL	NOTES
200414	JA8309A	B0415B	1	
200412	JA8309A	B0416B	1	
200415	JA8309B	B0415A	1	
200413	JA8309B	B0416A	1	
200416	JA8310A	B0414B	1	
200414	JA8310A	B0415B	1	
200415	JA8310B	B0415A	1	
200417	JA8310B	B0414A	1	
200416	JA8311A	B0414B	1	
200418	JA8311A	B0413B	1	
200419	JA8311B	B0413A	1	
200417	JA8311B	B0414A	1	
200422	JA8312A	B0409B	1	
200418	JA8312A	B0413B	1	
200423	JA8312B	B0409A	1	
200419	JA8312B	B0413A	1	
200422	JA8313A	B0409B	1	
200420	JA8313A	B0410B	1	
200423	JA8313B	B0409A	1	
200421	JA8313B	B0410A	1	
200420	JA8314A	B0410B	1	
200428	JA8314A	B0408B	1	
200429	JA8314B	B0408A	1	
200421	JA8314B	B0410A	1	
200428	JA8315A	B0408B	1	
200310	JA8315A	B0309A	1	
200429	JA8315B	B0408A	1	
200309	JA8315B	B0309B	1	
200310	JA8316A	B0309A	1	
200312	JA8316A	B0308A	1	
200309	JA8316B	B0309B	1	
200311	JA8316B	B0308B	1	
200312	JA8317A	B0308A	1	
200314	JA8317A	B0326A	1	
200313	JA8317B	B0326B	1	
200311	JA8317B	B0308B	1	
200306	JA8318A	B0306A	1	
200314	JA8318A	B0326A	1	
200313	JA8318B	B0326B	1	
200305	JA8318B	B0306B	1	
200316	JA8319A	B0325A	1	
200306	JA8319A	B0306A	1	
200305	JA8319B	B0306B	1	
200315	JA8319B	B0325B	1	
200318	JA8320A	B0327A	1	
200316	JA8320A	B0325A	1	
200315	JA8320B	B0325B	1	
200317	JA8320B	B0327B	1	
200508	JA8321A	B0525A	1	
200318	JA8321A	B0327A	1	
200317	JA8321B	B0327B	1	
200507	JA8321B	B0525B	1	

TITLE		WL		DOCUMENT NO.	SHEET NO.	REV.
Logic Wirewrap - Applicable to 60 Pin I/O					25	J
SIGNAL NAME OR NUMBER IDENTIFICATION	ORIGIN	DESTI- NATION	Z LEVEL	NOTES		
200508	JA8322A	B0525A	1			
200513	JA8322A	B0524B	1			
200507	JA8322B	B0525B	1			
200514	JA8322B	B0524A	1			
200474	JA8323A	B0405B	1			
200513	JA8323A	B0524B	1			
200435	JA8323B	B0405A	1			
200514	JA8323B	B0524A	1			
200432	JA8324A	B0406B	1			
200474	JA8324A	B0405B	1			
200433	JA8324B	B0406A	1			
200435	JA8324B	B0405A	1			
200432	JA8325A	B0406B	1			
200308	JA8325A	B0305A	1			
200433	JA8325B	B0406A	1			
200307	JA8325B	B0305B	1			
200329	JA8326A	B0313B	1			
200308	JA8326A	B0305A	1			
200330	JA8326B	B0313A	1			
200307	JA8326B	B0305B	1			
200329	JA8327A	B0313B	1			
200331	JA8327A	B0314B	1			
200330	JA8327B	B0313A	1			
200332	JA8327B	B0314A	1			
200331	JA8328A	B0314B	1			
200506	JA8328A	B0526A	1			
200332	JA8328B	B0314A	1			
200505	JA8328B	B0526B	1			
200506	JA8329A	B0526A	1			
101008	JA8329A	A1003B	2			
200505	JA8329B	B0526B	1			
101009	JA8329B	A1003A	2			
101007	JA8330A	A1004B	2			
101009	JA8330B	A1003A	2			
101007	JA8331A	A1004B	2			
300025	JA8333A	B0234A	2			
200319	JA8333B	B0328B	1			
200320	JA8334A	B0328A	1			
300026	JA8334B	B0334A	2			
200322	JA8335A	B0330A	1			
200319	JA8335A	B0328B	1			
200321	JA8335B	B0330B	1			
200320	JA8335B	B0328A	1			
200322	JA8336A	B0330A	1			
300027	JA8336A	B0434A	2			
200323	JA8336B	B0329B	1			
200321	JA8336B	B0330B	1			
200323	JA8337A	B0329B	1			
200324	JA8337A	B0329A	1			
200324	JA8337B	B0329A	1			
300028	JA8337B	B0534A	2			
200327	JA8338A	B0312B	1			

TITLE Logic Wirewrap - Applicable to 60 Pin I/O	WL	DOCUMENT NO.	SHEET NO. 26	REV. J
--	----	--------------	-----------------	-----------

SIGNAL NAME OR NUMBER IDENTIFICATION	ORIGIN	DESTI- NATION	Z LEVEL	NOTES
--	--------	------------------	------------	-------

200328	JAB338B	B0312A	1	
200326	JAB339A	B0311A	1	
300029	JAB339A	B0634A	2	
200325	JAB339B	B0311B	1	
200326	JAB339B	B0311A	1	
200510	JAB340A	B0529A	1	
200325	JAB340A	B0311B	1	
200509	JAB340B	B0529B	1	
300030	JAB340B	B0734A	2	
200509	JAB341A	B0529B	1	
200512	JAB341A	B0527A	1	
200511	JAB341B	B0527B	1	
200510	JAB341B	B0529A	1	
200512	JAB342A	B0527A	1	
200511	JAB342B	B0527B	1	
200917	JAB343A	B0934A	2	
300031	JAB344B	B1034A	2	

50 PIN I/O

TITLE		WL		DOCUMENT NO.	SHEET NO.	REV.
Logic Wirewrap - Applicable to 50 Pin I/O				77568124	1 OF 20	Y
SIGNAL NAME OR NUMBER IDENTIFICATION	ORIGIN	DESTI- NATION	Z LEVEL	NOTES		
100416	A0101A	JA8007B	2			
100416	A0101A	JA8007A	1			
300023	A0101B	A0121B	1			
100305	A0104B	A0333A	1			
100101	A0112B	A0221A	1			
100101	A0112B	A0127B	2			
100105	A0113B	B0831A	1			
300022	A0114B	A0234B	1			
300023	A0121B	A0101B	1			
100304	A0122B	A0312B	1			
100103	A0123B	A0623B	1			
100102	A0124B	A0624B	1			
100104	A0126B	B0815A	1			
100101	A0127B	A0112B	2			
100108	A0128B	B0123B	2			
100107	A0130B	B0709A	1			
101020	A0133B	JA8003A	1			
100417	A0134B	JA8014B	1			
100309	A0213B	A0323B	1			
100409	A0214B	A1012B	2			
100308	A0215B	A0325B	1			
200802	A0216A	B0104A	1			
300024	A0216B	A0231A	2			
200621	A0217A	B0633B	1			
200501	A0217B	B0121B	1			
200501	A0217B	B1026A	2			
100101	A0221A	A0112B	1			
200504	A0221B	B0532A	2			
100504	A0222A	A0532B	1			
100504	A0222A	B0123A	2			
300024	A0222B	A0234A	2			
200221	A0223A	B0117B	1			
200217	A0223B	B0203A	2			
200208	A0224A	B0224B	2			
200218	A0224B	B0232B	2			
200206	A0225A	B0122H	1			
200204	A0225B	B0116A	1			
200216	A0226A	B0225A	2			
200202	A0226B	B0121A	1			
200202	A0226B	B0116B	2			
200214	A0227A	B0226A	2			
200210	A0228A	B0226B	2			
200212	A0229A	B0225B	2			
200223	A0230A	B0233B	2			
300024	A0231A	A0216B	2			
300024	A0231A	A0234A	1			
200220	A0232A	B0232A	2			
300024	A0234A	A0231A	1			
300024	A0234A	A0222B	2			
300022	A0234B	A0114B	1			
100301	A0307B	B0928B	1			

TITLE Logic Wirewrap - Applicable to 50 Pin I/O		WL	DOCUMENT NO.	SHEET NO. 2	REV. M
SIGNAL NAME OR NUMBER IDENTIFICATION	ORIGIN	DESTI- NATION	Z LEVEL	NOTES	
100302	A0308B	B0927B	1		
100303	A0309B	A0826B	1		
100307	A0311B	B0804A	1		
100304	A0312B	A0122B	1		
100309	A0323B	A0213B	1		
100308	A0325B	A0215B	1		
200926	A0327B	B0812A	2		
100306	A0332A	B0805B	1		
100305	A0333A	A0104B	1		
100305	A0333A	B0822B	2		
100418	A0403B	A0903B	1		
100403	A0407A	A1015B	2		
100403	A0407A	B0530B	1		
200108	A0408A	B0102B	1		
100410	A0409A	JA8002B	1		
300007	A0409B	JA8109A	1		
200904	A0410A	B0903B	1		
100411	A0410B	B0514A	1		
100411	A0410B	B1015B	2		
100404	A0411B	JA8001A	2		
100404	A0411B	A0707A	1		
200209	A0412A	B0230A	1		
100405	A0412B	A1027B	2		
100405	A0412B	JA8013A	1		
200201	A0413A	B0227B	2		
200201	A0413A	JA8110B	1		
200203	A0413B	B0229A	1		
200203	A0413B	A0531B	2		
100402	A0414A	B0931B	1		
300001	A0414B	JA8108A	1		
100407	A0415B	A1023B	1		
101010	A0416B	A1021A	1		
101002	A0424B	A1021B	1		
200919	A0425B	B0817B	2		
100505	A0426A	A0525B	1		
100406	A0426B	B0324B	1		
100413	A0427A	JA8012A	1		
100413	A0427A	B0513A	2		
100412	A0428B	JA8011A	1		
100412	A0428B	B0513B	2		
200225	A0429A	B0204A	1		
200224	A0429B	B0204B	1		
100415	A0430A	B0512A	2		
100415	A0430A	JA8014A	1		
100804	A0430B	A0811A	1		
200104	A0431A	B0115A	1		
100414	A0431B	B0512B	2		
100414	A0431B	JA8011B	1		
200103	A0432A	B0115B	1		
100417	A0432B	A0932B	1		
201004	A0433A	A0523B	1		
100502	A0503B	A0610B	1		

TITLE		WL	DOCUMENT NO.	SHEET NO.	REV.
Logic Wirewrap - Applicable to 50 Pin I/O				3	M
SIGNAL NAME OR NUMBER IDENTIFICATION	ORIGIN	DESTI- NATION	Z LEVEL	NOTES	
100501	A0504B	A0609B	1		
300003	A0507B	JA8107B	1		
300002	A0508B	JA8106B	1		
300004	A0521B	JA8105B	1		
300005	A0522B	JA8106A	1		
201004	A0523B	A0433A	1		
201004	A0523B	A0811B	2		
200222	A0524B	B0202B	1		
100505	A0525B	A0426A	1		
200211	A0527B	A0824A	2		
100403	A0528B	B0707B	1		
100503	A0530B	A0622B	1		
200203	A0531B	A0612B	1		
200203	A0531B	A0413B	2		
100504	A0532B	A0222A	1		
300013	A0601A	JA8101A	1		
300019	A0601B	JA8103B	1		
200219	A0603B	B0233A	1		
200215	A0604B	B0231B	1		
100501	A0609B	A0504B	1		
100502	A0610B	A0503B	1		
200203	A0612B	A0531B	1		
200203	A0612B	A0824B	2		
200211	A0613B	B0231A	2		
200211	A0613B	A0824A	1		
100503	A0622B	A0530B	1		
100103	A0623B	A0123B	1		
100102	A0624B	A0124B	1		
100601	A0626B	B0331B	1		
100602	A0627B	B0331A	1		
300021	A0633B	JA8113B	1		
300020	A0634B	JA8111B	1		
300014	A0701A	JA8114A	1		
200918	A0702A	B0931A	1		
100404	A0707A	A0411B	1		
100404	A0707A	B0933B	2		
200922	A0707B	B0929B	1		
200923	A0708A	B0912B	1		
200911	A0710A	B0913A	1		
200610	A0711B	B0602A	1		
200612	A0712B	B0603A	1		
200613	A0713A	B0604A	1		
200616	A0713B	B0610A	1		
200617	A0715A	B0609B	1		
100809	A0715B	A0826A	2		
200619	A0716A	B0611B	1		
200902	A0716B	A0923B	2		
200618	A0717A	B0609A	1		
200907	A0717B	B0916A	1		
200901	A0721B	A0922B	2		
200905	A0722B	B0916B	1		
100808	A0723B	A0809A	1		

TITLE		WL		DOCUMENT NO.	SHEET NO.	REV.
Logic Wirewrap - Applicable to 50 Pin I/O					4	M
SIGNAL NAME OR NUMBER IDENTIFICATION	ORIGIN	DESTI- NATION	Z LEVEL	NOTES		
200611	A0725B	B0602B	1			
100701	A0726B	A0928B	1			
200608	A0727A	B0604B	1			
100703	A0727B	A0808B	1			
100902	A0728B	A0912B	1			
100702	A0730B	A0802A	1			
300015	A0801A	JA8107A	1			
100702	A0802A	A0730B	1			
100801	A0808A	B0816A	1			
100703	A0808B	A0727B	1			
100808	A0809A	A0723B	1			
100802	A0809B	B0810A	1			
200924	A0810B	B0906B	2			
100804	A0811A	A0430B	1			
201004	A0811B	H1008A	1			
201004	A0811B	A0523B	2			
200908	A0812A	B0914A	2			
100807	A0812B	B0905A	1			
200910	A0813A	B0922A	1			
200913	A0813B	B0930A	1			
200804	A0814B	B0810B	1			
200903	A0816A	B0904B	1			
200207	A0821A	B0229B	1			
100806	A0822A	A0927A	1			
200205	A0822B	B0228B	1			
100805	A0823A	B0828B	1			
200906	A0823B	B0906A	1			
200211	A0824A	A0527B	2			
200211	A0824A	A0613B	1			
200203	A0824B	A0612B	2			
100803	A0825A	JA8104B	1			
200925	A0825B	B0926A	1			
100809	A0826A	A0715B	2			
100809	A0826A	A0906A	1			
100303	A0826B	A0309B	1			
200912	A0832A	B0903A	2			
100901	A0833A	A0924B	1			
101011	A0902A	A1002B	2			
101011	A0902B	A1002B	1			
100418	A0903A	A0903B	2			
100418	A0903A	A0904A	1			
100418	A0903B	A0403B	1			
100418	A0903B	A0903A	2			
100418	A0904A	A0903A	1			
100418	A0904A	A0904B	2			
100418	A0904B	A0904A	2			
100809	A0906A	A0826A	1			
100902	A0912B	A0728B	1			
200922	A0915B	B0925A	1			
200921	A0916B	B0921B	2			
200901	A0922B	A0721B	2			
200901	A0922B	B0908A	1			

TITLE		WL	DOCUMENT NO.	SHEET NO.	REV.
Logic Wirewrap - Applicable to 50 Pin I/O				5	M
SIGNAL NAME OR NUMBER IDENTIFICATION	ORIGIN	DESTI- NATION	Z LEVEL	NOTES	
200902	A0923B	B0907A	1		
200902	A0923B	A0716B	2		
100901	A0924B	B0915A	2		
100901	A0924B	A0833A	1		
200926	A0925B	B0913B	2		
200609	A0926B	B0617B	1		
100806	A0927A	A0822A	1		
200909	A0927B	B0930B	1		
100701	A0928B	A0726B	1		
300018	A0931A	A0932A	1		
300018	A0931A	A0931B	2		
300018	A0931B	A0931A	2		
300018	A0932A	A1032B	2		
300018	A0932A	A0931A	1		
100417	A0932B	A0432B	1		
300018	A0932B	JA8114B	2		
101012	A0933A	A1033B	2		
101012	A0933B	A1033B	1		
300006	A1001A	JA8105A	1		
101005	A1002A	JA8113A	1		
101011	A1002B	A0902B	1		
101011	A1002B	A0902A	2		
101009	A1003A	JA8324B	2		
101009	A1003A	JA8224B	1		
101008	A1003B	JA8324A	2		
101008	A1003B	JA8224A	1		
101007	A1004B	JA8231A	1		
101007	A1004B	JA8331A	2		
100407	A1005B	A1023B	2		
100404	A1012A	JA8001A	1		
100409	A1012B	JA8009B	1		
100409	A1012B	A0214B	2		
101006	A1013A	B0532B	1		
101004	A1014B	B0912A	1		
100403	A1015B	B1016A	1		
100403	A1015B	A0407A	2		
101003	A1017A	B0923B	1		
200921	A1017B	B0804B	2		
101010	A1021A	A0416B	1		
101002	A1021B	A0424B	1		
101001	A1022A	B0926B	1		
100407	A1023B	A1005B	2		
100407	A1023B	A0415B	1		
101015	A1026A	JA8006A	1		
100408	A1026B	JA8005A	1		
101018	A1027A	JA8010A	1		
100405	A1027B	A0412B	2		
101013	A1028A	JA8005B	1		
101017	A1028B	JA8003B	1		
101014	A1029A	JA8006B	1		
101016	A1029B	JA8004B	1		
200927	A1030B	JA8004A	2		

TITLE		WL	DOCUMENT NO.	SHEET NO.	REV.
Logic Wirewrap - Applicable to 50 Pin I/O				6	M
SIGNAL NAME OR NUMBER IDENTIFICATION	ORIGIN	DESTI- NATION	Z LEVEL	NOTES	
300018	A1032B	JA8114B	1		
300018	A1032B	A0932A	2		
101012	A1033B	A0933B	1		
101012	A1033B	A0933A	2		
101019	A1034A	JA8010B	1		
200108	R0102B	A0408A	1		
200211	R0103A	B0731A	1		
200211	R0103A	B0726B	2		
200802	R0104A	A0216A	1		
200802	R0104A	B0304A	2		
200801	R0104B	B0304B	2		
200114	R0105A	JA8225A	1		
200113	R0105B	JA8225B	1		
200112	R0106A	JA8218A	1		
200111	R0106B	JA8218B	1		
200622	R0107A	B0307A	2		
200915	R0107B	B0307B	2		
200118	R0108A	JA8216A	1		
200117	R0108B	JA8216B	1		
200116	R0109A	JA8215A	1		
200115	R0109B	JA8215B	1		
200102	R0110A	B0521A	1		
200101	R0110B	B0516A	1		
200132	R0111A	JA8239B	1		
200131	R0111B	JA8240A	1		
200134	R0112A	JA8238B	1		
200133	R0112B	JA8238A	1		
200231	R0113A	B0221A	2		
200230	R0113B	B0221B	2		
200233	R0114A	B0217A	2		
200232	R0114B	B0217B	2		
200104	R0115A	A0431A	1		
200103	R0115B	A0432A	1		
200204	R0116A	A0225B	1		
200204	R0116A	B0227A	2		
200202	R0116B	A0226B	2		
200924	R0117A	B0626A	1		
200221	R0117B	A0223A	1		
200221	R0117B	B0202A	2		
200202	R0121A	B0224A	2		
200202	R0121A	A0226B	1		
200501	R0121B	A0217B	1		
200501	R0121B	B0203B	2		
200110	R0122A	B0134A	1		
200206	R0122B	B0228A	2		
200206	R0122B	A0225A	1		
100504	R0123A	A0222A	2		
100504	R0123A	B0323A	1		
100101	R0123B	B0323B	1		
100108	R0123B	A0128B	2		
200912	R0124A	B0632A	2		
200912	R0124A	B0324A	1		

TITLE		WL		DOCUMENT NO.	SHEET NO.	REV.
Logic Wirewrap - Applicable to 50 Pin I/O					7	M
SIGNAL NAME OR NUMBER IDENTIFICATION	ORIGIN	DESTI- NATION	Z LEVEL	NOTES		
100406	R0124B	B0324B	2			
200122	R0125A	JA8219A	1			
200121	B0125B	JA8219B	1			
200120	B0126A	JA8217A	1			
200119	B0126B	JA8217B	1			
200124	R0127A	JA8220A	1			
200123	R0127B	JA8220B	1			
200126	B0128A	JA8234A	1			
200125	R0128B	JA8233B	1			
200130	R0129A	JA8237A	1			
200129	B0129B	JA8236B	1			
200128	R0130A	JA8235A	1			
200127	B0130B	JA8235B	1			
100602	R0131A	B0331A	2			
100601	R0131B	B0331B	2			
200105	R0132A	JA8102A	1			
200107	R0132B	JA8104A	1			
200106	R0133B	JA8103A	1			
200110	R0134A	B0122A	1			
200221	R0202A	B0117B	2			
200221	R0202A	B0402A	1			
200222	R0202B	A0524B	1			
200217	R0203A	B0403A	1			
200217	R0203A	A0223B	2			
200501	R0203B	B0533A	1			
200501	R0203B	B0121B	2			
200225	R0204A	A0429A	1			
200224	R0204B	A0429B	1			
200227	R0205A	B0223A	2			
200226	R0205B	B0223B	2			
200229	R0206A	B0222A	2			
200228	R0206B	B0222B	2			
200253	R0207A	JA8203B	1			
200252	R0207B	JA8203A	1			
200251	R0208A	JA8214B	1			
200250	R0208B	JA8214A	1			
200245	R0209A	JA8212B	1			
200244	R0209B	JA8212A	1			
200243	R0210A	B1022A	2			
200243	R0210A	JA8213B	1			
200242	R0210B	B1022B	2			
200242	R0210B	JA8213A	1			
200249	R0211A	JA8202B	1			
200248	R0211B	JA8202A	1			
200247	R0212A	JA8201B	1			
200246	R0212B	JA8201A	1			
200241	B0213A	JA8211B	1			
200240	R0213B	JA8211A	1			
200239	R0214A	JA8210B	1			
200238	R0214B	JA8210A	1			
200237	R0215A	JA8209B	1			
200236	R0215B	JA8209A	1			

TITLE		WL		DOCUMENT NO.	SHEET NO.	REV.
Logic Wirewrap - Applicable to 50 Pin I/O					8	M
SIGNAL NAME OR NUMBER IDENTIFICATION	ORIGIN	DESTI- NATION	Z LEVEL	NOTES		
200235	R0216A	JA8208B	1			
200234	R0216B	JA8208A	1			
200233	R0217A	B0114A	2			
200233	R0217A	JA8207B	1			
200232	R0217B	JA8207A	1			
200232	R0217B	B0114B	2			
200231	R0221A	B0113A	2			
200231	R0221A	JA8206B	1			
200230	R0221B	JA8206A	1			
200230	R0221B	B0113B	2			
200229	R0222A	JA8205B	1			
200229	R0222A	B0206A	2			
200228	R0222B	JA8205A	1			
200228	R0222B	B0206B	2			
200227	R0223A	JA8204B	1			
200227	R0223A	B0205A	2			
200226	R0223B	JA8204A	1			
200226	R0223B	B0205B	2			
200202	R0224A	B0424A	1			
200202	R0224A	B0121A	2			
200208	R0224B	A0224A	2			
200208	R0224B	B0424B	1			
200216	R0225A	B0425A	1			
200216	R0225A	A0226A	2			
200212	R0225B	A0229A	2			
200212	R0225B	B0425B	1			
200214	R0226A	A0227A	2			
200214	R0226A	B0426A	1			
200210	R0226B	B0426B	1			
200210	R0226B	A0228A	2			
200204	R0227A	B0427A	1			
200204	R0227A	B0116A	2			
200201	R0227B	B0616B	1			
200201	R0227B	A0413A	2			
200206	R0228A	B0428A	1			
200206	R0228A	B0122B	2			
200205	R0228B	A0822B	1			
200203	R0229A	A0413B	1			
200207	R0229B	A0821A	1			
200209	R0230A	A0412A	1			
200213	R0230B	B0812B	1			
200211	R0231A	A0613B	2			
200211	R0231A	B0103A	1			
200215	R0231B	A0604B	1			
200220	R0232A	A0232A	2			
200220	R0232A	B0432A	1			
200218	R0232B	A0224B	2			
200218	R0232B	B0432B	1			
200219	R0233A	A0603B	1			
200223	R0233B	B0433B	1			
200223	R0233B	A0230A	2			
300025	R0234A	JA8333A	2			

TITLE		WL		DOCUMENT NO.	SHEET NO.	REV.
Logic Wirewrap - Applicable to 50 Pin I/O					9	M
SIGNAL NAME OR NUMBER IDENTIFICATION	ORIGIN	DESTI- NATION	Z LEVEL	NOTES		
300025	B0234A	JA8233A	1			
200802	B0304A	B0104A	2			
200802	B0304A	B0813B	1			
200801	B0304B	B0821B	1			
200801	B0304B	B0104B	2			
200308	B0305A	JA8325A	1			
200307	B0305B	JA8325B	1			
200306	B0306A	JA8318A	1			
200305	B0306B	JA8318B	1			
200622	B0307A	B0107A	2			
200622	B0307A	B0614B	1			
200915	B0307B	B0107B	2			
200915	B0307B	B0911A	1			
200312	B0308A	JA8316A	1			
200311	B0308B	JA8316B	1			
200310	B0309A	JA8315A	1			
200309	B0309B	JA8315B	1			
200302	B0310A	B0517B	1			
200301	B0310B	B0515B	1			
200326	B0311A	JA8339B	1			
200325	B0311B	JA8340A	1			
200328	B0312A	JA8338B	1			
200327	B0312B	JA8338A	1			
200409	B0313A	B0421A	2			
200408	B0313B	B0421B	2			
200411	B0314A	B0417A	2			
200410	B0314B	B0417B	2			
200304	B0315A	B0511A	1			
200303	B0315B	B0510B	1			
200504	B0321B	B1030A	1			
200504	B0321B	B0403B	2			
100504	B0323A	B0123A	1			
100101	B0323B	B0123B	1			
200912	B0324A	B0124A	1			
200912	B0324A	B0605B	2			
100406	B0324B	A0426B	1			
100406	B0324B	B0124B	2			
200316	B0325A	JA8319A	1			
200315	B0325B	JA8319B	1			
200314	B0326A	JA8317A	1			
200313	B0326B	JA8317B	1			
200318	B0327A	JA8320A	1			
200317	B0327B	JA8320B	1			
200320	B0328A	JA8334A	1			
200319	B0328B	JA8333B	1			
200324	B0329A	JA8337A	1			
200323	B0329B	JA8336B	1			
200322	B0330A	JA8335A	1			
200321	B0330B	JA8335B	1			
100602	B0331A	B0131A	2			
100602	B0331A	A0627B	1			
100601	B0331B	A0626B	1			

TITLE Logic Wirewrap - Applicable to 50 Pin I/O	WL	DOCUMENT NO.	SHEET NO. 10	REV. M
--	----	--------------	-----------------	-----------

SIGNAL NAME OR NUMBER IDENTIFICATION	ORIGIN	DESTI- NATION	Z LEVEL	NOTES
--	--------	------------------	------------	-------

100601	B0331B	B0131B	2	
300026	B0334A	JA8234B	1	
300026	B0334A	JA8334B	2	
200221	B0402A	B0202A	1	
200401	B0402B	B0732B	1	
200217	B0403A	B0203A	1	
200217	B0403A	B0531A	2	
200504	B0403B	B0321B	2	
200504	B0403B	B0532A	1	
200403	B0404A	B0503B	1	
200402	B0404B	B0510A	1	
200405	B0405A	B0423A	2	
200404	B0405B	B0423B	2	
200407	B0406A	B0422A	2	
200406	B0406B	B0422B	2	
200431	B0407A	JA8303B	1	
200430	B0407B	JA8303A	1	
200429	B0408A	JA8314B	1	
200428	B0408B	JA8314A	1	
200423	B0409A	JA8312B	1	
200422	B0409B	JA8312A	1	
200421	B0410A	B1023A	2	
200421	B0410A	JA8313B	1	
200420	B0410B	B1023B	2	
200420	B0410B	JA8313A	1	
200427	B0411A	JA8302B	1	
200426	B0411B	JA8302A	1	
200425	B0412A	JA8301B	1	
200424	B0412B	JA8301A	1	
200419	B0413A	JA8311B	1	
200418	B0413B	JA8311A	1	
200417	B0414A	JA8310B	1	
200416	B0414B	JA8310A	1	
200415	B0415A	JA8309B	1	
200414	B0415B	JA8309A	1	
200413	B0416A	JA8308B	1	
200412	B0416B	JA8308A	1	
200411	B0417A	JA8307B	1	
200411	B0417A	B0314A	2	
200410	B0417B	JA8307A	1	
200410	B0417B	B0314B	2	
200409	B0421A	JA8306B	1	
200409	B0421A	B0313A	2	
200408	B0421B	B0313B	2	
200408	B0421B	JA8306A	1	
200407	B0422A	B0406A	2	
200407	B0422A	JA8305B	1	
200406	B0422B	B0406B	2	
200406	B0422B	JA8305A	1	
200405	B0423A	JA8304B	1	
200405	B0423A	B0405A	2	
200404	B0423B	JA8304A	1	

TITLE		WL	DOCUMENT NO.	SHEET NO.	REV.
Logic Wirewrap - Applicable to 50 Pin I/O				11	Y
SIGNAL NAME OR NUMBER IDENTIFICATION	ORIGIN	DESTI- NATION	Z LEVEL	NOTES	
200404	R0423B	B0405B	2		
200202	B0424A	B0224A	1		
200202	B0424A	B0631A	2		
200208	B0424B	B0224B	1		
200208	B0424B	B0628B	2		
200216	B0425A	B0225A	1		
200216	B0425A	B0626B	2		
200212	B0425B	B0624A	2		
200212	B0425B	B0225B	1		
200214	B0426A	B0622B	2		
200214	B0426A	B0226A	1		
200210	B0426B	B0629B	2		
200210	B0426B	B0226B	1		
200204	B0427A	B0633A	2		
200204	B0427A	B0227A	1		
200206	B0428A	B0228A	1		
200206	B0428A	B0630A	2		
200220	B0432A	B0606B	2		
200220	B0432A	B0232A	1		
200218	B0432B	B0232B	1		
200218	B0432B	B0621A	2		
200223	B0433B	B0502A	2		
200223	B0433B	B0233B	1		
300027	B0434A	JA8236A	1		
300027	B0434A	JA8336A	2		
200223	B0502A	B1009A	1		
200223	B0502A	B0433B	2		
200519	B0502B	B1025B	2		
200403	B0503B	B0404A	1		
200503	B0505A	JA8221A	1		
200502	B0505B	JA8221B	1		
200914	B0506A	B0932A	2		
201003	B0506B	B1027A	2		
201020	B0507A	B1010A	1		
200402	B0510A	B0404B	1		
200303	B0510B	B0315B	1		
200304	B0511A	B0315A	1		
100415	B0512A	A0430A	2		
100414	B0512B	A0431B	2		
100413	B0513A	A0427A	2		
100412	B0513B	A0428B	2		
100411	B0514A	A0410B	1		
200523	B0515A	B1030B	1		
200301	B0515B	B0310B	1		
200101	B0516A	B0110B	1		
200515	B0516B	B0723B	1		
200522	B0517A	B1027B	1		
200302	B0517B	B0310A	1		
200102	B0521A	B0110A	1		
201001	B0521B	B1016B	1		
200516	B0522A	B0710B	1		
201002	B0523B	B1002A	1		
200514	B0524A	JA8322B	1		

TITLE Logic Wirewrap - Applicable to 50 Pin I/O		WL	DOCUMENT NO.	SHEET NO. 12	REV. M
SIGNAL NAME OR NUMBER IDENTIFICATION	ORIGIN	DESTI- NATION	Z LEVEL	NOTES.	
200513	R0524B	JA8322A	1		
200508	R0525A	JA8321A	1		
200507	R0525B	JA8321B	1		
200506	R0526A	JA8323A	1		
200505	R0526B	JA8323B	1		
200512	R0527A	JA8342A	1		
200511	R0527B	JA8342B	1		
200510	R0529A	JA8341B	1		
200509	R0529B	JA8341A	1		
200703	R0530A	B0709B	1		
100403	R0530B	B0707B	2		
100403	R0530B	A0407A	1		
200217	R0531A	B0625A	1		
200217	R0531A	B0403A	2		
200521	R0531B	B1010B	1		
200504	R0532A	B0403B	1		
200504	R0532A	A0221B	2		
101006	R0532B	A1013A	1		
101006	R0532B	B1008B	2		
200501	R0533A	B0203B	1		
200520	R0533B	B0708B	1		
300028	R0534A	JA8237B	1		
300028	R0534A	JA8337B	2		
200610	R0602A	A0711B	1		
200611	R0602B	A0725B	1		
200612	R0603A	A0712B	1		
200908	R0603B	B0914A	1		
200613	R0604A	A0713A	1		
200608	R0604B	A0727A	1		
200920	R0605A	B0910B	1		
200912	R0605B	B0903A	1		
200912	R0605B	B0324A	2		
200614	R0606A	B0917B	1		
200220	R0606B	B0432A	2		
200606	R0607A	B0827B	1		
200615	R0607B	B0922B	1		
200618	R0609A	A0717A	1		
200617	R0609B	A0715A	1		
200616	R0610A	A0713B	1		
200619	R0611B	A0716A	1		
200601	R0613A	JA8110A	1		
200604	R0613B	B0904A	1		
200607	R0614A	B0914B	1		
200622	R0614B	B0307A	1		
100404	R0615A	B0933B	1		
200620	R0616A	JA8101B	1		
200201	R0616B	B0227B	1		
200201	R0616B	B0712B	2		
200609	R0617B	A0926B	1		
200218	R0621A	B0432B	2		
200218	R0621A	B0832A	1		
200214	R0622B	B0426A	2		

TITLE		WL	DOCUMENT NO.	SHEET NO.	REV.
Logic Wirewrap - Applicable to 50 Pin I/O				13	M
SIGNAL NAME OR NUMBER IDENTIFICATION	ORIGIN	DESTI- NATION	Z LEVEL	NOTES	
200214	R0622B	B0A26B	1		
200602	R0623B	JA8111A	1		
200212	R0624A	B0A26A	1		
200212	R0624A	B0425B	2		
200603	R0624B	JA8112A	1		
200217	R0625A	B0531A	1		
200217	R0625A	B0833B	2		
200916	R0625B	B0915B	1		
200924	R0626A	B0817A	2		
200924	R0626A	B0117A	1		
200216	R0626B	B0811B	1		
200216	R0626B	B0425A	2		
200208	R0628B	B0823B	1		
200208	R0628B	B0424B	2		
200210	R0629B	B0822A	1		
200210	R0629B	B0426B	2		
200206	R0630A	B0823A	1		
200206	R0630A	B0428A	2		
200202	R0631A	B0A32B	1		
200202	R0631A	B0424A	2		
200912	R0632A	B0124A	2		
200605	R0632B	B0910A	1		
200204	R0633A	B0427A	2		
200204	R0633A	B0825A	1		
200621	R0633B	A0217A	1		
300029	R0634A	JA8339A	2		
300029	R0634A	JA8239A	1		
100403	R0707B	B0530B	2		
100403	R0707B	A0528B	1		
200520	R0708B	B0533B	1		
100107	R0709A	A0130B	1		
200703	R0709B	B0530A	1		
200516	R0710B	B0522A	1		
200201	R0712B	B0616B	2		
200515	R0723B	B0516B	1		
200211	R0726B	B0103A	2		
200701	R0729A	JA8108A	1		
200702	R0729B	JA8109B	1		
200401	R0732B	B0402B	1		
300030	R0734A	JA8240B	1		
300030	R0734A	JA8340B	2		
200812	R0A01A	B0A11A	1		
100307	R0A04A	A0311B	1		
200921	R0A04B	B0921B	1		
200921	R0A04B	A1017B	2		
200813	R0A05A	B0A14A	1		
100306	R0A05B	A0332A	1		
200807	R0B06A	B0911B	1		
200808	R0A06B	B0924A	1		
200805	R0A07A	B0932B	1		
200810	R0A07B	B0925B	1		
100802	R0B10A	A0809B	1		

TITLE		WL		DOCUMENT NO.	SHEET NO.	REV.
Logic Wirewrap - Applicable to 50 Pin I/O					14	M
SIGNAL NAME OR NUMBER IDENTIFICATION	ORIGIN	DESTI- NATION	Z LEVEL	NOTES		
200804	B08108	A08148	1			
200812	R0811A	B0801A	1			
200216	R0811B	B0626B	1			
200926	B0812A	B0913B	1			
200926	B0812A	A0327B	2			
200213	B0812B	B0230B	1			
200213	B0812B	B0927A	2			
200814	B0813A	B0815B	2			
200802	R0813B	B0304A	1			
200813	R0814A	B0814B	2			
200813	B0814A	B0805A	1			
200813	R0814B	B0825B	1			
200813	R0814B	B0814A	2			
100104	B0815A	A0126B	1			
200814	R0815B	B0824B	1			
200814	B0815B	B0813A	2			
100801	R0816A	A0808A	1			
200806	R0816B	B0902A	1			
200924	R0817A	B0626A	2			
200924	R0817A	B0906B	1			
200919	B0817B	B0907B	1			
200919	R0817B	A0425B	2			
200809	R0821A	B0917A	1			
200801	R0821B	B0304B	1			
200210	B0822A	B0629B	1			
100305	R0822B	A0333A	2			
200206	R0823A	B0630A	1			
200208	B0823B	B0628B	1			
200814	R0824A	B0824B	2			
200814	R0824A	B0834A	1			
200814	R0824B	B0824A	2			
200814	R0824B	B0815B	1			
200204	R0825A	B0633A	1			
200813	R0825B	B0814B	1			
200813	R0825B	B0829A	2			
200212	R0826A	B0624A	1			
200214	R0826B	B0622B	1			
200803	R0827A	B0933A	1			
200606	R0827B	B0902B	2			
200606	R0827B	B0607A	1			
100805	R0828B	A0823A	1			
200813	B0829A	B0829B	1			
200813	B0829A	B0825B	2			
200813	R0829B	B0829A	1			
200813	R0829B	B0830A	2			
200813	R0830A	B0829B	2			
100105	R0831A	A0113B	1			
200218	R0832A	B0621A	1			
200202	R0832B	B0631A	1			
200811	R0833A	B0929A	1			
200217	R0833B	B0625A	2			
200217	R0833B	B1003A	1			

TITLE		WL		DOCUMENT NO.	SHEET NO.	REV.
Logic Wirewrap - Applicable to 50 Pin I/O					15	M
SIGNAL NAME OR NUMBER IDENTIFICATION	ORIGIN	DESTI- NATION	Z LEVEL	NOTES		
200814	B0834A	JA8243A	2			
200814	B0834A	B0824A	1			
200806	B0902A	B0816B	1			
200606	B0902B	B0827B	2			
200606	B0902B	B0905B	1			
200912	B0903A	A0832A	2			
200912	B0903A	B0605B	1			
200904	B0903B	A0410A	1			
200604	B0904A	B0613B	1			
200903	B0904B	A0816A	1			
100807	B0905A	A0812B	1			
200606	B0905B	B0902B	1			
200906	B0906A	A0823B	1			
200924	B0906B	B0817A	1			
200924	B0906B	A0810B	2			
200902	B0907A	A0923B	1			
200919	B0907B	B0817B	1			
200901	B0908A	A0922B	1			
200907	B0909A	B0916A	2			
200605	B0910A	B0632B	1			
200920	B0910B	B0605A	1			
200915	B0911A	B0307B	1			
200807	B0911B	B0806A	1			
101004	B0912A	A1014B	1			
200923	B0912B	A0708A	1			
200911	B0913A	A0710A	1			
200926	B0913B	B0812A	1			
200926	B0913B	A0925B	2			
200908	B0914A	A0812A	2			
200908	B0914A	B0603B	1			
200607	B0914B	B0614A	1			
100901	B0915A	A0924B	2			
200916	B0915B	B0625B	1			
200907	B0916A	A0717B	1			
200907	B0916A	B0909A	2			
200905	B0916B	A0722B	1			
200809	B0917A	B0821A	1			
200614	B0917B	B0606A	1			
200921	B0921B	B0804B	1			
200921	B0921B	A0916B	2			
200910	B0922A	A0813A	1			
200615	B0922B	B0607B	1			
200917	B0923A	B0934A	1			
101003	B0923B	A1017A	1			
200808	B0924A	B0806B	1			
200927	B0924B	JA8004A	1			
200922	B0925A	A0915B	1			
200810	B0925B	B0807B	1			
200925	B0926A	A0825B	1			
101001	B0926B	A1022A	1			
200213	B0927A	B0812B	2			
100302	B0927B	A0308B	1			

TITLE		WL	DOCUMENT NO.	SHEET NO.	REV.
Logic Wirewrap - Applicable to 50 Pin I/O				16	Y
SIGNAL NAME OR NUMBER IDENTIFICATION	ORIGIN	DESTI- NATION	Z LEVEL	NOTES	
100301	B0928B	A0307H	1		
200811	B0929A	B0833A	1		
200922	B0929B	A0707B	1		
200913	B0930A	A0813B	1		
200909	B0930B	A0927B	1		
200918	B0931A	A0702A	1		
100402	B0931B	A0414A	1		
200914	B0932A	B0506A	2		
200914	B0932A	B1009B	1		
200805	B0932B	B0A07A	1		
200803	B0933A	B0827A	1		
100404	B0933B	B0615A	1		
100404	B0933B	A0707A	2		
200917	B0934A	B0923A	1		
200917	B0934A	JA8343A	2		
201002	B1002A	B0523B	1		
200217	B1003A	B0A33B	1		
201005	B1007A	JA8222B	1		
201006	B1007B	JA8222A	1		
201004	B1008A	A0A11B	1		
101006	B1008B	B0532B	2		
200223	B1009A	B0502A	1		
200914	B1009B	B0932A	1		
201020	B1010A	B0507A	1		
200521	B1010B	B0531B	1		
100411	B1015B	A0410B	2		
100403	B1016A	A1015B	1		
201001	B1016B	B0521B	1		
200243	B1022A	B0710A	2		
200242	B1022B	B0210B	2		
200421	B1023A	B0410A	2		
200420	B1023B	B0410B	2		
200519	B1025B	B0502B	2		
200501	B1026A	A0217H	2		
201003	B1027A	B0506B	2		
200522	B1027B	B0517A	1		
201008	B1028A	JA8242A	1		
201007	B1028B	JA8242B	1		
201010	B1029A	JA8241A	1		
201009	B1029B	JA8241B	1		
200504	B1030A	B0321B	1		
200523	B1030B	B0515A	1		
201012	B1031A	JA8223A	1		
201011	B1031B	JA8223B	1		
300031	B1034A	JA8244B	1		
300031	B1034A	JA8344B	2		
100404	JA8001A	A1012A	1		
100404	JA8001A	A0411B	2		
100410	JA8002B	A0409A	1		
101020	JA8003A	A0133B	1		
101017	JA8003B	A1028B	1		
200927	JA8004A	A1030B	2		
200927	JA8004A	B0924B	1		

TITLE		WL	DOCUMENT NO.	SHEET NO.	REV.
Logic Wirewrap - Applicable to 50 Pin I/O					17
SIGNAL NAME OR NUMBER IDENTIFICATION	ORIGIN	DESTI- NATION	Z LEVEL	NOTES	
101016	JA8004B	A1029B	1		
100408	JA8005A	A1026B	1		
101013	JA8005B	A1028A	1		
101015	JA8006A	A1026A	1		
101014	JA8006B	A1029A	1		
100416	JA8007A	A0101A	1		
100416	JA8007B	A0101A	2		
300016	JA8008A	JA8102B	1		
300017	JA8008B	JA8112B	1		
100409	JA8009B	A1012B	1		
101018	JA8010A	A1027A	1		
101019	JA8010B	A1034A	1		
100412	JA8011A	A0428B	1		
100414	JA8011B	A0431B	1		
100413	JA8012A	A0427A	1		
100405	JA8013A	A0412B	1		
100415	JA8014A	A0430A	1		
100417	JA8014B	A0134B	1		
300013	JA8101A	A0601A	1		
200620	JA8101B	B0616A	1		
200105	JA8102A	B0132A	1		
300016	JA8102B	JA8008A	1		
200106	JA8103A	B0133B	1		
300019	JA8103B	A0601B	1		
200107	JA8104A	B0132B	1		
100803	JA8104B	A0825A	1		
300006	JA8105A	A1001A	1		
300004	JA8105B	A0521B	1		
300005	JA8106A	A0522B	1		
300002	JA8106B	A0508B	1		
300015	JA8107A	A0801A	1		
300003	JA8107B	A0507B	1		
300001	JA8108A	A0414B	1		
200701	JA8108B	B0729A	1		
300007	JA8109A	A0409B	1		
200702	JA8109B	B0729B	1		
200601	JA8110A	B0613A	1		
200201	JA8110B	A0413A	1		
200602	JA8111A	B0623B	1		
300020	JA8111B	A0634B	1		
200603	JA8112A	B0624B	1		
300017	JA8112B	JA8008B	1		
101005	JA8113A	A1002A	1		
300021	JA8113B	A0633B	1		
300014	JA8114A	A0701A	1		
300018	JA8114B	A1032B	1		
300018	JA8114B	A0932B	2		
200246	JA8201A	B0212B	1		
200247	JA8201B	B0212A	1		
200248	JA8202A	B0211B	1		
200249	JA8202B	B0211A	1		
200252	JA8203A	B0207B	1		

TITLE		WL		DOCUMENT NO.	SHEET NO.	REV.
Logic Wirewrap - Applicable to 50 Pin I/O					18	M
SIGNAL NAME OR NUMBER IDENTIFICATION	ORIGIN	DESTI- NATION	Z LEVEL	NOTES		
200253	JA8203B	B0207A	1			
200226	JA8204A	B0223B	1			
200227	JA8204B	B0223A	1			
200228	JA8205A	B0222B	1			
200229	JA8205B	B0222A	1			
200230	JA8206A	B0221B	1			
200231	JA8206B	B0221A	1			
200232	JA8207A	B0217B	1			
200233	JA8207B	B0217A	1			
200234	JA8208A	B0216B	1			
200235	JA8208B	B0216A	1			
200236	JA8209A	B0215B	1			
200237	JA8209B	B0215A	1			
200238	JA8210A	B0214B	1			
200239	JA8210B	B0214A	1			
200240	JA8211A	B0213B	1			
200241	JA8211B	B0213A	1			
200244	JA8212A	B0209B	1			
200245	JA8212B	B0209A	1			
200242	JA8213A	B0210B	1			
200243	JA8213B	B0210A	1			
200240	JA8214A	B0208B	1			
200241	JA8214B	B0208A	1			
200116	JA8215A	B0109A	1			
200115	JA8215B	B0109B	1			
200118	JA8216A	B0108A	1			
200117	JA8216B	B0108B	1			
200120	JA8217A	B0126A	1			
200119	JA8217B	B0126B	1			
200112	JA8218A	B0106A	1			
200111	JA8218B	B0106B	1			
200122	JA8219A	B0125A	1			
200121	JA8219B	B0125B	1			
200124	JA8220A	B0127A	1			
200123	JA8220B	B0127B	1			
200503	JA8221A	B0505A	1			
200502	JA8221B	B0505B	1			
201006	JA8222A	B1007B	1			
201005	JA8222B	B1007A	1			
201012	JA8223A	B1031A	1			
201011	JA8223B	B1031B	1			
101008	JA8224A	A1003B	1			
101009	JA8224B	A1003A	1			
200114	JA8225A	B0105A	1			
200113	JA8225B	B0105B	1			
101007	JA8231A	A1004B	1			
300025	JA8233A	B0234A	1			
200125	JA8233B	B0128B	1			
200126	JA8234A	B0128A	1			
300026	JA8234B	B0334A	1			
200128	JA8235A	B0130A	1			
200127	JA8235B	B0130B	1			

TITLE		WL	DOCUMENT NO.	SHEET NO.	REV.
Logic Wirewrap - Applicable to 50 Pin I/O				19	M
SIGNAL NAME OR NUMBER IDENTIFICATION	ORIGIN	DESTI- NATION	Z LEVEL	NOTES	
300027	JA8236A	80434A	1		
200129	JA8236B	80129B	1		
200130	JA8237A	80129A	1		
300028	JA8237B	80534A	1		
200133	JA8238A	80112B	1		
200134	JA8238B	80112A	1		
300029	JA8239A	80634A	1		
200132	JA8239B	80111A	1		
200131	JA8240A	80111B	1		
300030	JA8240B	80734A	1		
201009	JA8241A	81029B	1		
201010	JA8241B	81029A	1		
201008	JA8242A	81028A	1		
201007	JA8242B	81028B	1		
200814	JA8243A	80834A	2		
300031	JA8244B	81034A	1		
200424	JA8301A	80412B	1		
200425	JA8301B	80412A	1		
200426	JA8302A	80411B	1		
200427	JA8302B	80411A	1		
200430	JA8303A	80407B	1		
200431	JA8303B	80407A	1		
200404	JA8304A	80423B	1		
200405	JA8304B	80423A	1		
200406	JA8305A	80422B	1		
200407	JA8305B	80422A	1		
200408	JA8306A	80421B	1		
200409	JA8306B	80421A	1		
200410	JA8307A	80417B	1		
200411	JA8307B	80417A	1		
200412	JA8308A	80416B	1		
200413	JA8308B	80416A	1		
200414	JA8309A	80415B	1		
200415	JA8309B	80415A	1		
200416	JA8310A	80414B	1		
200417	JA8310B	80414A	1		
200418	JA8311A	80413B	1		
200419	JA8311B	80413A	1		
200422	JA8312A	80409B	1		
200423	JA8312B	80409A	1		
200420	JA8313A	80410B	1		
200421	JA8313B	80410A	1		
200428	JA8314A	80408B	1		
200429	JA8314B	80408A	1		
200310	JA8315A	80309A	1		
200309	JA8315B	80309B	1		
200312	JA8316A	80308A	1		
200311	JA8316B	80308B	1		
200314	JA8317A	80326A	1		
200313	JA8317B	80326B	1		
200306	JA8318A	80306A	1		
200305	JA8318B	80306B	1		

TITLE		WL		DOCUMENT NO.	SHEET NO.	REV.
Logic Wirewrap - Applicable to 50 Pin I/O					20	M
SIGNAL NAME OR NUMBER IDENTIFICATION	ORIGIN	DESTI- NATION	Z- LEVEL	NOTES		
200316	JA8319A	B0325A	1			
200315	JA8319B	B0325B	1			
200318	JA8320A	B0327A	1			
200317	JA8320B	B0327B	1			
200508	JA8321A	B0525A	1			
200507	JA8321B	B0525B	1			
200513	JA8322A	B0524B	1			
200514	JA8322B	B0524A	1			
200506	JA8323A	B0526A	1			
200505	JA8323B	B0526B	1			
101008	JA8324A	A1003B	2			
101009	JA8324B	A1003A	2			
200308	JA8325A	B0305A	1			
200307	JA8325B	B0305B	1			
101007	JA8331A	A1004B	2			
300025	JA8333A	B0234A	2			
200319	JA8333B	B0328B	1			
200320	JA8334A	B0328A	1			
300026	JA8334B	B0334A	2			
200322	JA8335A	B0330A	1			
200321	JA8335B	B0330B	1			
300027	JA8336A	B0434A	2			
200323	JA8336B	B0329B	1			
200324	JA8337A	B0329A	1			
300028	JA8337B	B0534A	2			
200327	JA8338A	B0312B	1			
200328	JA8338B	B0312A	1			
300029	JA8339A	B0634A	2			
200326	JA8339B	B0311A	1			
200325	JA8340A	B0311B	1			
300030	JA8340B	B0734A	2			
200509	JA8341A	B0529B	1			
200510	JA8341B	B0529A	1			
200512	JA8342A	B0527A	1			
200511	JA8342B	B0527B	1			
200917	JA8343A	B0934A	2			
300031	JA8344B	B1034A	2			

INDEX AND SECTOR IN B CABLE

TITLE Logic Wirewrap - Applicable to Index and Sector in B Cable		WL	DOCUMENT NO. 77568125	SHEET NO. 1 of 20	REV. Y
SIGNAL NAME OR NUMBER IDENTIFICATION	ORIGIN	DESTI- NATION	Z LEVEL	NOTES	
100416	A0101A	JA8007A	1		
100416	A0101A	JA8007B	2		
300023	A0101B	A0121B	1		
100305	A0104B	A0333A	1		
100101	A0112B	A0127B	2		
100101	A0112B	A0221A	1		
100105	A0113B	B0831A	1		
300022	A0114B	A0234B	1		
300023	A0121B	A0101B	1		
100304	A0122B	A0312B	1		
100103	A0123B	A0623B	1		
100102	A0124B	A0624B	1		
100104	A0126B	B0815A	1		
100101	A0127B	A0112B	2		
100108	A0128B	B0123B	2		
100107	A0130B	B0709A	1		
101020	A0133B	JA8003A	1		
100417	A0134B	JA8014B	1		
100309	A0213B	A0323B	1		
100409	A0214B	A1012B	2		
100308	A0215B	A0325B	1		
200802	A0216A	B0104A	1		
300024	A0216B	A0231A	2		
200621	A0217A	B0633B	1		
200501	A0217B	B1026A	2		
200501	A0217B	B0121B	1		
100101	A0221A	A0112B	1		
200504	A0221B	H0532A	2		
100504	A0222A	A0532B	1		
100504	A0222A	B0123A	2		
300024	A0222B	A0234A	2		
200221	A0223A	B0117B	1		
200217	A0223B	B0203A	2		
20020A	A0224A	B0224B	2		
200218	A0224B	B0232B	2		
200206	A0225A	B0122B	1		
200204	A0225B	B0116A	1		
200216	A0226A	B0225A	2		
200202	A0226B	B0116B	2		
200202	A0226B	B0121A	1		
200214	A0227A	B0226A	2		
200210	A0228A	B0226B	2		
200212	A0229A	B0225B	2		
200223	A0230A	B0233B	2		
300024	A0231A	A0216B	2		
300024	A0231A	A0234A	1		
200220	A0232A	H0232A	2		
300024	A0234A	A0222B	2		
300024	A0234A	A0231A	1		
300022	A0234B	A0114B	1		
100301	A0307B	B0929B	1		

TITLE Logic Wirewrap - Applicable to Index and Sector in B Cable		WL	DOCUMENT NO.	SHEET NO. 2	REV. N
SIGNAL NAME OR NUMBER IDENTIFICATION	ORIGIN	DESTINATION	Z LEVEL	NOTES	
100302	A0308B	B0927B	1		
100303	A0309B	A0826B	1		
100307	A0311B	B0804A	1		
100304	A0312B	A0122B	1		
100309	A0323B	A0213B	1		
100308	A0325B	A0215B	1		
200926	A0327B	B0812A	2		
100306	A0332A	B0805B	1		
100305	A0333A	A0104R	1		
100305	A0333A	B0822B	2		
100418	A0403B	A0903B	1		
100403	A0407A	B0530B	1		
100403	A0407A	A1015B	2		
200108	A0408A	B0102B	1		
100410	A0409A	JA8002B	1		
300007	A0409B	JA8109A	1		
200904	A0410A	B0903B	1		
100411	A0410B	B1015B	2		
100411	A0410B	B0514A	1		
100404	A0411B	JA8001A	2		
100404	A0411B	A0707A	1		
200209	A0412A	B0230A	1		
100405	A0412B	JA8013A	1		
100405	A0412B	A1027B	2		
200201	A0413A	JA8110B	1		
200201	A0413A	B0227B	2		
200203	A0413B	B0229A	1		
200203	A0413B	A0531B	2		
100402	A0414A	B0931B	1		
300001	A0414B	JA8108A	1		
100407	A0415B	A1023B	1		
101010	A0416B	A1021A	1		
101002	A0424B	A1021B	1		
200919	A0425B	B0817B	2		
100505	A0426A	A0525B	1		
100406	A0426B	B0324B	1		
100413	A0427A	JA8012A	1		
100413	A0427A	B0513A	2		
100412	A0428B	JA8011A	1		
100412	A0428B	B0513B	2		
200225	A0429A	B0204A	1		
200224	A0429B	B0204B	1		
100415	A0430A	B0512A	2		
100415	A0430A	JA8014A	1		
100804	A0430B	A0811A	1		
200104	A0431A	B0115A	1		
100414	A0431B	B0512B	2		
100414	A0431B	JA8011B	1		
200103	A0432A	B0115B	1		
100417	A0432B	A0932B	1		
201004	A0433A	A0523B	1		
100502	A0503B	A0610B	1		

TITLE Logic Wirewrap - Applicable to Index and Sector in B Cable		WL	DOCUMENT NO.	SHEET NO. 3	REV. N
SIGNAL NAME OR NUMBER IDENTIFICATION	ORIGIN	DESTI- NATION	Z LEVEL	NOTES	
100501	A0504B	A0609B	1		
300003	A0507B	JA8107B	1		
300002	A0508B	JA8106B	1		
300004	A0521B	JA8105B	1		
300005	A0522B	JA8106A	1		
201004	A0523B	A0811B	2		
201004	A0523B	A0433A	1		
200222	A0524B	B0202B	1		
100505	A0525B	A0426A	1		
200211	A0527B	A0824A	2		
100403	A0528B	B0707B	1		
100503	A0530B	A0622B	1		
200203	A0531B	A0413B	2		
200203	A0531B	A0612B	1		
100504	A0532B	A0222A	1		
300013	A0601A	JA8101A	1		
300019	A0601B	JA8103B	1		
200219	A0603B	B0233A	1		
200215	A0604B	B0231B	1		
100501	A0609B	A0504B	1		
100502	A0610B	A0503B	1		
200203	A0612B	A0824B	2		
200203	A0612B	A0531B	1		
200211	A0613B	B0231A	2		
200211	A0613B	A0824A	1		
100503	A0622B	A0530B	1		
100103	A0623B	A0123B	1		
100102	A0624B	A0124B	1		
100601	A0626B	B0331B	1		
100602	A0627B	B0331A	1		
300021	A0633B	JA8113B	1		
300020	A0634B	JA8111B	1		
300014	A0701A	JA8114A	1		
200918	A0702A	B0931A	1		
100404	A0707A	B0933B	2		
100404	A0707A	A0411B	1		
200922	A0707B	B0929B	1		
200923	A0708A	B0912B	1		
200911	A0710A	B0913A	1		
200610	A0711B	B0602A	1		
200612	A0712B	B0603A	1		
200613	A0713A	B0604A	1		
200616	A0713B	B0610A	1		
200617	A0715A	B0609B	1		
100809	A0715B	A0826A	2		
200619	A0716A	B0611B	1		
200902	A0716B	A0923B	2		
200618	A0717A	B0609A	1		
200907	A0717B	B0916A	1		
200901	A0721B	A0922B	2		
200905	A0722B	B0916B	1		
100808	A0723B	A0809A	1		

TITLE	Logic Wirewrap - Applicable to Index and Sector in B Cable	WL	DOCUMENT NO.	SHEET NO. 4	REV. N
-------	--	----	--------------	----------------	-----------

SIGNAL NAME OR NUMBER IDENTIFICATION	ORIGIN	DESTINATION	Z LEVEL	NOTES
--------------------------------------	--------	-------------	---------	-------

200611	A0725B	B0602B	1	
100701	A0726B	A0928B	1	
200608	A0727A	B0604B	1	
100703	A0727B	A0808B	1	
100902	A0728B	A0912B	1	
100702	A0730B	A0802A	1	
300015	A0801A	JA8107A	1	
100702	A0802A	A0730B	1	
100801	A0808A	B0816A	1	
100703	A0808B	A0727B	1	
100808	A0809A	A0723B	1	
100802	A0809B	B0810A	1	
200924	A0810B	B0906B	2	
100804	A0811A	A0430B	1	
201004	A0811B	B1008A	1	
201004	A0811B	A0523B	2	
200908	A0812A	B0914A	2	
100807	A0812B	B0905A	1	
200910	A0813A	B0922A	1	
200913	A0813B	B0930A	1	
200804	A0814B	B0810B	1	
200903	A0816A	B0904B	1	
200207	A0821A	B0229B	1	
100806	A0822A	A0927A	1	
200205	A0822B	B0228B	1	
100805	A0823A	B0828B	1	
200906	A0823B	B0906A	1	
200211	A0824A	A0613B	1	
200211	A0824A	A0527B	2	
200203	A0824B	A0612B	2	
100803	A0825A	JA8104B	1	
200925	A0825B	B0926A	1	
100809	A0826A	A0906A	1	
100809	A0826A	A0715B	2	
100303	A0826B	A0309B	1	
200912	A0832A	B0903A	2	
100901	A0833A	A0924B	1	
101011	A0902A	A1002B	2	
101011	A0902B	A1002B	1	
100418	A0903A	A0904A	1	
100418	A0903A	A0903B	2	
100418	A0903B	A0903A	2	
100418	A0903B	A0403B	1	
100418	A0904A	A0903A	1	
100418	A0904A	A0904B	2	
100418	A0904B	A0904A	2	
100809	A0906A	A0826A	1	
100902	A0912B	A0728B	1	
200922	A0915B	B0925A	1	
200921	A0916B	B0921B	2	
200901	A0922B	A0721B	2	
200901	A0922B	B0908A	1	

TITLE		WL	DOCUMENT NO.	SHEET NO.	REV.
Logic Wirewrap - Applicable to Index and Sector in B Cable				5	N
SIGNAL NAME OR NUMBER IDENTIFICATION	ORIGIN	DESTINATION	Z LEVEL	NOTES	
200902	A0923B	B0907A	1		
200902	A0923B	A0716B	2		
100901	A0924B	B0915A	2		
100901	A0924B	A0833A	1		
200926	A0925B	B0913B	2		
200609	A0926B	B0617B	1		
100806	A0927A	A0822A	1		
200909	A0927B	B0930B	1		
100701	A0928B	A0726B	1		
300018	A0931A	A0932A	1		
300018	A0931A	A0931B	2		
300018	A0931B	A0931A	2		
300018	A0932A	A0931A	1		
300018	A0932A	A1032B	2		
100417	A0932B	A0432B	1		
300018	A0932B	JAB114B	2		
101012	A0933A	A1033B	2		
101012	A0933B	A1033B	1		
300006	A1001A	JAB105A	1		
101005	A1002A	JAB113A	1		
101011	A1002B	A0902B	1		
101011	A1002B	A0902A	2		
101009	A1003A	JAB229B	1		
101009	A1003A	JAB329B	2		
101008	A1003B	JAB329A	2		
101008	A1003B	JAB229A	1		
101007	A1004B	JAB331A	2		
101007	A1004B	JAB231A	1		
100407	A1005B	A1023B	2		
100404	A1012A	JAB001A	1		
100409	A1012B	A0214B	2		
100409	A1012B	JAB009B	1		
101006	A1013A	B0532B	1		
101004	A1014B	B0912A	1		
100403	A1015B	A0407A	2		
100403	A1015B	B1016A	1		
101003	A1017A	B0923B	1		
200921	A1017B	B0804B	2		
101010	A1021A	A0416B	1		
101002	A1021B	A0424B	1		
101001	A1022A	B0926B	1		
100407	A1023B	A0415B	1		
100407	A1023B	A1005B	2		
101015	A1024A	JAB006A	1		
100408	A1026B	JAB005A	1		
101018	A1027A	JAB010A	1		
100405	A1027B	A0412B	2		
101013	A1028A	JAB005B	1		
101017	A1028B	JAB003B	1		
101014	A1029A	JAB006B	1		
101016	A1029B	JAB004B	1		
200927	A1030B	JAB004A	2		

TITLE Logic Wirewrap - Applicable to Index and Sector in B Cable		WL	DOCUMENT NO.	SHEET NO. 6	REV. N-
SIGNAL NAME OR NUMBER IDENTIFICATION	ORIGIN	DESTI- NATION	Z LEVEL	NOTES	
300018	A1032B	A0932A	2		
300018	A1032B	JA8114B	1		
101012	A1033B	A0933B	1		
101012	A1033B	A0933A	2		
101019	A1034A	JA8010B	1		
200108	R0107B	A0408A	1		
200211	R0103A	B0726B	2		
200211	R0103A	B0231A	1		
200802	R0104A	A0216A	1		
200802	R0104A	B0304A	2		
200801	R0104B	B0304B	2		
200114	R0105A	JA8245A	1		
200113	R0105B	JA8245B	1		
200112	R0106A	JA8244A	1		
200111	R0106B	JA8243B	1		
200622	R0107A	B0307A	2		
200915	R0107B	B0307B	2		
200118	R0108A	JA8216A	1		
200117	R0108B	JA8216B	1		
200116	R0109A	JA8215A	1		
200115	R0109B	JA8215B	1		
200102	R0110A	B0521A	1		
200101	R0110B	B0516A	1		
200132	R0111A	JA8239B	1		
200131	R0111B	JA8240A	1		
200134	R0112A	JA8238B	1		
200133	R0112B	JA8238A	1		
200136	R0113A	JA8226B	1		
200135	R0113B	JA8226A	1		
200138	R0114A	JA8227B	1		
200137	R0114B	JA8227A	1		
200104	R0115A	A0431A	1		
200103	R0115B	A0432A	1		
200204	R0116A	B0227A	2		
200204	R0116A	A0225B	1		
200202	R0116B	A0226B	2		
200924	R0117A	B0626A	1		
200221	R0117B	A0223A	1		
200221	R0117B	B0202A	2		
200202	R0121A	A0226B	1		
200202	R0121A	B0224A	2		
200501	R0121B	B0203B	2		
200501	R0121B	A0217B	1		
200110	R0122A	B0134A	1		
200206	R0122B	B0228A	2		
200206	R0122B	A0225A	1		
100504	R0123A	A0222A	2		
100504	R0123A	B0323A	1		
100108	R0123B	A0128B	2		
100101	R0123B	B0323B	1		
200912	R0124A	B0324A	1		
200912	R0124A	B0632A	2		

TITLE Logic Wirewrap - Applicable to Index and Sector in B Cable		WL	DOCUMENT NO.	SHEET NO. 7	REV. N
SIGNAL NAME OR NUMBER IDENTIFICATION	ORIGIN	DESTI- NATION	Z LEVEL	NOTES	
100406	R0124B	B0324B	2		
200122	R0125A	JA8219A	1		
200121	R0125B	JA8219B	1		
200120	R0126A	JA8217A	1		
200119	R0126B	JA8217B	1		
200124	R0127A	JA8220A	1		
200123	R0127B	JA8220B	1		
200126	R0128A	JA8234A	1		
200125	R0128B	JA8233B	1		
200130	R0129A	JA8237A	1		
200129	R0129B	JA8236B	1		
200128	R0130A	JA8235A	1		
200127	R0130B	JA8235B	1		
100602	R0131A	B0331A	2		
100601	R0131B	B0331B	2		
200105	R0132A	JA8102A	1		
200107	R0132B	JA8104A	1		
200106	R0133B	JA8103A	1		
200110	R0134A	B0122A	1		
200221	R0202A	B0402A	1		
200221	R0202A	B0117B	2		
200222	R0202B	A0524B	1		
200217	R0203A	B0403A	1		
200217	R0203A	A0223B	2		
200501	R0203B	B0533A	1		
200501	R0203B	B0121B	2		
200225	R0204A	A0429A	1		
200224	R0204B	A0429B	1		
200257	R0205A	JA8223B	1		
200256	R0205B	JA8223A	1		
200255	R0206A	JA8224B	1		
200254	R0206B	JA8224A	1		
200253	R0207A	JA8203B	1		
200252	R0207B	JA8203A	1		
200251	R0208A	JA8214B	1		
200250	R0208B	JA8214A	1		
200245	R0209A	JA8212B	1		
200244	R0209B	JA8212A	1		
200243	R0210A	B1022A	2		
200243	R0210A	JA8213B	1		
200242	R0210B	JA8213A	1		
200242	R0210B	B1022B	2		
200249	R0211A	JA8202B	1		
200248	R0211B	JA8202A	1		
200247	R0212A	JA8201B	1		
200246	R0212B	JA8201A	1		
200241	R0213A	JA8211B	1		
200240	R0213B	JA8211A	1		
200239	R0214A	JA8210B	1		
200238	R0214B	JA8210A	1		
200237	R0215A	JA8209B	1		
200236	R0215B	JA8209A	1		

TITLE Logic Wirewrap - Applicable to Index and Sector in B Cable		WL	DOCUMENT NO.	SHEET NO. 8	REV. N
SIGNAL NAME OR NUMBER IDENTIFICATION	ORIGIN	DESTI- NATION	Z LEVEL	NOTES	
200235	R0216A	JA8208B	1		
200234	R0216B	JA8208A	1		
200233	R0217A	JA8207B	1		
200232	R0217B	JA8207A	1		
200231	R0221A	JA8206B	1		
200230	R0221B	JA8206A	1		
200229	R0222A	JA8205B	1		
200228	R0222B	JA8205A	1		
200227	R0223A	JA8204B	1		
200226	R0223B	JA8204A	1		
200202	R0224A	B0121A	2		
200202	R0224A	B0424A	1		
200208	R0224B	B0424B	1		
200208	R0224B	A0224A	2		
200216	R0225A	B0425A	1		
200216	R0225A	A0226A	2		
200212	R0225B	A0229A	2		
200212	R0225B	B0425B	1		
200214	R0226A	B0426A	1		
200214	R0226A	A0227A	2		
200210	R0226B	A0228A	2		
200210	R0226B	B0426B	1		
200204	R0227A	B0427A	1		
200204	R0227A	B0116A	2		
200201	R0227B	B0616B	1		
200201	R0227B	A0413A	2		
200206	R0228A	B0428A	1		
200206	R0228A	B0122B	2		
200205	R0228B	A0822B	1		
200203	R0229A	A0413B	1		
200207	R0229B	A0821A	1		
200209	R0230A	A0412A	1		
200213	R0230B	B0812B	1		
200211	R0231A	B0103A	1		
200211	R0231A	A0613B	2		
200215	R0231B	A0604B	1		
200220	R0232A	A0232A	2		
200220	R0232A	B0432A	1		
200218	R0232B	A0224B	2		
200218	R0232B	B0432B	1		
200219	R0233A	A0603B	1		
200223	R0233B	A0230A	2		
200223	R0233B	B0433B	1		
300025	R0234A	JA8333A	2		
300025	R0234A	JA8233A	1		
200802	R0304A	B0813B	1		
200802	R0304A	B0104A	2		
200801	R0304B	B0104B	2		
200801	R0304B	B0821B	1		
200308	R0305A	JA8345A	1		
200307	R0305B	JA8345B	1		
200306	R0306A	JA8344A	1		

TITLE Logic Wirewrap - Applicable to Index and Sector in B Cable		WL	DOCUMENT NO.	SHEET NO. 9	REV. N
SIGNAL NAME OR NUMBER IDENTIFICATION	ORIGIN	DESTI- NATION	Z LEVEL	NOTES	
200305	B0306B	JA8343B	1		
200622	B0307A	B0107A	2		
200622	B0307A	B0614B	1		
200915	B0307B	B0107B	2		
200915	B0307B	B0911A	1		
200312	B0308A	JA8316A	1		
200311	B0308B	JA8316B	1		
200310	B0309A	JA8315A	1		
200309	B0309B	JA8315B	1		
200302	B0310A	B0517B	1		
200301	B0310B	B0515B	1		
200326	B0311A	JA8339B	1		
200325	B0311B	JA8340A	1		
200328	B0312A	JA8338B	1		
200327	B0312B	JA8338A	1		
200330	B0313A	JA8326B	1		
200329	B0313B	JA8326A	1		
200332	B0314A	JA8327B	1		
200331	B0314B	JA8327A	1		
200304	B0315A	B0511A	1		
200303	B0315B	B0510B	1		
200504	B0321B	B1030A	1		
200504	B0321B	B0403B	2		
100504	B0323A	B0123A	1		
100101	B0323B	B0123B	1		
200912	B0324A	B0605B	2		
200912	B0324A	B0124A	1		
100406	B0324B	B0124B	2		
100406	B0324B	A0426B	1		
200316	B0325A	JA8319A	1		
200315	B0325B	JA8319B	1		
200314	B0326A	JA8317A	1		
200313	B0326B	JA8317B	1		
200318	B0327A	JA8320A	1		
200317	B0327B	JA8320B	1		
200320	B0328A	JA8334A	1		
200319	B0328B	JA8333B	1		
200324	B0329A	JA8337A	1		
200323	B0329B	JA8336B	1		
200322	B0330A	JA8335A	1		
200321	B0330B	JA8335B	1		
100602	B0331A	B0131A	2		
100602	B0331A	A0627B	1		
100601	B0331B	B0131B	2		
100601	B0331B	A0626B	1		
300026	B0334A	JA8234B	1		
300026	B0334A	JA8334B	2		
200221	B0402A	B0202A	1		
200401	B0402B	B0732B	1		
200217	B0403A	B0203A	1		
200217	B0403A	B0531A	2		
200504	B0403B	B0532A	1		

TITLE Logic Wirewrap - Applicable to Index and Sector in B Cable		WL	DOCUMENT NO.	SHEET NO. 10	REV. N
---	--	----	--------------	-----------------	-----------

SIGNAL NAME OR NUMBER IDENTIFICATION	ORIGIN	DESTINATION	Z LEVEL	NOTES
--------------------------------------	--------	-------------	---------	-------

200504	B0403B	B0321B	2	
200403	B0404A	B0503B	1	
200402	B0404B	B0510A	1	
200435	B0405A	JA8323B	1	
200434	B0405B	JA8323A	1	
200433	B0406A	JA8324B	1	
200432	B0406B	JA8324A	1	
200431	B0407A	JA8303B	1	
200430	B0407B	JA8303A	1	
200429	B0408A	JA8314B	1	
200428	B0408B	JA8314A	1	
200423	B0409A	JA8312B	1	
200422	B0409B	JA8312A	1	
200421	B0410A	JA8313B	1	
200421	B0410A	B1023A	2	
200420	B0410B	B1023B	2	
200420	B0410B	JA8313A	1	
200427	B0411A	JA8302B	1	
200426	B0411B	JA8302A	1	
200425	B0412A	JA8301B	1	
200424	B0412B	JA8301A	1	
200419	B0413A	JA8311B	1	
200418	B0413B	JA8311A	1	
200417	B0414A	JA8310B	1	
200416	B0414B	JA8310A	1	
200415	B0415A	JA8309B	1	
200414	B0415B	JA8309A	1	
200413	B0416A	JA8308B	1	
200412	B0416B	JA8308A	1	
200411	B0417A	JA8307B	1	
200410	B0417B	JA8307A	1	
200409	B0421A	JA8306B	1	
200408	B0421B	JA8306A	1	
200407	B0422A	JA8305B	1	
200406	B0422B	JA8305A	1	
200405	B0423A	JA8304B	1	
200404	B0423B	JA8304A	1	
200202	B0424A	B0631A	2	
200202	B0424A	B0224A	1	
200208	B0424B	B0628B	2	
200208	B0424B	B0224B	1	
200216	B0425A	B0225A	1	
200216	B0425A	B0626B	2	
200212	B0425B	B0624A	2	
200212	B0425B	B0225B	1	
200214	B0426A	B0622B	2	
200214	B0426A	B0226A	1	
200210	B0426B	B0629B	2	
200210	B0426B	B0226B	1	
200204	B0427A	B0227A	1	
200204	B0427A	B0633A	2	
200206	B0428A	B0228A	1	

TITLE Logic Wirewrap - Applicable to Index and Sector in B Cable		WL	DOCUMENT NO.	SHEET NO. 11	REV. Y
SIGNAL NAME OR NUMBER IDENTIFICATION	ORIGIN	DESTI- NATION	Z LEVEL	NOTES	
200206	B0428A	B0630A	2		
200220	B0432A	B0232A	1		
200220	B0432A	B0606B	2		
200218	B0432B	B0232B	1		
200218	B0432B	B0621A	2		
200223	B0433B	B0233B	1		
200223	B0433B	B0502A	2		
300027	B0434A	JA8236A	1		
300027	B0434A	JA8336A	2		
200223	B0502A	B1009A	1		
200223	B0502A	B0433B	2		
200519	B0502B	B1025B	2		
200403	B0503B	B0404A	1		
200503	B0505A	JA8221A	1		
200502	B0505B	JA8221B	1		
200914	B0506A	B0932A	2		
201003	B0506B	B1027A	2		
201020	B0507A	B1010A	1		
200402	B0510A	B0404B	1		
200303	B0510B	B0315B	1		
200304	B0511A	B0315A	1		
100415	B0512A	A0430A	2		
100414	B0512B	A0431B	2		
100413	B0513A	A0427A	2		
100412	B0513B	A0428B	2		
100411	B0514A	A0410B	1		
200523	B0515A	B1030B	1		
200301	B0515B	B0310B	1		
200101	B0516A	B0110B	1		
200515	B0516B	B0723B	1		
200522	B0517A	B1027B	1		
200302	B0517B	B0310A	1		
200102	B0521A	B0110A	1		
201001	B0521B	B1016B	1		
200516	B0522A	B0710B	1		
201002	B0523B	B1002A	1		
200514	B0524A	JA8322B	1		
200513	B0524B	JA8322A	1		
200508	B0525A	JA8321A	1		
200507	B0525B	JA8321B	1		
200506	B0526A	JA8328A	1		
200505	B0526B	JA8328B	1		
200512	B0527A	JA8342A	1		
200511	B0527B	JA8342B	1		
200510	B0529A	JA8341B	1		
200509	B0529B	JA8341A	1		
200703	B0530A	B0709B	1		
100403	B0530B	B0707B	2		
100403	B0530B	A0407A	1		
200217	B0531A	B0625A	1		
200217	B0531A	B0403A	2		
200521	B0531B	B1010B	1		
200504	B0532A	A0221B	2		

TITLE Logic Wirewrap - Applicable to Index and Sector in B Cable		WL	DOCUMENT NO.	SHEET NO. 12	REV. N
SIGNAL NAME OR NUMBER IDENTIFICATION	ORIGIN	DESTI- NATION	Z LEVEL	NOTES	
200504	B0532A	B0403B	1		
101006	B0532B	B1008B	2		
101006	B0532B	A1013A	1		
200501	B0533A	B0203B	1		
200520	B0533B	B0708B	1		
300028	B0534A	JA8337B	2		
300028	B0534A	JA8237B	1		
200610	B0602A	A0711B	1		
200611	B0602B	A0725B	1		
200612	B0603A	A0712B	1		
200908	B0603B	B0914A	1		
200613	B0604A	A0713A	1		
200608	B0604B	A0727A	1		
200920	B0605A	B0910B	1		
200912	B0605B	B0903A	1		
200912	B0605B	B0324A	2		
200614	B0606A	B0917B	1		
200220	B0606B	B0432A	2		
200606	B0607A	B0827B	1		
200615	B0607B	B0922B	1		
200618	B0609A	A0717A	1		
200617	B0609B	A0715A	1		
200616	B0610A	A0713B	1		
200619	B0611B	A0716A	1		
200601	B0613A	JA8110A	1		
200604	B0613B	B0904A	1		
200607	B0614A	B0914B	1		
200622	B0614B	B0307A	1		
100404	B0615A	B0933B	1		
200620	B0616A	JA8101B	1		
200201	B0616B	B0712B	2		
200201	B0616B	B0227B	1		
200609	B0617B	A0926B	1		
200218	B0621A	B0432B	2		
200218	B0621A	B0832A	1		
200214	B0622B	B0426A	2		
200214	B0622B	B0826B	1		
200602	B0623B	JA8111A	1		
200212	B0624A	B0425B	2		
200212	B0624A	B0826A	1		
200603	B0624B	JA8112A	1		
200217	B0625A	B0833B	2		
200217	B0625A	B0531A	1		
200916	B0625B	B0915B	1		
200924	B0626A	B0117A	1		
200924	B0626A	B0817A	2		
200216	B0626B	B0425A	2		
200216	B0626B	B0811B	1		
200208	B0628B	B0823B	1		
200208	B0628B	B0424B	2		
200210	B0629B	B0426B	2		
200210	B0629B	B0822A	1		

TITLE		WL		DOCUMENT NO.	SHEET NO.	REV.
Logic Wirewrap - Applicable to Index and Sector in B Cable					13	N
SIGNAL NAME OR NUMBER IDENTIFICATION	ORIGIN	DESTINATION	Z LEVEL	NOTES		
200206	B0630A	B0428A	2			
200206	B0630A	B0823A	1			
200202	B0631A	B0424A	?			
200202	B0631A	B0832B	1			
200912	B0632A	B0124A	2			
200605	B0632B	B0910A	1			
200204	B0633A	B0825A	1			
200204	B0633A	B0427A	?			
200621	B0633B	A0217A	1			
300029	B0634A	JA8239A	1			
300029	B0634A	JA8339A	2			
100403	B0707B	B0530B	2			
100403	B0707B	A0528B	1			
200520	B0708B	B0533B	1			
100107	B0709A	A0130B	1			
200703	B0709B	B0530A	1			
200516	B0710B	B0522A	1			
200201	B0712B	B0616B	2			
200515	B0723B	B0516B	1			
200211	B0726B	B0103A	2			
200701	B0729A	JA8108B	1			
200702	B0729B	JA8109B	1			
200401	B0732B	B0402B	1			
300030	B0734A	JA8340B	2			
300030	B0734A	JA8240B	1			
200812	B0801A	B0811A	1			
100307	B0804A	A0311B	1			
200921	B0804B	B0921B	1			
200921	B0804B	A1017B	2			
200813	B0805A	B0814A	1			
100306	B0805B	A0332A	1			
200807	B0806A	B0911B	1			
200808	B0806B	B0924A	1			
200805	B0807A	B0932B	1			
200810	B0807B	B0925B	1			
100802	B0810A	A0809B	1			
200804	B0810B	A0814B	1			
200812	B0811A	B0801A	1			
200216	B0811B	B0626B	1			
200926	B0812A	A0327B	?			
200926	B0812A	B0913B	1			
200213	B0812B	B0927A	?			
200213	B0812B	B0230B	1			
200814	B0813A	B0815B	?			
200802	B0813B	B0304A	1			
200813	B0814A	B0805A	1			
200813	B0814A	B0814B	?			
200813	B0814B	B0825B	1			
200813	B0814B	B0814A	2			
100104	B0815A	A0126B	1			
200814	B0815B	B0813A	?			
200814	B0815B	B0824B	1			

TITLE		WL		DOCUMENT NO.	SHEET NO.	REV.
Logic Wirewrap - Applicable to Index and Sector in B Cable					14	N
SIGNAL NAME OR NUMBER IDENTIFICATION	ORIGIN	DESTINATION	Z LEVEL	NOTES		
100801	B0816A	A0808A	1			
200806	B0816B	B0902A	1			
200924	B0817A	B0626A	2			
200924	B0817A	B0906B	1			
200919	B0817B	A0425B	2			
200919	B0817B	B0907B	1			
200809	B0821A	B0917A	1			
200801	B0821B	B0304B	1			
200210	B0822A	B0629B	1			
100305	B0822B	A0333A	2			
200206	B0823A	B0630A	1			
200208	B0823B	B0628B	1			
200814	B0824A	B0824B	2			
200814	B0824A	B0834A	1			
200814	B0824B	B0815B	1			
200814	B0824B	B0824A	2			
200204	B0825A	B0633A	1			
200813	B0825B	B0814B	1			
200813	B0825B	B0829A	2			
200212	B0826A	B0624A	1			
200214	B0826B	B0622B	1			
200803	B0827A	B0933A	1			
200606	B0827B	B0607A	1			
200606	B0827B	B0902B	2			
100805	B0828B	A0823A	1			
200813	B0829A	B0825A	2			
200813	B0829A	B0829B	1			
200813	B0829B	B0829A	1			
200813	B0829B	B0830A	2			
200813	B0830A	B0829B	2			
100105	B0831A	A0113B	1			
200218	B0832A	B0621A	1			
200202	B0832B	B0631A	1			
200811	B0833A	B0929A	1			
200217	B0833B	B1003A	1			
200217	B0833B	B0625A	2			
200814	B0834A	JA8243A	2			
200814	B0834A	B0824A	1			
200806	B0902A	B0816B	1			
200606	B0902B	B0827B	2			
200606	B0902B	B0905B	1			
200912	B0903A	B0605B	1			
200912	B0903A	A0832A	2			
200904	B0903B	A0410A	1			
200604	B0904A	B0613B	1			
200903	B0904B	A0816A	1			
100807	B0905A	A0812B	1			
200606	B0905B	B0902B	1			
200906	B0906A	A0823B	1			
200924	B0906B	B0817A	1			
200924	B0906B	A0810B	2			
200902	B0907A	A0923B	1			

TITLE Logic Wirewrap - Applicable to Index and Sector in B Cable		WL	DOCUMENT NO.	SHEET NO. 15	REV. N
SIGNAL NAME OR NUMBER IDENTIFICATION	ORIGIN	DESTI- NATION	Z LEVEL	NOTES	
200919	R0907B	B0817B	1		
200901	R0908A	A0922B	1		
200907	R0909A	B0916A	2		
200605	R0910A	B0632B	1		
200920	R0910B	B0605A	1		
200915	B0911A	B0307B	1		
200807	B0911B	B0806A	1		
101004	B0912A	A1014B	1		
200923	B0912B	A0708A	1		
200911	B0913A	A0710A	1		
200926	B0913B	A0925B	2		
200926	B0913B	B0812A	1		
200908	B0914A	B0603B	1		
200908	B0914A	A0812A	2		
200607	B0914B	B0614A	1		
100901	B0915A	A0924B	2		
200916	B0915B	B0625B	1		
200907	B0916A	B0909A	2		
200907	B0916A	A0717B	1		
200905	B0916B	A0722B	1		
200809	B0917A	B0821A	1		
200614	B0917B	B0606A	1		
200921	B0921B	A0916B	2		
200921	B0921B	B0804B	1		
200910	B0922A	A0813A	1		
200615	B0922B	B0607B	1		
200917	B0923A	B0934A	1		
101003	B0923B	A1017A	1		
200808	B0924A	B0806B	1		
200927	B0924B	JA8004A	1		
200922	B0925A	A0915B	1		
200810	B0925B	B0807B	1		
200925	B0926A	A0825B	1		
101001	B0926B	A1022A	1		
200213	B0927A	B0812B	2		
100302	B0927B	A0308B	1		
100301	B0928B	A0307B	1		
200811	B0929A	B0833A	1		
200922	B0929B	A0707B	1		
200913	B0930A	A0813B	1		
200909	B0930B	A0927B	1		
200918	B0931A	A0702A	1		
100402	B0931B	A0414A	1		
200914	B0932A	B0506A	2		
200914	B0932A	B1009B	1		
200805	B0932B	B0807A	1		
200803	B0933A	B0827A	1		
100404	B0933B	B0615A	1		
100404	B0933B	A0707A	2		
200917	B0934A	B0923A	1		
200917	B0934A	JA8343A	2		
201002	B1002A	B0523B	1		

TITLE	Logic Wirewrap - Applicable to Index and Sector in B Cable	WL	DOCUMENT NO.	SHEET NO. 16	REV. Y
-------	--	----	--------------	-----------------	-----------

SIGNAL NAME OR NUMBER IDENTIFICATION	ORIGIN	DESTINATION	Z LEVEL	NOTES
--------------------------------------	--------	-------------	---------	-------

200217	B1003A	B0A33B	1	
201005	R1007A	JA8222A	1	
201006	R1007B	JA8222A	1	
201004	B1008A	A0A11B	1	
101006	R1008B	B0532B	2	
200223	R1009A	B0502A	1	
200914	B1009B	B0932A	1	
201020	B1010A	B0507A	1	
200521	B1010B	B0531B	1	
100411	B1015B	A0410B	2	
100403	B1016A	A1015B	1	
201001	B1016B	B0521B	1	
200243	R1022A	B0210A	2	
200242	B1022B	B0210B	2	
200421	R1023A	B0410A	2	
200420	B1023B	B0410B	2	
200519	R1025B	B0502B	2	
200501	B1026A	A0217B	2	
201003	R1027A	B0506B	2	
200522	B1027B	B0517A	1	
201008	B1028A	JA8242A	1	
201007	B1028B	JA8242B	1	
201010	R1029A	JA8241B	1	
201009	R1029B	JA8241A	1	
200504	R1030A	B0321B	1	
200523	B1030B	B0515A	1	
201012	B1031A	JA8228A	1	
201011	B1031B	JA8228B	1	
300031	R1034A	JA8244B	1	
300031	R1034A	JA8344B	2	
100404	JA8001A	A1012A	1	
100404	JA8001A	A0411B	2	
100410	JA8002B	A0409A	1	
101020	JA8003A	A0133B	1	
101017	JA8003B	A1028B	1	
200927	JA8004A	A1030B	2	
200927	JA8004A	B0924B	1	
101016	JA8004B	A1029B	1	
100408	JA8005A	A1026B	1	
101013	JA8005B	A1028A	1	
101015	JA8006A	A1026A	1	
101014	JA8006B	A1029A	1	
100416	JA8007A	A0101A	1	
100416	JA8007B	A0101A	2	
300016	JA8008A	JA8102B	1	
300017	JA8008B	JA8112B	1	
100409	JA8009B	A1012B	1	
101018	JA8010A	A1027A	1	
101019	JA8010B	A1034A	1	
100412	JA8011A	A0428B	1	
100414	JA8011B	A0431B	1	
100413	JA8012A	A0427A	1	
100405	JA8013A	A0412B	1	

TITLE		WL		DOCUMENT NO.	SHEET NO.	REV.
Logic Wirewrap - Applicable to Index and Sector in B Cable					17	N
SIGNAL NAME OR NUMBER IDENTIFICATION	ORIGIN	DESTINATION	Z LEVEL	NOTES		
100415	JA8014A	A0430A	1			
100417	JA8014B	A0134B	1			
300013	JA8101A	A0601A	1			
200620	JA8101B	B0616A	1			
200105	JA8102A	B0132A	1			
300016	JA8102B	JA8008A	1			
200106	JA8103A	B0133B	1			
300019	JA8103B	A0601B	1			
200107	JA8104A	B0132B	1			
100803	JA8104B	A0825A	1			
300006	JA8105A	A1001A	1			
300004	JA8105B	A0521B	1			
300005	JA8106A	A0522B	1			
300002	JA8106B	A0508B	1			
300015	JA8107A	A0801A	1			
300003	JA8107B	A0507B	1			
300001	JA8108A	A0414B	1			
200701	JA8108B	B0729A	1			
300007	JA8109A	A0409B	1			
200702	JA8109B	B0729B	1			
200601	JA8110A	B0613A	1			
200201	JA8110B	A0413A	1			
200602	JA8111A	B0623B	1			
300020	JA8111B	A0634B	1			
200603	JA8112A	B0624B	1			
300017	JA8112B	JA8008B	1			
101005	JA8113A	A1002A	1			
300021	JA8113B	A0633B	1			
300014	JA8114A	A0701A	1			
300018	JA8114B	A1032B	1			
300018	JA8114B	A0932B	2			
200246	JA8201A	B0212B	1			
200247	JA8201B	B0212A	1			
200248	JA8202A	B0211B	1			
200249	JA8202B	B0211A	1			
200252	JA8203A	B0207B	1			
200253	JA8203B	B0207A	1			
200226	JA8204A	B0223B	1			
200227	JA8204B	B0223A	1			
200228	JA8205A	B0222B	1			
200229	JA8205B	B0222A	1			
200230	JA8206A	B0221B	1			
200231	JA8206B	B0221A	1			
200232	JA8207A	B0217B	1			
200233	JA8207B	B0217A	1			
200234	JA8208A	B0216B	1			
200235	JA8208B	B0216A	1			
200236	JA8209A	B0215B	1			
200237	JA8209B	B0215A	1			
200238	JA8210A	B0214B	1			
200239	JA8210B	B0214A	1			
200240	JA8211A	B0213B	1			

TITLE Logic Wirewrap - Applicable to Index and Sector in B Cable		WL	DOCUMENT NO.	SHEET NO. 18	REV. N
SIGNAL NAME OR NUMBER IDENTIFICATION	ORIGIN	DESTINATION	Z LEVEL	NOTES	
200241	JA82118	B0213A	1		
200244	JA8212A	B0209B	1		
200245	JA8212B	B0209A	1		
200242	JA8213A	B0210B	1		
200243	JA8213B	B0210A	1		
200250	JA8214A	B0208B	1		
200251	JA8214B	B0208A	1		
200116	JA8215A	B0109A	1		
200115	JA8215B	B0109B	1		
200118	JA8216A	B0108A	1		
200117	JA8216B	B0108B	1		
200120	JA8217A	B0126A	1		
200119	JA8217B	B0126B	1		
200122	JA8219A	B0125A	1		
200121	JA8219B	B0125B	1		
200124	JA8220A	B0127A	1		
200123	JA8220B	B0127B	1		
200503	JA8221A	B0505A	1		
200502	JA8221B	B0505B	1		
201006	JA8222A	B1007B	1		
201005	JA8222B	B1007A	1		
200256	JA8223A	B0205B	1		
200257	JA8223B	B0205A	1		
200254	JA8224A	B0206B	1		
200255	JA8224B	B0206A	1		
200135	JA8226A	B0113B	1		
200136	JA8226B	B0113A	1		
200137	JA8227A	B0114B	1		
200138	JA8227B	B0114A	1		
201012	JA8228A	B1031A	1		
201011	JA8228B	B1031B	1		
101008	JA8229A	A1003B	1		
101009	JA8229B	A1003A	1		
101007	JA8231A	A1004B	1		
300025	JA8233A	B0234A	1		
200125	JA8233B	B0128B	1		
200126	JA8234A	B0128A	1		
300026	JA8234B	B0334A	1		
200128	JA8235A	B0130A	1		
200127	JA8235B	B0130B	1		
300027	JA8236A	B0434A	1		
200129	JA8236B	B0129B	1		
200130	JA8237A	B0129A	1		
300028	JA8237B	B0534A	1		
200133	JA8238A	B0112B	1		
200134	JA8238B	B0112A	1		
300029	JA8239A	B0634A	1		
200132	JA8239B	B0111A	1		
200131	JA8240A	B0111B	1		
300030	JA8240B	B0734A	1		
201009	JA8241A	B1029B	1		
201010	JA8241B	B1029A	1		

TITLE		WL	DOCUMENT NO.	SHEET NO.	REV.
Logic Wirewrap - Applicable to Index and Sector in B Cable				19	N
SIGNAL NAME OR NUMBER IDENTIFICATION	ORIGIN	DESTINATION	Z LEVEL	NOTES	
201008	JA8242A	B1028A	1		
201007	JA8242B	B1028B	1		
200814	JA8243A	B0834A	2		
200111	JA8243B	B0106B	1		
200112	JA8244A	B0106A	1		
300031	JA8244B	B1034A	1		
200114	JA8245A	B0105A	1		
200113	JA8245B	B0105B	1		
200424	JA8301A	B0412B	1		
200425	JA8301B	B0412A	1		
200426	JA8302A	B0411B	1		
200427	JA8302B	B0411A	1		
200430	JA8303A	B0407B	1		
200431	JA8303B	B0407A	1		
200404	JA8304A	B0423B	1		
200405	JA8304B	B0423A	1		
200406	JA8305A	B0422B	1		
200407	JA8305B	B0422A	1		
200408	JA8306A	B0421B	1		
200409	JA8306B	B0421A	1		
200410	JA8307A	B0417B	1		
200411	JA8307B	B0417A	1		
200412	JA8308A	B0416B	1		
200413	JA8308B	B0416A	1		
200414	JA8309A	B0415B	1		
200415	JA8309B	B0415A	1		
200416	JA8310A	B0414B	1		
200417	JA8310B	B0414A	1		
200418	JA8311A	B0413B	1		
200419	JA8311B	B0413A	1		
200422	JA8312A	B0409B	1		
200423	JA8312B	B0409A	1		
200420	JA8313A	B0410B	1		
200421	JA8313B	B0410A	1		
200428	JA8314A	B0408B	1		
200429	JA8314B	B0408A	1		
200310	JA8315A	B0309A	1		
200309	JA8315B	B0309B	1		
200312	JA8316A	B0308A	1		
200311	JA8316B	B0308B	1		
200314	JA8317A	B0326A	1		
200313	JA8317B	B0326B	1		
200316	JA8319A	B0325A	1		
200315	JA8319B	B0325B	1		
200318	JA8320A	B0327A	1		
200317	JA8320B	B0327B	1		
200508	JA8321A	B0525A	1		
200507	JA8321B	B0525B	1		
200513	JA8322A	B0524B	1		
200514	JA8322B	B0524A	1		
200434	JA8323A	B0405B	1		
200435	JA8323B	B0405A	1		

TITLE Logic Wirewrap - Applicable to Index and Sector in B Cable		WL	DOCUMENT NO.	SHEET NO. 20	REV. N
SIGNAL NAME OR NUMBER IDENTIFICATION	ORIGIN	DESTI- NATION	Z LEVEL	NOTES	
200432	JA8324A	B0406B	1		
200433	JA8324B	B0406A	1		
200329	JA8326A	B0313B	1		
200330	JA8326B	B0313A	1		
200331	JA8327A	B0314B	1		
200332	JA8327B	B0314A	1		
200506	JA8328A	B0526A	1		
200505	JA8328B	B0526B	1		
101008	JA8329A	A1003B	2		
101009	JA8329B	A1003A	2		
101007	JA8331A	A1004B	2		
300025	JA8333A	B0234A	2		
200319	JA8333B	B0328B	1		
200320	JA8334A	B0328A	1		
300026	JA8334B	B0334A	2		
200322	JA8335A	B0330A	1		
200321	JA8335B	B0330B	1		
300027	JA8336A	B0434A	2		
200323	JA8336B	B0329B	1		
200324	JA8337A	B0329A	1		
300028	JA8337B	B0534A	2		
200327	JA8338A	B0312B	1		
200328	JA8338B	B0312A	1		
300029	JA8339A	B0634A	2		
200326	JA8339B	B0311A	1		
200325	JA8340A	B0311B	1		
300030	JA8340B	B0734A	2		
200509	JA8341A	B0529B	1		
200510	JA8341B	B0529A	1		
200512	JA8342A	B0527A	1		
200511	JA8342B	B0527B	1		
200917	JA8343A	B0934A	2		
200305	JA8343B	B0306B	1		
200306	JA8344A	B0306A	1		
300031	JA8344B	B1034A	2		
200308	JA8345A	B0305A	1		
200307	JA8345B	B0305B	1		

INDEX AND SECTOR IN A AND B CABLE

TITLE Logic Wirewrap - Applicable to Index and Sector in A and B Cable		WL	DOCUMENT NO. 77568147/50	SHEET NO. 1 of 21	REV. AT/AV
SIGNAL NAME OR NUMBER IDENTIFICATION	ORIGIN	DESTI- NATION	Z LEVEL	81546000 (BK5C6D)	NOTES A
A0101A	JA8007B	2			
A0101A	JA8007A	1			
AC101P	A0121B	1			
A0104B	A0333A	1			
A0112B	A0221A	1			
A0112B	A0127R	2			
A0113B	R0831A	1			
A0114B	A0234B	1			
A0121B	A0101B	1			
A0122B	A0312B	1			
A0123B	A0623B	1			
A0124B	A0624B	1			
A0126B	B0815A	1			
A0127B	A0112B	2			
A0128B	R0123B	2			
A0130B	B0709A	1			
A0133B	JA8003A	1			All units except BK5C6D
A0134B	JA8014B	1			
A0213B	A0323B	1			
A0214B	A1012B	2			
A0215B	A0325B	1			
A0216A	R0104A	1			
A0216B	A0231A	2			All units except BK5C6D
A0217A	R0433B	1			
A0217B	B1026A	2			
A0217B	R0121B	1			
A0221A	A0112B	1			
A0221B	R0532A	2			
A0222A	R0123A	2			
A0222A	A0532B	1			
A0222B	A0234A	2			
A0223A	B0117P	1			
A0223B	R0203A	2			
A0224A	B0224B	2			
A0224B	B0232B	2			
A0225A	R0122B	1			
A0225B	B0116A	1			
A0226A	B0225A	2			
A0226B	B0121A	1			
A0226B	B0116B	2			
A0227A	B0226A	2			
A0228A	R0226B	2			
A0229A	B0225B	2			
A0230A	B0233B	2			
A0231A	A0216B	2			
A0231A	A0234A	1			
A0232A	R0232A	2			
A0234A	A0222B	2			
A0234A	A0231A	1			
A0234B	A0114B	1			
A0307B	B0928B	1			

KOR-0542B-2

SIGNAL NAME OR NUMBER IDENTIFICATION	ORIGIN	DESTINATION	Z LEVEL	NOTES
	A0308B	BJ927B	1	
	A0309B	A0826B	1	
	A0311B	R0804A	1	
	A0312B	AC122B	1	
	AC323B	AJ213R	1	
	A0325B	AJ215B	1	
	A0327B	R0612A	2	
	A0332A	R0805R	1	
	A0333A	R0822B	2	
	A0333A	A0104B	1	
	A0403B	A0903B	1	
	A0407A	B0530B	1	
	A0407A	A1015B	2	
	A0408A	B0102R	1	
	A0409A	JA8002B	1	
	A0409B	JA8109A	1	
	A0410A	80903R	1	
	AC410R	B1015B	2	
	A0410B	R0514A	1	
	AC411R	A0707A	1	
	A0411B	JA8001A	2	
	A0412A	B0230A	1	
	A0412B	A1C27R	2	
	A0412B	JA9013A	1	
	A0413A	JA8110B	1	
	A0413A	R0227B	2	
	A0413R	AJ531B	2	
	AJ413R	BJ229A	1	
	A0414A	R0931B	1	
	A0414B	JA8108A	1	
	A0415B	A1023B	1	
	A0416B	A1021A	1	
	AC424B	A1021R	1	
	AC425B	R0817R	2	
	A0426A	A0525B	1	
	AC426R	R0324B	1	
	AC427A	R0513A	2	
	A0427A	JA8012A	1	
	A0428R	R0513B	2	
	AC428R	JA8011A	1	
	A0429A	R0204A	1	
	A0429R	R0204R	1	
	A0430A	JA8014A	1	
	A0430A	R0512A	2	
	A0430R	A0811A	1	
	A0431A	R0115A	1	
	A0431R	JA8011R	1	
	A0431B	R0512B	2	
	A0432A	R0115B	1	
	A0432B	A0932B	1	
	A0433A	A0523B	1	
	A0503R	AJ610B	1	

TITLE Logic Wirewrap - Applicable to Index and Sector in A and B Cable	WL	DOCUMENT NO.	SHEET NO. 3	REV. AT/AV
---	----	--------------	----------------	---------------

SIGNAL NAME OR NUMBER IDENTIFICATION	ORIGIN	DESTINATION	Z LEVEL	NOTES
--------------------------------------	--------	-------------	---------	-------

	A0504R	A0609B	1	
	A0507R	JA8107B	1	
	A0508R	JA8106B	1	
	A0521B	JA8105B	1	
	A0522B	JA8106A	1	
	A0523B	A0811B	2	
	A0523B	A0433A	1	
	A0524B	B0202R	1	
	A0525B	A0426A	1	
	A0527B	A0824A	2	
	A0528B	B0707R	1	
	A0530B	A0622B	1	
	A0531R	A0413B	2	
	A0531B	A0612B	1	
	A0532B	A0222A	1	
	A0601A	JA8101A	1	
	A0601R	JA8103R	1	
	A0603B	R0233A	1	
	A0604B	R0231B	1	
	A0609B	A0504B	1	
	A0610R	A0503B	1	
	A0612R	A0531B	1	
	A0612B	A0824B	2	
	A0613B	R0231A	2	
	A0613R	A0824A	1	
	A0622B	A0530R	1	
	A0623B	A0123B	1	
	A0624R	A0124B	1	
	A0626B	R0331B	1	
	A0627R	R0331A	1	
	A0633R	JA8113B	1	
	A0634B	JA8111R	1	
	A0701A	JA8114A	1	
	A0702A	R0931A	1	
	A0707A	B0933B	2	
	A0707A	A0411B	1	
	A0707B	B0929R	1	
	A0708A	B0912B	1	
	A0710A	B0913A	1	
	A0711R	B0602A	1	
	A0712B	B0603A	1	
	A0713A	R0604A	1	
	A0713B	B0610A	1	
	A0715A	R0609B	1	
	A0715B	A0826A	2	
	A0716A	B0611R	1	
	A0716B	A0923R	2	
	A0717A	R0609A	1	
	A0717R	B0916A	1	
	A0721B	A0922B	?	
	A0722B	R0916B	1	
	A0723R	A0809A	1	

KOR-0542B-2

TITLE Logic Wirewrap - Applicable to Index and Sector in A and B Cable	WL	DOCUMENT NO.	SHEET NO. 4	REV. AT/AV
--	----	--------------	----------------	---------------

SIGNAL NAME OR NUMBER IDENTIFICATION	ORIGIN	DESTI- NATION	Z LEVEL	NOTES
	A0725B	R0602B	1	
	A0726B	A0928B	1	
	A0727A	R0604B	1	
	A0727B	A0808B	1	
	A0728B	A0912B	1	
	A0730B	A0802A	1	
	A0801A	JA8107A	1	
	A0802A	A0730B	1	
	A0808A	B0816A	1	
	A0808B	A0727B	1	
	A0809A	A0723B	1	
	A0809B	B0810A	1	
	A0810B	B0906B	2	
	A0811A	A0430B	1	
	A0811B	AJ523B	2	
	A0811B	B1008A	1	
	AJ812A	B0914A	2	
	A0812B	R0905A	1	
	A0813A	R0922A	1	
	A0813B	B0930A	1	
	A0814B	B0810B	1	
	A0816A	B0904B	1	
	A0821A	R0229B	1	
	A0822A	A0927A	1	
	A0822B	B0228B	1	
	A0823A	B0828B	1	
	A0823B	R0906A	1	
	A0824A	A0613B	1	
	A0824A	A0527B	2	
	A0824B	A0612B	2	
	A0825A	JA8104B	1	
	A0825B	R0926A	1	
	A0826A	A0715B	2	
	A0826A	A0906A	1	
	A0826B	A0309B	1	
	A0832A	R0903A	2	
	A0833A	A0924B	1	
	A0902A	A1002B	2	
	A0902B	A1002B	1	
	A0903A	A0904A	1	
	A0903A	A0903B	2	
	A0903B	A0903A	2	
	A0903B	A0403B	1	
	A0904A	A0903A	1	
	A0904A	A0904B	2	
	A0904B	A0904A	2	
	A0906A	A0826A	1	
	A0912B	A0728B	1	
	A0915B	B0925A	1	
	AJ916B	B0921B	2	
	A0922B	A0721B	2	
	A0922B	R0908A	1	

KOR-0542B-2

TITLE	Logic Wirewrap - Applicable to Index and Sector in A and B Cable	WL	DOCUMENT NO.	SHEET NO. 5	REV. AT/AV
-------	--	----	--------------	-------------	------------

SIGNAL NAME OR NUMBER IDENTIFICATION	ORIGIN	DESTINATION	Z LEVEL	NOTES
A0923B		A0716B	2	
A0923B		B0907A	1	
A0924B		A0833A	1	
A0924B		B0915A	2	
A0925B		B0913B	2	
A0926B		B0617B	1	
A0927A		A0822A	1	
A0927B		B0930B	1	
A0928B		A0726B	1	
A0931A		A0931B	2	
A0931A		A0932A	1	
A0931B		A0931A	2	
A0932A		A1032B	2	
A0932A		A0931A	1	
A0932B	JA8114B		2	
A0932B		A0432B	1	
A0933A		A1033B	2	
A0933A		B1033B	1	BK5C6D ONLY
A0933B		A1033B	1	
A1001A	JA8105A		1	
A1002A	JA8113A		1	
A1002B	A0902A		2	
A1002B	A0902B		1	
A1003A	JA8229B		1	
A1003A	JA8329B		2	
A1003B	JA8329A		2	
A1003B	JA8229A		1	
A1004B	JA8331A		2	
A1004B	JA8231A		1	
A1005B	A1023B		2	
A1012A	JA8001A		1	
A1012B	A0214B		2	
A1012B	JA8009B		1	
A1013A	B0532B		1	
A1014B	B0912A		1	
A1015B	A0407A		2	
A1015B	B1016A		1	
A1017A	B0923B		1	
A1017B	B0804B		2	
A1021A	A0416B		1	
A1021B	A0424B		1	
A1022A	B0926B		1	
A1023B	A1005B		2	
A1023B	A0415B		1	
A1026A	JA8006A		1	
A1026B	JA8005A		1	
A1027A	JA8010A		1	
A1027A	B1033A		2	BK5C6D ONLY
A1027B	A0412B		2	
A1028A	JA8005B		1	
A1029B	JA8003B		1	All units except BK5C6D
A1029A	JA8006B		1	
A1029B	JA8004B		1	
A1030B	JA8004A		2	

KOR.0542B-2

TITLE Logic Wirewrap - Applicable to Index and Sector in A and B Cable	WL	DOCUMENT NO.	SHEET NO. 6	REV. AT/AV
---	----	--------------	----------------	---------------

SIGNAL NAME OR NUMBER IDENTIFICATION	ORIGIN	DESTINATION	Z LEVEL	NOTES
A1032B		JA8114B	1	
A1032B		A0932A	2	
A1033B		A0933A	2	
A1033B		A0933B	1	
A1034A		JA8010B	1	
B0102B		A0408A	1	
B0103A		B0231A	1	
B0103A		B0726B	2	
B0104A		B0304A	2	
B0104A		A0216A	1	
B0104B		B0304B	2	
B0105A		JA8225A	1	
B0105B		JA8225B	1	
B0106A		JA8218A	1	
B0106B		JA8218B	1	
B0107A		B0307A	2	
B0107B		B0307B	2	
B0108A		JA8215A	1	
B0108B		JA8216B	1	
B0109A		JA8215A	1	
B0109B		JA8215B	1	
B0110A		B0521A	1	
B0101A		JA8230A	1	Used on BK5A7V/W & BK5C4C/D only
B0110B		B0516A	1	
B0111A		JA8239B	1	
B0111B		JA8240A	1	
B0112A		JA8238B	1	
B0112B		JA8238A	1	
B0113A		JA8226B	1	
B0113B		JA8226A	1	
B0114A		JA8227B	1	
B0114B		JA8227A	1	
B0115A		A0431A	1	
B0115B		A0432A	1	
B0115A		A0225B	1	
B0116A		B0227A	2	
B0116B		A0226B	2	
B0117A		B0626A	1	
B0117B		A0223A	1	
B0117B		B0202A	2	
B0121A		A0226B	1	
B0121A		B0224A	2	
B0121B		A0217B	1	
B0121B		B0203B	2	
B0122A		B0134A	1	
B0122B		A0225A	1	
B0122B		B0228A	2	
B0123A		A0222A	2	
B0123A		B0323A	1	
B0123B		A0128B	2	
B0123B		B0323B	1	
B0124A		B0324A	1	
B0124A		B0632A	2	

KOR-0542B-2

TITLE	Logic Wirewrap - Applicable to Index and Sector in A and B Cable	WL	DOCUMENT NO.	SHEET NO. 7	REV. AT/AV
-------	--	----	--------------	-------------	------------

SIGNAL NAME OR NUMBER IDENTIFICATION	ORIGIN	DESTINATION	Z LEVEL	NOTES
--------------------------------------	--------	-------------	---------	-------

	B0124B	B0324P	2	
	B0125A	JA8219A	1	
	B0125B	JA8219B	1	
	B0126A	JA8217A	1	
	B0126B	JA8217B	1	
	B0127A	JA8220A	1	
	B0127B	JA8220B	1	
	B0128A	JA8234A	1	
	B0128B	JA8233B	1	
	B0129A	JA8237A	1	
	B0129B	JA8236B	1	
	B0130A	JA8235A	1	
	B0130B	JA8235B	1	
	B0131A	B0331A	2	
	B0131B	B0331B	2	
	B0132A	JA8102A	1	
	B0132B	JA8104A	1	
	B0133A	JA8103A	1	
	B0134A	B0122A	1	
	B0134A	JA8230A	2	
	B0201A	JA8230B	1	Used on BK5A7V/W & BK5C4C/D only
	B0202A	B0402A	1	Used on BK5A7V/W & BK5C4C/D only
	B0202A	B0117B	2	
	B0202B	A0524B	1	
	B0203A	B0403A	1	
	B0203A	A0223B	2	
	B0203B	B0121B	2	
	B0203B	B0533A	1	
	B0204A	A0429A	1	
	B0204B	A0429B	1	
	B0205A	JA8223B	1	
	B0205B	JA8223A	1	
	B0206A	JA8224B	1	
	B0206B	JA8224A	1	
	B0207A	JA8203B	1	
	B0207B	JA8203A	1	
	B0208A	JA8214B	1	
	B0208B	JA8214A	1	
	B0209A	JA8212B	1	
	B0209B	JA8212A	1	
	B0210A	B1022A	2	
	B0210A	JA8213B	1	
	B0210B	B1022B	2	
	B0210B	JA8213A	1	
	B0211A	JA8202B	1	
	B0211B	JA8202A	1	
	B0212A	JA8201B	1	
	B0212B	JA8201A	1	
	B0213A	JA8211B	1	
	B0213B	JA8211A	1	
	B0214A	JA8210B	1	
	B0214B	JA8210A	1	
	B0215A	JA8209B	1	
	B0215B	JA8209A	1	

KOR-0542B-2

TITLE Logic Wirewrap - Applicable to Index and Sector in A and B Cable	WL	DOCUMENT NO.	SHEET NO. 8	REV. AT/AV
---	----	--------------	----------------	---------------

SIGNAL NAME OR NUMBER IDENTIFICATION	ORIGIN	DESTINATION	Z LEVEL	NOTES
B0216A	JA8208B		1	
B0216R	JA8208A		1	
B0217A	JA8207B		1	
B0217B	JA8207A		1	
B0221A	JA8206B		1	
B0221B	JA8206A		1	
B0222A	JA8205B		1	
B0222R	JA8205A		1	
B0223A	JA8204B		1	
B0223B	JA8204A		1	
B0224A	B0121A		2	
B0224A	B0424A		1	
B0224B	A0224A		2	
B0224B	B0424B		1	
B0225A	B0425A		1	
B0225A	A0226A		2	
B0225B	B0425B		1	
B0225B	A0229A		2	
B0226A	A0227A		2	
B0226A	B0426A		1	
B0226B	B0426B		1	
B0226B	A0228A		2	
B0227A	B0427A		1	
B0227A	B0116A		?	
B0227B	B0616B		1	
B0227B	A0413A		2	
B0228A	B0122B		2	
B0228A	B0428A		1	
B0228B	A0822B		1	
B0229A	A0413B		1	
B0229B	A0821A		1	
B0230A	A0412A		1	
B0230B	B0812B		1	
B0231A	B0103A		1	
B0231A	A0613B		2	
B0231B	A0604B		1	
B0232A	B0432A		1	
B0232A	A0232A		2	
B0232B	A0224B		2	
B0232B	B0432B		1	
B0233A	A0603B		1	
B0233B	B0433B		1	
B0233B	A0230A		2	
B0234A	JA8233A		1	
B0234A	JA8333A		2	
B0301A	JA8330A		1	
B0304A	B0104A		2	
B0304A	B0R13B		1	
B0304B	B0104B		2	
B0304B	B0821B		1	
B0305A	JA8325A		1	
B0305B	JA8325B		1	
B0306A	JA8318A		1	

Used on BK5A7V/W & BK5C4C/D only

TITLE	Logic Wirewrap - Applicable to Index and Sector in A and B Cable	WL	DOCUMENT NO.	SHEET NO. 9	REV. AT/AV
-------	--	----	--------------	----------------	---------------

SIGNAL NAME OR NUMBER IDENTIFICATION	ORIGIN	DESTINATION	Z LEVEL	NOTES
80306B	JA8318B	1		
80307A	80107A	2		
80307A	80614B	1		
80307B	80911A	1		
80307B	80107B	2		
80308A	JA8316A	1		
80308B	JA8316B	1		
80309A	JA8315A	1		
80309B	JA8315B	1		
80310A	80517B	1		
80310B	80515B	1		
80311A	JA8339B	1		
80311B	JA8340A	1		
80312A	JA8338B	1		
80312B	JA8338A	1		
80313A	JA8326B	1		
80313B	JA8326A	1		
80314A	JA8327B	1		
80314B	JA8327A	1		
80315A	80511A	1		
80315B	80510B	1		
80321B	80403B	2		
80321B	81030A	1		
80323A	80123A	1		
80323B	80123B	1		
80324A	80605B	2		
80324A	80124A	1		
80324B	80426B	1		
80324B	80124B	2		
80325A	JA8319A	1		
80325B	JA8319B	1		
80326A	JA8317A	1		
80326B	JA8317B	1		
80327A	JA8320A	1		
80327B	JA8320B	1		
80328A	JA8334A	1		
80328B	JA8333B	1		
80329A	JA8337A	1		
80329B	JA8336B	1		
80330A	JA8335A	1		
80330B	JA8335B	1		
80331A	80131A	2		
80331A	80627B	1		
80331B	80626B	1		
80331B	80131B	2		
80334A	JA8234B	1		
80334A	JA8334B	2		
80401A	JA8330B	1		
80402A	80202A	1		
80402B	80732B	1		
80403A	80531A	2		
80403A	80203A	1		
80403B	80321B	2		

Used on BK5A7V/W & BK5C4C/D only

TITLE	Logic Wirewrap - Applicable to Indes and Sector in A and B Cable	WL	DOCUMENT NO.	SHEET NO. 10	REV. AT/AV
-------	--	----	--------------	-----------------	---------------

SIGNAL NAME OR NUMBER IDENTIFICATION	ORIGIN	DESTINATION	Z LEVEL	NOTES
	B0403B	R0532A	1	
	B0404A	R0503R	1	
	B0404R	R0510A	1	
	B0405A	JA8323B	1	
	B0405R	JA8323A	1	
	B0406A	JA8324B	1	
	B0406R	JA8324A	1	
	B0407A	JA8303B	1	
	B0407B	JA8303A	1	
	B0408A	JA8314B	1	
	B0408B	JA8314A	1	
	B0409A	JA8312B	1	
	B0409B	JA8312A	1	
	B0410A	R1023A	2	
	B0410A	JA8313B	1	
	B0410B	JA8313A	1	
	B0410B	B1023B	2	
	B0411A	JA8302B	1	
	B0411B	JA8302A	1	
	B0412A	JA8301B	1	
	B0412B	JA8301A	1	
	B0413A	JA8311B	1	
	B0413B	JA8311A	1	
	B0414A	JA8310B	1	
	B0414B	JA8310A	1	
	B0415A	JA8309B	1	
	B0415B	JA8309A	1	
	B0416A	JA8308B	1	
	B0416B	JA8308A	1	
	B0417A	JA8307B	1	
	B0417B	JA8307A	1	
	B0421A	JA8306B	1	
	B0421B	JA8306A	1	
	B0422A	JA8305B	1	
	B0422B	JA8305A	1	
	B0423A	JA8304B	1	
	B0423B	JA8304A	1	
	B0424A	R0631A	2	
	B0424A	R0224A	1	
	B0424B	B0224B	1	
	B0424B	B0628B	2	
	B0425A	B0626B	2	
	B0425A	B0225A	1	
	B0425B	B0624A	2	
	B0425B	B0225B	1	
	B0426A	B0622B	2	
	B0426A	B0226A	1	
	B0426B	B0629B	2	
	B0426B	B0226B	1	
	B0427A	R0633A	2	
	B0427A	B0227A	1	
	B0428A	B0228A	1	

KOR-0542B-2

TITLE Logic Wirewrap - Applicable to Index and Sector in A and B Cable	WL	DOCUMENT NO.	SHEET NO. 11	REV. AT/AV
---	----	--------------	-----------------	---------------

SIGNAL NAME OR NUMBER IDENTIFICATION	ORIGIN	DESTINATION	Z LEVEL	NOTES
--------------------------------------	--------	-------------	---------	-------

	B0428A	B0630A	2	
	B0432A	B06068	2	
	B0432A	B0232A	1	
	B0432B	B0621A	2	
	B0432B	B0232B	1	
	B0433B	B0502A	2	
	B0433B	B0233B	1	
	B0434A	JA8236A	1	
	B0434A	JA8336A	2	
	B0501A	JA8230B	2	
	B0502A	B0433B	2	
	B0502A	B1009A	1	
	B0502B	B1025B	2	
	B0503B	B0404A	1	
	B0505A	JA8221A	1	
	B0505B	JA8221B	1	
	B0506A	B0932A	2	
	B0506B	B1027A	2	
	B0507A	B1010A	1	
	B0510A	B0404B	1	
	B0510B	B0315B	1	
	B0511A	B0315A	1	
	B0512A	A0430A	2	
	B0512B	A0431B	2	
	B0513A	A0427A	2	
	B0513B	A0428B	2	
	B0514A	A0410B	1	
	B0515A	B1030B	1	
	B0515B	B0310B	1	
	B0516A	B0110B	1	
	B0516B	B0723B	1	
	B0517A	B1027B	1	
	B0517B	B0310A	1	
	B0521A	B0110A	1	
	B0521B	B1016B	1	
	B0522A	B0710B	1	
	B0523B	B1002A	1	
	B0524A	JA8322B	1	
	B0524B	JA8322A	1	
	B0525A	JA8321A	1	
	B0525B	JA8321B	1	
	B0526A	JA8328A	1	
	B0526B	JA8328B	1	
	B0527A	JA8342A	1	
	B0527B	JA8342B	1	
	B0529A	JA8341B	1	
	B0529B	JA8341A	1	
	B0530A	B0709B	1	
	B0530B	B0707B	2	
	B0530B	A0407A	1	
	B0531A	B0625A	1	
	B0531A	B0403A	2	
	B0531B	B1010B	1	

Used on BK5A7V/W & BK5C4C/D only

KOR-0542B-2

TITLE Logic Wirewrap - Applicable to Index and Sector in A and B Cable	WL	DOCUMENT NO.	SHEET NO. 12	REV. AT/AV
---	----	--------------	-----------------	---------------

SIGNAL NAME OR NUMBER IDENTIFICATION	ORIGIN	DESTINATION	Z LEVEL	NOTES
--------------------------------------	--------	-------------	---------	-------

B0532A	B0403B	1
B0532A	A0221B	2
B0532B	B1008B	2
B0532B	A1013A	1
B0533A	B0203B	1
B0533B	B0708B	1
B0534A	JA8337B	2
B0534A	JA8237B	1
B0601A	JA8330A	2
B0602A	A0711B	1
B0602B	A0725B	1
B0603A	A0712B	1
B0603B	B0914A	1
B0604A	A0713A	1
B0604B	A0727A	1
B0605A	B0910B	1
B0605B	B0903A	1
B0605B	B0324A	2
B0606A	B0917B	1
B0606B	B0432A	2
B0607A	B0827B	1
B0607B	B0922B	1
B0609A	A0717A	1
B0609B	A0715A	1
B0610A	A0713B	1
B0611B	A0716A	1
B0613A	JA9110A	1
B0613B	B0904A	1
B0614A	B0914B	1
B0614B	B0307A	1
B0615A	B0933B	1
B0616A	JA8101B	1
B0616B	B0712B	2
B0616B	B0227B	1
B0617B	A0926B	1
B0621A	B0432B	2
B0621A	B0832A	1
B0622B	B0426A	2
B0622B	B0826B	1
B0623B	JA8111A	1
B0624A	B0826A	1
B0624A	B0425B	2
B0624B	JA8112A	1
B0625A	B0833B	2
B0625A	B0531A	1
B0625B	B0915B	1
B0626A	B0817A	2
B0626A	B0117A	1
B0626B	B0811B	1
B0626B	B0425A	2
B0628B	B0823B	1
B0628B	B0424B	2
B0629B	B0426B	2

Used on BK5A7V/W & BK5C4C/D only

KOR-0542B-2

TITLE	Logic Wirewrap - Applicable to Index and Sector in A and B Cable	WL	DOCUMENT NO.	SHEET NO. 13	REV. AT/AV
-------	--	----	--------------	-----------------	---------------

SIGNAL NAME OR NUMBER IDENTIFICATION	ORIGIN	DESTINATION	Z LEVEL	NOTES
	R0629R	BJ822A	1	
	B0630A	BJ428A	2	
	B0630A	BJ823A	1	
	B0631A	B0832B	1	
	B0631A	B0424A	2	
	B0632A	BJ124A	2	
	B0632B	BJ910A	1	
	B0633A	B0427A	2	
	B0633A	B0825A	1	
	B0633B	A0217A	1	
	B0634A	JA8339A	2	
	B0634A	JA8239A	1	
	B0701A	JA8330B	2	Used on BK5A7V/W & BK5C4C/D only
	B0702A	JA8344A	1	
	B0702B	JA8343B	1	
	B0703A	JA8243B	1	
	B0703R	JA8244A	1	
	B0704A	JA8245A	1	
	B0704B	JA8245B	1	
	B0705A	P0707A	1	
	B0705B	B0706A	1	
	B0706A	B0813B	2	
	B0706A	BJ705B	1	
	B0706B	B0727B	1	
	B0707A	B0705A	1	
	B0707A	B0821B	2	
	B0707B	B0530B	2	
	B0707B	A0528B	1	
	B0709B	B0533B	1	
	B0709A	A0130B	1	
	B0709B	R0530A	1	
	B0710B	R0522A	1	
	B0711A	JA8345A	1	
	B0711B	JA8345B	1	
	B0712B	B0616B	2	
	B0723B	R0516B	1	
	B0726B	R0103A	2	
	B0727B	B0706B	1	
	B0729A	JA8108B	1	
	B0729B	JA8109B	1	
	B0732B	BJ402B	1	
	B0734A	JA8340B	2	
	B0734A	JA9240B	1	
	B0801A	BJ811A	1	
	B0804A	A0311B	1	
	B0804B	A1017B	2	
	B0804B	B0921B	1	
	B0805A	B0814A	1	
	B0805B	A0332A	1	
	B0806A	B0911B	1	
	B0806B	BJ924A	1	
	B0807A	B0932B	1	
	B0807B	B0925B	1	

KOR-0542B-2

TITLE Logic Wirewrap - Applicable to Index and Sector in A and B Cable	WL	DOCUMENT NO.	SHEET NO. 14	REV. AT/AV
--	----	--------------	-----------------	---------------

SIGNAL NAME OR NUMBER IDENTIFICATION	ORIGIN	DESTI- NATION	Z LEVEL	NOTES
	R0810A	A0809B	1	
	B0810B	A0814B	1	
	B0811A	B0801A	1	
	B0811B	B0626B	1	
	B0812A	B0913B	1	
	B0812A	A0327B	2	
	B0812B	B0927A	2	
	B0812B	B0230B	1	
	B0813A	B0815B	2	
	B0813B	B0304A	1	
	B0813B	B0706A	2	
	B0814A	R0814B	2	
	B0814A	B0805A	1	
	B0814B	R0825B	1	
	R0814B	R0814A	2	
	B0815A	A0126B	1	
	R0815B	B0824B	1	
	B0815B	B0813A	2	
	B0816A	A0808A	1	
	B0816B	B0902A	1	
	B0817A	B0626A	2	
	B0817A	R0905B	1	
	B0817B	B0907B	1	
	B0817B	A0425B	2	
	B0821A	R0917A	1	
	B0821B	B0304B	1	
	B0821B	B0707A	2	
	B0822A	B0629B	1	
	B0822B	A0333A	2	
	B0823A	R0630A	1	
	B0823B	B0628B	1	
	B0824A	B0824B	2	
	B0824A	B0834A	1	
	B0824B	B0824A	2	
	B0824B	B0815B	1	
	B0825A	R0633A	1	
	B0825B	B0814B	1	
	B0825B	B0829A	2	
	B0826A	B0624A	1	
	B0826B	B0622B	1	
	B0827A	B0933A	1	
	B0827B	B0607A	1	
	B0827B	R0902B	2	
	B0828B	A0823A	1	
	B0829A	B0825B	2	
	B0829A	B0829B	1	
	B0829B	B0829A	1	
	B0829B	R0830A	2	
	B0830A	B0829B	2	
	B0831A	A0113B	1	
	B0832A	B0621A	1	
	B0832B	B0631A	1	

KOR-0542B-2

TITLE	Logic Wirewrap - Applicable to Index and Sector in A and B Cable	WL	DOCUMENT NO.	SHEET NO.	REV.
				15	AT/AV

SIGNAL NAME OR NUMBER IDENTIFICATION	ORIGIN	DESTINATION	Z LEVEL	NOTES
	R0R33A	B0929A	1	
	B0833B	B0625A	2	
	B0R33R	B1003A	1	
	B0834A	JA8243A	2	
	R0834A	R0824A	1	
	B0902A	B0816B	1	
	B0902B	B0905B	1	
	R0902B	B0827B	2	
	B0903A	B0605R	1	
	R0903A	A0832A	2	
	R0903B	A0410A	1	
	B0904A	B0613R	1	
	B0904B	A0815A	1	
	B0905A	A0812B	1	
	B0905B	B0902B	1	
	B0906A	A0823B	1	
	R0906B	A0810B	2	
	R0906B	R0817A	1	
	R0907A	A0923B	1	
	R0907B	B0817B	1	
	B0908A	A0922B	1	
	B0909A	R0916A	2	
	R0910A	B0632B	1	
	B0910B	B0605A	1	
	B0911A	B0307B	1	
	R0911B	B0806A	1	
	B0912A	A1014B	1	
	B0912B	A0708A	1	
	R0913A	A0710A	1	
	B0913B	R0812A	1	
	B0913B	A0925B	2	
	B0914A	A0812A	2	
	B0914A	B0603B	1	
	R0914B	B0614A	1	
	R0915A	A0924B	2	
	R0915B	B0625B	1	
	R0916A	A0717B	1	
	R0916A	B0909A	2	
	B0916B	A0722B	1	
	B0917A	B0821A	1	
	R0917B	B0606A	1	
	B0921B	A0916B	2	
	B0921B	B0804B	1	
	B0922A	A0813A	1	
	B0922B	R0607B	1	
	R0923A	R0934A	1	
	B0923B	A1017A	1	
	B0924A	B0806B	1	
	B0924B	JA8004A	1	
	B0925A	A0915B	1	
	B0925B	R0807B	1	
	B0926A	A0825B	1	

KOR.0542B.2

TITLE Logic Wirewrap - Applicable to Index and Sector in A and B Cable	WL	DOCUMENT NO.	SHEET NO. 16	REV. AT/AV
--	----	--------------	-----------------	---------------

SIGNAL NAME OR NUMBER IDENTIFICATION	ORIGIN	DESI- NATION	Z LEVEL	NOTES
	B0926B	A1022A	1	
	B0927A	B0R12B	2	
	B0927B	A0308B	1	
	B0928B	A0307B	1	
	B0929A	B0833A	1	
	B0929B	A0707B	1	
	B0930A	A0813B	1	
	B0930B	A0927B	1	
	B0931A	A0702A	1	
	B0931B	A0414A	1	
	B0932A	B1009B	1	
	B0932B	B0506A	2	
	B0932B	B0807A	1	
	B0933A	B0827A	1	
	B0933B	A0707A	2	
	B0933B	B0615A	1	
	B0934A	JA8343A	2	
	B0934A	B0923A	1	
	B1002A	B0523B	1	
	B1003A	B0833B	1	
	B1007A	JA8222B	1	
	B1007P	JA8222A	1	
	B1008A	A0811B	1	
	B1008B	B0532B	2	
	B1009A	B0502A	1	
	B1009B	B0932A	1	
	B1010A	B0507A	1	
	B1010B	B0531B	1	
	B1015B	A0413B	2	
	B1016A	A1015B	1	
	B1015B	B0521B	1	
	B1017B	JA8003A	1	BK5C6D ONLY
	B1022A	B0210A	2	
	B1022B	B0210B	2	
	B1023A	B0410A	2	
	B1023B	B0410B	2	
	B1024A	JA8001B	1	BK5C6D ONLY
	B1025B	B0502B	2	
	B1026A	A0217B	2	
	B1026B	JA8003B	1	BK5C6D ONLY
	B1027A	B0506B	2	
	B1027B	B0517A	1	
	B1028A	JA8242A	1	
	B1028B	JA8242B	1	
	B1029A	JA8241B	1	
	B1029B	JA8241A	1	
	B1030A	B0321B	1	
	B1030B	B0515A	1	
	B1031A	JA8228A	1	
	B1031B	JA8228B	1	
	B1033A	A1027A	2	BK5C6D ONLY
	B1033B	A0933A	1	BK5C6D ONLY
	B1034A	JA8244B	1	
	B1034A	JA8344B	2	
	JA8001A	A0411B	2	
	JA8001A	A1012A	1	
	JA8001B	B1024A	1	BK5C6D ONLY
	JA8002B	A0409A	1	

KOR-0542B-2

TITLE Logic Wirewrap - Applicable to Index and Sector in A and B Cable	WL	DOCUMENT NO.	SHEET NO. 17	REV. AT/AV
---	----	--------------	-----------------	---------------

SIGNAL NAME OR NUMBER IDENTIFICATION	ORIGIN	DESTI- NATION	Z LEVEL	NOTES
JA8003A	A0133B		1	All units except BK5C6D BK5C6D ONLY
JA8003A	B1017B		1	
JA8003B	A1028B		1	
JA8003B	B1026B		1	
JA8004A	A1030R		2	
JA8004A	B0924B		1	
JA8004B	A1029B		1	
JA8005A	A1026B		1	
JA8005B	A1028A		1	
JA8006A	A1026A		1	
JA8006B	A1029A		1	
JA8007A	A0101A		1	
JA8007B	A0101A		2	
JA8008A	JA8102B		1	
JA8008B	JA8112B		1	
JA8009B	A1012B		1	
JA8010A	A1027A		1	
JA8010B	A1034A		1	
JA8011A	A0428B		1	
JA8011B	A0431R		1	
JA8012A	A0427A		1	
JA8013A	A0412B		1	
JA8014A	A0430A		1	
JA8014B	A0134B		1	
JA8101A	A0601A		1	
JA8101B	B0616A		1	
JA8102A	B0132A		1	
JA8102B	JA8008A		1	
JA8103A	B0133B		1	
JA8103B	A0601B		1	
JA8104A	B0132B		1	
JA8104B	A0825A		1	
JA8105A	A1001A		1	
JA8105B	A0521B		1	
JA8106A	A0522B		1	
JA8106B	A0508B		1	
JA8107A	A0801A		1	
JA8107B	A0507B		1	
JA8108A	A0414B		1	
JA8108B	B0729A		1	
JA8109A	A0409B		1	
JA8109B	B0729B		1	
JA8110A	B0613A		1	
JA8110B	A0413A		1	
JA8111A	B0623B		1	
JA8111B	A0634B		1	
JA8112A	B0624B		1	
JA8112B	JA8008B		1	
JA8113A	A1002A		1	
JA8113B	A0633B		1	
JA8114A	A0701A		1	
JA8114B	A0932B		2	
JA8114B	A1032B		1	
JA8201A	B0212B		1	

KOR-0542B-2

TITLE	Logic Wirewrap - Applicable to Index and Sector in A and B Cable	WL	DOCUMENT NO.	SHEET NO.	18	REV.	AT/AV
-------	--	----	--------------	-----------	----	------	-------

SIGNAL NAME OR NUMBER IDENTIFICATION	ORIGIN	DESTINATION	Z LEVEL	NOTES
	JA8201B	80212A	1	
	JA8202A	80211B	1	
	JA8202B	80211A	1	
	JA8203A	80207B	1	
	JA8203B	80207A	1	
	JA8204A	80223B	1	
	JA8204R	80223A	1	
	JA8205A	80222R	1	
	JA8205B	80222A	1	
	JA8206A	80221B	1	
	JA8206B	80221A	1	
	JA8207A	80217B	1	
	JA8207B	80217A	1	
	JA8208A	80216B	1	
	JA8208R	80216A	1	
	JA8209A	80215B	1	
	JA8209B	80215A	1	
	JA8210A	80214B	1	
	JA8210R	80214A	1	
	JA8211A	80213B	1	
	JA8211R	80213A	1	
	JA8212A	80209B	1	
	JA8212B	80209A	1	
	JA8213A	80210B	1	
	JA8213B	80210A	1	
	JA8214A	80208B	1	
	JA8214B	80208A	1	
	JA8215A	80109A	1	
	JA8215B	80109B	1	
	JA8216A	80108A	1	
	JA8216B	80108B	1	
	JA8217A	80126A	1	
	JA8217B	80126B	1	
	JA8218A	80106A	1	
	JA8218R	80106R	1	
	JA8219A	80125A	1	
	JA8219R	80125B	1	
	JA8220A	80127A	1	
	JA822JR	80127R	1	
	JA8221A	80505A	1	
	JA8221B	80505B	1	
	JA8222A	81007B	1	
	JA8222B	81007A	1	
	JA8223A	80205R	1	
	JA8223R	80205A	1	
	JA8224A	80206B	1	
	JA8224B	80206A	1	
	JA8225A	80105A	1	
	JA8225B	80105R	1	
	JA8226A	80113B	1	
	JA8226B	80113A	1	
	JA8227A	80114B	1	

KOR-0542B-2

SIGNAL NAME OR NUMBER IDENTIFICATION	ORIGIN	DESTINATION	Z LEVEL	NOTES
JA8227B		80114A	1	
JA8228A		81031A	1	
JA8228B		81031B	1	
JA8229A		A1003B	1	
JA8229B		A1003A	1	
JA8230A		B0101A	1	Used on BK5A7V/W & BK5C4C/D only
JA8230A		B0134A	2	Used on BK5A7V/W & BK5C4C/D only
JA8230B		B0201A	1	Used on BK5A7V/W & BK5C4C/D only
JA8230B		B0501A	2	Used on BK5A7V/W & BK5C4C/D only
JA8231A		A1004B	1	
JA8233A		80234A	1	
JA8233B		80128B	1	
JA8234A		80128A	1	
JA8234B		80334A	1	
JA8235A		80130A	1	
JA8235B		80130B	1	
JA8236A		80434A	1	
JA8236B		80129B	1	
JA8237A		80129A	1	
JA8237B		80534A	1	
JA8238A		80112B	1	
JA8238B		80112A	1	
JA8239A		80634A	1	
JA8239B		80111A	1	
JA8240A		80111B	1	
JA8240B		80734A	1	
JA8241A		81029B	1	
JA8241B		81029A	1	
JA8242A		81028A	1	
JA8242B		81028B	1	
JA8243A		80834A	2	
JA8243B		80703A	1	
JA8244A		80703B	1	
JA8244B		81034A	1	
JA8245A		80704A	1	
JA8245B		80704B	1	
JA8301A		80412B	1	
JA8301B		80412A	1	
JA8302A		80411B	1	
JA8302B		80411A	1	
JA8303A		80407B	1	
JA8303B		80407A	1	
JA8304A		80423B	1	
JA8304B		80423A	1	
JA8305A		80422B	1	
JA8305B		80422A	1	
JA8306A		80421B	1	
JA8306B		80421A	1	
JA8307A		80417B	1	
JA8307B		80417A	1	
JA8308A		80416B	1	
JA8308B		80416A	1	
JA8309A		80415B	1	
JA8309B		80415A	1	
JA8310A		80414B	1	
JA8310B		80414A	1	

SIGNAL NAME OR NUMBER IDENTIFICATION	ORIGIN	DESTINATION	Z LEVEL	NOTES
--------------------------------------	--------	-------------	---------	-------

JA8311A	B0413R	1
JA8311B	B0413A	1
JA8312A	R0409B	1
JA8312B	B0409A	1
JA8313A	B0410B	1
JA8313B	B0410A	1
JA8314A	B0408R	1
JA8314B	B0408A	1
JA8315A	B0309A	1
JA8315B	B0309B	1
JA8316A	B0308A	1
JA8316B	B0308B	1
JA8317A	B0326A	1
JA8317B	B0326B	1
JA8318A	B0306A	1
JA8318R	B0306R	1
JA8319A	B0325A	1
JA8319B	B0325B	1
JA8320A	B0327A	1
JA8320B	B0327B	1
JA8321A	B0525A	1
JA8321B	B0525B	1
JA8322A	B0524B	1
JA8322B	B0524A	1
JA8323A	B0405B	1
JA8323B	B0405A	1
JA8324A	B0406B	1
JA8324B	B0406A	1
JA8325A	B0305A	1
JA8325B	B0305B	1
JA8326A	B0313B	1
JA8326B	B0313A	1
JA8327A	B0314B	1
JA8327R	B0314A	1
JA8328A	B0526A	1
JA8328R	B0526R	1
JA8329A	A1003B	2
JA8329B	A1003A	2
JA8330A	B0301A	1
JA8330B	B0401A	1
JA8330A	B0601A	2
JA8330B	B0701A	2
JA8331A	A1004B	2
JA8333A	B0234A	2
JA8333B	B0328B	1
JA8334A	B0328A	1
JA8334B	B0334A	2
JA8335A	B0330A	1
JA8335B	B0330B	1
JA8336A	B0434A	2
JA8336R	B0329B	1
JA8337A	B0329A	1
JA8337B	B0534A	2
JA8338A	B0312B	1
JA8338R	B0312A	1
JA8339A	B0634A	2

Used on BK5A7V/W & BK5C4C/D only
Used on BK5A7V/W & BK5C4C/D only
Used on BK5A7V/W & BK5C4C/D only
Used on BK5A7V/W & BK5C4C/D only

TITLE	Logic Wirewrap - Applicable to Index and Sector in A and B Cable	WL	DOCUMENT NO.	SHEET NO. 21	REV. AT/AV
-------	--	----	--------------	-----------------	---------------

SIGNAL NAME OR NUMBER IDENTIFICATION	ORIGIN	DESTINATION	Z LEVEL	NOTES
--------------------------------------	--------	-------------	---------	-------

JA8339B		BJ311A	1	
JA8340A		80311B	1	
JA8340B		80734A	2	
JA8341A		80529B	1	
JA8341B		80529A	1	
JA8342A		80527A	1	
JA8342B		80527B	1	
JA8343A		80934A	2	
JA8343B		80702B	1	
JA8344A		80702A	1	
JA8344B		81034A	2	
JA8345A		80711A	1	
JA8345B		80711B	1	

KOR-0542B-2

COMMENT SHEET

Manual Title: _____

Publication No: _____

Revision: _____

Name: _____

Company: _____

Street Address: _____

City: _____ **State:** _____ **Zip Code:** _____

This form is not intended to be used as an order blank. Seagate welcomes your evaluation of this manual. Please indicate any errors, suggested additions or deletions, or general comments below (please include page number references)

Please reply

No reply necessary

Cut along line

Printed in U.S.A.

KØR 0502F

No postage stamp necessary if mailed in U.S.A.

Fold on dotted lines and tape. Postal regulations prohibit the use of staples.

FOLD

FOLD

FIRST CLASS
PERMIT NO. 8241

MINNEAPOLIS, MINN.

BUSINESS REPLY MAIL

NO POSTAGE STAMP NECESSARY IF MAILED IN U. S. A.

POSTAGE WILL BE PAID BY

SEAGATE TECHNOLOGY, INC.
TECHNICAL PUBLICATIONS DEPARTMENT
12701 WHITEWATER DRIVE
MINNETONKA, MN. 55343



CUT ALONG LINE

FOLD

FOLD