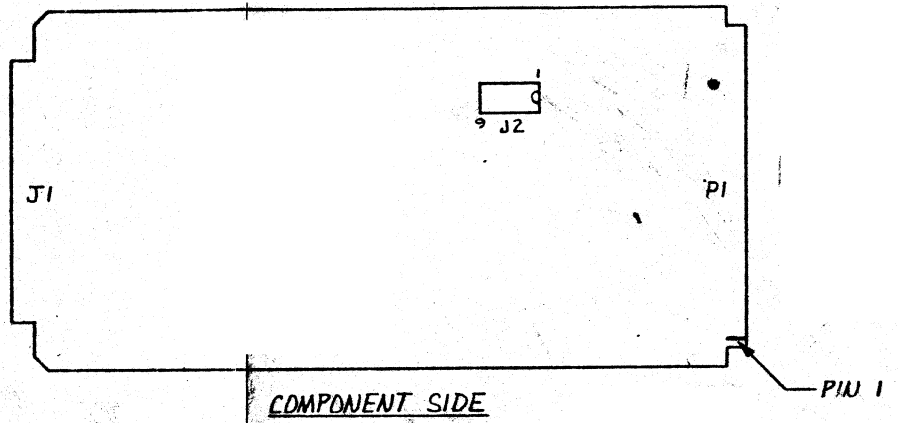
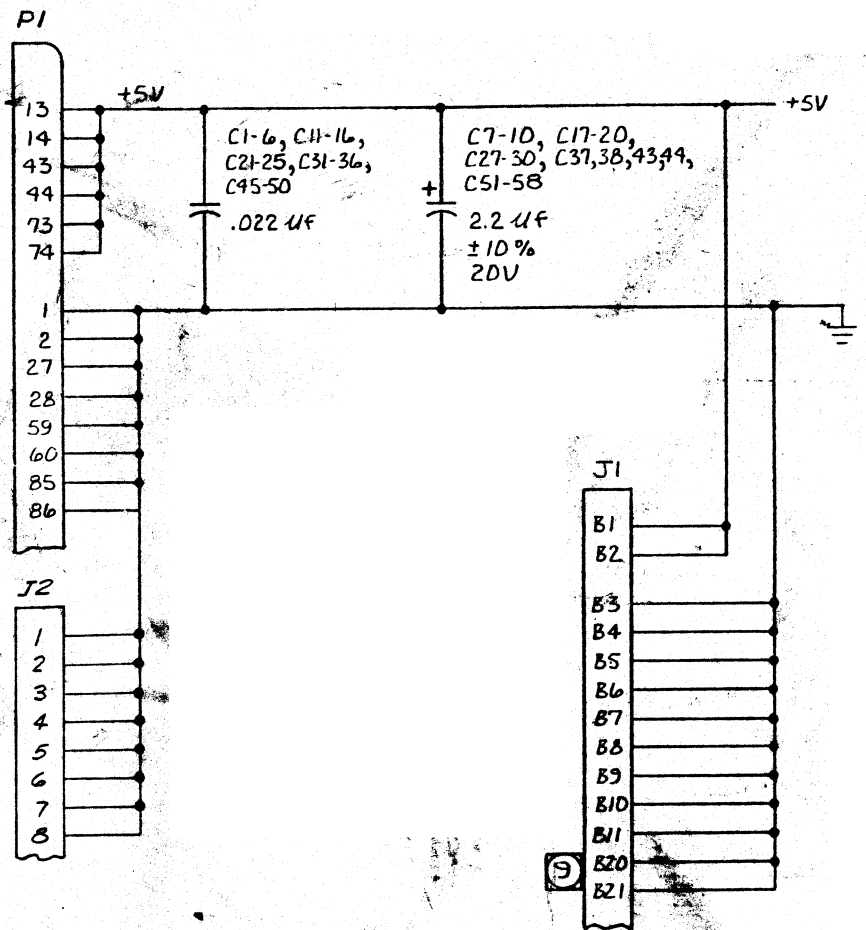


REVISIONS					
REV	DESCRIPTION	DR	CH	DATE	APPROVAL
GO	PROD REL PER 4625				



UNUSED GATES / IC			
IC DESIGN.	IC TYPE	UNUSED PINS IN	UNUSED PINS OUT
1	7438	1,2 9,10 12,13	3 8 11
15	7408	4,5	6
25	SPARE	ALL	ALL
11	8097	15,14 12	13 11
19	7404	9,11,13	8,10,12
29	7486	4,5 9,10 12,13	6 8 11
34	7402	5,6 11,12	4 13
41	7432	12,13	11
43	7408	1,2 4,5 12,13	3 6 11
52	7432	9,10	8
40	7438	12,13	11

TABULATION BLOCK		
DASH NO.	DESCRIPTION	JUMPER
-00	BASIC	W1
-01	OBR'S ONE SHOT ADDED	W2

- 10. FOR -00 JUMPER W1 IS INSTALLED  
FOR -01 JUMPER W2 IS INSTALLED
- 9. PINS B20 AND B21 ON J1 ARE RESERVED FOR MODULE CONTROL SIGNAL GROUND RETURNS ONLY.
- 8. CAPACITOR C26 IS OMITTED.
- 7. ○ DENOTES MULTI-ELEMENT DEVICES WITH COMMON FUNCTIONS AND COMMON PIN CONNECTIONS
- 6. → DENOTES OUTPUT SIGNALS  
← DENOTES INPUT SIGNALS  
↔ DENOTES BI-DIRECTIONAL SIGNALS
- 5. ALL RESISTOR PACKS ARE 1K ±5%, 1/8W.
- 4. ALL RESISTOR VALUES ARE IN OHMS, ±5%, 1/4W.
- 3. ALL CAPACITORS IN uF ALL .022 uF CAPACITORS ARE ±20%, 25V.
- 2. LAST REFERENCE DESIGNATORS USED: IC 70, R5, C55, P27.
- 1. FOR LOGIC DASH NO. SEE TABULATION BLOCK

NOTES: UNLESS OTHERWISE SPECIFIED

FEB 04 1977

NOTES UNLESS SPECIFIED: 1. TOLERANCES XX ±.03 ANGULAR XXX ±.010 ±.5° 2. BREAK ALL SHARP EDGES APPROX. 3. ALL DIM. IN INCHES		DR. [Signature] CHK. [Signature] DSG. ENGR.	TITLE <b>LOGIC DIAGRAM - 16 BIT I/O</b>
PROPRIETARY RIGHTS NOTICE THIS DRAWING AND INFORMATION CONTAINED HEREIN ARE THE PROPERTY OF COMPUTER AUTOMATION, INC. NO PART OF THIS DRAWING AND INFORMATION MAY BE REPRODUCED OR TRANSMITTED IN ANY FORM OR BY ANY MEANS, ELECTRONIC OR MECHANICAL, INCLUDING PHOTOCOPYING, RECORDING, OR BY ANY INFORMATION STORAGE AND RETRIEVAL SYSTEM, WITHOUT THE WRITTEN PERMISSION OF COMPUTER AUTOMATION, INC.		SIZE D DWG. NO. 00-52213-XX REV GO	DO NOT SCALE DRAWING SCALE = NONE SHT. 1 OF 1

PROPRIETARY RIGHTS NOTICE  
 THIS DOCUMENT AND INFORMATION CONTAINED  
 HEREIN ARE THE PROPERTY OF COMPUTER AUTOMATION, INC.  
 RIGHTS TO REPRODUCE OR TRANSMIT IN ANY FORM OR BY  
 ANY MEANS, ELECTRONIC OR MECHANICAL, INCLUDING  
 PHOTOCOPYING, RECORDING, OR BY ANY INFORMATION  
 STORAGE AND RETRIEVAL SYSTEM, WITHOUT THE WRITTEN  
 PERMISSION OF COMPUTER AUTOMATION, INC. ARE  
 EXPRESSLY FORBIDDEN.

REVISIONS					
REV	DESCRIPTION	DR	CH	DATE	APPROVAL

PI	SIGNAL	DIRECTION	LOCATION
1	GND	→	C8
2	GND	→	C8
3		N/U	
4		↑	
5			
6			
7			
8			
9			
10			
11		↓	
12		N/U	
13	+5V	→	C8
14	+5V	→	C8
15		N/U	
16		↑	
17			
18			
19			
20			
21			
22			
23			
24			
25		↓	
26		N/U	
27	GND	→	C8
28	GND	→	C8
29		N/U	
30		↑	
31			
32			
33			
34			
35			
36			
37		↓	
38		N/U	
39	DB00	→	D32
40	DB01	→	D32
41	DB02	→	D32
42	DB03	→	D32
43	+5V	→	C8

PI	SIGNAL	DIRECTION	LOCATION
44	+5V	→	C8
45	DB04	→	D32
46	DB05	→	D32
47	DB06	→	D32
48	DB07	→	D32
49	DB08	→	D32
50	DB09	→	D32
51	DB10	→	D32
52	DB11	→	D32
53	DB12	→	D32
54	DB13	→	D32
55	DB14	→	D32
56	DB15	→	D32
57	EXEC	→	A24
58	IN	→	A24
59	GND	→	C8
60	GND	→	C8
61	INCL	→	A24
62	OUT	→	A24
63			
64	SER	→	D17
65	TUR	→	B43
66			
67	JAR	→	B24
68			
69	RST	→	B24
70			
71	PLSE	→	B24
72	ECHO	→	B24
73	+5V	→	C8
74	+5V	→	C8
75	AB03	→	D24
76	AB04	→	C24
77	AB05	→	C24
78	AB06	→	C24
79	AB07	→	C24
80	AB00	→	C24
81	AB01	→	B24
82	AB02	→	B24
83	PRIN	→	A24
84	PKBT	→	B43
85	GND	→	C8
86	GND	→	C8

J1	SIGNAL	DIRECTION	LOCATION
AD1	PS4	→	C24
02	PS3	→	C24
03	PS2	→	C24
04	PS1	→	D24
05	PS0	→	D24
06	EB	→	C44
07	E10	→	C44
08	E32	→	D44
09	E1A	→	D44
10	E128	→	D44
11	E256	→	D44
12	ES7	→	C20
13	ES6	→	C20
14	ES5	→	C20
15	ES4	→	C20
16	ES3	→	C20
17	ES2	→	C20
18	ES1	→	D20
19	ES0	→	D20
20	SP0L	→	A32
21	RP0L	→	C48
22	OP0L	→	D30
23	IP0L	→	C37
24	PLSE	→	B22
25	EX7	→	A19
26	EX6	→	A19
27	EX5	→	B19
28	EX4	→	B19
29	EX3	→	B19
30	EX2	→	B19
31	EX1	→	B19
32	EX0	→	B19
33	ID15	→	A37
34	ID14	→	A37
35	ID13	→	A37
36	ID12	→	A37
37	ID11	→	B37
38	ID10	→	B37
39	ID09	→	B37
40	ID08	→	B37
41	ID07	→	C37
42	ID06	→	C37
43	ID05	→	C37
44	ID04	→	C37
45	ID03	→	D37
46	ID02	→	D37
47	ID01	→	D37
48	ID00	→	D37
49	C4	→	C26
AS0	C2	→	B26

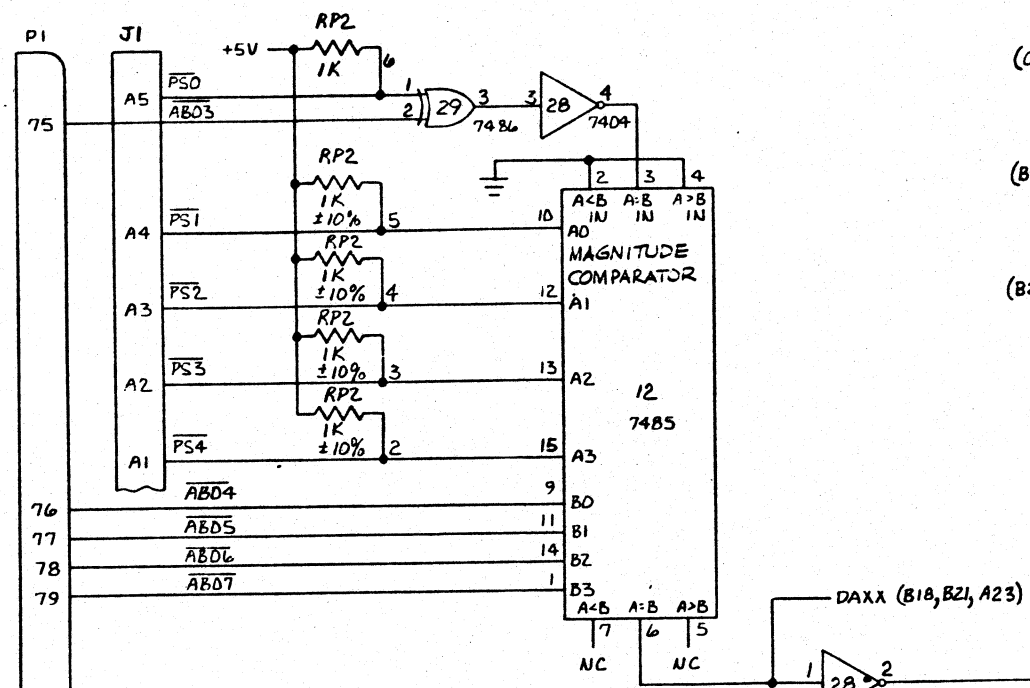
J1	SIGNAL	DIRECTION	LOCATION
B01	+5V	→	C7
02	+5V	→	B7
03	GND	→	B7
04		↑	B7
05		↑	B7
06		↑	B7
07		↑	B7
08		↑	B7
09		↑	B7
10		↓	B7
11	GND	→	B7
12		N/U	
13		N/U	
14		N/U	
15		N/U	
16		N/U	
17		N/U	
18		N/U	
19	IBF	→	B38
20	GND-C	→	B7
21	GND-C	→	B7
22	STB	→	C25
23	AD	→	C38
24	DBS	→	A29
25	IBF	→	B38
26	DBE	→	A29
27	DBRS	→	A32
28	RNT2	→	C48
29	RNT1	→	C48
30	STB	→	C25
31	EST	→	C40
32	ITRAN	→	D40
33	BC15	→	B27
34	BC14	→	B27
35	BC13	→	B27
36	BC12	→	B27
37	BC11	→	C27
38	BC10	→	C27
39	BC09	→	C27
40	BC08	→	C27
41	BC07	→	C27
42	BC06	→	C27
43	BC05	→	C27
44	BC04	→	D27
45	BC03	→	D27
46	BC02	→	D27
47	BC01	→	D27
48	BC00	→	D27
49	C3	→	C26
B50	C1	→	B26

J2	SIGNAL	DIRECTION	LOCATION
1	GND	→	B8
2		↑	
3		↑	
4		↑	
5		↑	
6		↑	
7		↓	
8	GND	→	B8
9	PP0L	→	D30
10	RP0L	→	C48
11	SP0L	→	A32
12	ITRAN	→	D40
13	IP0L	→	A37

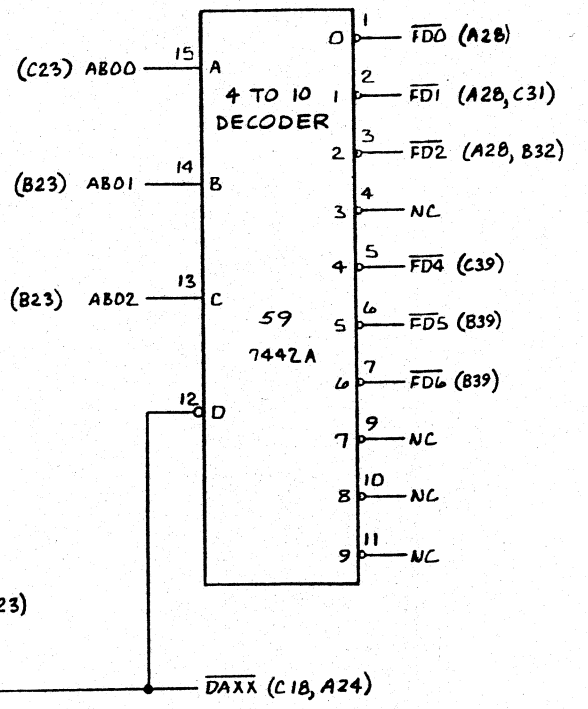
PROPRIETARY INFORMATION  
 THIS DOCUMENT AND INFORMATION CONTAINED HEREIN ARE THE PROPERTY OF CONTROL DATA CORPORATION, INC. AND RIGHTS TO REPRODUCE OR TRANSMIT IN ANY FORM OR BY ANY MEANS, ELECTRONIC OR MECHANICAL, INCLUDING PHOTOCOPYING, RECORDING, OR BY ANY INFORMATION STORAGE AND RETRIEVAL SYSTEM, WITHOUT PERMISSION IN WRITING FROM CONTROL DATA CORPORATION, INC. ARE HEREBY FORBIDDEN.

REVISIONS					
REV	DESCRIPTION	DR	CH	DATE	APPROVAL

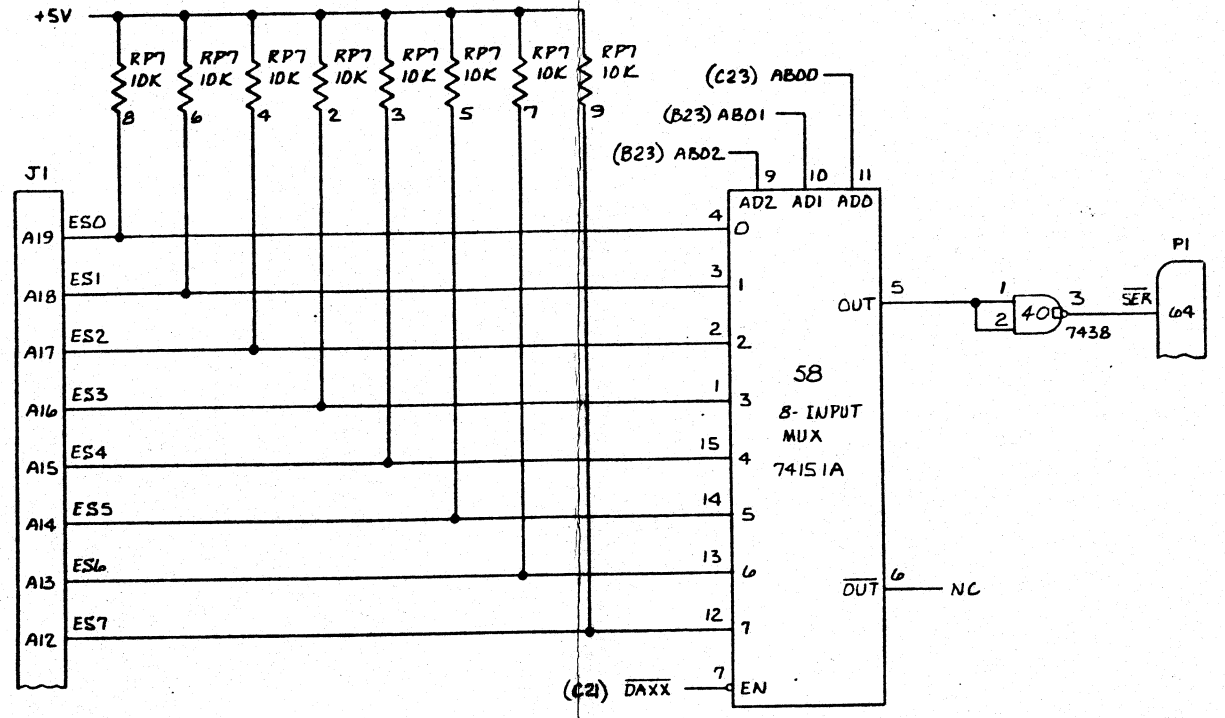
### DEVICE ADDRESS DECODE



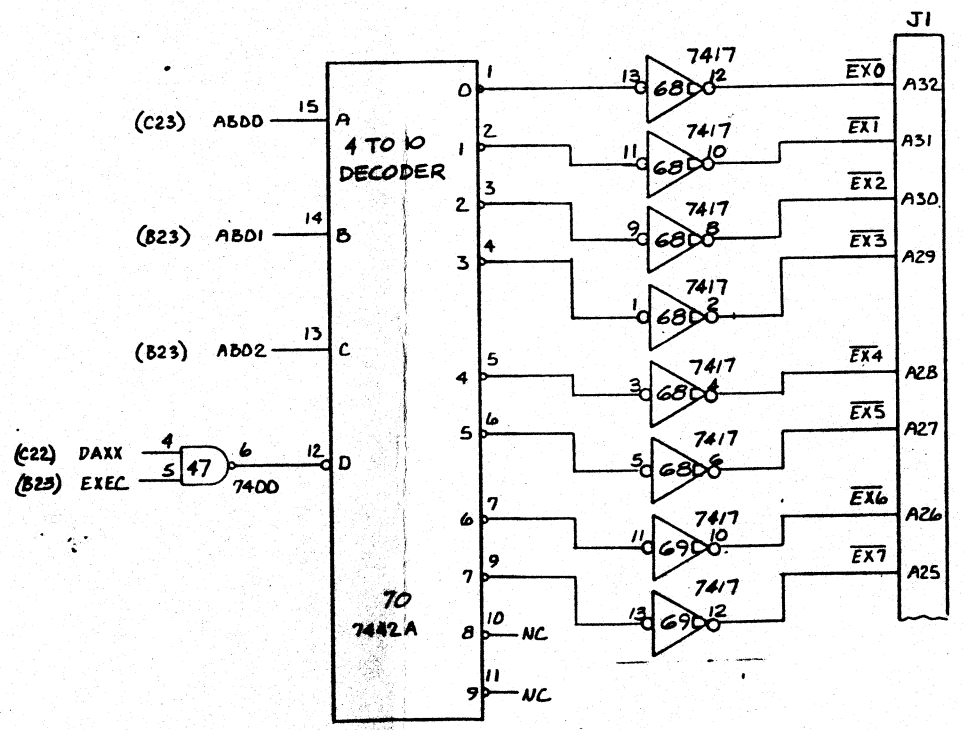
### FUNCTION DECODE



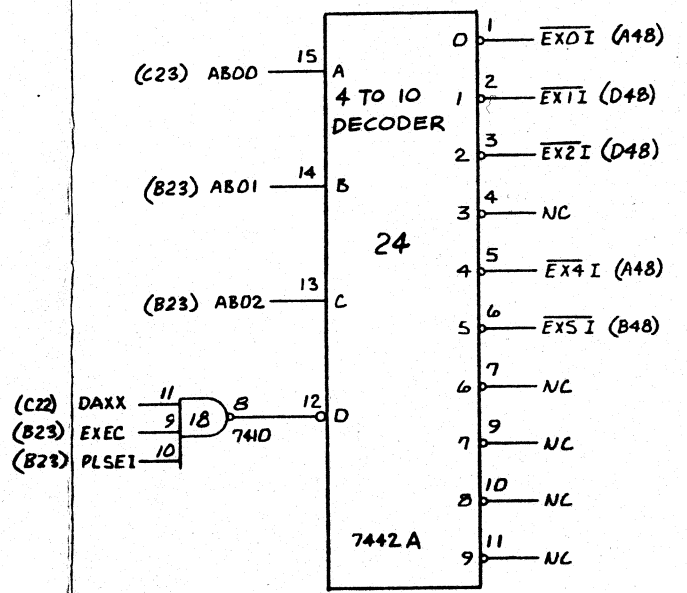
### EXTERNAL SENSE



### EXTERNAL SELECT COMMAND DECODE



### INTERNAL SELECT COMMAND DECODE

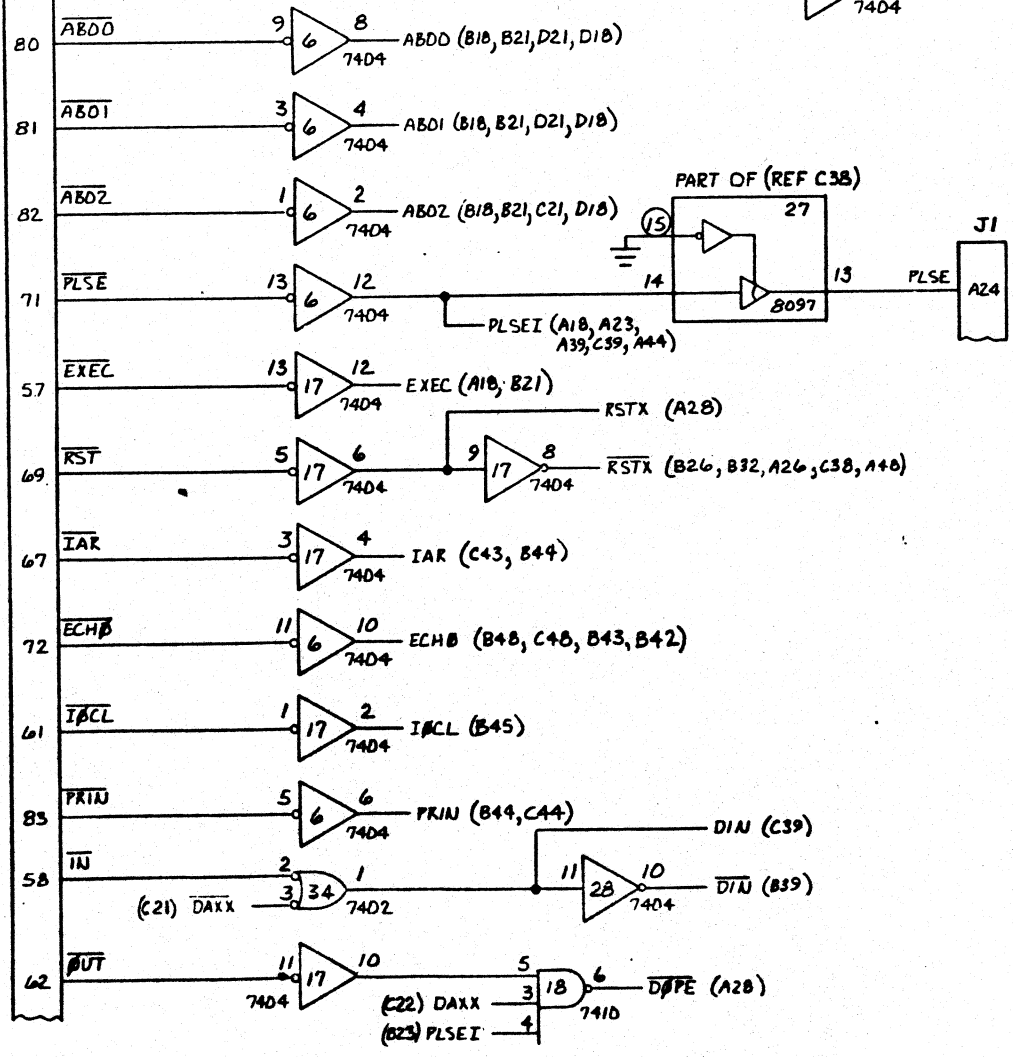


D

C

B

A

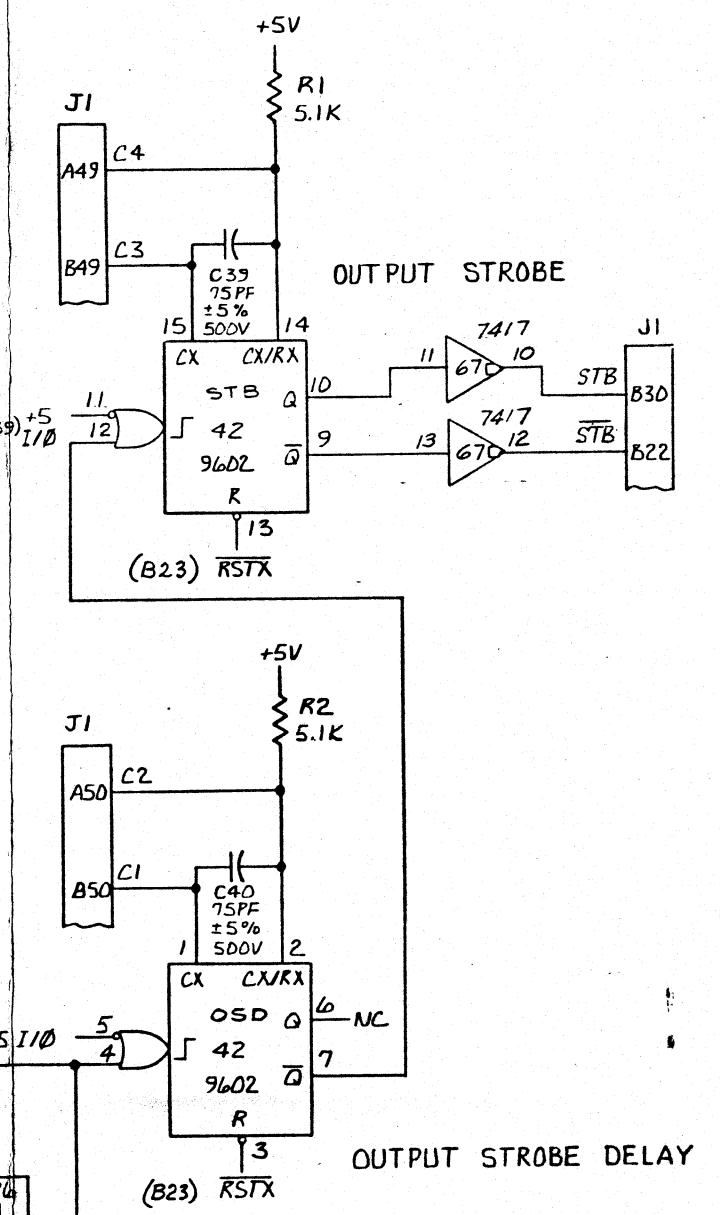
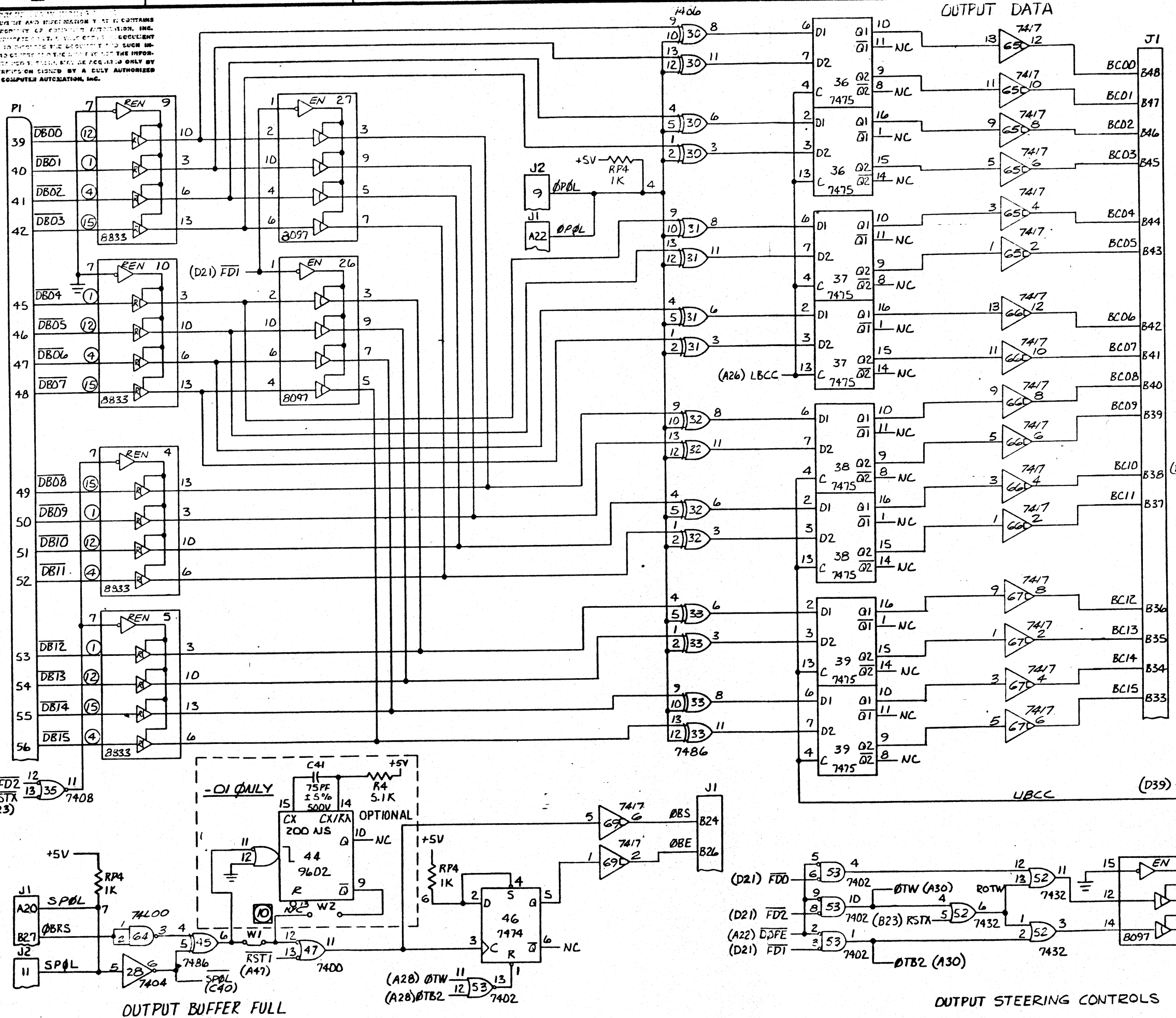


SIZE	D	00-52213-XX	REV	GD
SCALE			SHT. 3 OF	

THIS DOCUMENT AND INFORMATION CONTAINED HEREIN ARE THE PROPERTY OF COMPTON CORPORATION, INC. RIGHTS TO REPRODUCE, STORE IN A RETRIEVABLE SYSTEM, OR TO TRANSMIT IN ANY FORM OR BY ANY MEANS, ELECTRONIC, MECHANICAL, PHOTOCOPYING, RECORDING, OR BY ANY INFORMATION STORAGE AND RETRIEVAL SYSTEM, WITHOUT PERMISSION IN WRITING FROM COMPTON CORPORATION, INC. ARE PROHIBITED. THIS INFORMATION IS UNCLASSIFIED AND IS IN THE PUBLIC DOMAIN.

REVISIONS					
REV	DESCRIPTION	DR	CH	DATE	APPROVAL

D  
C  
B  
A

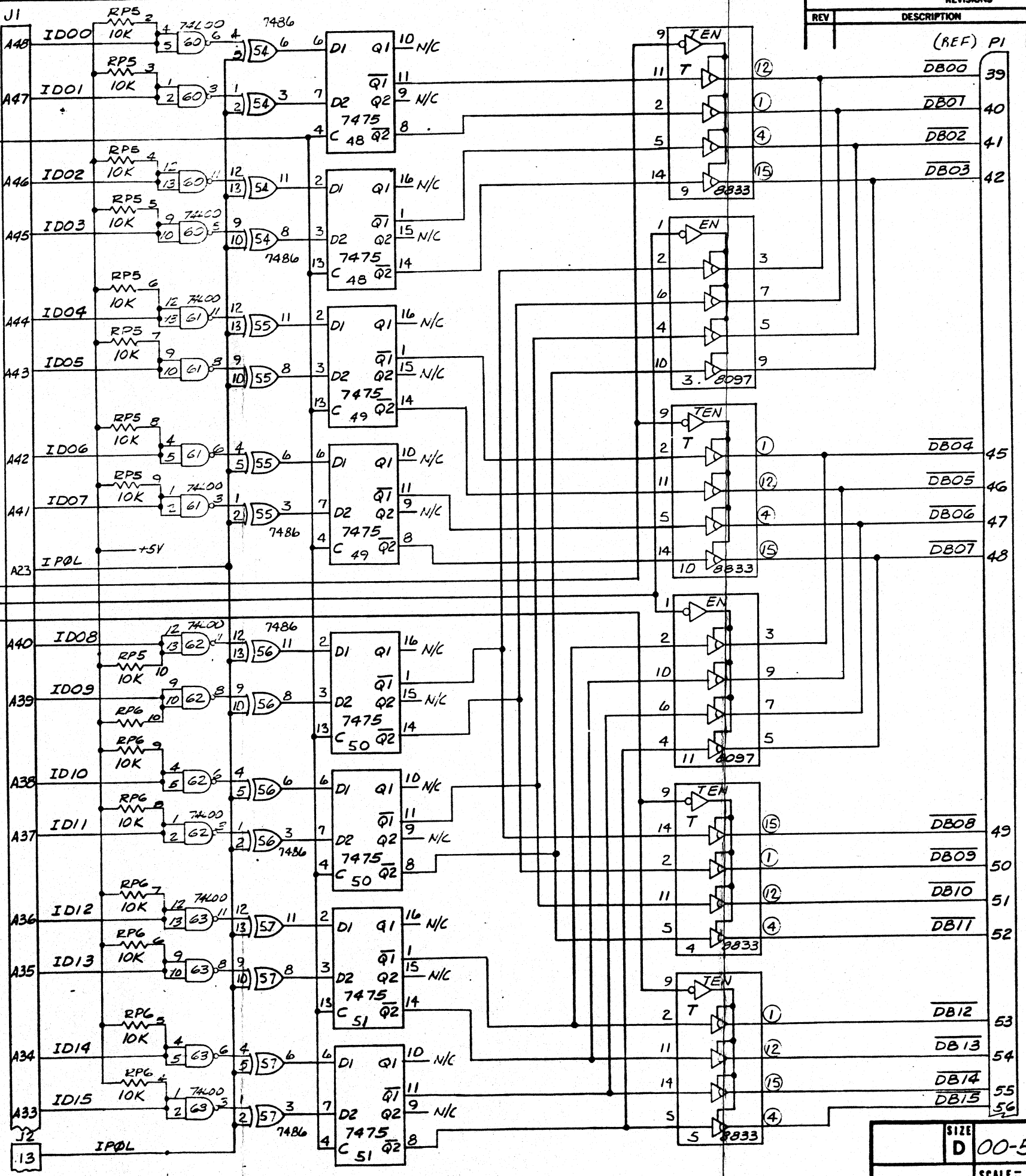
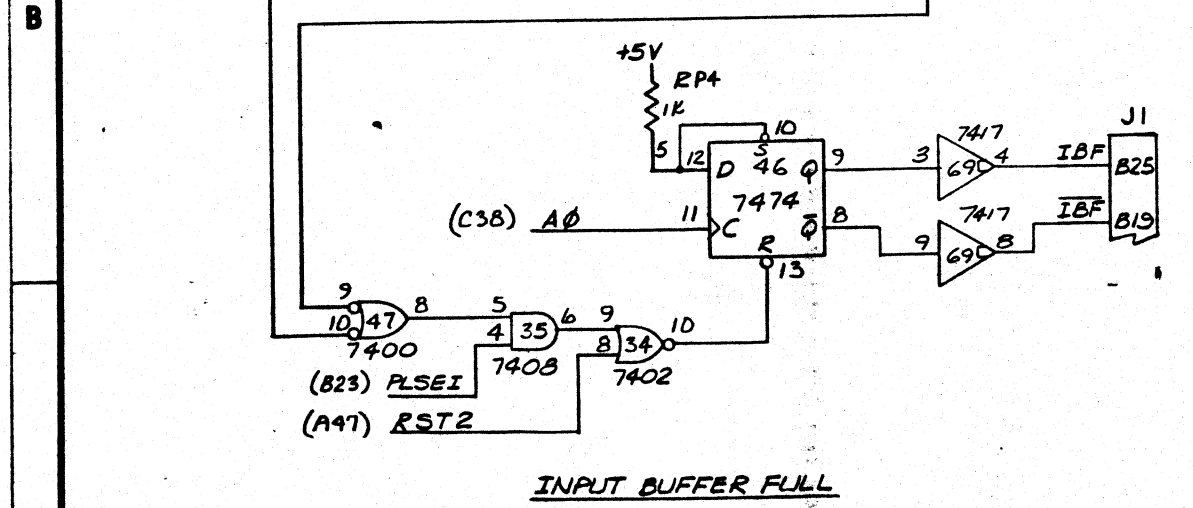
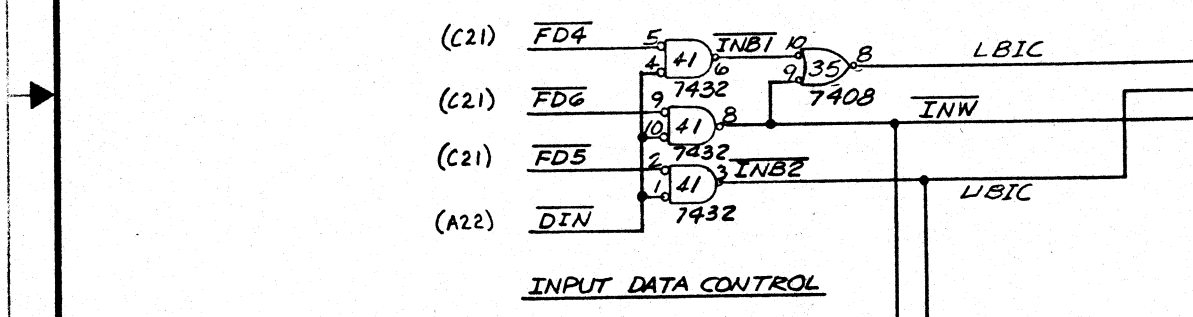
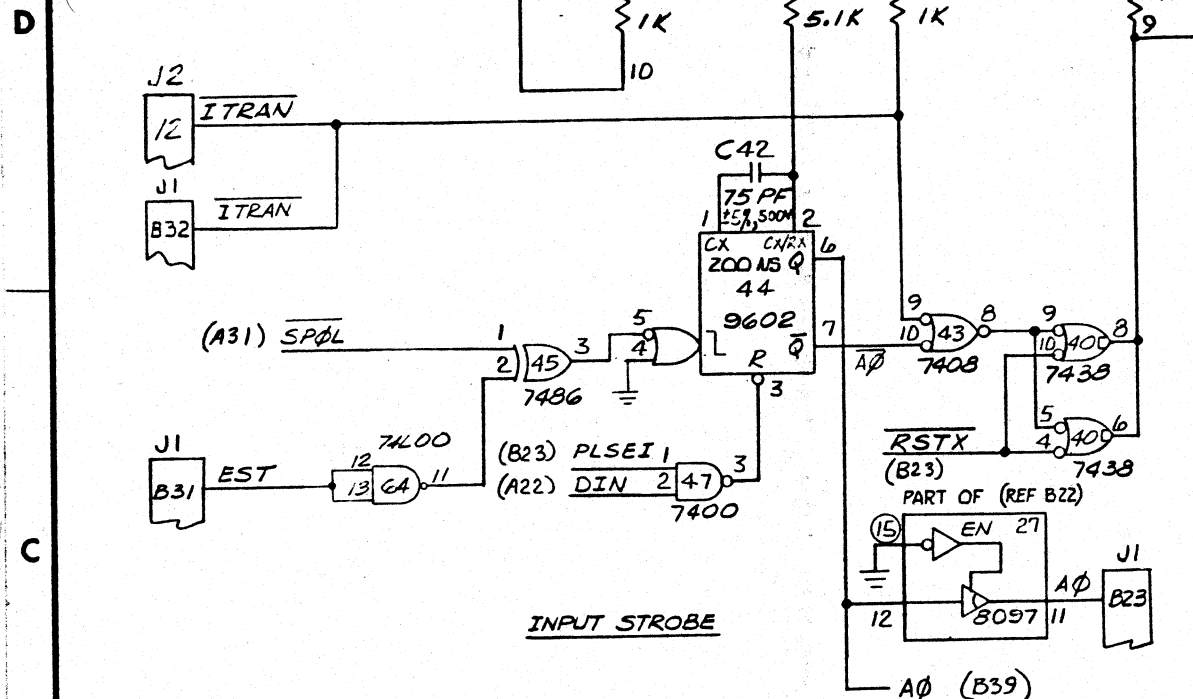


SIZE	DD-52213-XX	REV	50
SCALE	SMT. 1 OF 5		



PROPRIETARY RIGHTS NOTICE  
 THIS DOCUMENT AND INFORMATION CONTAINED HEREIN IS THE PROPERTY OF LOCKHEED ELECTRONIC CORPORATION. IT IS TO BE USED ONLY FOR THE PURPOSES AND IN ACCORDANCE WITH THE TERMS AND CONDITIONS OF THE LICENSE AGREEMENT. NO RIGHTS TO REPRODUCE, TRANSMIT, OR STORE INFORMATION IN ANY FORM OR BY ANY MEANS, ELECTRONIC OR MECHANICAL, INCLUDING PHOTOCOPYING, RECORDING, OR BY ANY INFORMATION STORAGE AND RETRIEVAL SYSTEM, MAY BE ACQUIRED WITHOUT PERMISSION GRANTED BY A DULY AUTHORIZED REPRESENTATIVE OF LOCKHEED ELECTRONIC CORPORATION.

REVISIONS					
REV	DESCRIPTION	DR	CH	DATE	APPROVAL
	(REF) PI				
	DB00			39	
	DB01			40	
	DB02			41	
	DB03			42	
	DB04			45	
	DB05			46	
	DB06			47	
	DB07			48	
	DB08			49	
	DB09			50	
	DB10			51	
	DB11			52	
	DB12			53	
	DB13			54	
	DB14			55	
	DB15			56	



SIZE	REV
D	GO
00-52213-XX	
SCALE =	SHT. 5 OF 6

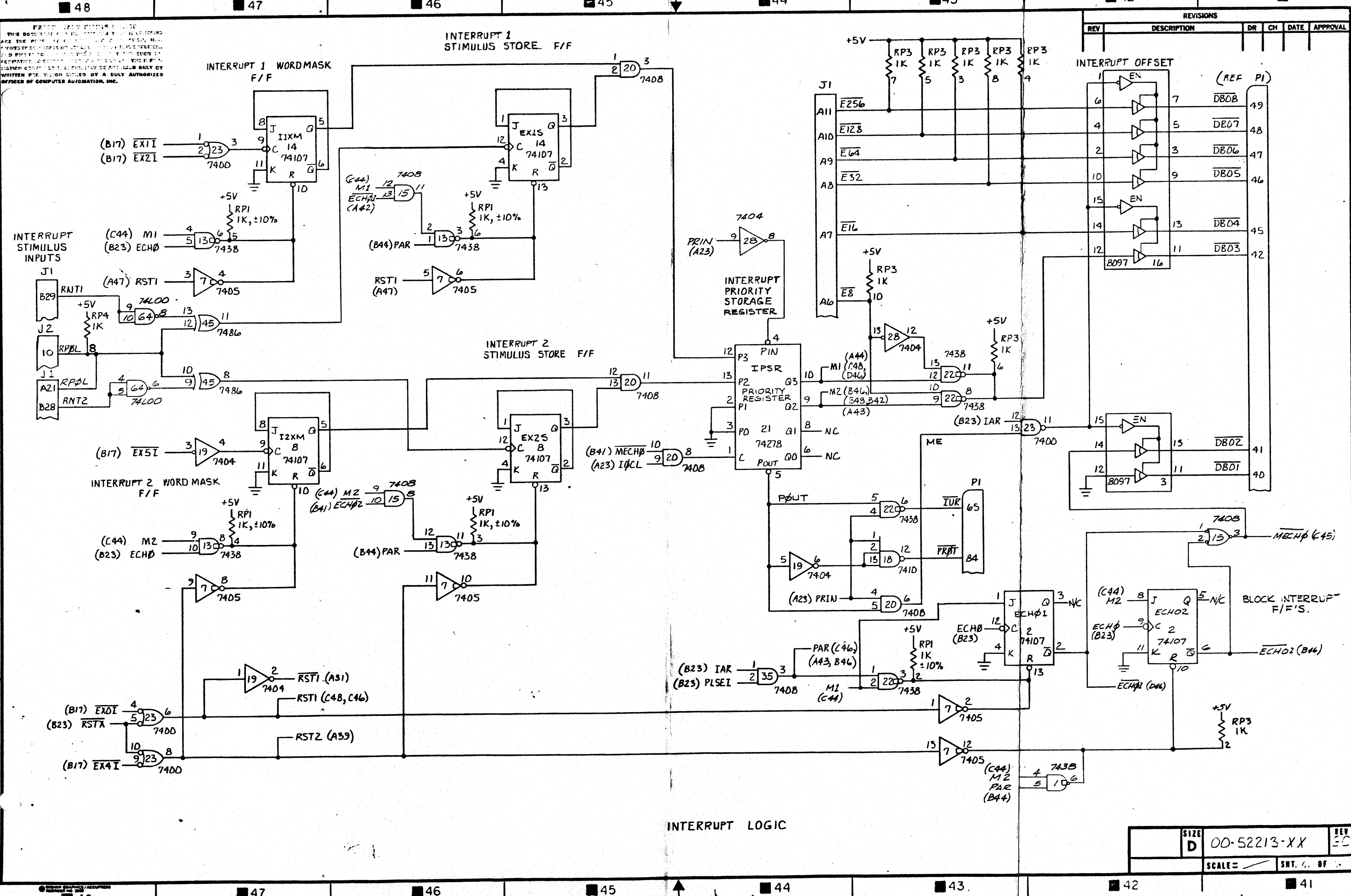
THIS DOCUMENT CONTAINS UNCLASSIFIED INFORMATION AND IS BEING RELEASED TO THE PUBLIC. IT IS THE PROPERTY OF THE UNITED STATES GOVERNMENT AND IS LOANED TO YOUR AGENCY. IT AND ITS CONTENTS ARE TO BE RETURNED TO THE OFFICE OF COMPUTER AUTOMATION, INC. UPON COMPLETION OF YOUR USE. THIS DOCUMENT IS NOT TO BE REPRODUCED OR TRANSMITTED IN ANY FORM OR BY ANY MEANS, ELECTRONIC OR MECHANICAL, INCLUDING PHOTOCOPYING, RECORDING, OR BY ANY INFORMATION STORAGE AND RETRIEVAL SYSTEM, WITHOUT PERMISSION IN WRITING FROM THE OFFICE OF COMPUTER AUTOMATION, INC.

D

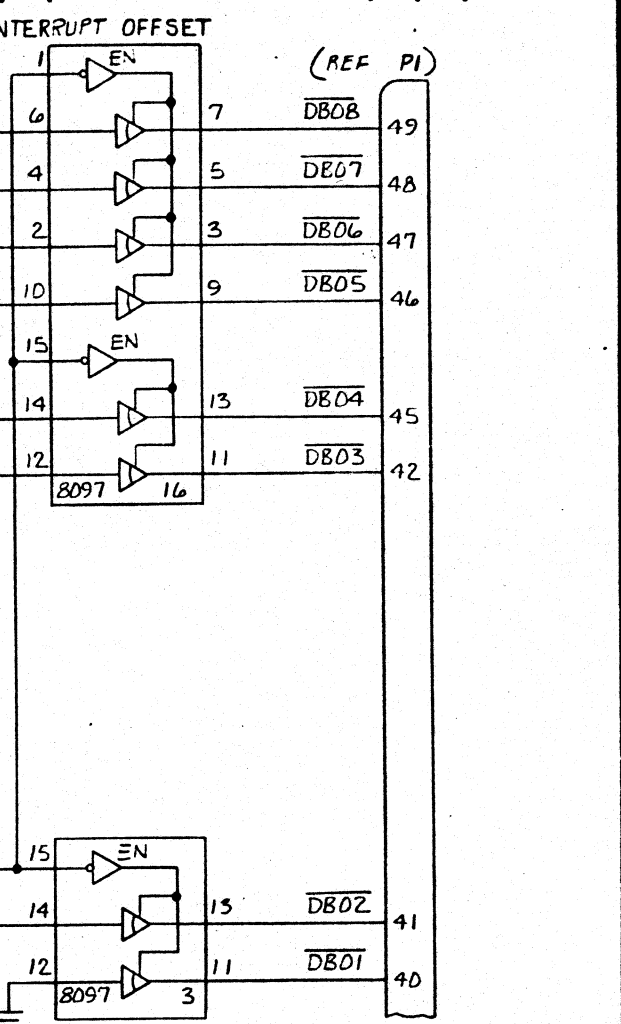
C

B

A



REVISIONS				
REV	DESCRIPTION	DR	CH	DATE



INTERRUPT LOGIC

SIZE	D	00-52213-XX	REV	50
SCALE			SNT. NO. OF	

