

"THE MATERIAL HEREIN IS FOR INFORMATION PURPOSES ONLY AND IS SUBJECT TO CHANGE WITHOUT NOTICE. DIGITAL EQUIPMENT CORPORATION ASSUMES NO RESPONSIBILITY FOR ANY ERRORS WHICH MAY APPEAR HEREIN."

***** FIELD MAINTENANCE PRINT SET *****

TABLE OF CONTENTS

B-DD-SC008-AA STAR COUPLER & CAB ASSY (AA)
E-UA-SC008-AA STAR COUPLER & CAB ASSY (AA)
K-PL-SC008-AA STAR COUPLER & CAB ASSY (AA)
E-AD-70-18554 DOOR ASSEMBLY FRONT
K-PL-70-18554 DOOR ASSEMBLY FRONT
AD-70-18555 REAR DOOR ASSEMBLY SC008
PL-70-18555 REAR DOOR ASSEMBLY SC008

B-DD-SC008-AB STAR COUPLER EXPANDER
E-UA-SC008-AB STAR COUPLER EXPANDER
K-PL-SC008-AB STAR COUPLER EXPANDER
E-AD-70-18771 STAR COUPLER ASSY (BOX)
K-PL-70-18771 STAR COUPLER ASSY (BOX)
E-AD-70-18717 FRONT PANEL ASSY SC008
K-PL-70-18717 FRONT PANEL ASSY SC008
D-UA-54-14216 STAR COUPLER MODULE
K-PL-54-14216 STAR COUPLER MODULE
B-BD-54-14216 STAR COUPLER MODULE
D-CS-54-14216 STAR COUPLER MODULE
C-UA-70-18530 8/16 JUMPER CABLE
K-PL-70-18530 8/16 JUMPER CABLE
A-PS-36-18845 LABEL, NODE 8-16
A-PS-36-18806-01 LABEL, CONFIGURATION PATH CI780
A-PS-36-19211 LABEL, CAUTION BEND RADII
A-PS-36-19264-01/16 LABEL, NODE ID
D-SS-74-25772-00 PAN, STAR COUPLER
D-SS-74-25772-01 PAN, STAR COUPLER
A-SP-37-00669-0-0 PACKING INSTRUCTIONS AA & AB
D-IC-SC008-0-2 STAR SYSTEM INTERCONNECT

UNIT VARIATIONS

SC008-AA

SC008-AB

FIELD MAINTENANCE
PRINT SET
MP01370
DIGITAL EQUIPMENT
CORPORATION

SC008-A

USED ON OPTION/MODEL

SC008

DRN. M. BAPTISTE DATE 2/10/82
CHK'D R. NUEBLING DATE 2/10/82
PROJ. ENG. R. NUEBLING DATE 2/10/82
FIELD SERV. B. LOVETT DATE 2/10/82

SHEET 1 OF 1

digital

"THIS DRAWING AND SPECIFICATIONS, HEREIN, ARE THE PROPERTY OF DIGITAL EQUIPMENT CORPORATION AND SHALL NOT BE REPRODUCED OR COPIED OR USED IN WHOLE OR IN PART AS THE BASIS FOR THE MANUFACTURE OR SALE OF ITEMS WITHOUT WRITTEN PERMISSION. COPYRIGHT © 1982 DIGITAL EQUIPMENT CORPORATION."

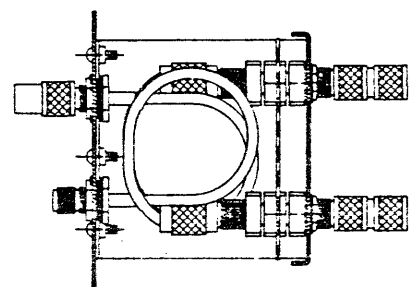
TITLE:
SC008 FIELD MAINT. PRINT SET

SIZE	CODE	NUMBER	REV
B	TC	SC008-A-1	A

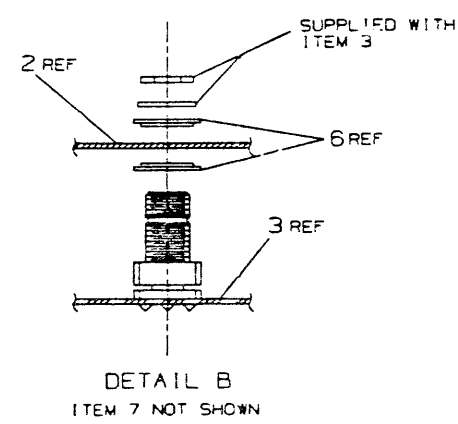
DIST.

TW

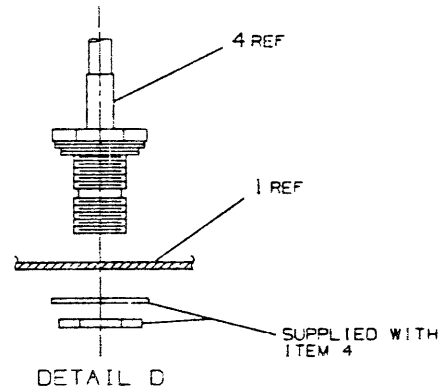
REVISION HISTORY
DATE REV. DESCRIPTION



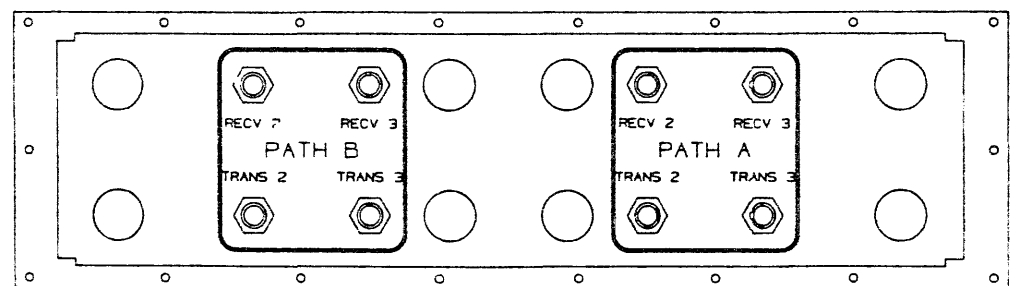
SECTION E-E



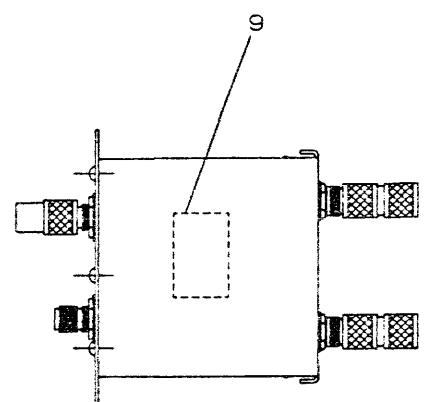
DETAIL B
ITEM 7 NOT SHOWN



DETAIL D



VIEW A-A
ROTATED 180°



SECTION C-C

PLOT AT : 1.00

REVISION HISTORY
DATE REV. DESCRIPTION

LINE	ITEM	TOP DOCUMENT	PART NUMBER	MIN REV	DESCRIPTION	QTY	PER VARIATION
					VARIATION REVISION LEVEL:	01	A1
1	1	E-IA-7431440-0-DBU	7431440-01		PANEL,FRONT,SC4	1	
2	2	E-IA-7431438-0-DBU	7431438-01		BRACKET,MTG.,SC4 MODULE	1	
3	3	D-UA-5417523-0-0	5417523-01		PC BOARD,4 NODE STAR COUPLER	1	
4	4	A-PS-1700967-0-0	1700967-01		CABLE ASSY W/CONN,9"LG	8	
5	5	A-PS-1218633-0-0	1218633-00		CONN,COAX TNC 50 OHM PLUG CRIM	8	
6	6	A-PS-1220575-0-0	1220575-01		BUSHING,INSULATD MYLAR .56 IDX	16	
7	7	A-PS-1224139-0-0	1224139-01		CONN,COAX TNC 50OHMS	8	
8	8		9000049-24		SCREW,SEMS PAN PHIL	6-	6
9	9	A-PS-3619264-0-0	3619264-17		LABEL,SET VAR 01 THRU 16		1

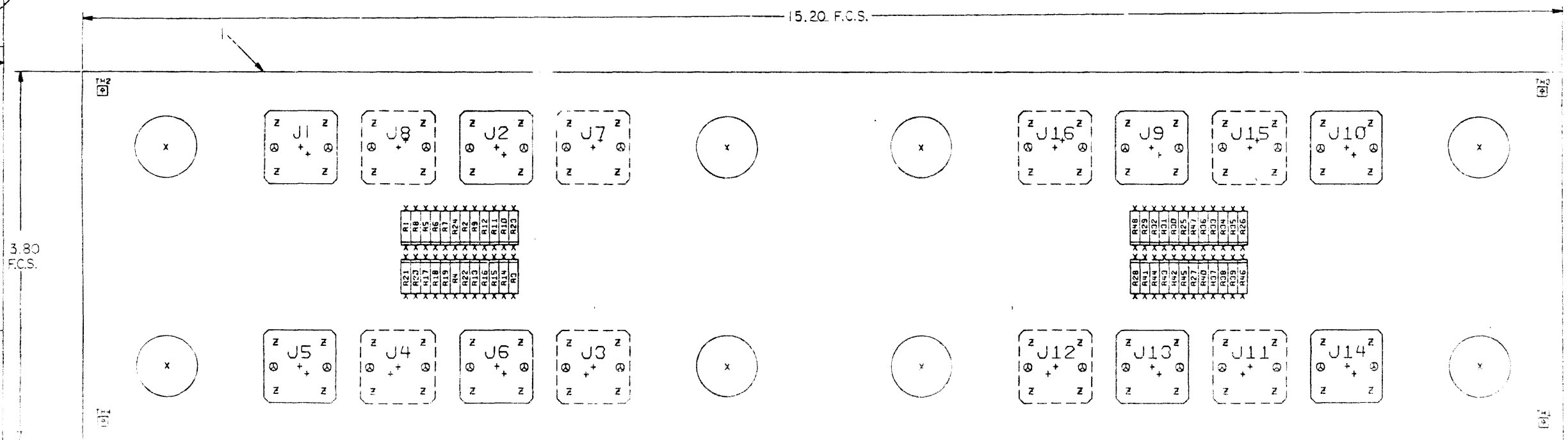
REVISION HISTORY		BASIC PART NO: 7022193		DRN: C. SENECALE	DATE: 25 OCT 84	D I G I T A L	
ENG	ECO NUMBER	REV	SECTION A OF A	CHK'D: L. BOURGAULT	DATE: 9 FEB 85	TITLE PARTS LIST STAR COUPLER ASSY	
---	INITIAL	A	SECTION VARIATION INDEX (A)01	DES.ENG: B. MORIN	DATE: 9 FEB 85	DOCUMENT NUMBER	
			(B)	RESP.ENG.: B. MORIN	DATE: 9 FEB 85	SIZE: K	CODE: PL
			(C)	MFG.ENG.: G. JARVIS	DATE: 9 FEB 85	NUMBER: 7022193-0-DBP	REV: A
			(D)	ASSEMBLY NUMBER: E-AD-7022193-0-DBU	TOP DOCUMENT NUMBER: E-AD-7022193-0-DBU	RELEASE DATE: 13-FEB-85	FILE NAME: TWO91A.PLS
			(E)				EDIT # 6
			(F)				

"THIS DRAWING AND THE SPECIFICATIONS CONTAINED HEREIN ARE CONFIDENTIAL AND PROPRIETARY. THEY ARE THE PROPERTY OF DIGITAL EQUIPMENT CORPORATION AND SHALL NOT BE REPRODUCED OR COPIED OR USED IN WHOLE OR IN PART AS THE BASIS FOR THE MANUFACTURE OR SALE OF ITEMS WITHOUT WRITTEN PERMISSION. THIS IS AN UNPUBLISHED WORK PROTECTED UNDER THE FEDERAL COPYRIGHT LAWS."

8 7 6 5 4 3 2 1

THIS DRAWING AND SPECIFICATIONS HEREIN ARE THE PROPERTY OF DIGITAL EQUIPMENT CORPORATION AND SHALL NOT BE REPRODUCED OR TRANSMITTED IN ANY FORM OR BY ANY MEANS FOR THE MANUFACTURE OR SALE OF ANY PRODUCT WITHOUT THE WRITTEN PERMISSION OF DIGITAL EQUIPMENT CORPORATION.

COMPONENT SIDE VIEW



NOTES

1. REPAIR LEAD

2. CONNECT ALL FOLLOWING CONNECTORS ON SIDE 2

3. STEP 1 AND REPEAT CODE IS 240155

STEP 1 + Y AXIS 1.500 STEP 2 TIMES

STEP 2 + Y AXIS STEP 2 TIMES

CHG. NO.	REV.

ETCH REV. 31

SIGNATURES	DATE	TITLE
DRN. [Signature]	1-21-74	DESIGNER
CHK'D. [Signature]	2-21-74	DR
MECH. ENG. [Signature]	2-21-74	MFG. ENGR.
PROD. ENG. [Signature]	2-21-74	PROD. ENGR.
SCALE 2:1		
SHT. 1 OF 1		
NEXT HIGHER ASSY. 8-00-84 1523-0-0		

D 11A 5417523-0-0 A

8 7 6 5 4 3 2 1

AUTOMATED BY PRTLST.5R(55)

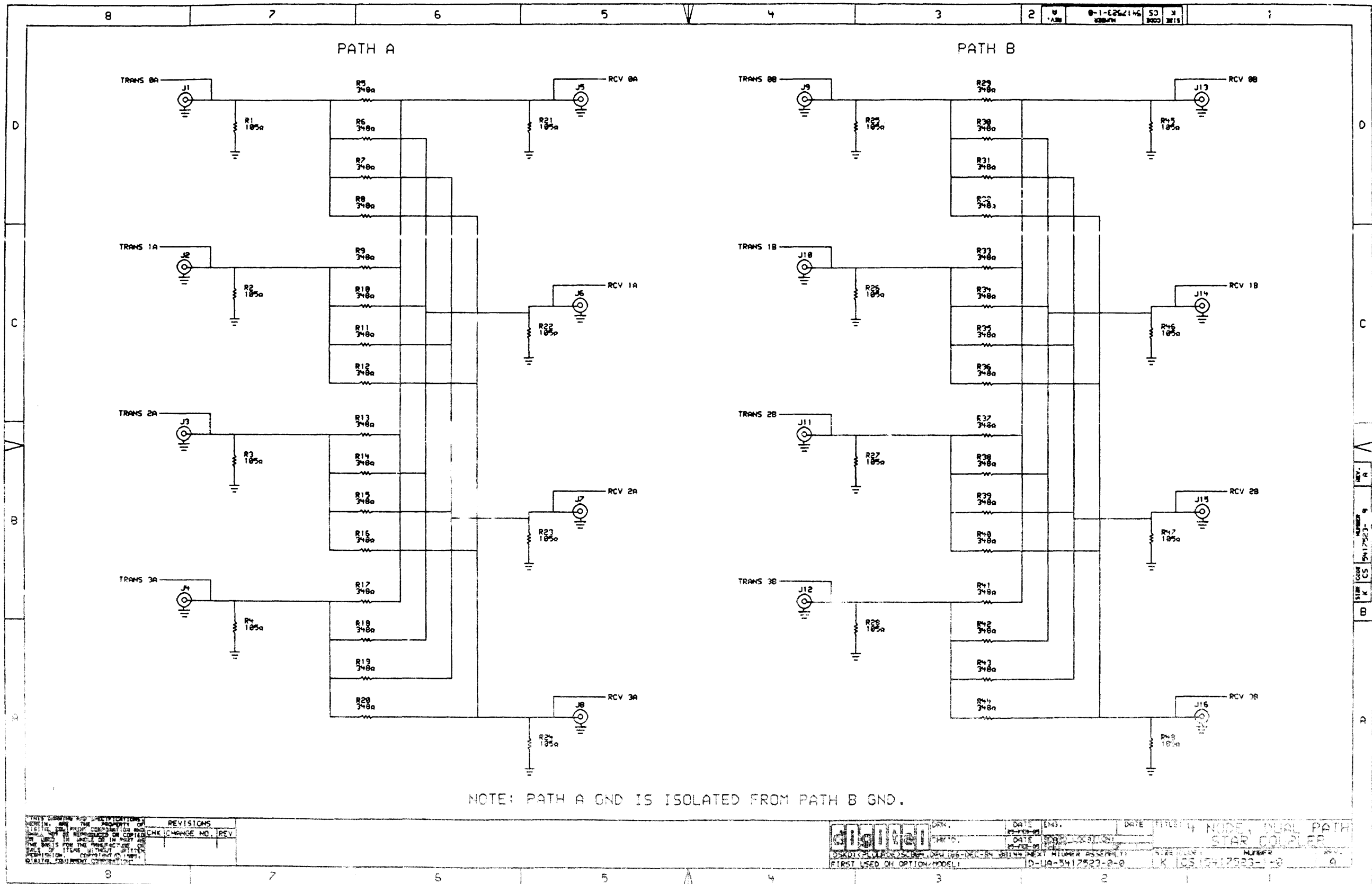
P A R T S L I S T

SHEET A1 OF A1

LINE	ITEM	TOP DOCUMENT	PART NUMBER	MIN REV	DESCRIPTION	QTY PER VARIATION	REFERENCE DESIGNATOR
1	1	D-MD-5017522-0-0	5017522-01		DRILL & ETCH BOARD	1	
2	2		1217979-00		CONN,COAX TNC 50 OHM JACK PC 0	16	J1-J16
3	3		1309294-00		105.0 .25 W .10% RN55E-B 2	16	R1-R4,R21-R28,R45-R48
4	4		1321573-01		348.0 .25 W .10% RN55E-B 2	32	R5-R20,R29-R44

REVISION HISTORY			BASIC PART NO: 5417523		
ENG	ECO NUMBER	REV	SECTION A OF A	DRN: S.MANSOR	DATE: 03-OCT-84
---	INITIAL	A	SECTION VARIATION INDEX	CHK'D: F.GAROFALO	DATE: 10-OCT-84
			[A] 01		
			[B]		
			[C]	DES.ENG: STEVE BARBAS	DATE: 10-OCT-84
			[D]		
			[E]		
			[F]	RESP.ENG.: STEVE BARBAS	DATE: 10-OCT-84
			[H]		
			[J]		
			[K]	MFG.ENG.: GARTH JARVIS	DATE: 21-FEB-85
			[L]		
			[M]	ASSEMBLY NUMBER:	TOP DOCUMENT NUMBER:
			[N]	D-UA-5417523-0-0	B-DD-5417523-0-0
					FILE NAME:
					227A.PLS
					EDIT #
					4

"THIS DRAWING AND THE SPECIFICATIONS CONTAINED HEREIN ARE CONFIDENTIAL AND PROPRIETARY. THEY ARE THE PROPERTY OF DIGITAL EQUIPMENT CORPORATION AND SHALL NOT BE REPRODUCED OR COPIED OR USED IN WHOLE OR IN PART AS THE BASIS FOR THE MANUFACTURE OR SALE OF ITEMS WITHOUT WRITTEN PERMISSION. THIS IS AN UNPUBLISHED WORK PROTECTED UNDER THE FEDERAL COPYRIGHT LAWS."



NO.	DESCRIPTION	DATE	BY	CHK	CHANGE NO.	REV.

DATE ENG. DATE DATE DATE
 PARTS. DATE DATE DATE
 FIRST USED ON OPTION/MODEL: D-4A-3412523-0-0
 STAR COUPLER
 NUMBER: K 10510412523-1-0