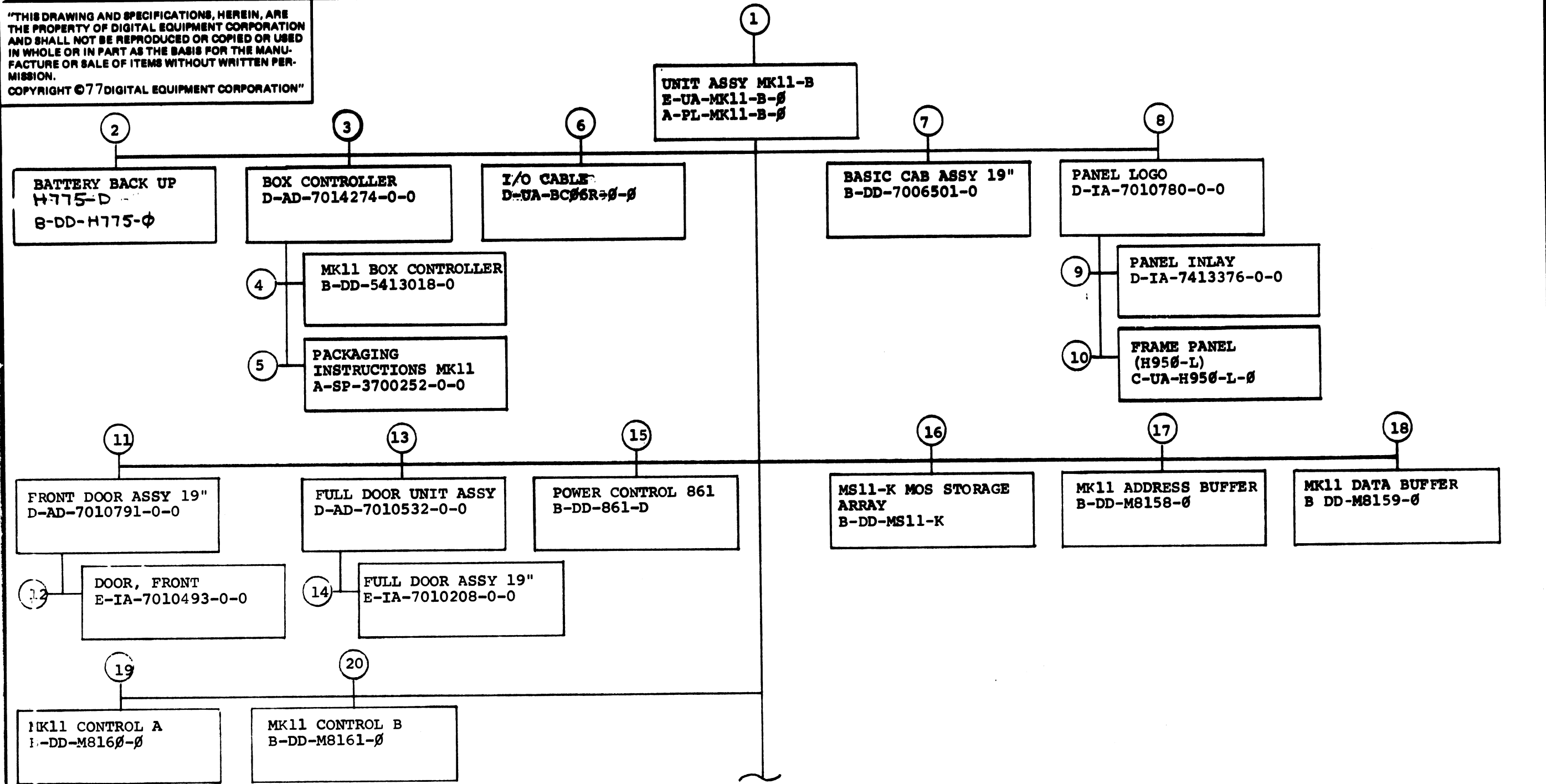








"THIS DRAWING AND SPECIFICATIONS, HEREIN, ARE THE PROPERTY OF DIGITAL EQUIPMENT CORPORATION AND SHALL NOT BE REPRODUCED OR COPIED OR USED IN WHOLE OR IN PART AS THE BASIS FOR THE MANUFACTURE OR SALE OF ITEMS WITHOUT WRITTEN PERMISSION.  
 COPYRIGHT © 77 DIGITAL EQUIPMENT CORPORATION"

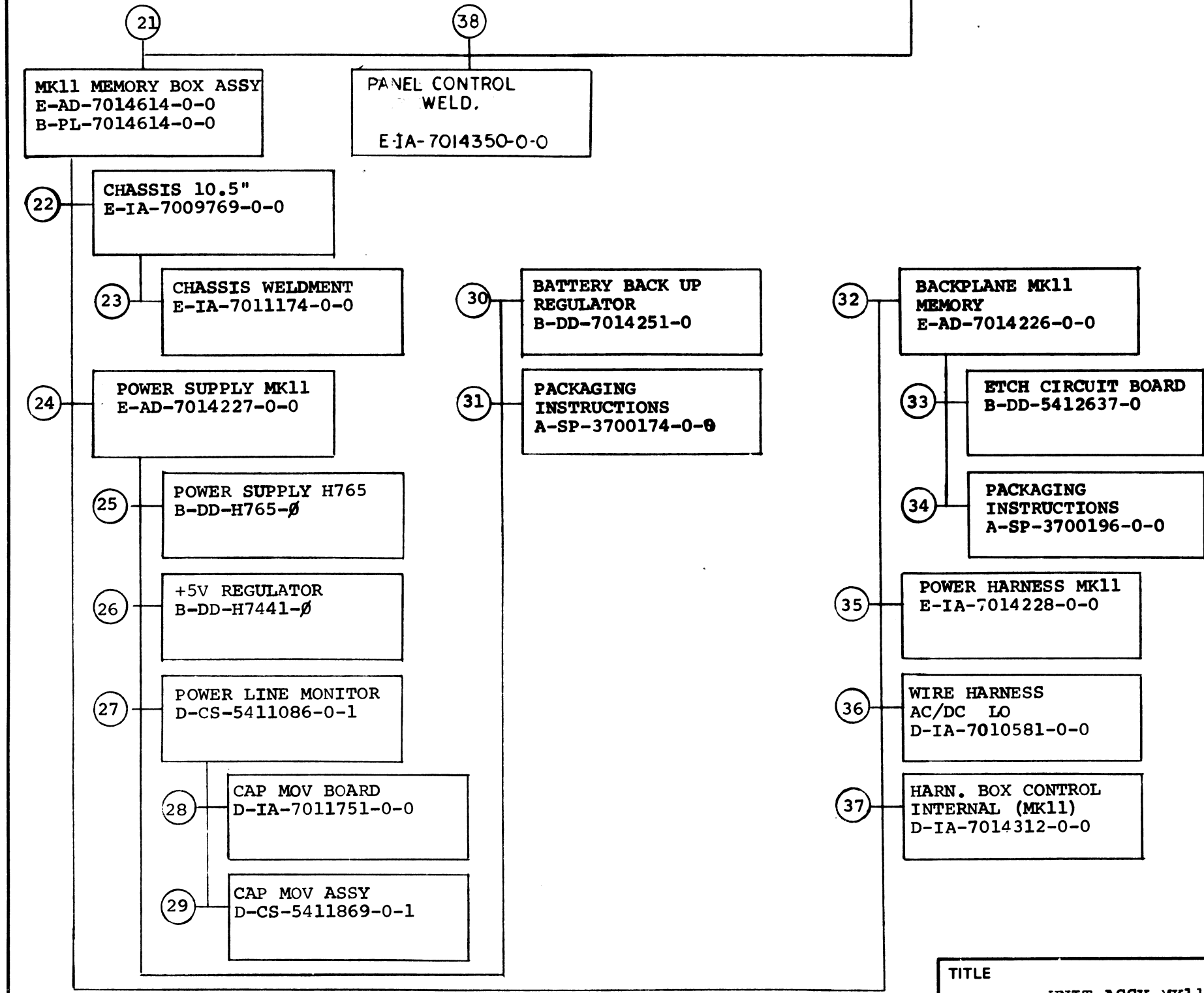


SEE SHEET #3

TITLE	UNIT ASSY MK11	SIZE CODE	NUMBER	REV
		B DD	MK11-B	A
SHEET 2 OF 6				

"THIS DRAWING AND SPECIFICATIONS, HEREIN, ARE THE PROPERTY OF DIGITAL EQUIPMENT CORPORATION AND SHALL NOT BE REPRODUCED OR COPIED OR USED IN WHOLE OR IN PART AS THE BASIS FOR THE MANUFACTURE OR SALE OF ITEMS WITHOUT WRITTEN PERMISSION. COPYRIGHT © 77 DIGITAL EQUIPMENT CORPORATION"

CONTINUED FROM SHEET #2



TITLE	UNIT ASSY MK11	SIZE CODE	NUMBER	REV
		B DD	MK11-B	A
SHEET 3 OF 6				

FIND NO.	DRAWING NO.	DESCRIPTION	TYPE	FIND NO.	DRAWING NO.	DESCRIPTION	TYPE
1	MP00523	UNIT ASSY MK11 (PRINT SET ORDER NO)	-	4	B-DD-5413018-0	MK11 BOX CONTROLLER	E/M
	B-TC-MK11-8-1	UNIT ASSY MK11 (FIELD MAINTENANCE PRINT SET)	-				
	E-UA-MK11-8-0	UNIT ASSY MK11	E/M				
	A-PL-MK11-8-0	UNIT ASSY MK11 (PL)	E/M				
	E-AR-11/70-0-5	11/70 SYSTEM EXPANSION (MK11)	E/M				
	D-BS-MF11S-K-3	MF11S BLOCK DIAGRAM	E	5	A-SP-3700252-0-0	PACKAGING INSTRUCTIONS MK11	M
	D-BD-MK11-0-3	MK11 BLOCK DIAGRAM	E				
	D-TD-MK11-0-4	MK11 TIMING DIAGRAMS	E				
	A-PS-3612427-22	DECAL (M8158-J1)	M				
	A-PS-3612427-23	DECAL (M8158-J2)	M				
	A-PS-3612427-24	DECAL (M8158-J3)	M				
	A-PS-3612427-25	DECAL (M8158-J4)	M	6	D-UA-BC06R-0-0	I/O CABLE BC06R	E/M
	A-PS-3612427-26	DECAL (M8159-J5)	M				
	D-IA-7014311-0-0	CABLE, BOX CONTROLLER	E/M				
	D-IA-7014520-0-0	CABLE, POWER BATTERY BACK UP	E/M				
	D-UA-BC06R-0-0	I/O CABLE BC06R	E/M				
	C-MD-7419162-0-0	BAR, CABLE	M	7	B-DD-7006501	BASIC CAB ASSY 19"	M
	C-PS-1214578-0-0	BLANK PANEL	M				
	D-IA-7011223-0-0	BASKET WIRE CABLE	M				
	C-IA-7011222-0-0	BAR ASSY BASKET	M				
	C-MD-7413983-0-0	CLAMP, WIRE BASKET	M	8	D-IA-7010870-0-0	PANEL LOGO	M
	C-MD-7419249-0-0	BAR STRAIN RELIEF (FRONT)	M				
	C-MD-7419176-0-0	BAR STRAIN RELIEF (REAR)	M				
	C-IA-7010695-0-0	861-D TO 861-D HARNESS	E/M				
	C-MD-7413659-0-0	BRACKET SHIPPING	E/M				
	C-MD-7419482-0-0	CABLE HOLDER	E/M	9	D-IA-7413376-0-0	PANEL, INLAY	M
	A-DC-7409873-0-0	DECAL, POWER CONN.	M		C-SS-7413376-0-4	SILK SCREEN (WHITE)	M
	A-PS-3612427-27	DECAL (M8159-J1)	M		C-SS-7413376-0-3	SILK SCREEN (BRITE ROSE)	M
	A-PS-3612427-28	DECAL (M8159-J2)	M		C-SS-7413376-0-2	SILK SCREEN (BRITE ROSE)	M
	A-PS-3612427-29	DECAL (M8159-J3)	M		C-SS-7413376-0-1	SILK SCREEN (MAGNETA)	M
	A-PS-3612427-30	DECAL (M8159-J4)	M				
	A-PS-3612427-31	DECAL (7014274-J1)	M				
2	B-DD-H775-0	BATTERY BACK UP H775-D	E/M	10	C-UA-H950-L-0	FRAME PANEL (H950-L)	M
					A-PL-H950-L-0	FRAME PANEL (H950-L)	M
					D-SC-1209693-0-0	FRAME PANEL (PLASTIC)	M
3	C-AD-7014274-0-0	BOX CONTROLLER	E/M				
	C-PS-7412577-0-0	CONSOLE	M				
				11	D-AD-7010791-0-0	FRONT DOOR ASSY 19"	M
					D-MD-7406763-0-0	PIN SHORT DOOR	M
					D-MD-7406816-0-0	PIN SHORT DOOR	M

TYPE: E ELECTRICAL  
M MECHANICAL  
E/M ELECTRO/MECHANICAL

digital

TITLE

UNIT ASSY MK11

SHEET 4 OF 6

SIZE CODE  
B DD

NUMBER  
MK11-B

REV  
A

FIND NO.	DRAWING NO.	DESCRIPTION	TYPE	FIND NO.	DRAWING NO.	DESCRIPTION	TYPE
	D-MD-7406807-0-0	SHORT DOOR PIVOT SUPPORT	M				
12	E-IA-7010498-0-0	DOOR FRONT	M	19	B-DD-M8160-0	MK11 CONTROL A	E/M
	D-MD-7413209-0-0	HAT SECTION	M				
	D-MD-7413210-0-0	SUPPORT SIDE	M				
	D-MD-7412947-0-0	SUPPORT DOOR	M	20	B-DD-M8161-0	MK11 CONTROL B	E/M
	E-IA-7412945-0-0	DOOR FRONT	M				
13	D-AD-7010532-0-0	FULL DOOR UNIT ASSY	M	21	E-AD-7014614-0-0	MK11 MEMORY BOX ASSY	E/M
	B-MD-7406816-0-0	PIN SHORT DOOR	M		B-PL-7014614-0-0	MK11 MEMORY BOX ASSY (PL)	E/M
	B-MD07406671-0-0	PIN DOOR	M		C-MD-7413975-0-0	SPACER SHIM	M
	C-MD-7406807-0-0	PIVOT SUPPORT, SHORT DOOR	M		C-MD-7414018-0-0	PROTECTOR, RIGHT METAL EDGE	M
					C-MD-7414016-0-0	PROTECTOR, LEFT METAL EDGE	M
					D-IA-7009768-0-0	COVER CHASSIS	
14	E-IA-7010208-0-0	FULL DOOR ASSY 19"	M				
	E-IA-7412520-0-0	FULL DOOR 19"	M	22	E-IA-7009769-0-0	CHASSIS 10.5	M
	C-MD-7412523-0-0	HAT SECTION	M		D-IA-7411703-0-0	CHASSIS FRONT	M
	C-MD-7412522-0-0	SUPPORT UPPER	M		D-MD-7411705-0-0	BRACKET CARD GUIDE	M
	C-MD-7412947-0-0	SUPPORT	M				
15	B-DD-861-D	POWER CONTROL 861	E/M	23	E-IA-7011174-0-0	CHASSIS WELDMENT	M
					E-IA-7411707-0-0	CHASSIS SIDE	M
					D-MD-7411706-0-0	BRACKET, HAT	M
16	B-DD-MS11-K	MS11-K MOS STORAGE ARRAY	E/M				
				24	E-AD-7014227-0-0	POWER SUPPLY MK11	E/M
					A-DC-5309414-0-0	DECAL UL	M
					A-DC-5309413-0-0	DECAL NFPA	M
17	B-DD-M8158-0	MK11 ADDRESS BUFFER	E/M		A-DC-7409872-0-0	DECAL (P)	M
18	B-DD-M8159-0	MK11 DATA BUFFER	E/M	25	B-DD-H765-0	POWER SUPPLY H765	E/M

TYPE: E ELECTRICAL  
M MECHANICAL  
E/M ELECTRO/MECHANICAL



TITLE UNIT ASSY MK11

SHEET 5 OF 6

SIZE CODE  
B DD

NUMBER  
MK11-B

REV  
A

FIND NO.	DRAWING NO.	DESCRIPTION	TYPE	FIND NO.	DRAWING NO.	DESCRIPTION	TYPE
					A-WT-7014226-0	AWT REV STATUS	M
					A-DC-7409873-0-0	DECAL ASSY REV	M
					K-WL-7014226-0-1	WIRE LIST	E
26	B-DD-H7441-Ø	+5V REGULATOR	E/M				
				33	B-DD-5412637-0	ETCH CIRCUIT BOARD	E/M
27	D-CS-5411086-0-1	POWER LINE MONITOR/15V REGULATOR	E/M				
	A-SP-11/45-TA-2	TEST PROCEDURE	M				
	A-SP-5411086-0-3	ENGINEERING SPECIFICATION	M				
	D-IA-7010138-0-0	HARNESS INTERCONNECTION	E/M	34	A-SP-3700196-0-0	PACKAGING INSTRUCTIONS	M
28	D-IA-7011751-0-0	CAP MOV BOARD	E/M	35	E-IA-7014228-0-0	POWER HARNESS MK11	E/M
					A-DC-7409872-0-0	DECAL (P) BLK/CLR	M
					A-DC-7409873-0-0	DECAL (J) BLK/CLR	M
29	D-CS-5411689-0-1	CAP MOV ASSY	E/M				
				36	D-IA-7010581-0-0	WIRE HARNESS AC/DC LO	E/M
30	B-DD-7014251-0	BATTERY BACK UP REGULATOR	E/M				
				37	D-IA-7014312-0-0	HARNESS, BOX CONTROL INTERNAL (MK11)	E/M
					A-DC-7409872-0-0	DECALS (P)	M
				38	E-IA-7014350-0-0	PANEL CONTROL WELD,	M
					E-MD-7419085-0-0	MTG PANEL CONTROL	M
					E-MD-7419087-0-0	REAR COVER	M
31	A-SP-3700174-0-0	PACKAGING INSTRUCTION	M				
32	E-AD-7014226-0-0	BACKPLANE (MK11 MEMORY)	E/M				
	C-MD-7412933-0-0	MEMORY MTG BRACKET	M				
	C-MD07412943-0-0	MEMORY MTG BAR	M				
	A-DC-7409873-0-0	DECALS (J)	M				

TYPE: E ELECTRICAL  
M MECHANICAL  
E/M ELECTRO/MECHANICAL

digital

TITLE UNIT ASSY MK11

SHEET 6 OF 6

SIZE CODE  
B DD

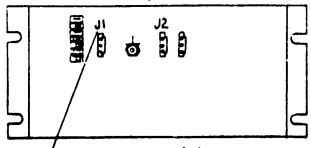
NUMBER  
MK11 B

REV  
A



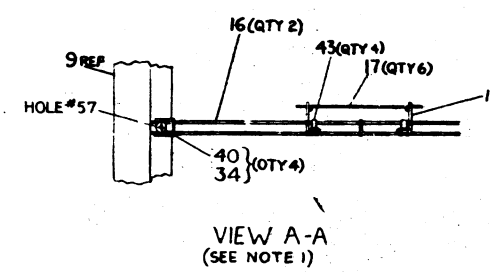
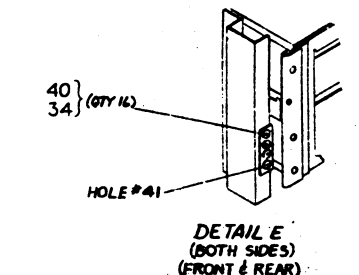
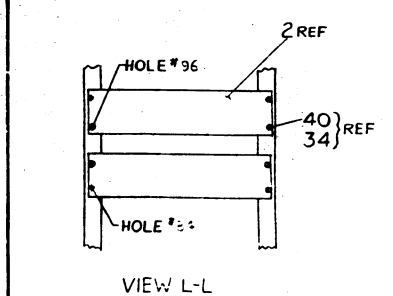
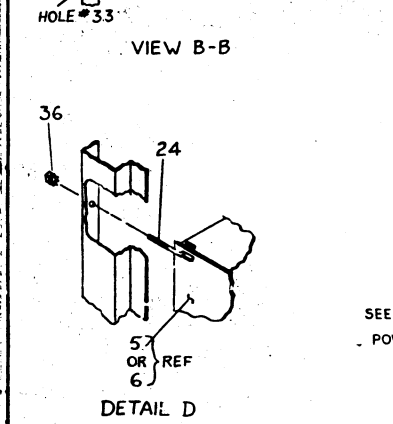
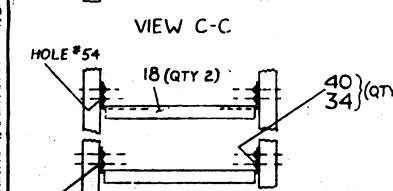
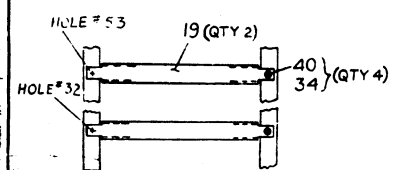
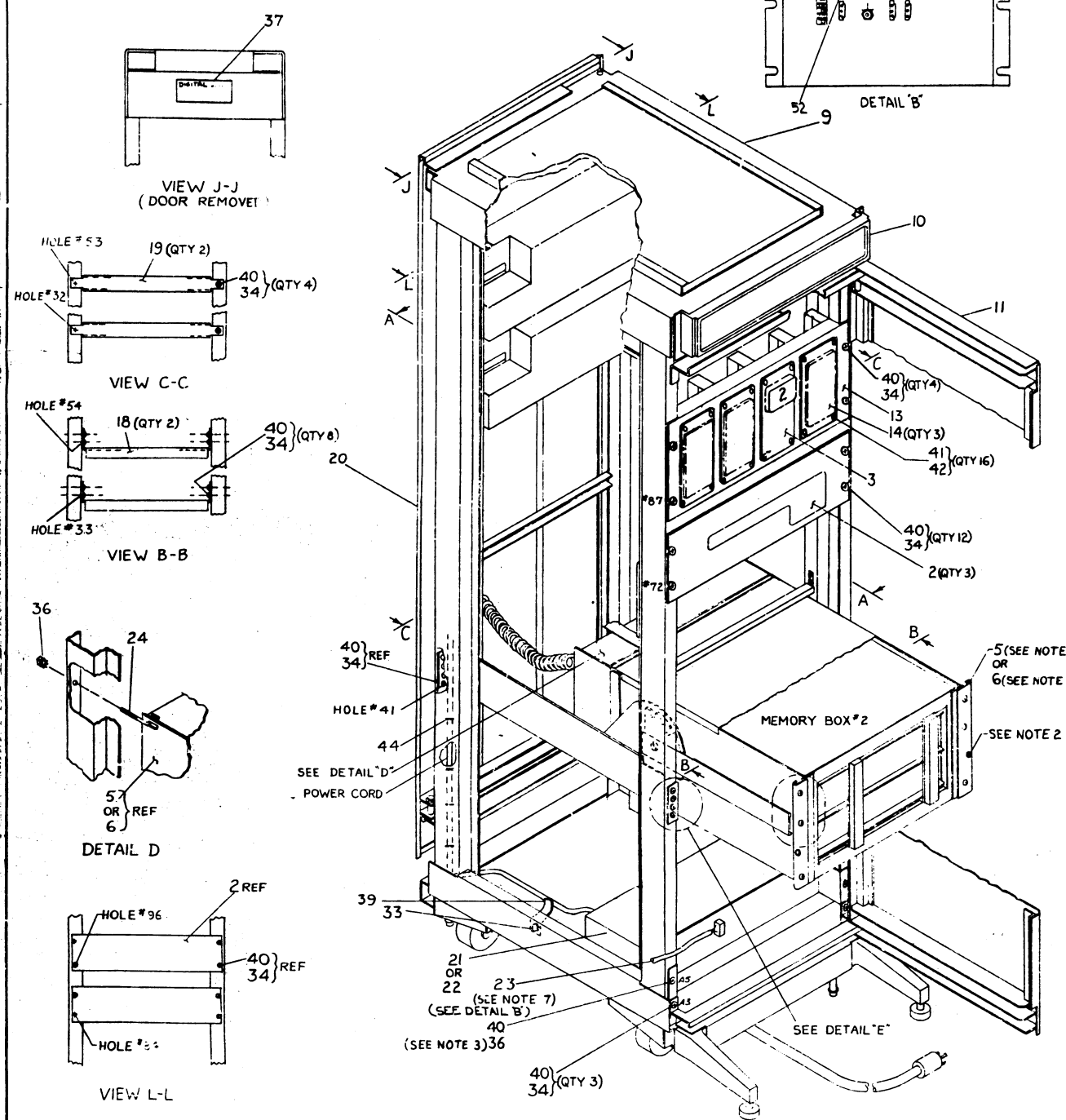
THIS DRAWING IS THE PROPERTY OF THE GOVERNMENT AND IS LOANED TO YOU. IT AND ITS CONTENTS ARE NOT TO BE DISTRIBUTED OUTSIDE YOUR ORGANIZATION.

MKII (EXP)



LEGEND		
PART NO	DESCRIPTION	VARIATION
MKII-BA	64K WORD ECC MOS MEM CONT (PS SPACE FOR 7 MKII-BE 115V)	115V 50/60 HZ
MKII-BB	SAME AS MKII-BA EXCEPT 230V	230V 50/60 HZ
MKII-BC	MKII-BA + CAB	115V 50/60 HZ
MKII-BD	MKII-BB + CAB	230V 50/60 HZ
MKII-BE	(2)MSII-KE 64K WORD (M7984)	
MKII-BF	(8)MSII-KE 256K WORD (M7984)	
MKII-BG	MKII-BA + 3 MKII-BE + (1)MKII-BF FULL BOX/CABLES BOX 512K W	115V 50/60 HZ
MKII-BH	MKII-BB + 3 MKII-BE + (1)MKII-BF FULL BOX/CABLES BOX 512K W	230V 50/60 HZ
MKII-BY	MKII-RA WITH NO CABLES, BTRY + CONTROLLER	115V 50/60 HZ
MKII-BZ	MKII-BB WITH NO CABLES, BTRY + CONTROLLER	230V 50/60 HZ

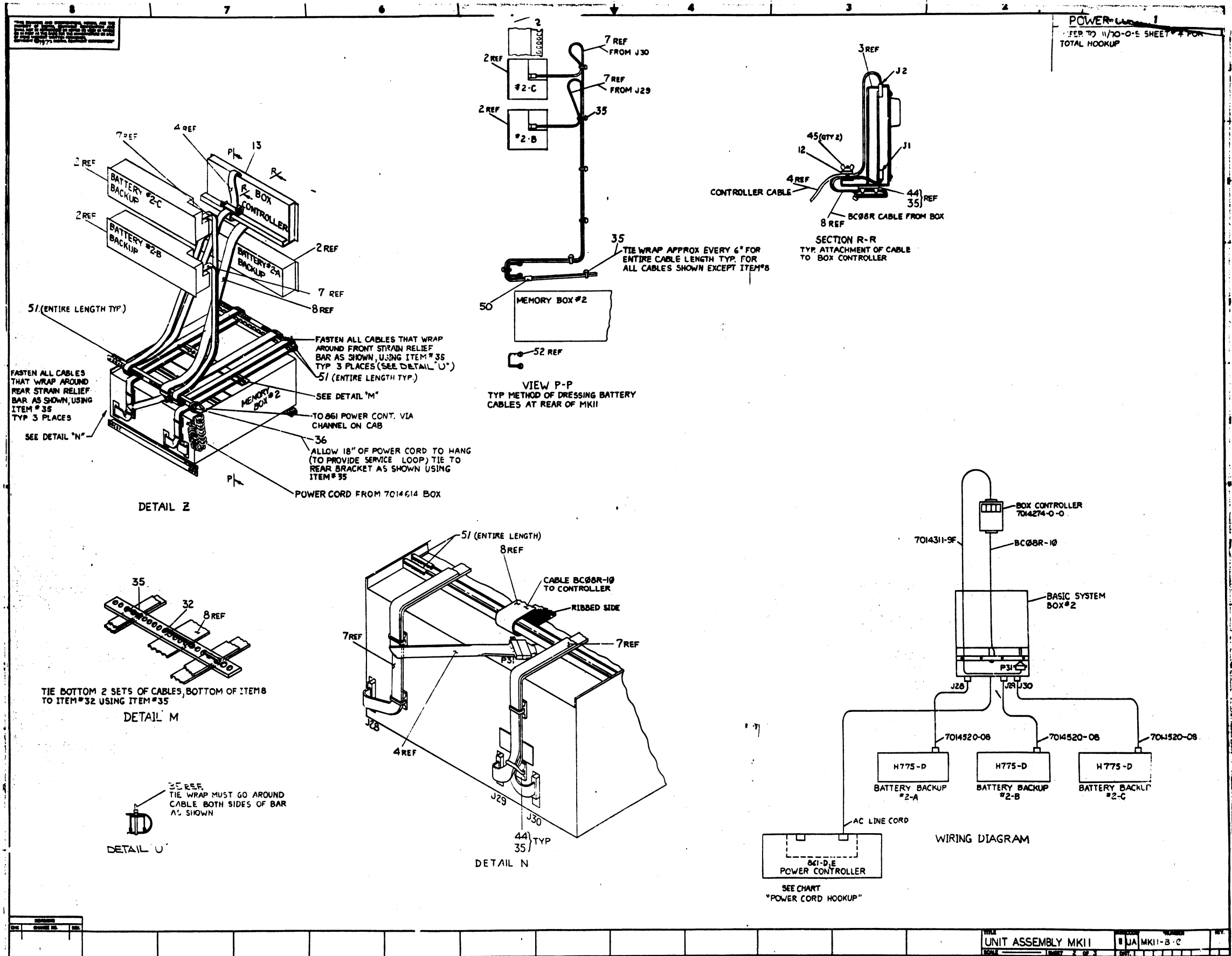
- NOTES:
- HARDWARE CALLED OUT IN VIEW A-A TO BE SUPPLIED LOOSE IN A PLASTIC BAG.
  - REMOVE SHIPPING HARDWARE BOTH SIDES.
  - KEEP NUT ITEM #36 TO BE USED TO BREAK THRU CABINET FINISH WHERE NEEDED FOR A STATIC GROUND.
  - ITEM #26, 28 THRU 31 (2) ITEM #25 ARE PART OF ITEM 5 (SEE PARTS LIST).
  - ITEM #27, 28 THRU 31 (2) ITEM #25 ARE PART OF ITEM #6 (SEE PARTS LIST).
  - HOLES SHOWN FOR COURSE SLIDE, HOLES FOR CHASSIS TRACK SLIDE SEE E-AR-1170-0-5.
  - ITEM #23 (B4-D) TO BE SUPPLIED WITH EACH MKII-BC, BD IN PLASTIC BAG.
  - ITEMS 58-60 TO BE ATTACHED TO CABLES AS THEY ARE CONFIGURED INTO THE SYSTEM.



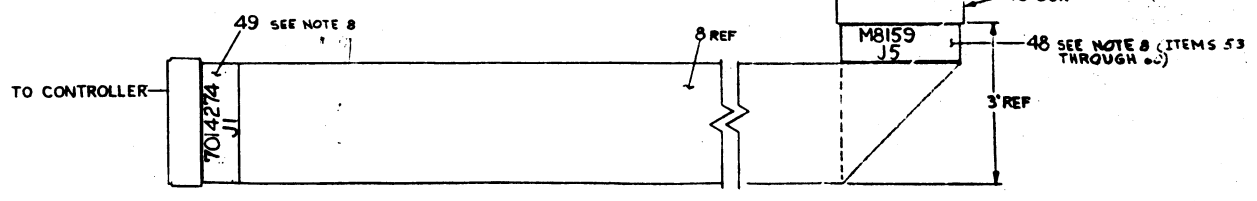
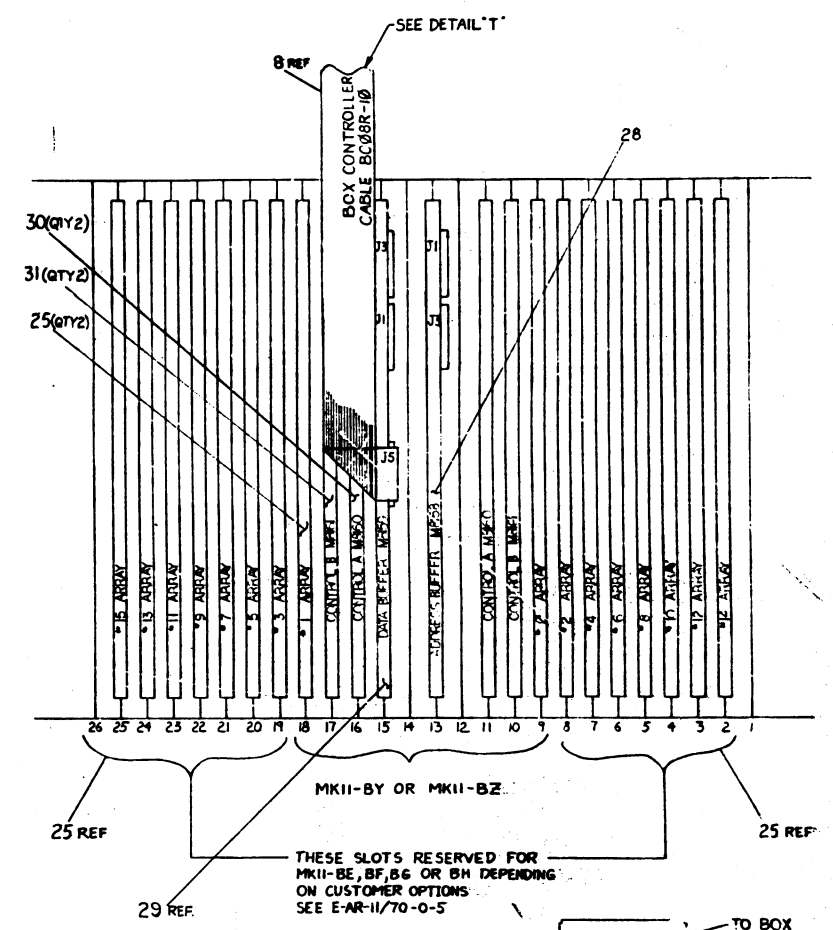
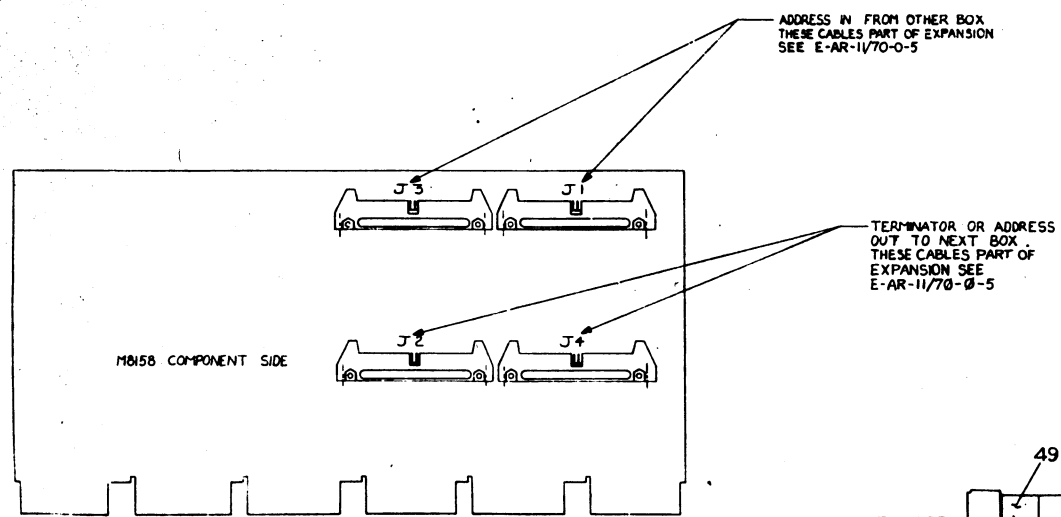
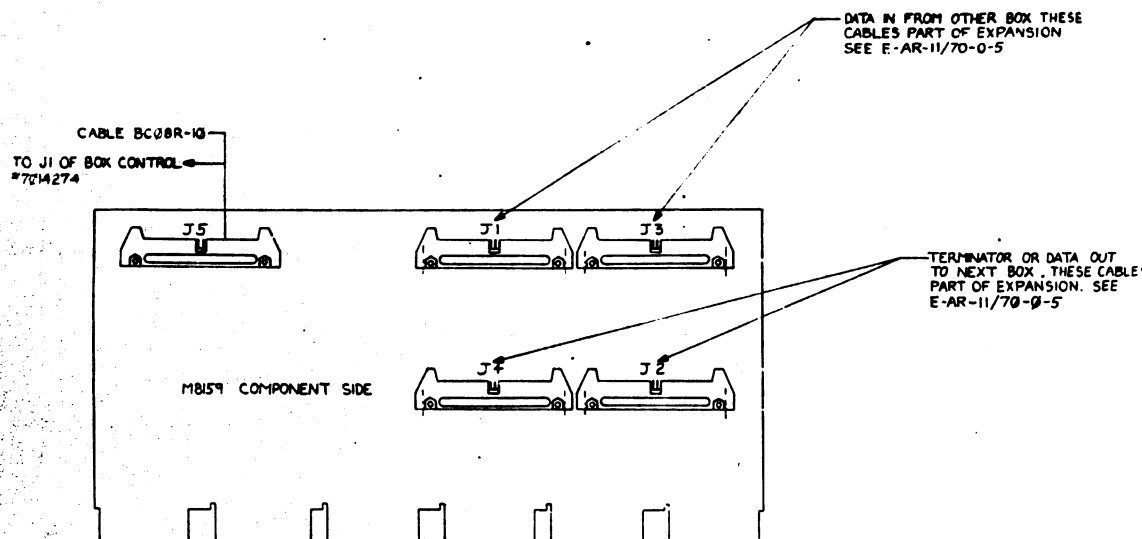
FOR PARTS LIST SEE A-10-MKII-3-0

QTY	PART NO	DESCRIPTION	UNIT ASSY
1	MKII	UNIT ASSY	MKII
1	MKII-3-0		

SEE PARTS LIST



REVISED  
DATE CHANGE BY



DETAIL T

REVISED  
DATE CHANGE BY

DIGITAL EQUIPMENT CORPORATION MAYNARD, MASSACHUSETTS PARTS LIST			QUANTITY VARIATION												
MADE BY	M. CHOINIERE	CHECKED	D. HEALY	SECTION											
DATE	6 SEPT 77	DATE	20 SEPT 77	1											
ENG	A.N. Zaccari	PROJ	KCU	ISSUED SECT.											
DATE	11-1-77	DATE	11-1-77	1											
ITEM NO.	DWG NO./PART NO.	DESCRIPTION	MK11-BA	MK11-BB	MK11-BC	MK11-BD	MK11-BE	MK11-BF	MK11-BG	MK11-BH	MK11-BY	MK11-BZ			
1	E-AR-11/70-0-5	11/70 SYSTEM EXPANSION (MK11)	REF	REF	REF	REF	REF	REF	REF	REF	REF	REF			
2	E-UA-H775-D- $\beta$	BATTERY BACK UP	3	3	3	3	-	-	-	-	3	3	-	-	-
3	C-AD-7014274-0-0	BOX CONTROLLER	1	1	1	1	-	-	-	1	1	-	-	-	-
4	D-IA-7014311-9F- $\beta$	CABLE, BOX CONTROLLER	1	1	1	1	-	-	-	1	1	-	-	-	-
5	E-UA-MK11-BY- $\beta$	UNIT ASSY MK11 115V 50/60 HZ	1	-	1	-	-	-	-	1	-	-	-	-	-
6	E-UA-MK11-BZ- $\beta$	UNIT ASSY MK11 230V 50/60 HZ	-	1	-	1	-	-	-	-	1	-	-	-	-
7	D-IA-7014520-08-0	CABLE, POWER BATTERY BACK UP	3	3	3	3	-	-	-	3	3	-	-	-	-
8	D-UA-BC#6R-1 $\beta$ - $\beta$	I/O CABLE BC#6R	1	1	1	1	-	-	-	1	1	-	-	-	-
9	C-PL-7006501-35-0	BASIC CAB ASSY 19"	-	-	1	1	-	-	-	-	-	-	-	-	-
10	D-IA-7010780-1-0	PANEL, LOGO	-	-	1	1	-	-	-	-	-	-	-	-	-
11	D-AD-7010791-0-0	FRONT DOOR ASSY	-	-	1	1	-	-	-	-	-	-	-	-	-
12	C-MD-7419162-0-0	BAR, CABLE	1	1	1	1	-	-	-	1	1	-	-	-	-
13	E-IA-7014850-0-0	MTG PANEL CONTROL	-	-	1	1	-	-	-	-	-	-	-	-	-
14	C-PS-1214578-0-0	BLANK PANEL	-	-	3	3	-	-	-	-	-	-	-	-	-
15	D-IA-7011223-1-0	BASKET WIRE CABLE (2 BAY)	-	-	1	1	-	-	-	-	-	-	-	-	-
16	C-IA-7011222-0-0	BAR ASSY BASKET	-	-	2	2	-	-	-	-	-	-	-	-	-
17	C-MD-7413983-0-0	CLAMP, WIRE BASKET	-	-	6	6	-	-	-	-	-	-	-	-	-
18	C-MD-7419249-0-0	BAR, STRAIN RELIEF (FRONT)	-	-	2	2	-	-	-	-	-	-	-	-	-
19	C-MD-7419176-0-0	BAR, STRAIN RELIEF (REAR)	-	-	2	2	-	-	-	-	-	-	-	-	-
20	D-AD-7010532-0-0	FULL DOOR UNIT ASSY	-	-	1	1	-	-	-	-	-	-	-	-	-
21	E-UA-861-D- $\beta$	POWER CONTROL 115V	-	-	1	-	-	-	-	-	-	-	-	-	-
22	E-UA-861-E- $\beta$	POWER CONTROL 230V	-	-	1	-	-	-	-	-	-	-	-	-	-
TITLE UNIT ASSY MK11			ASSY NO. E-UA-MK11- $\beta$ - $\beta$	SIZE A	CODE PL	NUMBER MK11-B- $\beta$		REV A	ECO NO. MK11-B-00001						
SHEET 1 OF 3			DIST												

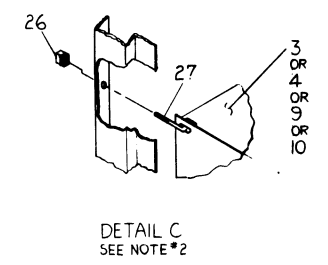
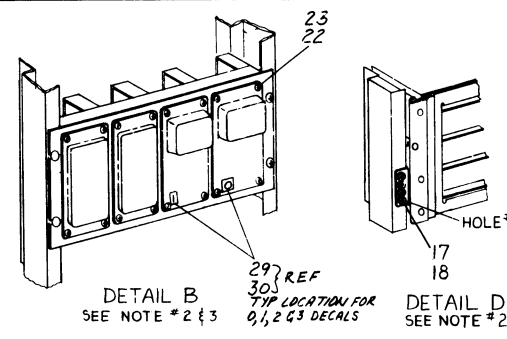
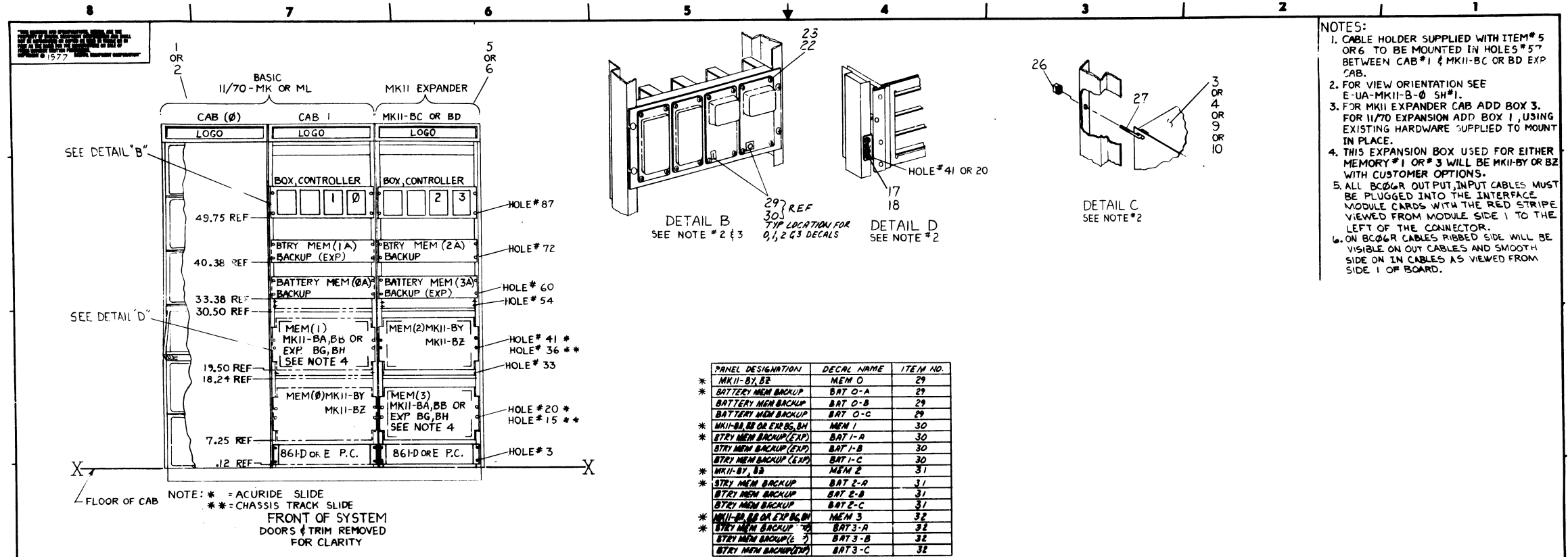
DEC FORM DRA 110

DIGITAL EQUIPMENT CORPORATION MAYNARD, MASSACHUSETTS PARTS LIST			QUANTITY VARIATION												
MADE BY	M. CHOINIERE	CHECKED	D. HEALY	SECTION											
DATE	6 SEPT 77	DATE	20 SEPT 77	1											
ENG	A.N. Zaccari	PROJ	KCU	ISSUED SECT.											
DATE	11-1-77	DATE	11-1-77	1											
ITEM NO.	DWG NO./PART NO.	DESCRIPTION	MK11-BA	MK11-BB	MK11-BC	MK11-BD	MK11-BE	MK11-BF	MK11-BG	MK11-BH	MK11-BY	MK11-BZ			
45	9006570-00	NUT, WING #6 - 32	2	2	2	2	-	-	-	2	2	-	-	-	-
46	D-UA-BC#6R-8F- $\beta$	CABLE (8' - 6") (BOX TO BOX)	4	4	-	-	-	-	-	4	4	-	-	-	-
47	D-UA-BC#6R-1 $\beta$ - $\beta$	CABLE (10' - 0") (CAB TO CAB)	-	-	4	4	-	-	-	-	-	-	-	-	-
48	3612427-26	DECAL, (M8159-J5)	1	1	1	1	-	-	-	1	1	-	-	-	-
49	3612427-31	DECAL, (7014274-J1)	1	1	1	1	-	-	-	1	1	-	-	-	-
50	9008880-00	TAPE, FIBRE GLASS .50 w	A/R	A/R	A/R	A/R	-	-	-	A/R	A/R	-	-	-	-
51	9007036-00	GROMMET ALLIGATOR	A/R	A/R	A/R	A/R	-	-	-	A/R	A/R	-	-	-	-
52	A-DC-7409873-1-0	DECAL, POWER CONN.	-	-	1	1	-	-	-	-	-	-	-	-	-
53	A-PS-3612427-22	DECAL (M8158-J1)	1	1	1	1	-	-	-	1	1	-	-	-	-
54	A-PS-3612427-23	DECAL (M8158-J2)	1	1	1	1	-	-	-	1	1	-	-	-	-
55	A-PS-3612427-24	DECAL (M8158-J3)	1	1	1	1	-	-	-	1	1	-	-	-	-
56	A-PS-3612427-25	DECAL (M8158-J4)	1	1	1	1	-	-	-	1	1	-	-	-	-
57	A-PS-3612417-27	DECAL (M8159-J1)	1	1	1	1	-	-	-	1	1	-	-	-	-
58	A-PS-3612427-28	DECAL (M8159-J2)	1	1	1	1	-	-	-	1	1	-	-	-	-
59	A-PS-3612427-29	DECAL (M8159-J3)	1	1	1	1	-	-	-	1	1	-	-	-	-
60	A-PS-3612427-30	DECAL (M8159-J4)	1	1	1	1	-	-	-	1	1	-	-	-	-
NOTE: MK11-BY, BZ ARE UNIT SUB ASSEMBLIES OF MK11-BA, BB															
TITLE UNIT ASSY MK11			ASSY NO. E-UA-MK11- $\beta$ - $\beta$	SIZE A	CODE PL	NUMBER MK11-B- $\beta$		REV A	ECO NO. MK11-B-00001						
SHEET 3 OF 3			DIST												

DEC FORM DRA 110

DIGITAL EQUIPMENT CORPORATION MAYNARD, MASSACHUSETTS PARTS LIST			QUANTITY VARIATION												
MADE BY	M. CHOINIERE	CHECKED	D. HEALY	SECTION											
DATE	6 SEPT 77	DATE	20 SEPT 77	1											
ENG	A.N. Zaccari	PROJ	KCU	ISSUED SECT.											
DATE	11-1-77	DATE	11-1-77	1											
ITEM NO.	DWG NO./PART NO.	DESCRIPTION	MK11-BA	MK11-BB	MK11-BC	MK11-BD	MK11-BE	MK11-BF	MK11-BG	MK11-BH	MK11-BY	MK11-BZ			
23	C-IA-7010695-0-0	861-D TO 861-D HARNESS	-	-	1	1	-	-	-	-	-	-	-	-	-
24	C-MD-7413659-0-0	BRACKET SHIPPING	-	-	1	1	-	-	-	-	-	-	-	-	-
25	D-UA-MS11-KE- $\beta$	MS11-K MOS STORAGE ARRAY 32K WORDS	-	-	-	-	-	2	8	14	14	2	2	-	-
26	E-AD-7014614-00-0	MK11 MEMORY BOX ASSY 115V 50/60 HZ	-	-	-	-	-	-	-	-	-	1	-	-	-
27	E-AD-7014614-01-0	MK11 MEMORY BOX ASSY 230V 50/60 HZ	-	-	-	-	-	-	-	-	-	1	-	-	-
28	D-UA-M8158- $\beta$ - $\beta$	MK11 ADDRESS BUFFER	-	-	-	-	-	-	-	-	1	1	-	-	-
29	D-UA-M8159- $\beta$ - $\beta$	MK11 DATA BUFFER	-	-	-	-	-	-	-	-	1	1	-	-	-
30	D-UA-M816 $\beta$ - $\beta$ - $\beta$	MK11 CONTROL A	-	-	-	-	-	-	-	-	2	2	-	-	-
31	D-UA-M8161- $\beta$ - $\beta$	MK11 CONTROL B	-	-	-	-	-	-	-	-	2	2	-	-	-
32	C-MD-7419482-0-0	CABLE HOLDER	1	1	1	1	-	-	-	1	1	-	-	-	-
33	9006568-00	NUT, KEPS, 5/16-18	-	-	1	1	-	-	-	-	-	-	-	-	-
34	9007786-00	NUT TINNEMAN #10 - 32	-	-	51	51	-	-	-	-	-	-	-	-	-
35	9007031-00	TIE WRAP	-	-	-	-	-	-	-	-	-	-	-	-	-
36	9006565-00	NUT, KEPS #10 - 32	A/R	A/R	A/R	A/R	-	-	-	-	-	-	-	-	-
37		DECAL CABINET DESIGNATION	-	-	-	-	-	-	-	-	-	-	-	-	-
38															
39	9008887-00	JUMPER ASSY	-	-	52	52	-	-	-	-	-	-	-	-	-
40	9009700-00	SCREW, SEMS PH HD TRUSS #10 - 32 x .50	-	-	16	16	-	-	-	-	-	-	-	-	-
41	9008301-03	SCR PH HD TRUSS #4 - 40 x .25	-	-	16	16	-	-	-	-	-	-	-	-	-
42	9006632-00	WASH. EXT. TOOTH LOCK #4	-	-	4	4	-	-	-	-	-	-	-	-	-
43	9009760-00	CLIP	-	-	4	4	-	-	-	-	-	-	-	-	-
44	9008264-00	MOUNT, CABLE ADHESIVE BACK	A/R	A/R	A/R	A/R	-	-	-	A/R	A/R	-	-	-	-
TITLE UNIT ASSY MK11			ASSY NO. E-UA-MK11- $\beta$ - $\beta$	SIZE A	CODE PL	NUMBER MK11-B- $\beta$		REV A	ECO NO. MK11-B-00001						
SHEET 2 OF 3			DIST												

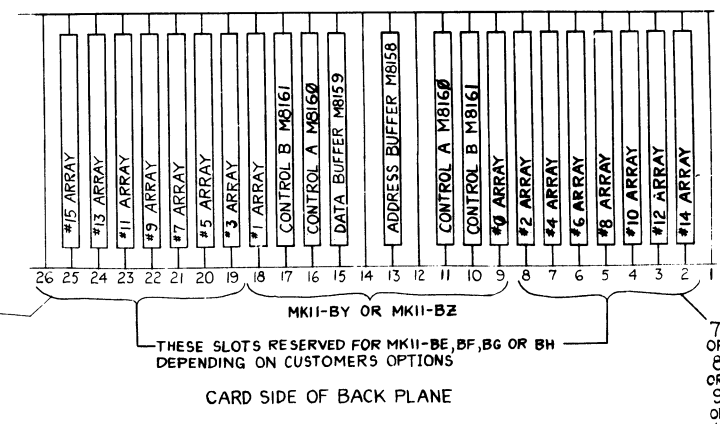
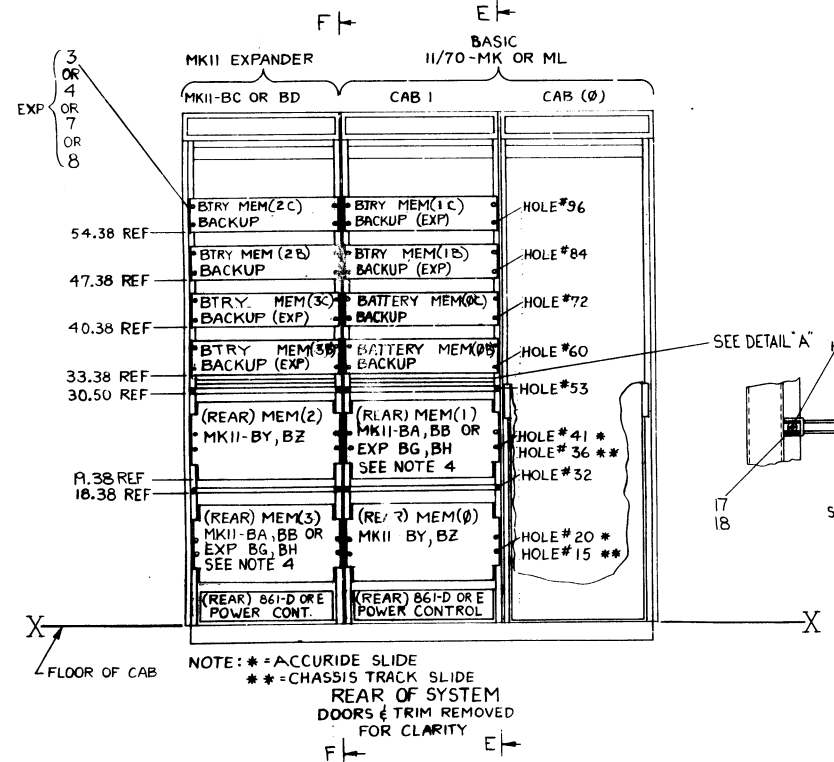
DEC FORM DRA 110



- NOTES:
1. CABLE HOLDER SUPPLIED WITH ITEM # 5 OR 6 TO BE MOUNTED IN HOLES # 57 BETWEEN CAB # 1 & MKII-BC OR BD EXP CAB.
  2. FOR VIEW ORIENTATION SEE E-UA-MKII-B-0 SH # 1.
  3. FOR MKII EXPANDER CAB ADD BOX 3. FOR 11/70 EXPANSION ADD BOX 1, USING EXISTING HARDWARE SUPPLIED TO MOUNT IN PLACE.
  4. THIS EXPANSION BOX USED FOR EITHER MEMORY # 1 OR # 3 WILL BE MKII-BY OR BZ WITH CUSTOMER OPTIONS.
  5. ALL BC06R OUTPUT/INPUT CABLES MUST BE PLUGGED INTO THE INTERFACE MODULE CARDS WITH THE RED STRIPE VIEWED FROM MODULE SIDE 1 TO THE LEFT OF THE CONNECTOR.
  6. ON BC06R CABLES RIBBED SIDE WILL BE VISIBLE ON OUT CABLES AND SMOOTH SIDE ON IN CABLES AS VIEWED FROM SIDE 1 OF BOARD.

PANEL DESIGNATION	DECAL NAME	ITEM NO.
* MKII-BY, BZ	MEM 0	29
* BATTERY MEM BACKUP	BAT 0-A	29
* BATTERY MEM BACKUP	BAT 0-B	29
* BATTERY MEM BACKUP	BAT 0-C	29
* MKII-BA, BB OR EXP BG, BH	MEM 1	30
* BTRY MEM BACKUP (EXP)	BAT 1-A	30
* BTRY MEM BACKUP (EXP)	BAT 1-B	30
* BTRY MEM BACKUP (EXP)	BAT 1-C	30
* MKII-BY, BZ	MEM 2	31
* BTRY MEM BACKUP	BAT 2-A	31
* BTRY MEM BACKUP	BAT 2-B	31
* BTRY MEM BACKUP	BAT 2-C	31
* MKII-BA, BB OR EXP BG, BH	MEM 3	32
* BTRY MEM BACKUP (EXP)	BAT 3-A	32
* BTRY MEM BACKUP (EXP)	BAT 3-B	32
* BTRY MEM BACKUP (EXP)	BAT 3-C	32

\* INDICATES DECALS APPLIED TO FRONT PANELS  
ALL OTHERS - REAR PANELS & AS NOTED



AVI CABLE 10'-0"	BC06 RIG	33
1 MKII MEMORY BOX DECAL	3614976-D3	32
1 MKII MEMORY BOX DECAL	3614976-D2	31
1 MKII MEMORY BOX DECAL	3614976-D1	30
1 MKII MEMORY BOX DECAL	3614976-00	29
AIR TAPE, FIBRE GLASS 50W	4008800-0-0	28
AIR BRACKET, SHIPPING	C-MD-7419482-0-0	27
AIR NUT, KEPS #10-32	3006565-00	26
AIR BAR, CABLE	C-MD-7419162-0-0	25
AIR NUT, WING #6-32	3006570-00	24
REF WASH EXT. TOOTH LOCK #4	3006532-00	23
REF SCR PH HD TRUSS #4-40X25	3009100-03	22
AIR MOUNT, CABLE, ADM. BACK	3008264-00	21
TIE WRAP	3007031-00	20
CABLE HOLDER	C-MD-7419482-0-0	19
NUT, TINNEMAN #10-32	3007786-00	18
SCR SEMS PH HD TRUSS #4-40X25	3009700-00	17
UNIT ASSY LA36	E-UA-LA36-0-0	16
CABLE (10'-0)	BC06R-10	15
CABLE (8'-6")	BC06R-8F	14
CABLES, DATA SET B	D-AD-7010824-03-0	13
UNIT ASSY MKII	E-UA-MKII-BZ-0	12
UNIT ASSY MKII	E-UA-MKII-BY-0	11
UNIT ASSY MKII	E-UA-MKII-BH-0	10
UNIT ASSY MKII	E-UA-MKII-BG-0	9
UNIT ASSY MKII	E-UA-MKII-BF-0	8
UNIT ASSY MKII	E-UA-MKII-BE-0	7
UNIT ASSY MKII	E-UA-MKII-BD-0	6
UNIT ASSY MKII	E-UA-MKII-BC-0	5
UNIT ASSY MKII	E-UA-MKII-BB-0	4
UNIT ASSY MKII	E-UA-MKII-BA-0	3
UNIT ASSY 11/70 (MKII BASIC)	E-UA-11/70-ML-0	2
UNIT ASSY 11/70 (MKII BASIC)	E-UA-11/70-MK-0	1

QUANTITY A VARIATION

DESCRIPTION

UNIT PRICE

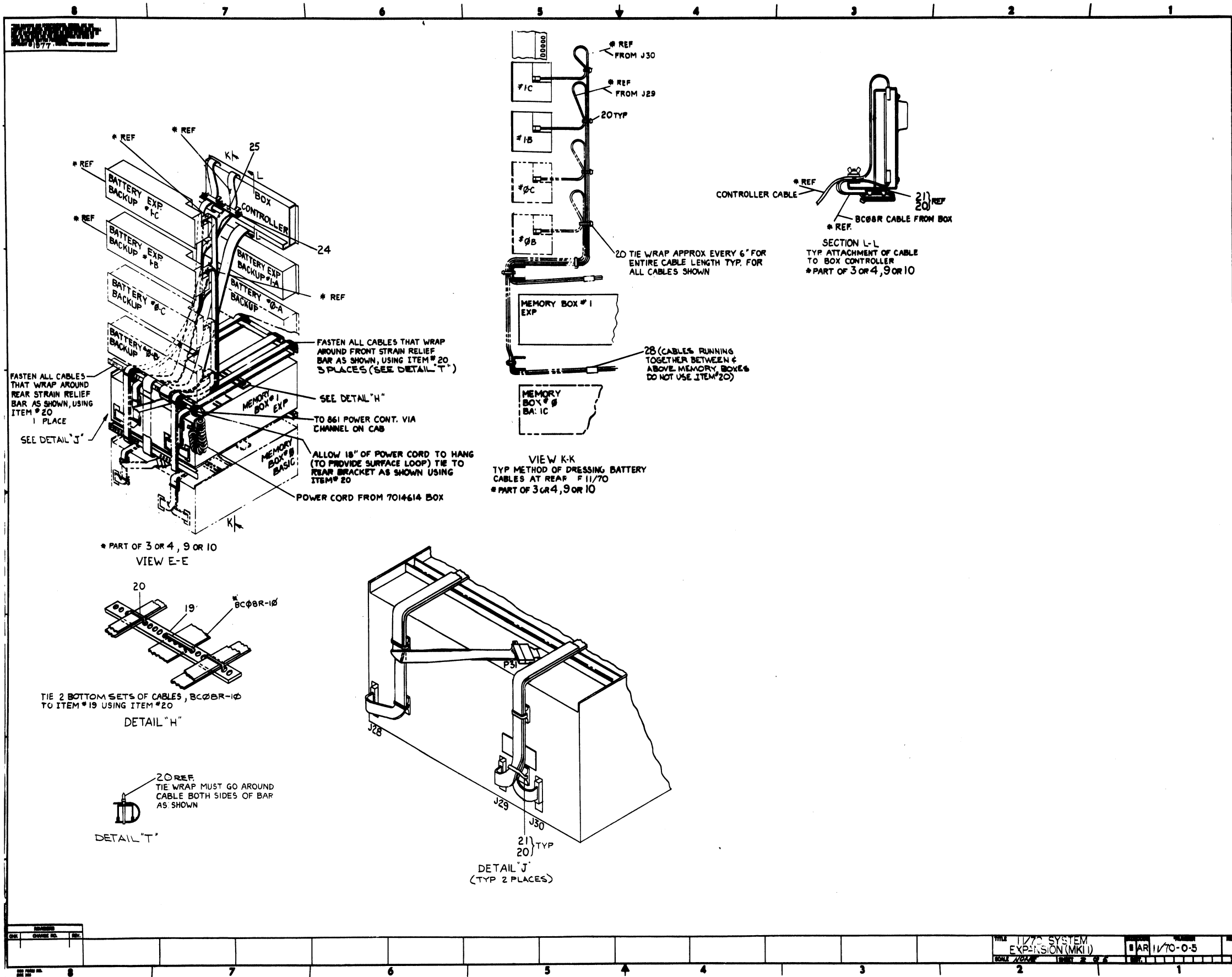
TOTAL

DATE: 11/70

TITLE: 11/70 SYSTEM EXPANSION (MKII)

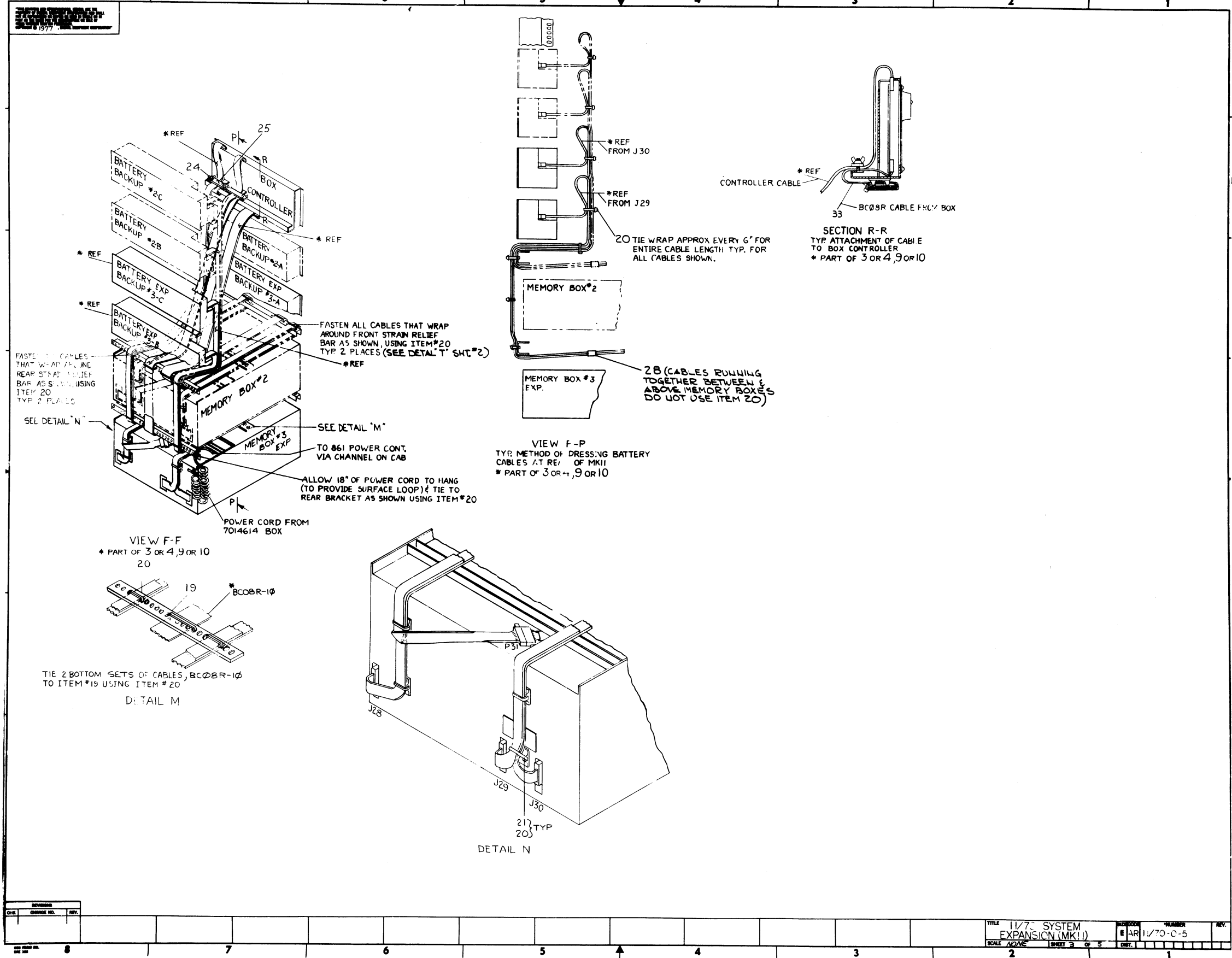
SCALE: 1/8" = 1"

SHEET: 1 OF 5



1677

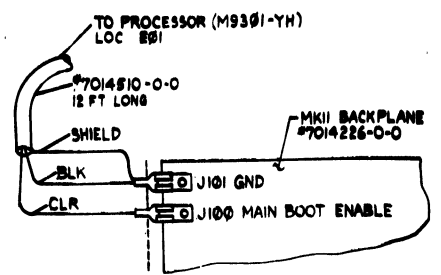
REV.	DATE	BY	CHKD.



1977

REV.	DATE	BY	CHK

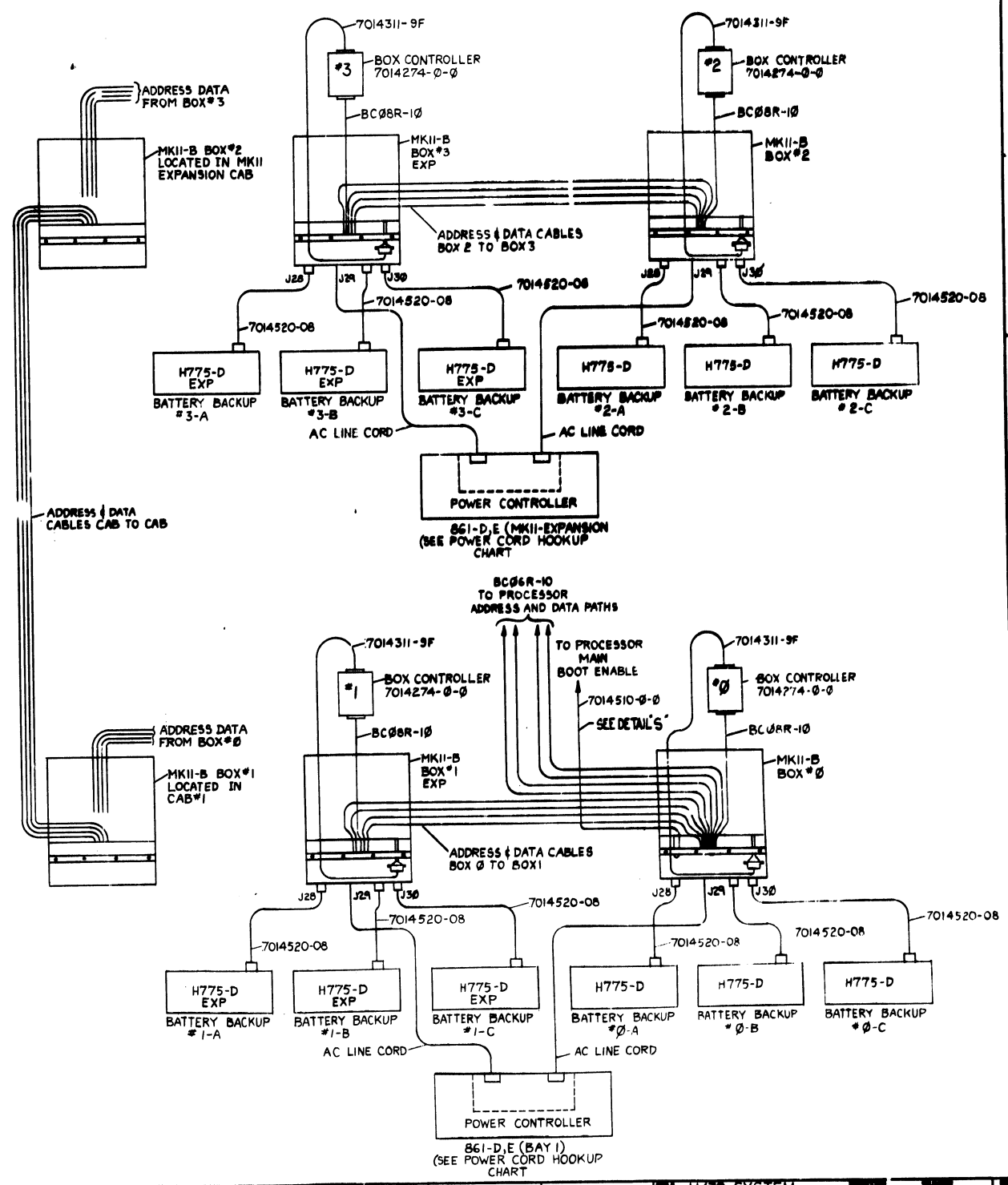
777



DETAIL 'S'  
(SEE E-IC-MKII-0-2 FOR REF)

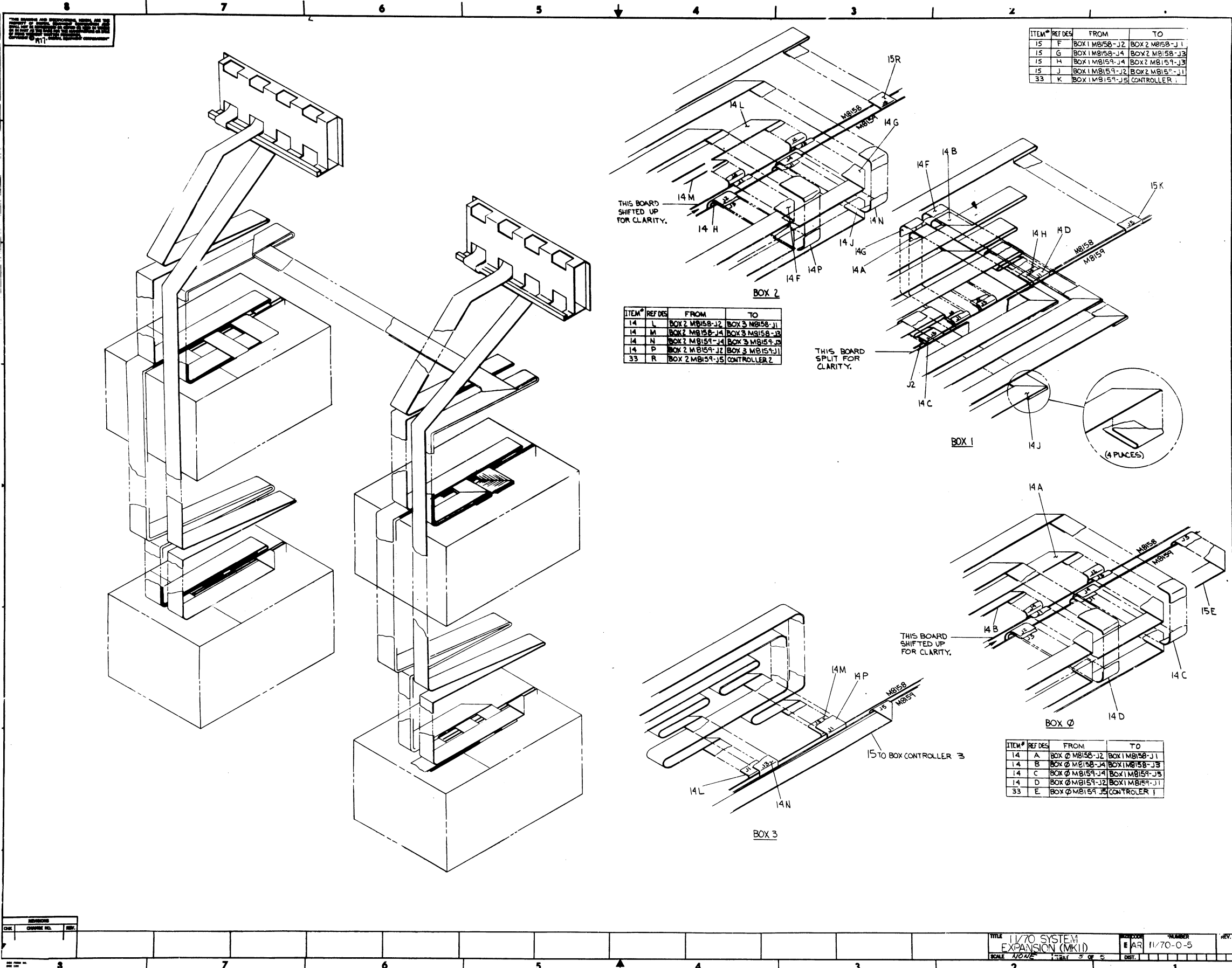
POWER CORD HOOKUP	
FROM	TO
MKII-B BOX 0	B-1 PHASE A (SWITCHED)
MKII-B BOX 1	B-1 PHASE B (SWITCHED)
MKII-B BOX 2	B-1 PHASE C (SWITCHED)
MKII-B BOX 2	B-1 PHASE D (SWITCHED)

861 IN LOCAL



861-D,E (BAY 1)  
(SEE POWER CORD HOOKUP CHART)





ITEM#	REF DES	FROM	TO
15	F	BOX 1 MB158-J2	BOX 2 MB158-J1
15	G	BOX 1 MB158-J4	BOX 2 MB158-J3
15	H	BOX 1 MB159-J4	BOX 2 MB159-J3
15	J	BOX 1 MB159-J2	BOX 2 MB159-J1
33	K	BOX 1 MB159-J5	CONTROLLER 1

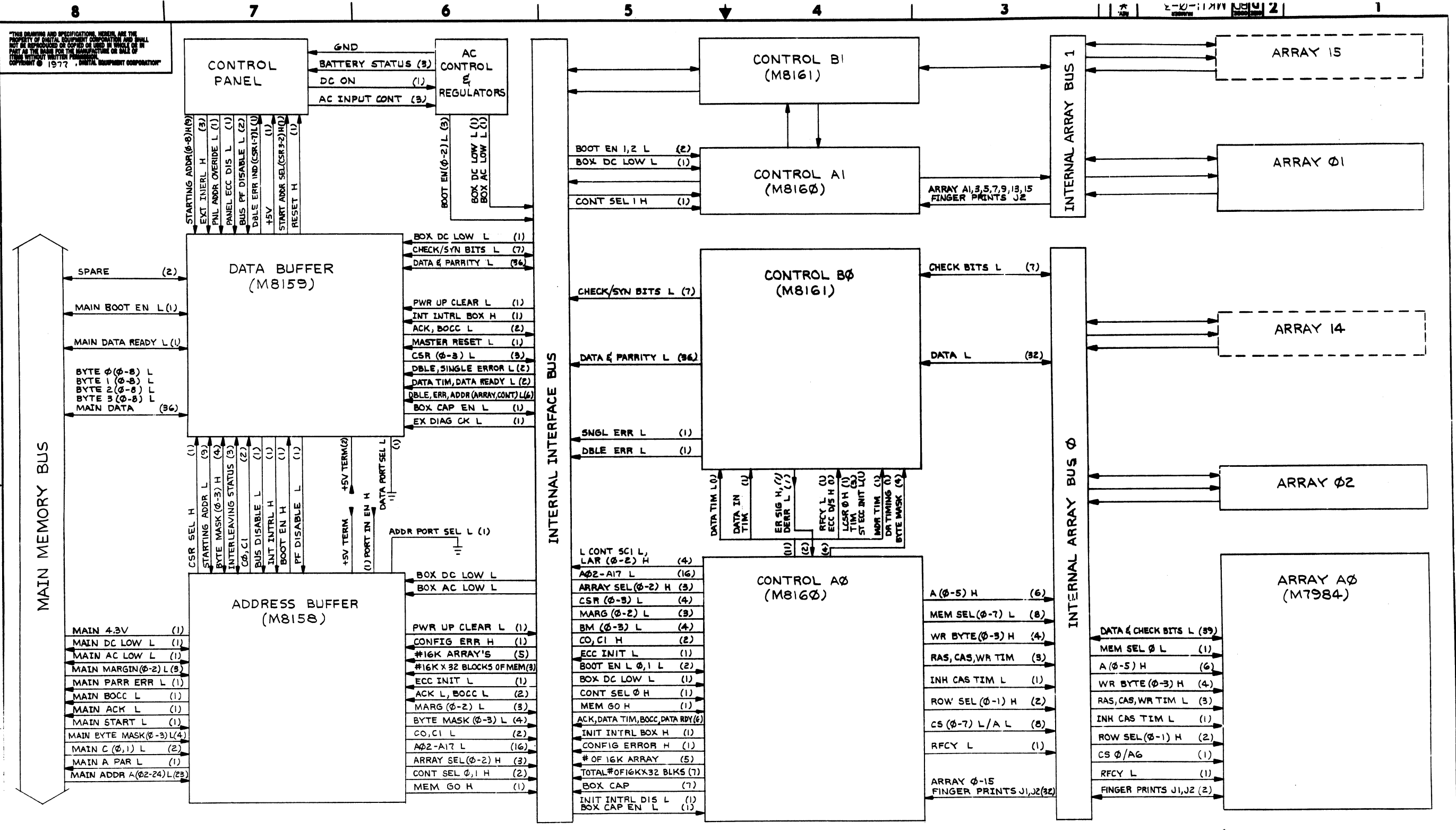
BOX 2

ITEM#	REF DES	FROM	TO
14	L	BOX 2 MB158-J2	BOX 3 MB158-J1
14	M	BOX 2 MB158-J4	BOX 3 MB158-J3
14	N	BOX 2 MB159-J4	BOX 3 MB159-J3
14	P	BOX 2 MB159-J2	BOX 3 MB159-J1
33	R	BOX 2 MB159-J5	CONTROLLER 2

BOX 0

ITEM#	REF DES	FROM	TO
14	A	BOX 0 MB158-J2	BOX 1 MB158-J1
14	B	BOX 0 MB158-J4	BOX 1 MB158-J3
14	C	BOX 0 MB159-J4	BOX 1 MB159-J3
14	D	BOX 0 MB159-J2	BOX 1 MB159-J1
33	E	BOX 0 MB159-J5	CONTROLLER 1

REV	DATE	BY	CHK	CHANGE NO.	REV



REVISIONS

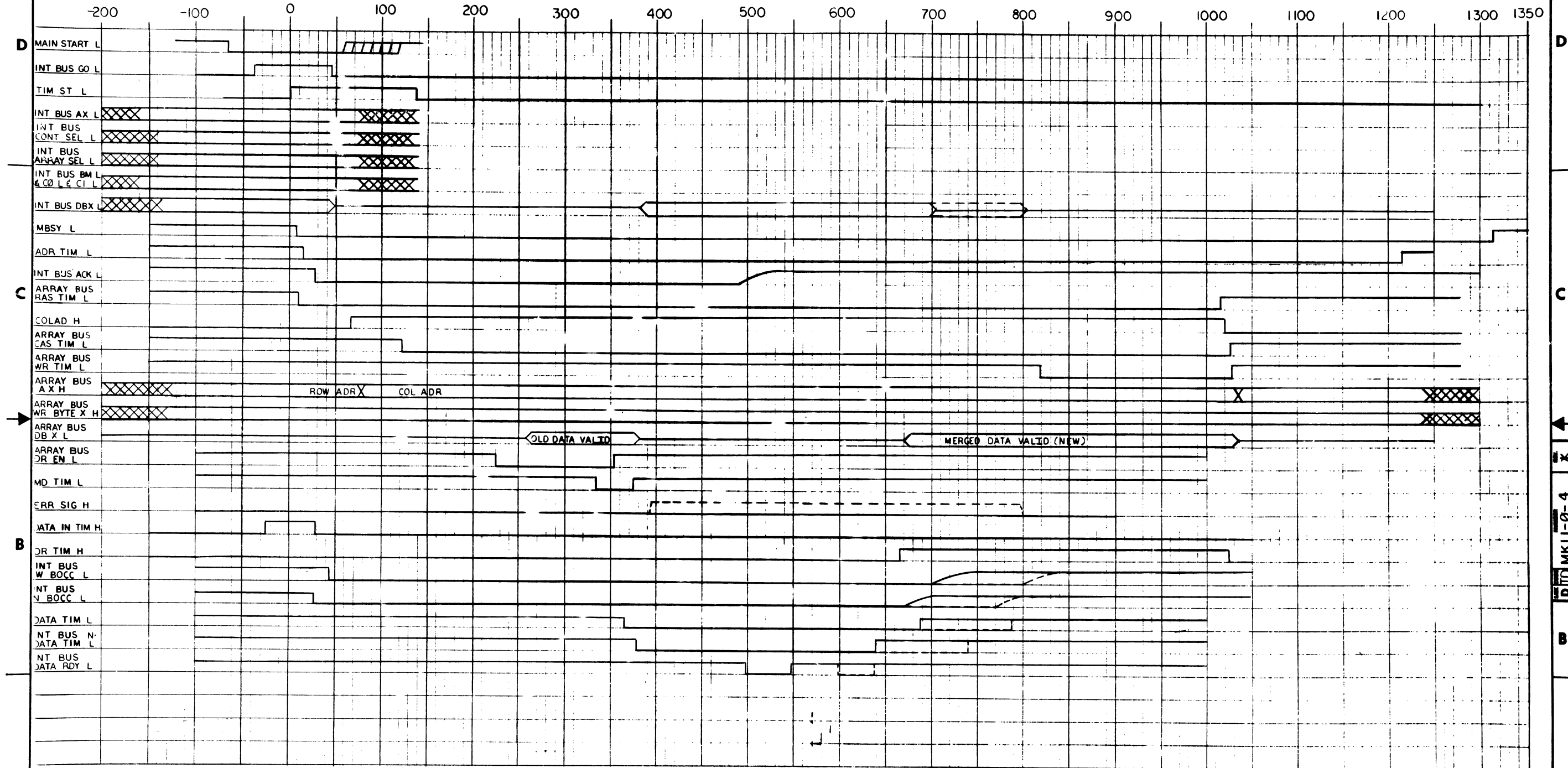
REV.	CHANGE NO.

DEC FORM NO. 100-1

DRN. <i>[Signature]</i>	1-10-77	FIRST USED ON	MK11
CHK'D <i>[Signature]</i>	11-2-77	TITLE	MK11
ENG. <i>[Signature]</i>	11-2-77		
PROJ. ENG. <i>[Signature]</i>	11-2-77		
PROD. <i>[Signature]</i>	11-2-77		
NEXT HIGHER ASSY.			
B-DD-MK11-0		SIZE CODE	NUMBER
SCALE +		D	BD MK11-0-3
SHEET	OF 1	DIST.	

THIS DRAWING AND SPECIFICATIONS HEREIN ARE THE PROPERTY OF DIGITAL EQUIPMENT CORPORATION AND SHALL NOT BE REPRODUCED OR COPIED OR USED IN WHOLE OR IN PART AS THE BASIS FOR THE MANUFACTURE OR SALE OF ITEMS WITHOUT WRITTEN PERMISSION. COPYRIGHT © 1977, DIGITAL EQUIPMENT CORPORATION

### EXCHANGE CYCLE

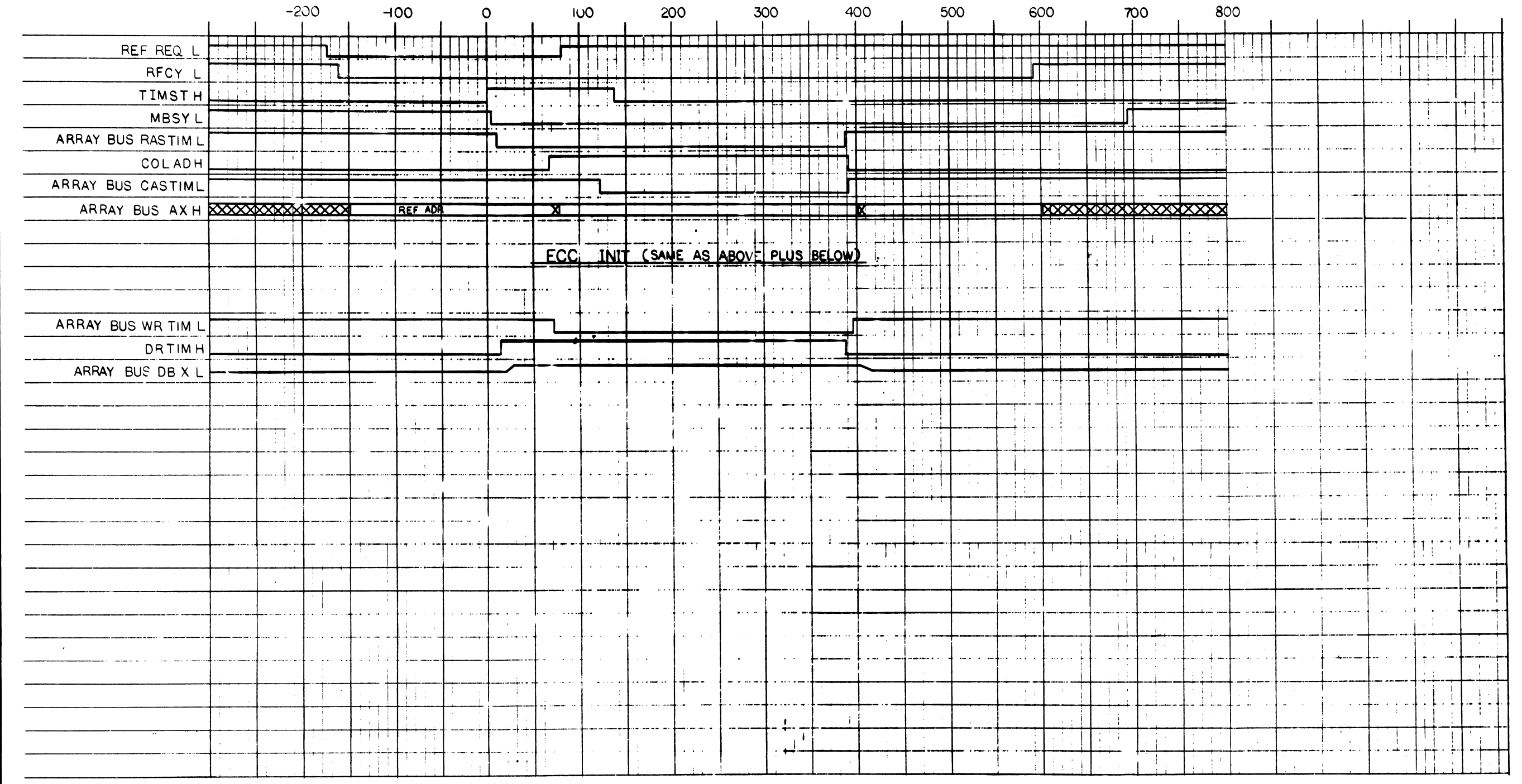


REV.	REV.

DRN. <i>[Signature]</i>	18 OCT 77	FIRST USED ON	MK11
CHK'D <i>[Signature]</i>	11-2-77	TITLE	MK11
ENG. <i>[Signature]</i>	11-2-77	NUMBER	1
PROJ. ENG. <i>[Signature]</i>	11-2-77	REV.	*
PROD. <i>[Signature]</i>	11-2-77	SIZE	B-00-MK11-0
NEXT HIGHER ASSY.		SCALE	NONE
		SHEET	1 OF 5

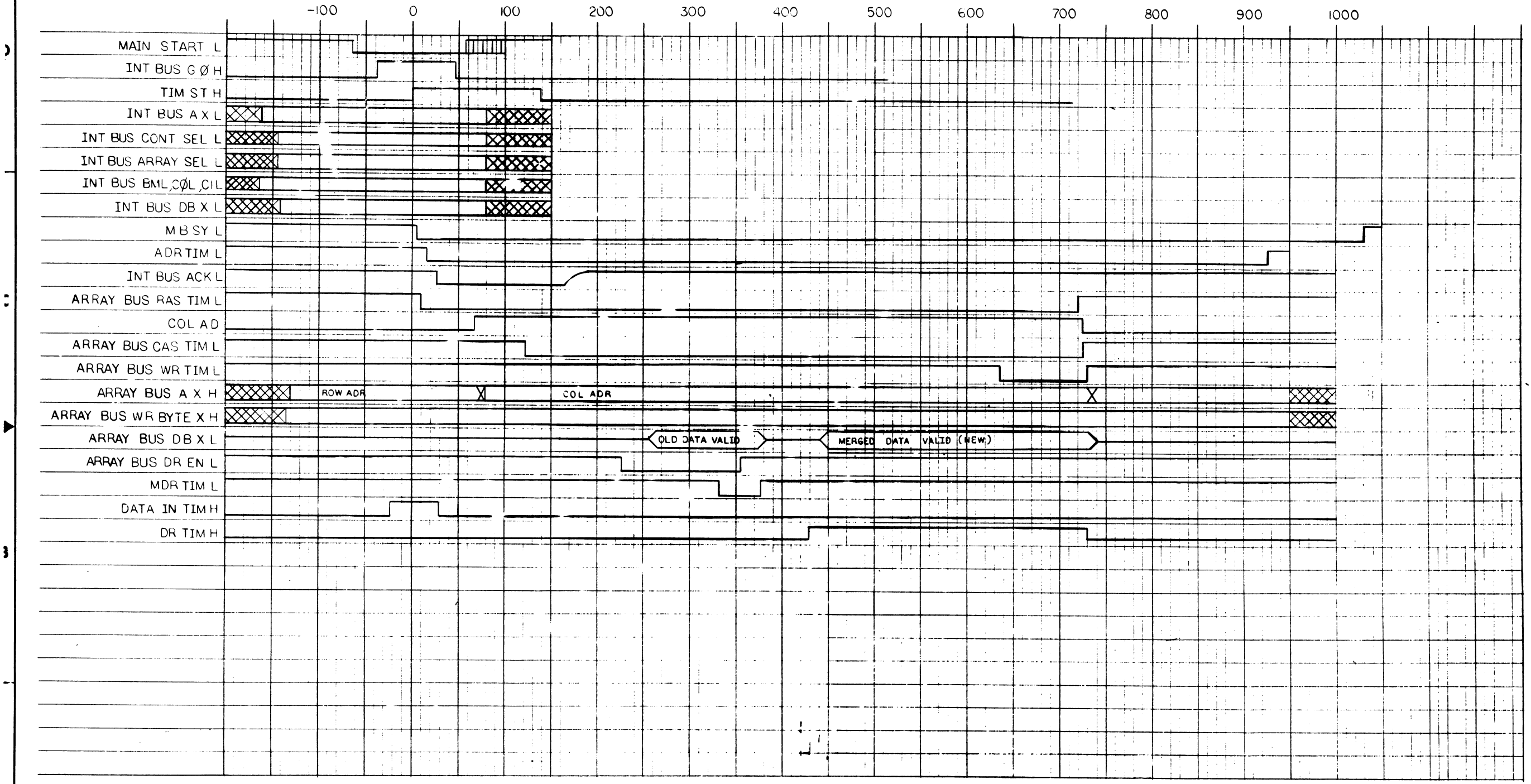
"THIS DRAWING AND SPECIFICATIONS, HEREIN, ARE THE PROPERTY OF DIGITAL EQUIPMENT CORPORATION AND SHALL NOT BE REPRODUCED OR COPIED OR USED IN WHOLE OR IN PART AS THE BASIS FOR THE MANUFACTURE OR SALE OF ITEMS WITHOUT WRITTEN PERMISSION. COPYRIGHT © 1977, DIGITAL EQUIPMENT CORPORATION"

REFRESH CYCLE



"THIS DRAWING AND SPECIFICATIONS, HEREIN, ARE THE PROPERTY OF DIGITAL EQUIPMENT CORPORATION AND SHALL NOT BE REPRODUCED OR COPIED OR USED IN WHOLE OR IN PART AS THE BASIS FOR THE MANUFACTURE OR SALE OF ITEMS WITHOUT WRITTEN PERMISSION. COPYRIGHT © 1977, DIGITAL EQUIPMENT CORPORATION"

WRITE (Ø-3 BYTE) INTERNAL RMW CYCLE

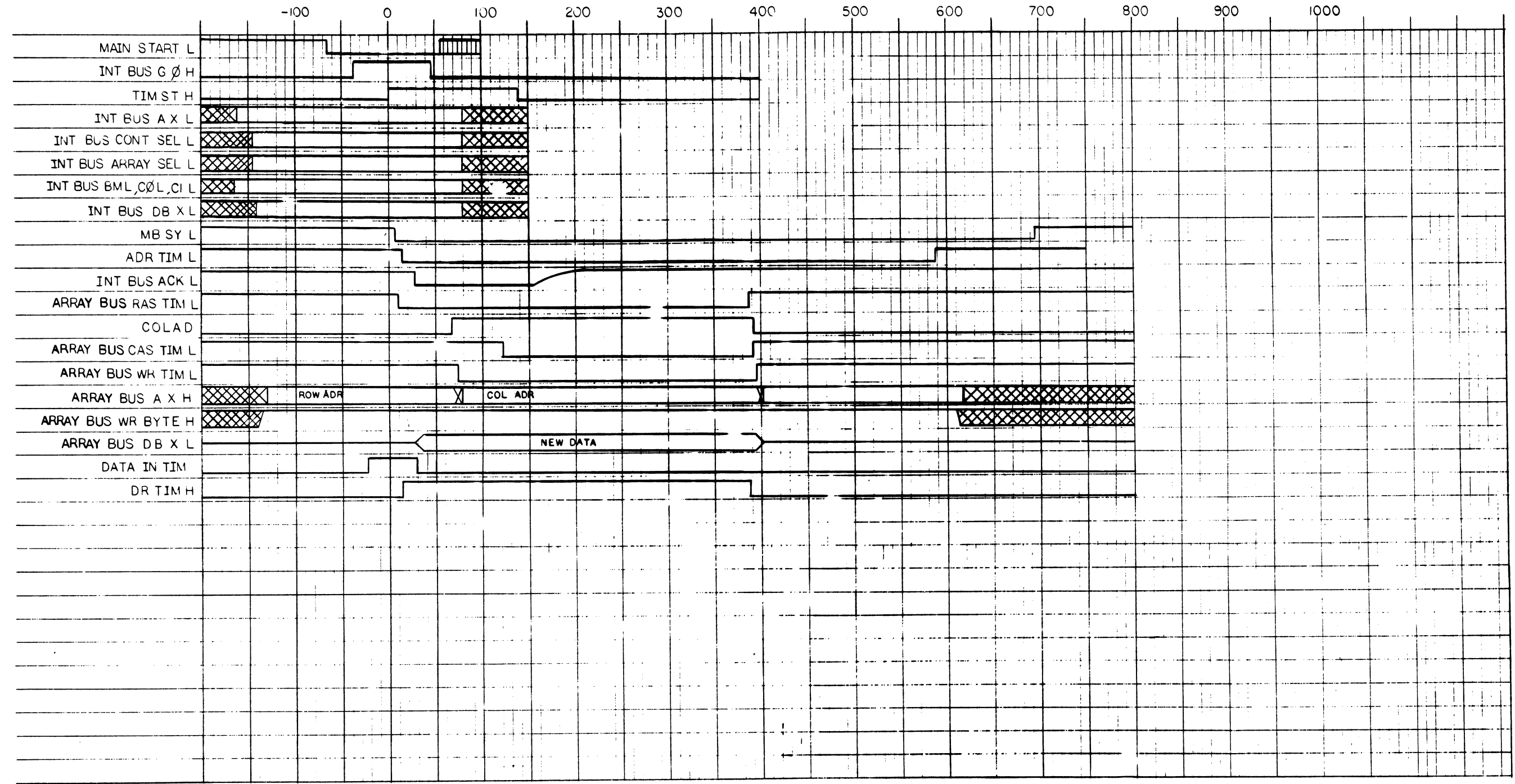


REV.	
CHG.	
NO.	

DRAWN: E DeVito	130RT 11	FIRST USED ON	
CHK'D: D. G. Cannon	11-2-77	MKII	
ENG'D: A. J. ...	11-2-77	TITLE	
PROJ. ENCL: ...	11-2-77	MKII	
PROD. R. L. Hill	11-2-77	TIMING DIAGRAM	
NEXT HIGHER ASSY.			
B-DD-MKII-Ø		SIZE CODE	
SCALE NONE		NUMBER	
SHEET 3 OF 5		DIST.	

"THE DRAWINGS AND SPECIFICATIONS HEREIN ARE THE PROPERTY OF DIGITAL EQUIPMENT CORPORATION AND SHALL NOT BE REPRODUCED OR COPIED OR USED IN WHOLE OR IN PART AS THE BASIS FOR THE MANUFACTURE OR SALE OF ITEMS WITHOUT WRITTEN PERMISSION. COPYRIGHT © 1977, DIGITAL EQUIPMENT CORPORATION"

WRITE (4 BYTE) CYCLE

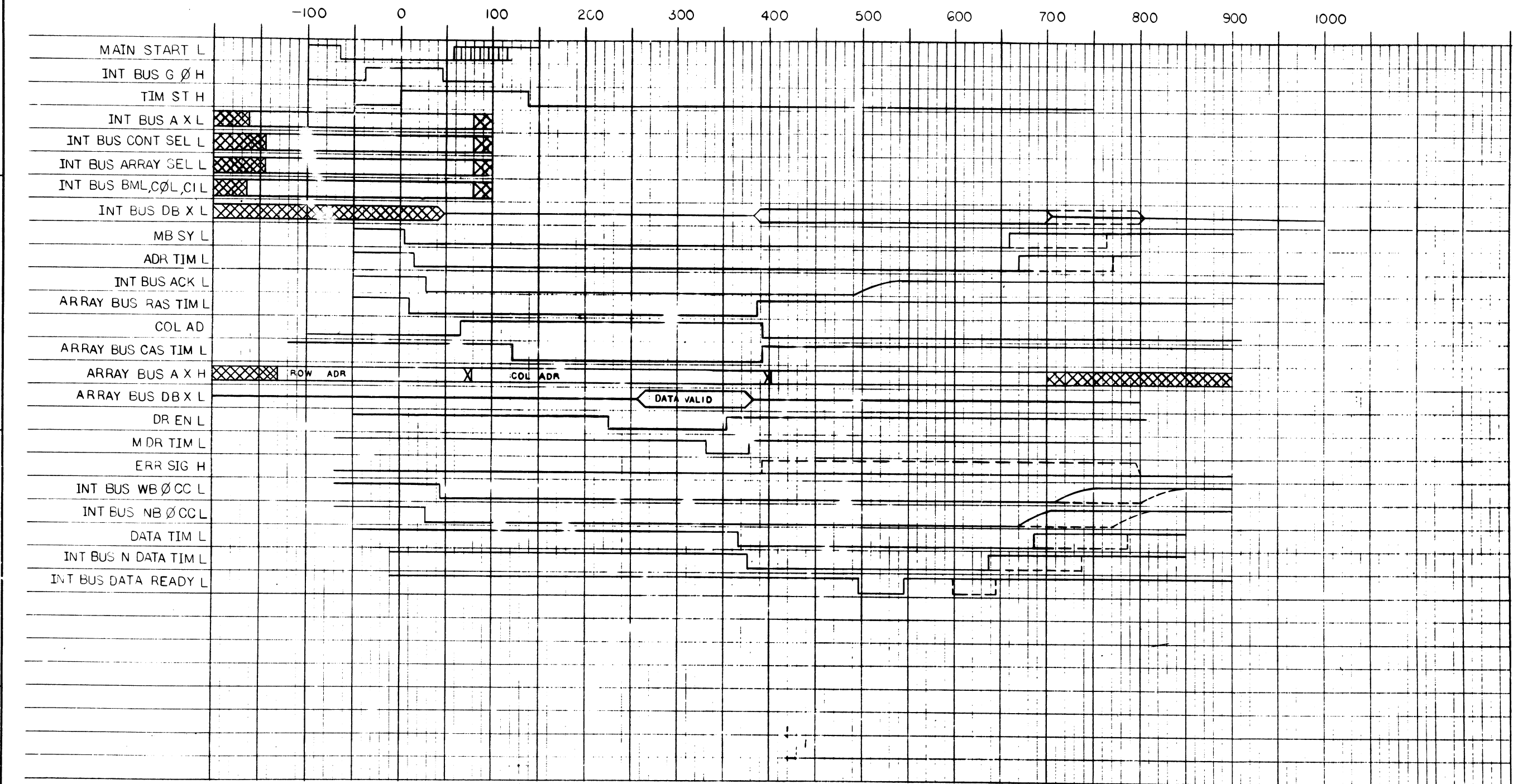


REV.	
CHG.	
CHK.	

DRN. E. DeVela	19 OCT 77	FIRST TIMED ON	MKII
CHK'D. P. Quinn	11-2-77	TITLE	MKII
ENG. J. Brown	11-2-77		
PROJ. ENG. J. Brown	11-1-77		
PROD. R. A. Hall	11-2-77		
NEXT HIGHER ASSY.			
B-DD-MKII-Ø		SIZE CODE	NUMBER
SCALE NONE		D T D	MKII-Ø-4
SHEET 4 OF 5		DIST.	

THIS DRAWING AND SPECIFICATIONS HEREIN ARE THE PROPERTY OF DIGITAL EQUIPMENT CORPORATION AND SHALL NOT BE REPRODUCED OR COPIED OR USED IN WHOLE OR IN PART AS THE BASIS FOR THE MANUFACTURE OR SALE OF ITEMS WITHOUT WRITTEN PERMISSION. COPYRIGHT © 1977, DIGITAL EQUIPMENT CORPORATION

READ CYCLE



REV.	
REVISING	
CHANGE NO.	
CHK	

DRN. E. DeVries	11-2-77	FIRST USED ON	MKII
CHK'D D. G. G.	11-2-77	TITLE	MKII
ENG. J. J. G.	11-2-77		
PROD. R. G. Hill	11-2-77		
NEXT HIGHER ASSY.			
B-DD-MKII-Ø		SIZE CODE	D
SCALE NONE		NUMBER	Ø-4
SHEET 5 OF 5		DIST.	

8

7

6

5

4

3

2

1

"THIS DRAWING AND SPECIFICATIONS, HEREIN, ARE THE PROPERTY OF DIGITAL EQUIPMENT CORPORATION AND SHALL NOT BE REPRODUCED OR COPIED OR USED IN WHOLE OR IN PART AS THE BASIS FOR THE MANUFACTURE OR SALE OF ITEMS WITHOUT WRITTEN PERMISSION.  
 COPYRIGHT © 1977, DIGITAL EQUIPMENT CORPORATION

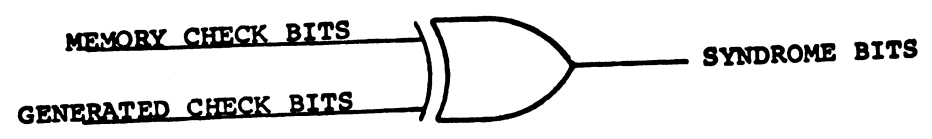
### MODIFIED HAMMING CODE MATRIX

DATA BITS  
 SYNDROME BITS

	BYTE 0							BYTE 1							BYTE 2							BYTE 3							CHECK BITS										
	0	1	2	3	4	5	6	7	8	9	10	11	12	13	14	15	16	17	18	19	20	21	22	23	24	25	26	27	28	29	30	31	C1	C2	C4	C8	C16	C32	C7
S1	X	X		X		X		X	X		X		X		X	X		X		X		X	X		X		X		X	X		X		X		X			
S2		X	X				X	X		X	X			X	X		X	X			X	X		X	X			X	X		X	X			X	X			
S4				X	X	X	X					X	X	X					X	X	X					X	X	X					X	X	X				
S8	X	X	X	X	X	X	X	X	X	X	X	X	X	X	X	X	X	X	X	X	X	X	X	X	X	X	X	X	X	X	X	X	X	X	X	X			
S16	X	X	X	X	X	X	X		X	X	X	X	X	X		X	X	X	X	X	X		X	X	X	X	X	X		X	X	X	X	X	X				
S32								X	X	X	X	X	X	X	X	X	X	X	X	X	X	X	X	X	X	X	X	X	X							X			
S7	X		X		X	X		X		X		X	X		X	X		X		X	X		X		X		X	X								X			

NOTES:

- EACH CHECK BIT IS THE RESULT OF ODD PARITY GENERATED ON THE DATA BITS DESIGNATED BY X. i.e. C1 IS  $\{1,3,5,7,9,\dots,29,31\}$ . C32 IS  $\{8 \text{ thru } 31\}$ . THE EXCEPTION IS C7, WHICH IS THE RESULT OF EVEN PARITY.
- SYNDROME BITS (S1 etc.) ARE FORMED BY A COMPARISON OF THE CHECK BITS READ FROM MEMORY AND THE NEW CHECK BITS GENERATED ON THE DATA READ FROM MEMORY.
- A SINGLE ERROR WILL CAUSE AN ODD NUMBER OF SYNDROME BITS TO GO HIGH  
 e.g. IF BIT 1 FAILS S1, S8, & S16 WILL GO HIGH.  
 IF BIT 15 FAILS S1, S2, S4, S8, & S32 WILL GO HIGH.  
 A DOUBLE ERROR WILL CAUSE AN EVEN NUMBER OF SYNDROME BITS TO GO HIGH.  
 e.g. IF BITS 0 & 1 FAIL S1 & S7 WILL GO HIGH; BUT S8 & S16 WILL NOT SINCE C8 & C16 ARE COMMON TO BITS 0 & 1 AND THE PARITY REMAINS UNCHANGED.

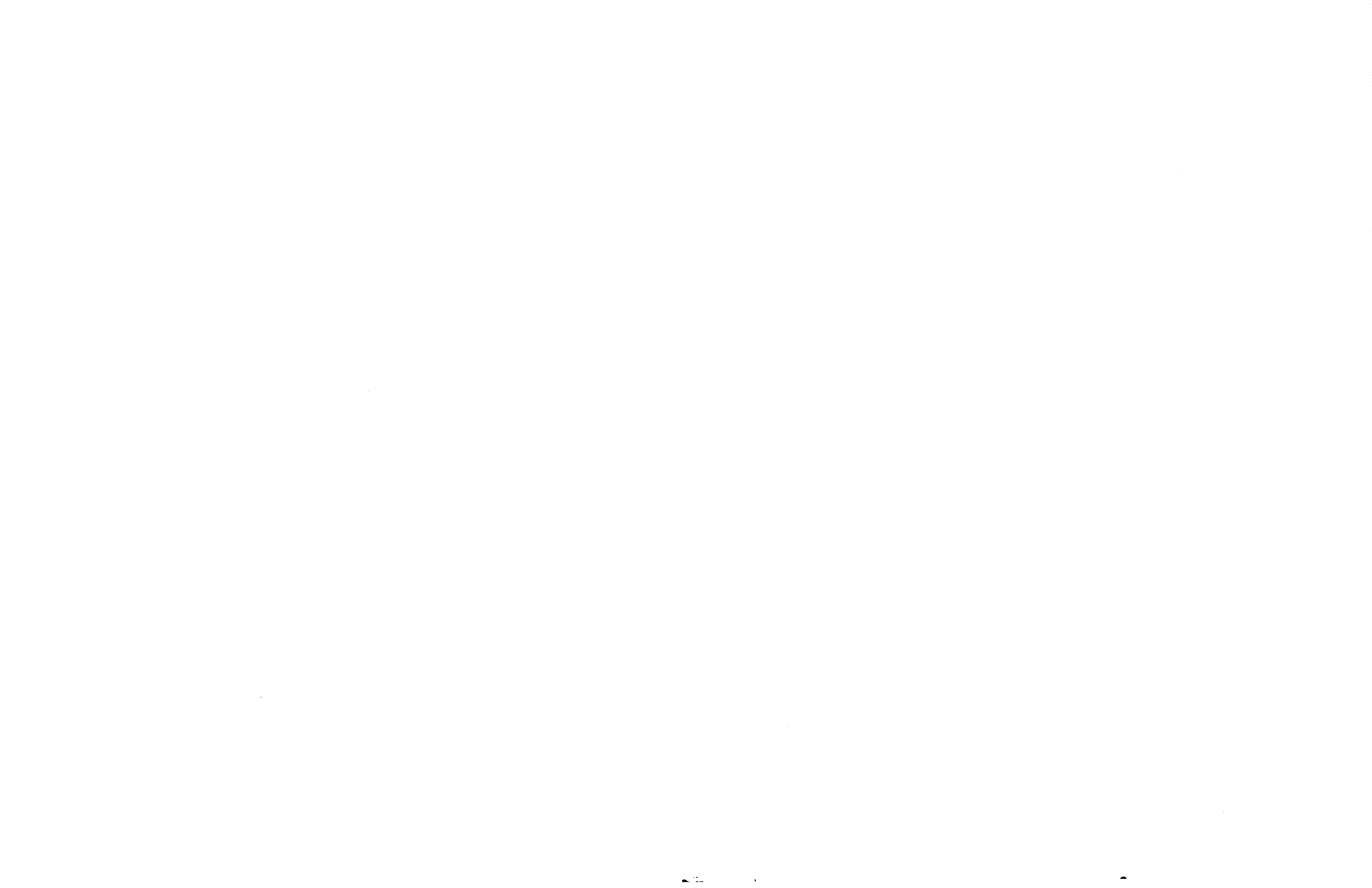


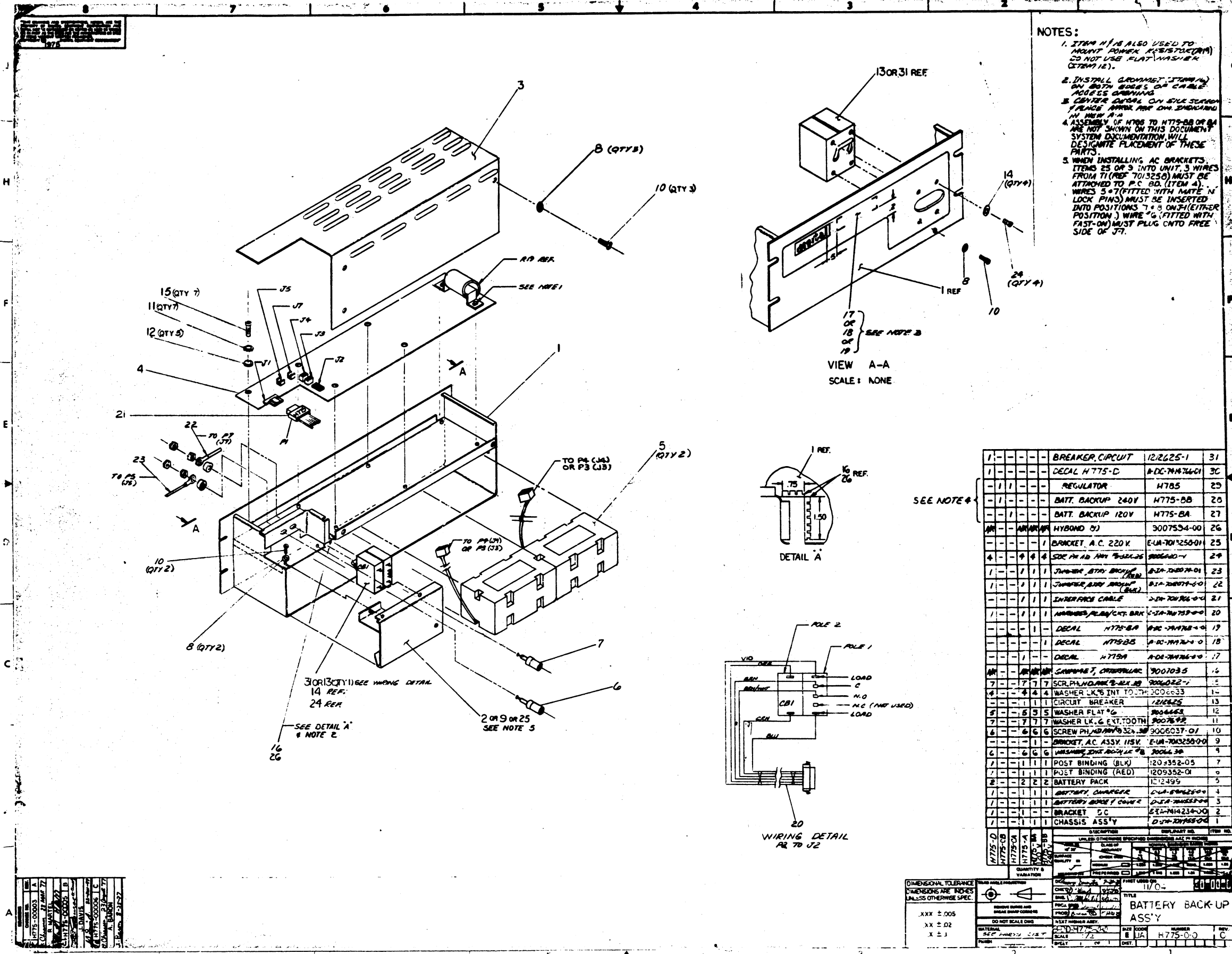
QUANTITY & VARIATION	DESCRIPTION	DWG./PART NO.	ITEM NO.
	UNLESS OTHERWISE SPECIFIED DIMENSIONS ARE IN INCHES		
	ANGLES ±0° 30'	CLASS OF ACCURACY (CHECK ONE)	NOMINAL DIMENSION RANGE INCHES
	SURFACE QUALITY IN	MEDIUM <input type="checkbox"/>	OVER 1/16 ±.004 ±.008 ±.012 ±.016 ±.024 ±.04
	MICROINCHES	PREFERRED <input type="checkbox"/>	±.012 ±.016 ±.025 ±.04 ±.063 ±0.1
THIRD ANGLE PROJECTION	DRN. <i>A. Van Dine</i> 21 JAN 77	FIRST USED ON	MFIIS-K <b>digital</b>
REMOVE BURRS AND BREAK SHARP CORNERS	CHK'D <i>J. L. ...</i> 5 MAR 77	TITLE	MFIIS-K
DO NOT SCALE DWG	ENG. <i>J. B. ...</i> 4/7/77	ERROR CHECK CODE	
MATERIAL	PROD. <i>J. B. ...</i> 4/7/77	SIZE	CODE
FINISH	NEXT HIGHER ASSY.	B	BS
	A-PL-MFIIS-K-0	NUMBER	MFIIS-K-3
	SCALE	DIST.	
	SHEET 1 OF 1		

REVISIONS	REV.
CHANGE NO.	
CHK.	



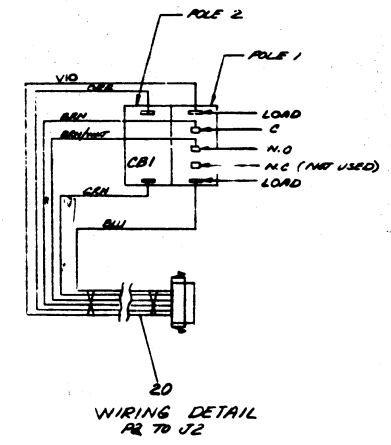
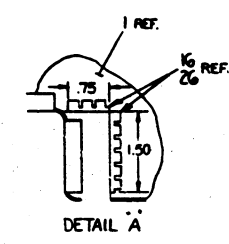
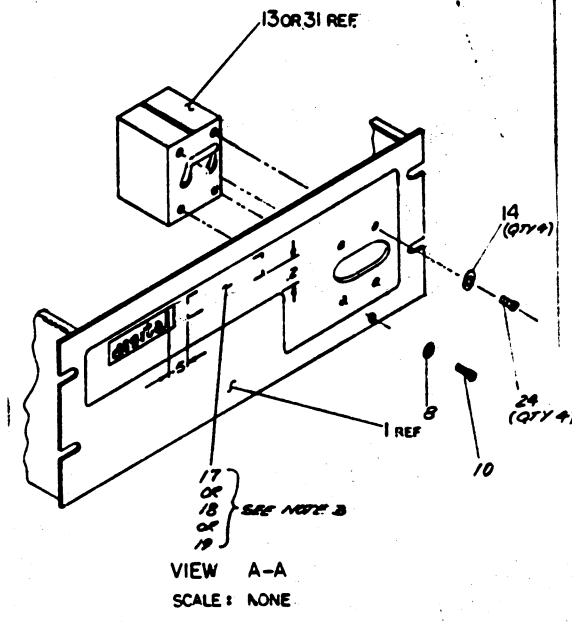






NOTES:

- ITEM 11 IS ALSO USED TO MOUNT POWER RESISTOR (R) DO NOT USE FLAT WASHER (ITEM 12).
- INSTALL GROMMET (ITEM 14) ON BOTH SIDES OF CABLE HOLES GUARANTEE CENTER SQUARE ON SIDE SECTOR FLANGE BRACK AND ON SHOCKING IN NEW #10
- ASSEMBLY OF HY85 TO HY75-BB OR B4 ARE NOT SHOWN ON THIS DOCUMENT SYSTEM DOCUMENTATION WILL DESIGNATE PLACEMENT OF THESE PARTS.
- WHEN INSTALLING AC BRACKETS (ITEMS 25 OR 3 INTO UNIT, 3 WIRES FROM T1 (REF 7013250) MUST BE ATTACHED TO P.C. BD. (ITEM 4). WIRES 5-7 (FITTED WITH MATE N LOCK PINS) MUST BE INSERTED INTO POSITIONS 7+5 ON (LEFT-RIGHT POSITION) WIRE #6 (FITTED WITH FAST-ON) MUST PLUG ONTO FREE SIDE OF J7.



QTY	DESCRIPTION	REF	ITEM NO.
1	BREAKER, CIRCUIT	121225-1	31
1	DECAL H775-C	A-DC-MH76-01	30
1	REGULATOR	H785	29
1	BATT. BACKUP 240V	H775-BB	28
1	BATT. BACKUP 120V	H775-BA	27
1	HYBRID DJ	3007594-00	26
1	BRACKET, A.C. 220 V.	E-UM-7013250-01	25
4	SDC PH AD PIN 25	3006022-1	24
1	WASHER LK 6 INT TO TH	B1A-20074-01	23
1	WASHER LK 6 EXT TOOTH	B1A-20074-00	22
1	INTERFACE CABLE	D-70-70126-04	21
1	WASHER LK 6 EXT TOOTH	E-UM-7013250-00	20
1	DECAL H775-BA	A-DC-MH76-00	19
1	DECAL H775-B5	A-DC-MH76-00	18
1	DECAL H775A	A-DC-MH76-00	17
1	CHASSIS ASSY	3007035	16
7	SCR PH W/AD PIN 25	3006022-1	15
4	WASHER LK 6 INT TO TH	3006033	14
1	CIRCUIT BREAKER	121225	13
5	WASHER FLAT #6	3006032	12
7	WASHER LK 6 EXT TOOTH	3007692	11
6	SCREW PH AD PIN 25	3006037-01	10
1	BRACKET, AC ASSY 115V	E-UM-7013250-00	9
6	WASHER LK 6 EXT TOOTH	3006030	8
7	POST BINDING (BLK)	1203352-05	7
7	POST BINDING (RED)	1209352-01	6
2	BATTERY PACK	1012495	5
1	BATTERY CHARGER	C-UM-8006250-00	4
1	BATTERY BARGE CONNECTOR	D-UM-7013250-00	3
1	BRACKET DC	E-UM-7013250-00	2
1	CHASSIS ASSY	D-70-70126-00	1

QTY	DESCRIPTION	REF	ITEM NO.
1	CHASSIS ASSY	D-70-70126-00	1
1	BRACKET DC	E-UM-7013250-00	2
1	BATTERY BARGE CONNECTOR	D-UM-7013250-00	3
1	BATTERY CHARGER	C-UM-8006250-00	4
2	BATTERY PACK	1012495	5
7	POST BINDING (RED)	1209352-01	6
7	POST BINDING (BLK)	1203352-05	7
6	WASHER LK 6 EXT TOOTH	3006030	8
6	SCREW PH AD PIN 25	E-UM-7013250-00	9
6	SCREW PH AD PIN 25	3006037-01	10
7	WASHER LK 6 EXT TOOTH	3007692	11
5	WASHER FLAT #6	3006032	12
1	CIRCUIT BREAKER	121225	13
4	WASHER LK 6 INT TO TH	3006033	14
7	SCR PH W/AD PIN 25	3006022-1	15
1	CHASSIS ASSY	3007035	16
1	DECAL H775A	A-DC-MH76-00	17
1	DECAL H775-B5	A-DC-MH76-00	18
1	DECAL H775-BA	A-DC-MH76-00	19
1	WASHER LK 6 EXT TOOTH	E-UM-7013250-00	20
1	INTERFACE CABLE	D-70-70126-04	21
1	WASHER LK 6 INT TO TH	B1A-20074-00	22
1	WASHER LK 6 EXT TOOTH	B1A-20074-01	23
4	SDC PH AD PIN 25	3006022-1	24
1	BRACKET, A.C. 220 V.	E-UM-7013250-01	25
1	HYBRID DJ	3007594-00	26
1	BATT. BACKUP 120V	H775-BA	27
1	BATT. BACKUP 240V	H775-BB	28
1	REGULATOR	H785	29
1	DECAL H775-C	A-DC-MH76-01	30
1	BREAKER, CIRCUIT	121225-1	31

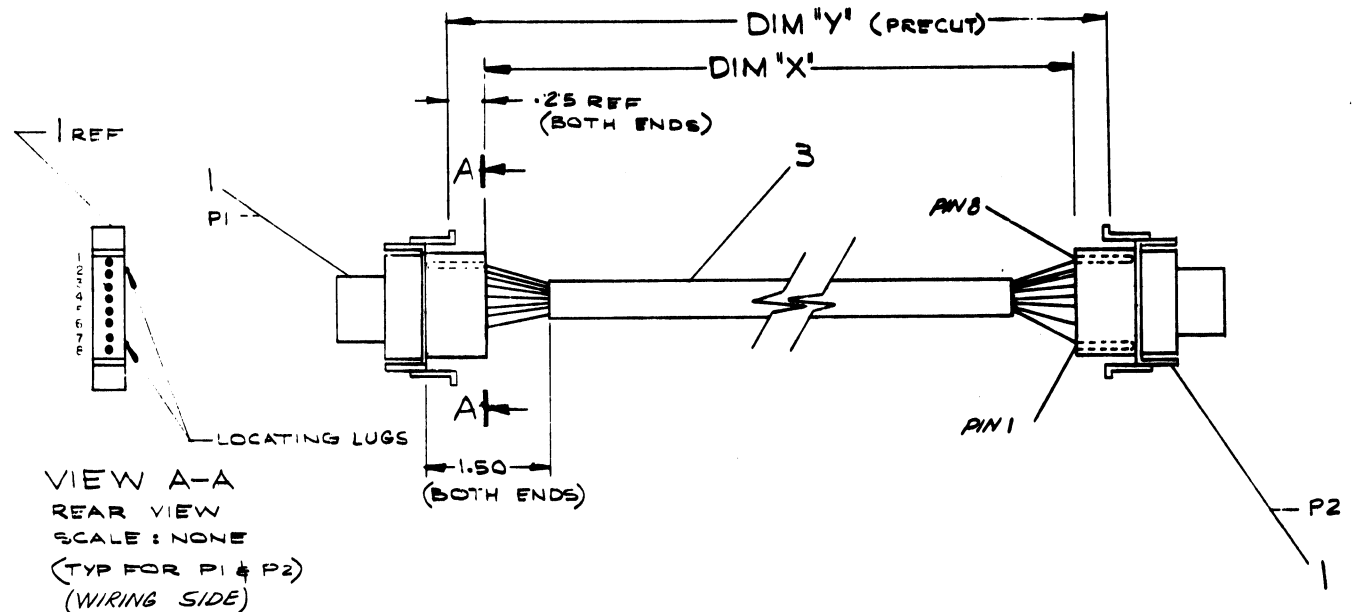
QTY	DESCRIPTION	REF	ITEM NO.
1	CHASSIS ASSY	D-70-70126-00	1
1	BRACKET DC	E-UM-7013250-00	2
1	BATTERY BARGE CONNECTOR	D-UM-7013250-00	3
1	BATTERY CHARGER	C-UM-8006250-00	4
2	BATTERY PACK	1012495	5
7	POST BINDING (RED)	1209352-01	6
7	POST BINDING (BLK)	1203352-05	7
6	WASHER LK 6 EXT TOOTH	3006030	8
6	SCREW PH AD PIN 25	E-UM-7013250-00	9
6	SCREW PH AD PIN 25	3006037-01	10
7	WASHER LK 6 EXT TOOTH	3007692	11
5	WASHER FLAT #6	3006032	12
1	CIRCUIT BREAKER	121225	13
4	WASHER LK 6 INT TO TH	3006033	14
7	SCR PH W/AD PIN 25	3006022-1	15
1	CHASSIS ASSY	3007035	16
1	DECAL H775A	A-DC-MH76-00	17
1	DECAL H775-B5	A-DC-MH76-00	18
1	DECAL H775-BA	A-DC-MH76-00	19
1	WASHER LK 6 EXT TOOTH	E-UM-7013250-00	20
1	INTERFACE CABLE	D-70-70126-04	21
1	WASHER LK 6 INT TO TH	B1A-20074-00	22
1	WASHER LK 6 EXT TOOTH	B1A-20074-01	23
4	SDC PH AD PIN 25	3006022-1	24
1	BRACKET, A.C. 220 V.	E-UM-7013250-01	25
1	HYBRID DJ	3007594-00	26
1	BATT. BACKUP 120V	H775-BA	27
1	BATT. BACKUP 240V	H775-BB	28
1	REGULATOR	H785	29
1	DECAL H775-C	A-DC-MH76-01	30
1	BREAKER, CIRCUIT	121225-1	31

THIS DRAWING AND SPECIFICATIONS HEREIN ARE THE PROPERTY OF DIGITAL EQUIPMENT CORPORATION AND SHALL NOT BE REPRODUCED OR COPIED OR USED IN WHOLE OR IN PART AS THE BASIS FOR THE MANUFACTURE OR SALE OF ITEMS WITHOUT WRITTEN PERMISSION. DIGITAL EQUIPMENT CORPORATION 1975

WIRE TABLE							
ITEM NO	DESCRIPTION	FROM		TO		REMARKS	
		AWG	COLOR	CONNECTION	WITH		CONNECTION
4	14	ORN	PI-1	2	P2-1	2	
5	14	BLK	PI-2	1	P2-2	1	
6	14	BLUE	PI-3	1	P2-3	1	
7	14	GRAY	PI-4	1	P2-4	1	
8	14	RED	PI-5	1	P2-5	1	
9	14	WHITE	PI-6	1	P2-6	1	
10	14	YEL	PI-7	1	P2-7	1	
11	14	BRN	PI-8	2	P2-8	2	

LEGEND		
NUMBER	DIM 'X' VARIATION	DIM 'Y' (PRE-CUT) REF
10/25-05	4 FT. ± 11.50 IN ± 1.0 IN	5 FT. ± 0.1 IN ± 1.0 IN

NOTES:



VIEW A-A  
REAR VIEW  
SCALE: NONE  
(TYP FOR P1 & P2)  
(WIRING SIDE)

DESCRIPTION	DWG. PART NO.	ITEM NO.
A/R WIRE #14 STRD BRN	9107370-11	11
A/R WIRE #14 STRD YEL	9107370-44	10
A/R WIRE #14 STRD WHT	9107370-99	9
A/R WIRE #14 STRD RED	9107370-22	8
A/R WIRE #14 STRD GRY	9107370-08	7
A/R WIRE #14 STRD BLU	9107370-66	6
A/R WIRE #14 STRD BLK	9107370-00	5
A/R WIRE #14 STRD ORG	9107370-33	4
A/R TUBING, INT. BLK - 5301D	9107295	3
16 PIN, MALE	1204578-00	2
2 CONN., 8 AWG	1209340-01	1

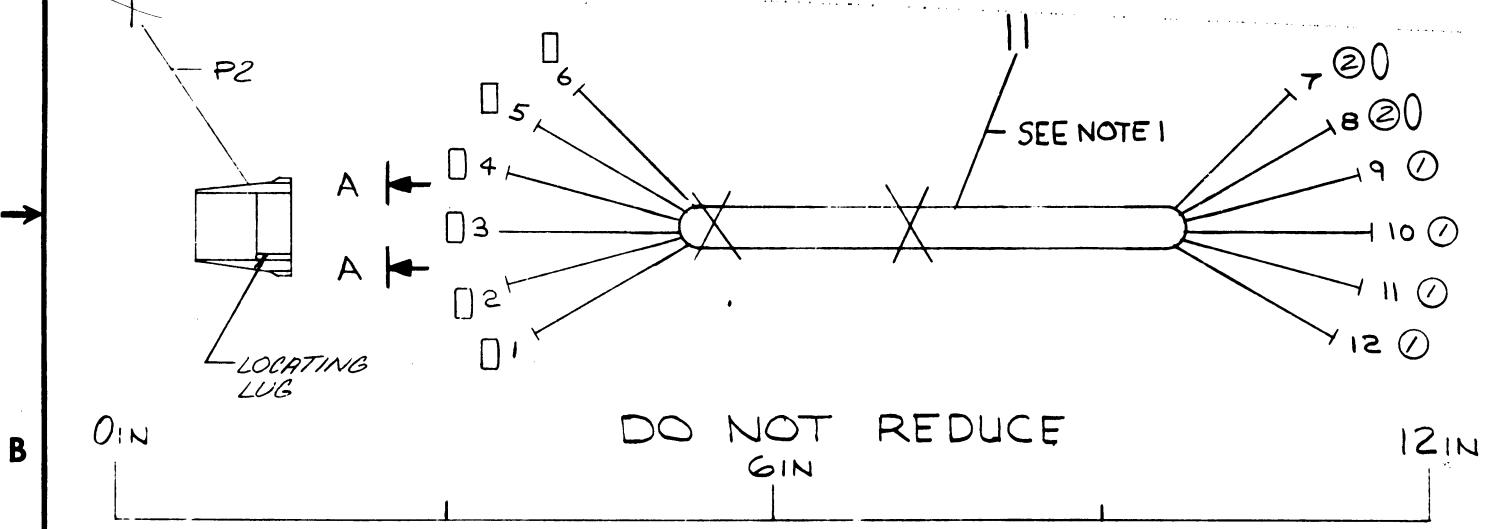
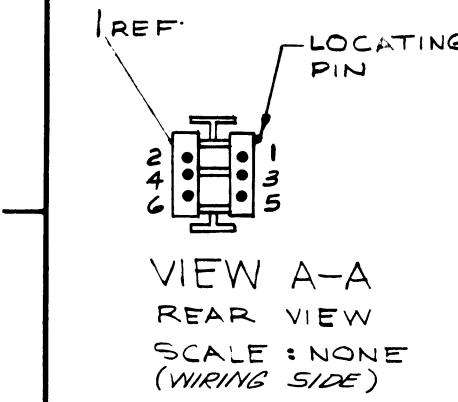
REV.	DATE	BY	CHKD	DESCRIPTION
A		J. DAVIS		7011906-0001
B		G. POTTER		7011906-0002
C		G. POTTER		7011906-0003

THIRD ANGLE PROJECTION	QUANTITY & VARIATION	DESCRIPTION	DWG. PART NO.	ITEM NO.																														
REMOVE BURRS AND BREAK SHARP CORNERS	DO NOT SCALE DWG	UNLESS OTHERWISE SPECIFIED DIMENSIONS ARE IN INCHES																																
MATERIAL SEE PARTS LIST	FINISH	CLASS OF ACCURACY	<table border="1"> <tr> <th>CLASS</th> <th>1</th> <th>2</th> <th>3</th> <th>4</th> <th>5</th> <th>6</th> <th>7</th> <th>8</th> <th>9</th> </tr> <tr> <td>CHECK ONE</td> <td><input type="checkbox"/></td> <td><input type="checkbox"/></td> <td><input type="checkbox"/></td> <td><input type="checkbox"/></td> <td><input type="checkbox"/></td> <td><input type="checkbox"/></td> <td><input type="checkbox"/></td> <td><input type="checkbox"/></td> <td><input type="checkbox"/></td> </tr> <tr> <td>PREFERRED</td> <td><input type="checkbox"/></td> <td><input type="checkbox"/></td> <td><input type="checkbox"/></td> <td><input type="checkbox"/></td> <td><input type="checkbox"/></td> <td><input type="checkbox"/></td> <td><input type="checkbox"/></td> <td><input type="checkbox"/></td> <td><input type="checkbox"/></td> </tr> </table>		CLASS	1	2	3	4	5	6	7	8	9	CHECK ONE	<input type="checkbox"/>	<input type="checkbox"/>	<input type="checkbox"/>	<input type="checkbox"/>	<input type="checkbox"/>	<input type="checkbox"/>	<input type="checkbox"/>	<input type="checkbox"/>	<input type="checkbox"/>	PREFERRED	<input type="checkbox"/>	<input type="checkbox"/>	<input type="checkbox"/>	<input type="checkbox"/>	<input type="checkbox"/>	<input type="checkbox"/>	<input type="checkbox"/>	<input type="checkbox"/>	<input type="checkbox"/>
CLASS	1	2	3	4	5	6	7	8	9																									
CHECK ONE	<input type="checkbox"/>	<input type="checkbox"/>	<input type="checkbox"/>	<input type="checkbox"/>	<input type="checkbox"/>	<input type="checkbox"/>	<input type="checkbox"/>	<input type="checkbox"/>	<input type="checkbox"/>																									
PREFERRED	<input type="checkbox"/>	<input type="checkbox"/>	<input type="checkbox"/>	<input type="checkbox"/>	<input type="checkbox"/>	<input type="checkbox"/>	<input type="checkbox"/>	<input type="checkbox"/>	<input type="checkbox"/>																									
		DR. [Signature]	FIRST USED ON	40-0000																														
		CHKD [Signature]	H775																															
		ENGR [Signature]																																
		PROJ [Signature]																																
			TITLE																															
			INTERFACE CABLE																															
			(11/04)																															
			NUMBER																															
			D I A 7011906-00																															
			REV.																															
			C																															
			SHEET																															
			OF																															
			BST.																															

"THIS DRAWING AND SPECIFICATIONS, HEREIN, ARE THE PROPERTY OF DIGITAL EQUIPMENT CORPORATION AND SHALL NOT BE REPRODUCED OR COPIED OR USED IN WHOLE OR IN PART AS THE BASIS FOR THE MANUFACTURE OR SALE OF ITEMS WITHOUT WRITTEN PERMISSION. COPYRIGHT © 1975 DIGITAL EQUIPMENT CORPORATION"

WIRE TABLE								
ITEM NO.	AWG	COLOR	FROM			TO		
			POINT	CONN.	WITH	POINT	CONN.	WITH
5	14	ORN	1	P2-1	2	12	-	3
6	14	GRN	2	P2-2	↑	11	↑	3
7	14	BLU	3	P2-3	↑	10	↑	3
8	14	VIO	4	P2-4	↑	9	↑	3
9	18	BRN	5	P2-5	↓	8	↓	4,12
10	18	GRY/BRN	6	P2-6	↓	7	↓	4,12

NOTES:  
 1. USE CABLE TIES (ITEM #11) APPROX. 2.0 AND 4.0 IN. FROM P2 (ITEM #1).



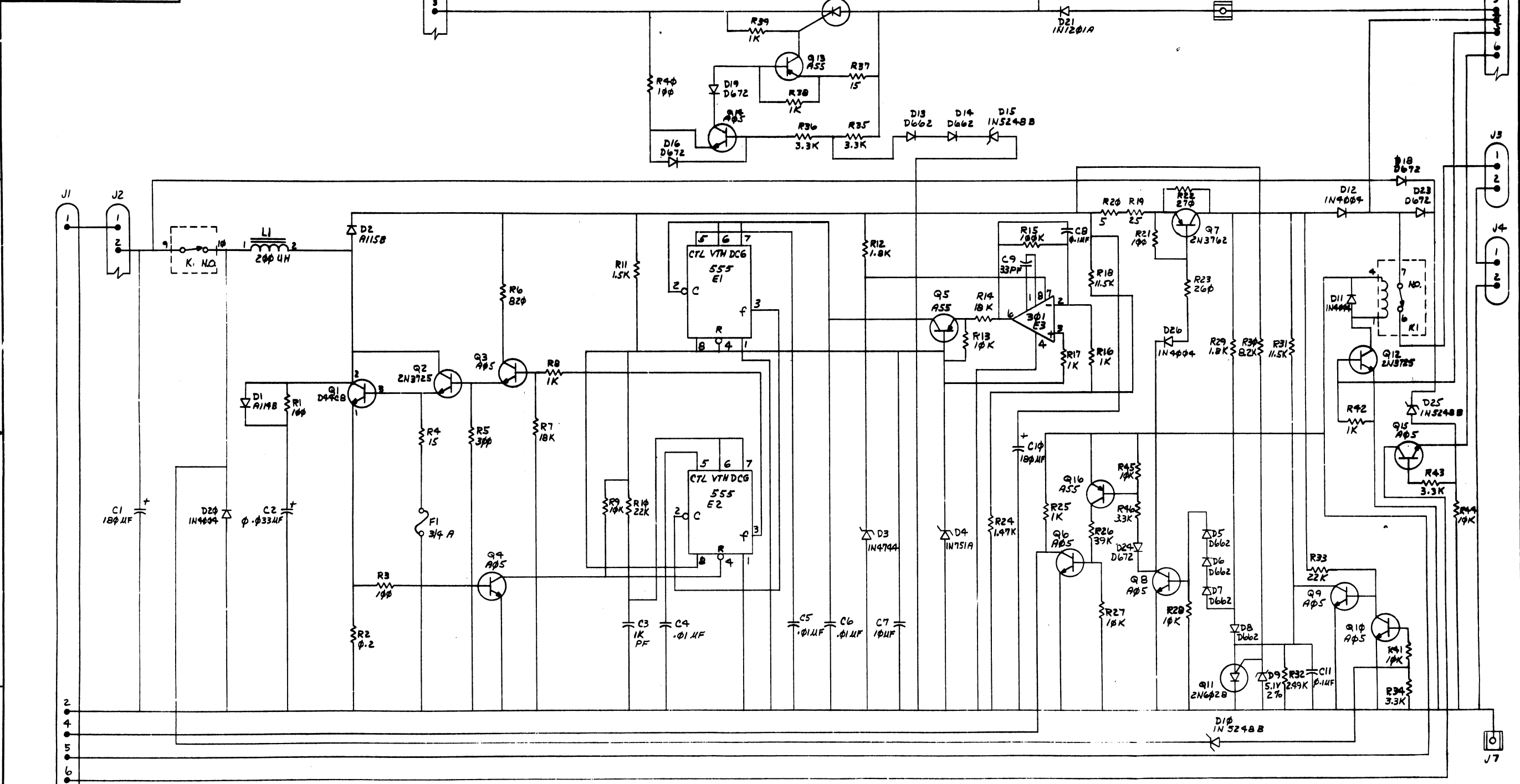
QTY.	SYM.	DESCRIPTION	PART NO.	ITEM NO.
0		A/R TUBING, SHRINK 3/16 ID	9107254-00	12
X 2		TIE, CABLE	4007031	11
-		A/R WIRE #18 AWG (GRY/BRN)	9107410-81	10
-		A/R WIRE #18 AWG (BRN)	9107360-11	9
-		A/R WIRE #14 AWG (VIO)	9107370-77	8
-		A/R WIRE #14 AWG (BLUE)	9107370-66	7
-		A/R WIRE #14 AWG (GRN)	9107370-55	6
-		A/R WIRE #14 AWG (ORN)	9107370-33	5
2	⊙	TERMINAL, QUICK CONN	9008488	4
4	⊙	TERMINAL, QUICK CONNECT	9007969	3
6	□	PIN (FEMALE)	1209379-00	2
1		CONN, 6 PIN (FEMALE)	1210821-06	1

FOR MANUFACTURING PURPOSES ONLY

REV.	CHANGE NO.	DATE	BY
A	00001	1-7-76	J.B. DAVIS JR.

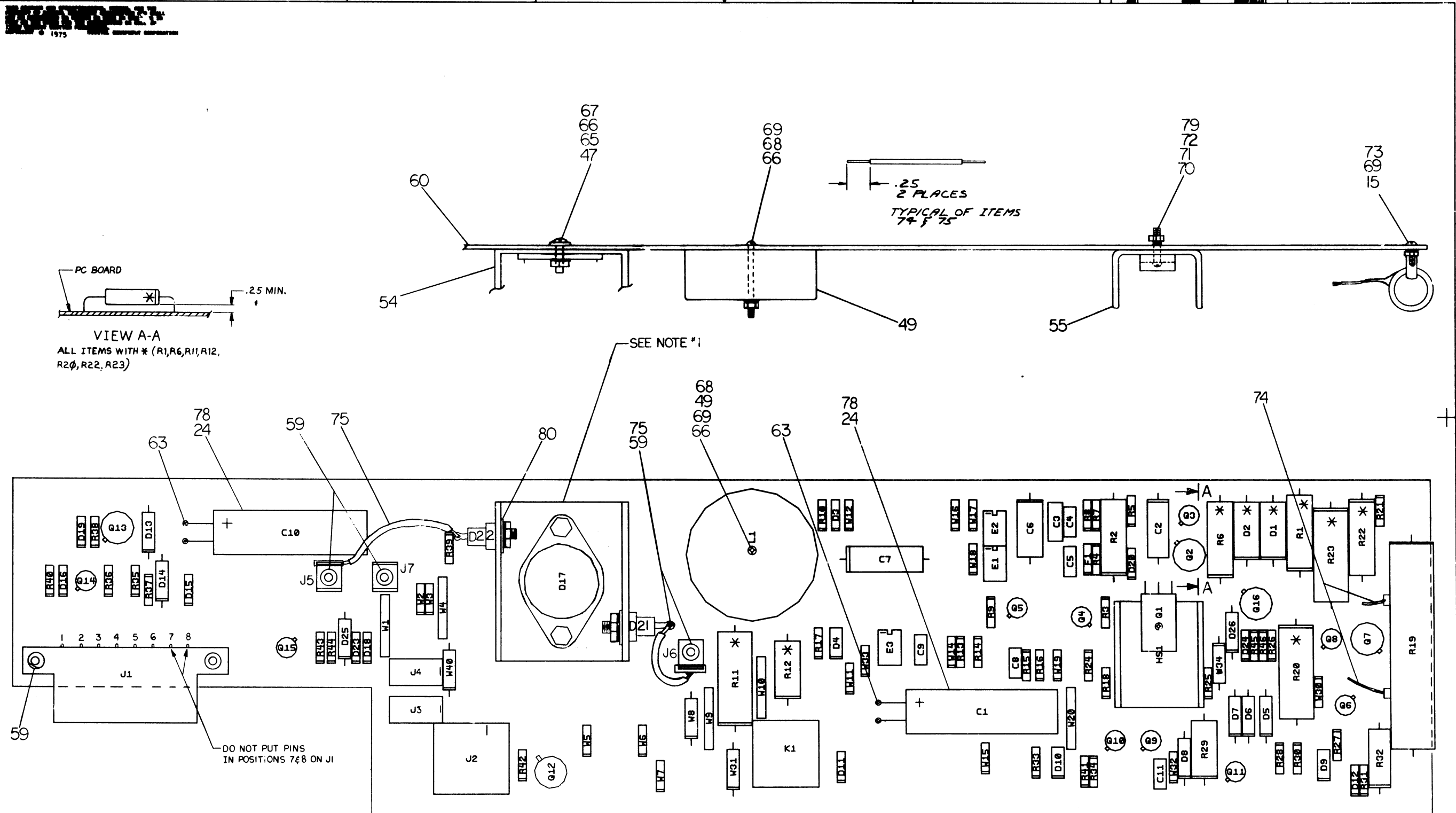
FIRST USED ON OPTION/MODEL H775		PARTS LIST	
DIMENSIONAL TOLERANCE		DRN <i>[Signature]</i>	DATE 7-12-75
DIMENSIONS ARE INCHES UNLESS OTHERWISE SPECIFIED		CHK'D <i>[Signature]</i>	DATE 10/22/75
MILLIMETERS	INCHES	ANGLES	ENG. <i>[Signature]</i>
X.XX ±0.10	.XXX ±.005	±0° 30'	DATE 10/22/75
X.X ±0.5	.XX ±.02		PROJ. ENG. <i>[Signature]</i>
X ±.2	.X ±.1		DATE 10/22/75
THIRD ANGLE PROJECTION	REMOVE BURRS AND BREAK SHARP CORNERS SURFACE QUALITY ✓	NEXT HIGHER ASSY.	
MATERIAL SEE PARTS LIST	FINISH	TITLE HARNESS, PC BOARD/CKT. BREAKER	
		SCALE 1/1	SIZE CODE NUMBER REV. CIA 7011759-0-0 A
		SHEET 1 OF 1	DIST.

THIS DRAWING AND SPECIFICATIONS HEREIN ARE THE PROPERTY OF DIGITAL EQUIPMENT CORPORATION AND SHALL NOT BE REPRODUCED OR COPIED OR USED IN WHOLE OR IN PART AS THE BASIS FOR THE MANUFACTURE OR SALE OF ITEMS WITHOUT WRITTEN PERMISSION. COPYRIGHT © 1975, DIGITAL EQUIPMENT CORPORATION



REV.	CHANGE NO.	DATE	BY
C	5411625-0001	1-20-76	G. FORTER
D	5411625-0002	2-11-76	D. DAVIS

ETCH BOARD REV. C		FIRST USED ON	H775
DRN. <i>W. P. ...</i>	CHK'D. <i>W. P. ...</i>	PROJ. ENG. <i>W. P. ...</i>	PROO. <i>W. P. ...</i>
TITLE		BATTERY CHARGER	
NEXT HIGHER ASSY.		SIZE CODE	NUMBER
D-UA-5411625-0-0		D CS 5411625-0-1	D
SCALE	SHEET	OF	REV.
	1	1	D



PC BOARD  
 .25 MIN.  
 VIEW A-A  
 ALL ITEMS WITH \* (R1,R6,R11,R12, R20, R22, R23)

SEE NOTE #1

DO NOT PUT PINS IN POSITIONS 7&8 ON J1

NOTES: 1. NO THERMAL COMPOUND.

CHG	NO	REV	DATE	BY	APP
5411625-0001	C		9/10/75	G. POTTER	
5411625-0002	D		9/10/75	J. DAVIS	
5411625-0003	E		9/10/75	J. DAVIS	

SIGNATURES	DATE	TITLE
DRN <i>M. Lavin</i>	9/10/75	BATTERY CHARGER
CHK'D <i>D. J. ...</i>		
ENG. <i>J. ...</i>	9/10/75	
PRO. ENG. <i>J. ...</i>	9/10/75	
PROD. <i>J. ...</i>	9/10/75	

SCALE 2:1  
 SHT. 1 OF 1  
 ETCH REV C FIRST USED ON

<b>digital</b>	
SIZE	CODE
NUMBER	REV
5411625-0-0	D

DIGITAL EQUIPMENT CORPORATION MAYNARD, MASSACHUSETTS				QUANTITY/VARIATION			
PARTS LIST				ETCH REV C			
MADE BY	JIM DAVIS	CHECKED	P. BOSSMAN	SECTION			
DATE	4-18-75	DATE	11-4-75	1			
ENG	JIM DAVIS	PROD	D. DEROME	ISSUED SECT.			
DATE	4-18-75	DATE	9-25-75	1			
ITEM NO.	DWG NO. / PART NO.	DESCRIPTION					
1	1302380	RESISTOR 100 OHM, 2W 5%	1	R1			
2	1311604	RESISTOR 0.2 OHM, 2W 3%	1	R2			
3	1300229	RESISTOR 100 OHM, 1/4W 5%	3	R3 R21 R40			
4	1301421	RESISTOR 15 OHM, 1/4 10%	2	R4 R37			
5	1301425	RESISTOR 300 OHM, 1/4W 5%	1	R5			
6	1301966	RESISTOR 820 OHM, 2W 10%	1	R6			
7	1302465	RESISTOR 18K, 1/4W 5%	2	R7 R14			
8	1300365	RESISTOR 1K, 1/4W 5%	7	R8 R16 R17 R25 R38 R39 R42			
9	1300479	RESISTOR 10K, 1/4W 5%	7	R9 R13 R27 R28 R41 R44 R45			
10	1301808	RESISTOR 22K, 1/4W 5%	2	R10 R33			
11	1301897	RESISTOR 1.5K, 5W 5%	1	R11			
12	1303122	RESISTOR 1.8K, 1W 5%	2	R12 R29			
13	1302466	RESISTOR 100K, 1/4W 5%	1	R15			
14	1305108	RESISTOR 1.47K, 1%, 1/4W	1	R24			
15	1300190	RESISTOR 25 OHM 25W WITH BRACKETS 1%	1	R19			
16	1305815	RESISTOR 5 OHM, 5W 5%	1	R20			
17	1305380	RESISTOR 270 OHM, 2W 5%	1	R22			
18	1309963	RESISTOR 260 OHM, 5W 1%	1	R23			
19	1303179	RESISTOR 8.2K 1/4W 5%	2	R26 R30			
20	1309415	RESISTOR 11.5K, 1/4W 1%	2	R18 R31			
21	1300424	RESISTOR 2.49K 3/4W 1%	1	R32			
22	1300439	RESISTOR 3.3K, 1/4W 5%	5	R34 R35 R36 R43 R46			

TITLE BATTERY CHARGER  
ASSY NO. D-UA-5411625-0-0  
SHEET 1 OF 4  
SIZE CODE A PL  
NUMBER 5411625-0-0  
REV. ECO NO. D

DEC FORM DEC 16 (325)-1031 N870  
DRA 110

DIGITAL EQUIPMENT CORPORATION MAYNARD, MASSACHUSETTS				QUANTITY/VARIATION			
PARTS LIST				ETCH REV C			
MADE BY	JIM DAVIS	CHECKED	P. BOSSMAN	SECTION			
DATE	4-18-75	DATE	11-4-75	1			
ENG	JIM DAVIS	PROD	D. DEROME	ISSUED SECT.			
DATE	4-18-75	DATE	9-25-75	1			
ITEM NO.	DWG NO. / PART NO.	DESCRIPTION					
45	1105275	DIODE D672	5	D16 D19 D16 D23 D24			
46	1110006	DIODE 1201A RECT	2	D21 D22			
47	1109465	SCR MCR649P2	1	D17			
48	1210929-03	3/4 AMP. PICO FUSE	1	F1			
49	1612500	INDUCTOR 200 UH	1	L1			
50	1211138-01	RELAY DPDT 6VDC	1	K1			
51	1211139	RELAY SOCKET HOUSING	1	KK1			
52	1211342-06	CONN. MATE-N-LOCK 6 PIN	1	J2			
53	1211342-02	HEADER MATE-N-LOCK 2 PIN	2	J3 J4			
54	1212645	HEAT SINK	1	HS2			
55	1212487	HEAT SINK	1	HS1			
56	1911944	IC LM555 TIMER	2	E1 E2			
57	1910282	IC LM301A OP AMP	1	E3			
58	9008219	QUICK CONNECT 1/2 IN. SINGLE MALE 90°	1	J6			
59	9009000	EYELETS	5				
60	5011624	ETCHED CIRCUIT BOARD	1				
61	1209340	8 PIN MATE-N-LOCK	1	J1			
62	1209456-01	SOCKETS FOR 1209340	6	J1-1, J1-2, J1-3, J1-4, J1-5, J1-6			
63	9009118-03	TERMINAL, SOLDER	4				
64	9007113	DOUBLE MALE QUICK CONNECT 90°	2	J5 J7			

TITLE BATTERY CHARGER  
ASSY NO. D-UA-5411625-0-0  
SHEET 3 OF 4  
SIZE CODE A PL  
NUMBER 5411625-0-0  
REV. ECO NO. D

DEC FORM DEC 16 (325) 1031 N870  
DRA 110

DIGITAL EQUIPMENT CORPORATION MAYNARD, MASSACHUSETTS				QUANTITY/VARIATION			
PARTS LIST				ETCH REV C			
MADE BY	JIM DAVIS	CHECKED	P. BOSSMAN	SECTION			
DATE	4-18-75	DATE	11-4-75	1			
ENG	JIM DAVIS	PROD	D. DEROME	ISSUED SECT.			
DATE	4-18-75	DATE	9-25-75	1			
ITEM NO.	DWG NO. / PART NO.	DESCRIPTION					
23	1005784	CAPACITOR 0.01 MFD, 100V, MYLAR	1	C6			
24	1012607-02	CAPACITOR 180 MFD, 50V, 672D SPRAGUE	2	C1 C10			
25	1000050	CAPACITOR .033 MFD, 100V	1	C2			
26	1000042	CAPACITOR 1KPF, 100V	1	C3			
27	1001610-01	CAPACITOR .01 MFD, 100V	2	C4 C5			
28	1004813	CAPACITOR 10 MFD, 20V	1	C7			
29	1000030	CAPACITOR 0.1 MFD 100V	2	C8 C11			
30	1000009	CAPACITOR 33PF, 100V	1	C9			
31	1510421	TRANSISTOR D44CB	1	Q1			
32	1510959	TRANSISTOR 2N3725	2	Q2 Q12			
33	1510705	TRANSISTOR A05	8	Q3 Q4 Q6 Q8 Q9 Q10 Q14 Q15			
34	1510706	TRANSISTOR A55	3	Q5 Q13 Q16			
35	1509649	TRANSISTOR 2N3762	1	Q7			
36	1510877	TRANSISTOR 2N6028	1	Q11			
37	1112595-01	DIODE GE A114B FAST REC RECT.	1	D1			
38	1112594-01	DIODE GE A115B FAST REC RECT.	1	D2			
39	1105648	DIODE IN4744 15V ZENER	1	D3			
40	1110994	DIODE IN751A 5.1V ZENER	1	D4			
41	1100113	DIODE L662	6	D5 D6 D7 D8 D13 D14			
42	1110713	DIODE 5.1V 2% ZENER	1	D9			
43	1105796	DIODE IN4004 RECT.	4	D11 D12 D20 D26			
44	1110766	DIODE IN5248B 18V ZENER	3	D15 D25 D10			

TITLE BATTERY CHARGER  
ASSY NO. D-UA-5411625-0-0  
SHEET 2 OF 4  
SIZE CODE A PL  
NUMBER 5411625-0-0  
REV. ECO NO. D

DEC FORM DEC 16 (325)-1031-N870  
DRA 110

DIGITAL EQUIPMENT CORPORATION MAYNARD, MASSACHUSETTS				QUANTITY/VARIATION			
PARTS LIST				ETCH REV C			
MADE BY	JIM DAVIS	CHECKED	P. BOSSMAN	SECTION			
DATE	4-18-75	DATE	11-4-75	1			
ENG	JIM DAVIS	PROD	D. DEROME	ISSUED SECT.			
DATE	4-18-75	DATE	9-25-75	1			
ITEM NO.	DWG NO. / PART NO.	DESCRIPTION					
65	9006024-1	6-32 x 1/2 PPH SCREW	2				
66	9006653	FLAT WASHER	3				
67	9008185	6-32 KEP NUT (1/4 AF)	2				
68	9007853-1	6-32 x 1 1/8 PPH SCREW	1				
69	9006560	6-32 KEP NUT (5/16 AF)	3				
70	9006010-1	4-40 x 5/16 PPH SCREW	1				
71	9006655	FLAT WASHER	1				
72	9006557	4-40 KEP NUT	1				
73	9006020-1	6-32 x 1/2 PPH SCREW	2				
74	9107350-99	WIRE #22 AWG STRANDED IPVC x 1 1/2" L	2				
75	9107360-22	WIRE #18 AWG STRANDED IPVC x 2 1/2" L	2				
77	9007970	FEMALE FAST-ON INSULATED	2				
78	9007834	DOUBLE BACK STICKY TAPE	A/R				
79	9008268	THERMAL COMPOUND	A/R				
80	9006664	FLAT WASHER	2				
81	D-CS-5411625-0-1	CIRCUIT SCHEMATIC	REF				
82	D-AH-5411625-0-5	ASSY/DRILLING HOLE LAYOUT	REF				
83	B-MH-5411625-0-6	MODULE ECO HISTORY	REF				
84	9009185-00	JUMPER, WIRE, WHITE INS. .4 LONG	16	W2, 3, 5, 7, 11, 12, 14, 19, 30, 32, 33			
85	9009185-01	JUMPER, WIRE, WHITE INS. .6 LONG	9	W1, 4, 8, 9, 10, 20, 31, 34, 40			

TITLE BATTERY CHARGER  
ASSY NO. D-UA-5411625-0-0  
SHEET 4 OF 4  
SIZE CODE A PL  
NUMBER 5411625-0-0  
REV. ECO NO. D

DEC FORM DEC 16 (325)-1031 N870  
DRA 110





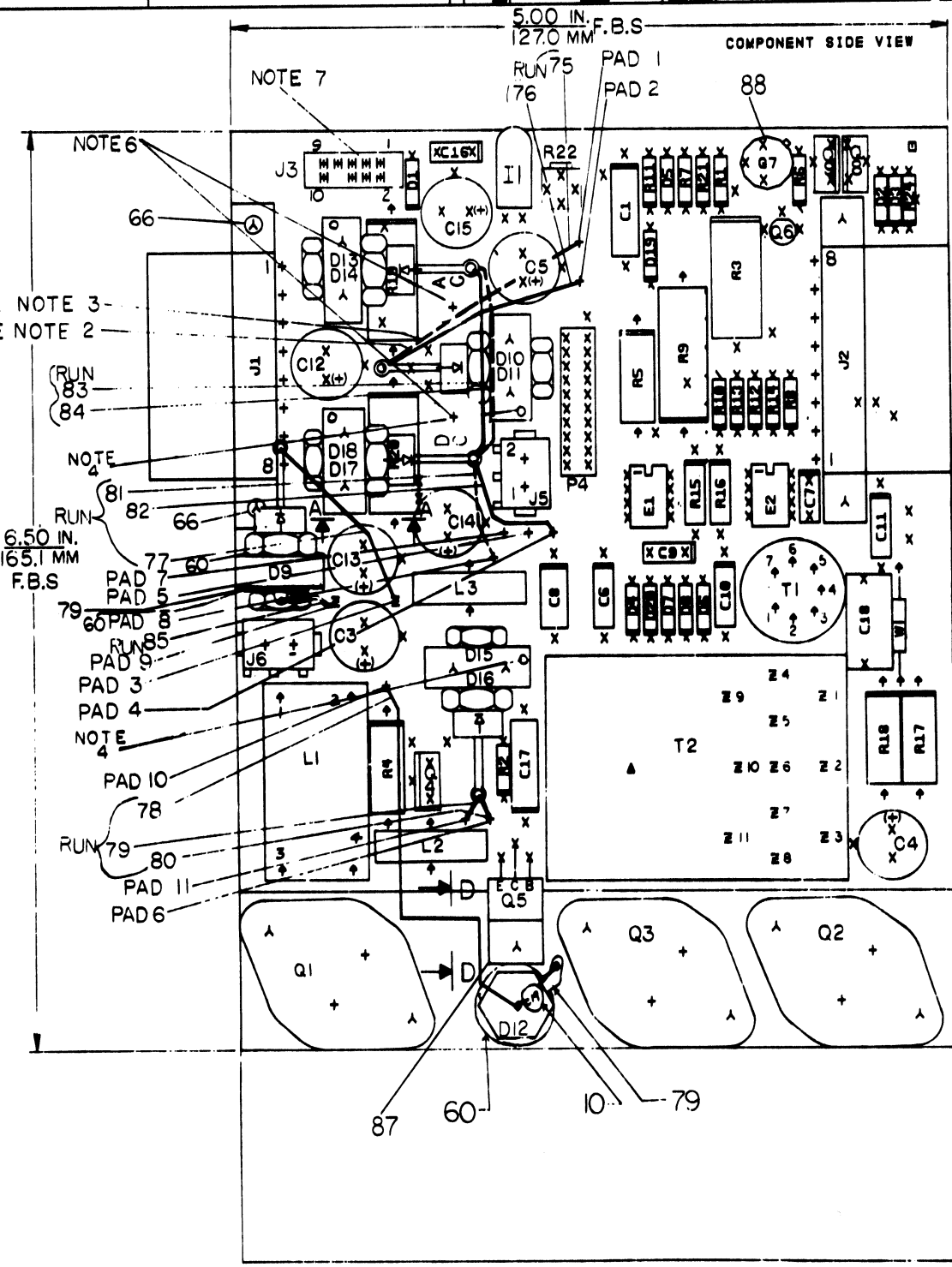
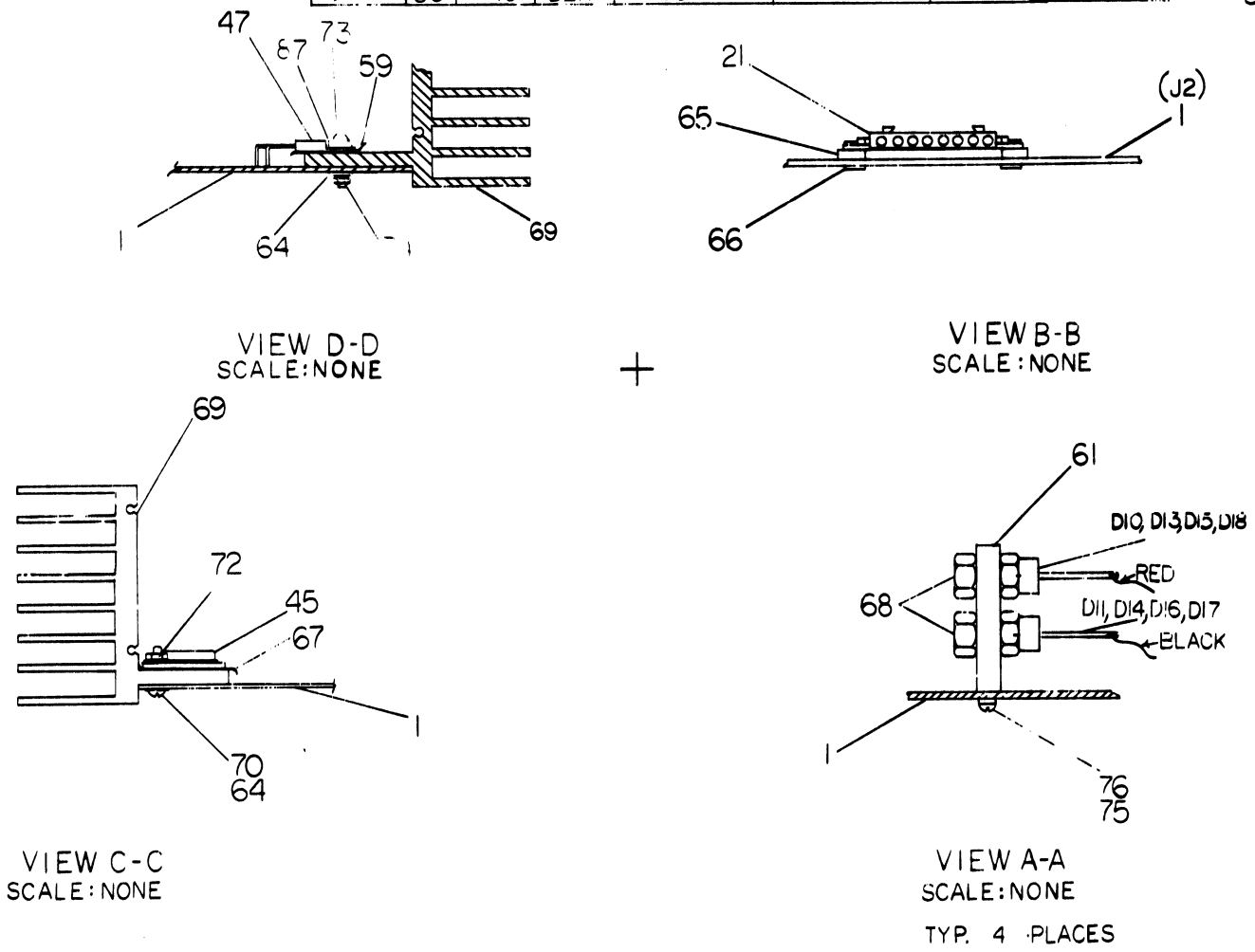




THIS DRAWING IS THE PROPERTY OF THE ELECTRIC EQUIPMENT CORPORATION  
 COPYRIGHT © 1977

WIRE TABLE							
ITEM NO	RUN NO	DESCRIPT.	FROM	TO	LENGTH		
77	75	18TWP BLK	D 11 ANODE	PAD 1	PAD 1	4.50	
	76	18 RED	D 10 ANODE	PAD 2	PAD 2	4.50	
	77	18 RED	D 9 CATHODE	PAD 3	PAD 3	3.00	
	78	18 RED	D 12 CATHODE	PAD 10	PAD 10	3.75	
77	79	18TWP BLK	D 16 ANODE	PAD 11	PAD 11	1.50	
	80	18TWP RED	D 15 ANODE	PAD 6	PAD 6	2.00	
	81	18TWP BLK	D 17 CATHODE	PAD 8	PAD 7	2.75	
	82	18TWP RED	D 18 CATHODE	PAD 4	PAD 5	2.75	
77	83	18TWP RED	D 13 ANODE	D 18 CATHODE	D 18 CAT.	3.50	
	84	18TWP BLK	D 14 ANODE	D 17 CATHODE	D 17 CAT.	3.50	
	85	18 BLK	D 9 ANODE	PAD 9	PAD 9	3.00	

UNTWIST ITEM NO. 77 AND USE PROPER COLOR.



NOTES:

- SEE SHEET 4 OF 4 FOR DIODE WIRING.
- SOLID LINE INDICATES WIRE FROM THE TOP DIODE.
- DASHED LINE INDICATES WIRE FROM BOTTOM DIODE.
- TAPPED HOLE AT TOP OF HEATSINKS MUST FACE PROPER WAY TO ALLOW INSERTION OF CARD GUIDE.
- TORQUE SPECIFICATIONS:  
Q1-Q3 10 IN.-LBS. INSPECT TO MIN. OF 6 TORQUE FROM SCREW HEAD  
Q5 8 IN.-LBS. INSPECT TO MIN. OF 5 TORQUE FROM SCREW HEAD  
D9-D18 16 IN.-LBS. INSPECT TO MIN. OF 12 TORQUE FROM NUT SIDE

NOTES:

- SOLDER ITEM NO. 55 AC, DC CABLE TO REGULATOR BOARD RED WIRE TO PTH MARKED DC, BLACK WIRE TO PTH MARKED AC.
- INSERT ON TO J3 ITEM NO. 58.

REV.	DATE	BY	CHK'D.
1	1-3-77	J. MERCURI	
2	1-3-77	A. DAMAR	
3	1-3-77	G. POTTER	
4	1-3-77	G. POTTER	
5	1-3-77	G. POTTER	
6	1-3-77	G. POTTER	
7	1-3-77	G. POTTER	
8	1-3-77	G. POTTER	
9	1-3-77	G. POTTER	
10	1-3-77	G. POTTER	

SIGNATURES	DATE	TITLE
DRN <i>[Signature]</i>	1-3-77	digital
CHK'D. <i>[Signature]</i>	1-3-77	
ENG. <i>[Signature]</i>	1-3-77	
PROJ. ENG. <i>[Signature]</i>	1-3-77	
PROD. <i>[Signature]</i>	1-3-77	
SHT. 1 OF 5		
NEXT HIGHER ASSY. B-DD-5412343-0		

DUA 5412343-0-0 F

8

7

6

5

4

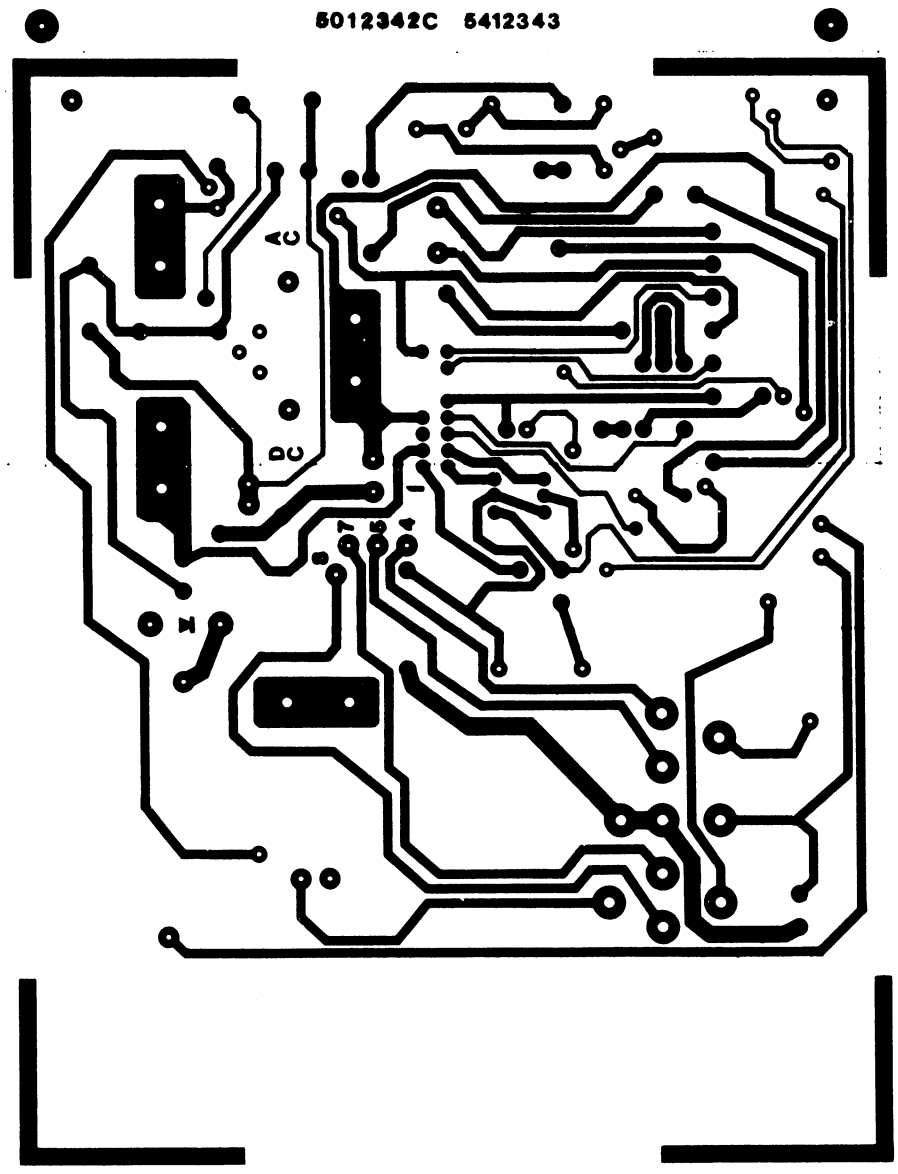
3

2 | D | U | A | 5412343-0-0 | 1

1

THIS DRAWING AND SPECIFICATION ARE THE PROPERTY OF DIGITAL EQUIPMENT CORPORATION AND SHALL NOT BE REPRODUCED OR COPIED IN WHOLE OR IN PART BY THE BIDDING FOR THE MANUFACTURE OR SALE OF ITEMS WITHOUT AN ITEM PERMISSION. COPYRIGHT © 1977 DIGITAL EQUIPMENT CORPORATION.

5012342C 5412343



D  
C  
B  
A

D  
C  
B  
A

D | U | A | 5412343-0-0 | F

REVISIONS		
CHK	CHANGE NO.	REV.

TITLE	H785 BATTERY BACKUP REGULATOR	SIZE CODE	D U A	NUMBER	5412343-0-0	REV.	F
SCALE	2/1	SHEET	2 OF 5	DIST			

8

7

6

5

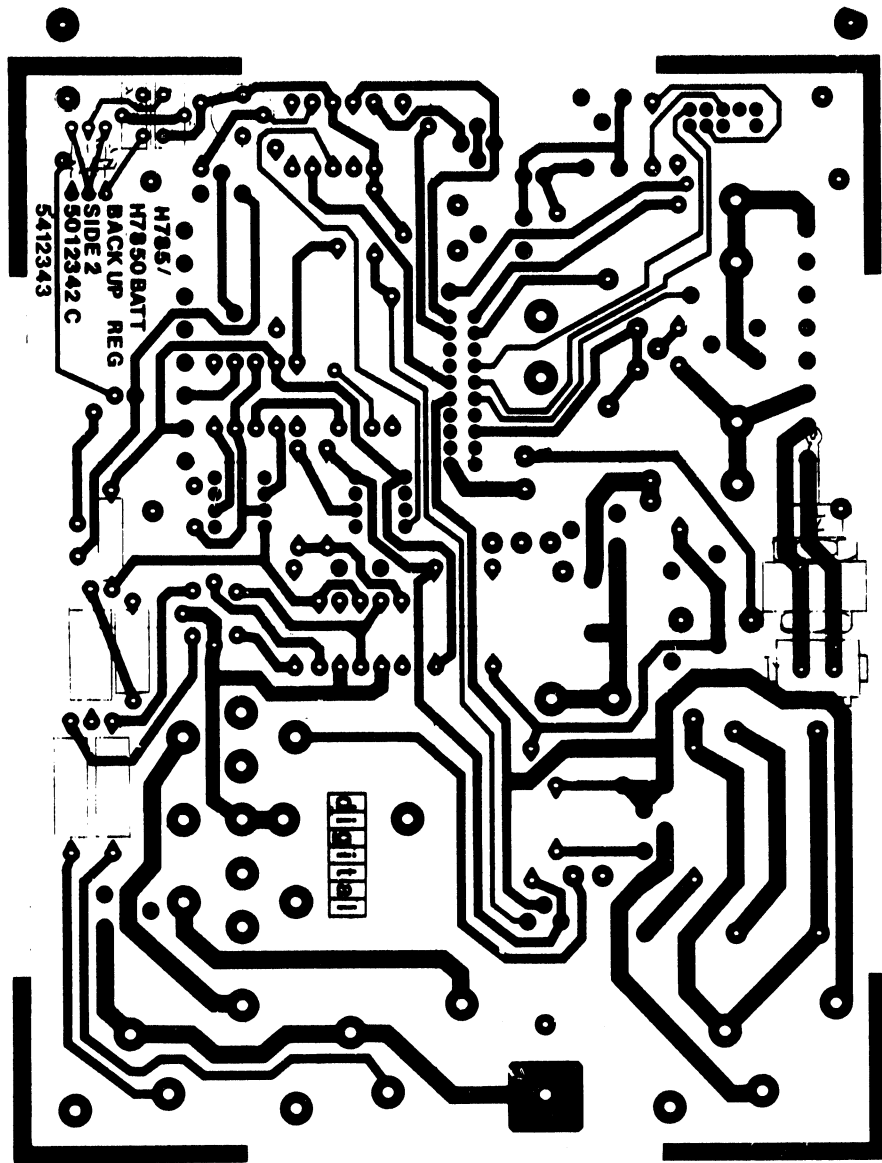
4

3

2

1

THIS DRAWING AND THE RELATED ITEMS ARE THE PROPERTY OF DIGITAL EQUIPMENT CORPORATION AND SHALL NOT BE REPRODUCED OR COPIED IN WHOLE OR IN PART AS THE BASIS FOR THE MANUFACTURE OR SALE OF ITEMS WITHOUT WRITTEN PERMISSION. COPYRIGHT © 1977 DIGITAL EQUIPMENT CORPORATION.

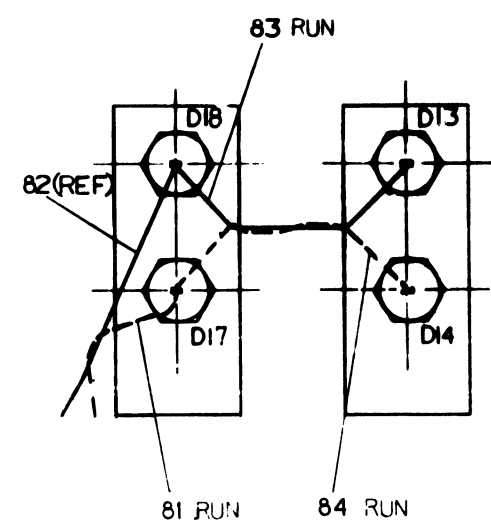
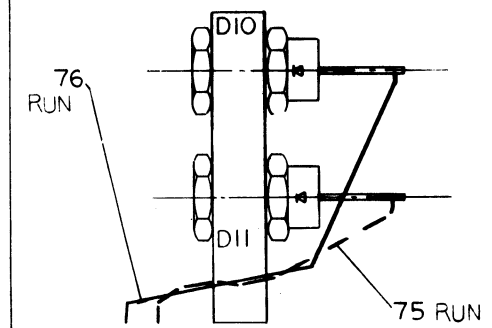
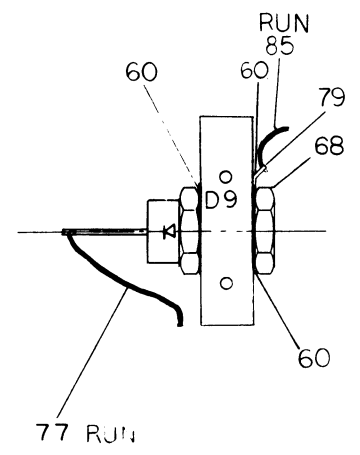
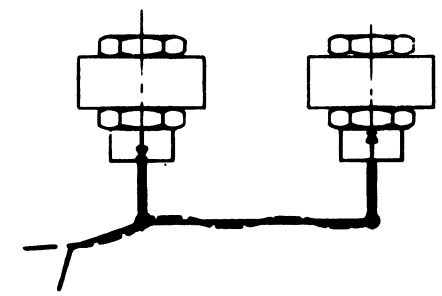
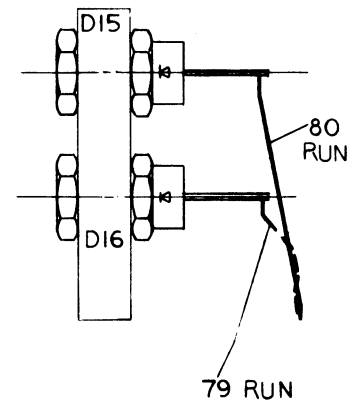
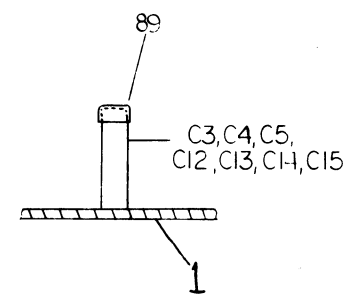


REVISIONS		
CHK	CHANGE NO	REV

TITLE	H785 BATTERY BACKUP REGULATOR	SIZE CODE	D UA	NUMBER	5412343-0-0	REV.	F
SCALE	2/1	SHEET	3 OF 5	DIST.			

"THIS DRAWING AND SPECIFICATIONS, HEREIN, ARE THE PROPERTY OF DIGITAL EQUIPMENT CORPORATION AND SHALL NOT BE REPRODUCED OR COPIED OR USED IN WHOLE OR IN PART AS THE BASIS FOR THE MANUFACTURE OR SALE OF ITEMS WITHOUT WRITTEN PERMISSION. COPYRIGHT © 1976 DIGITAL EQUIPMENT CORPORATION"

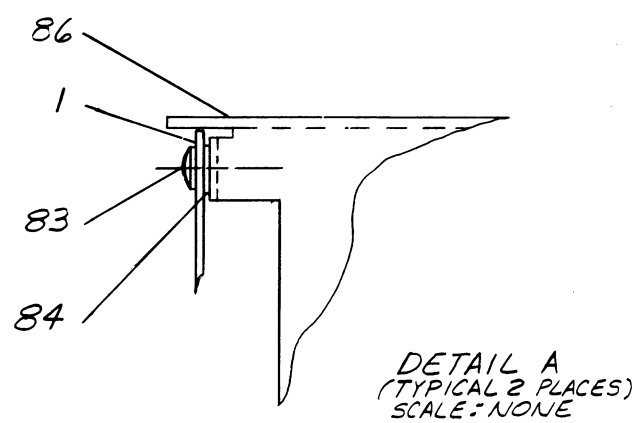
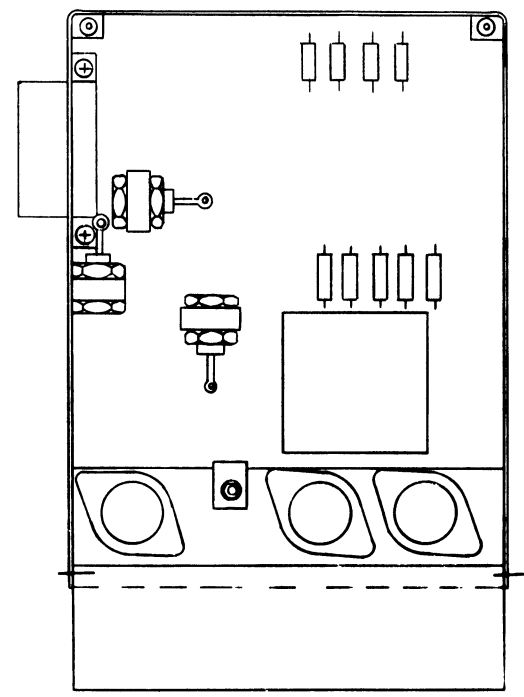
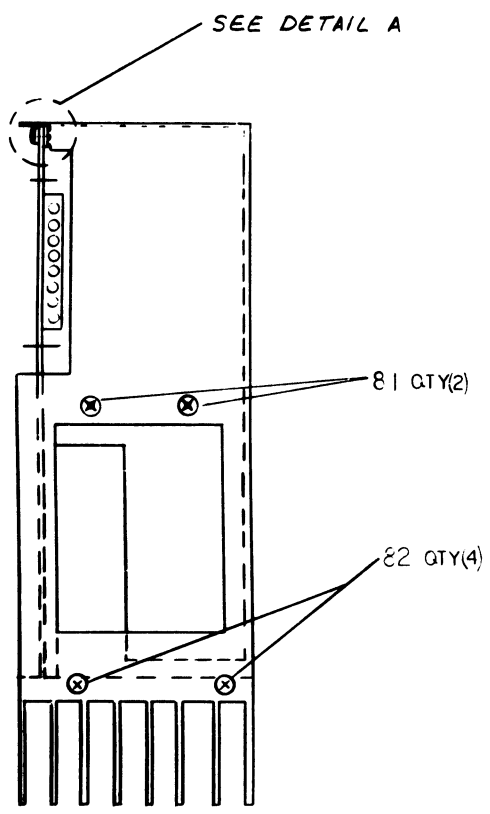
NOTES:  
 1. WIRING INFORMATION IS ON SHEET 1 OF 4.  
 2. DIODES TO BE ASSEMBLED TO HEAT-SINKS AND WIRED AS SHOWN BEFORE INSTALLING TO BOARD.



REVISIONS		
CHK	CHANGE NO.	REV.

TITLE	H785 BATTERY BACKUP REGULATOR	SIZE CODE	NUMBER	REV.
SCALE	2/1	SHEET	4 OF 5	F
DIST.				

THIS DRAWING AND SPECIFICATIONS HEREON ARE THE PROPERTY OF DENTAL EQUIPMENT CORPORATION AND SHALL NOT BE REPRODUCED OR COPIED OR USED IN WHOLE OR IN PART AS THE BASIS FOR THE MANUFACTURE OR SALE OF ITEMS WITHOUT WRITTEN PERMISSION. COPYRIGHT © 1977 DENTAL EQUIPMENT CORPORATION



REVISIONS		
CHK	CHANGE NO.	REV.

DUA 5412343-0-0



LINE ITEM	DOCUMENT NO.	PART NO.	DESCRIPTION	QTY	REFERENCE DESIGNATORS
1	1	D-MD-5012342-0-0	5012342-00		ETCH BRD 54-12343
2	2		1002431-00	1	2.2MFD 35V 10% 150S S.TA (10-00) C10
3	3		1012607-02	3	180 MFD 50V H% 672D AL EL C3-C5
4	4		1000042-00	1	1000.0 MMF 100V 5%200PPM DM15S (10-00) C7
5	5		1010646-00	1	.015 MFD 50V 2% M.POLYCARB C8
6	6		1000024-00	1	470.0 MMF 100V 5%200PPM DM15S (10-00) C9
7	7		1001776-00	2	1 MFD 35V 10% 150D S.TA (10-00) C6,C11
8	8		1012607-00	3	560 MFD 20V H% 672D AL EL C12-C14
9	9		1012607-01	1	1200 MFD 6.3V H% 672D AL EL C15
10	10		1010621-00	2	.1 MFD 50V 20% Z5U DISC C16,C19
11	11		1004813-00	2	10 MFD 20V 10% 150D S.TA (10-00) C1,C17
12	12		1000030-00	1	.1 MFD 100V 20% Z5U DISC C18
13	13	BLANK		0	
14	14		1100125-00	2	1N 758A VZ= 10.0 5% .40W PPER S.A.V.EC D2,D3
15	15		1105275-00	7	D 672 TR= 15NS PIV= 60V SP D1,D4-D8,D20
16	16		1109440-00	6	1N 3880 PIV=100 I= 6A D04 SM D10,D11,D13-D16
17	17		1113366-00	4	1N 3880R PIV=100 I=6A S D17,D18,D9,D12
18	18		1105648-00	1	1N 4744 VZ= 15.0 10% 1W Y D19
19	19	BLANK		0	
20	20		1211004-02	1	SOCKET,100 20POS EDGE MOUNT P4
21	21		1209340-00	2	MATE-N-LOK RPIN,HOUSING,SKT J1,J2
22	22		1209456-01	16	MATE-N-LOK SKT PCB TAB LOOSE
23	23		1211342-02	2	MATE-N-LOK 2PIN PC TYPE J5,J6
24	24		1209219-01	1	LAMP 6V@200MA,T1-3/4PINS#2319 I1
25	25	BLANK		0	
26	26		1300202-00	1	47 1/4W 5% CC (13-00) R2
27	27		1309639-00	1	200 5W 5% WW (13-00) R3
28	28		1312682-00	1	3 3W 5% (13-00) R4
29	29		1302950-00	1	1.2 K 1W 10% CC (13-00) R5
30	30		1300426-00	2	2.7 K 1/4W 5% CC (13-00) R6,R7

REVISION HISTORY			VARIATIONS FOR THIS ASSY.		FIRST USED ON:		DIGITAL EQUIPMENT CORPORATION MAYNARD, MASSACHUSETTS		
CHK	ECO NO	REV			MADE BY:	DATE:	TITLE		
B.N	00004	F			D BILODEAU	31-JUL-78	PARTS LIST		
					CHECKED: R PUZZO	31-JUL-78	H785 BATTERY BACKUP REGULATOR		
					DSN.ENG.: J MERCURI	31-JUL-78			
					PROD.: B FING	31-JUL-78	SIZE: CODE: DOCUMENT NUMBER	REV	
					RESP.ENG.: J MERCURI	31-JUL-78	K PL 5412343-0-DBP	F	
							ASSY. NO.: D-0A-5412343-0-0	EDIT#	3

"THIS DRAWING AND SPECIFICATIONS HEREIN, ARE THE PROPERTY OF DIGITAL EQUIPMENT CORPORATION AND SHALL NOT BE REPRODUCED OR COPIED OR USED IN WHOLE OR IN PART AS THE BASIS FOR THE MANUFACTURE OR SALE OF ITEMS WITHOUT WRITTEN PERMISSION. COPYRIGHT 1978. DIGITAL EQUIPMENT CORPORATION"

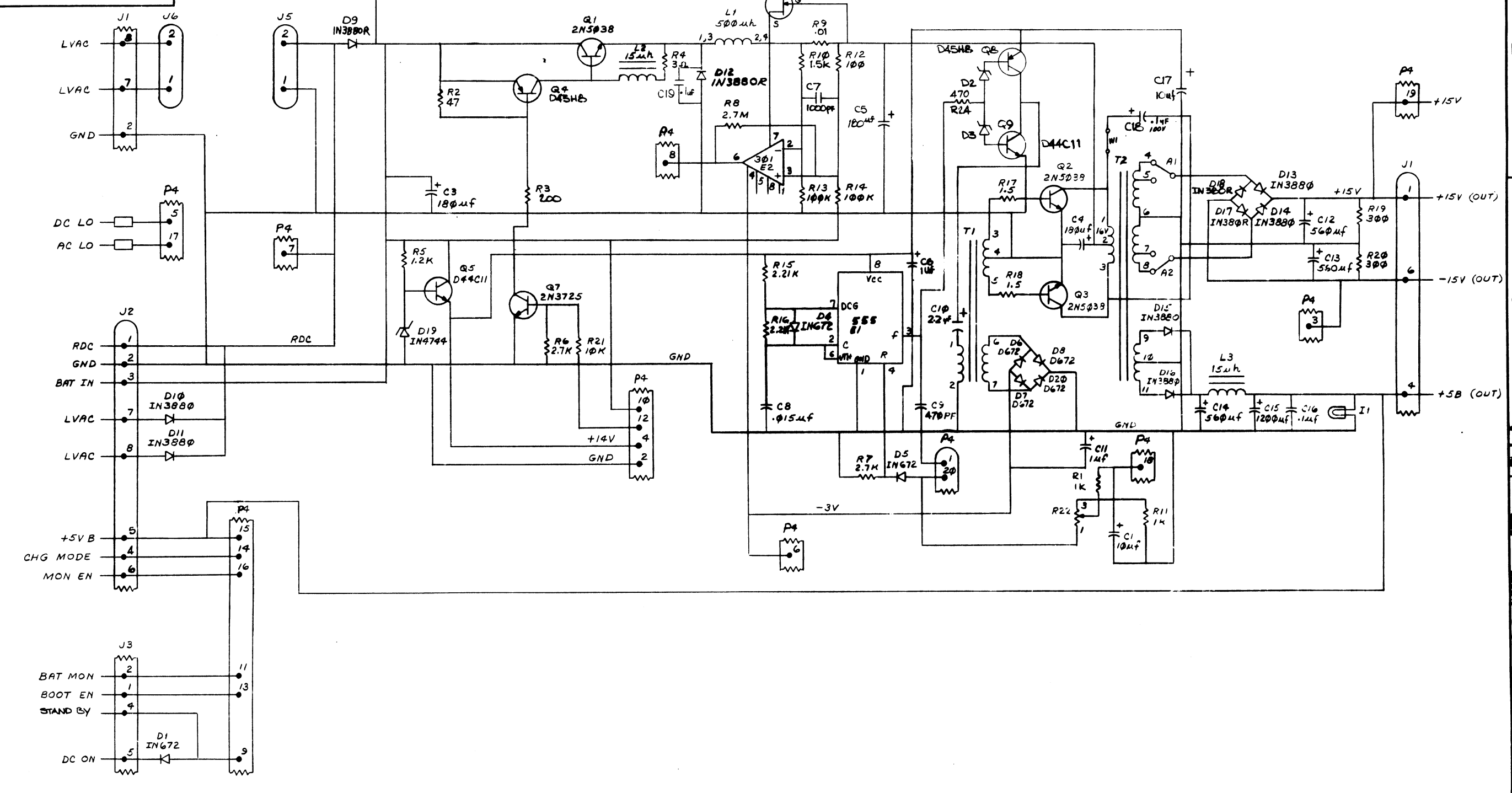
LINE ITEM	DOCUMENT NO.	PART NO.	DESCRIPTION	QTY	REFERENCE DESIGNATORS
31	31	1309680-00	2.7 M 1/4W 5% CC (13-00)	1	R8
32	32	1313712-00	.01 5W 3% WW (13-00)	1	R9
33	33	1300365-00	1 K 1/4W 5% CC (13-00)	2	R1,R11
34	34	1300229-00	100 1/4W 5% CC (13-00)	1	R12
35	35	1302466-00	100 K 1/4W 5% CC (13-00)	2	R13,R14
36	36	1312404-00	2.21 K 1/2W 1% RN60D-F 100PPM (13-00)	2	R15,R16
37	37	1313579-00	1.5 3W 5% WW (13-00)	2	R17,R18
38	38	1309855-00	300 2W 5% CC (13-00)	2	R19,R20
39	39	1300479-00	10 K 1/4W 5% CC (13-00)	1	R21
40	40	1310852-00	200 20% POT S	1	R22
41	41	1300391-00	1.5 K 1/4W 5% CC (13-00)	1	R10
42	42	1300316-00	470 1/4W 5% CC (13-00)	1	R24
43	43	BLANK		0	
44	44	BLANK		0	
45	45	1510969-00	2N 5038 NPN 140WC SI 90 50 Y	3	Q1-Q3
46	46	1510708-00	D 45HR PNP 50WT SI 60 60 Y	2	Q4,Q8
47	47	1512790-00	D 44C11 NPN 30W SI 80 40	2	Q5,Q9
48	48	1511686-00	DEC5433 FET N 350MW 10 25 1A 20U	1	Q6
49	49	1510959-00	2N 3725 NPN 3.5WC SI 50 60 P	1	Q7
50	50	BLANK		0	
51	51	1612593-00	500 UH 6A S	1	L1
52	52	1613874-00	CHOKER, 15UH 4A	2	L2,L3
53	53	1613876-00	XFMR, POWER, RATIO 1:2 7PIN S	1	T1
54	54	1613875-00	XFMR, POWER, RATIO 1:2:3 100UH	1	T2
55	55	7013690-00	CABLE 2 PIN AC DC LOW	1	
56	56	1911944-00	555CN TIMER, FUNCT. BLOCK	1	E1
57	57	1910282-00	301AN OP AMP	1	E2
58	58	7013384-1D	10 CONDUCTOR EXTENDER CABLE	1	
59	59	1213071-06	INSULATOR, RUBBER SILICONE	1	
60	60	1213071-05	INSULATOR, RUBBER THERMAL	3	
61	61	7417414-00	HEAT SINK (DUAL)	4	
62	62	7417413-00	HEAT SINK (SINGLE)	1	
63	63	9006655-00	WASHER, FLAT, .312 O.D. X .125 ID X .025 T	1	
64	64	9006656-00	WASHER, FLAT, .312 O.D. X .156 I.D. X .027	6	
65	65	9006706-00	WASHER, NYLON, FLAT #4 .375 OD X .031 THK	2	
66	66	9006745-00	EYELET, POLLED FLANGE, .120 OD X .260 LG	4	
67	67	1213071-02	INSULATOR, RUBBER SILICONE SM	3	
68	68	9006565-00	NUT, KEP, 10-32X 3/8 AF CS/	10	
69	69	1210737-04	HEAT SINK, REGULATOR	1	
70	70	9007793-04	SCREW, BIND, SLOT, 6-32X 9/16 SS/PAS	6	
71	71	9007649-00	***** THIS ITEM IS NOT USED *****	-	
72	72	9008185-00	NUT, KEP, 6-32X 1/4 AF CS/	6	
73	73	9008033-01	SCREW, PAN, PHIL, 4-40X 9/16 SS/PAS	1	
74	74	9006557-00	NUT, KEP, 4-40X 1/4 AF CS	1	
75	75	9006632-00	WASHER, LOCK, INT, .260 OD X .120 ID X .015 THK	8	
76	76	9006010-04	SCREW, BIND, SLOT, 4-40X 5/16 SS/PAS	8	
77	77	9107430-02	WIRE, STRND, 18AWG, IPVC (UL1429) (91-00 A/R		
78	78	9009185-00	JUMPER, WIRE, INSULATED, BLACK BAND	1	W1

DIGITAL EQUIPMENT CORPORATION MAYNARD, MASSACHUSETTS	TITLE PARTS LIST H785 BATTERY BACKUP REGULATOR	SIZE CODE K PL	DOCUMENT NUMBER 5412343-0-DBP	REV F
---	--	-------------------	----------------------------------	----------

LINE	ITEM	DOCUMENT NO.	PART NO.	DESCRIPTION	QTY	REFERENCE DESIGNATORS
79	79		9008506-00	TERM LUG 1POS SOLDER,FLAT	2	
80	80		9009149-00	PIN, STAKING, P.C. BOARD, .025 X .025	9	J3
81	81		9008404-02	SCREW,FLAT,PHIL, 6-32X 5/16 SS/PAS 1000	2	
82	82		9009142-02	SCREW, PHILLIPS FLAT HEAD, SELF TAP, 4-40	4	
83	83		9006010-01	SCREW,PAN ,PHIL, 4-40X 5/16 SS/PAS	2	
84	84		9008079-00	WASHER, FLAT FINER OD. 1/4	2	
85	85		9905212-00	CARTON, DIE CUT	2412	100
86	86	D-IA-7417410-0-0	7417410-00	REGULATOR BRACKET	1	
87	87		9009769-00	WASHER, RECTANGULAR .405X.225X.060	1	
88	88		9007201-00	TRANSIPADS #10253	1	
89	89		9009731-03	CAP,PLASTIC	7	

DIGITAL EQUIPMENT CORPORATION MAYNARD, MASSACHUSETTS	TITLE PARTS LIST H785 BATTERY BACKUP REGULATOR	SIZE(COEF) K PL	DOCUMENT NUMBER 5412343-0-DBP	REV F
---	--	--------------------	----------------------------------	----------

THIS DRAWING AND SPECIFICATIONS, HEREIN, ARE THE PROPERTY OF DIGITAL EQUIPMENT CORPORATION AND SHALL NOT BE REPRODUCED OR COPIED OR USED IN WHOLE OR IN PART AS THE BASIS FOR THE MANUFACTURE OR SALE OF ITEMS WITHOUT WRITTEN PERMISSION. COPYRIGHT © 1977 DIGITAL EQUIPMENT CORPORATION



REV.	CHANGE NO.	DATE	BY	CHK'D
1	1	7-6-77	G. POTTER	
2	1	7-26-77	J. MERCURI	
3	1	8-1-77	J. MERCURI	
4	1	8-1-77	J. MERCURI	
5	1	8-1-77	J. MERCURI	
6	1	8-1-77	J. MERCURI	
7	1	8-1-77	J. MERCURI	
8	1	8-1-77	J. MERCURI	

DRN. J. King	8-20-76	FIRST USED ON	
CHK'D J. King	8-24-76	TITLE	H785 BATTERY BACKUP REGULATOR
ENG. E. Potter	2-8-77	SIZE	D
PROJ. ENG. J. King	2-0-77	CODE	5412343-0-1
PROD. R. King	2-8-77	NUMBER	1
NEXT HIGHER ASSY.		REV.	F
SCALE	1:1	DIST.	
SHEET	1 OF 1		

REWORK INSTRUCTIONS

ECO #1

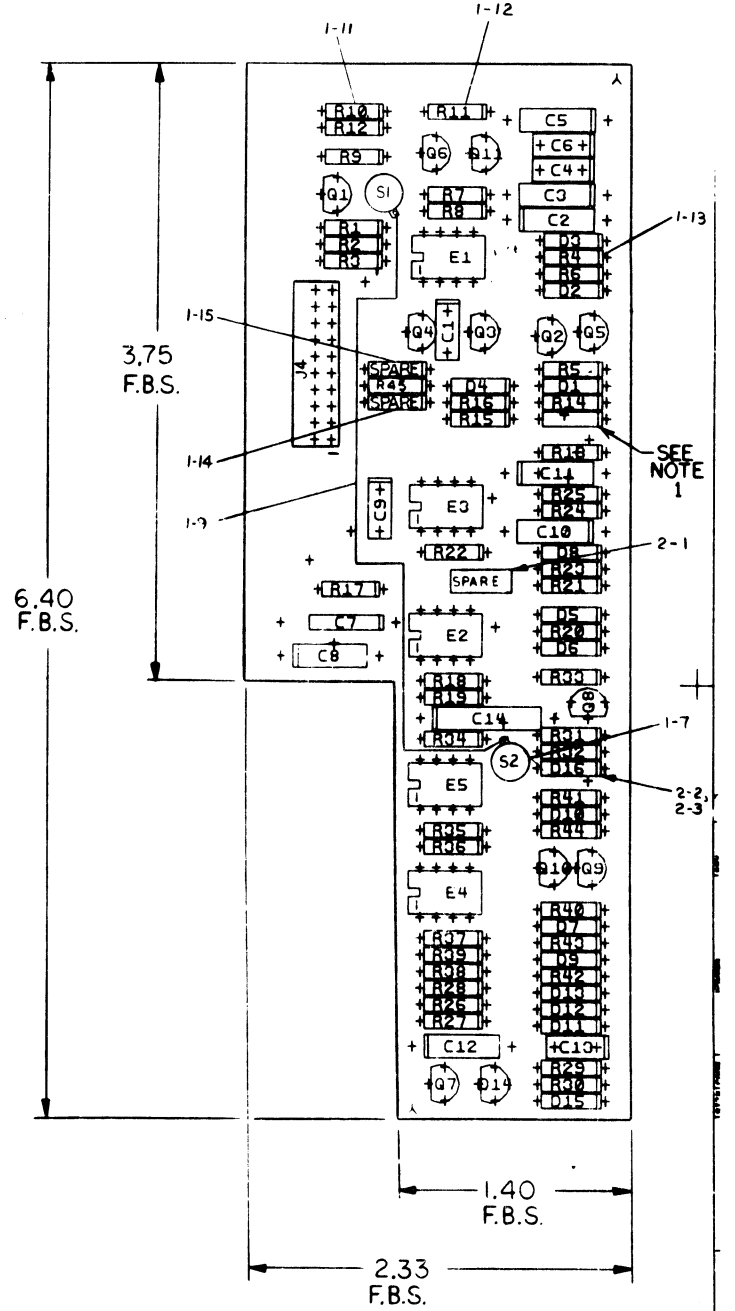
- 1-1 CUT ETCH BETWEEN R41 AND D16. (THIS ETCH LINE RUNS OVER TO THE DRAIN OF Q10) SIDE 1.
- 1-2 CUT ETCH ON RIGHT SIDE OF C14, ON THE ETCH LINE THAT HAS PREVIOUSLY BEEN CUT, SIDE 1.
- 1-3 INSERT ECO WIRE FROM THE DRAIN OF Q10 TO THE LEFT SIDE OF C14, TACK SOLDER TO ETCH LINE ON THE LEFT SIDE OF C14, SIDE 1. (THIS IS THE SAME ETCH LINE THAT WAS CUT ON THE RIGHT SIDE OF C14). ECO WIRE IS TO BE ROUTED TO THE TOP OF THE BOARD FROM THE DRAIN OF Q10 THEN RUN ALONG THE BOARD AND COME DOWN TO THE LAND OF ETCH THAT IT HAS TO BE SOLDERED TO THE LEFT SIDE OF C14.
- 1-4 DRILL A .0635 DIA. HOLE (DRILL #52) BENEATH R32 (SIDE 1) MAKING SURE THE ONLY ETCH DRILLED IS THE ONE WITH BOTH ITS ENDS CUT (SEE STEPS 1 AND 2 OF REWORK INSTRUCTIONS). THIS HOLE HAS TO HOLD DEC. 12-12416-02. BE SURE OF SPACING BEFORE DRILLING.
- 1-5 DRILL A .0635 DIA. HOLE (DRILL #52) ABOVE Q1 TO THE LEFT SIDE OF R1, SIDE 1. BE SURE OF SPACING. THIS HOLE MUST HOLD DEC. 12-12416-02. DO NOT PIERCE ETCH ON SIDE 2.
- 1-6 ON SIDE 2, CUT ETCH LEADING AWAY FROM PIN 9 OF J4.
- 1-7 INSERT DEC. 12-12416-02 IN BOTH HOLES PREVIOUSLY DRILLED. DO NOT INSERT FULLY. INSERT SO THAT ENOUGH OF THE LEAD IS THROUGH THE BOARD THAT WILL PERMIT A COUPLE WRAPS OF AN ECO WIRE. THEN GLUE IN PLACE WITH DEC. 9009157. MAKE SURE THAT TABS ON DEC. 12-12416-02 ARE FACING EACH OTHER ON SIDE 1. (S1 AND S2)
- 1-8 ON DEC. PART 12-12416-02 THE ONE THAT IS LOCATED CLOSEST TO J4 ON SIDE 1, CONNECT THE LEAD THAT GOES THROUGH THE BOARD, TO PIN J4-9 ON SIDE 2. THIS IS DONE WITH AN ECO WIRE INSTALLED ON SIDE 2.
- 1-9 WITH AN ECO WIRE, CONNECT BOTH CASE TABS OF DEC. 12-12416-02 ON SIDE 1 TOGETHER.
- 1-10 DEC. PART 12-12416-02 THAT HAS BEEN INSTALLED BENEATH R32 ON SIDE 1. CONNECT AN ECO WIRE FROM THIS PARTS PIN ON SIDE 2 WITH THE OTHER END OF THE ECO WIRE GOING TO THE P.T.H.

- BETWEEN R41 AND D16. (THIS P.T.H. HAS AN ETCH RUN CONNECTING THE ANODE OF D16 TO IT ON SIDE 2.)
- 1-11 CHANGE R10 FROM 13-13151 3.6K OHM TO 1300391 1.5K OHM.
  - 1-12 CHANGE R11 FROM 13-0C316 470 OHM TO 13-00439 3.3K OHM.
  - 1-13 CHANGE R4 FROM 13-00309 390 OHM TO 13-01322 180 OHM.
  - 1-14 REMOVE W2 INSULATED JUMPER 90-09185.
  - 1-15 REMOVE D17, IN T58A 11-00125
  - 1-16 GLUE ALL ECO WIRES DOWN WITH DEC. 90-09157.

ECO #2

- COMPONENT DELETES SIDE 1:
- 2-1. C15 (P/N 1000021)
  - 2-2. D16 (P/N 1110068)
- COMPONENT ADDS SIDE 1:
- 2-3. D16 (ZENER BI-DIRECTIONAL P/N 1114913-00)

COMPONENT SIDE VIEW



NOTES:

1. COMPONENT NOT INSTALLED

CHANGE NO	REV	DATE	BY	CHKD
02	1	12-1-76	G. POTTER	

ETCH REV. C
P.C. DESIGN DATA BASE REV. C

SIGNATURES	DATE	digital
DRN. F. GAROFALO	12-1-76	
CHK'D. F. SEIDMAN	12-8-76	
ENG. J. MERRIN	12-7-76	
PROJ. ENG. J. MERRIN	12-7-76	
PROD. R. B. KING	12-2-76	
SCALE 2/1		TITLE
SHT. 1 OF 3		H785 CONTROL BD.
NEXT HIGHER ASSY. B-DD-5412385-0		SIZE CODE NUMBER REV
		D UA 5412385-0-01 E

8

7

6

5

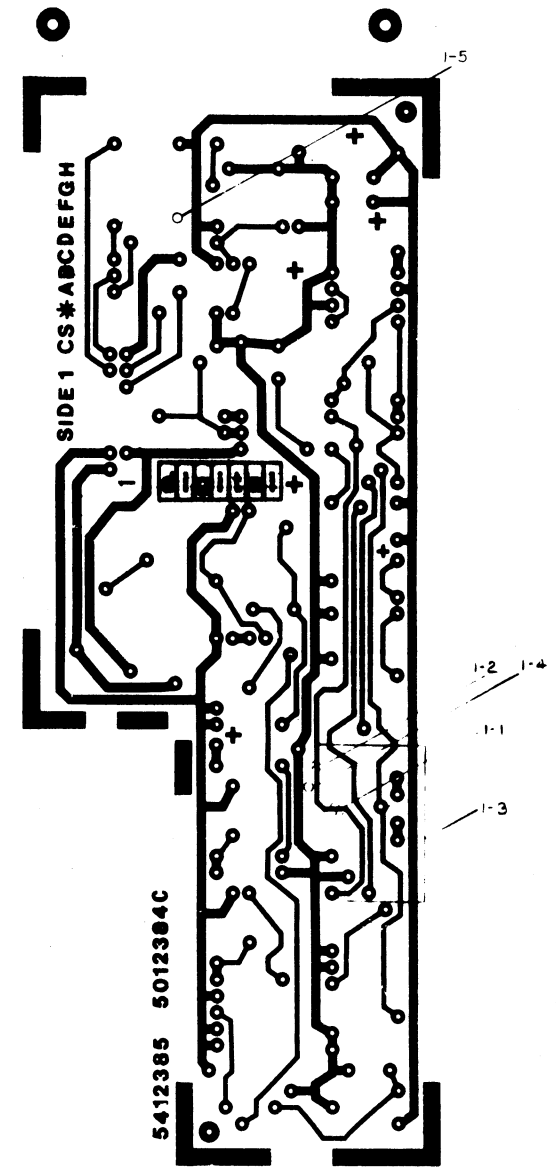
4

3

1

SIZE CODE D U A 5412385-0-0 NUMBER 2

"THIS DRAWING AND SPECIFICATIONS, HEREIN, ARE THE PROPERTY OF DIGITAL EQUIPMENT CORPORATION AND SHALL NOT BE REPRODUCED OR COPIED OR USED IN WHOLE OR IN PART AS THE BASIS FOR THE MANUFACTURE OR SALE OF ITEMS WITHOUT WRITTEN PERMISSION. COPYRIGHT © 1977 DIGITAL EQUIPMENT CORPORATION"



D

C

E

B

A

REVISIONS		
CHK	CHANGE NO	REV

TITLE	H785 CONTROL BD	SIZE CODE	D U A	NUMBER	5412385-0-0	REV.	E
SCALE	2/1	SHEET	2 OF 3	DIST.			

8

7

6

5

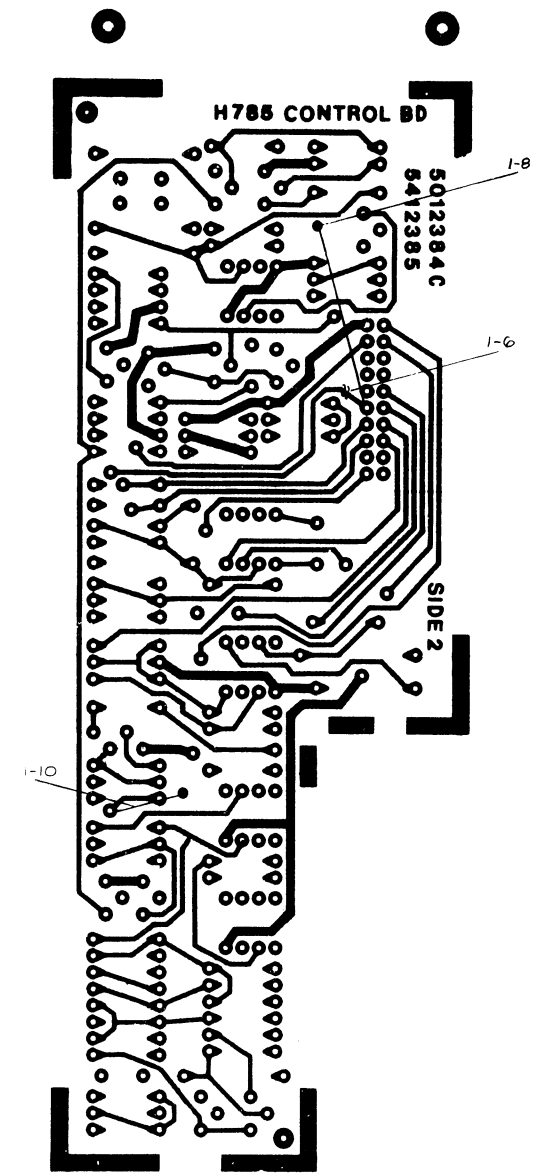
4

3

1

DATE CODE DUA 5412385-0-0 2

"THIS DRAWING AND SPECIFICATIONS HEREIN ARE THE PROPERTY OF DIGITAL EQUIPMENT CORPORATION AND SHALL NOT BE REPRODUCED OR COPIED OR USED IN WHOLE OR IN PART AS THE BASIS FOR THE MANUFACTURE OR SALE OF ITEMS WITHOUT WRITTEN PERMISSION. COPYRIGHT ©1977 DIGITAL EQUIPMENT CORPORATION"



D

C

B

A

DATE CODE DUA 5412385-0-0 REV. E

REVISION											
CHK	DATE	BY	DESCRIPTION	DATE	BY	DESCRIPTION	DATE	BY	DESCRIPTION	DATE	BY

TITLE	H785 CONTROL BD	SIZE CODE	DUA	NUMBER	5412385-0-0	REV.	E
SCALE	2/1	SHEET	3 OF 3	DIST.			

LINE ITEM	DOCUMENT NO.	PART NO.	DESCRIPTION	QTY	REFERENCE DESIGNATORS
1	1	D-MD-5012384-0-0	5012384-00	5412385	1
2	2		1001610-01	.01 MFD 100V OR 50V Z5U DISC/800PF MIN	4 C1,C4,C6,C13
3	3		1004813-00	10 MFD 20V 10% 150D S.TA (10-00)	1 C2
4	4		1001776-00	1 MFD 35V 10% 150D S.TA (10-00)	3 C3,C5,C11
5	5		1000061-00	8200.0 MMF 100V 10% 663UW MYLR (10-00)	1 C7
6	6		1005965-00	.47 MFD 35V 10% 150D S.TA (10-00)	2 C8,C12
7	7		1000009-00	33.0 MMF 100V 5%200PPM DM15B (10-00)	1 C9
8	8		1005306-00	6.8MFD 35V 10% 150D S.TA (10-00)	1 C14
9	9		1105275-00	D 672 TR= 15NS PIV= 60V SP	9 D1,D2,D3,D5,D6,D9,D10,D12,D13
10	10		1109988-00	1N 964B VZ= 13.0 5% .40W Y	1 D4
11	11		1102808-00	1N 752A VZ= 5.6 5% .40W P	2 D11,D15
12	12		1110968-00	2N 5062 SCR@100V I=.8A T092	1 D14
13	13		1110713-00	8Z710910 VZ= 5.1 2% M	1 D7
14	14		1114913-00	VZ= 18.0 10% 1W	1 D16
15	15		1300398-00	1.8 K 1/4W 5% CC (13-00)	2 R32,R38
16	16		1300479-00	10 K 1/4W 5% CC (13-00)	11 R1,R13,R18,R19,R20,R21,R28, CONT R31,R42-R44
17	17		1300229-00	100 1/4W 5% CC (13-00)	5 R3,R5,R25,R29,R45
18	18		1301322-00	180 1/4W 5% CC (13-00)	1 R4
19	19		1302177-00	47 K 1/4W 5% CC (13-00)	1 R6
20	20		1302394-00	30 K 1/4W 5% CC (13-00)	1 R7
21	21		1302091-00	330 K 1/4W 5% CC (13-00)	1 R8
22	22		1300365-00	1 K 1/4W 5% CC (13-00)	6 R2,R9,R12,R14,R37,R40
23	23		1300426-00	2.7 K 1/4W 5% CC (13-00)	1 R16
24	24		1302092-00	220 K 1/4W 5% CC (13-00)	1 R15
25	25		1301423-00	6.8 K 1/4W 5% CC (13-00)	1 R17
26	26		1302871-00	1.21 K 1/4W 1% RN55D-F 100PPM (13-00)	1 R35
27	27		1302955-00	750 1/4W 1% RN55D-F 100PPM (13-00)	1 R34
28	28		1303312-00	10.0 K 1/4W 1% RN55D-F 100PPM (13-00)	1 R36
29	29		1302466-00	100 K 1/4W 5% CC (13-00)	3 R22,R39,R41

REVISION HISTORY			VARIATIONS FOR THIS ASSY.		FIRST USED ON:		DIGITAL EQUIPMENT CORPORATION MAYNARD, MASSACHUSETTS			
CHK	ECO NO	REV			MADE BY:	DATE:	TITLE			
W.H	00003	E		00	F.MALANSON	21-FEB-78	PARTS LIST			
					CHECKED:	21-FEB-78	H785 CONTROL BOARD			
					DSN.ENG.:	21-FEB-78				
					PROD.:	21-FEB-78	SIZE	CODE	DOCUMENT NUMBER	REV
					R.B.KING	21-FEB-78	K	PL	5412385-0-0	E
					RESP.ENG.:	21-FEB-78	ASSY.NO.:			EDIT#
					J.MERCURI	21-FEB-78	D-UA-5412385-0-0			4

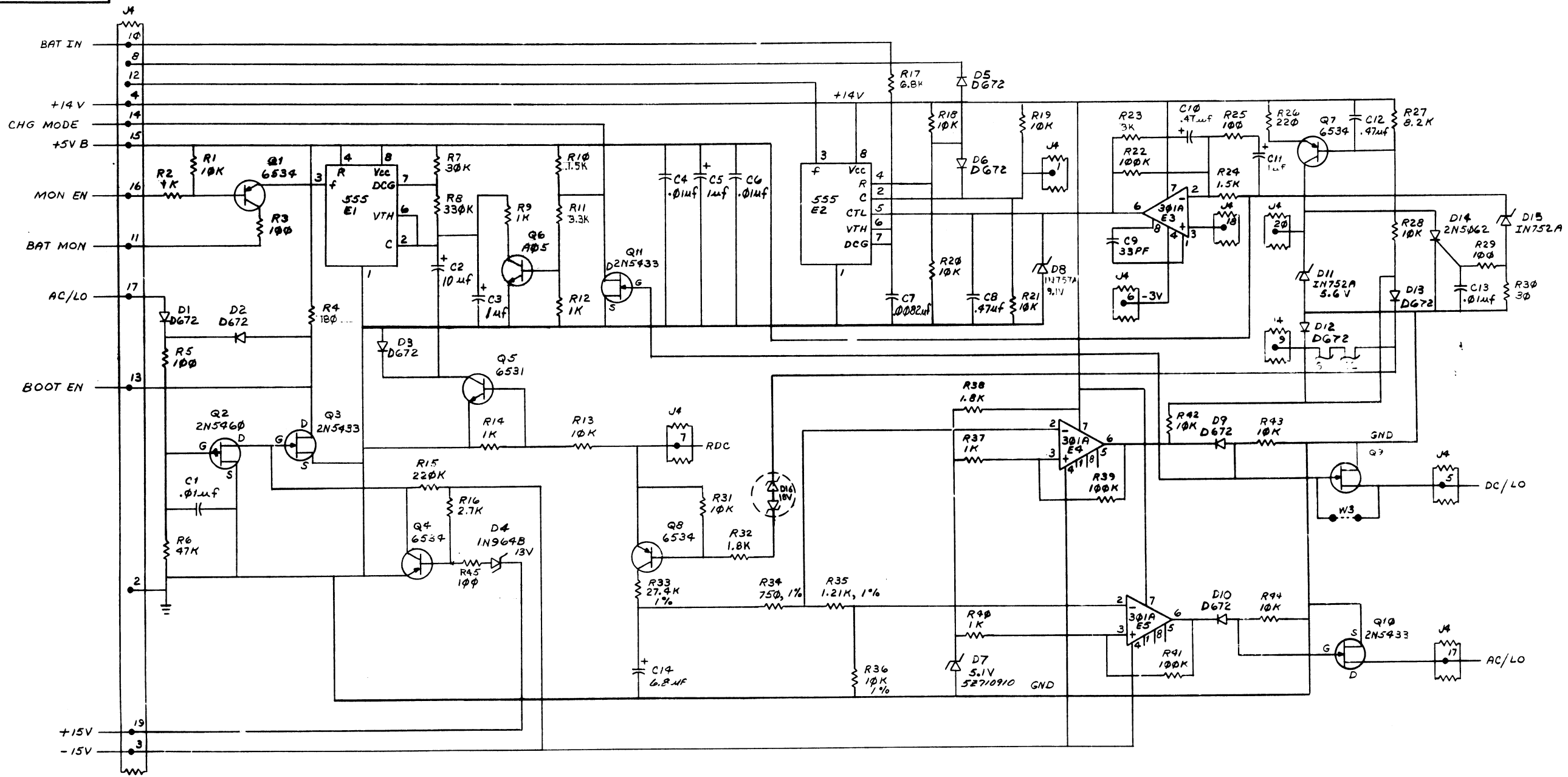
\*THIS DRAWING AND SPECIFICATIONS HEREIN, ARE THE PROPERTY OF DIGITAL EQUIPMENT CORPORATION AND SHALL NOT BE REPRODUCED OR COPIED OR USED IN WHOLE OR IN PART AS THE BASIS FOR THE MANUFACTURE OR SALE OF ITEMS WITHOUT WRITTEN PERMISSION.  
COPYRIGHT 1978. DIGITAL EQUIPMENT CORPORATION \*



LINE	ITEM	DOCUMENT NO.	PART NO.	DESCRIPTION	QTY	REFERENCE DESIGNATORS
30	30		1300271-00	220 1/4W 5% CC (13-00	1	R26
31	31		1303179-00	8.2 K 1/4W 5% CC (13-00	1	R27
32	32		1302751-00	30 1/4W 5% CC (13-00	1	R30
33	33		1309417-00	27.4 K 1/4W 1% RN55D-F 100PPM (13-00	1	R33
34	34		1503409-00	DEC6534D PNP 310MW SI 40 90 P	4	Q1,Q4,Q7,Q8
35	35		1510233-00	2N 5460 FET 310MW SIP CHNNL	1	Q2
36	36		1511686-00	DEC5433 FET N 350MW 10 25 1A 20U	4	Q3,Q9,Q10,Q11
37	37		1509338-00	DEC6531B NPN 310MW SI 40 90 P	1	Q5
38	38		1510705-00	XA 05 NPN 500MW SI 60 50 P	1	Q6
39	39		1911944-00	555CN TIMER,FUNCT.BLOCK	2	E1,E2
40	40		1910282-00	301AN OP AMP	3	E3,E4,E5
41	41		1300391-00	1.5 K 1/4W 5% CC (13-00	2	R10,R24
42	42		1213335-00	HEADER 20POS RT ANGLE FOR 12-13334	1	J4
43	43		1300439-00	3.3 K 1/4W 5% CC (13-00	1	R11
44	44		1212416-02	THERMOSTAT,00160,N/C,SPST,AUTO RESET	2	S1,S2
45	45		1300432-00	3 K 1/4W 5% CC (13-00	1	R23
46	46		1109990-00	1N 757A VZ= 9.1 5% .40W P	1	D8
47	47		1005965-00	.47 MFD 35V 10% 150D S.TA (10-00	1	C10
48	48		9009157-00	ADHESIVE, PERMABOND #101	A/R	
49	49		9105740-55	WIRE(WRAP)30AWG UL1423 (91-00	A/R	

DIGITAL EQUIPMENT CORPORATION MAYNARD, MASSACHUSETTS	TITLE H785 CONTROL BOARD	PARTS LIST	SIZE K	CODE PL	DOCUMENT NUMBER 5412385-0-0	REV E
---	-----------------------------	------------	-----------	------------	--------------------------------	----------

"THIS DRAWING AND SPECIFICATIONS, HEREIN, ARE THE PROPERTY OF DIGITAL EQUIPMENT CORPORATION AND SHALL NOT BE REPRODUCED OR COPIED OR USED IN WHOLE OR IN PART AS THE BASIS FOR THE MANUFACTURE OR SALE OF THIS WITHOUT WRITTEN PERMISSION. COPYRIGHT © 1976, DIGITAL EQUIPMENT CORPORATION"



NOTES:  
 1. ~~H785 OPERATION REMOVE JUMPER W2.~~  
 2. ~~H785 OPERATION REMOVE JUMPER W1.~~  
 W3 IS AN ENGINEERING OPTION TO BE DETERMINED AT A LATER DATE.

REV.	CHANGE NO.	DATE	BY	CHK'D
1	5412385-00001	C	J. MERCURI	
2	5412385-00002	D	J. MERCURI	
3	5412385-00003	E	G. FOTTER	

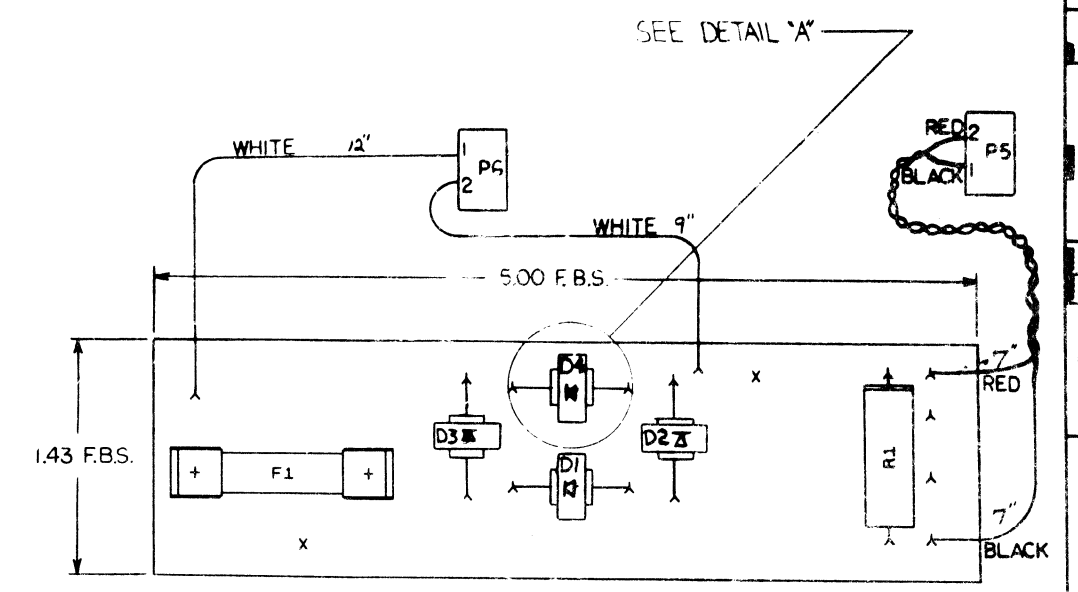
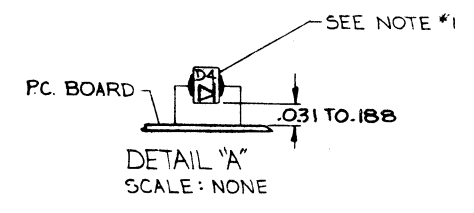
DRN. J. Vincent 8-17-76	FIRST USED ON	DATE
CHK'D	TITLE	H785
ENG. J. Vincent 8-17-76	CONTROL BOARD	
PROJ. ENG. J. Vincent 8-17-76	SIZE	D
PROD. J. Vincent 8-17-76	CODE	CS
NEXT HIGHER ASSY.	NUMBER	5412385-0-1
SCALE	REV.	E
SHEET 1 OF 1	DIST.	

1976  
 1976  
 1976

3 2 1  
 0-0-112411-0-0

COMPONENT SIDE VIEW

NOTES:  
 1. DIODES D1 THRU D4 MUST BE RAISED FROM THE P.C. BOARD .031 TO .100



NOTES:  
 \_\_\_\_\_  
 \_\_\_\_\_  
 \_\_\_\_\_  
 \_\_\_\_\_

CHKCHANGE NO	REV	DATE	BY	APP'D
541241-1	C	9-21-76	G. POTTER	
541241-2	D	11-5-76	G. POTTER	
541241-3	E	12-2-76	J. MERCURI	

ETCH: REV. C  
 P.C. DESIGN DATA BASE REV. C

SIGNATURES	DATE
DRN. <i>Frank Ziegler</i>	9-21-76
CHK'D. <i>Frank Ziegler</i>	9-21-76
ENG. <i>Joe Mariani</i>	11-5-76
PROD. <i>R. Blum</i>	12-2-76

digital	
TITLE INPUT	
RECTIFIER BOARD	
SIZE CODE	NUMBER
D UA	541241-0-0

D/UA 541241-0-0

8

7

6

5

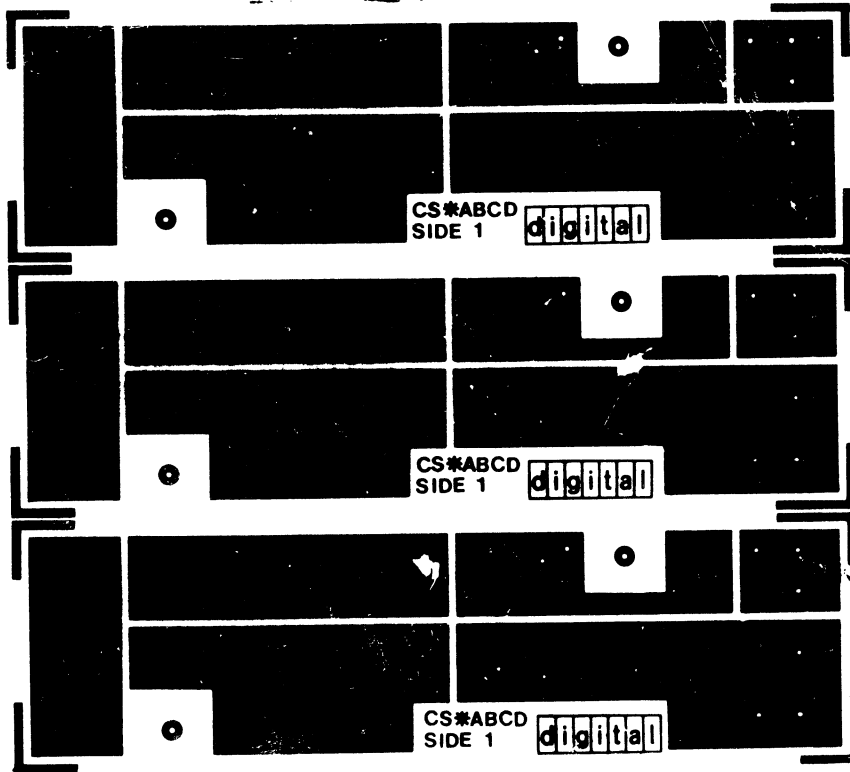
4

3

2

THIS DRAWING AND SPECIFICATION ARE THE PROPERTY OF DIGITAL EQUIPMENT CORPORATION AND SHALL NOT BE REPRODUCED, COPIED OR USED IN WHOLE OR IN PART AS THE BASIS FOR THE MANUFACTURE OR SALE OF ITEMS WITHOUT WRITTEN PERMISSION. COPYRIGHT © 1976, DIGITAL EQUIPMENT CORPORATION.

8036064 0012430C 6412491



REVISIONS		
CHK	CHANGE NO.	REV.

TITLE	INPUT RECTIFIER BOARD	SIZE CODE	D 1A	5428
SCALE	2/1	SHEET	2 OF 3	DIST

8

7

6

5

4

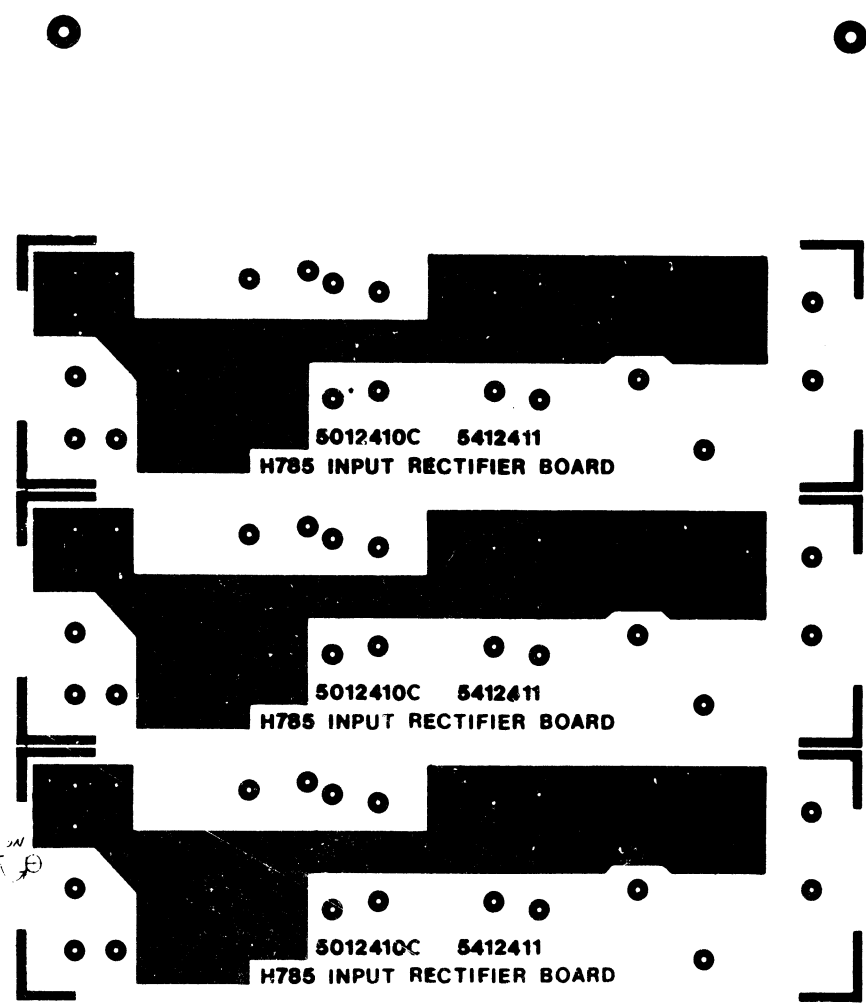
3

D|UA| 5412411-0-0

2

1

"THIS DRAWING AND SPECIFICATIONS HEREIN ARE THE PROPERTY OF DIGITAL EQUIPMENT CORPORATION, AND SHALL NOT BE REPRODUCED OR COPIED OR USED IN WHOLE OR IN PART AS THE BASIS FOR THE MANUFACTURE OF SALE OF ITEMS WITHOUT WRITTEN PERMISSION. COPYRIGHT © 1972 DIGITAL EQUIPMENT CORPORATION"



D

C

↑

E

5412411-0-0

D|UA|

B

A

REVISIONS		
CHK	CHANGE NO.	DATE

TITLE	SIZE CODE	NUMBER	REV.
INPUT RECTIFIER BOARD	D UA	5412411-0-0	E
SCALE 2/1	SHEET 3 OF 3	DIST.	

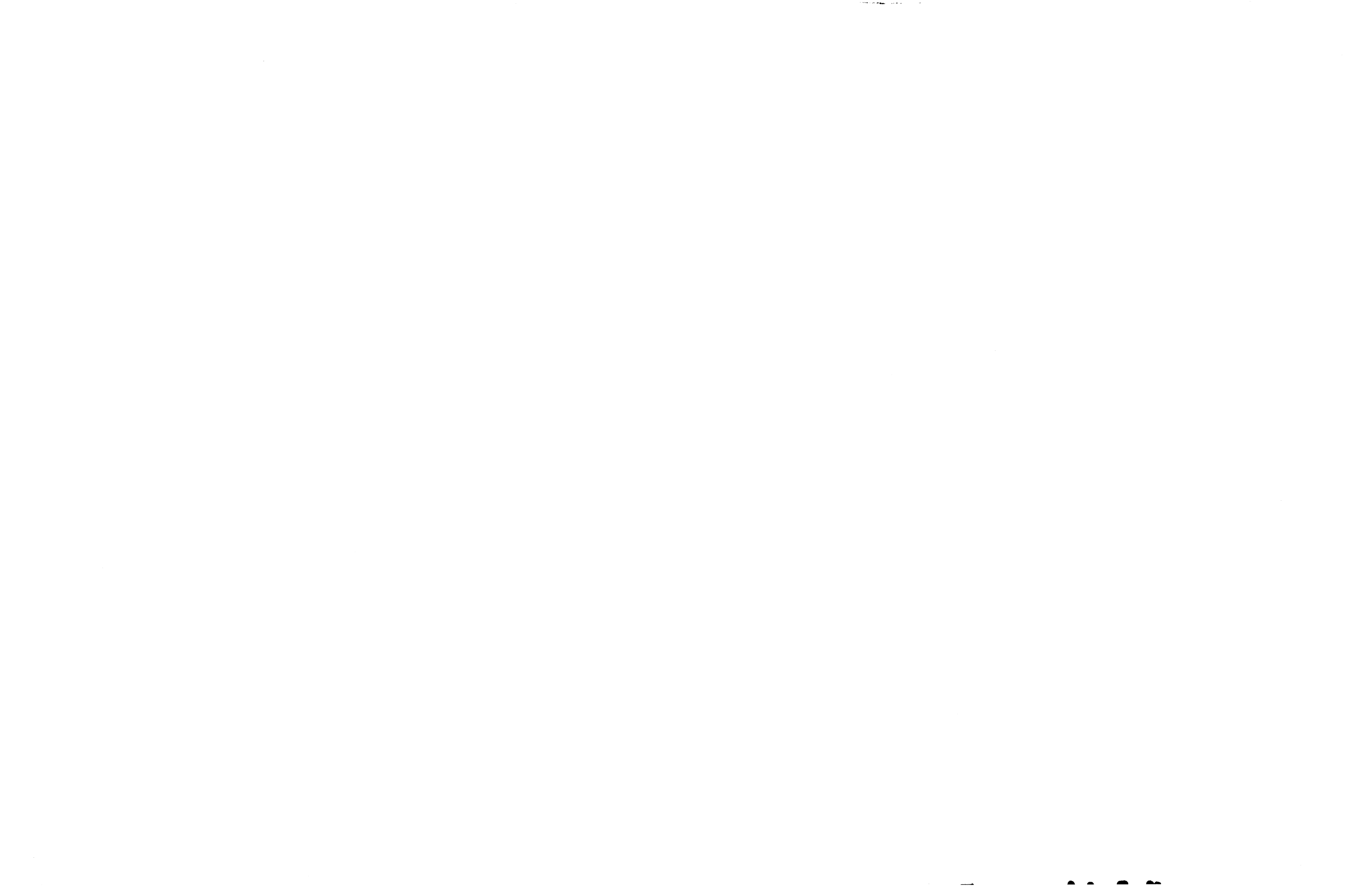
LINE ITEM	DOCUMENT NO.	PART NO.	DESCRIPTION	QTY	REFERENCE DESIGNATORS
1	1	D-MD-5012410-0-0	5012410-00	5412411	1
2	2		1110615-00	MR 752 PIV=200 I=22A A264 SM	4 D1-D4
3	3		1210821-02	MATE-N-LOK 2PIN,HOUSING,SKT	2 P5,P6
4	4		1209379-01	MATE-N-LOK PIN 20-14AWG LOOSE	4
5	5		1302609-00	4.7 K 2W 10% CC (13-00	1 R1
6	6		9009000-00	EYELET, ROLLED FLANGE, .121 OD X .156 LG	2
7	7		9008390-00	FUSE, REG BLOW, 10.000A, 250V, CERAMIC	1
8	8		9007203-00	CLIP, FUSE, WITH STOP, SCREW MOUNTED	2
9	9		9107360-99	WIRE,STRND,18AWG,IPVC UL1429 (91-00 A/R	
10	10		9107430-02	WIRE,STRND,18AWG,IPVC (UL1429) (91-00 A/R	

11 NOTE: MS60954 ETCH REV C CS REV B

REVISION HISTORY			VARIATIONS FOR THIS ASSY.		FIRST USED ON:		DIGITAL EQUIPMENT CORPORATION MAYNARD, MASSACHUSETTS			
CHK	ECO NO	REV			MADE BY:	DATE:	TITLE			
---	00003	E		00	D.BILODEAU	08-MAR-78	PARTS LIST			
					F.GAROFALO	08-MAR-78	INPUT RECTIFIER BOARD			
					J.MERCURI	08-MAR-78	SIZE	CODE	DOCUMENT NUMBER	REV
					R.B.KING	08-MAR-78	K	PL	5412411-0-0	E
					J.MERCURI	08-MAR-78	ASSY.NO.:		D-UA-5412411-0-0	EDIT#
										3

\*THIS DRAWING AND SPECIFICATIONS HEREIN, ARE THE PROPERTY OF DIGITAL EQUIPMENT CORPORATION AND SHALL NOT BE REPRODUCED OR COPIED OR USED IN WHOLE OR IN PART AS THE BASIS FOR THE MANUFACTURE OR SALE OF ITEMS WITHOUT WRITTEN PERMISSION.  
COPYRIGHT 1978. DIGITAL EQUIPMENT CORPORATION \*

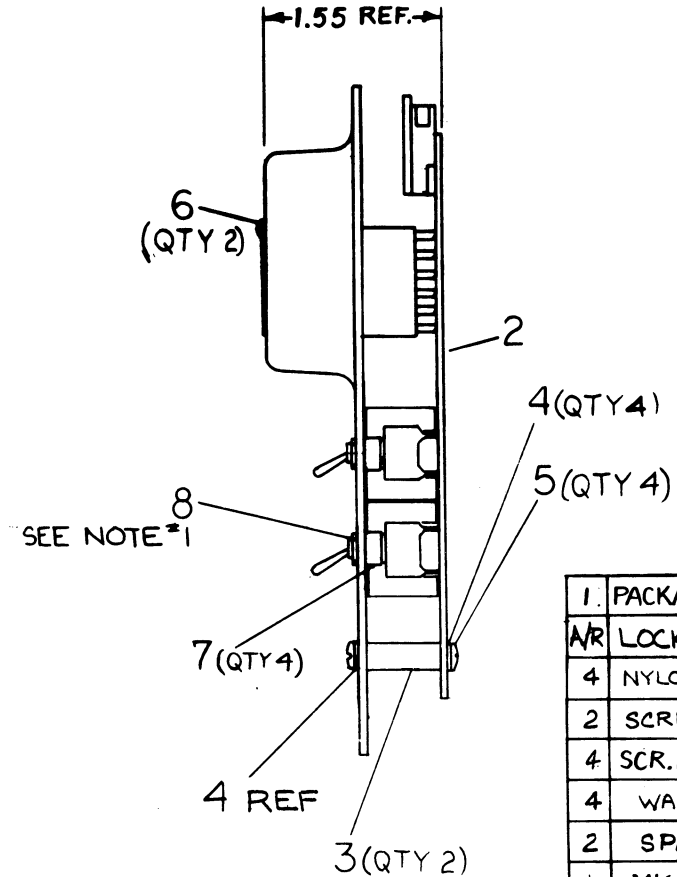
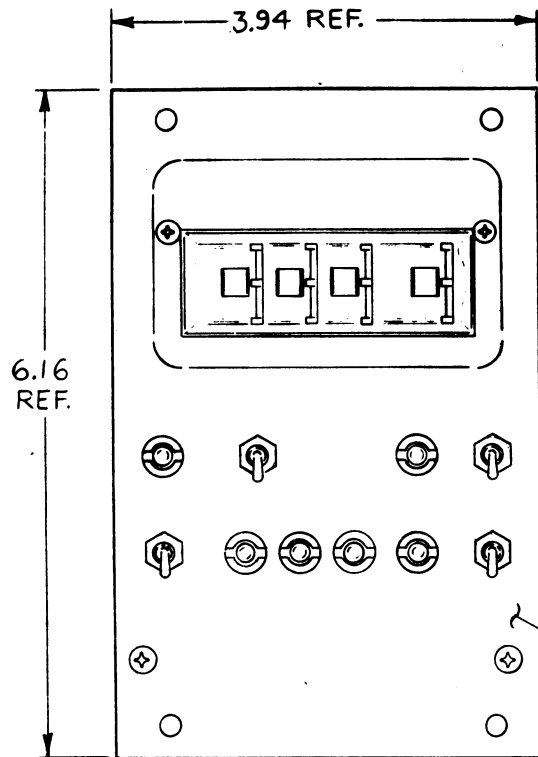






"THIS DRAWING AND SPECIFICATIONS, HEREIN, ARE THE PROPERTY OF DIGITAL EQUIPMENT CORPORATION AND SHALL NOT BE REPRODUCED OR COPIED OR USED IN WHOLE OR IN PART AS THE BASIS FOR THE MANUFACTURE OR SALE OF ITEMS WITHOUT WRITTEN PERMISSION. COPYRIGHT © 1977, DIGITAL EQUIPMENT CORPORATION"

NOTE:  
I-LOCKTITE TO BE APPLIED TO  
THREAD PORTION OF TOGGLE  
SWITCH BEFORE MOUNTING  
CONSOLE (ITEM #1)



1	PACKAGING INSTR MKII	A-SP-3700252-00	9
NR	LOCKTITE	9009321-00	8
4	NYLON, SPACER, .265 ID X .125 L6	9009565-02	7
2	SCREW SELF-TAP 4X.25, 8LK	9009315-01	6
4	SCR. PH HD TRUSS #6-32 X .31	9006021-03	5
4	WASHER INT TOOTH LOCK #6	9006633-00	4
2	SPACER, 6-32 X .69	9006858-00	3
1	MKII BOX CONTROLLER	D-UA-5413018-0-0	2
1	CONSOLE	C-PS1214577-0-0	1

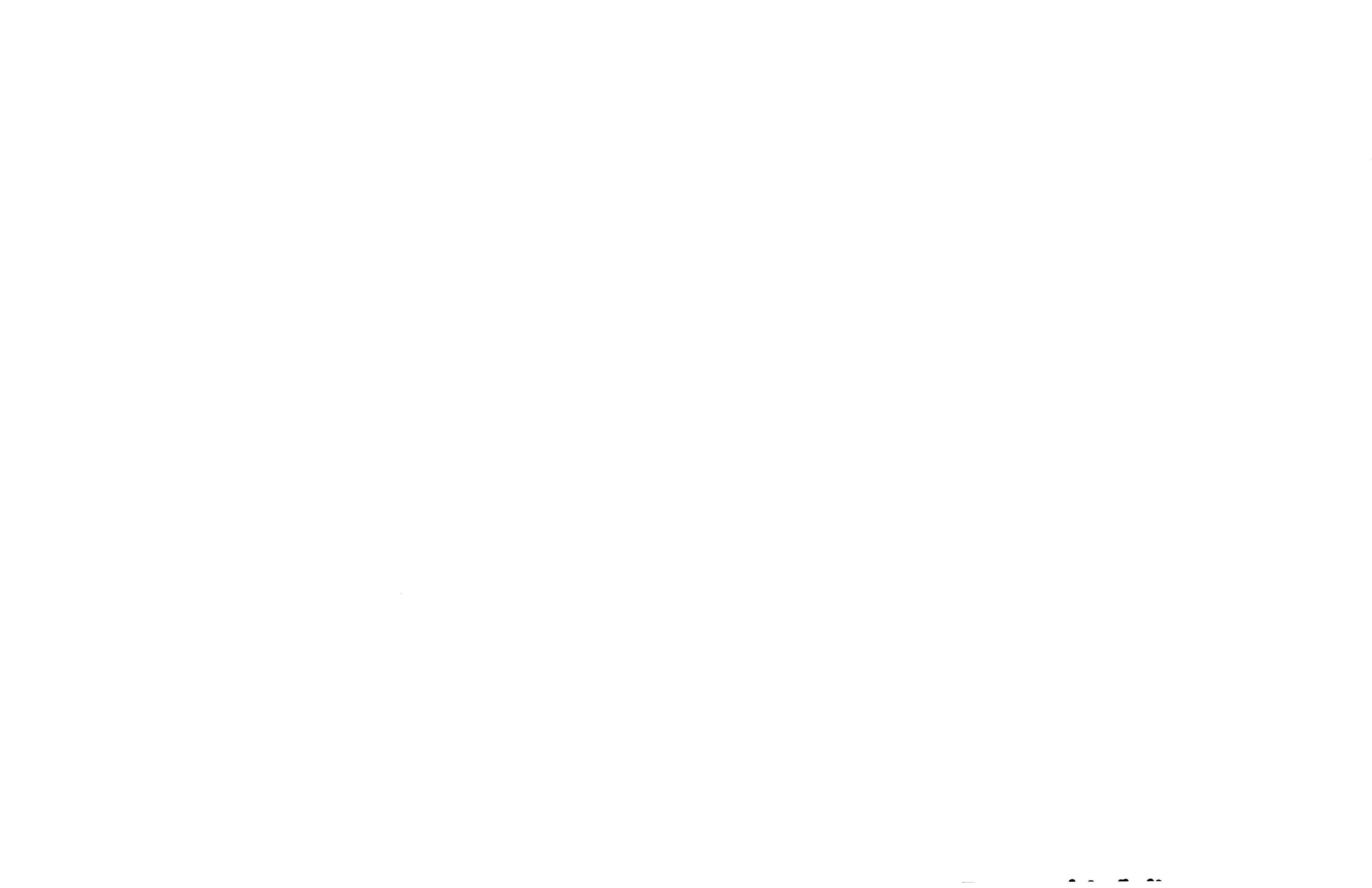
REVISIONS	REV.	
	CHANGE NO.	7014274-00001 A
CHK	B/C	10/16/77
		11/16/77
		12/16/77
		1/16/78
		2/16/78
		3/16/78
		4/16/78
		5/16/78
		6/16/78
		7/16/78
		8/16/78
		9/16/78
		10/16/78
		11/16/78
		12/16/78
		1/16/79
		2/16/79
		3/16/79
		4/16/79
		5/16/79
		6/16/79
		7/16/79
		8/16/79
		9/16/79
		10/16/79
		11/16/79
		12/16/79
		1/16/80
		2/16/80
		3/16/80
		4/16/80
		5/16/80
		6/16/80
		7/16/80
		8/16/80
		9/16/80
		10/16/80
		11/16/80
		12/16/80
		1/16/81
		2/16/81
		3/16/81
		4/16/81
		5/16/81
		6/16/81
		7/16/81
		8/16/81
		9/16/81
		10/16/81
		11/16/81
		12/16/81
		1/16/82
		2/16/82
		3/16/82
		4/16/82
		5/16/82
		6/16/82
		7/16/82
		8/16/82
		9/16/82
		10/16/82
		11/16/82
		12/16/82
		1/16/83
		2/16/83
		3/16/83
		4/16/83
		5/16/83
		6/16/83
		7/16/83
		8/16/83
		9/16/83
		10/16/83
		11/16/83
		12/16/83
		1/16/84
		2/16/84
		3/16/84
		4/16/84
		5/16/84
		6/16/84
		7/16/84
		8/16/84
		9/16/84
		10/16/84
		11/16/84
		12/16/84
		1/16/85
		2/16/85
		3/16/85
		4/16/85
		5/16/85
		6/16/85
		7/16/85
		8/16/85
		9/16/85
		10/16/85
		11/16/85
		12/16/85
		1/16/86
		2/16/86
		3/16/86
		4/16/86
		5/16/86
		6/16/86
		7/16/86
		8/16/86
		9/16/86
		10/16/86
		11/16/86
		12/16/86
		1/16/87
		2/16/87
		3/16/87
		4/16/87
		5/16/87
		6/16/87
		7/16/87
		8/16/87
		9/16/87
		10/16/87
		11/16/87
		12/16/87
		1/16/88
		2/16/88
		3/16/88
		4/16/88
		5/16/88
		6/16/88
		7/16/88
		8/16/88
		9/16/88
		10/16/88
		11/16/88
		12/16/88
		1/16/89
		2/16/89
		3/16/89
		4/16/89
		5/16/89
		6/16/89
		7/16/89
		8/16/89
		9/16/89
		10/16/89
		11/16/89
		12/16/89
		1/16/90
		2/16/90
		3/16/90
		4/16/90
		5/16/90
		6/16/90
		7/16/90
		8/16/90
		9/16/90
		10/16/90
		11/16/90
		12/16/90
		1/16/91
		2/16/91
		3/16/91
		4/16/91
		5/16/91
		6/16/91
		7/16/91
		8/16/91
		9/16/91
		10/16/91
		11/16/91
		12/16/91
		1/16/92
		2/16/92
		3/16/92
		4/16/92
		5/16/92
		6/16/92
		7/16/92
		8/16/92
		9/16/92
		10/16/92
		11/16/92
		12/16/92
		1/16/93
		2/16/93
		3/16/93
		4/16/93
		5/16/93
		6/16/93
		7/16/93
		8/16/93
		9/16/93
		10/16/93
		11/16/93
		12/16/93
		1/16/94
		2/16/94
		3/16/94
		4/16/94
		5/16/94
		6/16/94
		7/16/94
		8/16/94
		9/16/94
		10/16/94
		11/16/94
		12/16/94
		1/16/95
		2/16/95
		3/16/95
		4/16/95
		5/16/95
		6/16/95
		7/16/95
		8/16/95
		9/16/95
		10/16/95
		11/16/95
		12/16/95
		1/16/96
		2/16/96
		3/16/96
		4/16/96
		5/16/96
		6/16/96
		7/16/96
		8/16/96
		9/16/96
		10/16/96
		11/16/96
		12/16/96
		1/16/97
		2/16/97
		3/16/97
		4/16/97
		5/16/97
		6/16/97
		7/16/97
		8/16/97
		9/16/97
		10/16/97
		11/16/97
		12/16/97
		1/16/98
		2/16/98
		3/16/98
		4/16/98
		5/16/98
		6/16/98
		7/16/98
		8/16/98
		9/16/98
		10/16/98
		11/16/98
		12/16/98
		1/16/99
		2/16/99
		3/16/99
		4/16/99
		5/16/99
		6/16/99
		7/16/99
		8/16/99
		9/16/99
		10/16/99
		11/16/99
		12/16/99
		1/16/00
		2/16/00
		3/16/00
		4/16/00
		5/16/00
		6/16/00
		7/16/00
		8/16/00
		9/16/00
		10/16/00
		11/16/00
		12/16/00

THIRD ANGLE PROJECTION	DRN. L. Cullis 10/20/77	FIRST USED ON	MKII
REMOVE BURRS AND BREAK SHARP CORNERS	CHK'D J. Haag 11/23/77	TITLE	BOX CONTROLLER ASSY MKII-0
DO NOT SCALE DWG	ENG. R. Boudreau 11/16/77	SIZE	C
MATERIAL SEE PARTS LIST	PROD. Ed. Boudreau 11/23/77	CODE	AD
FINISH	E-UA MKII-0-0	NUMBER	7014274-0-0
	SCALE 1/1	REV.	A
	SHEET 1 OF 1	DIST.	

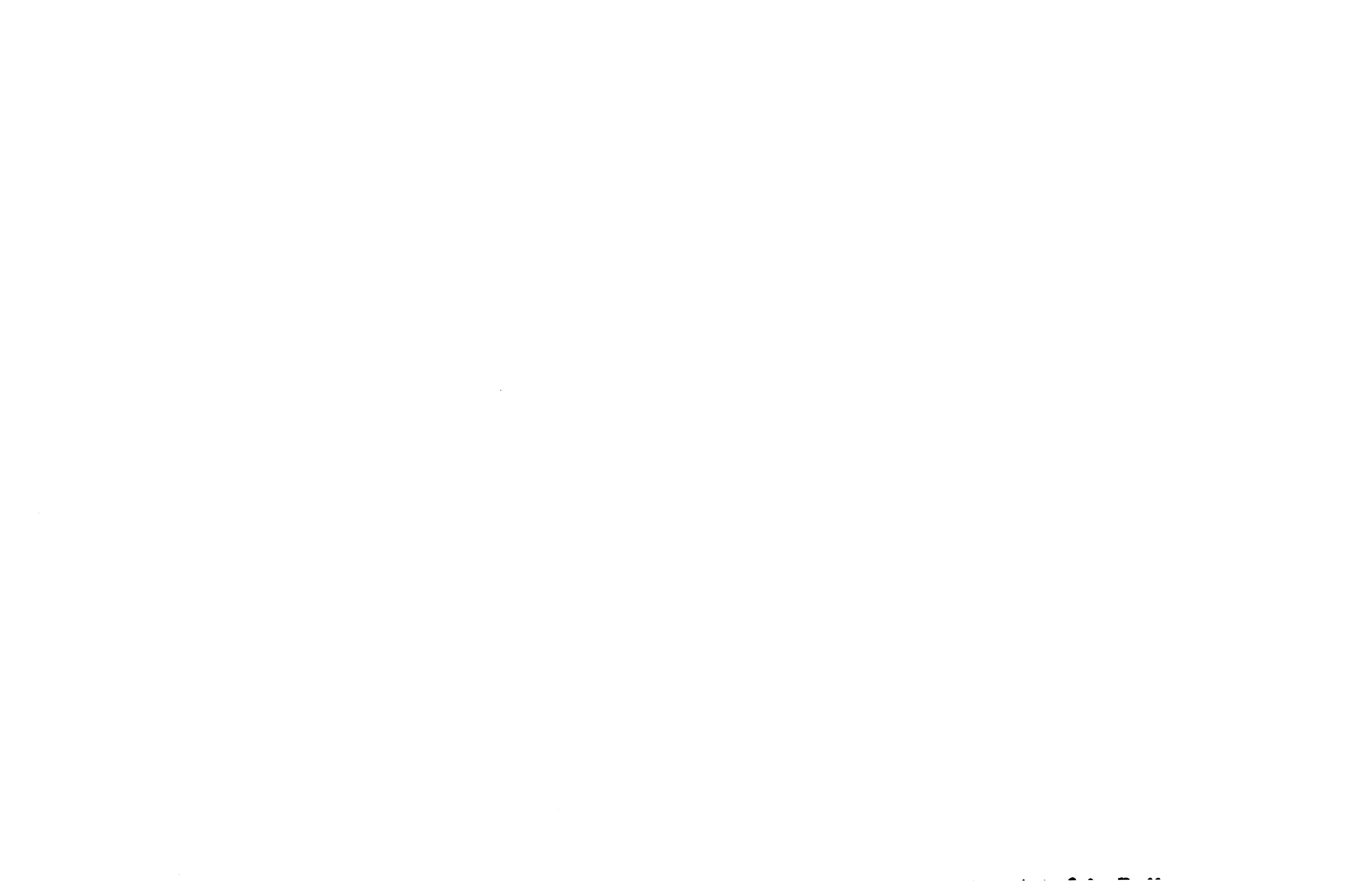
MANUFACTURE P-185

DEC FORM NO. DRG 100-C

7014274-0-0







COMPONENT SIDE VIEW

THIS DRAWING AND SPECIFICATIONS, RIGHTS, AND THE PROPERTY OF DIGITAL EQUIPMENT CORPORATION AND SHALL NOT BE REPRODUCED OR COPIED IN WHOLE OR IN PART ON THE BASIS OF THE INFORMATION ON THIS DRAWING WITHOUT WRITTEN PERMISSION. COPYRIGHT © 1977 DIGITAL EQUIPMENT CORPORATION

D  
C  
B  
A

D  
C  
B  
A

8

7

6

5

4

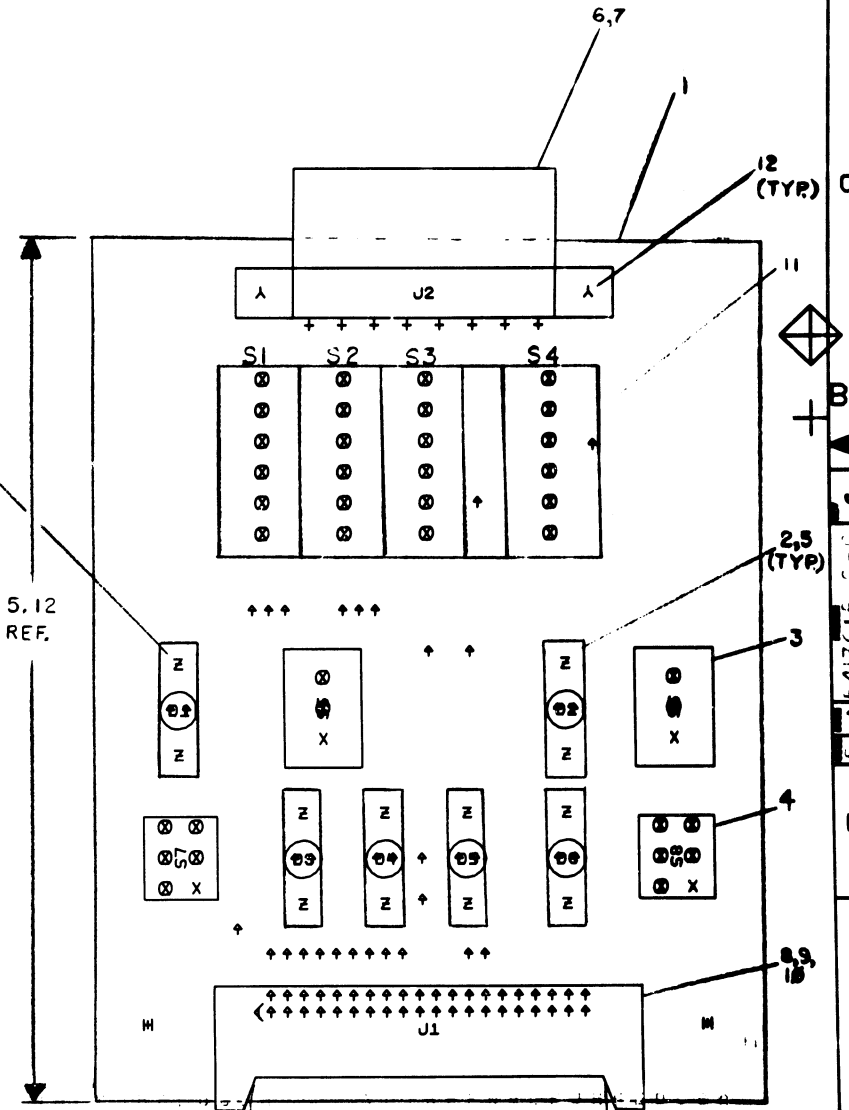
3

1



13 (TYP.)  
INSTALL FROM  
OPPOSITE SIDE

5.12  
REF.



NOTES:

1	B HOLES .0465 (+000-.0045) MAYNARD ONLY
2	ASSEMBLE USING SOLDER FIXTURE # 7014920-0-0

CHG	NO	REV

ETCH REV. C
P.C. DESIGN DATA BASE REV. CL

SIGNATURES	DATE	digital
DRN. <i>[Signature]</i>	<i>[Date]</i>	
CHK D. <i>[Signature]</i>	<i>[Date]</i>	TITLE MK II
ENG. <i>[Signature]</i>	<i>[Date]</i>	BOX CONTROLLER
PROJ. ENG. <i>[Signature]</i>	<i>[Date]</i>	SIZE CODE NUMBER REV
PROD.		0 UA 5413018-0-0 C
SCALE 2/1		
SHT. 1 OF 3		
NEXT HIGHER ASSY. B-DD-5413018-0		

8

7

6

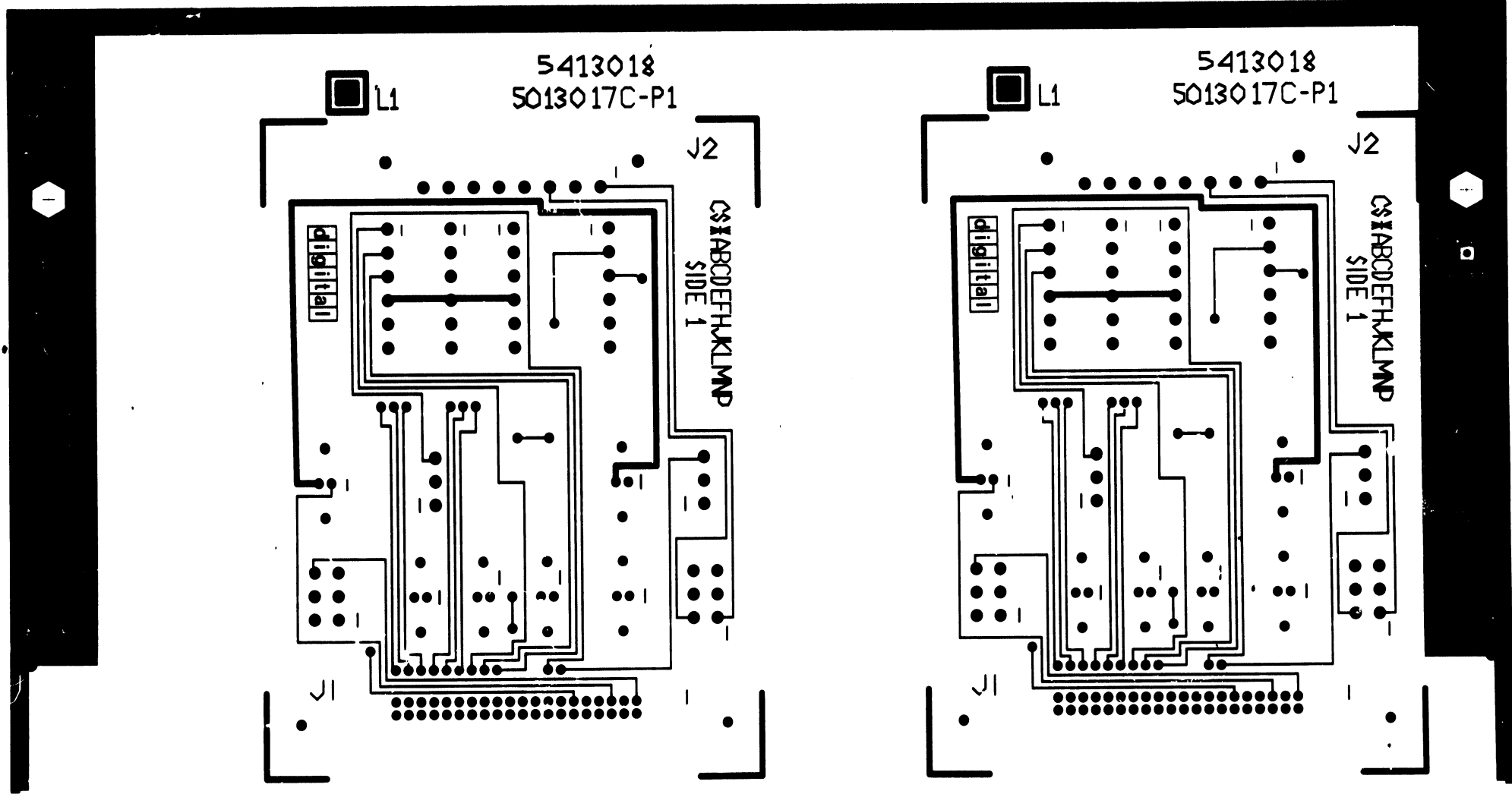
5

4

3

1 MS#26726

8 7 6 5 4 3 2 1

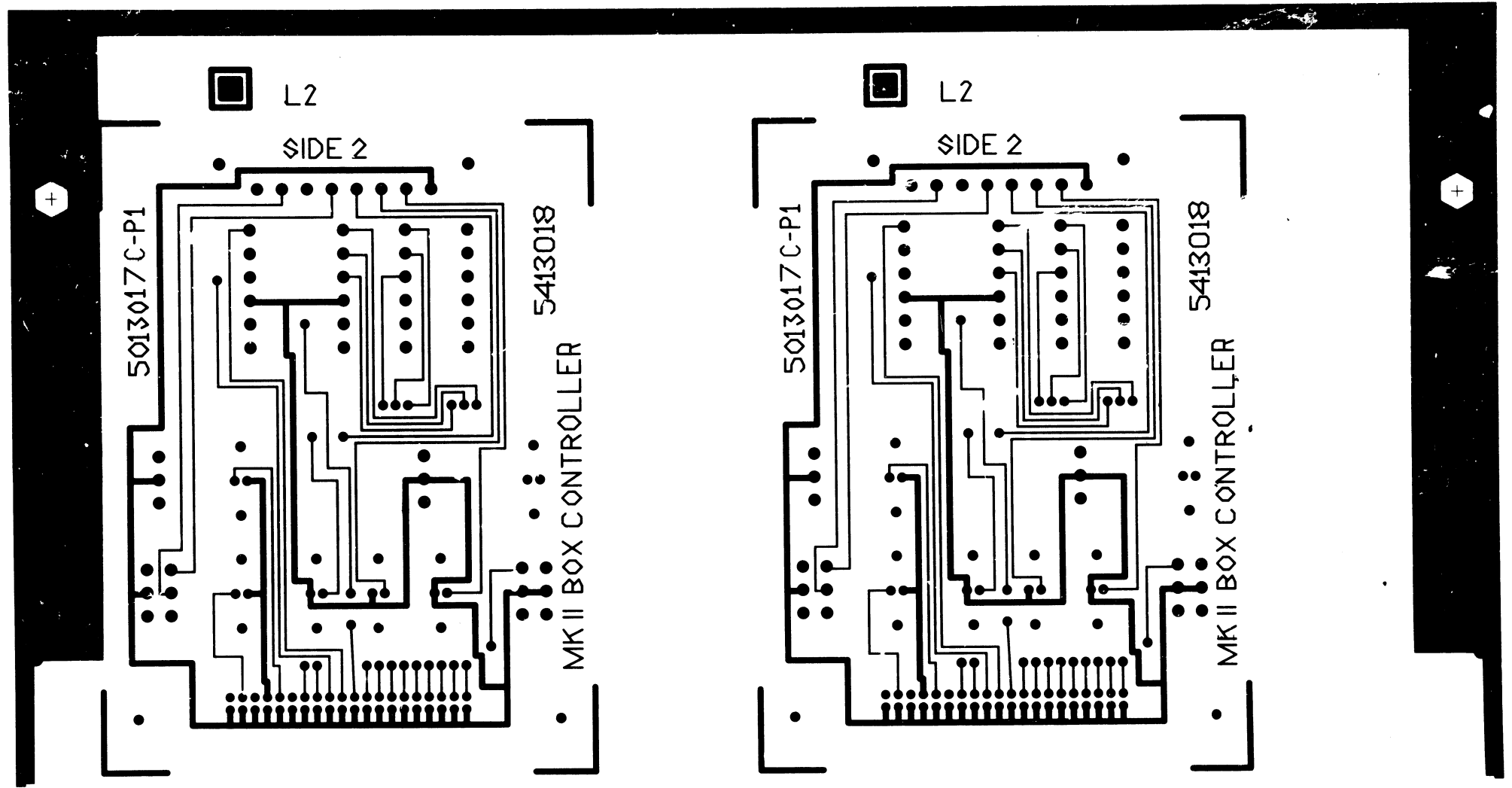


B

A

TITLE		MK11		SIZE CODE		NUMBER		REV.	
BOX CONTROLLER		DUA		5413018-0-0		C			
SHEET		2/1		SHEET		2 OF 3		DIST.	

8 7 6 5 4 3 2 1



TITLE	MK II BOX CONTROLLER	SIZE CODE	D/UA	NUMBER	5413018-0-0	REV.	C
SCALE	2/1	SHEET	3	OF	3	DIST.	

D/UA 5413018-0-0 C

B

A

8

7

6

5

4

3

1

8

7

6

5

4

3

2

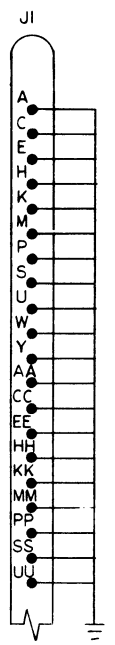
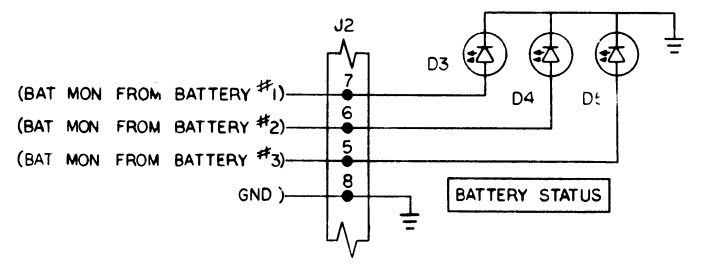
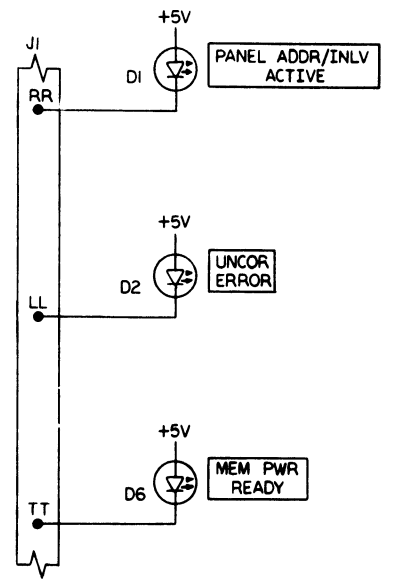
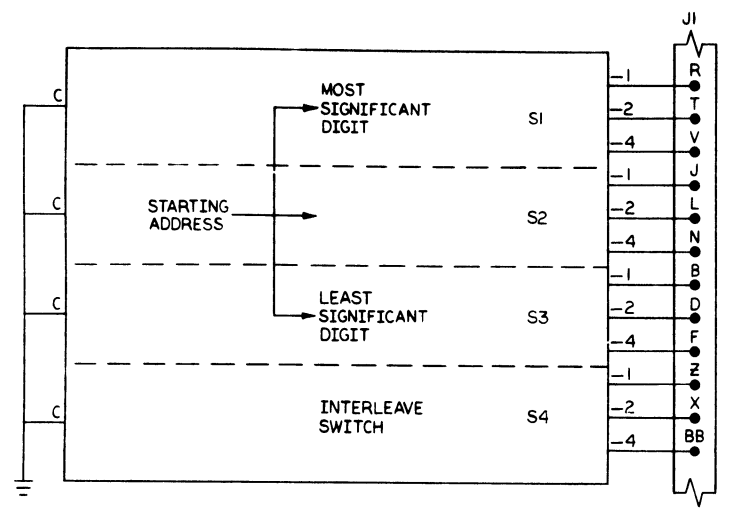
1



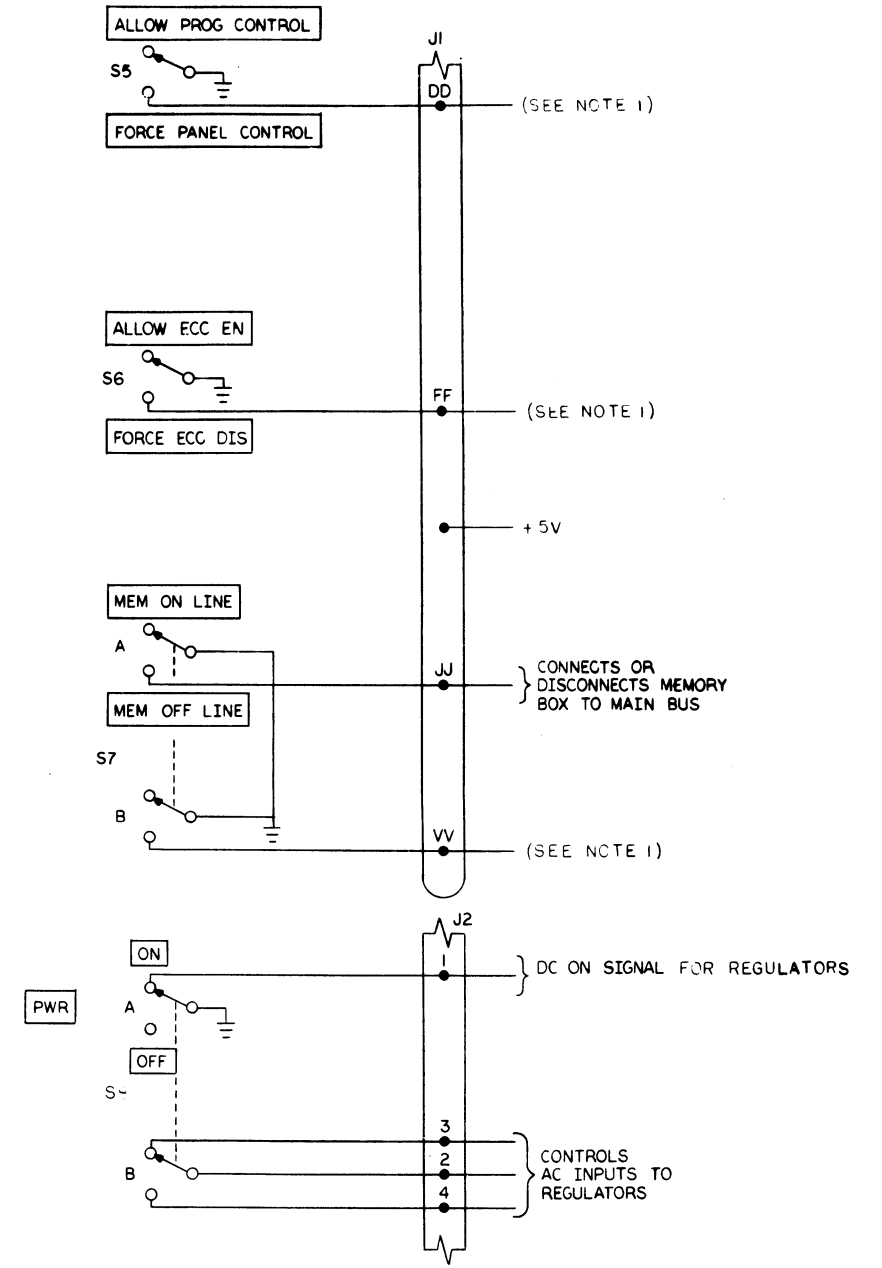


"THIS DRAWING AND SPECIFICATIONS, HEREIN, ARE THE PROPERTY OF DIGITAL EQUIPMENT CORPORATION AND SHALL NOT BE REPRODUCED OR COPIED OR USED IN WHOLE OR IN PART AS THE BASIS FOR THE MANUFACTURE OR SALE OF ITEMS WITHOUT WRITTEN PERMISSION. COPYRIGHT © 1977, DIGITAL EQUIPMENT CORPORATION"

NOTES:  
 1. J1=40 PIN BERG CONNECTOR—TO DATA BUFFER CARD IN MEMORY BACKPLANE.  
 2. J2=8 PIN MATE-N-LOK CONNECTOR.



SEE NOTE 1



REV.	CHG.	NO.	DATE	BY
B	00001	5413018-00001	28 SEP 77	W. ANGELL
C	00002	5413018-00002	17 NOV 77	A. ZACCONE

DRN	7/2/77	FIRST USED ON	MKII
CHK'D	2/1/77	TITLE	MKII BOX CONTROLLER
ENG.	2/1/77	SIZE	D CS
PROJ. ENG.	2/1/77	NUMBER	5413018-0-1
PROD.	2/1/77	REV.	C
NEXT HIGHER ASSY.		SCALE	1 OF 1
B-DD-5413018-0		SHEET	1 OF 1

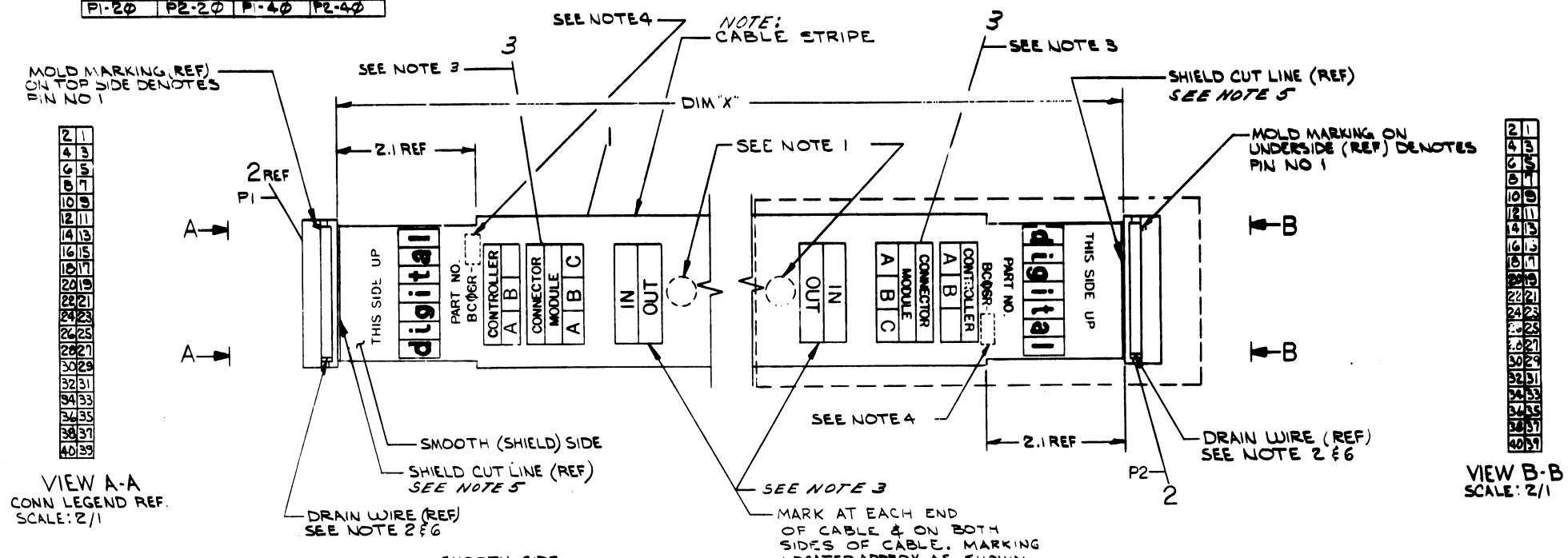
CS 5413018-0-1 C

This drawing and specifications herein are the property of Digital Equipment Corporation and shall not be reproduced or copied or used in whole or in part as a basis for the manufacture or sale of items without written permission.  
 COPYRIGHT © 1975 DIGITAL EQUIP CORP.

WIRE TABLE			
FROM	TO	FROM	TO
P1-1	P2-1	P1-2	P2-2
P1-2	P2-2	P1-22	P2-22
P1-3	P2-3	P1-23	P2-23
P1-4	P2-4	P1-24	P2-24
P1-5	P2-5	P1-25	P2-25
P1-6	P2-6	P1-26	P2-26
P1-7	P2-7	P1-27	P2-27
P1-8	P2-8	P1-28	P2-28
P1-9	P2-9	P1-29	P2-29
P1-10	P2-10	P1-30	P2-30
P1-11	P2-11	P1-31	P2-31
P1-12	P2-12	P1-32	P2-32
P1-13	P2-13	P1-33	P2-33
P1-14	P2-14	P1-34	P2-34
P1-15	P2-15	P1-35	P2-35
P1-16	P2-16	P1-36	P2-36
P1-17	P2-17	P1-37	P2-37
P1-18	P2-18	P1-38	P2-38
P1-19	P2-19	P1-39	P2-39
P1-20	P2-20	P1-40	P2-40

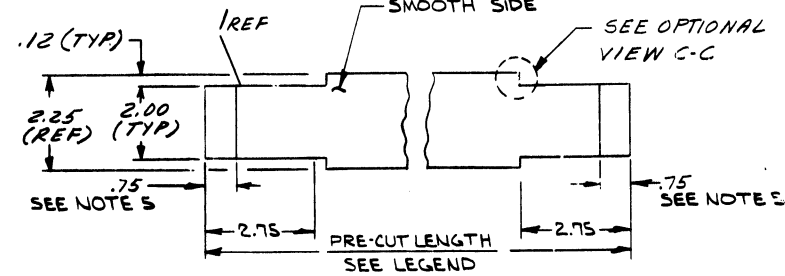
LEGEND			
NUMBER	DIM "X"	PRE-CUT LENGTH	REMARKS
BC06R-01	1 FT	1 FT 1.5 IN ± 1 IN	SEE PRE-CUT VIEW C-C
BC06R-02	2 FT	2 FT 1.5 IN ± 1 IN	
BC06R-03	3 FT	3 FT 1.5 IN ± 1 IN	
BC06R-04	4 FT	4 FT 1.5 IN ± 1 IN	
BC06R-05	4 FT 6 IN	4 FT 7.5 IN ± 1.5 IN	
BC06R-06	6 FT	6 FT 1.5 IN ± 2 IN	
BC06R-08	8 FT	8 FT 1.5 IN ± 2 IN	
BC06R-10	10 FT	10 FT 1.5 IN ± 2 IN	
BC06R-12	12 FT	12 FT 1.5 IN ± 3 IN	
BC06R-20	20 FT	20 FT 1.5 IN ± 3 IN	
BC06R-25	25 FT	25 FT 1.5 IN ± 3 IN	
BC06R-30	30 FT	30 FT 1.5 IN ± 6 IN	
BC06R-50	50 FT	50 FT 1.5 IN ± 10 FT	
BC06R-60	60 FT	60 FT 1.5 IN ± 12 FT	
BC06R-75	75 FT	75 FT 1.5 IN ± 15 FT	
BC06R-100	100 FT	100 FT 1.5 IN ± 2 FT	
BC06R-07	7 FT	7 FT 1.5 IN ± 2 IN	
BC06R-08	8 FT 6 IN	8 FT 7.5 IN ± 1 IN	SEE PRE-CUT VIEW C-C

- NOTES:
- INSPECTION & TEST STAMPS TO BE PLACED AT EACH END OF THE CABLE ASSEMBLY.
  - DRAIN WIRE CONNECTS TO PIN NO 40.
  - RUBBER STAMP INFORMATION SHOWN USING INK (ITEM 3) & ART WORK DEC NO. A-DC-741639-0-0
  - STAMP APPLICABLE OPTION DASH NO. ACCORDING TO LENGTH.
  - REMOVE SHIELD .75" FROM END OF PRECUT CABLE (SEE VIEW C-C).
  - COVER EXPOSED DRAIN WIRE WITH ITEM 4 PRIOR T ASSY (BOTH ENDS)

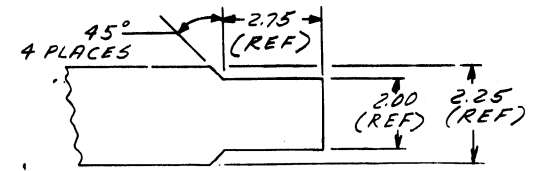


VIEW A-A  
CONN LEGEND REF.  
SCALE: 2/1

VIEW B-B  
SCALE: 2/1



VIEW C-C  
PRE-CUT VIEW  
SCALE: NONE



OPTIONAL VIEW C-C  
PRE-CUT VIEW  
SCALE: NONE

REV	CHANGE NO.	DATE	BY	CHKD
A	1			
B	1			
C	1			
D	1			
E	1			
F	1			
G	1			
H	1			
I	1			
J	1			
K	1			
L	1			
M	1			
N	1			
O	1			
P	1			
Q	1			
R	1			
S	1			
T	1			
U	1			
V	1			
W	1			
X	1			
Y	1			
Z	1			

QTY.	DESCRIPTION	PART NO.	ITEM
A/R	PLASTIC TAPE	3612511-0	4
A/R	INK	4901150	3
2	CONNECTOR, 40 SOCKET	1211206	2
A/R	CABLE, 40 COND FLAT W/SHIELD	17-00034	1

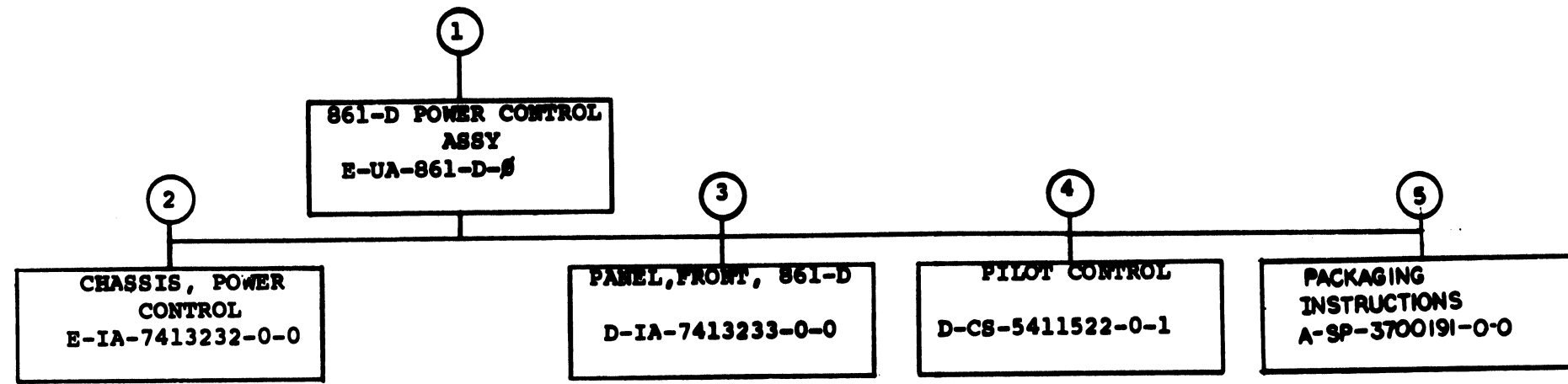
  

FIRST USED ON OPTION/MODEL		PARTS LIST	
DRN	DATE	DRN	DATE
CHKD	DATE	CHKD	DATE
ENG	DATE	ENG	DATE
PROJ-ENG	DATE	PROJ-ENG	DATE
PROD	DATE	PROD	DATE

MATERIAL	SCALE	FINISH	SIZE CODE	NUMBER	REV.
SEE PARTS LIST	NONE	++	E-1A-7009807-0-0	DUA BC06R-0-0	D
			E-1A-7009808-0-0		
			SCALE NONE		
			SHEET	OF	DIST





TITLE	SIZE CODE	NUMBER	REV
861-D POWER CONTROL	B DD	861-D	D
SHEET 2 OF 3			

CUSTOMER PRINT SET		MECHANICAL					CUSTOMER PRINT SET		ELECTRICAL								
		MFG. SET	FIND NO.	DRAWING NO.	REV	NO OF SHT	DESCRIPTION	OPTION NO./FILE DATE			MFG. SET	FIND NO.	DRAWING NO.	REV	NO OF SHT	DESCRIPTION	OPTION NO./FILE DATE
X			1	E-UA-861-D-Ø	F	2	861-D POWER CONTROL ASSY		X			1	B-DD-861-D	D	2	861-D POWER CONTROL ASSY	
X				A-PL-861-D-Ø	r	3	861-D POWER CONTROL ASSY P.L.		X				D-CS-861-D-1	*	1	861-D POWER CONTROL SCHEMATIC	
				C-MD-7413234-0-0		1	COVER, POWER CONTROL						A-SP-861-D-2		4	861-D TEST PROCEDURE	
				D-MD-7413419-0-0		1	BRACKET, STRAIN RELIEF										
				C-IA-7011052-0-0		1	MOV ASSY										
				C-IA-7011053-0-0		1	PILOT LAMP ASSY										
				D-IA-7010966-0-0		1	HARNESS #1, POWER CONTROL										
				D-IA-7010967-0-0		1	HARNESS #3, POWER CONTROL										
				D-IA-7010969-0-0		1	HARNESS #5, POWER CONTROL										
				D-IA-7010970-0-0		1	HARNESS #6, POWER CONTROL										
				C-IA-7010968-0-0		1	HARNESS #8, POWER CONTROL		X			4	D-CS-5411522-0-1	*	1	PILOT CONTROL	
				D-IA-7010972-0-0		1	JUMPER, WIRE						K-CO-5411522-0-4			DRILL TAPE	
				A-DC-7416582-0-1		1	DECAL (NOT FOR EXTERNAL LOADS)						B-MH-5411522-0-6			MODULE ECO HISTORY	
				A-SP-861-0-3			ENGINEERING SPEC 861/866						A-SP-5411522-0-7			PILOT CONTROL TEST PROCEDURE	
													D-AH-5411522-0-5			ASSY DRILL HOLE LAYOUT	
			2	E-IA-7413232-0-0		2	CHASSIS, POWER CONTROL										
				B-SS-7413232-0-1		1	SILK SCREEN, CHASSIS										
			3	D-IA-7413233-0-0		2	PANEL, FRONT, 861-D										
				B-SS-7413233-0-1		1	SILK SCREEN, FRONT PANEL, 861-D										
X			5	A-SP-3700191-0-0	-	2	PACKAGING INSTRUCTIONS, 861-D										
				A-PS-9905726-0-0	-	2	FULL OVERLAP CARTON										
				A-PS-9905727-0-0	-	2	LAMINATED BUILDUP										
				A-PS-9905729-0-0	-	1	TAPE - GLASFLEX										

CUSTOMER PRINT SET CODES  
X = PRINT OF DOCUMENT INCLUDED IN PRINT SET  
C = INCLUDES ALL PRINTS INDICATED ON DOCUMENT  
S = CONFIDENTIAL AUTHORIZED SIGNATURE REQUIRED

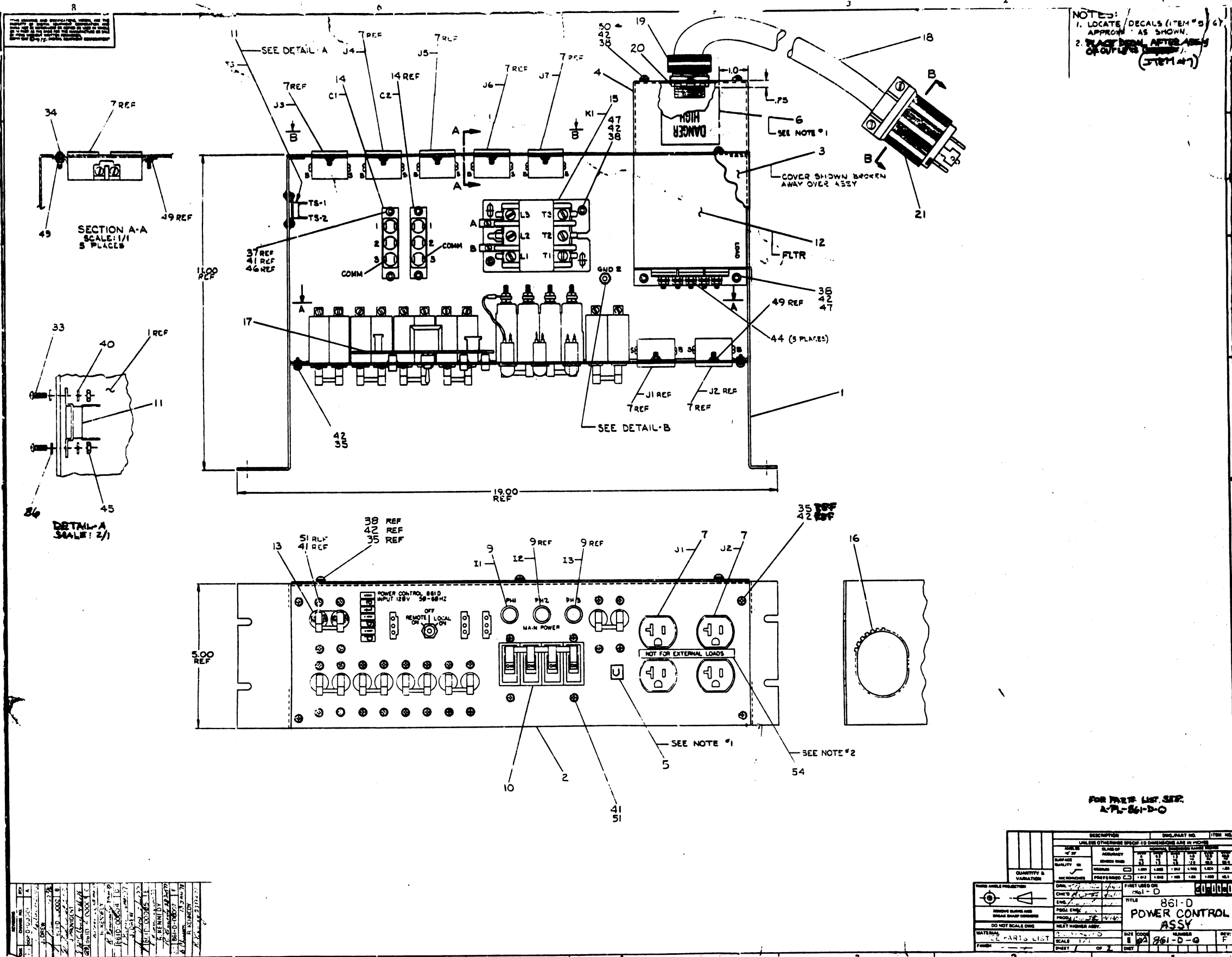
TITLE  
861-D POWER CONTROL

SHEET<sup>3</sup> OF 3

SIZE CODE  
B DD

NUMBER  
861-D

REV  
D



NOTES:  
 1. LOCATE DECALS (ITEM #5/6) APPROX. AS SHOWN.  
 2. PLACE FROM AFTER ASSEMBLY OF OUTLET (ITEM #7).  
 (J18147)

REV	DATE	BY	CHKD	DESCRIPTION
1				INITIAL DESIGN
2				REVISED TO ADD...
3				REVISED TO ADD...
4				REVISED TO ADD...
5				REVISED TO ADD...
6				REVISED TO ADD...
7				REVISED TO ADD...
8				REVISED TO ADD...
9				REVISED TO ADD...
10				REVISED TO ADD...
11				REVISED TO ADD...
12				REVISED TO ADD...
13				REVISED TO ADD...
14				REVISED TO ADD...
15				REVISED TO ADD...
16				REVISED TO ADD...
17				REVISED TO ADD...
18				REVISED TO ADD...
19				REVISED TO ADD...
20				REVISED TO ADD...
21				REVISED TO ADD...
22				REVISED TO ADD...
23				REVISED TO ADD...
24				REVISED TO ADD...
25				REVISED TO ADD...
26				REVISED TO ADD...
27				REVISED TO ADD...
28				REVISED TO ADD...
29				REVISED TO ADD...
30				REVISED TO ADD...
31				REVISED TO ADD...
32				REVISED TO ADD...
33				REVISED TO ADD...
34				REVISED TO ADD...
35				REVISED TO ADD...
36				REVISED TO ADD...
37				REVISED TO ADD...
38				REVISED TO ADD...
39				REVISED TO ADD...
40				REVISED TO ADD...
41				REVISED TO ADD...
42				REVISED TO ADD...
43				REVISED TO ADD...
44				REVISED TO ADD...
45				REVISED TO ADD...
46				REVISED TO ADD...
47				REVISED TO ADD...
48				REVISED TO ADD...
49				REVISED TO ADD...
50				REVISED TO ADD...
51				REVISED TO ADD...
52				REVISED TO ADD...
53				REVISED TO ADD...
54				REVISED TO ADD...
55				REVISED TO ADD...
56				REVISED TO ADD...
57				REVISED TO ADD...
58				REVISED TO ADD...
59				REVISED TO ADD...
60				REVISED TO ADD...

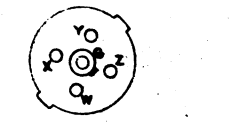
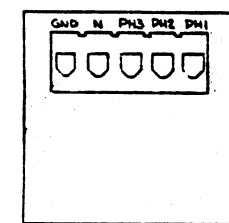
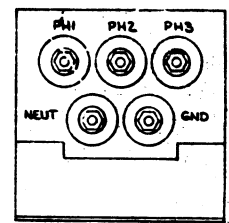
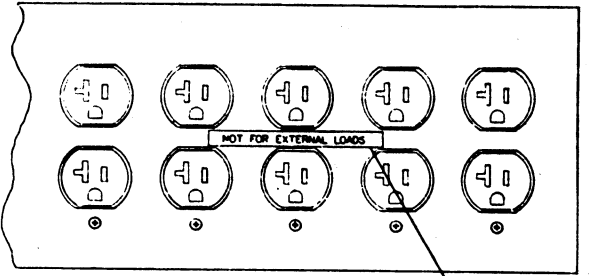
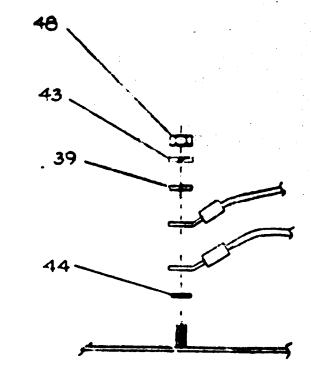
FOR PART LIST, SEE:  
 APL-861-D-0

DESCRIPTION		ENCL. PART NO.	ITEM NO.
UNLESS OTHERWISE SPECIFIED DIMENSIONS ARE IN INCHES			
ASSEMBLY	CLASS OF ASSEMBLY	REV. NO.	REV. DATE
QUANTITY & VARIATION	QUANTITY	REV. NO.	REV. DATE
DESIGN	DESIGNER	DATE	REV. NO.
ENGINEER	ENGINEER	DATE	REV. NO.
CHECKED	CHECKED	DATE	REV. NO.
APPROVED	APPROVED	DATE	REV. NO.
FIRST USED ON		861-D	
TITLE		861-D	
POWER CONTROL		ASSY	
SCALE		861-D-0	
SHEET		OF 2	

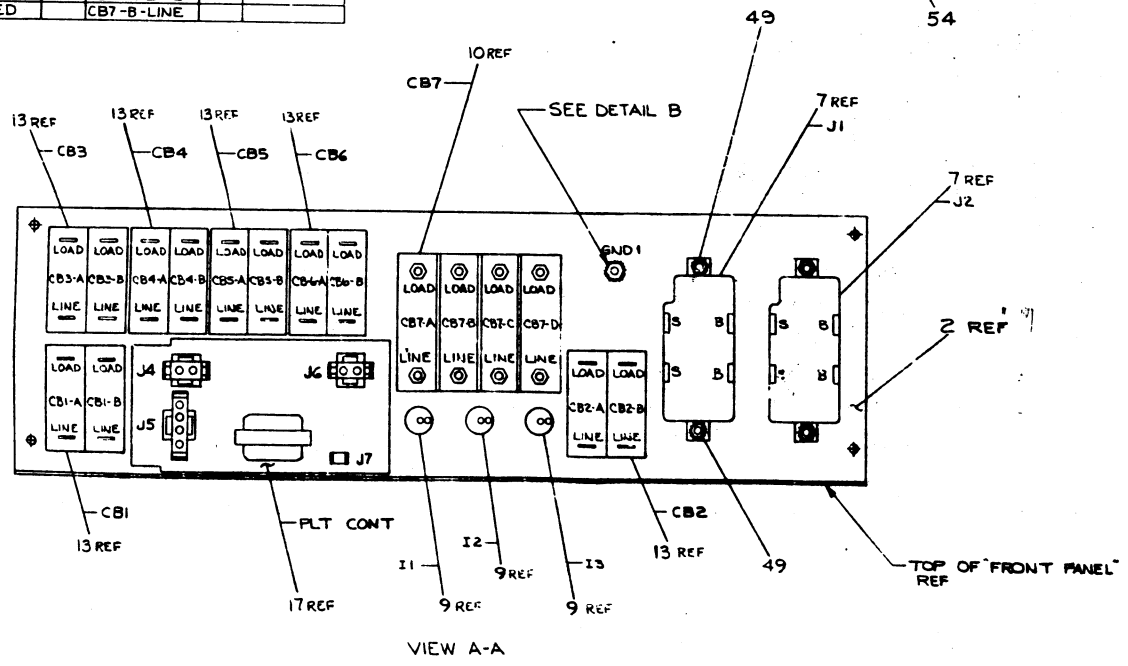
CONNECTION CHART						
ITEM NO.	DESCRIPTION	FROM	WITH	TO	WITH	REMARKS
22	BLK	10	HARNESS 1-1	-2	K1-T3	
	BLK			-2	K1-T1	
	RED			-3	K1-T2	
	RED			-4	CB7-C-LOAD	
	BLK			-5	CB7-D-LOAD	
	BLU	10	HARNESS 1-4	-6	CB7-B-LOAD	
	RED	10	HARNESS 3-1	-2	CB7-C-LINE	
	BLK			-2	CB7-D-LINE	
	BLU			-3	CB7-B-LINE	
	WHT			-4	CB7-A-LINE	
23	GRN			-5	GND #2	
	WHT			-6	FLTR-LOAD-NEUT	
	GRN			-7	FLTR-LOAD-GND	
	BLK			-8	FLTR-LOAD-PH1	
	BLU			-9	FLTR-LOAD-PH2	
	RED	10	HARNESS 3-10	-3	FLTR-LOAD-PH3	
	BLK	14	HARNESS 5-1	-2	CB2-B-LINE	
	WHT			-3	CB2-D-LOAD	
	WHT			-4	CB2-A-LOAD	
	BLU			-13	PLT CONT-J4	
24	WHT			-7/8	CB1-A-LOAD	
	WHT			-9	CB1-A-LINE	
	RED			-10	CB5-B-LINE	
	WHT			-11	CB5-A-LINE	
	WHT/BLU			-12	PLT CONT-J5	
	RED			-14	CB4-B-LINE	
	WHT			-15	CB4-A-LINE	
	BLU			-16	CB1-B-LINE	
	WHT			-17	CB1-A-LINE	
	BLU			-18	CB3-B-LINE	
9	WHT			-19	CB3-A-LINE	
	WHT			-20/21	CB7-A-LOAD	
	WHT			-22/23	CB7-A-LOAD	
	BLU			-24	CI-1	
	BLU			-25		
	BLU			-26	K1-L3	
	BLU			-27		
	RED			-28	C2-1	
	RED			-29		
	RED			-30	K1-L2	
9	RED			-31		
	BLK			-32	CI-2	
	BLK			-33		
	ELK			-34	K1-L1	
	WHT			-35	C2-3	
	BLU			-36	K1-B	
	RED			-37	K1-A	
	WHT			-38	CB7-A-LOAD	
	BLK			-39	CB6-B-LINE	
	BLU			-40	CB7-B-LOAD	
9	RED	14	HARNESS 5-42	-41	CB7-C-LOAD	
	BLK	22	I1-BLK		CB7-A-LINE	
	RED	22	I1-RED		CB7-D-LINE	
	BLK	22	I2-BLK		CB7-A-LINE	
	RED	22	I2-RED		CB7-C-LINE	
	BLK	22	I3-BLK		CB7-A-LINE	
	RED	22	I3-RED		CB7-B-LINE	

CONNECTION CHART						
ITEM NO.	DESCRIPTION	FROM	WITH	TO	WITH	REMARKS
25	WHT	14	HARNESS 6-1	-1	J7-5	
	BLK			-2	J7-8	
	WHT			-3	J6-5	
	RED			-4	J6-8	
	WHT			-5	J5-5	
	RED			-6	J5-8	
	WHT			-7	J4-5	
	BLU			-8	J4-8	
	WHT			-9	J3-5	
	BLU			-10	J3-8	
26	WHT			-11	CB4-A-LOAD	
	BLU			-12	CB4-B-LOAD	
	WHT			-13	CB3-A-LOAD	
	BLU			-14	CB3-B-LOAD	
	WHT			-15	CB4-A-LINE	
	RED			-16	CB4-B-LINE	
	WHT			-17	CB5-A-LOAD	
	RED			-18	CB5-B-LOAD	
	WHT			-19	CB6-A-LOAD	
	BLK	14	HARNESS 6-20		CB6-B-LOAD	
28	WHT	14	HARNESS 8-P1		PLT CONT-J4	
	WHT	14	HARNESS 8-3		T5-1	
	WHT	14	HARNESS 8-4		T5-2	
	GRN	10	GND #1		GND #2	
	WHT	14	CI-3		C2-3	
	WHT	14	J1-5		J2-5	
	GRN	14	PLT CONT-J7		GND #1	
	BLK	14	J1-B		J2-B	
	GRN	10	FLTR-LINE-PH1		PLUG-X	
	BLK		FLTR-LINE-PH2		PLUG-Y	
18	BLK			FLTR-LINE-PH3		PLUG-Z
	BLU			FLTR-LINE-NEUT		PLUG-W
	SP/VEL	10	FLTR-LINE-GND		PLUG-G	

NOTES FOR WIRING:  
1. FOR HARNESS POINT NUMBERS, REFER TO HARNESS DWG.



SECTION B-B  
SCALE: NONE  
\* TWIST LOCK PLUG\* (ITEM 21)



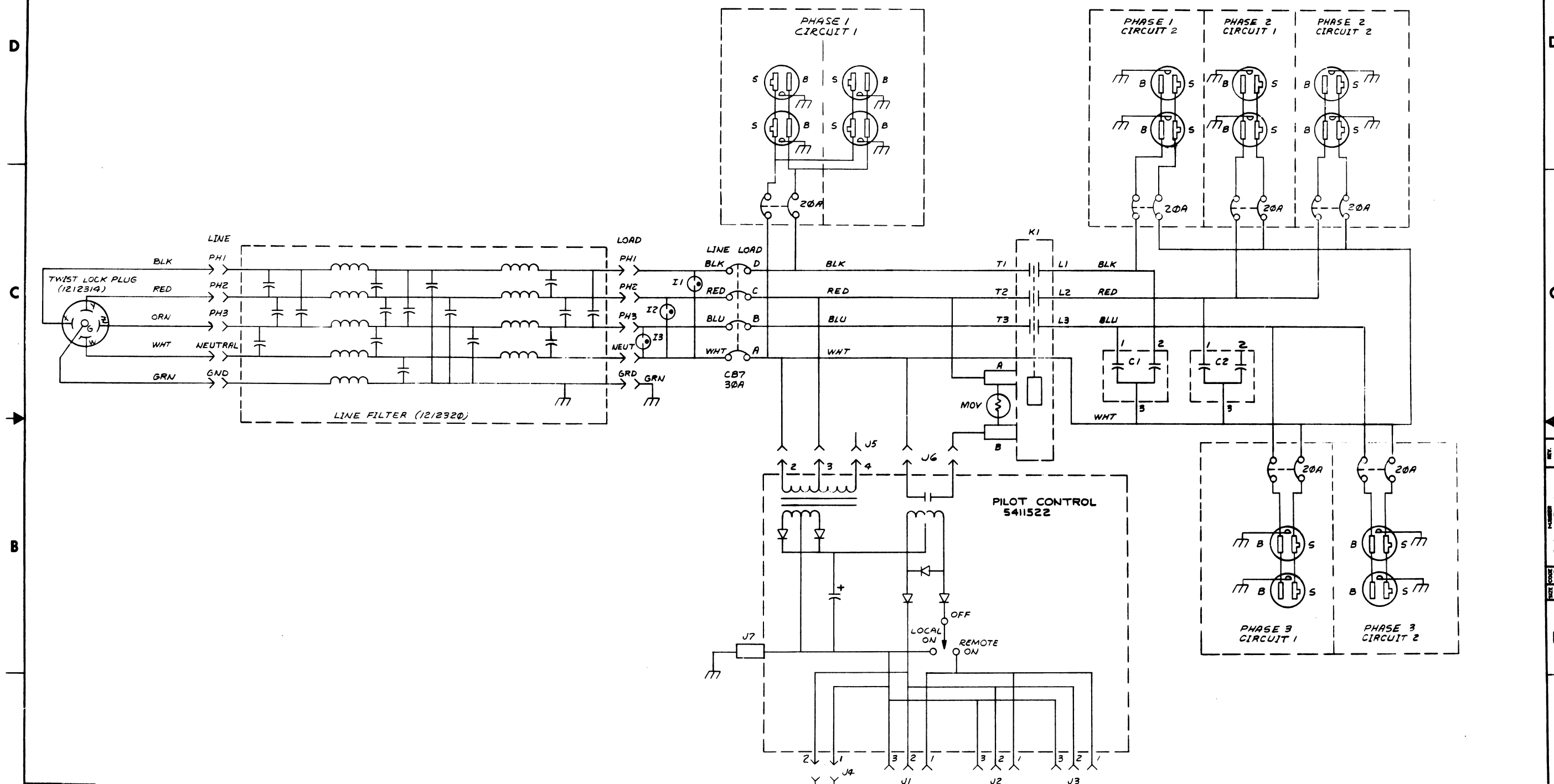
DESCRIPTION		QUANTITY	UNIT
861-D	POWER CONTROL AS-SY	1	AS-SY





"THIS DRAWING AND SPECIFICATIONS HEREIN ARE THE PROPERTY OF DIGITAL EQUIPMENT CORPORATION AND SHALL NOT BE REPRODUCED OR COPIED OR USED IN WHOLE OR IN PART AS THE BASIS FOR THE MANUFACTURE OR SALE OF ITEMS WITHOUT WRITTEN PERMISSION. COPYRIGHT © 1975, DIGITAL EQUIPMENT CORPORATION"

1-U-198  
 2



REV.	REV.
CHANGE NO.	000001 A
CHK'D	R. KENNEDY
DRN.	R. KENNEDY

DRN. <i>R. Kennedy</i>	4/22/75	FIRST USED ON	861-D
CHK'D. <i>J. Moore</i>	8/28/75	TITLE	POWER CONTROL, 861-D
ENG. <i>J. Moore</i>	5/21/75	SIZE	D
PROJ. ENG. <i>J. Moore</i>	5/21/75	CODE	CS
PROD. <i>R. Kennedy</i>	5/21/75	NUMBER	861-D-1
NEXT HIGHER ASSY.		REV.	A
B-DD-861-D		SCALE	1 OF 1
SHEET 1	OF 1	DIST.	

DIGITAL EQUIPMENT CORPORATION MAYNARD, MASSACHUSETTS				QUANTITY/VARIATION			
PARTS LIST				861-D			
MADE BY Tyrone Quillin		CHECKED McCarthy		SECTION			
DATE 3/11/75		DATE 4/9/75		1			
ENG Jim Drew		PROD Jim Bornstien		ISSUED SECT.			
DATE 4/6/75		DATE 4/11/75		1			
ITEM NO.	DWG NO. / PART NO.	DESCRIPTION					
1	E-IA-7413232-0-0	CHASSIS, POWER CONTROL		1			
2	D-IA-7413233-0-0	PANEL, FRONT, 861-D		1			
3	C-MD-7413234-0-0	COVER, POWER CONTROL		1			
4	D-MD-7413419-0-0	BRACKET, STRAIN RELIEF		1			
5	3612063-00	DECAL, UI		1			
6	3610267-0-0	DECAL, "DANGER HIGH VOLTAGE"		1			
7	1212265-00	POWER CONN RECEPTACLE, 2ØA, 125VAC		7			
8	C-IA-7011052-0-0	MOV ASSY		1			
9	C-IA-7011053-0-0	PILOT LAMP ASSY		3			
10	1211037-02	CIRCUIT BREAKER 4POL, 3ØA, 24Ø VAC		1			
11	1211158-00	THERMOSTAT, SPST, FIXED TEMP		1			
12	1212320-00	FILTER		1			
13	1212124-05	CIRCUIT BREAKER, 2 POLE, 2Ø AMP		6			
14	1000034-00	DC PAPER CAPACITOR, 1ØØØ VDC		2			
15	1212266-01	CONTACTOR, 3 POLE, 4ØA, 6ØØ VAC		1			
16	9007035-00	GROMMET, CATERPILLAR		A/R			
17	D-CS-5411522-0-1	PILOT CONTROL		1			
18	1700028-00	POWER CORD, 5 WIRE, 1Ø AWG, (15 FT)		A/R			
19	1212410-00	STRAIN RELIEF		1			
20	9009309-01	LOCKNUT, 3/4" PIPE THREAD		1			
21	1212314-00	PLUG, TWIST LOCK, 4 POLE/5 WIRE		1			
22	D-IA-7010966-0-0	HARNESS #1, POWER CONTROL		1			
TITLE		ASSY NO.		SIZE CODE		NUMBER	
861-D POWER CONTROL ASSY		E-UA-861-D-Ø		A PL		861-D-Ø	
		SHEET 1 OF 3		DIST.			

DEC FORM DEC 16-(325)-1031-N870  
DRA 110

DIGITAL EQUIPMENT CORPORATION MAYNARD, MASSACHUSETTS				QUANTITY/VARIATION			
PARTS LIST				861-D			
MADE BY Tyrone Quillin		CHECKED McCarthy		SECTION			
DATE 3/11/75		DATE 4/9/75		1			
ENG Jim Drew		PROD Jim Bornstien		ISSUED SECT.			
DATE 4/6/75		DATE 4/11/75		1			
ITEM NO.	DWG NO. / PART NO.	DESCRIPTION					
45	9006556-00	NUT, HEX #4-40		2			
46	9006558-00	NUT, HEX #6-32		4			
47	9006561-00	NUT, HEX #8-32		4			
48	9006564-00	NUT, HEX #10-32		2			
49	9008185-00	NUT, KEPS #6-32		14			
50	9006051-1	SCR, PHL PAN HD, #8-32 x 3.00 LG		2			
51	9006020-1	SCR, PHL PAN HD, #6-32 x .25 LG		28			
52	9006633-00	WASHER, INT TOOTH #6		2			
53	A-SP-3700191-0-0	PACKAGING INSTRUCTIONS 861-D (INTERPLANT)		1			
54	A-DC-7416582-0-1	DECAL (NOT FOR EXTERNAL LOADS)		2			
55	A-SP-3700191-2-0	PACKAGING INSTRUCTIONS 861-D (CUSTOMER)		0			
REF D-CS-861-D-1		861-D POWER CONTROL CIRCUIT SCHEMATIC					
TITLE		ASSY NO.		SIZE CODE		NUMBER	
861-D POWER CONTROL ASSY		E-UA-861-D-Ø		A PL		861-D-Ø	
		SHEET 3 OF 3		DIST.			

DEC FORM DEC 16-(325)-1031-N870

DIGITAL EQUIPMENT CORPORATION MAYNARD, MASSACHUSETTS				QUANTITY/VARIATION			
PARTS LIST				861-D			
MADE BY Tyrone Quillin		CHECKED McCarthy		SECTION			
DATE 3/11/75		DATE 4/9/75		1			
ENG Jim Drew		PROD Jim Bornstien		ISSUED SECT.			
DATE 4/6/75		DATE 4/11/75		1			
ITEM NO.	DWG NO. / PART NO.	DESCRIPTION					
23	D-IA-7010967-0-0	HARNESS #3, POWER CONTROL		1			
24	D-IA-7010969-0-0	HARNESS #5, POWER CONTROL		1			
25	D-IA-7010970-0-0	HARNESS #6, POWER CONTROL		1			
26	C-IA-7010968-0-0	HARNESS #8, POWER CONTROL		1			
27							
28	D-IA-7010972-0-0	JUMPER, WIRE (GRN #10-AWG)		1			
29	D-IA-7010972-1-0	JUMPER, WIRE (WHT #14-AWG)		1			
30	D-IA-7010972-2-0	JUMPER, WIRE (WHT #14-AWG)		2			
31	D-IA-7010972-3-0	JUMPER, WIRE (GRN #14-AWG)		1			
32	D-IA-7010972-4-0	JUMPER, WIRE (BLK #14-AWG)		2			
33	9006010-01	SCR, PHL PAN HD, #4-40 x .31 LG		2			
34	9006021-01	SCR, PHL PAN HD, #6-32 x .31 LG		5			
35	9006037-01	SCR, PHL PAN HD, #8-32 x .38 LG		10			
36	9006655-00	WASHER, FLAT, #4		2			
37	9006653-00	WASHER, FLAT, #6		4			
38	9006660-00	WASHER, FLAT, #8		12			
39	9006664-00	WASHER, FLAT, #10		2			
40	9006688-00	WASHER, SPLIT LOCK #4		2			
41	9007801-00	WASHER, SPLIT LOCK #6		32			
42	9006690-00	WASHER, SPLIT LOCK #8		16			
43	9007906-00	WASHER, SPLIT LOCK #10		2			
44	9007651-00	WASHER, EXT TOOTH LOCK #10		7			
TITLE		ASSY NO.		SIZE CODE		NUMBER	
861-D POWER CONTROL ASSY		E-UA-861-D-Ø		A PL		861-D-Ø	
		SHEET 2 OF 3		DIST.			

DEC FORM DEC 16-(325)-1031-N870  
DRA 110

**DIGITAL EQUIPMENT CORPORATION  
MAYNARD MASSACHUSETTS**

**PACKAGING INSTRUCTION**  
TITLE 861-D-E AND 866-D-E POWER CONTROL

REV: A DATE: 8/77

LEGEND	
3700191-00	861 D & E INTERPLANT
3700191-01	861/866 D & E CUSTOMER

**MATERIAL REQUIREMENTS**  
3700191-00 INTERPLANT

Quantity	Purchase Specification No.	Description
1	9905726	Full-Overlap Carton
1	9905727	Laminated Buildup
5 ft.	9905729	Tape, Carton Sealing 3 in. wide

**PACKAGING INSTRUCTIONS**  
3700191-00

- Step**      **Interplant Procedure (Refer to Figures 1 & 2)**
- Set up and tape Full-Overlap Carton (9905726) using one strip of Carton Sealing Tape (9905729).
  - Place 861 or 866 Power Control into Laminated Buildup, (9905727) as shown in Figure 1, 2. Make sure that the slots in the Laminated Buildup align with the power control chassis.
  - Pick up Laminated Buildup from both sides and slide it (front end first) into the Full-Overlap Carton.
  - Coil the cable on the rear of the 861 power control or the separate 866 cable, so that it will fit into the carton.
  - Close and seal carton with carton sealing tape.

ENG *John G. Grant 5/75* APPD *Ken M. ... 8/77* SIZE CODE NUMBER 3700191-0-0 REV A  
DEC 9-(951)-1031-1-8671 SHEET 1 OF 4

**PACKAGING INSTRUCTION**  
TITLE 861-D-E AND 866-D-E POWER CONTROL PACKAGING INSTRUCTION

REV: A DATE: 8/77

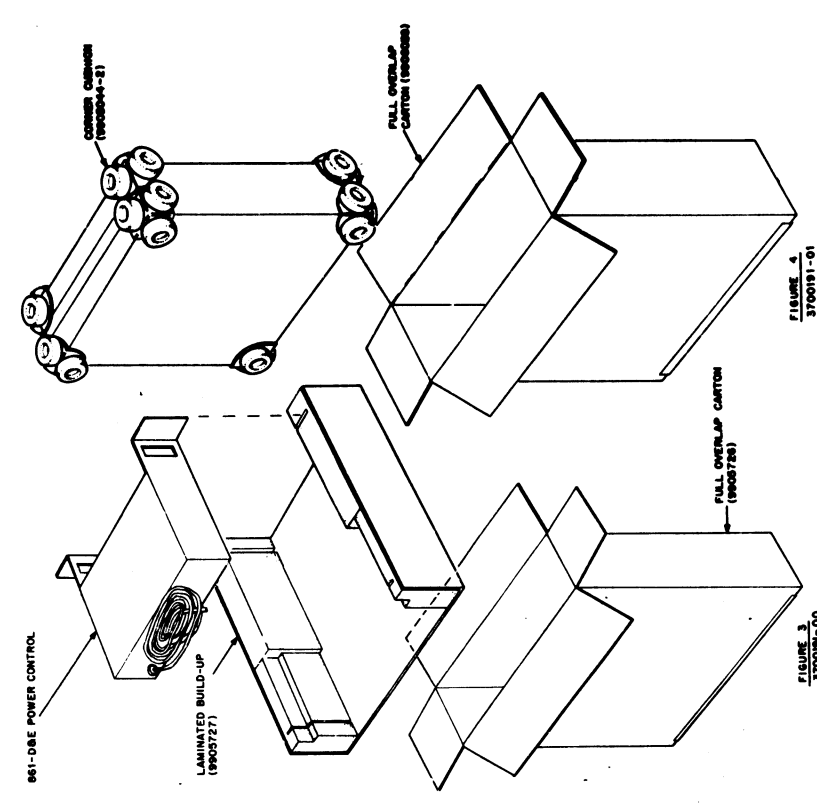


FIGURE 3  
3700191-00  
INTERPLANT PROCEDURE

NOTE: Make changes to "C" size original only and rephotograph.

ENG. APPD. SIZE CODE NUMBER 3700191-0-0 REV A  
SHEET 1 OF 4

**PACKAGING INSTRUCTION**  
TITLE 861-D-E AND 866-D-E POWER CONTROL

REV: A DATE: 8/77

**MATERIAL REQUIREMENTS**  
3700191-01 CUSTOMER

Quantity	Purchase Specification No.	Description
1	9906038	Full-Overlap Carton
8	9905044-02	Toro Pad, Corner Cushion
6 ft.	9905729	Tape, Carton Sealing (3 in. wide)

**Customer Procedure (Refer to Figures 2 & 4)**  
3700191-01

- Follow Interplant Procedure Steps 1 through 5.
- Set up and tape Full-Overlap Carton (9906038) using Carton Sealing Tape.
- Place one (1) Toro Pad (9905044-02) in the bottom of each corner of Full-Overlap Carton.
- Place packaged 861 or 866 Power Control into the outer Full-Overlap Carton. Ensure that the package rests on the Toro Pads. (See Figures 2 and 4)
- Place one (1) Toro Pad on top of each corner of the inner Carton.
- Close and seal Carton with Carton Sealing Tape.

DEC-1038 SHEET 2 OF 4

**PACKAGING INSTRUCTION**  
TITLE 861-D-E AND 866-D-E POWER CONTROL PACKAGING INSTRUCTION

REV: A DATE: 8/77

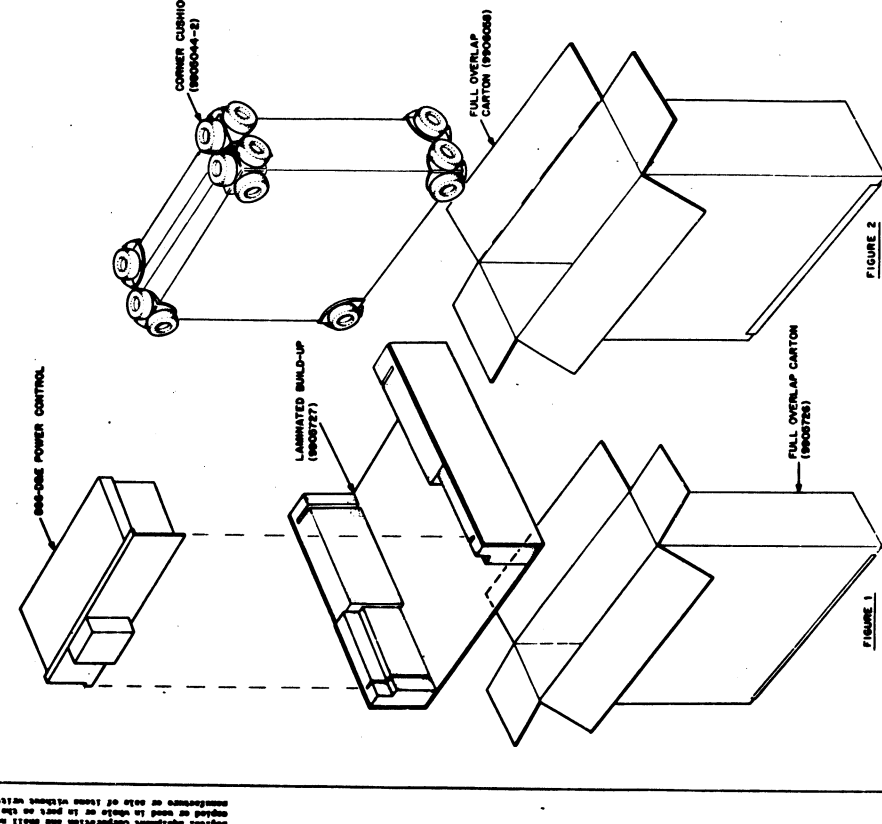
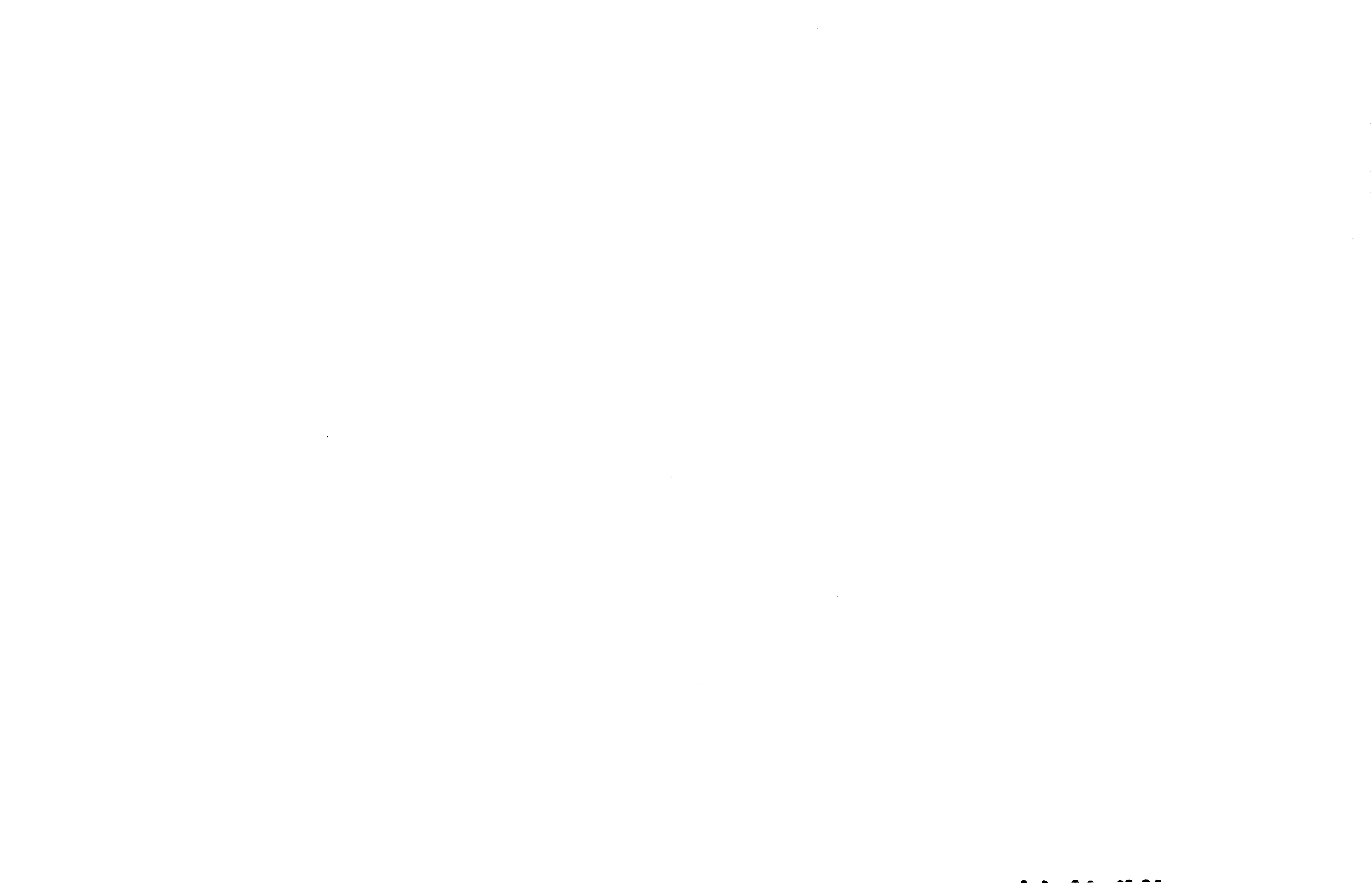


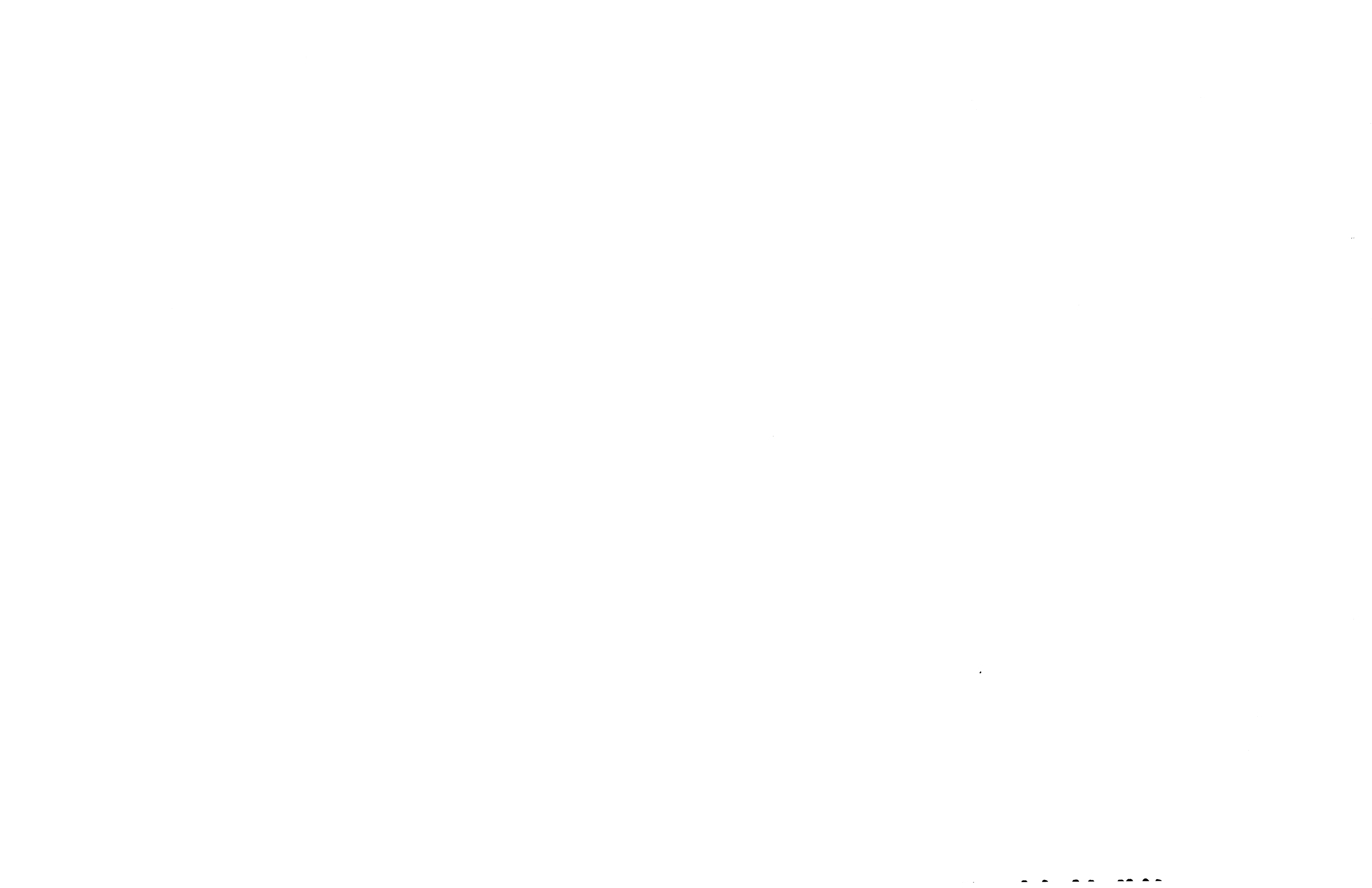
FIGURE 4  
3700191-01  
CUSTOMER PROCEDURE

NOTE: Make changes to "C" size original only and rephotograph.

ENG. APPD. SIZE CODE NUMBER 3700191-0-0 REV A  
SHEET 2 OF 4













DRAWING NO.	NO. OF SHTS	PART NO.	DESCRIPTION	REVISIONS																
B-DD-M7984-0	1		MS11-K (ARRAY)	* A	B	C														
D-UA-M7984-0-0	9		MS11-K (ARRAY)	B	C	D	E													
B-PL-M7984-0-0	13		MS11-K (ARRAY)	B	C	D	E													
D-CS-M7984-0-1	17		MS11-K (ARRAY)	B	C	D	E													
D-MD-5011997-0-0	5		DRILL & ETCH DRAWING	B	B	B	C													
		5011997	ETCHED BOARD	C	C	C	D													
M7984-0-L			P.C. DESIGN DATA BASE	REF	-	-	-													
M7984-0-PL			INSERTION P.L. DATA BASE	REF	-	-	-													

**NOTES: VARIATIONS DEPENDENT ON MOS VENDOR REFERENCE SHEETS**

NO MIXING OF MOS CHIPS VENDORS ALLOWED.

M7984-AA (16K x 39,4K RAM) = M7984-AB, AC, AD, ETC. → B-PL-M7984-0-0 (SHEETS 1-3)  
D-UA-M7984-0-0 (SHEETS 1, 7-11)

M7984-BA (8K x 39,4K RAM) = M7984-BB, BC, BD, ETC. → B-PL-M7984-0-0 (SHEETS 1-3)  
D-UA-M7984-0-0 (SHEETS 2, 7-10, 12)

M7984-CA (16K x 39,16K RAM) = M7984-CB, CC, ETC. B-PL-M7984-0-0 (SHEETS 4, 5)  
D-UA-M7984-0-0 (SHEETS 3, 7-11)

M7984-DA (16K x 39,16K RAM) = M7984-DB, DC, DD, ETC. B-PL-M7984-0-0 (SHEETS 4, 5)  
D-UA-M7984-0-0 (SHEETS 4, 7-10, 13)

M7984-EA (16K x 39,4K FAST RAM) = M7984-EB, EC, ETC. B-PL-M7984-0-0 (SHEETS 6, 7)  
D-UA-M7984-0-0 (SHEETS 5, 7-11)

M7984-FA (32K x 39,16K RAM) = M7984-FB, FC, ETC. B-PL-M7984-0-0 (SHEETS 8, 9)  
D-UA-M7984-0-0 (SHEETS 6, 7-10, 12)

REV. NO.	DATE	CHG	NO.	REV.
ORIG				
A	6-77	0000	1	
B	8-77	0000	2	
C	1-78	0000	3	

"THIS DRAWING AND SPECIFICATIONS, HEREIN, ARE THE PROPERTY OF DIGITAL EQUIPMENT CORPORATION AND SHALL NOT BE REPRODUCED OR COPIED OR USED IN WHOLE OR IN PART AS THE BASIS FOR THE MANUFACTURE OR SALE OF ITEMS WITHOUT WRITTEN PERMISSION. COPYRIGHT © 1976 DIGITAL EQUIPMENT CORPORATION"



USED ON OPTION/MODEL	MS11-K	DRN	S. Beltzer	7Dec76
CHK'D		ENG	J. Belmont	12/20/76
PROD.			J. L. Lin	1/18/77

TITLE	MS11-K (ARRAY)		
SIZE CODE	BDD	NUMBER	M7984-0
REV.	C	SHEET	1 OF 1

DIGITAL EQUIPMENT CORPORATION PARTS LIST				QUANTITY / VARIATION										NOTES: * M7984-AA = M7984-AB, AC, AD, ETC. WITH DIFFERENT 4K MOS DEVICES * M7984-BA = M7984-BB, BC, BD, ETC. WITH DIFFERENT 4K MOS DEVICES		
MADE BY P. BOSSMAN DATE 6 DEC 76		CHECKED P. BOSSMAN DATE 15 DEC 76		SECTION 1		M7984-AA*					M7984-BA*					
ENG J. MANTON DATE 12/20/76		PROD F.S. LIN DATE 1/18/77		ISSUED SECTION 1		M7984-AB	M7984-AC	M7984-AD	M7984-AE	M7984-AF	M7984-BB	M7984-BC	M7984-BD	M7984-BE	M7984-BF	REF DESIGNATION
ITEM NO.	DRAWING NO.	PART NO.	DESCRIPTION													
	D-CS-M7984-0-1		CIRCUIT SCHEMATIC	REF	REF	REF	REF	REF		REF	REF	REF	REF	REF		
	D-UA-M7984-0-0		UNIT ASSEMBLY	REF	REF	REF	REF	REF		REF	REF	REF	REF	REF		
	B-DD-M7984-0		DWG DIRECTORY	REF	REF	REF	REF	REF		REF	REF	REF	REF	REF		
	D-MD-5011997-0-0	5011997	DRILL & ETCH DRAWING	REF	REF	REF	REF	REF		REF	REF	REF	REF	REF		
1		21-13731-01	4K MOS RAM 16 PIN IN MOSTEK (275NS)	156	-	-	-	-		-	-	-	-	-	E5 thru E12, E17 thru E24, E28 thru E35, E39 thru E46, E49 thru E56, E60 thru E67, E81 thru E88, E90 thru E97, E99 thru E110, E111 thru E122, E124 thru E135, E137 thru E184, E70 THRU E77	
				-	-	-	-	-		78	-	-	-	-	E5, E6, E9, E10, E17, E18, E21, E22, E28, E29, E32, E33, E39, E40, E43, E44, E49, E50, E53, E54, E60, E61, E64, E65, E70, E71, E74, E75, E81, E82, E85, E86, E90, E91, E94, E95, E99, E100, E103, E104, E107, E108, E111, E112, E115, E116, E119, E120, E124, E125, E128, E129, E132, E133, E137, E138, E141, E142, E145, E146, E149, E150, E153, E154, E157, E158, E161, E162, E165, E166, E169, E170, E173, E174, E177, E178, E181, E182	
2		21-13735-01	4K MOS RAM 16 PIN IC MOSTEK (200NS)	-	156	-	-	-		-	-	-	-	-	SAME AS M7984-AB SAME AS M7984-BB	
3		90-09185-00	JUMPER, INSULATED	5	5	5	5	5		-	-	-	-	-	W1, W2, W3, W4, X1 W1, W2, W3, W4, W6, X1	
4		50 11997	ETCH BOARD	1	1	1	1	1		1	1	1	1	1		
5		10 12084-01	CAP 8 UF 25V 10% S.TANT	13	13	13	13	13		13	13	13	13	13	C182 thru C186, C188 thru C195	
6		10 01610-01	CAP .01 UF 100V DISC	23	23	23	23	23		23	23	23	23	23	C156, C157, C159 thru C174, C176 thru C179, C181	
7		10 10274-01	CAP .22 UF 50V 80% 20% CER	155	155	155	155	155		155	155	155	155	155	C1 thru C155	
8		11 10994-00	DIODE ZENER 1N751A 5.1V - 5%	1	1	1	1	1		1	1	1	1	1	D1	
E.C.O. NO.	00003															
"THIS DRAWING AND SPECIFICATIONS, HEREIN, ARE THE PROPERTY OF DIGITAL EQUIPMENT CORPORATION AND SHALL NOT BE REPRODUCED OR COPIED OR USED IN WHOLE OR IN PART AS THE BASIS FOR THE MANUFACTURE OR SALE OF ITEMS WITHOUT WRITTEN PERMISSION. COPYRIGHT © DIGITAL EQUIPMENT CORPORATION"				TITLE MS11-K (ARRAY)						ASSY NO. D-UA-M7984-0-0			SIZE B	CODE PL	NUMBER M7984-0-0	REV. E
				SHEET 1 OF 9						INSERTION PARTS LIST DATA BASE REV						

DIGITAL EQUIPMENT CORPORATION PARTS LIST					QUANTITY / VARIATION										NOTES: * M7984-AA = M7984-AB, AC, AD, ETC. WITH DIFFERENT 4K MOS DEVICES * M7984-BA = M7984-BB, BC, BD, ETC. WITH DIFFERENT 4K MOS DEVICES
MADE BY P. BOSSMAN DATE 6 DEC 76		CHECKED P. BOSSMAN DATE 15 DEC 76		SECTION 2	M7984-AA*					M7984-BA*					
ENG J. MANTON DATE 12/20/76		PROD F.S. LIN DATE 1/18/77		ISSUED SECTION 1	M7984-AB	M7984-AC	M7984-AD	M7984-AE	M7984-AF	M7984-BB	M7984-BC	M7984-BD	M7984-BE	M7984-BF	
ITEM NO.	DRAWING NO.	PART NO.	DESCRIPTION												REF DESIGNATION
9		12 10711-02	HANDLE HEX		1	1	1	1	1	1	1	1	1	1	
10		13 01972-00	RES 270 1/4W 5% CC		2	2	2	2	2	2	2	2	2	2	R94, R102
11		13 02124-00	RES 18 1/4W 5% CC		84	84	84	84	84	84	84	84	84	84	R1 thru R47, R50 thru R53, R56 thru R59, R65 thru R93
12		13 00365-00	RES 1K 1/4W 5% CC		7	7	7	7	7	7	7	7	7	7	R63, R95, R201 thru R205
13		13 02177-00	RES 47K 1/4W 5% CC		9	9	9	9	9	9	9	9	9	9	R48, R49, R54, R55, R60, R61, R62, R64, R103
14		19 10091-00	IC DEC 7437		3	3	3	3	3	3	3	3	3	3	E1, E47, E48
15		19 10533-00	IC DEC 74S03		1	1	1	1	1	1	1	1	1	1	E3
16		19 10534-00	IC DEC 74S04		1	1	1	1	1	1	1	1	1	1	E25
17		19 12746-00	IC DEC 74S37		10	10	10	10	10	10	10	10	10	10	E13, E14, E26, E27, E37, E57, E58, E68, E69, E89
18		19 12068-00	IC DEC 74128		2	2	2	2	2	2	2	2	2	2	E15, E36
19		19 11676-00	IC DEC 74S139		1	1	1	1	1	1	1	1	1	1	E2
20		19 13777-00	IC DEC 74LS240		10	10	10	10	10	10	10	10	10	10	E4, E16, E38, E59, E78, E79, E80, E98, E123, E136
21		90 06732-00	EYELET		12	12	12	12	12	12	12	12	12	12	
22		91 05740-55	WIRE, #30 AWG (GRN)		A/R	A/R	A/R	A/R	A/R	A/R	A/R	A/R	A/R	A/R	
23		91 07256-11	TUBING, CLEAR		A/R	A/R	A/R	A/R	A/R	A/R	A/R	A/R	A/R	A/R	
24		2113910-01	4K MOS RAM 16 PIN IC FUJITSU (250NS)		-	-	156	-	-	-	-	-	-	-	SAME AS M7984-AB SAME AS M7984-BB
25		21 13790-01	4K MOS RAM 16 PIN IC INTEL (250NS)		-	-	-	156	-	-	-	-	-	-	SAME AS M7984-AB SAME AS M7984-BB
26		21 13892-01	4K MOS RAM 16 PIN IC HITACHI (250NS)		-	-	-	-	156	-	-	-	-	-	SAME AS M7984-AB SAME AS M7984-BB

E.C.O. NO.	"THIS DRAWING AND SPECIFICATIONS, HEREIN, ARE THE PROPERTY OF DIGITAL EQUIPMENT CORPORATION AND SHALL NOT BE REPRODUCED OR COPIED OR USED IN WHOLE OR IN PART AS THE BASIS FOR THE MANUFACTURE OR SALE OF ITEMS WITHOUT WRITTEN PERMISSION. COPYRIGHT © DIGITAL EQUIPMENT CORPORATION"			TITLE MS11-K (ARRAY)	ASSY NO. D-UA-M7984-0-0	SIZE B	CODE PL	NUMBER M7984-0-0	REV. E
					SHEET 2 OF 9	INSERTION PARTS LIST DATA BASE REV			

DIGITAL EQUIPMENT CORPORATION PARTS LIST				QUANTITY / VARIATION										NOTES: * M7984-AA = M7984-AB, AC, AD, ETC. WITH DIFFERENT 4K MOS DEVICES * M7984-BA = M7984-BB, BC, BD, ETC. WITH DIFFERENT 4K MOS DEVICES	
				M7984-AA*					M7984-BA*						
MADE BY DATE	P. BOSSMAN 6 DEC 76	CHECKED DATE	P. BOSSMAN 15 DEC 76	SECTION 3	M7984-AB	M7984-AC	M7984-AD	M7984-AE	M7984-AF	M7984-BB	M7984-BC	M7984-BD	M7984-BE	M7984-BF	REF DESIGNATION
ENG DATE	J. MANTON 12/20/76	PROD DATE	F.S. LIN 1/18/77	ISSUED SECTION 1											
ITEM NO.	DRAWING NO.	PART NO.	DESCRIPTION												
27		11 14384-00	GREEN DIODE, LED	1	1	1	1	1		1	1	1	1	1	D3
28		11 09991-00	DIODE ZENER, IN754A 6.8V - 5%	1	1	1	1	1		1	1	1	1	1	D2
29		13 00202-00	RES 47 1/4W 5% CC	1	1	1	1	1		1	1	1	1	1	R1ØØ

E.C.O. NO.

"THIS DRAWING AND SPECIFICATIONS, HEREIN, ARE THE PROPERTY OF DIGITAL EQUIPMENT CORPORATION AND SHALL NOT BE REPRODUCED OR COPIED OR USED IN WHOLE OR IN PART AS THE BASIS FOR THE MANUFACTURE OR SALE OF ITEMS WITHOUT WRITTEN PERMISSION. COPYRIGHT © DIGITAL EQUIPMENT CORPORATION"

TITLE  
MS11-K (ARRAY)

ASSY NO.  
D-UA-M7984-Ø-Ø  
SHEET 3 OF 9

SIZE CODE NUMBER  
B PL M7984-Ø-Ø

REV.  
E

INSERTION PARTS LIST DATA BASE REV

DIGITAL EQUIPMENT CORPORATION PARTS LIST				QUANTITY / VARIATION								NOTES: * M7984-CA = M7984-CB, CC WITH DIFFERENT 16K MOS DEVICES * M7984-DA = M7984-DB, DC WITH DIFFERENT 16K MOS DEVICES						
MADE BY P. BOSSMAN DATE 6 DEC 76		CHECKED P. BOSSMAN DATE 15 DEC 76		SECTION 1		M7984-CA*				M7984-DA*								
ENG J. MANTON DATE 12/20/76		PROD F.S. LIN DATE 1/18/77		ISSUED SECTION 1		M7984-CB	M7984-CC					M7984-DB	M7984-DC					REF DESIGNATION
ITEM NO.	DRAWING NO.	PART NO.	DESCRIPTION															
	D-CS-M7984- $\beta$ -1		CIRCUIT SCHEMATIC	REF	REF							REF	REF					
	D-UA-M7984- $\beta$ - $\beta$		UNIT ASSEMBLY	REF	REF							REF	REF					
	B-DD-M7984- $\beta$		DWG DIRECTORY	REF	REF							REF	REF					
	D-MD-5011997- $\beta$ - $\beta$	5011997	DRILL & ETCH DRAWING	REF	REF							REF	REF					
1		21-13825-01	16K MOS MEMORY 16 PIN MOSTEK (2 $\beta$ ONS)	156	-							-	-					E5 thru E12, E17 thru E24, E28 thru E35, E39 thru E46, E49 thru E56, E6 $\beta$ thru E67, E7 $\beta$ thru E77, E81 thru E88, E9 $\beta$ thru E97, E99 thru E11 $\beta$ , E111 thru E122, E124 thru E135, E137 thru E184
				-	-							-	-					E5, E9, E17, E21, E28, E32, E39, E43, E49, E53, E6 $\beta$ , E64, E7 $\beta$ , E74, E81, E85, E9 $\beta$ , E94, E99, E1 $\beta$ 3, E1 $\beta$ 7, E111, E115, E119, E124, E128, E132, E137, E141, E145, E149, E153, E157, E161, E165, E169, E173, E177, E181
2		21-14408-01	16K MOS MEMORY 16 PIN FUJITSU (2 $\beta$ ONS)	-	156							-	-					SAME AS M7984-CB SAME AS M7984-DB
				-	-							-	39					
3		90 09185-00	JUMPER, INSULATED	8	8							-	-					W1, W2, W3, W4, W7, W8, W9, X1
				-	-							7	7					W1, W2, W3, W4, W7, W9, X1
4		50 11997	ETCH BOARD	1	1							1	1					
5		10 12084-01	CAP 8 UF 25V 10% S.TANT	13	13							13	13					C182 thru C186, C188 thru C195
6		10 01610-01	CAP .01 UF 1 $\beta$ $\beta$ V DISC	23	23							23	23					C156, C157, C159 thru C174, C176 thru C179, C181
7		10 10274-01	CAP .22 UF 50V 80% CER	155	155							155	155					C1 thru C155
8		11 10994-00	DIODE ZENER 1N751A 5.1V - 5%	1	1							1	1					D1
9		12 10711-02	HANDLE HEX	1	1							1	1					
10		13 01972-00	RES 270 1/4W 5% CC	2	2							2	2					R94, R1 $\beta$ 2

E.C.O. NO.

"THIS DRAWING AND SPECIFICATIONS, HEREIN, ARE THE PROPERTY OF DIGITAL EQUIPMENT CORPORATION AND SHALL NOT BE REPRODUCED OR COPIED OR USED IN WHOLE OR IN PART AS THE BASIS FOR THE MANUFACTURE OR SALE OF ITEMS WITHOUT WRITTEN PERMISSION. COPYRIGHT © DIGITAL EQUIPMENT CORPORATION"

TITLE  
MS11-K (ARRAY)

ASSY NO.  
D-UA-M7984- $\beta$ - $\beta$   
SHEET 4 OF 9

SIZE CODE NUMBER  
B PL M7984- $\beta$ - $\beta$   
INSERTION PARTS LIST DATA BASE REV

REV.  
E

DIGITAL EQUIPMENT CORPORATION PARTS LIST				QUANTITY / VARIATION										NOTES: * M7984-CA = M7984-CB,CC WITH DIFFERENT 16K MOS DEVICES * M7984-DA = M7984-DB,DC WITH DIFFERENT 16K MOS DEVICES			
				M7984-CA*					M7984-DA*								
MADE BY DATE	P. BOSSMAN 6 DEC 76	CHECKED DATE	P. BOSSMAN 15 DEC 76	SECTION 1													
ENG DATE	J. MANTON 12/20/76	PROD DATE	F.S. LIN 1/18/77	ISSUED SECTION 1													
ITEM NO.	DRAWING NO.	PART NO.	DESCRIPTION	M7984-CB	M7984-CC						M7984-DB	M7984-DC					REF DESIGNATION
11		13 02124-00	RES 18 1/4W 5% CC	84	84						84	84					R1 thru R47, R50 thru R53, R56 thru R59, R65 thru R93
12		13 00365-00	RES 1K 1/4W 5% CC	7	7						7	7					R63, R95, R201 thru R205
13		13 02177-00	RES 47K 1/4W 5% CC	9	9						9	9					R48, R49, R54, R55, R60, R61, R62, R64, R103
14		19 10091-00	IC DEC 7437	3	3						3	3					E1, E47, E48
15		19 10533-00	IC DEC 74S03	1	1						1	1					E3
16		19 10534-00	IC DEC 74S04	1	1						1	1					E25
17		19 12746-00	IC DEC 74S37	10	10						10	10					E13, E14, E26, E27, E37, E57, E58, E68, E69, E89
18		19 12068-00	IC DEC 74128	2	2						2	2					E15, E36
19		19 11676-00	IC DEC 74S139	1	1						1	1					E2
20		19 13777-00	IC DEC 74LS240	10	10						10	10					E4, E16, E38, E59, E78, E79, E80, E98, E123, E136
21		90 06732-00	EYELET	12	12						12	12					
22		91 05740-55	WIRE, #30 AWG (GRN)	A/R	A/R						A/R	A/R					
23		91 07256-11	TUBING, CLEAR	A/R	A/R						A/R	A/R					
24		11 14384-00	GREEN DIODE, LED	1	1						1	1					D3
25		11 09991-00	DIODE ZENER IN754A 6.8V - 5%	1	1						1	1					D2
26		13 00202-00	RES 47 1/4W 5% CC	1	1						1	1					R100

E.C.O. NO.

"THIS DRAWING AND SPECIFICATIONS, HEREIN, ARE THE PROPERTY OF DIGITAL EQUIPMENT CORPORATION AND SHALL NOT BE REPRODUCED OR COPIED OR USED IN WHOLE OR IN PART AS THE BASIS FOR THE MANUFACTURE OR SALE OF ITEMS WITHOUT WRITTEN PERMISSION. COPYRIGHT © DIGITAL EQUIPMENT CORPORATION"

TITLE  
MS11-K (ARRAY)

ASSY NO.  
D-UA-M7984-0-0

SIZE  
B

CODE  
PL

NUMBER  
M7984-0-0

REV.  
E

SHEET 5 OF 9

INSERTION PARTS LIST DATA BASE REV

DIGITAL EQUIPMENT CORPORATION PARTS LIST				QUANTITY / VARIATION												NOTES: * M7984-EA = M7984-EB, EC, ED, EE WITH DIFFERENT 4K MOS DEVICES	
MADE BY P. BOSSMAN DATE 6 DEC 76		CHECKED P. BOSSMAN DATE 15 DEC 76		SECTION 1		M7984-EA*											
ENG J. MANTON DATE 12/20/76		PROD F.S. LIN DATE 1/18/77		ISSUED SECTION 2		M7984-EB	M7984-EC	M7984-ED	M7984-EE								
ITEM NO.	DRAWING NO.	PART NO.	DESCRIPTION	M7984-EB	M7984-EC	M7984-ED	M7984-EE									REF DESIGNATION	
	D-CS-M7984-Ø-1		CIRCUIT SCHEMATIC	REF	REF	REF	REF										
	D-UA-M7984-Ø-Ø		UNIT ASSEMBLY	REF	REF	REF	REF										
	B-DD-M7984-Ø		DWG DIRECTORY	REF	REF	REF	REF										
	D-MD-5011997-Ø-Ø	5011997	DRILL & ETCH DRAWING	REF	REF	REF	REF										
1		21 13914-01	4K MOS RAM 16 PIN IC DEC (2ØØNS)	156	-	-	-									E5 thru E12, E17 thru E24, E28 thru E35, E39 thru E46, E49 thru E56, E6Ø thru E67, E7Ø thru E77, E81 thru E88, E9Ø thru E97, E99 thru E122, E124 thru E135, E137 thru E1Ø4	
2		21 13735-01	4K MOS RAM 16 PIN IC MOSTEK (2ØØNS)	-	156	-	-									SAME AS M7984-EB	
3		90 09185-00	JUMPER, INSULATED	6	6	6	6									W1, W2, W3, W4, W8, X1	
4		50 11997	ETCH BOARD	1	1	1	1										
5		10 12084-01	CAP, 8 UF 25V 10% S.TANT	13	13	13	13									C182 thru C186, C188 thru C195	
6		10 01610-01	CAP, .01 UF 1ØØV DISC	23	23	23	23									C156, C157, C159 thru C174, C176 thru C179, C181	
7		10 10274-01	CAP, .22 UF 5ØV 80% 20% CER	155	155	155	155									C1 thru C155	
8		11 10994-00	DIODE ZENER 1N751A 5.1V - 5%	1	1	1	1									D1	
9		12 10711-02	HANDLE HEX	1	1	1	1										
10		13 01972-00	RES 270 1/4W 5% CC	2	2	2	2									R94, R1Ø2	
11		13 02124-00	RES 18 1/4W 5% CC	84	84	84	84									R1 thru R47, R5Ø thru R53, R56 thru R59, R65 thru R93	
12		13 00365-00	RES 1K 1/4W 5% CC	7	7	7	7									R63, R95, R2Ø1 thru R2Ø5	
13		13 02177-00	RES 47K 1/4W 5% CC	9	9	9	9									R48, R49, R54, R55, R6Ø, R61, R62, R64, R1Ø3	
E.C.O. NO.																	
THIS DRAWING AND SPECIFICATIONS, HEREIN, ARE THE PROPERTY OF DIGITAL EQUIPMENT CORPORATION AND SHALL NOT BE REPRODUCED OR COPIED OR USED IN WHOLE OR IN PART AS THE BASIS FOR THE MANUFACTURE OR SALE OF ITEMS WITHOUT WRITTEN PERMISSION. COPYRIGHT © DIGITAL EQUIPMENT CORPORATION			TITLE MS11-K (ARRAY)			ASSY NO. D-UA-M7984-Ø-Ø			SIZE B	CODE PL	NUMBER M7984-Ø-Ø			REV. E			
						SHEET 6 OF 9			INSERTION PARTS LIST DATA BASE REV								

DIGITAL EQUIPMENT CORPORATION PARTS LIST				QUANTITY / VARIATION										NOTES: * M7984-EA = M7984-EB, EC, ED, EE WITH DIFFERENT 4K MOS DEVICES			
				M7984-EA*													
MADE BY P. BOSSMAN DATE 6 DEC 76		CHECKED P. BOSSMAN DATE 15 DEC 76		SECTION 1													
ENG J. MANTON DATE 12/20/76		PROD F.S. LIN DATE 1/18/77		ISSUED SECTION 1													
ITEM NO.	DRAWING NO.	PART NO.	DESCRIPTION	M7984-EB	M7984-EC	M7984-ED	M7984-EE										REF DESIGNATION
14		19 10091-00	IC DEC 7437	3	3	3	3										E1, E47, E48
15		19 10533-00	IC DEC 74SØ3	1	1	1	1										E3
16		19 10534-00	IC DEC 74SØ4	1	1	1	1										E25
17		19 12746-00	IC DEC 74S37	10	10	10	10										E13, E14, E26, E27, E37, E57, E58, E68, E69, E89
18		19 12068-00	IC DEC 74128	2	2	2	2										E15, E36
19		19 11676-00	IC DEC 74S139	1	1	1	1										E2
20		19 13777-00	IC DEC 74LS24Ø	10	10	10	10										E4, E16, E38, E59, E78, E79, E8Ø, E98, E123, E136
21		90 06732-00	EYELET	12	12	12	12										
22		91 05740-55	WIRE, #30 AWG (GRN)	A/R	A/R	A/R	A/R										
23		91 07256-11	TUBING, CLEAR	A/R	A/R	A/R	A/R										
24		21 14114-01	4K MOS MEMORY 16 PIN IC MOTOROLA (2ØØNS)	-	-	156	-										SAME AS M7984-EB
25		11 14384-00	GREEN DIODE, LED	1	1	1	1										D3
26		11 09991-00	DIODE ZENER, IN754A 6.8V - 5%	1	1	1	1										D2
27		13 00202-00	RES 47 1/4W 5% CC	1	1	1	1										R1ØØ
28		21 14475-01	4K MOS RAM 16 PIN IC FIJITSU (2ØØNS)				156										SAME AS M7984-EB

E.C.O. NO.

"THIS DRAWING AND SPECIFICATIONS, HEREIN, ARE THE PROPERTY OF DIGITAL EQUIPMENT CORPORATION AND SHALL NOT BE REPRODUCED OR COPIED OR USED IN WHOLE OR IN PART AS THE BASIS FOR THE MANUFACTURE OR SALE OF ITEMS WITHOUT WRITTEN PERMISSION. COPYRIGHT © DIGITAL EQUIPMENT CORPORATION"

TITLE  
MS11-K (ARRAY)

ASSY NO.  
D-UA-M7984-Ø-Ø  
SHEET 7 OF 9

SIZE B  
CODE PL  
NUMBER M7984-Ø-Ø  
INSERTION PARTS LIST DATA BASE REV

REV.  
E



DIGITAL EQUIPMENT CORPORATION PARTS LIST				QUANTITY / VARIATION										NOTES:						
MADE BY P. BOSSMAN DATE 6 DEC 76		CHECKED P. BOSSMAN DATE 15 DEC 76		SECTION 1		M7984-FA*										* M7984-FA = M7984-FB, FC WITH DIFFERENT 16K MOS DEVICES				
ENG J. MANTON DATE 12/20/76		PROD F.S. LIN DATE 1/18/77		ISSUED SECTION 1		M7984-FB	M7984-FC													
ITEM NO.	DRAWING NO.	PART NO.	DESCRIPTION	M7984-FB	M7984-FC															REF DESIGNATION
	D-CS-M7984-β-1		CIRCUIT SCHEMATIC	REF	REF															
	D-UA-M7984-β-β		UNIT ASSEMBLY	REF	REF															
	B-DD-M7984-β		DWG DIRECTORY	REF	REF															
	D-MD-5011997-β-β	5011997	DRILL & ETCH DRAWING	REF	REF															
1		21 13825-01	16K MOS MEMORY 16 PIN MOSTEK (2ββNS)	78	-															E5, E6, E9, E1β, E17, E18, E21, E22, E28, E29, E32, E33, E39, E4β, E43, E44, E49, E5β, E53, E54, E6β, E61, E64, E65, E7β, E71, E74, E75, E81, E82, E85, E86, E9β, E91, E94, E95, E99, E1ββ, E1β3, E1β4, E1β7, E1β8, E111, E112, E115, E116, E119, E12β, E124, E125, E128, E129, E132, E133, E137, E138, E141, E142, E145, E146, E149, E15β, E153, E154, E157, E158, E151, E162, E165, E166, E169, E17β, E173, E174, E177, E178, E181, E182
2		21 14408-01	16K MOS MEMORY 16 PIN FUJITSU (2ββNS)	-	78															SAME AS M7984-FB
3		90 09185-00	JUMPER, INSULATED	8	8															W1, W2, W3, W4, W7, W9, W1β, X1
4		50 11997	ETCH BOARD	1	1															
5		10 12084-01	CAP 8 UF 25V 10% S.TANT	13	13															C182 thru C186, C188 thru C195
6		10 01610-01	CAP .01 UF 1ββV DISC	23	23															C156, C157, C159 thru C174, C176 thru C179, C181
7		10 10274-01	CAP .22 UF 50V 80% 20% CER	155	155															C1 thru C155
8		11 10994-00	DIODE ZENER 1N751A 5.1V - 5%	1	1															D1
9		12 10711-02	HANDLE HEX	1	1															
10		13 01972-00	RES 270 1/4W 5% CC	2	2															R94, R1β2
11		13 02124-00	RES 18 1/4W 5% CC	84	84															R1 thru R47, R5β thru R53, R56 thru R59, R65 thru R93

E.C.O. NO.

"THIS DRAWING AND SPECIFICATIONS, HEREIN, ARE THE PROPERTY OF DIGITAL EQUIPMENT CORPORATION AND SHALL NOT BE REPRODUCED OR COPIED OR USED IN WHOLE OR IN PART AS THE BASIS FOR THE MANUFACTURE OR SALE OF ITEMS WITHOUT WRITTEN PERMISSION. COPYRIGHT © DIGITAL EQUIPMENT CORPORATION"	TITLE	ASSY NO.	SIZE	CODE	NUMBER	REV.
	MS11-K (ARRAY)	D-UA-M7984-β-β	B	PL	M7984-β-β	E
		SHEET 8 OF 9	INSERTION PARTS LIST DATA BASE REV			

DIGITAL EQUIPMENT CORPORATION PARTS LIST				QUANTITY / VARIATION										NOTES:					
MADE BY P. BOSSMAN DATE 6 DEC 76		CHECKED P. BOSSMAN DATE 15 DEC 76		SECTION 1												* M7984-FA = M7984-FB, FC WITH DIFFERENT 16K MOS DEVICES			
ENG J. MANTON DATE 12/20/76		PROD F.S. LIN DATE 1/18/77		ISSUED SECTION 1															
ITEM NO.	DRAWING NO.	PART NO.	DESCRIPTION	M7984-FB	M7984-FC														REF DESIGNATION
12		13 00365	RES 1K 1/4W 5% CC	7	7														R63, R95, R2Ø1 thru R2Ø5
13		13 02177-00	RES 47K 1/4W 5% CC	9	9														R48, R49, R54, R55, R6Ø, R61, R62, R64, R1Ø3
14		19 10091-00	IC DEC 7437	3	3														E1, E47, E48
15		19 10533-00	IC DEC 74SØ3	1	1														E3
16		19 10534-00	IC DEC 74SØ4	1	1														E25
17		19 12746-00	IC DEC 74S37	10	10														E13, E14, E26, E27, E37, E57, E58, E68, E69, E89
18		19 12068-00	IC DEC 74128	2	2														E15, E36
19		19 11676-00	IC DEC 74S139	1	1														E2
20		19 13777-00	IC DEC 74LS240	10	10														E4, E16, E38, E59, E78, E79, E8Ø, E98, E123, E136
21		90 06732-00	EYELET	12	12														
22		91 05740-55	WIRE, #30 AWG (GRN)	A/R	A/R														
23		91 07256-11	TUBING, CLEAR	A/R	A/R														
24		11 14384-00	GREEN DIODE, LED	1	1														D3
25		11 09991-00	DIODE ZENER, 1N754A 6.8V - 5%	1	1														D2
26		13 00202-00	RES 47 1/4W 5% CC	1	1														R1ØØ

E.C.O. NO.	"THIS DRAWING AND SPECIFICATIONS, HEREIN, ARE THE PROPERTY OF DIGITAL EQUIPMENT CORPORATION AND SHALL NOT BE REPRODUCED OR COPIED OR USED IN WHOLE OR IN PART AS THE BASIS FOR THE MANUFACTURE OR SALE OF ITEMS WITHOUT WRITTEN PERMISSION. COPYRIGHT © DIGITAL EQUIPMENT CORPORATION"	TITLE	ASSY NO.	SIZE	CODE	NUMBER	REV.
		MS11-K (ARRAY)	D-UA-M7984-Ø-Ø	B	PL	M7984-Ø-Ø	E
		SHEET 9 OF 9	INSERTION PARTS LIST DATA BASE REV				

THIS DRAWING AND SPECIFICATIONS HEREIN ARE THE PROPERTY OF DIGITAL EQUIPMENT CORPORATION, AND SHALL NOT BE REPRODUCED, COPIED OR USED IN WHOLE OR IN PART AS THE BASIS FOR THE MANUFACTURE OR SALE OF ITEMS WITHOUT THE WRITTEN PERMISSION OF DIGITAL EQUIPMENT CORPORATION. COPYRIGHT © 1978 DIGITAL EQUIPMENT CORPORATION.

M7984 5011997 D-P1

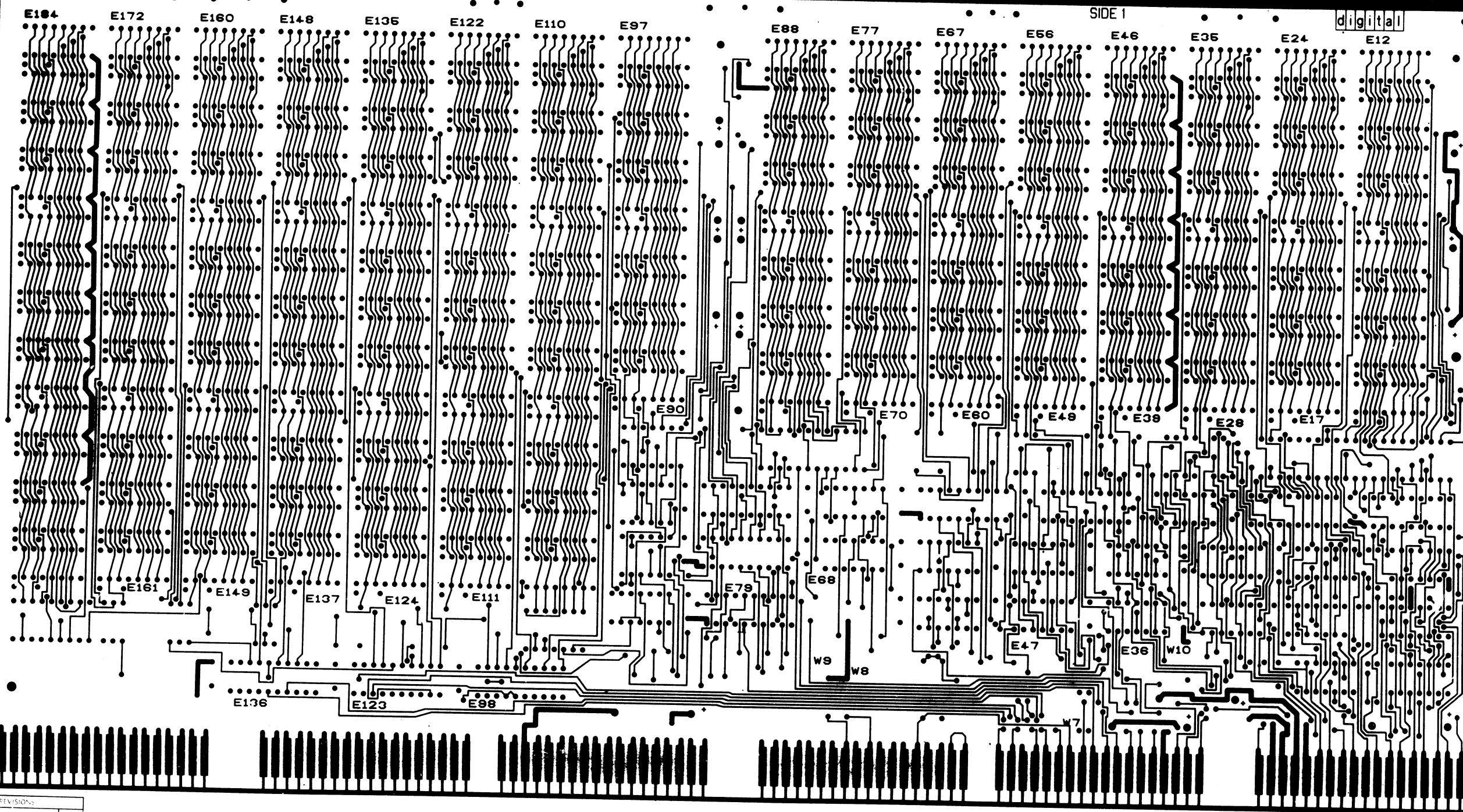
LAYER 1

L1

CSXABCDEFGHIJKLMNPRS

SIDE 1

digital

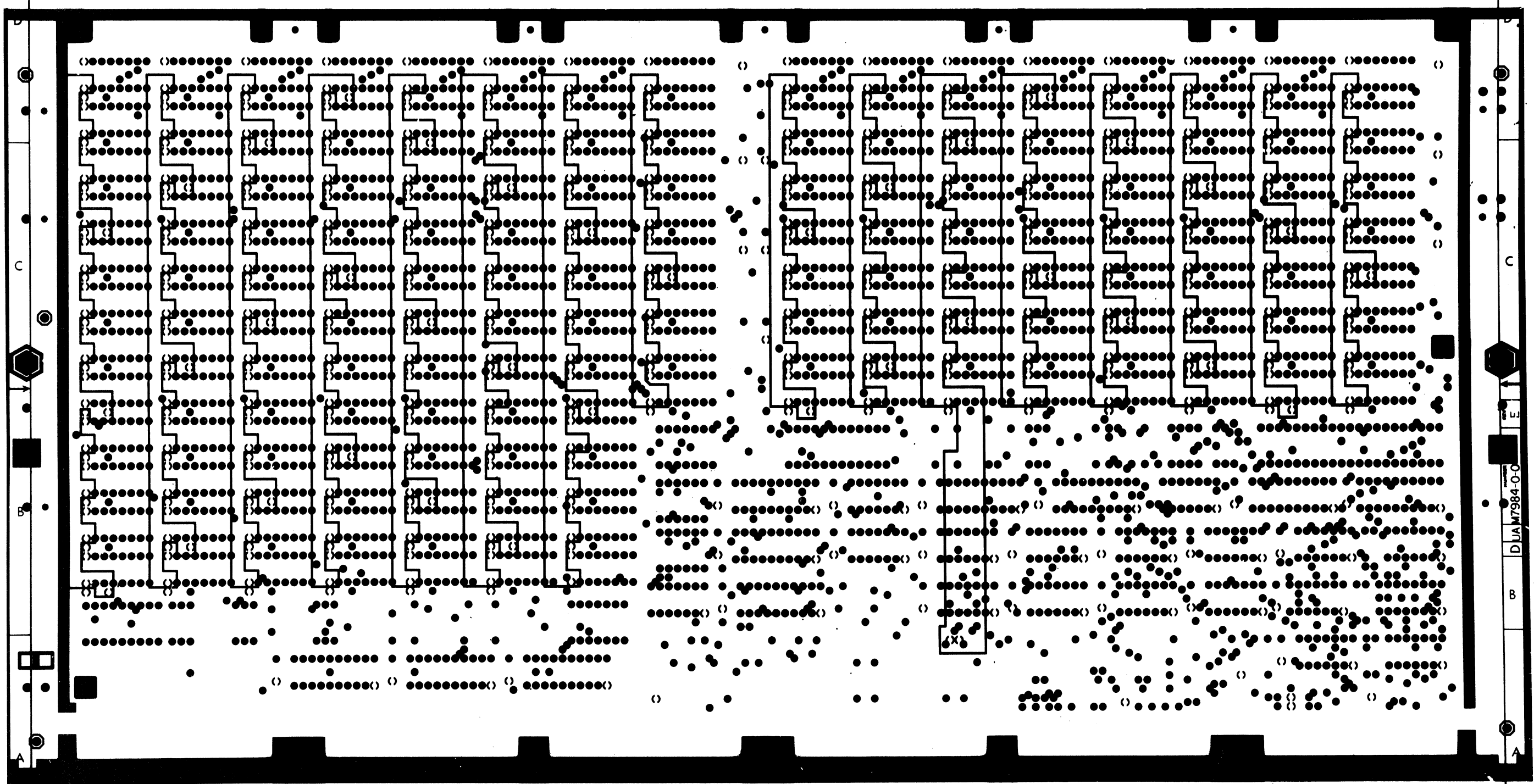


REVISIONS		
DATE	CHANGE NO.	BY

8	7	6	5	4	3	2	1	
TITLE MSI IK (ARRAY)						SIZE CODE D UA	NUMBER M7984-0-0	REV E
SCALE 2 / 1		SHEET 7 OF 13		DIST				

THIS DRAWING AND SPECIFICATIONS HEREIN ARE THE PROPERTY OF DIGITAL EQUIPMENT CORPORATION AND SHALL NOT BE REPRODUCED OR COPIED OR USED IN WHOLE OR IN PART AS THE BASIS FOR THE MANUFACTURE OR SALE OF ANY PRODUCT WITHOUT THE WRITTEN PERMISSION OF DIGITAL EQUIPMENT CORPORATION.

M7984 5011997 D-P1



REVISIONS		
CHK	CHANGE TO	REV

TITLE	MS11K (ARRAY)	SIZE CODE	DUA	NUMBER	M7984-0-0	REV.	E
SCALE	2/1	SHEET	8 OF 13	DIST.			

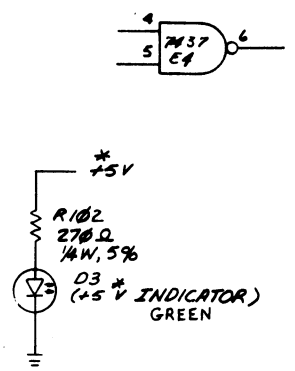
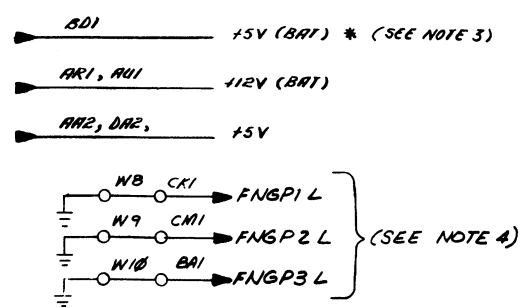
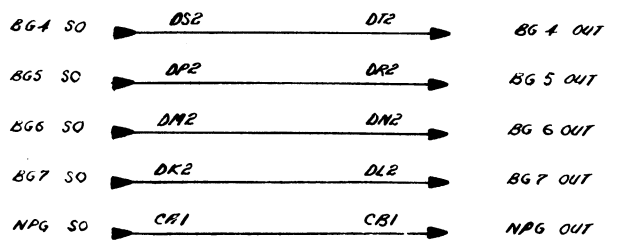
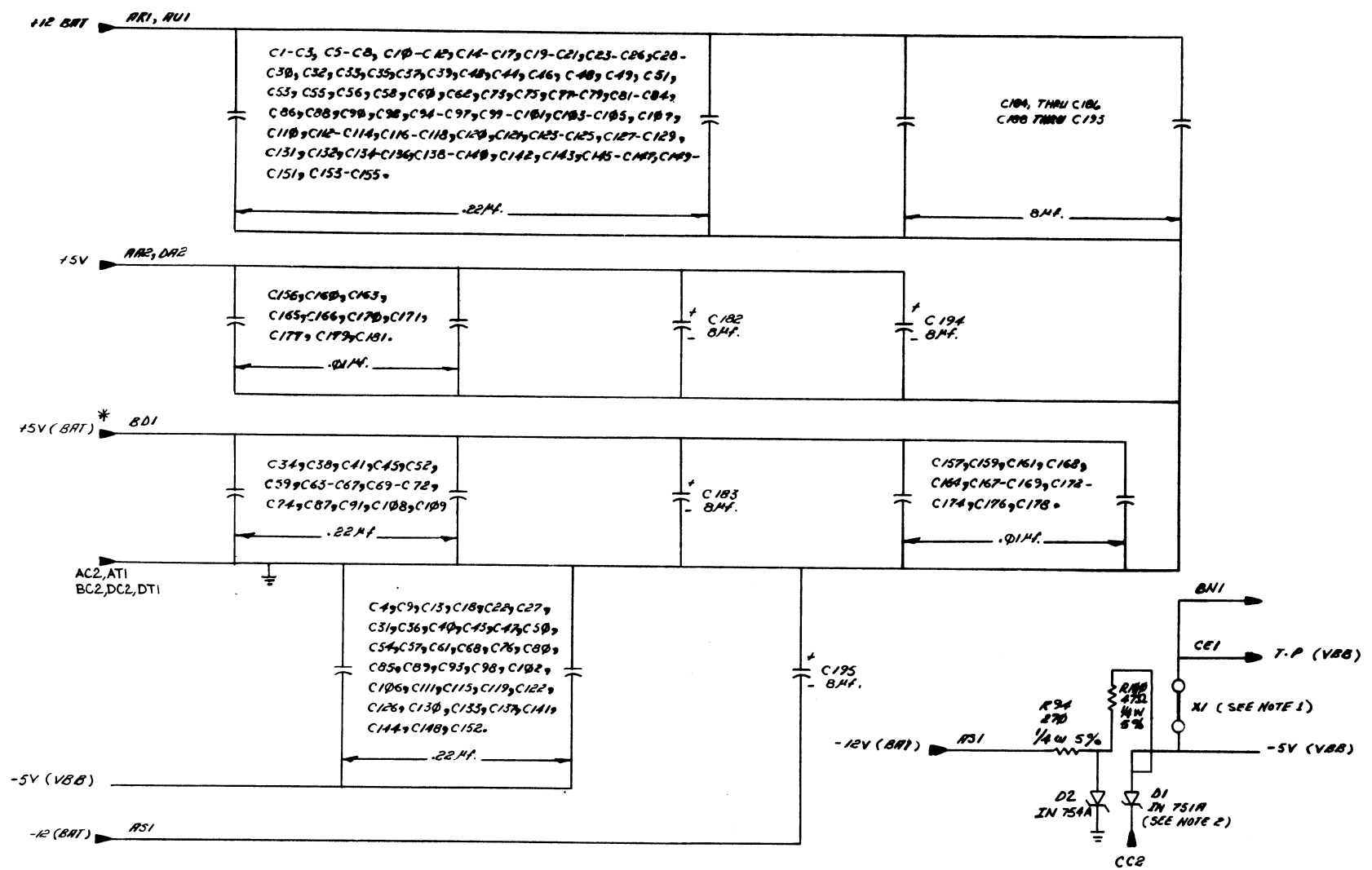
"THIS DRAWING AND SPECIFICATIONS, HEREIN, ARE THE PROPERTY OF DIGITAL EQUIPMENT CORPORATION AND SHALL NOT BE REPRODUCED OR COPIED OR USED IN WHOLE OR IN PART AS THE BASIS FOR THE MANUFACTURE OR SALE OF ITEMS WITHOUT WRITTEN PERMISSION. COPYRIGHT © 1976, DIGITAL EQUIPMENT CORPORATION"

NOTES:  
1. JUMPERS TO BE CONNECTED FOR EACH VARIATION AS FOLLOWS:

MODULE VAR'S	JUMPER SETTINGS	ARRAY CONFIGURATION
AB, AC, AD, AE, AF ETC.	W1, W2, W3, W4, X1	16K X 39, 4K RAM'S FULLY POPULATED
BB, BC, BD ETC.	W1, W2, W3, W4, W5, X1	8K X 39, 4K RAM'S 1/2 POPULATED
CB, CC ETC.	W1, W2, W3, W4, W5, W6, W7, X1	4K X 39, 16K RAM'S FULLY POPULATED
DB, DC ETC.	W1, W2, W3, W4, W5, W6, W7, X1	16K X 39, 16K RAM'S 1/4 POPULATED
EB, EC, ED ETC.	W1, W2, W3, W4, W5, X1	16K X 39, 4K RAM'S FULLY POPULATED
FB, FC ETC.	W1, W2, W3, W4, W5, W6, W7, W8, X1	32K X 39, 16K RAM'S 1/2 POPULATED

2. PIN CC2 MAY BE FLOATED TO VARY -5V (VBB). THE VARIABLE (VBB) IS APPLIED TO PIN CB1.  
3. (\*) INDICATES +5V BATTERY BACK-UP.  
4. JUMPERS TO BE CONNECTED FOR EACH ARRAY CONFIGURATION AS FOLLOWS:

ARRAY CONFIGURATION	RAM'S (K)	RAM'S (K)	RAM'S (K)
AB, AC ETC.	1	1	1
BB, BC ETC.	1	1	1
CB, CC ETC.	1	1	0
DB, DC ETC.	1	0	1
EB, EC ETC.	0	0	1
FB, FC ETC.	1	0	0



REV.	DATE	BY	CHKD
1	12/20/76	J. MANTON	J. MANTON
2	12/20/76	J. MANTON	J. MANTON
3	12/20/76	J. MANTON	J. MANTON
4	12/20/76	J. MANTON	J. MANTON
5	12/20/76	J. MANTON	J. MANTON
6	12/20/76	J. MANTON	J. MANTON
7	12/20/76	J. MANTON	J. MANTON
8	12/20/76	J. MANTON	J. MANTON
9	12/20/76	J. MANTON	J. MANTON
10	12/20/76	J. MANTON	J. MANTON

DRN	CHK'D	ENG.	PROJ. ENG.	PROD.	NEXT HIGHER ASSY.	FIRST USED ON	TITLE	SIZE	CODE	NUMBER	REV.
J. MANTON	J. MANTON	J. MANTON	J. MANTON	J. MANTON			MS11-K (ARRAY)	D	CS	M7984-0-1	E

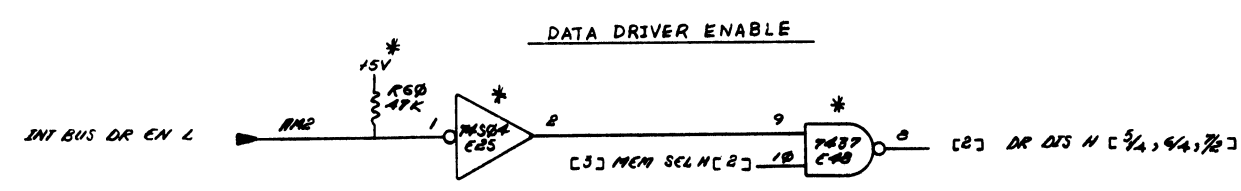
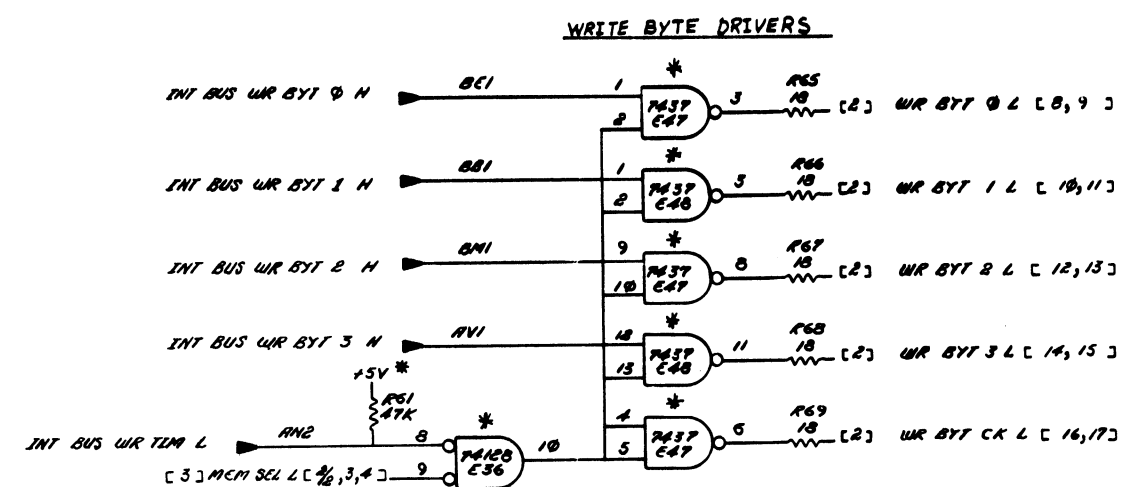
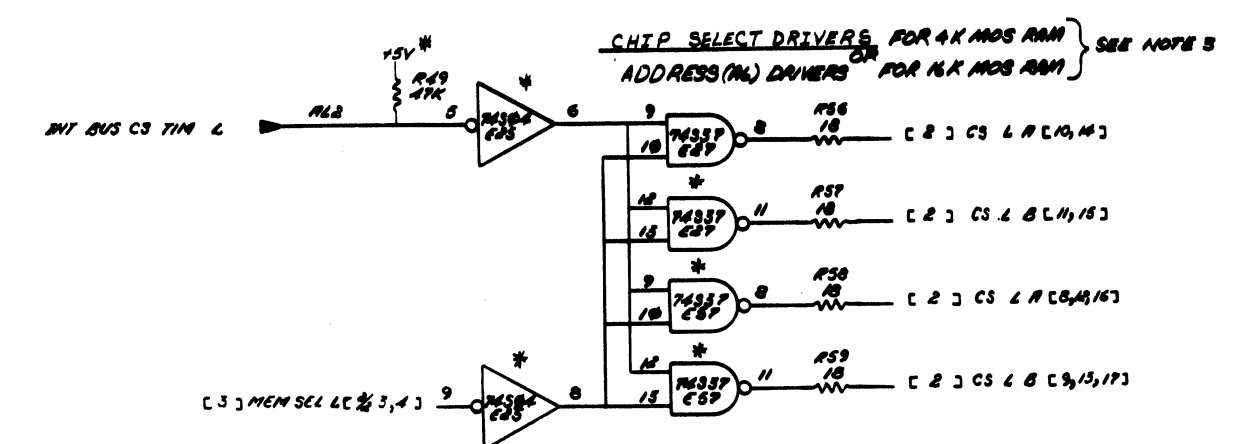
THIS DRAWING AND SPECIFICATIONS HEREIN ARE THE PROPERTY OF DIGITAL EQUIPMENT CORPORATION AND SHALL NOT BE REPRODUCED OR COPIED IN WHOLE OR IN PART AS THE BASIS FOR THE MANUFACTURE OR SALE OF ITEMS WITHOUT WRITTEN PERMISSION. COPYRIGHT © 1976 DIGITAL EQUIPMENT CORPORATION

NOTES:  
 1. SIGNAL NAMES WILL BE REFERENCED AS FOLLOWS:  
 [ X ] SIGNAL NAME [ Y/Z ]  
 NUMBER OF CONNECTION POINTS ON DESTINATION SHEET.  
 DESTINATION SHEET NUMBER.  
 SOURCE SHEET NUMBER.

EXAMPLE:  
 [ 3 ] MEM SEL 4 [ 2,3,4 ]  
 DESTINATION (E) IS AN IMPLIED ONE WHEN NOT SHOWN.

2. SIGNALS DESIGNATED (INT BUS) ARE CONNECTED VIA MODULE FINGERS TO INTERNAL BUS A/B.

3. FOR 16K MOS RAM SIGNAL CEL IS ADDRESS (A6)

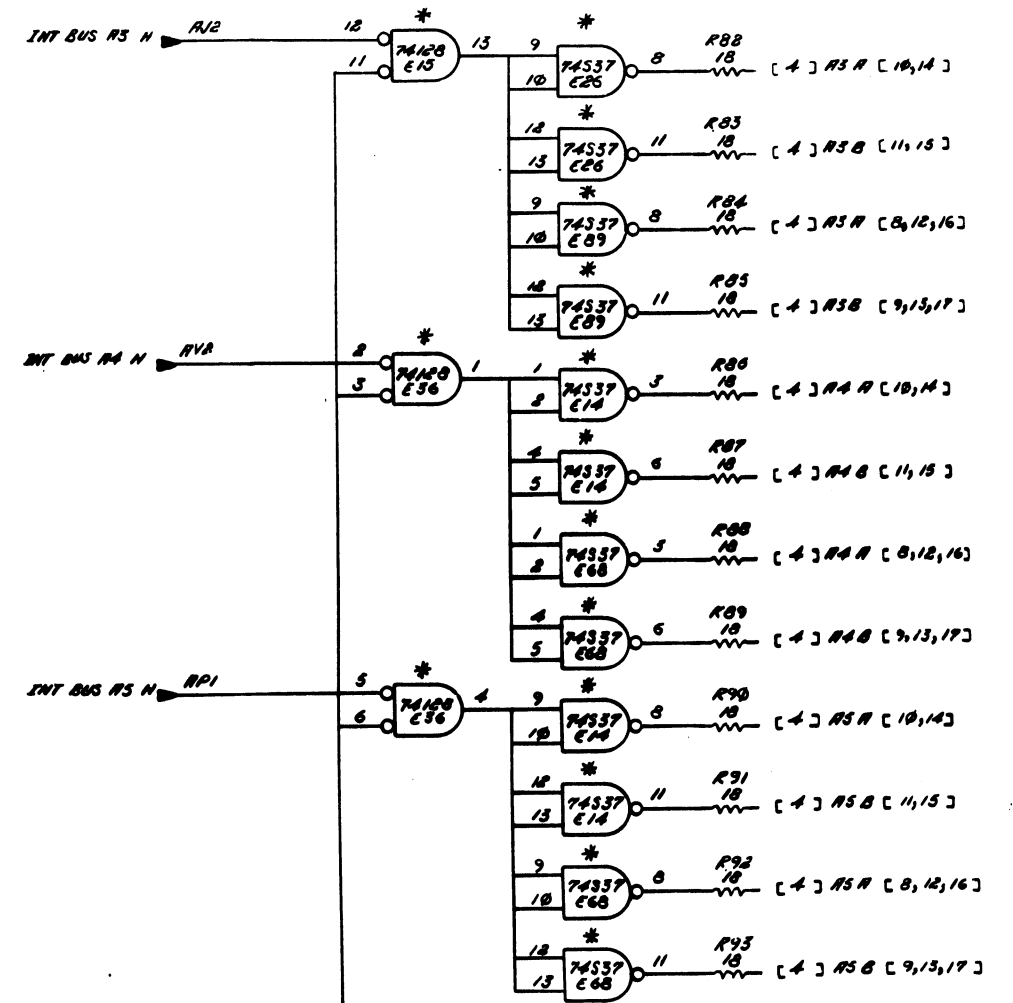
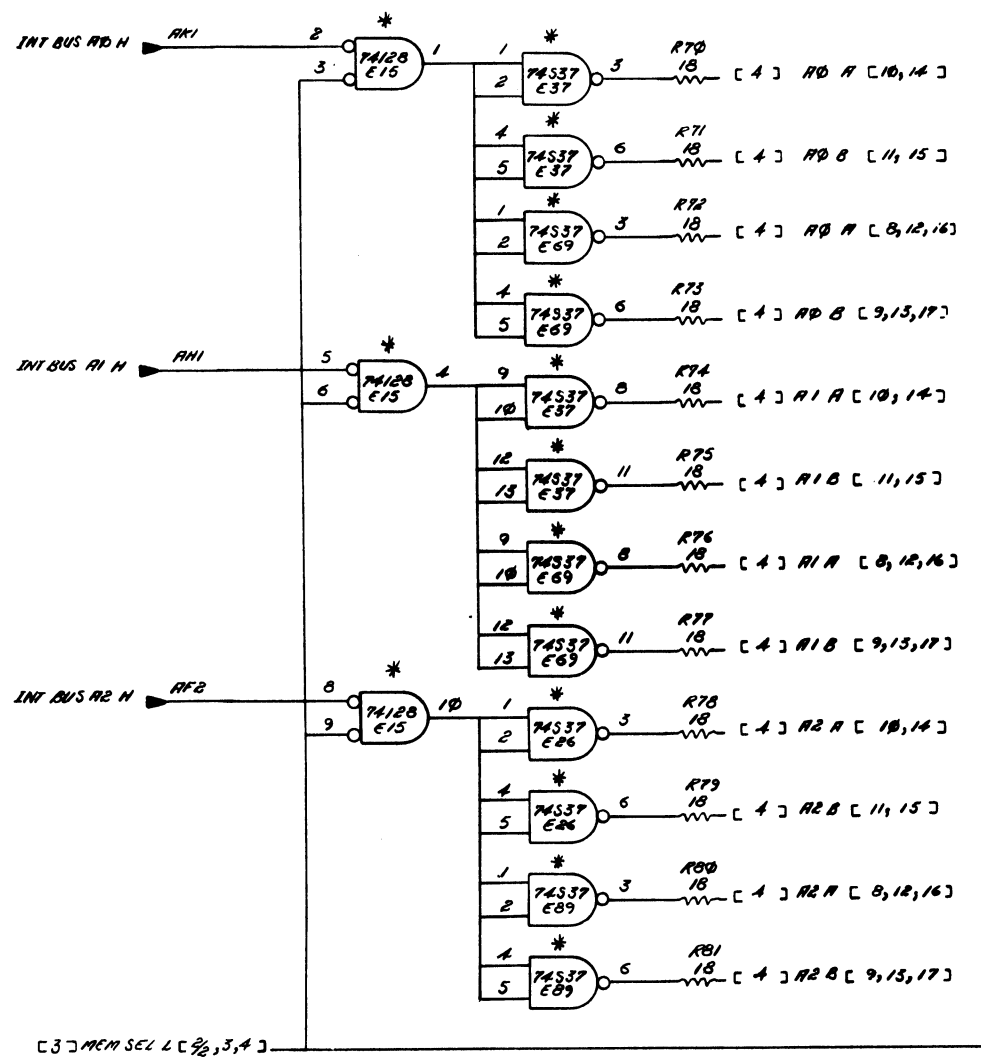


REVISIONS			TITLE		SIZE	CODE	NUMBER		REV.
CHK	CHANGE NO.	REV.	MS11-K (ARRAY)		D	CS	M79 84-0-1		E
			SCALE	NONE	SHEET	2	OF	17	DIST.



"THIS DRAWING AND SPECIFICATIONS HEREIN ARE THE PROPERTY OF DIGITAL EQUIPMENT CORPORATION AND SHALL NOT BE REPRODUCED OR COPIED OR USED IN WHOLE OR IN PART AS THE BASIS FOR THE MANUFACTURE OR SALE OF ITEMS WITHOUT WRITTEN PERMISSION. COPYRIGHT © 1976 DIGITAL EQUIPMENT CORPORATION"

ADDRESS DRIVERS

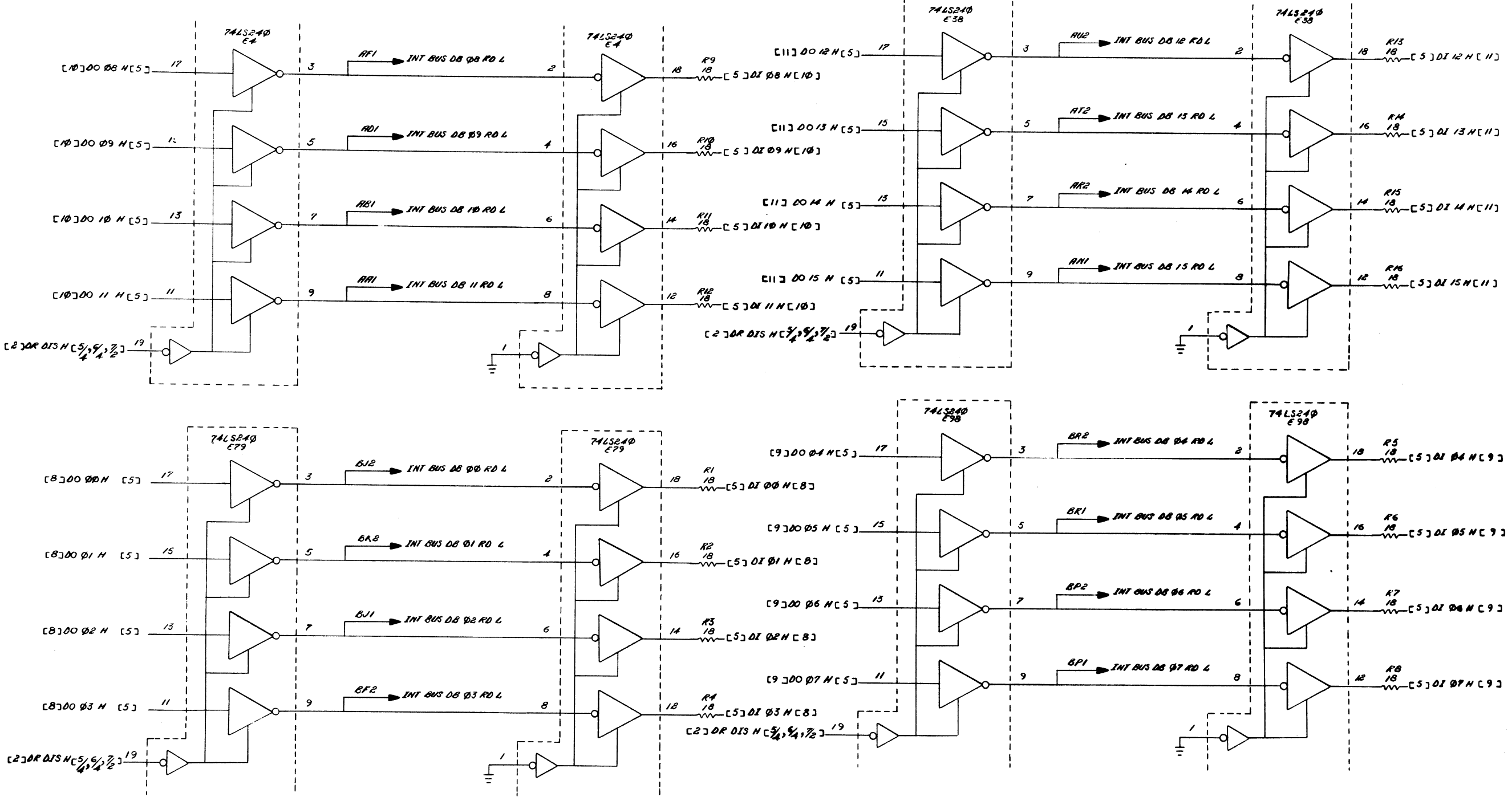


REVISIONS			TITLE	SIZE CODE	NUMBER	REV.
CHK	CHANGE NO.	REV.				
			MS11-K (ARRAY)	DCS	M7984-0-1	E
			SCALE NONE	SHEET 4 OF 17		





THIS DRAWING AND SPECIFICATIONS HEREIN ARE THE PROPERTY OF DIGITAL EQUIPMENT CORPORATION AND SHALL NOT BE REPRODUCED OR COPIED OR USED IN WHOLE OR IN PART AS THE BASIS FOR THE MANUFACTURE OR SALE OF ITEMS WITHOUT WRITTEN PERMISSION. COPYRIGHT © 1976 DIGITAL EQUIPMENT CORPORATION

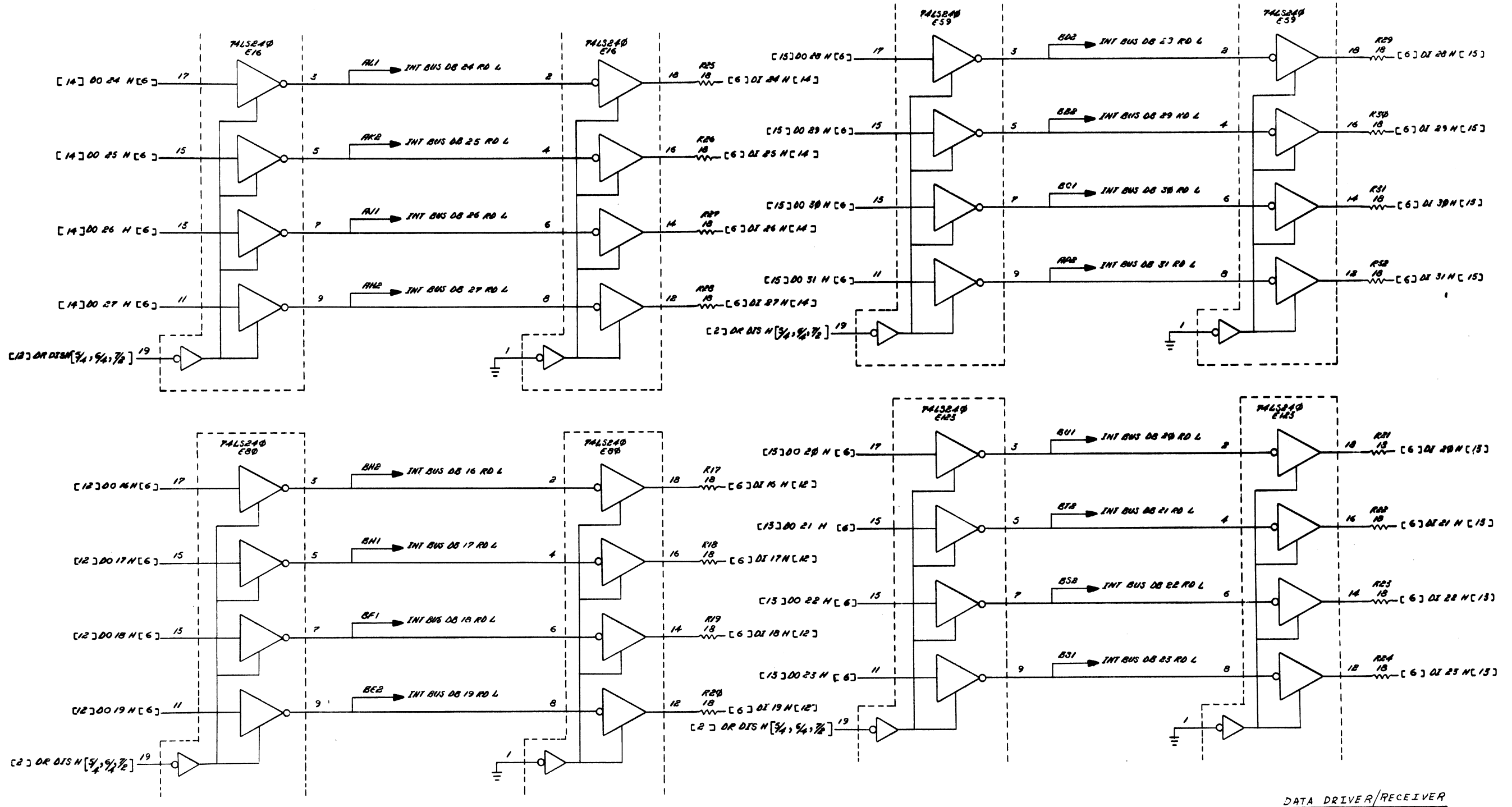


DATA DRIVER/RECEIVER

REVISIONS		
CHK	CHANGE NO.	REV.

8	7	6	5	4	3	2	1		
TITLE MSII-K (ARRAY)							SIZE CODE DCS	NUMBER M7984-0-1	REV. E
SCALE NONE							SHEET 5 OF 17	DIST.	

"THIS DRAWING AND SPECIFICATIONS, HEREIN, ARE THE PROPERTY OF DIGITAL EQUIPMENT CORPORATION AND SHALL NOT BE REPRODUCED OR COPIED OR USED IN WHOLE OR IN PART AS THE BASIS FOR THE MANUFACTURE OR SALE OF ITEMS WITHOUT WRITTEN PERMISSION. COPYRIGHT © 1976 DIGITAL EQUIPMENT CORPORATION"

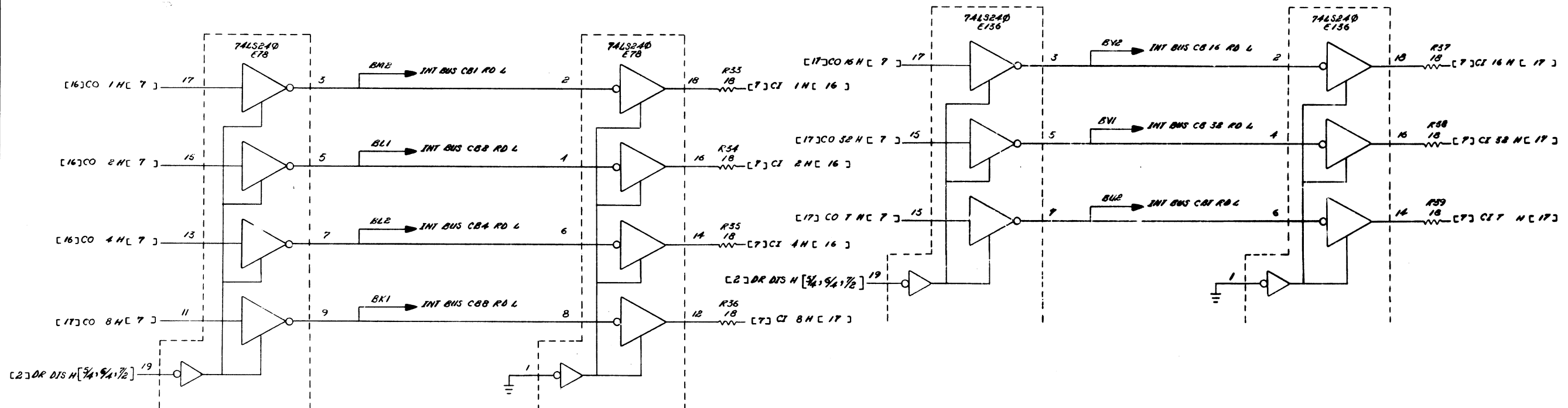


DATA DRIVER/RECEIVER

REVISIONS		
CHK	CHANGE NO.	REV.

TITLE	MS11-K (ARRAY)	SIZE CODE	DCS	NUMBER	M7984-0-1	REV.	E
SCALE	NONE	SHEET	6 OF 17	DIST.			

"THIS DRAWING AND SPECIFICATIONS, HEREIN, ARE THE PROPERTY OF DIGITAL EQUIPMENT CORPORATION AND SHALL NOT BE REPRODUCED OR COPIED OR USED IN WHOLE OR IN PART AS THE BASIS FOR THE MANUFACTURE OR SALE OF ITEMS WITHOUT WRITTEN PERMISSION. COPYRIGHT © 1976 DIGITAL EQUIPMENT CORPORATION"

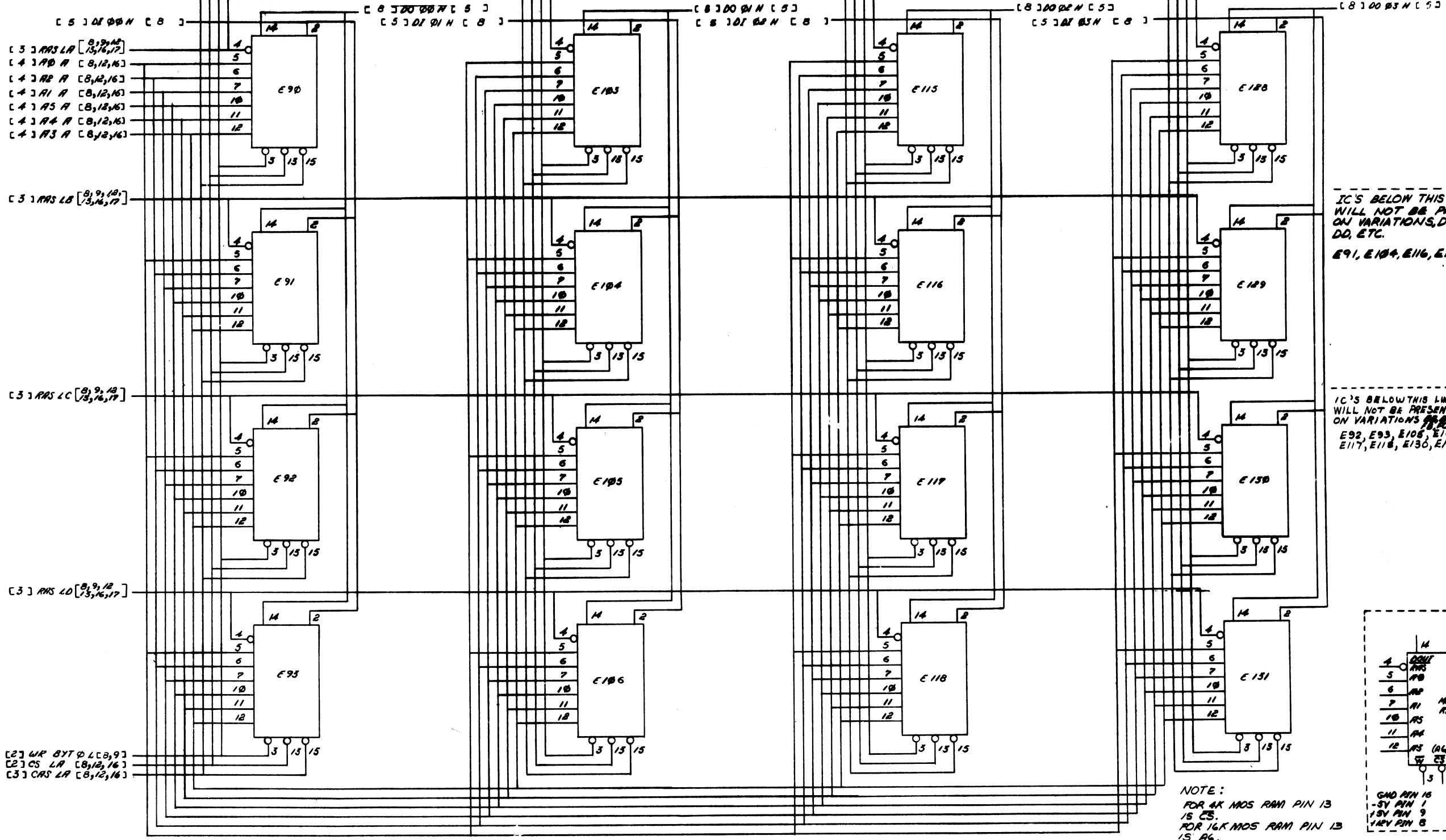


DATA DRIVER/RECEIVER

REVISIONS		
CHK	CHANGE NO.	REV.

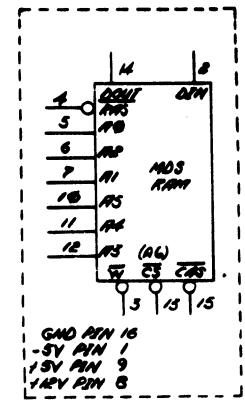
TITLE	MS11-K(ARPA)	SIZE CODE	DCS	NUMBER	M7984-0-1	REV.	E
SCALE	NONE	SHEET	7	OF	17	DIST.	

THIS DRAWING AND SPECIFICATION, HEREIN, ARE THE PROPERTY OF DIGITAL EQUIPMENT CORPORATION AND SHALL NOT BE REPRODUCED OR TRANSMITTED IN ANY FORM OR BY ANY MEANS, ELECTRONIC OR MECHANICAL, INCLUDING PHOTOCOPYING, RECORDING, OR BY ANY INFORMATION STORAGE AND RETRIEVAL SYSTEM, WITHOUT PERMISSION IN WRITING FROM DIGITAL EQUIPMENT CORPORATION.



IC'S BELOW THIS LINE WILL NOT BE PRESENT ON VARIATIONS, DB, DC DD, ETC.  
E91, E104, E116, E129.

IC'S BELOW THIS LINE WILL NOT BE PRESENT ON VARIATIONS DB, DC, DD, ETC.  
E92, E93, E105, E106, E117, E118, E130, E131

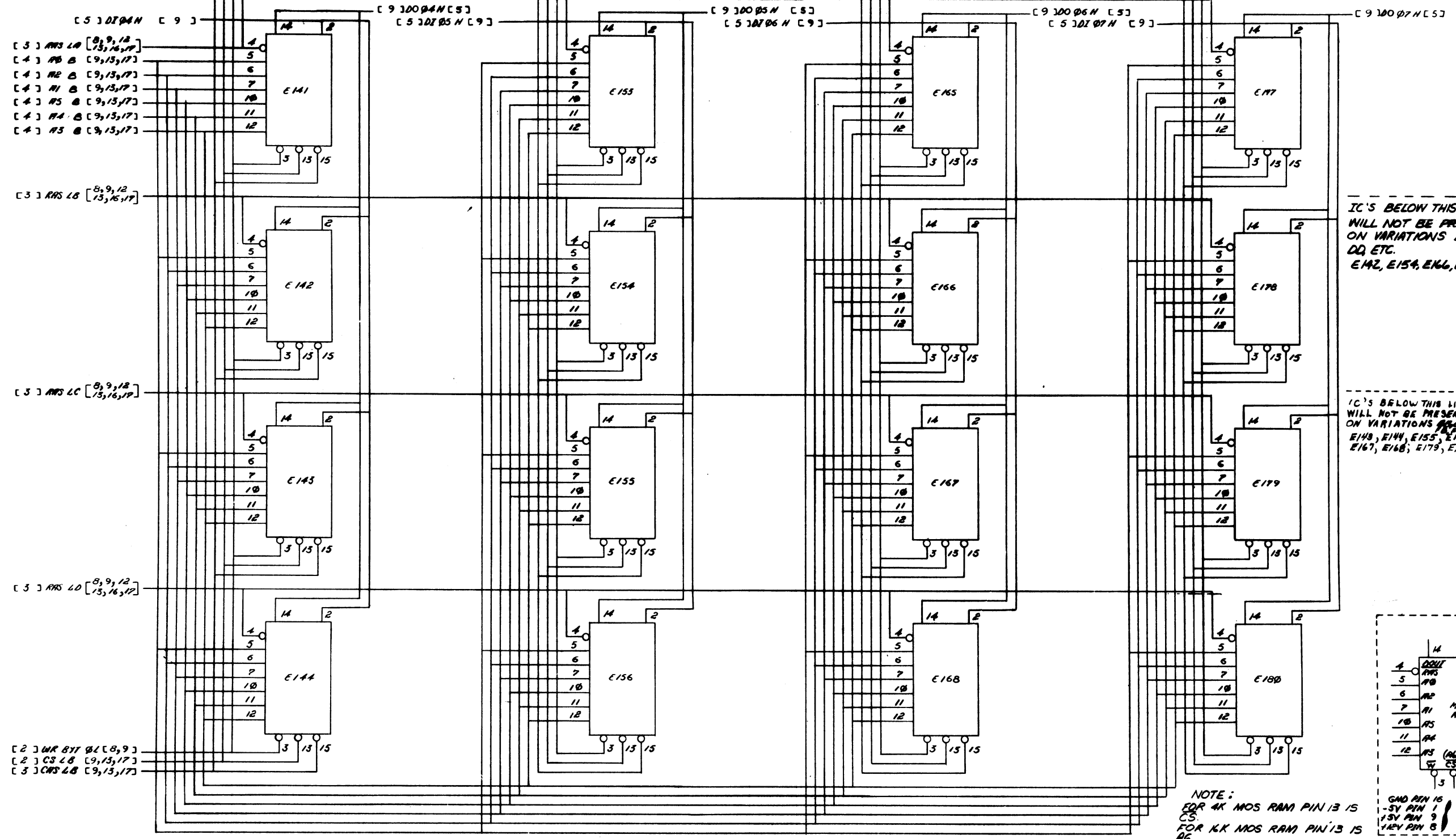


NOTE:  
FOR 4K MOS RAM PIN 13 IS CS.  
FOR 16K MOS RAM PIN 13 IS A6.

CHK	CHANGE NO.	REV.

TITLE	SIZE CODE	NUMBER	REV.
MS11-K (ARRAY)	DCS	M7984-0-1	E
SCALE	NONE	SHEET 8 OF 17	DIST.

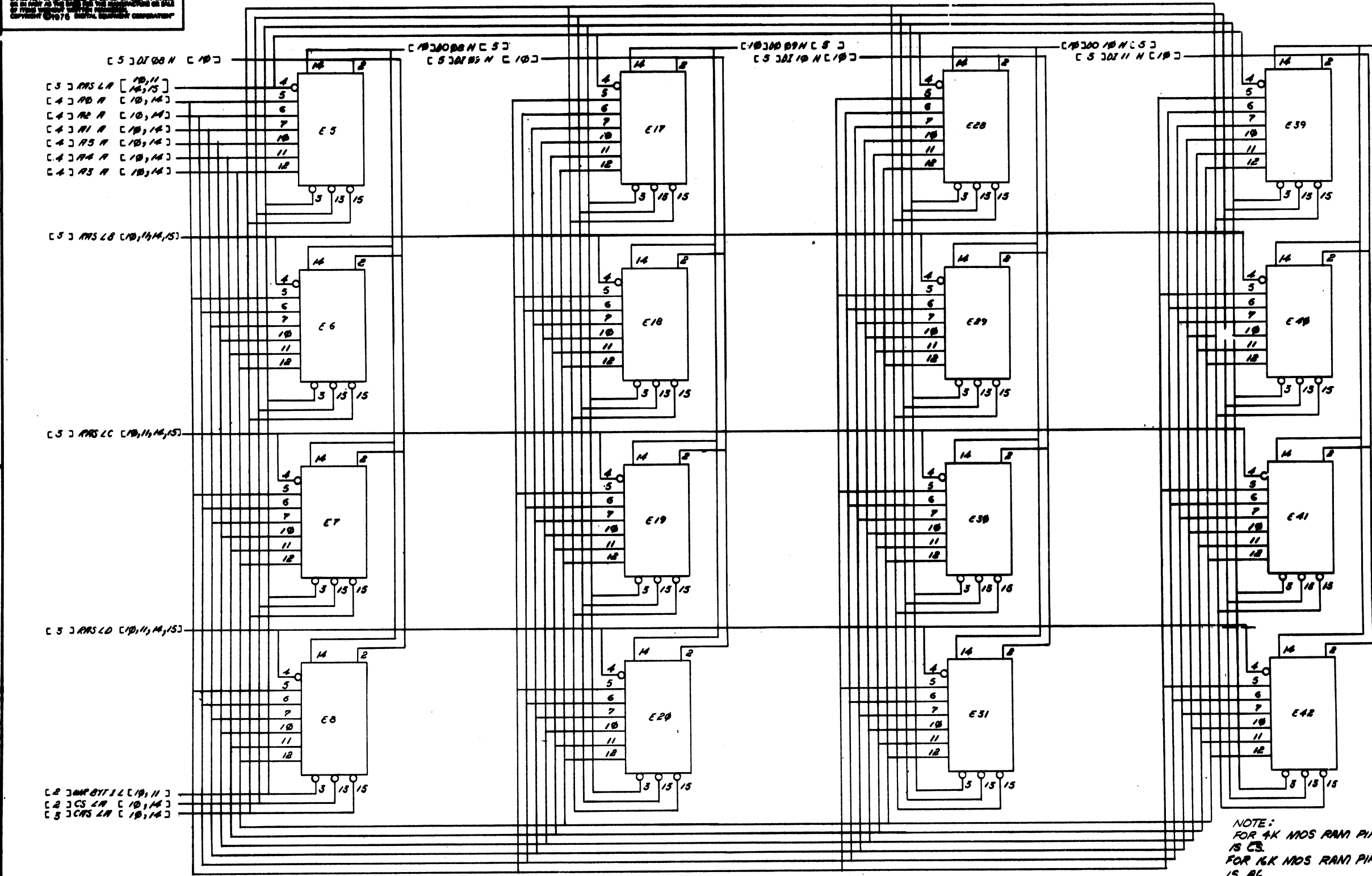
THE SHOWN AND SPECIFICATIONS HEREIN ARE THE PROPERTY OF SPANISH ELECTRONIC CORPORATION AND SHALL NOT BE REPRODUCED OR COPIED IN WHOLE OR IN PART IN ANY MANNER WITHOUT THE WRITTEN PERMISSION OF SPANISH ELECTRONIC CORPORATION ©1976 SPANISH ELECTRONIC CORPORATION



REVISIONS		
CHK	CHANGE NO.	REV.

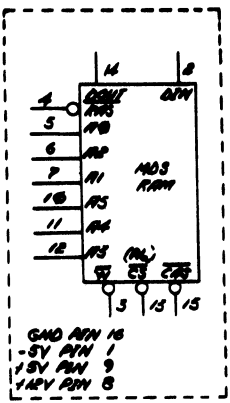
TITLE	MS11-K (ARRAY)	SIZE CODE	D CS	NUMBER	M7984-0-1	REV.	E
SCALE	NONE	SHEET	9 OF 17	DIST.			

THE SCHEMATIC AND IDENTIFICATION NUMBERS ARE THE PROPERTY OF DIGITAL EQUIPMENT CORPORATION AND SHALL NOT BE REPRODUCED OR COPIED IN ANY MANNER OR IN ANY MEDIUM WITHOUT THE WRITTEN PERMISSION OF DIGITAL EQUIPMENT CORPORATION. COPYRIGHT © 1976 DIGITAL EQUIPMENT CORPORATION



IC'S BELOW THIS LINE WILL NOT BE PRESENT ON VARIATIONS DB, DL, DD ETC. E6, E18, E29, E40.

IC'S BELOW THIS LINE WILL NOT BE PRESENT ON VARIATIONS DB, DL, DD ETC. E7, E8, E19, E20, E30, E31, E41, E42.

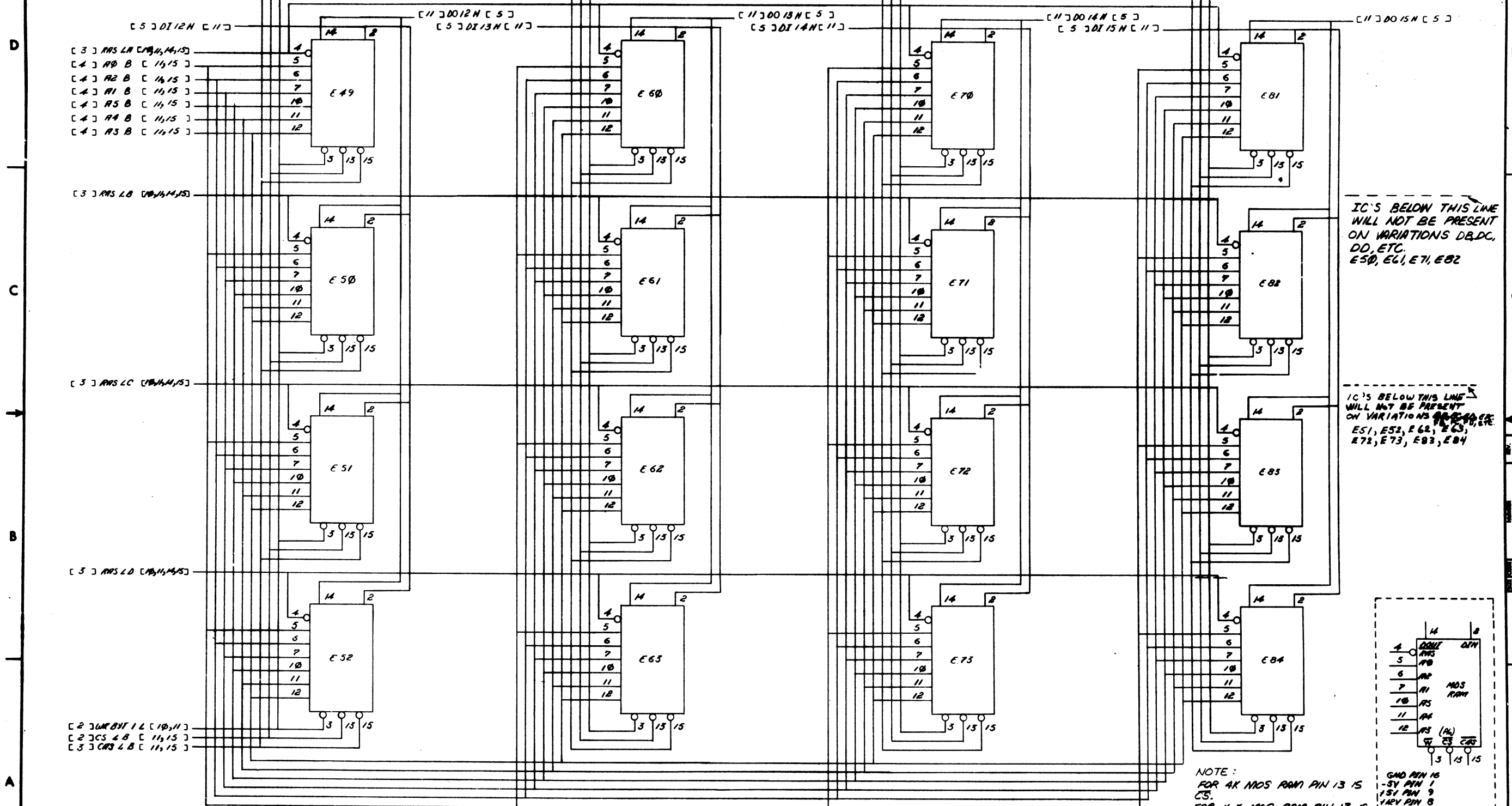


NOTE: FOR 4K MOS RAM PIN 13 IS CS. FOR 16K MOS RAM PIN 13 IS AG.

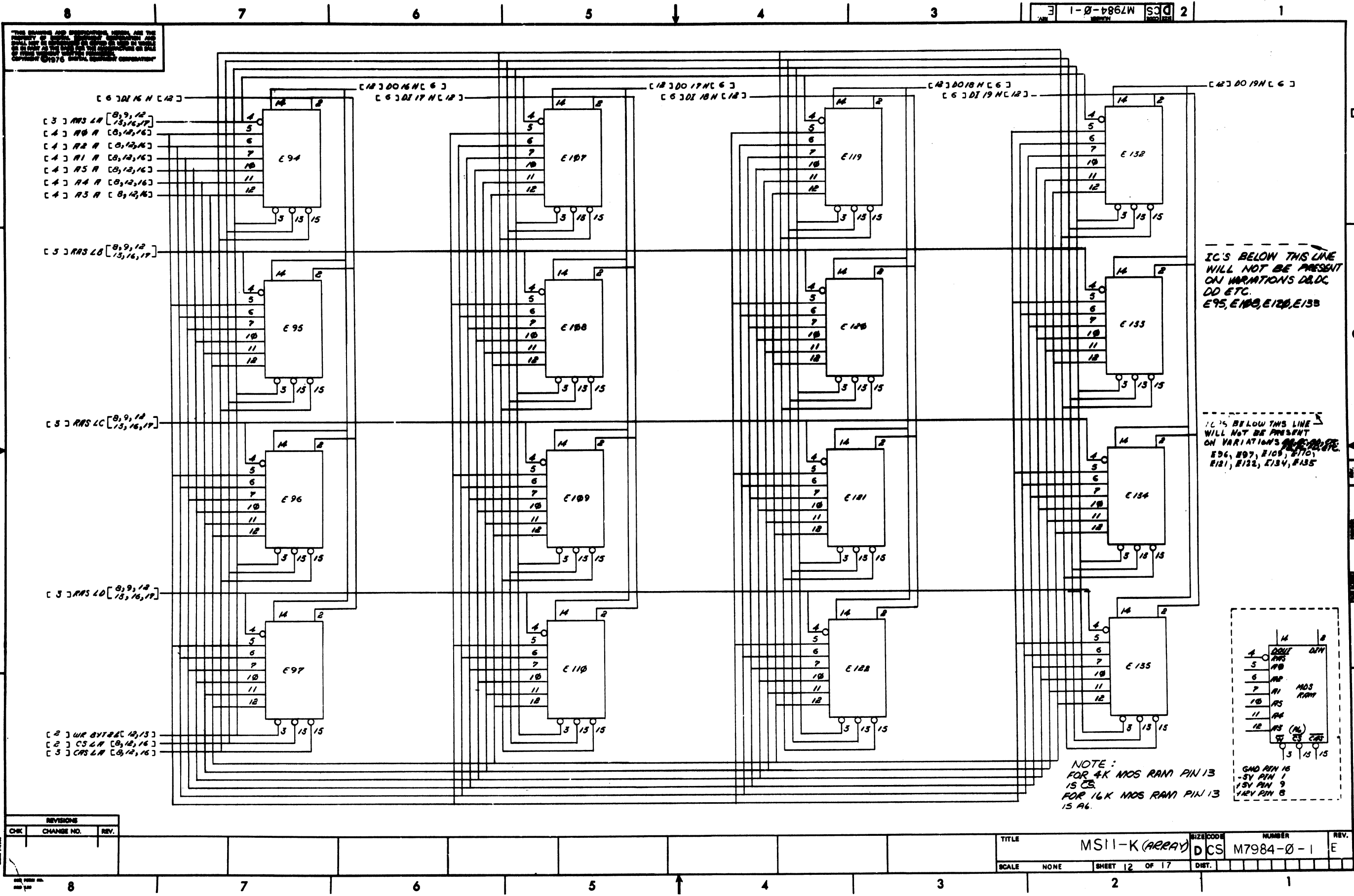
CHK	CHANGE NO.	REV.

TITLE	MS11-K (ARRAY)	SIZE/CODE	DCS	NUMBER	M7984-0-1	REV.	E
SCALE	NONE	SHEET	10	OF	17	DIST.	

"THIS DRAWING AND SPECIFICATION, HEREIN, ARE THE PROPERTY OF GENERAL ELECTRIC COMPANY AND SHALL NOT BE REPRODUCED OR USED IN WHOLE OR IN PART AS THE BASIS FOR THE MANUFACTURE OR SALE OF ITEMS WITHOUT WRITTEN PERMISSION. COPYRIGHT © 1976 GENERAL ELECTRIC COMPANY"



REVISIONS		
CHK	CHANGE NO.	REV.

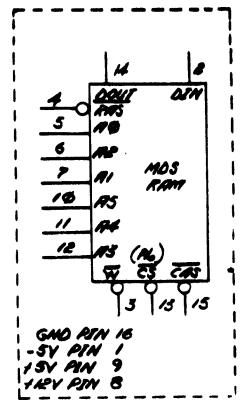


THIS DRAWING AND SPECIFICATIONS ARE THE PROPERTY OF DCS. NO PART OF THIS DRAWING OR SPECIFICATIONS IS TO BE REPRODUCED OR TRANSMITTED IN ANY FORM OR BY ANY MEANS, ELECTRONIC OR MECHANICAL, INCLUDING PHOTOCOPYING, RECORDING, OR BY ANY INFORMATION STORAGE AND RETRIEVAL SYSTEM.

IC'S BELOW THIS LINE WILL NOT BE PRESENT ON VARIATIONS D8, D9, D10, D11, D12, D13, D14, D15

IC'S BELOW THIS LINE WILL NOT BE PRESENT ON VARIATIONS D8, D9, D10, D11, D12, D13, D14, D15

NOTE:  
FOR 4K MOS RAN PIN 13 IS CE.  
FOR 16K MOS RAN PIN 13 IS A6.

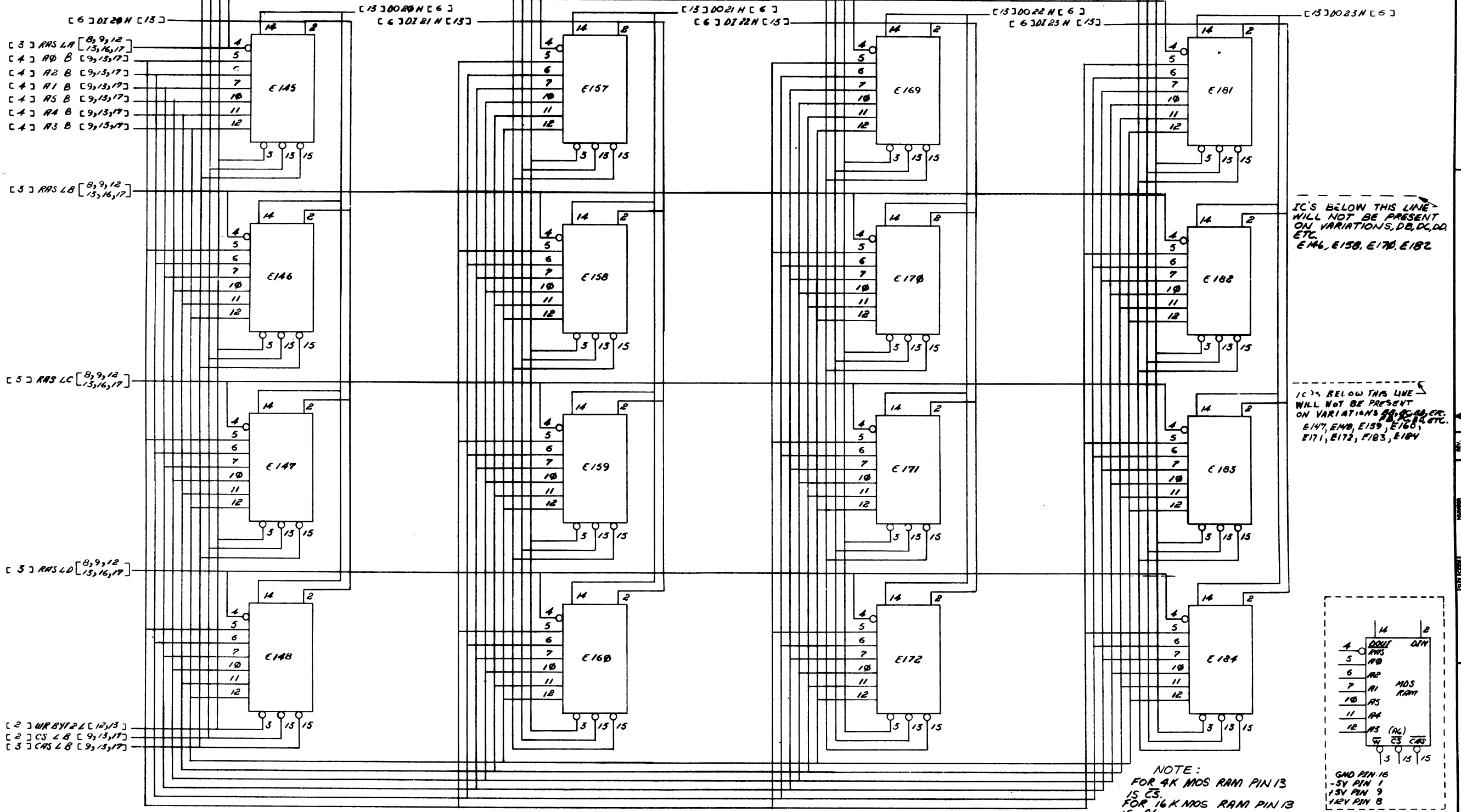


REVISIONS		
CHK	CHANGE NO.	REV.

TITLE	MS11-K (ARRAY)	SIZE CODE	DCS	NUMBER	M7984-0-1	REV.	E
SCALE	NONE	SHEET	12	OF	17	DIST.	



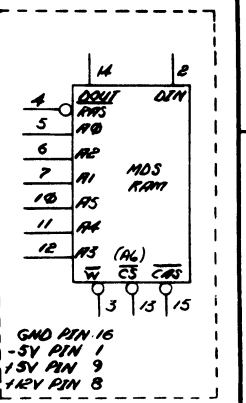
"THE DRAWING AND SPECIFICATIONS HEREIN ARE THE PROPERTY OF DIGITAL EQUIPMENT CORPORATION AND SHALL NOT BE REPRODUCED OR COPIED OR USED IN WHOLE OR IN PART AS THE BASIS FOR THE MANUFACTURE OR SALE OF ITEMS WITHOUT WRITTEN PERMISSION. COPYRIGHT © 1976 DIGITAL EQUIPMENT CORPORATION"



IC'S BELOW THIS LINE WILL NOT BE PRESENT ON VARIATIONS DB, DC, DD, ETC. E146, E150, E170, E182

IC'S BELOW THIS LINE WILL NOT BE PRESENT ON VARIATIONS DB, DC, DD, ETC. E147, E40, E159, E160, ETC. E171, E172, E183, E184

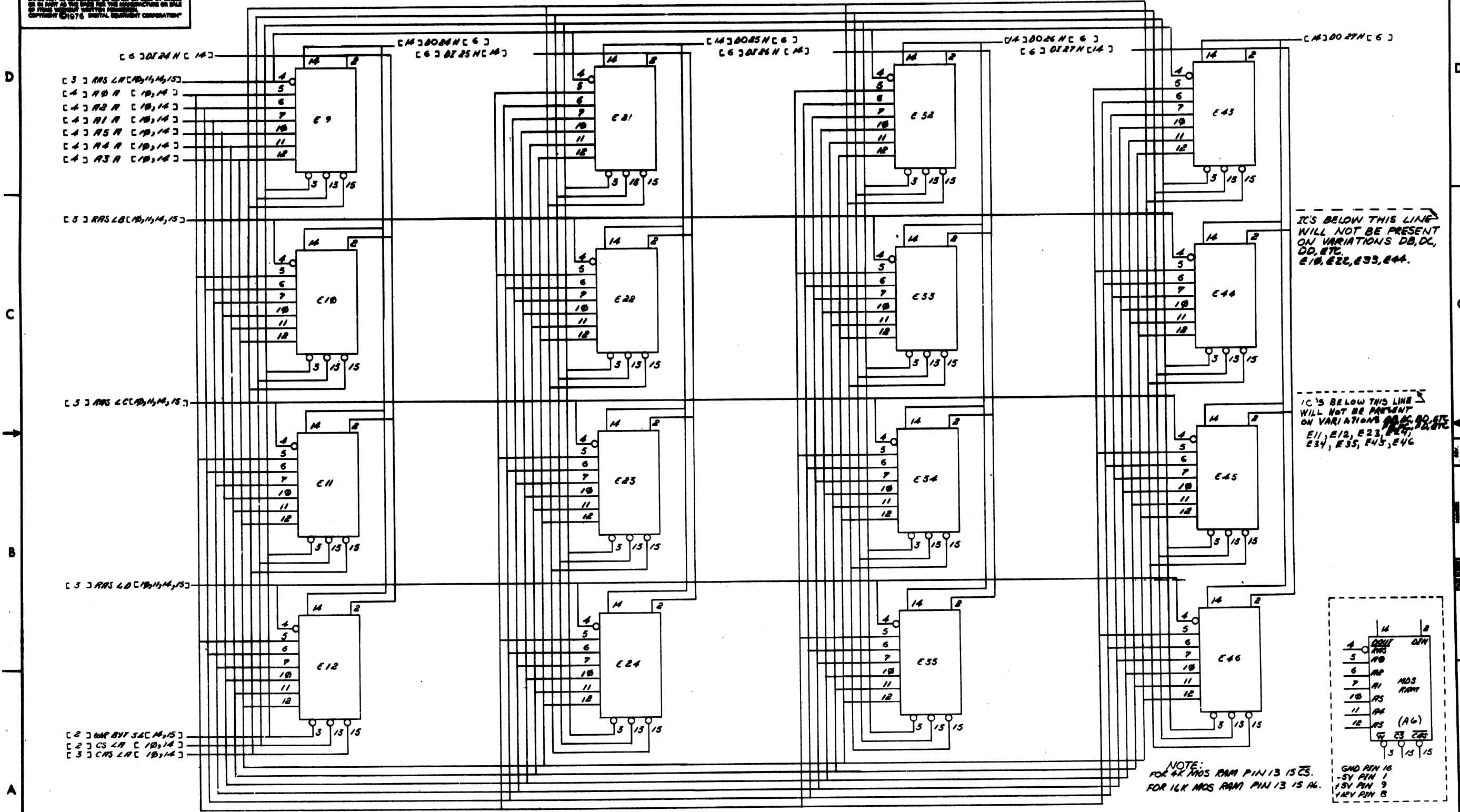
NOTE:  
FOR 4K MOS RAM PIN 13 IS CS.  
FOR 16K MOS RAM PIN 13 IS AL.



REVISIONS		
CHK	CHANGE NO.	REV.

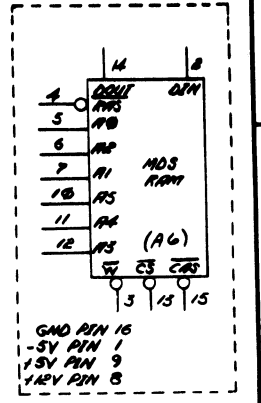
REV. E M7984-0-1 DCS

THE DRAWING AND SPECIFICATIONS HEREIN ARE THE PROPERTY OF DIGITAL EQUIPMENT CORPORATION AND SHALL NOT BE REPRODUCED OR COPIED OR USED IN WHOLE OR IN PART AS THE BASIS FOR THE MANUFACTURE OR SALE OF ITEMS WITHOUT WRITTEN PERMISSION. COPYRIGHT © 1976 DIGITAL EQUIPMENT CORPORATION



IC'S BELOW THIS LINE WILL NOT BE PRESENT ON VARIATIONS DB, DC, DD, ETC. E10, E22, E33, E44.

IC'S BELOW THIS LINE WILL NOT BE PRESENT ON VARIATIONS DD, DC, DD, ETC. E11, E12, E23, E24, E34, E35, E45, E46.

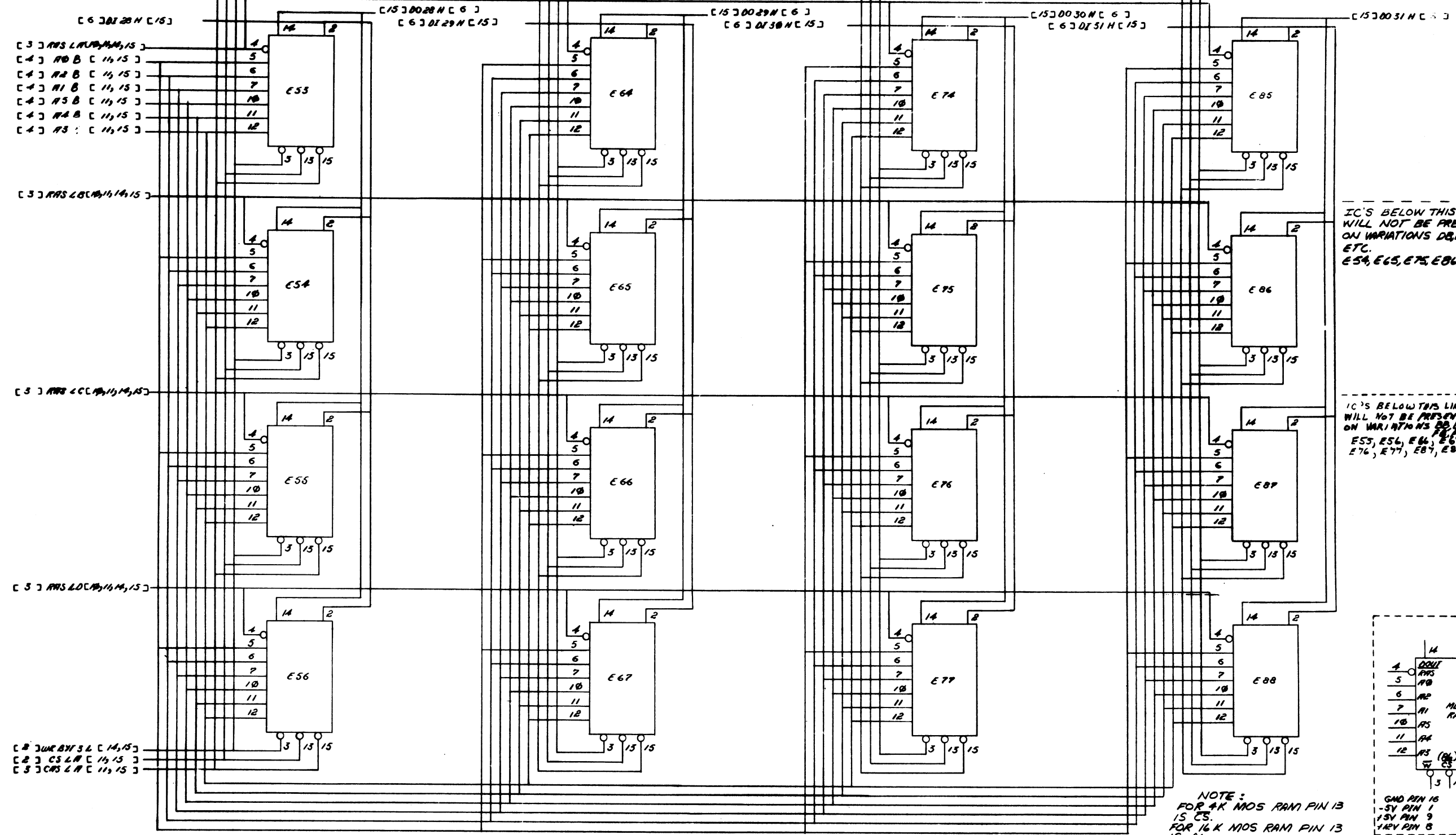


NOTE: FOR 4K MOS RAM PIN 13 IS CS. FOR 16K MOS RAM PIN 13 IS A6.

REVISIONS		
CHK	CHANGE NO.	REV.

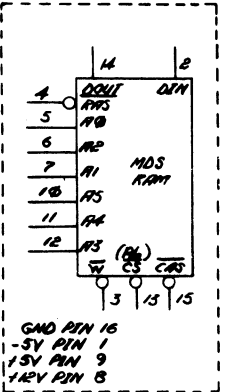
TITLE	MS11-K (ARRAY)	SIZE/COOD	DCS	NUMBER	M7984-0-1	REV.	E
SCALE	NONE	SHEET	14 OF 17	DIST.			

THIS DRAWING AND SPECIFICATIONS THEREON ARE THE PROPERTY OF DCS. REPRODUCTION OR TRANSMISSION OF THIS DRAWING OR SPECIFICATIONS THEREON IN ANY MANNER OR BY ANY MEANS, WITHOUT THE WRITTEN PERMISSION OF DCS IS PROHIBITED. © 1976 DCS. ALL RIGHTS RESERVED.



IC'S BELOW THIS LINE WILL NOT BE PRESENT ON VARIATIONS D8DC, D9, ETC. E54, E65, E75, E86.

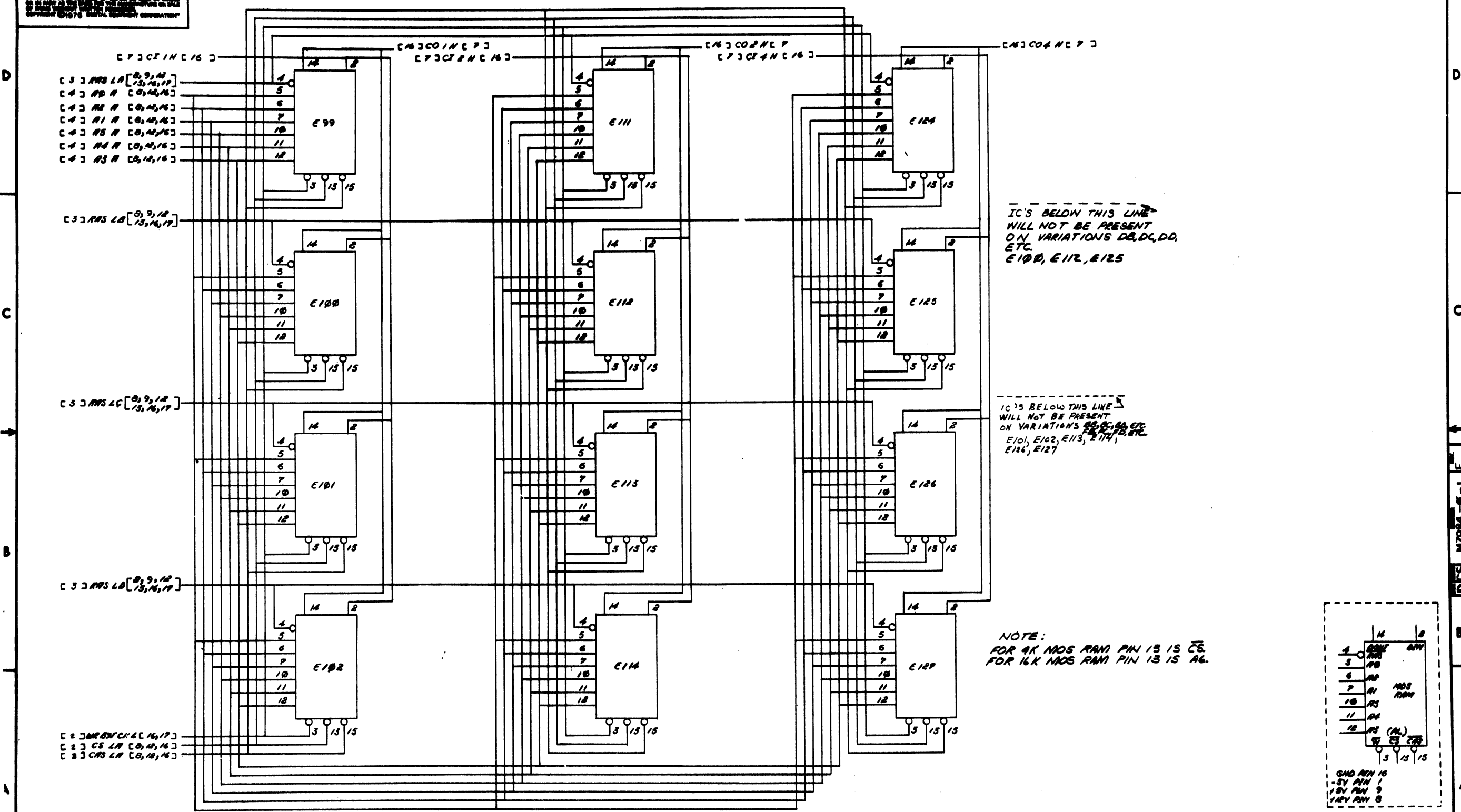
IC'S BELOW THIS LINE WILL NOT BE PRESENT ON VARIATIONS D8DC, D9, ETC. E55, E56, E66, E67, E76, E77, E87, E88.



NOTE:  
FOR 4K MOS RAM PIN 13 IS CS.  
FOR 16K MOS RAM PIN 13 IS A6.

REV.	CHANGE NO.	REV.

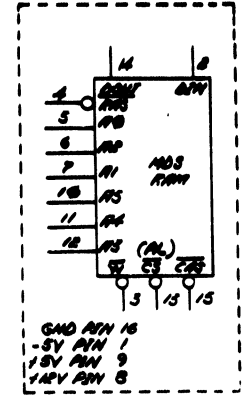
THIS DRAWING AND INFORMATION HEREON ARE THE PROPERTY OF DIGITAL EQUIPMENT CORPORATION AND ARE TO BE USED FOR THE PURPOSES AND IN ACCORDANCE WITH THE LICENSE AND AGREEMENT ON FILE AT THE BOSTON OFFICE OF THE COMPTONER GENERAL. COPYRIGHT © 1976 DIGITAL EQUIPMENT CORPORATION



IC'S BELOW THIS LINE WILL NOT BE PRESENT ON VARIATIONS DB, DC, DD, ETC. E100, E112, E125

IC'S BELOW THIS LINE WILL NOT BE PRESENT ON VARIATIONS DB, DC, DD, ETC. E101, E102, E113, E114, E115, E126, E127

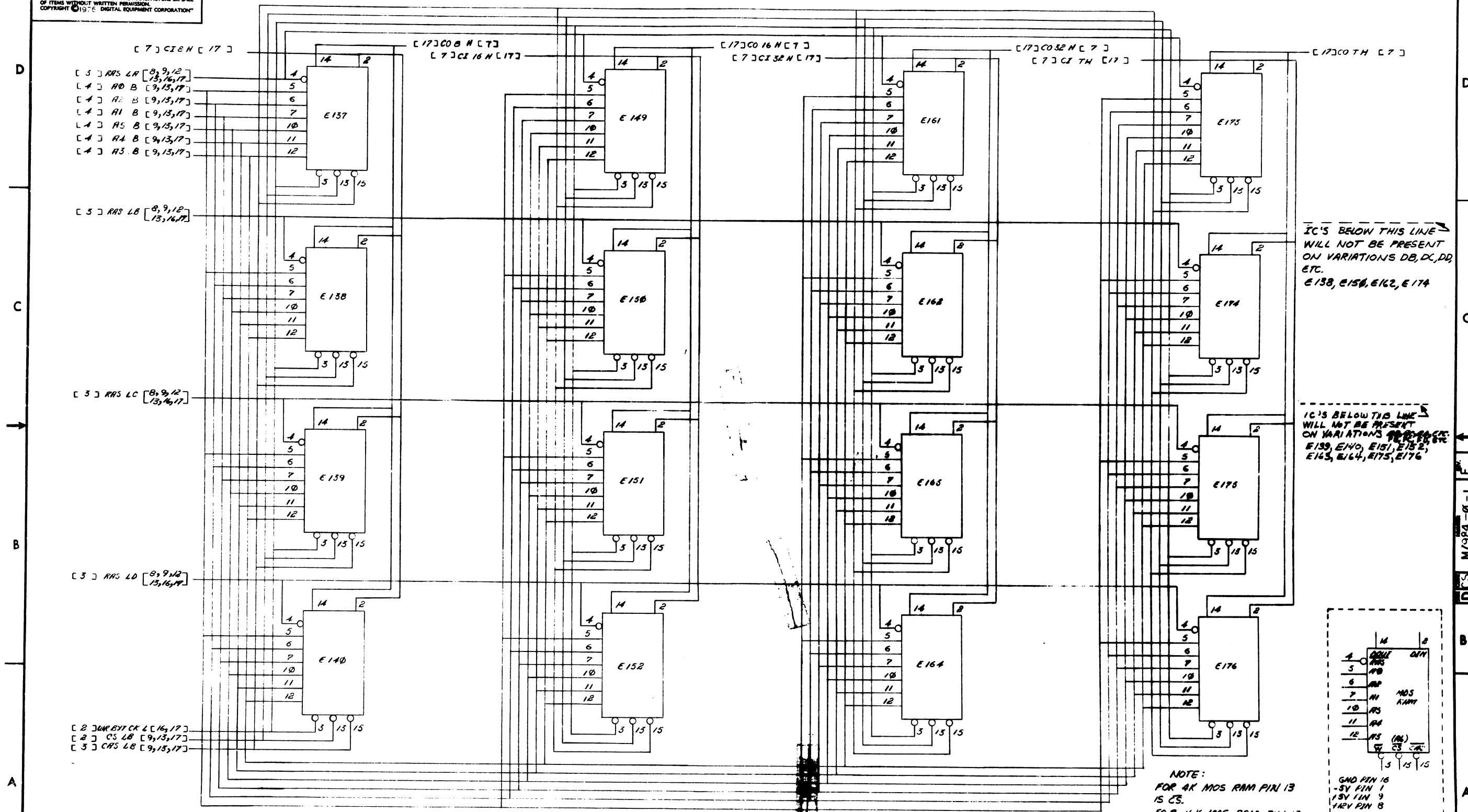
NOTE:  
FOR 4K MOS RAM PIN 13 IS CS.  
FOR 16K MOS RAM PIN 13 IS A6.



REVISIONS		
CHK	CHANGE NO.	REV.

TITLE	MS11-K (ARRAY)	SIZE	DCS	NUMBER	M7984-0-1	REV.	E
SCALE	NONE	SHEET	16	OF	17	DATE	

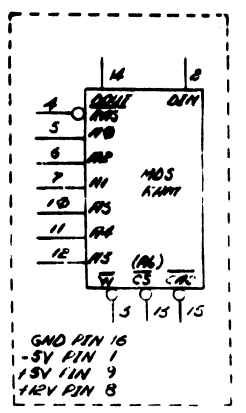
THIS DRAWING AND SPECIFICATIONS, HEREIN, ARE THE PROPERTY OF DIGITAL EQUIPMENT CORPORATION AND SHALL NOT BE REPRODUCED OR COPIED OR USED IN WHOLE OR IN PART AS THE BASIS FOR THE MANUFACTURE OR SALE OF ITEMS WITHOUT WRITTEN PERMISSION. COPYRIGHT © 1976 DIGITAL EQUIPMENT CORPORATION



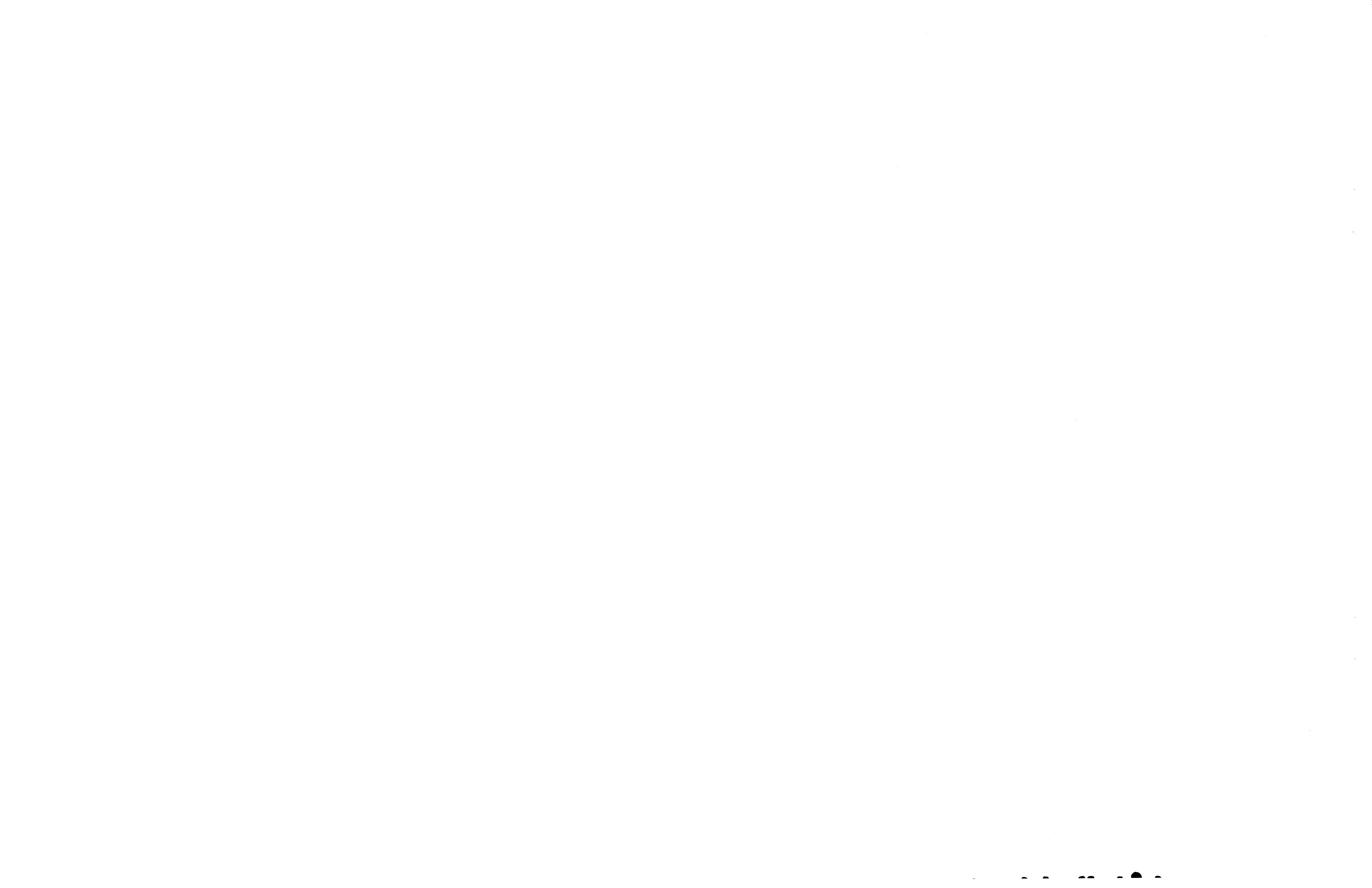
IC'S BELOW THIS LINE WILL NOT BE PRESENT ON VARIATIONS DB, DC, DD, ETC. E138, E150, E162, E174

IC'S BELOW THIS LINE WILL NOT BE PRESENT ON VARIATIONS DD, DD, DD, ETC. E139, E140, E151, E152, E163, E164, E175, E176

NOTE:  
FOR 4K MOS RAM PIN 13 IS CS.  
FOR 16K MOS RAM PIN 13 IS AG.



REVISIONS		
CHK	CHANGE NO.	REV.

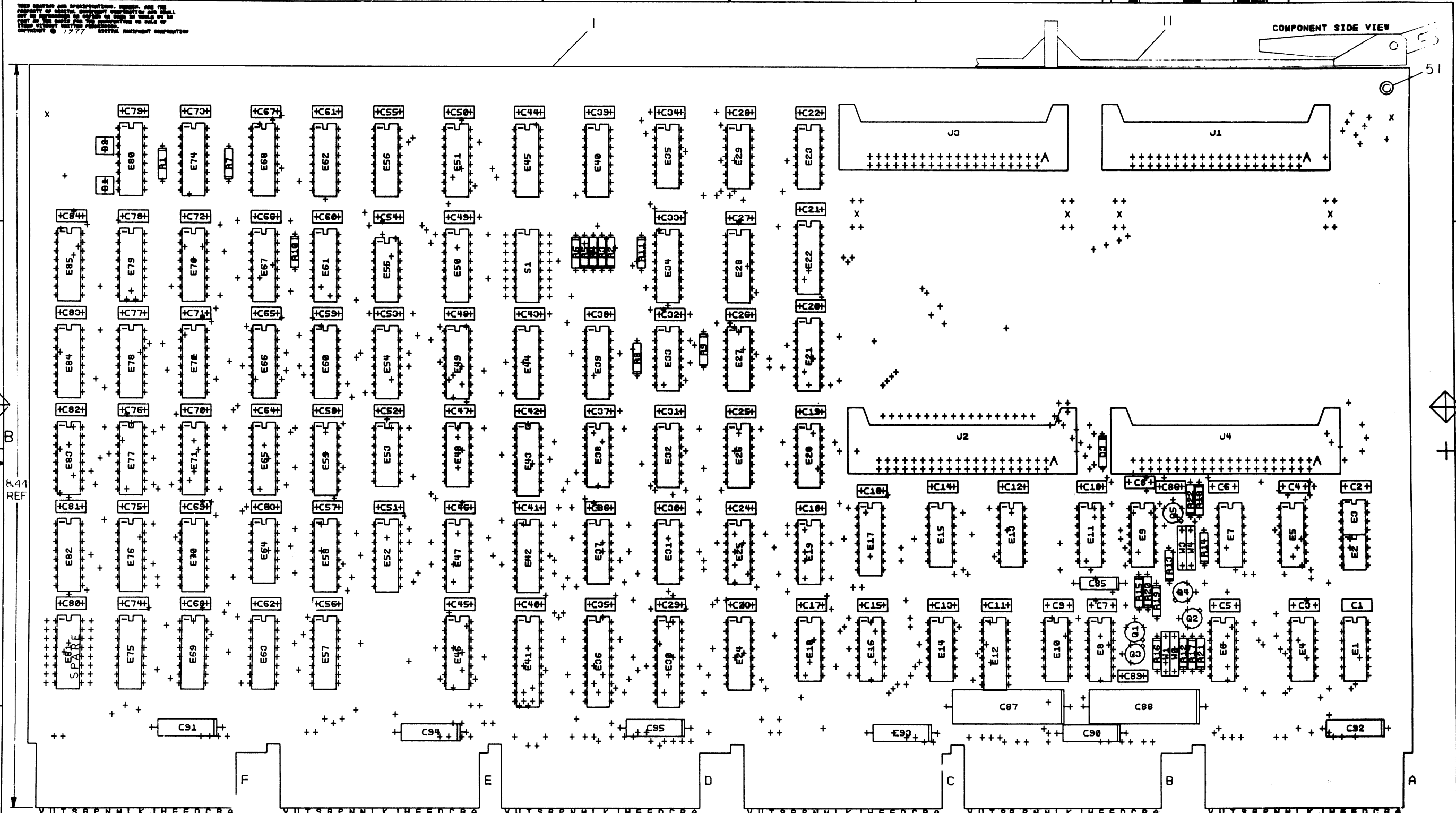








COMPONENT SIDE VIEW



NOTES:  
 1. AT MODULE ASSEMBLY INSTALL  
 W1 & W3, NOT W2 & W4

CHK	CHANGE NO	REV


SIGNATURES		DATE	digital
DRN. <i>Henry C. [unclear]</i>		11-23-77	
CHK'D. <i>[unclear]</i>		11-23-77	
ENG. <i>[unclear]</i>		1-2-78	
PROJ. ENG. <i>[unclear]</i>		3-2-78	
PROD.			
SCALE 2/1			
SHT. 1 OF 6			
NEXT HIGHER ASSY. B-DD-M8158-0			

8

7

6

5

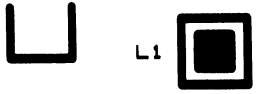
4

3

2 DUA M8158-0-0

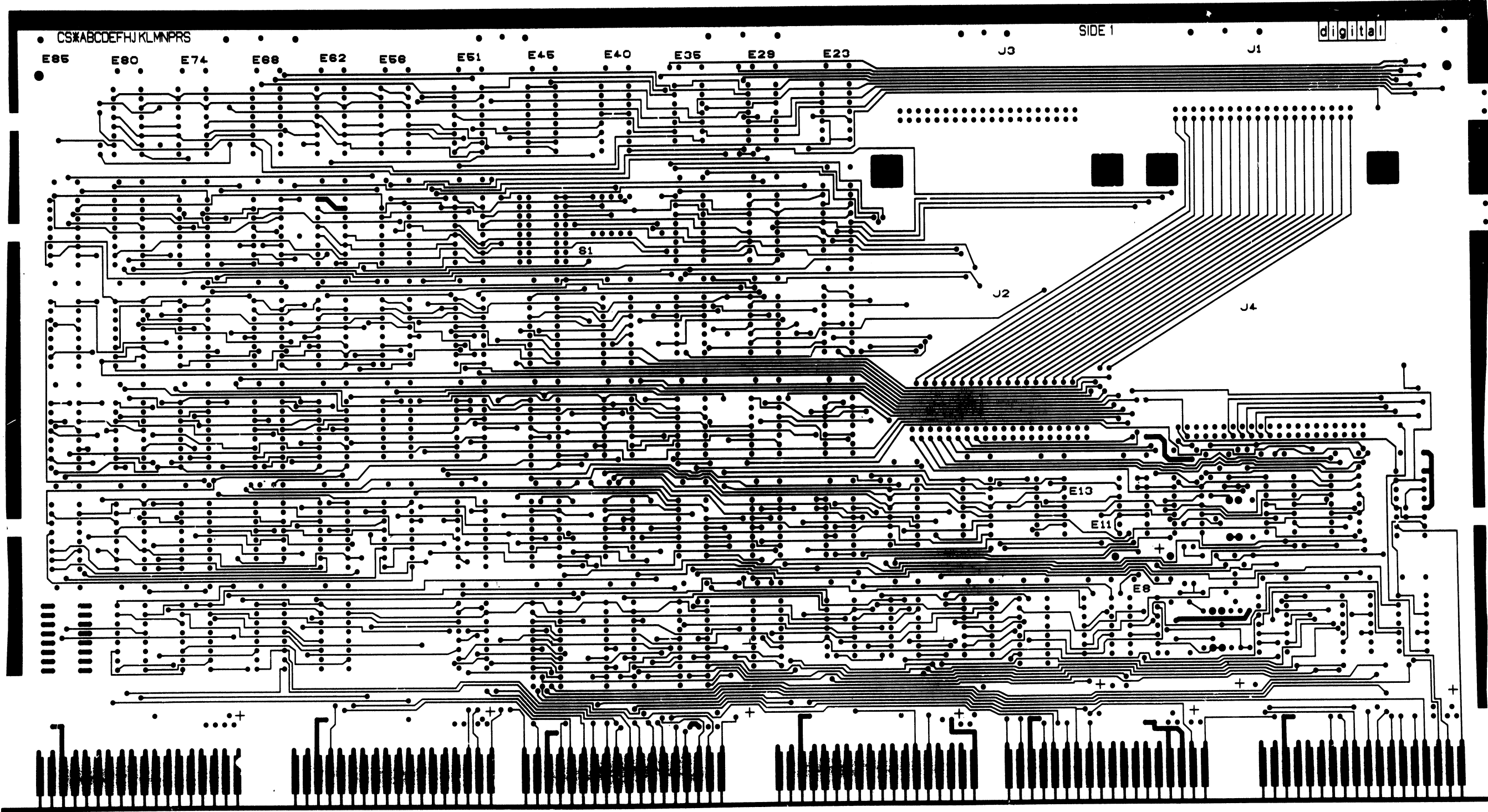
1

THIS DRAWING AND SPECIFICATIONS HEREIN ARE THE PROPERTY OF DIGITAL EQUIPMENT CORPORATION, AND SHALL NOT BE REPRODUCED OR COPIED OR USED IN WHOLE OR IN PART AS THE BASIS FOR THE MANUFACTURE OF ANY OF THE PRODUCTS OF DIGITAL EQUIPMENT CORPORATION WITHOUT WRITTEN PERMISSION.



M8158 5012647C-P1

LAYER 1



REVISIONS		
CHK	CHANGE NO	REV

TITLE	MKII ADDRESS BUFFER	SIZE CODE	DUA	NUMBER	M8158-0-0	REV.	B
SCALE	2/1	SHEET	2	OF	6	DIST.	

8

7

6

5

4

3

2

1

8

L2

7

6

5

4

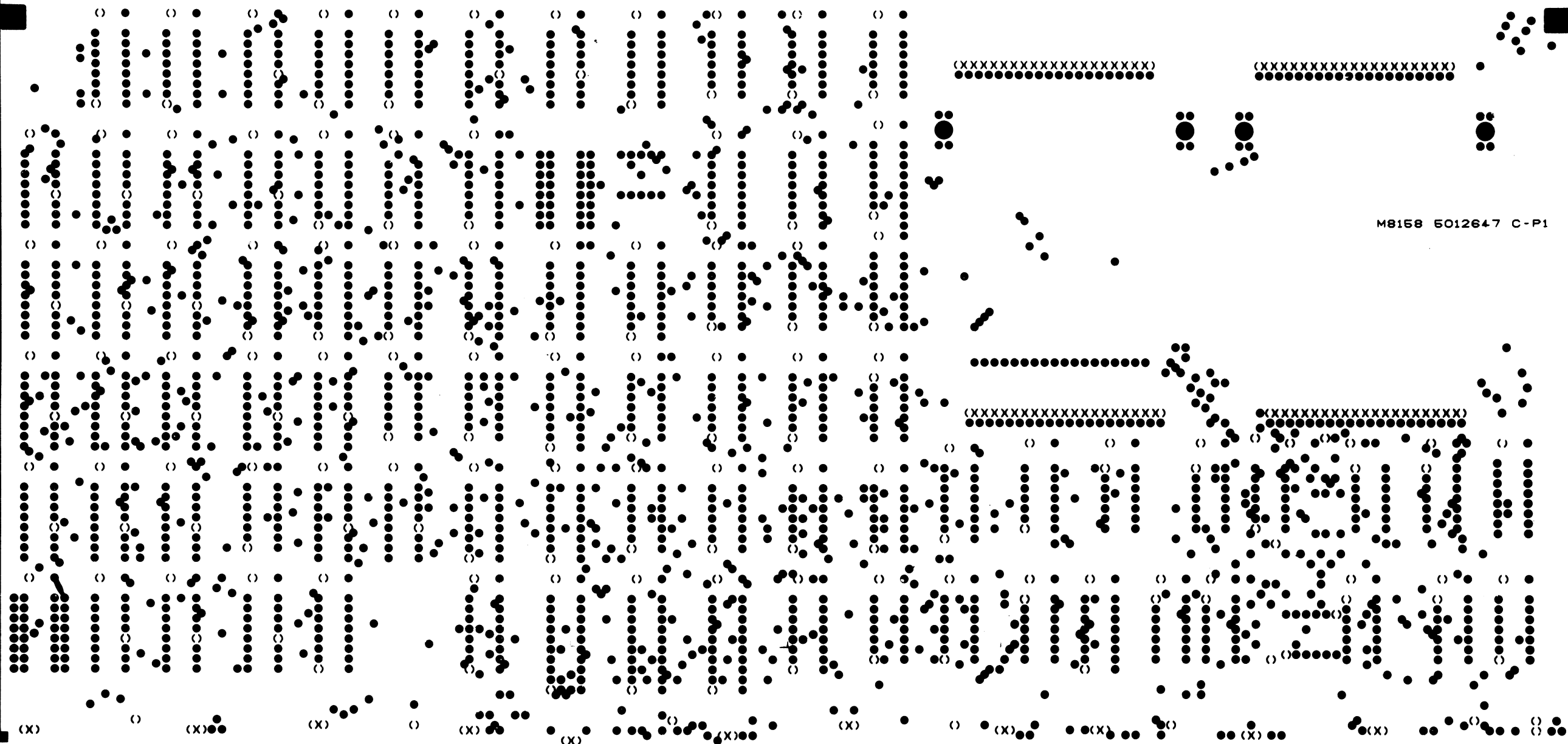
3

0-0-818W DUA 2

1

© 1978

LAYER 2



(XXXXXXXXXXXXXXXXXXXX)

(XXXXXXXXXXXXXXXXXXXX)

M8158 5012647 C-P1

(XXXXXXXXXXXXXXXXXXXX)

(XXXXXXXXXXXXXXXXXXXX)

(X)

(X)

(X)

(X)

(X)

(X)

(X)

(X)

(X)

(X)

(X)

(X)

REVISIONS		
CHK	CHANGE NO	REV

TITLE	MK11 ADDRESS BUFFER	SIZE CODE	DUA	NUMBER	M8158-0-0	REV.	B
SCALE	2/1	SHEET	3	OF	6	DIST.	

8

7

6

5

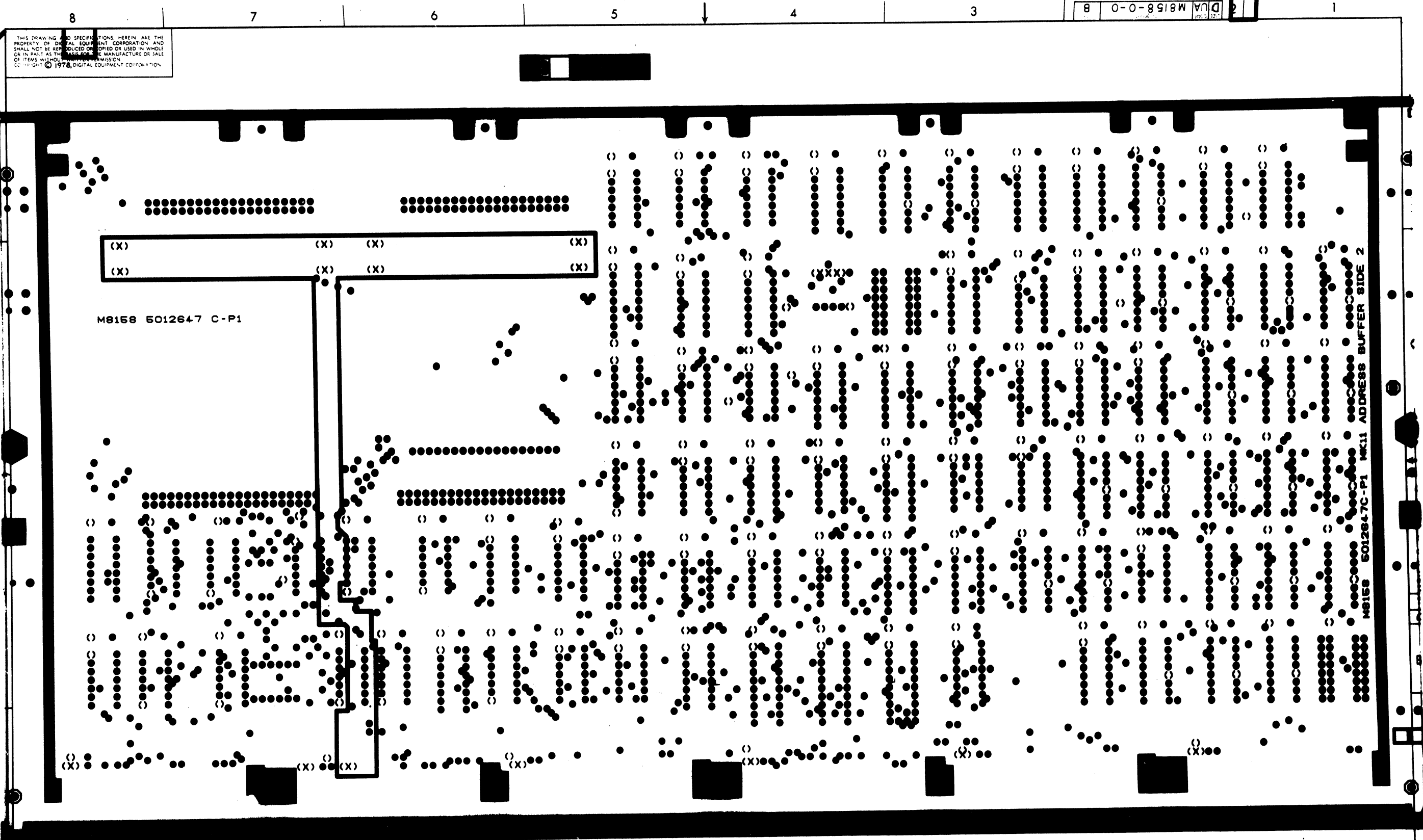
4

3

2

1

THIS DRAWING AND SPECIFICATIONS HEREIN ARE THE PROPERTY OF DIGITAL EQUIPMENT CORPORATION AND SHALL NOT BE REPRODUCED OR COPIED OR USED IN WHOLE OR IN PART AS THE BASIS FOR THE MANUFACTURE OR SALE OF ITEMS WITHOUT WRITTEN PERMISSION. COPYRIGHT © 1978, DIGITAL EQUIPMENT CORPORATION.



(X) (X) (X) (X)  
(X) (X) (X) (X)

M8158 5012647 C-P1

M8158 5012647C-P1 MK11 ADDRESS BUFFER SIDE 2

REVISIONS			TITLE	SIZE CODE	NUMBER	REV.
CHK	CHANGE NO	REV				
			MK11 ADDRESS BUFFER	DUA	M8158-0-0	B
			SCALE 2/1	SHEET 4 OF 6	DIST.	

8

7

6

5

4

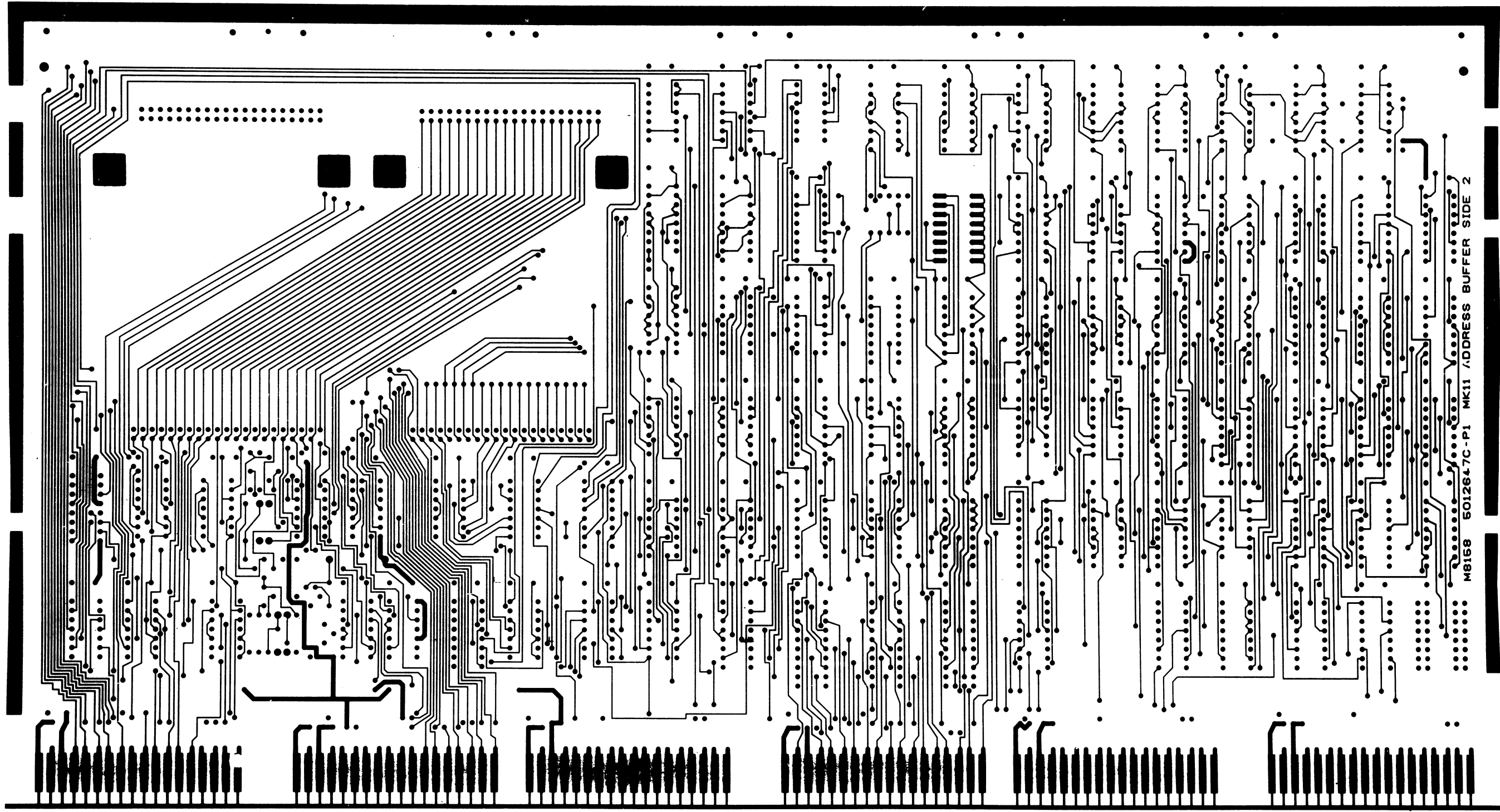
3

8 0-0-8918W DVA 2

1

THIS DRAWING AND SPECIFICATIONS HEREIN ARE THE PROPERTY OF DIGITAL EQUIPMENT CORPORATION, AND SHALL NOT BE REPRODUCED OR USED IN WHOLE OR IN PART AS THE BASIS FOR THE MANUFACTURE OF SALE ITEMS WITHOUT THE WRITTEN PERMISSION OF DIGITAL EQUIPMENT CORPORATION.

4 A34AJ

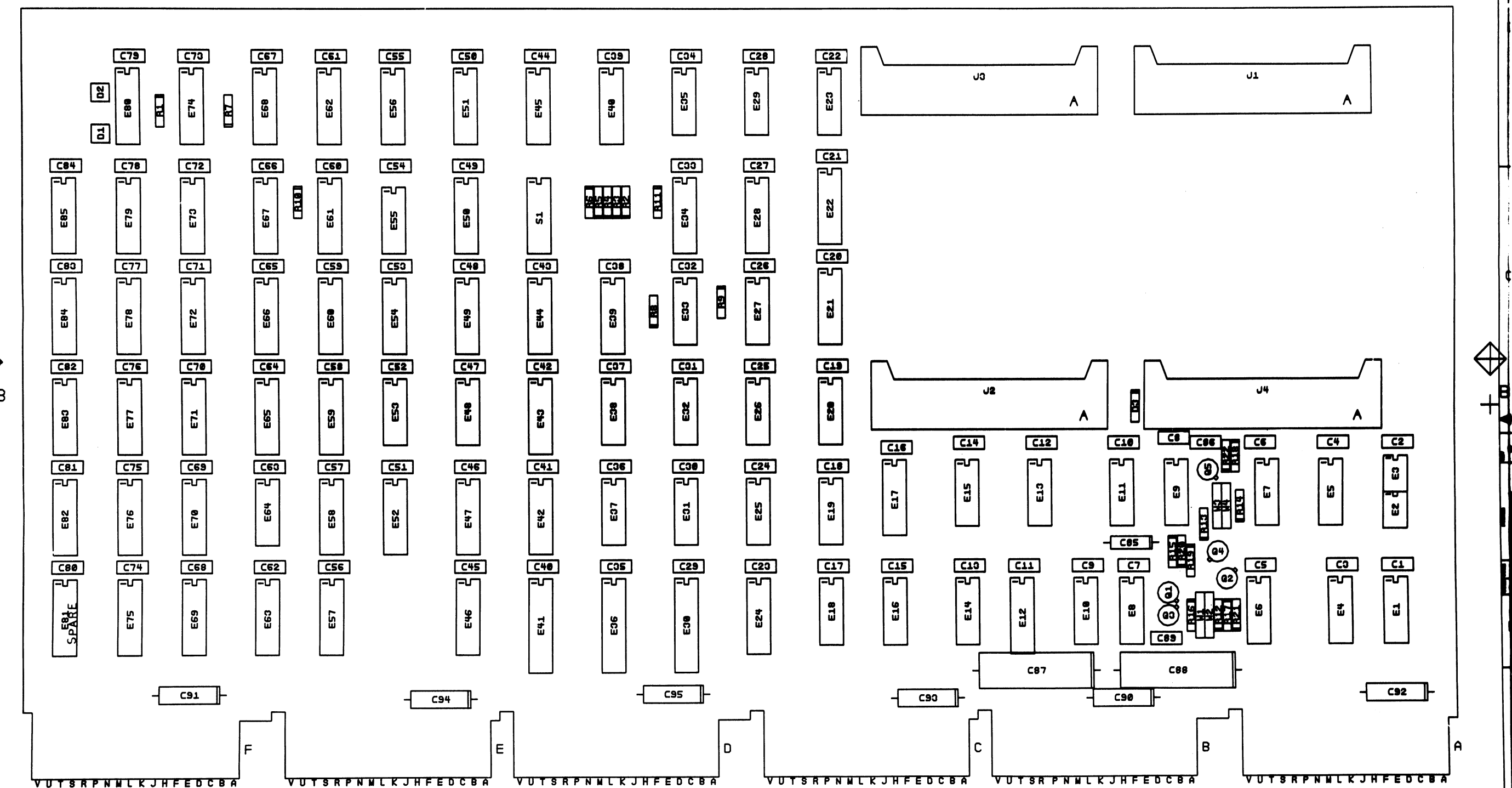


M8158 5012647C-P1 MK11 ADDRESS BUFFER SIDE 2

REVISIONS		
CHK	CHANGE NO	REV

TITLE	MK11 ADDRESS BUFFER	SIZE CODE	DVA	NUMBER	M8158-0-0	REV.	B
SCALE	2/1	SHEET	5 OF 6	DIST.			

FOR OFFICE USE ONLY  
 DATE: 11-23-77  
 BY: [Signature]



NOTES:

---



---



---



---



---

CHG	NO	REV

SIGNATURES		DATE	digital
DRN. <i>Henry F. [Signature]</i>		11-23-77	
CHK' <i>D. D. [Signature]</i>		11-30-77	TITLE
ENG.			
PROJ. ENG.			SIZE CODE NUMBER REV
PROD.			
SCALE 2:1			
SHT. 6 OF 6			
NEXT HIGHER ASSY. B-DD-M8158-0			

# DIGITAL EQUIPMENT CORPORATION PARTS LIST

NOTES:  
*USED ON: OPTION/MODEL  
MK11*

MADE BY JOAN ROGERS DATE 19 APR 77	CHECKED S. TUTTLE DATE 12 JUL 77	SECTION 1
ENG <i>D. H. Amaker</i> DATE 10/26/77	PROD <i>Ra Hill</i> DATE 26 Oct '77	ISSUED SECTION 1

104690																			
--------	--	--	--	--	--	--	--	--	--	--	--	--	--	--	--	--	--	--	--

ITEM NO.	DRAWING NO.	PART NO.	DESCRIPTION																	REF DESIGNATION	
	D-CS-M8158-0-1		CIRCUIT SCHEMATIC	REF																	
	D-UA-M8158-0-0		UNIT ASSEMBLY	REF																	
	B-DD-M8158-0		DWG DIRECTORY	REF																	
	D-MD-5012647-0-0		DRILL & ETCH DRAWING	REF																	
1		5012647	ETCH BOARD	1																	
2		1000064	CAP 3.9UF. 10V, 10%	TANT	1																C85
3		1001610-01	CAP .01UF, 100V	DISK	84																C1 thru C84
4		1010274-00	CAP .22UF. 50V	CER	1																C89
5		1011683-00	CAP .022UF. 50V. 10%	CER	1																C86
6		1012084-01	CAP 8UF. 25V	AL	6																C90 thru C95
7		1012219-00	CAP 47UF, 30V	AL	2																C87, C88
8		1105275-00	DIODE D672		1																D3
9		1110324-00	DIODE LED		2																D1, D2
10		1209941-02	CONN 40 PIN		4																J1, J2, J3, J4
11		1210711-02	HANDLE (HEX)		1																
12		1211164-04	SWITCH (DI?) 8 POSITION		1																S1
13		1300250-00	RES 150, 1/4W, 5%	CC	1																R15
14		1300271-00	RES 220, 1/4W, 5%	CC	2																R1, R7
15		1300316-00	RES 470, 1/4W, 5%	CC	1																R8
16		1300426-00	RES 2.7K, 1/4W, 5%	CC	2																R9, R10
17		1300447-00	RES 4.7K, 1/4W, 5%	CC	6																R2, R3, R4, R5, R6, R11

E.C.O. NO. 10001

*THIS DRAWING AND SPECIFICATIONS, HEREIN, ARE THE PROPERTY OF DIGITAL EQUIPMENT CORPORATION AND SHALL NOT BE REPRODUCED OR COPIED OR USED IN WHOLE OR IN PART AS THE BASIS FOR THE MANUFACTURE OR SALE OF ITEMS WITHOUT WRITTEN PERMISSION. COPYRIGHT © 1977 DIGITAL EQUIPMENT CORPORATION*	TITLE MK11 ADDRESS BUFFER	ASSY NO. D-UA-M8158-0-0 SHEET 1 OF 3	SIZE <b>B</b>	CODE <b>PL</b>	NUMBER M8158-0-0	REV. <b>B</b>
---	------------------------------	--	------------------	-------------------	---------------------	------------------

INSERTION PARTS LIST DATA BASE REV

# DIGITAL EQUIPMENT CORPORATION PARTS LIST

MADE BY DATE	JOAN ROGERS 19 APR 77	CHECKED DATE	S. TUTTLE 12 JUL 77
SECTION	1	ISSUED SECTION	1

ENG DATE	D. W. Fisher 10/26/77	PROD DATE	R. A. Hill 26 OCT '77
-------------	--------------------------	--------------	--------------------------

QUANTITY / VARIATION											
104690											

NOTES:  
*USED ON: OPTION/MODEL  
MK11*

ITEM NO.	DRAWING NO.	PART NO.	DESCRIPTION	CC	QTY	VAR	UNIT	REF	DESIGNATION
18		1300479-00	RES 10K. 1/4W, 5%	CC	1				R20
19		1301424-00	RES 680, 1/4W, 5%	CC	2				R17, R18
20		1302388-00	RES 2K. 1/4W, 5%	CC	2				R21, R22
21		1302391-00	RES 20K. 1/4W, 5%	CC	2				R12, R14
22		1303177-00	RES 2.4K, 1/4W, 5%	CC	2				R19, R16
23		1503409-00	TRANS. DEC 6534D PNP		2				Q2, Q4
24		1509338-00	TRANS. DEC 6531B NPN		3				Q1, Q3, Q5
25		1300305-00	RES 1K 1/4W, 5%		1				R13
26		1909932-01	DEC I.C. 7483A		10				E58, E69, E70, E72, E73, E76, E77, E79, E83, E84
27		1909955-00	DEC I.C. 7412		1				E33
28		1912819-00	DEC I.C. 74LS42		1				E39
29		1910091-00	DEC I.C. 7437		2				E55, E23
30		1912828-00	DEC I.C. 74LS85		1				E44
31		1910532-00	DEC I.C. 74S00		1				E38
32		1910534-00	DEC I.C. 74S04		6				E29, E31, E35, E48, E53, E64
33		1910542-00	DEC I.C. 74S64		2				E26, E37
34		1910544-00	DEC I.C. 74S74		2				E25, E27
35		1910547-00	DEC I.C. 74S153		7				E21, E22, E24, E28, E50, E54, E61
36		1910548-00	DEC I.C. 74S157		1				E34
37		1910549-00	DEC I.C. 74S158		1				E47
38		1910645-00	DEC I.C. 75452		2				E2, E3

E.C.O. NO. \_\_\_\_\_

"THIS DRAWING AND SPECIFICATIONS, HEREIN, ARE THE PROPERTY OF DIGITAL EQUIPMENT CORPORATION AND SHALL NOT BE REPRODUCED OR COPIED OR USED IN WHOLE OR IN PART AS THE BASIS FOR THE MANUFACTURE OR SALE OF ITEMS WITHOUT WRITTEN PERMISSION. COPYRIGHT © 1977 DIGITAL EQUIPMENT CORPORATION"	TITLE <b>MK11 ADDRESS BUFFER</b>	ASSY NO. D-UA-M8156-0-0	SIZE <b>B</b>	CODE <b>PL</b>	NUMBER M8158-0-0	REV. <b>B</b>
---	-------------------------------------	----------------------------	------------------	-------------------	---------------------	------------------

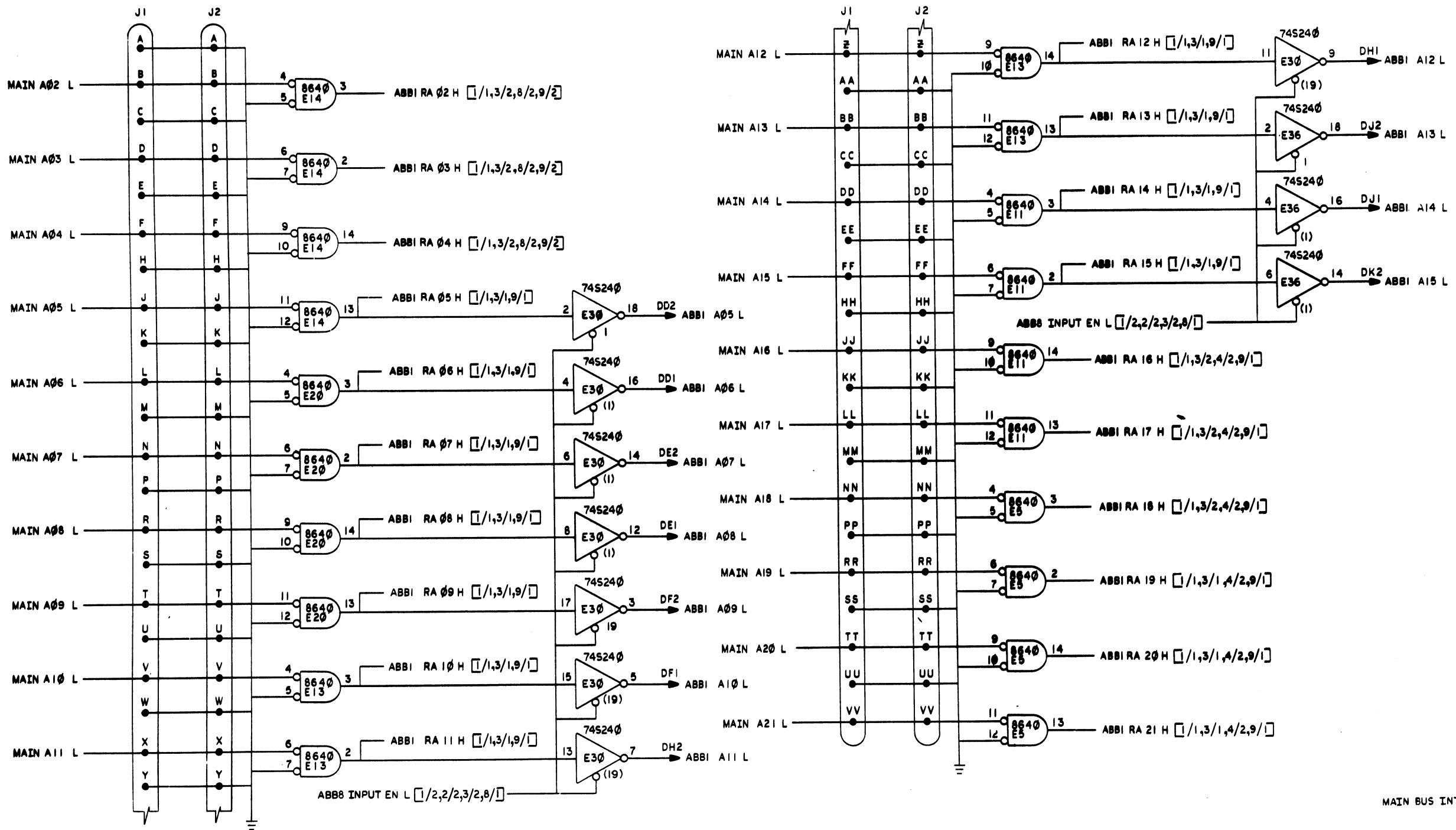
SHEET 2 OF 3      INSERTION PARTS LIST DATA BASE REV





1977

1-0-918W

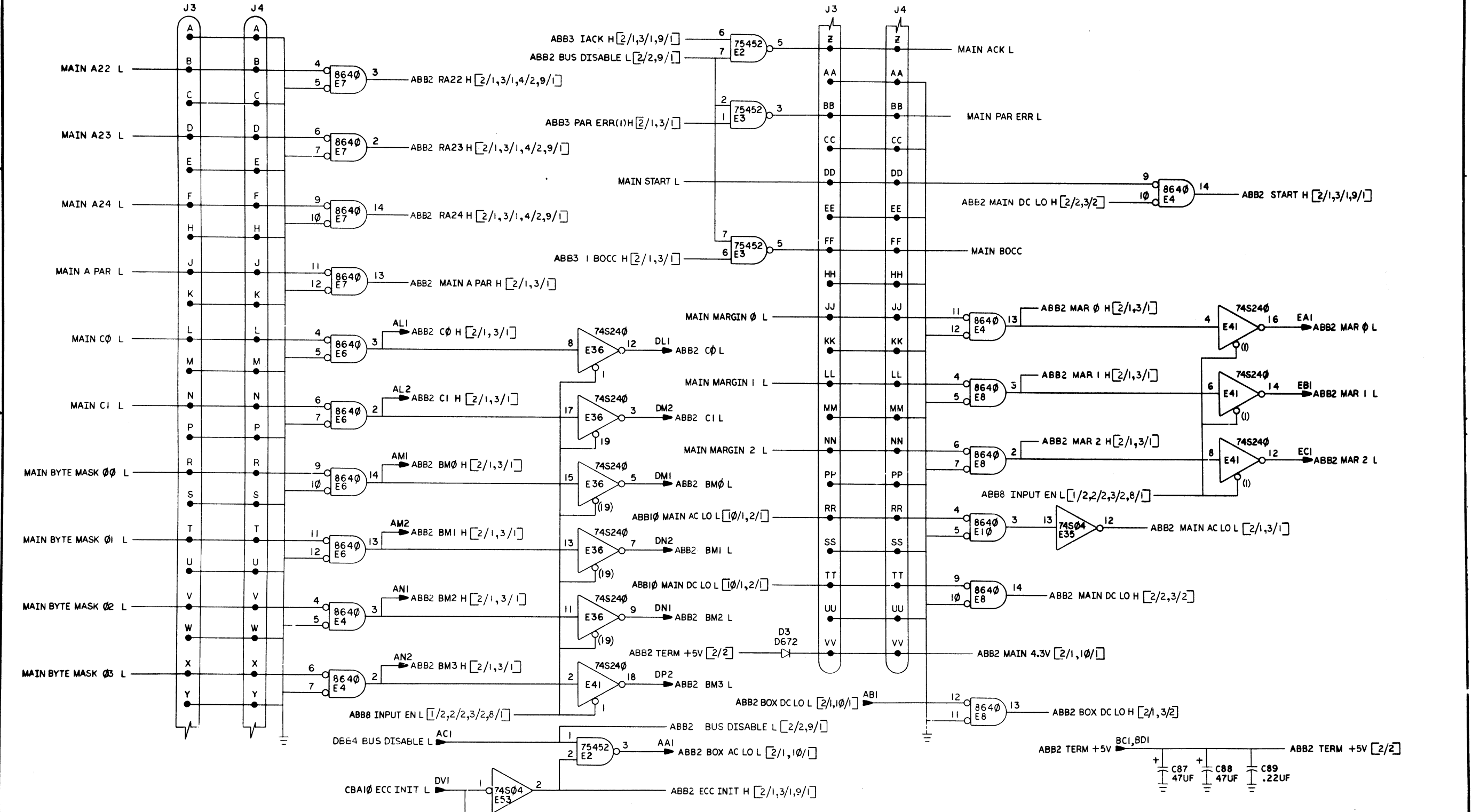


MAIN BUS INTERFACE

DESIGNED BY	CHKD BY
DRAWN BY	ENG. BY
DATE	PROJ. ENG.
	PROD. R. D.
	NEXT HIGHER ASSY.
	B-DD-M8158-0
	SCALE
	SHEET

DRN.	7-24-77	FINISH USED ON	20-0000
CHKD.	10-24-77	TITLE	MKII ADDRESS BUFFER (ABBI)
ENG.	10-31-77	SIZE	D CS
PROJ. ENG.	10-24-77	NUMBER	M8158-0-1
PROD. R. D.	10-26-77	REV.	B
NEXT HIGHER ASSY.		SCALE	
B-DD-M8158-0		SHEET	1 OF 10

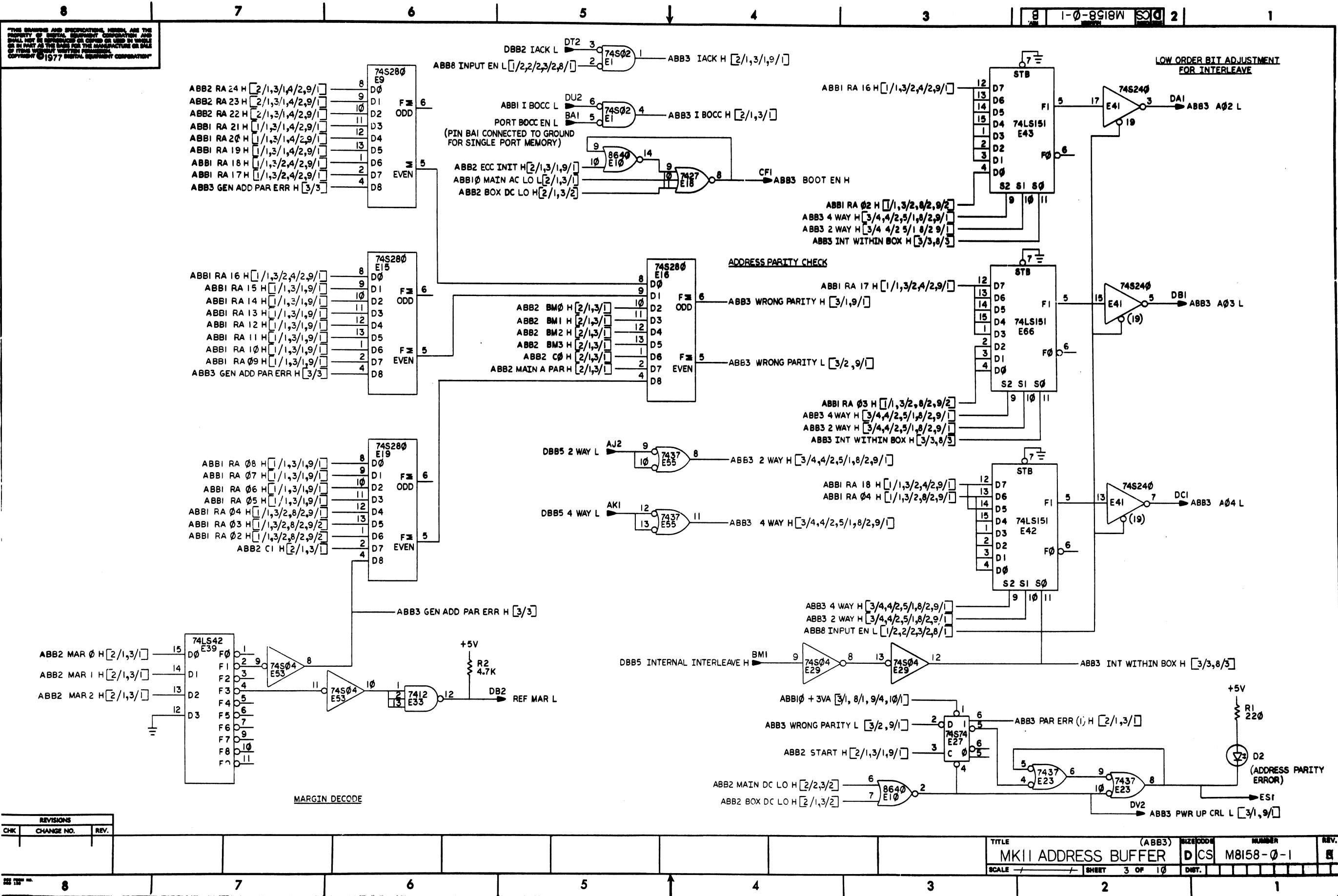
"THE DRAWING AND SPECIFICATIONS HEREIN ARE THE PROPERTY OF BENTON ELECTRONIC CORPORATION AND SHALL NOT BE REPRODUCED OR COPIED OR USED IN WHOLE OR IN PART AS THE BASIS FOR THE MANUFACTURE OR SALE OF ITEMS WITHOUT WRITTEN PERMISSION. COPYRIGHT © 1977 BENTON ELECTRONIC CORPORATION"



REVISIONS		
CHK	CHANGE NO.	REV.

TITLE	(ABB2)	SIZE CODE	NUMBER	REV.
MK11 ADDRESS BUFFER	D CS	M8158-0-1	B	
SCALE	SHEET 2 OF 10	DIST.		

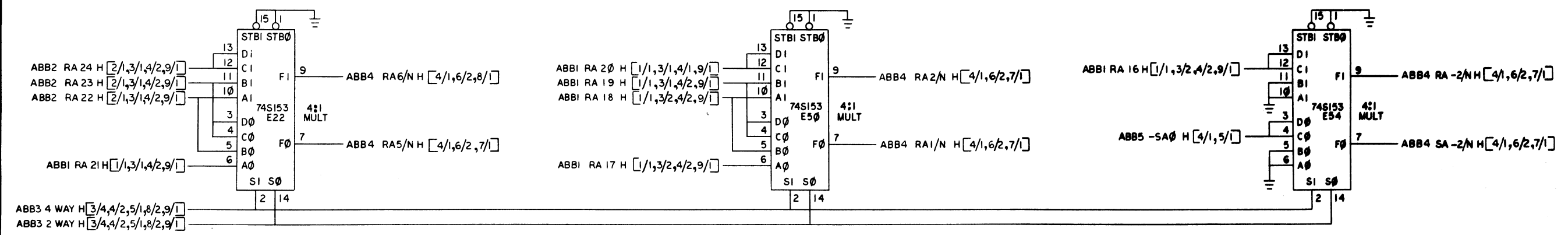
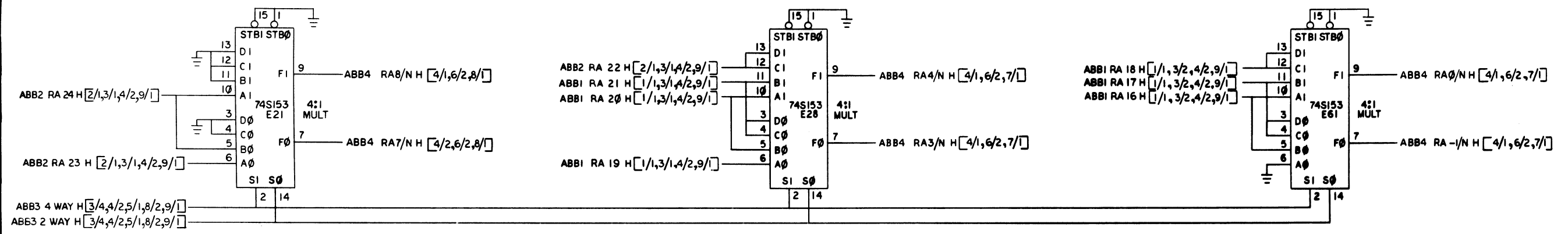
THIS DRAWING AND SPECIFICATIONS, HEREIN, ARE THE PROPERTY OF DIGITAL EQUIPMENT CORPORATION AND SHALL NOT BE REPRODUCED OR COPIED IN WHOLE OR IN PART OR IN ANY MANNER FOR THE MANUFACTURE OR SALE OF ITEMS WITHOUT WRITTEN PERMISSION. COPYRIGHT © 1977 DIGITAL EQUIPMENT CORPORATION



REVISIONS		
CHK	CHANGE NO.	REV.

TITLE	(ABB3)	SIZE CODE	NUMBER	REV.
MKII ADDRESS BUFFER	D CS	M8158-0-1	3 OF 10	5
SCALE	SHEET	DWT.		

THIS DRAWING AND SPECIFICATIONS HEREIN ARE THE PROPERTY OF DIGITAL EQUIPMENT CORPORATION AND SHALL NOT BE REPRODUCED OR COPIED OR USED IN WHOLE OR IN PART AS THE BASIS FOR THE MANUFACTURE OR SALE OF ITEMS WITHOUT WRITTEN PERMISSION. COPYRIGHT © 1977 DIGITAL EQUIPMENT CORPORATION

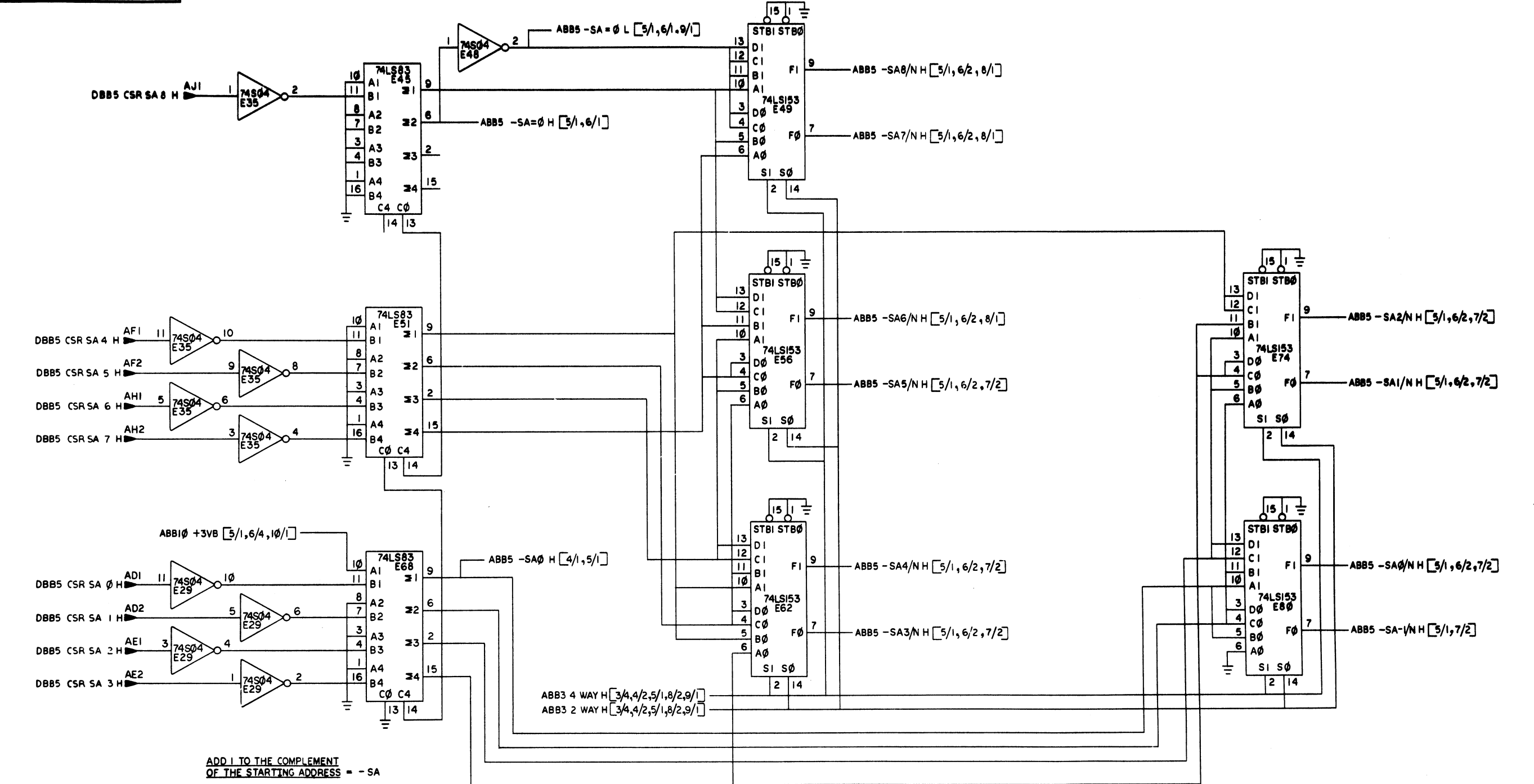


DIVIDE RAW (MAIN BUS) ADDRESS BY THE NUMBER OF WAYS EXTERNALLY INTERLEAVED

REVISIONS		
CHK	CHANGE NO.	REV.

TITLE	(ABB4) SIZE CODE	NUMBER	REV.
MKII ADDRESS BUFFER	D CS	M8158-0-1	B
SCALE	SHEET 4 OF 10	DWT.	

THIS DRAWING AND OPERATIONS HEREON ARE THE PROPERTY OF ABB. REPRODUCTION, DISTRIBUTION, OR SALE OF THIS DRAWING OR THE INFORMATION CONTAINED THEREIN IS STRICTLY PROHIBITED WITHOUT THE WRITTEN PERMISSION OF ABB. © 1977 ABB BROWN BOVENZI COMPANY



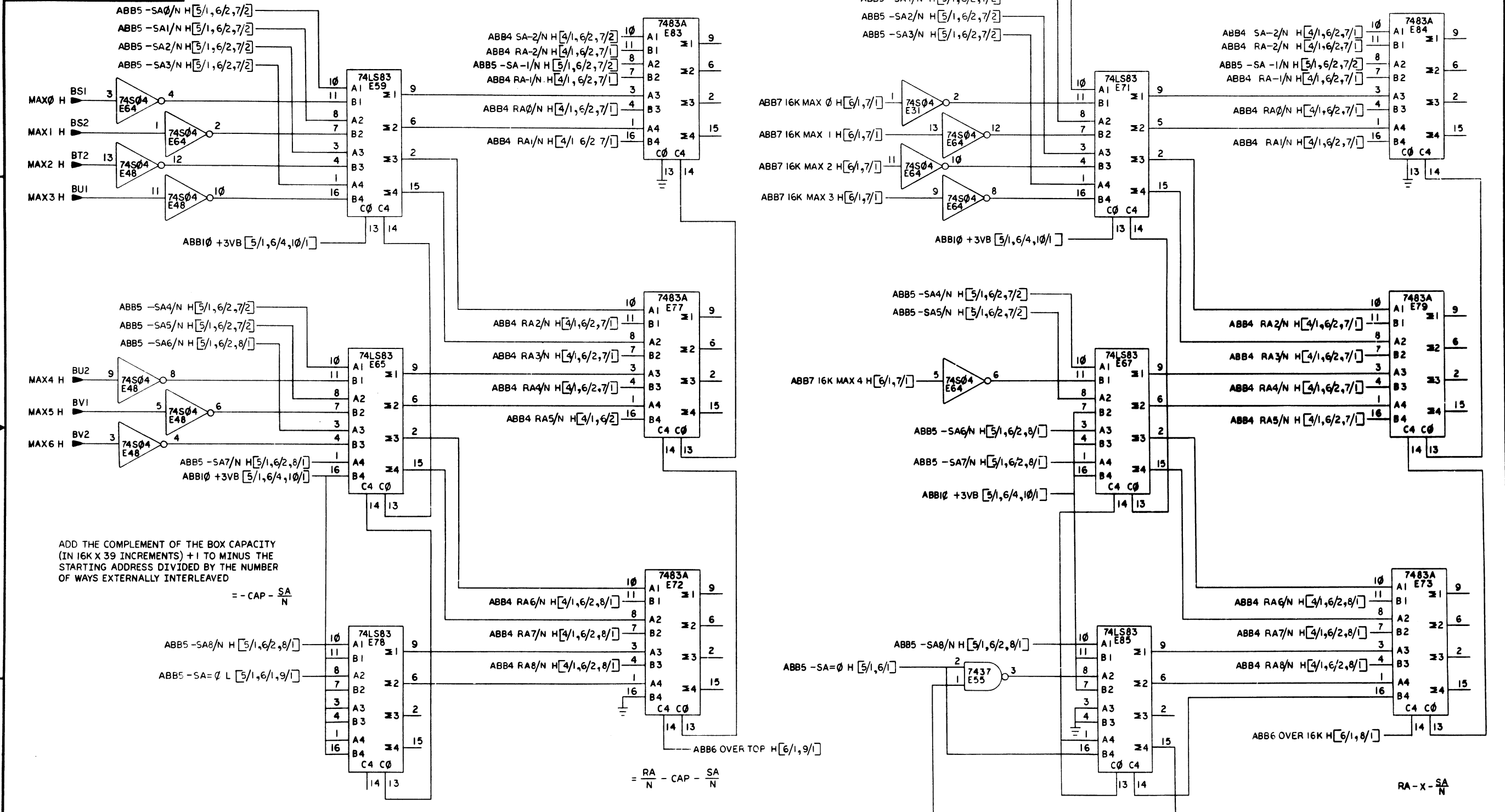
ADD 1 TO THE COMPLEMENT OF THE STARTING ADDRESS -- SA

DIVIDE -SA BY THE NUMBER OF WAYS EXTERNALLY INTERLEAVED -- SA/N

REVISIONS		
CHK	CHANGE NO.	REV.

TITLE	(ABB5)	SIZE/CODE	NUMBER	REV.
MKII ADDRESS BUFFER	D/CS	M8158-0-1		
SCALE	SHEET 5 OF 10	DWT.		

"THIS DRAWING AND SPECIFICATIONS HEREIN ARE THE PROPERTY OF DIGITAL EQUIPMENT CORPORATION AND SHALL NOT BE REPRODUCED OR COPIED OR USED IN WHOLE OR IN PART AS THE BASIS FOR THE MANUFACTURE OR SALE OF ITEMS WITHOUT WRITTEN PERMISSION. COPYRIGHT © 1977 DIGITAL EQUIPMENT CORPORATION"



ADD THE COMPLEMENT OF THE BOX CAPACITY (IN 16K X 39 INCREMENTS) + 1 TO MINUS THE STARTING ADDRESS DIVIDED BY THE NUMBER OF WAYS EXTERNALLY INTERLEAVED

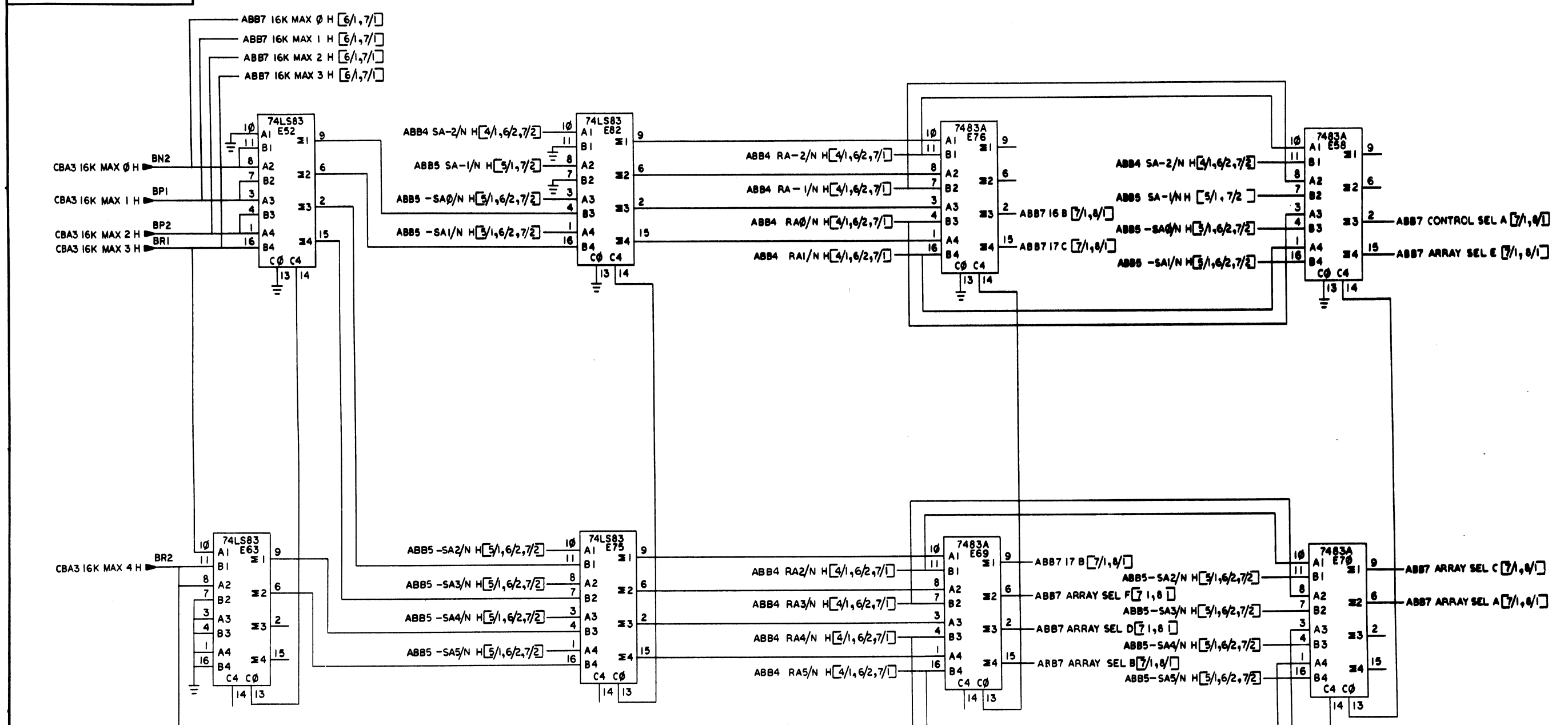
$$= -CAP - \frac{SA}{N}$$

ADD THE COMPLEMENT OF THE NUMBER OF 16K X 39 ARRAY (X) CARDS + 1 TO MINUS THE STARTING ADDRESS DIVIDED BY THE NUMBER OF WAYS EXTERNALLY INTERLEAVED = -X - SA/N

REVISIONS		
CHK	CHANGE NO.	REV.

TITLE	(ABB6) SIZE CODE	NUMBER	REV.
MKII ADDRESS BUFFER	D CS	M8158-01	B
SCALE	SHEET 6 OF 10	DIST.	

"THIS DRAWING AND SPECIFICATIONS HEREIN ARE THE PROPERTY OF DIGITAL EQUIPMENT CORPORATION AND SHALL NOT BE REPRODUCED OR COPIED OR USED IN WHOLE OR IN PART AS THE BASIS FOR THE MANUFACTURE OR SALE OF ITEMS WITHOUT WRITTEN PERMISSION. COPYRIGHT © 1977 DIGITAL EQUIPMENT CORPORATION"



MULTIPLY NUMBER OF 16K X 39 ARRAYS IN BOX BY 3 - 3X

ADD 3X TO MINUS STARTING ADDRESS DIVIDED BY NUMBER OF WAYS EXTERNALLY INTERLEAVED =  $3X - \frac{SA}{N}$

ADD  $3X - \frac{SA}{N}$  TO RAW ADDRESS DIVIDED BY NUMBER OF WAYS EXTERNALLY INTERLEAVED =  $\frac{RA}{N} + 3X - \frac{SA}{N}$

ADD MINUS STARTING ADDRESS DIVIDED BY N TO RAW ADDRESS DIVIDED BY N =  $\frac{RA}{N} - \frac{SA}{N}$

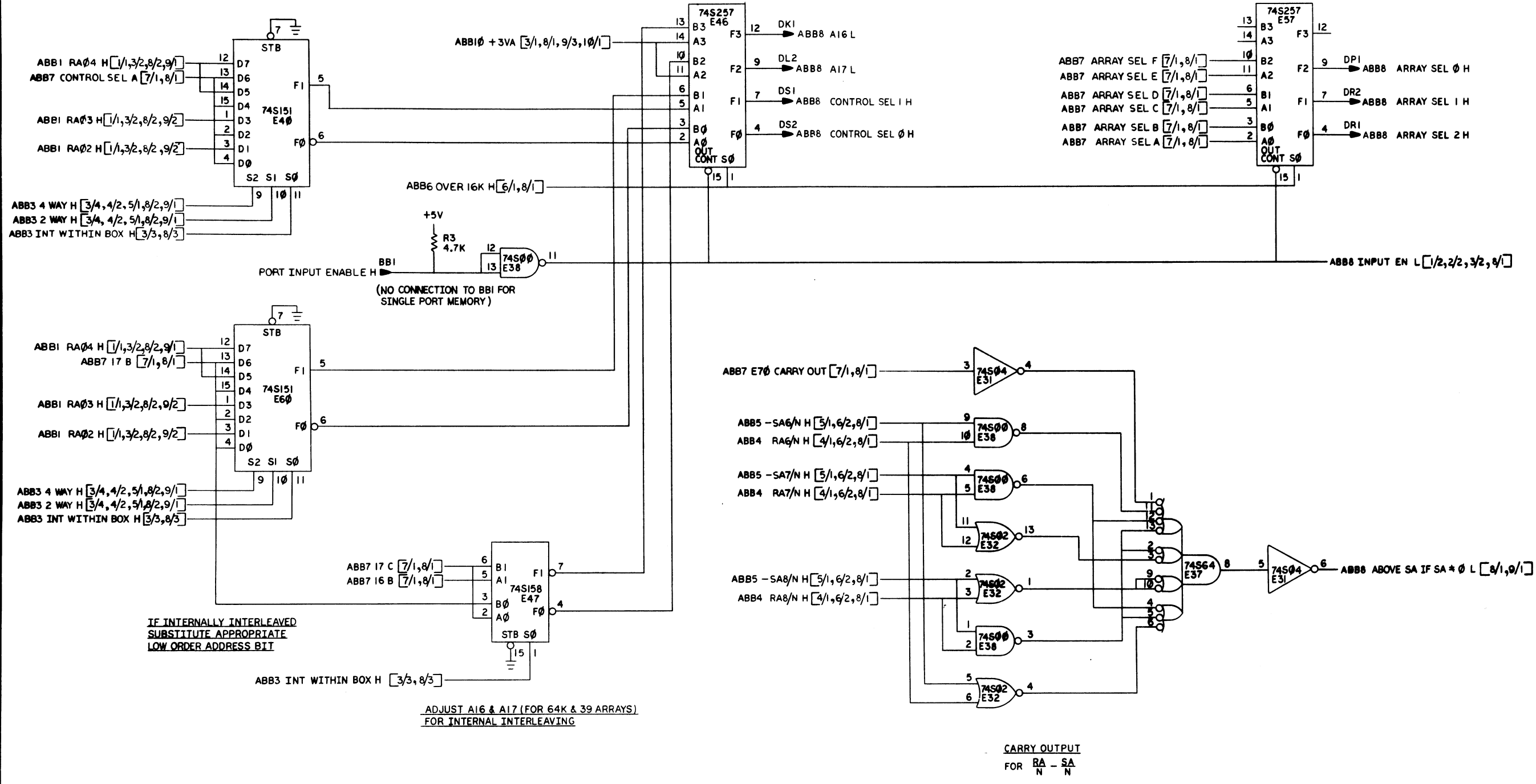
REVISIONS		
CHK	CHANGE NO.	REV.

TITLE	(ABB7)	SIZE CODE	NUMBER	REV.
MKII ADDRESS BUFFER	D CS	M8158-0-1	B	
SCALE	SHEET	7 OF 10	DMT.	



"THE DRAWING AND SPECIFICATIONS HEREIN ARE THE PROPERTY OF DIGITAL EQUIPMENT CORPORATION AND SHALL NOT BE REPRODUCED OR COPIED OR USED IN WHOLE OR IN PART AS THE BASIS FOR THE MANUFACTURE OR SALE OF ITEMS WITHOUT WRITTEN PERMISSION. COPYRIGHT © 1977 DIGITAL EQUIPMENT CORPORATION"

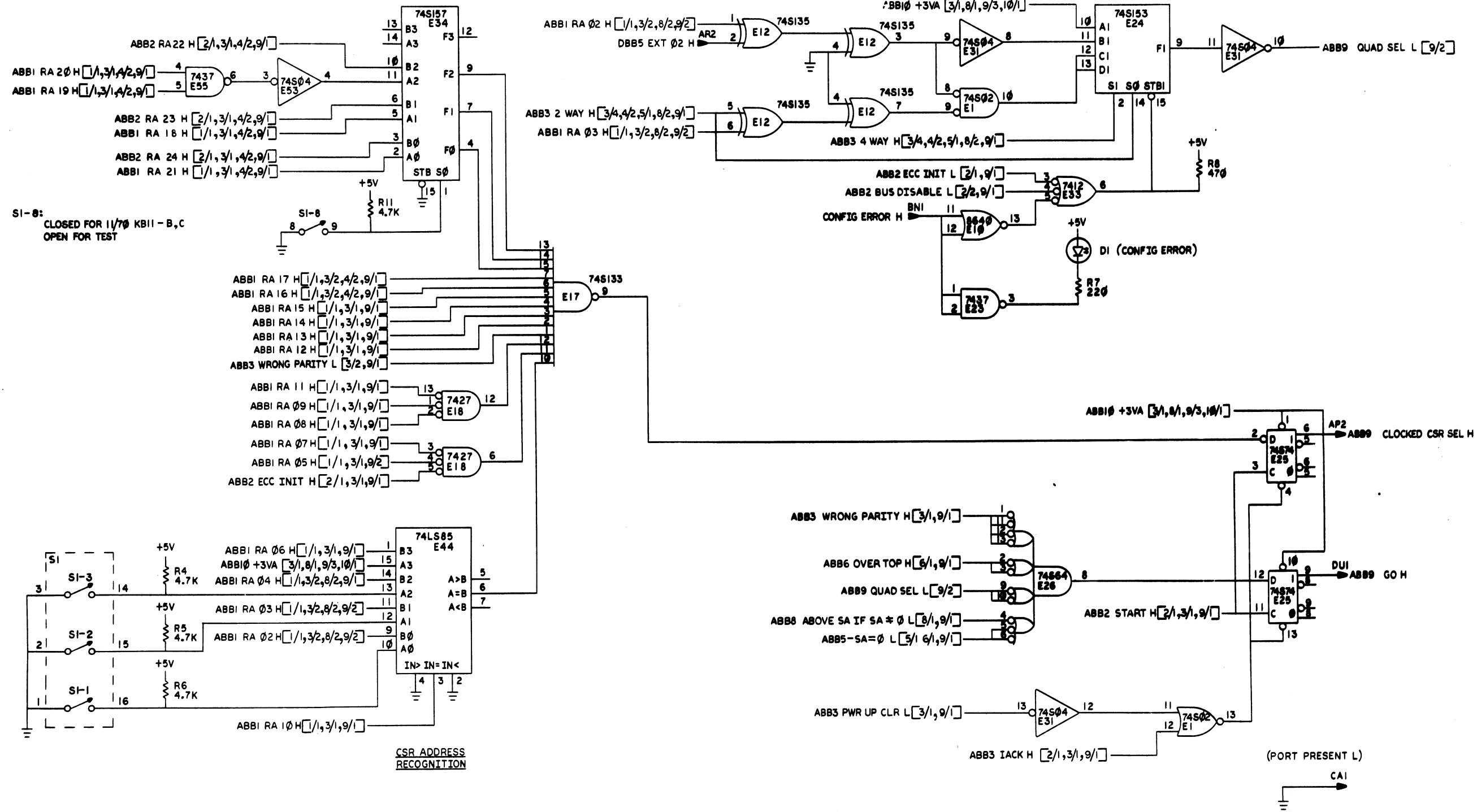
OUTPUT BOX NORMALIZED ADDRESS FOR CONTROLLER & ARRAY SELECTION



REVISIONS		
CHK	CHANGE NO.	REV.

THIS DRAWING AND SPECIFICATIONS HEREBY ARE THE PROPERTY OF MOTOROLA SEMICONDUCTOR CORPORATION AND SHALL BE KEPT IN CONFIDENTIALITY. NO PART OF THIS DRAWING OR SPECIFICATIONS OR ANY INFORMATION CONTAINED HEREIN IS TO BE REPRODUCED OR TRANSMITTED IN ANY FORM OR BY ANY MEANS, ELECTRONIC OR MECHANICAL, INCLUDING PHOTOCOPYING, RECORDING, OR BY ANY INFORMATION STORAGE AND RETRIEVAL SYSTEM, WITHOUT PERMISSION IN WRITING FROM MOTOROLA SEMICONDUCTOR CORPORATION.

LOW ORDER ADDRESS SELECTION FOR EXTERNAL INTERLEAVE

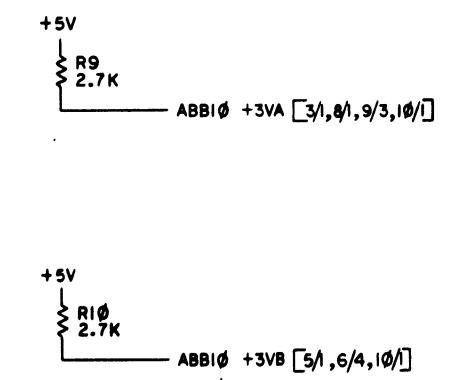
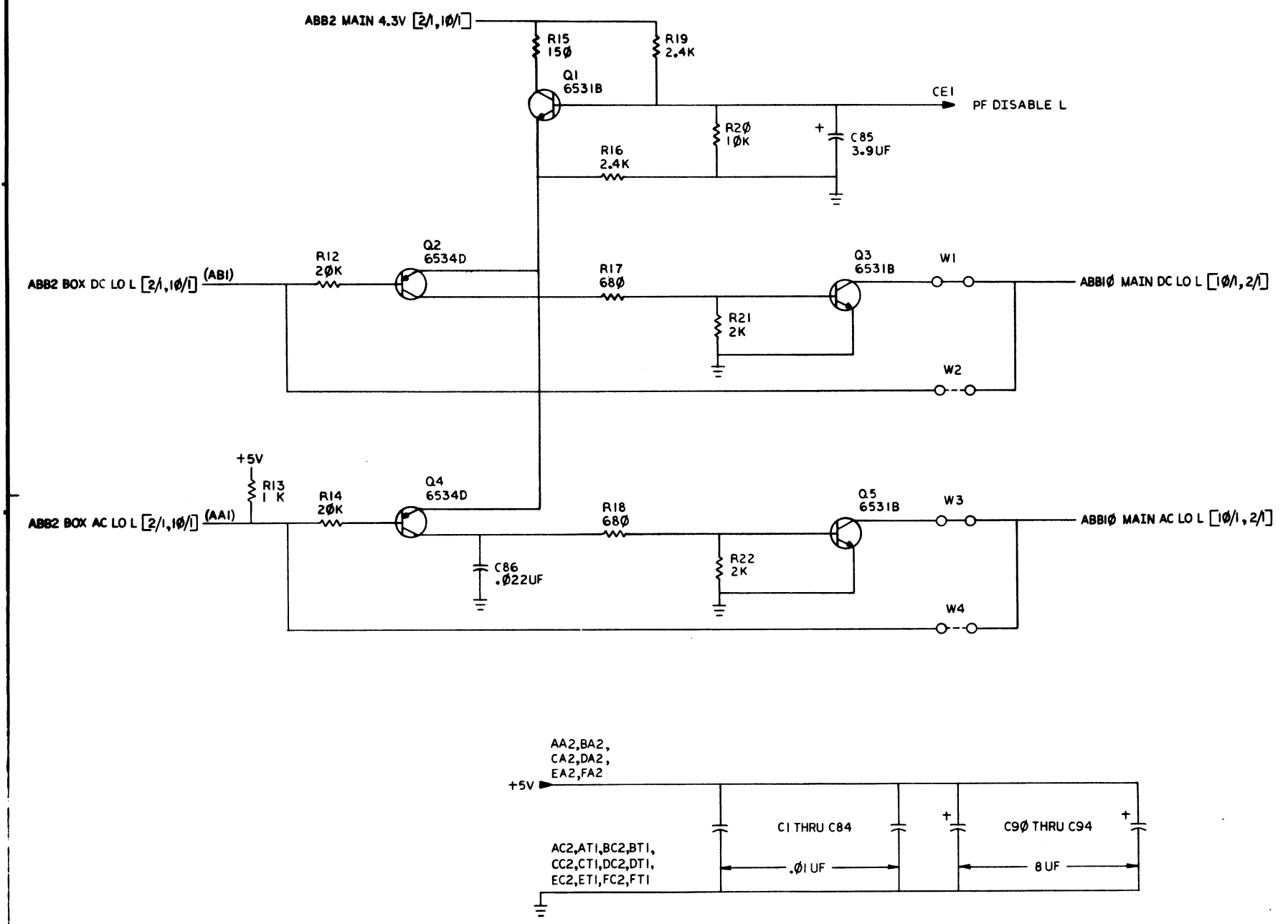


SI-8:  
CLOSED FOR 1/70 KBII-B,C  
OPEN FOR TEST

CSR ADDRESS RECOGNITION

REV. B	NUMBER M8158-0-1	SIZE CODE DCS	TITLE MKII ADDRESS BUFFER (ABB9)
SHEET 9 OF 10		SCALE	

THIS DRAWING AND SPECIFICATIONS HEREIN ARE THE PROPERTY OF DIGITAL EQUIPMENT CORPORATION AND SHALL NOT BE REPRODUCED OR COPIED OR USED IN WHOLE OR IN PART AS THE BASIS FOR THE MANUFACTURE OR SALE OF ITEMS WITHOUT WRITTEN PERMISSION. COPYRIGHT © 1977 DIGITAL EQUIPMENT CORPORATION



**SPARES**

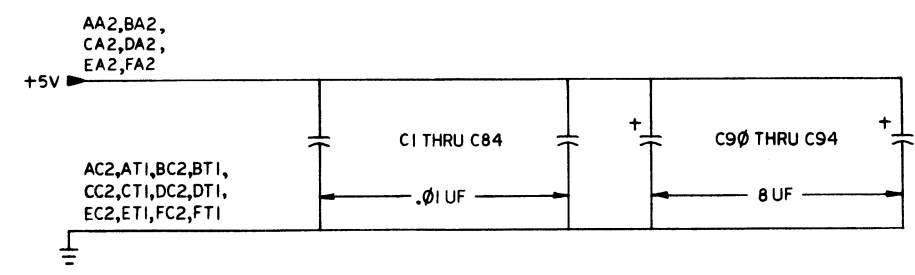
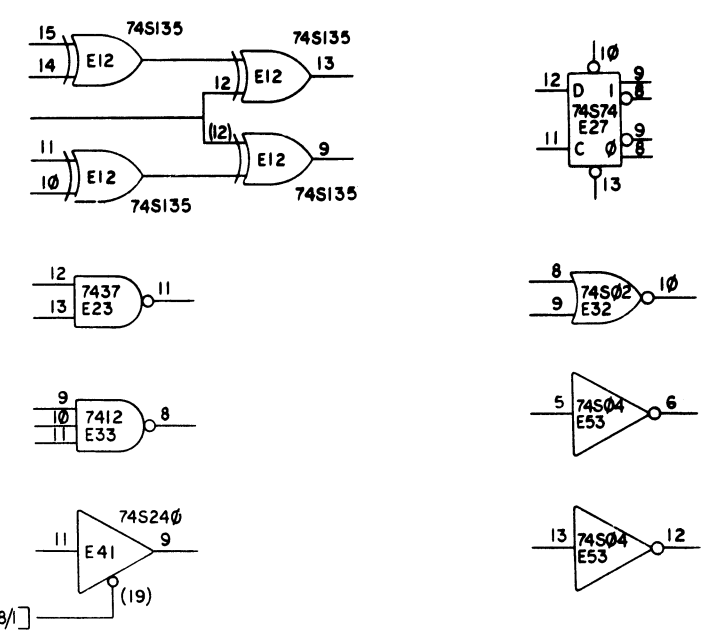
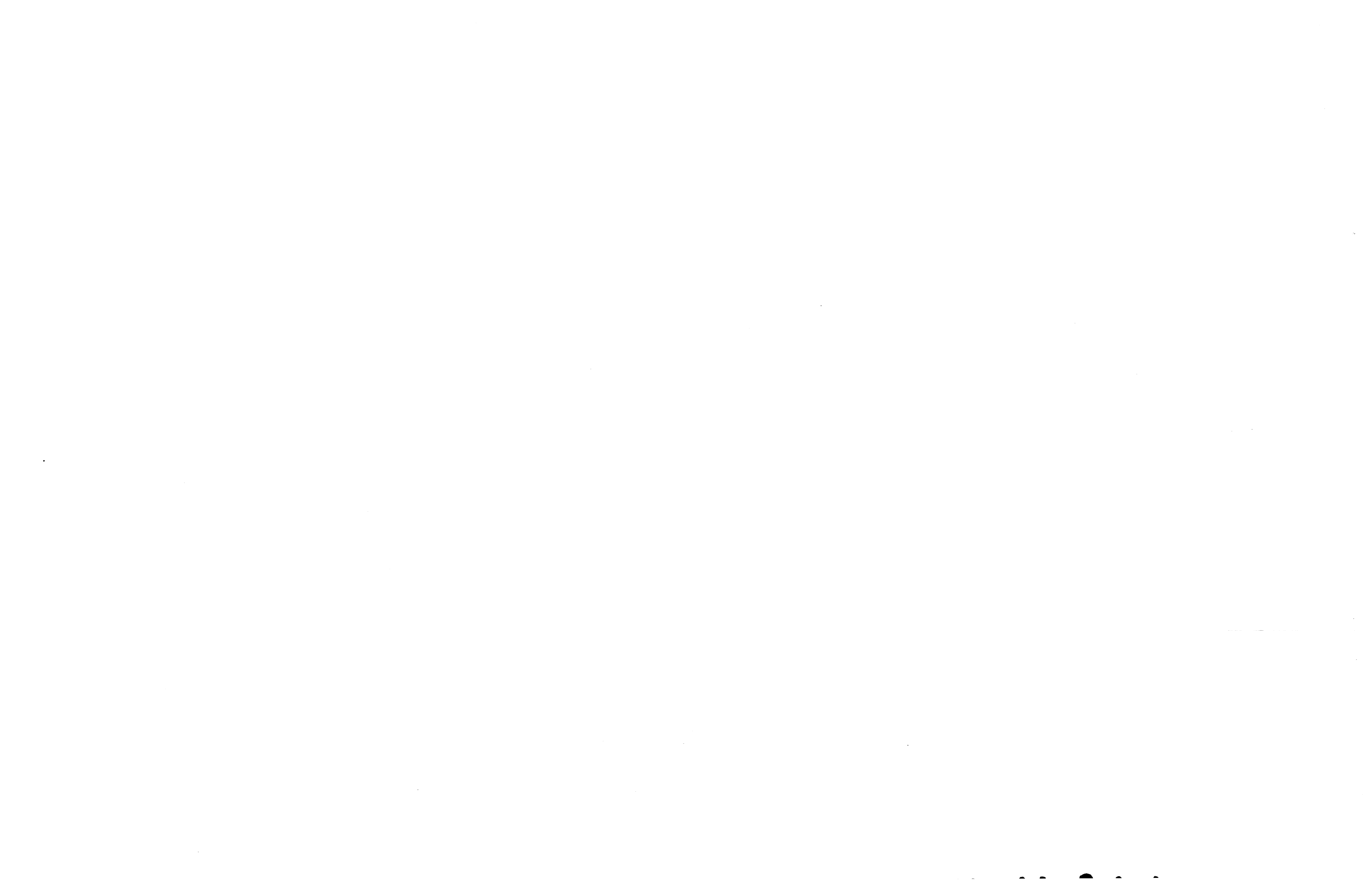


ABB8 INPUT EN L [1/2, 2/2, 3/2, 8/1]

REVISIONS		
CHK	CHANGE NO.	REV.

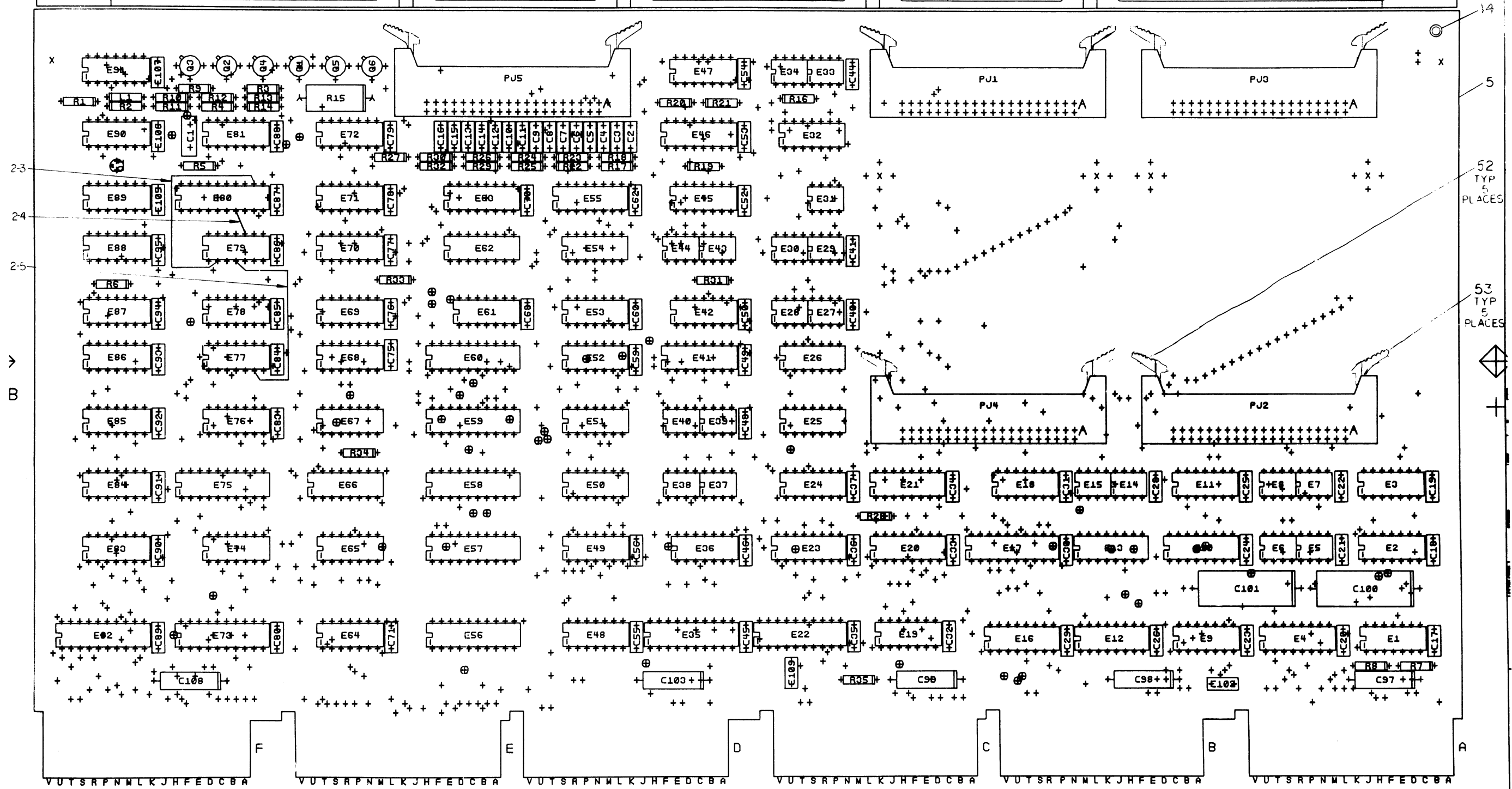






THIS DRAWING AND SPECIFICATIONS, HEREIN, ARE THE PROPERTY OF DIGITAL EQUIPMENT CORPORATION AND SHALL NOT BE REPRODUCED OR TRANSMITTED IN ANY FORM OR BY ANY MEANS, ELECTRONIC OR MECHANICAL, INCLUDING PHOTOCOPYING, RECORDING, OR BY ANY INFORMATION STORAGE AND RETRIEVAL SYSTEM, WITHOUT THE WRITTEN PERMISSION OF DIGITAL EQUIPMENT CORPORATION.

COMPONENT SIDE VIEW



52 TYP  
5 PLACES

53 TYP  
5 PLACES

NOTES:


CHECK CHANGE NO	REV	DATE
1	D	11/15/73
2	D	11/15/73
3	D	11/15/73
4	D	11/15/73
5	D	11/15/73
6	D	11/15/73
7	D	11/15/73
8	D	11/15/73
9	D	11/15/73
10	D	11/15/73

ETCH REV. E-P2
P.C. DESIGN DATA BASE REV. EL2 : EM2

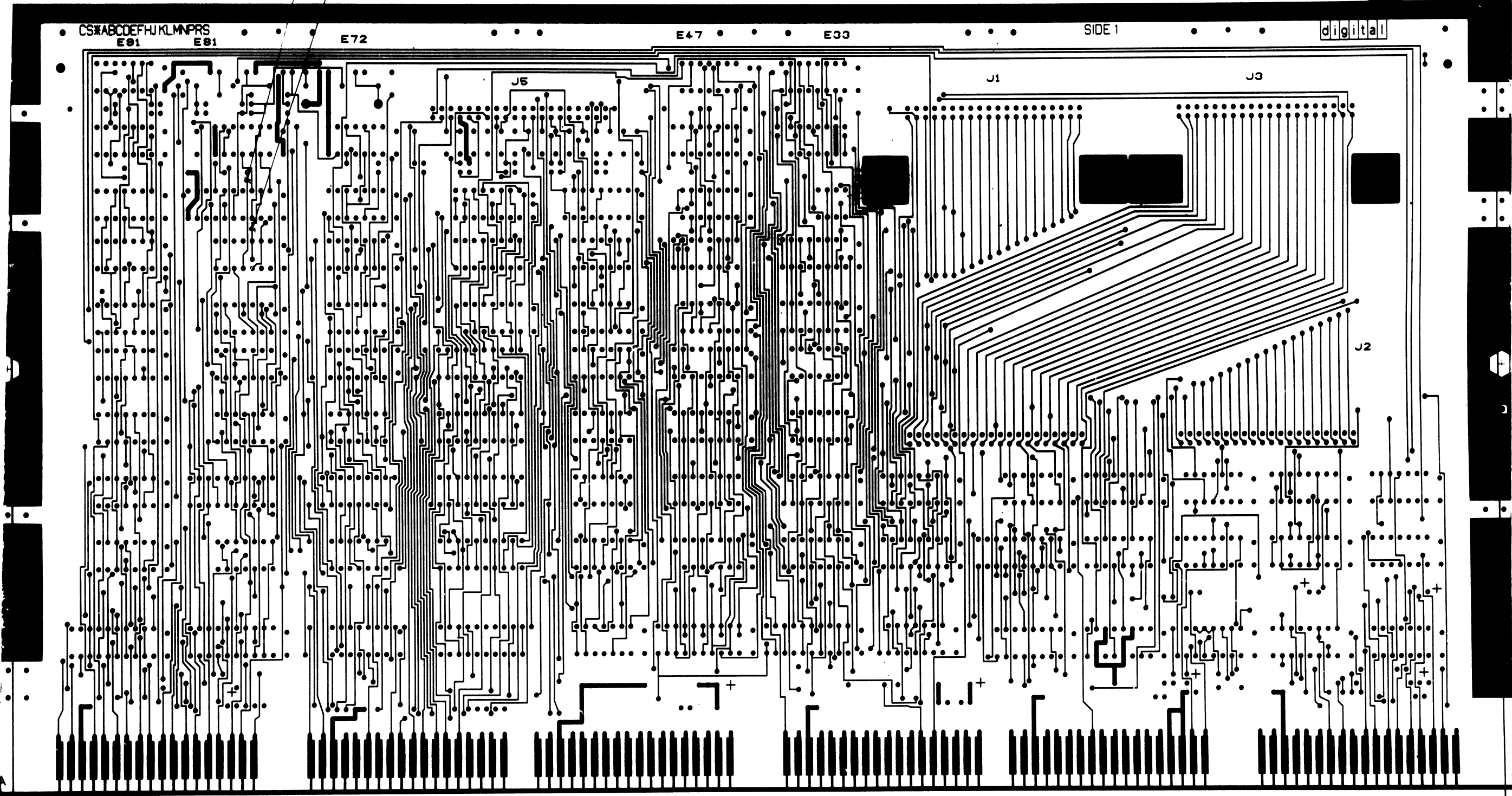
SIGNATURES		DATE	digital
DRN.			
CHK'D.			TITLE MK11 DATA BUFFER
ENC.			
PROJ. ENG.			SIZE CODE NUMBER D UA M8159-0-0
PROD.			
SCALE 2:1			REV E
SHT. 1 OF 7			
NEXT HIGHER ASSY. E-00-M8159-0			

LAYER 1

5012664E-P2 M8159

2-1 2-0

L1



TITLE		MKII		SIZE CODE		NUMBER		REV.	
DATA BUFFER		DUA		M8159-0-0		E			
SCALE		2/1		SHEET		2 OF 7		DIST.	

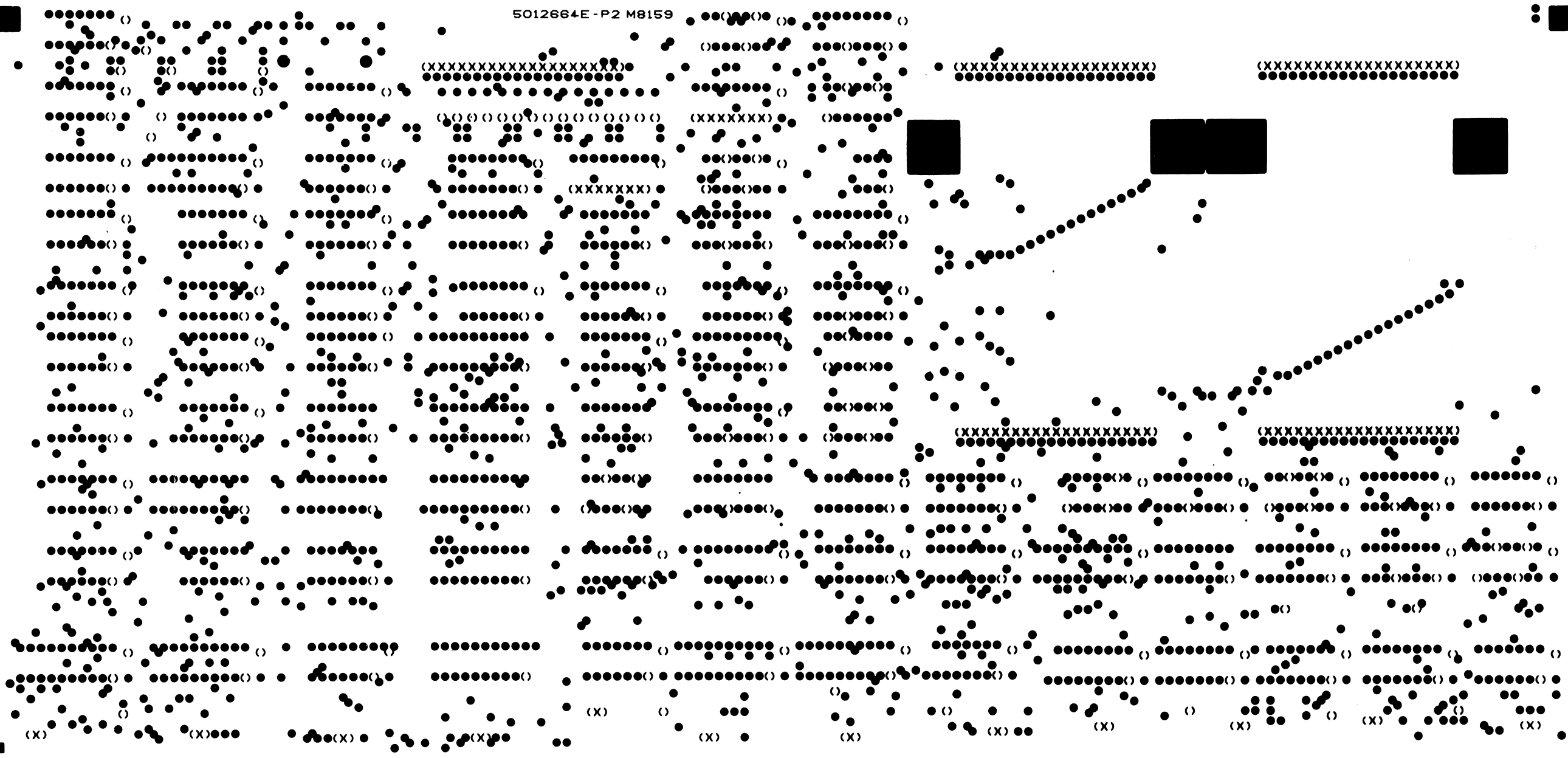


THE DESIGN, DEVELOPMENT, MANUFACTURE AND THE  
 PROPERTY OF THE DIGITAL EQUIPMENT CORPORATION AND  
 SHALL BE USED ONLY FOR THE PURPOSES SPECIFIED  
 IN THE CONTRACT. THIS DOCUMENT IS UNCLASSIFIED  
 DATE 07/28/2010 BY 60322 UCBAW/PJW

# LAYER 2

L2

5012664E-P2 M8159

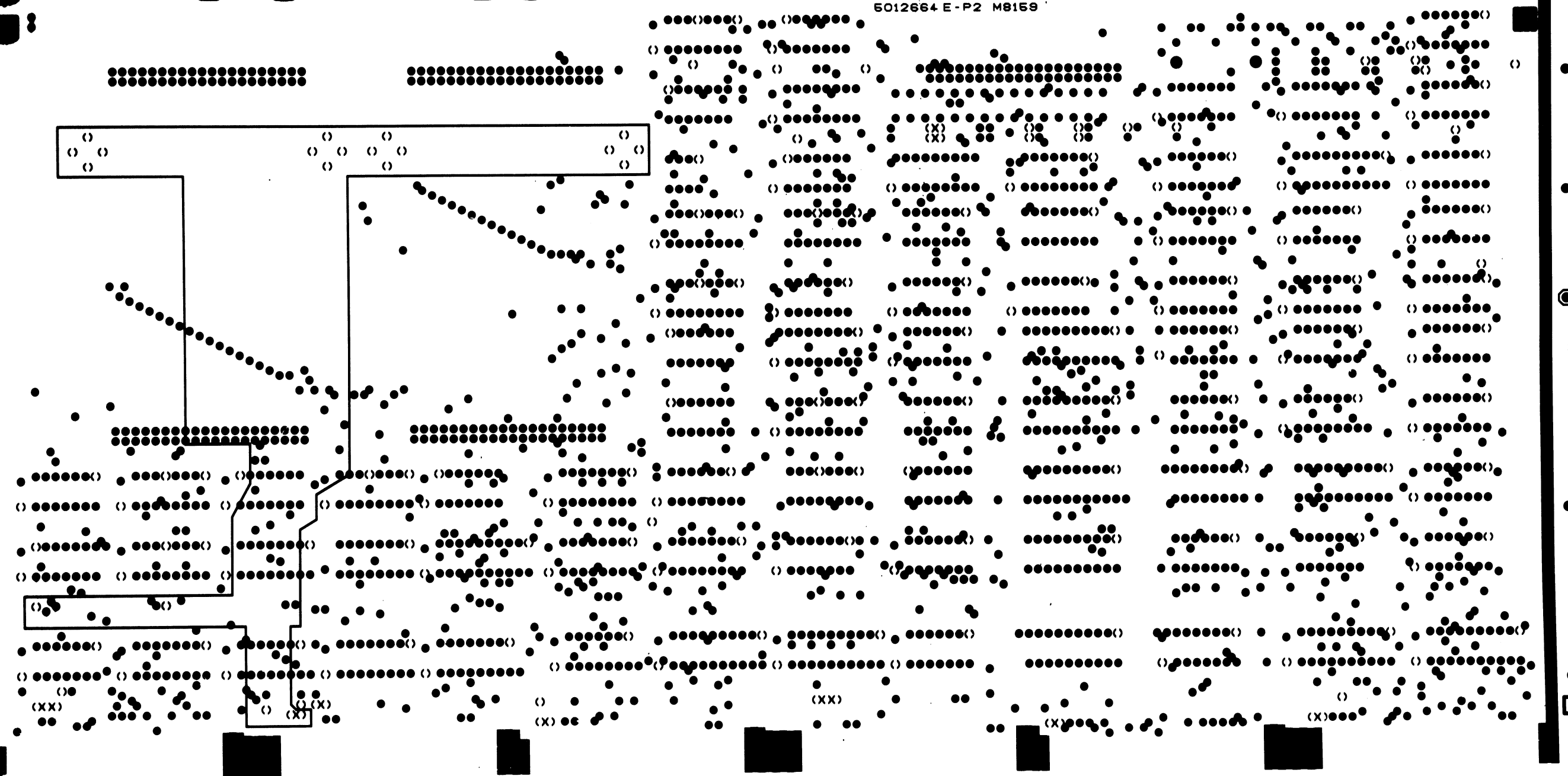


REVISIONS	
NO.	DESCRIPTION

TITLE	MK II DATA BUFFER	DATE CODE	DUA	NUMBER	M8159-0-0	REV	E
SCALE	2/1	SHEET	3	OF	7	DIST	

E 8740J

5012664 E-P2 M8159



TITLE	MK II DATA BUFFER	SIZE CODE	DUA	NUMBER	M8159-0-0	REV.	E
SCALE	2/1	SHEET	4 OF 7	DIST.			

8

7

6

5

4

3

2

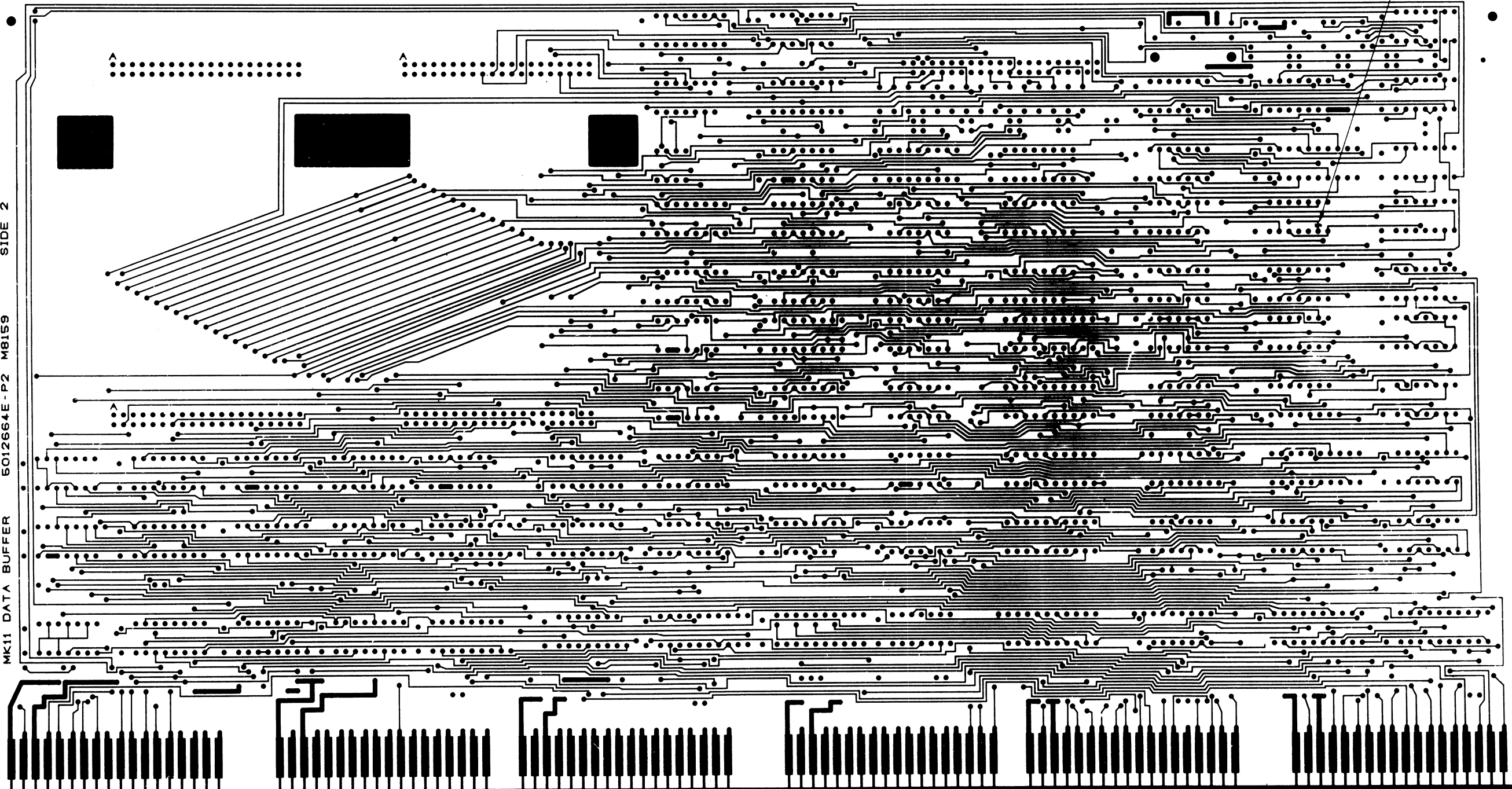
1

Р 834А J

SIDE 2

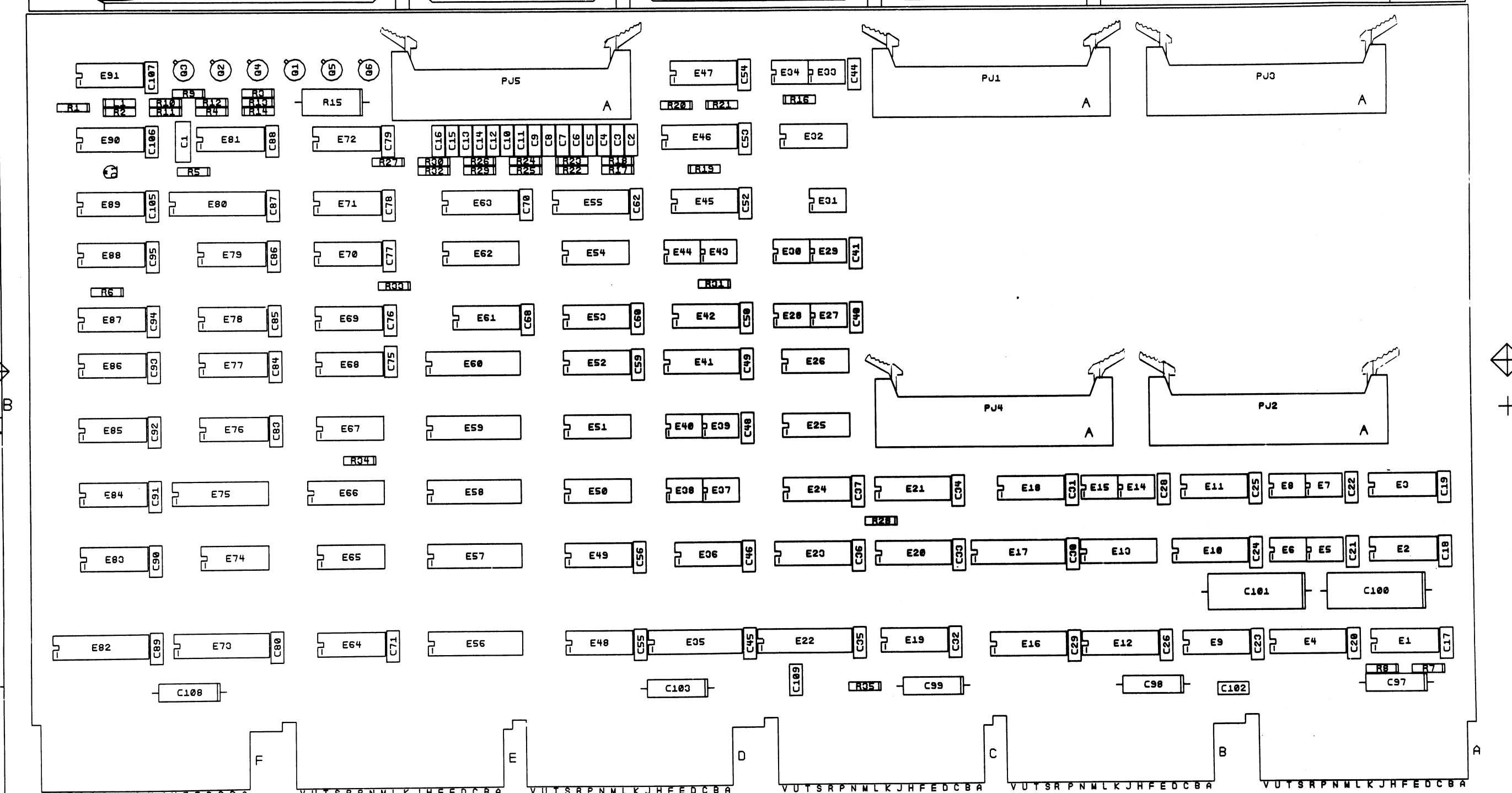
5012664E-P2 M8159

MK11 DATA BUFFER



TITLE	MK11 DATA BUFFER	SIZE CODE	D UA	NUMBER	M8159-0-0	REV.	E
SCALE	2/1	SHEET	5	OF	7	DIST.	

THIS DRAWING AND SPECIFICATIONS, HEREIN, ARE THE PROPERTY OF DIGITAL EQUIPMENT CORPORATION AND SHALL NOT BE REPRODUCED OR TRANSMITTED IN ANY FORM OR BY ANY MEANS, ELECTRONIC OR MECHANICAL, INCLUDING PHOTOCOPYING, RECORDING, OR BY ANY INFORMATION STORAGE AND RETRIEVAL SYSTEM, WITHOUT THE WRITTEN PERMISSION OF DIGITAL EQUIPMENT CORPORATION.



NOTES:

---



---



---



---



---

CHG	NO	REV

SIGNATURES		DATE	digital
DRN.	<i>[Signature]</i>	11/17/78	
CHK'D.	<i>[Signature]</i>	11/16/78	
ENG.	<i>[Signature]</i>	11/16/78	
PROJ. ENG.	<i>[Signature]</i>	11/16/78	
PROD.	<i>[Signature]</i>	11/16/78	
SCALE	1:1		TITLE MK11 DATA BUFFER
SHT.	6 OF 7		SIZE CODE NUMBER 0 UA M8159-0-0
NEXT HIGHER ASSY. B-DD-M8159-0			REV E

8

7

6

5

↓

4

3

E  
ATE

0-0-6519WYD  
M8159-0-0

2

1

"THIS DRAWING AND SPECIFICATIONS, HEREIN, ARE THE PROPERTY OF DIGITAL EQUIPMENT CORPORATION AND SHALL NOT BE REPRODUCED OR COPIED OR USED IN WHOLE OR IN PART AS THE BASIS FOR THE MANUFACTURE OR SALE OF ITEMS WITHOUT WRITTEN PERMISSION. COPYRIGHT © DIGITAL EQUIPMENT CORPORATION"

REWORK INSTRUCTIONS

ECO#2

ETCH CUTS SIDE 1

2-0 CUT ETCH GOING FROM E79-10 TO E80-12

2-1 CUT ETCH GOING FROM E79-4 LOCATED BETWEEN E80-13 & 14 NEXT TO THE FEED-THRU

ETCH CUT SIDE 2:

2-2 CUT ETCH GOING TO E79-2

WIRE ADDS SIDE 1:

2-3 E80-12 TO E79-2

2-4 E80-7 TO E79-10

2-5 E79-4 TO E77-6

REVISIONS

CHK CHANGE NO. REV.

TITLE  
MKII DATA BUFFER

SIZE CODE NUMBER  
D UA M8159-0-0

REV.  
E

SCALE SHEET 7 OF 7

DIST.

LINE ITEM	DOCUMENT NO.	PART NO.	DESCRIPTION	QTY	REFERENCE DESIGNATORS
1	1	D-CS-M8159-0-1	CIRCUIT SCHEMATIC	REF	
2	2	D-UA-M8159-0-0	UNIT ASSEMBLY	REF	
3	3	3-DD-M8159-0-0	DWG DIRECTORY	REF	
4	4	D-MD-5012664-0-0	DRILL & ETCH DWG	REF	
5	5	5012664-00	M8159	1	
6	6	1001610-01	.01 MFD 100V OR 50V Z5U DISC/800PF MIN	76	C2-C26,C40,C41,C44,C45,C46, C48,C49,C50,C52,C53-C56,C59, C60,C62,C68,C70,C71,C75-C80, C83-C95,C105,C106,C107,C28-C37
7	7	1012219-00	47. MFD 30V G8 600D AL EL	2	C100,C101
8	8	1010274-01	.22 MFD 50V X8 3C023 CER.	2	C102,C109
9	9	1000015-00	82.0 MFD 100V 5%200PPM DM155 (10-00)	1	C1
10	10	1012004-01	8 MFD 25V G8 30D AL EL (10-12)	5	C97,C98,C99,C103,C109
11	11	1110324-00	LED 1MCD010MA #MV5054-10HP4802	1	D1
12	12	1209941-02	HEADER 100 40POS RT ANGLE	5	J1,J2,J3,J4,J5
13	13	1210711-02	HANDLE, HEX MODULE, 10-1/2	1	
14	14	1211164-04	SW, DIP 1P 1A RPOS	2	E46,E55
15	15	9000024-01	EYELFT, ROLLED FLANGE, .121 OD X .196 LG	12	
16	16	1300202-00	47 1/4W 5% CC (13-00)	1	R3
17	17	1300229-00	100 1/4W 5% CC (13-00)	2	R5,R35
18	18	1300271-00	220 1/4W 5% CC (13-00)	4	R31,R32,R33,R34
19	19	1300316-00	470 1/4W 5% CC (13-00)	3	R13,R14,R16
20	20	1300365-00	1 K 1/4W 5% CC (13-00)	6	R1,R9,R10,R11,R12,R7
21	21	1300479-00	10 K 1/4W 5% CC (13-00)	16	R6,R8,R17-R30
22	22	1301972-00	270 1/4W 5% CC (13-00)	1	R2
23	23	1302602-00	56 1/4W 5% CC (13-00)	1	R4
24	24	1305201-00	75 1W 5% CC (13-00)	1	R15
25	25	1503100-00	DEC3009B NPN 200MW SI 20 75 P	1	Q1
26	26	1503409-00	DEC6534D PNP 310MW SI 40 90 P	1	Q4
27	27	1509330-00	DEC6531B NPN 310MW SI 40 90 P	4	Q2,Q3,Q5,Q6

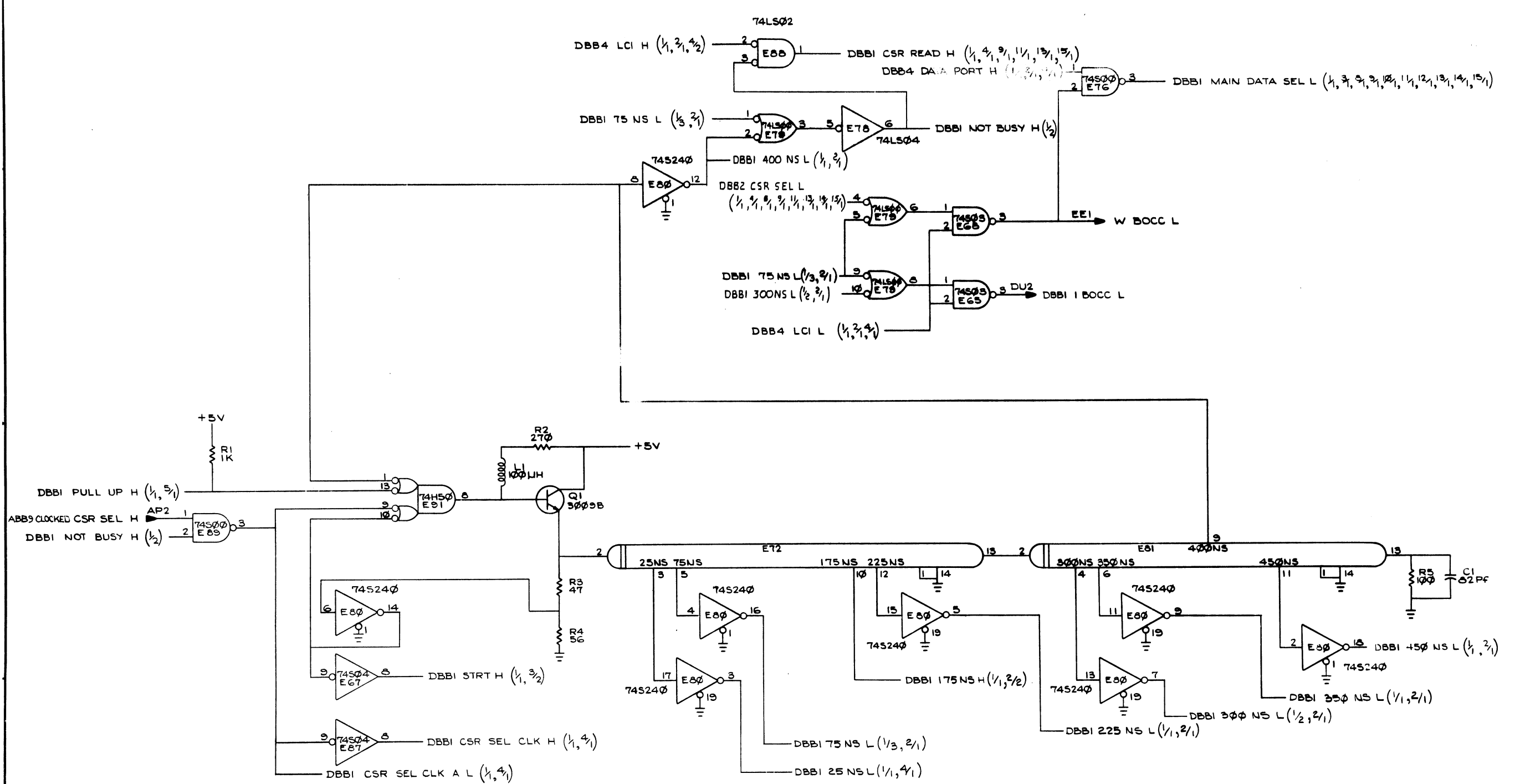
REVISION HISTORY			VARIATIONS FOR THIS ASSY.		
CHK	ECO NO	REV	FIRST USED ON: MK11		
BF	00002	E	MADE BY: S TUTTLE DATE: 22-JUN-78		
			CHECKED: D. CAPUSO DATE: 22-JUN-78		
			DSN. ENG.: D. SMELSER DATE: 22-JUN-78		
			PROD.: R. HILL DATE: 22-JUN-78		
			RESP. ENG.: D. SMELSER DATE: 22-JUN-78		
			DIGITAL EQUIPMENT CORPORATION MAYNARD, MASSACHUSETTS		
			TITLE PARTS LIST		
			MK11 DATA BUFFER		
			SIZE/CODE	DOCUMENT NUMBER	REV
			K 1 PL	M8159-0-DRP	1P
			ASSY. NO.: D-UA-M8159-0-0		
			FOIT# 3		

"THIS DRAWING AND SPECIFICATIONS HEREIN, ARE THE PROPERTY OF DIGITAL EQUIPMENT CORPORATION AND SHALL NOT BE REPRODUCED OR COPIED OR USED IN WHOLE OR IN PART AS THE BASIS FOR THE MANUFACTURE OR SALE OF ITEMS WITHOUT WRITTEN PERMISSION.  
COPYRIGHT 1978, DIGITAL EQUIPMENT CORPORATION"

LINE	ITEM	DOCUMENT NO.	PART NO.	DESCRIPTION	QTY	REFERENCE DESIGNATORS
28	28		1610662-00	100.0 UH 108 165MA #DD1 00	1	L1
29	29		1611243-00	DELAY=25-250NS, 10TAPS RCL#L-183 E PE#9829	2	E72, E81
30	30		1909060-00	DEC 74H50 A-0-I XPNORLE GATE-DUAL 2X2	1	E91
31	31		1910532-00	74800 NAND GATE-QUAD 2IN	3	E76, E86, E89
32	32		1910533-00	74803 NAND GATE-QUAD 2IN, OPN COLLECT	2	E65, E68
33	33		1910534-00	74804 INVERTER GATE-HEX 1IN	4	E1, E54, E67, E87
34	34		1910536-00	74810 NAND GATE-TRIPLE 3IN	1	E77
35	35		1910542-00	74864 A-0-I XPDR GATE, 4-2-3-2 14	1	E9
36	36		1910544-00	74874 FF-D DUAL, EDGE TRIGGER	2	E42, E69
37	37		1910550-00	748174 FF-D HEX	1	E4
38	38		1910645-00	75452 DRIVER, PERIPH, DUAL, NAND	19	E5, E6, E7, E8, E14, E15, E27, E28,
					CONT	E29, E30, E31, E33, E34, E37, E38,
					CONT	E39, E40, E43, E44
39	39		1911469-00	DEC 8640 RECEIVER, BUS, QUAD, UNIBUS, Q-RU	9	E2, E11, E18, E25, E26, E32, E45,
					CONT	E47, E50
40	40		1911573-00	748280 PARITY GEN/CHKR, 9BIT ODD/EVEN	4	E19, E48, E64, E74
41	41		1911712-00	74851 AND-OR GATE-INVERT DUAL 2W/2IN	1	E90
42	42		1912388-00	74802 NOR GATE-QUAD 2IN, POS	10	E3, E24, E36, E49, E51, E52, E71,
					CONT	E83, E84, E85
43	43		1912697-00	LS174 FF-D HEX W/CLEAR	1	E21
44	44		1912799-00	LS00 NAND-GATE-QUAD 2IN, POSITIVE	2	E53, E79
45	45		1912801-00	LS02 NOR-GATE-QUAD 2IN	1	E88
46	46		1912803-00	LS04 INVERTER GATE-HEX 1IN	2	E78, E61
47	47		1912813-00	LS27 NOR GATE-TRIPLE 3IN	1	E70
48	48		1912847-00	LS157 MUX 1 OF 2(QUAD)	4	E20, E23, E12, E13
49	49		1912853-00	LS175 FF-D QUAD	4	E10, E16, E41, E66
50	50		1912867-00	LS298 MUX 1 OF 4, 2IN W/STORAGE	2	E62, E63
51	51		1913462-00	748240 OCTAL BUFFER, INVERTING TRI-STA	12	E17, E22, E35, E56, E57, E58, E59,
					CONT	E60, E73, E75, E80, E82
52	52		1209941-03	HEADER RT ANGLE LEFT LATCH FOR	5	
53	53		1209941-04	HEADER RT ANGLE, RIGHT LATCH FOR	5	
54	54		9105740-55	WIRE(WPAP)30AWG UL1423 (91-00 A/P		

DIGITAL EQUIPMENT CORPORATION MAYNARD, MASSACHUSETTS	TITLE MK11 DATA BUFFER	PARTS LIST	SIZE/ CODE K PL	DOCUMENT NUMBER MR159-0-DBP	REV 1E
---	---------------------------	------------	--------------------	--------------------------------	-----------

THIS DRAWING AND SPECIFICATIONS HEREOF ARE THE PROPERTY OF IBM CORPORATION. IT IS TO BE KEPT IN CONFIDENCE AND IS NOT TO BE REPRODUCED OR TRANSMITTED IN ANY FORM OR BY ANY MEANS, ELECTRONIC OR MECHANICAL, INCLUDING PHOTOCOPYING, RECORDING, OR BY ANY INFORMATION STORAGE AND RETRIEVAL SYSTEM, WITHOUT THE WRITTEN PERMISSION OF IBM CORPORATION.

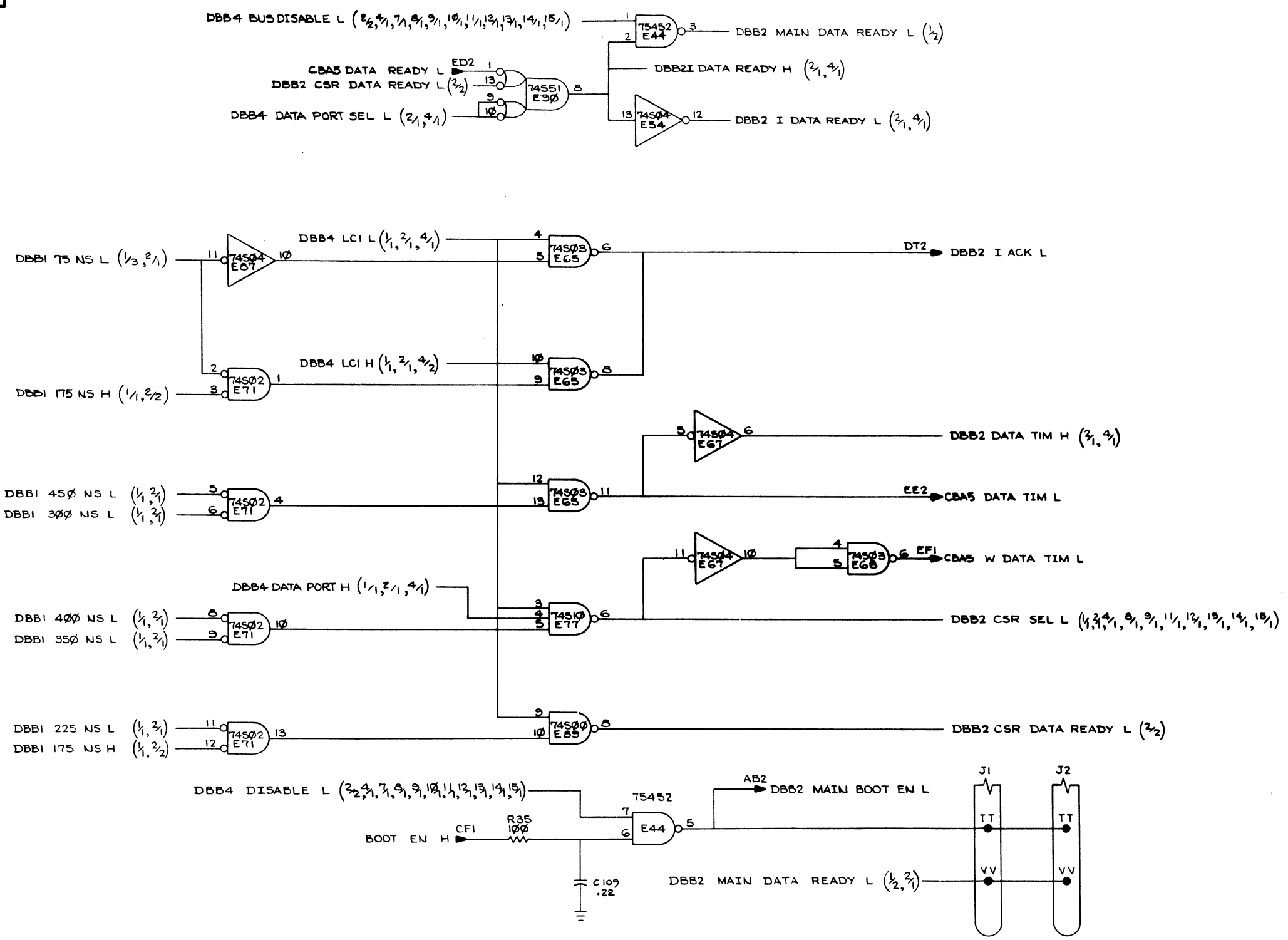


REV.	DATE	BY	CHK'D
1	11-2-77	A. ZACCONI	P. G...
2	11-2-77	A. ZACCONI	P. G...
3	11-2-77	A. ZACCONI	P. G...
4	11-2-77	A. ZACCONI	P. G...

DRN. S. Gentry	5-24-77	FIRST USED ON	MK II
CHK'D P. G...	11-2-77	TITLE	MK II (DBB I)
ENG. P. G...	11-2-77		
PROJ. ENG. P. G...	11-2-77		
PROD. RA P. G...	11-2-77		
NEXT HIGHER ASSY.			
B-DD-M8159-0		SIZE CODE	D CS
SCALE		NUMBER	M8159-0-1
SHEET	OF 15	DIST.	



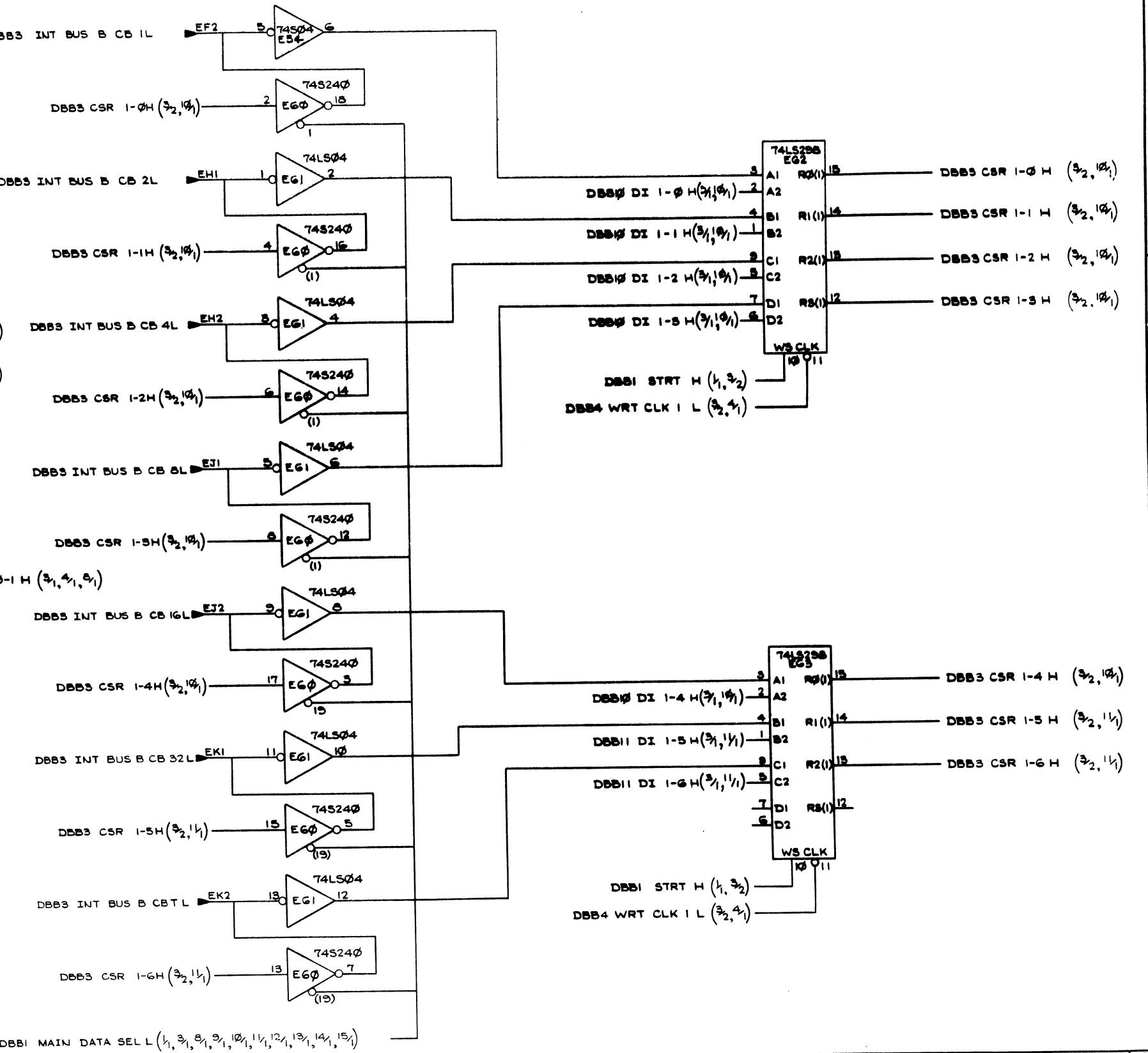
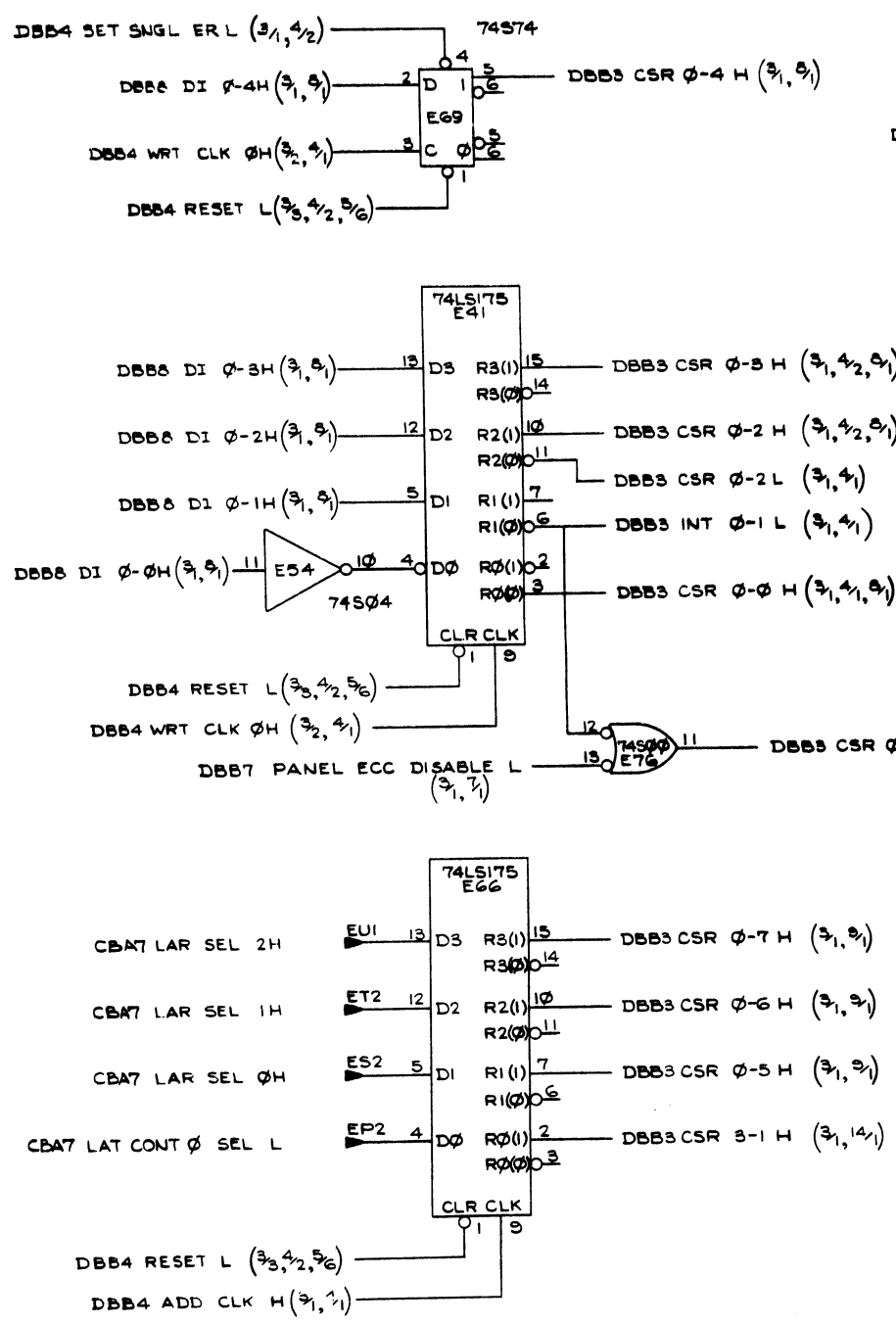
"THE DRAWING AND SPECIFICATIONS HEREIN ARE THE PROPERTY OF DIGITAL EQUIPMENT CORPORATION AND SHALL NOT BE REPRODUCED OR COPIED OR USED IN WHOLE OR IN PART AS THE BASIS FOR THE MANUFACTURE OR SALE OF ITEMS WITHOUT WRITTEN PERMISSION. COPYRIGHT © 1977 DIGITAL EQUIPMENT CORPORATION"



REVISIONS		
CHK	CHANGE NO.	REV.

TITLE	(DBB2) MKII DATA BUFFER	SIZE CODE	D CS	NUMBER	M8159-0-1	REV.	E
SCALE	/ / /	SHEET	2	OF	5		

"THIS DRAWING AND SPECIFICATIONS, HEREIN, ARE THE PROPERTY OF DIGITAL EQUIPMENT CORPORATION AND SHALL NOT BE REPRODUCED OR COPIED OR USED IN WHOLE OR IN PART AS THE BASIS FOR THE MANUFACTURE OR SALE OF ITEMS WITHOUT WRITTEN PERMISSION. COPYRIGHT © 1977 DIGITAL EQUIPMENT CORPORATION"

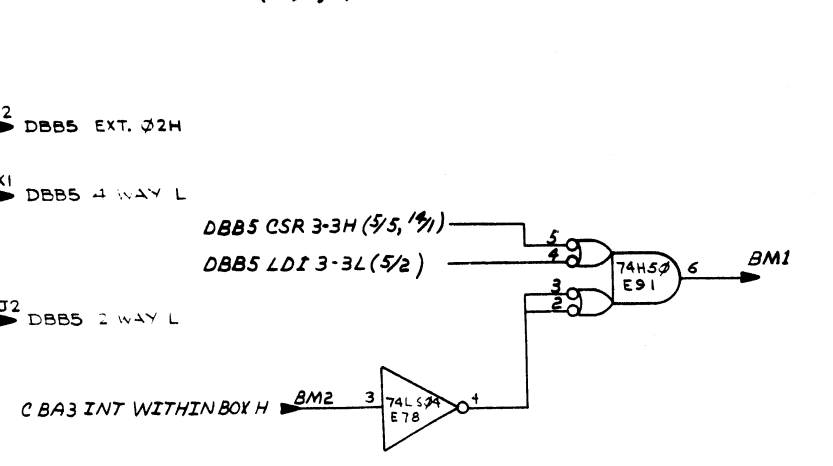
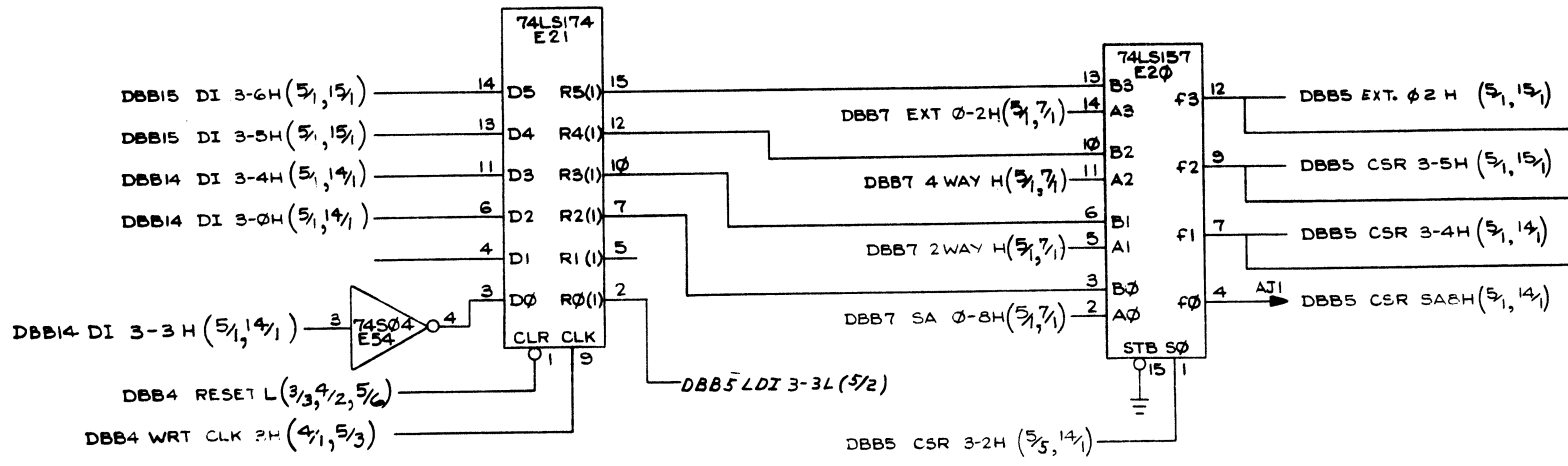
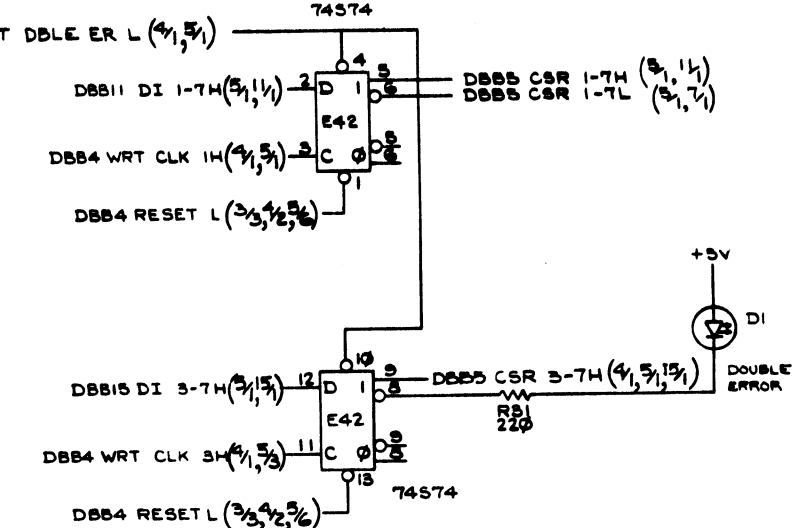
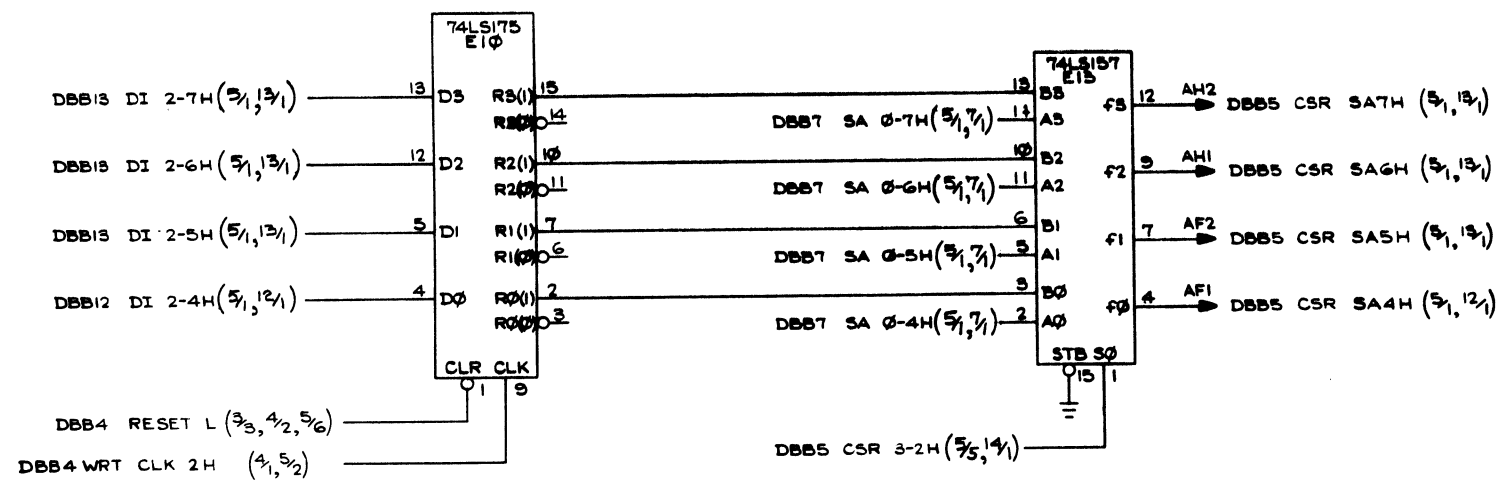
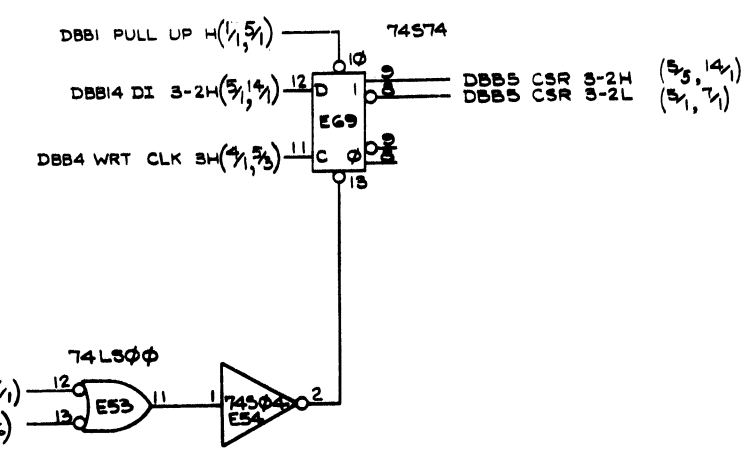
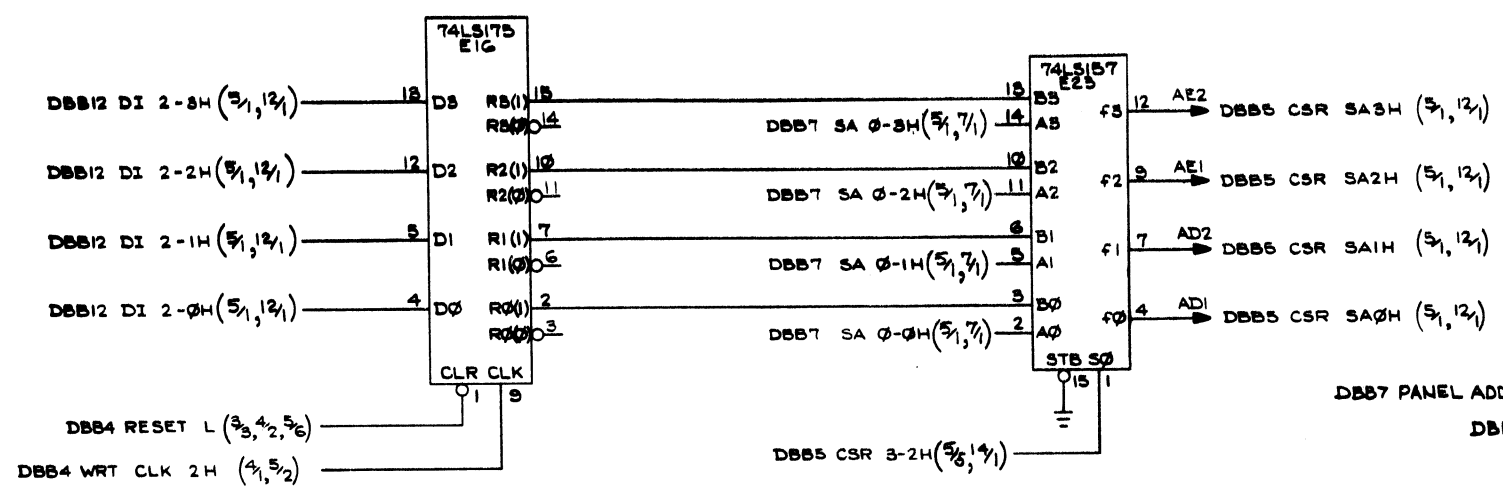


REVISIONS		
CHK	CHANGE NO.	REV.

TITLE	(DBB3) MKII DATA BUFFER	SIZE CODE	D CS	NUMBER	M8159-0-1	REV.	E
SCALE	1/1	SHEET	3	OF	15	DIST.	

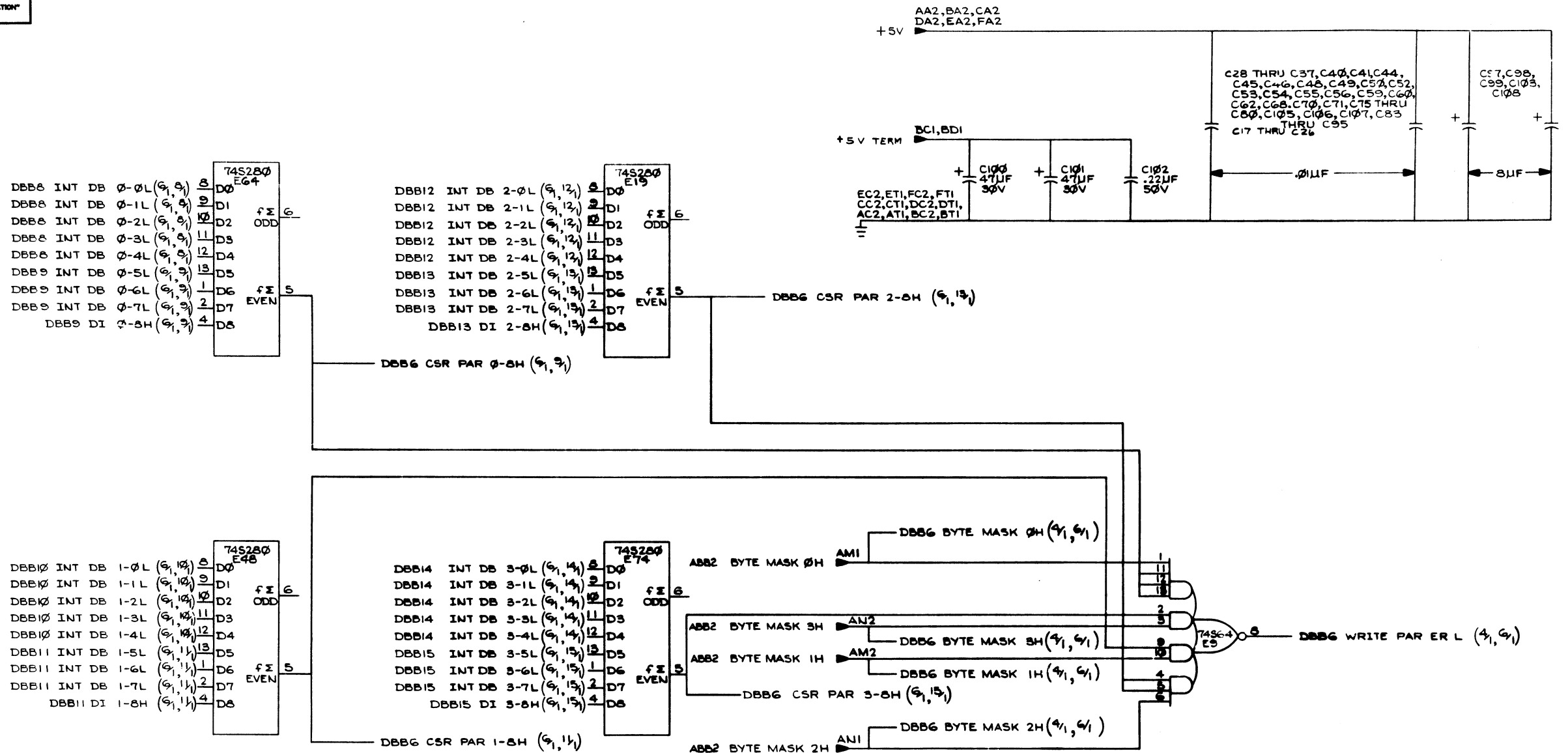


THIS DRAWING AND SPECIFICATIONS HEREAFTER ARE THE PROPERTY OF THE UNITED STATES GOVERNMENT AND ARE TO BE USED IN WHOLE OR IN PART AS THE BASIS FOR THE CONSTRUCTION OF ALL EQUIPMENT WHICH IS TO BE DEVELOPED BY THE UNITED STATES GOVERNMENT OR BY ANY ENTITY UNDER CONTRACT THEREWITH.



REVISIONS		
CHK	CHANGE NO.	REV.

"THIS DRAWING AND SPECIFICATIONS HEREIN ARE THE PROPERTY OF METAL EQUIPMENT CORPORATION AND SHALL NOT BE REPRODUCED OR COPIED OR USED IN WHOLE OR IN PART AS THE BASIS FOR THE MANUFACTURE OR SALE OF ITEMS WITHOUT WRITTEN PERMISSION. COPYRIGHT © 1977 METAL EQUIPMENT CORPORATION"

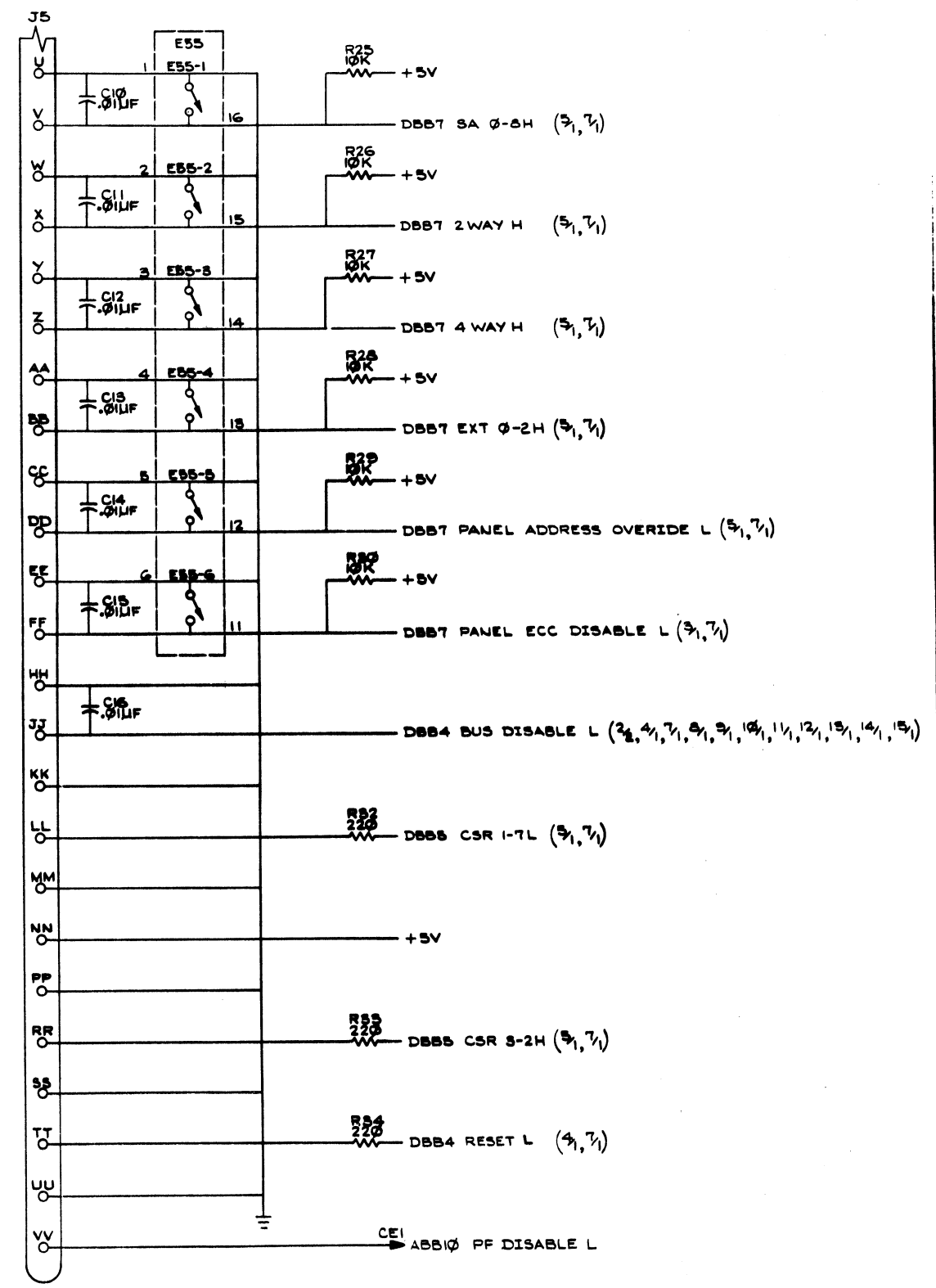
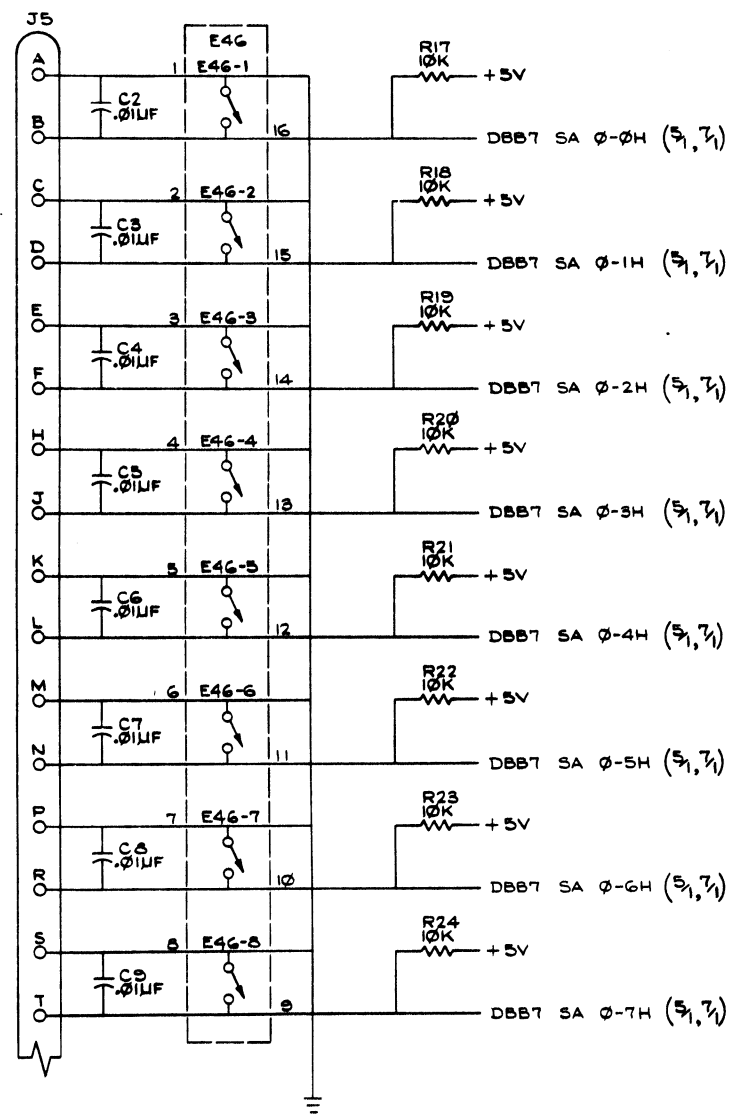


REVISIONS		
CHK	CHANGE NO.	REV.

TITLE	(DBB6) MK11 DATA BUFFER	SIZE CODE	D CS	NUMBER	M8159-0-1	REV.	E
SCALE	1/1	SHEET	6	OF	15	DIST.	

"THIS DRAWING AND SPECIFICATIONS, HEREIN, ARE THE PROPERTY OF DIGITAL EQUIPMENT CORPORATION AND SHALL NOT BE REPRODUCED OR COPIED OR USED IN WHOLE OR IN PART AS THE BASIS FOR THE MANUFACTURE OR SALE OF ITEMS WITHOUT WRITTEN PERMISSION. COPYRIGHT © 1971 DIGITAL EQUIPMENT CORPORATION"

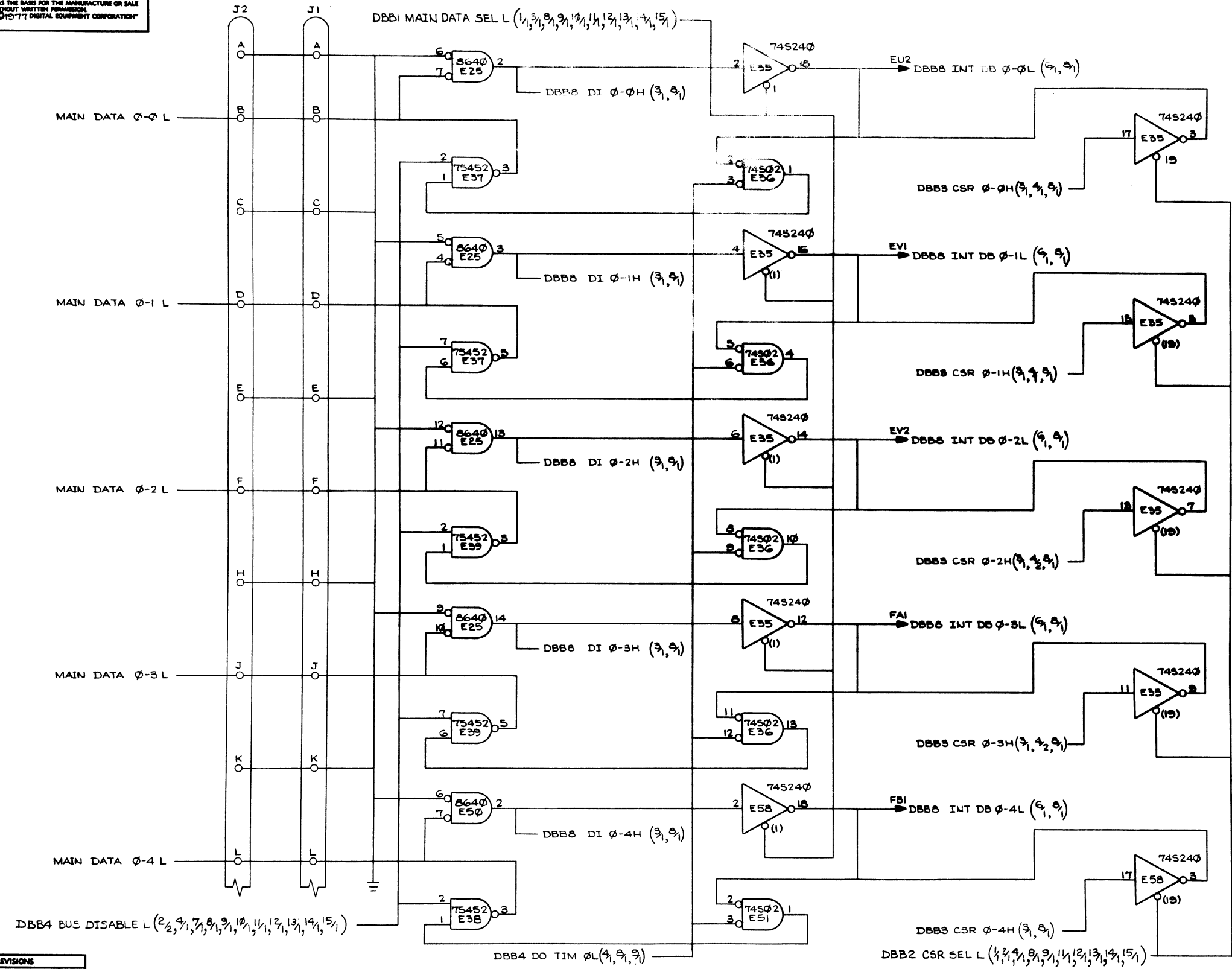
1-0-6918W SC 2



REVISIONS		
CHK	CHANGE NO.	REV.

TITLE	(DBB7) MK II DATA BUFFER	SIZE CODE	D CS	NUMBER	M8159-0-1	REV.	E
SCALE	7-7-7	SHEET	7	OF	15	DIST.	

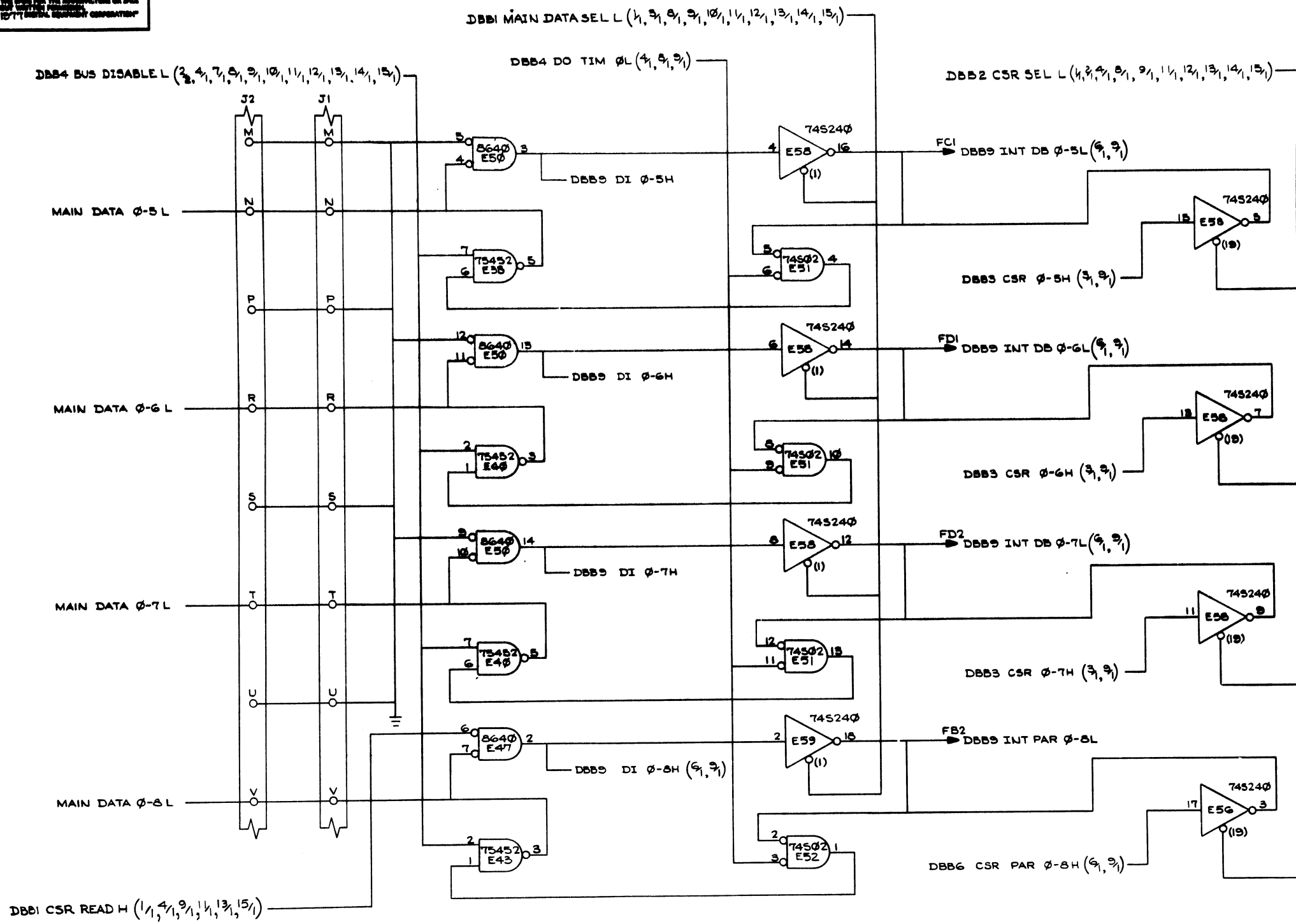
"THIS DRAWING AND SPECIFICATIONS, HEREIN, ARE THE PROPERTY OF DIGITAL EQUIPMENT CORPORATION AND SHALL NOT BE REPRODUCED OR COPIED OR USED IN WHOLE OR IN PART AS THE BASIS FOR THE MANUFACTURE OR SALE OF ITEMS WITHOUT WRITTEN PERMISSION. COPYRIGHT © 1977 DIGITAL EQUIPMENT CORPORATION"



REVISIONS		
CHK	CHANGE NO.	REV.

TITLE	(DBB8) MK11 DATA BUFFER	SIZE CODE	D CS	NUMBER	M8159-0-1	REV.	E
SCALE		SHEET	8	OF	15	DIST.	

THIS DRAWING AND SPECIFICATIONS HEREON ARE THE PROPERTY OF GEORGE EASTMAN COMPANY AND SHALL REMAIN THE PROPERTY OF GEORGE EASTMAN COMPANY IN THE EVENT OF ANY DISPUTE OR LITIGATION. NO PART OF THIS DRAWING OR SPECIFICATIONS SHALL BE REPRODUCED OR TRANSMITTED IN ANY FORM OR BY ANY MEANS, ELECTRONIC OR MECHANICAL, INCLUDING PHOTOCOPYING, RECORDING, OR BY ANY INFORMATION STORAGE AND RETRIEVAL SYSTEM, WITHOUT THE WRITTEN PERMISSION OF GEORGE EASTMAN COMPANY.

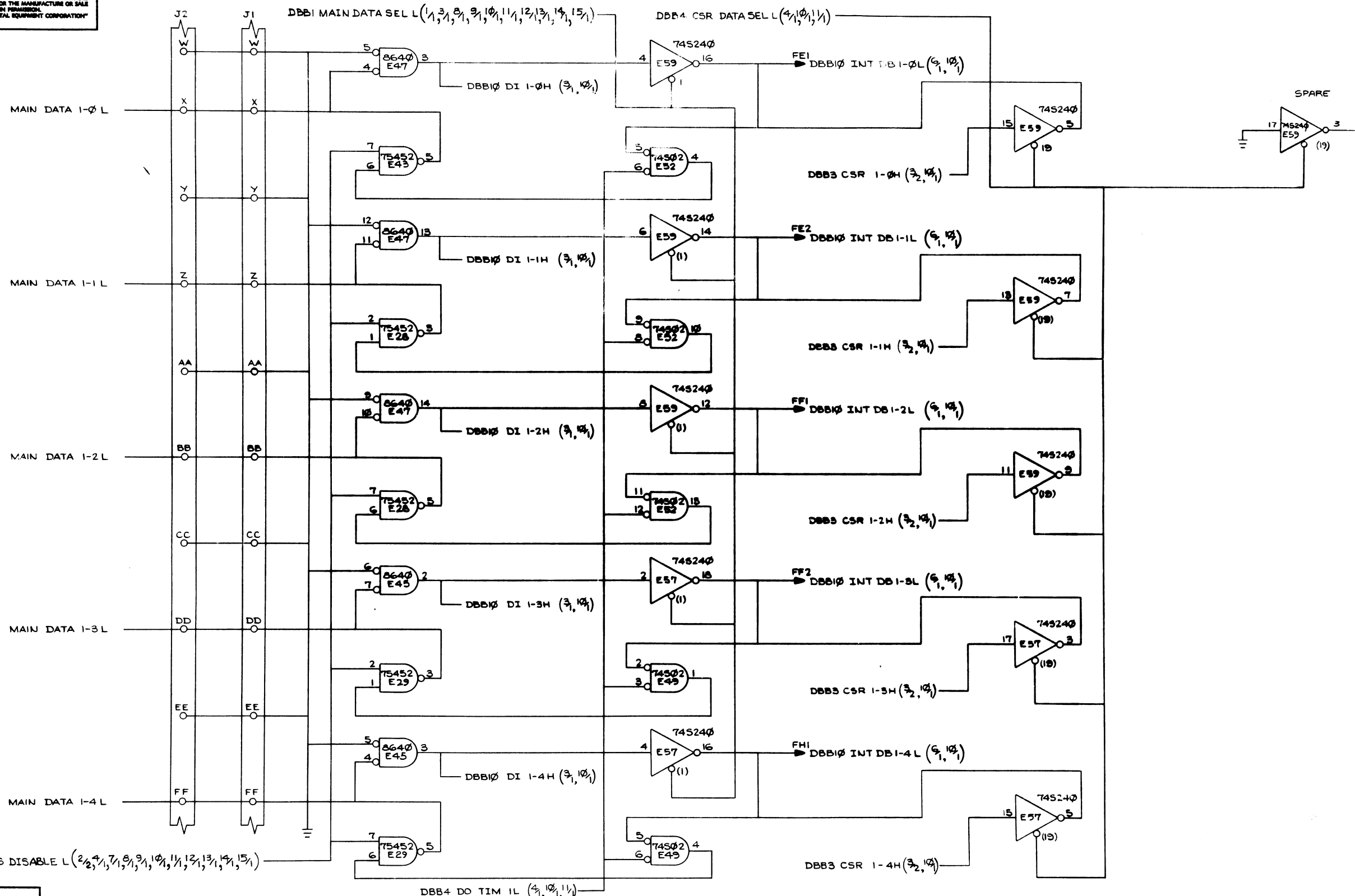


REVISIONS		
CHK	CHANGE NO.	REV.

TITLE	(DBB9) MKII DATA BUFFER	SIZE CODE	NUMBER	REV.
SCALE		DCS	M8159-0-1	E
SHEET	9	OF	15	DIST.



"THIS DRAWING AND SPECIFICATIONS, HEREIN, ARE THE PROPERTY OF DIGITAL EQUIPMENT CORPORATION AND SHALL NOT BE REPRODUCED OR COPIED OR USED IN WHOLE OR IN PART AS THE BASIS FOR THE MANUFACTURE OR SALE OF ITEMS WITHOUT WRITTEN PERMISSION. COPYRIGHT © 1971 DIGITAL EQUIPMENT CORPORATION"

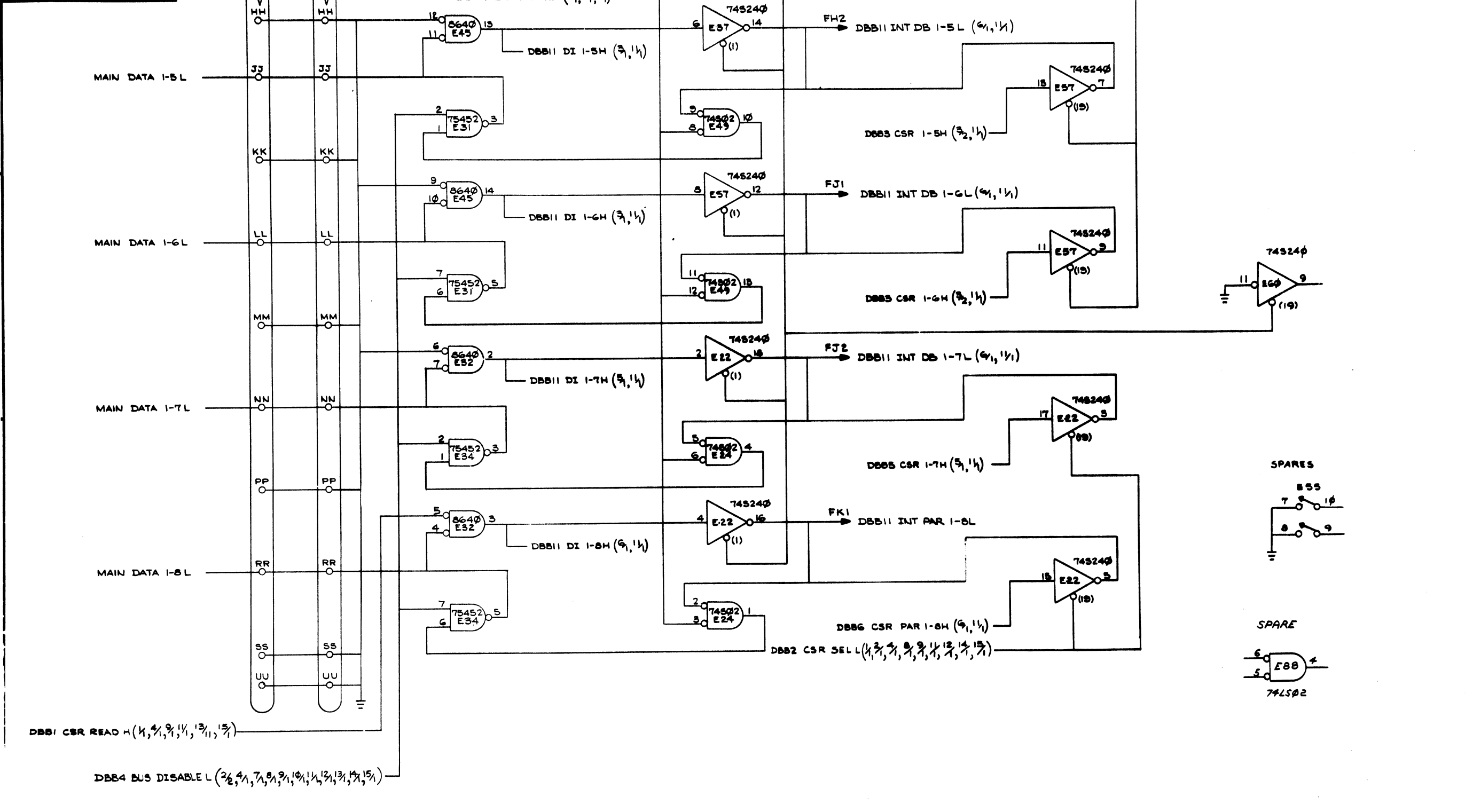


REVISIONS		
CHK	CHANGE NO.	REV.

TITLE	(DBB1) MKII DATA BUFFER	SIZE CODE	D CS	NUMBER	M8159-0-1	REV.	E
SCALE		SHEET	10	OF	15	DIST.	

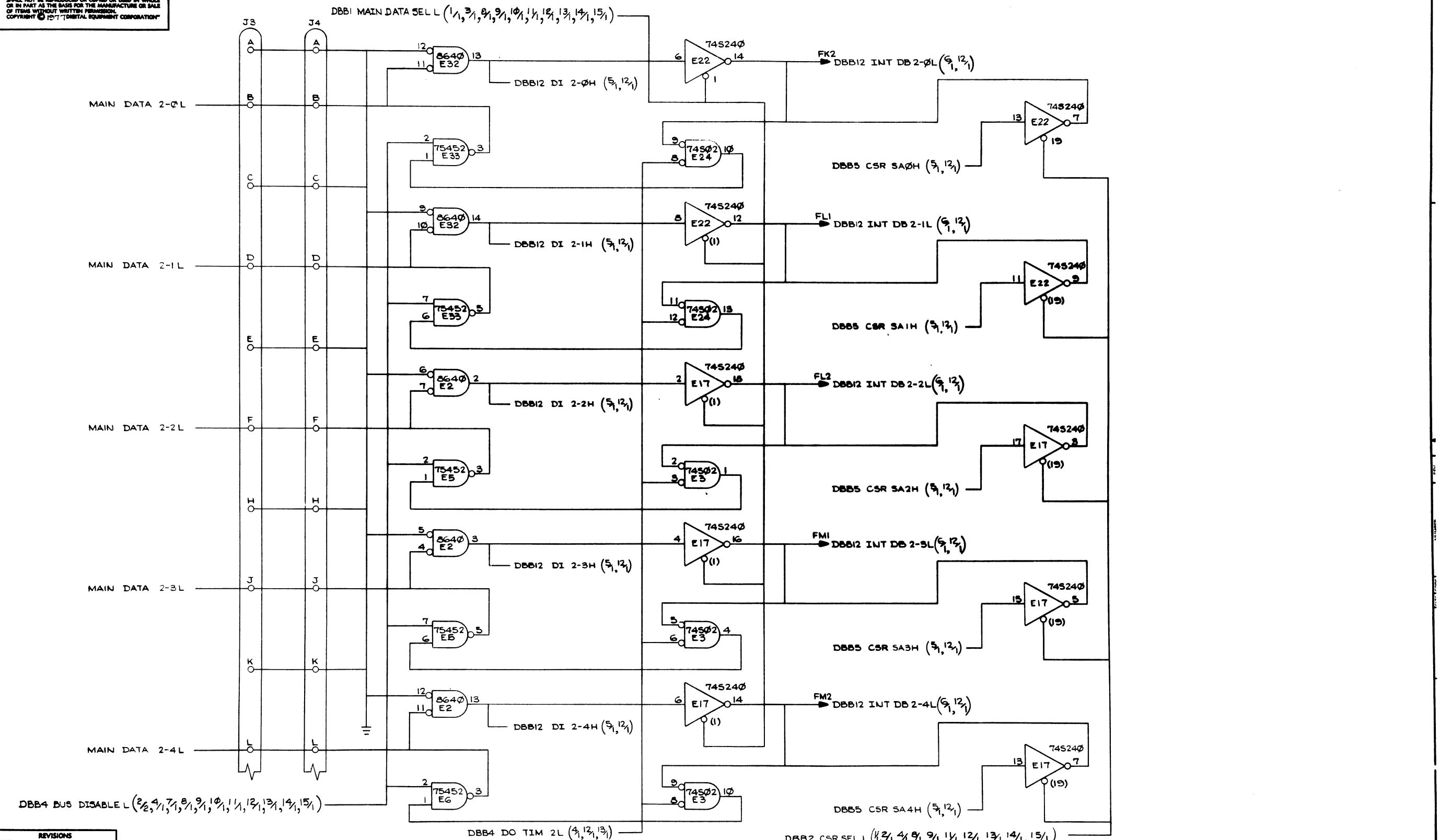
DATE RECORDED

THE DRAWING AND SPECIFICATIONS HEREIN ARE THE PROPERTY OF THE UNITED STATES GOVERNMENT AND ARE TO BE REPRODUCED AND TRANSMITTED IN ANY FORM OR BY ANY MEANS, ELECTRONIC OR MECHANICAL, INCLUDING PHOTOCOPYING, RECORDING, OR BY ANY INFORMATION STORAGE AND RETRIEVAL SYSTEM, WITHOUT PERMISSION IN WRITING FROM THE NATIONAL BUREAU OF STANDARDS.



REVISIONS		
CHK	CHANGE NO.	REV.

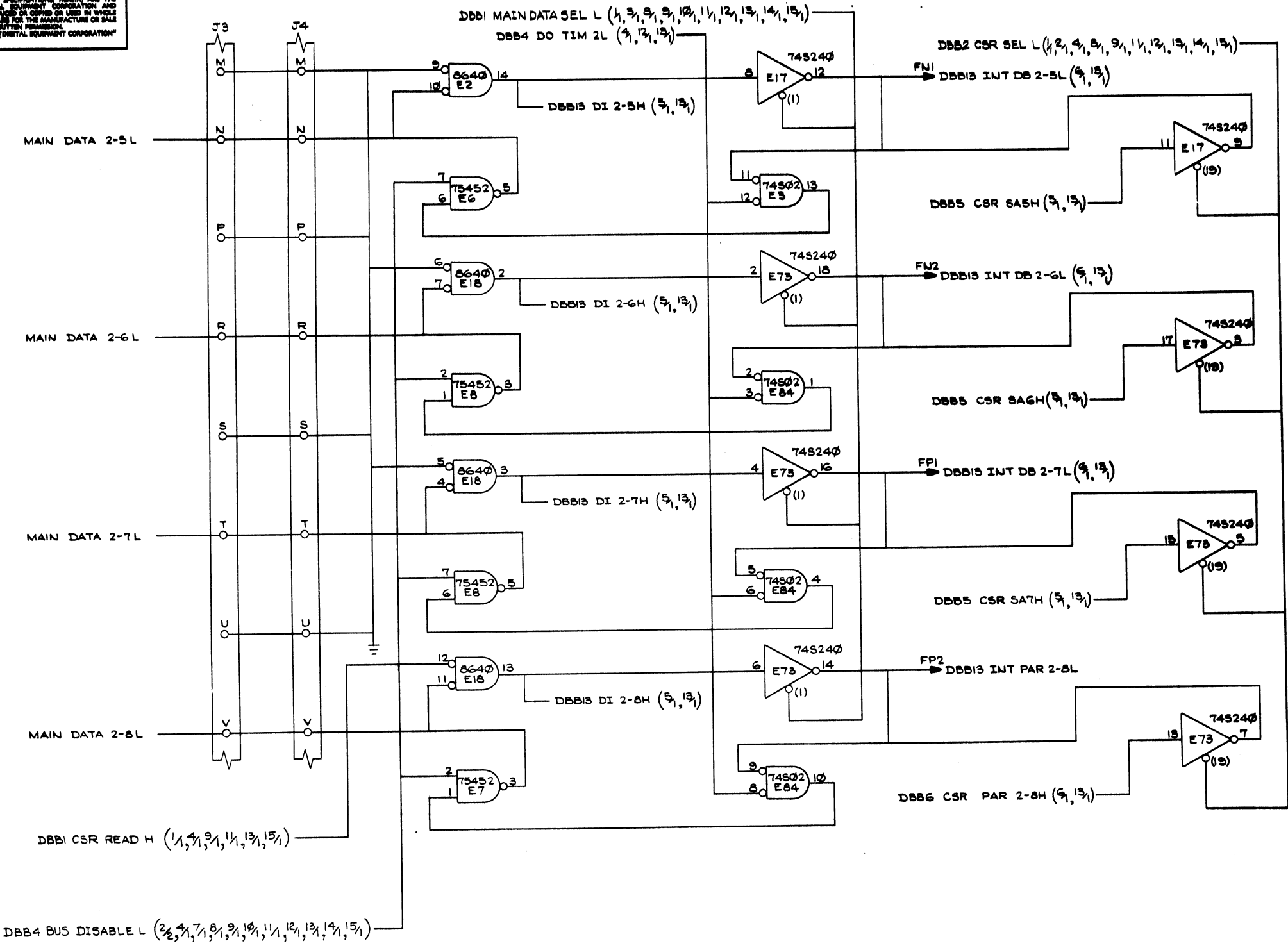
THIS DRAWING AND SPECIFICATIONS HEREIN ARE THE PROPERTY OF DIGITAL EQUIPMENT CORPORATION AND SHALL NOT BE REPRODUCED OR COPIED OR USED IN WHOLE OR IN PART AS THE BASIS FOR THE MANUFACTURE OR SALE OF ITEMS WITHOUT WRITTEN PERMISSION. COPYRIGHT © 1977 DIGITAL EQUIPMENT CORPORATION



REVISIONS		
CHK	CHANGE NO.	REV.

TITLE	(DBB12)	SIZE CODE	NUMBER	REV.
MK II DATA BUFFER	D CS	M8159-0-1	E	
SCALE	SHEET 12 OF 15	DIST.		

THIS DRAWING AND SPECIFICATIONS HEREIN ARE THE PROPERTY OF DIGITAL EQUIPMENT CORPORATION AND SHALL NOT BE REPRODUCED OR COPIED IN WHOLE OR IN PART AS THE BASIS FOR THE MANUFACTURE OR SALE OF ITEMS WITHOUT WRITTEN PERMISSION. COPYRIGHT © 1977 DIGITAL EQUIPMENT CORPORATION

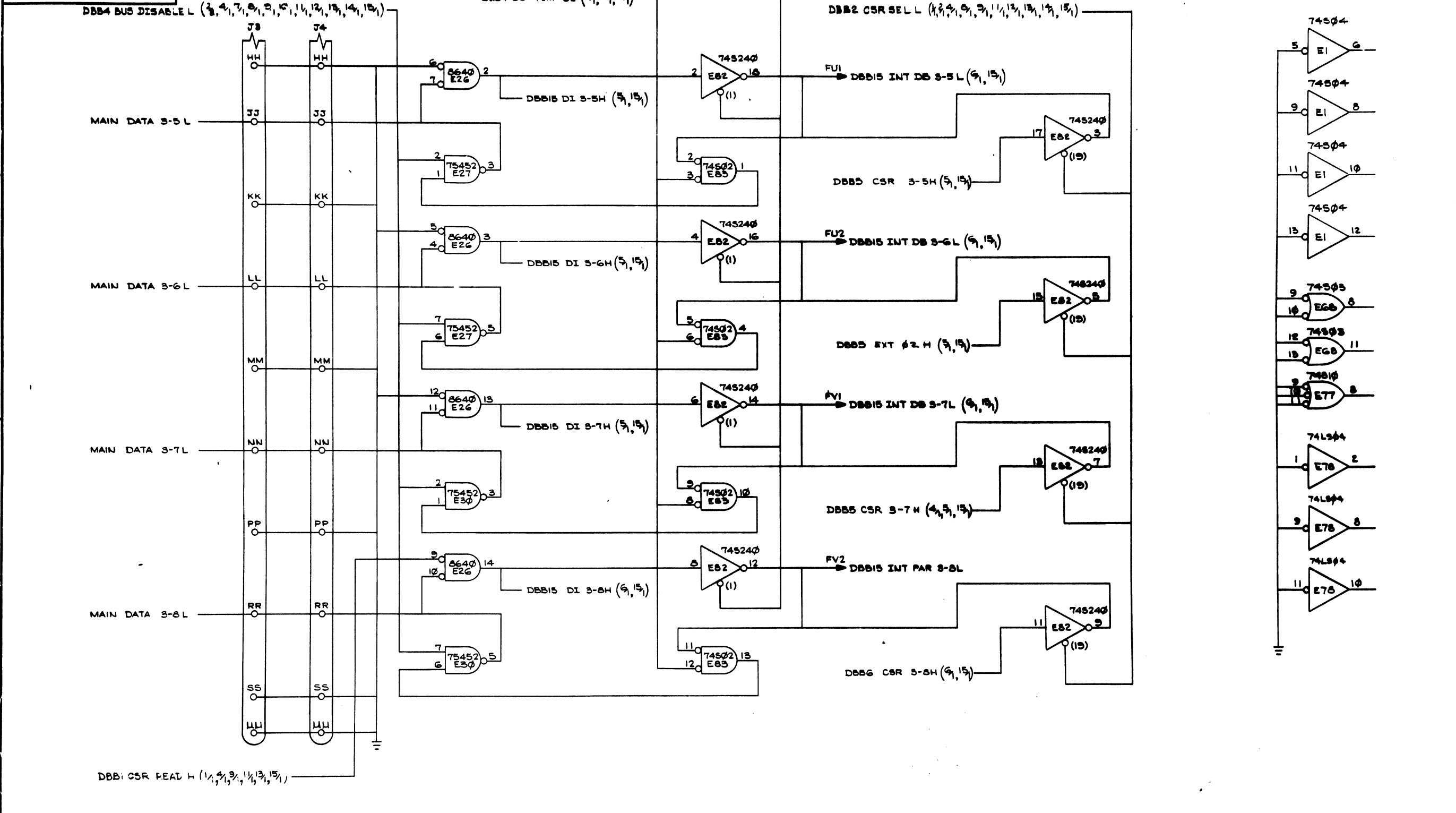


REVISIONS		
CHK	CHANGE NO.	REV.

TITLE	(DBB13) MK II DATA BUFFER	SIZE CODE	D CS	NUMBER	M8159-0-1	REV.	E
SCALE	1/1	SHEET	3	OF	5	DIST.	



THIS DRAWING AND SPECIFICATIONS HEREON ARE THE PROPERTY OF DIGITAL EQUIPMENT CORPORATION AND SHALL NOT BE REPRODUCED, COPIED, EITHER WHOLLY OR IN PART, AS THE BASIS FOR THE MANUFACTURE OR SALE OF ITEMS WITHOUT WRITTEN PERMISSION. COPYRIGHT © 1971 DIGITAL EQUIPMENT CORPORATION



REVISIONS		
CHK	CHANGE NO.	REV.

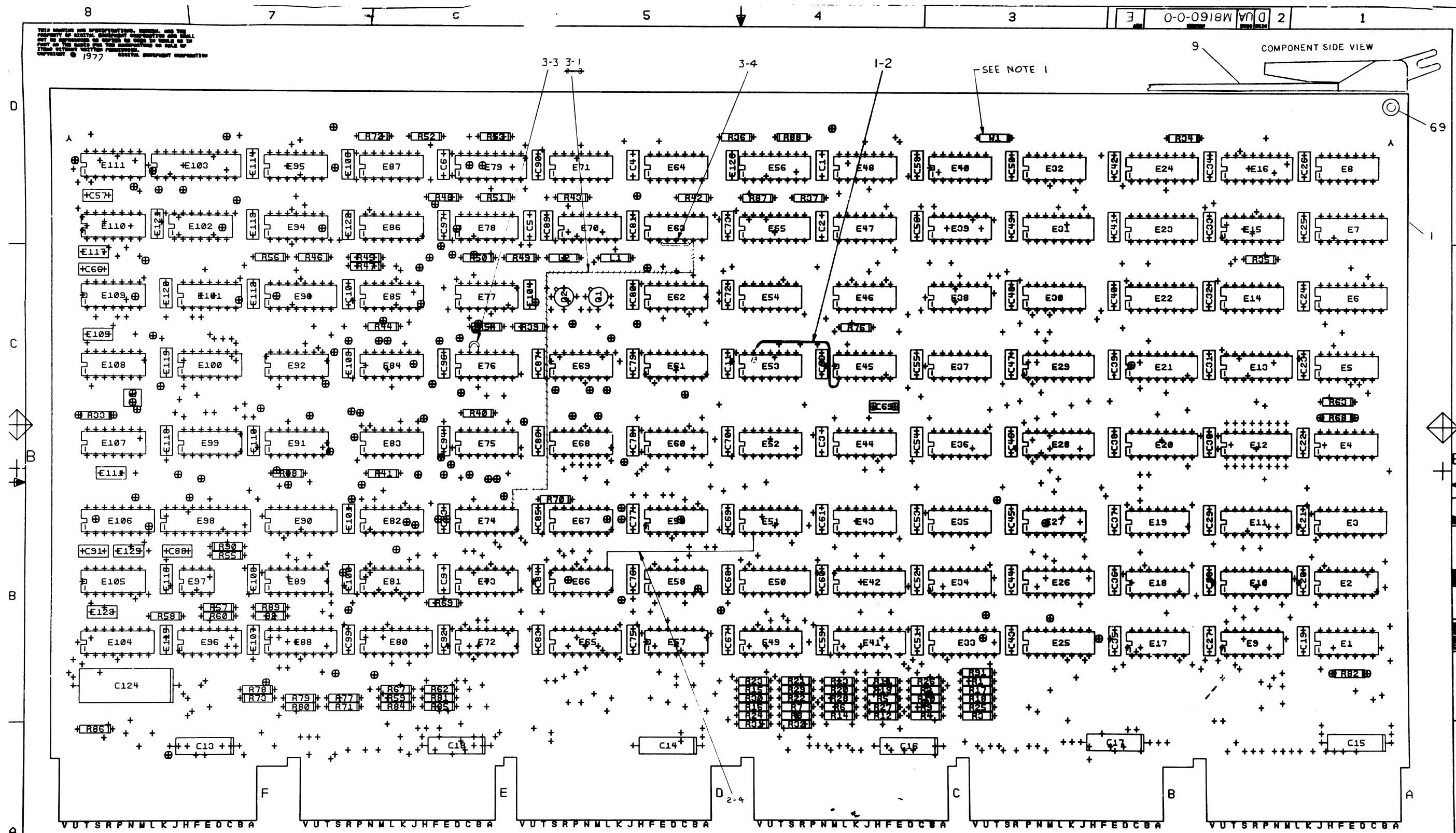






THIS DRAWING AND SPECIFICATIONS, HEREIN, ARE THE PROPERTY OF DIGITAL EQUIPMENT CORPORATION AND SHALL NOT BE REPRODUCED OR TRANSMITTED IN ANY FORM OR BY ANY MEANS, ELECTRONIC OR MECHANICAL, INCLUDING PHOTOCOPYING, RECORDING, OR BY ANY INFORMATION STORAGE AND RETRIEVAL SYSTEM, WITHOUT PERMISSION IN WRITING FROM DIGITAL EQUIPMENT CORPORATION. © 1977

DUA M8160-0-0 2



NOTES: 1. W1 NOT INSTALLED AT ASSY FOR REF ONLY.

CHANGE NO	REV	DATE	BY	CHK'D
M8160-2	D	1/17/78	A. ZACCONI	
M8160-3	E	2/2/78	A. ZACCONI	

ETCH REV. DPL
P.C. DESIGN DATA BASE REV DLI & DMI

SIGNATURES		DATE
DRN.	<i>[Signature]</i>	1/17/78
CHK'D.	<i>[Signature]</i>	1/17/78
ENG.	<i>[Signature]</i>	
PROJ. ENG.	<i>[Signature]</i>	
PROD.	<i>[Signature]</i>	
SCALE	1" = 1"	
SHT.	OF 7	
NEXT HIGHER ASSY. B-DD-M8160-0		

digital

TITLE MKII CONTROL A

SIZE CODE NUMBER REV  
D UA M8160-0-0 E

8

7

6

5

4

3

U-0-010W V 10 2

M8160 5012676DP1

LAYER 1

CS\*ABCDEFGHIJKLMNPRS

E111

E103

E95

E87

E79

E71

E64

E48

E40

SIDE 1

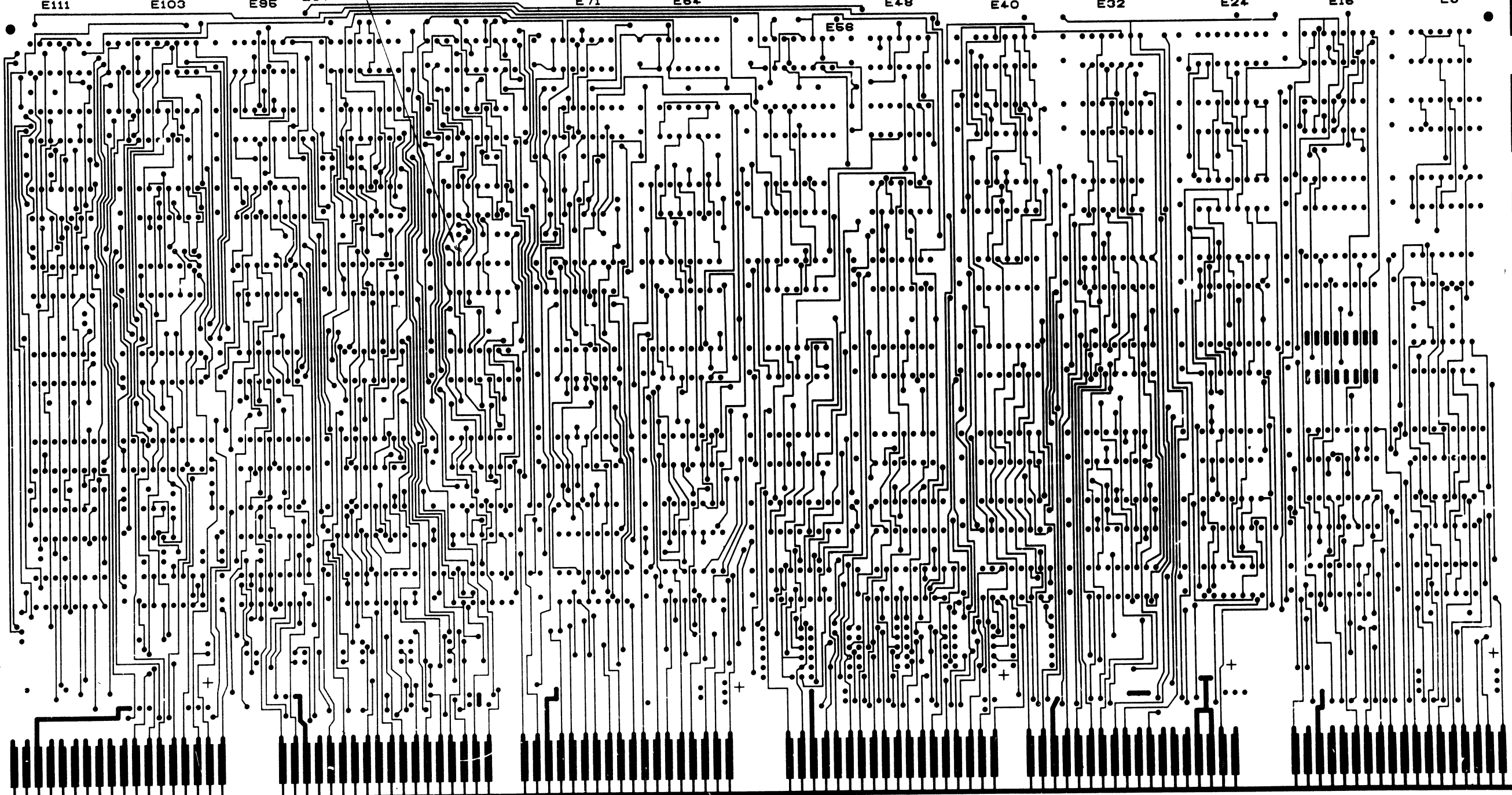
E32

E24

E16

E8

digital



TITLE	MKII CONTROL A	SIZE CODE	DJA	NUMBER	M8160-0-0	REV.	E
SCALE	2/1	SHEET	2	OF	7	DIST.	

8

7

6

5

4

3

2

1

M8160  
SO12876OP1



REV.	DATE	BY

TITLE	MKII CONTROL A	SIZE CODE	DJA	NUMBER	M8160-0-0	REV.	E
SCALE	2/1	SHEET	3	OF	7	DIST.	

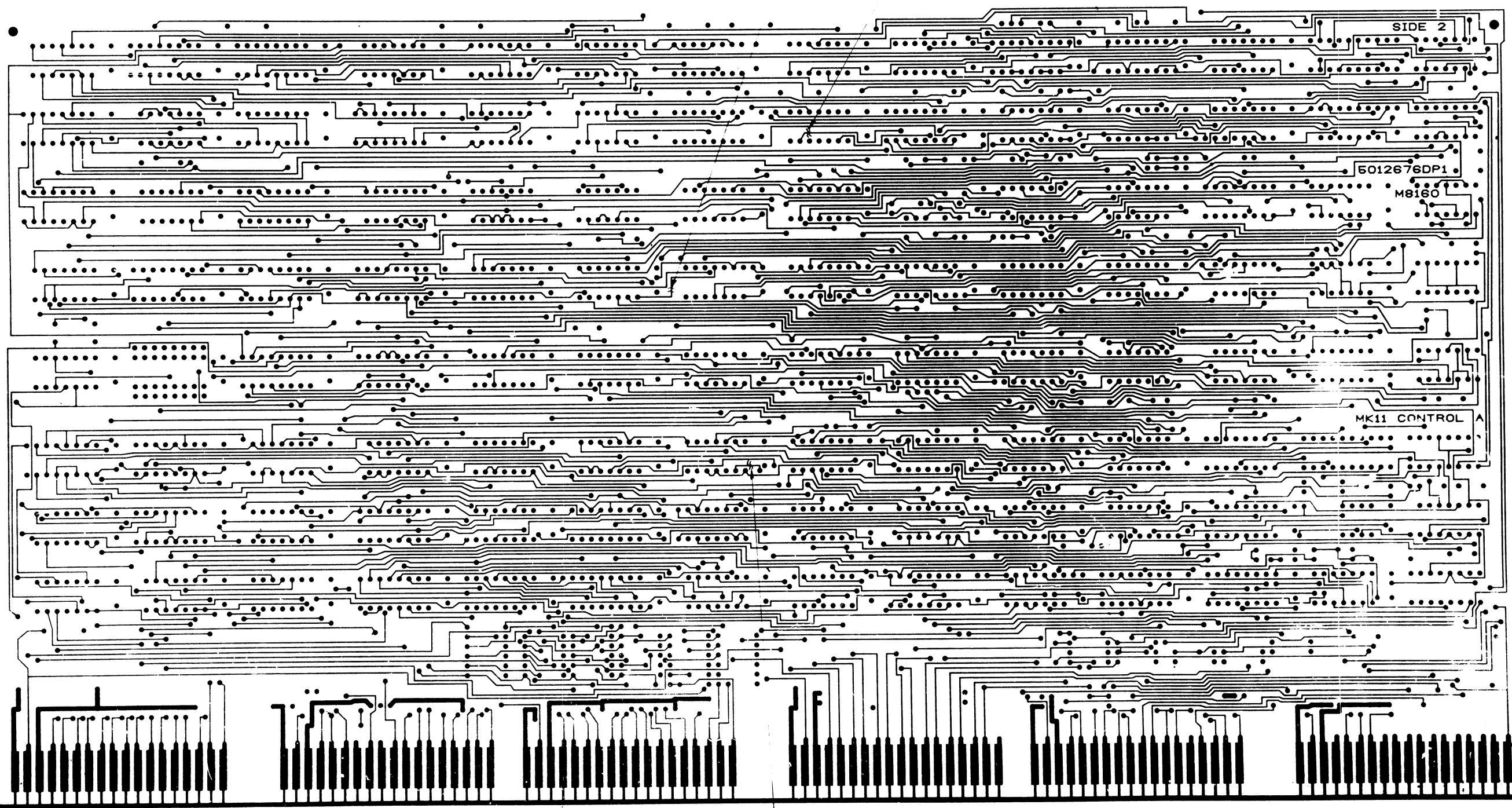
M8160 5012678DP1



TITLE	MKII CONTROL A	SIZE CODE	DUA	NUMBER	M8160-0-0	REV.	E
SCALE	2/1	SHEET	4	OF	7	DIST.	

AYER 2-1

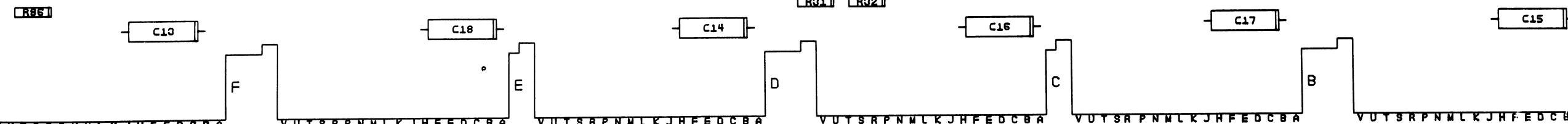
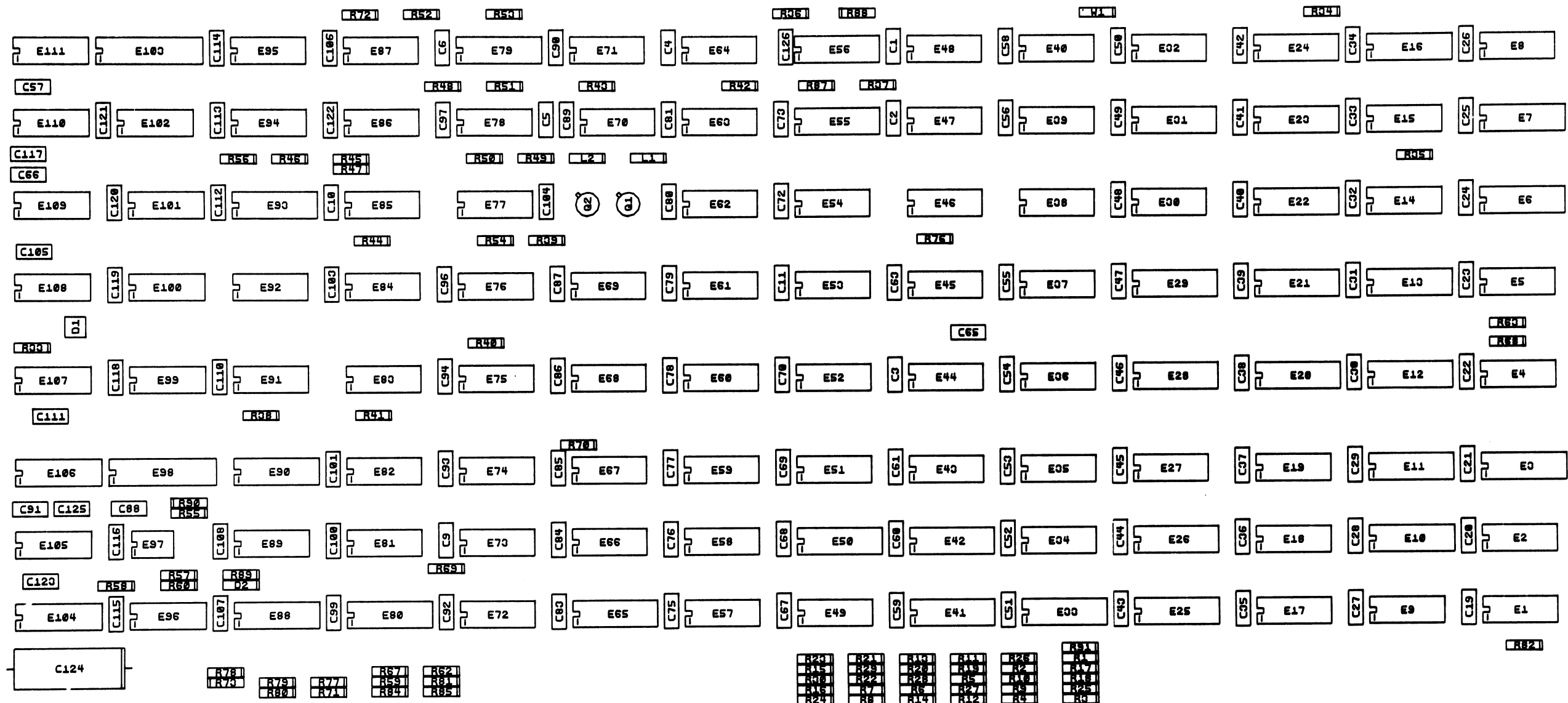
L4



2-2

TITLE	MK11 CONTROL A	SIZE CODE	D JA	NUMBER	M8160-0-0	REV.	E
SCALE	2/1	SHEET	5	OF	7	DIST.	

THIS DRAWING IS UNCLASSIFIED  
DATE 10/18/07 BY 60322 UCBAW/STP/STP



NOTES:  
\_\_\_\_\_  
\_\_\_\_\_  
\_\_\_\_\_  
\_\_\_\_\_  
\_\_\_\_\_

CHG	NO	REV

REF DRAWING ONLY

SIGNATURES		DATE	digital
DRN. <i>J. Brennan</i>		10/18/07	
CHK'D. <i>J. Brennan</i>		10/18/07	
ENG. <i>J. Brennan</i>		10/18/07	
PROJ. ENG. <i>J. Brennan</i>		10/18/07	
PROD.			
SCALE 2/1			
SHT. 6 OF 7			
NEXT HIGHER ASSY. B-DD-M8160-0			
TITLE	MKII CONTROL A		
SIZE	CODE	NUMBER	REV
D	UA	M8160-0-0	E

8

7

6

5

4

3

REV. E 0-0-0918W M D 2

1

"THIS DRAWING AND SPECIFICATIONS, HEREIN, ARE THE PROPERTY OF DIGITAL EQUIPMENT CORPORATION AND SHALL NOT BE REPRODUCED OR COPIED OR USED IN WHOLE OR IN PART AS THE BASIS FOR THE MANUFACTURE OR SALE OF ITEMS WITHOUT WRITTEN PERMISSION. COPYRIGHT © 1977 DIGITAL EQUIPMENT CORPORATION"

ECO #1  
ETCH CUT, SIDE 2:  
1-1. FROM E45-1 TO E53-11.  
WIRE ADDS, SIDE 1:  
1-2. FROM E45-1 TO E53-13.

ECO #2  
ETCH CUTS SIDE 2:  
2-1. FROM E63-6 TO E74-6  
2-2. FROM E51-2 TO E68-10  
WIRE ADDS SIDE 1:  
2-3. FROM E63-6 TO E74-8  
2-4. FROM E51-2 TO E66-8

ECO #3  
WIRE DELETE SIDE 1:  
3-1 REMOVE WIRE FROM E63-6 TO E74-8  
ETCH CUT SIDE 1:  
3-2 AT E76-13  
WIRE ADDS SIDE 1:  
3-3 FROM E76-13 TO E76-12  
3-4 FROM E63-6 TO E63-2

REVISIONS		
CHK	CHANGE NO.	REV.

TITLE	SIZE CODE	NUMBER	REV.
MKII CONTROL A	D UA	M8160-0-0	E
SCALE	SHEET	OF	DIST.
	7	7	

LINE	ITEM	DOCUMENT NO.	PART NO.	DESCRIPTION	QTY	REFERENCE DESIGNATORS
1	1	D-CS-M8160-0-1		CIRCUIT SCHEMATIC		REF
2	2	D-UA-M8160-0-0		UNIT ASSEMBLY		REF
3	3	B-DD-M8160-0-0		DWG DIRECTORY		REF
4	4		5012676-00	M8160	1	
5	5		1000042-00	1000.0 MMF 100V 50200PPM DM158	(10-00)	1 C65
6	6		1000015-00	82.0 MMF 100V 50200PPM DM158	(10-00)	6 C1,C2,C4-C6,C11
7	7		1012219-00	47. MFD 30V G8 600D AL EL		1 C124
8	8		1012121-00	220.0 MMF 100V 10200PPM DM158		2 C3,C88
9	9		1012004-01	8 MFD 25V G8 10D AL EL	(10-12)	6 C13-C18
10	10		1001610-01	.01 MFD 100V OR 50V ZSU DISC/800PF MIN	99	C19-C61,C63,C67-C70,C73,C72, C126,C75-C81,C83-C87,C89,C90, C92,C9,C93,C94,C96,C104,C97, C99-C101,C103,C10,C122,C106, C107,C100,C110,C112-C116,C119, C118,C120,C121,C123,C125,C91, C111,C105,C66,C117,C57
11	11		1105275-00	D 672 TR= 15NS PIV= 60V 5P		1 D2
12	12		1110324-00	LED 1MCD@10MA 0MV5054-10HP40R2		1 D1
13	13		1210711-02	HANDLE, HEX MODULE, 10-1/2		
14	14		1300365-00	1 K 1/4W 5% CC	(13-00)	45 R1-R32,R59,R62,R67,R71,R73, R77,R78,R79,R80,R81,R84,R85, R91
15	15		1300447-00	4.7 K 1/4W 5% CC	(13-00)	15 R44,R47,R54,R55,R56,R69,R82, R68,R86,R70,R87,R88,R34,R72, R63
16	16		1300479-00	10 K 1/4W 5% CC	(13-00)	2 R36,R37
17	17		1300316-00	470 1/4W 5% CC	(13-00)	1 R35
18	18		1302124-00	10 1/4W 5% CC	(13-00)	1 R40
19	19		1300229-00	100 1/4W 5% CC	(13-00)	5 R42,R43,R39,R76,R90
20	20		1300271-00	220 1/4W 5% CC	(13-00)	1 R33

REVISION HISTORY			VARIATIONS FOR THIS ASSY.		DIGITAL EQUIPMENT CORPORATION MAYNARD, MASSACHUSETTS	
CHK	ECO NO.	REV	NO	FIRST USED ON	DATE	TITLE
E.R	00003	E		MK11	28-JUN-78	PARTS LIST
				MADE BY: D. CARUSO	DATE: 28-JUN-78	MK11 CONTROL A
				CHECKED: D. CARUSO	DATE: 28-JUN-78	
				DSN, ENG.: A. ZACCONI	DATE: 28-JUN-78	
				PROD.: R. HILL	DATE: 28-JUN-78	
				RESP, ENG.: A. ZACCONI	DATE: 28-JUN-78	
						SIZE: CODE: DOCUMENT NUMBER: REV:
						K PL M8160-0-DBP E
						ASSY. NO.: B-DD-M8160-0-0 EDIT# 2

"THIS DRAWING AND SPECIFICATIONS HEREIN, ARE THE PROPERTY OF DIGITAL EQUIPMENT CORPORATION AND SHALL NOT BE REPRODUCED OR COPIED OR USED IN WHOLE OR IN PART AS THE BASIS FOR THE MANUFACTURE OR SALE OF ITEMS WITHOUT WRITTEN PERMISSION. COPYRIGHT 1978, DIGITAL EQUIPMENT CORPORATION"



LINE	ITEM	DOCUMENT NO.	PART NO.	DESCRIPTION	QTY	REFERENCE DESIGNATORS
21	21		1300295-00	330 1/4W 5% CC (13-00)	1	R11
22	22		1301890-00	560 1/4W 5% CC (13-00)	1	R10
23	23		1301972-00	270 1/4W 5% CC (13-00)	4	R49,R51,R53,R46
24	24		1301322-00	180 1/4W 5% CC (13-00)	4	R45,R48,R50,R52
25	25		1303044-00	100 K 1/4W 1% RN55D-F 100PPM (13-00)	1	R57
26	26		1302398-00	470 K 1/4W 5% CC (13-00)	1	R60
27	27		1303313-00	12.1 K 1/4W 1% RN55D-F 100PPM (13-00)	1	R58
28	28		1311594-00	30.1 K 1/4W 1% RN55D-F 100PPM (13-00)	1	R89
29	29		1503100-00	DEC3009B NPN 200MW SI 20 25 P	2	Q1,Q2
30	30		1610662-00	100.0 UH 10% 165MA #DD1 00	2	L1,L2
31	31		1611243-00	DELAY=25-250NS,10TAPS RCL#L=103 E PE#9829	5	E53,E54,E64,E70,E71
32	32		1911469-00	DEC 8640 RECEIVER,BUS,QUAD,UNIBUS,Q-BU	1	E46
33	33		1909705-00	DEC 8801-INAND GATE-QUAD 2IN,OPN COLL.	1	E95
34	34		1910649-00	8805 NOR GATE-QUAD 2IN,FAST	2	E62,E66
35	35		1910532-00	74800 NAND GATE-QUAD 2IN	14	E0,E37,E48,E51,E69,E75,E82, CONT E100,E108,E109,E60,E105,E76, CONT E67
36	36		1912799-00	L800 NAND-GATE-QUAD 2IN,POSITIVE	3	E45,E52,E78
37	37		1912746-00	DEC 74837 NAND GATE-QUAD 2IN	1	E110
38	38		1912388-00	74802 NOR GATE-QUAD 2IN,POS	3	E50,E99,F102
39	39		1910533-00	74803 NAND GATE-QUAD 2IN,OPN COLLECT	2	E91,E96
40	40		1910534-00	74804 INVERTER GATE-HEX 1IN	14	E4,E17,E36,E32,E47,E49,E57, CONT E59,E61,E68,E81,E89,E101,E111
41	41		1912801-00	L802 NOR-GATE-QUAD 2IN	1	E63
42	42		1910535-00	74805 INVERTER GATE-HEX 1IN,OPEN CO	2	E92,E15
43	43		1912800-00	L811 AND GATE-TRIPLE 3IN	1	E40
44	44		1913777-00	L8240 DRIVER,LINE,OCTAL,TRI-ST	1	E103
45	45		1910536-00	74810 NAND GATE-TRIPLE 3IN	2	E30,E83
46	46		1910870-00	7427 NOR GATE-TRIPLE 3IN	1	E14
47	47		1911712-00	74851 AND-OR GATE-INVERT DUAL 2W/2IN	5	E1,E2,E9,E18,E30
48	48		1912823-00	L873 FF-JK DUAL W/CLEAR	1	E39
49	49		1910539-00	74820 NAND GATE-DUAL 4INPUT	1	E72
50	50		1910548-00	748157 MUX 1 OF 2 (QUAD)	1	K79
51	51		1909713-00	DEC 8815 NOR GATE-DUAL 4IN 14	1	E44
52	52		1910544-00	74874 FF-D DUAL,EDGE TRIGGER	5	E74,E84,E85,E86,E87
53	53		1912824-00	L874 FF-D DUAL,EDGE TRIGGER,POS	3	E73,E94,E107
54	54		1909050-00	7475 LATCH 4BIT	5	E65,E80,E88,E90,E104
55	55		1909932-00	7403 ADDER-4BIT	2	E6,E28
56	56		1912843-00	L8139 DECODER, 2 OF 4(DUAL)& DEMUX	1	E24
57	57		1912844-00	L8151 MUX 1 OF 8 & DATA SELECTOR	4	E25,E29,E33,E41
58	58		1910547-00	748153 MUX 1 OF 4 (DUAL)	6	E3,E11,E26,F42,E50,E93
59	59		1911675-00	748138 DECODER-THREE INPUT	1	E10
60	60		1910652-00	74174 FF-D HEX	2	E7,E20
61	61		1911713-00	74163 COUNTER,SYNCHR,4-BIT	1	E31
62	62		1912837-00	L8123 ONE SHOT-DUAL,RETRIGGERABLE	1	E56
63	63		1910035-00	DEC 74197 COUNTER,ASYNCH UP,H1 SPEED 828	4	E27,E19,E43,E35
64	64		1912857-00	L8197 COUNTER,BINARY,PRESETTABLE	2	E5,E34
65	65		1913462-00	748240 OCTAL BUFFER,INVERTING TRI-STA	1	E98

TITLE	PARTS LIST	SIZE	CODE	DOCUMENT NUMBER	REV
DIGITAL EQUIPMENT CORPORATION MAYNARD, MASSACHUSETTS	MK11 CONTROL A	K	PL	M8160-0-DRP	E

LINE	ITEM	DOCUMENT NO.	PART NO.	DESCRIPTION	QTY	REFERENCE DESIGNATORS
66	66		1912125-00	748135 XOR/NOR GATE-QUAD 2IN	1	E106
67	67		1912064-00	LS279 LATCH,QUAD-S-R	1	E16
68	68		1910956-00	748151 MUX 1 OF 8	1	E21
69	69		1912054-00	LS193 COUNTER,SYNCHR,4BIT,UP/DN,BINA	2	E22,E23
70	70		1910544-01	74874-60GG-D DUAL,EDGE TRIGGER,SYNCHR	1	E77
71	71		1911944-00	555CN TIMER,FUNCT.BLOCK	1	E97
72	72		9000024-01	EYELET, ROLLED FLANGE, .121 OD X .196 LG	12	
73	73		9105740-55	WIRE(WRAP)30AWG UL1423 (91-00 A/R		

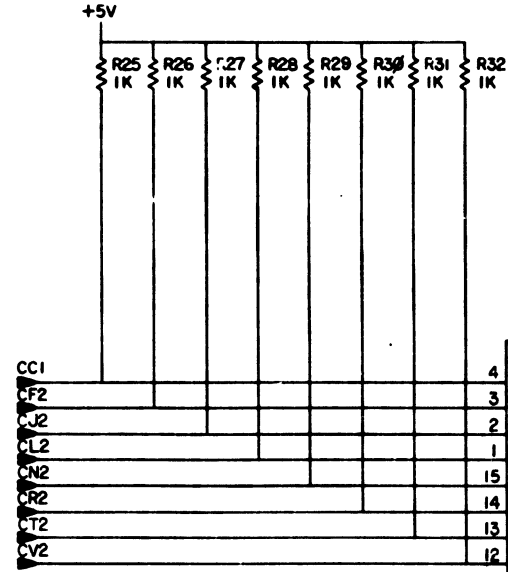
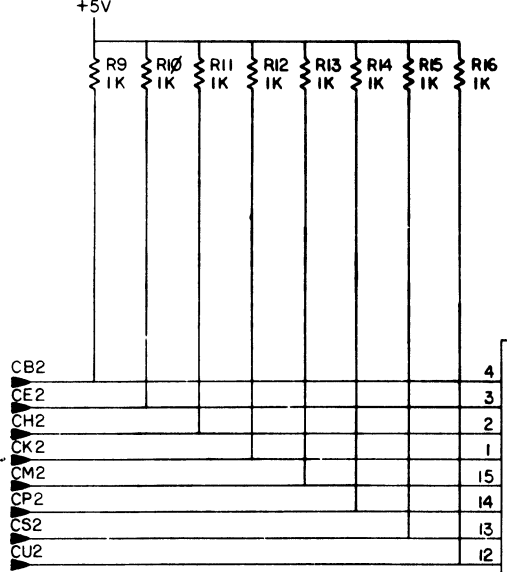
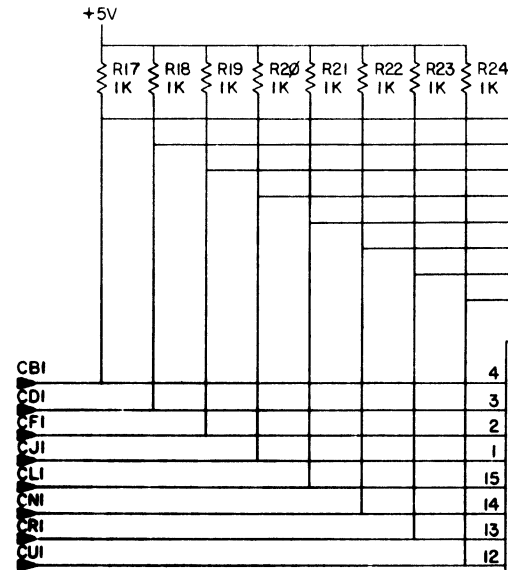
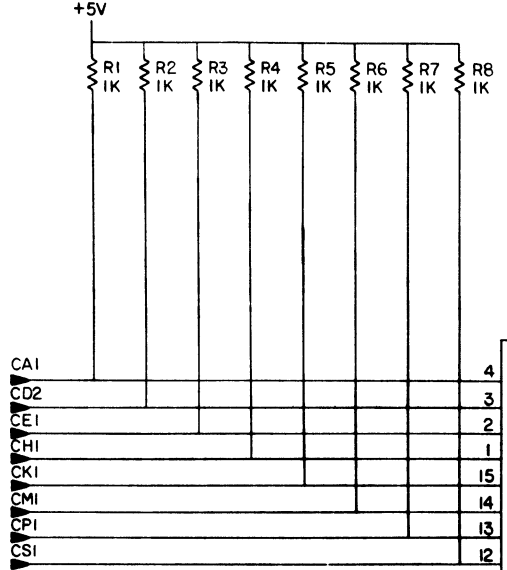
DIGITAL EQUIPMENT CORPORATION MAYNARD, MASSACHUSETTS	TITLE MK11 CONTROL A	PARTS LIST	SIZE K	CODE PL	DOCUMENT NUMBER M8160-0-DBP	REV E
---	-------------------------	------------	-----------	------------	--------------------------------	----------

THIS DRAWING AND SPECIFICATIONS, HEREIN, ARE THE PROPERTY OF DIGITAL EQUIPMENT CORPORATION AND SHALL NOT BE REPRODUCED OR COPIED OR USED IN WHOLE OR IN PART AS THE BASIS FOR THE MANUFACTURE OR SALE OF ITEMS WITHOUT WRITTEN PERMISSION.  
 COPYRIGHT © 1977, DIGITAL EQUIPMENT CORPORATION

- J1A 0L
- J1A 2L
- J1A 4L
- J1A 6L
- J1A 8L
- J1A 10L
- J1A 12L
- J1A 14L

ARRAY CONFIGURATION CODE

J2L	J1L	DESCRIPTION
0	0	NO CARD
0	1	32 KW (4 K RAMS)
1	0	32 KW (16 K RAMS)
1	1	128 KW (16 K RAMS)



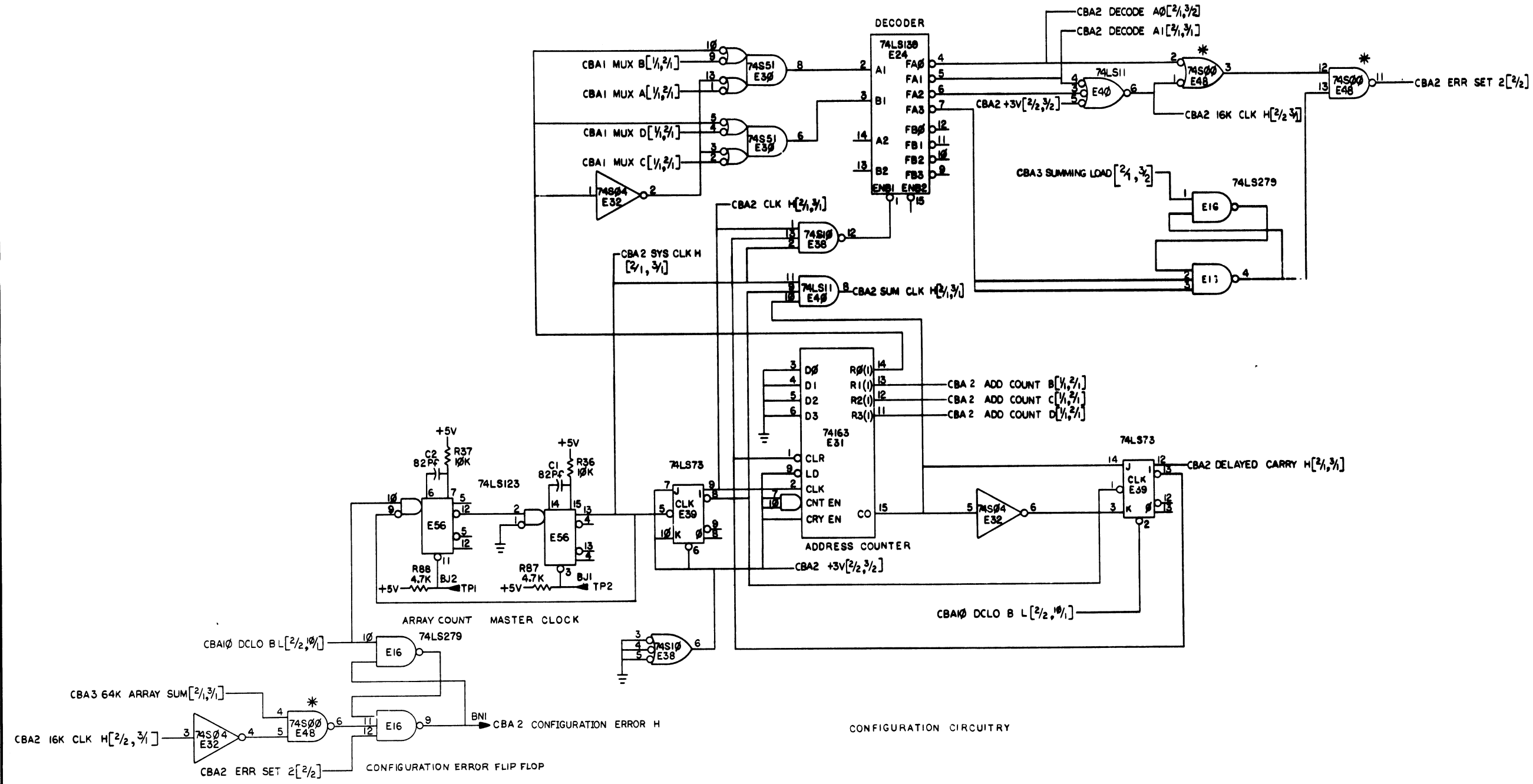
CBA 2 ADD COUNT D [1/2, 2/1]  
 CBA 2 ADD COUNT C [1/2, 2/1]  
 CBA 2 ADD COUNT B [1/2, 2/1]

CONFIGURATION CIRCUITRY  
 ARRAY FINGERPRINT MUX

REV.	CHG.	BY	DATE
1	C	A. ZACCONI	11/17/77
2	D	A. ZACCONI	11/17/77
3	E	A. ZACCONI	11/17/77

DRN. S. Carthy	8-1177	FIRST USED ON	MK II	digital
CHK'D P. Gannon	11-2-77	TITLE	(CBA1)	
ENG. J. P. Gannon	11-2-77		MK II	
PROJ. ENG. J. P. Gannon	11-2-77		CONTROL A	
PROD. F. J. Hall	11-2-77			
NEXT HIGHER ASSY.				
B-DD-M8160-0	SIZE CODE	NUMBER	REV.	
SCALE 1/1	D CS	M8160-0-1	E	
SHEET 1	OF 1	DIST.		

THE DRAWING AND SPECIFICATIONS HEREIN ARE THE PROPERTY OF DIGITAL EQUIPMENT CORPORATION AND SHALL NOT BE REPRODUCED OR COPIED OR USED IN WHOLE OR IN PART AS THE BASIS FOR THE MANUFACTURE OR SALE OF ITEMS WITHOUT WRITTEN PERMISSION. COPYRIGHT © 1977 DIGITAL EQUIPMENT CORPORATION



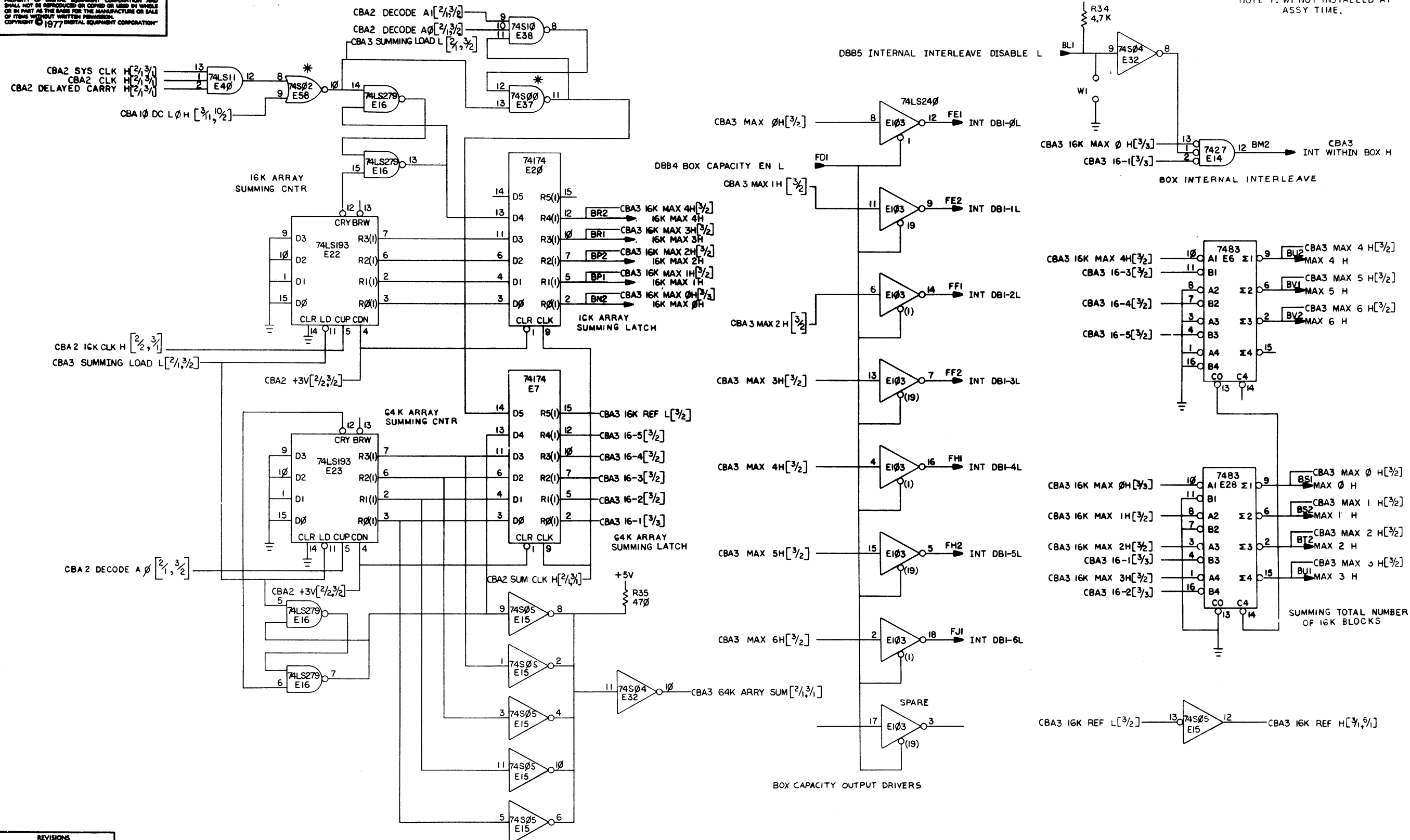
REVISIONS		
CHK	CHANGE NO.	REV.

TITLE	MK II CONTROL A	(CBA2) SIZE CODE	D CS	NUMBER	M8160-0-1	REV.	E
SCALE		SHEET	2	OF	1	DIST.	

THIS DRAWING AND SPECIFICATIONS HEREIN ARE THE PROPERTY OF DIGITAL EQUIPMENT CORPORATION AND SHALL NOT BE REPRODUCED OR COPIED OR USED IN WHOLE OR IN PART AS THE BASIS FOR THE MANUFACTURE OR SALE OF ITEMS WITHOUT WRITTEN PERMISSION.  
 COPYRIGHT © 1977 DIGITAL EQUIPMENT CORPORATION

1-0-0918W  
 1380W1H  
 3002 3215 2

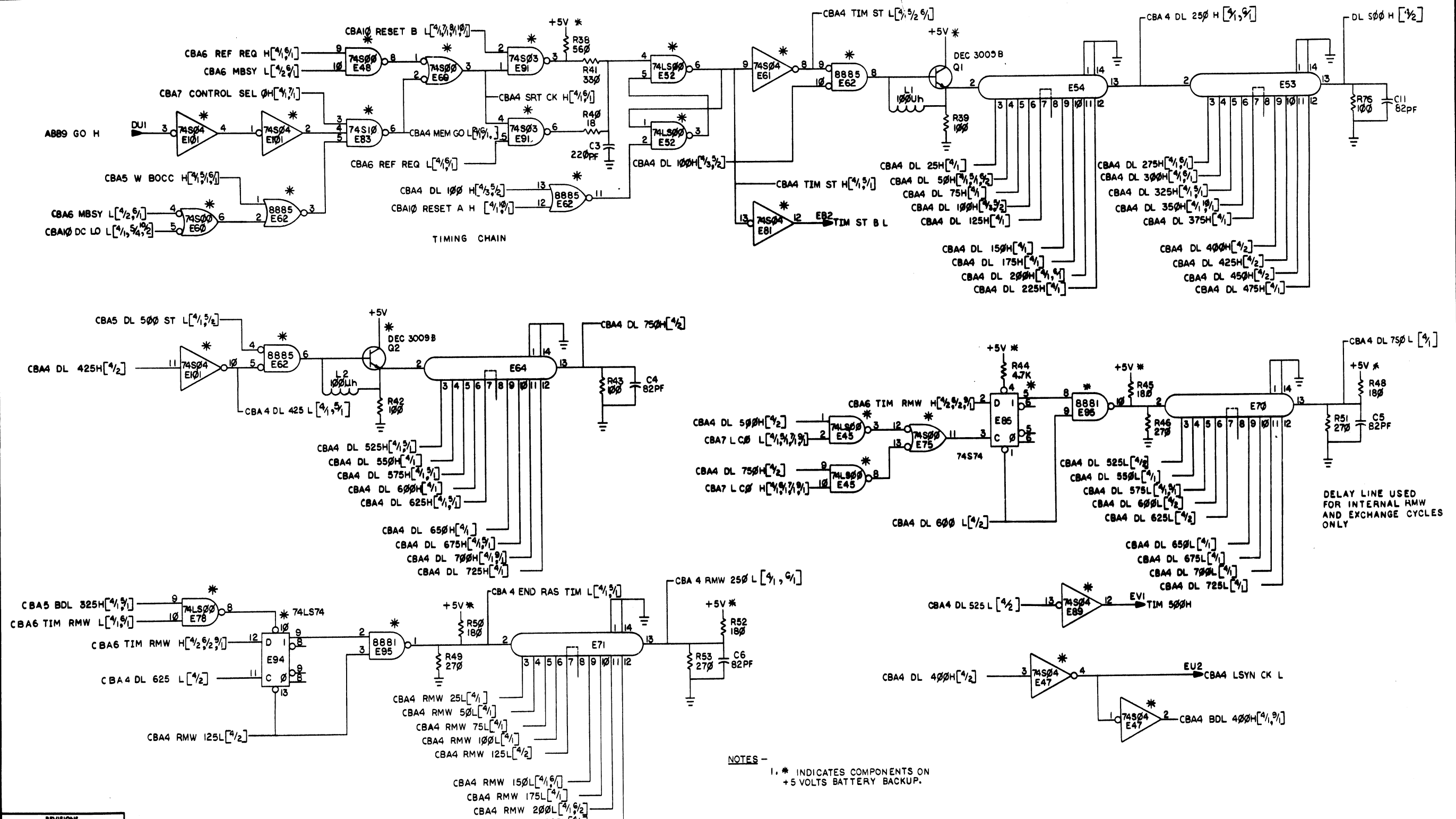
NOTE 1: W1 NOT INSTALLED AT ASSY TIME.



REVISIONS		
CHK	CHANGE NO.	REV.

TITLE	MK II CONTROL A (CBA3)	SIZE CODE	D CS	NUMBER	M8160-0-1	REV.	E
SCALE	1/1	SHEET	3	OF	11	DIST.	

"THIS DRAWING AND SPECIFICATIONS HEREBY ARE THE PROPERTY OF DIGITAL EQUIPMENT CORPORATION AND SHALL NOT BE REPRODUCED OR COPIED OR USED IN WHOLE OR IN PART AS THE BASIS FOR THE MANUFACTURE OR SALE OF ITEMS WITHOUT WRITTEN PERMISSION. COPYRIGHT © 1977 DIGITAL EQUIPMENT CORPORATION"



NOTES -  
1. \* INDICATES COMPONENTS ON +5 VOLTS BATTERY BACKUP.

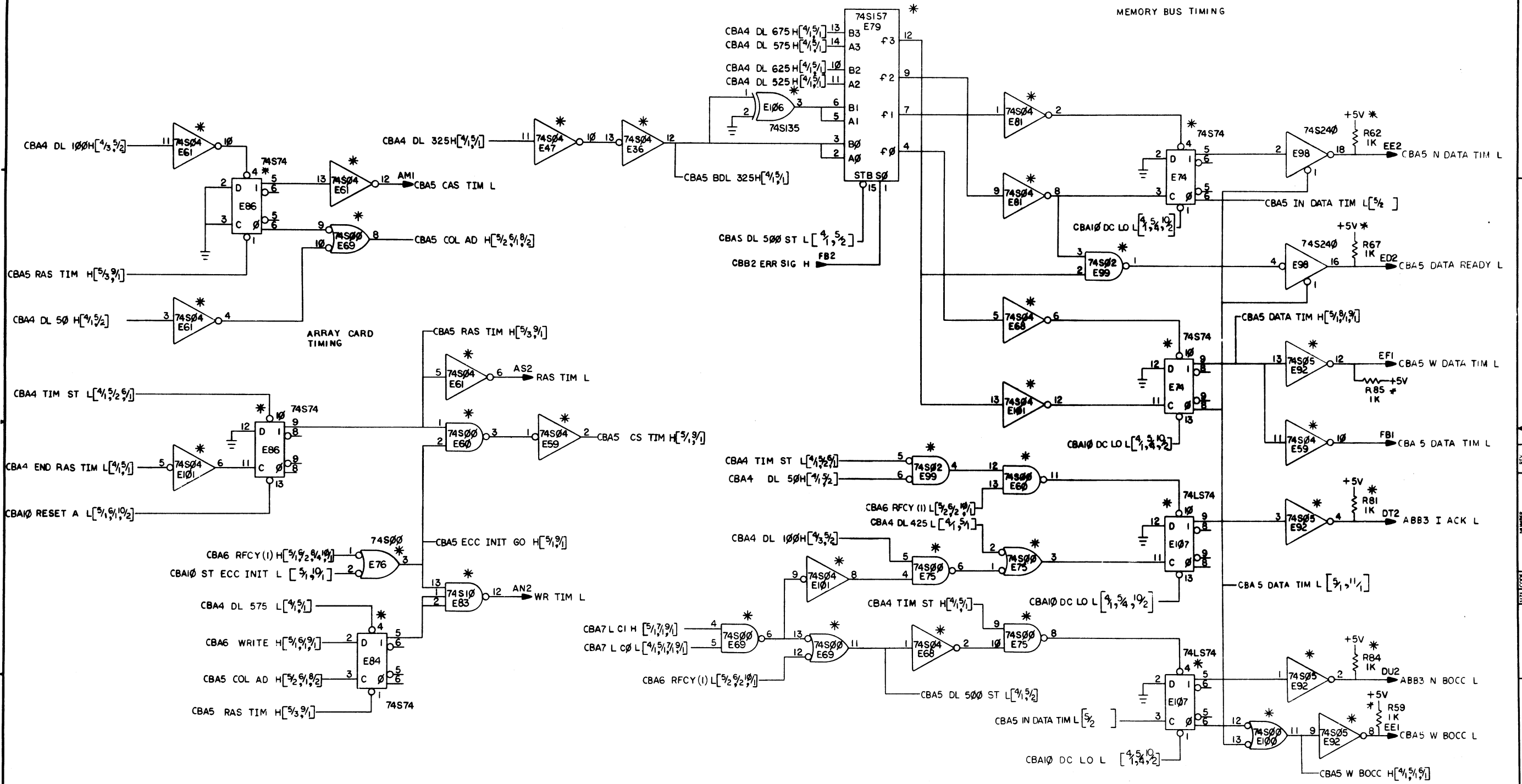
REVISIONS		
CHK	CHANGE NO.	REV.

TITLE	(CBA4) MKII CONTROL A	SIZE CODE	D CS	NUMBER	MB160-0-1	REV.	E
SCALE		SHEET	4	OF		DIST.	

THIS DRAWING AND SPECIFICATIONS HEREIN ARE THE PROPERTY OF DIGITAL EQUIPMENT CORPORATION AND SHALL NOT BE REPRODUCED OR COPIED OR USED IN WHOLE OR IN PART AS THE BASIS FOR THE MANUFACTURE OR SALE OF ITEMS WITHOUT WRITTEN PERMISSION. COPYRIGHT © 1977 DIGITAL EQUIPMENT CORPORATION

SINGLE ERROR TIME EXTENSION

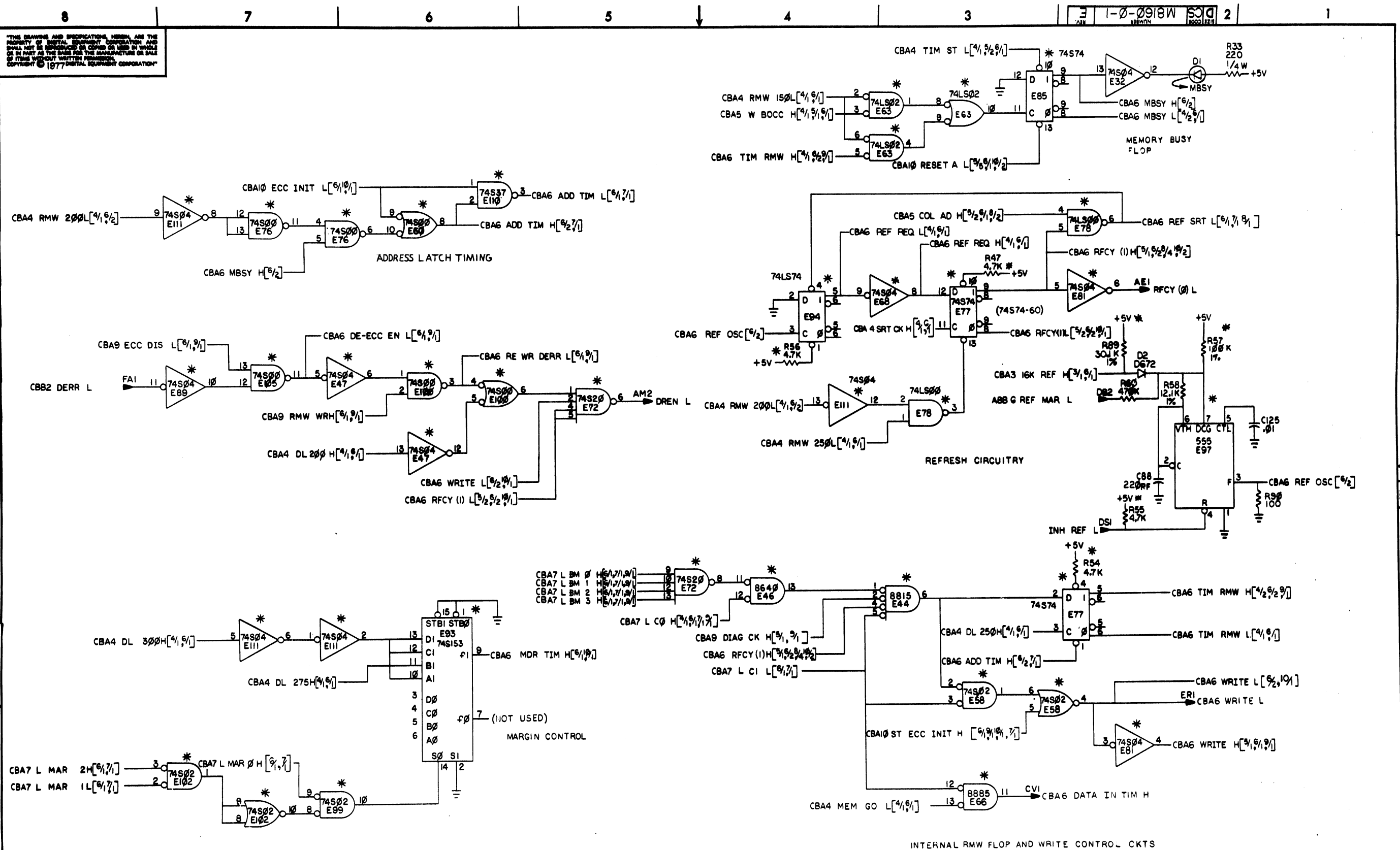
MEMORY BUS TIMING



REVISIONS		
CHK	CHANGE NO.	REV.

TITLE	MK II CONTROL A	SIZE CODE	DCS	NUMBER	M8160-0-1	REV.	E
SCALE		SHEET	5	OF	11	DIST.	

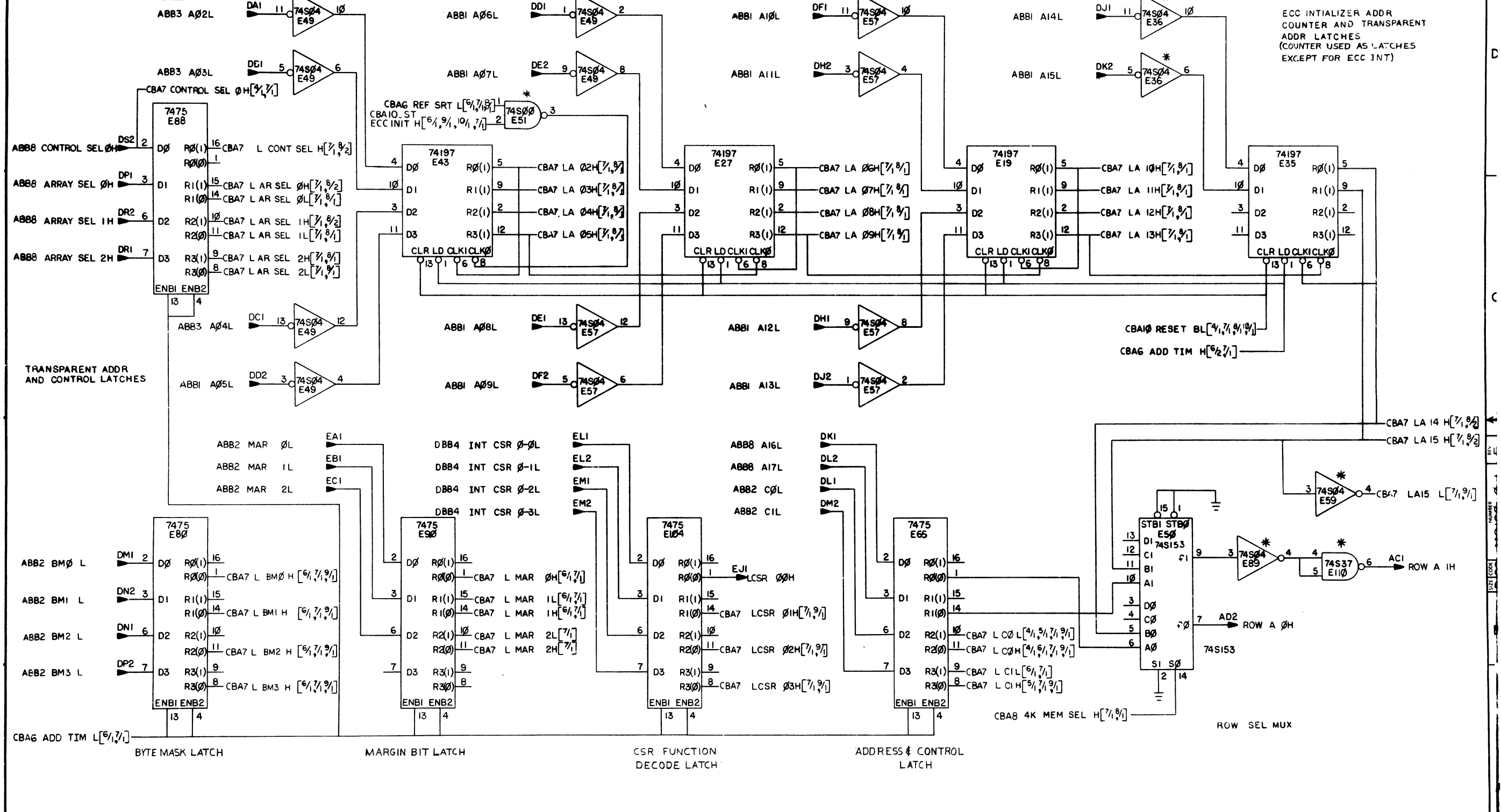
THIS DRAWING AND SPECIFICATIONS HEREIN ARE THE PROPERTY OF DIGITAL EQUIPMENT CORPORATION AND SHALL NOT BE REPRODUCED OR COPIED OR USED IN WHOLE OR IN PART AS THE BASIS FOR THE MANUFACTURE OR SALE OF ITEMS WITHOUT WRITTEN PERMISSION. COPYRIGHT © 1977 DIGITAL EQUIPMENT CORPORATION



REVISIONS			TITLE		SIZE	CODE	NUMBER		REV.
CHK	CHANGE NO.	REV.	MK II CONTROL A (CBA6)		D	CS	M8160-0-1		E



"THIS DRAWING AND SPECIFICATIONS HEREIN ARE THE PROPERTY OF DIGITAL EQUIPMENT CORPORATION AND SHALL NOT BE REPRODUCED OR COPIED OR USED IN WHOLE OR IN PART AS THE BASIS FOR THE MANUFACTURE OR SALE OF ITEMS WITHOUT WRITTEN PERMISSION. COPYRIGHT © 1977 DIGITAL EQUIPMENT CORPORATION"



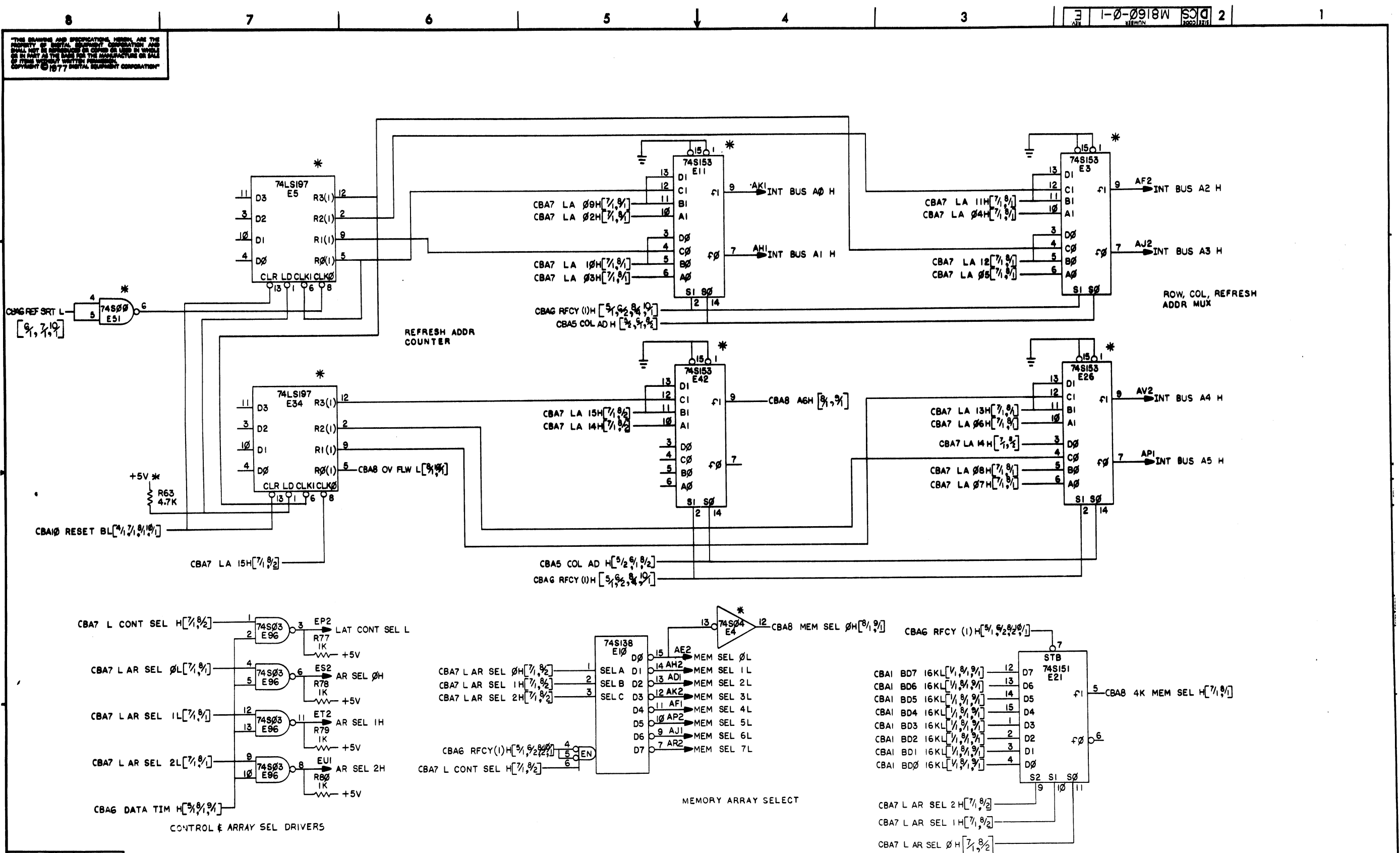
ECC INITIALIZER ADDR  
COUNTER AND TRANSPARENT  
ADDR LATCHES  
(COUNTER USED AS LATCHES  
EXCEPT FOR ECC INT)

CBA0 RESET BL [4, 7, 9, 10]  
CBA6 ADD TIM H [6, 2, 7, 1]

REVISIONS		
CL. X	CHANGE NO.	REV.

TITLE	MK II CONTROL A (CBA7)	SIZE CODE	D CS	NUMBER	M8160-0-1	REV.	E
SCALE		SHEET	7	OF	11	DIST.	

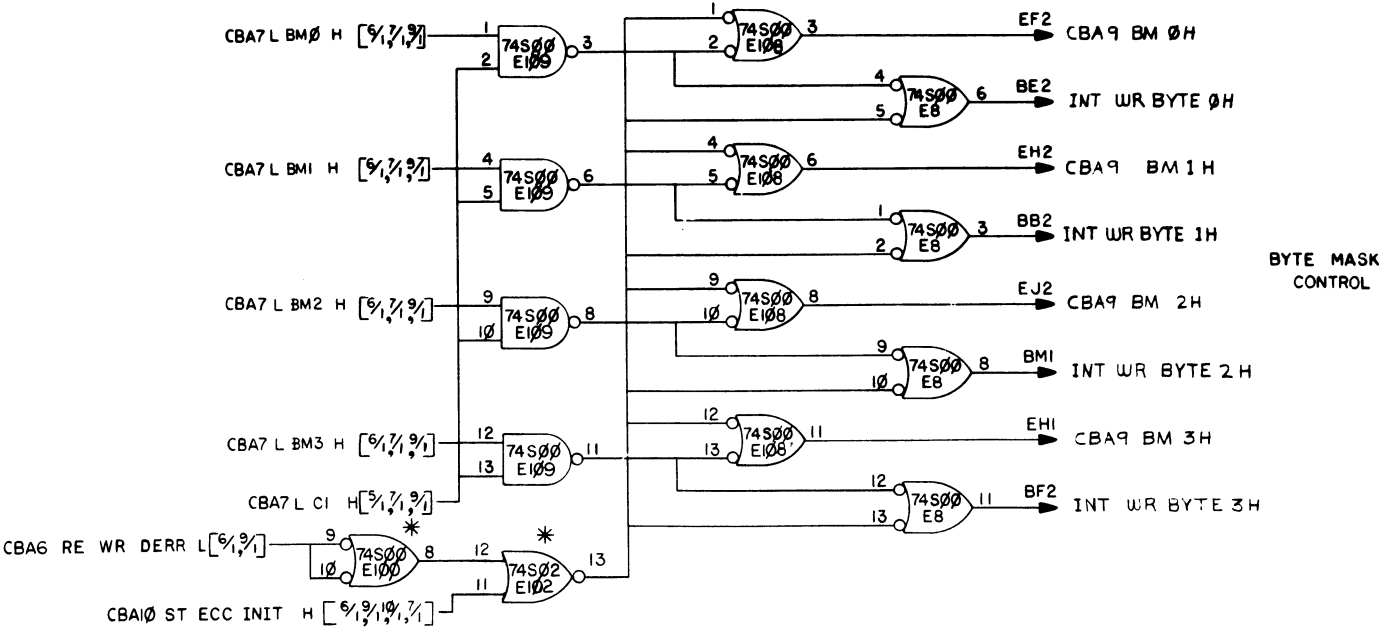
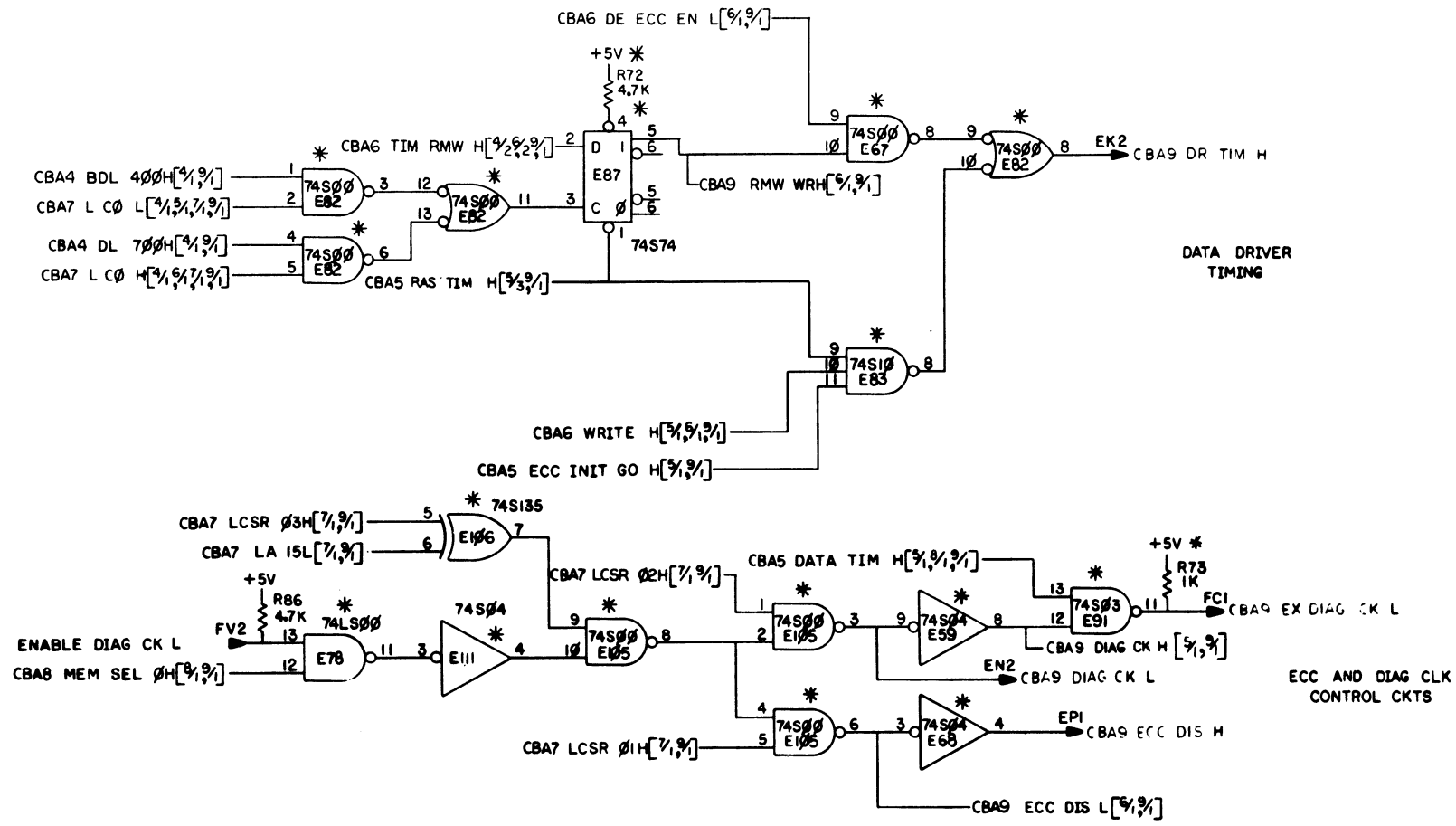
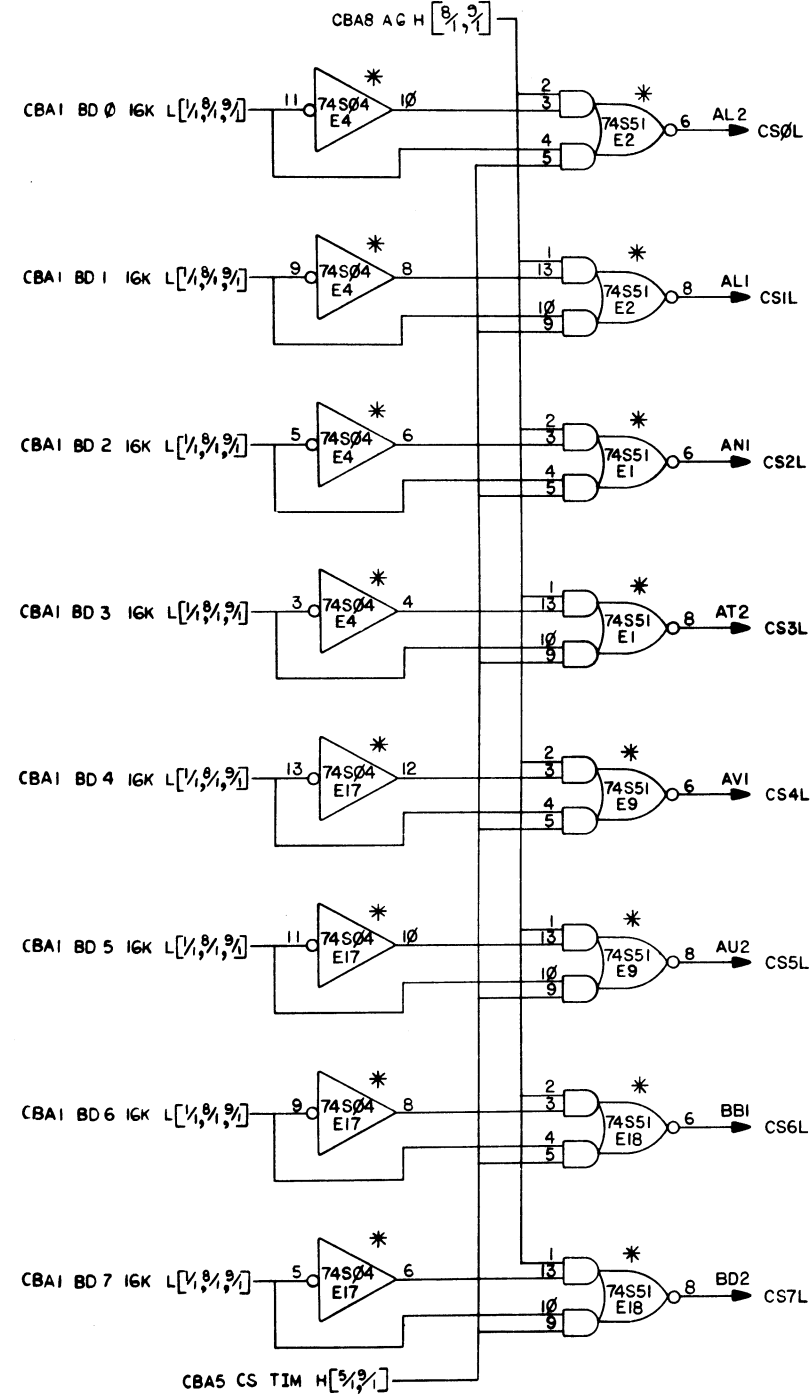
THIS DRAWING AND SPECIFICATIONS HEREIN ARE THE PROPERTY OF DIGITAL EQUIPMENT CORPORATION AND SHALL NOT BE REPRODUCED OR TRANSMITTED IN ANY FORM OR BY ANY MEANS, ELECTRONIC OR MECHANICAL, INCLUDING PHOTOCOPYING, RECORDING, OR BY ANY INFORMATION STORAGE AND RETRIEVAL SYSTEM, WITHOUT PERMISSION IN WRITING FROM DIGITAL EQUIPMENT CORPORATION.  
 © 1977



REVISIONS			TITLE		SIZE	CODE	NUMBER	REV.
CHK	CHANGE NO.	REV.	MKII CONTROL A		D	CS	M8160-0-1	E
			SCALE	SHEET 8	OF 11	DIST.		

THIS DRAWING AND SPECIFICATIONS HEREAFTER ARE THE PROPERTY OF DIGITAL EQUIPMENT CORPORATION AND SHALL NOT BE REPRODUCED OR COPIED OR USED IN WHOLE OR IN PART AS THE BASIS FOR THE MANUFACTURE OR SALE OF ITEMS WITHOUT WRITTEN PERMISSION.  
 COPYRIGHT © 1977 DIGITAL EQUIPMENT CORPORATION

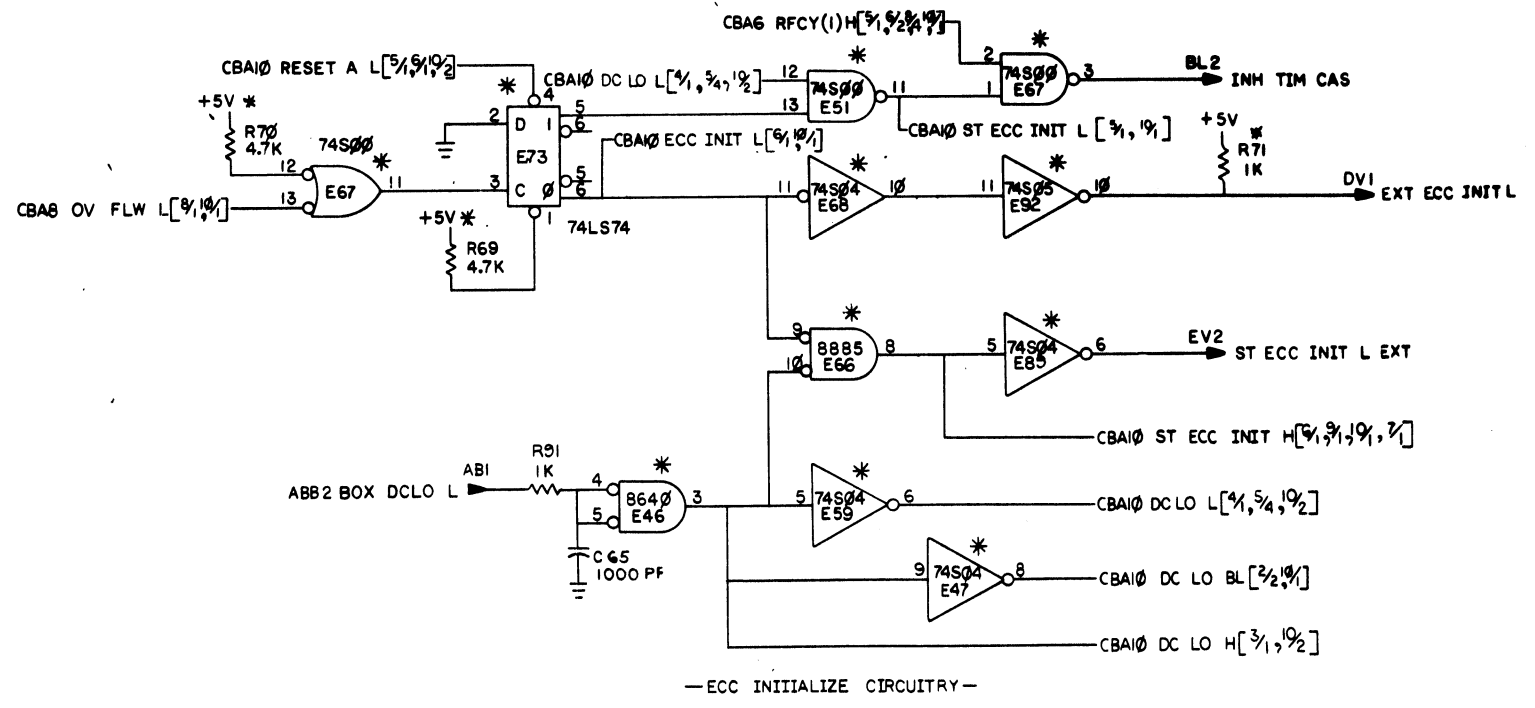
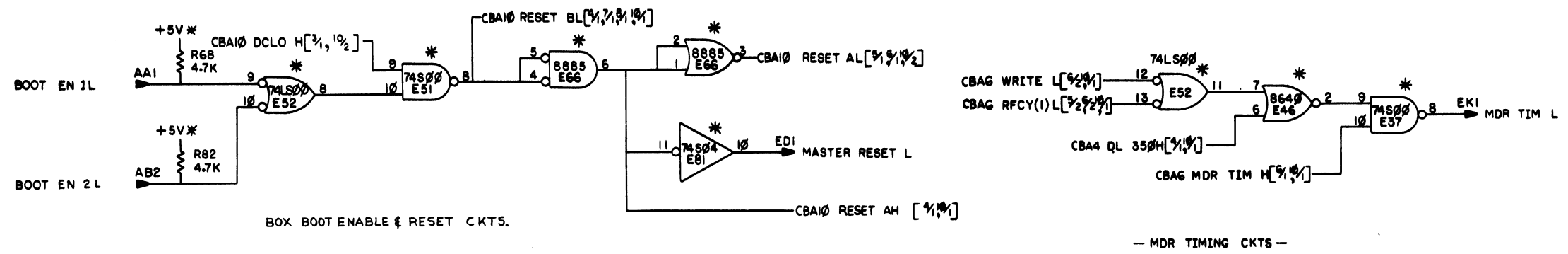
CS TIMING/AG  
MUX CKTS



REVISIONS		
CHK	CHANGE NO.	REV.

TITLE	(CBA9) MKII CONTROL A	SIZE CODE	D CS	NUMBER	M8160-0-1	REV.	E
SCALE		SHEET	9	OF	11	DIST.	

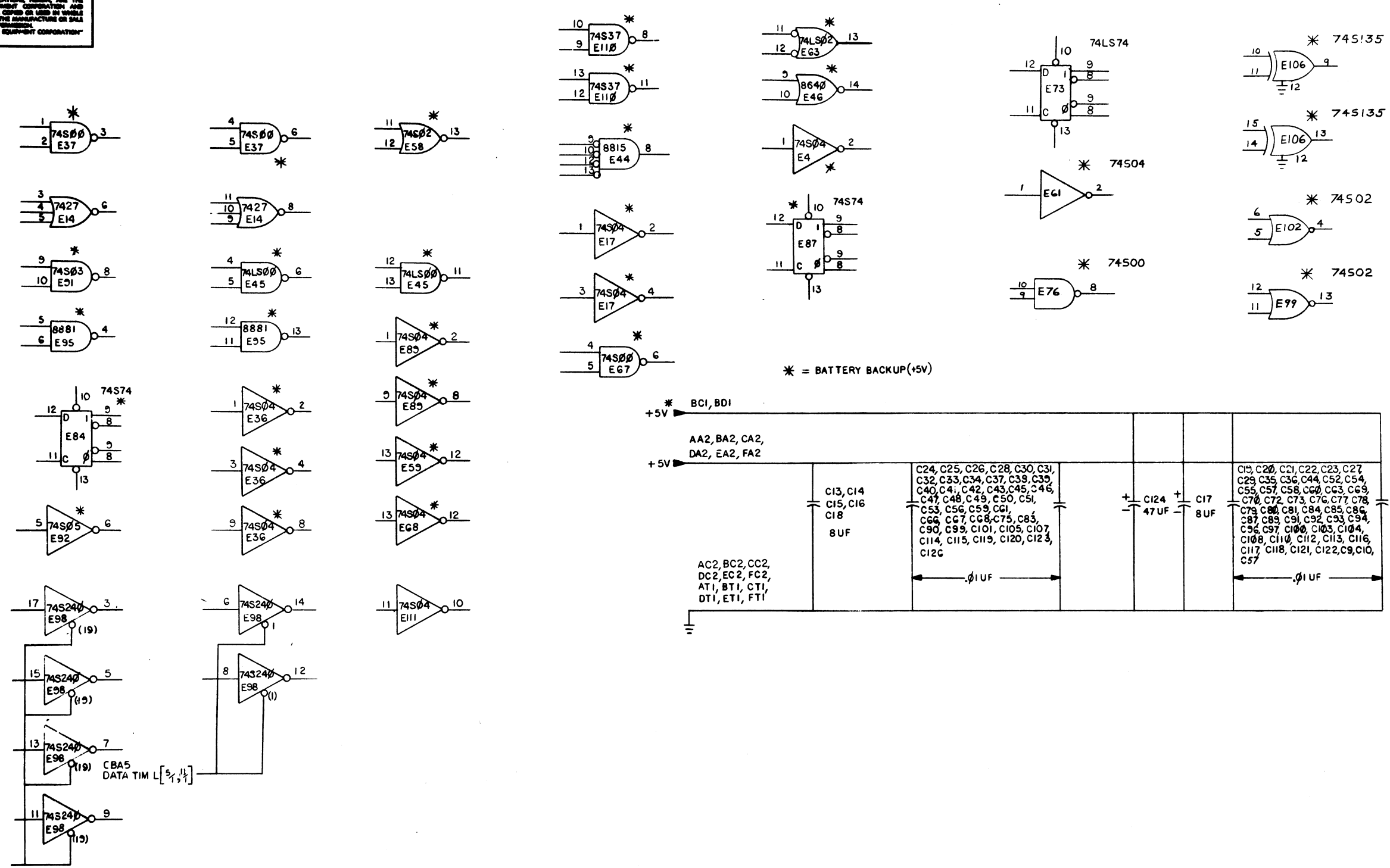
THIS DRAWING AND SPECIFICATIONS HEREIN ARE THE PROPERTY OF DIGITAL EQUIPMENT CORPORATION AND SHALL NOT BE REPRODUCED OR COPIED OR USED IN WHOLE OR IN PART AS THE BASIS FOR THE MANUFACTURE OR SALE OF ITEMS WITHOUT WRITTEN PERMISSION. COPYRIGHT © 1977 DIGITAL EQUIPMENT CORPORATION



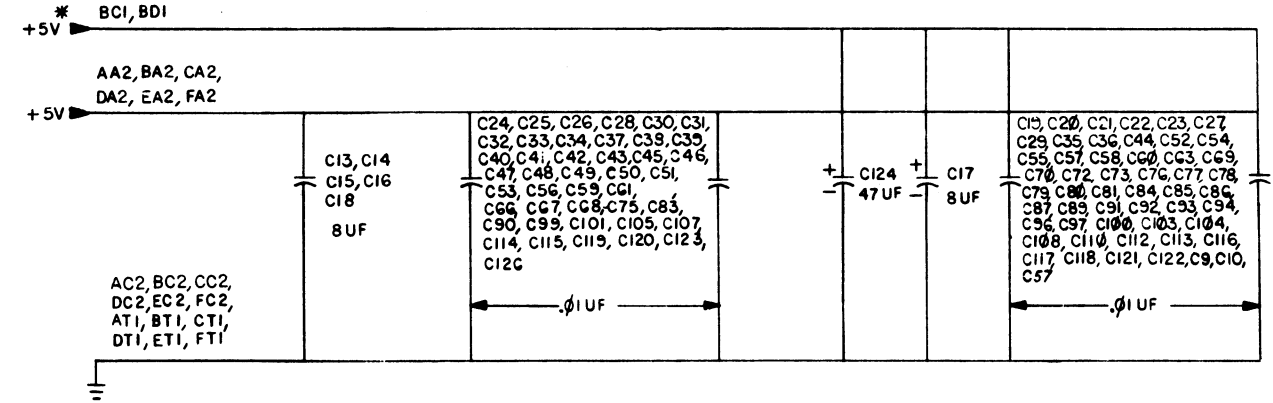
REVISIONS		
CHK	CHANGE NO.	REV.

TITLE	(CBA10)	SIZE CODE	NUMBER	REV.
MK11 CONTROL A	DCS	M8160-0-1	E	
SCALE	SHEET	OF	DIST.	
	2			

"THE DRAWING AND SPECIFICATIONS HEREIN ARE THE PROPERTY OF DIGITAL EQUIPMENT CORPORATION AND SHALL NOT BE REPRODUCED OR COPIED IN WHOLE OR IN PART AS THE BASIS FOR THE MANUFACTURE OR SALE OF ITEMS WITHOUT WRITTEN PERMISSION. DIGITAL EQUIPMENT CORPORATION © 1977"

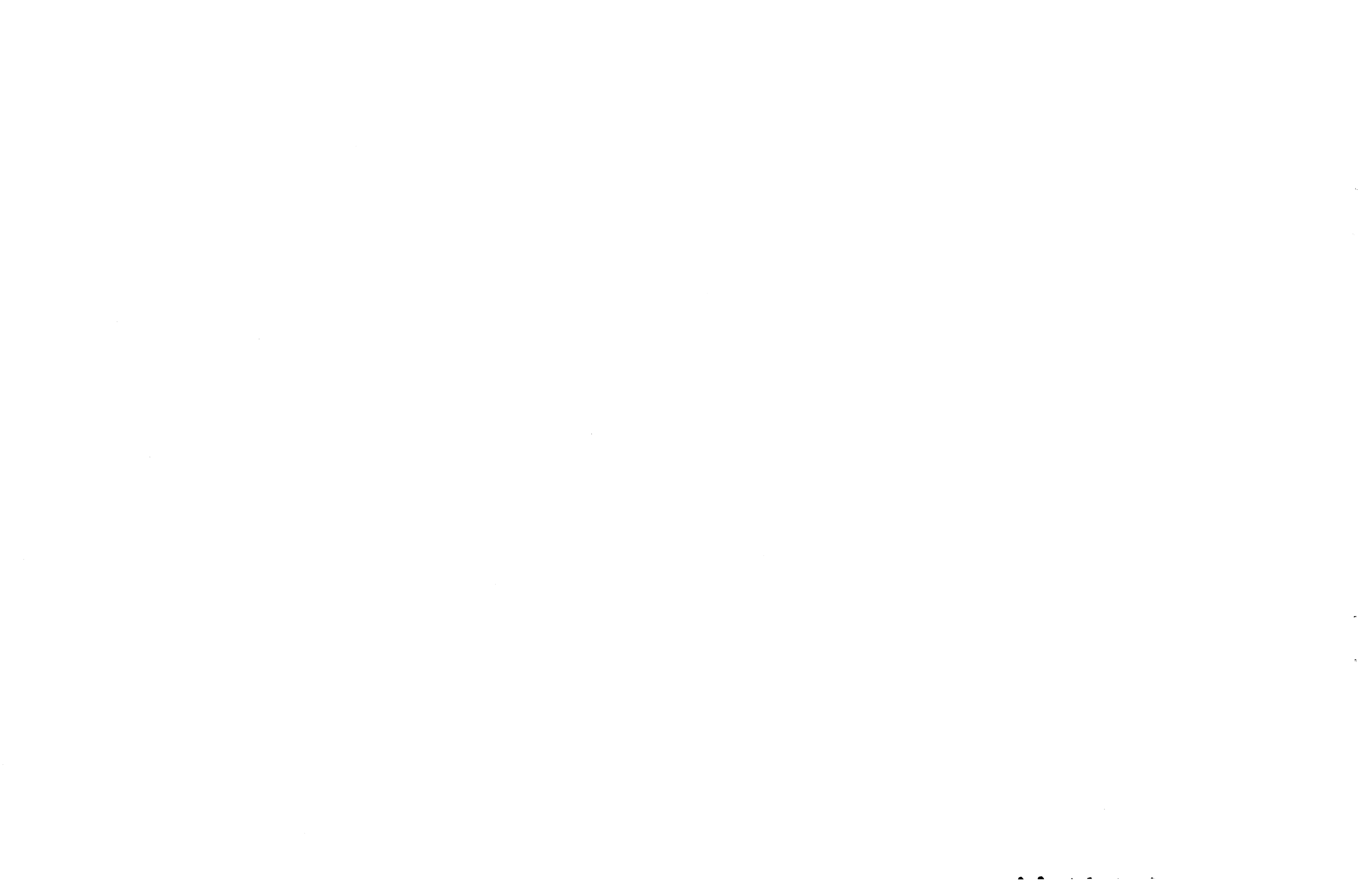


\* = BATTERY BACKUP(+5V)



REVISIONS		
CHK	CHANGE NO.	REV.

TITLE	(CB11)	SIZE CODE	NUMBER	REV.
MKII CONTROL A		D CS	M8160-0-1	E
SCALE	//	SHEET	OF	
		DIST.		











8 7 6 5 4 3 2 1

ALL RIGHTS RESERVED. SPECIFIC CASES HEREIN ARE THE PROPERTY OF DIGITAL EQUIPMENT CORPORATION AND MAY BE REPRODUCED OR COPIED OR USED IN WHOLE OR IN PART WITHOUT THE WRITTEN PERMISSION OF DIGITAL EQUIPMENT CORPORATION.

M8161 5012677 B

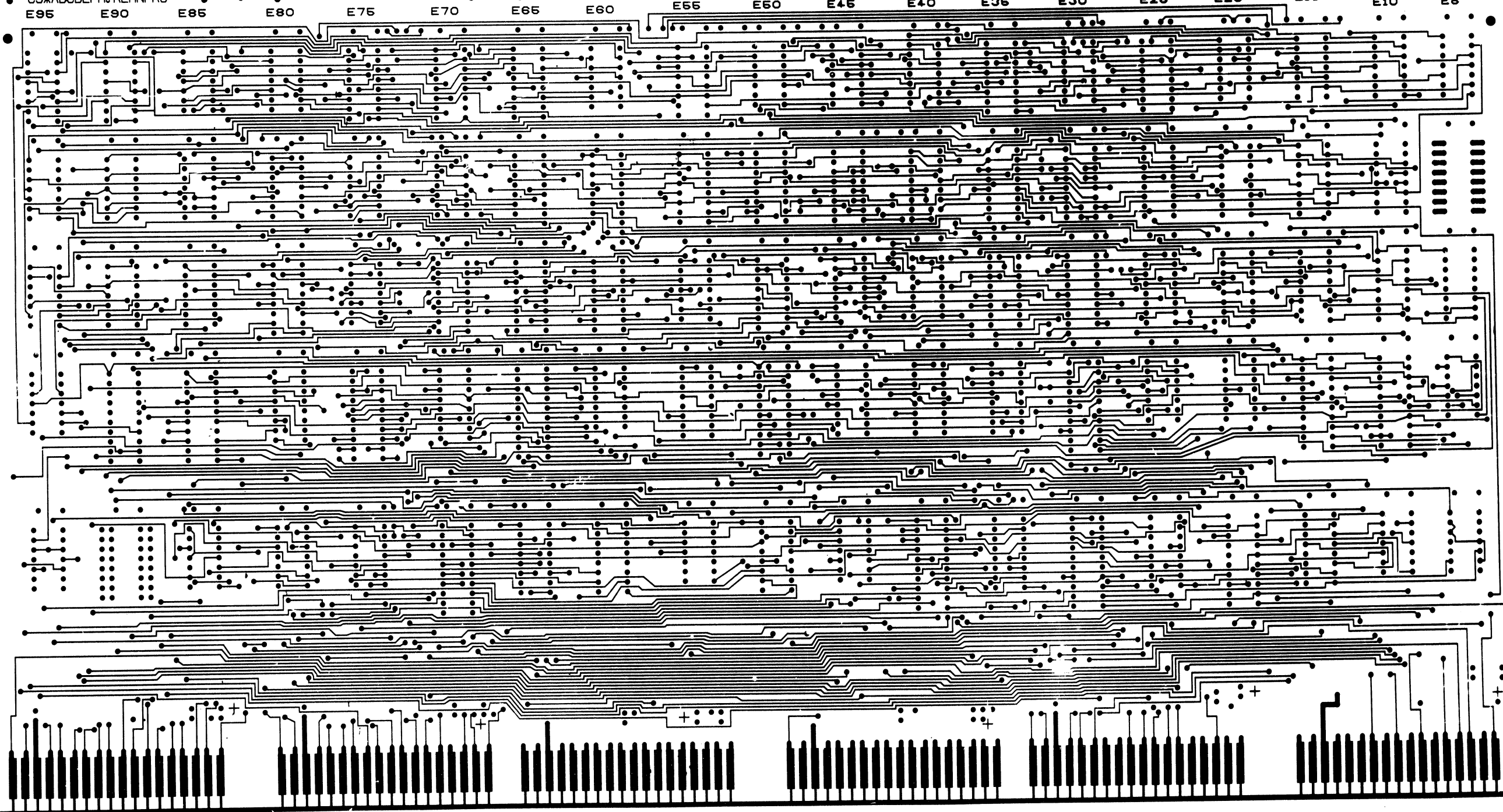
LAYER 1

L1

U-0-18514 2

CS\*ABCDEFGHIJKLMNPRS  
E95 E90 E85 E80 E75 E70 E65 E60 E55 E50 E45 E40 E35 E30 E25 E20 E15 E10 E5

digital



TITLE		MK II CONTROL B		SIZE CODE	NUMBER		REV.
SCALE 2/1		SHEET 2 OF 6		DUA	M8161-0-0		A
				DIST.			

8 7 6 5 4 3 2 1

8

7

6

5

4

3

2

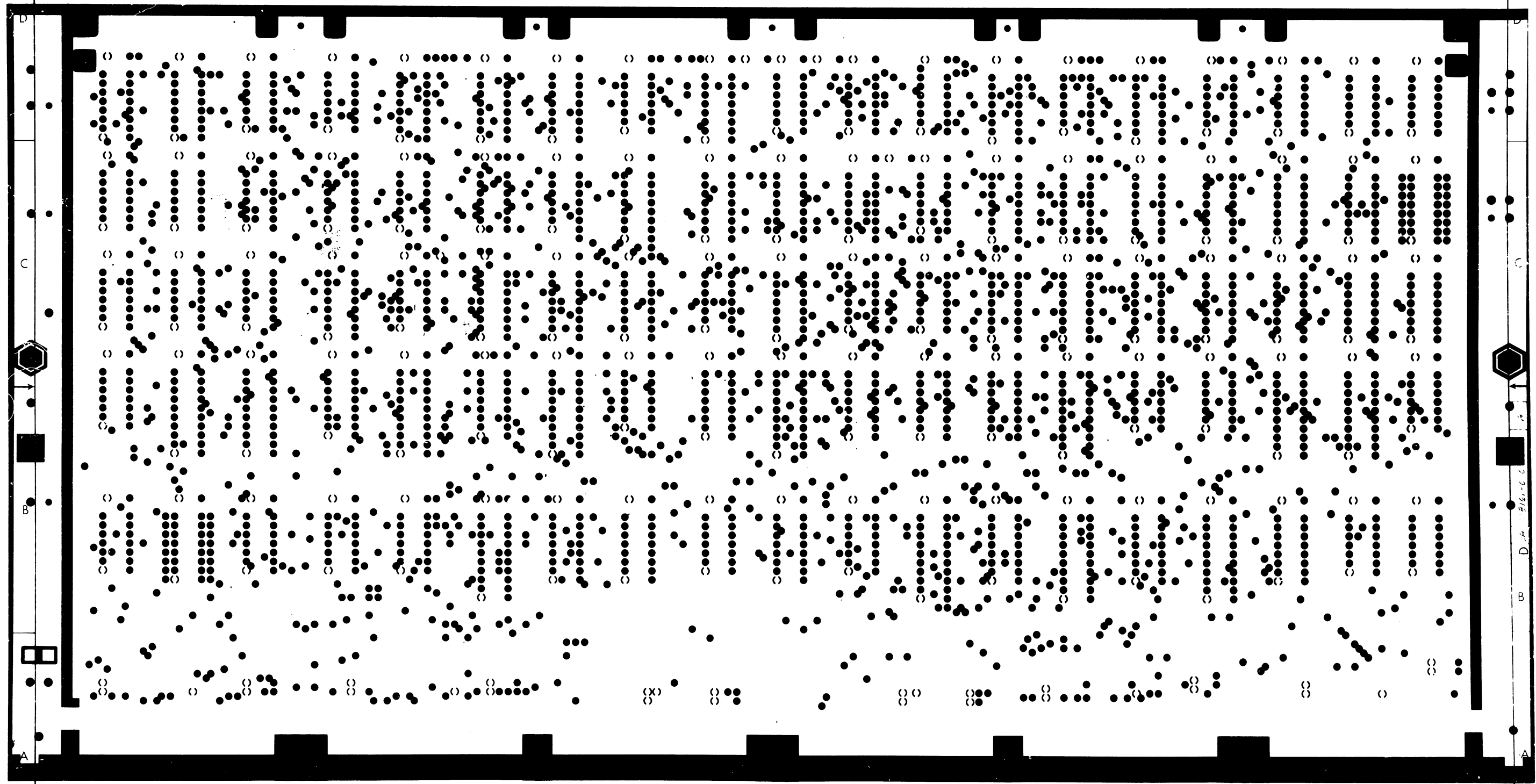
1

0-0-1918LW

M8161 5012677 B

LAYER 2

L2



SCALE 2/1		SHEET 3 OF 6		DIST	
MKII CONTROL B				REV D	DATE JA
				M8161-0-0	

8

7

6

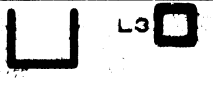
5

4

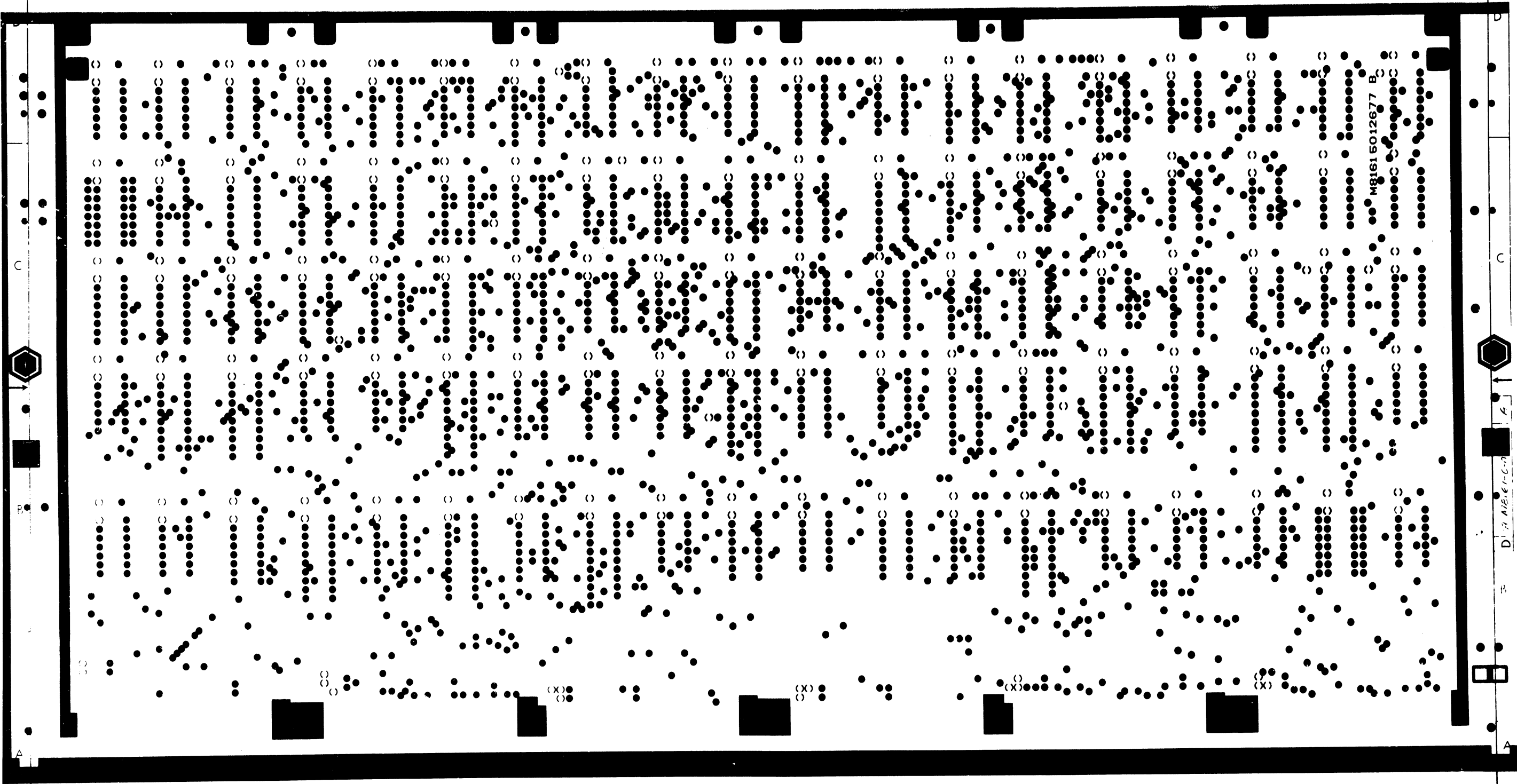
3

2

1



E R3YAJ



C

C

B

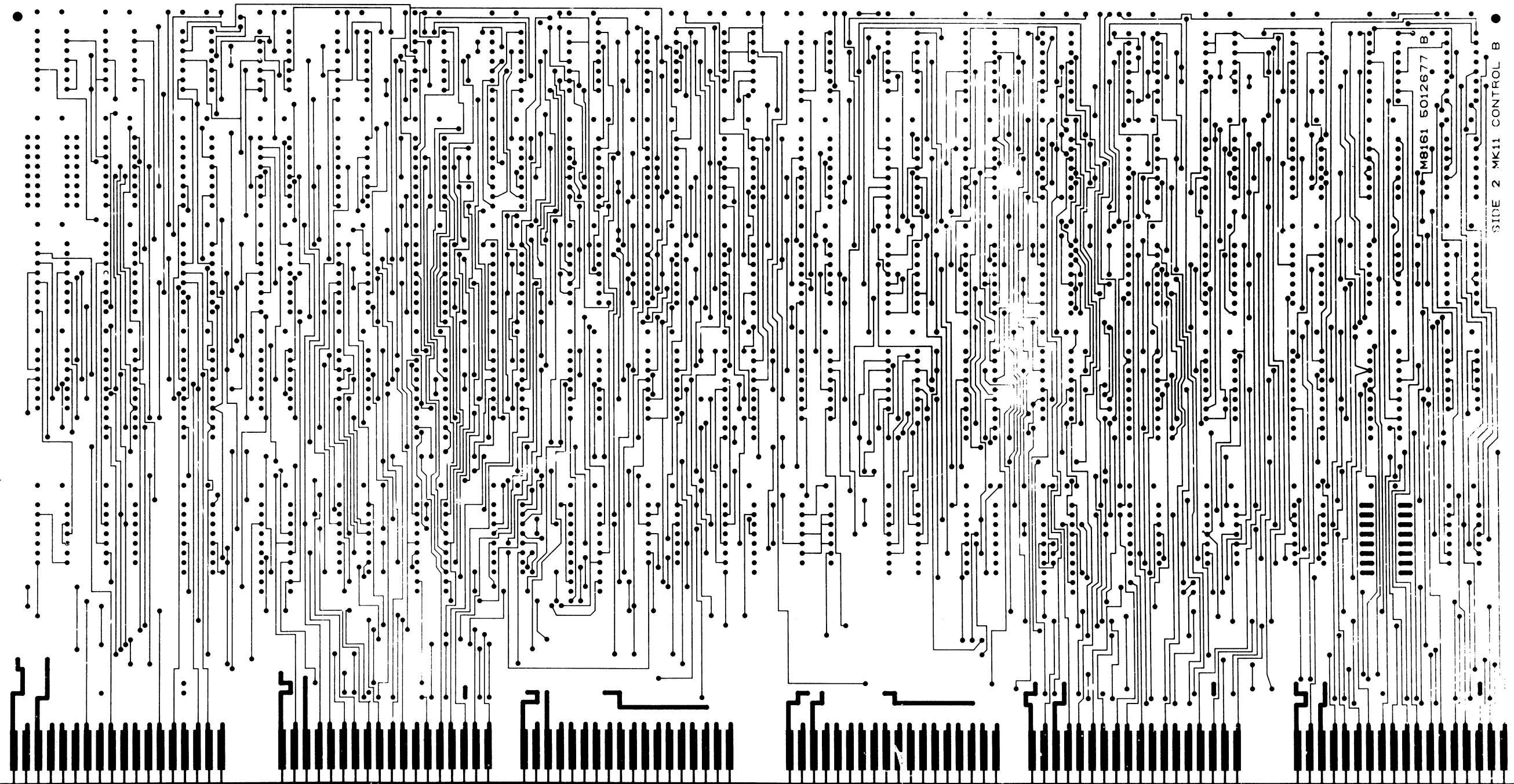
B

A

A

DIA MB161-C-0

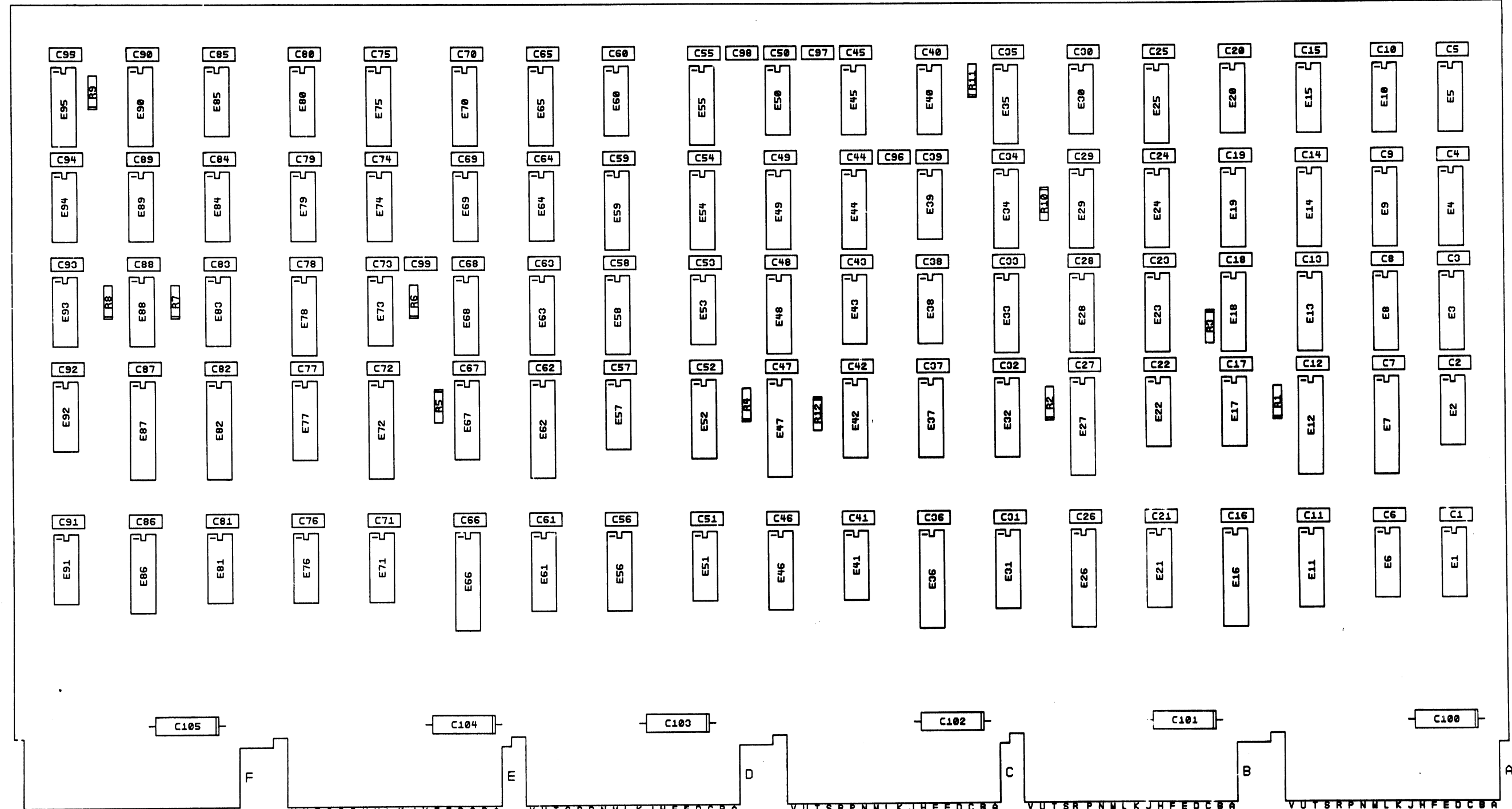
Р 834AJ



SIDE 2 MK11 CONTROL B

MB161 5012677 B

THIS DRAWING AND SPECIFICATIONS, HEREIN, AND THE PROPERTY OF DIGITAL EQUIPMENT CORPORATION AND SHALL NOT BE REPRODUCED OR COPIED IN ANY MANNER OR PART OR THE WHOLE FOR THE MANUFACTURE OR SALE OF ITEMS WITHOUT WRITTEN PERMISSION. DIGITAL EQUIPMENT CORPORATION



NOTES:  
 1. B HP/LES .B+5 (+000-00+5) MAYNARD ONLY

CHG	NO	REV

REF DWG ONLY

SIGNATURES	DATE	TITLE
DRN		digital
CHK'D		
ENG.		MKII CONTROL B
PROJ. ENG.		
PROD.		
SCALE		
SHT. 6 OF 6		
NEXT HIGHER ASSY.		

DIGITAL EQUIPMENT CORPORATION PARTS LIST				QUANTITY / VARIATION										NOTES: <i>USED ON: OPTION/MODEL MK II</i>			
MADE BY DATE J. ROGERS 26 April 77		CHECKED C. BEVERLIE DATE June 27, 1977		SECTION 1										REF DESIGNATION			
ENG DATE <i>A.P. Zaccaro</i> 10/26/77		PROD R.A. Hill DATE October 26, 1977		ISSUED SECTION 1													
ITEM NO.	DRAWING NO.	PART NO.	DESCRIPTION	REF													
	D-CS-M8161-0-1		CIRCUIT SCHEMATIC	REF													
	D-UA-M8161-0-0		UNIT ASSEMBLY	REF													
	B-DD-M8161-0		DWG. DIRECTORY	REF													
	D-MD-5012677-0-0		DRILL & ETCH DWG.	REF													
1		5012677	ETCHED BOARD	1													
2		10-01610-01	CAP .01 <u>UF</u> 100 V (DISC)	95													C1 thru C48, C50 thru C96
3		10-12084-01	CAP 8.0 35V 10% S.TANT	6													C100 thru C105
4		10-12121-00	CAP 220 PF 100V 1% (DM)	4													C49, C97, C98, C99
5		13-00229-00	RES 100 1/4W 5%	5													R1, R2, R4, R6, R9
6		13-00365-00	RES 1K 1/4W 5%	6													R3, R7, R8, R10, R11, R12
7		13-00447-00	RES 4.7K 1/4W 5%	1													R5
8		19-09713-00	DEC I.C. 8815	1													E64
9		19-10532-00	DEC I.C. 74S00	5													E50, E69, E73, E74, E89
10		19-10533-00	DEC I.C. 74S03	1													E88
11		19-10534-00	DEC I.C. 74S04	6													E1, E51, E71, E76, E85, E92
12		19-10536-00	DEC I.C. 74S10	1													E84
13		19-10539-00	DEC I.C. 74S20	1													E93
14		19-10542-00	DEC I.C. 74S64	3													E80, E81 E94
15		19-12697-00	DEC I.C. 74LS174	8													E3, E8, E11, E21, E23, E31 E46, E56
16		19-10655-00	DEC I.C. 74157	2													E77, E78
17		19-10878-00	DEC I.C. 7427	1													E83

E.C.O. NO.

"THIS DRAWING AND SPECIFICATIONS, HEREIN, ARE THE PROPERTY OF DIGITAL EQUIPMENT CORPORATION AND SHALL NOT BE REPRODUCED OR COPIED OR USED IN WHOLE OR IN PART AS THE BASIS FOR THE MANUFACTURE OR SALE OF ITEMS WITHOUT WRITTEN PERMISSION. COPYRIGHT © 1977 DIGITAL EQUIPMENT CORPORATION"	TITLE	ASSY NO.	SIZE	CODE	NUMBER	REV.
	MK11 CONTROL B	D-UA-M8161-0-0	B	PL	M8161-0-0	A
		SHEET 1 OF 2	INSERTION PARTS LIST DATA BASE REV —			

# DIGITAL EQUIPMENT CORPORATION PARTS LIST

QUANTITY / VARIATION

NOTES:

*USED ON: OPTION/MODEL  
MK11*

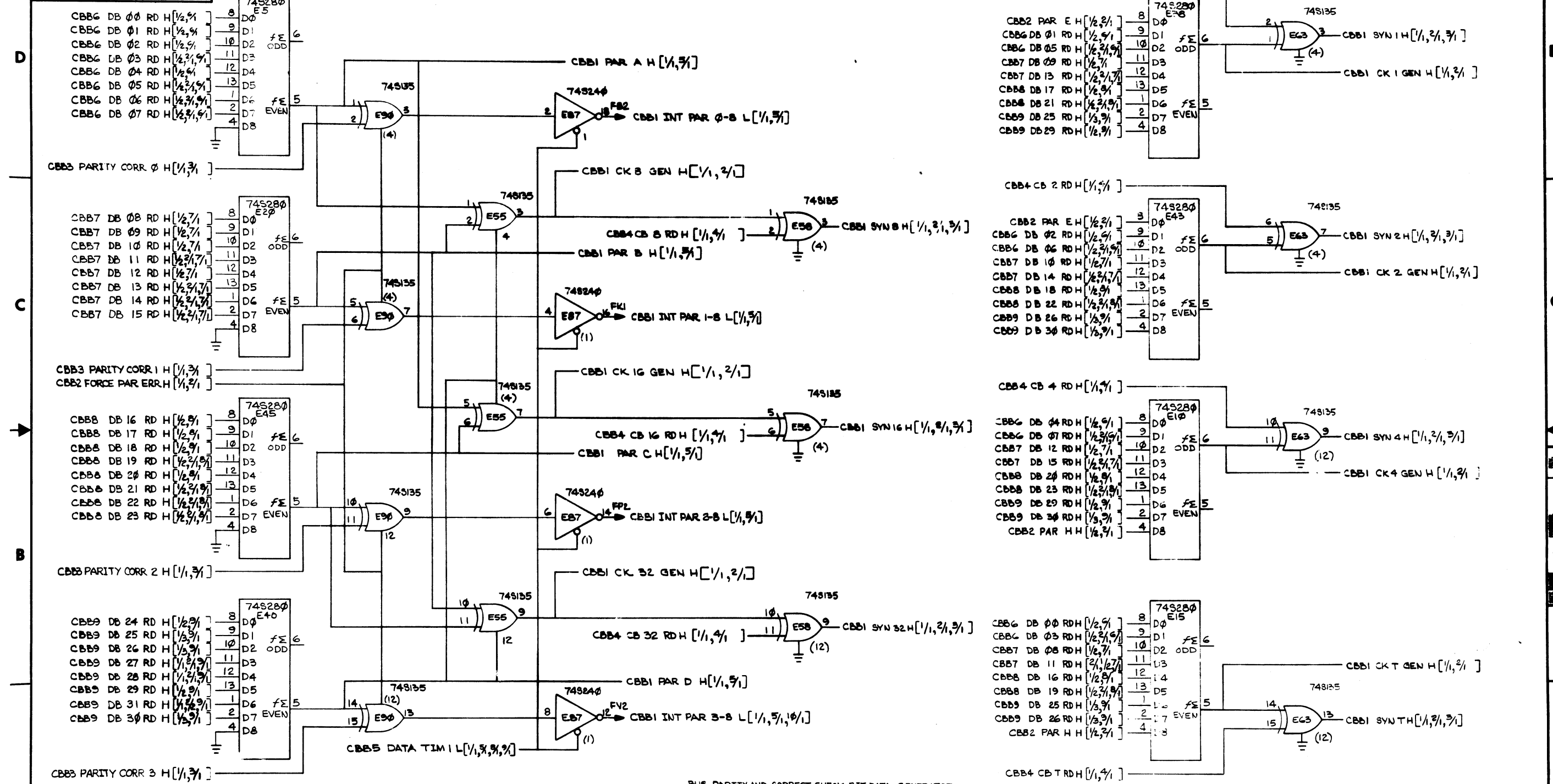
MADE BY J. ROGERS	CHECKED C. BEVERLIE	SECTION 1
DATE 26 April 77	DATE June 27, 1977	
ENG <i>A. D. Zaroni</i>	PROD <i>RA Hill</i>	ISSUED SECTION 1
DATE <i>10/26/77</i>	DATE <i>OCTOBER 26, 1977</i>	

ITEM NO.	DRAWING NO.	PART NO.	DESCRIPTION	11	5	15	3	6	12	12	1	12	REF	REF DESIGNATION
18		19-11573-00	DEC I.C. 74S280											E5, E10, E15, E20, E30, E38, E39, E40, E43, E45, E79
19		19-11675-00	DEC I.C. 74S138											E19, E34, E54, E59, E75
20		19-12125-00	DEC I.C. 74S135											E14, E18, E29, E35, E44, E48, E49, E52, E55, E58, E63, E68, E90, E95, E32
21		19-12388-00	DEC I.C. 74S02											E53, E60, E91
22		19-12803-00	DEC I.C. 74LS04											E2, E6, E17, E22, E41, E57
23		19-19957-00	DEC I.C. 74S175											E9, E13, E24, E25, E28, E33, E37, E42, E61, E65, E67, E70
24		19-13462-00	DEC I.C. 74S240											E7, E12, E16, E26, E27, E30, E47, E62, E66, E72, E82, E87
25		12-10711-02	HANDLE METAL (HEX)											
26		90-00024-01	EYELET											
			SPARE 16 PIN IC											E4, E86

<p style="font-size: small;">"THIS DRAWING AND SPECIFICATIONS, HEREIN, ARE THE PROPERTY OF DIGITAL EQUIPMENT CORPORATION AND SHALL NOT BE REPRODUCED OR COPIED OR USED IN WHOLE OR IN PART AS THE BASIS FOR THE MANUFACTURE OR SALE OF ITEMS WITHOUT WRITTEN PERMISSION. COPYRIGHT © 1977 DIGITAL EQUIPMENT CORPORATION"</p>	<p>TITLE</p> <p style="text-align: center;">MK11 CONTROL B</p>	<p>ASSY NO.</p> <p style="text-align: center;">D-UA-M8161-0-0</p>	<p>SIZE</p> <p style="text-align: center;"><b>B</b></p>	<p>CODE</p> <p style="text-align: center;"><b>PL</b></p>	<p>NUMBER</p> <p style="text-align: center;">M8161-0-0</p>	<p>REV.</p> <p style="text-align: center;">A</p>
		<p>SHEET 2 OF 2</p>	<p>INSERTION PARTS LIST DATA BASE REV —</p>			



THIS DRAWING AND SPECIFICATIONS HEREBY ARE THE PROPERTY OF DIGITAL EQUIPMENT CORPORATION AND SHALL NOT BE REPRODUCED OR COPIED OR USED IN WHOLE OR IN PART AS THE BASIS FOR THE MANUFACTURE OR SALE OF ITEMS WITHOUT WRITTEN PERMISSION. COPYRIGHT © 1977, DIGITAL EQUIPMENT CORPORATION

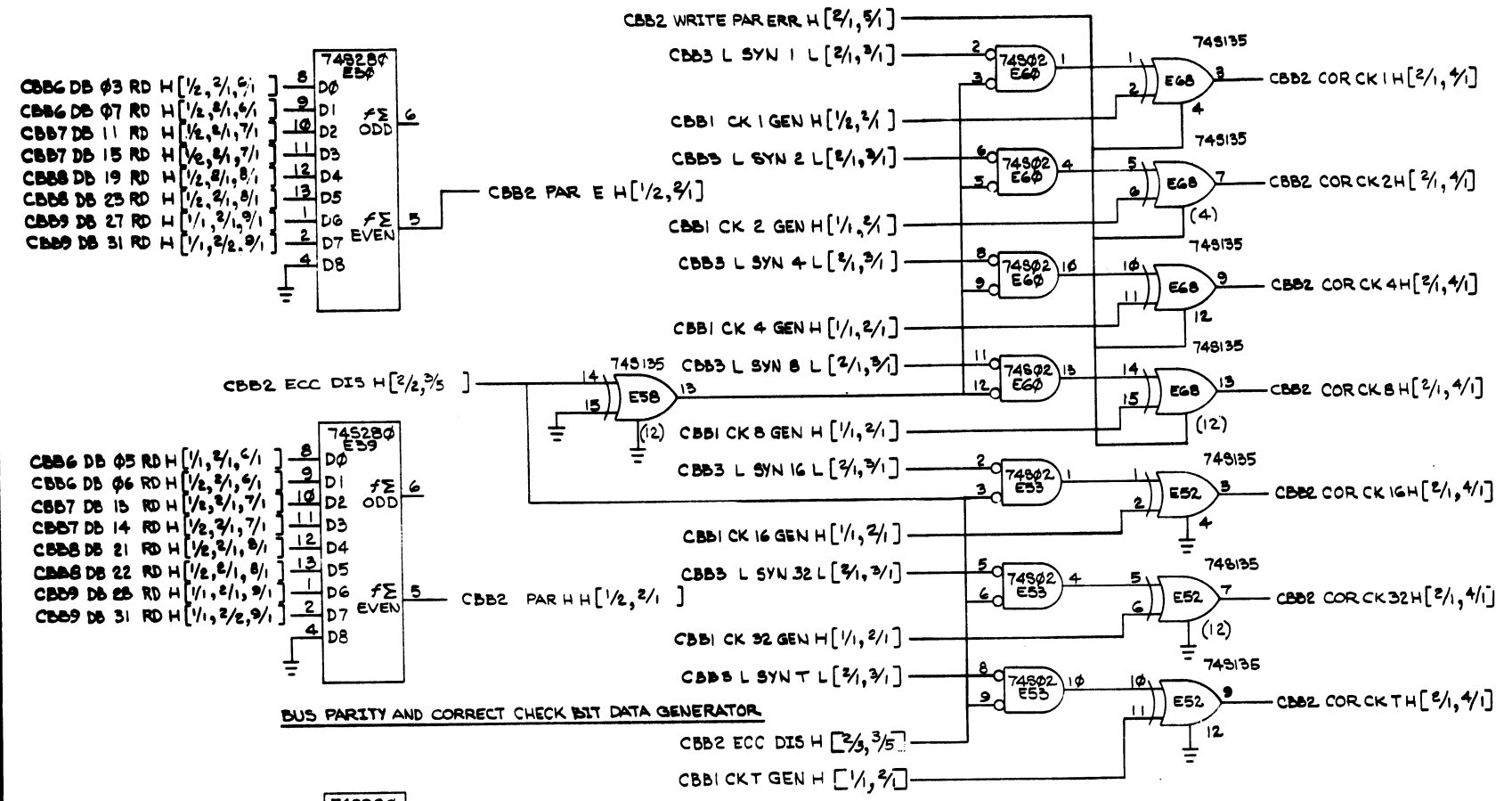


REV.	
CHK	
REVISIONS	
CHANGE NO.	

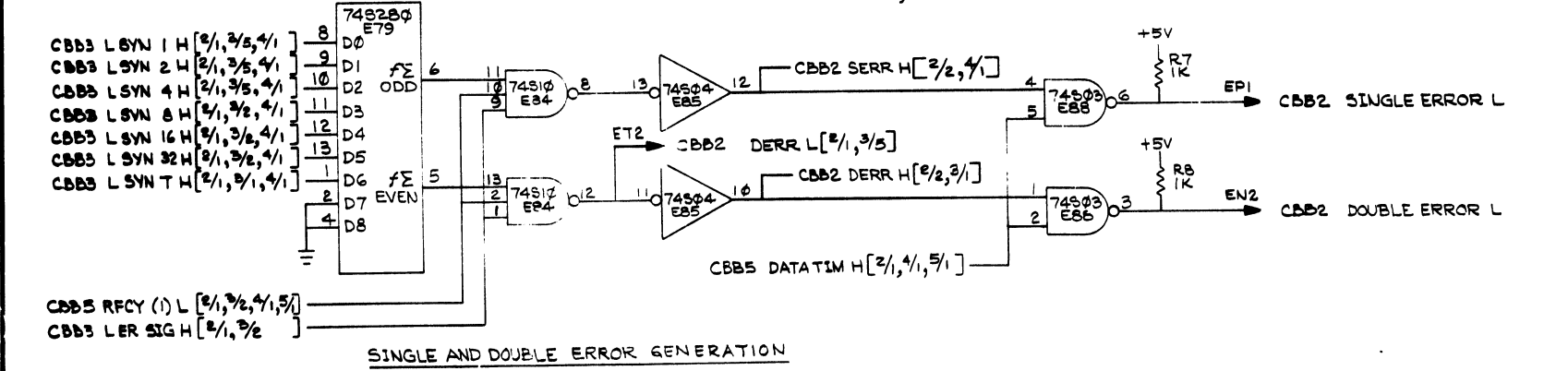
DRN. <i>S. Shogolev</i>	DATE <i>11 MAR 77</i>	FIRST USED ON <i>MK11</i>	REV. <i>20 00 20</i>
CHK'D <i>D. Casper</i>	DATE <i>26 OCT 77</i>	TITLE	
ENG. <i>M. Brown</i>	DATE <i>26 OCT 77</i>	<b>MK11 CONTROL B</b>	
PROJ. ENG. <i>P. S. Hill</i>	DATE <i>26 OCT 77</i>	(CBB1)	
PROD. QA <i>A. Hill</i>	DATE <i>26 OCT 77</i>		
NEXT HIGHER ASSY.	SIZE CODE	NUMBER	REV.
B-DD-MB161-0	D CS	M8161-0-1	A
SCALE			
SHEET 1	OF 10	DIST.	

THE DRAWING AND SPECIFICATIONS HEREIN ARE THE PROPERTY OF TEXAS INSTRUMENTS CORPORATION AND SHALL NOT BE REPRODUCED OR TRANSMITTED IN ANY FORM OR BY ANY MEANS FOR THE MANUFACTURE OR SALE OF THIS OR OTHER TEXAS INSTRUMENTS CORPORATION © 1977, DALLAS, TEXAS CORPORATION

**ECC CHECK BIT GENERATOR**

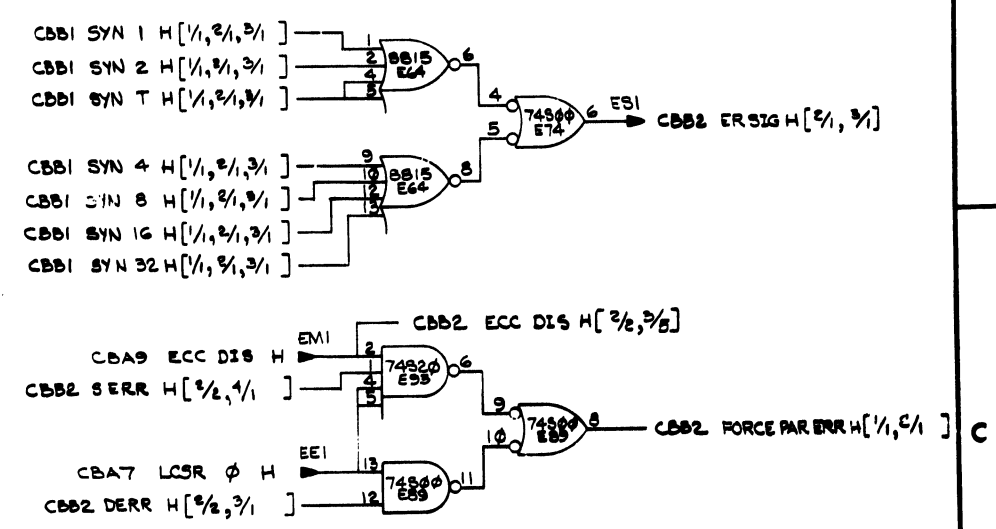


**BUS PARITY AND CORRECT CHECK BIT DATA GENERATOR**

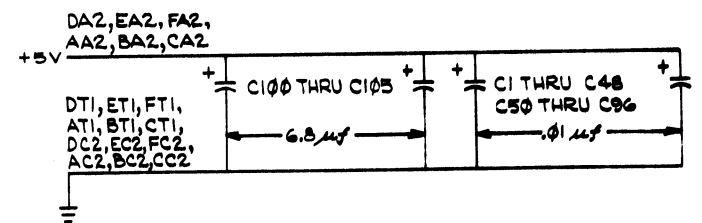


**SINGLE AND DOUBLE ERROR GENERATION**

**ERROR INDICATE**



**FORCE BUS PARITY ECC DISABLE W/SINGLE ERROR OR ECC ENABLE W/DOUBLE ERROR**

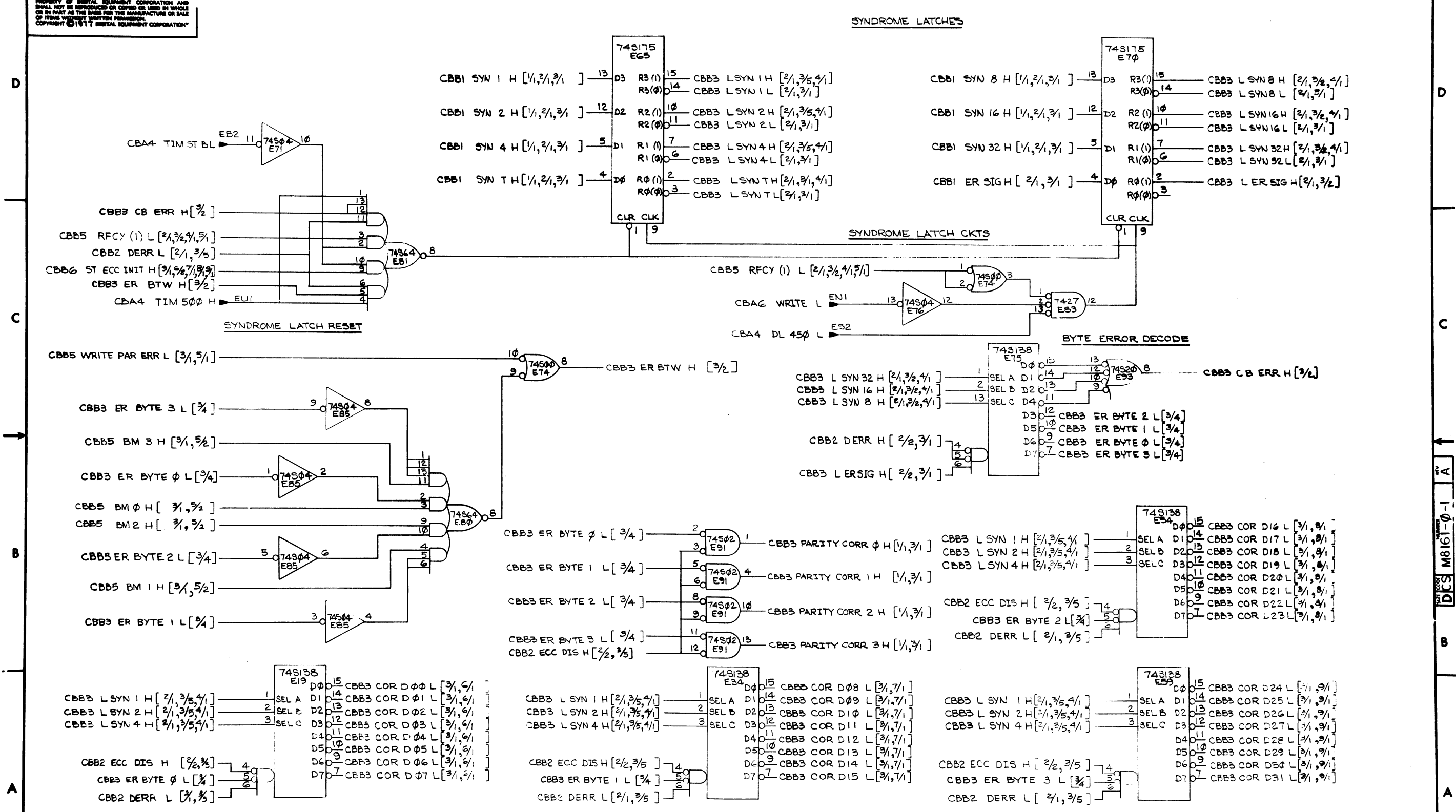


NOTE:  
 [X] (SOURCE SHEET NUMBER) SIGNAL NAME [Y/Z]  
 DESTINATION SHEET NUMBER  
 NUMBER OF CONNECTION POINTS

REVISIONS		
CHK	CHANGE NO.	REV.

TITLE	MKI! CONTROL B (CBB2)	SIZE/COD	DCS	NUMBER	M8161-0-1	REV.	A
SCALE		SHEET	2	OF	10	DIST.	

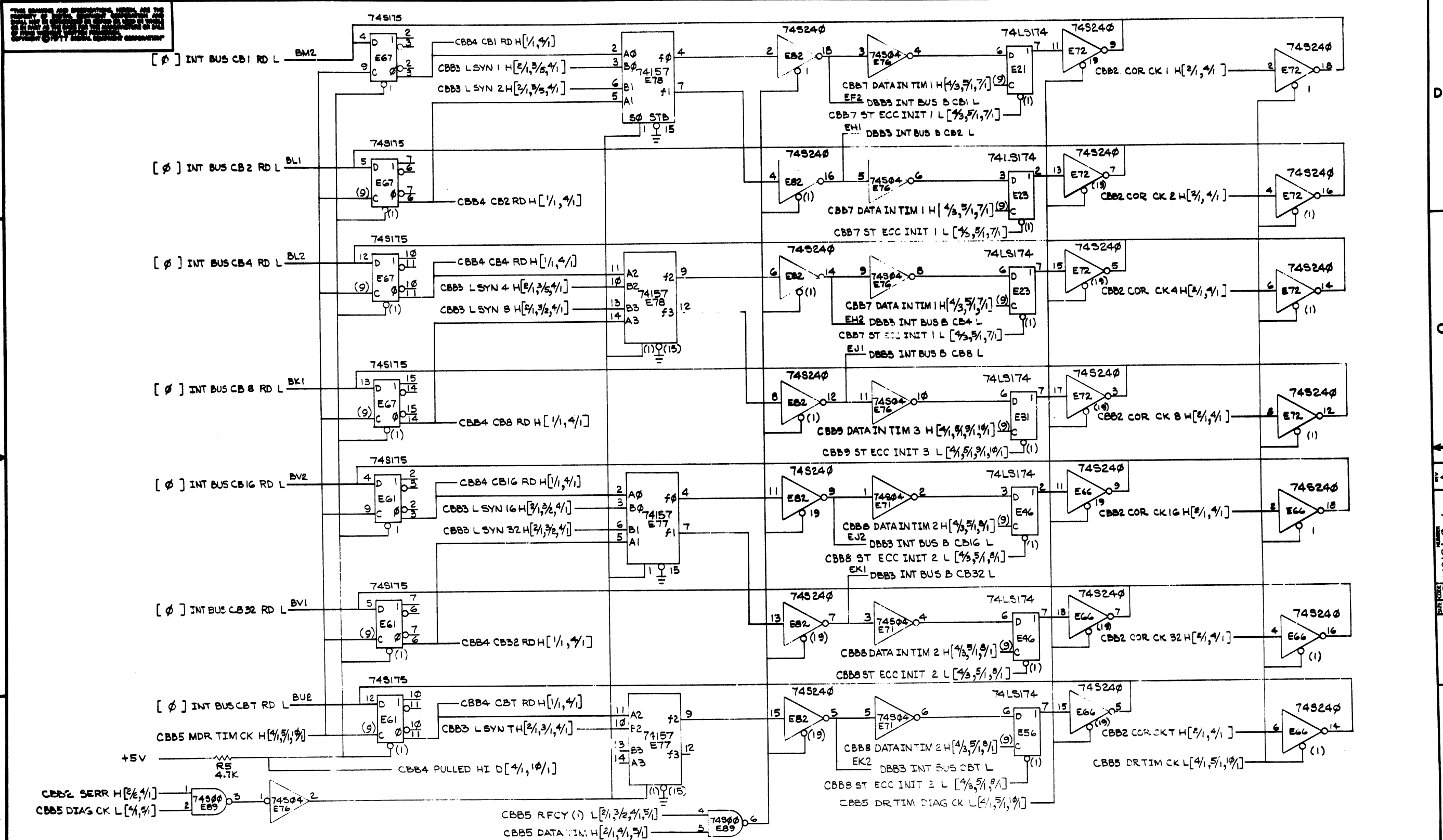
THIS DRAWING AND SPECIFICATIONS HEREIN ARE THE PROPERTY OF DIGITAL EQUIPMENT CORPORATION AND SHALL NOT BE REPRODUCED OR COPIED OR USED IN WHOLE OR IN PART AS THE BASIS FOR THE MANUFACTURE OR SALE OF ITEMS WITHOUT WRITTEN PERMISSION. COPYRIGHT © 1977 DIGITAL EQUIPMENT CORPORATION



REVISIONS		
CHK	CHANGE NO.	REV.

TITLE	MKII CONTROL B (CBB3)	SIZE CODE	D CS	NUMBER	M8161-0-1	REV.	A
SCALE	-#	SHEET	3 OF 10	DIST.			

REV. A  
D CS M8161-0-1  
REV. B  
REV. A

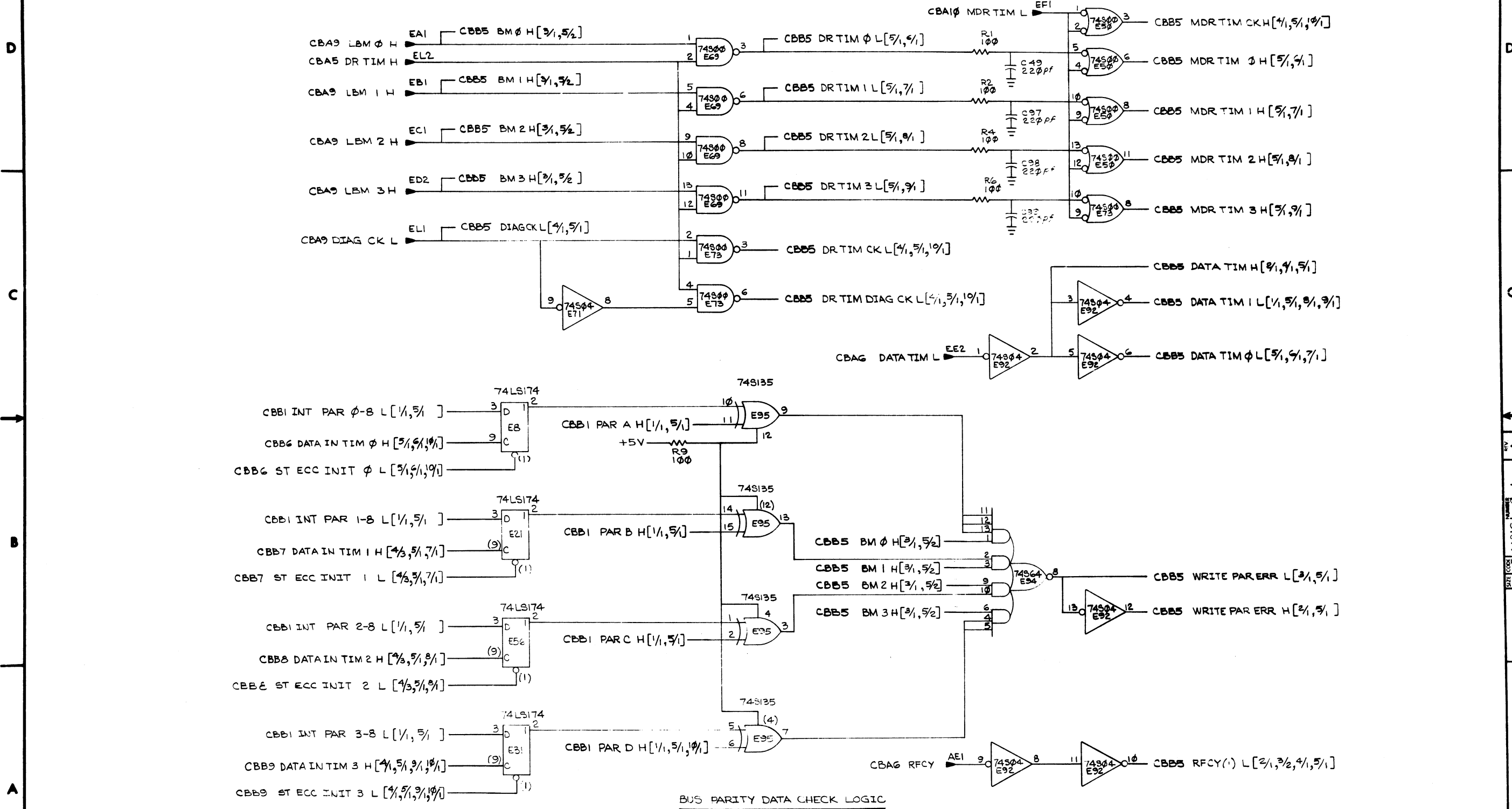


REVISIONS		
CHK	CHANGE NO.	REV.

TITLE	MK11 CONTROL B (CBB4)	SIZE CODE	D CS	NUMBER	M8161-0-1	REV.	A
SCALE		SHEET	4	OF	10	DIST.	

"THIS DRAWING AND SPECIFICATIONS HEREIN ARE THE PROPERTY OF DIGITAL EQUIPMENT CORPORATION AND SHALL NOT BE REPRODUCED OR COPIED OR USED IN WHOLE OR IN PART AS THE BASIS FOR THE MANUFACTURE OR SALE OF ITEMS WITHOUT WRITTEN PERMISSION. COPYRIGHT © 1971, DIGITAL EQUIPMENT CORPORATION"

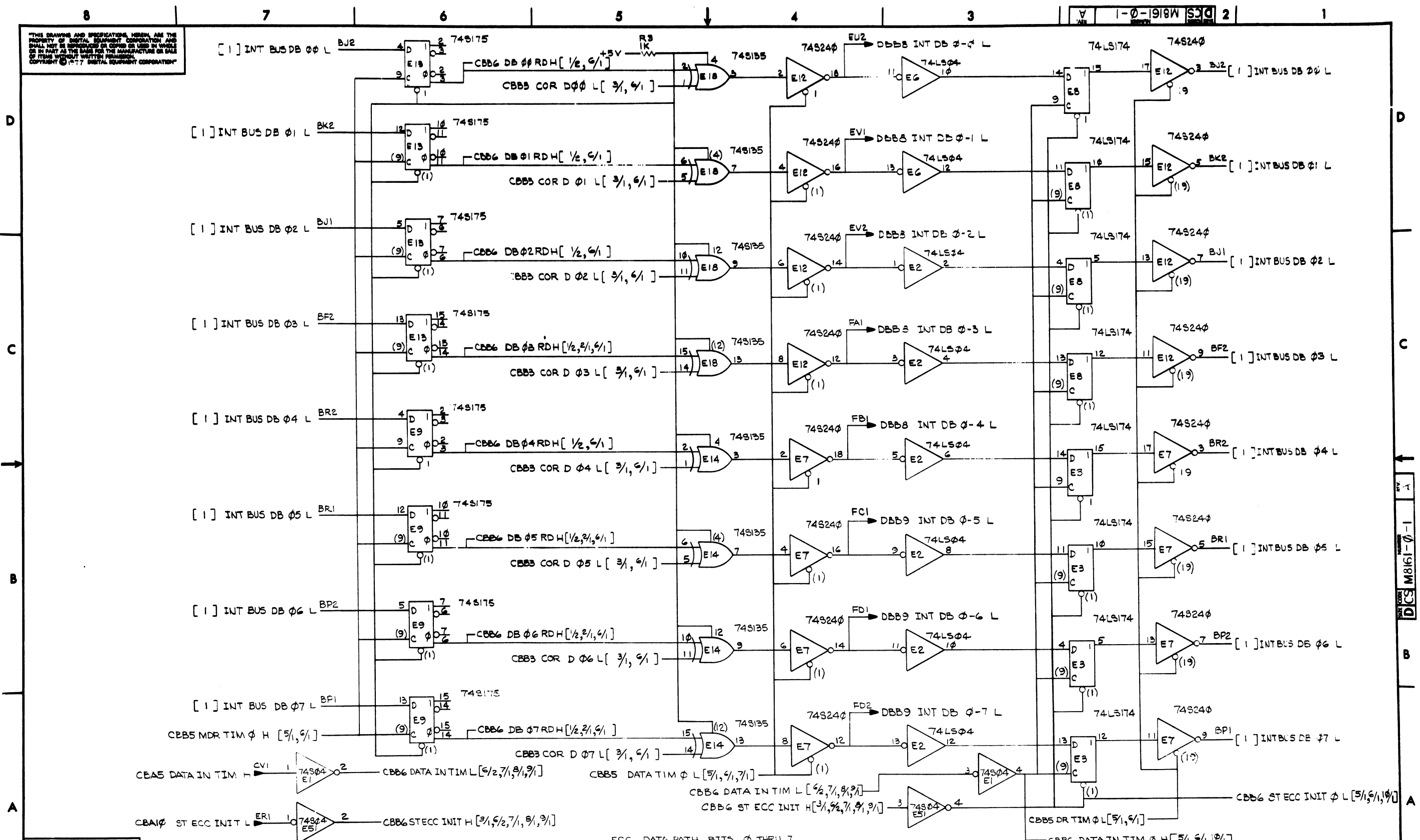
TIMING CONTROL FOR DATA PATHS



REVISIONS		
CHK	CHANGE NO.	REV.

TITLE	MKII CONTROL B (CBB5)	SIZE CODE	D CS	NUMBER	M8161-0-1	REV.	A
SCALE		SHEET	5	OF	10	DIST.	

"THIS DRAWING AND SPECIFICATIONS HEREIN ARE THE PROPERTY OF DIGITAL EQUIPMENT CORPORATION AND SHALL NOT BE REPRODUCED OR COPIED OR USED IN WHOLE OR IN PART AS THE BASIS FOR THE MANUFACTURE OR SALE OF ITEMS WITHOUT WRITTEN PERMISSION. COPYRIGHT © 1977 DIGITAL EQUIPMENT CORPORATION"

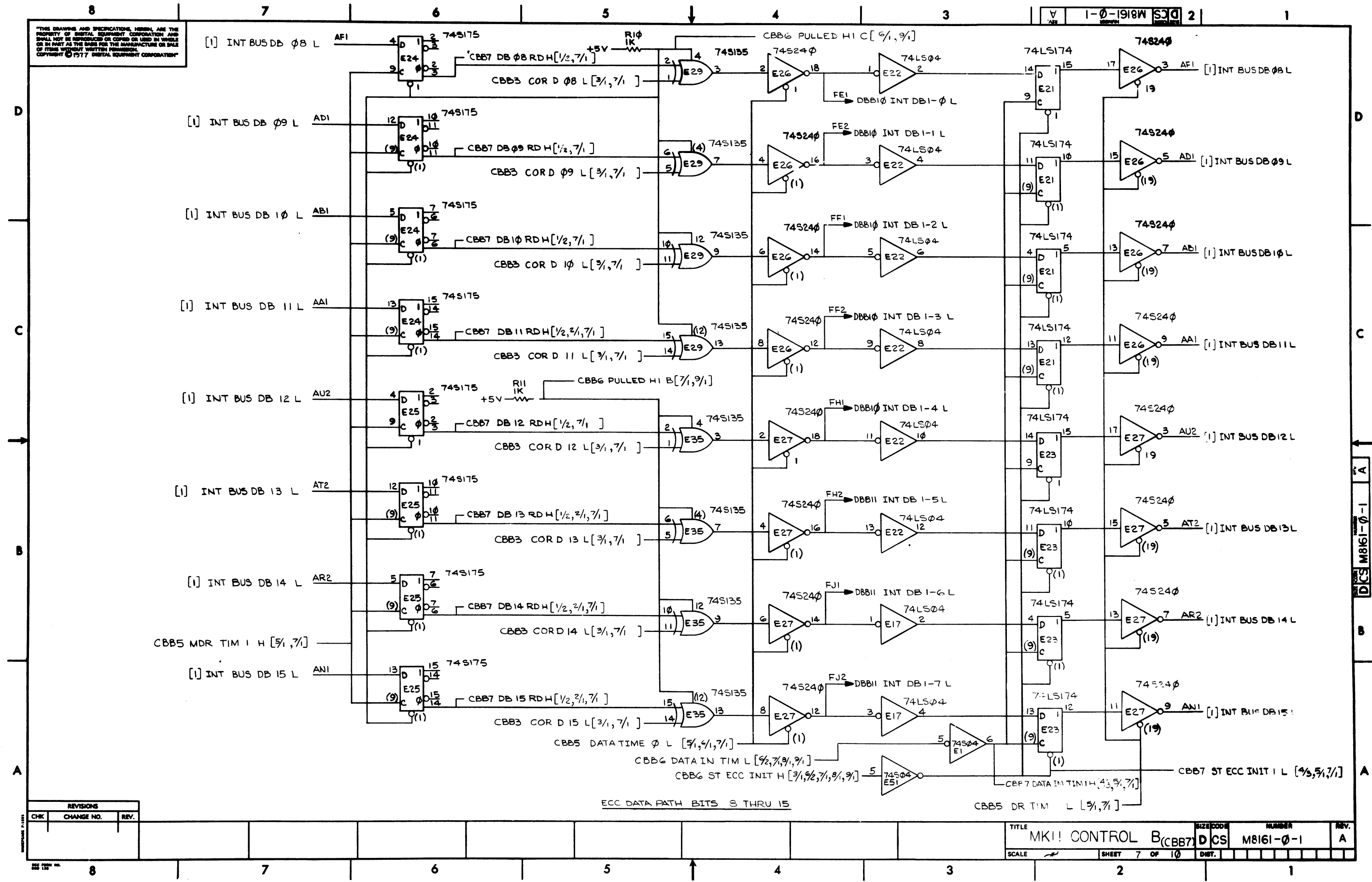


ECC DATA PATH BITS 0 THRU 7

REVISIONS		
CHK	CHANGE NO.	REV.

TITLE	MKII CONTROL B(CBB6)	SIZE CODE	D CS	NUMBER	MS161-0-1	REV.	A
SCALE		SHEET	6	OF	10	DIST.	

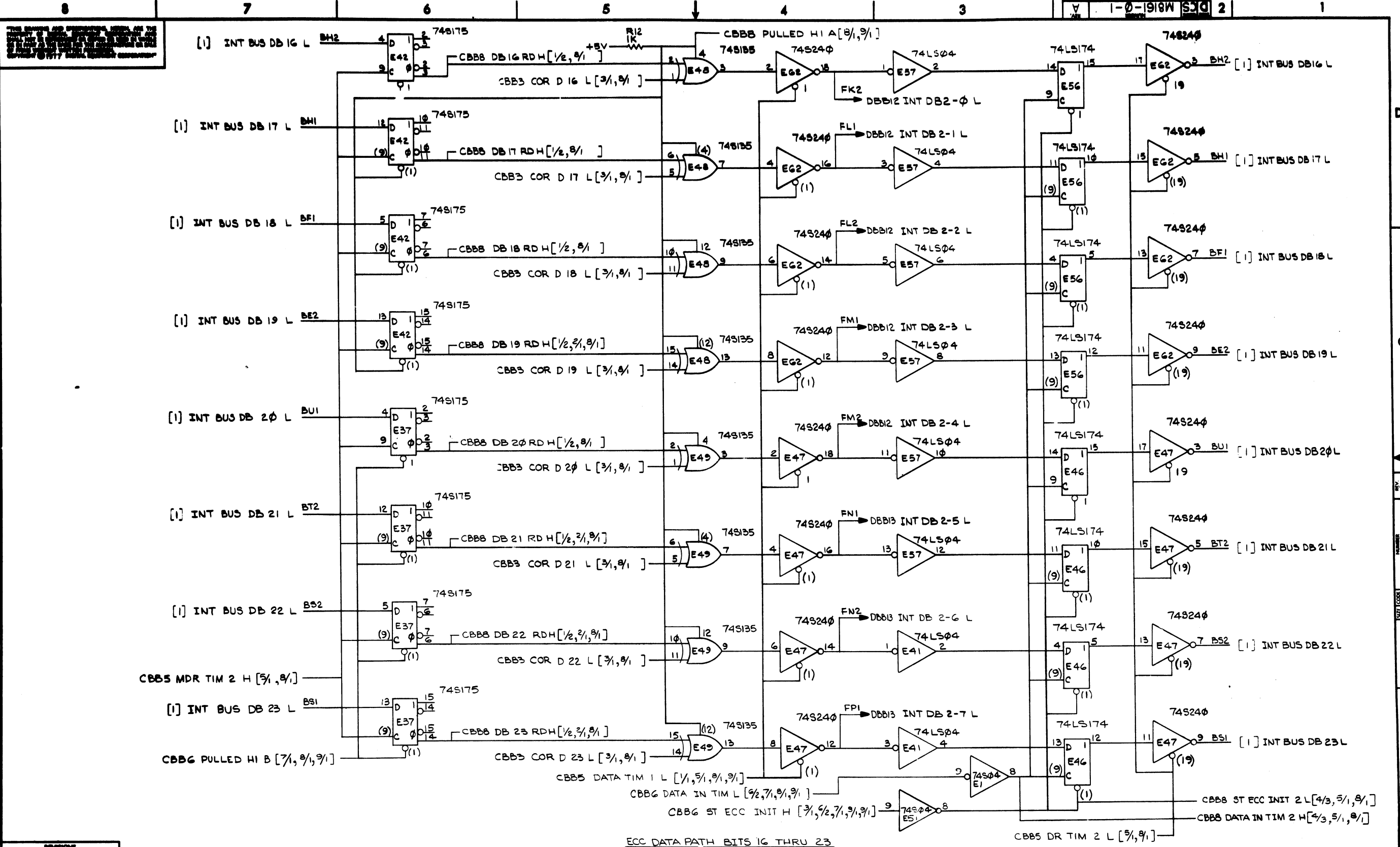
THIS DRAWING AND SPECIFICATIONS HEREIN ARE THE PROPERTY OF DIGITAL EQUIPMENT CORPORATION AND SHALL NOT BE REPRODUCED OR COPIED OR USED IN WHOLE OR IN PART AS THE BASIS FOR THE MANUFACTURE OR SALE OF ITEMS WITHOUT WRITTEN PERMISSION. COPYRIGHT © 1977 DIGITAL EQUIPMENT CORPORATION



REVISIONS		
CHK	CHANGE NO.	REV.

TITLE	MKII CONTROL B (CBB7)	SIZE CODE	DCS	NUMBER	M8161-0-1	REV.	A
SCALE		SHEET	7 OF 10	DIST.			

DCS M8161-0-1



REVISIONS		
CHK	CHANGE NO.	REV.

TITLE	MKII CONTROL B (CBB8)	SIZE CODE	D CS	NUMBER	M8161-0-1	REV.	A
SCALE		SHEET	8	OF	10	DIST.	