

ILLUSTRATED PARTS BREAKDOWN

PDP-11T60 16 BIT COMPUTER

HOW TO USE THE IPB

GENERAL

This IPB is compiled following the organization and nomenclature of the engineering drawing structure.

MAJOR ASSEMBLY LOCATOR

The Major Assembly Locator (first illustration) is an index that provides a description and a figure reference for all illustrations used in this manual.

INDENTED PARTS LIST

This manual identifies each assembly being broken down (figure reference callout), and all parts of that assembly. Further breakdown of an assembly is shown by an asterisk (*) preceding the item callouts in the Description Column. The number of asterisks preceding an item is used to denote the subordination of that item with respect to the Major Assembly. A single asterisk preceding an item description indicates that the item is part of the major assembly being illustrated. Items that are subordinate to single asterisk items, are denoted by two asterisks (**) and immediately follow the related single asterisk item. Additional asterisks are used, as required, to denote further subordination. This system of part identification, provides a means for the user to identify the next higher assembly item and make alternate selections for parts when the required replacement part or assembly is not immediately available.

COLUMN CALLOUT DESCRIPTION

Figure & Item - Indicates the figure number and item number of each part.

Description - Lists the name of the part and pertinent specifications (when required). Asterisks preceding the description denote the subordination of the part to the next higher assembly.

DEC Part No. - Lists the DEC part ordering number. A blank in this column indicates a DEC part number was not assigned at the time of publication.

ECO Cut-In - The notation at the top of this column indicates the ECO level of the system (option), at which the IPB was initially prepared. Subsequent ECO level designations, that modify existing parts or add new parts to the device, are inserted in the ECO Cut-In column next to the part that is added or modified. A bracket ([]) preceding the item description is used to indicate the parts affected by ECO's.

Vendor Code/Part No. - Indicates vendor parts that are not stocked by DEC. Refer to the Field Service Spares Catalog (vendor part number to DEC part number) for the vendor code cross-reference.

Used On Code - Letters in this column correspond to the variation codes assigned in Figure 1. Parts with an Alpha notation(s) are used only in those option variations. A blank indicates that the part is used on all option variations.

Ref Fig No. - A cross reference between illustrations. For each Major Assembly, the number in this column denotes the figure of the next higher assembly. For all subassemblies, the number in this column denotes the figure showing additional detailed breakdown.

SYMBOL USAGE

Hardware Designators - Alpha designators for screws (S), washers (W), nuts (N), and retaining rings (R) are inserted after the item number callouts on the illustration when stacked item numbers are used.

Attaching Hardware - The @ symbol is inserted before any part that is used as attaching hardware. Attaching hardware is denoted as those parts that are not an integral part of the referenced assembly.

(NFR) Not Field Repairable - The (NFR) symbol is inserted after any assembly that is not to be field dismantled.

Other Symbols - Any other symbols that are required for kits, accessories, etc., will be explained and appear as part of the item description.

REVISION HISTORY

PRINTING	ECO LEVEL	DATE	PAGES AFFECTED
2nd Printing	11T60 70-11587 RK11D H9504-ZA H9504-ZB H9504-R	00018-00003 00001-00006 00018-00018 H9504-00007 H9504-00007 00002-00002	1-29-82 N/A

OTHER IPB MANUALS REQUIRED TO SUPPORT THIS OPTION

EK-1160K-IP	EK-0LK02-IP
EK-KY11P-IP	EK-LK001-IP
EK-BA11P-IP	EK-0LK03-IP
EK-H9280-IP	EK-LK03A-IP
EK-H7420-IP	EK-866DE-IP
EK-0H754-IP	EK-RK05J-IP
EK-1160W-IP	EK-0H743-IP
EK-0H775-IP	
EK-0LA36-IP	

This 2nd Printing EK-11T60-IP-002
SUPERSEDES 1st Printing EK-11T60-IP-001

Copyright © 1978, 1982 by Digital Equipment Corporation.
All Rights reserved.

DEC reserves the right, without notice, to make substitutions and modifications in the specifications of products documented in this manual and further reserves the right to withdraw any of these products from the market without notice.

DEC is not responsible for errors which may appear in the technical description (including illustrations and photographs) of the products covered by this manual.

None of the descriptions contained in this manual imply the granting of any license whatsoever to make, use or sell equipment constructed in accordance therewith.

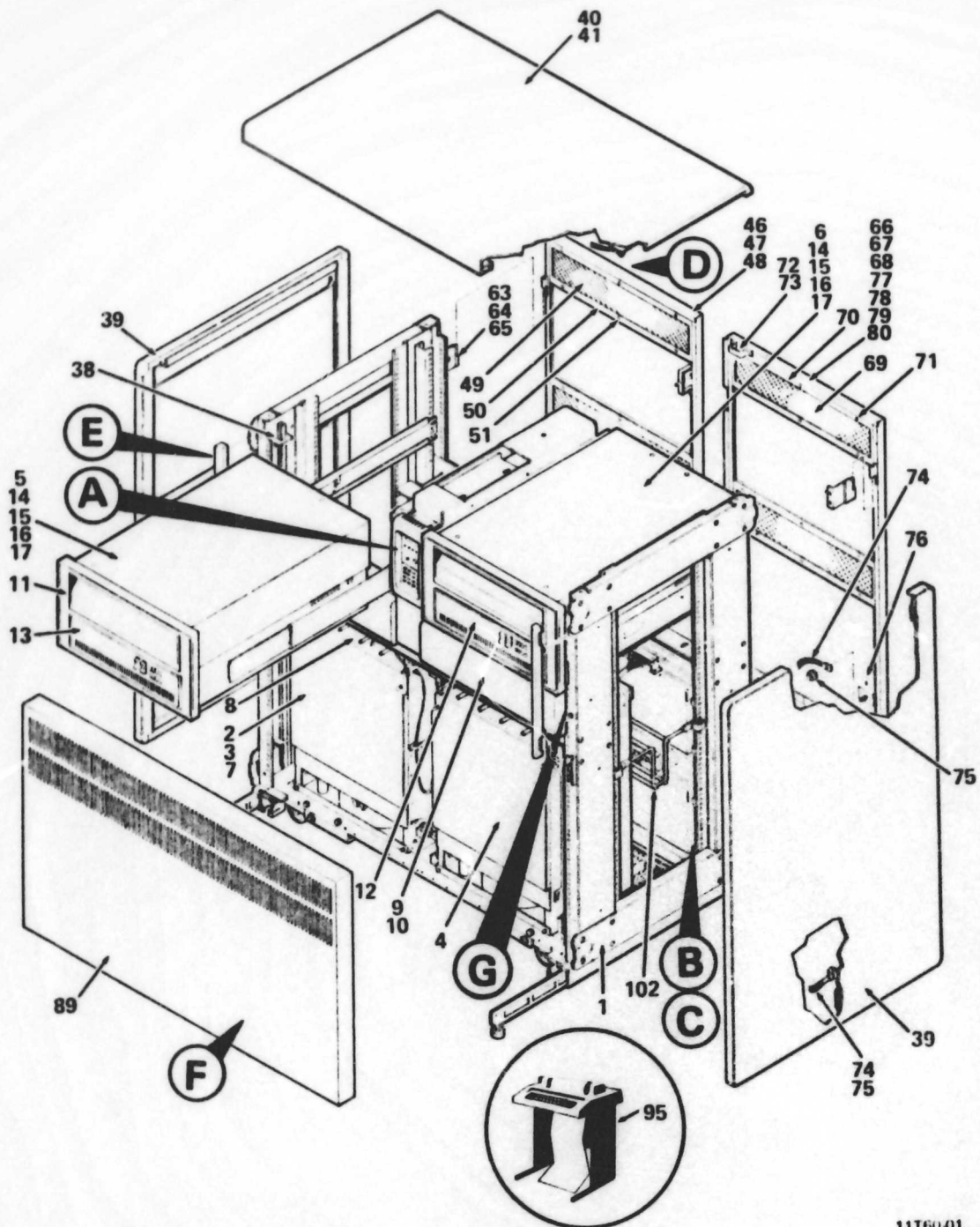
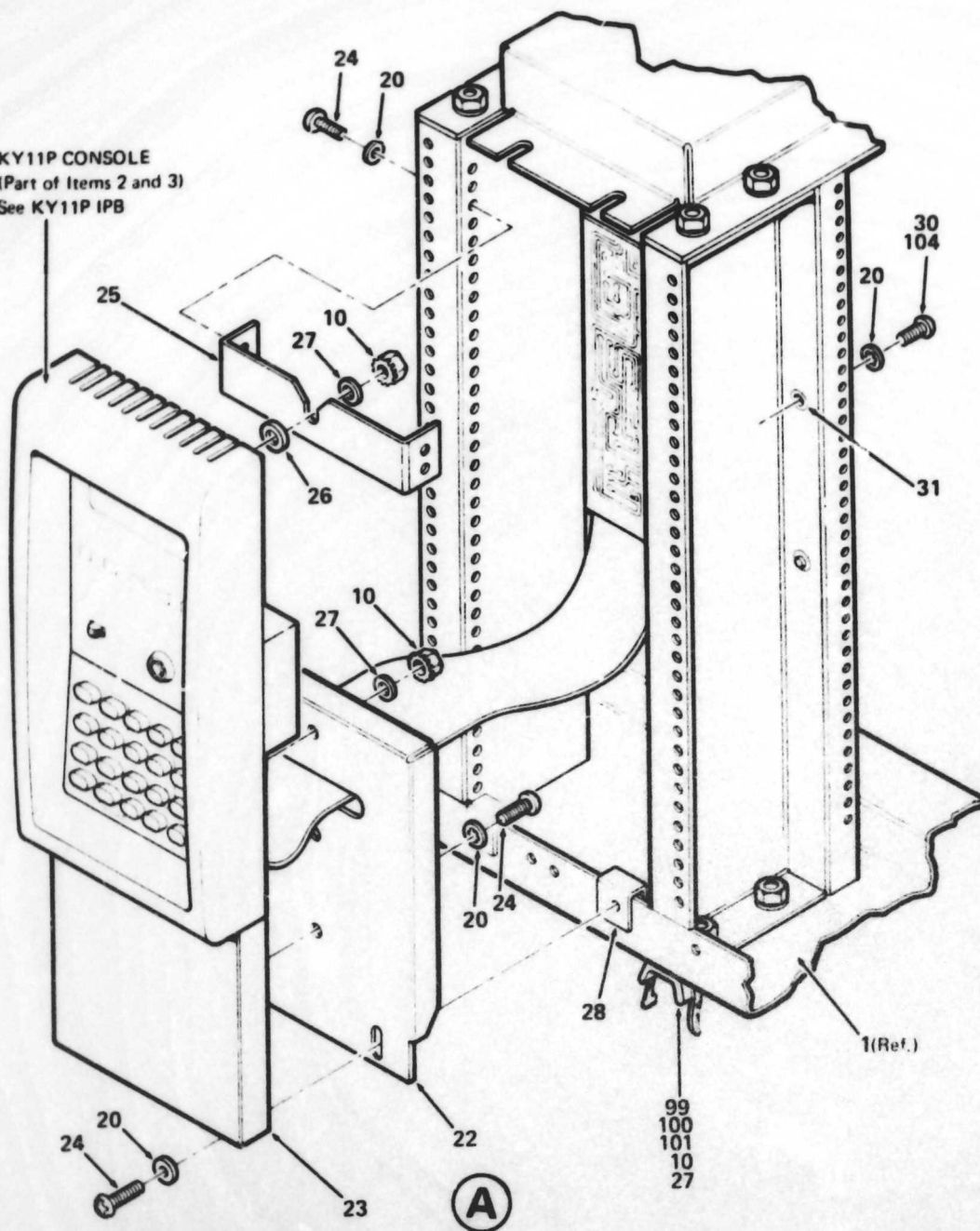


Figure 1. PDP-11T60 Unit Assembly (Sheet 1 of 8)

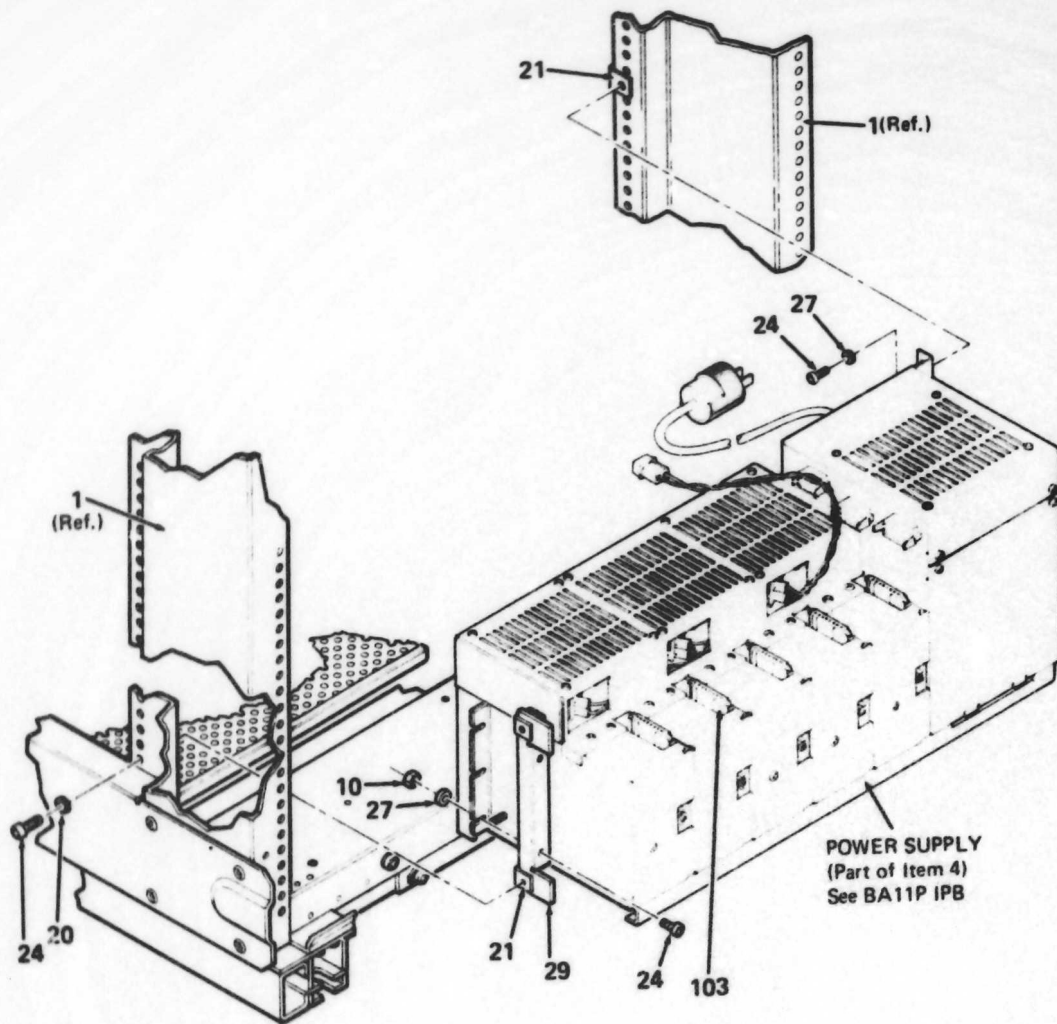
11T60-01

KY11P CONSOLE
(Part of Items 2 and 3)
See KY11P IPB



11T60-01A

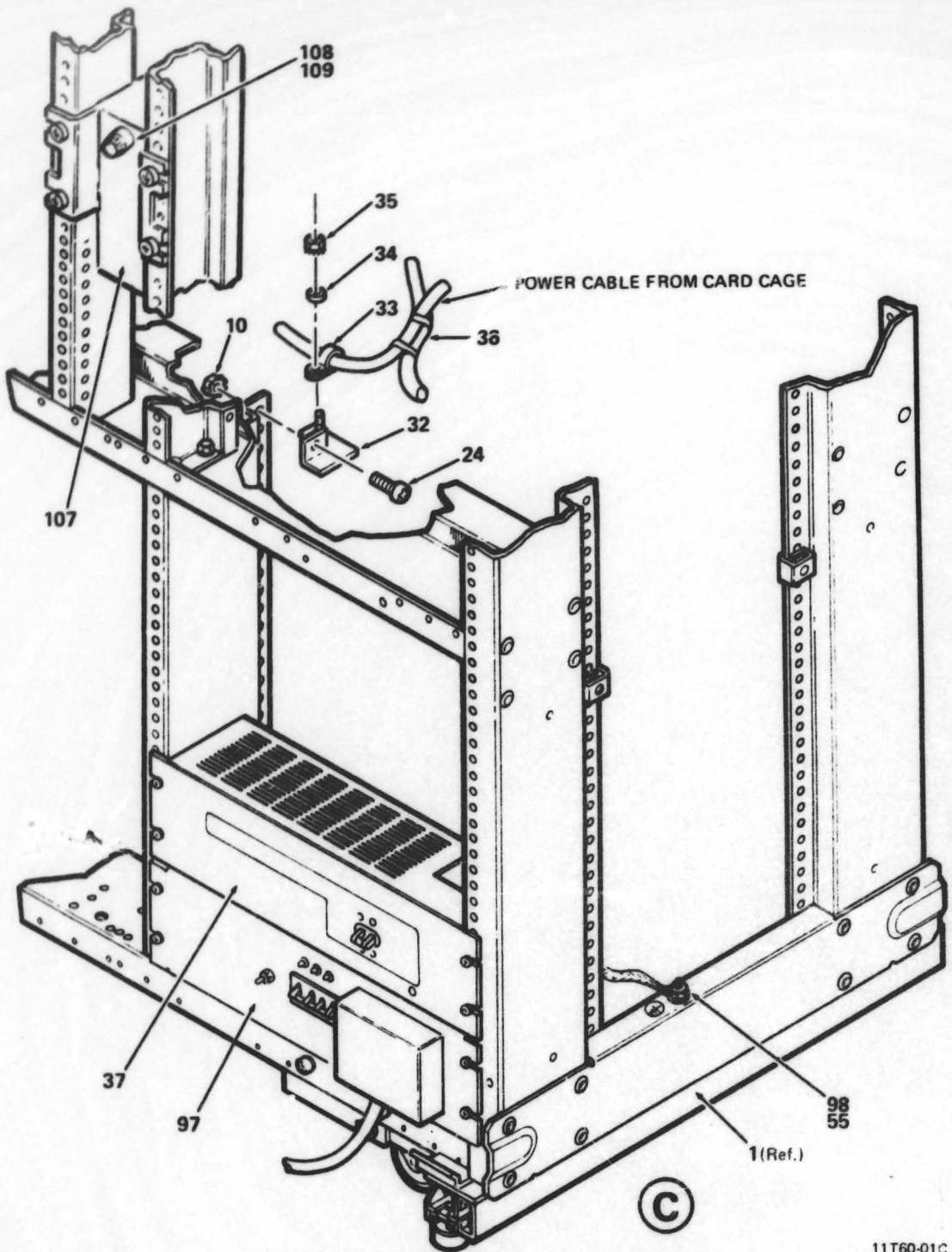
Figure 1. PDP-11T60 Unit Assembly (Sheet 2 of 8)



B

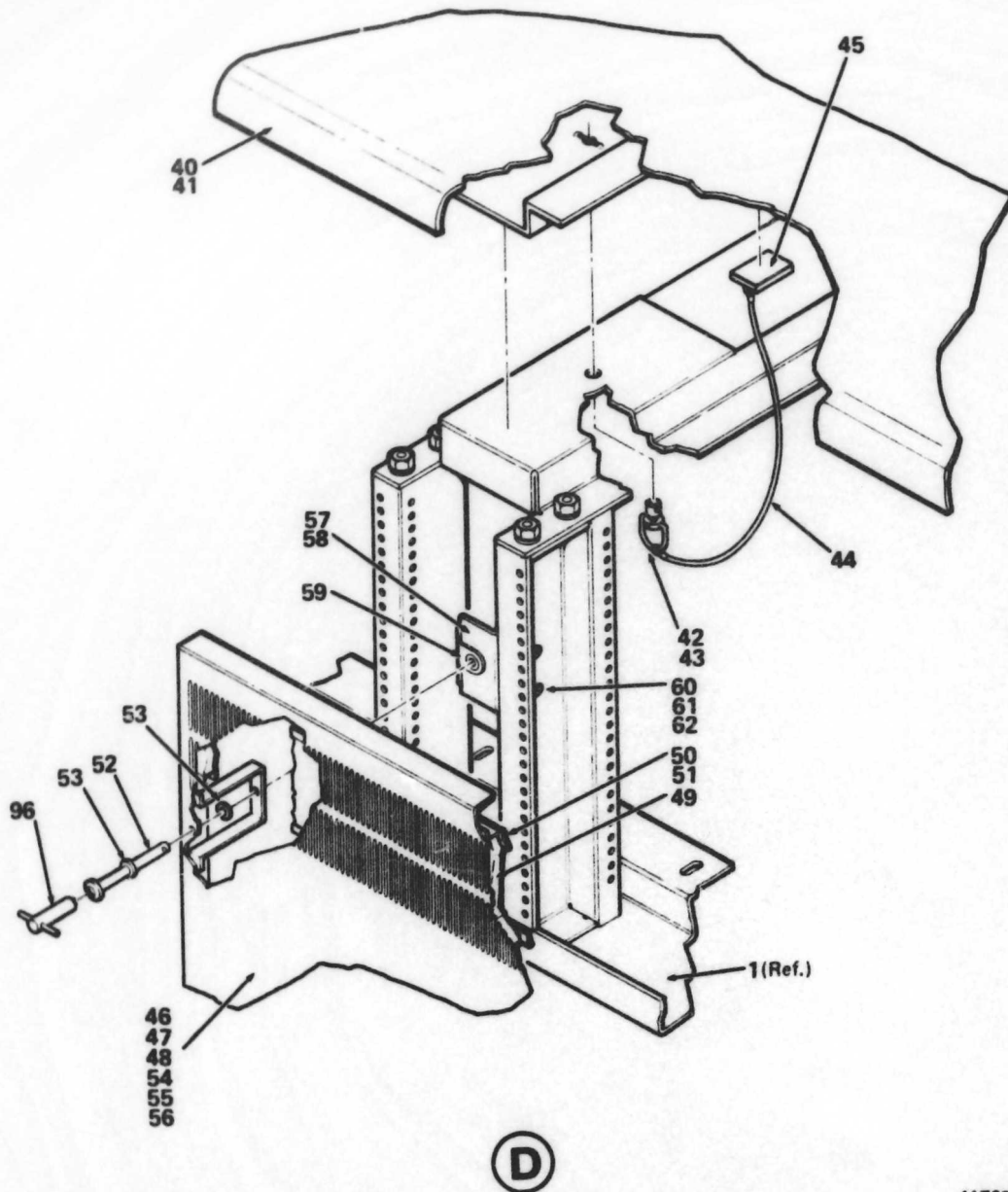
11T60-01B

Figure 1. PDP-11T60 Unit Assembly (Sheet 3 of 8)



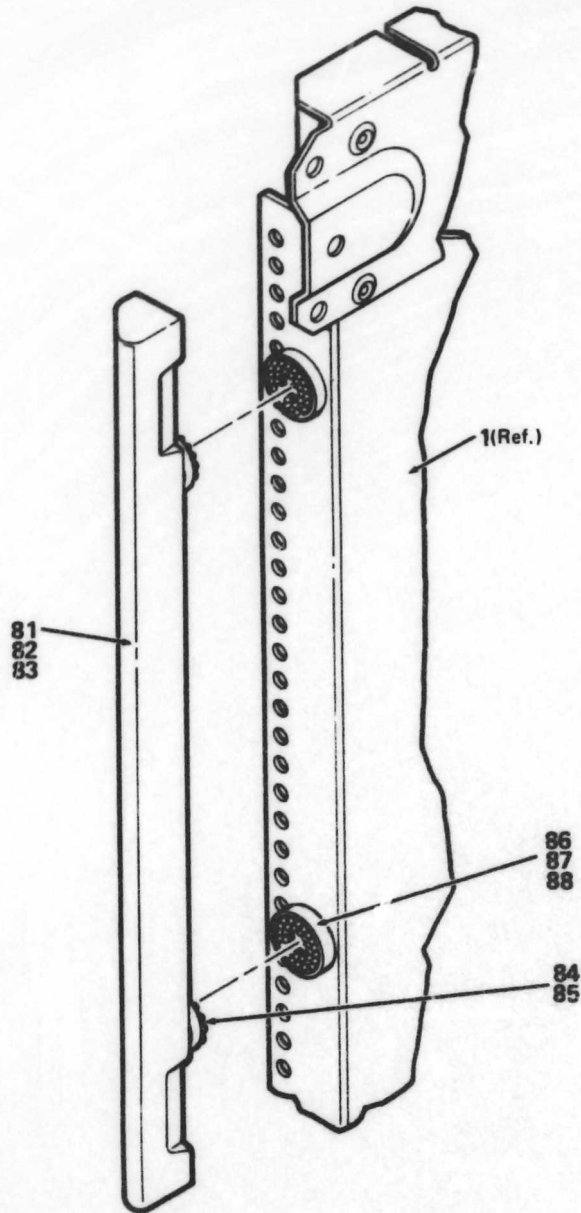
11T60-01C

Figure 1. PDP-11T60 Unit Assembly (Sheet 4 of 8)



11T60-01D

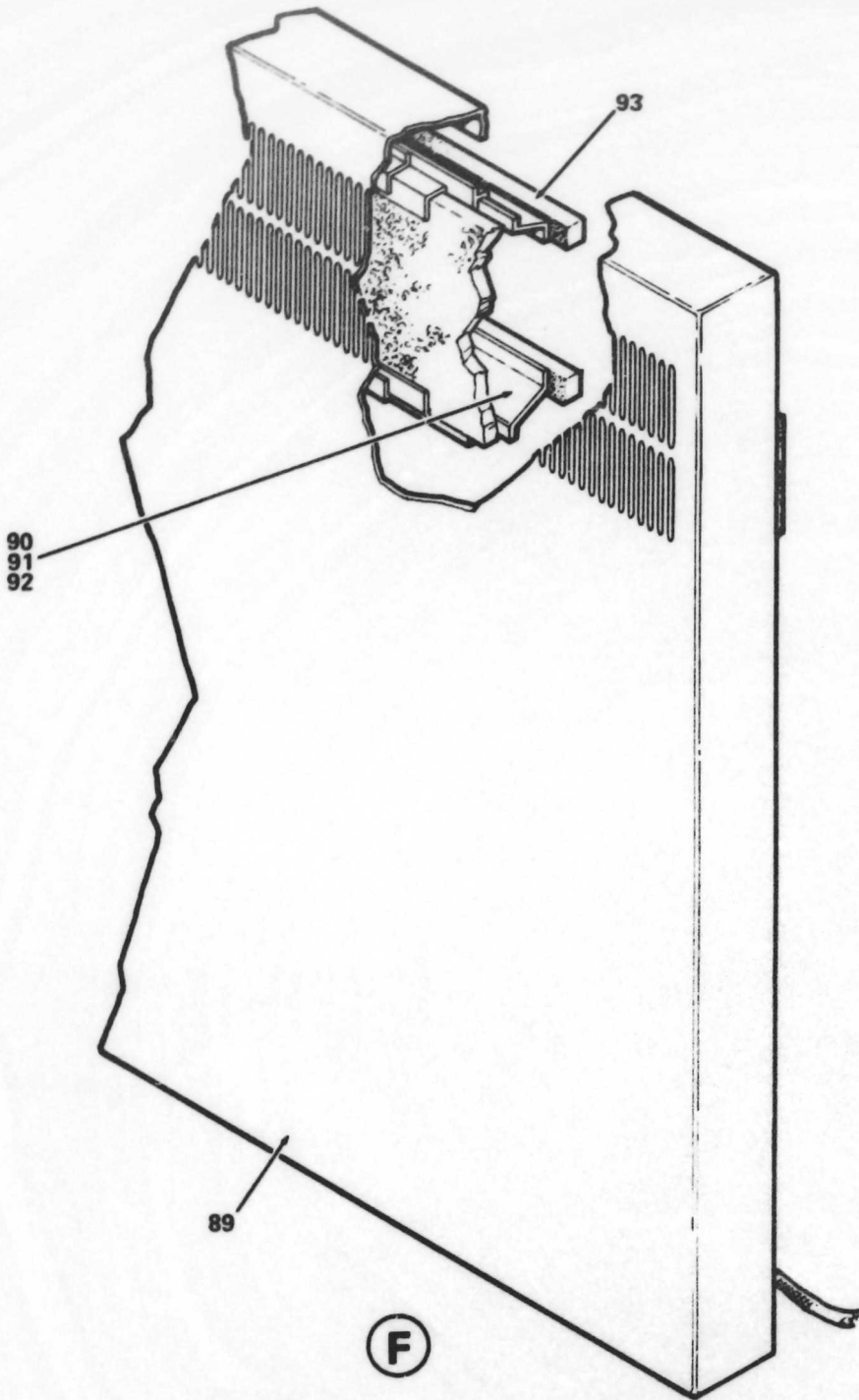
Figure 1. PDP-11T60 Unit Assembly (Sheet 5 of 8)



E

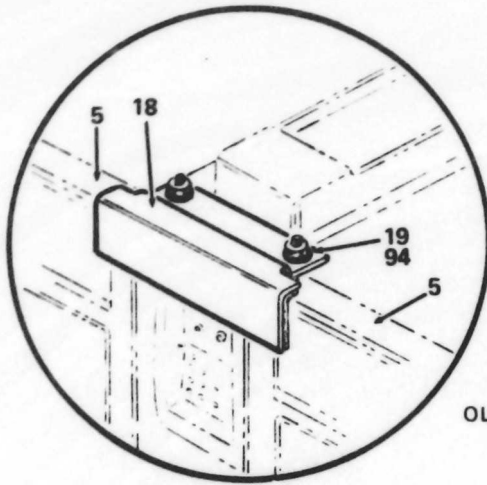
11T60-01E

Figure 1. PDP-11T60 Unit Assembly (Sheet 6 of 8)

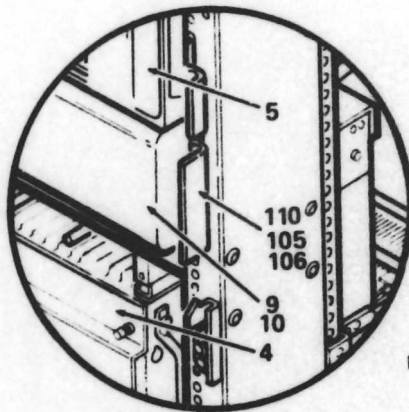


11T60-01F

Figure 1. PDP-11T60 Unit Assembly (Sheet 7 of 8)



OLD DESIGN



NEW DESIGN

SHIPPING BRACKETS



11T60-01G

Figure 1. PDP-11T60 Unit Assembly (Sheet 8 of 8)

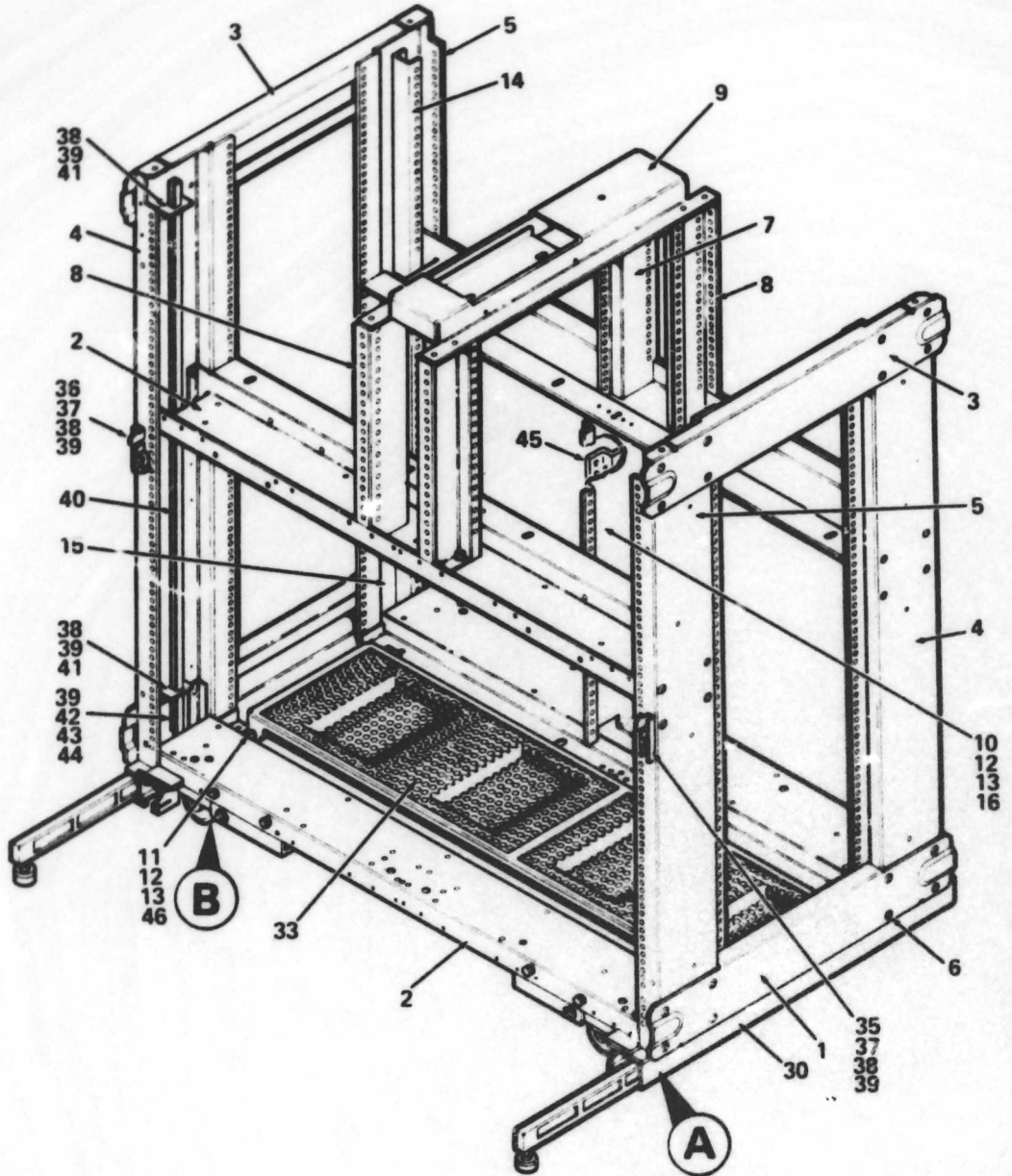


FIG. & ITEM NO.	DESCRIPTION	DEC PART NO.	ECO CUT-IN 11T60 0001B	USED ON CODE	REF FIG NO.
1--	PDP-11T60 UNIT ASSEMBLY Code A - Used on Model 11T60-BA 60 Hz 120V Code B - Used on Model 11T60-BB 60 Hz 240V Code C - Used on Model 11T60-BC 50 Hz 120V Code D - Used on Model 11T60-BD 50 Hz 240V Code E - Used on Model 11T60-CA 60 Hz 120V Code F - Used on Model 11T60-CB 60 Hz 240V Code G - Used on Model 11T60-CC 50 Hz 120V Code H - Used on Model 11T60-CD 50 Hz 240V	11T60-BA 11T60-BB 11T60-BC 11T60-BD 11T60-CA 11T60-CB 11T60-CC 11T60-CD		A B C D E F G H	
1	*FRAME ASSEMBLY (Double LoBoy)	70-11587-02			2
2	*1160W UNIT ASSEMBLY 120V See 1160W IPB Manual *1160W UNIT ASSEMBLY 240V	1160W-AA 1160W-AB		AC BD	
3	*1160K UNIT ASSEMBLY 120V (MOS) See 1160K IPB *1160K UNIT ASSEMBLY 240V (MOS)	1160K-AA 1160K-AB		EG FH	
4	*BA11P EXPANDER BOX ASSEMBLY 120V See BA11P IPB *BA11P EXPANDER BOX ASSEMBLY 240V	BA11-PE BA11-PF		ACEG BDFH	
5	*RK05F DEC PACK ASSEMBLY 60 Hz 120V *RK05F DEC PACK ASSEMBLY 60 Hz 240V *RK05F DEC PACK ASSEMBLY 50 Hz 120V *RK05F DEC PACK ASSEMBLY 50 Hz 240V	RK05F-FA RK05F-FB RK05F-FC RK05F-FD		AE BF CG DH	
6	*RK05J DEC PACK ASSEMBLY 60 Hz 120V See RK05J IPB *RK05J DEC PACK ASSEMBLY 60 Hz 240V *RK05J DEC PACK ASSEMBLY 50 Hz 120V *RK05J DEC PACK ASSEMBLY 50 Hz 240V	RK05J-AA RK05J-AB RK05J-AC RK05J-AD		AE BF CG DH	
7	*DISK CONTROL ASSEMBLY	RK11-D			3
8	*Air Deflector	12-13314-00		ABCD	
9	*Bezel, Blank (5-1/4")	H9504-SA			
10	*Nut, Kep No. 10-32	90-06565-00			
11	*Bezel (RK05)	74-16621-00			
12	*RK05J Inlay Panel	70-13642-00			
13	*RK05F Inlay Panel	70-13651-00			
14	*Mounting Bracket Kit (For mounting RK05F or RK05J to Cabinet. Consists of Items 15, 16, 17)	70-09276-00			
15	**Screw, Phi Truss Hd No. 10-32 x 5/8	90-06074-03			
16	**Washer, Ext. Tooth Lock No. 10	90-07851-00			
17	**Nut, Tinnerman	90-07786-00			
18	*Shipping Bracket (deleted)	74-19269-00	00002		
19	*Washer, .625 OD x .281 ID (deleted)	90-06676-00	00002		
20	*Washer, Int. Tooth Lock No. 10 (deleted)	90-06635-00	00002		
21	*Retainer, U-Nut No. 10-32	90-07786-00			
22	*Plate, Console Mounting	74-19056-00			
23	*Panel, Blank Vertical (5-1/4")	74-15771-07			
24	*Screw, Phi Truss Hd No. 10-32 x 1/2 (deleted)	90-06073-03	00002		

FIG. & ITEM NO.	DESCRIPTION	DEC PART NO.	ECO CUT-IN 11T60 0001B	USED ON CODE	REF FIG NO.
1-					
25	*Bracket, Console Mounting	74-19055-00			
26	*Spacer, 5/16 OD x .194 ID x 1/8	90-09922-00			
27	*Washer, Flat 437 OD x .21 ID x .06	90-06664-00			
28	*Nut-Clip, Floating No. 10-32	90-09923-00			
29	*Bracket, Power Supply Mounting	74-15640-00			
30	*Screw, Phi Truss Hd No. 10-32 x 1/4 (deleted)	90-09248-03	00002		
31	*Insert, Snap-In No. 10-32	90-09789-01			
32	*Bracket, Power Cable	74-17519-00			
33	*Cable Clamp	90-07091-00			
34	*Washer, Flat .437 OD x .187 x .03 (deleted)	90-06661-00	00002		
35	*Nut, Kep No. 8-32	90-06563-00			
36	*Tubing, Black Zipper (1-1/8") (Deleted from this Assy. - Now part of Harness Assy.)	90-07730-00	0001A		
37	*BATTERY BACK-UP ASSEMBLY 120V See H775 IPB	H775-BA		EG	
	*BATTERY BACK-UP ASSEMBLY 240V	H775-BB		FH	
38	*INTERLOCK KIT ASSEMBLY RH	H9504-ZA			4
	*INTERLOCK KIT ASSEMBLY LH	H9504-ZB			4A
39	*END PANEL, Double LoBoy	H9504-DA			
40	*TOP COVER ASSEMBLY (Double LoBoy)	H9504-NA			
41	**Top Cover (Light Gray)	70-11552-00			
42	**Lock Stud Assembly	74-14622-00			
43	***Stud, Ring Head	12-12972-00			
44	***Cable, Retaining	12-12907-00			
45	***Tie Mount, Adhesive Backed	90-08264-00			
46	*REAR DOOR ASSEMBLY (Right Rear LoBoy)	H9504-FA			
47	**Door Assembly (Right Rear)	70-12213-00			
48	***Door (Weldment)	70-11781-00			
49	***Filter, Air	12-13096-00			
50	***Cover, Filter	74-15446-00			
51	***Screw, Sems Slotted Hd No. 10-32 x 3/8	90-06444-00			
52	***Stud, Spanner	12-13089-00			
53	***Grommet, Half	12-12972-03			
54	***Ground Strap	74-15578-00			
55	***Nut, Kep No. 1/4-20 Green	90-08203-01			
56	***Label, Ground	36-13272-00			
57	**SPRING RECEPTACLE ASSEMBLY	74-16224-00			
58	***Bracket, Spring Receptacle	74-15308-00			
59	***Receptacle, Spring	12-12972-02			
60	**Screw, Phi Pan Hd No. 10-32 x 1/2	90-06073-01			
61	**Washer, Flat .218 ID	90-06664-00			
62	**Nut, Hex No. 10-32 (Nylock)	90-08059-00			
63	**Screw, Phi Pan Hd No. 1/4-20 x 1/2	90-06056-01			
64	**Washer, Flat .281 ID	90-06676-00			

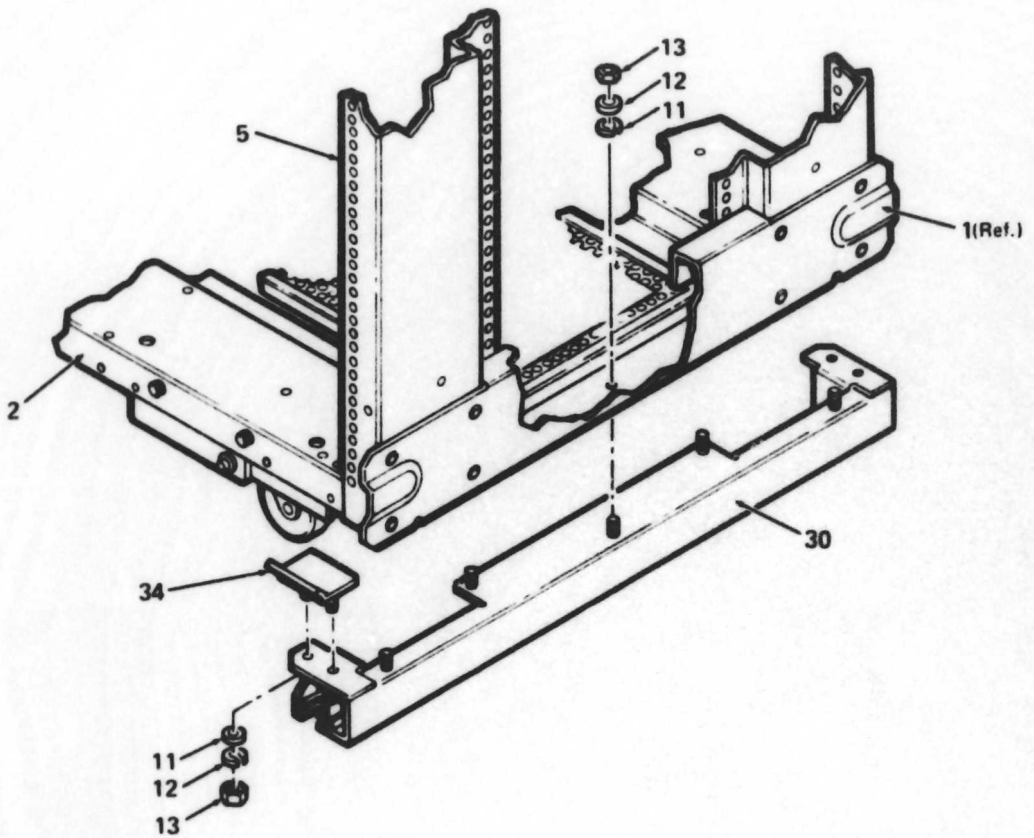
FIG. & ITEM NO.	DESCRIPTION	DEC PART NO.	ECO CUT-IN 11T60 0001B	USED ON CODE	REF FIG NO.
1-					
65	**Nut, Hex No. 1/4-20 (Nylock)	90-07897-00			
66	*REAR DOOR ASSEMBLY (Left Rear LoBoy)	H9504-JA			
67	**Door Assembly (Left Rear)	70-12232-00			
68	***Door (Weldment)	70-11775-01			
69	***Filter, Air	12-13096-00			
70	***Cover, Filter	74-15446-00			
71	***Screw, Sems Slotted Hd No. 10-32 x 3/8	90-064-4-00			
72	***Stop, Rear Door	74-14971-00			
73	***Rivet 3/16 OD	90-09241-00			
74	***Ground Strap	74-15578-00			
75	**Nut, Kep No. 1/4-20 Green	90-08203-01			
76	***Ground Label	36-13272-00			
77	**Bracket, Door Stop	74-18361-00			
78	**Screw, Phi Pan Hd No. 1/4-20 x 1/2	90-06056-01			
79	**Washer, Flat .281 ID	90-06676-00			
80	**Nut, Hex No. 1/4-20 (Nylock)	90-07897-00			
81	*TRIM STRIP ASSEMBLY (LoBoy)	H9504-YB			
82	**TRIM STRIP ASSEMBLY (LoBoy)	70-11638-01			
83	***Trim Strip	12-12964-01			
84	***Fastener, Hedlock .75 Dia.	90-09712-00			
85	***Screw, Self-Tapping No. 6-32	90-08181-01			
86	**Fastener, Hedlock .75 Dia.	90-09712-00			
87	**Screw, Phi Pan Hd Machine No. 6-32	90-06023-01			
88	**Insert, Snap-In Threaded No. 10-32	90-09789-01			
89	*FRONT COVER ASSEMBLY (Lt. Gray) (added)	H9504-RA	00002		5
	*FRONT COVER ASSEMBLY (Blue Mullen) (added)	H9504-RB	00002		5
	*FRONT COVER ASSEMBLY (Blue Mullen w/Silk Screen) (added)	H9504-RC	00002		5
	*FRONT COVER ASSEMBLY (Blue Mullen w/Silk Screen System 48) (added)	H9504-RD	00002		5
	*FRONT COVER ASSEMBLY (Prefer Red) (added)	H9504-RE	00002		5
	*FRONT COVER ASSEMBLY (Prefer Red w/Silk Screen)	H9504-RF			5
	*FRONT COVER ASSEMBLY (Dark Gray) (added)	H9504-RG	00002		5
90	*AIR DUCT ASSEMBLY	H9514-CA			
91	**AIR DUCT ASSEMBLY	70-12838-00			
92	***Air Duct	74-15894-00			
93	***Foam Tape (39.25" Long)	90-08274-00			
94	*Nut, No. 1/4-20, Steel Cadmium (deleted)	90-08203-00	00002		
95	*LA36 UNIT ASSEMBLY 60 Hz 120V	LA36-CE		AE	
	*LA36 UNIT ASSEMBLY 60 Hz 240V	LA36-CF		BF	
	*LA36 UNIT ASSEMBLY 50 Hz 120V	LA36-CH		CG	
	*LA36 UNIT ASSEMBLY 50 Hz 240V	LA36-CJ		DH	
96	*Spanner Wrench	12-13091-00			

FIG. & ITEM NO.	DESCRIPTION	DEC PART NO.	ECO CUT-IN 11T60 0001B	USED ON CODE	REF FIG NO.
1-					
97	*866-D POWER CONTROLLER 120V, 24A (added)	866-D	00002	ACEG	See
	*866-E POWER CONTROLLER 240V, 15A (added)	866-E	00002	BDFH	866 IPB
98	*Ground Strap (added)	74-15578-01	00002		
99	*Cable Tie (added)	90-09617-00	00002		
100	*Screw, Phi Truss Hd No. 10-32 x 5/8 (added)	90-06074-03	00002		
101	*Mount, Cable Tie (added)	90-09911-00	00002		
102	*Cable Trough (added)	12-13092-01	00002		
103	*Connector, Socket Housing 8 Pin Mate-N-Lok (added)	12-09340-00	00002		
104	*Screw, Phi Truss Hd No. 10-32 x 1/2 (added)	90-09700-00	00002		
105	*Washer, Split Lock No. 10 (added)	90-07906-00	00002		
106	*Nut, Wing No. 10-32 (added)	90-06572-00	00002		
107	*CABLE TRANSFORMER ASSEMBLY (added)	70-15910-00	00003	FH	
108	**Fuse Holder, 20A 300V	12-12893-00			
109	**Fuse, Slo-Blo, 5A 250V	90-07222-00			
110	*Bracket, Shipping RH (added)	74-09691-02	00002		
	Cables (Not Shown)				
	*Cable, Unibus (Jumper)	M9202-00		ABCD	
	*Cable Assembly (KL8-E)	70-08360-01			
	*Cable Assembly (BC11A) (deleted)	BC11A-06	00002	ABCD	
	*Cable Assembly (BC11A)	BC11A-02		EFGH	
	*Cable Assembly (added)	70-15908-00	00003	EFGH	
	Decals/Labels (Not Shown)				
	*Decal, "Chassis Ground"	36-13272-00			
	*Decal, "UL"	74-16197-01			
	*Decal, "CSA"	36-13211-01			
	*Decal, "Patent" (PDP11)	74-09478-00			
	*Label, "Electrical Data" (Adhesive Backed)	36-13210-00			



11S60-02

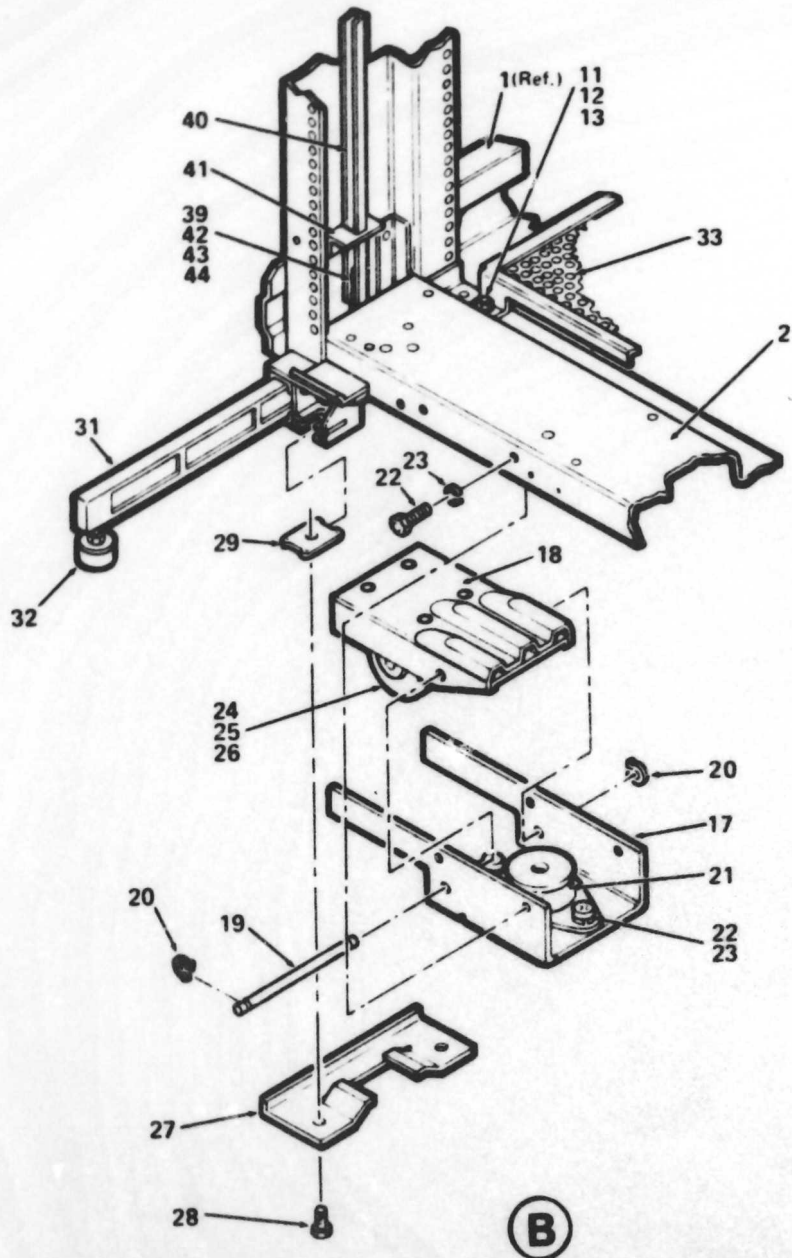
Figure 2. Frame Assembly (Double LoBoy) (Sheet 1 of 3)



(A)

11560 02A

Figure 2. Frame Assembly (Double LoBoy) (Sheet 2 of 3)

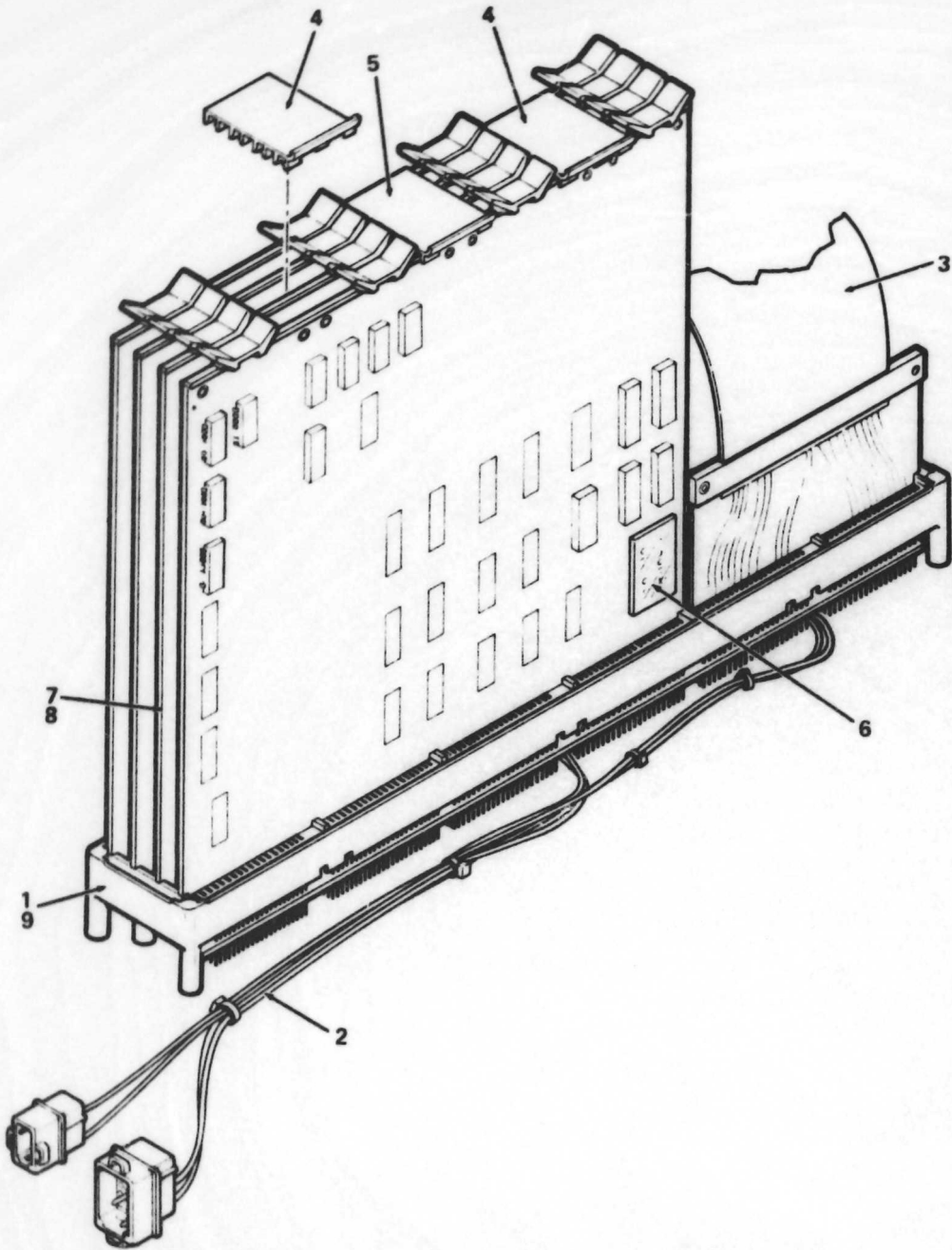


11560-02B

Figure 2. Frame Assembly (Double LoBoy) (Sheet 3 of 3)

FIG. & ITEM NO.	DESCRIPTION	DEC PART NO.	ECO CUT-IN H9501 00002	USED ON CODE	REF FIG NO.
2-	FRAME ASSEMBLY (Double LoBoy)	70-11587-02			1
1	*Lateral, Bottom	74-13635-00			
2	*Horizontal	74-13644-00			
3	*Lateral, Top	74-13435-01			
4	*Vertical LH	74-18243-00			
5	*Vertical RH	74-18243-01			
6	*Pop Rivet 1/4"	90-09595-00			
7	*Vertical, Center RH	74-16883-00			
8	*Vertical, Center LH	74-16883-01			
9	*Weldment, Hat Section	70-12812-00			
10	*Screw, Phl Truss Hd No. 1/4-20 x 3/4	90-06058-03			
11	*Washer, Flat (.281 ID)	90-07792-00			
12	*Washer, Helical Spring Lock 1/4" (deleted)	90-07797-00	70-11587 00004		
13	*Nut, Hex No. 1/4-20	90-08203-00			
14	*Post, Rear Mounting (Top)	74-17731-00			
15	*Post, Rear Mounting (Bottom)	74-17731-01			
16	*Support, Power Supply Center	74-15637-00			
17	*Bracket, Hanger	74-14090-01			
18	*Arm, Isolator Pivot	70-11294-00			
19	*Pin, Pivot	74-13998-00			
20	*Retaining Ring, External	90-09580-02			
21	*Shock Isolator	12-12503-00			
22	*Screw, Hex Hd Cap No. 3/8-16 x 1 (deleted)	90-08922-09			
	*Screw, Hex Hd Cap No. 3/8-16 x 1/2 (added)	90-00043-10	70-11587 00005		
23	*Washer, Helical Spring Lock (3/8)	90-07788-00			
24	*Caster	12-C5835-01			
25	*Screw, Phl Truss Hd No. 5/16-18 x 11/16 (deleted)	90-07781-03			
	*Screw, Phl Truss Hd No. 5/16-18 x 1/2 (added)	90-00040-01	70-11587 00005		
26	*Washer, Int Tooth Lock 5/16 (deleted)	90-06638-00			
	*Washer, Ext Tooth Lock 5/16 (added)	90-10150-00	70-11587 00005		
27	*Bracket, Wheel Lock	74-17593-00			
28	*Screw, Hex Hd No. 1/2-13 x 3/4	90-00043-02			
29	*Nut, Leveler No. 1/2-13	90-08878-00			
30	*Stabilizer Sleeve Assembly	70-11284-00			
31	*Arm Stabilizer	74-14087-00			
32	*Foot, Leveler Cushion (1/2-13) (deleted)	90-07600-00			
	*Foot, Leveler Cushion (1/2-13) (added)	90-00022-01	70-11587 00004		
33	*Screen Assembly (deleted)	70-11964-00			
	*Screen Assembly (added)	70-17840-00	70-11587 00006		

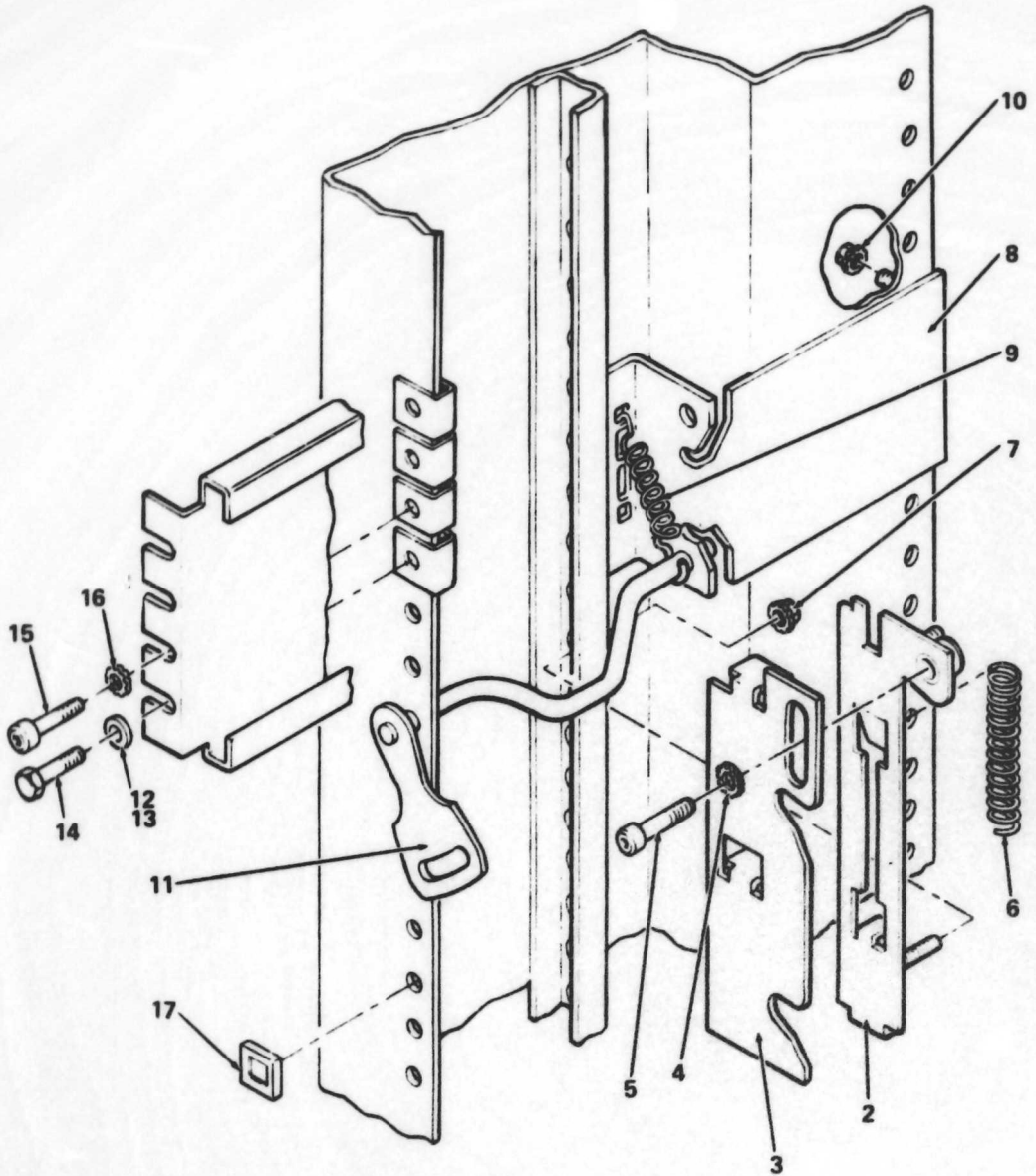
FIG. & ITEM NO.	DESCRIPTION	DEC PART NO.	ECO CUT-IN H9501 00002	USED ON CODE	REF FIG NO.
2-					
34	*Catch, Panel	74-14841-00			
35	*Bracket, Catch (LH)	74-14839-00			
36	*Bracket, Catch (RH)	74-14839-01			
37	*Insert, Snap-In Threaded	90-09789-01			
38	*Screw, Phi Pan Hd No. 10-32 x 1/2	90-06073-01			
39	*Washer, Helical Spring Lock No. 10	90-07906-00			
40	*Rod, Interlock	74-17371-00			
41	*Bracket, Guide	74-16523-00			
42	*Cam, Follower	74-16679-00			
43	*Washer, Flat .437 OD x .218 ID x .062	90-06664-00			
44	*Nut, Hex No. 10-32	90-06564-00			
45	*Post, Distribution Panel Mounting (added)	74-19464-00	H9501 00003		
46	*Spacer, Screen (added)	74-24691-00	70-11587 00006		
	Labels (Not Shown)				
	*Label, "Push" (added)	36-14605-01	70-11587 00003		
	*Label, "Do Not Push" (added)	36-14603-01	70-11587 00003		
	*Label, "High Charge" (added)	36-14604-01	70-11587 00003		



11T60-03

Figure 3. Disk Control Assembly

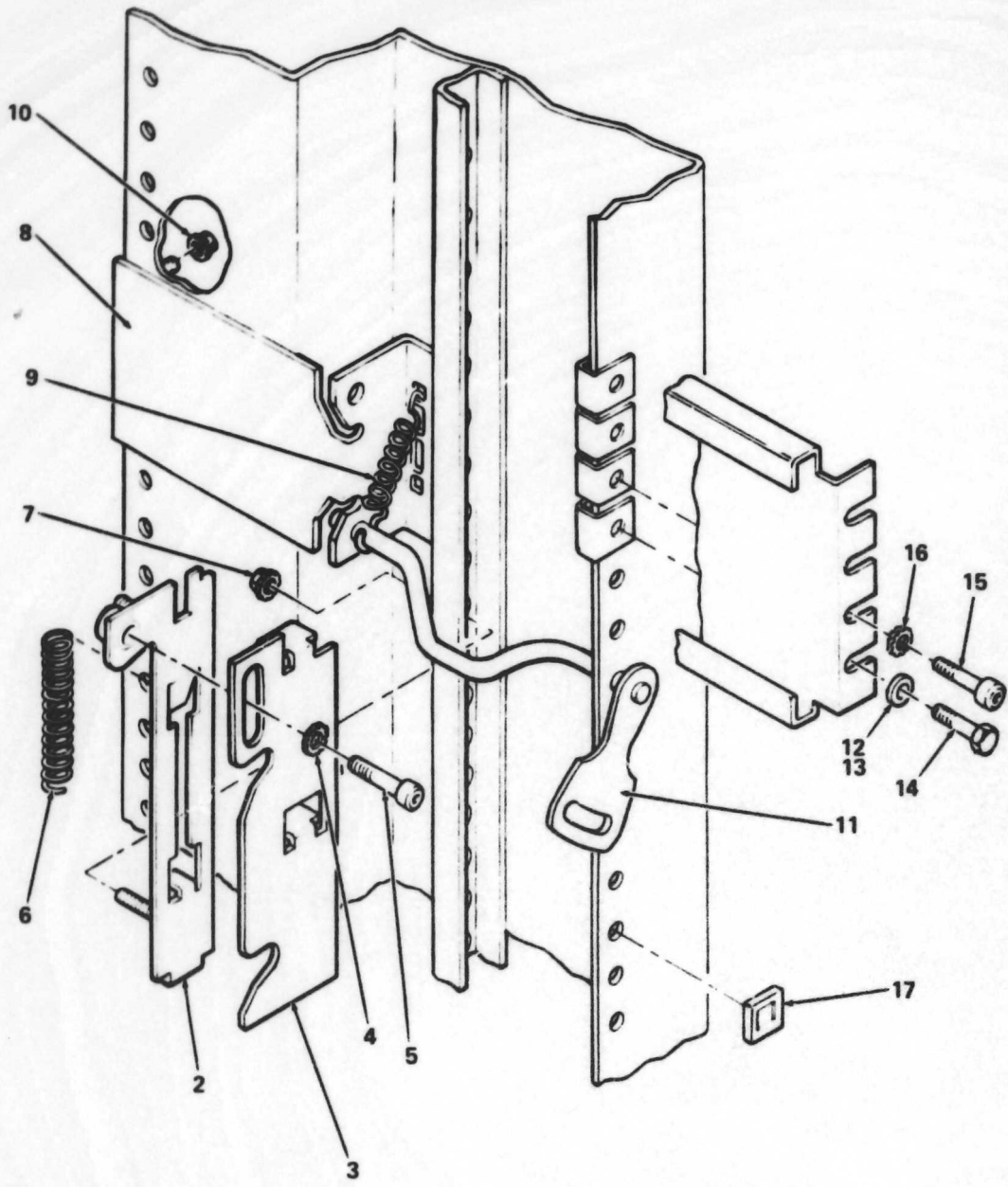
FIG. & ITEM NO.	DESCRIPTION	DEC PART NO.	ECO CUT-IN RK11-D 00018	USED ON CODE	REF FIG NO.
3-	DISK CONTROL ASSEMBLY	RK11-D			1
1	*Wired Assembly	70-09142-00			
2	*HARNES, Option	70-09559-00			
3	*Unibus Cable Assembly (15 Ft)	8C11A-15			
4	*Clamp, Module (With Separator)	12-09856-01			
5	*Clamp, Module (Without Separator)	12-09856-02			
6	*Priority Plug, Level 5	54-08778-00			
7	*Crystal, 2.880 MHz	18-10694-03			
8	*Bus Terminator (Not Shown)	M930-00			
9	*Internal Bus Connector (Not Shown)	M920-00			
	<p>Note: For Identification and Position of Modules See Module Utilization Drawing D-MU-RK11-D-1.</p>				



11T60-04

Figure 4. Interlock Kit Assembly LH

FIG. & ITEM NO.	DESCRIPTION	DEC PART NO.	ECO CUT-IN H9504 00007	USED ON CODE	REF FIG NO.
4-	INTERLOCK KIT ASSEMBLY LH	H9504-ZA			1
1	*INTERLOCK KIT ASSEMBLY LH	70-13688-00			
2	**Plate, Back LH	74-16221-00			
3	**Plate, Cam LH	74-16424-00			
4	**Washer, Spring	12-13780-00			
5	**Screw, Soc Hd Cap No. 1/4-20 x 1/2	90-06370-08			
6	**Spring, Compression	12-13778-00			
7	**Nut, Kep No. 10-32	90-06565-00			
8	**Bracket, Outrigger	74-16556-00			
9	**Spring, Extension	12-13779-00			
10	**Nut, Kep No. 1/4-20	90-08203-00			
11	**Churchkey Assembly	70-13667-00			
12	**Washer, Flat No. 10 (Used when Item 14 is mounted through a Slide Mounting Hole)	90-06664-00			
13	**Washer, Nylon Shoulder (Used when Item 14 is <u>not</u> mounted through a Slide Mounting Hole)	90-09739-00			
14	**Retainer, Interlock	74-16222-00			
15	**Screw, Soc Hd Cap No. 10-32 x 1/2	90-06346-00			
16	**Washer, Ext. Tooth No. 10	90-07651-00			
17	**Bumper, Rubber	12-09750-00			
18	**Key, Hex (Not Shown)	74-17977-00			

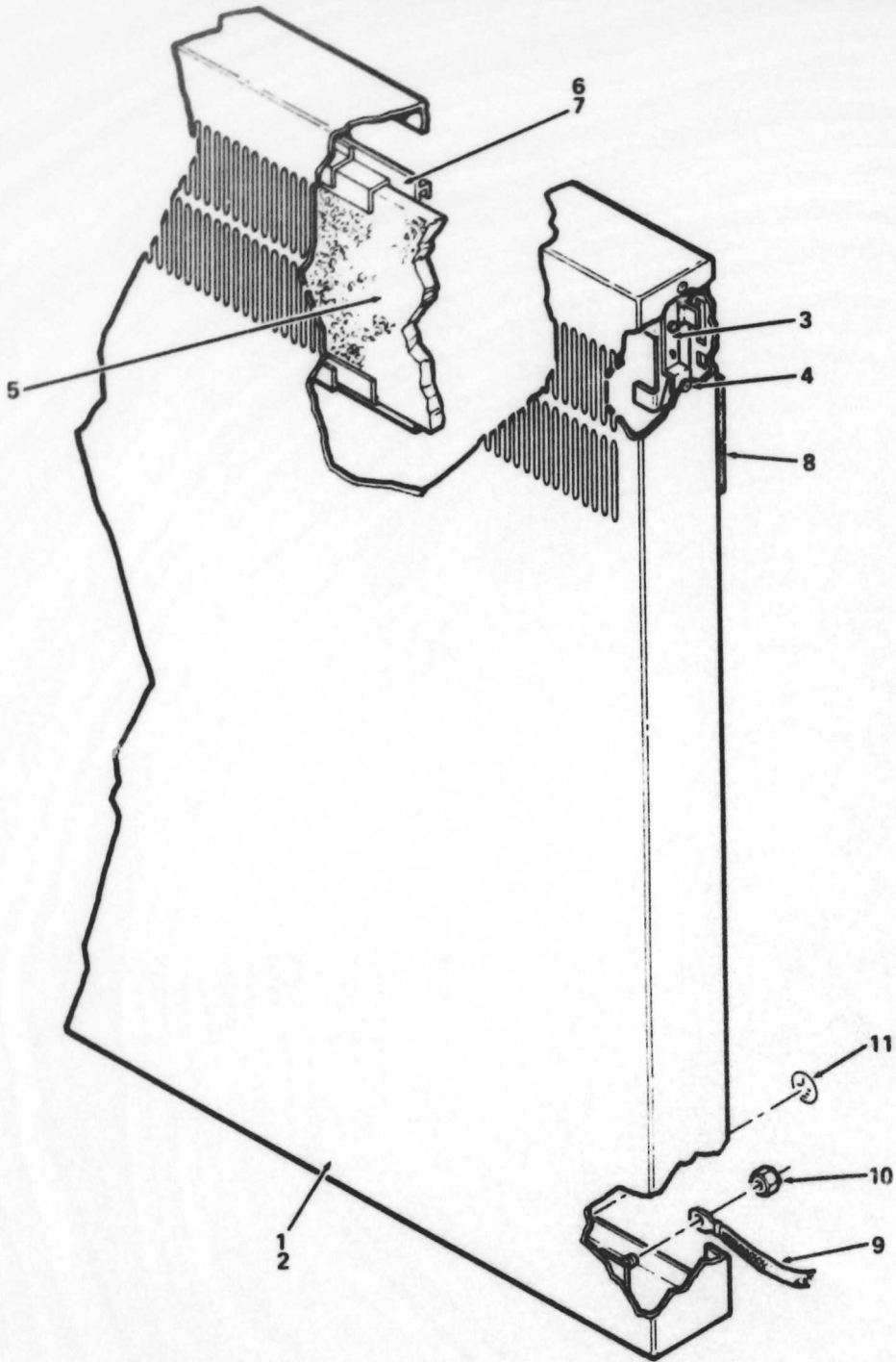


11T60-04A

Figure 4A. Interlock Kit Assembly RH



FIG. & ITEM NO.	DESCRIPTION	DEC PART NO.	ECO CUT-IN H9504 00007	USED ON CODE	REF FIG NO.
4A-	INTERLOCK KIT ASSEMBLY RH	H9504-ZB			1
1	*INTERLOCK KIT ASSEMBLY RH	70-13688-01			
2	**Plate, Back RH	74-16221-01			
3	**Plate, Cam RH	74-16424-01			
4	**Washer, Spring	12-13780-00			
5	**Screw, Soc Hd Cap No. 1/4-20 x 1/2	90-06370-08			
6	**Spring, Compression	12-13778-00			
7	**Nut, Kep No. 10-32	90-06565-00			
8	**Bracket, Outrigger	74-16556-00			
9	**Spring, Extension	12-13779-00			
10	**Nut, Kep No. 1/4-20	90-08203-00			
11	**Churchkey Assembly	70-13667-00			
12	**Washer, Flat No. 10 (Used when Item 14 is mounted through a Slide Mounting Hole)	90-06664-00			
13	**Washer, Nylon Shoulder (Used when Item 14 is <u>not</u> mounted through a Slide Mounting Hole)	90-09739-00			
14	**Retainer, Interlock	74-16222-00			
15	**Screw, Soc Hd Cap No. 10-32 x 1/2	90-06346-00			
16	**Washer Ext. Tooth No. 10	90-07651-00			
17	**Bumper, Rubber	12-09750-00			
18	**Key, Hex (Not Shown)	74-17977-00			



11S60-03

Figure 5. Front Cover Assembly

FIG. & ITEM NO.	DESCRIPTION	DEC PART NO.	ECO CUT-IN H9504-R 00002	USED ON CODE	REF FIG NO.
5-	FRONT COVER ASSEMBLY (Lt. Gray) (added)	H9504-RA	00002	A	1
	FRONT COVER ASSEMBLY (Blue Mullen) (added)	H9504-RB	00002	B	1
	FRONT COVER ASSEMBLY (Blue Mullen w/Silk Screen) (added)	H9504-RC	00002	C	1
	FRONT COVER ASSEMBLY (Blue Mullen w/Silk Screen System 48) (added)	H9504-RD	00002	D	1
	FRONT COVER ASSEMBLY (Prefer Red) (added)	H9504-RE	00002	E	1
	FRONT COVER ASSEMBLY (Prefer Red w/Silk Screen)	H9504-RF		F	1
	FRONT COVER ASSEMBLY (Dark Gray)(added)	H9504-RG	00002	G	1
				(See Note)	
1	*FRONT COVER ASSEMBLY (Lt. Gray)	70-12221-00		A	
	*FRONT COVER ASSEMBLY (Blue Mullen)	70-12221-01		B	
	*FRONT COVER ASSEMBLY (Blue Mullen w/Silk Screen)	70-12221-02		C	
	*FRONT COVER ASSEMBLY (Blue Mullen w/Silk Screen System 48)	70-12221-03		D	
	*FRONT COVER ASSEMBLY (Prefer Red)	70-12221-04		E	
	*FRONT COVER ASSEMBLY (Prefer Red w/Silk Screen)	70-12221-05		F	
2	*FRONT COVER ASSEMBLY (Dark Gray)	70-12221-06		G	
	**Front Cover Weldment (Lt. Gray)	70-12222-00		A	
	**Front Cover Weldment (Blue Mullen)	70-12222-02		B	
	**Front Cover Weldment (Blue Mullen w/Silk Screen)	70-12222-04		C	
	**Front Cover Weldment (Blue Mullen w/Silk Screen System 48)	70-12222-06		D	
	**Front Cover Weldment (Prefer Red)	70-12222-08		E	
3	**Front Cover Weldment (Prefer Red w/Silk Screen)	70-12222-09		F	
	**Front Cover Weldment (Dark Gray)	70-12222-13		G	
	**Latch Assembly LH	70-11837-00			
	**Latch Assembly RH	70-11837-01			
	**Rivet, Blind .187 Dia.	90-09241-00			
	**Filter, Air	12-13096-03			
4	**Cover, Filter	74-15452-00			
5	**Screw, Sems Slotted Hd. No. 10-32 x 3/8	90-06444-00			
6	**Strip, Bumper	74-16140-00			
7	**Ground Strap	74-15578-00			
8	**Nut, Kep No. 1/4-20	90-08203-01			
9	**Label, Ground	36-13272-00			
10					
11					
NOTE: The Used on Code applies to this Figure only.					
					DEC