

"THE MATERIAL HEREIN IS FOR INFORMATION PURPOSES ONLY AND IS SUBJECT TO CHANGE WITHOUT NOTICE. DIGITAL EQUIPMENT CORPORATION ASSUMES NO RESPONSIBILITY FOR ANY ERRORS WHICH MAY APPEAR HEREIN."

FIELD MAINTENANCE PRINT SET

"THIS DRAWING AND SPECIFICATIONS, HEREIN, ARE THE PROPERTY OF DIGITAL EQUIPMENT CORPORATION AND SHALL NOT BE REPRODUCED OR COPIED OR USED IN WHOLE OR IN PART AS THE BASIS FOR THE MANUFACTURE OR SALE OF ITEMS WITHOUT WRITTEN PERMISSION. COPYRIGHT © 1978 . DIGITAL EQUIPMENT CORPORATION."

TABLE OF CONTENTS

VT72 INSTALLATION PRINT SET	B-TC-VT72-Ø-1
VT72 BASIC ASSY	E-UA-VT72-Ø-Ø
VT72 BASIC ASSY (PL)	A-PL-VT72-Ø-Ø

UNIT VARIATIONS COVERED BY THIS PRINT SET
VT72-AA
VT72-AD

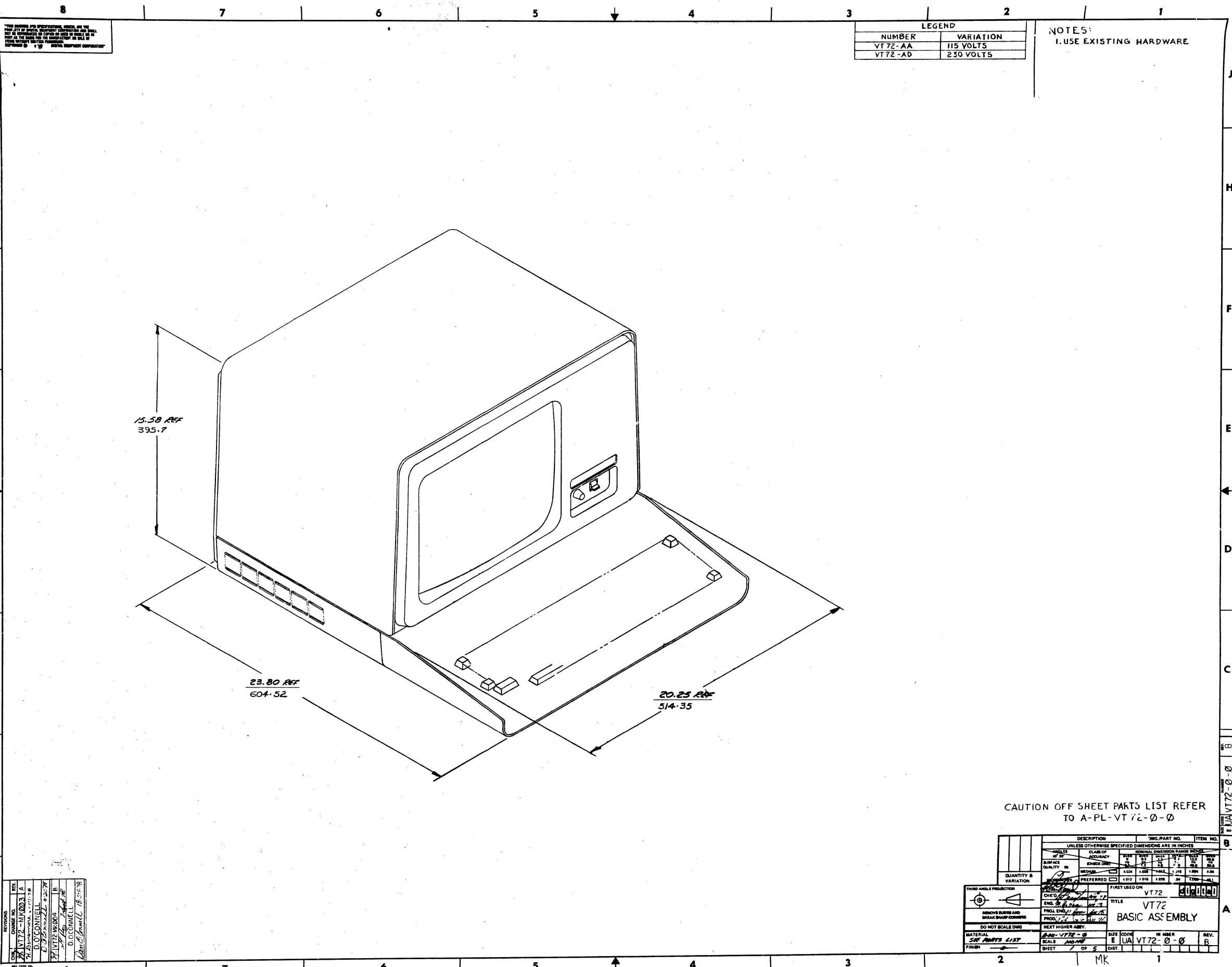
VT72/VOL 1
Field Maintenance
Print Set

Digital Equipment Corporation
 PRINT SET ORDER NO.
 MPØØ61Ø

REVISIONS	REV.		USED ON OPTION/MODEL	DRN.	DATE	<div style="text-align: right; border: 1px solid black; padding: 2px;">digital</div> TITLE: VT72 INSTALLATION PRINT SET			
	CHG. NO.		VT72/T	P. ROBICHAUD	7MAR78				
	DATE			CHK'D <i>M. Reiflow</i>	DATE <i>19</i> APR 78				
					PROJ. ENG. <i>P. Brown</i>	DATE <i>14</i> APR 78	SIZE	CODE	NUMBER
				FIELD SERV. <i>P. Carroll</i>	DATE <i>5</i> MAY 78	B	TC	VT72-Ø-1	
			SHEET I OF <u>1</u>			DIST.			

EN-01124-16-N675-(227)





THIS DRAWING AND SPECIFICATIONS SHALL BE THE PROPERTY OF THE DRAWING OFFICE AND SHALL NOT BE REPRODUCED OR COPIED IN WHOLE OR IN PART WITHOUT THE WRITTEN PERMISSION OF THE DRAWING OFFICE. THE DRAWING OFFICE SHALL BE RESPONSIBLE FOR THE ACCURACY OF THE DIMENSIONS AND TOLERANCES SPECIFIED HEREON.

LEGEND	
NUMBER	VARIATION
VT72-AA	115 VOLTS
VT72-AD	230 VOLTS

NOTES:
1. USE EXISTING HARDWARE

REV	DESCRIPTION	DATE
1	VT72-MK003	11-78
2	VT72-MK004	1-79
3	VT72-MK005	2-79
4	VT72-MK006	3-79
5	VT72-MK007	4-79
6	VT72-MK008	5-79
7	VT72-MK009	6-79
8	VT72-MK010	7-79

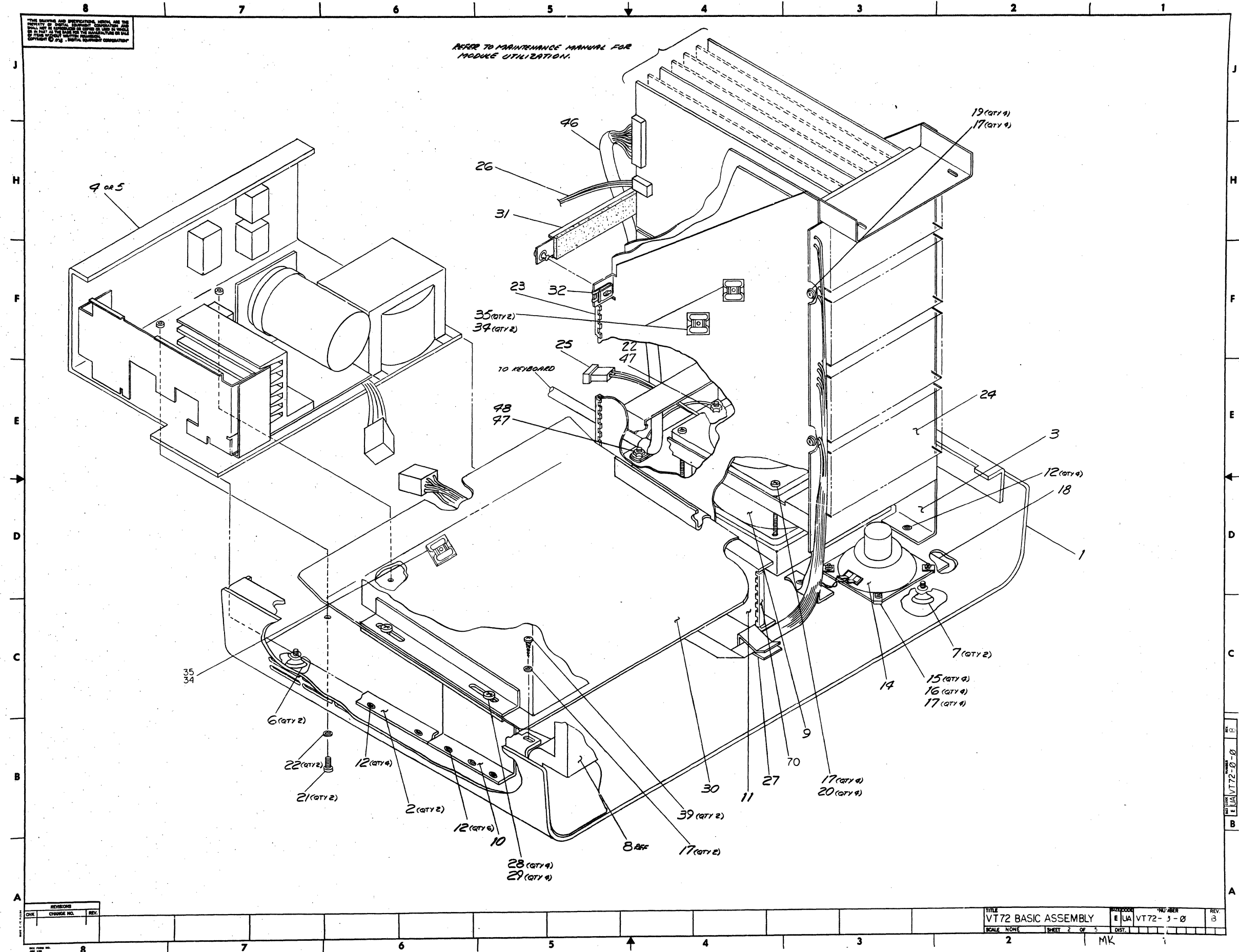
CAUTION OFF SHEET PARTS LIST REFER TO A-PL-VT72-0-0

THIRD ANGLE PROJECTION		DESCRIPTION		QTY	PART NO.	ITEM NO.
ANGLE	CLASS OF ACCURACY	UNLESS OTHERWISE SPECIFIED DIMENSIONS ARE IN INCHES				
SURFACE QUALITY	CHECK ONE	FORM	FINISH			
QUANTITY & VARIATION	PREFERRED					
CHECKED BY	DATE	FIRST USED ON	VT72			
DESIGNED BY	DATE	TITLE	VT72			
PROF. ENGINEER	DATE	BASIC ASSEMBLY				
DO NOT SCALE DIMS	NEXT HIGHER ASBY	MATERIAL	ALUM-V72-0	SIZE CODE	IN MBR	REV.
SHEET PARTS LIST	SCALE	FINISH	AND MS	E UA	VT72-0-0	B
SHEET	OF 5	DIST.				

MK

THIS DRAWING AND OPERATIONAL MANUAL ARE THE PROPERTY OF BUSHNELL OPTICAL COMPANY. NO PART IS TO BE REPRODUCED OR TRANSMITTED IN ANY FORM OR BY ANY MEANS, ELECTRONIC OR MECHANICAL, INCLUDING PHOTOCOPYING, RECORDING, OR BY ANY INFORMATION STORAGE AND RETRIEVAL SYSTEM. BUSHNELL OPTICAL COMPANY, COPYRIGHT © 1974.

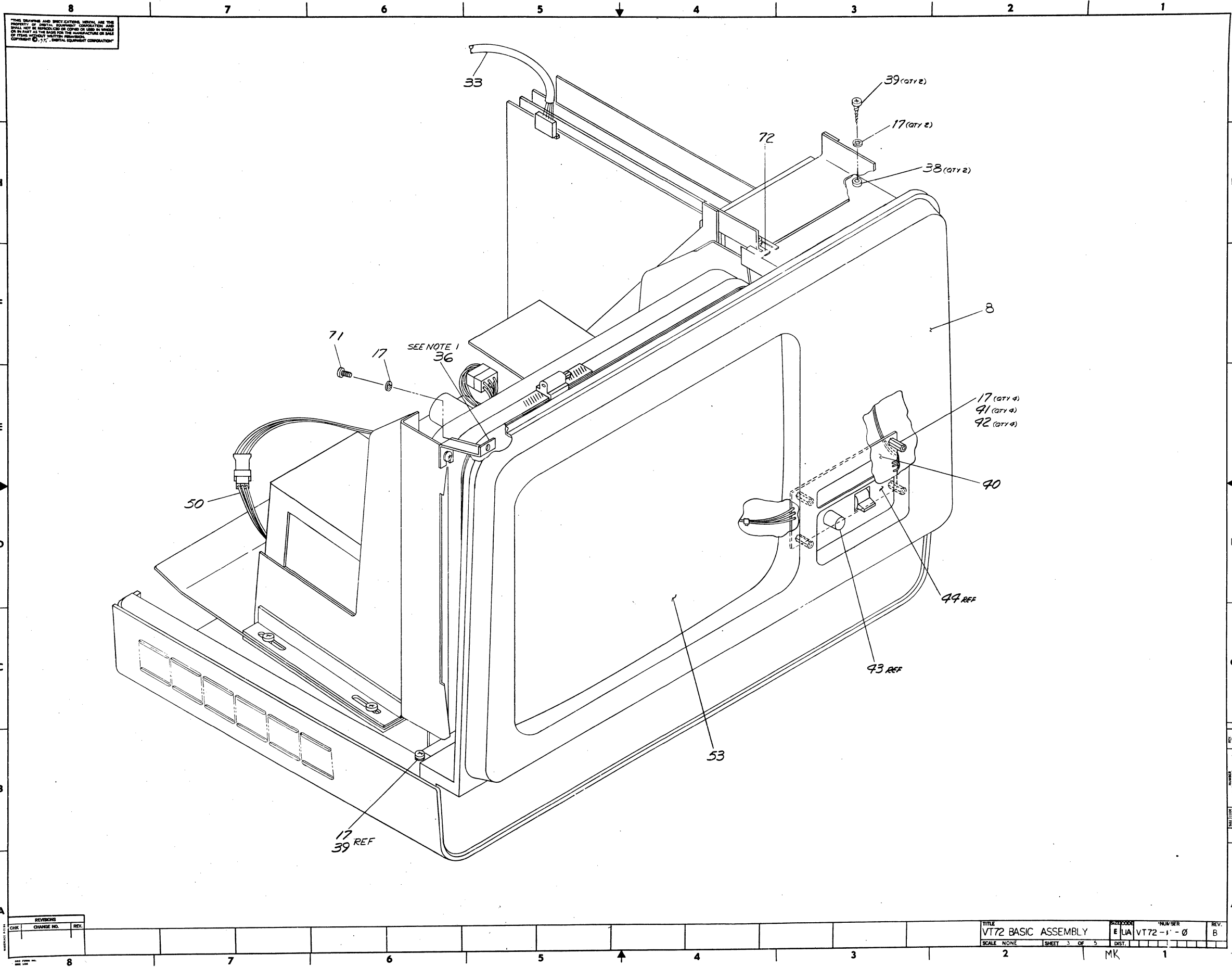
REFER TO MAINTENANCE MANUAL FOR MODULE UTILIZATION.



REVISIONS		
CHK	CHANGE NO.	REV.

TITLE	VT72 BASIC ASSEMBLY	SIZE CODE	E LA	NUM. PER	VT72-3-0	REV.	3
SCALE	NONE	SHEET	2	OF	5	DIST.	
MK							

E LA VT72-0-0
 B



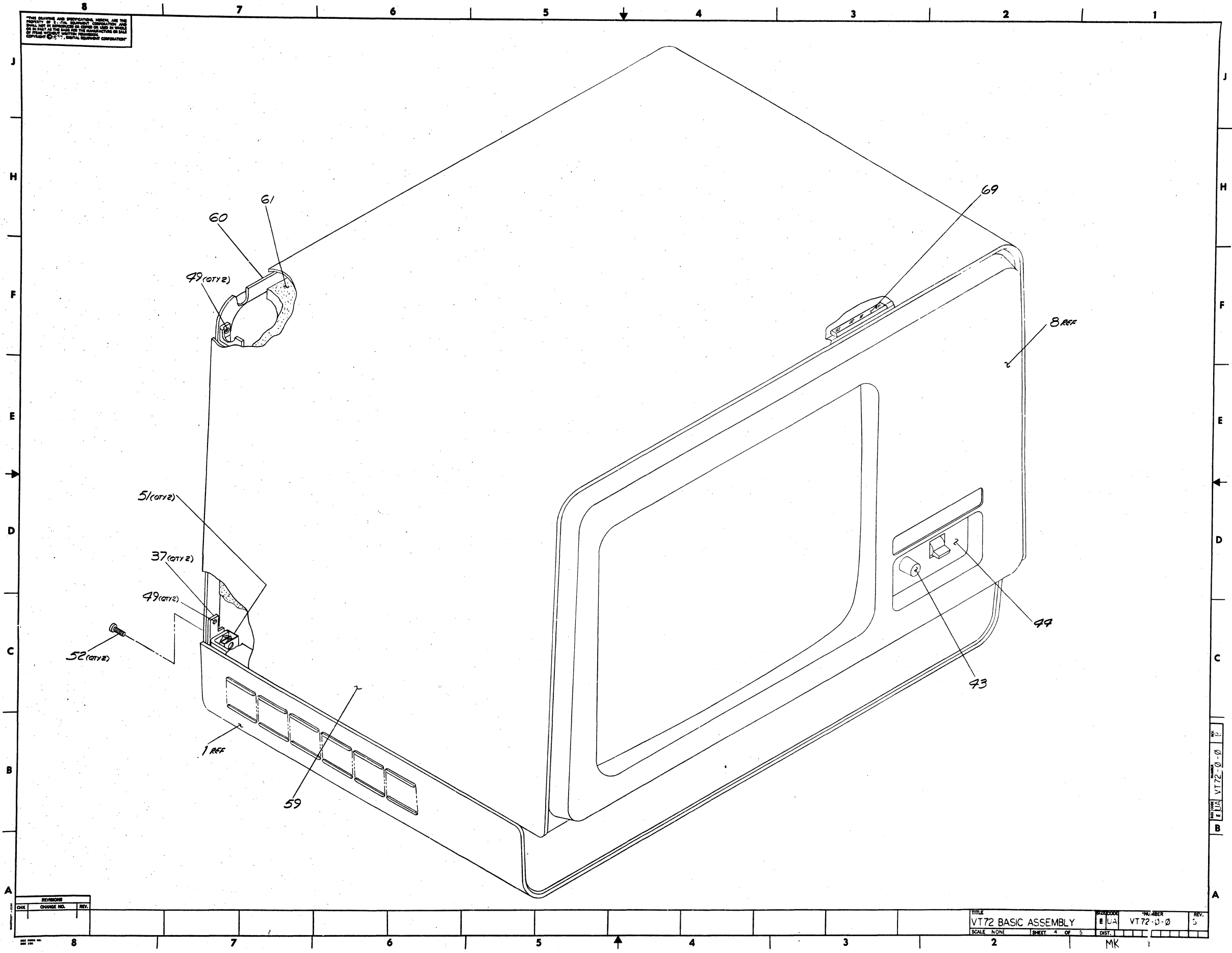
THIS DRAWING AND SPECIFICATIONS HEREBY ARE THE PROPERTY OF THE UNITED STATES GOVERNMENT AND SHALL NOT BE REPRODUCED OR COPIED OR USED IN WHOLE OR IN PART AS THE BASIS FOR THE MANUFACTURE OR SALE OF ITEMS UNLESS BY WRITTEN PERMISSION OF THE UNITED STATES GOVERNMENT.

REVISIONS		
CHK	CHANGE NO.	REV.

TITLE	VT72 BASIC ASSEMBLY	SIZE/COOR	EUA	NUMBER	VT72-1-0	REV.	B
SCALE	NONE	SHEET	3	OF	5	DIST.	

EUA VT72-0-0
 MK

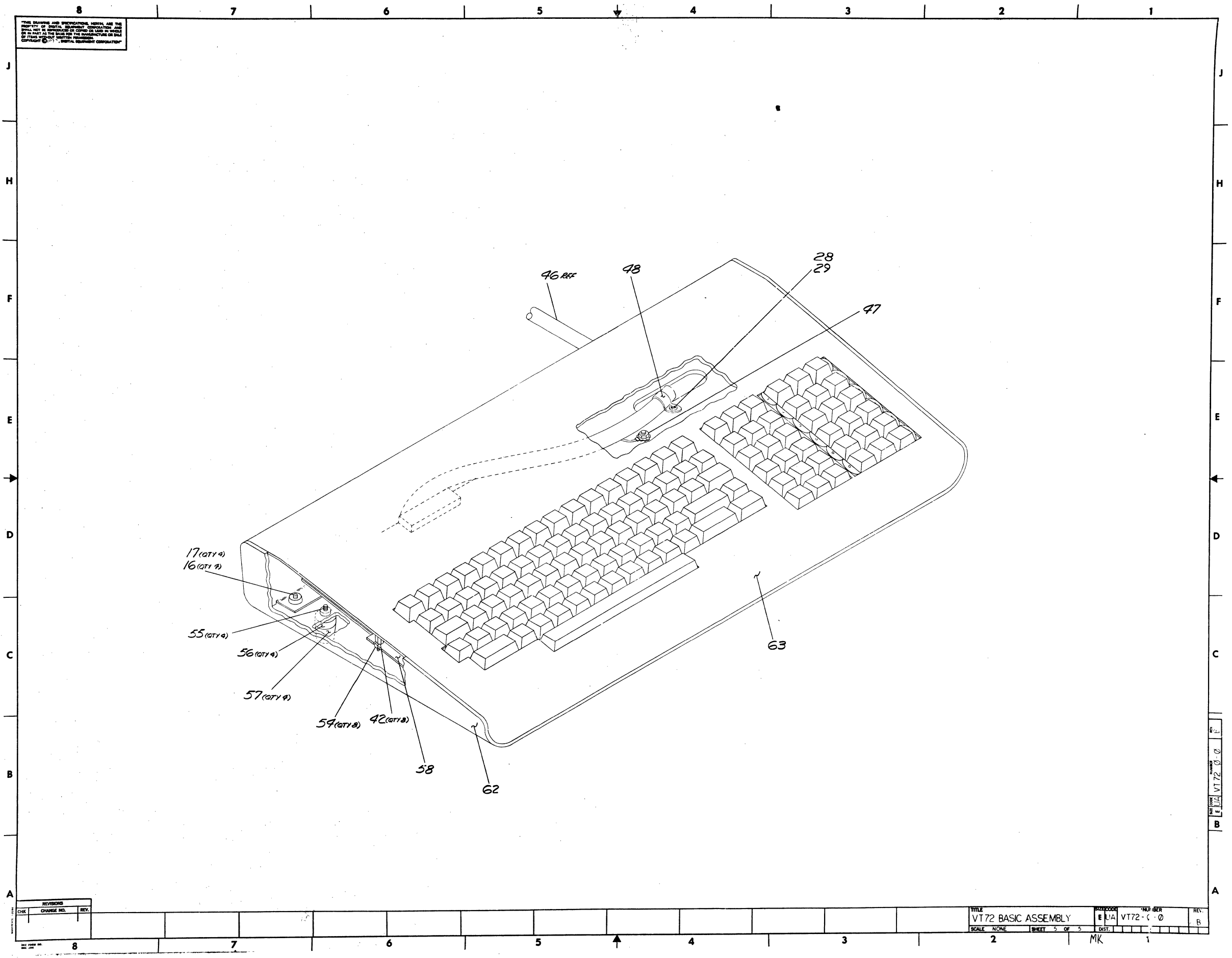
THESE DRAWINGS AND INFORMATION HEREON ARE THE PROPERTY OF THE METAL EQUIPMENT CORPORATION AND SHALL BE KEPT IN CONFIDENCE. NO PART OF THIS DRAWING IS TO BE REPRODUCED OR TRANSMITTED IN ANY FORM OR BY ANY MEANS, ELECTRONIC OR MECHANICAL, INCLUDING PHOTOCOPYING, RECORDING, OR BY ANY INFORMATION STORAGE AND RETRIEVAL SYSTEM, WITHOUT THE WRITTEN PERMISSION OF METAL EQUIPMENT CORPORATION.



REV.	CHANGE NO.	REV.

TITLE: VT72 BASIC ASSEMBLY
 SCALE: NONE
 SHEET: 4 OF 5
 DRAWN BY: EUA
 CHECKED BY: MK
 NUMBER: VT72-0-0
 REV. 5

THIS DRAWING AND SPECIFICATIONS HEREAFTER ARE THE PROPERTY OF DIGITAL EQUIPMENT CORPORATION AND OR ITS PARTS AS THE BASIS FOR THE MANUFACTURE OF THIS EQUIPMENT. NO PARTS OF THIS DRAWING OR SPECIFICATIONS MAY BE REPRODUCED OR TRANSMITTED IN ANY FORM OR BY ANY MEANS, ELECTRONIC OR MECHANICAL, INCLUDING PHOTOCOPYING, RECORDING, OR BY ANY INFORMATION STORAGE AND RETRIEVAL SYSTEM, WITHOUT PERMISSION IN WRITING FROM DIGITAL EQUIPMENT CORPORATION.



REVISIONS		
CHK	CHANGE NO.	REV.

TITLE: VT72 BASIC ASSEMBLY
 SCALE: NONE
 SHEET: 5 OF 5
 DIST: MK
 PART NUMBER: E LJA VT72-C-0
 REV: B

E LJA VT72-C-0
 B

DIGITAL EQUIPMENT CORPORATION MAYNARD, MASSACHUSETTS				QUANTITY VARIATION			
PARTS LIST				VT72-AA	VT72-AD		
MADE BY R. ROBICHAUD	CHECKED <i>R. Robichaud</i>	SECTION 1					
DATE 24 FEB 78	DATE 14 APR 78	ISSUED SECT. 1					
ENG M. ROOPE	PROD Bob Cooke						
DATE 14 APR 78	DATE 14 APR 78						
ITEM NO.	DWG NO./PART NO.	DESCRIPTION	VT72-AA	VT72-AD			
1	D-IA-7014604-0-0	PAN ASSY, BOTTOM	1	1			
2	B-MD-7420560-0-0	BRACKET, POWER SUPPLY SUPPORT	2	2			
3	E-IA-7014125-0-0	CAGE, CARD	1	1			
4	E-UA-7015569-00	POWER SUPPLY ASSY (115V)	1	-			
5	E-UA-7015569-01	POWER SUPPLY ASSY (230V)	-	1			
6	1214998-00	GLIDE, ADJ SWIVEL .5 IN LG	2	2			
7	1214998-01	GLIDE, ADJ SWIVEL 1.5 IN LG	2	2			
8	1215419	BEZEL, VT72	1	1			
9	1213185-0-0	AIR MOVING DEVICE (70CFM)	1	1			
10	D-IA-7420032-0-0	BRACKET, MONITOR (L.H.)	1	1			
11	C-IA-7420604-0-0	BRACKET, MONITOR (R.H.)	1	1			
12	9000030-02	RIVET, DOMED HEAD	18	18			
13	C-IA-BC3T-25-8	CABLE, DLV11 TO HOST (NOT SHOWN)	1	1			
14	1210299-00	SPEAKER 2.5" PERM MAGNET	1	1			
15	9008423-00	NUT-FLOATING CLIP 6-32	4	4			
16	9006028-01	SCR, PHL PAN HD 6-32 X .44	8	8			
17	9006633-00	WASH, INT TOOTH LOCK #6	25	25			
18	D-MD-7419542-0-0	SCREEN	1	1			
19	9006021-01	SCR, PHL PAN HD 6-32 X .31	4	4			
20	9006031-01	SCR, PHL PAN HD 6-32 X 1.75	4	4			
21	9006039-01	SCR, PHL PAN HD 8-32 X .50	2	2			
22	9006634-00	WASHER, INT TOOTH LOCK #8	3	3			
TITLE VT72 BASIC ASSEMBLY		ASSY NO. E-UA-VT72-8-8	SIZE A	CODE PL	NUMBER VT72-8-8	REV C	ECO NO. MK085
		SHEET 1 OF 4	DIST				

DEC FORM DRA 110

MK

DIGITAL EQUIPMENT CORPORATION MAYNARD, MASSACHUSETTS				QUANTITY VARIATION			
PARTS LIST				VT72-AA	VT72-AD		
MADE BY R. ROBICHAUD	CHECKED <i>R. Robichaud</i>	SECTION 1					
DATE 24 FEB 78	DATE 14 APR 78	ISSUED SECT. 1					
ENG M. ROOPE	PROD Bob Cooke						
DATE 14 APR 78	DATE 14 APR 78						
ITEM NO.	DWG NO./PART NO.	DESCRIPTION	VT72-AA	VT72-AD			
45	3613210	TAG SERIAL	1	1			
46	D-IA-7014607-05	CABLE VT72 KEYBOARD	1	1			
47	9006563-00	NUT KEPS 8-32	3	3			
48	9007086-00	CLAMP, CABLE	2	2			
49	9000030-05	RIVET DOMED HEAD	4	4			
50	C-IA-7012446-8M	CABLE BRIGHTNESS	1	1			
51	9007786-01	NUT SPEED, 10-32	2	2			
52	9000039-08	SCR, F.H. 10-32 X .50 LG. (BLACK)	2	2			
53	3012537-01	DISPLAY RASTER MODULE	1	1			
54	9008185-00	NUT KEPS 6-32	8	8			
55	9006078-01	SCR, PHL PAN HD 10-32 X .75 LG.	4	4			
56	B-MD-7415829-0-0	SPACER	4	4			
57	9009267-00	BUMPER	4	4			
58	3012538-01	KEYBOARD LK85-A 112 KEYS/12 LED	1	1			
59	D-IA-7014603-0-0	COVER ASSY	1	1			
60	1215420	COVER REAR	1	1			
61	C-MD-7416633-01-0	FOAM (COVER ASSY)	1	1			
62	E-IA-7419534-8-8	BASE, KEYBOARD	1	1			
63	E-IA-7419533-8-8	COVER, KEYBOARD	1	1			
64	D-UA-M8659-8-8	GRANT BOARD	1	1			
65	A-PL-KD11-RA-8	KD11A PROCESSOR	1	1			
66	D-UA-M8658-YA-8	VT71 VIDEO MODULE	1	1			
TITLE VT72 BASIC ASSEMBLY		ASSY NO. E-UA-VT72-8-8	SIZE A	CODE PL	NUMBER VT72-8-8	REV C	ECO NO. MK085
		SHEET 3 OF 4	DIST				

DEC FORM DRA 110

MK

DIGITAL EQUIPMENT CORPORATION MAYNARD, MASSACHUSETTS				QUANTITY VARIATION			
PARTS LIST				VT72-AA	VT72-AD		
MADE BY R. ROBICHAUD	CHECKED <i>R. Robichaud</i>	SECTION 1					
DATE 24 FEB 78	DATE 14 APR 78	ISSUED SECT. 1					
ENG M. ROOPE	PROD Bob Cooke						
DATE 14 APR 78	DATE 14 APR 78						
ITEM NO.	DWG NO./PART NO.	DESCRIPTION	VT72-AA	VT72-AD			
23	9007035-00	GROMMET CATERPILLAR	A	BA	R		
24	D-AD-7014609-0-0	VT72 BACKPLANE ASSY	1	1			
25	C-IA-7015555-0-0	FAN LOGIC CABLE	1	1			
26	C-IA-7012279-0-0	HARNES, SPEAKER	1	1			
27	9009636-00	CLAMP, CABLE ADHESIVE BACK	1	1			
28	9006071-03	SCR, PHL TRUSS HD 10-32 X .38	5	5			
29	9006636-00	WASH INTO TOOTH LOCK #10	6	6			
30	D-MD-7419539-0-0	SHIELD MAGNETIC	1	1			
31	C-MD-7014129-0-0	RETAINER ASSY P.C. CARD	1	1			
32	9008196-00	1/2 TURN RECEPTACLE	1	1			
33	C-IA-7012576-3L	CABLE VIDEO	1	1			
34	9008264-00	CABLE MOUNT ADHESIVE	3	3			
35	9007031-00	CABLE TIE	3	3			
36	B-MD-7419846-0-0	BRACKET, BEZEL	1	1			
37	B-MD-7420894-0-0	STATIC BAND	2	2			
38	9009283-00	SPACER HEX #6 X .125	2	2			
39	9009805-00	SCR, PHL PAN HD SHEET METAL #6 X .75	4	4			
40	D-UA-5411990-01	BOOT SWITCH & BRIGHTNESS CONTROL	1	1			
41	9006026 01	SCR, PHL PAN HD 6-32 X .75	4	4			
42	9008120-00	SPACER HEX #6 X .44	12	12			
43	1213274-01	KNOB BRIGHTNESS	1	1			
44	B-IA-7420033-0-0	LOGO BRIGHTNESS	1	1			
TITLE VT72 BASIC ASSEMBLY		ASSY NO. E-UA-VT72-8-8	SIZE A	CODE PL	NUMBER VT72-8-8	REV C	ECO NO. MK085
		SHEET 2 OF 4	DIST				

DEC FORM DRA 110

MK

DIGITAL EQUIPMENT CORPORATION MAYNARD, MASSACHUSETTS				QUANTITY VARIATION			
PARTS LIST				VT72-AA	VT72-AD		
MADE BY R. ROBICHAUD	CHECKED <i>R. Robichaud</i>	SECTION 1					
DATE 24 FEB 78	DATE 14 APR 78	ISSUED SECT. 1					
ENG M. ROOPE	PROD Bob Cooke						
DATE 14 APR 78	DATE 14 APR 78						
ITEM NO.	DWG NO./PART NO.	DESCRIPTION	VT72-AA	VT72-AD			
67	D-UA-M8657-YA-8	VT71 CONTROL SECTION	1	1			
68	D-UA-M8656-8-8	LK85 INTERFACE	1	1			
69	B-MD-7421669-0-0	FOAM, BEZEL	1	1			
70	9007036-00	GROMMET, CATERPILLAR	1	1			
71	9006028-01	SCR PHL PAN HD 6.32X1.0	1	1			
72	C-MD-7421401-0-0	BRACKET, CARD CAGE	1	1			
TITLE VT72 BASIC ASSEMBLY		ASSY NO. E-UA-VT72-8-8	SIZE A	CODE PL	NUMBER VT72-8-8	REV C	ECO NO. MK085
		SHEET 4 OF 4	DIST				

DEC FORM DRA 110

MK