

TITLE	SHEET	OF	SIZE	CODE	NUMBER	REV
RL11 CONTROLLER ASSY	2	OF	3	B DD	RL11-Ø	*

FIND NO.	DRAWING NO.	DESCRIPTION	TYPE	FIND NO.	DRAWING NO.	DESCRIPTION	TYPE
	B-TC-RL11-0-2	TABLE OF CONTENTS					
	A-PL-RL11-0-4	SHIPPING LIST					
	MPO0153	FIELD MAINTENANCE PRINT SET					
1	E-UA-RL11-0-0	RL11 CONTROLLER ASSY	E/M				
	A-SP-RL11-0-3	RL01-PDP11 SUBSYSTEM FUNCTIONAL SPECIFICATION	E/M				
	D-IA-7012293-0-0	TERMINATOR ASSY.	E/M				
	D-UA-BC06R-0-0	CABLE ASSY	E				
	A-PL-7012938-0-0	UNIT SELECT PLUG KIT	M				
2	C-AD-7012415-0-0	TRANSITION BRKT ASSY	M				
	C-IA-7415617-0-0	TRANSITION BRKT	M				
3	B-DD-M7762-0	RL11 CONTROLLER	E				

TYPE: E ELECTRICAL
M MECHANICAL
E/M ELECTRO/MECHANICAL



TITLE
RL11 CONTROLLER ASSY

SHEET 3 OF 3

SIZE CODE
B DD

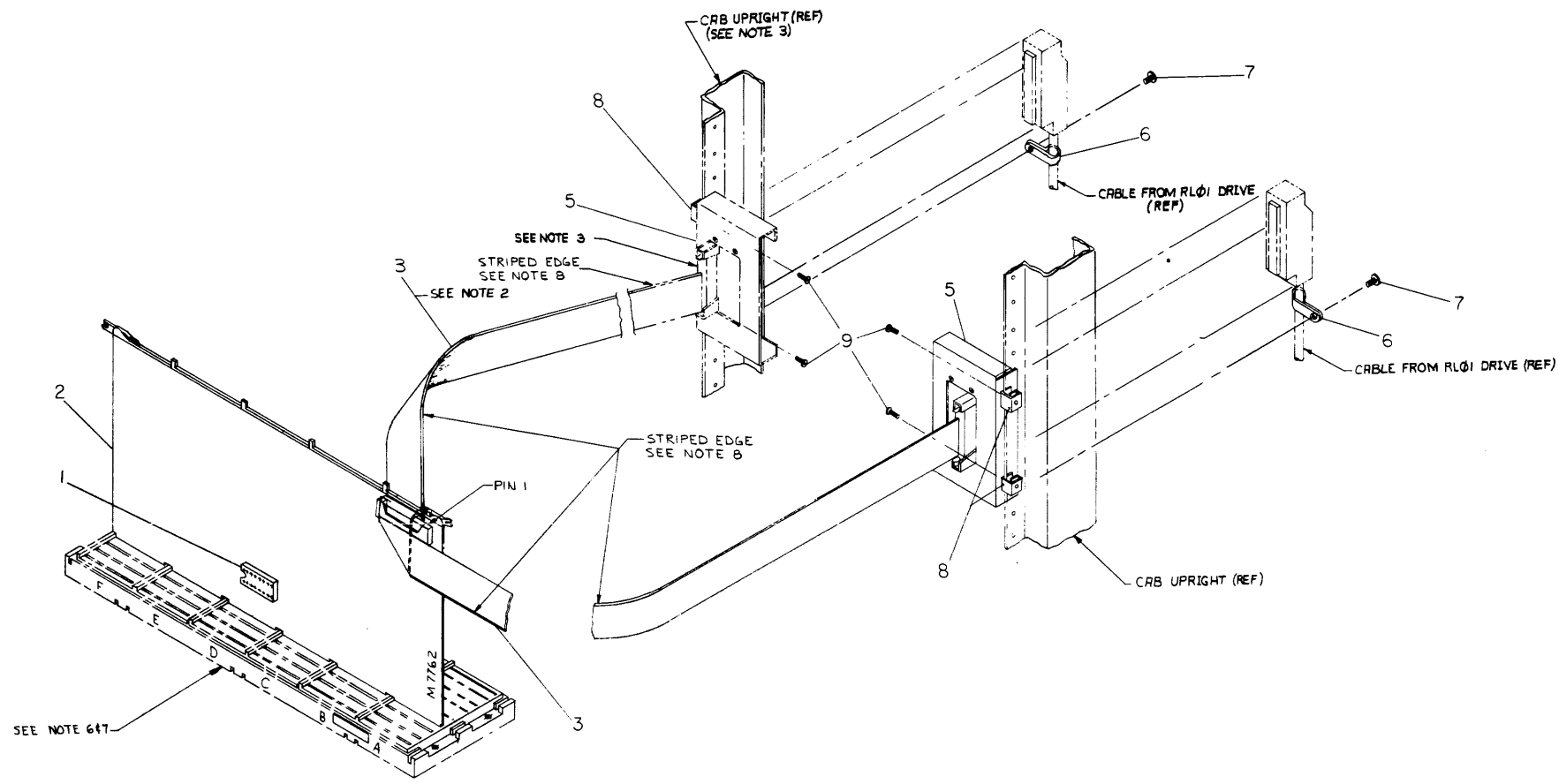
NUMBER
RL11-0

REV
*

THE DIMENSIONS AND SPECIFICATION LABELS ARE THE PROPERTY OF THE MANUFACTURER. THE USER SHALL BE RESPONSIBLE FOR OBTAINING THE LATEST REVISIONS OF THIS DRAWING FROM THE MANUFACTURER'S DRAWING CONTROL SYSTEM.

NOTES:

1. TERMINATOR ASSY (ITEM#4) TO BE INSTALLED IN 'CABLE OUT' LOCATION IN LAST DRIVE OF SUB-SYSTEM.
2. WHEN INSTALLED IN BAITK OR BAILL EXPANSION BOX, BCD&R-06 CABLE (ITEM 3) SHOULD BE FOLDED 90° AND ROUTED UP AND OUT OF THE BOX AS SHOWN.
3. WHEN ALTERNATE MOUNTING POSITION IS USED, CONNECTOR IN TRANSITION BRACKET MUST BE INVERTED SO THAT I/O CABLE FROM DRIVE WILL HANG IN A DOWNWARD POSITION AS SHOWN.
4. ITEM #3 THRU ITEM#10 ARE NOT ASSEMBLED AT THIS POINT BUT MUST BE SHIPPED WITH UNIT FOR ASSEMBLY AT INSTALLATION.
5. PRIORITY JUMPER ASSY (ITEM#1) TO BE PLUGGED INTO M7762 AT FINAL ASSY.
6. THE RLII MODULE (M7762) WILL OCCUPY ONE HEX SPC SLOT.
7. JUMPER WIRE FROM CA1 TO CB1 ON THE SPC BACKPLANE MUST BE REMOVED AT INSTALLATION.
8. STRIPED EDGE OF CABLE MUST BE LOCATED AT PIN 1 SIDE OF CONNECTOR ON M7762.



QTY	DESCRIPTION	DWG. PART NO.	ITEM NO.
1	UNIT SELECT PLUG KIT	B-PL-7012938-0-0	10
2	SCREW, PHIL TRS HD, #10-32x.5014	9006073-0-3	9
2	NUT, SPRING #10-32	9007786-0-0	8
1	SCREW, TAP-TITE #8x.38 UN	9006418-0-1	7
1	CLAMP, CABLE	9007083-0-0	6
1	TRANSITION BRACKET ASSY	C-AD-7012415-0-0	5
1	TERMINATOR ASSY	D-IA-7012293-0-0	4
1	CABLE ASSY	D-UA-BC06R-0-0	3
1	RLII CONTROLLER	D-UA-M7762-0-0	2
1	PRIORITY JUMPER ASSY	5408778	1

SEE NOTE 1

UNLESS OTHERWISE SPECIFIED DIMENSIONS ARE IN INCHES

ANGLE	CLASS OF ACCURACY	DATE	REV	REV	REV	REV	REV
	(CHECK DIM)						
SURFACE QUALITY	IN	1.004	1.008	1.012	1.016	1.020	1.024
QUANTITY & VARIATION	MICROMETRES	PREFERRED	1.012	1.008	1.004	1.000	0.996

THIRD ANGLE PROJECTION

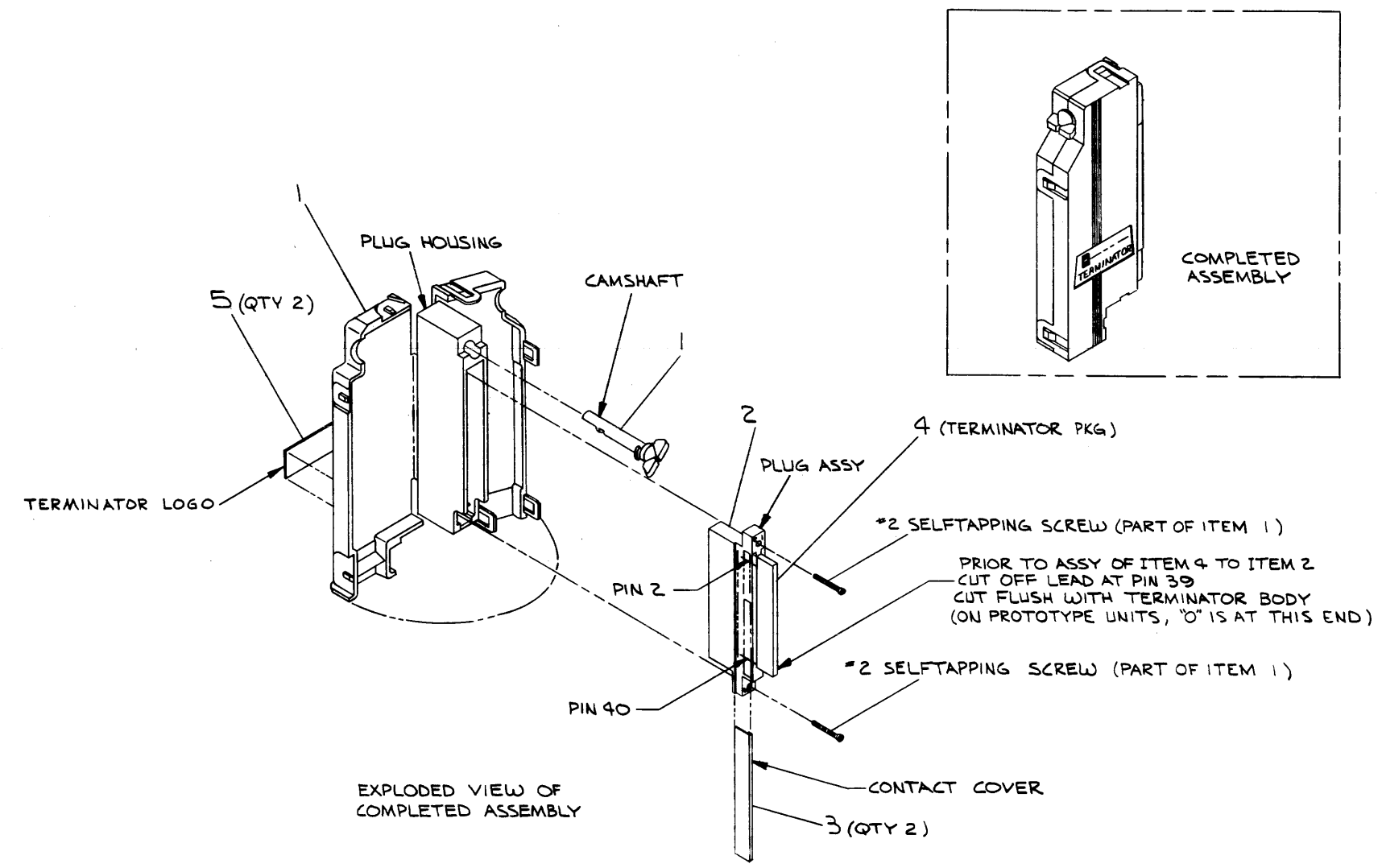
DRN: [Signature] 12 MAY 72
 CHKD: [Signature] 2 JUN 72
 TITL: RLII CONTROLLER ASSY
 FIRST USED ON RLII

SCALE NONE

SHEET 1 OF 1

REV.	DATE	BY	CHKD	DESCRIPTION
1	7-7-72	[Signature]	[Signature]	REVISED TO ADD PRIORITY JUMPER ASSY
2	12-15-72	[Signature]	[Signature]	REVISED TO ADD TERMINATOR ASSY

THIS DRAWING AND SPECIFICATIONS HEREIN ARE THE PROPERTY OF DIGITAL EQUIPMENT CORPORATION AND SHALL NOT BE REPRODUCED OR COPIED OR USED IN WHOLE OR IN PART AS THE BASIS FOR THE MANUFACTURE OR SALE OF ITEMS WITHOUT WRITTEN PERMISSION. COPYRIGHT © 1976, DIGITAL EQUIPMENT CORPORATION



2	LOGO, TERMINATOR	A-DL-7416678-0-0	5
1	TERMINATOR PKG	1313242-00	4
2	COVER, CONTACT	1211591-11	3
1	PLUG ASSY	1211591-07	2
1	CONN PLUG HSG & CAMSHAFT KIT	1211591-34	1

DESCRIPTION		DWG./PART NO.	ITEM NO.
UNLESS OTHERWISE SPECIFIED DIMENSIONS ARE IN INCHES			
ANGLES 45° 90°	CLASS OF ACCURACY	NOMINAL DIMENSION RANGE INCHES	
SURFACE QUALITY IN	MICROINCHES	OVER 0 TO 0.2	OVER 0.2 TO 0.4
		OVER 0.4 TO 1.2	OVER 1.2 TO 4.0
		OVER 4.0 TO 12.0	OVER 12.0 TO 40.0
		OVER 40.0 TO 80.0	OVER 80.0 TO 100.0
QUANTITY & VARIATION	PREFERRED	±0.012	±0.018
		±0.025	±0.04
		±0.063	±0.1

THIRD ANGLE PROJECTION
REMOVE BURRS AND BREAK SHARP CORNERS
DO NOT SCALE DWG
MATERIAL SEE PARTS LIST
FINISH

DRN: [Signature] 7-24-76
CHKD: [Signature] 7-24-76
ENGR: [Signature] 7-24-76
PROJ. ENGR: [Signature] 7-24-76
PROD. [Signature] 6/1/76

FIRST USED ON: 2K06
TITLE: TERMINATOR ASSY
SCALE: NONE
SHEET 1 OF 1

SIZE CODE: D
NUMBER: IA7012293-0-0
REV: A

REVISIONS

CHK	CHANGE NO.	REV.
ZC	7012293-0001	A
W. DUNHAM 7/15/76		

REV. A
DIA7012293-0-0

DRAWING NO.	NO. OF SHTS	PART NO.	DESCRIPTION	REVISIONS												
				*	A	B	C	BI	D	E	F	F	H	J	K	
B-DD-M7762-0	1		RL11 CONTROLLER	*	A	B	C	BI	D	E	F	F	H	J	K	
D-UA-M7762-0-0	5		RL11 CONTROLLER	D	E	F	H	FI	J	K	J	L	M	M	N	
B-PL-M7762-0-0	5		RL11 CONTROLLER	D	E	F	H	FI	J	K	J	K	L	L	L	
D-CS-M7762-0-1	11		RL11 CONTROLLER	D	E	F	H	FI	J	K	J	L	M	M	N	
D-BD-M7762-0-2	1		RL11 CONTROLLER BLOCK DIAGRAM	D	D	D	D	D	D	D	D	D	D	D	D	
D-FD-M7762-0-3	3		RL11 CONTROLLER FLOW DIAGRAM	D	E	E	E	E	E	E	E	E	E	E	E	
D-TD-M7762-0-4	13		RL11 CONTROLLER TIMING DIAGRAM	D	E	F	F	F	F	F	F	F	F	F	F	
D-MD-5012167-0-0	5		DRILL & ETCH DWG.	D	D	D	E	D	D	F	D	F	F	F	F	
		5012167	ETCHED CIRCUIT BOARD	E	E	F	F	E	E	H	E	H	H	H	H	
M7762-0-L			P.C. DESIGN DATA BASE	REF	-	-	-	-	-	-	-	-	-	-	-	
M7762-0-PL			INSERTION P/L DATA BASE	REF	-	-	-	-	-	-	-	-	-	-	-	

NOTES: * REV F FOR B-DD-M7762-0 WAS ASSIGNED FOR BOTH ECO M7762-CZ007 AND M7762-CZ008.

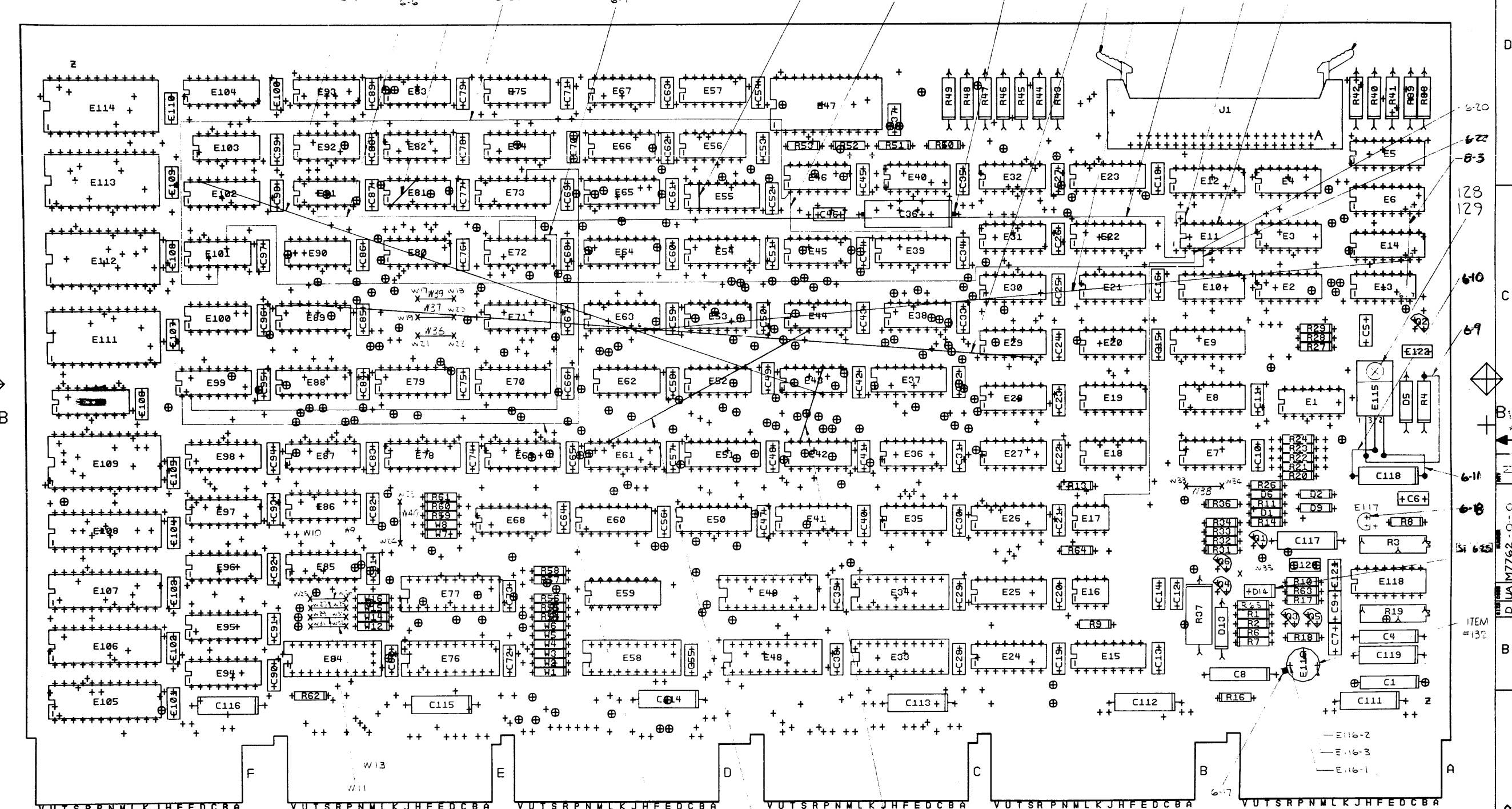
REVISIONS		DATE	CHG NO.	REV.
	ORIG			-
	M7762-0001	9-77		A
	M7762-0002	11-77		B
	M7762-0003	2-78		C
	M7762-CZ004	2-MAR-78		BI
	M7762-CZ005	24-APR-78		D
	M7762-CZ006	7-78		E
	M7762-CZ007	3-AUG-78		F
	M7762-CZ008	3-AUG-78		F
	M7762-CZ009	9-AUG-78		H
	M7762-CZ010	24-AUG-78		J
	M7762-CZ011	25-JAN-79		K

THIS DRAWING AND SPECIFICATIONS, HEREIN, ARE THE PROPERTY OF DIGITAL EQUIPMENT CORPORATION AND SHALL NOT BE REPRODUCED OR COPIED OR USED IN WHOLE OR IN PART AS THE BASIS FOR THE MANUFACTURE OR SALE OF ITEMS WITHOUT WRITTEN PERMISSION. COPYRIGHT © 1978, DIGITAL EQUIPMENT CORPORATION



USED ON OPTION/MODEL	DRN.	TITLE
RL11	D. Maruski	RL11 CONTROLLER
	CHK'D P. Egan	
	ENG. Helen Linn	
	PROD. R.L. Smith	
	2/Mar/78	8 APR 77
	8 APR 77	8 APR 77
	8 APR 77	
SIZE CODE	NUMBER	REV.
B DD	M7762-0	K
SHEET 1 OF 1		

THIS DRAWING AND SPECIFICATIONS, HEREIN, AND THE PROPERTY OF SITHA EQUIPMENT CORPORATION AND SHALL NOT BE REPRODUCED OR COPIED IN WHOLE OR IN PART WITHOUT THE WRITTEN PERMISSION OF SITHA EQUIPMENT CORPORATION.



NOTES:
R21, R22, R23, R24 ARE SPARE LOCATIONS

CHK	CHANGE NO	REV	BY	DATE

ETCH REV.	DATE
H	
P.C. DESIGN DATA BASE	REV. H

SIGNATURES	DATE
DRN. J. RICHARD	52576
CHK'D.	
ENG. <i>William J. ...</i>	52576
PROJ. ENG. <i>...</i>	1/14/78
PROD. <i>...</i>	
SCALE 2/1	
SHT. 1 OF 6	
NEXT HIGHER ASSY. B-DD-M7762-0-6	

digital	
TITLE	RLII CONTROLLER
SIZE	CODE NUMBER
D UA	M7762-0-0
REV	N

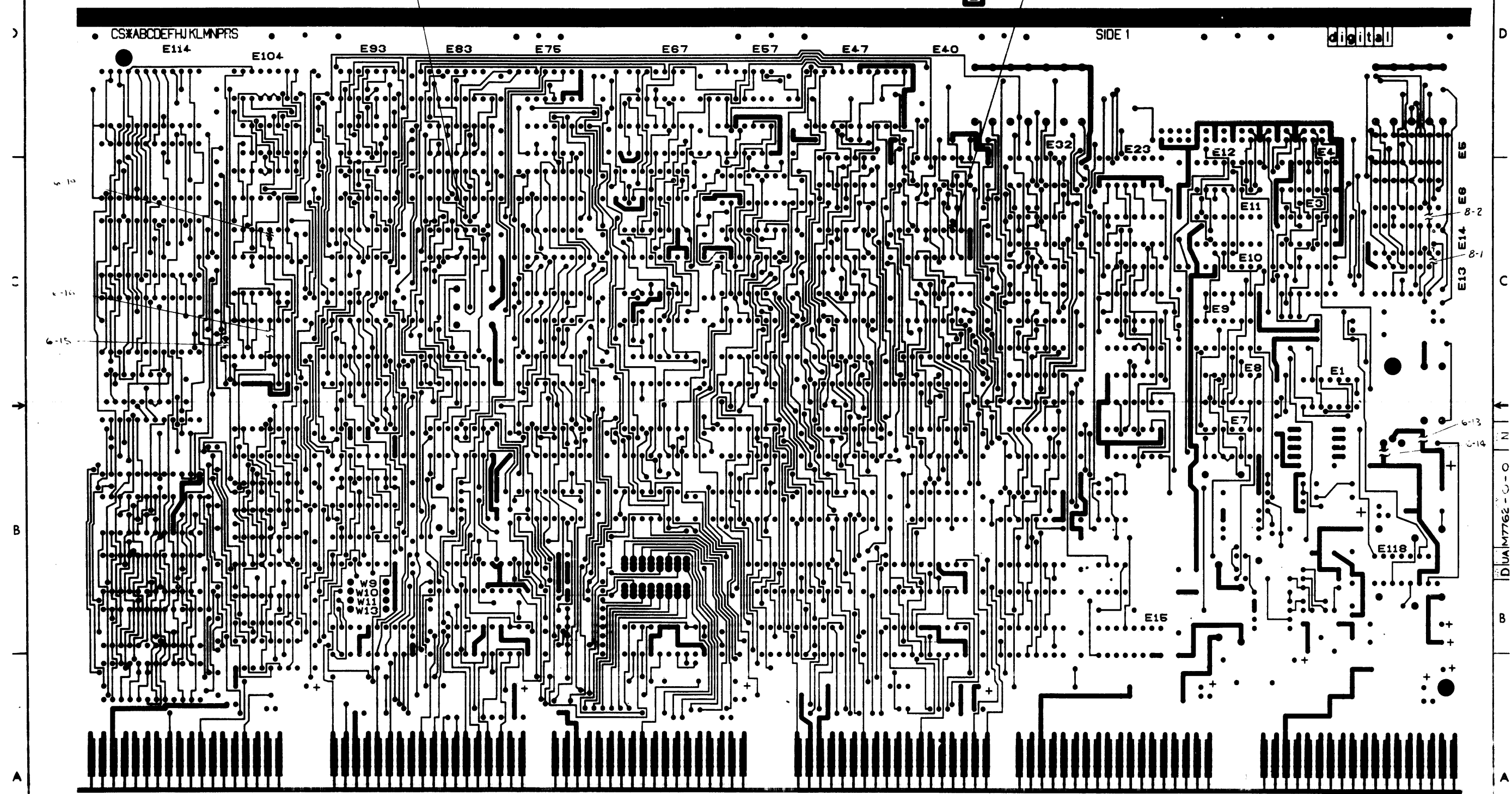
"THIS DRAWING AND SPECIFICATIONS HEREIN ARE THE PROPERTY OF DIGITAL EQUIPMENT CORPORATION, AND SHALL NOT BE REPRODUCED OR COPIED OR USED IN WHOLE OR IN PART AS THE BASIS FOR THE MANUFACTURE OR SALE OF ITEMS WITHOUT WRITTEN PERMISSION. COPYRIGHT © 1971 DIGITAL EQUIPMENT CORPORATION"

LAYER 1

M7762
5012167H-P1

SIDE 1

digital



REVISIONS		
CHK	CHANGE NO.	REV.

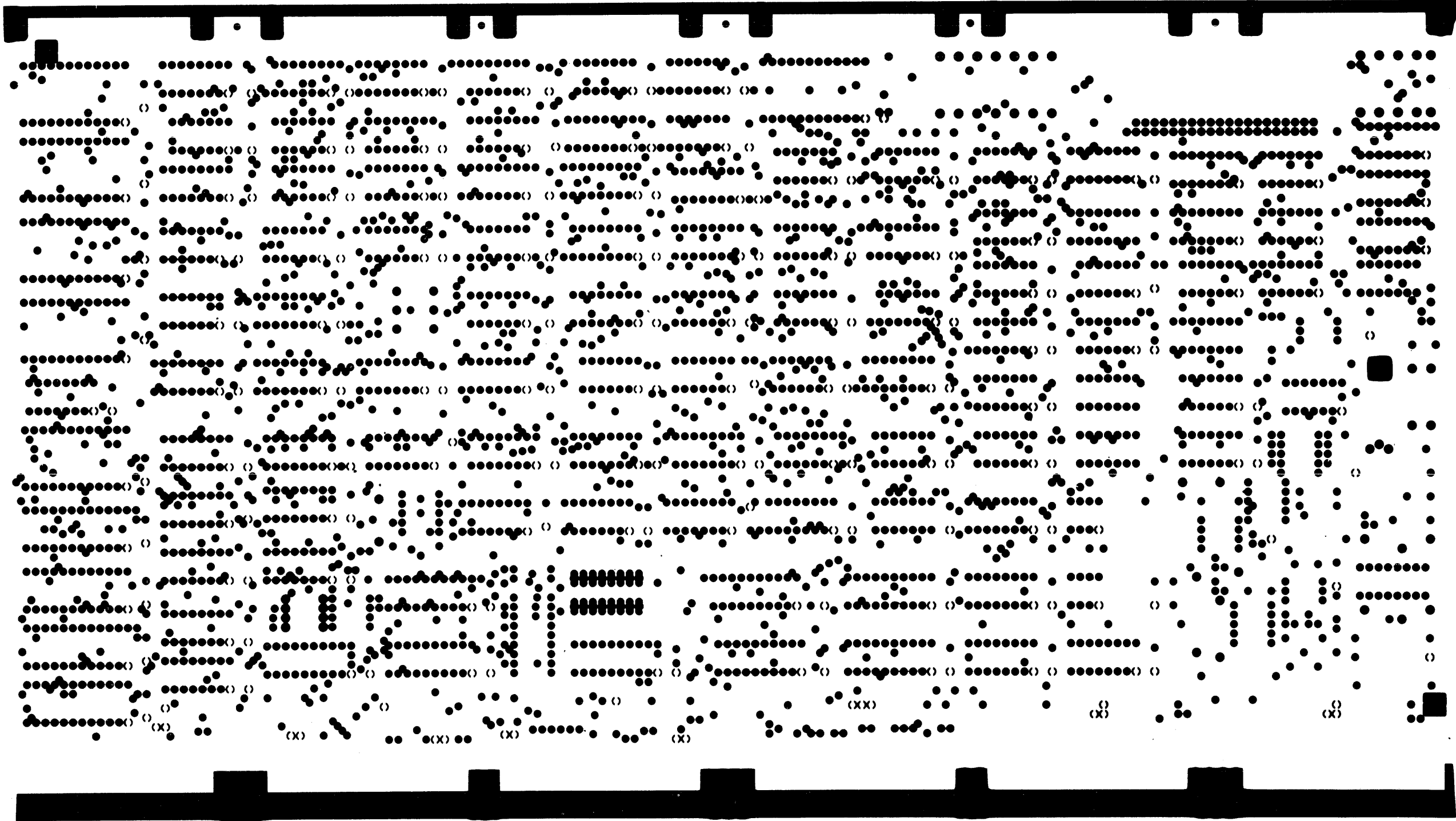
TITLE	SIZE/SCALE	NUMBER	REV.
RL11 CONTROLLER	2/1	D UAM7762 - 0 - 0	V
SHEET 2 OF 6		DIST.	

THIS DRAWING AND SPECIFICATIONS HEREIN ARE THE PROPERTY OF DIGITAL EQUIPMENT CORPORATION AND SHALL NOT BE REPRODUCED OR COPIED OR USED IN WHOLE OR IN PART AS THE BASIS FOR THE MANUFACTURE OR SALE OF ITEMS WITHOUT WRITTEN PERMISSION OF DIGITAL EQUIPMENT CORPORATION

M7762
6012167H-P1



L2



D
C
B
A

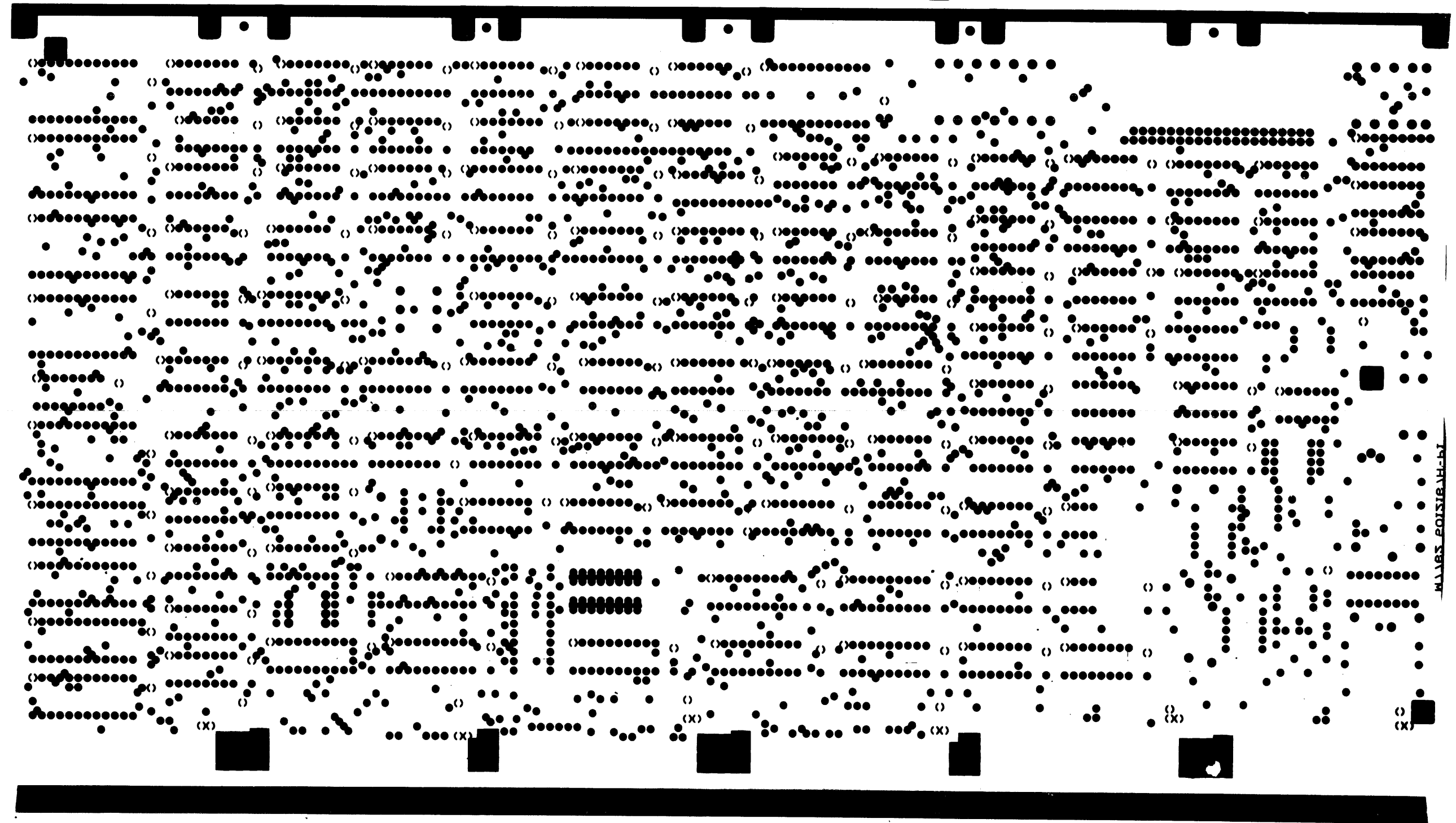
DUA M7762 - 0 - 0

REVISIONS		
CHK	CHANGE NO	REV

TITLE	SIZE CODE	NUMBER	REV.
RL11 CONTROLLER	D UA	M7762 - 0 - 0	
SCALE 2/1	SHEET 3 OF 6	DIST.	

THIS DRAWING AND SPECIFICATIONS HEREIN ARE THE PROPERTY OF DIGITAL EQUIPMENT CORPORATION AND SHALL NOT BE REPRODUCED OR COPIED OR USED IN WHOLE OR IN PART AS THE BASIS FOR THE MANUFACTURE OR SALE OF ITEMS WITHOUT WRITTEN PERMISSION OF DIGITAL EQUIPMENT CORPORATION. COPYRIGHT © DIGITAL EQUIPMENT CORPORATION

REV. N 0-0-0 2 DUA M7762



D
C
N
B
A

REVISIONS		
CHK	CHANGE NO	REV.

TITLE	SIZE CODE	NUMBER	REV.
PL11 CONTROLLER	DUA	M7762-0-0	1
SCALE 2/1	SHEET 4 OF 6	DWT.	

THIS DRAWING AND SPECIFICATIONS HEREIN ARE THE PROPERTY OF DIGITAL EQUIPMENT CORPORATION AND SHALL NOT BE REPRODUCED OR COPIED OR USED IN WHOLE OR IN PART AS THE BASIS FOR THE MANUFACTURE OR SALE OF ITEMS WITHOUT WRITTEN PERMISSION OF DIGITAL EQUIPMENT CORPORATION.

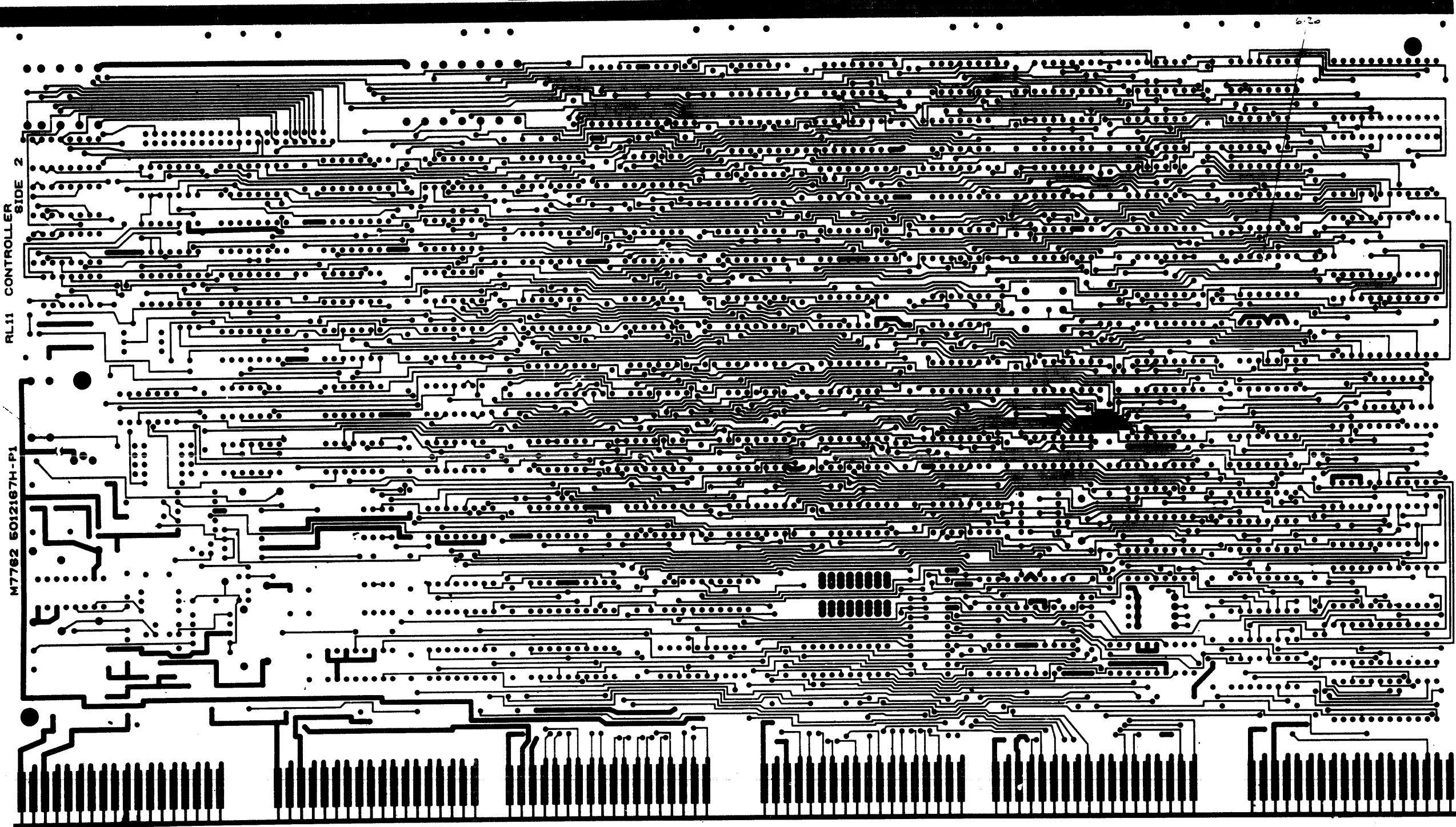
RA3YAJ

L4

DUA M7762 - 0 - 0 2

RL11 CONTROLLER SIDE 2

M7762 5012167H-F1



REVISIONS		
CHK	CHANGE NO.	REV.

TITLE	RL11 CONTROLLER	SIZE CODE	D UA	NUMBER	M7762 - 0 - 0	REV.	
SCALE	2/11	SHEET	5	OF	6	DIST.	

THIS DRAWING AND SPECIFICATIONS HEREIN ARE THE PROPERTY OF DIGITAL EQUIPMENT CORPORATION AND SHALL NOT BE REPRODUCED OR COPIED OR USED IN WHOLE OR IN PART AS THE BASIS FOR THE MANUFACTURE OR SALE OF ITEMS WITHOUT WRITTEN PERMISSION. COPYRIGHT © 1974, DIGITAL EQUIPMENT CORPORATION

REWORK INSTRUCTIONS:

WIRE ADDS:

- 6-1. E43-5 TO E102-15
- 6-2. E42-13 TO E43-10
- 6-3. E29-6 TO E89-15
- 6-4. E61-14 TO E44-3
- 6-5. E55-2 TO E55-15
- 6-6. E91-3 TO E72-9
- 6-7. E72-8 TO E99-2
- 6-8. E99-1 TO E73-11
- 6-9. E115-1 TO TOP OF R4
- 6-10. E115-3 TO GROUND SIDE (LEFT) OF C118
- 6-11. E115-2 TO POSITIVE SIDE (RIGHT) OF C118

ETCH CUTS:

- 6-12. SIDE 2 AT E115-PIN 2
- 6-13. SIDE 1 AT E115-PIN 3 (CENTER PIN)
- 6-14. SIDE 1 AT E115-PIN 1
- 6-15. SIDE 1 FROM E99-1 TO E64-1 (AT FEED-THRU ABOVE E99-16)
- 6-16. SIDE 1 FROM E107-5 TO E99-2 (AT E100-5)
- 6-17. FOR PROPER INSTALLATION OF E116 REFER TO ORIENTATION TAB AND PINNING CALLOUT ON PAGE ONE OF D-11A-M7762-0-0 REV K.
- 6-18. INSTALL E117 WITH ORIENTATION FLAT TOWARD RB. CENTER TERMINAL OF E117 GOES INTO HOLE CLOSEST TO RB.
- 6-19. SIDE 1 FROM E101-10 TO E46-1 AT E101-10 UNDER CHIP BETWEEN FEED-THRU (NOTE: PERFORM CUT BEFORE ASSEMBLING COMPONENTS TO BOARD).

WIRE ADDS (CONT):

- 6-20. E11-2 TO E17-5
- 6-21. E11-1 TO E72-13
- 6-22. E11-3 TO E101-10
- 6-23. E11-14 TO PIN 16 OF E11 LOCATION

SPECIAL INSTRUCTIONS:

- 6-24. INSTALLATION OF E11 MUST BE MADE SO PIN 1 OF IC (74S32) IS AT PIN 2 OF E11 LOCATION.
- 6-25. D14 MUST BE HAND INSERTED DUE TO HOLE SPACING IN BOARD (NOTE ORIENTATION MARK ON D14)

ETCH CUTS:

- 6-26. SIDE 2 AT E101-4
- 6-27. SIDE 1 AT E39-11

WIRE ADDS:

- 6-28. E46-1 TO E39-11
- 6-29. E46-1 TO E101-4

ETCH CUTS:

- 8-1. SIDE 1 AT E14-7 BETWEEN E13-6 & E14
- 8-2. SIDE 1 AT E14-10 BETWEEN E4 & E6

WIRE ADDS:

- 8-3. FROM FEED THRU NEAR E13-6 & E13-7 TO E6-7
- 8-4. E63-6 TO E14-7

ETCH CUTS:

- 11-1. E81-11 WHERE IT RUNS BETWEEN E81-4 & 5

WIRE ADDS:

- 11-2. E81-11 TO E81-1

REVISIONS		
CHK	CHANGE NO.	REV.

DIGITAL EQUIPMENT CORPORATION PARTS LIST

QUANTITY / VARIATION

NOTES:

USED ON: OPTION/MODEL RL11

MADE BY DATE	D. MAYUSKI 7 MAR 77	CHECKED DATE	P. BOSSMAN 29 MAR 77
SECTION	1		
ENG DATE	C. LIU 8 APR 77	PROD DATE	R. STROTT 8 APR 77
ISSUED SECTION	1		

ITEM NO.	DRAWING NO.	PART NO.	DESCRIPTION	REF	QUANTITY	VARIATION	REF DESIGNATION
	D-CS-M7762-0-1		CIRCUIT SCHEMATIC	REF			
	D-UA-M7762-0-0		UNIT ASSEMBLY	REF			
	D-DD-M7762-0		DRAWING DIRECTORY	REF			
	D-MD-5012167-0-0		DRILL AND ETCH DRAWING	REF			
1		5012167	ETCHED CIRCUIT BOARD	1			
2							
3		1001610-00	CAP., 01UFD, 50V	103			C5,C6,C7,C10-C16,C18-C35,C47-C110,C120,C37-C45,C121
4		1005306-00	CAP., 6.8UFD, 35V, 10%	8			C1, C8, C111-C116
5		1000042-00	CAP., 1000PFD, +5%, 100V, DIPPED MICA	1			C46
6		1004812-00	CAP., 15MFD, 20V	3			C117, C118, C119
7		1000010-00	CAP., 39PFD, 100V	1			C9
8		11-14117	DIODE, 1N4152	1			D14
9		1012121-00	CAP., 220PFD, 100V.	1			C3
10		1000050-00	CAP., .033UFD, 100V, 10%	1			C4
11		1111577-00	DIODE, 1N4454	4			D1, D2, D6, D9
12		1110994-00	DIODE, 1N751A	2			D5, D13
13							
14							
15		1209838-00	SOCKET, PRIORITY JUMPER, 16 PIN	1			E59
16		1209941-02	CONN., 40 PIN	1			J1
17		1209941-03	CONN., LATCH LEFT	1			
18		1209941-04	CONN., LATCH RIGHT	1			
19		1210711-02	HANDLE, ASSEMBLY	1			
20		1300005-05	RES., NETWORK 13-82 RES. 5%	1			E13
21		1309143-09	RES. POT, 3/4W, 5K, 10%	2			R3, R19
22		1301781-00	RES., 82, 1/2W, 5%	12			R38-R49
23		1301424-00	RES., 680, 1/4W, 5%	6			R16, R20, R53, R60, R61, R52

E.C.O. NO.	M7762-00001	M7762-00002	M7762-00003	M7762-CZ004	M7762-CZ005	M7762-CZ006	M7762-CZ009
------------	-------------	-------------	-------------	-------------	-------------	-------------	-------------

"THIS DRAWING AND SPECIFICATIONS, HEREIN, ARE THE PROPERTY OF DIGITAL EQUIPMENT CORPORATION AND SHALL NOT BE REPRODUCED OR COPIED OR USED IN WHOLE OR IN PART AS THE BASIS FOR THE MANUFACTURE OR SALE OF ITEMS WITHOUT WRITTEN PERMISSION. COPYRIGHT ©1978, DIGITAL EQUIPMENT CORPORATION"	TITLE RL11 CONTROLLER	ASSY NO. D-UA-M7762-0-0	SIZE B	CODE PL	NUMBER M7762-0-0	REV. L
		SHEET 1 OF 5	INSERTION PARTS LIST DATA BASE REV			

DIGITAL EQUIPMENT CORPORATION PARTS LIST

QUANTITY / VARIATION

NOTES:

USED ON: OPTION/MODEL RL11

MADE BY D. MAYUSKI	CHECKED P. BOSSMAN	SECTION
DATE 7 MAR 77	DATE 29 MAR 77	1
ENG C. LIU	PROD R. STROTT	ISSUED SECTION
DATE 8 APR 77	DATE 8 APR 77	1

ITEM NO.	DRAWING NO.	PART NO.	DESCRIPTION	QTY	VAR	QTY	VAR	QTY	VAR	QTY	VAR	QTY	VAR	QTY	VAR	QTY	VAR	QTY	VAR	REF DESIGNATION	
24		1300295-00	RES., 330, 1/2W, 5%	3																	R27, R34, R62
25		1311522-00	RES., 200, 1/2W, 5%	1																	R28
26		1311422-00	RES., 178, 1/2W, 1%	4																	R54, R55, R58, R59
27		1305125-00	RES., 383, 1/2W, 1%	2																	R56, R57
28		1300229-00	RES., 100, 1/2W, 5%	2																	R29, R13
29		1300262-00	RES., 180, 1W, 5%	1																	R37
30																					
31																					
32		1302858-00	RES., 100, 1/2W, 1%	2																	R2, R6
33		13-03226-00	RES., 68.1, 1/2W, 1%	1																	R1
34		1300274-00	RES., 220, 1/2W, 5%	1																	R4
35		1310630-00	RES., 1.33K, 1/2W, 1%	1																	R7
36		1302871-00	RES., 1.21K, 1/2W, 1%	1																	R10
37		1302685-00	RES., 909, 1/2W, 1%	1																	R11
38		1300417-00	RES., 2.2K, 1/2W, 5%	±																	R12
39																					
40		1301972-00	RES., 270, 1/2W, 5%	±																	R15
41		1300411-00	RES., 2K, 1/2W, 1%	2																	R17, R63
42																					
43		1300365-00	RES., 1K, 1/2W, 5%	1																	R33
44																					
45																					
46		1300447-00	RES., 4.7K, 1/2W, 5%	1																	R31
47		1300271-00	RES., 220, 1/2W, 5%	1																	R32
48		1302388-00	RES., 2K, 1/2W, 5%	±																	R35
49		1302177-00	RES., 47K, 1/2W, 5%	1																	R50
50		1302397-00	RES., 180K, 1/2W, 5%	1																	R51

E.C.O. NO.

"THIS DRAWING AND SPECIFICATIONS, HEREIN, ARE THE PROPERTY OF DIGITAL EQUIPMENT CORPORATION AND SHALL NOT BE REPRODUCED OR COPIED OR USED IN WHOLE OR IN PART AS THE BASIS FOR THE MANUFACTURE OR SALE OF ITEMS WITHOUT WRITTEN PERMISSION. COPYRIGHT © 1978, DIGITAL EQUIPMENT CORPORATION"	TITLE RL11 CONTROLLER	ASSY NO. D-UA-M7762-0-0	SIZE B	CODE PL	NUMBER M7762-0-0	REV. L
		SHEET 2 OF 5	INSERTION PARTS LIST DATA BASE REV			

DIGITAL EQUIPMENT CORPORATION PARTS LIST				QUANTITY / VARIATION										NOTES:						
MADE BY DATE		D. MAYUSKI 7 MAR 77		CHECKED DATE		P. BOSSMAN 29 MAR 77		SECTION 1												USED ON: OPTION/MODEL RL11
ENG DATE		C. LIU 8 APR 77		PROD DATE		R. STROTT 8 APR 77		ISSUED SECTION 1												
ITEM NO.	DRAWING NO.	PART NO.	DESCRIPTION														REF DESIGNATION			
51																				
52		1503409-01	TRANS., 2N6534B	1													Q2			
53		15-03121-00	TRANS., 2N2369	1													Q3			
54		1513490-00	TRANS., 2N4403	4													Q1, Q4, Q5, Q6			
55		1614666-00	DELAY LINE, 500 NS 10 TAP	1													E18			
56		1610033-00	DELAY LINE, 100 NS 9 TAP	1													E9			
57		1611243-00	DELAY LINE, 250 NS 10 TAP	1													E19			
58		1614159-00	DELAY LINE, 50 NS 10 TAP	1													E22			
59		1811660-12	MOTOROLA OSC., 8.2MHz	1													E35			
60																				
61		1905547-00	I.C., DEC 7474	1													E67			
62		1910153-00	I.C., 74150	1													E109			
63		1914072-00	I.C., 74159	1													E47			
64		1910650-00	I.C., DEC 74161	4													E98, E99, E104, E110			
65		1909061-00	I.C., DEC 74H52	1													E80			
66		1910532-00	I.C., DEC 74S00	2													E7, E32			
67		1913312-00	I.C., 7428	1													E29			
68		1910534-00	I.C., DEC 74S04	4													E20, E27, E30, E43			
69		1910536-00	I.C., DEC 74S10	1													E8			
70		1911712-00	I.C., 74S51	1													E74			
71		1910544-00	I.C., DEC 74S74	6													E21, E31, E66, E53, E56, E28			
72		1910545-00	I.C., DEC 74S112	1													E63			
73		1911911-00	I.C., DEC 74S124	1													E118			
74		1912799-00	I.C., DEC 74LS00	3													E38, E45, E2			
75		1912801-00	I.C., DEC 74LS02	2													E46, E81			
76		1912803-00	I.C., DEC 74LS04	2													E72, E92			
77		1912805-00	I.C., DEC 74LS08	3													E1, E40, E71			

E.C.O. NO.

"THIS DRAWING AND SPECIFICATIONS, HEREIN, ARE THE PROPERTY OF DIGITAL EQUIPMENT CORPORATION AND SHALL NOT BE REPRODUCED OR COPIED OR USED IN WHOLE OR IN PART AS THE BASIS FOR THE MANUFACTURE OR SALE OF ITEMS WITHOUT WRITTEN PERMISSION. COPYRIGHT © 1978, DIGITAL EQUIPMENT CORPORATION"

TITLE
RL11 CONTROLLER

ASSY NO.
D-UA-M7762-0-0

SIZE
B PL

NUMBER
M7762-0-0

REV.
L

SHEET 3 OF 5

INSERTION PARTS LIST DATA BASE REV

DIGITAL EQUIPMENT CORPORATION PARTS LIST				QUANTITY / VARIATION										NOTES:			
MADE BY D. MAYUSKI DATE 7 MAR 77		CHECKED P. BOSSMAN DATE 29 MAR 77												USED ON: OPTION/MODEL RL11			
ENG C. LIU DATE 8 APR 77		PROD R. STROTT DATE 8 APR 77															
		SECTION 1															
		ISSUED SECTION 1															
ITEM NO.	DRAWING NO.	PART NO.	DESCRIPTION														REF DESIGNATION
78		1912808-00	I.C., DEC 74LS11	1													E36
79		1912810-00	I.C., DEC 74LS20	1													E62
80		1912816-00	I.C., DEC 74LS32	3													E42, E52, E91
81		1912820-00	I.C., DEC 74LS51	3													E44, E82, E93
82		1912824-00	I.C., DEC 74LS74	3													E57, E90, E103
83		1912829-00	I.C., DEC 74LS86	1													E83
84		1912834-00	I.C., DEC 74LS112	2													E12, E54
85		1912837-00	I.C., DEC 74LS123	1													E39
86		1911676-00	I.C., DEC 74S139	2													E37, E70
87		1912844-00	I.C., DEC 74LS151	1													E102
88		1912845-00	I.C., DEC 74LS153	2													E23, E65
89		1912697-00	I.C., DEC 74LS174	1													E88
90		1912854-00	I.C., DEC 74LS193	4													E24, E25, E85, E86
91		1912696-00	I.C., DEC 74LS194A	1													E64
92		1912864-00	I.C., 74LS279	1													E73
93		1910268-00	I.C., DEC 75107B	3													E3, E4, E10
94		1911341-00	I.C., DEC 75113	3													E5, E6, E14
95		1911527-00	I.C., DEC 8097	3													E61, E87, E89
96		1912951-00	I.C., 8556	9													E50, E51, E60, E68, E78, E94-E97
97		1911579-00	I.C., DEC 8641	3													E15, E26, E69
98		1912083-00	I.C., DEC 8647	2													E41, E79
99		1909713-00	I.C., DEC 8815	1													E100
100		1913474-00	I.C., 9401	1													E75
101		1913475-00	I.C., 9403	4													E105-E108
102		1913040-00	I.C., DC005	8													E33, E34, E49, E48, E58, E76, E77, E84
103		23-018B8	I.C., 82S114	1													E112
104		23-016B8	I.C., 82S114	1													E113

E.C.O. NO.

"THIS DRAWING AND SPECIFICATIONS, HEREIN, ARE THE PROPERTY OF DIGITAL EQUIPMENT CORPORATION AND SHALL NOT BE REPRODUCED OR COPIED OR USED IN WHOLE OR IN PART AS THE BASIS FOR THE MANUFACTURE OR SALE OF ITEMS WITHOUT WRITTEN PERMISSION. COPYRIGHT © 1978, DIGITAL EQUIPMENT CORPORATION"

TITLE
RL11 CONTROLLER

ASSY NO.
D-UA-M7762-0-0

SIZE CODE NUMBER
B PL M7762-0-0

REV.
L

SHEET 4 OF 5

INSERTION PARTS LIST DATA BASE REV

DIGITAL EQUIPMENT CORPORATION PARTS LIST				QUANTITY / VARIATION										NOTES:						
MADE BY DATE		D. MAYUSKI 7 MAR 77		CHECKED DATE		P. BOSSMAN 29 MAR 77		SECTION 1												USED ON: OPTION/MODEL RL11
ENG DATE		C. LIU 8 APR 77		PROD DATE		R. STROTT 8 APR 77		ISSUED SECTION 1												
ITEM NO.	DRAWING NO.	PART NO.	DESCRIPTION															REF DESIGNATION		
105		23-017B8	I.C., 82S114	1														E114		
106		23-020D1	I.C., 82S115	1														E111		
107		9000024-01	EYELET	12																
108		12-10385-01	PIN, 1 POS GOLD WIRE WRAP	19														W17-W35		
109		9009185-00	JUMPER, INSULATED	12														W1-W8, W12, W14, W15, W16		
110		1910544-01	I.C., 74S74-60	1														E101		
111		9008085-00	TERMINAL, TURRET	1														E11		
112		9105740-55	WIRE, #30 AWG, GRN	A/R																
113		1302862-00	RES., 50Ω, 1/4W, 1%	1														R36		
114		13-13583-00	RES., 150Ω, 1/4W, 1%	1														R65		
115		1912536-00	REGULATOR, +5V, 7805	1														E115		
116		1000064-00	CAP., 3.9MFD, 10V, 10%	1														C36		
117		1912541-00	REGULATOR, -5V	1														E116		
118		1914471-00	REGULATOR, +8V, 71281	1														E117		
119																				
120		1311465-00	RES., 43 Ω, 1/4W, 5%	1														R64		
121		19-10645-00	I.C., DEC 75452	2														E16, E17		
122		1302873-00	RES., 261Ω, 1/4W, 1%	1														R9		
123		1302874-00	RES., 147Ω, 1/4W, 1%	2														R14, R26		
124		1912834-00	I.C., DEC 74LS112	1														E55		
125		10-12783-00	CAP., .022MFD, 50V	1														C122		
126		13-03177-00	RES., 2.4K, 1/4W, 5%	1														R8		
127		13-00316-00	RES., 470Ω, 1/4W, 5%	1														R18		
128		90-06021-01	Scr. Phil Pan Hd #6-32 x 5/16	1														For mounting E115		
129		90-08185-00	KEPNUT #6	1																
130		19-13340-00	I.C., DEC 74S32	1														E11		
131		9107295-11	SLEEVING	A/R																
132		90-07201-00	TRANSIPAD	1																

"THIS DRAWING AND SPECIFICATIONS, HEREIN, ARE THE PROPERTY OF DIGITAL EQUIPMENT CORPORATION AND SHALL NOT BE REPRODUCED OR COPIED OR USED IN WHOLE OR IN PART AS THE BASIS FOR THE MANUFACTURE OR SALE OF ITEMS WITHOUT WRITTEN PERMISSION. COPYRIGHT © 1978, DIGITAL EQUIPMENT CORPORATION"

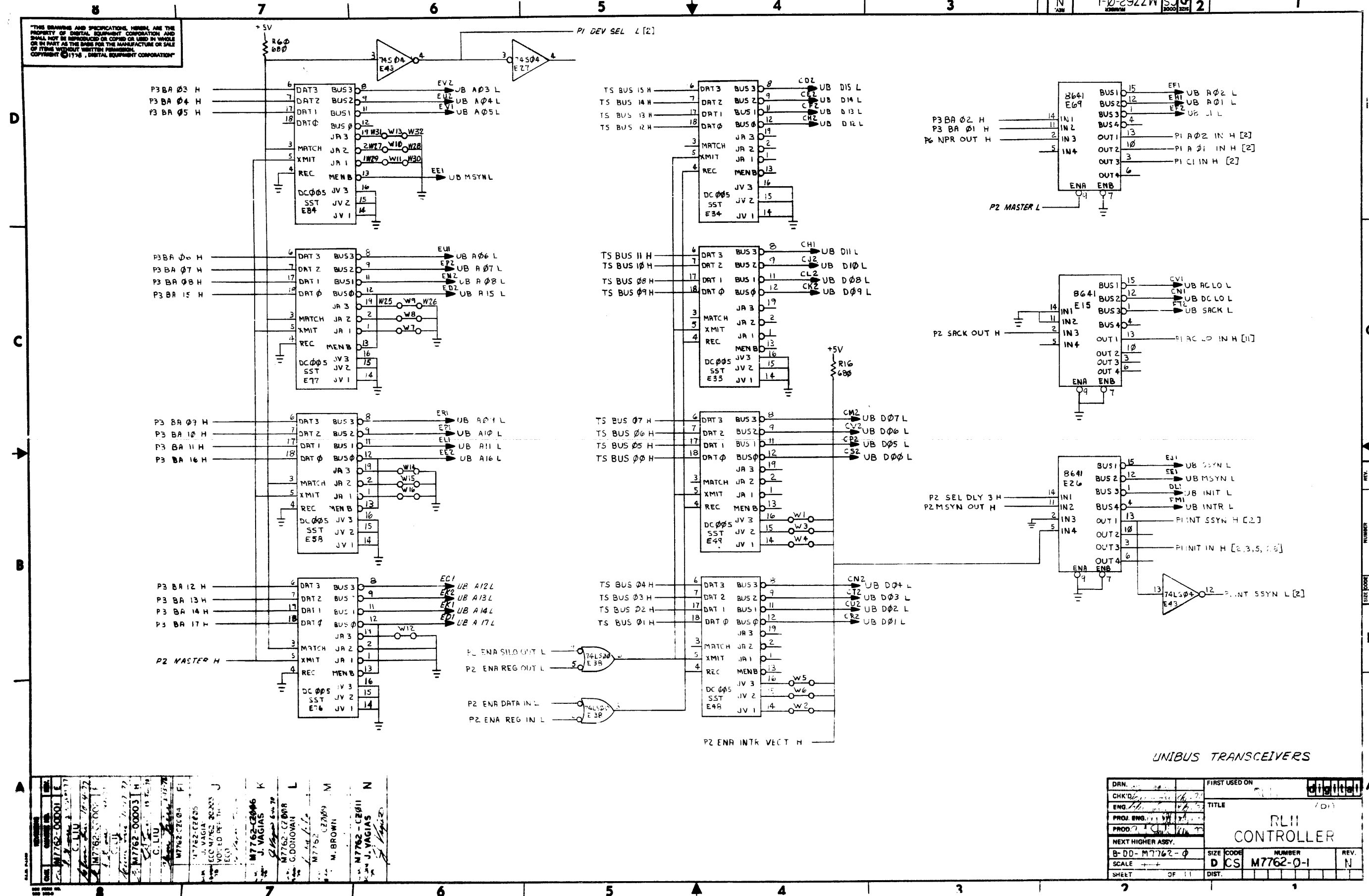
TITLE
RL11 CONTROLLER

ASSY NO.
D-UA-M7762-0-0
SHEET 5 OF 5

SIZE CODE
B PL
NUMBER
M7762-0-0
INSERTION PARTS LIST DATA BASE REV

REV.
L

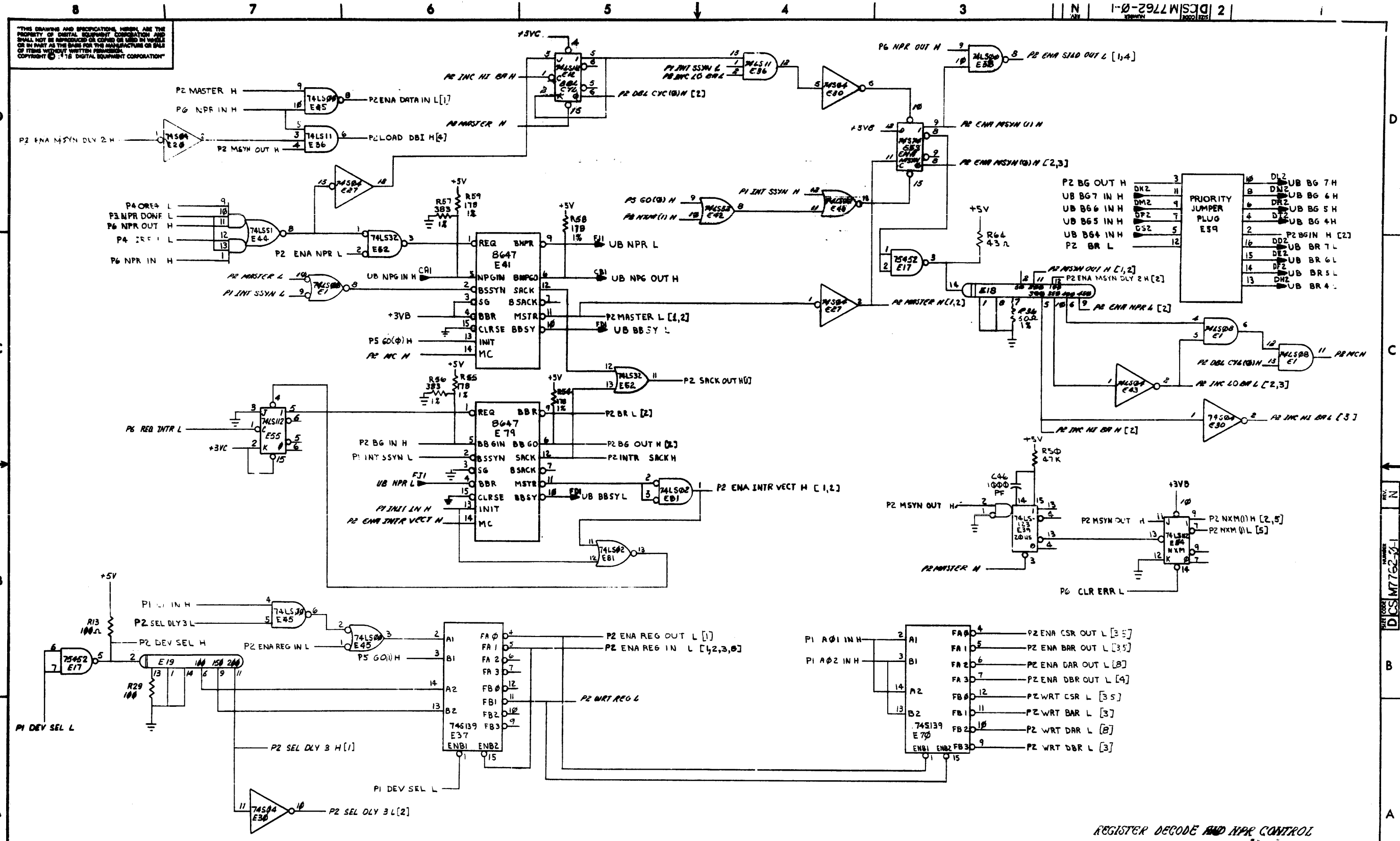
THIS DRAWING AND SPECIFICATIONS HEREIN ARE THE PROPERTY OF DIGITAL EQUIPMENT CORPORATION AND SHALL NOT BE REPRODUCED OR COPIED OR USED IN WHOLE OR IN PART AS THE BASIS FOR THE MANUFACTURE OR SALE OF ITEMS WITHOUT WRITTEN PERMISSION. COPYRIGHT © 1978, DIGITAL EQUIPMENT CORPORATION



UNIBUS TRANSCEIVERS

DRN. ...	FIRST USED ON	digital
CHK'D ...	TITLE	RLII CONTROLLER
ENG. ...	SCALE	D CS
PROJ. ENG. ...	SIZE	11
NEXT HIGHER ASSY.	NUMBER	M7762-0-1
B-DD-M7762-0	REV.	N
SHEET OF 11	DIST.	

M7762-00001 E	M7762-00002 F	M7762-00003 G	M7762-00004 H	M7762-00005 I	M7762-00006 J	M7762-00007 K	M7762-00008 L	M7762-00009 M	M7762-00010 N
C. LIU	C. LIU	C. LIU	C. LIU	C. LIU	J. VAGIAS	J. VAGIAS	J. VAGIAS	M. BROWN	J. VAGIAS

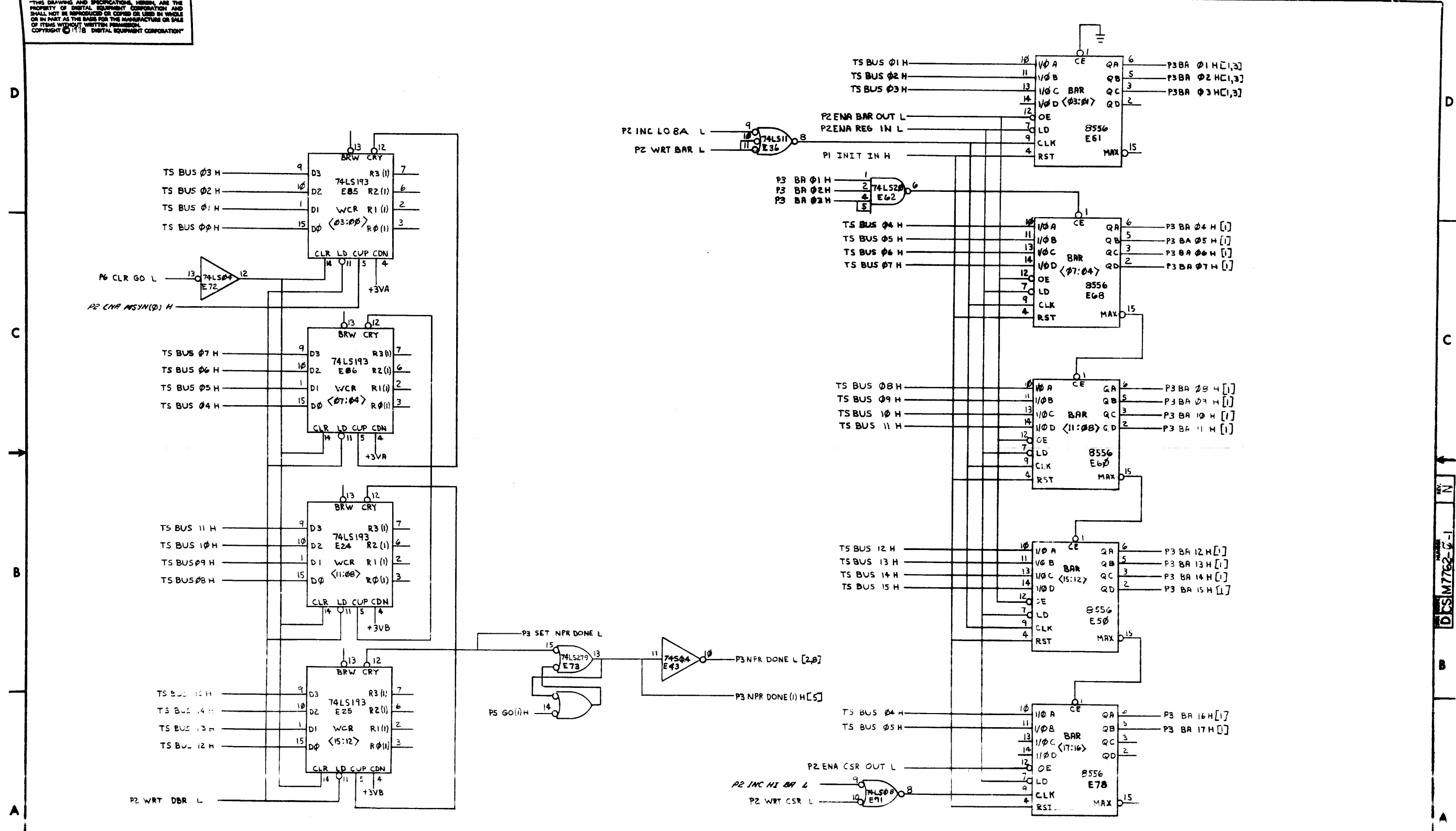


REGISTER DECODE AND NPR CONTROL

REVISIONS		
CHK	CHANGE NO.	REV.

TITLE	RLII CONTROLLER (P2)	SIZE CODE	DCS M7762-0-1	NUMBER		REV.	N
SCALE		SHEET	2 OF 11	DIST.			

THIS DRAWING AND SPECIFICATIONS HEREIN ARE THE PROPERTY OF DIGITAL EQUIPMENT CORPORATION AND SHALL NOT BE REPRODUCED OR COPIED OR USED IN WHOLE OR IN PART AS THE BASIS FOR THE MANUFACTURE OR SALE OF ITEMS WITHOUT WRITTEN PERMISSION. COPYRIGHT © 1978 DIGITAL EQUIPMENT CORPORATION

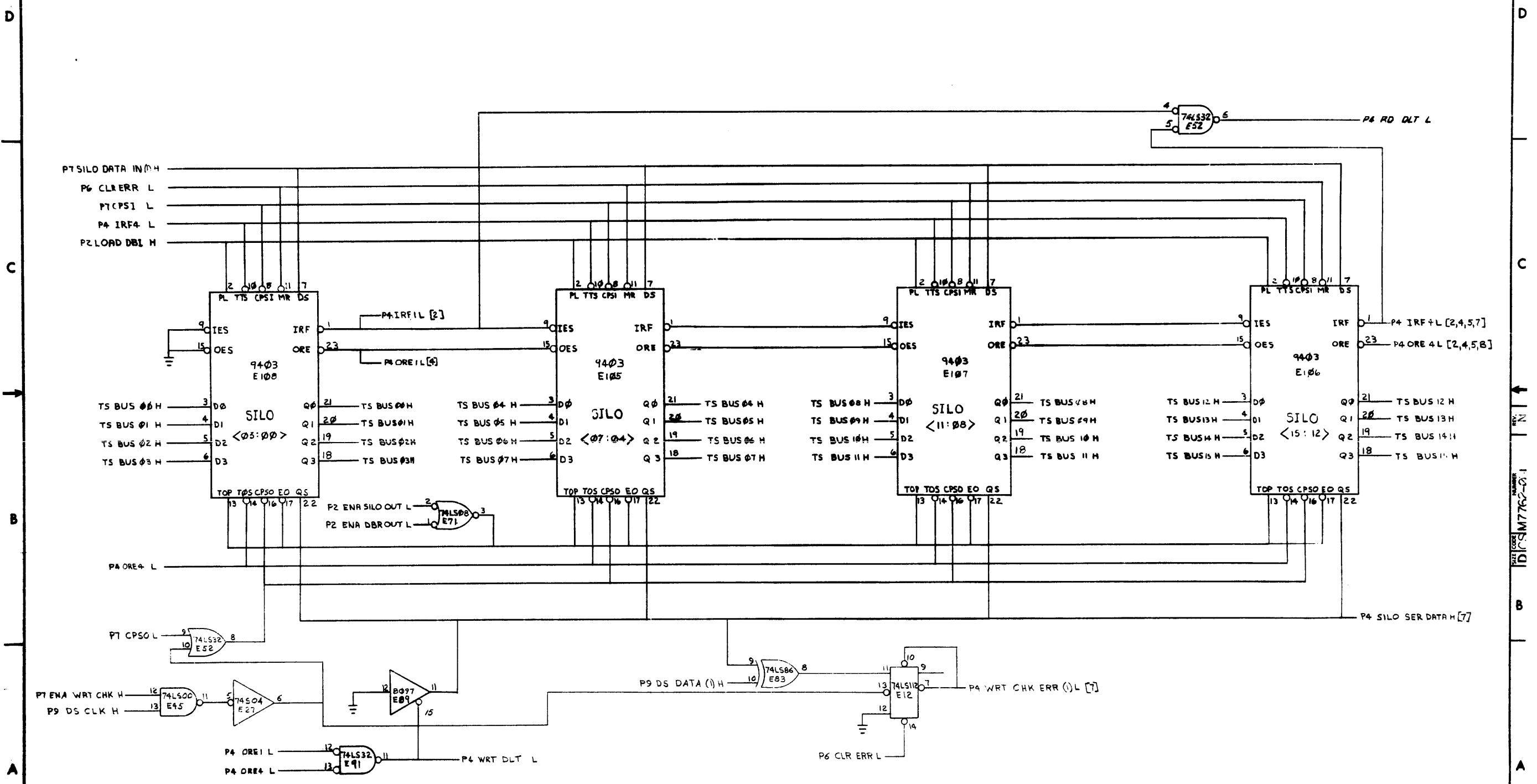


REVISIONS		
CHK	CHANGE NO.	REV.

WORD COUNT REGISTER AND BUS ADDRESS REGISTER

TITLE	RLI CONTROLLER (P3)	SIZE/CODE	NUMBER	REV.
SCALE	1/1	SHEET	3 OF 11	N

"THIS DRAWING AND SPECIFICATIONS HEREIN ARE THE PROPERTY OF DIGITAL EQUIPMENT CORPORATION AND SHALL NOT BE REPRODUCED OR COPIED OR USED IN WHOLE OR IN PART AS THE BASIS FOR THE MANUFACTURE OR SALE OF ITEMS WITHOUT WRITTEN PERMISSION. COPYRIGHT © 1975 DIGITAL EQUIPMENT CORPORATION"

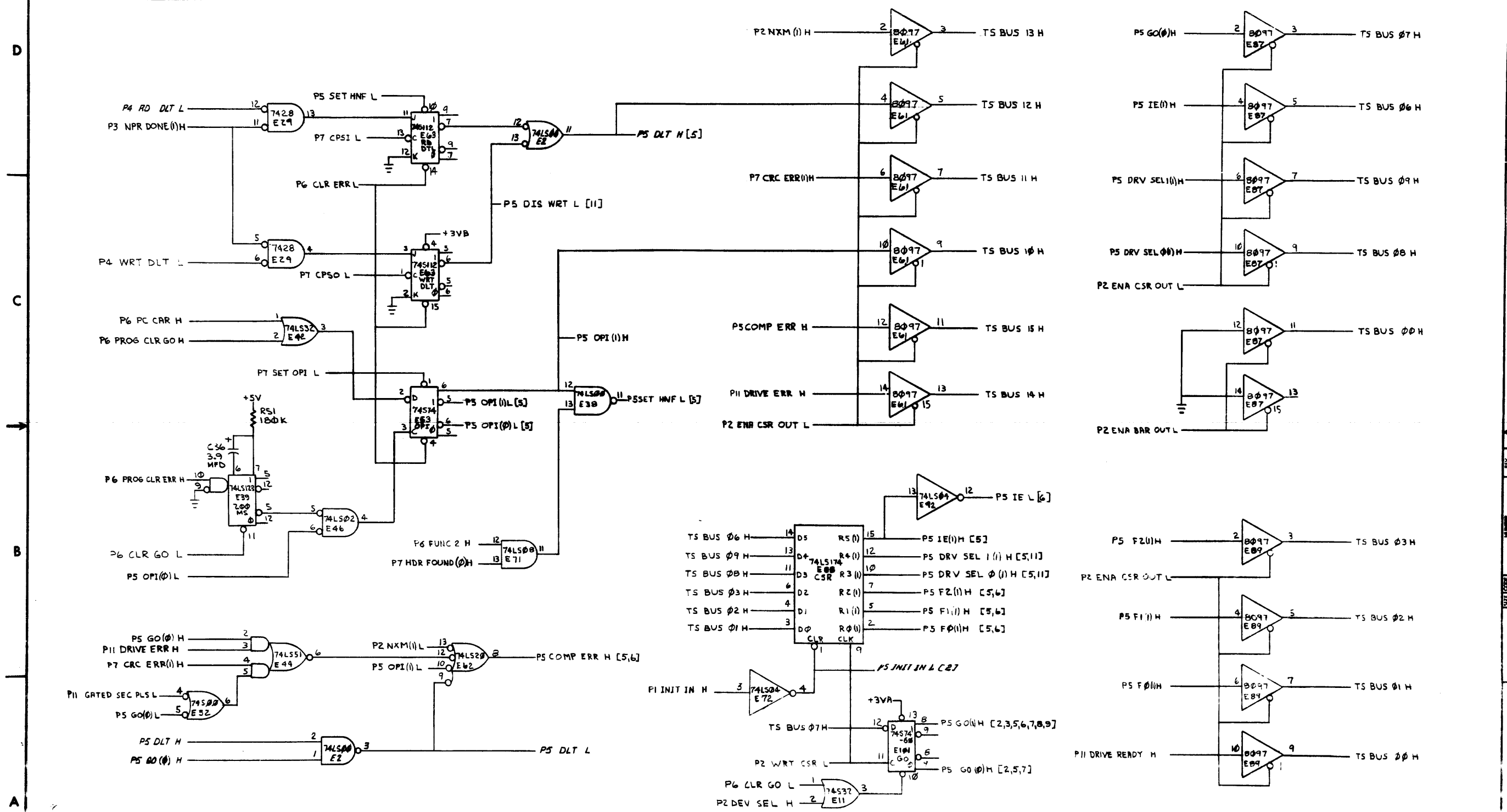


SILO

REV.	CHANGE NO.	REV.

TITLE	RLII CONTROLLER (P4)	SIZE	COO	NUMBER	DCS M7762-0-1	REV.	N
SCALE	1:1	SHEET	4 OF 11	DIST.			

"THIS DRAWING AND SPECIFICATIONS HEREIN ARE THE PROPERTY OF DIGITAL EQUIPMENT CORPORATION AND SHALL NOT BE REPRODUCED OR COPIED OR USED IN WHOLE OR IN PART AS THE BASIS FOR THE MANUFACTURE OR SALE OF ITEMS WITHOUT WRITTEN PERMISSION. COPYRIGHT © 1978 DIGITAL EQUIPMENT CORPORATION"

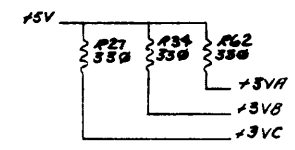
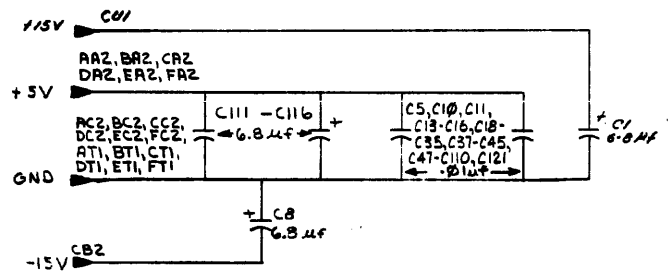
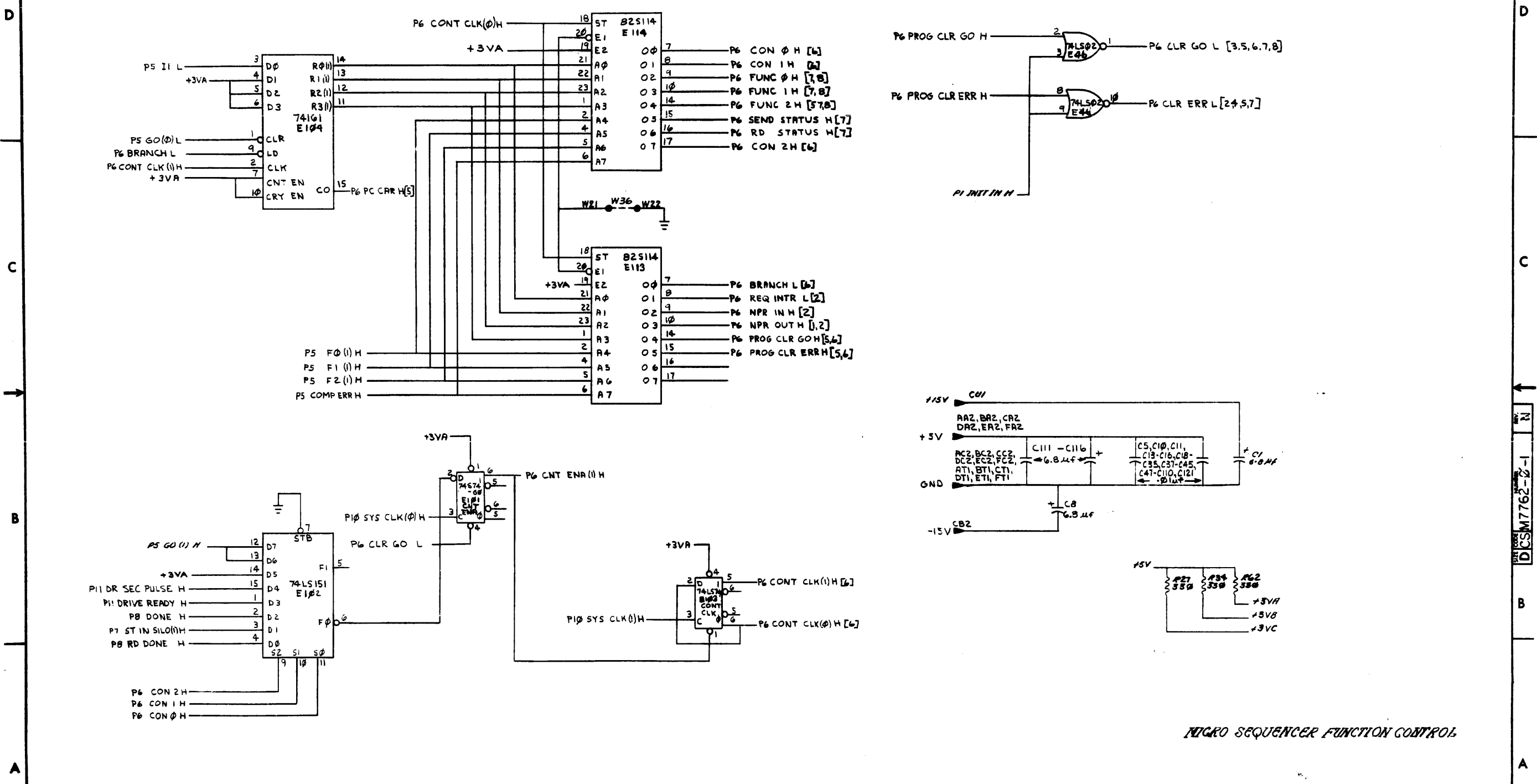


CSR AND ERROR REGISTERS

REVISIONS			TITLE			NUMBER			REV.		
CHK	CHANGE NO.	REV.	R11 CONTROLLER (P5)			DCS M7762-0-1			M		
			SCALE	++	SHEET	5	OF	11	DWT.		

"THIS DRAWING AND SPECIFICATIONS HEREIN ARE THE PROPERTY OF DIGITAL EQUIPMENT CORPORATION AND SHALL NOT BE REPRODUCED OR COPIED OR USED IN WHOLE OR IN PART AS THE BASIS FOR THE MANUFACTURE OR SALE OF ITEMS WITHOUT THE WRITTEN PERMISSION OF DIGITAL EQUIPMENT CORPORATION"
 COPYRIGHT © 1973 DIGITAL EQUIPMENT CORPORATION

8 7 6 5 4 3 2 1



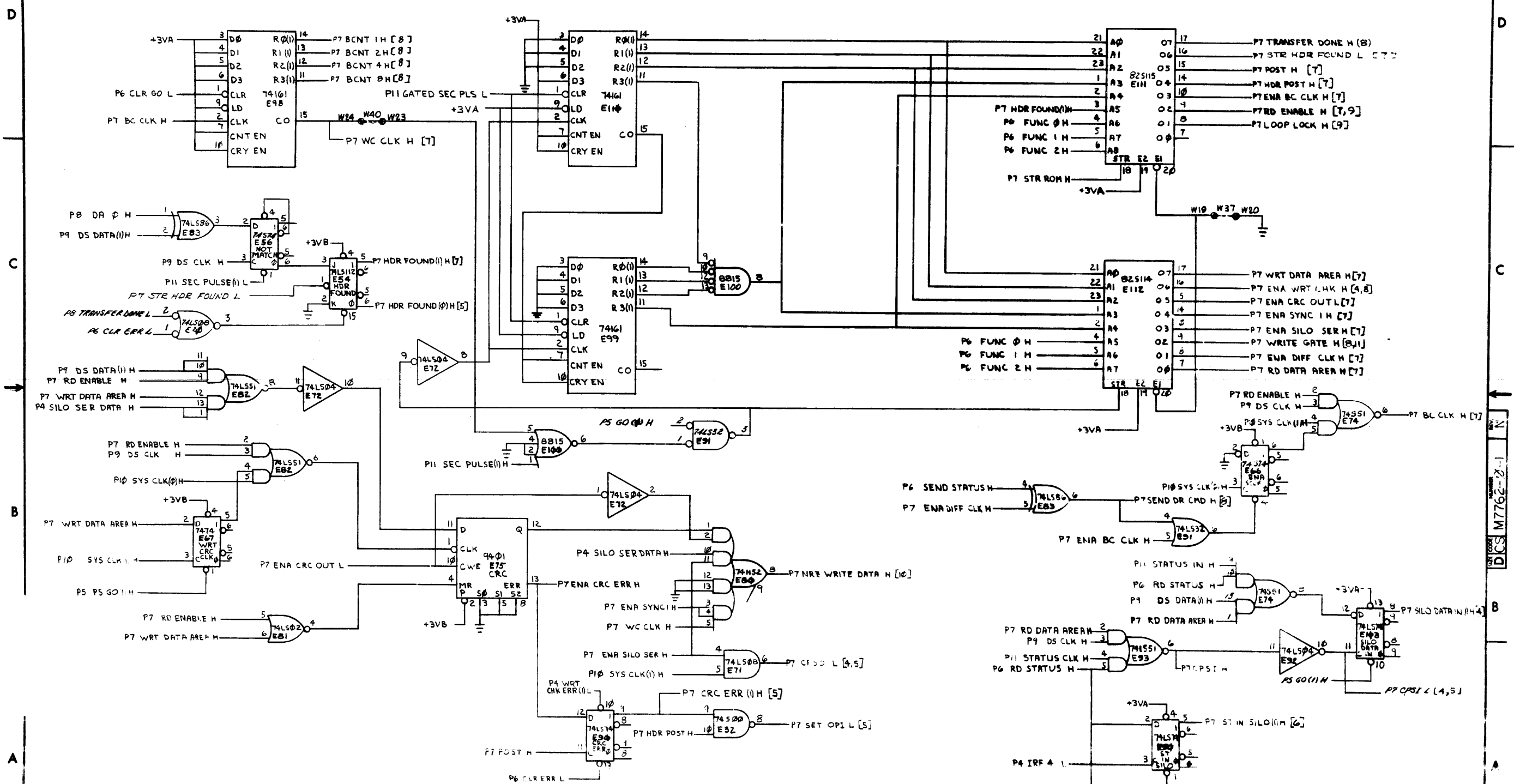
MICRO SEQUENCER FUNCTION CONTROL

REVISIONS		
CHK	CHANGE NO.	REV.

TITLE	R11 CONTROLLER (P6)	SIZE CODE	DCS	NUMBER	M7762-0-1	REV.	N
SCALE	1:1	SHEET	6	OF	11	DIST.	

8 7 6 5 4 3 2 1

THIS DRAWING AND SPECIFICATIONS, HEREIN, ARE THE PROPERTY OF DIGITAL EQUIPMENT CORPORATION AND SHALL NOT BE REPRODUCED OR COPIED OR USED IN WHOLE OR IN PART AS THE BASIS FOR THE MANUFACTURE OR SALE OF ITEMS WITHOUT WRITTEN PERMISSION. COPYRIGHT © 1978 DIGITAL EQUIPMENT CORPORATION

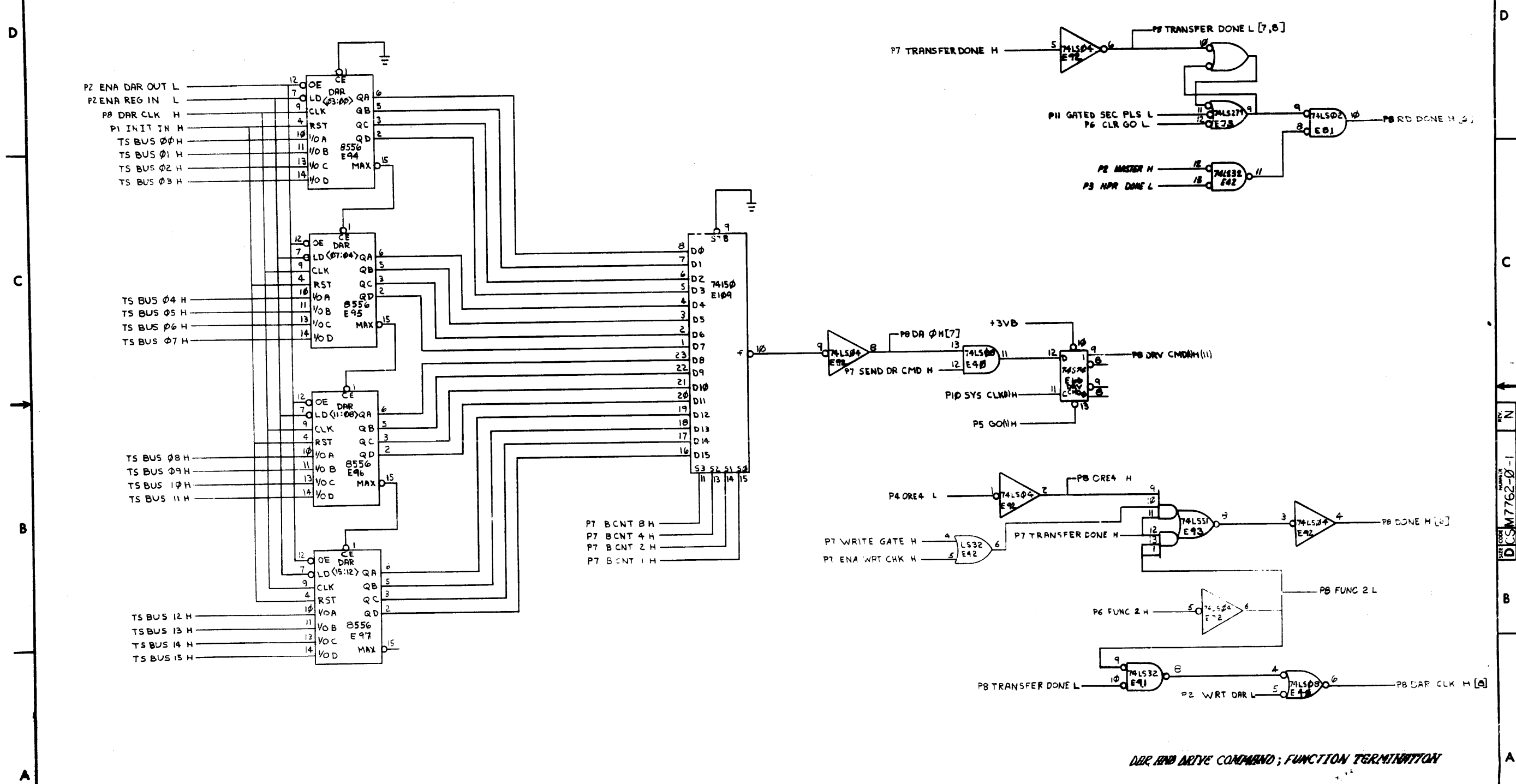


REVISIONS		
CHK	CHANGE NO.	REV.

TITLE	R11 CONTROLLER (P7)	SIZECODE	DCS M7762-0-1	NUMBER	2	REV.	N
SCALE		SHEET	7 OF 11	DIST.			

SECTOR FORMAT CONTROL

THIS DRAWING AND SPECIFICATIONS HEREIN ARE THE PROPERTY OF DIGITAL EQUIPMENT CORPORATION AND SHALL NOT BE REPRODUCED OR COPIED OR USED IN WHOLE OR IN PART AS THE BASIS FOR THE MANUFACTURE OR SALE OF ITEMS WITHOUT WRITTEN PERMISSION. COPYRIGHT © 1976 DIGITAL EQUIPMENT CORPORATION

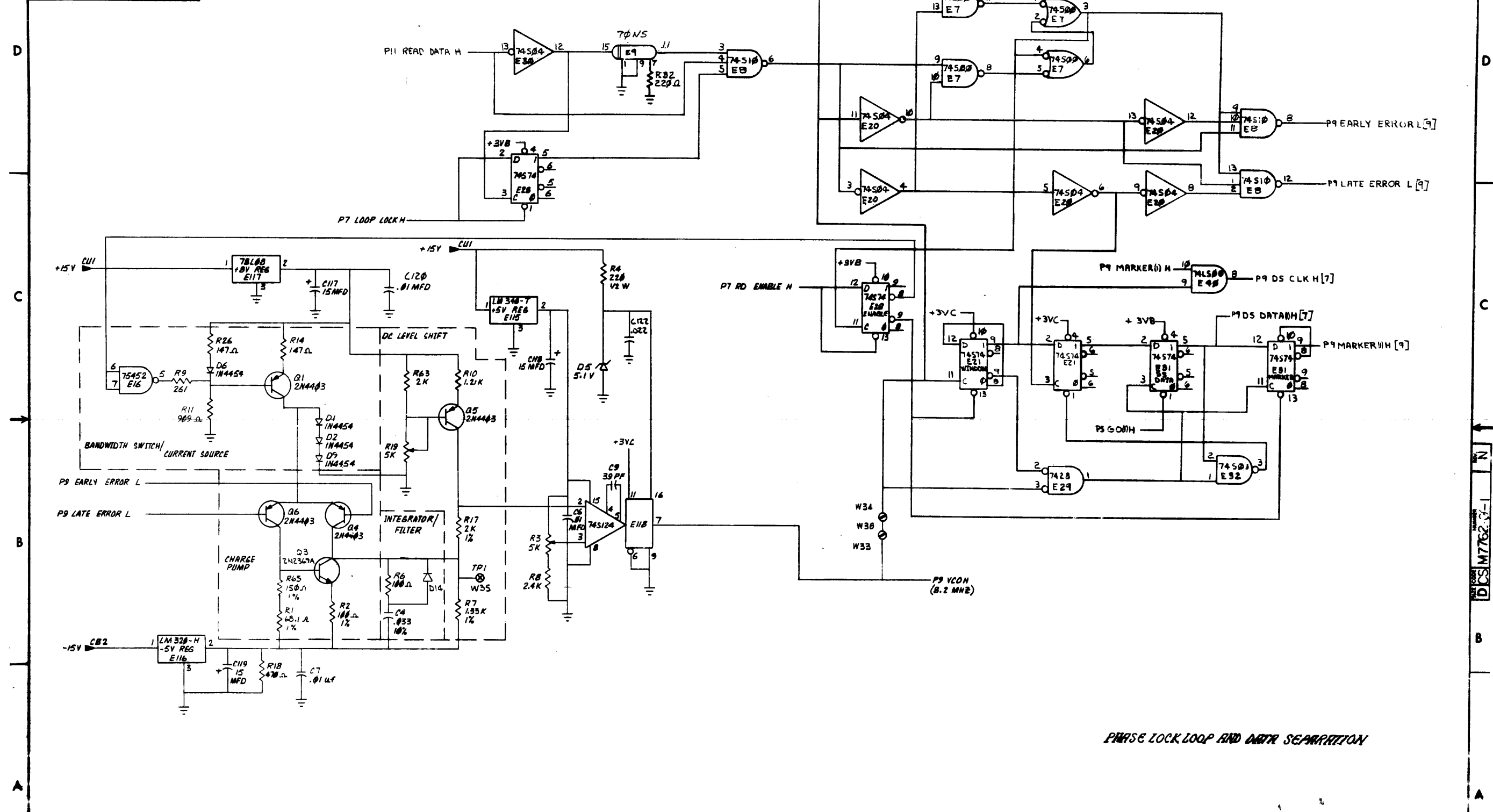


REVISIONS		
CHK	CHANGE NO.	REV.

TITLE	RLII CONTROLLER (P8)	SIZE CODE	DCS	NUMBER	M7762-0-1	REV.	N
SCALE	1/4	SHEET	8	OF	11	DIST.	

DCS M7762-0-1

"THIS DRAWING AND SPECIFICATIONS HEREIN ARE THE PROPERTY OF DIGITAL EQUIPMENT CORPORATION AND SHALL NOT BE REPRODUCED OR COPIED OR USED IN WHOLE OR IN PART AS THE BASIS FOR THE MANUFACTURE OR SALE OF ITEMS WITHOUT WRITTEN PERMISSION. COPYRIGHT © 1978 DIGITAL EQUIPMENT CORPORATION"

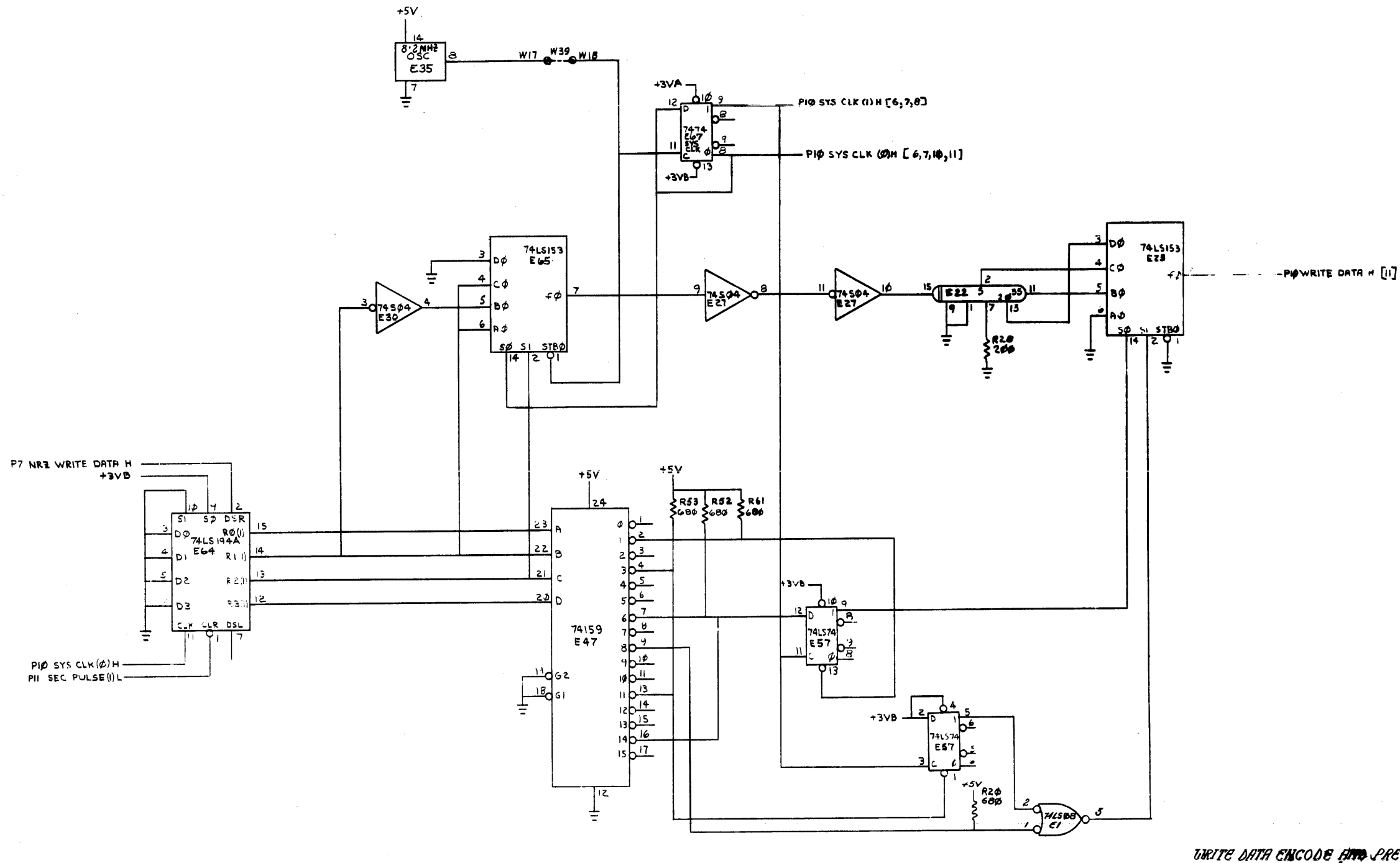


PHASE LOCK LOOP AND DATA SEPARATION

REVISIONS		
CHK	CHANGE NO.	REV.

TITLE	RL11	NUMBER	9 OF 11	REV.	N
SCALE	1:1	DATE			

THIS DRAWING AND SPECIFICATIONS HEREIN ARE THE PROPERTY OF DIGITAL EQUIPMENT CORPORATION AND SHALL NOT BE REPRODUCED OR COPIED OR USED IN WHOLE OR IN PART AS THE BASIS FOR THE MANUFACTURE OR SALE OF ITEMS WITHOUT WRITTEN PERMISSION. COPYRIGHT © 1979 DIGITAL EQUIPMENT CORPORATION



REVISIONS		
CHK	CHANGE NO.	REV.

TITLE	RLII CONTROLLER (PI0)	SIZE CODE	DCS	NUMBER	M7762-0-1	REV.	N
SCALE	1:1	SHEET	10	OF	11	DIST.	

8

7

6

5

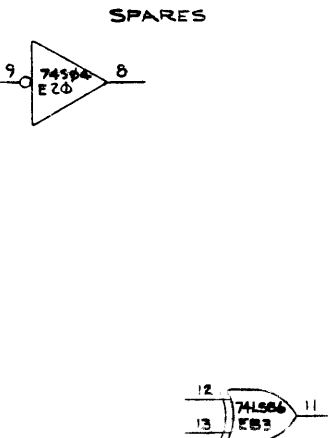
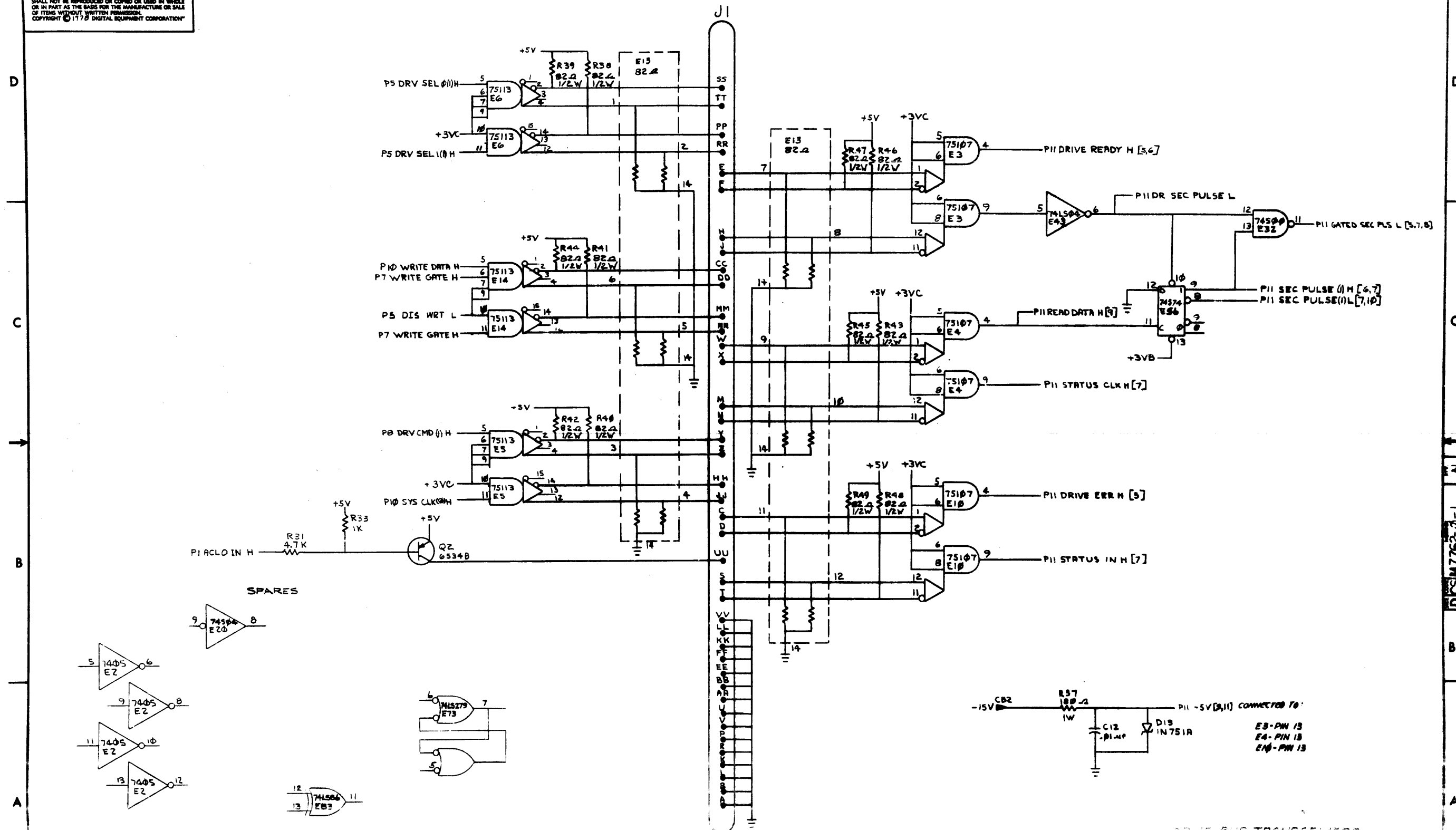
4

3

2 | DCSM7762-0-1

1

"THIS DRAWING AND SPECIFICATIONS HEREIN ARE THE PROPERTY OF DIGITAL EQUIPMENT CORPORATION AND SHALL NOT BE REPRODUCED OR COPIED OR USED IN WHOLE OR IN PART AS THE BASIS FOR THE MANUFACTURE OR SALE OF ITEMS WITHOUT WRITTEN PERMISSION. COPYRIGHT © 1978 DIGITAL EQUIPMENT CORPORATION"



DRIVE BUS TRANSCEIVERS

REVISIONS		
CHK	CHANGE NO.	REV.

TITLE	RLII	NUMBER		REV.	
	CONTROLLER (PII)	DCSM7762-0-1		N	
SCALE		SHEET	11 OF 11	DATE	

8

7

6

5

4

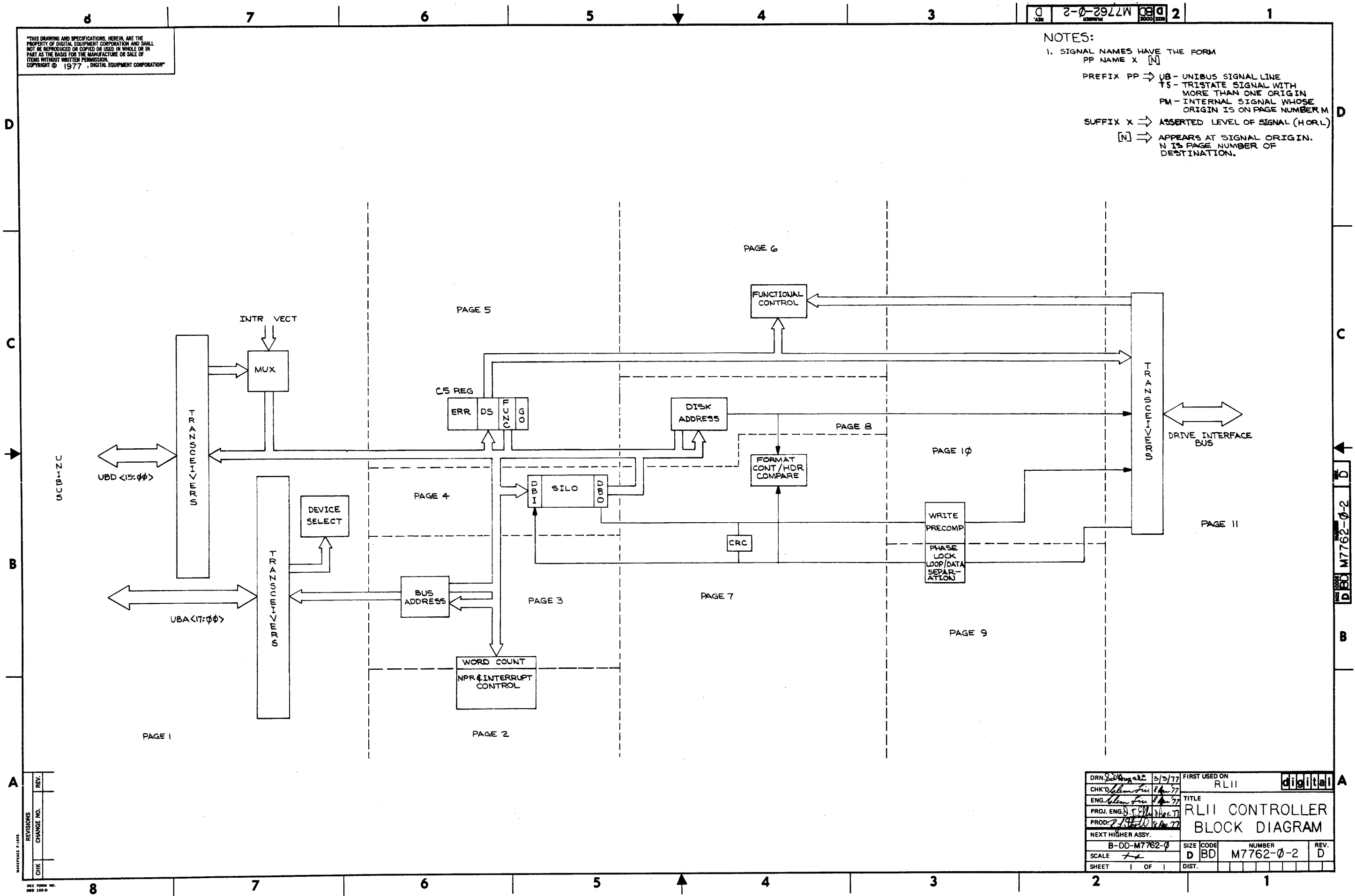
3

2

1

"THIS DRAWING AND SPECIFICATIONS, HEREIN, ARE THE PROPERTY OF DIGITAL EQUIPMENT CORPORATION AND SHALL NOT BE REPRODUCED OR COPIED OR USED IN WHOLE OR IN PART AS THE BASIS FOR THE MANUFACTURE OR SALE OF ITEMS WITHOUT WRITTEN PERMISSION.
 COPYRIGHT © 1977, DIGITAL EQUIPMENT CORPORATION"

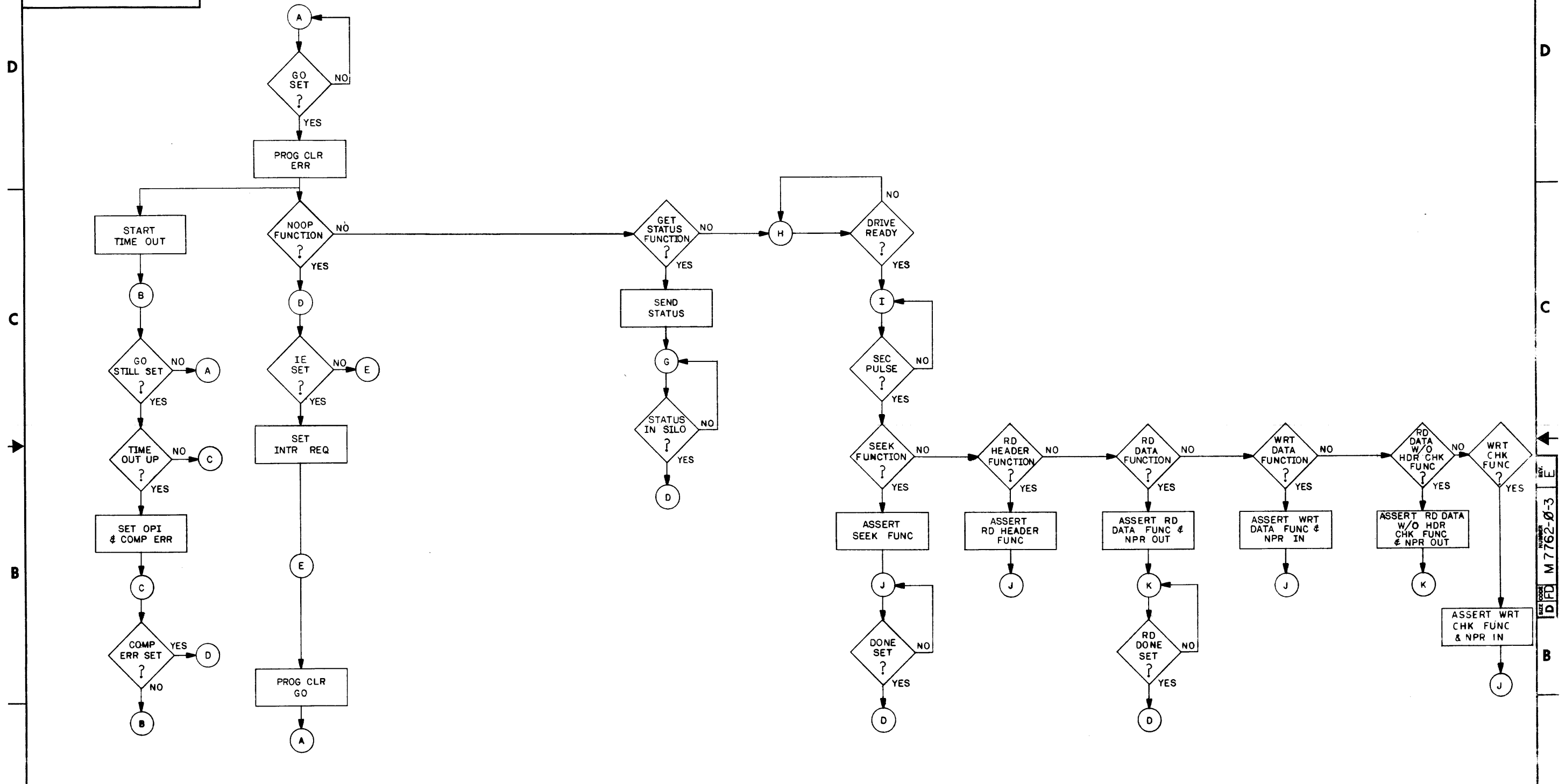
NOTES:
 1. SIGNAL NAMES HAVE THE FORM
 PP NAME X [N]
 PREFIX PP → UB - UNIBUS SIGNAL LINE
 TS - TRISTATE SIGNAL WITH MORE THAN ONE ORIGIN
 PM - INTERNAL SIGNAL WHOSE ORIGIN IS ON PAGE NUMBER M
 SUFFIX X → ASSERTED LEVEL OF SIGNAL (HORL)
 [N] → APPEARS AT SIGNAL ORIGIN. N IS PAGE NUMBER OF DESTINATION.



REVISIONS	REV.
CHANGE NO.	
CHK	

DRN. <i>DeWing</i>	3/3/77	FIRST USED ON	RLII	digital
CHK'D. <i>Alan Fin</i>	8/1/77	TITLE	RLII CONTROLLER BLOCK DIAGRAM	
ENG. <i>Alan Fin</i>	8/1/77	PROD. ENG. <i>F. Hall</i>	NEXT HIGHER ASSY.	
SCALE	1:1	SIZE	CODE	NUMBER
SHEET	1 OF 1	D	BD	M7762-0-2
				REV. D

"THIS DRAWING AND SPECIFICATIONS, HEREIN, ARE THE PROPERTY OF DIGITAL EQUIPMENT CORPORATION AND SHALL NOT BE REPRODUCED OR COPIED OR USED IN WHOLE OR IN PART AS THE BASIS FOR THE MANUFACTURE OR SALE OF ITEMS WITHOUT WRITTEN PERMISSION. COPYRIGHT © 1977, DIGITAL EQUIPMENT CORPORATION"



REV. E	3-4-77
CHK	M 7762-0001
CHG	23/11/77
REV. E	1/11/77
REV. E	1/11/77

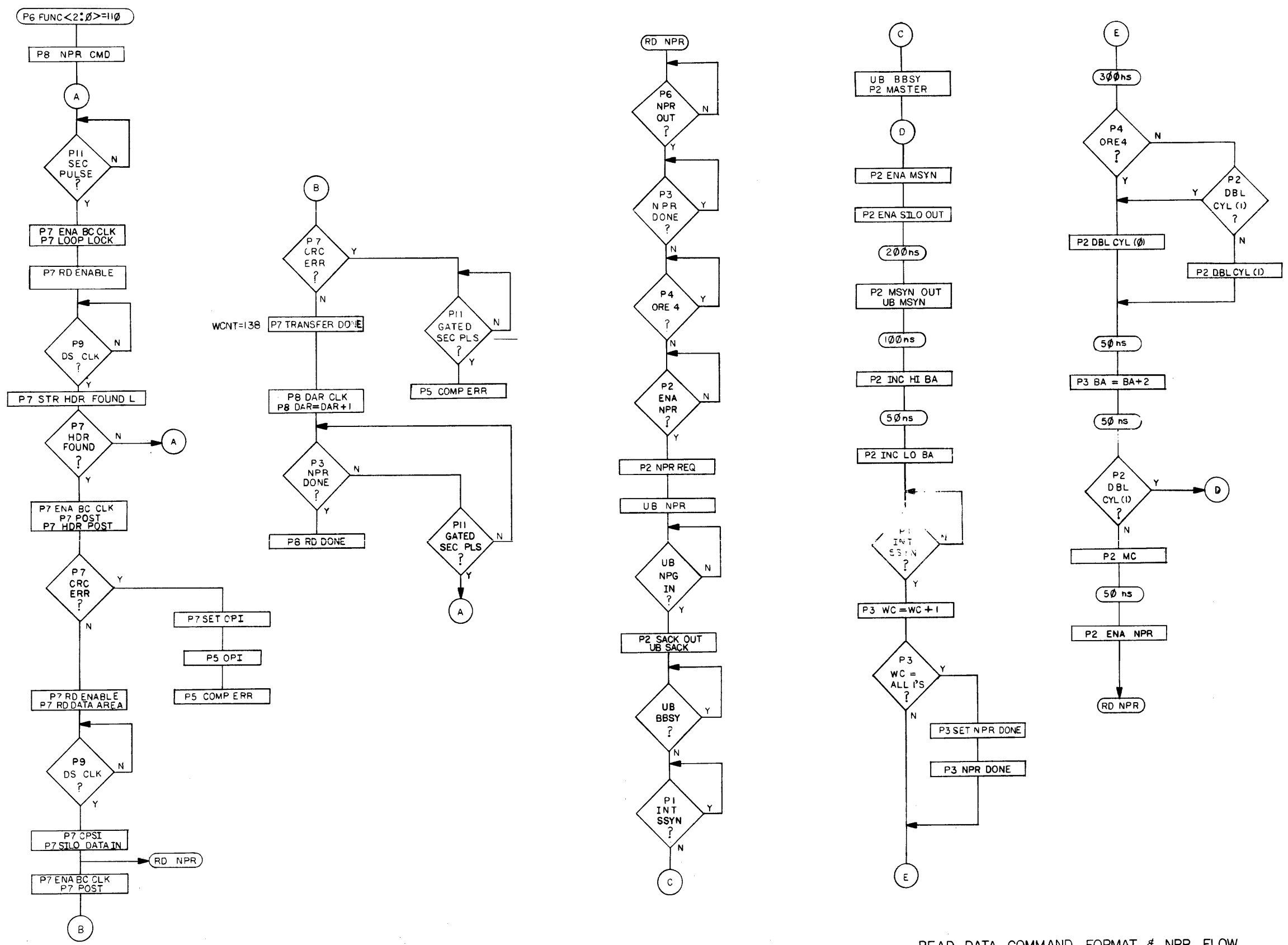
DRN. 3-4-77	FIRST USED ON	digital
CHK'D	RLII	
ENG.	TITLE	
PROJ. ENG.	RLII CONTROLLER	
PROD.	FLOW DIAGRAM	
NEXT HIGHER ASSY.		
B-DD-M7762-0	SIZE CODE	NUMBER
SCALE	D FD	M 7762-0-3
SHEET	OF 3	DIST.

FUNCTION CONTROL FLOW

"THIS DRAWING AND SPECIFICATIONS, HEREIN, ARE THE PROPERTY OF DIGITAL EQUIPMENT CORPORATION AND SHALL NOT BE REPRODUCED OR COPIED OR USED IN WHOLE OR IN PART AS THE BASIS FOR THE MANUFACTURE OR SALE OF ITEMS WITHOUT WRITTEN PERMISSION. COPYRIGHT © 1977 DIGITAL EQUIPMENT CORPORATION"

D
C
B
A

D
C
B
A

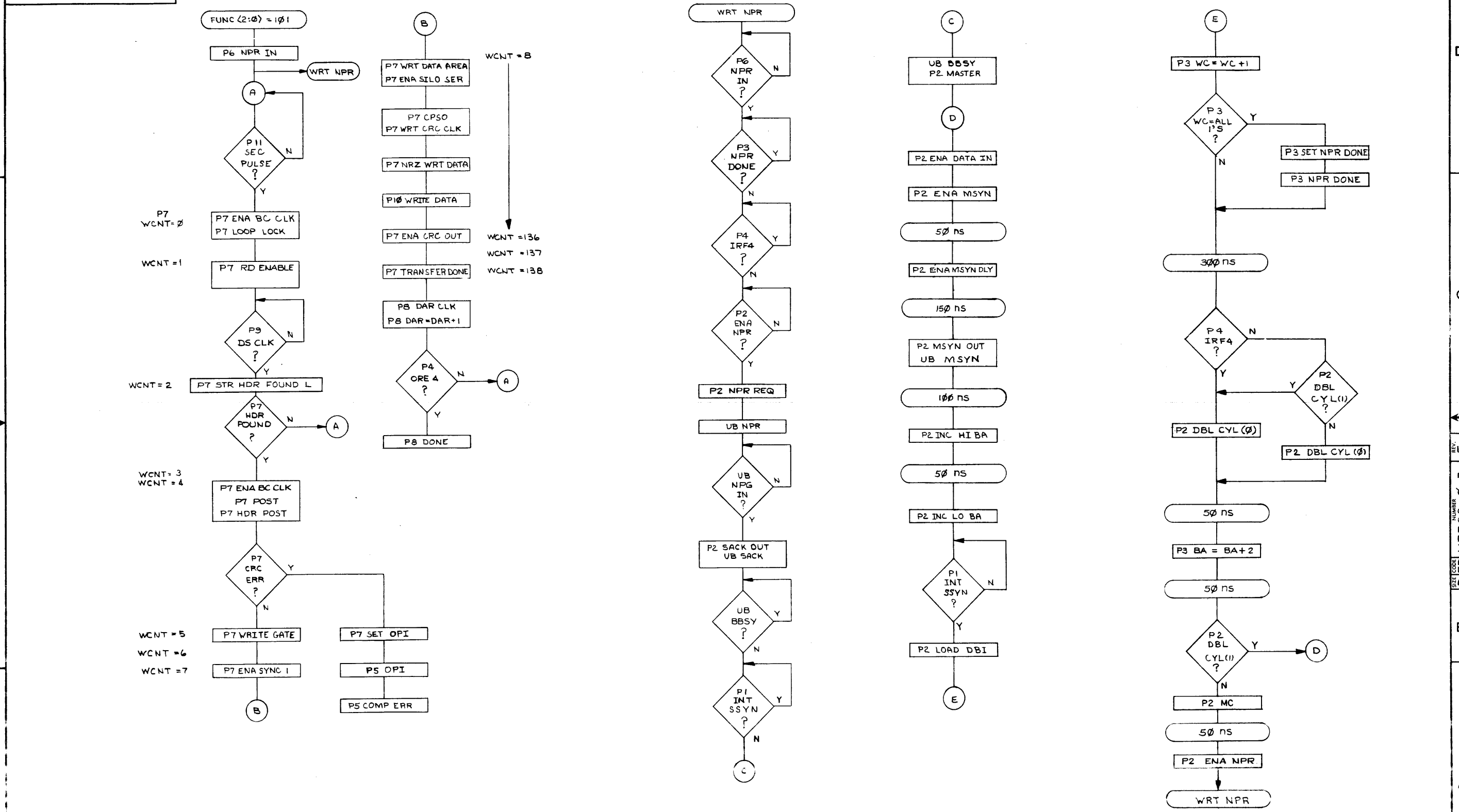


REVISIONS		
CHK	CHANGE NO.	REV.

READ DATA COMMAND FORMAT & NPR FLOW

TITLE	RL11 CONTROLLER FLOW DIAGRAM	SIZE CODE	D FD	NUMBER	M 7762-0-3	REV.	E
SCALE	1:1	SHEET	2	OF	3	DIST.	

"THIS DRAWING AND SPECIFICATIONS, HEREIN, ARE THE PROPERTY OF DIGITAL EQUIPMENT CORPORATION AND SHALL NOT BE REPRODUCED OR COPIED OR USED IN WHOLE OR IN PART AS THE BASIS FOR THE MANUFACTURE OR SALE OF ITEMS WITHOUT WRITTEN PERMISSION. COPYRIGHT © 1977 DIGITAL EQUIPMENT CORPORATION"

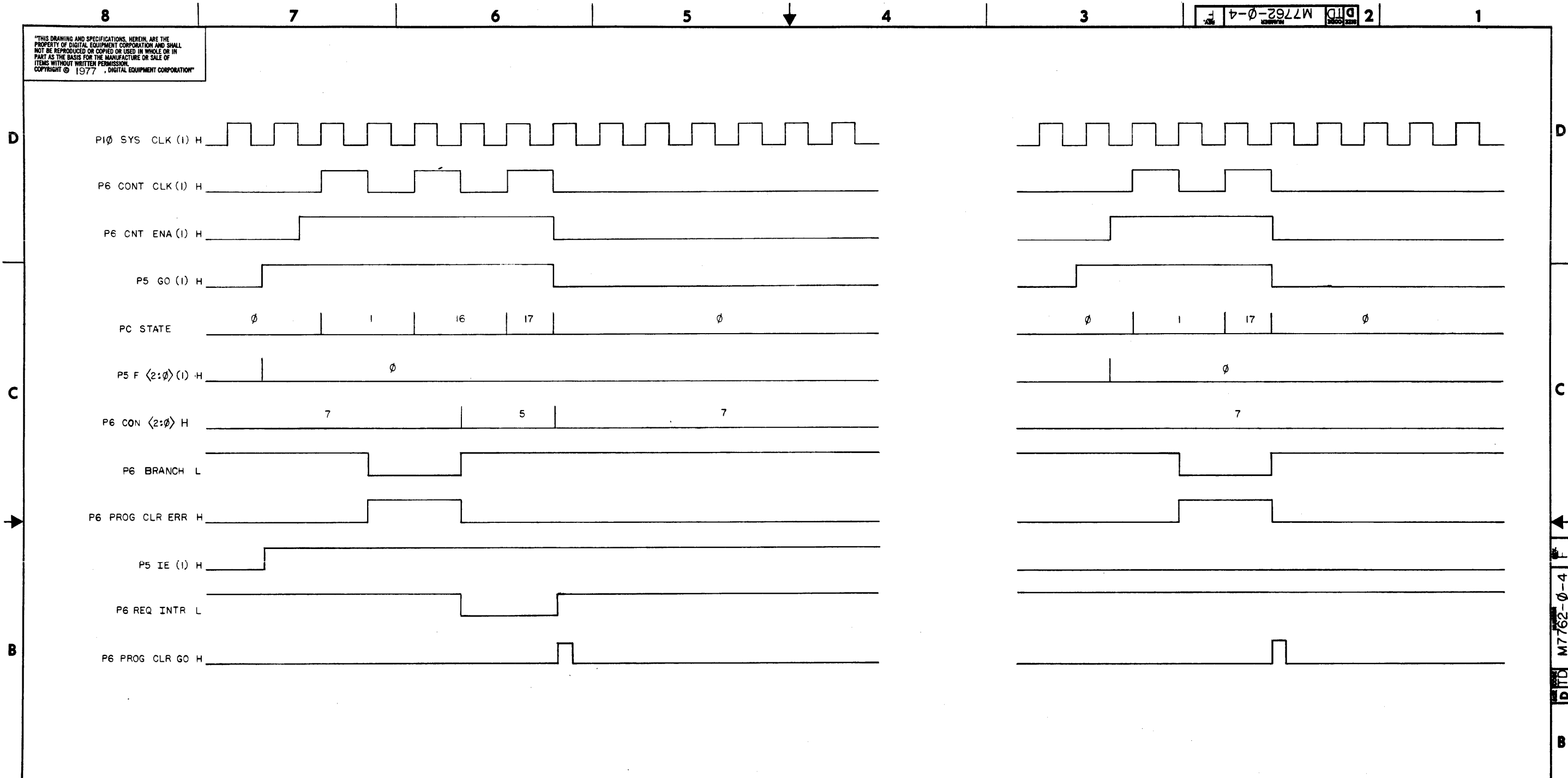


REVISIONS		
CHK	CHANGE NO.	REV.

WRITE DATA COMMAND FORMAT & NPR FLOW			
TITLE	RL11 CONTROLLER FLOW DIAGRAM	SIZE CODE	D FD
NUMBER	M 7762-0-3	REV.	E
SCALE	SHEET 3 OF 3	DIST.	

"THIS DRAWING AND SPECIFICATIONS, HEREIN, ARE THE PROPERTY OF DIGITAL EQUIPMENT CORPORATION AND SHALL NOT BE REPRODUCED OR COPIED OR USED IN WHOLE OR IN PART AS THE BASIS FOR THE MANUFACTURE OR SALE OF ITEMS WITHOUT WRITTEN PERMISSION.
 COPYRIGHT © 1977, DIGITAL EQUIPMENT CORPORATION"

Digital M7762-0-4 2



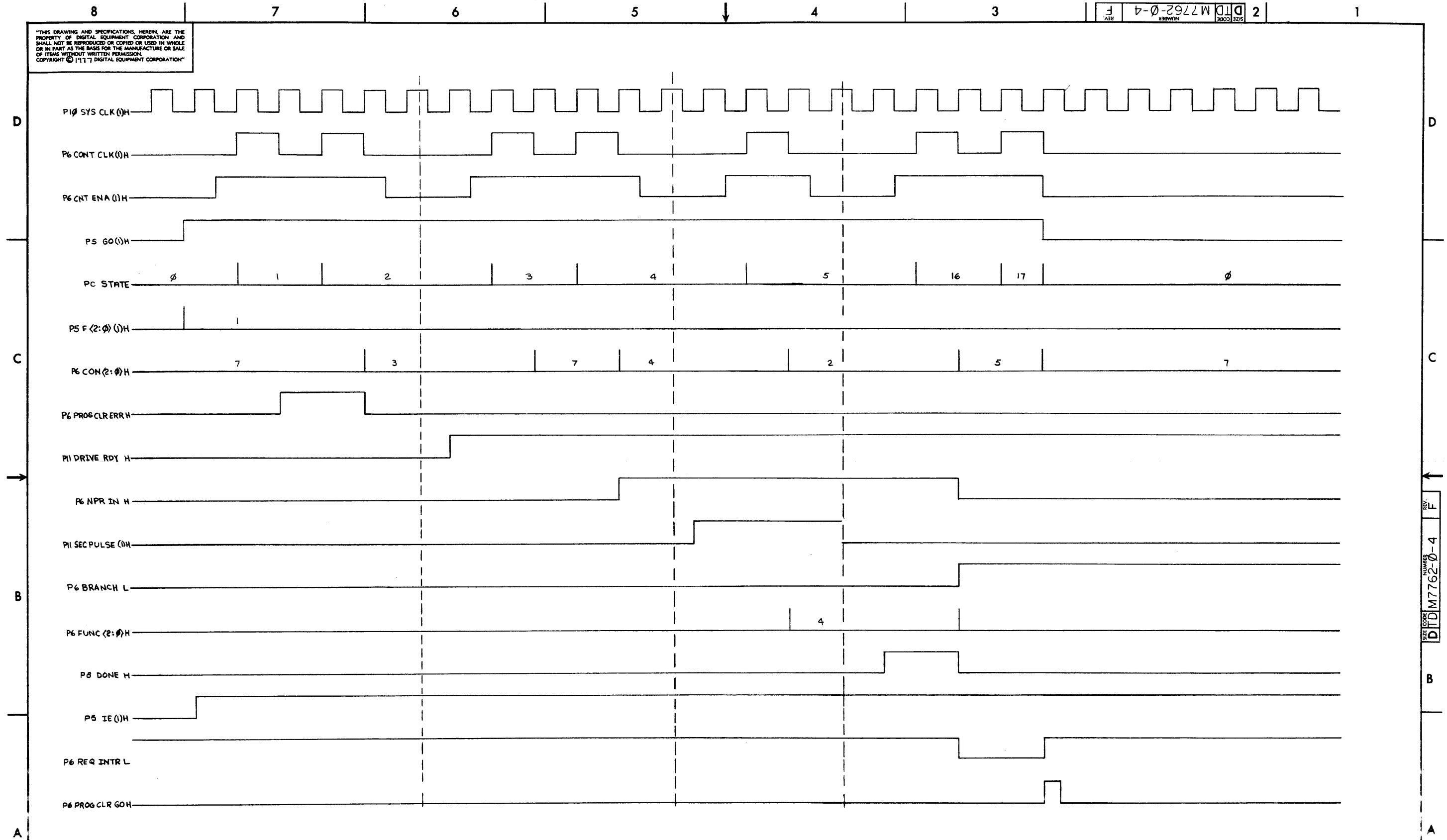
WITH IE SET

WITHOUT IE SET

REV.	CHG	NO	DATE	BY
E		00001	27 SEPT 77	
F		00002	11 NOV 77	
F		00003	11 NOV 77	

NO OP FUNCTION TIMING		FIRST USED ON		digital	
DRN. S. D. Angelo	3-4-77	RLII			
CHK'D. John Lee	1 Apr 77	TITLE		RLII CONTROLLER	
ENG. John Lee	1 Apr 77	TIMING DIAGRAM			
PROJ. ENG. J. Lee	1 Apr 77	NEXT HIGHER ASSY.			
PROD. P. J. Lee	1 Apr 77	B-DD-M7762-0		SIZE	CODE
SCALE		D	TD	NUMBER	REV.
SHEET 1 OF 13		DIST.		M7762-0-4	F

"THIS DRAWING AND SPECIFICATIONS, HEREIN, ARE THE PROPERTY OF DIGITAL EQUIPMENT CORPORATION AND SHALL NOT BE REPRODUCED OR COPIED OR USED IN WHOLE OR IN PART AS THE BASIS FOR THE MANUFACTURE OR SALE OF ITEMS WITHOUT WRITTEN PERMISSION. COPYRIGHT © 1977 DIGITAL EQUIPMENT CORPORATION"



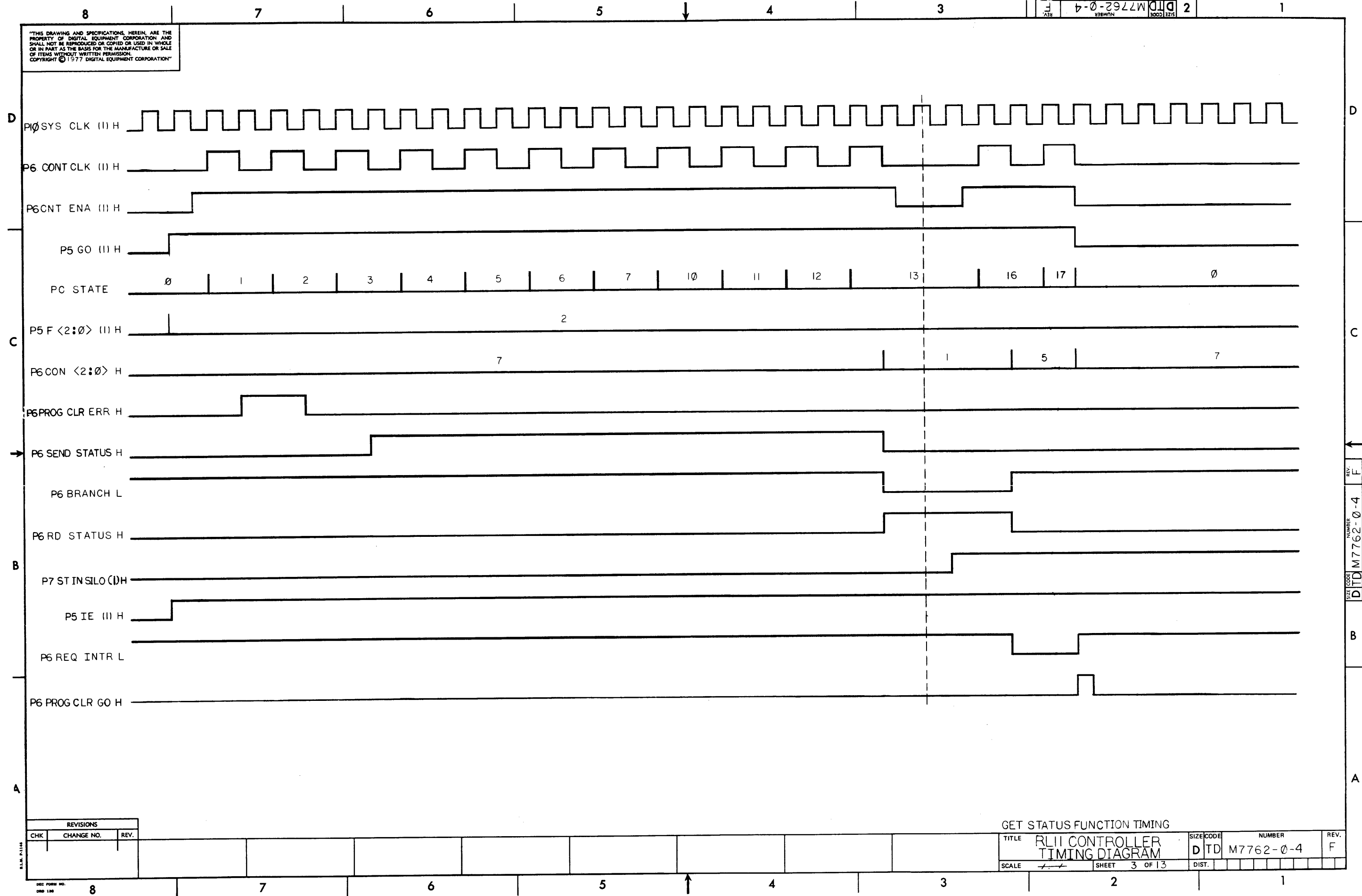
REVISIONS		
CHK	CHANGE NO.	REV.

WRITE CHECK FUNCTION TIMING

TITLE	RLII CONTROLLER TIMING DIAGRAM	SIZE CODE	D1D	NUMBER	M7762-0-4	REV.	F
SCALE	1/1	SHEET	2	OF	13	DIST.	

SIZE CODE NUMBER REV. DTD M7762-0-4 F

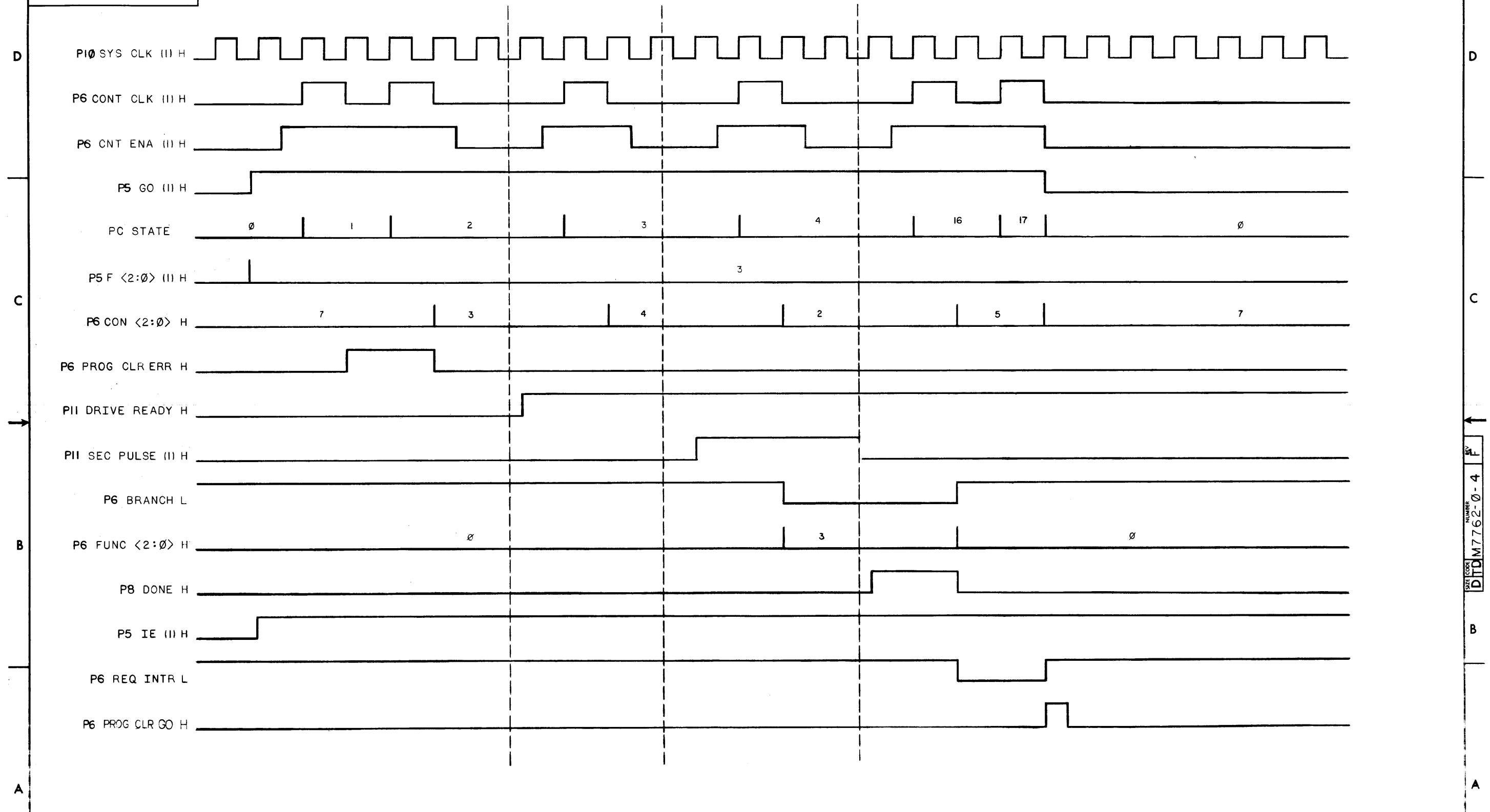
"THIS DRAWING AND SPECIFICATIONS, HEREIN, ARE THE PROPERTY OF DIGITAL EQUIPMENT CORPORATION AND SHALL NOT BE REPRODUCED OR COPIED OR USED IN WHOLE OR IN PART AS THE BASIS FOR THE MANUFACTURE OR SALE OF ITEMS WITHOUT WRITTEN PERMISSION. COPYRIGHT © 1977 DIGITAL EQUIPMENT CORPORATION"



REVISIONS		
CHK	CHANGE NO.	REV.

GET STATUS FUNCTION TIMING				TITLE	RLII CONTROLLER TIMING DIAGRAM	SIZE CODE	D TD	NUMBER	M7762-0-4	REV.	F
SCALE	+	+	+	SHEET	3 OF 13	DIST.					

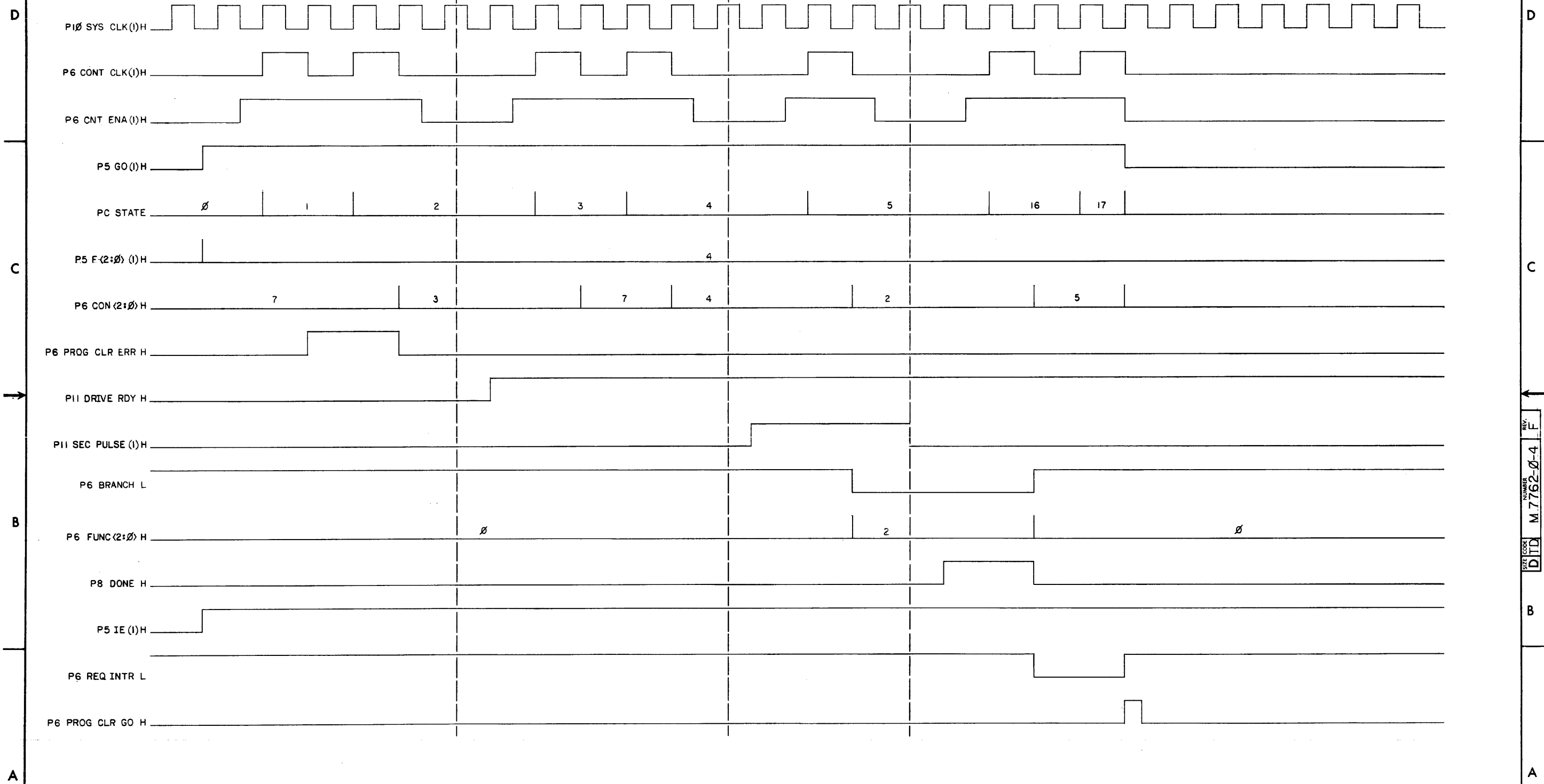
"THIS DRAWING AND SPECIFICATIONS HEREIN ARE THE PROPERTY OF DIGITAL EQUIPMENT CORPORATION AND SHALL NOT BE REPRODUCED OR COPIED OR USED IN WHOLE OR IN PART AS THE BASIS FOR THE MANUFACTURE OR SALE OF ITEMS WITHOUT WRITTEN PERMISSION. COPYRIGHT © 1977 DIGITAL EQUIPMENT CORPORATION"



REVISIONS		
CHK	CHANGE NO.	REV.

SEEK FUNCTION TIMING			
TITLE	RLII CONTROLLER TIMING DIAGRAM	SIZE CODE	DTD
NUMBER	M7762-0-4	REV.	F
SCALE	NONE	SHEET	4 OF 13
DIST.			

"THIS DRAWING AND SPECIFICATIONS, HEREIN, ARE THE PROPERTY OF DIGITAL EQUIPMENT CORPORATION AND SHALL NOT BE REPRODUCED OR COPIED OR USED IN WHOLE OR IN PART AS THE BASIS FOR THE MANUFACTURE OR SALE OF ITEMS WITHOUT WRITTEN PERMISSION. COPYRIGHT © 1977, DIGITAL EQUIPMENT CORPORATION"

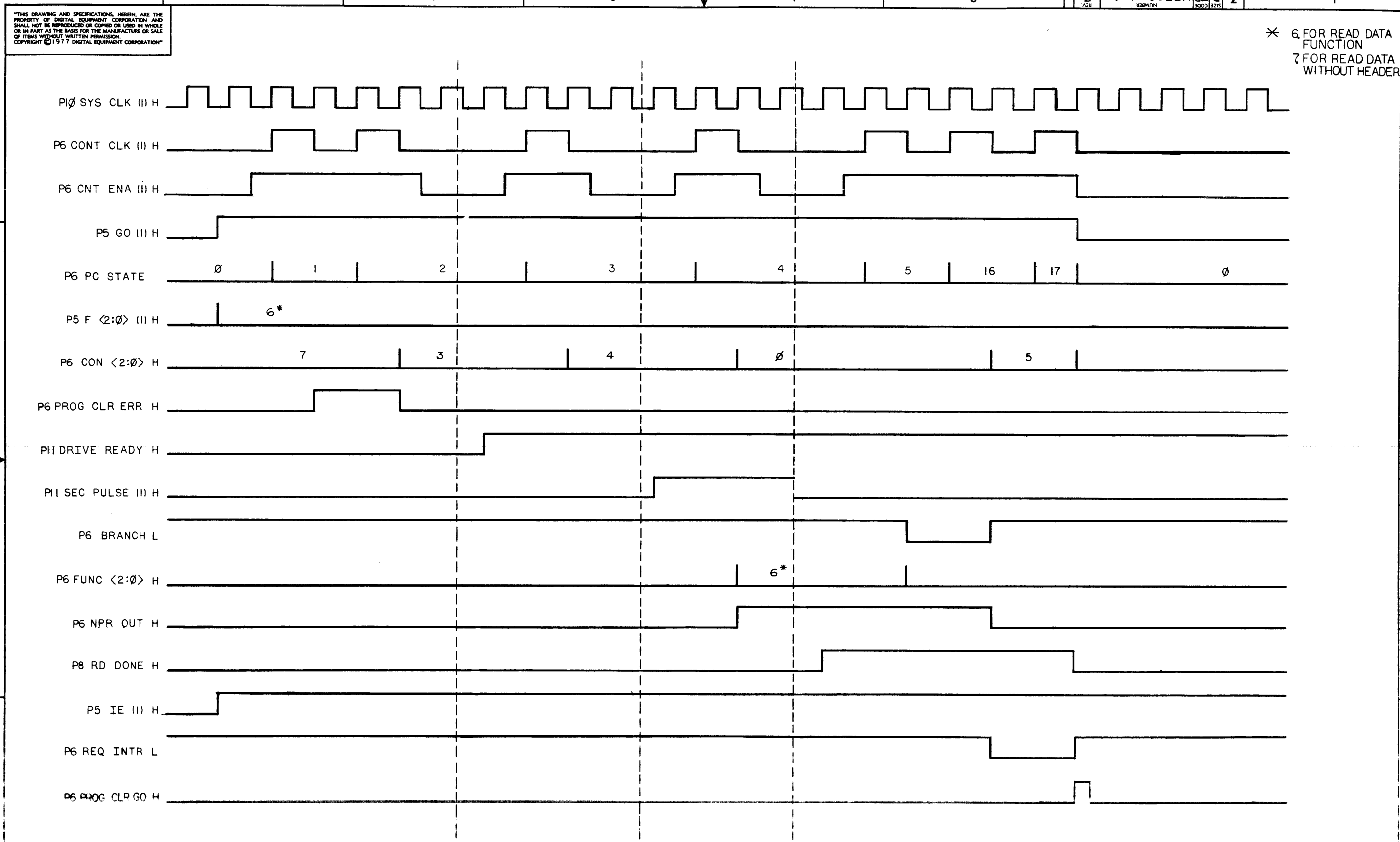


REVISIONS		
CHK	CHANGE NO.	REV.

READ HEADER FUNCTION TIMING

TITLE	RLII CONTROLLER TIMING DIAGRAM	SIZE CODE	DTD	NUMBER	M 7762-0-4	REV.	F
SCALE	---	SHEET	5	OF	13	DIST.	

SIZE CODE DTD NUMBER M 7762-0-4 REV. F

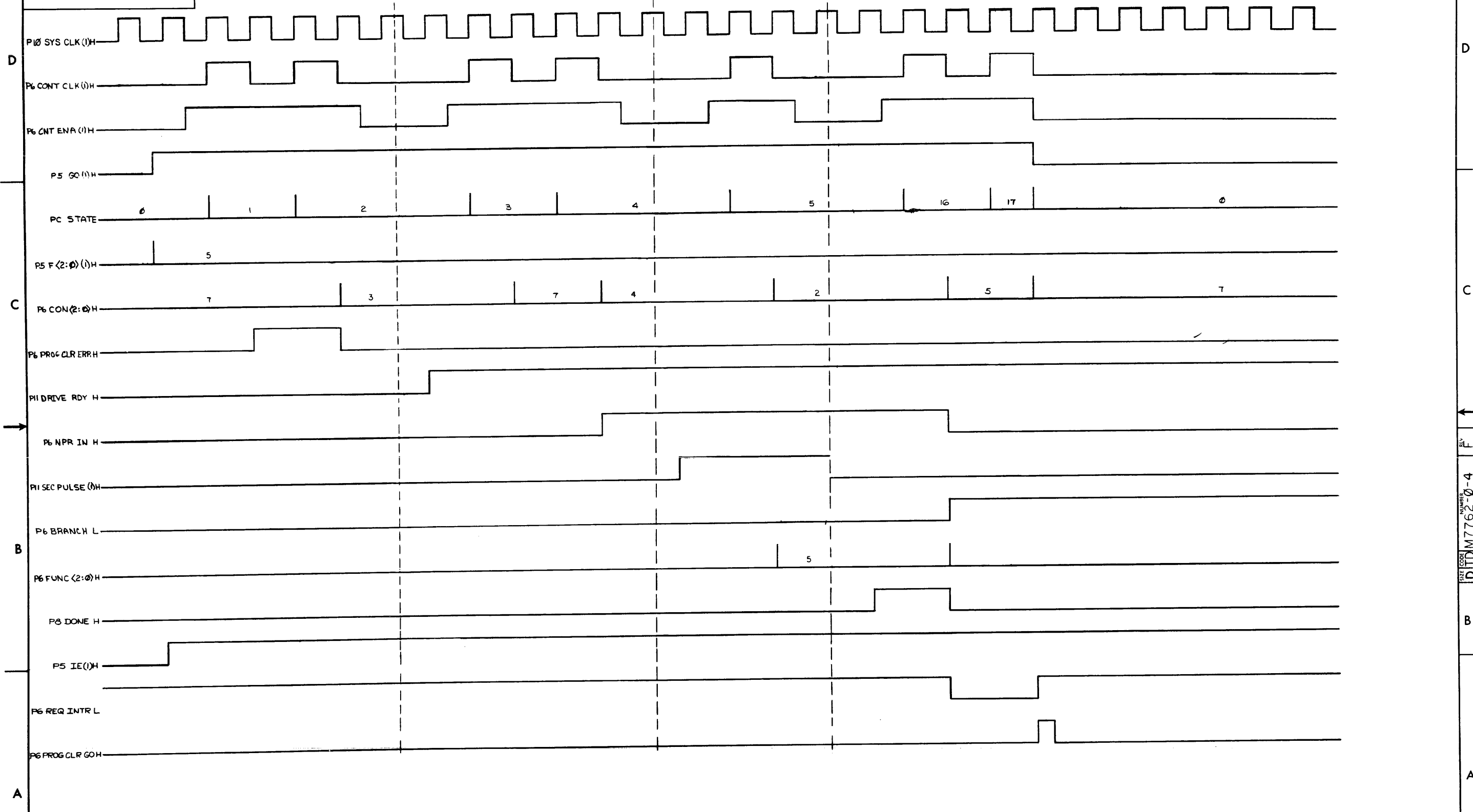


REV. F
NUMBER DTD M7762-0-4
SIZE CODE 2

TITLES		READ DATA FUNCTION TIMING	SIZE CODE	NUMBER	REV.
TITLE		RL11 CONTROLLER TIMING DIAGRAM	DTD	M7762-0-4	F
SCALE	SHEET	OF	DIST.		
NONE	6	13			

REVISIONS		
CHK	CHANGE NO.	REV.

"THIS DRAWING AND SPECIFICATIONS HEREIN ARE THE PROPERTY OF DIGITAL EQUIPMENT CORPORATION AND SHALL NOT BE REPRODUCED OR COPIED OR USED IN WHOLE OR IN PART AS THE BASIS FOR THE MANUFACTURE OR SALE OF ITEMS WITHOUT WRITTEN PERMISSION. COPYRIGHT © 1977 DIGITAL EQUIPMENT CORPORATION"



REVISIONS		
CHK	CHANGE NO.	REV.

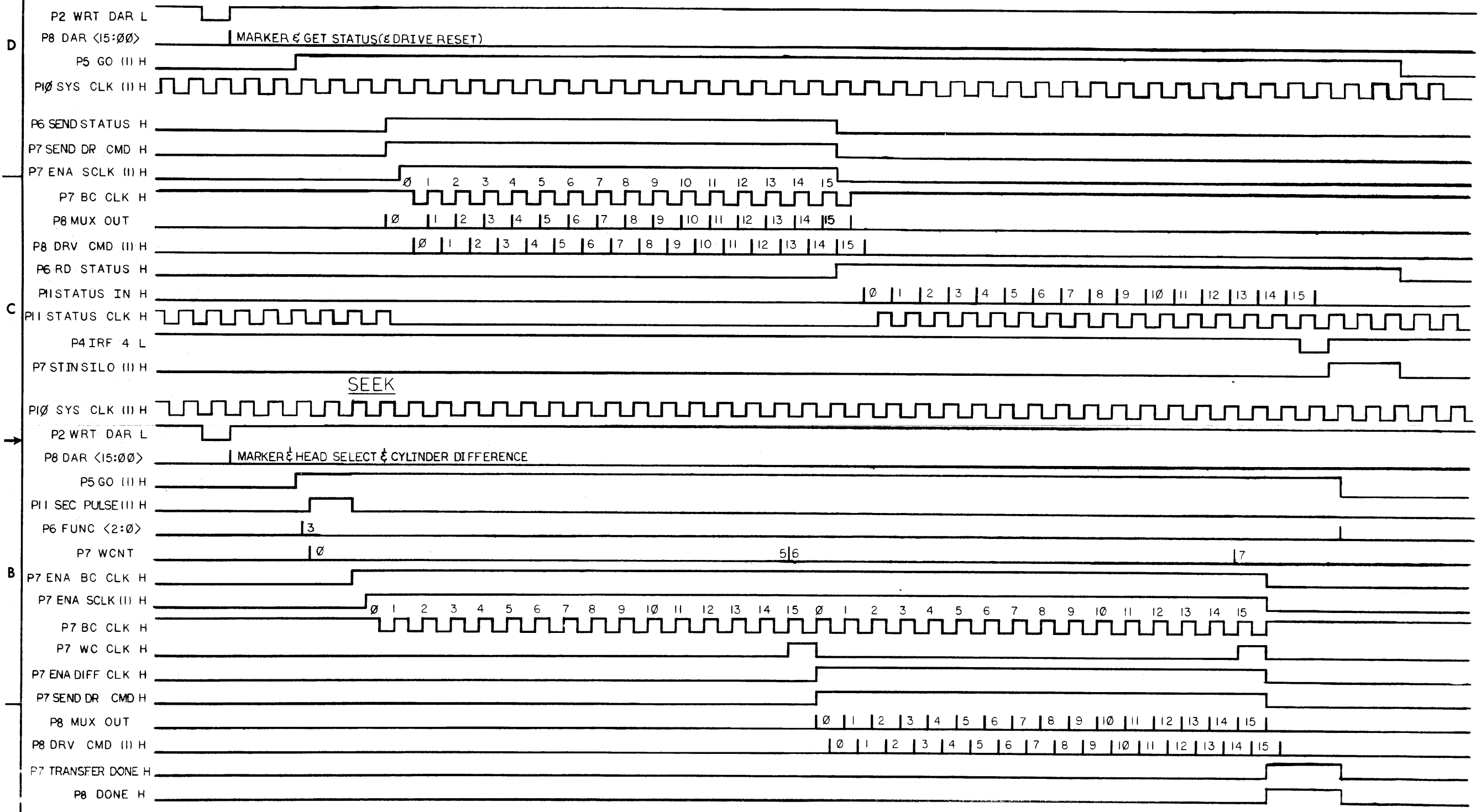
WRITE DATA FUNCTION TIMING				SIZE CODE	NUMBER	REV.
TITLE RLII CONTROLLER TIMING DIAGRAM				DTD	M7762-0-4	F
SCALE + +				SHEET 7	OF 13	DIST.

DTD M7762-0-4
 SIZE CODE NUMBER DTD M7762-0-4
 DIST.

"THIS DRAWING AND SPECIFICATIONS, HEREIN, ARE THE PROPERTY OF DIGITAL EQUIPMENT CORPORATION AND SHALL NOT BE REPRODUCED OR COPIED OR USED IN WHOLE OR IN PART AS THE BASIS FOR THE MANUFACTURE OR SALE OF ITEMS WITHOUT WRITTEN PERMISSION. COPYRIGHT © 1977 DIGITAL EQUIPMENT CORPORATION"

GET STATUS

REV. F
NUMBER M7762-0-4
SIZE CODE DTD

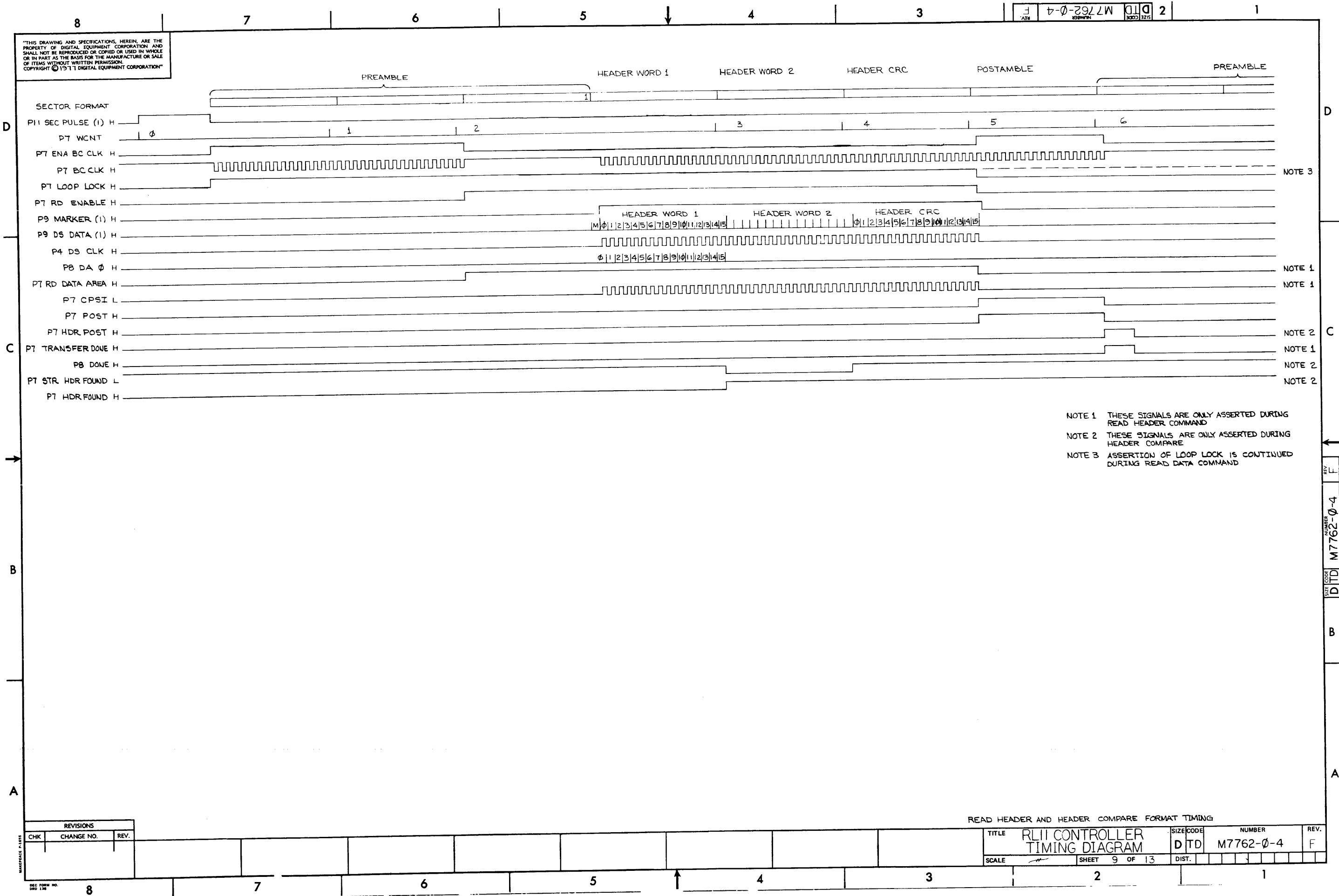


REVISIONS		
CHK	CHANGE NO.	REV.

GET STATUS & SEEK FORMAT TIMING			
TITLE	RLII CONTROLLER TIMING DIAGRAM	SIZE CODE	NUMBER
SCALE	SHEET 8 OF 13	D TD	M7762-0-4
DIST.			REV. F

REV. F
NUMBER M7762-0-4
SIZE CODE DTD

"THIS DRAWING AND SPECIFICATIONS, HEREIN, ARE THE PROPERTY OF DIGITAL EQUIPMENT CORPORATION AND SHALL NOT BE REPRODUCED OR COPIED OR USED IN WHOLE OR IN PART AS THE BASIS FOR THE MANUFACTURE OR SALE OF ITEMS WITHOUT WRITTEN PERMISSION. COPYRIGHT © 1977 DIGITAL EQUIPMENT CORPORATION"



NOTE 1 THESE SIGNALS ARE ONLY ASSERTED DURING READ HEADER COMMAND
 NOTE 2 THESE SIGNALS ARE ONLY ASSERTED DURING HEADER COMPARE
 NOTE 3 ASSERTION OF LOOP LOCK IS CONTINUED DURING READ DATA COMMAND

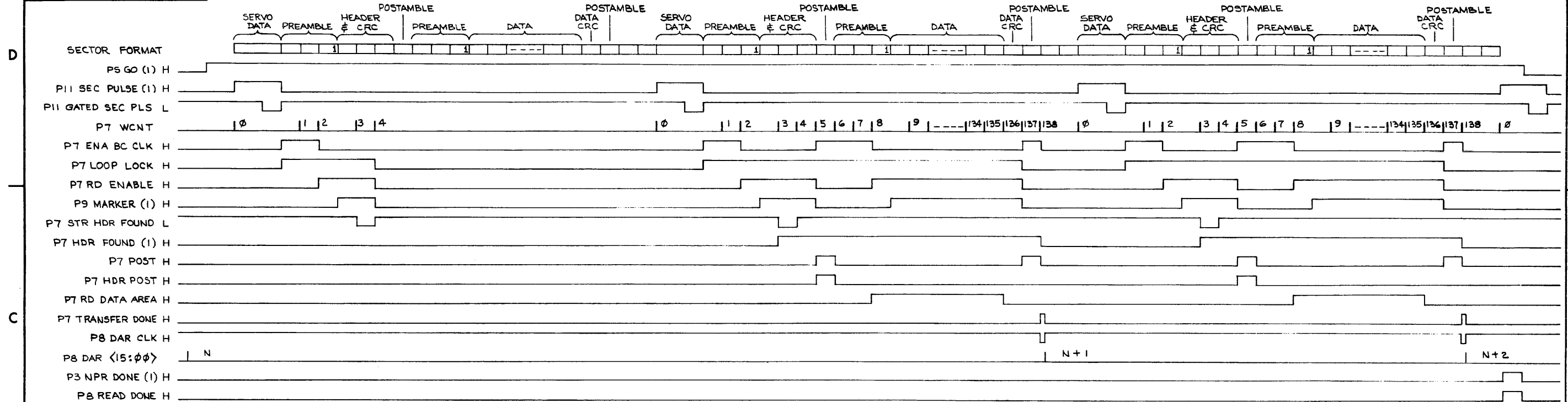
REVISIONS		
CHK	CHANGE NO.	REV.

READ HEADER AND HEADER COMPARE FORMAT TIMING			
TITLE	RLII CONTROLLER TIMING DIAGRAM	SIZE CODE	D TD
NUMBER	M7762-0-4	REV.	F
SCALE	SHEET 9 OF 13	DIST.	

REV. F M7762-0-4 DTD 2

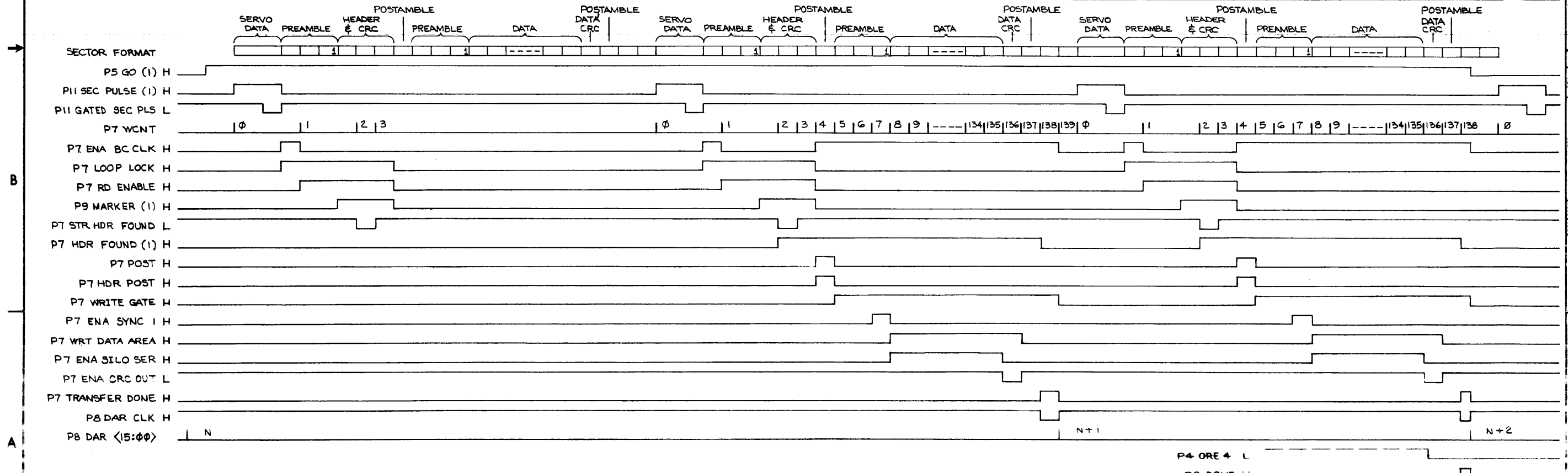
"THIS DRAWING AND SPECIFICATIONS, HEREIN, ARE THE PROPERTY OF DIGITAL EQUIPMENT CORPORATION AND SHALL NOT BE REPRODUCED OR COPIED OR USED IN WHOLE OR IN PART AS THE BASIS FOR THE MANUFACTURE OR SALE OF ITEMS WITHOUT WRITTEN PERMISSION. COPYRIGHT © 1977 DIGITAL EQUIPMENT CORPORATION"

READ DATA COMMAND



WRITE DATA COMMAND

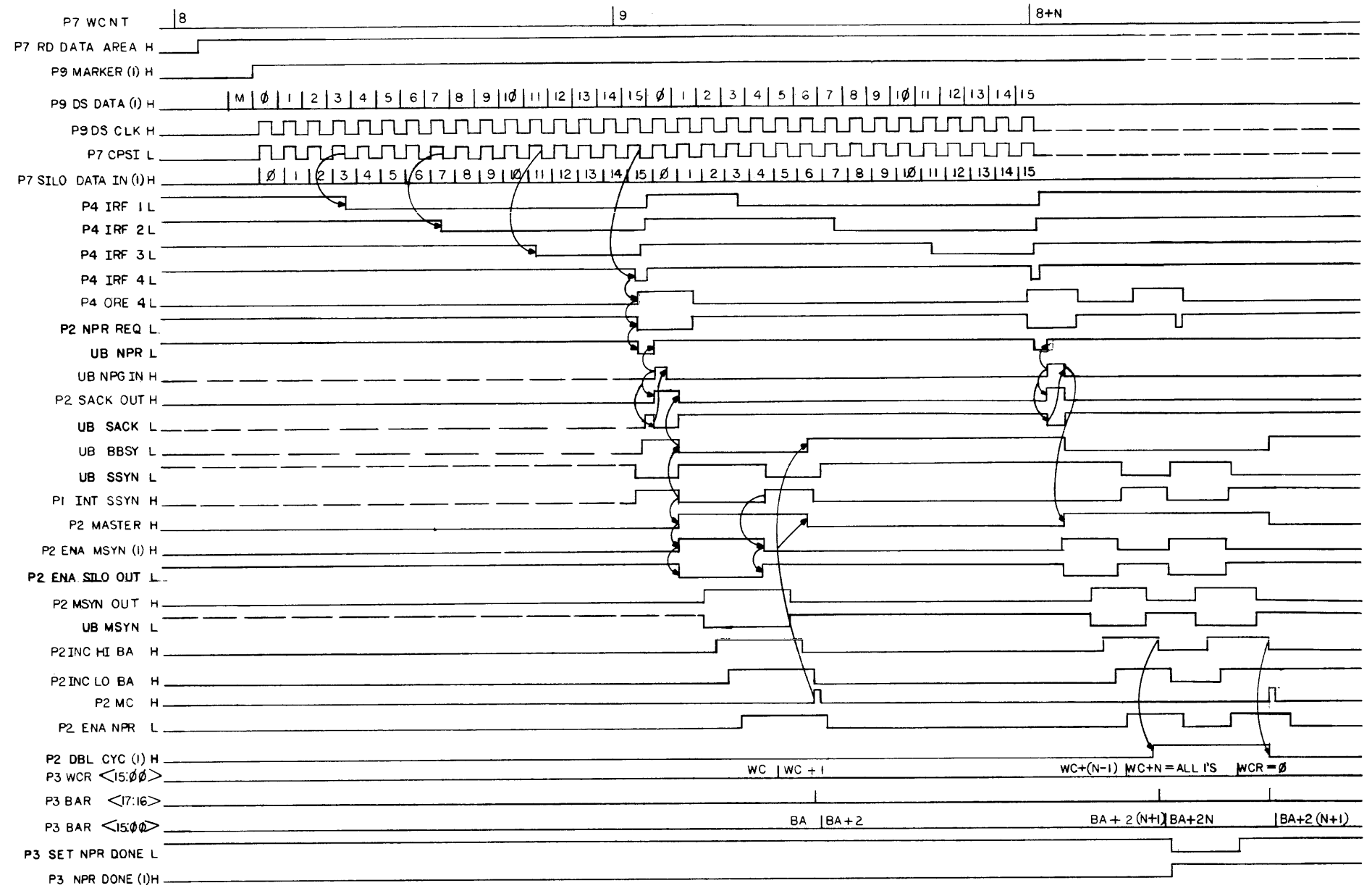
READ/WRITE COMMAND FORMAT CONTROL TIMING



REVISIONS		
CHK	CHANGE NO.	REV.

TITLE	RLII CONTROLLER TIMING DIAGRAM	SIZE CODE	NUMBER	REV.
SCALE	1	DTD	M7762-0-4	F
SHEET	10	DIST.		
OF	13			

"THIS DRAWING AND SPECIFICATIONS, HEREIN, ARE THE PROPERTY OF DIGITAL EQUIPMENT CORPORATION AND SHALL NOT BE REPRODUCED OR COPIED OR USED IN WHOLE OR IN PART AS THE BASIS FOR THE MANUFACTURE OR SALE OF ITEMS WITHOUT WRITTEN PERMISSION. COPYRIGHT © 1977 DIGITAL EQUIPMENT CORPORATION"

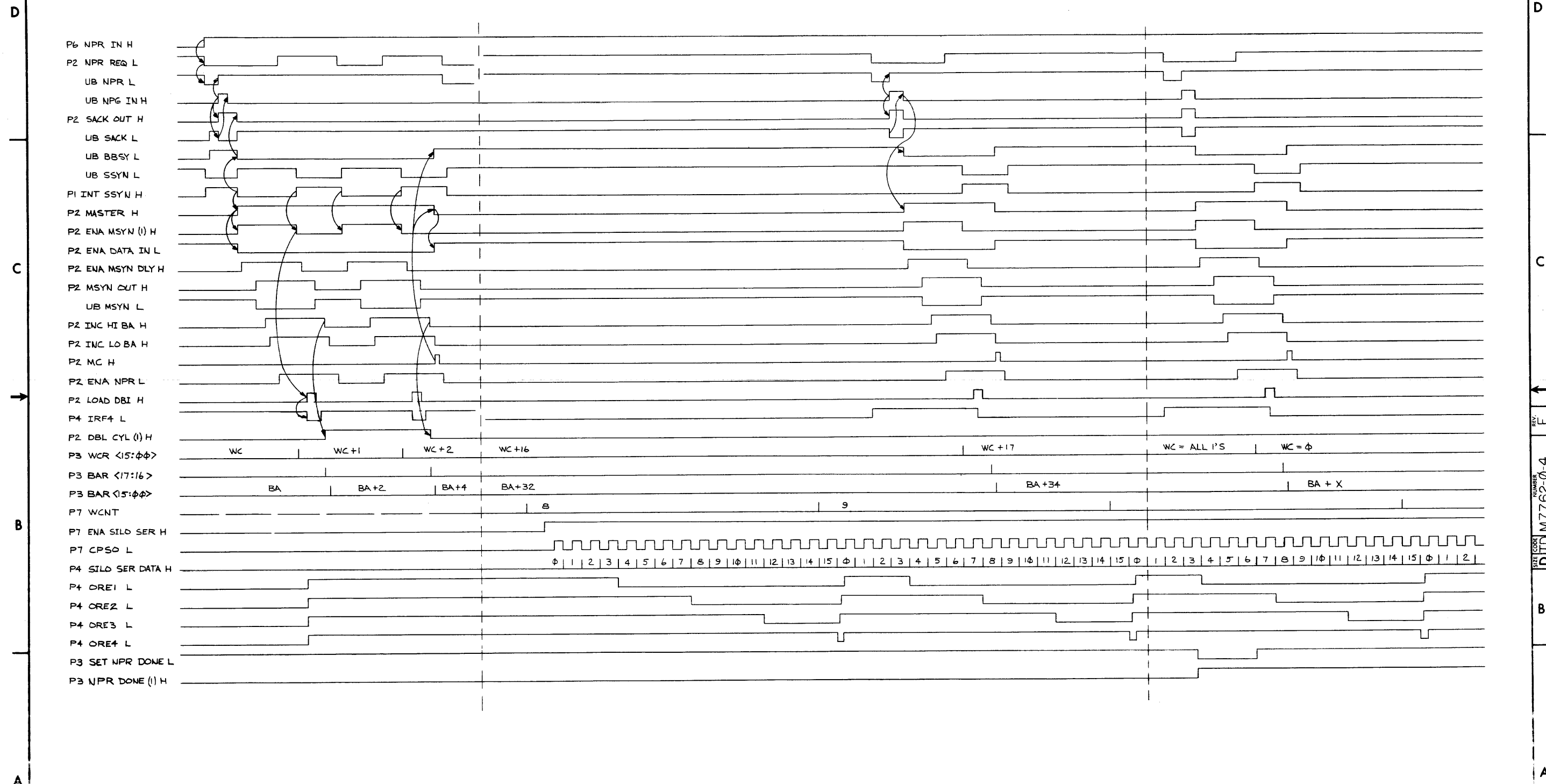


REVISIONS		
CHK	CHANGE NO.	REV.

READ DATA NPR # SILO TIMING

TITLE	RLII CONTROLLER TIMING DIAGRAM	SIZE CODE	D TD	NUMBER	M 7762-0-4	REV.	F
SCALE	---	SHEET	11	OF	13	DIST.	

"THIS DRAWING AND SPECIFICATIONS, HEREIN, ARE THE PROPERTY OF DIGITAL EQUIPMENT CORPORATION AND SHALL NOT BE REPRODUCED OR COPIED OR USED IN WHOLE OR IN PART AS THE BASIS FOR THE MANUFACTURE OR SALE OF ITEMS WITHOUT WRITTEN PERMISSION. COPYRIGHT © 1977 DIGITAL EQUIPMENT CORPORATION"



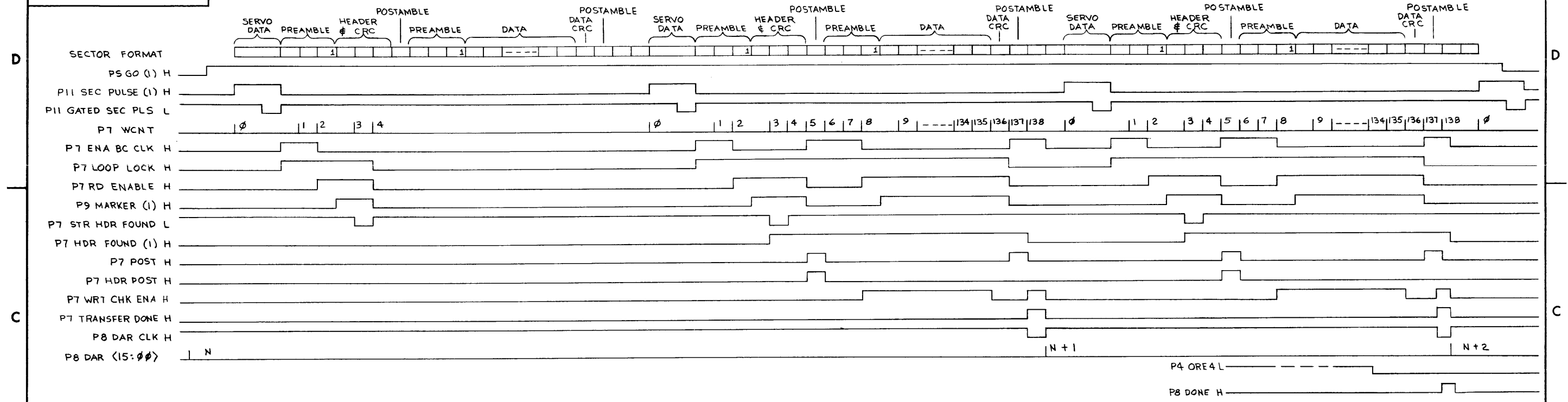
REVISIONS		
CHK	CHANGE NO.	REV.

REV. F
DITD M7762-0-4
SIZE CODE

"THIS DRAWING AND SPECIFICATIONS, HEREIN, ARE THE PROPERTY OF DIGITAL EQUIPMENT CORPORATION AND SHALL NOT BE REPRODUCED OR COPIED OR USED IN WHOLE OR IN PART AS THE BASIS FOR THE MANUFACTURE OR SALE OF ITEMS WITHOUT WRITTEN PERMISSION. COPYRIGHT © 1977 DIGITAL EQUIPMENT CORPORATION"

WRITE CHECK COMMAND

SIZE CODE D TD M762-0-4 2



WRITE CHECK COMMAND FORMAT CONTROL TIMING

REVISIONS		
CHK	CHANGE NO.	REV.

TITLE	RLII CONTROLLER TIMING DIAGRAM	SIZE CODE	D TD	NUMBER	M762-0-4	REV.	F
SCALE	1:1	SHEET	13	OF	13	DIST.	

REV. F
NUMBER M762-0-4
SIZE CODE D TD

**DIGITAL EQUIPMENT CORPORATION
MAYNARD, MASSACHUSETTS
PARTS LIST**

QUANTITY VARIATION

MADE BY F. CARBERRY	CHECKED R. CARBERRY	SECTION 1
DATE 2 JUN 76	DATE 2 JUN 76	
ENG C. LIU	PROD R. STROTT	ISSUED SECT. 1
DATE 12 APR 77	DATE 12 APR 77	

ITEM NO.	DWG NO./PART NO.	DESCRIPTION
1	E-UA-RL11-0-0	RL11 CONTROLLER ASSEMBLY
2	MP00526	FIELD MAINTENANCE PRINT SET (RL11-AK)
3	MP00153	FIELD MAINTENANCE PRINT SET (RL11)
4	23-751A9	M9312 ROM (BOOT STRAP BOARD)
5	9906228	PACKAGING CONTAINER (FOR ITEM 4)

RL11-0																			
1																			
1																			
1																			
1																			
1																			

TITLE
RL11 SHIPPING LIST

ASSY NO.
B-DD-RL11-0

SHEET 1 OF 1

SIZE CODE
A PL

DIST

NUMBER
RL11-0

REV
C

ECO NO.
RL11-AK-CZ002