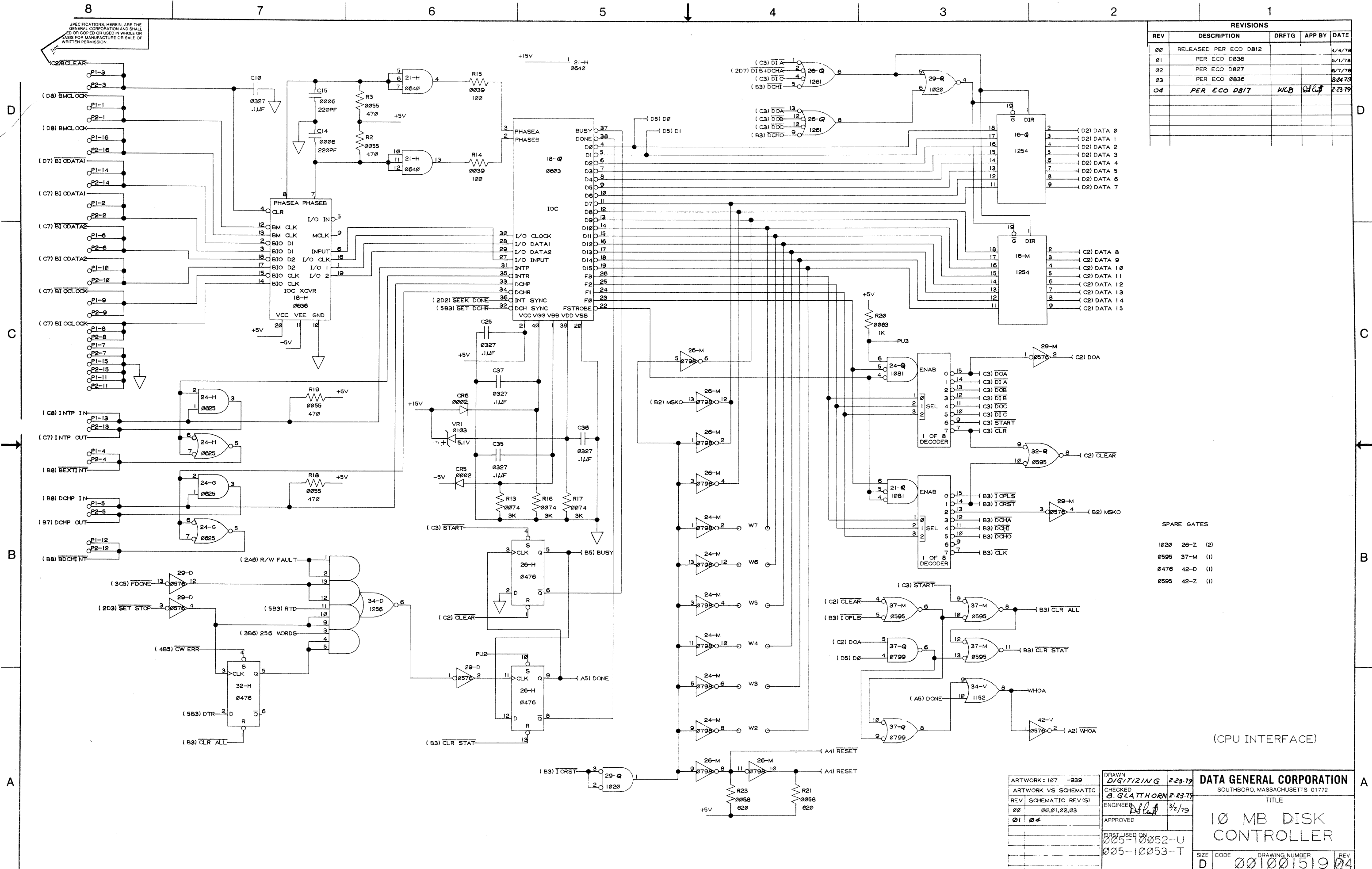


REVISIONS				
REV	DESCRIPTION	DRFTG	APP BY	DATE
00	RELEASED PER ECO DB12			4/1/78
01	PER ECO DB36			5/1/78
02	PER ECO DB27			6/7/78
03	PER ECO DB36			8/24/78
04	PER ECO DB17	WLB	DLG	2/23/79

SPECIFICATIONS, HEREIN, ARE THE GENERAL CORPORATION AND SHALL BE COPIED OR USED IN WHOLE OR IN PART FOR MANUFACTURE OR SALE OF ANY PRODUCT WITHOUT THE WRITTEN PERMISSION OF THE GENERAL CORPORATION.



- SPARE GATES
- 1020 26-Z (2)
  - 0595 37-M (1)
  - 0476 42-D (1)
  - 0595 42-Z (1)

(CPU INTERFACE)

ARTWORK: 107 -939	DRAWN: D/GITZING 2-23-79	<b>DATA GENERAL CORPORATION</b>	
ARTWORK VS SCHEMATIC	CHECKED: G. GLATHORN 2-23-79	SOUTHBORO, MASSACHUSETTS 01772	
REV SCHEMATIC REV(S)	ENGINEER: D. G. 3/2/79	TITLE	
00 00,01,02,03	APPROVED:	10 MB DISK CONTROLLER	
01 04	FIRST USED ON:	SIZE	CODE
	005-10052-U	D	001001519
	005-10053-T	DRAWING NUMBER	REV
			04





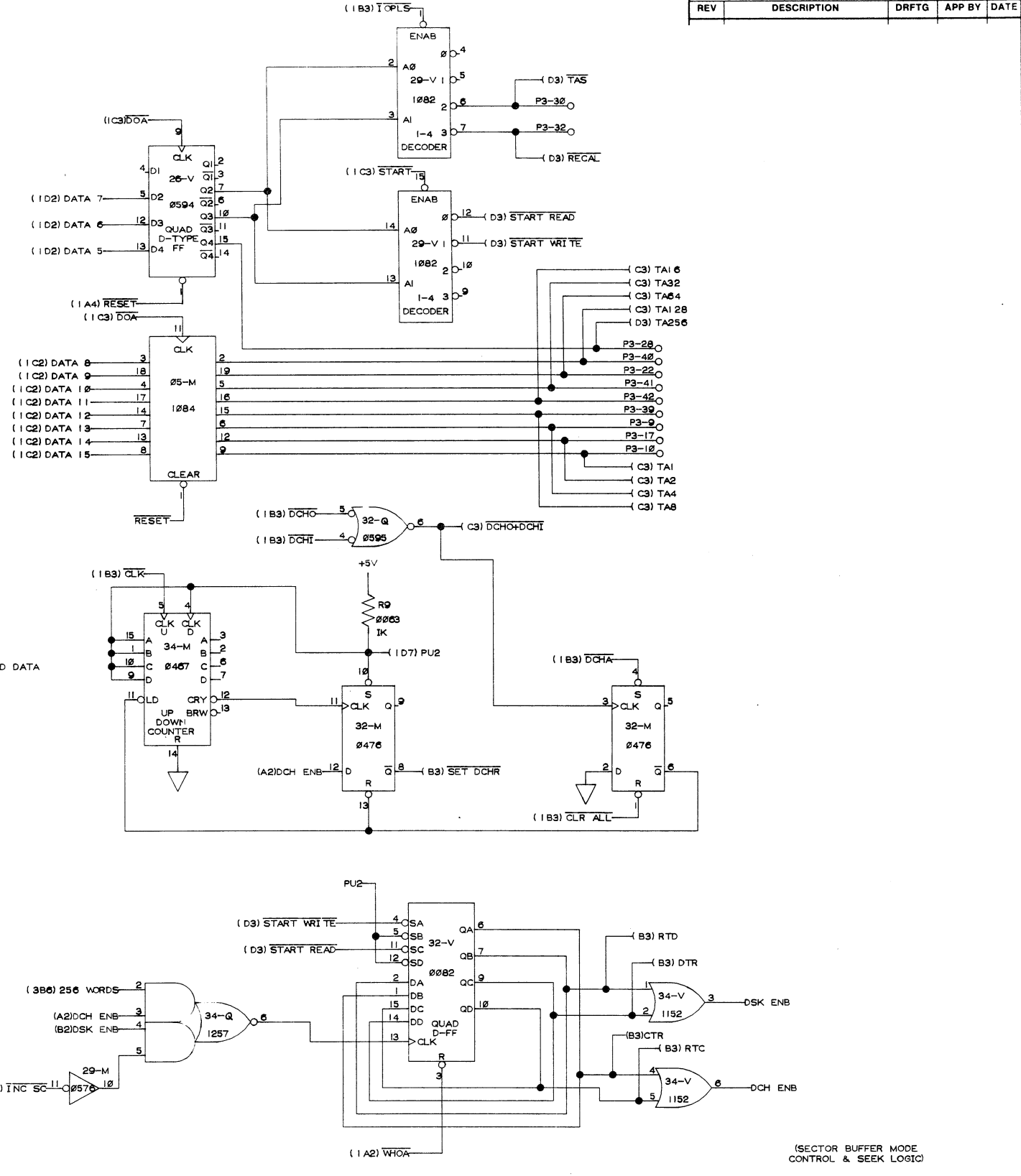
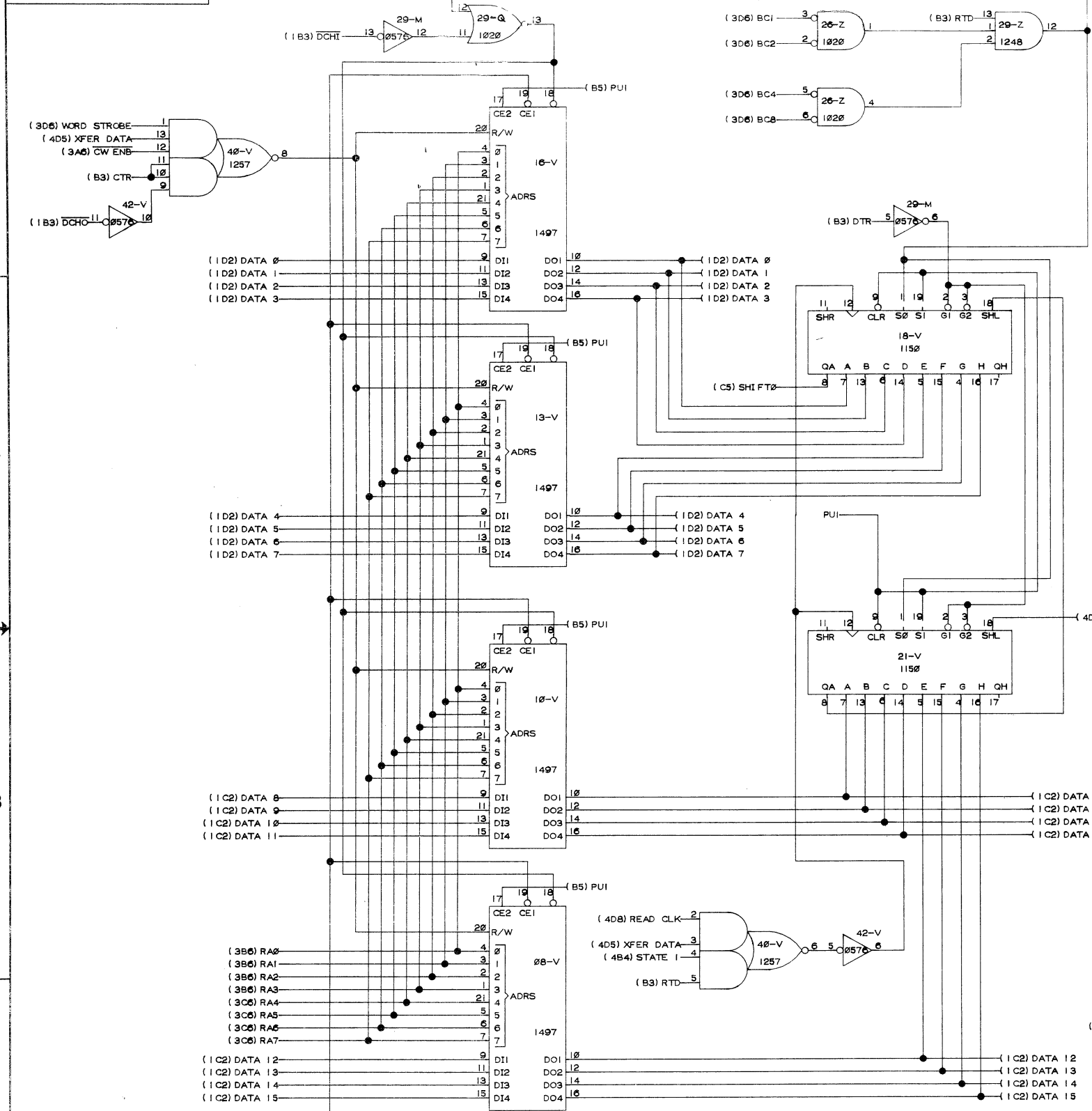


THIS DRAWING AND SPECIFICATIONS, HEREIN, ARE THE PROPERTY OF DATA GENERAL CORPORATION AND SHALL NOT BE REPRODUCED OR COPIED OR USED IN WHOLE OR IN PART AS THE BASIS FOR MANUFACTURE OR SALE OF ITEMS WITHOUT WRITTEN PERMISSION

REVISIONS			
REV	DESCRIPTION	DRFTG	APP BY DATE

D  
C  
B  
A

D  
C  
B  
A

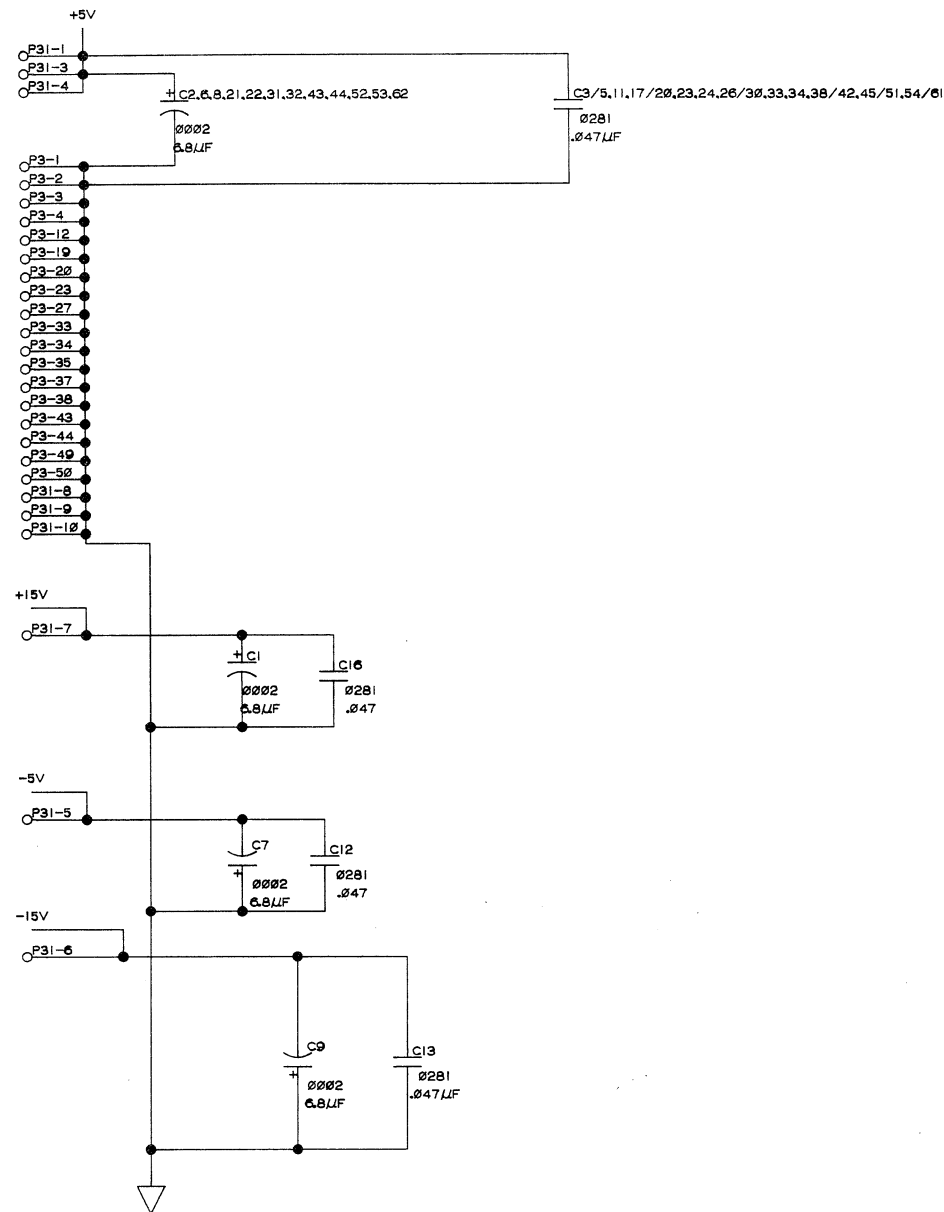


(SECTOR BUFFER MODE CONTROL & SEEK LOGIC)

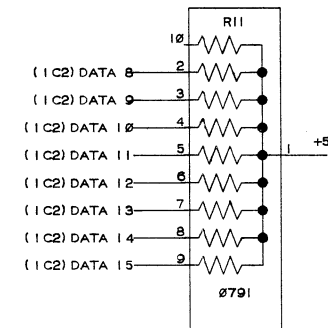
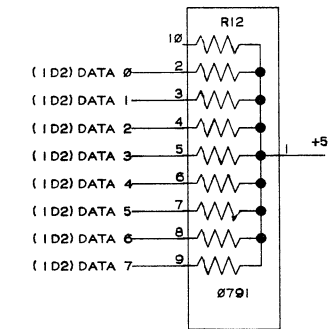
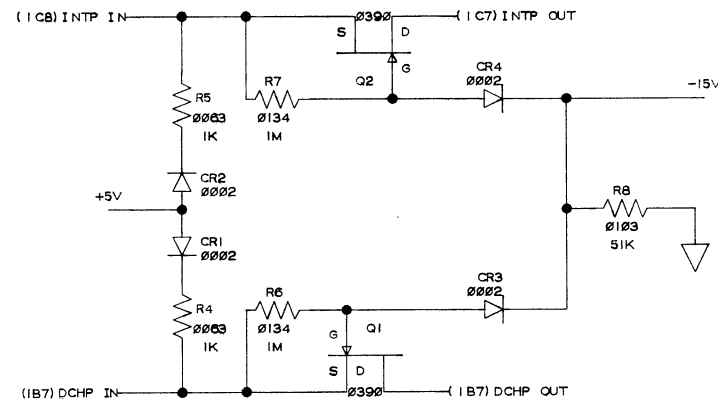
DRAWN		<b>DATA GENERAL CORPORATION</b> SOUTHBORO, MASSACHUSETTS 01772 TITLE <b>10 MB DISK CONTROLLER</b> SIZE CODE DRAWING NUMBER REV D 001001519 04
CHECKED		
ENGINEER		
APPROVED		
FIRST USED ON		

THIS DRAWING AND SPECIFICATIONS HEREIN ARE THE PROPERTY OF DATA GENERAL CORPORATION AND SHALL NOT BE REPRODUCED OR COPIED OR USED IN WHOLE OR IN PART AS THE BASIS FOR MANUFACTURE OR SALE OF ITEMS WITHOUT WRITTEN PERMISSION.

REVISIONS				
REV	DESCRIPTION	DRFTG	APP BY	DATE



NOTE  
P31 POSITION 2 IS THE CONNECTOR KEY LOCATION.

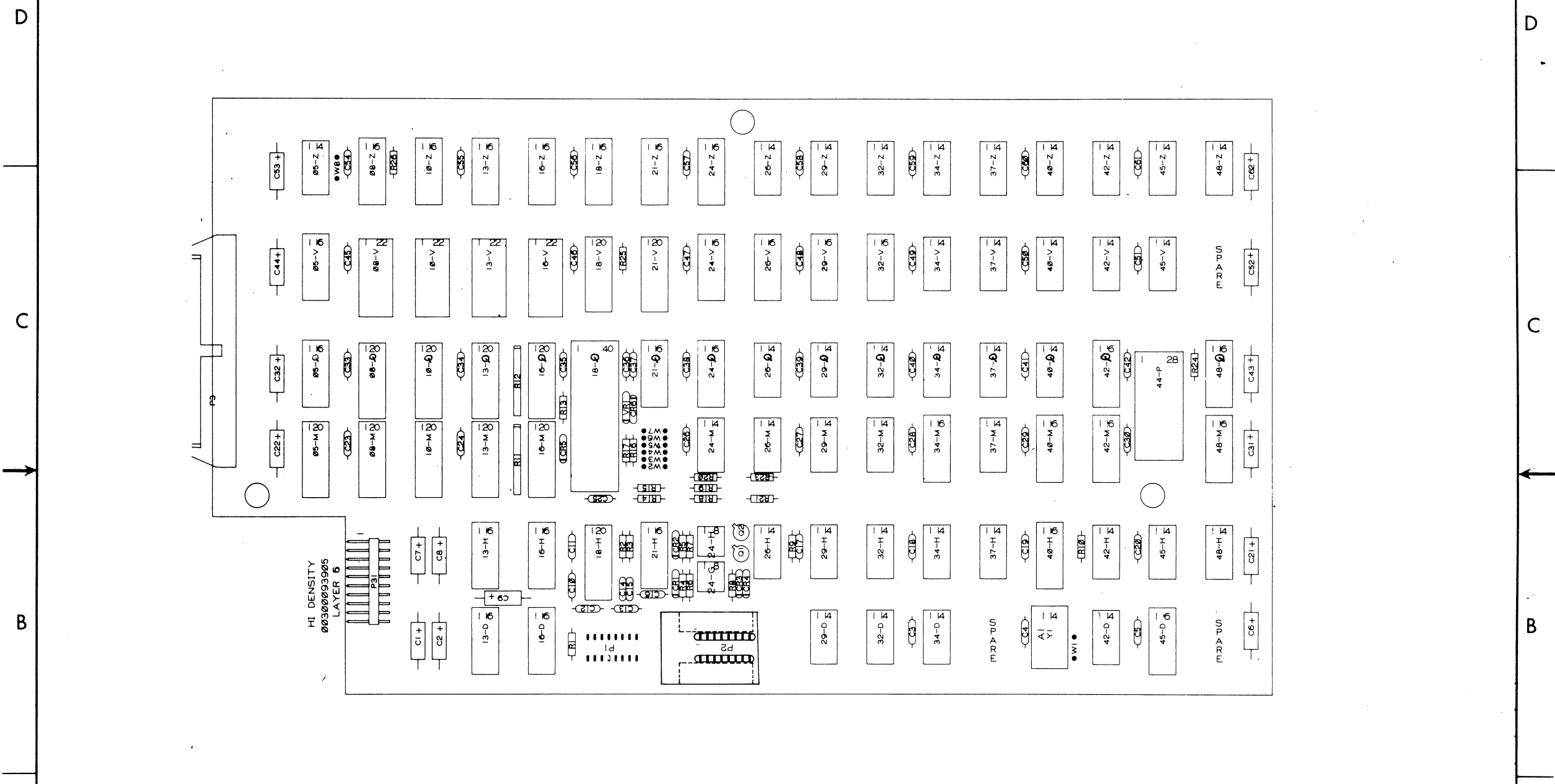


DRAWN		<b>DATA GENERAL CORPORATION</b> SOUTHBORO, MASSACHUSETTS 01772 TITLE <b>10 MB DISK CONTROLLER</b>	
CHECKED			
ENGINEER			
APPROVED			
FIRST USED ON			
SIZE	CODE	DRAWING NUMBER	REV
D		001001519	04



THIS DRAWING AND SPECIFICATIONS HEREIN ARE THE PROPERTY OF DATA GENERAL CORPORATION AND SHALL NOT BE REPRODUCED OR COPIED OR USED IN WHOLE OR IN PART AS THE BASIS FOR MANUFACTURE OR SALE OF ITEMS WITHOUT WRITTEN PERMISSION

REVISIONS				
REV	DESCRIPTION	DRFTG	APP BY	DATE
ECO				



BRUNING 40 526 35976 1

ITEM	QTY	DESCRIPTION	PART NO.
DO NOT SCALE DRAWING			
UNLESS OTHERWISE SPECIFIED			
USE D.G.C. SPECIFICATION			
108-000028 FOR TOLERANCES AND WORKMANSHIP REQUIREMENTS			
DRAWN <i>Jim IDAR'S</i>		2-9-77	<b>DATA GENERAL CORPORATION</b> WESTBORO, MASS. 01581
CHECKED		2/24/77	
ENGINEER			TITLE IPL
APPROVED			10 MB. DISK CONTROLLER
FIRST USED ON			
SCALE		CODE IDENT.	SIZE
			CODE
			DRAWING NUMBER
			REV.
			C 016 000625 04

THIRD ANGLE PROJECTION