

Product specification  
for the D 120  
exchangeable cartridge  
disk drive

DOCUMENT REFERENCE No : BEM 1168/A3 SEPTEMBER 1978

*Fuslandip D. daw's*

*Telefo (33-1) 055.20.00 ext 30.92*

*Telex C11-HR 696 054 F*

**Cii Honeywell Bull**  
OEM SALES  
6, AV. DES USINES  
90001 BELFORT/FRANCE

<b>Cii Honeywell Bull</b>	D 120 DISK DRIVE OEM product specification	SPEC. No	Folio	REV.
		BEM 1168	2	A3

## LIST OF ILLUSTRATIONS

Figure	1 M 4120 Cartridge .....	9
	2 Track format .....	11
	3 Sector format .....	12
	4 Start cycle .....	16
	5 Stop cycle .....	17
	6 Interface block diagram .....	20
	7 Interface lines diagram .....	24
	8 Index/sector timing .....	29
	9 Address/strobe timing .....	30
	10 Read enable timing .....	31
	11 Write enable timing .....	31
	12 Data clock timing .....	32
	13 Valid sector/address timing .....	33
	14 Logic cable connector .....	35
	15 Power connector .....	38
	16 Installation mounting .....	42
	17 Connectors location .....	43

## LIST OF TABLES

Table	1 Address lines and strobes .....	22
	2 Logic connector JO4 pin assignment .....	35
	3 Logic connector JO1 pin assignment .....	36
	4 Drive power requirements .....	37
	5 Operating environment limits .....	40

<b>Cii Honeywell Bull</b>	D 120 DISK DRIVE OEM product specification	SPEC. No	Folio	REV.
		BEM 1168	3	A3

## TABLE OF CONTENTS

<b>1</b>	<b>GENERAL DESCRIPTION</b>		
	1.1	Product description .....	5
	1.2	Standard equipment .....	5
	1.3	Optional equipment .....	5
	1.4	Accessories .....	5
<b>2</b>	<b>PERFORMANCE</b>		
	2.1	Access characteristics .....	6
	2.2	Data capacity .....	6
	2.3	Data transfer rate .....	7
	2.4	Recording parameters .....	7
	2.5	Disk .....	7
	2.6	Head .....	7
	2.7	Spindle .....	7
	2.8	Start/stop times .....	7
	2.9	Data security .....	7
	2.10	Error rate .....	8
	2.11	Device Fault .....	8
<b>3</b>	<b>MEDIA</b>		
	3.1	Cartridge .....	9
	3.2	Disk .....	10
<b>4</b>	<b>DATA FORMAT</b>		
	4.1	General .....	11
	4.2	Track format .....	11
	4.3	Sector format .....	12
<b>5</b>	<b>OPERATION</b>		
	5.1	General .....	14
	5.2	Media Loading .....	14
	5.3	Start/stop .....	14
	5.4	Head Loading/unloading .....	14
	5.5	Initialization seek .....	15
	5.6	Seek operation .....	15
	5.7	Write operation .....	15
	5.8	Read operation .....	15
	5.9	Index mark .....	15
	5.10	Sector mark .....	15
	5.11	Operator controls .....	18
	5.12	Write protect option .....	18

<b>Cii Honeywell Bull</b>	D 120 DISK DRIVE	SPEC. No	Folio	REV.
	OEM product specification	BEM 1168	4	A3

6	INTERFACE		
6.1	Interface definition .....	19	
6.2	Input signals to drive .....	21	
6.3	Output signals from drive .....	25	
6.4	Interface timing .....	29	
6.5	Receivers/drivers .....	34	
6.6	Interface cable .....	34	
6.7	Logic connector .....	35	
7	ELECTRICAL REQUIREMENTS		
7.1	Input power supplies .....	37	
7.2	Input power connector.....	38	
7.3	Grounding.....	38	
7.4	Power consumption .....	38	
8	PHYSICAL CHARACTERISTICS		
8.1	Dimensions .....	39	
8.2	Weight .....	39	
8.3	Finish requirements .....	39	
8.4	Nameplate.....	39	
9	INSTALLATION		
9.1	Environment conditions .....	40	
9.2	Installation .....	41	
10	RELIABILITY		
10.1	Mean time between failures .....	44	
10.2	Mean time to repair .....	44	
10.3	Useful life .....	44	
11	MAINTENANCE		
11.1	Preventive maintenance .....	45	
11.2	Maintenance documentation .....	45	
11.3	Special tooling .....	45	
11.4	Recommended spare parts .....	45	
12	HANDLING, PACKING, TRANSPORTATION .....	46	

<b>Cii Honeywell Bull</b>	D 120 DISK DRIVE OEM product specification	SPEC. No BEM 1168	Folio 5	REV. A1
---------------------------	---	----------------------	------------	------------

## 1 GENERAL DESCRIPTION

### 1.1 PRODUCT DESCRIPTION

The D 120 is a moving head, removable media disk intended for small business systems, visible record computers, mini-computers, process control and terminal systems. It is available in table-top and standard 19 in. rack mounting versions.

### 1.2 STANDARD EQUIPMENT

The D 120 in its standard form comprises the following components :

- Disk motor and drive mechanism
- Read/write heads, carriage and voice coil motor
- Head loading mechanism
- Cartridge loading mechanism
- Three printed circuit boards for : logic + analogic and interface circuits
  - : read/write amplifiers
  - : spindle motor power circuits
- Front loading door : comprises door + cover panel with viewing window to read cartridge edge label

### 1.3 OPTIONAL EQUIPMENT

- Write protect function
- Controller

### 1.4 ACCESSORIES

No cables nor connectors are supplied with the drive. They can be ordered separately as below.

- 1 - Logic cable assy (maximum length : 3 m) comprising two edge connectors, type Cii HONEYWELL BULL and a flat cable. Two cables assys are required per drive.
- 2 - Power cable connector
- 3 - Logic cable connector

<b>Cii Honeywell Bull</b>	D 120 DISK DRIVE OEM product specification	SPEC. No	Folio	REV.
		BEM 1168	6	A2

## 2 PERFORMANCE

### 2.1 ACCESS CHARACTERISTICS

#### 2.11 Positioning Times

All positioning times are measured from seek initialization to the on track condition.

The maximum single track positioning time is 15 ms. This is defined as the time to move the head between any pair of adjacent tracks.

The average positioning time is 75 msec. This is defined as the time taken to make all possible moves divided by the number of all possible moves.

2.12 Head to head switching time : 30 msec. maximum.

#### 2.13 Latency time

The average latency time is 8.33 msec, based on the nominal disk speed of 3600 rpm.

The maximum latency time is 17.20 msec, based on a disk speed of 3492 rpm (3600 - 3 %). Latency time is defined as the time required to reach a particular sector location after positioning is complete.

### 2.2 DATA CAPACITY

The data capacity specified is based on the number of bytes that are recorded on a track, i.e., the useful or formatted capacity. This does not include the allowances for gaps, servo-track zone, data mark, data control and disk speed tolerance.

#### DATA CAPACITY - FORMATTED

Bytes/sector	:	256
Bytes/track	:	12,800
Bytes/surface	:	5 Megabytes
Bytes/disk	:	10 Megabytes

<b>Cii Honeywell Bull</b>	D 120 DISK DRIVE OEM product specification	SPEC. No BEM 1168	Folio 7	REV. A1

### 2.3 DATA TRANSFER RATE

Nominal bit rate : 7.35 MHz (919 Kbytes/second)

### 2.4 RECORDING PARAMETERS

Mode : MFM  
Density (inner track) : 4758 bpi nominal

### 2.5 DISK

Disk type : Removable, in dustproof cartridge  
Recording surfaces : 2  
Tracks per surface : 392  
Disk diameter : 10.50 in.  
Track spacing : 508 TPI (0.00197 in. nominal)  
or 20 tracks per mm

### 2.6 HEADS

Recording heads : 2  
Read/write function : no erase gap

### 2.7 SPINDLE

The spindle speed is 3600 rpm  $\pm$  3 % rpm.

### 2.8 START/STOP TIMES

Start time : The start time is 20 seconds approx. This is the time between the start command (RUN at low level) from the controller and the READY TO SRW signal from the drive.

Stop time : Stop time is approx. 20 seconds. When power is present, it is the time between the dispatch of the control stop signal (RUN at HIGH level) and the drive response with CARTRIDGE ACCESS - i.e., the access door can be opened for cartridge changing.

### 2.9 DATA SECURITY

Data is protected by inhibiting the write current in all fault conditions (see § 6.36, write and seek circuit malfunctions). In the event of a low spindle speed the heads are unloaded ; in the case of loss of power, the heads are unloaded, the motor is stopped and the write circuits are disabled.

Internal interlocks prevent the operator from exchanging the cartridge before the disk is fully stopped.

<b>Cii Honeywell Bull</b>	D 120 DISK DRIVE OEM product specification	SPEC. No BEM 1168	Folio 8	REV. A3
---------------------------	---	----------------------	------------	------------

## 2.10 READ ERROR RATE

### 2.101 Recoverable Read Errors

A recoverable read error is one which may be corrected in 3 or less attempts to read a record. The recoverable error rate is not more than one in  $10^9$  bits transferred.

### 2.102 Irrecoverable Read Errors

An irrecoverable read error is one which cannot be corrected after 3 attempts at reading a record. The irrecoverable error rate is not more than one in  $10^{11}$  bits transferred.

### 2.103 Environmental Errors

When operation is at a low effective data transfer rate, i.e., random access of short single periods, the apparent error rate may be expected to exceed the above limits due to external environmental interference. The resulting recoverable read error rate will be less than one error in eight hours of operation.

## 2.11 DEVICE FAULT

A Device Fault is said to be recoverable when it can be corrected in one try after resetting the FAULT latch with a FAULT RESET or INITIALIZE signal. The recoverable Device Fault must not exceed one in  $10^5$  seeks.

## 2.12 NOTES

Read error rate calculations and Device Fault do not take into account error conditions due to :

- a controller malfunction
- the use of a damaged or non-certified cartridge

Any error exceeding the above stated Read Error rate or the Device Fault is considered as a device failure requiring repair action, or indicates that a defective cartridge has been used.



<b>Cii Honeywell Bull</b>	D 120 DISK DRIVE OEM product specification	SPEC. No BEM 1168	Folio 9	REV. A3

### 3 MEDIA

#### 3.1 CARTRIDGE

The D 120 disk drive uses a M 4120 cartridge (Cii Honeywell Bull reference) or any qualified cartridge allowing the same performance. The cartridge is 283 mm (11.1 in.) wide, 285 mm (11.2 in.) deep by 23 mm (0.9 in.) thick, and weighs 1,3 kg (2.8 lb)

For protection against dust and shocks, the cartridge, when stored, is completely closed and dustproof with the disk immobilized. The cartridge is front loading.

The cartridge can be stored on a shelf - book storage, or may be hooked on rails using the special notch provided. A depression in the cartridge is used when the write protect option is fitted - see paragraph... 5.12

The customer may affix his own labels using the special zones provided on the cartridge.

For further details of the cartridge refer to M 4120 Cartridge Product Specification, document No. BEM 1176

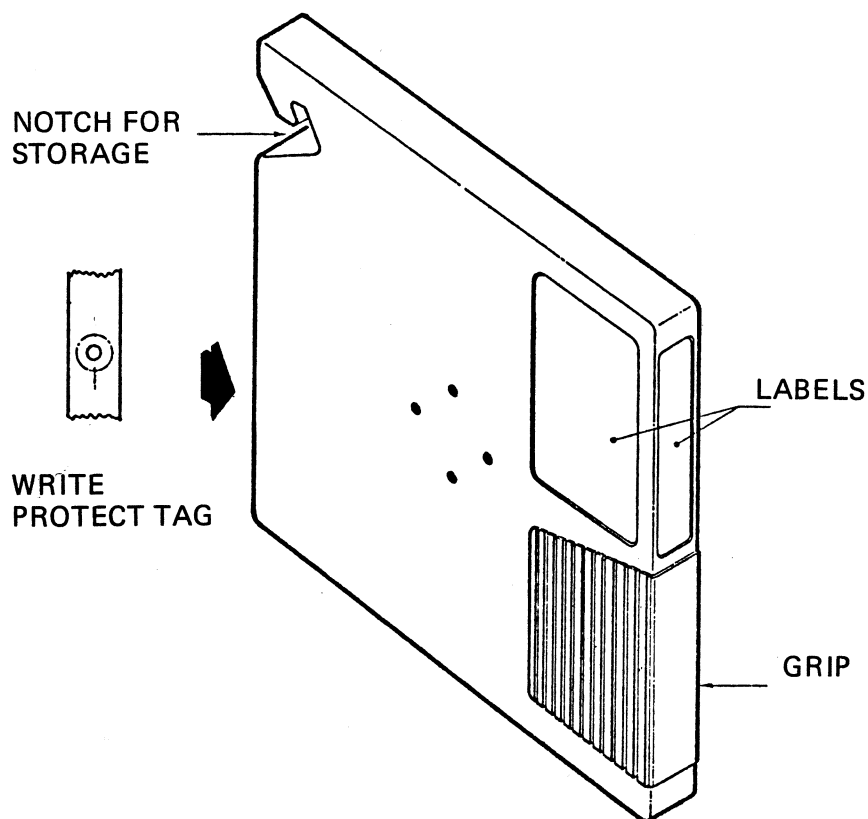


Figure 1 - M 4120 Cartridge

<b>Cii Honeywell Bull</b>	D 120 DISK DRIVE OEM product specification	SPEC. No	Folio	REV.
		BEM 1168	10	A1

### 3.2 DISK

The cartridge contains one industry standard disk of 10.5 in. diameter, oxide coated on both sides. The disk is pre-recorded with head servo data, track address, address parity and a defective sector flag, and is supplied ready for use. See paragraph 4 for full details on data format.

<b>Cii Honeywell Bull</b>	D 120 DISK DRIVE OEM product specification	SPEC. No	Folio	REV.
		BEM 1168	11	A1

## 4 DATA FORMAT

### 4.1 GENERAL

The disk is pre-recorded with formatting and head servo information at the beginning of each sector. Thus, it is not necessary for the user to write header labels. This servo zone is described in paragraph 431.

The formatted disk contains 392 tracks per surface, each comprising 50 sectors of 256 useful data bytes ; in addition, there are 2 bytes per sector allowed for CRC which has to be calculated by the controller. The beginning of each track is indicated by an Index Mark.

A reserve of 48 sectors on track zero or track 391 is provided on each surface (in addition to the 10 megabytes) for use in the case of defective sectors. Defective sectors are indicated by the VALID SECTOR information contained in the head servo zone - described in paragraph 639.

Should the user want to write the table of defective sectors of a surface, he can use sector 00 either on track 000 or 391. These sectors are guaranteed valid as per specification.

### 4.2 TRACK FORMAT

The track format has 50 sectors per track. Each sector contains a data block of 256 bytes maximum, preceded by a pre-data block, the beginning of which is not accessible to the user.

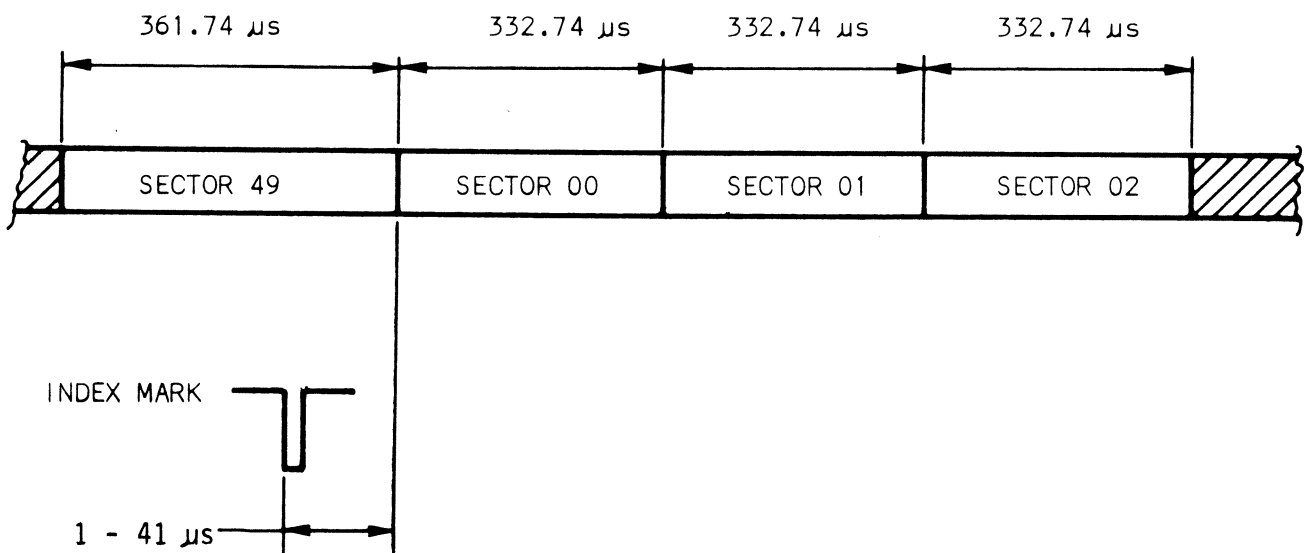


Figure 2 - Track Format

<b>Cii Honeywell Bull</b>	D 120 DISK DRIVE OEM product specification	SPEC. No BEM 1168	Folio 12	REV. A1

### 4.3 SECTOR FORMAT

The sector format is fixed. The data block can contain up to a maximum of 256 bytes.

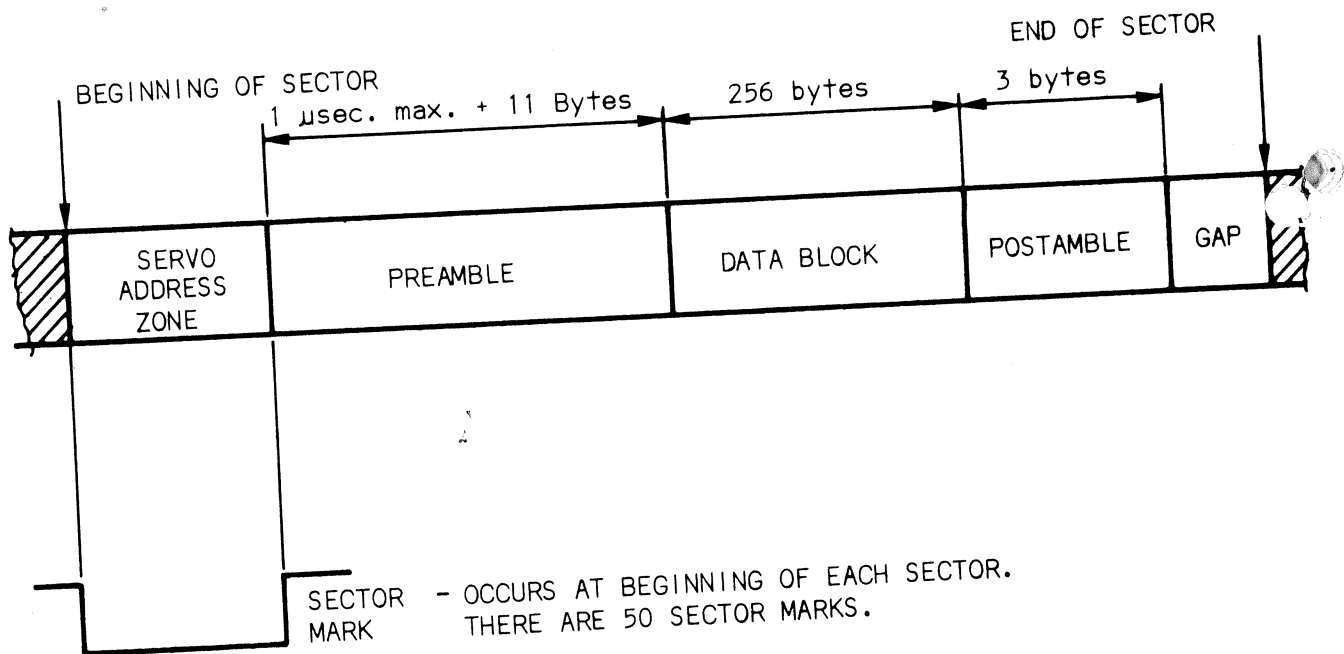


Figure 3 - Sector Format

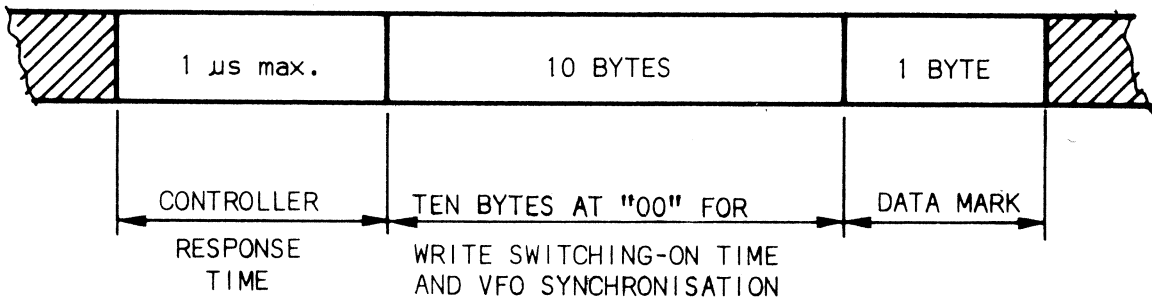
#### 4.31 Servo Address Zone

The Servo Address Zone contains the track address and the head servoing data used internally in the drive and also both the address parity bit and the valid sector bit which are sent over the interface. It is not accessible by the controller.

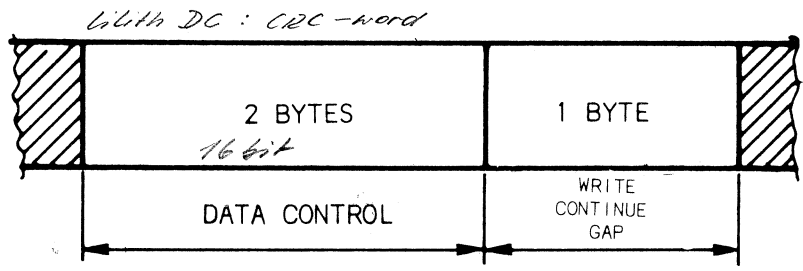
<b>Cii Honeywell Bull</b>	D 120 DISK DRIVE OEM product specification	SPEC. No	Folio	REV.
		BEM 1168	13	A3

4.32 Preamble

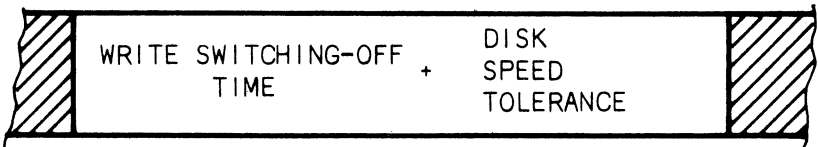
This gap provides a window for controller response time to dispatch WRITE ENABLE or READ ENABLE, write switching-on time, VFO synchronisation and data mark.



4.33 Postamble



4.34 Gap



<b>Cii Honeywell Bull</b>	D 120 DISK DRIVE OEM product specification	SPEC. No BEM 1168	Folio 14	REV A1

## 5 OPERATION

### 5.1 GENERAL

All signals and timing concerning the operation described in the following paragraphs are given in chapter 6, INTERFACE.

### 5.2 MEDIA LOADING

*Cartridge access = low*

The media is loaded into the drive through the hinged access door. A prerequisite condition for loading is CARTRIDGE ACCESS signal at low level. During the cartridge insertion, a device within the drive opens a window in the cartridge for heads access.

### 5.3 START/STOP

*Start:*

*RUN = low  
SRW RDY = true (LOW)*

A start command (signal RUN at low level) from the controller starts up the drive, which, after completing the motor start-up phase and the first seek replies with the READY TO SRW line going true. This signal is significant only when the access door is closed, and all power supplies are present. See figures 4 and 5.

Internal interlocks within the drive prevent the operator from opening the access door for media changing as long as the RUN signal is true and/or the motor is running.

*Stop:*

*RUN = high  
Motor stopped  
Cart Acc = low*

When the stop command (signal RUN at high level) is true and when the motor is completely stopped, a signal, CARTRIDGE ACCESS is dispatched to the interface to inform the operator that it is possible to open the access door.

### 5.4 HEAD LOADING/UNLOADING

After the cartridge is loaded and during the closing of the access door, the head carriage is moved forward mechanically so that the two heads are introduced into the cartridge in the unloaded position. When the spindle motor has attained the correct speed, the heads are loaded by a solenoid actuator.

Head unloading is quickly performed inside the cartridge in the event of :

- stop command (signal RUN)
- loss of speed
- power failure.

When the door is opened, the head carriage is mechanically retracted and the heads are withdrawn from the cartridge to allow media changing.

<b>Cii Honeywell Bull</b>	D 120 DISK DRIVE OEM product specification	SPEC. No BEM 1168	Folio 15	REV. A1
---------------------------	---	----------------------	-------------	------------

## 5.5 INITIALIZATION SEEK

This operation starts automatically after head loading, and terminates with the dispatch of READY TO SRW at low level. At this time, head 0 is selected and is positioned over track 000.

## 5.6 SEEK OPERATION

Address lines 0 to 7 in conjunction with signals STROBE 1 and STROBE 2 allow selection of either head and any track. The drive replies with READY TO SRW when the seek is completed - i.e., when the address read by the selected head is equal to the address received from the controller.

## 5.7 WRITE OPERATION

Signal WRITE ENABLE switches on the drive write circuits ; the WRITE DATA line transfers the data in NRZ mode, synchronized by the DATA CLOCK sent by the drive. On the disk surface, the data are written in MFM mode.

## 5.8 READ OPERATION

Signal READ ENABLE switches on the VFO and the data recovery circuits. The drive replies with READ DATA in NRZ mode and the DATA CLOCK for use by the controller for synchronization of the received data.

## 5.9 INDEX MARK

The disk angular origin is indicated by an index mark timing pulse. This pulse is obtained from a magnetic transducer which detects a notch on the disk hub.

## 5.10 SECTOR MARK

The sector mark is generated at the beginning of each sector from the pre-recorded information in the servo zone on the disk.

<p><b>Cii Honeywell Bull</b></p>	<p>D 120 DISK DRIVE OEM product specification</p>	<p>SPEC. No BEM 1168</p>	<p>Folio 16</p>	<p>REV A3</p>
----------------------------------	---	------------------------------	---------------------	-------------------

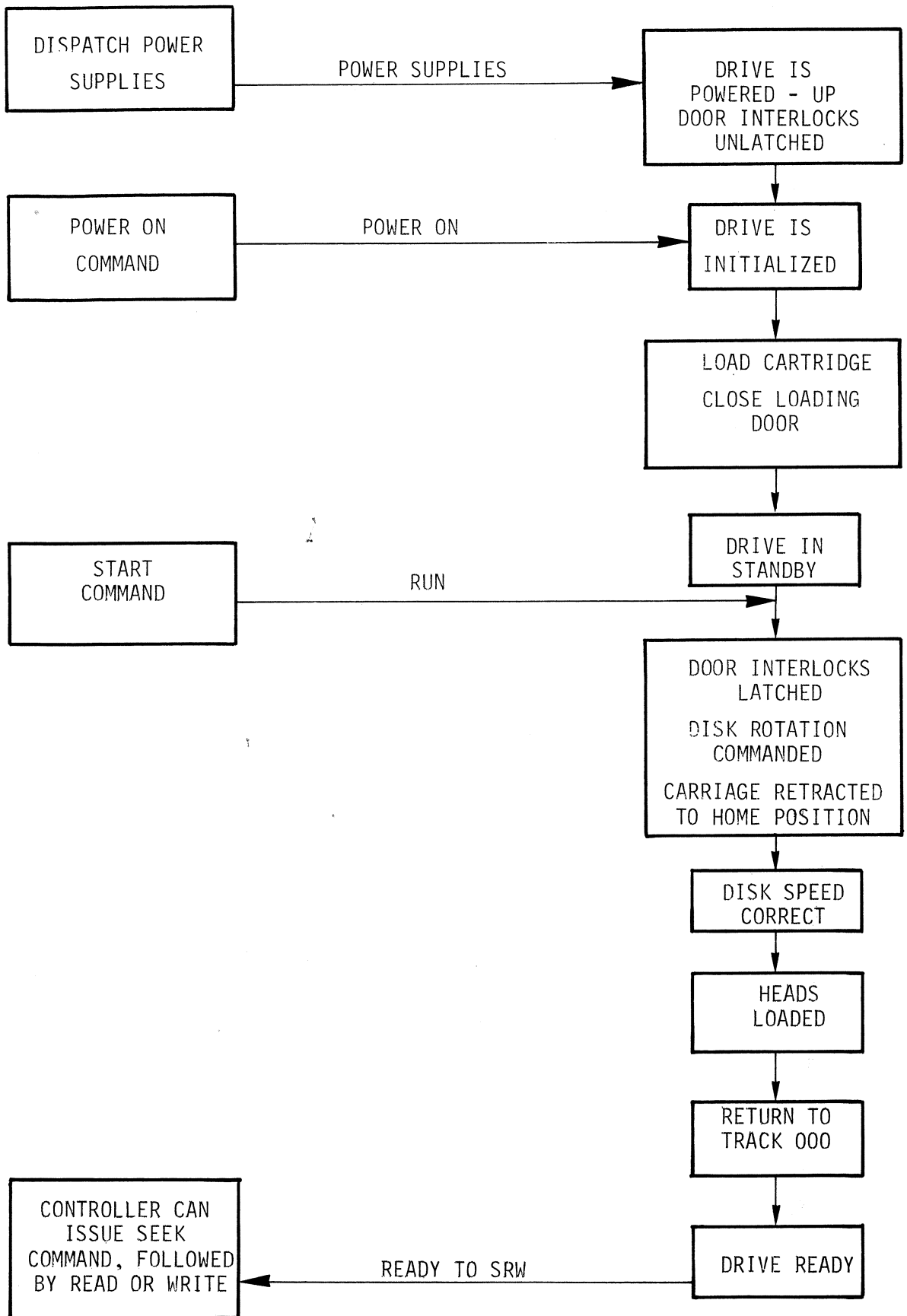


Figure 4 - Start Cycle



<b>Cii Honeywell Bull</b>	D 120 DISK DRIVE OEM product specification	SPEC. No BEM 1168	Folio 17	REV. A3
---------------------------	---	----------------------	-------------	------------

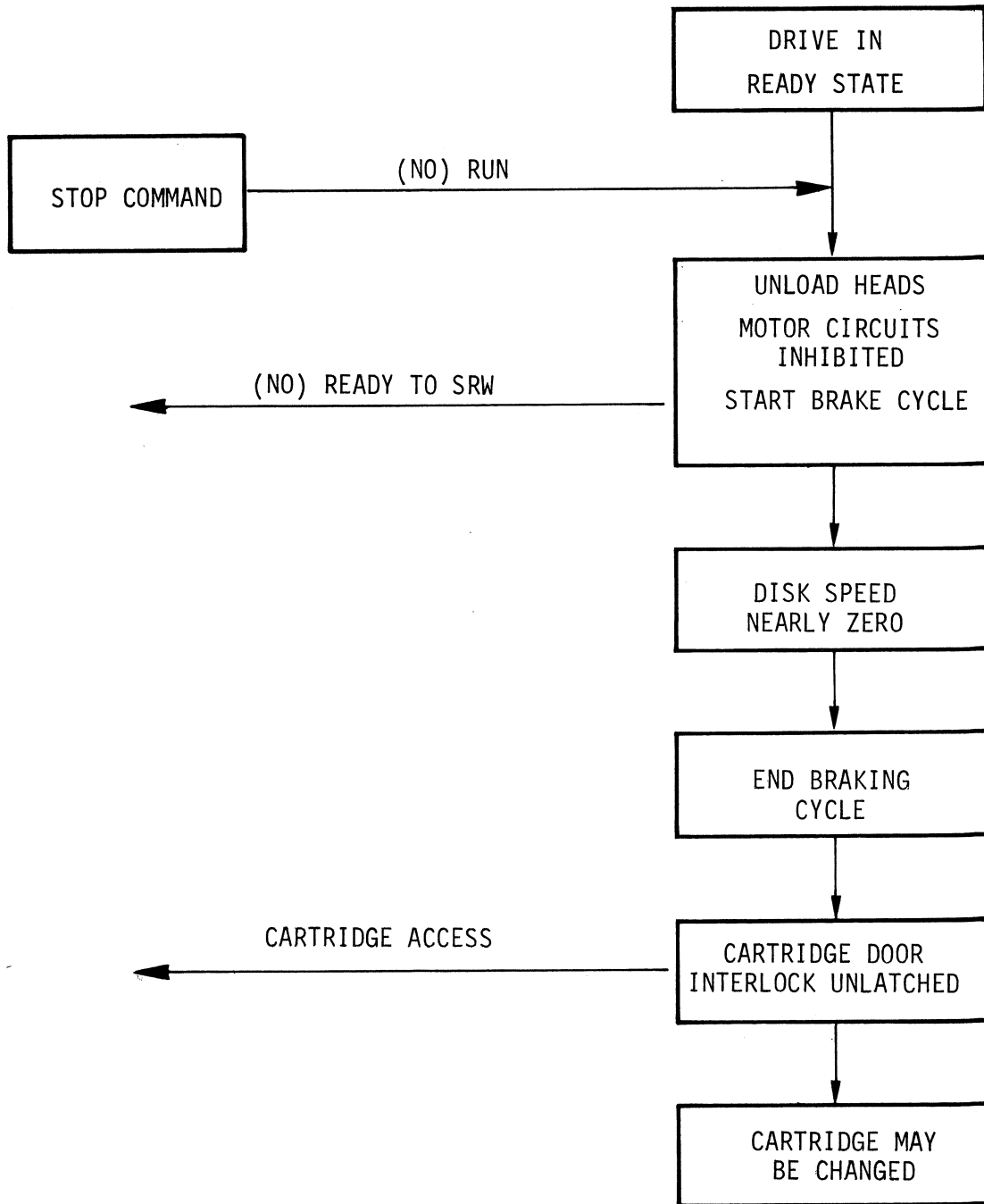


Figure 5 - Stop Cycle

**POWER DOWN**

No special procedure is required for power down, which is made when the controller cuts off the power supply.

<b>Cii Honeywell Bull</b>	D 120 DISK DRIVE OEM product specification	SPEC. No BEM 1168	Folio 18	REV. A1
---------------------------	---	----------------------	-------------	------------

### 5.11 OPERATOR CONTROLS

No operator controls are provided on the drive. All control switches and indicators are to be provided by the user ; these will be normally housed in the disk controller, system cabinet or console.

### 5.12 WRITE PROTECT OPTION

The write protect function is provided on option, and protects any drive, fitted with the option, from writing on protected cartridges. When the cartridge is write protected - i.e., the write access hole in the cartridge is occluded, a write protect sensor located inside the drive inhibits the write function and a Write Protect signal is dispatched to the interface at low level.

<b>Cii Honeywell Bull</b>	D 120 DISK DRIVE OEM product specification	SPEC. No	Folio	REV.
		BEM 1168	19	A1

## 6 INTERFACE

### 6.1 INTERFACE DEFINITION

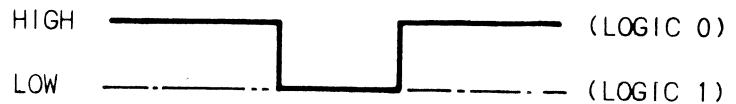
The D 120 drive is designed for star connection as standard. Signal levels are at TTL, using negative logic over the interface. Figure 6 shows the interface circuits block diagram.

Signal levels are defined below :

HIGH : 2.8 to 5.25 volts - corresponding to logic 0, or False

LOW : 0 to 0.4 volts - corresponding to logic 1, or True.

In the following descriptions of signals and timing diagrams, HIGH and LOW are used to define the signal level :



Note : In this section the significant edge for triggering is denoted by either low to high transition or high to low transition.

Signal names followed by an asterisk (\*) indicate that the signal is significant at LOW level...

<b>Cii Honeywell Bull</b>	D 120 DISK DRIVE OEM product specification	SPEC. No	Folio	REV
		BEM 1168	20	A3

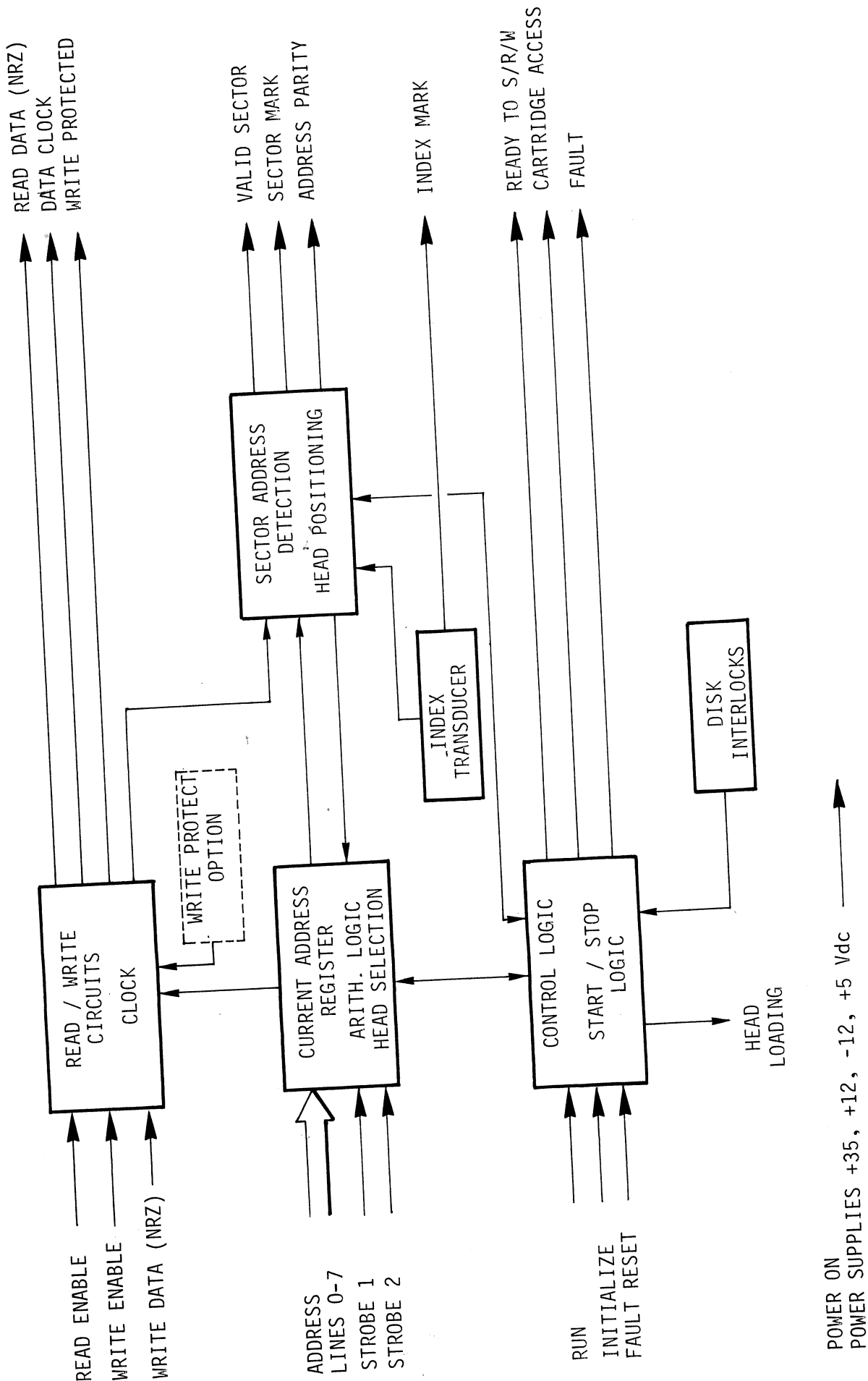


Figure 6 - Interface Block Diagram

<b>Cii Honeywell Bull</b>	D 120 DISK DRIVE OEM product specification	SPEC. No BEM 1168	Folio 21	REV. A1
---------------------------	---	----------------------	-------------	------------

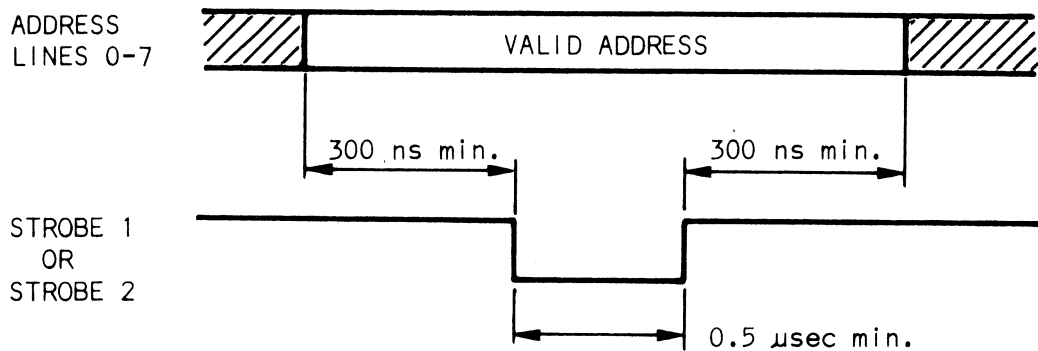
## 6.2 INPUT SIGNALS TO DRIVE

### 6.21 Address Lines, 0-7

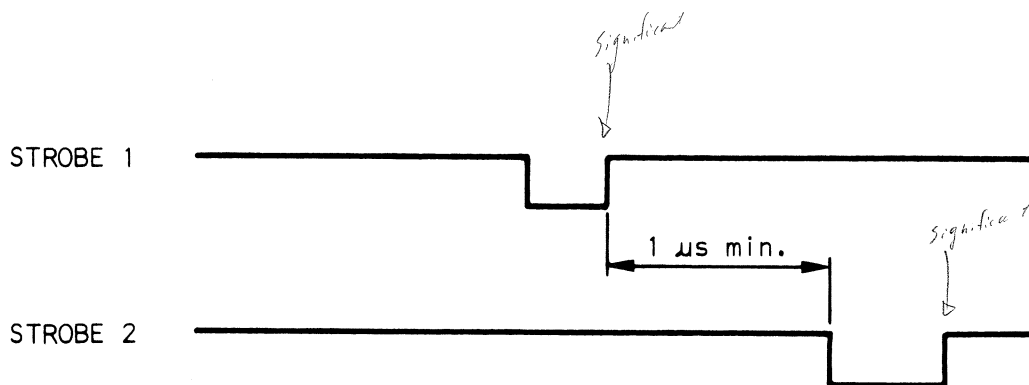
The address Lines are used to select a disk surface and track when strobed by signals STROBE 1, STROBE 2. See Table 1.

### 6.22 Strobe 1 and Strobe 2

A pulse of 0.5  $\mu\text{sec}$ . min. When LOW, it is used to sample the 8 Address Lines. The Low to High transition is significant.



STROBE 2 must be preceded by STROBE 1. The Low to High transition is significant. See Table 1 and figure 9.



<b>Cii Honeywell Bull</b>	D 120 DISK DRIVE OEM product specification	SPEC. No	Folio	REV
		BEM 1168	22	A1

Table 1 - ADDRESS LINES AND STROBES

ADDRESS LINES 0-7	STROBE 1		STROBE 2	
	HIGH	LOW	HIGH	LOW
ADLIN 0	—	Track address position 2 <sup>8</sup> (256)	—	Track address position 2 <sup>0</sup> (1)
1	Select FACE 0	Select FACE 1	—	Track address position 2 <sup>1</sup> (2)
2	RESERVED	RESERVED	—	Track address position 2 <sup>2</sup> (4)
3	—	RESERVED	—	Track address position 2 <sup>3</sup> (8)
4	—	RESERVED	—	Track address position 2 <sup>4</sup> (16)
5	—	RESERVED	—	Track address position 2 <sup>5</sup> (32)
6	—	RESERVED	—	Track address position 2 <sup>6</sup> (64)
7	—	RESERVED	—	Track address position 2 <sup>7</sup> (128)

<b>Cii Honeywell Bull</b>	D 120 DISK DRIVE OEM product specification	SPEC. No	Folio	REV.
		BEM 1168	23	A3

### 6.23 Read enable

Low signal from the controller to enable the output lines READ DATA and DATA CLOCK from the drive. READ ENABLE must go high after the last bit read. See figure 10 for timing.

### 6.24 Write enable

Signal at low level which enables the drive write circuits. It must go high after the last bit is written. For timing see figure 11.

### 6.25 Write data

The two states of the WRITE DATA signal in conjunction with DATA CLOCK determine the value of the data to be written. The high level corresponds to «0's» and low level to «1's» - (NRZ code)  
See also figure 12.

### 6.26 Run

The low level of this line corresponds to Start and sets the disk rotating when all the drive start-up conditions are met. RUN at high level stops the disk to enable cartridge changing for example. Starting and stopping times are approximately 20 sec.

### 6.27 Fault reset

A pulse at low level used to reset the FAULT latch -  
see § 636

Minimum duration 0.5  $\mu$ sec., Maximum duration 300  $\mu$ sec.  
FAULT RESET must be high during drive start-up (RUN command).  
See also NOTE below.

### 6.28 Initialize

A pulse at low level used to reset the FAULT latch, and, to select the initialization address, Head 00, Track 000. Minimum duration 0.5  $\mu$ sec. Maximum duration 300  $\mu$ sec.

Signal INITIALIZE must be high during drive start-up (RUN command). See also NOTE below.

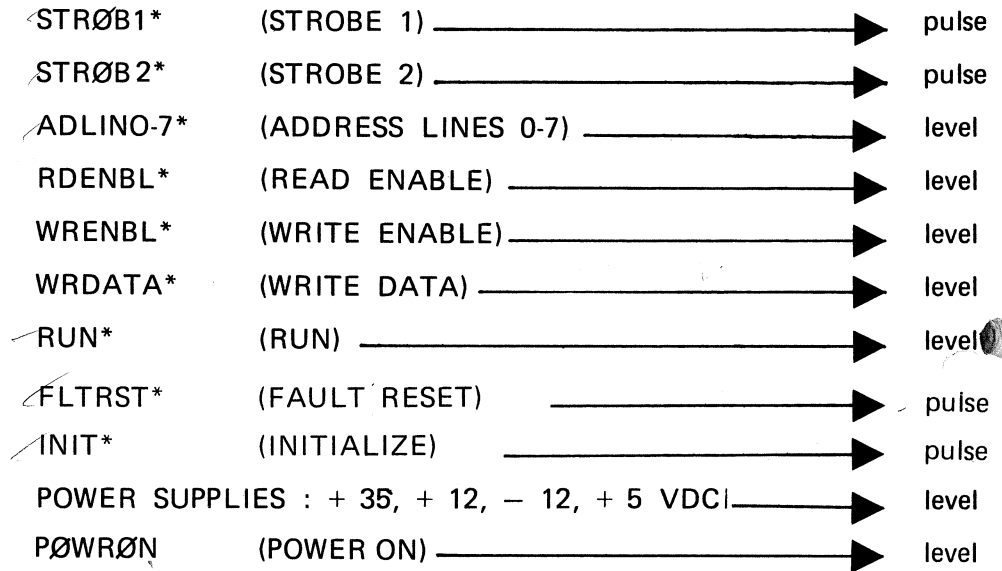
### NOTE

Signals FAULT RESET and INITIALIZE must only be dispatched when the drive is in READY state, or when FAULT line is true- i.e., at high level at the interface ; if not, they are ignored.

FAULT RESET and INITIALIZE must never be dispatched during a seek operation.

<p><b>Cii Honeywell Bull</b></p>	<p>D 120 DISK DRIVE OEM product specification</p>	<p>SPEC. No BEM 1168</p>	<p>Folio 24</p>	<p>REV A3</p>
----------------------------------	---	------------------------------	---------------------	-------------------

INPUT LINES TO DRIVE



OUTPUT LINES FROM DRIVE

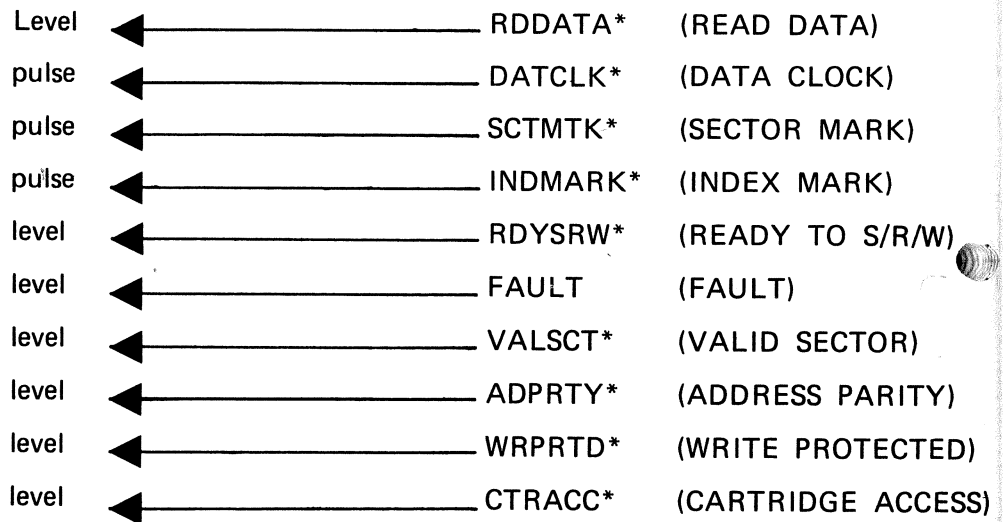


Figure 7 - Interface lines diagram



<b>Cii Honeywell Bull</b>	D 120 DISK DRIVE OEM product specification	SPEC. No BEM 1168	Folio 25	REV. A3

6.3 OUTPUT SIGNALS FROM DRIVE

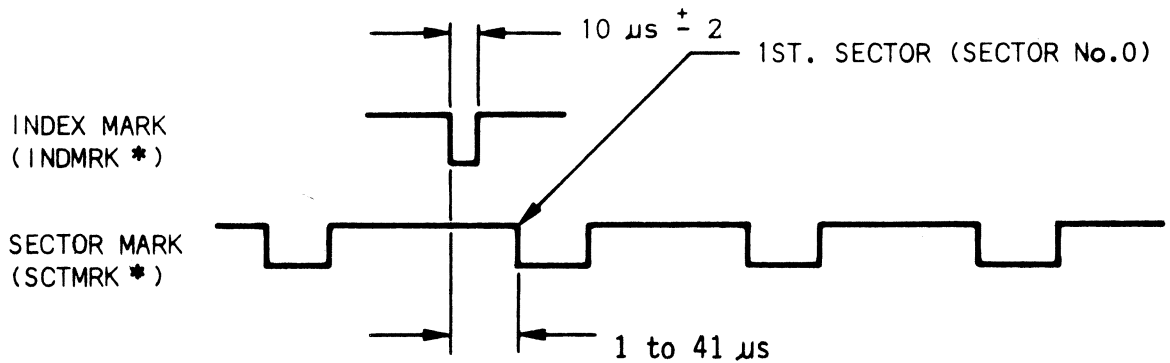
6.31 Ready to SRW

This line at low level indicates to the controller that the drive is ready for a seek, read or write command. READY TO SRW goes low approximately 20 seconds after the start signal (RUN = low level) ; it goes HIGH following a stop command (RUN = high level), a seek command after STROBE 2 and during a seek operation. In the case of a seek to the same address, READY TO SRW goes low at the end of the following SECTOR MARK. See also figure 9.

READY TO SRW remains high at the interface at the end of a seek operation in the case of a Seek fault or an Illegal address.

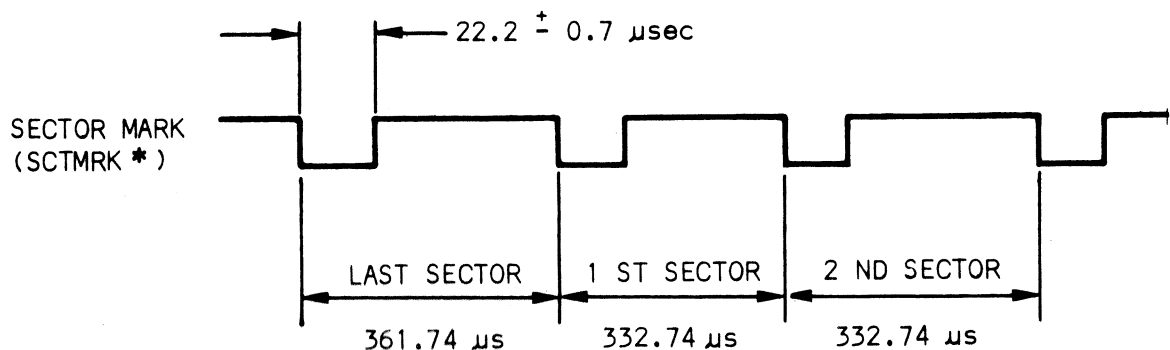
6.32 Index Mark

A pulse delivered for each disk revolution. It is significant on the transition from high to low level and has a duration of 10  $\mu\text{sec.} \pm 2$ . The sector following the INDEX MARK is Sector No. 0 - i.e., the first sector. See timing diagram, figure 8.



6.33 Sector Mark

A pulse of 22.2  $\mu\text{sec.} \pm 0.7$  indicating the beginning of each sector. It is significant at low level and the transition from low to high is used to authorize the dispatch of addressing, write and read commands. The SECTOR MARK is also used for sector counting in the controller. See timing diagram, figure 8.



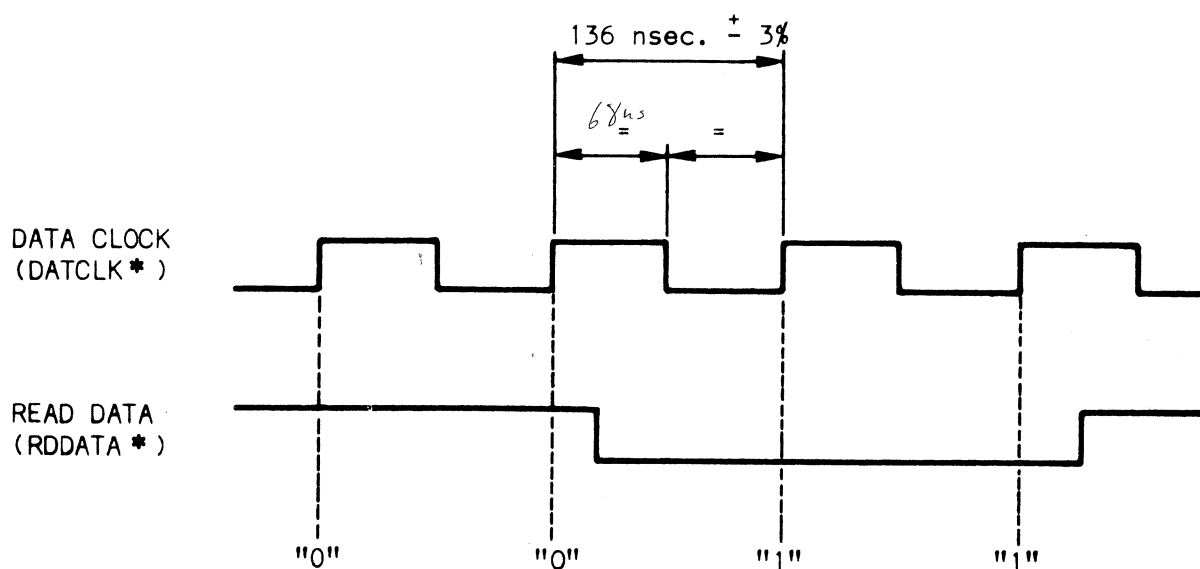
<b>Cii Honeywell Bull</b>	D 120 DISK DRIVE OEM product specification	SPEC. No	Folio	REV.
		BEM 1168	26	A3

### 6.34 Read Data

The value of the data read is determined by this line in conjunction with DATA CLOCK. The level high corresponds to «0's» and low level corresponds to «1's» (NRZ code). This line is enabled by READ ENABLE. In the absence of a READ ENABLE command and during the VFO sync. time the READ DATA line is held at logic «0» - high level. See also figures 10 and 12.

### 6.35 Data Clock

This line transmits square waveform clock pulses continuously at  $7.35 \text{ MHz} \pm 3\%$ . When a READ ENABLE signal occurs, the DATA CLOCK is taken from a VFO to strobe the READ DATA, see figure 10. On the other hand, when a WRITE ENABLE command occurs, the DATA CLOCK signals come from the oscillator for strobing the WRITE DATA. The transition from low to high is significant ; see also figure 12.



### 6.36 Fault

At high level, this line indicates that a fault has been detected in the drive. Faults can occur due to the conditions outlined below.

- Seek fault or illegal address : occurs after several internal automatic retries to locate the track address, or if positioning time is too long.
- Write fault : No NRZ Write Data change on the interface line during a write operation or no write transition in the read/write circuits after WRITE ENABLE command, or write current present without a WRITE ENABLE command.

<b>Cii Honeywell Bull</b>	D 120 DISK DRIVE OEM product specification	SPEC. No	Folio	REV.
		BEM 1168	27	A3

## 6.36 Fault... continued...

c) Illegal command

- 1 - dispatch of commands STROBE 1 or STROBE 2 when READY TO SRW is not validated or when a Sector Mark is present (in which case the command signal is ignored)
- 2 - when READ ENABLE and WRITE ENABLE are present at the same time
- 3 - dispatch of a read or write command when the drive is not READY TO SRW
- 4 - in the case where the write protect option is fitted, the presence of WRITE ENABLE with WRITE PROTECTED.

d) Device malfunction

When a device malfunction affecting the Servo Zone recognition or accurate positioning has been internally detected.

## e) Power absent

f) When the FAULT line is broken

## NOTE

When any one of the above incidents occurs, the FAULT is stored in a latch, maintaining the FAULT line at high level and inhibiting the write current. FAULT RESET or INITIALIZE is dispatched from the controller to restore the latch and to reset the FAULT line. If the fault is permanent, the FAULT RESET or INITIALIZE is not active.

## 6.37 Write Protected

A signal at low level indicating that the cartridge in the drive is write-protected. When the write protect option is not fitted on the drive or the special tag on the cartridge, this signal is always high.

## 6.38 Cartridge Access

A signal at low level, indicating that the operator can change the cartridge. This signal is at low level when all the following conditions are met : all voltages present, motor is stopped and front access door is unlocked.

<b>Cii Honeywell Bull</b>	D 120 DISK DRIVE OEM product specification	SPEC. No BEM 1168	Folio 28	REV. A3

6.39 Valid Sector

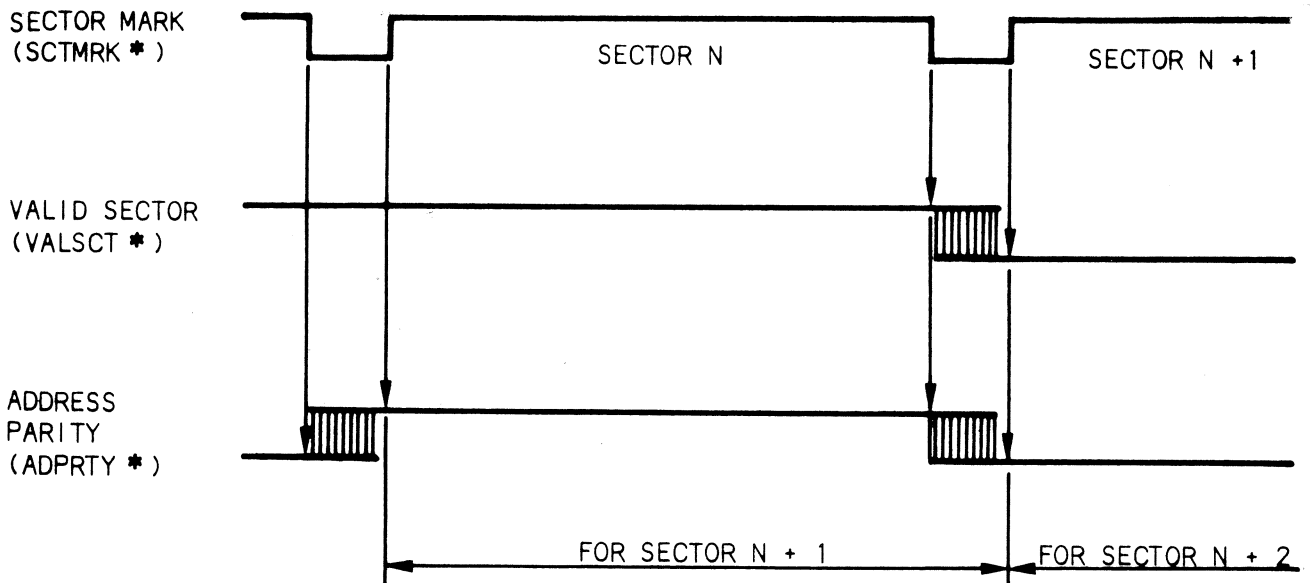
This line can change during the sector mark and is valid at the interface when the SECTOR MARK changes from low to high. VALID SECTOR at low level indicates that the sector which follows the next SECTOR MARK has no defect. A high level indicates this sector is defective and not to be used, in which case the subsystem can call up a reserved sector. For timing, see figure 13.

6.310 Address Parity

This line can change during the sector mark and is valid at the interface when the SECTOR MARK changes from low to high. A low state indicates an even parity of the sector which follows the next occurring SECTOR MARK. The parity is calculated by adding the number of bits (binary "1" s) of the surface address, the track address, the sector address and the VALID SECTOR bit. See figure 13 for timing.

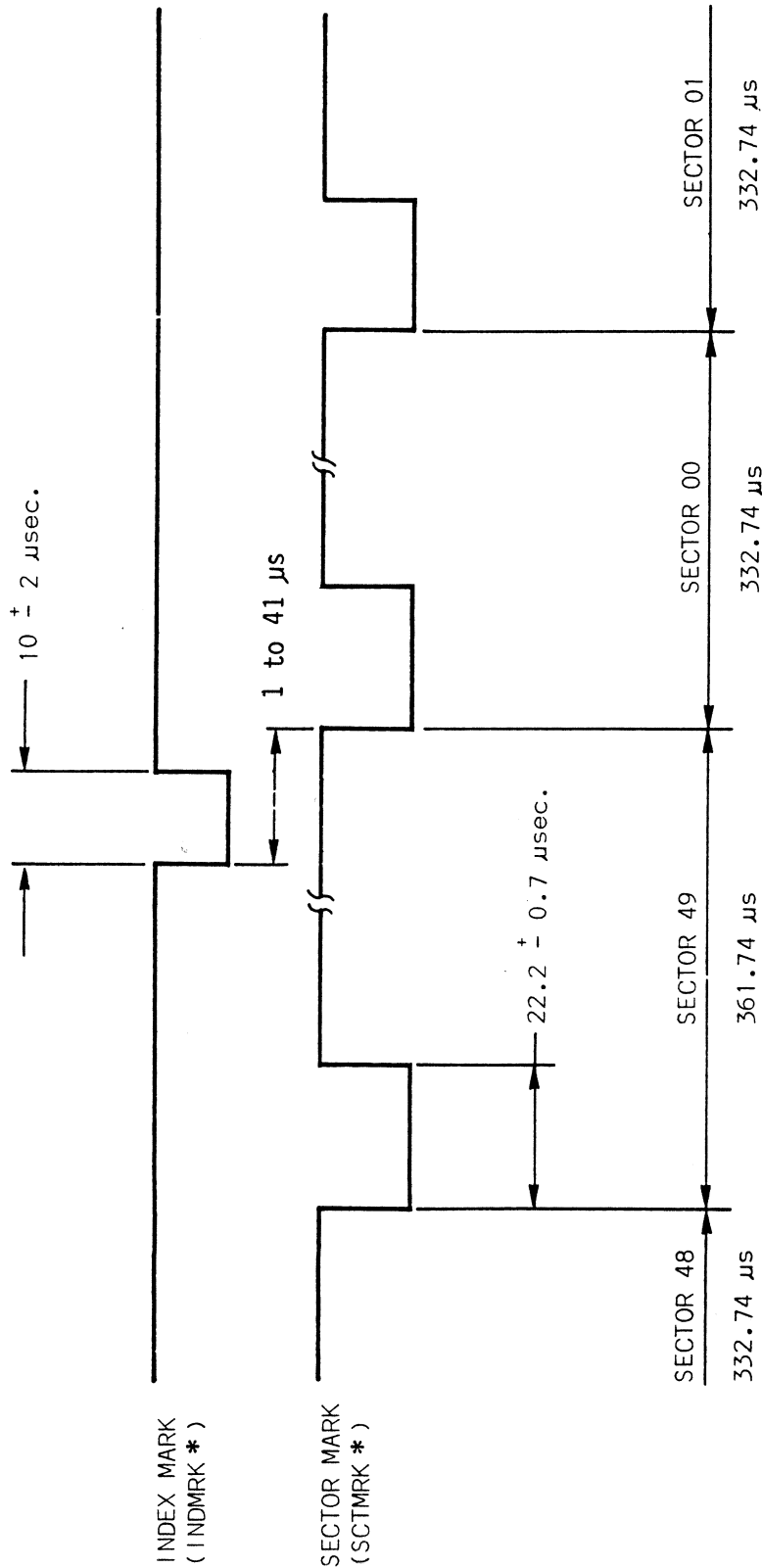
EXAMPLE :

	Decimal	Binary		
Surface address =	00	000	} = 5 bits = ODD	} = 6 bits = EVEN = which gives "1" on the ADDRESS PARITY line
Track address =	03	011		
Sector address =	07	111		
VALID SECTOR low level	1	1	} = 1 bit = ODD	



6.4 INTERFACE TIMING

6.41 Index/Sector Timing



TOLERANCES ARE  $\pm 3\%$  ON THE SECTOR TIMING

Figure 8 - Index/Sector Timing

<b>Cii Honeywell Bull</b>	D 120 DISK DRIVE OEM product specification	SPEC. No BEM 1168	Folio 30	REV. A2
---------------------------	---	----------------------	-------------	------------

6.42 Addressing

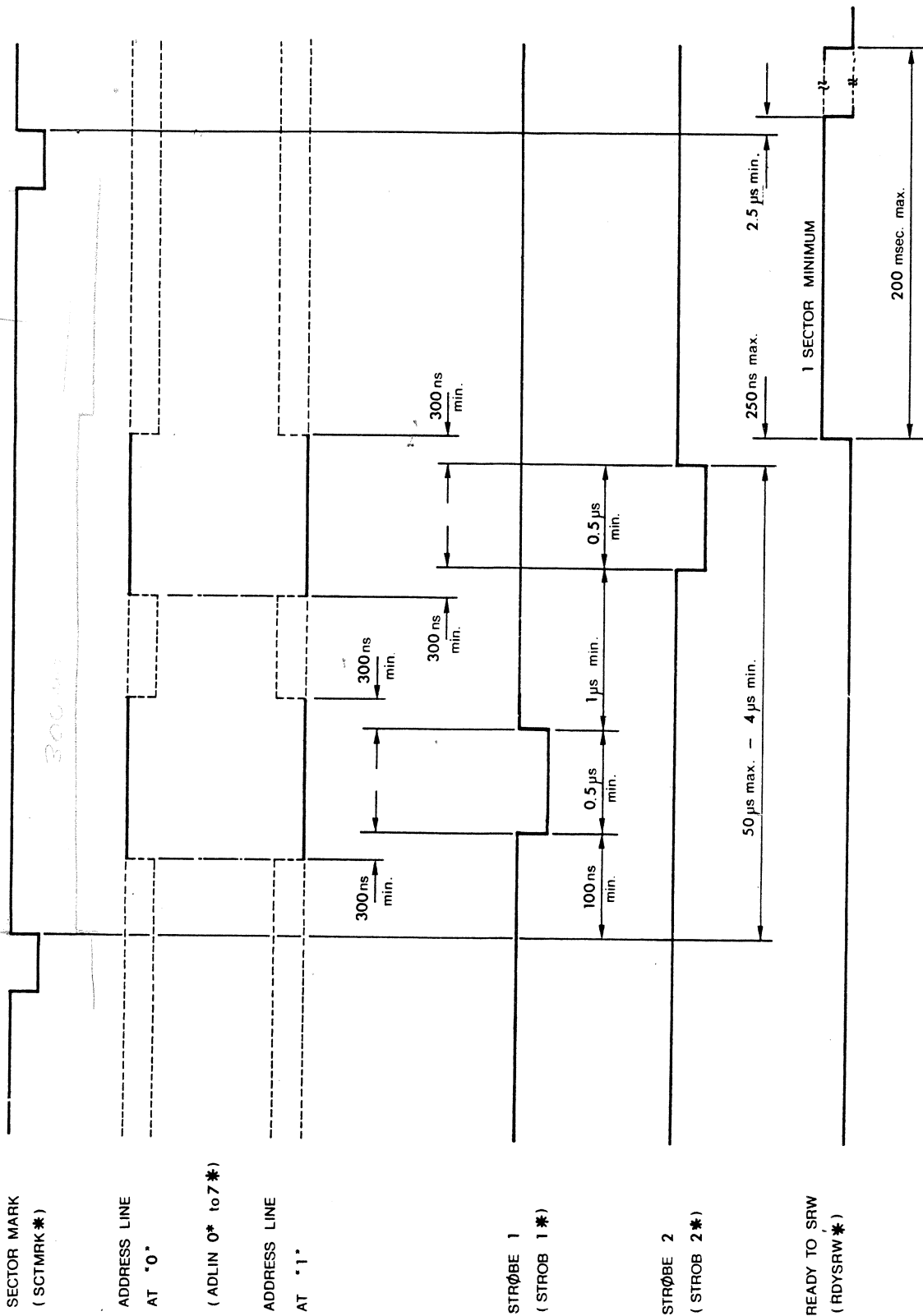
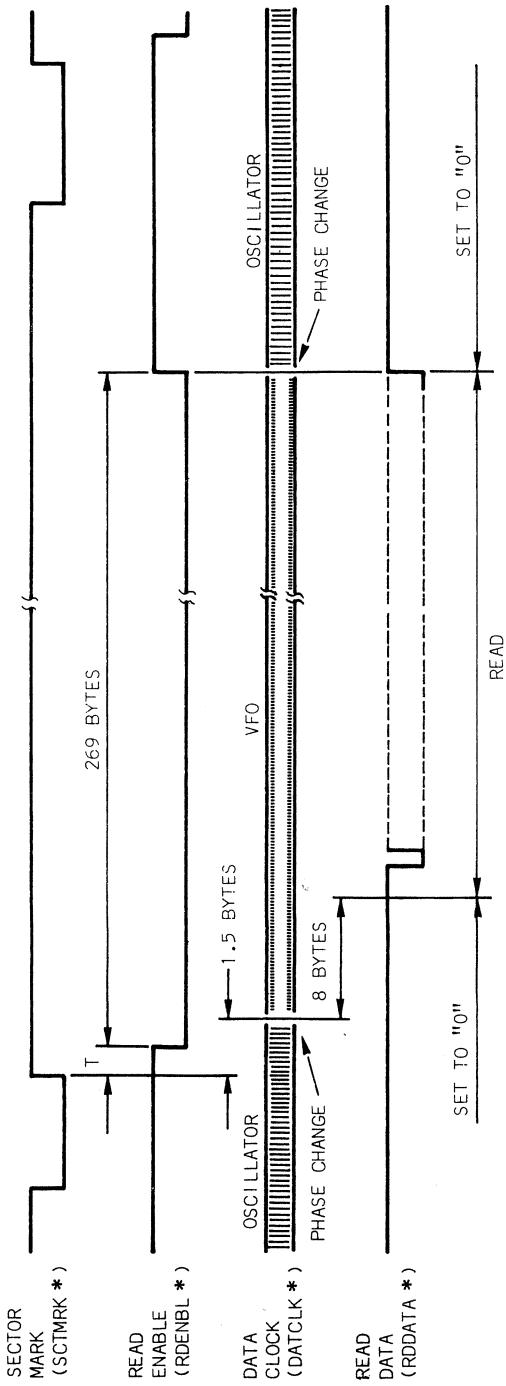
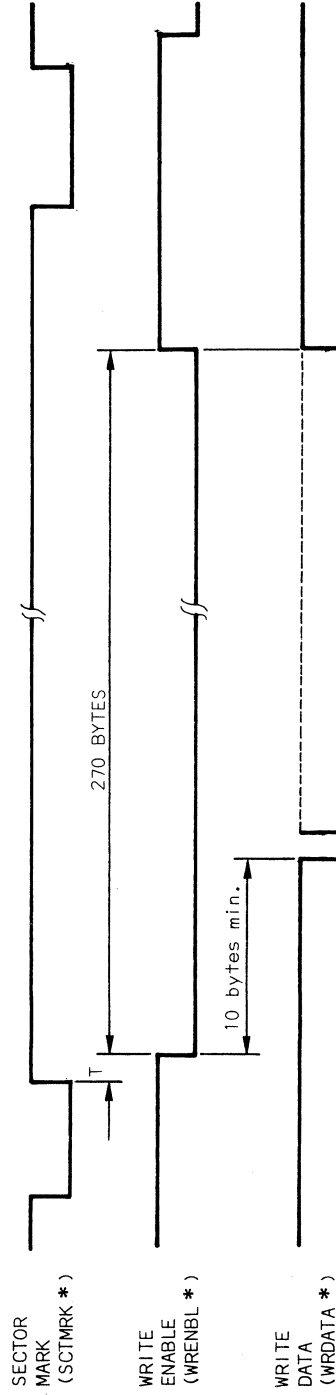


Figure 9 - Address / Strobe Timing

**6.43 Read/Write Enable**



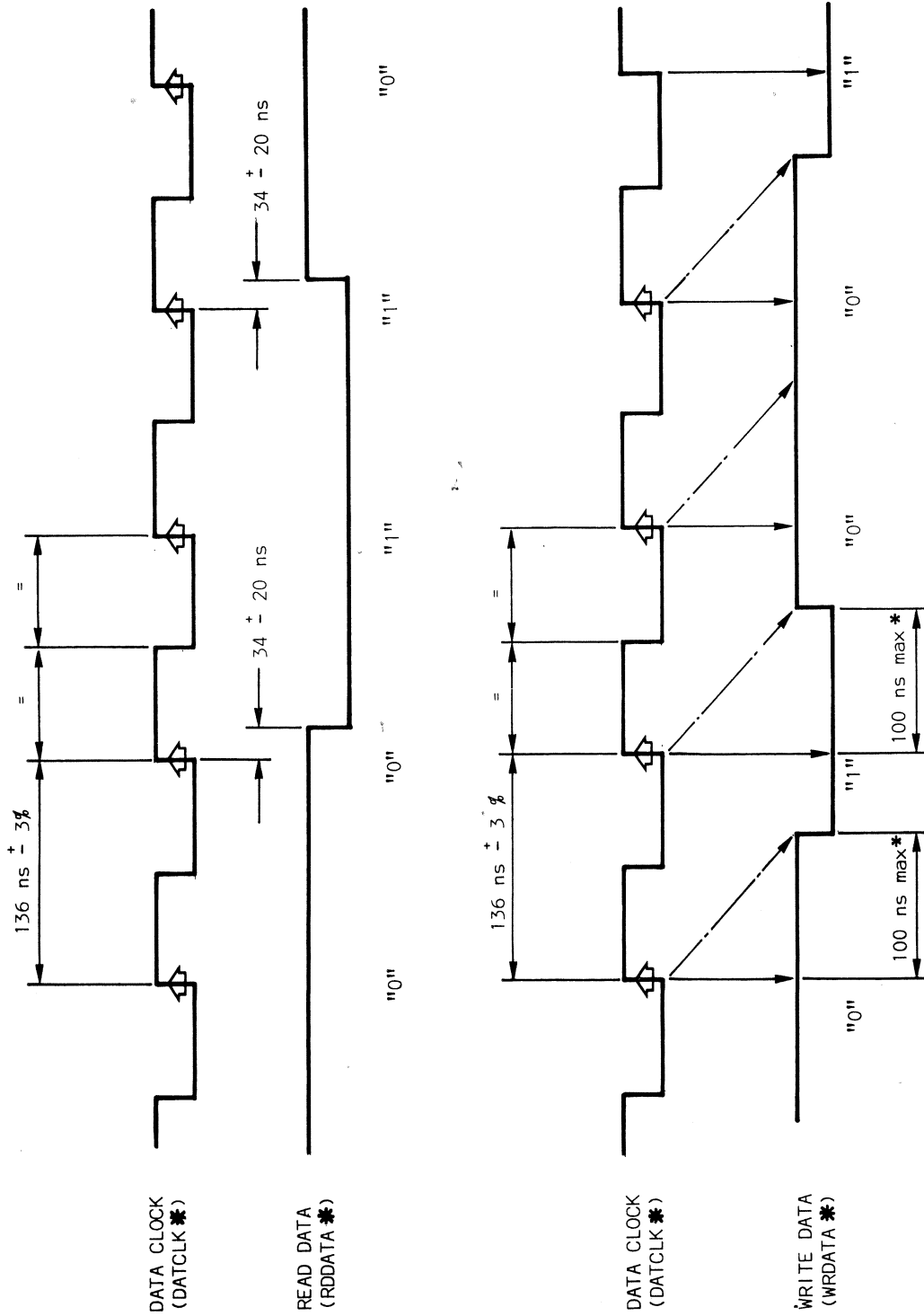
**Figure 10 - READ ENABLE Timing diagram**



**Figure 11 - WRITE ENABLE Timing diagram**

T=CONTROLLER RESPONSE TIME + PROPAGATION TIME (DRIVE TO CONTROLLER + CONTROLLER TO DRIVE TIMES).  
T MUST NOT EXCEED 1 usec.

6.44 Data Clock



\* INCLUDING PROPAGATION IN CABLE (DRIVE TO CONTROLLER + CONTROLLER TO DRIVE TIMES).

Figure 12 - DATA CLOCK timing



<b>Cii Honeywell Bull</b>	D 120 DISK DRIVE OEM product specification	SPEC. No	Folio	REV.
		BEM 1168	33	A3

6.45 Valid Sector/Address Timing

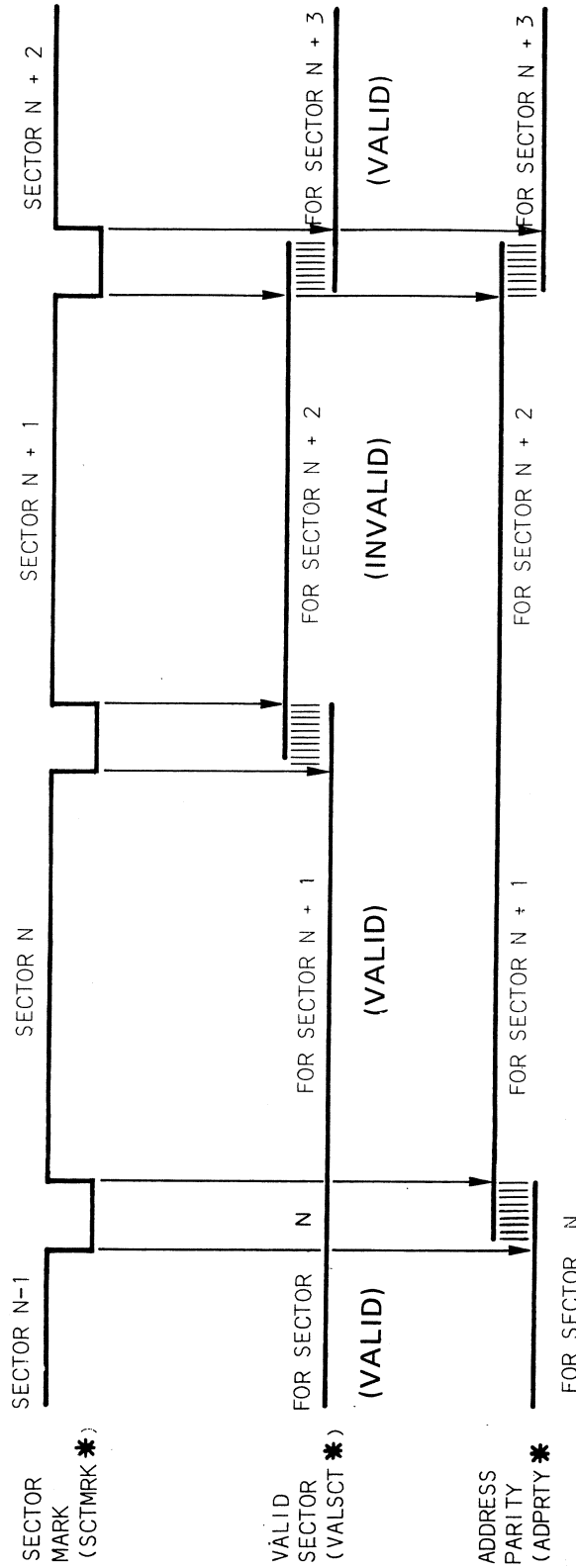


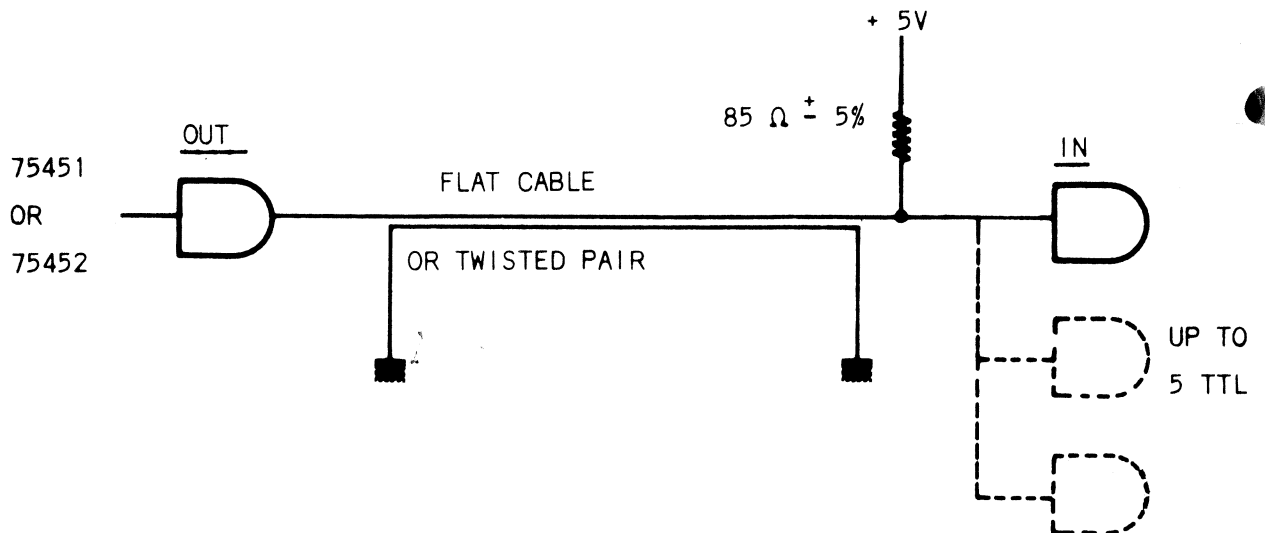
Figure 13 - Valid Sector/Address Timing

<b>Cii Honeywell Bull</b>	D 120 DISK DRIVE OEM product specification	SPEC. No BEM 1168	Folio 34	REV. A3

## 6.5 RECEIVERS/DRIVERS

- Drivers : 75451 or 75452 types
- Receivers : TTL type

The receivers must be level triggered and not edge triggered.



## 6.6 INTERFACE CABLE

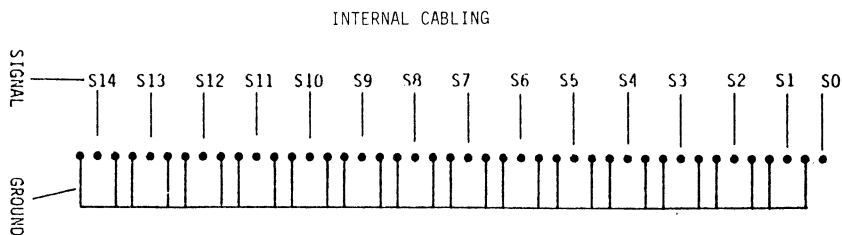
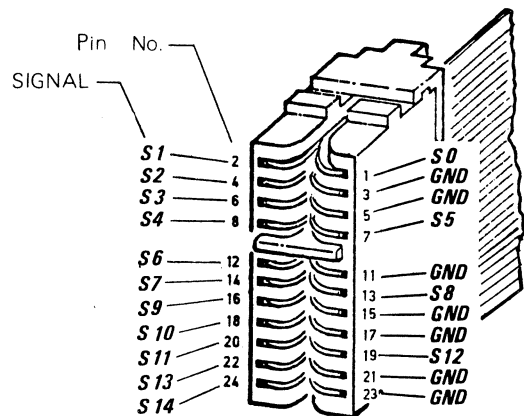
The maximum cable length must not exceed 3 meters.  
Line impedance  $Z \approx 85 \Omega$

## 6.7 LOGIC CONNECTOR

Two logic connectors are to be used at the rear of the drive for mounting on the edge of a printed circuit board. The type required is an HE9 - 26 pin cable edge connector. Pin assignment is shown in figure 14.

<b>Cii Honeywell Bull</b>	D 120 DISK DRIVE OEM product specification	SPEC. No	Folio	REV.
		BEM 1168	35	A3

**CiiHB CONNECTOR**

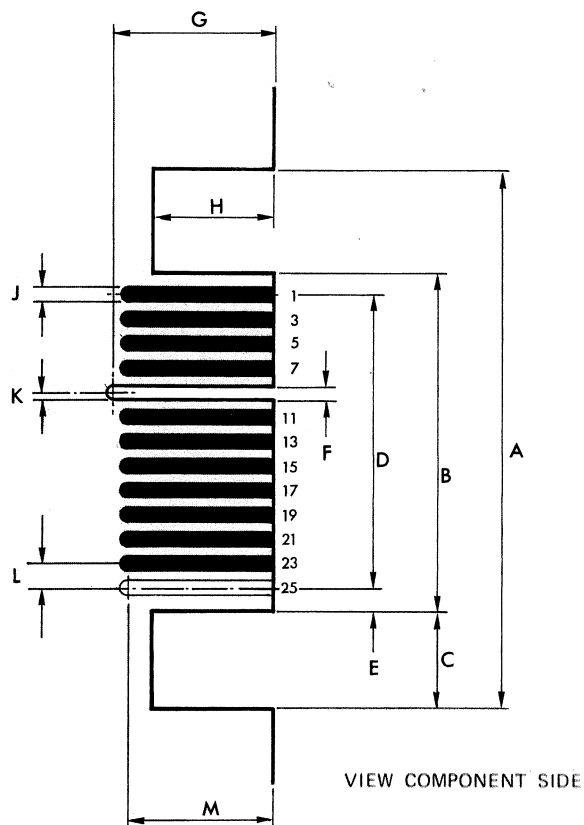


VIEW ON FLAT CABLE  
ENTERING THE Cii HB CONNECTOR

**HE9 TYPE CONNECTOR**

2	1
4	3
6	5
8	7
12	11
14	13
16	15
18	17
20	19
22	21
24	23
26	25

NOTE : Signal/pin allocation is the same as the CiiHB connector. Pins 25 and 26 are not connected



DETAILS OF BOARD FOR HE9 AND CiiHB CONNECTORS

	mm		in.	
	NOM.	TOL.	NOM.	TOL.
A	55,88	-	2.20	-
B	35,26	+0 -0,2	1.388	+000 -008
C	10,29	+0,12 -0	0.40	+005 -000
D	30,48	±0,15	1.200	±006
E	2,41	-	0.095	-
F	1,70	+0,2 -0,05	0.067	+008 -002
G	16,85	-	0.66	-
H	12,70	-	0.50	-
J	2,16	±0,05	0.085	±002
K	0,85	±0,025	0.033	±001
L	2,54	±0,15	0.10	±006
M	15,24	±0,15	0.60	±006

Figure 14. Logic connector

<b>Cii Honeywell Bull</b>	D 120 DISK DRIVE OEM product specification	SPEC. No	Folio	REV.
		BEM 1168	36	A3

## 6.7 LOGIC CONNECTOR/ continued....

Table 2 - LOGIC CONNECTOR PIN ASSIGNMENT J04

PIN No.	SIGNAL	PIN No.	SIGNAL
2	✓ WRITE DATA	1	RESERVED
4	✓ DATA CLOCK	3	GROUND
6	✓ INDEX MARK	5	GROUND
8	✓ SECTOR MARK	7	✓ ADDRESS PARITY
12	RESERVED	11	GROUND
14	✓ RUN	13	✓ READY TO SRW
16	✓ VALID SECTOR	15	GROUND
18	✓ FAULT	17	GROUND
20	2 ✓ READ ENABLE	19	13 ✓ FAULT RESET
22	2 ✓ READ DATA	21	GROUND
24	4 ✓ WRITE ENABLE	23	GROUND
26	RESERVED	25	RESERVED

Table 3 - LOGIC CONNECTOR PIN ASSIGNMENT - J01

PIN No.	SIGNAL	PIN No.	SIGNAL
2	✓ STROBE 1	1	RESERVED
4	✓ STROBE 2	3	GROUND
6	✓ ADLIN 0	5	GROUND
8	✓ ADLIN 3	7	CARTRIDGE ACCESS
12	✓ WRITE PROTECTED	11	GROUND
14	✓ ADLIN 2	13	✓ ADLIN 1
16	✓ ADLIN 7	15	GROUND
18	✓ INITIALIZE RESERVED	17	GROUND
20	✓ ADLIN 5	19	RESERVED
22	✓ ADLIN 6	21	GROUND
24	✓ ADLIN 4	23	GROUND
26	RESERVED	25	RESERVED

<b>Cii Honeywell Bull</b>	D 120 DISK DRIVE OEM product specification	SPEC. No	Folio	REV
		BEM 1168	37	A3

## 7 ELECTRICAL REQUIREMENTS

### 7.1 INPUT POWER SUPPLIES

The power supplies required by the drive are shown in Table 4.

Table 4 - DRIVE POWER REQUIREMENTS

Voltage	Tolerance	Normal current	Surge current	Ripple	Max. current load
+ 35 V	+ 10 % - 15 %	1.4 A	6.5 A during 20 seconds		8 A
+ 12 V	± 5 %	1.0 A		< 120 mV peak to peak	3 A
+ 5 V	+ 5 % - 3 %	6.5 A		< 120 mV peak to peak	15 A
- 12 V	± 5 %	1.0 A		< 120 mV peak to peak	3 A

#### Note 1

The current flowing in the OV return line between the logic and power supply connectors must never exceed 15 amps. (in the event of a short-circuit between the power supply line and chassis ground).

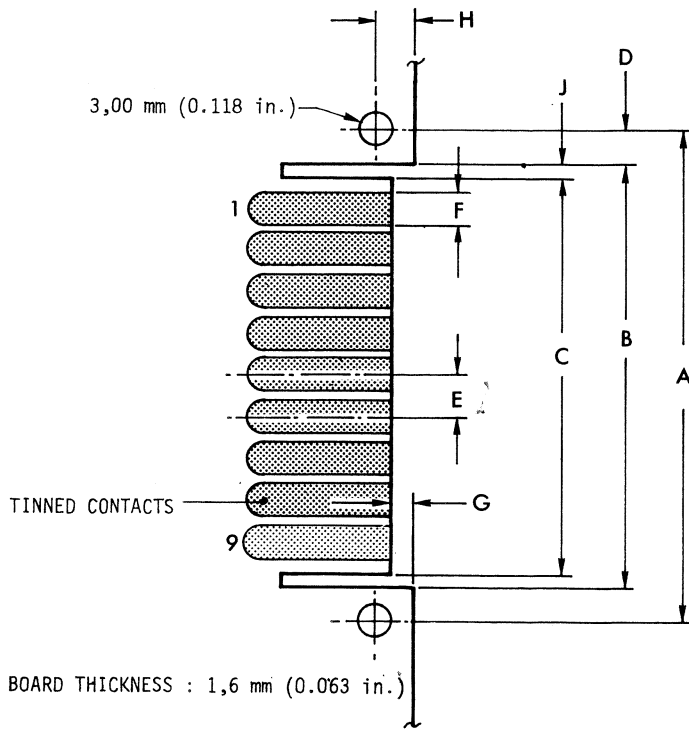
#### Note 2

The short-circuit current flowing between the OV line and the chassis ground must not exceed 20 mA over a frequency range of 100 KHz to 10 MHz.

<b>Cii Honeywell Bull</b>	D 120 DISK DRIVE OEM product specification	SPEC. No	Folio	REV.
		BEM 1168	38	A3

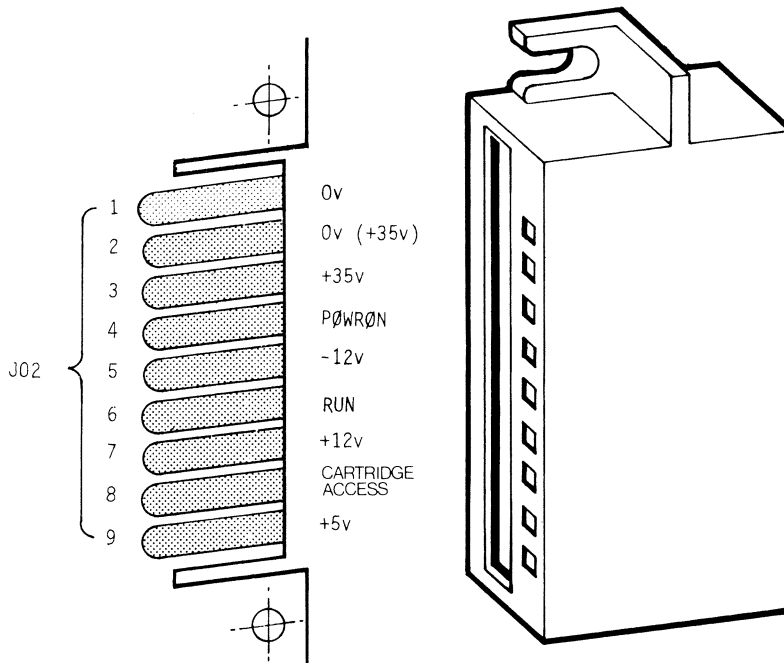
7.2 INPUT POWER CONNECTOR

The recommended power connector is a 9 pin (BERG type, for example) edge connector. Connector pin assignment must correspond to the signal allocation on the main circuit board as shown in figure 15b. Locating dimensions for the mating connector are shown in figure 15a.



	mm	in.
A	45,72	1.800
B	39,32	1.548
C	36,78	1.448
D	3,20	0.126
E	3,96	0.156
F	3,048	0.120
G	2,00	0.078
H	3,81	0.150
J	1,27	0.050

Figure 15a



VIEW COMPONENT SIDE

Figure 15b

<b>Cii Honeywell Bull</b>	D 120 DISK DRIVE OEM product specification	SPEC. No	Folio	REV.
		BEM 1168	39	A2

- 7.21 The 0V of the + 35 V (pin No. 2) and the 0V of the logic voltages (pin No. 1) are linked together on the disk drive. Consequently they must be separated in the Power Supply.
- 7.22 Inside the drive, electrical 0V and the chassis ground are isolated, regarding the DC Voltages. They have to be linked at ONE point only inside the system (controller or Central Processor Unit).
- 7.23 POWER ON (Signal ~~PWRON~~) : During a power-up phase this line is 0V and remains low until 200 msec.  $\pm$  100 after all the voltage supplies are stabilized within  $\pm$  20 %. After the delay the 5 volts transition initializes the drive circuits.

### 7.3 GROUNDING

The drive must be grounded at the point shown in figure 18.<sub>17</sub>

### 7.4 POWER CONSUMPTION

100 Watts nominal – 280 W during start-up for 20 sec.

## 8 PHYSICAL CHARACTERISTICS

### 8.1 DIMENSIONS

- width : 311 mm (12.25 in)
- depth : 534,5 mm (21.04 in)
- height : 142 mm (5.60 in)

### 8.2 WEIGHT

- 18 Kg (39 lb)

### 8.3 FINISH REQUIREMENTS

Machines are finished in Cii Honeywell Bull colors. Upon request, machines can be supplied in OEM customer colors (Black finish chassis with choice of color for the front embellisher panel and the table-top cover version).

### 8.4 NAMEPLATE

No Cii Honeywell Bull nameplate is attached to the machine. Upon request, customer nameplates can be fitted to the machine by Cii Honeywell Bull in the location indicated by Cii Honeywell Bull. These nameplates are to be shipped to Cii Honeywell Bull for each machine ordered. Refer to figure 16 for nameplate location.

<b>Cii Honeywell Bull</b>	D 120 DISK DRIVE OEM product specification	SPEC. No BEM 1168	Folio 40	REV. A3

## 9 INSTALLATION

### 9.1 ENVIRONMENT CONDITIONS

#### 9.11 Operating environment

The D 120 can operate in a normal non-air conditioned office environment. The atmospheric / climatic limits are tabulated in table 5, and shown graphically in figure 16.

TABLE 5 - OPERATING ENVIRONMENT LIMITS

TEMPERATURE	(°C/°F)
Dry Bulb, Maximum	
Dry Bulb, Minimum	15/59
Dry Bulb, Linear Gradient/Hour	5/9
Wet Bulb, Maximum	26/78.8
Wet Bulb, Minimum	7/44.6
RELATIVE HUMIDITY (%)	
Maximum	80
Minimum	8
Gradient/hour	20
ATMOSPHERIC PRESSURE (mm Hg)	
Maximum	780
Minimum	562



<b>Cii Honeywell Bull</b>	D 120 DISK DRIVE OEM product specification	SPEC. No	Folio	REV.
		BEM 1168	41	A1

## 9.12 Non-operating environment

The D 120 drive will withstand the following climatic conditions during transportation.

- temperature range : – 35°C to 65°C (–31°F to 149°F)  
during one week  
: 5°C to 45°C (41°F to 113°F)  
during three months
- relative humidity : 5 % to 95 %

### Media Storage

The storage temperature shall be within the range : – 40°C to + 65°C, the wet bulb reading not exceeding 30°C. For wet bulb temperatures between 0.5°C and 30°C, the disk shall be able to withstand a relative humidity of 8 % to 80 %.

Storage under the extreme conditions of the above range is not recommended. A temperature gradient of more than 10°C per hour should be avoided.

The ambient stray magnetic field intensity shall not exceed 4000 A/m.

## 9.2 INSTALLATION

### 9.21 Physical installation

The rack mounting model may be installed in a 19 inch standard rack. It is possible to mount the drive either vertically (up to three units, or two units plus one controller) or horizontally.

The overall dimensions of the rack installable unit are given in figure 16.

### 9.22 Electrical installation

Refer to figure 17.

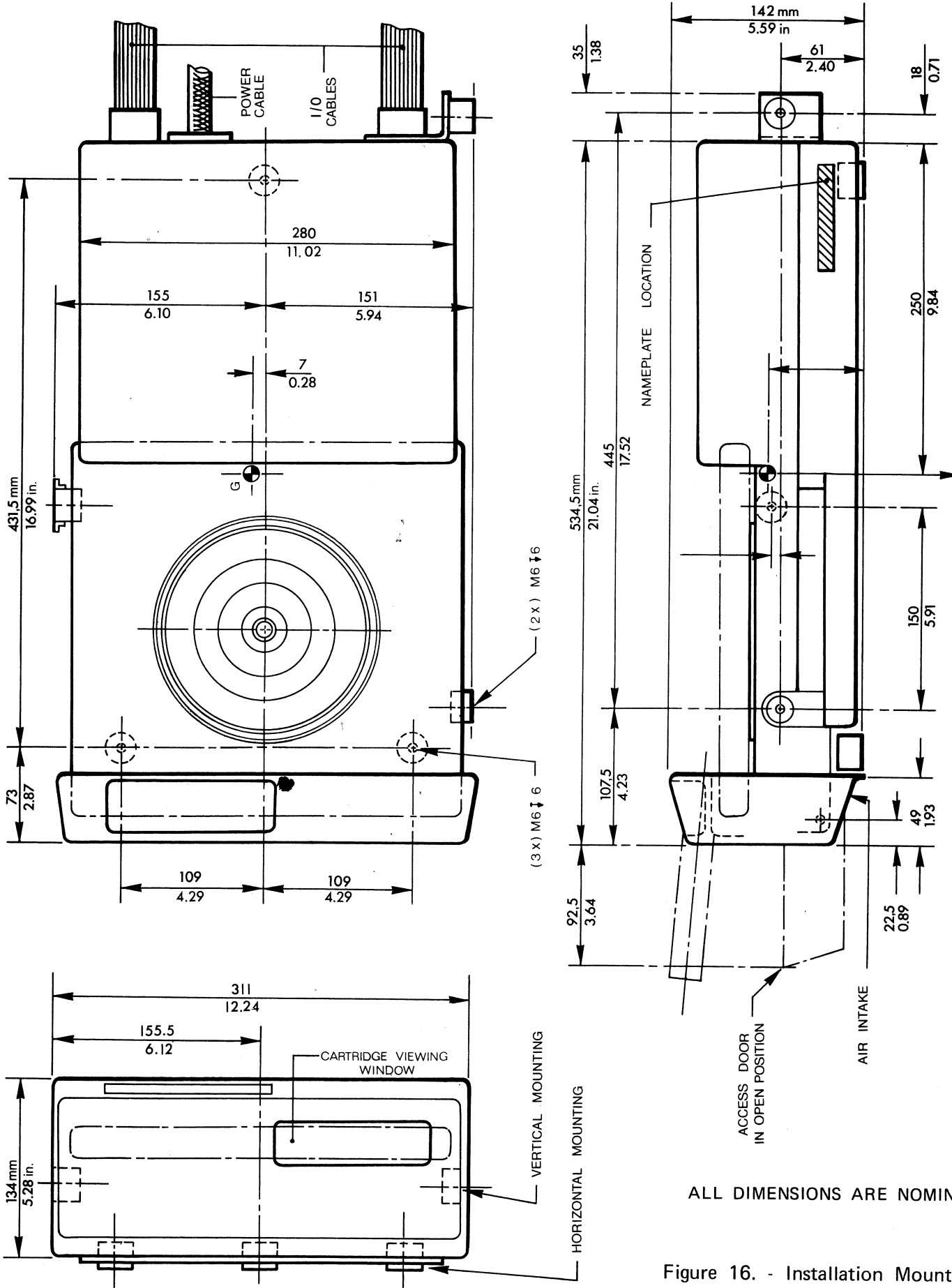
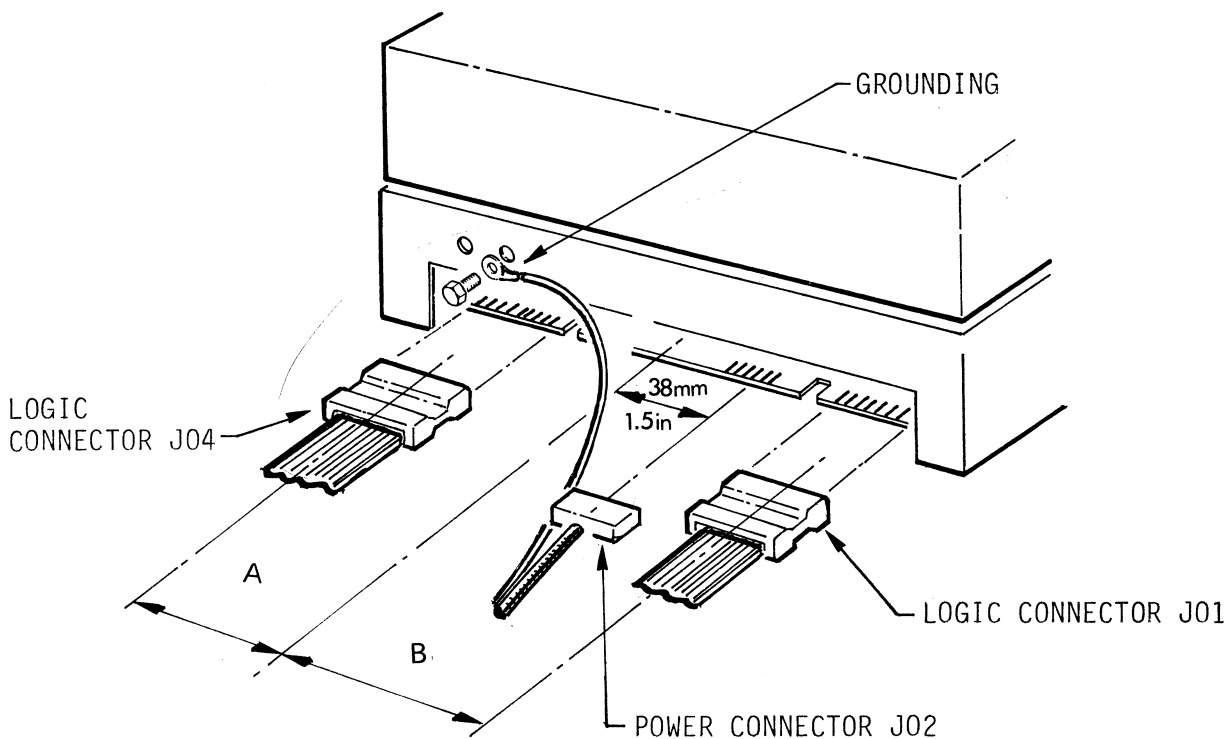


Figure 16. - Installation Mounting

<b>Cii Honeywell Bull</b>	D 120 DISK DRIVE OEM product specification	SPEC. No	Folio	REV.
		BEM 1168	43	A3



	A		B	
	mm	in.	mm	in.
CONNECTOR HE 9	94	3.70	94	3.70
CONNECTOR CiiHB.	95,3	3.75	92.7	3.65

Figure 17 - Connectors Location

<b>Cii Honeywell Bull</b>	D 120 DISK DRIVE OEM product specification.	SPEC. No BEM 1168	Folio 44	REV. A1

## 10 RELIABILITY

### 10.1 MEAN TIME BETWEEN FAILURE

Following an initial period of 200 hours, the MTBF should exceed 4000 hours for units manufactured in the first year of production, and 5000 hours in successive years. The MTBF is defined by the following expression :

$$\text{MTBF} = \frac{\text{Operating hours}}{\text{No. of equipment failures}}$$

Operating hours means the total power-on time less any maintenance time. Equipment failures are any stoppage or sub-standard performance of the equipment due to equipment malfunction, and does not include stoppages or substandard performance caused by operator error, bad environment, power failure, controller failure, cable/connector failure or any other failure not caused by the equipment.

### 10.2 MEAN TIME TO REPAIR

The mean time to repair is 0.8 hours ; it is defined as the average time required for an adequately trained and competent serviceman to diagnose and repair a malfunction. Travelling time is not included.

### 10.3 USEFUL LIFE

The D 120 drive is designed and constructed to give a service life of 5 years before factory overhaul or replacement is required on condition that any maintenance carried out is performed according to Cii Honeywell Bull maintenance manual procedures. It is permitted to repair or replace major parts during the service life.

<b>Cii Honeywell Bull</b>	D 120 DISK DRIVE OEM product specification	SPEC. No	Folio	REV.
		BEM 1168	45	A3

## 11 MAINTENANCE

### 11.1 PREVENTIVE MAINTENANCE

No preventive maintenance is scheduled for the D 120, no operator duties are required.

The air filter must be replaced every 10 to 14 months, depending on the state of the environment. This operation can be executed at any time when a Field Maintenance engineer is on site.

### 11.2 MAINTENANCE DOCUMENTATION

A complete maintenance documentation is available. This documentation comprises, Description - Installation, Maintenance and Tests, Illustrated Parts Catalogue.

### 11.3 SPECIAL TOOLING

No CE pack is required for maintenance purposes. Only one special tool is required for carriage replacement.

### 11.4 RECOMMENDED SPARE PARTS

Different levels of Initial Spare Kits (ISK's) have been established for on site maintenance purposes.

The number of machines serviced by the ISK's is to be calculated for a group of machines maintained by the same Field Service unit. Under normal conditions electronic spares cover 20 machines and mechanical spares cover 50 machines.

<b>Cii Honeywell Bull</b>	D 120 DISK DRIVE OEM product specification	SPEC. No BEM 1168	Folio 46	REV. A1
---------------------------	---	----------------------	-------------	------------

## 12 HANDLING, PACKING, TRANSPORTATION

For continental and overseas shipment, the machine is enclosed in a waterproof cover and placed inside a crate. The machine must not be removed from the crate before reaching the customer site.

The packing will withstand the environment limits as indicated in paragraph 9.12, Non-operational environmental limits.