

Adder 401  
 Calc. Unit Logic 402  
 Data Pad P/B 402  
 I/O Board 402  
 Processor 1 422  
 Processor 2 423  
 Tape Memory 423  
 Multiplier 426

CUSTOMER NAME G.E. Medical w/o #9808  
Schematics & Power Supplies  
 SERIAL # 820239904  
 NAME OF HOST COMPUTER RDCP

**NOTICE**

The material in this manual is for information purposes only and is subject to change without notice.

Floating Point Systems, Inc., assumes no responsibility for any errors which may appear in this publication.

This document contains schematics, topologies, power supplies, wiring diagrams, etc.

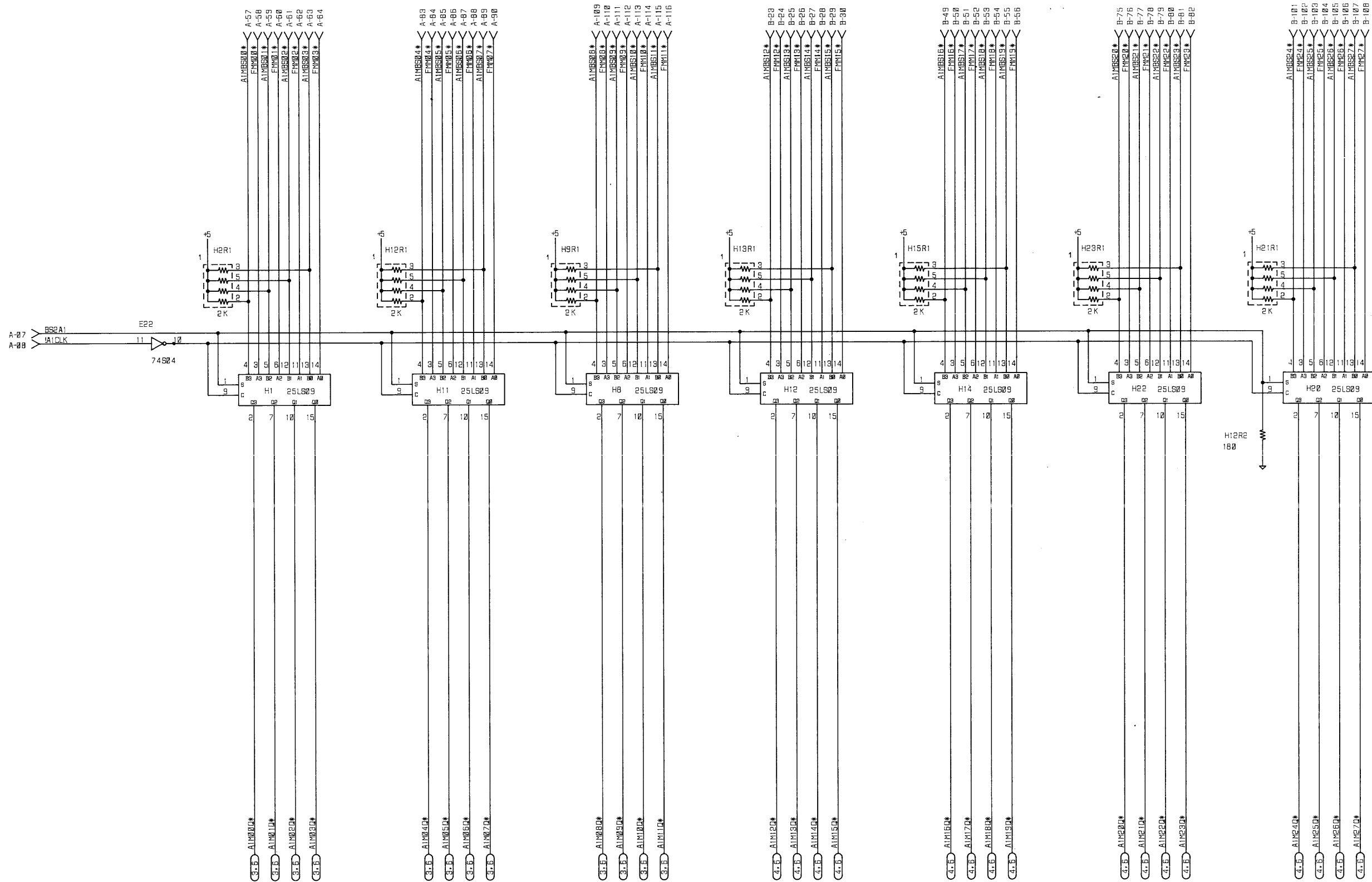
<p><b>PROPRIETARY INFORMATION</b></p> <p>This document contains proprietary information and is supplied for identification, maintenance, engineering evaluation or inspection purposes only and shall not be duplicated or disclosed without written permission of</p> <p><b>FLOATING POINT SYSTEMS, INC.</b></p> <p>By accepting this document the recipient agrees to make every effort to prevent unauthorized use of this information.</p>	<p><b>LIMITED RIGHTS LEGEND</b></p> <p>Contractor: <b>FLOATING POINT SYSTEMS, INC.</b> Contract No. _____</p> <p>Those portions of this technical data indicated as limited rights data shall not, without the written permission of the above Contractor, be either (a) used, released or disclosed in whole or in part outside the Government, (b) used in whole or in part by the Government for manufacture or, in the case of computer software documentation, for preparing the same or similar computer software, or (c) used by a party other than the Government, except for (i) emergency repair or overhaul work only, by or for the Government, where the item or process concerned is not otherwise reasonably available to enable timely performance of the work, provided that the release or disclosure hereof outside the Government shall be made subject to a prohibition against further use, release or disclosure; or (ii) release to a foreign government, as the interest of the United States may require, only for information or evaluation within such government or for emergency repair or overhaul work by or for such government under the conditions (i) above. This legend, together with the indications of the portions of this data which are subject to such limitations shall be included on any reproduction hereof which includes any part of the portions subject to such limitations.</p>
--	--

D

C

B

A



REVISIONS					
REV.	AUTH.	DESCRIPTION	ZONE	APVD / DATE	CHK. / DATE
A	ECO 80106	LEVEL 3 RELEASE		<i>DO 4/7/80</i>	<i>Del 4/2</i>
B	ECO 80392	LOGIC SYMBOL ERROR		<i>NO 4/7/80</i>	<i>Del 4/2</i>
C	ECO 81331	CORRECT DRAFTING ERROR		<i>MSH 8-28-81</i>	<i>Del 4/2</i>

**PROPRIETARY INFORMATION**  
 This document contains proprietary information and is supplied for identification, maintenance, engineering evaluation or inspection purposes only and shall not be duplicated or disclosed without written permission of  
**FLOATING POINT SYSTEMS, INC.**  
 By accepting this document the recipient agrees to make every effort to prevent unauthorized use of this information.

**LIMITED RIGHTS LEGEND**  
 Contractor: **FLOATING POINT SYSTEMS, INC.** Contract No. \_\_\_\_\_  
 Those portions of this technical data indicated as limited rights data shall not, without the written permission of the above Contractor, be either (a) used, released or disclosed in whole or in part outside the Government, (b) used in whole or in part by the Government for manufacture or in the case of computer software documentation, for preparing the same or similar computer software, or (c) used by a party other than the Government, except for (i) emergency repair or overhaul work only, by or for the Government, where the item or process concerned is not otherwise reasonably available to enable timely performance of the work, provided that the release or disclosure hereof outside the Government shall be made subject to a prohibition against further use, release or disclosure; or (ii) release to a foreign government, as the interest of the United States may require, only for information or evaluation within such government or for emergency repair or overhaul work by or for such government under the conditions (i) above. This legend, together with the indicators of the portions of this data which are subject to such limitations shall be included on any reproduction hereof which includes any part of the portions subject to such limitations.

PROJ. ENG <i>Steve Cook</i>	DATE 4-7-80
DRAWN BY <i>C.F.O.</i>	DATE 7/23/79
CHECK BY <i>Robert White</i>	DATE 4/1/80
MFG. ENG <i>R.H. Caldwell</i>	DATE 4-7-80

FLOATING POINT SYSTEMS, INC.		P.O. Box 23489 Portland OR 97223
DRAWING TITLE SCHEMATIC, ECB, 401-B, FLOATING ADDER		
SIZE <b>D</b>	CODE IDENT. NO. <b>56504</b>	DRAWING NO. <b>512-3401-001</b>
SCALE NONE	SHEET 1 OF 11	REV. <b>C</b>

ECO# 82409

D

C

B

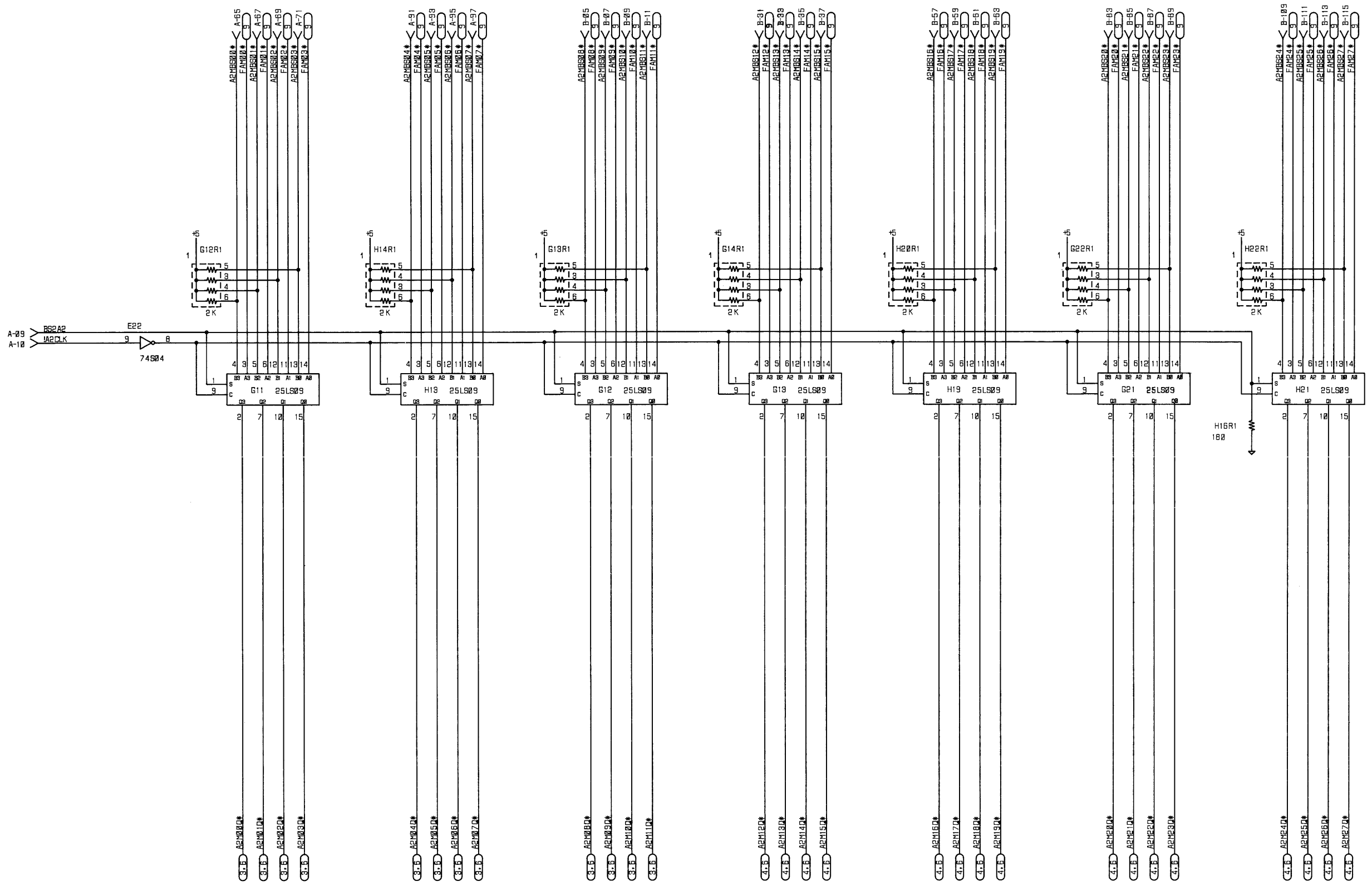
A

D

C

B

A



REVISIONS					
REV.	AUTH.	DESCRIPTION	ZONE	APVD / DATE	CHK. / DATE
(Table content is mostly blank or crossed out)					

**PROPRIETARY INFORMATION**  
 This document contains proprietary information and is supplied for identification, maintenance, engineering evaluation or inspection purposes only and shall not be duplicated or disclosed without written permission of  
**FLOATING POINT SYSTEMS, INC.**  
 By accepting this document the recipient agrees to make every effort to prevent unauthorized use of this information.

**LIMITED RIGHTS LEGEND**  
 Contractor: **FLOATING POINT SYSTEMS, INC.** Contract No. \_\_\_\_\_  
 Those portions of this technical data indicated as limited rights data shall not, without the written permission of the above Contractor, be either (a) used, released or disclosed in whole or in part outside the Government, (b) used in whole or in part by the Government for manufacture or, in the case of computer software documentation, for preparing the same or similar computer software, or (c) used by a party other than the Government, except for (i) emergency repair or overhaul work only, by or for the Government, where the item or process concerned is not otherwise reasonably available to enable timely performance of the work, provided that the release or disclosure hereof outside the Government shall be made subject to a prohibition against further use, release or disclosure; or (ii) release to a foreign government, as the interest of the United States may require, only for information or evaluation within such government or for emergency repair or overhaul work by or for such government under the conditions (i) above. This legend, together with the indications of the portions of this data which are subject to such limitations shall be included on any reproduction hereof which includes any part of the portions subject to such limitations.

PROJ. ENG.	DATE
DRAWN BY <b>C.A.O.</b>	DATE 7/03/79
CHECK BY	DATE
MFG. ENG.	DATE

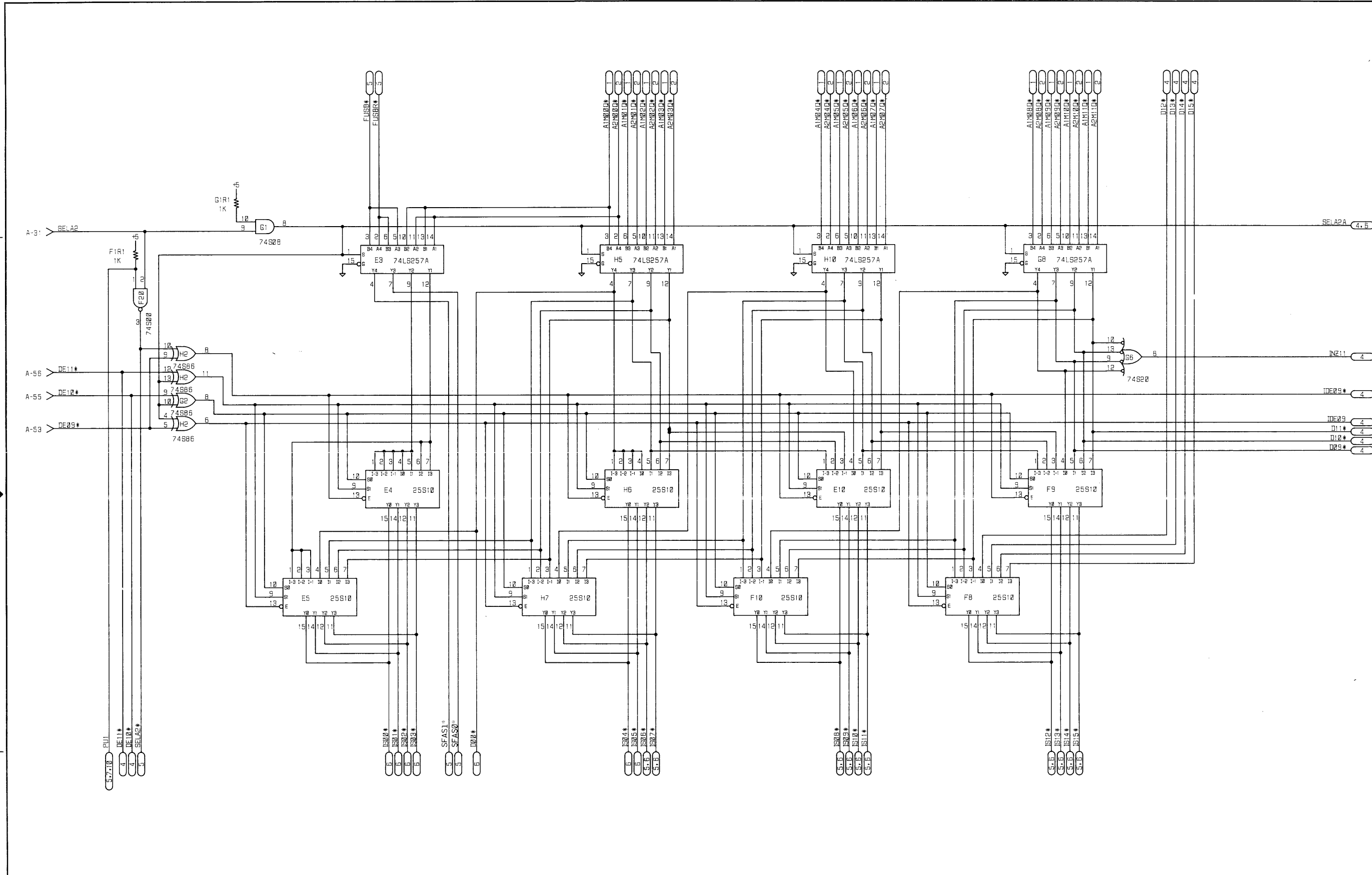
<b>FLOATING POINT SYSTEMS, INC.</b> PO Box 23489 Portland OR 97223	
DRAWING TITLE <b>SCHEMATIC, ECB, 401-B, FLOATING ADDER</b>	
SIZE <b>D</b>	CODE IDENT. NO. <b>56504</b>
SCALE NONE	DRAWING NO. <b>512-3401-001</b>
	REV. <b>C</b>
	SHEET <b>2</b> OF 11

D

C

B

A



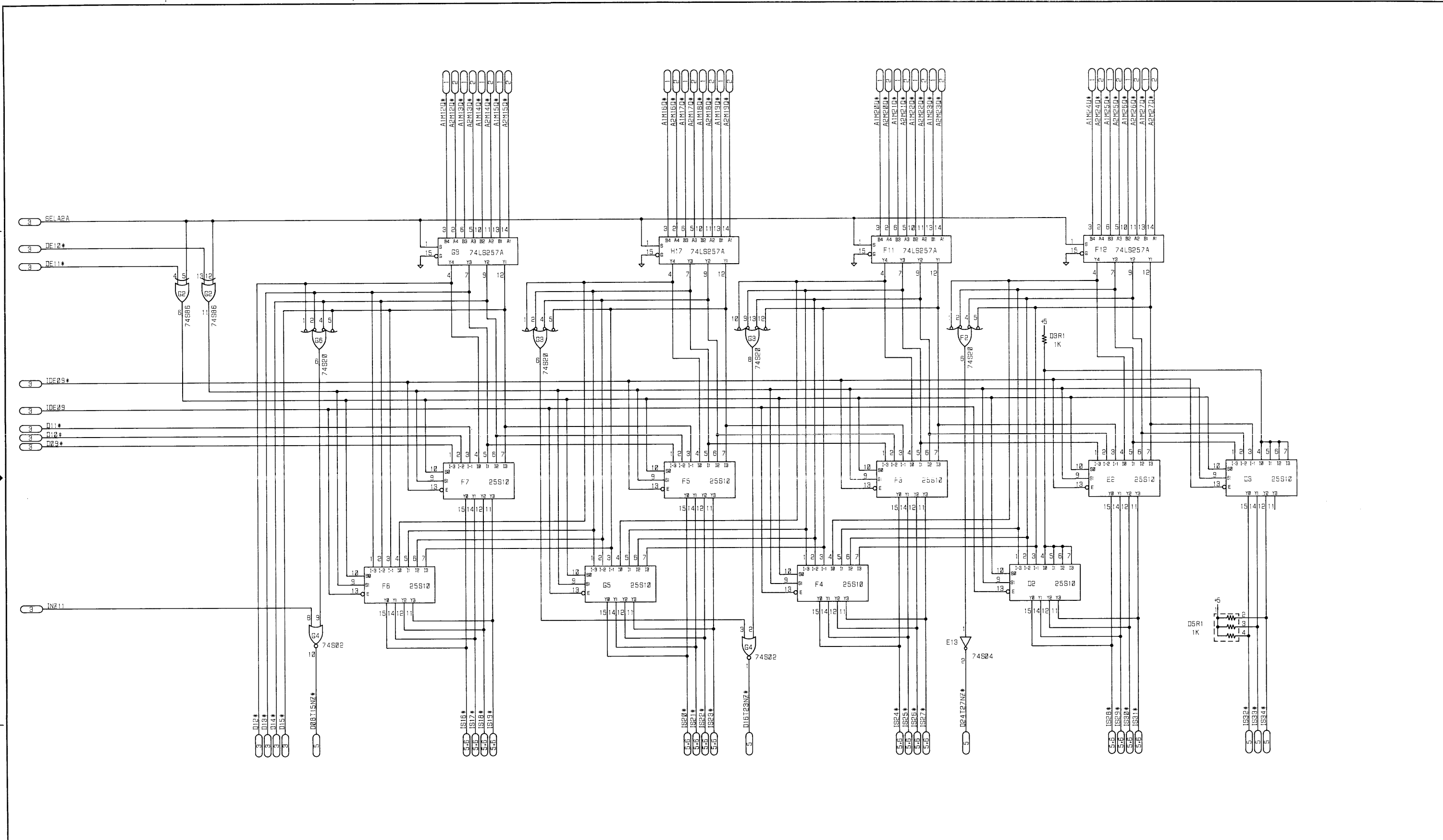
REVISIONS					
REV.	AUTH.	DESCRIPTION	ZONE	APVD / DATE	CHK. / DATE
(Empty table body)					

**PROPRIETARY INFORMATION**  
 This document contains proprietary information and is supplied for identification, maintenance, engineering evaluation or inspection purposes only and shall not be duplicated or disclosed without written permission of  
**FLOATING POINT SYSTEMS, INC.**  
 By accepting this document the recipient agrees to make every effort to prevent unauthorized use of this information.

**LIMITED RIGHTS LEGEND**  
 Contractor: **FLOATING POINT SYSTEMS, INC.** Contract No. \_\_\_\_\_  
 Those portions of this technical data indicated as limited rights data shall not, without the written permission of the above Contractor, be either (a) used, released or disclosed in whole or in part outside the Government, (b) used in whole or in part by the Government for manufacture or in the case of computer software documentation, for preparing the same or similar computer software, or (c) used by a party other than the Government, except for (1) emergency repair or overhaul work only, by or for the Government, where the item or process concerned is not otherwise reasonably available to enable timely performance of the work, provided that the release or disclosure hereof outside the Government shall be made subject to a prohibition against further use, release or disclosure, or (2) release to a foreign government, as the interest of the United States may require, or (3) for informational or evaluation within such government or for emergency repair or overhaul work by or for such government under the conditions (1) above. This legend, together with the indications of the portions of this data which are subject to such limitations shall be included on any reproduction hereof which includes any part of the portions subject to such limitations.

PROJ. ENG.	DATE	<b>FLOATING POINT SYSTEMS, INC.</b> PG 5 of 23489 Part and OR 91223
DRAWN BY <b>C.A.D.</b>	DATE <b>7/23/79</b>	
CHECK BY	DATE	
MFG. ENG.	DATE	
DRAWING TITLE		<b>SCHEMATIC, ECB, 401-B, FLOATING ADDER</b>
SIZE <b>D</b>	CODE IDENT. NO. <b>56504</b>	
DRAWING NO. <b>512-3401-001</b>		REV. <b>C</b>
SCALE <b>NONE</b>		SHEET <b>3</b> OF <b>11</b>

DRAWING NO. 512-3401-001 SHT 3



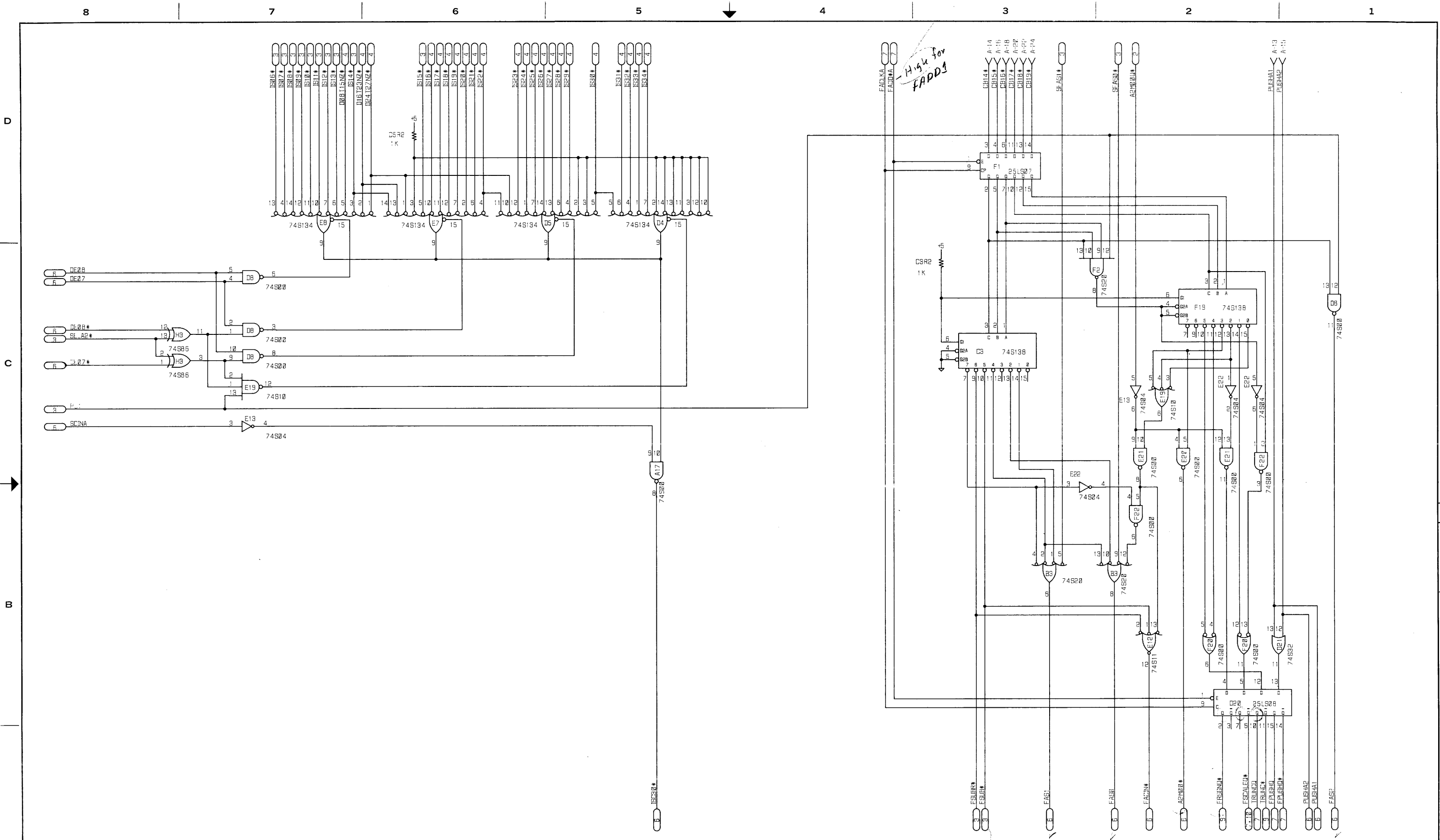
REVISIONS						
REV.	AUTH.	DESCRIPTION	ZONE	APVD	DATE	CHK./DATE

**PROPRIETARY INFORMATION**  
 This document contains proprietary information and is supplied for identification, maintenance, engineering evaluation or inspection purposes only and shall not be duplicated or disclosed without written permission of  
**FLOATING POINT SYSTEMS, INC.**  
 By accepting this document the recipient agrees to make every effort to prevent unauthorized use of this information.

**LIMITED RIGHTS LEGEND**  
 Contractor: **FLOATING POINT SYSTEMS, INC.** Contract No. \_\_\_\_\_  
 These portions of this technical data indicated as limited rights data shall not, without the written permission of the above Contractor, be either (a) used, released or disclosed in whole or in part outside the Government; (b) used in whole or in part by the Government for manufacture or in the case of computer software documentation, for preparing the same or similar computer software; or (c) used by a party other than the Government, except for (i) emergency repair or overhaul work only, by or for the Government, where the item or process concerned is not otherwise reasonably available to enable timely performance of the work, provided that the release or disclosure hereof outside the Government shall be made subject to a prohibition against further use, release or disclosure; or (ii) release to a foreign government as the interest of the United States may require, only for information or evaluation within such government or for emergency repair or overhaul work by or for such government under the conditions (i) above. This legend, together with the indications of the portions of this data which are subject to such limitations shall be included on any reproduction hereof which includes any part of the portions subject to such limitations.

PROJ. ENG.	DATE
DRAWN BY <b>F.A.D.</b>	DATE <b>7/23/73</b>
CHECK BY	DATE
MFG. ENG.	DATE

<b>FLOATING POINT SYSTEMS, INC.</b>		PDB# 23489 Portland, OR 97223	
<b>DRAWING TITLE</b> SCHEMATIC, ECB, 401-B, FLOATING ADDER			
SIZE <b>D</b>	CODE IDENT. NO. <b>56504</b>	DRAWING NO. <b>512-3401-001</b>	REV. <b>C</b>
SCALE <b>NONE</b>	SHEET <b>4</b> OF <b>11</b>		



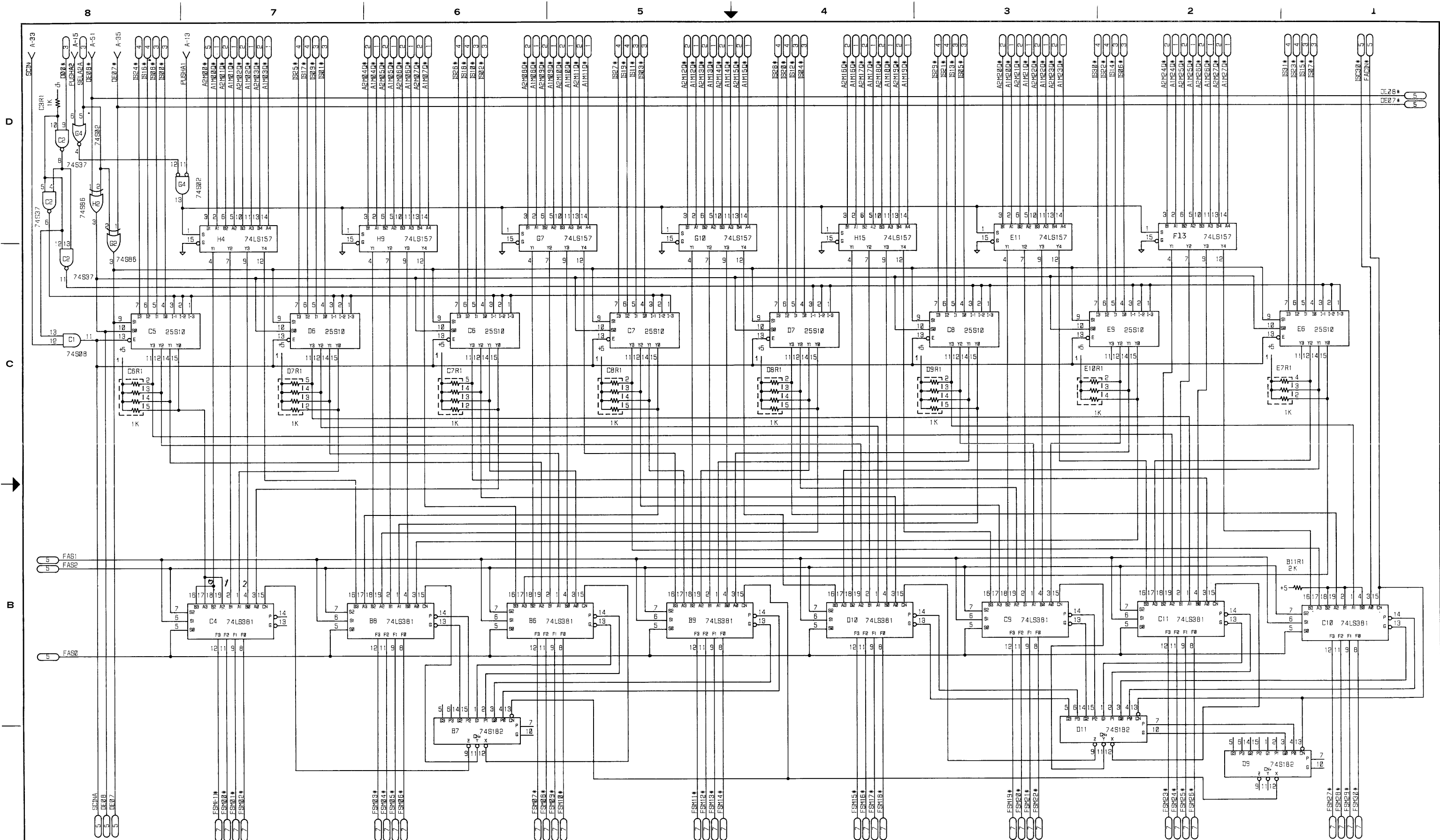
REVISIONS						
REV.	AUTH.	DESCRIPTION	ZONE	APVD / DATE	CHK. / DATE	

**PROPRIETARY INFORMATION**  
 This document contains proprietary information and is supplied for identification, maintenance, engineering evaluation or inspection purposes only and shall not be duplicated or disclosed without written permission of  
**FLOATING POINT SYSTEMS, INC.**  
 By accepting this document the recipient agrees to make every effort to prevent unauthorized use of this information.

**LIMITED RIGHTS LEGEND**  
 Contractor: **FLOATING POINT SYSTEMS, INC.** Contract No. \_\_\_\_\_  
 Those portions of this technical data indicated as limited rights data shall not, without the written permission of the above Contractor, be either (a) used, released or disclosed in whole or in part outside the Government, (b) used in whole or in part by the Government for manufacture or, in the case of computer software documentation, for preparing the same or similar computer software, or (c) used by a party other than the Government, except for (i) emergency repair or overhaul work only, by or for the Government, where the item or process concerned is not otherwise reasonably available to enable timely performance of the work, provided that the release or disclosure hereof outside the Government shall be made subject to a prohibition against further use, release or disclosure, or (ii) release to a foreign government, as the interest of the United States may require, only for information or evaluation within such government or for emergency repair or overhaul work by or for such government under the conditions (i) above. This legend, together with the indications of the portions of this data which are subject to such limitations shall be included on any reproduction hereof which includes any part of the portions subject to such limitations.

PROJ. ENG.	DATE
DRAWN BY <b>E.A.D.</b>	DATE 7/29/75
CHECK BY	DATE
MFG. ENG.	DATE

<b>FLOATING POINT SYSTEMS, INC.</b>		PCBcr 23489 Portland OR 97223
DRAWING TITLE		
SCHEMATIC, ECB, 401-B, FLOATING ADDER		
SIZE	CODE IDENT. NO.	DRAWING NO.
D	56504	512-3401-001
SCALE	NONE	SHEET E OF 11



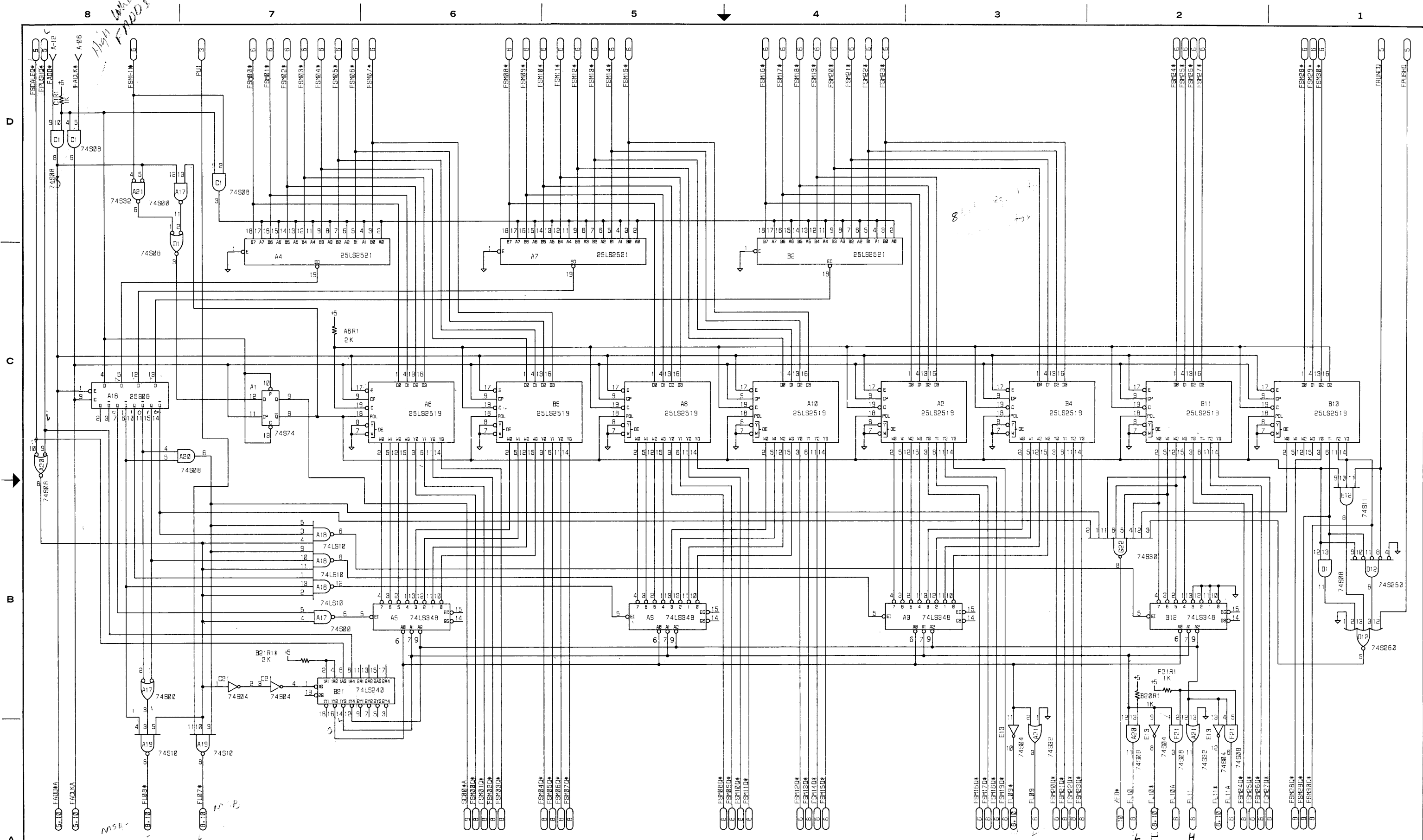
REVISIONS					
REV.	AUTH.	DESCRIPTION	ZONE	APVD / DATE	CHK. / DATE

**PROPRIETARY INFORMATION**  
 This document contains proprietary information and is supplied for identification, maintenance, engineering evaluation or inspection purposes only and shall not be duplicated or disclosed without written permission.

**FLOATING POINT SYSTEMS, INC.**  
 By accepting this document the recipient agrees to make every effort to prevent unauthorized use of this information.

**LIMITED RIGHTS LEGEND**  
 Contractor: **FLOATING POINT SYSTEMS, INC.** Contract No. \_\_\_\_\_  
 Those portions of this technical data indicated as limited rights data shall not, without the written permission of the above Contractor, be either (a) used, released or disclosed in whole or in part outside the Government, (b) used in whole or in part by the Government for manufacture or, in the case of computer software documentation, for preparing the same or similar computer software, or (c) used by a party other than the Government, except for (i) emergency repair or overhaul work only, by or for the Government, where the item or process concerned is not otherwise reasonably available to enable timely performance of the work, provided that the release or disclosure hereof outside the Government shall be made subject to a prohibition against further use, release or disclosure; or (ii) release to a foreign government, as the interest of the United States may require, only for information or evaluation within such government or for emergency repair or overhaul work by or for such government under the conditions (i) above. This legend, together with the indications of the portions of this data which are subject to such limitations shall be included on any reproduction hereof which includes any part of the portions subject to such limitations.

PROJ. ENG.	DATE	<b>FLOATING POINT SYSTEMS, INC.</b> P.O. Box 23489 Portland, OR 97223
DRAWN BY <b>C.A.O.</b>	DATE 7/03/79	
CHECK BY	DATE	
MFG. ENG.	DATE	
DRAWING TITLE		SCHEMATIC, ECR, 401-B, FLOATING ADDER
SIZE <b>D</b>	CODE IDENT. NO. <b>56504</b>	
SCALE NONE	DRAWING NO. <b>512-3401-001</b>	
SHEET <b>6</b> OF <b>11</b>		REV. <b>C</b>



REVISIONS				
REV.	AUTH.	DESCRIPTION	ZONE	APVD / DATE

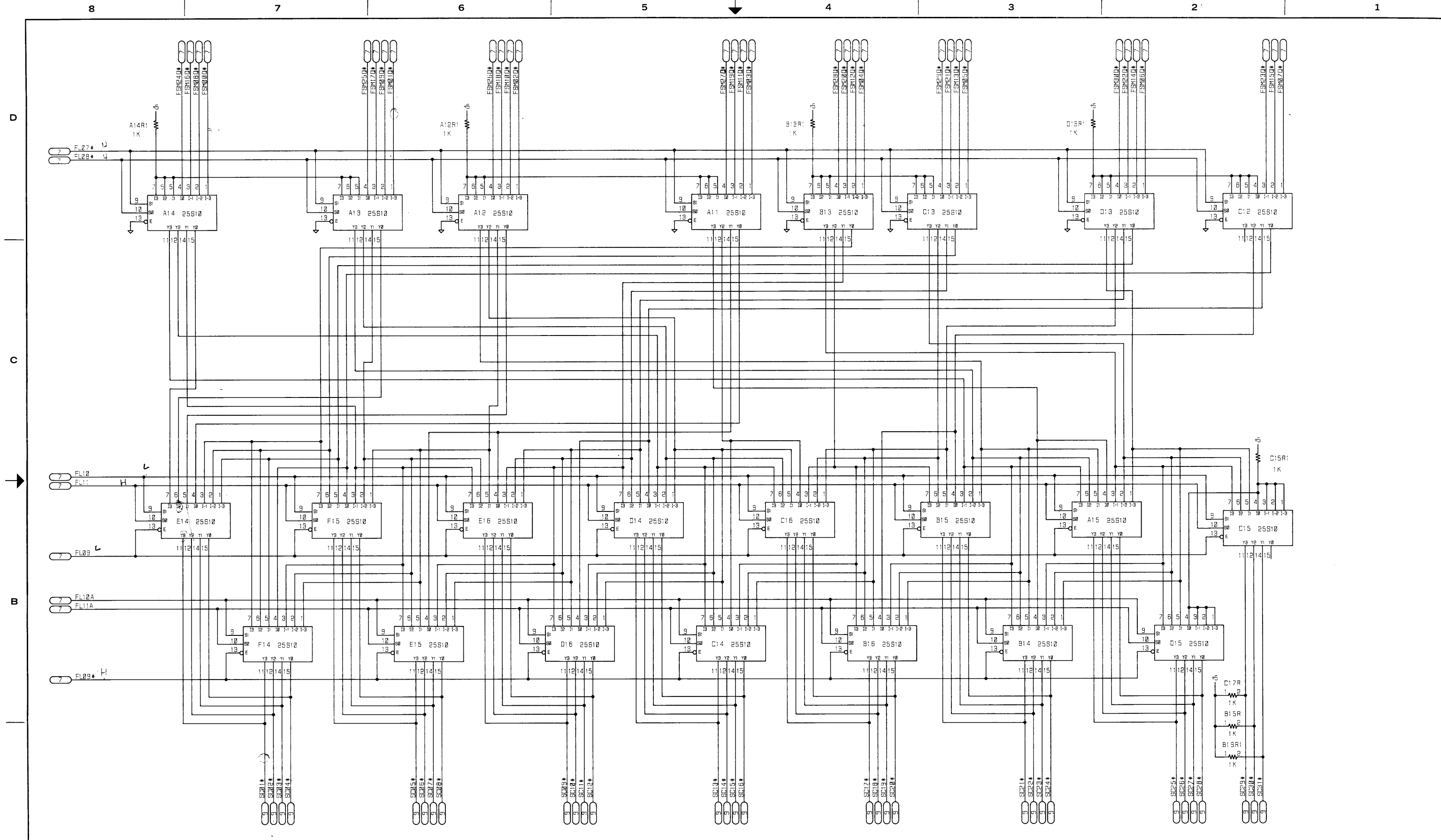
**PROPRIETARY INFORMATION**  
 This document contains proprietary information and is supplied for identification, maintenance, engineering, evaluation or inspection purposes only and shall not be duplicated or disclosed without written permission of  
**FLOATING POINT SYSTEMS, INC.**  
 By accepting this document the recipient agrees to make every effort to prevent unauthorized use of this information.

**LIMITED RIGHTS LEGEND**  
 Contractor: **FLOATING POINT SYSTEMS, INC.** Contract No. \_\_\_\_\_  
 These portions of this technical data indicated as limited rights data shall not, without the written permission of the above Contractor, be either (a) used, released or disclosed in whole or in part outside the Government, (b) used in whole or in part by the Government for manufacture or, in the case of computer software documentation, for preparing the same or similar computer software, or (c) used by a party other than the Government, except for (i) emergency repair or overhaul work only, by or for the Government, where the item or process concerned is not otherwise reasonably available to enable timely performance of the work, provided that the release or disclosure hereof outside the Government shall be made subject to a prohibition against further use, release or disclosure, or (ii) release to a foreign government, as the interest of the United States may require, only for information or evaluation within such government or for emergency repair or overhaul work by or for such government under the conditions (i) above. This legend, together with the indications of the portions of this data which are subject to such limitations shall be included on any reproduction hereof which includes any part of the portions subject to such limitations.

PROJ. ENG.	DATE
DRAWN BY: <b>E.D.</b>	DATE: <b>7/23/75</b>
CHECK BY:	DATE:
MFG. ENG.	DATE:

<b>FLOATING POINT SYSTEMS, INC.</b> P.O. Box 23489 Portland, OR 97223	
DRAWING TITLE	
<b>SCHEMATIC, ECB,          401-B,          FLOATING ADDER</b>	
SIZE: <b>D</b>	CODE IDENT. NO.: <b>56504</b>
DRAWING NO.: <b>512-3401-001</b>	REV. <b>C</b>
SCALE: <b>NONE</b>	SHEET <b>7</b> OF <b>11</b>





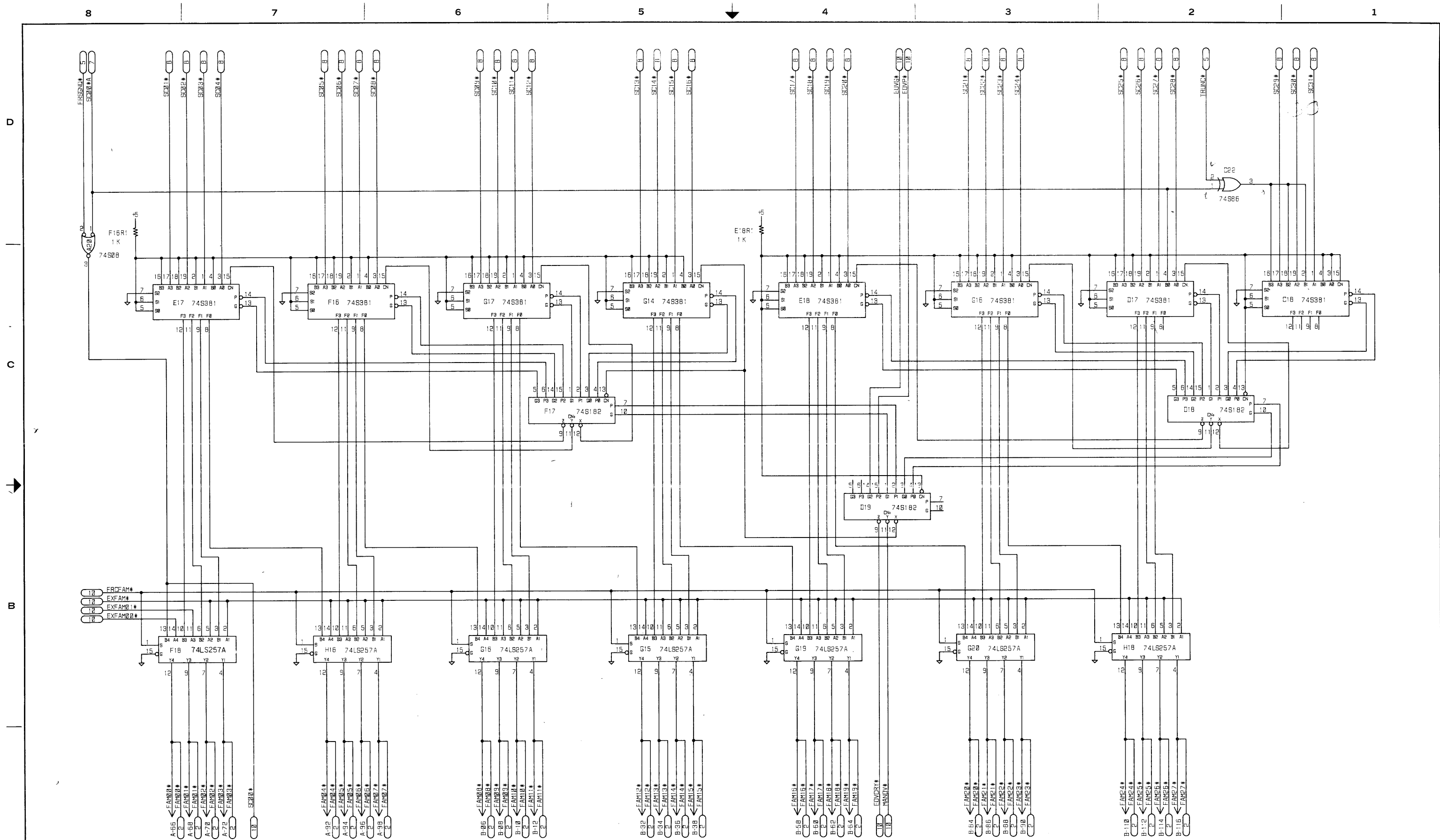
REVISIONS					
REV.	AUTH.	DESCRIPTION	ZONE	APVD / DATE	CHK. / DATE

**PROPRIETARY INFORMATION**  
 This document contains proprietary information and is supplied for identification, maintenance, engineering, evaluation or inspection purposes only and shall not be duplicated or disclosed without written permission of  
**FLOATING POINT SYSTEMS, INC.**  
 By accepting this document the recipient agrees to make every effort to prevent unauthorized use of this information.

**LIMITED RIGHTS LEGEND**  
 Contractor: **FLOATING POINT SYSTEMS, INC.** Contract No. \_\_\_\_\_  
 Those portions of this technical data indicated as limited rights data shall not, without the written permission of the above Contractor, be either (a) used, released or disclosed in whole or in part outside the Government; (b) used in whole or in part by the Government for manufacture or in the case of computer software documentation, for preparing the same or similar computer softwares; or (c) used by a party other than the Government, except for (1) emergency repair or overhaul work only, by or for the Government, where the item or process concerned is not otherwise reasonably available to enable timely performance of the work, provided that the release or disclosure hereof outside the Government shall be made subject to a prohibition against further use, release or disclosure; or (2) release to a foreign government, as the interest of the United States may require, only for information or evaluation within such government or for emergency repair or overhaul work by or for such government under the conditions (1) above. This legend, together with the indications of the portions of this data which are subject to such limitations shall be included on any reproduction hereof which includes any part of the portions subject to such limitations.

PROJ. ENG.	DATE
DRAWN BY <b>E.A.B.</b>	DATE 7/23/78
CHECK BY	DATE
MFG. ENG.	DATE

<b>FLOATING POINT SYSTEMS, INC.</b>		P081x 23488 Portland OR 97223
<b>DRAWING TITLE</b> SCHEMATIC, ECB, 401-B, FLOATING ADDER		
SIZE <b>D</b> SCALE NONE	CODE IDENT. NO. <b>56504</b>	DRAWING NO. 512-3401-001
REV. <b>C</b>	SHEET <b>B</b> OF <b>11</b>	



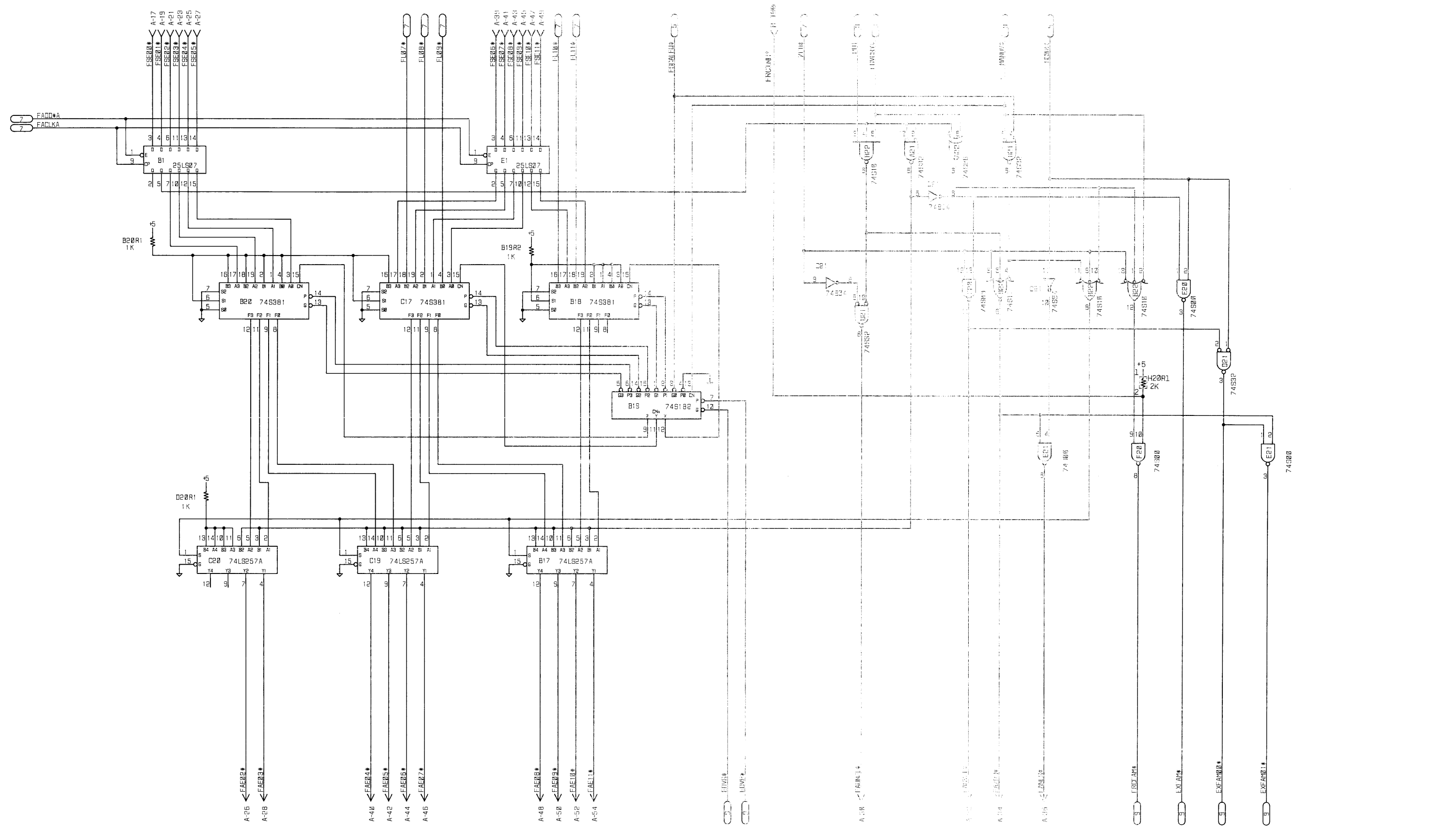
REVISIONS						
REV.	AUTH.	DESCRIPTION	ZONE	APVD / DATE	CHK / DATE	

**PROPRIETARY INFORMATION**  
 This document contains proprietary information and is supplied for identification, maintenance, engineering evaluation or inspection purposes only and shall not be duplicated or disclosed without written permission of  
**FLOATING POINT SYSTEMS, INC.**  
 By accepting this document the recipient agrees to make every effort to prevent unauthorized use of this information.

**LIMITED RIGHTS LEGEND**  
 Contractor **FLOATING POINT SYSTEMS, INC.** Contract No. \_\_\_\_\_  
 These portions of this technical data indicated as limited rights data shall not, without the written permission of the above Contractor, be either (a) used, released or disclosed in whole or in part outside the Government; (b) used in whole or in part by the Government for manufacture or in the case of computer software documentation, for preparing the same or similar computer software; or (c) used by a party other than the Government, except for (i) emergency repair or overhaul work only; by or for the Government, where the item or process concerned is not otherwise reasonably available to enable timely performance of the work, provided that the release or disclosure hereof outside the Government shall be made subject to a prohibition against further use, release or disclosure; or (ii) release to a foreign government, as the interest of the United States may require, only for information or evaluation within such government or for emergency repair or overhaul work by or for such government under the conditions (i) above. This legend, together with the indications of the portions of this data which are subject to such limitations shall be included on any reproduction hereof which includes any part of the portions subject to such limitations.

PROJ. ENG.	DATE
DRAWN BY <b>C.F.O.</b>	DATE 7/23/79
CHECK BY	DATE
MFG. ENG.	DATE

<b>FLOATING POINT SYSTEMS, INC.</b>		P.O. Box 23488 Portland, OR 97223	
DRAWING TITLE SCHEMATIC, ECB, 401-B, FLOATING ADDER			
SIZE D	CODE IDENT. NO. 56504	DRAWING NO. 512-3401-001	REV. C
SCALE NONE	SHEET 9 OF 11		

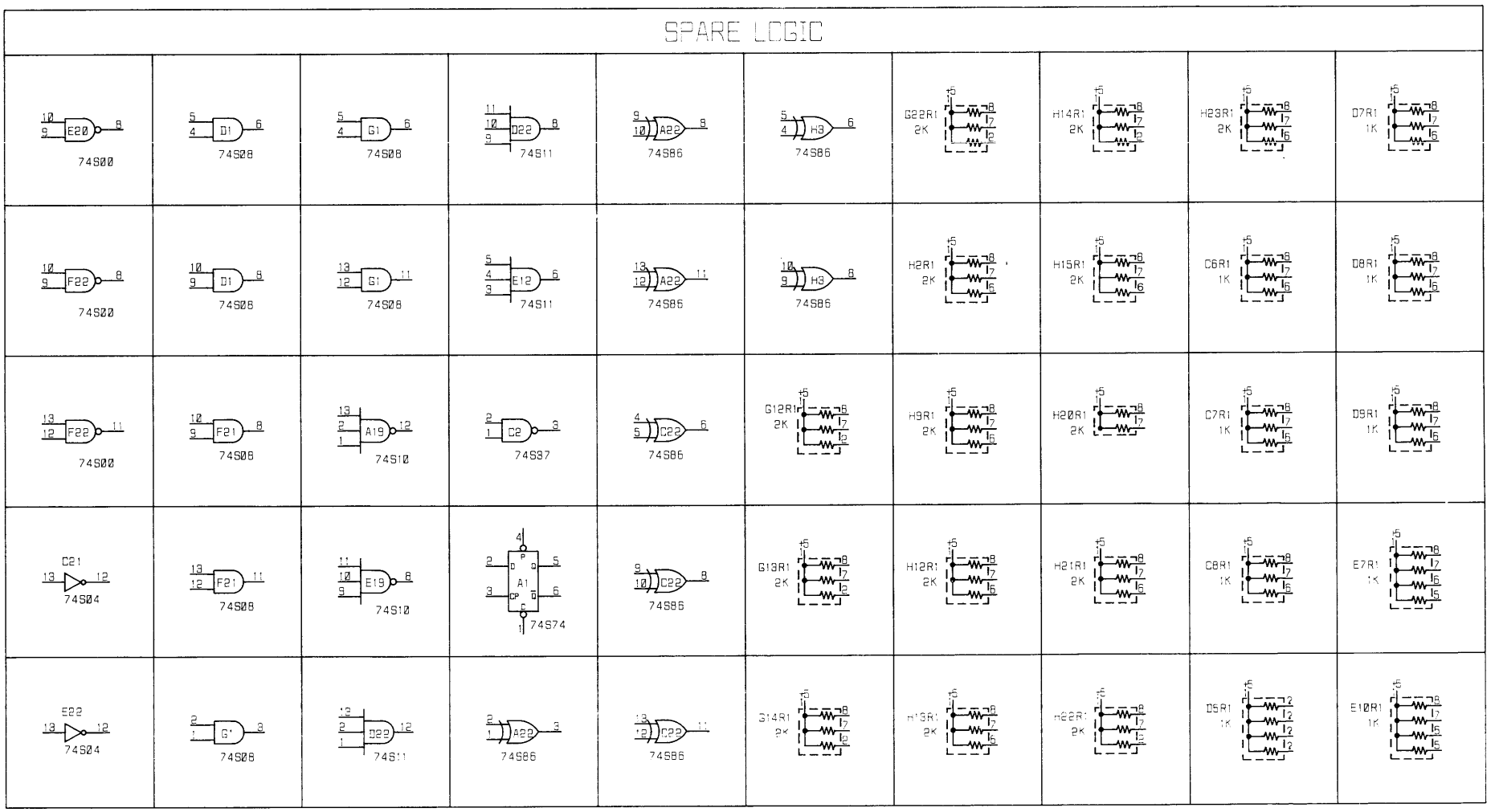
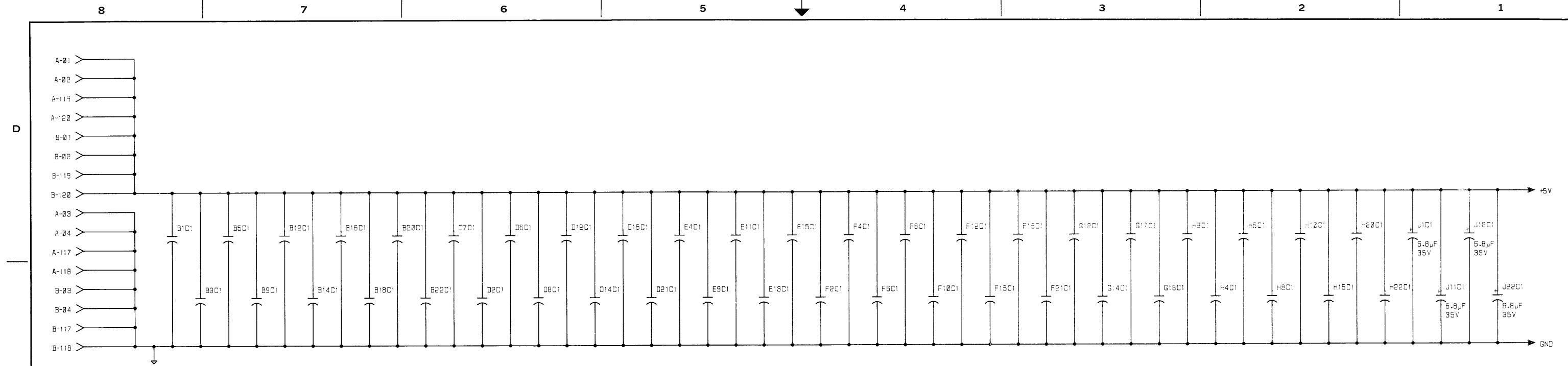


REVISIONS					
REV.	AUTH.	DESCRIPTION	ZONE	APVD / DATE	CHK. / DATE

**PROPRIETARY INFORMATION**  
 This document contains proprietary information and is supplied for identification, maintenance, engineering, evaluation or inspection purposes only and shall not be duplicated or disclosed without the permission of  
**FLOATING POINT SYSTEMS, INC.**  
 By accepting this document, the recipient agrees to make every effort to prevent unauthorized use of this information.

**INTENT OF THIS LEGAL NOTICE**  
 CONTRACTOR: FLOATING POINT SYSTEMS, INC. CONTRACT NO. 512-3401-001  
 Those portions of this technical data which are marked as "Proprietary" are the property of the Contractor and shall remain the property of the Contractor. All other portions of this technical data are the property of the Government and shall be released or disclosed in whole or in part outside the Government at the discretion of the Government. In the case of computer software, the Contractor shall be responsible for the protection of the software and shall be responsible for the return of the software to the Government upon completion of the contract. The Contractor shall be responsible for the protection of the software and shall be responsible for the return of the software to the Government upon completion of the contract. The Contractor shall be responsible for the protection of the software and shall be responsible for the return of the software to the Government upon completion of the contract.

DESIGN ENG	DATE	<b>FLOATING POINT SYSTEMS, INC.</b> P.O. Box 23489 Portland, OR 97223	
DRAWN BY	DATE 7/23/78		
CHECK BY	DATE		
MFG. ENG	DATE	DRAWING TITLE <b>SCHEMATIC, ECR, 401-B, FLOATING ADDER</b>	
SIZE <b>D</b>	CODE IDENT. NO. <b>56504</b>	DRAWING NO. <b>512-3401-001</b>	REV. <b>C</b>
SCALE NONE	SHEET 12 OF 11		



**NOTES**

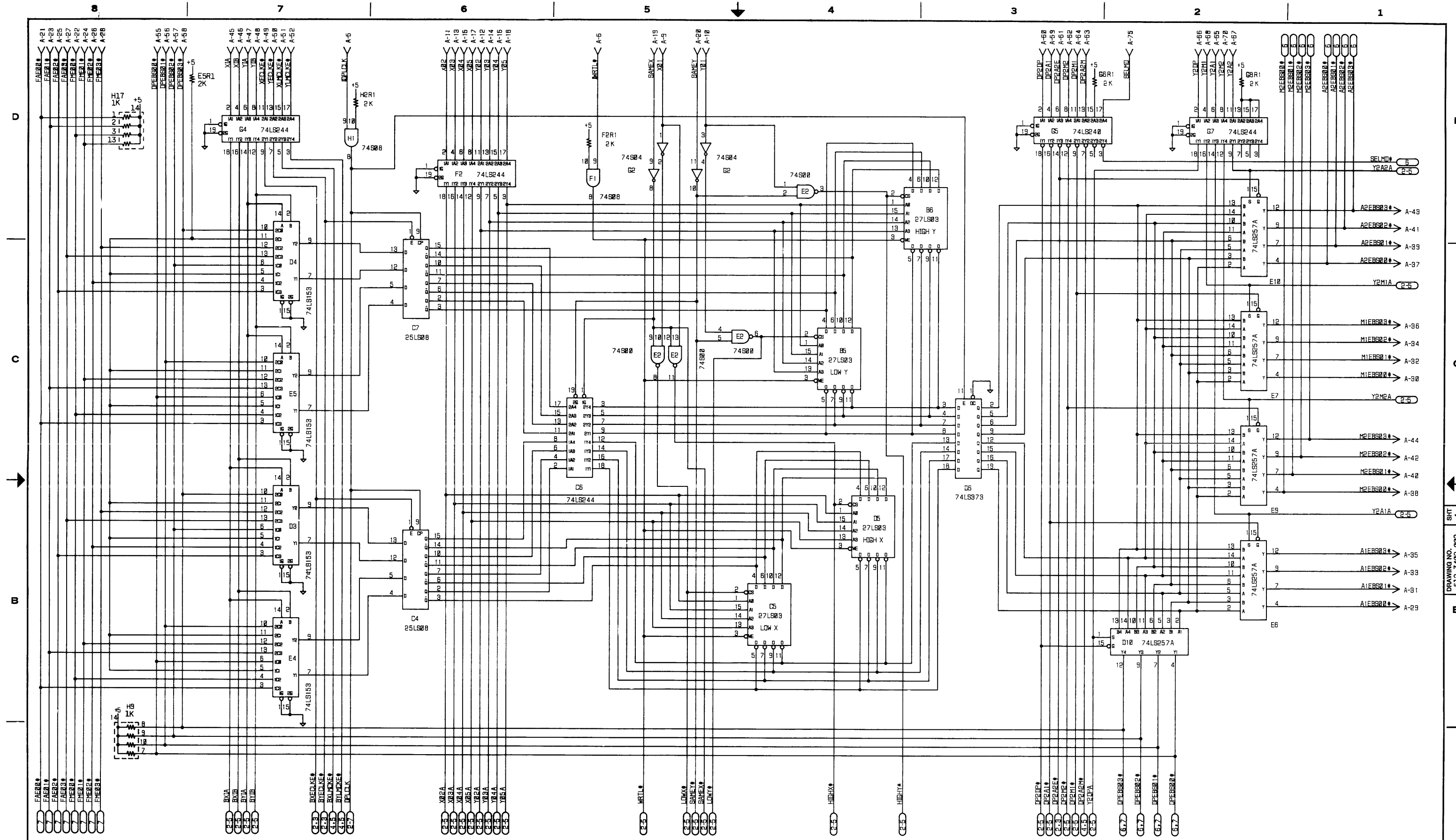
1. UNLESS OTHERWISE SPECIFIED ALL CAPACITORS ARE 0.1 µF, 35 VOLTS.

REVISIONS						PROPRIETARY INFORMATION		LIMITED RIGHTS LEGEND		PROJ. ENG.		DATE		DRAWING TITLE			
REV.	AUTH.	DESCRIPTION	ZONE	APVD / DATE	CHK. / DATE	This document contains proprietary information and is supplied for identification, maintenance, engineering, evaluation or inspection purposes only and shall not be duplicated or disclosed without written permission of FLOATING POINT SYSTEMS, INC.		Contractor: FLOATING POINT SYSTEMS, INC. Contract No. _____		DRAWN BY	DATE	CHECK BY	DATE	SCHEMATIC, ECB, 401-B, FLOATING ADDER			
						By accepting this document the recipient agrees to make every effort to prevent unauthorized use of this information.		Those portions of this technical data indicated as limited rights data shall not, without the written permission of the above Contractor, be either (a) used, released or disclosed in whole or in part outside the Government; (b) used in whole or in part by the Government for manufacture or in the case of computer software documentation, for preparing the same or similar computer software; or (c) used by a party other than the Government, except for (i) emergency repair or overhaul work only, by or for the Government, where the item or process concerned is not otherwise reasonably available to enable timely performance of the work, provided that the release or disclosure hereof outside the Government shall be made subject to a prohibition against further use, release or disclosure, or (ii) release to a foreign government as the interest of the United States may require, only for information or evaluation within such government or for emergency repair or overhaul work by or for such government under the conditions (i) above. This legend, together with the indications of the portions of this data which are subject to such limitations shall be included on any reproduction hereof which includes any part of the portions subject to such limitations.		E.A.D.	7/23/75			SIZE	CODE IDENT. NO.	DRAWING NO.	REV.
														D	56504	512-3401-001	C
SCALE NONE														SHEET 11 OF 11			

DRAWING NO. 512-3401-001

SHEET 11

PC80x 23488 Portland OR 97223

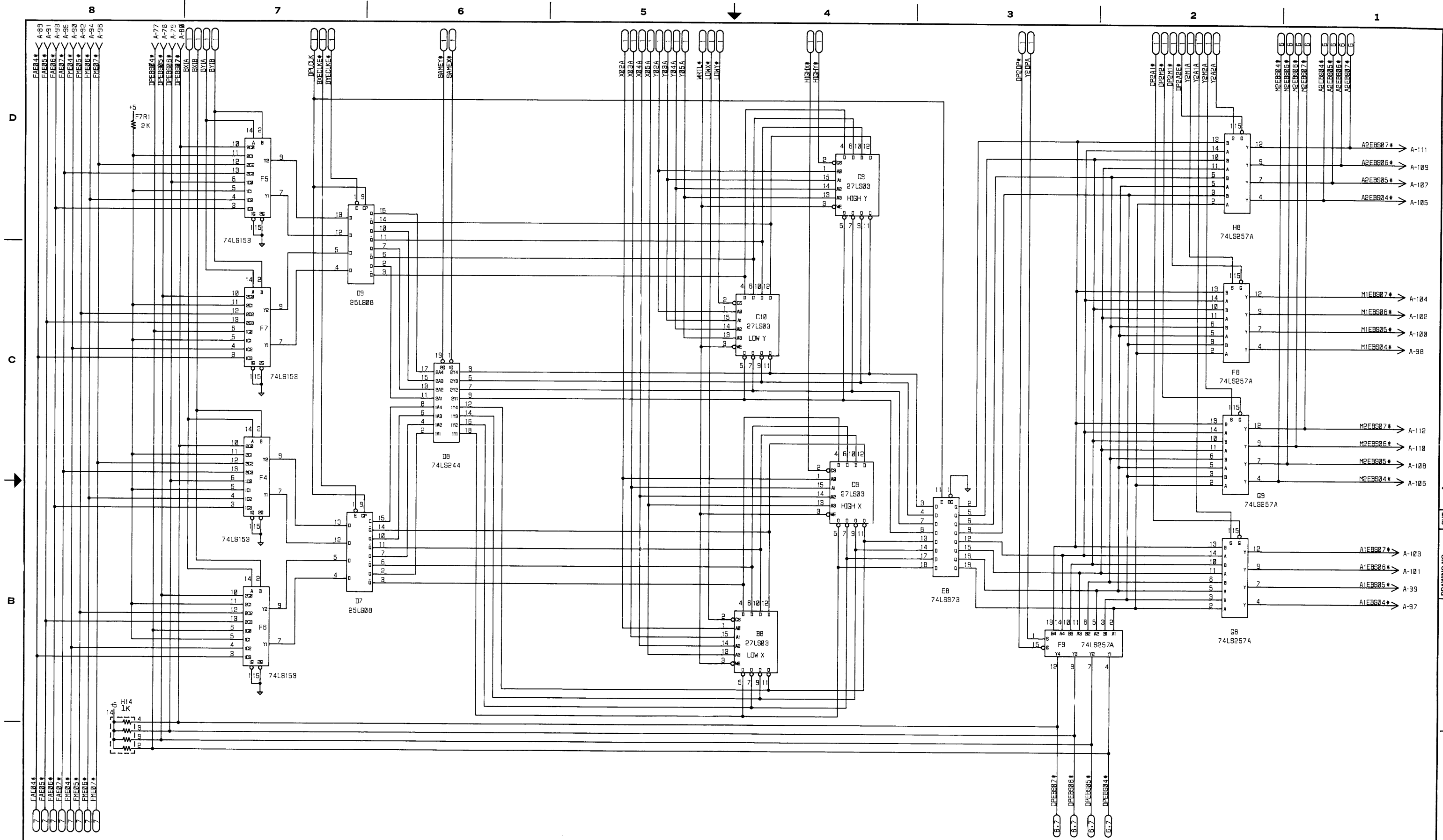


REVISIONS					
REV.	AUTH.	DESCRIPTION	ZONE	APVD / DATE	CHK. / DATE
01	EN #41	INITIAL LEVEL 2 RELEASE			
A	ECO 80063	LEVEL 3 RELEASE			
B	ECO 80259	ADD RESISTOR PULLUPS			
C	ECO 80505	CORRECT DRAFTING ERROR			

**PROPRIETARY INFORMATION**  
 This document contains proprietary information and is supplied for identification, maintenance, engineering evaluation or inspection purposes only and shall not be duplicated or disclosed without written permission of  
**FLOATING POINT SYSTEMS, INC.**  
 By accepting this document the recipient agrees to make every effort to prevent unauthorized use of this information.

**LIMITED RIGHTS LEGEND**  
 Contractor: **FLOATING POINT SYSTEMS, INC.** Contract No. \_\_\_\_\_  
 Those portions of this technical data indicated as limited rights data shall not, without the written permission of the above Contractor, be either (a) used, released or disclosed in whole or in part outside the Government, (b) used in whole or in part by the Government for manufacture or, in the case of computer software documentation, for preparing the same or similar computer software, or (c) used by a party other than the Government, except for (i) emergency repair or overhaul work only, by or for the Government, where the item or process concerned is not otherwise reasonably available to enable timely performance of the work, provided that the release or disclosure hereof outside the Government shall be made subject to a prohibition against further use, release or disclosure; or (ii) release to a foreign government, as the interest of the United States may require, only for information or evaluation within such government or for emergency repair or overhaul work, by or for such government under the conditions (i) above. This legend, together with the indications of the portions of this data which are subject to such limitations shall be included on any reproduction hereof which includes any part of the portions subject to such limitations.

PROJ. ENG. MICHAEL STANBRO	DATE 8-1-79	<b>FLOATING POINT SYSTEMS, INC.</b> PO Box 23488 Portland OR 97223	
DRAWN BY <b>C.A.O.</b>	DATE 7-7-79		
CHECK BY DATE 8-5-79	DATE 8-5-79	DRAWING TITLE <b>SCHEMATIC: ECB 402-B</b> DATA PAD LEFT (EXPONENT BITS 0-3)	
MEG. ENG. DATE 8-5-79	DATE 8-5-79		
SCALE NONE	CODE IDENT. NO. <b>56504</b>	DRAWING NO. <b>512-3402-002</b>	REV. C
SHEET 1 OF 8			



REVISIONS					
REV.	AUTH.	DESCRIPTION	ZONE	APVD / DATE	CHK. / DATE

**PROPRIETARY INFORMATION**  
 This document contains proprietary information and is supplied for identification, maintenance, engineering evaluation or inspection purposes only and shall not be duplicated or disclosed without written permission of  
**FLOATING POINT SYSTEMS, INC.**  
 By accepting this document the recipient agrees to make every effort to prevent unauthorized use of this information.

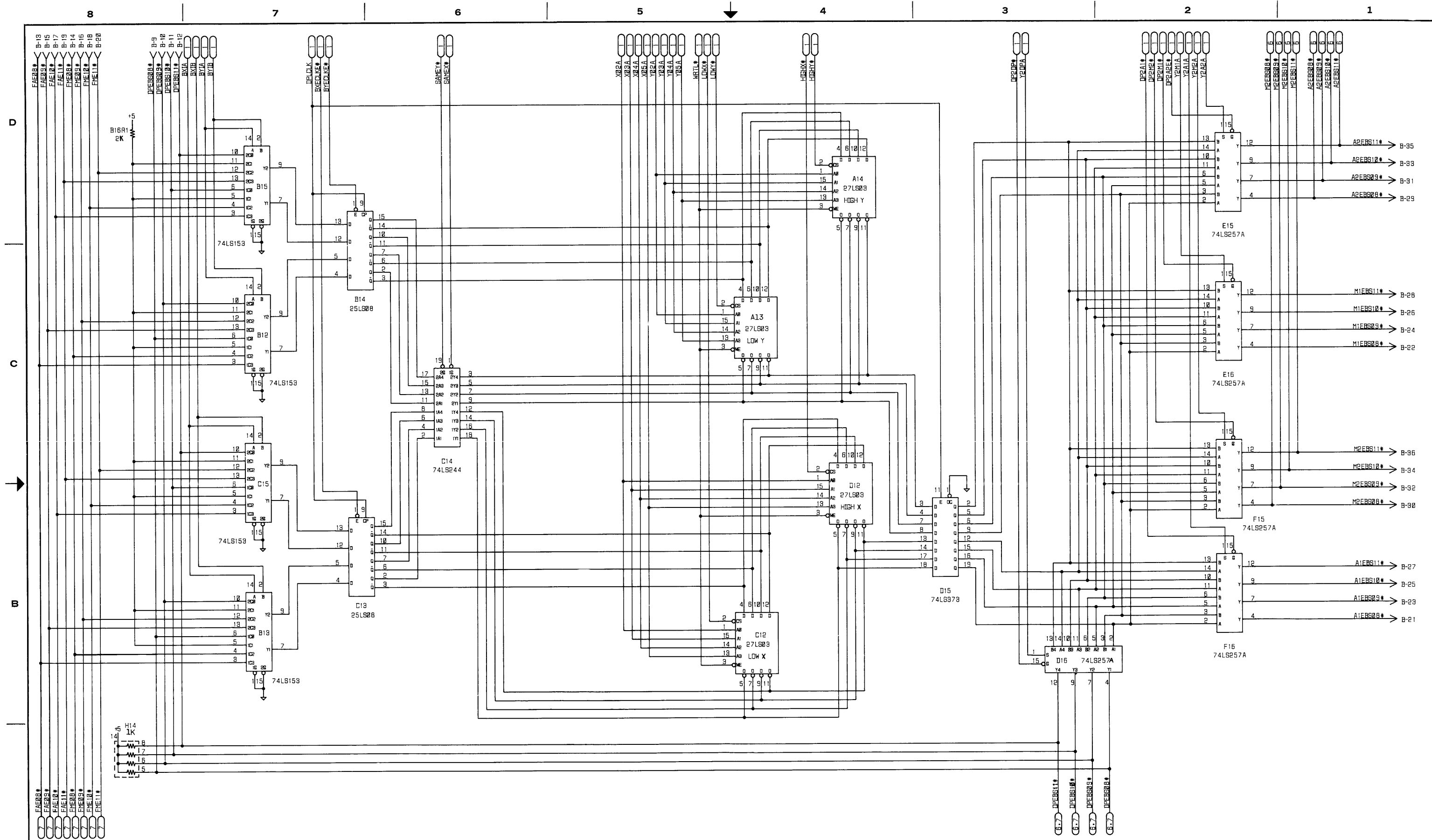
**LIMITED RIGHTS LEGEND**  
 Contractor: **FLOATING POINT SYSTEMS, INC.** Contract No. \_\_\_\_\_  
 Those portions of this technical data indicated as limited rights data shall not, without the written permission of the above Contractor, be either (a) used, released or disclosed in whole or in part outside the Government, (b) used in whole or in part by the Government for manufacture or, in the case of computer software documentation, for preparing the same or similar computer software, or (c) used by a party other than the Government, except for (i) emergency repair or overhaul work only, by or for the Government, where the item or process concerned is not otherwise reasonably available to enable timely performance of the work, provided that the release or disclosure hereof outside the Government shall be made subject to a prohibition against further use, release or disclosure; or (ii) release to a foreign government, as the interest of the United States may require, only for information or evaluation within such government or for emergency repair or overhaul work by or for such government under the conditions (i) above. This legend, hereof which includes any part of the portions subject to such limitations.

PROJ. ENG.	DATE
DRAWN BY <b>C.R.O.</b>	DATE 7-7-79
CHECK BY	DATE
MFG. ENG.	DATE

**FLOATING POINT SYSTEMS, INC.** PO Box 23489 Portland OR 97223

DRAWING TITLE  
**SCHEMATIC, ECB  
 402-B  
 DATA PAD LEFT (EXPONENT BITS 4-7)**

SIZE <b>D</b>	CODE IDENT. NO. <b>56504</b>	DRAWING NO. <b>512-3402-002</b>	REV. <b>C</b>
SCALE NONE	SHEET <b>2</b> OF <b>8</b>		

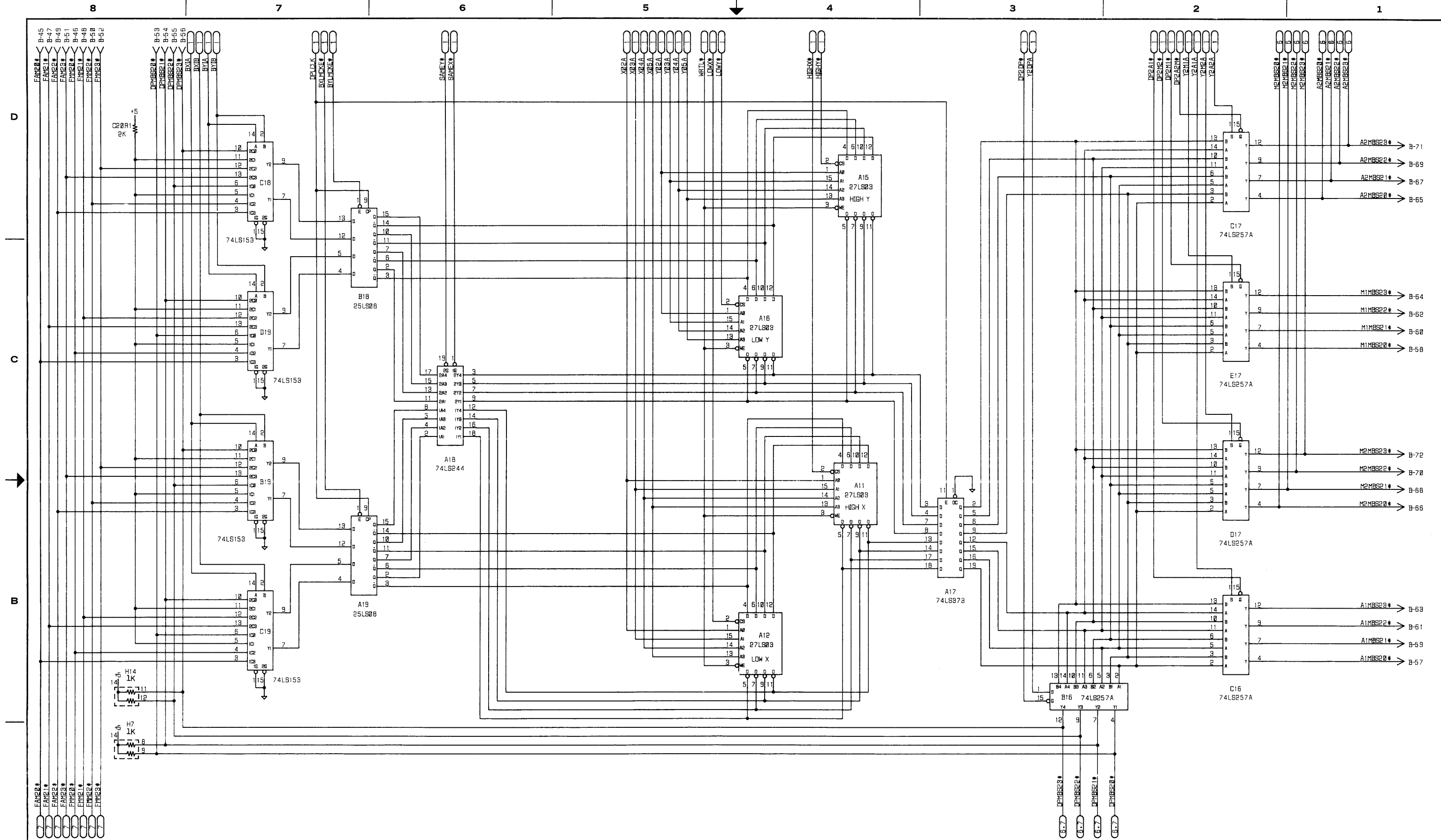


REVISIONS						
REV.	AUTH.	DESCRIPTION	ZONE	APVD / DATE	CHK. / DATE	

**PROPRIETARY INFORMATION**  
 This document contains proprietary information and is supplied for identification, maintenance, engineering evaluation or inspection purposes only and shall not be duplicated or disclosed without written permission of  
**FLOATING POINT SYSTEMS, INC.**  
 By accepting this document the recipient agrees to make every effort to prevent unauthorized use of this information.

**LIMITED RIGHTS LEGEND**  
 Contractor: **FLOATING POINT SYSTEMS, INC.** Contract No. \_\_\_\_\_  
 Those portions of this technical data indicated as limited rights data shall not, without the written permission of the above Contractor, be either (a) used, released or disclosed in whole or in part outside the Government, (b) used in whole or in part by the Government for manufacture or, in the case of computer software documentation, for preparing the same or similar computer software, or (c) used by a party other than the Government, except for (i) emergency repair or overhaul work only, by or for the Government, where the item or process concerned is not otherwise reasonably available to enable timely performance of the work, provided that the release or disclosure hereof outside the Government shall be made subject to a prohibition against further use, release or disclosure; or (ii) release to a foreign government, as the interest of the United States may require, only for information or evaluation within such government or for emergency repair or overhaul work by or for such government under the conditions (i) above. This legend, together with the indications of the portions of this data which are subject to such limitations shall be included on any reproduction hereof which includes any part of the portions subject to such limitations.

PROJ. ENG.	DATE	<b>FLOATING POINT SYSTEMS, INC.</b> P.O. Box 23489 Portland OR 97223
DRAWN BY <b>C.A.D.</b>	DATE <b>7-7-79</b>	
CHECK BY	DATE	
MFG. ENG.	DATE	
<b>SCHEMATIC: ECB</b> <b>402 - B</b> <b>DATA PAD LEFT (EXPONENT BITS B-11)</b>		REV. <b>C</b>
SIZE <b>D</b>	CODE IDENT. NO. <b>56504</b>	DRAWING NO. <b>512-3402-002</b>
SCALE NONE	SHEET <b>9</b> OF <b>8</b>	



REVISIONS					
REV.	AUTH.	DESCRIPTION	ZONE	APVD / DATE	CHK. / DATE

**PROPRIETARY INFORMATION**  
 This document contains proprietary information and is supplied for identification, maintenance, engineering evaluation or inspection purposes only and shall not be duplicated or disclosed without written permission of  
**FLOATING POINT SYSTEMS, INC.**  
 By accepting this document the recipient agrees to make every effort to prevent unauthorized use of this information.

**LIMITED RIGHTS LEGEND**  
 Contractor: **FLOATING POINT SYSTEMS, INC.** Contract No. \_\_\_\_\_  
 Those portions of this technical data indicated as limited rights data shall not, without the written permission of the above Contractor, be either (a) used, released or disclosed in whole or in part outside the Government, (b) used in whole or in part by the Government for manufacture or, in the case of computer software documentation, for preparing the same or similar computer software, or (c) used by a party other than the Government, except for (i) emergency repair or overhaul work only, by or for the Government, where the item or process concerned is not otherwise reasonably available to enable timely performance of the work, provided that the release or disclosure hereof outside the Government shall be made subject to a prohibition against further use, release or disclosure, or (ii) release to a foreign government, as the interest of the United States may require, only for information or evaluation within such government or for emergency repair or overhaul work by or for such government under the conditions (i) above. This legend, together with the indications of the portions of this data which are subject to such limitations shall be included on any reproduction hereof which includes any part of the portions subject to such limitations.

PROJ. ENG.	DATE
DRAWN BY <b>C.R.D.</b>	DATE 7-7-79
CHECK BY	DATE
MFG. ENG.	DATE

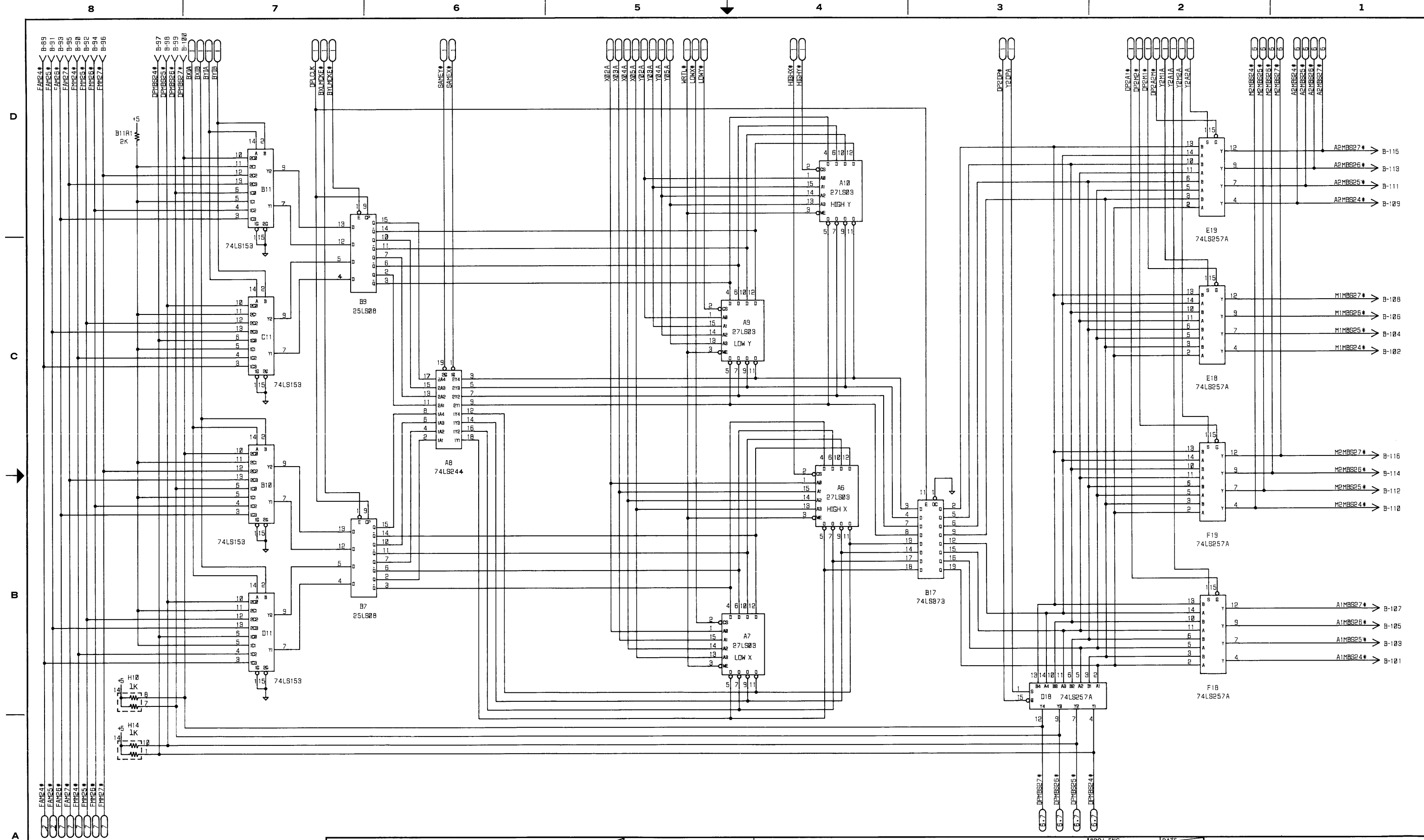
**FPS FLOATING POINT SYSTEMS, INC.** POBox 23488 Portland OR 97223

DRAWING TITLE  
 SCHEMATIC, ECB  
 402-B  
 DATA PAD LEFT (MANTISSA BITS 20-23)

SIZE **D** CODE IDENT. NO. **56504** DRAWING NO. **512-3402-002** REV. **C**

SCALE NONE SHEET **4** OF **8**





REVISIONS						
REV.	AUTH.	DESCRIPTION	ZONE	APVD / DATE	CHK.	DATE

**PROPRIETARY INFORMATION**  
 This document contains proprietary information and is supplied for identification, maintenance, engineering evaluation, or inspection purposes only and shall not be duplicated or disclosed without written permission.

**FLOATING POINT SYSTEMS, INC.**  
 By accepting this document the recipient agrees to make every effort to prevent unauthorized use of this information.

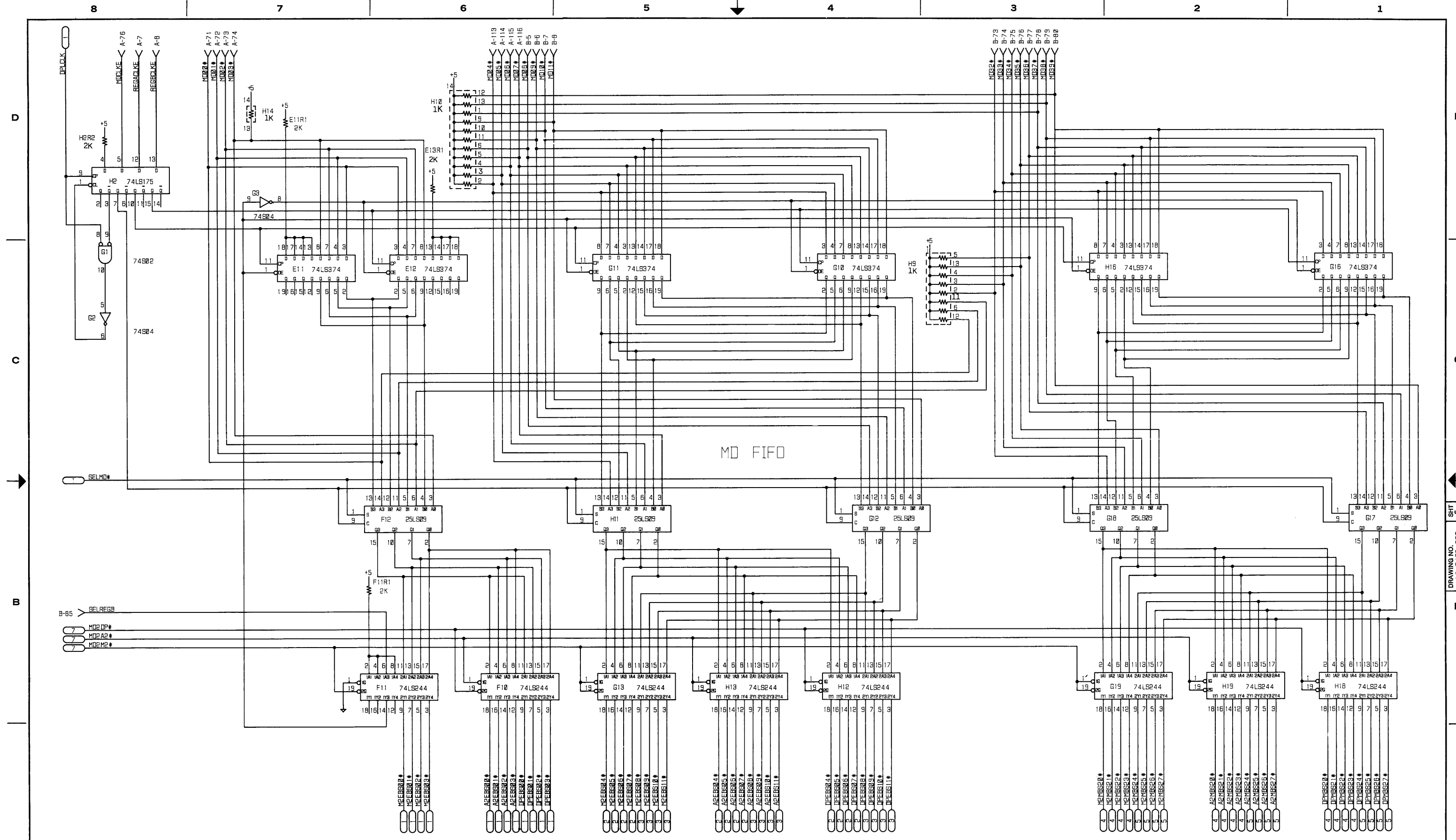
**LIMITED RIGHTS LEGEND**  
 Contractor: **FLOATING POINT SYSTEMS, INC.** Contract No. \_\_\_\_\_  
 Those portions of this technical data indicated as limited rights data shall not, without the written permission of the above Contractor, be either (a) used, released or disclosed in whole or in part outside the Government, (b) used in whole or in part by the Government for manufacture or, in the case of computer software documentation, for preparing the same or similar computer software, or (c) used by a party other than the Government, except for (i) emergency repair or overhaul work only, by or for the Government, where the item or process concerned is not otherwise reasonably available to enable timely performance of the work, provided that the release or disclosure hereof outside the Government shall be made subject to a prohibition against further use, release or disclosure; or (ii) release to a foreign government, as the interest of the United States may require, only for information or evaluation within such government or for emergency repair or overhaul work by or for such government under the conditions (i) above. This legend, together with the indications of the portions of this data which are subject to such limitations shall be included on any reproduction hereof which includes any part of the portions subject to such limitations.

PROJ. ENG.	DATE
DRAWN BY <b>C.B.O.</b>	DATE 7-7-79
CHECK BY	DATE
MFG. ENG.	DATE

**FLOATING POINT SYSTEMS, INC.** P.O. Box 23489 Portland OR 97223

**DRAWING TITLE**  
 SCHEMATIC, ECB  
 402-B  
 DATA PAD LEFT (MANTISSA BITS 24-27)

SIZE <b>D</b>	CODE IDENT. NO. <b>56504</b>	DRAWING NO. <b>512-3402-002</b>	REV. <b>C</b>
SCALE NONE	SHEET <b>5</b> OF <b>8</b>		



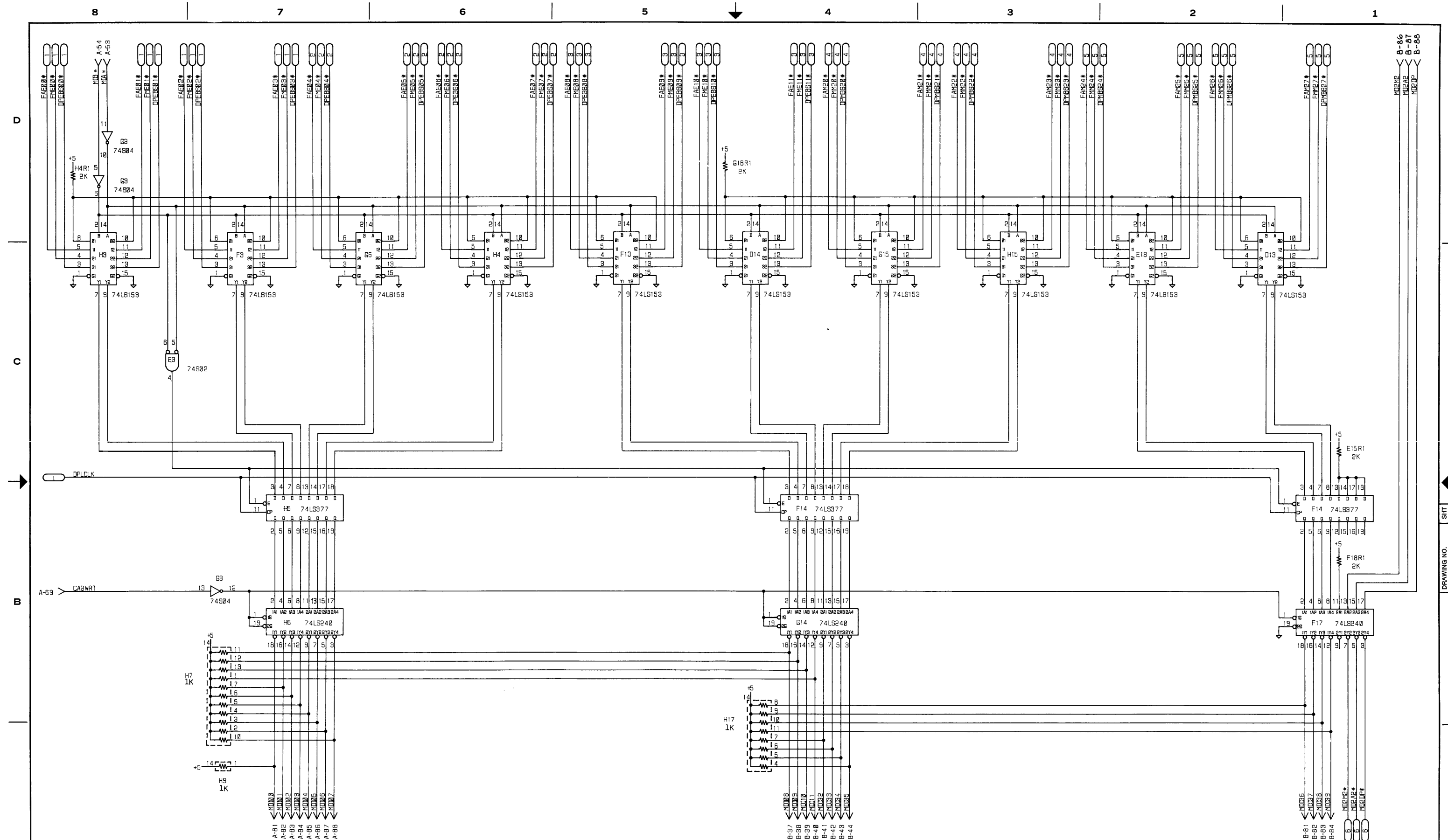
REVISIONS						
REV.	AUTH.	DESCRIPTION	ZONE	APVD / DATE	CHK.	DATE

**PROPRIETARY INFORMATION**  
 This document contains proprietary information and is supplied for identification, maintenance, engineering evaluation or inspection purposes only and shall not be duplicated or disclosed without written permission.

**FLOATING POINT SYSTEMS, INC.**  
 By accepting this document the recipient agrees to make every effort to prevent unauthorized use of this information.

**LIMITED RIGHTS LEGEND**  
 Contractor: **FLOATING POINT SYSTEMS, INC.** Contract No. \_\_\_\_\_  
 Those portions of this technical data indicated as limited rights data shall not, without the written permission of the above Contractor, be either (a) used, released or disclosed in whole or in part outside the Government, (b) used in whole or in part by the Government for manufacture or, in the case of computer software documentation, for preparing the same or similar computer software, or (c) used by a party other than the Government, except for (i) emergency repair or overhaul work only, by or for the Government, where the item or process concerned is not otherwise reasonably available to enable timely performance of the work, provided that the release or disclosure hereof outside the Government shall be made subject to a prohibition against further use, release or disclosure; or (ii) release to a foreign government, as the interest of the United States may require, only for information or evaluation within such government or for emergency repair or overhaul work by or for such government under the conditions (i) above. This legend, together with the indications of the portions of this data which are subject to such limitations shall be included on any reproduction hereof which includes any part of the portions subject to such limitations.

PROJ. ENG.	DATE	<b>FLOATING POINT SYSTEMS, INC.</b> P.O. Box 23489 Portland OR 97223	DRAWING TITLE SCHEMATIC, ECB 402-B DATA PAD LEFT	MD REG (MD00# - MD11#) (MD32# - MD39#)
DRAWN BY <b>C.A.O.</b>	DATE 7-7-79			
CHECK BY	DATE			
MFG. ENG.	DATE			
SIZE <b>D</b>	CODE IDENT. NO. <b>56504</b>	DRAWING NO. <b>512-3402-002</b>	REV. <b>C</b>	
SCALE NONE	SHEET 6 OF 8			

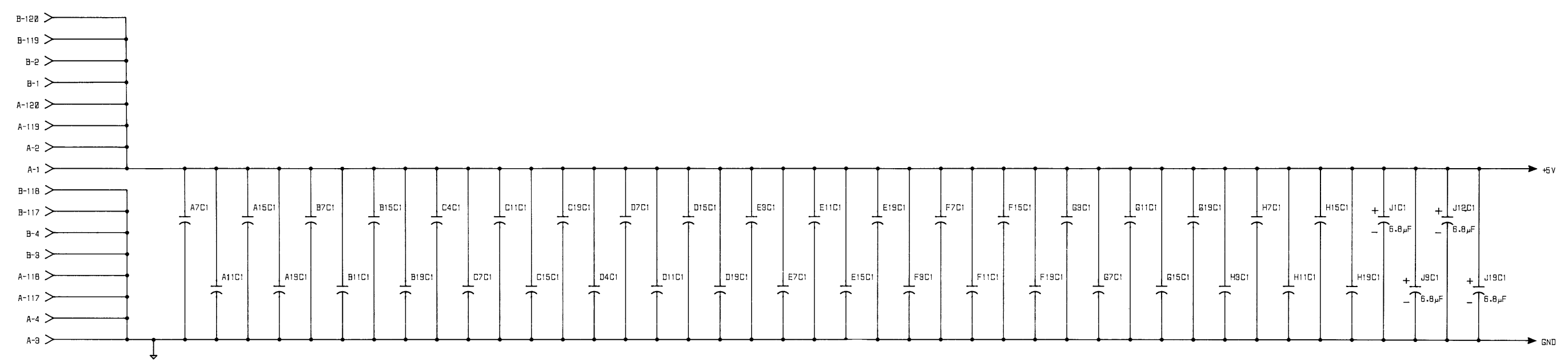


REVISIONS						
REV.	AUTH.	DESCRIPTION	ZONE	APVD / DATE	CHK. / DATE	

**PROPRIETARY INFORMATION**  
 This document contains proprietary information and is supplied for identification, maintenance, engineering evaluation or inspection purposes only and shall not be duplicated or disclosed without written permission of  
**FLOATING POINT SYSTEMS, INC.**  
 By accepting this document the recipient agrees to make every effort to prevent unauthorized use of this information.

**LIMITED RIGHTS LEGEND**  
 Contract No. \_\_\_\_\_  
 Those portions of this technical data indicated as limited rights data shall not, without the written permission of the above Contractor, be either (a) used, released or disclosed in whole or in part outside the Government, (b) used in whole or in part by the Government for manufacture or, in the case of computer software documentation, for preparing the same or similar computer software, or (c) used by a party other than the Government, except for (i) emergency repair or overhaul work only, by or for the Government, where the item or process concerned is not otherwise reasonably available to enable timely performance of the work, provided that the release or disclosure hereof outside the Government shall be made subject to a prohibition against further use, release or disclosure; or (ii) release to a foreign government, as the interest of the United States may require, only for information or evaluation within such government or for emergency repair or overhaul work by or for such government under the conditions (i) above. This legend, together with the indications of the portions of this data which are subject to such limitations shall be included on any reproduction hereof which includes any part of the portions subject to such limitations.

PROJ. ENG.	DATE	<b>FLOATING POINT SYSTEMS, INC.</b> POBox 23489 Portland OR 97223	DRAWING TITLE SCHEMATIC, ECB 402-B DATA PAD LEFT SIZE <b>D</b> CODE IDENT. NO. <b>56504</b> DRAWING NO. <b>512-3402-002</b> REV. <b>C</b>
DRAWN BY <b>C.A.O.</b>	DATE <b>7-7-79</b>		
CHECK BY	DATE		
MFG. ENG.	DATE		
SCALE NONE		SHEET <b>7</b> OF <b>8</b>	



D

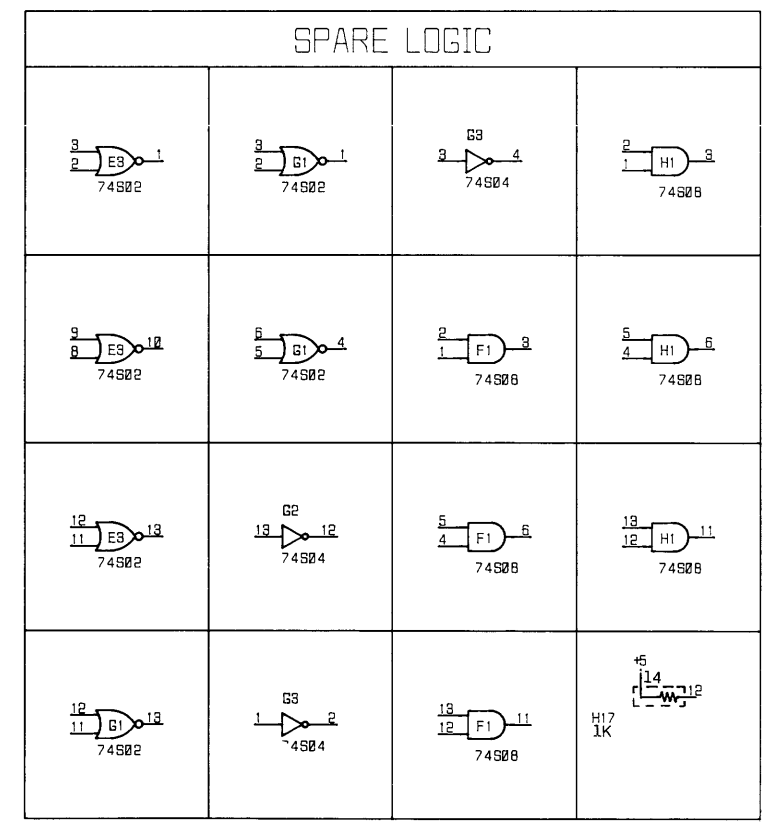
C

B

A

NOTES

1. UNLESS OTHERWISE SPECIFIED ALL CAPACITORS ARE 0.1μF 50 VOLTS.

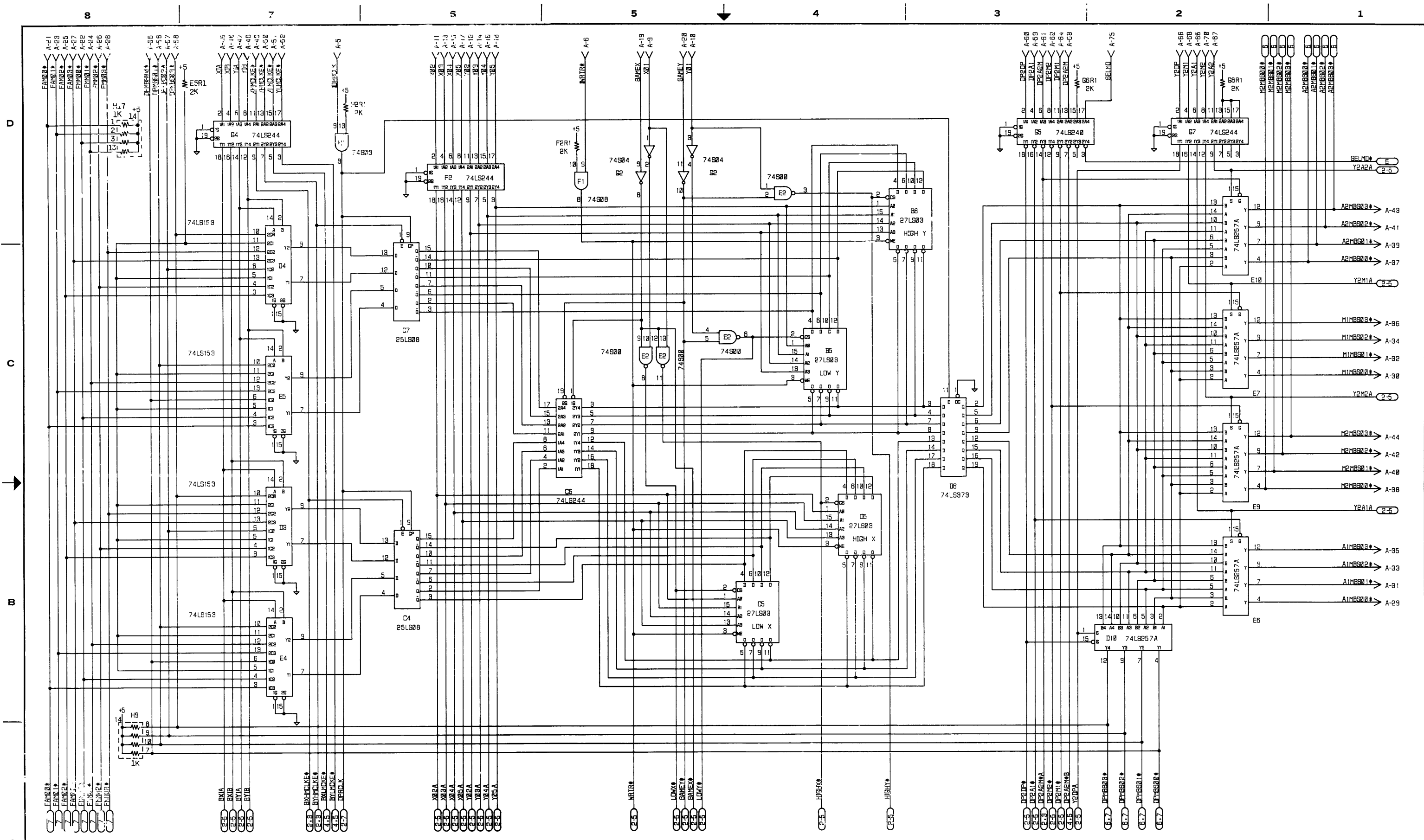


REVISIONS					
REV.	AUTH.	DESCRIPTION	ZONE	APVD / DATE	CHK. / DATE
/					

**PROPRIETARY INFORMATION**  
 This document contains proprietary information and is supplied for identification, maintenance, engineering evaluation or inspection purposes only and shall not be duplicated or disclosed without written permission of  
**FLOATING POINT SYSTEMS, INC.**  
 By accepting this document the recipient agrees to make every effort to prevent unauthorized use of this information.

**LIMITED RIGHTS LEGEND**  
 Contractor: **FLOATING POINT SYSTEMS, INC.** Contract No. \_\_\_\_\_  
 Those portions of this technical data indicated as limited rights data shall not, without the written permission of the above Contractor, be either (a) used, released or disclosed in whole or in part outside the Government, (b) used in whole or in part by the Government for manufacture or, in the case of computer software documentation, for preparing the same or similar computer software, or (c) used by a party other than the Government, except for (i) emergency repair or overhaul work only, by or for the Government, where the item or process concerned is not otherwise reasonably available to enable timely performance of the work, provided that the release or disclosure hereof outside the Government shall be made subject to a prohibition against further use, release or disclosure; or (ii) release to a foreign government, as the interest of the United States may require, only for information or evaluation within such government or for emergency repair or overhaul work by or for such government under the conditions (i) above. This legend, together with the indications of the portions of this data which are subject to such limitations shall be included on any reproduction hereof which includes any part of the portions subject to such limitations.

PROJ. ENG.	DATE	FLOATING POINT SYSTEMS, INC. PO Box 23489 Portland OR 97223
DRAWN BY <b>C.A.O.</b>	DATE 7/2/79	
CHECK BY	DATE	
MFG. ENG.	DATE	
DRAWING TITLE		SCHEMATIC, ECB 402 - B DATA PAD LEFT
SIZE <b>D</b>	CODE IDENT. NO. <b>56504</b>	
DRAWING NO. <b>512-3402-002</b>		REV. <b>C</b>
SCALE NONE		SHEET <b>8</b> OF <b>8</b>



REVISIONS					
REV.	AUTH.	DESCRIPTION	ZONE	APVD / DATE	CHK. / DATE
01	EN #41	INITIAL LEVEL 2 RELEASE		<i>[Signature]</i> 3-17-80	<i>[Signature]</i>
A	ECO 80063	LEVEL 3 RELEASE		<i>[Signature]</i> 8-13-80	<i>[Signature]</i> 8-3-80
B	ECO 80259	ADD RESISTOR PULLUPS		<i>[Signature]</i> 2/5/81	<i>[Signature]</i> 2/5/81
C	ECO 80505	CORRECT DRAFTING ERROR			

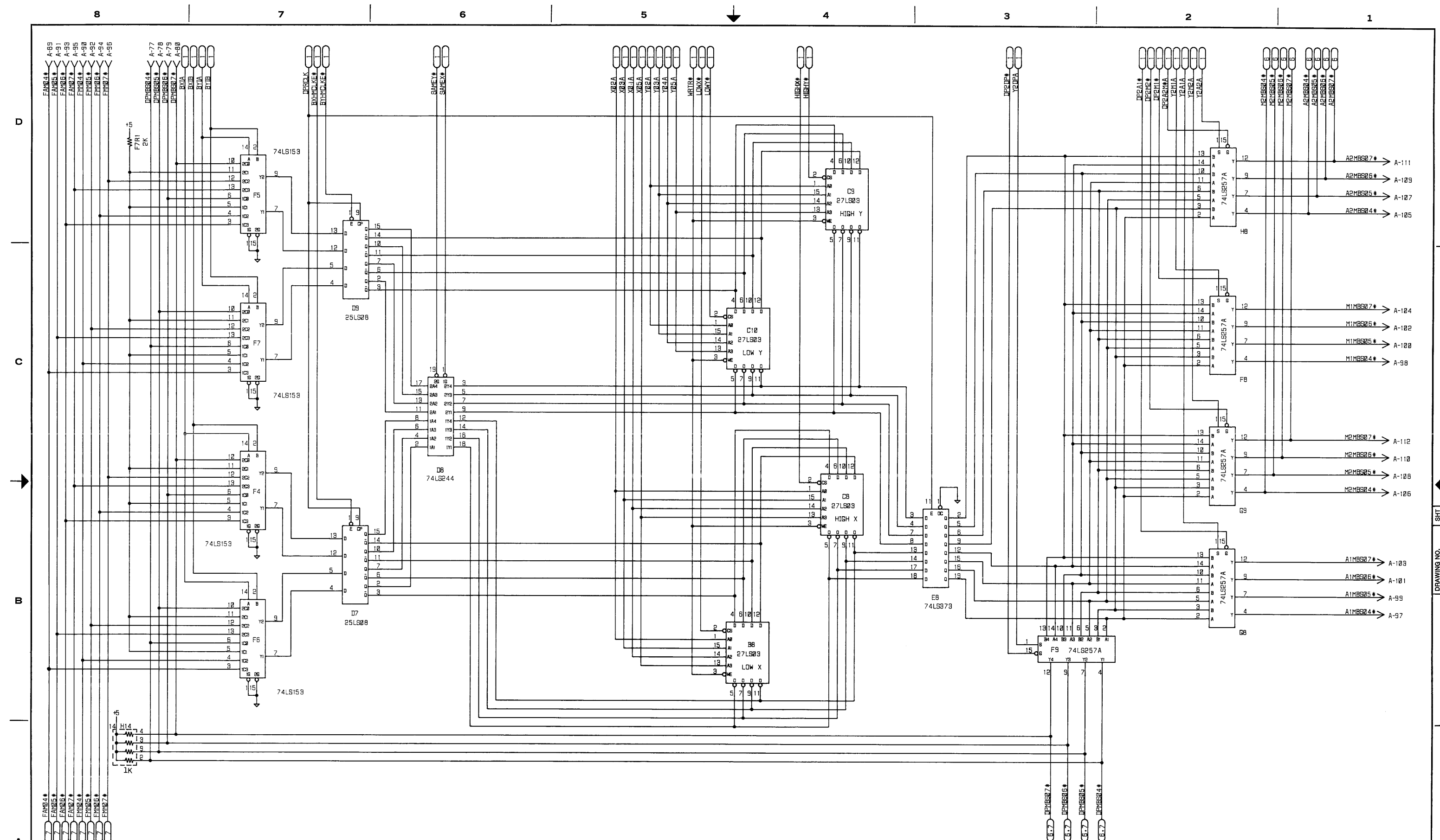
**PROPRIETARY INFORMATION**  
 This document contains proprietary information and is supplied for identification, maintenance, engineering evaluation or inspection purposes only and shall not be duplicated or disclosed without written permission of  
**FLOATING POINT SYSTEMS, INC.**  
 By accepting this document the recipient agrees to make every effort to prevent unauthorized use of this information.

**LIMITED RIGHTS LEGEND**  
 Contractor: **FLOATING POINT SYSTEMS, INC.** Contract No. \_\_\_\_\_  
 These portions of this technical data indicated as limited rights data shall not, without the written permission of the above Contractor, be either (a) used, released or disclosed in whole or in part outside the Government, (b) used in whole or in part by the Government for manufacture or in the case of computer software documentation, for preparing the same or similar computer software, or (c) used by a party other than the Government, except for (i) emergency repair or overhaul work only, by or for the Government, where the item or process concerned is not otherwise reasonably available to enable timely performance of the work, provided that the release or disclosure hereof outside the Government shall be made subject to a prohibition against further use, release or disclosure; or (ii) release to a foreign government, as the interest of the United States may require, only for information or evaluation within such government or for emergency repair or overhaul work by or for such government under the conditions (i) above. This legend, together with the indications of the portions of this data which are subject to such limitations shall be included on any reproduction hereof which includes any part of the portions subject to such limitations.

PROJ. ENG. MICHAEL STANGRO	DATE 7-30-79
DRAWN BY <b>C.A.D.</b>	DATE 7/2/79
CHECK BY <i>[Signature]</i>	DATE 1-25-79
MFG. ENG. <i>[Signature]</i>	DATE 8-23-79

<b>FLOATING POINT SYSTEMS, INC.</b>		P0309 2346*    © OR 97223
DRAWING TITLE		
SCHEMATIC, COS		
402-B		
DATA PAD RIGHT MANTISSA BITS		
SIZE <b>D</b>	CODE IDENT. NO <b>56504</b>	DRAWING NO.
SCALE NONE		REV. C
		1 OF 8

DRAWING NO. 512-3402-003

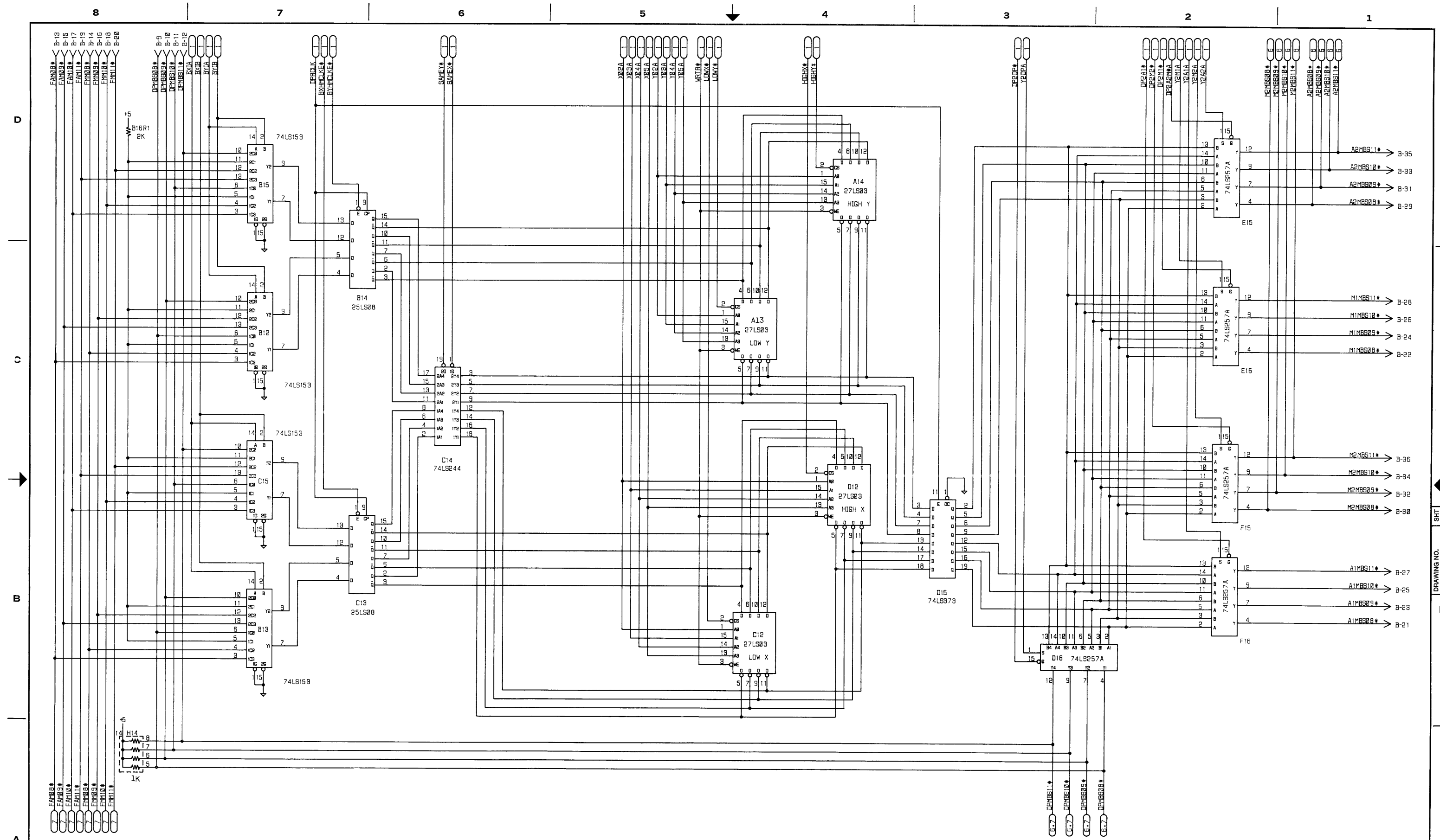


REVISIONS					
REV.	AUTH.	DESCRIPTION	ZONE	APVD / DATE	CHK. / DATE

**PROPRIETARY INFORMATION**  
 This document contains proprietary information and is supplied for identification, maintenance, engineering, evaluation or inspection purposes only, and shall not be duplicated or disclosed without written permission of  
**FLOATING POINT SYSTEMS, INC.**  
 By accepting this document the recipient agrees to make every effort to prevent unauthorized use of this information.

**LIMITED RIGHTS LEGEND**  
 Contractor: **FLOATING POINT SYSTEMS, INC.** Contract No. \_\_\_\_\_  
 These portions of this technical data indicated as limited rights data shall not, without the written permission of the above Contractor, be either (a) used, released or disclosed in whole or in part outside the Government, (b) used in whole or in part by the Government for manufacture or, in the case of computer software documentation, for preparing the same or similar computer software, or (c) used by a party other than the Government, except for (i) emergency repair or overhaul work only, by or for the Government, where the item or process concerned is not otherwise reasonably available to enable timely performance of the work, provided that the release or disclosure hereof outside the Government shall be made subject to a prohibition against further use, release or disclosure, or (ii) release to a foreign government, as the interest of the United States may require, only for information or evaluation within such government or for emergency repair or overhaul work by or for such government under the conditions (i) above. This legend, together with the indications of the portions of this data which are subject to such limitations shall be included on any reproduction hereof which includes any part of the portions subject to such limitations.

PROJ. ENG.	DATE	<b>FLOATING POINT SYSTEMS, INC.</b> P.O. Box 23489 Portland OR 97223	DRAWING TITLE <b>SCHEMATIC, ECB</b> <b>402-B</b> <b>DATA PAD RIGHT (MANTISSA BITS 4-7)</b>
DRAWN BY <b>C.A.O.</b>	DATE <b>7/2/79</b>		
CHECK BY	DATE		
MFG. ENG.	DATE		
SIZE <b>D</b>	CODE IDENT. NO. <b>56504</b>	DRAWING NO. <b>512-3402-003</b>	REV. <b>C</b>
SCALE NONE			SHEET <b>2</b> OF <b>8</b>



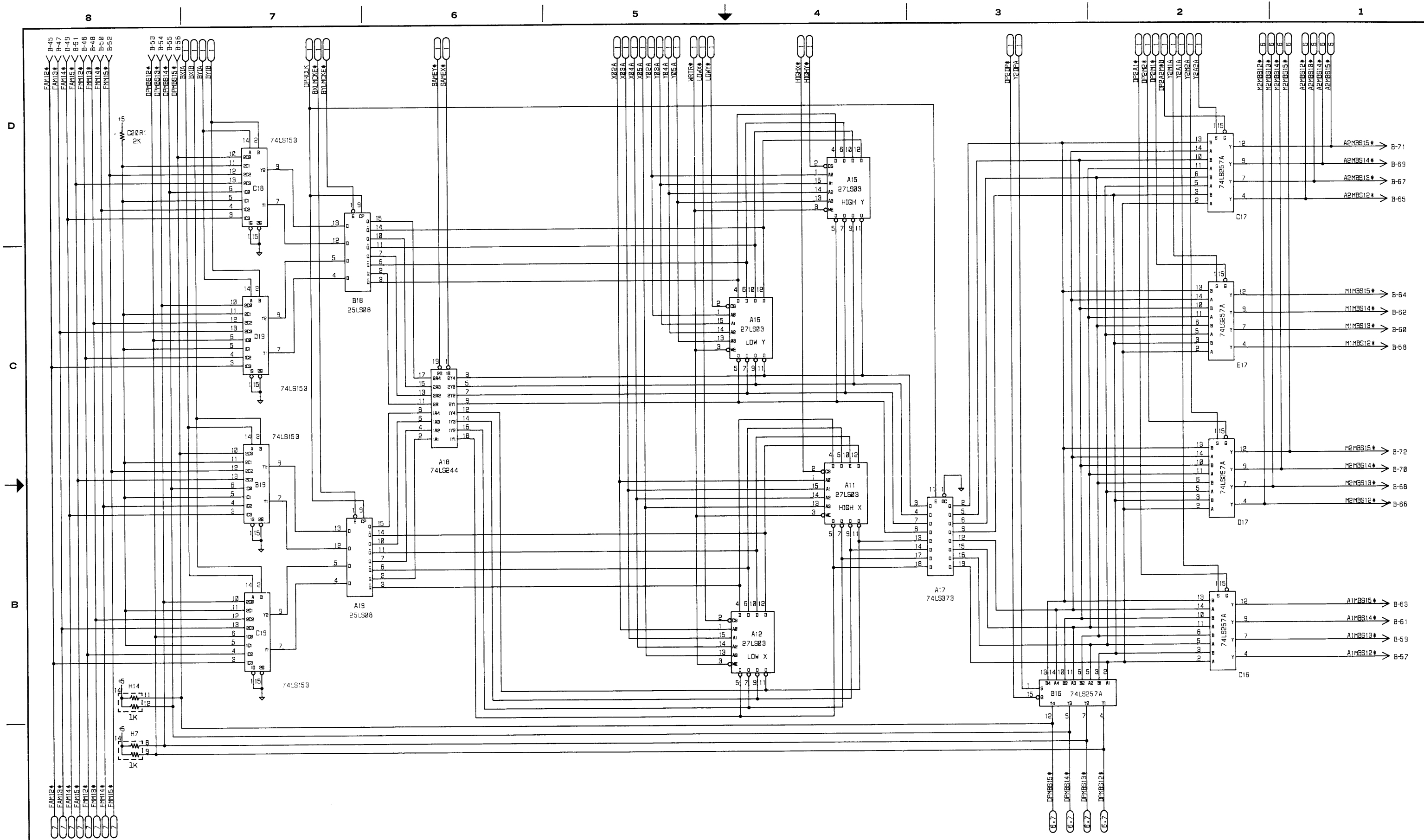
REVISIONS						
REV.	AUTH.	DESCRIPTION	ZONE	APVD / DATE	CHK.	DATE

**PROPRIETARY INFORMATION**  
 This document contains proprietary information and is supplied for identification, maintenance, engineering evaluation or inspection purposes only and shall not be duplicated or disclosed without written permission of  
**FLOATING POINT SYSTEMS, INC.**  
 By accepting this document the recipient agrees to make every effort to prevent unauthorized use of this information.

**LIMITED RIGHTS LEGEND**  
 Contractor: **FLOATING POINT SYSTEMS, INC.** Contract No. \_\_\_\_\_  
 Those portions of this technical data indicated as limited rights data shall not, without the written permission of the above Contractor, be either (a) used, released or disclosed in whole or in part outside the Government, (b) used in whole or in part by the Government for manufacture or, in the case of computer software documentation, for preparing the same or similar computer software, or (c) used by a party other than the Government, except for (i) emergency repair or overhaul work only, by or for the Government, where the item or process concerned is not otherwise reasonably available to enable timely performance of the work, provided that the release or disclosure hereof outside the Government shall be made subject to a prohibition against further use, release or disclosure; or (ii) release to a foreign government, as the interest of the United States may require, only for information or evaluation within such government or for emergency repair or overhaul work by or for such government under the conditions (i) above. This legend, together with the indications of the portions of this data which are subject to such limitations shall be included on any reproduction hereof which includes any part of the portions subject to such limitations.

PROJ. ENG.	DATE	<b>FLOATING POINT SYSTEMS, INC.</b> P.O. Box 23489 Portland OR 97223
DRAWN BY <b>C.R.O.</b>	DATE 7/2/79	
CHECK BY	DATE	DRAWING TITLE <b>SCHEMATIC, ECB</b> <b>402-B</b> <b>DATA PAD RIGHT (MANTISSA BITS B-11)</b>
MFG. ENG.	DATE	
SIZE <b>D</b>	CODE IDENT. NO. <b>56504</b>	DRAWING NO. <b>512-3402-003</b>
SCALE NONE	SHEET 3 OF 8	

DRAWING NO. 512-3402-003



REVISIONS						
REV.	AUTH.	DESCRIPTION	ZONE	APVD / DATE	CHK. / DATE	

**PROPRIETARY INFORMATION**  
 This document contains proprietary information and is supplied for identification, maintenance, engineering evaluation or inspection purposes only and shall not be duplicated or disclosed without written permission of  
**FLOATING POINT SYSTEMS, INC.**  
 By accepting this document the recipient agrees to make every effort to prevent unauthorized use of this information.

**LIMITED RIGHTS LEGEND**  
 Contractor: **FLOATING POINT SYSTEMS, INC.** Contract No. \_\_\_\_\_  
 Those portions of this technical data indicated as limited rights data shall not, without the written permission of the above Contractor, be either (a) used, released or disclosed in whole or in part outside the Government, (b) used in whole or in part by the Government for manufacture or, in the case of computer software documentation, for preparing the same or similar computer software, or (c) used by a party other than the Government, except for (i) emergency repair or overhaul work only, by or for the Government, where the item or process concerned is not otherwise reasonably available to enable timely performance of the work, provided that the release or disclosure hereof outside the Government shall be made subject to a prohibition against further use, release or disclosure; or (ii) release to a foreign government, as the interest of the United States may require, only for information or evaluation within such government or for emergency repair or overhaul work by or for such government under the conditions (i) above. This legend, together with the indications of the portions of this data which are subject to such limitations shall be included on any reproduction hereof which includes any part of the portions subject to such limitations.

PROJ. ENG.	DATE
DRAWN BY <b>C.A.O.</b>	DATE 7/2/79
CHECK BY	DATE
MFG. ENG.	DATE

**FLOATING POINT SYSTEMS, INC.** POBox 23489 Portland OR 97223

DRAWING TITLE  
 SCHEMATIC, ECB  
 402-B  
 DATA PAD RIGHT (MANTISSA BITS 12-15)

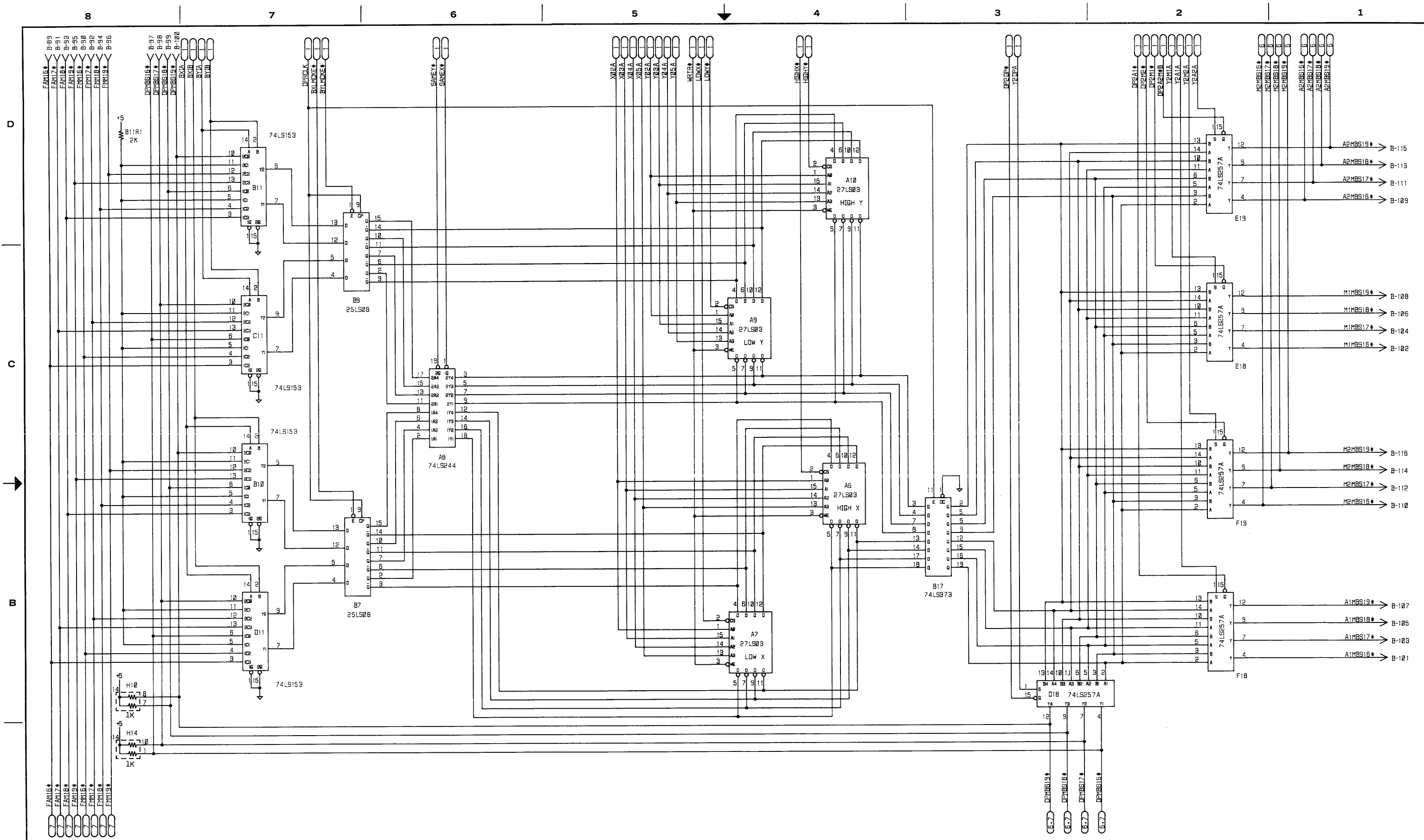
SIZE **D** CODE IDENT. NO. **56504** DRAWING NO. **512-3402-003** REV. **C**

SCALE NONE SHEET 4 OF 8

DRAWING NO. 512-3402-003

SHT 4





D  
C  
B  
A

D  
C  
B  
A

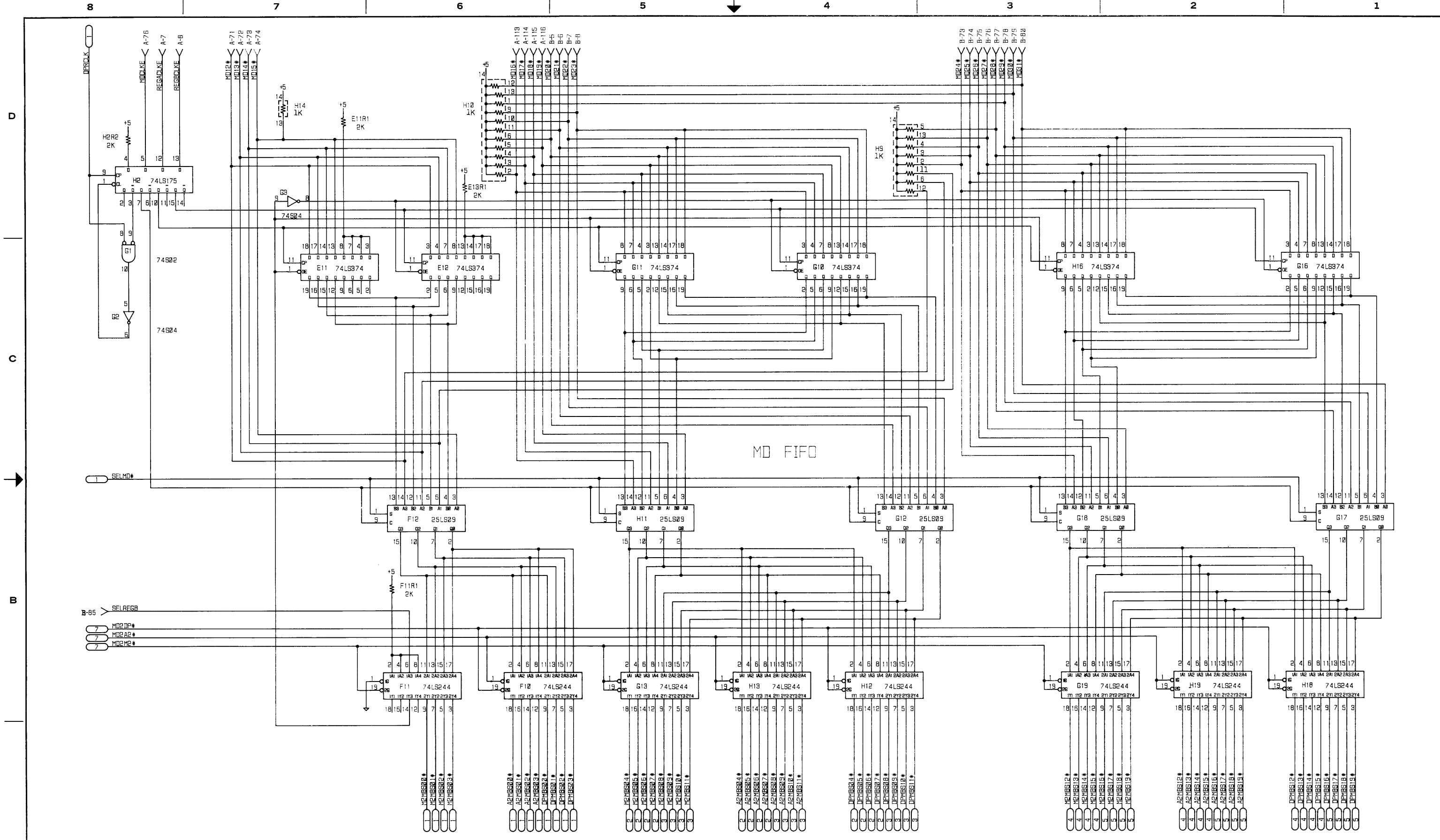
REVISIONS						
REV.	AUTH.	DESCRIPTION	ZONE	APVD / DATE	CHK.	/ DATE

**PROPRIETARY INFORMATION**  
This document contains proprietary information and is supplied for identification, maintenance, engineering evaluation or inspection purposes only and shall not be duplicated or disclosed without written permission of  
**FLOATING POINT SYSTEMS, INC.**  
By accepting this document the recipient agrees to make every effort to prevent unauthorized use of this information.

**LIMITED RIGHTS LEGEND**  
Contractor: **FLOATING POINT SYSTEMS, INC.** Contract No. \_\_\_\_\_  
Those portions of this technical data indicated as limited rights data shall not, without the written permission of the above Contractor, be either (a) used, released or disclosed in whole or in part outside the Government, (b) used in whole or in part by the Government for manufacture or, in the case of computer software documentation, for preparing the same or similar computer software, or (c) used by a party other than the Government, except for (i) emergency repair or overhaul work only, by or for the Government, where the item or process concerned is not otherwise reasonably available to enable timely performance of the work, provided that the release or disclosure hereof outside the Government shall be made subject to a prohibition against further use, release or disclosure; or (ii) release to a foreign government, as the interest of the United States may require, only for information or evaluation within such government or for emergency repair or overhaul work by or for such government under the conditions (i) above. This legend, together with the indicators of the portions of this data which are subject to such limitations shall be included on any reproduction hereof which includes any part of the portions subject to such limitations.

PROJ. ENG.	DATE	<b>FLOATING POINT SYSTEMS, INC.</b> POBox 23489 Portland OR 97223
DRAWN BY <b>C.A.O.</b>	DATE 7/2/79	
CHECK BY	DATE	
MFG. ENG.	DATE	
DRAWING TITLE		SCHEMATIC, ECB 402-B DATA PAD RIGHT (MANTISSA BITS 16-19)
SIZE <b>D</b>	CODE IDENT. NO. <b>56504</b>	
DRAWING NO. 512-3402-003		
SCALE <b>NONE</b>	SHEET <b>5</b> OF <b>8</b>	REV. <b>C</b>

DRAWING NO. 512-3402-003  
SHEET 5



D  
C  
B  
A

D  
C  
B  
A

REVISIONS					
REV.	AUTH.	DESCRIPTION	ZONE	APVD / DATE	CHK / DATE

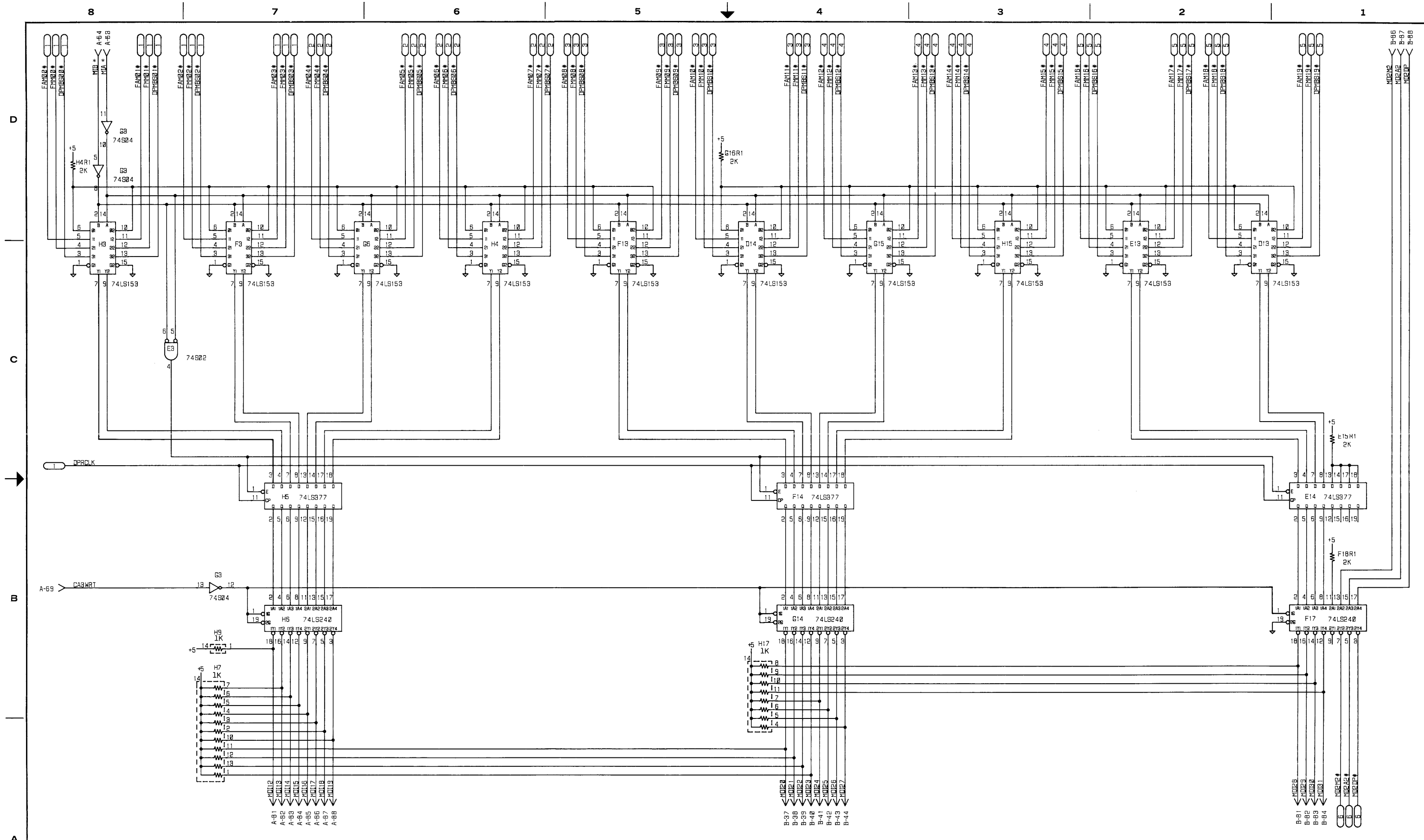
**PROPRIETARY INFORMATION**  
 This document contains proprietary information and is supplied for identification, maintenance, engineering, evaluation, or inspection purposes only and shall not be duplicated or disclosed without written permission of  
**FLOATING POINT SYSTEMS, INC.**  
 By accepting this document the recipient agrees to make every effort to prevent unauthorized use of this information.

**LIMITED RIGHTS LEGEND**  
 Contractor: **FLOATING POINT SYSTEMS, INC.** Contract No. \_\_\_\_\_  
 These portions of this technical data indicated as limited rights data shall not, without the written permission of the above Contractor be either (a) used, released or disclosed in whole or in part outside the Government, (b) used in whole or in part by the Government for manufacture or, in the case of computer software documentation, for preparing the same or similar computer software, or (c) used by a party other than the Government, except for (i) emergency repair or overhaul work only, by or for the Government, where the item or process concerned is not otherwise reasonably available to enable timely performance of the work, provided that the release or disclosure hereof outside the Government shall be made subject to a prohibition against further use, release or disclosure, or (ii) release to a foreign government, as the interest of the United States may require, only for information or evaluation within such government or for emergency repair or overhaul work by or for such government under the conditions (i) above. This legend, together with the indications of the portions of this data which are subject to such limitations shall be included on any reproduction hereof which includes any part of the portions subject to such limitations.

PROJ. ENG.	DATE	<b>FLOATING POINT SYSTEMS, INC.</b> PO Box 23489 Portland OR 97223	
DRAWN BY <b>C.A.D.</b>	DATE 7/2/79		
CHECK BY	DATE		
MFG. ENG.	DATE	DRAWING TITLE SCHEMATIC, ECB 402-B DATA PAD RIGHT MD REG (MD 12* - MD 31*)	
SIZE <b>D</b>	CODE IDENT. NO.	DRAWING NO. 512-3402-003	REV. C
SCALE NONE	SHEET 6 OF 8		

DRAWING NO. 512-3402-003

SHEET 6 OF 8



REVISIONS				
REV.	AUTH.	DESCRIPTION	ZONE	APVD / DATE

**PROPRIETARY INFORMATION**  
 This document contains proprietary information and is supplied for identification, maintenance, engineering evaluation or inspection purposes only and shall not be duplicated or disclosed without written permission of  
**FLOATING POINT SYSTEMS, INC.**  
 By accepting this document the recipient agrees to make every effort to prevent unauthorized use of this information.

**LIMITED RIGHTS LEGEND**  
 Contractor: **FLOATING POINT SYSTEMS, INC.** Contract No. \_\_\_\_\_  
 Those portions of this technical data indicated as limited rights data shall not, without the written permission of the above Contractor, be either (a) used, released or disclosed in whole or in part outside the Government, (b) used in whole or in part by the Government for manufacture or in the case of computer software documentation, for preparing the same or similar computer software, or (c) used by a party other than the Government except for (i) emergency repair or overhaul work only, by or for the Government, where the item or process concerned is not otherwise reasonably available to enable timely performance of the work, provided that the release or disclosure hereof outside the Government shall be made subject to a prohibition against further use, release or disclosure; or (ii) release to a foreign government, as the interest of the United States may require, only for information or evaluation within such government or for emergency repair or overhaul work by or for such government under the conditions (i) above. This legend, together with the indications of the portions of this data which are subject to such limitations shall be included on any reproduction hereof which includes any part of the portions subject to such limitations.

PROJ. ENG.	DATE	<b>FLOATING POINT SYSTEMS, INC.</b> PO Box 23489 Portland OR 97223
DRAWN BY <b>C.A.O.</b>	DATE 7/2/79	
CHECK BY	DATE	
MFG. ENG.	DATE	
DRAWING TITLE		SCHEMATIC, ECB 402-B DATA PAD RIGHT MDI REG (MDI12-MDI19)
SIZE <b>D</b>	CODE IDENT. NO. <b>56504</b>	
DRAWING NO. <b>512-3402-003</b>		REV. <b>C</b>
SCALE NONE		SHEET 7 OF 8

8

7

6

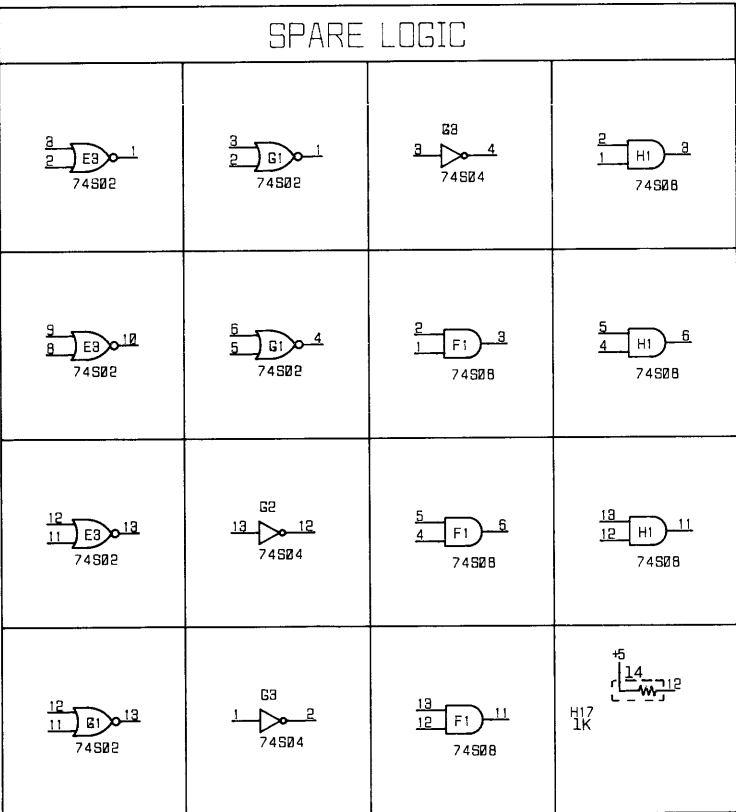
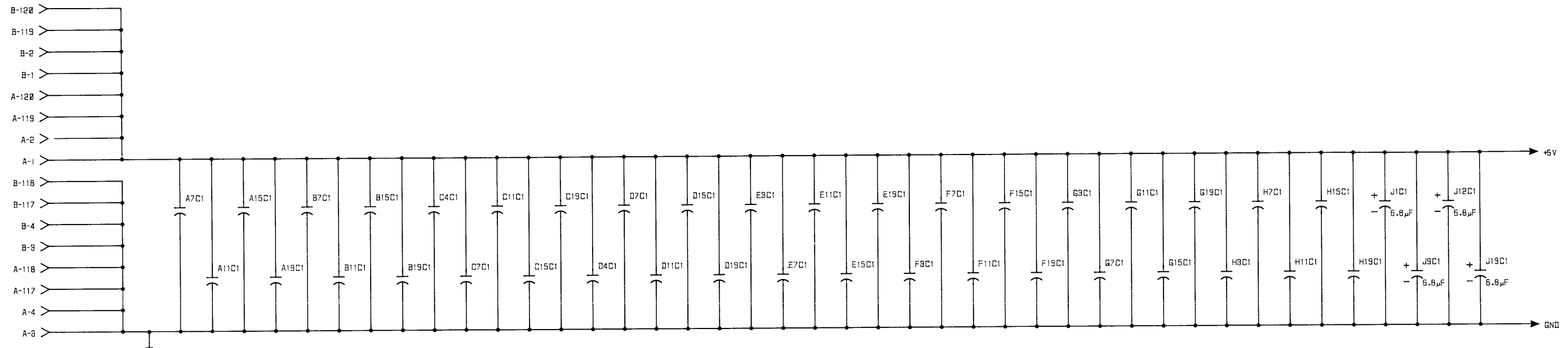
5

4

3

2

1



NOTES

1. UNLESS OTHERWISE SPECIFIED ALL CAPACITORS ARE 0.1µF 50 VOLTS.

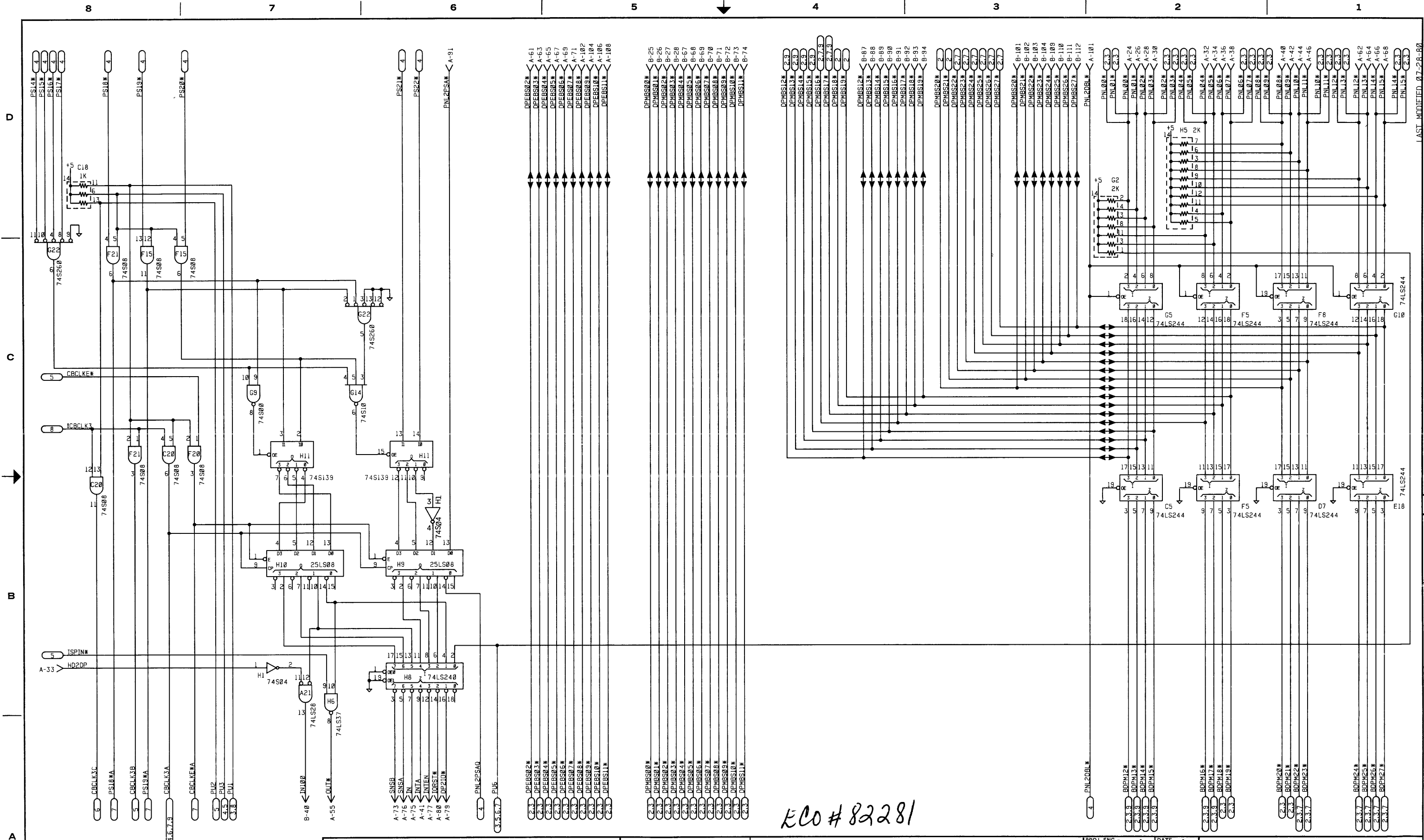
REVISIONS					
REV.	AUTH.	DESCRIPTION	ZONE	APVD / DATE	CHK. / DATE
/					

**PROPRIETARY INFORMATION**  
 This document contains proprietary information and is supplied for identification, maintenance, engineering evaluation or inspection purposes only and shall not be duplicated or disclosed without written permission of  
**FLOATING POINT SYSTEMS, INC.**  
 By accepting this document the recipient agrees to make every effort to prevent unauthorized use of this information.

**LIMITED RIGHTS LEGEND**  
 Contractor: **FLOATING POINT SYSTEMS, INC.** Contract No. \_\_\_\_\_  
 Those portions of this technical data indicated as limited rights data shall not, without the written permission of the above Contractor, be either (a) used, released or disclosed in whole or in part outside the Government, (b) used in whole or in part by the Government for manufacture or, in the case of computer software documentation, for preparing the same or similar computer software, or (c) used by a party other than the Government, except for (i) emergency repair or overhaul work only, by or for the Government, where the item or process concerned is not otherwise reasonably available to enable timely performance of the work, provided that the release or disclosure hereof outside the Government shall be made subject to a prohibition against further use, release or disclosure; or (ii) release to a foreign government, as the interest of the United States may require, only for information or evaluation within such government or for emergency repair or overhaul work by or for such government under the conditions (i) above. This legend, together with the indications of the portions of this data which are subject to such limitations shall be included on any reproduction hereof which includes any part of the portions subject to such limitations.

PROJ. ENG.	DATE	<b>FLOATING POINT SYSTEMS, INC.</b> PO Box 23489 Portland OR 97223
DRAWN BY <b>C.R.O.</b>	DATE 7/2/79	
CHECK BY	DATE	
MFG. ENG.	DATE	
DRAWING TITLE		SCHEMATIC, ECB 402-B DATA PAD RIGHT
SIZE <b>D</b>	CODE IDENT. NO. <b>56504</b>	
DRAWING NO. <b>512-3402-003</b>		REV. <b>C</b>
SCALE NONE		SHEET <b>B</b> OF <b>B</b>

DRAWING NO. 512-3402-003



**NOTES:**  
 UNLESS OTHERWISE SPECIFIED, ALL CAPACITORS ARE 0.1MF 50 VOLTS.

**IMPORTANT NOTE:** IGNORE DASHES IN PINOUTS (EXAMPLE:A-19), THEY ARE FOR PURPOSES OF CLARITY ONLY.

REVISIONS					
REV.	AUTH.	DESCRIPTION	ZONE	APVD / DATE	CHK. / DATE
A	ECO 80346	LEVEL 3 RELEASE		20/8/80	CO 9/8
B	ECO 80505	CORRECT DRAFTING ERROR		11/11/81	11/11/81
C	ECO 81161	CORRECT POWER-UP PROBLEM ON IORST*		11/11/81	C NGUSE
D	ECO 81633	ADD SPARE LOGIC TO TABLE		11/11/81	11/11/81

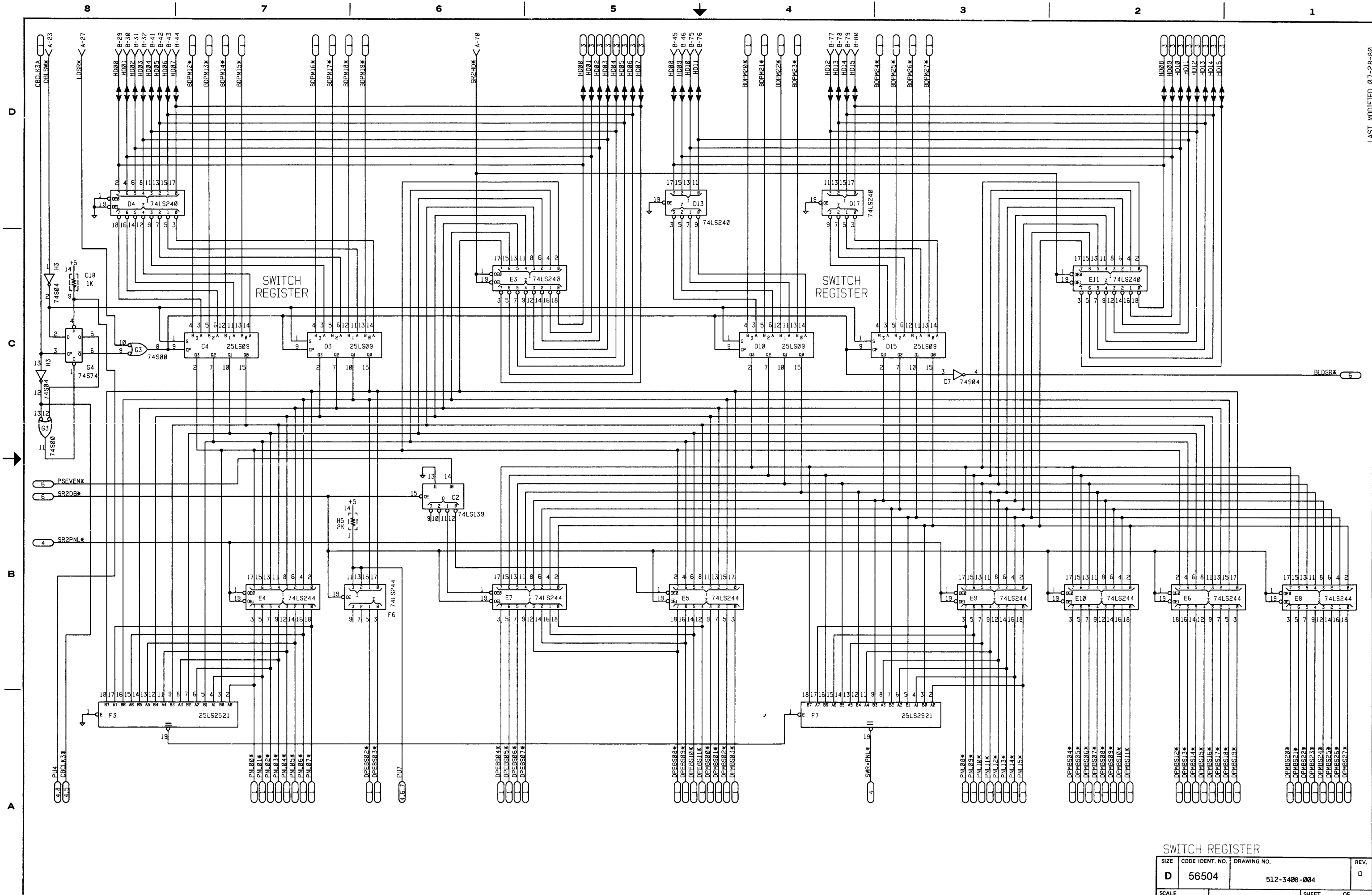
**PROPRIETARY INFORMATION**  
 This document contains proprietary information and is supplied for identification, maintenance, engineering evaluation or inspection purposes only and shall not be duplicated or disclosed without written permission of

**FLOATING POINT SYSTEMS, INC.**  
 By accepting this document the recipient agrees to make every effort to prevent unauthorized use of this information.

**LIMITED RIGHTS LEGEND**  
 Contractor: **FLOATING POINT SYSTEMS, INC.** Contract No. \_\_\_\_\_  
 These portions of this technical data indicated as limited rights data shall not, without the written permission of the above Contractor, be either (a) used, released or disclosed in whole or in part outside the Government, (b) used in whole or in part by the Government for manufacture or, in the case of computer software documentation, for preparing the same or similar computer software, or (c) used by a party other than the Government, except for (i) emergency repair or overhaul work only, by or for the Government, where the item or process concerned is not otherwise reasonably available to enable timely performance of the work, provided that the release or disclosure hereof outside the Government shall be made subject to a prohibition against further use, release or disclosure; or (ii) release to a foreign government, as the interest of the United States may require, only for information or evaluation within such government or for emergency repair or overhaul work, by or for such government under the conditions (i) above. This legend, together with the indications of the portions of this data which are subject to such limitations shall be included on any reproduction hereof which includes any part of the portions subject to such limitations.

PROJ. ENG. <i>Raymond</i>	DATE <i>9/8/80</i>	<b>FLOATING POINT SYSTEMS, INC.</b> P.O. Box 23489 Portland OR 97223
DRAWN BY <i>C.F.D.</i>	DATE <i>7/29/80</i>	
CHECK BY <i>Mr. Coleman</i>	DATE <i>8/13/80</i>	<b>DRAWING TITLE</b> SCHEMATIC, ECB 408-A P3 I/O GROUP DECODE ADD DATA BUSES
MFG. ENG. <i>Koger Caldwell</i>	DATE <i>9-9-80</i>	
SIZE <b>D</b>	CODE IDENT. NO. <b>56504</b>	DRAWING NO. <b>512-3408-004</b>
SCALE NONE		REV. <b>D</b>
		SHEET <b>1</b> OF <b>10</b>

DRAWING NO. 512-3408-004  
 SHEET 1 OF 10  
 LAST MODIFIED 07-28-80

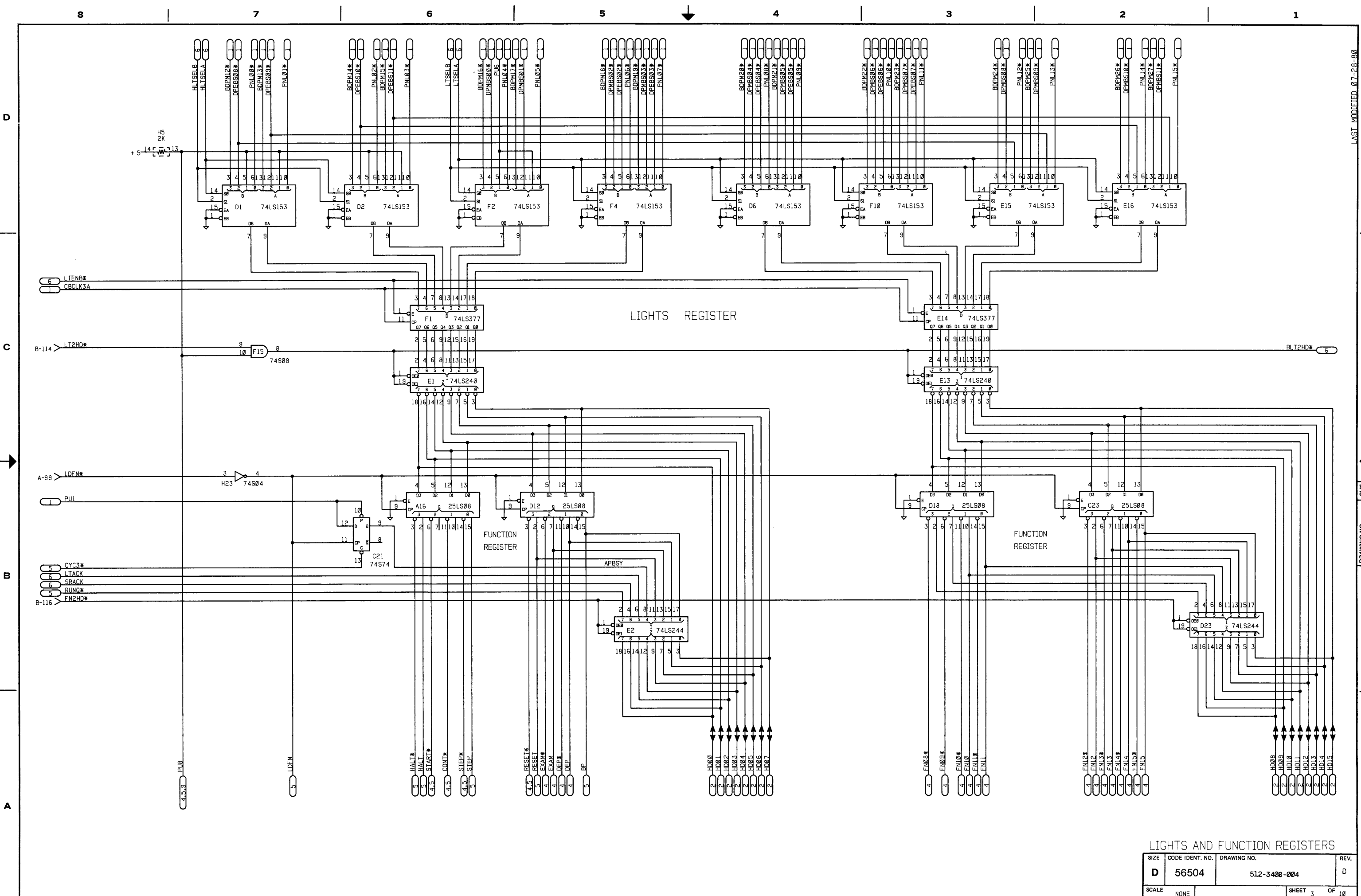


**SWITCH REGISTER**

SIZE	CODE IDENT. NO.	DRAWING NO.	REV.
D	56504	512-3408-004	D
SCALE	NONE	SHEET 2	OF 10

LAST MODIFIED 07-28-80

DRAWING NO. 512-3408-004  
SHT 2



LIGHTS REGISTER

FUNCTION REGISTER

APBSY

FUNCTION REGISTER

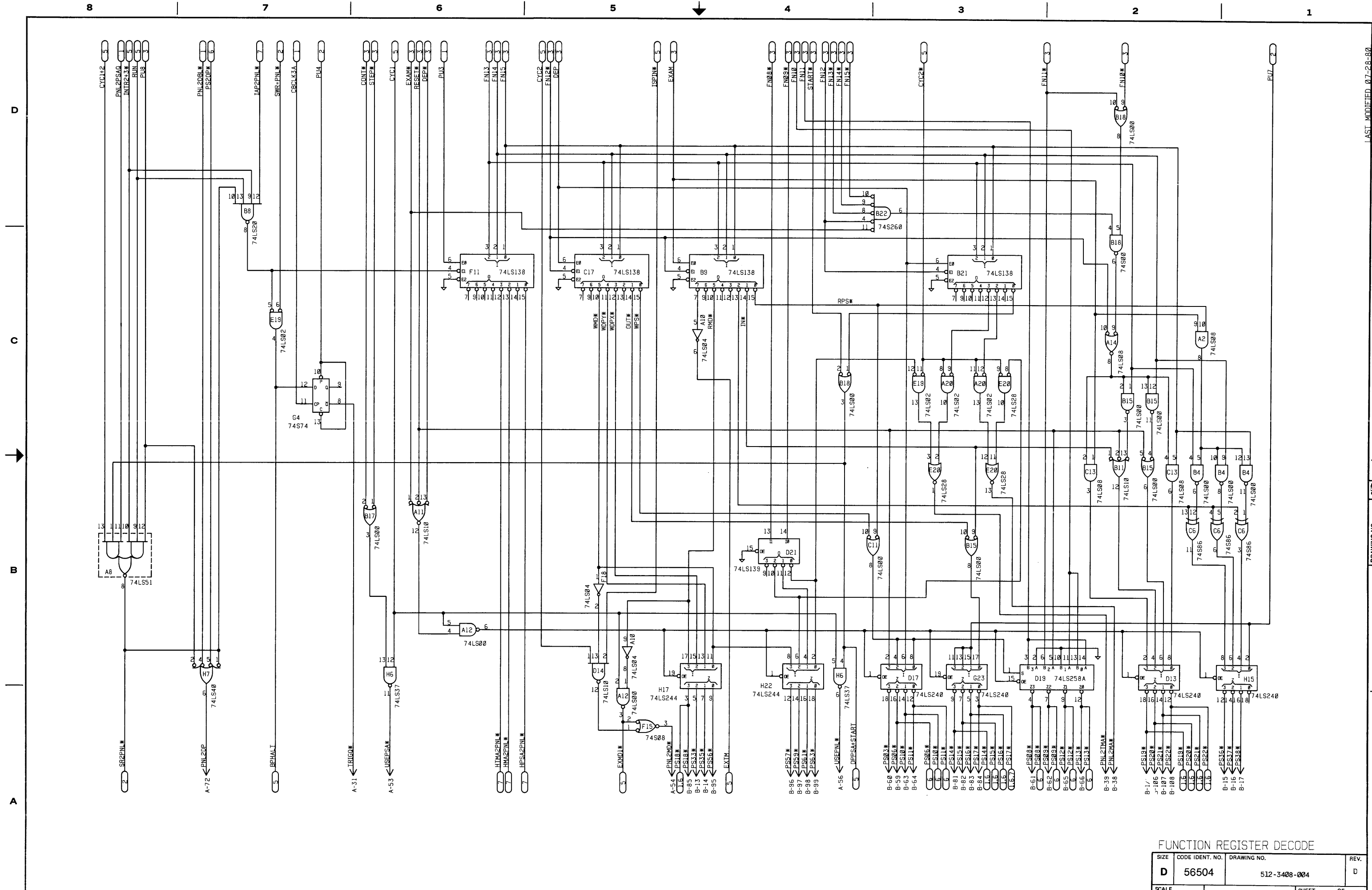
LIGHTS AND FUNCTION REGISTERS

SIZE	CODE IDENT. NO.	DRAWING NO.	REV.
D	56504	512-3408-004	D
SCALE	NONE	SHEET 3	OF 10

LAST MODIFIED 07-28-80

SHEET 3

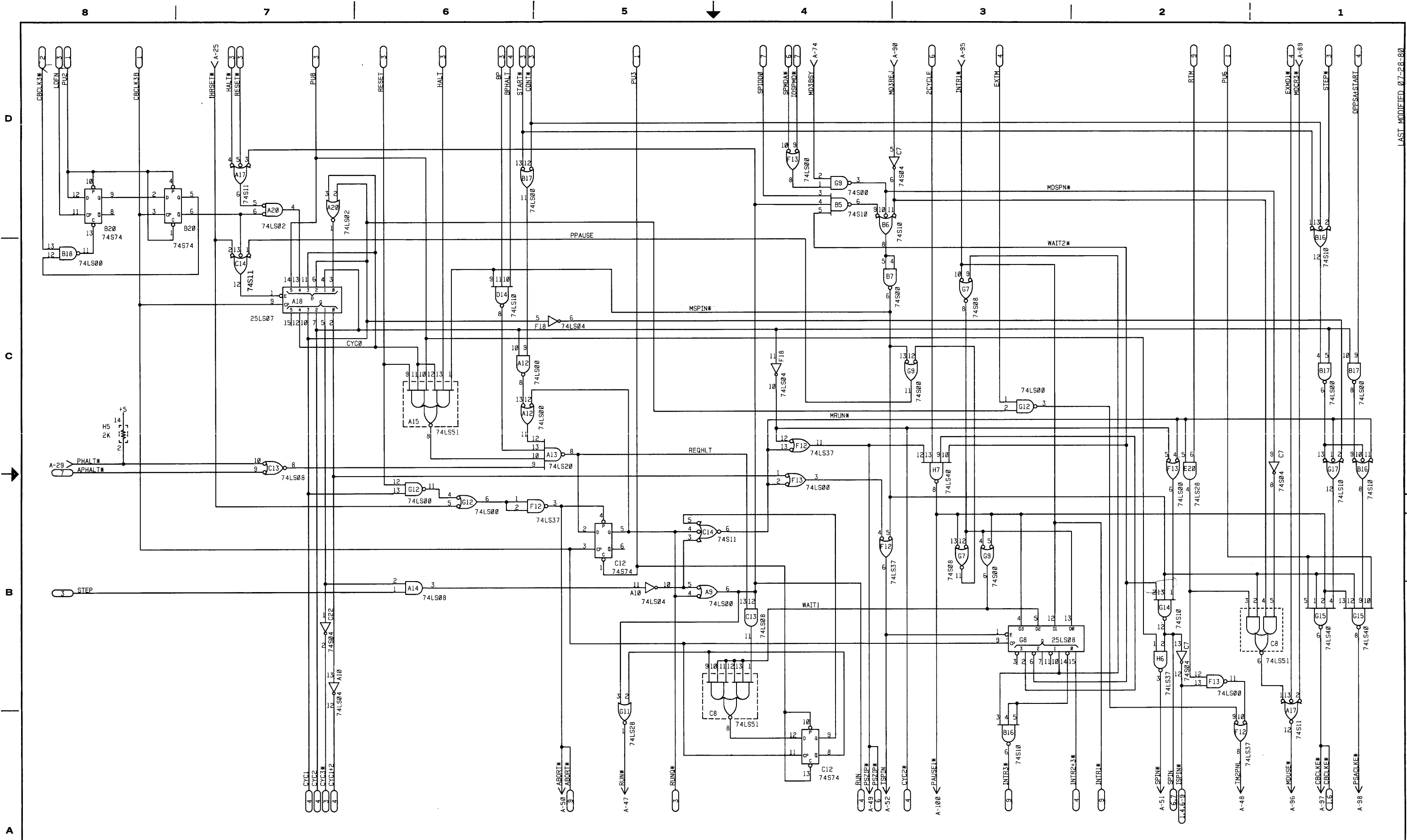
DRAWING NO. 512-3408-004



FUNCTION REGISTER DECODE

SIZE	CODE IDENT. NO.	DRAWING NO.	REV.
D	56504	512-3408-004	D
SCALE	NONE	SHEET 4 OF 10	



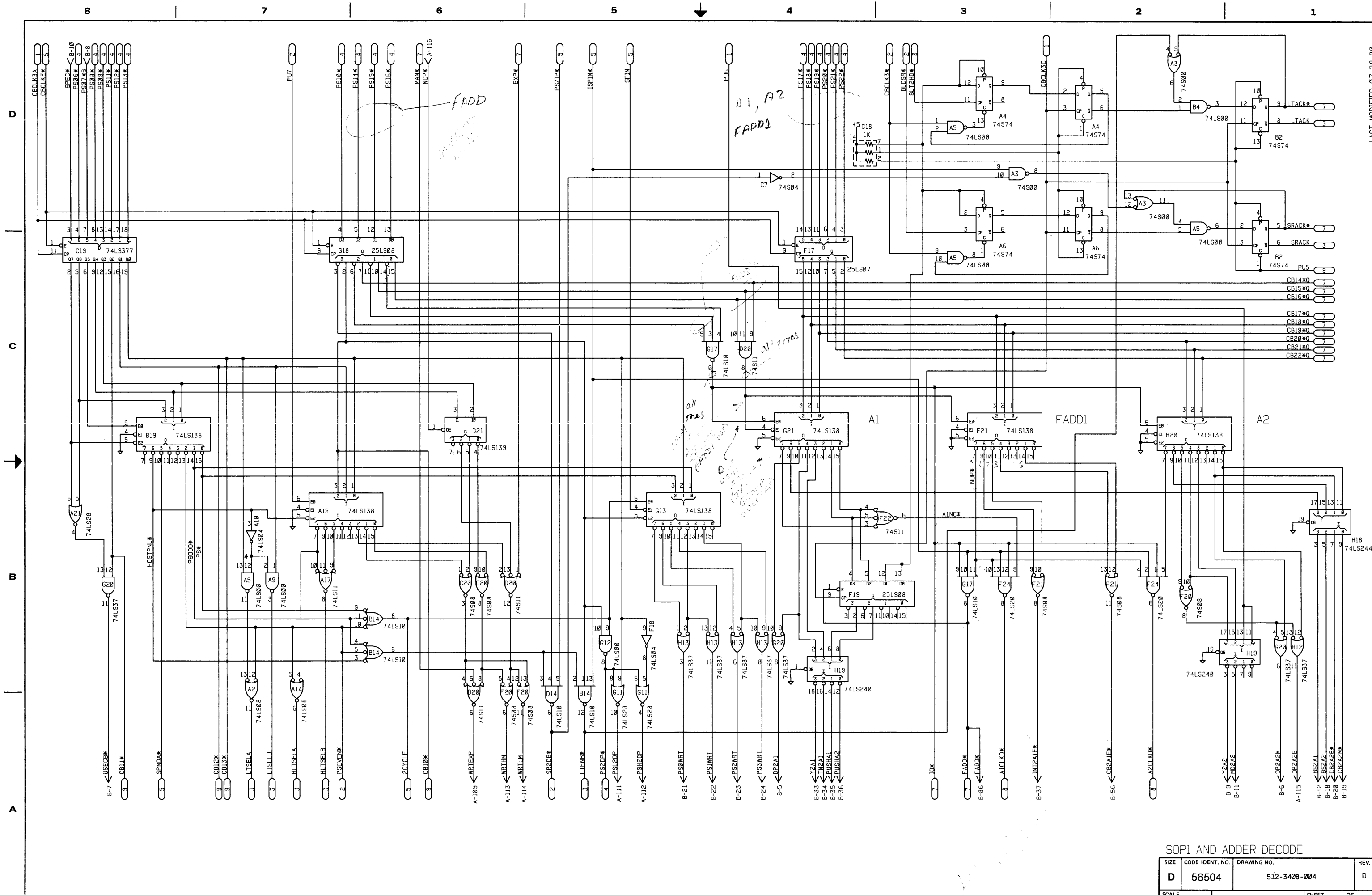


PANEL CYCLE TIMING

SIZE	CODE IDENT. NO.	DRAWING NO.	REV.
D	56504	512-3408-004	D
SCALE	NONE	SHEET 5	OF 10

LAST MODIFIED 07-28-80

DRAWING NO. 512-3408-004  
SHT 5



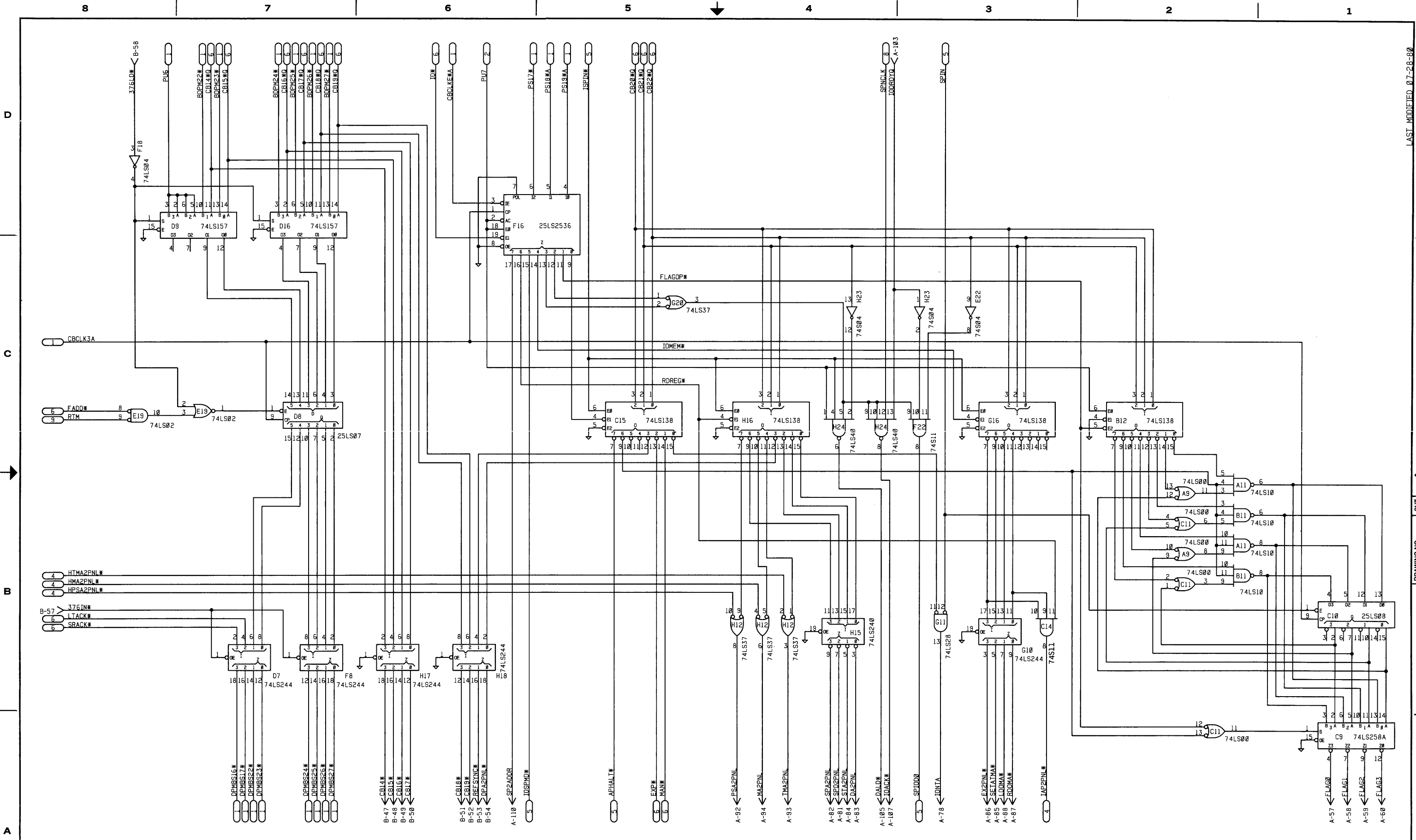
SOP1 AND ADDER DECODE

SIZE	CODE IDENT. NO.	DRAWING NO.	REV.
D	56504	512-3408-004	D
SCALE	NONE	SHEET 6 OF 10	

LAST MODIFIED 07-28-80

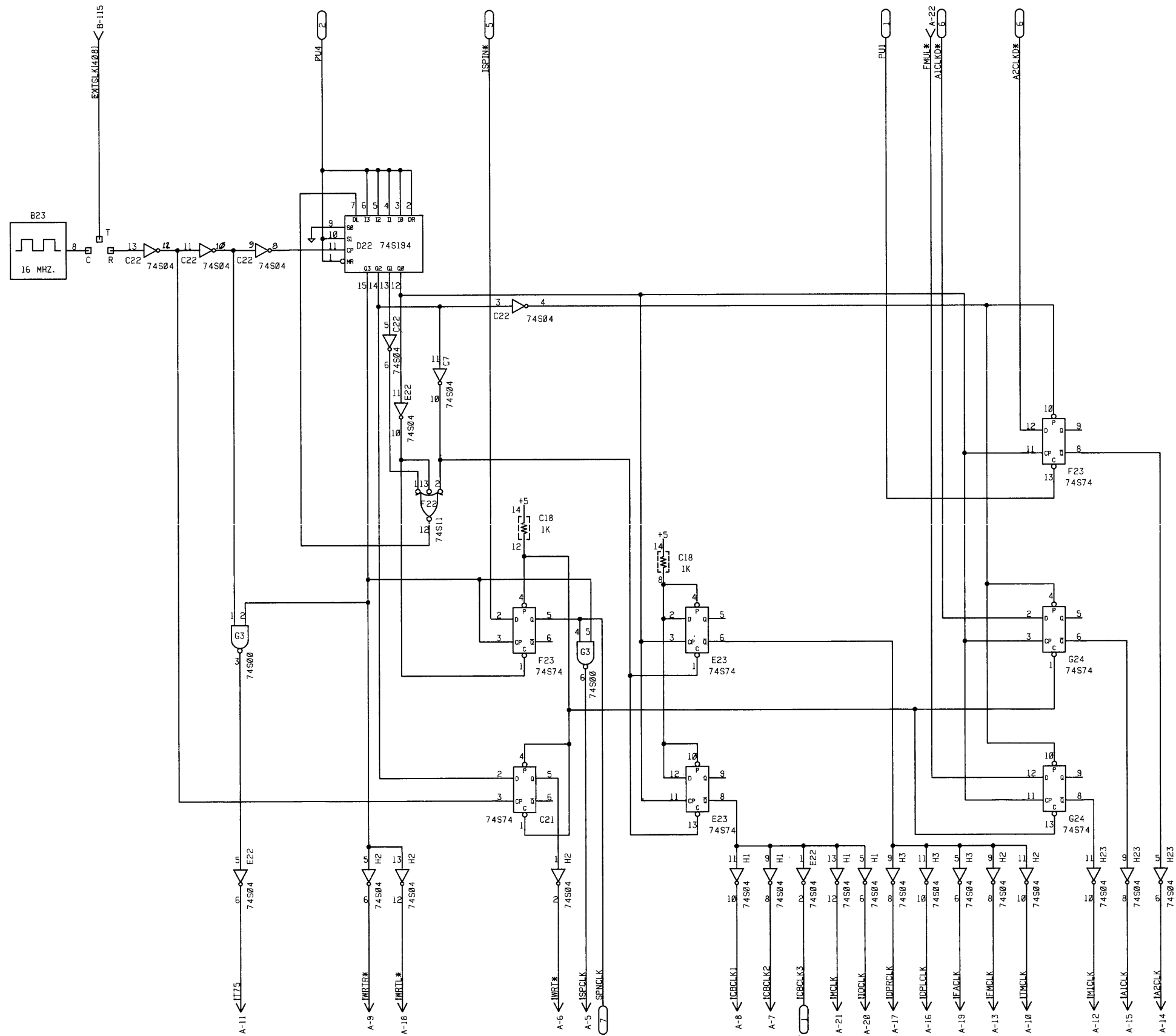
DRAWING NO. 512-3408-004

SHT 6



APSTAT3 (BITS 4,5,10-15)  
I/O GROUP DECODE

SIZE	CODE IDENT. NO.	DRAWING NO.	REV.
D	56504	512-3408-004	D
SCALE	NONE	SHEET 7	OF 10

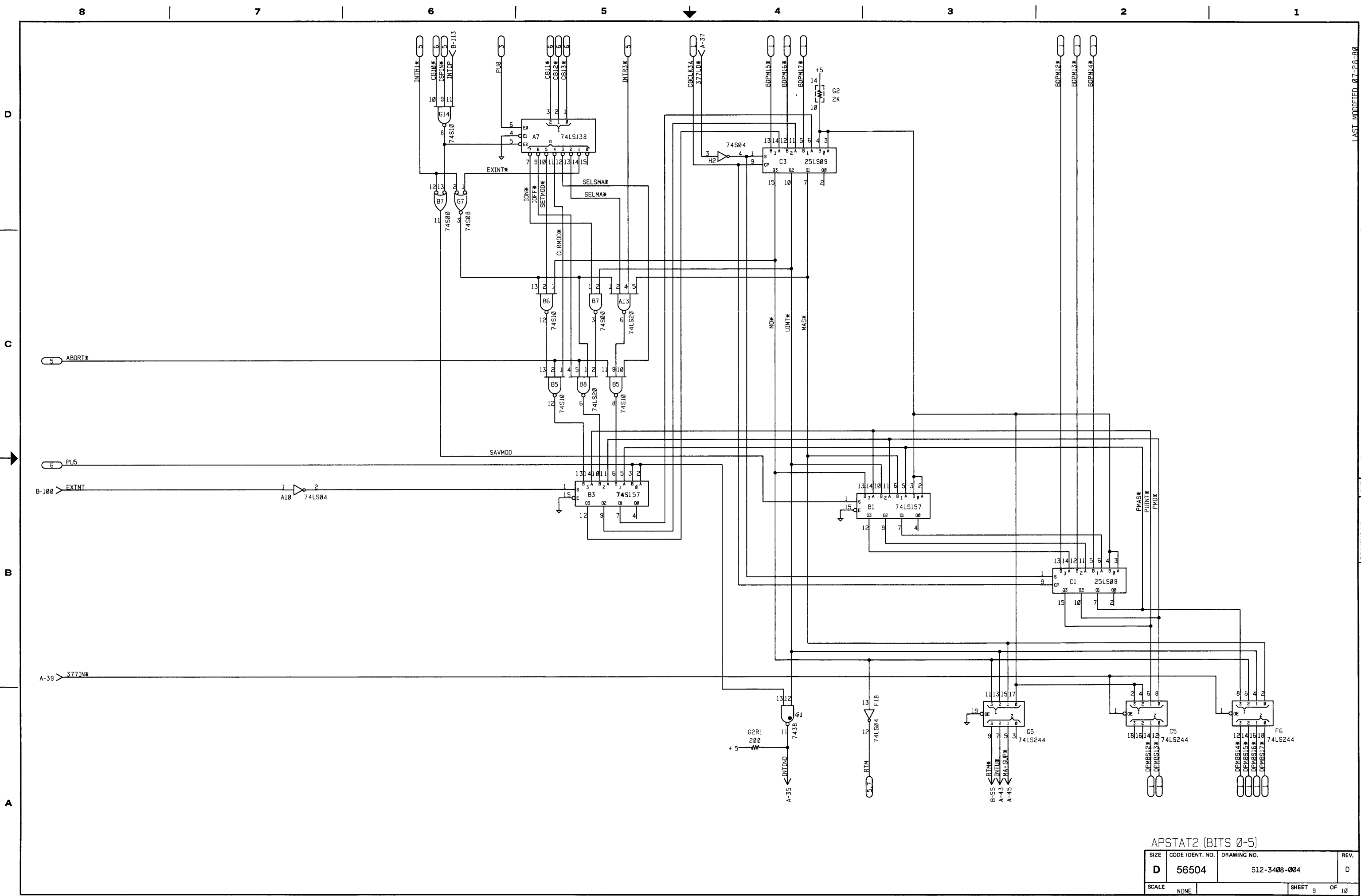


LAST MODIFIED 07-28-80

DRAWING NO. 512-3408-004  
SHT 8

SYSTEM CLOCK

SIZE	CODE IDENT. NO.	DRAWING NO.	REV.
D	56504	512-3408-004	D
SCALE	NONE	SHEET 8	OF 10

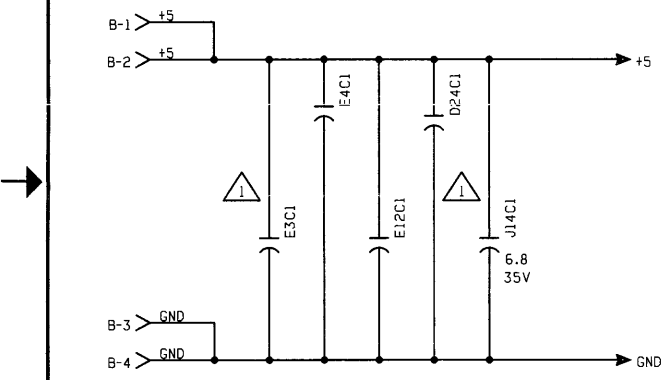
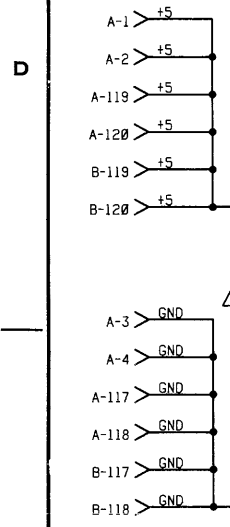
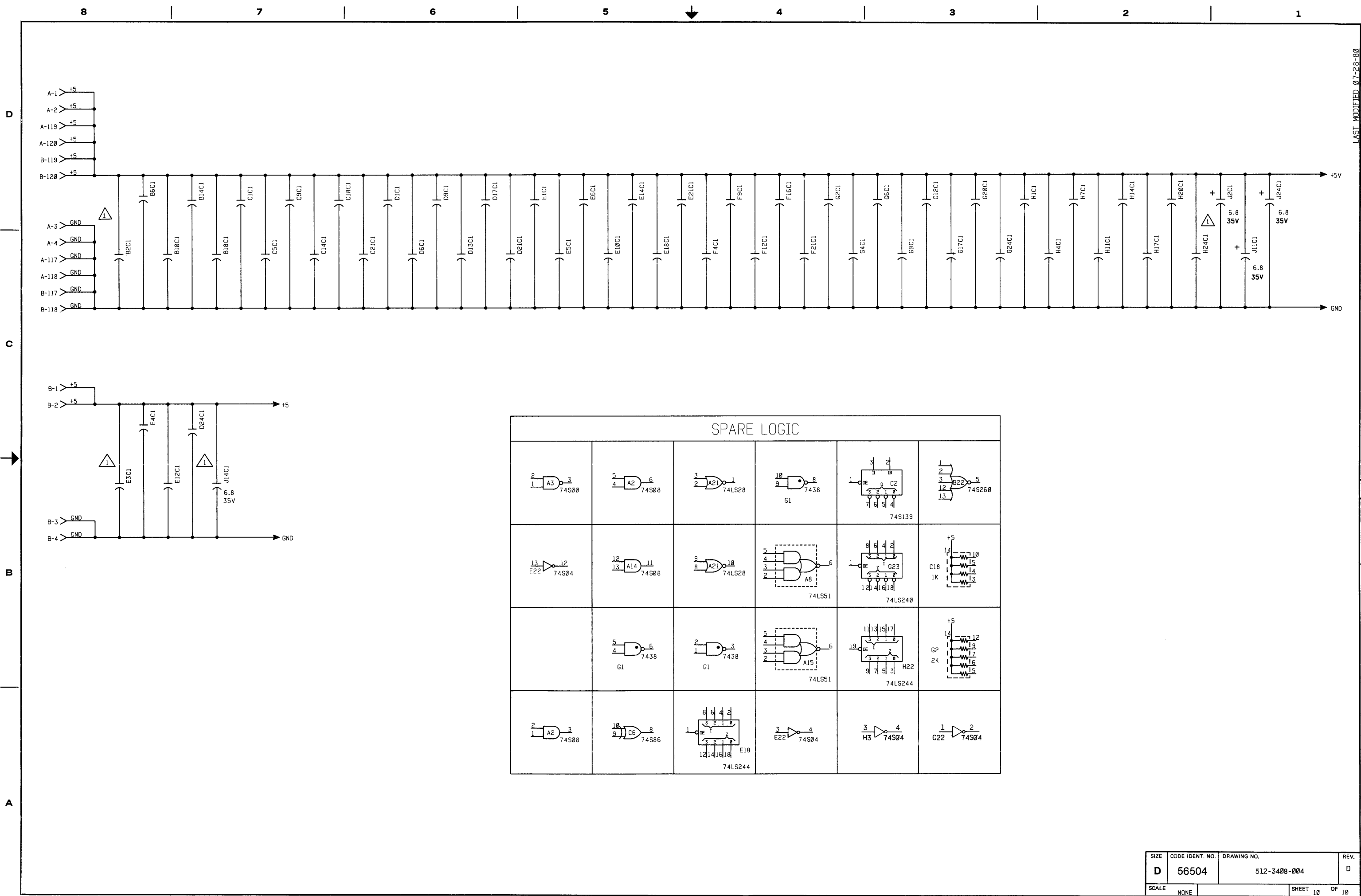


APSTAT2 (BITS 0-5)			
SIZE	CODE IDENT. NO.	DRAWING NO.	REV.
D	56504	512-3408-004	D
SCALE	NONE	SHEET 9	OF 10

LAST MODIFIED: 07-28-80

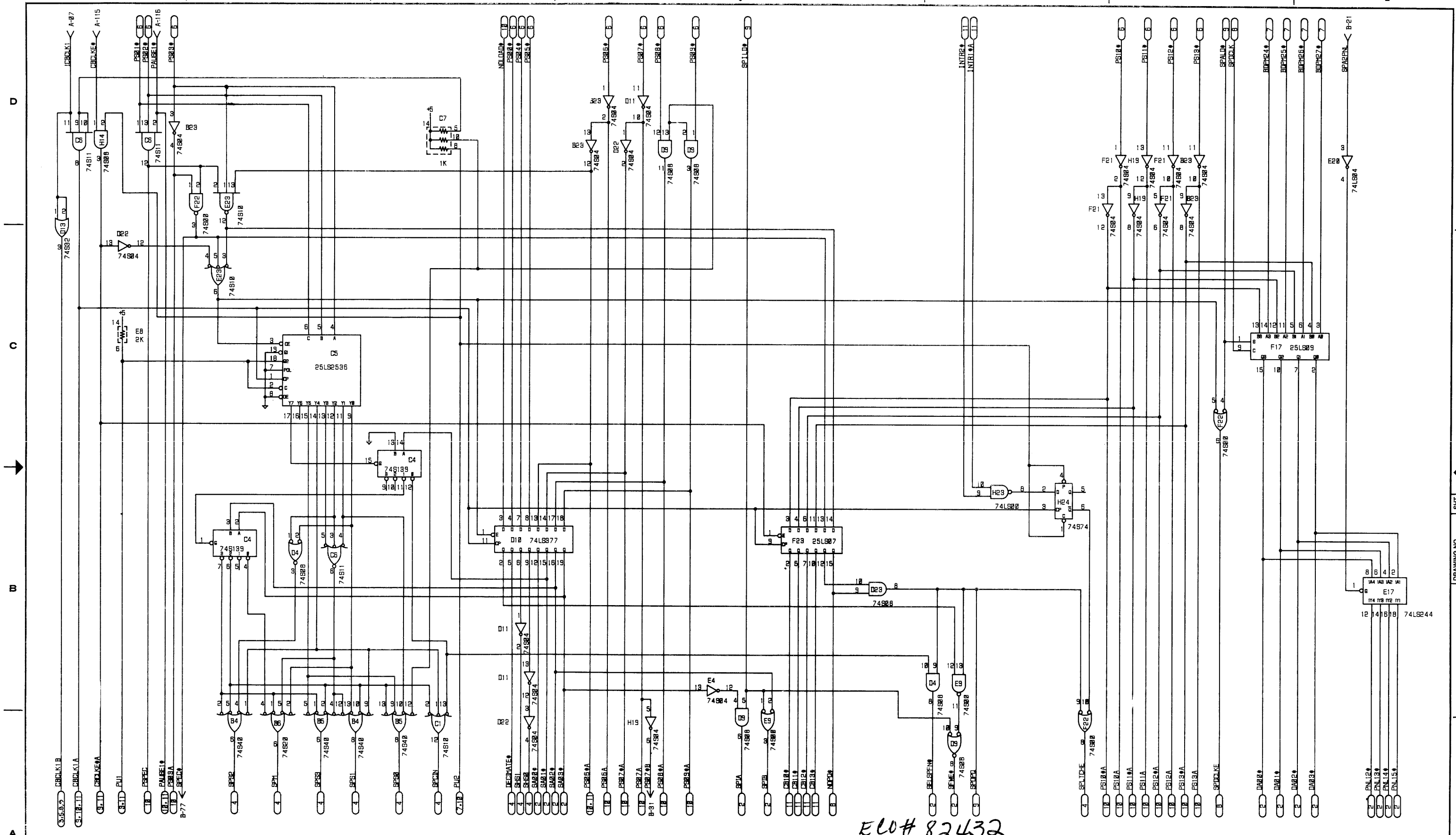
DRAWING NO. 512-3408-004

SHT 9



SPARE LOGIC					

SIZE <b>D</b>	CODE IDENT. NO. <b>56504</b>	DRAWING NO. 512-3408-004	REV. <b>D</b>
SCALE NONE	SHEET 10 OF 10		



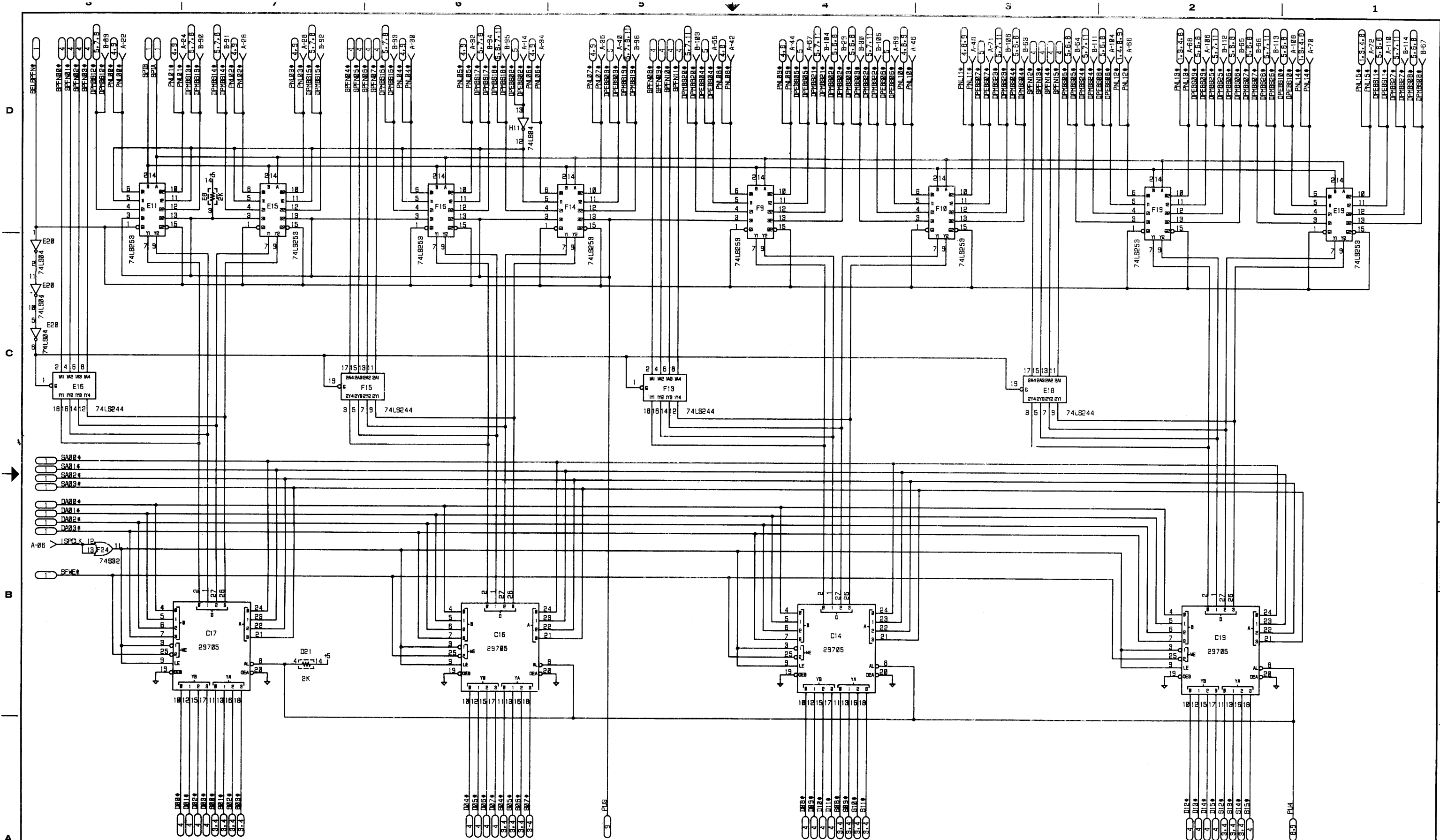
ELO# 82432

REVISIONS					
REV.	AUTH.	DESCRIPTION	ZONE	APVD / DATE	CHK. / DATE
A	ECC 80177	LEVEL 3 RELEASE		5-15-80	5/14/80
B	ECC 80495	CHANGE RESISTOR DESIGNATOR		2/1/81	1-30-81
C	ECC 81576	CORRECT ERROR ON GATE OUTPUT		1/4/82	1-30-82

**PROPRIETARY INFORMATION**  
 This document contains proprietary information and is supplied for identification, maintenance, engineering, evaluation or inspection purposes only and shall not be duplicated or disclosed without written permission of  
**FLOATING POINT SYSTEMS, INC.**  
 By accepting this document the recipient agrees to make every effort to prevent unauthorized use of this information.

**LIMITED RIGHTS LEGEND**  
 Contractor: **FLOATING POINT SYSTEMS, INC.** Contract No. \_\_\_\_\_  
 These portions of this technical data indicated as limited rights data shall not, without the written permission of the above Contractor, be either (a) used, released or disclosed in whole or in part outside the Government; (b) used in whole or in part by the Government for manufacture or, in the case of computer software documentation, for preparing the same or similar computer software; or (c) used by a party other than the Government, except for (i) emergency repair or overhaul work only; or for the Government, where the item or process concerned is not otherwise reasonably available to enable timely performance of the work, provided that the release or disclosure hereof outside the Government shall be made subject to a prohibition against further use, release or disclosure; or (ii) release to a foreign government; as the interest of the United States may require, only for information or evaluation within such government or for emergency repair or overhaul work by or for such government under the conditions (i) above. This legend together with the indications of the portions of this data which are subject to such limitations shall be included on any reproduction hereof which includes any part of the portions subject to such limitation.

PROJ. ENG. DRAWN BY CHECK BY MFG. ENG.	DATE DATE DATE DATE	DATE DATE DATE DATE	<b>FLOATING POINT SYSTEMS, INC.</b> P.O. Box 33488 Portland, OR 97223
DRAWN BY: <i>C.A.O.</i> CHECK BY: <i>Richard L. Coleman</i> MFG. ENG.: <i>Roger Caldwell</i>	DATE: 5/14/80 DATE: 7-7-79 DATE: 3-6-80 DATE: 5-15-80	DRAWING TITLE SCHEMATIC, ECB 422-B, PROCEEDOR 1	
SIZE: <b>D</b> SCALE: NONE	ODD IDENT. NO.: <b>56504</b> DRAWING NO.: 512-3422-002	REV. <b>C</b>	SHEET 1 OF 12



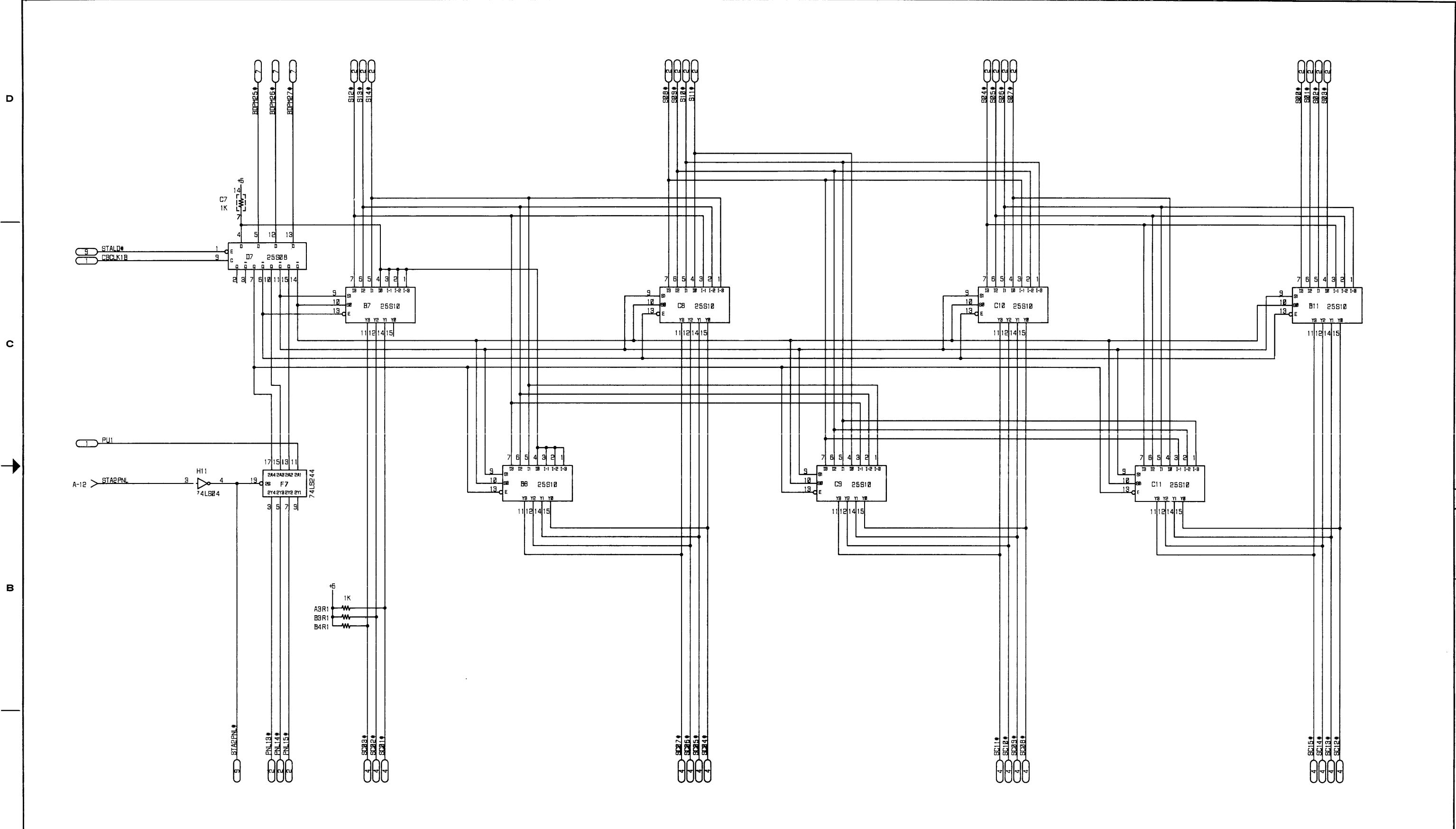
REV.	AUTH.	DESCRIPTION	ZONE	APVD	DATE	CHK.	DATE
REVISIONS							

**PROPRIETARY INFORMATION**  
 This document contains proprietary information and is supplied for identification, maintenance, engineering evaluation or inspection purposes only and shall not be duplicated or disclosed without written permission of  
**FLOATING POINT SYSTEMS, INC.**  
 By accepting this document the recipient agrees to make every effort to prevent unauthorized use of this information.

**LIMITED RIGHTS LEGEND**  
 Contractor: **FLOATING POINT SYSTEMS, INC.** Contract No. \_\_\_\_\_  
 Those portions of this technical data indicated as limited rights data shall not, without the written permission of the above Contractor, be either (a) used, released or disclosed in whole or in part outside the Government, (b) used in whole or in part by the Government for manufacture or, in the case of computer software documentation, for preparing the same or similar computer software, or (c) used by a party other than the Government, except for (i) emergency repair or overhaul work only, by or for the Government, where the item or process concerned is not otherwise reasonably available to enable timely performance of the work, provided that the release or disclosure hereof outside the Government shall be made subject to a prohibition against further use, release or disclosure; or (ii) release to a foreign government, as the interest of the United States may require, only for information or evaluation within such government or for emergency repair or overhaul work by or for such government under the conditions (i) above. This legend, together with the indications of the portions of this data which are subject to such limitations shall be included on any reproduction hereof which includes any part of the portions subject to such limitations.

PROJ. ENG.	DATE	<b>FLOATING POINT SYSTEMS, INC.</b> P.O. Box 23488 Portland OR 97223
DRAWN BY <b>C.A.D.</b>	DATE 7-7-79	
CHECK BY	DATE	
MFG. ENG.	DATE	DRAWING TITLE <b>SCHEMATIC, ECB 422-B, PROCESSOR 1</b> SIZE CODE IDENT. NO. DRAWING NO. <b>D 56504 512-3422-002</b> SCALE NONE
SHEET 2 OF 12		REV. C





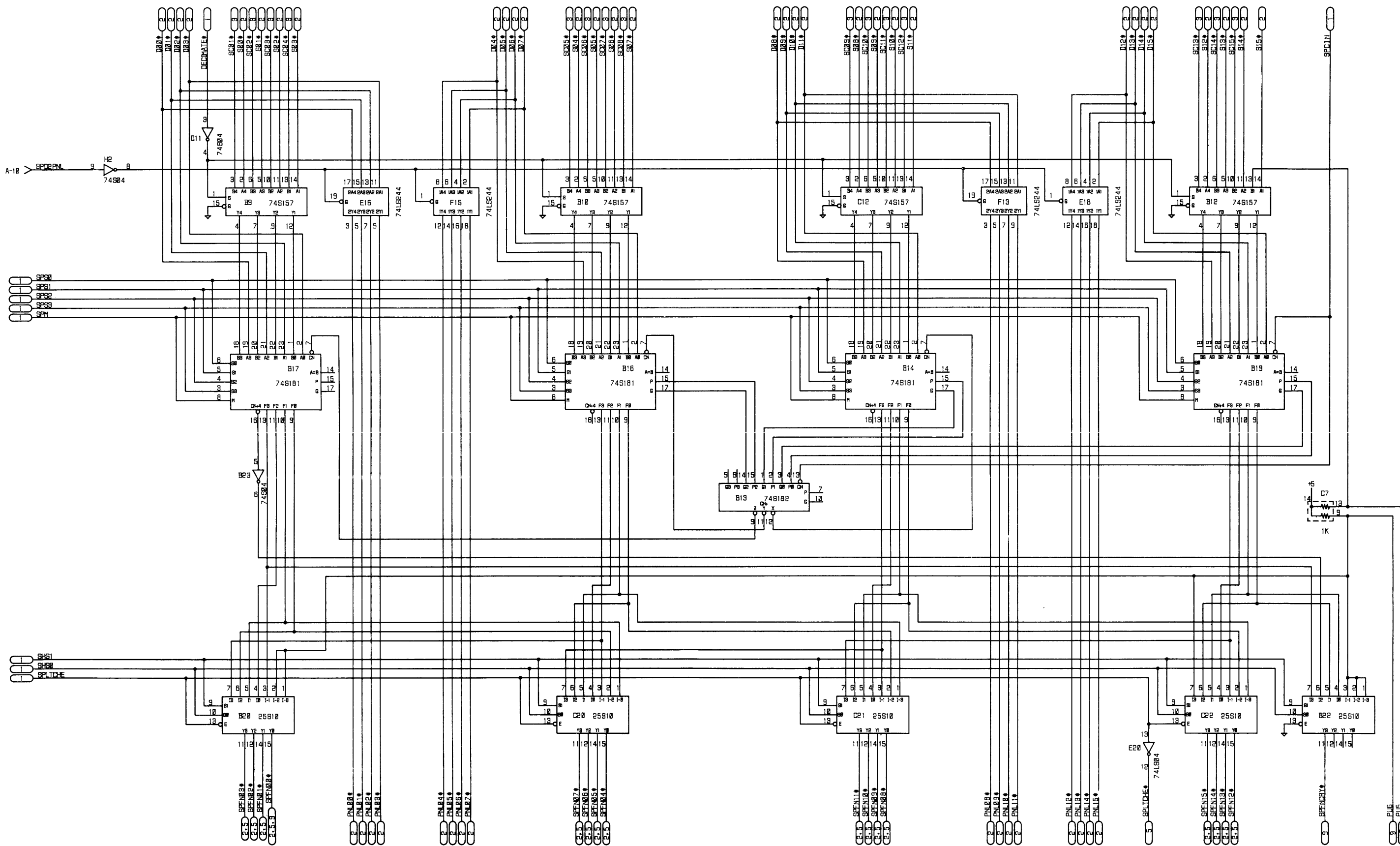
REVISIONS					
REV.	AUTH.	DESCRIPTION	ZONE	APVD / DATE	CHK. / DATE

**PROPRIETARY INFORMATION**  
 This document contains proprietary information and is supplied for identification, maintenance, engineering evaluation or inspection purposes only and shall not be duplicated or disclosed without written permission of  
**FLOATING POINT SYSTEMS, INC.**  
 By accepting this document the recipient agrees to make every effort to prevent unauthorized use of this information.

**LIMITED RIGHTS LEGEND**  
 Contractor: **FLOATING POINT SYSTEMS, INC.** Contract No. \_\_\_\_\_  
 Those portions of this technical data indicated as limited rights data shall not, without the written permission of the above Contractor, be either (a) used, released or disclosed in whole or in part outside the Government, (b) used in whole or in part by the Government for manufacture or, in the case of computer software documentation, for preparing the same or similar computer software, or (c) used by a party other than the Government, except for (i) emergency repair or overhaul work only, by or for the Government, where the item or process concerned is not otherwise reasonably available to enable timely performance of the work, provided that the release or disclosure hereof outside the Government shall be made subject to a prohibition against further use, release or disclosure; or (ii) release to a foreign government, as the interest of the United States may require, only for information or evaluation within such government or for emergency repair or overhaul work by or for such government under the conditions (i) above. This legend, together with the indications of the portions of this data which are subject to such limitations shall be included on any reproduction hereof which includes any part of the portions subject to such limitations.

PROJ. ENG.	DATE	<b>FLOATING POINT SYSTEMS, INC.</b> P.O. Box 23488 Portland, OR 97223
DRAWN BY <b>C.A.O.</b>	DATE 7-7-79	
CHECK BY	DATE	
MFG. ENG.	DATE	DRAWING TITLE <b>SCHEMATIC, ECB          422-B,          PROCESSOR 1</b>
		SIZE <b>D</b> CODE IDENT. NO. <b>56504</b> DRAWING NO. <b>512-3422-002</b> REV. <b>C</b>
		SCALE NONE SHEET <b>3</b> OF <b>12</b>

DRAWING NO. 512-3422-002 SHT 3



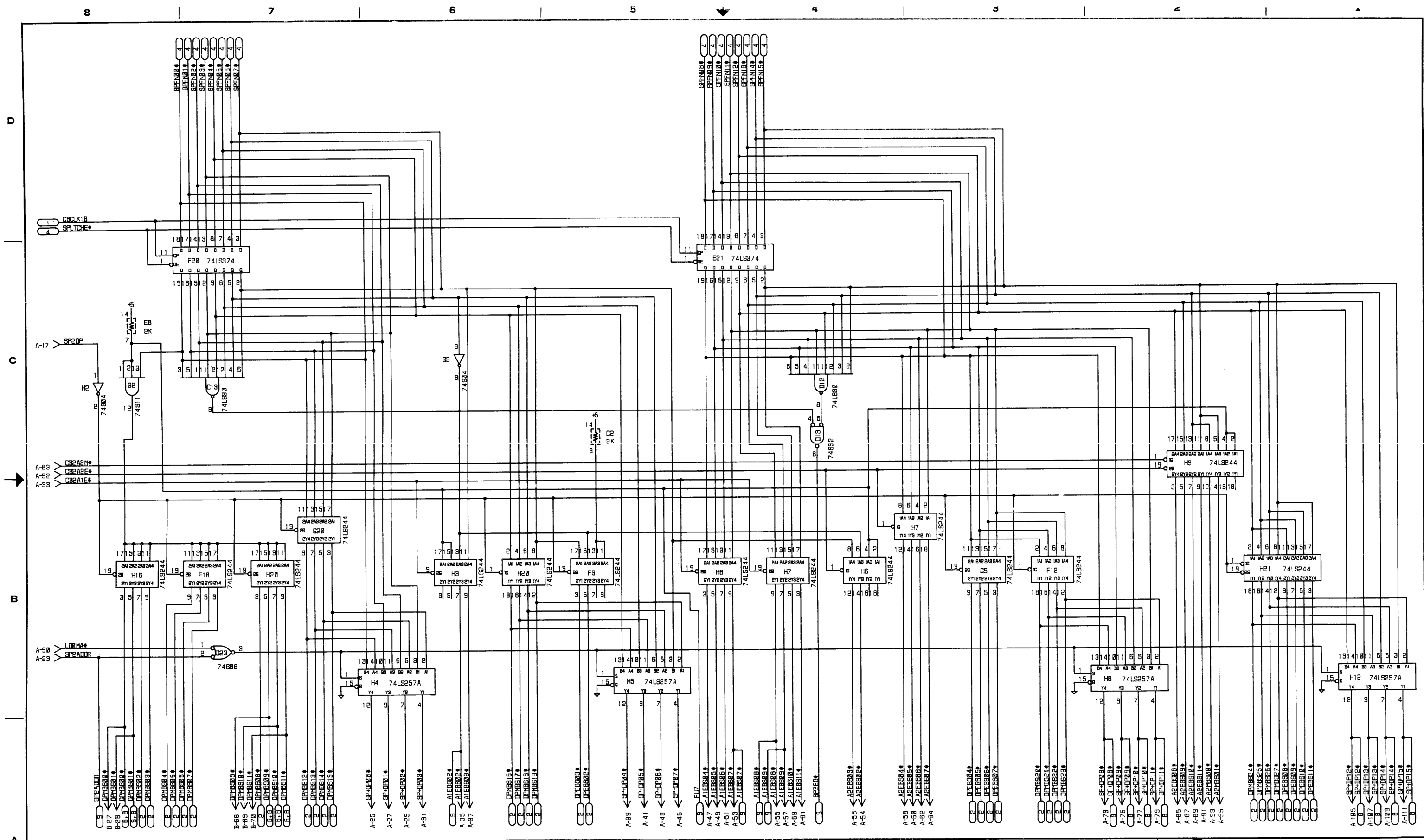
REVISIONS					
REV.	AUTH.	DESCRIPTION	ZONE	APVD / DATE	CHK. / DATE

**PROPRIETARY INFORMATION**  
 This document contains proprietary information and is supplied for identification, maintenance, engineering evaluation or inspection purposes only and shall not be duplicated or disclosed without written permission of  
**FLOATING POINT SYSTEMS, INC.**  
 By accepting this document the recipient agrees to make every effort to prevent unauthorized use of this information.

**LIMITED RIGHTS LEGEND**  
 Contractor: **FLOATING POINT SYSTEMS, INC.** Contract No. \_\_\_\_\_  
 Those portions of this technical data indicated as limited rights data shall not, without the written permission of the above Contractor, be either (a) used, released or disclosed in whole or in part outside the Government, (b) used in whole or in part by the Contractor for manufacture or, in the case of computer software documentation, for preparing the same or similar computer software, or (c) used by a party other than the Government, except for (i) emergency repair or overhaul work only, by or for the Government, where the item or process concerned is not otherwise reasonably available to enable timely performance of the work, provided that the release or disclosure hereof outside the Government shall be made subject to a prohibition against further use, release or disclosure, or (ii) release to a foreign government, as the interest of the United States may require, only for information or evaluation within such government or for emergency repair or overhaul work by or for such government under the conditions (i) above. This legend, together with the indications of the portions of this data which are subject to such limitations shall be included on any reproduction hereof which includes any part of the portions subject to such limitations.

PROJ. ENG.	DATE
DRAWN BY <b>C.R.D.</b>	DATE 7-7-79
CHECK BY	DATE
MFG. ENG.	DATE

<b>FLOATING POINT SYSTEMS, INC.</b> P.O. Box 23488 Portland OR 97223		DRAWING TITLE <b>SCHEMATIC, ECG</b> <b>422-B,</b> <b>PROCESSOR 1</b>	
		SIZE <b>D</b> CODE IDENT. NO. <b>56504</b>	DRAWING NO. <b>512-3422-002</b>
SCALE NONE		SHEET 4 OF 12	

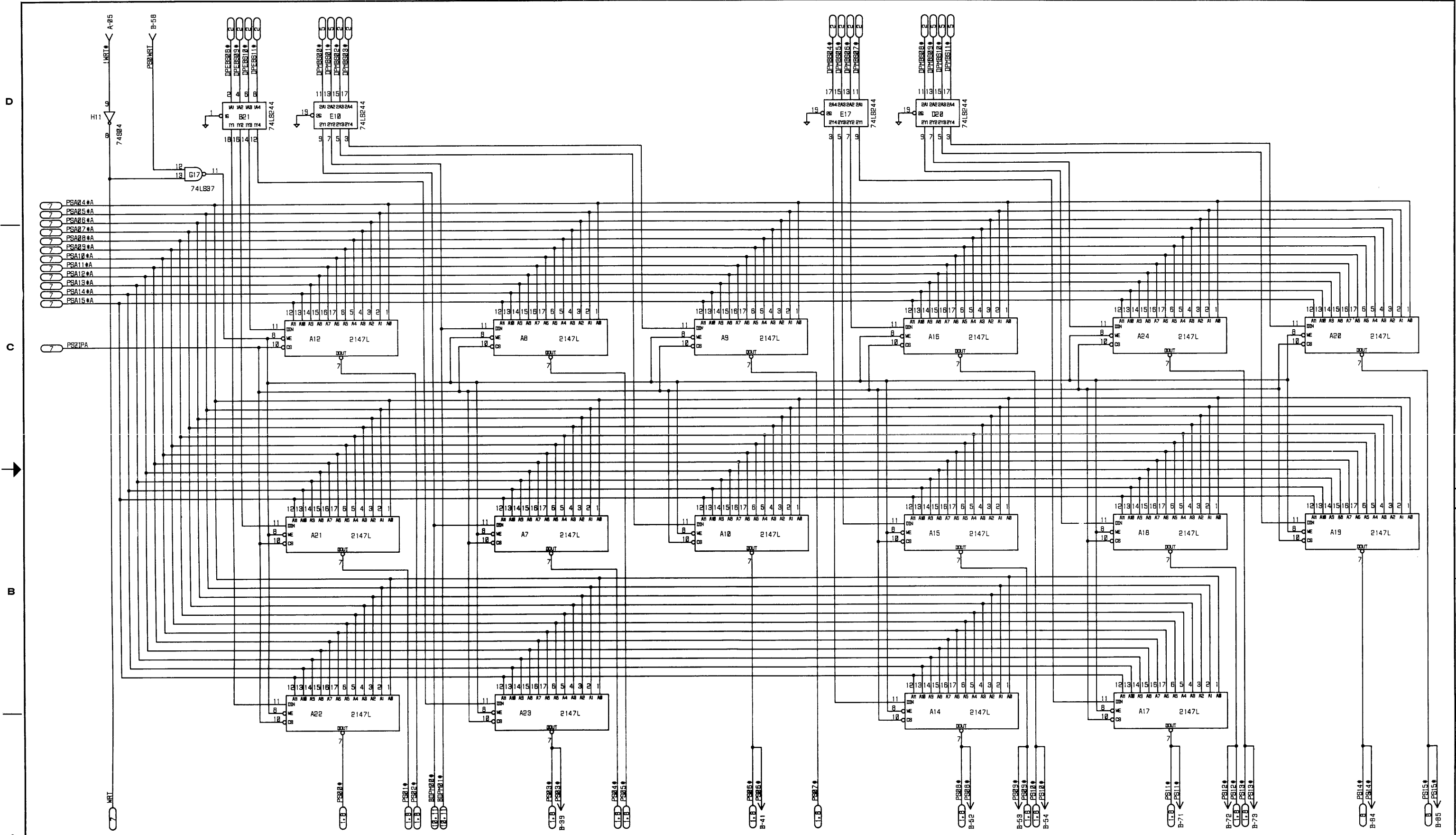


REVISIONS					
REV.	AUTH.	DESCRIPTION	ZONE	APVD / DATE	CHK. / DATE

**PROPRIETARY INFORMATION**  
 This document contains proprietary information and is supplied for identification, maintenance, engineering evaluation or inspection purposes only and shall not be duplicated or disclosed without written permission of  
**FLOATING POINT SYSTEMS, INC.**  
 By accepting this document the recipient agrees to make every effort to prevent unauthorized use of this information.

**LIMITED RIGHTS LEGEND**  
 Contractor: **FLOATING POINT SYSTEMS, INC.** Contract No. \_\_\_\_\_  
 These portions of this technical data indicated as limited rights data shall not, without the written permission of the above Contractor, be either (a) used, released or disclosed in whole or in part outside the Government, (b) used in whole or in part by the Government for manufacture or, in the case of computer software documentation, for preparing the same or similar computer software, or (c) used by a party other than the Government, except for (i) emergency repair or overhaul work only, by or for the Government, where the item or process concerned is not otherwise reasonably available to enable timely performance of the work, provided that the release or disclosure hereof outside the Government shall be made subject to a prohibition against further use, release or disclosure; or (ii) release to a foreign government, as the interest of the United States may require, only for information or evaluation within such government or for emergency repair or overhaul work by or for such government under the conditions (i) above. This legend, together with the indications of the portions of this data which are subject to such limitations shall be included on any reproduction hereof which includes any part of the portions subject to such limitations.

PROJ. ENG.	DATE	<b>FLOATING POINT SYSTEMS, INC.</b> PO Box 23489 Portland OR 97223
DRAWN BY <b>C.A.O.</b>	DATE 7-7-79	
CHECK BY	DATE	
MFG. ENG.	DATE	DRAWING TITLE SCHEMATIC, ECB 422-B, PROCESSOR 1
SIZE <b>D</b>	CODE IDENT. NO. <b>56504</b>	DRAWING NO. <b>512-3422-002</b>
SCALE NONE		SHEET <b>5</b> OF <b>12</b>

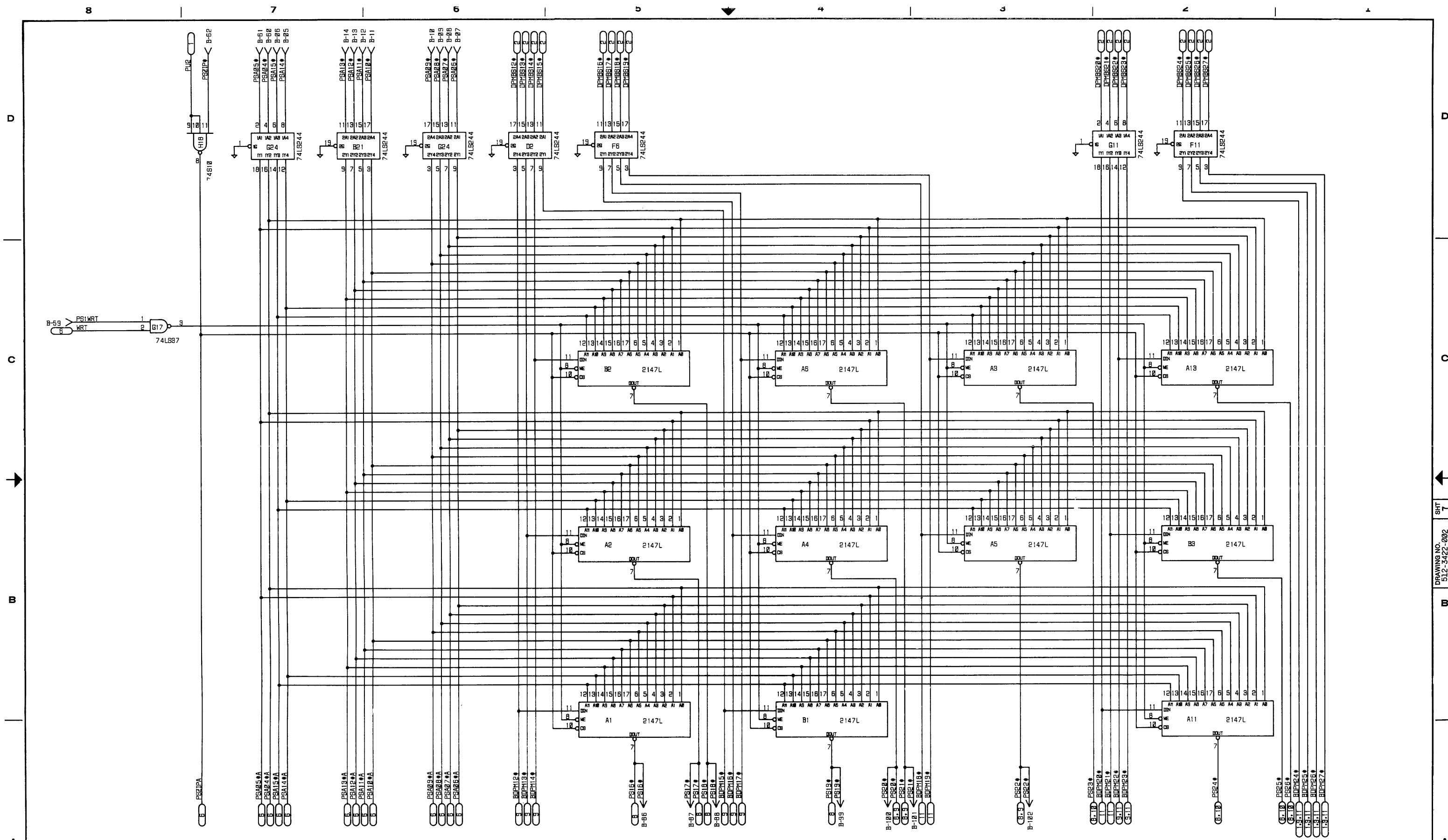


REVISIONS					
REV.	AUTH.	DESCRIPTION	ZONE	APVD / DATE	CHK. / DATE

**PROPRIETARY INFORMATION**  
 This document contains proprietary information and is supplied for identification, maintenance, engineering, evaluation or inspection purposes only and shall not be duplicated or disclosed without written permission of  
**FLOATING POINT SYSTEMS, INC.**  
 By accepting this document the recipient agrees to make every effort to prevent unauthorized use of this information.

**LIMITED RIGHTS LEGEND**  
 Contractor: **FLOATING POINT SYSTEMS, INC.** Contract No. \_\_\_\_\_  
 Those portions of this technical data indicated as limited rights data shall not, without the written permission of the above Contractor, be either (a) used, released or disclosed in whole or in part outside the Government, (b) used in whole or in part by the Government for manufacture or, in the case of computer software documentation, for preparing the same or similar computer software, or (c) used by a party other than the Government, except for (i) emergency repair or overhaul work only, by or for the Government, where the item or process concerned is not otherwise reasonably available to enable timely performance of the work, provided that the release or disclosure hereof outside the Government shall be made subject to a prohibition against further use, release or disclosure; or (ii) release to a foreign government, as the interest of the United States may require, only for information or evaluation within such government or for emergency repair or overhaul work by or for such government under the conditions (i) above. This legend, together with the indications of the portions of this data which are subject to such limitations shall be included on any reproduction hereof which includes any part of the portions subject to such limitations.

PROJ. ENG.	DATE	<b>FLOATING POINT SYSTEMS, INC.</b> PO Box 23489 Portland OR 97223
DRAWN BY <b>C.A.O.</b>	DATE 7-7-79	
CHECK BY	DATE	
MFG. ENG.	DATE	
DRAWING TITLE		SCHEMATIC, ECB 422-B, PROCESSOR 1
SIZE <b>D</b>	CODE IDENT. NO. <b>56504</b>	
DRAWING NO. <b>512-3422-002</b>		REV. <b>C</b>
SCALE NONE		SHEET <b>6</b> OF 12

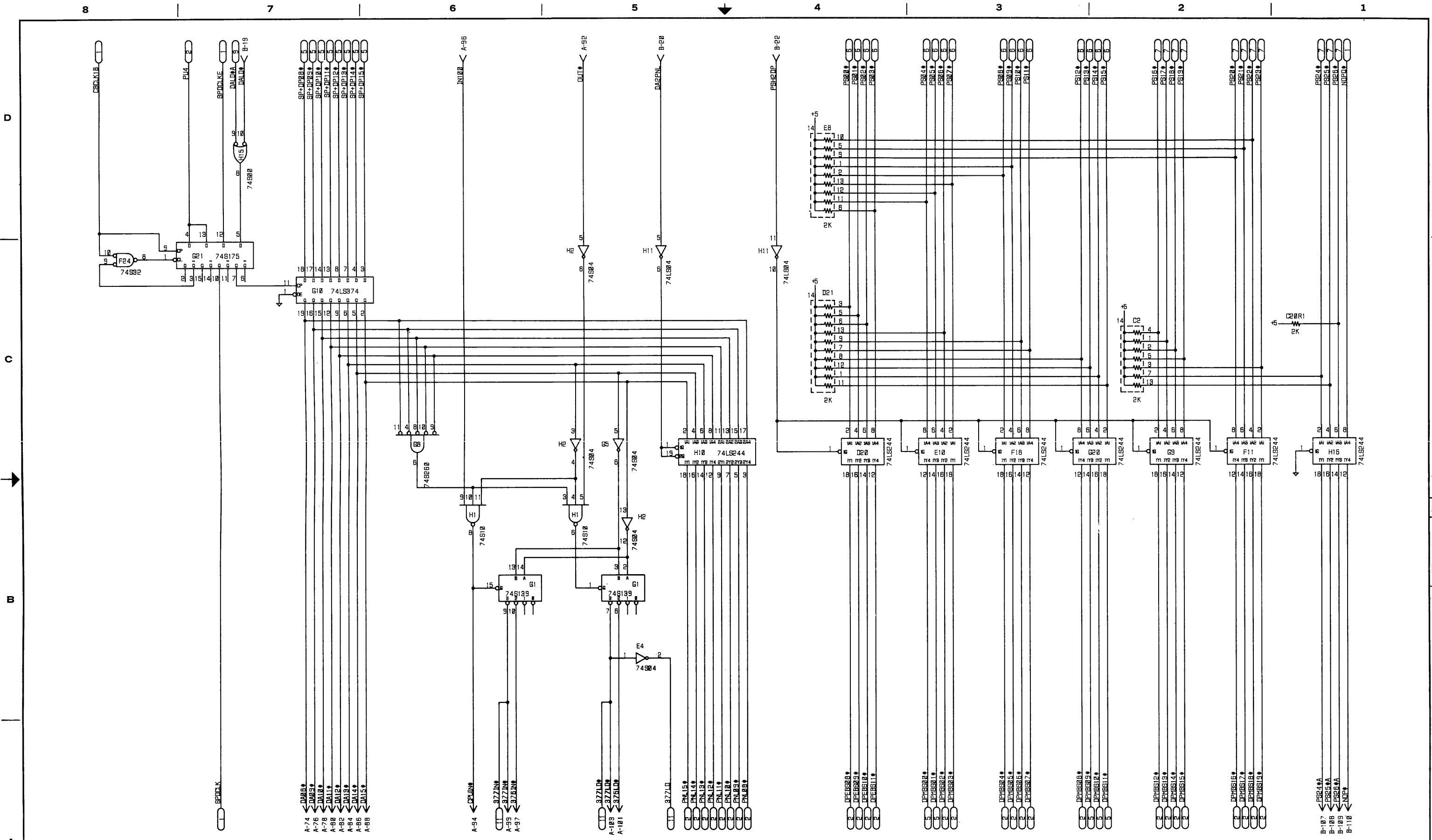


REVISIONS					
REV.	AUTH.	DESCRIPTION	ZONE	APVD / DATE	CHK. / DATE

**PROPRIETARY INFORMATION**  
 This document contains proprietary information and is supplied for identification, maintenance, engineering evaluation or inspection purposes only and shall not be duplicated or disclosed without written permission of  
**FLOATING POINT SYSTEMS, INC.**  
 By accepting this document the recipient agrees to make every effort to prevent unauthorized use of this information.

**LIMITED RIGHTS LEGEND**  
 Contractor: **FLOATING POINT SYSTEMS, INC.** Contract No. \_\_\_\_\_  
 Those portions of this technical data indicated as limited rights data shall not, without the written permission of the above Contractor, be either (a) used, released or disclosed in whole or in part outside the Government, (b) used in whole or in part by the Government for manufacture or, in the case of computer software documentation, for preparing the same or similar computer software, or (c) used by a party other than the Government, except for (i) emergency repair or overhaul work only, by or for the Government, where the item or process concerned is not otherwise reasonably available to enable timely performance of the work, provided that the release or disclosure hereof outside the Government shall be made subject to a prohibition against further use, release or disclosure; or (ii) release to a foreign government, as the interest of the United States may require, only for information or evaluation within such government or for emergency repair or overhaul work by or for such government under the conditions (i) above. This legend, together with the indications of this data which are subject to such limitations shall be included on any reproduction hereof which includes any part of the portions subject to such limitations.

PROJ. ENG.	DATE	<b>FLOATING POINT SYSTEMS, INC.</b> PO Box 23489 Portland OR 97223
DRAWN BY <b>C.A.O.</b>	DATE 7-7-79	
CHECK BY	DATE	
MFG. ENG.	DATE	DRAWING TITLE <b>SCHEMATIC, ECB 422-B, PROCESSOR 1</b>
SIZE <b>D</b>	CODE IDENT. NO. <b>56504</b>	DRAWING NO. <b>512-3422-002</b>
SCALE NONE		SHEET <b>7</b> OF <b>12</b>



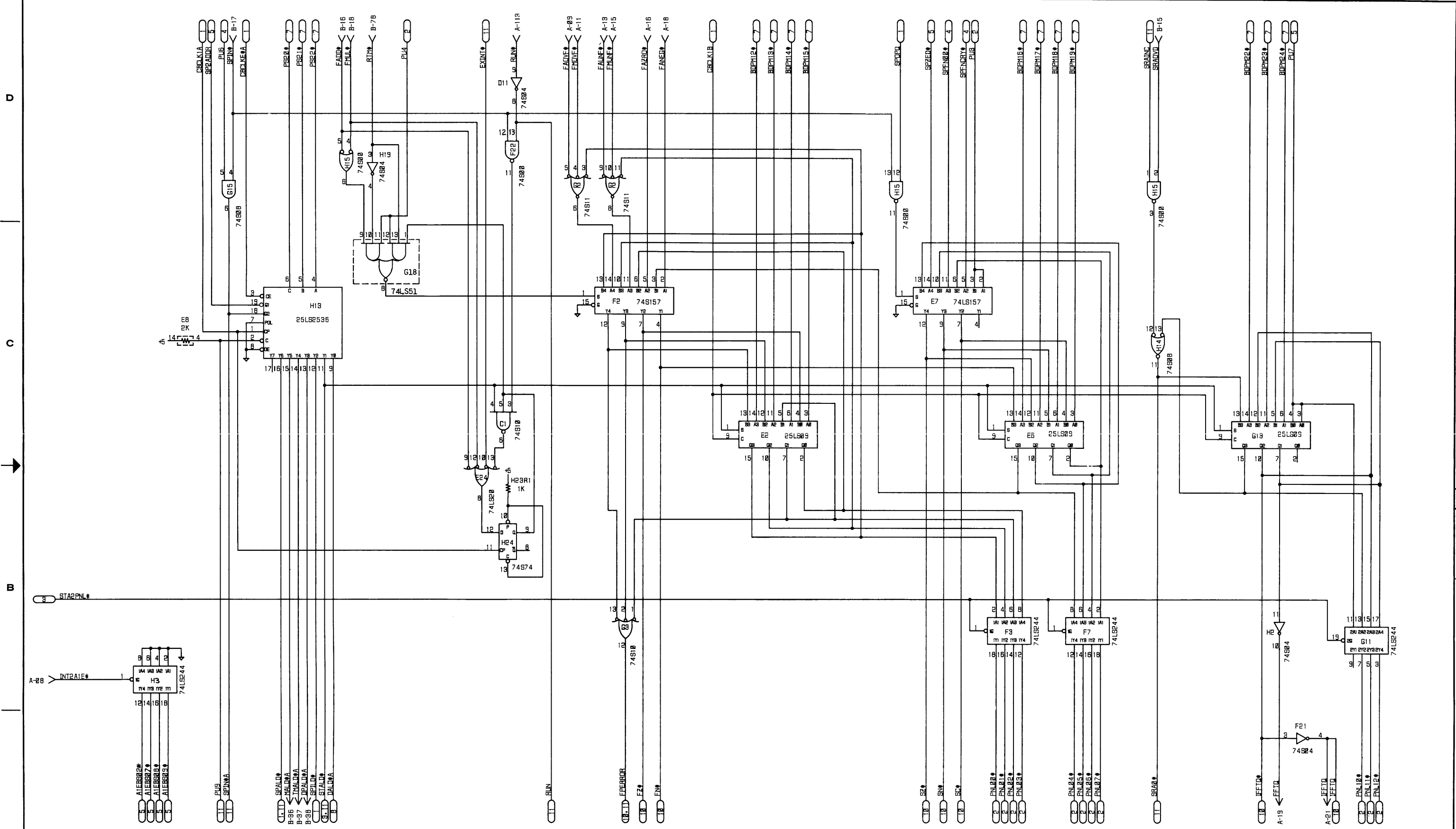
REVISIONS					
REV.	AUTH.	DESCRIPTION	ZONE	APVD / DATE	CHK. / DATE

**PROPRIETARY INFORMATION**  
 This document contains proprietary information and is supplied for identification, maintenance, engineering evaluation or inspection purposes only and shall not be duplicated or disclosed without written permission of  
**FLOATING POINT SYSTEMS, INC.**  
 By accepting this document the recipient agrees to make every effort to prevent unauthorized use of this information.

**LIMITED RIGHTS LEGEND**  
 Contractor: **FLOATING POINT SYSTEMS, INC.** Contract No. \_\_\_\_\_  
 Those portions of this technical data indicated as limited rights data shall not, without the written permission of the above Contractor, be either (a) used, released or disclosed in whole or in part outside the Government, (b) used in whole or in part by the Government for manufacture or, in the case of computer software documentation, for preparing the same or similar computer software, or (c) used by a party other than the Government, except for (i) emergency repair or overhaul work only, by or for the Government, where the item or process concerned is not otherwise reasonably available to enable timely performance of the work, provided that the release or disclosure hereof outside the Government shall be made subject to a prohibition against further use, release or disclosure; or (ii) release to a foreign government, as the interest of the United States may require, only for information or evaluation within such government or for emergency repair or overhaul work by or for such government under the conditions (i) above. This legend, together with the indications of the portions of this data which are subject to such limitations shall be included on any reproduction hereof which includes any part of the portions subject to such limitations.

PROJ. ENG.	DATE
DRAWN BY <b>C.A.O.</b>	DATE 7-7-79
CHECK BY	DATE
MFG. ENG.	DATE

<b>FLOATING POINT SYSTEMS, INC.</b>		PO Box 23489 Portland OR 97223	
DRAWING TITLE <b>SCHEMATIC, ECB 422-B, PROCESSOR 1</b>			
SIZE <b>D</b>	CODE IDENT. NO. <b>56504</b>	DRAWING NO. <b>512-3422-002</b>	REV. <b>C</b>
SCALE NONE	SHEET <b>8</b> OF <b>12</b>		



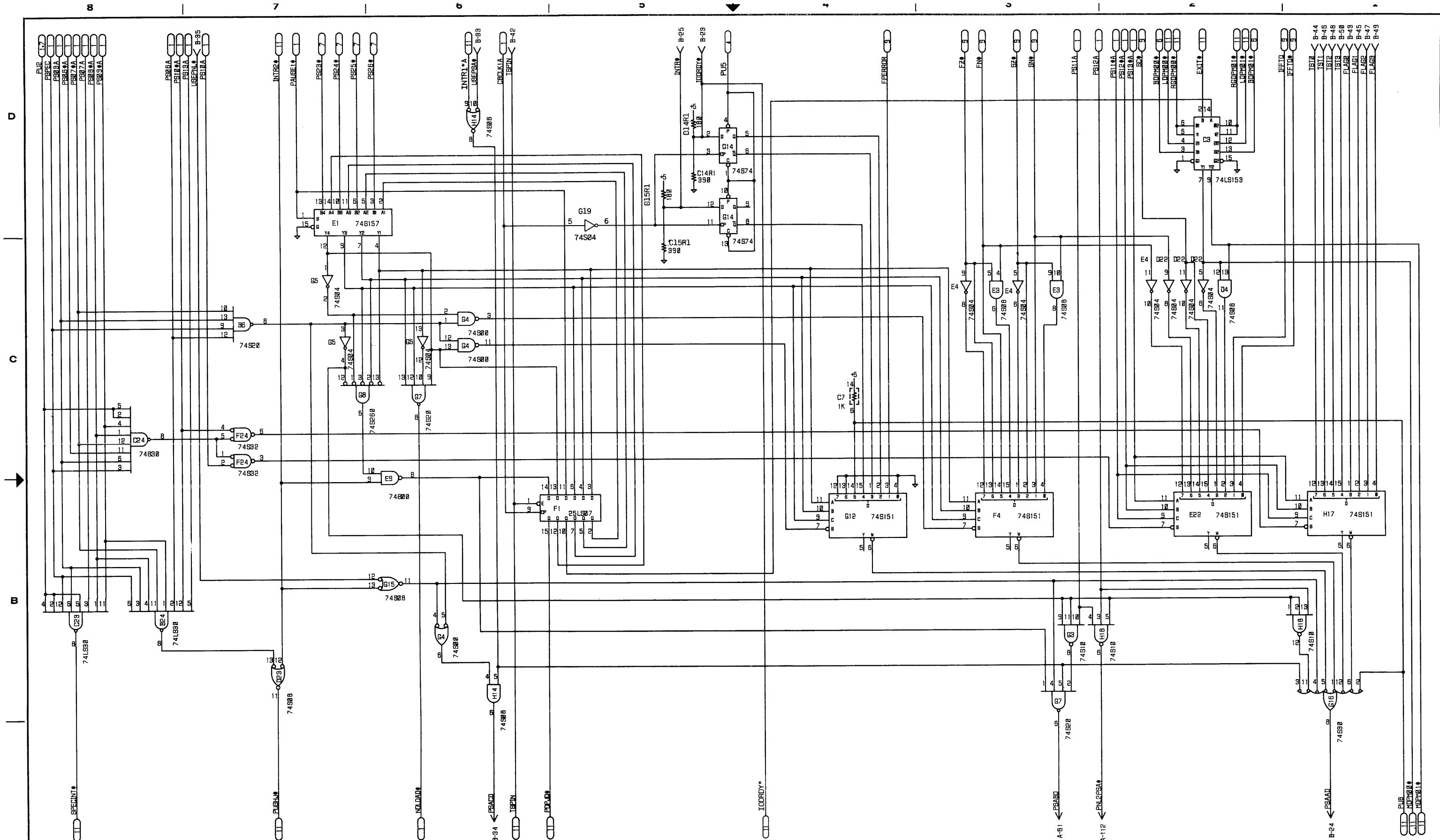
REV.	AUTH.	DESCRIPTION	ZONE	APVD	DATE	CHK.	DATE
REVISIONS							

**PROPRIETARY INFORMATION**  
 This document contains proprietary information and is supplied for identification, maintenance, engineering evaluation or inspection purposes only and shall not be duplicated or disclosed without written permission of  
**FLOATING POINT SYSTEMS, INC.**  
 By accepting this document the recipient agrees to make every effort to prevent unauthorized use of this information.

**LIMITED RIGHTS LEGEND**  
 Contractor: **FLOATING POINT SYSTEMS, INC.** Contract No. \_\_\_\_\_  
 Those portions of this technical data indicated as limited rights data shall not, without the written permission of the above Contractor, be either (a) used, released or disclosed in whole or in part outside the Government, (b) used in whole or in part by the Government for manufacture or, in the case of computer software documentation, for preparing the same or similar computer software, or (c) used by a party other than the Government, except for (i) emergency repair or overhaul work only, by or for the Government, where the item or process concerned is not otherwise reasonably available to enable timely performance of the work, provided that the release or disclosure hereof outside the Government shall be made subject to a prohibition against further use, release or disclosure, or (ii) release to a foreign government, as the interest of the United States may require, only for information or evaluation within such government or for emergency repair or overhaul work by or for such government under the conditions (i) above. This legend, together with the indications of the portions of this data which are subject to such limitations shall be included on any reproduction hereof which includes any part of the portions subject to such limitations.

PROJ. ENG.	DATE
DRAWN BY <b>C.R.D.</b>	DATE 7-7-79
CHECK BY	DATE
MFG. ENG.	DATE

<b>FLOATING POINT SYSTEMS, INC.</b>		PO Box 23488 Portland OR 97223	
DRAWING TITLE			
SCHEMATIC: ECB			
422-B			
PROCESSOR I			
SIZE <b>D</b>	CODE IDENT. NO. <b>56504</b>	DRAWING NO. <b>512-3422-002</b>	REV. <b>C</b>
SCALE NONE	SHEET <b>9</b> OF <b>12</b>		



REVISIONS						
REV.	AUTH.	DESCRIPTION	ZONE	APVD	DATE	CHK. / DATE

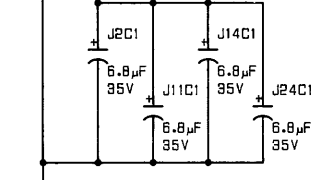
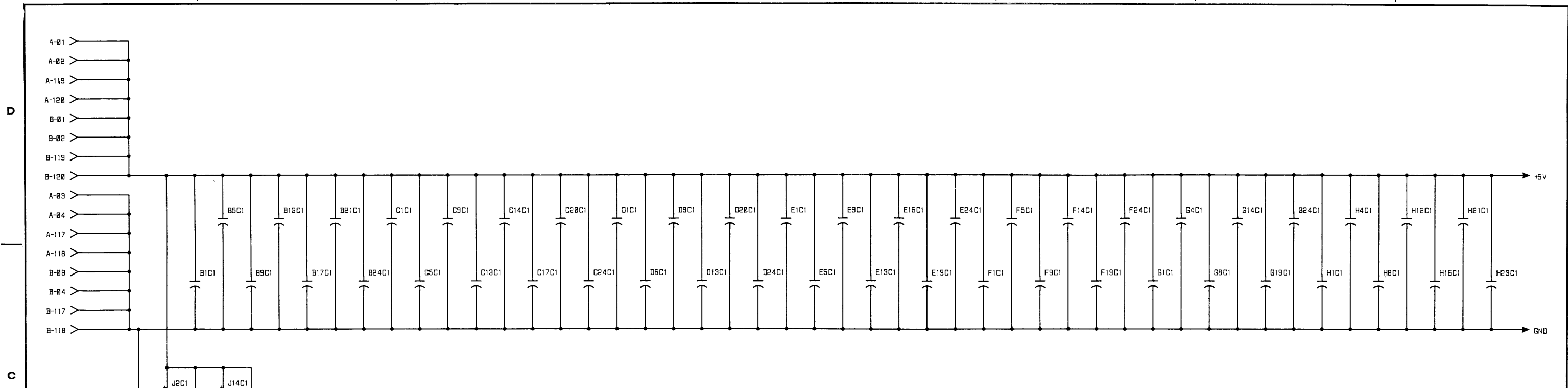
**PROPRIETARY INFORMATION**  
 This document contains proprietary information and is supplied for identification, maintenance, engineering evaluation or inspection purposes only and shall not be duplicated or disclosed without written permission of  
**FLOATING POINT SYSTEMS, INC.**  
 By accepting this document the recipient agrees to make every effort to prevent unauthorized use of this information.

**LIMITED RIGHTS LEGEND**  
 Contractor: **FLOATING POINT SYSTEMS, INC.** Contract No. \_\_\_\_\_  
 These portions of this technical data indicated as limited rights data shall not, without the written permission of the above Contractor, be either (a) used, released or disclosed in whole or in part outside the Government, (b) used in whole or in part by the Government for manufacture or, in the case of computer software documentation, for preparing the same or similar computer software, or (c) used by a party other than the Government, except for (i) emergency repair or overhaul work only, by or for the Government, where the item or process concerned is not otherwise reasonably available to enable timely performance of the work, provided that the release or disclosure hereof outside the Government shall be made subject to a prohibition against further use, release or disclosure; or (ii) release to a foreign government, as the interest of the United States may require, only for information or evaluation within such government or for emergency repair or overhaul work by or for such government under the conditions (i) above. This legend, together with the indicators of the portions of this data which are subject to such limitations shall be included on any reproduction hereof which includes any part of the portions subject to such limitations.

PROJ. ENG.	DATE	<b>FLOATING POINT SYSTEMS, INC.</b> P.O. Box 23488 Portland, OR 97223
DRAWN BY <b>C.R.O.</b>	DATE 7-7-79	
CHECK BY	DATE	
MFG. ENG.	DATE	DRAWING TITLE <b>SCHEMATIC: ECB 422-B, PROCESSOR 1</b>
SIZE <b>D</b>	CODE IDENT. NO. <b>56504</b>	DRAWING NO. <b>512-3422-002</b>
SCALE NONE		SHEET <b>10</b> OF <b>12</b>







SPARE LOGIC				

**NOTES**

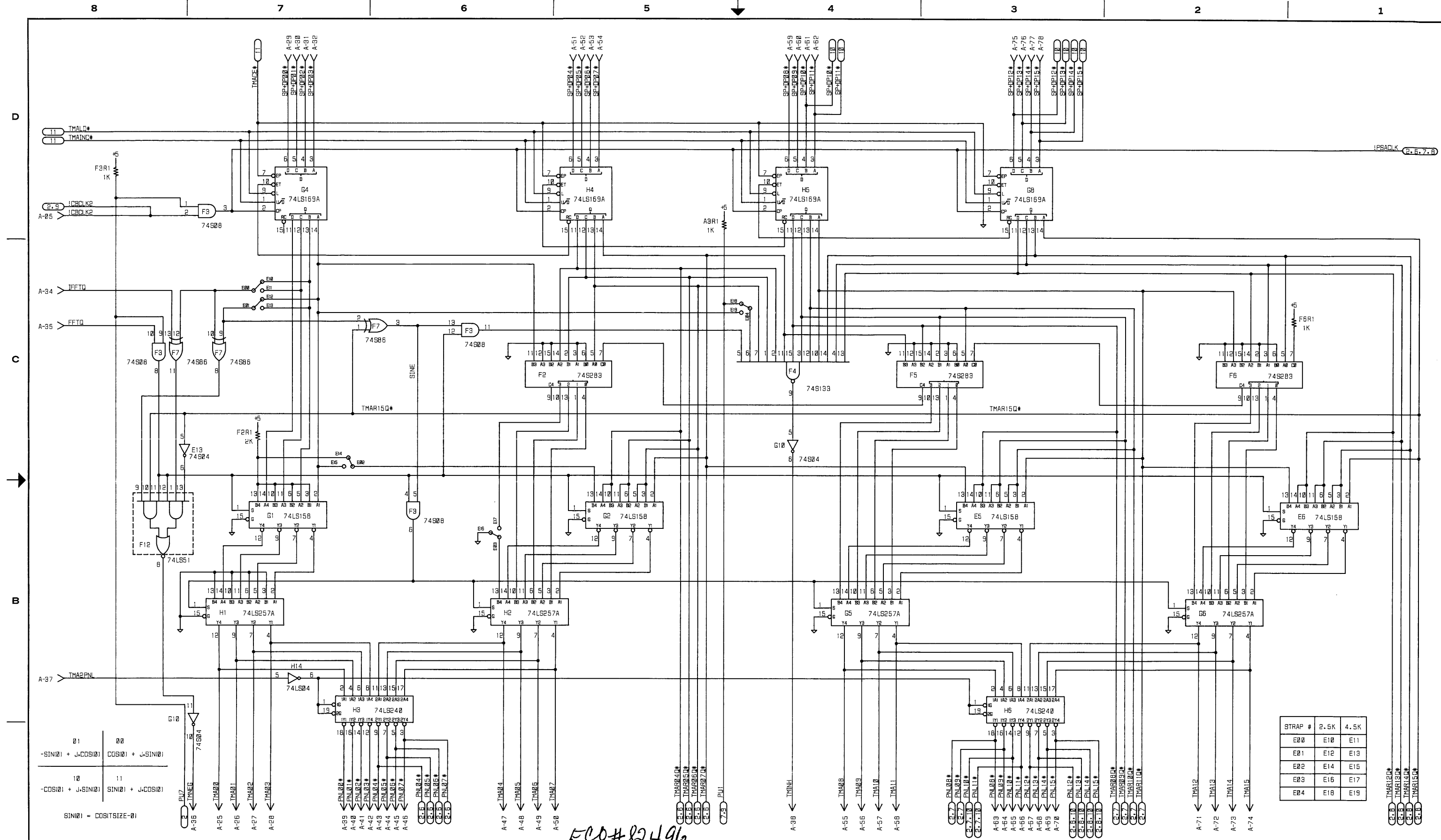
UNLESS OTHERWISE SPECIFIED ALL CAPACITORS ARE 0.1µF, 50 VOLTS.

REVISIONS					
REV.	AUTH.	DESCRIPTION	ZONE	APVD / DATE	CHK. / DATE
(This table is currently empty)					

**PROPRIETARY INFORMATION**  
 This document contains proprietary information and is supplied for identification, maintenance, engineering evaluation or inspection purposes only and shall not be duplicated or disclosed without written permission of  
**FLOATING POINT SYSTEMS, INC.**  
 By accepting this document the recipient agrees to make every effort to prevent unauthorized use of this information.

**LIMITED RIGHTS LEGEND**  
 Contractor: **FLOATING POINT SYSTEMS, INC.** Contract No. \_\_\_\_\_  
 Those portions of this technical data indicated as limited rights data shall not, without the written permission of the above Contractor, be either (a) used, released or disclosed in whole or in part outside the Government, (b) used in whole or in part by the Government for manufacture or, in the case of computer software documentation, for preparing the same or similar computer software, or (c) used by a party other than the Government, except for (i) emergency repair or overhaul work only, by or for the Government, where the item or process concerned is not otherwise reasonably available to enable timely performance of the work, provided that the release or disclosure hereof outside the Government shall be made subject to a prohibition against further use, release or disclosure, or (ii) release to a foreign government, as the interest of the United States may require, only for information or evaluation within such government or for emergency repair or overhaul work by or for such government under the conditions (i) above. This legend, together with the indications of the portions of this data which are subject to such limitations shall be included on any reproduction hereof which includes any part of the portions subject to such limitations.

PROJ. ENG.	DATE	<b>FPS</b> FLOATING POINT SYSTEMS, INC. <small>P.O. Box 23489 Portland OR 97223</small> DRAWING TITLE SCHEMATIC: ECB 422-B, PROCESSOR 1 SIZE CODE IDENT. NO. DRAWING NO. REV. <b>D</b> 56504 512-3422-002 C SCALE NONE SHEET 12 OF 12
DRAWN BY <b>C.R.D.</b>	DATE 7-7-79	
CHECK BY	DATE	
MFG. ENG.	DATE	



01	00
-SIN(θ) + J.COS(θ)	COS(θ) + J.SIN(θ)
10	11
-COS(θ) + J.SIN(θ)	SIN(θ) + J.COS(θ)

SIN(θ) = COS(SIZE-θ)

STRAP #	2.5K	4.5K
E00	E10	E11
E01	E12	E13
E02	E14	E15
E03	E16	E17
E04	E18	E19

ECO# 82496

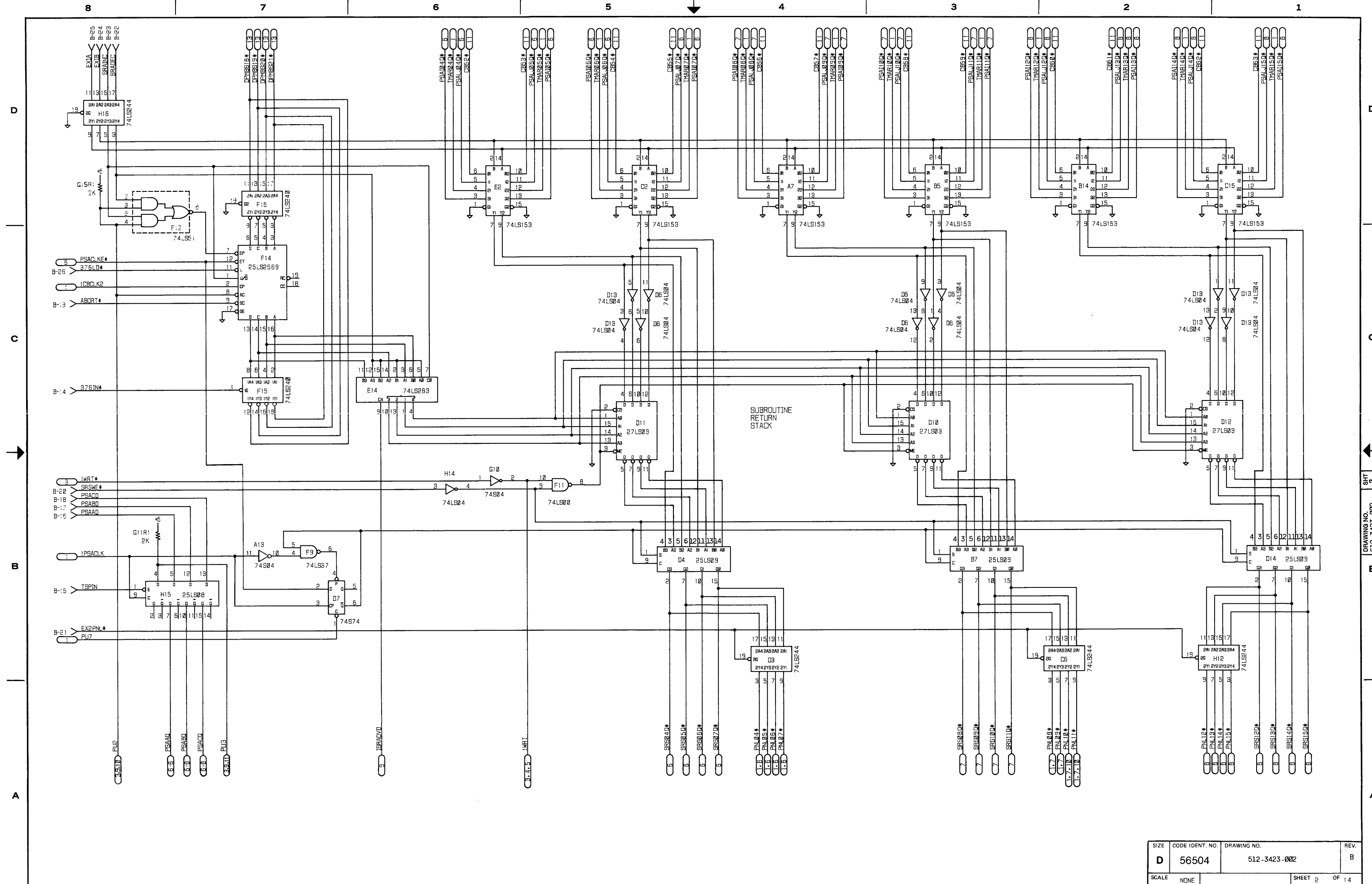
REV.	AUTH.	DESCRIPTION	ZONE	APVD / DATE	CHK. / DATE
01	EN #43	INITIAL LEVEL 1 RELEASE			
A	ECO 80098	LEVEL 3 RELEASE			
B	ECO 80257	CORRECT 25LS09 MODEL			

**PROPRIETARY INFORMATION**  
This document contains proprietary information and is supplied for identification, maintenance, engineering, evaluation, or inspection purposes only and shall not be duplicated or disclosed without written permission of  
**FLOATING POINT SYSTEMS, INC.**  
By accepting this document the recipient agrees to make every effort to prevent unauthorized use of this information.

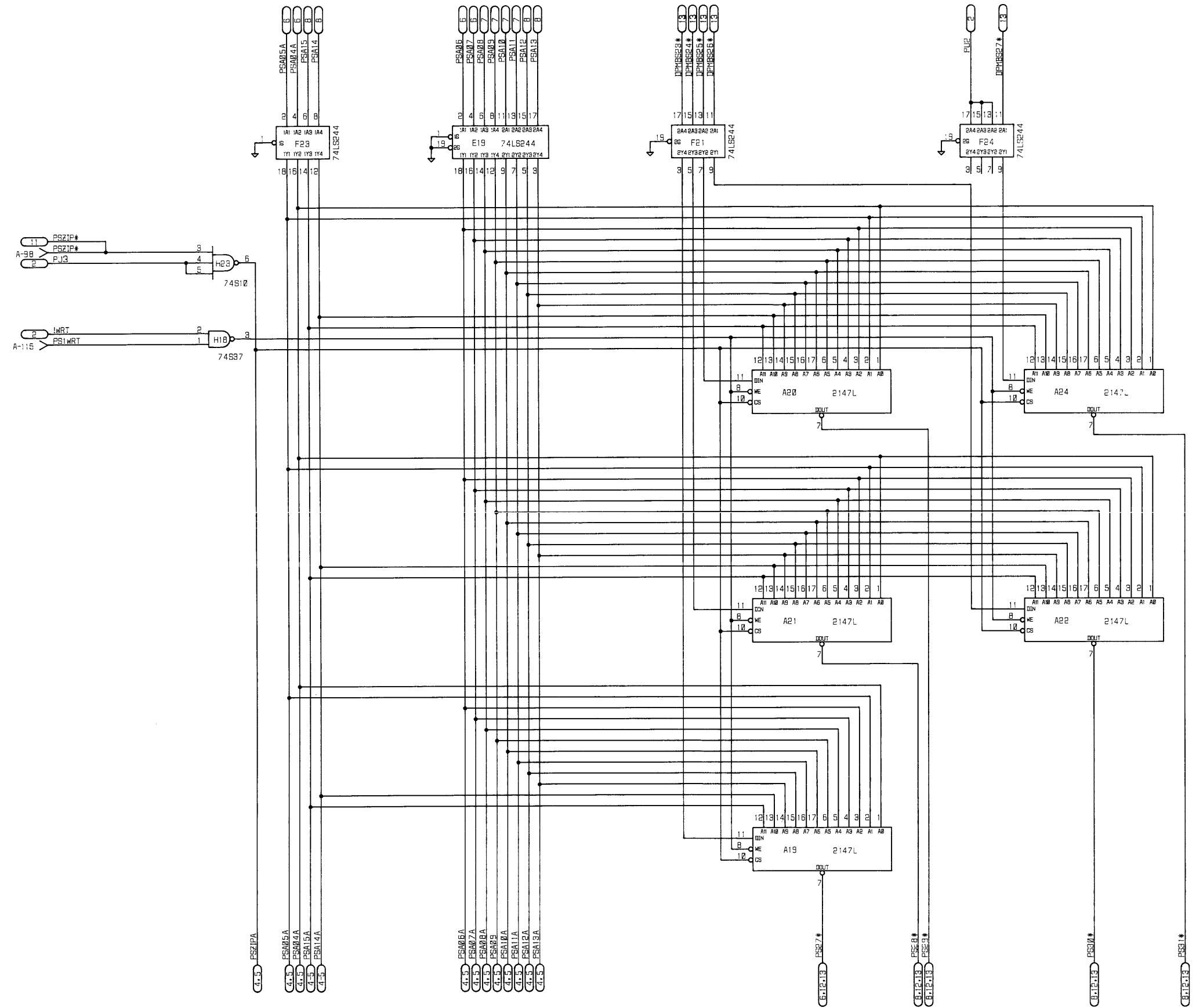
**LIMITED RIGHTS LEGEND**  
Contractor: **FLOATING POINT SYSTEMS, INC.** Contract No. \_\_\_\_\_  
Those portions of this technical data indicated as limited rights data shall not, without the written permission of the above Contractor be either (a) used, released or disclosed in whole or in part outside the Government, (b) used in whole or in part by the Government for manufacture or, in the case of computer software documentation, for preparing the same or similar computer software, or (c) used by a party other than the Government, except for (1) emergency repair or overhaul work only, by or for the Government, where the item or process concerned is not otherwise reasonably available to enable timely performance of the work, provided that the release or disclosure hereof outside the Government shall be made subject to a prohibition against further use, release or disclosure, or (2) release to a foreign government, as the interest of the United States may require, only for information or evaluation within such government or for emergency repair or overhaul work by or for such government under the conditions (1) above. This legend, together with the indicators of the portions of this data which are subject to such limitations shall be included on any reproduction hereof which includes any part of the portions subject to such limitations.

PROJ. ENG. *Gene Cook* DATE 11-12-78  
DRAWN BY *C.A.O.* DATE 7/3/79  
CHECK BY *W. H. Caldwell* DATE 7-30-79  
MEG. ENG. DATE 3/6/80

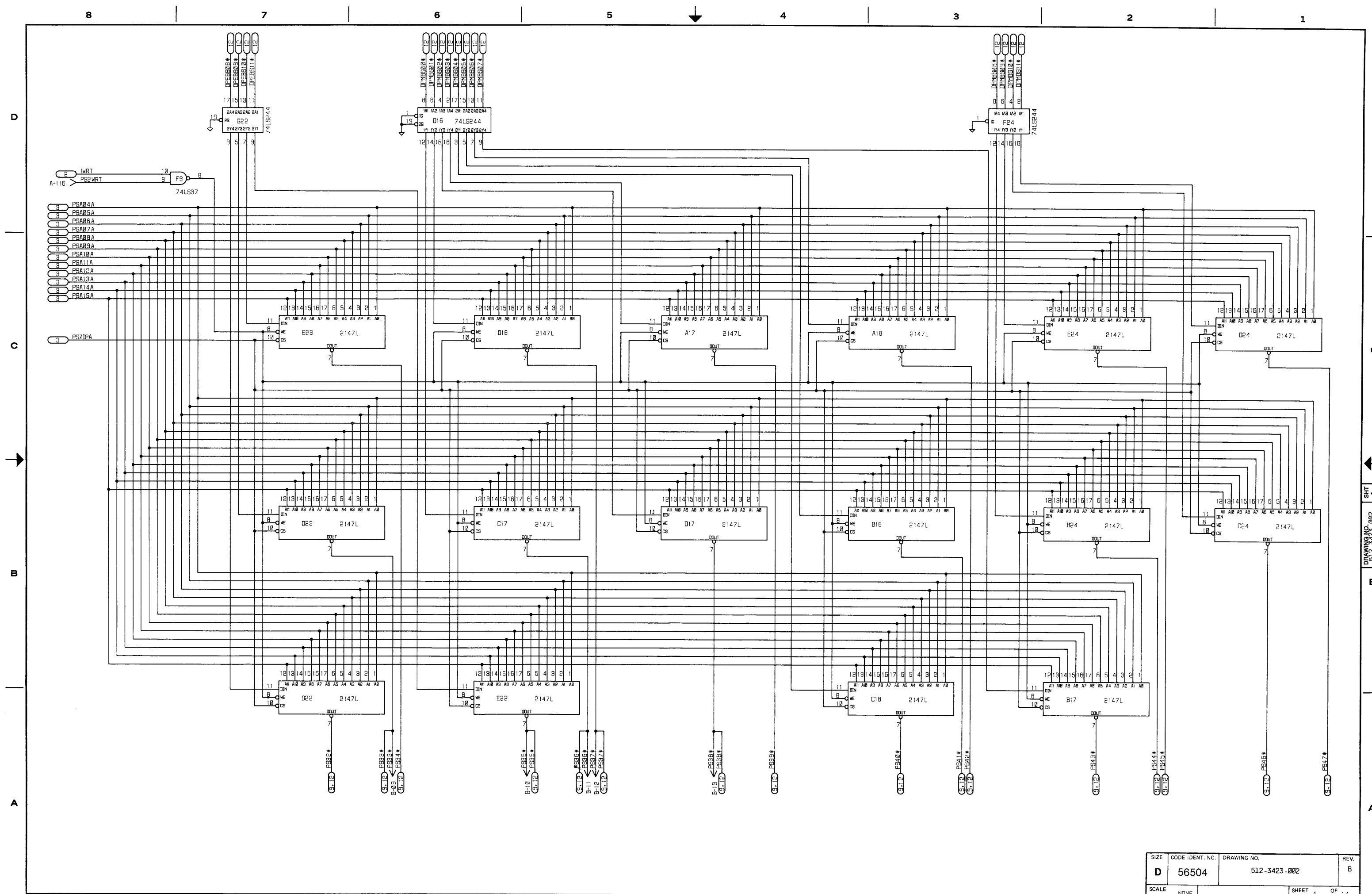
**FLOATING POINT SYSTEMS, INC.** P.O. Box 23489 Portland OR 97223  
DRAWING TITLE: SCHEMATIC, ECB 423-A, PROCESSOR 2 (4K)  
SIZE: D CODE IDENT. NO.: 56504 DRAWING NO.: 512-3423-002 REV. B  
SCALE: NONE SHEET 1 OF 14



SIZE	CODE IDENT. NO.	DRAWING NO.	REV.
D	56504	512-3423-002	B
SCALE	NONE	SHEET 2	OF 14

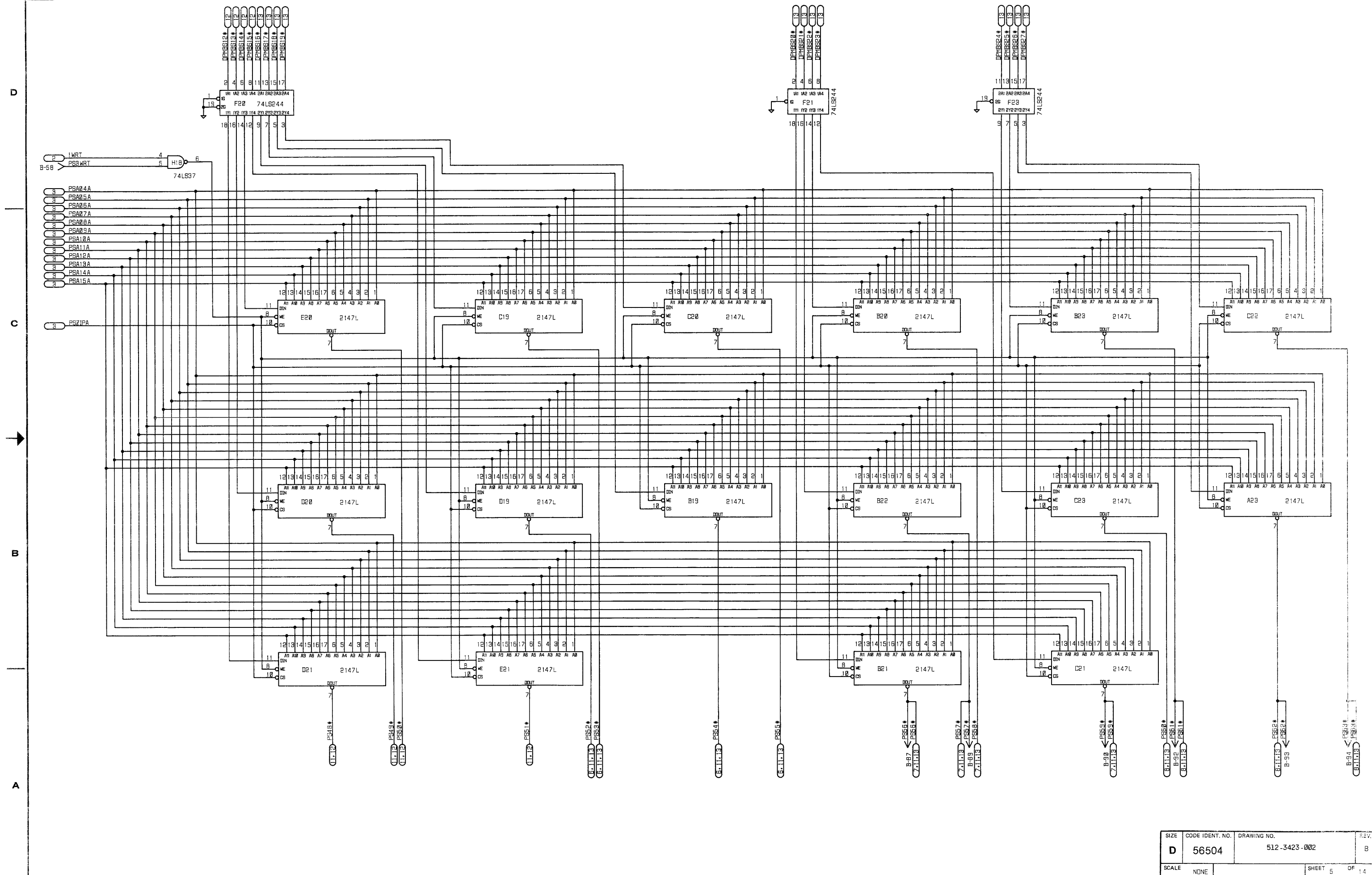


SIZE	CODE IDENT. NO.	DRAWING NO.	REV.
D	56504	512-3423-002	B
SCALE	NONE		SHEET 3 OF 14



SIZE	CODE IDENT. NO.	DRAWING NO.	REV.
D	56504	512-3423-002	B
SCALE	NONE	SHEET 4	OF 14

DRAWING NO. 512-3423-002 SHT 4



D  
C  
B  
A

D  
C  
B  
A

SIZE	CODE IDENT. NO.	DRAWING NO.	REV.
D	56504	512-3423-002	B
SCALE	NONE	SHEET 5	OF 14

D

C

B

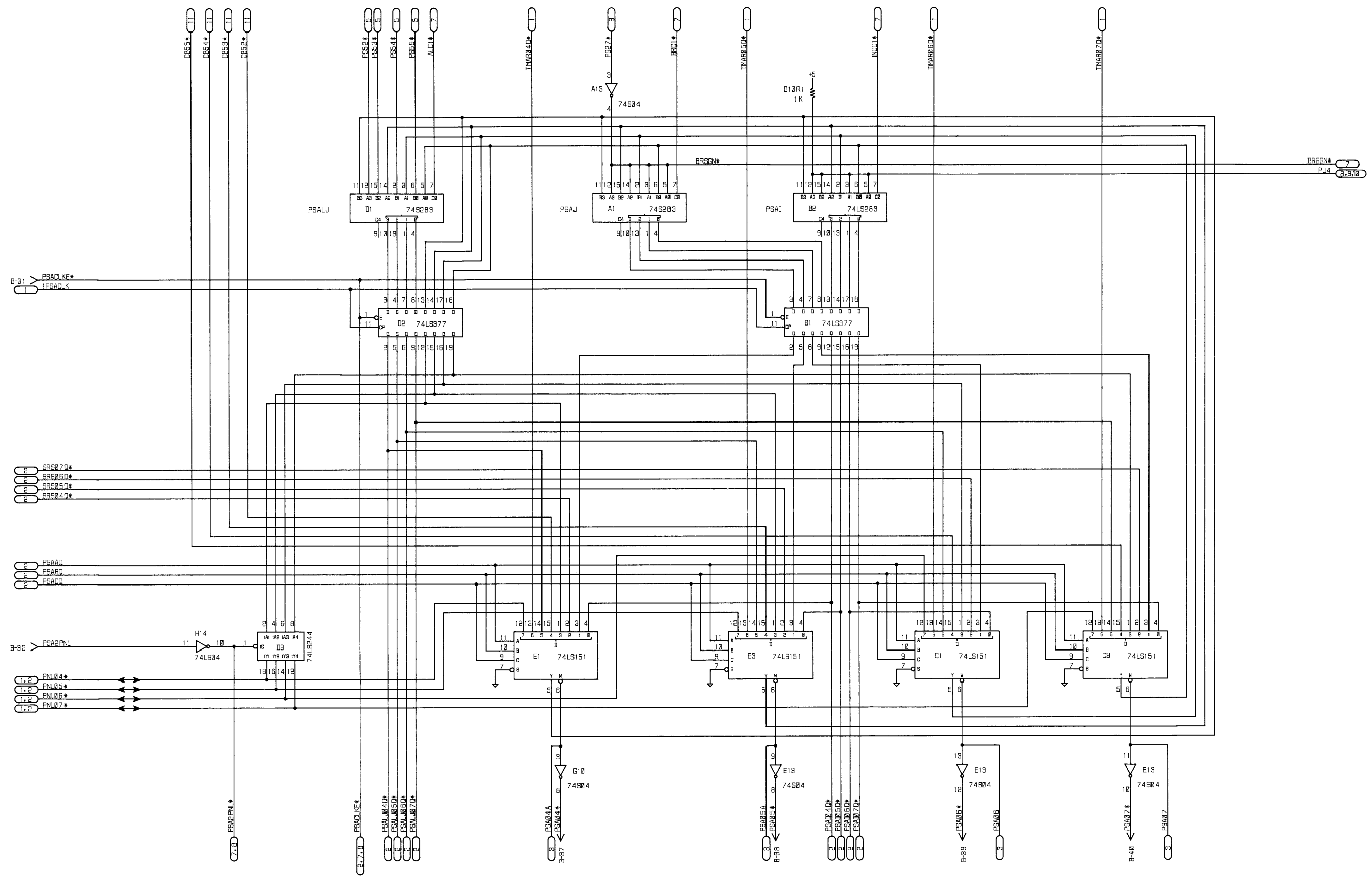
A

D

C

B

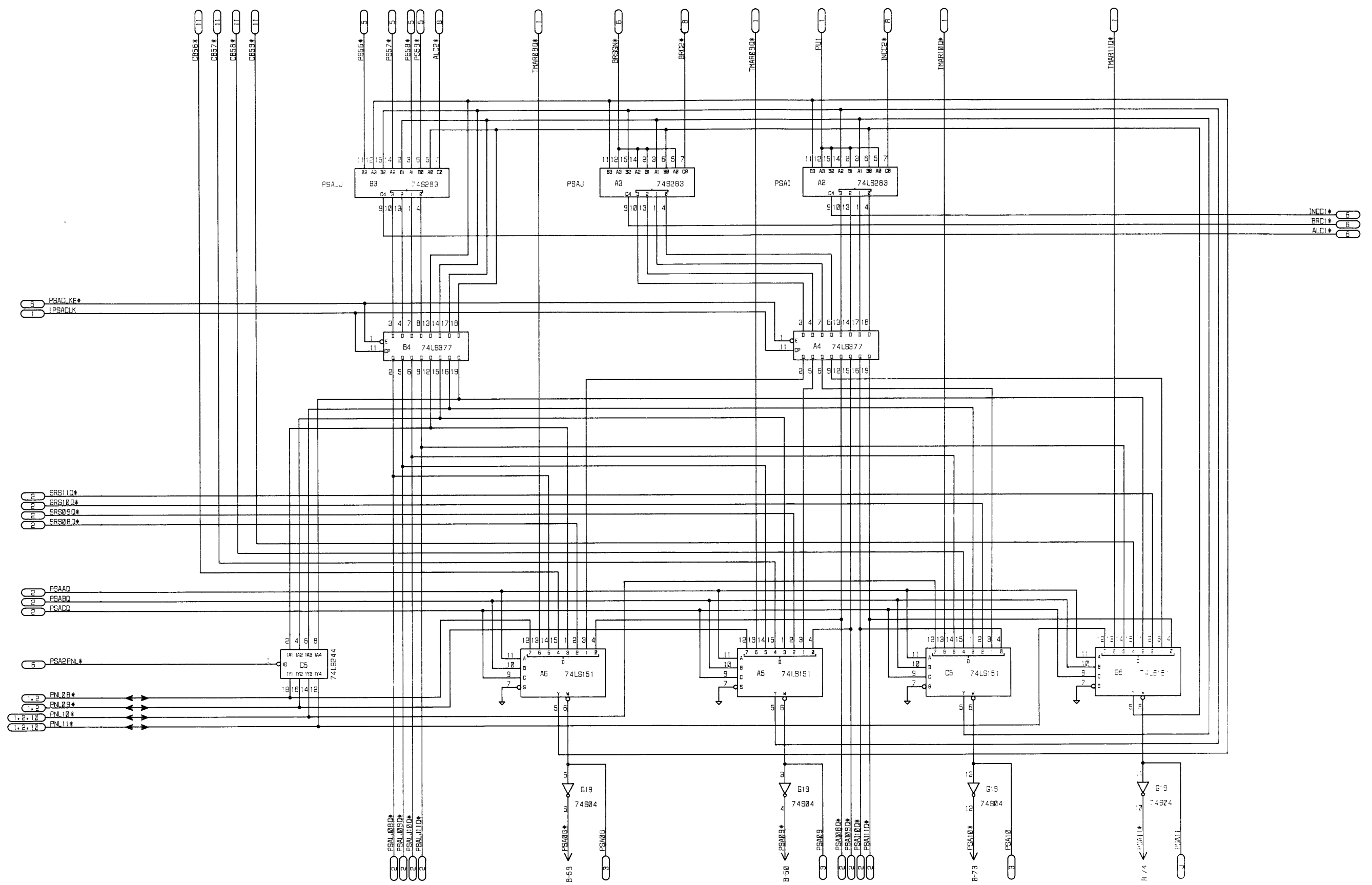
A



SIZE	CODE IDENT. NO.	DRAWING NO.	REV.
D	56504	512-3423-002	B
SCALE	NONE	SHEET 6	OF 14



D  
C  
B  
A

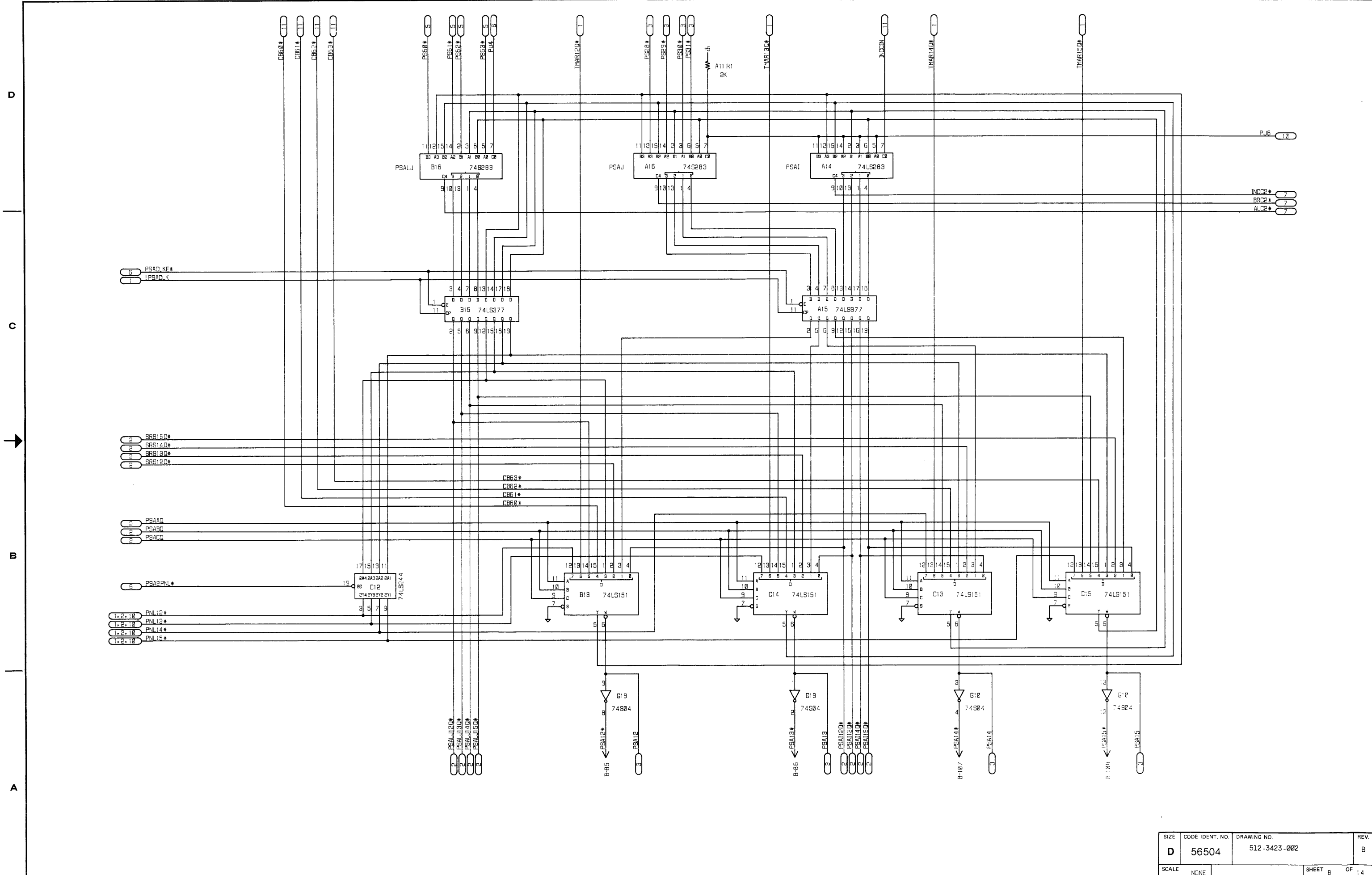


SIZE	CODE IDENT. NO.	DRAWING NO.	REV.
D	56504	512-3423-002	B
SCALE	NONE	SHEET 7	OF 14

DRAWING NO. 512-3423-002

SHT 7

OF 14

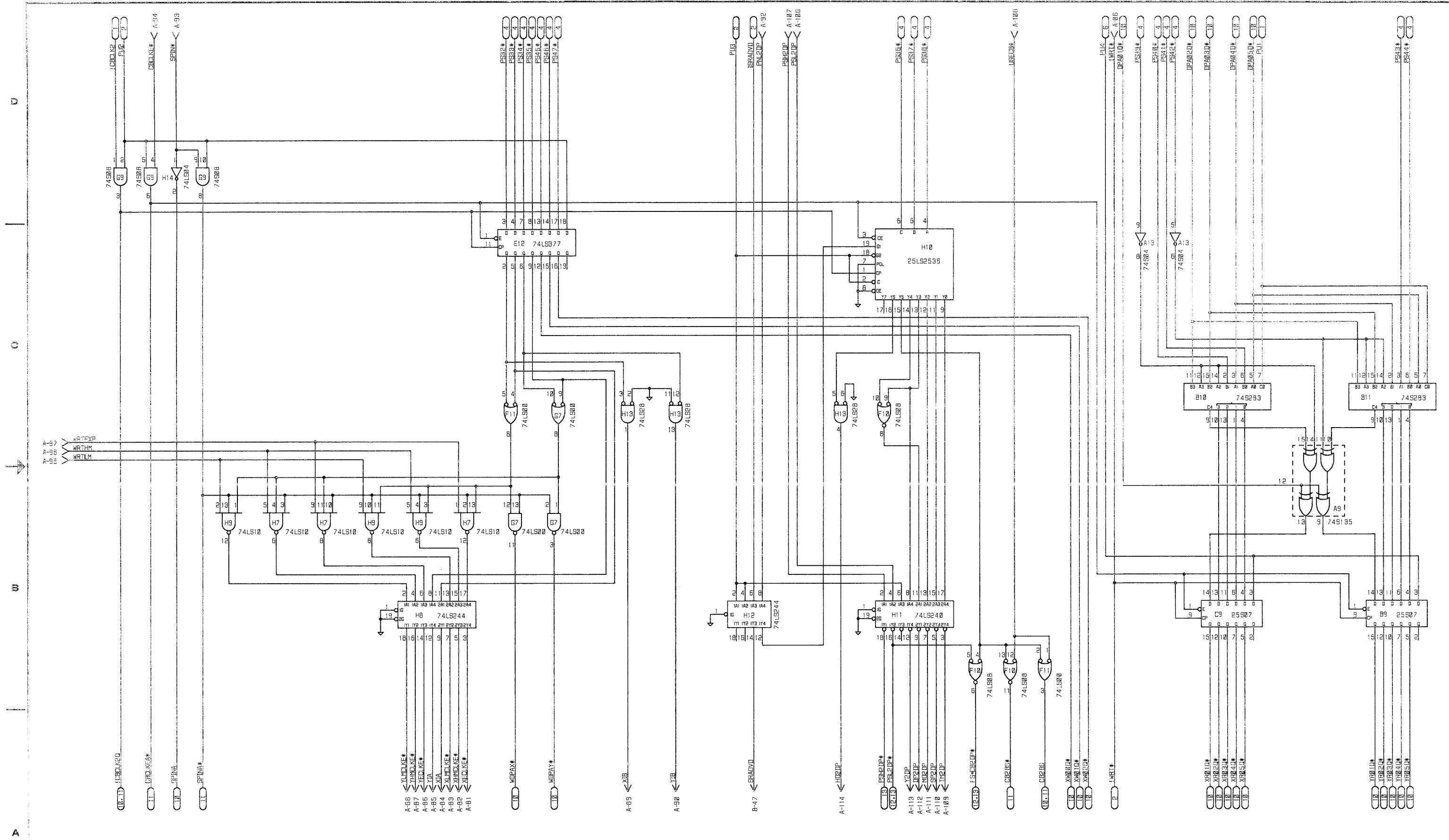


D  
C  
B  
A

D  
C  
B  
A

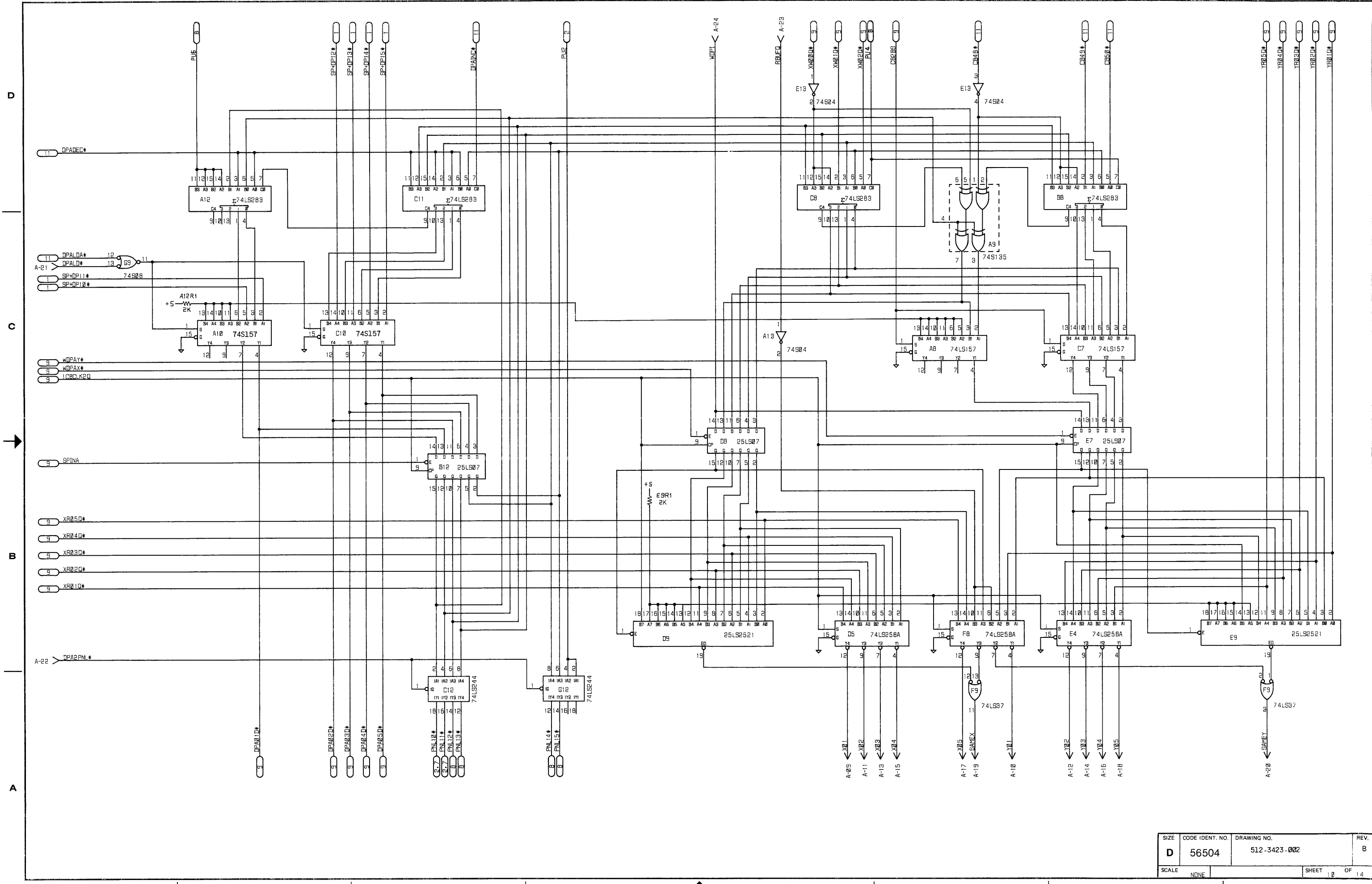
SIZE	CODE IDENT. NO.	DRAWING NO.	REV.
D	56504	512-3423-002	B
SCALE	NONE	SHEET B	OF 14

DRAWING NO. 512-3423-002

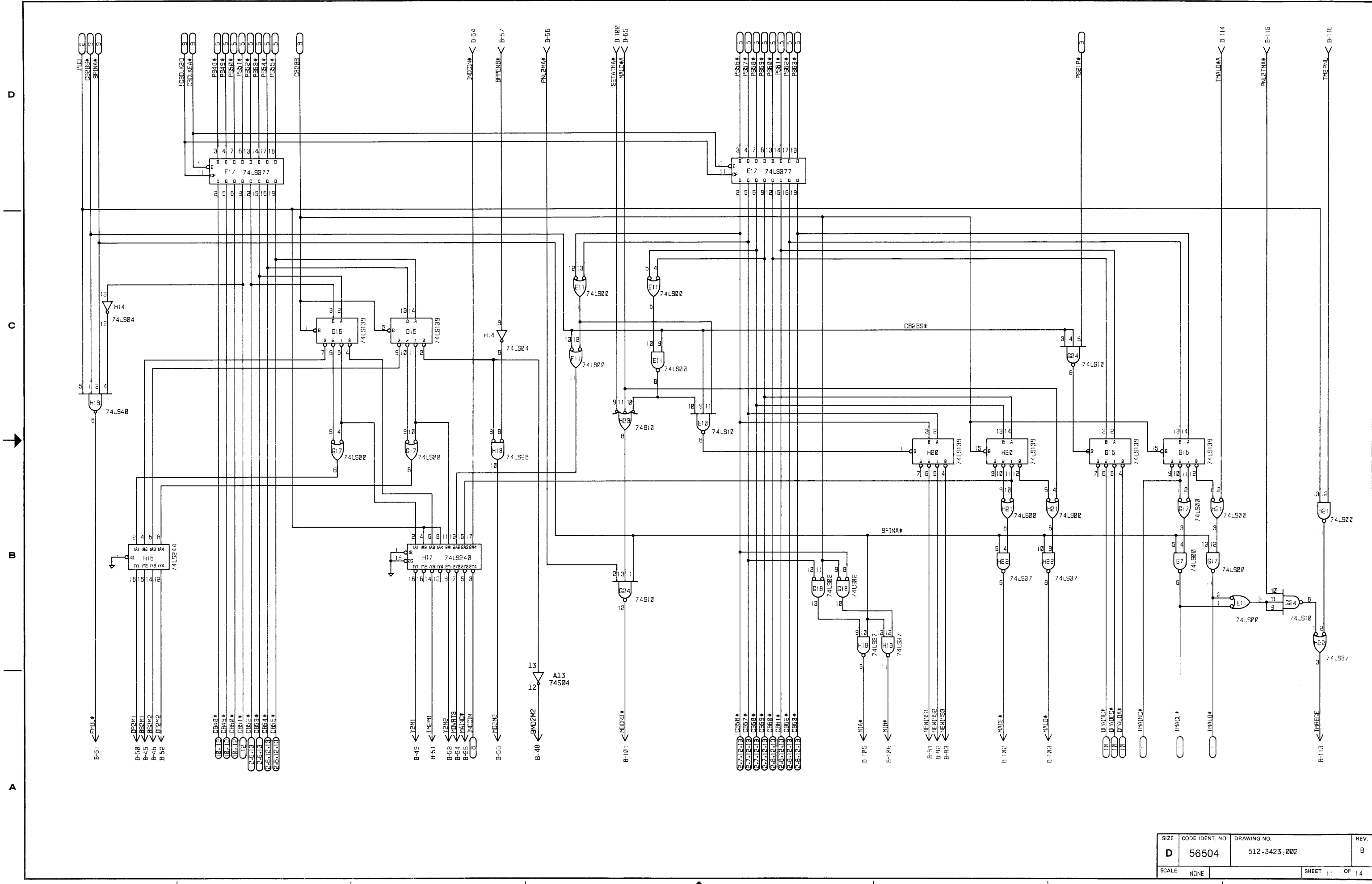


DATA PAD CONTROL

SIZE	CODE IDENT NO.	DRAWING NO.	REV.
D	56504	512-3423-002	B
SCALE	NONE	SHEET 9	OF 14



SIZE	CODE IDENT. NO.	DRAWING NO.	REV.
D	56504	512-3423-002	B
SCALE	NONE	SHEET	OF
		12	14



SIZE	CODE IDENT. NO.	DRAWING NO.	REV.
D	56504	512-3423-002	B
SCALE	NONE	SHEET 11 OF 14	



D

C

B

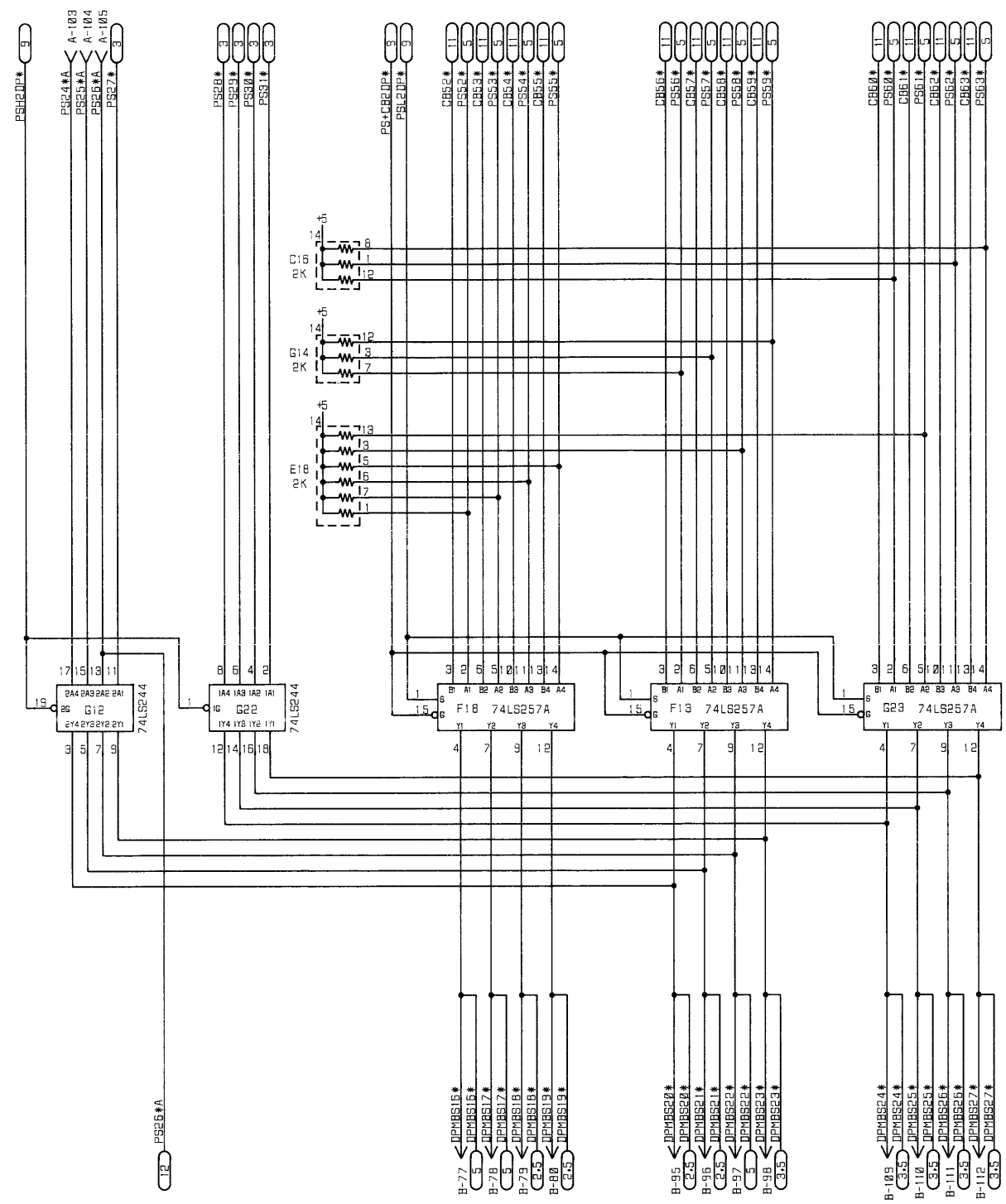
A

D

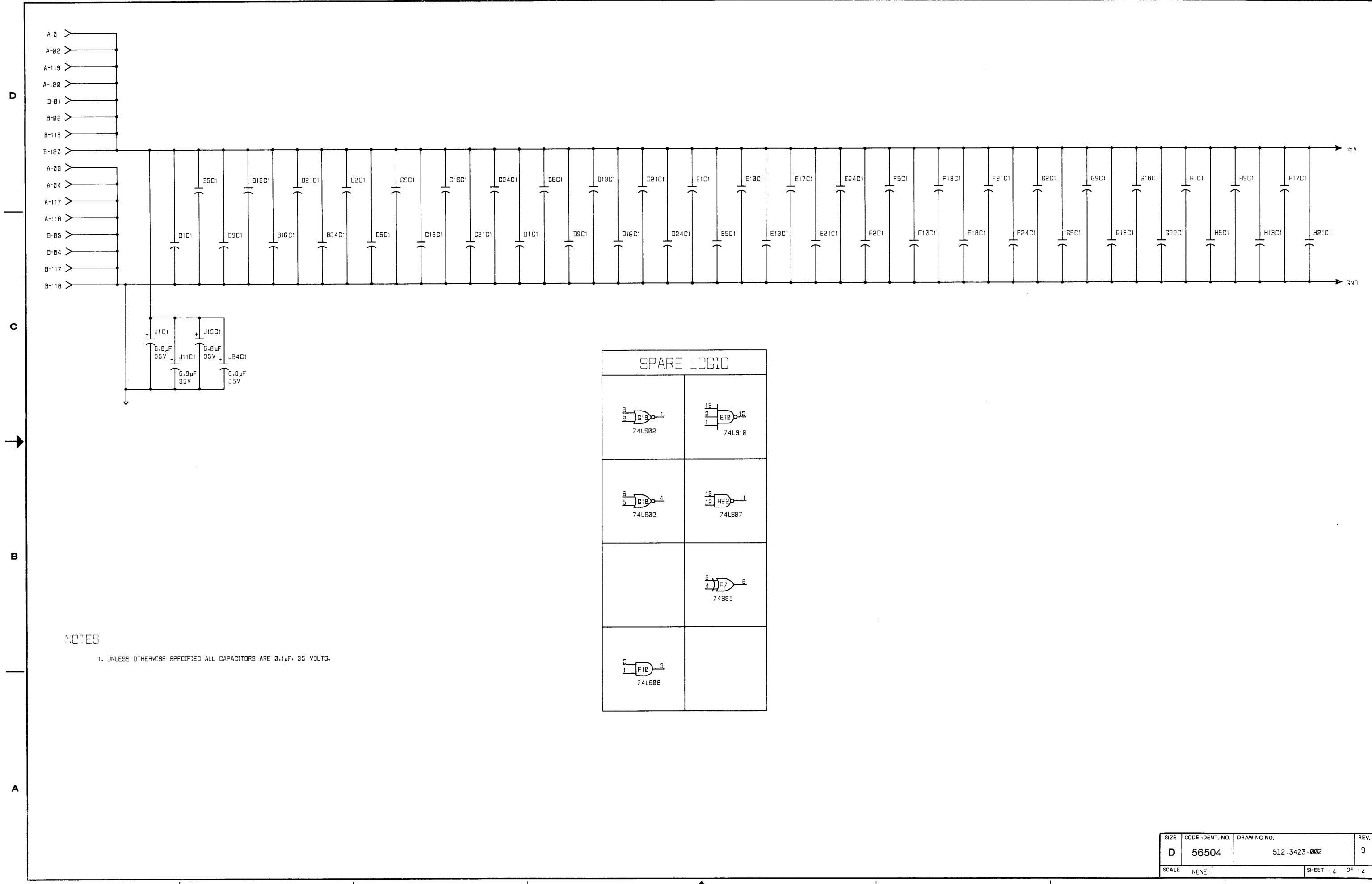
C

B

A

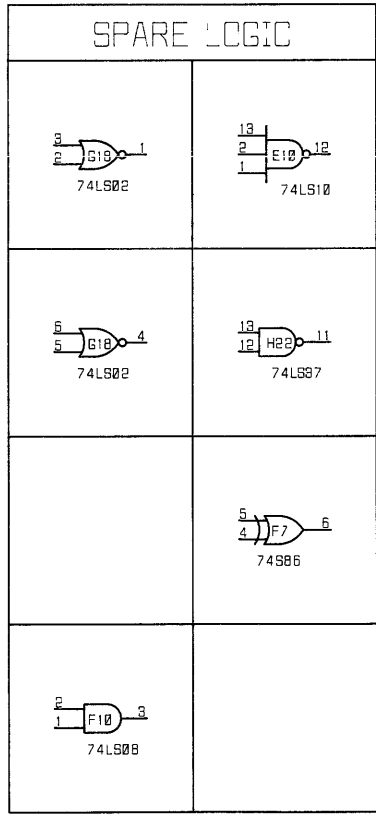


SIZE	CODE IDENT. NO.	DRAWING NO.	REV.
D	56504	512-3423-002	B
SCALE	NONE	SHEET 13	OF 14



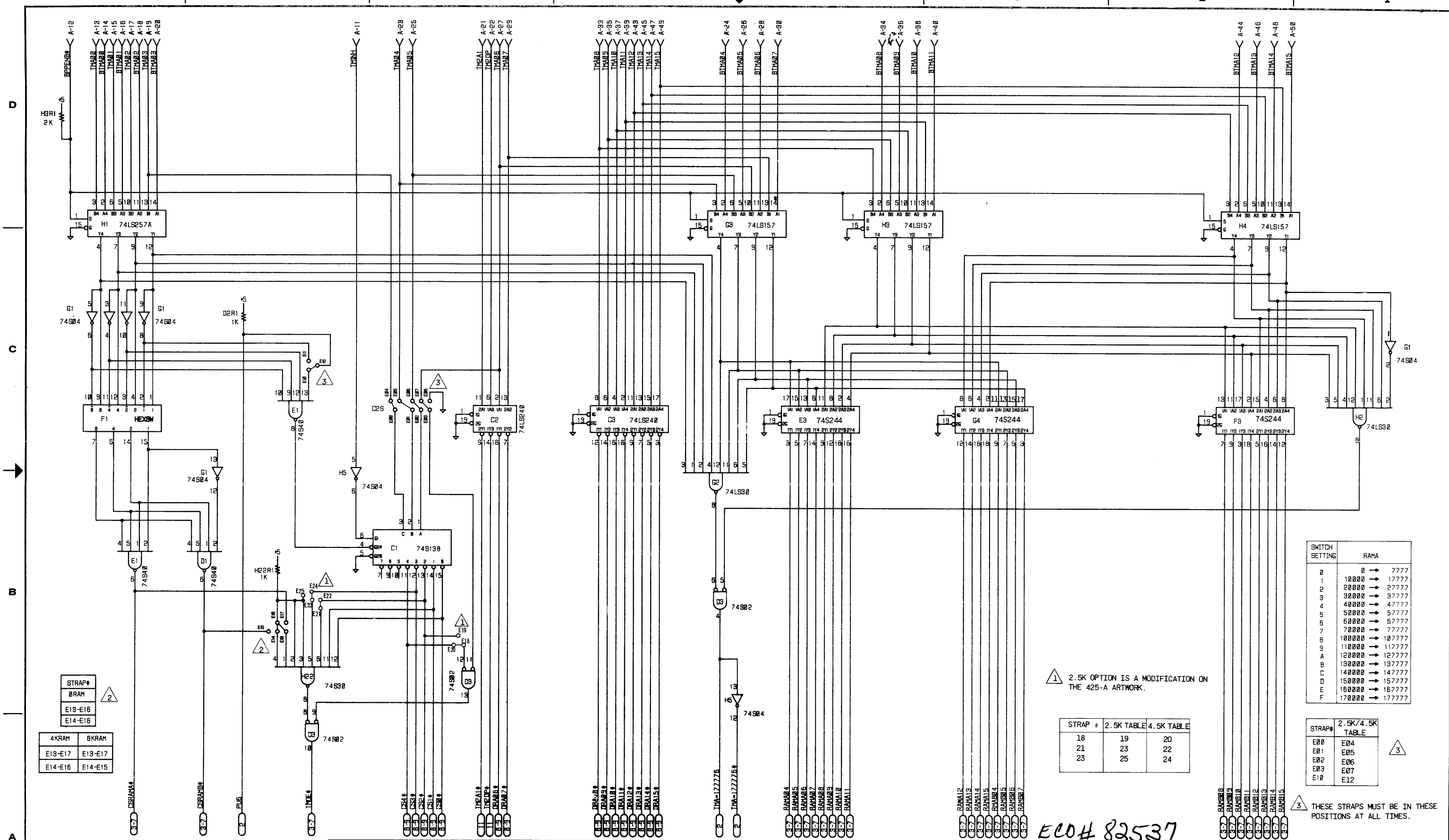
NOTES

1. UNLESS OTHERWISE SPECIFIED ALL CAPACITORS ARE 0.1μF, 35 VOLTS.



SIZE	CODE IDENT. NO.	DRAWING NO.	REV.
D	56504	512-3423-002	B
SCALE	NONE	SHEET 14	OF 14





STRAP#	RAM
E13-E16	
E14-E16	

4KRAM	8KRAM
E13-E17	E13-E17
E14-E16	E14-E15

△ TMRAM ADDRESSING STRAPPING

△ 2.5K OPTION IS A MODIFICATION ON THE 425-A ARTWORK.

STRAP #	2.5K TABLE	4.5K TABLE
18	19	20
21	23	22
23	25	24

SWITCH SETTING	RAMA
0	7777
1	10000
2	20000
3	30000
4	40000
5	50000
6	60000
7	70000
8	80000
9	90000
A	100000
B	110000
C	120000
D	130000
E	140000
F	150000
	160000
	170000

STRAP#	2.5K/4.5K TABLE
E00	E04
E01	E05
E02	E06
E03	E07
E18	E12

△ THESE STRAPS MUST BE IN THESE POSITIONS AT ALL TIMES.

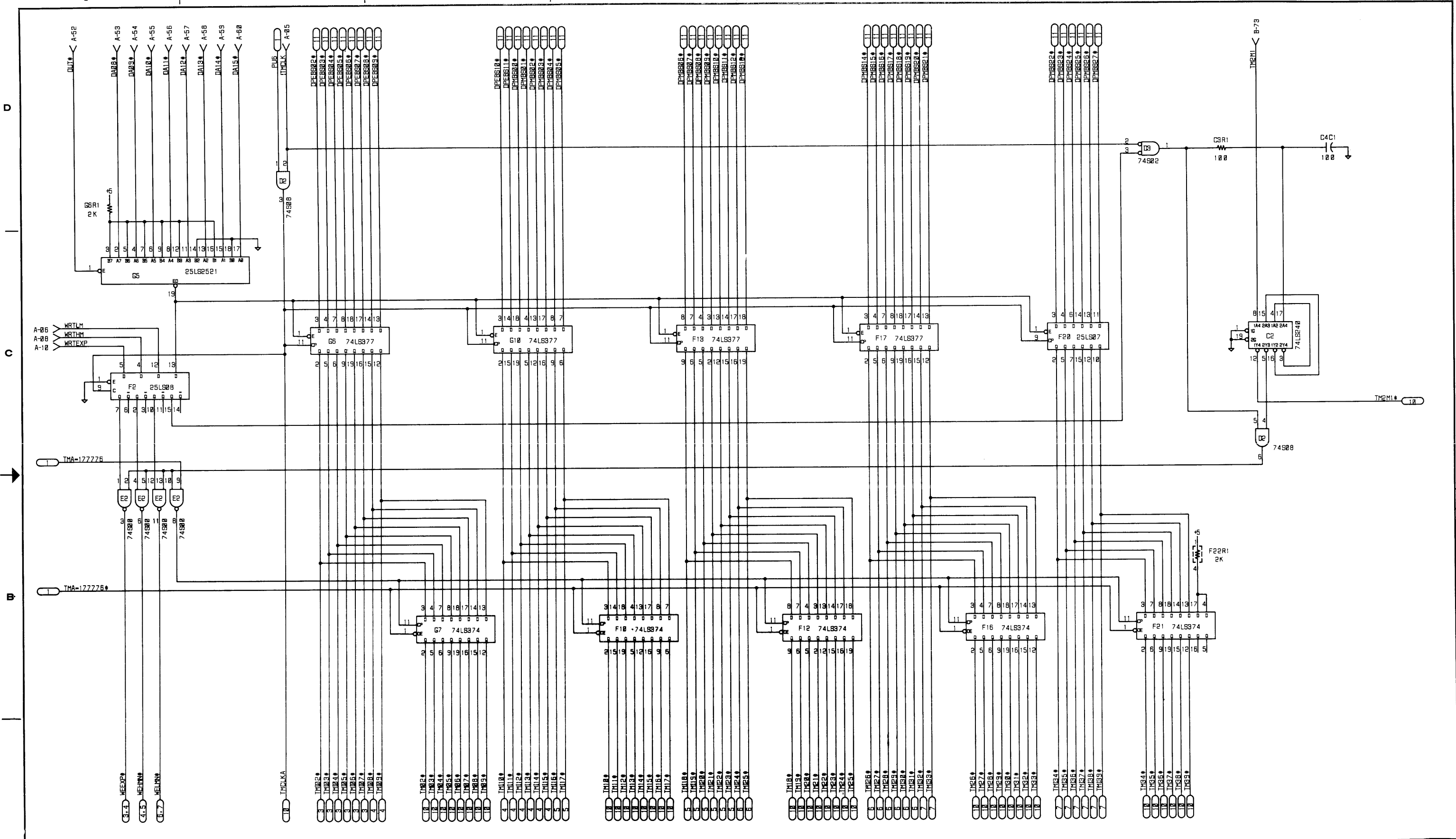
ECO# 82537

REV.	AUTH.	DESCRIPTION	ZONE	APVD / DATE	CHK. / DATE
A	ECO 80282	LEVEL 3 RELEASE		09-9-80	[Signature]

**PROPRIETARY INFORMATION**  
This document contains proprietary information and is supplied for identification, maintenance, engineering evaluation or inspection purposes only and shall not be duplicated or disclosed without written permission of  
**FLOATING POINT SYSTEMS, INC.**  
By accepting this document the recipient agrees to make every effort to prevent unauthorized use of this information.

**LIMITED RIGHTS LEGEND**  
Contractor: **FLOATING POINT SYSTEMS, INC.** Contract No. \_\_\_\_\_  
These portions of this technical data indicated as limited rights data shall not, without the written permission of the above Contractor, be either (a) used, released or disclosed in whole or in part outside the Government, (b) used in whole or in part by the Government for manufacture or, in the case of computer software documentation, for preparing the same or similar computer software, or (c) used by a party other than the Government, except for (i) emergency repair or overhaul work only, by or for the Government, where the item or process concerned is not otherwise reasonably available to enable timely performance of the work, provided that the release or disclosure hereof outside the Government shall be made subject to a prohibition against further use, release or disclosure; or (ii) release to a foreign government, as the interest of the United States may require, only for information or evaluation within such government or for emergency repair or overhaul work by or for such government under the conditions (i) above. This legend, together with the indications of the portions of this data which are subject to such limitations shall be included on any reproduction hereof which includes any part of the portions subject to such limitations.

PROJ. ENG. [Signature]	DATE 9-8-80	 <b>FLOATING POINT SYSTEMS, INC.</b> P.O. Box 23489 Portland OR 97223
DRAWN BY [Signature]	DATE 7-9-79	
CHECK BY [Signature]	DATE 3-17-80	DRAWING TITLE
MEG. ENG. [Signature]	DATE 7-8-80	425-A TM
SIZE D	CODE IDENT. NO. 56504	DRAWING NO. 512-3425-005
SCALE NONE		REV. A
		SHEET 1 OF 12



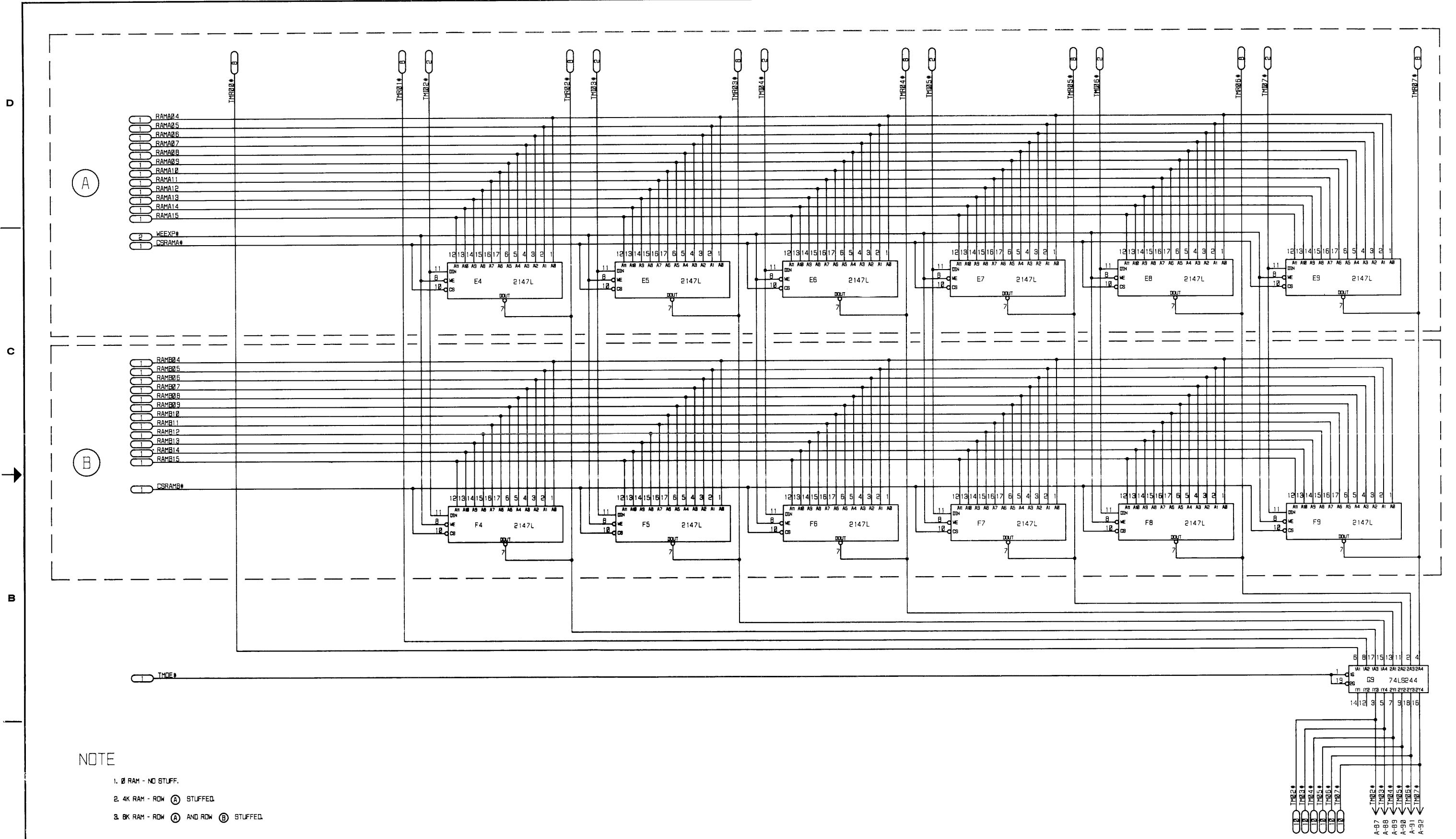
REV.	AUTH.	DESCRIPTION	ZONE	APVD / DATE	CHK. / DATE

**PROPRIETARY INFORMATION**  
 This document contains proprietary information and is supplied for identification, maintenance, engineering evaluation or inspection purposes only and shall not be duplicated or disclosed without written permission of  
**FLOATING POINT SYSTEMS, INC.**  
 By accepting this document the recipient agrees to make every effort to prevent unauthorized use of this information.

**LIMITED RIGHTS LEGEND**  
 Contractor: **FLOATING POINT SYSTEMS, INC.** Contract No. \_\_\_\_\_  
 These portions of this technical data indicated as limited rights data shall not, without the written permission of the above Contractor, be either (a) used, released or disclosed in whole or in part outside the Government, (b) used in whole or in part by the Government for manufacture or, in the case of computer software documentation, for preparing the same or similar computer software, or (c) used by a party other than the Government, except for (i) emergency repair or overhaul work only, by or for the Government, where the item or process concerned is not otherwise reasonably available to enable timely performance of the work, provided that the release for disclosure hereof outside the Government shall be made subject to a prohibition against further use, release or disclosure; or (ii) release to a foreign government, as the interest of the United States may require, only for information or evaluation within such government or for emergency repair or overhaul work by or for such government under the conditions (i) above. This legend, together with the indications of the portions of this data which are subject to such limitations shall be included on any reproduction hereof which includes any part of the portions subject to such limitations.

PROJ. ENG.	DATE
DRAWN BY <b>C.R.O.</b>	DATE 7-9-79
CHECK BY	DATE
MFG. ENG.	DATE

<b>FLOATING POINT SYSTEMS, INC.</b>		P.O. Box 23488 Portland OR 97223	
DRAWING TITLE		REV. A	
SCHEMATIC, ECB 425-A		REV. A	
SIZE <b>D</b>	CODE IDENT. NO. <b>56504</b>	DRAWING NO. <b>512-3425-005</b>	REV. A
SCALE NONE	SHEET <b>2</b> OF <b>12</b>		



NOTE

- 1. Ø RAM - NO STUFF.
- 2. 4K RAM - ROW (A) STUFFED.
- 3. 8K RAM - ROW (A) AND ROW (B) STUFFED.

REVISIONS					
REV.	AUTH.	DESCRIPTION	ZONE	APVD / DATE	CHK. / DATE
(This table is currently empty)					

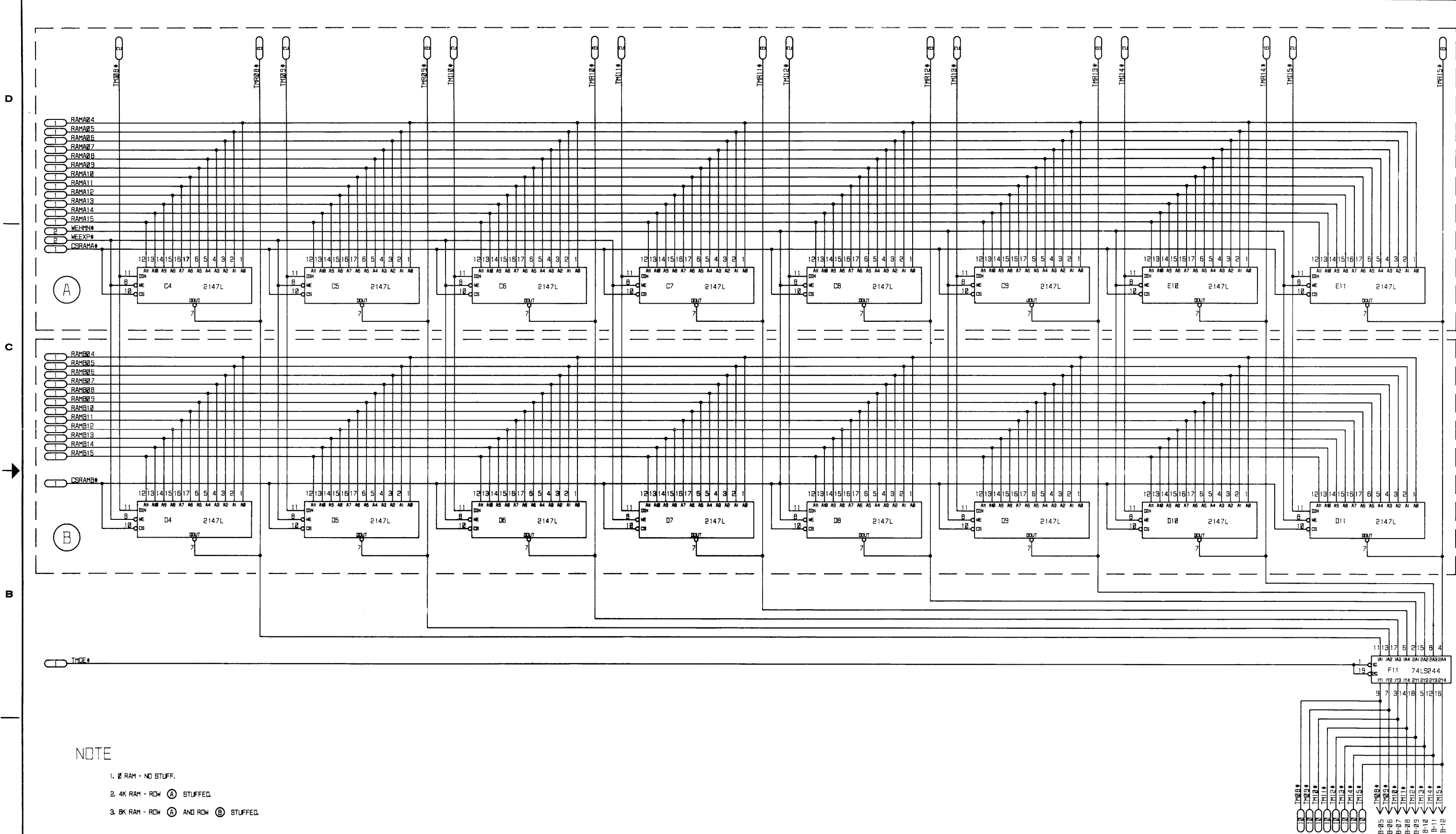
**PROPRIETARY INFORMATION**  
 This document contains proprietary information and is supplied for identification, maintenance, engineering evaluation or inspection purposes only and shall not be duplicated or disclosed without written permission of  
**FLOATING POINT SYSTEMS, INC.**  
 By accepting this document the recipient agrees to make every effort to prevent unauthorized use of this information.

**LIMITED RIGHTS LEGEND**  
 Contractor: **FLOATING POINT SYSTEMS, INC.** Contract No. \_\_\_\_\_  
 Those portions of this technical data indicated as limited rights data shall not, without the written permission of the above Contractor, be either (a) used, released or disclosed in whole or in part outside the Government, (b) used in whole or in part by the Government for manufacture or, in the case of computer software documentation, for preparing the same or similar computer software, or (c) used by a party other than the Government, except for (i) emergency repair or overhaul work only, by or for the Government, where the item or process concerned is not otherwise reasonably available to enable timely performance of the work, provided that the release or disclosure hereof outside the Government shall be made subject to a prohibition against further use, release or disclosure; or (ii) release to a foreign government, as the interest of the United States may require, only for information or evaluation within such government or for emergency repair or overhaul work by or for such government under the conditions (i) above. This legend, together with the indications of the portions of this data which are subject to such limitations shall be included on any reproduction hereof which includes any part of the portions subject to such limitations.

PROJ. ENG.	DATE	<b>FLOATING POINT SYSTEMS, INC.</b> PO Box 23489 Portland OR 97223
DRAWN BY <b>C.A.O.</b>	DATE 7-9-79	
CHECK BY	DATE	
MFG. ENG.	DATE	
DRAWING TITLE		SCHEMATIC, ECB 425-A TM
SIZE <b>D</b>	CODE IDENT. NO. <b>56504</b>	
DRAWING NO. <b>512-3425-005</b>		REV. <b>A</b>
SCALE NONE		SHEET <b>3</b> OF <b>12</b>

DRAWING NO. 512-3425-005

SHEET 3



(A)

(B)

NOTE

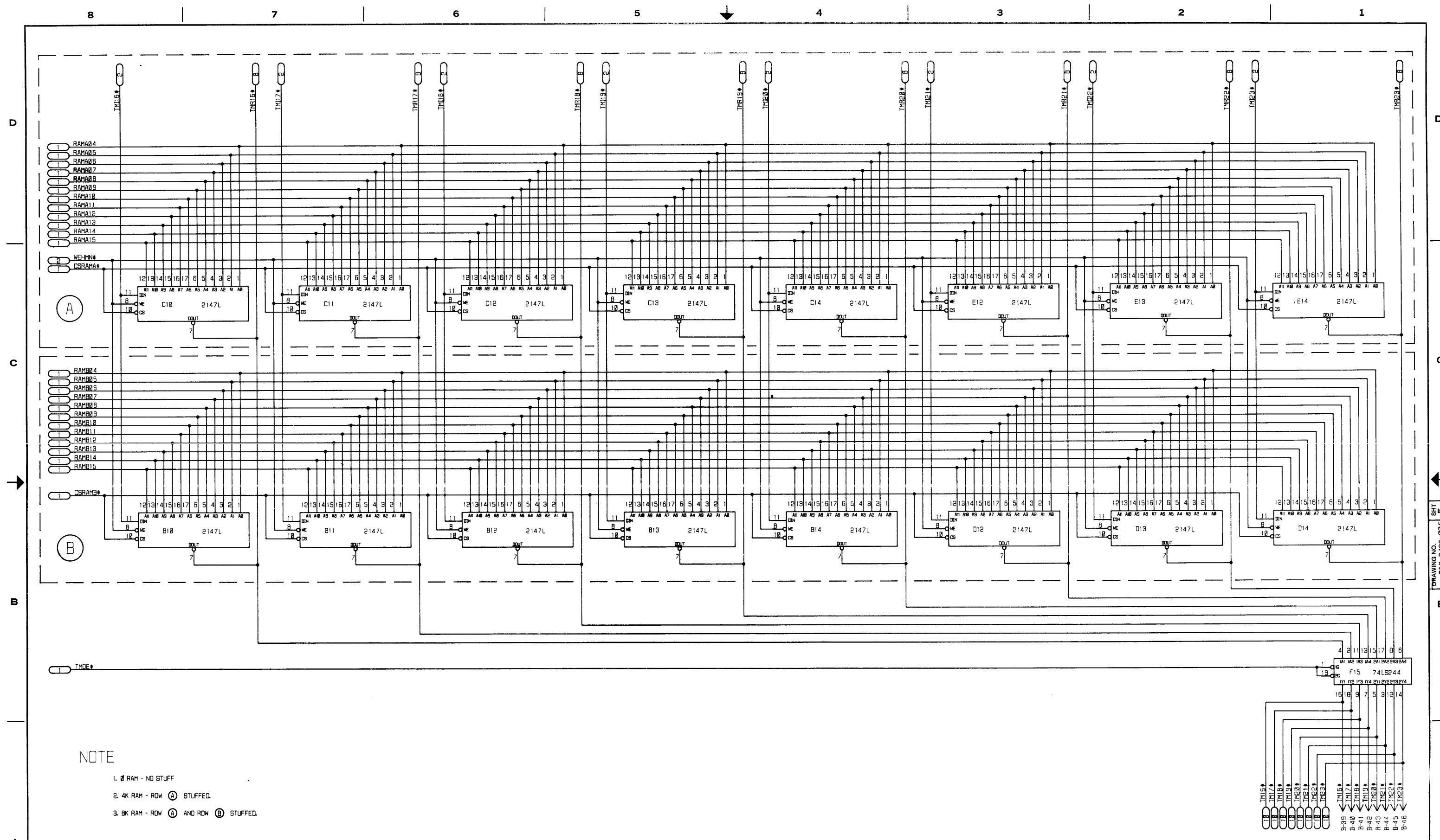
- 1. RAM - NO STUFF.
- 2. 4K RAM - ROW (A) STUFFED.
- 3. 8K RAM - ROW (A) AND ROW (B) STUFFED.

REVISIONS						
REV.	AUTH.	DESCRIPTION	ZONE	APVD	DATE	CHK. / DATE

**PROPRIETARY INFORMATION**  
 This document contains proprietary information and is supplied for identification, maintenance, engineering, evaluation or inspection purposes only and shall not be duplicated or disclosed without written permission of  
**FLOATING POINT SYSTEMS, INC.**  
 By accepting this document the recipient agrees to make every effort to prevent unauthorized use of this information.

**LIMITED RIGHTS LEGEND**  
 Contractor: **FLOATING POINT SYSTEMS, INC.** Contract No. \_\_\_\_\_  
 Those portions of this technical data indicated as limited rights data shall not, without the written permission of the above Contractor, be either (a) used, released or disclosed in whole or in part outside the Government, (b) used in whole or in part by the Government for manufacture or, in the case of computer software documentation, for preparing the same or similar computer software, or (c) used by a party other than the Government, except for (i) emergency repair or overhaul work only, by or for the Government, where the item or process concerned is not otherwise reasonably available to enable timely performance of the work, provided that the release or disclosure hereof outside the Government shall be made subject to a prohibition against further use, release or disclosure, or (ii) release to a foreign government, as the interest of the United States may require, only for information or evaluation within such government or for emergency repair or overhaul work by or for such government under the conditions (i) above. This legend, together with the indications of the portions of this data which are subject to such limitations shall be included on any reproduction hereof which includes any part of the portions subject to such limitations.

PROJ. ENG.	DATE	<b>FLOATING POINT SYSTEMS, INC.</b> POBox 23489 Portland OR 97223
DRAWN BY <b>C.A.O.</b>	DATE 7-9-79	
CHECK BY	DATE	
MFG. ENG.	DATE	
DRAWING TITLE		REV.
SCHEMATIC, ECB		A
425-A		
TM		
SIZE	CODE IDENT. NO.	DRAWING NO.
D	56504	512-3425-005
SCALE NONE		SHEET 4 OF 12



**NOTE**

- 1. RAM - NO STUFF
- 2. 4K RAM - ROW (A) STUFFED.
- 3. 8K RAM - ROW (A) AND ROW (B) STUFFED.

REVISIONS					
REV.	AUTH.	DESCRIPTION	ZONE	APVD / DATE	CHK. / DATE
(This table is currently empty)					

**PROPRIETARY INFORMATION**  
 This document contains proprietary information and is supplied for identification, maintenance, engineering evaluation or inspection purposes only and shall not be duplicated or disclosed without written permission of  
**FLOATING POINT SYSTEMS, INC.**  
 By accepting this document the recipient agrees to make every effort to prevent unauthorized use of this information.

**LIMITED RIGHTS LEGEND**  
 Contractor: **FLOATING POINT SYSTEMS, INC.** Contract No. \_\_\_\_\_  
 Those portions of this technical data indicated as limited rights data shall not, without the written permission of the above Contractor, be either (a) used, released or disclosed in whole or in part outside the Government, (b) used in whole or in part by the Government for manufacture or, in the case of computer software documentation, for preparing the same or similar computer software, or (c) used by a party other than the Government, except for (i) emergency repair or overhaul work only, by or for the Government, where the item or process concerned is not otherwise reasonably available to enable timely performance of the work, provided that the release or disclosure hereof outside the Government shall be made subject to a prohibition against further use, release or disclosure, or (ii) release to a foreign government, as the interest of the United States may require, only for information or evaluation within such government or for emergency repair or overhaul work by or for such government under the conditions (i) above. This legend, together with the indicators of the portions of this data which are subject to such limitations shall be included on any reproduction hereof which includes any part of the portions subject to such limitations.

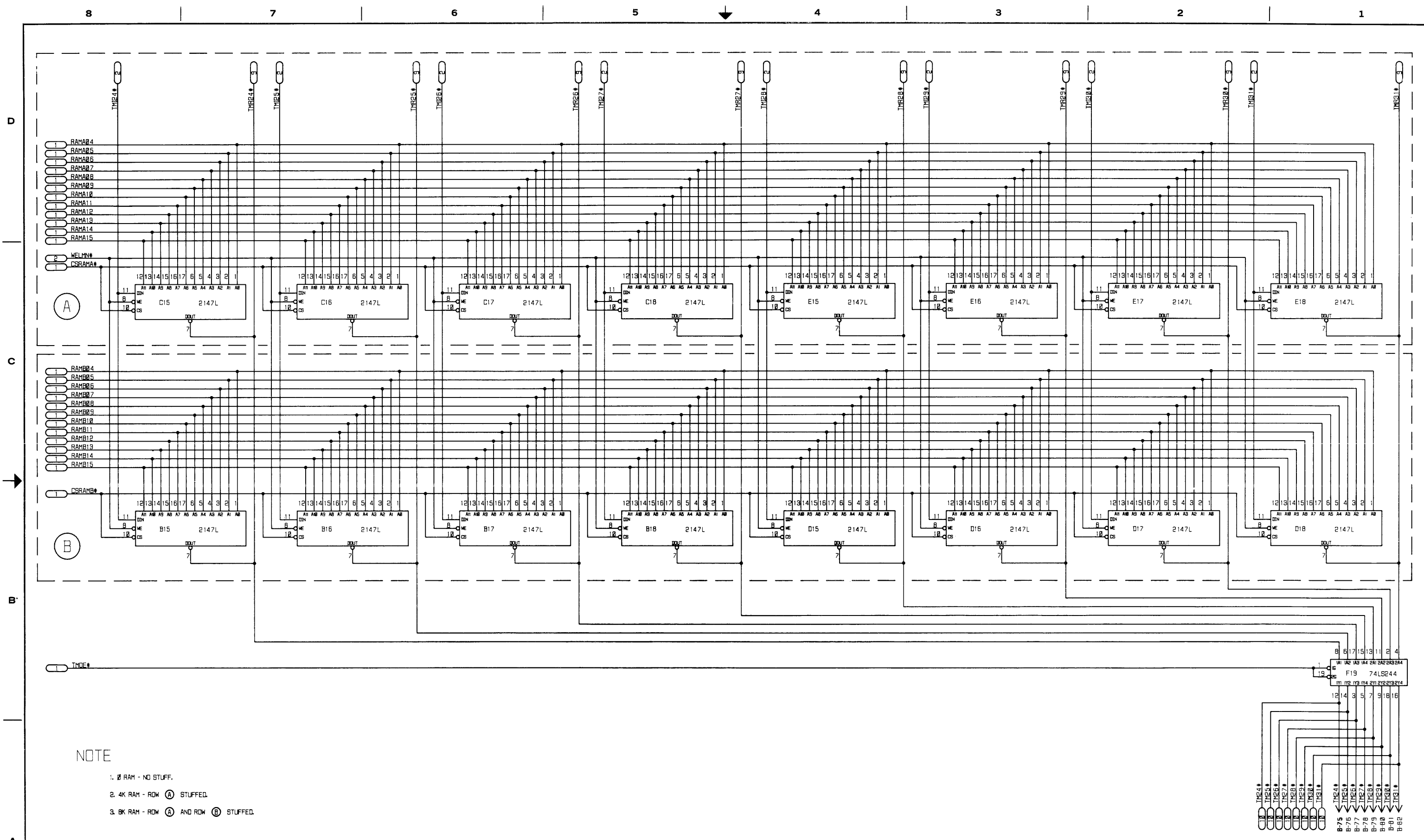
PROJ. ENG.	DATE
DRAWN BY <b>C.A.D.</b>	DATE 7-9-79
CHECK BY	DATE
MFG. ENG.	DATE

**FLOATING POINT SYSTEMS, INC.** PO Box 22489 Portland OR 97223

**DRAWING TITLE**  
 SCHEMATIC, ECB  
 425-A  
 TM

SIZE **D** CODE IDENT. NO. **56504** DRAWING NO. **512-3425-005** REV. **A**

SCALE NONE SHEET **5** OF **12**



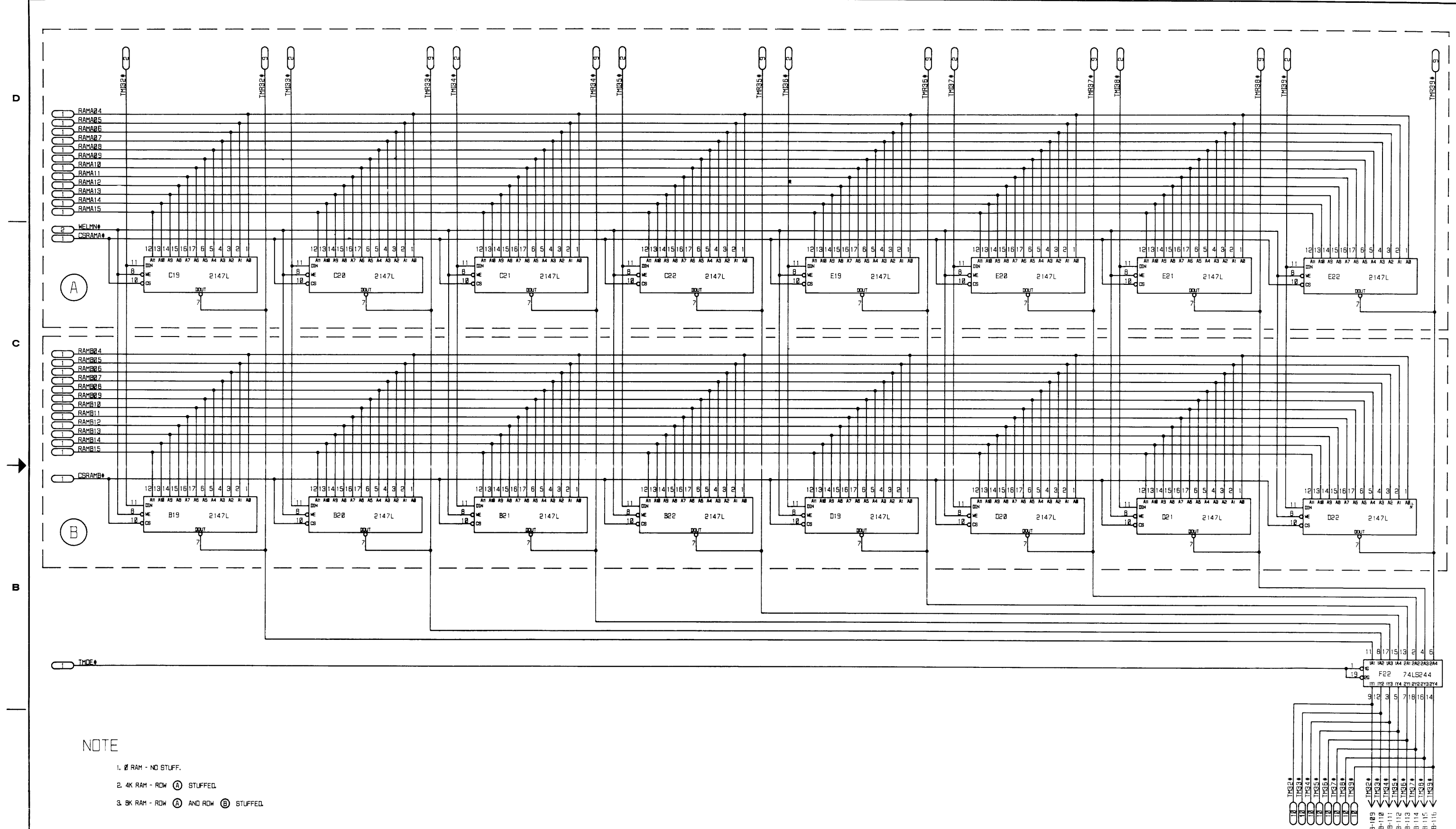
- NOTE
1.  $\emptyset$  RAM - NO STUFF.
  2. 4K RAM - ROW (A) STUFFED.
  3. 8K RAM - ROW (A) AND ROW (B) STUFFED.

REVISIONS					
REV.	AUTH.	DESCRIPTION	ZONE	APVD / DATE	CHK / DATE

**PROPRIETARY INFORMATION**  
 This document contains proprietary information and is supplied for identification, maintenance, engineering evaluation or inspection purposes only and shall not be duplicated or disclosed without written permission of  
**FLOATING POINT SYSTEMS, INC.**  
 By accepting this document the recipient agrees to make every effort to prevent unauthorized use of this information.

**LIMITED RIGHTS LEGEND**  
 Contractor: **FLOATING POINT SYSTEMS, INC.** Contract No. \_\_\_\_\_  
 Those portions of this technical data indicated as limited rights data shall not, without the written permission of the above Contractor, be either (a) used, released or disclosed in whole or in part outside the Government, (b) used in whole or in part by the Government for manufacture or, in the case of computer software documentation, for preparing the same or similar computer software, or (c) used by a party other than the Government, except for (i) emergency repair or overhaul work only, by or for the Government, where the item or process concerned is not otherwise reasonably available to enable timely performance of the work, provided that the release or disclosure hereof outside the Government shall be made subject to a prohibition against further use, release or disclosure; or (ii) release to a foreign government, as the interest of the United States may require, only for information or evaluation within such government or for emergency repair or overhaul work by or for such government under the conditions (i) above. This legend, together with the indications of the portions of this data which are subject to such limitations shall be included on any reproduction hereof which includes any part of the portions subject to such limitations.

PROJ. ENG.	DATE	<b>FLOATING POINT SYSTEMS, INC.</b> PO Box 23489 Portland OR 97223
DRAWN BY <b>C.A.O.</b>	DATE 7-9-79	
CHECK BY	DATE	
MFG. ENG.	DATE	DRAWING TITLE <b>SCHEMATIC, ECB 425-A TM</b>
SIZE <b>D</b>	CODE IDENT. NO. <b>56504</b>	DRAWING NO. <b>512-3425-005</b>
SCALE NONE	REV. <b>A</b>	
SHEET <b>6</b> OF <b>12</b>		



**NOTE**

1. RAM - NO STUFF.
2. 4K RAM - ROW (A) STUFFED.
3. 8K RAM - ROW (A) AND ROW (B) STUFFED.

REVISIONS						
REV.	AUTH.	DESCRIPTION	ZONE	APVD / DATE	CHK.	DATE

**PROPRIETARY INFORMATION**  
 This document contains proprietary information and is supplied for identification, maintenance, engineering, evaluation or inspection purposes only and shall not be duplicated or disclosed without written permission of  
**FLOATING POINT SYSTEMS, INC.**  
 By accepting this document the recipient agrees to make every effort to prevent unauthorized use of this information.

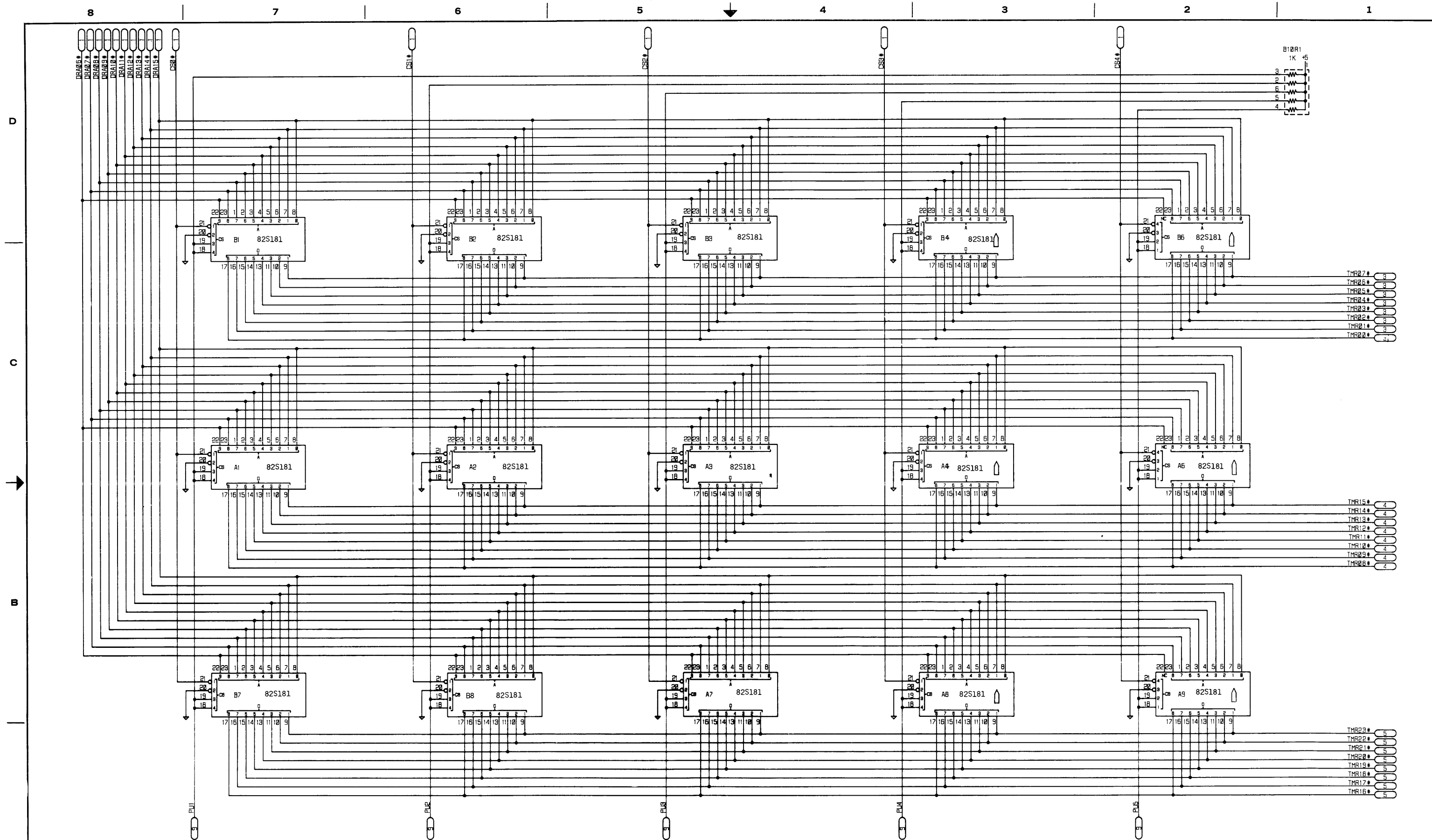
**LIMITED RIGHTS LEGEND**  
 Contractor: **FLOATING POINT SYSTEMS, INC.** Contract No. \_\_\_\_\_  
 These portions of this technical data indicated as limited rights data shall not, without the written permission of the above Contractor, be either (a) used, released or disclosed in whole or in part outside the Government, (b) used in whole or in part by the Government for manufacture or, in the case of computer software documentation, for preparing the same or similar computer software, or (c) used by a party other than the Government, except for (1) emergency repair or overhaul work only, by or for the Government, where the item or process concerned is not otherwise reasonably available to enable timely performance of the work, provided that the release or disclosure hereof outside the Government shall be made subject to a prohibition against further use, release or disclosure, or (11) release to a foreign government, as the interest of the United States may require, only for information or evaluation within such government or for emergency repair or overhaul work by or for such government under the conditions (1) above. This legend, together with the indications of the portions of this data which are subject to such limitations shall be included on any reproduction hereof which includes any part of the portions subject to such limitations.

PROJ. ENG.	DATE
DRAWN BY <b>C.R.O.</b>	DATE 7-9-79
CHECK BY	DATE
MFG. ENG.	DATE

**FLOATING POINT SYSTEMS, INC.** POBox 23498 Portland OR 97223

DRAWING TITLE  
**SCHEMATIC, ECB**  
 425-A  
 TM

SIZE <b>D</b>	CODE IDENT. NO. <b>56504</b>	DRAWING NO. <b>512-3425-005</b>	REV. <b>A</b>
SCALE NONE	SHEET <b>7</b> OF <b>12</b>		



NOTE  
 1.  $\uparrow$  FOR 2.5K TM ROM OPTION. THESE ARE NO STUFF.

REVISIONS					
REV.	AUTH.	DESCRIPTION	ZONE	APVD / DATE	CHK. / DATE

**PROPRIETARY INFORMATION**  
 This document contains proprietary information and is supplied for identification, maintenance, engineering evaluation or inspection purposes only and shall not be duplicated or disclosed without written permission of  
**FLOATING POINT SYSTEMS, INC.**  
 By accepting this document the recipient agrees to make every effort to prevent unauthorized use of this information.

**LIMITED RIGHTS LEGEND**  
 Contractor: **FLOATING POINT SYSTEMS, INC.** Contract No. \_\_\_\_\_  
 Those portions of this technical data indicated as limited rights data shall not, without the written permission of the above Contractor, be either (a) used, released or disclosed in whole or in part outside the Government, (b) used in whole or in part by the Government for manufacture or, in the case of computer software documentation, for preparing the same or similar computer software, or (c) used by a party other than the Government, except for (i) emergency repair or overhaul work only, by or for the Government, where the item or process concerned is not otherwise reasonably available to enable timely performance of the work, provided that the release or disclosure hereof outside the Government shall be made subject to a prohibition against further use, release or disclosure; or (ii) release to a foreign government, as the interest of the United States may require, only for information or evaluation within such government or for emergency repair or overhaul work by or for such government under the conditions (i) above. This legend, together with the indications of the portions of this data which are subject to such limitations shall be included on any reproduction hereof which includes any part of the portions subject to such limitations.

PROJ. ENG.	DATE
DRAWN BY <b>C.A.D.</b>	DATE 7-9-79
CHECK BY	DATE
MFG. ENG.	DATE

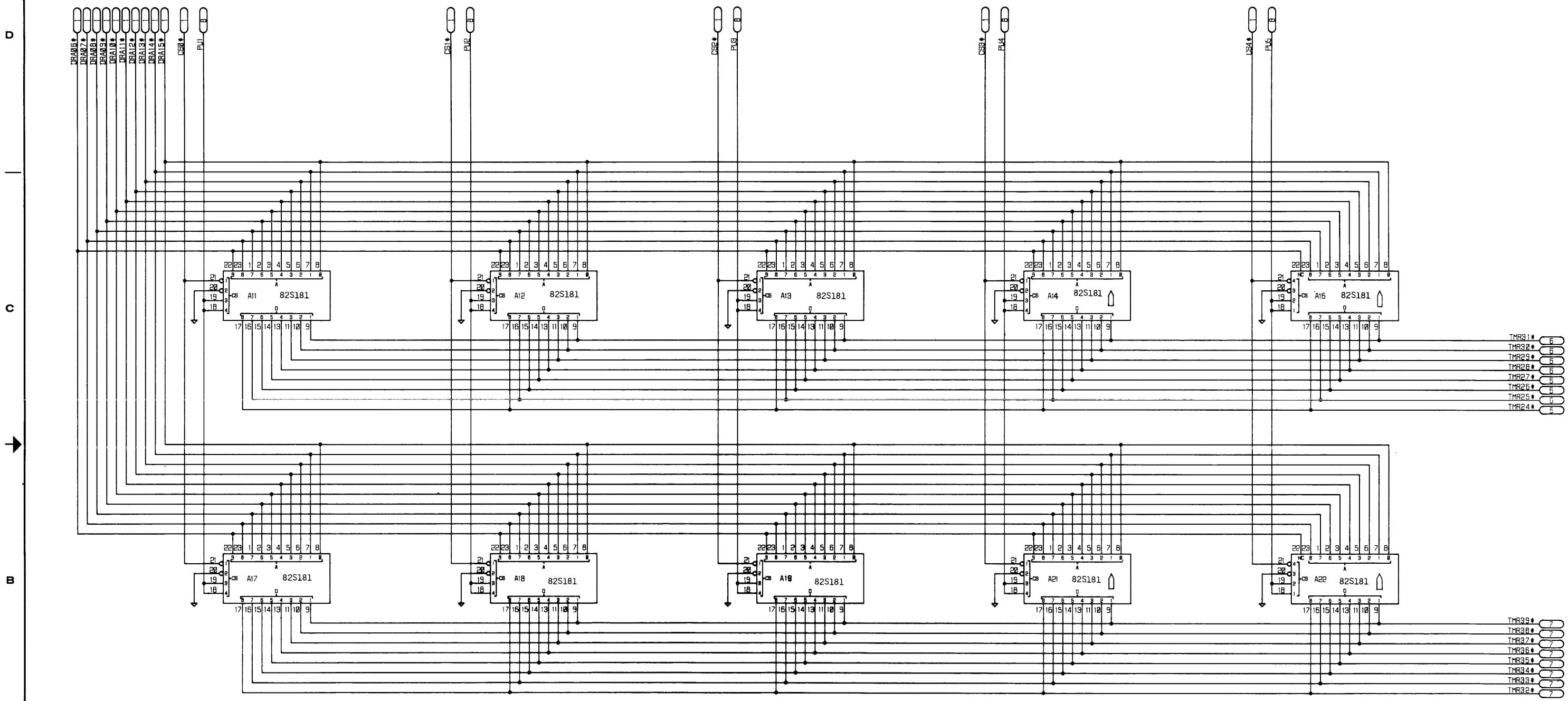
**FLOATING POINT SYSTEMS, INC.** PO Box 23489 Portland OR 97223

DRAWING TITLE  
 SCHEMATIC, ECB  
 425-A  
 TM

SIZE **D** CODE IDENT. NO. 56504 DRAWING NO. 512-3425-005 REV. A

SCALE NONE SHEET 8 OF 12





**NOTE**

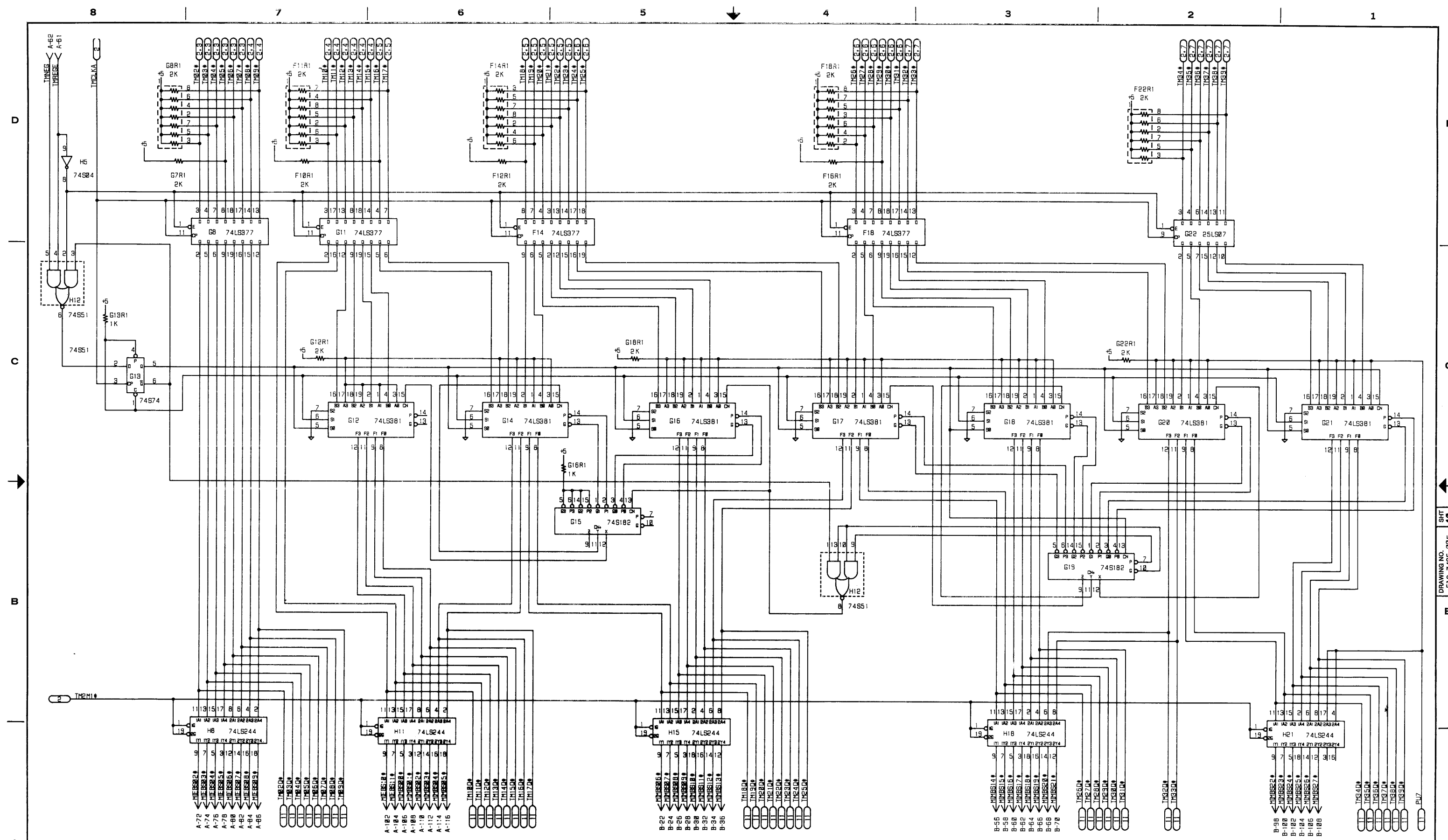
1. FOR 2.5K TM ROM OPTION. THESE ARE NO STUFF.

REVISIONS					
REV.	AUTH.	DESCRIPTION	ZONE	APVD / DATE	CHK. / DATE
(Table content is crossed out with a large X)					

**PROPRIETARY INFORMATION**  
 This document contains proprietary information and is supplied for identification, maintenance, engineering evaluation or inspection purposes only and shall not be duplicated or disclosed without written permission of  
**FLOATING POINT SYSTEMS, INC.**  
 By accepting this document the recipient agrees to make every effort to prevent unauthorized use of this information.

**LIMITED RIGHTS LEGEND**  
 Contractor: **FLOATING POINT SYSTEMS, INC.** Contract No. \_\_\_\_\_  
 These portions of this technical data indicated as limited rights data shall not, without the written permission of the above Contractor, be either (a) used, released or disclosed in whole or in part outside the Government, (b) used in whole or in part by the Government for manufacture or, in the case of computer software documentation, for preparing the same or similar computer software, or (c) used by a party other than the Government, except for (i) emergency repair or overhaul work only, by or for the Government, where the item or process concerned is not otherwise reasonably available to enable timely performance of the work, provided that the release or disclosure hereof outside the Government shall be made subject to a prohibition against further use, release or disclosure; or (ii) release to a foreign government, as the interest of the United States may require, only for information or evaluation within such government or for emergency repair or overhaul work by or for such government under the conditions (i) above. This legend, together with the indications of the portions of this data which are subject to such limitations shall be included on any reproduction hereof which includes any part of the portions subject to such limitations.

PROJ. ENG.	DATE	<b>FLOATING POINT SYSTEMS, INC.</b> P.O. Box 23489 Portland OR 97223
DRAWN BY <b>C.A.O.</b>	DATE 7-9-79	
CHECK BY	DATE	
MFG. ENG.	DATE	
DRAWING TITLE		SCHEMATIC, ECB 425-A TM
SIZE <b>D</b>	CODE IDENT. NO. <b>56504</b>	
DRAWING NO. <b>512-3425-005</b>		REV. <b>A</b>
SCALE NONE		SHEET 9 OF 12



TH NEG	3B1	S2	S1	S0
H	MINUS B	L	H	L
L	PLUS B	L	H	H

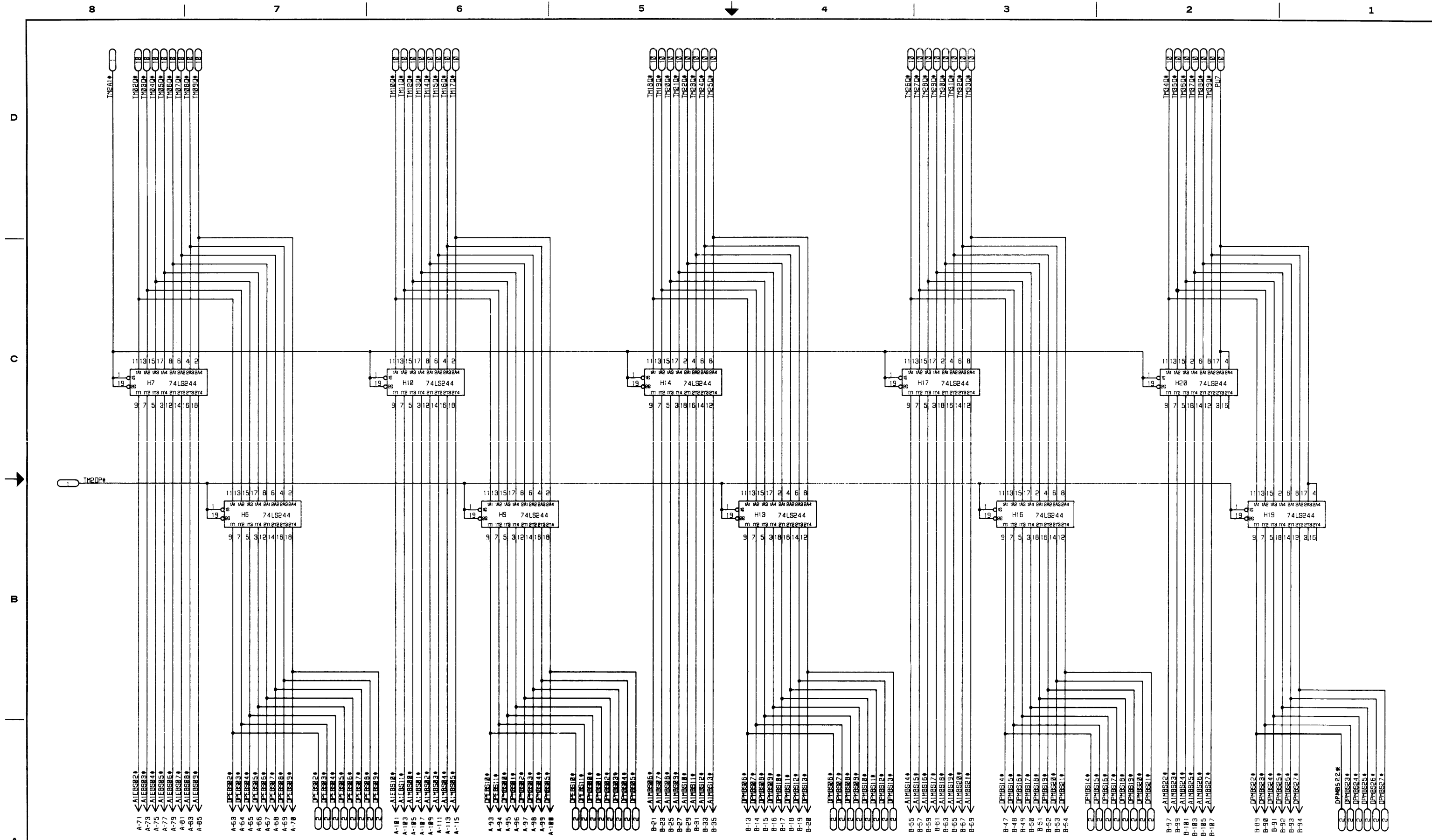
A=ZERO

REVISIONS					
REV.	AUTH.	DESCRIPTION	ZONE	APVD / DATE	CHK. / DATE
X					

**PROPRIETARY INFORMATION**  
 This document contains proprietary information and is supplied for identification, maintenance, engineering evaluation or inspection purposes only and shall not be duplicated or disclosed without written permission of  
**FLOATING POINT SYSTEMS, INC.**  
 By accepting this document the recipient agrees to make every effort to prevent unauthorized use of this information.

**LIMITED RIGHTS LEGEND**  
 Contractor: **FLOATING POINT SYSTEMS, INC.** Contract No. \_\_\_\_\_  
 Those portions of this technical data indicated as limited rights data shall not, without the written permission of the above Contractor, be either (a) used, released or disclosed in whole or in part outside the Government, (b) used in whole or in part by the Government for manufacture or, in the case of computer software documentation, for preparing the same or similar computer software, or (c) used by a party other than the Government, except for (i) emergency repair or overhaul work only, by or for the Government, where the item or process concerned is not otherwise reasonably available to enable timely performance of the work, provided that the release or disclosure hereof outside the Government shall be made subject to a prohibition against further use, release or disclosure, or (ii) release to a foreign government, as the interest of the United States may require, only for information or evaluation within such government or for emergency repair or overhaul work by or for such government under the conditions (i) above. This legend, together with the indications of the portions of this data which are subject to such limitations shall be included on any reproduction hereof which includes any part of the portions subject to such limitations.

PROJ. ENG.	DATE	<b>FLOATING POINT SYSTEMS, INC.</b> PO Box 23489 Portland OR 97223
DRAWN BY <b>C.A.O.</b>	DATE 7-9-79	
CHECK BY	DATE	
MFG. ENG.	DATE	
DRAWING TITLE		SCHEMATIC, ECB 425-A TH
SIZE <b>D</b> CODE IDENT. NO. <b>56504</b> DRAWING NO. <b>512-3425-005</b> REV <b>A</b>		
SCALE NONE		SHEET 10 OF 12

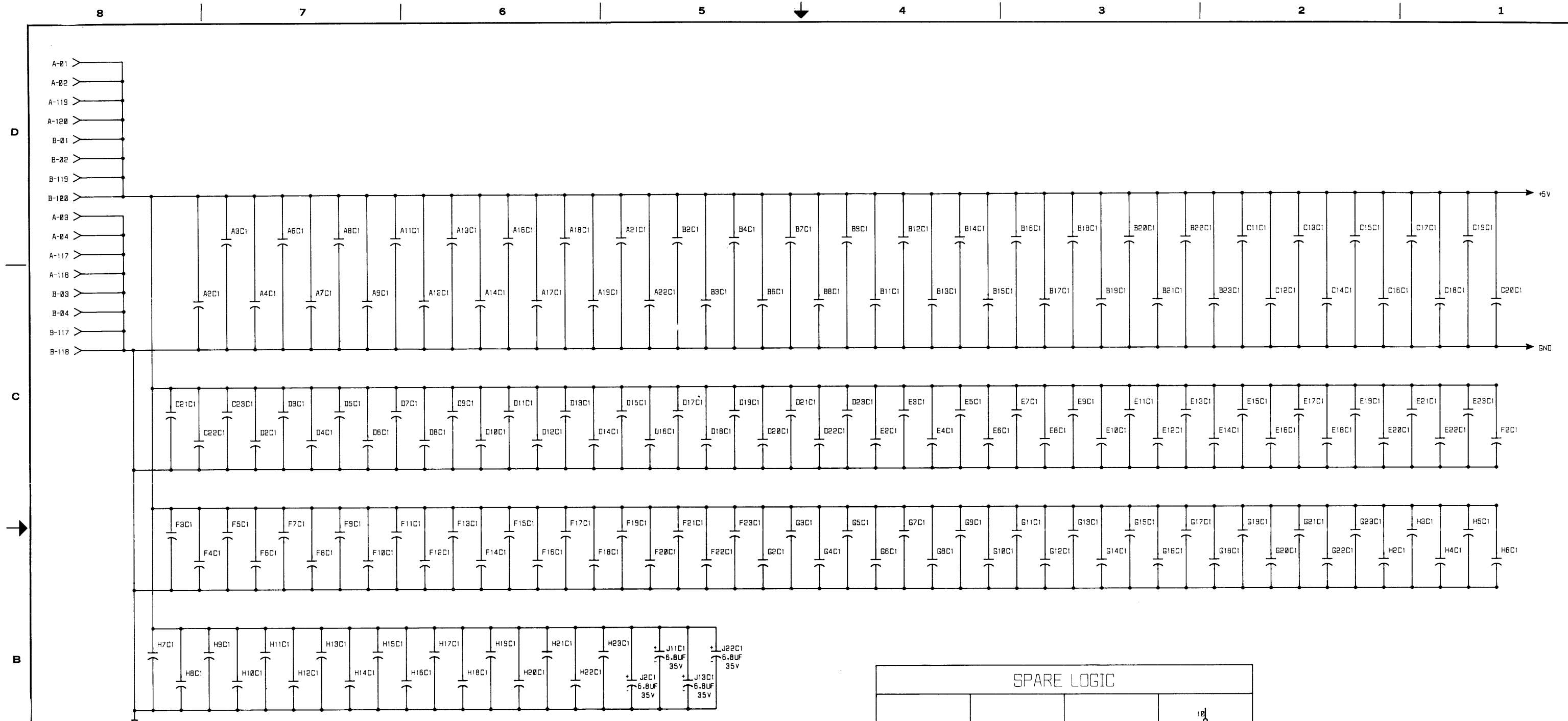


REVISIONS					
REV.	AUTH.	DESCRIPTION	ZONE	APVD / DATE	CHK. / DATE

**PROPRIETARY INFORMATION**  
 This document contains proprietary information and is supplied for identification, maintenance, engineering evaluation or inspection purposes only and shall not be duplicated or disclosed without written permission of  
**FLOATING POINT SYSTEMS, INC.**  
 By accepting this document the recipient agrees to make every effort to prevent unauthorized use of this information.

**LIMITED RIGHTS LEGEND**  
 Contractor: **FLOATING POINT SYSTEMS, INC.** Contract No. \_\_\_\_\_  
 Those portions of this technical data indicated as limited rights data shall not, without the written permission of the above Contractor, be either (a) used, released or disclosed in whole or in part outside the Government, (b) used in whole or in part by the Government for manufacture or, in the case of computer software documentation, for preparing the same or similar computer software, or (c) used by a party other than the Government, except for (i) emergency repair or overhaul work only, by or for the Government, where the item or process concerned is not otherwise reasonably available to enable timely performance of the work, provided that the release or disclosure hereof outside the Government shall be made subject to a prohibition against further use, release or disclosure, or (ii) release to a foreign government, as the interest of the United States may require, only for information or evaluation within such government or for emergency repair or overhaul work by or for such government under the conditions (i) above. This legend, together with the indicators of the portions of this data which are subject to such limitations shall be included on any reproduction hereof which includes any part of the portions subject to such limitations.

PROJ. ENG.	DATE	<b>FLOATING POINT SYSTEMS, INC.</b> PO Box 23489 Portland OR 97223	<b>SCHEMATIC, ECB</b> 425-A TM
DRAWN BY <b>C.A.O.</b>	DATE 7-9-79		
CHECK BY	DATE		
MFG. ENG.	DATE		
SIZE <b>D</b>	CODE IDENT. NO. <b>56504</b>	DRAWING NO. <b>512-3425-005</b>	REV. <b>A</b>
SCALE NONE			SHEET <b>11</b> OF <b>12</b>



**NOTES**

1. UNLESS OTHERWISE SPECIFIED ALL CAPACITORS ARE 0.1μF, 35 VOLTS.

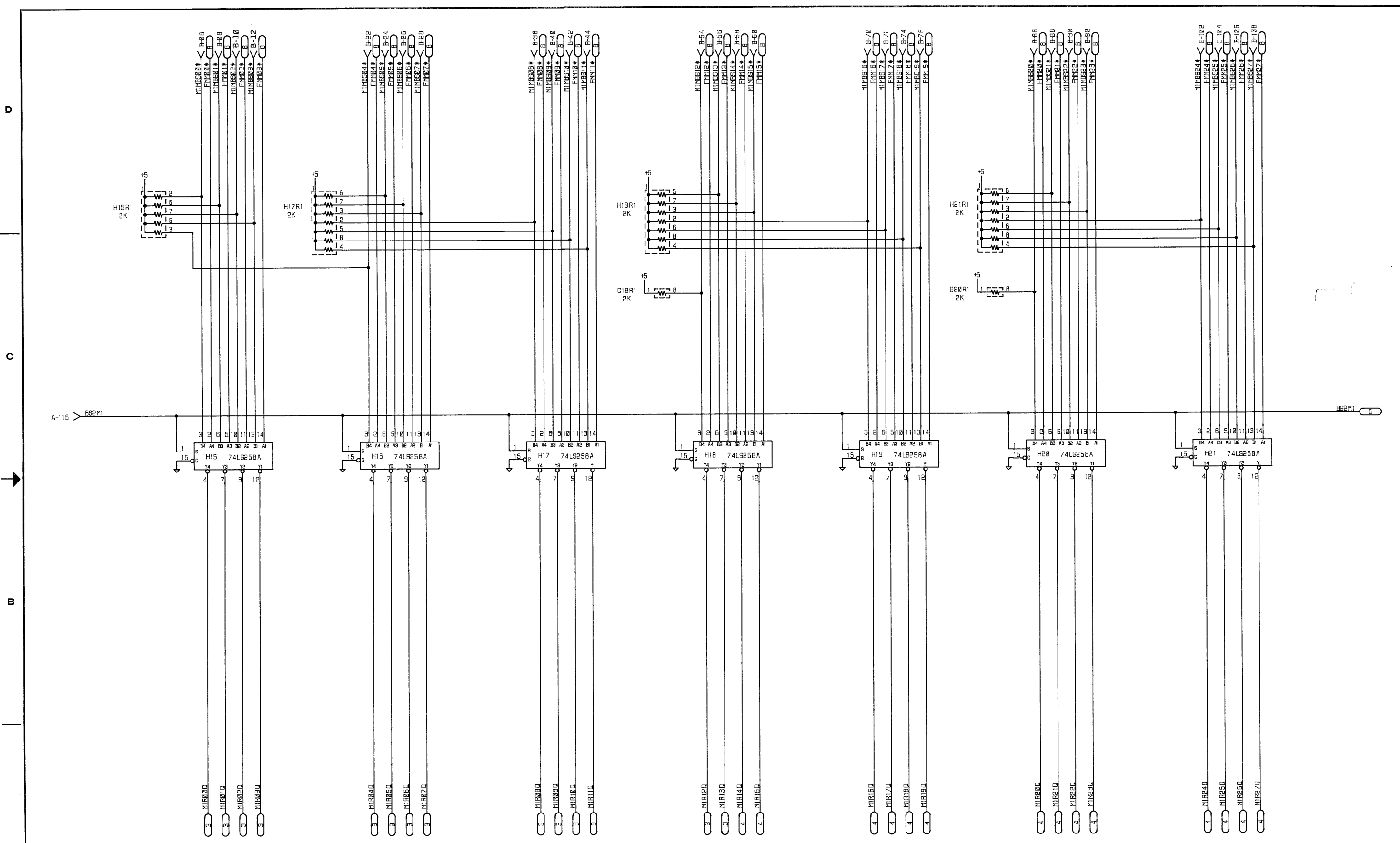
REVISIONS						
REV.	AUTH.	DESCRIPTION	ZONE	APVD / DATE	CHK.	DATE
(Table content is crossed out)						

**PROPRIETARY INFORMATION**  
 This document contains proprietary information and is supplied for identification, maintenance, engineering evaluation or inspection purposes only and shall not be duplicated or disclosed without written permission of  
**FLOATING POINT SYSTEMS, INC.**  
 By accepting this document the recipient agrees to make every effort to prevent unauthorized use of this information.

**LIMITED RIGHTS LEGEND**  
 Contractor: **FLOATING POINT SYSTEMS, INC.** Contract No. \_\_\_\_\_  
 Those portions of this technical data indicated as limited rights data shall not, without the written permission of the above Contractor, be either (a) used, released or disclosed in whole or in part outside the Government, (b) used in whole or in part by the Government for manufacture or, in the case of computer software documentation, for preparing the same or similar computer software, or (c) used by a party other than the Government, except for (i) emergency repair or overhaul work only, by or for the Government, where the item or process concerned is not otherwise reasonably available to enable timely performance of the work, provided that the release or disclosure hereof outside the Government shall be made subject to a prohibition against further use, release or disclosure, or (ii) release to a foreign government, as the interest of the United States may require, only for information or evaluation within such government or for emergency repair or overhaul work by or for such government under the conditions (i) above. This legend, together with the indications of the portions of this data which are subject to such limitations shall be included on any reproduction hereof which includes any part of the portions subject to such limitations.

PROJ. ENG.	DATE	<b>FLOATING POINT SYSTEMS, INC.</b> P.O. Box 23489 Portland OR 97223
DRAWN BY <b>C.A.O.</b>	DATE 7-9-79	
CHECK BY	DATE	
MFG. ENG.	DATE	
DRAWING TITLE		<b>SCHEMATIC, ECB</b> 425-A TM
SIZE <b>D</b>	CODE IDENT. NO. <b>56504</b>	
DRAWING NO. <b>512-3425-005</b>		REV. <b>A</b>
SCALE NONE		SHEET 12 OF 12

DRAWING NO. 512-3425-005  
 SHEET 12 OF 12

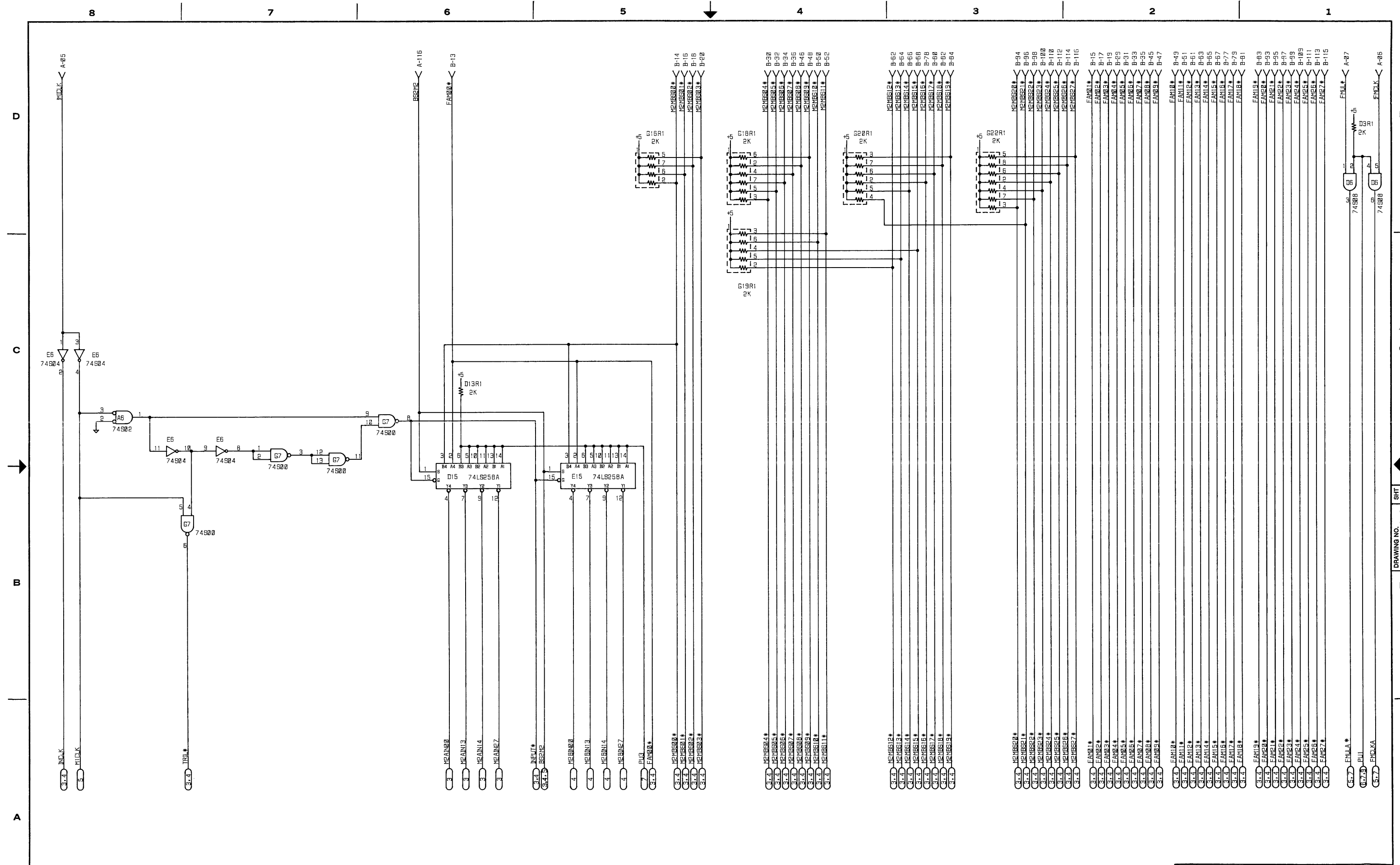


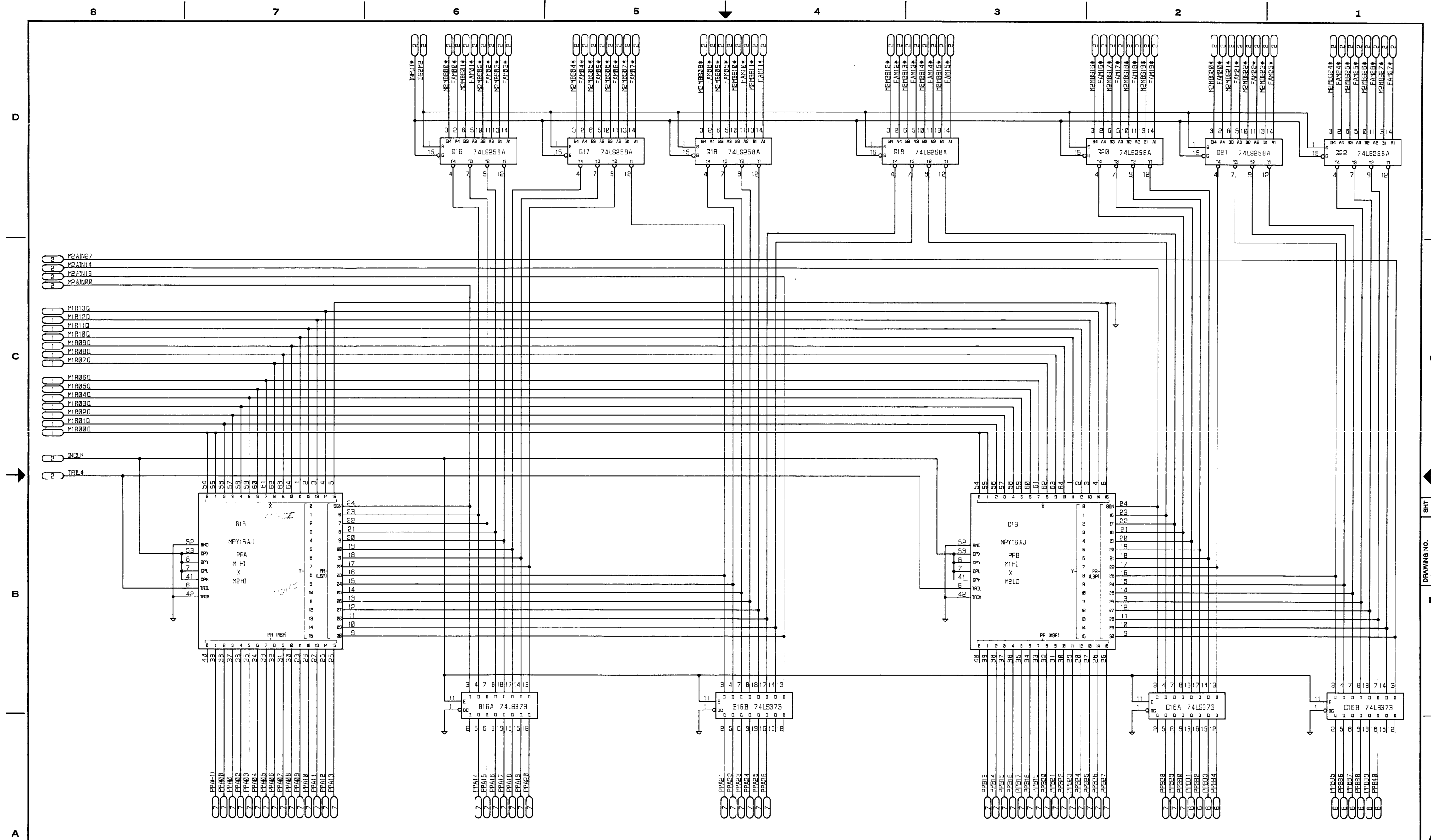
REVISIONS					
REV.	AUTH.	DESCRIPTION	ZONE	APVD / DATE	CHK. / DATE
01	EN #039	INITIAL LEVEL 2 RELEASE		<i>[Signature]</i>	
A	ECO 80116	LEVEL 3 RELEASE		<i>[Signature]</i> 4-2-80	<i>[Signature]</i> 4/1/80
B	ECO 80181	CORRECT PUSH A1 & A2		<i>[Signature]</i> 8-2-80	<i>[Signature]</i> 8/4/80
C	ECO 80260	CORRECT PUSH/SCALE		<i>[Signature]</i> 7-15-80	<i>[Signature]</i>

**PROPRIETARY INFORMATION**  
 This document contains proprietary information and is supplied for identification, maintenance, engineering evaluation or inspection purposes only and shall not be duplicated or disclosed without written permission of  
**FLOATING POINT SYSTEMS, INC.**  
 By accepting this document the recipient agrees to make every effort to prevent unauthorized use of this information.

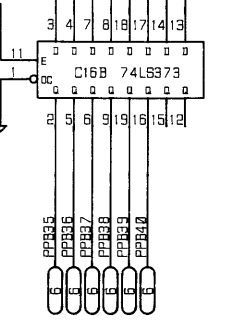
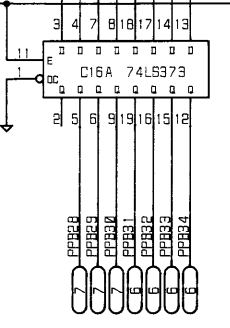
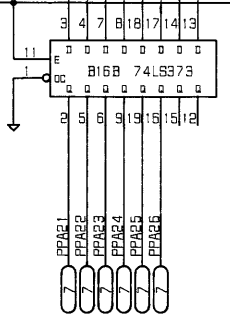
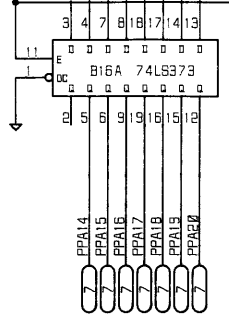
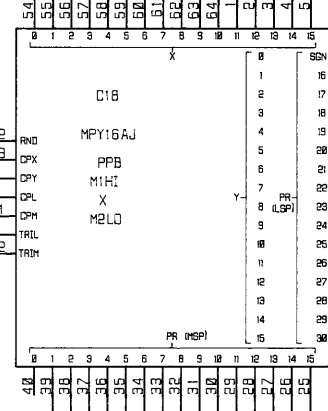
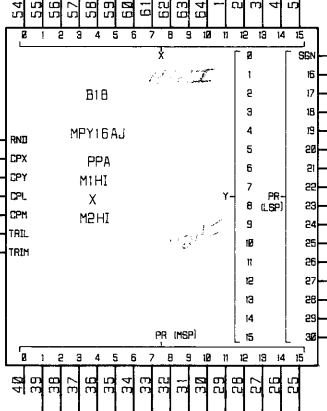
**LIMITED RIGHTS LEGEND**  
 Contractor: **FLOATING POINT SYSTEMS, INC.** Contract No. \_\_\_\_\_  
 Those portions of this technical data indicated as limited rights data shall not, without the written permission of the above Contractor, be either (a) used, released or disclosed in whole or in part outside the Government, (b) used in whole or in part by the Government for manufacture or, in the case of computer software documentation, for preparing the same or similar computer software, or (c) used by a party other than the Government, except for (i) emergency repair or overhaul work only, by or for the Government, where the item or process concerned is not otherwise reasonably available to enable timely performance of the work, provided that the release or disclosure hereof outside the Government shall be made subject to a prohibition against further use, release or disclosure; or (ii) release to a foreign government, as the interest of the United States may require, only for information or evaluation within such government or for emergency repair or overhaul work by or for such government under the conditions (i) above. This legend, together with the indications of the portions of this data which are subject to such limitations shall be included on any reproduction hereof which includes any part of the portions subject to such limitations.

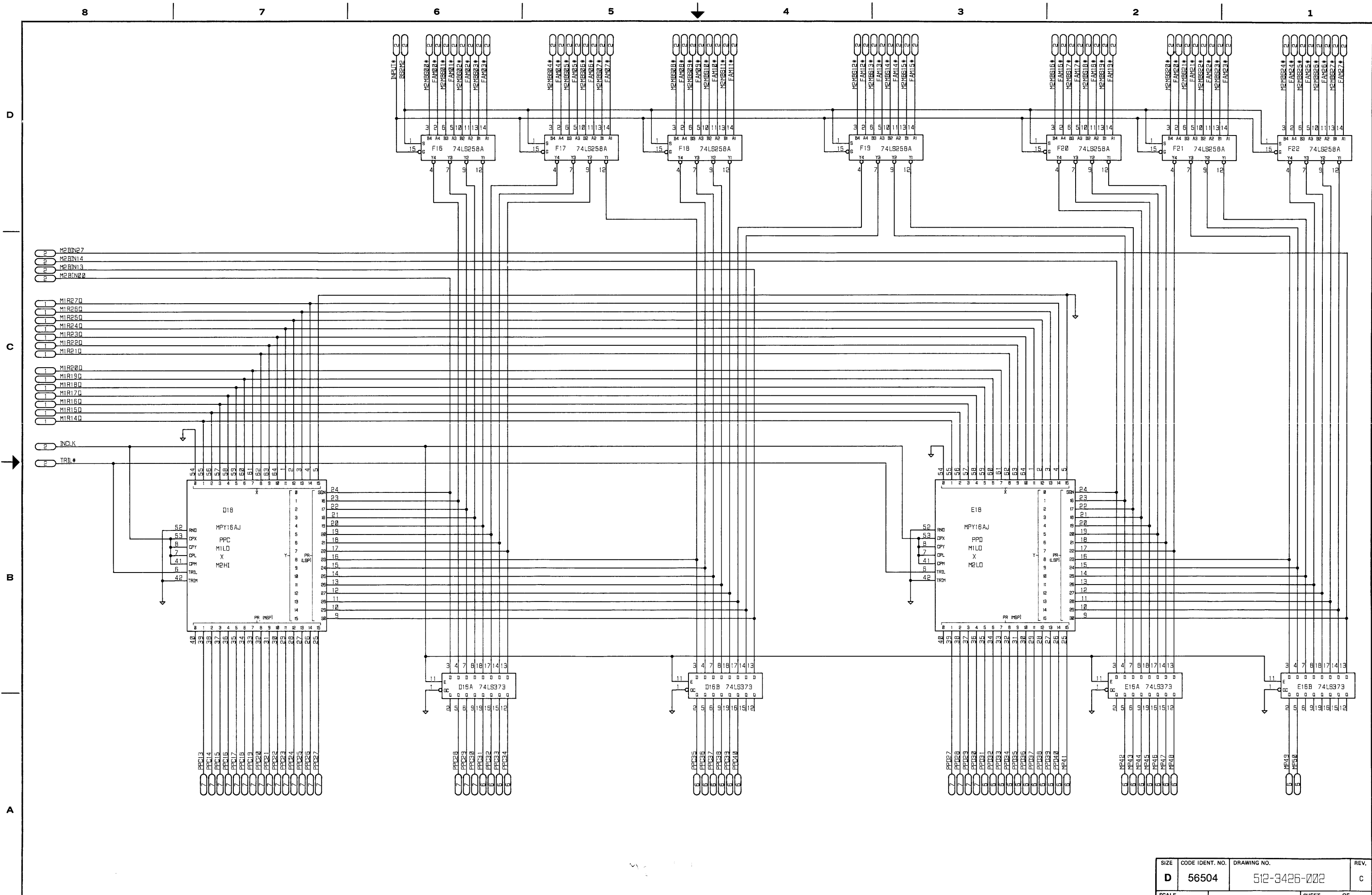
PROJ. ENG. <i>Michael Stamba</i>	DATE 10/3/79	<b>FLOATING POINT SYSTEMS, INC.</b> PO Box 23489 Portland OR 97223
DRAWN BY <b>C.A.O.</b>	DATE 7-11-79	
CHECK BY CHINH NGUYEN	DATE 10-2-79	DRAWING TITLE SCHEMATIC, ECB 426-B FLOATING MULTIPLIER
MFG. ENG. <i>P.H. Caldwell</i>	DATE 4-7-80	
SIZE <b>D</b>	CODE IDENT. NO. <b>56504</b>	DRAWING NO. <b>512-3426-002</b>
SCALE NONE	SHEET 1	OF 10





2 MRAN27  
 2 MRAN14  
 2 MRAN13  
 2 MRAN08  
 1 MIR130  
 1 MIR120  
 1 MIR110  
 1 MIR100  
 1 MIR090  
 1 MIR080  
 1 MIR070  
 1 MIR060  
 1 MIR050  
 1 MIR040  
 1 MIR030  
 1 MIR020  
 1 MIR010  
 1 MIR000  
 2 INCLK  
 2 TRIL#



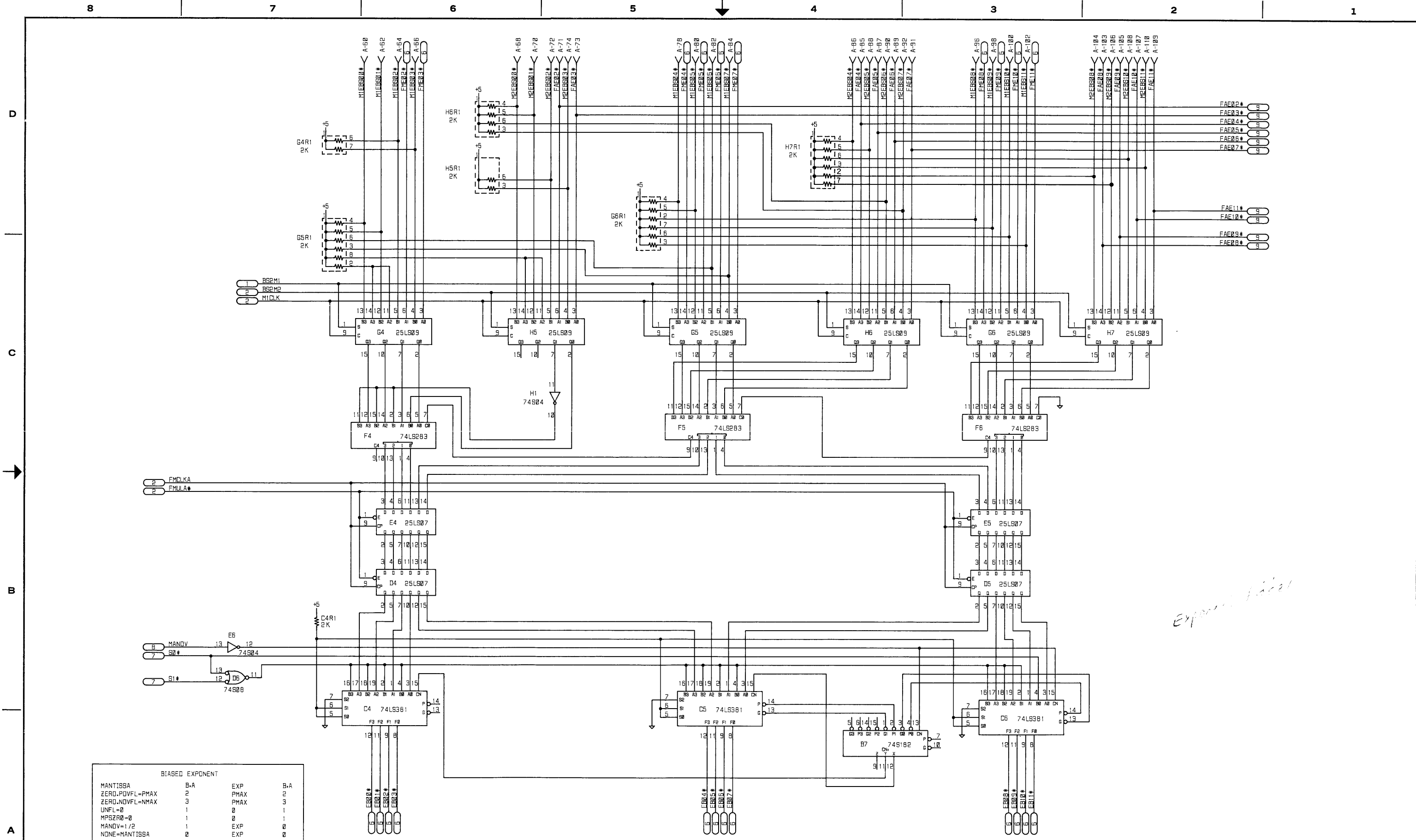


D  
C  
B  
A

D  
C  
B  
A

SIZE	CODE IDENT. NO.	DRAWING NO.	REV.
D	56504	512-3426-002	C
SCALE	NONE		SHEET 4 OF 10

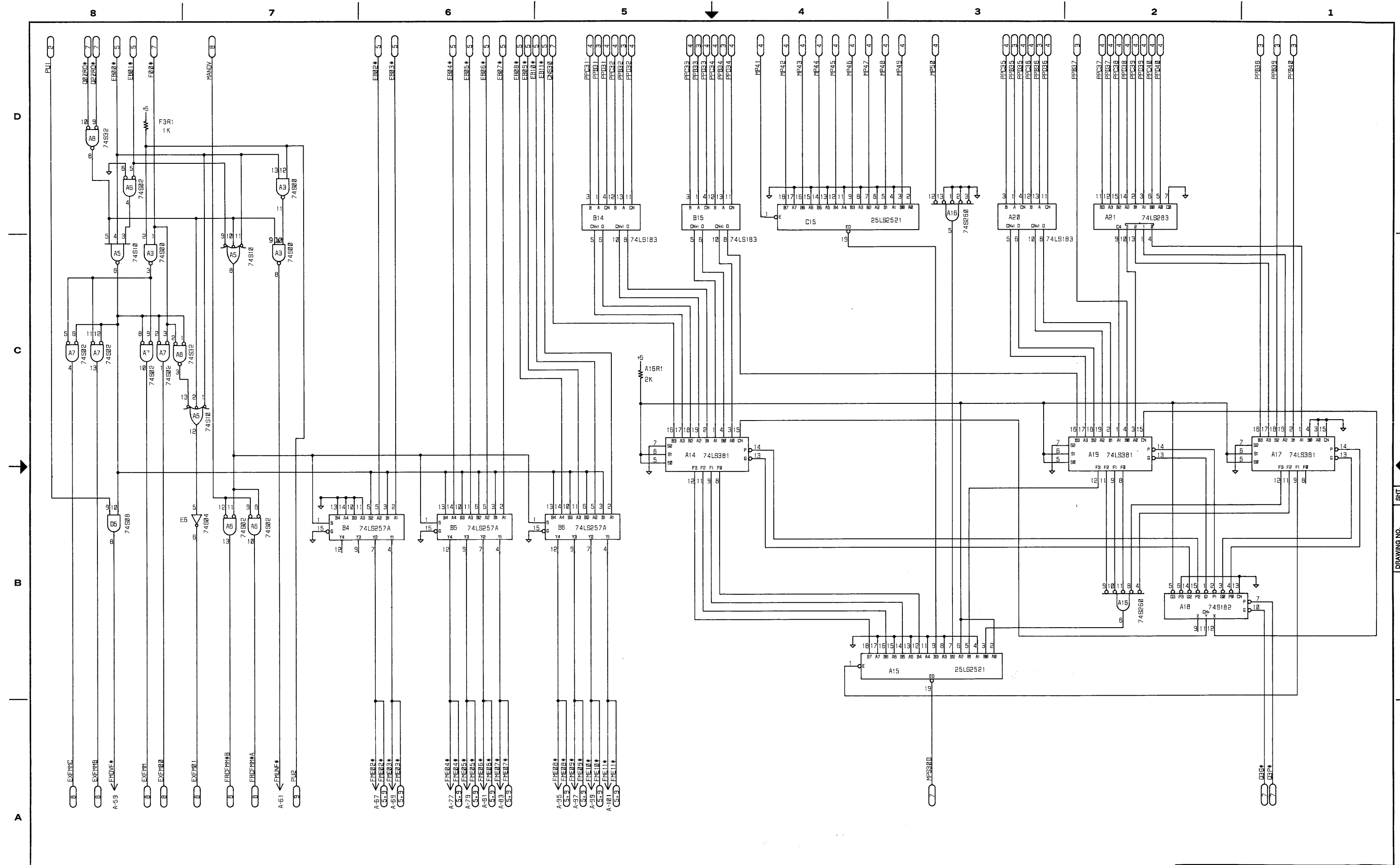




BIASED EXPONENT			
MANTISSA	B,A	EXP	B,A
ZERO_POVFL=PMAX	2	PMAX	2
ZERO_NOVFL=NMAX	3	PMAX	3
UNFL=0	1	0	1
MPSZR0=0	1	0	1
MANDV=1/2	1	EXP	0
NONE=MANTISSA	0	EXP	0

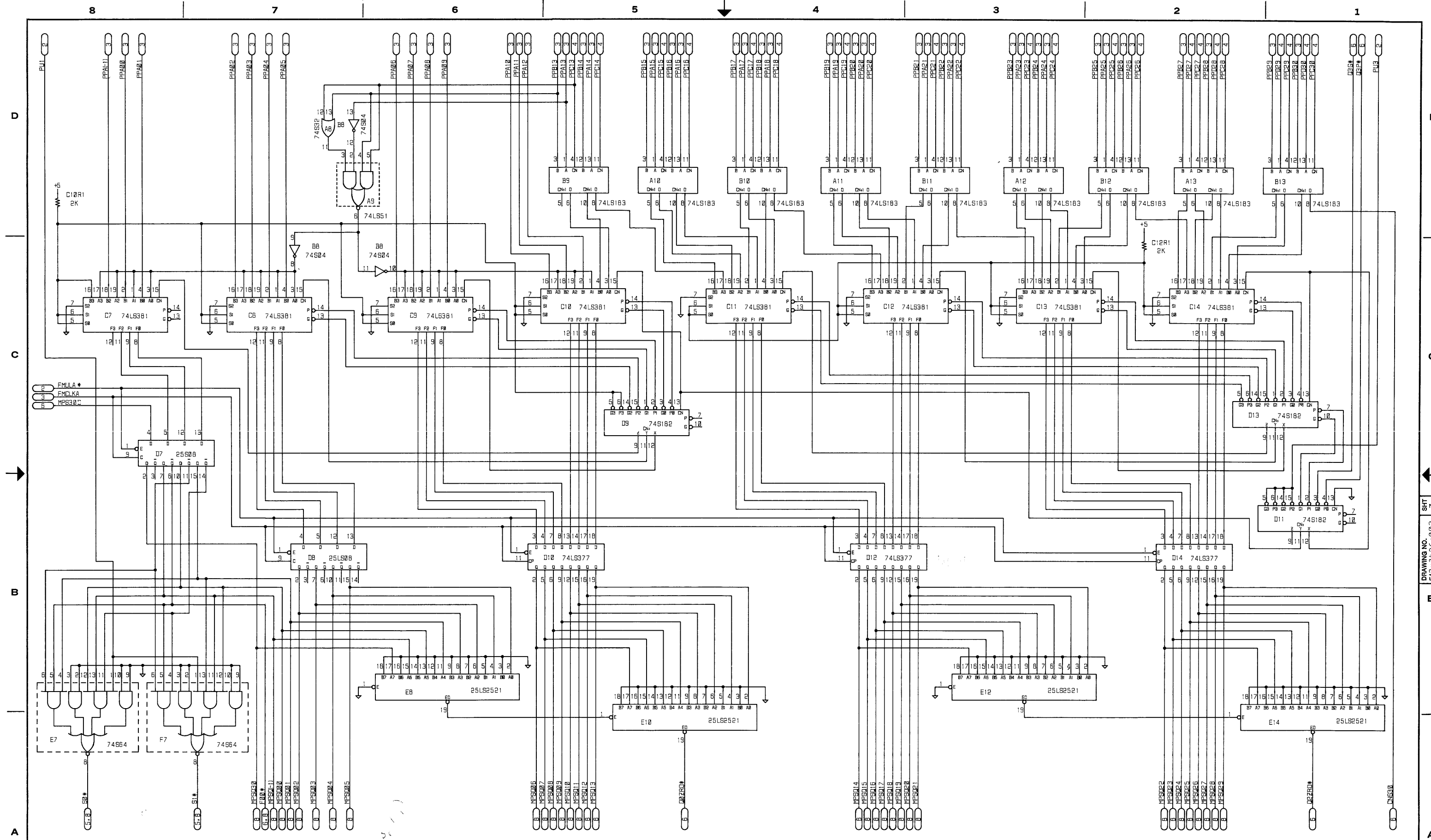
  

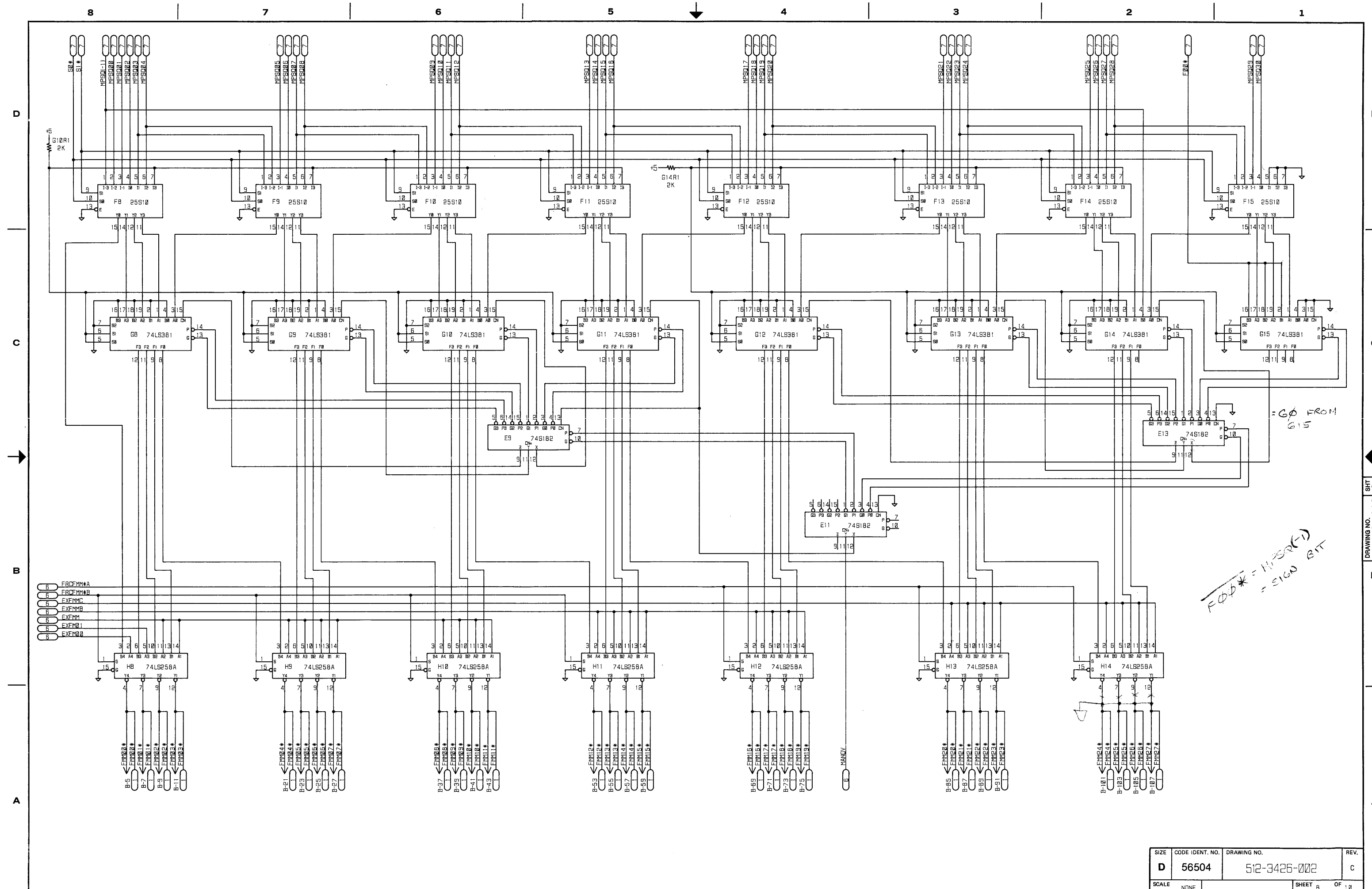
MANDV=1	MANDV=0
NOT POSSIBLE S1=S0=0	EXP ADD 0 IF S1=S0=2
ADD 0 IF S0=1	ADD 7777 IF S0=1
ADD 7777 IF S1=1	ADD 7776 IF S1=1



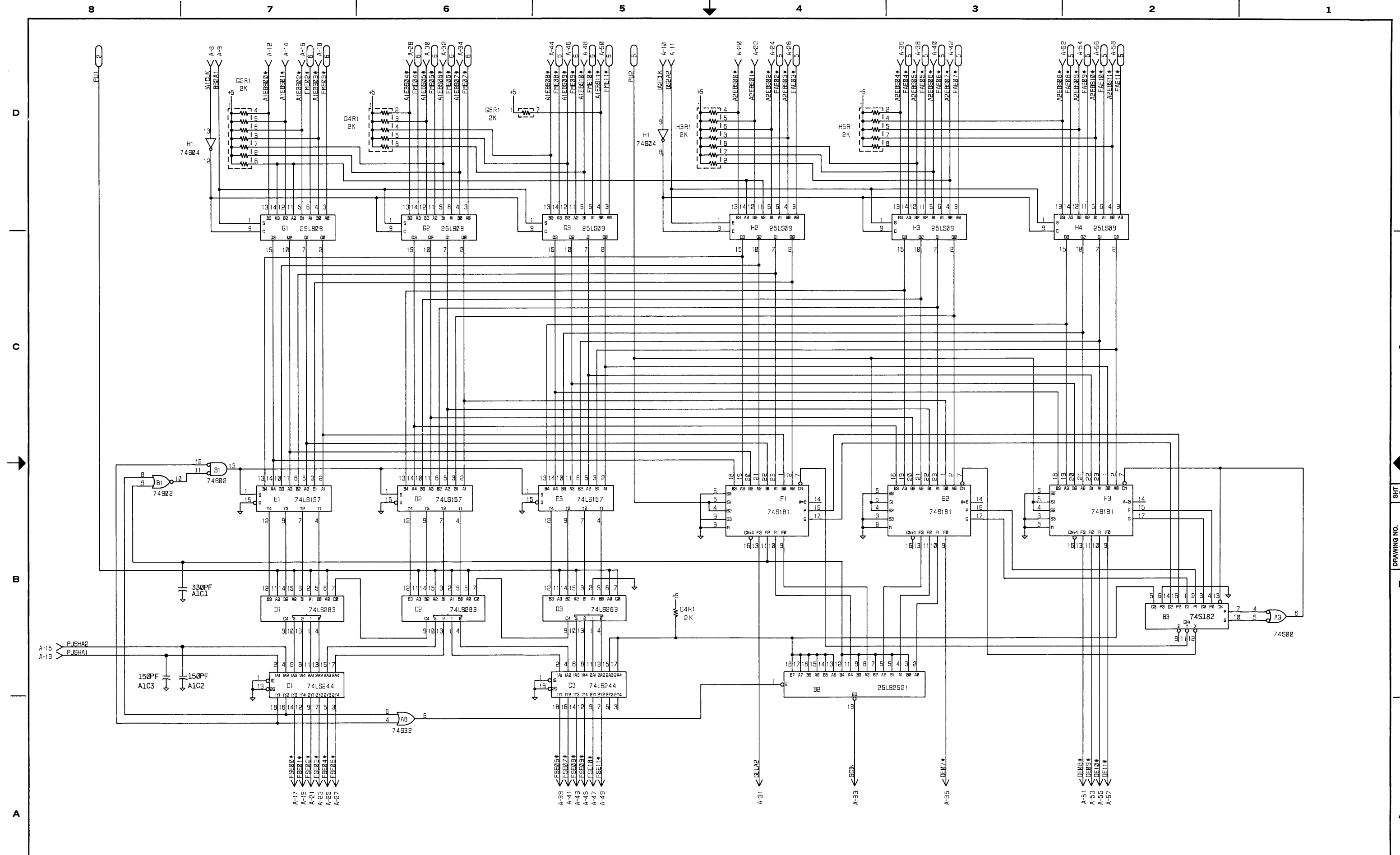
SIZE	CODE IDENT. NO.	DRAWING NO.	REV.
D	56504	512-3426-002	C
SCALE	NONE	SHEET 6	OF 10

DRAWING NO. 512-3426-002





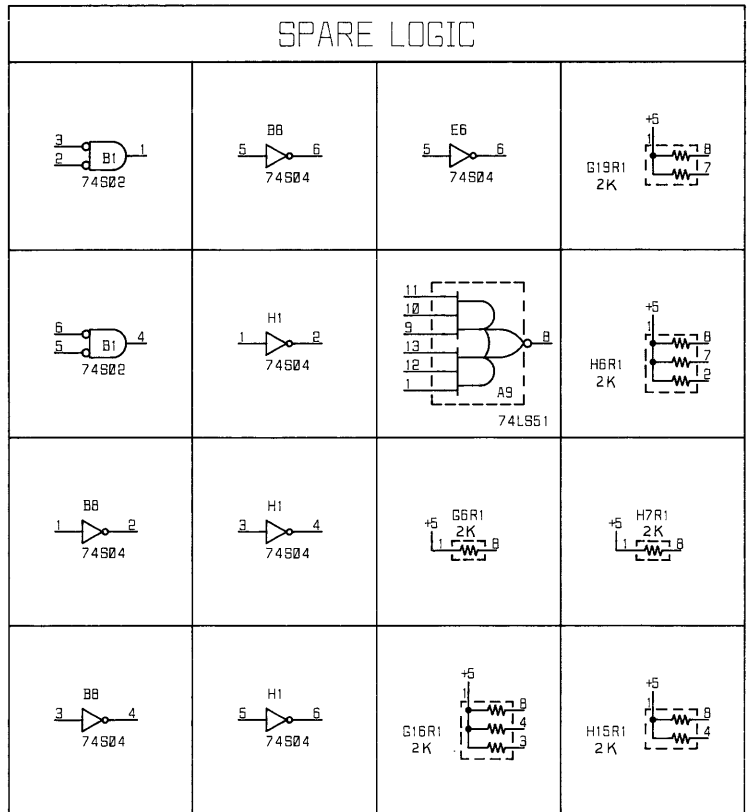
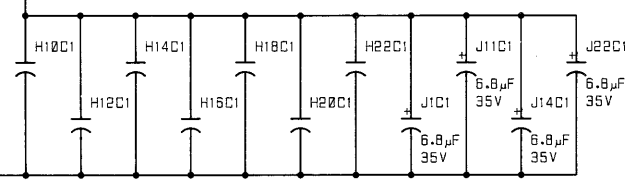
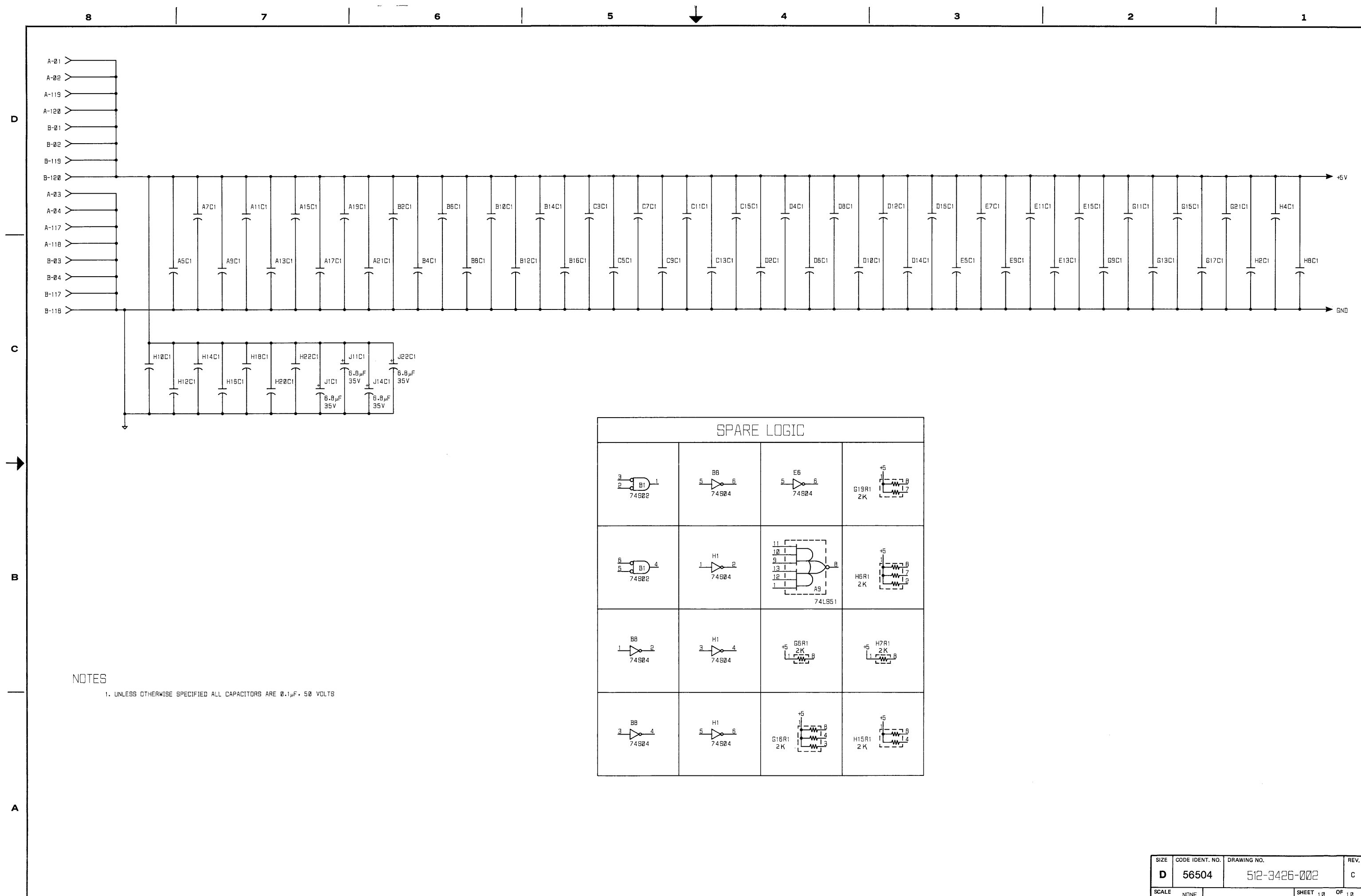
SIZE	CODE IDENT. NO.	DRAWING NO.	REV.
D	56504	512-3426-002	C
SCALE	NONE	SHEET 8	OF 10



SIZE	CODE IDENT. NO.	DRAWING NO.	REV.
D	56504	512-3426-002	C
SCALE	NONE	SHEET 9	OF 18

DRAWING NO. 512-3426-002

SHEET 9 OF 18



**NOTES**

1. UNLESS OTHERWISE SPECIFIED ALL CAPACITORS ARE 0.1µF, 50 VOLTS

SIZE	CODE IDENT. NO.	DRAWING NO.	REV.
D	56504	512-3426-002	C
SCALE	NONE	SHEET 10	OF 10

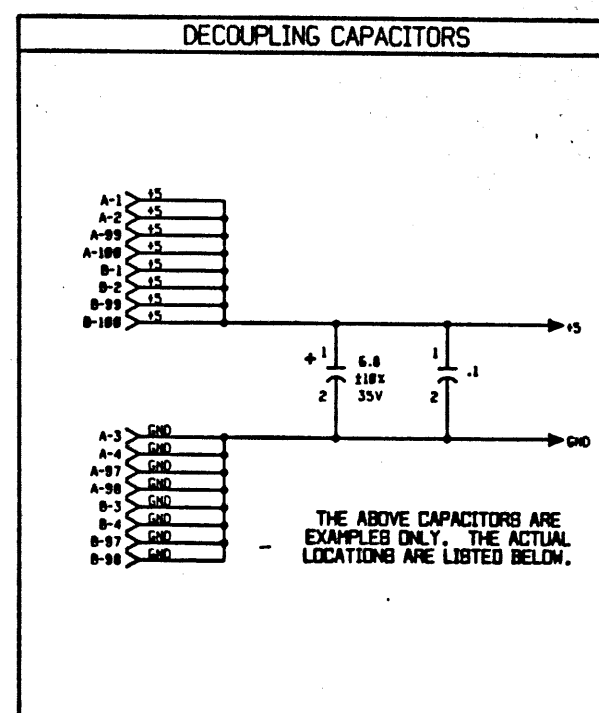
NOTE: UNLESS OTHERWISE SPECIFIED

- ALL RESISTOR VALUES ARE IN OHMS. DISCRETES ARE 25K, 149K. SPS ARE 22K, 10K.
- ALL CAPACITOR VALUES ARE IN MICROFARADS. 100K = 20K, 50V.
- PULLUP RESISTORS ARE INDICATED BY THE SYMBOL AT APPROPRIATE LOCATIONS IN THE SCHEMATIC. THESE LOCATIONS ARE CALLED OUT ON SHEET ONE BY SHEET/ZONE.
- ALL POSSIBLE CAPACITOR LOCATIONS ARE LISTED. FOR ACTUAL CAPACITOR COUNT AND LOCATION INFORMATION, SEE THE ASSEMBLY DRAWING.
- NUMBERS IN PARENTHESES ON THE BLOCK DIAGRAM (SHEET 2) REFER TO SCHEMATIC SHEET NUMBERS.

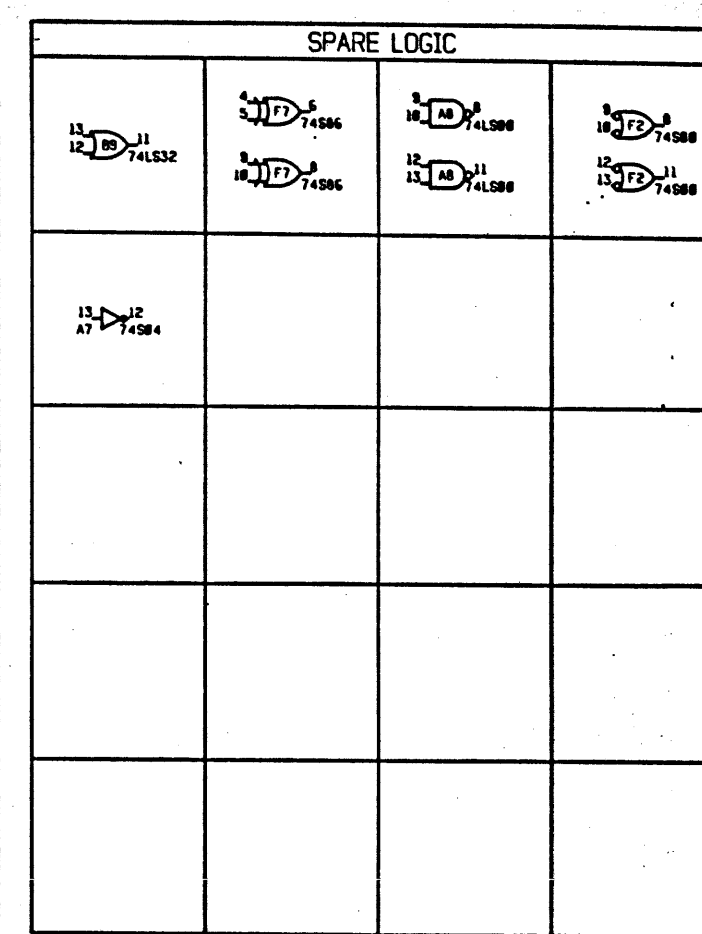
6. IC POWER PINS ARE:

IC TYPE	TOTAL PINS	V <sub>CC</sub>	GND
ALL	14	14	7
ALL	16	16	8
ALL	20	20	10
EXCEPT FOR:			
20010	40	10	30
MPY16AJ	64	40,40	45,46,47

PULLUP RESISTORS					
4C7	3B3	11CA			
	8C5	16C7			
	8C4	17C5			
	11C5				
	3D8				



VALUE	CAPACITOR LOCATIONS
.1	A2C1, A3C1, A4C1, A5C1, A7C1, A8C1, A9C1, A10C1, A11C1, A12C1, A13C1, A16C1, A16C2, A18C1, A18C2, A21C1, A21C2, A22C1, A23C1, A23C2, A24C1, B1C1, B2C1, B3C1, B4C1, B5C1, B7C1, B8C1, B9C1, B11C1, B12C1, B21C1, B22C1, B23C1, C1C1, C2C1, C3C1, C4C1, C7C1, C8C1, C9C1, C11C1, C12C1, C13C1, C14C1, C15C1, C16C1, C17C1, C18C1, C19C1, C20C1, C21C1, C22C1, C23C1, D1C1, D2C1, D3C1, D4C1, D7C1, D9C1, D12C1, D13C1, D14C1, D15C1, D16C1, D17C1, D18C1, D19C1, D20C1, D21C1, D21C2, D23C1, D23C2, D24C1, E7C1, E8C1, E9C1, E10C1, E12C1, E14C1, E15C1, E16C1, E17C1, E18C1, E19C1, E20C1, E21C1, E22C1, E23C1, E23C2, F2C1, F3C1, F4C1, F5C1, F6C1, F7C1, F8C1, F10C1, F11C1, F12C1, F13C1, F13C2, F16C1, F18C1, F18C2, F21C1, F22C1, F23C1, F24C1, G2C1, G3C1, G4C1, G6C1, G7C1, G9C1, G10C1, G11C1, G12C1, G16C1, G21C1, G22C1, G23C1, G24C1, H3C1, H5C1, H6C1, H7C1, H7C2, H8C1, H9C1, H10C1, H12C1, H13C1, H14C1, H15C1, H16C1, H16C2, H17C1, H18C1, H19C1, H20C1, H22C1, H23C1, H24C1, H24C2
6.8	J1C1, J12C1, J13C1, J24C1



SPARE RESISTORS		
DESCRIPTION	RES	PIN#
1K, 10 PWR SP, PIN 1 TO +5	681	5, 6, 7, 8, 9, 10

ISSUED  
AUG 25 1982

REVISIONS				
REV.	AUTH.	DESCRIPTION	ZONE	APVD / DATE (CHK. DATE)
01	EN #231	LEVEL 1 RELEASE		RE 6/16/82

**PROPRIETARY INFORMATION**  
This document contains proprietary information and is supplied for identification, maintenance, engineering, production or inspection purposes only and shall not be reproduced or disclosed without written permission of  
**FLUORINER POINT SYSTEMS, INC.**  
By accepting the document the recipient agrees to make every effort to prevent unauthorized use of the information.

**LIMITED RIGHTS LEGEND**  
Contractor: **FLUORINER POINT SYSTEMS, INC.** Contract No. \_\_\_\_\_  
These portions of the technical data indicated as limited rights data shall not, without the written permission of the above Contractor, be either (a) used, released or disclosed in whole or in part outside the Government; (b) used in whole or in part by the Government for manufacture or, in the case of computer software documentation, for preparing the same or similar computer software; or (c) used by a party other than the Government except for (i) emergency repair or overhaul work only, by or for the Government, where the item or process concerned is not otherwise reasonably available to enable timely performance of the work, provided that the release of disclosure thereof outside the Government shall be subject to a prohibition against further use, release or disclosure; or (ii) release to a foreign government, as the interest of the United States may require, only for information or production without such government or for emergency repair or overhaul work by or for such government under the conditions (a) above. This legend, together with the indicators of the portions of the data which are subject to such limitations shall be included on any reproduction hereof which includes any part of the portions subject to such limitations.

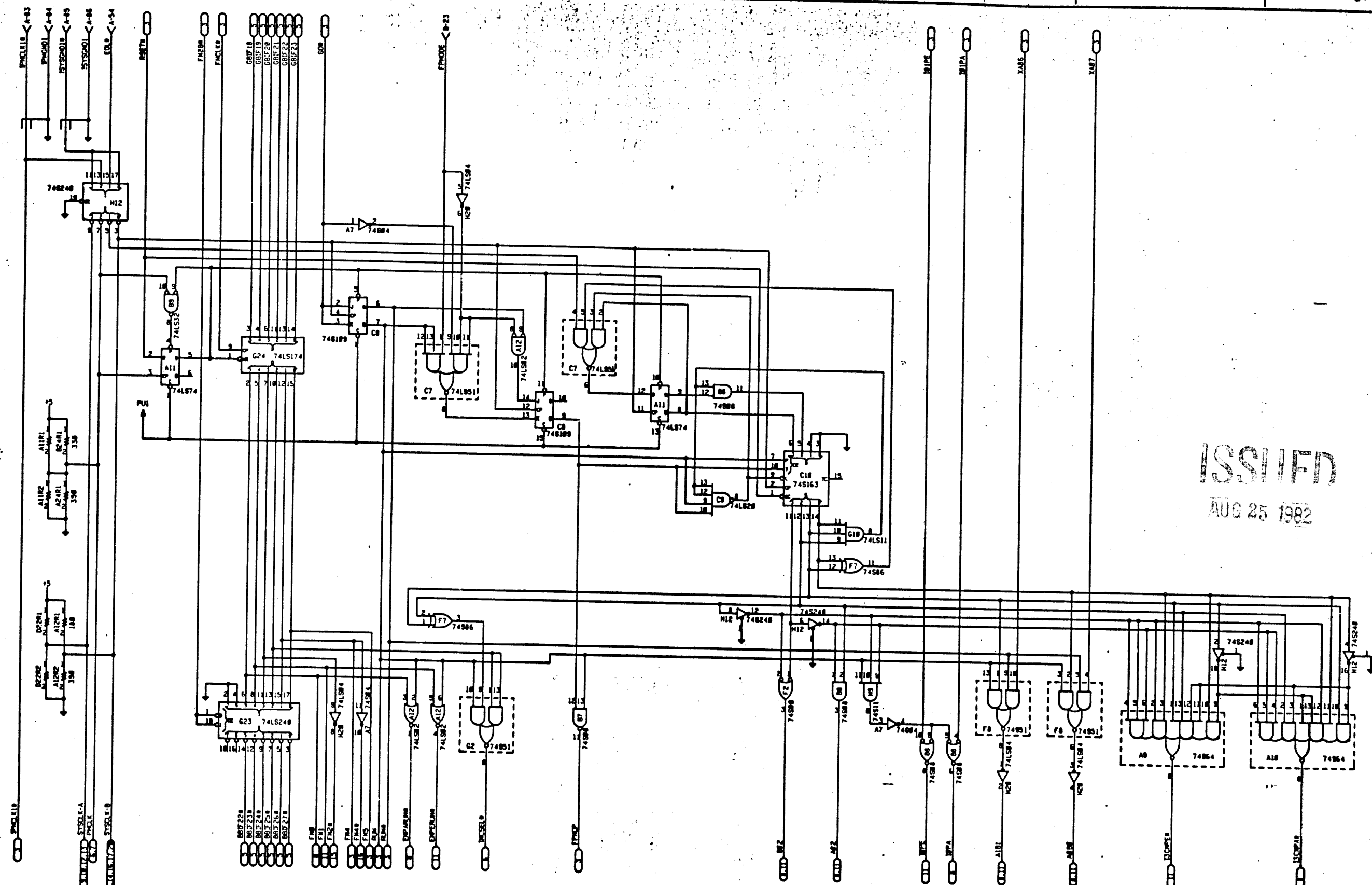
PROJ. ENG.	DATE	SCALE	NO. OF SHEETS
DRAWN BY: C.R.D.	DATE: 7-21-82		
CHECK BY: [Signature]	DATE: 8-2-82		
INFO. ENG.	DATE:		
DRAWING TITLE		DRAWING NO.	
SCHEMATIC EDR		512-3478-002	
478		REV. 01	
770 UNIT, ROOM		SHEET 1 OF 20	
SIZE D		CODE IDENT. NO. 56504	
SCALE NONE			

**IMPORTANT NOTE:** IGNORE DASHES IN PINOUTS (EXAMPLE: A-10). THEY ARE FOR PURPOSES OF CLARITY ONLY.







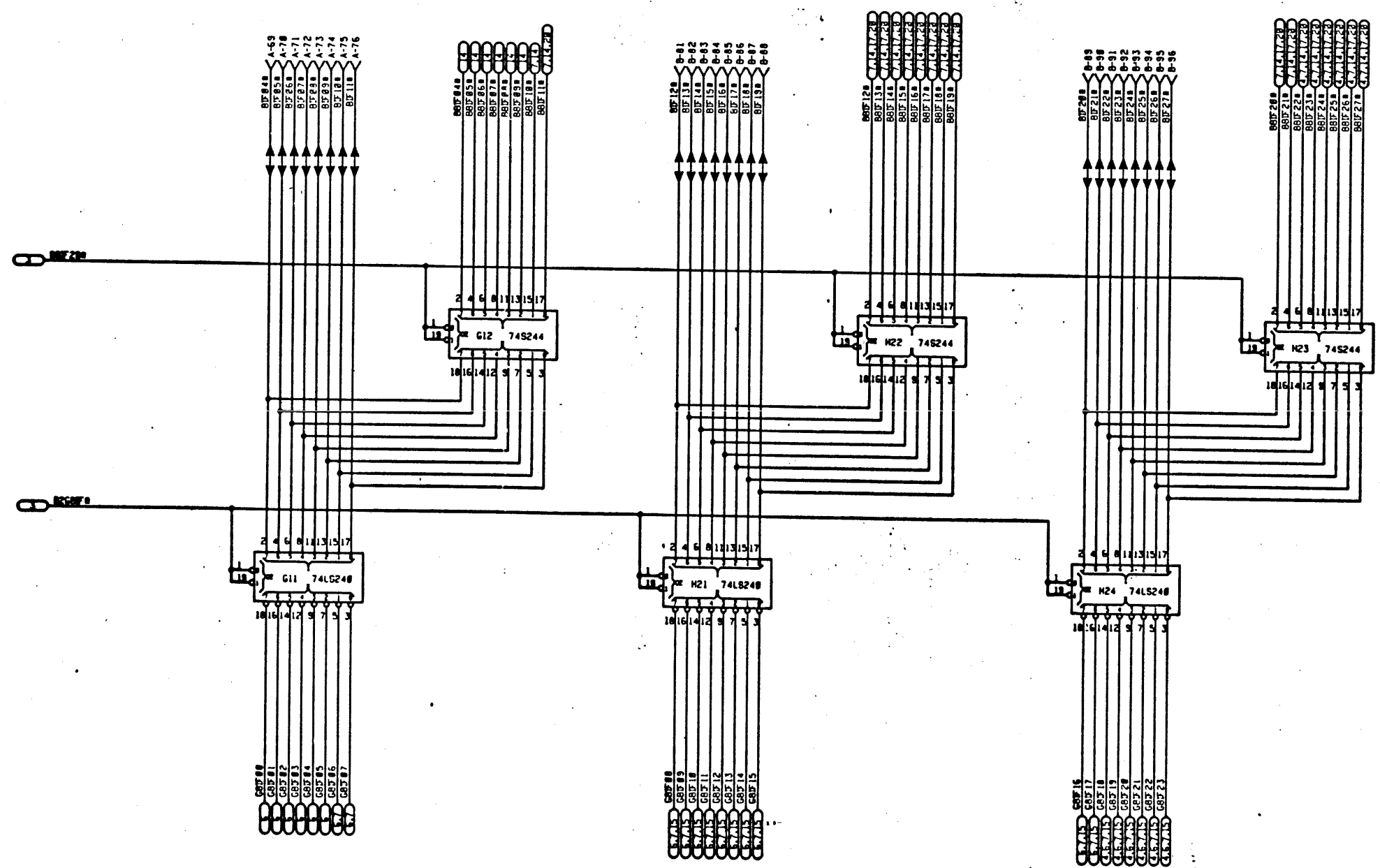


ISSUED  
AUG 25 1982

RUN CONTROL AND FUNCTION REGISTER

REV.	DATE	CODE IDENT. NO.	DRAWING NO.	REV.
D		58504	512-3478-002	01
SCALE NONE				SHEET 4

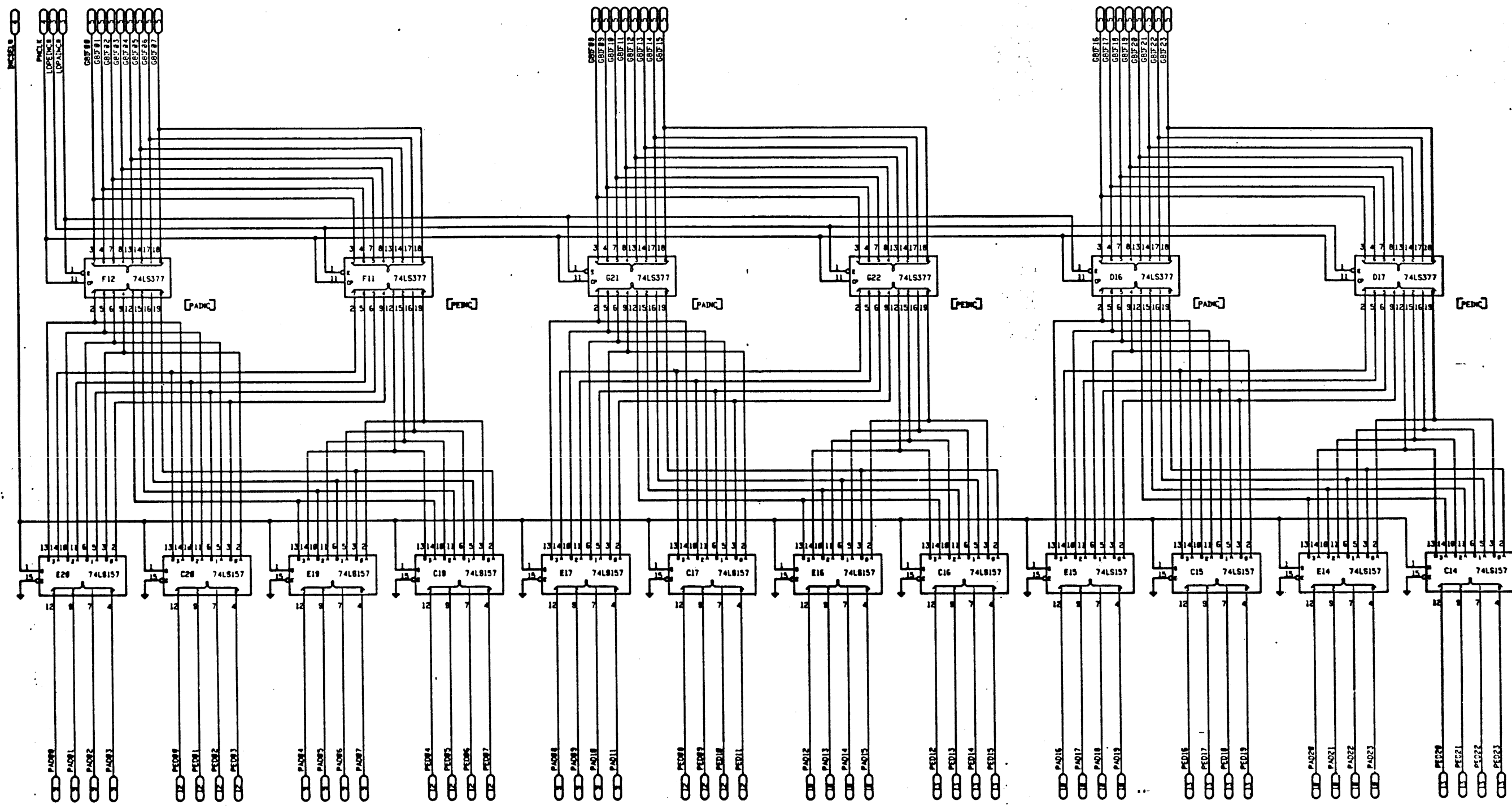
DRAWING NO. 512-3478-002



ISSUED  
AUG 25 1982

BIF BUS TRANSCEIVER			
SIZE	CODE IDENT. NO.	DRAWING NO.	REV.
D	56504	512-3478-002	01
SCALE	NONE	SHEET	3

DRAWING NO. 512-3478-002  
REV. 5

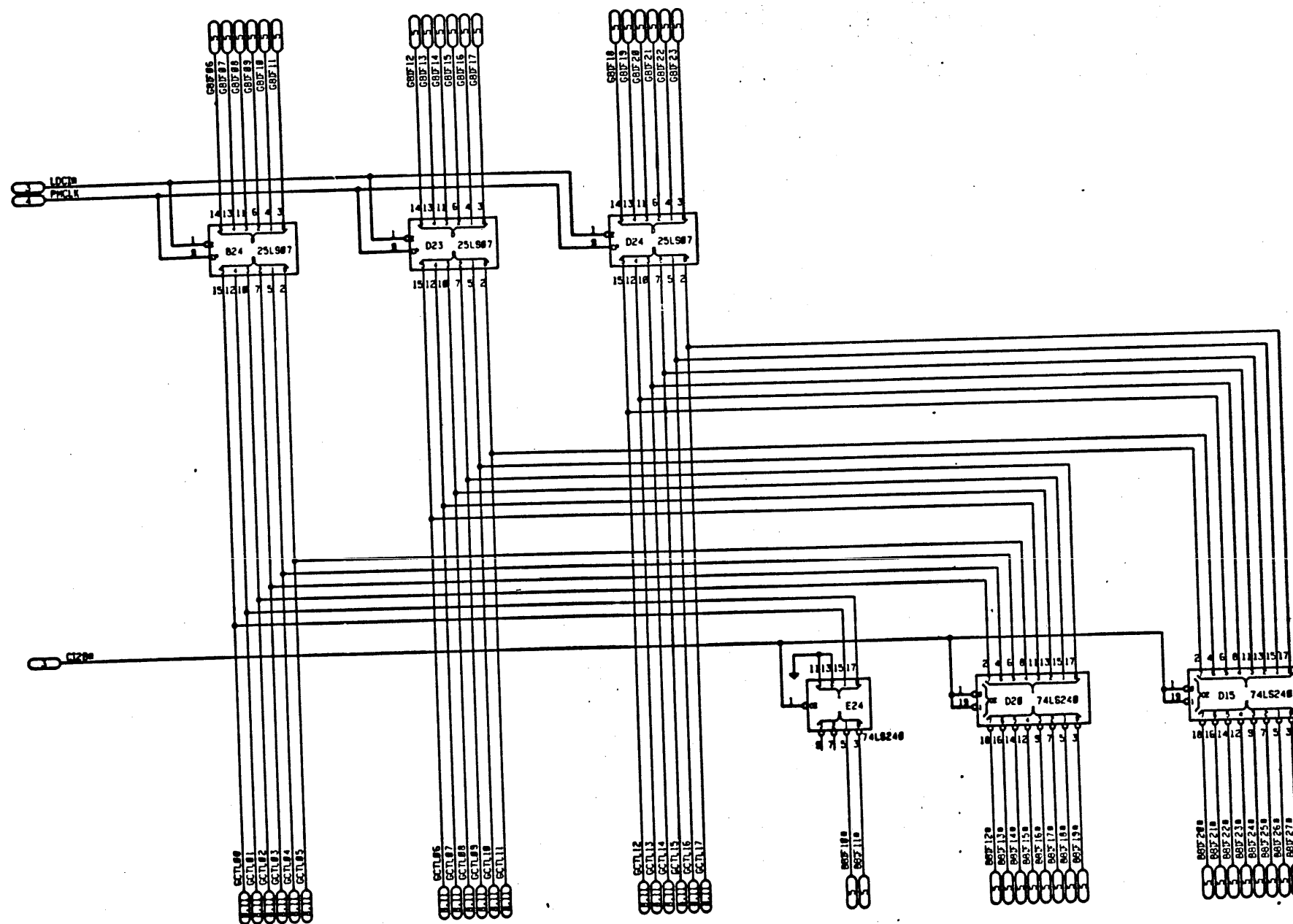


UNTESTED  
 010 25 1987

PAINC/PEINC REGISTERS AND SELECT

SIZE	CODE IDENT. NO.	DRAWING NO.	REV.
D	56504	512-3478-002	01
SCALE NONE		SHEET 6	

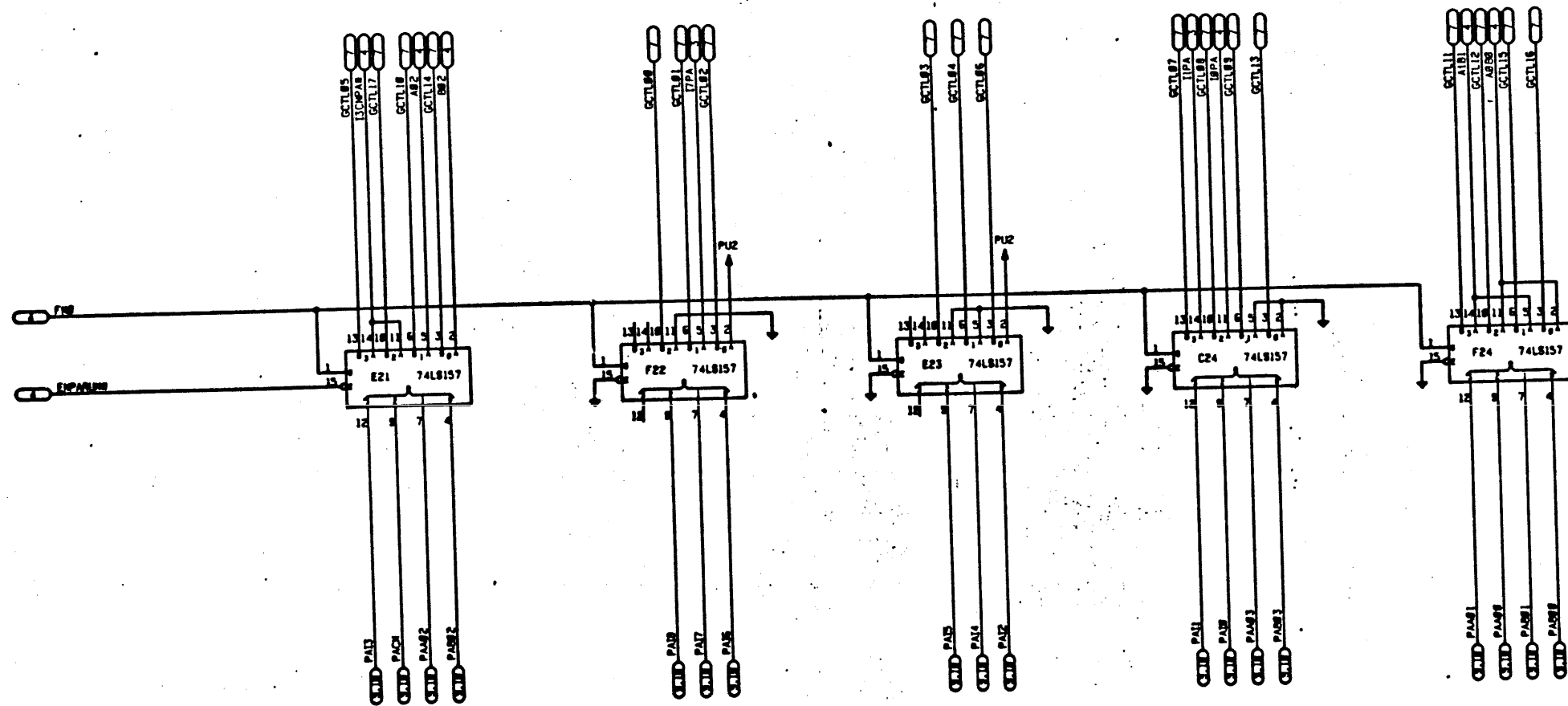
DRAWING NO. 512-3478-002  
 SHEET 6



ISSUED  
AUG 25 1982

CONTROL INPUT REGISTER			
SIZE	CODE IDENT. NO.	DRAWING NO.	REV.
D	56504	512-3478-002	01
SCALE	NONE	SHEET 1	

DRAWING NO. 512-3478-002  
SHEET 1



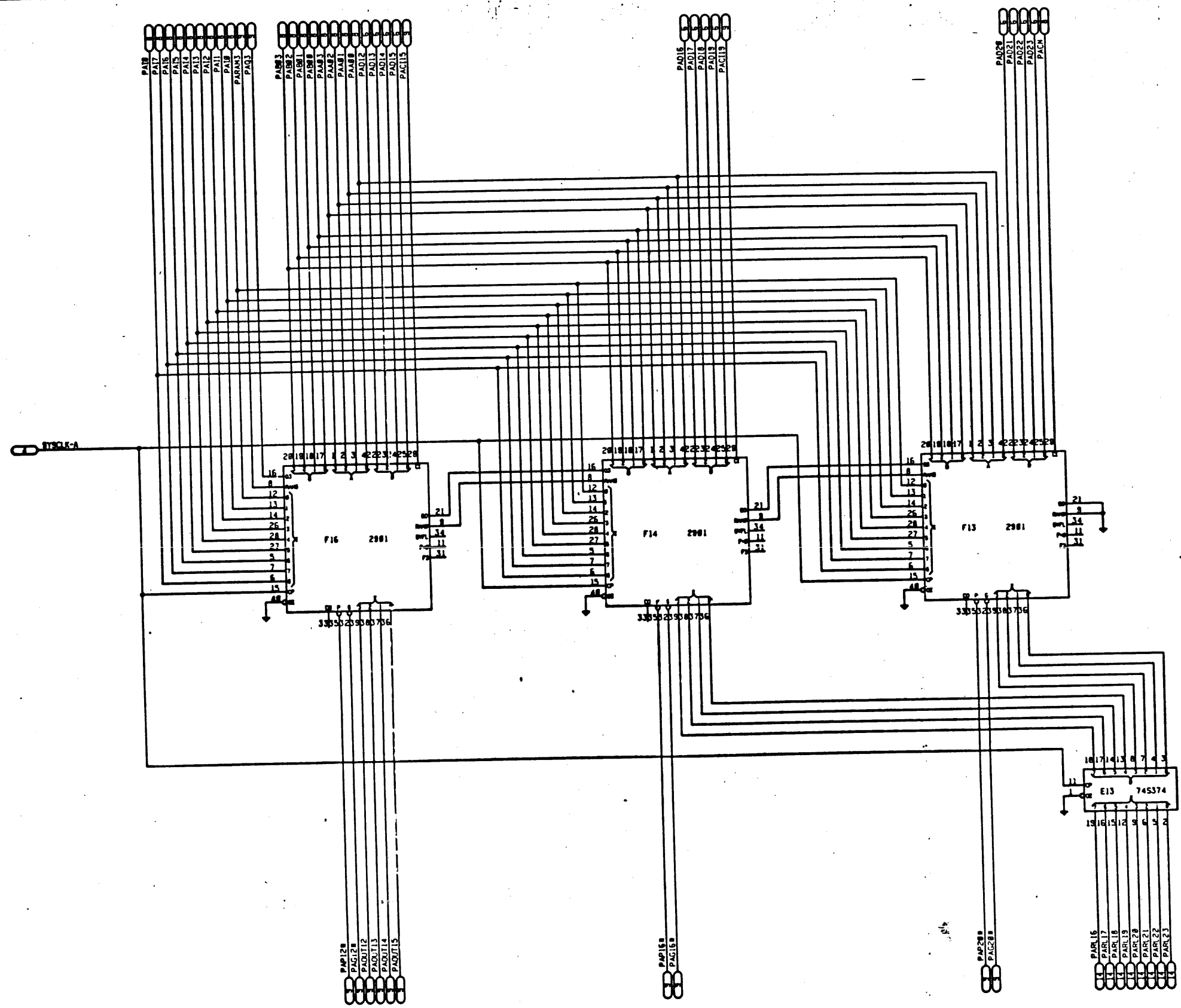
ISSUED

AUG 25 1982

PARL CONTROL			
SIZE	CODE IDENT. NO.	DRAWING NO.	REV.
D	56504	512-3478-002	01
SCALE NONE			SHEET 8

DRAWING NO. 512-3478-002



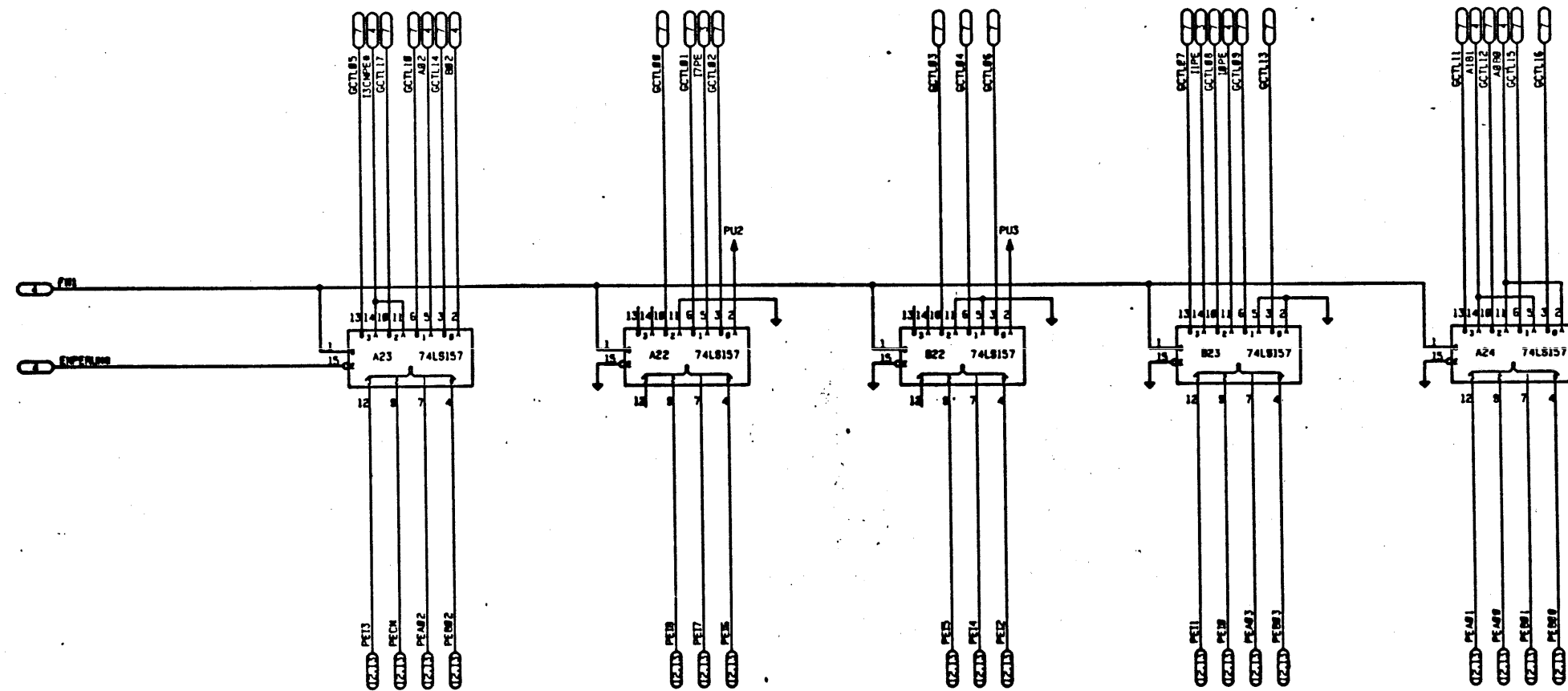


ISSUED  
AUG 25 1982

PARL12-23			
SIZE	CODE IDENT. NO.	DRAWING NO.	REV.
D	56504	512-3478-002	01
SCALE	NONE	SHEET 18	

DRAWING NO. 512-3478-002

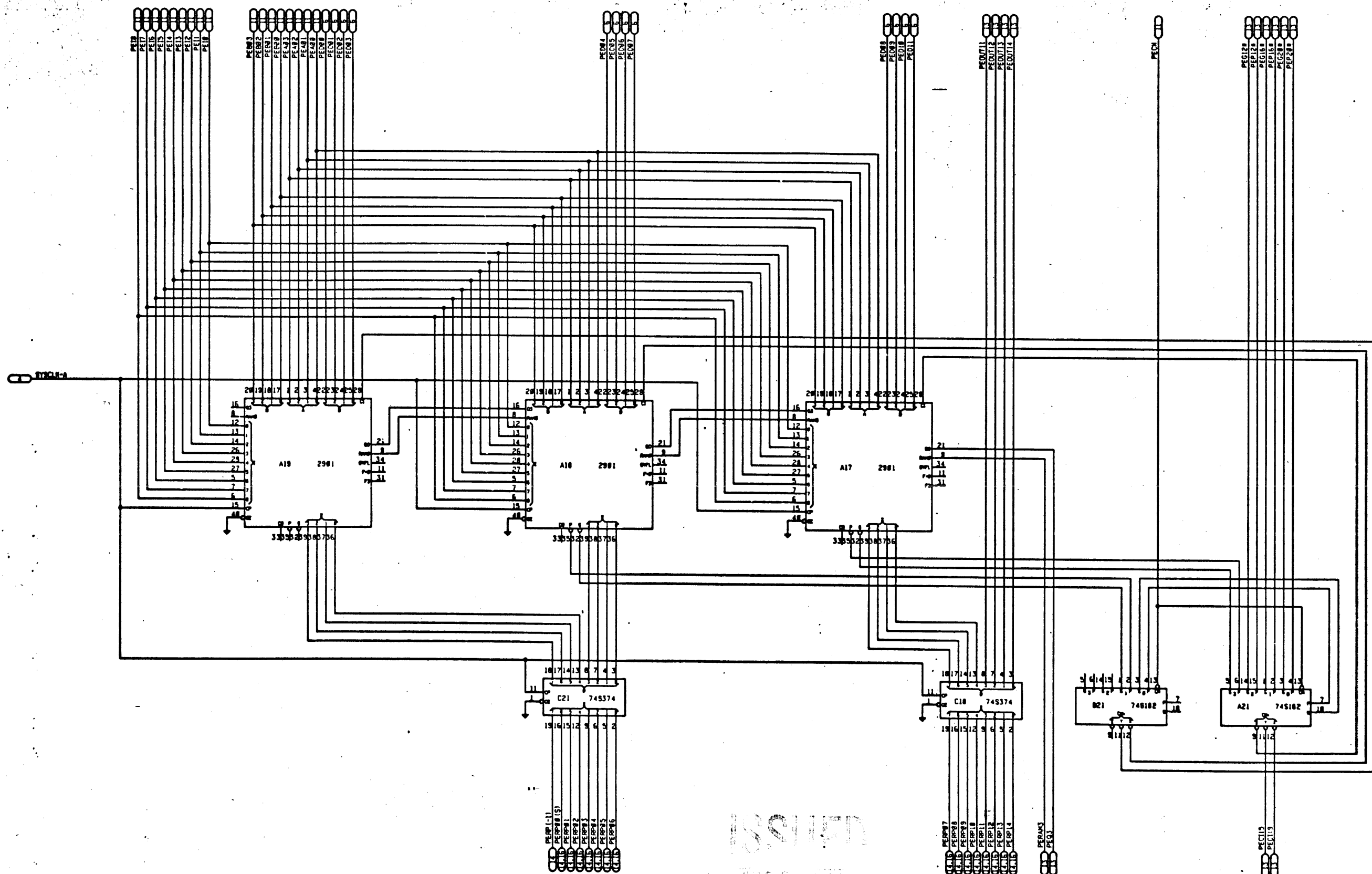




ISSUED  
AUG 25 1982

PERP CONTROL			
SIZE	CODE IDENT. NO.	DRAWING NO.	REV.
D	58504	512-3478-002	01
SCALE NONE		SHEET 11	

DRAWING NO. 512-3478-002  
SHEET 11

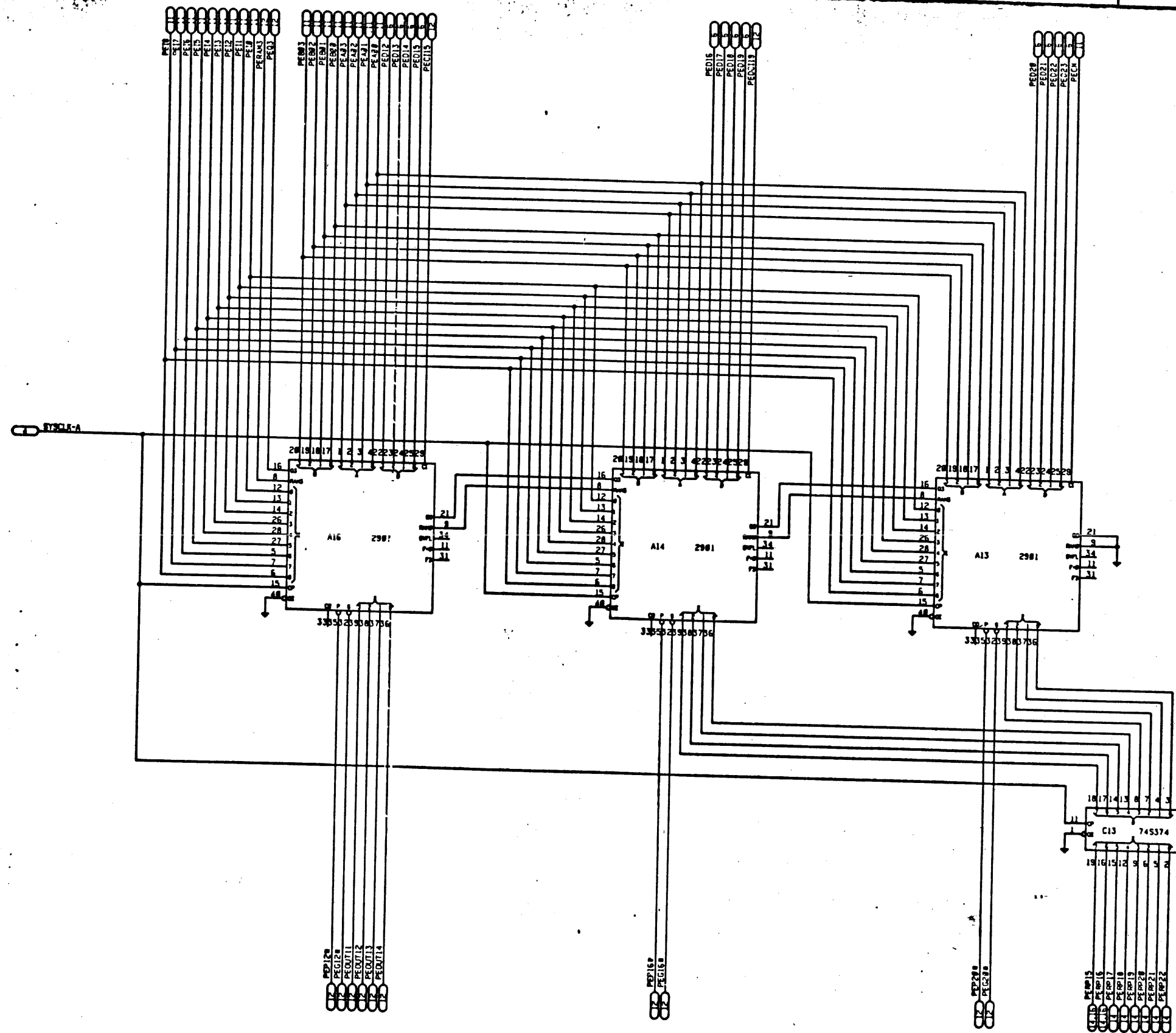


18.01.57  
100 26 1957

PERP00-10

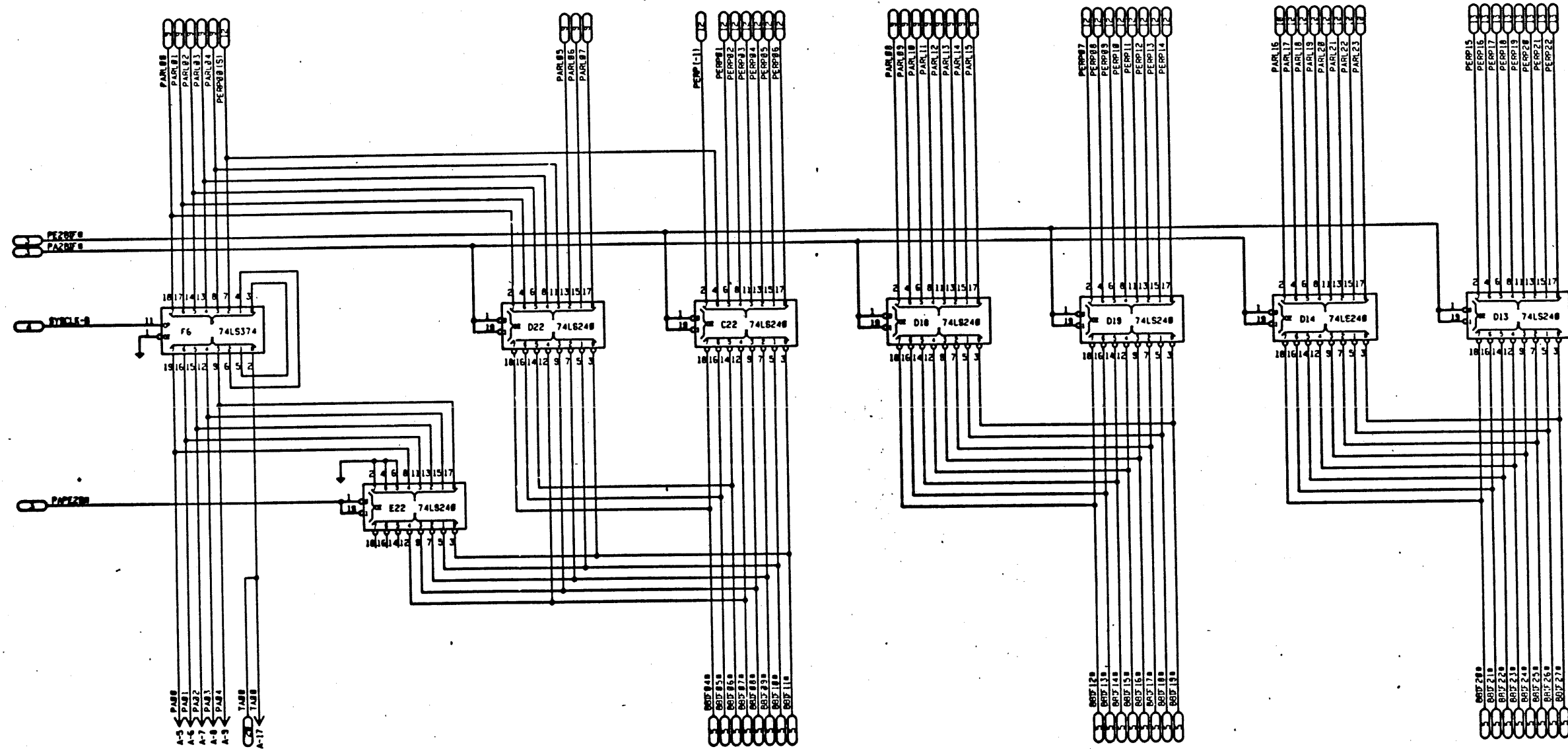
SIZE	CODE IDENT. NO.	DRAWING NO.	REV.
D	56504	512-3478-002	01
SCALE	NONE	SHEET	12

DRAWING NO.  
512-3478-002  
SHEET  
12



ISSUE  
AUG 26 1982

PERP11-22			
SIZE	CODE	ISSUE NO.	DRAWING NO.
D	58504		512-3478-002
SCALE	NONE	SHEET	13
		REV.	01

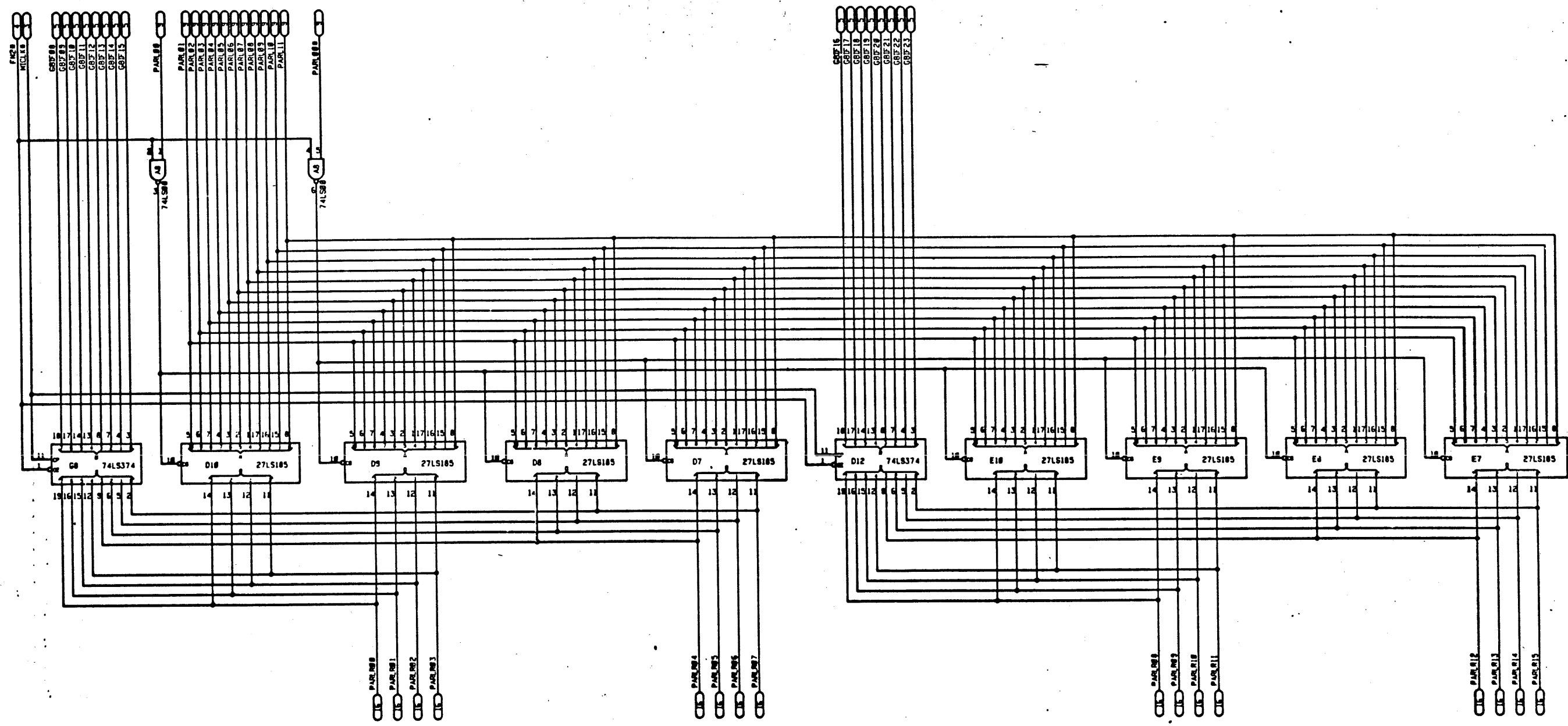


PA00-04; TA00; PARL/PERP TO BIF

SIZE	CODE IDENT. NO.	DRAWING NO.	REV.
D	56504	512-3478-002	01
SCALE	NONE	SHEET	14

DRAWING NO. 512-3478-002

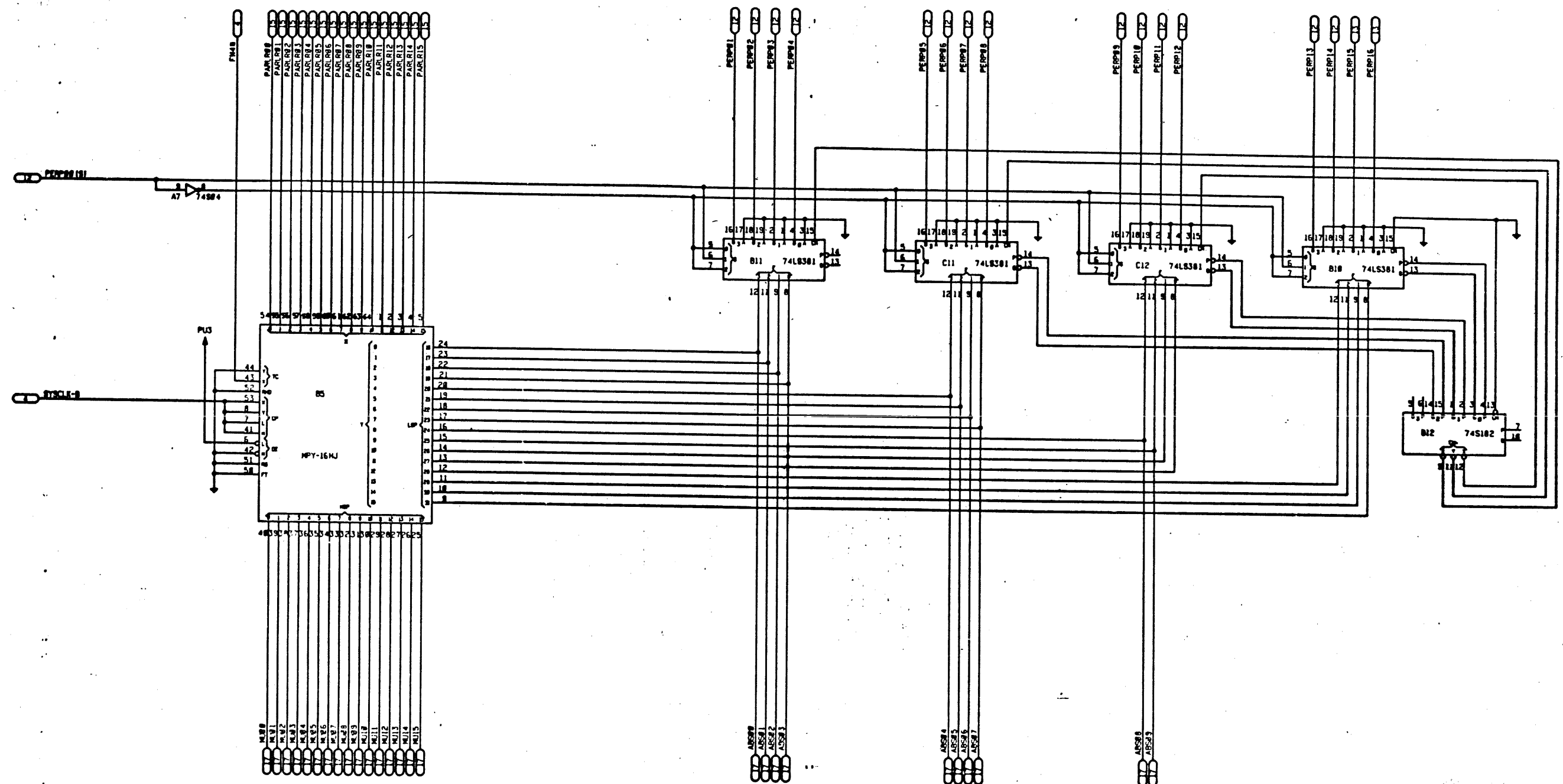
SHEET 14



PARLR MEMORY AND MULTIPLIER  
INPUT REG

SIZE	CODE IDENT. NO.	DRAWING NO.	REV.
D	56504	512-3478-002	01
SCALE	NONE	SHEET	15

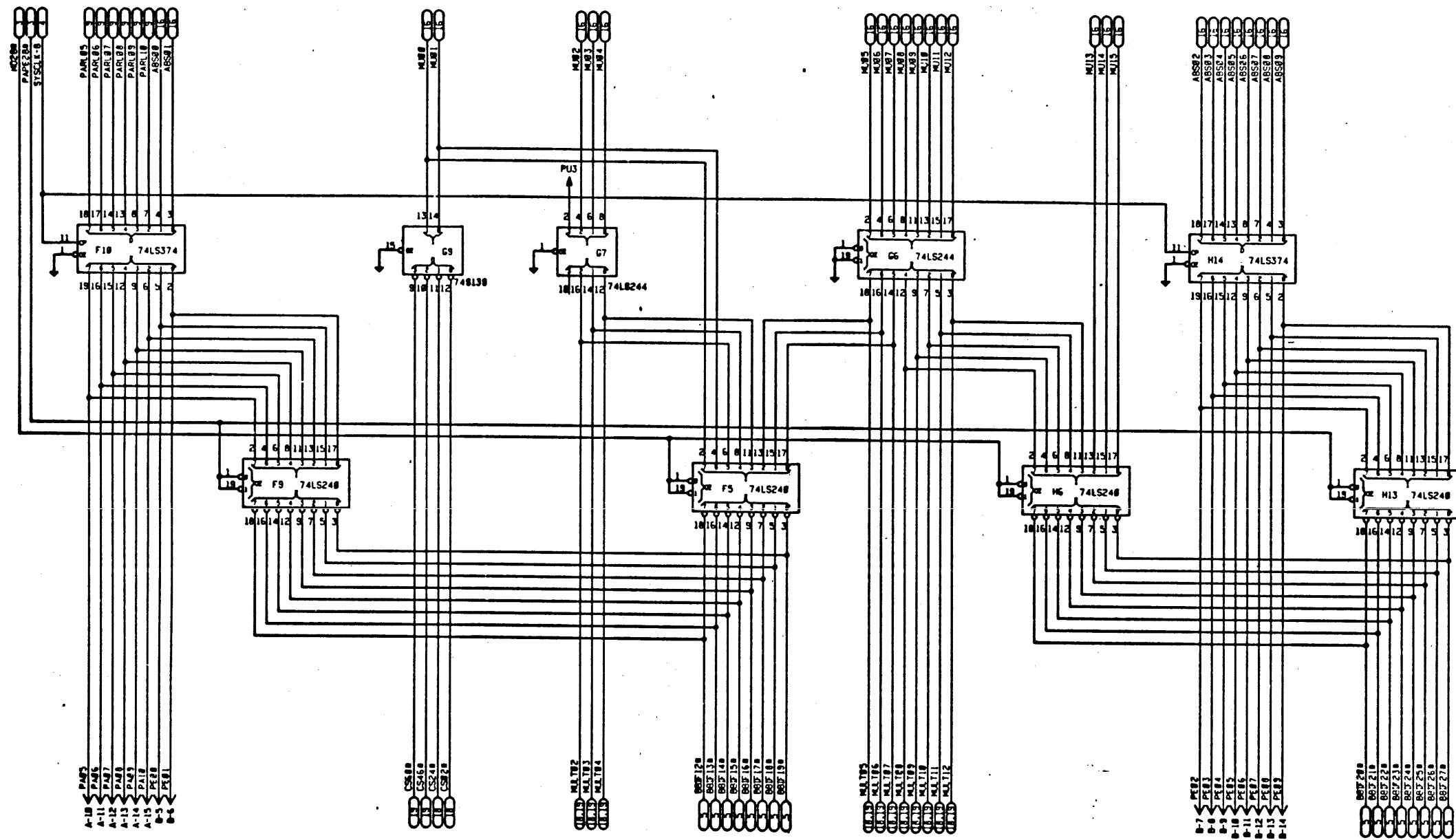
DRAWING NO. 512-3478-002  
SHEET 15



**ABSOLUTE VALUE AND MULTIPLIER**

REV. D	CODE IDENT. NO. 56504	DRAWING NO. 512-3478-002	REV. 01
SCALE NONE		SHEET 16	

P. P. & P. FORM NO. 4000

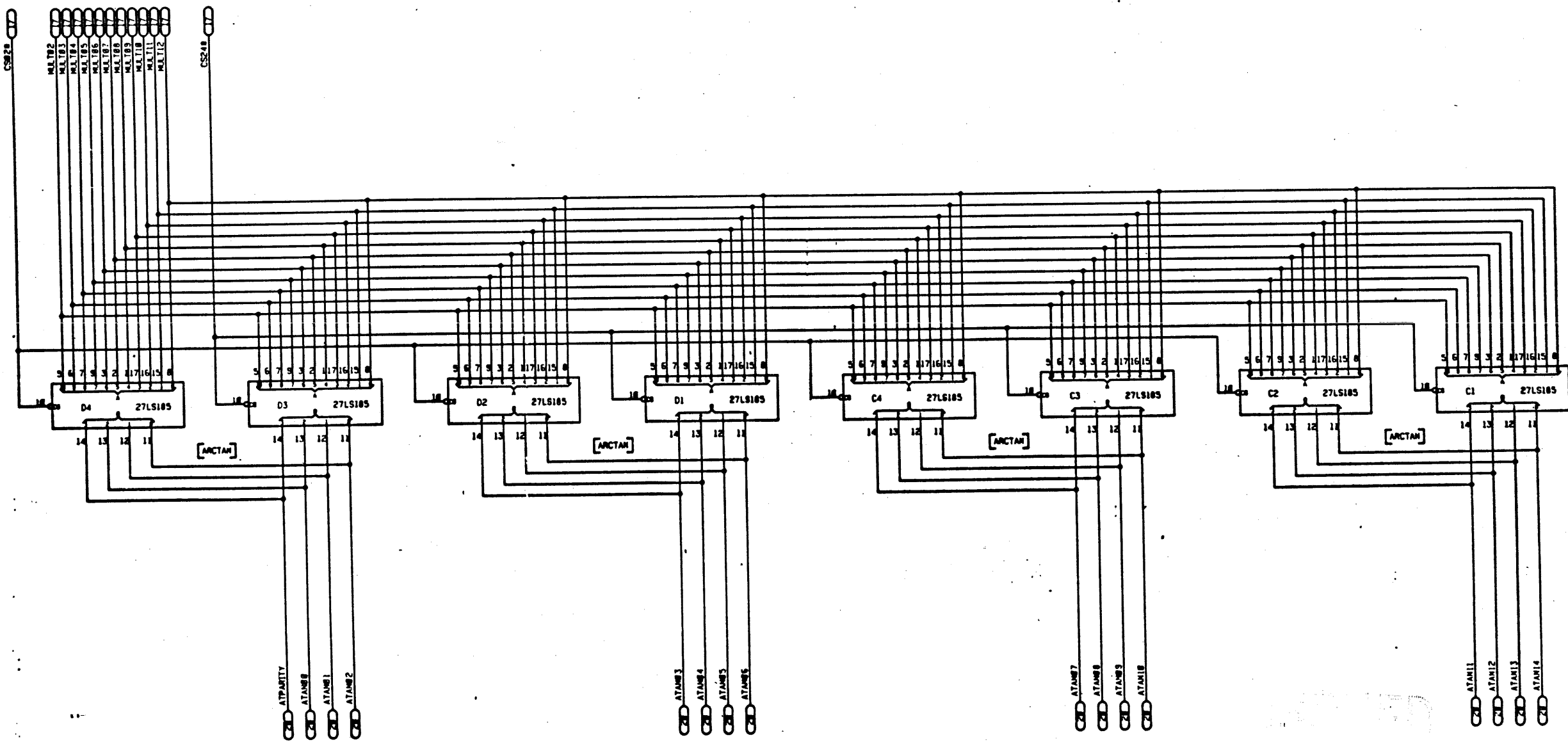


ISSUE  
AUG 25 1992

PA05-10; PE00-09

REV.	CODE IDENT. NO.	DRAWING NO.	REV.
D	56504	512-3478-002	01
SCALE NONE		SHEET 17	

DRAWING NO. 512-3478-002 SHEET 17

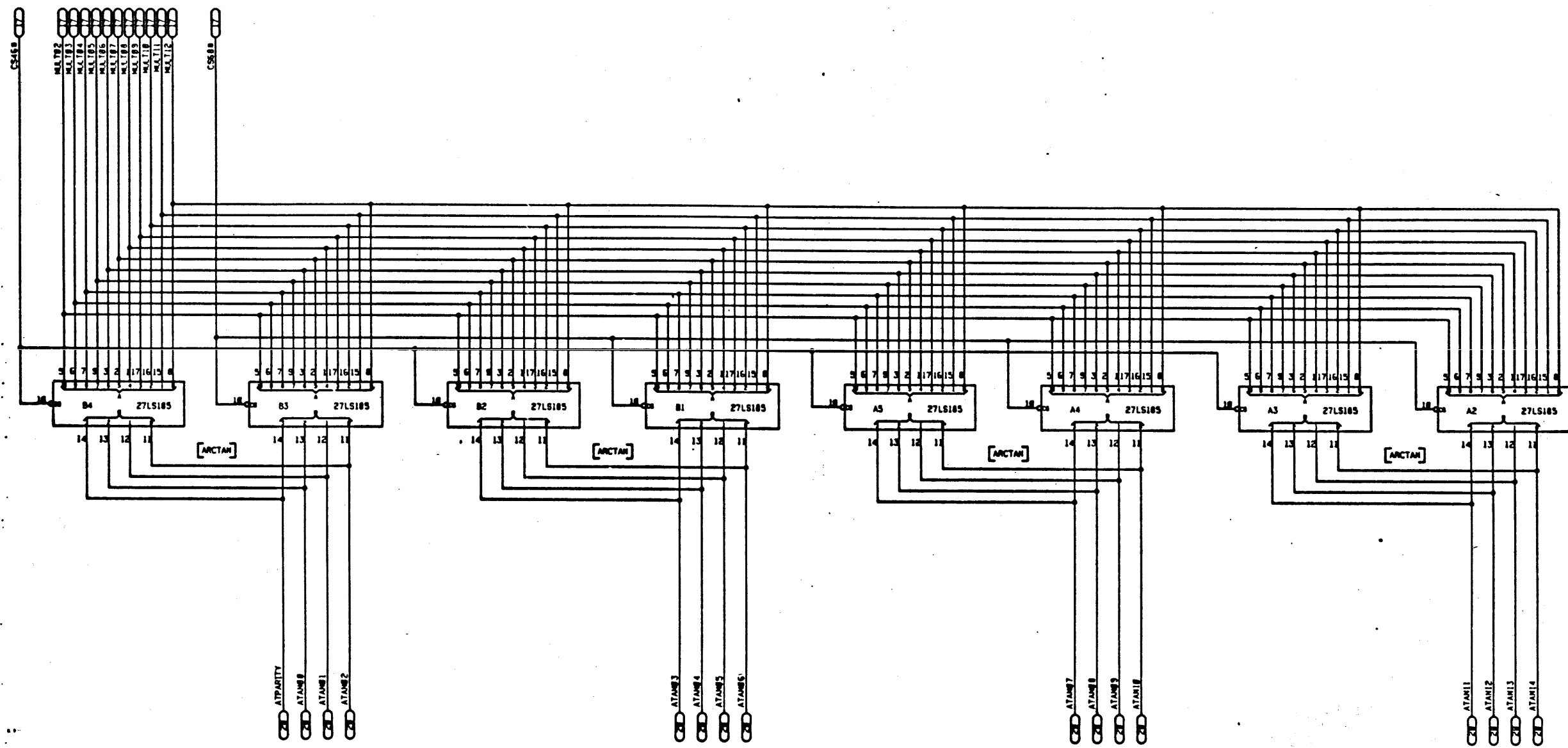


ARCTAN MEMORY → ADDRESSES 0-4095  
 LOCATIONS 0-2047: 44, 34, 24, 14  
 LOCATIONS 2048-4049: 43, 33, 23, 13

REV.	DATE	CODE IDENT. NO.	DRAWING NO.	REV.
01		56504	512-3478-002	01
SCALE NONE			SHEET 18	

DRAWING NO. 512-3478-002 SHEET 18

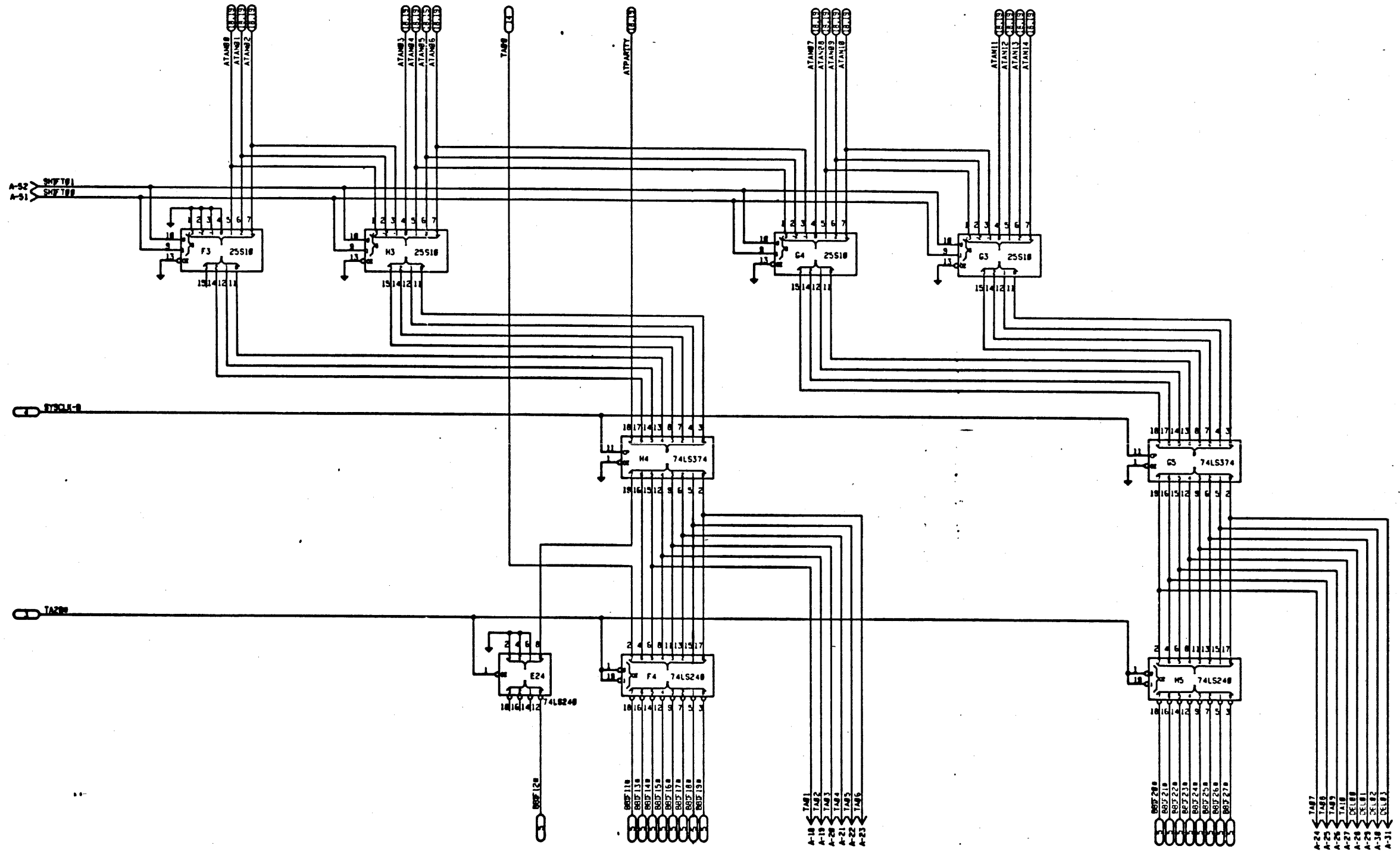




ARCTAN MEMORY → ADDRESSES 4096-8191  
 LOCATIONS 4096-6143: 42, 32, 22, 12  
 LOCATIONS 6144-8191: 41, 31, 21, 11

SIZE	CODE IDENT. NO.	DRAWING NO.	REV.
D	58504	512-3478-002	01
SCALE NONE		SHEET 10	

DRAWING NO. 512-3478-002



PROGRAMMABLE SHIFTER;  
TA01-10; DEL00-03

SIZE	CODE IDENT. NO.	DRAWING NO.	REV.
D	56504	512-3478-002	01
SCALE	NONE	SHEET 28	

DRAWING NO. 512-3478-002