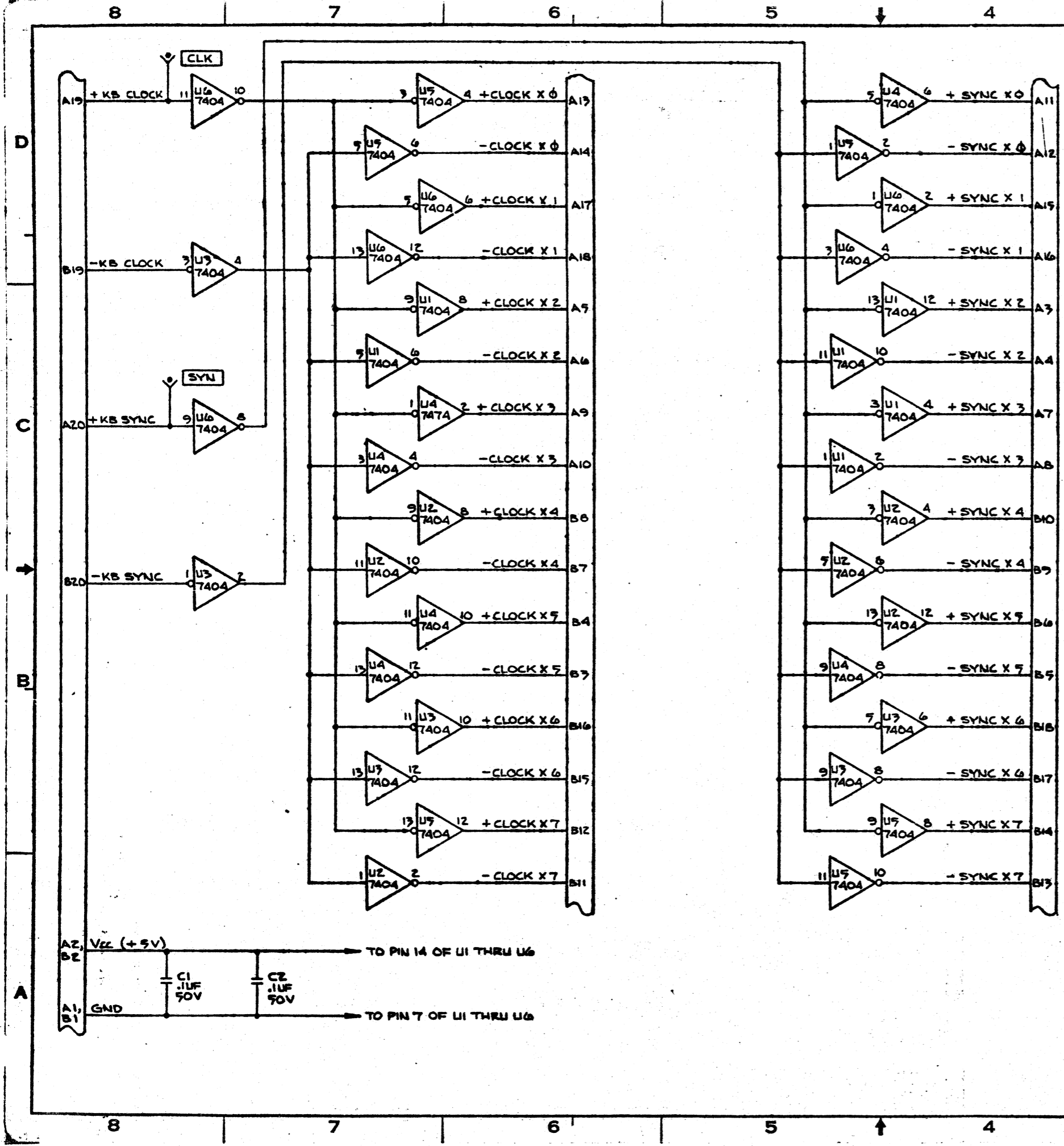
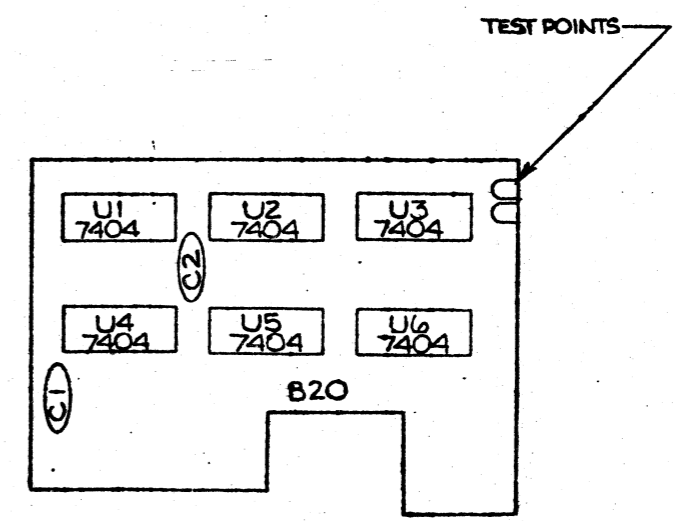


| REVISIONS | | | | |
|-----------|--------|-------------------------|----|---------|
| ZONE | SYMBOL | DESCRIPTION | BY | DATE |
| A | | NOT USED | | |
| B1 | | REL TO PROD PER # 2300 | CD | 7-25-79 |
| B2 | | DEL SHF 2 OF 2 P0074712 | GR | 1-8-80 |



NOTES: UNLESS OTHERWISE SPECIFIED:
 1. ALL INTEGRATED CIRCUIT REF. DESIGNATIONS SHALL BE PREFIXED WITH "SN" AND SUFFIXED WITH "N".
 2. X = QUADRANT NUMBER = 0, 1, 2 OR 3. THIS NUMBER IS DEPENDENT ON THE LOCATION OF THE CLOCK/SYNC CARD ON THE TERMINAL DISTRIBUTION BOARD.



90012901-07 B2

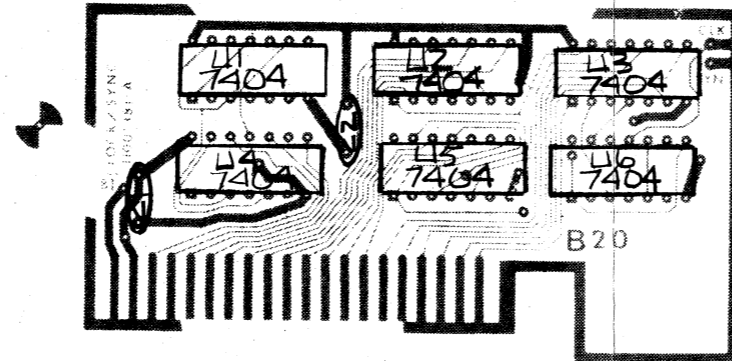
| ITEM NO. | QTY | PART NUMBER | REF. DES. | DESCRIPTION |
|----------|-----|-------------|-----------|-------------|
| | | U1 7404 | | |
| | | U2 7404 | | |
| | | U3 7404 | | |
| | | U4 7404 | | |
| | | U5 7404 | | |
| | | U6 7404 | | |

| | | |
|---|-------------------------------|------------------------|
| SCALE: NONE | DATE: 7-19-79 | DESIGNED BY: M. WILSON |
| CHECKED BY: J. LYBERG | DATE: 7-20-79 | APPROVED BY: J. LYBERG |
| UNLESS OTHERWISE SPECIFIED ALL DIMENSIONS IN INCHES TOLERANCES: | | |
| DECIMAL: .XX ± | FRACTIONAL: $\frac{X}{Y} \pm$ | RELEASED DATE: 7-22-79 |


| | |
|------------------------------|---------------------|
| DESCRIPTION: CLOCK/SYNC CARD | |
| FORM: D | REV: 90012901-07 B2 |
| SHEET: 1 | OF: 1 |

| REVISIONS | | | | |
|-----------|-------------------|----|---------|----------|
| SYN. | DESCRIPTION | BY | DATE | APPROVAL |
| 50 | REL PER PLO #0474 | AW | 6.27.72 | JFL DRC |
| A | REL PER PLO #0534 | AW | 7.20.72 | JFL DRC |
| B | REV PER PLO #1795 | RL | 8.22.74 | JFL DRC |

SEE PG.1



REDRAWN

| | | |
|----------------------|-----------------|---|
| DRAWN VIKKI | DATE 2.15.78 |  FOUR-PHASE SYSTEMS, INC. CUPERTINO, CALIFORNIA |
| CHECKED C. DOWNEY | 3/10/78 | |
| ENGINEER | | CLOCK/SYNC |
| MFG | | 90012901-07 |
| RELEASED | | BI |
| SHEET 2 OF 2 | | REV |